

KONICA MINOLTA

PARTS GUIDE MANUAL

APRIL 2023

AccurioPress C4070 *AC58*

INFORMATION FOR PARTS GUIDE MANUAL

To find correct Parts No., refer to the "HOW TO MAKE THE BEST USE OF THIS MANUAL" in the following page.

HOW TO MAKE THE BEST USE OF THIS MANUAL

- 1 When you order, please check the proper figures beforehand that are on Our Parts Guide Manual, and order with the appropriate figures.
- 2 For screws, Nuts, Washers, retaining rings and Pins which are used in this model, one letter is shown on the Standard parts column of Parts list and exploded diagrams.
- 3 In order to maintain safety of the product, some specific parts composed of this product are set up as "essential safety parts".
- 4 The assigned parts number for the "essential safety parts" is indicated as "SP00-****".
When replacing these parts, follow precautions for disassembling and installing which are listed in the Service Manual.
Do not use any parts that are not set up as
- 5 ♣ means that there are exclusive parts for each destination.
Please check the appropriate destination when you order.
- 6 Revision Mark
Marked as ▲ on the illustration shows that the revision has been made.
- 7 All rights reserved. (any reprints or quotations are prohibited.)
Use of this parts guide manual should be strictly supervised to avoid disclosure of confidential information.

パーツガイドマニュアルのご案内

サービス部品をご発注の際には、下記に示す“パーツガイドマニュアルの活用にあたって”をご参照の上、正しい部品番号にてお願い致します。

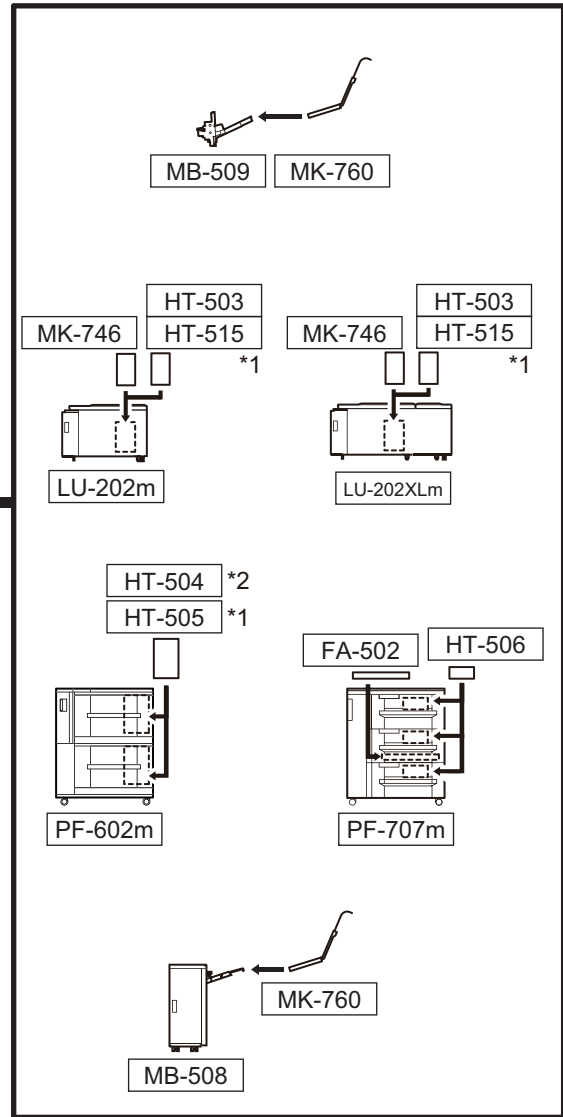
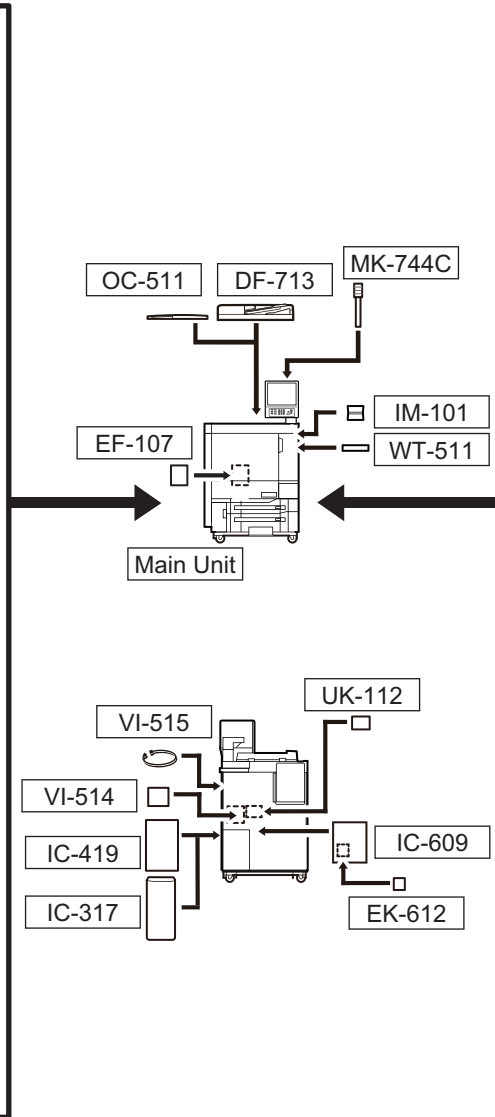
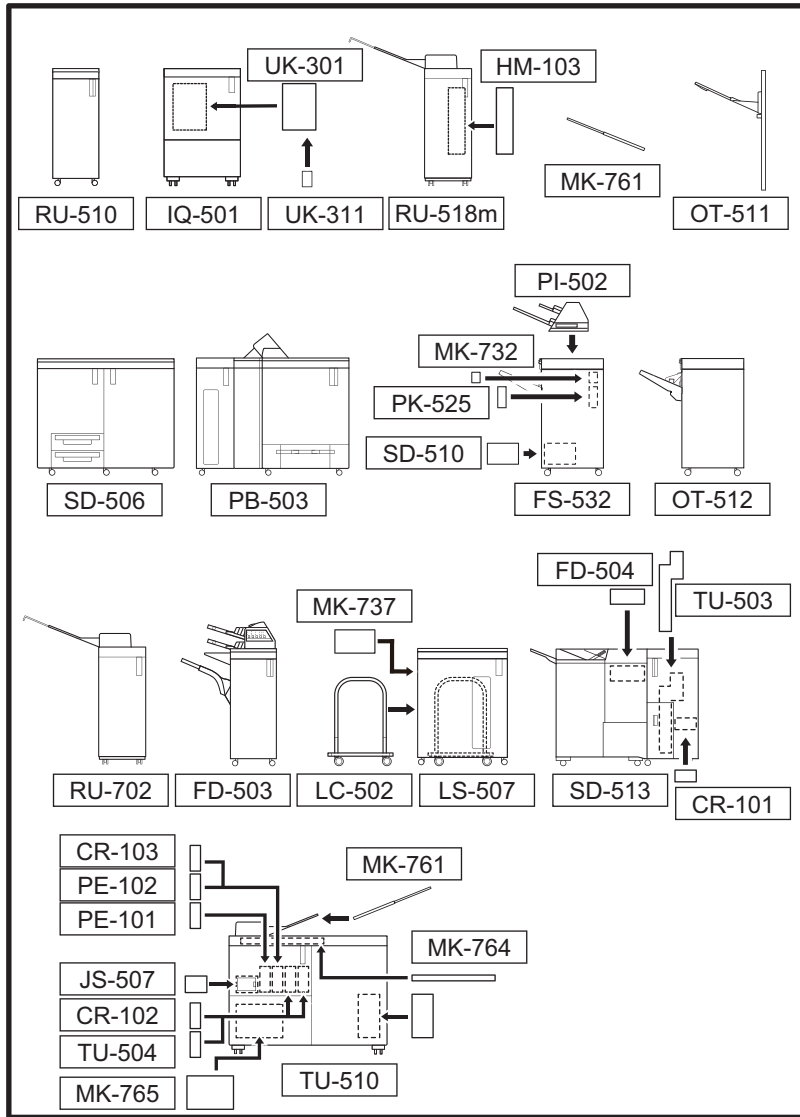
パーツガイドマニュアルの活用にあたって

- 1 部品発注の際には、掲載されている部品番号の桁数を確認し、掲載されている桁数で発注願います。
- 2 この製品に使用されているネジ、ナット、ワッシャー、止め輪、ピンなどは、リストの右側の Standard parts 欄に a,b,c,……で表示し、イラストにも a,b,c,……表示してあります。
- 3 製品の安全性を維持する為に、製品に使用される特定の部品を「重要保安部品」として設定しています。
- 4 重要保安部品の部品番号は、“SP00-****”と記載されていますので、部品交換時は、サービスマニュアル記載の分解・組み立ての注意事項に従って作業をして下さい。
また、指定以外の部品は一切使用しないで下さい。
- 5 本文に ♣ が表示されている部品は、仕向け地毎に専用部品がある事を意味しています。
オーダーされる時は、仕向け地を確認して下さい。
- 6 改訂記号について
イラスト上に▲印が表示されている部分は、改訂された事を表します。
- 7 著作権所有（無断転載及び無断引用の禁止）
本パーツガイドマニュアルについては、機密保持等その扱いには十分注意して下さい。万一取り扱いを誤った場合には、法律で処罰されることがあります。

10/26/2020

System Configuration

*1: North America Only
*2: Europe Only



GENERAL CONTENTS

| No. | Description | Model |
|-----|-------------------------------|--------------------|
| 1 | Digital MFP Color | AccurioPress C4070 |
| 2 | Saddle Unit | CR-101 |
| 3 | Other Option | CR-102 |
| 4 | Other Option | CR-103 |
| 5 | Document Feeder | DF-713 |
| 6 | Envelop Fusing Unit | EF-107 |
| 7 | Other Option | EK-612 |
| 8 | Other Option | FA-502 |
| 9 | Folding Unit | FD-503 |
| 10 | Saddle Unit | FD-504 |
| 11 | Finisher/Sorter | FS-532(WY6) |
| 12 | Humidifier | HM-103 |
| 13 | Heater | HT-503 |
| 14 | Heater | HT-504 |
| 15 | Heater | HT-505 |
| 16 | Heater | HT-506 |
| 17 | Heater | HT-515 |
| 18 | Image Controller | IC-317 |
| 19 | Image Controller | IC-419 |
| 20 | Image Controller | IC-609 |
| 21 | Other Option | IM-101 |
| 22 | Intelligent Quality Optimizer | IQ-501 |

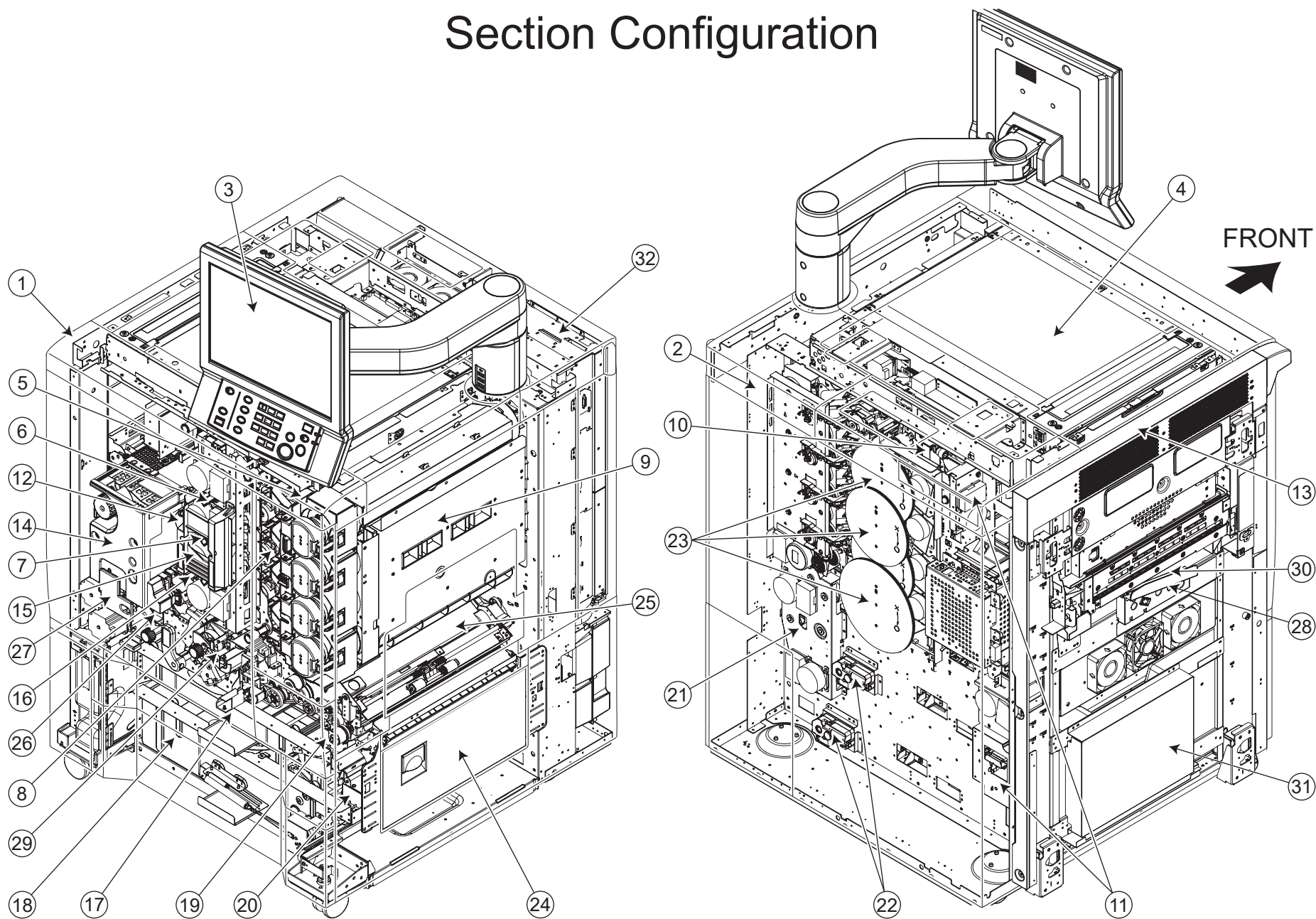
AccurioPress C4070

| No. | Description | Model |
|-----|------------------------|----------------|
| 23 | Other Option | JS-507 |
| 24 | Other Option | LC-502 |
| 25 | Large Capacity Stacker | LS-507 |
| 26 | Paper Feeder | LU-202m |
| 27 | Paper Feeder | LU-202XLm |
| 28 | Bypass Tray | MB-508 |
| 29 | Bypass Tray | MB-509 |
| 30 | Mount Kit | MK-732 |
| 31 | Other Option | MK-737 |
| 32 | Mount Kit | MK-744C |
| 33 | Mount Kit | MK-746 |
| 34 | Mount Kit | MK-760 |
| 35 | Mount Kit | MK-761 |
| 36 | Mount Kit | MK-764 |
| 37 | Other Option | MK-765 |
| 38 | Original Cover | OC-511 |
| 39 | Output Tray | OT-511 |
| 40 | Output Tray | OT-512 |
| 41 | Perfect Binder | PB-503 |
| 42 | Other Option | PE-101 |
| 43 | Other Option | PE-102 |
| 44 | Paper Feeder | PF-602/PF-602m |
| 45 | Paper Feeder | PF-707m |

AccurioPress C4070

| No. | Description | Model |
|-----|---------------|---------|
| 46 | Post Inserter | PI-502 |
| 47 | Punch Unit | PK-525 |
| 48 | Relay Unit | RU-510 |
| 49 | Relay Unit | RU-518m |
| 50 | Relay Unit | RU-702 |
| 51 | Saddle Unit | SD-506 |
| 52 | Saddle Unit | SD-510 |
| 53 | Saddle Unit | SD-513 |
| 54 | Trimmer Unit | TU-503 |
| 55 | Trimmer Unit | TU-504 |
| 56 | Trimmer Unit | TU-510 |
| 57 | Other Option | UK-112 |
| 58 | Other Option | UK-301 |
| 59 | Other Option | UK-311 |
| 60 | Video IF Kit | VI-514 |
| 61 | Video IF Kit | VI-515 |
| 62 | Working Table | WT-511 |

Section Configuration



AccurioPress C4070

CONTENTS

| No. | DESCRIPTION | 名称 | PAGE No. |
|-----|----------------------------------|-----------|--|
| 1 | External Parts Section | 外装部 | P1 P2 P3 P4 |
| 2 | Main Frame Section | 骨格部 | P5 P6 P7 P8 P9 P10 P11 P12 P13 |
| 3 | Operation Panel Section | 操作部 | P14 P15 P16 |
| 4 | Scanner Section | スキャナー部 | P17 P18 P19 P20 |
| 5 | Write Section | 書き込み部 | P21 |
| 6 | Charging Section | 帯電部 | P22 |
| 7 | Photo Conductor Section | 感光体部 | P23 |
| 8 | Developing Section | 現像部 | P24 P25 P26 P27 |
| 9 | Toner Supply Section | トナー補給部 | P28 P29 P30 P31 P32 |
| 10 | Toner Collection Section | トナー回収部 | P33 P34 |
| 11 | Toner Collection Driving Section | トナー回収駆動部 | P35 |
| 12 | Intermediate Transfer Section | 中間転写部 | P36 P37 P38 P39 P40 P41 P41A P41B |
| 13 | Color Resist Section | 画像補正ユニット部 | P42 P42A |
| 14 | Fusing Section | 定着部 | P43 P44 P45 P46 P47 P48 P49 P50 P51 |
| 15 | Process Carriage Section | プロセス架台部 | P52 P53 P54 P55 P56 P57 P58 |
| 16 | Secondary Transfer Section | 2次転写部 | P59 |
| 17 | Tray 1 Section | トレイ1 | P60 P61 P62 P63 |
| 18 | Tray 2 Section | トレイ2 | P64 P65 P66 P67 |
| 19 | Tray 1 Paper Feed Section | トレイ1 給紙部 | P68 P69 P70 |
| 20 | Tray 2 Paper Feed Section | トレイ2 給紙部 | P71 P72 P73 |
| 21 | Paper Feed Driving Section | 給紙駆動部 | P74 |
| 22 | Tray Driving Section | トレイ駆動部 | P75 |
| 23 | Drum Driving Section | ドラム駆動部 | P76 P77 P78 P79 |
| 24 | Vertical Conveyance Section | 垂直搬送部 | P80 P81 |
| 25 | Duplex Carriage Section | 両面架台部 | P82 P83 |
| 26 | Duplex Section | 両面部 | P84 P85 P86 P87 P88 P89 P90 P91 P92 P93 P94 P95 P96 |
| 27 | Duplex Swing Section | 両面揺動部 | P97 P98 |
| 28 | Reverse Section | 反転部 | P99 P100 P101 |
| 29 | Resist Section | レジスト部 | P102 P103 P104 |
| 30 | Exit Section | 排紙部 | P105 P106 |
| 31 | Charge Control Section | 電荷制御部 | P107 P108 P109 |
| 32 | Rear Electrical Section | 背面電気部 | P110 P111 P112 P113 P114 P115 |
| 33 | Wiring | 束線 | P116 P117 P118 P119 |
| 34 | Service Tool | サービスツール | P120 |
| 35 | Accessory Parts | 同梱部品 | P121 P122 |

INDEX

| Parts No. | Page No. |
|------------|----------|
| 00GR00020 | 120-5 |
| 00GR00220 | 120-6 |
| 00GR00260 | 120-4 |
| 00VC-2-00 | 120-17 |
| 00VD-1000 | 120-18 |
| 059076510 | 70-1 |
| 059076510 | 73-1 |
| 07BA12352 | 29-1 |
| 07BA12352 | 44-1 |
| 07BA15871 | 39-1 |
| 07BA15871 | 40-15 |
| 08AA45230 | 41-1 |
| 1154467001 | 90-1 |
| 120A97110 | 120-15 |
| 12QR86011 | 28-2 |
| 12QV40650 | 38-1 |
| 12QV40650 | 38-5 |
| 12QV40650 | 38-11 |
| 12QV40650 | 74-1 |
| 12QV40650 | 76-2 |
| 12QV40650 | 77-2 |
| 12QV40650 | 78-2 |
| 12QV40650 | 79-1 |
| 12QV40650 | 87-2 |
| 12QV40650 | 102-2 |
| 12QV40650 | 109-1 |
| 13NG45200 | 9-1 |
| 13QA10330 | 106-3 |
| 13QA40610 | 35-3 |
| 13QA40610 | 52-1 |
| 13QA40610 | 99-3 |
| 13QA40610 | 106-2 |
| 13QA85511 | 85-1 |
| 13QA85511 | 101-1 |
| 13QA85511 | 103-1 |
| 14GE45470 | 83-1 |
| 14GE45470 | 99-4 |
| 14GE45470 | 102-3 |
| 192141710 | 99-1 |
| 20AL48470G | 43-1 |

| Parts No. | Page No. |
|------------|----------|
| 25AA10091F | 10-1 |
| 25AA40100 | 70-2 |
| 25AA40100 | 73-2 |
| 25AA47500 | 87-3 |
| 25AA50080 | 90-3 |
| 25AA77730 | 81-2 |
| 25BA77171 | 31-2 |
| 25SA40960 | 68-1 |
| 25SA40960 | 70-3 |
| 25SA40960 | 71-1 |
| 25SA40960 | 73-3 |
| 26NA17580 | 33-1 |
| 26NA32660 | 32-1 |
| 26NA32870 | 29-2 |
| 26NA42061 | 68-2 |
| 26NA42061 | 71-2 |
| 26NA42560 | 68-3 |
| 26NA42560 | 71-3 |
| 26NA42560 | 80-1 |
| 26NA47070 | 62-1 |
| 26NA47070 | 66-1 |
| 26NA53712 | 46-2 |
| 26NA53712 | 49-1 |
| 26NA54230 | 83-2 |
| 26NA82513 | 7-2 |
| 26TA32970 | 29-3 |
| 26TA32990 | 29-4 |
| 4004457301 | 34-1 |
| 4025228301 | 115-1 |
| 4036307501 | 18-1 |
| 4038254001 | 35-1 |
| 4038351102 | 7-1 |
| 40AA30270 | 2-1 |
| 40AA32320 | 7-3 |
| 40AA32320 | 31-3 |
| 40AA32320 | 33-2 |
| 40AA32320 | 37-2 |
| 40AA32320 | 39-2 |
| 40AA32320 | 41A-1 |
| 40AA32320 | 41-2 |

| Parts No. | Page No. |
|------------|----------|
| 40AA32320 | 42A-1 |
| 40AA32320 | 52-18 |
| 40AA32320 | 53-1 |
| 40AA32320 | 62-2 |
| 40AA32320 | 66-2 |
| 40AA32320 | 74-2 |
| 40AA32320 | 100-2 |
| 40AA46261 | 100-3 |
| 40AA77550 | 84-4 |
| 40AA77550 | 100-4 |
| 40AA85011 | 28-3 |
| 40AA88031 | 30-6 |
| 40AA98020D | 84-49 |
| 4109553001 | 69-1 |
| 4109553001 | 72-1 |
| 4109553001 | 91-1 |
| 4131253701 | 90-2 |
| 4131253701 | 91-2 |
| 4131253701 | 92-1 |
| 4131253701 | 96-2 |
| 4131253701 | 104-1 |
| 4131353202 | 84-1 |
| 4131353202 | 102-1 |
| 4470402401 | 28-1 |
| 4470402401 | 34-2 |
| 4470402401 | 37-1 |
| 4470402401 | 44-2 |
| 4470402401 | 46-1 |
| 4470402401 | 54-1 |
| 4470402401 | 61-1 |
| 4470402401 | 63-1 |
| 4470402401 | 65-1 |
| 4470402401 | 76-1 |
| 4470402401 | 77-1 |
| 4470402401 | 78-1 |
| 4470402401 | 81-1 |
| 4470402401 | 84-2 |
| 4470402401 | 85-13 |
| 4470402401 | 88-1 |
| 4470402401 | 89-1 |

| Parts No. | Page No. |
|------------|----------|
| 4470402401 | 91-3 |
| 4470402401 | 93-1 |
| 4470402401 | 95-1 |
| 4470402401 | 96-3 |
| 4470402401 | 97-1 |
| 4470402401 | 99-2 |
| 4470402401 | 100-1 |
| 4470402401 | 106-1 |
| 4470402401 | 108-1 |
| 4581162501 | 19-1 |
| 462076010 | 87-1 |
| 466076020 | 31-1 |
| 466076020 | 35-2 |
| 466076020 | 84-9 |
| 466076020 | 96-1 |
| 50GA250100 | 33-3 |
| 55FA40320 | 70-4 |
| 55FA40320 | 73-4 |
| 55GA75031 | 50-1 |
| 55GA77050 | 35-5 |
| 55VA15190 | 40-4 |
| 55VA15541 | 86-1 |
| 55VA20520 | 48-1 |
| 55VA20680 | 81-3 |
| 55VA32480 | 114-1 |
| 55VA40600 | 62-3 |
| 55VA40930 | 61-3 |
| 55VA40930 | 65-3 |
| 55VA42120 | 38-2 |
| 55VA42120 | 69-2 |
| 55VA42120 | 70-5 |
| 55VA42120 | 72-2 |
| 55VA42120 | 73-5 |
| 55VA42120 | 81-4 |
| 55VA42120 | 87-4 |
| 55VA47840 | 34-4 |
| 55VA48500 | 49-2 |
| 55VA75540 | 69-3 |
| 55VA75540 | 72-3 |
| 55VA79030 | 68-4 |

| Parts No. | Page No. |
|------------|----------|
| 55VA79030 | 71-4 |
| 55VA90840 | 2-2 |
| 56AA10300 | 8-1 |
| 56AA10300 | 9-2 |
| 56AA12140 | 28-4 |
| 56AA12160 | 28-5 |
| 56AA12241 | 2-3 |
| 56AA12270 | 34-5 |
| 56AA17090 | 86-2 |
| 56AA17121 | 69-4 |
| 56AA17121 | 72-4 |
| 56AA17321 | 38-3 |
| 56AA17321 | 100-5 |
| 56AA17490 | 93-3 |
| 56AA17510 | 68-5 |
| 56AA17510 | 70-6 |
| 56AA17510 | 71-5 |
| 56AA17510 | 73-6 |
| 56AA17630 | 10-4 |
| 56AA17640 | 10-5 |
| 56AA17760 | 69-5 |
| 56AA17760 | 70-7 |
| 56AA17760 | 72-5 |
| 56AA17760 | 73-7 |
| 56AA20940D | 41B-1 |
| 56AA20940D | 41-3 |
| 56AA40010E | 71-6 |
| 56AA40032F | 72-6 |
| 56AA40070 | 70-8 |
| 56AA40070 | 73-8 |
| 56AA40100G | 69-7 |
| 56AA40100G | 72-7 |
| 56AA40120 | 69-8 |
| 56AA40120 | 72-8 |
| 56AA40171 | 72-31 |
| 56AA40190 | 72-32 |
| 56AA40300 | 70-9 |
| 56AA40300 | 73-9 |
| 56AA40310 | 72-10 |
| 56AA40360 | 68-7 |

| Parts No. | Page No. | Parts No. | Page No. | Parts No. | Page No. | Parts No. | Page No. | Parts No. | Page No. |
|-----------|----------|------------|----------|------------|----------|------------|----------|------------|----------|
| 56AA40360 | 71-7 | 56AA50670 | 87-6 | 65AA20300 | 41-6 | 65AA47860 | 61-7 | 9335140071 | 91-4 |
| 56AA40370 | 69-13 | 56AA50800 | 87-7 | 65AA26380 | 39-3 | 65AA47860 | 65-8 | 9335140071 | 95-2 |
| 56AA40370 | 72-13 | 56AA77330 | 31-4 | 65AA26600 | 39-4 | 65AA47900E | 63-5 | 9335140071 | 96-4 |
| 56AA40380 | 70-10 | 56AA77530 | 87-8 | 65AA26690D | 39-5 | 65AA47970 | 75-6 | 9J06PJP100 | 120-19 |
| 56AA40380 | 73-10 | 56AA77590 | 70-12 | 65AA26840 | 41-7 | 65AA48360 | 106-4 | 9J06PJP100 | 120-11 |
| 56AA40390 | 69-14 | 56AA77590 | 73-12 | 65AA26870 | 38-4 | 65AA48460 | 106-5 | 9J06PJP200 | 120-12 |
| 56AA40390 | 72-14 | 56AA77720E | 69-18 | 65AA26900D | 39-6 | 65AA49410 | 100-7 | 9J07500201 | 31-5 |
| 56AA40430 | 68-8 | 56AA77720E | 72-18 | 65AA27090D | 41-8 | 65AA49500 | 61-2 | A00FM20000 | 32-4 |
| 56AA40430 | 71-8 | 56AA77730 | 69-19 | 65AA27320 | 41-9 | 65AA49500 | 65-2 | A00J169100 | 121-15 |
| 56AA40440 | 68-9 | 56AA77730 | 72-19 | 65AA40010 | 69-21 | 65AA49500 | 81-31 | A00J211200 | 105-3 |
| 56AA40440 | 71-9 | 56GA76010 | 86-4 | 65AA40010 | 72-21 | 65AA50400 | 9-5 | A00J265300 | 17-1 |
| 56AA40481 | 68-10 | 56QA40080 | 68-13 | 65AA40080E | 70-14 | 65AA509900 | 8-2 | A00J617800 | 39-7 |
| 56AA40481 | 71-10 | 56QA40080 | 71-13 | 65AA40080E | 73-14 | 65AA51510 | 90-5 | A00J617800 | 40-16 |
| 56AA40490 | 32-2 | 56QA40250 | 68-14 | 65AA42370 | 99-7 | 65AA51730 | 88-3 | A00J617800 | 44-4 |
| 56AA40490 | 41B-2 | 56QA40250 | 71-14 | 65AA44200 | 81-6 | 65AA53560 | 50-2 | A00J617800 | 53-2 |
| 56AA40490 | 41-4 | 56QA40270 | 68-15 | 65AA44350 | 81-7 | 65AA53991 | 50-3 | A00J617800 | 84-8 |
| 56AA40490 | 70-11 | 56QA40270 | 71-15 | 65AA44440 | 81-8 | 65AA75010E | 16-1 | A00J617800 | 90-6 |
| 56AA40490 | 73-11 | 56QA40550 | 68-16 | 65AA45230 | 84-7 | 65AA77390 | 32-3 | A00J617800 | 100-8 |
| 56AA40490 | 82-1 | 56QA40550 | 71-16 | 65AA47120D | 65-4 | 65AA77410 | 35-8 | A00J617800 | 106-6 |
| 56AA40490 | 84-6 | 56UA70330 | 14-2 | 65AA47131E | 62-4 | 65AA77540 | 86-5 | A00J617900 | 38-6 |
| 56AA40490 | 90-4 | 56UA77280 | 35-6 | 65AA47310E | 61-4 | 65AA78040 | 30-4 | A00J617900 | 83-4 |
| 56AA40490 | 104-3 | 56UA77710 | 35-7 | 65AA47310E | 65-5 | 65AA80112 | 88-4 | A00J617900 | 87-10 |
| 56AA40500 | 69-16 | 57AA15600 | 118-3 | 65AA47320 | 61-5 | 65AA80112 | 95-5 | A00J617900 | 92-3 |
| 56AA40500 | 72-16 | 57AA15600 | 119-2 | 65AA47320 | 65-6 | 65AA80112 | 102-4 | A00J617900 | 93-6 |
| 56AA40520 | 69-17 | 57AA40420 | 68-17 | 65AA47360 | 75-2 | 65AA91101E | 28-6 | A00J617900 | 99-8 |
| 56AA40520 | 72-17 | 57AA40420 | 71-17 | 65AA47370 | 75-3 | 65AA99500 | 120-16 | A00J617900 | 109-3 |
| 56AA40530 | 68-11 | 65AA-9091E | 79-3 | 65AA47390 | 75-4 | 65AAR72700 | 108-2 | A00J663200 | 68-18 |
| 56AA40530 | 71-11 | 65AA-9920 | 120-3 | 65AA47550 | 63-2 | 65AAR73200 | 55-23 | A00J663200 | 69-22 |
| 56AA40540 | 68-12 | 65AA10190 | 11-1 | 65AA47550 | 67-1 | 65AAR73200 | 56-23 | A00J663200 | 70-16 |
| 56AA40540 | 71-12 | 65AA10470 | 9-4 | 65AA47600E | 62-5 | 65AAR73200 | 57-23 | A00J663200 | 71-18 |
| 56AA42690 | 43-2 | 65AA11300 | 5-2 | 65AA47600E | 66-4 | 65AAR73200 | 58-2 | A00J663200 | 72-22 |
| 56AA42690 | 44-3 | 65AA11300 | 37-3 | 65AA47630 | 63-3 | 65AAR74600 | 109-2 | A00J663200 | 73-16 |
| 56AA42690 | 83-3 | 65AA11430 | 5-3 | 65AA47630 | 67-2 | 65GE97400 | 70-15 | A00J945401 | 4-1 |
| 56AA42690 | 86-3 | 65AA15210 | 76-3 | 65AA47700D | 62-6 | 65GE97400 | 73-15 | A00JM12100 | 30-3 |
| 56AA42690 | 87-5 | 65AA15210 | 77-3 | 65AA47700D | 66-5 | 65GE97490 | 62-8 | A00JM60300 | 110-2 |
| 56AA42690 | 88-2 | 65AA15210 | 78-3 | 65AA47710 | 75-5 | 65GE97490 | 66-7 | A00V240600 | 38-7 |
| 56AA42690 | 92-2 | 65AA15210 | 79-2 | 65AA47740E | 62-7 | 65LA48530 | 105-1 | A00V240600 | 43-3 |
| 56AA42690 | 93-5 | 65AA20060 | 41A-2 | 65AA47740E | 66-6 | 9335140051 | 34-3 | A00V240600 | 44-5 |
| 56AA42690 | 95-3 | 65AA20060 | 41-5 | 65AA47820 | 61-6 | 9335140071 | 69-12 | A00V240600 | 49-3 |
| 56AA42690 | 99-6 | 65AA20300 | 41A-3 | 65AA47820 | 65-7 | 9335140071 | 85-1 | A00V240600 | 53-3 |

| Parts No. | Page No. | Parts No. | Page No. | Parts No. | Page No. | Parts No. | Page No. | Parts No. | Page No. |
|------------|----------|------------|----------|------------|----------|------------|----------|------------|----------|
| A00V240600 | 74-3 | A03U259900 | 77-5 | A03U814300 | 90-12 | A03UF84300 | 96-10 | A0TKH00200 | 27-1 |
| A00V240600 | 86-6 | A03U259900 | 78-5 | A03U815700 | 86-8 | A03UN23200 | 45-1 | A0VDM50500 | 103-3 |
| A00V240600 | 87-11 | A03U259900 | 79-5 | A03U838900 | 87-13 | A03UN23200 | 48-3 | A0Y5M15101 | 11-3 |
| A00V240600 | 95-6 | A03U512300 | 38-8 | A03U839000 | 86-9 | A03X565001 | 87-15 | A161261902 | 18-3 |
| A00V240600 | 97-2 | A03U515100 | 37-5 | A03U842700 | 85-2 | A03X565611 | 68-20 | A161262002 | 18-4 |
| A00V240600 | 102-5 | A03U555400 | 41-10 | A03U842700 | 95-7 | A03X565611 | 71-20 | A161262200 | 19-4 |
| A034M50000 | 5-4 | A03U560500 | 70-17 | A03U842800 | 95-8 | A03X622000 | 103-2 | A161263000 | 19-5 |
| A034M50000 | 37-4 | A03U560500 | 73-17 | A03U843500 | 90-13 | A03X622101 | 67-5 | A161268200 | 17-2 |
| A03N621800 | 66-8 | A03U621200 | 63-6 | A03U844200 | 96-5 | A03X622201 | 67-6 | A161268300 | 17-3 |
| A03TM50000 | 106-7 | A03U621200 | 67-4 | A03U844300 | 96-6 | A03X656203 | 61-8 | A161270102 | 20-7 |
| A03U118301 | 11-2 | A03U723301 | 50-4 | A03U844700 | 96-7 | A03X656203 | 65-9 | A161270600 | 20-8 |
| A03U190500 | 16-2 | A03U724200 | 44-6 | A03U844802 | 96-8 | A043909901 | 105-7 | A161271000 | 20-9 |
| A03U190600 | 16-3 | A03U728000 | 50-5 | A03U844901 | 96-9 | A07TM60100 | 110-3 | A161271100 | 20-10 |
| A03U190700 | 16-4 | A03U734500 | 44-7 | A03U845100 | 94-2 | A0E7946700 | 115-13 | A161273113 | 20-11 |
| A03U190802 | 16-5 | A03U734500 | 46-3 | A03U845301 | 92-4 | A0ED271200 | 20-1 | A161273401 | 20-12 |
| A03U190900 | 15-1 | A03U734500 | 47-1 | A03U845301 | 94-3 | A0ED271300 | 20-2 | A161273500 | 20-13 |
| A03U191100 | 16-6 | A03U734500 | 48-2 | A03U845601 | 85-3 | A0ED273600 | 19-2 | A161273701 | 20-14 |
| A03U191201 | 16-7 | A03U734500 | 51-1 | A03U845601 | 95-9 | A0ED273600 | 20-3 | A161273800 | 20-15 |
| A03U191301 | 16-8 | A03U734800 | 50-6 | A03U845601 | 101-2 | A0ED274200 | 20-4 | A161274500 | 20-16 |
| A03U191400 | 15-2 | A03U734900 | 50-7 | A03U845700 | 95-10 | A0ED274300 | 20-5 | A161274600 | 20-17 |
| A03U191500 | 15-3 | A03U808400 | 44-8 | A03U845902 | 95-11 | A0ED274400 | 20-6 | A161275300 | 19-6 |
| A03U191600 | 15-4 | A03U809500 | 49-5 | A03U848100 | 94-4 | A0ED276301 | 19-3 | A161275400 | 19-7 |
| A03U191700 | 15-5 | A03U811600 | 90-7 | A03U849701 | 90-14 | A0G6192400 | 14-4 | A161275500 | 19-8 |
| A03U191800 | 15-6 | A03U811800 | 90-8 | A03U850101 | 68-19 | A0G6192500 | 14-5 | A161275600 | 19-9 |
| A03U191900 | 15-7 | A03U812800 | 62-9 | A03U850101 | 71-19 | A0G6192700 | 14-6 | A161276000 | 19-10 |
| A03U192000 | 15-8 | A03U812800 | 66-9 | A03U850101 | 80-2 | A0G6192900 | 14-7 | A161276500 | 19-11 |
| A03U192100 | 15-9 | A03U812800 | 69-23 | A03U850101 | 91-6 | A0G6193700 | 14-12 | A161278600 | 17-4 |
| A03U192200 | 15-10 | A03U812800 | 70-18 | A03U850101 | 104-5 | A0G6194000 | 14-15 | A161278900 | 17-5 |
| A03U192300 | 16-9 | A03U812800 | 72-23 | A03U859400 | 95-12 | A0G6411200 | 5-6 | A161280211 | 18-5 |
| A03U193400 | 15-11 | A03U812800 | 73-18 | A03U859500 | 95-13 | A0G6739300 | 109-4 | A161280300 | 18-6 |
| A03U193600 | 15-12 | A03U812800 | 81-9 | A03U892300 | 105-4 | A0G6H06000 | 14-16 | A161281100 | 19-12 |
| A03U193700 | 15-13 | A03U812800 | 86-7 | A03U892400 | 105-5 | A0G6N18400 | 14-18 | A161281300 | 19-13 |
| A03U195302 | 16-10 | A03U812800 | 87-12 | A03U892701 | 106-8 | A0P0144300 | 91-7 | A161281600 | 18-7 |
| A03U195400 | 16-11 | A03U812800 | 88-5 | A03U893000 | 106-9 | A0POM50400 | 5-4 | A161626800 | 60-1 |
| A03U195500 | 16-12 | A03U812800 | 93-7 | A03U893101 | 106-10 | A0POM50400 | 37-4 | A161626800 | 64-1 |
| A03U259600 | 76-4 | A03U812800 | 102-6 | A03U893200 | 106-11 | A0POM73100 | 14-1 | A161M50A00 | 19-14 |
| A03U259600 | 77-4 | A03U812800 | 104-4 | A03U893502 | 106-12 | A0TK341200 | 97-3 | A161N14000 | 20-18 |
| A03U259600 | 78-4 | A03U813601 | 90-9 | A03U909502 | 106-13 | A0TKH00200 | 24-1 | A161N14201 | 19-15 |
| A03U259600 | 79-4 | A03U814100 | 90-10 | A03U909900 | 105-6 | A0TKH00200 | 25-1 | A1DU111101 | 7-4 |
| A03U259900 | 76-5 | A03U814200 | 90-11 | A03UF19100 | 16-13 | A0TKH00200 | 26-1 | A1DU163402 | 3-1 |

| Parts No. | Page No. | Parts No. | Page No. | Parts No. | Page No. | Parts No. | Page No. | Parts No. | Page No. |
|------------|----------|------------|----------|------------|----------|------------|----------|------------|----------|
| A1DU190101 | 16-14 | A1RF517300 | 106-14 | A4EUN28500 | 14-24 | A50U109101 | 6-1 | A50U127201 | 6-11 |
| A1DU622200 | 113-2 | A1RF620301 | 68-22 | A4EUPP0000 | 120-7 | A50U109300 | 75-9 | A50U127300 | 6-12 |
| A1DU622200 | 117-3 | A1RF620301 | 71-22 | A4F3744400 | 10-13 | A50U109400 | 8-14 | A50U127401 | 5-22 |
| A1DU764000 | 7-5 | A1RF701700 | 80-3 | A50U101602 | 9-6 | A50U109900 | 8-15 | A50U127500 | 6-13 |
| A1DUF62101 | 63-7 | A1RF758100 | 43-6 | A50U102704 | 9-7 | A50U110000 | 10-12 | A50U127800 | 6-14 |
| A1DUF62101 | 67-7 | A1RF758100 | 47-2 | A50U102801 | 7-6 | A50U112901 | 75-10 | A50U127901 | 5-23 |
| A1DUH11000 | 16-15 | A1RF809400 | 43-7 | A50U102900 | 5-8 | A50U112901 | 113-3 | A50U128000 | 6-15 |
| A1DUPJG100 | 120-22 | A1RF815702 | 8-3 | A50U103200 | 8-4 | A50U120300 | 8-16 | A50U128700 | 6-16 |
| A1DUR71600 | 42-1 | A1RF820000 | 44-9 | A50U103301 | 10-8 | A50U120600 | 5-9 | A50U128801 | 11-20 |
| A1DUR71600 | 42A-2 | A1RF820000 | 92-5 | A50U103403 | 8-5 | A50U120900 | 11-9 | A50U128900 | 11-21 |
| A1DUR71900 | 39-8 | A1RF820000 | 93-8 | A50U103500 | 8-6 | A50U121300 | 5-11 | A50U129100 | 11-22 |
| A1DUR71C11 | 41B-4 | A1RF820000 | 98-3 | A50U103602 | 7-7 | A50U121500 | 21-1 | A50U129200 | 8-17 |
| A1DUR71C11 | 41-11 | A1RF820000 | 99-9 | A50U103800 | 10-9 | A50U121800 | 11-10 | A50U129300 | 11-23 |
| A1DUR71D00 | 41B-5 | A1RF820000 | 109-7 | A50U104000 | 12-1 | A50U121900 | 11-11 | A50U129401 | 11-24 |
| A1DUR71D00 | 41-12 | A1RF847400 | 94-5 | A50U104300 | 13-2 | A50U122103 | 5-13 | A50U129801 | 11-25 |
| A1DUR71J00 | 70-19 | A1RF863800 | 100-9 | A50U104401 | 10-10 | A50U122701 | 12-2 | A50U131002 | 112-3 |
| A1DUR71J00 | 73-19 | A1RF946000 | 65-10 | A50U104500 | 13-3 | A50U122900 | 11-12 | A50U131100 | 113-4 |
| A1DUR71K00 | 68-21 | A1RFM51000 | 46-4 | A50U104600 | 9-8 | A50U123200 | 6-2 | A50U131200 | 113-5 |
| A1DUR71K00 | 71-21 | A1RFN28300 | 14-19 | A50U104700 | 8-7 | A50U123300 | 6-3 | A50U131300 | 113-6 |
| A1DUR73500 | 38-10 | A1RG569900 | 33-4 | A50U104801 | 112-2 | A50U123400 | 6-4 | A50U131400 | 112-4 |
| A1DUR73E00 | 95-14 | A1RG569900 | 35-11 | A50U104901 | 7-8 | A50U123500 | 6-5 | A50U131503 | 110-5 |
| A1DUR73K00 | 86-10 | A1RG681400 | 87-16 | A50U105000 | 13-4 | A50U123600 | 6-6 | A50U131700 | 110-6 |
| A1DUR73P00 | 95-15 | A1RJ818800 | 100-10 | A50U105100 | 8-8 | A50U123800 | 5-15 | A50U131800 | 110-7 |
| A1DUR75200 | 70-20 | A1RJ825100 | 97-4 | A50U105201 | 8-9 | A50U123900 | 6-7 | A50U131900 | 112-5 |
| A1DUR75200 | 73-20 | A1RJ825800 | 97-5 | A50U105600 | 8-10 | A50U124000 | 6-8 | A50U133101 | 112-6 |
| A1RF214100 | 76-6 | A1TVM10100 | 89-3 | A50U105800 | 9-9 | A50U124100 | 5-16 | A50U133700 | 110-8 |
| A1RF214100 | 77-6 | A1TVM10100 | 105-8 | A50U106300 | 10-11 | A50U124900 | 5-17 | A50U133800 | 110-9 |
| A1RF214100 | 78-6 | A1UD210500 | 35-12 | A50U106300 | 13-5 | A50U125000 | 11-13 | A50U133902 | 115-3 |
| A1RF214100 | 79-6 | A1UDM50100 | 62-10 | A50U106502 | 11-4 | A50U125101 | 11-14 | A50U136303 | 115-4 |
| A1RF363500 | 34-6 | A1UDM50100 | 66-10 | A50U106600 | 11-5 | A50U125500 | 11-15 | A50U136501 | 9-12 |
| A1RF363801 | 34-7 | A1UDM50200 | 19-16 | A50U106700 | 11-6 | A50U125600 | 11-16 | A50U136700 | 113-7 |
| A1RF368500 | 35-9 | A2X0M12101 | 75-7 | A50U106800 | 7-9 | A50U125800 | 11-17 | A50U136800 | 113-8 |
| A1RF372300 | 35-10 | A4EU190414 | 14-20 | A50U107000 | 9-10 | A50U125901 | 5-19 | A50U160500 | 2-4 |
| A1RF441500 | 29-5 | A4EU194200 | 14-22 | A50U107101 | 9-11 | A50U126200 | 6-9 | A50U161502 | 2-5 |
| A1RF508000 | 40-1 | A4EU265000 | 43-8 | A50U107501 | 8-11 | A50U126300 | 11-18 | A50U161700 | 2-7 |
| A1RF508100 | 40-2 | A4EU265000 | 47-3 | A50U107600 | 8-12 | A50U126400 | 11-19 | A50U162701 | 1-1 |
| A1RF508200 | 40-3 | A4EU538400 | 30-5 | A50U107801 | 8-13 | A50U126500 | 5-20 | A50U162900 | 1-2 |
| A1RF508900 | 109-5 | A4EUM60000 | 5-7 | A50U108001 | 11-7 | A50U126600 | 5-21 | A50U163700 | 4-2 |
| A1RF509000 | 109-6 | A4EUM60401 | 110-4 | A50U108200 | 11-8 | A50U126800 | 6-10 | A50U164000 | 5-24 |
| A1RF517300 | 38-12 | A4EUM75800 | 14-23 | A50U108900 | 7-10 | A50U127000 | 12-3 | A50U164100 | 2-9 |

| Parts No. | Page No. | Parts No. | Page No. | Parts No. | Page No. | Parts No. | Page No. | Parts No. | Page No. |
|------------|----------|------------|----------|------------|----------|------------|----------|------------|----------|
| A50U164200 | 2-10 | A50U252800 | 74-11 | A50U342300 | 55-7 | A50U372902 | 26-2 | A50U420900 | 31-12 |
| A50U164901 | 2-11 | A50U314300 | 12-4 | A50U342300 | 56-7 | A50U372902 | 27-2 | A50U421000 | 31-13 |
| A50U165500 | 2-12 | A50U314800 | 9-13 | A50U342300 | 57-7 | A50U373100 | 24-3 | A50U421000 | 32-11 |
| A50U165600 | 2-13 | A50U318101 | 21-2 | A50U342300 | 58-7 | A50U373100 | 25-3 | A50U440301 | 29-11 |
| A50U166100 | 2-14 | A50U318201 | 21-3 | A50U342400 | 6-19 | A50U373100 | 26-3 | A50U440601 | 29-12 |
| A50U166200 | 2-15 | A50U318300 | 21-4 | A50U342502 | 54-10 | A50U373100 | 27-3 | A50U442100 | 28-15 |
| A50U166800 | 28-7 | A50U318500 | 12-5 | A50U342600 | 54-11 | A50U374501 | 24-5 | A50U462400 | 55-10 |
| A50U167201 | 2-16 | A50U318601 | 12-6 | A50U342900 | 8-18 | A50U374501 | 25-5 | A50U462400 | 56-10 |
| A50U167500 | 2-17 | A50U318700 | 21-5 | A50U343000 | 54-12 | A50U374501 | 26-5 | A50U462400 | 57-10 |
| A50U167601 | 2-18 | A50U318700 | 28-10 | A50U343301 | 58-24 | A50U374501 | 27-5 | A50U462400 | 58-10 |
| A50U167801 | 4-3 | A50U318800 | 12-7 | A50U343400 | 54-13 | A50U377201 | 24-8 | A50U462501 | 55-11 |
| A50U167901 | 5-25 | A50U318900 | 21-6 | A50U343500 | 54-14 | A50U377201 | 25-8 | A50U462501 | 56-11 |
| A50U169602 | 52-5 | A50U319301 | 21-7 | A50U343600 | 122-2 | A50U377201 | 26-8 | A50U462501 | 57-11 |
| A50U169900 | 2-19 | A50U333500 | 23-1 | A50U343800 | 54-15 | A50U377201 | 27-8 | A50U462501 | 58-11 |
| A50U171500 | 28-8 | A50U333600 | 23-2 | A50U343900 | 54-16 | A50U377301 | 24-9 | A50U462600 | 55-12 |
| A50U172100 | 5-26 | A50U335600 | 54-2 | A50U344200 | 54-18 | A50U377301 | 25-9 | A50U462600 | 56-12 |
| A50U172200 | 5-27 | A50U335600 | 55-3 | A50U360700 | 35-13 | A50U377301 | 26-9 | A50U462600 | 57-12 |
| A50U172300 | 5-29 | A50U335600 | 56-3 | A50U361200 | 35-14 | A50U377301 | 27-9 | A50U462600 | 58-12 |
| A50U175001 | 3-5 | A50U335600 | 57-3 | A50U361401 | 35-15 | A50U400201 | 29-18 | A50U462700 | 55-13 |
| A50U179000 | 28-9 | A50U335600 | 58-3 | A50U361900 | 33-5 | A50U400503 | 32-5 | A50U462700 | 56-13 |
| A50U179500 | 5-30 | A50U337101 | 53-7 | A50U362200 | 35-16 | A50U400600 | 28-11 | A50U462700 | 57-13 |
| A50U210600 | 76-7 | A50U337200 | 54-3 | A50U362300 | 33-6 | A50U400900 | 28-12 | A50U462700 | 58-13 |
| A50U210600 | 77-7 | A50U337300 | 54-4 | A50U363200 | 34-8 | A50U401200 | 32-6 | A50U462801 | 55-14 |
| A50U210600 | 78-7 | A50U337400 | 53-8 | A50U363300 | 33-7 | A50U401301 | 32-7 | A50U462801 | 56-14 |
| A50U210600 | 79-7 | A50U340501 | 54-5 | A50U363400 | 34-9 | A50U401401 | 28-13 | A50U462801 | 57-14 |
| A50U212600 | 76-9 | A50U340902 | 54-6 | A50U363701 | 34-10 | A50U404000 | 31-7 | A50U462801 | 58-14 |
| A50U212600 | 77-9 | A50U341002 | 52-9 | A50U363900 | 9-14 | A50U404200 | 31-8 | A50U462900 | 55-15 |
| A50U212600 | 78-9 | A50U341301 | 54-7 | A50U365400 | 33-8 | A50U404600 | 31-9 | A50U462900 | 56-15 |
| A50U212600 | 79-9 | A50U341401 | 54-8 | A50U365600 | 35-17 | A50U406400 | 31-10 | A50U462900 | 57-15 |
| A50U220501 | 52-14 | A50U341600 | 54-9 | A50U365800 | 35-18 | A50U407300 | 13-6 | A50U462900 | 58-15 |
| A50U220700 | 53-4 | A50U341800 | 6-17 | A50U366601 | 9-15 | A50U407600 | 32-8 | A50U463000 | 55-16 |
| A50U221500 | 52-7 | A50U341900 | 55-5 | A50U366800 | 34-11 | A50U408101 | 28-14 | A50U463000 | 56-16 |
| A50U221701 | 52-8 | A50U341900 | 56-5 | A50U367001 | 35-19 | A50U408501 | 29-6 | A50U463000 | 57-16 |
| A50U221800 | 53-5 | A50U341900 | 57-5 | A50U367100 | 34-12 | A50U408600 | 29-7 | A50U463000 | 58-16 |
| A50U252100 | 74-5 | A50U341900 | 58-5 | A50U367400 | 34-13 | A50U408700 | 29-8 | A50U463100 | 55-17 |
| A50U252300 | 74-6 | A50U342000 | 55-6 | A50U368000 | 9-16 | A50U408900 | 29-9 | A50U463100 | 56-17 |
| A50U252400 | 74-7 | A50U342000 | 56-6 | A50U368400 | 34-14 | A50U410200 | 29-10 | A50U463100 | 57-17 |
| A50U252500 | 74-8 | A50U342000 | 57-6 | A50U369900 | 34-15 | A50U420300 | 31-11 | A50U463100 | 58-17 |
| A50U252600 | 74-9 | A50U342000 | 58-6 | A50U372902 | 24-2 | A50U420400 | 32-9 | A50U500401 | 38-13 |
| A50U252700 | 74-10 | A50U342200 | 6-18 | A50U372902 | 25-2 | A50U420800 | 32-10 | A50U500800 | 37-6 |

| Parts No. | Page No. | Parts No. | Page No. | Parts No. | Page No. | Parts No. | Page No. | Parts No. | Page No. |
|------------|----------|------------|----------|------------|----------|------------|----------|------------|----------|
| A50U501201 | 39-9 | A50U508102 | 39-22 | A50U561200 | 72-25 | A50U624000 | 9-17 | A50U629001 | 65-21 |
| A50U501401 | 40-5 | A50U508301 | 7-12 | A50U562400 | 69-26 | A50U624113 | 10-15 | A50U629100 | 75-8 |
| A50U501702 | 40-6 | A50U508600 | 37-12 | A50U562400 | 72-26 | A50U624201 | 64-21 | A50U629202 | 65-22 |
| A50U501900 | 39-10 | A50U508800 | 37-13 | A50U564500 | 69-27 | A50U624300 | 10-16 | A50U629300 | 61-20 |
| A50U502100 | 40-7 | A50U509100 | 38-29 | A50U564500 | 72-27 | A50U624503 | 9-18 | A50U629401 | 67-14 |
| A50U502500 | 38-14 | A50U509300 | 7-13 | A50U565100 | 69-28 | A50U624600 | 63-9 | A50U629502 | 63-14 |
| A50U502600 | 38-15 | A50U510100 | 39-23 | A50U565100 | 72-28 | A50U624600 | 67-9 | A50U629502 | 67-15 |
| A50U502700 | 40-8 | A50U510200 | 39-24 | A50U620602 | 62-11 | A50U624700 | 63-10 | A50U629702 | 63-15 |
| A50U502801 | 122-3 | A50U510400 | 7-14 | A50U620801 | 62-12 | A50U624700 | 67-10 | A50U629702 | 67-16 |
| A50U502900 | 40-9 | A50U515500 | 42-3 | A50U620801 | 66-11 | A50U624904 | 9-19 | A50U629801 | 63-16 |
| A50U503001 | 40-10 | A50U516800 | 42A-3 | A50U620902 | 62-13 | A50U625000 | 61-12 | A50U629801 | 67-17 |
| A50U503200 | 39-11 | A50U516800 | 42-4 | A50U621001 | 61-9 | A50U625100 | 63-11 | A50U629901 | 63-17 |
| A50U503500 | 40-11 | A50U516900 | 42A-4 | A50U621001 | 65-11 | A50U625100 | 67-11 | A50U630203 | 61-21 |
| A50U503600 | 37-7 | A50U516900 | 42-5 | A50U621200 | 63-8 | A50U625400 | 62-24 | A50U630203 | 65-23 |
| A50U503700 | 37-8 | A50U517000 | 42-6 | A50U621200 | 67-8 | A50U625500 | 62-25 | A50U630602 | 66-26 |
| A50U504400 | 38-18 | A50U517300 | 38-30 | A50U621301 | 62-14 | A50U625701 | 61-13 | A50U630902 | 66-27 |
| A50U504500 | 38-19 | A50U520601 | 84-10 | A50U621301 | 66-12 | A50U625701 | 65-14 | A50U631000 | 66-28 |
| A50U504600 | 38-20 | A50U520700 | 84-11 | A50U621400 | 62-15 | A50U626000 | 66-22 | A50U631100 | 66-29 |
| A50U504700 | 38-21 | A50U520900 | 84-12 | A50U621400 | 66-13 | A50U626502 | 61-14 | A50U631200 | 65-24 |
| A50U505000 | 38-22 | A50U521301 | 84-15 | A50U621800 | 62-16 | A50U626502 | 65-15 | A50U631301 | 65-25 |
| A50U505100 | 38-23 | A50U521500 | 84-16 | A50U621900 | 62-17 | A50U626601 | 61-15 | A50U631500 | 66-30 |
| A50U505202 | 37-9 | A50U521900 | 84-17 | A50U621900 | 66-14 | A50U626601 | 65-16 | A50U631600 | 65-26 |
| A50U505300 | 38-24 | A50U522001 | 84-18 | A50U622001 | 62-18 | A50U626702 | 61-16 | A50U631700 | 66-31 |
| A50U505401 | 39-12 | A50U522400 | 84-19 | A50U622001 | 66-15 | A50U626702 | 65-17 | A50U631800 | 66-32 |
| A50U505500 | 39-13 | A50U522900 | 84-20 | A50U622101 | 62-19 | A50U627002 | 64-2 | A50U631900 | 66-33 |
| A50U505601 | 39-14 | A50U523001 | 84-21 | A50U622101 | 66-16 | A50U627200 | 64-3 | A50U632300 | 66-34 |
| A50U505700 | 39-15 | A50U523100 | 84-22 | A50U622300 | 62-20 | A50U627601 | 61-17 | A50U633002 | 60-2 |
| A50U505800 | 39-16 | A50U523200 | 84-23 | A50U622400 | 62-21 | A50U627601 | 65-18 | A50U633002 | 64-4 |
| A50U505901 | 38-25 | A50U523400 | 84-24 | A50U622400 | 66-17 | A50U627701 | 61-18 | A50U633200 | 60-3 |
| A50U506101 | 38-26 | A50U524100 | 84-25 | A50U622600 | 61-10 | A50U627701 | 65-19 | A50U633200 | 64-5 |
| A50U506200 | 37-10 | A50U524500 | 84-26 | A50U622600 | 65-12 | A50U628001 | 10-17 | A50U633301 | 60-4 |
| A50U506300 | 37-11 | A50U524600 | 84-27 | A50U622802 | 61-11 | A50U628100 | 60-22 | A50U633400 | 60-5 |
| A50U506500 | 122-4 | A50U524700 | 84-28 | A50U622802 | 65-13 | A50U628200 | 61-19 | A50U633400 | 64-6 |
| A50U506701 | 38-27 | A50U525900 | 59-2 | A50U623201 | 62-22 | A50U628200 | 63-12 | A50U633601 | 64-7 |
| A50U506900 | 39-17 | A50U531400 | 41-13 | A50U623201 | 66-18 | A50U628200 | 65-20 | A50U633702 | 60-6 |
| A50U507000 | 38-28 | A50U531500 | 41-14 | A50U623300 | 62-23 | A50U628200 | 67-12 | A50U633702 | 64-8 |
| A50U507600 | 39-18 | A50U531601 | 41-15 | A50U623300 | 66-19 | A50U628300 | 60-23 | A50U633800 | 60-7 |
| A50U507801 | 39-19 | A50U560901 | 69-24 | A50U623600 | 60-20 | A50U628300 | 64-22 | A50U633800 | 64-9 |
| A50U507900 | 39-20 | A50U560901 | 72-24 | A50U623701 | 60-21 | A50U628400 | 62-28 | A50U633900 | 60-8 |
| A50U508001 | 39-21 | A50U561200 | 69-25 | A50U623900 | 64-20 | A50U628400 | 66-25 | A50U633900 | 64-10 |

| Parts No. | Page No. | Parts No. | Page No. | Parts No. | Page No. | Parts No. | Page No. | Parts No. | Page No. |
|------------|----------|------------|----------|------------|----------|------------|----------|------------|----------|
| A50U634200 | 10-18 | A50U706900 | 80-11 | A50U715100 | 88-16 | A50U731700 | 7-15 | A50U748506 | 44-19 |
| A50U634300 | 60-9 | A50U707002 | 81-25 | A50U715200 | 88-17 | A50U731900 | 7-16 | A50U748701 | 50-10 |
| A50U634300 | 64-11 | A50U707300 | 81-26 | A50U715300 | 91-12 | A50U732000 | 51-4 | A50U749200 | 44-20 |
| A50U635400 | 66-35 | A50U707400 | 81-27 | A50U715300 | 104-20 | A50U732100 | 44-10 | A50U749300 | 44-21 |
| A50U635500 | 66-36 | A50U707600 | 80-12 | A50U715400 | 93-9 | A50U733500 | 48-14 | A50U749401 | 114-9 |
| A50U637002 | 60-10 | A50U710300 | 104-6 | A50U715600 | 91-13 | A50U734100 | 114-4 | A50U749502 | 114-10 |
| A50U637600 | 63-18 | A50U710901 | 104-7 | A50U715600 | 104-21 | A50U737302 | 114-5 | A50U749600 | 114-11 |
| A50U637700 | 63-19 | A50U711001 | 104-8 | A50U715800 | 91-14 | A50U737401 | 114-6 | A50U749700 | 114-12 |
| A50U640100 | 67-18 | A50U711101 | 102-8 | A50U715800 | 104-22 | A50U737601 | 114-7 | A50U749801 | 114-13 |
| A50U640200 | 10-19 | A50U711200 | 104-9 | A50U715900 | 102-15 | A50U737700 | 114-8 | A50U751101 | 43-15 |
| A50U640400 | 10-20 | A50U711300 | 104-10 | A50U716301 | 104-23 | A50U737800 | 7-17 | A50U751200 | 43-16 |
| A50U640700 | 66-37 | A50U711400 | 102-9 | A50U716400 | 104-24 | A50U738001 | 7-18 | A50U751301 | 43-17 |
| A50U640800 | 62-29 | A50U711602 | 104-11 | A50U716500 | 59-3 | A50U738100 | 7-19 | A50U752000 | 44-22 |
| A50U641500 | 61-22 | A50U712001 | 103-5 | A50U716500 | 84-29 | A50U738700 | 51-6 | A50U752200 | 44-23 |
| A50U641500 | 65-27 | A50U712200 | 91-8 | A50U716500 | 91-15 | A50U739000 | 7-20 | A50U752300 | 44-24 |
| A50U642000 | 62-30 | A50U712200 | 104-12 | A50U716500 | 104-25 | A50U739811 | 49-8 | A50U752600 | 43-18 |
| A50U642000 | 66-38 | A50U712300 | 91-9 | A50U717100 | 103-7 | A50U739900 | 49-9 | A50U752700 | 46-9 |
| A50U642300 | 47-4 | A50U712300 | 104-13 | A50U717200 | 103-8 | A50U742901 | 43-9 | A50U753100 | 114-14 |
| A50U642300 | 67-19 | A50U712400 | 91-10 | A50U717901 | 102-17 | A50U743100 | 43-10 | A50U754700 | 44-25 |
| A50U642300 | 99-10 | A50U712400 | 104-14 | A50U718300 | 103-10 | A50U743200 | 43-11 | A50U755100 | 46-10 |
| A50U700200 | 81-10 | A50U712700 | 104-15 | A50U718400 | 91-16 | A50U743302 | 44-11 | A50U755301 | 46-11 |
| A50U700300 | 81-11 | A50U713000 | 102-10 | A50U718400 | 104-26 | A50U743600 | 44-12 | A50U755900 | 43-19 |
| A50U700400 | 81-12 | A50U713100 | 104-16 | A50U718500 | 91-17 | A50U743700 | 44-13 | A50U756002 | 43-20 |
| A50U700500 | 81-13 | A50U713200 | 102-11 | A50U718500 | 104-27 | A50U743900 | 44-14 | A50U756300 | 46-13 |
| A50U700600 | 81-14 | A50U713302 | 88-7 | A50U719300 | 103-11 | A50U744000 | 49-10 | A50U756300 | 49-13 |
| A50U700901 | 80-5 | A50U713403 | 88-8 | A50U719400 | 103-12 | A50U744100 | 49-11 | A50U756500 | 43-21 |
| A50U701113 | 80-6 | A50U713500 | 88-9 | A50U719800 | 102-19 | A50U744400 | 49-12 | A50U757000 | 43-22 |
| A50U701114 | 80-6 | A50U713600 | 102-12 | A50U721502 | 51-2 | A50U744912 | 44-16 | A50U757100 | 43-23 |
| A50U704700 | 81-17 | A50U713700 | 88-10 | A50U722100 | 48-4 | A50U745100 | 45-2 | A50U760400 | 50-11 |
| A50U704801 | 81-18 | A50U713800 | 88-11 | A50U722202 | 48-5 | A50U745501 | 44-17 | A50U760600 | 50-12 |
| A50U704900 | 81-19 | A50U713900 | 88-12 | A50U722700 | 51-3 | A50U745600 | 43-12 | A50U760701 | 50-13 |
| A50U705000 | 81-20 | A50U714201 | 104-17 | A50U723911 | 48-6 | A50U745700 | 43-13 | A50U760802 | 50-14 |
| A50U705100 | 80-7 | A50U714300 | 102-13 | A50U725001 | 49-7 | A50U746200 | 45-3 | A50U761100 | 50-16 |
| A50U705200 | 80-8 | A50U714400 | 102-14 | A50U725200 | 48-7 | A50U746400 | 44-18 | A50U761200 | 50-17 |
| A50U705400 | 81-21 | A50U714500 | 104-18 | A50U726611 | 48-8 | A50U746500 | 50-9 | A50U761300 | 50-18 |
| A50U705500 | 81-22 | A50U714601 | 91-11 | A50U728500 | 48-9 | A50U746800 | 46-5 | A50U761400 | 50-19 |
| A50U705600 | 81-23 | A50U714601 | 104-19 | A50U728800 | 48-10 | A50U747101 | 47-8 | A50U761500 | 50-20 |
| A50U705701 | 80-9 | A50U714800 | 88-13 | A50U730900 | 48-11 | A50U747803 | 46-6 | A50U761601 | 50-21 |
| A50U706000 | 80-10 | A50U714900 | 88-14 | A50U731002 | 48-12 | A50U747900 | 46-7 | A50U761700 | 50-22 |
| A50U706800 | 81-24 | A50U715004 | 88-15 | A50U731102 | 48-13 | A50U748200 | 46-8 | A50U761800 | 50-23 |

| Parts No. | Page No. | Parts No. | Page No. | Parts No. | Page No. | Parts No. | Page No. | Parts No. | Page No. |
|------------|----------|------------|----------|------------|----------|------------|----------|------------|----------|
| A50U761900 | 50-24 | A50U802801 | 98-7 | A50U818700 | 82-3 | A50U835601 | 88-19 | A50U843900 | 90-22 |
| A50U762000 | 50-25 | A50U802900 | 98-8 | A50U818800 | 82-4 | A50U835900 | 86-18 | A50U844100 | 90-23 |
| A50U762100 | 50-26 | A50U803101 | 98-9 | A50U818900 | 82-5 | A50U836000 | 86-19 | A50U844400 | 96-18 |
| A50U762200 | 50-27 | A50U803300 | 98-10 | A50U819201 | 82-6 | A50U836100 | 88-20 | A50U844501 | 96-19 |
| A50U762300 | 50-28 | A50U803400 | 98-11 | A50U819302 | 82-7 | A50U836200 | 69-10 | A50U844601 | 96-20 |
| A50U762400 | 50-29 | A50U803500 | 98-12 | A50U819500 | 83-6 | A50U836200 | 72-10 | A50U844800 | 94-10 |
| A50U763000 | 51-7 | A50U803600 | 98-13 | A50U819600 | 99-12 | A50U836200 | 91-31 | A50U845400 | 95-19 |
| A50U763600 | 51-8 | A50U803700 | 98-14 | A50U819700 | 88-18 | A50U836300 | 89-10 | A50U846000 | 96-21 |
| A50U763800 | 50-30 | A50U803800 | 98-15 | A50U819812 | 89-7 | A50U836400 | 86-20 | A50U846102 | 92-9 |
| A50U763900 | 50-31 | A50U804001 | 97-15 | A50U819900 | 89-8 | A50U836500 | 86-21 | A50U846304 | 92-10 |
| A50U765000 | 49-14 | A50U804200 | 97-16 | A50U830200 | 87-20 | A50U836801 | 93-11 | A50U847200 | 95-20 |
| A50U765500 | 46-15 | A50U804701 | 98-16 | A50U830300 | 87-21 | A50U837001 | 82-10 | A50U848000 | 94-11 |
| A50U767000 | 49-31 | A50U805200 | 98-17 | A50U830400 | 87-22 | A50U837101 | 82-11 | A50U848302 | 94-12 |
| A50U785000 | 47-10 | A50U805300 | 97-17 | A50U830501 | 87-23 | A50U837300 | 82-12 | A50U850201 | 95-21 |
| A50U787003 | 47-11 | A50U810302 | 90-15 | A50U830600 | 87-24 | A50U837700 | 89-11 | A50U850201 | 96-22 |
| A50U787500 | 45-4 | A50U810400 | 90-16 | A50U830700 | 87-25 | A50U838500 | 89-12 | A50U850700 | 93-12 |
| A50U787600 | 45-5 | A50U810502 | 86-11 | A50U830800 | 87-26 | A50U838701 | 89-13 | A50U851400 | 92-11 |
| A50U787700 | 46-16 | A50U811300 | 13-7 | A50U831000 | 87-27 | A50U838800 | 99-14 | A50U851500 | 92-12 |
| A50U788000 | 47-12 | A50U811500 | 13-8 | A50U831100 | 87-28 | A50U839200 | 86-22 | A50U851500 | 93-13 |
| A50U788102 | 47-13 | A50U812100 | 86-12 | A50U831200 | 87-29 | A50U839200 | 87-31 | A50U851700 | 92-13 |
| A50U788602 | 46-17 | A50U813700 | 13-9 | A50U831300 | 89-9 | A50U839900 | 83-7 | A50U851901 | 93-15 |
| A50U788900 | 46-18 | A50U814401 | 89-4 | A50U831400 | 90-18 | A50U840303 | 92-6 | A50U852000 | 92-15 |
| A50U789100 | 46-19 | A50U814500 | 89-5 | A50U831900 | 87-30 | A50U840400 | 96-11 | A50U852102 | 93-16 |
| A50U792901 | 47-14 | A50U815101 | 89-6 | A50U832100 | 8-19 | A50U840715 | 94-6 | A50U852200 | 93-17 |
| A50U794800 | 47-15 | A50U815800 | 90-17 | A50U832201 | 10-22 | A50U840802 | 92-7 | A50U852301 | 93-18 |
| A50U799200 | 47-16 | A50U816103 | 86-13 | A50U832600 | 90-19 | A50U841100 | 95-16 | A50U852400 | 93-19 |
| A50U799601 | 47-17 | A50U816403 | 93-10 | A50U832700 | 90-20 | A50U841301 | 96-12 | A50U852501 | 92-16 |
| A50U799700 | 47-18 | A50U816700 | 91-18 | A50U832901 | 82-8 | A50U841402 | 92-8 | A50U852501 | 93-20 |
| A50U799800 | 47-19 | A50U816801 | 91-19 | A50U833000 | 8-20 | A50U841501 | 94-7 | A50U852701 | 92-17 |
| A50U800300 | 97-6 | A50U816900 | 91-20 | A50U833400 | 91-26 | A50U841600 | 94-8 | A50U852904 | 92-18 |
| A50U800400 | 97-7 | A50U817300 | 87-18 | A50U833500 | 91-27 | A50U841700 | 96-13 | A50U853001 | 92-19 |
| A50U800700 | 97-8 | A50U817300 | 99-11 | A50U834200 | 90-21 | A50U841800 | 96-14 | A50U853100 | 93-21 |
| A50U800800 | 97-9 | A50U817400 | 86-14 | A50U834304 | 99-13 | A50U841901 | 94-9 | A50U853200 | 92-20 |
| A50U801400 | 97-10 | A50U817603 | 91-21 | A50U834500 | 91-28 | A50U842000 | 95-17 | A50U853200 | 93-22 |
| A50U801500 | 97-11 | A50U817700 | 13-10 | A50U834600 | 91-29 | A50U842300 | 95-18 | A50U853400 | 96-23 |
| A50U801602 | 97-12 | A50U817800 | 91-22 | A50U834700 | 91-30 | A50U842301 | 95-18 | A50U853700 | 92-21 |
| A50U802002 | 97-13 | A50U818201 | 91-23 | A50U834802 | 84-30 | A50U842900 | 83-8 | A50U854100 | 96-24 |
| A50U802100 | 98-5 | A50U818400 | 91-24 | A50U835001 | 82-9 | A50U842900 | 96-15 | A50U854200 | 92-22 |
| A50U802211 | 97-14 | A50U818501 | 87-19 | A50U835302 | 86-16 | A50U843601 | 96-16 | A50U854302 | 92-23 |
| A50U802700 | 98-6 | A50U818601 | 91-25 | A50U835400 | 86-17 | A50U843801 | 96-17 | A50U854400 | 84-31 |

| Parts No. | Page No. | Parts No. | Page No. | Parts No. | Page No. | Parts No. | Page No. | Parts No. | Page No. |
|------------|----------|------------|----------|------------|----------|------------|----------|------------|----------|
| A50U854400 | 92-24 | A50U865601 | 100-19 | A50U882600 | 88-22 | A50U894000 | 106-28 | A50UF16000 | 2-23 |
| A50U854600 | 66-20 | A50U865703 | 99-20 | A50U882701 | 83-9 | A50U895000 | 105-15 | A50UF16101 | 2-24 |
| A50U854600 | 93-23 | A50U865902 | 99-21 | A50U882801 | 83-10 | A50U895101 | 105-16 | A50UF16201 | 2-25 |
| A50U854800 | 84-32 | A50U866400 | 99-22 | A50U882900 | 93-26 | A50U899700 | 106-29 | A50UF16301 | 2-26 |
| A50U854800 | 85-4 | A50U866900 | 99-23 | A50U883001 | 93-27 | A50U899801 | 106-30 | A50UF16400 | 2-27 |
| A50U854800 | 92-25 | A50U867100 | 100-20 | A50U883101 | 93-28 | A50U943201 | 91-42 | A50UF21100 | 76-10 |
| A50U854800 | 94-13 | A50U867200 | 99-24 | A50U883200 | 93-29 | A50U943301 | 104-29 | A50UF21100 | 77-10 |
| A50U855200 | 9-3 | A50U867312 | 99-25 | A50U883300 | 88-23 | A50U943401 | 102-21 | A50UF21100 | 78-10 |
| A50U855601 | 94-14 | A50U867400 | 99-26 | A50U883400 | 93-30 | A50U943502 | 43-24 | A50UF36500 | 33-9 |
| A50U855702 | 82-13 | A50U867500 | 99-27 | A50U883501 | 88-24 | A50U943601 | 100-29 | A50UF41500 | 28-16 |
| A50U855800 | 84-33 | A50U867600 | 99-28 | A50U883600 | 91-37 | A50U943701 | 50-32 | A50UF50700 | 7-21 |
| A50U856201 | 92-26 | A50U867700 | 100-21 | A50U883600 | 93-31 | A50U943801 | 99-32 | A50UF70800 | 80-13 |
| A50U856501 | 96-25 | A50U867802 | 99-29 | A50U883701 | 93-32 | A50U943901 | 96-26 | A50UF70900 | 80-14 |
| A50U858101 | 84-34 | A50U868000 | 100-22 | A50U884000 | 93-33 | A50U944001 | 94-16 | A50UF80500 | 97-18 |
| A50U858200 | 82-14 | A50U868200 | 101-8 | A50U884202 | 83-11 | A50U944302 | 5-33 | A50UF81401 | 88-25 |
| A50U858300 | 82-15 | A50U868301 | 101-9 | A50U884600 | 84-35 | A50U944500 | 29-13 | A50UF82200 | 86-27 |
| A50U858400 | 82-16 | A50U868401 | 100-23 | A50U884700 | 84-36 | A50U944600 | 29-14 | A50UF83702 | 83-12 |
| A50U858500 | 82-17 | A50U868500 | 101-10 | A50U885100 | 86-26 | A50U944700 | 29-15 | A50UF84800 | 95-23 |
| A50U858600 | 86-24 | A50U868600 | 101-11 | A50U886300 | 91-38 | A50U944800 | 29-16 | A50UM30101 | 55-18 |
| A50U858703 | 93-24 | A50U868702 | 100-24 | A50U886700 | 93-35 | A50U945301 | 62-32 | A50UM30101 | 56-18 |
| A50U859500 | 92-27 | A50U869100 | 101-12 | A50U886800 | 92-32 | A50U945301 | 66-21 | A50UM30101 | 57-18 |
| A50U859800 | 92-28 | A50U869300 | 100-25 | A50U886900 | 93-36 | A50U945601 | 2-21 | A50UM30101 | 58-18 |
| A50U859900 | 95-22 | A50U869400 | 99-30 | A50U890102 | 106-15 | A50U945601 | 52-11 | A50UM32E00 | 46-20 |
| A50U860104 | 99-15 | A50U869501 | 99-31 | A50U890201 | 106-16 | A50U945601 | 54-19 | A50UM32F00 | 46-20 |
| A50U860105 | 99-15 | A50U869601 | 100-26 | A50U890300 | 106-17 | A50U945601 | 59-4 | A50UM40100 | 112-7 |
| A50U860202 | 100-11 | A50U869700 | 100-27 | A50U890500 | 105-9 | A50U945702 | 60-11 | A50UM40201 | 113-9 |
| A50U860600 | 100-12 | A50U869800 | 100-28 | A50U890600 | 106-18 | A50U945702 | 64-12 | A50UM51000 | 28-17 |
| A50U861006 | 99-17 | A50U880103 | 92-29 | A50U890700 | 106-19 | A50U946000 | 61-23 | A50UM51000 | 34-16 |
| A50U861100 | 100-13 | A50U880201 | 94-15 | A50U891001 | 105-10 | A50U946300 | 62-31 | A50UM51000 | 81-28 |
| A50U861601 | 100-14 | A50U880702 | 86-25 | A50U891201 | 105-11 | A50U946300 | 66-3 | A50UM51000 | 108-3 |
| A50U861900 | 101-3 | A50U880800 | 91-32 | A50U891302 | 106-21 | A50U946400 | 63-20 | A50UM60300 | 5-28 |
| A50U862600 | 101-4 | A50U881300 | 92-30 | A50U891500 | 106-22 | A50U946400 | 67-20 | A50UN10903 | 43-26 |
| A50U863000 | 101-5 | A50U881400 | 92-31 | A50U891600 | 106-23 | A50U946503 | 2-22 | A50UN11801 | 34-17 |
| A50U864200 | 100-15 | A50U881500 | 8-21 | A50U891900 | 106-24 | A50U948001 | 52-10 | A50UN12000 | 34-18 |
| A50U864300 | 100-16 | A50U881601 | 91-34 | A50U892001 | 106-25 | A50U949600 | 5-14 | A50UN12101 | 28-18 |
| A50U865011 | 101-6 | A50U881700 | 91-35 | A50U892101 | 106-26 | A50U949600 | 43-25 | A50UN12203 | 32-12 |
| A50U865101 | 100-17 | A50U882100 | 91-36 | A50U892201 | 105-12 | A50U949700 | 52-12 | A50UN12500 | 54-22 |
| A50U865200 | 101-7 | A50U882100 | 93-25 | A50U892502 | 105-13 | A50U949700 | 53-9 | A50UN12602 | 5-31 |
| A50U865300 | 99-19 | A50U882300 | 88-21 | A50U893201 | 106-27 | A50U949700 | 54-20 | A50UN12900 | 112-8 |
| A50U865401 | 100-18 | A50U882401 | 102-20 | A50U893300 | 105-14 | A50UF12000 | 5-18 | A50UN13203 | 39-25 |

| Parts No. | Page No. | Parts No. | Page No. | Parts No. | Page No. | Parts No. | Page No. | Parts No. | Page No. |
|------------|----------|------------|----------|------------|----------|------------|----------|------------|----------|
| A50UN14001 | 67-13 | A50UN24701 | 38-32 | A50UR72E00 | 87-36 | A79JM11300 | 52-13 | A85C898301 | 108-22 |
| A50UN14100 | 63-21 | A50UN24800 | 113-13 | A50UR72G00 | 88-29 | A79JM90A00 | 117-4 | A85C898701 | 107-3 |
| A50UN14201 | 72-29 | A50UN24901 | 38-33 | A50UR72K00 | 54-21 | A79JJP000 | 120-13 | A85C898801 | 107-4 |
| A50UN14400 | 81-29 | A50UN25000 | 113-14 | A50UR72R00 | 97-20 | A79JJP100 | 120-14 | A85C899100 | 109-22 |
| A50UN15101 | 113-10 | A50UN25200 | 113-15 | A50UR72S00 | 82-22 | A7PUM11000 | 35-20 | A85CM10100 | 79-14 |
| A50UN15301 | 105-18 | A50UN25300 | 113-16 | A50UR72U11 | 50-33 | A7PUM11100 | 31-6 | A85CM10200 | 76-13 |
| A50UN15400 | 8-22 | A50UN25400 | 86-29 | A50UR72X01 | 76-12 | A7PUM11100 | 74-4 | A85CM10200 | 77-13 |
| A50UN15500 | 82-19 | A50UN25500 | 113-17 | A50UR72X01 | 77-12 | A85C102000 | 10-24 | A85CM10200 | 78-13 |
| A50UN15800 | 102-22 | A50UN25600 | 86-30 | A50UR72X01 | 78-12 | A85C213100 | 79-13 | A85CM55500 | 91-45 |
| A50UN15900 | 93-37 | A50UPJG100 | 120-9 | A50UR72X01 | 79-12 | A85C409600 | 29-17 | A85CM55500 | 93-42 |
| A50UN16000 | 89-14 | A50UPJG200 | 120-10 | A50UR72Y00 | 45-7 | A85C635200 | 70-21 | A85CM55500 | 99-34 |
| A50UN16300 | 95-24 | A50UPJG300 | 120-8 | A50UR73J00 | 40-12 | A85C635200 | 73-21 | A85CM55500 | 106-32 |
| A50UN16400 | 95-25 | A50UPP0100 | 120-1 | A50UR73K00 | 40-13 | A85C635401 | 69-30 | A85CM55600 | 37-14 |
| A50UN16700 | 103-14 | A50UR70115 | 34-19 | A50UV52000 | 59-1 | A85C635401 | 72-30 | A85CM55600 | 44-26 |
| A50UN16900 | 89-15 | A50UR70500 | 59-5 | A55C712000 | 80-16 | A85C757801 | 50-34 | A85CM55600 | 54-23 |
| A50UN17100 | 97-19 | A50UR70666 | 36-1 | A5AW162000 | 2-33 | A85C758100 | 50-35 | A85CM55600 | 61-24 |
| A50UN17200 | 86-28 | A50UR70A12 | 11-27 | A5AW510400 | 109-8 | A85C764100 | 50-36 | A85CM55600 | 63-13 |
| A50UN17502 | 101-13 | A50UR70B00 | 59-6 | A5AW744900 | 49-16 | A85C789200 | 48-21 | A85CM55600 | 65-28 |
| A50UN17601 | 100-30 | A50UR70E22 | 45-6 | A5AWM15101 | 7-23 | A85C789300 | 48-20 | A85CM55600 | 69-9 |
| A50UN17700 | 98-18 | A50UR70F00 | 48-15 | A5AWM15101 | 107-1 | A85C877111 | 101-14 | A85CM55600 | 72-9 |
| A50UN17900 | 91-43 | A50UR70G01 | 82-21 | A5AWP00100 | 120-2 | A85C877211 | 94-17 | A85CM55600 | 76-14 |
| A50UN18100 | 93-38 | A50UR70H00 | 12-9 | A5C1263300 | 19-17 | A85C895300 | 109-9 | A85CM55600 | 77-14 |
| A50UN18203 | 88-26 | A50UR70Q00 | 79-10 | A5C1263400 | 19-18 | A85C895400 | 109-10 | A85CM55600 | 78-14 |
| A50UN18401 | 100-31 | A50UR71K00 | 76-11 | A5C1280101 | 18-8 | A85C895500 | 106-31 | A85CM55600 | 81-30 |
| A50UN18700 | 82-20 | A50UR71K00 | 77-11 | A5C1M50100 | 18-9 | A85C895800 | 109-11 | A85CM55600 | 84-38 |
| A50UN18900 | 88-27 | A50UR71K00 | 78-11 | A5C1M50100 | 19-19 | A85C895900 | 109-12 | A85CM55600 | 88-31 |
| A50UN23200 | 112-10 | A50UR71M00 | 79-11 | A5C1N14300 | 19-20 | A85C896301 | 109-13 | A85CM55600 | 89-16 |
| A50UN23300 | 112-11 | A50UR71P22 | 36-2 | A65U186600 | 107-2 | A85C896400 | 109-14 | A85CM55600 | 93-4 |
| A50UN23400 | 112-12 | A50UR71Q00 | 59-7 | A782945003 | 120-20 | A85C896501 | 108-25 | A85CM55600 | 97-21 |
| A50UN23500 | 112-13 | A50UR71R11 | 59-8 | A795167800 | 3-10 | A85C896601 | 108-26 | A85CM55600 | 100-33 |
| A50UN23600 | 112-14 | A50UR71S11 | 59-9 | A795273900 | 20-19 | A85C896800 | 109-15 | A85CN12800 | 7-24 |
| A50UN23700 | 112-15 | A50UR71U12 | 13-11 | A795275700 | 19-21 | A85C896900 | 109-16 | A85CN19000 | 76-15 |
| A50UN23800 | 112-16 | A50UR71V01 | 13-12 | A795M20300 | 69-20 | A85C897201 | 109-17 | A85CN19100 | 79-15 |
| A50UN23900 | 112-17 | A50UR71W01 | 13-13 | A795M20300 | 70-13 | A85C897300 | 109-18 | A85CN19900 | 122-5 |
| A50UN24100 | 112-18 | A50UR72100 | 38-34 | A795M20300 | 72-20 | A85C897400 | 108-4 | A85CN21600 | 107-5 |
| A50UN24200 | 112-19 | A50UR72600 | 91-44 | A795M20300 | 73-13 | A85C897700 | 109-19 | A85CN21700 | 108-9 |
| A50UN24300 | 112-20 | A50UR72600 | 93-41 | A795M20300 | 81-5 | A85C897800 | 109-20 | A85CN27800 | 18-10 |
| A50UN24400 | 113-11 | A50UR72722 | 100-32 | A799H04001 | 14-28 | A85C897900 | 108-5 | A85CR70C22 | 76-16 |
| A50UN24501 | 38-31 | A50UR72811 | 99-33 | A799M45300 | 111-1 | A85C898100 | 108-23 | A85CR70R33 | 36-4 |
| A50UN24600 | 113-12 | A50UR72C00 | 84-37 | A79J136000 | 110-10 | A85C898200 | 108-24 | A8AK100401 | 107-6 |

| Parts No. | Page No. |
|------------|----------|
| A8AK101503 | 108-11 |
| A8AK101700 | 108-12 |
| A8AK103200 | 109-23 |
| A8AK103502 | 109-24 |
| A8AK103601 | 109-25 |
| A8AK103702 | 109-26 |
| A8AK104100 | 109-27 |
| A8AK106101 | 105-19 |
| A8AK106200 | 105-20 |
| A8AK106300 | 105-21 |
| A8AK106400 | 105-22 |
| A8AK106800 | 105-23 |
| A8AK107100 | 108-13 |
| A8AK107200 | 105-24 |
| A8AK108001 | 109-28 |
| A8AK108100 | 109-29 |
| A8AK108200 | 109-30 |
| A8AK108302 | 109-31 |
| A8AK108400 | 109-32 |
| A8AK108500 | 109-33 |
| A8AK162701 | 105-25 |
| A8AK941301 | 109-34 |
| A8AKN10501 | 109-35 |
| A8AKR70511 | 109-36 |
| A8AW106900 | 108-14 |
| A8AW162500 | 108-16 |
| A8AW162600 | 108-17 |
| A8AW941002 | 108-18 |
| A8WC707100 | 120-21 |
| A92W343000 | 55-20 |
| A92W343000 | 56-20 |
| A92W343000 | 57-20 |
| A92W343000 | 58-20 |
| A92W345400 | 55-21 |
| A92W345400 | 56-21 |
| A92W345400 | 57-21 |
| A92W345400 | 58-21 |
| A93EM10000 | 8-23 |
| A93EM10000 | 10-7 |
| A93EM10000 | 98-1 |

| Parts No. | Page No. |
|------------|----------|
| A93EM10000 | 105-2 |
| A93EM10000 | 113-18 |
| A93EM10600 | 5-1 |
| A9CE716000 | 41A-4 |
| A9CE955000 | 121-4 |
| A9CE955100 | 121-5 |
| A9JT170601 | 3-11 |
| A9JT942401 | 4-4 |
| A9JT944200 | 2-34 |
| A9VE110100 | 10-2 |
| A9VE110100 | 13-1 |
| A9VE110200 | 10-3 |
| A9VE114600 | 9-20 |
| A9VE133000 | 112-21 |
| A9VE160300 | 2-29 |
| A9VE160600 | 2-30 |
| A9VE160700 | 60-12 |
| A9VE160800 | 64-13 |
| A9VE161100 | 3-12 |
| A9VE161200 | 3-13 |
| A9VE161301 | 3-14 |
| A9VE161400 | 3-8 |
| A9VE162300 | 4-5 |
| A9VE162400 | 3-3 |
| A9VE162500 | 1-6 |
| A9VE162800 | 1-7 |
| A9VE163200 | 1-8 |
| A9VE163600 | 4-8 |
| A9VE163800 | 4-9 |
| A9VE163900 | 3-4 |
| A9VE164800 | 2-31 |
| A9VE168000 | 122-6 |
| A9VE168800 | 3-6 |
| A9VE168800 | 121-6 |
| A9VE169000 | 121-7 |
| A9VE193100 | 16-16 |
| A9VE193200 | 16-17 |
| A9VE193300 | 15-16 |
| A9VE193500 | 15-17 |
| A9VE193800 | 15-18 |

| Parts No. | Page No. |
|------------|----------|
| A9VE193900 | 16-18 |
| A9VE194000 | 15-19 |
| A9VE194100 | 15-20 |
| A9VE194200 | 122-7 |
| A9VE194300 | 122-8 |
| A9VE197100 | 122-13 |
| A9VE220500 | 52-19 |
| A9VE220600 | 53-10 |
| A9VE222000 | 53-6 |
| A9VE400200 | 29-18 |
| A9VE500100 | 38-35 |
| A9VE500200 | 38-35 |
| A9VE521100 | 84-5 |
| A9VE521200 | 84-13 |
| A9VE522500 | 84-39 |
| A9VE526200 | 84-40 |
| A9VE560100 | 69-15 |
| A9VE560100 | 72-15 |
| A9VE620701 | 64-14 |
| A9VE625800 | 75-1 |
| A9VE628400 | 60-13 |
| A9VE628400 | 64-15 |
| A9VE628500 | 60-14 |
| A9VE630701 | 60-15 |
| A9VE633100 | 60-16 |
| A9VE633100 | 64-16 |
| A9VE634400 | 60-17 |
| A9VE634400 | 64-17 |
| A9VE641600 | 10-21 |
| A9VE641700 | 10-14 |
| A9VE700200 | 80-17 |
| A9VE701300 | 80-18 |
| A9VE715700 | 104-28 |
| A9VE720300 | 49-18 |
| A9VE720500 | 49-19 |
| A9VE722800 | 51-9 |
| A9VE723500 | 49-20 |
| A9VE723600 | 49-21 |
| A9VE724100 | 49-22 |
| A9VE726800 | 49-23 |

| Parts No. | Page No. |
|------------|----------|
| A9VE727500 | 50-37 |
| A9VE727600 | 51-10 |
| A9VE727700 | 50-38 |
| A9VE728300 | 49-24 |
| A9VE728400 | 48-17 |
| A9VE731500 | 51-11 |
| A9VE733000 | 49-25 |
| A9VE733100 | 49-26 |
| A9VE733400 | 48-18 |
| A9VE741600 | 45-8 |
| A9VE741700 | 46-21 |
| A9VE741800 | 46-12 |
| A9VE742400 | 44-27 |
| A9VE742500 | 43-27 |
| A9VE743000 | 43-29 |
| A9VE743500 | 49-27 |
| A9VE743800 | 44-28 |
| A9VE744300 | 44-29 |
| A9VE745800 | 45-9 |
| A9VE758000 | 50-39 |
| A9VE758400 | 47-22 |
| A9VE758600 | 47-23 |
| A9VE760900 | 50-8 |
| A9VE764200 | 50-41 |
| A9VE769001 | 48-19 |
| A9VE769300 | 51-12 |
| A9VE769600 | 51-13 |
| A9VE785400 | 49-28 |
| A9VE785500 | 49-29 |
| A9VE818100 | 86-31 |
| A9VE819100 | 88-32 |
| A9VE839100 | 86-32 |
| A9VE841000 | 94-19 |
| A9VE841300 | 88-6 |
| A9VE849900 | 94-1 |
| A9VE851800 | 92-14 |
| A9VE851800 | 93-14 |
| A9VE866100 | 99-35 |
| A9VE866201 | 99-36 |
| A9VE867900 | 99-37 |

| Parts No. | Page No. |
|------------|----------|
| A9VE870100 | 85-5 |
| A9VE870200 | 85-6 |
| A9VE870211 | 85-6 |
| A9VE870300 | 85-7 |
| A9VE870400 | 85-8 |
| A9VE870411 | 85-8 |
| A9VE870500 | 85-9 |
| A9VE870600 | 85-10 |
| A9VE870800 | 84-42 |
| A9VE870900 | 84-43 |
| A9VE871200 | 84-44 |
| A9VE871300 | 84-45 |
| A9VE871601 | 91-46 |
| A9VE871700 | 84-46 |
| A9VE871800 | 84-47 |
| A9VE871900 | 85-11 |
| A9VE872000 | 91-5 |
| A9VE890400 | 106-33 |
| A9VE890900 | 106-34 |
| A9VE892800 | 106-35 |
| A9VE942301 | 4-12 |
| A9VE942600 | 4-11 |
| A9VE942700 | 52-15 |
| A9VE943100 | 82-2 |
| A9VE944100 | 83-5 |
| A9VE944901 | 2-32 |
| A9VE945400 | 60-18 |
| A9VE945500 | 64-18 |
| A9VE945900 | 121-19 |
| A9VE949000 | 50-42 |
| A9VEF62109 | 64-19 |
| A9VEF63108 | 60-19 |
| A9VEF84100 | 94-18 |
| A9VEM31E00 | 49-4 |
| A9VEM31F00 | 49-4 |
| A9VEM33E00 | 49-30 |
| A9VEM33F00 | 49-30 |
| A9VEM55100 | 103-17 |
| A9VEM75500 | 14-17 |
| A9VEN10601 | 48-22 |

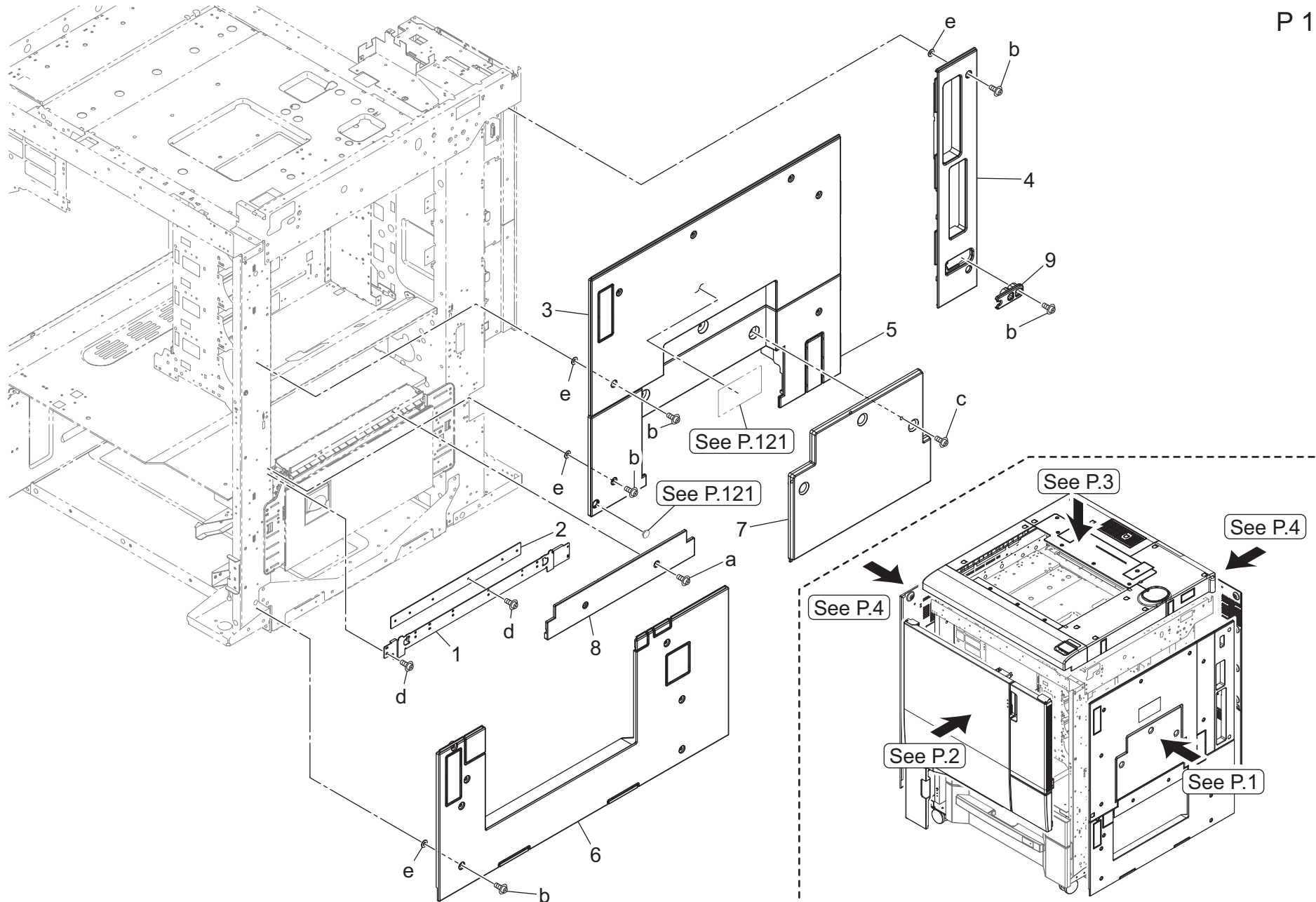
| Parts No. | Page No. | Parts No. | Page No. | Parts No. | Page No. | Parts No. | Page No. | Parts No. | Page No. |
|------------|----------|------------|----------|------------|----------|------------|----------|------------|----------|
| A9VEN11000 | 48-23 | A9VP536600 | 41B-6 | AA2JR73200 | 17-7 | AC57160100 | 2-28 | AC57341200 | 58-25 |
| A9VEN11500 | 112-1 | A9VP536700 | 41B-7 | AA2JR73300 | 17-8 | AC57160400 | 82-23 | AC57341700 | 52-3 |
| A9VEN12400 | 52-16 | A9VP540100 | 41B-8 | AA7NH01A01 | 18-2 | AC57161001 | 3-2 | AC57343102 | 58-26 |
| A9VEN13300 | 39-26 | A9VP543600 | 41B-9 | AA7NM31200 | 20-20 | AC57161600 | 2-6 | AC57343700 | 58-27 |
| A9VEN15000 | 86-34 | A9VP543700 | 41B-10 | AA7NR72500 | 17-9 | AC57161800 | 2-8 | AC57347300 | 55-2 |
| A9VEN15200 | 106-36 | A9VP544001 | 41B-14 | AA7NR72511 | 17-9 | AC57162001 | 1-3 | AC57347300 | 56-2 |
| A9VEN15601 | 86-35 | A9VP545100 | 41A-9 | AAK7374100 | 24-4 | AC57162100 | 1-4 | AC57347300 | 57-2 |
| A9VEN16100 | 89-17 | A9VP545200 | 41A-10 | AAK7374100 | 25-4 | AC57162201 | 1-5 | AC57347300 | 58-23 |
| A9VEN16200 | 85-12 | A9VP545302 | 41A-11 | AAK7374100 | 26-4 | AC57162600 | 1-9 | AC57347400 | 55-22 |
| A9VEN16200 | 91-33 | A9VP545400 | 41A-12 | AAK7374100 | 27-4 | AC57163000 | 4-6 | AC57347400 | 56-22 |
| A9VEN16500 | 88-33 | A9VP545500 | 41A-13 | AAK7376000 | 24-6 | AC57163100 | 4-13 | AC57347400 | 57-22 |
| A9VEN18801 | 86-36 | A9VP545600 | 41A-14 | AAK7376000 | 25-6 | AC57163500 | 4-7 | AC57347400 | 58-22 |
| A9VER70422 | 49-6 | A9VP545700 | 41A-15 | AAK7376000 | 26-6 | AC57169000 | 52-4 | AC57363000 | 35-4 |
| A9VER70900 | 51-14 | A9VP545800 | 41A-16 | AAK7376000 | 27-6 | AC57174100 | 2-35 | AC57400500 | 32-5 |
| A9VER71700 | 30-2 | A9VP545900 | 41A-17 | AAK7R71711 | 41-16 | AC57174200 | 2-36 | AC57401200 | 32-6 |
| A9VER71800 | 33-11 | A9VP546000 | 41A-18 | AAK7R71711 | 41-16 | AC57174400 | 2-37 | AC57401300 | 32-7 |
| A9VP368401 | 33-13 | A9VP546100 | 41A-19 | AAK7R71711 | 41-16 | AC57175900 | 8-25 | AC57462100 | 55-8 |
| A9VP505400 | 39-12 | A9VP546200 | 41A-20 | AAMP10900 | 89-2 | AC57190102 | 14-25 | AC57462100 | 56-8 |
| A9VP513400 | 39-27 | A9VP546300 | 41A-21 | AC57108100 | 111-2 | AC57190201 | 14-26 | AC57462100 | 57-8 |
| A9VP513600 | 37-15 | A9VP546400 | 41A-22 | AC57120500 | 8-24 | AC57190301 | 14-27 | AC57462100 | 58-8 |
| A9VP515200 | 42A-5 | A9VP546500 | 41A-23 | AC57120700 | 113-19 | AC57193100 | 14-8 | AC57462202 | 55-9 |
| A9VP515300 | 42A-6 | A9VP546600 | 41A-24 | AC57121000 | 5-10 | AC57193200 | 14-9 | AC57462202 | 56-9 |
| A9VP515400 | 42A-7 | A9VP546700 | 41A-25 | AC57121100 | 5-32 | AC57193400 | 14-10 | AC57462202 | 57-9 |
| A9VP515500 | 42A-8 | A9VP546800 | 41A-26 | AC57121400 | 5-12 | AC57193500 | 14-11 | AC57462202 | 58-9 |
| A9VP515600 | 42A-9 | A9VP546900 | 41A-27 | AC57121600 | 5-12 | AC57193600 | 14-3 | AC57503900 | 38-16 |
| A9VP515900 | 42A-10 | A9VP547100 | 41A-28 | AC57123800 | 5-15 | AC57193800 | 14-13 | AC57504000 | 38-17 |
| A9VP516401 | 42A-15 | A9VP547900 | 41A-29 | AC57130400 | 115-5 | AC57193900 | 14-14 | AC57515400 | 42-9 |
| A9VP516500 | 42A-16 | A9VP742800 | 43-28 | AC57130500 | 114-3 | AC57194101 | 14-21 | AC57533200 | 41B-15 |
| A9VP516600 | 42A-17 | A9VP788700 | 45-20 | AC57132001 | 113-20 | AC57205001 | 14-30 | AC57533300 | 41B-16 |
| A9VP516700 | 42A-18 | A9VP893500 | 109-38 | AC57132200 | 113-21 | AC57205101 | 14-30 | AC57533400 | 41B-3 |
| A9VP516800 | 42A-19 | A9VPM75800 | 14-23 | AC57132500 | 113-22 | AC57205201 | 14-30 | AC57560000 | 69-11 |
| A9VP516901 | 42A-20 | A9VPM20000 | 42A-13 | AC57132800 | 113-23 | AC57205300 | 14-30 | AC57560000 | 72-11 |
| A9VP517000 | 42A-11 | A9VPM28600 | 14-24 | AC57132900 | 113-24 | AC57220500 | 52-2 | AC57560301 | 68-6 |
| A9VP517700 | 40-14 | A9VPR71600 | 41B-12 | AC57133200 | 7-11 | AC57220700 | 53-11 | AC57560301 | 71-6 |
| A9VP517800 | 37-16 | A9VPR71900 | 42A-12 | AC57133400 | 113-25 | AC57337201 | 54-24 | AC57560401 | 69-6 |
| A9VP517900 | 37-17 | A9VPR73800 | 41B-13 | AC57133700 | 113-29 | AC57340301 | 55-4 | AC57560401 | 72-6 |
| A9VP534900 | 41A-5 | A9VPR77700 | 14-29 | AC57134000 | 114-16 | AC57340301 | 56-4 | AC57635300 | 70-22 |
| A9VP535000 | 41A-6 | AA2JM10500 | 113-1 | AC57134100 | 111-3 | AC57340301 | 57-4 | AC57635300 | 73-22 |
| A9VP535100 | 41A-7 | AA2JM10500 | 114-2 | AC57134800 | 115-6 | AC57340601 | 58-4 | AC57704400 | 81-16 |
| A9VP535200 | 41A-8 | AA2JN14500 | 17-6 | AC57135800 | 115-7 | AC57340700 | 8-26 | AC57705300 | 80-20 |

| Parts No. | Page No. | Parts No. | Page No. | Parts No. | Page No. | Parts No. | Page No. | Parts No. | Page No. |
|------------|----------|------------|----------|------------|----------|------------|----------|------------|----------|
| AC57710100 | 102-7 | AC57849200 | 87-33 | AC57M15300 | 7-22 | AC57N26500 | 21-8 | AC57R72700 | 30-1 |
| AC57715901 | 103-6 | AC57859000 | 87-34 | AC57M15300 | 105-17 | AC57N27000 | 12-8 | AC57R72900 | 110-11 |
| AC57716101 | 102-16 | AC57859400 | 87-35 | AC57M15400 | 11-26 | AC57N27400 | 115-9 | AC57R73000 | 110-11 |
| AC57716300 | 102-24 | AC57860500 | 99-16 | AC57M15800 | 5-5 | AC57N28600 | 115-10 | AC57R73200 | 121-14 |
| AC57716700 | 103-9 | AC57861800 | 99-18 | AC57M15800 | 8-27 | AC57N29001 | 15-14 | AC57R73400 | 104-30 |
| AC57719200 | 102-18 | AC57870700 | 84-41 | AC57M20000 | 87-9 | AC57N29100 | 15-15 | AC57R73600 | 98-2 |
| AC57723800 | 48-24 | AC57884400 | 83-13 | AC57M20200 | 87-14 | AC57N29200 | 115-11 | AC57R73700 | 88-30 |
| AC57736201 | 43-5 | AC57884500 | 83-14 | AC57M40900 | 108-6 | AC57R70111 | 22-1 | AC57R73900 | 30-1 |
| AC57740000 | 51-5 | AC57890800 | 106-20 | AC57M46100 | 111-4 | AC57R70111 | 22-1 | AC57R74000 | 110-11 |
| AC57741900 | 47-20 | AC57891400 | 108-15 | AC57M50001 | 48-26 | AC57R70222 | 24-10 | AC57R74100 | 30-1 |
| AC57742000 | 47-21 | AC57891700 | 108-21 | AC57M50101 | 48-27 | AC57R70222 | 24-10 | AC57R74200 | 110-11 |
| AC57744600 | 44-15 | AC57895600 | 108-20 | AC57M50200 | 42-8 | AC57R70222 | 24-10 | AC57R74300 | 46-14 |
| AC57744700 | 47-5 | AC57896001 | 122-12 | AC57M50200 | 42A-14 | AC57R70222 | 25-10 | AC57R74500 | 33-10 |
| AC57745000 | 49-17 | AC57896400 | 109-37 | AC57M60000 | 28-3 | AC57R70222 | 25-10 | AC57R74600 | 33-12 |
| AC57745300 | 43-31 | AC57897000 | 105-28 | AC57M90100 | 117-5 | AC57R70222 | 25-10 | AC57R74700 | 35-22 |
| AC57746700 | 47-7 | AC57898000 | 122-1 | AC57N10201 | 117-1 | AC57R70222 | 26-10 | AC57R74800 | 42-7 |
| AC57747200 | 44-30 | AC57898500 | 108-10 | AC57N10302 | 118-2 | AC57R70222 | 26-10 | AC57R74900 | 36-3 |
| AC57747301 | 44-31 | AC57899000 | 109-21 | AC57N10400 | 117-2 | AC57R70222 | 26-10 | AC57R74911 | 36-3 |
| AC57749001 | 43-14 | AC57942100 | 3-15 | AC57N10501 | 119-1 | AC57R70222 | 27-10 | AC57R74922 | 36-3 |
| AC57754900 | 47-9 | AC57942200 | 121-20 | AC57N10513 | 119-1 | AC57R70222 | 27-10 | AC57R75011 | 36-4 |
| AC57760300 | 50-40 | AC57944100 | 121-21 | AC57N10700 | 44-33 | AC57R70222 | 27-10 | AC57R75122 | 36-1 |
| AC57761000 | 50-15 | AC57946500 | 41B-11 | AC57N10A01 | 116-1 | AC57R70311 | 36-3 | AC57R75200 | 5-34 |
| AC57767400 | 47-6 | AC57946500 | 54-25 | AC57N10F01 | 116-1 | AC57R70311 | 36-3 | AC57R75300 | 97-23 |
| AC57767600 | 45-18 | AC57946500 | 55-19 | AC57N11300 | 114-15 | AC57R70400 | 21-9 | AC57R75400 | 50-44 |
| AC57767701 | 45-19 | AC57946500 | 56-19 | AC57N11400 | 111-5 | AC57R70700 | 35-21 | AC57R75500 | 40-13 |
| AC57767800 | 45-11 | AC57946500 | 57-19 | AC57N11600 | 111-6 | AC57R70800 | 68-23 | AC57R75600 | 71-23 |
| AC57768000 | 45-12 | AC57946500 | 58-19 | AC57N12701 | 118-1 | AC57R71000 | 74-12 | AC57V13003 | 113-28 |
| AC57768100 | 45-13 | AC57974400 | 55-1 | AC57N13601 | 10-23 | AC57R71300 | 80-19 | AC58222300 | 53-12 |
| AC57768200 | 45-14 | AC57H01109 | 115-8 | AC57N13700 | 39-26 | AC57R71400 | 102-23 | AC58222400 | 52-6 |
| AC57768300 | 45-15 | AC57H03002 | 112-22 | AC57N14200 | 69-29 | AC57R71500 | 93-39 | AC58783400 | 49-15 |
| AC57768401 | 45-16 | AC57H03013 | 112-22 | AC57N14200 | 72-29 | AC57R71600 | 88-28 | AC58947000 | 82-24 |
| AC57768500 | 45-17 | AC57H05002 | 86-33 | AC57N16600 | 103-13 | AC57R71700 | 84-48 | AC58N17400 | 112-9 |
| AC57768600 | 44-34 | AC57H83000 | 112-22 | AC57N16801 | 103-15 | AC57R71800 | 93-40 | AC58R70100 | 52-17 |
| AC57768800 | 48-25 | AC57M10300 | 38-9 | AC57N20000 | 42-2 | AC57R71900 | 105-27 | ACE6335600 | 23-3 |
| AC57784600 | 51-15 | AC57M10300 | 43-4 | AC57N21301 | 108-7 | AC57R72000 | 98-19 | ACE6339100 | 23-4 |
| AC57800100 | 98-4 | AC57M10600 | 44-32 | AC57N21400 | 108-8 | AC57R72100 | 50-43 | ACVXM40H00 | 110-1 |
| AC57805500 | 97-22 | AC57M10A00 | 19-22 | AC57N22000 | 88-34 | AC57R72300 | 43-30 | SP00-0210 | 48-16 |
| AC57812200 | 87-17 | AC57M15000 | 10-6 | AC57N22000 | 93-2 | AC57R72411 | 43-30 | SP00-0220 | 45-10 |
| AC57818000 | 86-15 | AC57M15000 | 95-4 | AC57N22000 | 98-20 | AC57R72411 | 43-30 | V114040604 | 121-10 |
| AC57849100 | 87-32 | AC57M15000 | 113-27 | AC57N22101 | 84-14 | AC57R72600 | 30-1 | V118030604 | 121-13 |

| Parts No. | Page No. |
|------------|----------|
| V121030604 | 121-11 |
| V127030516 | 121-12 |
| V153031004 | 122-10 |
| V217040003 | 122-9 |
| V234201250 | 104-2 |
| V234201450 | 99-5 |
| V234201450 | 100-6 |
| V500010075 | 121-18 |
| V501010006 | 122-14 |
| V502010033 | 111-7 |
| V502010033 | 111-8 |

External Parts Section

P 1

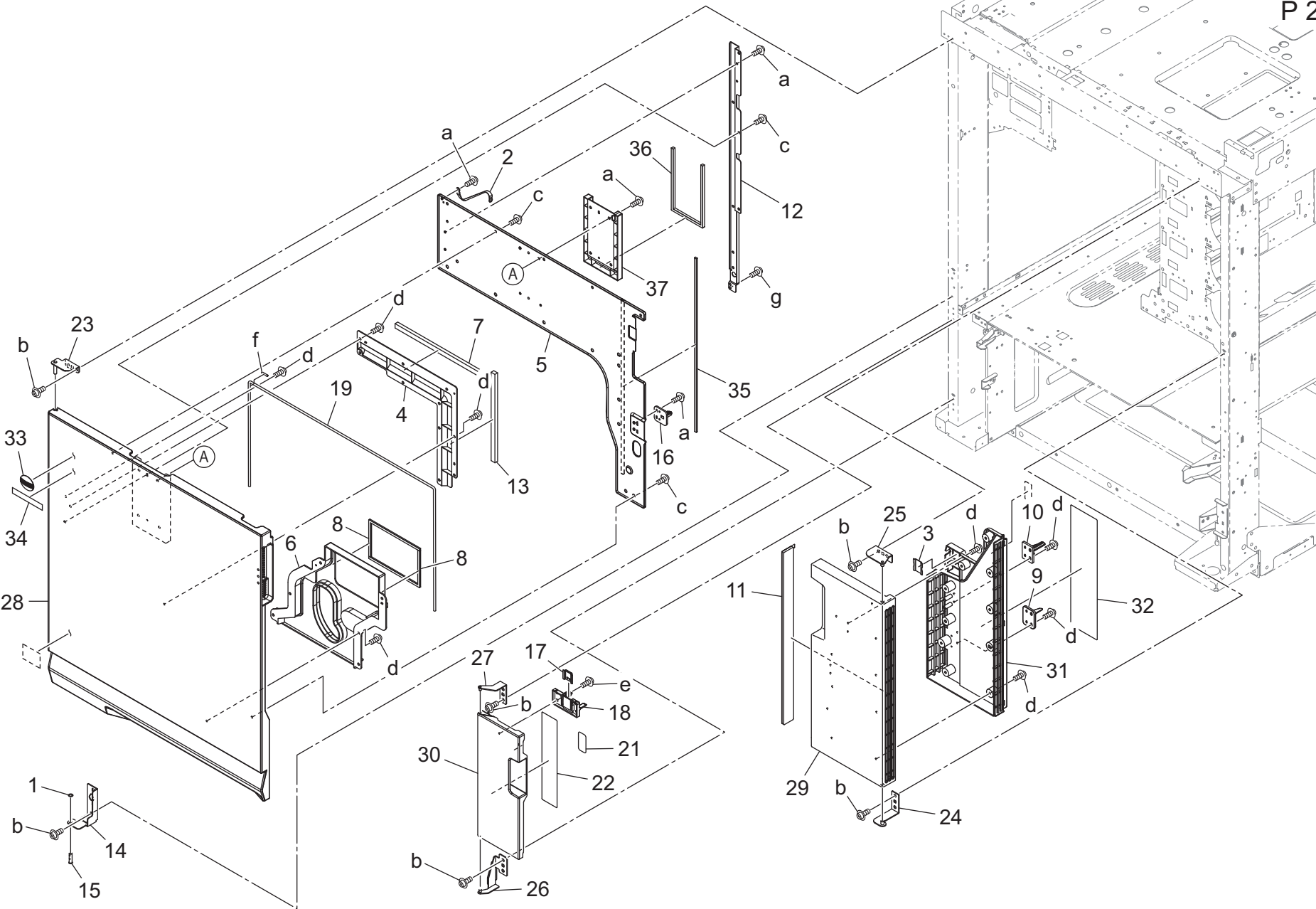


External Parts Section

| Key | Part No. | Description | Destinations | Class | QTY | Standard parts |
|-----|------------|-------------------------|--------------|-------|-----|--|
| 1 | A50U162701 | Reinforce Plate | | D | 1 | a-V114040604 b-V114041004 c-V121031004 d-V127030604 e-V211040080 |
| 2 | A50U162900 | Reinforce Plate /2 | | D | 1 | |
| 3 | AC57162001 | Cover /Right | | D | 1 | |
| 4 | AC57162100 | Protection Cover /1 | | D | 1 | |
| 5 | AC57162201 | Cover /Right | | D | 1 | |
| 6 | A9VE162500 | Protection Cover /Lower | | D | 1 | |
| 7 | A9VE162800 | Bypass Cover | | D | 1 | |
| 8 | A9VE163200 | Protection Cover | | D | 1 | |
| 9 | AC57162600 | Cover | | D | 1 | |
| | | | | | | |
| | | | | | | |
| | | | | | | |
| | | | | | | |
| | | | | | | |
| | | | | | | |
| | | | | | | |
| | | | | | | |
| | | | | | | |
| | | | | | | |
| | | | | | | |
| | | | | | | |
| | | | | | | |
| | | | | | | |
| | | | | | | |
| | | | | | | |
| | | | | | | |

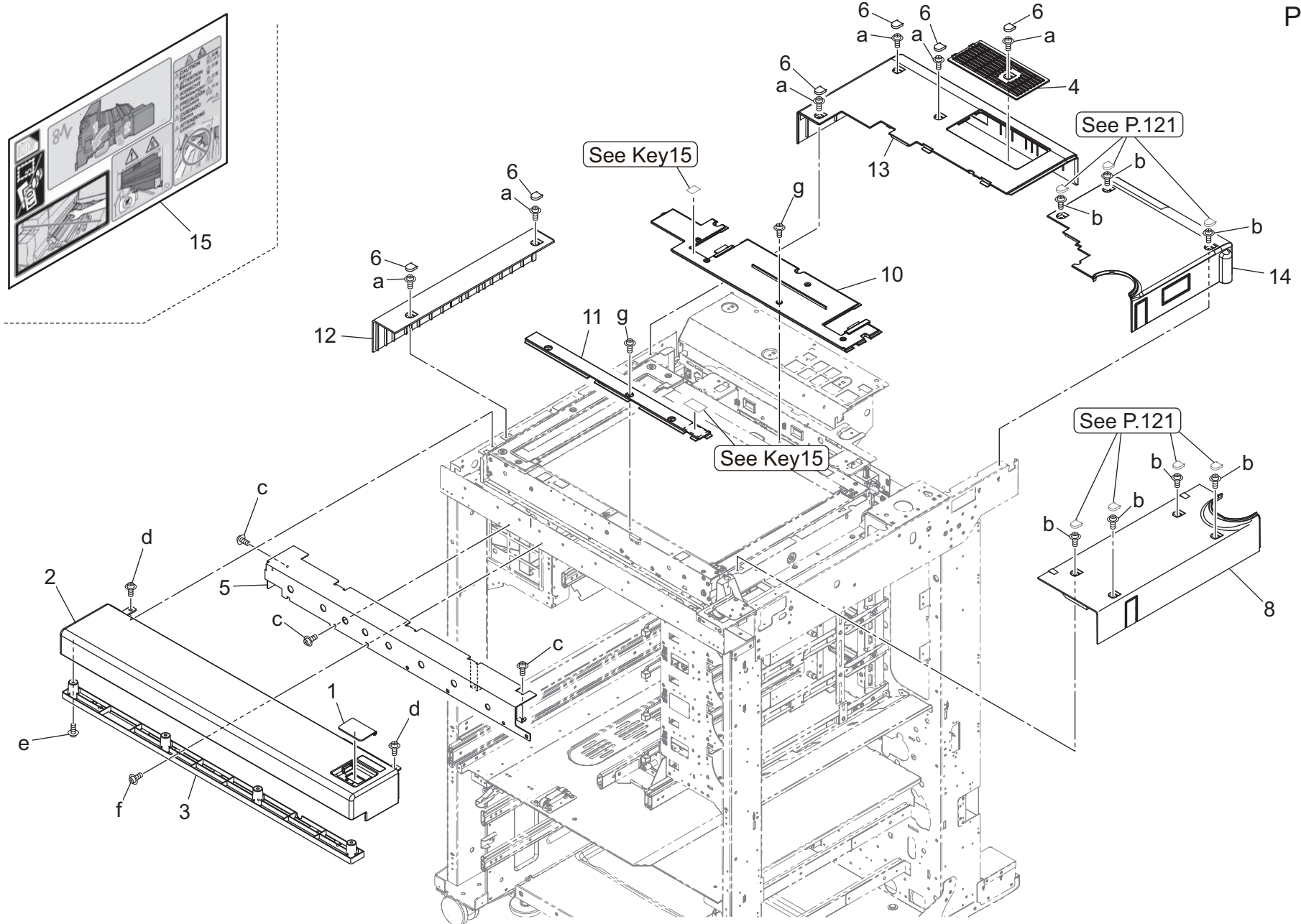
External Parts Section

P 2



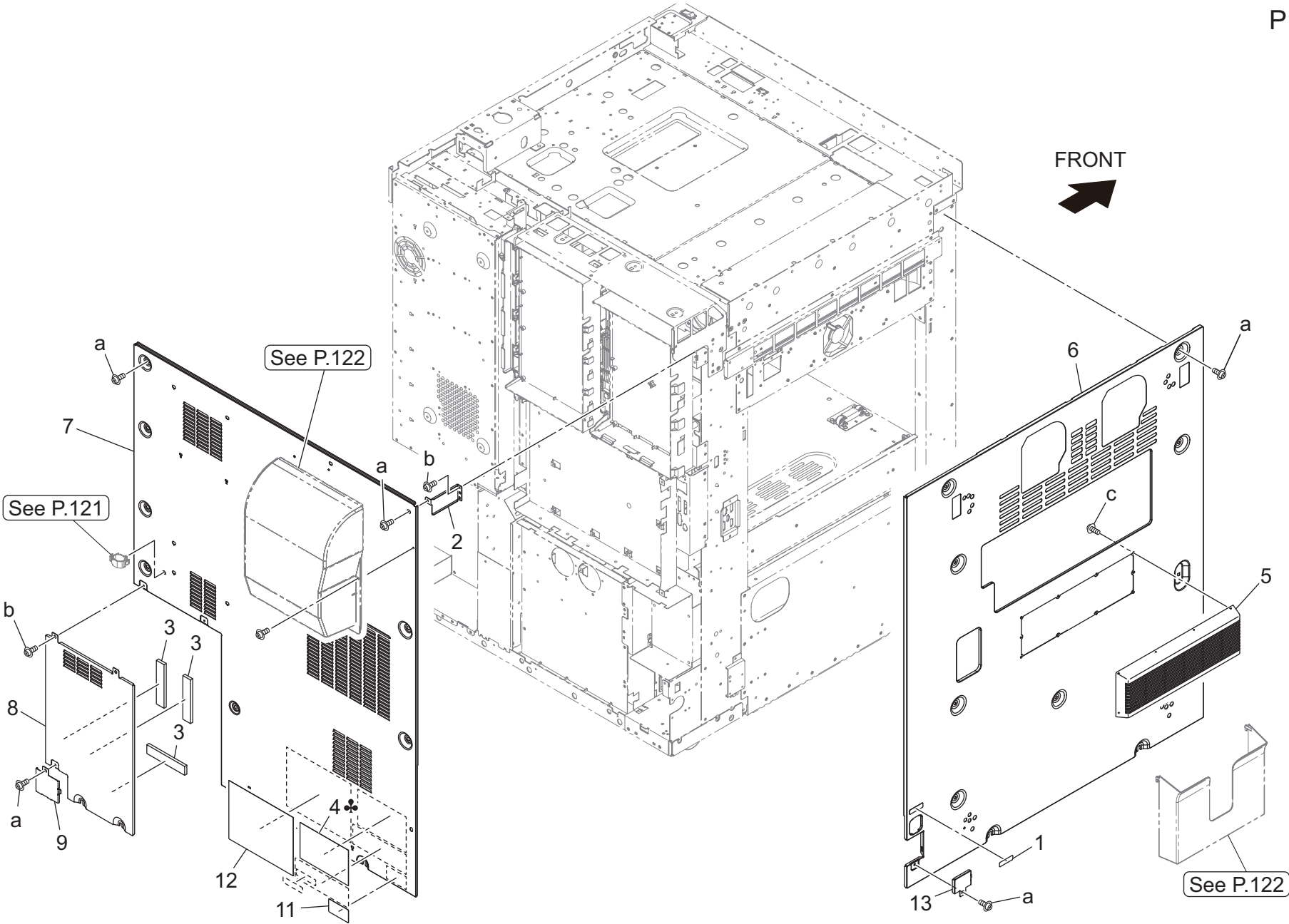
| Key | Part No. | Description | Destinations | Class | QTY | Standard parts |
|-----|------------|---|--------------|-------|-----|----------------|
| 1 | 40AA30270 | DEVELOPING SPACER | | C | 1 | a-V127030604 |
| 2 | 55VA90840 | MAIN EARTH WIRE | | D | 1 | b-V127040603 |
| 3 | 56AA12241 | EXTERNAL LOCK PLATE | | D | 1 | c-V158030803 |
| 4 | A50U160500 | Fixing Plate | | D | 1 | d-V158030804 |
| 5 | A50U161502 | Reinforce Door /Right | | D | 1 | e-V158031003 |
| 6 | AC57161600 | Cover Duct /Front | | D | 1 | f-V234201450 |
| 7 | A50U161700 | Sealing Cushion /1 | | D | 1 | g-V126030603 |
| 8 | AC57161800 | Seal | | D | 2 | |
| 9 | A50U164100 | Detecting Actuator | | D | 1 | |
| 10 | A50U164200 | Detecting Part | | D | 1 | |
| 11 | A50U164901 | Suction Dust-proof Filter | | A | 1 | |
| 12 | A50U165500 | Reinforce Hinge | | D | 1 | |
| 13 | A50U165600 | Sealing Cushion /2 | | D | 1 | |
| 14 | A50U166100 | Hinge /Lower | | D | 1 | |
| 15 | A50U166200 | Support Shaft /Lower | | D | 1 | |
| 16 | A50U167201 | Lock Cover | | D | 1 | |
| 17 | A50U167500 | Lock Plate | | D | 1 | |
| 18 | A50U167601 | Detecting Part | | D | 1 | |
| 19 | A50U169900 | Reinforce Wire | | D | 1 | |
| 21 | A50U945601 | Operation Label | | D | 1 | |
| 22 | A50U946503 | Operation Label /A | | D | 1 | |
| 23 | A50UF16000 | Left Door Support Plate / Upper Caulking | | D | 1 | |
| 24 | A50UF16101 | Right Door Support Plate / Lower Caulkin | | D | 1 | |
| 25 | A50UF16201 | Right Door Support Plate / Upper Caulkin | | D | 1 | |
| 26 | A50UF16301 | Collection Box Door Support Plate / L | | D | 1 | |
| 27 | A50UF16400 | Collection Box Door Support Plate / Upper | | D | 1 | |
| 28 | AC57160100 | Door /Front | | D | 1 | |
| 29 | A9VE160300 | Toner supply Door | | D | 1 | |
| 30 | A9VE160600 | Collection Door | | D | 1 | |
| 31 | A9VE164800 | Toner supply Duct | | D | 1 | |
| 32 | A9VE944901 | Toner supply Label | | D | 1 | |
| 33 | A5AW162000 | Indicating Plate | | C | 1 | |
| 34 | A9JT944200 | Label /KONICA MINOLTA | | D | 1 | |
| 35 | AC57174100 | Seal | | D | 1 | |
| 36 | AC57174200 | Seal | | D | 1 | |
| 37 | AC57174400 | Mounting Part | | D | 1 | |
| | | | | | | |
| | | | | | | |

External Parts Section



| Key | Part No. | Description | Destinations | Class | QTY | Standard parts |
|-----|------------|------------------------|--------------|-------|-----|----------------|
| 1 | A1DU163402 | Protection Cover | | D | 1 | a-V114040604 |
| 2 | AC57161001 | Cover Part | | D | 1 | b-V114041004 |
| 3 | A9VE162400 | Cover Part /Inside | | D | 1 | c-V121040604 |
| 4 | A9VE163900 | Replacement Cover | | D | 1 | d-V127040603 |
| 5 | A50U175001 | Reinforce Plate | | D | 1 | e-V158030803 |
| 6 | A9VE168800 | Click Cover | | D | 6 | f-V114040804 |
| 8 | A9VE161400 | Read Cover /Right | | D | 1 | g-V116030804 |
| 10 | A795167800 | Read Cover /Upper | | C | 1 | |
| 11 | A9JT170601 | Read Cover | | D | 1 | |
| 12 | A9VE161100 | Cover Plate /Left | | D | 1 | |
| 13 | A9VE161200 | Read Cover /Rear | | D | 1 | |
| 14 | A9VE161301 | Read Cover /Right rear | | D | 1 | |
| 15 | AC57942100 | Label /A | | D | 1 | |
| | | | | | | |
| | | | | | | |
| | | | | | | |
| | | | | | | |
| | | | | | | |
| | | | | | | |
| | | | | | | |
| | | | | | | |
| | | | | | | |
| | | | | | | |
| | | | | | | |
| | | | | | | |

External Parts Section



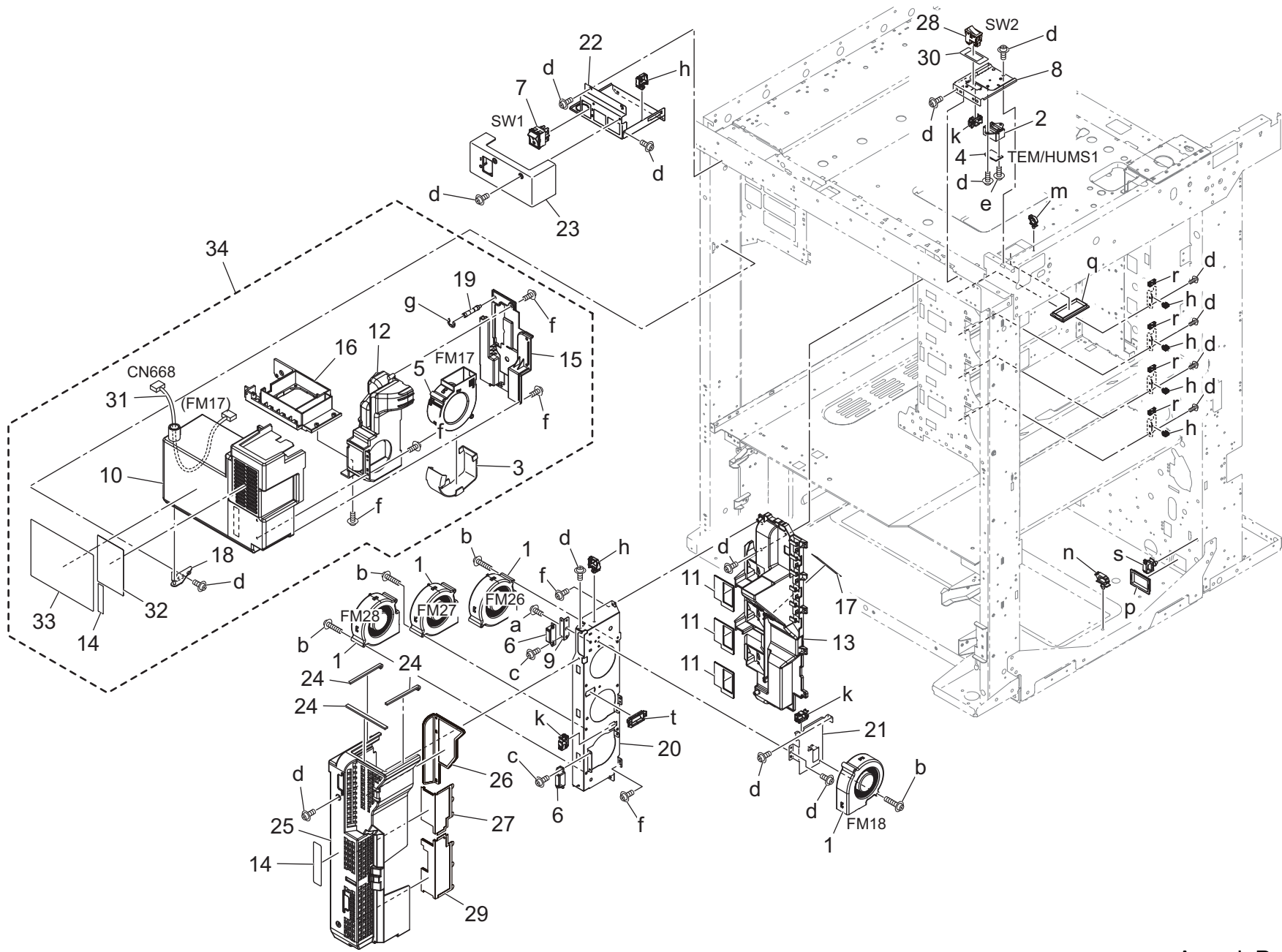
AccurioPress C4070



External Parts Section

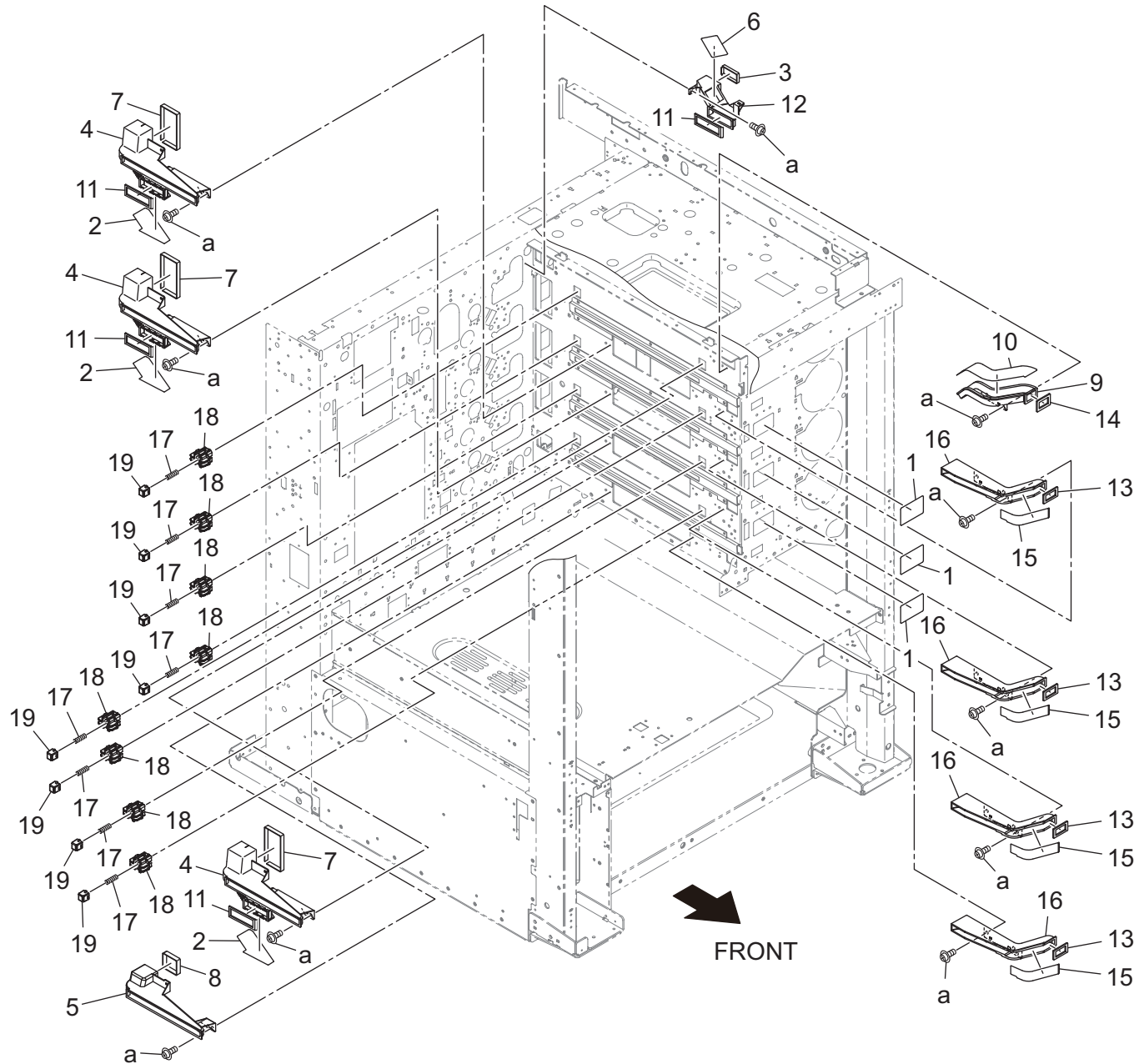
| Key | Part No. | Description | Destinations | Class | QTY | Standard parts |
|-----|------------|------------------------|--------------|-------|-----|--|
| 1 | A00J945401 | Label Dehumidifier SW. | | C | 1 | a-V114040604 b-V127030604 c-V158030804 |
| 2 | A50U163700 | Mounting Plate /Upper | | D | 1 | |
| 3 | A50U167801 | Holding Part | | D | 3 | |
| 4 | A9JT942401 | Caution Label | | D | 1 | |
| 5 | A9VE162300 | Paper exit Cover /2 | C,I | D | 1 | |
| 6 | AC57163000 | Paper exit Cover /Left | | D | 1 | |
| 7 | AC57163500 | Protection Cover /1 | | D | 1 | |
| 8 | A9VE163600 | Cover /Rear | | D | 1 | |
| 9 | A9VE163800 | Entrance Plate | | D | 1 | |
| 11 | A9VE942600 | Caution Label | | D | 1 | |
| 12 | A9VE942301 | Caution Label | | D | 1 | |
| 13 | AC57163100 | Cover | | D | 1 | |
| | | | | | | |
| | | | | | | |
| | | | | | | |
| | | | | | | |
| | | | | | | |
| | | | | | | |
| | | | | | | |
| | | | | | | |
| | | | | | | |
| | | | | | | |

Main Frame Section



| Key | Part No. | Description | Destinations | Class | QTY | Standard parts |
|-----|---------------|---|---------------------------|-------|-----|----------------|
| 1 | A93EM10600 | Fan motor | | C | 4 | a-V116030803 |
| 2 | 65AA11300 | Support Part | | D | 1 | b-V118033503 |
| 3 | 65AA11430 | FAN SEALING PART 3 | | C | 1 | c-V126030603 |
| 4 | A034M50000Old | Humidity sensor | | C | 1 | d-V127030604 |
| 4 | A0P0M50400 | Humidity sensor | | C | 1 | e-V151030803 |
| 5 | AC57M15800 | Cooling Fan | | C | 1 | f-V158030803 |
| 6 | A0G6411200 | Magnet /X | | D | 2 | g-V217060003 |
| 7 | A4EUM60000 | Power source Switch | | C | 1 | h-V500020098 |
| 8 | A50U102900 | Mounting Plate | | D | 1 | k-V570010056 |
| 9 | A50U120600 | Fixing Plate | | D | 1 | m-V500010076 |
| 10 | AC57121000 | Duct | | D | 1 | n-V500010081 |
| 11 | A50U121300 | Cooling Seal /Front | | D | 3 | p-V570010039 |
| 12 | AC57121600 | Duct | (S/No.AC58xxx010001 -) | D | 1 | q-V570010040 |
| 12 | AC57121400 | Duct /2 | (S/No.AC58xxx020001 -) | D | 1 | r-V570010057 |
| 13 | A50U122103 | Cooling Duct | | D | 1 | s-V500010082 |
| 14 | A50U949600 | Replacement Label | | D | 2 | t-V570010037 |
| 15 | A50U123800 | Cover | (S/No.AC58xxx010001 -) | D | 1 | |
| 15 | AC57123800 | Cover | (S/No.AC58xxx020001 -) | D | 1 | |
| 16 | A50U124100 | Duct | | D | 1 | |
| 17 | A50U124900 | Cover Sheet | | D | 1 | |
| 18 | A50UF12000 | Fusing Front Cooling Duct Support Shaft | | D | 1 | |
| 19 | A50U125901 | Fixing Screw | | D | 1 | |
| 20 | A50U126500 | Mounting Plate | | D | 1 | |
| 21 | A50U126600 | Mounting Plate | | D | 1 | |
| 22 | A50U127401 | Mounting Plate | | D | 1 | |
| 23 | A50U127901 | Cover | | D | 1 | |
| 24 | A50U164000 | Cooling Seal /1 | | D | 3 | |
| 25 | A50U167901 | Cooling Cover | | D | 1 | |
| 26 | A50U172100 | PH Dust-proof Filter | | B | 1 | |
| 27 | A50U172200 | Deve. Dust-proof Filter/1 | | B | 1 | |
| 28 | A50UM60300 | Power source Switch | | C | 1 | |
| 29 | A50U172300 | Deve. Dust-proof Filter/2 | | B | 1 | |
| 30 | A50U179500 | Protection Sheet | | D | 1 | |
| 31 | A50UN12602 | Cooling Relay harness /1 | | D | 1 | |
| 32 | AC57121100 | Filter | | A | 1 | |
| 33 | A50U944302 | Processing Label /2 | | D | 1 | |
| 34 | AC57R75200 | Fusing Front Cooling Duct Assy | (S/No.AC58xxx020001 -) | C | 1 | |
| | | | | | | |
| | | | | | | |

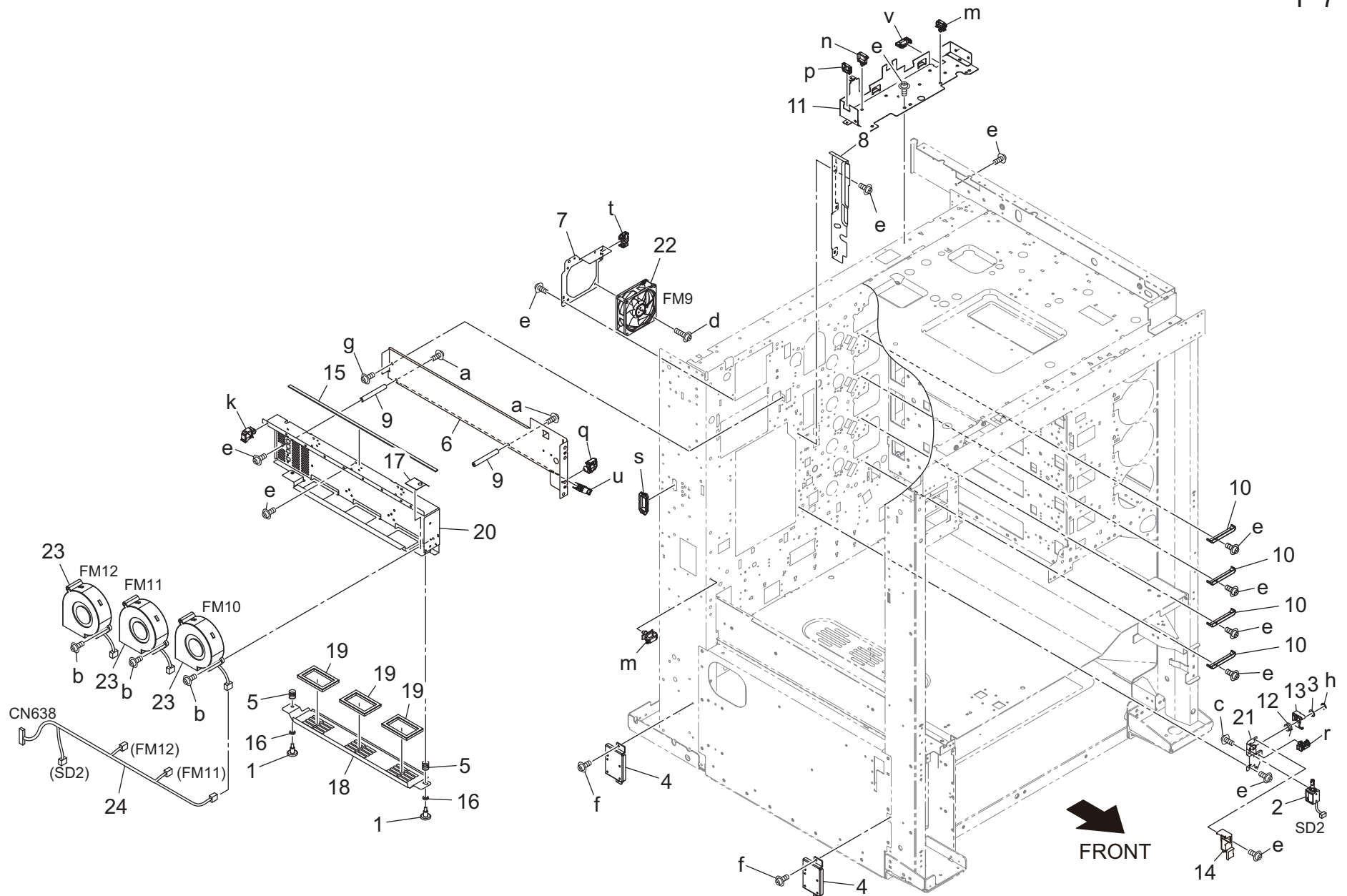
Main Frame Section



| Key | Part No. | Description | Destinations | Class | QTY | Standard parts |
|-----|------------|-----------------------|--------------|-------|-----|----------------|
| 1 | A50U109101 | Writing Cover | | D | 3 | a-V127030604 |
| 2 | A50U123200 | Ozone Cover | | D | 3 | |
| 3 | A50U123300 | Suction Seal | | D | 1 | |
| 4 | A50U123400 | Duct /Cyan | | D | 3 | |
| 5 | A50U123500 | Duct | | D | 1 | |
| 6 | A50U123600 | Suction Cover | | D | 1 | |
| 7 | A50U123900 | Suction Seal | | D | 3 | |
| 8 | A50U124000 | Suction Seal | | D | 1 | |
| 9 | A50U126200 | Duct | | D | 1 | |
| 10 | A50U126800 | Sheet /1 | | D | 1 | |
| 11 | A50U127201 | Suction Seal /Rear | | D | 4 | |
| 12 | A50U127300 | Suction Duct | | D | 1 | |
| 13 | A50U127500 | Seal | | D | 4 | |
| 14 | A50U127800 | Seal | | D | 1 | |
| 15 | A50U128000 | Sheet /2 | | D | 4 | |
| 16 | A50U128700 | Duct /1 | | D | 4 | |
| 17 | A50U341800 | Pressing Spring /D | | D | 8 | |
| 18 | A50U342200 | Pressing Pedestal | | D | 8 | |
| 19 | A50U342400 | Charge Pressing Block | | D | 8 | |
| | | | | | | |
| | | | | | | |
| | | | | | | |
| | | | | | | |
| | | | | | | |
| | | | | | | |
| | | | | | | |
| | | | | | | |
| | | | | | | |



Main Frame Section

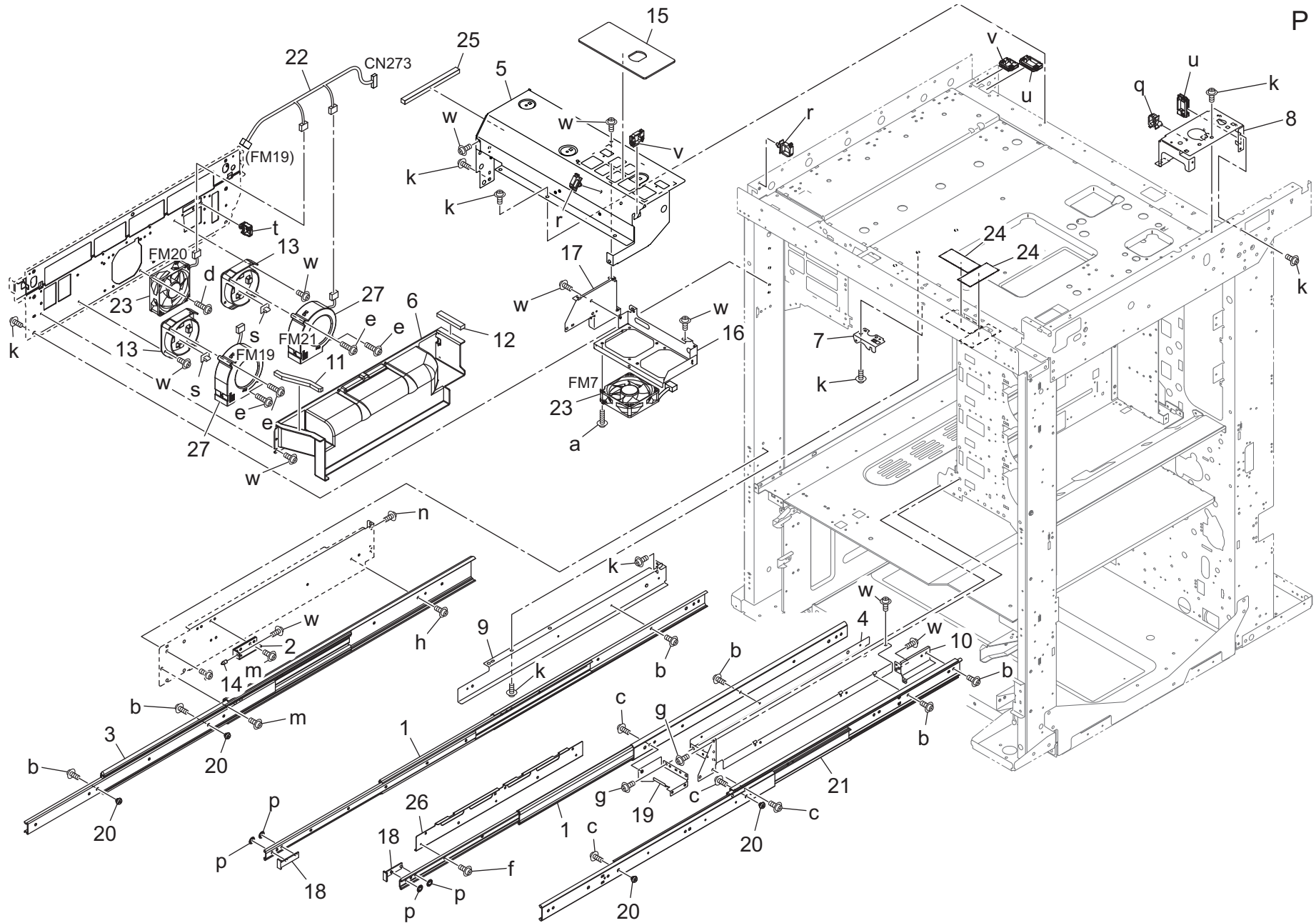


AccurioPress C4070

| Key | Part No. | Description | Destinations | Class | QTY | Standard parts |
|-----|------------|-------------------------|--------------|-------|-----|----------------|
| 1 | 4038351102 | SHOULDER SCREW | | C | 2 | a-V116030803 |
| 2 | 26NA82513 | Paper Feed Solenoid | | B | 1 | b-V116031003 |
| 3 | 40AA32320 | Toner Supply Spacer | | C | 1 | c-V118030303 |
| 4 | A1DU111101 | Connecting Plate /F | | D | 2 | d-V118033003 |
| 5 | A1DU764000 | Spring | | D | 2 | e-V127030604 |
| 6 | A50U102801 | Mounting Stay /Middle | | D | 1 | f-V127040603 |
| 7 | A50U103602 | Mounting Plate /Rear | | D | 1 | g-V146040804 |
| 8 | A50U104901 | Inner partition | | D | 1 | h-V217040003 |
| 9 | A50U106800 | Mounting Shaft /Inside | | D | 2 | k-V500010074 |
| 10 | A50U108900 | Receiving Part /1 | | D | 4 | m-V500010082 |
| 11 | AC57133200 | Mounting Plate /Upper | | D | 1 | n-V500010084 |
| 12 | A50U508301 | Solenoid Release Spring | | D | 1 | p-V570010060 |
| 13 | A50U509300 | Separating Cam | | D | 1 | q-V500020098 |
| 14 | A50U510400 | Cover | | D | 1 | r-V500020099 |
| 15 | A50U731700 | Insulating Seal /1 | | D | 1 | s-V570010037 |
| 16 | A50U731900 | Lifting Spacer /1 | | D | 2 | t-V570010056 |
| 17 | A50U737800 | Protection Sheet /1 | | D | 1 | u-V570010057 |
| 18 | A50U738001 | Shutter | | D | 1 | v-V570010059 |
| 19 | A50U738100 | Cushion | | D | 3 | |
| 20 | A50U739000 | Mounting Plate | | D | 1 | |
| 21 | A50UF50700 | Mounting Stay Caulking | | D | 1 | |
| 22 | AC57M15300 | Cooling Fan | | C | 1 | |
| 23 | A5AWM15101 | Cooling Fan | | B | 3 | |
| 24 | A85CN12800 | Fixing Relay harness /2 | | D | 1 | |
| | | | | | | |
| | | | | | | |
| | | | | | | |
| | | | | | | |
| | | | | | | |
| | | | | | | |
| | | | | | | |

Main Frame Section

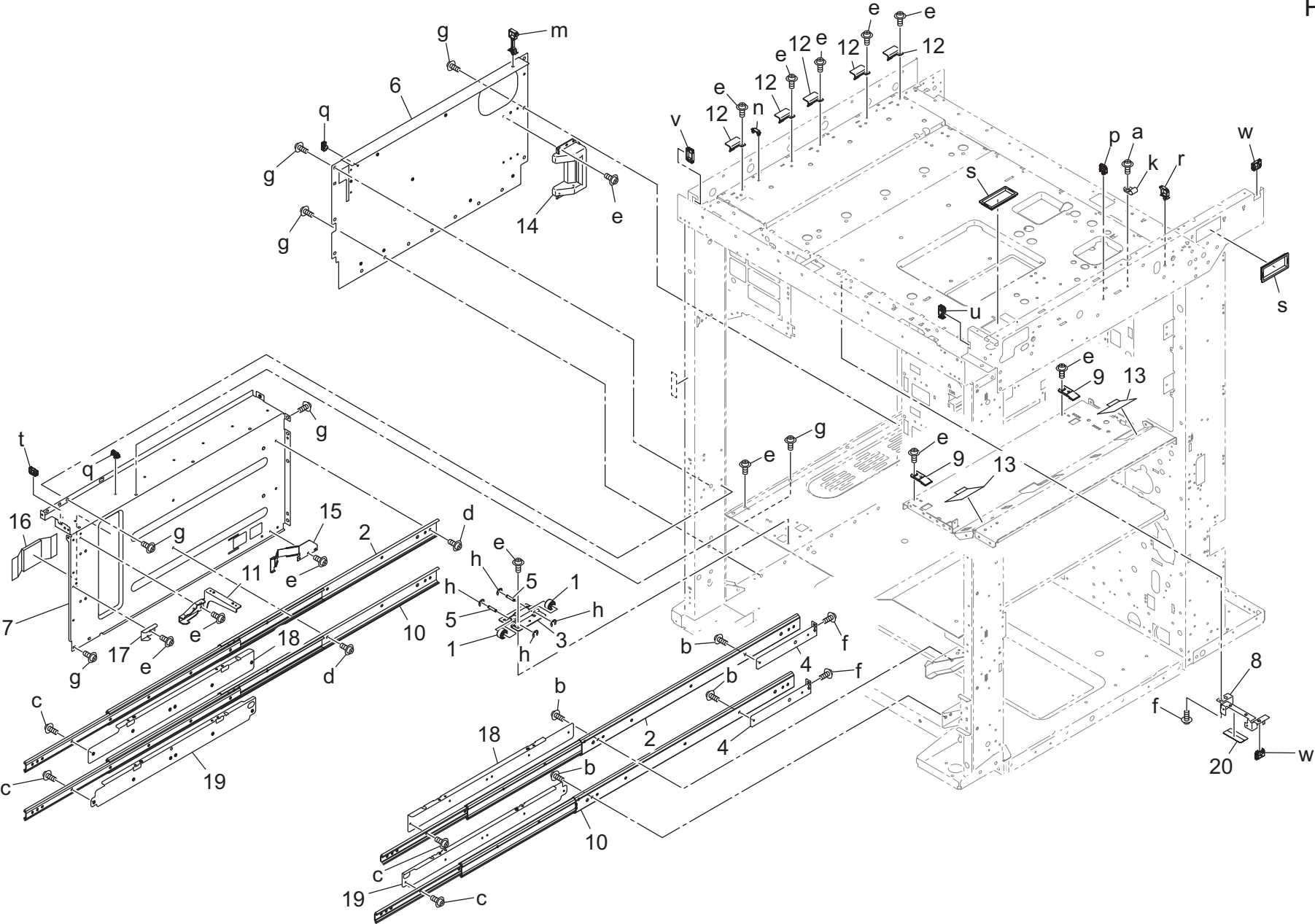
P 8



| Key | Part No. | Description | Destinations | Class | QTY | Standard parts |
|-----|------------|-------------------------------|--------------|-------|-----|----------------|
| 1 | 56AA10300 | Slide Rail /A | | C | 2 | a-V118033003 |
| 2 | 65AA509900 | Mounting Plate /Left | | D | 1 | b-V118040604 |
| 3 | A1RF815702 | Slide Rail /Left | | D | 1 | c-V118040804 |
| 4 | A50U103200 | Reinforce Rail | | D | 1 | d-V118043003 |
| 5 | A50U103403 | Fixing Plate /Left rear | | D | 1 | e-V118045503 |
| 6 | A50U103500 | Separating Duct | | D | 1 | f-V121030403 |
| 7 | A50U104700 | Mounting Plate | | D | 1 | g-V121040803 |
| 8 | A50U105100 | Support Plate /A | | D | 1 | h-V126040603 |
| 9 | A50U105201 | Support Rail /Front | | D | 1 | k-V127040603 |
| 10 | A50U105600 | Rail /Rear | | D | 1 | m-V127040803 |
| 11 | A50U107501 | Sealing Part /Front | | D | 1 | n-V146040804 |
| 12 | A50U107600 | Sealing Part /Rear | | D | 1 | p-V226040050 |
| 13 | A50U107801 | Fan duct | | D | 2 | q-V500010082 |
| 14 | A50U109400 | Guide Pin /Left | | D | 1 | r-V500010083 |
| 15 | A50U109900 | Electric Comp. Cooling Filter | | B | 1 | s-V500020050 |
| 16 | A50U120300 | Fixing Plate | | D | 1 | t-V500020098 |
| 17 | A50U129200 | Fixing Plate | | D | 1 | u-V570010059 |
| 18 | A50U342900 | Protection Cover | | D | 2 | v-V570010060 |
| 19 | A50U832100 | Reinforce Rail /A | | D | 1 | w-V127030604 |
| 20 | A50U833000 | Mounting Collar /1 | | C | 4 | |
| 21 | A50U881500 | Slide Rail | | D | 1 | |
| 22 | A50UN15400 | Drive harness /F | | D | 1 | |
| 23 | A93EM10000 | Fan motor | | C | 2 | |
| 24 | AC57120500 | Seal /4 | | D | 2 | |
| 25 | AC57175900 | Seal | | D | 1 | |
| 26 | AC57340700 | Mounting Rail | | D | 1 | |
| 27 | AC57M15800 | Cooling Fan | | C | 2 | |
| | | | | | | |
| | | | | | | |
| | | | | | | |
| | | | | | | |
| | | | | | | |
| | | | | | | |
| | | | | | | |
| | | | | | | |



Main Frame Section

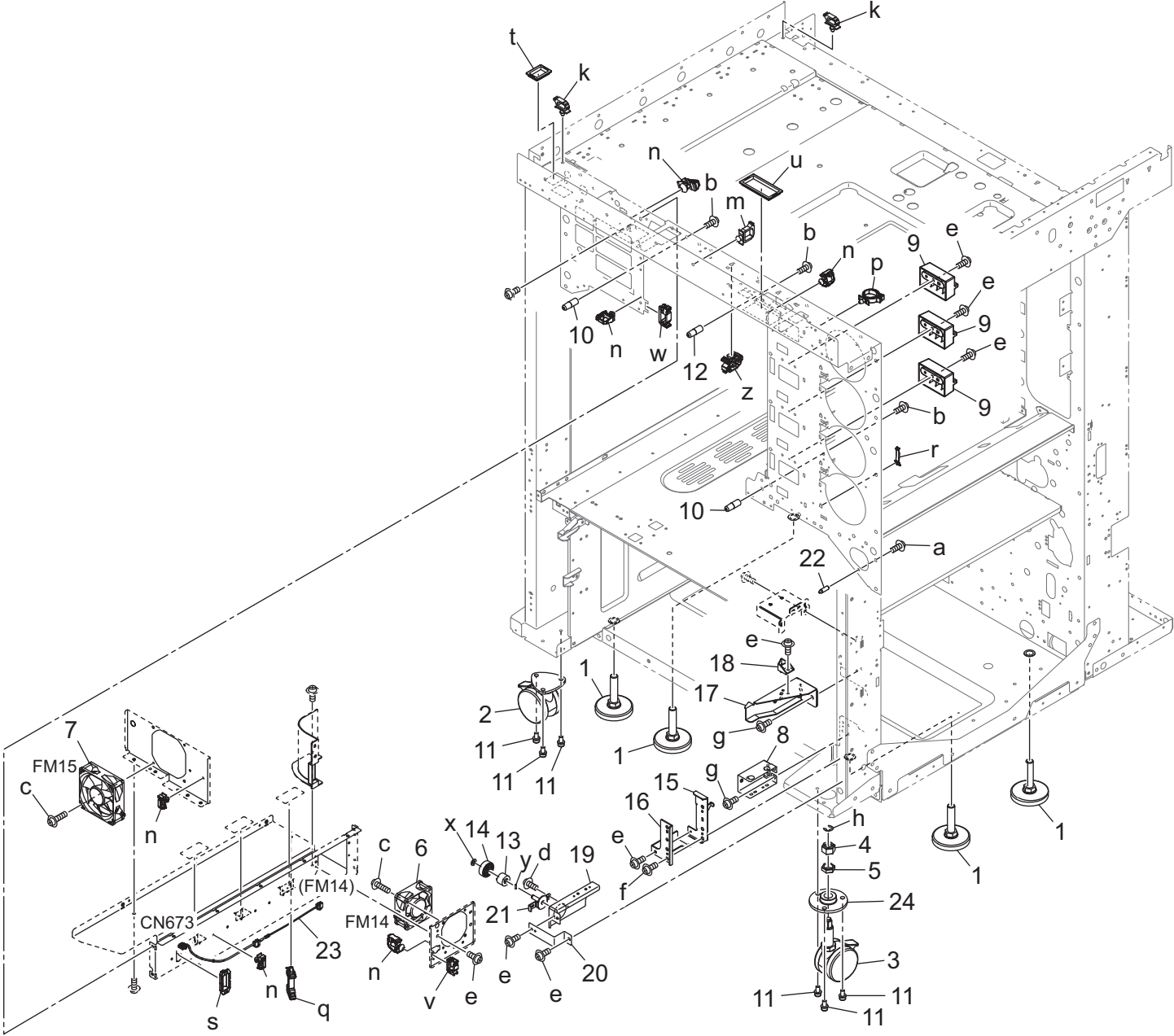


Main Frame Section

| Key | Part No. | Description | Destinations | Class | QTY | Standard parts |
|-----|------------|--------------------------|--------------|-------|-----|----------------|
| 1 | 13NG45200 | Conveyance Driven Roller | | C | 2 | a-V116030803 |
| 2 | 56AA10300 | Slide Rail /A | | C | 2 | b-V118040603 |
| 3 | A50U855200 | Lifting Base frame | | D | 1 | c-V118040604 |
| 4 | 65AA10470 | Mounting Plate /4 | | D | 2 | d-V126040603 |
| 5 | 65AA50400 | Guide Shaft | | D | 2 | e-V127030604 |
| 6 | A50U101602 | Auxiliary Plate /Left | | D | 1 | f-V127040603 |
| 7 | A50U102704 | Protection Plate | | D | 1 | g-V146040804 |
| 8 | A50U104600 | Mounting Plate /Front | | D | 1 | h-V217030003 |
| 9 | A50U105800 | Writing Guide /Front | | D | 2 | k-V500020069 |
| 10 | A50U107000 | Slide Rail /A | | D | 2 | m-V500020085 |
| 11 | A50U107101 | Hold Plate /Front | | D | 1 | n-V500020092 |
| 12 | A50U136501 | Cover | | D | 1 | q-V500020099 |
| 13 | A50U314800 | Receiving Sheet | | D | 5 | r-V500010083 |
| 14 | A50U363900 | Collection Guide | | D | 2 | s-V570010040 |
| 15 | A50U366601 | Regulating Plate | | D | 1 | t-V570010056 |
| 16 | A50U368000 | Collection Seal /2 | | D | 1 | u-V570010057 |
| 17 | A50U624000 | Lock Claw | | D | 1 | v-V570010059 |
| 18 | A50U624503 | Support Stay /2 | | D | 2 | w-V570010060 |
| 19 | A50U624904 | Support Stay /2 | | D | 2 | |
| 20 | A9VE114600 | Seal | | D | 1 | |
| | | | | | | |
| | | | | | | |
| | | | | | | |
| | | | | | | |
| | | | | | | |
| | | | | | | |
| | | | | | | |
| | | | | | | |
| | | | | | | |
| | | | | | | |
| | | | | | | |
| | | | | | | |
| | | | | | | |

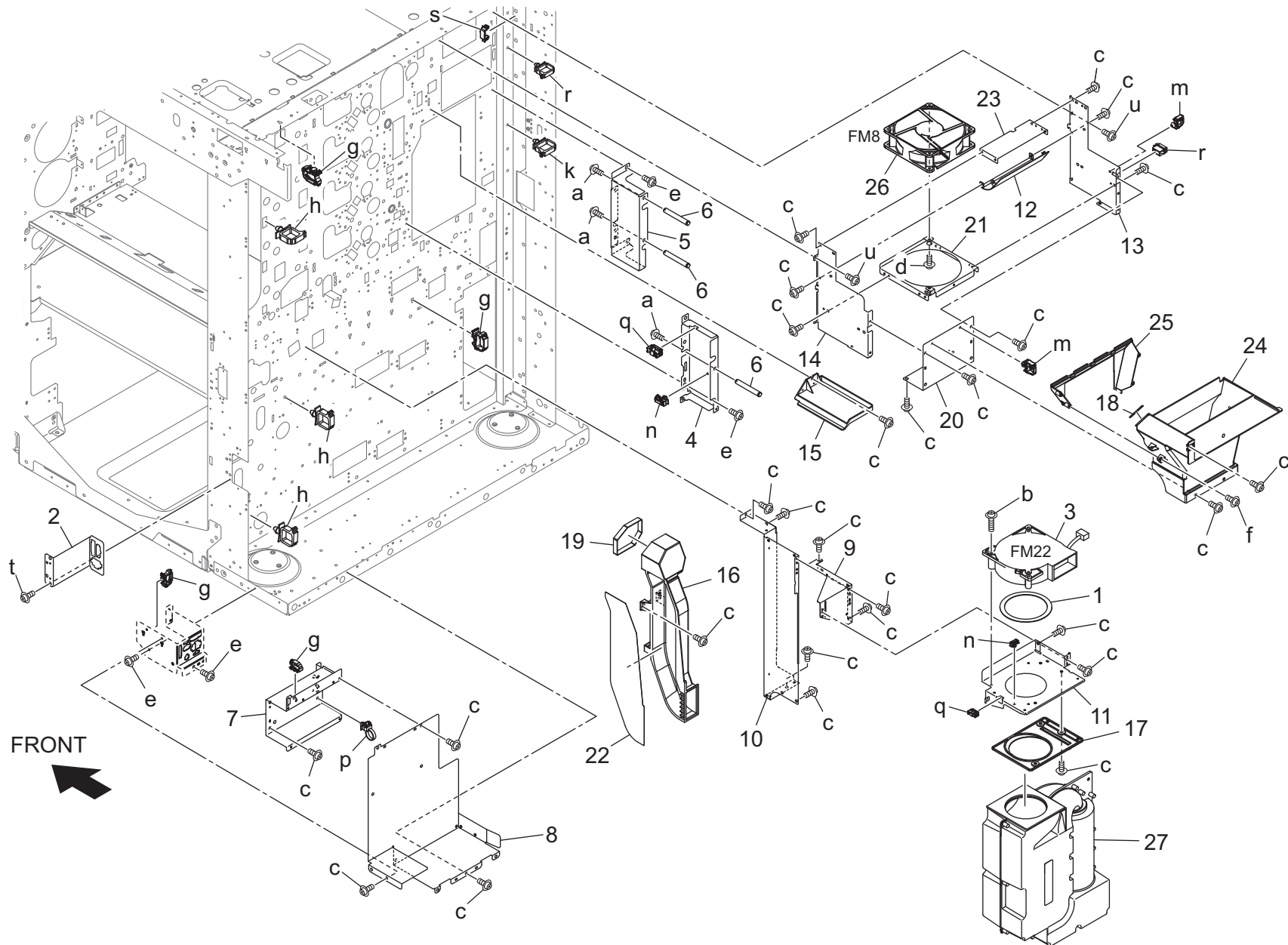
AccurioPress C4070

Main Frame Section



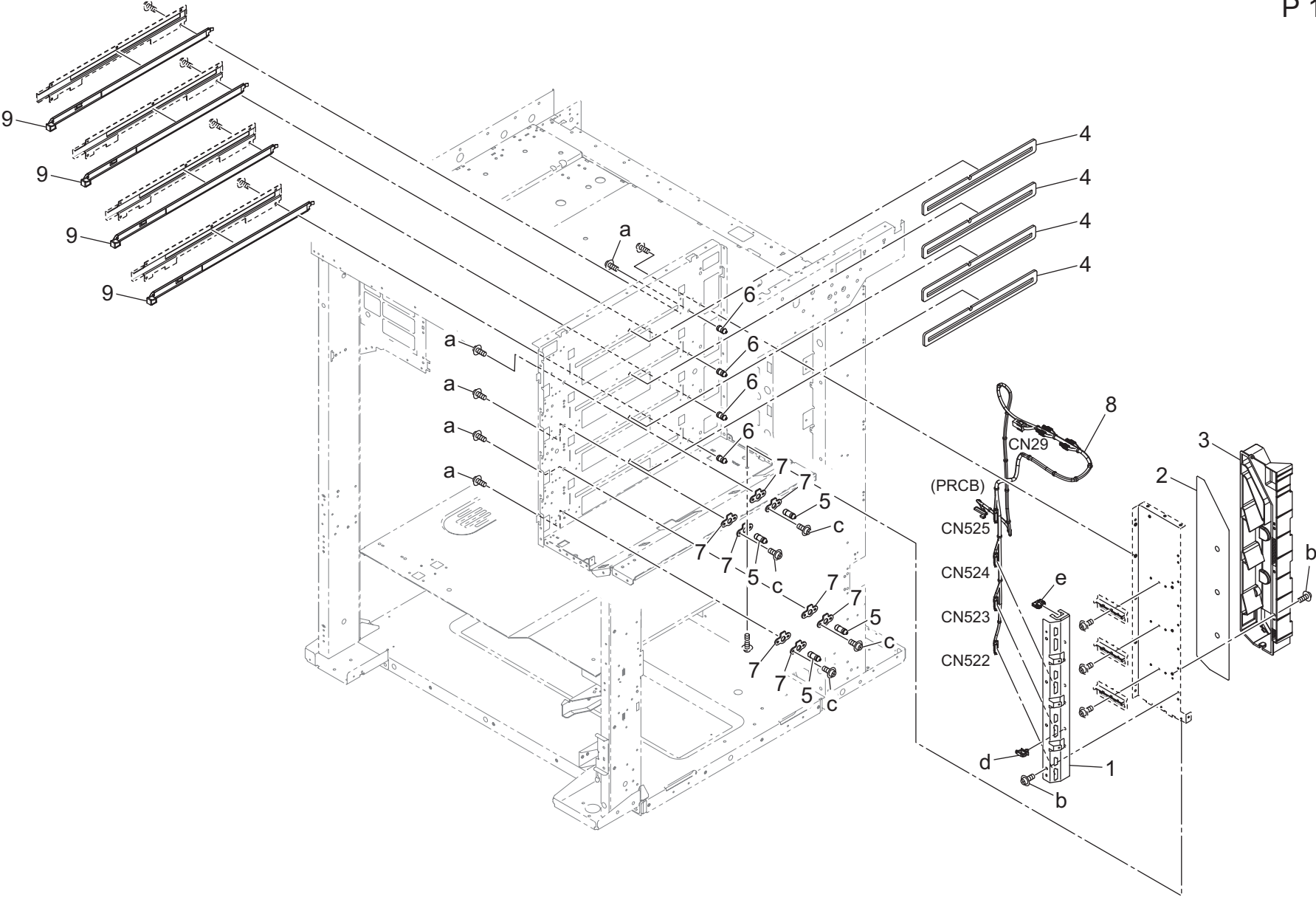
| Key | Part No. | Description | Destinations | Class | QTY | Standard parts |
|-----|------------|--------------------------|--------------|-------|-----|----------------|
| 1 | 25AA10091F | Mainbody Fixing Stopper | | C | 4 | a-V116030803 |
| 2 | A9VE110100 | Castor /A | | D | 1 | b-V116040803 |
| 3 | A9VE110200 | Castor /B | | D | 1 | c-V118033003 |
| 4 | 56AA17630 | ADJUSTING PART | | C | 1 | d-V126030603 |
| 5 | 56AA17640 | ADJUSTING PART 2 | | C | 1 | e-V127030604 |
| 6 | AC57M15000 | Cooling Fan | | C | 1 | f-V127040603 |
| 7 | A93EM10000 | Fan motor | | C | 1 | g-V146040804 |
| 8 | A50U103301 | Support Part /Middle | | D | 1 | h-V217080003 |
| 9 | A50U103800 | Guide Part /Front | | D | 3 | k-V500010081 |
| 10 | A50U104401 | Positioning Shaft /Front | | D | 2 | m-V500010083 |
| 11 | A50U106300 | Lock Screw | | D | 6 | n-V500020098 |
| 12 | A50U110000 | Positioning Shaft /Upper | | D | 1 | p-V500020107 |
| 13 | A4F3744400 | Torque limiter | | C | 1 | q-V500020101 |
| 14 | A9VE641700 | Gear 15T | | C | 1 | r-V500020102 |
| 15 | A50U624113 | Lock Part | | D | 1 | s-V570010037 |
| 16 | A50U624300 | Reinforce Plate | | D | 1 | t-V570010038 |
| 17 | A50U628001 | Lock Claw | | D | 1 | u-V570010040 |
| 18 | A50U634200 | Lock Part | | D | 1 | v-V570010056 |
| 19 | A50U640200 | Mounting Plate | | D | 1 | w-V570010057 |
| 20 | A50U640400 | Reinforce Part | | D | 1 | x-V221050050 |
| 21 | A9VE641600 | Mounting Plate | | D | 1 | y-V234200850 |
| 22 | A50U832201 | Guide Pin /Right front | | D | 1 | z-V500010071 |
| 23 | AC57N13601 | Cooling Relay Harness /3 | | D | 1 | |
| 24 | A85C102000 | Adjusting Part | | C | 1 | |
| | | | | | | |
| | | | | | | |
| | | | | | | |
| | | | | | | |
| | | | | | | |
| | | | | | | |
| | | | | | | |
| | | | | | | |
| | | | | | | |
| | | | | | | |

Main Frame Section



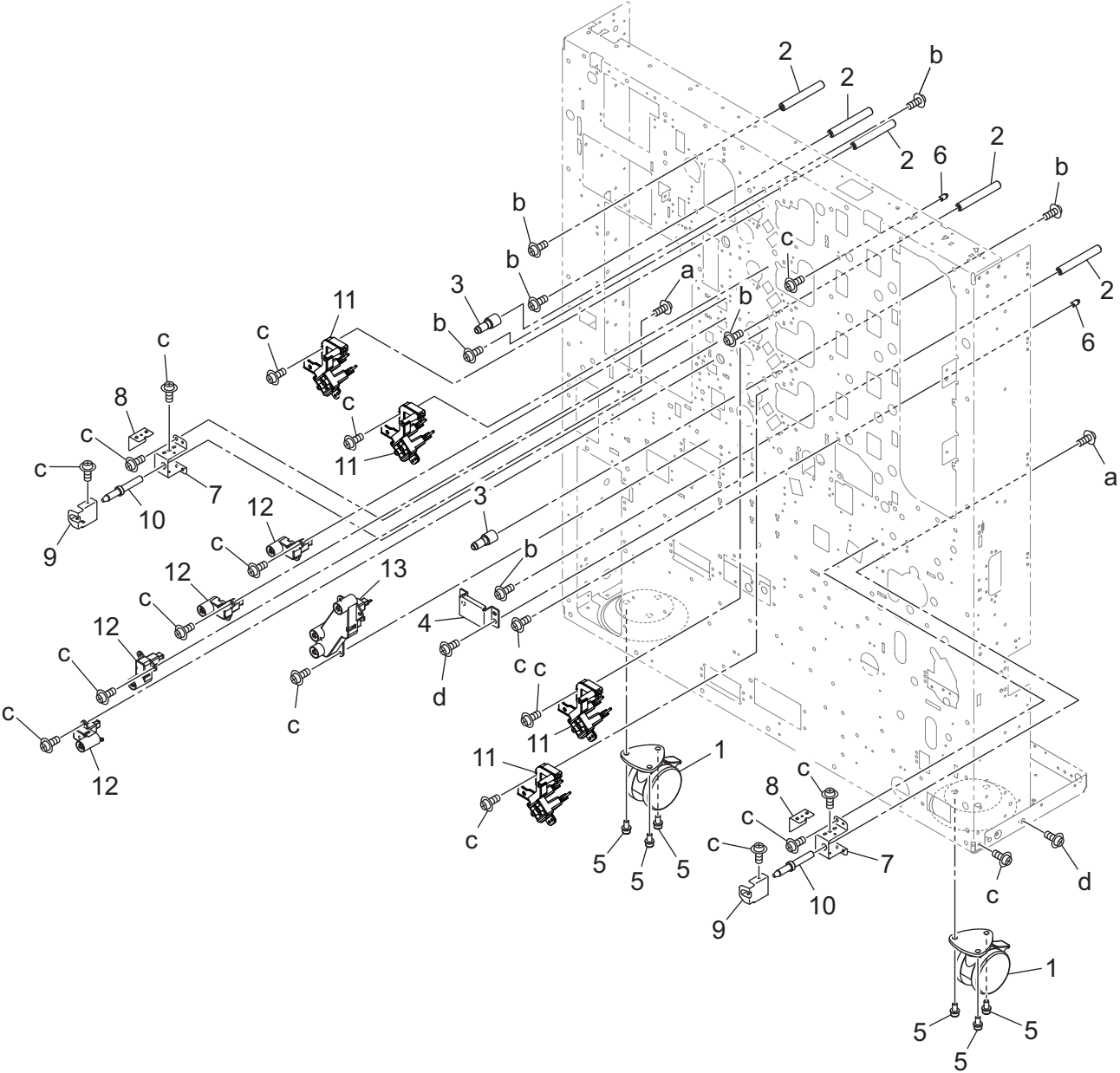
| Key | Part No. | Description | Destinations | Class | QTY | Standard parts |
|-----|------------|----------------------------|--------------|-------|-----|----------------|
| 1 | 65AA10190 | FAN SEALING PART 1 | | C | 1 | a-V116040803 |
| 2 | A03U118301 | PFU Power supply Panel | | D | 1 | b-V118033503 |
| 3 | A0Y5M15101 | Suction Fan motor | | C | 1 | c-V127030604 |
| 4 | A50U106502 | Fusing Plate | | D | 1 | d-V127031203 |
| 5 | A50U106600 | Fusing Plate /B | | D | 1 | e-V127040603 |
| 6 | A50U106700 | Swing Shaft | | D | 3 | f-V151030803 |
| 7 | A50U108001 | Protection Plate /P | | D | 1 | g-V500010071 |
| 8 | A50U108200 | Guide Part /Rear | | D | 1 | h-V500010083 |
| 9 | A50U120900 | Mounting Frame /2 | | D | 1 | k-V500010085 |
| 10 | A50U121800 | Mounting Frame /Right Rear | | D | 1 | m-V500020098 |
| 11 | A50U121900 | Fixing Plate /1 | | D | 1 | n-V500020099 |
| 12 | A50U122900 | Fusing Duct /4 | | D | 1 | p-V501010018 |
| 13 | A50U125000 | Fusing Duct /2 | | D | 1 | q-V570010056 |
| 14 | A50U125101 | Fusing Duct /1 | | D | 1 | r-V500010084 |
| 15 | A50U125500 | Heat blocking Plate | | D | 1 | s-V500020092 |
| 16 | A50U125600 | Suction Duct /Lower | | D | 1 | t-V127040803 |
| 17 | A50U125800 | Connecting Duct | | D | 1 | u-V121030403 |
| 18 | A50U126300 | Cooling Seal | | D | 1 | |
| 19 | A50U126400 | Suction Seal | | D | 1 | |
| 20 | A50U128801 | Fusing Duct /3 | | D | 1 | |
| 21 | A50U128900 | Fusing Duct /5 | | D | 1 | |
| 22 | A50U129100 | Suction Cover /Lower | | D | 1 | |
| 23 | A50U129300 | Fusing Duct /6 | | D | 1 | |
| 24 | A50U129401 | Fusing Duct | | D | 1 | |
| 25 | A50U129801 | Fusing Duct /7 | | D | 1 | |
| 26 | AC57M15400 | Cooling Fan | | C | 1 | |
| 27 | A50UR70A12 | Filter Box | | B | 1 | |
| | | | | | | |
| | | | | | | |
| | | | | | | |
| | | | | | | |
| | | | | | | |
| | | | | | | |
| | | | | | | |
| | | | | | | |
| | | | | | | |

Main Frame Section



| Key | Part No. | Description | Destinations | Class | QTY | Standard parts |
|-----|------------|--------------------------|--------------|-------|-----|--|
| 1 | A50U104000 | Support Plate /P | | D | 1 | a-V116040803 b-V127030604 c-V116030803 d-V500010082 e-V570010060 |
| 2 | A50U122701 | Suction Cover /Upper | | D | 1 | |
| 3 | A50U127000 | Suction Duct /Upper | | D | 1 | |
| 4 | A50U314300 | Seal /4 | | D | 4 | |
| 5 | A50U318500 | Positioning Pin /Front | | D | 4 | |
| 6 | A50U318601 | Positioning Pin /Rear | | D | 4 | |
| 7 | A50U318800 | Stopper Plate /Black | | D | 8 | |
| 8 | AC57N27000 | Polygon Relay Harness /1 | | D | 1 | |
| 9 | A50UR70H00 | PH Protection Glass Assy | | D | 4 | |
| | | | | | | |
| | | | | | | |
| | | | | | | |
| | | | | | | |
| | | | | | | |
| | | | | | | |
| | | | | | | |
| | | | | | | |
| | | | | | | |
| | | | | | | |

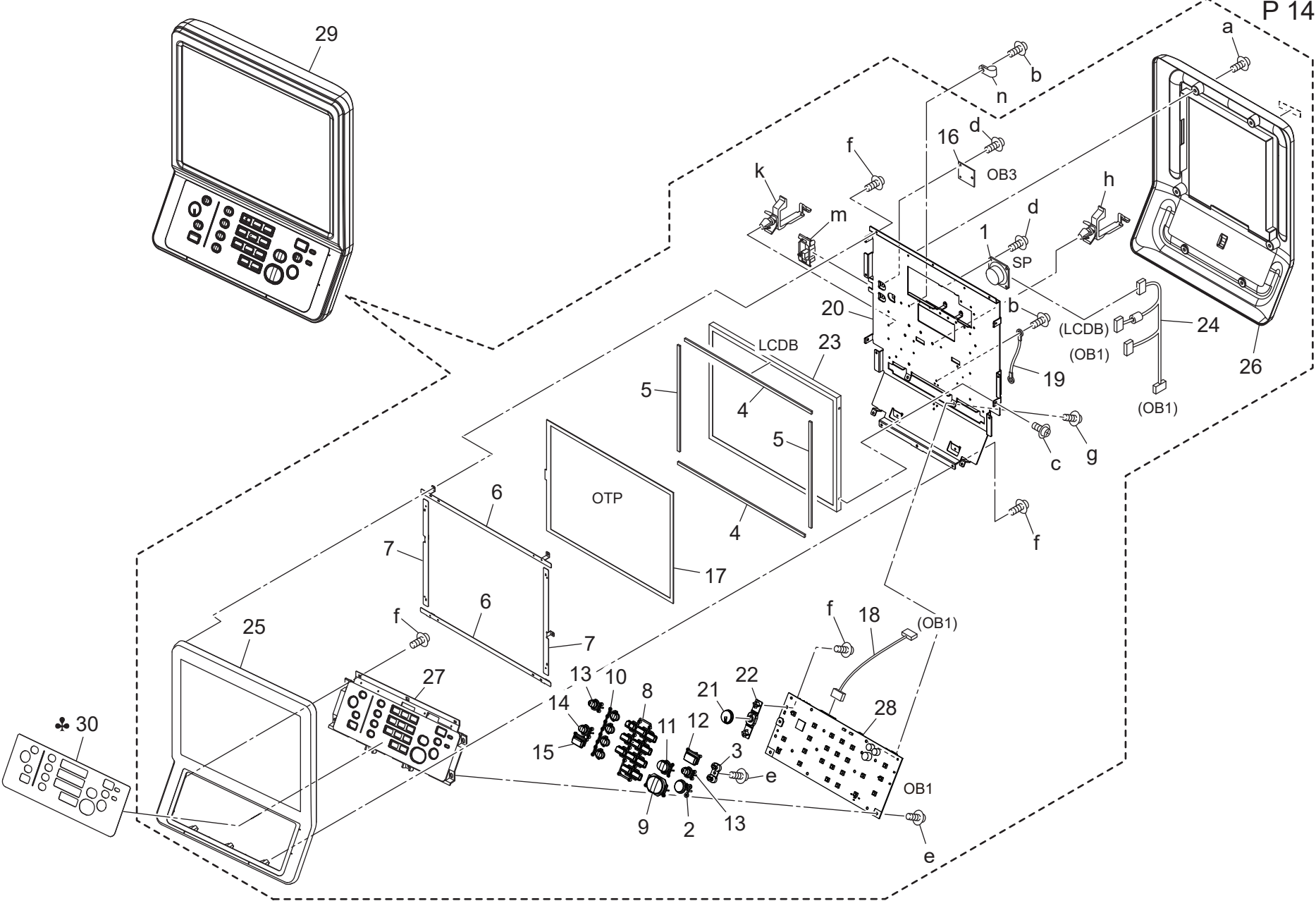
Main Frame Section



| Key | Part No. | Description | Destinations | Class | QTY | Standard parts |
|-----|------------|-------------------------|--------------|-------|-----|--|
| 1 | A9VE110100 | Castor /A | | D | 2 | a-V116030803 b-V116040803 c-V127030604 d-V146040804 |
| 2 | A50U104300 | Drive Shaft | | D | 5 | |
| 3 | A50U104500 | Positioning Shaft /Rear | | D | 2 | |
| 4 | A50U105000 | Lock Plate | | D | 1 | |
| 5 | A50U106300 | Lock Screw | | D | 6 | |
| 6 | A50U407300 | Positioning Shaft /Rear | | D | 2 | |
| 7 | A50U811300 | Guide Holder /Rear | | D | 2 | |
| 8 | A50U811500 | Guide Holder /1 | | D | 2 | |
| 9 | A50U813700 | Ground Plate | | D | 2 | |
| 10 | A50U817700 | Guide Pin /Right rear | | D | 2 | |
| 11 | A50UR71U12 | Terminal 1 Assy / HV | | C | 4 | |
| 12 | A50UR71V01 | Terminal 2 Assy / HV | | C | 4 | |
| 13 | A50UR71W01 | Terminal 3 Assy / HV | | C | 1 | |
| | | | | | | |
| | | | | | | |
| | | | | | | |
| | | | | | | |
| | | | | | | |
| | | | | | | |
| | | | | | | |
| | | | | | | |
| | | | | | | |
| | | | | | | |

Operation Panel Section

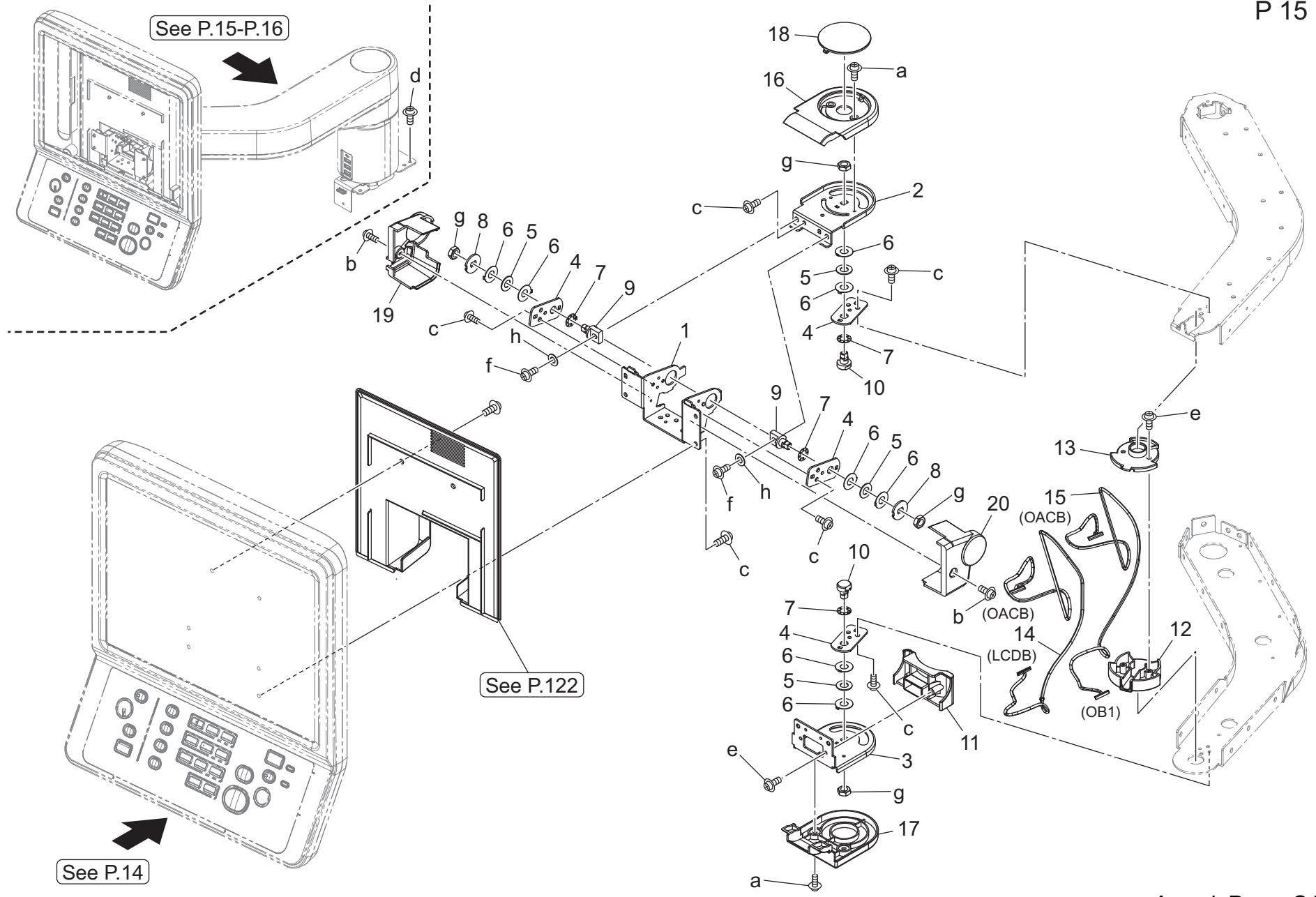
P 14



AccurioPress C4070

| Key | Part No. | Description | Destinations | Class | QTY | Standard parts |
|-----|---------------|------------------------------|---|-------|-----|----------------|
| 1 | A0P0M73100 | Speaker | | D | 1 | a-V114040604 |
| 2 | 56UA70330 | Ope. Unit Button /S | | C | 1 | b-V116040603 |
| 3 | AC57193600 | Indicating Part /1 | | D | 1 | c-V118030404 |
| 4 | A0G6192400 | Holding Cushion /Upper | | C | 2 | d-V118030603 |
| 5 | A0G6192500 | Holding Cushion /Right | | C | 2 | e-V151030603 |
| 6 | A0G6192700 | Ground Plate /1 | | D | 2 | f-V151030803 |
| 7 | A0G6192900 | Ground Plate /2 | | D | 2 | g-V151031003 |
| 8 | AC57193100 | Operation Button /1 | | D | 1 | h-V500010082 |
| 9 | AC57193200 | Operation Button /2 | | D | 1 | k-V500020099 |
| 10 | AC57193400 | Operation Button /4 | | D | 1 | m-V570010063 |
| 11 | AC57193500 | Operation Button /5 | | D | 1 | n-V500020069 |
| 12 | A0G6193700 | Operation Button /7 | | C | 1 | |
| 13 | AC57193800 | Operation Button /10 | | D | 2 | |
| 14 | AC57193900 | Operation Button /8 | | D | 1 | |
| 15 | A0G6194000 | Operation Button /9 | | C | 1 | |
| 16 | A0G6H06000 | Operation Board /3 Assy | | C | 1 | |
| 17 | A9VEM75500 | Ope. Unit Touch Panel | | C | 1 | |
| 18 | A0G6N18400 | Ope. Unit Control Harness /3 | | D | 1 | |
| 19 | A1RFN28300 | Ope. unit Wiring /1 | | D | 1 | |
| 20 | A4EU190414 | Operation Plate | | D | 1 | |
| 21 | AC57194101 | Operation Knob /1 | | D | 1 | |
| 22 | A4EU194200 | Fixing Holder | | D | 1 | |
| 23 | A4EUM75800Old | Ope. unit LCD | | C | 1 | |
| 23 | A9VPM75800 | Ope. Unit LCD | | C | 1 | |
| 24 | A4EUN28500Old | Ope. unit Wiring /4 | | D | 1 | |
| 24 | A9VPM28600 | Ope. Unit Harness /4 | | D | 1 | |
| 25 | AC57190102 | Operation Cover /Front | | D | 1 | |
| 26 | AC57190201 | Operation Cover /Rear | | D | 1 | |
| 27 | AC57190301 | Operation Casing /1 | | D | 1 | |
| 28 | A799H04001 | Operation Board /1 ASSY | | I | 1 | |
| 29 | A9VPR77700 | Operation Unit | | I | 1 | |
| 30 | AC57205001 | Operation Sheet | B,D1,D3,E.F2,G1,G2, I(Except South Africa) | D | 1 | |
| 30 | AC57205101 | Operation Sheet | | J | 1 | |
| 30 | AC57205300 | Operation Sheet | | K | 1 | |
| 30 | AC57205201 | Operation Sheet | | D | 1 | |
| | | | | | | |
| | | | | | | |
| | | | | | | |
| | | | | | | |

Operation Panel Section



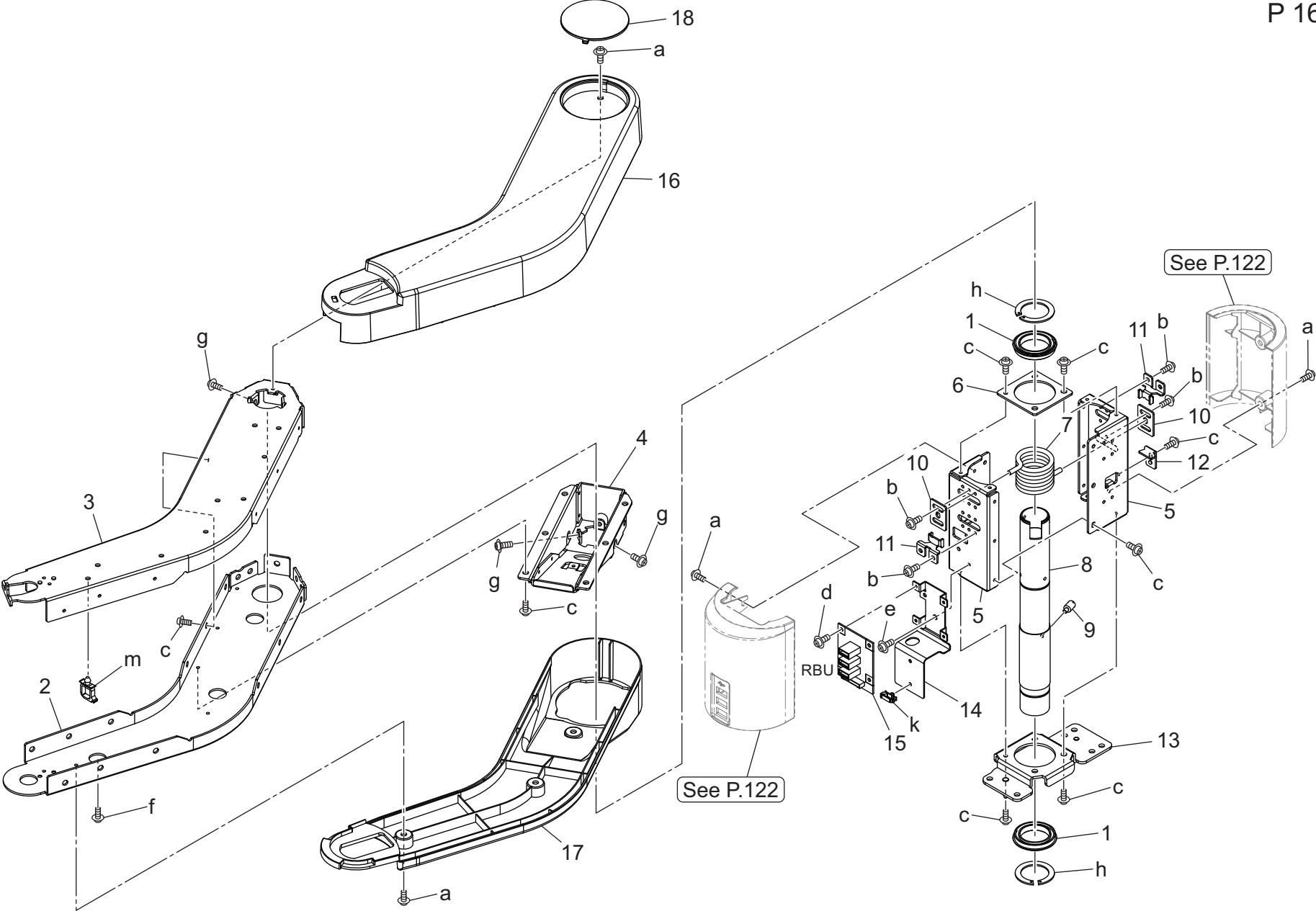
See P.14

See P.122

See P.15-P.16

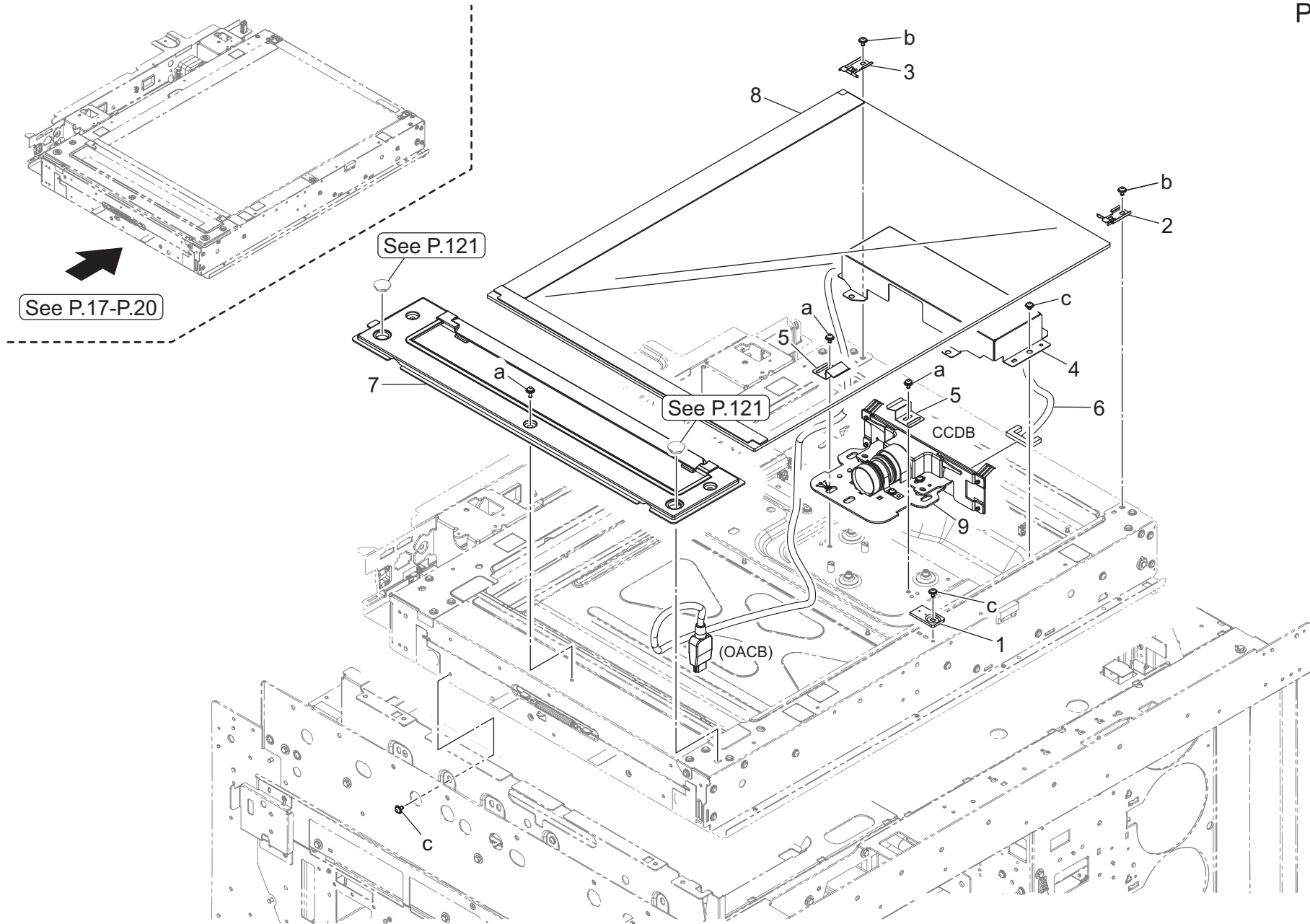
| Key | Part No. | Description | Destinations | Class | QTY | Standard parts |
|-----|------------|------------------------------|--------------|-------|-----|----------------|
| 1 | A03U190900 | Ope. unit Mounting Stay /1 | | D | 1 | a-V114040604 |
| 2 | A03U191400 | Support Plate /Upper | | D | 1 | b-V121030603 |
| 3 | A03U191500 | Support Plate /Lower | | D | 1 | c-V121040603 |
| 4 | A03U191600 | Mounting Plate /T | | D | 4 | d-V127040803 |
| 5 | A03U191700 | Rotation Spring /T | | D | 4 | e-V158030803 |
| 6 | A03U191800 | Rotation Spacer /1 | | D | 8 | f-V188051604 |
| 7 | A03U191900 | Rotation Spacer /2 | | D | 4 | g-V196080003 |
| 8 | A03U192000 | Fixing Part /T | | D | 2 | h-V207050003 |
| 9 | A03U192100 | Fixing Shaft /U | | D | 2 | |
| 10 | A03U192200 | Rotation Shaft /T | | D | 2 | |
| 11 | A03U193400 | Operation Cover /E | | C | 1 | |
| 12 | A03U193600 | Swing Cover /Lower | | C | 1 | |
| 13 | A03U193700 | Swing Cover /Upper | | C | 1 | |
| 14 | AC57N29001 | Ope. Unit Control Harness /1 | | D | 1 | |
| 15 | AC57N29100 | Ope. Unit Control Harness /2 | | D | 1 | |
| 16 | A9VE193300 | Operation Cover /C | | D | 1 | |
| 17 | A9VE193500 | Operation Cover /D | | D | 1 | |
| 18 | A9VE193800 | Operation Cover /I | | D | 1 | |
| 19 | A9VE194000 | Operation Cover /F | | D | 1 | |
| 20 | A9VE194100 | Operation Cover /G | | D | 1 | |
| | | | | | | |
| | | | | | | |
| | | | | | | |
| | | | | | | |
| | | | | | | |
| | | | | | | |
| | | | | | | |
| | | | | | | |
| | | | | | | |
| | | | | | | |

Operation Panel Section

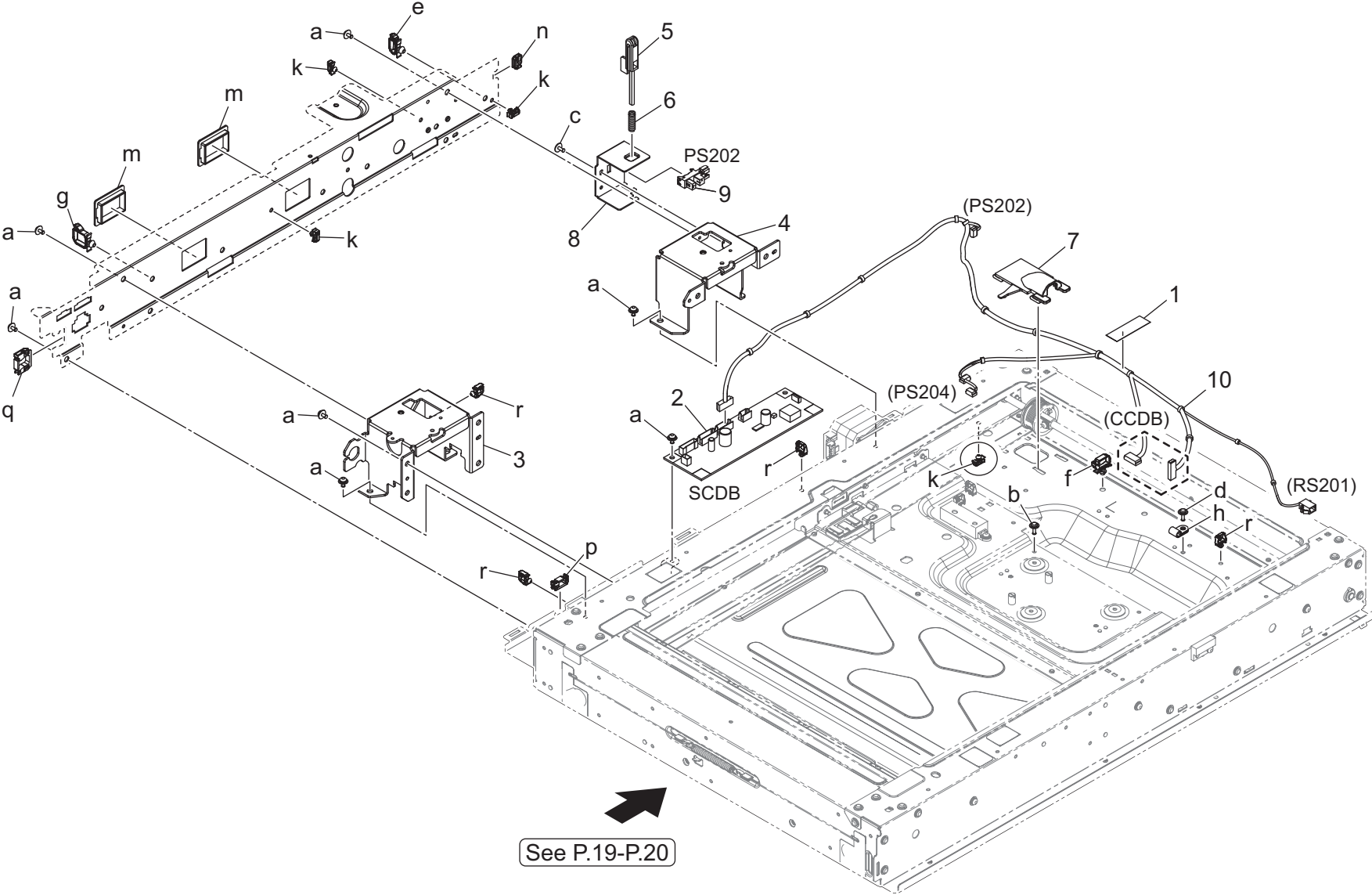


| Key | Part No. | Description | Destinations | Class | QTY | Standard parts |
|-----|------------|-------------------------------|--------------|-------|-----|--|
| 1 | 65AA75010E | DRUM SUPPORT BEARING | | D | 2 | a-V114040604 b-V116040803 c-V121040603 d-V127030603 e-V127040603 f-V158030803 g-V121040603 h-V223300017 k-V500020100 m-V500010083 |
| 2 | A03U190500 | Ope. unit Mounting Arm /Lower | | D | 1 | |
| 3 | A03U190600 | Ope. unit Mounting Arm /Upper | | D | 1 | |
| 4 | A03U190700 | Support Plate /1 | | D | 1 | |
| 5 | A03U190802 | Support Plate /2 | | D | 2 | |
| 6 | A03U191100 | Support Plate /3 | | D | 1 | |
| 7 | A03U191201 | Support Spring | | C | 1 | |
| 8 | A03U191301 | Ope. unit Support Pipe | | D | 1 | |
| 9 | A03U192300 | Stopper Screw /A | | C | 1 | |
| 10 | A03U195302 | REGULATING PLATE | | D | 2 | |
| 11 | A03U195400 | Regulating Part | | D | 2 | |
| 12 | A03U195500 | Rotation Stopper | | D | 1 | |
| 13 | A03UF19100 | Main Body Attachment Caulking | | D | 1 | |
| 14 | A1DU190101 | Installing Plate | | D | 1 | |
| 15 | A1DUH11000 | Relay Board/U ASSY | | C | 1 | |
| 16 | A9VE193100 | Operation Cover /Upper | | D | 1 | |
| 17 | A9VE193200 | Operation Cover /Lower | | D | 1 | |
| 18 | A9VE193900 | Operation Cover /J | | D | 1 | |
| | | | | | | |
| | | | | | | |
| | | | | | | |
| | | | | | | |
| | | | | | | |
| | | | | | | |
| | | | | | | |
| | | | | | | |
| | | | | | | |
| | | | | | | |
| | | | | | | |
| | | | | | | |
| | | | | | | |
| | | | | | | |

Scanner Section



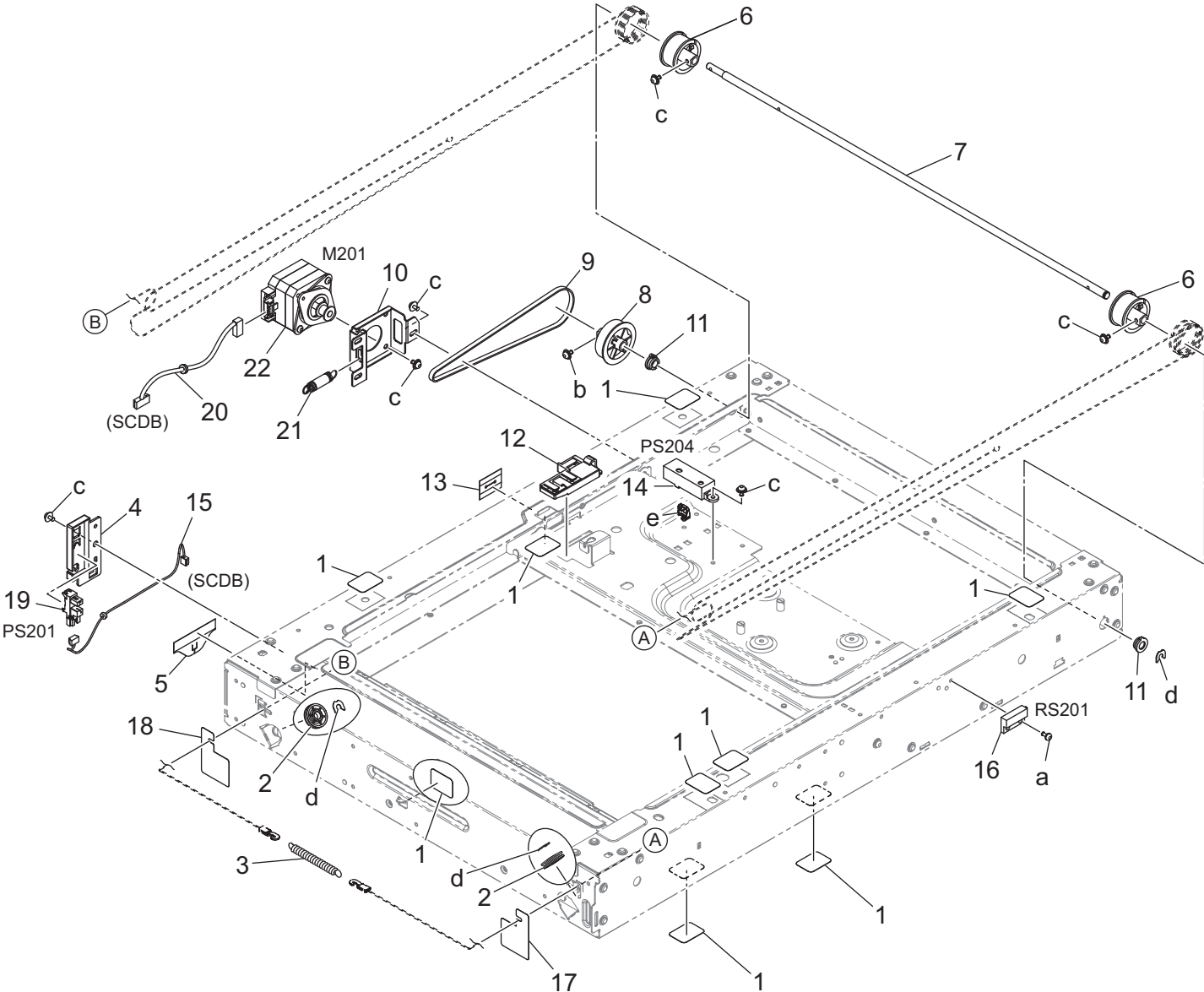
| Key | Part No. | Description | Destinations | Class | QTY | Standard parts |
|-----|---------------|---------------------|--------------|-------|-----|--|
| 1 | A00J265300 | Regulating Plate | | C | 1 | a-V116030804 b-V121030604 c-V127030604 |
| 2 | A161268200 | Holding Plate | | D | 1 | |
| 3 | A161268300 | Holding Plate | | D | 1 | |
| 4 | A161278600 | Cover | | D | 1 | |
| 5 | A161278900 | Plate spring | | D | 2 | |
| 6 | AA2JN14500 | CCD Cable | | D | 1 | |
| 7 | AA2JR73200 | Slit Glass ASSY | | C | 1 | |
| 8 | AA2JR73300 | Original Glass ASSY | | C | 1 | |
| 9 | AA7NR72500Old | CCD Assy | | I | 1 | |
| 9 | AA7NR72511 | CCD Assy | | I | 1 | |
| | | | | | | |
| | | | | | | |
| | | | | | | |
| | | | | | | |
| | | | | | | |
| | | | | | | |
| | | | | | | |
| | | | | | | |
| | | | | | | |
| | | | | | | |
| | | | | | | |
| | | | | | | |
| | | | | | | |



See P.19-P.20

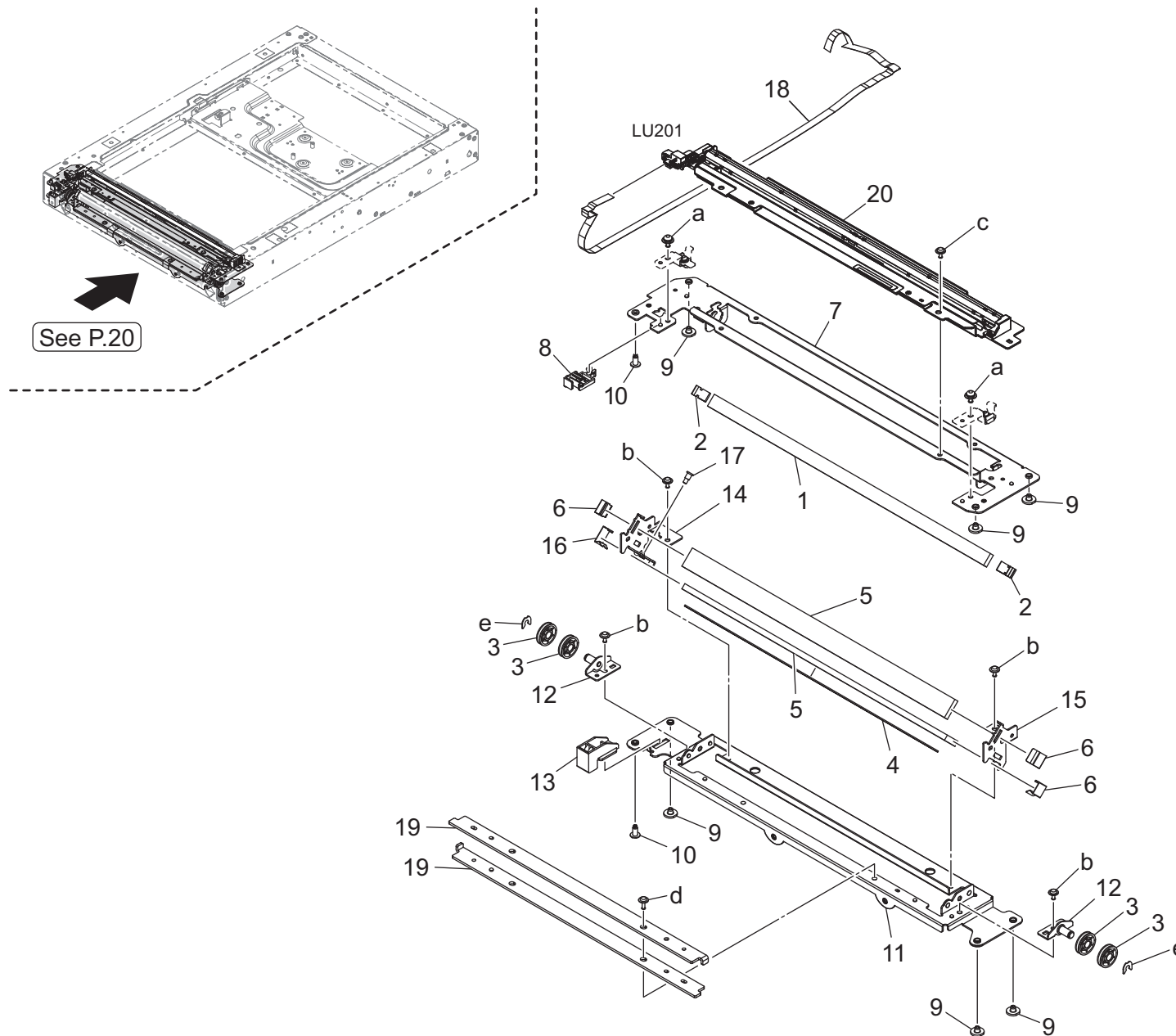
| Key | Part No. | Description | Destinations | Class | QTY | Standard parts |
|-----|------------|-------------------------|--------------|-------|-----|----------------|
| 1 | 4036307501 | Tape | | D | 1 | a-V125030803 |
| 2 | AA7NH01A01 | Scana Drive Board Assy | | C | 1 | b-V127030604 |
| 3 | A161261902 | Frame | | D | 1 | c-V144030603 |
| 4 | A161262002 | Frame | | D | 1 | d-V144030803 |
| 5 | A161280211 | Lever | | D | 1 | e-V500010081 |
| 6 | A161280300 | Compressing Coil spring | | C | 1 | f-V500010082 |
| 7 | A161281600 | Guide | | D | 1 | g-V500010083 |
| 8 | A5C1280101 | Mounting Plate | | D | 1 | h-V500020069 |
| 9 | A5C1M50100 | Photointerrupter | | D | 1 | k-V500020099 |
| 10 | A85CN27800 | Scanner Wiring /1 | | B | 1 | m-V570010038 |
| | | | | D | 1 | n-V570010056 |
| | | | | | | p-V570010057 |
| | | | | | | q-V570010060 |
| | | | | | | r-V500020098 |
| | | | | | | |
| | | | | | | |
| | | | | | | |
| | | | | | | |
| | | | | | | |
| | | | | | | |
| | | | | | | |
| | | | | | | |





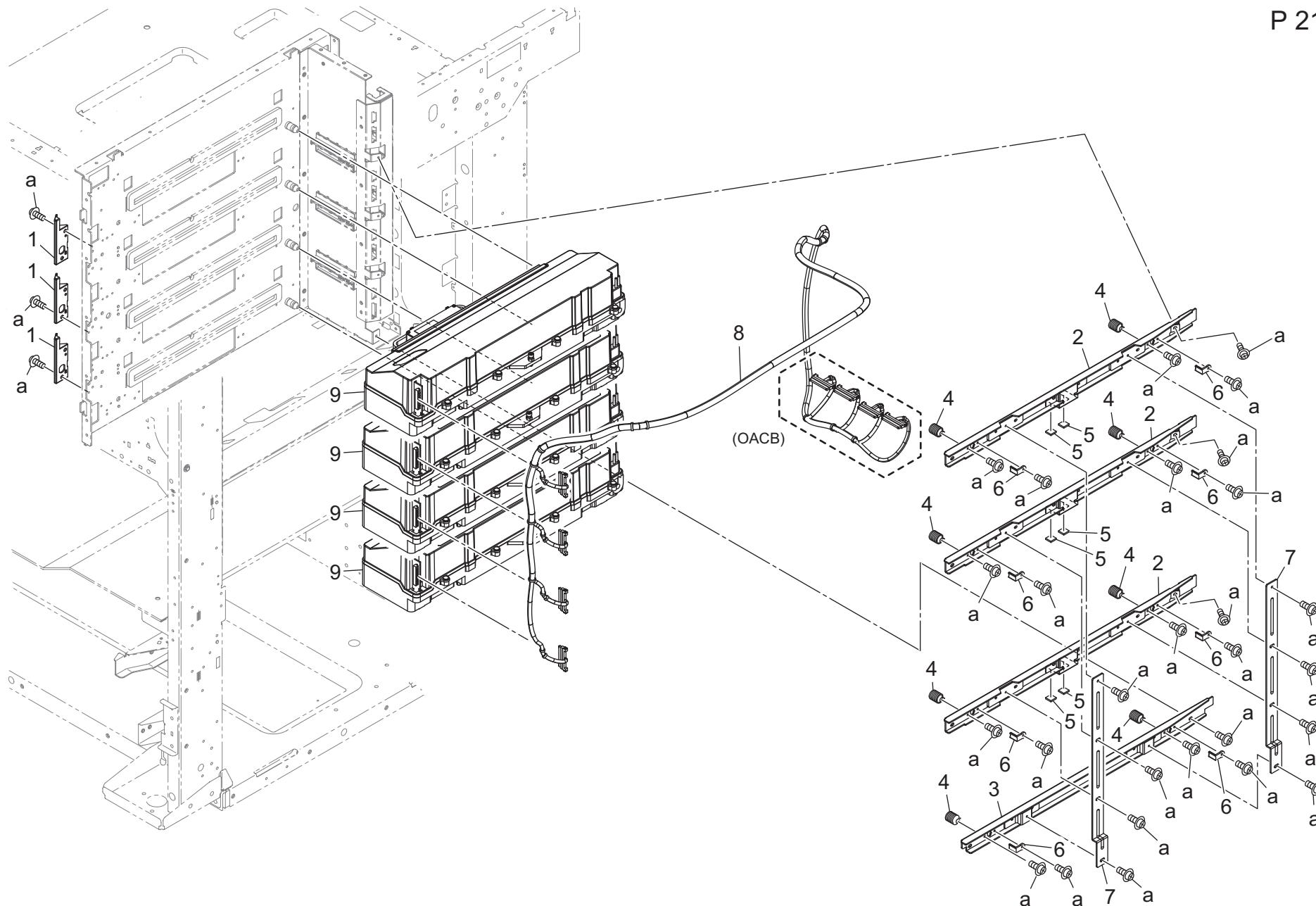
| Key | Part No. | Description | Destinations | Class | QTY | Standard parts |
|-----|------------|--------------------|--------------|-------|-----|--|
| 1 | 4581162501 | SEAL | | C | 9 | a-V115030603 b-V116030603 c-V125030803 d-V218040086 e-V500020098 |
| 2 | A0ED273600 | Pulley | | C | 2 | |
| 3 | A0ED276301 | Pulling Spring | | D | 1 | |
| 4 | A161262200 | Cover | | D | 1 | |
| 5 | A161263000 | Seal | | D | 1 | |
| 6 | A161275300 | Pulley | | D | 2 | |
| 7 | A161275400 | Shaft | | D | 1 | |
| 8 | A161275500 | Pulley 103T | | D | 1 | |
| 9 | A161275600 | Timing belt 335L | | D | 1 | |
| 10 | A161276000 | Mounting Plate | | D | 1 | |
| 11 | A161276500 | Bearing | | D | 2 | |
| 12 | A161281100 | Guide | | D | 1 | |
| 13 | A161281300 | Seal | | D | 1 | |
| 14 | A161M50A00 | APS Photoreflector | | C | 1 | |
| 15 | A161N14201 | Scanner Wiring /2 | | D | 1 | |
| 16 | A1UDM50200 | Lead Switch | | C | 1 | |
| 17 | A5C1263300 | Seal | | C | 1 | |
| 18 | A5C1263400 | Seal | | C | 1 | |
| 19 | A5C1M50100 | Photointerrupter | | B | 1 | |
| 20 | A5C1N14300 | Scanner Wiring | | D | 1 | |
| 21 | A795275700 | Pulling Spring | | D | 1 | |
| 22 | AC57M10A00 | Stepping Motor | | C | 1 | |
| | | | | | | |
| | | | | | | |
| | | | | | | |
| | | | | | | |
| | | | | | | |
| | | | | | | |
| | | | | | | |
| | | | | | | |
| | | | | | | |
| | | | | | | |
| | | | | | | |
| | | | | | | |

Scanner Section



| Key | Part No. | Description | Destinations | Class | QTY | Standard parts |
|-----|------------|----------------------|--------------|-------|-----|--|
| 1 | A0ED271200 | Mirror | | D | 1 | a-V125030803 b-V127030604 c-V137030603 d-V137030803 e-V218040086 |
| 2 | A0ED271300 | Plate spring | | D | 2 | |
| 3 | A0ED273600 | Pulley | | C | 4 | |
| 4 | A0ED274200 | Vibrationproof Plate | | D | 1 | |
| 5 | A0ED274300 | Mirror | | D | 2 | |
| 6 | A0ED274400 | Plate spring | | D | 3 | |
| 7 | A161270102 | Frame | | D | 1 | |
| 8 | A161270600 | Guide | | D | 1 | |
| 9 | A161271000 | Bushing | | D | 6 | |
| 10 | A161271100 | Bushing | | D | 2 | |
| 11 | A161273113 | Frame | | D | 1 | |
| 12 | A161273401 | Mounting Plate | | D | 2 | |
| 13 | A161273500 | Guide Part | | D | 1 | |
| 14 | A161273701 | Mounting Plate | | D | 1 | |
| 15 | A161273800 | Mounting Plate | | D | 1 | |
| 16 | A161274500 | Plate spring /1 | | D | 1 | |
| 17 | A161274600 | Adjusting Screw | | C | 1 | |
| 18 | A161N14000 | Scanner Wiring /4 | | D | 1 | |
| 19 | A795273900 | Vibrationproof Plate | | D | 2 | |
| 20 | AA7NM31200 | Lamp | | I | 1 | |
| | | | | | | |
| | | | | | | |
| | | | | | | |
| | | | | | | |
| | | | | | | |
| | | | | | | |
| | | | | | | |
| | | | | | | |
| | | | | | | |
| | | | | | | |
| | | | | | | |
| | | | | | | |

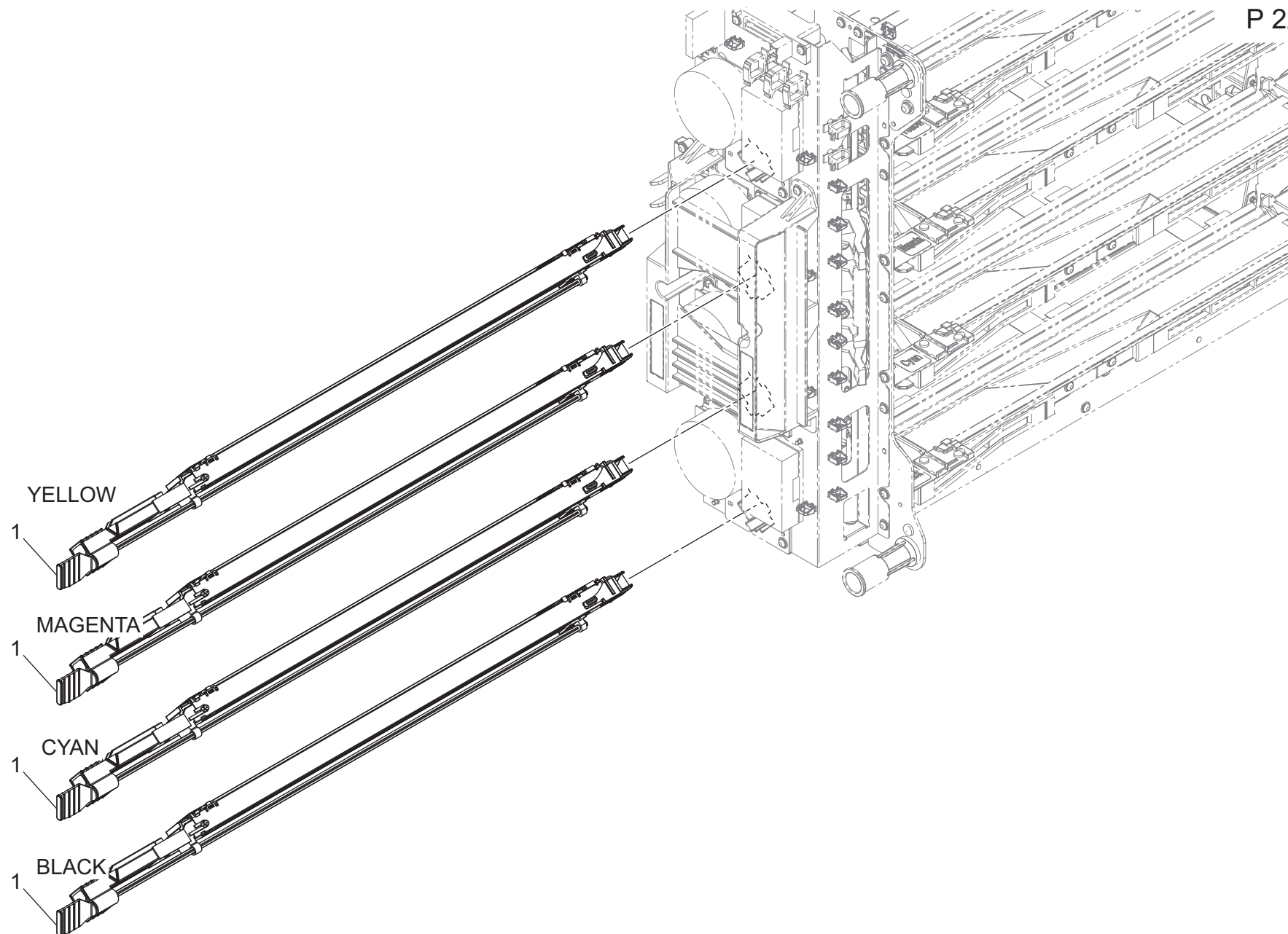




| Key | Part No. | Description | Destinations | Class | QTY | Standard parts |
|-----|------------|----------------------|--------------|-------|-----|----------------|
| 1 | A50U121500 | Cooling Guide /Front | | D | 3 | a-V127030604 |
| 2 | A50U318101 | Pressing Stay /Color | | D | 3 | |
| 3 | A50U318201 | Pressing Stay /Black | | D | 1 | |
| 4 | A50U318300 | Pressing Spring /R | | D | 8 | |
| 5 | A50U318700 | Auxiliary Pad | | D | 6 | |
| 6 | A50U318900 | Pressing Guide | | D | 8 | |
| 7 | A50U319301 | Connecting Plate /1 | | D | 2 | |
| 8 | AC57N26500 | LD Harness /1 | | D | 1 | |
| 9 | AC57R70400 | PH Unit | | I | 4 | |
| | | | | | | |
| | | | | | | |
| | | | | | | |
| | | | | | | |
| | | | | | | |
| | | | | | | |
| | | | | | | |
| | | | | | | |
| | | | | | | |
| | | | | | | |
| | | | | | | |
| | | | | | | |
| | | | | | | |

Charging Section

P 22



Charging Section

| Key | Part No. | Description | Destinations | Class | QTY | Standard parts |
|-----|------------|--------------------|--------------|-------|-----|----------------|
| 1 | AC57R70111 | Charging Pole Unit | 帯電極ユニット | A | 4 | |
| 1 | AC57R70111 | Charging Pole Unit | 帯電極ユニット | A | 4 | |
| | | | | | | |
| | | | | | | |
| | | | | | | |
| | | | | | | |
| | | | | | | |
| | | | | | | |
| | | | | | | |
| | | | | | | |

Photo Conductor Section

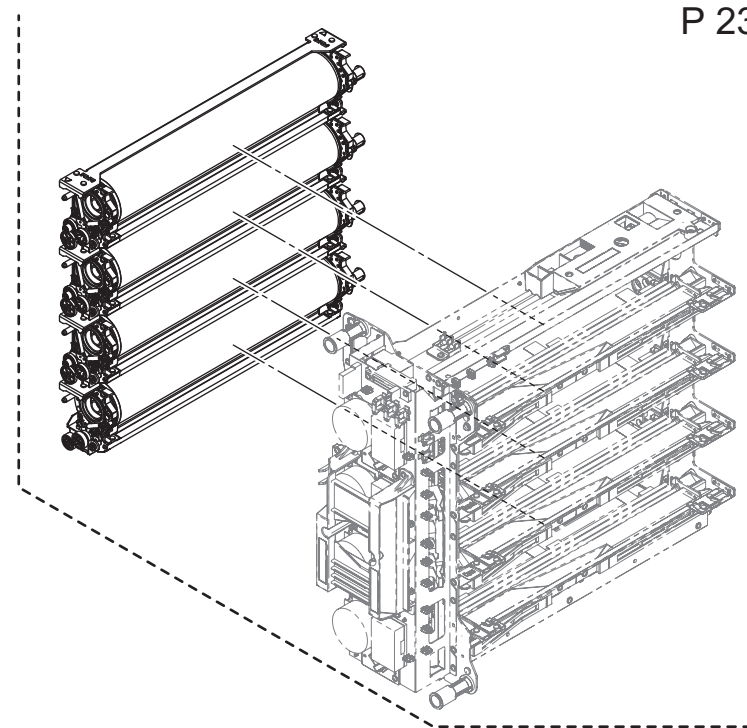
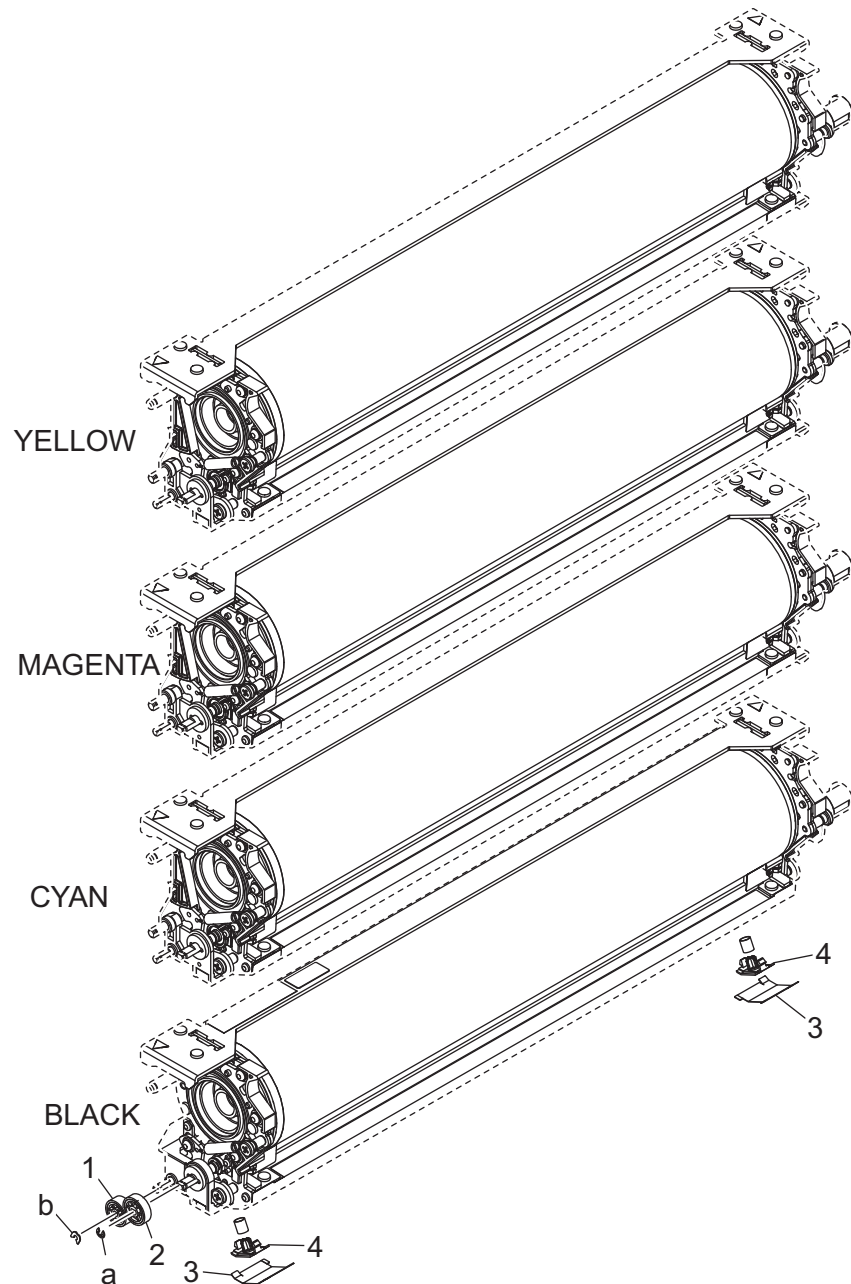
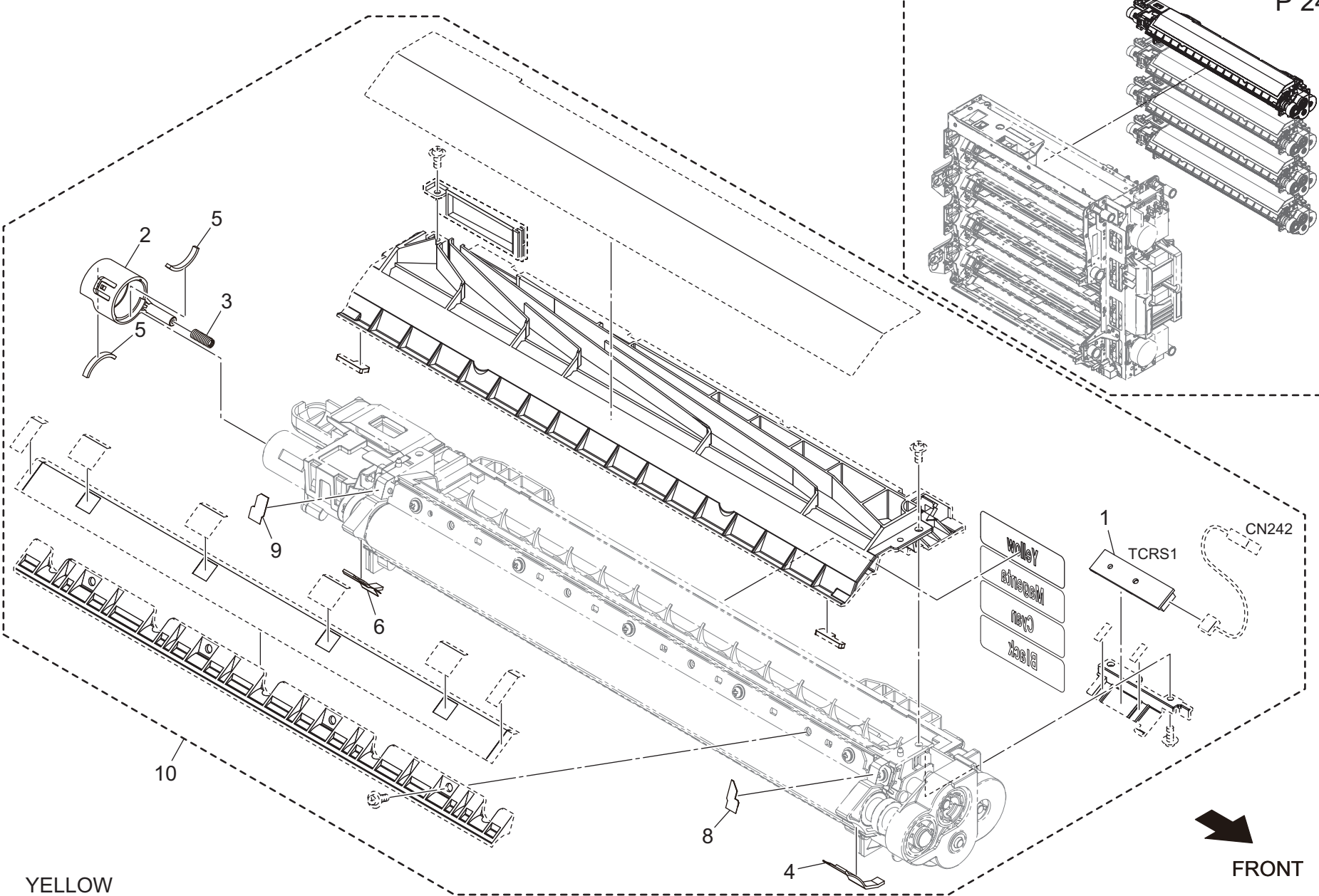


Photo Conductor Section

| Key | Part No. | Description | Destinations | Class | QTY | Standard parts |
|-----|------------|----------------------------|--------------|-------|-----|------------------------------|
| 1 | A50U333500 | Cleaning Gear /1 28T | | C | 1 | a-V217030003 b-V218030086 |
| 2 | A50U333600 | Cleaning Gear /2 30T | | C | 1 | |
| 3 | ACE6335600 | Scattering prevention Seal | | C | 2 | |
| 4 | ACE6339100 | Cover | | D | 2 | |
| | | | | | | |
| | | | | | | |
| | | | | | | |
| | | | | | | |
| | | | | | | |
| | | | | | | |
| | | | | | | |
| | | | | | | |
| | | | | | | |
| | | | | | | |
| | | | | | | |
| | | | | | | |
| | | | | | | |
| | | | | | | |
| | | | | | | |
| | | | | | | |

AccurioPress C4070

Developing Section

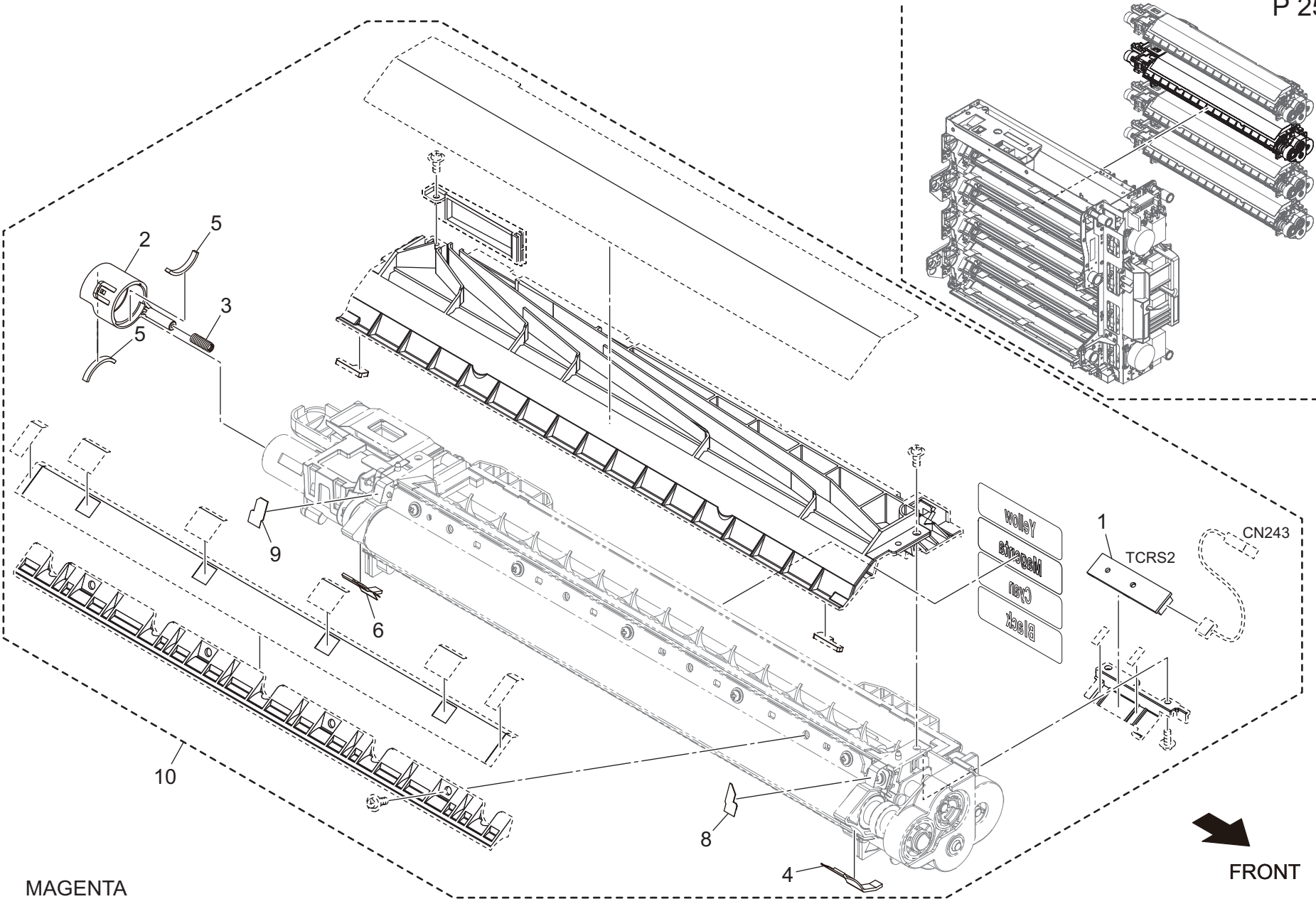


YELLOW

AccurioPress C4070

| Key | Part No. | Description | Destinations | Class | QTY | Standard parts |
|-----|------------|-----------------------------------|----------------------------|--------------------------|-----|----------------|
| 1 | A0TKH00200 | PWB Assembly(PWB-TCR ASSY) | 基板 ASSY (PWB - TCR ASSY) | I | 1 | |
| 2 | A50U372902 | Collection Cover | 回収カバー | D | 1 | |
| 3 | A50U373100 | Compressing Coil spring /1 | 圧縮コイルばね /1 | D | 1 | |
| 4 | AAK7374100 | Scatteringprevention Sheet /Front | 飛散防止シート /前 | D | 1 | |
| 5 | A50U374501 | Seal /J | シール / J | D | 2 | |
| 6 | AAK7376000 | Scatteringprevention Sheet /Rear | 飛散防止シート /奥 | D | 1 | |
| 8 | A50U377201 | Auxiliary Seal /Front | 補助シール /前 | D | 1 | |
| 9 | A50U377301 | Auxiliary Seal /Rear | 補助シール /奥 | D | 1 | |
| 10 | AC57R70222 | Developing Unit | 現像ユニット | B | A | 1 |
| 10 | AC57R70222 | Developing Unit | 現像ユニット | C | A | 1 |
| 10 | AC57R70222 | Developing Unit | 現像ユニット | D1,D3,E,F2,G1,G2,H,I,J,K | A | 1 |
| | | | | | | |
| | | | | | | |
| | | | | | | |
| | | | | | | |
| | | | | | | |
| | | | | | | |
| | | | | | | |
| | | | | | | |
| | | | | | | |
| | | | | | | |
| | | | | | | |
| | | | | | | |
| | | | | | | |
| | | | | | | |
| | | | | | | |
| | | | | | | |

Developing Section

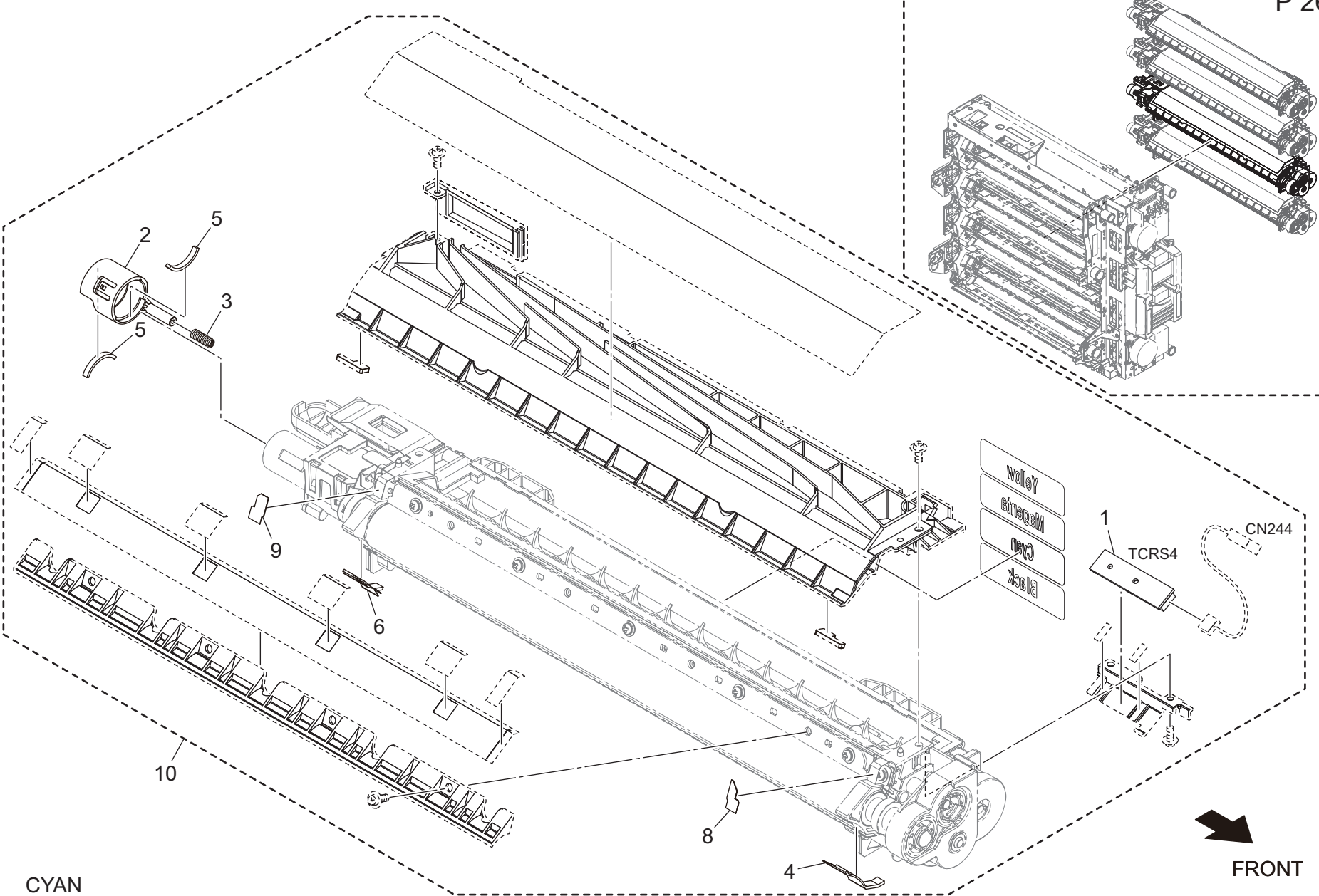


MAGENTA

FRONT
AccurioPress C4070

| Key | Part No. | Description | Destinations | Class | QTY | Standard parts |
|-----|------------|-----------------------------------|------------------------------|-------|-----|----------------|
| 1 | A0TKH00200 | PWB Assembly(PWB-TCR ASSY) | 基板 ASSY (PWB-TCR ASSY) | I | 1 | |
| 2 | A50U372902 | Collection Cover | 回収カバー | D | 1 | |
| 3 | A50U373100 | Compressing Coil spring /1 | 圧縮コイルばね /1 | D | 1 | |
| 4 | AAK7374100 | Scatteringprevention Sheet /Front | 飛散防止シート /前 | D | 1 | |
| 5 | A50U374501 | Seal /J | シール / J | D | 2 | |
| 6 | AAK7376000 | Scatteringprevention Sheet /Rear | 飛散防止シート /奥 | D | 1 | |
| 8 | A50U377201 | Auxiliary Seal /Front | 補助シール /前 | D | 1 | |
| 9 | A50U377301 | Auxiliary Seal /Rear | 補助シール /奥 | D | 1 | |
| 10 | AC57R70222 | Developing Unit | 現像ユニット | A | 1 | |
| 10 | AC57R70222 | Developing Unit | 現像ユニット | A | 1 | |
| 10 | AC57R70222 | Developing Unit | 現像ユニット | A | 1 | |
| | | | D1,D3,E,F2,G1,G2,H, I,J,K | A | 1 | |
| | | | | | | |
| | | | | | | |
| | | | | | | |
| | | | | | | |
| | | | | | | |
| | | | | | | |
| | | | | | | |
| | | | | | | |
| | | | | | | |
| | | | | | | |

Developing Section

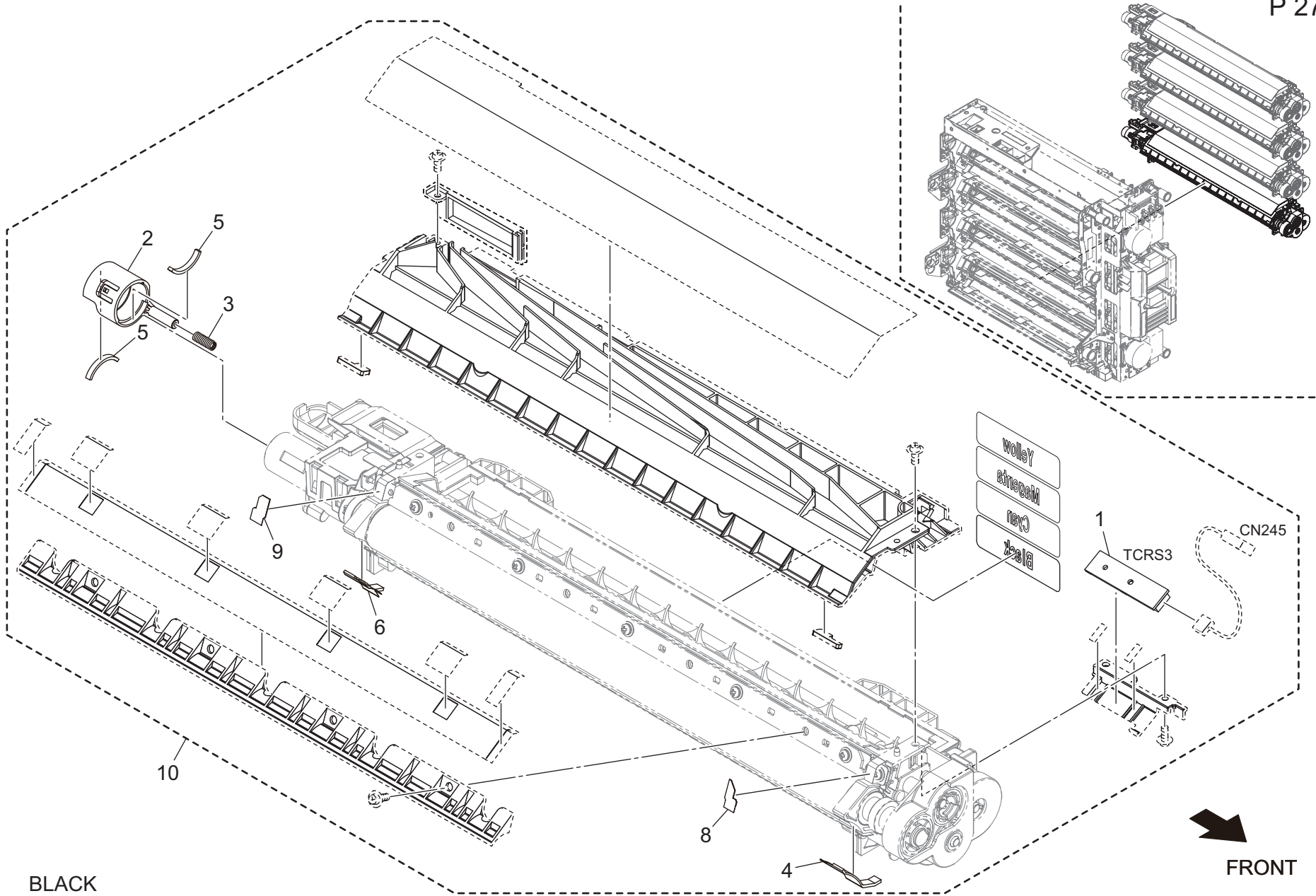


CYAN

AccurioPress C4070

| Key | Part No. | Description | Destinations | Class | QTY | Standard parts |
|-----|------------|-----------------------------------|------------------------|-------|-----|--------------------------|
| 1 | A0TKH00200 | PWB Assembly(PWB-TCR ASSY) | 基板 ASSY (PWB-TCR ASSY) | I | 1 | |
| 2 | A50U372902 | Collection Cover | 回収カバー | D | 1 | |
| 3 | A50U373100 | Compressing Coil spring /1 | 圧縮コイルばね /1 | D | 1 | |
| 4 | AAK7374100 | Scatteringprevention Sheet /Front | 飛散防止シート /前 | D | 1 | |
| 5 | A50U374501 | Seal /J | シール / J | D | 2 | |
| 6 | AAK7376000 | Scatteringprevention Sheet /Rear | 飛散防止シート /奥 | D | 1 | |
| 8 | A50U377201 | Auxiliary Seal /Front | 補助シール /前 | D | 1 | |
| 9 | A50U377301 | Auxiliary Seal /Rear | 補助シール /奥 | D | 1 | |
| 10 | AC57R70222 | Developing Unit | 現像ユニット | A | 1 | B |
| 10 | AC57R70222 | Developing Unit | 現像ユニット | A | 1 | C |
| 10 | AC57R70222 | Developing Unit | 現像ユニット | A | 1 | D1,D3,E,F2,G1,G2,H,I,J,K |
| | | | | | | |
| | | | | | | |
| | | | | | | |
| | | | | | | |
| | | | | | | |
| | | | | | | |
| | | | | | | |
| | | | | | | |
| | | | | | | |
| | | | | | | |
| | | | | | | |
| | | | | | | |
| | | | | | | |
| | | | | | | |
| | | | | | | |
| | | | | | | |
| | | | | | | |
| | | | | | | |
| | | | | | | |
| | | | | | | |
| | | | | | | |
| | | | | | | |

Developing Section



BLACK

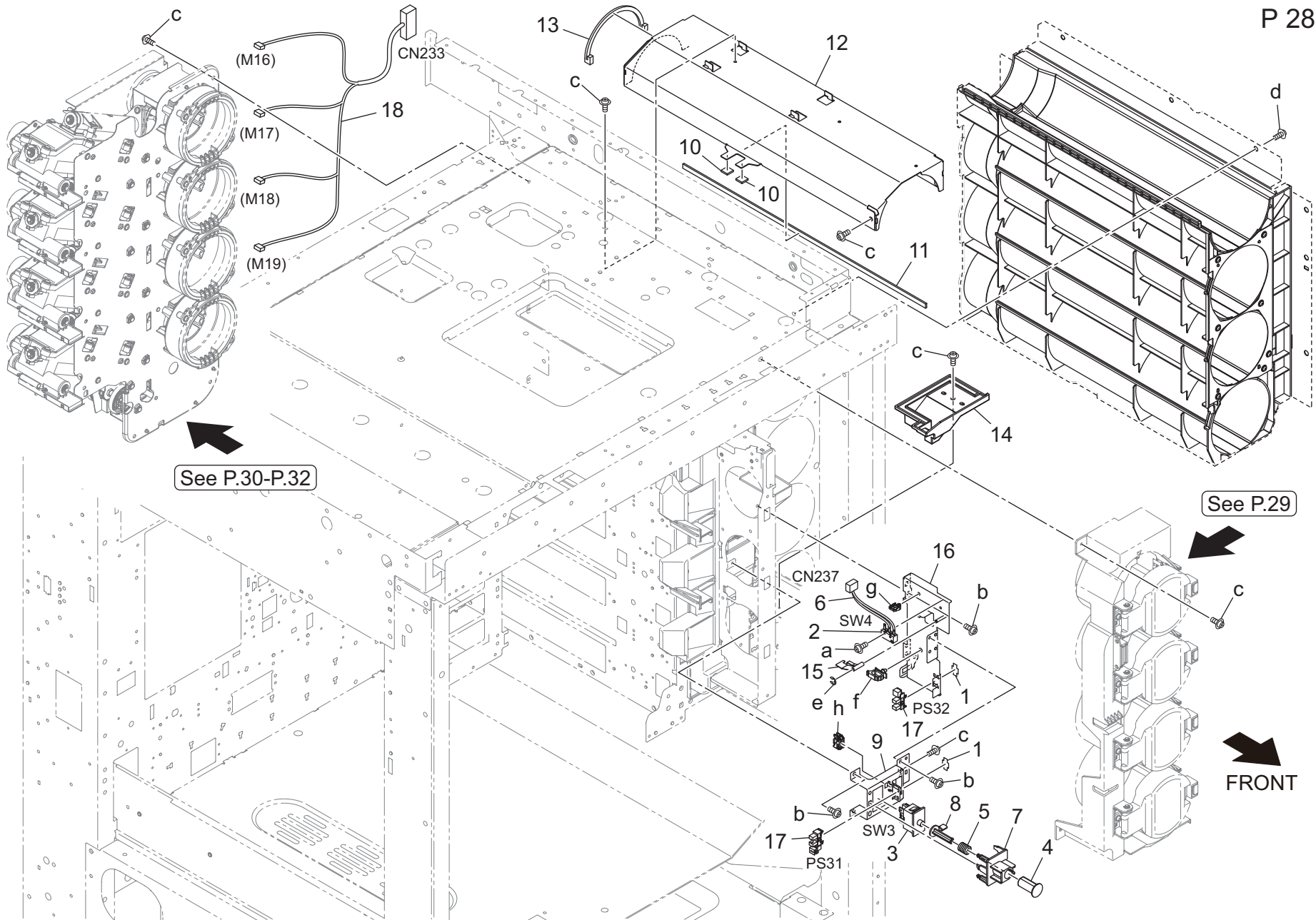
FRONT

AccurioPress C4070

| Key | Part No. | Description | Destinations | Class | QTY | Standard parts |
|-----|------------|-----------------------------------|-------------------------|------------------------------|-----|----------------|
| 1 | A0TKH00200 | PWB Assembly(PWB-TCR ASSY) | 基板 ASSY (PWB-TCR ASSY) | I | 1 | |
| 2 | A50U372902 | Collection Cover | 回収カバー | D | 1 | |
| 3 | A50U373100 | Compressing Coil spring /1 | 圧縮コイルばね /1 | D | 1 | |
| 4 | AAK7374100 | Scatteringprevention Sheet /Front | 飛散防止シート /前 | D | 1 | |
| 5 | A50U374501 | Seal /J | シール / J | D | 2 | |
| 6 | AAK7376000 | Scatteringprevention Sheet /Rear | 飛散防止シート /奥 | D | 1 | |
| 8 | A50U377201 | Auxiliary Seal /Front | 補助シール /前 | D | 1 | |
| 9 | A50U377301 | Auxiliary Seal /Rear | 補助シール /奥 | D | 1 | |
| 10 | AC57R70222 | Developing Unit | 現像ユニット | B | A | 1 |
| 10 | AC57R70222 | Developing Unit | 現像ユニット | C | A | 1 |
| 10 | AC57R70222 | Developing Unit | 現像ユニット | D1,D3,E,F2,G1,G2,H, I,J,K | A | 1 |
| | | | | | | |
| | | | | | | |
| | | | | | | |
| | | | | | | |
| | | | | | | |
| | | | | | | |
| | | | | | | |
| | | | | | | |
| | | | | | | |
| | | | | | | |
| | | | | | | |
| | | | | | | |
| | | | | | | |

Toner Supply Section

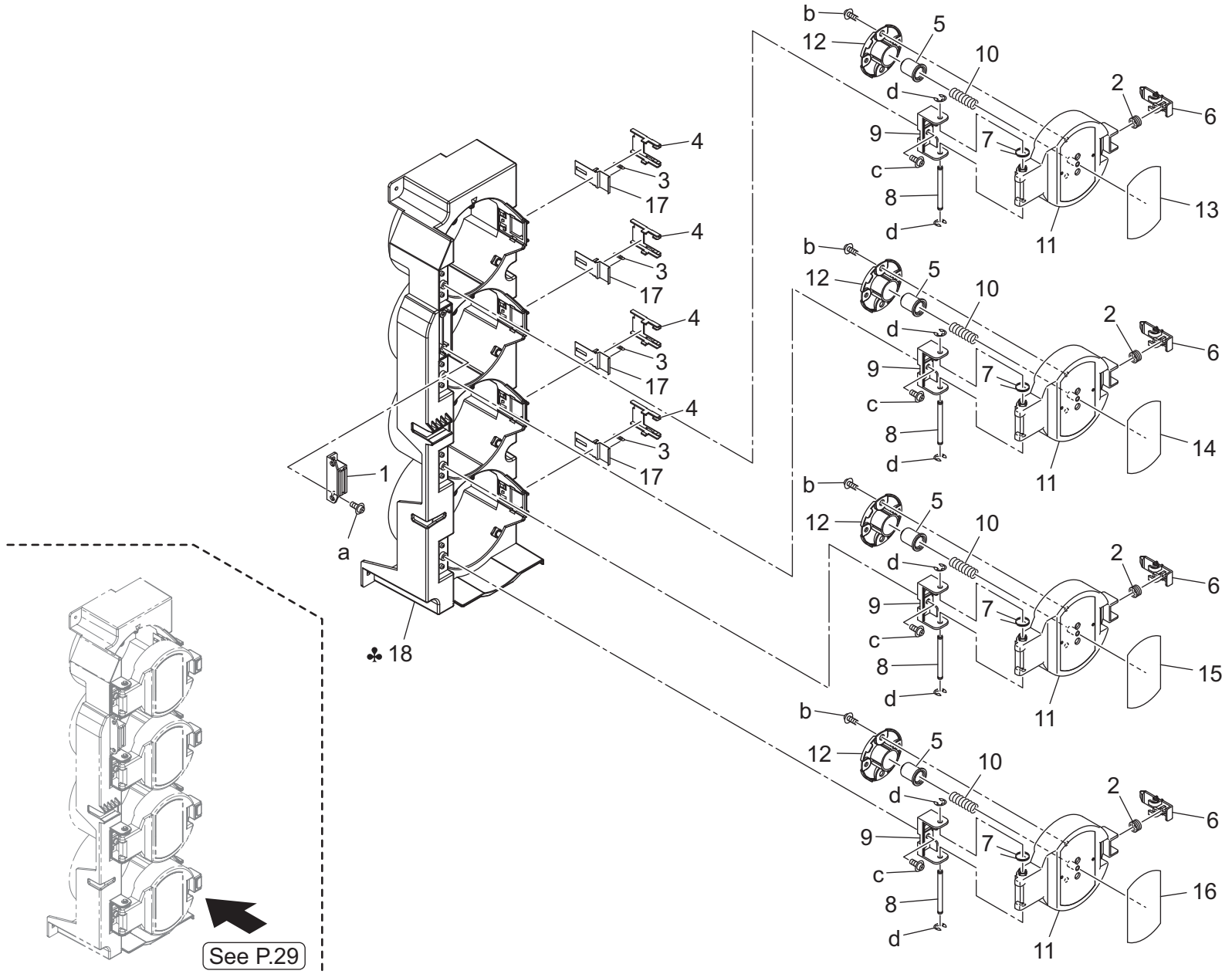
P 28



AccurioPress C4070

| Key | Part No. | Description | Destinations | Class | QTY | Standard parts |
|-----|--------------|--|--------------|-------|-----|--|
| 1 | 4470402401 | Stopper | | D | 2 | a-V111020803 b-V127030516 c-V127030604 d-V127040603 e-V217020003 f-V500010081 g-V500020098 h-V570010056 |
| 2 | 12QR86011 | Interlock Switch | | B | 1 | |
| 3 | 40AA85011Old | Door Switch | | B | 1 | |
| 3 | AC57M60000 | Door Switch | | B | 1 | |
| 4 | 56AA12140 | Switch Connecting Actuator | | C | 1 | |
| 5 | 56AA12160 | Contact Pressing Spring /1 | | C | 1 | |
| 6 | 65AA91101E | INTER LOCK WIRING | | D | 1 | |
| 7 | A50U166800 | Guide Part | | D | 1 | |
| 8 | A50U171500 | Pressing Actuator | | C | 1 | |
| 9 | A50U179000 | Plate | | D | 1 | |
| 10 | A50U318700 | Auxiliary Pad | | D | 2 | |
| 11 | A50U400600 | Toner supply Seal /Upper | | D | 1 | |
| 12 | A50U400900 | Toner supply Frame /Upper | | D | 1 | |
| 13 | A50U401401 | Seal /Rear | | D | 1 | |
| 14 | A50U408101 | Receiving Lower tray | | D | 1 | |
| 15 | A50U442100 | Switch Plate | | D | 1 | |
| 16 | A50UF41500 | Toner Supply Support Shaft Caulking ASSY | | D | 1 | |
| 17 | A50UM51000 | Photointerrupter | | C | 2 | |
| 18 | A50UN12101 | Toner Wiring /1 | | D | 1 | |
| | | | | | | |
| | | | | | | |
| | | | | | | |
| | | | | | | |
| | | | | | | |
| | | | | | | |
| | | | | | | |
| | | | | | | |
| | | | | | | |

Toner Supply Section

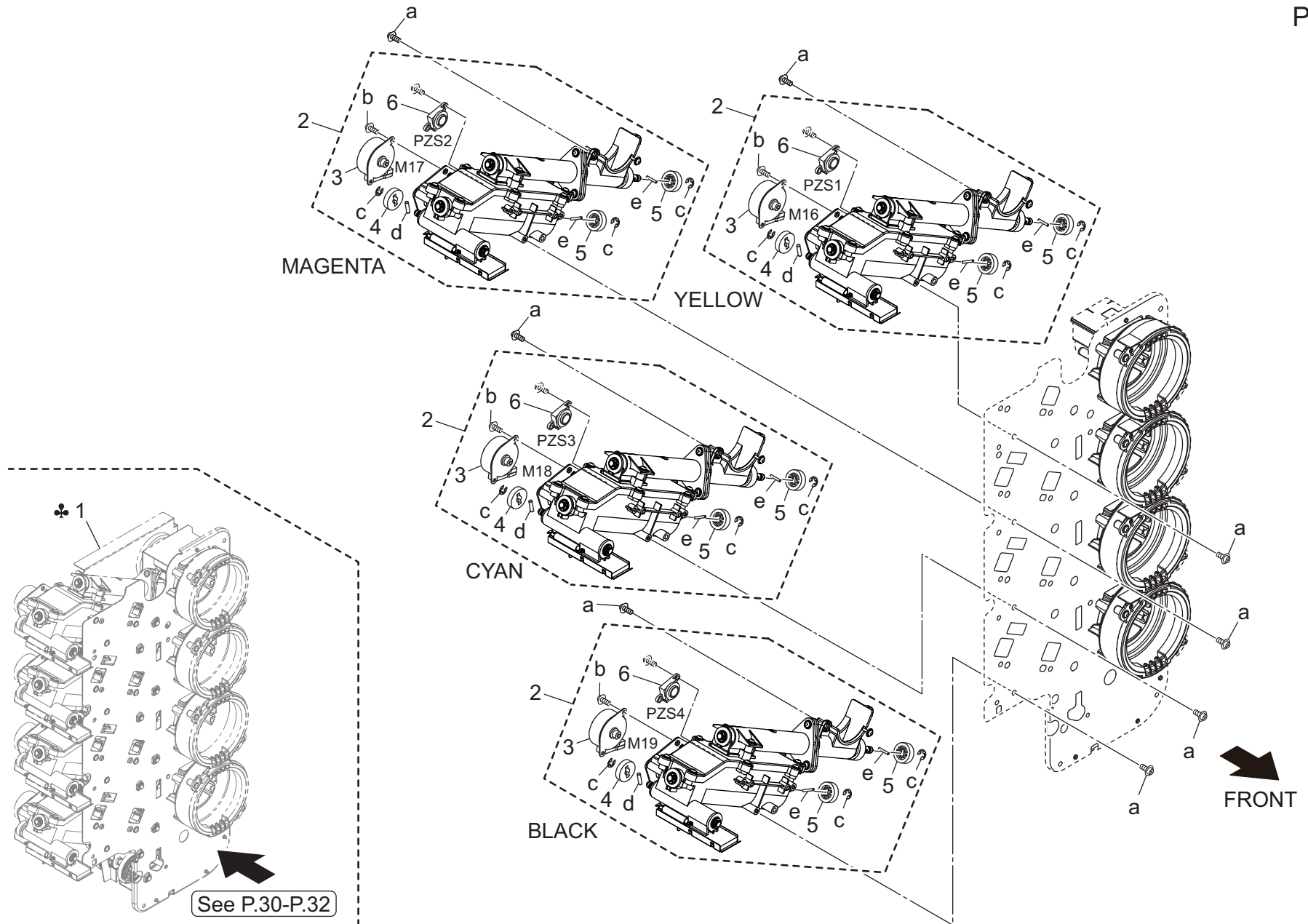


See P.29

FRONT

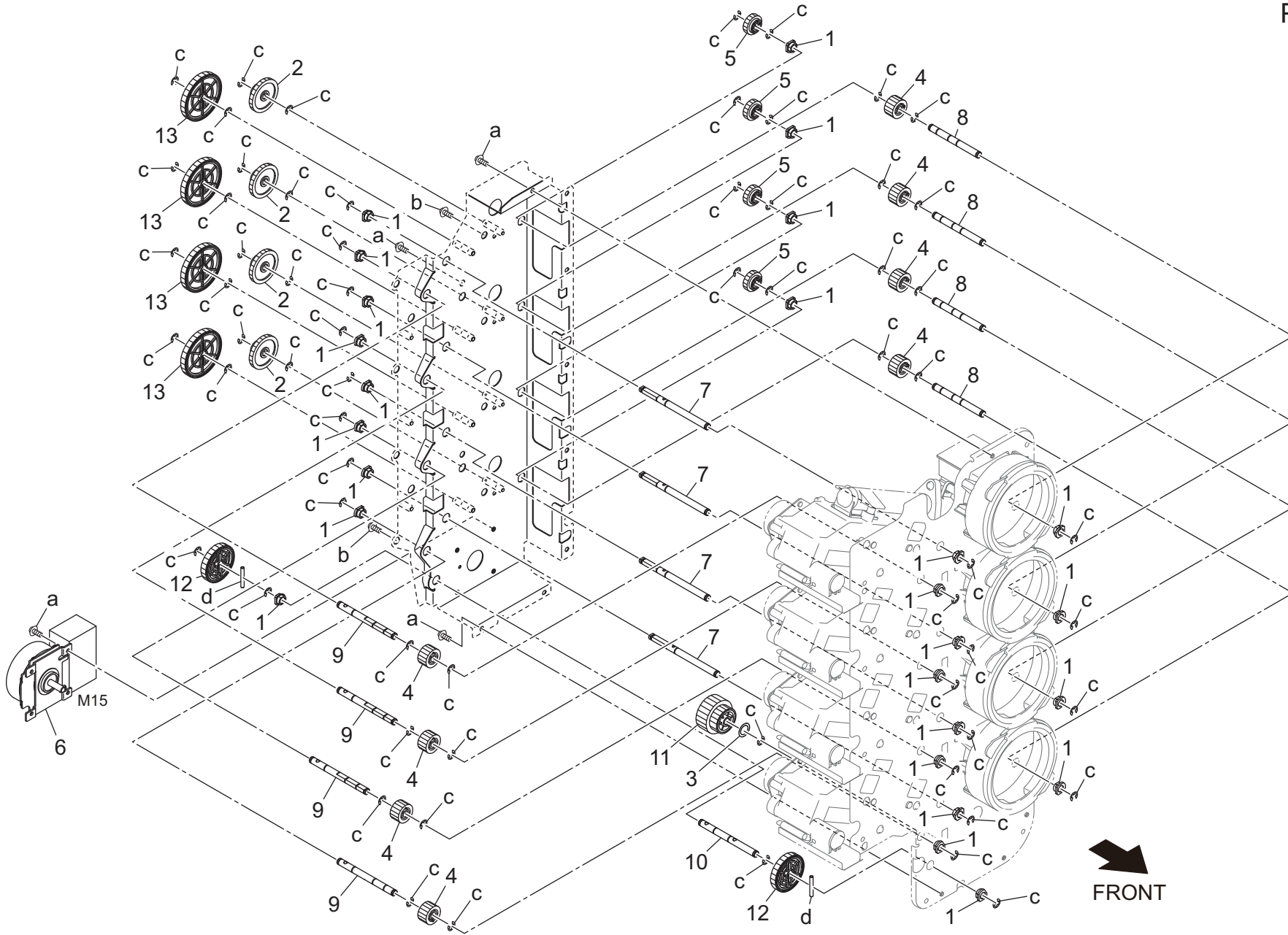
| Key | Part No. | Description | Destinations | Class | QTY | Standard parts |
|-----|------------|-----------------------------------|---|-------|-----|--|
| 1 | 07BA12352 | Magnet Catch | | C | 1 | a-V149030803 b-V153041003 c-V158030803 d-V217030003 |
| 2 | 26NA32870 | CARTRIDGE PRESSING SPRING 2 | | C | 4 | |
| 3 | 26TA32970 | CARTRIDGE REGULATING SPRING | | C | 4 | |
| 4 | 26TA32990 | COVER PART | | C | 4 | |
| 5 | A1RF441500 | Pressing Part /Front | | D | 4 | |
| 6 | A50U408501 | Pressing Handle | | D | 4 | |
| 7 | A50U408600 | Toner supply Open/close Spring /A | | D | 4 | |
| 8 | A50U408700 | Support Shaft | | D | 4 | |
| 9 | A50U408900 | Support Part | | D | 4 | |
| 10 | A50U410200 | Lock Spring | | D | 4 | |
| 11 | A50U440301 | Pressing Pedestal /Front | | D | 4 | |
| 12 | A50U440601 | Pressing Part /Rear | | D | 4 | |
| 13 | A50U944500 | Toner supply Label /Y | | D | 1 | |
| 14 | A50U944600 | Toner supply Label /M | | D | 1 | |
| 15 | A50U944700 | Toner supply Label /C | | D | 1 | |
| 16 | A50U944800 | Toner supply Label /K | | D | 1 | |
| 17 | A85C409600 | Regulating Plate | | D | 4 | |
| 18 | A50U400201 | Guide Part | B,D1,D3,E,F2,G1,G2, H,I(Except South Af rica),K,J | D | 1 | |
| 18 | A9VE400200 | Guide Part | C,I | D | 1 | |
| | | | | | | |
| | | | | | | |
| | | | | | | |
| | | | | | | |
| | | | | | | |
| | | | | | | |
| | | | | | | |
| | | | | | | |
| | | | | | | |
| | | | | | | |

Toner Supply Section



| Key | Part No. | Description | Destinations | Class | QTY | Standard parts |
|-----|------------|------------------------|--|-------|-----|--|
| 1 | AC57R72600 | Toner Supply Unit ASSY | B,G2 | S | 1 | a-V158030803 b-V118030403 c-V217040003 d-V234301250 e-V234201250 |
| 1 | AC57R72700 | Toner Supply Unit ASSY | C,I | S | 1 | |
| 1 | AC57R73900 | Toner Supply Unit ASSY | D1,D3,E,F2,G1,H,I(E xcept South Africa) ,K | S | 1 | |
| 1 | AC57R74100 | Toner Supply Unit ASSY | J | S | 1 | |
| 2 | A9VER71700 | Toner Conveyance Assy | | D | 4 | |
| 3 | A00JM12100 | Stepping motor | | C | 4 | |
| 4 | 65AA78040 | AGITATING GEAR A 18T | | C | 4 | |
| 5 | A4EU538400 | Release Gear /4 15T | | C | 8 | |
| 6 | 40AA88031 | Level Detection Sensor | | C | 4 | |
| | | | | | | |
| | | | | | | |
| | | | | | | |
| | | | | | | |
| | | | | | | |
| | | | | | | |
| | | | | | | |
| | | | | | | |
| | | | | | | |
| | | | | | | |
| | | | | | | |

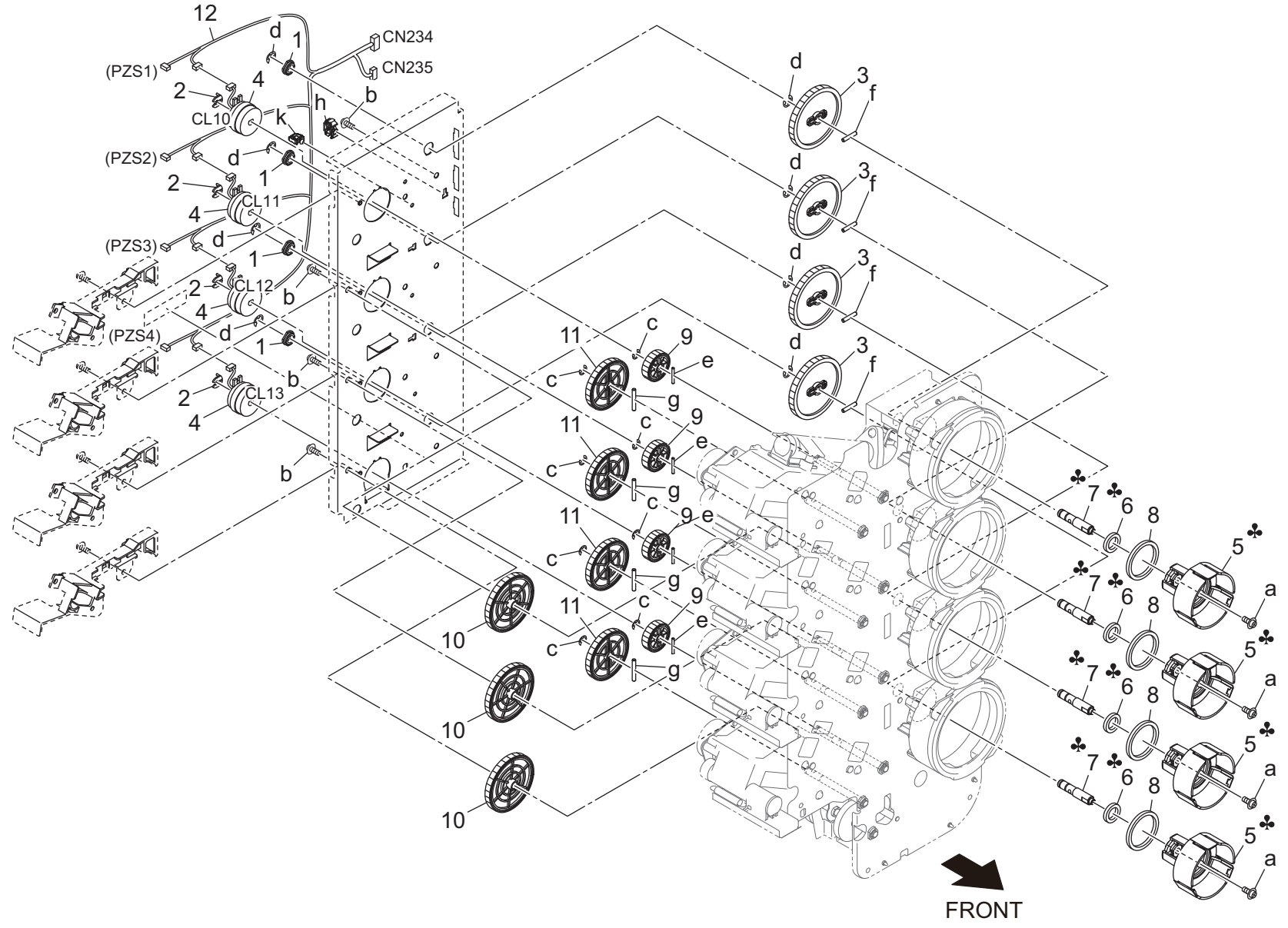
Toner Supply Section



Toner Supply Section

| Key | Part No. | Description | Destinations | Class | QTY | Standard parts |
|-----|------------|-----------------------------|--------------|-------|-----|--|
| 1 | 466076020 | Paper Feed Feeding Bearing | | B | 26 | a-V127030604 b-V158030803 c-V217040003 d-V234302250 |
| 2 | 25BA77171 | Toner Supply Gear /2 13/31T | | C | 4 | |
| 3 | 40AA32320 | Toner Supply Spacer | | C | 1 | |
| 4 | 56AA77330 | Screw Gear 15T | | C | 8 | |
| 5 | 9J07500201 | GEAR 17T | | C | 4 | |
| 6 | A7PUM11100 | brushless Motor /30 | | C | 1 | |
| 7 | A50U404000 | Drive Shaft /A | | D | 4 | |
| 8 | A50U404200 | Drive Shaft /C | | D | 4 | |
| 9 | A50U404600 | Drive Shaft /B | | D | 4 | |
| 10 | A50U406400 | Drive Shaft /D | | D | 1 | |
| 11 | A50U420300 | Toner supply Gear /3 25/65T | | C | 1 | |
| 12 | A50U420900 | Toner supply Gear /9 35T | | C | 2 | |
| 13 | A50U421000 | Toner supply Gear /10 45T | | C | 4 | |
| | | | | | | |
| | | | | | | |
| | | | | | | |
| | | | | | | |
| | | | | | | |
| | | | | | | |
| | | | | | | |
| | | | | | | |
| | | | | | | |

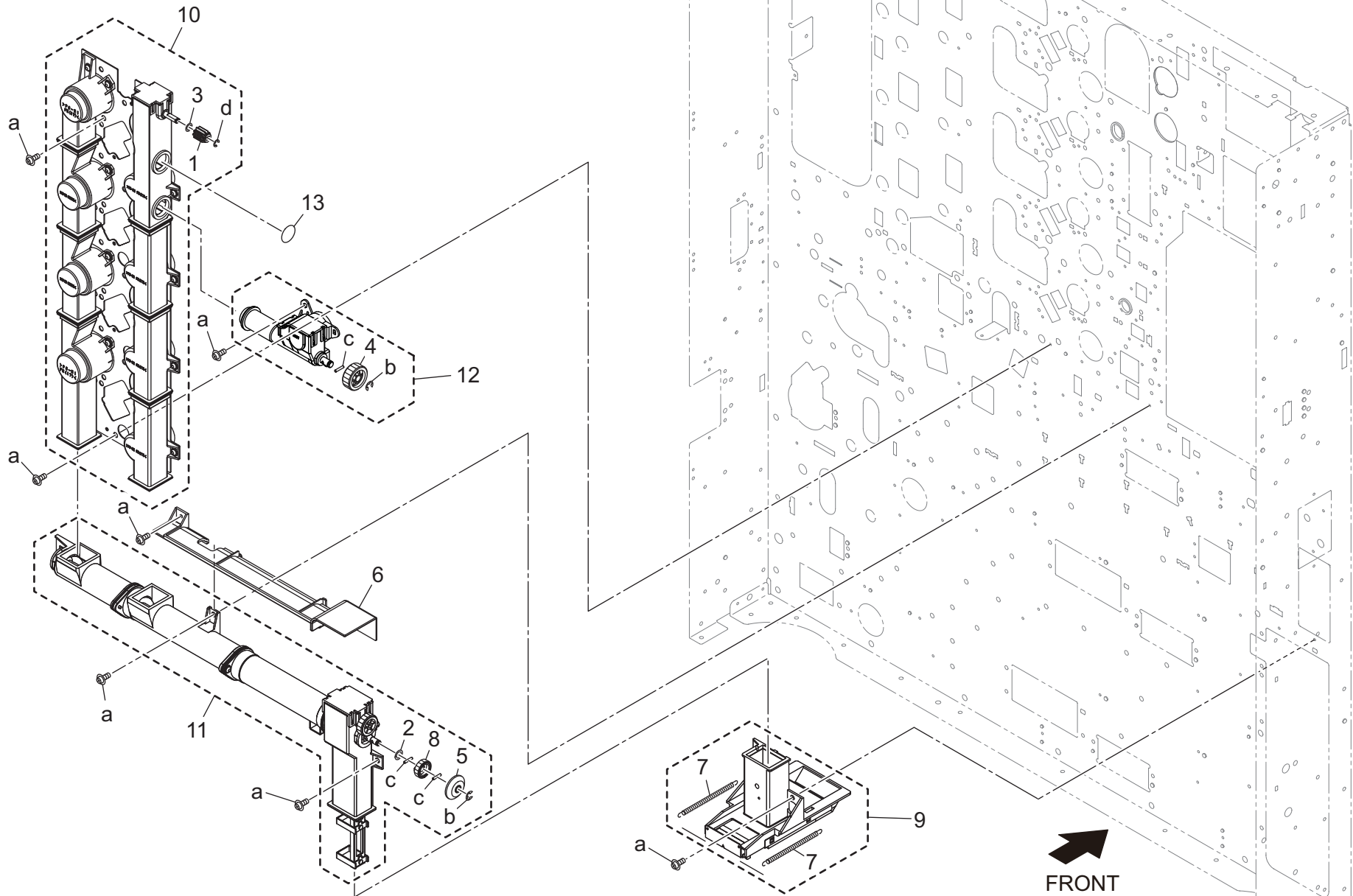
Toner Supply Section



AccurioPress C4070

| Key | Part No. | Description | Destinations | Class | QTY | Standard parts |
|-----|------------|------------------------------|--------------------------------|-------|-----|--|
| 1 | 26NA32660 | TONER SUPPLY SHAFT HOLDER | | C | 4 | a-V116030803 b-V127030604 c-V217040003 d-V217050003 e-V234201650 f-V234301650 g-V234302250 h-V500020098 k-V500020098 |
| 2 | 56AA40490 | Shaft Stopper /4 | | C | 4 | |
| 3 | 65AA77390 | Toner Supply Gear /B 56T | | C | 4 | |
| 4 | A00FM20000 | Clutch | | C | 4 | |
| 5 | A50U400503 | Toner supply Coupling | B,C,D1,D3,E,F2,G1,G 2,H,I,K | D | 4 | |
| 5 | AC57400500 | Toner supply Coupling | J | D | 4 | |
| 6 | A50U401200 | Holding Seal /A | B,C,D1,D3,E,F2,G1,G 2,H,I,K | D | 4 | |
| 6 | AC57401200 | Seal | J | D | 4 | |
| 7 | A50U401301 | Connecting Shaft | B,C,D1,D3,E,F2,G1,G 2,H,I,K | D | 4 | |
| 7 | AC57401300 | Connecting Shaft | J | D | 4 | |
| 8 | A50U407600 | Toner supply Holding Seal /A | | D | 4 | |
| 9 | A50U420400 | Toner supply Gear /4 25T | | C | 4 | |
| 10 | A50U420800 | Toner supply Gear /8 52T | | C | 3 | |
| 11 | A50U421000 | Toner supply Gear /10 45T | | C | 4 | |
| 12 | A50UN12203 | Toner Wiring /2 | | D | 1 | |
| | | | | | | |
| | | | | | | |
| | | | | | | |
| | | | | | | |
| | | | | | | |
| | | | | | | |
| | | | | | | |
| | | | | | | |
| | | | | | | |
| | | | | | | |
| | | | | | | |
| | | | | | | |
| | | | | | | |
| | | | | | | |
| | | | | | | |
| | | | | | | |
| | | | | | | |
| | | | | | | |
| | | | | | | |

Toner Collection Section



FRONT

AccurioPress C4070

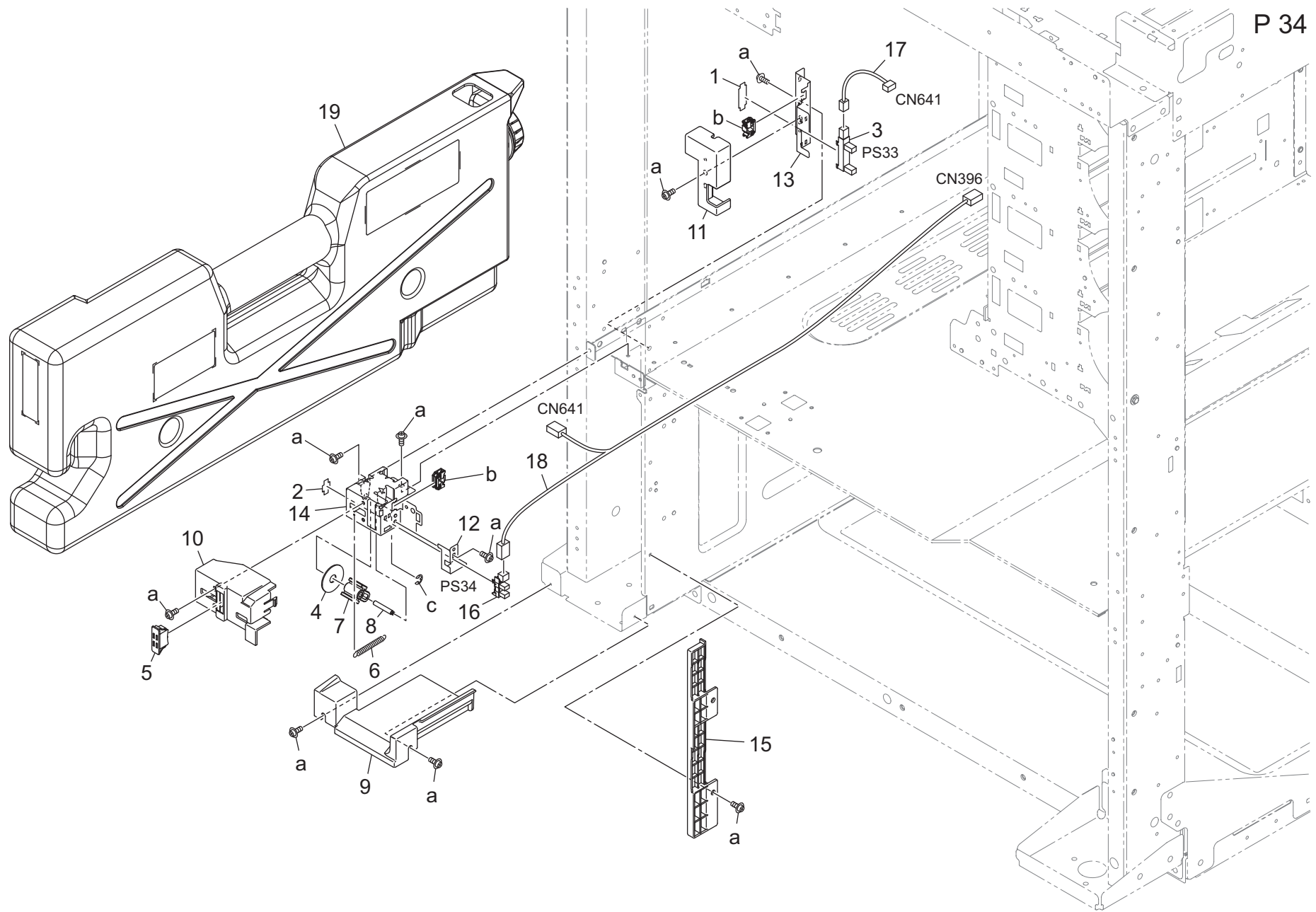


Toner Collection Section

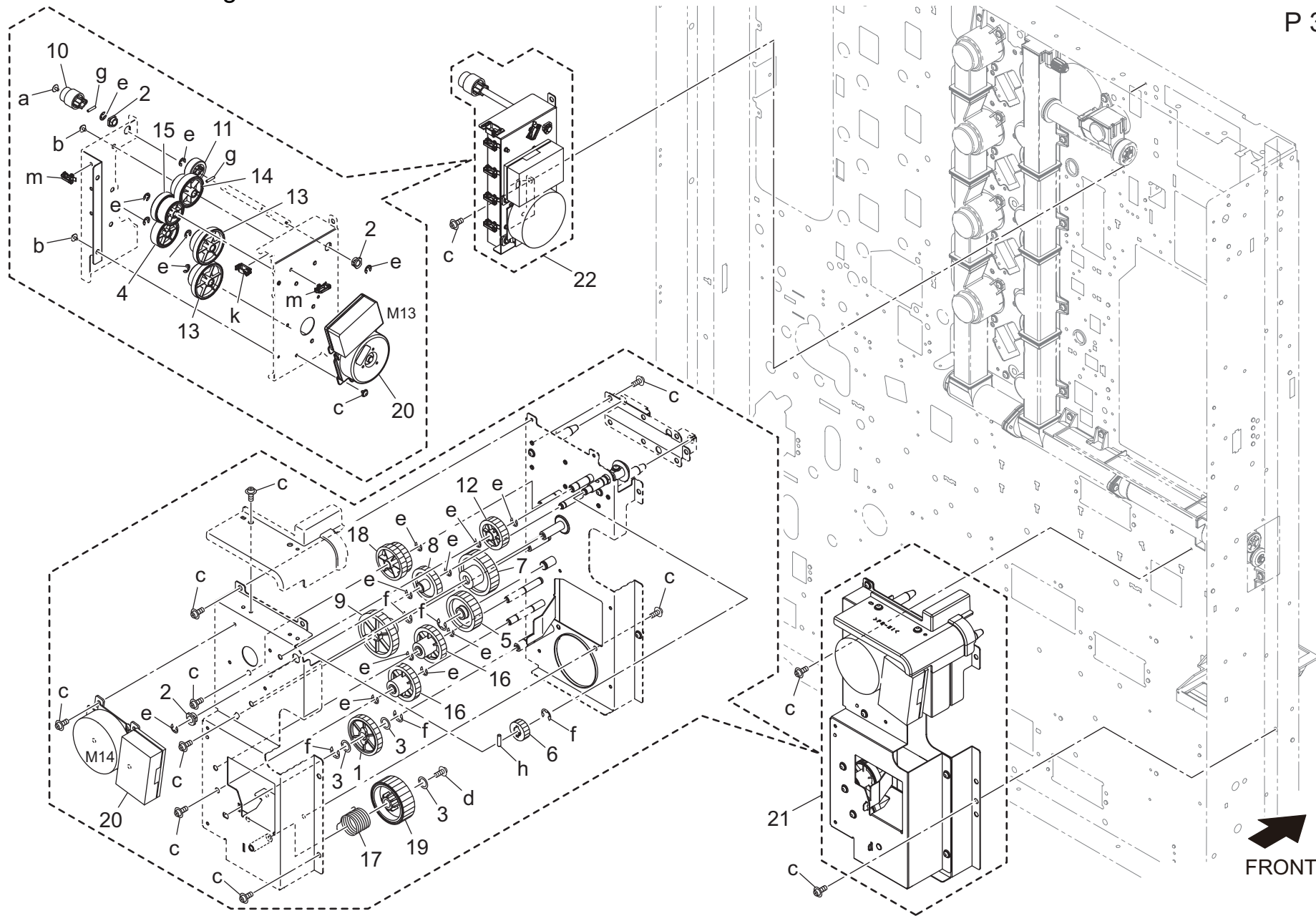
| Key | Part No. | Description | Destinations | Class | QTY | Standard parts |
|-----|------------|----------------------------------|--------------|-------|-----|--|
| 1 | 26NA17580 | Agitating Coupling /B | | C | 1 | a-V127030604 b-V217040003 c-V234201050 d-V217030003 |
| 2 | 40AA32320 | Toner Supply Spacer | | C | 1 | |
| 3 | 50GA250100 | SPACER | | C | 1 | |
| 4 | A1RG569900 | Suction Gear /2 21T | | C | 1 | |
| 5 | A50U361900 | Collection Gear /2 14T | | C | 1 | |
| 6 | A50U362300 | Insulating Cover | | D | 1 | |
| 7 | A50U363300 | Open/close Spring | | D | 2 | |
| 8 | A50U365400 | Collection Gear 19T | | C | 1 | |
| 9 | A50UF36500 | Toner Collection Gate ASSY | | D | 1 | |
| 10 | AC57R74500 | Collection Pipe Assy | | S | 1 | |
| 11 | A9VER71800 | Toner Collection Conveyance Assy | | S | 1 | |
| 12 | AC57R74600 | Collection Pipe / 1 Assy | | D | 1 | |
| 13 | A9VP368401 | Seal | | D | 1 | |
| | | | | | | |
| | | | | | | |
| | | | | | | |
| | | | | | | |
| | | | | | | |
| | | | | | | |
| | | | | | | |
| | | | | | | |
| | | | | | | |
| | | | | | | |
| | | | | | | |

Toner Collection Section

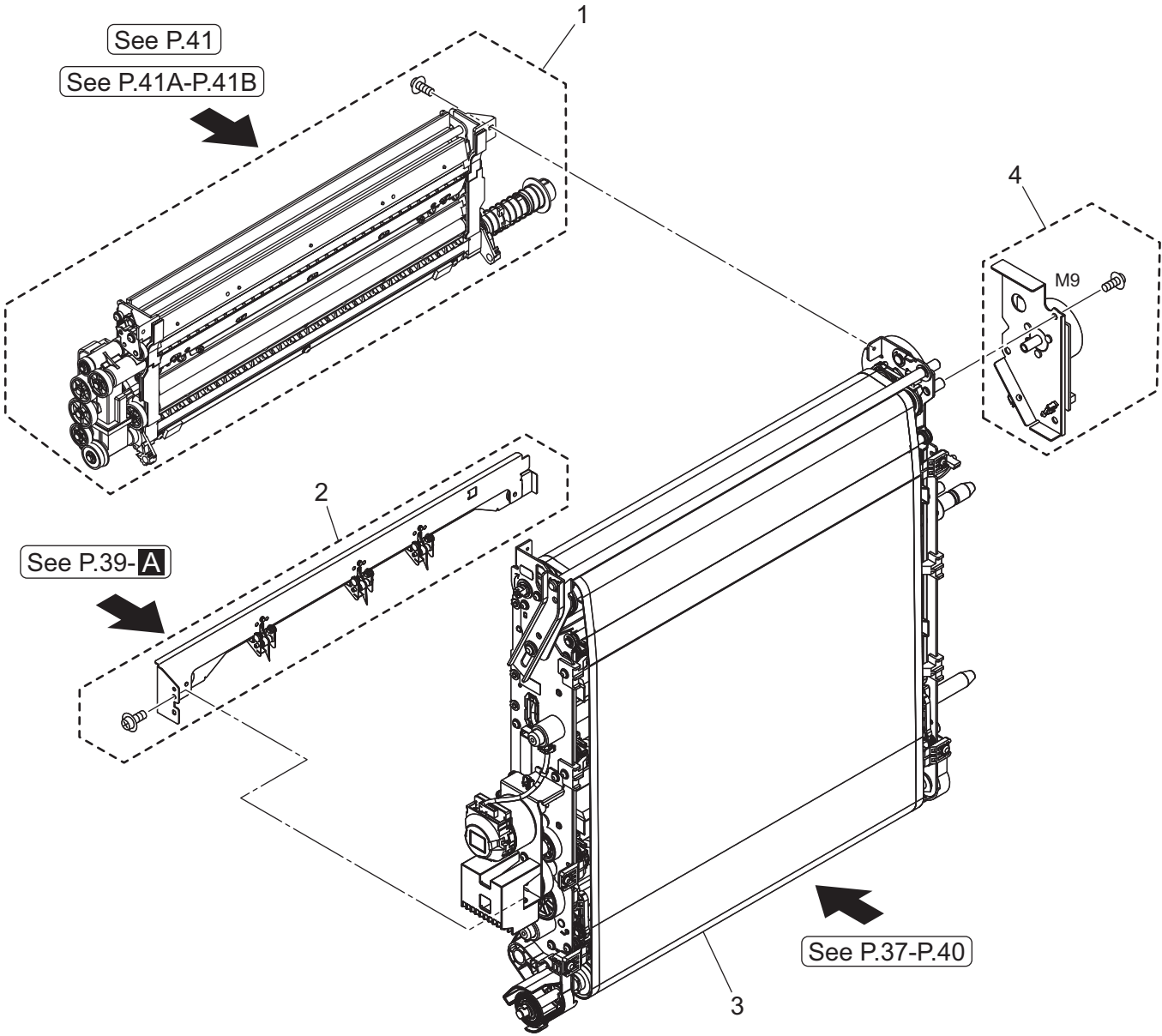
P 34



Toner Collection Driving Section

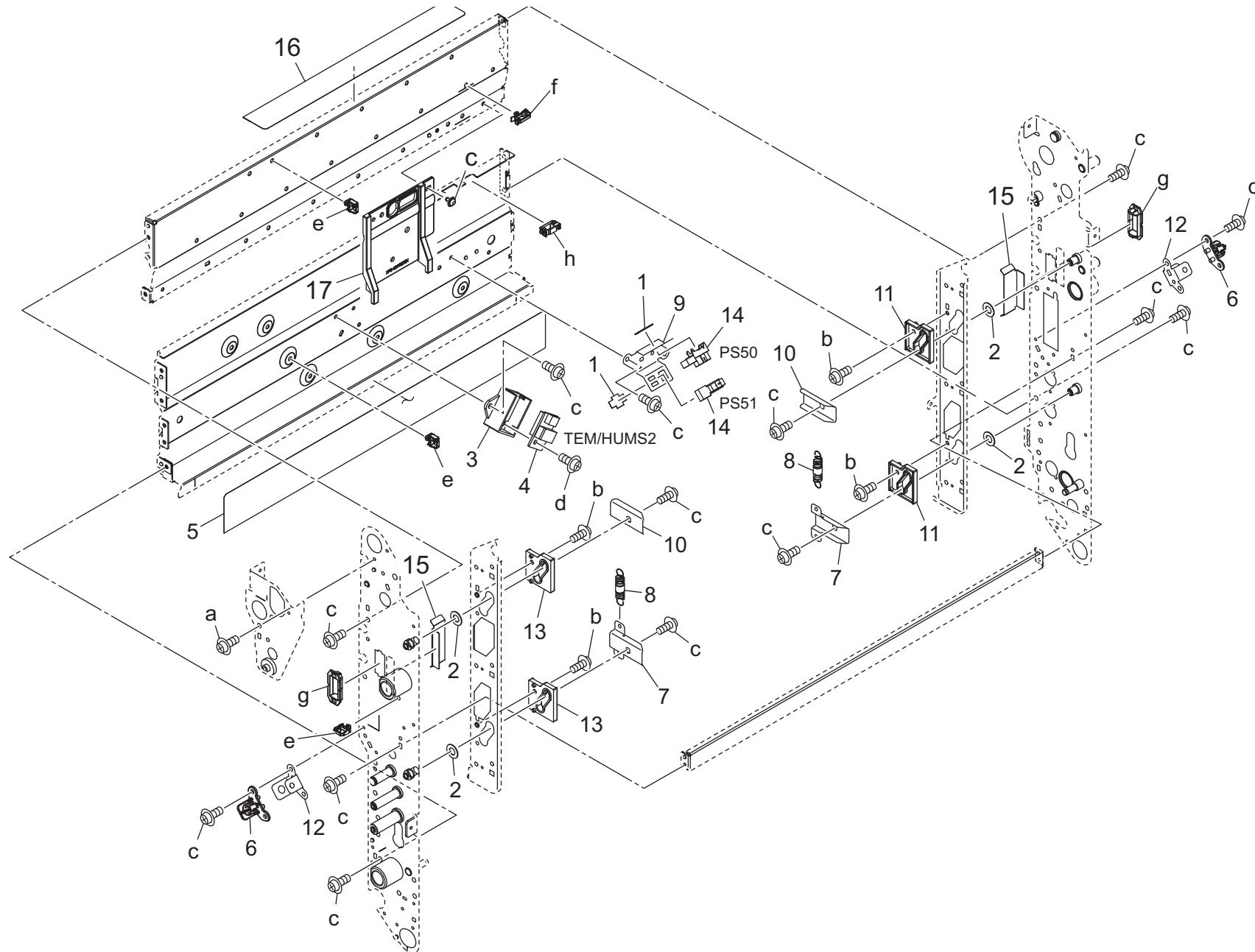


Intermediate Transfer Section



| Key | Part No. | Description | Destinations | Class | QTY | Standard parts |
|-----|------------|-----------------------------|--|-------|-----|----------------|
| 1 | A50UR70666 | Transfer Belt Cleaning Unit | 転写ベルトクリーニングユニット (S/No.AC58xxx010001-) | B | 1 | |
| 1 | AC57R75122 | Transfer Belt Cleaning Unit | 転写ベルトクリーニングユニット (S/No.AC58xxx020001-) | A | 1 | |
| 2 | A50UR71P22 | Separating Claw Unit | 分離爪ユニット | I | 1 | |
| 3 | AC57R70311 | Middle Transfer Assy | 中間転写 A s s y B,C(S/No.AC58xxx01001-) | I | 1 | |
| 3 | AC57R74900 | Middle Transfer Assy | 中間転写 A s s y B | I | 1 | |
| 3 | AC57R74911 | Middle Transfer Assy | 中間転写 A s s y (S/No.AC58xxx020001-) -JC | I | 1 | |
| 3 | AC57R70311 | Middle Transfer Assy | 中間転写 A s s y (S/No.AC58xxx010001-) -D1,D3,E,F2,G1,G2, H,I,J,K | I | 1 | |
| 3 | AC57R74922 | Middle Transfer Assy | 中間転写 A s s y D1,D3,E,F2,G1,G2,H, I,J,K(S/No.AC58xxx020001-) | I | 1 | |
| 4 | A85CR70R33 | Drive Plate Assy | 駆動板 A s s y (S/No.AC58xxx010001-) | C | 1 | |
| 4 | AC57R75011 | Drive Plate Assy | 駆動板 A s s y (S/No.AC58xxx020001-) | C | 1 | |
| | | | | | | |
| | | | | | | |
| | | | | | | |
| | | | | | | |
| | | | | | | |
| | | | | | | |
| | | | | | | |
| | | | | | | |
| | | | | | | |

Intermediate Transfer Section

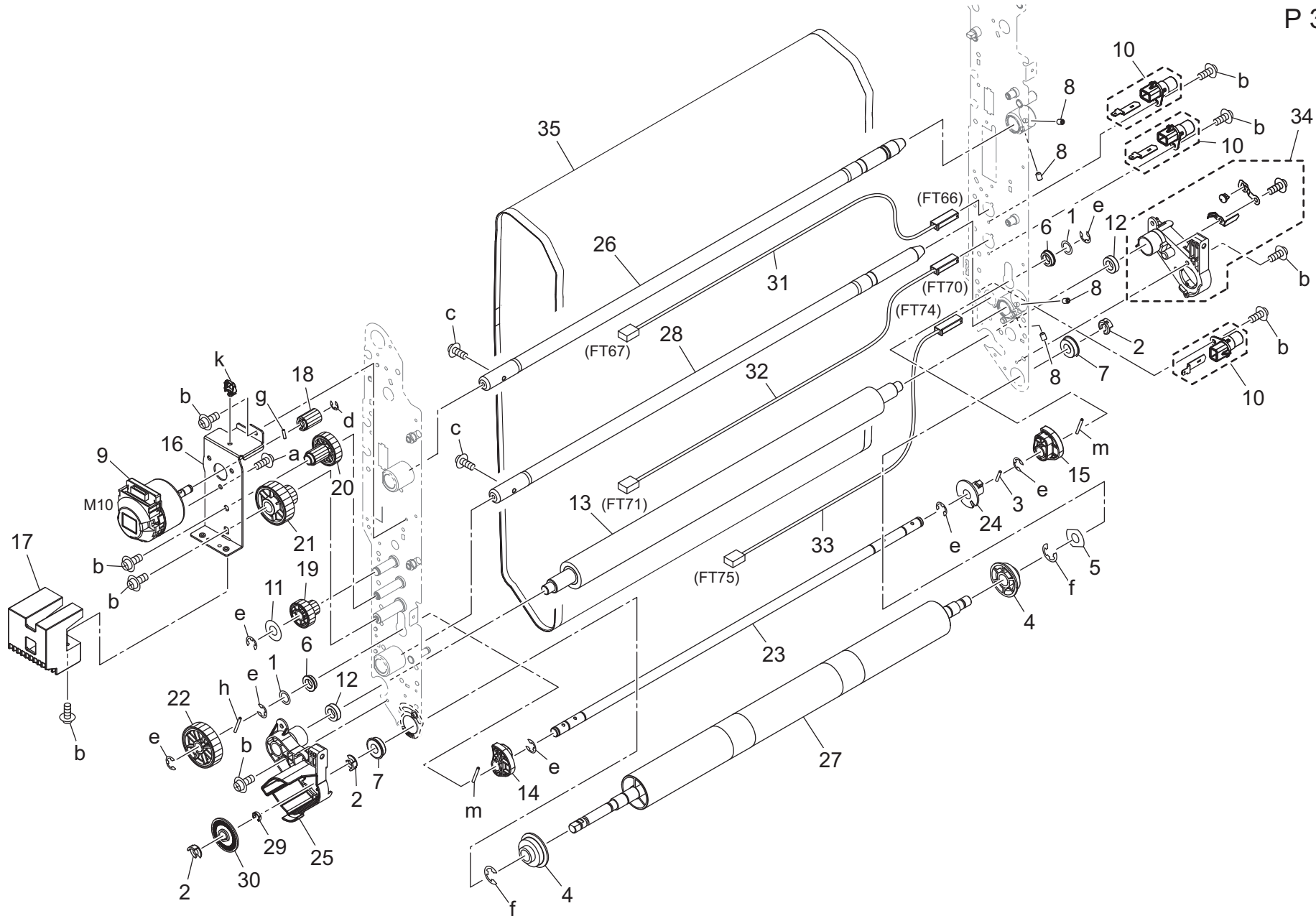


| Key | Part No. | Description | Destinations | Class | QTY | Standard parts |
|-----|---------------|-------------------------|---------------------------|-------|-----|--|
| 1 | 4470402401 | Stopper | | D | 2 | a-V116030503 b-V121030403 c-V127030604 d-V158030803 e-V500020098 f-V500020100 g-V570010037 h-V570010057 |
| 2 | 40AA32320 | Toner Supply Spacer | | C | 4 | |
| 3 | 65AA11300 | Support Part | | D | 1 | |
| 4 | A034M50000Old | Humidity sensor | | C | 1 | |
| 4 | A0P0M50400 | Humidity sensor | | C | 1 | |
| 5 | A03U515100 | Insulating Sheet | | D | 1 | |
| 6 | A50U500800 | Hold Part | | D | 2 | |
| 7 | A50U503600 | Stopper Plate | | D | 2 | |
| 8 | A50U503700 | Spring | | D | 2 | |
| 9 | A50U505202 | Plate | | D | 1 | |
| 10 | A50U506200 | Stopper Plate | | D | 2 | |
| 11 | A50U506300 | Transfer Bushing /Rear | | D | 2 | |
| 12 | A50U508600 | Transfer Support Plate | | D | 2 | |
| 13 | A50U508800 | Transfer Bushing /Front | | D | 2 | |
| 14 | A85CM55600 | Photo Sensor | | C | 2 | |
| 15 | A9VP513600 | Protection Sheet /2 | (S/No.AC58xxx020001 -) | D | 2 | |
| 16 | A9VP517800 | Protection Sheet /3 | (S/No.AC58xxx020001 -) | D | 1 | |
| 17 | A9VP517900 | Guide Cover | (S/No.AC58xxx020001 -) | D | 1 | |
| | | | | | | |
| | | | | | | |
| | | | | | | |
| | | | | | | |
| | | | | | | |
| | | | | | | |
| | | | | | | |
| | | | | | | |
| | | | | | | |
| | | | | | | |



Intermediate Transfer Section

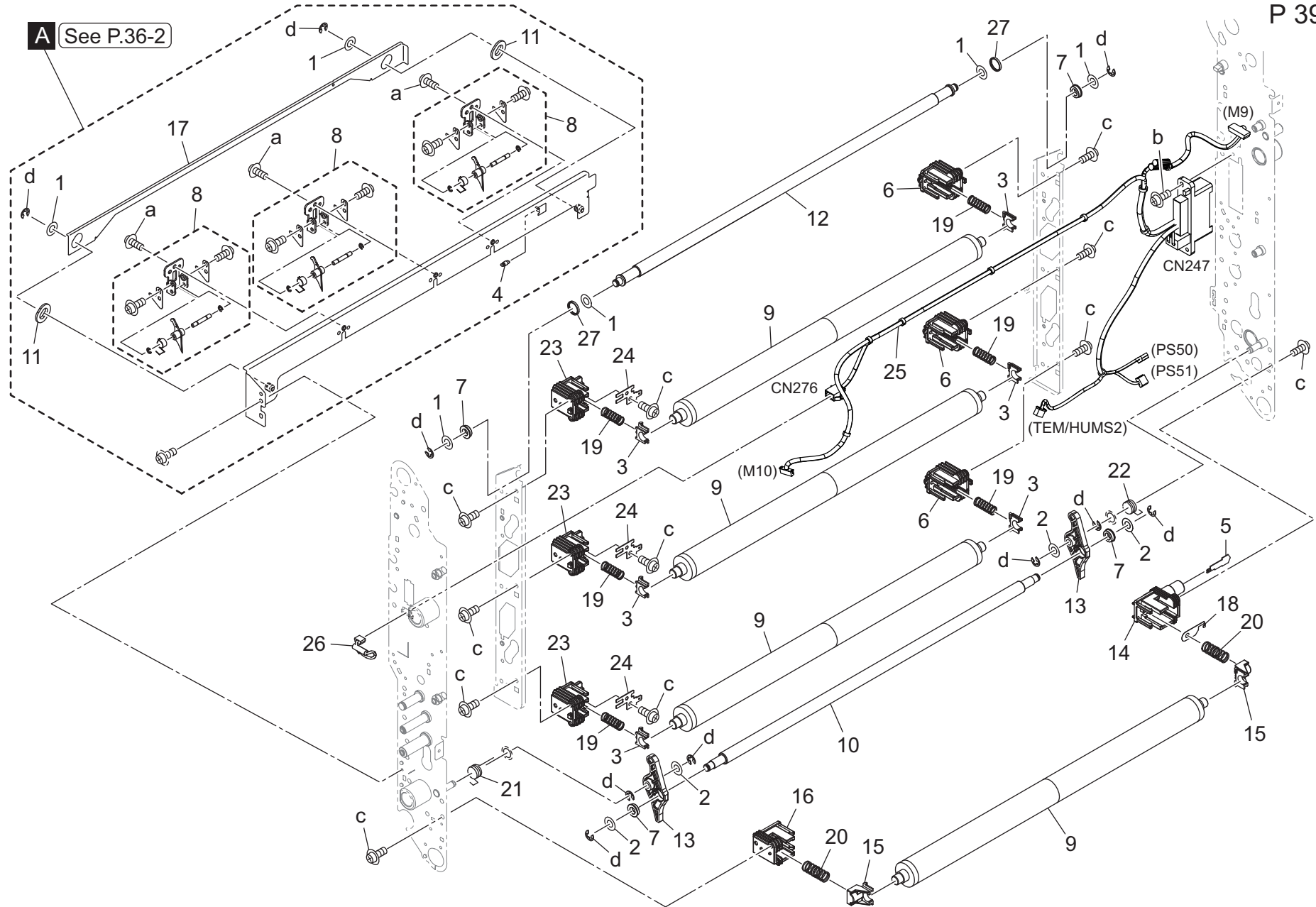
P 38



| Key | Part No. | Description | Destinations | Class | QTY | Standard parts |
|-----|------------|-------------------------------|--------------|-------|-----|----------------|
| 1 | 12QV40650 | Spacer | | B | 2 | a-V121030403 |
| 2 | 55VA42120 | Shaft Stopper | | C | 3 | b-V127030604 |
| 3 | 56AA17321 | PIN A D2X12 | | B | 1 | c-V127040803 |
| 4 | 65AA26870 | REGULATING COLLAR | | C | 2 | d-V217040003 |
| 5 | 12QV40650 | Spacer | | B | 1 | e-V217060003 |
| 6 | A00J617900 | Ball Bearing | | B | 2 | f-V217080003 |
| 7 | A00V240600 | Ball Bearing | | B | 2 | g-V234200850 |
| 8 | A03U512300 | Fixing Screw | | C | 4 | h-V234201850 |
| 9 | AC57M10300 | DC Brushless Motor /25 | | C | 1 | k-V500020098 |
| 10 | A1DUR73500 | Power Supply Block / A Assy | | D | 3 | m-V237201850 |
| 11 | 12QV40650 | Spacer | | B | 1 | |
| 12 | A1RF517300 | bearing | | C | 2 | |
| 13 | A50U500401 | 2nd Transfer Roller/Up | | A | 1 | |
| 14 | A50U502500 | Transfer Release Cam /C | | D | 1 | |
| 15 | A50U502600 | Transfer Release Cam /C | | D | 1 | |
| 16 | AC57503900 | Drive Plate | | D | 1 | |
| 17 | AC57504000 | Cover | | D | 1 | |
| 18 | A50U504400 | Pressure Gear /M 18T | | C | 1 | |
| 19 | A50U504500 | Compressing Gear /1 35/18T | | C | 1 | |
| 20 | A50U504600 | Pressure Gear /2 43/18T | | C | 1 | |
| 21 | A50U504700 | Pressure Gear /3 56/18T | | C | 1 | |
| 22 | A50U505000 | Pressure Gear /4 44T | | C | 1 | |
| 23 | A50U505100 | Pressure Shaft | | D | 1 | |
| 24 | A50U505300 | Light blocking Plate | | D | 1 | |
| 25 | A50U505901 | Insulating Holder /Front | | D | 1 | |
| 26 | A50U506101 | Positioning Shaft /Upper | | D | 1 | |
| 27 | A50U506701 | Idler Roller | | C | 1 | |
| 28 | A50U507000 | Positioning Shaft /Lower | | D | 1 | |
| 29 | A50U509100 | Lifting Collar /8 | | D | 1 | |
| 30 | A50U517300 | Control Plate | | D | 1 | |
| 31 | A50UN24501 | HV Relay harness /1 | | D | 1 | |
| 32 | A50UN24701 | HV Relay harness /2 | | D | 1 | |
| 33 | A50UN24901 | HV Relay harness /3 | | D | 1 | |
| 34 | A50UR72100 | Insulating Holder / Rear Assy | | D | 1 | |
| 35 | A9VE500100 | Transfer Belt /H | | A | 1 | |
| 35 | A9VE500200 | Transfer Belt / C | | A | 1 | |
| | | | | | | |
| | | | | | | |
| | | | | | | |
| | | | | | | |

Intermediate Transfer Section

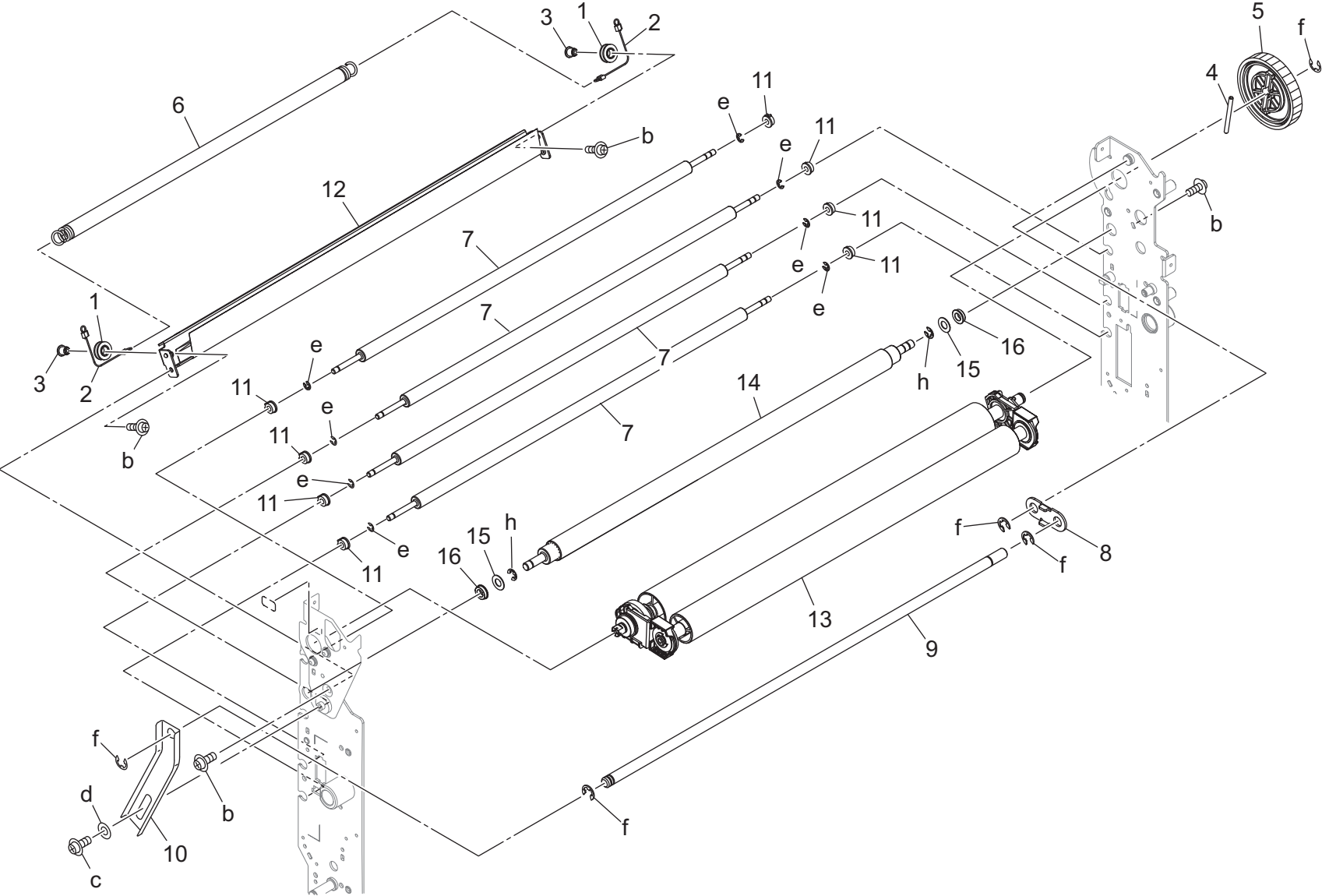
P 39



Intermediate Transfer Section

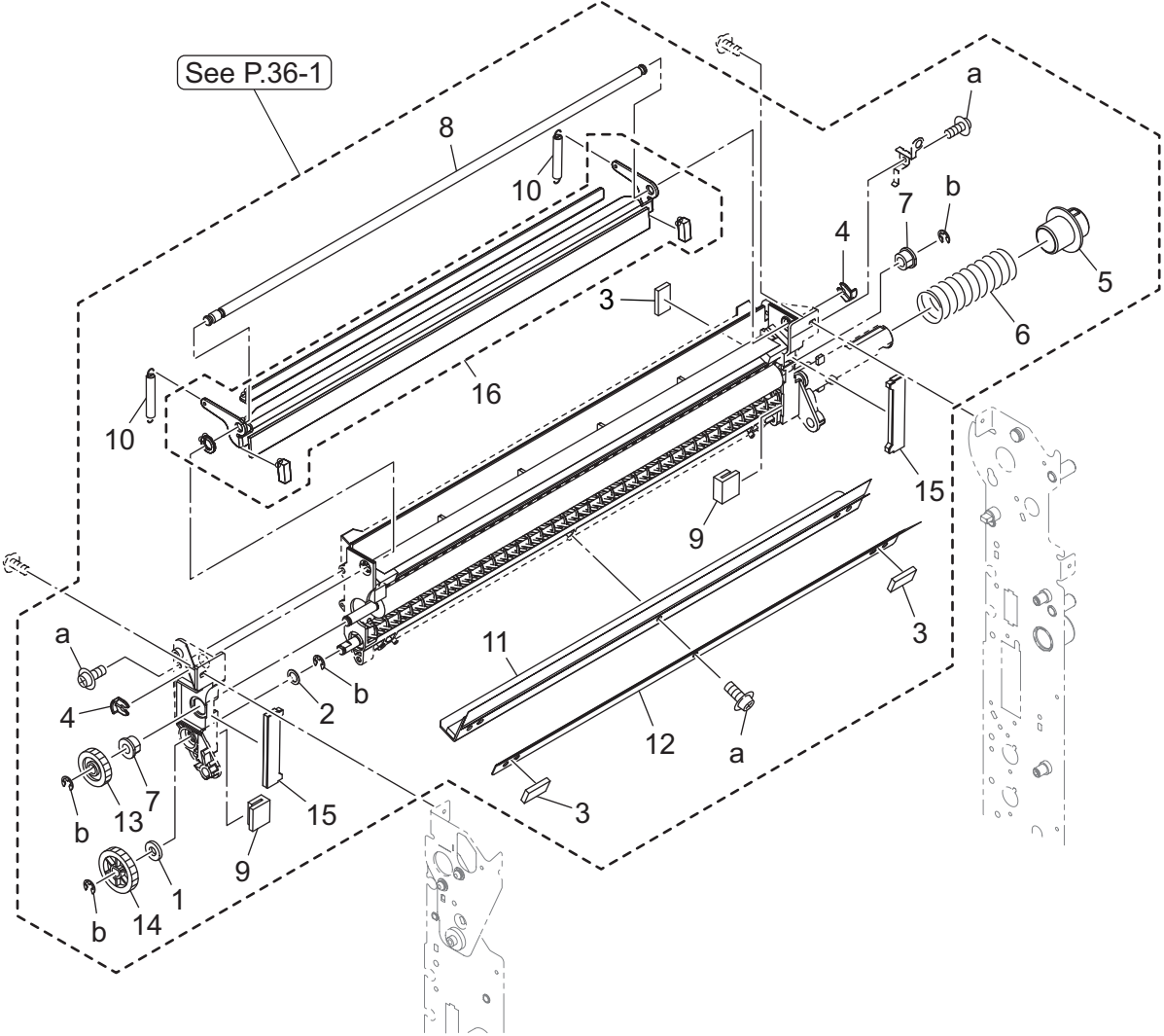
| Key | Part No. | Description | Destinations | Class | QTY | Standard parts |
|-----|------------|--------------------------------|---------------------------|-------|-----|--|
| 1 | 07BA15871 | Spacer /A | | C | 6 | a-V121030403 b-V127030803 c-V158030803 d-V217040003 |
| 2 | 40AA32320 | Toner Supply Spacer | | C | 4 | |
| 3 | 65AA26380 | Transfer Powering Bushing | | B | 6 | |
| 4 | 65AA26600 | Slide Spring | | C | 1 | |
| 5 | 65AA26690D | Transfer Powering Plate /K | | D | 1 | |
| 6 | 65AA26900D | High voltage Powering Block /C | | D | 3 | |
| 7 | A00J617800 | Ball Bearing | | A | 4 | |
| 8 | A1DUR71900 | Separation Claw Assy | | B | 3 | |
| 9 | A50U501201 | 1st Transfer Roller | | A | 4 | |
| 10 | A50U501900 | Transfer Pressure Roller /K | | C | 1 | |
| 11 | A50U503200 | Bushing | | D | 2 | |
| 12 | A50U505401 | Transfer Pressure Roller /Y | (S/No.AC58xxx010001 -) | C | 1 | |
| 12 | A9VP505400 | Transfer Pressure Roller /Y | (S/No.AC58xxx020001 -) | C | 1 | |
| 13 | A50U505500 | Release Arm | | D | 2 | |
| 14 | A50U505601 | Power supply Block /D | | D | 1 | |
| 15 | A50U505700 | Transfer Roller Bearing /K | | B | 2 | |
| 16 | A50U505800 | High voltage Powering Block /B | | D | 1 | |
| 17 | A50U506900 | Release Plate | | D | 1 | |
| 18 | A50U507600 | Transfer Powering Plate /L | | D | 1 | |
| 19 | A50U507801 | Pressure Spring /C | | D | 6 | |
| 20 | A50U507900 | Pressure Spring /Black | | D | 2 | |
| 21 | A50U508001 | Pressing Spring /Front | | D | 1 | |
| 22 | A50U508102 | Pressing Spring /Rear | | D | 1 | |
| 23 | A50U510100 | High voltage Powering Block /C | | D | 3 | |
| 24 | A50U510200 | Transfer Powering Plate /Front | | D | 3 | |
| 25 | A50UN13203 | Transfer Drive harness /1 | | D | 1 | |
| 26 | A9VEN13300 | Transfer Detection harness /1 | (S/No.AC58xxx010001 -) | D | 1 | |
| 26 | AC57N13700 | Transfer Detection Harness /4 | (S/No.AC58xxx020001 -) | D | 1 | |
| 27 | A9VP513400 | Stopper | (S/No.AC58xxx020001 -) | D | 2 | |
| | | | | | | |
| | | | | | | |
| | | | | | | |
| | | | | | | |

Intermediate Transfer Section



| Key | Part No. | Description | Destinations | Class | QTY | Standard parts |
|-----|------------|---------------------|---------------------------|-------|-----|--|
| 1 | A1RF508000 | Tension Pulley | | D | 2 | b-V127030604 c-V127040603 d-V207060003 e-V217030003 f-V217060003 h-V217040003 |
| 2 | A1RF508100 | Pulling Wire | | D | 2 | |
| 3 | A1RF508200 | Tension Shaft | | D | 2 | |
| 4 | 55VA15190 | Fixing Drive Pin | | B | 1 | |
| 5 | A50U501401 | Drive Gear 108T | | C | 1 | |
| 6 | A50U501702 | Tension Spring | | D | 1 | |
| 7 | A50U502100 | Auxiliary Roller /1 | | C | 4 | |
| 8 | A50U502700 | Handle /Rear | | D | 1 | |
| 9 | A50U502900 | Handle | | D | 1 | |
| 10 | A50U503001 | Mounting Plate | | D | 1 | |
| 11 | A50U503500 | Bushing | | D | 8 | |
| 12 | A50UR73J00 | Cleaning Sheet Assy | | D | 1 | |
| 13 | A50UR73K00 | Drive Roller Assy | (S/No.AC58xxx010001 -) | C | 1 | |
| 13 | AC57R75500 | Drive Roller Assy | (S/No.AC58xxx020001 -) | C | 1 | |
| 14 | A9VP517700 | Auxiliary Roller /1 | (S/No.AC58xxx020001 -) | C | 1 | |
| 15 | 07BA15871 | Spacer /A | (S/No.AC58xxx020001 -) | C | 2 | |
| 16 | A00J617800 | Ball Bearing | (S/No.AC58xxx020001 -) | A | 2 | |
| | | | | | | |
| | | | | | | |
| | | | | | | |
| | | | | | | |
| | | | | | | |
| | | | | | | |
| | | | | | | |
| | | | | | | |

Intermediate Transfer Section



| Key | Part No. | Description | Destinations | Class | QTY | Standard parts |
|-----|------------|--------------------------|------------------------------|-------|-----|------------------------------|
| 1 | 08AA45230 | COLLECTING SEAL | | C | 1 | a-V158030803 b-V217040003 |
| 2 | 40AA32320 | Toner Supply Spacer | | C | 1 | |
| 3 | 56AA20940D | Toner Dust-proof Seal /D | | D | 3 | |
| 4 | 56AA40490 | Shaft Stopper /4 | | C | 2 | |
| 5 | 65AA20060 | COLLECTING COVER | | C | 1 | |
| 6 | 65AA20300 | TONER COLLECTING SPRING | | C | 1 | |
| 7 | 65AA26840 | Cleaner Bushing /Front | | C | 2 | |
| 8 | 65AA27090D | Blade Fulcrum Shaft | | D | 1 | |
| 9 | 65AA27320 | SCATTER PREVENTING PAD 4 | | C | 2 | |
| 10 | A03U555400 | Cleaning Spring | | C | 2 | |
| 11 | A1DUR71C11 | Sheet /1 Assy | | A | 1 | |
| 12 | A1DUR71D00 | Sheet /2 Assy | | C | 1 | |
| 13 | A50U531400 | Cleaning Gear /1 21T | | C | 1 | |
| 14 | A50U531500 | Cleaning Gear /2 26T | | C | 1 | |
| 15 | A50U531601 | Seal /F | | A | 2 | |
| 16 | AAK7R71711 | Belt Cleaning Blade | D1,D3,E,F2,G1,G2,H, I,J,K | A | 1 | |
| 16 | AAK7R71711 | Belt Cleaning Blade | B | A | 1 | |
| 16 | AAK7R71711 | Belt Cleaning Blade | C | A | 1 | |
| | | | | | | |
| | | | | | | |
| | | | | | | |
| | | | | | | |
| | | | | | | |
| | | | | | | |
| | | | | | | |
| | | | | | | |
| | | | | | | |

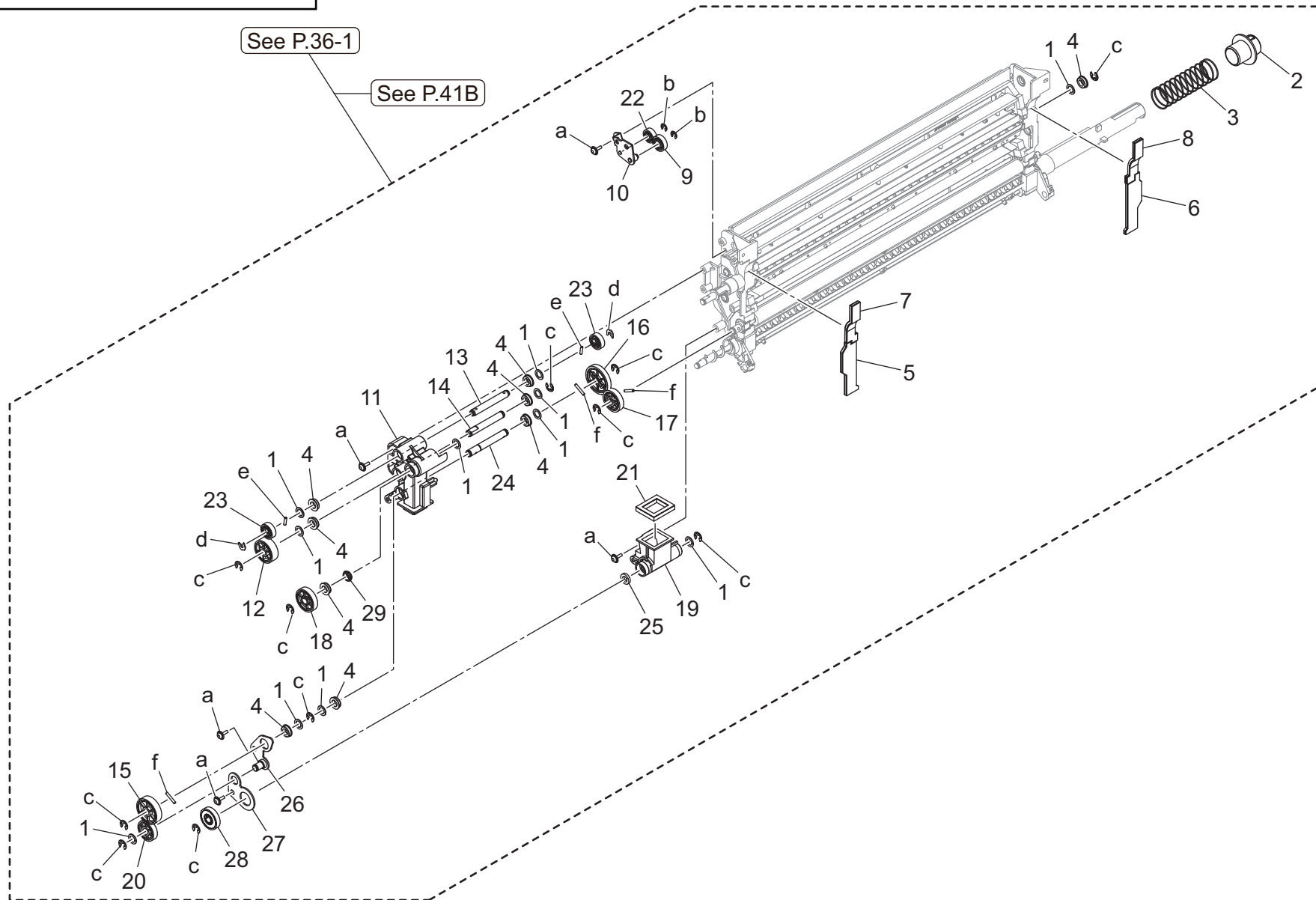
Intermediate Transfer Section

P 41A

コートベルト恒久対策
Permanent measures for Coat Belt

See P.36-1

See P.41B



AccurioPress C4070

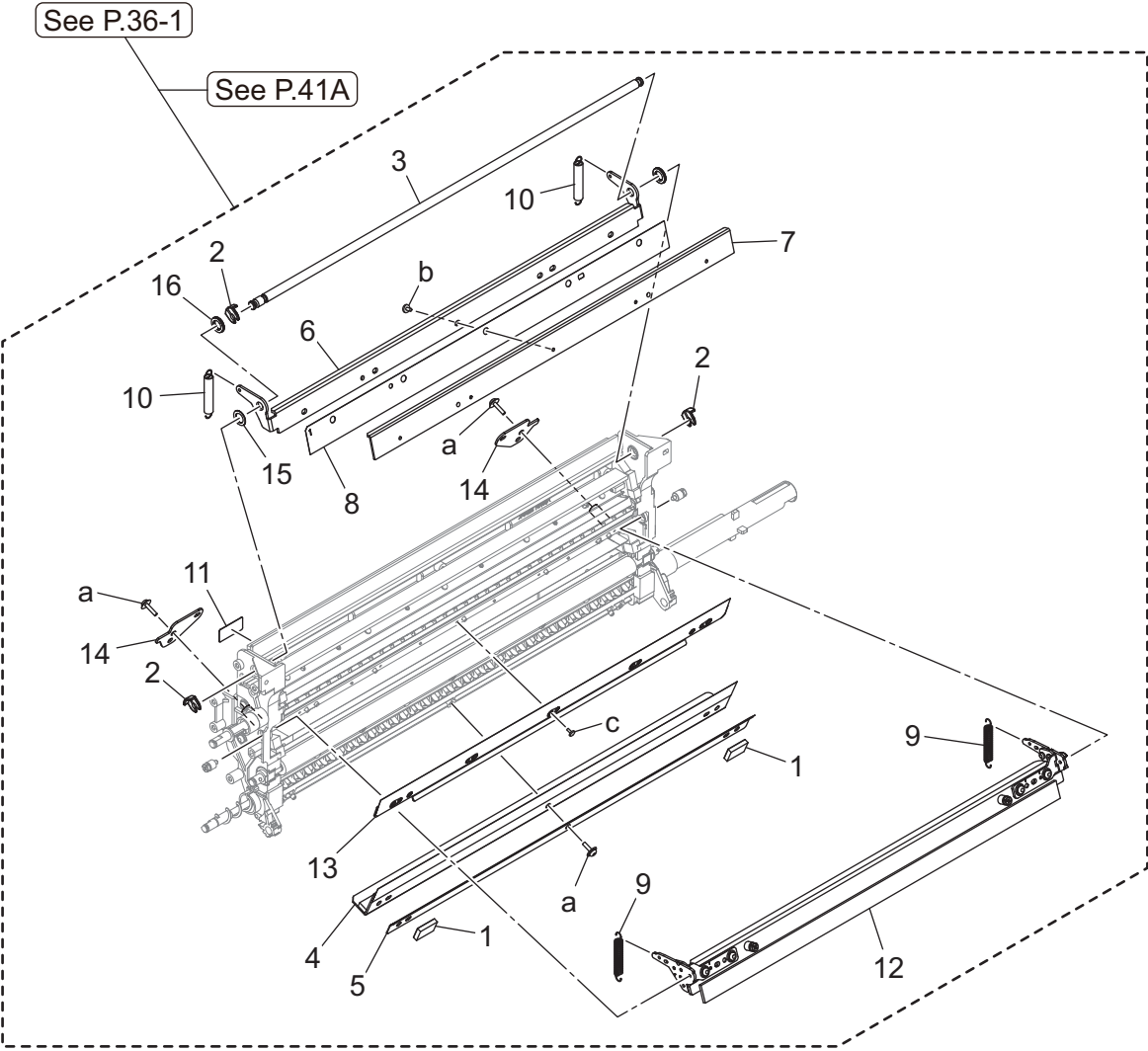
Intermediate Transfer Section

| Key | Part No. | Description | Destinations | Class | QTY | Standard parts |
|-----|------------|-------------------------|--------------|-------|-----|--|
| 1 | 40AA32320 | Toner Supply Spacer | | C | 11 | a-V158030803 b-V217030003 c-V217040003 d-V218030086 e-V234200850 f-V234201250 |
| 2 | 65AA20060 | COLLECTING COVER | | C | 1 | |
| 3 | 65AA20300 | TONER COLLECTING SPRING | | C | 1 | |
| 4 | A9CE716000 | Ball bearing /S | | C | 9 | |
| 5 | A9VP534900 | Lower Side Seal/Fr | | A | 1 | |
| 6 | A9VP535000 | Lower Side Seal/Rr | | A | 1 | |
| 7 | A9VP535100 | Upper Side Seal/Fr | | A | 1 | |
| 8 | A9VP535200 | Upper Side Seal/Rr | | A | 1 | |
| 9 | A9VP545100 | Gear /1 22T | | C | 1 | |
| 10 | A9VP545200 | Mounting Plate | | D | 1 | |
| 11 | A9VP545302 | Collection Pipe /Upper | | D | 1 | |
| 12 | A9VP545400 | Gear /2 35T | | C | 1 | |
| 13 | A9VP545500 | Drive Shaft /1 | | D | 1 | |
| 14 | A9VP545600 | Drive Shaft /6 | | D | 1 | |
| 15 | A9VP545700 | Gear /3 40T | | C | 1 | |
| 16 | A9VP545800 | Gear /4 33T | | C | 1 | |
| 17 | A9VP545900 | Gear /5 25T | | C | 1 | |
| 18 | A9VP546000 | Gear /7 35T | | C | 1 | |
| 19 | A9VP546100 | Collection Pipe /Lower | | D | 1 | |
| 20 | A9VP546200 | Gear /6 31T | | C | 1 | |
| 21 | A9VP546300 | Collection Seal /1 | | D | 1 | |
| 22 | A9VP546400 | Gear /1 19T | | C | 1 | |
| 23 | A9VP546500 | Gear /2 22T | | C | 2 | |
| 24 | A9VP546600 | Drive Shaft /4 | | D | 1 | |
| 25 | A9VP546700 | Cleaning Seal /2 | | D | 1 | |
| 26 | A9VP546800 | Positioning Lever | | D | 1 | |
| 27 | A9VP546900 | Positioning Lever /1 | | D | 1 | |
| 28 | A9VP547100 | Gear /8 32T | | C | 1 | |
| 29 | A9VP547900 | Rotation Roll | | D | 1 | |
| | | | | | | |
| | | | | | | |
| | | | | | | |
| | | | | | | |
| | | | | | | |
| | | | | | | |
| | | | | | | |

Intermediate Transfer Section

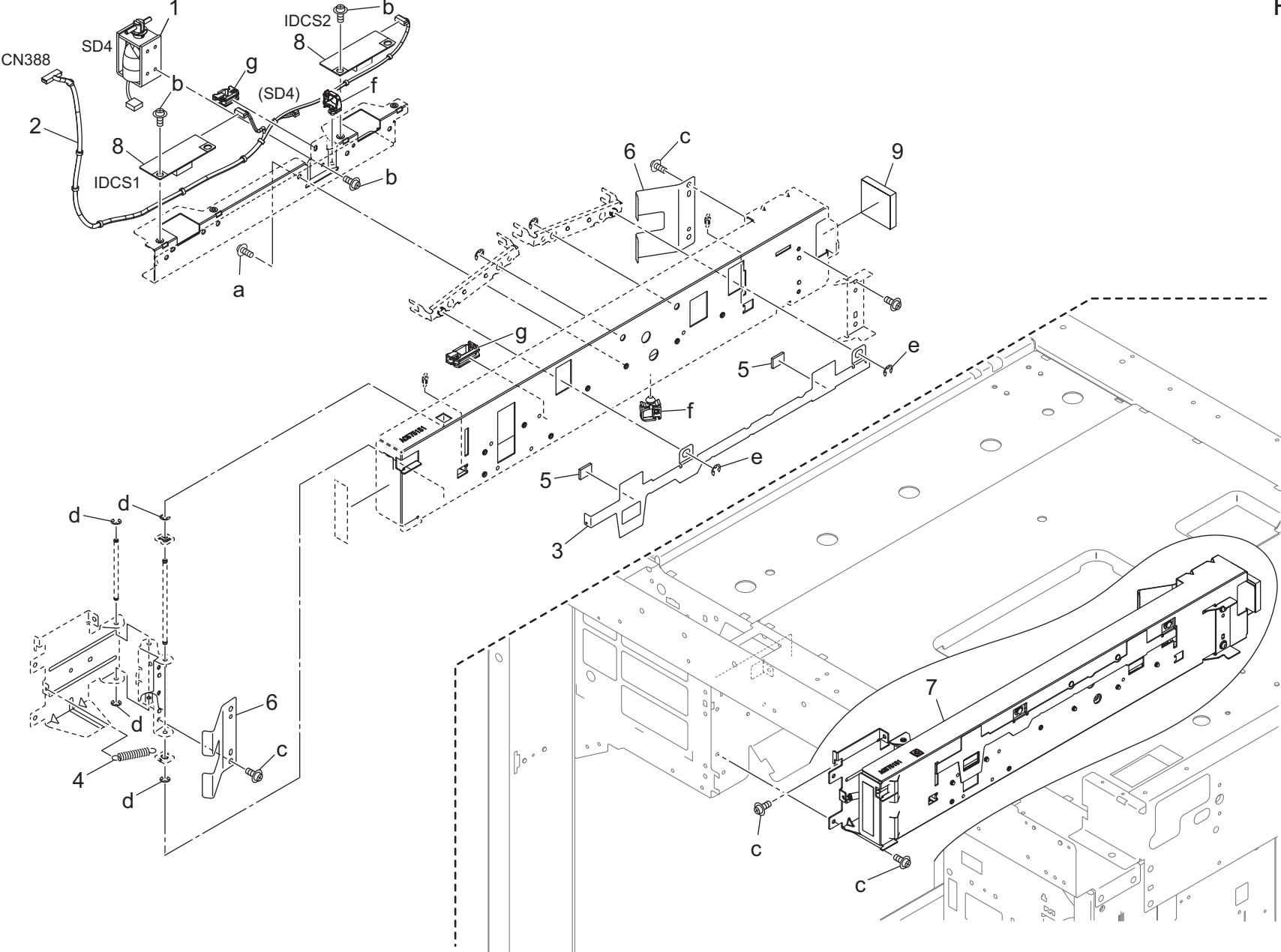
コートベルト恒久対策
Permanent measures for Coat Belt

P 41B



| Key | Part No. | Description | Destinations | Class | QTY | Standard parts |
|-----|------------|---------------------------|--------------|-------|-----|--|
| 1 | 56AA20940D | Toner Dust-proof Seal /D | | D | 2 | a-V158030803 b-V118260403 c-V118020403 |
| 2 | 56AA40490 | Shaft Stopper /4 | | C | 3 | |
| 3 | AC57533400 | Blade Fulcrum Shaft | | D | 1 | |
| 4 | A1DUR71C11 | Sheet /1 Assy | | A | 1 | |
| 5 | A1DUR71D00 | Sheet /2 Assy | | C | 1 | |
| 6 | A9VP536600 | Pressing Plate | | D | 1 | |
| 7 | A9VP536700 | Holding Plate | | D | 1 | |
| 8 | A9VP540100 | Collection Scraper/C | | A | 1 | |
| 9 | A9VP543600 | Pulling Coil spring /C | | D | 2 | |
| 10 | A9VP543700 | Transfer Spring /C | | D | 2 | |
| 11 | AC57946500 | ID Label | | D | 1 | |
| 12 | A9VPR71600 | Belt Cleaning Blade /C | | A | 1 | |
| 13 | A9VPR73800 | Positioning Plate Assy /C | | A | 1 | |
| 14 | A9VP544001 | Holding Part /1 | | D | 2 | |
| 15 | AC57533200 | Spacer | | D | 1 | |
| 16 | AC57533300 | Regulating Seal | | D | 1 | |
| | | | | | | |
| | | | | | | |
| | | | | | | |
| | | | | | | |
| | | | | | | |
| | | | | | | |
| | | | | | | |
| | | | | | | |
| | | | | | | |
| | | | | | | |

Color Resist Section

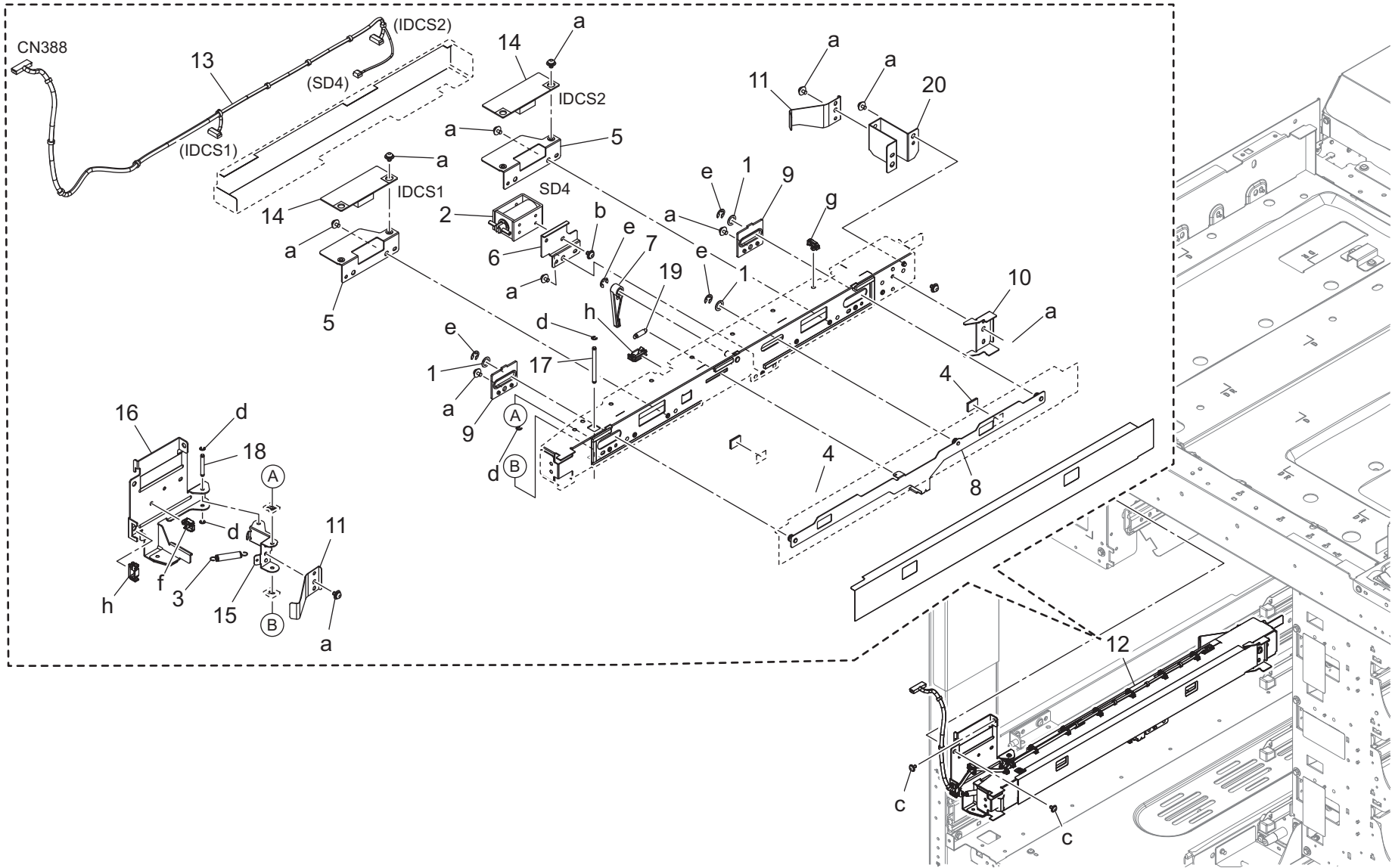


| Key | Part No. | Description | Destinations | Class | QTY | Standard parts |
|-----|------------|--------------------------|--------------|-------|-----|----------------|
| 1 | A1DUR71600 | Solenoid Assy | | C | 1 | a-V116030503 |
| 2 | AC57N20000 | Sensor Harness /1 | | D | 1 | b-V121030403 |
| 3 | A50U515500 | Open/close Shutter | | D | 1 | c-V127030604 |
| 4 | A50U516800 | Spring | | D | 1 | d-V217020003 |
| 5 | A50U516900 | Scatteringprevention Pad | | D | 2 | e-V217040003 |
| 6 | A50U517000 | Pressing Spring | | D | 2 | f-V500020098 |
| 7 | AC57R74800 | Color Registration Unit | | S | 1 | g-V570010057 |
| 8 | AC57M50200 | Photo Sensing Element | | I | 2 | |
| 9 | AC57515400 | Sealing Sheet | | D | 1 | |
| | | | | | | |
| | | | | | | |
| | | | | | | |
| | | | | | | |
| | | | | | | |
| | | | | | | |
| | | | | | | |
| | | | | | | |
| | | | | | | |
| | | | | | | |

Color Resist Section

コートベルト恒久対策
Permanent measures for Coat Belt

P 42A



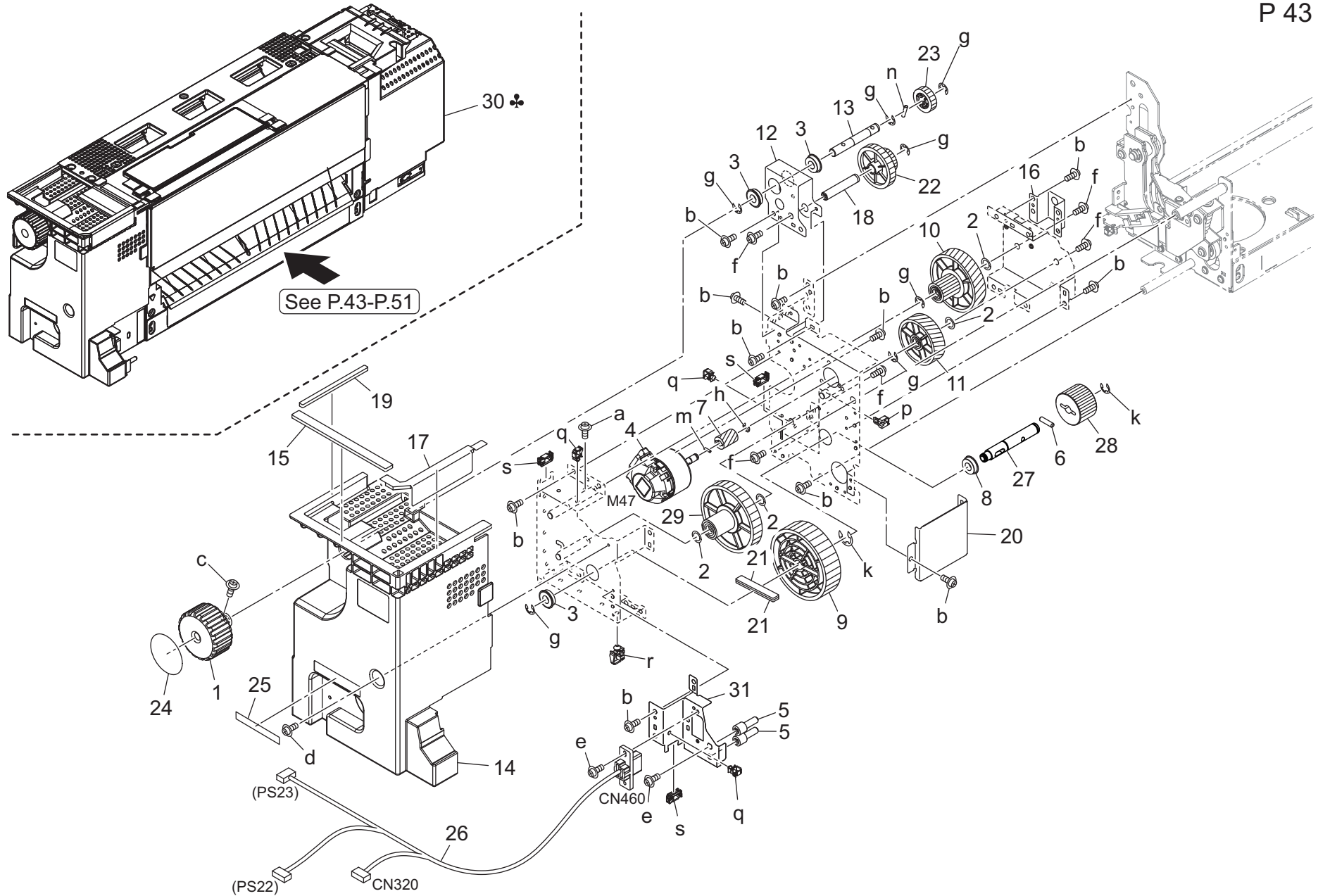
AccurioPress C4070



| Key | Part No. | Description | Destinations | Class | QTY | Standard parts |
|-----|------------|--------------------------|--------------|-------|-----|--|
| 1 | 40AA32320 | Toner Supply Spacer | | C | 3 | a-V116030503 b-V121030403 c-V127030604 d-V217020003 e-V217040003 f-V500020098 g-V500020099 h-V570010057 |
| 2 | A1DUR71600 | Solenoid Assy | | C | 1 | |
| 3 | A50U516800 | Spring | | D | 1 | |
| 4 | A50U516900 | Scatteringprevention Pad | | D | 2 | |
| 5 | A9VP515200 | Mounting Plate | | D | 2 | |
| 6 | A9VP515300 | Mounting Plate | | D | 1 | |
| 7 | A9VP515400 | Lever | | D | 1 | |
| 8 | A9VP515500 | Open/close Shutter /ASSY | | D | 1 | |
| 9 | A9VP515600 | Bushing | | D | 2 | |
| 10 | A9VP515900 | Positioning Plate | | D | 1 | |
| 11 | A9VP517000 | Pressing Spring /Rear | | D | 2 | |
| 12 | A9VPR71900 | Color Registration Unit | | S | 1 | |
| 13 | A9VPN20000 | Sensor Harness /1 | | D | 1 | |
| 14 | AC57M50200 | Photo Sensing Element | | I | 2 | |
| 15 | A9VP516401 | Hinge | | D | 1 | |
| 16 | A9VP516500 | Fixing Plate | | D | 1 | |
| 17 | A9VP516600 | Shaft /1 | | D | 1 | |
| 18 | A9VP516700 | Shaft /2 | | D | 1 | |
| 19 | A9VP516800 | Pulling Spring | | D | 1 | |
| 20 | A9VP516901 | Mounting Plate | | D | 1 | |
| | | | | | | |
| | | | | | | |
| | | | | | | |
| | | | | | | |
| | | | | | | |
| | | | | | | |
| | | | | | | |
| | | | | | | |
| | | | | | | |
| | | | | | | |
| | | | | | | |
| | | | | | | |
| | | | | | | |

Fusing Section

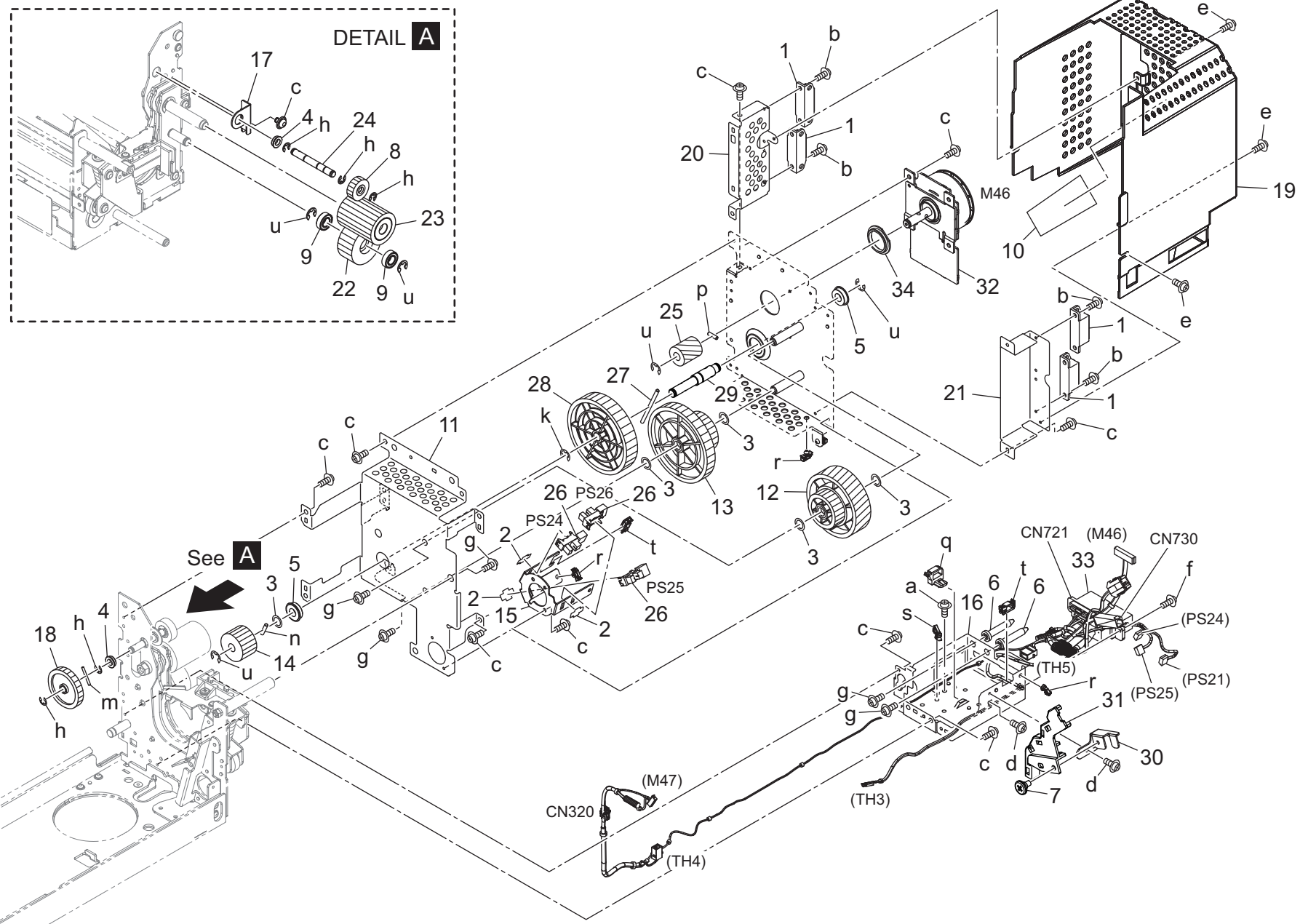
P 43



AccurioPress C4070

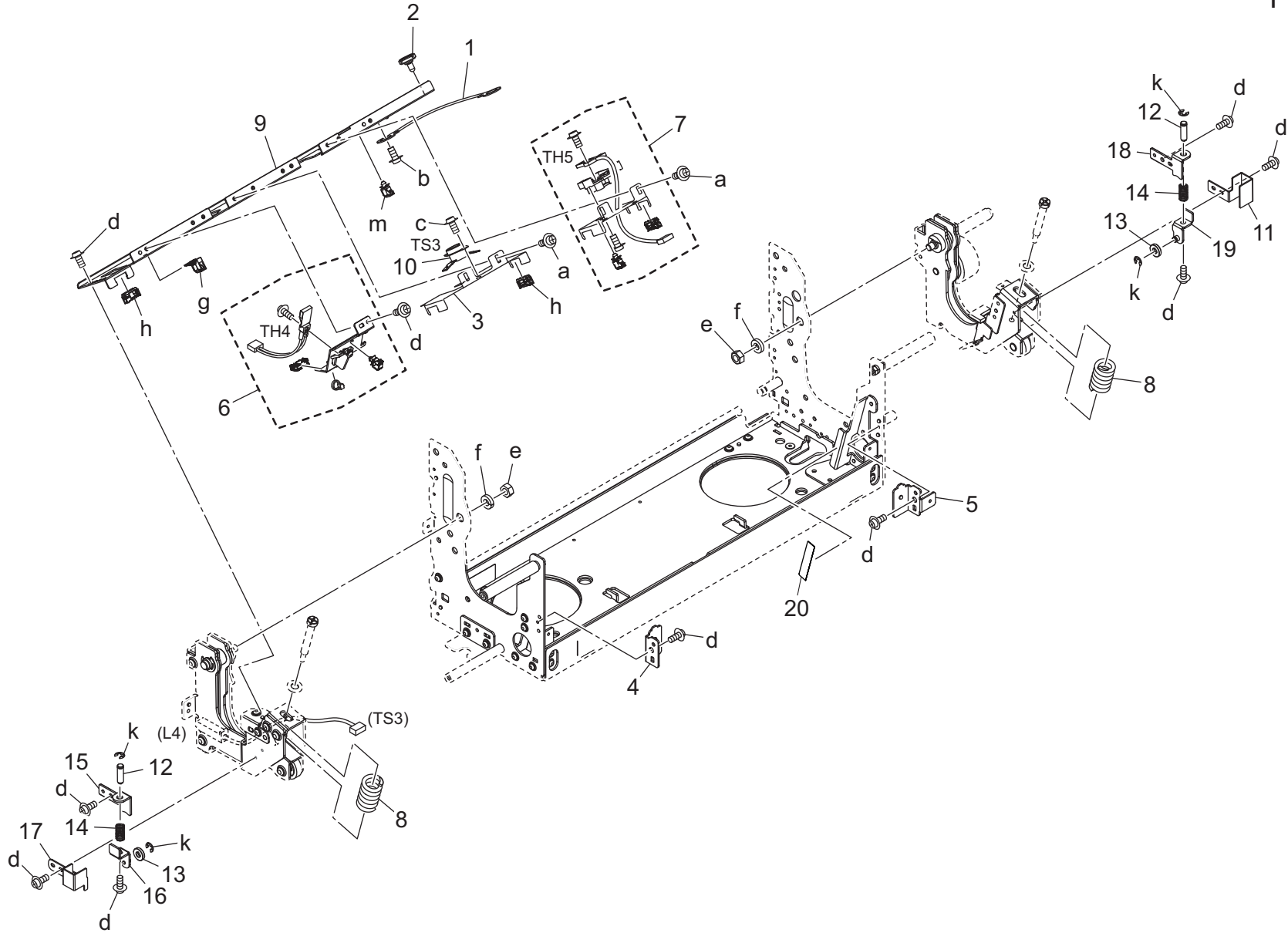
| Key | Part No. | Description | Destinations | Class | QTY | Standard parts |
|-----|------------|---------------------------|---------------------|-------|-----|----------------|
| 1 | 20AL48470G | Jam Release Knob | | C | 1 | a-V116030603 |
| 2 | 56AA42690 | By-Pass Spacer | | C | 4 | b-V121030403 |
| 3 | A00V240600 | Ball Bearing | | B | 3 | c-V121041003 |
| 4 | AC57M10300 | DC Brushless Motor /25 | | C | 1 | d-V127030604 |
| 5 | AC57736201 | Positioning Shaft /11 | | C | 1 | e-V127030803 |
| | | | | D | 2 | f-V127040603 |
| 6 | A1RF758100 | Pin /B | | D | 1 | g-V217060003 |
| 7 | A1RF809400 | Pressure Gear /1 22T | | C | 1 | h-V217040003 |
| 8 | A4EU265000 | Ball bearing | | B | 1 | k-V217080003 |
| 9 | A50U742901 | Pressure Gear /2 90T | | C | 1 | m-V234200850 |
| 10 | A50U743100 | Pressure Gear /4 23/110T | | C | 1 | n-V234301450 |
| 11 | A50U743200 | Pressure Gear /5 87T | | C | 1 | p-V500010057 |
| 12 | A50U745600 | Fixing Plate /1 | | D | 1 | q-V500010074 |
| 13 | A50U745700 | Processing Shaft /A | | D | 1 | r-V500020098 |
| 14 | AC57749001 | Fusing Cover /A | | D | 1 | s-V570010057 |
| 15 | A50U751101 | Spacer /1 | | D | 1 | |
| 16 | A50U751200 | Positioning Plate /A | | D | 1 | |
| 17 | A50U751301 | Spacer /2 | | D | 1 | |
| 18 | A50U752600 | Processing Shaft | | D | 1 | |
| 19 | A50U755900 | Spacer /3 | | D | 1 | |
| 20 | A50U756002 | Auxiliary Side plate | | D | 1 | |
| 21 | A50U756500 | Part /1 | | D | 2 | |
| 22 | A50U757000 | Connecting Gear /A 41/22T | | C | 1 | |
| 23 | A50U757100 | Idling Gear /A 22T | | C | 1 | |
| 24 | A50U943502 | Release Label /5 | | D | 1 | |
| 25 | A50U949600 | Replacement Label | | D | 1 | |
| 26 | A50UN10903 | Fixing Wiring /5 | | D | 1 | |
| 27 | A9VE742500 | Pressure Shaft /B | | D | 1 | |
| 28 | A9VP742800 | Pressure Gear /1 | | C | 1 | |
| 29 | A9VE743000 | Pressure Gear /3 23/85T | | C | 1 | |
| 30 | AC57R72300 | Fusing Unit (208V) | B,G2 | I | 1 | |
| 30 | AC57R72411 | Fusing Unit (220V) | C | I | 1 | |
| 30 | AC57R72411 | Fusing Unit (220V) | D1,D3,E,F2,G1,H,I,K | I | 1 | |
| 31 | AC57745300 | Fixing Plate /5 | J | D | 1 | |
| | | | | | | |
| | | | | | | |
| | | | | | | |
| | | | | | | |
| | | | | | | |

Fusing Section



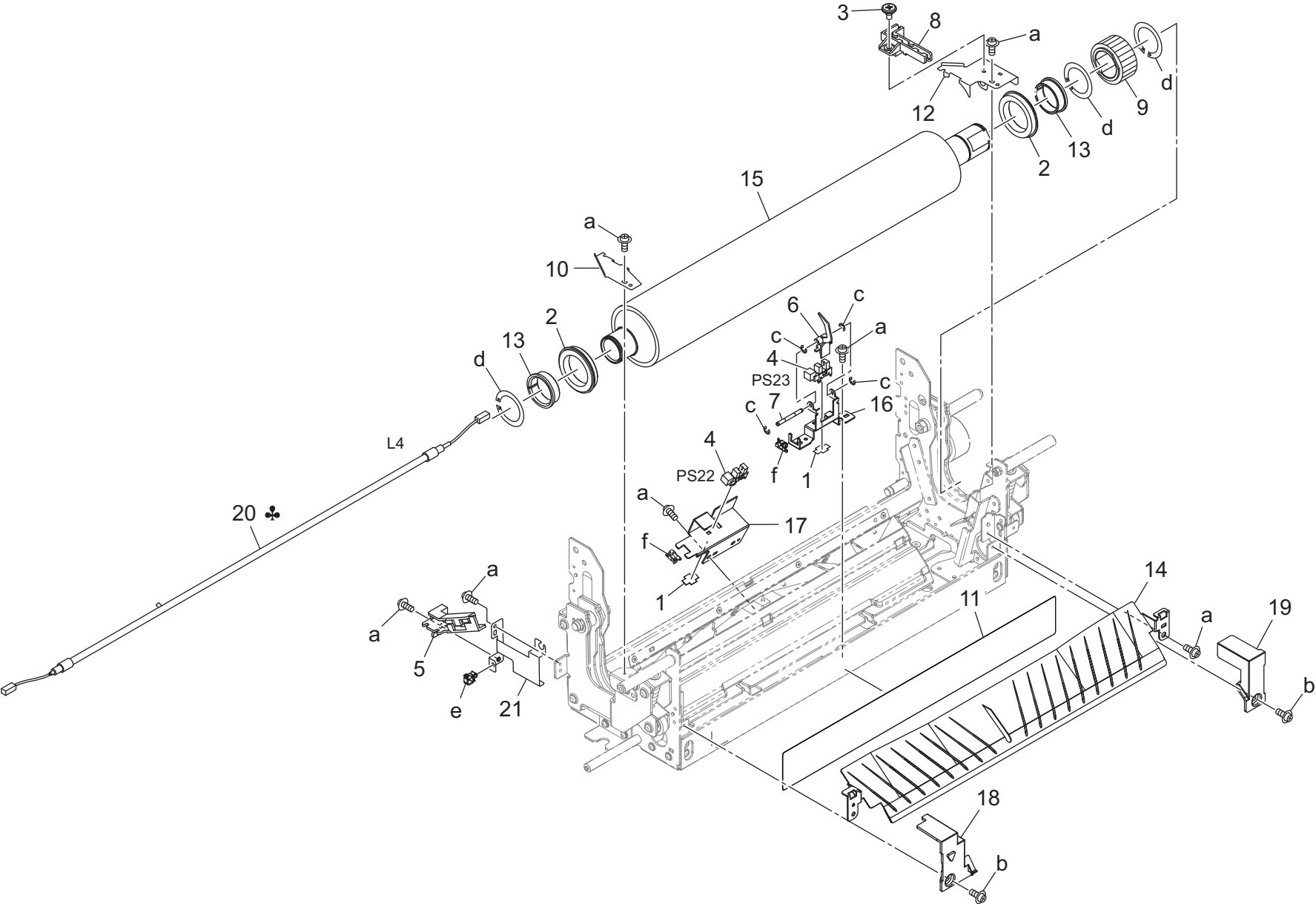
| Key | Part No. | Description | Destinations | Class | QTY | Standard parts |
|-----|------------|--------------------------|--------------|-------|-----|----------------|
| 1 | 07BA12352 | Magnet Catch | | C | 4 | a-V116040603 |
| 2 | 4470402401 | Stopper | | D | 3 | b-V118030603 |
| 3 | 56AA42690 | By-Pass Spacer | | C | 5 | c-V121030403 |
| 4 | A00J617800 | Ball Bearing | | A | 2 | d-V127030516 |
| 5 | A00V240600 | Ball Bearing | | B | 2 | e-V127030604 |
| 6 | A03U724200 | Positioning Shaft | | D | 2 | f-V127030803 |
| 7 | A03U734500 | Support Screw /A | | C | 1 | g-V127040603 |
| 8 | A03U808400 | FIXING DRIVE GEAR /D 19T | | B | 1 | h-V217040003 |
| 9 | A1RF820000 | Ball Bearing | | C | 2 | k-V217080003 |
| 10 | A50U732100 | Protection Seal /1 | | D | 1 | m-V234201850 |
| 11 | A50U743302 | Drive Plate /4 | | D | 1 | n-V234301450 |
| 12 | A50U743600 | Drive Gear /2 33/58T | | C | 1 | p-V237301150 |
| 13 | A50U743700 | Drive Gear /3 36/74T | | C | 1 | q-V500010021 |
| 14 | A50U743900 | Drive Gear /5 26T | | C | 1 | r-V500020099 |
| 15 | AC57744600 | Sensor Plate | | D | 1 | s-V500020100 |
| 16 | A50U744912 | Mounting Plate /4 | | D | 1 | t-V570010057 |
| 17 | A50U745501 | Paper exit Plate /1 | | D | 1 | u-V217060003 |
| 18 | A50U746400 | Paper exit Gear /A 37T | | C | 1 | |
| 19 | A50U748506 | Fusing Cover /Rear | | D | 1 | |
| 20 | A50U749200 | Mounting Plate /1 | | D | 1 | |
| 21 | A50U749300 | Mounting Plate /2 | | D | 1 | |
| 22 | A50U752000 | Drive Gear /C 36T | | D | 1 | |
| 23 | A50U752200 | Fusing Gear/3 30T | | B | 1 | |
| 24 | A50U752300 | Paper exit Shaft /A | | D | 1 | |
| 25 | A50U754700 | Fusing Gear /6 16T | | C | 1 | |
| 26 | A85CM55600 | Photo Sensor | | C | 3 | |
| 27 | A9VE742400 | Pin /4 | | D | 1 | |
| 28 | A9VE743800 | Drive Gear /4 74T | | C | 1 | |
| 29 | A9VE744300 | Drive Shaft /2 | | D | 1 | |
| 30 | AC57747200 | Hold Plate /2 | | D | 1 | |
| 31 | AC57747301 | Wiring Part /5 | | D | 1 | |
| 32 | AC57M10600 | DC Brushless Motor /50 | | C | 1 | |
| 33 | AC57N10700 | Fusing Harness /2 | | D | 1 | |
| 34 | AC57768600 | Guide Collar | | D | 1 | |
| | | | | | | |
| | | | | | | |
| | | | | | | |
| | | | | | | |

Fusing Section



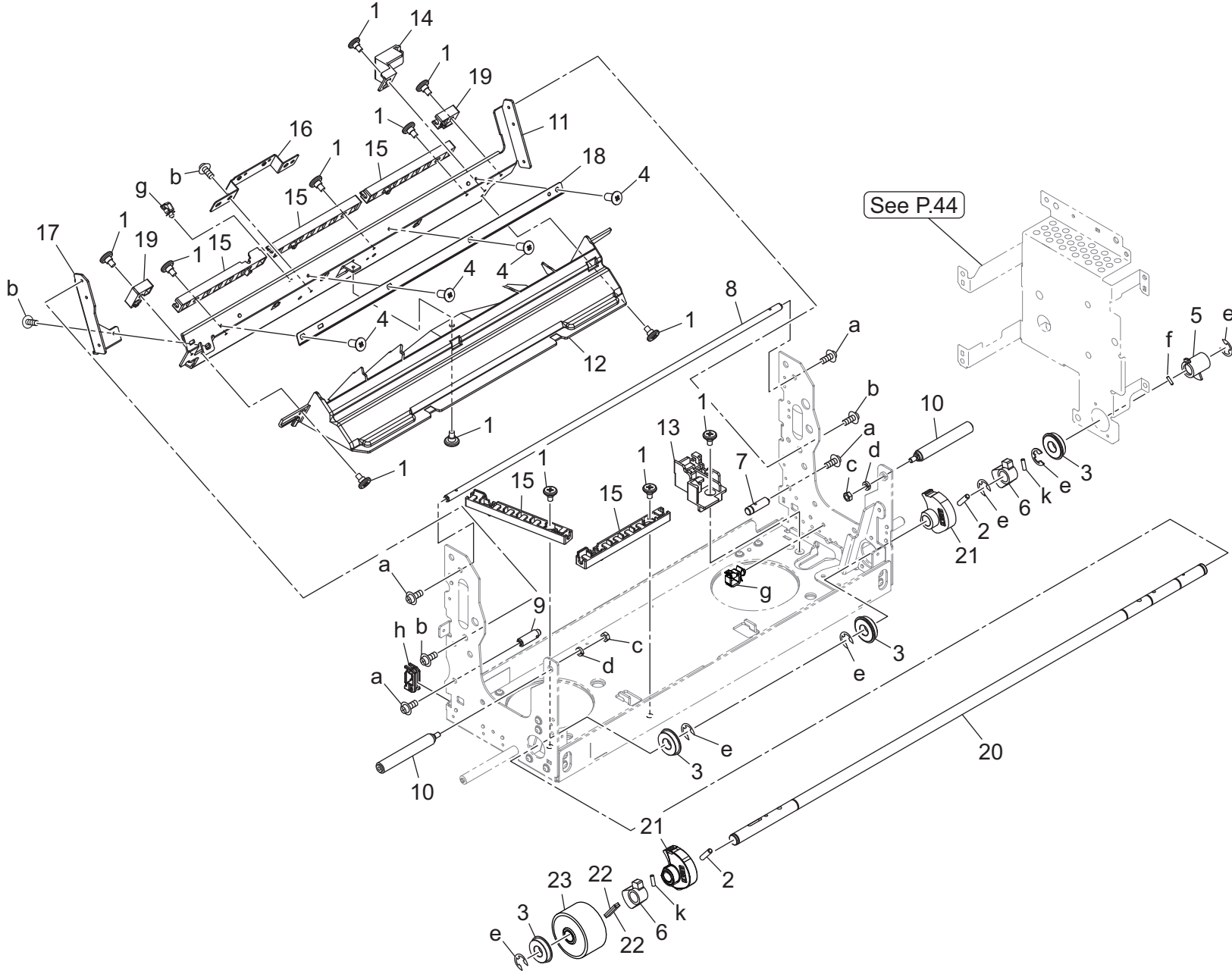
| Key | Part No. | Description | Destinations | Class | QTY | Standard parts |
|-----|------------|-----------------------------|--------------|-------|-----|--|
| 1 | A03UN23200 | Grounding Wiring /F | | D | 1 | a-V116030603 b-V116040603 c-V118030403 d-V121030403 e-V195060003 f-V205060003 g-V500020097 h-V500020096 k-V217040003 m-V500010074 |
| 2 | A50U745100 | Guide Screw | | D | 1 | |
| 3 | A50U746200 | Stay /2 | | D | 1 | |
| 4 | A50U787500 | Hold Arm /Front | | D | 1 | |
| 5 | A50U787600 | Hold Arm /Rear | | D | 1 | |
| 6 | A50UR70E22 | Fusing Temperature Sensor/4 | | B | 1 | |
| 7 | A50UR72Y00 | Fusing Temperature Sensor/5 | | C | 1 | |
| 8 | A9VE741600 | Pressure Spring /11 | | D | 2 | |
| 9 | A9VE745800 | Sensor Stay /4 | | D | 1 | |
| 10 | SP00-0220 | Thermostat /Lower | | I | 1 | |
| 11 | AC57767800 | Mounting Plate /23 | | D | 1 | |
| 12 | AC57768000 | Guide Shaft /22 | | D | 2 | |
| 13 | AC57768100 | Guide Roll /11 | | D | 2 | |
| 14 | AC57768200 | Pressure Spring /12 | | C | 2 | |
| 15 | AC57768300 | Mounting Plate /24 | | D | 1 | |
| 16 | AC57768401 | Support Plate /Front | | D | 1 | |
| 17 | AC57768500 | Mounting Plate /26 | | D | 1 | |
| 18 | AC57767600 | Mounting Plate /21 | | D | 1 | |
| 19 | AC57767701 | Support Plate /Rear | | D | 1 | |
| 20 | A9VP788700 | Protection Sheet /1 | | D | 1 | |
| | | | | | | |
| | | | | | | |
| | | | | | | |
| | | | | | | |
| | | | | | | |
| | | | | | | |
| | | | | | | |
| | | | | | | |
| | | | | | | |

Fusing Section



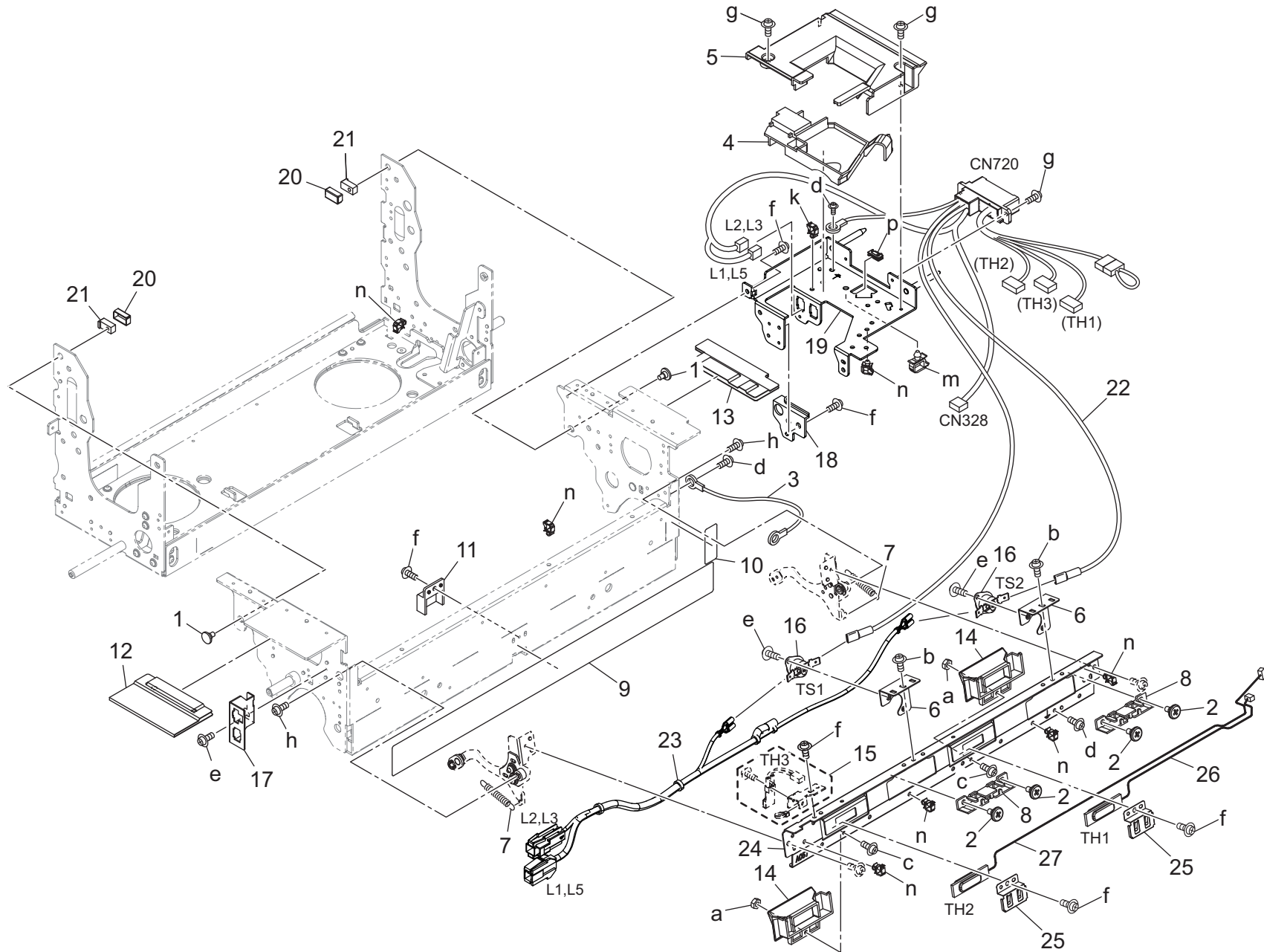
| Key | Part No. | Description | Destinations | Class | QTY | Standard parts |
|-----|------------|-----------------------------|-----------------------------|-------|-----|--|
| 1 | 4470402401 | Stopper | | D | 2 | a-V121030403 b-V127030604 c-V217020003 d-V223260017 e-V500010074 f-V570010025 |
| 2 | 26NA53712 | BALL BEARING | | A | 2 | |
| 3 | A03U734500 | Support Screw /A | | C | 1 | |
| 4 | A1RFM51000 | Photointerrupter /H | | C | 2 | |
| 5 | A50U746800 | Wiring Part /3 | | D | 1 | |
| 6 | A50U747803 | Actuator /A | | D | 1 | |
| 7 | A50U747900 | Shaft /1 | | D | 1 | |
| 8 | A50U748200 | Wiring Part /1 | | D | 1 | |
| 9 | A50U752700 | Fusing Gear/1 38T | | B | 1 | |
| 10 | A50U755100 | Holding Part /F | | D | 1 | |
| 11 | A50U755301 | Sheet /L | | D | 1 | |
| 12 | A9VE741800 | Hold Plate /2 | | D | 1 | |
| 13 | A50U756300 | Insulating Sleeve /Lower | | B | 2 | |
| 14 | AC57R74300 | Guide Plate Assy | | D | 1 | |
| 15 | A50U765500 | Fusing Roller /Lw | | B | 1 | |
| 16 | A50U787700 | Sensor Plate /Front | | D | 1 | |
| 17 | A50U788602 | Sensor Plate /Rear | | D | 1 | |
| 18 | A50U788900 | Insulating Plate /Front | | D | 1 | |
| 19 | A50U789100 | Insulating Plate /Rear | | D | 1 | |
| 20 | A50UM32E00 | Fusing Heater Lamp/4 (208V) | B,G2 | I | 1 | |
| 20 | A50UM32F00 | Fusing Heater Lamp/4 (220V) | C,D1,D3,E,F2,G1,H,I ,K,J | I | 1 | |
| 21 | A9VE741700 | Hold Plate /1 | | D | 1 | |
| | | | | | | |
| | | | | | | |
| | | | | | | |
| | | | | | | |
| | | | | | | |
| | | | | | | |
| | | | | | | |
| | | | | | | |
| | | | | | | |
| | | | | | | |
| | | | | | | |

Fusing Section



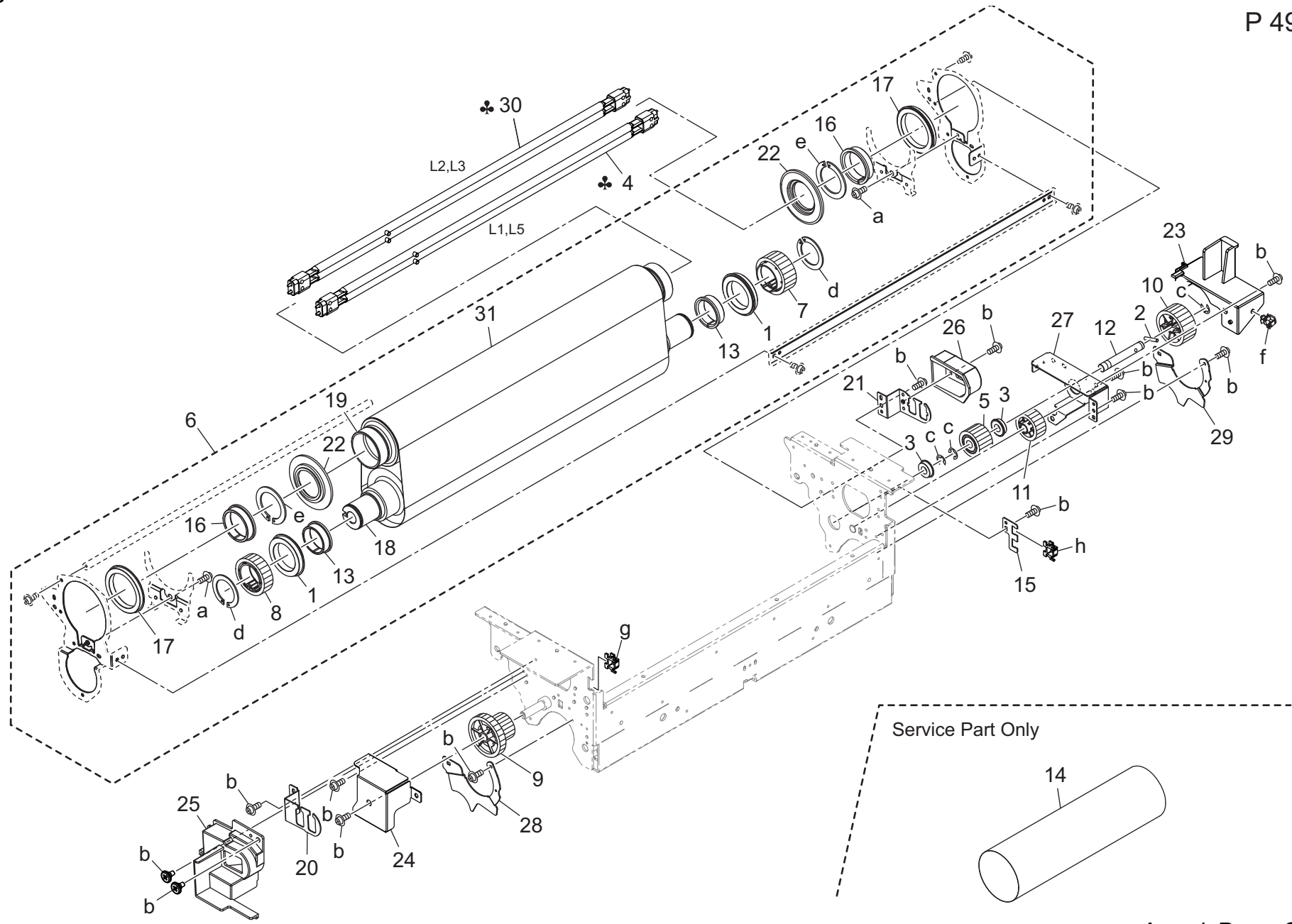
| Key | Part No. | Description | Destinations | Class | QTY | Standard parts |
|-----|------------|------------------------|--------------|-------|-----|--|
| 1 | A03U734500 | Support Screw /A | | C | 12 | a-V116030603 b-V121030403 c-V195040003 d-V205040003 e-V217080003 f-V234200850 g-V500010074 h-V500020096 k-V234301050 |
| 2 | A1RF758100 | Pin /B | | D | 2 | |
| 3 | A4EU265000 | Ball bearing | | B | 4 | |
| 4 | A50U642300 | Mounting Screw | | D | 4 | |
| 5 | AC57744700 | Pressure Actuator /1 | | C | 1 | |
| 6 | AC57767400 | Pressure Cam /2 | | C | 2 | |
| 7 | AC57746700 | Support Shaft /Rear | | D | 1 | |
| 8 | A50U747101 | Stopper Shaft /1 | | D | 1 | |
| 9 | AC57754900 | Support Shaft /Front | | D | 1 | |
| 10 | A50U785000 | Rotation Shaft /2 | | D | 2 | |
| 11 | A50U787003 | Cover Plate | | D | 1 | |
| 12 | A50U788000 | Cooling Duct | | D | 1 | |
| 13 | A50U788102 | Wiring Part /2 | | D | 1 | |
| 14 | A50U792901 | Wiring Part /D | | D | 1 | |
| 15 | A50U794800 | Wiring Part | | D | 5 | |
| 16 | A50U799200 | Mounting Plate | | D | 1 | |
| 17 | A50U799601 | Adjusting Plate | | D | 1 | |
| 18 | A50U799700 | Regulating Plate | | D | 1 | |
| 19 | A50U799800 | Wiring Part | | D | 2 | |
| 20 | AC57741900 | Pressure Shaft /A | | D | 1 | |
| 21 | AC57742000 | Pressure Cam /1 | | C | 2 | |
| 22 | A9VE758400 | Drive Plate /2 | | D | 2 | |
| 23 | A9VE758600 | Pressure Gear /5 4 2 T | | C | 1 | |
| | | | | | | |
| | | | | | | |
| | | | | | | |
| | | | | | | |
| | | | | | | |
| | | | | | | |
| | | | | | | |
| | | | | | | |
| | | | | | | |

Fusing Section



| Key | Part No. | Description | Destinations | Class | QTY | Standard parts |
|-----|------------|-----------------------------|--------------|-------|-----|----------------|
| 1 | 55VA20520 | Cleaner Locking Screw | クリーナーロックネジ | C | 2 | a-V195030003 |
| 2 | A03U734500 | Support Screw /A | 支持ネジ / A | C | 4 | b-V116030603 |
| 3 | A03UN23200 | Grounding Wiring /F | アース束線 / F | D | 1 | c-V116030803 |
| 4 | A50U722100 | Fusing Cover /1 | 定着カバー / 1 | D | 1 | d-V116040603 |
| 5 | A50U722202 | Fusing Cover /2 | 定着カバー / 2 | D | 1 | e-V118030303 |
| 6 | A50U723911 | Stay /2 | ステー / 2 | D | 2 | f-V121030403 |
| 7 | A50U725200 | Tension Spring /1 | テンションばね / 1 | D | 2 | g-V127030604 |
| 8 | A50U726611 | Guide Part /2 | ガイド部材 / 2 | D | 2 | h-V127040603 |
| 9 | A50U728500 | Insulating Sheet /A | 断熱シート / A | D | 1 | k-V500010070 |
| 10 | A50U728800 | Insulating Sheet /D | 断熱シート / D | D | 1 | m-V500010073 |
| 11 | A50U730900 | Cover Part /1 | カバー部材 / 1 | D | 1 | n-V500010074 |
| 12 | A50U731002 | Insulating Sheet /F | 断熱シート / F | D | 1 | p-V500020096 |
| 13 | A50U731102 | Insulating Sheet /G | 断熱シート / G | D | 1 | |
| 14 | A50U733500 | Protection Part /1 | 保護部材 / 1 | D | 2 | |
| 15 | A50UR70F00 | Fusing Temperature Sensor/3 | 定着温度センサー / 3 | B | 1 | |
| 16 | SP00-0210 | Thermostat /Upper | サーモスタット / 上 | I | 2 | |
| 17 | A9VE728400 | Mounting Plate /B | 取付板 / B | D | 1 | |
| 18 | A9VE733400 | Protection Cover /A | 保護カバー / A | D | 1 | |
| 19 | A9VE769001 | Fusing Stay /2 | 定着ステー / 2 | D | 1 | |
| 20 | A85C789300 | Insulating Sheet /F | 断熱シート / F | D | 2 | |
| 21 | A85C789200 | Hold Part /A | 保持部材 / A | D | 2 | |
| 22 | A9VEN10601 | Fixing Wiring /1 | 定着束線 / 1 | D | 1 | |
| 23 | A9VEN11000 | Fixing Relay harness /1 | 定着中継束線 / 1 | D | 1 | |
| 24 | AC57723800 | Sensor Stay /1 | センサステー / 1 | D | 1 | |
| 25 | AC57768800 | Holding Spring /11 | 押さえばね / 1 1 | D | 2 | |
| 26 | AC57M50001 | Temperature Sensor /1 | 温度センサー / 1 | I | 1 | |
| 27 | AC57M50101 | Temperature Sensor /2 | 温度センサー / 2 | I | 1 | |
| | | | | | | |
| | | | | | | |
| | | | | | | |
| | | | | | | |
| | | | | | | |
| | | | | | | |
| | | | | | | |
| | | | | | | |
| | | | | | | |

Fusing Section

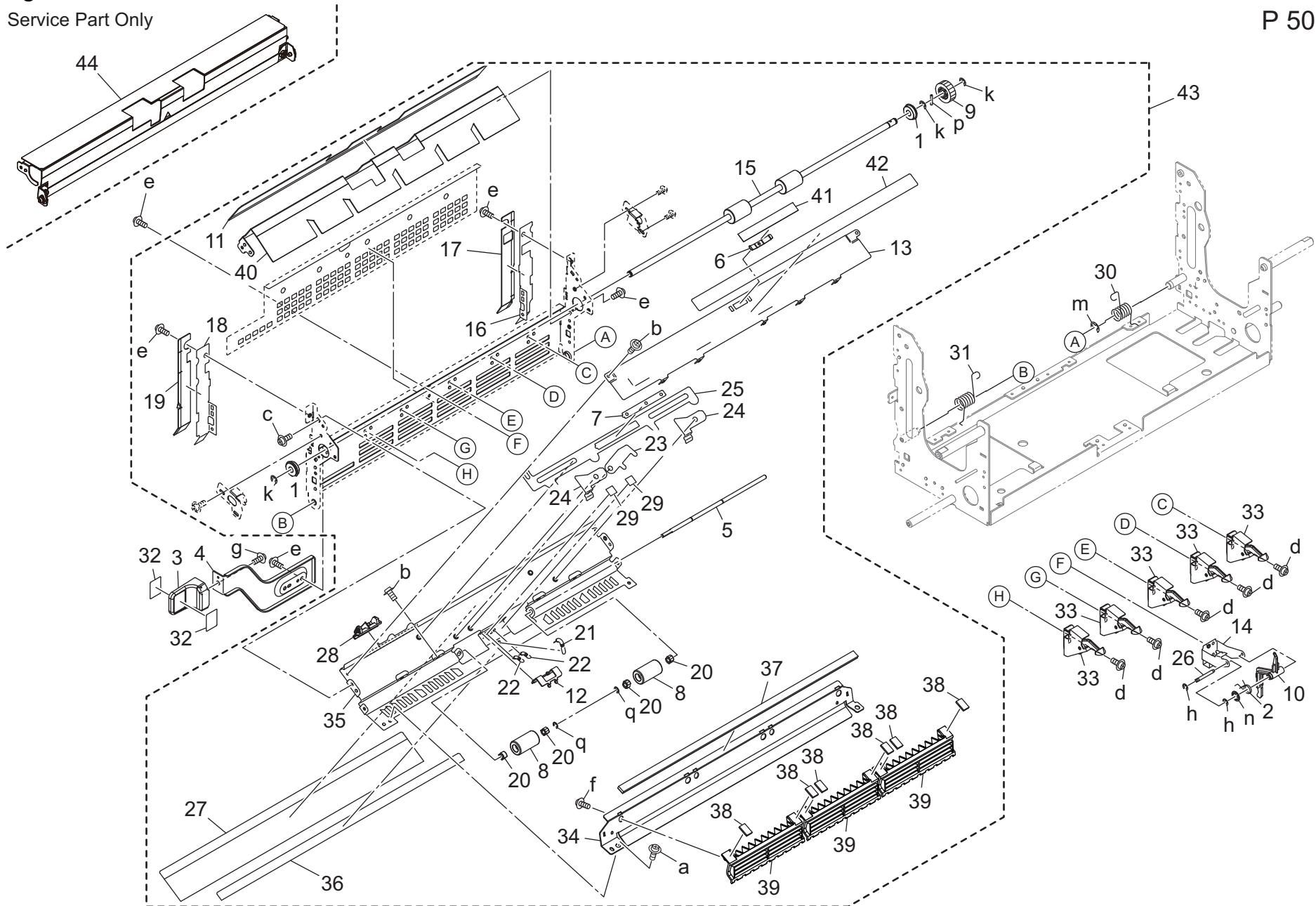


| Key | Part No. | Description | Destinations | Class | QTY | Standard parts |
|-----|------------|---------------------------------------|--------------------------|-------|-----|--|
| 1 | 26NA53712 | BALL BEARING | | A | 2 | a-V116030503 b-V121030403 c-V217060003 d-V223260017 e-V223400017 f-V500010074 g-V500020096 h-V570010025 |
| 2 | 55VA48500 | PARALLEL PIN D3X18 | | D | 1 | |
| 3 | A00V240600 | Ball Bearing | | B | 2 | |
| 4 | A9VEM31E00 | Fusing Heater Lamp Assy 1 /Up (208V) | B,G2 | B | 1 | |
| 4 | A9VEM31F00 | Fusing Heater Lamp Assy 1 /Up (220V) | C,D1,D3,E,F2,G1,H,I ,K,J | B | 1 | |
| 5 | A03U809500 | FIXING DRIVE GEAR /O 26T | | A | 1 | |
| 6 | A9VER70422 | Fusing Belt Assy | | B | 1 | |
| 7 | A50U725001 | Drive Gear /Upper 38T | | C | 1 | |
| 8 | A50U739811 | Drive Gear /Front 38T | | C | 1 | |
| 9 | A50U739900 | Connecting Gear /A 42/25T | | C | 1 | |
| 10 | A50U744000 | Drive Gear /6 36T | | C | 1 | |
| 11 | A50U744100 | Drive Gear /7 27T | | C | 1 | |
| 12 | A50U744400 | Drive Shaft /3 | | D | 1 | |
| 13 | A50U756300 | Insulating Sleeve /Lower | | B | 2 | |
| 14 | A50U765000 | Fusing Belt | (Service Part Only) | B | 1 | |
| 15 | AC58783400 | Hold Plate /4 | | D | 1 | |
| 16 | A5AW744900 | Heat Insulating Sleeve/1 | | B | 2 | |
| 17 | AC57745000 | Fusing Ball bearing /Upper | | A | 2 | |
| 18 | A9VE720300 | Fusing Roller /1 | | B | 1 | |
| 19 | A9VE720500 | Fusing Roller /2 | | B | 1 | |
| 20 | A9VE723500 | Support Plate /1 | | D | 1 | |
| 21 | A9VE723600 | Support Plate /2 | | D | 1 | |
| 22 | A9VE724100 | Regulating Sleeve /1 | | B | 2 | |
| 23 | A9VE726800 | Guide Part /3 | | D | 1 | |
| 24 | A9VE728300 | Support Plate /11 | | D | 1 | |
| 25 | A9VE733000 | Cover /Front | | D | 1 | |
| 26 | A9VE733100 | Cover /Rear | | D | 1 | |
| 27 | A9VE743500 | Drive Plate /6 | | D | 1 | |
| 28 | A9VE785400 | Stopper Stopper /A | | D | 1 | |
| 29 | A9VE785500 | Stopper Stopper /B | | D | 1 | |
| 30 | A9VEM33E00 | Fusing Heater Lamp Assy 2 /Up (208V) | B,G2 | B | 1 | |
| 30 | A9VEM33F00 | Fusing Heater Lamp Assy 2 /Up (220V) | C,D1,D3,E,F2,G1,H,I ,K,J | B | 1 | |
| 31 | A50U767000 | Fusing Belt /D | | B | 1 | |
| | | | | | | |
| | | | | | | |
| | | | | | | |
| | | | | | | |

Fusing Section

Service Part Only

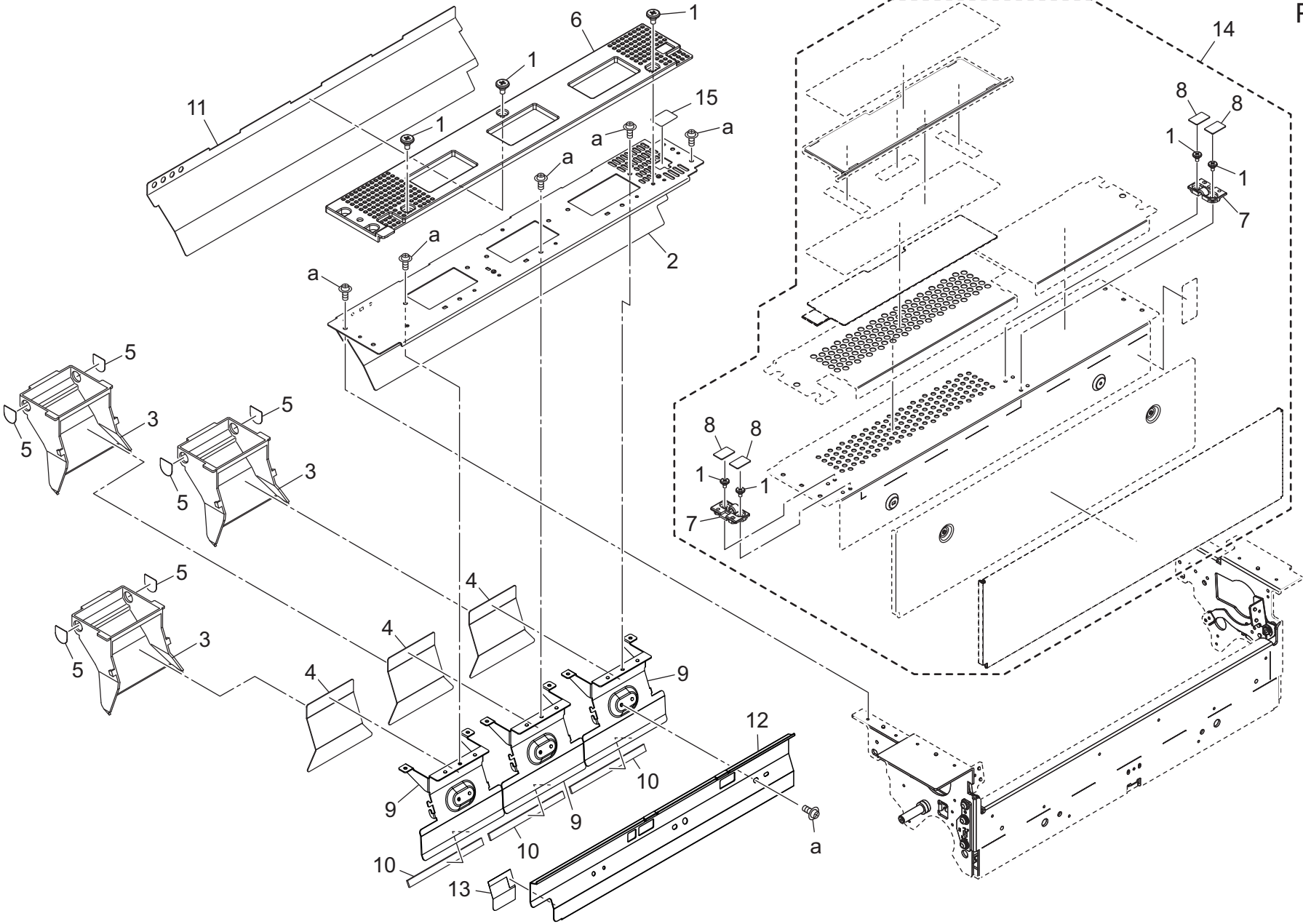
P 50



| Key | Part No. | Description | Destinations | Class | QTY | Standard parts |
|-----|------------|----------------------------------|---------------------|-------|-----|----------------|
| 1 | 55GA75031 | BALL BEARING | | A | 2 | a-V116030603 |
| 2 | 65AA53560 | PAPER EXIT DETECTING SPRING | | C | 1 | b-V118020403 |
| 3 | 65AA53991 | Fixing Papaer Exit Lever | | C | 1 | c-V118030403 |
| 4 | A03U723301 | Open/close Lever | | C | 1 | d-V127030516 |
| 5 | A03U728000 | PAPER EXIT SHAFT | | D | 1 | e-V127030604 |
| 6 | A03U734800 | Positioning Plate spring /1 | | C | 1 | f-V151030803 |
| 7 | A03U734900 | Positioning Plate | | D | 1 | g-V151040803 |
| 8 | A9VE760900 | Paper exit Roll | | B | 2 | h-V217020003 |
| 9 | A50U746500 | Paper exit Gear /B 20T | | C | 1 | k-V217040003 |
| 10 | A50U748701 | Paper exit Actuator | | D | 1 | m-V217050003 |
| 11 | A50U760400 | Insulating Sheet | | D | 1 | n-V226060050 |
| 12 | A50U760600 | Pressing Cam /1 | | D | 1 | p-V234201250 |
| 13 | A50U760701 | Holding Plate | | D | 1 | q-V217030003 |
| 14 | A50U760802 | Support Plate | | D | 1 | |
| 15 | AC57761000 | Fixing Paper exit Roller | | C | 1 | |
| 16 | A50U761100 | Heat blocking Plate /Rear | | D | 1 | |
| 17 | A50U761200 | Insulating Sheet /Rear | | D | 1 | |
| 18 | A50U761300 | Heat blocking Plate /Front | | D | 1 | |
| 19 | A50U761400 | Insulating Sheet /Front | | D | 1 | |
| 20 | A50U761500 | Fixing Paper exit Bearing | | C | 4 | |
| 21 | A50U761601 | Paper exit Spring /1 | | D | 1 | |
| 22 | A50U761700 | Paper exit Spring /2 | | D | 2 | |
| 23 | A50U761800 | Pressing Cam /2 | | D | 1 | |
| 24 | A50U761900 | Release Lever | | D | 2 | |
| 25 | A50U762000 | Slide Plate | | D | 1 | |
| 26 | A50U762100 | Paper exit Detecting Shaft | | D | 1 | |
| 27 | A50U762200 | Protection Film | | D | 1 | |
| 28 | A50U762300 | Slide Knob | | D | 1 | |
| 29 | A50U762400 | Fusing Spacer /2 | | D | 2 | |
| 30 | A50U763800 | Paper exit Open/shut Spring /B | | D | 1 | |
| 31 | A50U763900 | Paper exit Open/shut Spring /A | | D | 1 | |
| 32 | A50U943701 | Release Label /7 | | D | 2 | |
| 33 | A50UR72U11 | Fusing Separating Claw Assy | | B | 5 | |
| 34 | A85C757801 | Guide Plate /E | | D | 1 | |
| 35 | A85C758100 | Paper exit Plate /Upper | | D | 1 | |
| 36 | A85C764100 | Holding Sheet /A | | D | 1 | |
| 37 | A9VE727500 | Guide Seal /A | | D | 1 | |
| 38 | A9VE727700 | Guide Seal /C | | D | 6 | |
| 39 | A9VE758000 | Separating Cell /11 | | D | 3 | |
| 40 | AC57760300 | Paper exit Plate /Lower | | D | 1 | |
| 41 | A9VE764200 | Protection Film /B | | D | 1 | |
| 42 | A9VE949000 | Caution Label | | D | 1 | |
| 43 | AC57R72100 | Fusing Paper Exit Door Duct Assy | | D | 1 | |
| 44 | AC57R75400 | Fusing Separating Plate Assy | (Service Part Only) | C | 1 | |
| | | | | | | |
| | | | | | | |

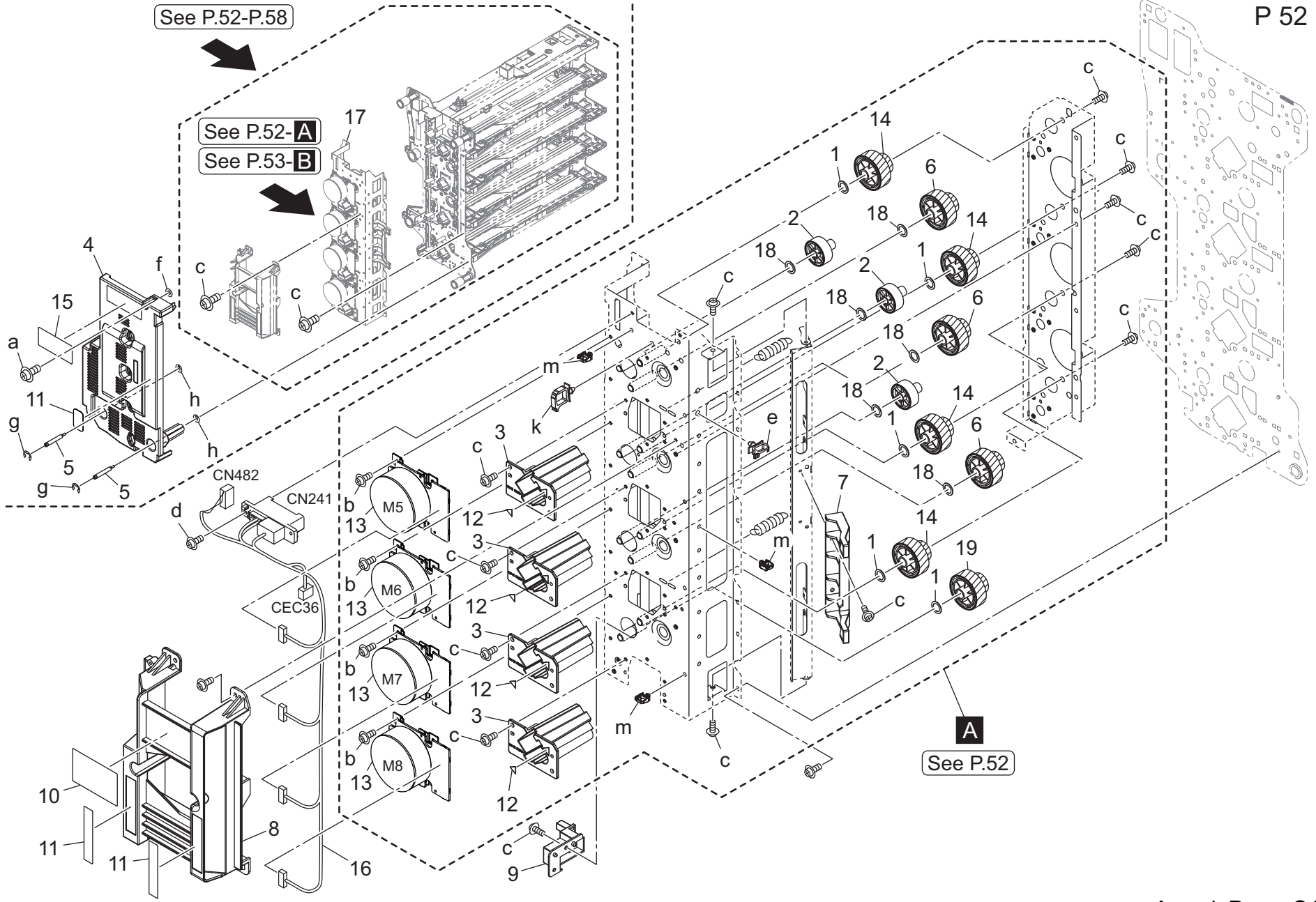
Fusing Section

P 51



| Key | Part No. | Description | Destinations | Class | QTY | Standard parts |
|-----|------------|-------------------------|--------------|-------|-----|----------------|
| 1 | A03U734500 | Support Screw /A | | C | 7 | a-V121030403 |
| 2 | A50U721502 | Fusing Frame /Upper | | D | 1 | |
| 3 | A50U722700 | Fusing Duct /3 | | D | 3 | |
| 4 | A50U732000 | Insulating Sheet /N | | D | 3 | |
| 5 | AC57740000 | Separating Seal | | D | 6 | |
| 6 | A50U738700 | Cover Part /A | | D | 1 | |
| 7 | A50U763000 | Support Plate | | D | 2 | |
| 8 | A50U763600 | Insulating Sheet /6 | | D | 4 | |
| 9 | A9VE722800 | Fusing Duct /4 | | D | 3 | |
| 10 | A9VE727600 | Guide Seal /B | | D | 3 | |
| 11 | A9VE731500 | Insulating Sheet /L | | D | 1 | |
| 12 | A9VE769300 | Reflecting Plate /3 | | D | 1 | |
| 13 | A9VE769600 | Holding Sheet /Front | | D | 1 | |
| 14 | A9VER70900 | Fusing Stay/ Upper Assy | | D | 1 | |
| 15 | AC57784600 | Protection Sheet /A | | D | 1 | |
| | | | | | | |
| | | | | | | |
| | | | | | | |
| | | | | | | |
| | | | | | | |
| | | | | | | |
| | | | | | | |
| | | | | | | |
| | | | | | | |
| | | | | | | |
| | | | | | | |
| | | | | | | |

Process Carriage Section

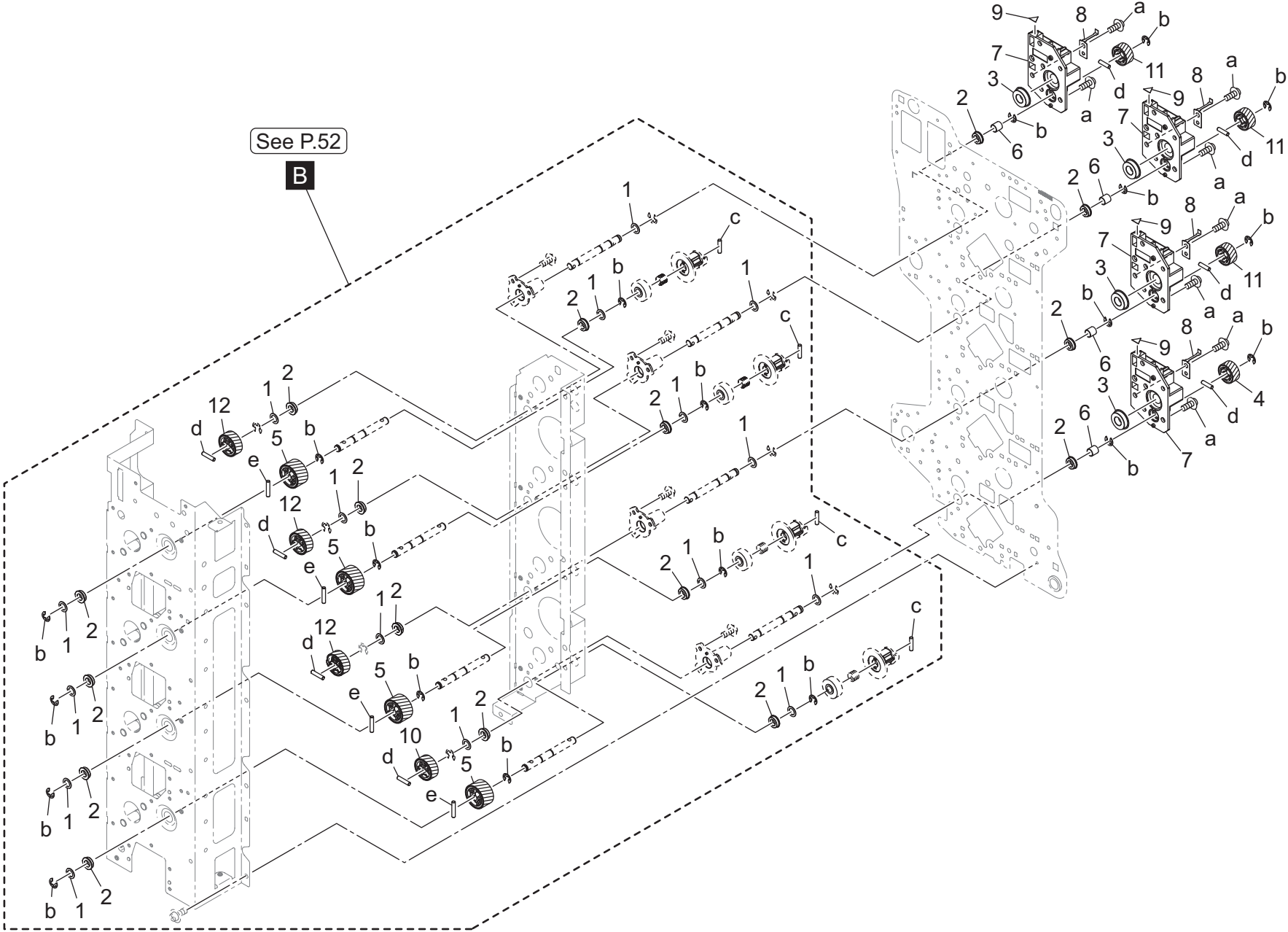


A
See P.52

Process Carriage Section

| Key | Part No. | Description | Destinations | Class | QTY | Standard parts |
|-----|------------|------------------------|--------------|-------|-----|--|
| 1 | 13QA40610 | Gear Spacer | | C | 5 | a-V114041004 b-V121030403 c-V127030604 d-V127030803 e-V500010082 f-V211040080 g-V217060003 h-V221040050 k-V500010083 m-V500020098 |
| 2 | AC57220500 | Idling Gear 45T | | C | 3 | |
| 3 | AC57341700 | Guide Rail | | D | 4 | |
| 4 | AC57169000 | Cover Duct /B | | D | 1 | |
| 5 | A50U169602 | Mounting Screw | | D | 2 | |
| 6 | AC58222400 | Idling Gear 31/41T | | C | 3 | |
| 7 | A50U221500 | Release Lever | | D | 1 | |
| 8 | A50U221701 | Guide Handle | | D | 1 | |
| 9 | A50U341002 | Protection Cover /2 | | D | 1 | |
| 10 | A50U948001 | Caution Label | | D | 1 | |
| 11 | A50U945601 | Operation Label | | D | 3 | |
| 12 | A50U949700 | Replacement Label /1 | | D | 4 | |
| 13 | A79JM11300 | DC Brushless motor /30 | | I | 4 | |
| 14 | A50U220501 | Idling Gear /C 63/34T | | C | 4 | |
| 15 | A9VE942700 | Caution Label | | D | 1 | |
| 16 | A9VEN12400 | Developing Wiring /1 | | D | 1 | |
| 17 | AC58R70100 | Developing Drive ASSY | | S | 1 | |
| 18 | 40AA32320 | Toner Supply Spacer | | C | 6 | |
| 19 | A9VE220500 | Idling Gear /C 35/62T | | C | 1 | |
| | | | | | | |
| | | | | | | |
| | | | | | | |
| | | | | | | |
| | | | | | | |
| | | | | | | |
| | | | | | | |
| | | | | | | |
| | | | | | | |

Process Carriage Section

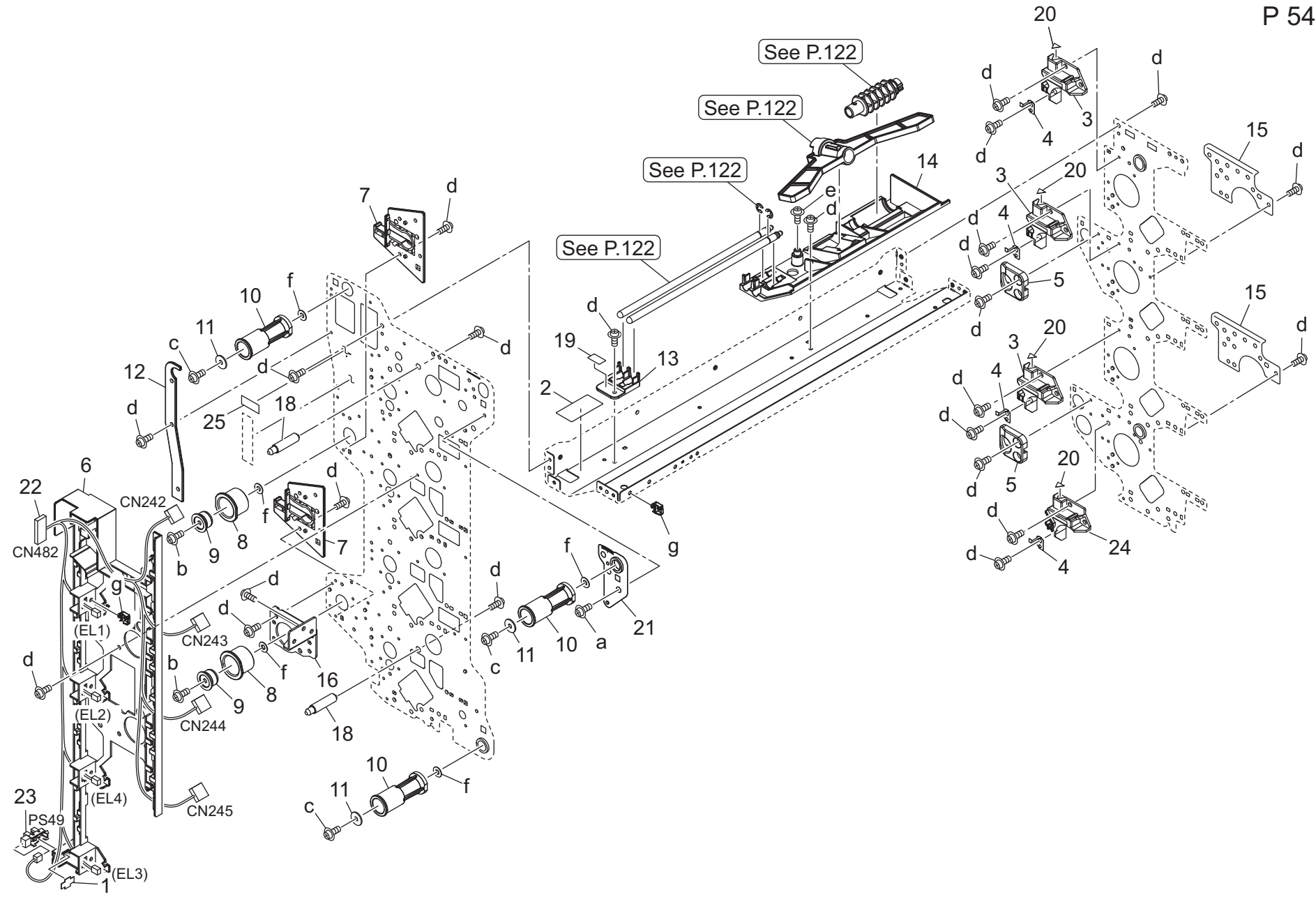


AccurioPress C4070

Process Carriage Section

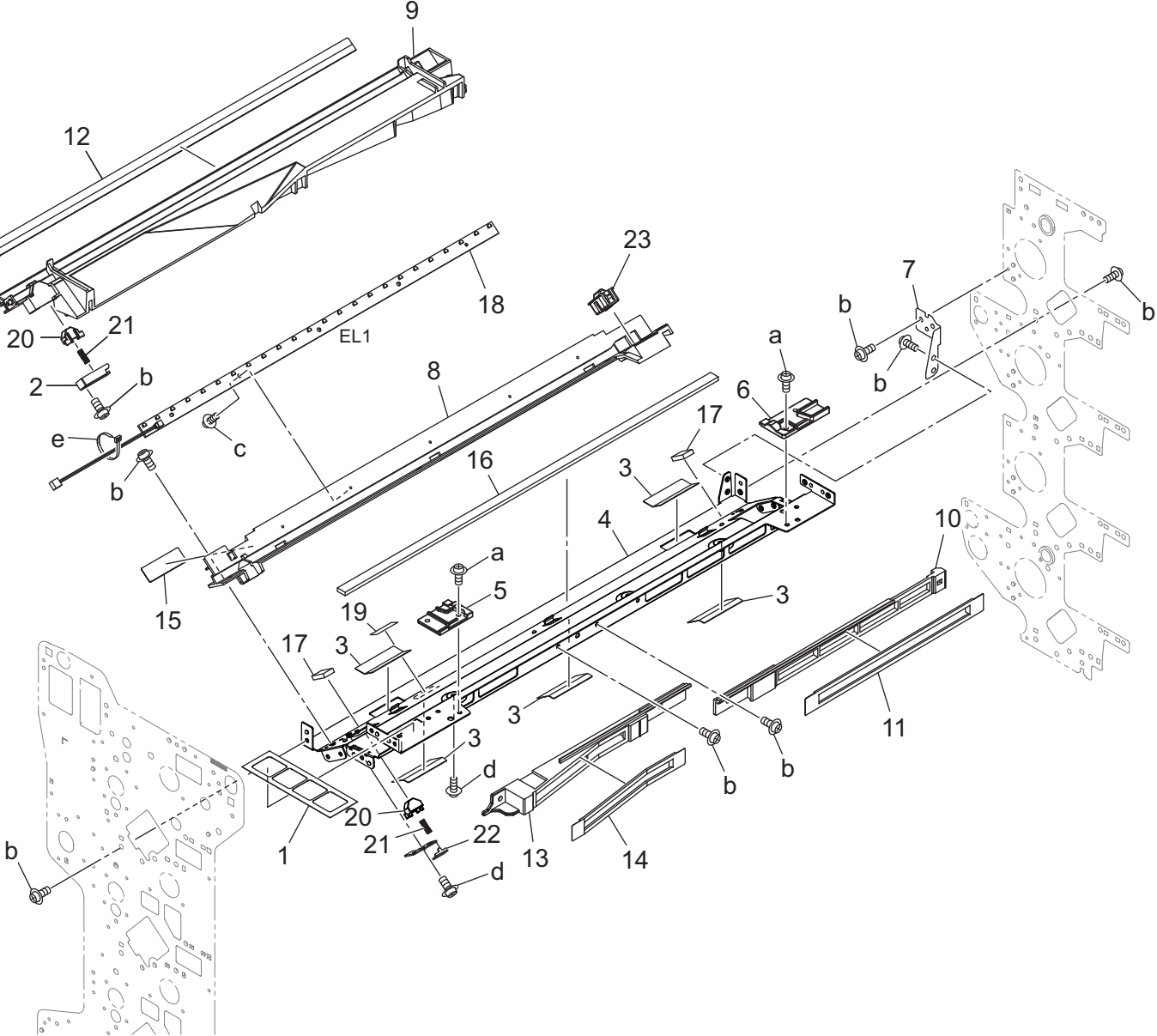
| Key | Part No. | Description | Destinations | Class | QTY | Standard parts |
|-----|------------|----------------------------|--------------|-------|-----|--|
| 1 | 40AA32320 | Toner Supply Spacer | | C | 16 | a-V127030604 b-V217040003 c-V234301050 d-V234301250 e-V234301650 |
| 2 | A00J617800 | Ball Bearing | | A | 16 | |
| 3 | A00V240600 | Ball Bearing | | B | 4 | |
| 4 | A50U220700 | Coupling Gear /C 28T | | C | 1 | |
| 5 | A50U221800 | Drive Gear /D 40T | | C | 4 | |
| 6 | A9VE222000 | Collar | | D | 4 | |
| 7 | A50U337101 | Positioning Rail /1 | | D | 4 | |
| 8 | A50U337400 | Ground Plate spring /Front | | D | 4 | |
| 9 | A50U949700 | Replacement Label /1 | | D | 4 | |
| 10 | A9VE220600 | Drive Gear /C 36T | | C | 1 | |
| 11 | AC57220700 | Drive Gear 28T | | C | 3 | |
| 12 | AC58222300 | Drive Gear 36T | | C | 3 | |
| | | | | | | |
| | | | | | | |
| | | | | | | |
| | | | | | | |
| | | | | | | |
| | | | | | | |
| | | | | | | |
| | | | | | | |
| | | | | | | |
| | | | | | | |
| | | | | | | |

Process Carriage Section



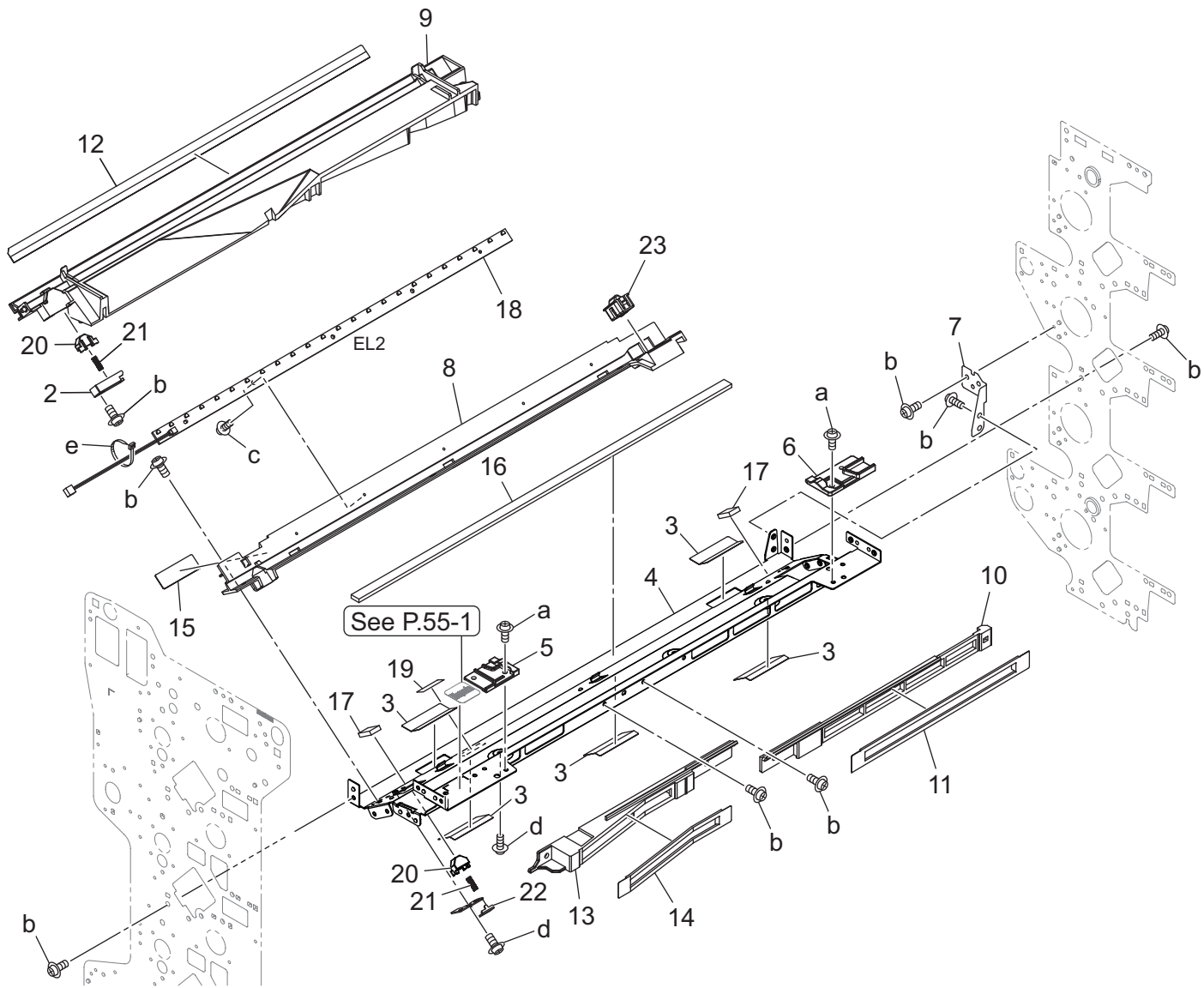
| Key | Part No. | Description | Destinations | Class | QTY | Standard parts |
|-----|------------|-------------------------------|--------------|-------|-----|--|
| 1 | 4470402401 | Stopper | | D | 1 | a-V116040803 b-V121041003 c-V121041403 d-V127030604 e-V127031203 f-V211040080 g-V500020098 |
| 2 | A50U335600 | Cleaning Seal /A | | D | 1 | |
| 3 | A50U337200 | Positioning Rail /2 | | D | 3 | |
| 4 | A50U337300 | Ground Plate spring /Rear | | D | 4 | |
| 5 | A50U340501 | Transfer Hinge | | D | 2 | |
| 6 | A50U340902 | Protection Cover /1 | | D | 1 | |
| 7 | A50U341301 | Positioning Block /1 | | D | 2 | |
| 8 | A50U341401 | Positioning Collar /1 | | D | 2 | |
| 9 | A50U341600 | Transfer Shaft | | D | 2 | |
| 10 | A50U342502 | Set Collar | | D | 3 | |
| 11 | A50U342600 | Collar | | D | 3 | |
| 12 | A50U343000 | Operation Cover | | D | 1 | |
| 13 | A50U343400 | Tray /Front | | D | 1 | |
| 14 | A50U343500 | Tray /Rear | | D | 1 | |
| 15 | A50U343800 | Transfer Plate | | D | 2 | |
| 16 | A50U343900 | Transfer Plate /2 | | D | 1 | |
| 18 | A50U344200 | Positioning Shaft | | D | 2 | |
| 19 | A50U945601 | Operation Label | | D | 1 | |
| 20 | A50U949700 | Replacement Label /1 | | D | 4 | |
| 21 | A50UR72K00 | Adjusting Plate Caulking Assy | | D | 1 | |
| 22 | A50UN12500 | Developing Wiring /2 | | D | 1 | |
| 23 | A85CM55600 | Photo Sensor | | C | 1 | |
| 24 | AC57337201 | Positioning Rail /3 | | D | 1 | |
| 25 | AC57946500 | ID Label | | D | 1 | |
| | | | | | | |
| | | | | | | |
| | | | | | | |
| | | | | | | |
| | | | | | | |
| | | | | | | |
| | | | | | | |
| | | | | | | |
| | | | | | | |
| | | | | | | |
| | | | | | | |
| | | | | | | |

Process Carriage Section



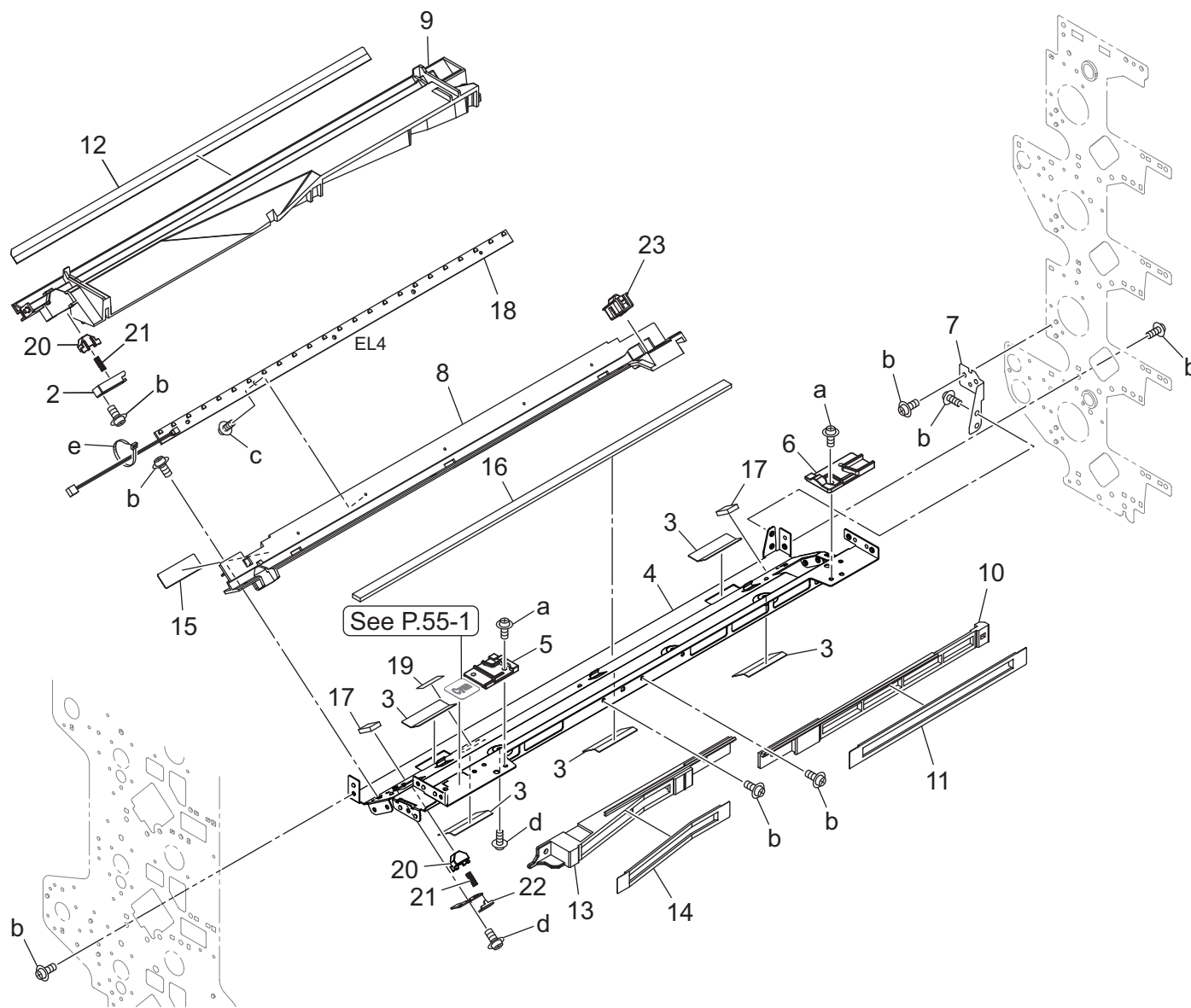
| Key | Part No. | Description | Destinations | Class | QTY | Standard parts |
|-----|------------|------------------------|--------------|-------|-----|--|
| 1 | AC57974400 | Replacement Label | | D | 1 | a-V118030403 b-V127030604 c-V153020603 d-V158030803 e-V501010002 |
| 2 | AC57347300 | Pressing Holder /1 | | D | 1 | |
| 3 | A50U335600 | Cleaning Seal /A | | D | 5 | |
| 4 | AC57340301 | Fixing Stay /1 | | D | 1 | |
| 5 | A50U341900 | Developing Rail /Front | | D | 1 | |
| 6 | A50U342000 | Developing Rail /Rear | | D | 1 | |
| 7 | A50U342300 | Reinforce Plate | | D | 1 | |
| 8 | AC57462100 | Charging Rail | | D | 1 | |
| 9 | AC57462202 | Charging Rail /2 | | D | 1 | |
| 10 | A50U462400 | Charging Duct /3 | | D | 1 | |
| 11 | A50U462501 | Charging Seal /1 | | D | 1 | |
| 12 | A50U462600 | Charging Seal | | D | 1 | |
| 13 | A50U462700 | Charging Duct | | D | 1 | |
| 14 | A50U462801 | Charging Seal | | D | 1 | |
| 15 | A50U462900 | Auxiliary Seal /A | | D | 1 | |
| 16 | A50U463000 | Charging Seal /2 | | D | 1 | |
| 17 | A50U463100 | Charging Seal /3 | | D | 2 | |
| 18 | A50UM30101 | LED array | | D | 1 | |
| 19 | AC57946500 | ID Label | | D | 1 | |
| 20 | A92W343000 | Pressing Block | | D | 2 | |
| 21 | A92W345400 | Pressing Spring | | D | 2 | |
| 22 | AC57347400 | Pressing Holder /2 | | D | 1 | |
| 23 | 65AAR73200 | CHARGE PRESSING ASSY | | C | 1 | |
| | | | | | | |
| | | | | | | |
| | | | | | | |
| | | | | | | |
| | | | | | | |
| | | | | | | |
| | | | | | | |
| | | | | | | |
| | | | | | | |
| | | | | | | |

Process Carriage Section



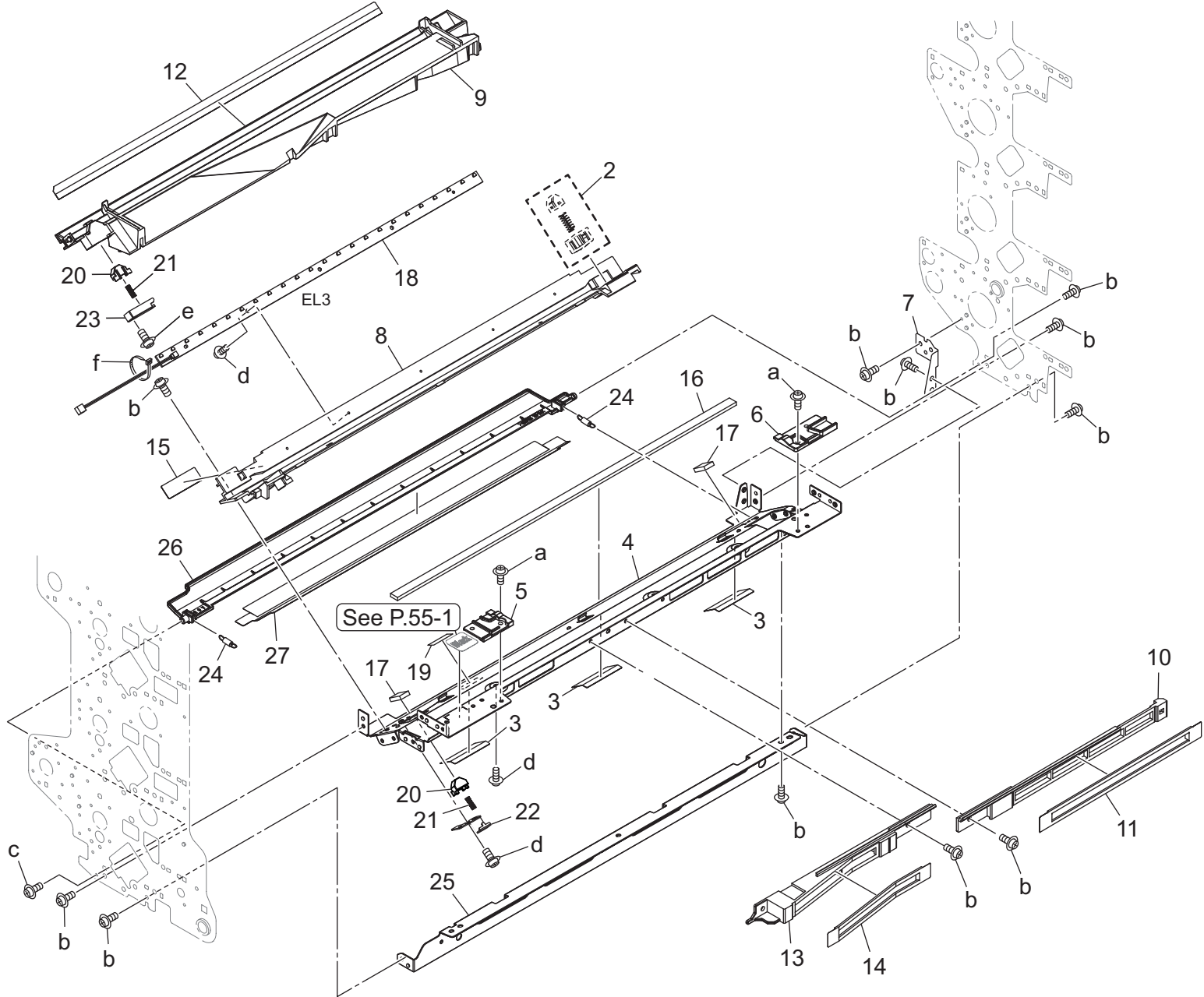
| Key | Part No. | Description | Destinations | Class | QTY | Standard parts |
|-----|------------|------------------------|--------------|-------|-----|--|
| 2 | AC57347300 | Pressing Holder /1 | | D | 1 | a-V118030403 b-V127030604 c-V153020603 d-V158030803 e-V501010002 |
| 3 | A50U335600 | Cleaning Seal /A | | D | 5 | |
| 4 | AC57340301 | Fixing Stay /1 | | D | 1 | |
| 5 | A50U341900 | Developing Rail /Front | | D | 1 | |
| 6 | A50U342000 | Developing Rail /Rear | | D | 1 | |
| 7 | A50U342300 | Reinforce Plate | | D | 1 | |
| 8 | AC57462100 | Charging Rail | | D | 1 | |
| 9 | AC57462202 | Charging Rail /2 | | D | 1 | |
| 10 | A50U462400 | Charging Duct /3 | | D | 1 | |
| 11 | A50U462501 | Charging Seal /1 | | D | 1 | |
| 12 | A50U462600 | Charging Seal | | D | 1 | |
| 13 | A50U462700 | Charging Duct | | D | 1 | |
| 14 | A50U462801 | Charging Seal | | D | 1 | |
| 15 | A50U462900 | Auxiliary Seal /A | | D | 1 | |
| 16 | A50U463000 | Charging Seal /2 | | D | 1 | |
| 17 | A50U463100 | Charging Seal /3 | | D | 2 | |
| 18 | A50UM30101 | LED array | | D | 1 | |
| 19 | AC57946500 | ID Label | | D | 1 | |
| 20 | A92W343000 | Pressing Block | | D | 2 | |
| 21 | A92W345400 | Pressing Spring | | D | 2 | |
| 22 | AC57347400 | Pressing Holder /2 | | D | 1 | |
| 23 | 65AAR73200 | CHARGE PRESSING ASSY | | C | 1 | |
| | | | | | | |
| | | | | | | |
| | | | | | | |
| | | | | | | |
| | | | | | | |
| | | | | | | |
| | | | | | | |
| | | | | | | |
| | | | | | | |
| | | | | | | |
| | | | | | | |
| | | | | | | |
| | | | | | | |
| | | | | | | |
| | | | | | | |
| | | | | | | |

Process Carriage Section



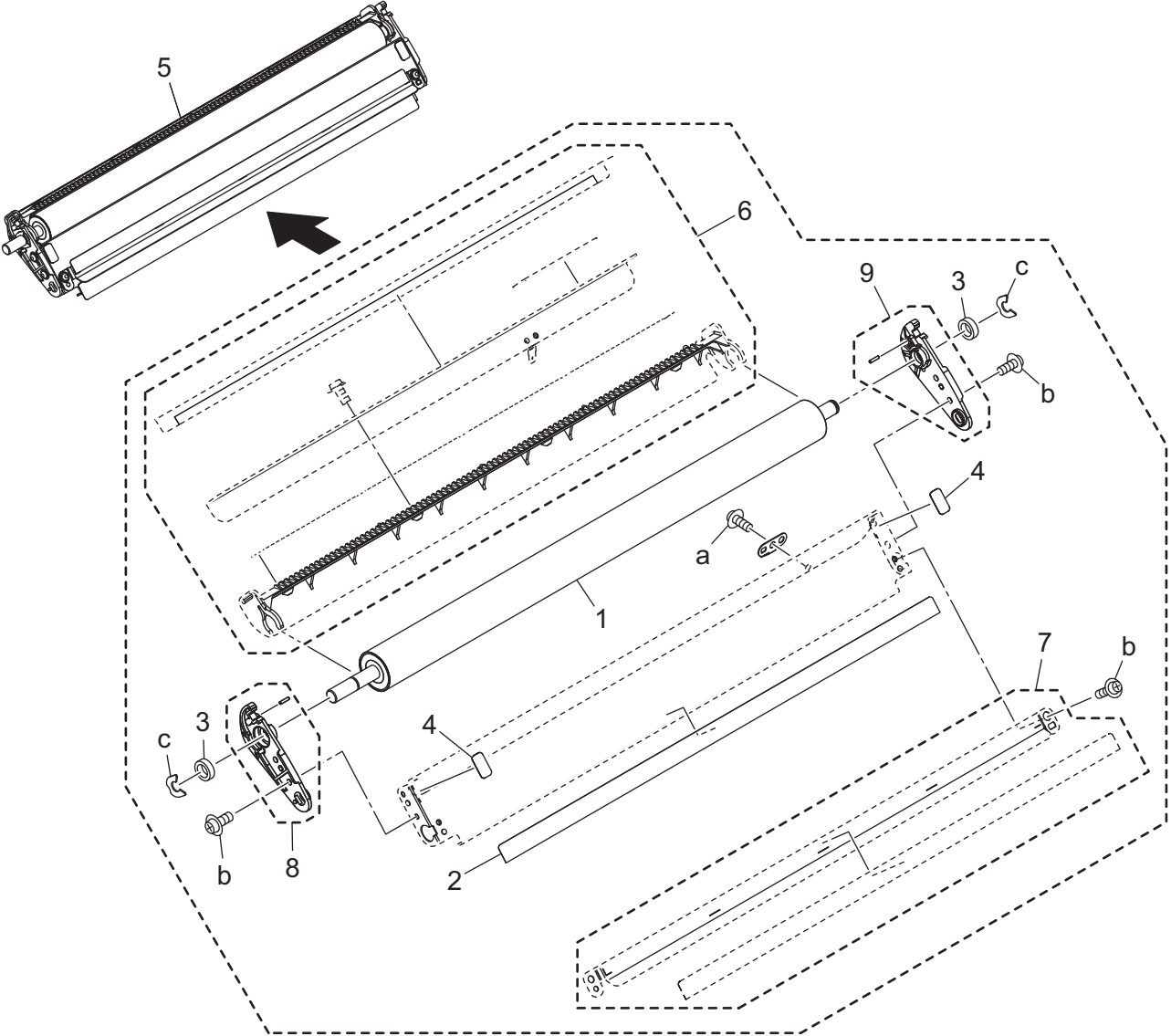
| Key | Part No. | Description | Destinations | Class | QTY | Standard parts |
|-----|------------|------------------------|--------------|-------|-----|--|
| 2 | AC57347300 | Pressing Holder /1 | | D | 1 | a-V118030403 b-V127030604 c-V153020603 d-V158030803 e-V501010002 |
| 3 | A50U335600 | Cleaning Seal /A | | D | 5 | |
| 4 | AC57340301 | Fixing Stay /1 | | D | 1 | |
| 5 | A50U341900 | Developing Rail /Front | | D | 1 | |
| 6 | A50U342000 | Developing Rail /Rear | | D | 1 | |
| 7 | A50U342300 | Reinforce Plate | | D | 1 | |
| 8 | AC57462100 | Charging Rail | | D | 1 | |
| 9 | AC57462202 | Charging Rail /2 | | D | 1 | |
| 10 | A50U462400 | Charging Duct /3 | | D | 1 | |
| 11 | A50U462501 | Charging Seal /1 | | D | 1 | |
| 12 | A50U462600 | Charging Seal | | D | 1 | |
| 13 | A50U462700 | Charging Duct | | D | 1 | |
| 14 | A50U462801 | Charging Seal | | D | 1 | |
| 15 | A50U462900 | Auxiliary Seal /A | | D | 1 | |
| 16 | A50U463000 | Charging Seal /2 | | D | 1 | |
| 17 | A50U463100 | Charging Seal /3 | | D | 2 | |
| 18 | A50UM30101 | LED array | | D | 1 | |
| 19 | AC57946500 | ID Label | | D | 1 | |
| 20 | A92W343000 | Pressing Block | | D | 2 | |
| 21 | A92W345400 | Pressing Spring | | D | 2 | |
| 22 | AC57347400 | Pressing Holder /2 | | D | 1 | |
| 23 | 65AAR73200 | CHARGE PRESSING ASSY | | C | 1 | |
| | | | | | | |
| | | | | | | |
| | | | | | | |
| | | | | | | |
| | | | | | | |
| | | | | | | |
| | | | | | | |
| | | | | | | |
| | | | | | | |
| | | | | | | |
| | | | | | | |
| | | | | | | |
| | | | | | | |
| | | | | | | |

Process Carriage Section



| Key | Part No. | Description | Destinations | Class | QTY | Standard parts |
|-----|------------|------------------------|--------------|-------|-----|--|
| 2 | 65AAR73200 | CHARGE PRESSING ASSY | | C | 1 | a-V118030403 b-V127030604 c-V127030803 d-V153020603 e-V158030803 f-V501010002 |
| 3 | A50U335600 | Cleaning Seal /A | | D | 3 | |
| 4 | AC57340601 | Fixing Stay /2 | | D | 1 | |
| 5 | A50U341900 | Developing Rail /Front | | D | 1 | |
| 6 | A50U342000 | Developing Rail /Rear | | D | 1 | |
| 7 | A50U342300 | Reinforce Plate | | D | 1 | |
| 8 | AC57462100 | Charging Rail | | D | 1 | |
| 9 | AC57462202 | Charging Rail /2 | | D | 1 | |
| 10 | A50U462400 | Charging Duct /3 | | D | 1 | |
| 11 | A50U462501 | Charging Seal /1 | | D | 1 | |
| 12 | A50U462600 | Charging Seal | | D | 1 | |
| 13 | A50U462700 | Charging Duct | | D | 1 | |
| 14 | A50U462801 | Charging Seal | | D | 1 | |
| 15 | A50U462900 | Auxiliary Seal /A | | D | 1 | |
| 16 | A50U463000 | Charging Seal /2 | | D | 1 | |
| 17 | A50U463100 | Charging Seal /3 | | D | 2 | |
| 18 | A50UM30101 | LED array | | D | 1 | |
| 19 | AC57946500 | ID Label | | D | 1 | |
| 20 | A92W343000 | Pressing Block | | D | 2 | |
| 21 | A92W345400 | Pressing Spring | | D | 2 | |
| 22 | AC57347400 | Pressing Holder /2 | | D | 1 | |
| 23 | AC57347300 | Pressing Holder /1 | | D | 1 | |
| 24 | A50U343301 | Receiving Spring | | D | 2 | |
| 25 | AC57341200 | Fixing Stay /3 | | D | 1 | |
| 26 | AC57343102 | Cleaning Catch | | C | 1 | |
| 27 | AC57343700 | Receiving Seal | | C | 1 | |
| | | | | | | |
| | | | | | | |
| | | | | | | |
| | | | | | | |
| | | | | | | |
| | | | | | | |
| | | | | | | |
| | | | | | | |
| | | | | | | |

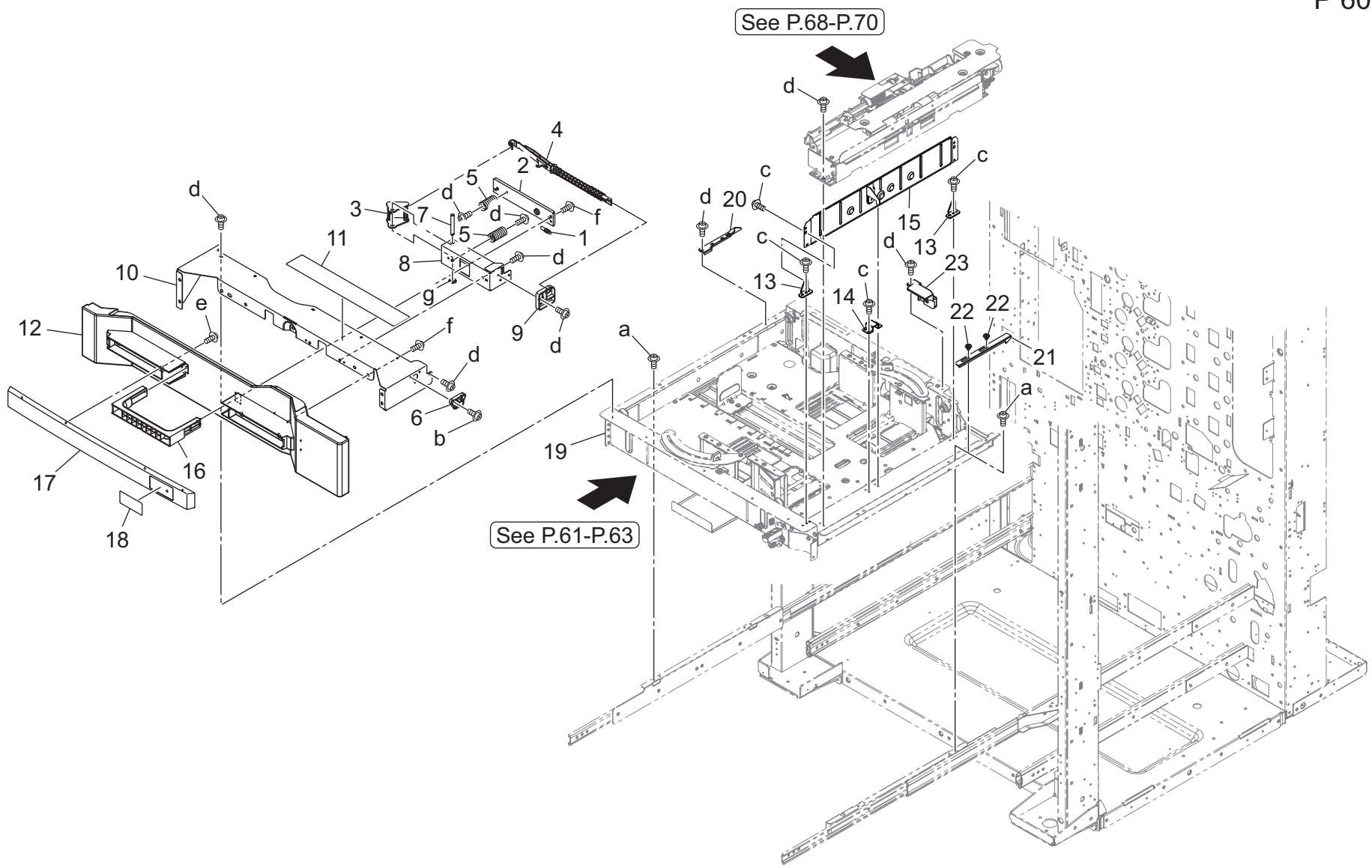
Secondary Transfer Section



Secondary Transfer Section

| Key | Part No. | Description | Destinations | Class | QTY | Standard parts |
|-----|------------|----------------------------------|--------------|-------|-----|--|
| 1 | A50UV52000 | Transfer Roller | | A | 1 | a-V127030603 b-V127030604 c-V218060086 |
| 2 | A50U525900 | Entrance Sheet | | D | 1 | |
| 3 | A50U716500 | Ball Bearing | | C | 2 | |
| 4 | A50U945601 | Operation Label | | D | 2 | |
| 5 | A50UR70500 | 2nd Transfer Unit | | I | 1 | |
| 6 | A50UR70B00 | Separation Discharging Unit | | A | 1 | |
| 7 | A50UR71Q00 | Transfer Guide / Upper Assy | | D | 1 | |
| 8 | A50UR71R11 | Transfer Side Plate / Front Assy | | D | 1 | |
| 9 | A50UR71S11 | Transfer Side Plate / Rear Assy | | D | 1 | |
| | | | | | | |
| | | | | | | |
| | | | | | | |
| | | | | | | |
| | | | | | | |
| | | | | | | |
| | | | | | | |
| | | | | | | |
| | | | | | | |
| | | | | | | |
| | | | | | | |
| | | | | | | |
| | | | | | | |

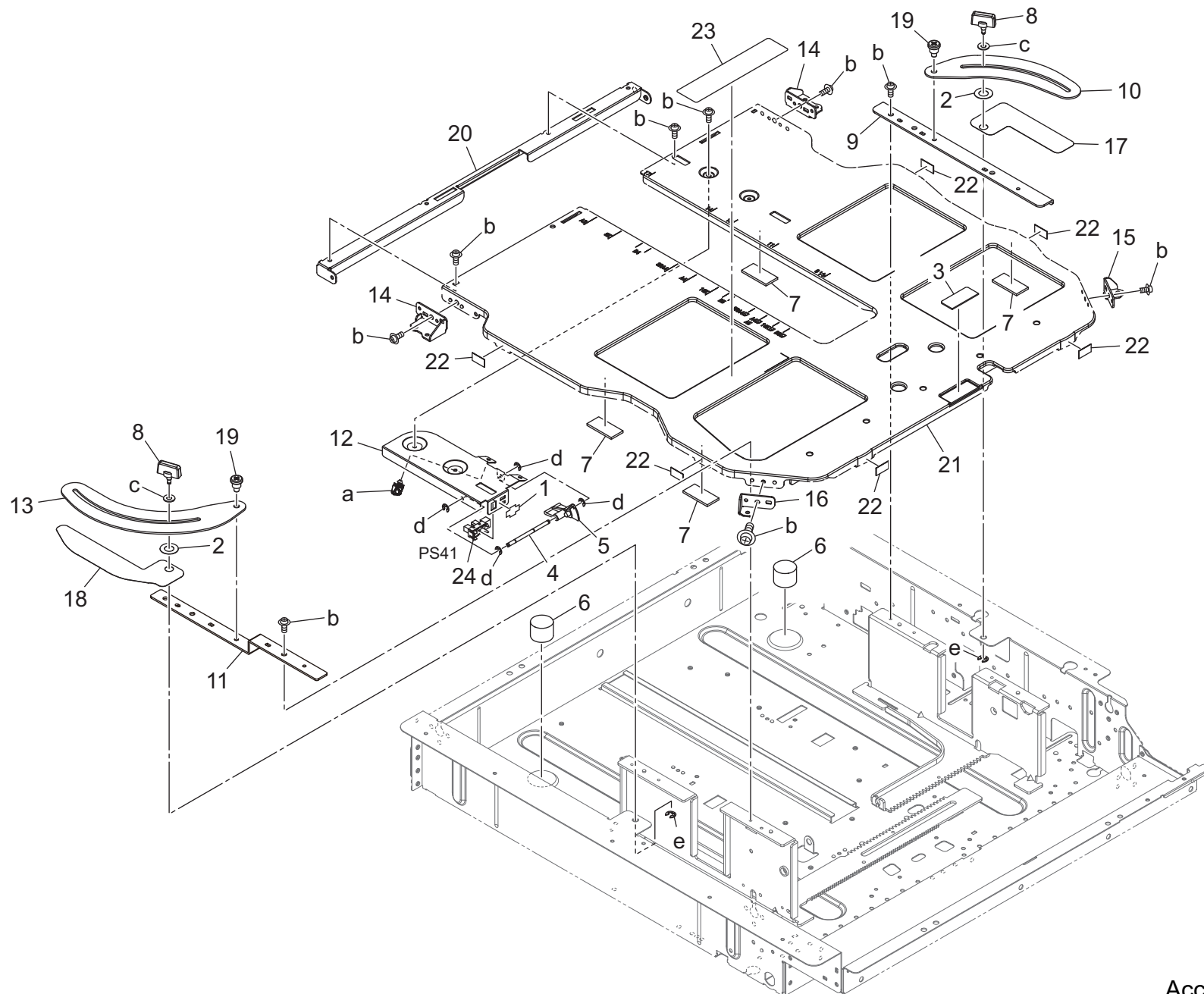
Tray 1 Section



| Key | Part No. | Description | Destinations | Class | QTY | Standard parts |
|-----|------------|-------------------------|-------------------|-------|-----|----------------|
| 1 | A161626800 | Pulling Coil spring | | C | 1 | a-V118030303 |
| 2 | A50U633002 | Holding Handle | 引張りコイルばね (ロックレバー) | D | 1 | b-V126030603 |
| 3 | A50U633200 | Release Lever | ホルダ取手 | D | 1 | c-V127030516 |
| 4 | A50U633301 | Lock Lever | 解除レバー | D | 1 | d-V127030604 |
| 5 | A50U633400 | Stable Spring | ロックレバー | D | 1 | e-V151041003 |
| 6 | A50U633702 | Receiving Guide /1 | 安定ばね | D | 2 | f-V158030803 |
| 7 | A50U633800 | Release Shaft /1 | 受けガイド /1 | D | 1 | g-V217040003 |
| 8 | A50U633900 | Fixing Plate | 解除軸 /1 | D | 1 | |
| 9 | A50U634300 | Receiving Guide /2 | 固定板 | D | 1 | |
| 10 | A50U637002 | Fixing Plate /1 | 受けガイド /2 | D | 1 | |
| 11 | A50U945702 | Operation Label /1 | 固定板 /1 | D | 1 | |
| 12 | A9VE160700 | Cover Tray /1 | 操作ラベル /1 | D | 1 | |
| 13 | A9VE628400 | Mounting Plate /1 | カバートレイ /1 | D | 1 | |
| 14 | A9VE628500 | Hold Part /1 | 取付板 /1 | D | 2 | |
| 15 | A9VE630701 | Regulating Plate /Right | 保持部材 /1 | D | 1 | |
| 16 | A9VE633100 | Handle /B | 規制板 /右 | D | 1 | |
| 17 | A9VE634400 | Paper feed Handle | 取手 /B | D | 1 | |
| 18 | A9VE945400 | Indicating Label /1 | 給紙取手 | D | 1 | |
| 19 | A9VEF63108 | 500 Paper Cassette ASSY | 表示ラベル /1 | D | 1 | |
| 20 | A50U623600 | Lock Claw | 500枚カセット ASSY | S | 1 | |
| 21 | A50U623701 | Lock Claw | ロック爪 (500カセット_左) | D | 1 | |
| 22 | A50U628100 | Shoulder Screw | ロック爪 (500カセット_右) | D | 1 | |
| 23 | A50U628300 | Cover | 段ねじ | D | 2 | |
| | | | カバー (ハーネス) | D | 1 | |
| | | | | | | |
| | | | | | | |
| | | | | | | |
| | | | | | | |
| | | | | | | |
| | | | | | | |
| | | | | | | |
| | | | | | | |
| | | | | | | |

Tray 1 Section

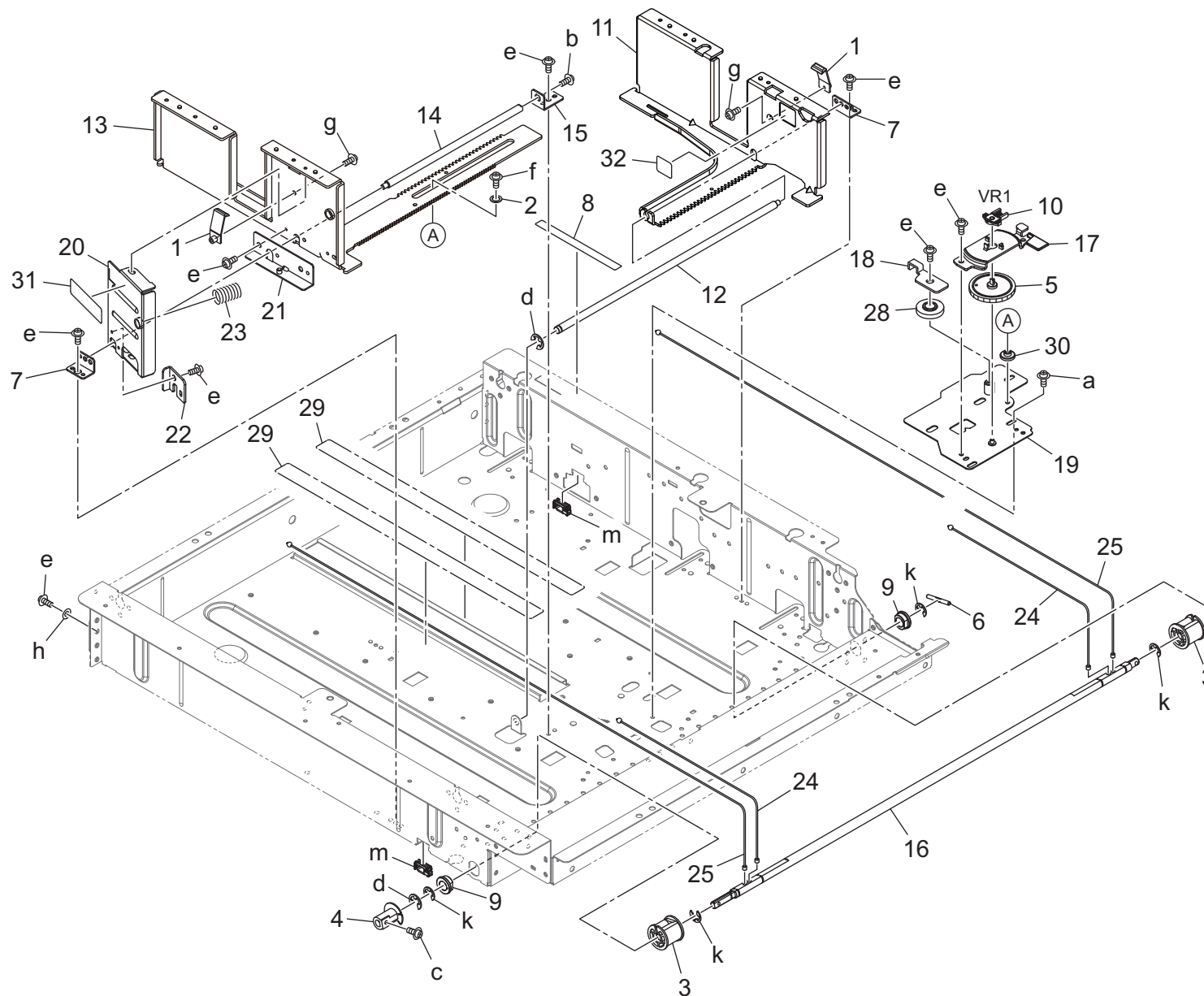
P 61



| Key | Part No. | Description | Destinations | Class | QTY | Standard parts |
|-----|------------|------------------------------|--------------|-------|-----|--|
| 1 | 4470402401 | Stopper | | D | 1 | a-V500020098 b-V127030604 c-V207040003 d-V217020003 e-V217025050 |
| 2 | 65AA49500 | Paper Exit Spacer /1 | | C | 2 | |
| 3 | 55VA40930 | DOUBLE FEED PREVENTIVE PLATE | | C | 1 | |
| 4 | 65AA47310E | PAPER DETECTING SHAFT | | D | 1 | |
| 5 | 65AA47320 | Paper Detecting Actuator | | C | 1 | |
| 6 | 65AA47820 | REGULATING PART | | C | 2 | |
| 7 | 65AA47860 | AUXILIARY SHEET | | C | 4 | |
| 8 | A03X656203 | Lock Screw | | C | 2 | |
| 9 | A50U621001 | Reinforce Plate /Rear | | D | 1 | |
| 10 | A50U622600 | Regulating Plate /Rear | | D | 1 | |
| 11 | A50U622802 | Reinforce Plate /Front | | D | 1 | |
| 12 | A50U625000 | Mounting Plate /2 | | D | 1 | |
| 13 | A50U625701 | Regulating Plate /Front | | D | 1 | |
| 14 | A50U626502 | Support Plate /1 | | D | 2 | |
| 15 | A50U626601 | Support Plate /2 | | D | 1 | |
| 16 | A50U626702 | Support Plate /3 | | D | 1 | |
| 17 | A50U627601 | Sheet | | D | 1 | |
| 18 | A50U627701 | Sheet | | D | 1 | |
| 19 | A50U628200 | Shoulder Screw | | D | 2 | |
| 20 | A50U629300 | Guide Base frame | | D | 1 | |
| 21 | A50U630203 | Lifting Plate | | D | 1 | |
| 22 | A50U641500 | Slide Sheet | | D | 6 | |
| 23 | A50U946000 | Paper feed Label | | D | 1 | |
| 24 | A85CM55600 | Photo Sensor | | C | 1 | |
| | | | | | | |
| | | | | | | |
| | | | | | | |
| | | | | | | |
| | | | | | | |
| | | | | | | |
| | | | | | | |
| | | | | | | |
| | | | | | | |
| | | | | | | |
| | | | | | | |
| | | | | | | |
| | | | | | | |
| | | | | | | |
| | | | | | | |

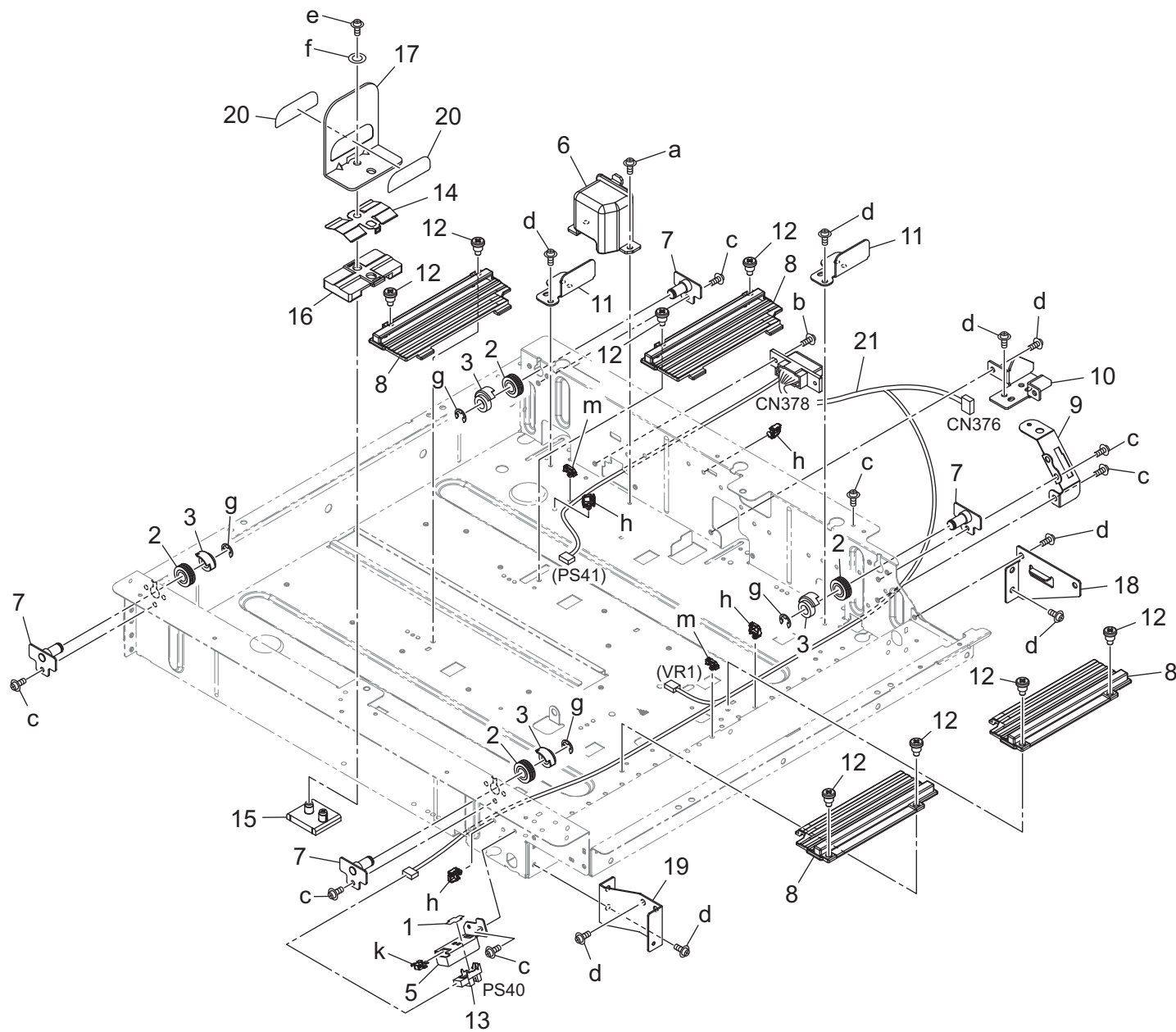
Tray 1 Section

P 62



| Key | Part No. | Description | Destinations | Class | QTY | Standard parts |
|-----|------------|--------------------------|--------------|-------|-----|----------------|
| 1 | 26NA47070 | PAPER REGULATING CLAW | | C | 2 | a-V116030503 |
| 2 | 40AA32320 | Toner Supply Spacer | | C | 1 | b-V116030603 |
| 3 | 55VA40600 | Driving Up /Down Pulley | | B | 2 | c-V121030603 |
| 4 | 65AA47131E | Paper Detecting Actuator | | C | 1 | d-V217040003 |
| 5 | 65AA47600E | Detecting Gear 45T | | C | 1 | e-V127030604 |
| 6 | 65AA47700D | Up/down Pin | | D | 1 | f-V127030803 |
| 7 | 65AA47740E | Shaft Mounting Plate | | D | 2 | g-V147030803 |
| 8 | 65GE97490 | CASSETTE GUIDE LABEL | | D | 1 | h-V207030003 |
| 9 | A03U812800 | Slide Shaft Holder | | B | 2 | k-V217060003 |
| 10 | A1UDM50100 | Volume | | D | 1 | m-V570010057 |
| 11 | A50U620602 | Guide Rack /Rear | | D | 1 | |
| 12 | A50U620801 | Regulating Shaft | | D | 1 | |
| 13 | A50U620902 | Guide Rack /Front | | D | 1 | |
| 14 | A50U621301 | Stopper Shaft | | D | 1 | |
| 15 | A50U621400 | Mounting Plate | | D | 1 | |
| 16 | A50U621800 | Lifting Shaft | | D | 1 | |
| 17 | A50U621900 | Mounting Plate | | D | 1 | |
| 18 | A50U622001 | Stopper Plate | | D | 1 | |
| 19 | A50U622101 | Positioning Plate | | D | 1 | |
| 20 | A50U622300 | Brake Knob | | D | 1 | |
| 21 | A50U622400 | Support Plate | | D | 1 | |
| 22 | A50U623201 | Lock Claw | | D | 1 | |
| 23 | A50U623300 | Slide Spring /1 | | D | 1 | |
| 24 | A50U625400 | Up/down Wire /1 | | D | 2 | |
| 25 | A50U625500 | Up/down Wire /2 | | D | 2 | |
| 28 | A50U628400 | Pinion | | C | 1 | |
| 29 | A50U640800 | Sheet | | D | 2 | |
| 30 | A50U642000 | Guide Spacer | | D | 1 | |
| 31 | A50U946300 | Lock Label /2 | | D | 1 | |
| 32 | A50U945301 | Regulating Label | | D | 1 | |
| | | | | | | |
| | | | | | | |
| | | | | | | |
| | | | | | | |
| | | | | | | |
| | | | | | | |

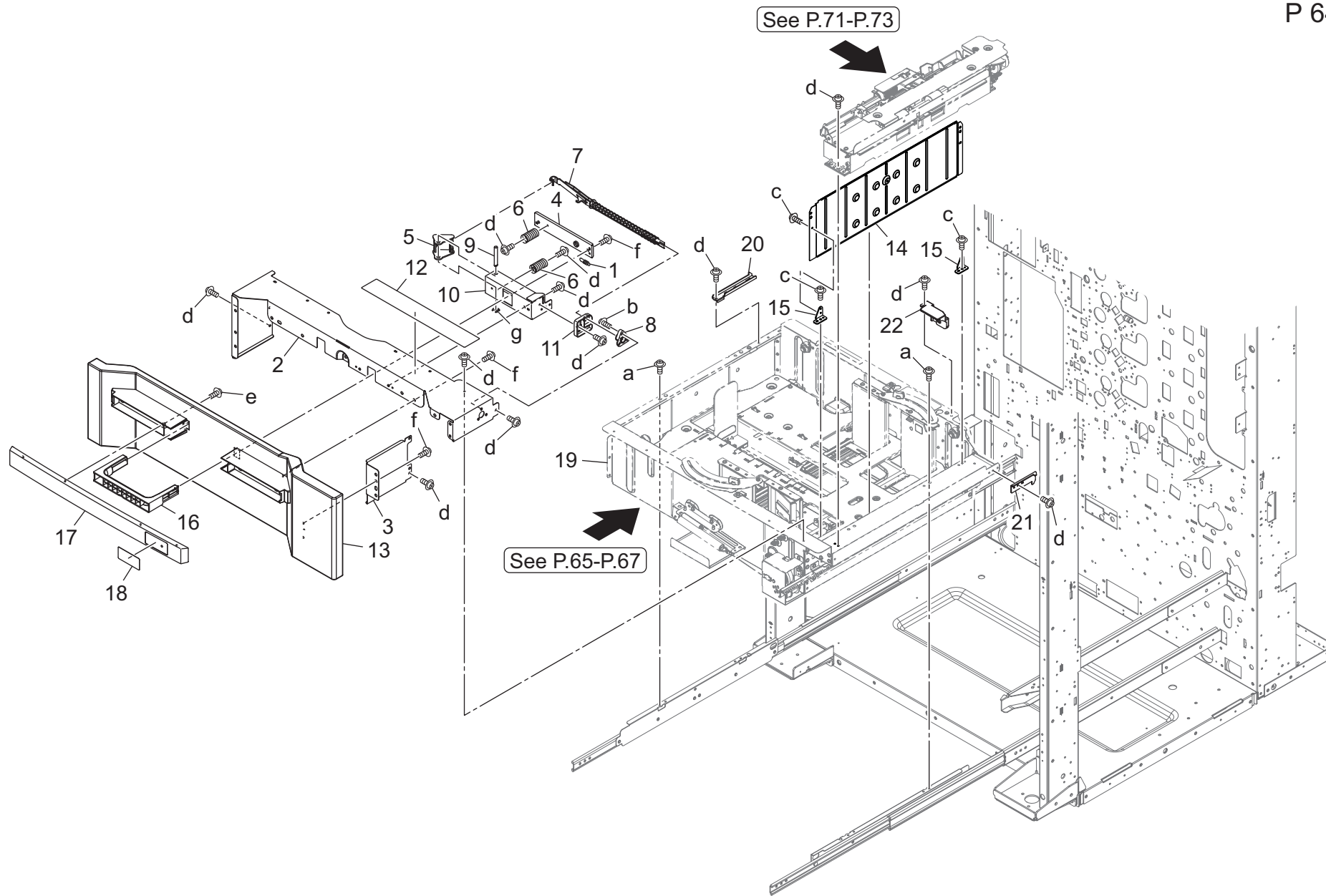
Tray 1 Section



Tray 1 Section

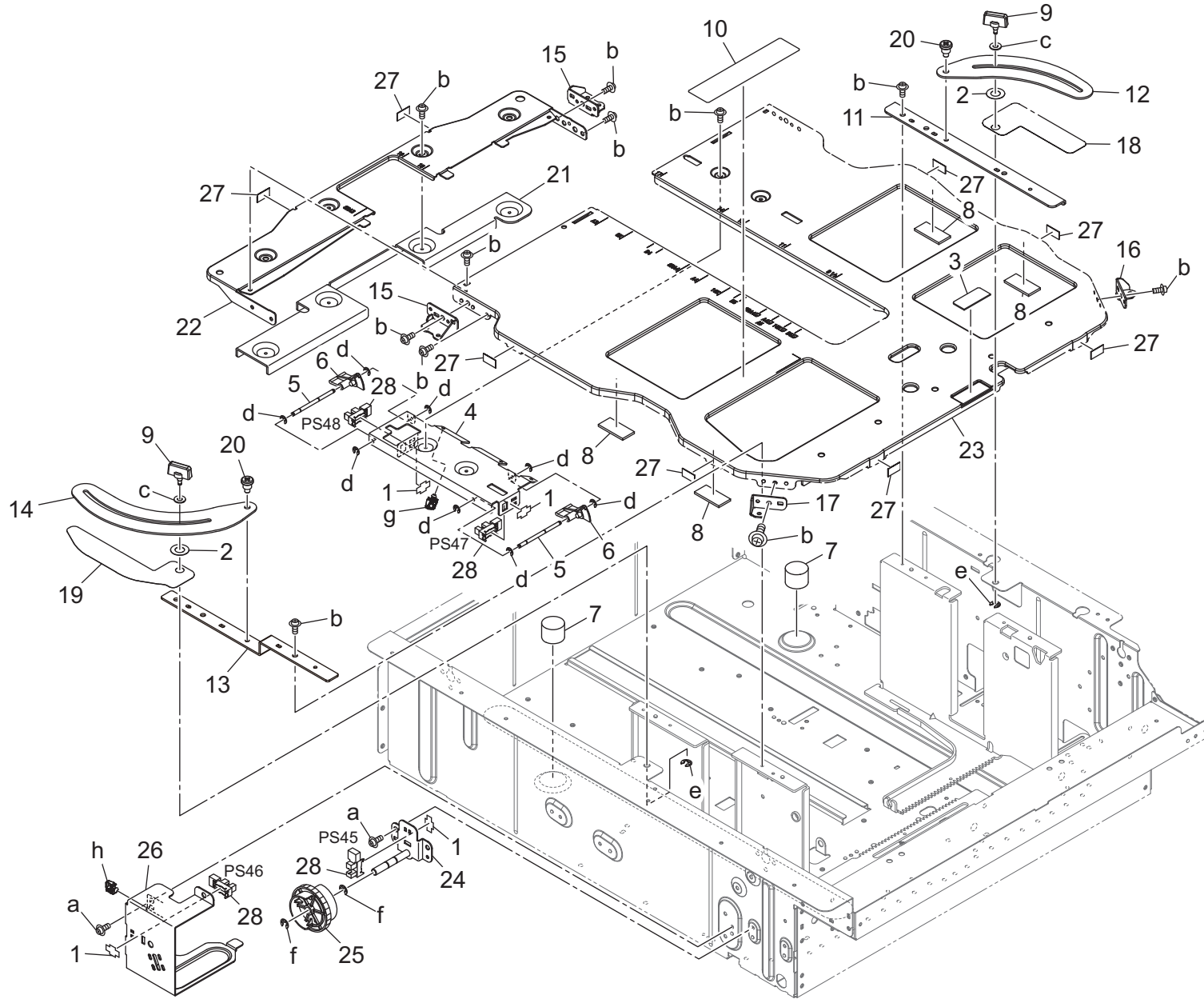
| Key | Part No. | Description | Destinations | Class | QTY | Standard parts |
|-----|------------|-------------------------------|--------------|-------|-----|--|
| 1 | 4470402401 | Stopper | | D | 1 | a-V116030503 b-V121030603 c-V127030516 d-V127030604 e-V158031003 f-V207030003 g-V217060003 h-V500020098 k-V570010050 m-V500020099 |
| 2 | 65AA47550 | WIRE ROLLER | | C | 4 | |
| 3 | 65AA47630 | WIRE GUIDE PART | | C | 4 | |
| 5 | 65AA47900E | Mounting Plate /2 | | D | 1 | |
| 6 | A03U621200 | GUIDE COVER | | C | 1 | |
| 7 | A1DUF62101 | PULLEY FULCRUM PLATE CAULKING | | D | 4 | |
| 8 | A50U621200 | Slide Guide | | D | 4 | |
| 9 | A50U624600 | Mounting Plate | | D | 1 | |
| 10 | A50U624700 | Fixing Cam | | D | 1 | |
| 11 | A50U625100 | Positioning Plate | | D | 2 | |
| 12 | A50U628200 | Shoulder Screw | | D | 8 | |
| 13 | A85CM55600 | Photo Sensor | | C | 1 | |
| 14 | A50U629502 | Plate spring | | D | 1 | |
| 15 | A50U629702 | Brake Part /Lower | | D | 1 | |
| 16 | A50U629801 | Brake Part | | D | 1 | |
| 17 | A50U629901 | Regulating Plate /Rear | | D | 1 | |
| 18 | A50U637600 | Reinforce Plate /1 | | D | 1 | |
| 19 | A50U637700 | Reinforce Plate /2 | | D | 1 | |
| 20 | A50U946400 | Lock Label /1 | | D | 2 | |
| 21 | A50UN14100 | Paperfeed Wiring /3 | | D | 1 | |
| | | | | | | |
| | | | | | | |
| | | | | | | |
| | | | | | | |
| | | | | | | |
| | | | | | | |
| | | | | | | |
| | | | | | | |
| | | | | | | |
| | | | | | | |
| | | | | | | |
| | | | | | | |
| | | | | | | |
| | | | | | | |
| | | | | | | |
| | | | | | | |
| | | | | | | |

Tray 2 Section



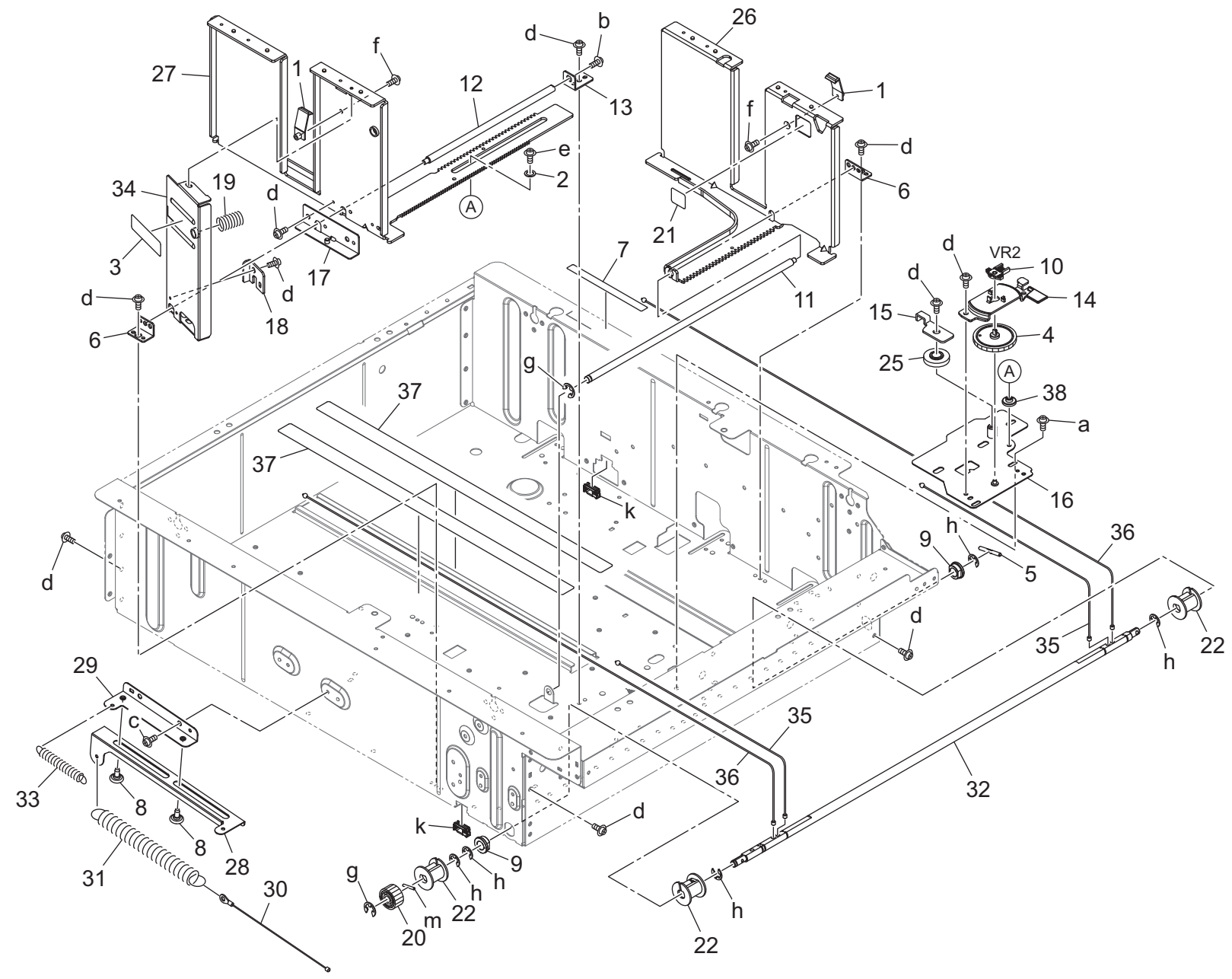
| Key | Part No. | Description | Destinations | Class | QTY | Standard parts |
|-----|------------|--------------------------|--------------|-------|-----|----------------|
| 1 | A161626800 | Pulling Coil spring | | C | 1 | a-V118030303 |
| 2 | A50U627002 | Fixing Plate /2 | | D | 1 | b-V126030603 |
| 3 | A50U627200 | Fixing Plate /3 | | D | 1 | c-V127030516 |
| 4 | A50U633002 | Holding Handle | | D | 1 | d-V127030604 |
| 5 | A50U633200 | Release Lever | | D | 1 | e-V151041003 |
| 6 | A50U633400 | Stable Spring | | D | 2 | f-V158030803 |
| 7 | A50U633601 | Lock Lever | | D | 1 | g-V217040003 |
| 8 | A50U633702 | Receiving Guide /1 | | D | 1 | |
| 9 | A50U633800 | Release Shaft /1 | | D | 1 | |
| 10 | A50U633900 | Fixing Plate | | D | 1 | |
| 11 | A50U634300 | Receiving Guide /2 | | D | 1 | |
| 12 | A50U945702 | Operation Label /1 | | D | 1 | |
| 13 | A9VE160800 | Cover Tray /2 | | D | 1 | |
| 14 | A9VE620701 | Regulating Plate /Right | | D | 1 | |
| 15 | A9VE628400 | Mounting Plate /1 | | D | 2 | |
| 16 | A9VE633100 | Handle /B | | D | 1 | |
| 17 | A9VE634400 | Paper feed Handle | | D | 1 | |
| 18 | A9VE945500 | Indicating Label /2 | | D | 1 | |
| 19 | A9VEF62109 | 1000 Paper Cassette ASSY | | S | 1 | |
| 20 | A50U623900 | Lock Claw | | D | 1 | |
| 21 | A50U624201 | Lock Part | | D | 1 | |
| 22 | A50U628300 | Cover | | D | 1 | |

Tray 2 Section



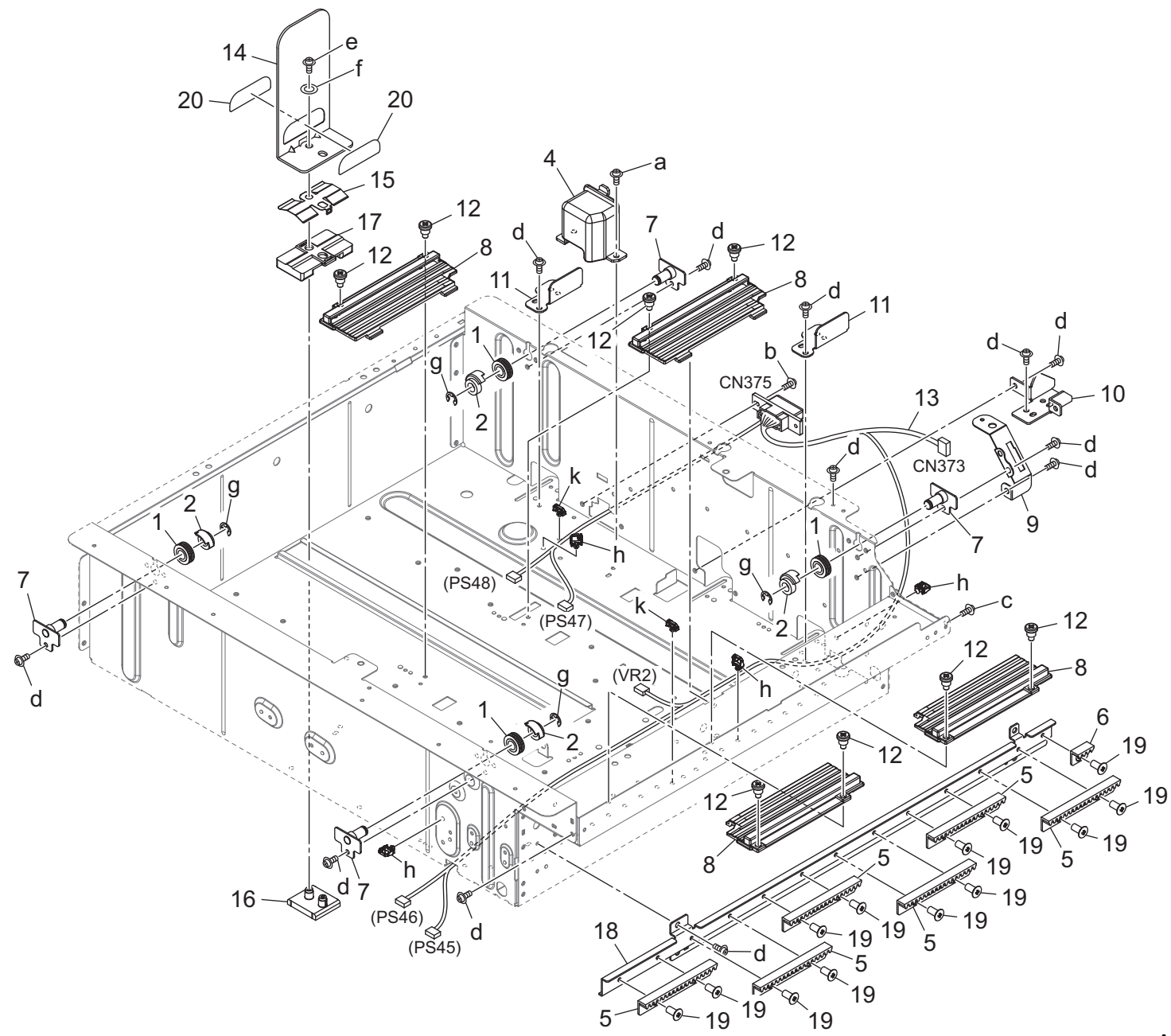
| Key | Part No. | Description | Destinations | Class | QTY | Standard parts |
|-----|------------|------------------------------|--------------|-------|-----|----------------|
| 1 | 4470402401 | Stopper | | D | 4 | a-V127030516 |
| 2 | 65AA49500 | Paper Exit Spacer /1 | | C | 2 | b-V127030604 |
| 3 | 55VA40930 | DOUBLE FEED PREVENTIVE PLATE | | C | 1 | c-V207040003 |
| 4 | 65AA47120D | Mounting Plate | | D | 1 | d-V217020003 |
| 5 | 65AA47310E | PAPER DETECTING SHAFT | | D | 2 | e-V217025050 |
| 6 | 65AA47320 | Paper Detecting Actuator | | C | 2 | f-V217040003 |
| 7 | 65AA47820 | REGULATING PART | | C | 2 | g-V500010051 |
| 8 | 65AA47860 | AUXILIARY SHEET | | C | 4 | h-V500020098 |
| 9 | A03X656203 | Lock Screw | | C | 2 | |
| 10 | A1RF946000 | Paper feed Label /1 | | D | 1 | |
| 11 | A50U621001 | Reinforce Plate /Rear | | D | 1 | |
| 12 | A50U622600 | Regulating Plate /Rear | | D | 1 | |
| 13 | A50U622802 | Reinforce Plate /Front | | D | 1 | |
| 14 | A50U625701 | Regulating Plate /Front | | D | 1 | |
| 15 | A50U626502 | Support Plate /1 | | D | 2 | |
| 16 | A50U626601 | Support Plate /2 | | D | 1 | |
| 17 | A50U626702 | Support Plate /3 | | D | 1 | |
| 18 | A50U627601 | Sheet | | D | 1 | |
| 19 | A50U627701 | Sheet | | D | 1 | |
| 20 | A50U628200 | Shoulder Screw | | D | 2 | |
| 21 | A50U629001 | Reinforce Stay | | D | 1 | |
| 22 | A50U629202 | Up/down Plate /Rear | | D | 1 | |
| 23 | A50U630203 | Lifting Plate | | D | 1 | |
| 24 | A50U631200 | Mounting Plate /Assy | | D | 1 | |
| 25 | A50U631301 | Up/down Gear 60T | | C | 1 | |
| 26 | A50U631600 | Mounting Plate | | D | 1 | |
| 27 | A50U641500 | Slide Sheet | | D | 8 | |
| 28 | A85CM55600 | Photo Sensor | | C | 4 | |
| | | | | | | |
| | | | | | | |
| | | | | | | |
| | | | | | | |
| | | | | | | |
| | | | | | | |
| | | | | | | |
| | | | | | | |

Tray 2 Section



| Key | Part No. | Description | Destinations | Class | QTY | Standard parts |
|-----|------------|-----------------------|--------------|-------|-----|----------------|
| 1 | 26NA47070 | PAPER REGULATING CLAW | | C | 2 | a-V116030503 |
| 2 | 40AA32320 | Toner Supply Spacer | | C | 1 | b-V116030603 |
| 3 | A50U946300 | Lock Label /2 | | D | 1 | c-V127030516 |
| 4 | 65AA47600E | Detecting Gear 45T | | C | 1 | d-V127030604 |
| 5 | 65AA47700D | Up/down Pin | | D | 1 | e-V127030803 |
| 6 | 65AA47740E | Shaft Mounting Plate | | D | 2 | f-V147030803 |
| 7 | 65GE97490 | CASSETTE GUIDE LABEL | | D | 1 | g-V217040003 |
| 8 | A03N621800 | Slide Shoulder screw | | C | 2 | h-V217060003 |
| 9 | A03U812800 | Slide Shaft Holder | | B | 2 | k-V570010057 |
| 10 | A1UDM50100 | Volume | | D | 1 | m-V234201450 |
| 11 | A50U620801 | Regulating Shaft | | D | 1 | |
| 12 | A50U621301 | Stopper Shaft | | D | 1 | |
| 13 | A50U621400 | Mounting Plate | | D | 1 | |
| 14 | A50U621900 | Mounting Plate | | D | 1 | |
| 15 | A50U622001 | Stopper Plate | | D | 1 | |
| 16 | A50U622101 | Positioning Plate | | D | 1 | |
| 17 | A50U622400 | Support Plate | | D | 1 | |
| 18 | A50U623201 | Lock Claw | | D | 1 | |
| 19 | A50U623300 | Slide Spring /1 | | D | 1 | |
| 20 | A50U854600 | Release Gear /1 24T | | C | 1 | |
| 21 | A50U945301 | Regulating Label | | D | 1 | |
| 22 | A50U626000 | Pulley | | C | 3 | |
| 25 | A50U628400 | Pinion | | C | 1 | |
| 26 | A50U630602 | Guide Rack /Rear | | D | 1 | |
| 27 | A50U630902 | Guide Rack /Front | | D | 1 | |
| 28 | A50U631000 | Slide Plate | | D | 1 | |
| 29 | A50U631100 | Mounting Plate | | D | 1 | |
| 30 | A50U631500 | Auxiliary Wire | | D | 1 | |
| 31 | A50U631700 | Slide Spring /1 | | D | 1 | |
| 32 | A50U631800 | Up/down Shaft | | D | 1 | |
| 33 | A50U631900 | Slide Spring /1 | | D | 1 | |
| 34 | A50U632300 | Brake Knob | | D | 1 | |
| 35 | A50U635400 | Up/down Wire /1 | | D | 2 | |
| 36 | A50U635500 | Up/down Wire /2 | | D | 2 | |
| 37 | A50U640700 | Sheet | | D | 2 | |
| 38 | A50U642000 | Guide Spacer | | D | 1 | |
| | | | | | | |
| | | | | | | |
| | | | | | | |
| | | | | | | |

Tray 2 Section

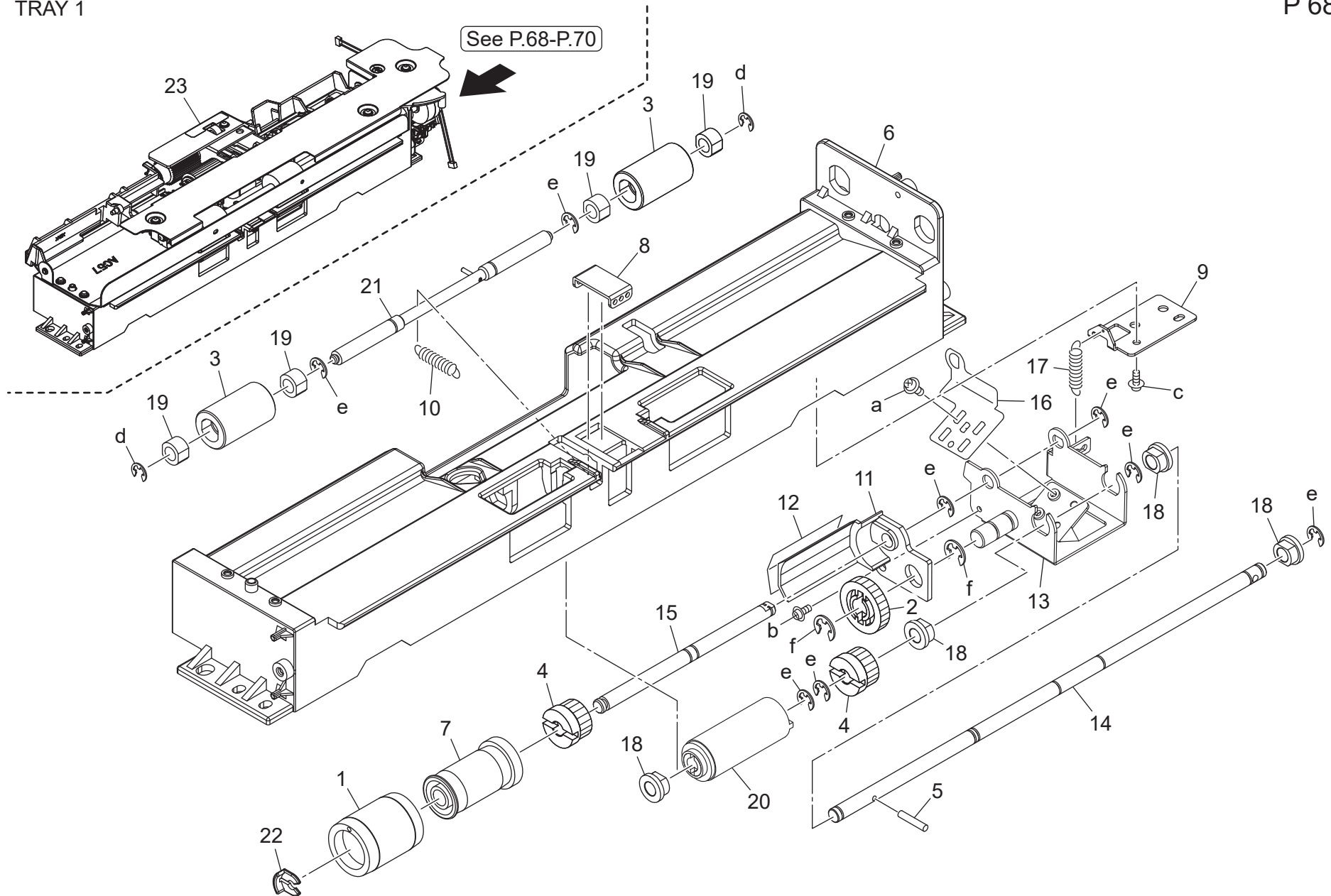


| Key | Part No. | Description | Destinations | Class | QTY | Standard parts |
|-----|------------|-------------------------------|--------------|-------|-----|----------------|
| 1 | 65AA47550 | WIRE ROLLER | ワイヤーコロ | C | 4 | a-V116030503 |
| 2 | 65AA47630 | WIRE GUIDE PART | ワイヤーガイド部材 | C | 4 | b-V121030603 |
| 4 | A03U621200 | GUIDE COVER | ガイドカバー | C | 1 | c-V127030516 |
| 5 | A03X622101 | REGULATING RACK /1 | 規制ラック /1 | D | 6 | d-V127030604 |
| 6 | A03X622201 | REGULATING RACK /2 | 規制ラック /2 | D | 1 | e-V158031003 |
| 7 | A1DUF62101 | PULLEY FULCRUM PLATE CAULKING | プーリ支点板カシメ | D | 4 | f-V207030003 |
| 8 | A50U621200 | Slide Guide | スライドガイド | D | 4 | g-V217060003 |
| 9 | A50U624600 | Mounting Plate | 取付板 | D | 1 | h-V500020098 |
| 10 | A50U624700 | Fixing Cam | 固定カム | D | 1 | k-V500020099 |
| 11 | A50U625100 | Positioning Plate | 位置決め板 | D | 2 | |
| 12 | A50U628200 | Shoulder Screw | 段ねじ | D | 8 | |
| 13 | A50UN14001 | Paperfeed Wiring /2 | 給紙束線 /2 | D | 1 | |
| 14 | A50U629401 | Regulating Plate /Rear | 規制板 /後 | D | 1 | |
| 15 | A50U629502 | Plate spring | 板ばね | D | 1 | |
| 16 | A50U629702 | Brake Part /Lower | ブレーキ部材 /下 | D | 1 | |
| 17 | A50U629801 | Brake Part | ブレーキ部材 | D | 1 | |
| 18 | A50U640100 | Guide Rail | ガイドレール | D | 1 | |
| 19 | A50U642300 | Mounting Screw | 取付ねじ | D | 13 | |
| 20 | A50U946400 | Lock Label /1 | ロックラベル /1 | D | 2 | |
| | | | | | | |
| | | | | | | |
| | | | | | | |
| | | | | | | |
| | | | | | | |
| | | | | | | |
| | | | | | | |
| | | | | | | |
| | | | | | | |
| | | | | | | |
| | | | | | | |
| | | | | | | |
| | | | | | | |
| | | | | | | |
| | | | | | | |

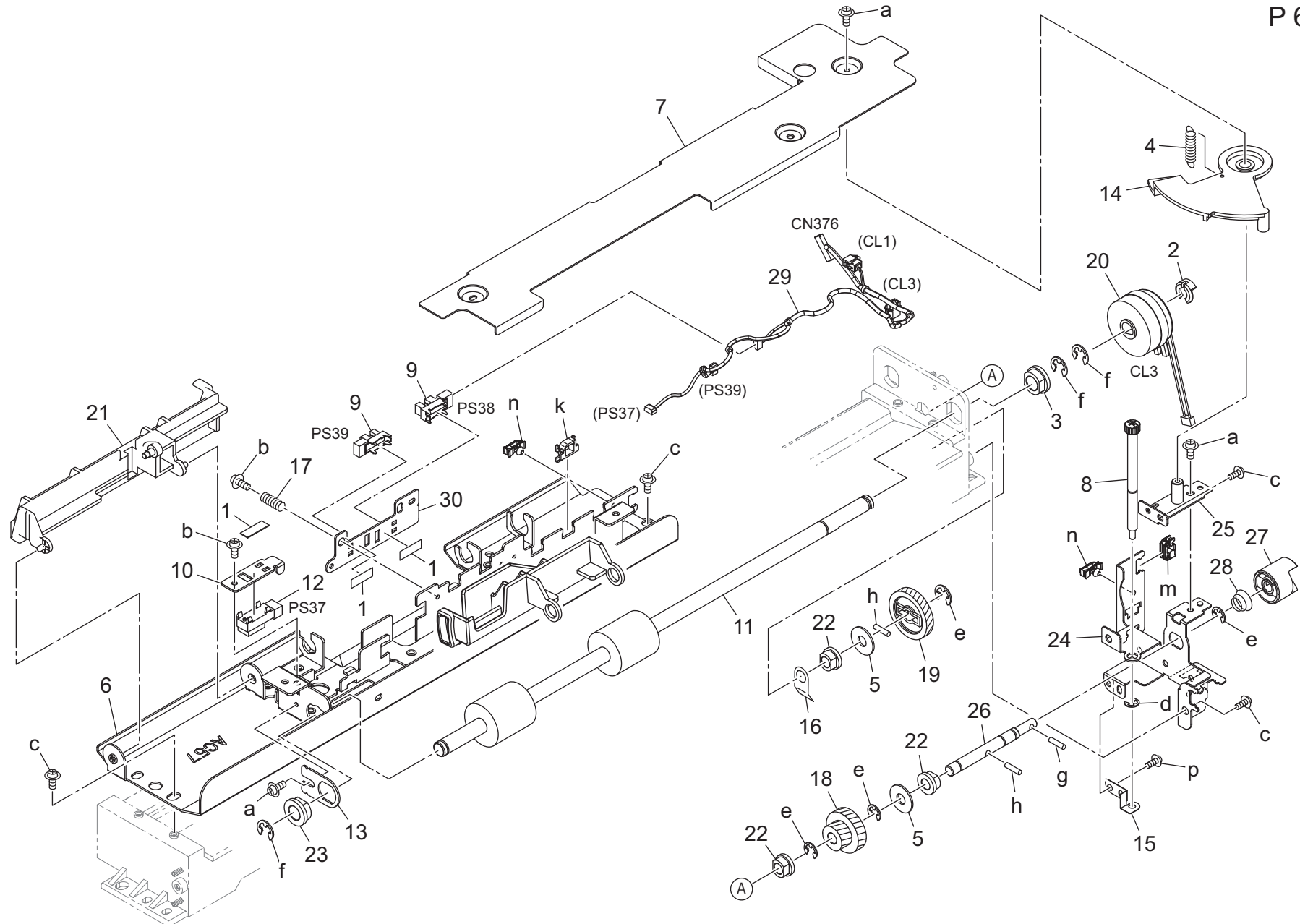
Tray 1 Paper Feed Section

TRAY 1

P 68



Tray 1 Paper Feed Section



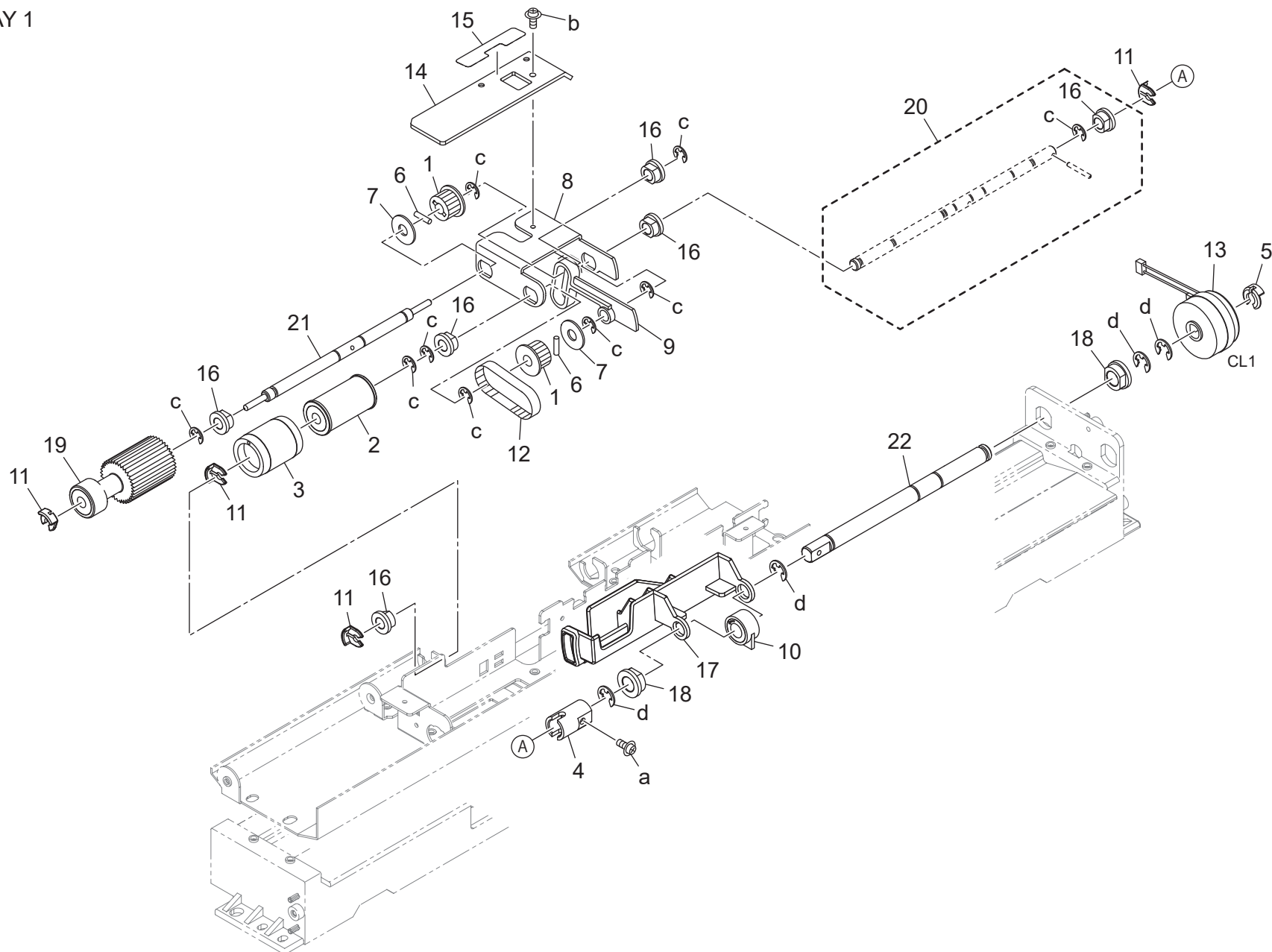
Tray 1 Paper Feed Section

| Key | Part No. | Description | Destinations | Class | QTY | Standard parts |
|-----|------------|-----------------------------------|--------------|-------|-----|----------------|
| 1 | 4109553001 | Stopper | | C | 3 | a-V121030603 |
| 2 | 55VA42120 | Shaft Stopper | | C | 1 | b-V127030604 |
| 3 | 55VA75540 | PAPER FEED SHAFT HOLDER B | | B | 1 | c-V153030803 |
| 4 | 56AA17121 | SEPARATE SPRING UPPER | | C | 1 | d-V217030003 |
| 5 | 56AA17760 | COLLAR | | C | 2 | e-V217040003 |
| 6 | AC57560401 | Guide Plate /ASSY | | D | 1 | f-V217060003 |
| 7 | 56AA40100G | Wiring Protection Cover | | D | 1 | g-V234301250 |
| 8 | 56AA40120 | PAPER FEED HOLDING SCREW | | C | 1 | h-V234301450 |
| 9 | A85CM55600 | Photo Sensor | | C | 2 | k-V570010050 |
| 10 | A50U836200 | Plate /23 | | D | 1 | m-V570010056 |
| 11 | AC57560000 | Registration Roller | | C | 1 | n-V500020099 |
| 12 | 9335140071 | Solid State Switch | | B | 1 | p-V125030803 |
| 13 | 56AA40370 | ADJUSTING PLATE | | D | 1 | |
| 14 | 56AA40390 | CAM PLATE | | C | 1 | |
| 15 | A9VE560100 | Ground Plate | | C | 1 | |
| 16 | 56AA40500 | SHAFT HOLDER EARTH PLATE | | C | 1 | |
| 17 | 56AA40520 | EARTH SPRING | | C | 1 | |
| 18 | 56AA77720E | Paper Feed Reverse Gear /1 16/22T | | C | 1 | |
| 19 | 56AA77730 | PAPER FEED REVERSING GEAR 2 33T | | C | 1 | |
| 20 | A795M20300 | Clutch | | C | 1 | |
| 21 | 65AA40010 | Regulating Plate | | D | 1 | |
| 22 | A00J663200 | Bushing | | B | 3 | |
| 23 | A03U812800 | Slide Shaft Holder | | B | 1 | |
| 24 | A50U560901 | Drive Side plate /1 | | D | 1 | |
| 25 | A50U561200 | Drive Side plate /Assy | | D | 1 | |
| 26 | A50U562400 | Input Shaft | | D | 1 | |
| 27 | A50U564500 | Paper feed Coupling | | B | 1 | |
| 28 | A50U565100 | Pressing Spring | | D | 1 | |
| 29 | AC57N14200 | Paper Feed Harness | | D | 1 | |
| 30 | A85C635401 | Adjusting Plate | | D | 1 | |
| | | | | | | |
| | | | | | | |
| | | | | | | |
| | | | | | | |
| | | | | | | |
| | | | | | | |

Tray 1 Paper Feed Section

TRAY 1

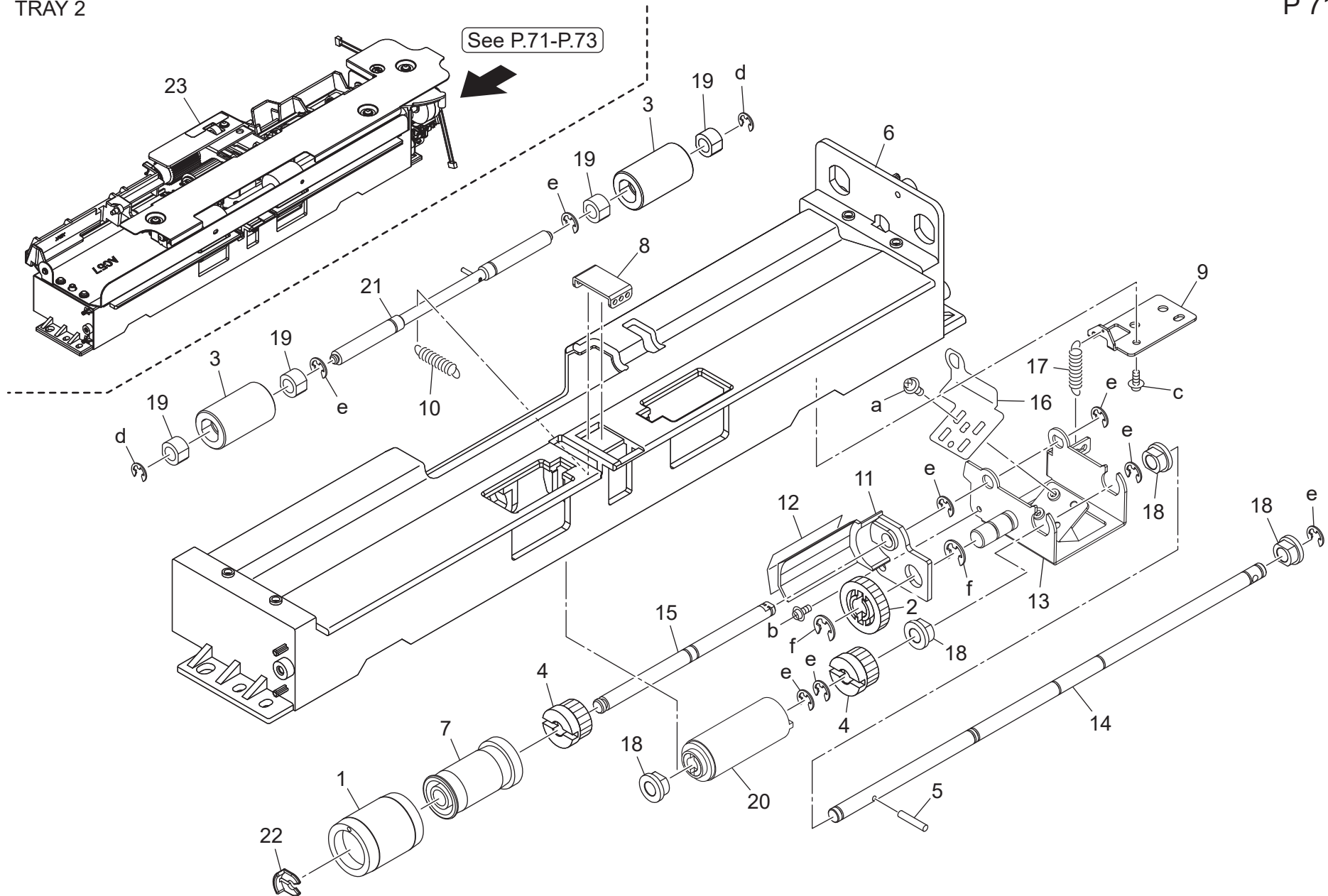
P 70



Tray 2 Paper Feed Section

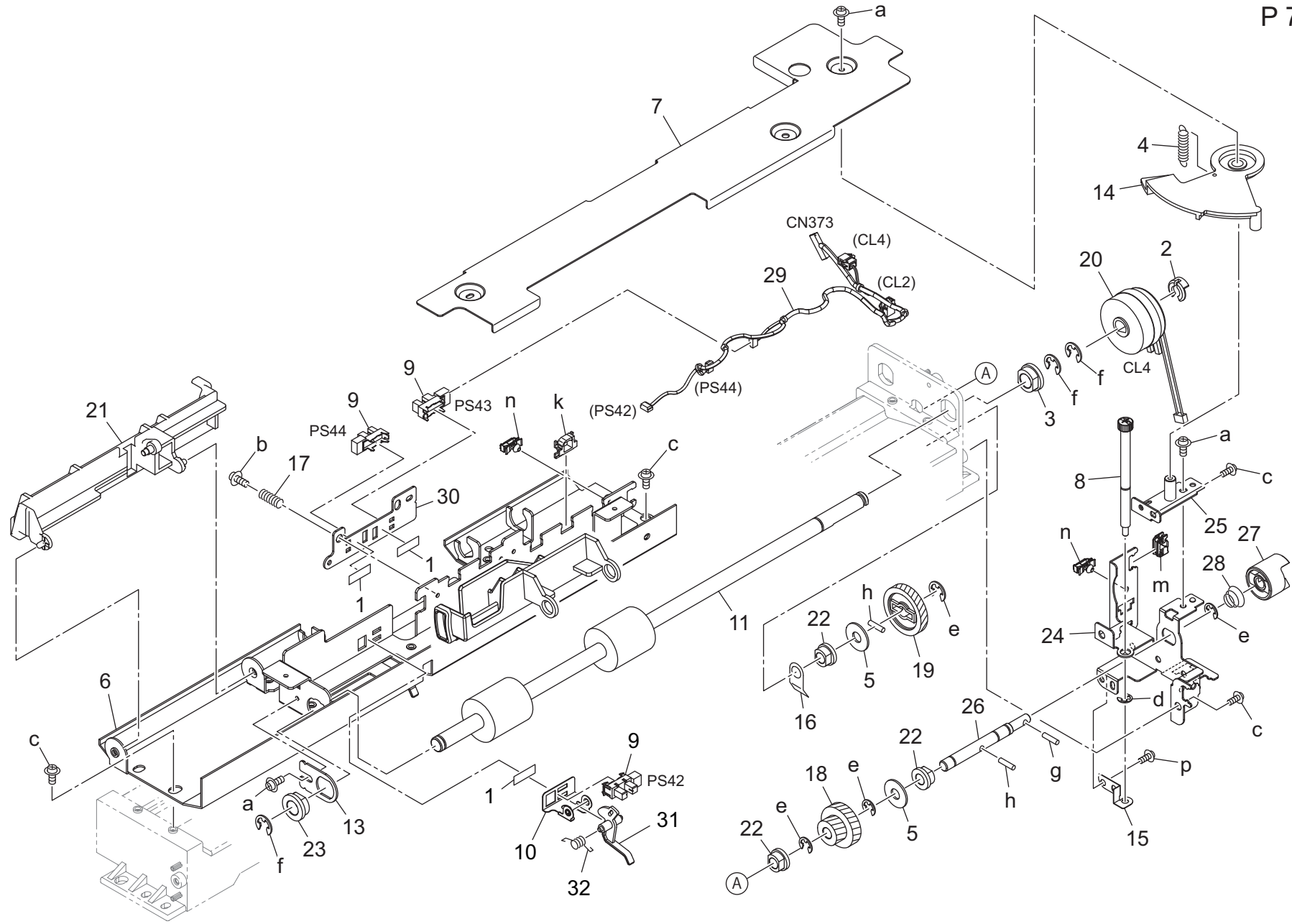
TRAY 2

P 71



Tray 2 Paper Feed Section

P 72



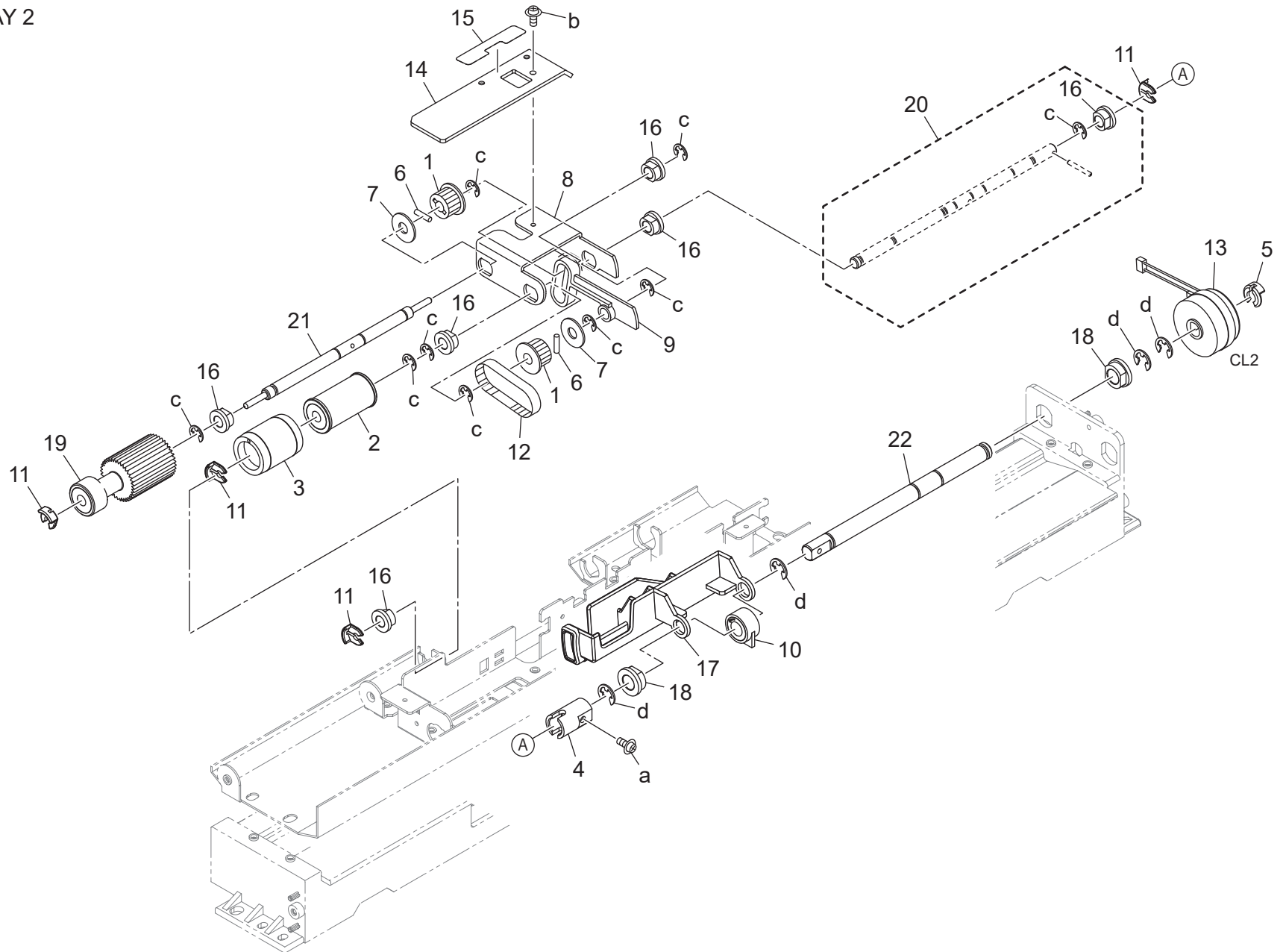
Tray 2 Paper Feed Section

| Key | Part No. | Description | Destinations | Class | QTY | Standard parts |
|-----|---------------|-----------------------------------|---------------------|-------|-----|----------------|
| 1 | 4109553001 | Stopper | | C | 3 | a-V121030603 |
| 2 | 55VA42120 | Shaft Stopper | | C | 1 | b-V127030604 |
| 3 | 55VA75540 | PAPER FEED SHAFT HOLDER B | | B | 1 | c-V153030803 |
| 4 | 56AA17121 | SEPARATE SPRING UPPER | | C | 1 | d-V217030003 |
| 5 | 56AA17760 | COLLAR | | C | 2 | e-V217040003 |
| 6 | AC57560401Old | Guide Plate /ASSY | ガイド板 / ASSY (給紙) | D | 1 | f-V217060003 |
| 6 | 56AA40032F | Paper Feed Guide Plate /Upper | 給紙ガイド板 /上 | C | 1 | g-V234301250 |
| 7 | 56AA40100G | Wiring Protection Cover | 束線保護カバー | D | 1 | h-V234301450 |
| 8 | 56AA40120 | PAPER FEED HOLDING SCREW | 給紙押えネジ | C | 1 | k-V570010050 |
| 9 | A85CM55600 | Photo Sensor | フォトセンサ | C | 3 | m-V570010056 |
| 10 | A50U836200Old | Plate /23 | センサ板 /2 3 | D | 1 | n-V500020099 |
| 10 | 56AA40310 | MOUNTING PLATE | センサ取付け板 | D | 1 | p-V125030803 |
| 11 | AC57560000 | Registration Roller | レジストローラ (給紙) | C | 1 | |
| 13 | 56AA40370 | ADJUSTING PLATE | 調整板 | D | 1 | |
| 14 | 56AA40390 | CAM PLATE | カム板 | C | 1 | |
| 15 | A9VE560100 | Ground Plate | アース板 | C | 1 | |
| 16 | 56AA40500 | SHAFT HOLDER EARTH PLATE | 軸受アース板 | C | 1 | |
| 17 | 56AA40520 | EARTH SPRING | センサアースバネ | C | 1 | |
| 18 | 56AA77720E | Paper Feed Reverse Gear /1 16/22T | 給紙逆転歯車 /1 16 /2 2 T | C | 1 | |
| 19 | 56AA77730 | PAPER FEED REVERSING GEAR 2 33T | 給紙逆転歯車 2 3 3 T | C | 1 | |
| 20 | A795M20300 | Clutch | クラッチ | C | 1 | |
| 21 | 65AA40010 | Regulating Plate | 規制板 | D | 1 | |
| 22 | A00J663200 | Bushing | すべり軸受 | B | 3 | |
| 23 | A03U812800 | Slide Shaft Holder | すべり軸受 | B | 1 | |
| 24 | A50U560901 | Drive Side plate /1 | 駆動側板 /1 | D | 1 | |
| 25 | A50U561200 | Drive Side plate /Assy | 駆動側板 / A s s y | D | 1 | |
| 26 | A50U562400 | Input Shaft | 入力軸 | D | 1 | |
| 27 | A50U564500 | Paper feed Coupling | 給紙カップリング | B | 1 | |
| 28 | A50U565100 | Pressing Spring | 押圧ばね | D | 1 | |
| 29 | AC57N14200Old | Paper Feed Harness | 給紙束線 | D | 1 | |
| 29 | A50UN14201 | Paperfeed Wiring /1 | 給紙束線 /1 | D | 1 | |
| 30 | A85C635401 | Adjusting Plate | 調整板 | D | 1 | |
| 31 | 56AA40171 | PAPER FEED DETECTING ACTUATOR | 給紙検知アクチュエタ | C | 1 | |
| 32 | 56AA40190 | PRESSING SPRING | センサ押圧バネ | C | 1 | |
| | | | | | | |
| | | | | | | |
| | | | | | | |
| | | | | | | |

Tray 2 Paper Feed Section

TRAY 2

P 73

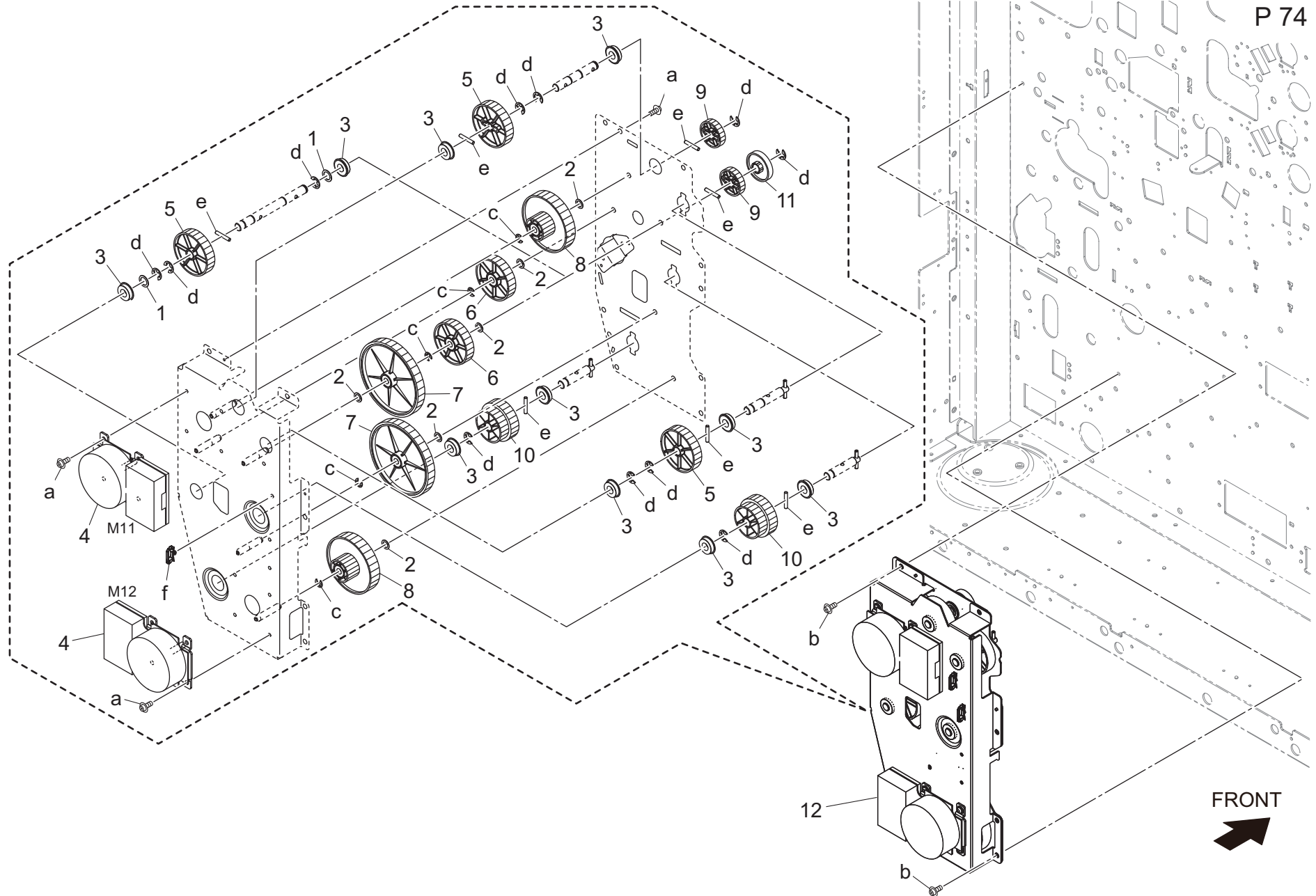


Tray 2 Paper Feed Section

| Key | Part No. | Description | Destinations | Class | QTY | Standard parts |
|-----|------------|-------------------------------|--------------|-------|-----|--|
| 1 | 059076510 | PULLEY 1 15T | | C | 2 | a-V118030603 b-V121030603 c-V217040003 d-V217060003 |
| 2 | 25AA40100 | Feeding Roller /B | | B | 1 | |
| 3 | 25SA40960 | DOUBLE FEED PREVENTION RUBBER | | A | 1 | |
| 4 | 55FA40320 | COUPLING | | C | 1 | |
| 5 | 55VA42120 | Shaft Stopper | | C | 1 | |
| 6 | 56AA17510 | Pin /B | | C | 2 | |
| 7 | 56AA17760 | COLLAR | | C | 2 | |
| 8 | 56AA40070 | Paper feed Swing Plate | | D | 1 | |
| 9 | 56AA40300 | PAPER QUANTITY ACTUATOR | | C | 1 | |
| 10 | 56AA40380 | PAPER FEED REGULATING BLOCK | | B | 1 | |
| 11 | 56AA40490 | Shaft Stopper /4 | | C | 4 | |
| 12 | 56AA77590 | PAPER FEED ROCKING BELT 111L | | C | 1 | |
| 13 | A795M20300 | Clutch | | C | 1 | |
| 14 | 65AA40080E | Paper feed Auxiliary Plate | | D | 1 | |
| 15 | 65GE97400 | GUIDE LABEL /1 | | C | 1 | |
| 16 | A00J663200 | Bushing | | B | 6 | |
| 17 | A03U560500 | Regulating Plate /Rear | | C | 1 | |
| 18 | A03U812800 | Slide Shaft Holder | | B | 2 | |
| 19 | A1DUR71J00 | Paper Feed Oscillate Roller | | B | 1 | |
| 20 | A1DUR75200 | Paper Feed Feeding Shaft Assy | | D | 1 | |
| 21 | A85C635200 | Swing Shaft | | D | 1 | |
| 22 | AC57635300 | Drive Shaft | | D | 1 | |
| | | | | | | |
| | | | | | | |
| | | | | | | |
| | | | | | | |
| | | | | | | |
| | | | | | | |
| | | | | | | |
| | | | | | | |
| | | | | | | |
| | | | | | | |
| | | | | | | |

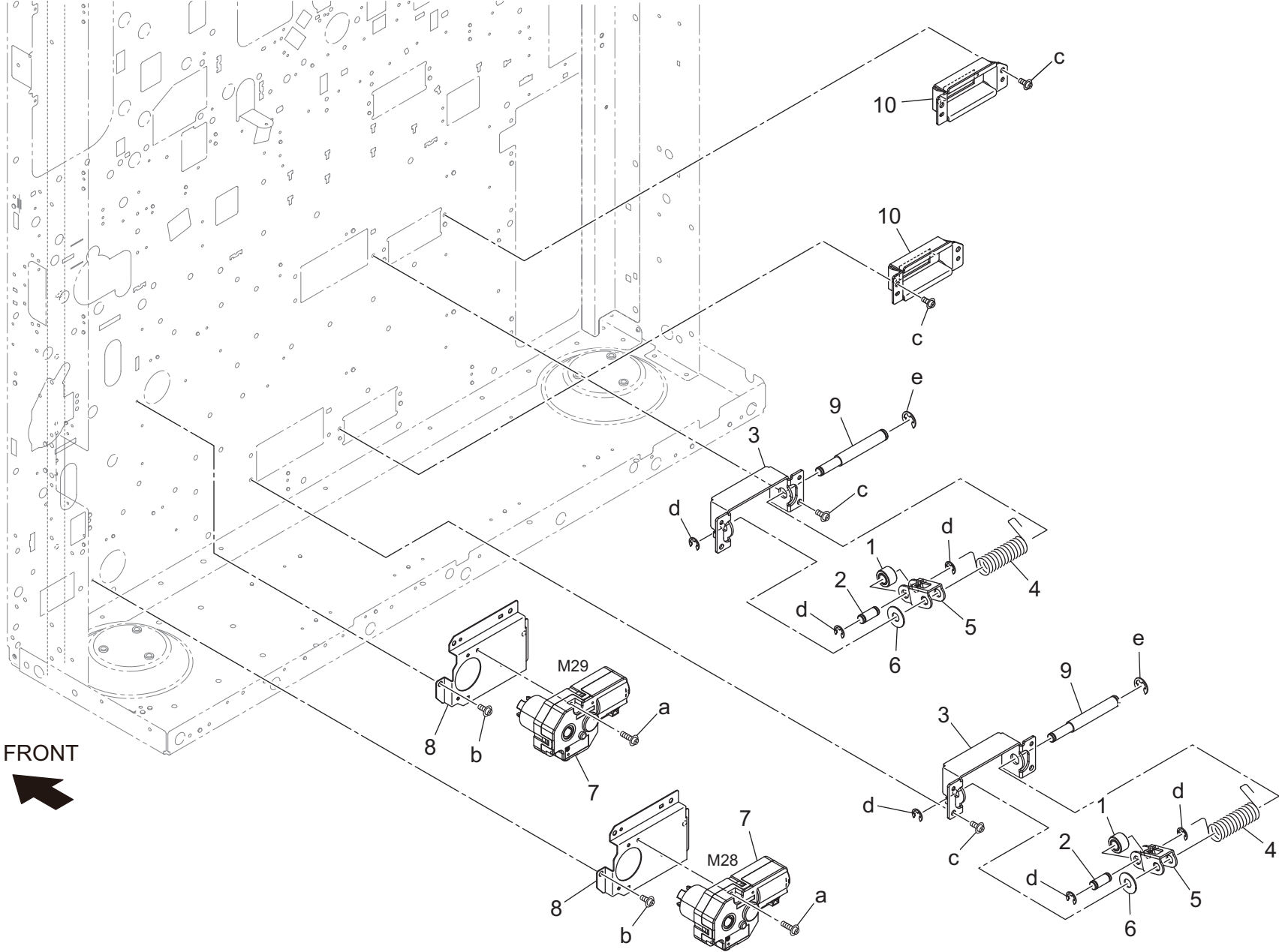
Paper Feed Driving Section

P 74



FRONT


Tray Driving Section



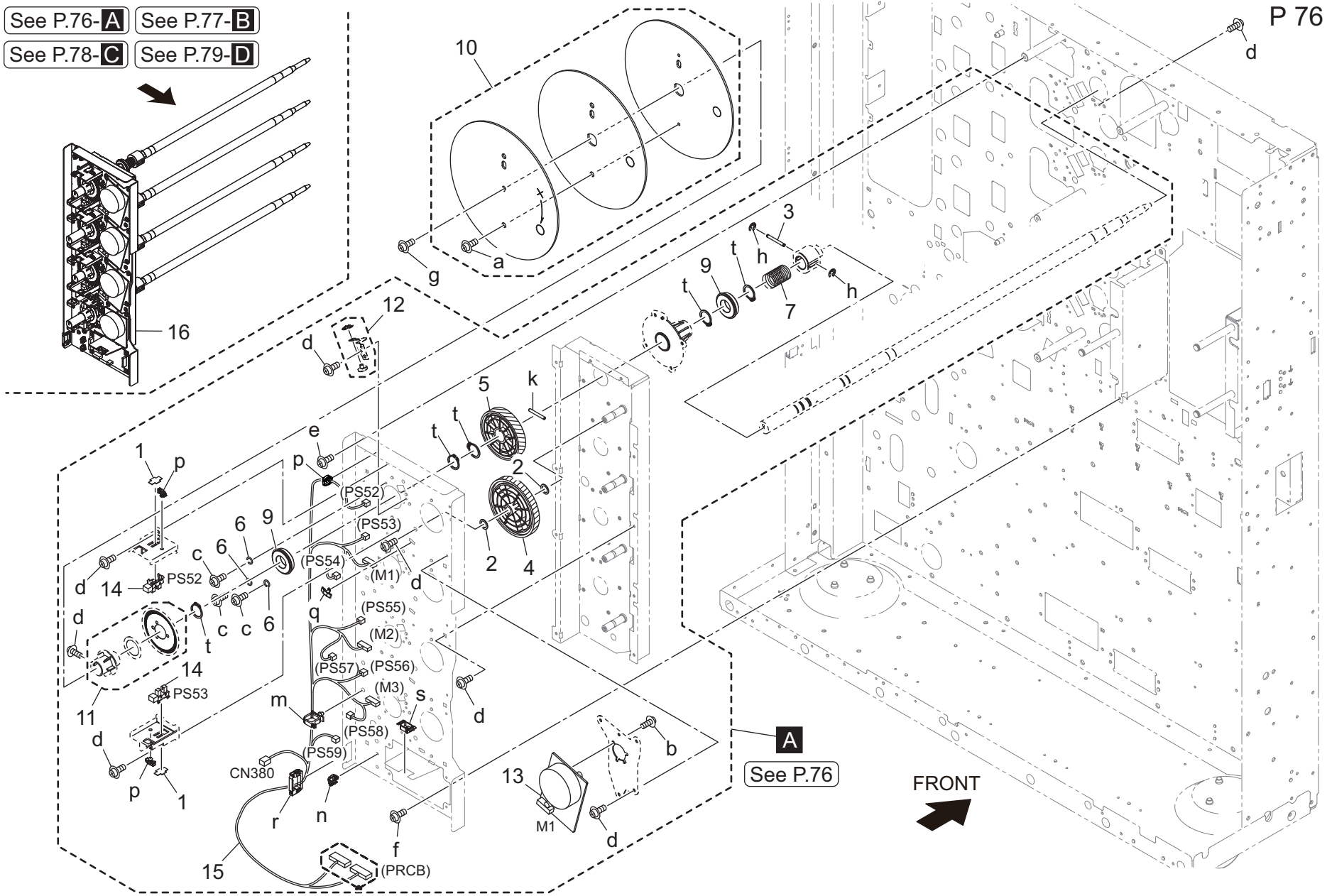
FRONT

Tray Driving Section

| Key | Part No. | Description | Destinations | Class | QTY | Standard parts |
|-----|------------|------------------------|--------------|-------|-----|--|
| 1 | A9VE625800 | Roll | | C | 2 | a-V118032003 b-V127030604 c-V146040804 d-V217060003 e-V217080003 |
| 2 | 65AA47360 | CASSETTE LOCKING SHAFT | | D | 2 | |
| 3 | 65AA47370 | FULCRUM PLATE | | D | 2 | |
| 4 | 65AA47390 | GUIDE SPRING | | C | 2 | |
| 5 | 65AA47710 | LOCKING PLATE | | D | 2 | |
| 6 | 65AA47970 | SPACER | | C | 2 | |
| 7 | A2X0M12101 | Brush motor | | B | 2 | |
| 8 | A50U629100 | Mounting Plate | | D | 2 | |
| 9 | A50U109300 | Support Shaft | | D | 2 | |
| 10 | A50U112901 | Mounting Tray | | D | 2 | |
| | | | | | | |
| | | | | | | |
| | | | | | | |
| | | | | | | |
| | | | | | | |
| | | | | | | |
| | | | | | | |
| | | | | | | |
| | | | | | | |
| | | | | | | |

Drum Driving Section

- See P.76-**A** See P.77-**B**
- See P.78-**C** See P.79-**D**



AccurioPress C4070

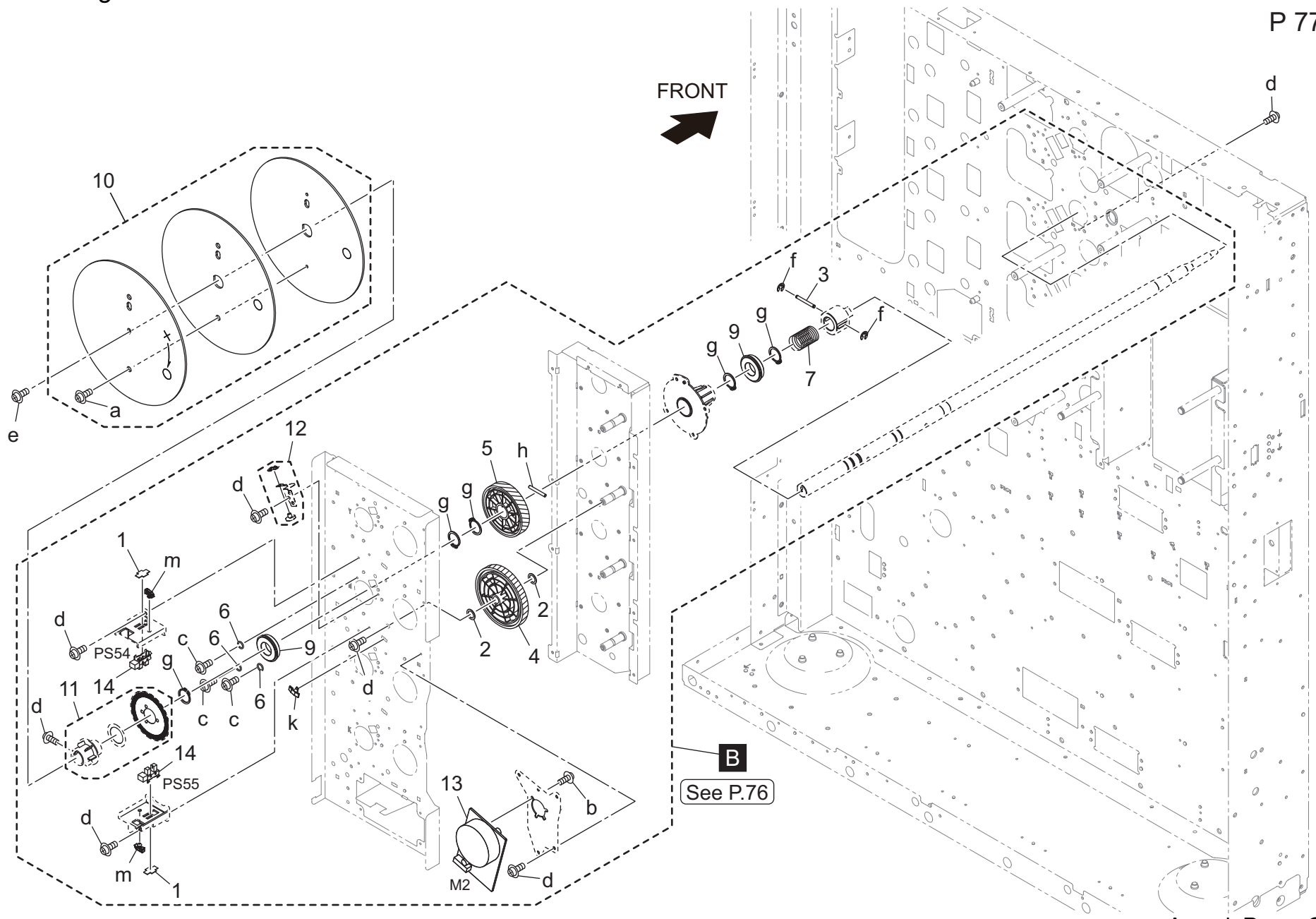
| Key | Part No. | Description | Destinations | Class | QTY | Standard parts |
|-----|------------|------------------------------|--------------|-------|-----|----------------|
| 1 | 4470402401 | Stopper | | D | 2 | a-V116040803 |
| 2 | 12QV40650 | Spacer | | B | 2 | b-V118030403 |
| 3 | 65AA15210 | Coupling Pin | | D | 1 | c-V118030603 |
| 4 | A03U259600 | Idling Gear 46/132T | | C | 1 | d-V127030604 |
| 5 | A03U259900 | DRIVE GEAR 92T | | C | 1 | e-V127040603 |
| 6 | A1RF214100 | Set Washer /1 | | D | 3 | f-V127040803 |
| 7 | A50U210600 | Pressing Spring | | D | 1 | g-V185041003 |
| 9 | A50U212600 | Ball Bearing /15 | | C | 2 | h-V217020003 |
| 10 | A50UF21100 | Drum Drive Fly Wheel / Y M C | | D | 1 | k-V234302550 |
| 11 | A50UR71K00 | Encoder / YMC | | D | 1 | m-V500010082 |
| 12 | A50UR72X01 | Drum Ground Assy | | D | 1 | n-V500020098 |
| 13 | A85CM10200 | DC Brushless motor /20 | | C | 1 | p-V500020099 |
| 14 | A85CM55600 | Photo Sensor | | C | 2 | q-V500020103 |
| 15 | A85CN19000 | Drive Wiring /1 | | D | 1 | r-V570010059 |
| 16 | A85CR70C22 | Drum Drive Assy | | S | 1 | s-V570010063 |
| | | | | | | t-V223150017 |
| | | | | | | |
| | | | | | | |
| | | | | | | |
| | | | | | | |
| | | | | | | |
| | | | | | | |
| | | | | | | |
| | | | | | | |
| | | | | | | |
| | | | | | | |
| | | | | | | |



Drum Driving Section

P 77

FRONT

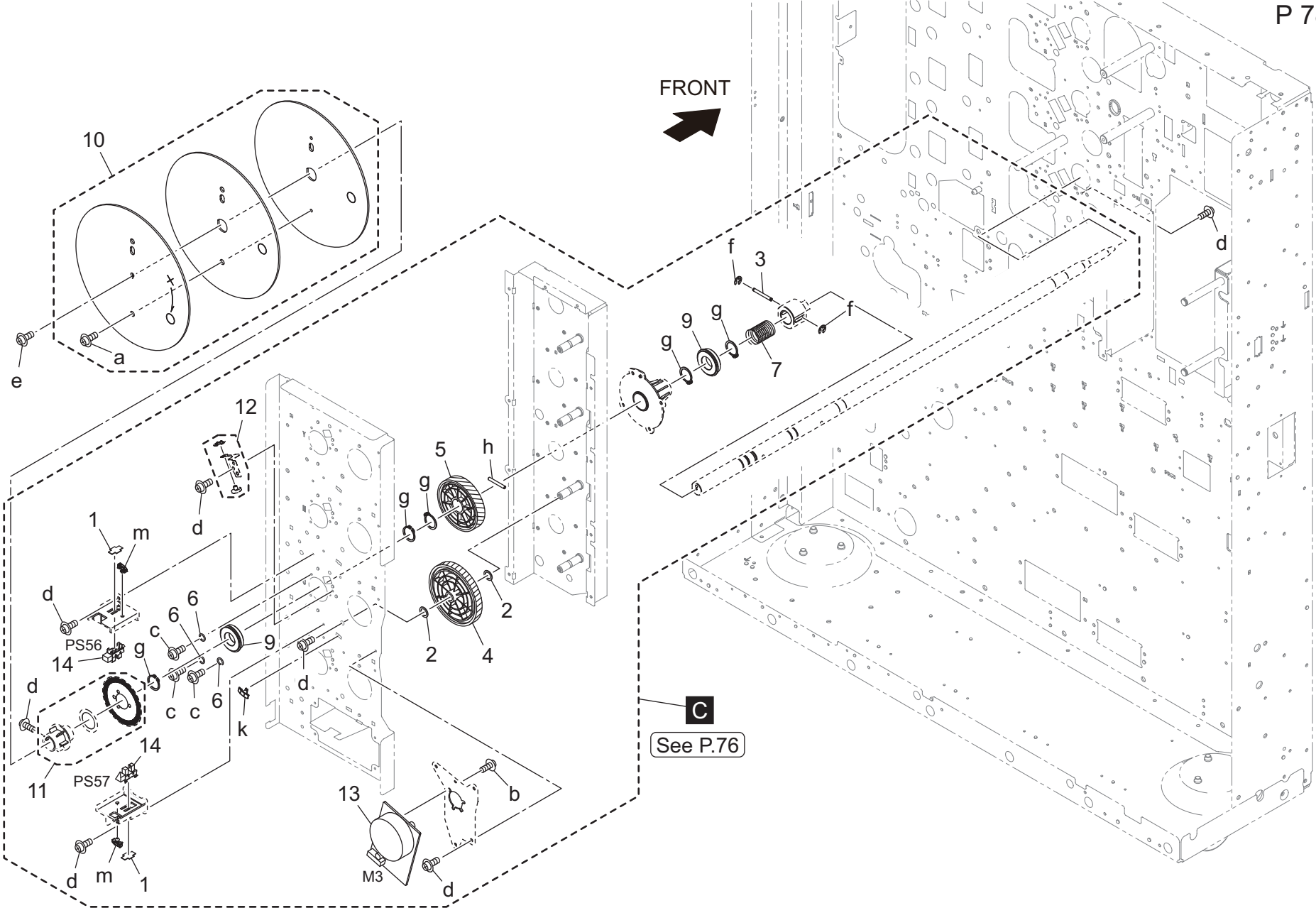


AccurioPress C4070

Drum Driving Section

| Key | Part No. | Description | Destinations | Class | QTY | Standard parts |
|-----|------------|------------------------------|--------------|-------|-----|----------------|
| 1 | 4470402401 | Stopper | | D | 2 | a-V116040803 |
| 2 | 12QV40650 | Spacer | | B | 2 | b-V118030403 |
| 3 | 65AA15210 | Coupling Pin | | D | 1 | c-V118030603 |
| 4 | A03U259600 | Idling Gear 46/132T | | C | 1 | d-V127030604 |
| 5 | A03U259900 | DRIVE GEAR 92T | | C | 1 | e-V185041003 |
| 6 | A1RF214100 | Set Washer /1 | | D | 3 | f-V217020003 |
| 7 | A50U210600 | Pressing Spring | | D | 1 | g-V223150017 |
| 9 | A50U212600 | Ball Bearing /15 | | C | 2 | h-V234302550 |
| 10 | A50UF21100 | Drum Drive Fly Wheel / Y M C | | D | 1 | k-V500020103 |
| 11 | A50UR71K00 | Encoder / YMC | | D | 1 | m-V500020099 |
| 12 | A50UR72X01 | Drum Ground Assy | | D | 1 | |
| 13 | A85CM10200 | DC Brushless motor /20 | | C | 1 | |
| 14 | A85CM55600 | Photo Sensor | | C | 2 | |
| | | | | | | |
| | | | | | | |
| | | | | | | |
| | | | | | | |
| | | | | | | |
| | | | | | | |
| | | | | | | |
| | | | | | | |
| | | | | | | |
| | | | | | | |
| | | | | | | |
| | | | | | | |
| | | | | | | |

Drum Driving Section

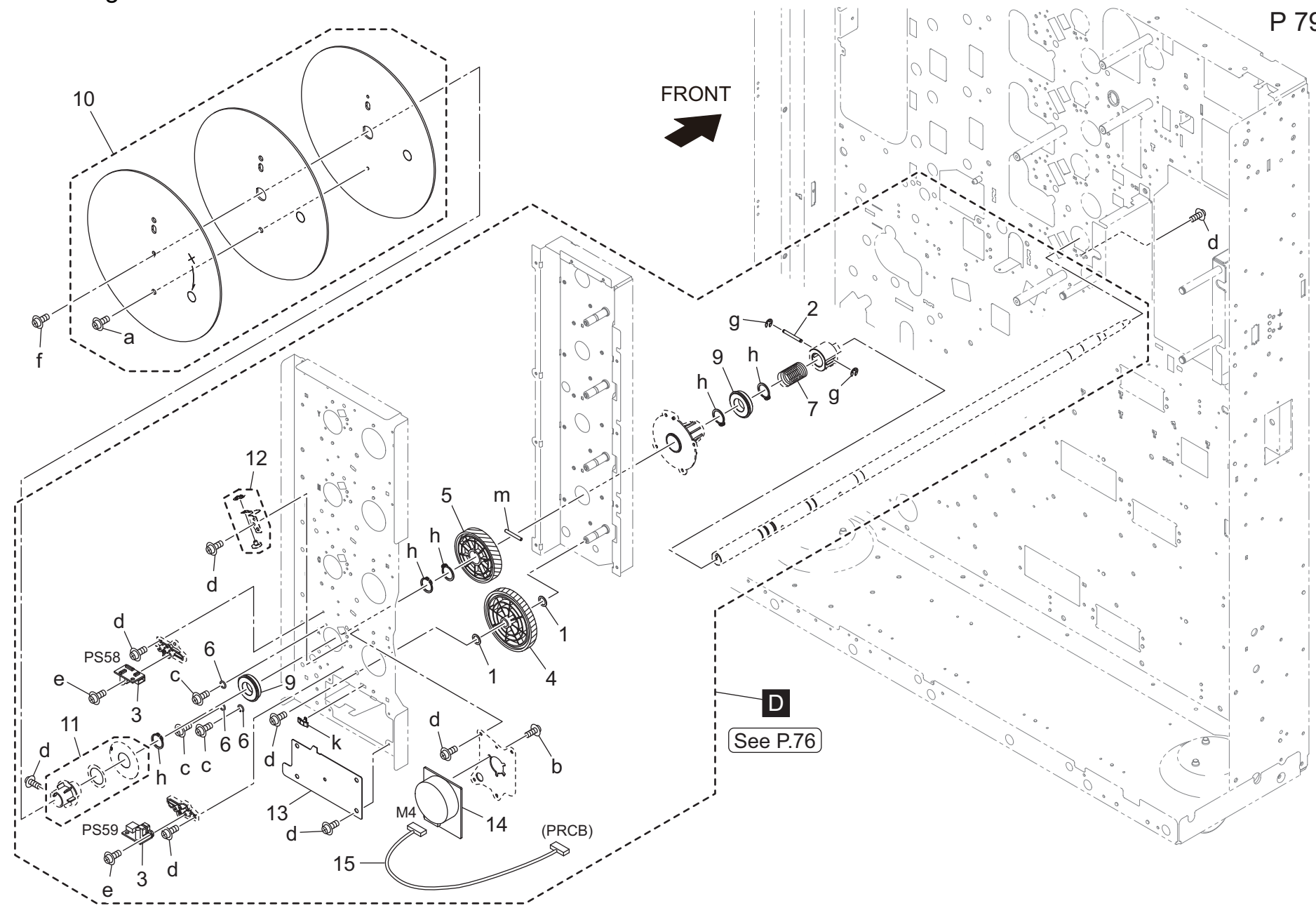


Drum Driving Section

| Key | Part No. | Description | Destinations | Class | QTY | Standard parts |
|-----|------------|------------------------------|--------------|-------|-----|--|
| 1 | 4470402401 | Stopper | | D | 2 | a-V116040803 b-V118030403 c-V118030603 d-V127030604 e-V185041003 f-V217020003 g-V223150017 h-V234302550 k-V500020103 m-V500020099 |
| 2 | 12QV40650 | Spacer | | B | 2 | |
| 3 | 65AA15210 | Coupling Pin | | D | 1 | |
| 4 | A03U259600 | Idling Gear 46/132T | | C | 1 | |
| 5 | A03U259900 | DRIVE GEAR 92T | | C | 1 | |
| 6 | A1RF214100 | Set Washer /1 | | D | 3 | |
| 7 | A50U210600 | Pressing Spring | | D | 1 | |
| 9 | A50U212600 | Ball Bearing /15 | | C | 2 | |
| 10 | A50UF21100 | Drum Drive Fly Wheel / Y M C | | D | 1 | |
| 11 | A50UR71K00 | Encoder / YMC | | D | 1 | |
| 12 | A50UR72X01 | Drum Ground Assy | | D | 1 | |
| 13 | A85CM10200 | DC Brushless motor /20 | | C | 1 | |
| 14 | A85CM55600 | Photo Sensor | | C | 2 | |
| | | | | | | |
| | | | | | | |
| | | | | | | |
| | | | | | | |
| | | | | | | |
| | | | | | | |
| | | | | | | |
| | | | | | | |
| | | | | | | |
| | | | | | | |

Drum Driving Section

P 79



AccurioPress C4070

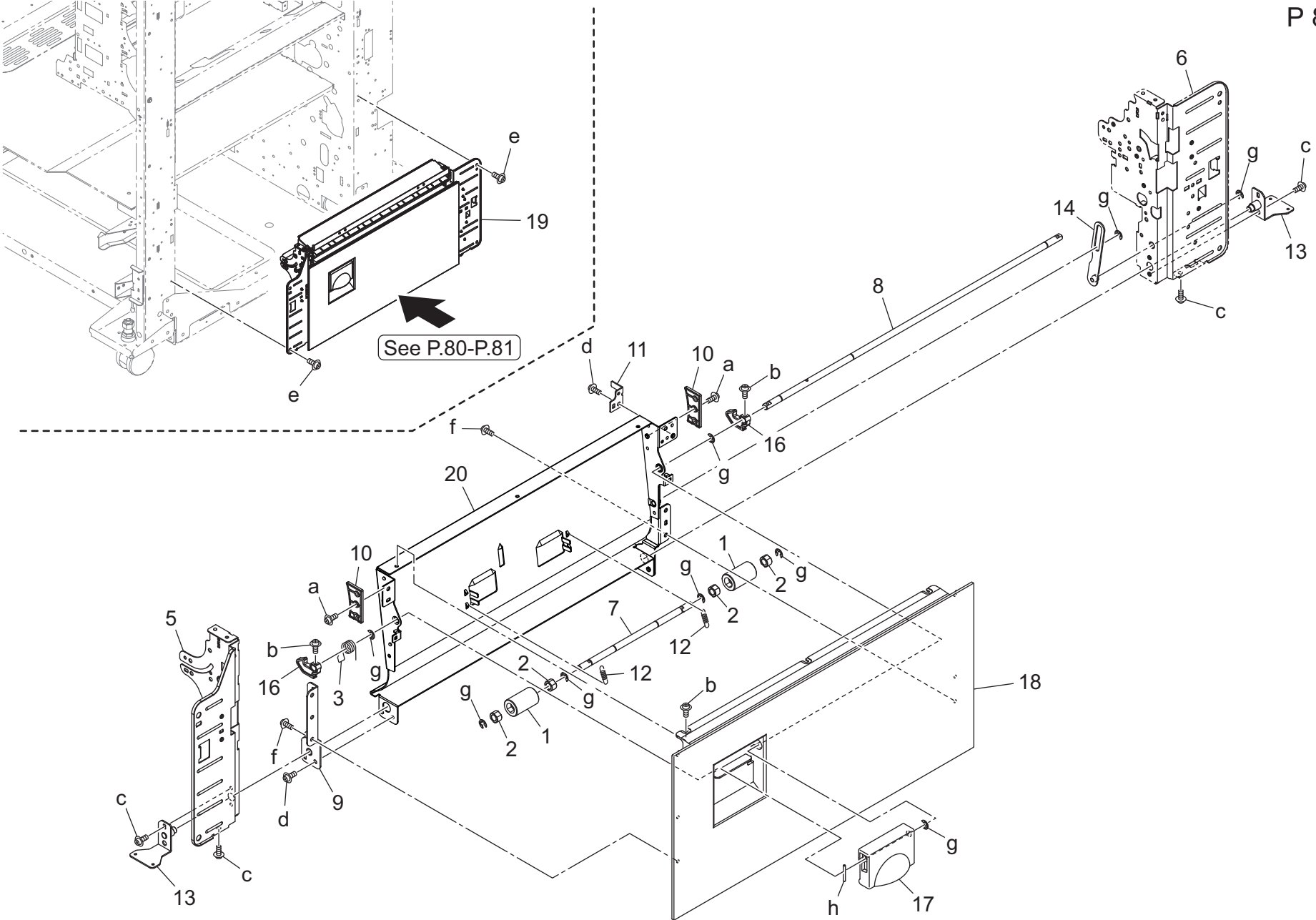
Drum Driving Section

| Key | Part No. | Description | Destinations | Class | QTY | Standard parts |
|-----|------------|--------------------------|--------------|-------|-----|----------------|
| 1 | 12QV40650 | Spacer | | B | 2 | a-V116040803 |
| 2 | 65AA15210 | Coupling Pin | | D | 1 | b-V118030403 |
| 3 | 65AA-9091E | Sensor Board Assy | | B | 2 | c-V118030603 |
| 4 | A03U259600 | Idling Gear 46/132T | | C | 1 | d-V127030604 |
| 5 | A03U259900 | DRIVE GEAR 92T | | C | 1 | e-V149020603 |
| 6 | A1RF214100 | Set Washer /1 | | D | 3 | f-V185041003 |
| 7 | A50U210600 | Pressing Spring | | D | 1 | g-V217020003 |
| 9 | A50U212600 | Ball Bearing /15 | | C | 2 | h-V223150017 |
| 10 | A50UR70Q00 | Drum Drive Fly Wheel / K | | D | 1 | k-V500020103 |
| 11 | A50UR71M00 | Encoder / K | | D | 1 | m-V234302550 |
| 12 | A50UR72X01 | Drum Ground Assy | | D | 1 | |
| 13 | A85C213100 | Drive Frame /3 | | D | 1 | |
| 14 | A85CM10100 | DC Brushless motor | | C | 1 | |
| 15 | A85CN19100 | Drive Wiring /K | | D | 1 | |
| | | | | | | |
| | | | | | | |
| | | | | | | |
| | | | | | | |
| | | | | | | |
| | | | | | | |
| | | | | | | |
| | | | | | | |
| | | | | | | |
| | | | | | | |
| | | | | | | |



Vertical Conveyance Section

P 80

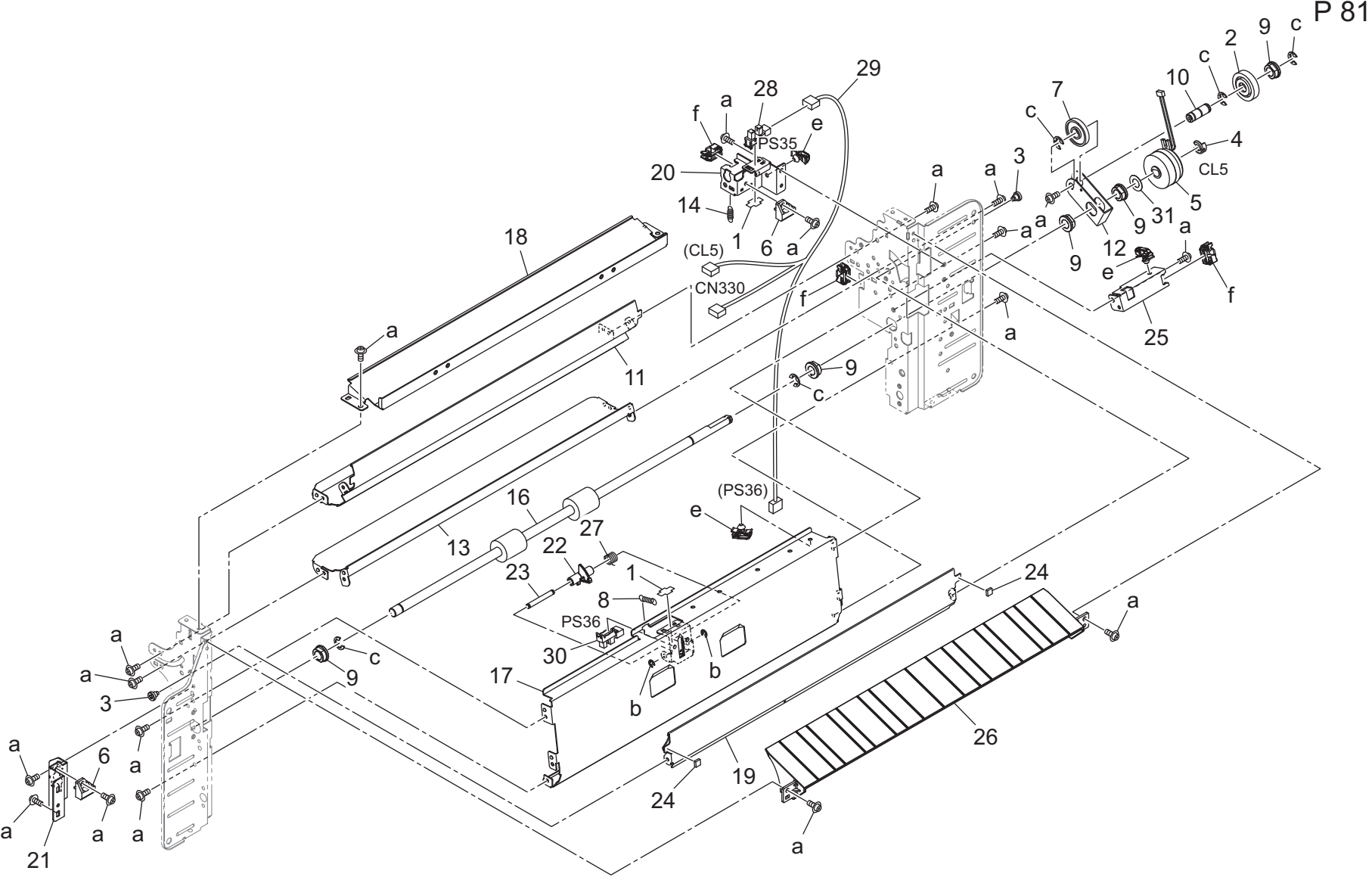


See P.80-P.81

Vertical Conveyance Section

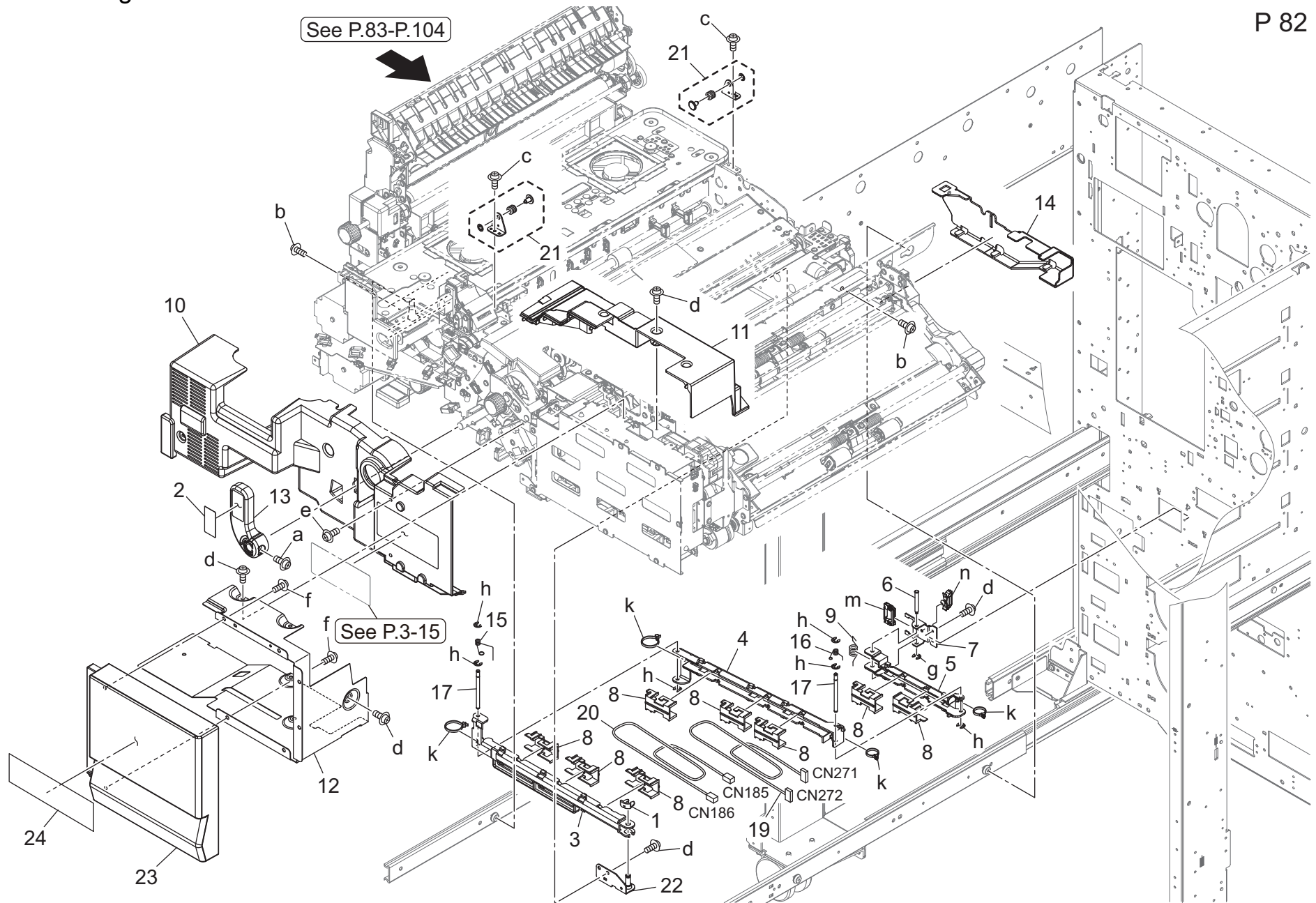
| Key | Part No. | Description | Destinations | Class | QTY | Standard parts |
|-----|---------------|----------------------------|--------------|-------|-----|----------------|
| 1 | 26NA42560 | By-Pass Idler Roller | | C | 2 | a-V112030603 |
| 2 | A03U850101 | Slide Bushing | | C | 4 | b-V118030603 |
| 3 | A1RF701700 | Lock Spring /Front | | D | 1 | c-V121030403 |
| 5 | A50U700901 | Side plate /1 | | D | 1 | d-V127030604 |
| 6 | A50U701113Old | Side plate /2 | | D | 1 | e-V127040603 |
| 6 | A50U701114 | Side plate /2 | | D | 1 | f-V158030803 |
| 7 | A50U705100 | Idler Shaft | | D | 1 | g-V217040003 |
| 8 | A50U705200 | Open/close Shaft | | D | 1 | h-V234201850 |
| 9 | A50U705701 | Support Plate /3 | | D | 1 | |
| 10 | A50U706000 | Regulating Plate /Front | | D | 2 | |
| 11 | A50U706900 | Detecting Plate | | D | 1 | |
| 12 | A50U707600 | Idler Spring | | D | 2 | |
| 13 | A50UF70800 | Support Plate / 1 Caulking | | D | 2 | |
| 14 | A50UF70900 | Connecting Plate Caulking | | D | 1 | |
| 16 | A55C712000 | Lock Claw | | D | 2 | |
| 17 | A9VE700200 | Conveyance Handle | | D | 1 | |
| 18 | A9VE701300 | Cover Door | | D | 1 | |
| 19 | AC57R71300 | Vertical Conveyance ASSY | | S | 1 | |
| 20 | AC57705300 | Support Plate /ASSY | | D | 1 | |
| | | | | | | |
| | | | | | | |
| | | | | | | |
| | | | | | | |
| | | | | | | |
| | | | | | | |
| | | | | | | |
| | | | | | | |
| | | | | | | |
| | | | | | | |

Vertical Conveyance Section



| Key | Part No. | Description | Destinations | Class | QTY | Standard parts |
|-----|------------|------------------------------|------------------------|-------|-----|--|
| 1 | 4470402401 | Stopper | | D | 2 | a-V127030604 b-V217030003 c-V217060003 e-V500020099 f-V570010056 |
| 2 | 25AA77730 | CONVEYANCE IDLER RIGHT 24T | ストッパー 搬送アイドラ 右 24 T | C | 1 | |
| 3 | 55VA20680 | SEPARATION POSITIONING SCREW | 分離位置決めネジ | C | 2 | |
| 4 | 55VA42120 | Shaft Stopper | 軸ストッパー | C | 1 | |
| 5 | A795M20300 | Clutch | クラッチ | C | 1 | |
| 6 | 65AA44200 | LOCKING PLATE | ロック板 | C | 2 | |
| 7 | 65AA44350 | Stopper Roller | 突き当てコロ | C | 1 | |
| 8 | 65AA44440 | OPEN SHUT SPRING | 開閉バネ | C | 1 | |
| 9 | A03U812800 | Slide Shaft Holder | すべり軸受 | B | 5 | |
| 10 | A50U700200 | Idling Shaft | アイドラ軸 | D | 1 | |
| 11 | A50U700300 | Guide Plate /Upper | ガイド板 /上 | D | 1 | |
| 12 | A50U700400 | Rotation Plate | 回転板 | D | 1 | |
| 13 | A50U700500 | Guide Plate /Inside | ガイド板 /内 | D | 1 | |
| 14 | A50U700600 | Positioning Spring | 位置決めばね | D | 1 | |
| 16 | AC57704400 | Conveyance Roller /1 | 搬送ローラ /1 | C | 1 | |
| 17 | A50U704700 | Guide Plate /Middle | ガイド板 /中 | D | 1 | |
| 18 | A50U704801 | Guide Plate /2 | ガイド板 /2 | D | 1 | |
| 19 | A50U704900 | Open/shut Plate | 開閉板 | D | 1 | |
| 20 | A50U705000 | Mounting Plate /Rear | 取付板 /奥 | D | 1 | |
| 21 | A50U705400 | Fixing Plate /1 | 固定板 /1 | D | 1 | |
| 22 | A50U705500 | Detection Actuator | 検知アクチュエータ | D | 1 | |
| 23 | A50U705600 | Support Shaft | 支点軸 | D | 1 | |
| 24 | A50U706800 | Cushion | クッション | D | 2 | |
| 25 | A50U707002 | Lock Plate | ロック板 | D | 1 | |
| 26 | A50U707300 | Guide Plate | ガイド板 | D | 1 | |
| 27 | A50U707400 | Pressing Spring /1 | 押圧ばね /1 | D | 1 | |
| 28 | A50UM51000 | Photointerrupter | 透過型センサ | C | 1 | |
| 29 | A50UN14400 | Conveyance Wiring /1 | 搬送束線 /1 | D | 1 | |
| 30 | A85CM55600 | Photo Sensor | フォトセンサ | C | 1 | |
| 31 | 65AA49500 | Paper Exit Spacer /1 | 排紙 スペース /1 | C | 1 | |
| | | | | | | |
| | | | | | | |
| | | | | | | |
| | | | | | | |
| | | | | | | |
| | | | | | | |

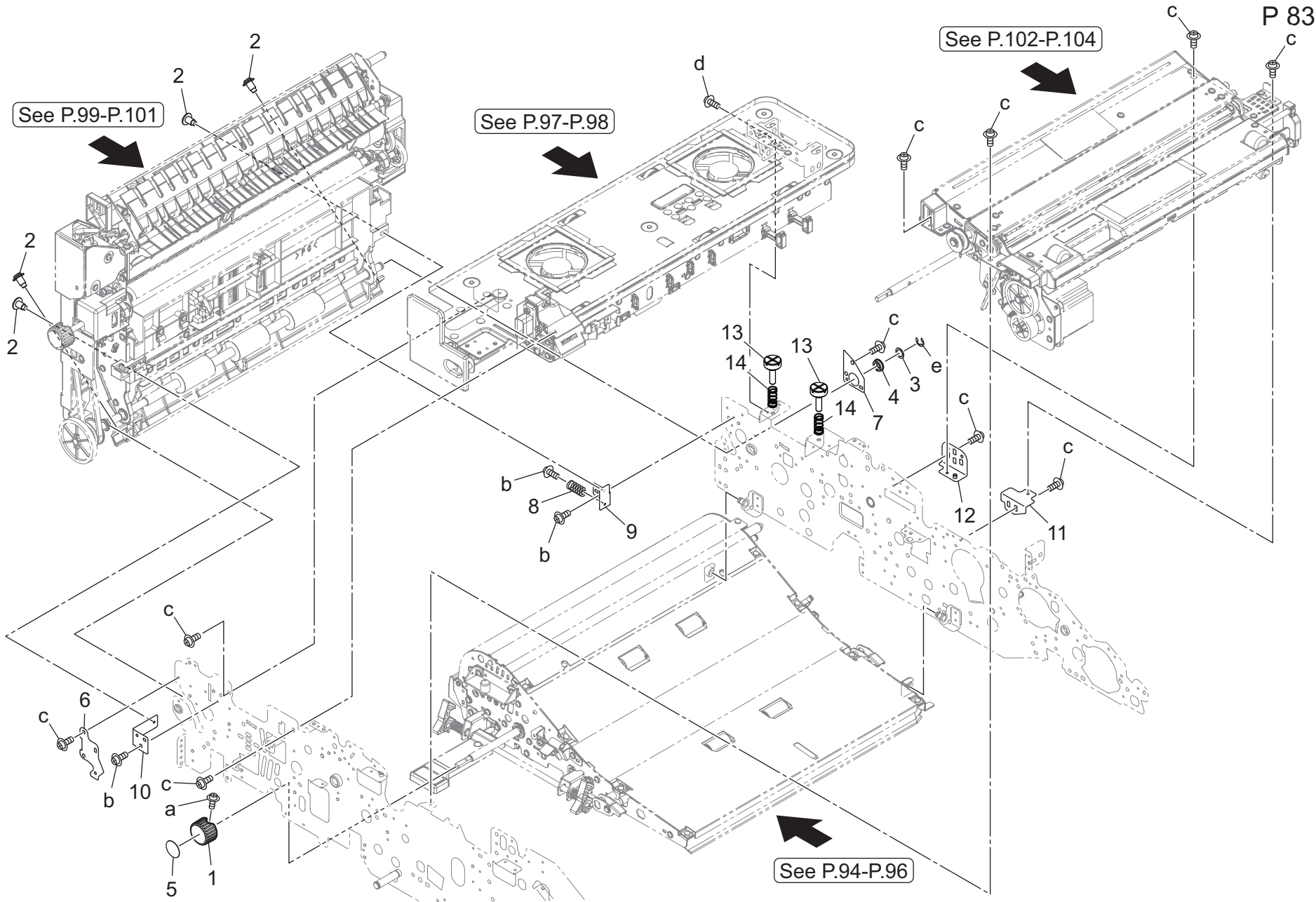
Duplex Carriage Section



Duplex Carriage Section

| Key | Part No. | Description | Destinations | Class | QTY | Standard parts |
|-----|------------|--------------------------------|--------------|-------|-----|----------------|
| 1 | 56AA40490 | Shaft Stopper /4 | | C | 1 | a-V116041203 |
| 2 | A9VE943100 | Release Label /1 | | D | 1 | b-V118040603 |
| 3 | A50U818700 | Wiring Guide /Front | | D | 1 | c-V121030403 |
| 4 | A50U818800 | Wiring Guide /Middle | | D | 1 | d-V127030604 |
| 5 | A50U818900 | Wiring Guide /Rear | | D | 1 | e-V127030804 |
| 6 | A50U819201 | Support Shaft /Rear | | D | 1 | f-V151030803 |
| 7 | A50U819302 | Support Plate /Rear | | D | 1 | g-V217020003 |
| 8 | A50U832901 | Wiring Cover | | D | 8 | h-V217030003 |
| 9 | A50U835001 | Torsion Coil spring | | D | 1 | k-V501010002 |
| 10 | A50U837001 | Cover Part /1 | | D | 1 | m-V570010059 |
| 11 | A50U837101 | Cover Part /2 | | D | 1 | n-V500020100 |
| 12 | A50U837300 | Cover Part /3 | | D | 1 | |
| 13 | A50U855702 | Pulling Lever | | D | 1 | |
| 14 | A50U858200 | Cover Cover | | D | 1 | |
| 15 | A50U858300 | Ground Spring /2 | | D | 1 | |
| 16 | A50U858400 | Ground Spring /1 | | D | 1 | |
| 17 | A50U858500 | Support Shaft /Middle | | D | 2 | |
| 19 | A50UN15500 | ADU Relay harness /3 | | D | 1 | |
| 20 | A50UN18700 | ADU Relay harness /6 | | D | 1 | |
| 21 | A50UR70G01 | 2nd Transfer Earth Plate Assy | | B | 2 | |
| 22 | A50UR72S00 | Support Plate / Front Caulking | | D | 1 | |
| 23 | AC57160400 | Duplex Cover | | D | 1 | |
| 24 | AC58947000 | Indicating Label C4070 | | D | 1 | |
| | | | | | | |
| | | | | | | |
| | | | | | | |
| | | | | | | |
| | | | | | | |
| | | | | | | |
| | | | | | | |
| | | | | | | |

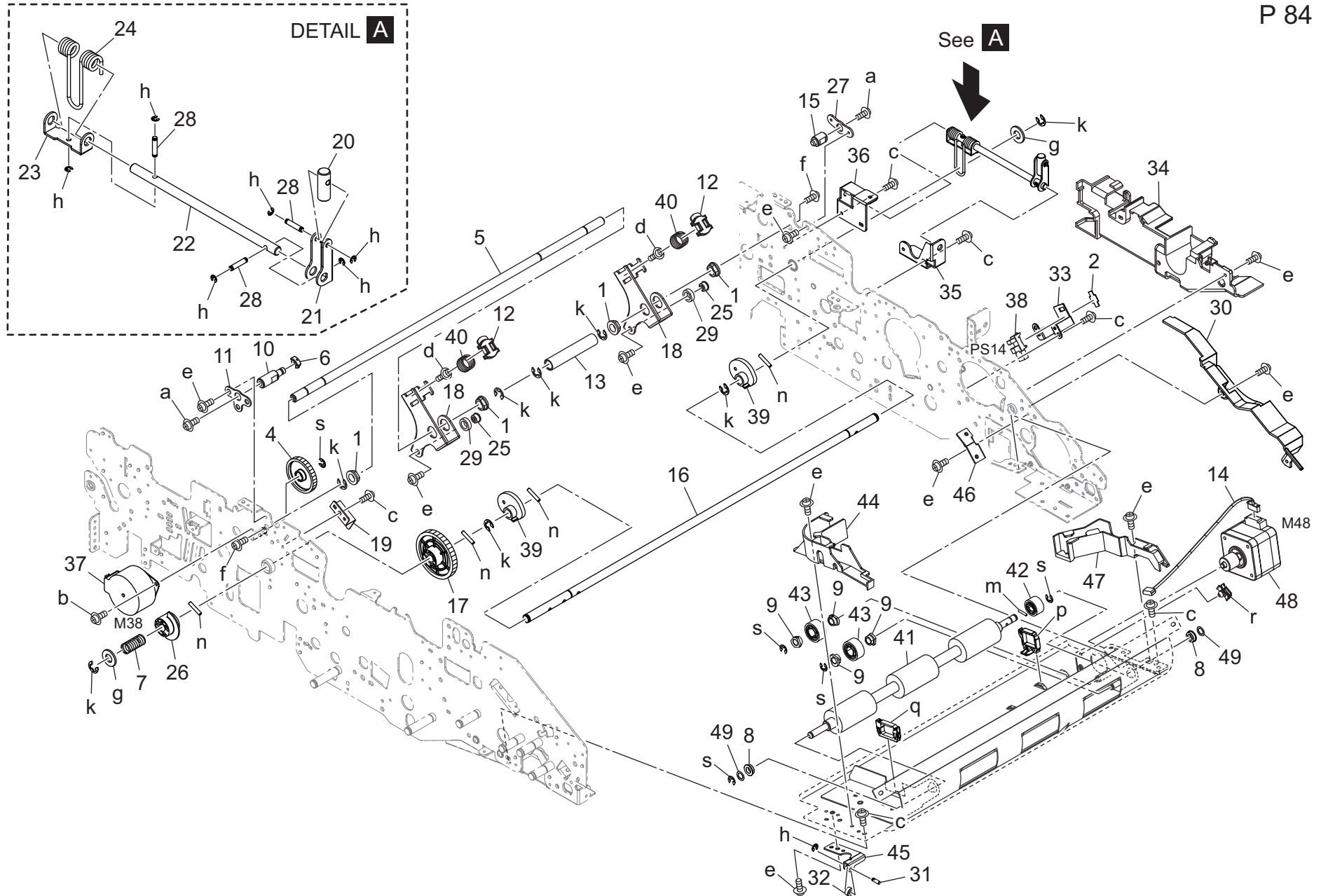
Duplex Carriage Section



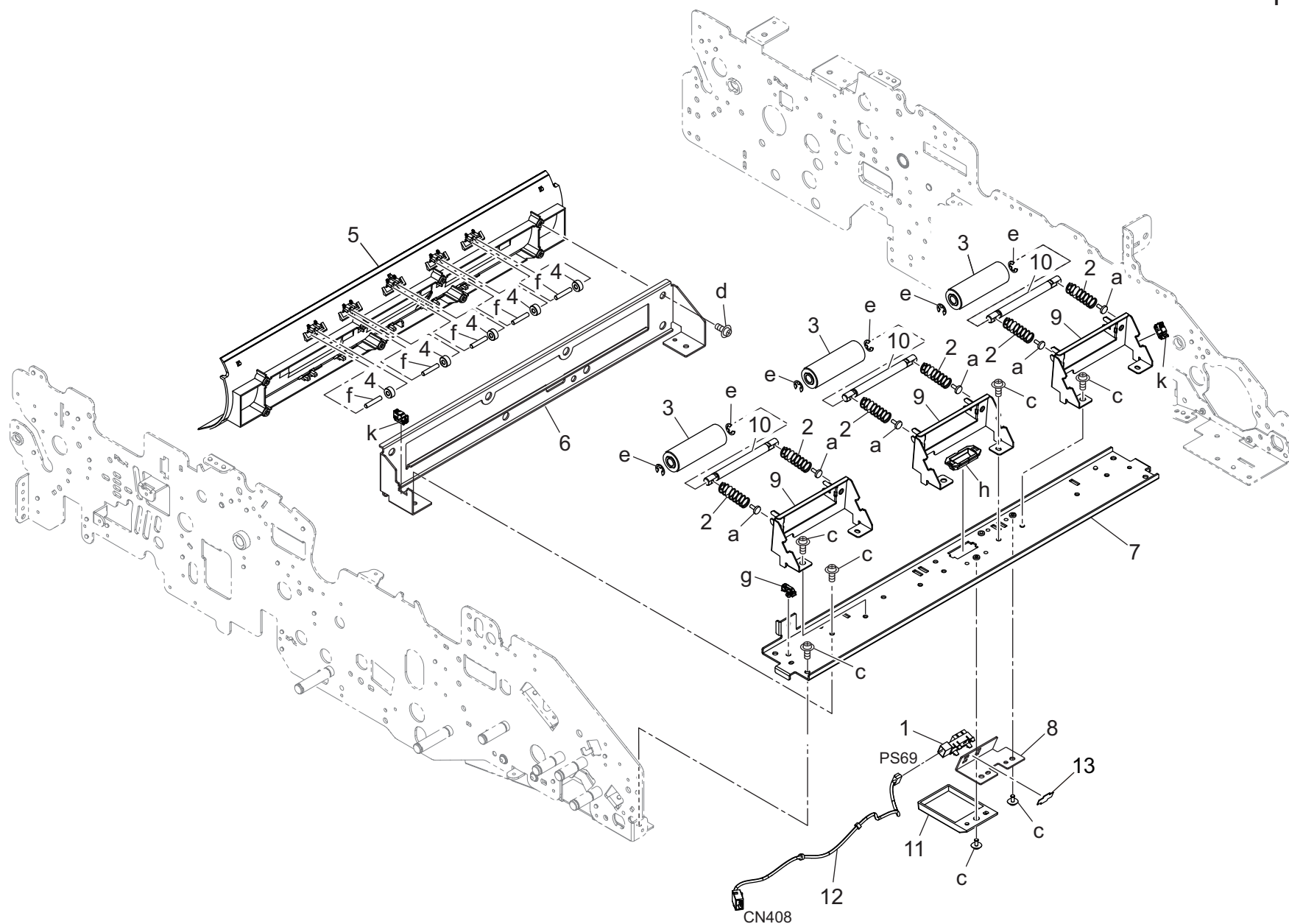
Duplex Carriage Section

| Key | Part No. | Description | Destinations | Class | QTY | Standard parts |
|-----|------------|--------------------------------------|--------------|-------|-----|--|
| 1 | 14GE45470 | Rotation Knob | | C | 1 | a-V118030603 b-V121030403 c-V127030604 d-V127040803 e-V217060003 |
| 2 | 26NA54230 | Terminal Fixing Screw | | C | 4 | |
| 3 | 56AA42690 | By-Pass Spacer | | C | 1 | |
| 4 | A00J617900 | Ball Bearing | | B | 1 | |
| 5 | A9VE944100 | Release Label /11 | | D | 1 | |
| 6 | A50U819500 | Connecting Plate | | D | 1 | |
| 7 | A50U839900 | Connecting Plate | | D | 1 | |
| 8 | A50U842900 | Conveyance Spring /5 | | D | 1 | |
| 9 | A50U882701 | Reverse/Exit Joint /Rear | | D | 1 | |
| 10 | A50U882801 | Reverse/Exit Joint /Front | | D | 1 | |
| 11 | A50U884202 | Registration Base frame /2 | | D | 1 | |
| 12 | A50UF83702 | Registration Base Frame / 1 Caulking | | D | 1 | |
| 13 | AC57884400 | Fusing Screw /Rear | | D | 2 | |
| 14 | AC57884500 | Compressing Coil spring | | D | 2 | |
| | | | | | | |
| | | | | | | |
| | | | | | | |
| | | | | | | |
| | | | | | | |
| | | | | | | |
| | | | | | | |
| | | | | | | |
| | | | | | | |

Duplex Section



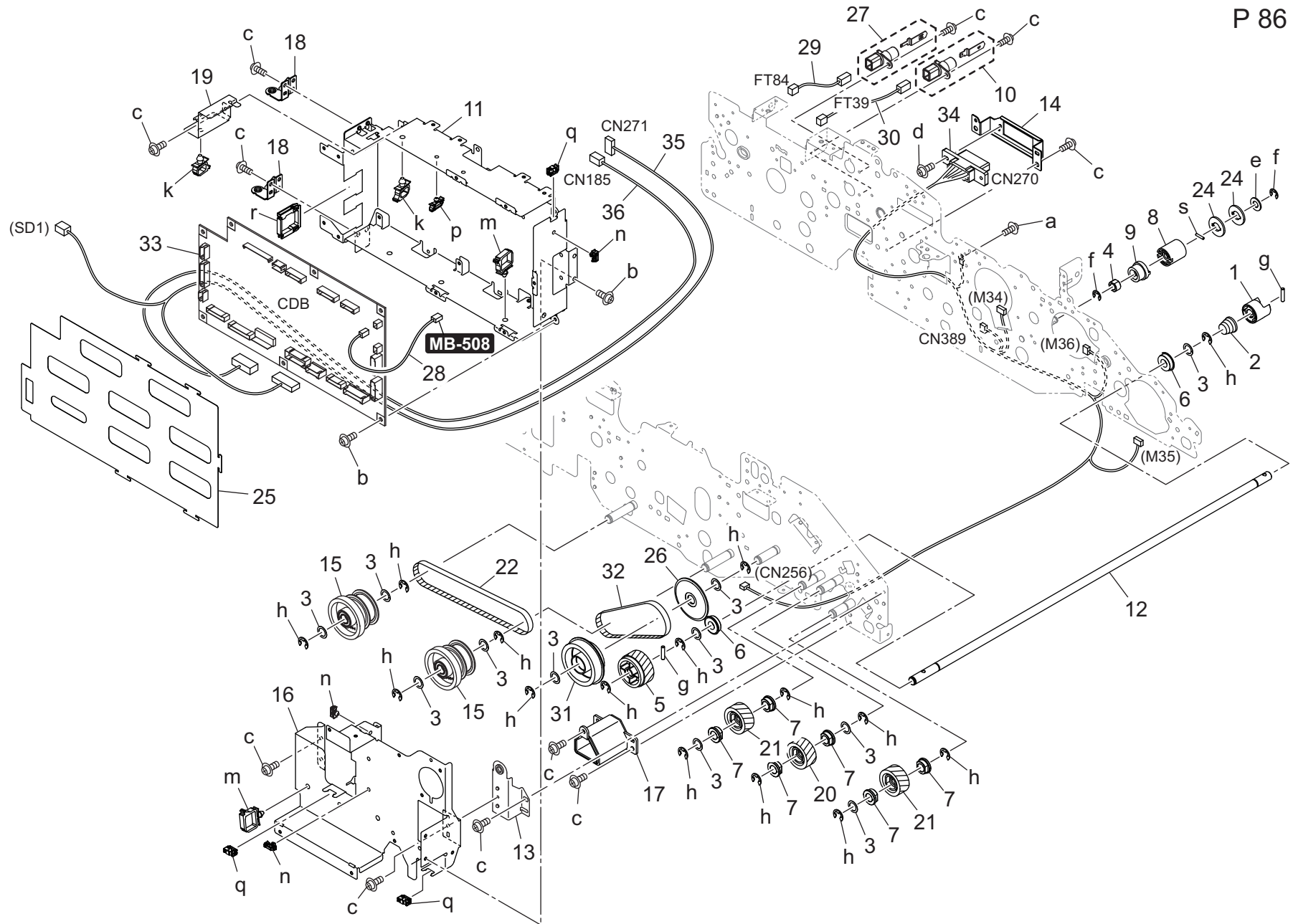
| Key | Part No. | Description | Destinations | Class | QTY | Standard parts |
|-----|------------|------------------------------|---------------------|-------|-----|----------------|
| 1 | 4131353202 | BUSHING | 軸受 | C | 4 | a-V116050803 |
| 2 | 4470402401 | Stopper | ストッパ | D | 1 | b-V118030403 |
| 4 | 40AA77550 | Mirror Drive Gear /2 14/70T | ミラー駆動ギア /2 14 /70 T | C | 1 | c-V121030403 |
| 5 | A9VE521100 | Pressing Shaft /1 | 押圧軸 /1 | D | 1 | d-V121040403 |
| 6 | 56AA40490 | Shaft Stopper /4 | 軸 ストッパ /4 | C | 1 | e-V127030604 |
| 7 | 65AA45230 | CAM PULLING SPRING | カム引張りバネ | C | 1 | f-V127040803 |
| 8 | A00J617800 | Ball Bearing | ボールベアリング | A | 2 | g-V207080003 |
| 9 | 466076020 | Paper Feed Feeding Bearing | 給紙送り出し軸受 | B | 4 | h-V217020003 |
| 10 | A50U520601 | Support Shaft /Front | 支点軸 /前 | D | 1 | k-V217060003 |
| 11 | A50U520700 | Adjusting Plate /Front | 調整板 /前 | D | 1 | m-V234201050 |
| 12 | A50U520900 | Pressing Cover | 押圧蓋 | D | 2 | n-V234301650 |
| 13 | A9VE521200 | Transfer Collar /1 | 転写カラー /1 | D | 1 | p-V500010079 |
| 14 | AC57N22101 | Drive Relay Harness /4 | 駆動中継束線 /4 | D | 1 | q-V570010059 |
| 15 | A50U521301 | Support Shaft /Rear | 支点軸 /奥 | D | 1 | r-V500020099 |
| 16 | A50U521500 | Drive Shaft | 駆動軸 | D | 1 | s-V217040003 |
| 17 | A50U521900 | Pressure Gear /3 47T | 圧着ギア /3 47 T | C | 1 | |
| 18 | A50U522001 | Rotation Arm | 回転アーム | D | 2 | |
| 19 | A50U522400 | Holding Plate | 押さえ板 | D | 1 | |
| 20 | A50U522900 | Rotation Shaft | 回転軸 | D | 1 | |
| 21 | A50U523001 | Release Arm | 解除アーム | D | 1 | |
| 22 | A50U523100 | Support Shaft | 支点軸 | D | 1 | |
| 23 | A50U523200 | Rotation Cover | 回転カバー | D | 1 | |
| 24 | A50U523400 | Torsion Coil spring | ねじりコイルばね | D | 1 | |
| 25 | A50U524100 | Receiving Shaft | 受け軸 | D | 2 | |
| 26 | A50U524500 | Transfer Actuator | 転写アクチュエータ | D | 1 | |
| 27 | A50U524600 | Adjusting Plate /Rear | 調整板 /奥 | D | 1 | |
| 28 | A50U524700 | Support Shaft | 支点軸 | D | 3 | |
| 29 | A50U716500 | Ball Bearing | ボールベアリング | C | 2 | |
| 30 | A50U834802 | Cover Side plate /Right rear | カバー側板 /右後 | D | 1 | |
| 31 | A50U854400 | Fixing Shaft | 固定軸 | D | 1 | |
| 32 | A50U854800 | Conveyance Roll | 搬送ころ | D | 1 | |
| 33 | A50U855800 | Drive Side plate /2 | 駆動側板 /2 | D | 1 | |
| 34 | A50U858101 | Cover Box | カバー箱 | D | 1 | |
| 35 | A50U884600 | Support Plate /1 | 支持板 /1 | D | 1 | |
| 36 | A50U884700 | Support Plate /2 | 支持板 /2 | D | 1 | |
| 37 | A50UR72C00 | Drive Motor / 1 Assy | 駆動モータ /1 Assy | C | 1 | |
| 38 | A85CM55600 | Photo Sensor | フォトセンサ | C | 1 | |
| 39 | A9VE522500 | Transfer Cam | 転写カム | C | 2 | |
| 40 | A9VE526200 | Pressing Spring | 押圧ばね | D | 2 | |
| 41 | AC57870700 | Conveyance Roller | 搬送ローラ | C | 1 | |
| 42 | A9VE870800 | Drive Gear /1 20T | 駆動ギア /1 20 T | C | 1 | |
| 43 | A9VE870900 | Idling Gear 24T | アイドルギア 24 T | C | 2 | |
| 44 | A9VE871200 | Wiring Guide /1 | 配線ガイド /1 | D | 1 | |
| 45 | A9VE871300 | Support Plate | 支持板 | D | 1 | |
| 46 | A9VE871700 | Mounting Plate /5 | 取付板 /5 | D | 1 | |
| 47 | A9VE871800 | Wiring Guide /2 | 配線ガイド /2 | D | 1 | |
| 48 | AC57R71700 | Stepping Motor ASSY | ステッピングモータ ASSY | C | 1 | |
| 49 | 40AA98020D | Paper exit Spacer | 排紙 スペース | D | 2 | |
| | | | | | | |



| Key | Part No. | Description | Destinations | Class | QTY | Standard parts |
|-----|---------------|---------------------------|--------------|-------|-----|--|
| 1 | 13QA85511Old | Sensor /1 | | B | 1 | a-V118030603 c-V127030604 d-V151030803 e-V217040003 f-V234301650 g-V500020099 h-V570010037 k-V570010056 |
| 1 | 9335140071 | Solid State Switch | | B | 1 | |
| 2 | A03U842700 | Conveyance Spring /3 | | C | 6 | |
| 3 | A03U845601 | Idler Roller /2 | | C | 3 | |
| 4 | A50U854800 | Conveyance Roll | | D | 5 | |
| 5 | A9VE870100 | Guide Plate | | D | 1 | |
| 6 | A9VE870200Old | Mounting Plate /4 | | D | 1 | |
| 6 | A9VE870211 | Mounting Plate /4 | | D | 1 | |
| 7 | A9VE870300 | Mounting Plate /3 | | D | 1 | |
| 8 | A9VE870400Old | Sensor Plate | | D | 1 | |
| 8 | A9VE870411 | Sensor Plate | | D | 1 | |
| 9 | A9VE870500 | Idler Plate | | D | 3 | |
| 10 | A9VE870600 | Idler Shaft | | D | 3 | |
| 11 | A9VE871900 | Wiring Cover | | D | 1 | |
| 12 | A9VEN16200 | ADU Detection harness /16 | | D | 1 | |
| 13 | 4470402401 | Stopper | | D | 1 | |
| | | | | | | |
| | | | | | | |
| | | | | | | |
| | | | | | | |
| | | | | | | |
| | | | | | | |
| | | | | | | |
| | | | | | | |
| | | | | | | |
| | | | | | | |
| | | | | | | |
| | | | | | | |

Duplex Section

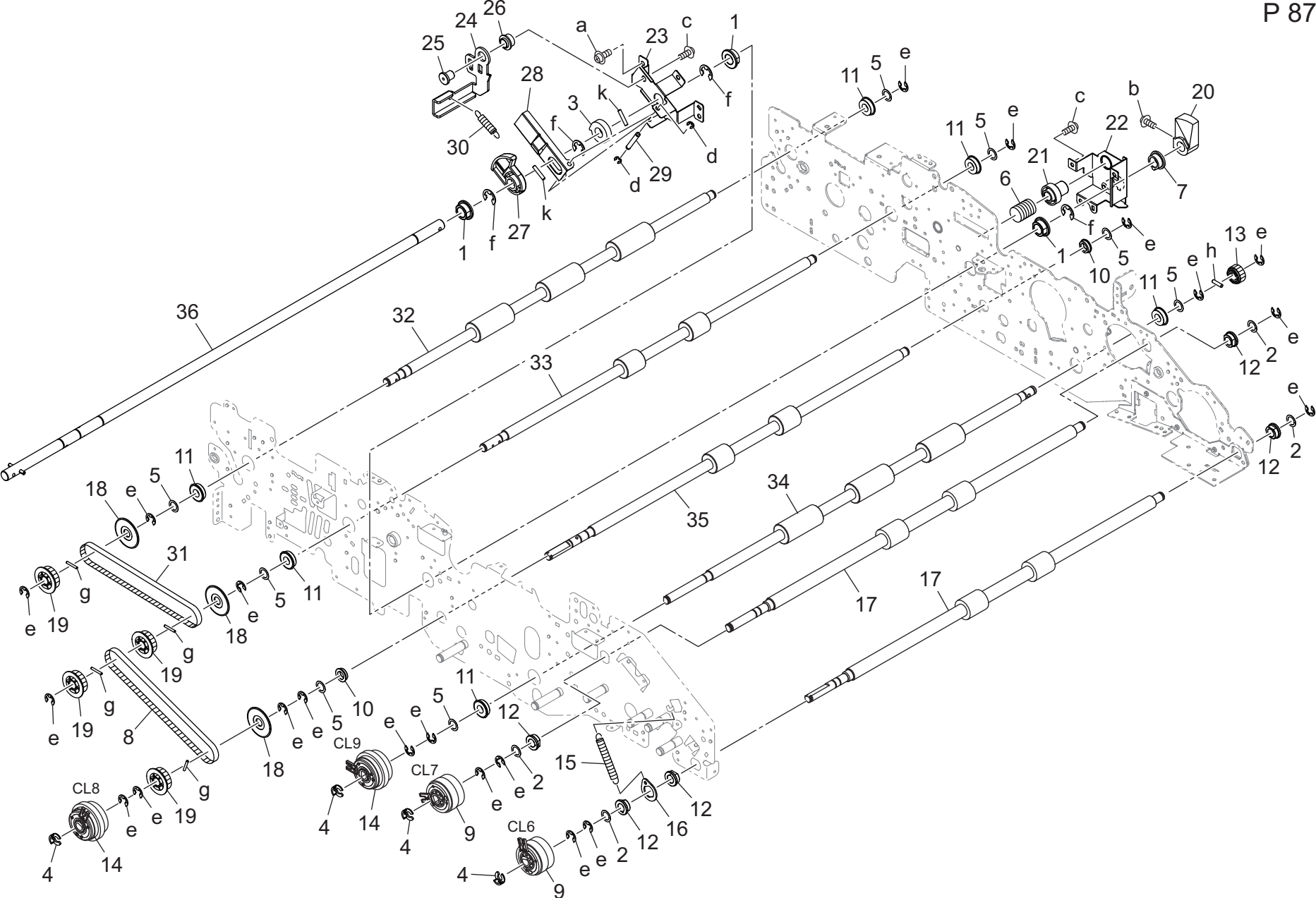
P 86



AccurioPress C4070

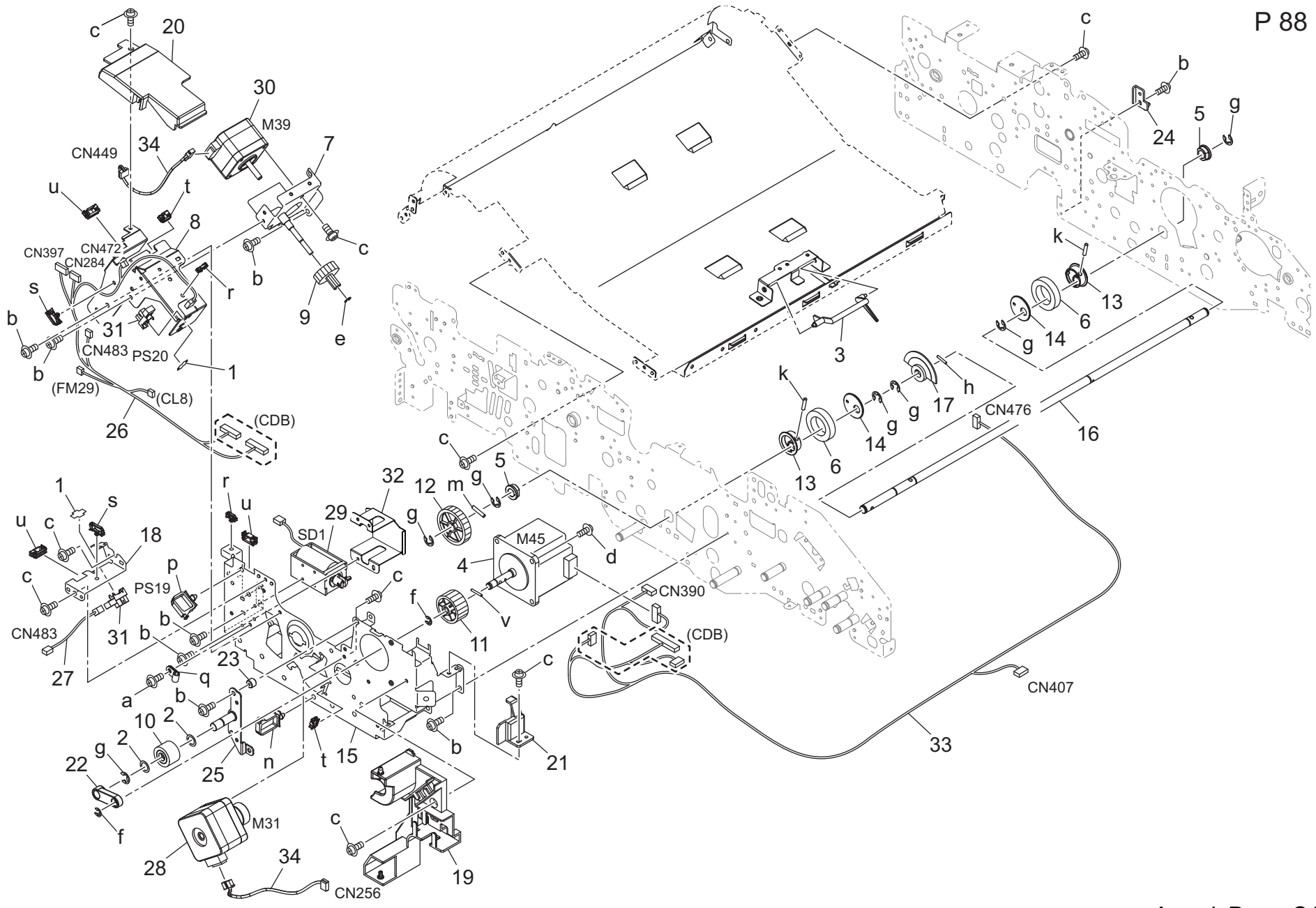
| Key | Part No. | Description | Destinations | Class | QTY | Standard parts |
|-----|------------|-------------------------------|-------------------|-------|-----|----------------|
| 1 | 55VA15541 | CLEANER COUPLING PART | クリーナーカップリング部材 | C | 1 | a-V116030603 |
| 2 | 56AA17090 | Pressing Spring | 押圧バネ | C | 1 | b-V127030603 |
| 3 | 56AA42690 | By-Pass Spacer | 手差しスペーサー | C | 11 | c-V127030604 |
| 4 | 56GA76010 | Slide Bearing /2 | すべり軸受 /2 | C | 1 | d-V127030803 |
| 5 | 65AA77540 | PAPER FEED GEAR 2 29T | 給紙歯車 2 29 T | C | 1 | e-V207060003 |
| 6 | A00V240600 | Ball Bearing | ボールベアリング | B | 2 | f-V217050003 |
| 7 | A03U812800 | Slide Shaft Holder | すべり軸受 | B | 6 | g-V234301450 |
| 8 | A03U815700 | Torque Limiter | トルクリミッター | B | 1 | h-V217060003 |
| 9 | A03U839000 | BRAKE GEAR /1 21T | ブレーキギア /1 21 T | C | 1 | k-V500010082 |
| 10 | A1DUR73K00 | Powering Block A Assy | 給電ブロック / A 部組 | C | 1 | m-V500010084 |
| 11 | A50U810502 | Mounting Board /1 | 取付基板 /1 | D | 1 | n-V500020099 |
| 12 | A50U812100 | Drive Input Shaft | 駆動入力軸 | D | 1 | q-V570010056 |
| 13 | A50U816103 | Positioning Side plate /Right | 位置決め側板 /右 | D | 1 | r-V570010058 |
| 14 | A50U817400 | Mounting Side plate /1 | 取付側板 /1 | D | 1 | s-V234201050 |
| 15 | AC57818000 | Drive Gear 29/29/38T | 駆動ギア 29 /29 /38 T | C | 2 | |
| 16 | A50U835302 | Mounting Board /2 | 取付基板 /2 | D | 1 | |
| 17 | A50U835400 | Guide Part /Front | ガイド部材 /前 | D | 1 | |
| 18 | A50U835900 | Support Plate | 支点板 (基板) | D | 2 | |
| 19 | A50U836000 | Cover | カバー (基板) | D | 1 | |
| 20 | A50U836400 | Conveyance Idler /Right | 搬送アイドラ /右 | D | 1 | |
| 21 | A50U836500 | Conveyance Idler /Right | 搬送アイドラ /右 | D | 2 | |
| 22 | A50U839200 | Belt /3 342L | ベルト /3 342 L | C | 1 | |
| 24 | A50U858600 | Stopper Plate | ストップ板 | D | 2 | |
| 25 | A50U880702 | Packing Board /Front | 包装基板 /前 | D | 1 | |
| 26 | A50U885100 | Drive Spacer | 駆動スペーサー | D | 1 | |
| 27 | A50UF82200 | Power Supply Block / B ASSY | 給電ブロック / B ASSY | D | 1 | |
| 28 | A50UN17200 | ADU Drive harness /7 | ADU 駆動束線 /7 | D | 1 | |
| 29 | A50UN25400 | HV Relay harness /5 | 高圧中継束線 /5 | D | 1 | |
| 30 | A50UN25600 | HV Relay harness /6 | 高圧中継束線 /6 | D | 1 | |
| 31 | A9VE818100 | Drive Gear /1 39T | 駆動ギア /1 39 T | C | 1 | |
| 32 | A9VE839100 | Belt /4 | ベルト /4 | D | 1 | |
| 33 | AC57H05002 | Conveyance Drive Board ASSY | 搬送駆動基板 ASSY | I | 1 | |
| 34 | A9VEN15000 | ADU Drive harness /1 | ADU 駆動束線 /1 | D | 1 | |
| 35 | A9VEN15601 | ADU Control harness /1 | ADU 制御束線 /1 | D | 1 | |
| 36 | A9VEN18801 | ADU Control harness /2 | ADU 制御束線 /2 | D | 1 | |
| | | | | | | |
| | | | | | | |
| | | | | | | |
| | | | | | | |

Duplex Section

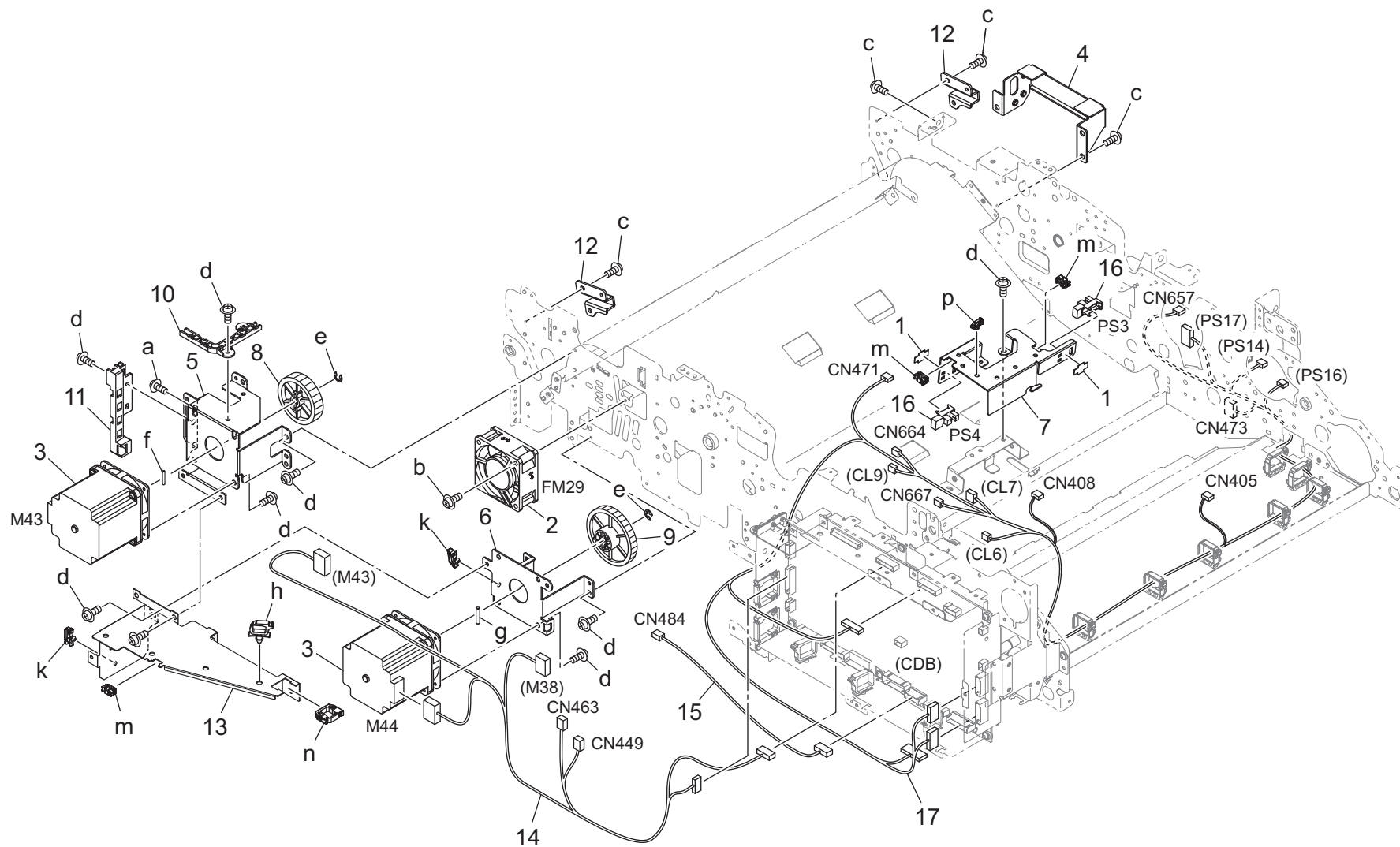


| Key | Part No. | Description | Destinations | Class | QTY | Standard parts |
|-----|------------|-------------------------------|------------------|-------|-----|----------------|
| 1 | 462076010 | Driving Slide Shaft Holder A | 駆動滑り軸受 A | C | 3 | a-V121030403 |
| 2 | 12QV40650 | Spacer | スペーサー | B | 4 | b-V116041403 |
| 3 | 25AA47500 | Carriage Lock Claw /B | 架台ロック爪 /B | C | 1 | c-V127030604 |
| 4 | 55VA42120 | Shaft Stopper | 軸ストッパー | C | 4 | d-V217030003 |
| 5 | 56AA42690 | By-Pass Spacer | 手差しスペーサー | C | 8 | e-V217060003 |
| 6 | 56AA50670 | Cam Stopper Spring | カムストッパバネ | C | 1 | f-V217080003 |
| 7 | 56AA50800 | LEVER SUPPORT SHAFT HOLDER | レバー支持軸受 | C | 1 | g-V234201450 |
| 8 | 56AA77530 | Paper Feed Drive Belt /1 336L | 給紙駆動ベルト /1 336 L | C | 1 | h-V234301250 |
| 9 | AC57M20000 | Conveyance Clutch | 搬送クラッチ (5 kg) | A | 2 | k-V234301650 |
| 10 | A00J617900 | Ball Bearing | ボールベアリング | B | 2 | |
| 11 | A00V240600 | Ball Bearing | ボールベアリング | B | 6 | |
| 12 | A03U812800 | Slide Shaft Holder | すべり軸受 | B | 5 | |
| 13 | A03U838900 | Brake Gear /2 24T | ブレーキギア /2 24 T | C | 1 | |
| 14 | AC57M20200 | Conveyance Clutch | 搬送クラッチ (6 kg) | B | 2 | |
| 15 | A03X565001 | Swing Spring | 首振りばね | C | 1 | |
| 16 | A1RG681400 | Brake Plate /8 | ブレーキ板 /8 | D | 1 | |
| 17 | AC57812200 | ADU Conveying Roller /Right | ADU 搬送ローラ /右 | C | 2 | |
| 18 | A50U817300 | Holding Collar | 押さえカラー | D | 3 | |
| 19 | A50U818501 | Pulley /2 | プーリ /2 | D | 4 | |
| 20 | A50U830200 | Positioning Part /Rear | 位置決め部材 /奥 | D | 1 | |
| 21 | A50U830300 | Regulating Part /Rear | 規制部材 /奥 | D | 1 | |
| 22 | A50U830400 | Hold Plate /Assy | 保持板 /A s s y | D | 1 | |
| 23 | A50U830501 | Reinforce Plate /1 | 補強板 /1 | D | 1 | |
| 24 | A50U830600 | Lock Plate | ロック板 | D | 1 | |
| 25 | A50U830700 | Support Shaft | 支持軸 | D | 1 | |
| 26 | A50U830800 | Lock Bushing | ロックすべり軸受 | D | 1 | |
| 27 | A50U831000 | Release Cam | 解除カム | D | 1 | |
| 28 | A50U831100 | Release Plate | 解除板 | D | 1 | |
| 29 | A50U831200 | Release Shaft /1 | 解除軸 /1 | D | 1 | |
| 30 | A50U831900 | Pulling Spring | 引張りばね (ロックレバー) | D | 1 | |
| 31 | A50U839200 | Belt /3 342L | ベルト /3 342 L | C | 1 | |
| 32 | AC57849100 | Roller /1 | ローラ /1 | C | 1 | |
| 33 | AC57849200 | Roller /2 | ローラ /2 | C | 1 | |
| 34 | AC57859000 | Roller | ローラ | C | 1 | |
| 35 | AC57859400 | Roller /3 | ローラ /3 | C | 1 | |
| 36 | A50UR72E00 | Release Shaft Pin Assy | 解除軸ピン A s s y | D | 1 | |
| | | | | | | |
| | | | | | | |
| | | | | | | |
| | | | | | | |

Duplex Section



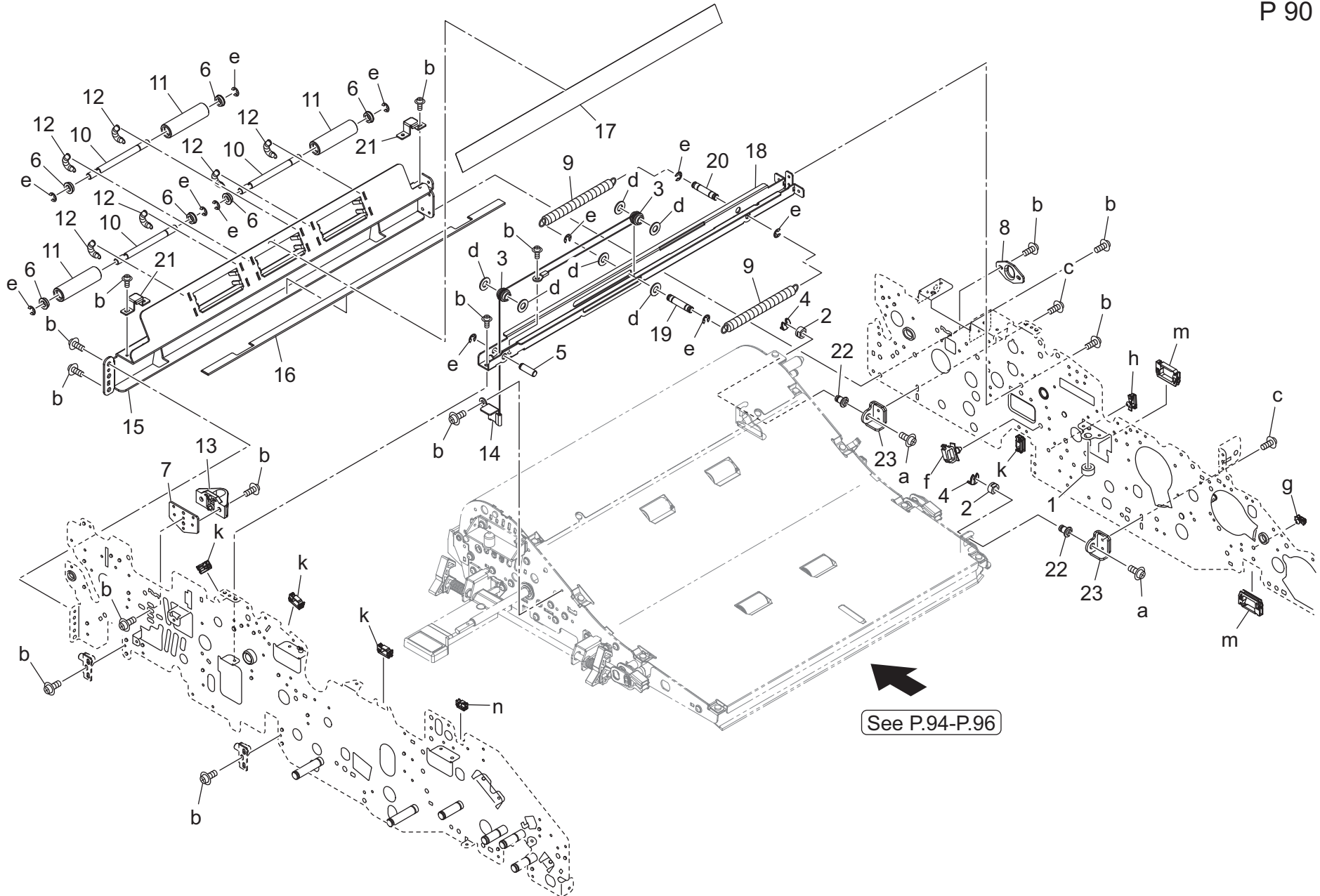
| Key | Part No. | Description | Destinations | Class | QTY | Standard parts |
|-----|------------|----------------------------------|--------------|-------|-----|----------------|
| 1 | 4470402401 | Stopper | | D | 2 | a-V116030603 |
| 2 | 56AA42690 | By-Pass Spacer | | C | 2 | b-V121030403 |
| 3 | 65AA51730 | ADU 2 | | C | 1 | c-V127030604 |
| 4 | 65AA80112 | HB Motor /50 | | B | 1 | d-V127030803 |
| 5 | A03U812800 | Slide Shaft Holder | | B | 2 | e-V217030003 |
| 6 | A9VE841300 | Ball bearing | | C | 2 | f-V217040003 |
| 7 | A50U713302 | Swing Side plate /ASSY | | D | 1 | g-V217060003 |
| 8 | A50U713403 | Swing Side plate /2 | | D | 1 | h-V234201250 |
| 9 | A50U713500 | Swing Gear /1 18/51T | | C | 1 | k-V234301450 |
| 10 | A50U713700 | Registration Idler /1 | | B | 1 | m-V234301650 |
| 11 | A50U713800 | Registration Gear /1 56T | | C | 1 | n-V500010013 |
| 12 | A50U713900 | Registration Gear /2 48T | | C | 1 | p-V500010084 |
| 13 | A50U714800 | Pressure Cam | | D | 2 | q-V500020069 |
| 14 | A50U714900 | Spacer | | D | 2 | r-V500020099 |
| 15 | A50U715004 | Mounting Lever /1 | | D | 1 | s-V500020100 |
| 16 | A50U715100 | Pressure Shaft /2 | | D | 1 | t-V570010056 |
| 17 | A50U715200 | Pressure Actuator | | D | 1 | u-V570010057 |
| 18 | A50U819700 | Cover | | D | 1 | v-V234201450 |
| 19 | A50U835601 | Drive Cover | | D | 1 | |
| 20 | A50U836100 | Cover | | D | 1 | |
| 21 | A50U882300 | Protection Cover | | D | 1 | |
| 22 | A50U882600 | Registration ring /Front | | D | 1 | |
| 23 | A50U883300 | Idling Shaft /1 | | D | 1 | |
| 24 | A50U883501 | Protection Plate | | D | 1 | |
| 25 | A50UF81401 | Adjusting Plate Caulking | | D | 1 | |
| 26 | A50UN18203 | ADU Drive harness /12 | | D | 1 | |
| 27 | A50UN18900 | ADU Detection harness /14 | | D | 1 | |
| 28 | AC57R71600 | Motor ASSY | | C | 1 | |
| 29 | A50UR72G00 | ADU Connecting Solenoid Pin Assy | | C | 1 | |
| 30 | AC57R73700 | Stepping Motor / 3 Assy | | C | 1 | |
| 31 | A85CM55600 | Photo Sensor | | C | 2 | |
| 32 | A9VE819100 | Regulating Plate | | D | 1 | |
| 33 | A9VEN16500 | ADU Drive harness /6 | | D | 1 | |
| 34 | AC57N22000 | Drive Relay Harness /3 | | D | 2 | |
| | | | | | | |
| | | | | | | |
| | | | | | | |
| | | | | | | |
| | | | | | | |



| Key | Part No. | Description | Destinations | Class | QTY | Standard parts |
|-----|------------|--------------------------------|--------------|-------|-----|----------------|
| 1 | 4470402401 | Stopper | | D | 2 | a-V118030403 |
| 2 | AAMP10900 | Fan Motor | | C | 1 | b-V118033003 |
| 3 | A1TVM10100 | Stepping motor /50 | | B | 2 | c-V121030403 |
| 4 | A50U814401 | Reinforce Plate | | D | 1 | d-V127030604 |
| 5 | A50U814500 | Positioning Plate /Upper | | D | 1 | e-V217040003 |
| 6 | A50U815101 | Positioning Plate /Lower | | D | 1 | f-V234201450 |
| 7 | A50U819812 | Mounting /A | | D | 1 | g-V234301650 |
| 8 | A50U819900 | Riverse/exit Gear /1 42T | | C | 1 | h-V500010082 |
| 9 | A50U831300 | Preventing Gear /1 57T | | C | 1 | k-V500020100 |
| 10 | A50U836300 | Cover | | D | 1 | m-V570010056 |
| 11 | A50U837700 | Wiring Guide | | D | 1 | n-V570010031 |
| 12 | A50U838500 | Mounting Handle /Left | | D | 2 | p-V500020099 |
| 13 | A50U838701 | Reverse/Exit Plate /Left front | | D | 1 | |
| 14 | A50UN16000 | ADU Drive harness /4 | | D | 1 | |
| 15 | A50UN16900 | ADU Detection harness /15 | | D | 1 | |
| 16 | A85CM55600 | Photo Sensor | | C | 2 | |
| 17 | A9VEN16100 | ADU Drive harness /11 | | D | 1 | |
| | | | | | | |
| | | | | | | |
| | | | | | | |
| | | | | | | |
| | | | | | | |
| | | | | | | |
| | | | | | | |
| | | | | | | |
| | | | | | | |
| | | | | | | |
| | | | | | | |
| | | | | | | |
| | | | | | | |
| | | | | | | |
| | | | | | | |
| | | | | | | |
| | | | | | | |
| | | | | | | |
| | | | | | | |
| | | | | | | |
| | | | | | | |

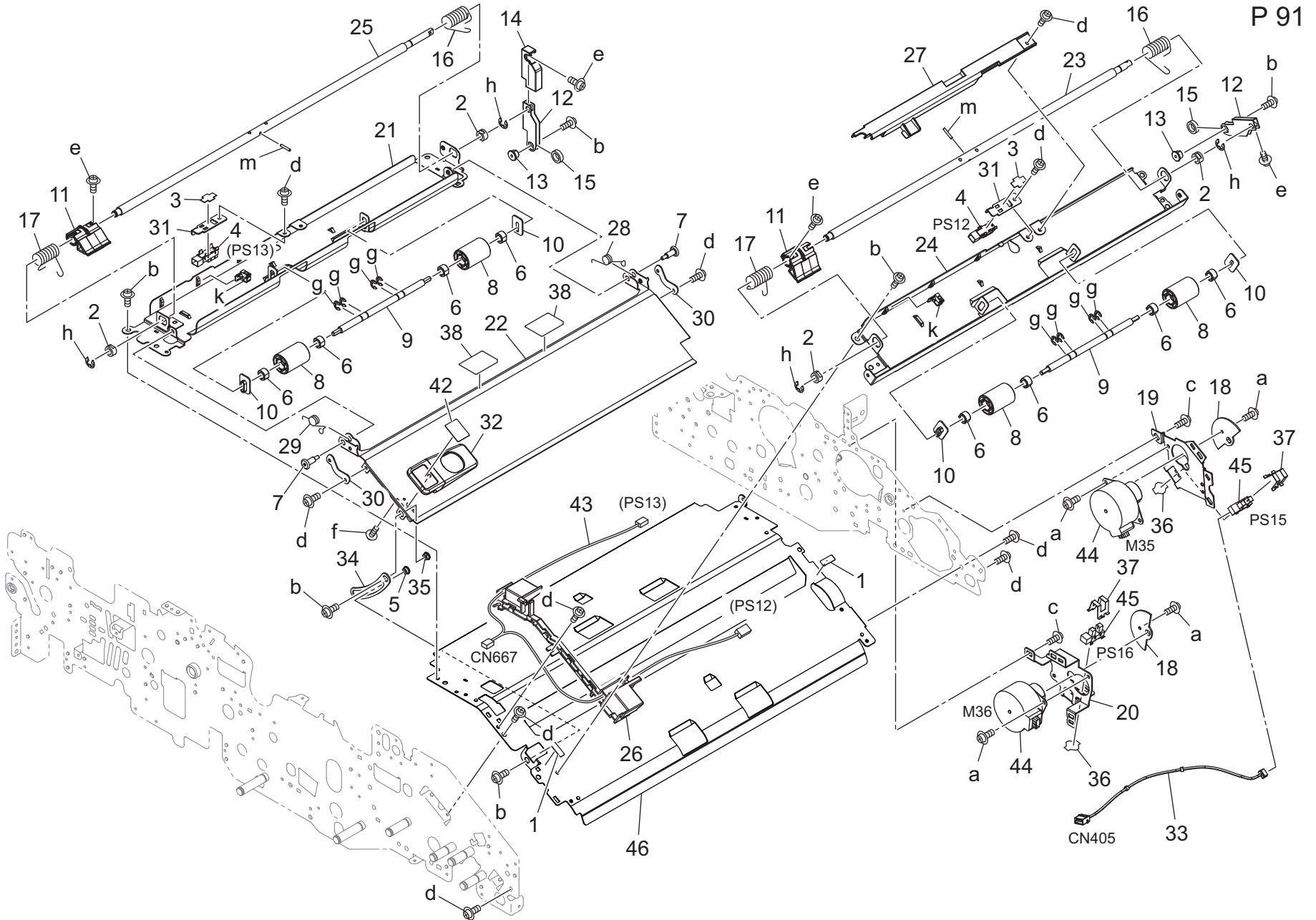
Duplex Section

P 90



| Key | Part No. | Description | Destinations | Class | QTY | Standard parts |
|-----|------------|-----------------------------|--------------|-------|-----|----------------|
| 1 | 1154467001 | PROTECTION | | C | 1 | a-V121030403 |
| 2 | 4131253701 | BUSHING | | C | 2 | b-V127030604 |
| 3 | 25AA50080 | Wire Pulley | | C | 2 | c-V127030803 |
| 4 | 56AA40490 | Shaft Stopper /4 | | C | 2 | d-V207060003 |
| 5 | 65AA51510 | ADU Open/Shut Shaft /3 | | D | 1 | e-V217040003 |
| 6 | A00J617800 | Ball Bearing | | A | 6 | f-V500010082 |
| 7 | A03U811600 | ADU Positioning Plate /1 | | D | 1 | g-V500020099 |
| 8 | A03U811800 | ADU Positioning Plate /2 | | C | 1 | h-V500020100 |
| 9 | A03U813601 | ADU Open/shut Spring /Upper | | C | 2 | k-V570010057 |
| 10 | A03U814100 | Idler Shaft /Lower | | D | 3 | m-V570010059 |
| 11 | A03U814200 | Idler Roll | | C | 3 | n-V570010056 |
| 12 | A03U814300 | Conveyance Spring | | C | 6 | |
| 13 | A03U843500 | Positioning Part | | D | 1 | |
| 14 | A03U849701 | Wire /Right | | C | 1 | |
| 15 | A50U810302 | Hold Stay /Left | | D | 1 | |
| 16 | A50U810400 | Protection Sheet | | D | 1 | |
| 17 | A50U815800 | Guide Sheet /A | | D | 1 | |
| 18 | A50U831400 | Open/close Plate | | D | 1 | |
| 19 | A50U832600 | Open/close Shaft /1 | | D | 1 | |
| 20 | A50U832700 | Open/close Shaft /2 | | D | 1 | |
| 21 | A50U834200 | Reverse/Exit Stopper | | D | 2 | |
| 22 | A50U843900 | Support Shaft /Right | | D | 2 | |
| 23 | A50U844100 | Support Plate /B | | D | 2 | |
| | | | | | | |
| | | | | | | |
| | | | | | | |
| | | | | | | |
| | | | | | | |
| | | | | | | |
| | | | | | | |
| | | | | | | |
| | | | | | | |
| | | | | | | |
| | | | | | | |
| | | | | | | |
| | | | | | | |
| | | | | | | |

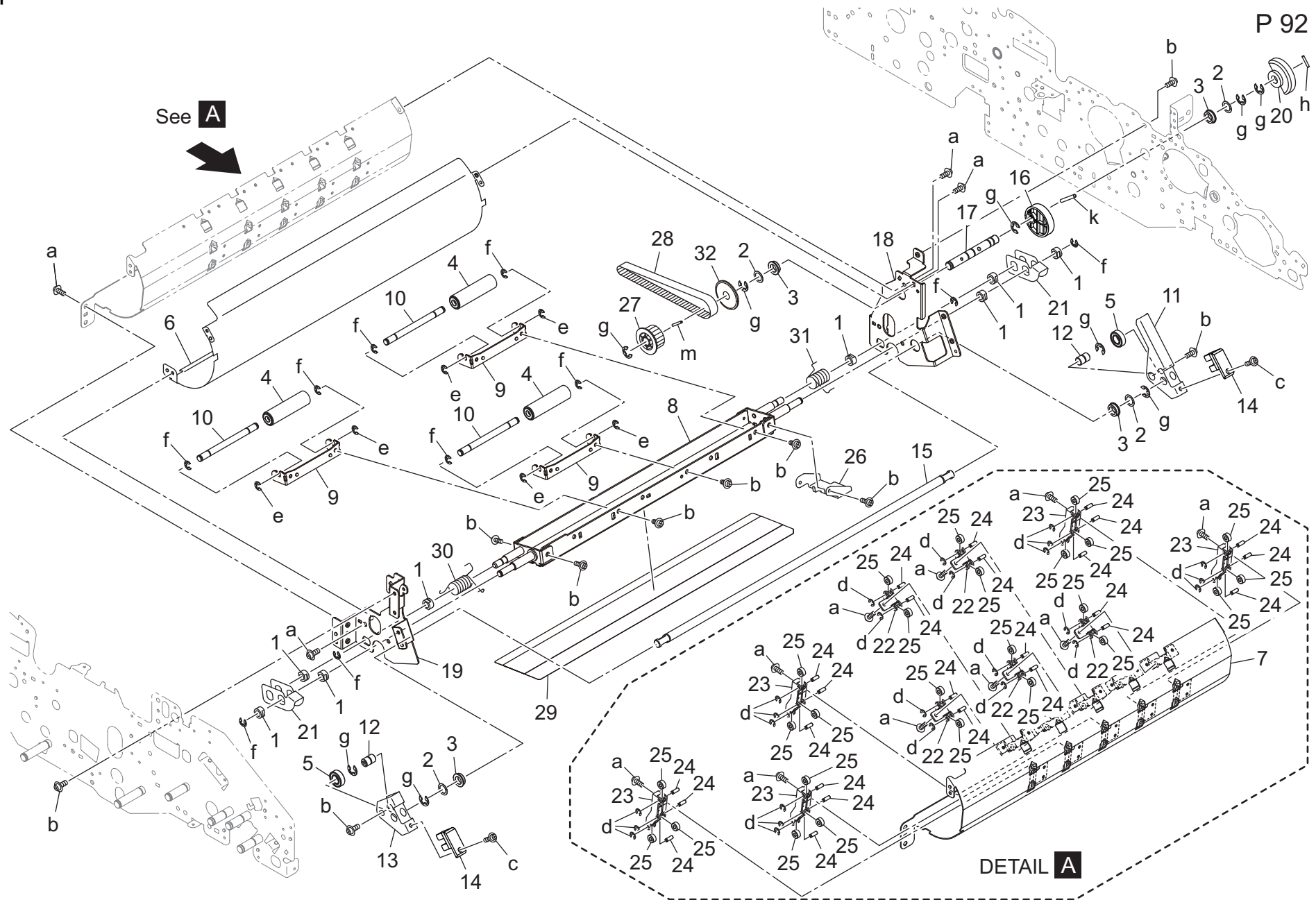
Duplex Section



AccurioPress C4070

| Key | Part No. | Description | Destinations | Class | QTY | Standard parts |
|-----|------------|---------------------------|--------------|-------|-----|----------------|
| 1 | 4109553001 | Stopper | | C | 2 | a-V118030403 |
| 2 | 4131253701 | BUSHING | | C | 4 | b-V121030303 |
| 3 | 4470402401 | Stopper | | D | 2 | c-V121030403 |
| 4 | 9335140071 | Solid State Switch | | B | 2 | d-V127030604 |
| 5 | A9VE872000 | Support Screw /A | | D | 1 | e-V127030803 |
| 6 | A03U850101 | Slide Bushing | | C | 8 | f-V151040803 |
| 7 | A0P0144300 | Shoulder screw | | D | 2 | g-V217040003 |
| 8 | A50U712200 | Idler Roll /1 | | D | 4 | h-V217050003 |
| 9 | A50U712300 | Idler Shaft /1 | | D | 2 | k-V500010057 |
| 10 | A50U712400 | Receiving Shaft /1 | | D | 4 | m-V234201250 |
| 11 | A50U714601 | Lever | | D | 2 | |
| 12 | A50U715300 | Pressure Lever /25 | | D | 2 | |
| 13 | A50U715600 | Support Shaft /2 | | D | 2 | |
| 14 | A50U715800 | Protection Cover | | D | 1 | |
| 15 | A50U716500 | Ball Bearing | | C | 2 | |
| 16 | A50U718400 | Pressing Spring /Rear | | D | 2 | |
| 17 | A50U718500 | Pressing Spring /Front | | D | 2 | |
| 18 | A50U816700 | Light blocking Plate /1 | | D | 2 | |
| 19 | A50U816801 | Drive Side plate /1 | | D | 1 | |
| 20 | A50U816900 | Drive Side plate /2 | | D | 1 | |
| 21 | A50U817603 | Guide Plate | | D | 1 | |
| 22 | A50U817800 | Guide Plate /Middle | | D | 1 | |
| 23 | A50U818201 | Release Shaft /1 | | D | 1 | |
| 24 | A50U818400 | Guide Plate /Right | | D | 1 | |
| 25 | A50U818601 | Release Shaft /2 | | D | 1 | |
| 26 | A50U833400 | Protection Cover /1 | | D | 1 | |
| 27 | A50U833500 | Protection Cover /2 | | D | 1 | |
| 28 | A50U834500 | Pressing Spring /Left | | D | 1 | |
| 29 | A50U834600 | Pressing Spring /Right | | D | 1 | |
| 30 | A50U834700 | Reinforce Plate /A | | D | 2 | |
| 31 | A50U836200 | Plate /23 | | D | 2 | |
| 32 | A50U880800 | Processing Lever | | D | 1 | |
| 33 | A9VEN16200 | ADU Detection harness /16 | | D | 1 | |
| 34 | A50U881601 | Processing Guide /1 | | D | 1 | |
| 35 | A50U881700 | Support Screw /A | | D | 1 | |
| 36 | A50U882100 | Stopper Plate | | D | 2 | |
| 37 | A50U883600 | Guide /1 | | D | 2 | |
| 38 | A50U886300 | Sheet | | D | 2 | |
| 42 | A50U943201 | Release Label /2 | | D | 1 | |
| 43 | A50UN17900 | ADU Detection harness /13 | | D | 1 | |
| 44 | A50UR72600 | Drive Motor / 1 Assy | | C | 2 | |
| 45 | A85CM55500 | Photo Sensor | | C | 2 | |
| 46 | A9VE871601 | Conveyance Guide /Lower | | D | 1 | |
| | | | | | | |
| | | | | | | |

Duplex Section

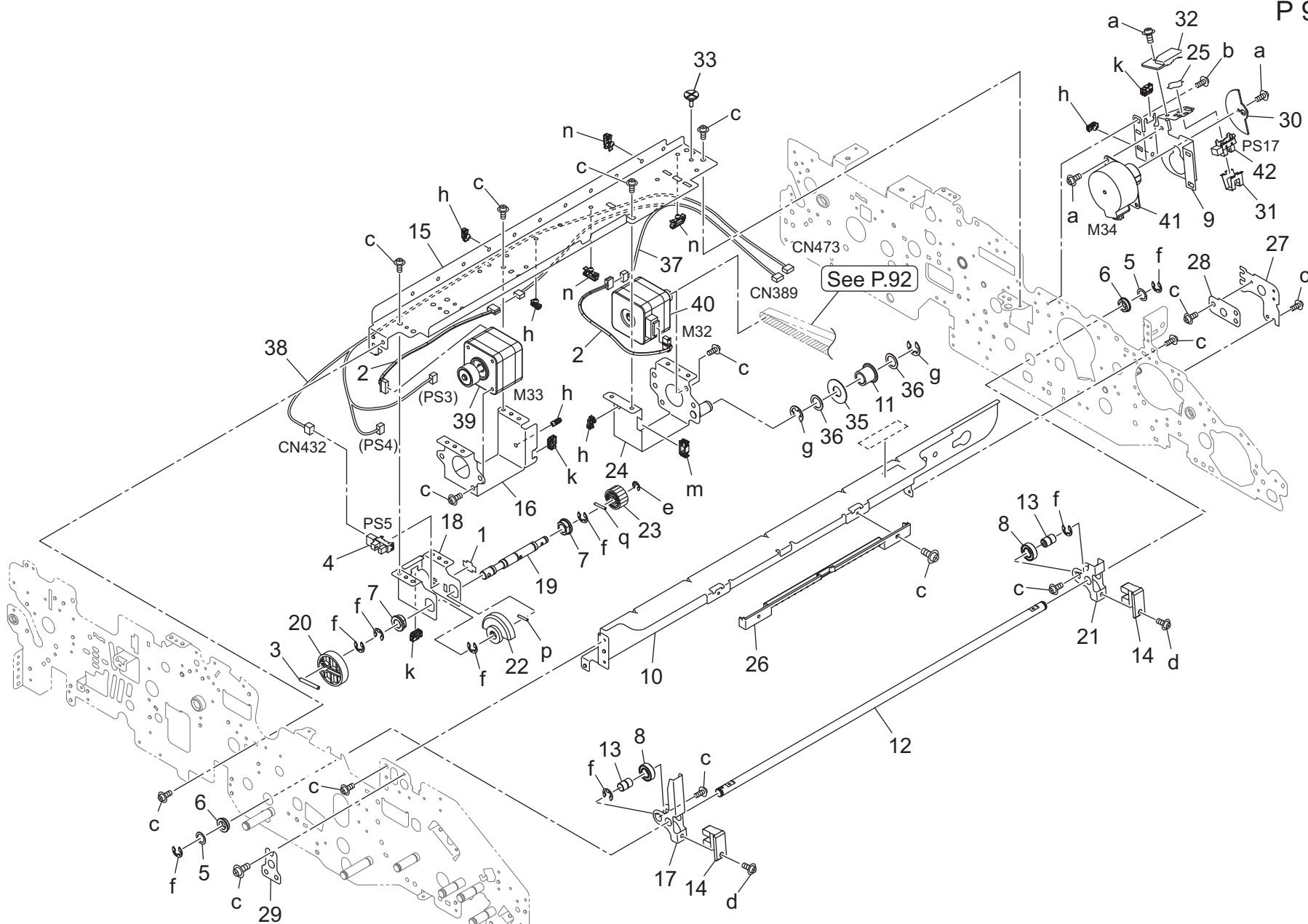


AccurioPress C4070

| Key | Part No. | Description | Destinations | Class | QTY | Standard parts |
|-----|------------|----------------------|--------------|-------|-----|----------------|
| 1 | 4131253701 | BUSHING | | C | 8 | a-V121030403 |
| 2 | 56AA42690 | By-Pass Spacer | | C | 4 | b-V127030604 |
| 3 | A00J617900 | Ball Bearing | | B | 4 | c-V127030803 |
| 4 | A03U845301 | Idler Roller /1 | | C | 3 | d-V217020003 |
| 5 | A1RF820000 | Ball Bearing | | C | 2 | e-V217030003 |
| 6 | A50U840303 | Guide Plate /3 | | D | 1 | f-V217040003 |
| 7 | A50U840802 | Guide Plate /2 | | D | 1 | g-V217060003 |
| 8 | A50U841402 | Release Plate /10 | | D | 1 | h-V234201250 |
| 9 | A50U846102 | Mounting Plate /5 | | D | 3 | k-V234302550 |
| 10 | A50U846304 | Idler Shaft /F | | D | 3 | m-V234201650 |
| 11 | A50U851400 | Release Plate /Rear | | D | 1 | |
| 12 | A50U851500 | Shaft | | D | 2 | |
| 13 | A50U851700 | Release Plate | | D | 1 | |
| 14 | A9VE851800 | Reinforce Block | | D | 2 | |
| 15 | A50U852000 | Release Shaft /4 | | D | 1 | |
| 16 | A50U852501 | Cam | | D | 1 | |
| 17 | A50U852701 | Release Shaft /3 | | D | 1 | |
| 18 | A50U852904 | Release Plate /4 | | D | 1 | |
| 19 | A50U853001 | Release Plate /5 | | D | 1 | |
| 20 | A50U853200 | Pressure Actuator | | D | 1 | |
| 21 | A50U853700 | Release Plate /7 | | D | 2 | |
| 22 | A50U854200 | Roller Base frame /2 | | D | 5 | |
| 23 | A50U854302 | Roller Base frame /1 | | D | 5 | |
| 24 | A50U854400 | Fixing Shaft | | D | 25 | |
| 25 | A50U854800 | Conveyance Roll | | D | 25 | |
| 26 | A50U856201 | Support Plate | | D | 1 | |
| 27 | A50U859500 | Pulley /2 | | D | 1 | |
| 28 | A50U859800 | Belt /1 280L | | C | 1 | |
| 29 | A50U880103 | Conveyance Guide /1 | | D | 1 | |
| 30 | A50U881300 | Torsion Coil spring | | D | 1 | |
| 31 | A50U881400 | Torsion Coil spring | | D | 1 | |
| 32 | A50U886800 | Regulating Spacer | | D | 1 | |
| | | | | | | |
| | | | | | | |
| | | | | | | |
| | | | | | | |
| | | | | | | |

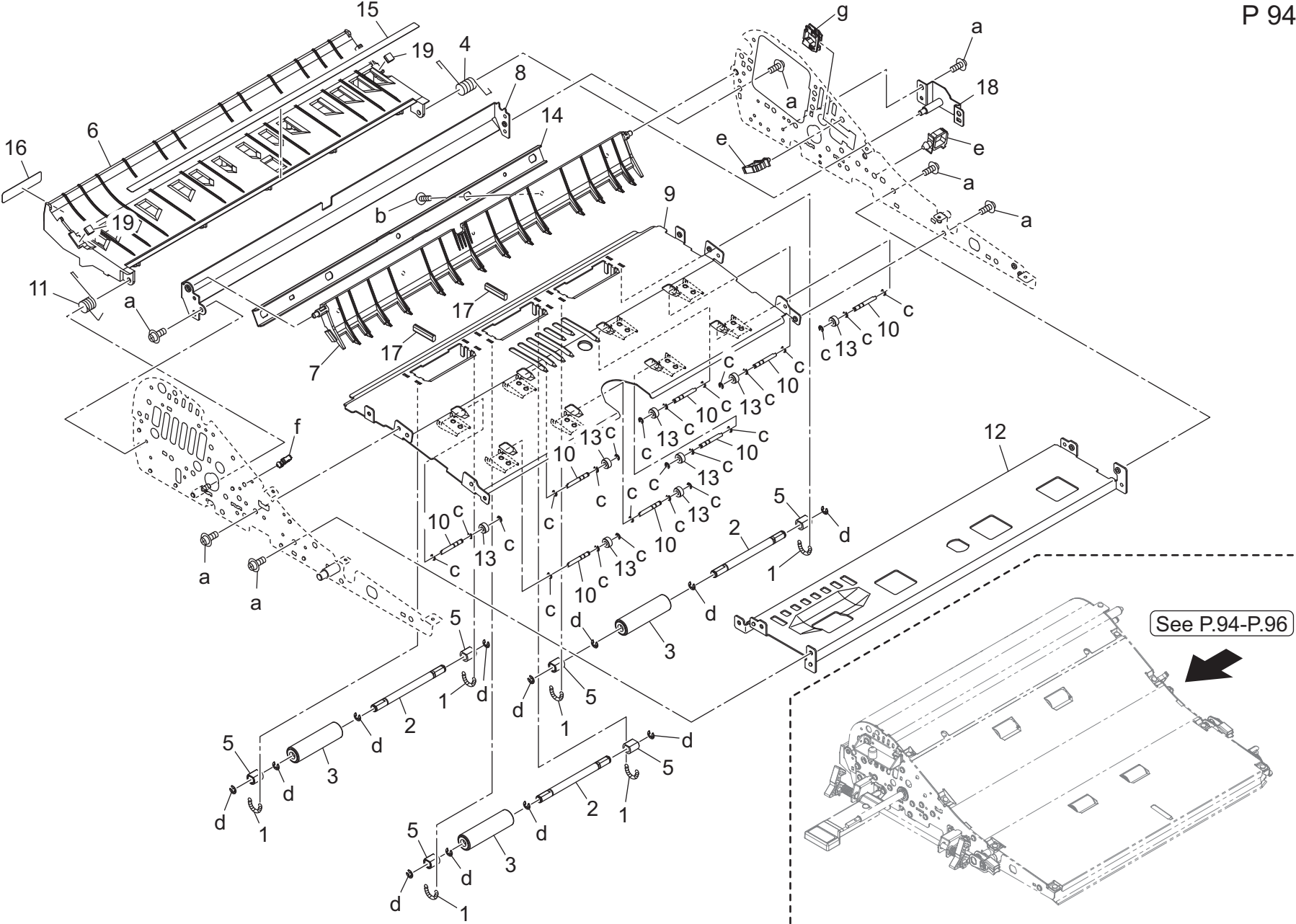
Duplex Section

P 93



| Key | Part No. | Description | Destinations | Class | QTY | Standard parts |
|-----|------------|------------------------------|--------------|-------|-----|----------------|
| 1 | 4470402401 | Stopper | | D | 1 | a-V118030403 |
| 2 | AC57N22000 | Driver Relay Harness /3 | | D | 2 | b-V121030403 |
| 3 | 56AA17490 | Pin | | C | 1 | c-V127030604 |
| 4 | A85CM55600 | Photo Sensor | | C | 1 | d-V127030803 |
| 5 | 56AA42690 | By-Pass Spacer | | C | 2 | e-V217040003 |
| 6 | A00J617900 | Ball Bearing | | B | 2 | f-V217060003 |
| 7 | A03U812800 | Slide Shaft Holder | | B | 2 | g-V217080003 |
| 8 | A1RF820000 | Ball Bearing | | C | 2 | h-V500020099 |
| 9 | A50U715400 | Pressure Side plate /1 | | D | 1 | k-V570010056 |
| 10 | A50U816403 | Hold Stay /Right | | D | 1 | m-V570010057 |
| 11 | A50U836801 | Tension Pulley /B | | D | 1 | n-V500020100 |
| 12 | A50U850700 | Release Shaft /2 | | D | 1 | p-V234201250 |
| 13 | A50U851500 | Shaft | | D | 2 | |
| 14 | A9VE851800 | Reinforce Block | | D | 2 | |
| 15 | A50U851901 | Mounting Plate /1 | | D | 1 | |
| 16 | A50U852102 | Mounting Plate /2 | | D | 1 | |
| 17 | A50U852200 | Release Plate /3 | | D | 1 | |
| 18 | A50U852301 | Mounting Plate /3 | | D | 1 | |
| 19 | A50U852400 | Release Shaft /1 | | D | 1 | |
| 20 | A50U852501 | Cam | | D | 1 | |
| 21 | A50U853100 | Release Plate /6 | | D | 1 | |
| 22 | A50U853200 | Pressure Actuator | | D | 1 | |
| 23 | A50U854600 | Release Gear /1 24T | | C | 1 | |
| 24 | A50U858703 | Mounting Plate /3 | | D | 1 | |
| 25 | A50U882100 | Stopper Plate | | D | 1 | |
| 26 | A50U882900 | Handle | | D | 1 | |
| 27 | A50U883001 | Positioning Side plate /Rear | | D | 1 | |
| 28 | A50U883101 | Positioning Plate /Rear | | D | 1 | |
| 29 | A50U883200 | Positioning Plate /Front | | D | 1 | |
| 30 | A50U883400 | Light blocking Plate | | D | 1 | |
| 31 | A50U883600 | Guide /1 | | D | 1 | |
| 32 | A50U883701 | Protection Cover /1 | | D | 1 | |
| 33 | A50U884000 | Registration Screw | | D | 1 | |
| 35 | A50U886700 | Holding Collar | | D | 1 | |
| 36 | A50U886900 | Spacer | | D | 2 | |
| 37 | A50UN15900 | ADU Drive harness /3 | | D | 1 | |
| 38 | A50UN18100 | ADU Detection harness /10 | | D | 1 | |
| 39 | AC57R71500 | Stepping Motor / 2 ASSY | | C | 1 | |
| 40 | AC57R71800 | Stepping Motor / 1 ASSY | | C | 1 | |
| 41 | A50UR72600 | Drive Motor / 1 Assy | | C | 1 | |
| 42 | A85CM55500 | Photo Sensor | | C | 1 | |
| | | | | | | |
| | | | | | | |

Duplex Section

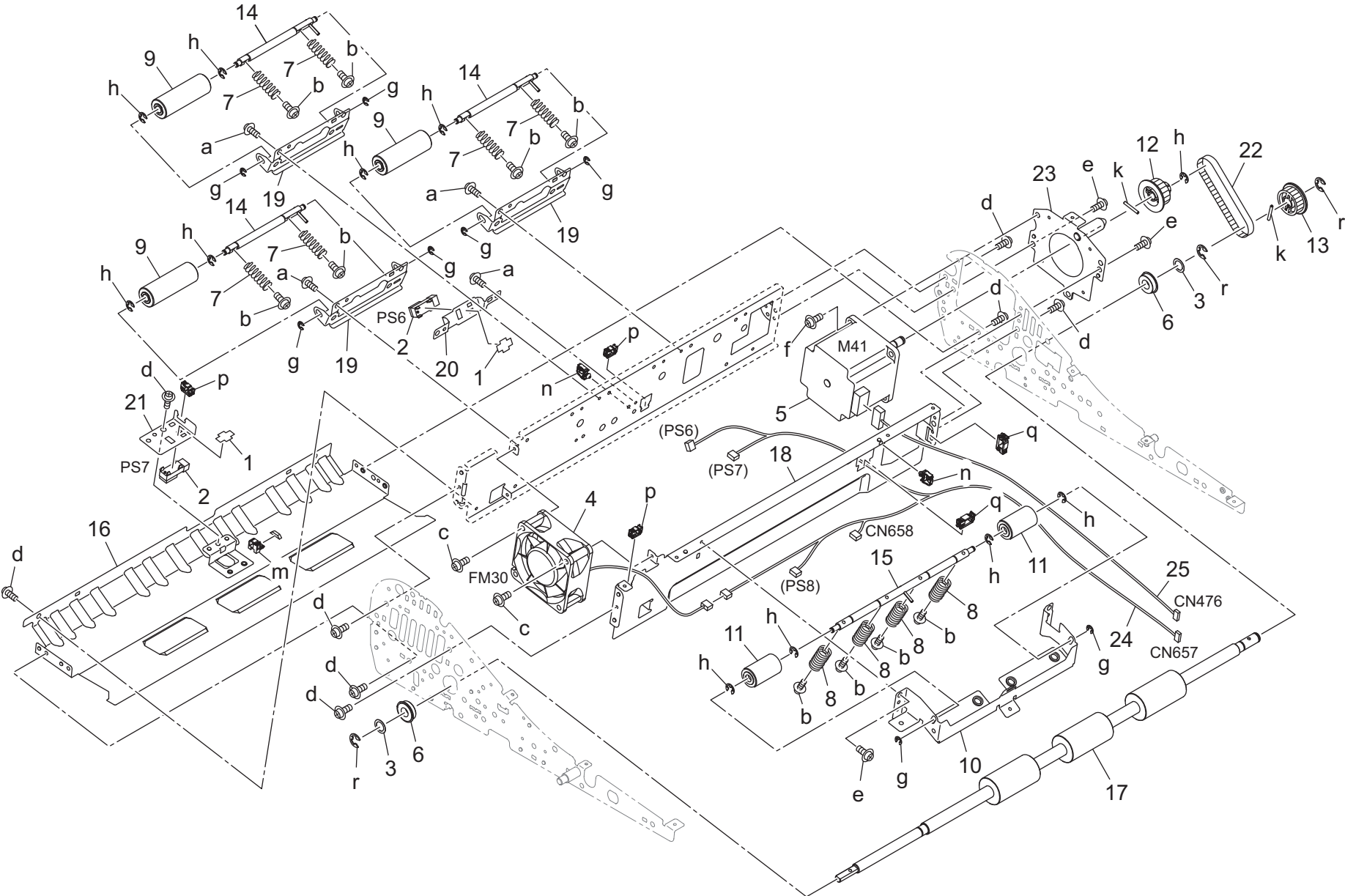


See P.94-P.96



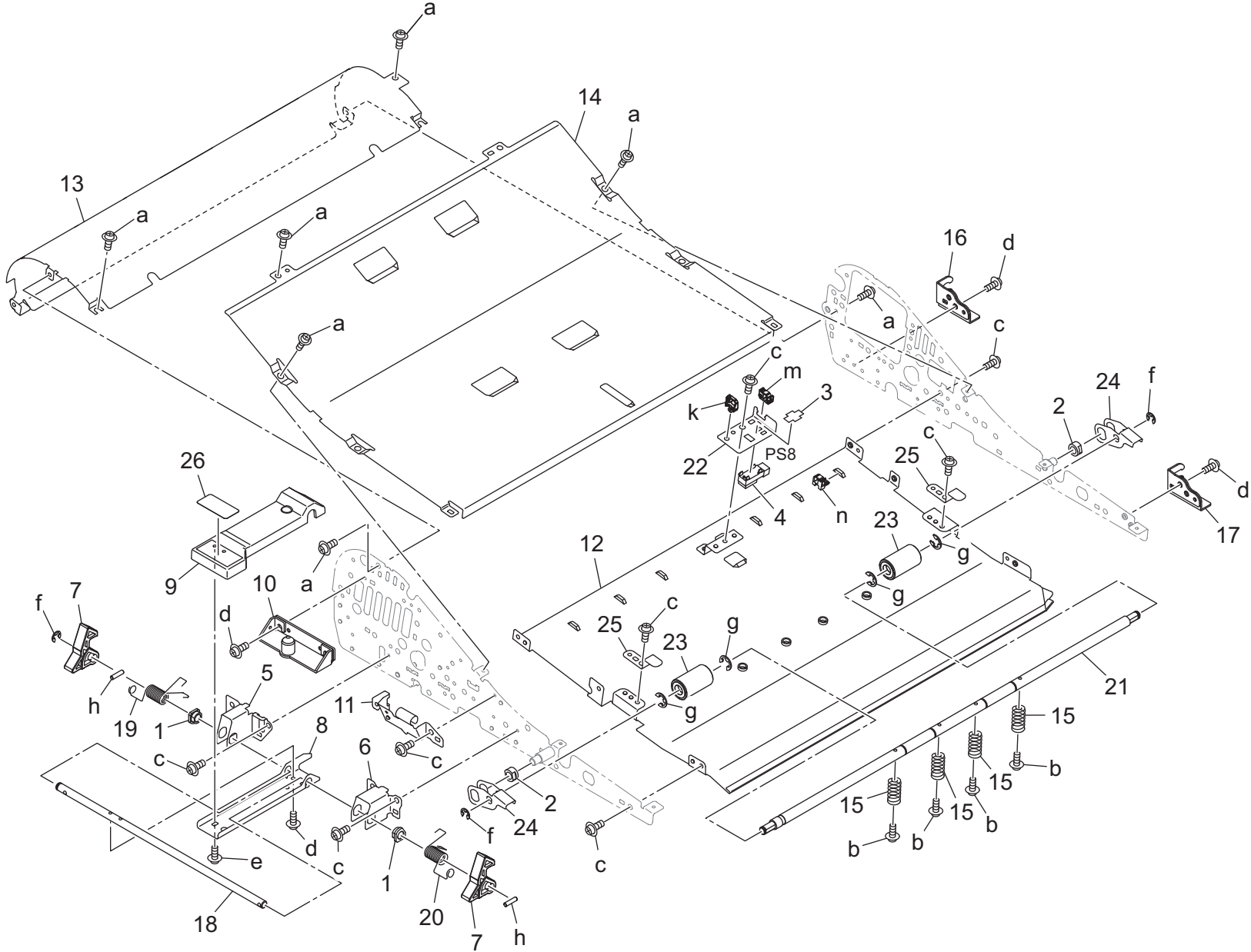
| Key | Part No. | Description | Destinations | Class | QTY | Standard parts |
|-----|------------|----------------------------|--------------|-------|-----|--|
| 1 | A9VE849900 | Conveyance Spring /2 | | D | 6 | a-V121030403 b-V151030603 c-V217020003 d-V217030003 e-V500010082 f-V500020098 g-V570010060 |
| 2 | A03U845100 | Idler Shaft /B | | D | 3 | |
| 3 | A03U845301 | Idler Roller /1 | | C | 3 | |
| 4 | A03U848100 | Open/close Spring /4 | | C | 1 | |
| 5 | A1RF847400 | Collar /1 | | D | 6 | |
| 6 | A50U840715 | Guide Plate /A | | D | 1 | |
| 7 | A50U841501 | Guide Plate /J | | D | 1 | |
| 8 | A50U841600 | Guide Plate /K | | D | 1 | |
| 9 | A50U841901 | Guide Plate /F | | D | 1 | |
| 10 | A50U844800 | Fixing Shaft | | D | 8 | |
| 11 | A50U848000 | Open/close Spring /3 | | D | 1 | |
| 12 | A50U848302 | Reinforce Plate /B | | D | 1 | |
| 13 | A50U854800 | Conveyance Roll | | D | 8 | |
| 14 | A50U855601 | Reinforce Plate | | D | 1 | |
| 15 | A50U880201 | Conveyance Guide /2 | | D | 1 | |
| 16 | A50U944001 | Release Label /10 | | D | 1 | |
| 17 | A85C877211 | Ground Part /2 | | D | 2 | |
| 18 | A9VEF84100 | Support Plate / C Caulking | | D | 1 | |
| 19 | A9VE841000 | Cushion | | D | 2 | |
| | | | | | | |
| | | | | | | |
| | | | | | | |
| | | | | | | |
| | | | | | | |
| | | | | | | |
| | | | | | | |
| | | | | | | |
| | | | | | | |
| | | | | | | |

Duplex Section



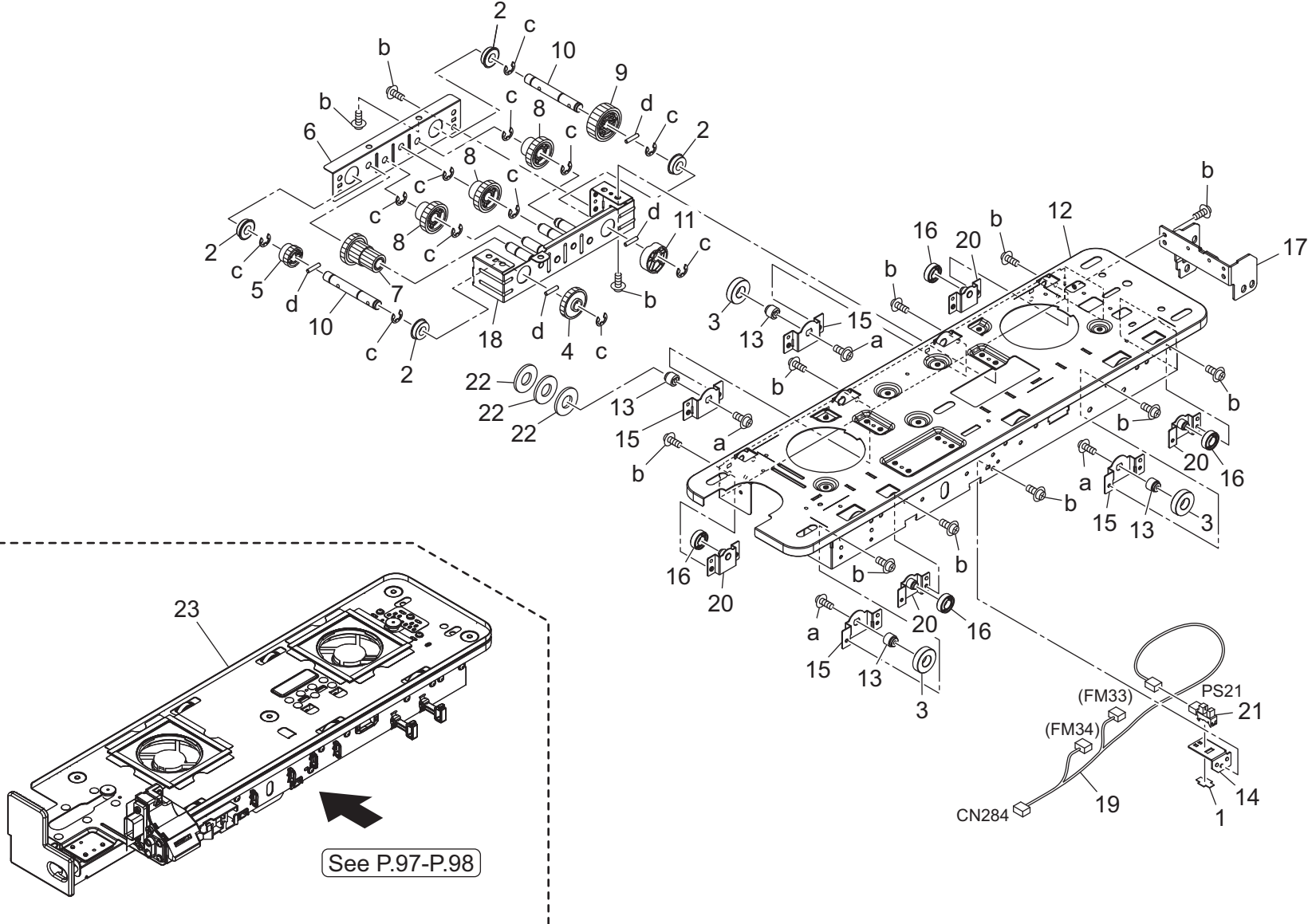
Duplex Section

| Key | Part No. | Description | Destinations | Class | QTY | Standard parts |
|-----|---------------|-----------------------------|--------------|-------|-----|----------------|
| 1 | 4470402401 | Stopper | | D | 2 | a-V118030303 |
| 2 | 9335140071 | Solid State Switch | | B | 2 | b-V118030603 |
| 3 | 56AA42690 | By-Pass Spacer | | C | 2 | c-V118033003 |
| 4 | AC57M15000 | Cooling Fan | | C | 1 | d-V121030403 |
| 5 | 65AA80112 | HB Motor /50 | | B | 1 | e-V127030604 |
| 6 | A00V240600 | Ball Bearing | | B | 2 | f-V127030803 |
| 7 | A03U842700 | Conveyance Spring /3 | | C | 6 | g-V217030003 |
| 8 | A03U842800 | Conveyance Spring /4 | | C | 4 | h-V217040003 |
| 9 | A03U845601 | Idler Roller /2 | | C | 3 | k-V234201650 |
| 10 | A03U845700 | Mounting Plate /4 | | D | 1 | m-V500010057 |
| 11 | A03U845902 | Idler Roller /3 | | C | 2 | n-V500020098 |
| 12 | A03U859400 | PULLEY /1 24T | | C | 1 | q-V570010057 |
| 13 | A03U859500 | PULLEY /2 24T | | C | 1 | r-V217060003 |
| 14 | A1DUR73E00 | Idler Shaft /C Assy | | D | 3 | |
| 15 | A1DUR73P00 | Idler Shaft /D Assy | | D | 1 | |
| 16 | A50U841100 | Guide Plate /E | | D | 1 | |
| 17 | A50U842000 | Roller | | C | 1 | |
| 18 | A50U842300Old | Support Plate /1 | | D | 1 | |
| 18 | A50U842301 | Support Plate /1 | | D | 1 | |
| 19 | A50U845400 | Mounting Plate /3 | | D | 3 | |
| 20 | A50U847200 | Mounting Plate /A | | D | 1 | |
| 21 | A50U850201 | Mounting Plate /F | | D | 1 | |
| 22 | A50U859900 | Belt /2 177L | | C | 1 | |
| 23 | A50UF84800 | Mounting Plate / 2 Caulking | | D | 1 | |
| 24 | A50UN16300 | ADU Relay harness /1 | | D | 1 | |
| 25 | A50UN16400 | ADU Drive harness /5 | | D | 1 | |
| | | | | | | |
| | | | | | | |
| | | | | | | |
| | | | | | | |
| | | | | | | |
| | | | | | | |
| | | | | | | |
| | | | | | | |



| Key | Part No. | Description | Destinations | Class | QTY | Standard parts |
|-----|------------|----------------------------|--------------|-------|-----|----------------|
| 1 | 466076020 | Paper Feed Feeding Bearing | | B | 2 | a-V118030403 |
| 2 | 4131253701 | BUSHING | | C | 2 | b-V118030603 |
| 3 | 4470402401 | Stopper | | D | 1 | c-V121030403 |
| 4 | 9335140071 | Solid State Switch | | B | 1 | d-V127030604 |
| 5 | A03U844200 | Mounting Plate /Left | | D | 1 | e-V151030803 |
| 6 | A03U844300 | Mounting Plate /Right | | D | 1 | f-V217040003 |
| 7 | A03U844700 | Lock Claw | | C | 2 | g-V217060003 |
| 8 | A03U844802 | Open/close Plate | | D | 1 | h-V234301250 |
| 9 | A03U844901 | Open/close Lever | | C | 1 | k-V500020098 |
| 10 | A03UF84300 | Mounting Plate /1 Caulking | | D | 1 | m-V570010056 |
| 11 | A50U840400 | Mounting Plate | | D | 1 | n-V500010057 |
| 12 | A50U841301 | Guide Plate /G | | D | 1 | |
| 13 | A50U841700 | Guide Plate /L | | D | 1 | |
| 14 | A50U841800 | Guide Plate /M | | D | 1 | |
| 15 | A50U842900 | Conveyance Spring /5 | | D | 4 | |
| 16 | A50U843601 | Support Plate | | D | 1 | |
| 17 | A50U843801 | Support Plate /Right rear | | D | 1 | |
| 18 | A50U844400 | Lock Shaft | | D | 1 | |
| 19 | A50U844501 | Open/close Spring /1 | | D | 1 | |
| 20 | A50U844601 | Open/close Spring /2 | | D | 1 | |
| 21 | A50U846000 | Idler Shaft /E | | D | 1 | |
| 22 | A50U850201 | Mounting Plate /F | | D | 1 | |
| 23 | A50U853400 | Pressure Roller | | C | 2 | |
| 24 | A50U854100 | Release Plate /8 | | D | 2 | |
| 25 | A50U856501 | Hold Plate | | D | 2 | |
| 26 | A50U943901 | Release Label /9 | | D | 1 | |
| | | | | | | |
| | | | | | | |
| | | | | | | |
| | | | | | | |
| | | | | | | |
| | | | | | | |
| | | | | | | |
| | | | | | | |

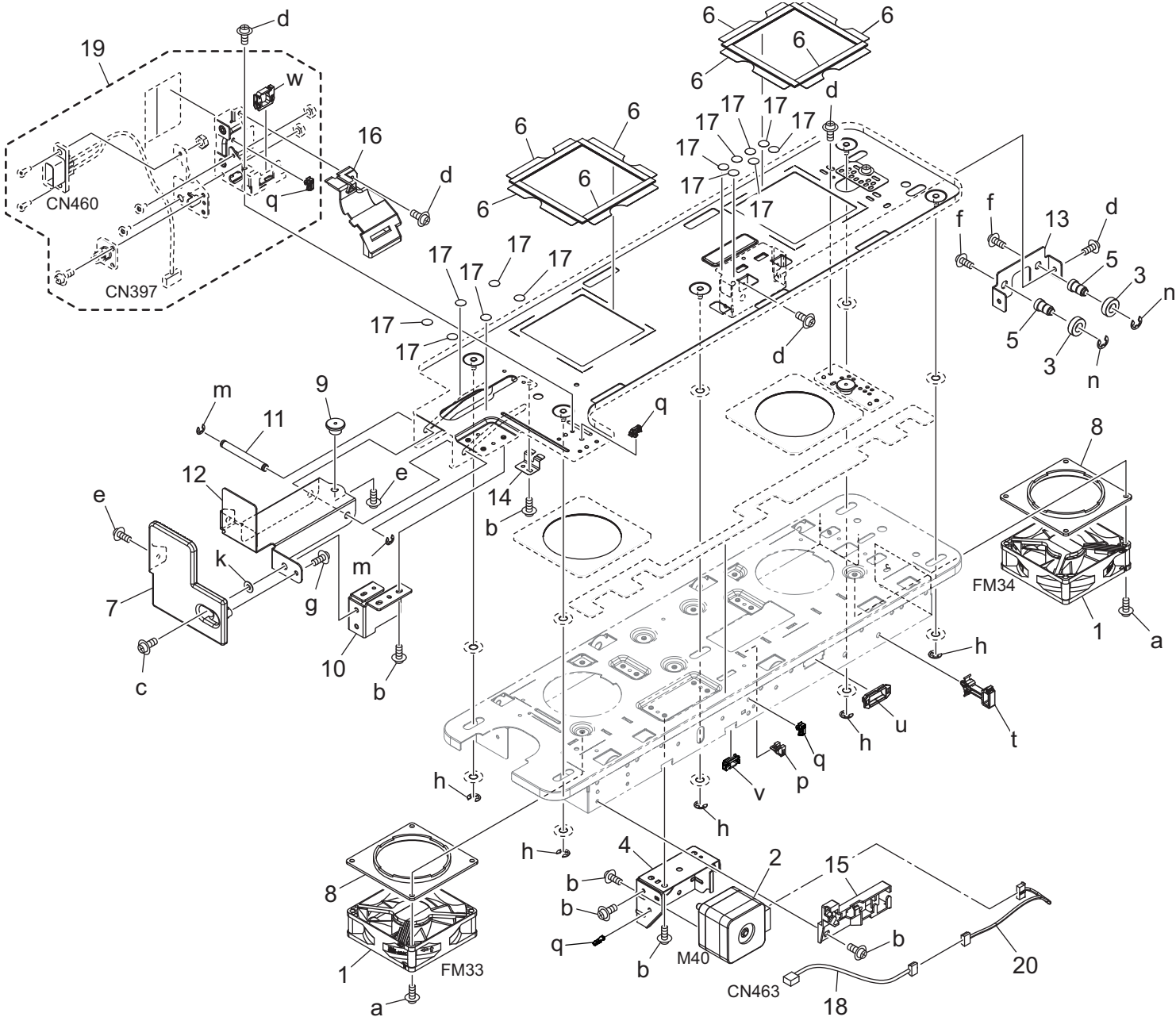
Duplex Swing Section



Duplex Swing Section

| Key | Part No. | Description | Destinations | Class | QTY | Standard parts |
|-----|------------|--------------------------|--------------|-------|-----|--|
| 1 | 4470402401 | Stopper | | D | 1 | a-V116040803 b-V121030403 c-V217060003 d-V234301450 |
| 2 | A00V240600 | Ball Bearing | | B | 4 | |
| 3 | A0TK341200 | Ball Bearing /Front | | C | 3 | |
| 4 | A1RJ825100 | Drive Gear /4 34T | | C | 1 | |
| 5 | A1RJ825800 | Drive Gear /5 14T | | C | 1 | |
| 6 | A50U800300 | Swing Frame /2 | | D | 1 | |
| 7 | A50U800400 | Drive Gear /3 14/25T | | C | 1 | |
| 8 | A50U800700 | Drive Gear /6 14/25T | | C | 3 | |
| 9 | A50U800800 | Drive Gear /7 29T | | C | 1 | |
| 10 | A50U801400 | Drive Shaft | | D | 2 | |
| 11 | A50U801500 | Swing Cam | | D | 1 | |
| 12 | A50U801602 | Fixing Plate /ASSY | | D | 1 | |
| 13 | A50U802002 | Positioning Shaft /A | | D | 4 | |
| 14 | A50U802211 | Plate | | D | 1 | |
| 15 | A50U804001 | Fusing Rail /B | | D | 4 | |
| 16 | A50U804200 | Fusing Roll | | D | 4 | |
| 17 | A50U805300 | Mounting Plate /1 | | D | 1 | |
| 18 | A50UF80500 | Swing Frame Caulking | | D | 1 | |
| 19 | A50UN17100 | ADU Detection harness /7 | | D | 1 | |
| 20 | A50UR72R00 | Swing Rail Caulking | | D | 4 | |
| 21 | A85CM55600 | Photo Sensor | | C | 1 | |
| 22 | AC57805500 | Spacer /12 | | D | 3 | |
| 23 | AC57R75300 | Fusing Swing Assy | | D | 1 | |
| | | | | | | |
| | | | | | | |
| | | | | | | |
| | | | | | | |
| | | | | | | |
| | | | | | | |
| | | | | | | |
| | | | | | | |
| | | | | | | |
| | | | | | | |
| | | | | | | |

Duplex Swing Section

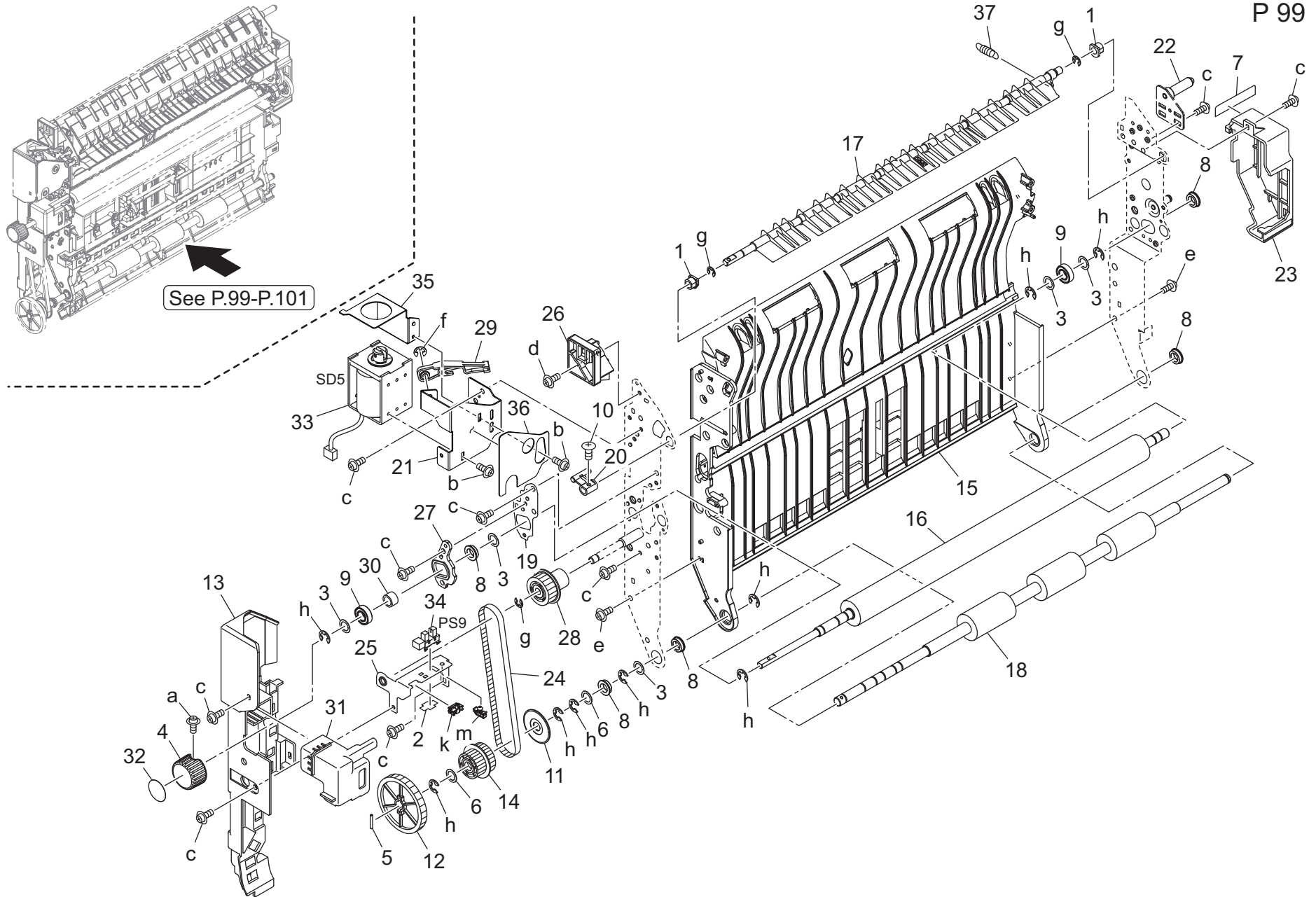


Duplex Swing Section

| Key | Part No. | Description | Destinations | Class | QTY | Standard parts |
|-----|------------|--------------------------|--------------|-------|-----|----------------|
| 1 | A93EM10000 | Fan motor | | C | 2 | a-V118033003 |
| 2 | AC57R73600 | Motor Assy | | C | 1 | b-V121030403 |
| 3 | A1RF820000 | Ball Bearing | | C | 2 | c-V121041203 |
| 4 | AC57800100 | Support Plate | | D | 1 | d-V127030604 |
| 5 | A50U802100 | Positioning Shaft /B | | D | 2 | e-V127030803 |
| 6 | A50U802700 | Heat blocking Part /B | | D | 8 | f-V127040803 |
| 7 | A50U802801 | Handle | | D | 1 | g-V151030803 |
| 8 | A50U802900 | Spacer | | D | 1 | h-V217050003 |
| 9 | A50U803101 | Guide Pin /Front | | D | 2 | k-V211040080 |
| 10 | A50U803300 | Fusing Rail /A | | D | 1 | m-V217040003 |
| 11 | A50U803400 | Positioning Shaft /1 | | D | 1 | n-V217060003 |
| 12 | A50U803500 | Positioning Plate /Front | | D | 1 | p-V500010057 |
| 13 | A50U803600 | Holding Plate | | D | 1 | q-V500020098 |
| 14 | A50U803700 | Ground Plate | | D | 1 | t-V500020101 |
| 15 | A50U803800 | Guide Part | | D | 1 | u-V570010037 |
| 16 | A50U804701 | Wiring Cover | | D | 1 | v-V570010057 |
| 17 | A50U805200 | Protection Seal | | D | 13 | w-V570010060 |
| 18 | A50UN17700 | ADU Drive harness /9 | | D | 1 | |
| 19 | AC57R72000 | Power Supply Guide ASSY | | D | 1 | |
| 20 | AC57N22000 | Drive Relay Harness /3 | | D | 1 | |
| | | | | | | |
| | | | | | | |
| | | | | | | |
| | | | | | | |
| | | | | | | |
| | | | | | | |
| | | | | | | |
| | | | | | | |
| | | | | | | |

AccurioPress C4070

Reverse Section

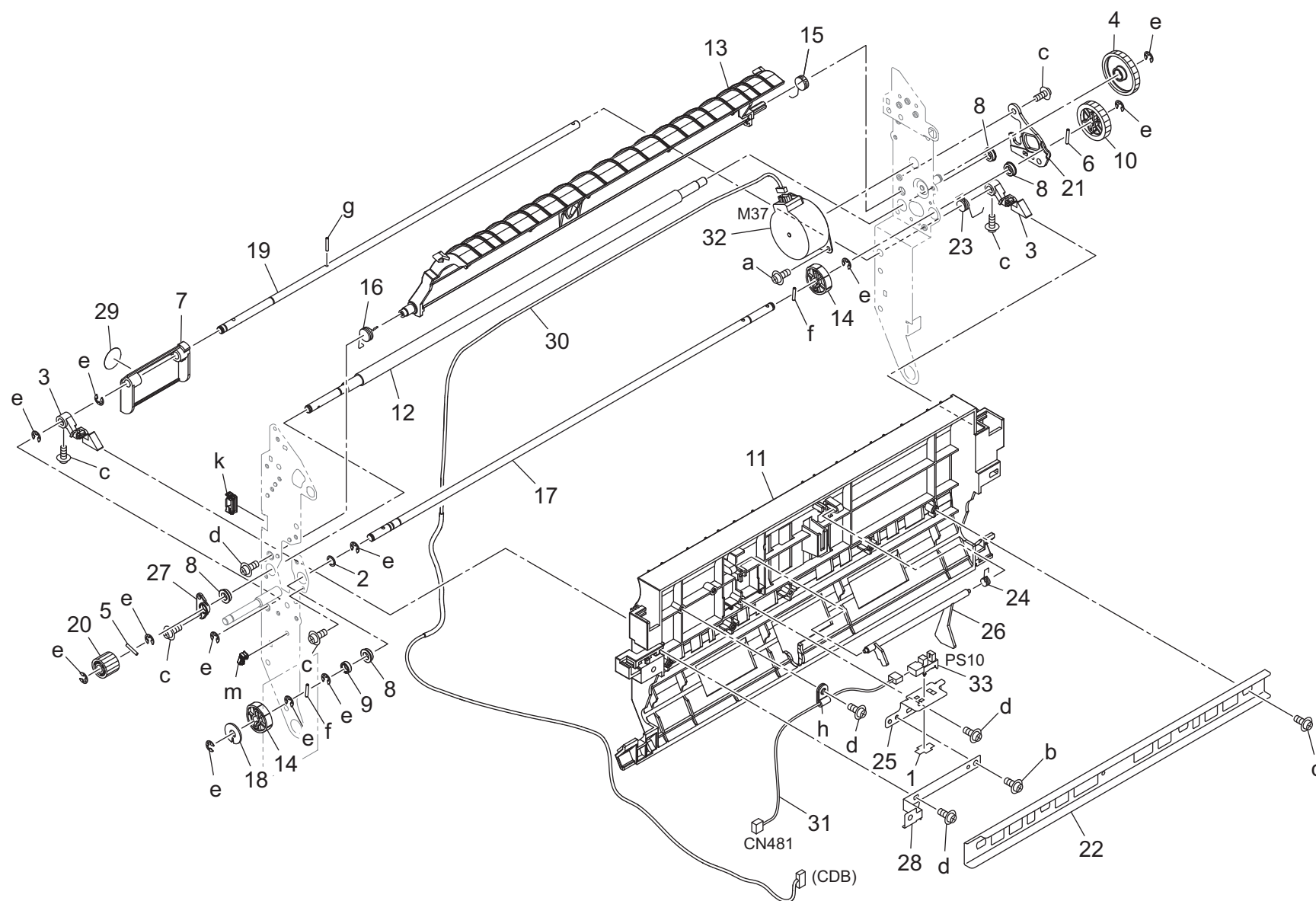


AccurioPress C4070

| Key | Part No. | Description | Destinations | Class | QTY | Standard parts |
|-----|---------------|-----------------------------|--------------|-------|-----|----------------|
| 1 | 192141710 | PAPER LIFT UP LEVER BUSHING | | B | 2 | a-V118030603 |
| 2 | 4470402401 | Stopper | | D | 1 | b-V121030403 |
| 3 | 13QA40610 | Gear Spacer | | C | 5 | c-V127030604 |
| 4 | 14GE45470 | Rotation Knob | | C | 1 | d-V127031203 |
| 5 | V234201450 | Pin | | V | 1 | e-V151030803 |
| 6 | 56AA42690 | By-Pass Spacer | | C | 2 | f-V217030003 |
| 7 | 65AA42370 | SLIDE PART 1 | | D | 1 | g-V217040003 |
| 8 | A00J617900 | Ball Bearing | | B | 5 | h-V217060003 |
| 9 | A1RF820000 | Ball Bearing | | C | 2 | k-V570010056 |
| 10 | A50U642300 | Mounting Screw | | D | 1 | m-V500020099 |
| 11 | A50U817300 | Holding Collar | | D | 1 | |
| 12 | A50U819600 | Reverse/Exit Gear /2 50T | | C | 1 | |
| 13 | A50U834304 | Cover Part /2 | | D | 1 | |
| 14 | A50U838800 | Drive Idler /1 | | D | 1 | |
| 15 | A50U860104Old | Guide Plate /A | | D | 1 | |
| 15 | A50U860105 | Guide Plate /A | | D | 1 | |
| 16 | AC57860500 | Decurler Roller | | A | 1 | |
| 17 | A50U861006 | Swing Part | | D | 1 | |
| 18 | AC57861800 | Reverse/Exit Roller /Lower | | C | 1 | |
| 19 | A50U865300 | Holding Plate | | D | 1 | |
| 20 | A50U865703 | Swing Arm | | D | 1 | |
| 21 | A50U865902 | Support Plate | | D | 1 | |
| 22 | A50U866400 | Positioning Plate /2 | | D | 1 | |
| 23 | A50U866900 | Drive Cover /1 | | D | 1 | |
| 24 | A50U867200 | Belt /A 324L | | C | 1 | |
| 25 | A50U867312 | Fixing Plate /1 | | D | 1 | |
| 26 | A50U867400 | Positioning Part | | D | 1 | |
| 27 | A50U867500 | Fixing Plate /1 | | D | 1 | |
| 28 | A50U867600 | Reverse/Exit Gear /1 20T | | C | 1 | |
| 29 | A50U867802 | Positioning Plate /1 | | D | 1 | |
| 30 | A50U869400 | Collar | | D | 1 | |
| 31 | A50U869501 | Cover | | D | 1 | |
| 32 | A50U943801 | Release Label /8 | | D | 1 | |
| 33 | A50UR72811 | ADU Solenoid Pin Assy | | C | 1 | |
| 34 | A85CM55500 | Photo Sensor | | C | 1 | |
| 35 | A9VE866100 | Receiving Plate /1 | | D | 1 | |
| 36 | A9VE866201 | Insulating Sheet /1 | | D | 1 | |
| 37 | A9VE867900 | Open/close Spring | | D | 1 | |
| | | | | | | |
| | | | | | | |
| | | | | | | |

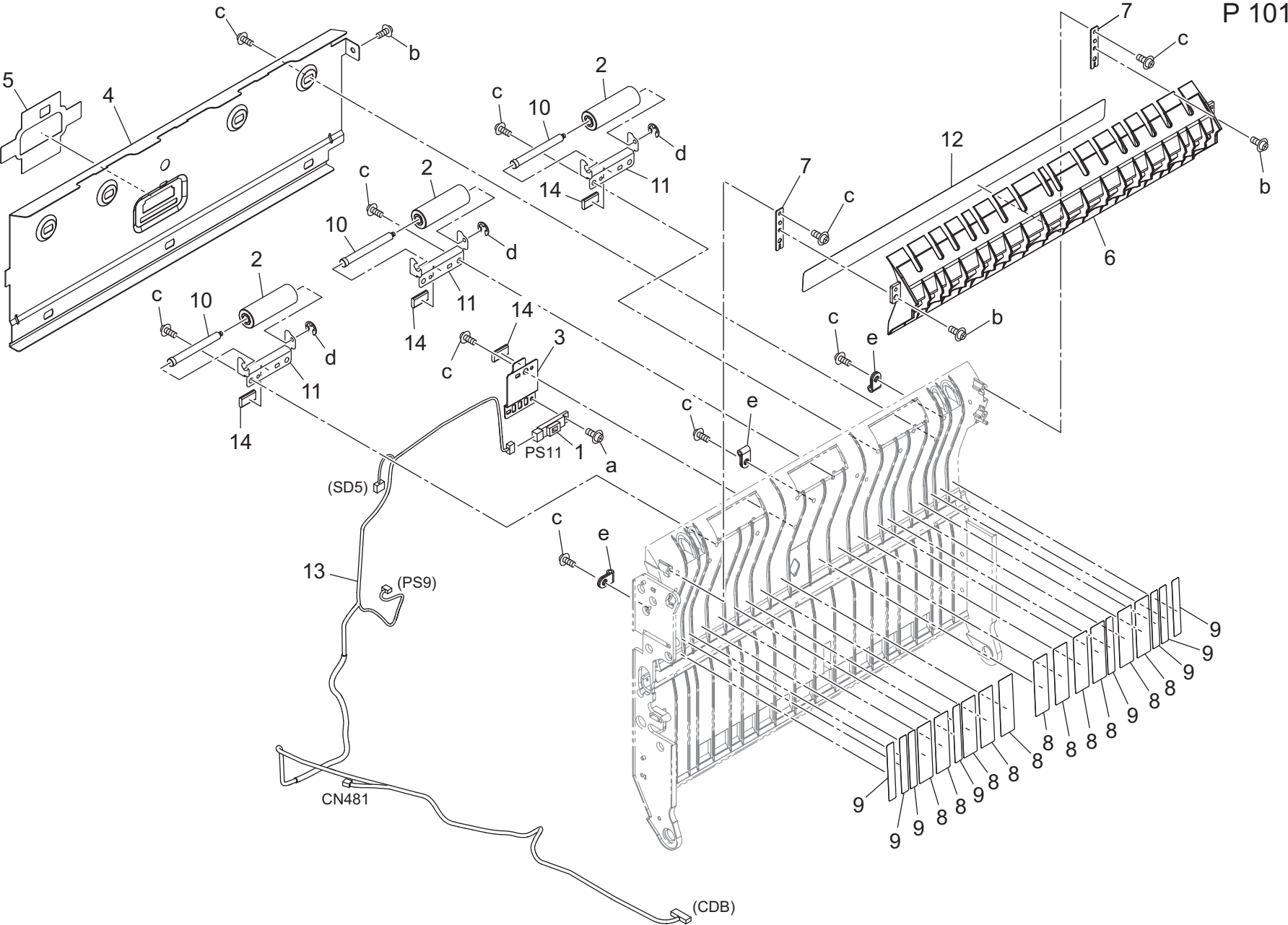
Reverse Section

P 100



| Key | Part No. | Description | Destinations | Class | QTY | Standard parts |
|-----|------------|-----------------------------|--------------|-------|-----|----------------|
| 1 | 4470402401 | Stopper | | D | 1 | a-V118030403 |
| 2 | 40AA32320 | Toner Supply Spacer | | C | 1 | b-V127030603 |
| 3 | 40AA46261 | Lock Claw /F | | B | 2 | c-V127030604 |
| 4 | 40AA77550 | Mirror Drive Gear /2 14/70T | | C | 1 | d-V151030803 |
| 5 | 56AA17321 | PIN A D2X12 | | B | 1 | e-V217040003 |
| 6 | V234201450 | Pin | | V | 1 | f-V234201250 |
| 7 | 65AA49410 | Paper Exit Handle | | C | 1 | h-V500020002 |
| 8 | A00J617800 | Ball Bearing | | A | 4 | k-V570010057 |
| 9 | A1RF863800 | Collar | | D | 1 | m-V500020099 |
| 10 | A1RJ818800 | Drive Gear /8 29T | | C | 1 | |
| 11 | A50U860202 | Guide Plate /B | | D | 1 | |
| 12 | A50U860600 | Riverse/exit Shaft | | D | 1 | |
| 13 | A50U861100 | Guide Plate /4 | | D | 1 | |
| 14 | A50U861601 | Positioning Cam | | D | 2 | |
| 15 | A50U864200 | Reverse/Exit Spring /Rear | | D | 1 | |
| 16 | A50U864300 | Reverse/Exit Spring /Front | | D | 1 | |
| 17 | A50U865101 | Pressing Shaft | | D | 1 | |
| 18 | A50U865401 | Positioning | | D | 1 | |
| 19 | A50U865601 | Lock Shaft /A | | D | 1 | |
| 20 | A50U867100 | Reverse/Exit Gear /A 20T | | C | 1 | |
| 21 | A50U867700 | Fixing Plate /2 | | D | 1 | |
| 22 | A50U868000 | Reinforce Plate /A | | D | 1 | |
| 23 | A50U868401 | Open/close Spring /1 | | D | 1 | |
| 24 | A50U868702 | Spring /1 | | D | 1 | |
| 25 | A50U869300 | Mounting Stay | | D | 1 | |
| 26 | A50U869601 | Arm /1 | | D | 1 | |
| 27 | A50U869700 | Fixing Collar /1 | | D | 1 | |
| 28 | A50U869800 | Ground Plate /1 | | D | 1 | |
| 29 | A50U943601 | Release Label /6 | | D | 1 | |
| 30 | A50UN17601 | ADU Drive harness /8 | | D | 1 | |
| 31 | A50UN18401 | ADU Detection harness /12 | | D | 1 | |
| 32 | A50UR72722 | Drive Motor / 1 Assy | | C | 1 | |
| 33 | A85CM55600 | Photo Sensor | | C | 1 | |
| | | | | | | |
| | | | | | | |
| | | | | | | |
| | | | | | | |
| | | | | | | |

Reverse Section



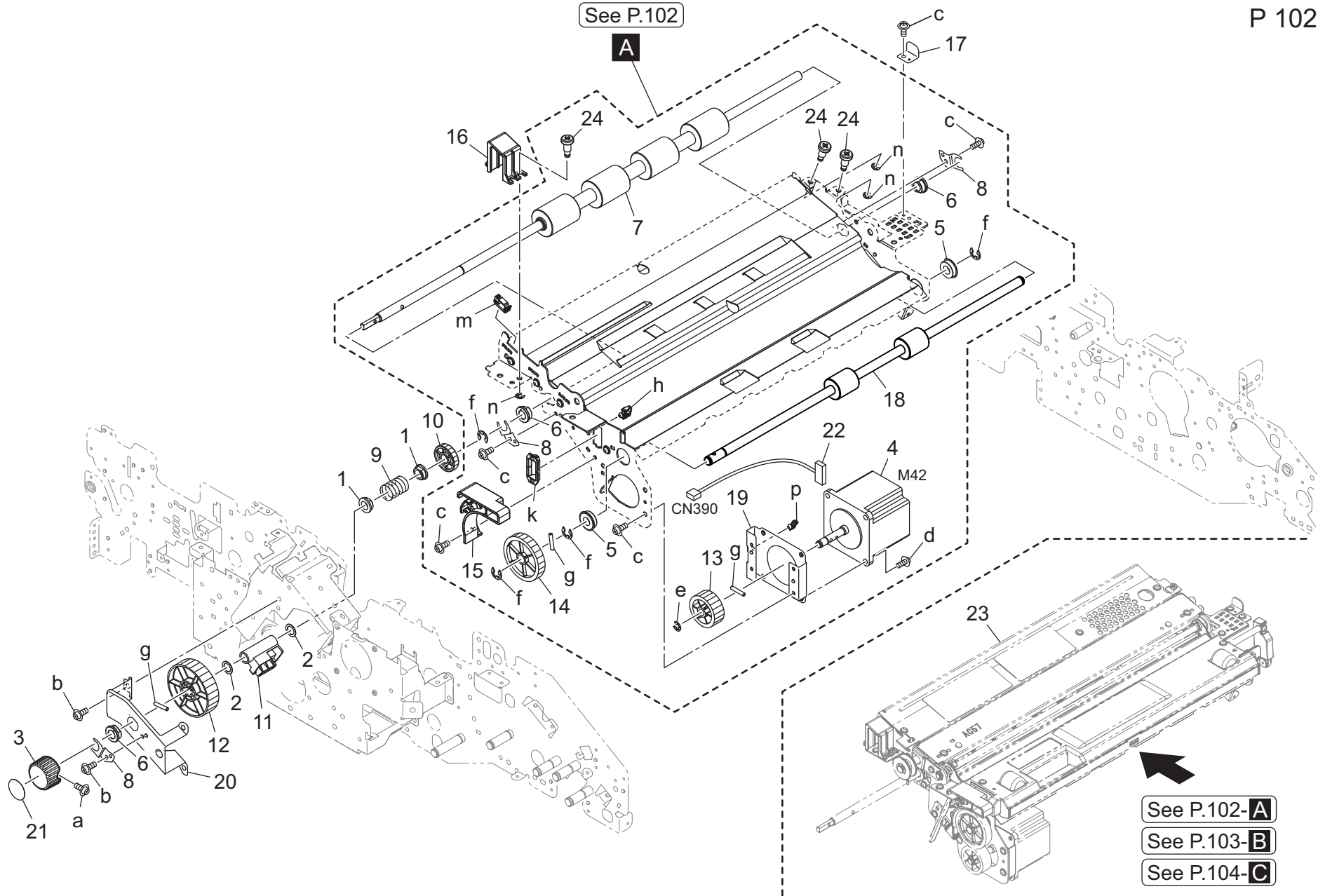
AccurioPress C4070

| Key | Part No. | Description | Destinations | Class | QTY | Standard parts |
|-----|------------|---------------------------|--------------|-------|-----|--|
| 1 | 13QA85511 | Sensor /1 | | B | 1 | a-V118030403 b-V127030604 c-V151030803 d-V217020003 e-V500020002 |
| 2 | A03U845601 | Idler Roller /2 | | C | 3 | |
| 3 | A50U861900 | Fixing Plate | | D | 1 | |
| 4 | A50U862600 | Reinforce Plate /3 | | D | 1 | |
| 5 | A50U863000 | Slide Seal | | D | 1 | |
| 6 | A50U865011 | Paper exit Guide Plate /5 | | D | 1 | |
| 7 | A50U865200 | Positioning Plate /1 | | D | 2 | |
| 8 | A50U868200 | Guide Sheet /1 | | D | 11 | |
| 9 | A50U868301 | Guide Sheet /2 | | D | 8 | |
| 10 | A50U868500 | Idler Shaft | | D | 3 | |
| 11 | A50U868600 | Support Plate | | D | 3 | |
| 12 | A50U869100 | Separating Guide /1 | | D | 1 | |
| 13 | A50UN17502 | ADU Detection harness /8 | | D | 1 | |
| 14 | A85C877111 | Ground Part /1 | | D | 4 | |
| | | | | | | |
| | | | | | | |
| | | | | | | |
| | | | | | | |
| | | | | | | |
| | | | | | | |
| | | | | | | |
| | | | | | | |
| | | | | | | |
| | | | | | | |
| | | | | | | |
| | | | | | | |



Resist Section

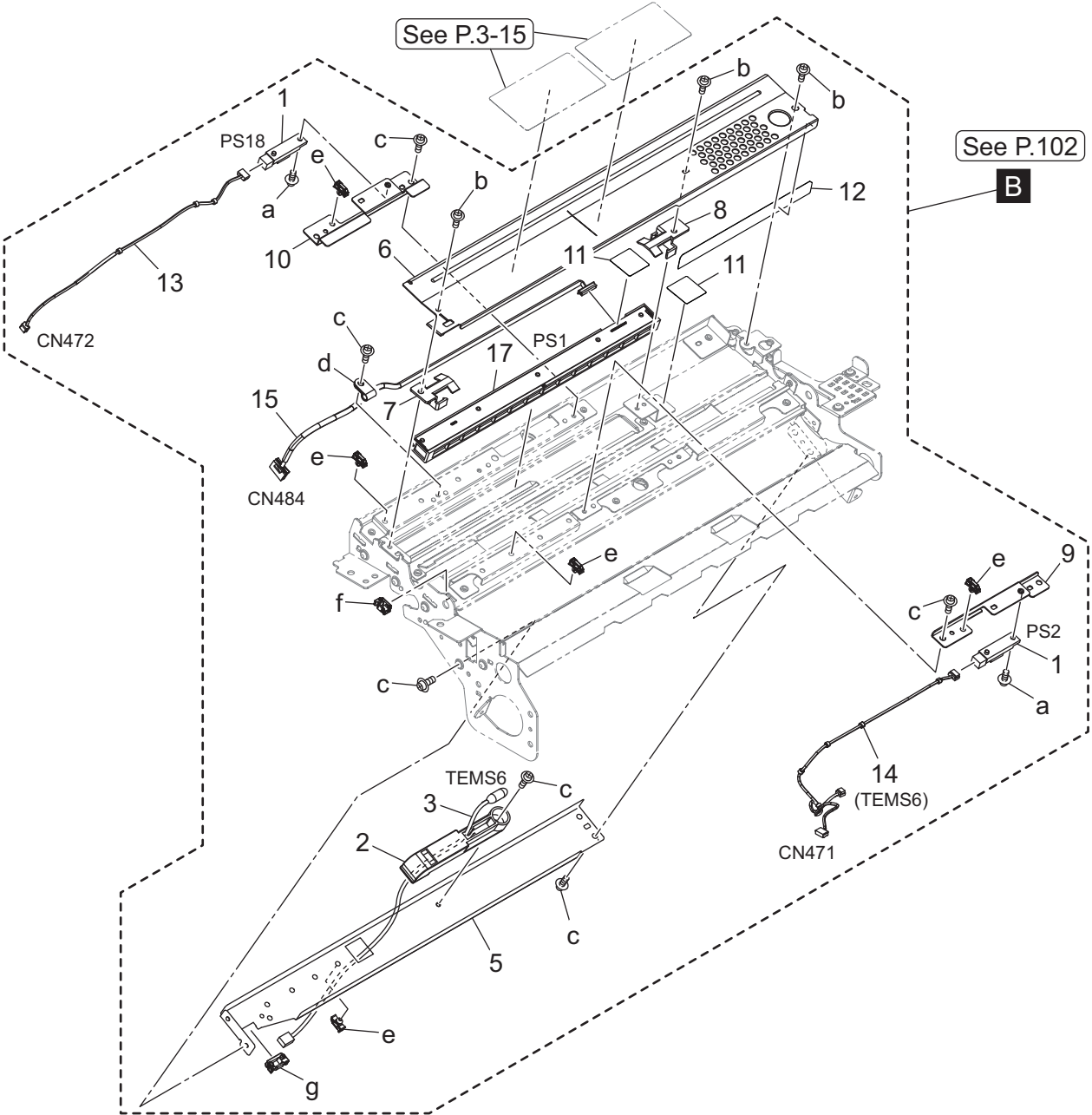
P 102



AccurioPress C4070

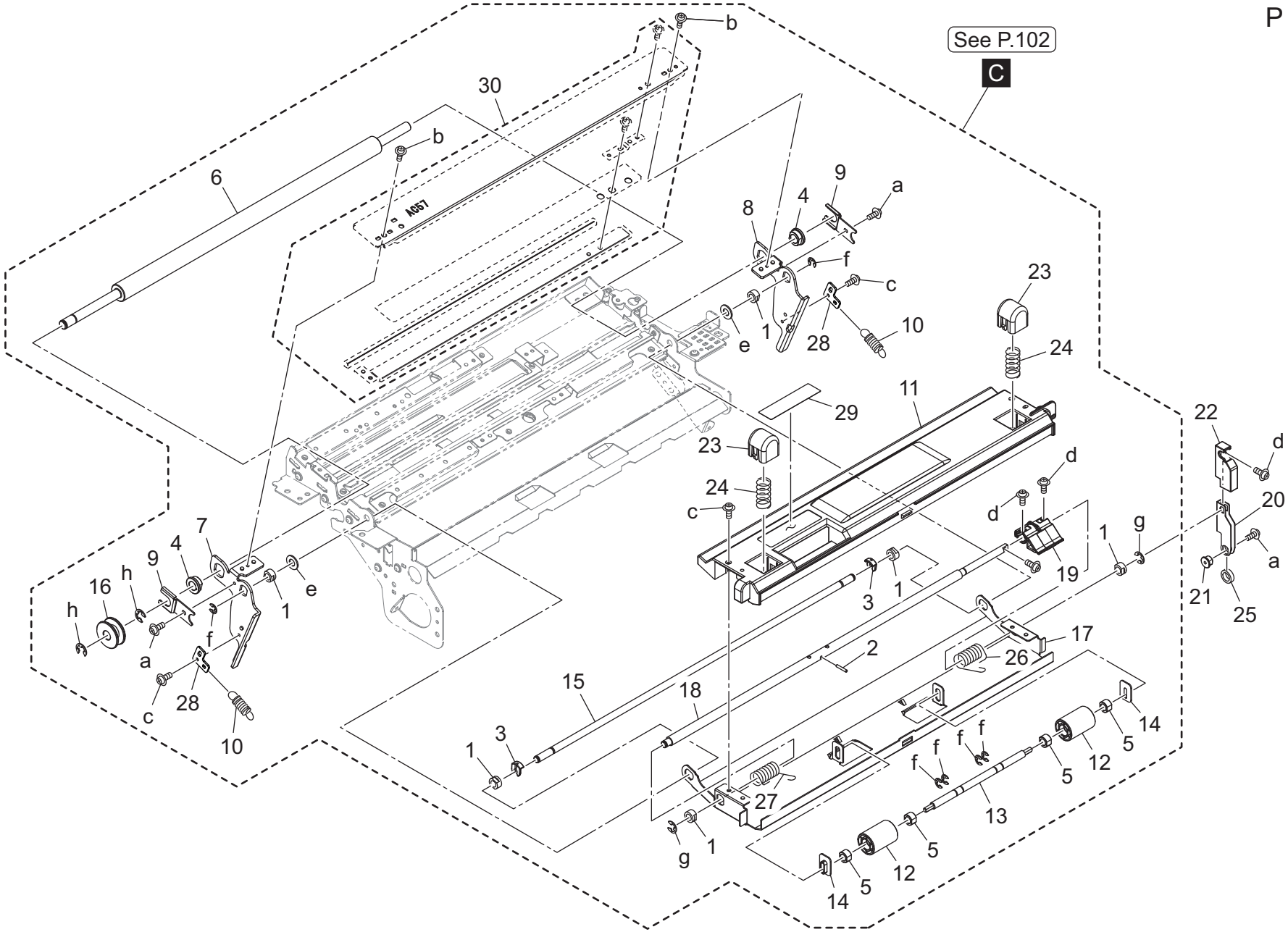
| Key | Part No. | Description | Destinations | Class | QTY | Standard parts |
|-----|------------|--------------------------------|--------------|-------|-----|----------------|
| 1 | 4131353202 | BUSHING | | C | 2 | a-V118030603 |
| 2 | 12QV40650 | Spacer | | B | 2 | b-V121030403 |
| 3 | 14GE45470 | Rotation Knob | | C | 1 | c-V127030604 |
| 4 | 65AA80112 | HB Motor /50 | | B | 1 | d-V121030803 |
| 5 | A00V240600 | Ball Bearing | | B | 2 | e-V217040003 |
| 6 | A03U812800 | Slide Shaft Holder | | B | 3 | f-V217060003 |
| 7 | AC57710100 | Registration Roller | | A | 1 | g-V234301650 |
| 8 | A50U711101 | Holding Plate /1 | | D | 3 | h-V500020098 |
| 9 | A50U711400 | Swing Spring | | D | 1 | k-V570010037 |
| 10 | A50U713000 | Roll /1 | | D | 1 | m-V570010057 |
| 11 | A50U713200 | Light blocking Rack | | D | 1 | n-V217020003 |
| 12 | A50U713600 | Swing Gear /2 104T | | C | 1 | p-V500020099 |
| 13 | A50U714300 | Drive Gear /1 28T | | C | 1 | |
| 14 | A50U714400 | Conveyance Gear /1 40T | | C | 1 | |
| 15 | A50U715900 | Wiring Cover /1 | | D | 1 | |
| 16 | AC57716101 | Wiring Cover /2 | | D | 1 | |
| 17 | A50U717901 | Adjusting Jig /ASSY | | D | 1 | |
| 18 | AC57719200 | Roller | | C | 1 | |
| 19 | A50U719800 | Drive Side plate | | D | 1 | |
| 20 | A50U882401 | Registration Side plate /Front | | D | 1 | |
| 21 | A50U943401 | Release Label /4 | | D | 1 | |
| 22 | A50UN15800 | ADU Drive harness /2 | | D | 1 | |
| 23 | AC57R71400 | Registration ASSY | | S | 1 | |
| 24 | AC57716300 | Shoulder screw | | D | 3 | |
| | | | | | | |
| | | | | | | |
| | | | | | | |
| | | | | | | |
| | | | | | | |
| | | | | | | |
| | | | | | | |
| | | | | | | |
| | | | | | | |

Resist Section



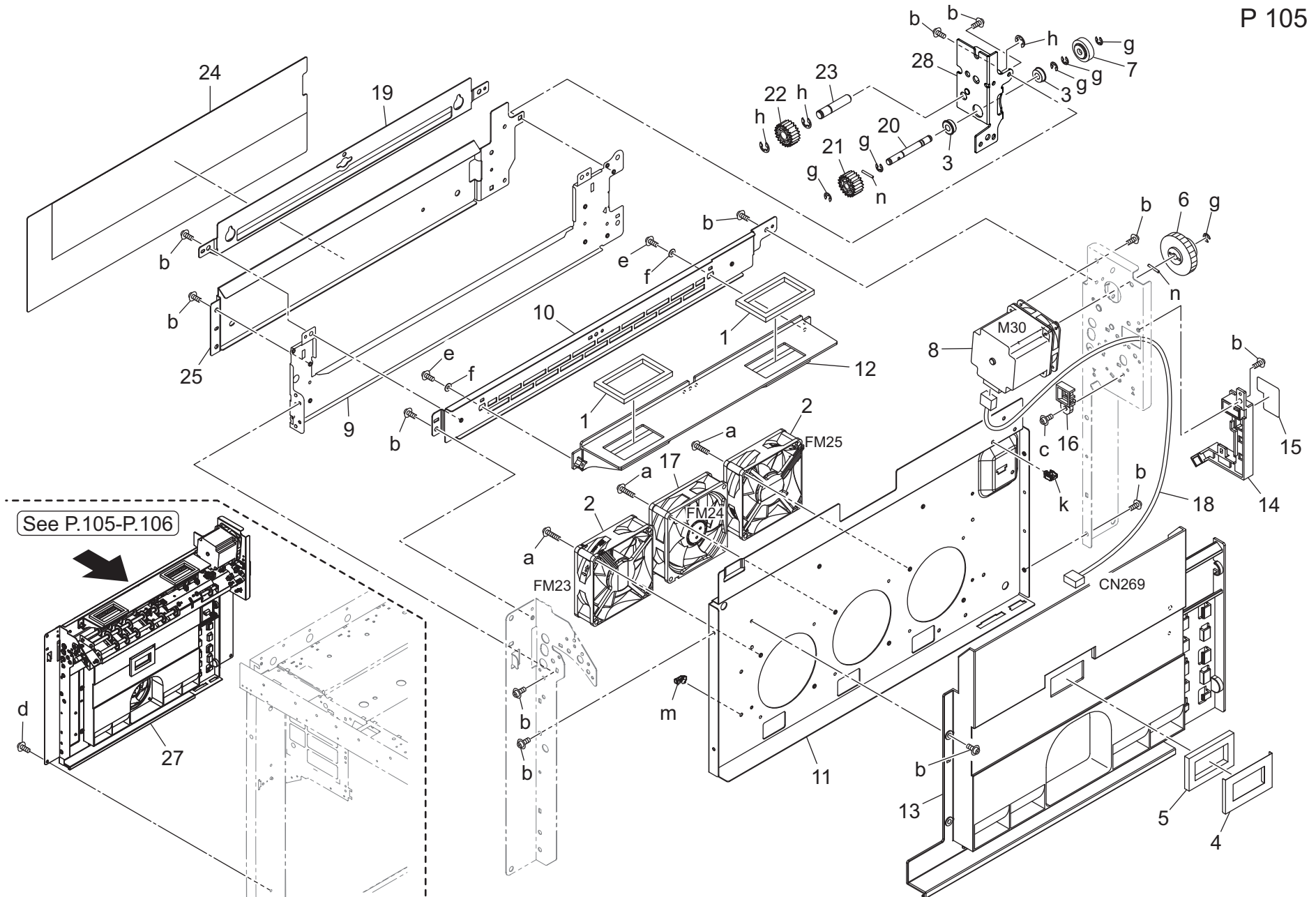
| Key | Part No. | Description | Destinations | Class | QTY | Standard parts | |
|-----|------------|--------------------------|--------------|-------|-----|--|--|
| 1 | 13QA85511 | Sensor /1 | | B | 2 | a-V118030403 b-V127030603 c-V127030604 d-V500020069 e-V500020099 f-V570010056 g-V570010057 | |
| 2 | A03X622000 | Detecting Cover | | C | 1 | | |
| 3 | A0VDM50500 | Thermistor /1 | | I | 1 | | |
| 5 | A50U712001 | Mounting Stay /Lower | | D | 1 | | |
| 6 | AC57715901 | Sensor Cover | | D | 1 | | |
| 7 | A50U717100 | Stopper /1 | | D | 1 | | |
| 8 | A50U717200 | Stopper /2 | | D | 1 | | |
| 9 | AC57716700 | Sensor Plate /1 | | D | 1 | | |
| 10 | A50U718300 | Plate /2 | | D | 1 | | |
| 11 | A50U719300 | Protection Sheet | | D | 2 | | |
| 12 | A50U719400 | Protection Sheet /2 | | D | 1 | | |
| 13 | AC57N16600 | ADU Detection Harness /3 | | D | 1 | | |
| 14 | A50UN16700 | ADU Detection harness /4 | | D | 1 | | |
| 15 | AC57N16801 | ADU Detection Harness /5 | | D | 1 | | |
| 17 | A9VEM55100 | Compensating Sensor | | C | 1 | | |
| | | | | | | | |
| | | | | | | | |
| | | | | | | | |
| | | | | | | | |
| | | | | | | | |
| | | | | | | | |
| | | | | | | | |
| | | | | | | | |
| | | | | | | | |
| | | | | | | | |
| | | | | | | | |

Resist Section



| Key | Part No. | Description | Destinations | Class | QTY | Standard parts |
|-----|------------|----------------------------------|--------------|-------|-----|----------------|
| 1 | 4131253701 | BUSHING | | C | 6 | a-V121030403 |
| 2 | V234201250 | Pin | | V | 1 | b-V127030603 |
| 3 | 56AA40490 | Shaft Stopper /4 | | C | 2 | c-V127030604 |
| 4 | A03U812800 | Slide Shaft Holder | | B | 2 | d-V127030803 |
| 5 | A03U850101 | Slide Bushing | | C | 4 | e-V207060003 |
| 6 | A50U710300 | Idler Roller | | D | 1 | f-V217040003 |
| 7 | A50U710901 | Pressure Lever /1 | | D | 1 | g-V217050003 |
| 8 | A50U711001 | Pressure Lever /2 | | D | 1 | h-V217060003 |
| 9 | A50U711200 | Holding Plate /2 | | D | 2 | |
| 10 | A50U711300 | Pressure Spring | | D | 2 | |
| 11 | A50U711602 | Open/close Holder | | D | 1 | |
| 12 | A50U712200 | Idler Roll /1 | | D | 2 | |
| 13 | A50U712300 | Idler Shaft /1 | | D | 1 | |
| 14 | A50U712400 | Receiving Shaft /1 | | D | 2 | |
| 15 | A50U712700 | Pressure Shaft /1 | | D | 1 | |
| 16 | A50U713100 | Roll /2 | | D | 1 | |
| 17 | A50U714201 | Open/close Guide | | D | 1 | |
| 18 | A50U714500 | Release Shaft | | D | 1 | |
| 19 | A50U714601 | Lever | | D | 1 | |
| 20 | A50U715300 | Pressure Lever /25 | | D | 1 | |
| 21 | A50U715600 | Support Shaft /2 | | D | 1 | |
| 22 | A50U715800 | Protection Cover | | D | 1 | |
| 23 | A50U716301 | Pressing Block | | D | 2 | |
| 24 | A50U716400 | Compressing Coil spring | | D | 2 | |
| 25 | A50U716500 | Ball Bearing | | C | 1 | |
| 26 | A50U718400 | Pressing Spring /Rear | | D | 1 | |
| 27 | A50U718500 | Pressing Spring /Front | | D | 1 | |
| 28 | A9VE715700 | Pulling Plate /1 | | D | 2 | |
| 29 | A50U943301 | Release Label /3 | | D | 1 | |
| 30 | AC57R73400 | Registration Cleaning Sheet Assy | | A | 1 | |
| | | | | | | |
| | | | | | | |
| | | | | | | |
| | | | | | | |
| | | | | | | |
| | | | | | | |
| | | | | | | |

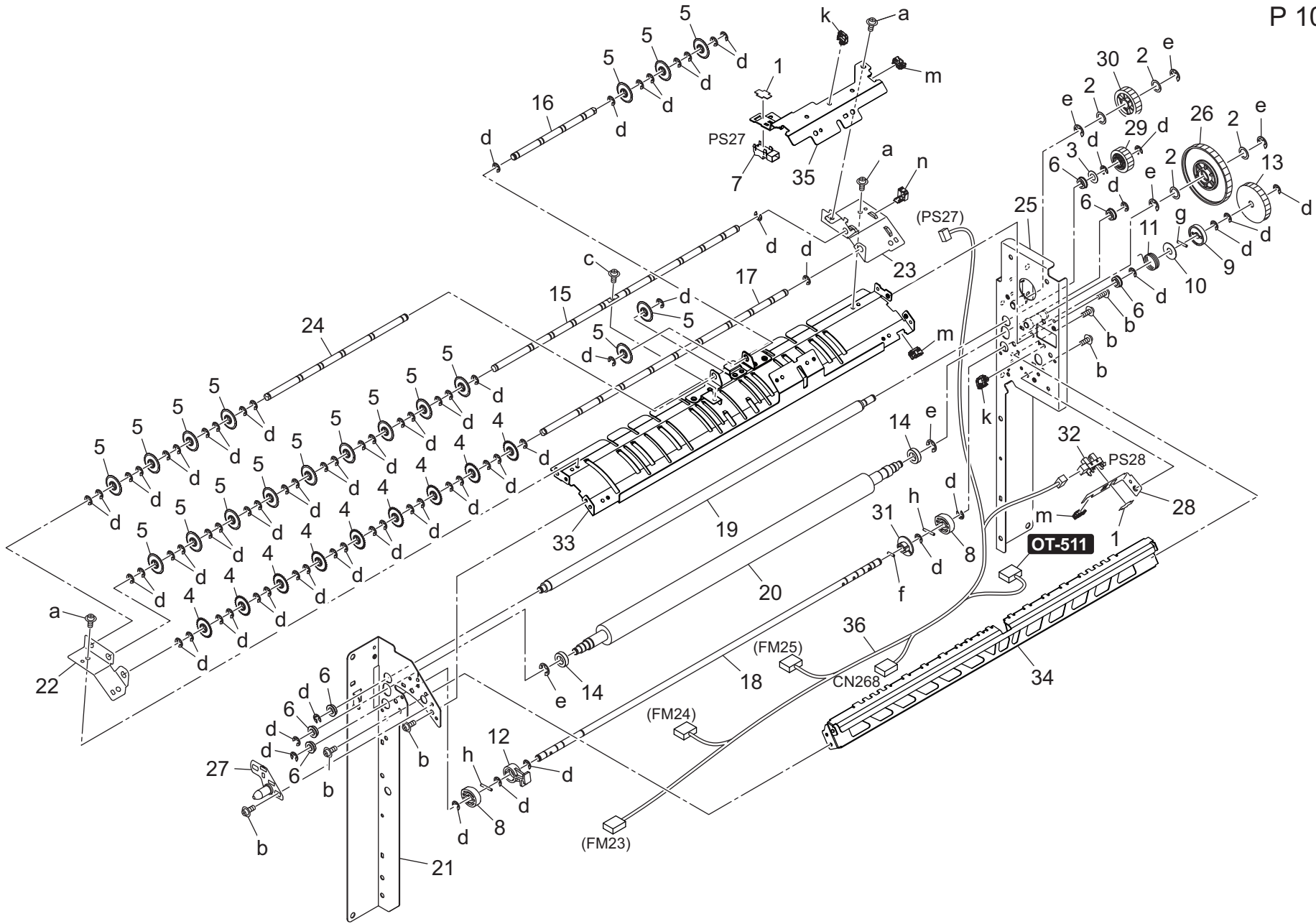
Exit Section



| Key | Part No. | Description | Destinations | Class | QTY | Standard parts |
|-----|------------|--------------------------------|--------------|-------|-----|----------------|
| 1 | 65LA48530 | DUCT SEAL 1 | | D | 2 | a-V118033003 |
| 2 | A93EM10000 | Fan motor | | C | 2 | b-V127030604 |
| 3 | A00J211200 | Ball Bearing | | C | 2 | c-V127030803 |
| 4 | A03U892300 | Sheet | | C | 1 | d-V127040603 |
| 5 | A03U892400 | Seal | | C | 1 | e-V145030803 |
| 6 | A03U909900 | Paper exit Gear /1 22/44T | | C | 1 | f-V207030003 |
| 7 | A043909901 | PAPER EXIT GEAR /6 23T | | B | 1 | g-V217040003 |
| 8 | A1TVM10100 | Stepping motor /50 | | B | 1 | h-V217060003 |
| 9 | A50U890500 | Reinforce Plate /Left | | D | 1 | k-V500020098 |
| 10 | A50U891001 | Guide Plate /Left | | D | 1 | m-V500020099 |
| 11 | A50U891201 | Paper exit Plate | | D | 1 | n-V234201450 |
| 12 | A50U892201 | Cooling Duct /2 | | D | 1 | |
| 13 | A50U892502 | Paper exit Duct | | D | 1 | |
| 14 | A50U893300 | Guide Cover /1 | | D | 1 | |
| 15 | A50U895000 | Wiring Sheet | | D | 1 | |
| 16 | A50U895101 | Positioning Part | | D | 1 | |
| 17 | AC57M15300 | Cooling Fan | | C | 1 | |
| 18 | A50UN15301 | Drive harness /2 | | D | 1 | |
| 19 | A8AK106101 | Paper Exit Guide /Upper | | C | 1 | |
| 20 | A8AK106200 | Drive Shaft | | D | 1 | |
| 21 | A8AK106300 | Drive Gear /B 20T | | C | 1 | |
| 22 | A8AK106400 | Drive Gear /C 21T | | C | 1 | |
| 23 | A8AK106800 | Idling Shaft | | D | 1 | |
| 24 | A8AK107200 | Thermal insulation Sheet /4 | | D | 1 | |
| 25 | A8AK162701 | Paper exit Guide /Lower | | D | 1 | |
| 27 | AC57R71900 | Main Body Paper Exit Unit ASSY | | D | 1 | |
| 28 | AC57897000 | Drive Plate /D | | D | 1 | |
| | | | | | | |
| | | | | | | |
| | | | | | | |
| | | | | | | |
| | | | | | | |
| | | | | | | |
| | | | | | | |
| | | | | | | |

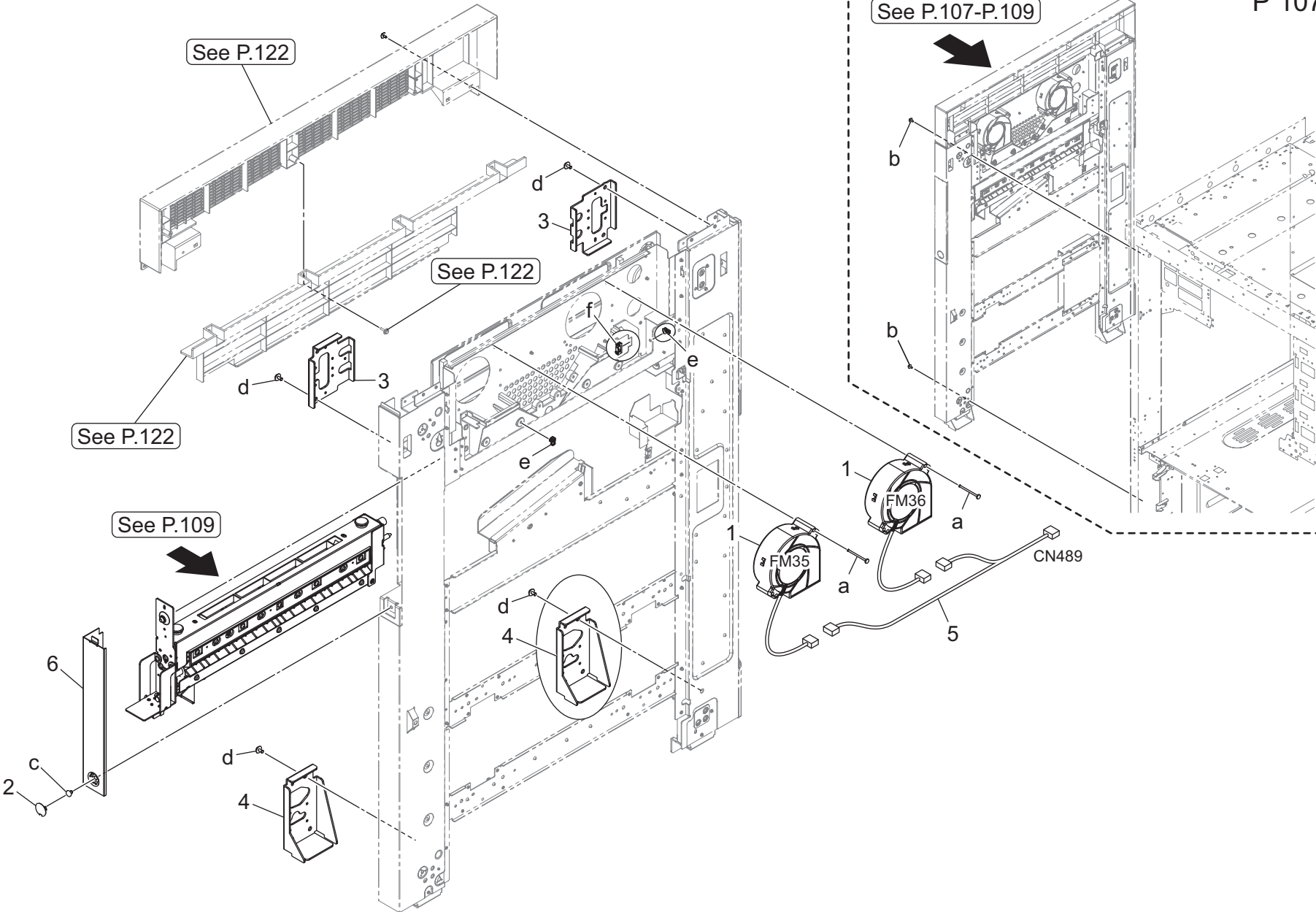
Exit Section

P 106



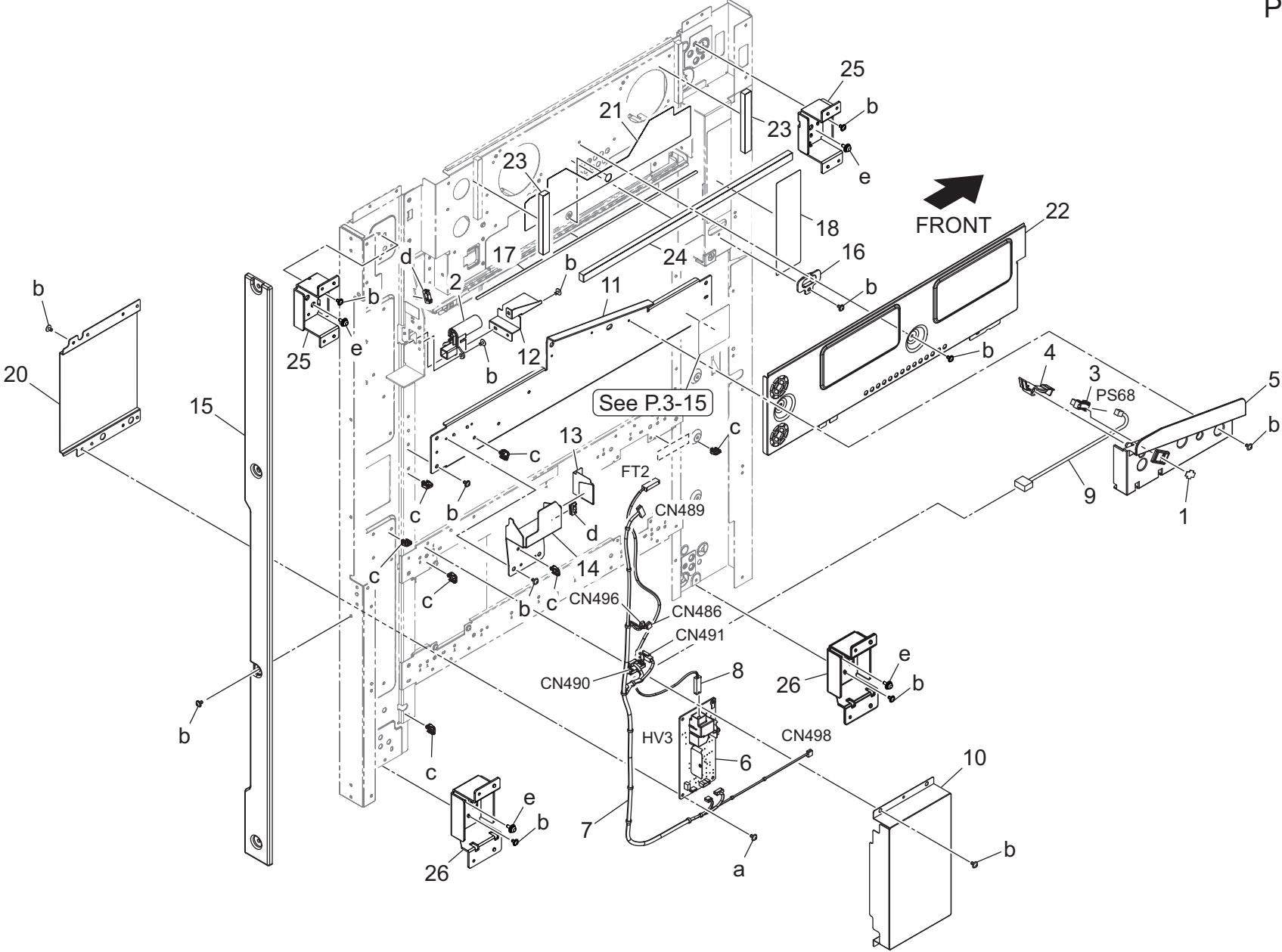
| Key | Part No. | Description | Destinations | Class | QTY | Standard parts |
|-----|------------|----------------------------|--------------|-------|-----|----------------|
| 1 | 4470402401 | Stopper | | D | 2 | a-V121030303 |
| 2 | 13QA40610 | Gear Spacer | | C | 4 | b-V127030604 |
| 3 | 13QA10330 | SHAFT SPACER | | C | 1 | c-V127030803 |
| 4 | 65AA48360 | Paper Holding Part /1 | | C | 9 | d-V217040003 |
| 5 | 65AA48460 | PAPER HOLDING PART 2 | | C | 18 | e-V217060003 |
| 6 | A00J617800 | Ball Bearing | | A | 6 | f-V234200850 |
| 7 | A03TM50000 | Photoreflector | | I | 1 | g-V234201250 |
| 8 | A03U892701 | Positioning Cam | | C | 2 | h-V234201450 |
| 9 | A03U893000 | Slide Plate | | C | 1 | k-V500020098 |
| 10 | A03U893101 | Spacer /Rear | | C | 1 | m-V570010056 |
| 11 | A03U893200 | Stopper Spring | | C | 1 | n-V500010057 |
| 12 | A03U893502 | Regulating Cam | | C | 1 | |
| 13 | A03U909502 | PAPER EXIT GEAR /5 40T | | C | 1 | |
| 14 | A1RF517300 | bearing | | C | 2 | |
| 15 | A50U890102 | Fixing Shaft /2 | | D | 1 | |
| 16 | A50U890201 | Fixing Shaft /6 | | D | 1 | |
| 17 | A50U890300 | Fixing Shaft /1 | | D | 1 | |
| 18 | A50U890600 | Regulating Shaft | | D | 1 | |
| 19 | A50U890700 | Paper exit Shaft | | D | 1 | |
| 20 | AC57890800 | Paper Exit Decurler Roller | | A | 1 | |
| 21 | A50U891302 | Paper exit Plate /Front | | D | 1 | |
| 22 | A50U891500 | Support Side plate /Front | | D | 1 | |
| 23 | A50U891600 | Support Side plate /Rear | | D | 1 | |
| 24 | A50U891900 | Fixing Shaft /5 | | D | 1 | |
| 25 | A50U892001 | Paper exit Plate /Rear | | D | 1 | |
| 26 | A50U892101 | Idling Gear /1 68T | | C | 1 | |
| 27 | A50U893201 | Adjusting Plate /1 | | D | 1 | |
| 28 | A50U894000 | Plate /Rear | | D | 1 | |
| 29 | A50U899700 | Paper exit Gear /3 23T | | B | 1 | |
| 30 | A50U899801 | Paper exit Gear /2 29T | | C | 1 | |
| 31 | A85C895500 | Positioning Roll | | D | 1 | |
| 32 | A85CM55500 | Photo Sensor | | C | 1 | |
| 33 | A9VE890400 | Guide Plate /Upper | | D | 1 | |
| 34 | A9VE890900 | Guide Plate /Lower | | D | 1 | |
| 35 | A9VE892800 | Support Plate /A | | D | 1 | |
| 36 | A9VEN15200 | Drive Wiring /3 | | D | 1 | |
| | | | | | | |
| | | | | | | |
| | | | | | | |
| | | | | | | |

Charge Control Section



| Key | Part No. | Description | Destinations | Class | QTY | Standard parts |
|-----|------------|---------------------|--------------|-------|-----|--|
| 1 | A5AWM15101 | Cooling Fan | | B | 2 | a-V118033503 b-V125041001 c-V126040603 d-V127040803 e-V500020099 f-V570010046 |
| 2 | A65U186600 | Cover Part /2 | | D | 1 | |
| 3 | A85C898701 | Connecting Plate /2 | | D | 2 | |
| 4 | A85C898801 | Connecting Plate /4 | | D | 2 | |
| 5 | A85CN21600 | Relay Wiring /6 | | D | 1 | |
| 6 | A8AK100401 | Cover /Middle | | C | 1 | |
| | | | | | | |
| | | | | | | |
| | | | | | | |
| | | | | | | |
| | | | | | | |
| | | | | | | |
| | | | | | | |
| | | | | | | |
| | | | | | | |
| | | | | | | |
| | | | | | | |
| | | | | | | |
| | | | | | | |
| | | | | | | |
| | | | | | | |
| | | | | | | |
| | | | | | | |

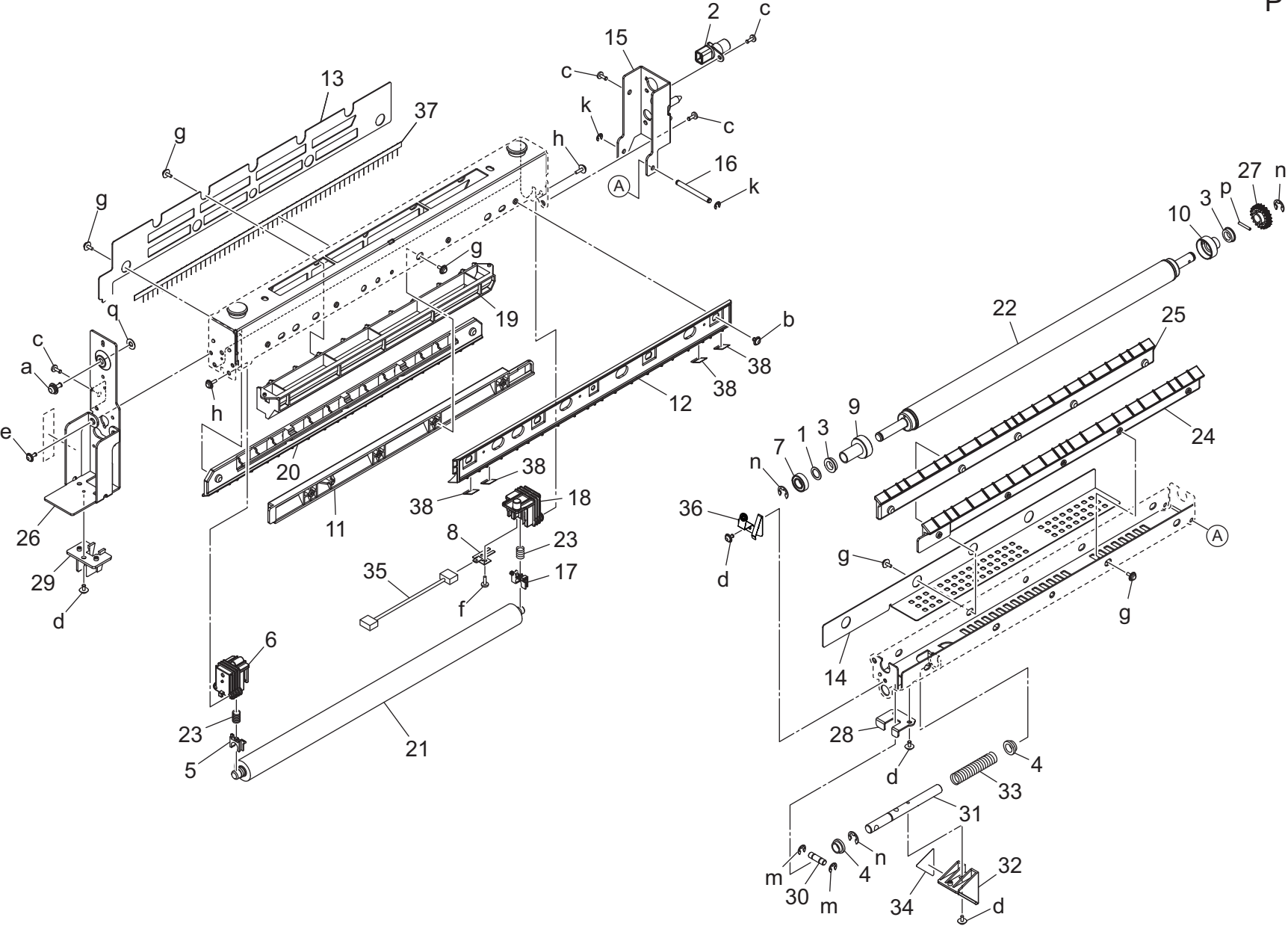
Charge Control Section



| Key | Part No. | Description | Destinations | Class | QTY | Standard parts |
|-----|------------|-----------------------------|--------------|-------|-----|--|
| 1 | 4470402401 | Stopper | | D | 1 | a-V127030603 b-V127030604 c-V500020098 d-V570010046 e-V125041001 |
| 2 | 65AAR72700 | Powering Block /1 Assy | | C | 1 | |
| 3 | A50UM51000 | Photointerrupter | | C | 1 | |
| 4 | A85C897400 | Sensor Actuator /1 | | D | 1 | |
| 5 | A85C897900 | Sensor Cover /1 | | D | 1 | |
| 6 | AC57M40900 | HV Board /3 | | C | 1 | |
| 7 | AC57N21301 | Relay Harness /3 | | D | 1 | |
| 8 | AC57N21400 | HV Harness /20 | | D | 1 | |
| 9 | A85CN21700 | Relay Wiring /7 | | D | 1 | |
| 10 | AC57898500 | Protection Cover /1 | | D | 1 | |
| 11 | A8AK101503 | Stay /Middle | | D | 1 | |
| 12 | A8AK101700 | Protection Plate /1 | | D | 1 | |
| 13 | A8AK107100 | Protection Cover /2 | | D | 1 | |
| 14 | A8AW106900 | Drive Cover | | D | 1 | |
| 15 | AC57891400 | Cover /Rear | | D | 1 | |
| 16 | A8AW162500 | Lock Guide | | D | 1 | |
| 17 | A8AW162600 | Thermal insulation Sheet /1 | | D | 1 | |
| 18 | A8AW941002 | Processing Label | | C | 1 | |
| 20 | AC57895600 | Protection Cover /2 | | D | 1 | |
| 21 | AC57891700 | Thermal insulation Sheet /4 | | D | 1 | |
| 22 | A85C898301 | Cover /Middle | | D | 1 | |
| 23 | A85C898100 | Sealing Part /1 | | D | 2 | |
| 24 | A85C898200 | Sealing Part /2 | | D | 1 | |
| 25 | A85C896501 | Connecting Plate /1 | | D | 2 | |
| 26 | A85C896601 | Connecting Plate /3 | | D | 2 | |
| | | | | | | |
| | | | | | | |
| | | | | | | |
| | | | | | | |
| | | | | | | |
| | | | | | | |
| | | | | | | |
| | | | | | | |
| | | | | | | |
| | | | | | | |
| | | | | | | |
| | | | | | | |
| | | | | | | |
| | | | | | | |
| | | | | | | |
| | | | | | | |
| | | | | | | |
| | | | | | | |



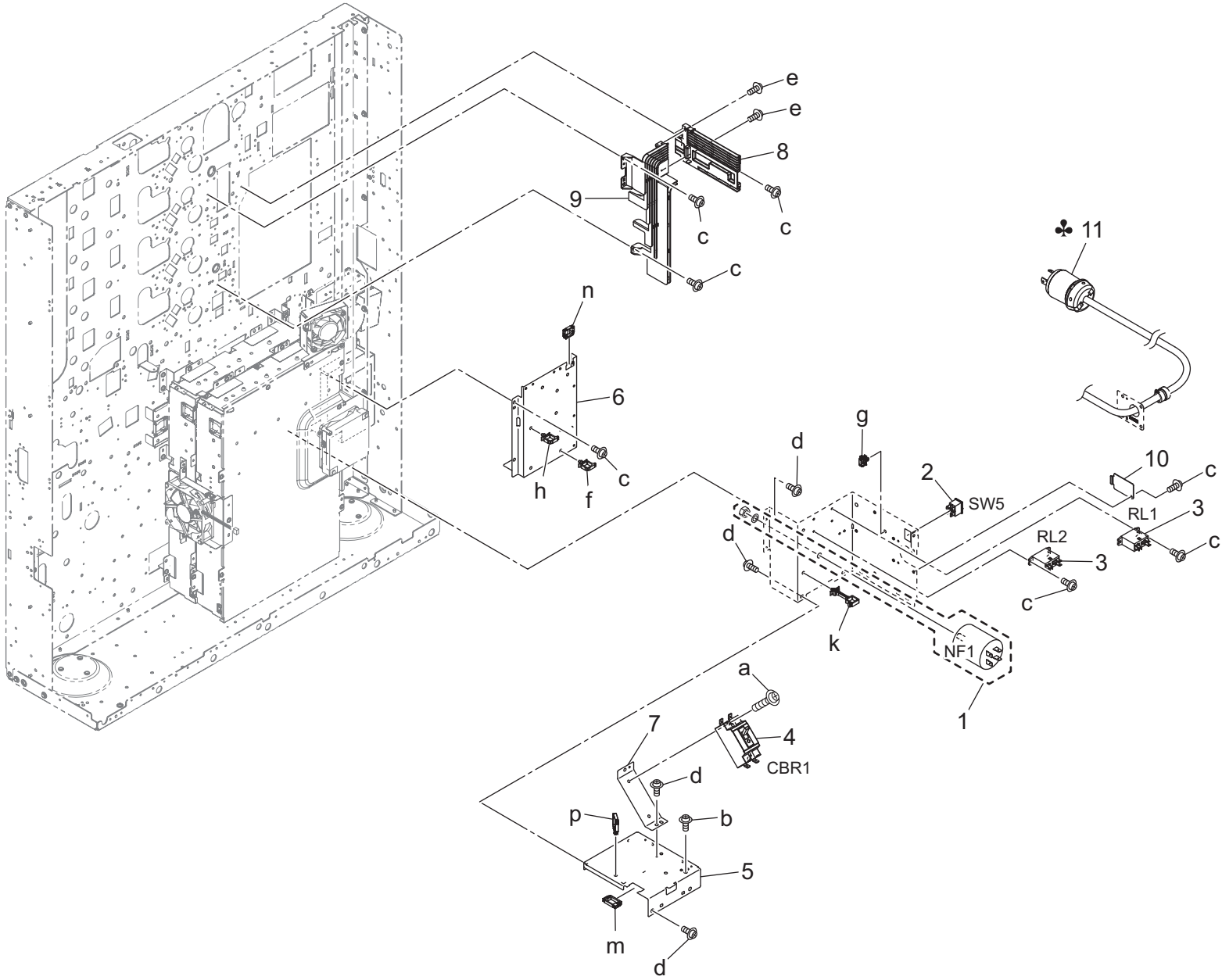
Charge Control Section



| Key | Part No. | Description | Destinations | Class | QTY | Standard parts |
|-----|------------|--------------------------------|-----------------|-------|-----|----------------|
| 1 | 12QV40650 | Spacer | スペーサー | B | 1 | a-V116041003 |
| 2 | 65AAR74600 | Powering Block /A Assy | 給電ブロック / A 部組 | C | 1 | b-V121030403 |
| 3 | A00J617900 | Ball Bearing | ボールベアリング | B | 2 | c-V126030803 |
| 4 | A0G6739300 | Operation Bushing /Front | 操作軸受 /前 | C | 2 | d-V127030604 |
| 5 | A1RF508900 | Transfer Powering Bearing | 転写給電軸受 | B | 1 | e-V127030803 |
| 6 | A1RF509000 | Power supply Block /C | 給電ブロック /C | D | 1 | f-V149030803 |
| 7 | A1RF820000 | Ball Bearing | ボールベアリング | C | 1 | g-V153030604 |
| 8 | A5AW510400 | Transfer Powering Plate /Front | 転写給電板 /前 | D | 1 | h-V153030803 |
| 9 | A85C895300 | Insulating Collar /Front | 絶縁カラー /前 | D | 1 | k-V217030003 |
| 10 | A85C895400 | Insulating Collar /Rear | 絶縁カラー /奥 | D | 1 | m-V217040003 |
| 11 | A85C895800 | Cover Guide | カバーガイド | D | 1 | n-V217060003 |
| 12 | A85C895900 | Conveyance Guide /1 | 搬送ガイド /1 | D | 1 | p-V234201450 |
| 13 | A85C896301 | Thermal insulation Sheet /1 | 防熱シート /1 | D | 1 | q-V211040080 |
| 14 | A85C896400 | Thermal insulation Sheet /3 | 防熱シート /3 | D | 1 | |
| 15 | A85C896800 | Fixing Plate | 固定板 | D | 1 | |
| 16 | A85C896900 | Support Shaft | 支点軸 | D | 1 | |
| 17 | A85C897201 | Charging Roller Bushing /Fr | 帯電ローラー軸受 /F r | B | 1 | |
| 18 | A85C897300 | High voltage Powering Block /C | 高圧給電ブロック /C | D | 1 | |
| 19 | A85C897700 | Insulating Duct /Middle | 断熱ダクト /中 | D | 1 | |
| 20 | A85C897800 | Conveyance Guide /2 | 搬送ガイド /2 | D | 1 | |
| 21 | AC57899000 | Charging Roller /Up | 帯電ローラー /U p | A | 1 | |
| 22 | A85C899100 | Neutralizing Roller /Lower | 除電ローラー /下 | D | 1 | |
| 23 | A8AK103200 | Power supply Spring | 給電ばね | C | 2 | |
| 24 | A8AK103502 | Conveyance Guide /1 | 搬送ガイド /1 | D | 1 | |
| 25 | A8AK103601 | Conveyance Guide /2 | 搬送ガイド /2 | D | 1 | |
| 26 | A8AK103702 | Mounting Plate /Front | 取付板 /前 | D | 1 | |
| 27 | A8AK104100 | Drive Gear 20T | 駆動ギア 20 T | C | 1 | |
| 28 | A8AK108001 | Holding Plate | 押さえ板 | D | 1 | |
| 29 | A8AK108100 | Guide Block | ガイド ブロック | D | 1 | |
| 30 | A8AK108200 | Guide Shaft | ガイド軸 | D | 1 | |
| 31 | A8AK108302 | Positioning Shaft | 位置決め軸 | D | 1 | |
| 32 | A8AK108400 | Lock Handle | ロック取手 | C | 1 | |
| 33 | A8AK108500 | Lock Spring | ロックばね | D | 1 | |
| 34 | A8AK941301 | Processing Label /1 | 処理ラベル /1 | C | 1 | |
| 35 | A8AKN10501 | HV Wiring /2 | 高圧束線 /2 | D | 1 | |
| 36 | A8AKR70511 | Lower Roller Contact Assy | 下ローラー接点 A s s y | C | 1 | |
| 37 | AC57896400 | Neutralizing Brush | 除電ブラシ | D | 1 | |
| 38 | A9VP893500 | Guide Sheet | ガイドシート | D | 4 | |
| | | | | | | |
| | | | | | | |
| | | | | | | |

Rear Electrical Section

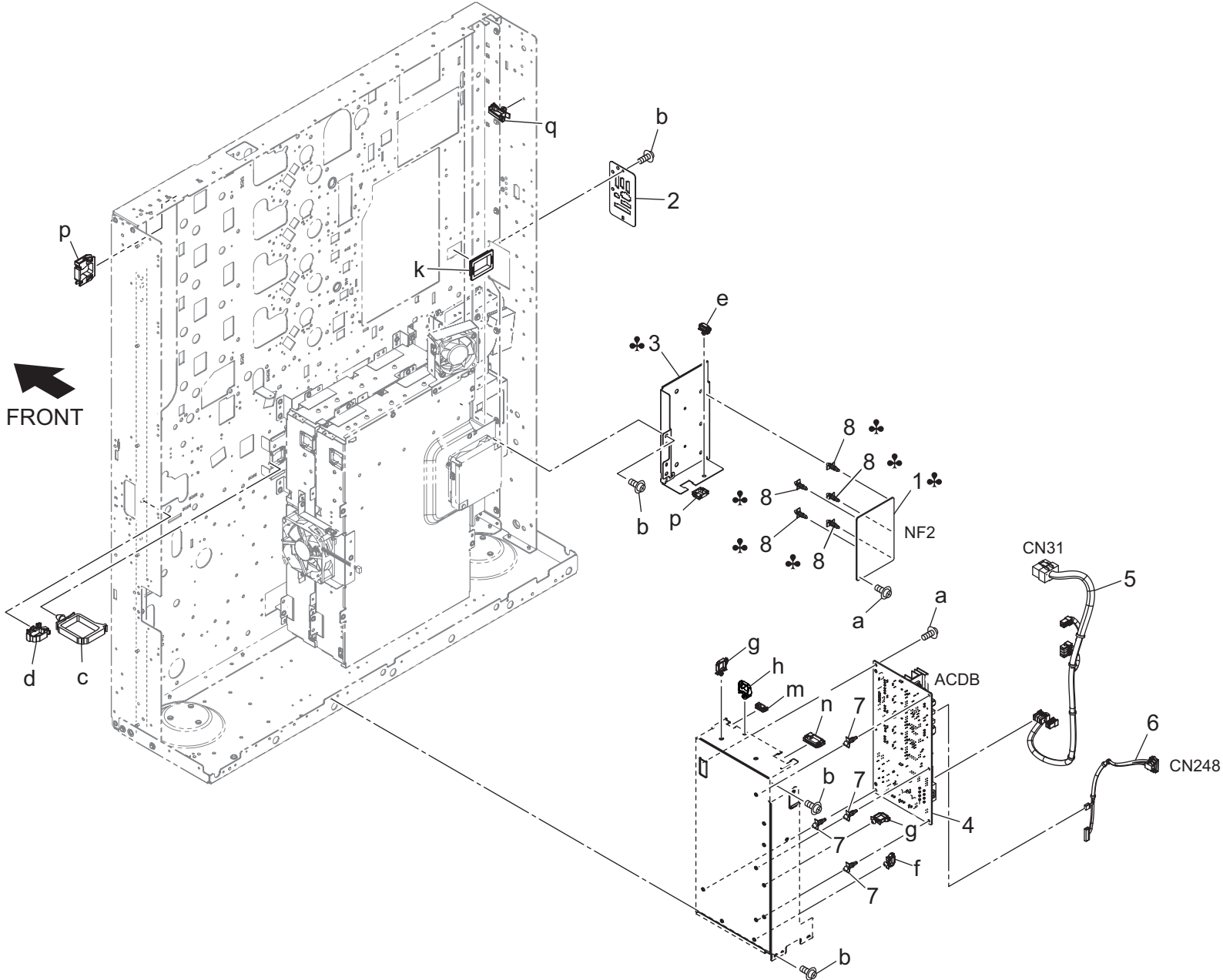
FRONT
←



Rear Electrical Section

| Key | Part No. | Description | Destinations | Class | QTY | Standard parts |
|-----|------------|-------------------------|--------------------------|-------|-----|----------------|
| 1 | ACVXM40H00 | Noise Filter | | D | 1 | a-V111042003 |
| 2 | A00JM60300 | Rocker switch | | C | 1 | b-V116050803 |
| 3 | A07TM60100 | Power source Relay | | C | 2 | c-V127030604 |
| 4 | A4EUM60401 | Breaker | | D | 1 | d-V127040603 |
| 5 | A50U131503 | Bottom plate | | D | 1 | e-V158030803 |
| 6 | A50U131700 | Mounting Plate | | D | 1 | f-V500010081 |
| 7 | A50U131800 | Fixing Plate /D | | D | 1 | g-V500010082 |
| 8 | A50U133700 | Wiring Guide /Rear | | D | 1 | h-V500010083 |
| 9 | A50U133800 | Wiring Guide /Left Rear | | D | 1 | k-V500010088 |
| 10 | A79J136000 | Mounting Plate | | D | 1 | m-V570010059 |
| 11 | AC57R72900 | Power Code ASSY | B,G2 | D | 1 | n-V570010060 |
| 11 | AC57R73000 | Power Code ASSY | C,D1,E,F2,G1,H,I,K, J | D | 1 | p-V500010085 |
| 11 | AC57R74000 | Power Code ASSY | D3 | D | 1 | |
| 11 | AC57R74200 | Power Code ASSY | D1(Only INDIA) | D | 1 | |
| | | | | | | |
| | | | | | | |
| | | | | | | |
| | | | | | | |
| | | | | | | |
| | | | | | | |
| | | | | | | |
| | | | | | | |
| | | | | | | |
| | | | | | | |
| | | | | | | |
| | | | | | | |
| | | | | | | |

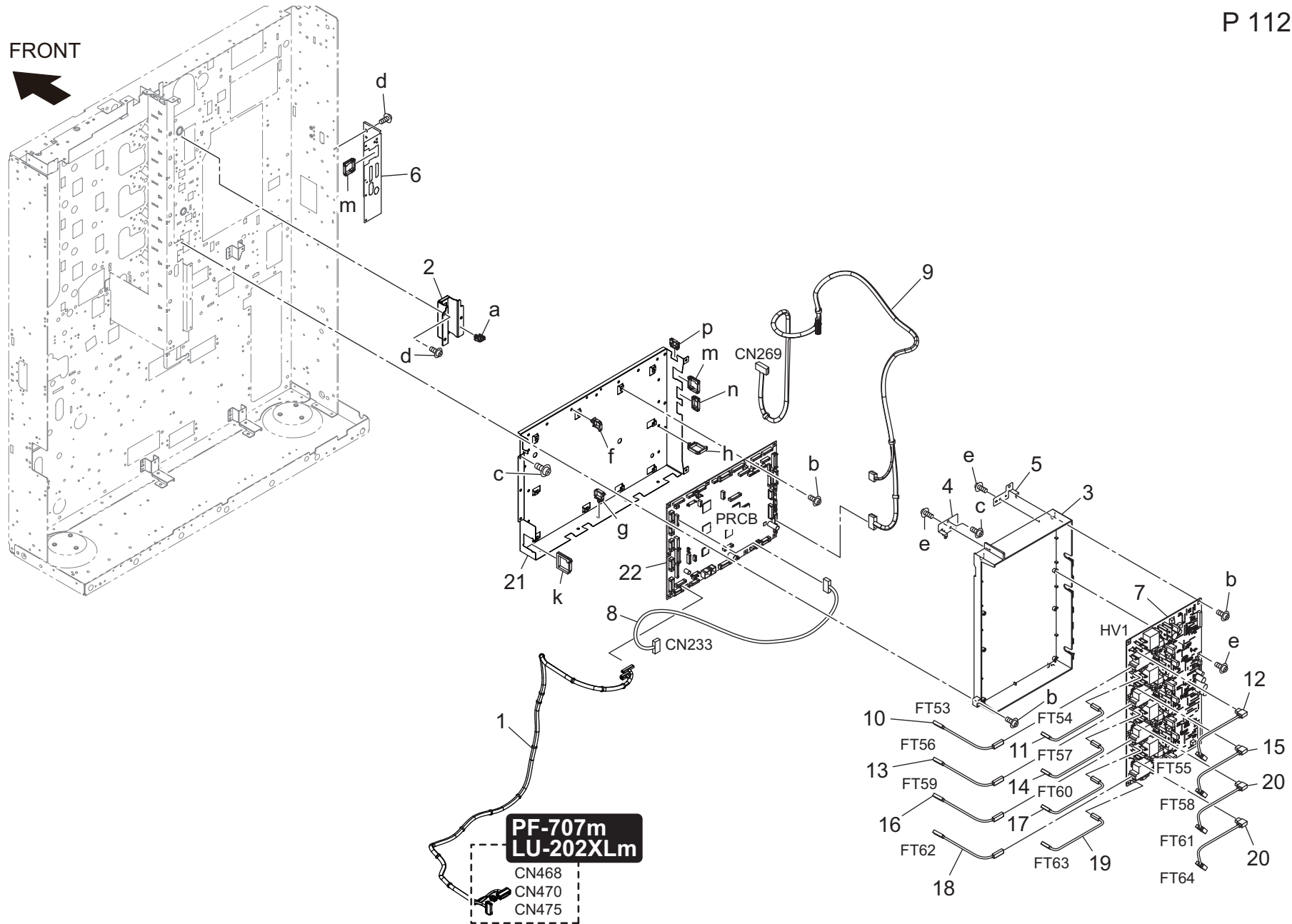
Rear Electrical Section



| Key | Part No. | Description | Destinations | Class | QTY | Standard parts |
|-----|------------|--|-----------------------------|-------|-----|----------------|
| 1 | A799M45300 | Noise filter ノイズフィルター | C,D1,D3,E,F2,G1,H,I ,K,J | D | 1 | a-V127030603 |
| 2 | AC57108100 | Power supply Panel /F 給電パネル /F | | D | 1 | b-V127030604 |
| 3 | AC57134100 | Mounting Plate /2 取付板 /2 | C,D1,D3,E,F2,G1,H,I ,K,J | D | 1 | c-V500010063 |
| 4 | AC57M46100 | AC Drive Board /230V AC 駆動基板 /2 3 0 V | | I | 1 | d-V500010072 |
| 5 | AC57N11400 | AC Harness /2 AC 束線 /2 | | D | 1 | e-V500010081 |
| 6 | AC57N11600 | Fusing Relay Harness /2 定着中継束線 /2 | | D | 1 | f-V500010082 |
| 7 | V502010033 | Circuit Board Spacer サーキット ボードスペーサー | | D | 4 | g-V500010083 |
| 8 | V502010033 | Circuit Board Spacer サーキット ボードスペーサー | C,D1,D3,E,F2,G1,H,I ,K,J | D | 5 | h-V500020098 |
| | | | | | | k-V570010038 |
| | | | | | | m-V570010057 |
| | | | | | | n-V570010059 |
| | | | | | | p-V570010060 |
| | | | | | | q-V500020100 |

Rear Electrical Section

FRONT



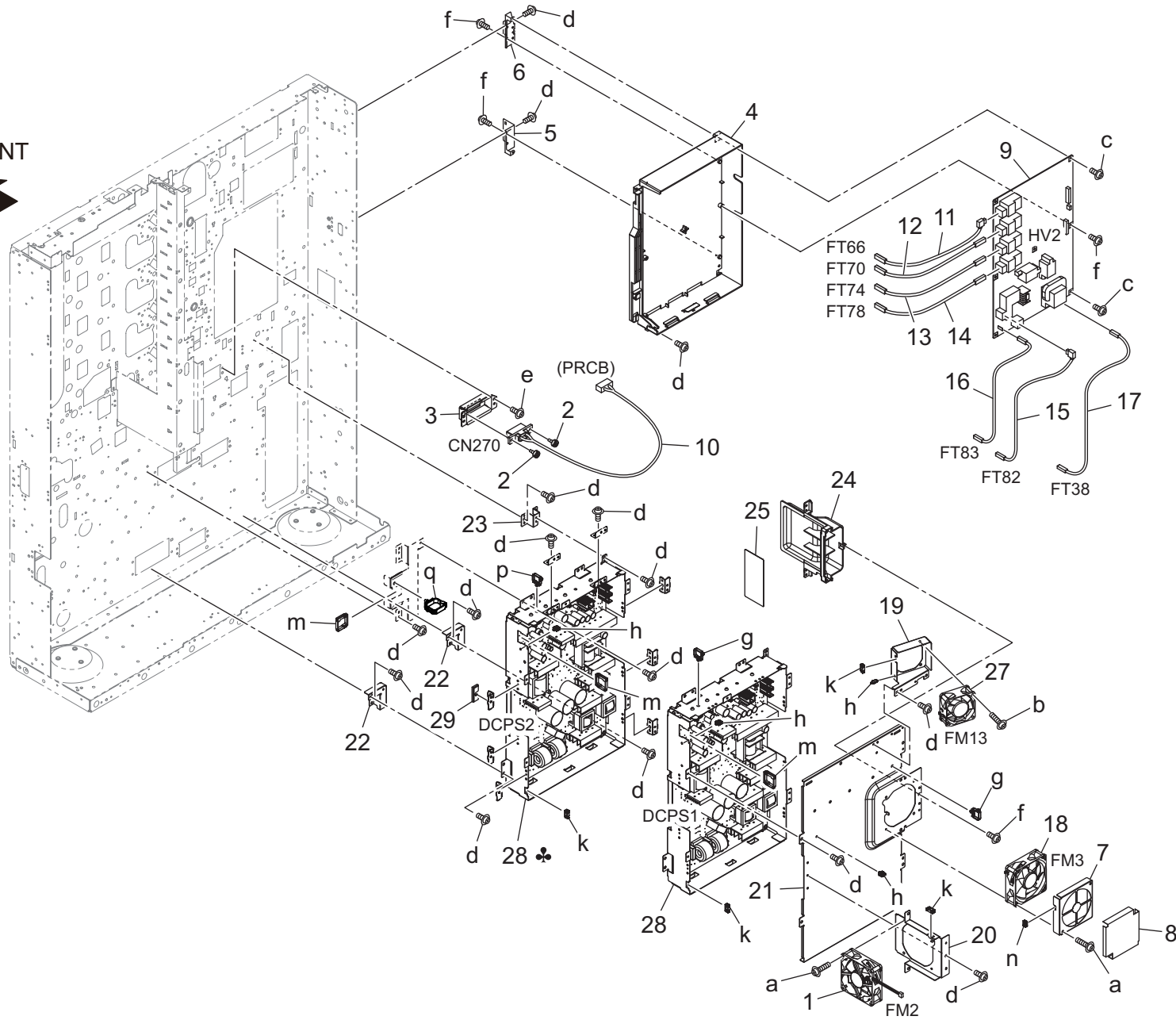
PF-707m
LU-202XLm

CN468
 CN470
 CN475

| Key | Part No. | Description | Destinations | Class | QTY | Standard parts |
|-----|---------------|----------------------------|--------------|-------|-----|----------------|
| 1 | A9VEN11500 | Main body Wiring /5 | | D | 1 | a-V500020099 |
| 2 | A50U104801 | Connecting Frame | | D | 1 | b-V127030603 |
| 3 | A50U131002 | Casing /1 | | D | 1 | c-V127030604 |
| 4 | A50U131400 | Ground Plate /1 | | D | 1 | d-V127040603 |
| 5 | A50U131900 | Ground Plate /2 | | D | 1 | e-V158030803 |
| 6 | A50U133101 | Support Plate /B | | D | 1 | f-V500010082 |
| 7 | A50UM40100 | HV Board /1 | | D | 1 | g-V500010084 |
| 8 | A50UN12900 | Toner Relay harness /1 | | D | 1 | h-V500010085 |
| 9 | AC58N17400 | Drive Relay Harness /2 | | D | 1 | k-V570010048 |
| 10 | A50UN23200 | HV Wiring /3 | | D | 1 | m-V570010058 |
| 11 | A50UN23300 | HV Wiring /4 | | D | 1 | n-V570010059 |
| 12 | A50UN23400 | HV Wiring /5 | | D | 1 | p-V570010060 |
| 13 | A50UN23500 | HV Wiring /6 | | D | 1 | |
| 14 | A50UN23600 | HV Wiring /7 | | D | 1 | |
| 15 | A50UN23700 | HV Wiring /8 | | D | 1 | |
| 16 | A50UN23800 | HV Wiring /9 | | D | 1 | |
| 17 | A50UN23900 | HV Wiring /10 | | D | 1 | |
| 18 | A50UN24100 | HV Wiring /12 | | D | 1 | |
| 19 | A50UN24200 | HV Wiring /13 | | D | 1 | |
| 20 | A50UN24300 | HV Wiring /14 | | D | 2 | |
| 21 | A9VE133000 | Support Plate | | D | 1 | |
| 22 | AC57H03002Old | Printer Control Board ASSY | | I | 1 | |
| 22 | AC57H03013Old | Printer Control Board ASSY | | I | 1 | |
| 22 | AC57H83000 | Printer Control Board ASSY | | I | 1 | |
| | | | | | | |
| | | | | | | |
| | | | | | | |
| | | | | | | |
| | | | | | | |
| | | | | | | |
| | | | | | | |
| | | | | | | |

Rear Electrical Section

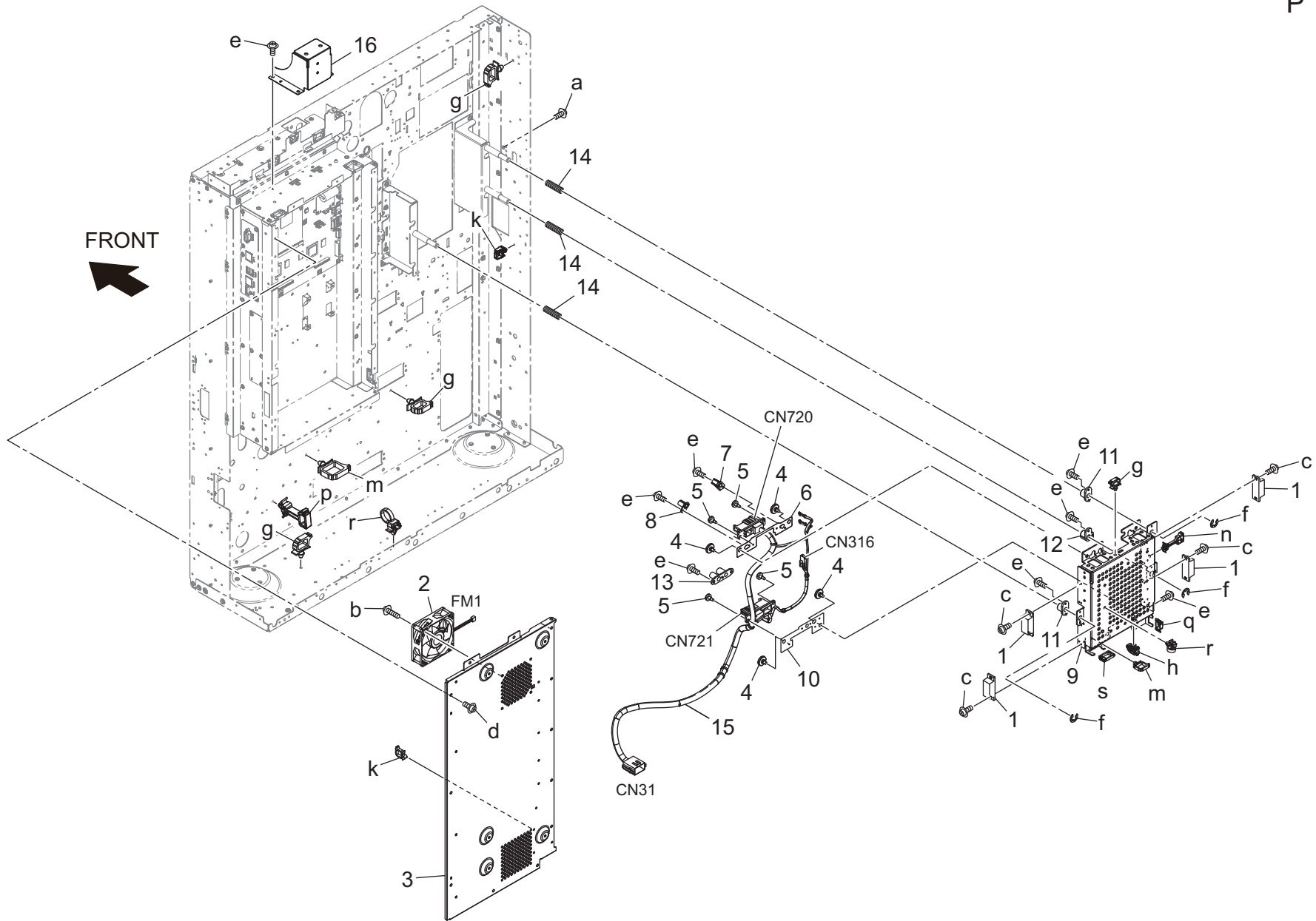
FRONT
←



| Key | Part No. | Description | Destinations | Class | QTY | Standard parts |
|-----|------------|--------------------------|--------------|-------|-----|----------------|
| 1 | AA2JM10500 | Fan Motor | | C | 1 | a-V118033003 |
| 2 | A1DU622200 | Mounting Screw | | D | 2 | b-V121033003 |
| 3 | A50U112901 | Mounting Tray | | D | 1 | c-V127030603 |
| 4 | A50U131100 | Hold Casing /2 | | D | 1 | d-V127030604 |
| 5 | A50U131200 | Ground Plate /4 | | D | 1 | e-V146040804 |
| 6 | A50U131300 | Ground Plate /3 | | D | 1 | f-V158030803 |
| 7 | A50U136700 | Cover Part | | D | 1 | g-V500010084 |
| 8 | A50U136800 | Filter | | D | 1 | h-V500020098 |
| 9 | A50UM40201 | HV Board /2 | | C | 1 | k-V570010057 |
| 10 | A50UN15101 | ADU Relay harness /2 | | D | 1 | m-V570010058 |
| 11 | A50UN24400 | HV Wiring /15 | | D | 1 | n-V570010056 |
| 12 | A50UN24600 | HV Wiring /16 | | D | 1 | p-V500010085 |
| 13 | A50UN24800 | HV Wiring /17 | | D | 1 | q-V500010063 |
| 14 | A50UN25000 | HV Wiring /18 | | D | 1 | |
| 15 | A50UN25200 | HV Wiring /19 | | D | 1 | |
| 16 | A50UN25300 | HV Wiring /G | | D | 1 | |
| 17 | A50UN25500 | HV Wiring /S | | D | 1 | |
| 18 | A93EM10000 | Fan motor | | C | 1 | |
| 19 | AC57120700 | Mounting Plate | | D | 1 | |
| 20 | AC57132001 | Mounting Plate | | D | 1 | |
| 21 | AC57132200 | Cover | | D | 1 | |
| 22 | AC57132500 | Fixing Plate /1 | | D | 2 | |
| 23 | AC57132800 | Fixing Plate /4 | | D | 1 | |
| 24 | AC57132900 | Duct | | D | 1 | |
| 25 | AC57133400 | Cover | | D | 1 | |
| 27 | AC57M15000 | Cooling Fan | | C | 1 | |
| 28 | AC57V13003 | Power Supply Assy (200V) | | I | 2 | |
| 29 | AC57133700 | Cushion | | D | 1 | |
| | | | | | | |
| | | | | | | |
| | | | | | | |
| | | | | | | |
| | | | | | | |
| | | | | | | |
| | | | | | | |
| | | | | | | |

Rear Electrical Section

P 114

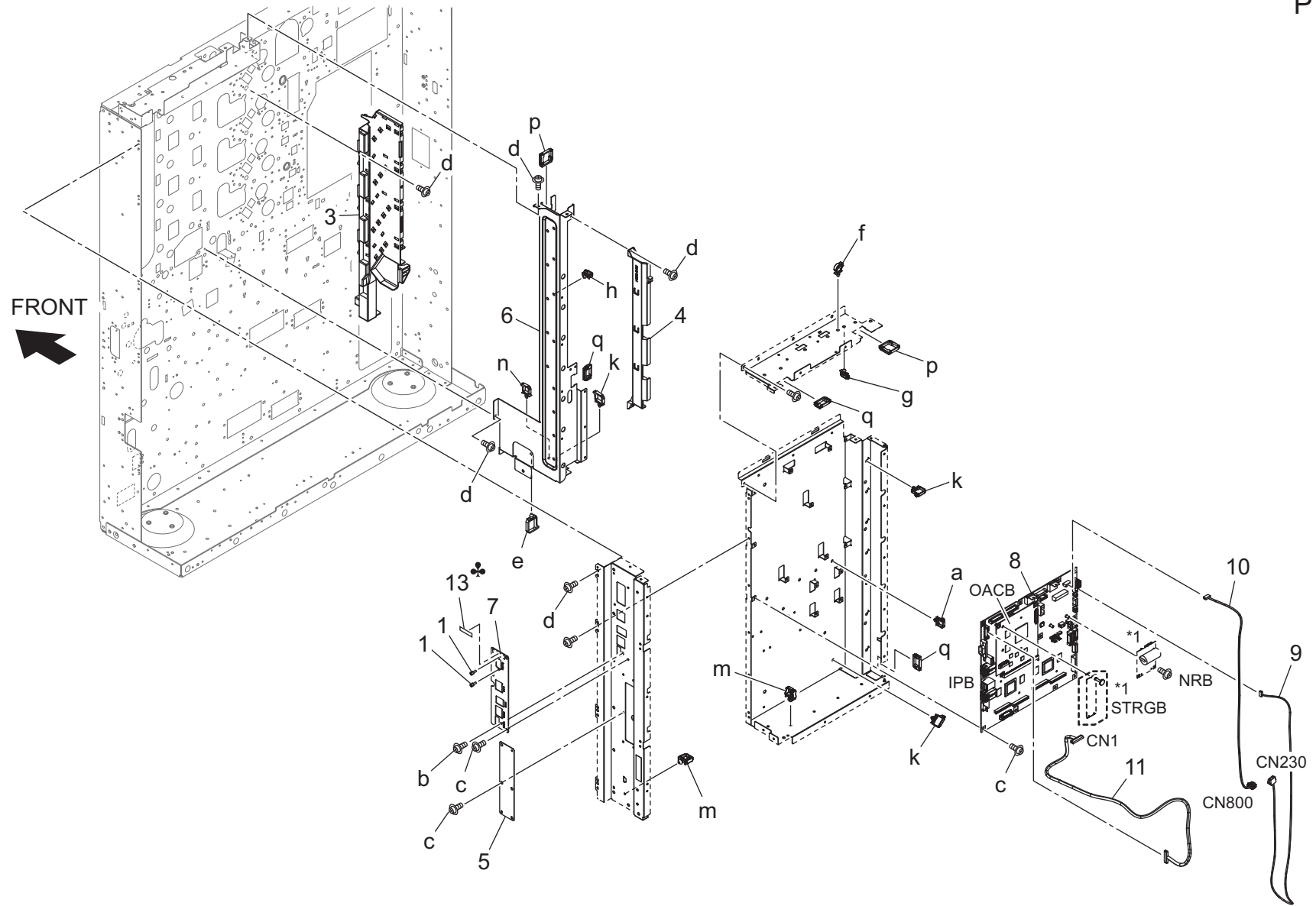


Rear Electrical Section

| Key | Part No. | Description | Destinations | Class | QTY | Standard parts |
|-----|------------|-------------------------|--------------|-------|-----|----------------|
| 1 | 55VA32480 | MAGNET CATCH | | C | 4 | a-V116040603 |
| 2 | AA2JM10500 | Fan Motor | | C | 1 | b-V116033003 |
| 3 | AC57130500 | Processing Cover | | D | 1 | c-V126030603 |
| 4 | A50U734100 | Guide Screw | | D | 4 | d-V127030516 |
| 5 | A50U737302 | Fixing Screw /1 | | D | 4 | e-V127030604 |
| 6 | A50U737401 | Mounting Stay /2 | | D | 1 | f-V217060003 |
| 7 | A50U737601 | Guide Part /11 | | D | 1 | g-V500010082 |
| 8 | A50U737700 | Guide Part /12 | | D | 1 | h-V500010072 |
| 9 | A50U749401 | Mounting Stay /Rear | | D | 1 | k-V500020098 |
| 10 | A50U749502 | Mounting Stay /1 | | D | 1 | m-V500010084 |
| 11 | A50U749600 | Idler Sleeve /1 | | D | 2 | n-V500020085 |
| 12 | A50U749700 | Idler Sleeve /2 | | D | 1 | p-V500020089 |
| 13 | A50U749801 | Positioning Sleeve /3 | | D | 1 | q-V570010063 |
| 14 | A50U753100 | Pressing Spring | | D | 3 | r-V501010018 |
| 15 | AC57N11300 | Fusing Relay Harness /D | | D | 1 | s-V570010059 |
| 16 | AC57134000 | Fixing Plate | | D | 1 | |
| | | | | | | |
| | | | | | | |
| | | | | | | |
| | | | | | | |
| | | | | | | |
| | | | | | | |
| | | | | | | |
| | | | | | | |
| | | | | | | |
| | | | | | | |
| | | | | | | |

AccurioPress C4070

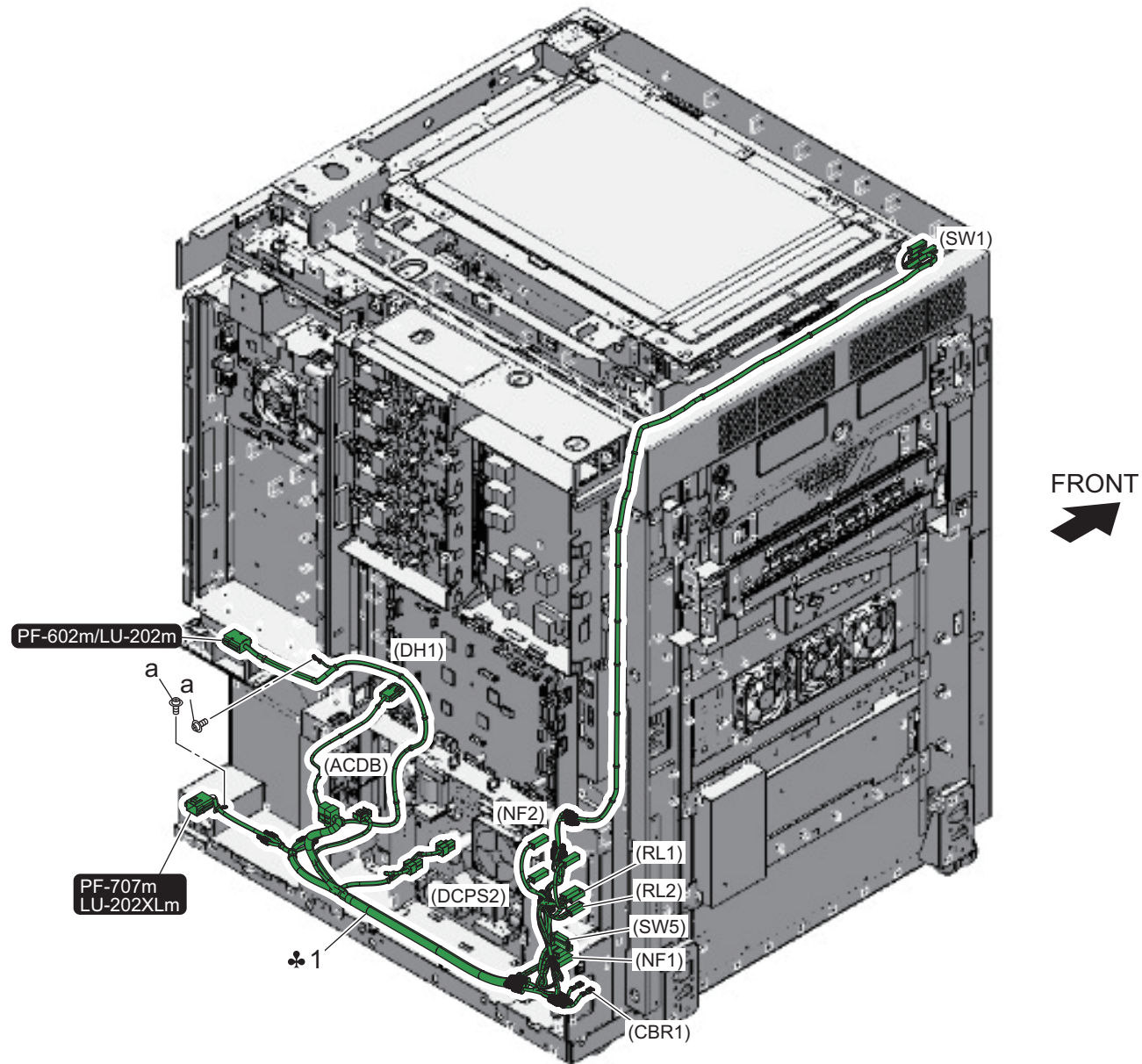
Rear Electrical Section



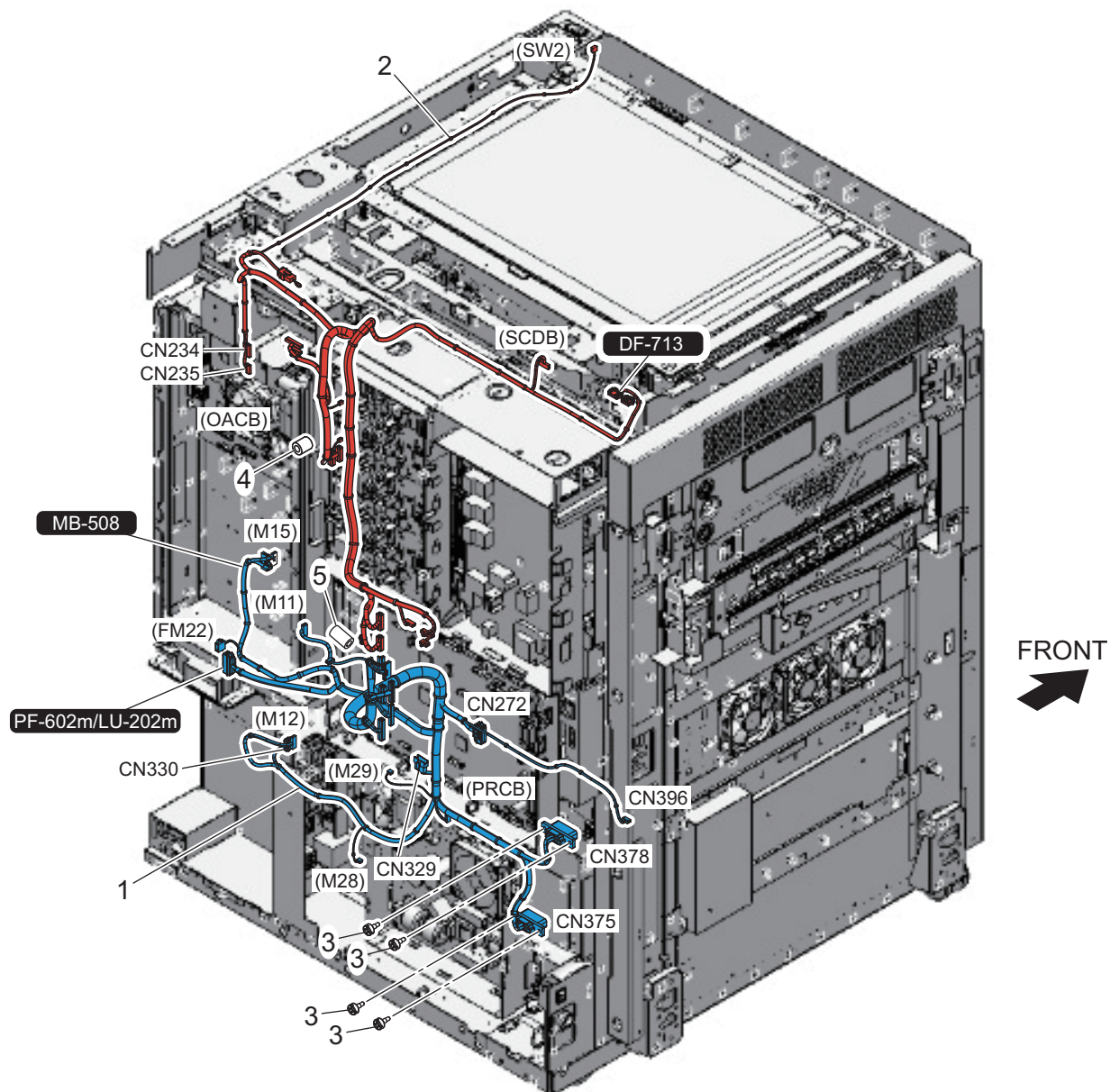
*1: Contact KONICA MINOLTA technical support if needed.
 必要の際は、KM のサポート部門へ問い合わせること。

AccurioPress C4070

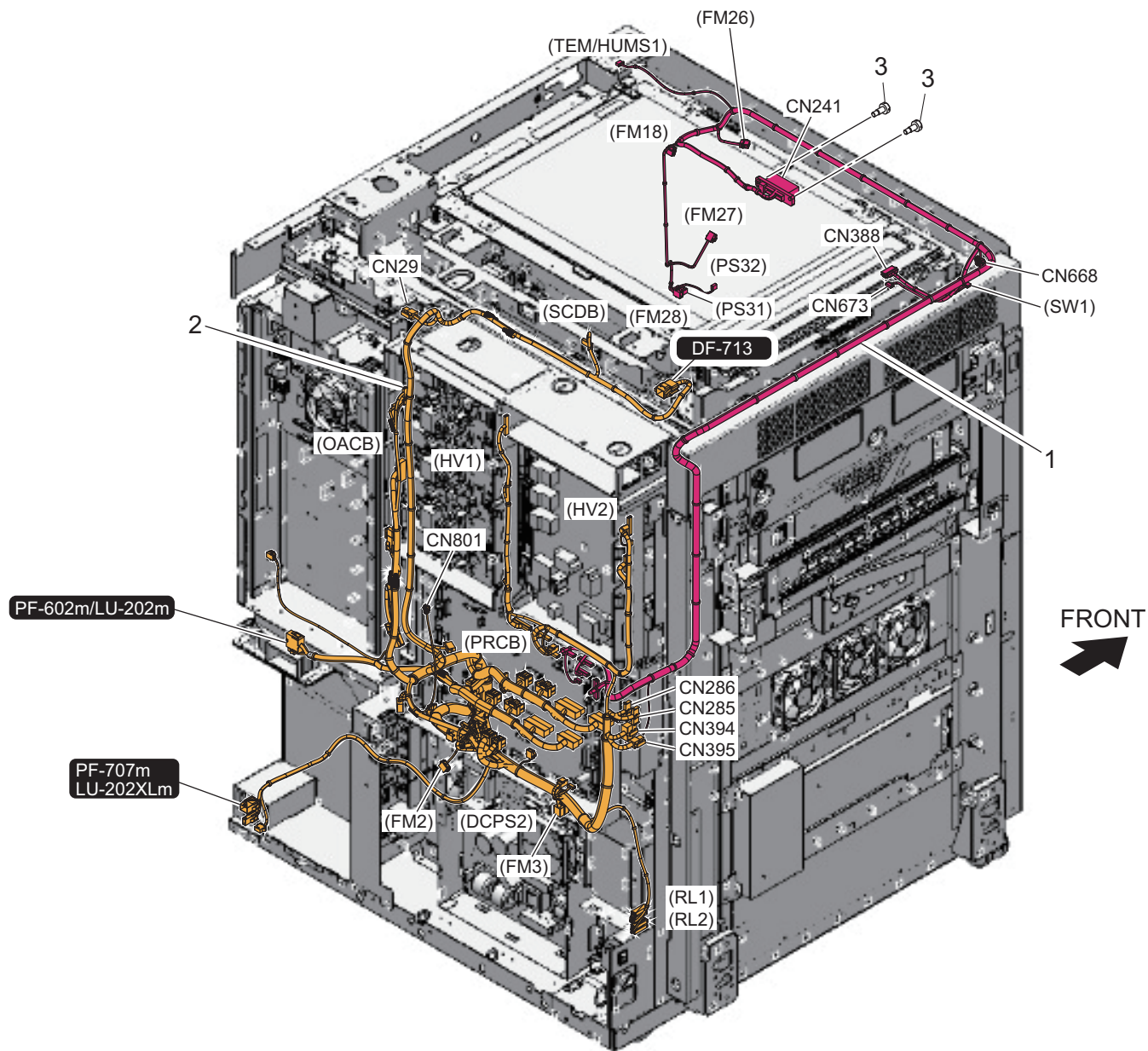
| Key | Part No. | Description | | Destinations | Class | QTY | Standard parts |
|-----|------------|-----------------------------------|-------------------|---------------------------------------|-------|-----|----------------|
| 1 | 4025228301 | Screw | ねじ | | D | 2 | a-V500010083 |
| 3 | A50U133902 | Wiring Guide /Right rear | 配線ガイド /右後 | | D | 1 | b-V111030603 |
| 4 | A50U136303 | Wiring Guide /2 | 配線ガイド /2 | | D | 1 | c-V127030516 |
| 5 | AC57130400 | Cover /1 | 蓋 /1 (I C C U 基板) | | D | 1 | d-V127030604 |
| 6 | AC57134800 | Cover Plate /1 | カバー板 /1 | | D | 1 | e-V500010063 |
| 7 | AC57135800 | Cover /1 | 蓋 /1 | | D | 1 | f-V500010076 |
| 8 | AC57H01109 | Main body Control Board assy | 本体制御基板 A s s y | | I | 1 | g-V500010081 |
| 9 | AC57N27400 | Image Processing Relay Harness /1 | 画像処理中継束線 /1 | | D | 1 | h-V500010082 |
| 10 | AC57N28600 | Image Processing Relay Harness /2 | 画像処理中継束線 /2 | | D | 1 | k-V500010084 |
| 11 | AC57N29200 | Relay Harness /U | 中継束線 /U | | D | 1 | m-V500020098 |
| 13 | A0E7946700 | Caution Label | 注意ラベル | D1,E,F2,G1,H,I(Except South Africa),K | C | 1 | n-V500020100 |
| | | | | | | | p-V570010058 |
| | | | | | | | q-V570010059 |
| | | | | | | | |
| | | | | | | | |
| | | | | | | | |
| | | | | | | | |
| | | | | | | | |
| | | | | | | | |
| | | | | | | | |
| | | | | | | | |
| | | | | | | | |
| | | | | | | | |
| | | | | | | | |
| | | | | | | | |
| | | | | | | | |
| | | | | | | | |
| | | | | | | | |
| | | | | | | | |



| Key | Part No. | Description | Destinations | Class | QTY | Standard parts |
|-----|------------|---------------|-----------------------------|-------|-----|----------------|
| 1 | AC57N10A01 | AC Harness /A | B,G2 | D | 1 | a-V116040603 |
| 1 | AC57N10F01 | AC Harness /F | C,D1,D3,E,F2,G1,H,I ,K,J | D | 1 | |
| | | | | | | |
| | | | | | | |
| | | | | | | |
| | | | | | | |
| | | | | | | |
| | | | | | | |
| | | | | | | |
| | | | | | | |
| | | | | | | |
| | | | | | | |
| | | | | | | |
| | | | | | | |
| | | | | | | |
| | | | | | | |

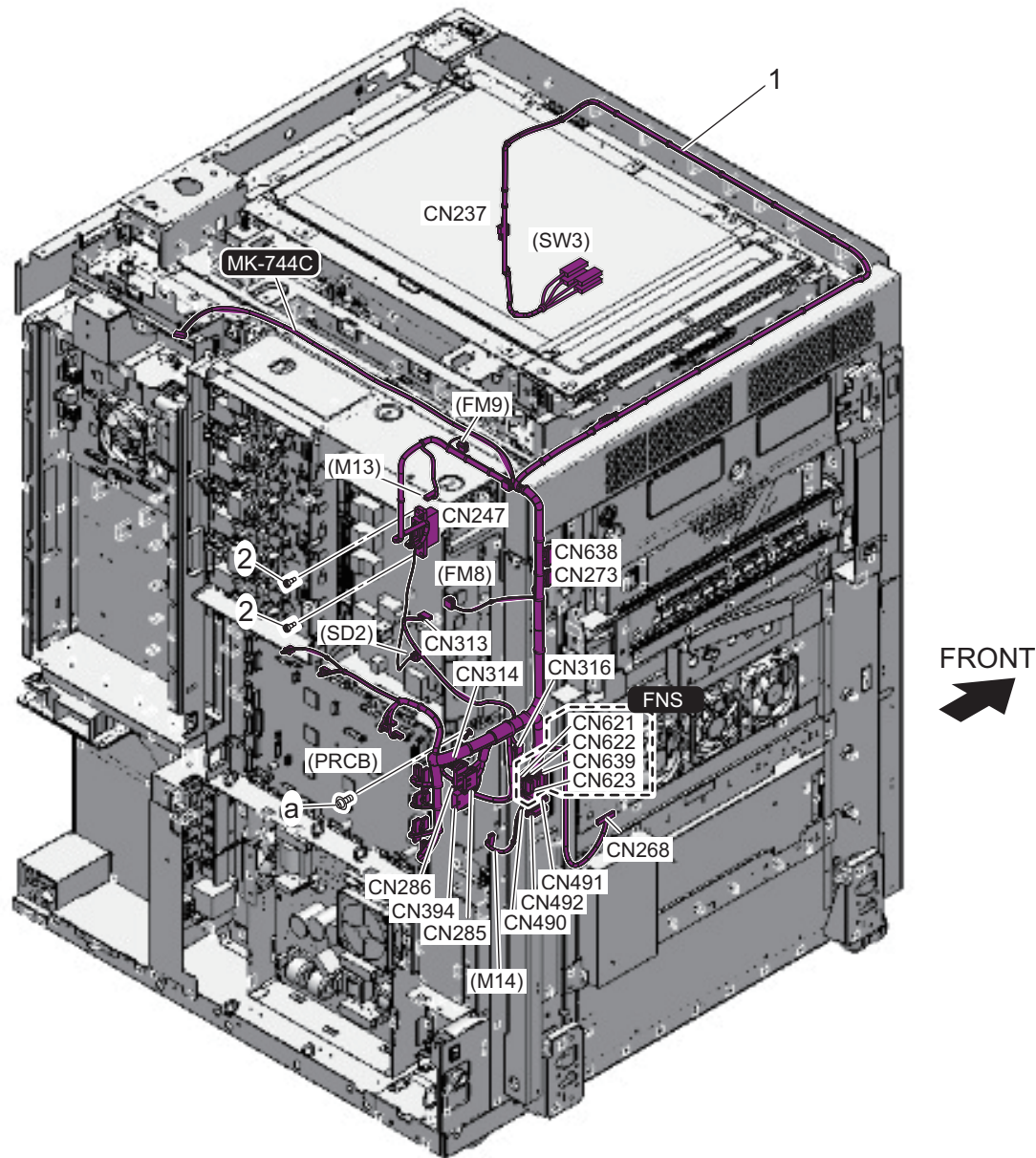


| Key | Part No. | Description | Destinations | Class | QTY | Standard parts |
|-----|------------|----------------------|--------------|-------|-----|----------------|
| 1 | AC57N10201 | Main Body Harness /1 | | D | 1 | |
| 2 | AC57N10400 | Main Body Harness /2 | | D | 1 | |
| 3 | A1DU622200 | Mounting Screw | | D | 4 | |
| 4 | A79JM90A00 | Ferritecore | | D | 1 | |
| 5 | AC57M90100 | Ferritecore | | D | 1 | |
| | | | | | | |
| | | | | | | |
| | | | | | | |
| | | | | | | |
| | | | | | | |
| | | | | | | |
| | | | | | | |
| | | | | | | |
| | | | | | | |
| | | | | | | |



FRONT
➔

| Key | Part No. | Description | Destinations | Class | QTY | Standard parts |
|-----|------------|----------------------------|--------------|-------|-----|----------------|
| 1 | AC57N12701 | Main Body Harness /4 | | D | 1 | |
| 2 | AC57N10302 | DC Power Source Harness /1 | | D | 1 | |
| 3 | 57AA15600 | Electric Mounting Screw | | C | 2 | |
| | | | | | | |
| | | | | | | |
| | | | | | | |
| | | | | | | |
| | | | | | | |
| | | | | | | |
| | | | | | | |
| | | | | | | |
| | | | | | | |
| | | | | | | |

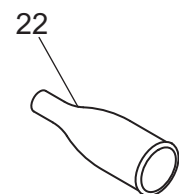
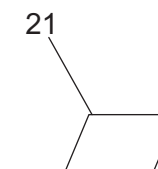
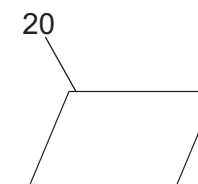
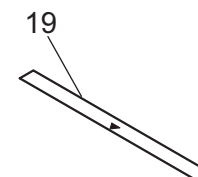
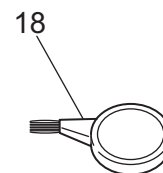
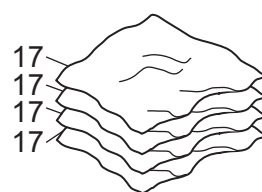
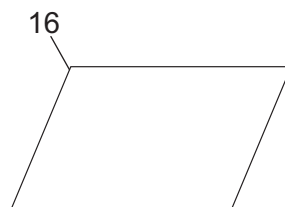
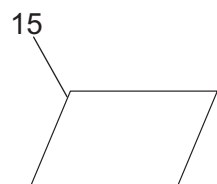
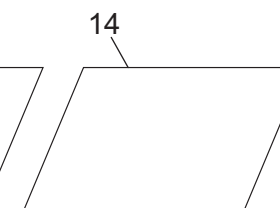
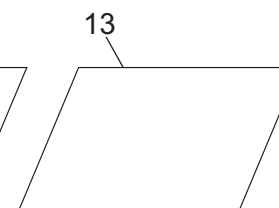
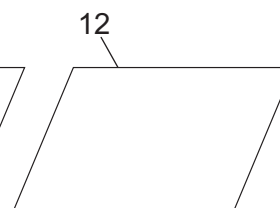
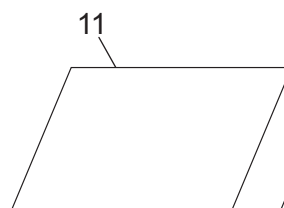
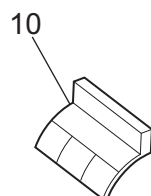
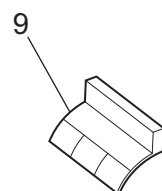
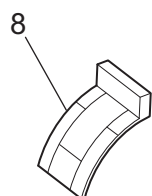
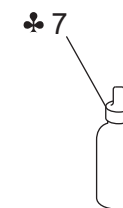
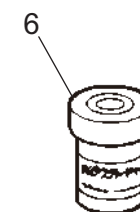
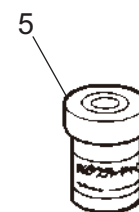
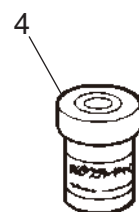
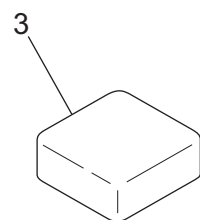
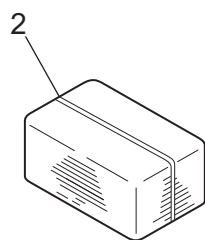


FRONT
➔

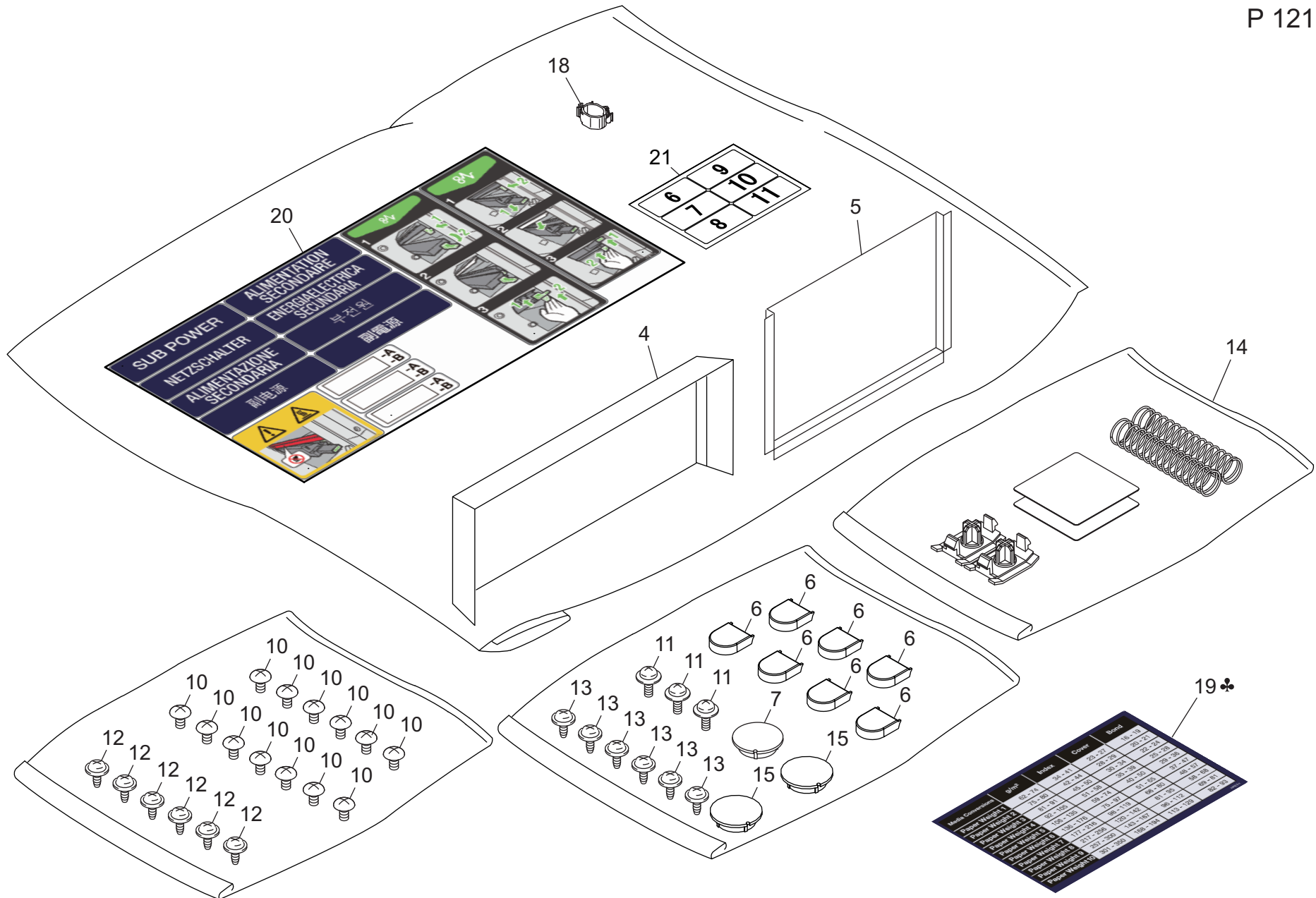
| Key | Part No. | Description | Destinations | Class | QTY | Standard parts |
|-----|---------------|-------------------------|--------------|-------|-----|----------------|
| 1 | AC57N10501Old | Main Body Harness /3 | | D | 1 | a-V116040603 |
| 1 | AC57N10513 | Main Body Harness /3 | | D | 1 | |
| 2 | 57AA15600 | Electric Mounting Screw | | C | 2 | |
| | | | | | | |
| | | | | | | |
| | | | | | | |
| | | | | | | |
| | | | | | | |
| | | | | | | |
| | | | | | | |
| | | | | | | |
| | | | | | | |
| | | | | | | |
| | | | | | | |
| | | | | | | |
| | | | | | | |
| | | | | | | |
| | | | | | | |
| | | | | | | |
| | | | | | | |
| | | | | | | |

Service Tool

P 120



| Key | Part No. | Description | Destinations | Class | QTY | Standard parts |
|-----|------------|---|--------------------------|-------|-----|----------------|
| 1 | A50UPP0100 | Setting Toner No.2 | | S | 1 | |
| 2 | A5AWP00100 | Cleaning Pad | | S | 1 | |
| 3 | 65AA-9920 | Hydrowipe | | S | 1 | |
| 4 | 00GR00260 | Grease(Multemp FF-RM) | | S | 1 | |
| 5 | 00GR00020 | Grease(Plas Guard No.1) | | S | 1 | |
| 6 | 00GR00220 | Grease(Molykote EM-30L Grease) | | S | 1 | |
| 7 | A4EUPP0000 | MHSURF FT-240 | C,D3(only NEW ZEALAND),I | S | 1 | |
| 8 | A50UPJG300 | Positioning Jig /C (Temperature Sensor) | | S | 1 | |
| 9 | A50UPJG100 | Positioning Jig /A (TS1/2) | | S | 1 | |
| 10 | A50UPJG200 | Positioning Jig /B (TS3) | | S | 1 | |
| 11 | 9J06PJP100 | Color chart/A3 size | | S | 1 | |
| 12 | 9J06PJP200 | Color chart/11x17size | | S | 1 | |
| 13 | A79JPJP000 | Test chart/A3 size | | S | 1 | |
| 14 | A79JPJP100 | Test chart/11x17 size | | S | 1 | |
| 15 | 120A97110 | Adjustment chart/For DF | | S | 1 | |
| 16 | 65AA99500 | Ajust Paper For Fixing Unit(16Sheets) | | S | 1 | |
| 17 | 00VC-2-00 | Drum Cover | | S | 4 | |
| 18 | 00VD-1000 | Blower Brush | | S | 1 | |
| 19 | 9J06PJP100 | DF reading chart | | S | 1 | |
| 20 | A782945003 | Adjusting Sheet | | S | 1 | |
| 21 | A8WC707100 | Adjusting Sheet | | S | 1 | |
| 22 | A1DUPJG100 | Cleaning Jig | | S | 1 | |
| | | | | | | |
| | | | | | | |
| | | | | | | |
| | | | | | | |
| | | | | | | |
| | | | | | | |
| | | | | | | |
| | | | | | | |
| | | | | | | |

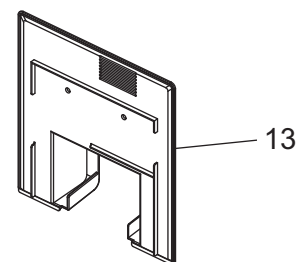
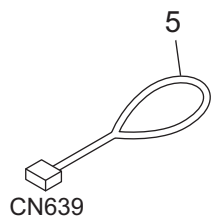
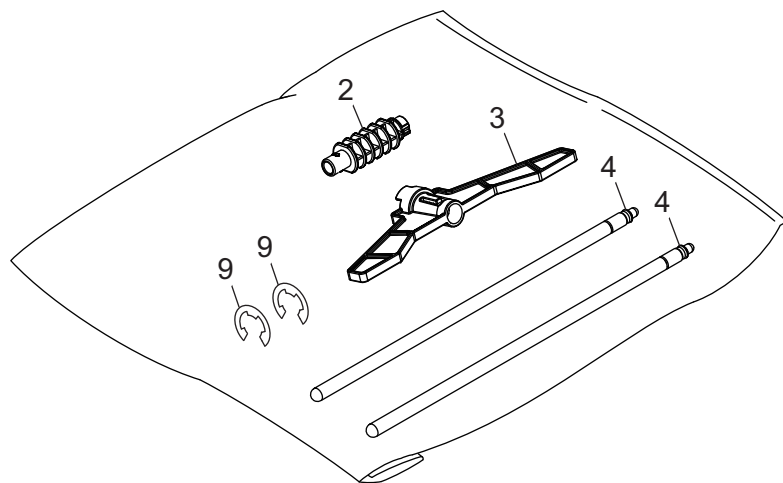
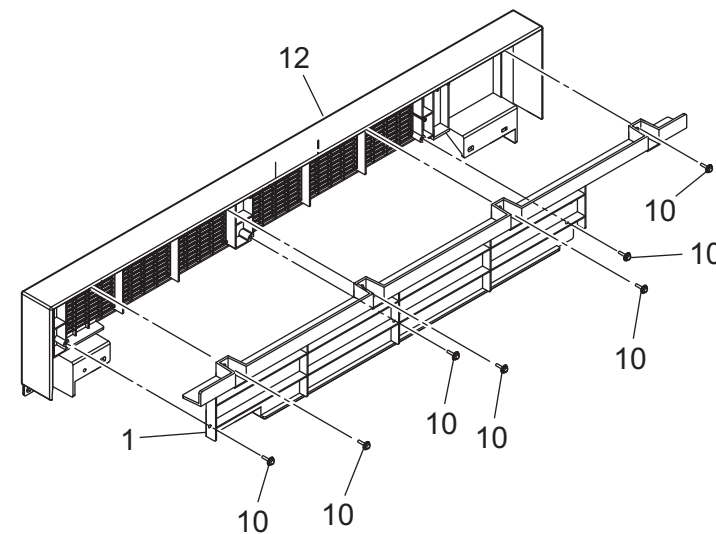
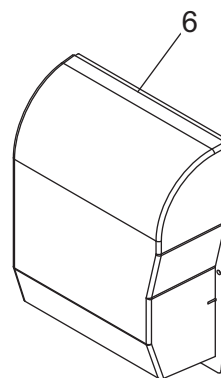
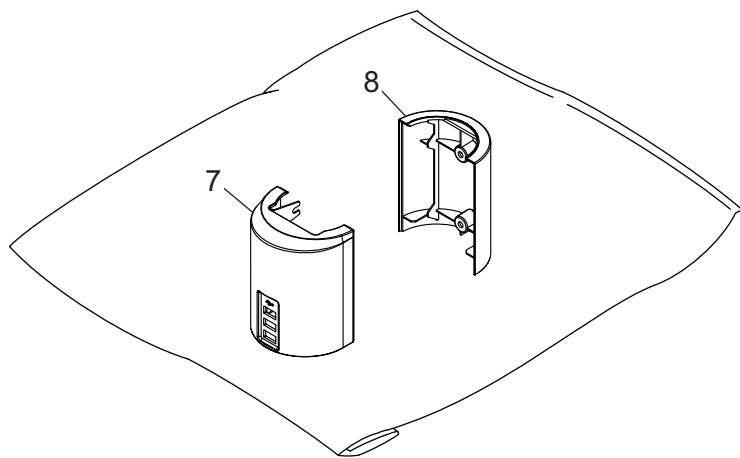


| Model | Index | Color | Brand |
|-------------|---------|---------|---------|
| Page Weight | 85-140 | 85-140 | 85-140 |
| Page Length | 210-297 | 210-297 | 210-297 |
| Page Width | 297-420 | 297-420 | 297-420 |
| Page Weight | 100-150 | 100-150 | 100-150 |
| Page Length | 210-297 | 210-297 | 210-297 |
| Page Width | 297-420 | 297-420 | 297-420 |
| Page Weight | 100-150 | 100-150 | 100-150 |
| Page Length | 210-297 | 210-297 | 210-297 |
| Page Width | 297-420 | 297-420 | 297-420 |
| Page Weight | 100-150 | 100-150 | 100-150 |
| Page Length | 210-297 | 210-297 | 210-297 |
| Page Width | 297-420 | 297-420 | 297-420 |

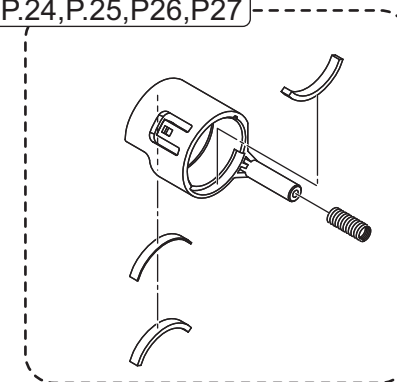
| Key | Part No. | Description | Destinations | Class | QTY | Standard parts |
|-----|------------|--|-----------------------------|-------|-----|----------------|
| 4 | A9CE955000 | Heat blocking Plate /1 | | D | 1 | |
| 5 | A9CE955100 | Heat blocking Plate /2 | | D | 1 | |
| 6 | A9VE168800 | Click Cover | | D | 7 | |
| 7 | A9VE169000 | Cover | | D | 1 | |
| 10 | V114040604 | Screw | | V | 13 | |
| 11 | V121030604 | Screw | | V | 3 | |
| 12 | V127030516 | Screw | | V | 6 | |
| 13 | V118030604 | screw | | V | 6 | |
| 14 | AC57R73200 | Drum(K) Replacement Coil spring Ass y | | D | 1 | |
| 15 | A00J169100 | Cover | | D | 2 | |
| 18 | V500010075 | Locking Wire Saddle | | V | 1 | |
| 19 | A9VE945900 | Paper feed Label /3 | B,G2 (Service Part Only) | D | 1 | |
| 20 | AC57942200 | Label /B | | D | 1 | |
| 21 | AC57944100 | Indicating Label /6 | | D | 1 | |
| | | | | | | |
| | | | | | | |
| | | | | | | |
| | | | | | | |
| | | | | | | |
| | | | | | | |
| | | | | | | |
| | | | | | | |

Accessory Parts

P 122



See P.24,P.25,P.26,P.27



AccurioPress C4070

| Key | Part No. | Description | Destinations | Class | QTY | Standard parts |
|-----|------------|---------------------|--------------|-------|-----|----------------|
| 1 | AC57898000 | Cover /Inside | | D | 1 | |
| 2 | A50U343600 | Coupling /D | | D | 1 | |
| 3 | A50U502801 | Hold Guide | | D | 1 | |
| 4 | A50U506500 | Support Shaft | | D | 2 | |
| 5 | A85CN19900 | Interface Wiring /1 | | D | 1 | |
| 6 | A9VE168000 | Duct | | D | 1 | |
| 7 | A9VE194200 | Operation Cover /A | | D | 1 | |
| 8 | A9VE194300 | Operation Cover /B | | D | 1 | |
| 9 | V217040003 | E-ring | | V | 2 | |
| 10 | V153031004 | screw | | V | 7 | |
| 12 | AC57896001 | Cover /Upper | | D | 1 | |
| 13 | A9VE197100 | Operation Cover /R | | D | 1 | |
| 14 | V501010006 | band | | D | 1 | |
| | | | | | | |
| | | | | | | |
| | | | | | | |
| | | | | | | |
| | | | | | | |
| | | | | | | |
| | | | | | | |
| | | | | | | |
| | | | | | | |
| | | | | | | |

MAINTENANCE LIST

● The items with no Page/Key numbers are not handled as spare parts.

| No. | Section | PM Parts Description | Maintenance Cycle (K=1,000) | | Parts No. | Destinations | Page/Key | Note |
|-----|------------------------------------|--------------------------------------|------------------------------------|---------|------------|---------------------|---------------|----------------------------|
| | | | QTY | Replace | | | | |
| 1 | External section | Filter box | 1 | 600K | A50UR70A12 | | P11-27 | *1 |
| 2 | External section | Developing dust-proof filter/1 | 1 | 600K | A50U172200 | | P5-27 | *1 |
| 3 | | Developing dust-proof filter/2 | 1 | 600K | A50U172300 | | P5-29 | *1 |
| 4 | | PH dust-proof filter | 1 | 600K | A50U172100 | | P5-26 | *1 |
| 5 | | Electric component cooling filter | 1 | 600K | A50U109900 | | P8-15 | *1 |
| 6 | | Suction dust-proof filter | 1 | 600K | A50U164901 | | P2-11 | *1 |
| 7 | | Intermediate transfer cooling filter | 1 | 600K | AC57121100 | | P5-32 | |
| 8 | Paper feed section | Paper feed roller rubber | 2 | 125K | 25SA40960 | | P70-3/P73-3 | |
| 9 | | Separation roller rubber | 2 | 125K | 25SA40960 | | P68-1/P71-1 | |
| 10 | Toner collection section | Waste toner box | 1 | 130K | A50UR70115 | (Except for Japan) | P34-19 | *2 |
| 11 | Charging section | Charging corona/Y | 1 | 210K | AC57R70111 | | P22-1 | *1 |
| 12 | | Charging corona/M | 1 | 210K | AC57R70111 | | P22-1 | *1 |
| 13 | | Charging corona/C | 1 | 210K | AC57R70111 | | P22-1 | *1 |
| 14 | | Charging corona/K | 1 | 210K | AC57R70111 | | P22-1 | *1 |
| 15 | Photo conductor section | Lubricant spring | 2 | 210K | - | | | *1 *5 |
| 16 | Intermediate transfer section | Toner collection sheet (STEP2) | 1 | 220K | A1DUR71C11 | | P41-11 | *1 |
| 17 | | Transfer belt cleaning blade (STEP2) | 1 | 220K | AAK7R71711 | | P41-16 | *1 |
| 18 | | Side seal (STEP2) | 2 | 220K | A50U531601 | | P41-15 | *1 |
| 19 | Intermediate transfer section | Transfer belt cleaning unit (STEP3) | 1 | 220K | AC57R75122 | | P36-1 | *1 |
| 20 | | Intermediate transfer belt/C (STEP3) | 1 | 346K | A9VE500200 | | P38-35 | *1 |
| 21 | Photo conductor section | Drum unit/K | 1 | 420K | - | | | *6 |
| 22 | Intermediate transfer section | 1st transfer roller/Y | 1 | 440K | A50U501201 | | P39-9 | *1 |
| 23 | | 1st transfer roller/M | 1 | 440K | A50U501201 | | P39-9 | *1 |
| 24 | | 1st transfer roller/C | 1 | 440K | A50U501201 | | P39-9 | *1 |
| 25 | | 1st transfer roller/K | 1 | 440K | A50U501201 | | P39-9 | *1 |
| 26 | | 2nd transfer roller/Up | 1 | 440K | A50U500401 | | P38-13 | *1 |
| 27 | | 2nd transfer roller/Lw | 1 | 440K | A50UV52000 | | P59-1 | *1 |
| 28 | | Separate discharging unit | 1 | 440K | A50UR70B00 | | P59-6 | *1 |
| 29 | | Intermediate transfer section | Intermediate transfer belt (STEP2) | 1 | 440K | A9VE500100 | (H) | P38-35 |
| 30 | Intermediate transfer belt (STEP2) | | 1 | 440K | A9VE500200 | (C) For the service | P38-35 | *1 |
| 31 | Photo conductor section | Drum unit/Y Drum unit/M Drum unit/C | 1 | 440K | - | | | *3 |
| 32 | Registration section | Registration cleaning sheet assy | 1 | 600K | AC57R73400 | | P104-30 | |
| 33 | Fusing section | Heat insulating sleeve/Lw | 2 | 600K | A50U756300 | | P46-13 | Service tool: Fluotribo MH |
| 34 | Charge control section | Charging roller/Up | 1 | 750K | AC57899000 | | P109-21 | *1 |
| 35 | Paper feed section | Pick-up roller | 2 | 800K | A1DUR71J00 | | P70-19/P73-19 | |
| 36 | Intermediate transfer section | Transfer belt separation claw | 3 | 888K | A1DUR71900 | | P39-8 | |
| 37 | Intermediate transfer section | Transfer belt cleaning unit (STEP2) | 1 | 888K | A50UR70666 | | P36-1 | *1 |
| 38 | Fusing section | Heat insulating sleeve/belt | 2 | 888K | A50U756300 | | P49-13 | |
| 39 | | Fusing gear/1 | 1 | 888K | A50U752700 | | P46-9 | |
| 40 | | Fusing gear/3 | 1 | 888K | A50U752200 | | P44-23 | |
| 41 | | Fusing belt | 1 | 888K | A50U765000 | | P49-14 | |
| 42 | Reverse and exit section | Paper exit de-curler roller | 1 | 1,000K | AC57890800 | | P106-20 | |
| 43 | | Paper exit drive gear /1 | 1 | 1,000K | A03U909502 | | P106-13 | |
| 44 | | Paper exit gear | 1 | 1,000K | A50U899700 | | P106-29 | |
| 45 | | Reverse de-curler roller | 1 | 1,000K | AC57860500 | | P99-16 | |
| 46 | Charge control section | Paper exit drive gear/2 | 1 | 1,000K | A043909901 | | P105-7 | |
| 47 | Fusing section | Fusing paper exit roller/Up | 2 | 1,200K | A9VE760900 | | P50-8 | |

| No. | Section | PM Parts Description | Maintenance Cycle (K=1,000) | | Parts No. | Destinations | Page/Key | Note |
|-----|-------------------------------|--|-----------------------------|------------|------------|----------------------|---------------|------|
| | | | QTY | Replace | | | | |
| 48 | Developing section | Developer/Y | 1 | 1,200K | - | | | *4 |
| 49 | | Developer/M | 1 | 1,200K | - | | | *4 |
| 50 | | Developer/C | 1 | 1,200K | - | | | *4 |
| 51 | | Developer/K | 1 | 1,200K | - | | | *4 |
| 52 | | Developing unit/Y | 1 | 1,200K | AC57R70222 | | P24-10 | *1 |
| 53 | | Developing unit/M | 1 | 1,200K | AC57R70222 | | P25-10 | *1 |
| 54 | | Developing unit/C | 1 | 1,200K | AC57R70222 | | P26-10 | *1 |
| 55 | Developing unit/K | 1 | 1,200K | AC57R70222 | | P27-10 | *1 | |
| 56 | Registration section | Registration roller | 1 | 1,400K | AC57710100 | | P102-7 | |
| 57 | | Registration roller bearing | 2 | 1,400K | A03U812800 | | P102-6 | |
| 58 | Intermediate transfer section | Belt separation claw solenoid (SD2) | 1 | 1,600K | 26NA82513 | | P7-2 | |
| 59 | | 2nd transfer earth plate assy | 2 | 1,760K | A50UR70G01 | | P82-21 | *1 |
| 60 | | C-clip | 2 | 1,760K | V218060086 | | P59-c | *1 |
| 61 | Fusing section | Fusing bearing/Lw | 4 | 1,800K | 26NA53712 | | P46-2/P49-1 | |
| 62 | | Fusing gear/2 | 1 | 1,800K | A03U809500 | | P49-5 | |
| 63 | | Heat insulating sleeve/Up | 2 | 1,800K | A5AW744900 | | P49-16 | |
| 64 | | Fusing ball bearing/Up | 2 | 1,800K | AC57745000 | | P49-17 | |
| 65 | | Belt regulating sleeve | 2 | 1,800K | A9VE724100 | | P49-22 | |
| 66 | | Fusing roller/1 | 1 | 1,800K | A9VE720300 | | P49-18 | |
| 67 | | Fusing roller/2 | 1 | 1,800K | A9VE720500 | | P49-19 | |
| 68 | | Fusing roller/Lw | 1 | 1,800K | A50U765500 | | P46-15 | |
| 69 | | Fusing separating claw assy | 5 | 1,800K | A50UR72U11 | | P50-33 | |
| 70 | Paper feed section | Paper feed clutch | 2 | 2,000K | A795M20300 | | P70-13/P73-13 | |
| 71 | | Pre-registration clutch | 2 | 2,000K | A795M20300 | | P69-20/P72-20 | |
| 72 | Vertical conveyance section | Intermediate conveyance clutch/1 (CL5) | 1 | 2,000K | A795M20300 | | P81-5 | |
| 73 | Duplex section | Intermediate conveyance clutch/2 (CL6) | 1 | 2,000K | AC57M20000 | | P87-9 | |
| 74 | | Intermediate conveyance clutch/3 (CL7) | 1 | 2,000K | AC57M20000 | | P87-9 | |
| 75 | Registration section | Registration idler gear | 1 | 2,800K | A50U713700 | | P88-10 | |
| 76 | Fusing section | Fusing heater lamp 1 assy/Up | 1 | 3,000K | A9VEM31E00 | B,G2 | P49-4 | |
| 77 | | Fusing heater lamp 1 assy/Up | 1 | 3,000K | A9VEM31F00 | C,D1,D3,E,F2,G1,H,I, | P49-4 | |
| 78 | | Fusing heater lamp 2 assy/Up | 1 | 3,000K | A9VEM33E00 | B,G2 | P49-30 | |
| 79 | | Fusing heater lamp 2 assy/Up | 1 | 3,000K | A9VEM33F00 | C,D1,D3,E,F2,G1,H,I, | P49-30 | |
| 80 | | Fusing temperature sensor/3 (TH3) | 1 | 3,000K | A50UR70F00 | | P48-15 | |
| 81 | | Fusing temperature sensor/4 (TH4) | 1 | 3,000K | A50UR70E22 | | P45-6 | |
| 82 | Charge control section | Charging roller bearing/Fr | 1 | 3,150K | A1RF508900 | | P109-5 | |
| 83 | | Charging roller bearing/Rr | 1 | 3,150K | A85C897201 | | P109-17 | |
| 84 | Intermediate transfer section | Transfer roller bearing/Y, /M, /C | 6 | 3,520K | 65AA26380 | | P39-3 | |
| 85 | | Transfer roller bearing/K | 2 | 3,520K | A50U505700 | | P39-15 | |

*1: Actual replacement: 100% (special parts counter) (See Service Manual F-3 LIFE VALUE.)

*2: The sensor detects its full automatically.

*3: Actual replacement: 460,000 counts (quantity) or 100% (distance), whichever is earlier (See Service Manual F-3 LIFE VALUE.)

*4: Be sure to replace it together with the developing unit at the same time.

*5: Only for drum unit/K

*6: Actual replacement: 420,000 counts (quantity) or 100% (distance), whichever is earlier (See Service Manual F-3 LIFE VALUE.)

*: The part names used on this page follow the ones used in the Service Manual and they are occasionally different from those written in other pages.

メンテナンスリスト

● ページ / キーナンバーのないものは、アフターサービス部品ではありません。

| No. | 区分 | P M 部品名称 | サイクル (K=1,000) | | 部品番号 | 仕向地 | 頁 / キー | 備考 |
|-----|---------------|-----------------------------|----------------|--------|------------|--------------|---------------|---------------------|
| | | | 員数 | 交換 | | | | |
| 1 | 外装部 | フィルターボックス | 1 | 600K | A50UR70A12 | | P11-27 | *1 |
| 2 | | 現像防塵フィルター /1 | 1 | 600K | A50U172200 | | P5-27 | *1 |
| 3 | | 現像防塵フィルター /2 | 1 | 600K | A50U172300 | | P5-29 | *1 |
| 4 | | PH 防塵フィルター | 1 | 600K | A50U172100 | | P5-26 | *1 |
| 5 | | 電装冷却フィルター | 1 | 600K | A50U109900 | | P8-15 | *1 |
| 6 | | 吸気防塵フィルター | 1 | 600K | A50U164901 | | P2-11 | *1 |
| 7 | | 中間転写冷却フィルター | 1 | 600K | AC57121100 | | P5-32 | |
| 8 | | 給紙ローラーゴム | 2 | 125K | 25SA40960 | | P70-3/P73-3 | |
| 9 | | 分離ローラーゴム | 2 | 125K | 25SA40960 | | P68-1/P71-1 | |
| 10 | トナー回収部 | 廃棄トナーボックス | 1 | 130K | A50UR70115 | (日本以外) | P34-19 | *2 |
| 11 | 帯電部 | 帯電極 /Y | 1 | 210K | AC57R70111 | | P22-1 | *1 |
| 12 | | 帯電極 /M | 1 | 210K | AC57R70111 | | P22-1 | *1 |
| 13 | | 帯電極 /C | 1 | 210K | AC57R70111 | | P22-1 | *1 |
| 14 | | 帯電極 /K | 1 | 210K | AC57R70111 | | P22-1 | *1 |
| 15 | 感光体部 | 滑剤スプリング | 2 | 210K | - | | | *1 *5 |
| 16 | 中間転写部 (STEP2) | トナー回収シート (STEP2) | 1 | 220K | A1DUR71C11 | | P41-11 | *1 |
| 17 | | 転写ベルトクリーニングブレード (STEP2) | 1 | 220K | AAK7R71711 | | P41-16 | *1 |
| 18 | | サイドシール (STEP2) | 2 | 220K | A50U531601 | | P41-15 | *1 |
| 19 | 中間転写部 (STEP3) | 転写ベルトクリーニングユニット (STEP3) | 1 | 325K | AC57R75122 | | P36-1 | *1 |
| 20 | | 中間転写ベルト /C (STEP3) | 1 | 346K | A9VE500200 | | P38-35 | *1 |
| 21 | 感光体部 | ドラムユニット /K | 1 | 420K | - | | | *6 |
| 22 | 中間転写部 | 1次転写ローラー /Y | 1 | 440K | A50U501201 | | P39-9 | *1 |
| 23 | | 1次転写ローラー /M | 1 | 440K | A50U501201 | | P39-9 | *1 |
| 24 | | 1次転写ローラー /C | 1 | 440K | A50U501201 | | P39-9 | *1 |
| 25 | | 1次転写ローラー /K | 1 | 440K | A50U501201 | | P39-9 | *1 |
| 26 | | 2次転写ローラー /Up | 1 | 440K | A50U500401 | | P38-13 | *1 |
| 27 | | 2次転写ローラー /Lw | 1 | 440K | A50UV52000 | | P59-1 | *1 |
| 28 | | 分離放電板ユニット | 1 | 440K | A50UR70B00 | | P59-6 | *1 |
| 29 | 中間転写部 (STEP2) | 中間転写ベルト (STEP2) | 1 | 440K | A9VE500100 | (H) | P38-35 | *1 |
| 30 | | 中間転写ベルト (STEP2) | 1 | 440K | A9VE500200 | (C) サービスパーツ対 | P38-35 | *1 |
| 31 | 感光体部 | ドラムユニット /Yドラムユニット /Mドラムユニット | 1 | 460K | - | | | *3 |
| 32 | レジスト部 | レジスト清掃シート Assy | 1 | 600K | AC57R73400 | | P104-30 | |
| 33 | 定着部 | 断熱スリーブ /Lw | 2 | 600K | A50U756300 | | P46-13 | サービスツール: フルト ライボ MH |
| 34 | 電荷制御部 | 帯電ローラー /Up | 1 | 750K | AC57899000 | | P109-21 | *1 |
| 35 | 給紙部 | ピックアップローラー | 2 | 800K | A1DUR71J00 | | P70-19/P73-19 | |
| 36 | 中間転写部 | 転写ベルト分離爪 | 3 | 888K | A1DUR71900 | | P39-8 | |
| 37 | 中間転写部 (STEP2) | 転写ベルトクリーニングユニット (STEP2) | 1 | 888K | A50UR70666 | | P36-1 | *1 |
| 38 | 定着部 | 断熱スリーブ /ベルト | 2 | 900K | A50U756300 | | P49-13 | |
| 39 | | 定着ギア /1 | 1 | 900K | A50U752700 | | P46-9 | |
| 40 | | 定着ギア /3 | 1 | 900K | A50U752200 | | P44-23 | |
| 41 | | 定着ベルト | 1 | 900K | A50U765000 | | P49-14 | |
| 42 | 反転 / 排紙部 | 排紙デカーラーローラー | 1 | 1,000K | AC57890800 | | P106-20 | |
| 43 | | 排紙駆動ギア /1 | 1 | 1,000K | A03U909502 | | P106-13 | |
| 44 | | 排紙ギア | 1 | 1,000K | A50U899700 | | P106-29 | |
| 45 | | 反転デカーラーローラー | 1 | 1,000K | AC57860500 | | P99-16 | |
| 46 | 電荷制御部 | 排紙駆動ギア /2 | 1 | 1,000K | A043909901 | | P105-7 | |
| 47 | 定着部 | 定着排紙ローラー /Up | 2 | 1,200K | A9VE760900 | | P50-8 | |
| | | | | | | | | |
| | | | | | | | | |
| | | | | | | | | |
| | | | | | | | | |
| | | | | | | | | |
| | | | | | | | | |
| | | | | | | | | |
| | | | | | | | | |
| | | | | | | | | |
| | | | | | | | | |

AccurioPress C4070

| No. | 区分 | P M 部品名称 | サイクル (K=1,000) | | 部品番号 | 仕向地 | 頁 / キー | 備考 |
|-----|-------|---------------------|----------------|--------|------------|-------------------------|---------------|--------|
| | | | 員数 | 交換 | | | | |
| 48 | 現像部 | 現像剤 /Y | 1 | 1,200K | - | | | *4 |
| 49 | | 現像剤 /M | 1 | 1,200K | - | | | *4 |
| 50 | | 現像剤 /C | 1 | 1,200K | - | | | *4 |
| 51 | | 現像剤 /K | 1 | 1,200K | - | | | *4 |
| 52 | | 現像ユニット /Y | 1 | 1,200K | AC57R70222 | | P24-10 | *1 |
| 53 | | 現像ユニット /M | 1 | 1,200K | AC57R70222 | | P25-10 | *1 |
| 54 | | 現像ユニット /C | 1 | 1,200K | AC57R70222 | | P26-10 | *1 |
| 55 | | 現像ユニット /K | 1 | 1,200K | AC57R70222 | | P27-10 | *1 |
| 56 | レジスト部 | レジスト ローラー | 1 | 1,400K | AC57710100 | | P102-7 | |
| 57 | | レジスト ローラー軸受 | 2 | 1,400K | A03U812800 | | P102-6 | |
| 58 | 中間転写部 | ベルト 分離爪ソレノイド (SD2) | 1 | 1,600K | 26NA82513 | | P7-2 | |
| 59 | | 2次転写アース板 Assy | 2 | 1,760K | A50UR70G01 | | P82-21 | *1 |
| 60 | | Cクリップ | 2 | 1,760K | V218060086 | | P59-c | *1 |
| 61 | 定着部 | 定着軸受 /Lw | 4 | 1,800K | 26NA53712 | | P46-2/P49-1 | |
| 62 | | 定着ギア /2 | 1 | 1,800K | A03U809500 | | P49-5 | |
| 63 | | 断熱スリーブ /上 | 2 | 1,800K | A5AW744900 | | P49-16 | |
| 64 | | 定着ボールベアリング /上 | 2 | 1,800K | AC57745000 | | P49-17 | |
| 65 | | ベルト 規制スリーブ | 2 | 1,800K | A9VE724100 | | P49-22 | |
| 66 | | 定着ローラー /1 | 1 | 1,800K | A9VE720300 | | P49-18 | |
| 67 | | 定着ローラー /2 | 1 | 1,800K | A9VE720500 | | P49-19 | |
| 68 | | 定着ローラー /Lw | 1 | 1,800K | A50U765500 | | P46-15 | |
| 69 | | | 定着分離爪 Assy | 5 | 1,800K | A50UR72U11 | | P50-33 |
| 70 | 給紙部 | 給紙クラッチ | 2 | 2,000K | A795M20300 | | P70-13/P73-13 | |
| 71 | | プレレジストクラッチ | 2 | 2,000K | A795M20300 | | P69-20/P72-20 | |
| 72 | 垂直搬送部 | 中間搬送クラッチ /1 (CL5) | 1 | 2,000K | A795M20300 | | P81-5 | |
| 73 | 両面部 | 中間搬送クラッチ /2 (CL6) | 1 | 2,000K | AC57M20000 | | P87-9 | |
| 74 | | 中間搬送クラッチ /3 (CL7) | 1 | 2,000K | AC57M20000 | | P87-9 | |
| 75 | レジスト部 | レジストアイドラーギア | 1 | 2,800K | A50U713700 | | P88-10 | |
| 76 | 定着部 | 定着ヒーターランプ 1 Assy/Up | 1 | 3,000K | A9VEM31E00 | B,G2 | P49-4 | |
| 77 | | 定着ヒーターランプ 1 Assy/Up | 1 | 3,000K | A9VEM31F00 | C,D1,D3,E,F2,G1,H,I,K,J | P49-4 | |
| 78 | | 定着ヒーターランプ 2 Assy/Up | 1 | 3,000K | A9VEM33E00 | B,G2 | P49-30 | |
| 79 | | 定着ヒーターランプ 2 Assy/Up | 1 | 3,000K | A9VEM33F00 | C,D1,D3,E,F2,G1,H,I,K,J | P49-30 | |
| 80 | | 定着温度センサー /3 (TH3) | 1 | 3,000K | A50UR70F00 | | P48-15 | |
| 81 | | 定着温度センサー /4 (TH4) | 1 | 3,000K | A50UR70E22 | | P45-6 | |
| 82 | 電荷制御部 | 帯電ローラー軸受 /Fr | 1 | 3,150K | A1RF508900 | | P109-5 | |
| 83 | | 帯電ローラー軸受 /Rr | 1 | 3,150K | A85C897201 | | P109-17 | |
| 84 | 中間転写部 | 転写ローラー軸受 /Y、/M、/C | 6 | 3,520K | 65AA26380 | | P39-3 | |
| 85 | | 転写ローラー軸受 /K | 2 | 3,520K | A50U505700 | | P39-15 | |

*1: 実質交換 : 100% (固定パーツカウンター) (サービスマニュアル「F.3 ライフ値の考え方」参照)

*2: フル検知はセンサーにより自動検知

*3: 実質交換 : 460,000 カウント (枚数)、または 100% (距離) いずれか早いタイミング (サービスマニュアル「F.3 ライフ値の考え方」参照)

*4: 現像ユニットと同時に交換すること

*5: ドラムユニット /K のみ

*6: 実質交換 : 420,000 カウント (枚数)、または 100% (距離) いずれか早いタイミング (サービスマニュアル「F.3 ライフ値の考え方」参照)

*: ここに記載されている部品名称はサービスマニュアルで使用されている部品名称であり、他のページに記載されている部品名称とは異なる場合があります。

AccurioPress C4070

DESTINATION

| Destination No. | | Destinations | | V | Hz | Model No. |
|-----------------|----|--|---|---------|-------|-----------------|
| A | A1 | JAPAN | | | | |
| | A2 | JAPAN | | | | |
| B | | USA, CANADA | | 208-240 | 60 | AC58011 |
| C | | EUROPEAN TYPE | | 220-240 | 50/60 | AC58021 |
| D | D1 | S.E ASIA TYPE | THAILAND, SRI LANKA, SINGAPORE, MALAYSIA, HONG KONG, PAKISTAN, INDIA, BANGLADESH, INDONESIA | 220-240 | 50/60 | AC58041,0 T1 |
| | D3 | OCEANIA TYPE | AUSTRALIA, NEW ZEALAND | 220-240 | 50/60 | AC58051 |
| E | | PHILIPPINES | | 220-240 | 50/60 | AC58041 |
| F | F1 | SAUDI ARABIA | | | | |
| | F2 | SAUDI ARABIA | | 220-240 | 50/60 | AC58041 |
| G | G1 | C.S AMERICA | | 220-240 | 50/60 | AC58041 |
| | G2 | C.S AMERICA | | 208-240 | 60 | AC58011 |
| H | | TAIWAN | | 220-240 | 50/60 | AC58041 |
| I | | JORDAN, LEBANON, SYRIA, SOUTH AFRICA, IRAQ, IRAN, N.YEMEN, CAMEROON, UAE, BAHRAIN, OMAN, QATAR, KUWAIT, KENYA, TUNISIA, IVORY COAST, MOROCCO | | 220-240 | 50/60 | AC58021,0 41 |
| J | | CHINA | | 220-240 | 50/60 | AC58081 |
| K | | KOREA | | 220-240 | 50/60 | AC58041 |

AccurioPress C4070