

KONICA MINOLTA

PARTS GUIDE MANUAL

NOVEMBER 2020

AccurioPress C4080
AC57

INFORMATION FOR PARTS GUIDE MANUAL

To find correct Parts No., refer to the "HOW TO MAKE THE BEST USE OF THIS MANUAL" in the following page.

HOW TO MAKE THE BEST USE OF THIS MANUAL

- 1 When you order, please check the proper figures beforehand that are on Our Parts Guide Manual, and order with the appropriate figures.
- 2 For screws, Nuts, Washers, retaining rings and Pins which are used in this model, one letter is shown on the Standard parts column of Parts list and exploded diagrams.
- 3 In order to maintain safety of the product, some specific parts composed of this product are set up as "essential safety parts".
- 4 The assigned parts number for the "essential safety parts" is indicated as "SP00-****".
When replacing these parts, follow precautions for disassembling and installing which are listed in the Service Manual.
Do not use any parts that are not set up as
- 5 ♣ means that there are exclusive parts for each destination.
Please check the appropriate destination when you order.
- 6 All rights reserved. (any reprints or quotations are prohibited.)
Use of this parts guide manual should be strictly supervised to avoid disclosure of confidential information.

パーツガイドマニュアルのご案内

サービス部品をご発注の際には、下記に示す“パーツガイドマニュアルの活用にあたって”をご参照の上、正しい部品番号にてお願い致します。

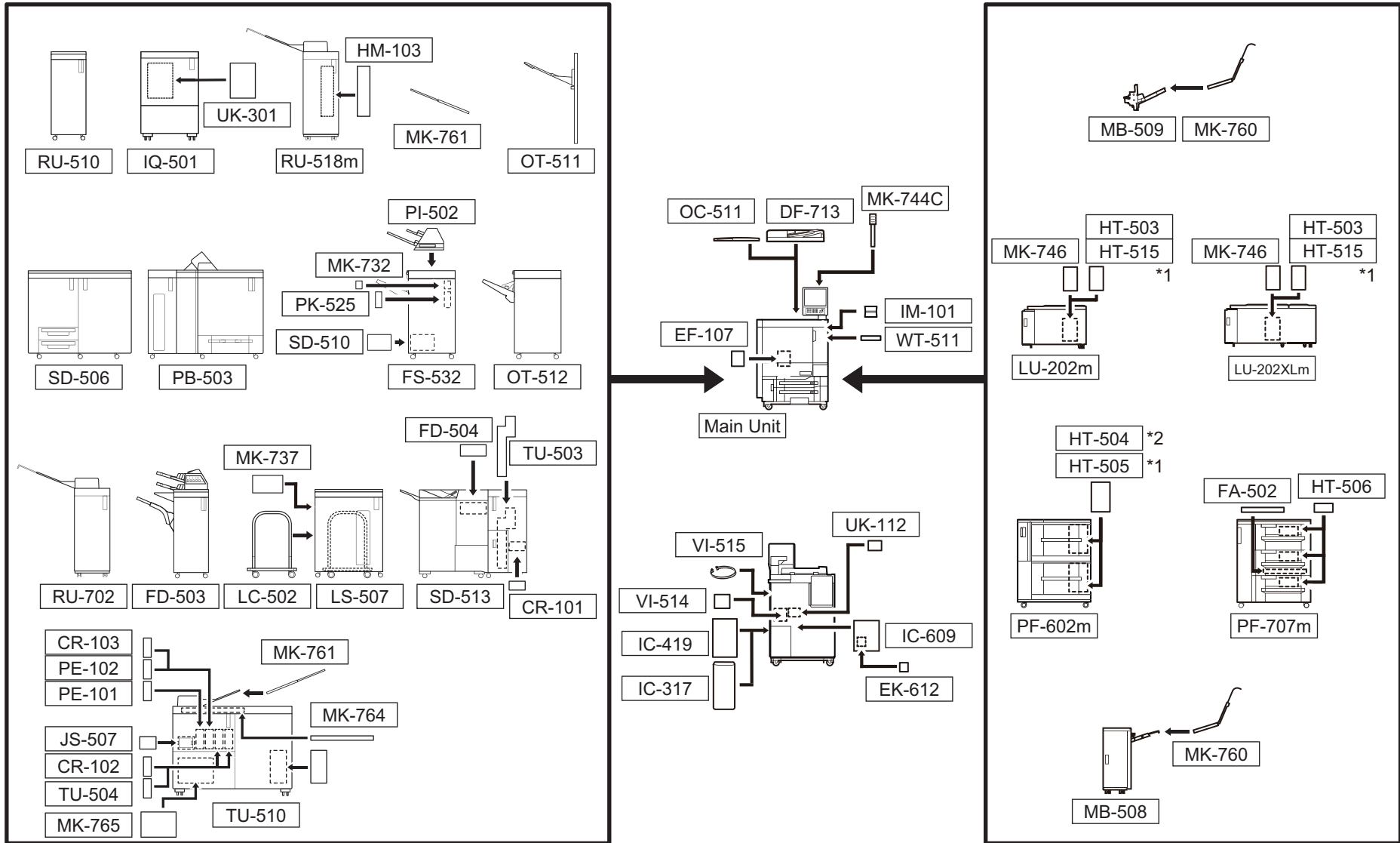
パーツガイドマニュアルの活用にあたって

- 1 部品発注の際には、掲載されている部品番号の桁数を確認し、掲載されている桁数で発注願います。
- 2 この製品に使用されているネジ、ナット、ワッシャー、止め輪、ピンなどは、リストの右側の Standard parts 欄に a,b,c,…… で表示し、イラストにも a,b,c,…… 表示してあります。
- 3 製品の安全性を維持する為に、製品に使用される特定の部品を「重要保安部品」として設定しています。
- 4 重要保安部品の部品番号は、“SP00-****”と記載されていますので、部品交換時は、サービスマニュアル記載の分解・組み立ての注意事項に従って作業をして下さい。
また、指定以外の部品は一切使用しないで下さい。
- 5 本文に ♣ が表示されている部品は、仕向け地毎に専用部品がある事を意味しています。
オーダーされる時は、仕向け地を確認して下さい。
- 6 著作権所有（無断転載及び無断引用の禁止）
本パーツガイドマニュアルについては、機密保持等その扱いには十分注意して下さい。万一取り扱いを誤った場合には、法律で処罰される場合があります。

10/26/2020

System Configuration

*1: North America Only
*2: Europe Only



AccurioPress C4080

GENERAL CONTENTS

No.	Description	Model
1	Digital MFP Color	AccurioPress C4080
2	Document Feeder	DF-713
3	Bypass Tray	MB-509
4	Envelop Fusing Unit	EF-107
5	Image Controller	IC-609
6	Image Controller	IC-317
7	Other Option	IM-101
8	Finisher/Sorter	FS-532(WY6)
9	Paper Feeder	PF-707m
10	Original Cover	OC-511
11	Intelligent Quality Optimizer	IQ-501
12	Saddle Unit	SD-506
13	Saddle Unit	SD-510
14	Saddle Unit	SD-513/SD-513/R
15	Large Capacity Stacker	LS-507
16	Other Option	JS-507
17	Folding Unit	FD-503
18	Saddle Unit	FD-504
19	Punch Unit	PK-525
20	Trimmer Unit	TU-503
21	Trimmer Unit	TU-504
22	Trimmer Unit	TU-510

AccurioPress C4080

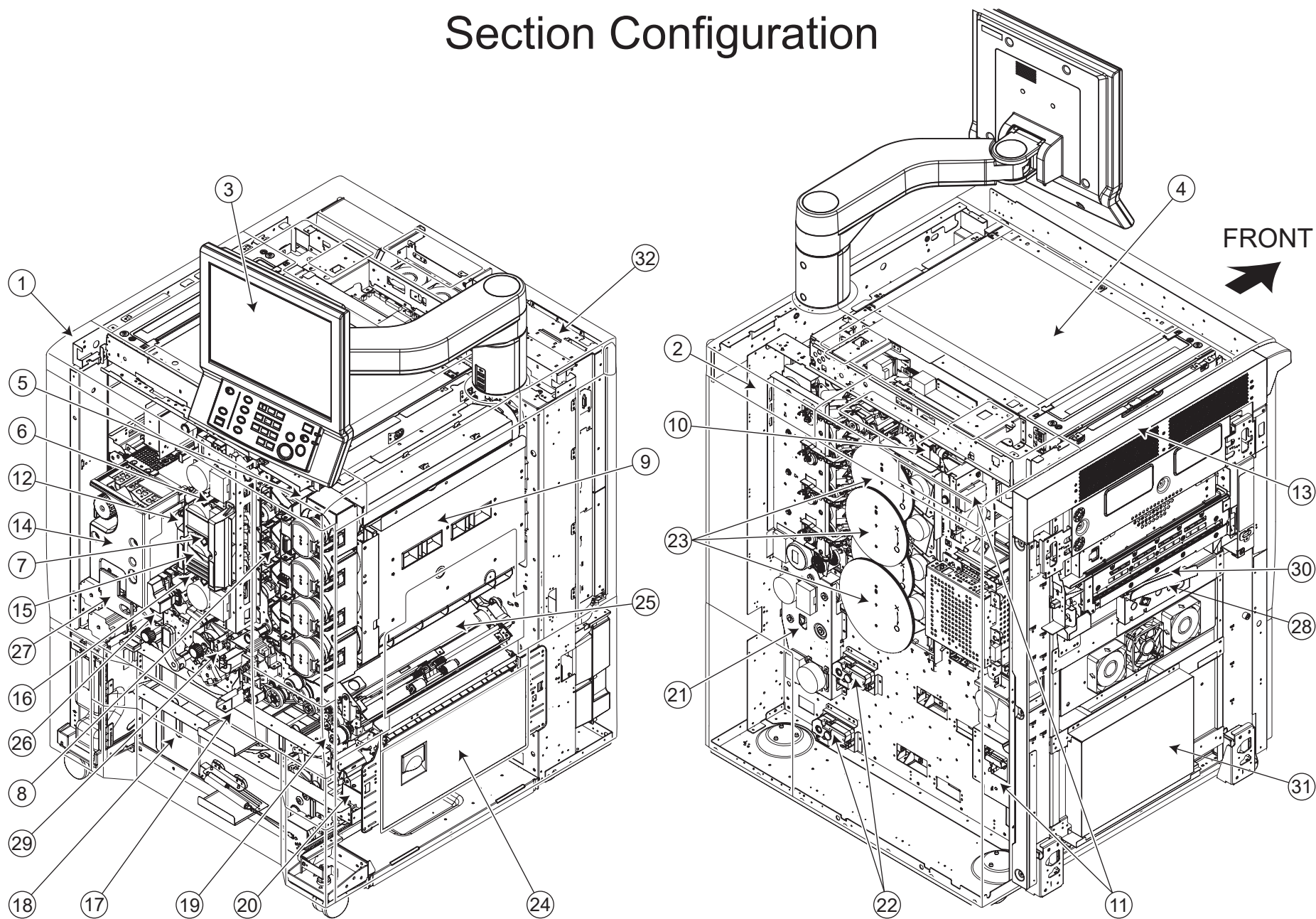
No.	Description	Model
23	Perfect Binder	PB-503
24	Post Inserter	PI-502
25	Output Tray	OT-511
26	Output Tray	OT-512
27	Paper Feeder	PF-602/PF-602m
28	Paper Feeder	LU-202XLm
29	Paper Feeder	LU-202m
30	Bypass Tray	MB-508
31	Other Option	LC-502
32	Relay Unit	RU-510
33	Relay Unit	RU-518m
34	Relay Unit	RU-702
35	Mount Kit	MK-732
36	Mount Kit	MK-744C
37	Mount Kit	MK-746
38	Mount Kit	MK-760
39	Mount Kit	MK-761
40	Mount Kit	MK-764
41	Heater	HT-503
42	Heater	HT-505
43	Heater	HT-506
44	Heater	HT-515
45	Working Table	WT-511

AccurioPress C4080

No.	Description	Model
46	Other Option	FA-502
47	Humidifier	HM-103
48	Saddle Unit	CR-101
49	Other Option	CR-102
50	Video IF Kit	VI-514
51	Video IF Kit	VI-515
52	Other Option	UK-112
53	Other Option	EK-612
54	Other Option	UK-301
55	Other Option	CR-103
56	Other Option	MK-765
57	Other Option	PE-101
58	Other Option	PE-102
59	Image Controller	IC-419
60	Other Option	MK-737
61	Heater	HT-504

AccurioPress C4080

Section Configuration



AccurioPress C4080

CONTENTS

No.	DESCRIPTION	名称	PAGE No.
1	External Parts Section	外装部	P1 P2 P3 P4
2	Main Frame Section	骨格部	P5 P6 P7 P8 P9 P10 P11 P12 P13
3	Operation Panel Section	操作部	P14 P15 P16
4	Scanner Section	スキャナー部	P17 P18 P19 P20
5	Write Section	書き込み部	P21
6	Charging Section	帯電部	P22
7	Photo Conductor Section	感光体部	P23
8	Developing Section	現像部	P24 P25 P26 P27
9	Toner Supply Section	トナー補給部	P28 P29 P30 P31 P32
10	Toner Collection Section	トナー回収部	P33 P34
11	Toner Collection Driving Section	トナー回収駆動部	P35
12	Intermediate Transfer Section	中間転写部	P36 P37 P38 P39 P40 P41
13	Color Resist Section	画像補正ユニット部	P42
14	Fusing Section	定着部	P43 P44 P45 P46 P47 P48 P49 P50 P51
15	Process Carriage Section	プロセス架台部	P52 P53 P54 P55 P56 P57 P58
16	Secondary Transfer Section	2次転写部	P59
17	Tray 1 Section	トレイ1	P60 P61 P62 P63
18	Tray 2 Section	トレイ2	P64 P65 P66 P67
19	Tray 1 Paper Feed Section	トレイ1 給紙部	P68 P69 P70
20	Tray 2 Paper Feed Section	トレイ2 給紙部	P71 P72 P73
21	Paper Feed Driving Section	給紙駆動部	P74
22	Tray Driving Section	トレイ駆動部	P75
23	Drum Driving Section	ドラム駆動部	P76 P77 P78 P79
24	Vertical Conveyance Section	垂直搬送部	P80 P81
25	Duplex Carriage Section	両面架台部	P82 P83
26	Duplex Section	両面部	P84 P85 P86 P87 P88 P89 P90 P91 P92 P93 P94 P95 P96
27	Duplex Swing Section	両面揺動部	P97 P98
28	Reverse Section	反転部	P99 P100 P101
29	Resist Section	レジスト部	P102 P103 P104
30	Exit Section	排紙部	P105 P106
31	Charge Control Section	電荷制御部	P107 P108 P109
32	Rear Electrical Section	背面電気部	P110 P111 P112 P113 P114 P115
33	Wiring	束線	P116 P117 P118 P119
34	Service Tool	サービスツール	P120
35	Accessory Parts	同梱部品	P121 P122

INDEX

Parts No.	Page No.
00GR00020	120-5
00GR00220	120-6
00GR00260	120-4
00VC-2-00	120-17
00VD-1000	120-18
059076510	70-1
059076510	73-1
07BA12352	29-1
07BA12352	44-1
07BA15871	37-2
07BA15871	39-1
08AA45230	41-1
1154467001	90-1
120A97110	120-15
12QR86011	28-2
12QV40650	38-1
12QV40650	74-1
12QV40650	76-2
12QV40650	77-2
12QV40650	78-2
12QV40650	79-1
12QV40650	84-3
12QV40650	87-2
12QV40650	102-2
12QV40650	109-1
13NG45200	9-1
13QA40610	35-3
13QA40610	52-1
13QA40610	99-3
13QA40610	106-2
13QA85511	85-1
13QA85511	101-1
13QA85511	103-1
14GE45470	83-1
14GE45470	99-4
14GE45470	102-3
192141710	99-1
20AL48470G	43-1
25AA10091F	10-1
25AA40100	70-2

Parts No.	Page No.
25AA40100	73-2
25AA47500	87-3
25AA50080	90-3
25AA77730	81-2
25BA77171	31-2
25SA40960	68-1
25SA40960	70-3
25SA40960	71-1
25SA40960	73-3
26NA17580	33-1
26NA32660	32-1
26NA32870	29-2
26NA42061	68-2
26NA42061	71-2
26NA42560	68-3
26NA42560	71-3
26NA42560	80-1
26NA47070	62-1
26NA47070	66-1
26NA53712	46-2
26NA53712	49-1
26NA54230	83-2
26NA82513	7-2
26TA32970	29-3
26TA32990	29-4
4004457301	34-1
4025228301	115-1
4036307501	18-1
4038254001	35-1
4038351102	7-1
40AA30270	2-1
40AA30270	100-2
40AA32320	7-3
40AA32320	31-3
40AA32320	33-2
40AA32320	39-2
40AA32320	41-2
40AA32320	52-18
40AA32320	53-1
40AA32320	62-2

Parts No.	Page No.
40AA32320	66-2
40AA32320	74-2
40AA46261	100-3
40AA77550	84-4
40AA77550	100-4
40AA85011	28-3
40AA98020D	84-49
40LA73840	115-2
4109553001	69-1
4109553001	72-1
4109553001	91-1
4131253701	90-2
4131253701	91-2
4131253701	92-1
4131253701	96-2
4131253701	104-1
4131353202	84-1
4131353202	102-1
4470402401	28-1
4470402401	34-2
4470402401	37-1
4470402401	44-2
4470402401	46-1
4470402401	54-1
4470402401	61-1
4470402401	63-1
4470402401	65-1
4470402401	76-1
4470402401	77-1
4470402401	78-1
4470402401	81-1
4470402401	84-2
4470402401	88-1
4470402401	89-1
4470402401	91-3
4470402401	93-1
4470402401	95-1
4470402401	96-3
4470402401	97-1
4470402401	99-2

Parts No.	Page No.
4470402401	100-1
4470402401	106-1
4470402401	108-1
4581162501	19-1
462076010	87-1
466076020	31-1
466076020	35-2
466076020	96-1
50GA250100	33-3
55FA40320	70-4
55FA40320	73-4
55GA75031	50-1
55GA77050	35-5
55VA15541	86-1
55VA20520	48-1
55VA20680	81-3
55VA32480	114-1
55VA32530	61-2
55VA32530	65-2
55VA40600	62-3
55VA40930	61-3
55VA40930	65-3
55VA42120	38-2
55VA42120	69-2
55VA42120	70-5
55VA42120	72-2
55VA42120	73-5
55VA42120	81-4
55VA42120	87-4
55VA47840	34-4
55VA48500	49-2
55VA75540	69-3
55VA75540	72-3
55VA79030	68-4
55VA79030	71-4
55VA90840	2-2
56AA10300	8-1
56AA10300	9-2
56AA12140	28-4
56AA12160	28-5

Parts No.	Page No.
56AA12241	2-3
56AA12270	34-5
56AA17090	86-2
56AA17121	69-4
56AA17121	72-4
56AA17321	38-3
56AA17321	100-5
56AA17490	93-3
56AA17510	68-5
56AA17510	70-6
56AA17510	71-5
56AA17510	73-6
56AA17630	10-4
56AA17640	10-5
56AA17700	106-3
56AA17760	69-5
56AA17760	70-7
56AA17760	72-5
56AA17760	73-7
56AA20940D	41-3
56AA40070	70-8
56AA40070	73-8
56AA40100G	69-7
56AA40100G	72-7
56AA40120	69-8
56AA40120	72-8
56AA40300	70-9
56AA40300	73-9
56AA40360	68-7
56AA40360	71-7
56AA40370	69-13
56AA40370	72-13
56AA40380	70-10
56AA40380	73-10
56AA40390	69-14
56AA40390	72-14
56AA40430	68-8
56AA40430	71-8
56AA40440	68-9
56AA40440	71-9

Parts No.	Page No.	Parts No.	Page No.	Parts No.	Page No.	Parts No.	Page No.	Parts No.	Page No.
56AA40481	68-10	56QA40080	68-13	65AA40080E	70-14	65AA509900	8-2	A00FM20000	32-4
56AA40481	71-10	56QA40080	71-13	65AA40080E	73-14	65AA51510	90-5	A00J169100	121-15
56AA40490	32-2	56QA40250	68-14	65AA42370	99-7	65AA51730	88-3	A00J211200	105-3
56AA40490	41-4	56QA40250	71-14	65AA44200	81-6	65AA53560	50-2	A00J265300	17-1
56AA40490	70-11	56QA40270	68-15	65AA44350	81-7	65AA53991	50-3	A00J617800	39-7
56AA40490	73-11	56QA40270	71-15	65AA44440	81-8	65AA75010E	16-1	A00J617800	44-4
56AA40490	82-1	56QA40550	68-16	65AA45230	84-7	65AA77390	32-3	A00J617800	53-2
56AA40490	84-6	56QA40550	71-16	65AA47120D	65-4	65AA77410	35-8	A00J617800	84-8
56AA40490	90-4	56QE88261E	110-1	65AA47131E	62-4	65AA77540	86-5	A00J617800	90-6
56AA40490	104-3	56UA70330	14-2	65AA47310E	61-4	65AA78040	30-4	A00J617800	100-8
56AA40500	69-16	56UA77280	35-6	65AA47310E	65-5	65AA80112	88-4	A00J617800	106-6
56AA40500	72-16	56UA77710	35-7	65AA47320	61-5	65AA80112	95-5	A00J617900	38-6
56AA40520	69-17	57AA15600	118-3	65AA47320	65-6	65AA80112	102-4	A00J617900	83-4
56AA40520	72-17	57AA15600	119-2	65AA47360	75-2	65AA91100	28-6	A00J617900	87-10
56AA40530	68-11	57AA40420	68-17	65AA47370	75-3	65AA97440	55-1	A00J617900	92-3
56AA40530	71-11	57AA40420	71-17	65AA47390	75-4	65AA97450	56-1	A00J617900	93-6
56AA40540	68-12	65AA-9091E	79-3	65AA47550	63-2	65AA97460	57-1	A00J617900	99-8
56AA40540	71-12	65AA-9920	120-3	65AA47550	67-1	65AA97470	58-1	A00J617900	109-3
56AA42690	43-2	65AA10190	11-1	65AA47600E	62-5	65AA99500	120-16	A00J663200	68-18
56AA42690	44-3	65AA10470	9-4	65AA47600E	66-4	65AAR72700	108-2	A00J663200	69-22
56AA42690	83-3	65AA11300	5-2	65AA47630	63-3	65AAR73200	55-23	A00J663200	70-16
56AA42690	86-3	65AA11300	37-3	65AA47630	67-2	65AAR73200	56-23	A00J663200	71-18
56AA42690	87-5	65AA11430	5-3	65AA47700D	62-6	65AAR73200	57-23	A00J663200	72-22
56AA42690	88-2	65AA15210	76-3	65AA47700D	66-5	65AAR73200	58-2	A00J663200	73-16
56AA42690	92-2	65AA15210	77-3	65AA47710	75-5	65AAR74600	109-2	A00J945401	4-1
56AA42690	93-5	65AA15210	78-3	65AA47740E	62-7	65GE97400	70-15	A00JM12100	30-3
56AA42690	95-3	65AA15210	79-2	65AA47740E	63-4	65GE97400	73-15	A00JM60300	110-2
56AA42690	99-6	65AA20060	41-5	65AA47740E	66-6	65GE97490	62-8	A00V240600	38-7
56AA50670	87-6	65AA20300	41-6	65AA47740E	67-3	65GE97490	66-7	A00V240600	43-3
56AA50800	87-7	65AA26380	39-3	65AA47820	61-6	65LA48530	105-1	A00V240600	44-5
56AA77330	31-4	65AA26600	39-4	65AA47820	65-7	9335140051	34-3	A00V240600	49-3
56AA77530	87-8	65AA26690D	39-5	65AA47860	61-7	9335140071	69-12	A00V240600	53-3
56AA77590	70-12	65AA26840	41-7	65AA47860	65-8	9335140071	72-12	A00V240600	74-3
56AA77590	73-12	65AA26870	38-4	65AA47900E	63-5	9335140071	91-4	A00V240600	86-6
56AA77720E	69-18	65AA26900D	39-6	65AA47970	75-6	9335140071	95-2	A00V240600	87-11
56AA77720E	72-18	65AA27090D	41-8	65AA48360	106-4	9335140071	96-4	A00V240600	95-6
56AA77730	69-19	65AA27240	38-5	65AA48460	106-5	9J06PJP100	120-19	A00V240600	97-2
56AA77730	72-19	65AA27320	41-9	65AA49410	100-7	9J06PJP100	120-11	A00V240600	102-5
56AA97140	110-12	65AA40010	69-21	65AA49500	81-31	9J06PJP200	120-12	A034M50000	5-4
56GA76010	86-4	65AA40010	72-21	65AA50400	9-5	9J07500201	31-5	A034M50000	37-4

Parts No.	Page No.	Parts No.	Page No.	Parts No.	Page No.	Parts No.	Page No.	Parts No.	Page No.
A03N621800	66-8	A03U621200	63-6	A03U843500	90-13	A03X622101	67-5	A161263000	19-5
A03TM50000	106-7	A03U621200	67-4	A03U844200	96-5	A03X622201	67-6	A161268200	17-2
A03U118301	11-2	A03U723301	50-4	A03U844300	96-6	A03X656203	61-8	A161268300	17-3
A03U190500	16-2	A03U724200	44-6	A03U844700	96-7	A03X656203	65-9	A161270102	20-7
A03U190600	16-3	A03U728000	50-5	A03U844802	96-8	A043909901	105-7	A161270600	20-8
A03U190700	16-4	A03U734500	44-7	A03U844901	96-9	A07TM60100	110-3	A161271000	20-9
A03U190802	16-5	A03U734500	46-3	A03U845100	94-2	A0ED271200	20-1	A161271100	20-10
A03U190900	15-1	A03U734500	47-1	A03U845301	92-4	A0ED271300	20-2	A161273113	20-11
A03U191100	16-6	A03U734500	48-2	A03U845301	94-3	A0ED273600	19-2	A161273401	20-12
A03U191201	16-7	A03U734500	51-1	A03U845601	85-3	A0ED273600	20-3	A161273500	20-13
A03U191300	16-8	A03U734800	50-6	A03U845601	95-9	A0ED274200	20-4	A161273701	20-14
A03U191400	15-2	A03U734900	50-7	A03U845601	101-2	A0ED274300	20-5	A161273800	20-15
A03U191500	15-3	A03U808400	44-8	A03U845700	95-10	A0ED274400	20-6	A161274500	20-16
A03U191600	15-4	A03U809500	49-5	A03U845902	95-11	A0ED276301	19-3	A161274600	20-17
A03U191700	15-5	A03U811600	90-7	A03U848100	94-4	A0G6192400	14-4	A161275300	19-6
A03U191800	15-6	A03U811800	90-8	A03U849701	90-14	A0G6192500	14-5	A161275400	19-7
A03U191900	15-7	A03U812800	62-9	A03U850101	68-19	A0G6192700	14-6	A161275500	19-8
A03U192000	15-8	A03U812800	66-9	A03U850101	71-19	A0G6192900	14-7	A161275600	19-9
A03U192100	15-9	A03U812800	69-23	A03U850101	80-2	A0G6193700	14-12	A161276000	19-10
A03U192200	15-10	A03U812800	70-18	A03U850101	91-6	A0G6194000	14-15	A161276500	19-11
A03U192300	16-9	A03U812800	72-23	A03U850101	104-5	A0G6411200	5-6	A161278600	17-4
A03U193400	15-11	A03U812800	73-18	A03U859400	95-12	A0G6739300	109-4	A161278900	17-5
A03U193600	15-12	A03U812800	81-9	A03U859500	95-13	A0G6H06000	14-16	A161280211	18-5
A03U193700	15-13	A03U812800	86-7	A03U892300	105-4	A0G6N18400	14-18	A161280300	18-6
A03U195302	16-10	A03U812800	87-12	A03U892400	105-5	A0GD944100	121-16	A161281100	19-12
A03U195400	16-11	A03U812800	88-5	A03U892701	106-8	A0GD944200	121-17	A161281300	19-13
A03U195500	16-12	A03U812800	93-7	A03U893000	106-9	A0P0144300	91-7	A161281600	18-7
A03U259600	76-4	A03U812800	102-6	A03U893101	106-10	A0P0663600	84-9	A161626800	60-1
A03U259600	77-4	A03U812800	104-4	A03U893200	106-11	A0P0M73100	14-1	A161626800	64-1
A03U259600	78-4	A03U813601	90-9	A03U893502	106-12	A0TK341200	97-3	A161940602	3-7
A03U259600	79-4	A03U814100	90-10	A03U909502	106-13	A0TK341300	88-6	A161M50A00	19-14
A03U259900	76-5	A03U814200	90-11	A03U909900	105-6	A0TKH00200	24-1	A161N14000	20-18
A03U259900	77-5	A03U814300	90-12	A03UF19100	16-13	A0TKH00200	25-1	A161N14201	19-15
A03U259900	78-5	A03U815700	86-8	A03UF84300	96-10	A0TKH00200	26-1	A1DU111101	7-4
A03U259900	79-5	A03U838900	87-13	A03UN23200	45-1	A0TKH00200	27-1	A1DU163402	3-1
A03U512300	38-8	A03U839000	86-9	A03UN23200	48-3	A0VDM50500	103-3	A1DU190101	16-14
A03U515100	37-5	A03U842600	94-1	A03X565001	87-15	A0Y5M15101	11-3	A1DU764000	7-5
A03U555400	41-10	A03U842700	85-2	A03X565611	68-20	A161261902	18-3	A1DU942900	103-4
A03U560500	70-17	A03U842700	95-7	A03X565611	71-20	A161262002	18-4	A1DUF62100	63-7
A03U560500	73-17	A03U842800	95-8	A03X622000	103-2	A161262200	19-4	A1DUF62100	67-7

Parts No.	Page No.	Parts No.	Page No.	Parts No.	Page No.	Parts No.	Page No.	Parts No.	Page No.
A1DUH11000	16-15	A1RF820000	44-9	A50U102900	5-8	A50U110000	10-12	A50U127800	6-14
A1DUPJG100	120-22	A1RF820000	92-5	A50U103200	8-4	A50U112901	75-10	A50U127901	5-23
A1DUR71600	42-1	A1RF820000	93-8	A50U103301	10-8	A50U112901	113-3	A50U128000	6-15
A1DUR71900	39-8	A1RF820000	98-3	A50U103403	8-5	A50U120300	8-16	A50U128700	6-16
A1DUR71C00	41-11	A1RF820000	99-9	A50U103500	8-6	A50U120600	5-9	A50U128801	11-20
A1DUR71D00	41-12	A1RF820000	109-7	A50U103602	7-7	A50U120900	11-9	A50U128900	11-21
A1DUR71J00	70-19	A1RF847400	94-5	A50U103800	10-9	A50U121300	5-11	A50U129100	11-22
A1DUR71J00	73-19	A1RF863800	100-9	A50U104000	12-1	A50U121500	21-1	A50U129200	8-17
A1DUR71K00	68-21	A1RF945501	121-1	A50U104300	13-2	A50U121800	11-10	A50U129300	11-23
A1DUR71K00	71-21	A1RF946000	65-10	A50U104401	10-10	A50U121900	11-11	A50U129401	11-24
A1DUR73500	38-10	A1RFM51000	46-4	A50U104500	13-3	A50U122103	5-13	A50U129801	11-25
A1DUR73E00	95-14	A1RFN28300	14-19	A50U104600	9-8	A50U122701	12-2	A50U131002	112-3
A1DUR73K00	86-10	A1RG569900	33-4	A50U104700	8-7	A50U122900	11-12	A50U131100	113-4
A1DUR73P00	95-15	A1RG569900	35-11	A50U104801	112-2	A50U123200	6-2	A50U131200	113-5
A1DUR75200	70-20	A1RG681400	87-16	A50U104901	7-8	A50U123300	6-3	A50U131300	113-6
A1DUR75200	73-20	A1RJ732100	40-4	A50U105000	13-4	A50U123400	6-4	A50U131400	112-4
A1RF214100	76-6	A1RJ818800	100-10	A50U105100	8-8	A50U123500	6-5	A50U131503	110-5
A1RF214100	77-6	A1RJ825100	97-4	A50U105201	8-9	A50U123600	6-6	A50U131700	110-6
A1RF214100	78-6	A1RJ825800	97-5	A50U105600	8-10	A50U123800	5-15	A50U131800	110-7
A1RF214100	79-6	A1TVM10100	89-3	A50U105800	9-9	A50U123900	6-7	A50U131900	112-5
A1RF363500	34-6	A1TVM10100	105-8	A50U106300	10-11	A50U124000	6-8	A50U133101	112-6
A1RF363801	34-7	A1UD210500	35-12	A50U106300	13-5	A50U124100	5-16	A50U133700	110-8
A1RF368500	35-9	A1UDM50100	62-10	A50U106502	11-4	A50U124900	5-17	A50U133800	110-9
A1RF372300	35-10	A1UDM50100	66-10	A50U106600	11-5	A50U125000	11-13	A50U133902	115-3
A1RF441500	29-5	A1UDM50200	19-16	A50U106700	11-6	A50U125101	11-14	A50U136303	115-4
A1RF501700	38-11	A2X0M12101	75-7	A50U106800	7-9	A50U125500	11-15	A50U136501	9-12
A1RF508000	40-1	A4EU190413	14-20	A50U107000	9-10	A50U125600	11-16	A50U136700	113-7
A1RF508100	40-2	A4EU194200	14-22	A50U107101	9-11	A50U125800	11-17	A50U136800	113-8
A1RF508200	40-3	A4EU265000	43-8	A50U107501	8-11	A50U125901	5-19	A50U160500	2-4
A1RF508900	109-5	A4EU265000	47-3	A50U107600	8-12	A50U126200	6-9	A50U161502	2-5
A1RF509000	109-6	A4EU538400	30-5	A50U107801	8-13	A50U126300	11-18	A50U161700	2-7
A1RF517300	38-12	A4EUM60000	5-7	A50U108001	11-7	A50U126400	11-19	A50U162701	1-1
A1RF517300	106-14	A4EUM60401	110-4	A50U108200	11-8	A50U126500	5-20	A50U162900	1-2
A1RF620301	68-22	A4EUM75800	14-23	A50U108900	7-10	A50U126600	5-21	A50U163700	4-2
A1RF620301	71-22	A4EUN28500	14-24	A50U109101	6-1	A50U126800	6-10	A50U164000	5-24
A1RF701700	80-3	A4EUPP0000	120-7	A50U109201	113-2	A50U127000	12-3	A50U164100	2-9
A1RF758100	43-6	A4F3744400	10-13	A50U109201	117-3	A50U127201	6-11	A50U164200	2-10
A1RF758100	47-2	A50U101600	9-6	A50U109300	75-9	A50U127300	6-12	A50U164901	2-11
A1RF809400	43-7	A50U102703	9-7	A50U109400	8-14	A50U127401	5-22	A50U165500	2-12
A1RF815702	8-3	A50U102801	7-6	A50U109900	8-15	A50U127500	6-13	A50U165600	2-13

Parts No.	Page No.	Parts No.	Page No.	Parts No.	Page No.	Parts No.	Page No.	Parts No.	Page No.
A50U166100	2-14	A50U252800	74-11	A50U342200	6-18	A50U372901	24-2	A50U408700	29-8
A50U166200	2-15	A50U314300	12-4	A50U342300	55-7	A50U372901	25-2	A50U408900	29-9
A50U166800	28-7	A50U314800	9-13	A50U342300	56-7	A50U372901	26-2	A50U410200	29-10
A50U167201	2-16	A50U318101	21-2	A50U342300	57-7	A50U372901	27-2	A50U420300	31-11
A50U167500	2-17	A50U318201	21-3	A50U342300	58-7	A50U373100	24-3	A50U420400	32-9
A50U167601	2-18	A50U318300	21-4	A50U342400	6-19	A50U373100	25-3	A50U420800	32-10
A50U167801	4-3	A50U318500	12-5	A50U342502	54-10	A50U373100	26-3	A50U420900	31-12
A50U167901	5-25	A50U318601	12-6	A50U342600	54-11	A50U373100	27-3	A50U421000	31-13
A50U169602	52-5	A50U318700	21-5	A50U342900	8-18	A50U374501	24-5	A50U421000	32-11
A50U169900	2-19	A50U318700	28-10	A50U343000	54-12	A50U374501	25-5	A50U440301	29-11
A50U171500	28-8	A50U318800	12-7	A50U343301	58-24	A50U374501	26-5	A50U440601	29-12
A50U172100	5-26	A50U318900	21-6	A50U343400	54-13	A50U374501	27-5	A50U442100	28-15
A50U172200	5-27	A50U319301	21-7	A50U343500	54-14	A50U376801	24-7	A50U462400	55-10
A50U172300	5-29	A50U333500	23-1	A50U343600	122-2	A50U376801	25-7	A50U462400	56-10
A50U175001	3-5	A50U333600	23-2	A50U343800	54-15	A50U376801	26-7	A50U462400	57-10
A50U179000	28-9	A50U335600	54-2	A50U343900	54-16	A50U376801	27-7	A50U462400	58-10
A50U179500	5-30	A50U335600	55-3	A50U344100	54-17	A50U377201	24-8	A50U462501	55-11
A50U210600	76-7	A50U335600	56-3	A50U344200	54-18	A50U377201	25-8	A50U462501	56-11
A50U210600	77-7	A50U335600	57-3	A50U360700	35-13	A50U377201	26-8	A50U462501	57-11
A50U210600	78-7	A50U335600	58-3	A50U361200	35-14	A50U377201	27-8	A50U462501	58-11
A50U210600	79-7	A50U337101	53-7	A50U361401	35-15	A50U377301	24-9	A50U462600	55-12
A50U212100	76-8	A50U337200	54-3	A50U361900	33-5	A50U377301	25-9	A50U462600	56-12
A50U212100	77-8	A50U337300	54-4	A50U362200	35-16	A50U377301	26-9	A50U462600	57-12
A50U212100	78-8	A50U337400	53-8	A50U362300	33-6	A50U377301	27-9	A50U462600	58-12
A50U212100	79-8	A50U338800	23-5	A50U363200	34-8	A50U400201	29-18	A50U462700	55-13
A50U212600	76-9	A50U340501	54-5	A50U363300	33-7	A50U400503	32-5	A50U462700	56-13
A50U212600	77-9	A50U340902	54-6	A50U363400	34-9	A50U400600	28-11	A50U462700	57-13
A50U212600	78-9	A50U341002	52-9	A50U363701	34-10	A50U400900	28-12	A50U462700	58-13
A50U212600	79-9	A50U341301	54-7	A50U363900	9-14	A50U401200	32-6	A50U462801	55-14
A50U220501	52-14	A50U341401	54-8	A50U365400	33-8	A50U401301	32-7	A50U462801	56-14
A50U220700	53-4	A50U341600	54-9	A50U365600	35-17	A50U401401	28-13	A50U462801	57-14
A50U221500	52-7	A50U341800	6-17	A50U365800	35-18	A50U404000	31-7	A50U462801	58-14
A50U221701	52-8	A50U341900	55-5	A50U366601	9-15	A50U404200	31-8	A50U462900	55-15
A50U221800	53-5	A50U341900	56-5	A50U366800	34-11	A50U404600	31-9	A50U462900	56-15
A50U252100	74-5	A50U341900	57-5	A50U367001	35-19	A50U406400	31-10	A50U462900	57-15
A50U252300	74-6	A50U341900	58-5	A50U367100	34-12	A50U407300	13-6	A50U462900	58-15
A50U252400	74-7	A50U342000	55-6	A50U367400	34-13	A50U407600	32-8	A50U463000	55-16
A50U252500	74-8	A50U342000	56-6	A50U368000	9-16	A50U408101	28-14	A50U463000	56-16
A50U252600	74-9	A50U342000	57-6	A50U368400	34-14	A50U408501	29-6	A50U463000	57-16
A50U252700	74-10	A50U342000	58-6	A50U369900	34-15	A50U408600	29-7	A50U463000	58-16

Parts No.	Page No.	Parts No.	Page No.	Parts No.	Page No.	Parts No.	Page No.	Parts No.	Page No.
A50U463100	55-17	A50U506900	39-17	A50U531500	41-14	A50U623300	62-23	A50U628100	60-22
A50U463100	56-17	A50U507000	38-28	A50U531601	41-15	A50U623300	66-19	A50U628200	61-19
A50U463100	57-17	A50U507600	39-18	A50U560901	69-24	A50U623600	60-20	A50U628200	63-12
A50U463100	58-17	A50U507801	39-19	A50U560901	72-24	A50U623701	60-21	A50U628200	65-20
A50U500401	38-13	A50U507900	39-20	A50U561200	69-25	A50U623900	64-20	A50U628200	67-12
A50U500800	37-6	A50U508001	39-21	A50U561200	72-25	A50U624000	9-17	A50U628300	60-23
A50U501201	39-9	A50U508102	39-22	A50U562400	69-26	A50U624113	10-15	A50U628300	64-22
A50U501401	40-5	A50U508301	7-12	A50U562400	72-26	A50U624201	64-21	A50U628400	62-28
A50U501702	40-6	A50U508600	37-12	A50U564500	69-27	A50U624300	10-16	A50U628400	66-25
A50U501900	39-10	A50U508800	37-13	A50U564500	72-27	A50U624503	9-18	A50U629001	65-21
A50U502100	40-7	A50U509100	38-29	A50U565100	69-28	A50U624600	63-9	A50U629100	75-8
A50U502500	38-14	A50U509300	7-13	A50U565100	72-28	A50U624600	67-9	A50U629202	65-22
A50U502600	38-15	A50U510100	39-23	A50U620602	62-11	A50U624700	63-10	A50U629300	61-20
A50U502700	40-8	A50U510200	39-24	A50U620801	62-12	A50U624700	67-10	A50U629401	67-14
A50U502801	122-3	A50U510400	7-14	A50U620801	66-11	A50U624904	9-19	A50U629502	63-14
A50U502900	40-9	A50U515500	42-3	A50U620902	62-13	A50U625000	61-12	A50U629502	67-15
A50U503001	40-10	A50U516800	42-4	A50U621001	61-9	A50U625100	63-11	A50U629702	63-15
A50U503200	39-11	A50U516900	42-5	A50U621001	65-11	A50U625100	67-11	A50U629702	67-16
A50U503500	40-11	A50U517000	42-6	A50U621200	63-8	A50U625400	62-24	A50U629801	63-16
A50U503600	37-7	A50U517300	38-30	A50U621200	67-8	A50U625500	62-25	A50U629801	67-17
A50U503700	37-8	A50U520001	59-1	A50U621301	62-14	A50U625701	61-13	A50U629901	63-17
A50U504400	38-18	A50U520601	84-10	A50U621301	66-12	A50U625701	65-14	A50U630203	61-21
A50U504500	38-19	A50U520700	84-11	A50U621400	62-15	A50U626000	66-22	A50U630203	65-23
A50U504600	38-20	A50U520900	84-12	A50U621400	66-13	A50U626100	62-26	A50U630602	66-26
A50U504700	38-21	A50U521301	84-15	A50U621400	62-16	A50U626100	66-23	A50U630902	66-27
A50U505000	38-22	A50U521500	84-16	A50U621800	62-17	A50U626502	61-14	A50U631000	66-28
A50U505100	38-23	A50U521900	84-17	A50U621900	66-14	A50U626502	65-15	A50U631100	66-29
A50U505202	37-9	A50U522001	84-18	A50U621900	62-18	A50U626601	61-15	A50U631200	65-24
A50U505300	38-24	A50U522400	84-19	A50U622001	66-15	A50U626601	65-16	A50U631301	65-25
A50U505401	39-12	A50U522900	84-20	A50U622101	62-19	A50U626702	61-16	A50U631500	66-30
A50U505500	39-13	A50U523001	84-21	A50U622101	66-16	A50U626702	65-17	A50U631600	65-26
A50U505601	39-14	A50U523100	84-22	A50U622300	62-20	A50U627002	64-2	A50U631700	66-31
A50U505700	39-15	A50U523200	84-23	A50U622400	62-21	A50U627200	64-3	A50U631800	66-32
A50U505800	39-16	A50U523400	84-24	A50U622400	66-17	A50U627501	62-27	A50U631900	66-33
A50U505901	38-25	A50U524100	84-25	A50U622600	61-10	A50U627501	66-24	A50U632300	66-34
A50U506101	38-26	A50U524500	84-26	A50U622600	65-12	A50U627601	61-17	A50U633002	60-2
A50U506200	37-10	A50U524600	84-27	A50U622802	61-11	A50U627601	65-18	A50U633002	64-4
A50U506300	37-11	A50U524700	84-28	A50U622802	65-13	A50U627701	61-18	A50U633200	60-3
A50U506500	122-4	A50U525900	59-2	A50U623201	62-22	A50U627701	65-19	A50U633200	64-5
A50U506701	38-27	A50U531400	41-13	A50U623201	66-18	A50U628001	10-17	A50U633301	60-4

Parts No.	Page No.	Parts No.	Page No.	Parts No.	Page No.	Parts No.	Page No.	Parts No.	Page No.
A50U633400	60-5	A50U704900	81-19	A50U713900	88-12	A50U722700	51-3	A50U745600	43-12
A50U633400	64-6	A50U705000	81-20	A50U714201	104-17	A50U723911	48-6	A50U745700	43-13
A50U633601	64-7	A50U705100	80-7	A50U714300	102-13	A50U725001	49-7	A50U746200	45-3
A50U633702	60-6	A50U705200	80-8	A50U714400	102-14	A50U725200	48-7	A50U746400	44-18
A50U633702	64-8	A50U705400	81-21	A50U714500	104-18	A50U726611	48-8	A50U746500	50-9
A50U633800	60-7	A50U705500	81-22	A50U714601	91-11	A50U728500	48-9	A50U746800	46-5
A50U633800	64-9	A50U705600	81-23	A50U714601	104-19	A50U728800	48-10	A50U747101	47-8
A50U633900	60-8	A50U705701	80-9	A50U714800	88-13	A50U730900	48-11	A50U747803	46-6
A50U633900	64-10	A50U706000	80-10	A50U714900	88-14	A50U731002	48-12	A50U747900	46-7
A50U634200	10-18	A50U706800	81-24	A50U715004	88-15	A50U731102	48-13	A50U748200	46-8
A50U634300	60-9	A50U706900	80-11	A50U715100	88-16	A50U731700	7-15	A50U748506	44-19
A50U634300	64-11	A50U707002	81-25	A50U715200	88-17	A50U731900	7-16	A50U748701	50-10
A50U635400	66-35	A50U707300	81-26	A50U715300	91-12	A50U732000	51-4	A50U749200	44-20
A50U635500	66-36	A50U707400	81-27	A50U715300	104-20	A50U732100	44-10	A50U749300	44-21
A50U637002	60-10	A50U707600	80-12	A50U715400	93-9	A50U733500	48-14	A50U749401	114-9
A50U637600	63-18	A50U710300	104-6	A50U715600	91-13	A50U734100	114-4	A50U749502	114-10
A50U637700	63-19	A50U710901	104-7	A50U715600	104-21	A50U737302	114-5	A50U749600	114-11
A50U640100	67-18	A50U711001	104-8	A50U715800	91-14	A50U737401	114-6	A50U749700	114-12
A50U640200	10-19	A50U711101	102-8	A50U715800	104-22	A50U737601	114-7	A50U749801	114-13
A50U640400	10-20	A50U711200	104-9	A50U715900	102-15	A50U737700	114-8	A50U751101	43-15
A50U640700	66-37	A50U711300	104-10	A50U716301	104-23	A50U737800	7-17	A50U751200	43-16
A50U640800	62-29	A50U711400	102-9	A50U716400	104-24	A50U738001	7-18	A50U751301	43-17
A50U641500	61-22	A50U711602	104-11	A50U716500	59-3	A50U738100	7-19	A50U752000	44-22
A50U641500	65-27	A50U712001	103-5	A50U716500	84-29	A50U738700	51-6	A50U752200	44-23
A50U642000	62-30	A50U712200	91-8	A50U716500	91-15	A50U739000	7-20	A50U752300	44-24
A50U642000	66-38	A50U712200	104-12	A50U716500	104-25	A50U739811	49-8	A50U752600	43-18
A50U642300	47-4	A50U712300	91-9	A50U717100	103-7	A50U739900	49-9	A50U752700	46-9
A50U642300	67-19	A50U712300	104-13	A50U717200	103-8	A50U742901	43-9	A50U753100	114-14
A50U642300	99-10	A50U712400	91-10	A50U717901	102-17	A50U743100	43-10	A50U754700	44-25
A50U700101	80-4	A50U712400	104-14	A50U718300	103-10	A50U743200	43-11	A50U755100	46-10
A50U700200	81-10	A50U712700	104-15	A50U718400	91-16	A50U743302	44-11	A50U755301	46-11
A50U700300	81-11	A50U713000	102-10	A50U718400	104-26	A50U743600	44-12	A50U755900	43-19
A50U700400	81-12	A50U713100	104-16	A50U718500	91-17	A50U743700	44-13	A50U756002	43-20
A50U700500	81-13	A50U713200	102-11	A50U718500	104-27	A50U743900	44-14	A50U756300	46-13
A50U700600	81-14	A50U713302	88-7	A50U719300	103-11	A50U744000	49-10	A50U756300	49-13
A50U700901	80-5	A50U713403	88-8	A50U719400	103-12	A50U744100	49-11	A50U756500	43-21
A50U701000	81-15	A50U713500	88-9	A50U719800	102-19	A50U744400	49-12	A50U757000	43-22
A50U701113	80-6	A50U713600	102-12	A50U721502	51-2	A50U744912	44-16	A50U757100	43-23
A50U704700	81-17	A50U713700	88-10	A50U722100	48-4	A50U745100	45-2	A50U760400	50-11
A50U704801	81-18	A50U713800	88-11	A50U722202	48-5	A50U745501	44-17	A50U760600	50-12

Parts No.	Page No.	Parts No.	Page No.	Parts No.	Page No.	Parts No.	Page No.	Parts No.	Page No.
A50U760701	50-13	A50U800700	97-8	A50U817300	99-11	A50U834200	90-21	A50U841800	96-14
A50U760802	50-14	A50U800800	97-9	A50U817400	86-14	A50U834304	99-13	A50U841901	94-9
A50U761100	50-16	A50U801400	97-10	A50U817601	91-21	A50U834500	91-28	A50U842000	95-17
A50U761200	50-17	A50U801500	97-11	A50U817700	13-10	A50U834600	91-29	A50U842300	95-18
A50U761300	50-18	A50U801602	97-12	A50U817800	91-22	A50U834700	91-30	A50U842900	83-8
A50U761400	50-19	A50U802002	97-13	A50U818201	91-23	A50U834802	84-30	A50U842900	96-15
A50U761500	50-20	A50U802100	98-5	A50U818400	91-24	A50U835001	82-9	A50U843601	96-16
A50U761601	50-21	A50U802211	97-14	A50U818501	87-19	A50U835302	86-16	A50U843801	96-17
A50U761700	50-22	A50U802700	98-6	A50U818601	91-25	A50U835400	86-17	A50U843900	90-22
A50U761800	50-23	A50U802801	98-7	A50U818700	82-3	A50U835601	88-19	A50U844100	90-23
A50U761900	50-24	A50U802900	98-8	A50U818800	82-4	A50U835900	86-18	A50U844400	96-18
A50U762000	50-25	A50U803101	98-9	A50U818900	82-5	A50U836000	86-19	A50U844501	96-19
A50U762100	50-26	A50U803300	98-10	A50U819201	82-6	A50U836100	88-20	A50U844601	96-20
A50U762200	50-27	A50U803400	98-11	A50U819302	82-7	A50U836200	69-10	A50U844800	94-10
A50U762300	50-28	A50U803500	98-12	A50U819500	83-6	A50U836200	72-10	A50U845400	95-19
A50U762400	50-29	A50U803600	98-13	A50U819600	99-12	A50U836200	91-31	A50U846000	96-21
A50U763000	51-7	A50U803700	98-14	A50U819700	88-18	A50U836300	89-10	A50U846102	92-9
A50U763600	51-8	A50U803800	98-15	A50U819812	89-7	A50U836400	86-20	A50U846304	92-10
A50U763800	50-30	A50U804001	97-15	A50U819900	89-8	A50U836500	86-21	A50U847200	95-20
A50U763900	50-31	A50U804200	97-16	A50U830200	87-20	A50U836801	93-11	A50U848000	94-11
A50U765000	49-14	A50U804701	98-16	A50U830300	87-21	A50U837001	82-10	A50U848302	94-12
A50U765500	46-15	A50U805200	98-17	A50U830400	87-22	A50U837101	82-11	A50U850201	95-21
A50U785000	47-10	A50U805300	97-17	A50U830501	87-23	A50U837300	82-12	A50U850201	96-22
A50U787003	47-11	A50U810302	90-15	A50U830600	87-24	A50U837700	89-11	A50U850700	93-12
A50U787500	45-4	A50U810400	90-16	A50U830700	87-25	A50U838500	89-12	A50U851400	92-11
A50U787600	45-5	A50U810502	86-11	A50U830800	87-26	A50U838701	89-13	A50U851500	92-12
A50U787700	46-16	A50U811300	13-7	A50U831000	87-27	A50U838800	99-14	A50U851500	93-13
A50U788000	47-12	A50U811500	13-8	A50U831100	87-28	A50U839200	86-22	A50U851700	92-13
A50U788102	47-13	A50U812100	86-12	A50U831200	87-29	A50U839200	87-31	A50U851901	93-15
A50U788602	46-17	A50U813700	13-9	A50U831300	89-9	A50U839900	83-7	A50U852000	92-15
A50U788900	46-18	A50U814401	89-4	A50U831400	90-18	A50U840303	92-6	A50U852102	93-16
A50U789100	46-19	A50U814500	89-5	A50U831900	87-30	A50U840400	96-11	A50U852200	93-17
A50U792901	47-14	A50U815101	89-6	A50U832100	8-19	A50U840715	94-6	A50U852301	93-18
A50U794800	47-15	A50U815800	90-17	A50U832201	10-22	A50U840802	92-7	A50U852400	93-19
A50U799200	47-16	A50U816103	86-13	A50U832600	90-19	A50U841100	95-16	A50U852501	92-16
A50U799601	47-17	A50U816403	93-10	A50U832700	90-20	A50U841301	96-12	A50U852501	93-20
A50U799700	47-18	A50U816700	91-18	A50U832901	82-8	A50U841402	92-8	A50U852701	92-17
A50U799800	47-19	A50U816801	91-19	A50U833000	8-20	A50U841501	94-7	A50U852904	92-18
A50U800300	97-6	A50U816900	91-20	A50U833400	91-26	A50U841600	94-8	A50U853001	92-19
A50U800400	97-7	A50U817300	87-18	A50U833500	91-27	A50U841700	96-13	A50U853100	93-21

Parts No.	Page No.	Parts No.	Page No.	Parts No.	Page No.	Parts No.	Page No.	Parts No.	Page No.
A50U853200	92-20	A50U863000	101-5	A50U881300	92-30	A50U890700	106-19	A50U946000	61-23
A50U853200	93-22	A50U863100	2-20	A50U881400	92-31	A50U891001	105-10	A50U946300	62-31
A50U853400	96-23	A50U864200	100-15	A50U881500	8-21	A50U891201	105-11	A50U946300	66-3
A50U853700	92-21	A50U864300	100-16	A50U881601	91-34	A50U891302	106-21	A50U946400	63-20
A50U854100	96-24	A50U865011	101-6	A50U881700	91-35	A50U891500	106-22	A50U946400	67-20
A50U854200	92-22	A50U865101	100-17	A50U882100	91-36	A50U891600	106-23	A50U946503	2-22
A50U854302	92-23	A50U865200	101-7	A50U882100	93-25	A50U891900	106-24	A50U948001	52-10
A50U854400	84-31	A50U865300	99-19	A50U882300	88-21	A50U892001	106-25	A50U949600	5-14
A50U854400	92-24	A50U865401	100-18	A50U882401	102-20	A50U892101	106-26	A50U949600	43-25
A50U854600	66-20	A50U865601	100-19	A50U882600	88-22	A50U892201	105-12	A50U949600	52-11
A50U854600	93-23	A50U865703	99-20	A50U882701	83-9	A50U892502	105-13	A50U949700	52-12
A50U854800	84-32	A50U865902	99-21	A50U882801	83-10	A50U893201	106-27	A50U949700	53-9
A50U854800	85-4	A50U866400	99-22	A50U882900	93-26	A50U893300	105-14	A50U949700	54-20
A50U854800	92-25	A50U866900	99-23	A50U883001	93-27	A50U894000	106-28	A50UF12000	5-18
A50U854800	94-13	A50U867100	100-20	A50U883101	93-28	A50U895000	105-15	A50UF16000	2-23
A50U855200	9-3	A50U867200	99-24	A50U883200	93-29	A50U895101	105-16	A50UF16101	2-24
A50U855601	94-14	A50U867312	99-25	A50U883300	88-23	A50U899700	106-29	A50UF16201	2-25
A50U855702	82-13	A50U867400	99-26	A50U883400	93-30	A50U899801	106-30	A50UF16301	2-26
A50U855800	84-33	A50U867500	99-27	A50U883501	88-24	A50U943201	91-42	A50UF16400	2-27
A50U855900	86-23	A50U867600	99-28	A50U883600	91-37	A50U943301	104-29	A50UF21100	76-10
A50U856201	92-26	A50U867700	100-21	A50U883600	93-31	A50U943401	102-21	A50UF21100	77-10
A50U856501	96-25	A50U867802	99-29	A50U883701	93-32	A50U943502	43-24	A50UF21100	78-10
A50U858101	84-34	A50U868000	100-22	A50U884000	93-33	A50U943601	100-29	A50UF36500	33-9
A50U858200	82-14	A50U868200	101-8	A50U884202	83-11	A50U943701	50-32	A50UF41500	28-16
A50U858300	82-15	A50U868301	101-9	A50U884300	93-34	A50U943801	99-32	A50UF50700	7-21
A50U858400	82-16	A50U868401	100-23	A50U884600	84-35	A50U943901	96-26	A50UF70800	80-13
A50U858500	82-17	A50U868500	101-10	A50U884700	84-36	A50U944001	94-16	A50UF70900	80-14
A50U858600	86-24	A50U868600	101-11	A50U885100	86-26	A50U944200	82-18	A50UF80500	97-18
A50U858703	93-24	A50U868702	100-24	A50U886300	91-38	A50U944302	5-33	A50UF81401	88-25
A50U859500	92-27	A50U869100	101-12	A50U886700	93-35	A50U944500	29-13	A50UF82200	86-27
A50U859800	92-28	A50U869300	100-25	A50U886800	92-32	A50U944600	29-14	A50UF83702	83-12
A50U859900	95-22	A50U869400	99-30	A50U886900	93-36	A50U944700	29-15	A50UF84800	95-23
A50U860104	99-15	A50U869501	99-31	A50U887100	91-39	A50U944800	29-16	A50UM30101	55-18
A50U860202	100-11	A50U869601	100-26	A50U887200	91-40	A50U945301	62-32	A50UM30101	56-18
A50U860600	100-12	A50U869700	100-27	A50U887300	91-41	A50U945301	66-21	A50UM30101	57-18
A50U861006	99-17	A50U869800	100-28	A50U890102	106-15	A50U945601	2-21	A50UM30101	58-18
A50U861100	100-13	A50U880103	92-29	A50U890201	106-16	A50U945601	54-19	A50UM32E00	46-20
A50U861601	100-14	A50U880201	94-15	A50U890300	106-17	A50U945601	59-4	A50UM32F00	46-20
A50U861900	101-3	A50U880702	86-25	A50U890500	105-9	A50U945702	60-11	A50UM40100	112-7
A50U862600	101-4	A50U880800	91-32	A50U890600	106-18	A50U945702	64-12	A50UM40201	113-9

Parts No.	Page No.	Parts No.	Page No.	Parts No.	Page No.	Parts No.	Page No.	Parts No.	Page No.
A50UM51000	28-17	A50UN23200	112-10	A50UR71K00	78-11	A5C1M50100	18-9	A85C895500	106-31
A50UM51000	34-16	A50UN23300	112-11	A50UR71M00	79-11	A5C1M50100	19-19	A85C895800	109-11
A50UM51000	81-28	A50UN23400	112-12	A50UR71P22	36-2	A5C1N14300	19-20	A85C895900	109-12
A50UM51000	108-3	A50UN23500	112-13	A50UR71Q00	59-7	A65U186600	107-2	A85C896301	109-13
A50UM60300	5-28	A50UN23600	112-14	A50UR71R11	59-8	A782945003	120-20	A85C896400	109-14
A50UN10903	43-26	A50UN23700	112-15	A50UR71S11	59-9	A795167800	3-10	A85C896800	109-15
A50UN11801	34-17	A50UN23800	112-16	A50UR71U01	13-11	A795273900	20-19	A85C896900	109-16
A50UN12000	34-18	A50UN23900	112-17	A50UR71V01	13-12	A795275700	19-21	A85C897201	109-17
A50UN12101	28-18	A50UN24100	112-18	A50UR71W01	13-13	A795M20300	69-20	A85C897300	109-18
A50UN12203	32-12	A50UN24200	112-19	A50UR72100	38-34	A795M20300	70-13	A85C897400	108-4
A50UN12500	54-22	A50UN24300	112-20	A50UR72600	91-44	A795M20300	72-20	A85C897700	109-19
A50UN12602	5-31	A50UN24400	113-11	A50UR72600	93-41	A795M20300	73-13	A85C897800	109-20
A50UN12900	112-8	A50UN24501	38-31	A50UR72711	100-32	A795M20300	81-5	A85C897900	108-5
A50UN13203	39-25	A50UN24600	113-12	A50UR72811	99-33	A799H04001	14-28	A85C898701	107-3
A50UN14001	67-13	A50UN24701	38-32	A50UR72C00	84-37	A799M45300	111-1	A85C898801	107-4
A50UN14100	63-21	A50UN24800	113-13	A50UR72E00	87-36	A79J136000	110-10	A85C899100	109-22
A50UN14400	81-29	A50UN24901	38-33	A50UR72G00	88-29	A79JM11300	52-13	A85CM10100	79-14
A50UN15101	113-10	A50UN25000	113-14	A50UR72K00	54-21	A79JM90A00	117-4	A85CM10200	76-13
A50UN15301	105-18	A50UN25200	113-15	A50UR72R00	97-20	A79JJP000	120-13	A85CM10200	77-13
A50UN15400	8-22	A50UN25300	113-16	A50UR72S00	82-22	A79JJP100	120-14	A85CM10200	78-13
A50UN15500	82-19	A50UN25400	86-29	A50UR72U11	50-33	A7PU169900	122-11	A85CM55500	91-45
A50UN15800	102-22	A50UN25500	113-17	A50UR72X01	76-12	A7PUM11000	35-20	A85CM55500	93-42
A50UN15900	93-37	A50UN25600	86-30	A50UR72X01	77-12	A7PUM11100	31-6	A85CM55500	99-34
A50UN16000	89-14	A50UPJG100	120-9	A50UR72X01	78-12	A7PUM11100	74-4	A85CM55500	106-32
A50UN16300	95-24	A50UPJG200	120-10	A50UR72X01	79-12	A85C102000	10-24	A85CM55600	37-14
A50UN16400	95-25	A50UPJG300	120-8	A50UR72Y00	45-7	A85C213100	79-13	A85CM55600	44-26
A50UN16700	103-14	A50UPP0100	120-1	A50UR73100	80-15	A85C409600	29-17	A85CM55600	54-23
A50UN16900	89-15	A50UR70115	34-19	A50UR73J00	40-12	A85C635200	70-21	A85CM55600	61-24
A50UN17100	97-19	A50UR70500	59-5	A50UR73K00	40-13	A85C635200	73-21	A85CM55600	63-13
A50UN17200	86-28	A50UR70655	36-1	A55C712000	80-16	A85C635401	69-30	A85CM55600	65-28
A50UN17400	112-9	A50UR70A12	11-27	A55D941100	3-9	A85C635401	72-30	A85CM55600	69-9
A50UN17502	101-13	A50UR70B00	59-6	A5AW162000	2-33	A85C757801	50-34	A85CM55600	72-9
A50UN17601	100-30	A50UR70E22	45-6	A5AW510400	109-8	A85C758100	50-35	A85CM55600	76-14
A50UN17700	98-18	A50UR70F00	48-15	A5AW744900	49-16	A85C764100	50-36	A85CM55600	77-14
A50UN17900	91-43	A50UR70G01	82-21	A5AWM15101	7-23	A85C789200	48-21	A85CM55600	78-14
A50UN18100	93-38	A50UR70H00	12-9	A5AWM15101	107-1	A85C789300	48-20	A85CM55600	81-30
A50UN18203	88-26	A50UR70K22	41-16	A5AWP00100	120-2	A85C877100	101-14	A85CM55600	84-38
A50UN18401	100-31	A50UR70Q00	79-10	A5C1263300	19-17	A85C877200	94-17	A85CM55600	88-31
A50UN18700	82-20	A50UR71K00	76-11	A5C1263400	19-18	A85C895300	109-9	A85CM55600	89-16
A50UN18900	88-27	A50UR71K00	77-11	A5C1280101	18-8	A85C895400	109-10	A85CM55600	93-4

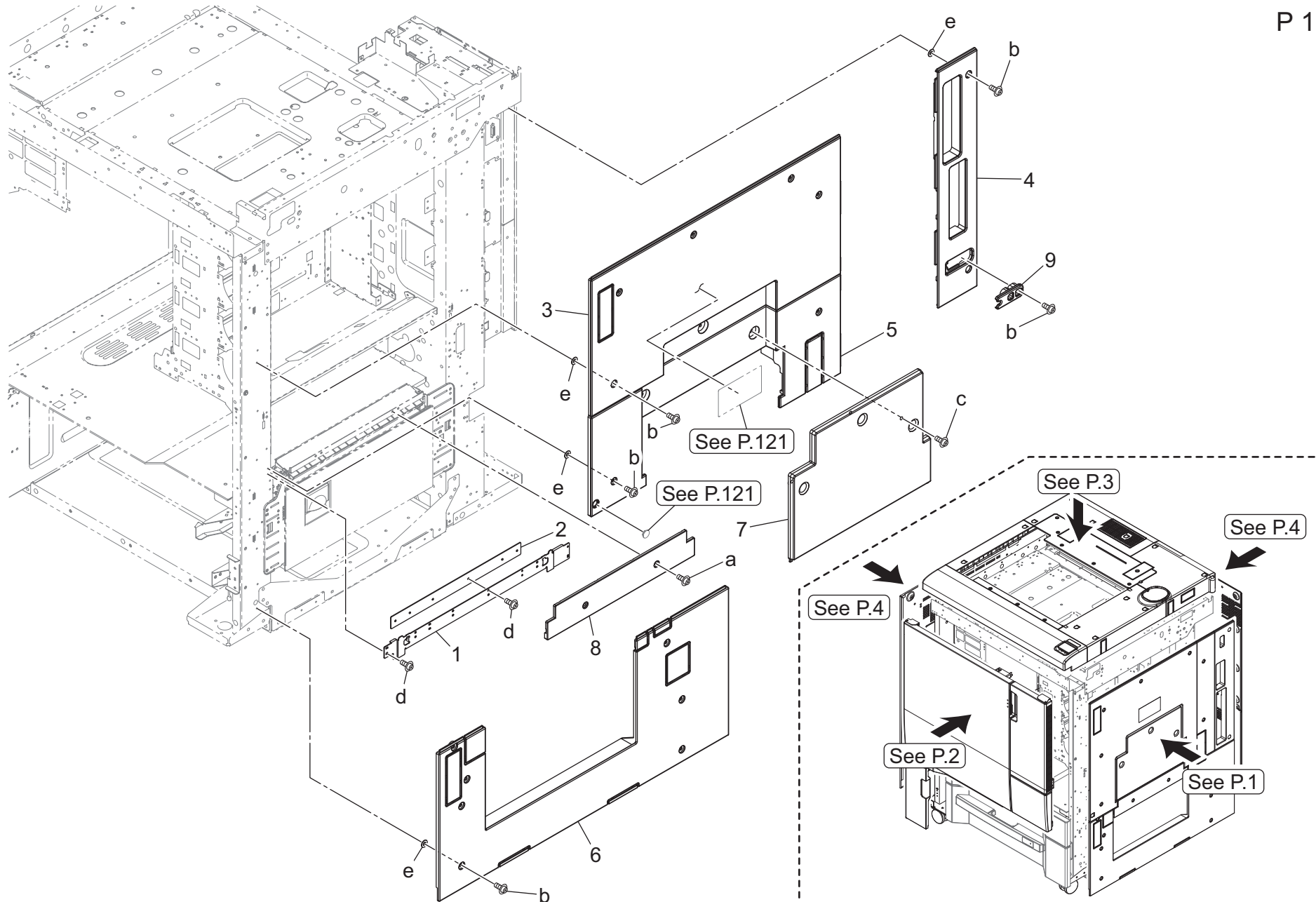
Parts No.	Page No.	Parts No.	Page No.	Parts No.	Page No.	Parts No.	Page No.	Parts No.	Page No.
A85CM55600	97-21	A8AW162500	108-16	A9VE163200	1-8	A9VE634400	60-17	A9VE769300	51-12
A85CM55600	100-33	A8AW162600	108-17	A9VE163600	4-8	A9VE634400	64-17	A9VE769600	51-13
A85CN12800	7-24	A8AW941002	108-18	A9VE163800	4-9	A9VE641600	10-21	A9VE785400	49-28
A85CN19000	76-15	A8WC707100	120-21	A9VE163900	3-4	A9VE641700	10-14	A9VE785500	49-29
A85CN19100	79-15	A92W343000	55-20	A9VE164800	2-31	A9VE700200	80-17	A9VE818100	86-31
A85CN19900	122-5	A92W343000	56-20	A9VE168000	122-6	A9VE701300	80-18	A9VE819100	88-32
A85CN21600	107-5	A92W343000	57-20	A9VE168800	3-6	A9VE715700	104-28	A9VE839100	86-32
A85CN21700	108-9	A92W343000	58-20	A9VE168800	121-6	A9VE720300	49-18	A9VE841000	94-19
A85CN27800	18-10	A92W345400	55-21	A9VE169000	121-7	A9VE720500	49-19	A9VE851800	92-14
A85CR70C11	76-16	A92W345400	56-21	A9VE169500	4-10	A9VE722800	51-9	A9VE851800	93-14
A85CR70R11	36-4	A92W345400	57-21	A9VE193100	16-16	A9VE723500	49-20	A9VE866100	99-35
A8AK100401	107-6	A92W345400	58-21	A9VE193200	16-17	A9VE723600	49-21	A9VE866201	99-36
A8AK101503	108-11	A93EM10000	8-23	A9VE193300	15-16	A9VE724100	49-22	A9VE867900	99-37
A8AK101700	108-12	A93EM10000	10-7	A9VE193500	15-17	A9VE726800	49-23	A9VE870100	85-5
A8AK103200	109-23	A93EM10000	98-1	A9VE193800	15-18	A9VE727500	50-37	A9VE870200	85-6
A8AK103502	109-24	A93EM10000	105-2	A9VE193900	16-18	A9VE727600	51-10	A9VE870300	85-7
A8AK103601	109-25	A93EM10000	113-18	A9VE194000	15-19	A9VE727700	50-38	A9VE870400	85-8
A8AK103702	109-26	A93EM10600	5-1	A9VE194100	15-20	A9VE728300	49-24	A9VE870500	85-9
A8AK104100	109-27	A9CE955000	121-4	A9VE194200	122-7	A9VE728400	48-17	A9VE870600	85-10
A8AK106101	105-19	A9CE955100	121-5	A9VE194300	122-8	A9VE731500	51-11	A9VE870800	84-42
A8AK106200	105-20	A9JT170601	3-11	A9VE197100	122-13	A9VE733000	49-25	A9VE870900	84-43
A8AK106300	105-21	A9JT942401	4-4	A9VE220500	52-19	A9VE733100	49-26	A9VE871200	84-44
A8AK106400	105-22	A9JT944200	2-34	A9VE220600	53-10	A9VE733400	48-18	A9VE871300	84-45
A8AK106800	105-23	A9VE110100	10-2	A9VE222000	53-6	A9VE741600	45-8	A9VE871600	91-46
A8AK107100	108-13	A9VE110100	13-1	A9VE400200	29-18	A9VE741700	46-21	A9VE871700	84-46
A8AK107200	105-24	A9VE110200	10-3	A9VE500100	38-35	A9VE741800	46-12	A9VE871800	84-47
A8AK108001	109-28	A9VE114600	9-20	A9VE521100	84-5	A9VE742400	44-27	A9VE871900	85-11
A8AK108100	109-29	A9VE133000	112-21	A9VE521200	84-13	A9VE742500	43-27	A9VE872000	91-5
A8AK108200	109-30	A9VE160300	2-29	A9VE522500	84-39	A9VE742800	43-28	A9VE890400	106-33
A8AK108302	109-31	A9VE160600	2-30	A9VE526200	84-40	A9VE743000	43-29	A9VE890900	106-34
A8AK108400	109-32	A9VE160700	60-12	A9VE560100	69-15	A9VE743500	49-27	A9VE892800	106-35
A8AK108500	109-33	A9VE160800	64-13	A9VE560100	72-15	A9VE743800	44-28	A9VE942102	108-19
A8AK162701	105-25	A9VE161100	3-12	A9VE620701	64-14	A9VE744300	44-29	A9VE942200	121-8
A8AK941001	121-2	A9VE161200	3-13	A9VE625800	75-1	A9VE745800	45-9	A9VE942301	4-12
A8AK941200	121-3	A9VE161301	3-14	A9VE628400	60-13	A9VE758000	50-39	A9VE942500	103-16
A8AK941301	109-34	A9VE161400	3-8	A9VE628400	64-15	A9VE758400	47-22	A9VE942600	4-11
A8AKN10501	109-35	A9VE162300	4-5	A9VE628500	60-14	A9VE758600	47-23	A9VE942700	52-15
A8AKR70511	109-36	A9VE162400	3-3	A9VE630701	60-15	A9VE760900	50-8	A9VE943100	82-2
A8AW106900	108-14	A9VE162500	1-6	A9VE633100	60-16	A9VE764200	50-41	A9VE944100	83-5
A8AW161911	105-26	A9VE162800	1-7	A9VE633100	64-16	A9VE769001	48-19	A9VE944901	2-32

Parts No.	Page No.	Parts No.	Page No.	Parts No.	Page No.	Parts No.	Page No.	Parts No.	Page No.
A9VE945400	60-18	AAK7374100	25-4	AC57163500	4-7	AC57363000	35-4	AC57754900	47-9
A9VE945500	64-18	AAK7374100	26-4	AC57169000	52-4	AC57462100	55-8	AC57760300	50-40
A9VE945900	121-19	AAK7374100	27-4	AC57174100	2-35	AC57462100	56-8	AC57761000	50-15
A9VE946300	121-9	AAK7376000	24-6	AC57174200	2-36	AC57462100	57-8	AC57767400	47-6
A9VE949000	50-42	AAK7376000	25-6	AC57174400	2-37	AC57462100	58-8	AC57767600	45-18
A9VEF62104	64-19	AAK7376000	26-6	AC57175900	8-25	AC57462202	55-9	AC57767701	45-19
A9VEF63104	60-19	AAK7376000	27-6	AC57190102	14-25	AC57462202	56-9	AC57767800	45-11
A9VEF84100	94-18	AAAMP10900	89-2	AC57190201	14-26	AC57462202	57-9	AC57768000	45-12
A9VEM31E00	49-4	AC57108100	111-2	AC57190301	14-27	AC57462202	58-9	AC57768100	45-13
A9VEM31F00	49-4	AC57120500	8-24	AC57193100	14-8	AC57503900	38-16	AC57768200	45-14
A9VEM33E00	49-30	AC57120700	113-19	AC57193200	14-9	AC57504000	38-17	AC57768300	45-15
A9VEM33F00	49-30	AC57121000	5-10	AC57193400	14-10	AC57515400	42-9	AC57768401	45-16
A9VEM55100	103-17	AC57121100	5-32	AC57193500	14-11	AC57560000	69-11	AC57768500	45-17
A9VEM75500	14-17	AC57121600	5-12	AC57193600	14-3	AC57560000	72-11	AC57768600	44-34
A9VEN10601	48-22	AC57130400	115-5	AC57193800	14-13	AC57560301	68-6	AC57768800	48-25
A9VEN11000	48-23	AC57130500	114-3	AC57193900	14-14	AC57560301	71-6	AC57784600	51-15
A9VEN11500	112-1	AC57132001	113-20	AC57194101	14-21	AC57560401	69-6	AC57800100	98-4
A9VEN12400	52-16	AC57132200	113-21	AC57205001	14-30	AC57560401	72-6	AC57805500	97-22
A9VEN13300	39-26	AC57132500	113-22	AC57220500	52-2	AC57635300	70-22	AC57812200	87-17
A9VEN15000	86-34	AC57132800	113-23	AC57220700	53-11	AC57635300	73-22	AC57818000	86-15
A9VEN15200	106-36	AC57132900	113-24	AC57222300	53-12	AC57704400	81-16	AC57849100	87-32
A9VEN15601	86-35	AC57133200	7-11	AC57222400	52-6	AC57710100	102-7	AC57849200	87-33
A9VEN16100	89-17	AC57133400	113-25	AC57337201	54-24	AC57715901	103-6	AC57859000	87-34
A9VEN16200	85-12	AC57133500	113-26	AC57340301	55-4	AC57716101	102-16	AC57859400	87-35
A9VEN16200	91-33	AC57133700	113-29	AC57340301	56-4	AC57716300	102-24	AC57860500	99-16
A9VEN16500	88-33	AC57134000	114-16	AC57340301	57-4	AC57716700	103-9	AC57861800	99-18
A9VEN18801	86-36	AC57134100	111-3	AC57340601	58-4	AC57719200	102-18	AC57870700	84-41
A9VER70422	49-6	AC57134800	115-6	AC57340700	8-26	AC57723800	48-24	AC57890800	106-20
A9VER70900	51-14	AC57135800	115-7	AC57341200	58-25	AC57736201	43-5	AC57891400	108-15
A9VER71700	30-2	AC57160100	2-28	AC57341700	52-3	AC57740000	51-5	AC57891700	108-21
A9VER71800	33-11	AC57160400	82-23	AC57343102	58-26	AC57741900	47-20	AC57895600	108-20
AA2JM10500	113-1	AC57161000	3-2	AC57343700	58-27	AC57742000	47-21	AC57896001	122-12
AA2JM10500	114-2	AC57161600	2-6	AC57347300	55-2	AC57744600	44-15	AC57896400	109-37
AA2JN14500	17-6	AC57161800	2-8	AC57347300	56-2	AC57744700	47-5	AC57898000	122-1
AA2JR73200	17-7	AC57162001	1-3	AC57347300	57-2	AC57745000	49-17	AC57898500	108-10
AA2JR73300	17-8	AC57162100	1-4	AC57347300	58-23	AC57745300	43-31	AC57899000	109-21
AA7NH01A00	18-2	AC57162201	1-5	AC57347400	55-22	AC57746700	47-7	AC57946500	54-25
AA7NM31200	20-20	AC57162600	1-9	AC57347400	56-22	AC57747200	44-30	AC57946500	55-19
AA7NR72500	17-9	AC57163000	4-6	AC57347400	57-22	AC57747301	44-31	AC57946500	56-19
AAK7374100	24-4	AC57163100	4-13	AC57347400	58-22	AC57749001	43-14	AC57946500	57-19

Parts No.	Page No.	Parts No.	Page No.	Parts No.	Page No.
AC57946500	58-19	AC57N16801	103-15	AC57R72700	30-1
AC57947000	82-24	AC57N20000	42-2	AC57R72900	110-11
AC57H01104	115-8	AC57N21301	108-7	AC57R73000	110-11
AC57H03002	112-22	AC57N21400	108-8	AC57R73200	121-14
AC57H05002	86-33	AC57N22000	88-34	AC57R73400	104-30
AC57M10300	38-9	AC57N22000	93-2	AC57R73600	98-2
AC57M10300	43-4	AC57N22000	98-20	AC57R73700	88-30
AC57M10600	44-32	AC57N22101	84-14	AC57R73900	30-1
AC57M10A00	19-22	AC57N26500	21-8	AC57R74000	110-11
AC57M15000	10-6	AC57N27000	12-8	AC57R74300	46-14
AC57M15000	95-4	AC57N27400	115-9	AC57R74500	33-10
AC57M15000	113-27	AC57N28600	115-10	AC57R74600	33-12
AC57M15300	7-22	AC57N29000	15-14	AC57R74700	35-22
AC57M15300	105-17	AC57N29100	15-15	AC57R74800	42-7
AC57M15400	11-26	AC57N29200	115-11	AC57V13002	113-28
AC57M15800	5-5	AC57R70100	22-1	AC58783400	49-15
AC57M15800	8-27	AC57R70200	24-10	ACE6335600	23-3
AC57M20000	87-9	AC57R70200	25-10	ACE6339100	23-4
AC57M20200	87-14	AC57R70200	26-10	SP00-0210	48-16
AC57M40900	108-6	AC57R70200	27-10	SP00-0220	45-10
AC57M46100	111-4	AC57R70300	36-3	V114040604	121-10
AC57M50001	48-26	AC57R70400	21-9	V118030604	121-13
AC57M50101	48-27	AC57R70500	14-29	V121030604	121-11
AC57M50200	42-8	AC57R70700	35-21	V127030516	121-12
AC57M90100	117-5	AC57R70800	68-23	V153031004	122-10
AC57N10201	117-1	AC57R70800	71-23	V217040003	122-9
AC57N10302	118-2	AC57R71000	74-12	V234201250	104-2
AC57N10400	117-2	AC57R71100	52-17	V234201450	99-5
AC57N10501	119-1	AC57R71300	80-19	V234201450	100-6
AC57N10700	44-33	AC57R71400	102-23	V500010075	121-18
AC57N10A01	116-1	AC57R71500	93-39	V501010006	122-14
AC57N10F01	116-1	AC57R71600	88-28	V502010033	111-7
AC57N11300	114-15	AC57R71700	84-48	V502010033	111-8
AC57N11400	111-5	AC57R71800	93-40	V503010002	115-12
AC57N11600	111-6	AC57R71900	105-27		
AC57N12701	118-1	AC57R72000	98-19		
AC57N13601	10-23	AC57R72100	50-43		
AC57N14200	69-29	AC57R72300	43-30		
AC57N14200	72-29	AC57R72400	43-30		
AC57N16600	103-13	AC57R72600	30-1		

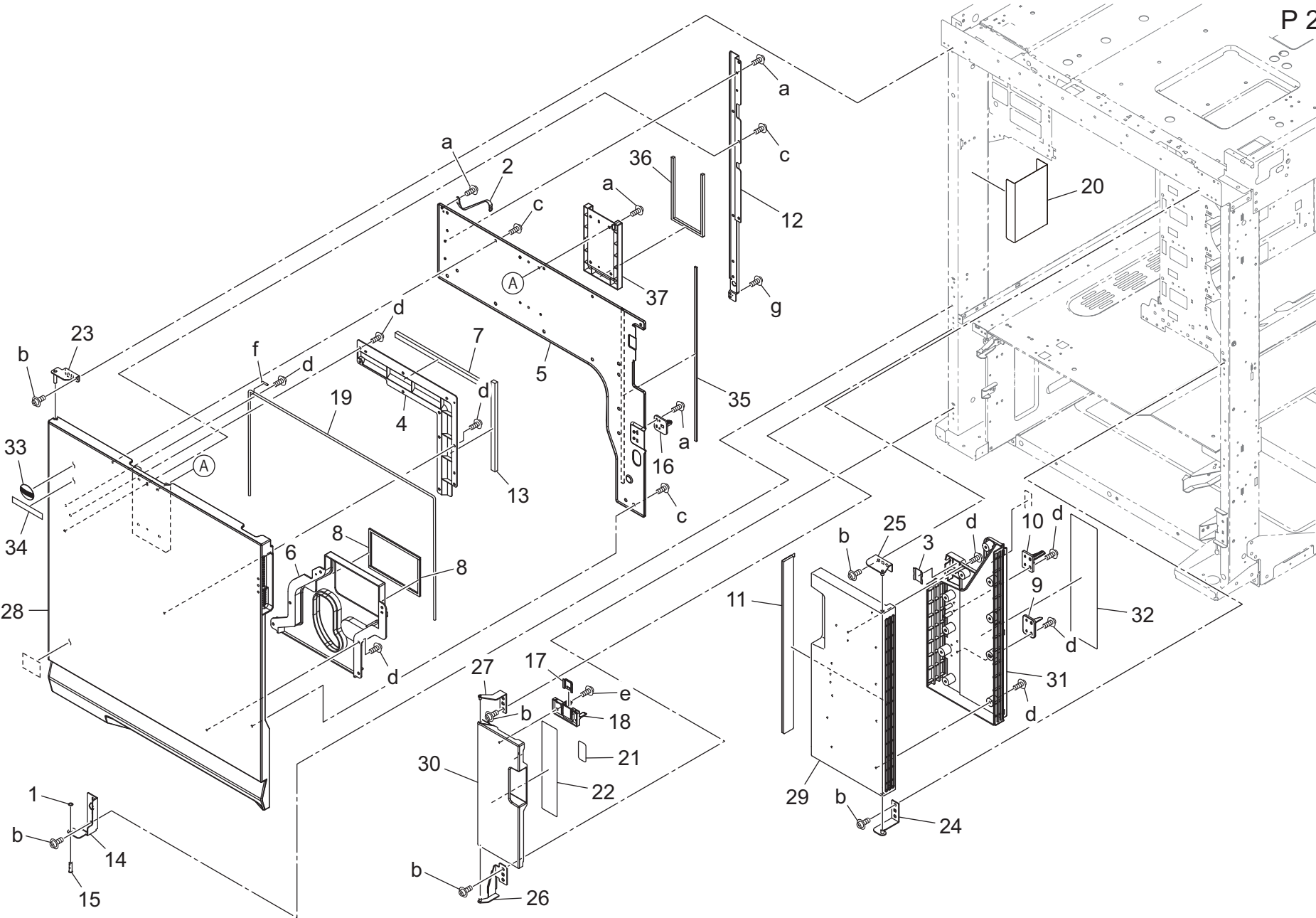
External Parts Section

P 1



External Parts Section

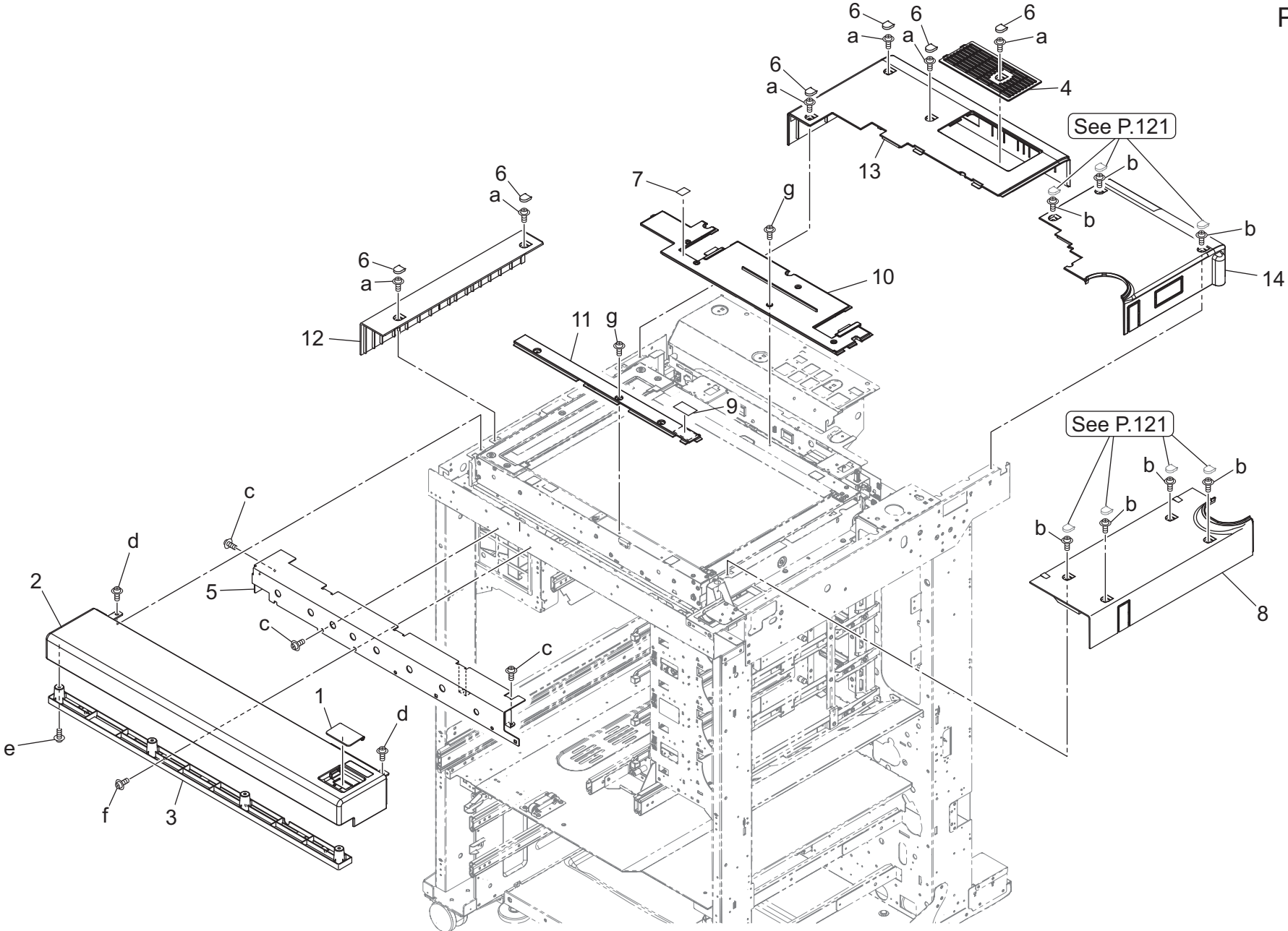
P 2



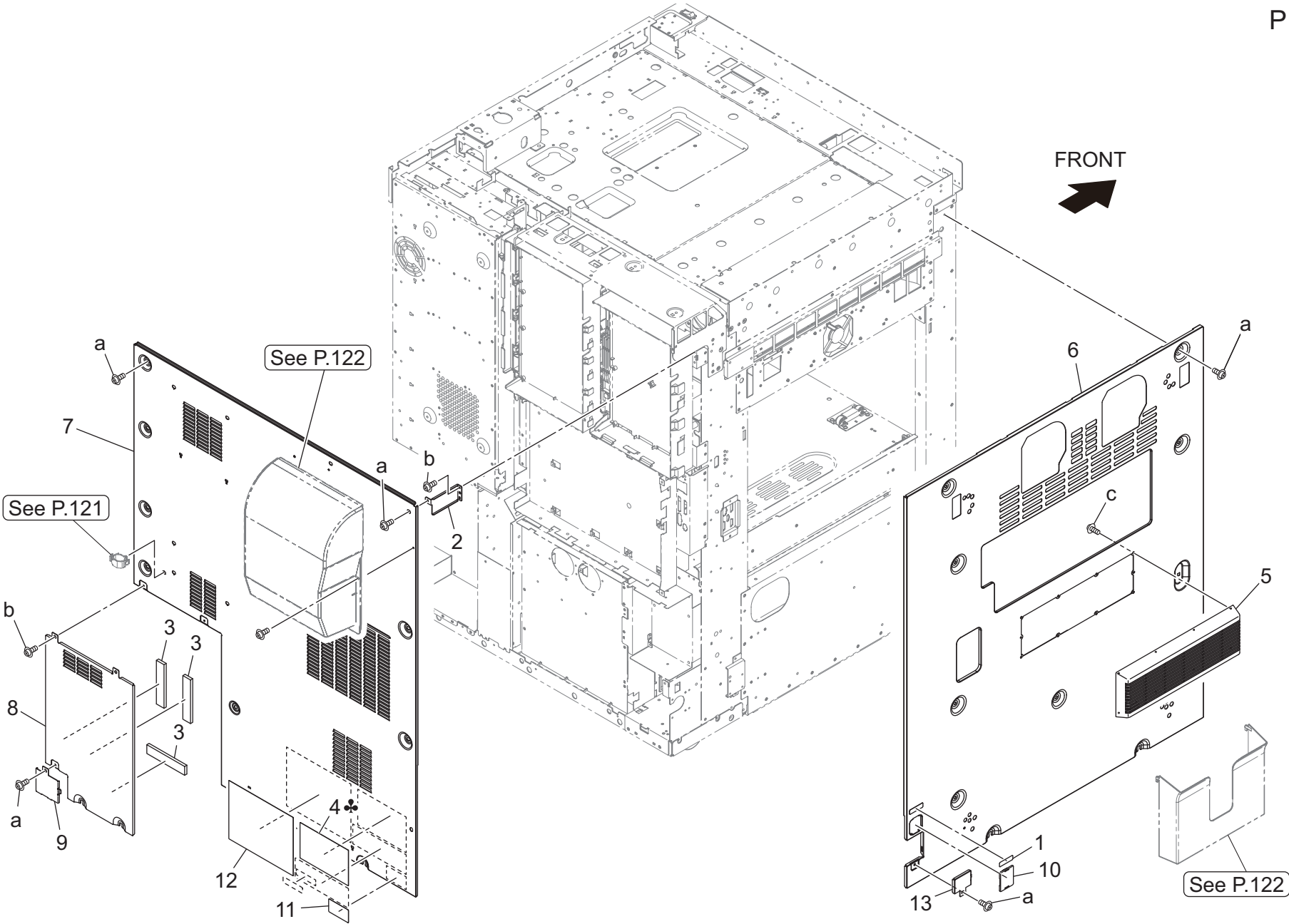
AccurioPress C4080

Key	Part No.	Description	Destinations	Class	QTY	Standard parts
1	40AA30270	DEVELOPING SPACER		C	1	a-V127030604
2	55VA90840	MAIN EARTH WIRE		D	1	b-V127040603
3	56AA12241	EXTERNAL LOCK PLATE		D	1	c-V158030803
4	A50U160500	Fixing Plate		D	1	d-V158030804
5	A50U161502	Reinforce Door /Right		D	1	e-V158031003
6	AC57161600	Cover Duct /Front		D	1	f-V234201450
7	A50U161700	Sealing Cushion /1		D	1	g-V126030603
8	AC57161800	Seal		D	2	
9	A50U164100	Detecting Actuator		D	1	
10	A50U164200	Detecting Part		D	1	
11	A50U164901	Suction Dust-proof Filter		A	1	
12	A50U165500	Reinforce Hinge		D	1	
13	A50U165600	Sealing Cushion /2		D	1	
14	A50U166100	Hinge /Lower		D	1	
15	A50U166200	Support Shaft /Lower		D	1	
16	A50U167201	Lock Cover		D	1	
17	A50U167500	Lock Plate		D	1	
18	A50U167601	Detecting Part		D	1	
19	A50U169900	Reinforce Wire		D	1	
20	A50U863100	Sheet		D	1	
21	A50U945601	Operation Label		D	1	
22	A50U946503	Operation Label /A		D	1	
23	A50UF16000	Left Door Support Plate / Upper Caulking		D	1	
24	A50UF16101	Right Door Support Plate / Lower Caulkin		D	1	
25	A50UF16201	Right Door Support Plate / Upper Caulkin		D	1	
26	A50UF16301	Collection Box Door Support Plate / L		D	1	
27	A50UF16400	Collection Box Door Support Plate / Upper		D	1	
28	AC57160100	Door /Front		D	1	
29	A9VE160300	Toner supply Door		D	1	
30	A9VE160600	Collection Door		D	1	
31	A9VE164800	Toner supply Duct		D	1	
32	A9VE944901	Toner supply Label		D	1	
33	A5AW162000	Indicating Plate		C	1	
34	A9JT944200	Label /KONICA MINOLTA		D	1	
35	AC57174100	Seal		D	1	
36	AC57174200	Seal		D	1	
37	AC57174400	Mounting Part		D	1	

External Parts Section



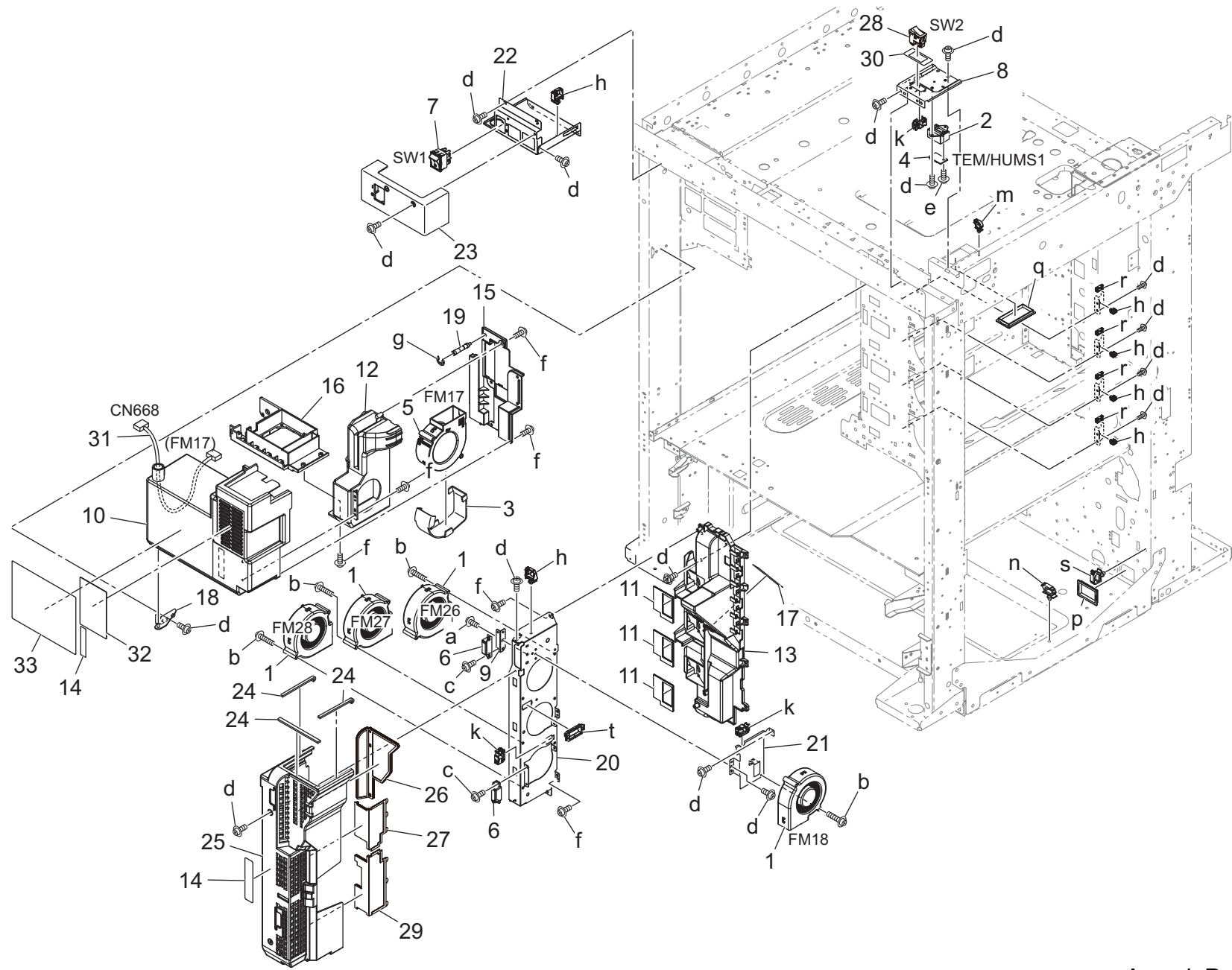
External Parts Section



AccurioPress C4080

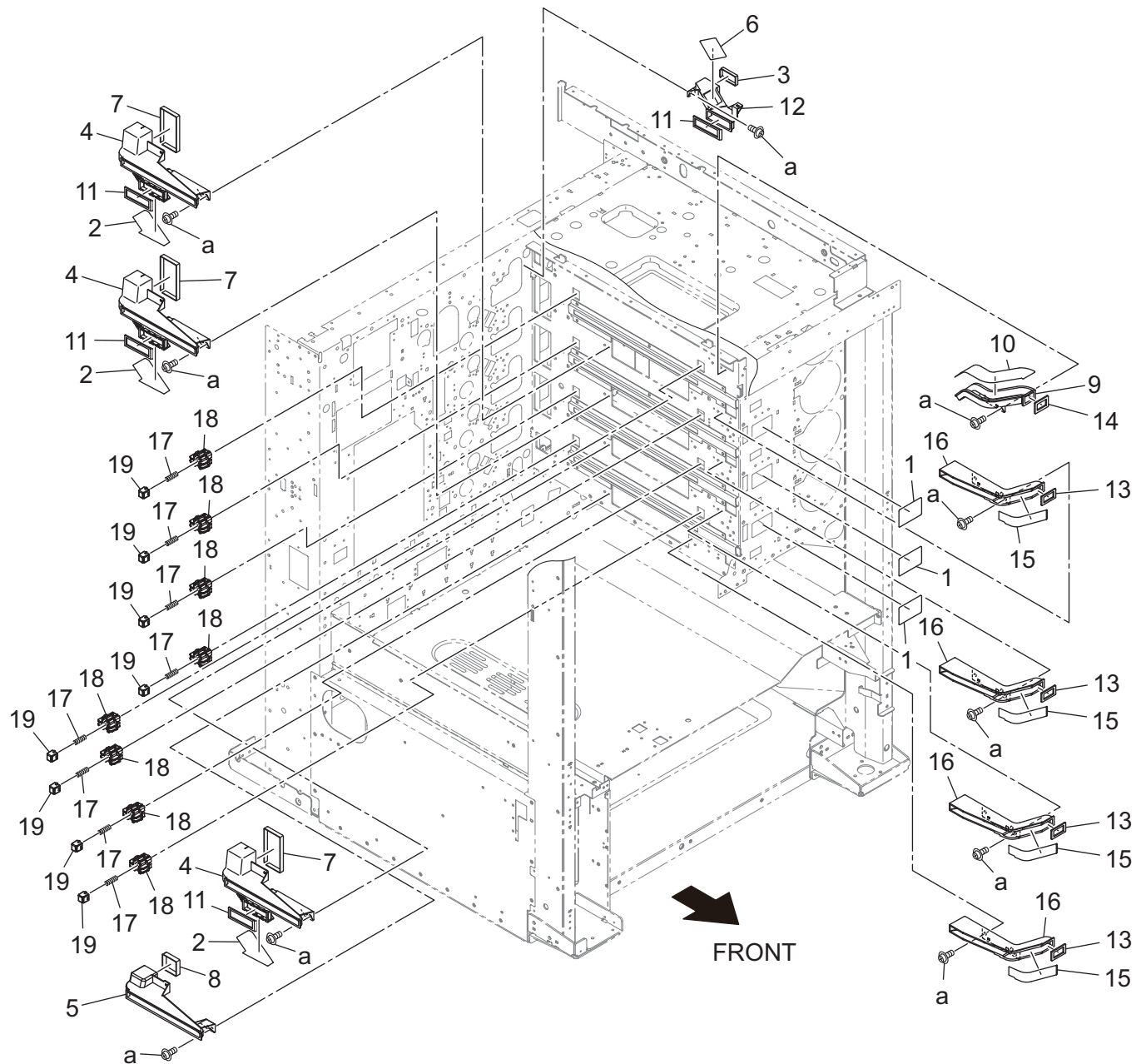
Main Frame Section

P 5



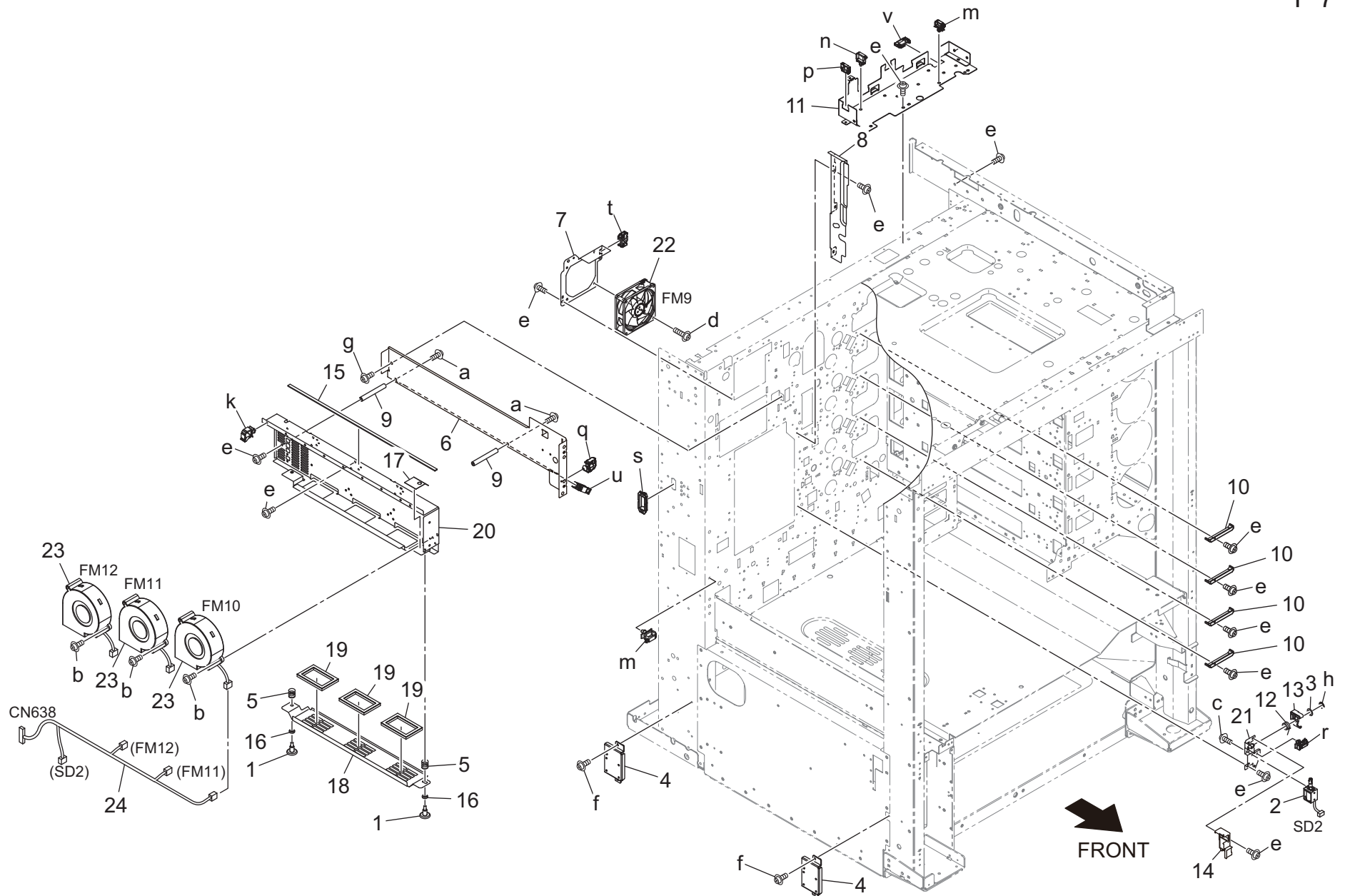
Key	Part No.	Description	Destinations	Class	QTY	Standard parts
1	A93EM10600	Fan motor		C	4	a-V116030803
2	65AA11300	SUPPORT PART	センサ支持部材	D	1	b-V118033503
3	65AA11430	FAN SEALING PART 3	ファンシール材 3	C	1	c-V126030603
4	A034M50000	Humidity sensor	温湿度センサ	C	1	d-V127030604
5	AC57M15800	Cooling Fan	冷却ファン (φ 95 PWM)	C	1	e-V151030803
6	A0G6411200	Magnet /X	マグネット / X	D	2	f-V158030803
7	A4EUM60000	Power source Switch	電源スイッチ	C	1	g-V217060003
8	A50U102900	Mounting Plate	取付板	D	1	h-V500020098
9	A50U120600	Fixing Plate	固定板 (マグネットキャッチ)	D	1	k-V570010056
10	AC57121000	Duct	ダクト (定着上)	D	1	m-V500010076
11	A50U121300	Cooling Seal /Front	冷却シール / 前 (現像)	D	3	n-V500010081
12	AC57121600	Duct	ダクト (中転ベルト)	D	1	p-V570010039
13	A50U122103	Cooling Duct	冷却ダクト (現像 / PH)	D	1	q-V570010040
14	A50U949600	Replacement Label	交換ラベル (ORU)	D	2	r-V570010057
15	A50U123800	Cover	蓋 (中転ファン)	D	1	s-V500010082
16	A50U124100	Duct	ダクト (定着上水平)	D	1	t-V570010037
17	A50U124900	Cover Sheet	カバーシート	D	1	
18	A50UF12000	Fusing Front Cooling Duct Support Shaft	定着前冷却ダクト支点軸カシメ	D	1	
19	A50U125901	Fixing Screw	固定ねじ	D	1	
20	A50U126500	Mounting Plate	取付板 (現像 / PH 冷却ファン)	D	1	
21	A50U126600	Mounting Plate	取付板 (PH 冷却ファン)	D	1	
22	A50U127401	Mounting Plate	取付板	D	1	
23	A50U127901	Cover	カバー (スイッチ / カウンター)	D	1	
24	A50U164000	Cooling Seal /1	冷却シール / 1 (現像 / PH ダクト)	D	3	
25	A50U167901	Cooling Cover	冷却カバー (現像 / PH)	D	1	
26	A50U172100	PH Dust-proof Filter	PH 防塵フィルター	B	1	
27	A50U172200	Deve. Dust-proof Filter/1	現像防塵フィルター / 1	B	1	
28	A50UM60300	Power source Switch	電源スイッチ	C	1	
29	A50U172300	Deve. Dust-proof Filter/2	現像防塵フィルター / 2	B	1	
30	A50U179500	Protection Sheet	保護シート	D	1	
31	A50UN12602	Cooling Relay harness /1	冷却中継束線 / 1	D	1	
32	AC57121100	Filter	フィルタ (中転冷却ダクト)	A	1	
33	A50U944302	Processing Label /2	処理ラベル / 2	D	1	

Main Frame Section



Key	Part No.	Description	Destinations	Class	QTY	Standard parts
1	A50U109101	Writing Cover		D	3	a-V127030604
2	A50U123200	Ozone Cover		D	3	
3	A50U123300	Suction Seal		D	1	
4	A50U123400	Duct /Cyan		D	3	
5	A50U123500	Duct		D	1	
6	A50U123600	Suction Cover		D	1	
7	A50U123900	Suction Seal		D	3	
8	A50U124000	Suction Seal		D	1	
9	A50U126200	Duct		D	1	
10	A50U126800	Sheet /1		D	1	
11	A50U127201	Suction Seal /Rear		D	4	
12	A50U127300	Suction Duct		D	1	
13	A50U127500	Seal		D	4	
14	A50U127800	Seal		D	1	
15	A50U128000	Sheet /2		D	4	
16	A50U128700	Duct /1		D	4	
17	A50U341800	Pressing Spring /D		D	8	
18	A50U342200	Pressing Pedestal		D	8	
19	A50U342400	Charge Pressing Block		D	8	

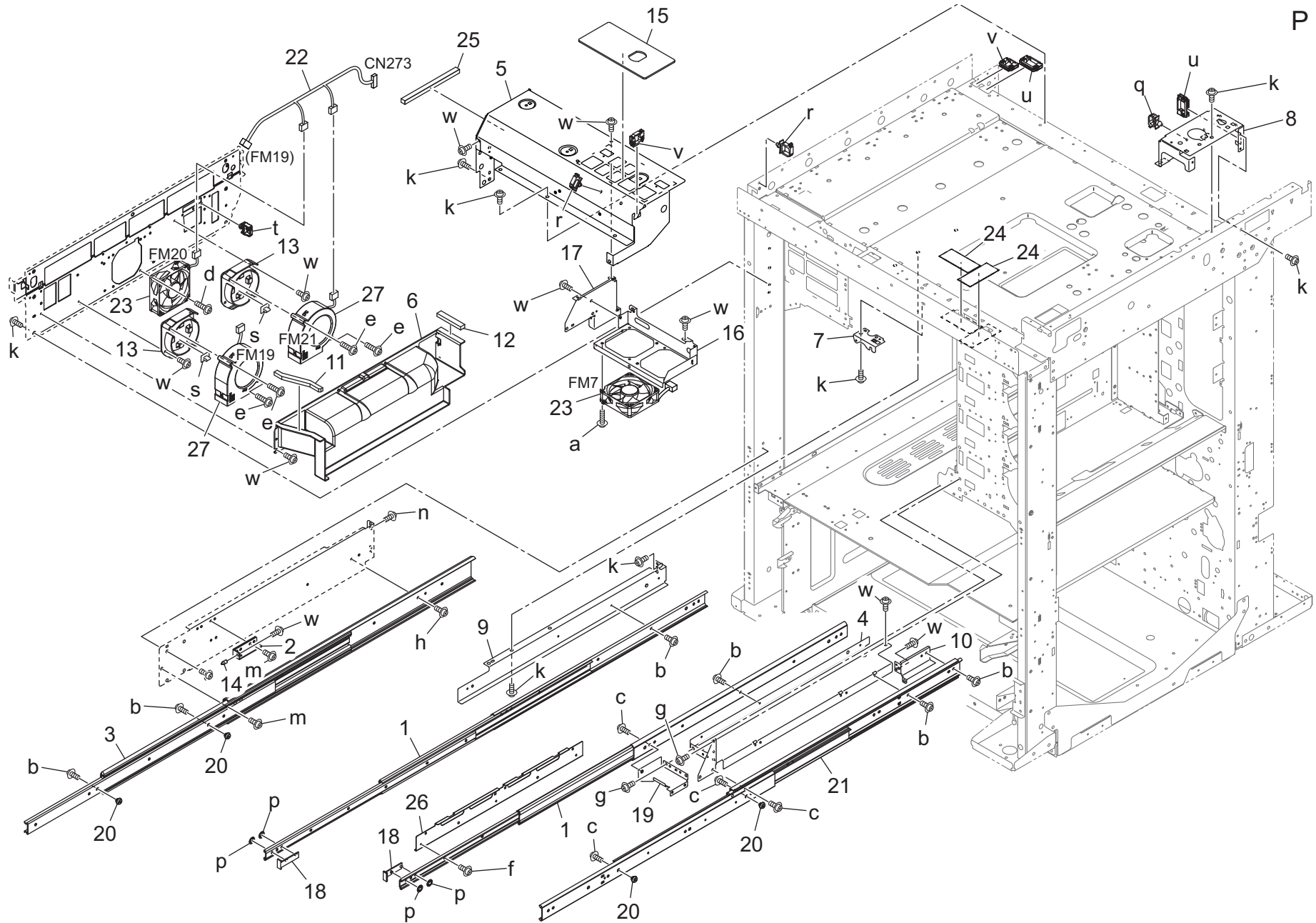
Main Frame Section



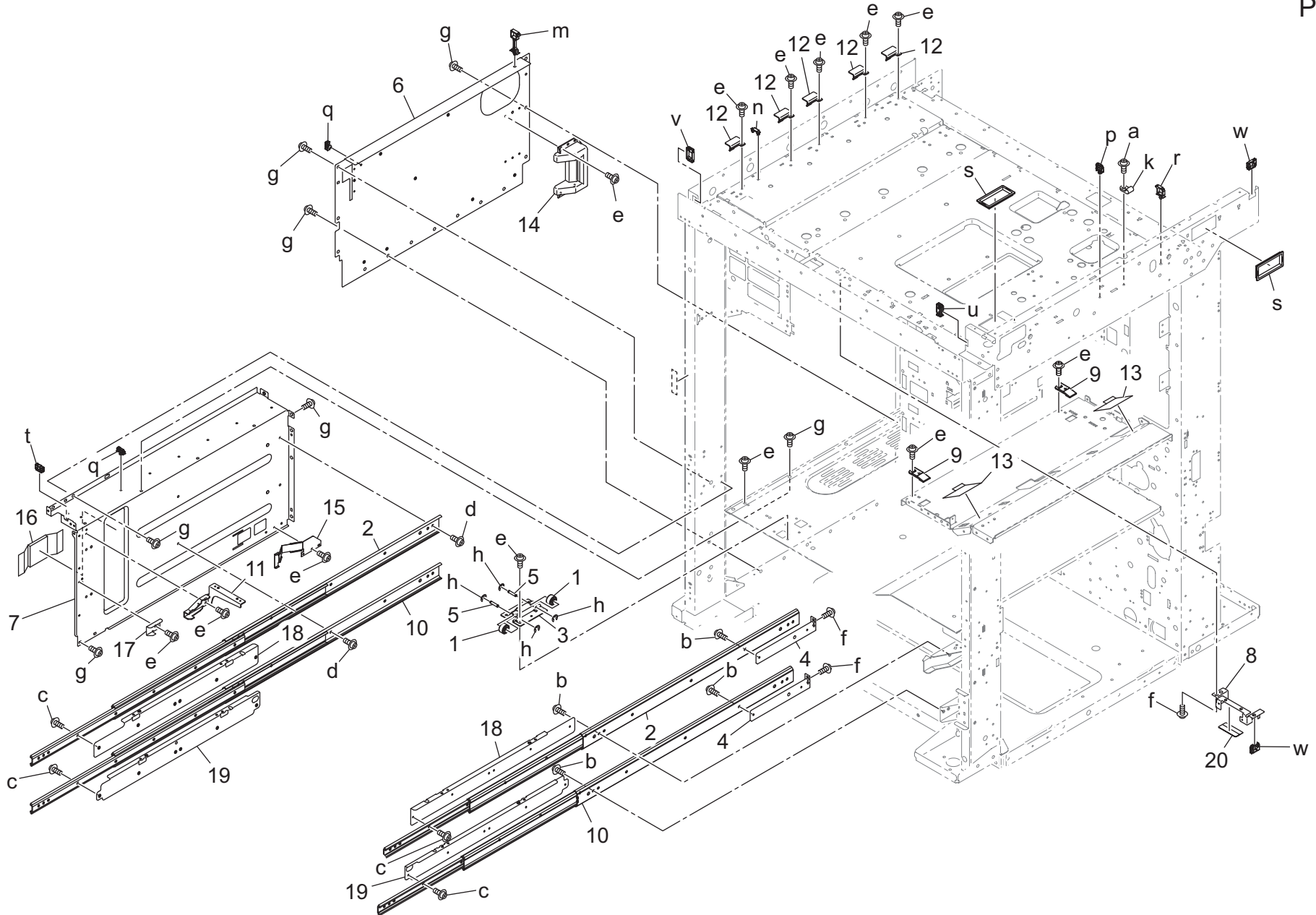
AccurioPress C4080

Main Frame Section

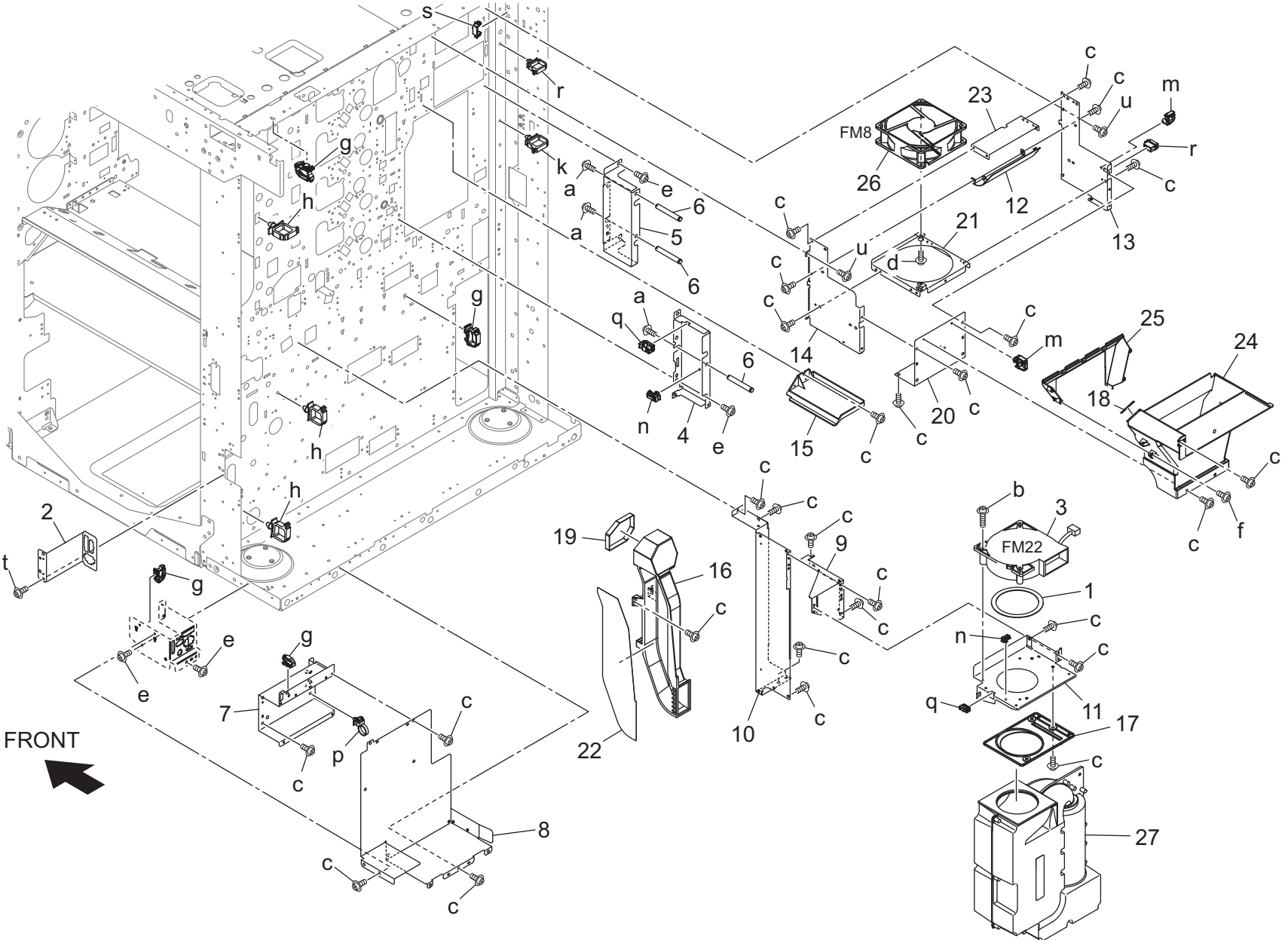
P 8



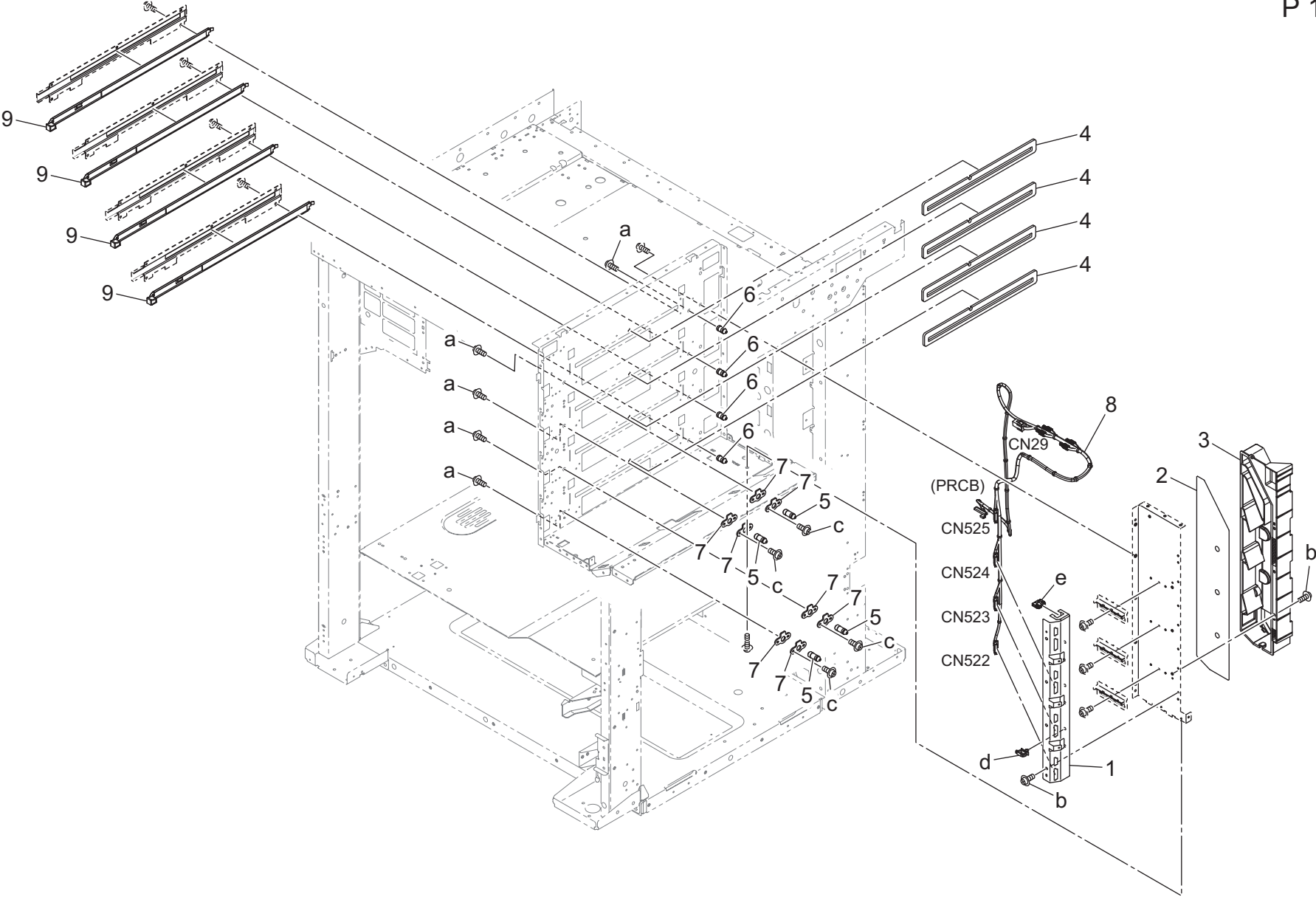
Main Frame Section



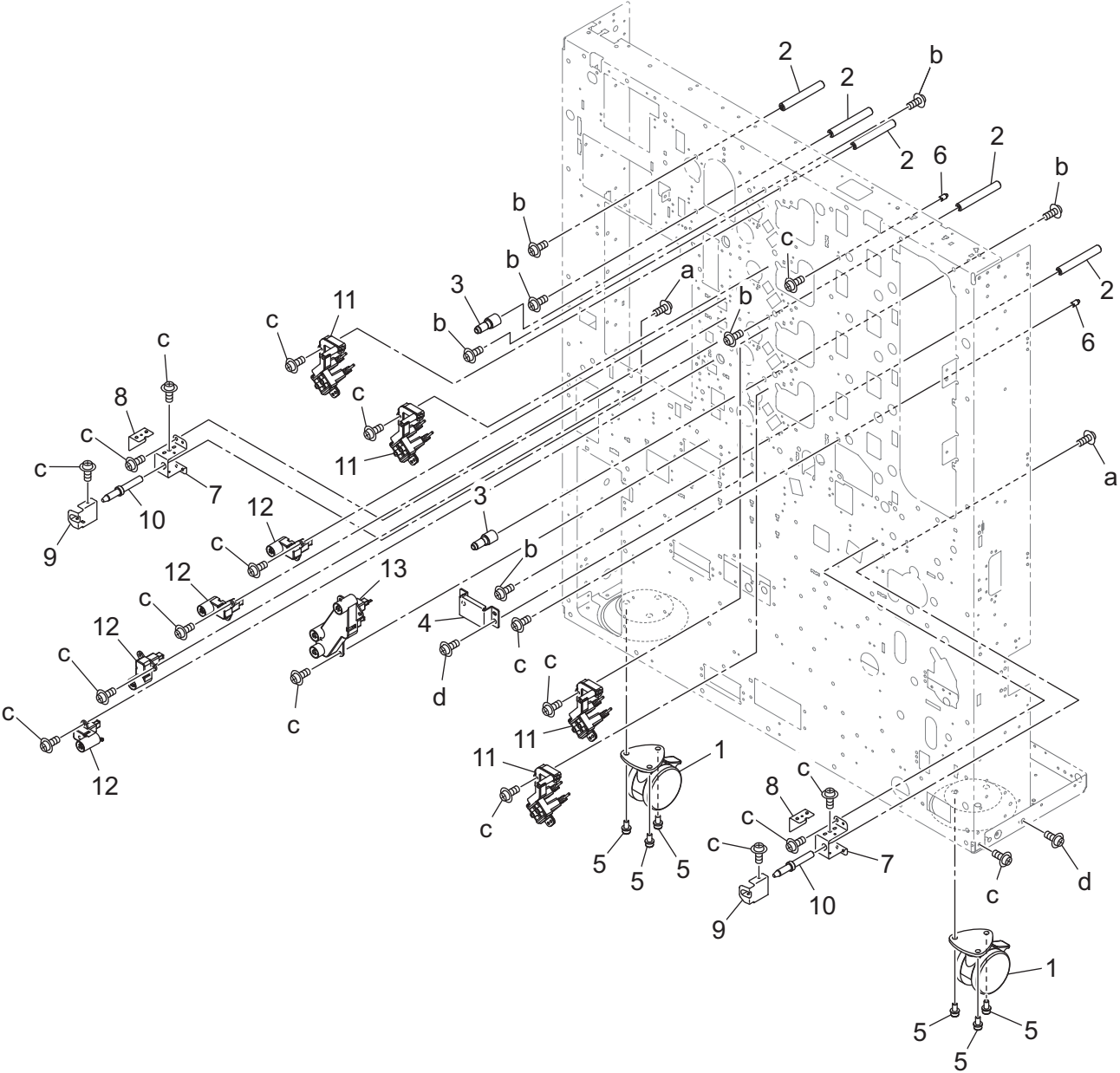
Main Frame Section



Main Frame Section

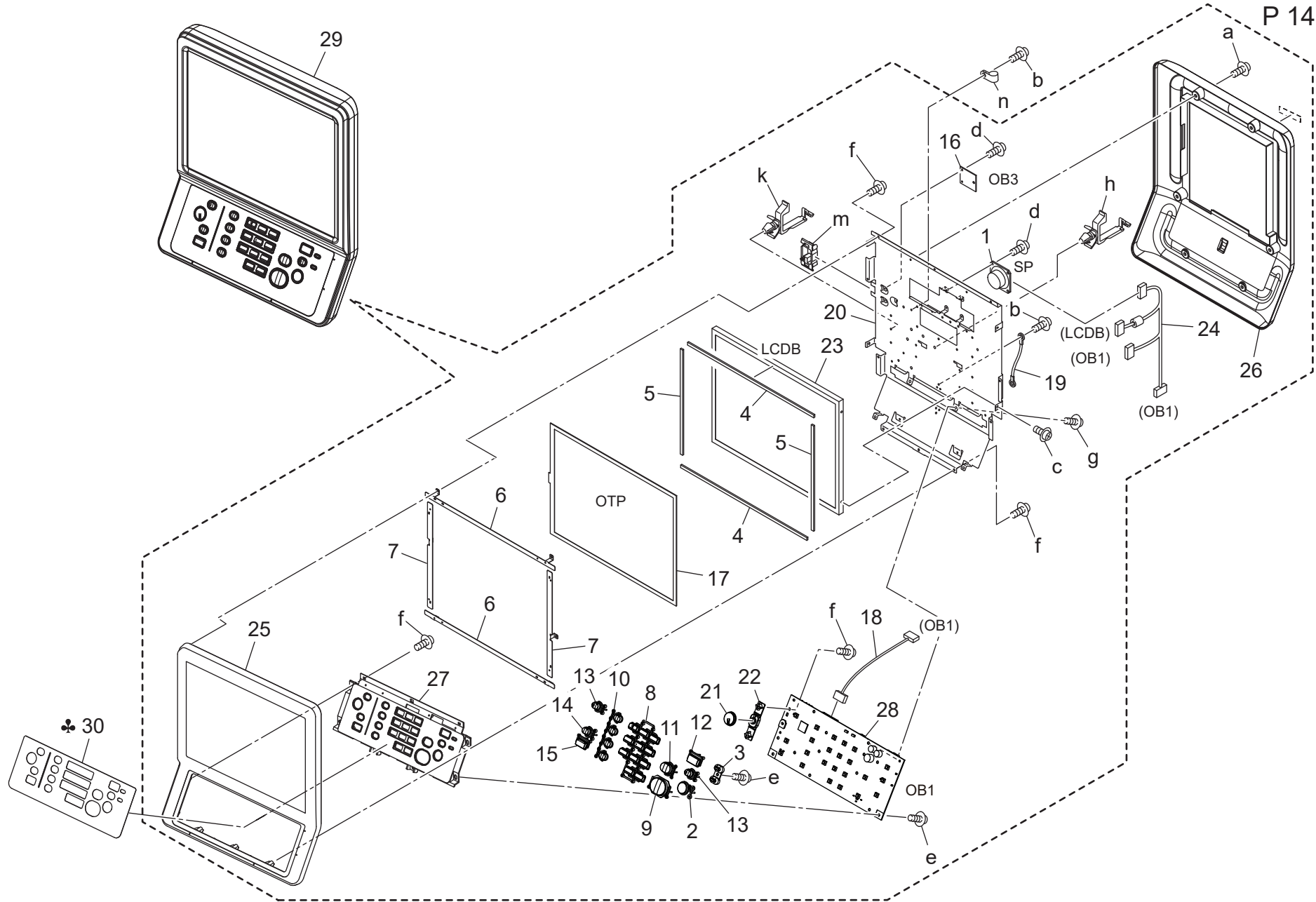


Main Frame Section



Operation Panel Section

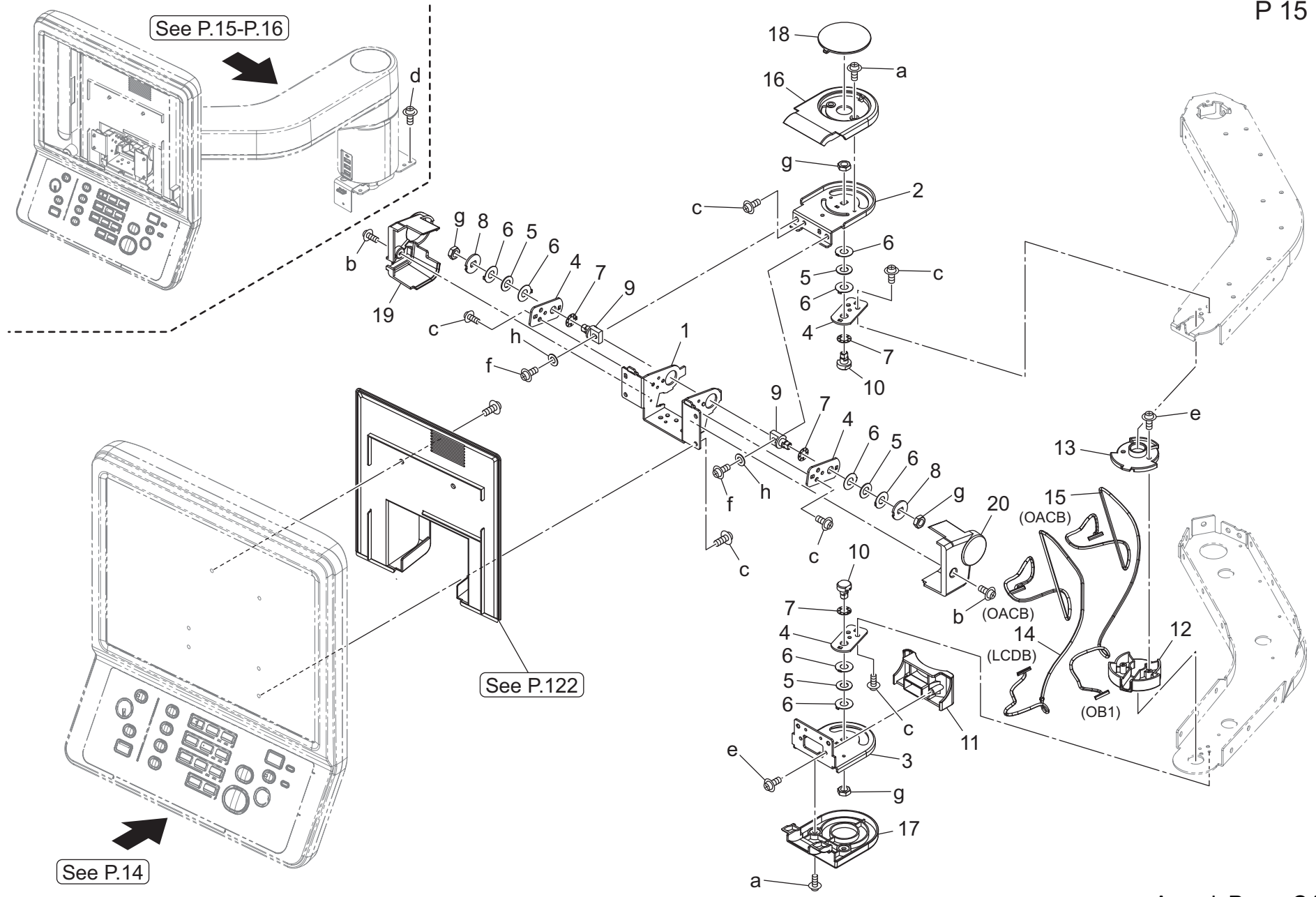
P 14



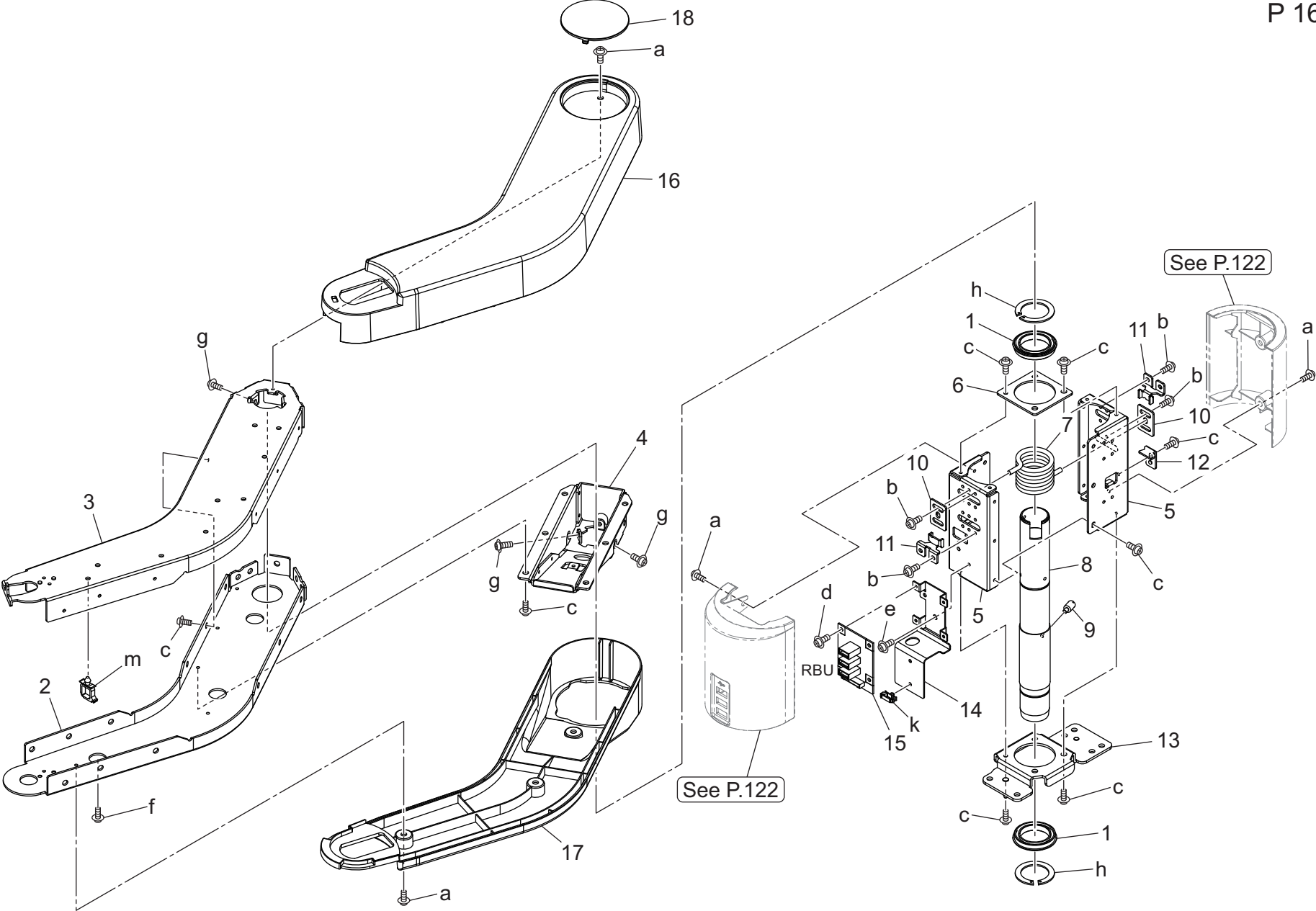
AccurioPress C4080

Key	Part No.	Description	Destinations	Class	QTY	Standard parts
1	A0P0M73100	Speaker		D	1	a-V114040604
2	56UA70330	OPERATION UNIT BUTTON S		C	1	b-V116040603
3	AC57193600	Indicating Part /1		D	1	c-V118030404
4	A0G6192400	Holding Cushion /Upper		C	2	d-V118030603
5	A0G6192500	Holding Cushion /Right		C	2	e-V151030603
6	A0G6192700	Ground Plate /1		D	2	f-V151030803
7	A0G6192900	Ground Plate /2		D	2	g-V151031003
8	AC57193100	Operation Button /1		D	1	h-V500010082
9	AC57193200	Operation Button /2		D	1	k-V500020099
10	AC57193400	Operation Button /4		D	1	m-V570010063
11	AC57193500	Operation Button /5		D	1	n-V500020069
12	A0G6193700	Operation Button /7		C	1	
13	AC57193800	Operation Button /10		D	2	
14	AC57193900	Operation Button /8		D	1	
15	A0G6194000	Operation Button /9		C	1	
16	A0G6H06000	Operation Board /3 Assy		C	1	
17	A9VEM75500	Ope. Unit Touch Panel		C	1	
18	A0G6N18400	Ope. Unit Control Harness /3		D	1	
19	A1RFN28300	Ope. unit Wiring /1		D	1	
20	A4EU190413	Operation Plate		D	1	
21	AC57194101	Operation Knob /1		D	1	
22	A4EU194200	Fixing Holder		D	1	
23	A4EUM75800	Ope. unit LCD		C	1	
24	A4EUN28500	Ope. unit Wiring /4		D	1	
25	AC57190102	Operation Cover /Front		D	1	
26	AC57190201	Operation Cover /Rear		D	1	
27	AC57190301	Operation Casing /1		D	1	
28	A799H04001	Operation Board /1 ASSY		I	1	
29	AC57R70500	OPE. UNIT ASSY		I	1	
30	AC57205001	Operation Sheet	B,D3,G2	D	1	

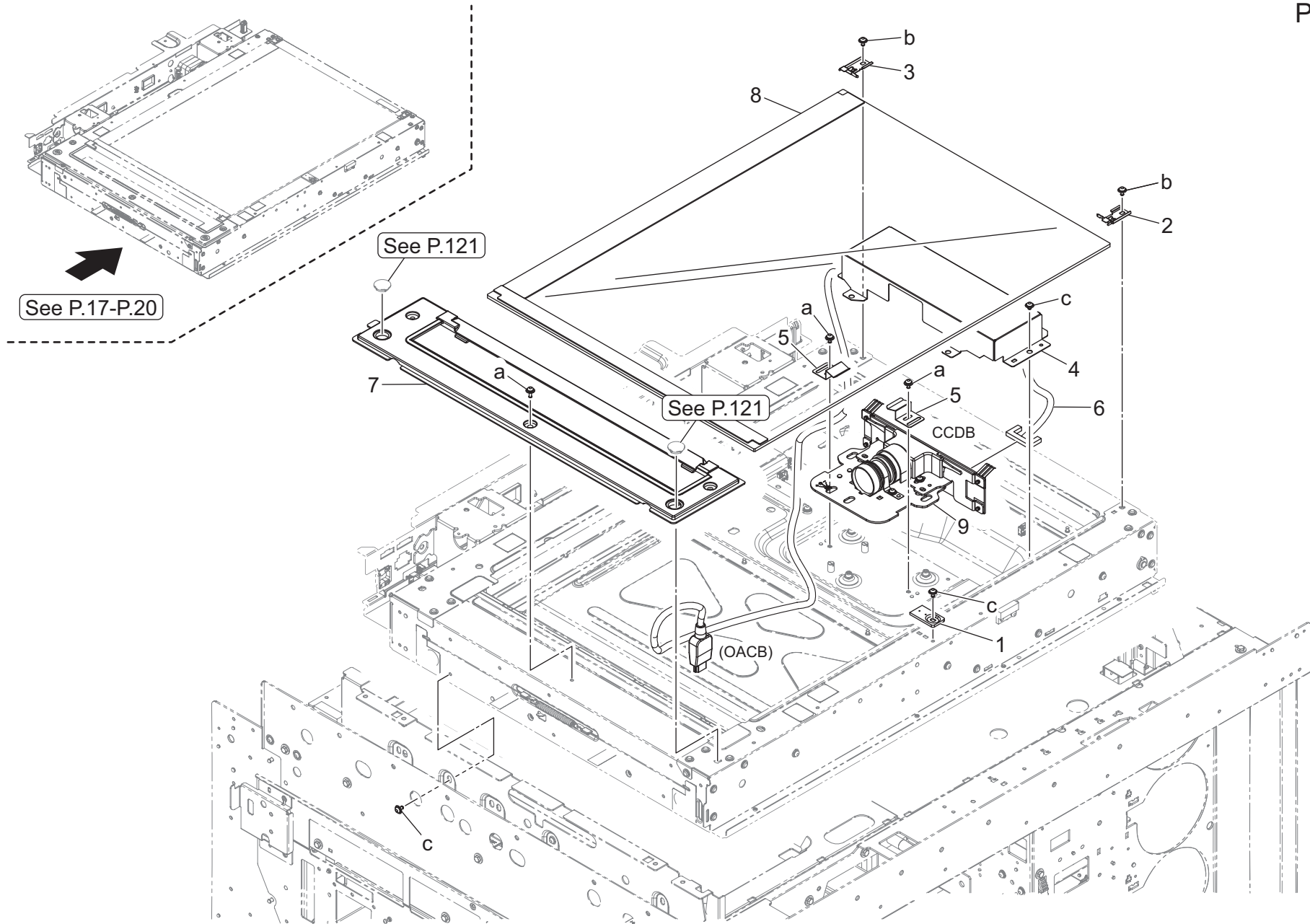
Operation Panel Section

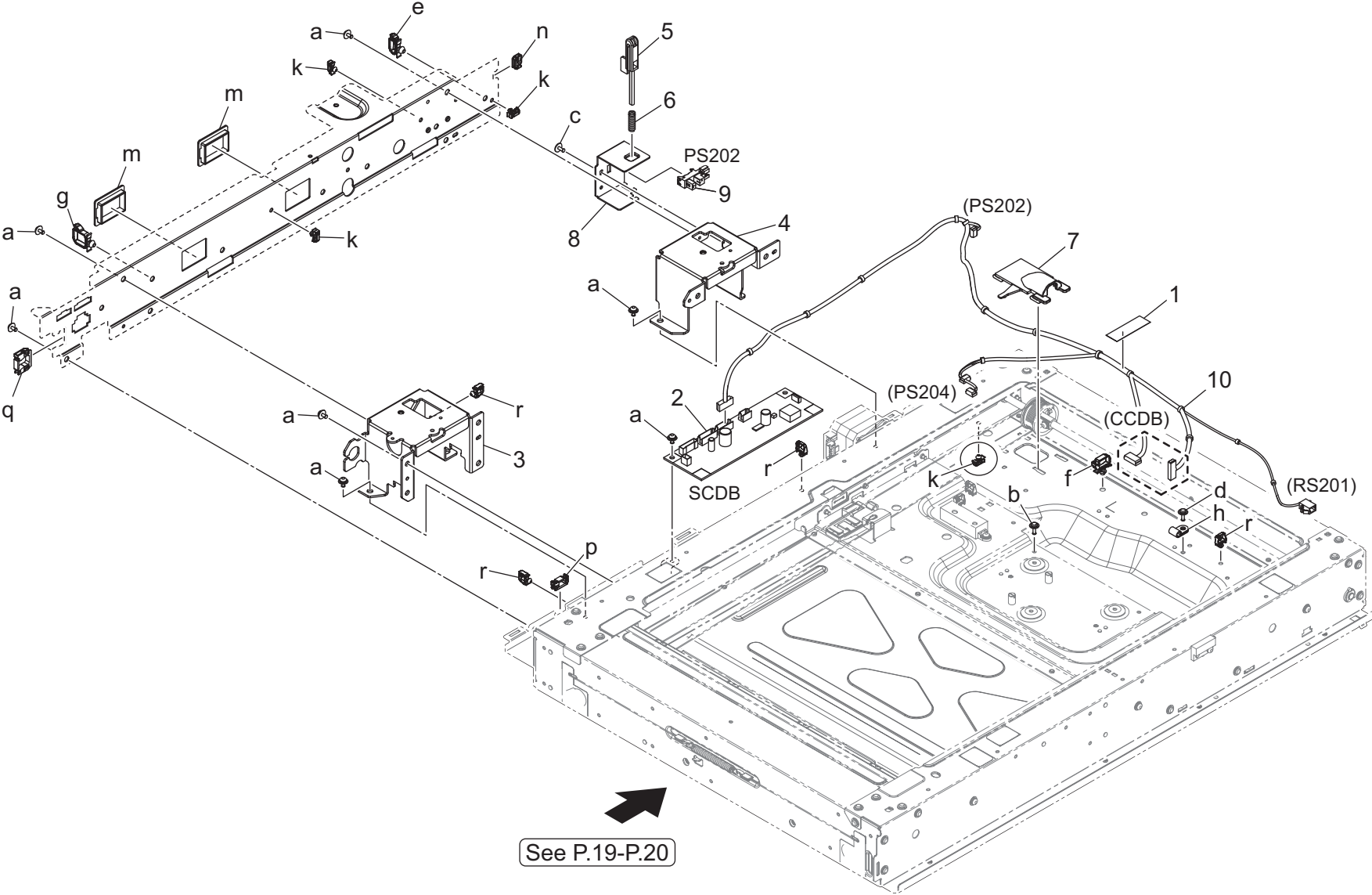


Operation Panel Section

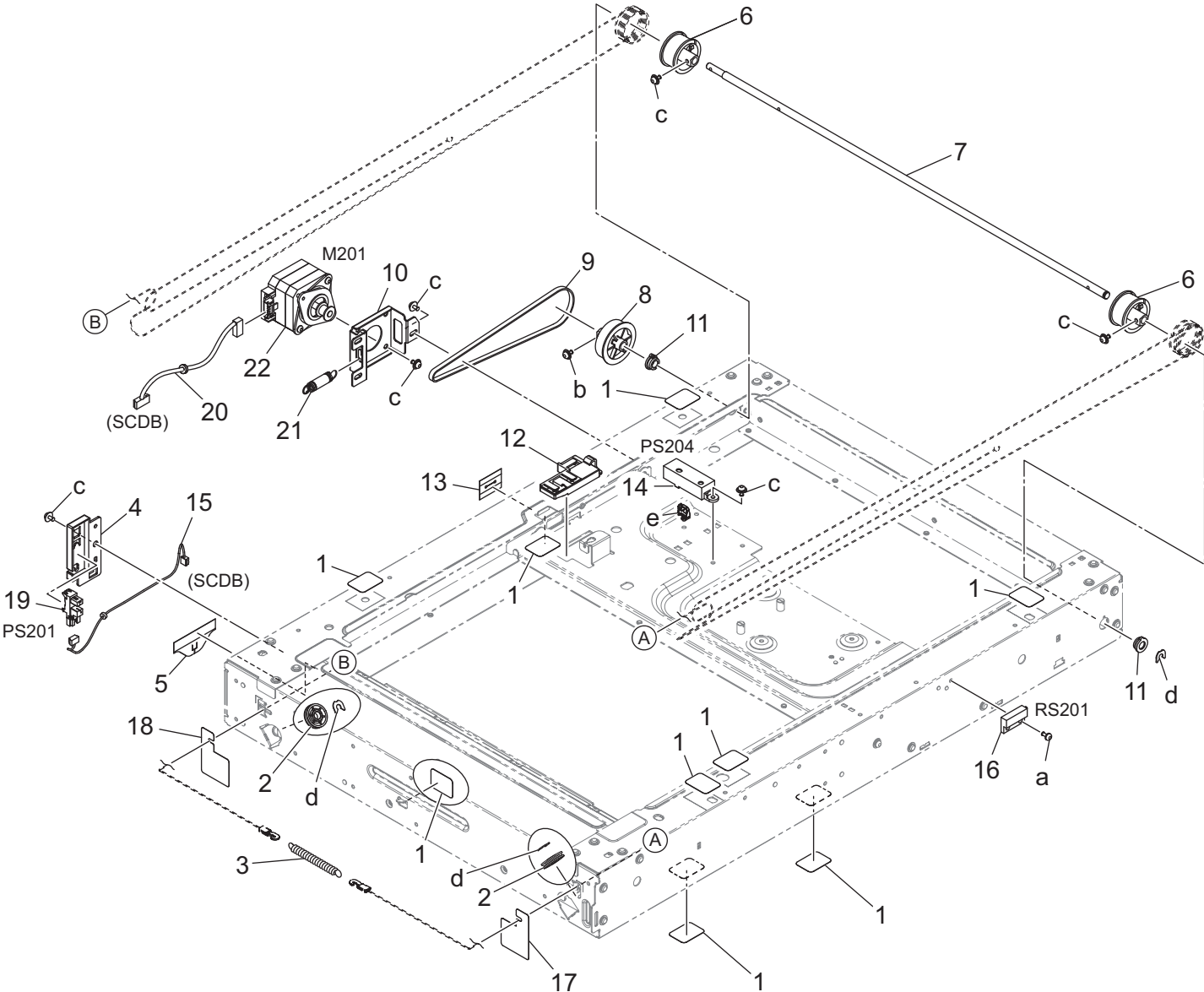


Scanner Section

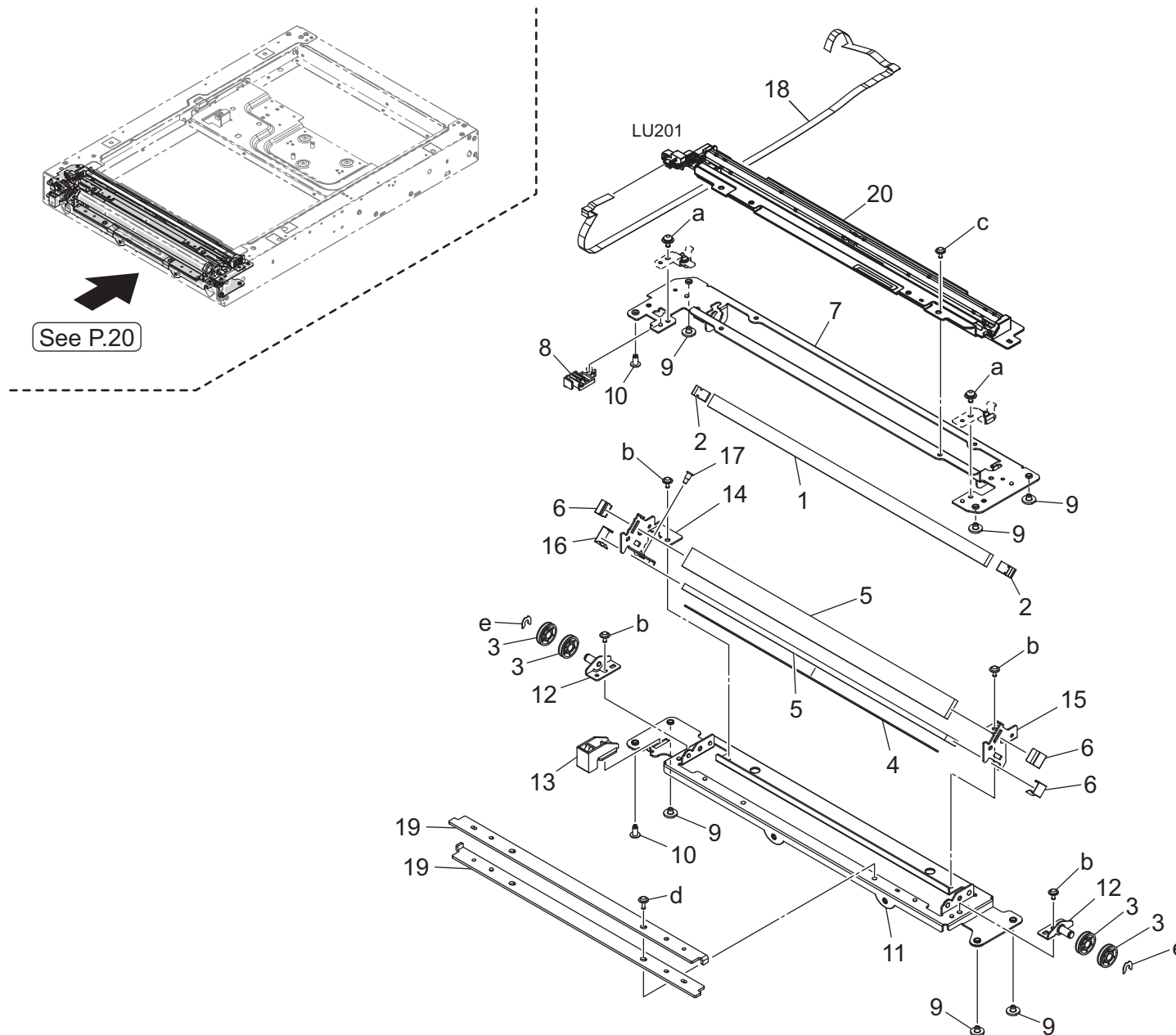


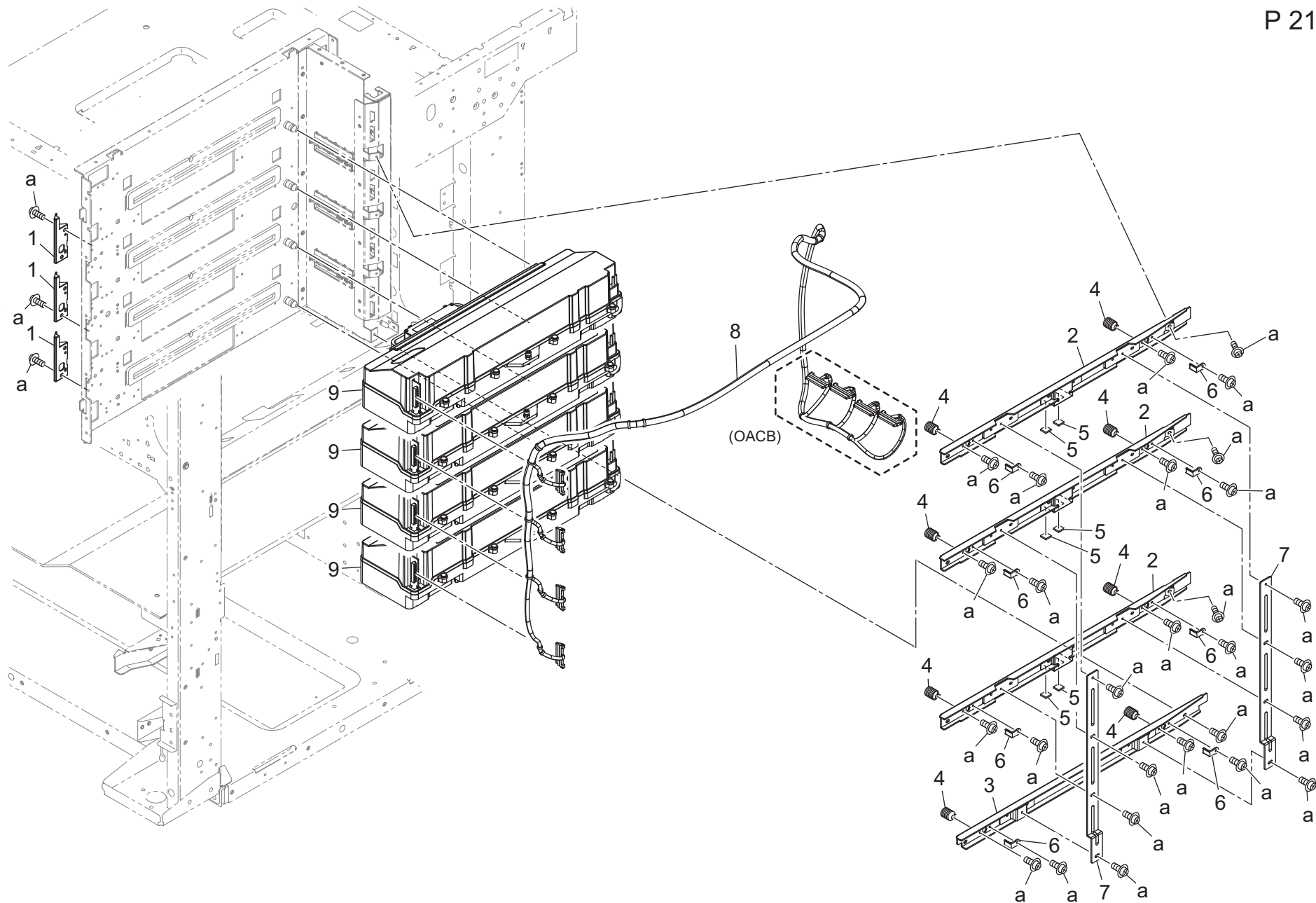


See P.19-P.20



Scanner Section





Charging Section

P 22

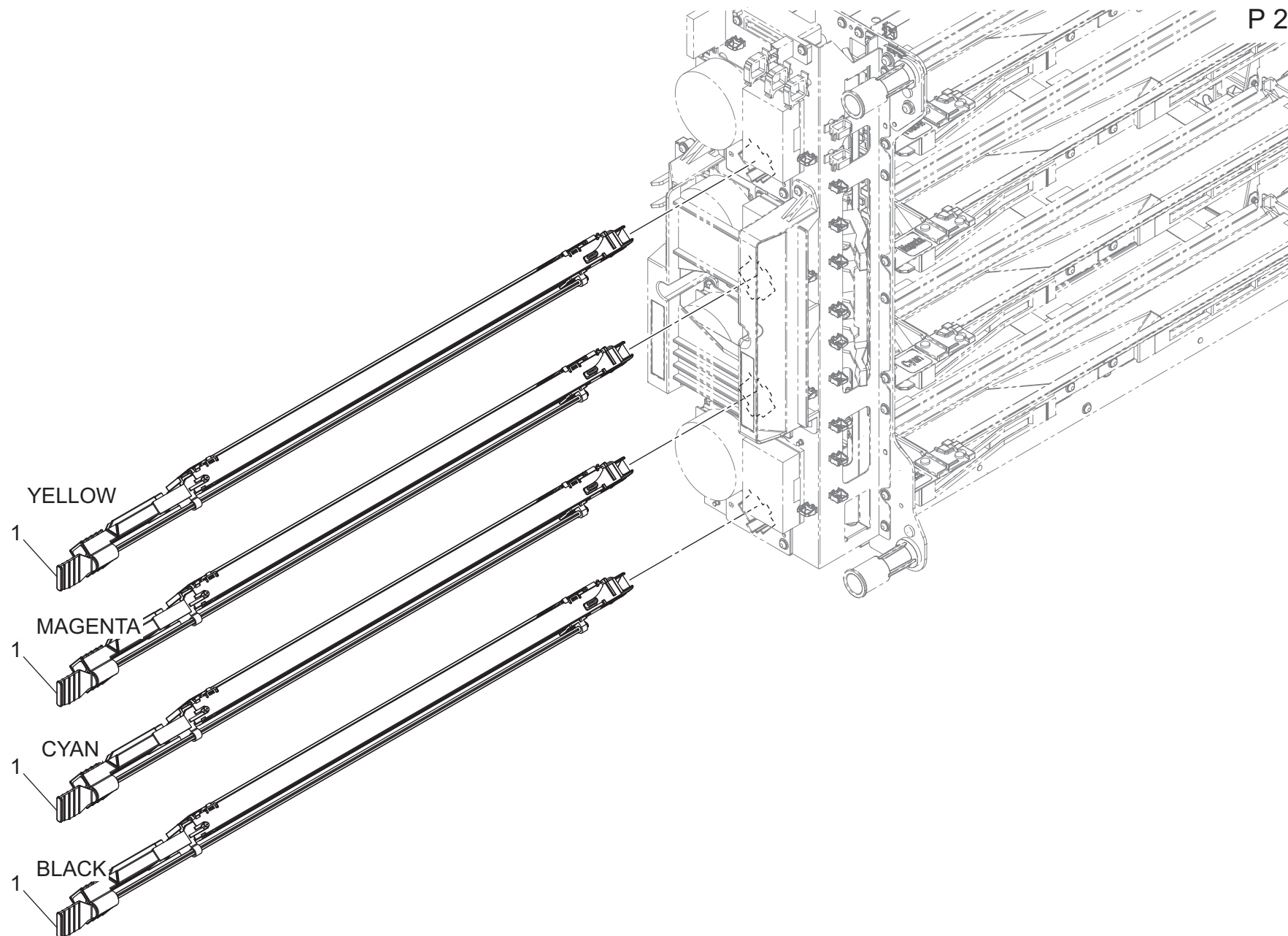
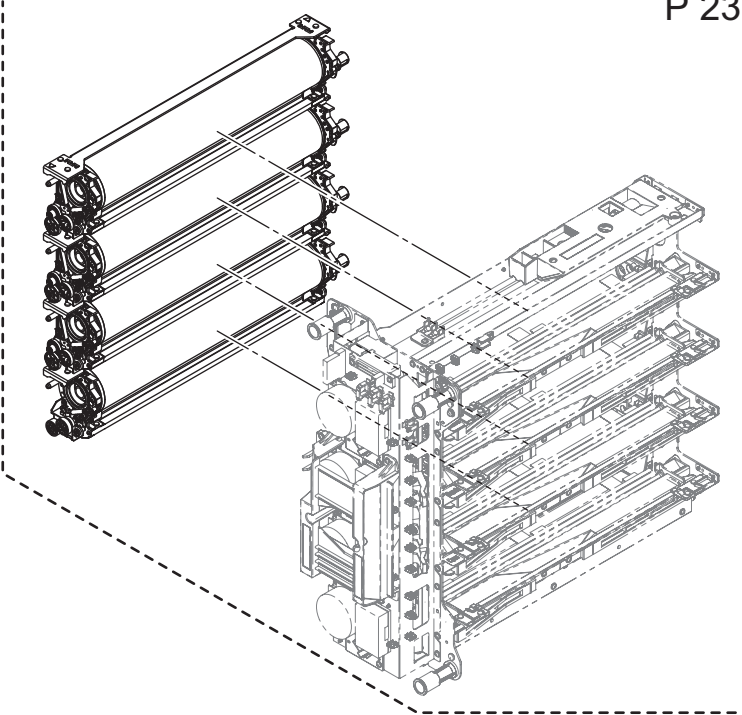
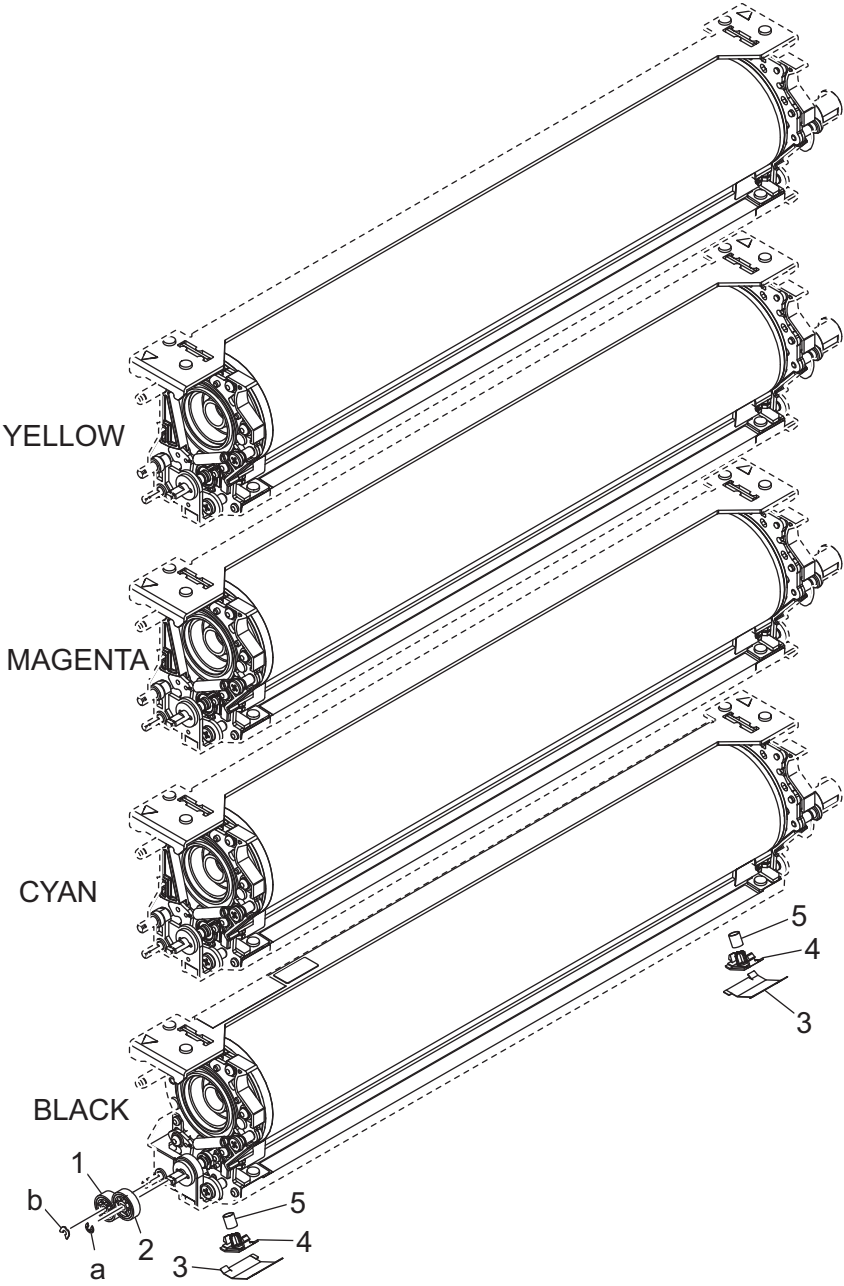
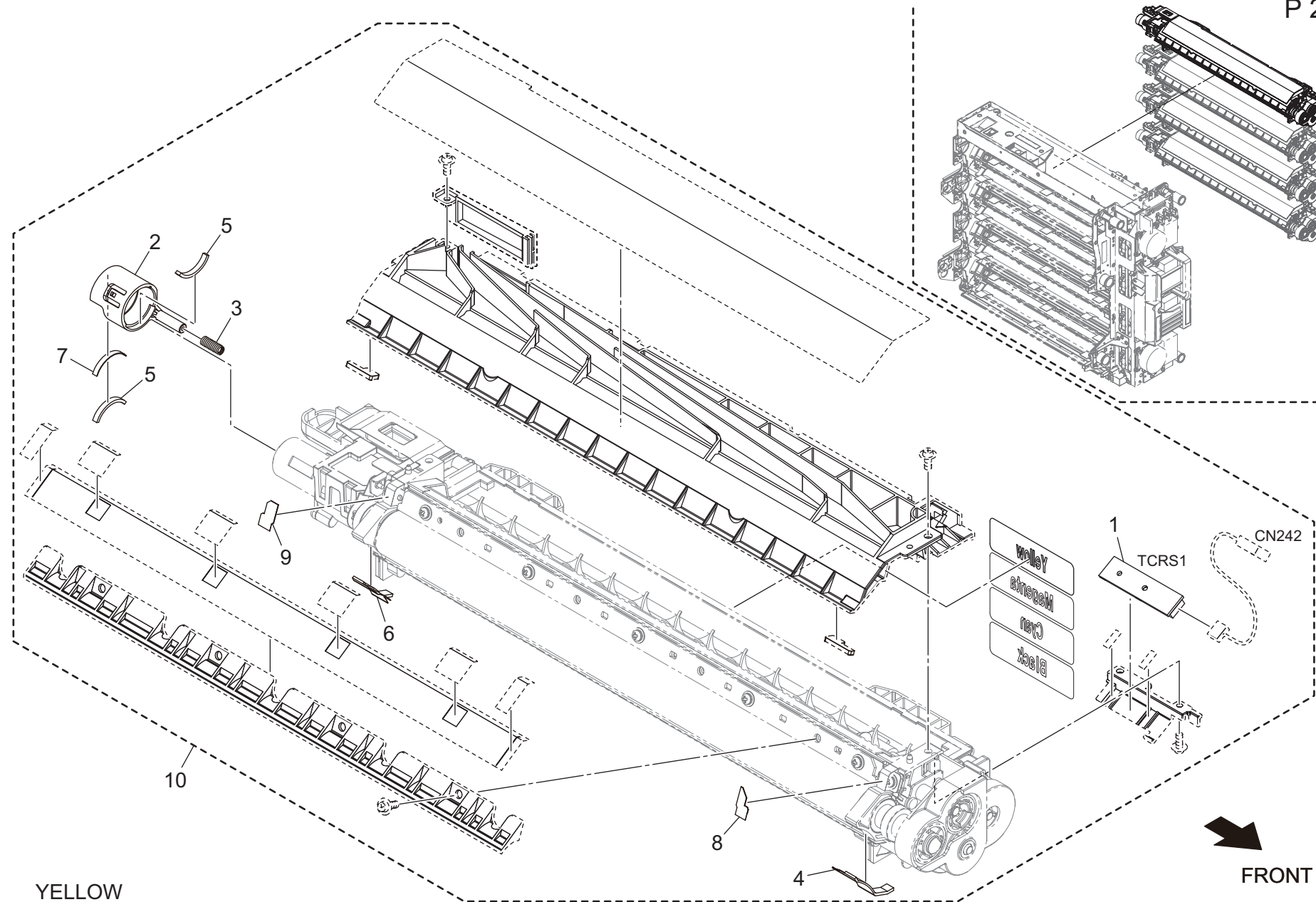


Photo Conductor Section



Developing Section

P 24

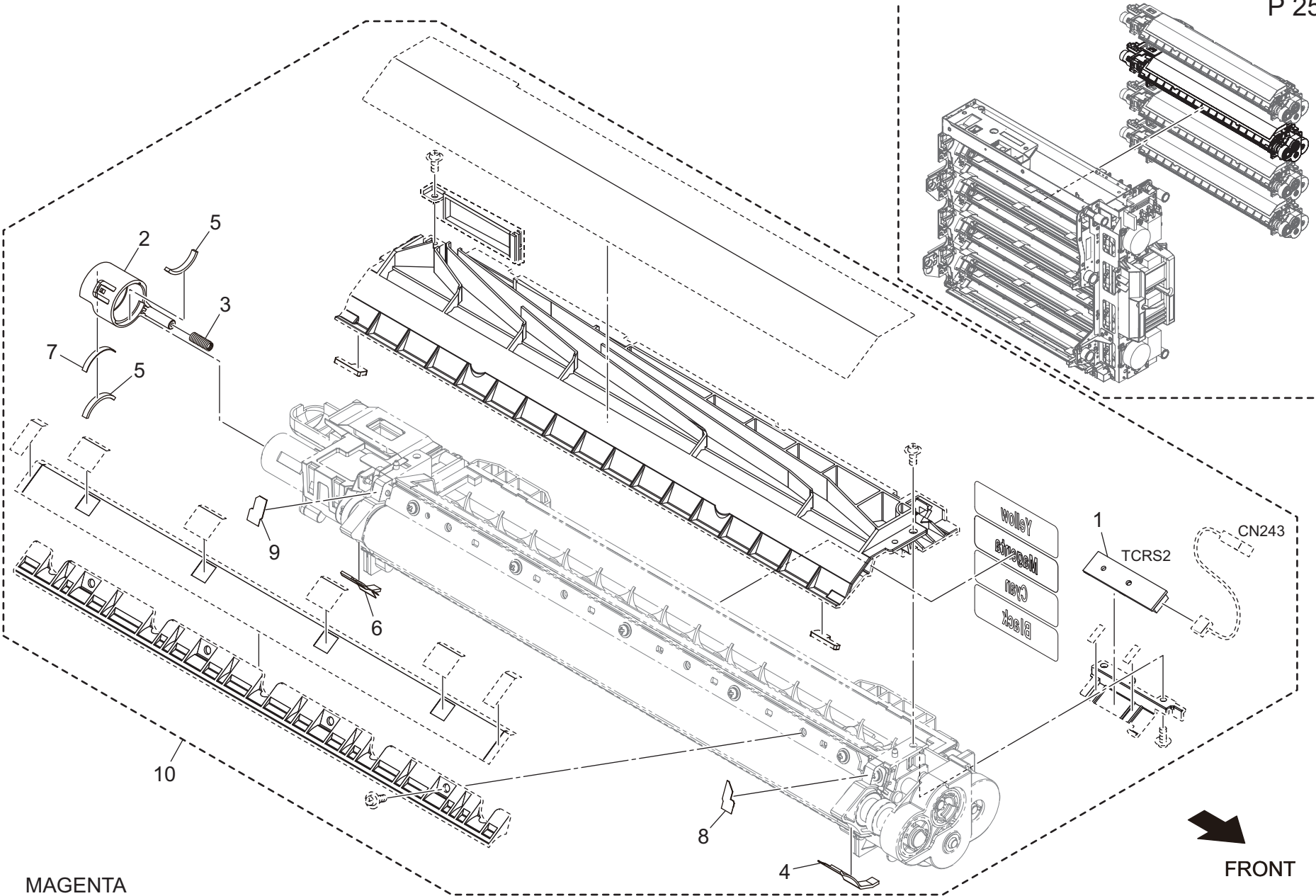


YELLOW

FRONT

AccurioPress C4080

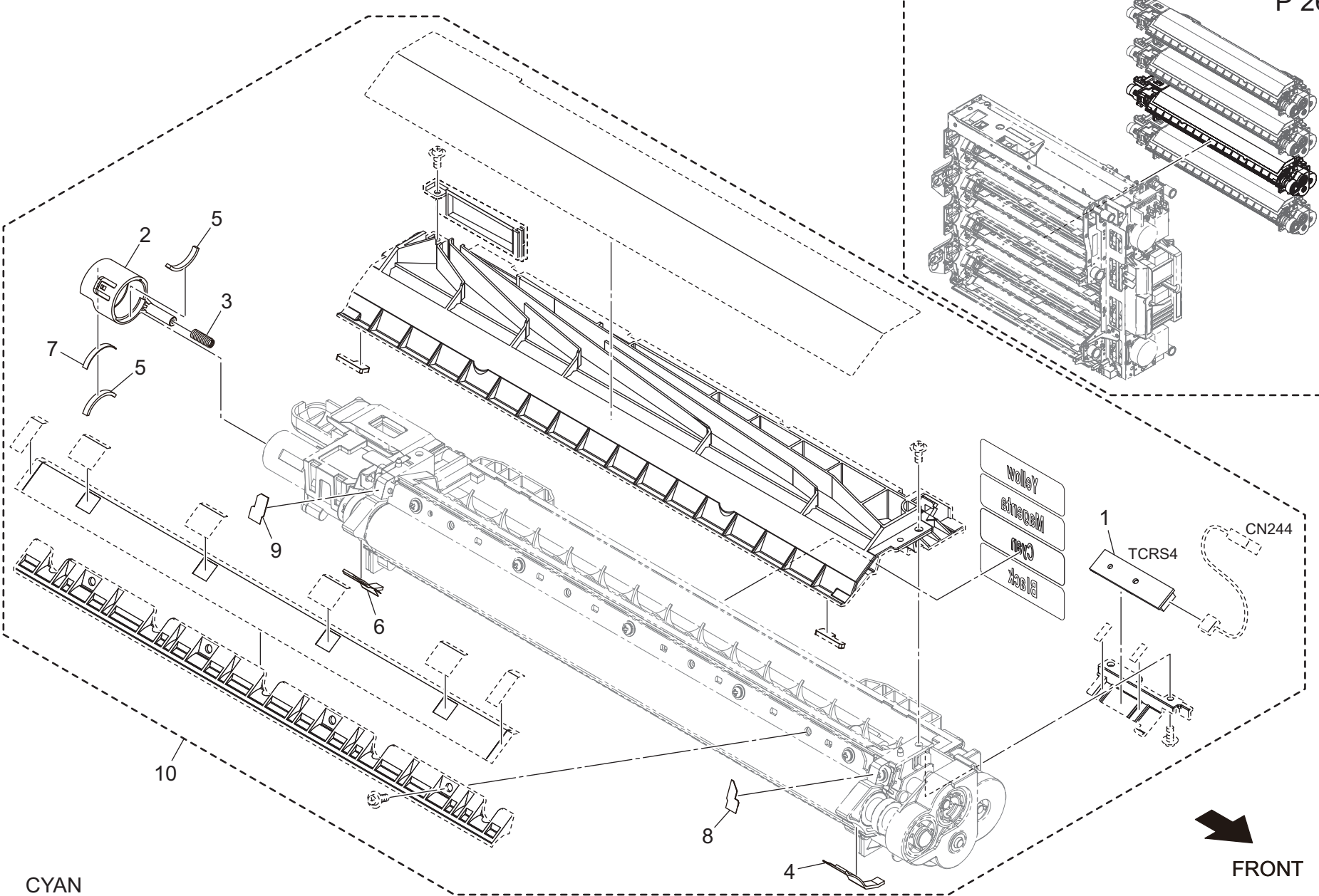
Developing Section



MAGENTA

AccurioPress C4080

Developing Section

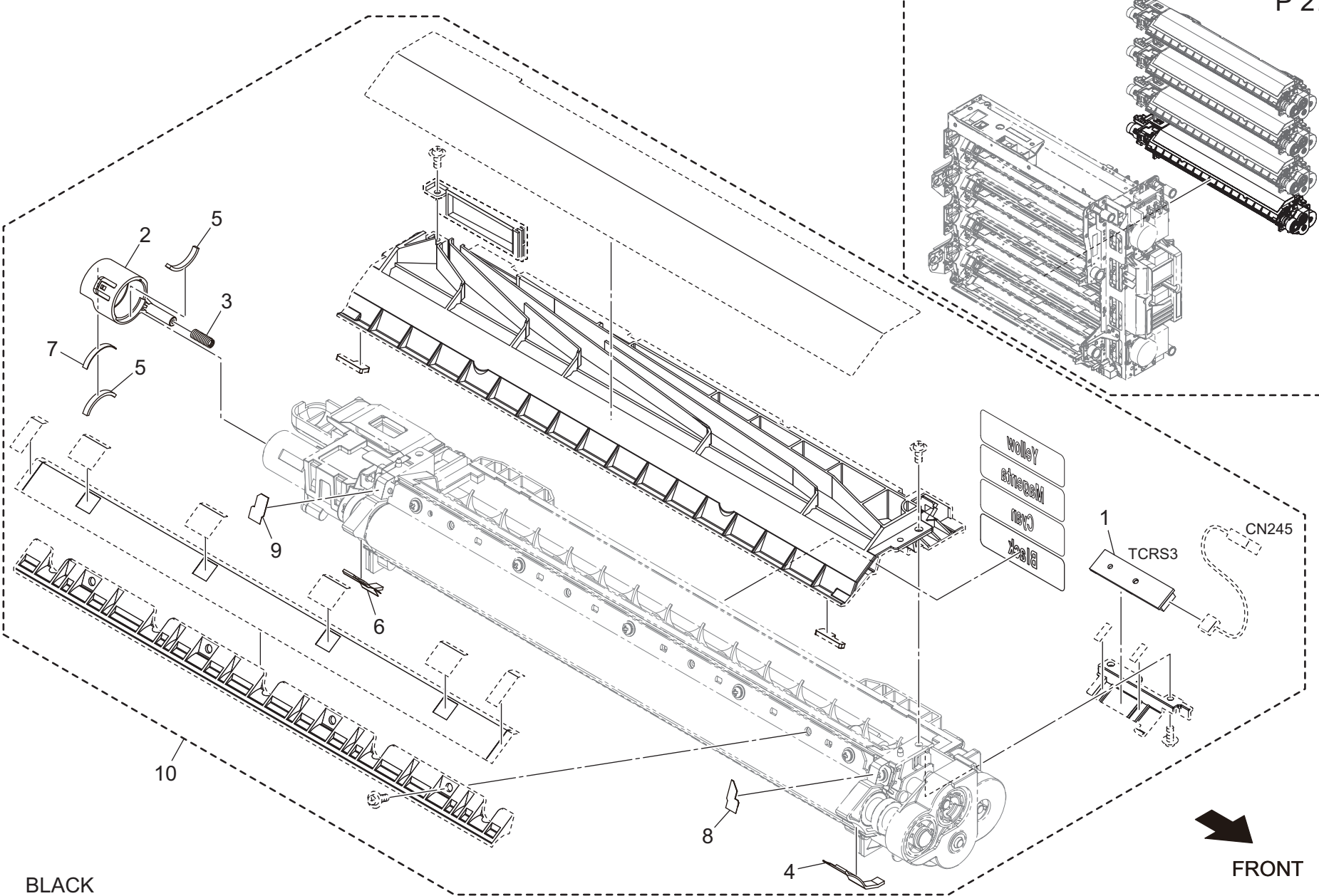


CYAN

FRONT

AccurioPress C4080

Developing Section

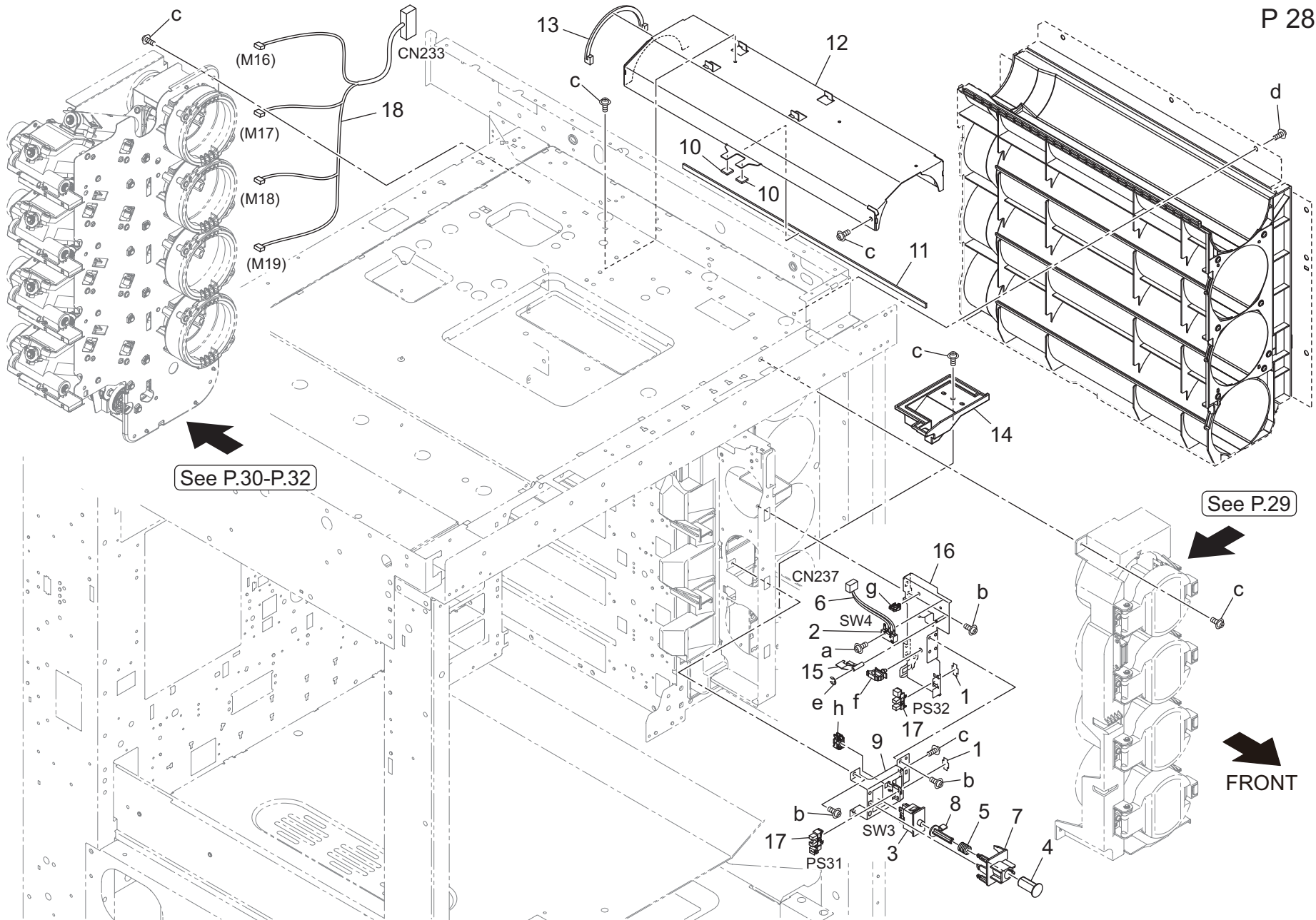


BLACK

AccurioPress C4080

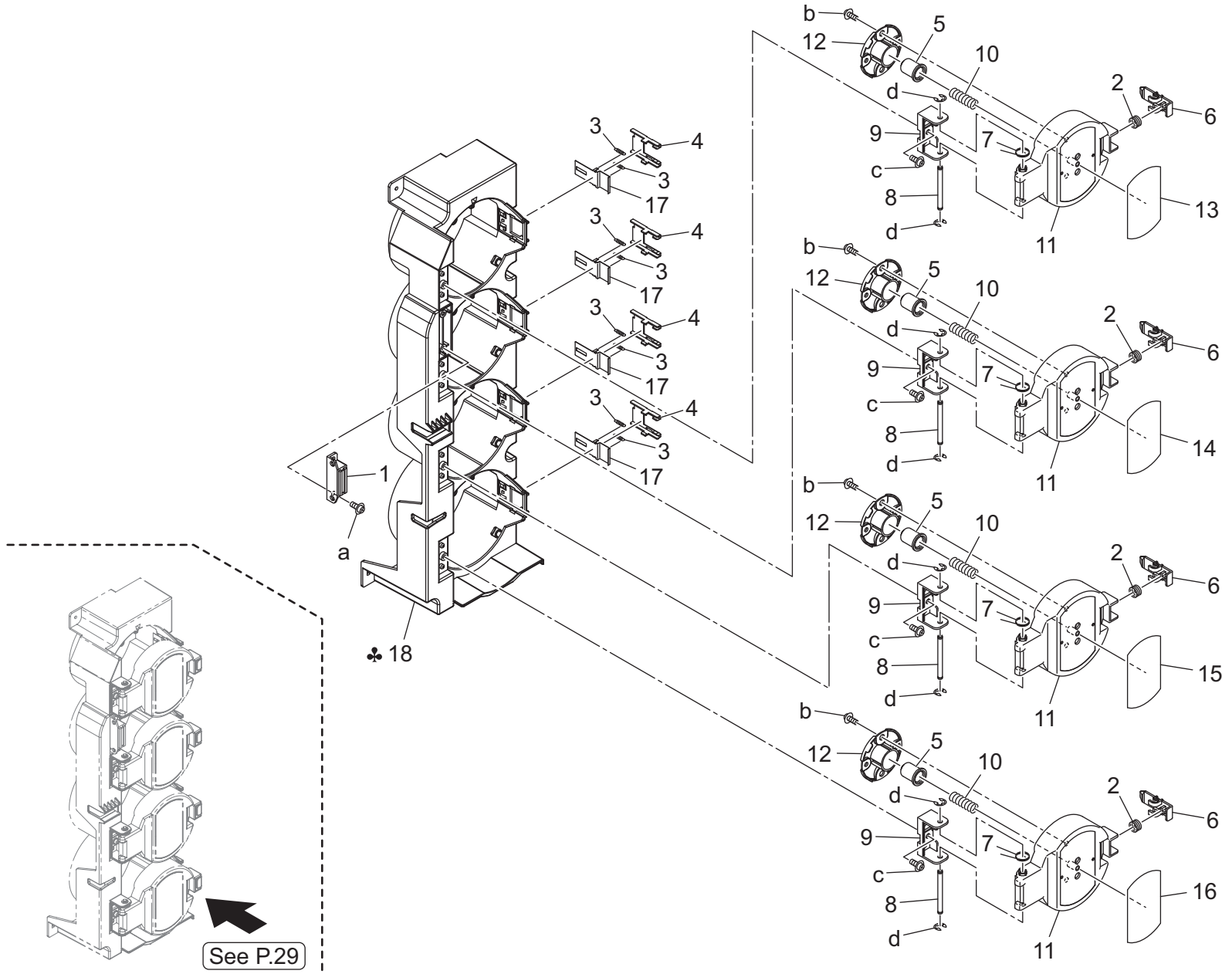
Toner Supply Section

P 28



AccurioPress C4080

Toner Supply Section

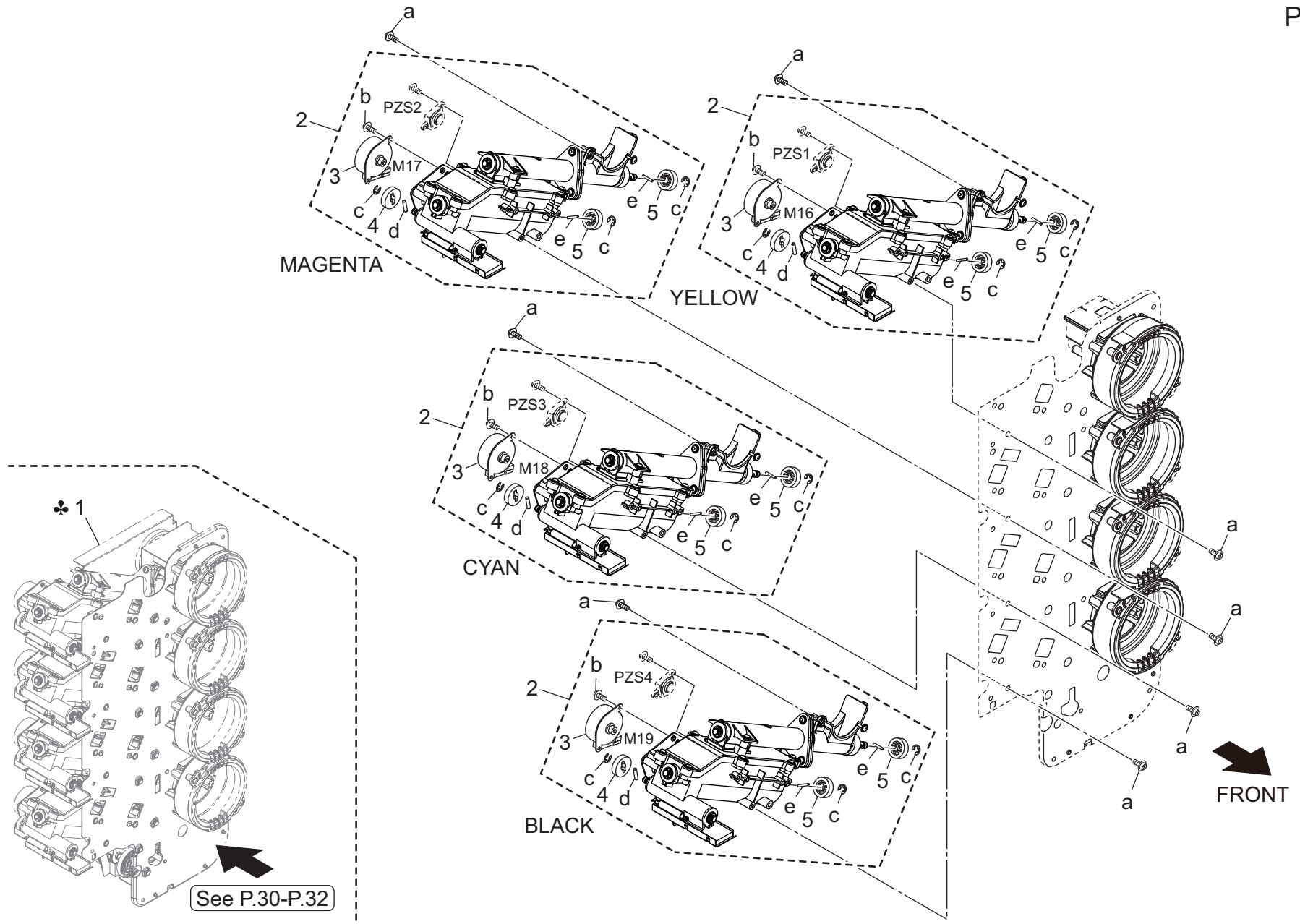


See P.29

FRONT

Key	Part No.	Description	Destinations	Class	QTY	Standard parts
1	07BA12352	Magnet Catch		C	1	a-V149030803 b-V153041003 c-V158030803 d-V217030003
2	26NA32870	CARTRIDGE PRESSING SPRING 2		C	4	
3	26TA32970	CARTRIDGE REGULATING SPRING		C	8	
4	26TA32990	COVER PART		C	4	
5	A1RF441500	Pressing Part /Front		D	4	
6	A50U408501	Pressing Handle		D	4	
7	A50U408600	Toner supply Open/close Spring /A		D	4	
8	A50U408700	Support Shaft		D	4	
9	A50U408900	Support Part		D	4	
10	A50U410200	Lock Spring		D	4	
11	A50U440301	Pressing Pedestal /Front		D	4	
12	A50U440601	Pressing Part /Rear		D	4	
13	A50U944500	Toner supply Label /Y		D	1	
14	A50U944600	Toner supply Label /M		D	1	
15	A50U944700	Toner supply Label /C		D	1	
16	A50U944800	Toner supply Label /K		D	1	
17	A85C409600	Regulating Plate		D	4	
18	A50U400201	Guide Part	B,D3,G2	D	1	
18	A9VE400200	Guide Part	C,I	D	1	

Toner Supply Section



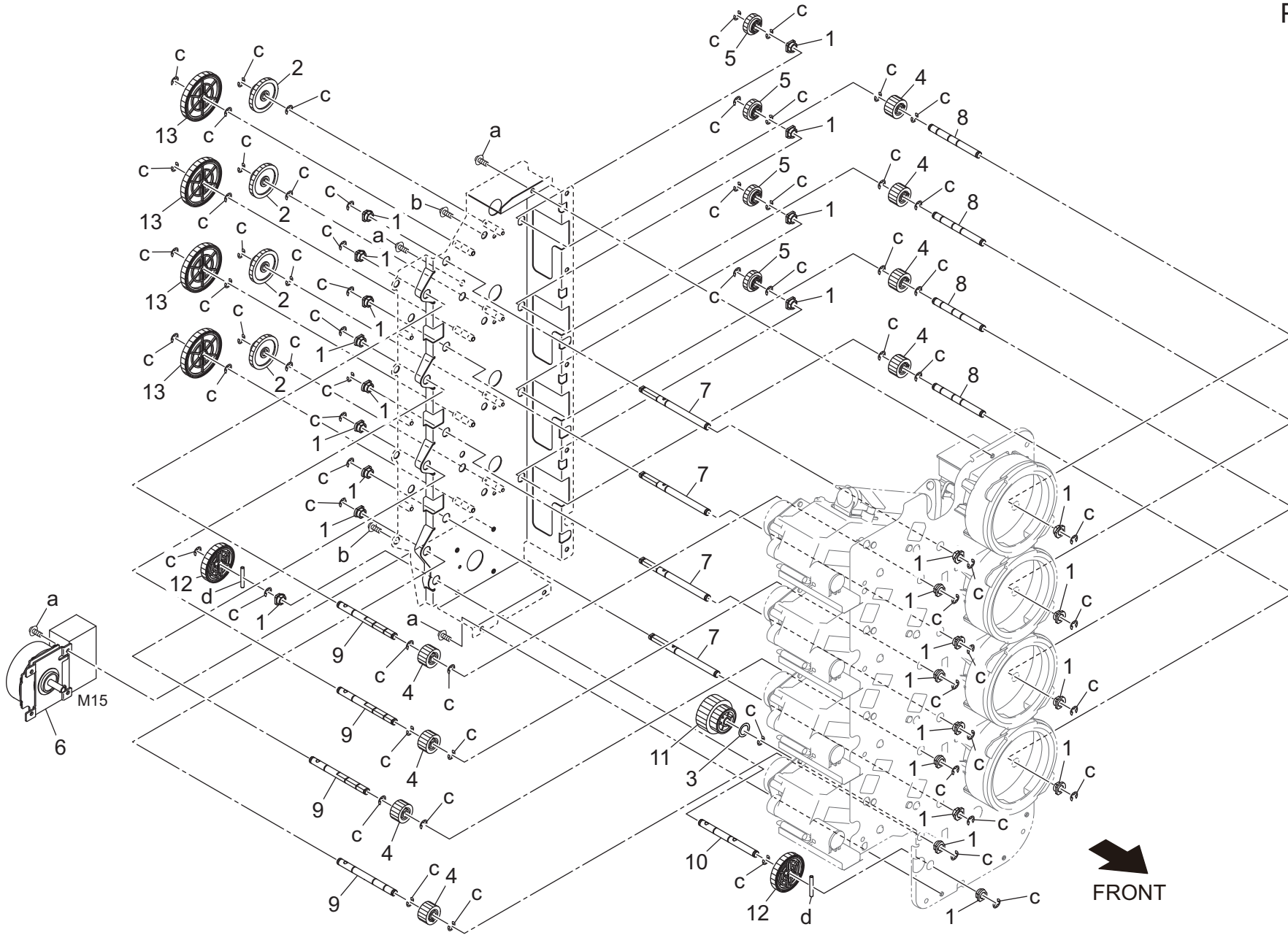
See P.30-P.32

FRONT

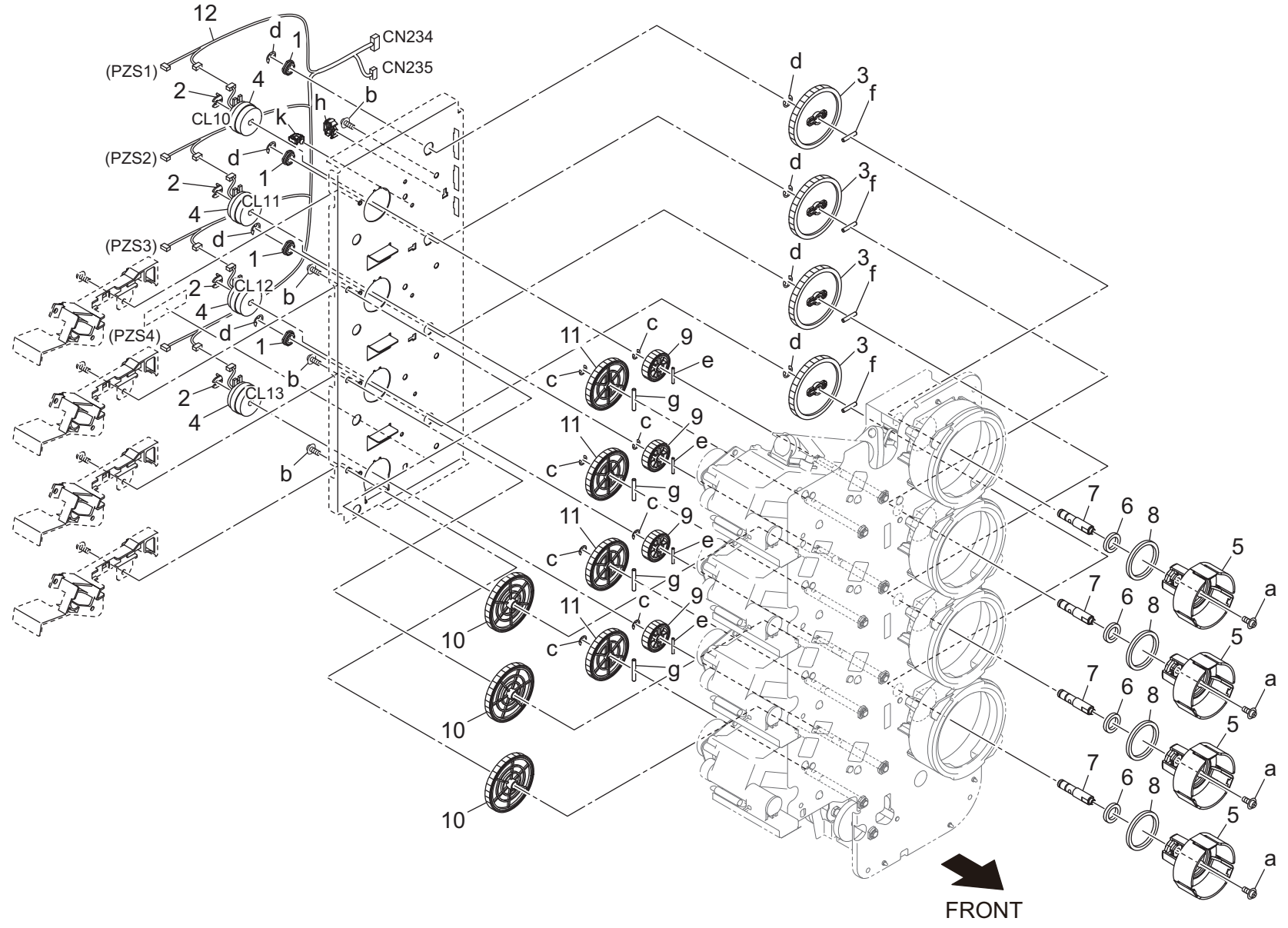
Toner Supply Section

Key	Part No.	Description	Destinations	Class	QTY	Standard parts
1	AC57R72600	Toner Supply Unit ASSY	B,G2	S	1	a-V158030803 b-V118030403 c-V217040003 d-V234301250 e-V234201250
1	AC57R72700	Toner Supply Unit ASSY	C,I	S	1	
1	AC57R73900	Toner Supply Unit ASSY	D3	S	1	
2	A9VER71700	Toner Conveyance Assy		D	4	
3	A00JM12100	Stepping motor		C	4	
4	65AA78040	AGITATING GEAR A 18T		C	4	
5	A4EU538400	Release Gear /4 15T		C	8	

Toner Supply Section

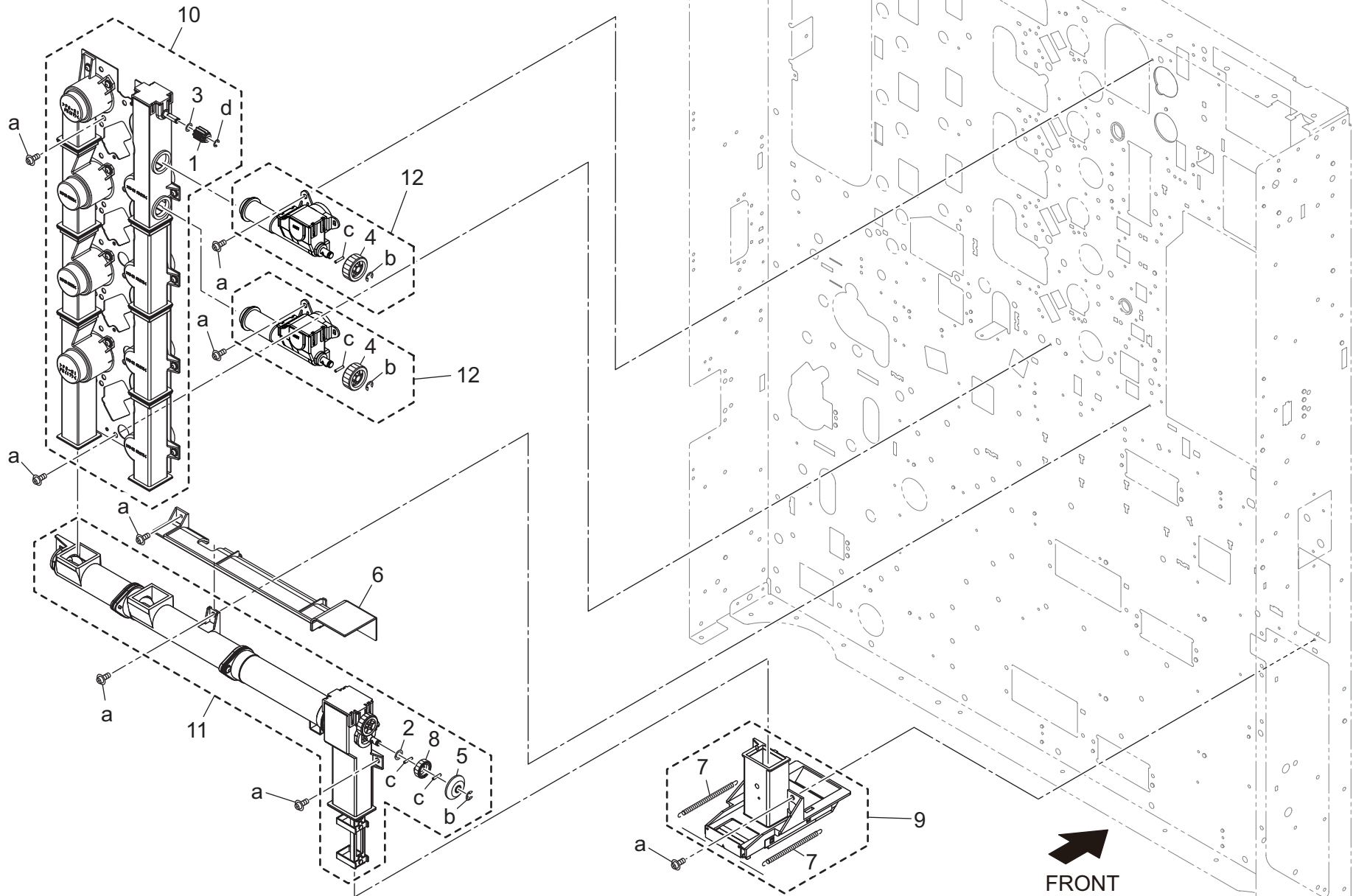


Toner Supply Section



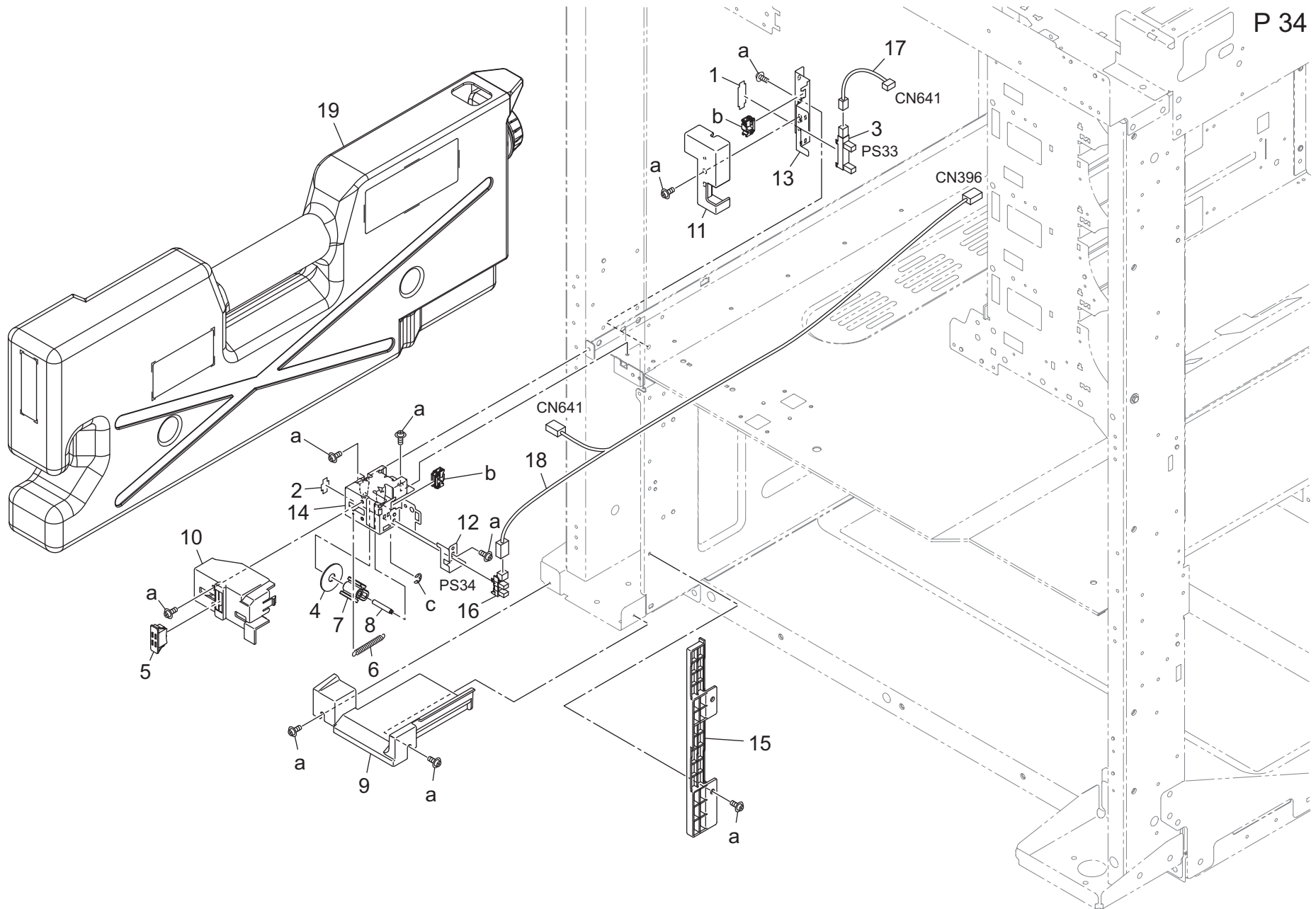
AccurioPress C4080

Toner Collection Section

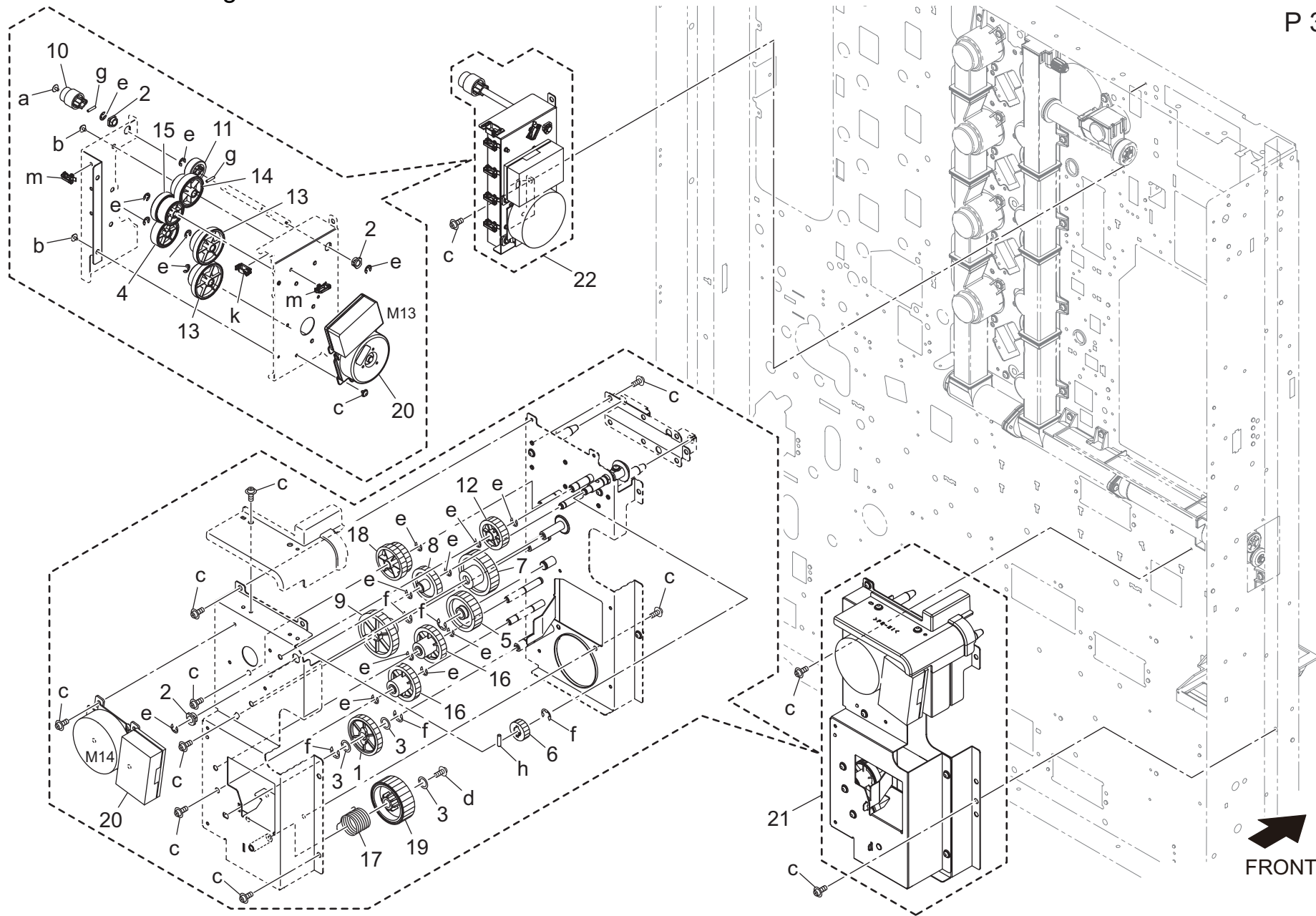


AccurioPress C4080

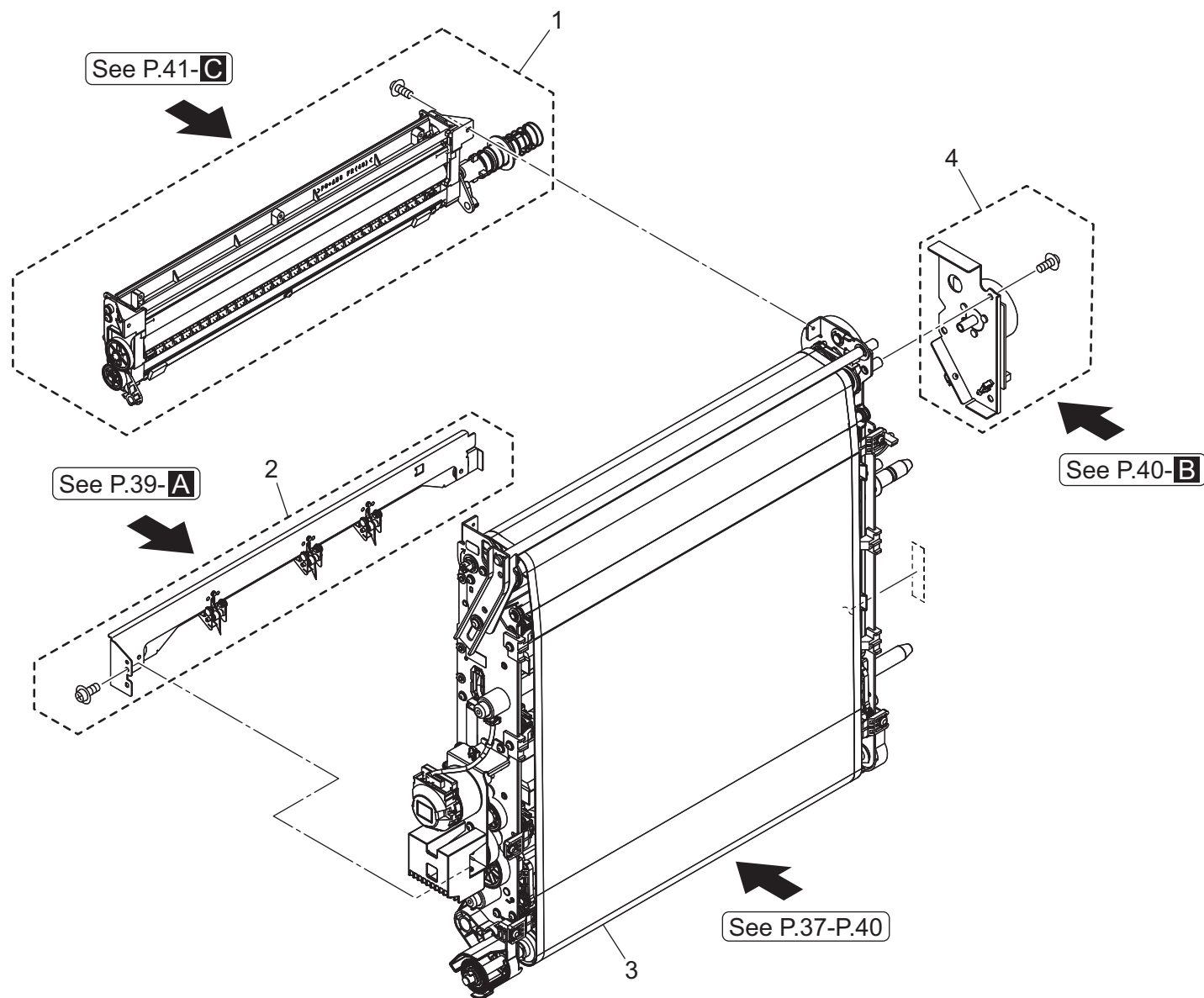
Toner Collection Section



Toner Collection Driving Section



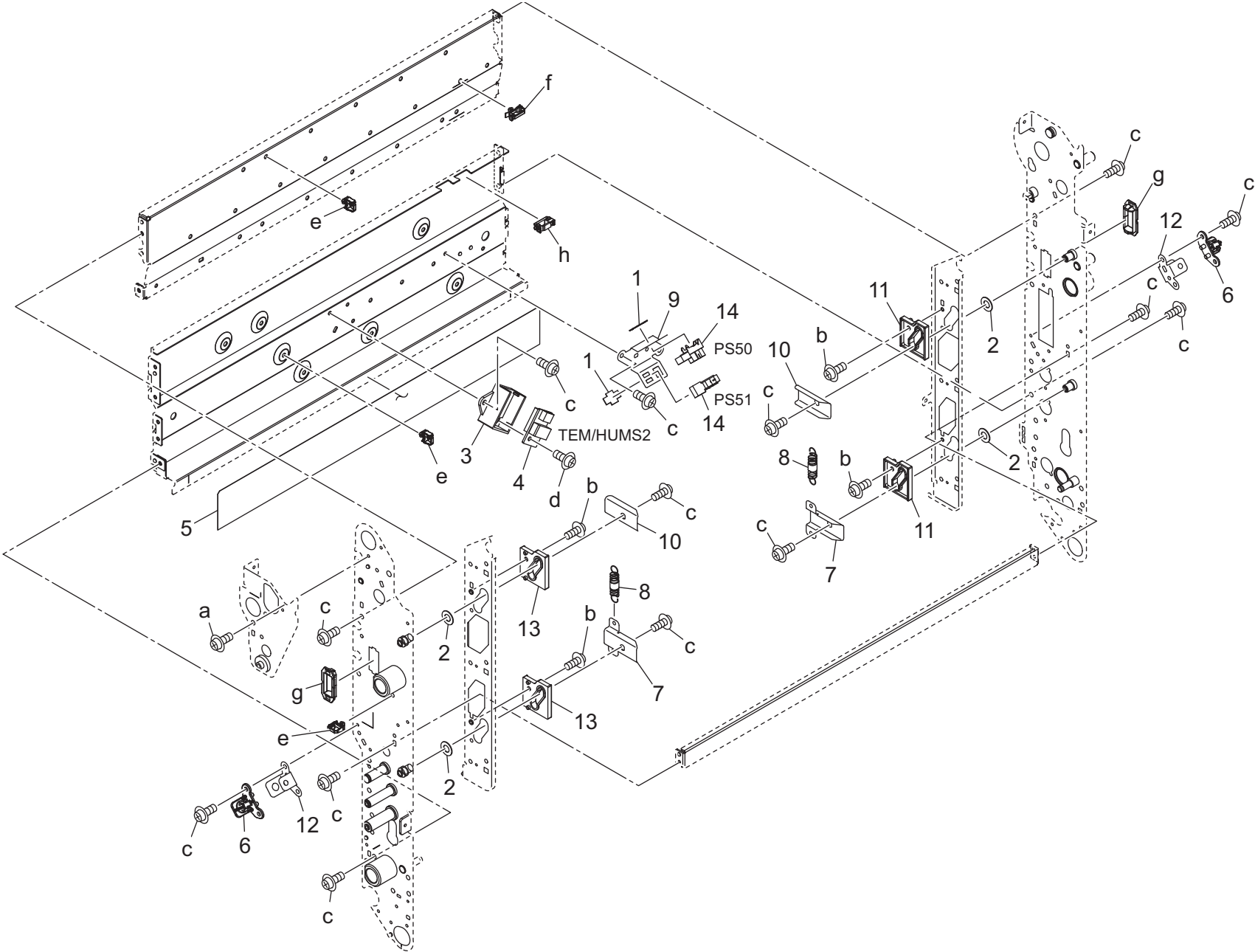
Intermediate Transfer Section



Intermediate Transfer Section

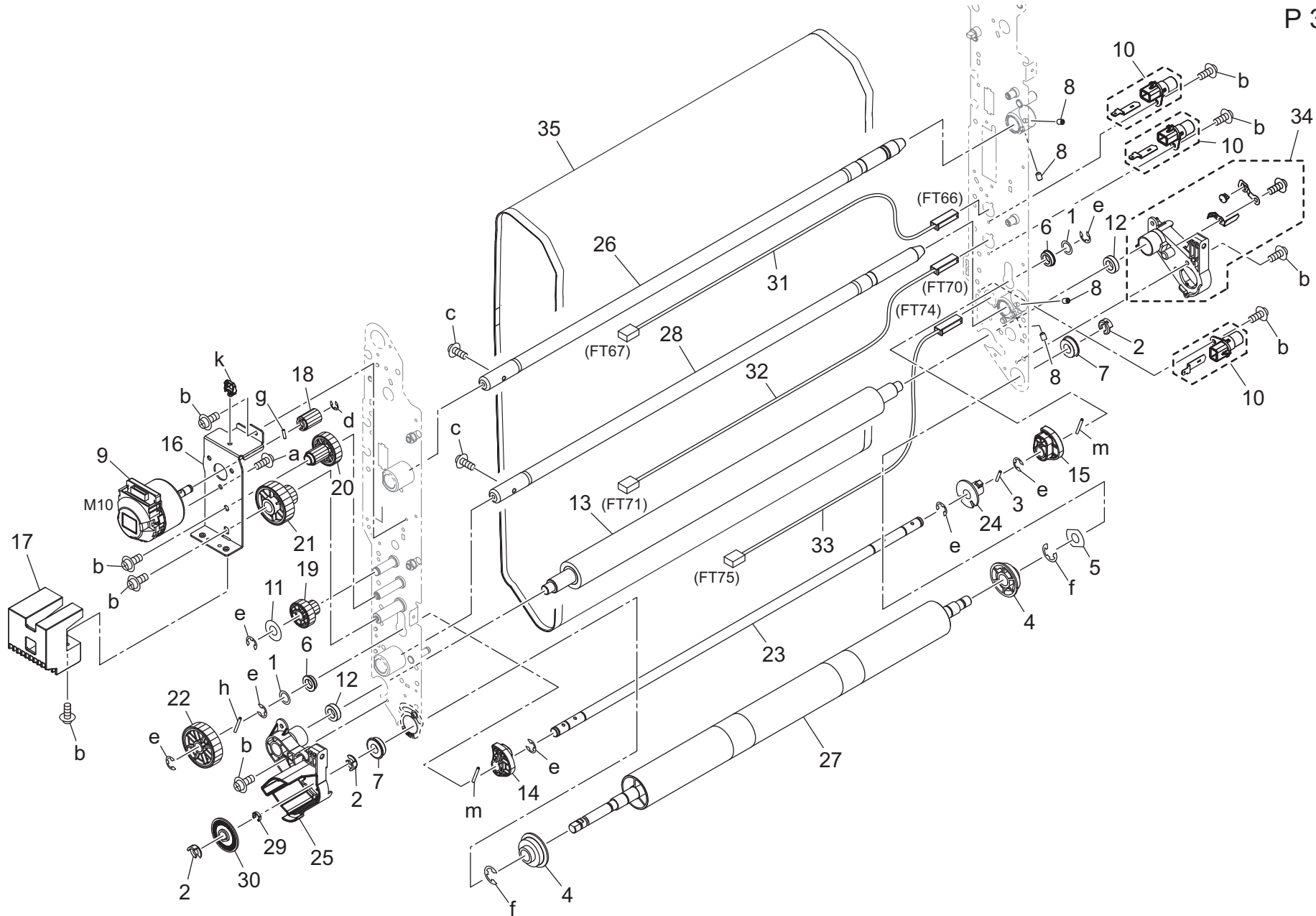
Key	Part No.	Description	Destinations	Class	QTY	Standard parts
1	A50UR70655	Transfer Belt Cleaning Unit		B	1	
2	A50UR71P22	Separating Claw Unit		I	1	
3	AC57R70300	Middle Transfer Assy		I	1	
4	A85CR70R11	Drive Plate Assy		C	1	

Intermediate Transfer Section



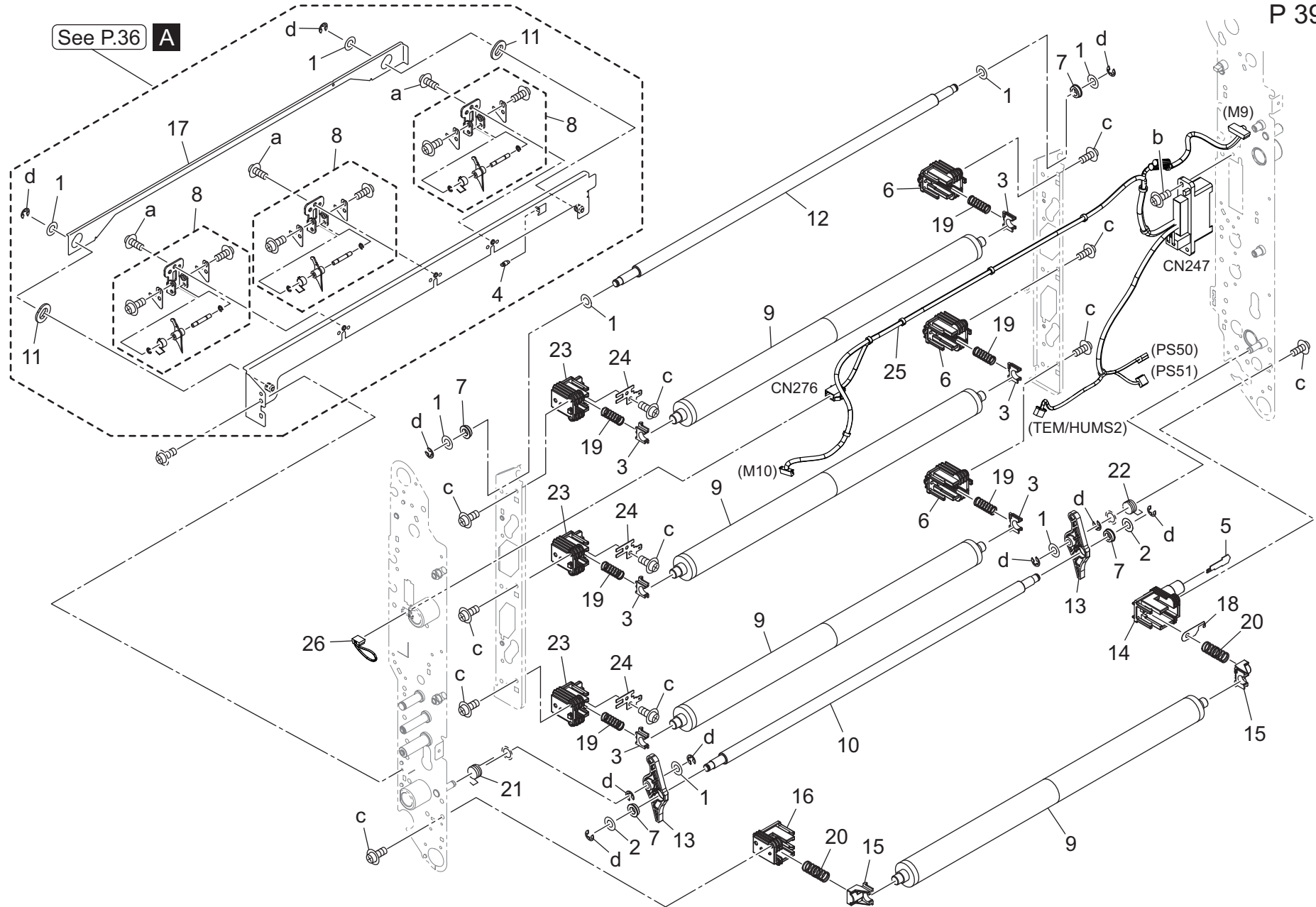
Intermediate Transfer Section

P 38



Key	Part No.	Description	Destinations	Class	QTY	Standard parts
1	12QV40650	Spacer		B	2	a-V121030403
2	55VA42120	Shaft Stopper		C	3	b-V127030604
3	56AA17321	PIN A D2X12		B	1	c-V127040803
4	65AA26870	REGULATING COLLAR		C	2	d-V217040003
5	65AA27240	SPACER A		C	1	e-V217060003
6	A00J617900	Ball Bearing		B	2	f-V217080003
7	A00V240600	Ball Bearing		B	2	g-V234200850
8	A03U512300	Fixing Screw		C	4	h-V234201850
9	AC57M10300	DC Brushless Motor /25		C	1	k-V500020098
10	A1DUR73500	Power Supply Block / A Assy		D	3	m-V237201850
11	A1RF501700	Slide Spacer /A		D	1	
12	A1RF517300	bearing		C	2	
13	A50U500401	2nd Transfer Roller/Up		A	1	
14	A50U502500	Transfer Release Cam /C		D	1	
15	A50U502600	Transfer Release Cam /C		D	1	
16	AC57503900	Drive Plate		D	1	
17	AC57504000	Cover		D	1	
18	A50U504400	Pressure Gear /M 18T		C	1	
19	A50U504500	Compressing Gear /1 35/18T		C	1	
20	A50U504600	Pressure Gear /2 43/18T		C	1	
21	A50U504700	Pressure Gear /3 56/18T		C	1	
22	A50U505000	Pressure Gear /4 44T		C	1	
23	A50U505100	Pressure Shaft		D	1	
24	A50U505300	Light blocking Plate		D	1	
25	A50U505901	Insulating Holder /Front		D	1	
26	A50U506101	Positioning Shaft /Upper		D	1	
27	A50U506701	Idler Roller		C	1	
28	A50U507000	Positioning Shaft /Lower		D	1	
29	A50U509100	Lifting Collar /8		D	1	
30	A50U517300	Control Plate		D	1	
31	A50UN24501	HV Relay harness /1		D	1	
32	A50UN24701	HV Relay harness /2		D	1	
33	A50UN24901	HV Relay harness /3		D	1	
34	A50UR72100	Insulating Holder / Rear Assy		D	1	
35	A9VE500100	Transfer Belt /H		A	1	

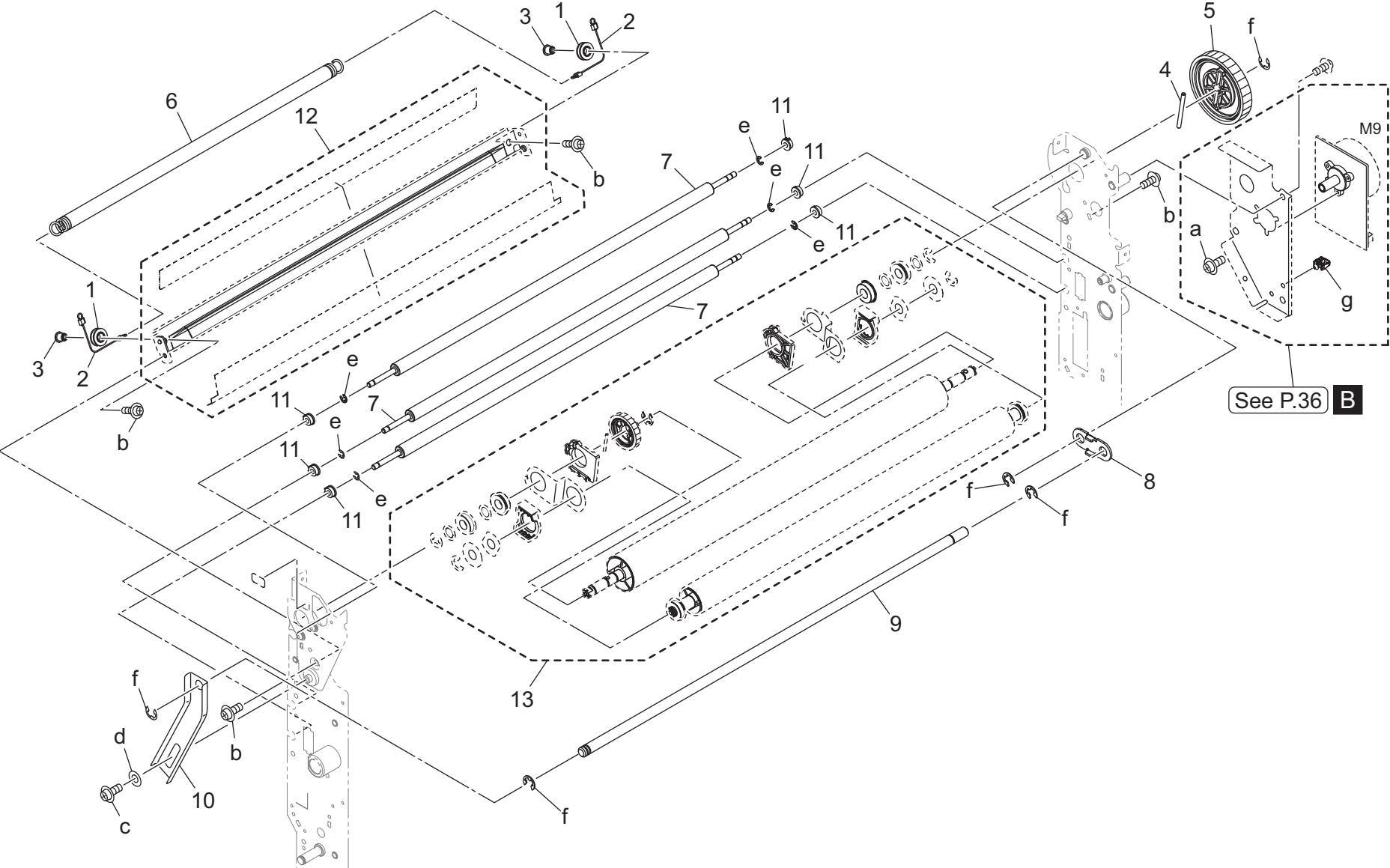
Intermediate Transfer Section



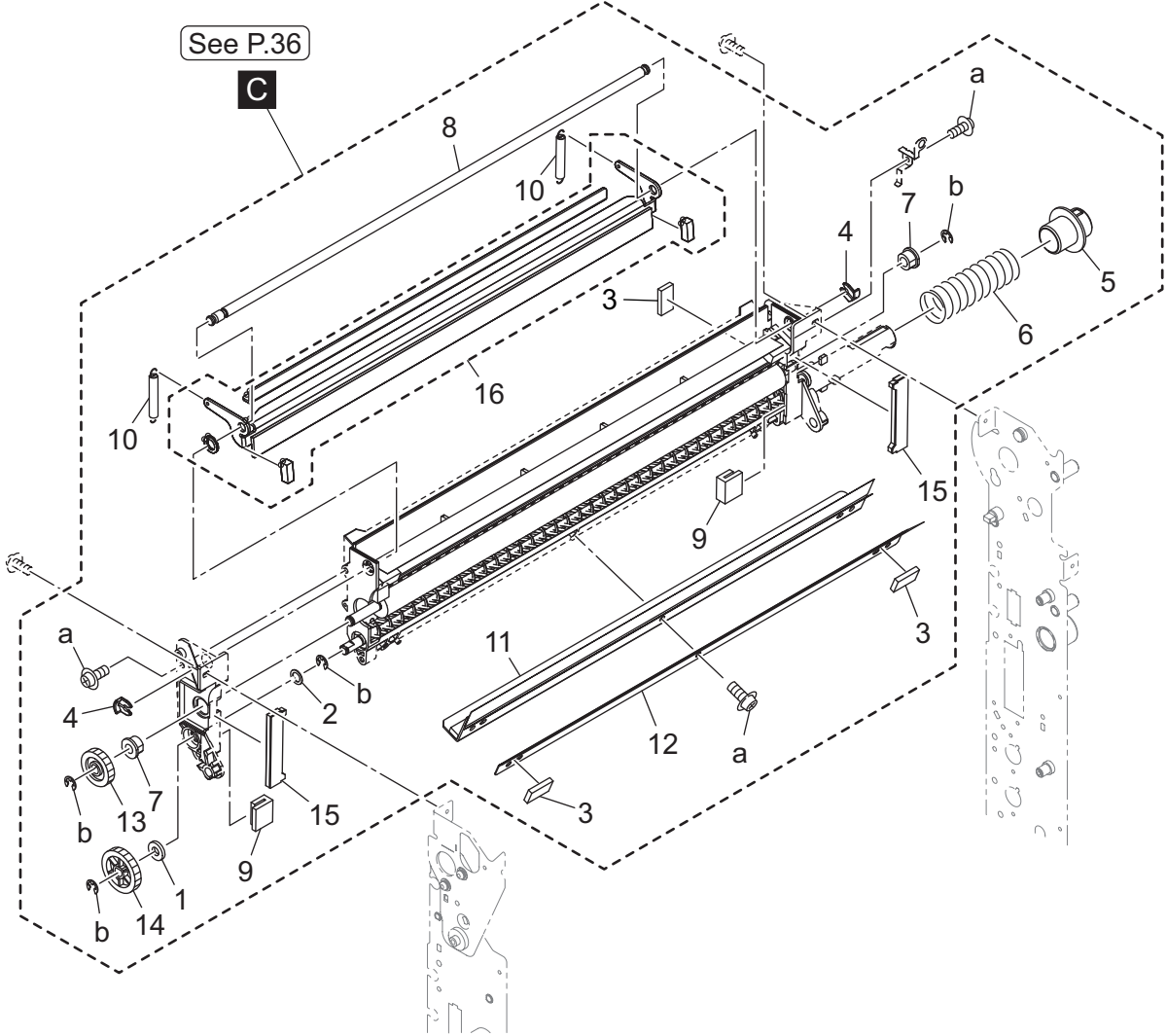
Intermediate Transfer Section

Key	Part No.	Description	Destinations	Class	QTY	Standard parts
1	07BA15871	SPACER A	スパーサー A	C	8	a-V121030403 b-V127030803 c-V158030803 d-V217040003
2	40AA32320	Toner Supply Spacer	トナー補給スパーサー	C	2	
3	65AA26380	Transfer Powering Bushing	転写給電軸受	B	6	
4	65AA26600	SLIDE SPRING	スライドバネ	C	1	
5	65AA26690D	Transfer Powering Plate /K	転写給電板 / K	D	1	
6	65AA26900D	High voltage Powering Block /C	高圧給電ブロック / C	D	3	
7	A00J617800	Ball Bearing	ボールベアリング	B	4	
8	A1DUR71900	Separation Claw Assy	分離爪部組	B	3	
9	A50U501201	1st Transfer Roller	1次転写ローラー	A	4	
10	A50U501900	Transfer Pressure Roller /K	転写圧着ローラ / K	C	1	
11	A50U503200	Bushing	すべり軸受	D	2	
12	A50U505401	Transfer Pressure Roller /Y	転写圧着ローラ / Y	C	1	
13	A50U505500	Release Arm	解除アーム	D	2	
14	A50U505601	Power supply Block /D	給電ブロック / D	D	1	
15	A50U505700	Transfer Roller Bearing /K	転写ローラー軸受 / K	B	2	
16	A50U505800	High voltage Powering Block /B	高圧給電ブロック / B	D	1	
17	A50U506900	Release Plate	解除板	D	1	
18	A50U507600	Transfer Powering Plate /L	転写給電板 / L	D	1	
19	A50U507801	Pressure Spring /C	圧着ばね / C	D	6	
20	A50U507900	Pressure Spring /Black	圧着ばね / 黒	D	2	
21	A50U508001	Pressing Spring /Front	押圧ばね / 前	D	1	
22	A50U508102	Pressing Spring /Rear	押圧ばね / 奥	D	1	
23	A50U510100	High voltage Powering Block /C	高圧給電ブロック / C	D	3	
24	A50U510200	Transfer Powering Plate /Front	転写給電板 / 前	D	3	
25	A50UN13203	Transfer Drive harness /1	転写駆動束線 / 1	D	1	
26	A9VEN13300	Transfer Detection harness /1	転写検知束線 / 1	D	1	

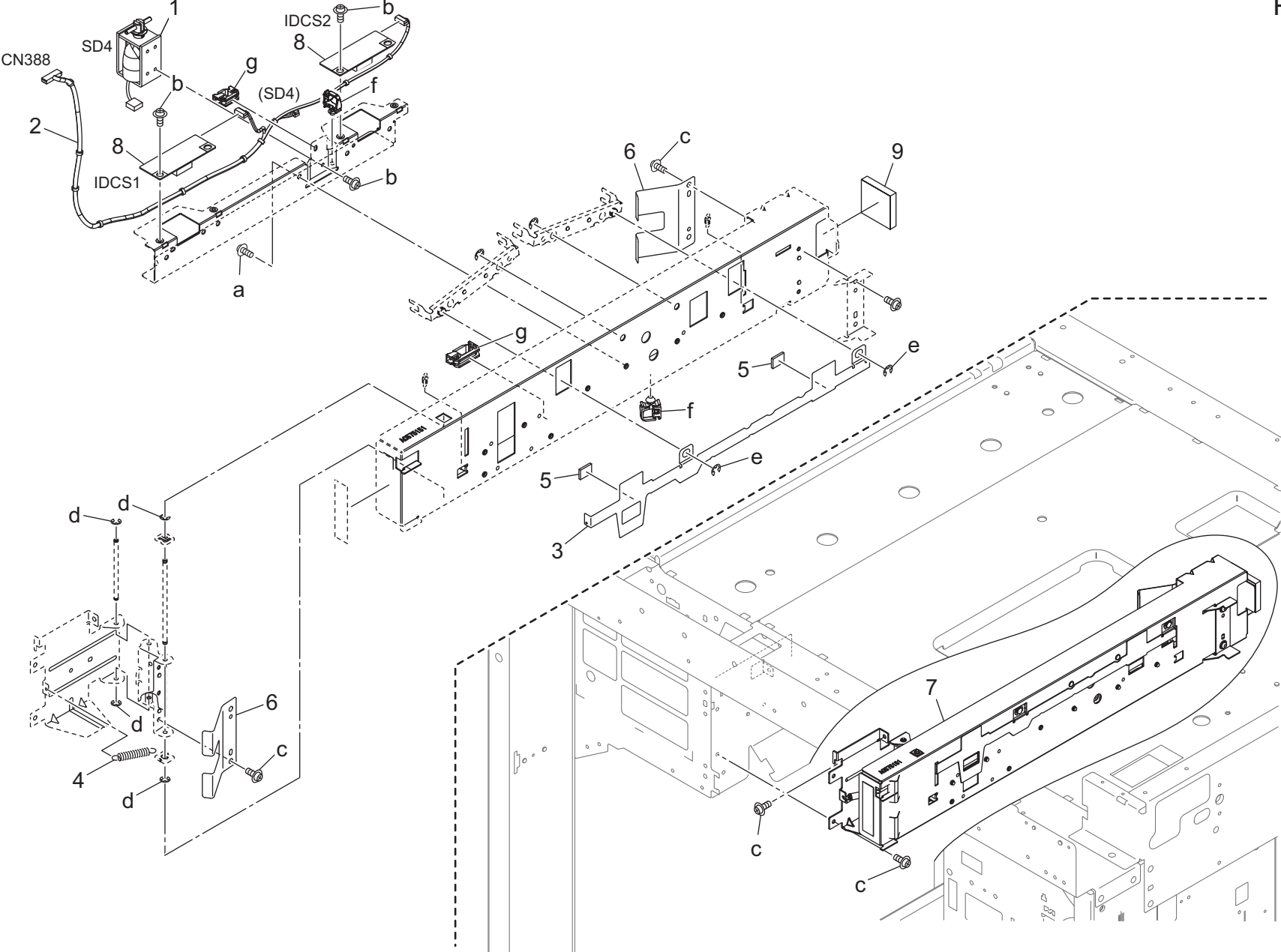
Intermediate Transfer Section



Intermediate Transfer Section

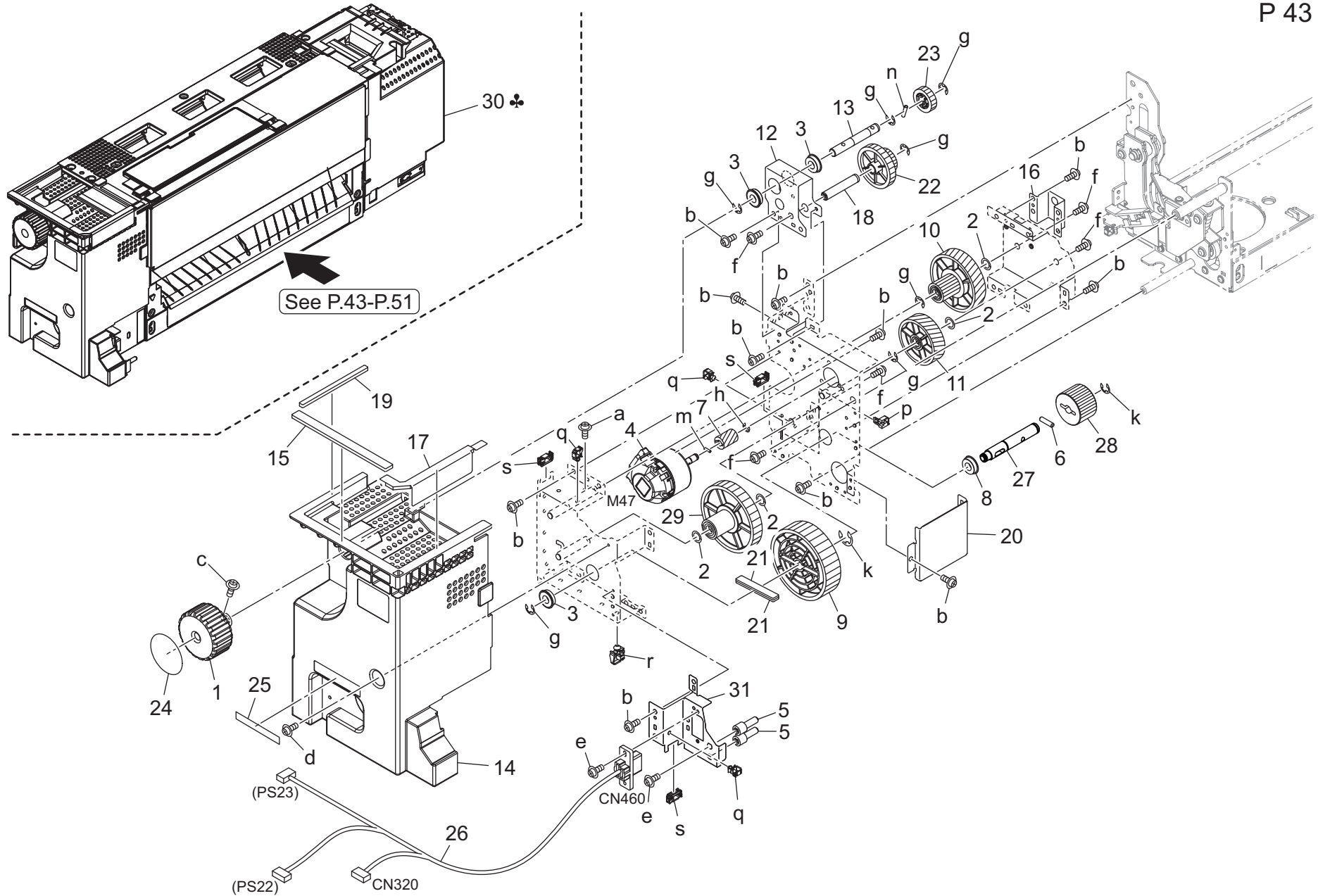


Color Resist Section



Fusing Section

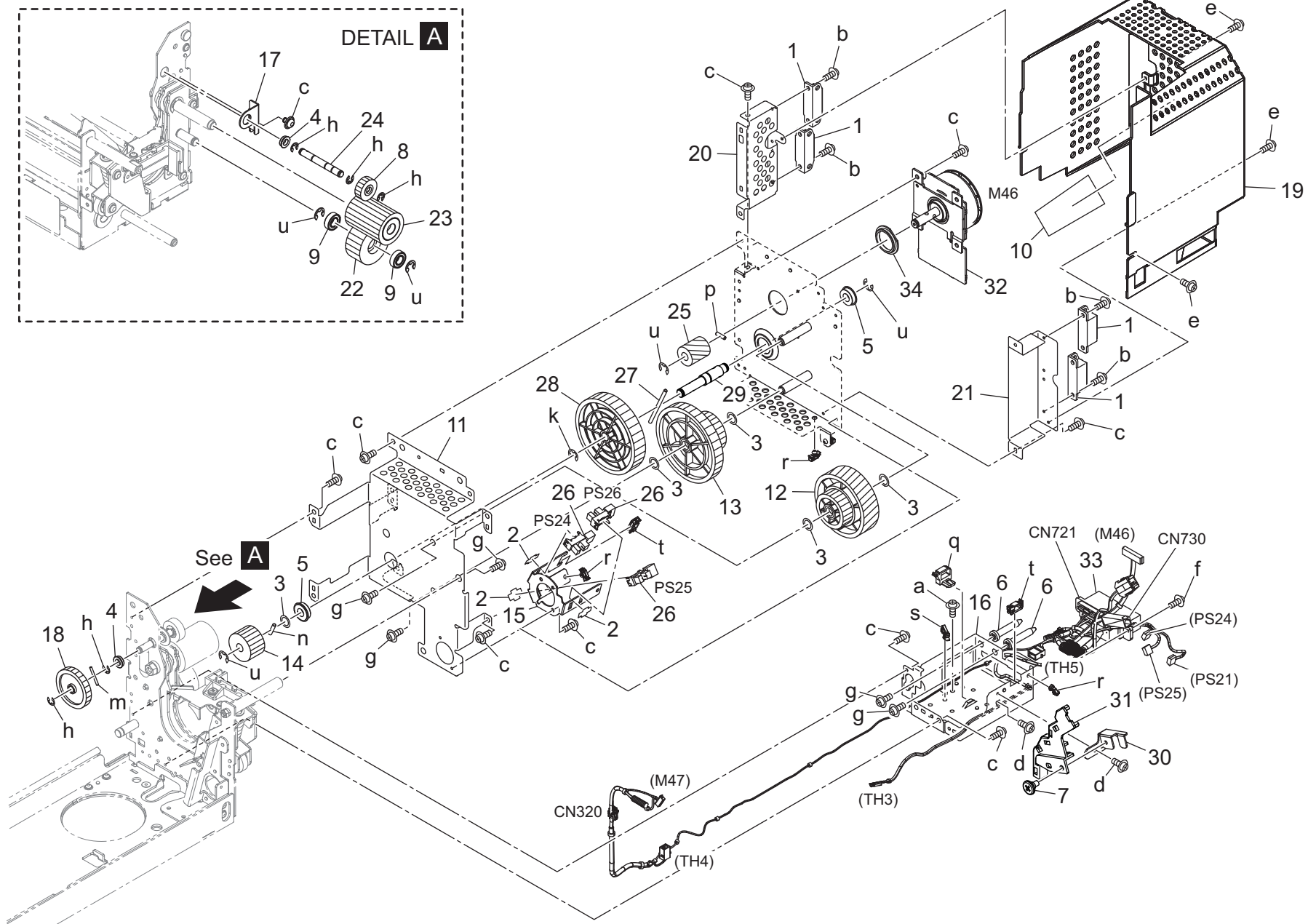
P 43



AccurioPress C4080

Key	Part No.	Description	Destinations	Class	QTY	Standard parts
1	20AL48470G	Jam Release Knob		C	1	a-V116030603
2	56AA42690	BY-PASS SPACER		C	4	b-V121030403
3	A00V240600	Ball Bearing		B	3	c-V121041003
4	AC57M10300	DC Brushless Motor /25		C	1	d-V127030604
5	AC57736201	Positioning Shaft /11		D	2	e-V127030803
6	A1RF758100	Pin /B		D	1	f-V127040603
7	A1RF809400	Pressure Gear /1 22T		C	1	g-V217060003
8	A4EU265000	Ball bearing		B	1	h-V217040003
9	A50U742901	Pressure Gear /2 90T		C	1	k-V217080003
10	A50U743100	Pressure Gear /4 23/110T		C	1	m-V234200850
11	A50U743200	Pressure Gear /5 87T		C	1	n-V234301450
12	A50U745600	Fixing Plate /1		D	1	p-V500010057
13	A50U745700	Processing Shaft /A		D	1	q-V500010074
14	AC57749001	Fusing Cover /A		D	1	r-V500020098
15	A50U751101	Spacer /1		D	1	s-V570010057
16	A50U751200	Positioning Plate /A		D	1	
17	A50U751301	Spacer /2		D	1	
18	A50U752600	Processing Shaft		D	1	
19	A50U755900	Spacer /3		D	1	
20	A50U756002	Auxiliary Side plate		D	1	
21	A50U756500	Part /1		D	2	
22	A50U757000	Connecting Gear /A 41/22T		C	1	
23	A50U757100	Idling Gear /A 22T		C	1	
24	A50U943502	Release Label /5		D	1	
25	A50U949600	Replacement Label		D	1	
26	A50UN10903	Fixing Wiring /5		D	1	
27	A9VE742500	Pressure Shaft /B		D	1	
28	A9VE742800	Pressure Gear /1 31T		C	1	
29	A9VE743000	Pressure Gear /3 23/85T		C	1	
30	AC57R72300	Fusing Unit (208V)	B,G2	I	1	
30	AC57R72400	Fusing Unit (220V)	C,D3,I	I	1	
31	AC57745300	Fixing Plate /5		D	1	

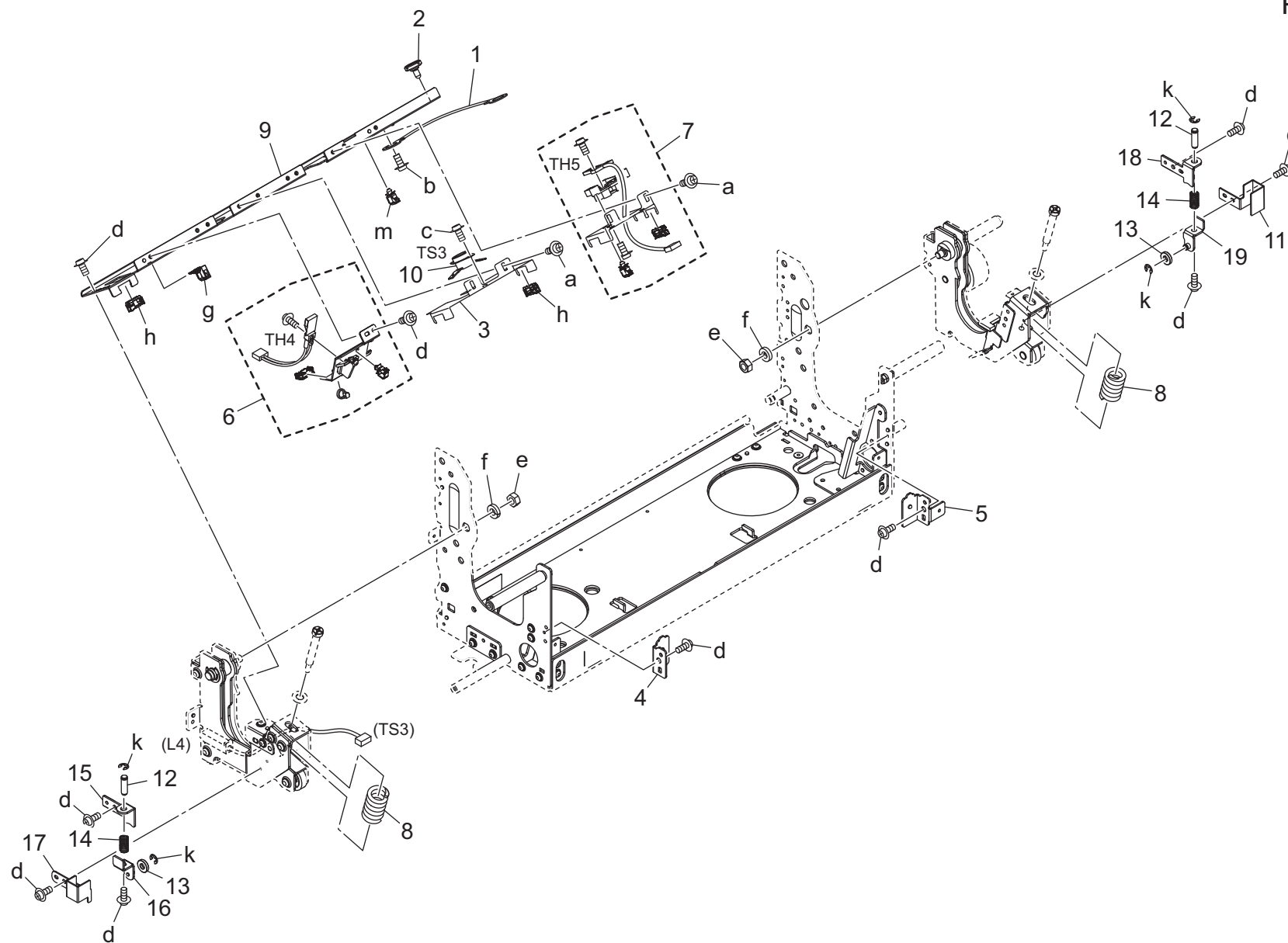
Fusing Section



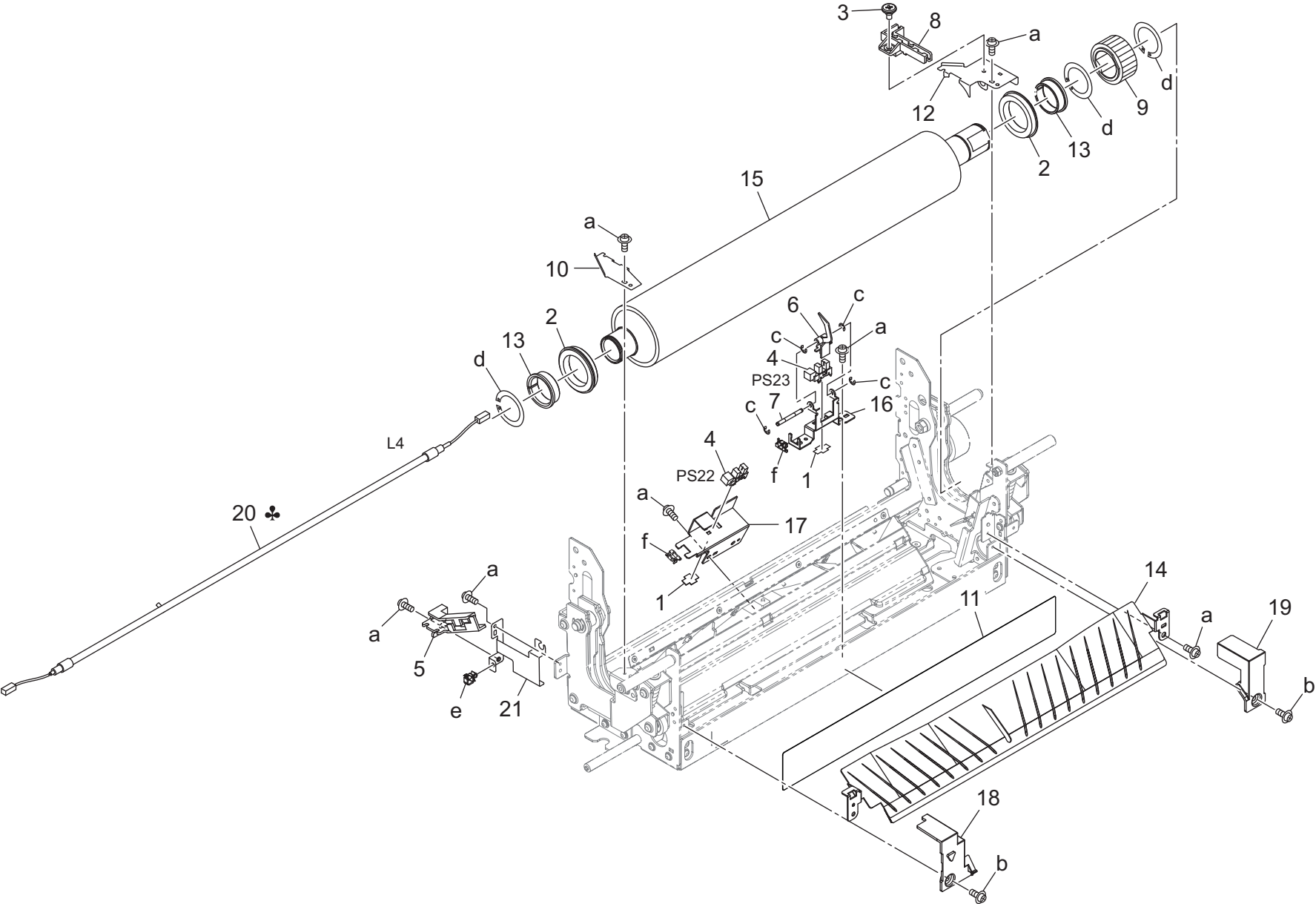
Key	Part No.	Description	Destinations	Class	QTY	Standard parts
1	07BA12352	Magnet Catch		C	4	a-V116040603
2	4470402401	Stopper		D	3	b-V118030603
3	56AA42690	BY-PASS SPACER		C	5	c-V121030403
4	A00J617800	Ball Bearing		B	2	d-V127030516
5	A00V240600	Ball Bearing		B	2	e-V127030604
6	A03U724200	Positioning Shaft		D	2	f-V127030803
7	A03U734500	Support Screw /A		C	1	g-V127040603
8	A03U808400	FIXING DRIVE GEAR /D 19T		B	1	h-V217040003
9	A1RF820000	Ball Bearing		C	2	k-V217080003
10	A50U732100	Protection Seal /1		D	1	m-V234201850
11	A50U743302	Drive Plate /4		D	1	n-V234301450
12	A50U743600	Drive Gear /2 33/58T		C	1	p-V237301150
13	A50U743700	Drive Gear /3 36/74T		C	1	q-V500010021
14	A50U743900	Drive Gear /5 26T		C	1	r-V500020099
15	AC57744600	Sensor Plate		D	1	s-V500020100
16	A50U744912	Mounting Plate /4		D	1	t-V570010057
17	A50U745501	Paper exit Plate /1		D	1	u-V217060003
18	A50U746400	Paper exit Gear /A 37T		C	1	
19	A50U748506	Fusing Cover /Rear		D	1	
20	A50U749200	Mounting Plate /1		D	1	
21	A50U749300	Mounting Plate /2		D	1	
22	A50U752000	Drive Gear /C 36T		D	1	
23	A50U752200	Fusing Gear/3 30T		B	1	
24	A50U752300	Paper exit Shaft /A		D	1	
25	A50U754700	Fusing Gear /6 16T		C	1	
26	A85CM55600	Photo Sensor		C	3	
27	A9VE742400	Pin /4		D	1	
28	A9VE743800	Drive Gear /4 74T		C	1	
29	A9VE744300	Drive Shaft /2		D	1	
30	AC57747200	Hold Plate /2		D	1	
31	AC57747301	Wiring Part /5		D	1	
32	AC57M10600	DC Brushless Motor /50		C	1	
33	AC57N10700	Fusing Harness /2		D	1	
34	AC57768600	Guide Collar		D	1	

Fusing Section

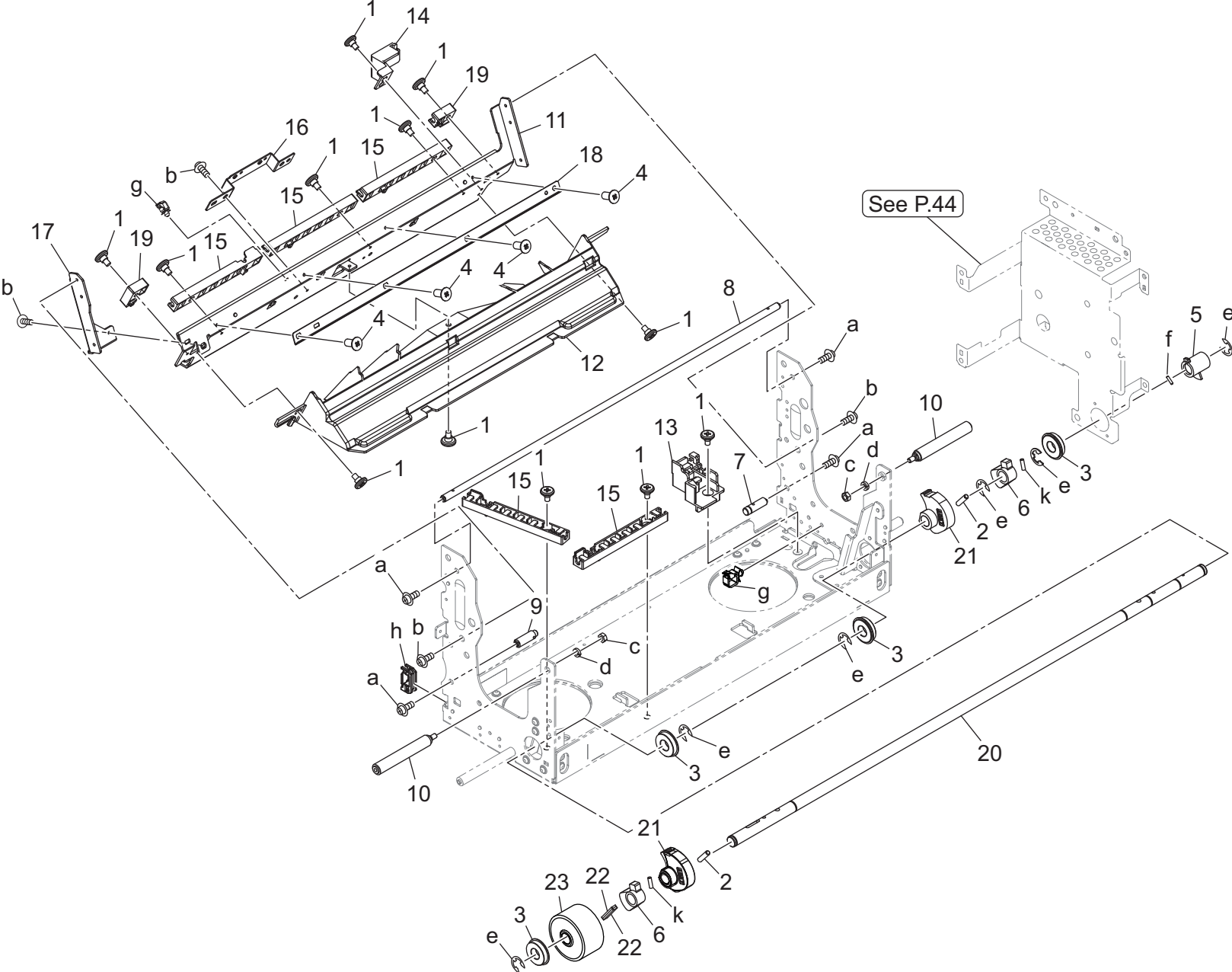
P 45



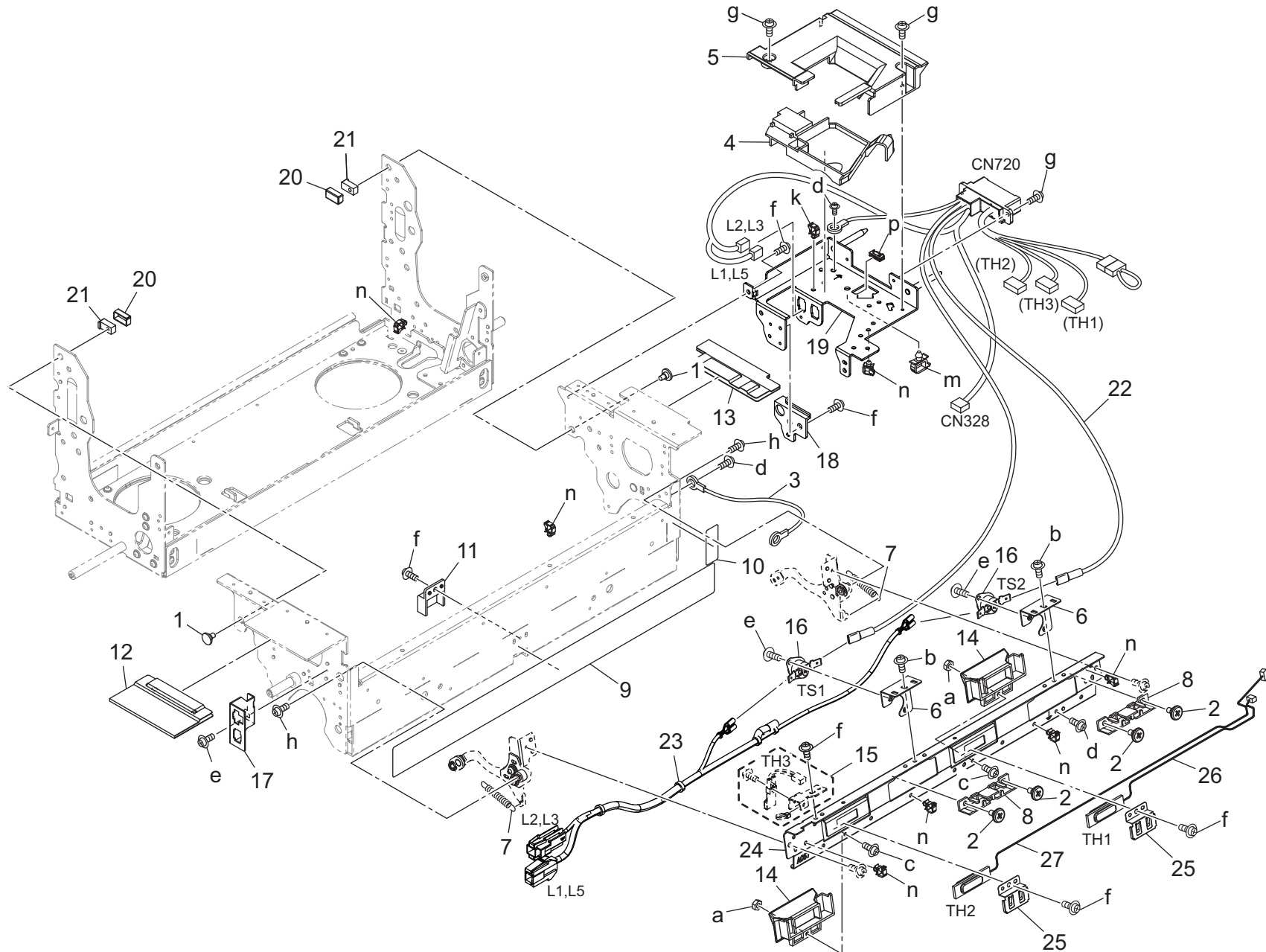
Fusing Section



Fusing Section

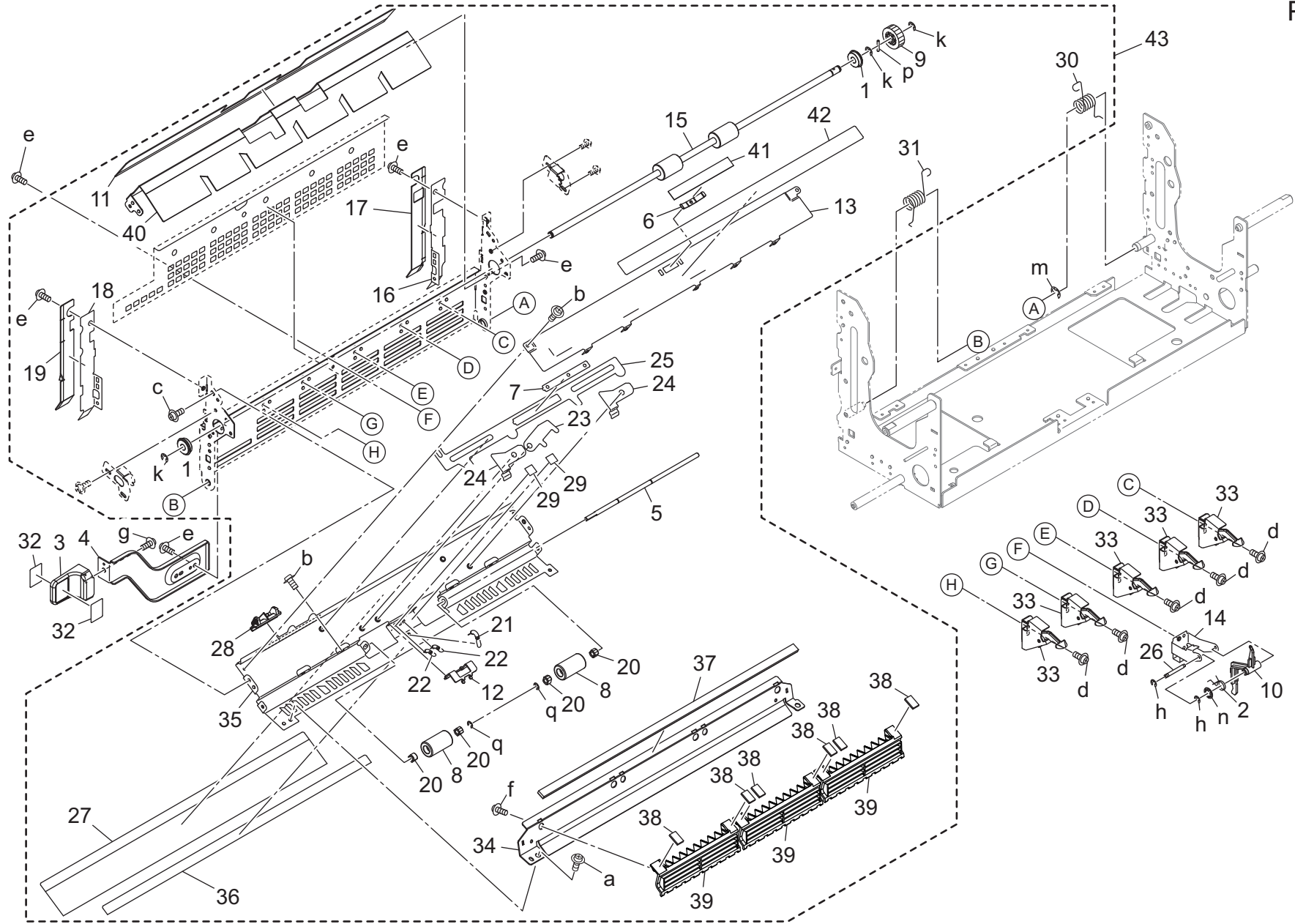


Fusing Section



Key	Part No.	Description	Destinations	Class	QTY	Standard parts
1	26NA53712	BALL BEARING		A	2	a-V116030503 b-V121030403 c-V217060003 d-V223260017 e-V223400017 f-V500010074 g-V500020096 h-V570010025
2	55VA48500	PARALLEL PIN D3X18		D	1	
3	A00V240600	Ball Bearing		B	2	
4	A9VEM31E00	Fusing Heater Lamp Assy 1 /Up (208V)	B,G2	B	1	
4	A9VEM31F00	Fusing Heater Lamp Assy 1 /Up (220V)	C,D3,I	B	1	
5	A03U809500	FIXING DRIVE GEAR /O 26T		A	1	
6	A9VER70422	Fusing Belt Assy		B	1	
7	A50U725001	Drive Gear /Upper 38T		C	1	
8	A50U739811	Drive Gear /Front 38T		C	1	
9	A50U739900	Connecting Gear /A 42/25T		C	1	
10	A50U744000	Drive Gear /6 36T		C	1	
11	A50U744100	Drive Gear /7 27T		C	1	
12	A50U744400	Drive Shaft /3		D	1	
13	A50U756300	Insulating Sleeve /Lower		B	2	
14	A50U765000	Fusing Belt		B	1	
15	AC58783400	Hold Plate /4		D	1	
16	A5AW744900	Heat Insulating Sleeve/1		B	2	
17	AC57745000	Fusing Ball bearing /Upper		A	2	
18	A9VE720300	Fusing Roller /1		B	1	
19	A9VE720500	Fusing Roller /2		B	1	
20	A9VE723500	Support Plate /1		D	1	
21	A9VE723600	Support Plate /2		D	1	
22	A9VE724100	Regulating Sleeve /1		B	2	
23	A9VE726800	Guide Part /3		D	1	
24	A9VE728300	Support Plate /11		D	1	
25	A9VE733000	Cover /Front		D	1	
26	A9VE733100	Cover /Rear		D	1	
27	A9VE743500	Drive Plate /6		D	1	
28	A9VE785400	Stopper Stopper /A		D	1	
29	A9VE785500	Stopper Stopper /B		D	1	
30	A9VEM33E00	Fusing Heater Lamp Assy 2 /Up (208V)	B,G2	B	1	
30	A9VEM33F00	Fusing Heater Lamp Assy 2 /Up (220V)	C,D3,I	B	1	

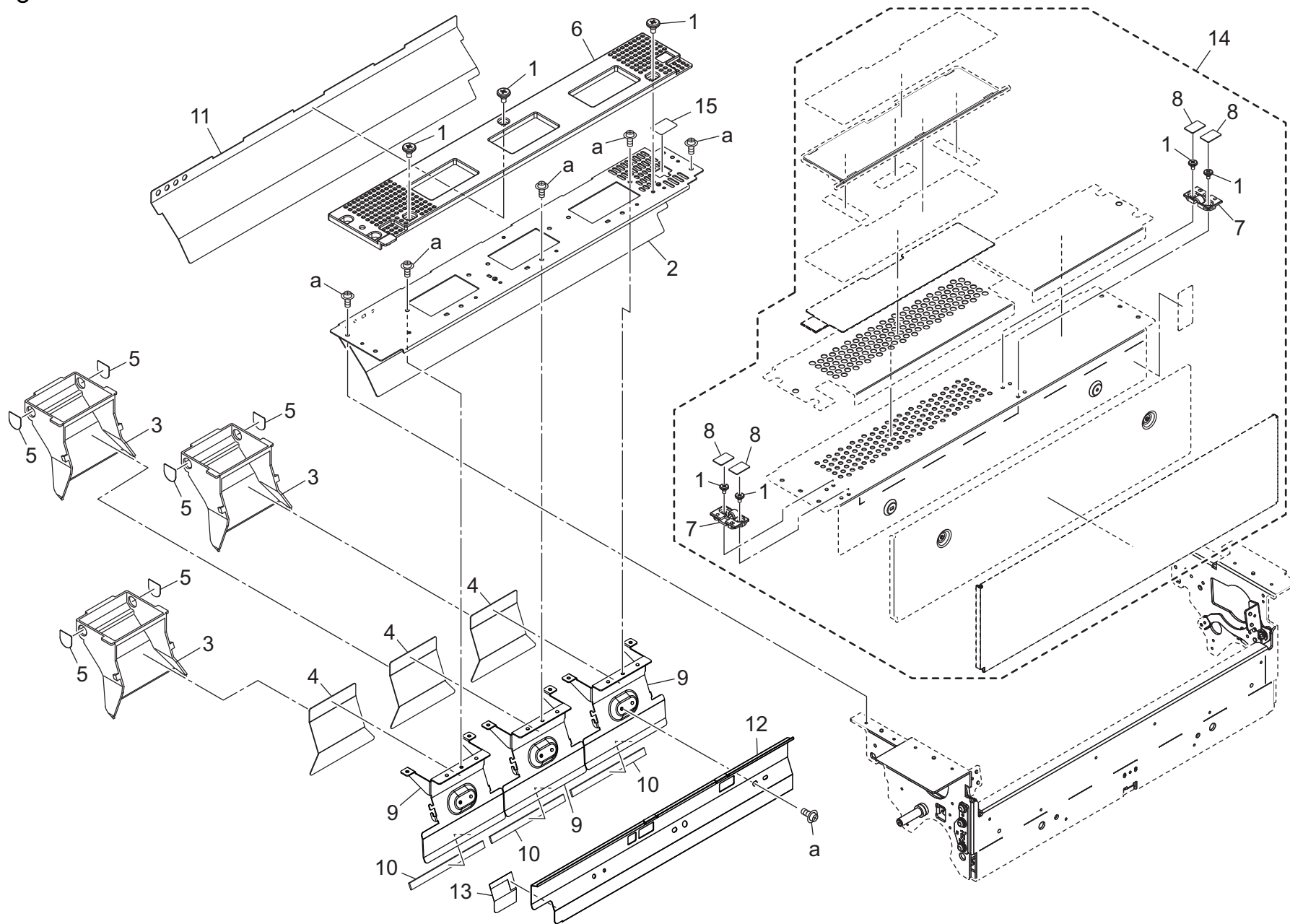
Fusing Section



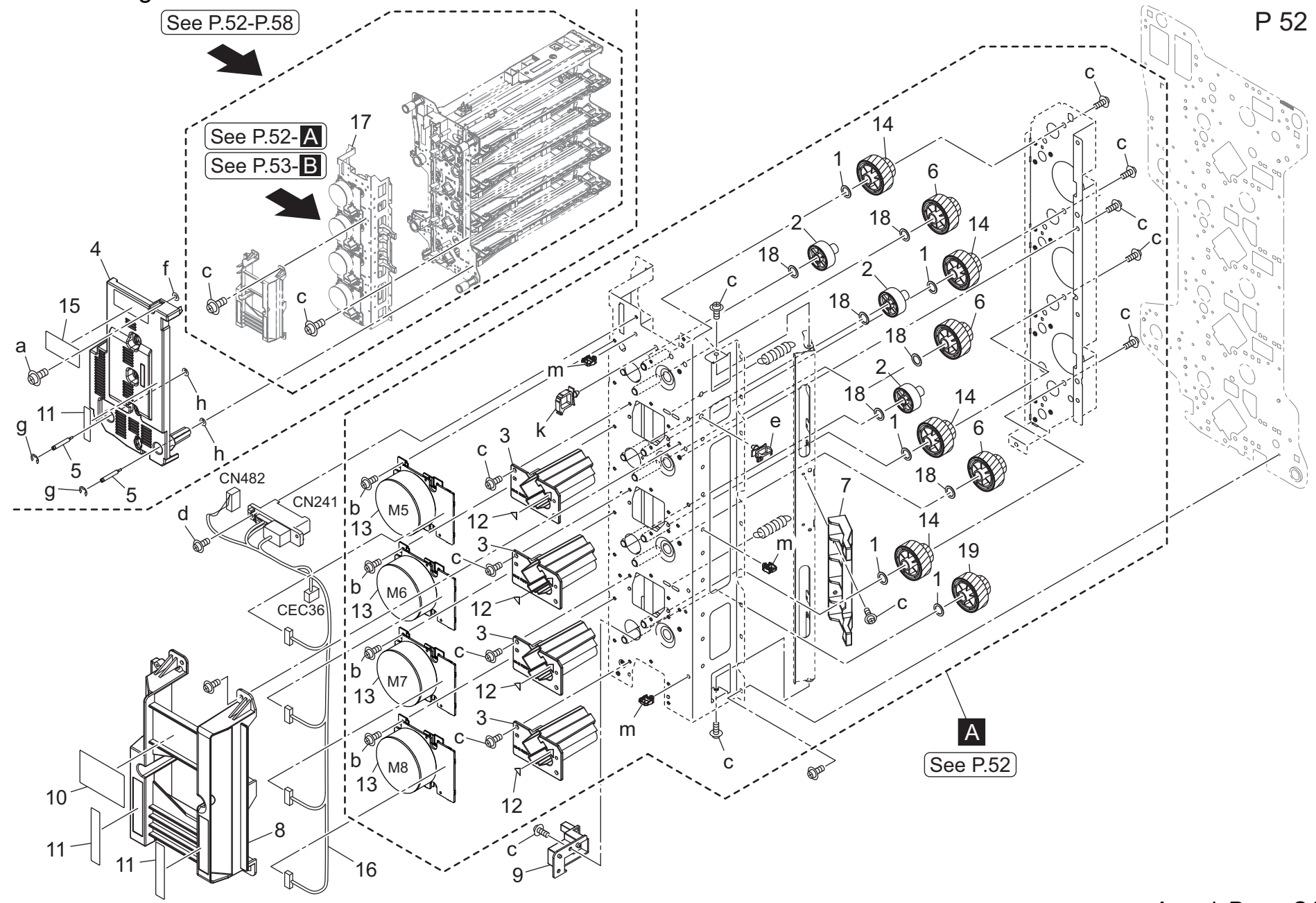
Key	Part No.	Description	Destinations	Class	QTY	Standard parts
1	55GA75031	BALL BEARING		A	2	a-V116030603
2	65AA53560	PAPER EXIT DETECTING SPRING		C	1	b-V118020403
3	65AA53991	Fixing Papaer Exit Lever		C	1	c-V118030403
4	A03U723301	Open/close Lever		C	1	d-V127030516
5	A03U728000	PAPER EXIT SHAFT		D	1	e-V127030604
6	A03U734800	Positioning Plate spring /1		C	1	f-V151030803
7	A03U734900	Positioning Plate		D	1	g-V151040803
8	A9VE760900	Paper exit Roll		B	2	h-V217020003
9	A50U746500	Paper exit Gear /B 20T		C	1	k-V217040003
10	A50U748701	Paper exit Actuator		D	1	m-V217050003
11	A50U760400	Insulating Sheet		D	1	n-V226060050
12	A50U760600	Pressing Cam /1		D	1	p-V234201250
13	A50U760701	Holding Plate		D	1	q-V217030003
14	A50U760802	Support Plate		D	1	
15	AC57761000	Fixing Paper exit Roller		C	1	
16	A50U761100	Heat blocking Plate /Rear		D	1	
17	A50U761200	Insulating Sheet /Rear		D	1	
18	A50U761300	Heat blocking Plate /Front		D	1	
19	A50U761400	Insulating Sheet /Front		D	1	
20	A50U761500	Fixing Paper exit Bearing		C	4	
21	A50U761601	Paper exit Spring /1		D	1	
22	A50U761700	Paper exit Spring /2		D	2	
23	A50U761800	Pressing Cam /2		D	1	
24	A50U761900	Release Lever		D	2	
25	A50U762000	Slide Plate		D	1	
26	A50U762100	Paper exit Detecting Shaft		D	1	
27	A50U762200	Protection Film		D	1	
28	A50U762300	Slide Knob		D	1	
29	A50U762400	Fusing Spacer /2		D	2	
30	A50U763800	Paper exit Open/shut Spring /B		D	1	
31	A50U763900	Paper exit Open/shut Spring /A		D	1	
32	A50U943701	Release Label /7		D	2	
33	A50UR72U11	Fusing Separating Claw Assy		B	5	
34	A85C757801	Guide Plate /E		D	1	
35	A85C758100	Paper exit Plate /Upper		D	1	
36	A85C764100	Holding Sheet /A		D	1	
37	A9VE727500	Guide Seal /A		D	1	
38	A9VE727700	Guide Seal /C		D	6	
39	A9VE758000	Separating Cell /11		D	3	
40	AC57760300	Paper exit Plate /Lower		D	1	
41	A9VE764200	Protection Film /B		D	1	
42	A9VE949000	Caution Label		D	1	
43	AC57R72100	Fusing Paper Exit Door Duct Assy		D	1	

Fusing Section

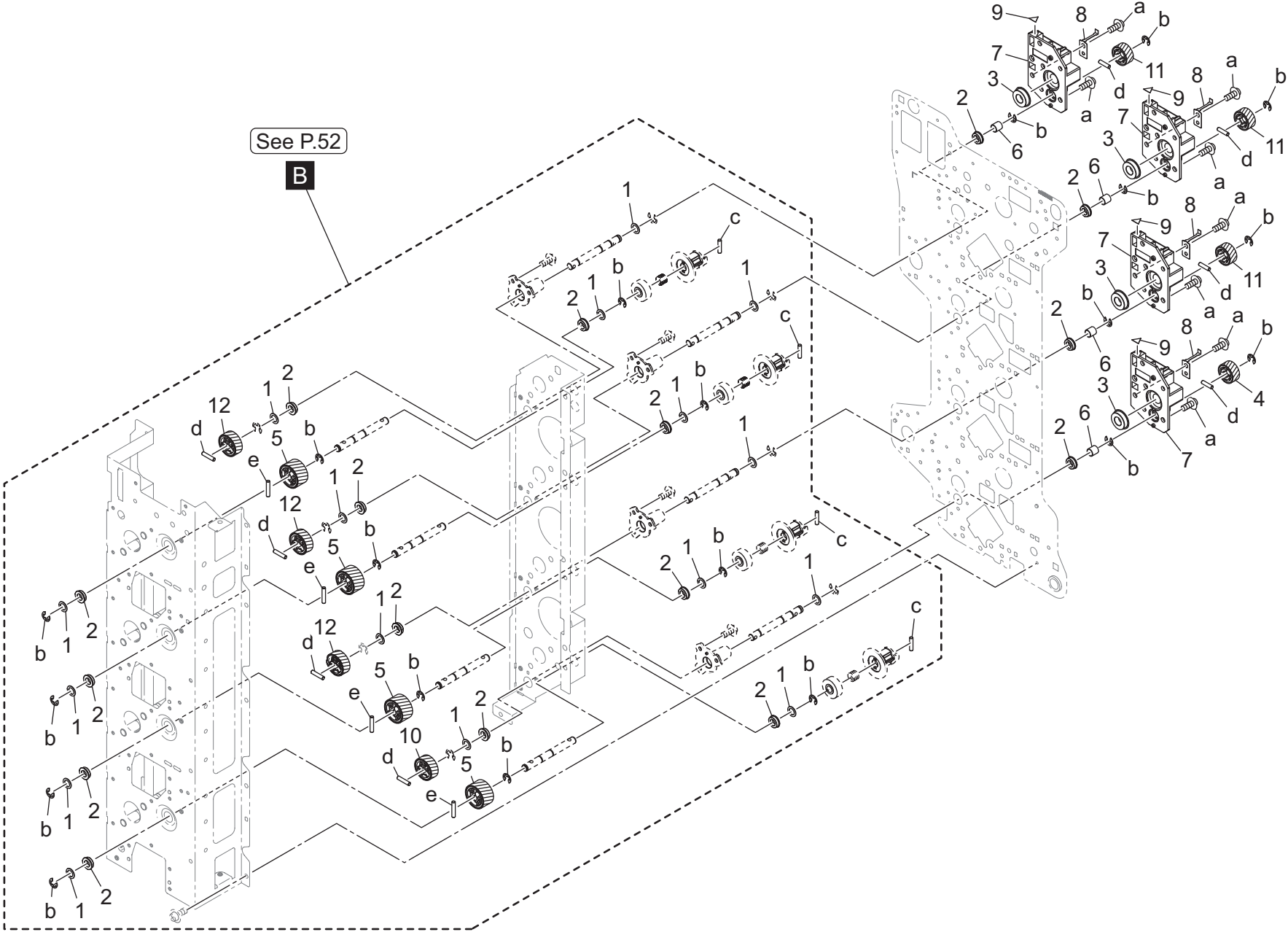
P 51



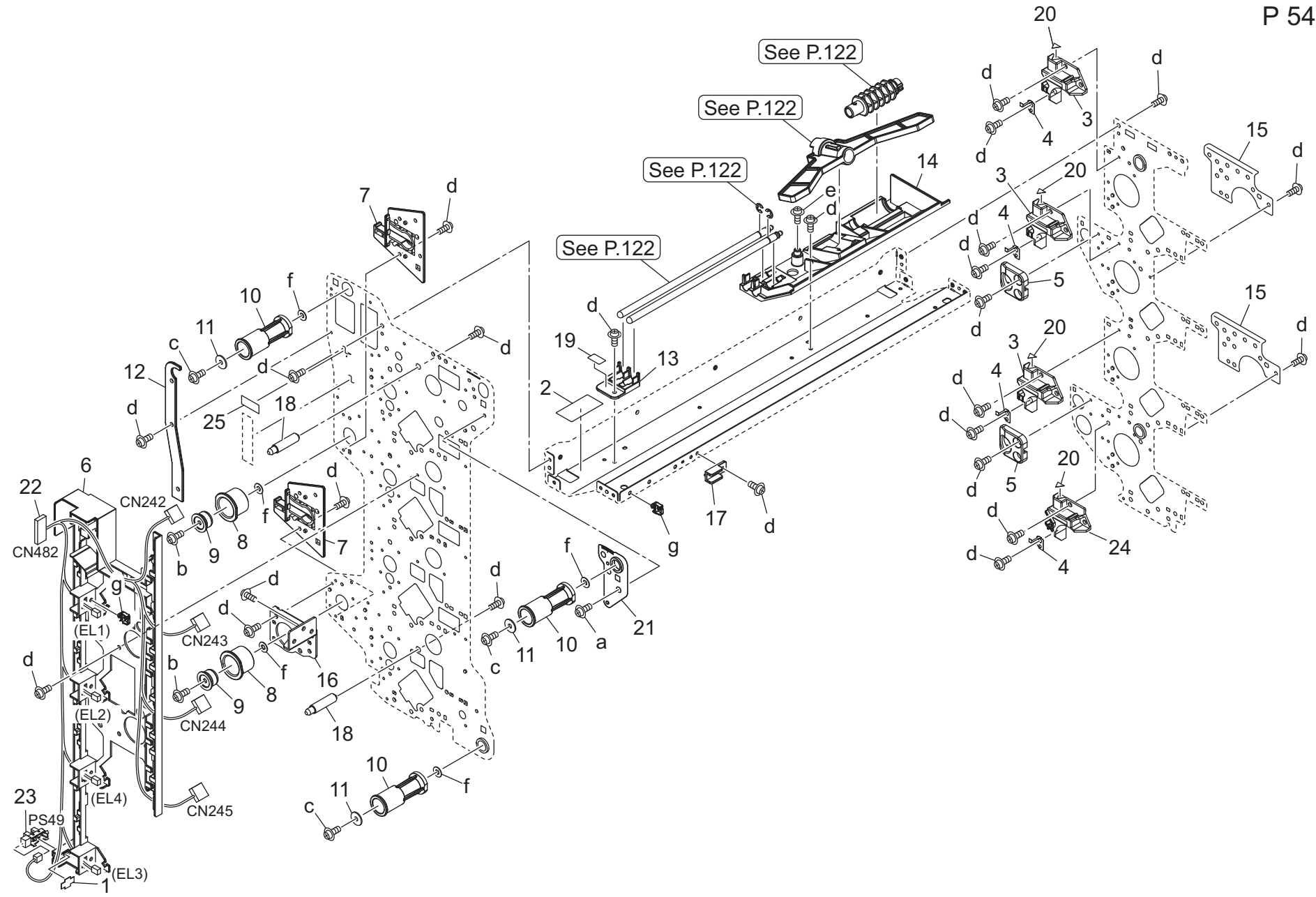
Process Carriage Section



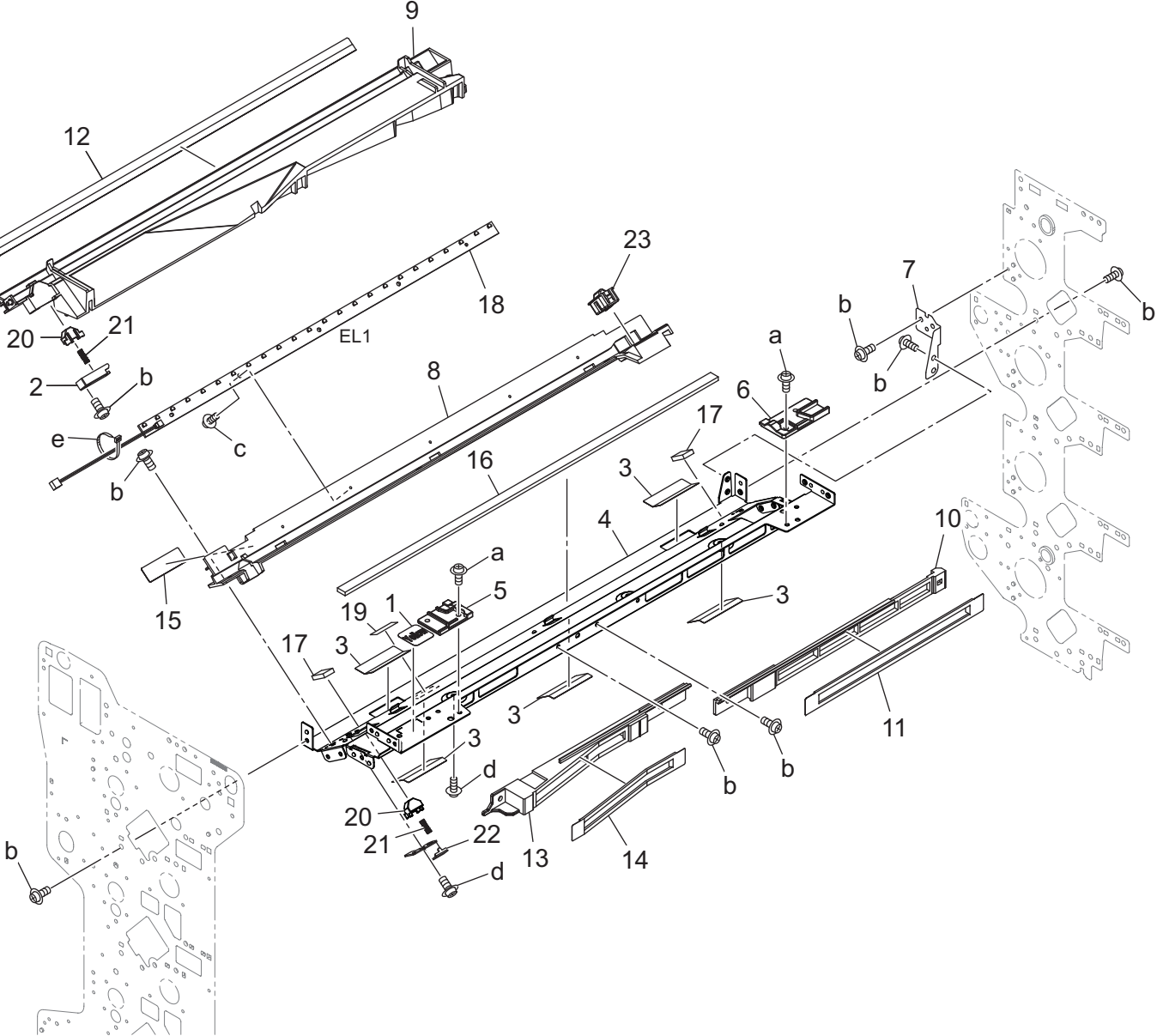
Process Carriage Section



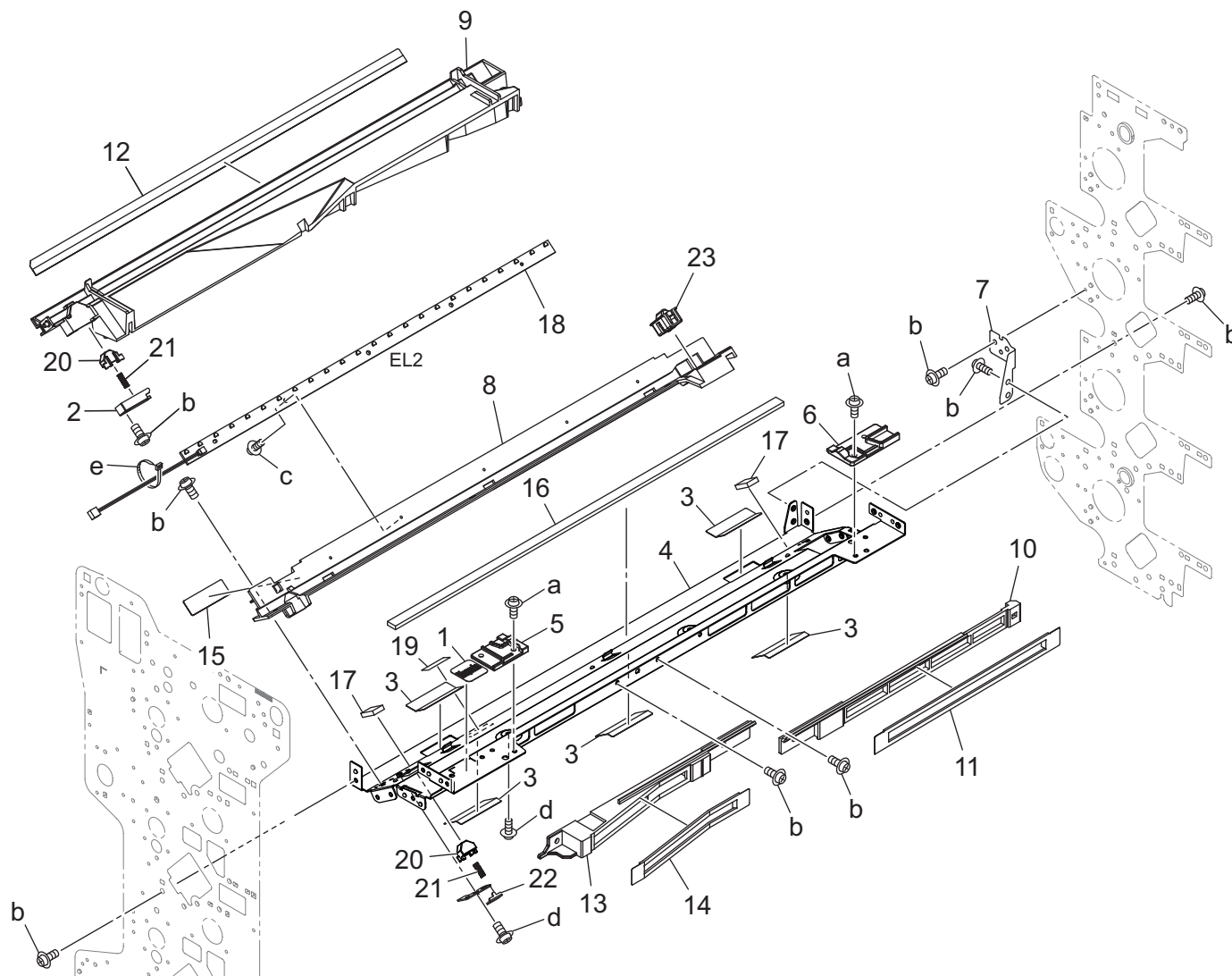
Process Carriage Section



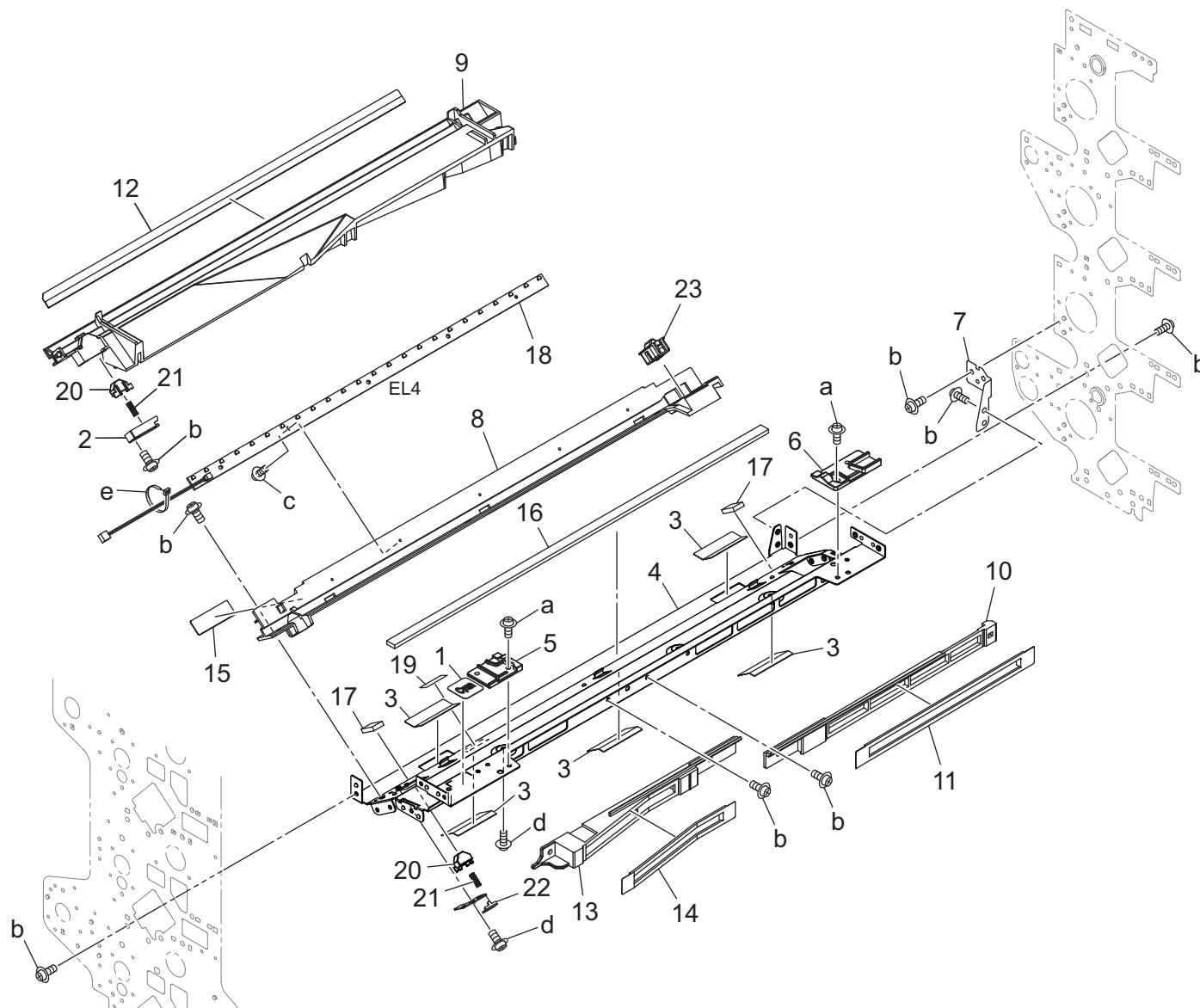
Process Carriage Section



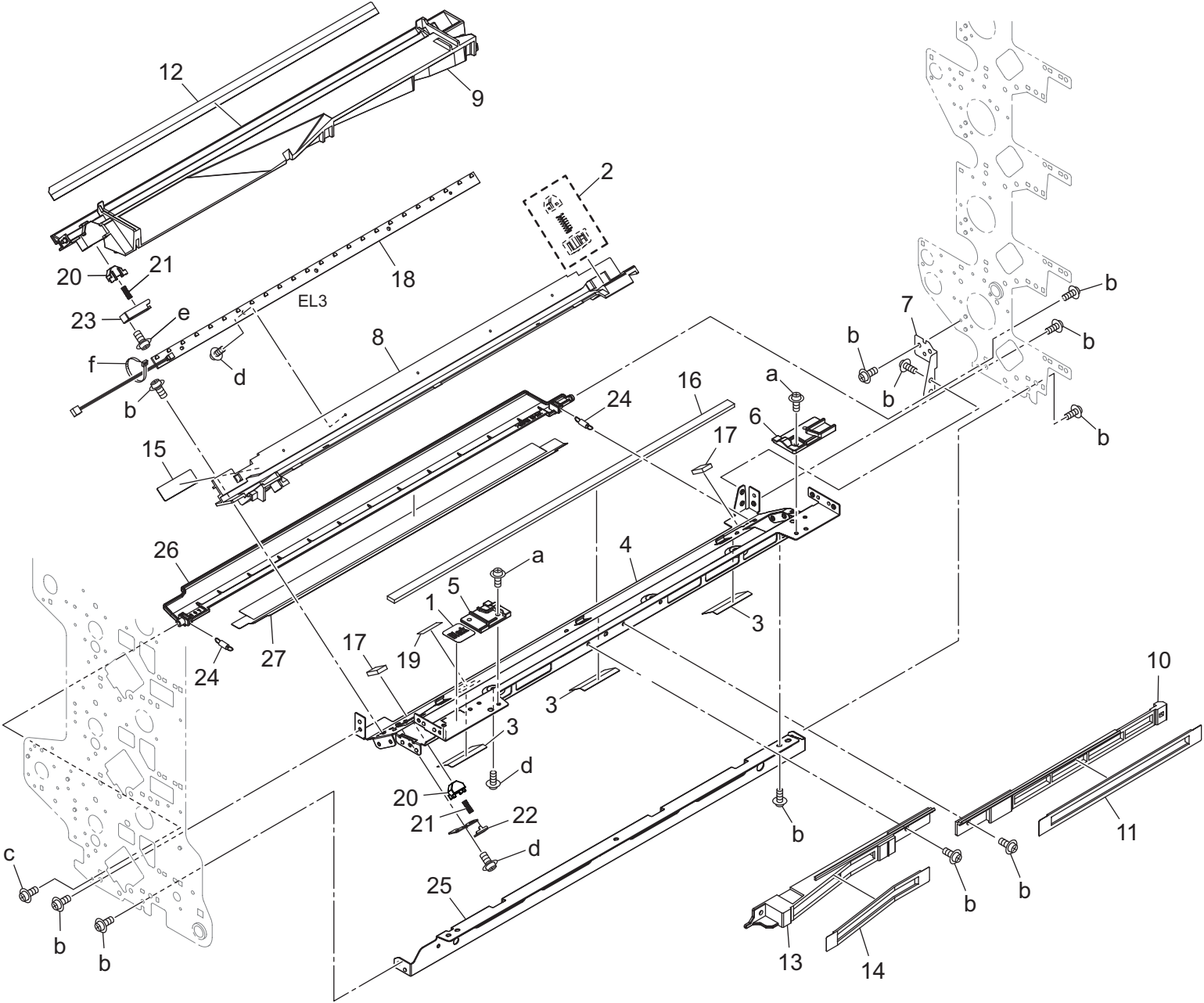
Process Carriage Section



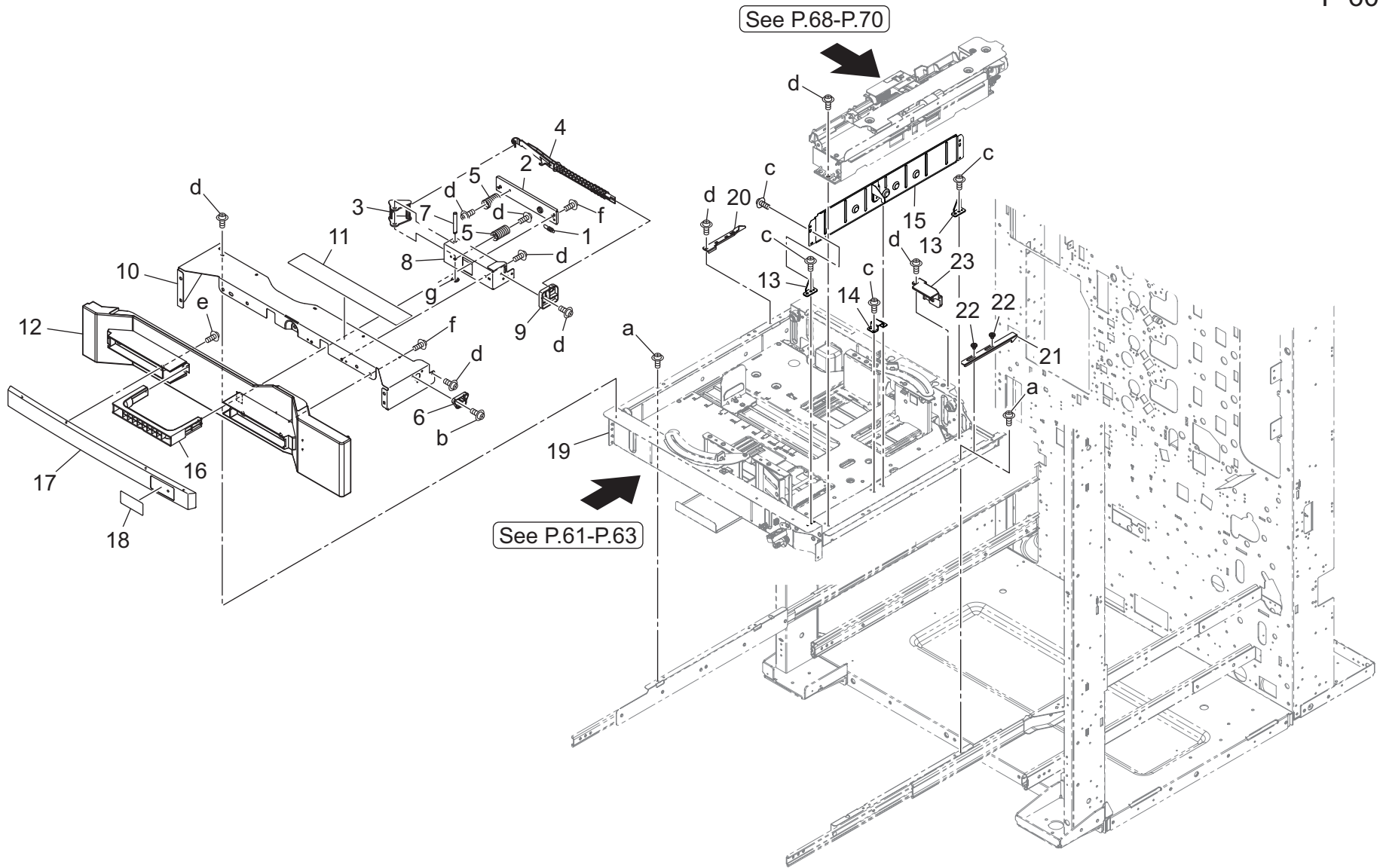
Process Carriage Section



Process Carriage Section

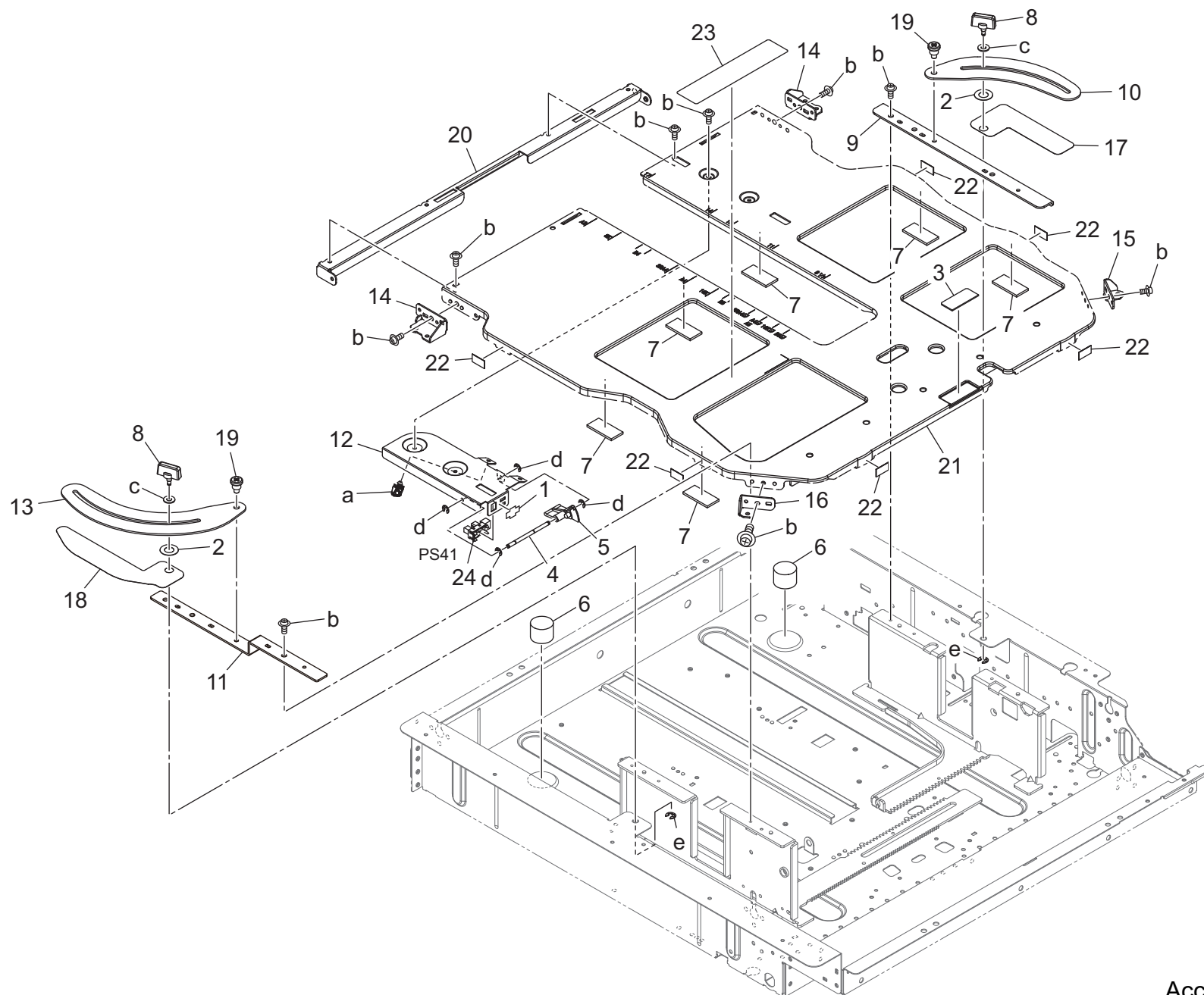


Tray 1 Section

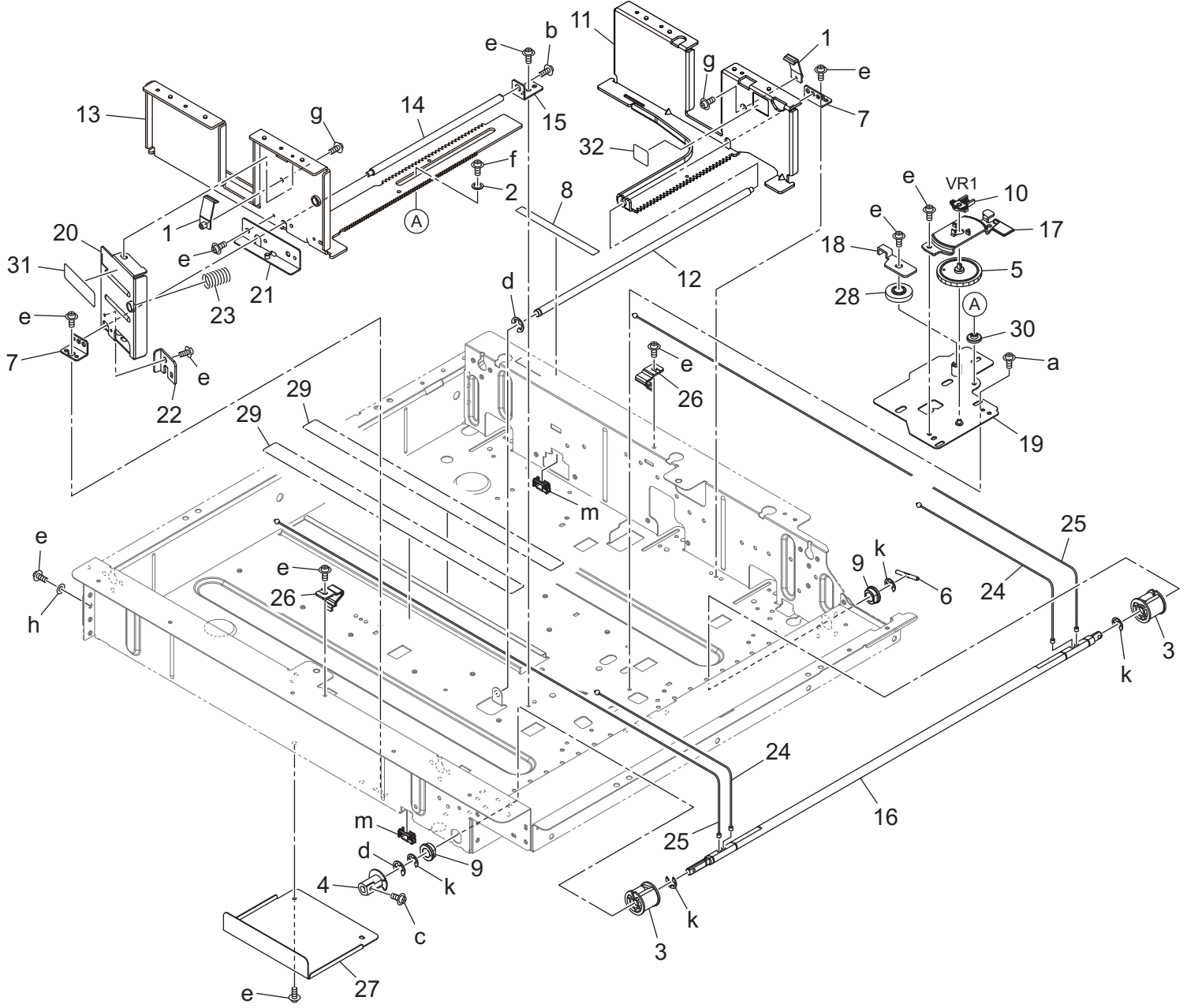


Tray 1 Section

P 61

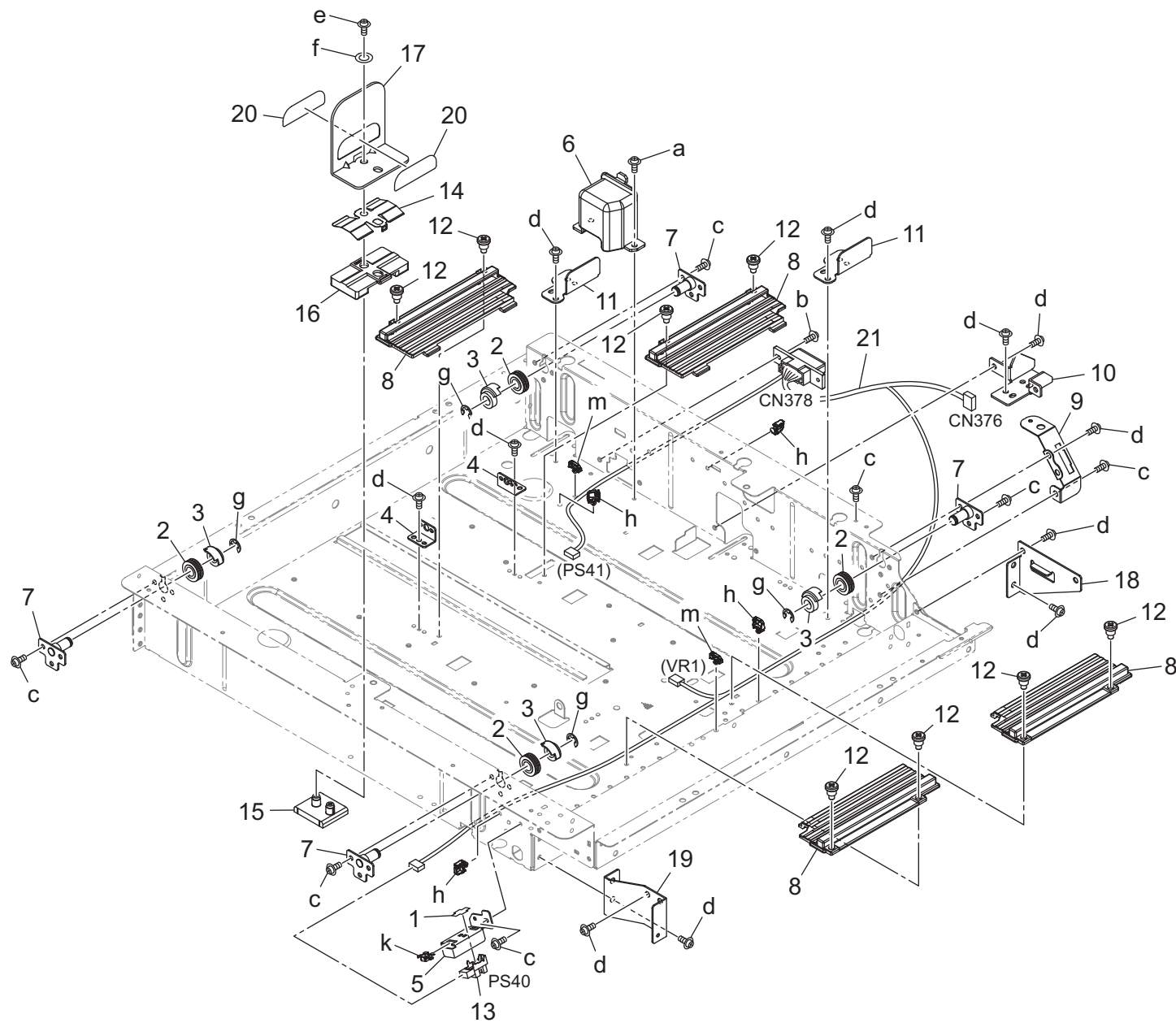


Tray 1 Section

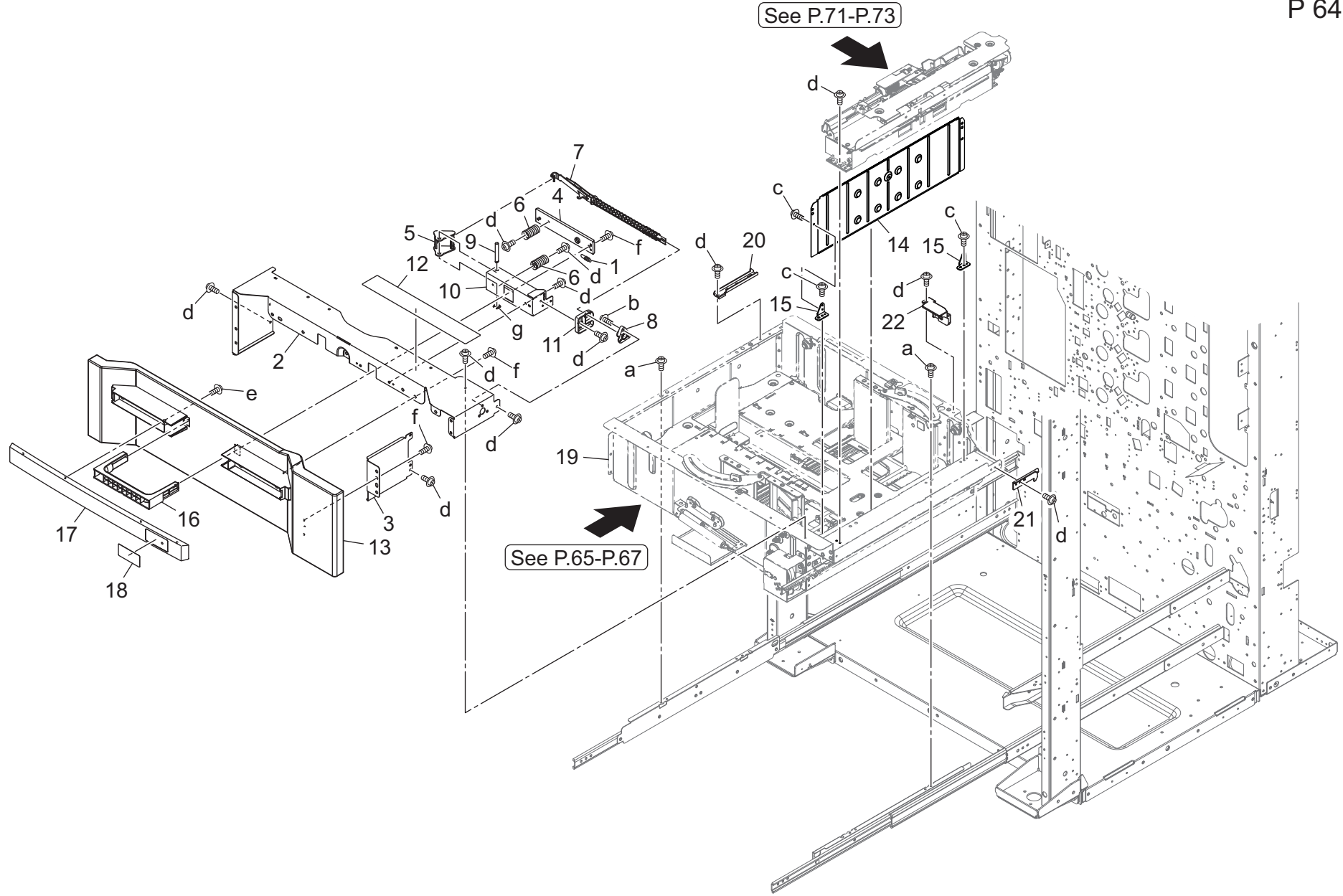


Key	Part No.	Description	Destinations	Class	QTY	Standard parts
1	26NA47070	PAPER REGULATING CLAW		C	2	a-V116030503
2	40AA32320	Toner Supply Spacer		C	1	b-V116030603
3	55VA40600	Driving Up /Down Pulley		B	2	c-V121030603
4	65AA47131E	Paper Detecting Actuator		C	1	d-V217040003
5	65AA47600E	Detecting Gear 45T		C	1	e-V127030604
6	65AA47700D	Up/down Pin		D	1	f-V127030803
7	65AA47740E	Shaft Mounting Plate		D	2	g-V147030803
8	65GE97490	CASSETTE GUIDE LABEL		D	1	h-V207030003
9	A03U812800	Slide Shaft Holder		B	2	k-V217060003
10	A1UDM50100	VR		D	1	m-V570010057
11	A50U620602	Guide Rack /Rear		D	1	
12	A50U620801	Regulating Shaft		D	1	
13	A50U620902	Guide Rack /Front		D	1	
14	A50U621301	Stopper Shaft		D	1	
15	A50U621400	Mounting Plate		D	1	
16	A50U621800	Lifting Shaft		D	1	
17	A50U621900	Mounting Plate		D	1	
18	A50U622001	Stopper Plate		D	1	
19	A50U622101	Positioning Plate		D	1	
20	A50U622300	Brake Knob		D	1	
21	A50U622400	Support Plate		D	1	
22	A50U623201	Lock Claw		D	1	
23	A50U623300	Slide Spring /1		D	1	
24	A50U625400	Up/down Wire /1		D	2	
25	A50U625500	Up/down Wire /2		D	2	
26	A50U626100	Protection Plate		D	2	
27	A50U627501	Reinforce Stay		D	1	
28	A50U628400	Pinion		C	1	
29	A50U640800	Sheet		D	2	
30	A50U642000	Guide Spacer		D	1	
31	A50U946300	Lock Label /2		D	1	
32	A50U945301	Regulating Label		D	1	

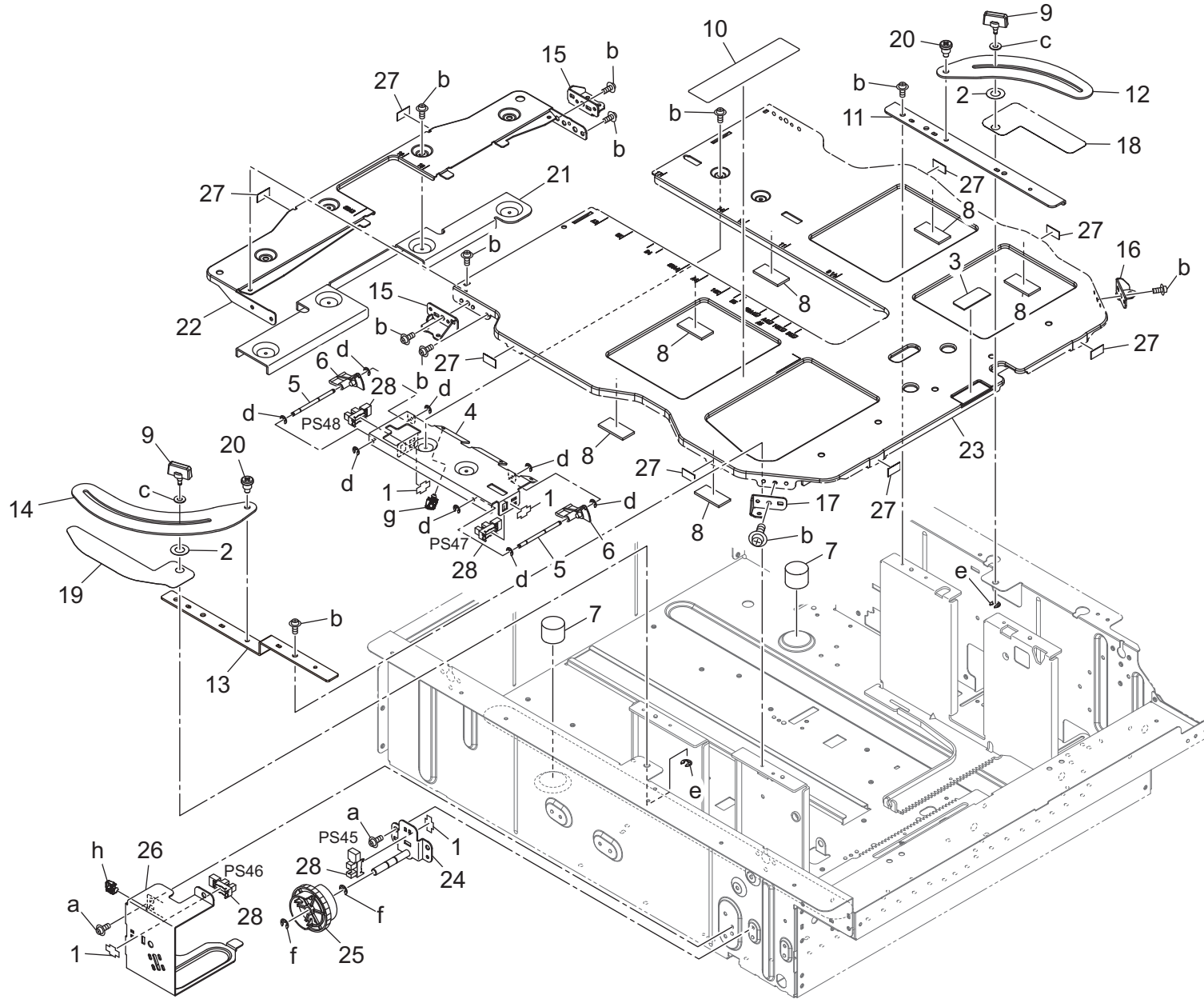
Tray 1 Section



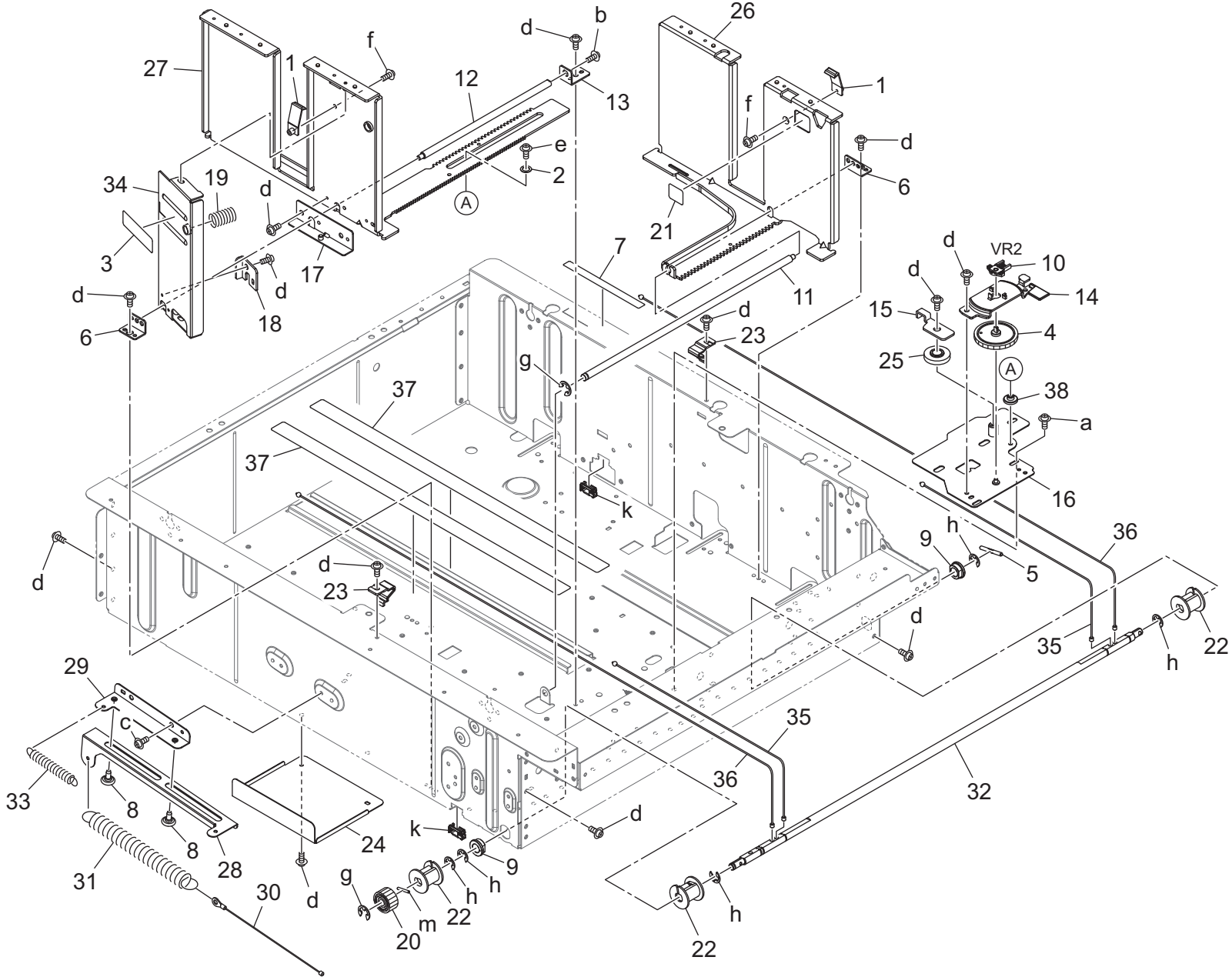
Tray 2 Section



Tray 2 Section

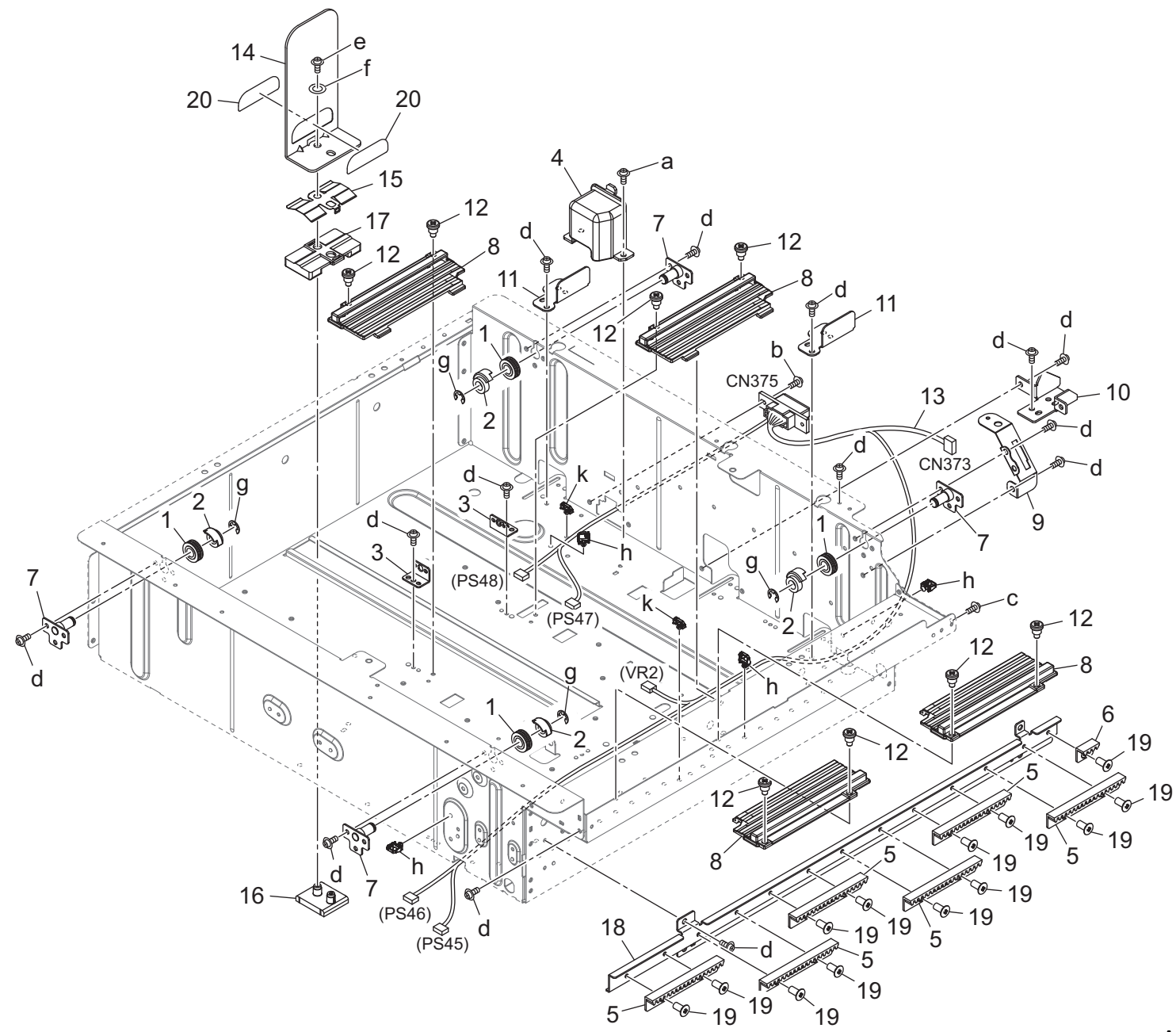


Tray 2 Section

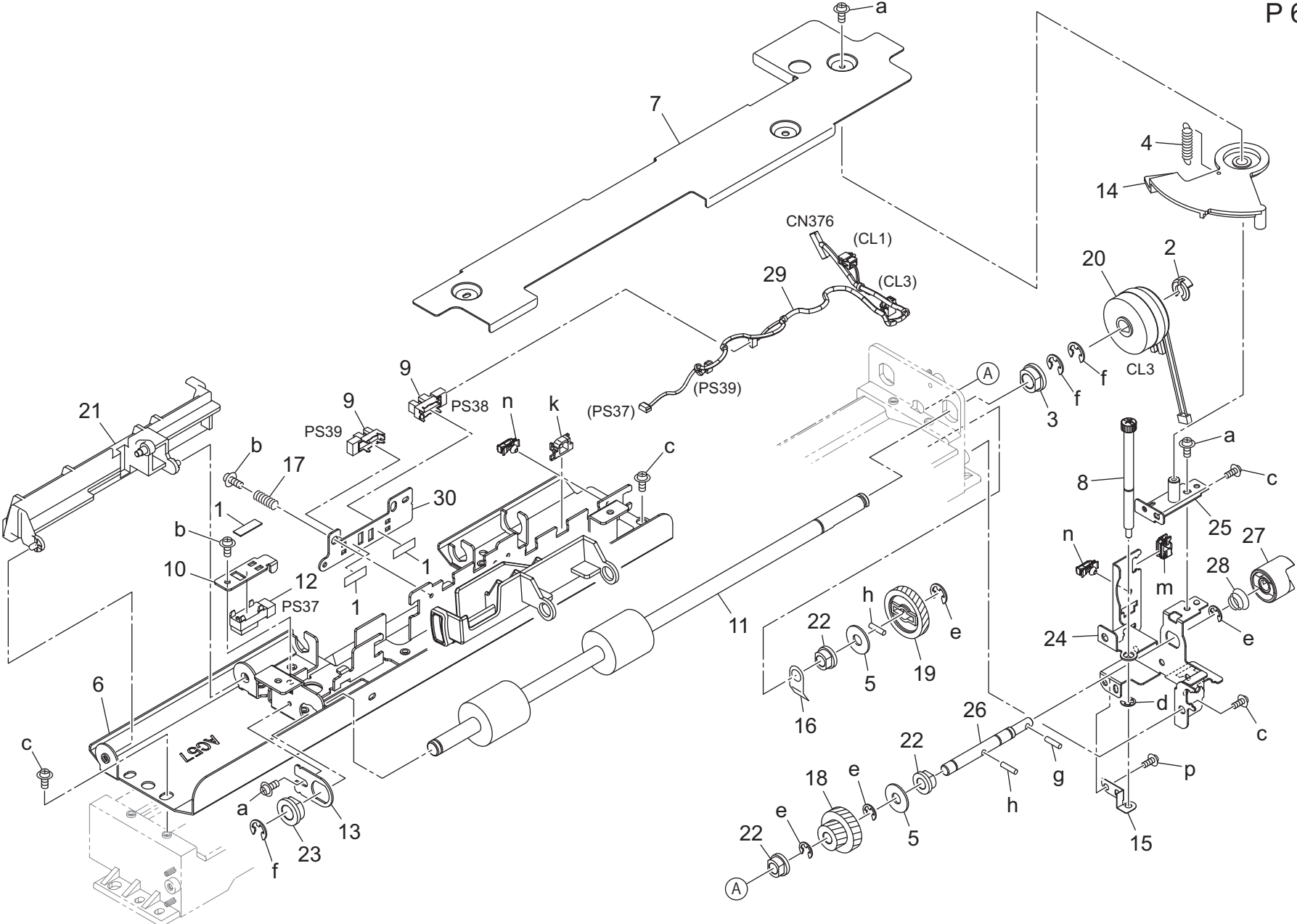


Key	Part No.	Description	Destinations	Class	QTY	Standard parts
1	26NA47070	PAPER REGULATING CLAW		C	2	a-V116030503
2	40AA32320	Toner Supply Spacer		C	1	b-V116030603
3	A50U946300	Lock Label /2		D	1	c-V127030516
4	65AA47600E	Detecting Gear 45T		C	1	d-V127030604
5	65AA47700D	Up/down Pin		D	1	e-V127030803
6	65AA47740E	Shaft Mounting Plate		D	2	f-V147030803
7	65GE97490	CASSETTE GUIDE LABEL		D	1	g-V217040003
8	A03N621800	Slide Shoulder screw		C	2	h-V217060003
9	A03U812800	Slide Shaft Holder		B	2	k-V570010057
10	A1UDM50100	VR		D	1	m-V234201450
11	A50U620801	Regulating Shaft		D	1	
12	A50U621301	Stopper Shaft		D	1	
13	A50U621400	Mounting Plate		D	1	
14	A50U621900	Mounting Plate		D	1	
15	A50U622001	Stopper Plate		D	1	
16	A50U622101	Positioning Plate		D	1	
17	A50U622400	Support Plate		D	1	
18	A50U623201	Lock Claw		D	1	
19	A50U623300	Slide Spring /1		D	1	
20	A50U854600	Release Gear /1 24T		C	1	
21	A50U945301	Regulating Label		D	1	
22	A50U626000	Pulley		C	3	
23	A50U626100	Protection Plate		D	2	
24	A50U627501	Reinforce Stay		D	1	
25	A50U628400	Pinion		C	1	
26	A50U630602	Guide Rack /Rear		D	1	
27	A50U630902	Guide Rack /Front		D	1	
28	A50U631000	Slide Plate		D	1	
29	A50U631100	Mounting Plate		D	1	
30	A50U631500	Auxiliary Wire		D	1	
31	A50U631700	Slide Spring /1		D	1	
32	A50U631800	Up/down Shaft		D	1	
33	A50U631900	Slide Spring /1		D	1	
34	A50U632300	Brake Knob		D	1	
35	A50U635400	Up/down Wire /1		D	2	
36	A50U635500	Up/down Wire /2		D	2	
37	A50U640700	Sheet		D	2	
38	A50U642000	Guide Spacer		D	1	

Tray 2 Section



Tray 1 Paper Feed Section



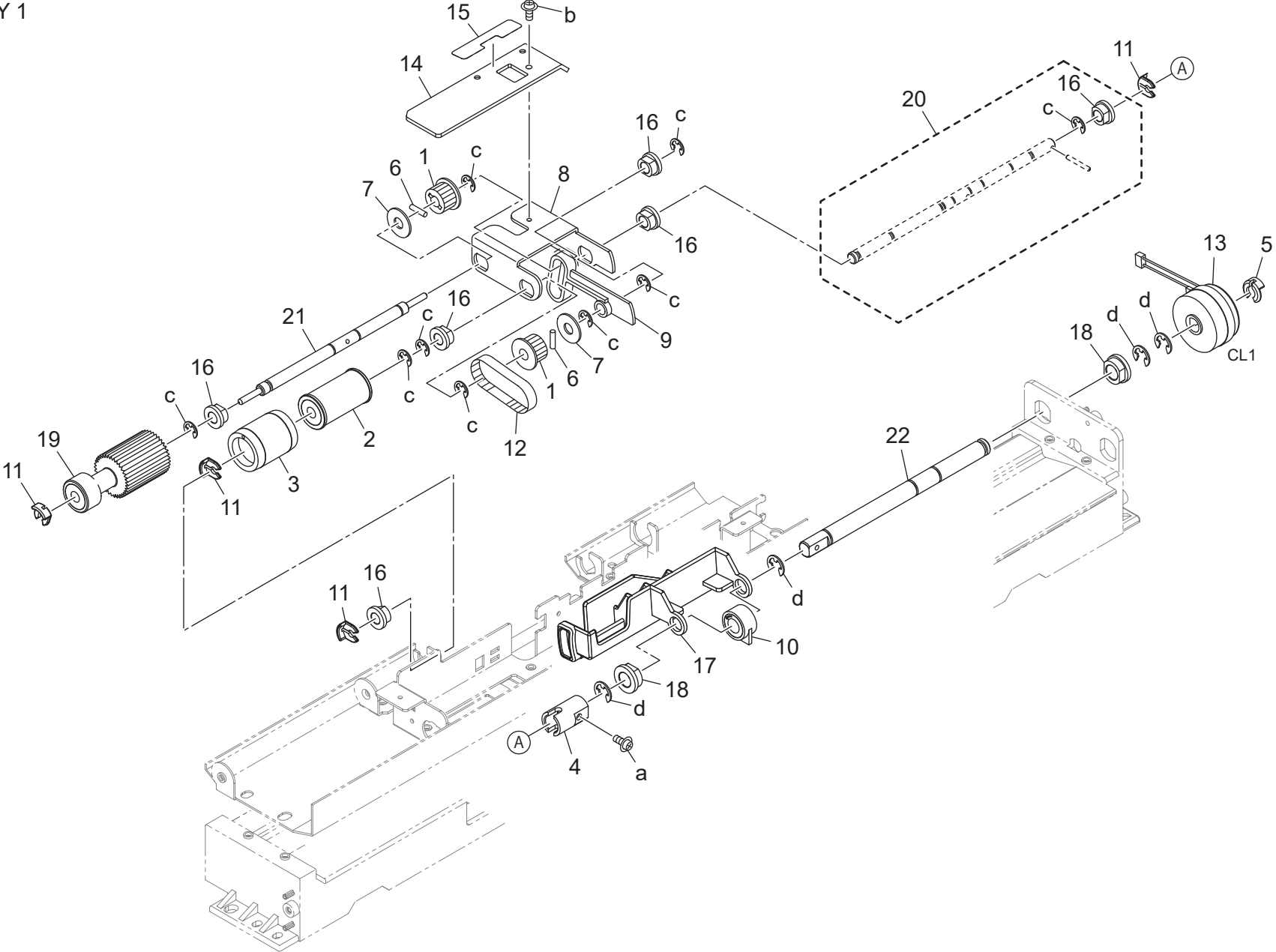
Tray 1 Paper Feed Section

Key	Part No.	Description	Destinations	Class	QTY	Standard parts
1	4109553001	Stopper		C	3	a-V121030603
2	55VA42120	Shaft Stopper		C	1	b-V127030604
3	55VA75540	PAPER FEED SHAFT HOLDER B		B	1	c-V153030803
4	56AA17121	SEPARATE SPRING UPPER		C	1	d-V217030003
5	56AA17760	COLLAR		C	2	e-V217040003
6	AC57560401	Guide Plate /ASSY		D	1	f-V217060003
7	56AA40100G	Wiring Protection Cover		D	1	g-V234301250
8	56AA40120	PAPER FEED HOLDING SCREW		C	1	h-V234301450
9	A85CM55600	Photo Sensor		C	2	k-V570010050
10	A50U836200	Plate /23		D	1	m-V570010056
11	AC57560000	Registration Roller		C	1	n-V500020099
12	9335140071	Solid State Switch		B	1	p-V125030803
13	56AA40370	ADJUSTING PLATE		D	1	
14	56AA40390	CAM PLATE		C	1	
15	A9VE560100	Ground Plate		C	1	
16	56AA40500	SHAFT HOLDER EARTH PLATE		C	1	
17	56AA40520	EARTH SPRING		C	1	
18	56AA77720E	Paper Feed Reverse Gear /1 16/22T		C	1	
19	56AA77730	PAPER FEED REVERSING GEAR 2 33T		C	1	
20	A795M20300	Clutch		C	1	
21	65AA40010	Regulating Plate		D	1	
22	A00J663200	Bushing		B	3	
23	A03U812800	Slide Shaft Holder		B	1	
24	A50U560901	Drive Side plate /1		D	1	
25	A50U561200	Drive Side plate /Assy		D	1	
26	A50U562400	Input Shaft		D	1	
27	A50U564500	Paper feed Coupling		B	1	
28	A50U565100	Pressing Spring		D	1	
29	AC57N14200	Paper Feed Harness		D	1	
30	A85C635401	Adjusting Plate		D	1	

Tray 1 Paper Feed Section

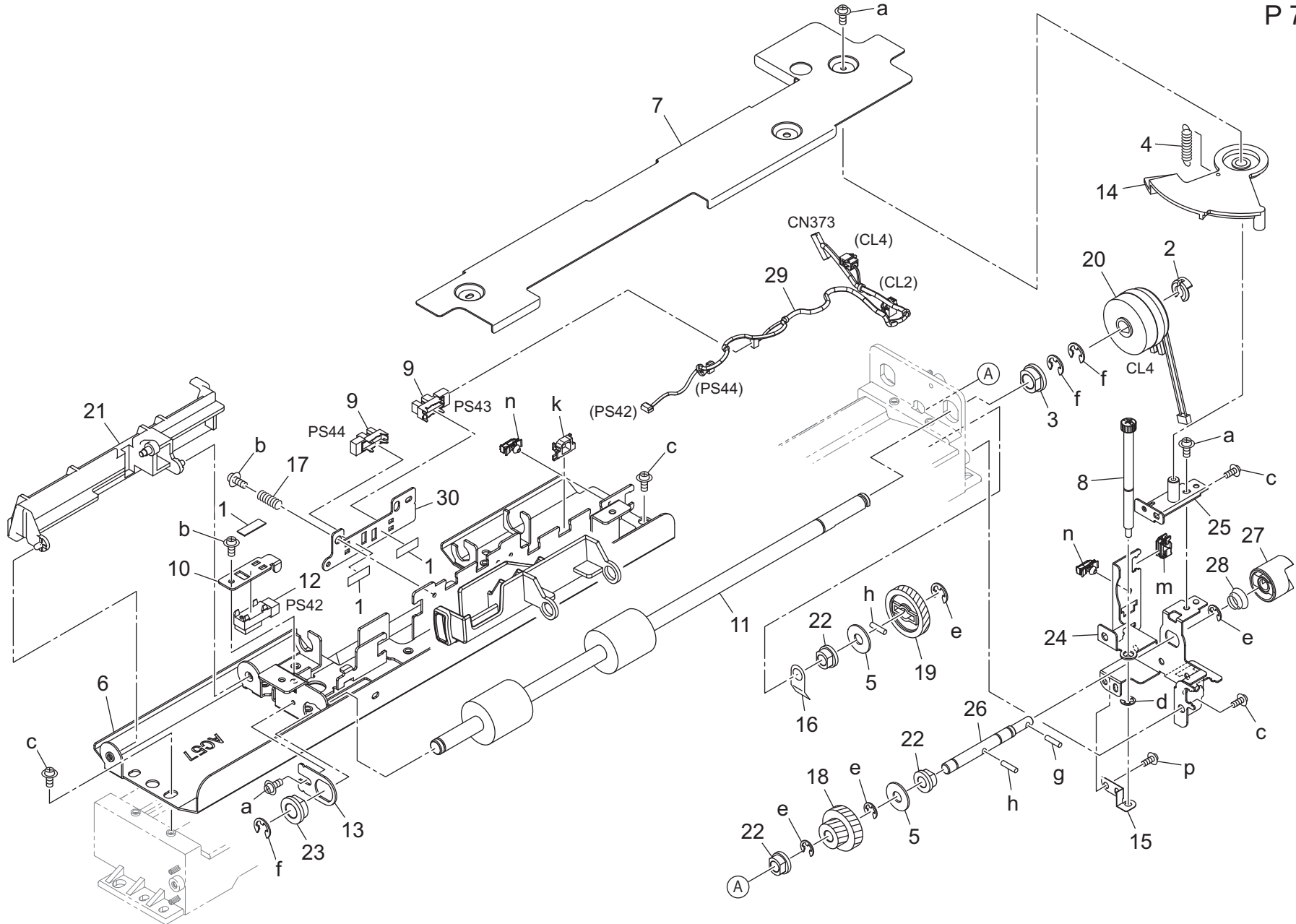
TRAY 1

P 70



Tray 2 Paper Feed Section

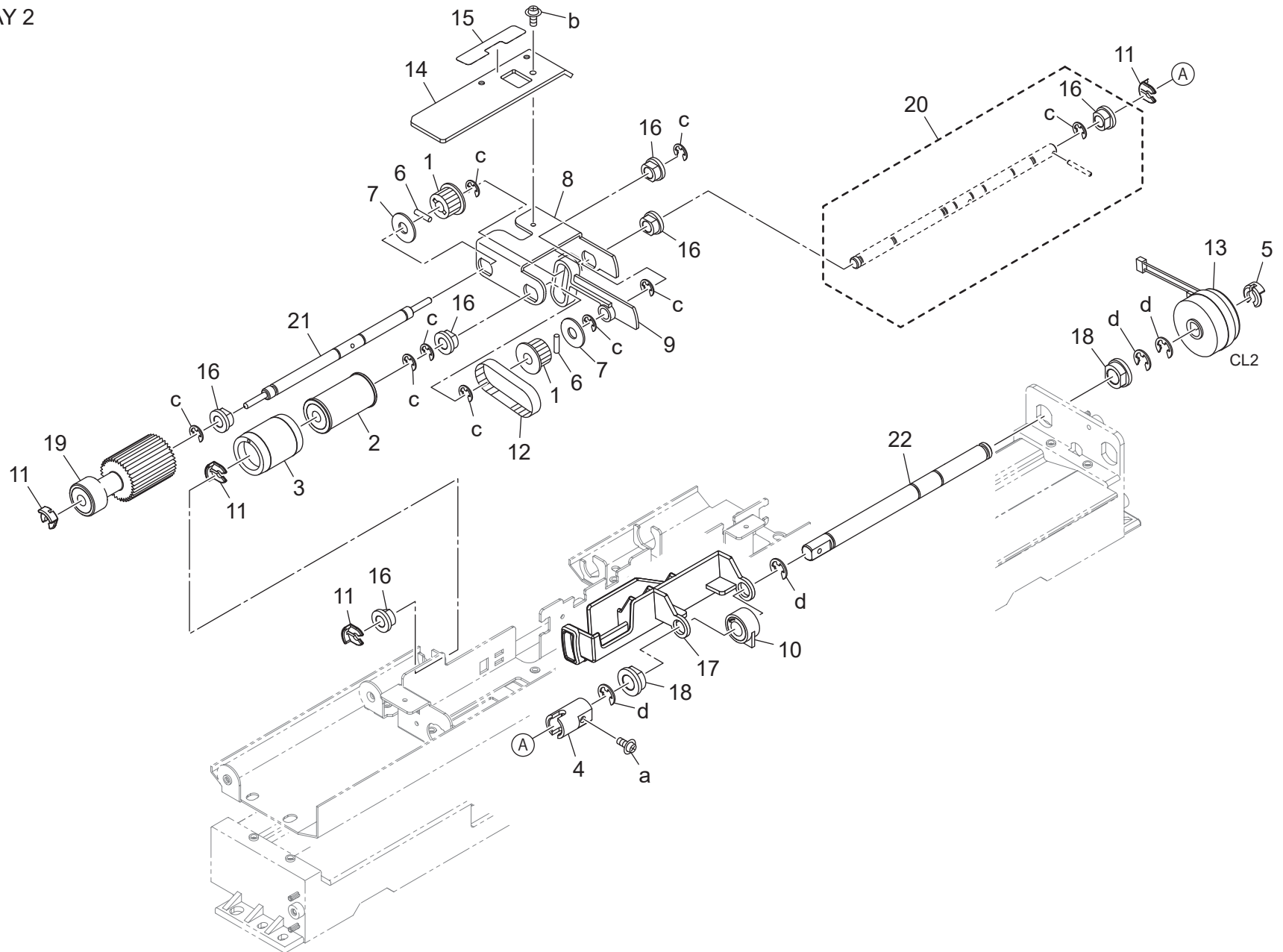
P 72



Tray 2 Paper Feed Section

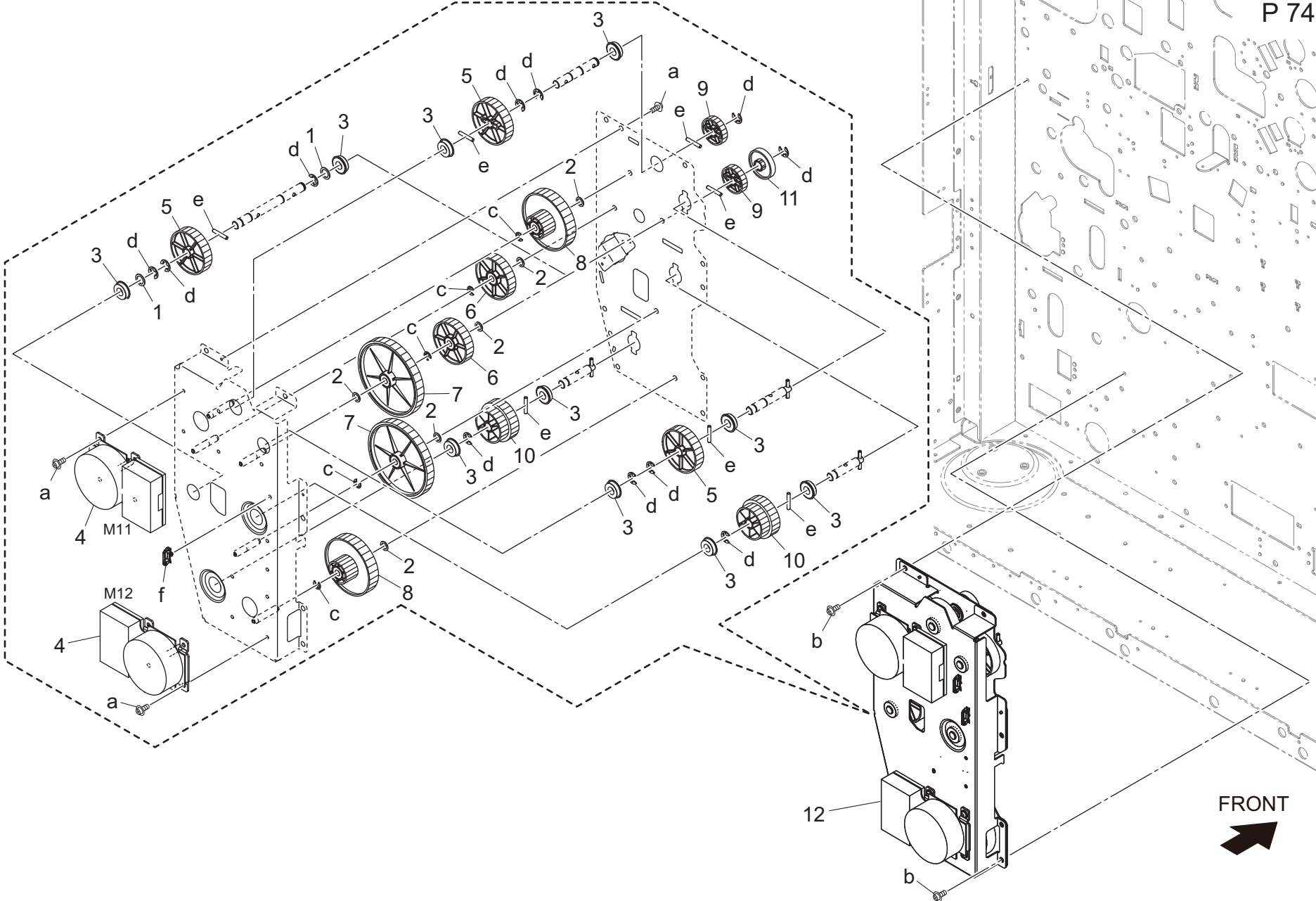
TRAY 2

P 73



Paper Feed Driving Section

P 74

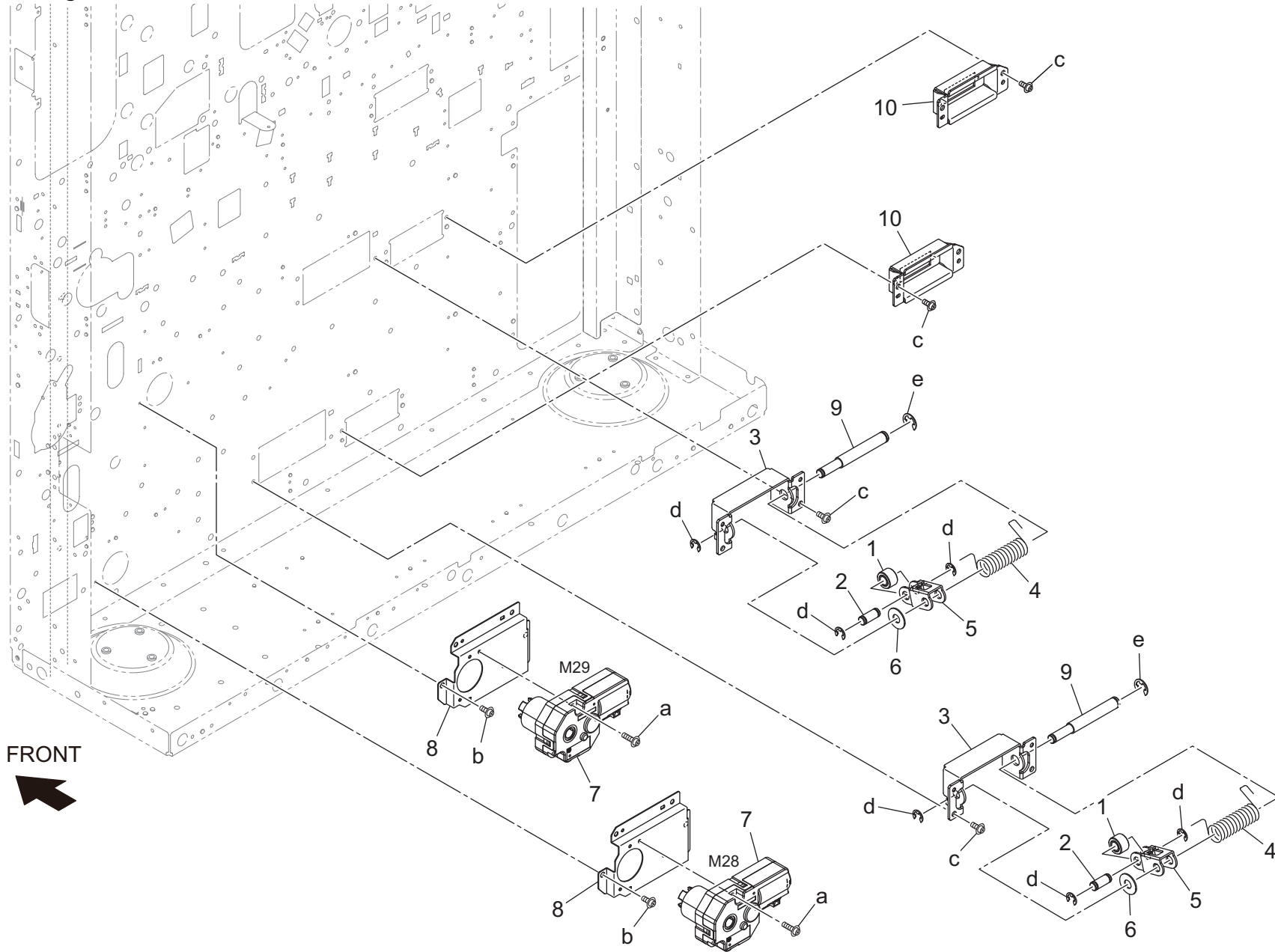


FRONT


AccurioPress C4080

Tray Driving Section

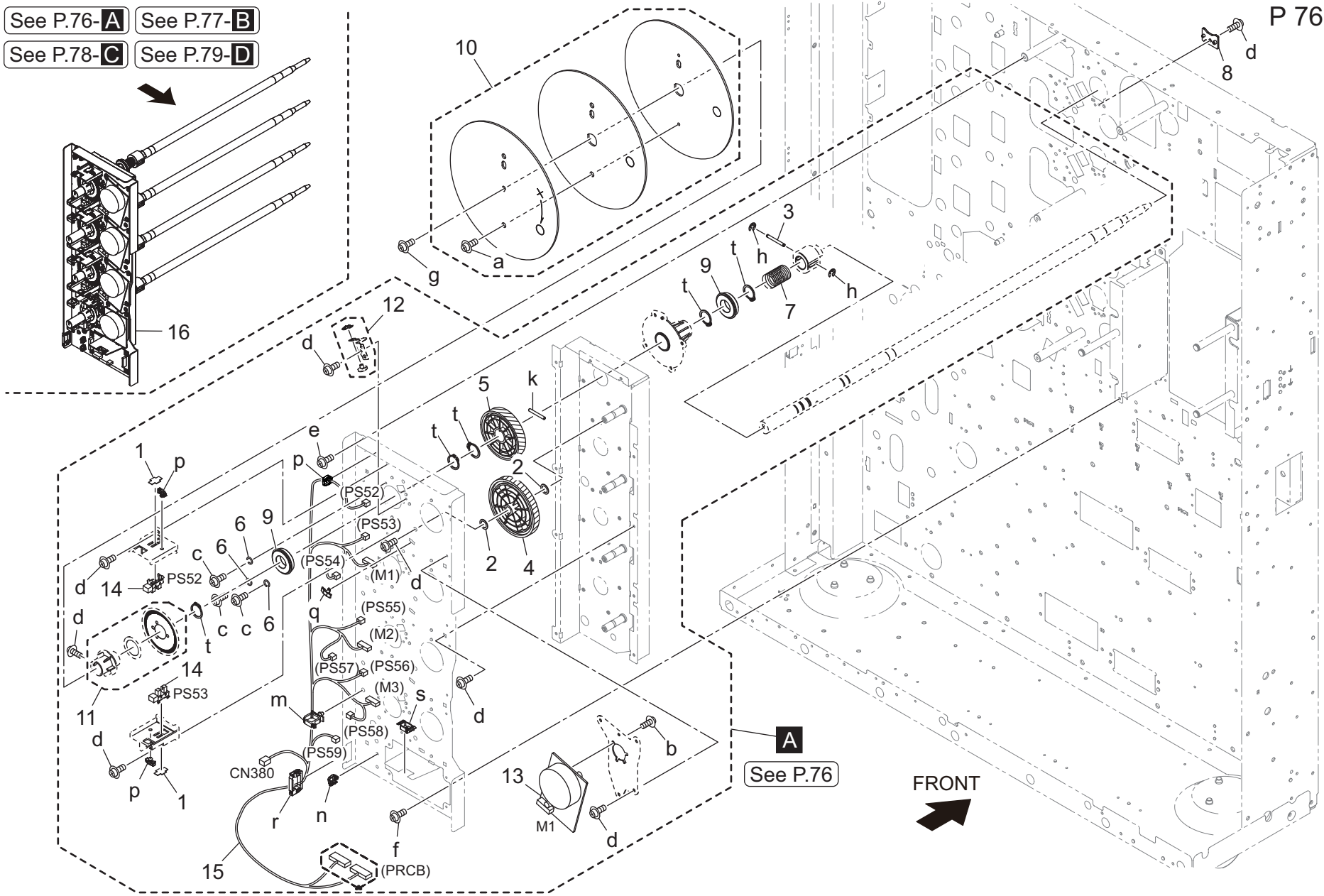
P 75



AccurioPress C4080

Drum Driving Section

- See P.76-**A** See P.77-**B**
- See P.78-**C** See P.79-**D**

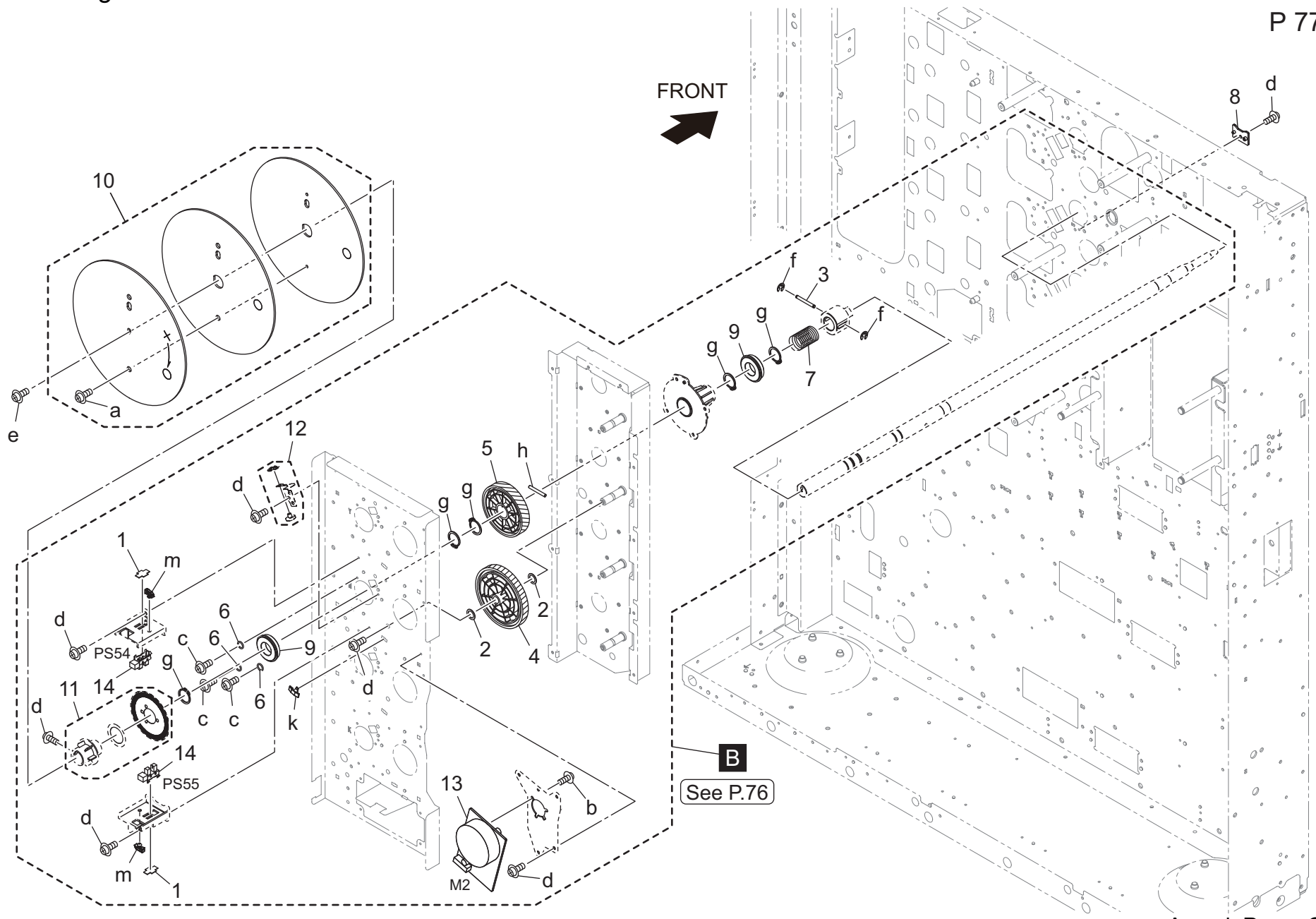


AccurioPress C4080

Drum Driving Section

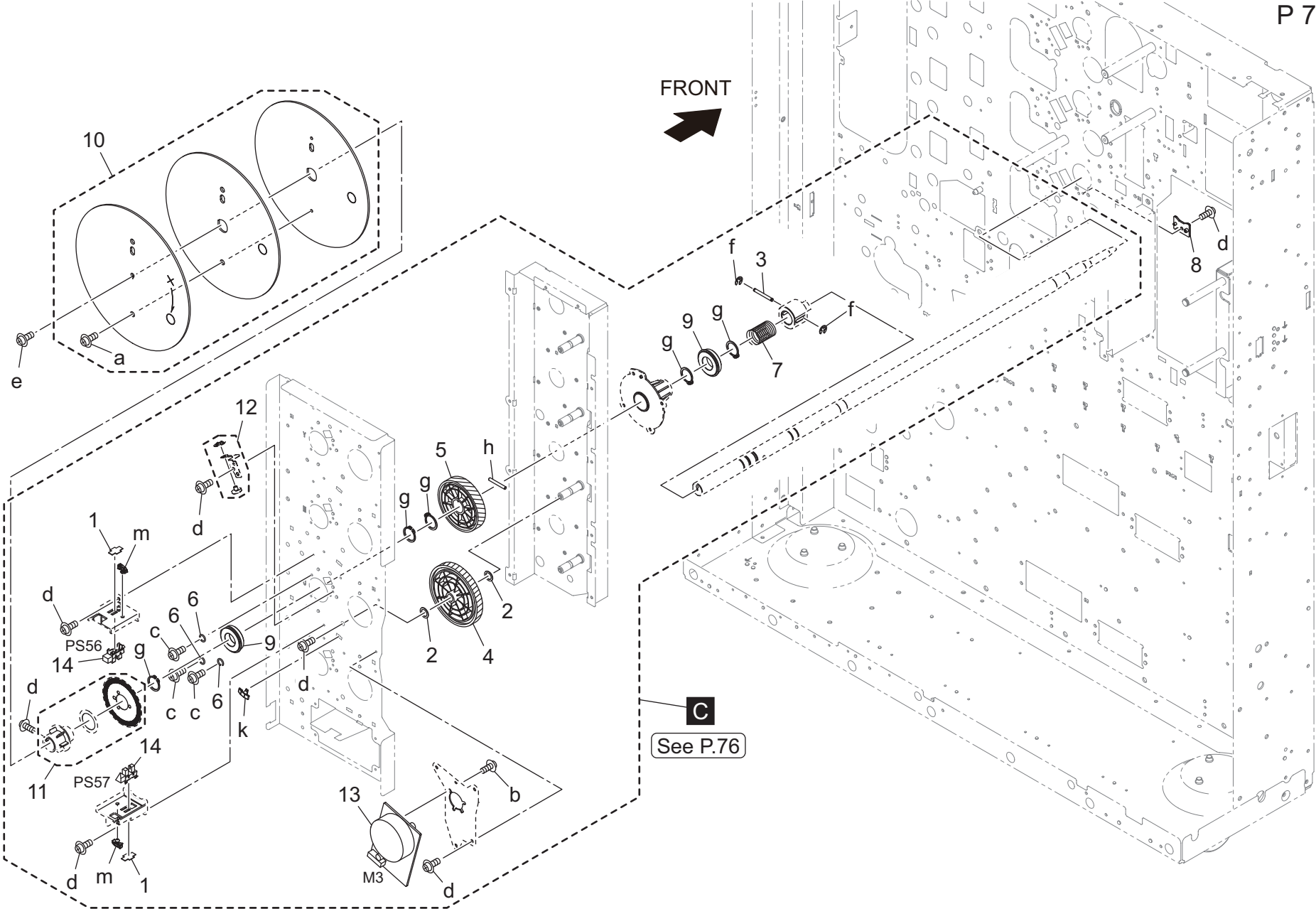
P 77

FRONT

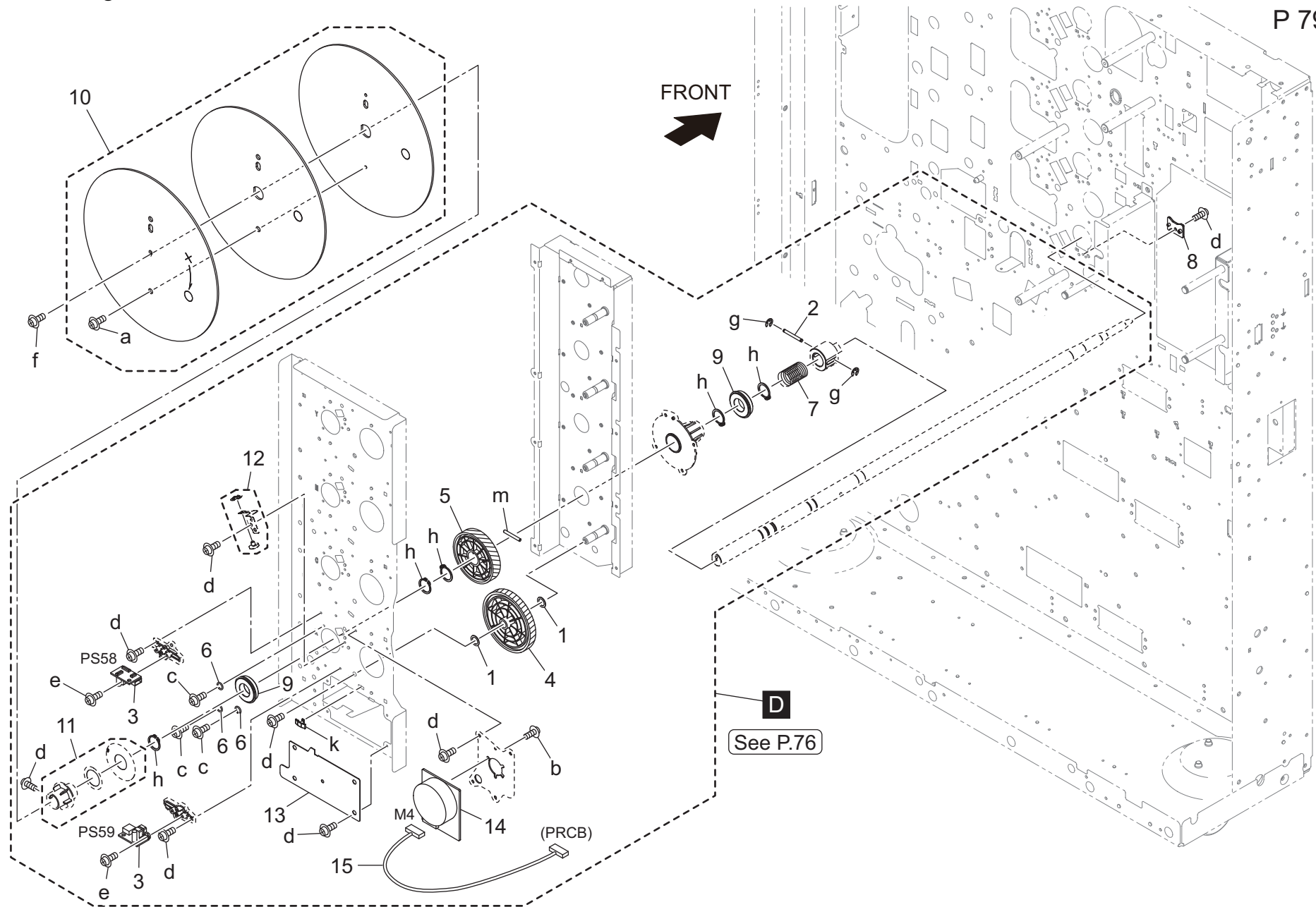
AccurioPress C4080

Drum Driving Section



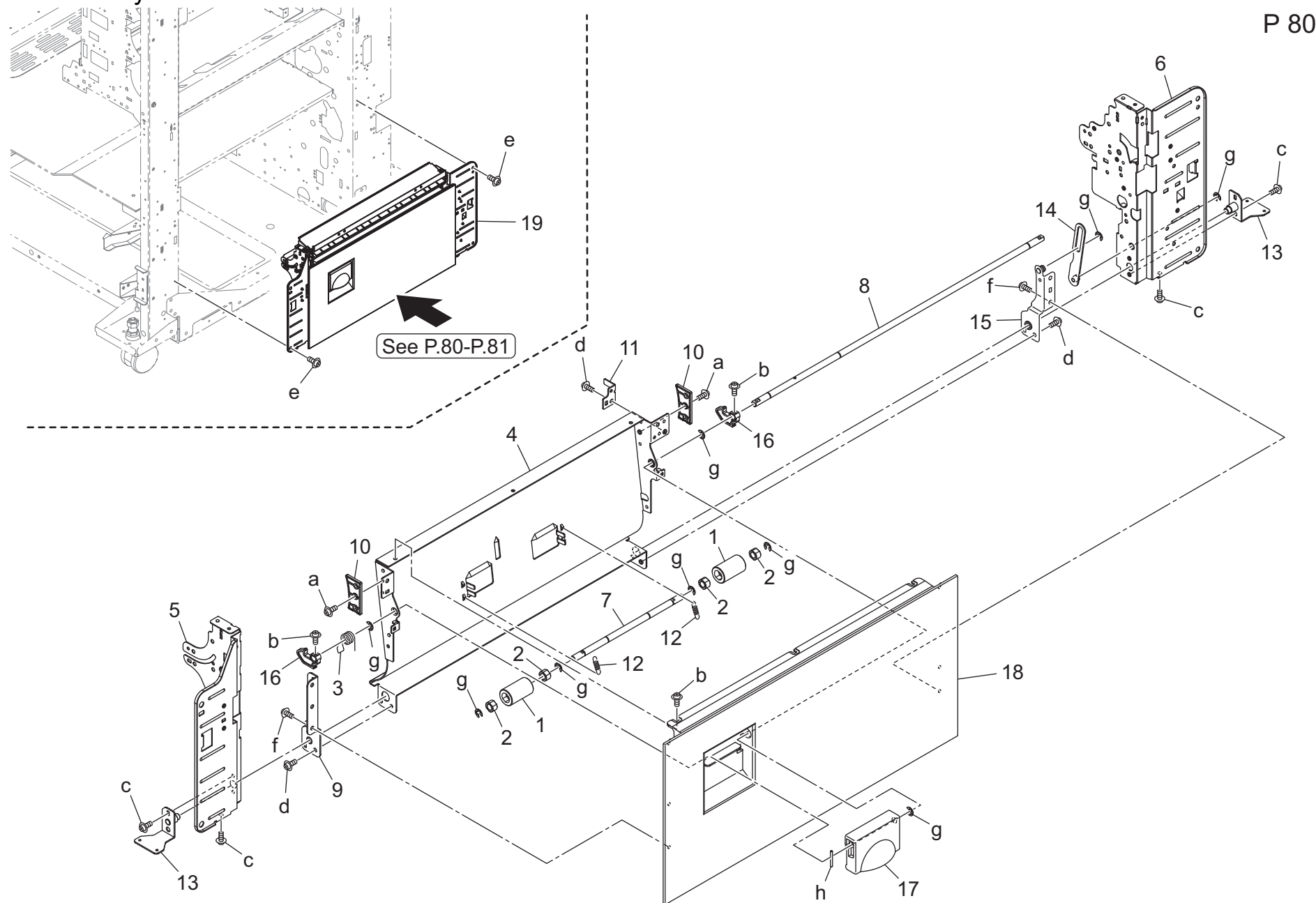
Drum Driving Section

P 79

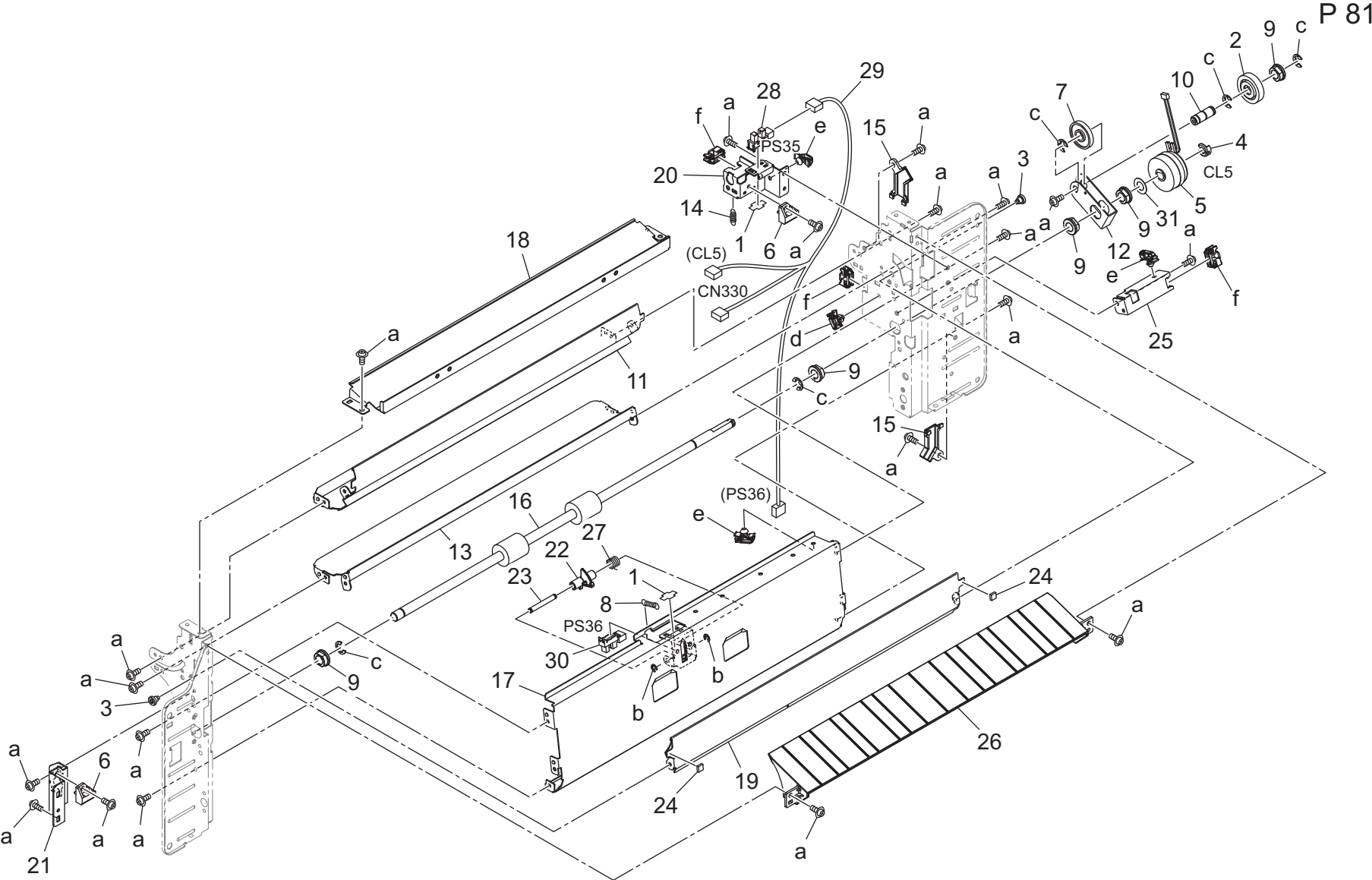


AccurioPress C4080

Vertical Conveyance Section

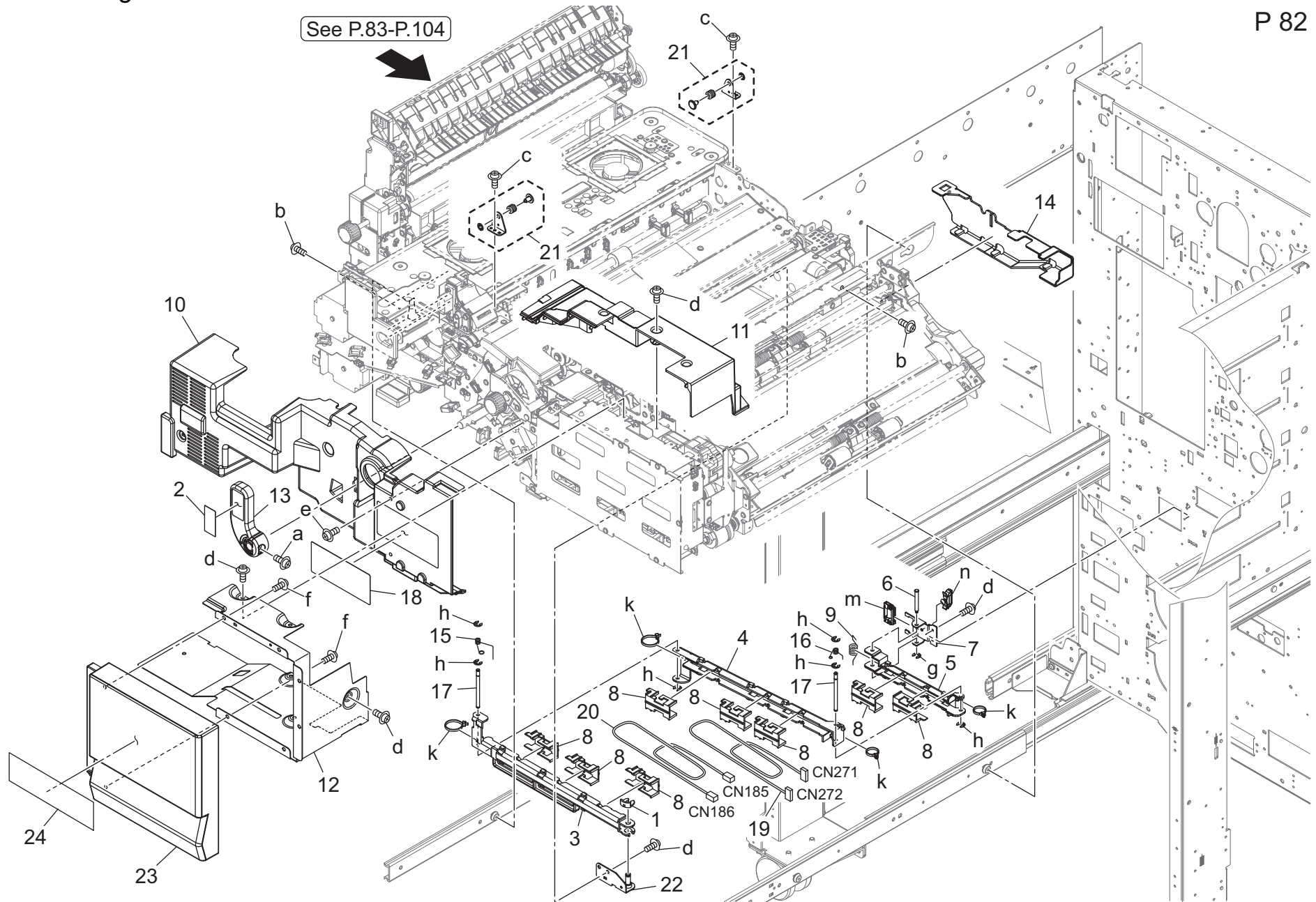


Vertical Conveyance Section



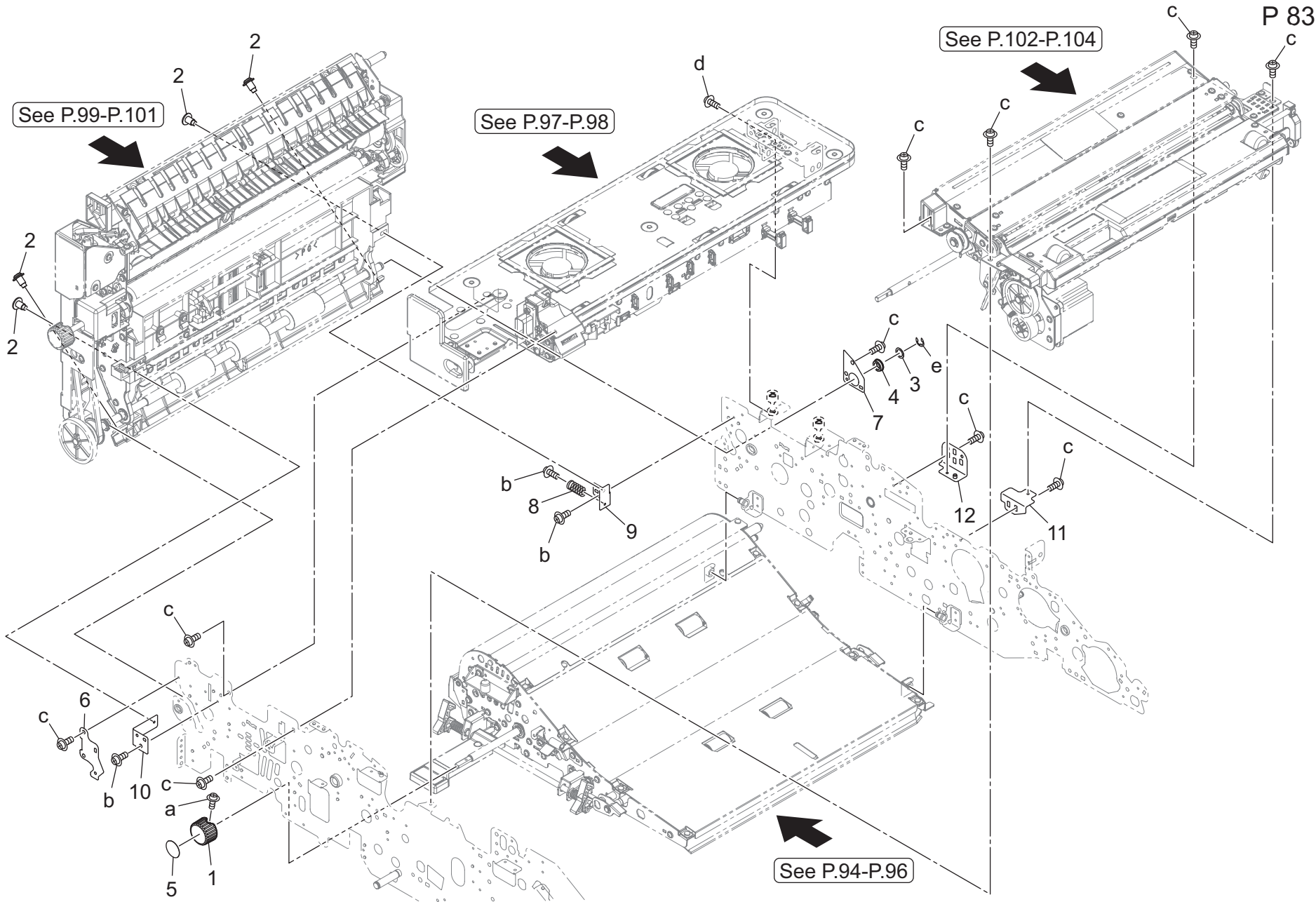
Duplex Carriage Section

P 82



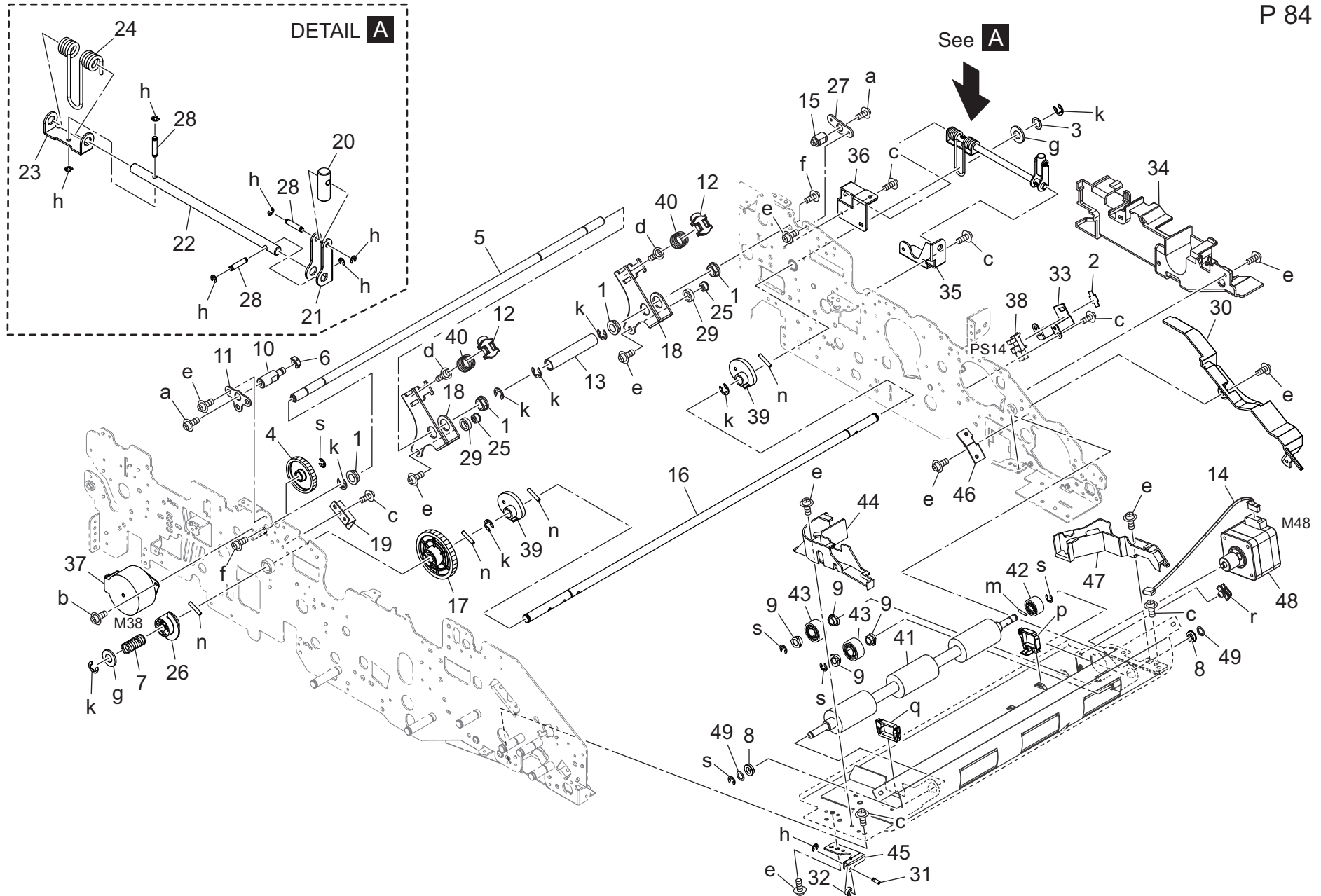
AccurioPress C4080

Duplex Carriage Section

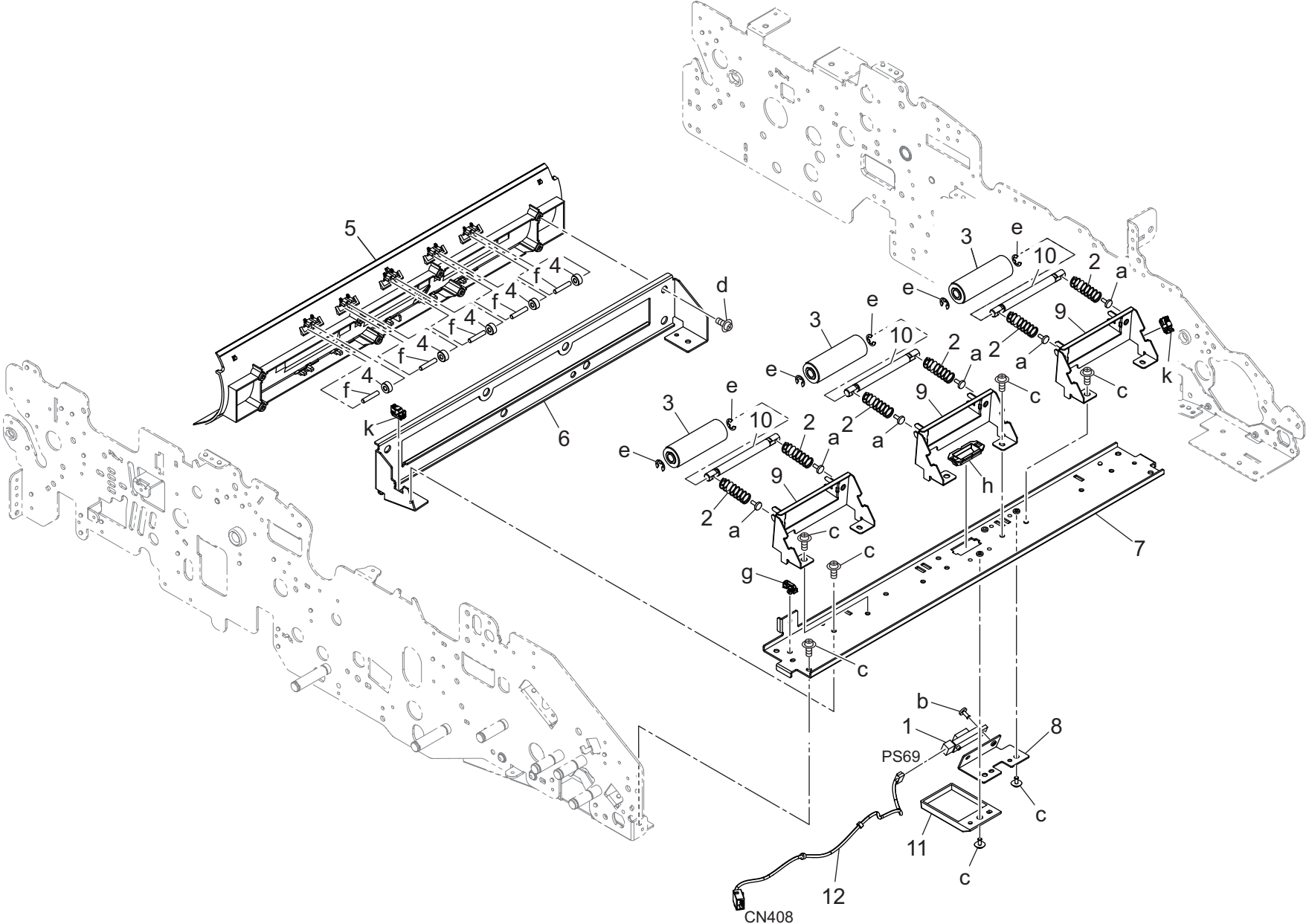


AccurioPress C4080

Duplex Section

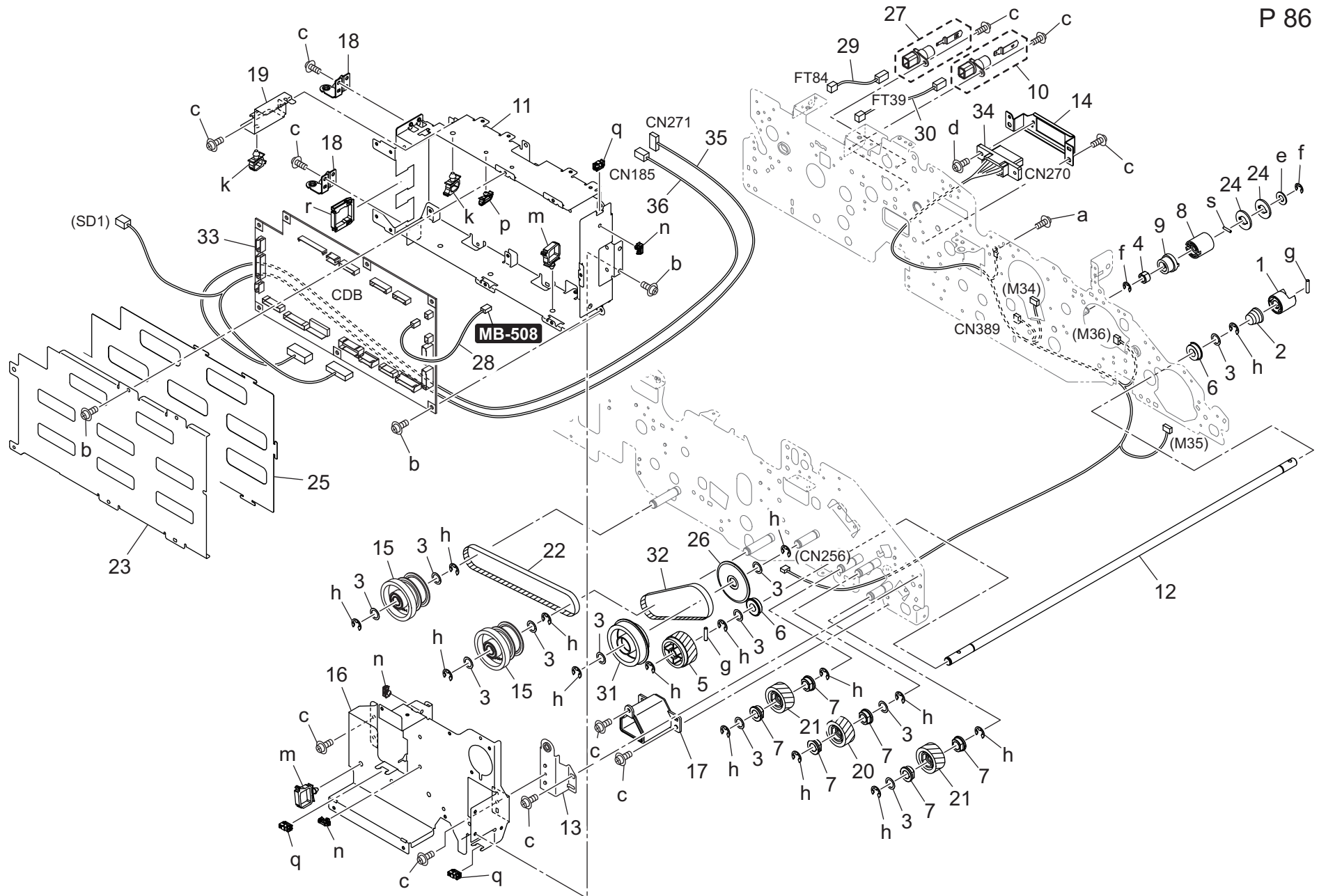


Key	Part No.	Description	Destinations	Class	QTY	Standard parts
1	4131353202	BUSHING	軸受	C	4	a-V116050803
2	4470402401	Stopper	ストッパー	D	1	b-V118030403
3	12QV40650	Spacer	スペーサー	B	1	c-V121030403
4	40AA77550	Mirror Drive Gear /2 14/70T	ミラー駆動ギア / 2 14 / 70 T	C	1	d-V121040403
5	A9VE521100	Pressing Shaft /1	押圧軸 / 1	D	1	e-V127030604
6	56AA40490	SHAFT STOPPER 4	軸ストッパ 4	C	1	f-V127040803
7	65AA45230	CAM PULLING SPRING	カム引張りバネ	C	1	g-V207080003
8	A00J617800	Ball Bearing	ボールベアリング	B	2	h-V217020003
9	A0P0663600	Bushing	すべり軸受	C	4	k-V217060003
10	A50U520601	Support Shaft /Front	支点軸 / 前	D	1	m-V234201050
11	A50U520700	Adjusting Plate /Front	調整板 / 前	D	1	n-V234301650
12	A50U520900	Pressing Cover	押圧蓋	D	2	p-V500010079
13	A9VE521200	Transfer Collar /1	転写カラー / 1	D	1	q-V570010059
14	AC57N22101	Drive Relay Harness /4	駆動中継束線 / 4	D	1	r-V500020099
15	A50U521301	Support Shaft /Rear	支点軸 / 奥	D	1	s-V217040003
16	A50U521500	Drive Shaft	駆動軸	D	1	
17	A50U521900	Pressure Gear /3 47T	圧着ギア / 3 47 T	C	1	
18	A50U522001	Rotation Arm	回転アーム	D	2	
19	A50U522400	Holding Plate	押さえ板	D	1	
20	A50U522900	Rotation Shaft	回転軸	D	1	
21	A50U523001	Release Arm	解除アーム	D	1	
22	A50U523100	Support Shaft	支点軸	D	1	
23	A50U523200	Rotation Cover	回転カバー	D	1	
24	A50U523400	Torsion Coil spring	ねじりコイルばね	D	1	
25	A50U524100	Receiving Shaft	受け軸	D	2	
26	A50U524500	Transfer Actuator	転写アクチュエータ	D	1	
27	A50U524600	Adjusting Plate /Rear	調整板 / 奥	D	1	
28	A50U524700	Support Shaft	支点軸	D	3	
29	A50U716500	Ball Bearing	ボールベアリング	C	2	
30	A50U834802	Cover Side plate /Right rear	カバー側板 / 右後	D	1	
31	A50U854400	Fixing Shaft	固定軸	D	1	
32	A50U854800	Conveyance Roll	搬送ころ	D	1	
33	A50U855800	Drive Side plate /2	駆動側板 / 2	D	1	
34	A50U858101	Cover Box	カバー箱	D	1	
35	A50U884600	Support Plate /1	支持板 / 1	D	1	
36	A50U884700	Support Plate /2	支持板 / 2	D	1	
37	A50UR72C00	Drive Motor / 1 Assy	駆動モータ / 1 Assy	C	1	
38	A85CM55600	Photo Sensor	フォトセンサ	C	1	
39	A9VE522500	Transfer Cam	転写カム	C	2	
40	A9VE526200	Pressing Spring	押圧ばね	D	2	
41	AC57870700	Conveyance Roller	搬送ローラ	C	1	
42	A9VE870800	Drive Gear /1 20T	駆動ギア / 1 20 T	C	1	
43	A9VE870900	Idling Gear 24T	アイドラギア 24 T	C	2	
44	A9VE871200	Wiring Guide /1	配線ガイド / 1	D	1	
45	A9VE871300	Support Plate	支持板	D	1	
46	A9VE871700	Mounting Plate /5	取付板 / 5	D	1	
47	A9VE871800	Wiring Guide /2	配線ガイド / 2	D	1	
48	AC57R71700	Stepping Motor ASSY	ステッピングモータ ASSY	C	1	
49	40AA98020D	Paper exit Spacer	排紙 スペーサ	D	2	



Duplex Section

P 86

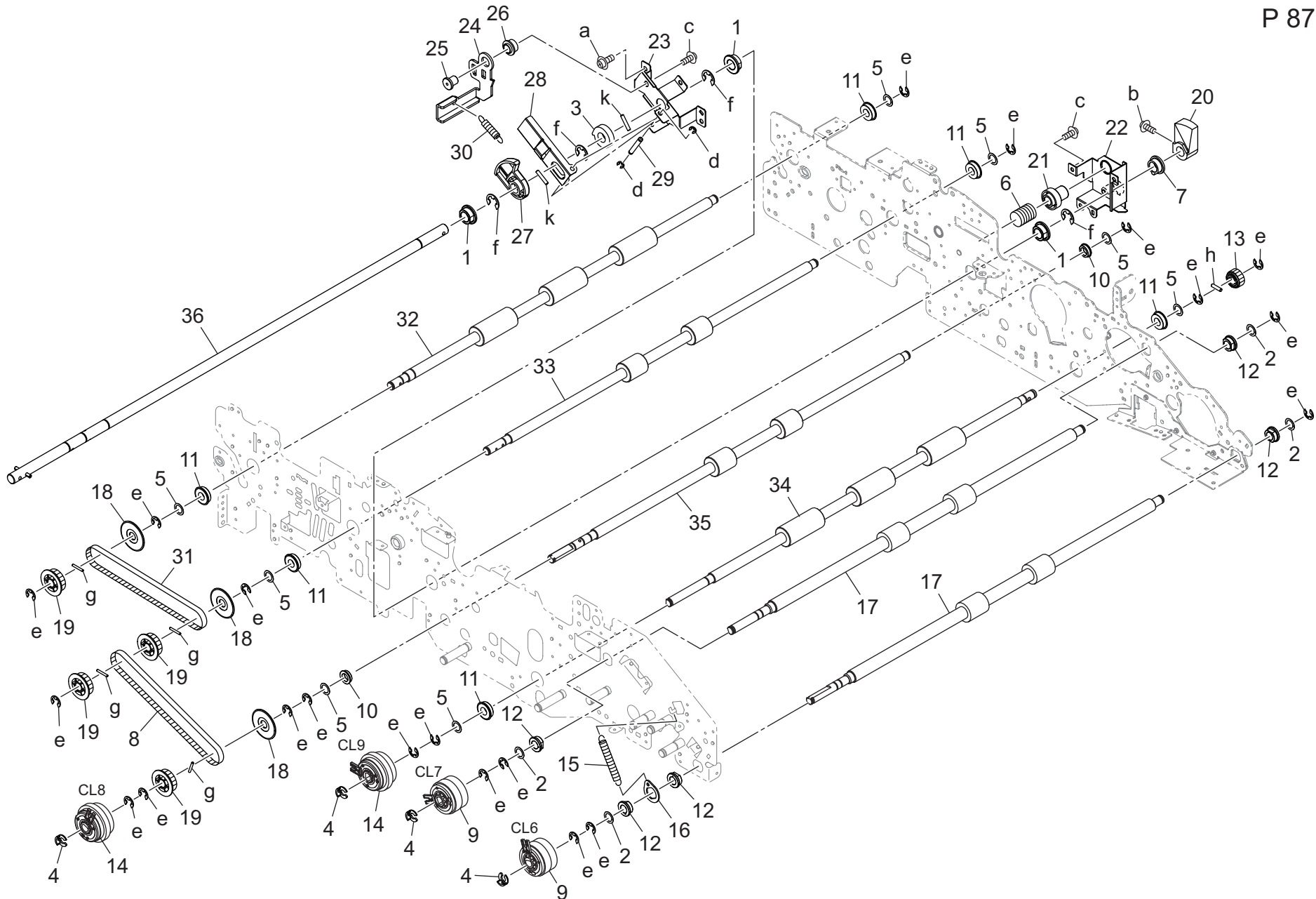


AccurioPress C4080

Key	Part No.	Description	Destinations	Class	QTY	Standard parts
1	55VA15541	CLEANER COUPLING PART	クリーナーカップリング部材	C	1	a-V116030603
2	56AA17090	Pressing Spring	押圧バネ	C	1	b-V127030603
3	56AA42690	BY-PASS SPACER	手差しスペーサー	C	11	c-V127030604
4	56GA76010	SLIDE SHAFT HOLDER 2	滑り軸受 2	C	1	d-V127030803
5	65AA77540	PAPER FEED GEAR 2 29T	給紙歯車 2 29 T	C	1	e-V207060003
6	A00V240600	Ball Bearing	ボールベアリング	B	2	f-V217050003
7	A03U812800	Slide Shaft Holder	すべり軸受	B	6	g-V234301450
8	A03U815700	Torque Limiter	トルクリミッター	B	1	h-V217060003
9	A03U839000	BRAKE GEAR /1 21T	ブレーキギア /1 21 T	C	1	k-V500010082
10	A1DUR73K00	Powering Block A Assy	給電ブロック / A 部組	C	1	m-V500010084
11	A50U810502	Mounting Board /1	取付基板 /1	D	1	n-V500020099
12	A50U812100	Drive Input Shaft	駆動入力軸	D	1	q-V570010056
13	A50U816103	Positioning Side plate /Right	位置決め側板 /右	D	1	r-V570010058
14	A50U817400	Mounting Side plate /1	取付側板 /1	D	1	s-V234201050
15	AC57818000	Drive Gear 29/29/38T	駆動ギア 29 / 29 / 38 T	C	2	
16	A50U835302	Mounting Board /2	取付基板 /2	D	1	
17	A50U835400	Guide Part /Front	ガイド部材 /前	D	1	
18	A50U835900	Support Plate	支点板 (基板)	D	2	
19	A50U836000	Cover	カバー (基板)	D	1	
20	A50U836400	Conveyance Idler /Right	搬送アイドラ /右	D	1	
21	A50U836500	Conveyance Idler /Right	搬送アイドラ /右	D	2	
22	A50U839200	Belt /3 342L	ベルト /3 342 L	C	1	
23	A50U855900	Cover Board /Left Front	カバー基板 /左前 (基板)	D	1	
24	A50U858600	Stopper Plate	ストップ板	D	2	
25	A50U880702	Packing Board /Front	包装基板 /前	D	1	
26	A50U885100	Drive Spacer	駆動スペーサ	D	1	
27	A50UF82200	Power Supply Block / B ASSY	給電ブロック / B ASSY	D	1	
28	A50UN17200	ADU Drive harness /7	ADU 駆動束線 /7	D	1	
29	A50UN25400	HV Relay harness /5	高圧中継束線 /5	D	1	
30	A50UN25600	HV Relay harness /6	高圧中継束線 /6	D	1	
31	A9VE818100	Drive Gear /1 39T	駆動ギア /1 39 T	C	1	
32	A9VE839100	Belt /4	ベルト /4	D	1	
33	AC57H05002	Conveyance Drive Board ASSY	搬送駆動基板 ASSY	I	1	
34	A9VEN15000	ADU Drive harness /1	ADU 駆動束線 /1	D	1	
35	A9VEN15601	ADU Control harness /1	ADU 制御束線 /1	D	1	
36	A9VEN18801	ADU Control harness /2	ADU 制御束線 /2	D	1	

Duplex Section

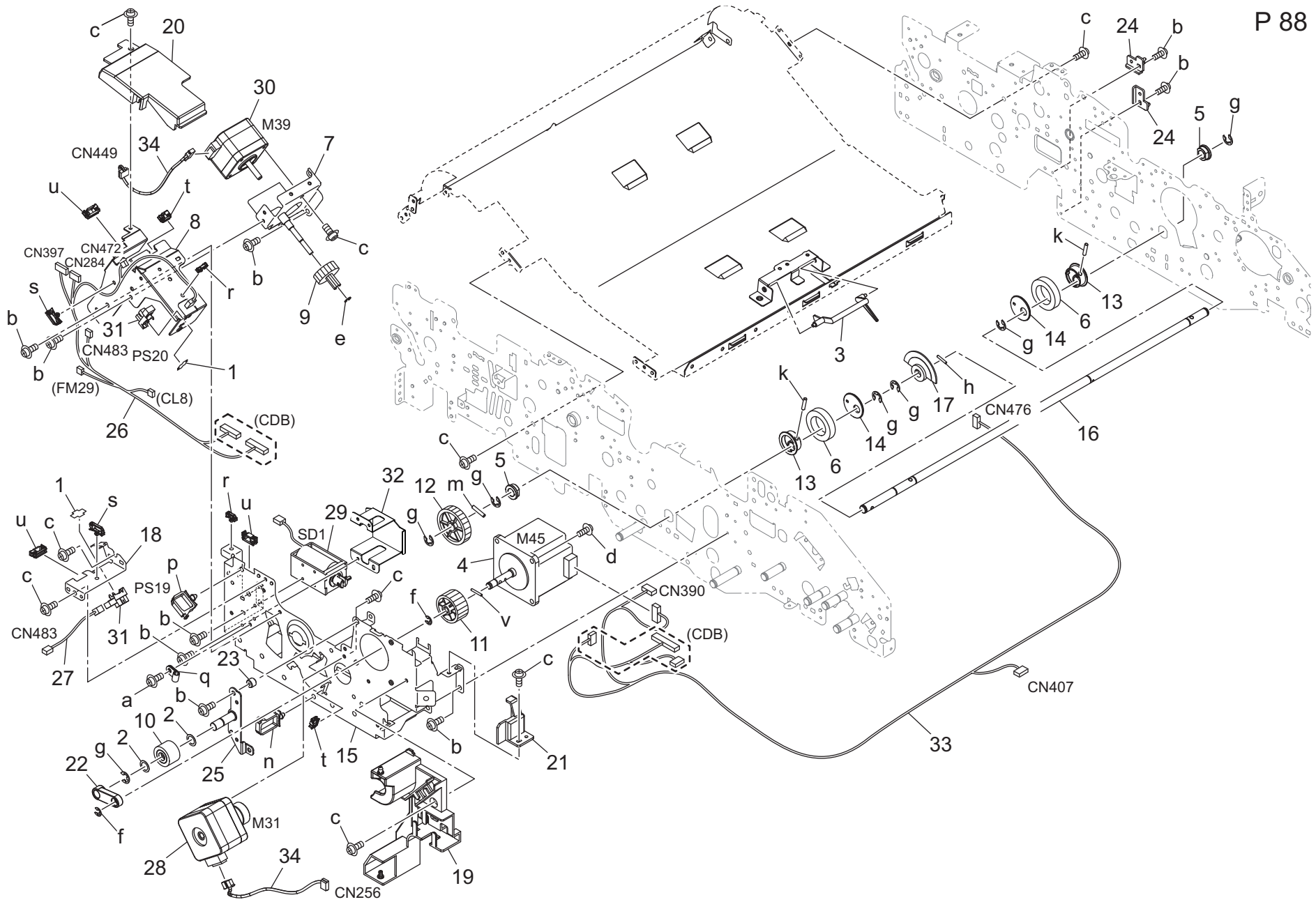
P 87



Key	Part No.	Description	Destinations	Class	QTY	Standard parts
1	462076010	Driving Slide Shaft Holder A	駆動滑り軸受 A	C	3	a-V121030403
2	12QV40650	Spacer	スペーサー	B	4	b-V121041203
3	25AA47500	Carriage Lock Claw B	架台ロック爪 B	C	1	c-V127030604
4	55VA42120	Shaft Stopper	軸ストッパー	C	4	d-V217030003
5	56AA42690	BY-PASS SPACER	手差しスペーサー	C	8	e-V217060003
6	56AA50670	Cam Stopper Spring	カムストッパバネ	C	1	f-V217080003
7	56AA50800	LEVER SUPPORT SHAFT HOLDER	レバー支持軸受	C	1	g-V234201450
8	56AA77530	Paper Feed Drive Belt /1 336L	給紙駆動ベルト / 1 336 L	C	1	h-V234301250
9	AC57M20000	Conveyance Clutch	搬送クラッチ (5 kg)	A	2	k-V234301650
10	A00J617900	Ball Bearing	ボールベアリング	B	2	
11	A00V240600	Ball Bearing	ボールベアリング	B	6	
12	A03U812800	Slide Shaft Holder	すべり軸受	B	5	
13	A03U838900	Brake Gear /2 24T	ブレーキギア / 2 24 T	C	1	
14	AC57M20200	Conveyance Clutch	搬送クラッチ (6 kg)	B	2	
15	A03X565001	Swing Spring	首振りばね	C	1	
16	A1RG681400	Brake Plate /8	ブレーキ板 / 8	D	1	
17	AC57812200	ADU Conveying Roller /Right	A D U 搬送ローラ / 右	C	2	
18	A50U817300	Holding Collar	押さえカラー	D	3	
19	A50U818501	Pulley /2	プーリ / 2	D	4	
20	A50U830200	Positioning Part /Rear	位置決め部材 / 奥	D	1	
21	A50U830300	Regulating Part /Rear	規制部材 / 奥	D	1	
22	A50U830400	Hold Plate /Assy	保持板 / A s s y	D	1	
23	A50U830501	Reinforce Plate /1	補強板 / 1	D	1	
24	A50U830600	Lock Plate	ロック板	D	1	
25	A50U830700	Support Shaft	支持軸	D	1	
26	A50U830800	Lock Bushing	ロックすべり軸受	D	1	
27	A50U831000	Release Cam	解除カム	D	1	
28	A50U831100	Release Plate	解除板	D	1	
29	A50U831200	Release Shaft /1	解除軸 / 1	D	1	
30	A50U831900	Pulling Spring	引張りばね (ロックレバー)	D	1	
31	A50U839200	Belt /3 342L	ベルト / 3 342 L	C	1	
32	AC57849100	Roller /1	ローラ / 1	C	1	
33	AC57849200	Roller /2	ローラ / 2	C	1	
34	AC57859000	Roller	ローラ	C	1	
35	AC57859400	Roller /3	ローラ / 3	C	1	
36	A50UR72E00	Release Shaft Pin Assy	解除軸ピン A s s y	D	1	

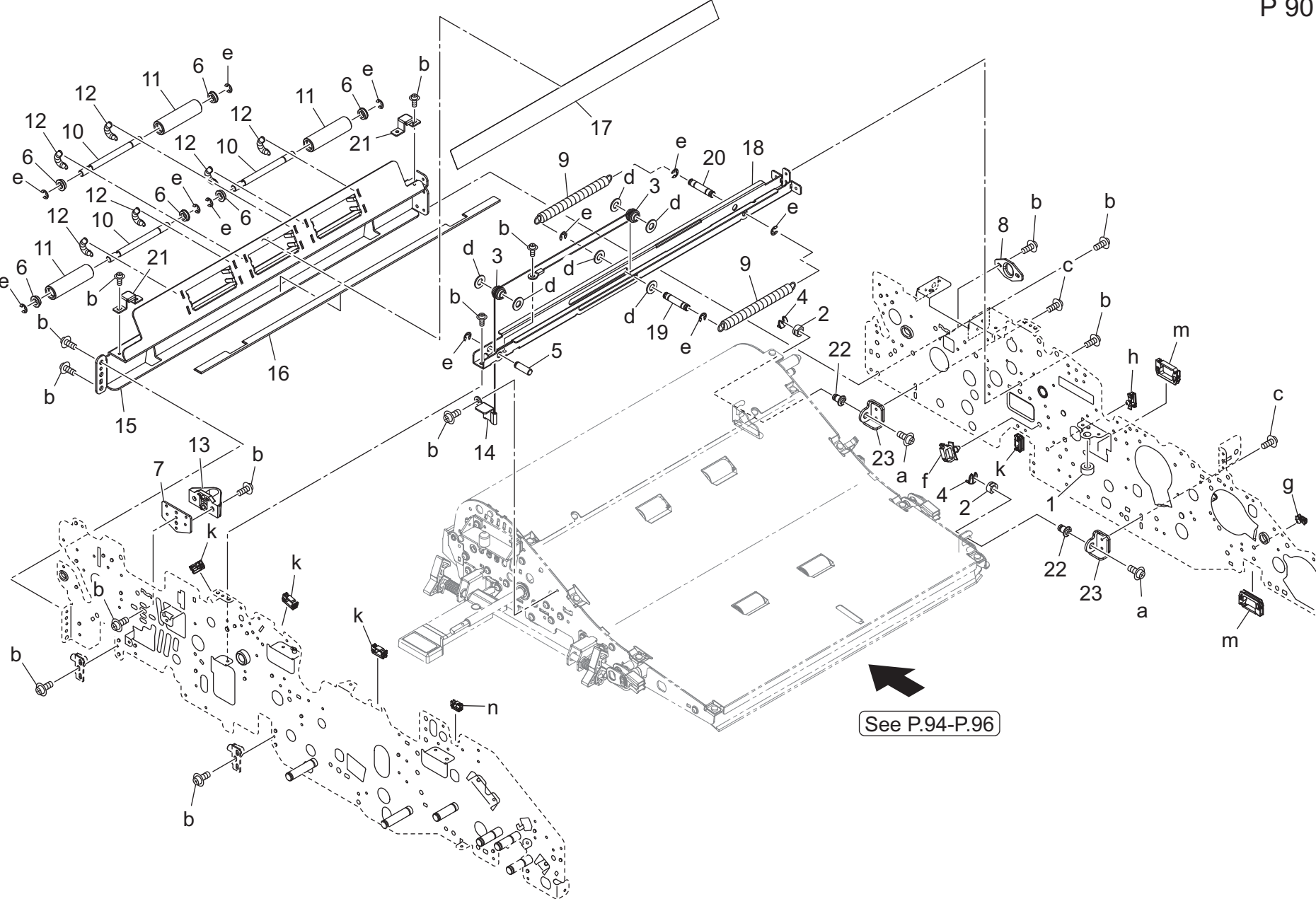
Duplex Section

P 88



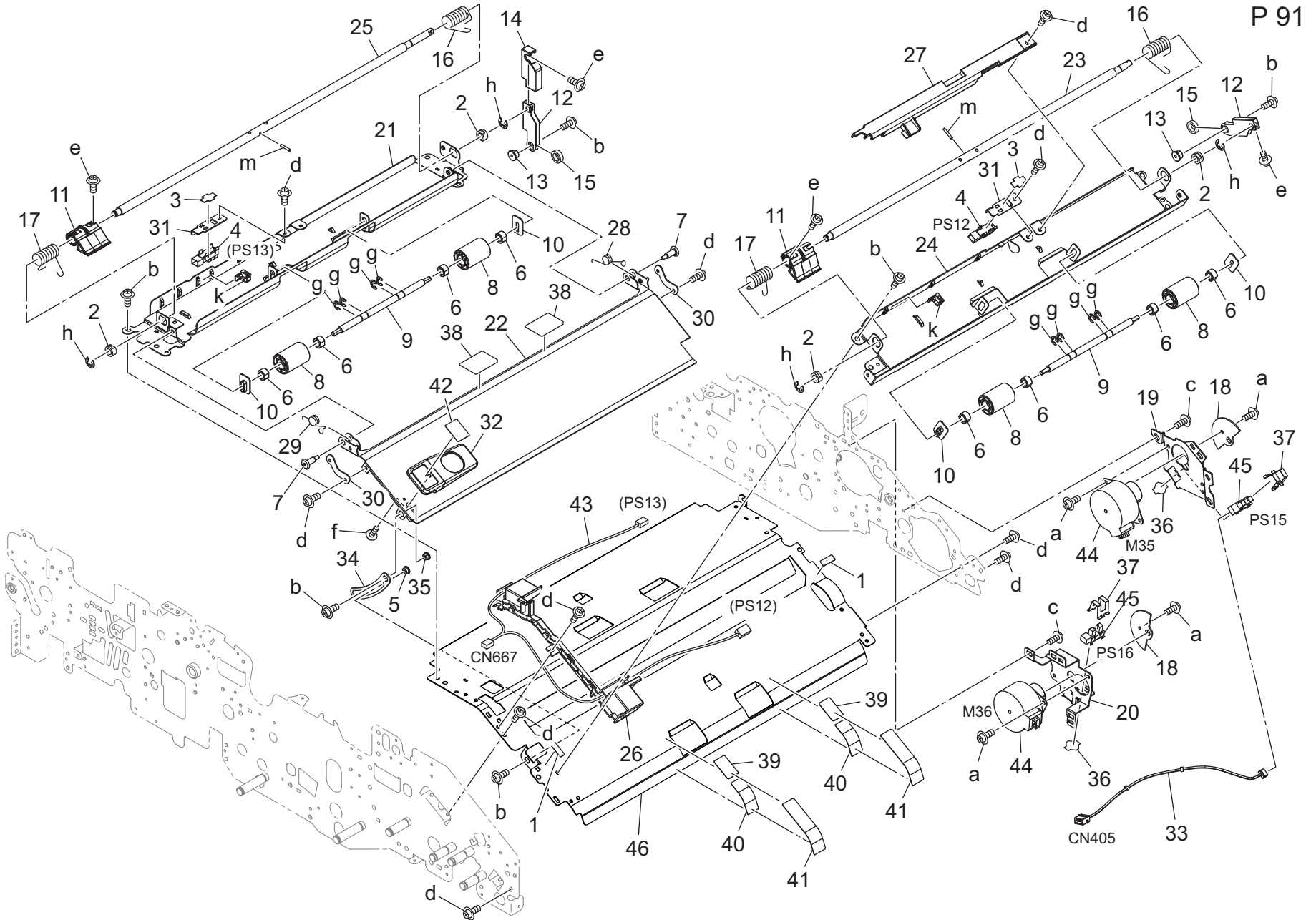
Key	Part No.	Description	Destinations	Class	QTY	Standard parts
1	4470402401	Stopper		D	2	a-V116030603
2	56AA42690	BY-PASS SPACER		C	2	b-V121030403
3	65AA51730	ADU 2		C	1	c-V127030604
4	65AA80112	HB Motor /50		B	1	d-V127030803
5	A03U812800	Slide Shaft Holder		B	2	e-V217030003
6	A0TK341300	Ball Bearing /Rear		C	2	f-V217040003
7	A50U713302	Swing Side plate /ASSY		D	1	g-V217060003
8	A50U713403	Swing Side plate /2		D	1	h-V234201250
9	A50U713500	Swing Gear /1 18/51T		C	1	k-V234301450
10	A50U713700	Registration Idler /1		B	1	m-V234301650
11	A50U713800	Registration Gear /1 56T		C	1	n-V500010013
12	A50U713900	Registration Gear /2 48T		C	1	p-V500010084
13	A50U714800	Pressure Cam		D	2	q-V500020069
14	A50U714900	Spacer		D	2	r-V500020099
15	A50U715004	Mounting Lever /1		D	1	s-V500020100
16	A50U715100	Pressure Shaft /2		D	1	t-V570010056
17	A50U715200	Pressure Actuator		D	1	u-V570010057
18	A50U819700	Cover		D	1	v-V234201450
19	A50U835601	Drive Cover		D	1	
20	A50U836100	Cover		D	1	
21	A50U882300	Protection Cover		D	1	
22	A50U882600	Registration ring /Front		D	1	
23	A50U883300	Idling Shaft /1		D	1	
24	A50U883501	Protection Plate		D	2	
25	A50UF81401	Adjusting Plate Caulking		D	1	
26	A50UN18203	ADU Drive harness /12		D	1	
27	A50UN18900	ADU Detection harness /14		D	1	
28	AC57R71600	Motor ASSY		C	1	
29	A50UR72G00	ADU Connecting Solenoid Pin Assy		C	1	
30	AC57R73700	Stepping Motor / 3 Assy		C	1	
31	A85CM55600	Photo Sensor		C	2	
32	A9VE819100	Regulating Plate		D	1	
33	A9VEN16500	ADU Drive harness /6		D	1	
34	AC57N22000	Drive Relay Harness /3		D	2	

Duplex Section



See P.94-P.96

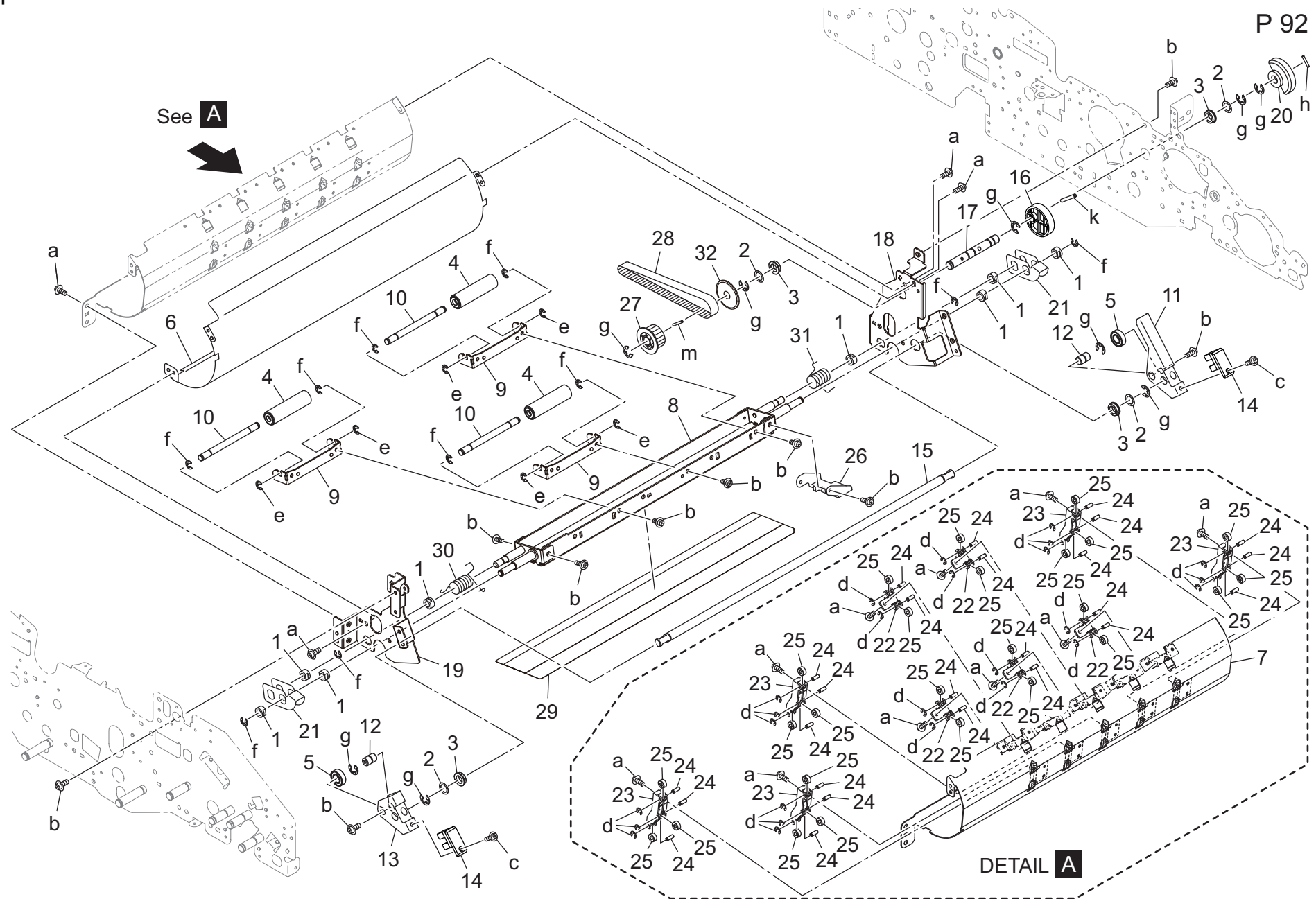
Duplex Section



AccurioPress C4080

Key	Part No.	Description	Destinations	Class	QTY	Standard parts
1	4109553001	Stopper		C	2	a-V118030403
2	4131253701	BUSHING	ストッパー	C	4	b-V121030303
3	4470402401	Stopper	軸受	D	2	c-V121030403
4	9335140071	Solid State Switch	ストッパー	B	2	d-V127030604
5	A9VE872000	Support Screw /A	反射型フォトスイッチ	D	1	e-V127030803
6	A03U850101	Slide Bushing	支持ねじ / A	C	8	f-V151040803
7	A0P0144300	Shoulder screw	すべり軸受	D	2	g-V217040003
8	A50U712200	Idler Roll /1	段ねじ (HDD)	D	4	h-V217050003
9	A50U712300	Idler Shaft /1	従動ころ / 1	D	2	k-V500010057
10	A50U712400	Receiving Shaft /1	従動軸 / 1	D	4	m-V234201250
11	A50U714601	Lever	受け軸 / 1	D	2	
12	A50U715300	Pressure Lever /25	レバー	D	2	
13	A50U715600	Support Shaft /2	圧着レバー / 2 5	D	2	
14	A50U715800	Protection Cover	支点軸 / 2	D	1	
15	A50U716500	Ball Bearing	保護カバー	C	2	
16	A50U718400	Pressing Spring /Rear	ボールベアリング	D	2	
17	A50U718500	Pressing Spring /Front	押圧ばね / 奥	D	2	
18	A50U816700	Light blocking Plate /1	押圧ばね / 前	D	2	
19	A50U816801	Drive Side plate /1	遮光板 / 1	D	1	
20	A50U816900	Drive Side plate /2	駆動側板 / 1	D	1	
21	A50U817601	Guide Plate	駆動側板 / 2	D	1	
22	A50U817800	Guide Plate /Middle	ガイド板	D	1	
23	A50U818201	Release Shaft /1	ガイド板 / 中	D	1	
24	A50U818400	Guide Plate /Right	解除軸 / 1	D	1	
25	A50U818601	Release Shaft /2	ガイド板 / 右	D	1	
26	A50U833400	Protection Cover /1	解除軸 / 2	D	1	
27	A50U833500	Protection Cover /2	保護カバー / 1	D	1	
28	A50U834500	Pressing Spring /Left	保護カバー / 2	D	1	
29	A50U834600	Pressing Spring /Right	押圧バネ / 左	D	1	
30	A50U834700	Reinforce Plate /A	押圧バネ / 右	D	2	
31	A50U836200	Plate /23	補強板 / A	D	2	
32	A50U880800	Processing Lever	センサ板 / 2 3	D	1	
33	A9VEN16200	ADU Detection harness /16	処理レバー	D	1	
34	A50U881601	Processing Guide /1	ADU 検知束線 / 1 6	D	1	
35	A50U881700	Support Screw /A	処理ガイド / 1	D	1	
36	A50U882100	Stopper Plate	支持ねじ / A	D	2	
37	A50U883600	Guide /1	ストッパー板 (センサー)	D	2	
38	A50U886300	Sheet	センサガイド / 1	D	2	
39	A50U887100	Conductive Tape /4	シート	D	2	
40	A50U887200	Duplex Tape	導電性テープ / 4	D	2	
41	A50U887300	Conveyance Guide /3	両面テープ	D	2	
42	A50U943201	Release Label /2	搬送ガイド / 3	D	1	
43	A50UN17900	ADU Detection harness /13	解除ラベル / 2	D	1	
44	A50UR72600	Drive Motor / 1 Assy	ADU 検知束線 / 1 3	D	2	
45	A85CM55500	Photo Sensor	駆動モータ / 1 Assy	C	2	
46	A9VE871600	Conveyance Guide /Lower	フォトセンサ	C	1	
			搬送ガイド / 下	D	1	

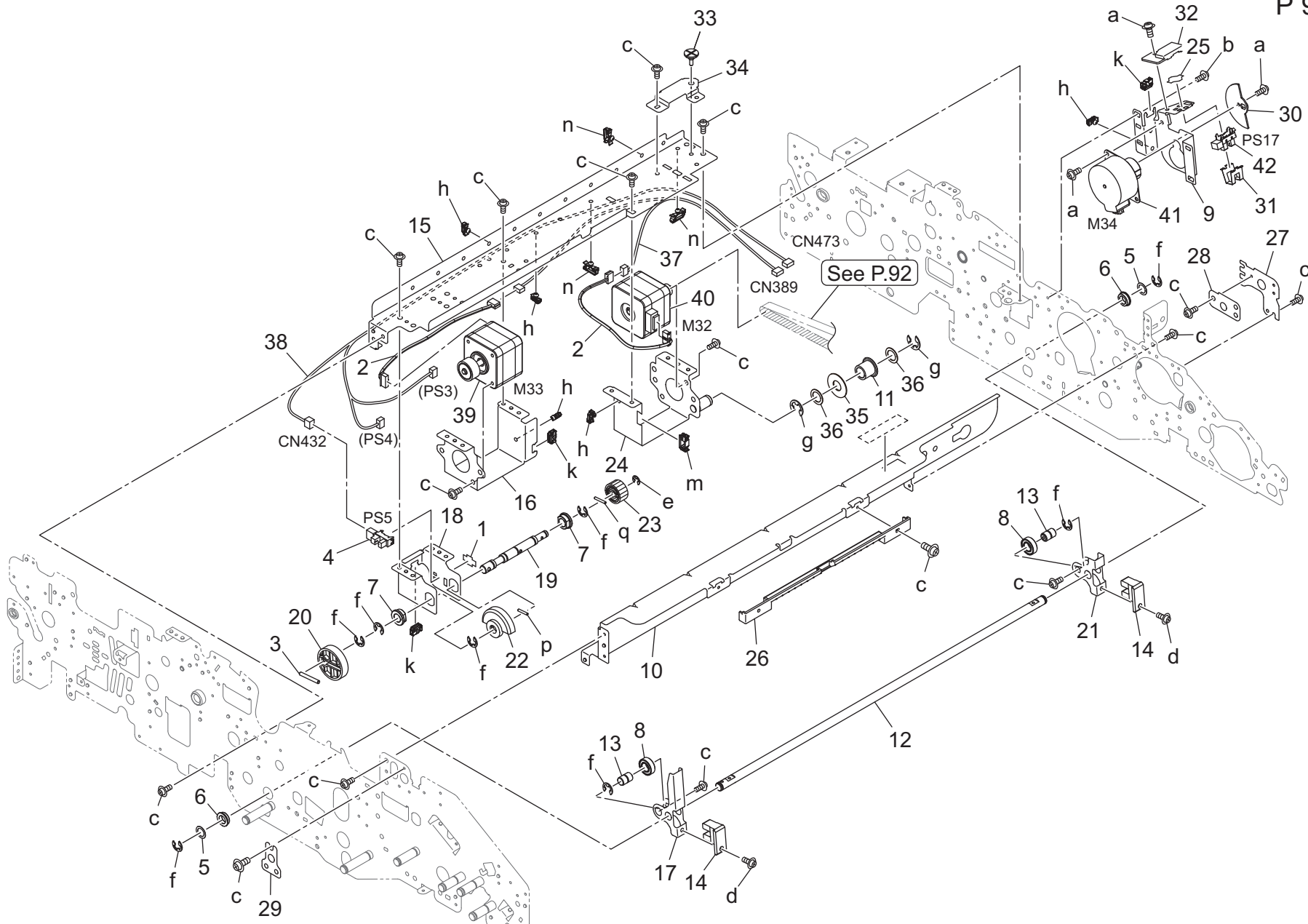
Duplex Section



AccurioPress C4080

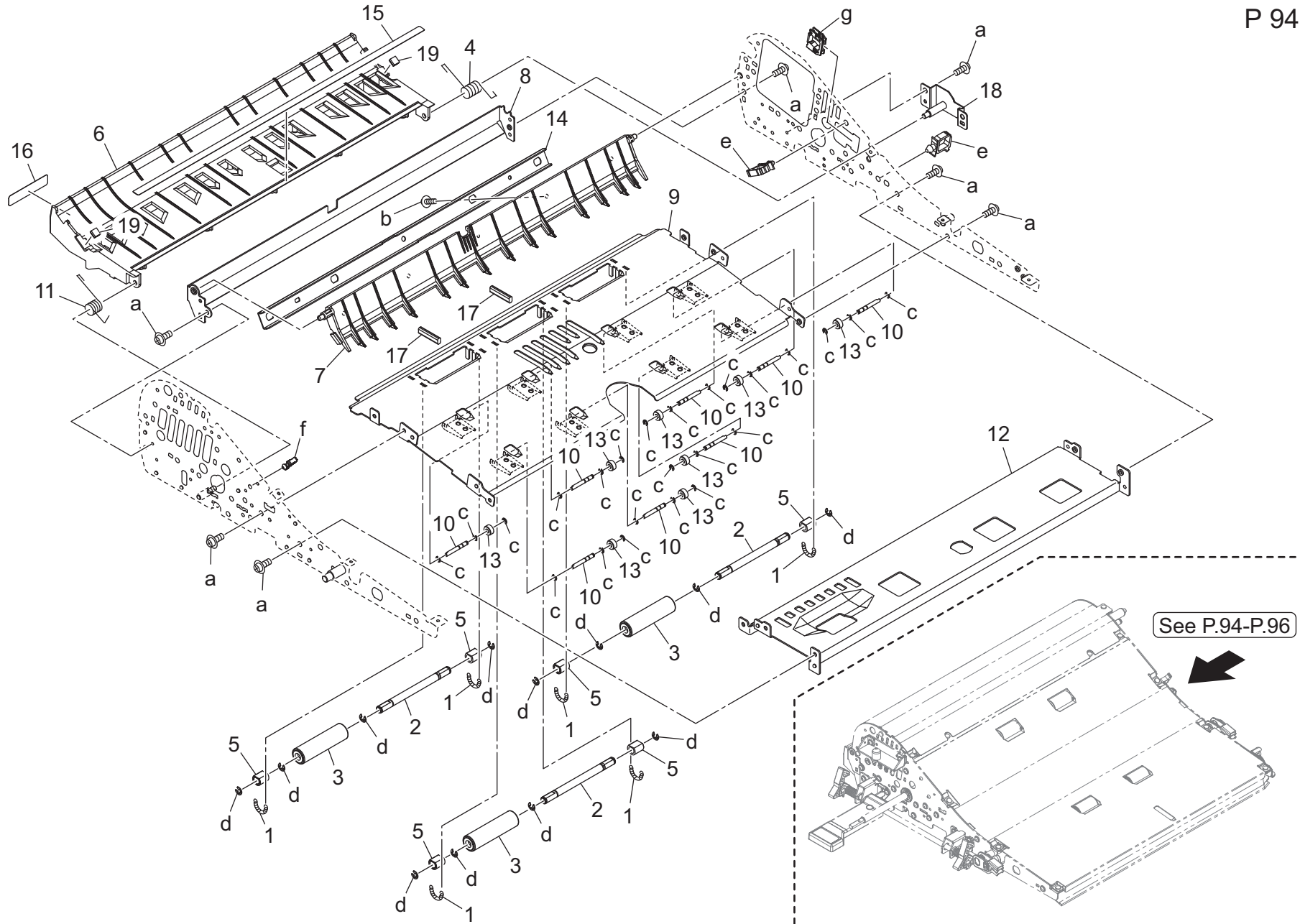
Key	Part No.	Description	Destinations	Class	QTY	Standard parts
1	4131253701	BUSHING		C	8	a-V121030403
2	56AA42690	BY-PASS SPACER		C	4	b-V127030604
3	A00J617900	Ball Bearing		B	4	c-V127030803
4	A03U845301	Idler Roller /1		C	3	d-V217020003
5	A1RF820000	Ball Bearing		C	2	e-V217030003
6	A50U840303	Guide Plate /3		D	1	f-V217040003
7	A50U840802	Guide Plate /2		D	1	g-V217060003
8	A50U841402	Release Plate /10		D	1	h-V234201250
9	A50U846102	Mounting Plate /5		D	3	k-V234302550
10	A50U846304	Idler Shaft /F		D	3	m-V234201650
11	A50U851400	Release Plate /Rear		D	1	
12	A50U851500	Shaft		D	2	
13	A50U851700	Release Plate		D	1	
14	A9VE851800	Reinforce Block		D	2	
15	A50U852000	Release Shaft /4		D	1	
16	A50U852501	Cam		D	1	
17	A50U852701	Release Shaft /3		D	1	
18	A50U852904	Release Plate /4		D	1	
19	A50U853001	Release Plate /5		D	1	
20	A50U853200	Pressure Actuator		D	1	
21	A50U853700	Release Plate /7		D	2	
22	A50U854200	Roller Base frame /2		D	5	
23	A50U854302	Roller Base frame /1		D	5	
24	A50U854400	Fixing Shaft		D	25	
25	A50U854800	Conveyance Roll		D	25	
26	A50U856201	Support Plate		D	1	
27	A50U859500	Pulley /2		D	1	
28	A50U859800	Belt /1 280L		C	1	
29	A50U880103	Conveyance Guide /1		D	1	
30	A50U881300	Torsion Coil spring		D	1	
31	A50U881400	Torsion Coil spring		D	1	
32	A50U886800	Regulating Spacer		D	1	

Duplex Section

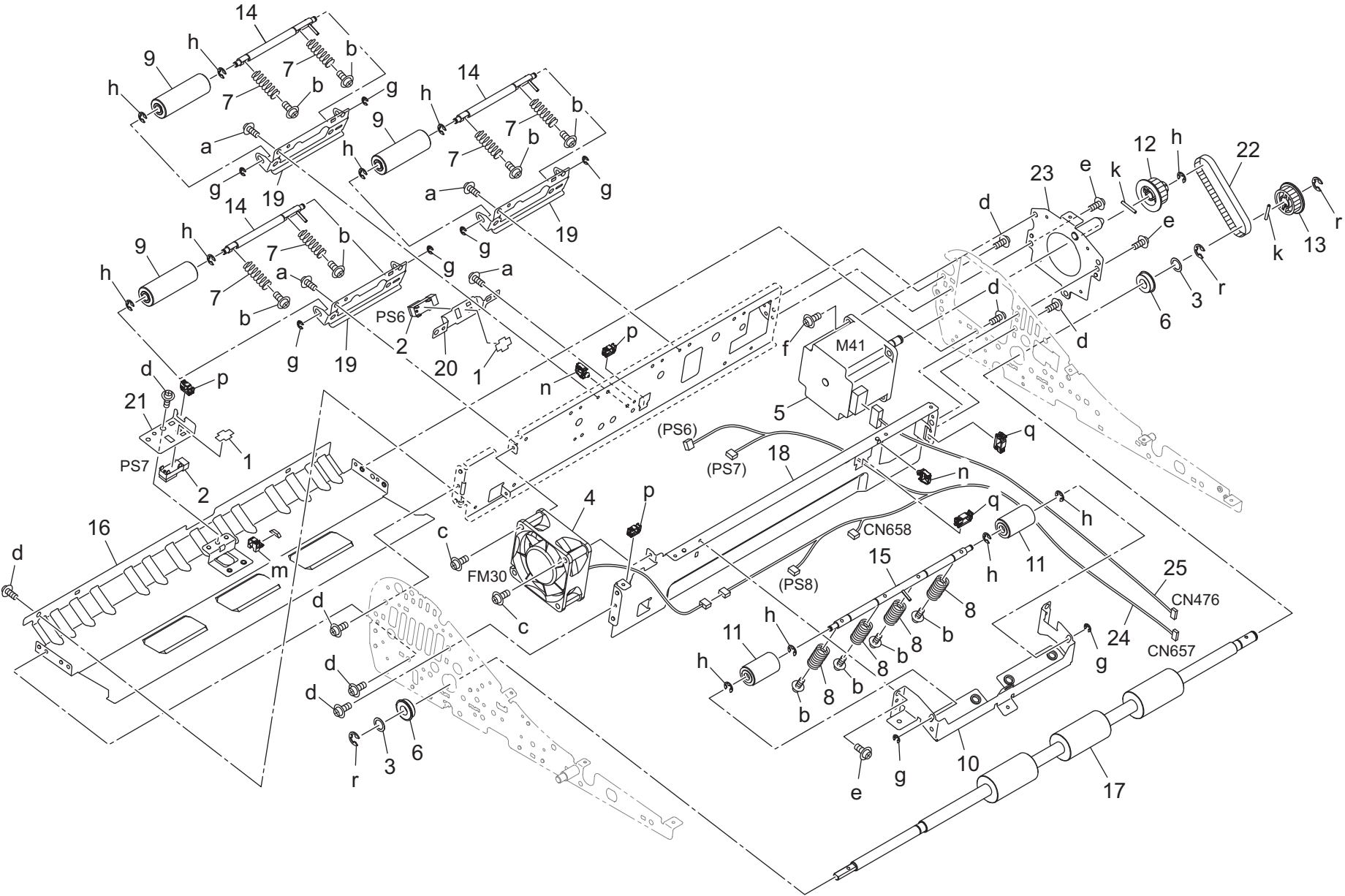


Key	Part No.	Description	Destinations	Class	QTY	Standard parts
1	4470402401	Stopper		D	1	a-V118030403
2	AC57N22000	Drive Relay Harness /3		D	2	b-V121030403
3	56AA17490	PIN		C	1	c-V127030604
4	A85CM55600	Photo Sensor		C	1	d-V127030803
5	56AA42690	BY-PASS SPACER		C	2	e-V217040003
6	A00J617900	Ball Bearing		B	2	f-V217060003
7	A03U812800	Slide Shaft Holder		B	2	g-V217080003
8	A1RF820000	Ball Bearing		C	2	h-V500020099
9	A50U715400	Pressure Side plate /1		D	1	k-V570010056
10	A50U816403	Hold Stay /Right		D	1	m-V570010057
11	A50U836801	Tension Pulley /B		D	1	n-V500020100
12	A50U850700	Release Shaft /2		D	1	p-V234201250
13	A50U851500	Shaft		D	2	q-V234201450
14	A9VE851800	Reinforce Block		D	2	
15	A50U851901	Mounting Plate /1		D	1	
16	A50U852102	Mounting Plate /2		D	1	
17	A50U852200	Release Plate /3		D	1	
18	A50U852301	Mounting Plate /3		D	1	
19	A50U852400	Release Shaft /1		D	1	
20	A50U852501	Cam		D	1	
21	A50U853100	Release Plate /6		D	1	
22	A50U853200	Pressure Actuator		D	1	
23	A50U854600	Release Gear /1 24T		C	1	
24	A50U858703	Mounting Plate /3		D	1	
25	A50U882100	Stopper Plate		D	1	
26	A50U882900	Handle		D	1	
27	A50U883001	Positioning Side plate /Rear		D	1	
28	A50U883101	Positioning Plate /Rear		D	1	
29	A50U883200	Positioning Plate /Front		D	1	
30	A50U883400	Light blocking Plate		D	1	
31	A50U883600	Guide /1		D	1	
32	A50U883701	Protection Cover /1		D	1	
33	A50U884000	Registration Screw		D	1	
34	A50U884300	Registration Plate		D	1	
35	A50U886700	Holding Collar		D	1	
36	A50U886900	Spacer		D	2	
37	A50UN15900	ADU Drive harness /3		D	1	
38	A50UN18100	ADU Detection harness /10		D	1	
39	AC57R71500	Stepping Motor / 2 ASSY		C	1	
40	AC57R71800	Stepping Motor / 1 ASSY		C	1	
41	A50UR72600	Drive Motor / 1 Assy		C	1	
42	A85CM55500	Photo Sensor		C	1	

Duplex Section

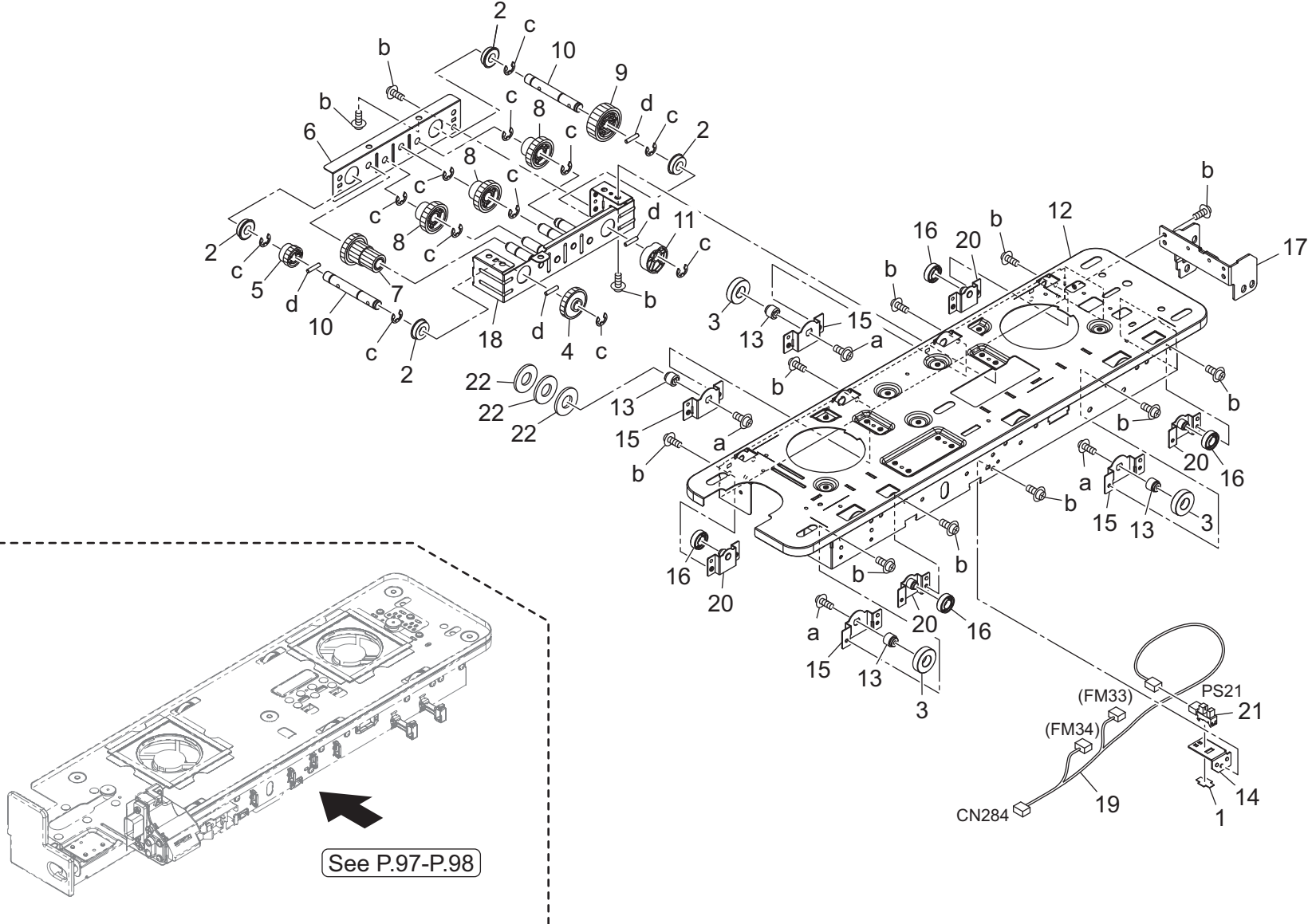


Duplex Section



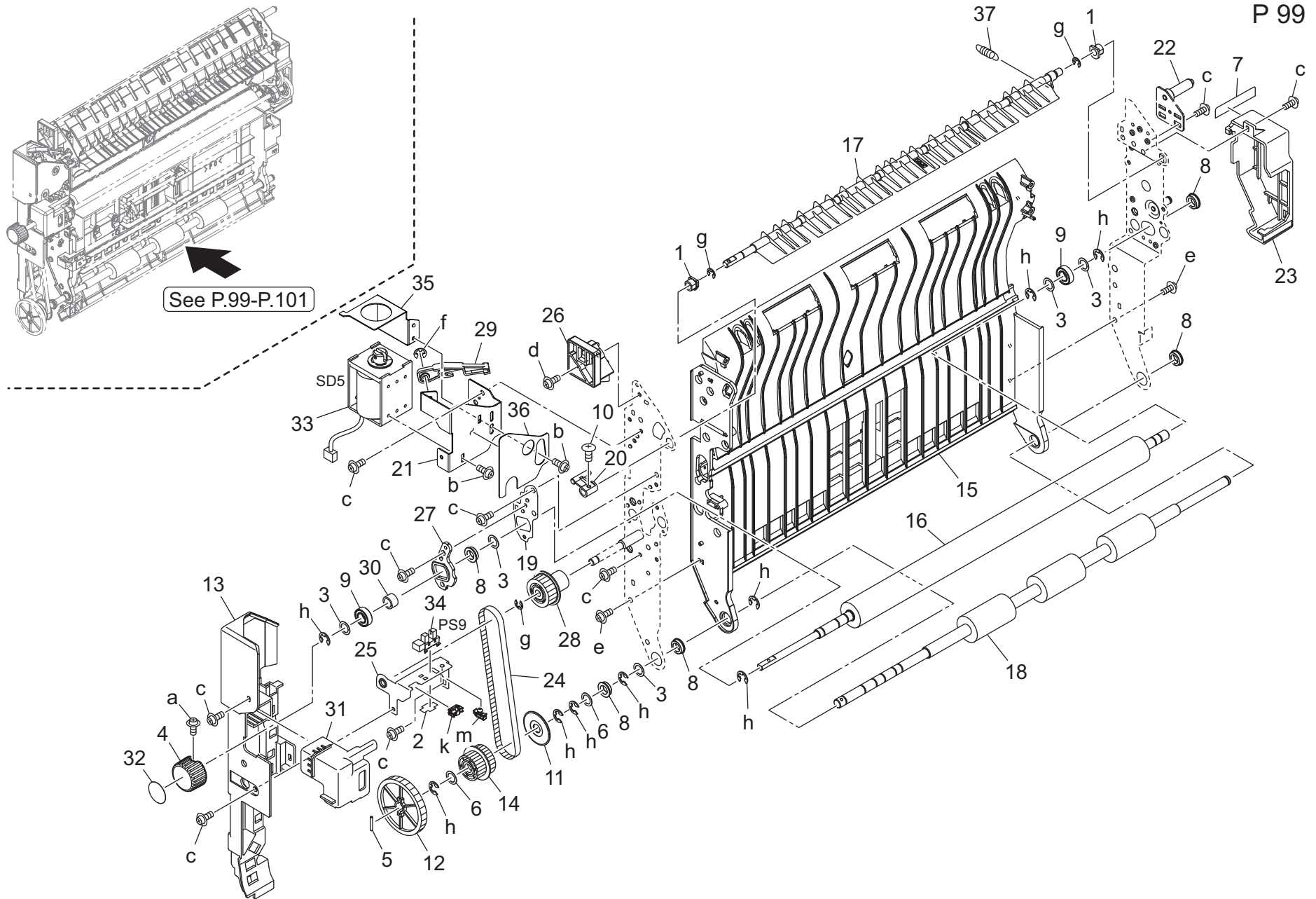
Key	Part No.	Description	Destinations	Class	QTY	Standard parts
1	466076020	Paper Feed Feeding Bearing		B	2	a-V118030403
2	4131253701	BUSHING		C	2	b-V118030603
3	4470402401	Stopper		D	1	c-V121030403
4	9335140071	Solid State Switch		B	1	d-V127030604
5	A03U844200	Mounting Plate /Left		D	1	e-V151030803
6	A03U844300	Mounting Plate /Right		D	1	f-V217040003
7	A03U844700	Lock Claw		C	2	g-V217060003
8	A03U844802	Open/close Plate		D	1	h-V234301250
9	A03U844901	Open/close Lever		C	1	k-V500020098
10	A03UF84300	Mounting Plate /1 Caulking		D	1	m-V570010056
11	A50U840400	Mounting Plate		D	1	n-V500010057
12	A50U841301	Guide Plate /G		D	1	
13	A50U841700	Guide Plate /L		D	1	
14	A50U841800	Guide Plate /M		D	1	
15	A50U842900	Conveyance Spring /5		D	4	
16	A50U843601	Support Plate		D	1	
17	A50U843801	Support Plate /Right rear		D	1	
18	A50U844400	Lock Shaft		D	1	
19	A50U844501	Open/close Spring /1		D	1	
20	A50U844601	Open/close Spring /2		D	1	
21	A50U846000	Idler Shaft /E		D	1	
22	A50U850201	Mounting Plate /F		D	1	
23	A50U853400	Pressure Roller		C	2	
24	A50U854100	Release Plate /8		D	2	
25	A50U856501	Hold Plate		D	2	
26	A50U943901	Release Label /9		D	1	

Duplex Swing Section



See P.97-P.98

Reverse Section

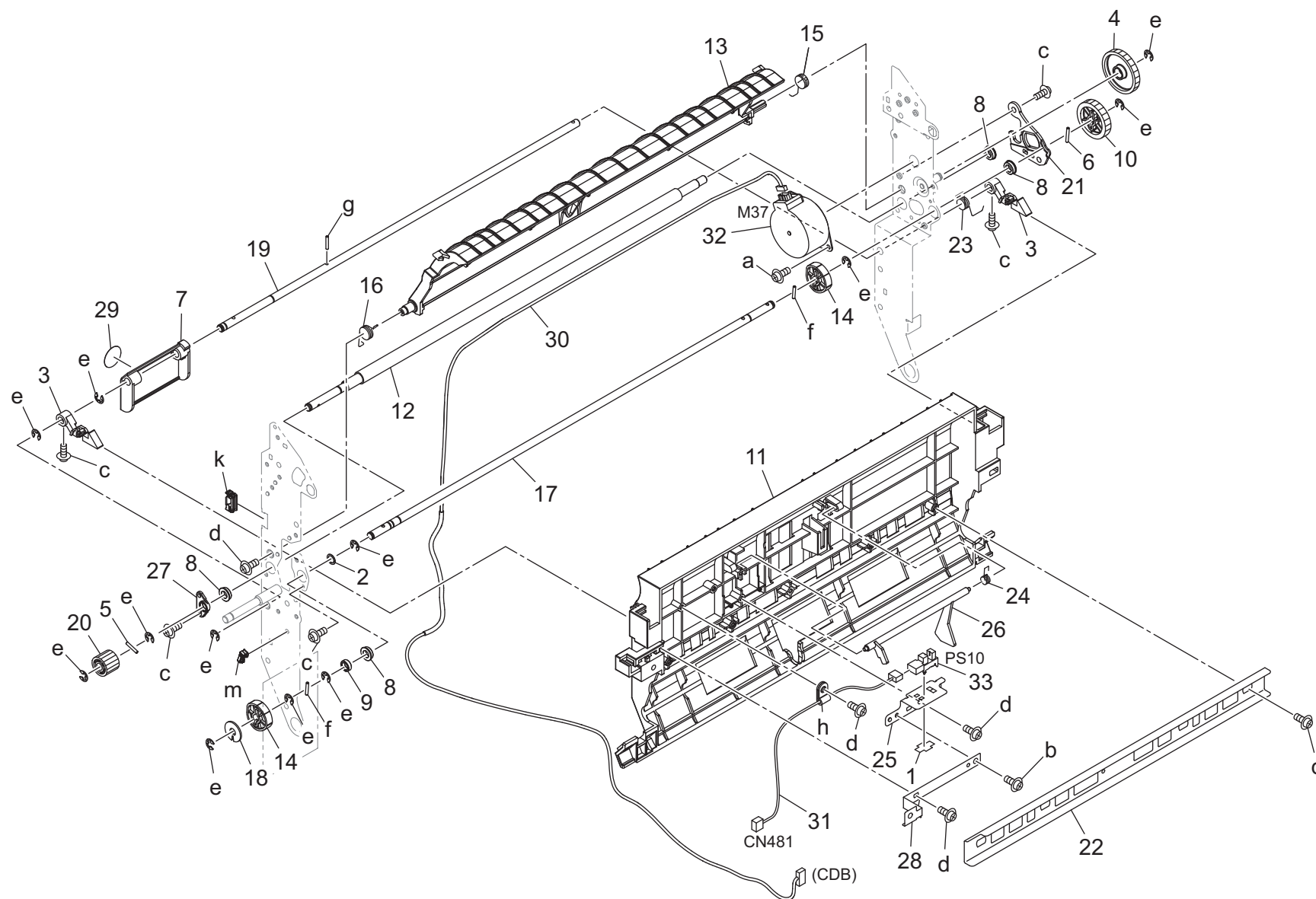


AccurioPress C4080

Key	Part No.	Description	Destinations	Class	QTY	Standard parts
1	192141710	PAPER LIFT UP LEVER BUSHING		B	2	a-V118030603
2	4470402401	Stopper		D	1	b-V121030403
3	13QA40610	Gear Spacer		C	5	c-V127030604
4	14GE45470	Rotation Knob		C	1	d-V127031203
5	V234201450	Pin		V	1	e-V151030803
6	56AA42690	BY-PASS SPACER		C	2	f-V217030003
7	65AA42370	SLIDE PART 1		D	1	g-V217040003
8	A00J617900	Ball Bearing		B	5	h-V217060003
9	A1RF820000	Ball Bearing		C	2	k-V570010056
10	A50U642300	Mounting Screw		D	1	m-V500020099
11	A50U817300	Holding Collar		D	1	
12	A50U819600	Reverse/Exit Gear /2 50 T		C	1	
13	A50U834304	Cover Part /2		D	1	
14	A50U838800	Drive Idler /1		D	1	
15	A50U860104	Guide Plate /A		D	1	
16	AC57860500	Decurler Roller		A	1	
17	A50U861006	Swing Part		D	1	
18	AC57861800	Reverse/Exit Roller /Lower		C	1	
19	A50U865300	Holding Plate		D	1	
20	A50U865703	Swing Arm		D	1	
21	A50U865902	Support Plate		D	1	
22	A50U866400	Positioning Plate /2		D	1	
23	A50U866900	Drive Cover /1		D	1	
24	A50U867200	Belt /A 324 L		C	1	
25	A50U867312	Fixing Plate /1		D	1	
26	A50U867400	Positioning Part		D	1	
27	A50U867500	Fixing Plate /1		D	1	
28	A50U867600	Reverse/Exit Gear /1 20 T		C	1	
29	A50U867802	Positioning Plate /1		D	1	
30	A50U869400	Collar		D	1	
31	A50U869501	Cover		D	1	
32	A50U943801	Release Label /8		D	1	
33	A50UR72811	ADU Solenoid Pin Assy		C	1	
34	A85CM55500	Photo Sensor		C	1	
35	A9VE866100	Receiving Plate /1		D	1	
36	A9VE866201	Insulating Sheet /1		D	1	
37	A9VE867900	Open/close Spring		D	1	

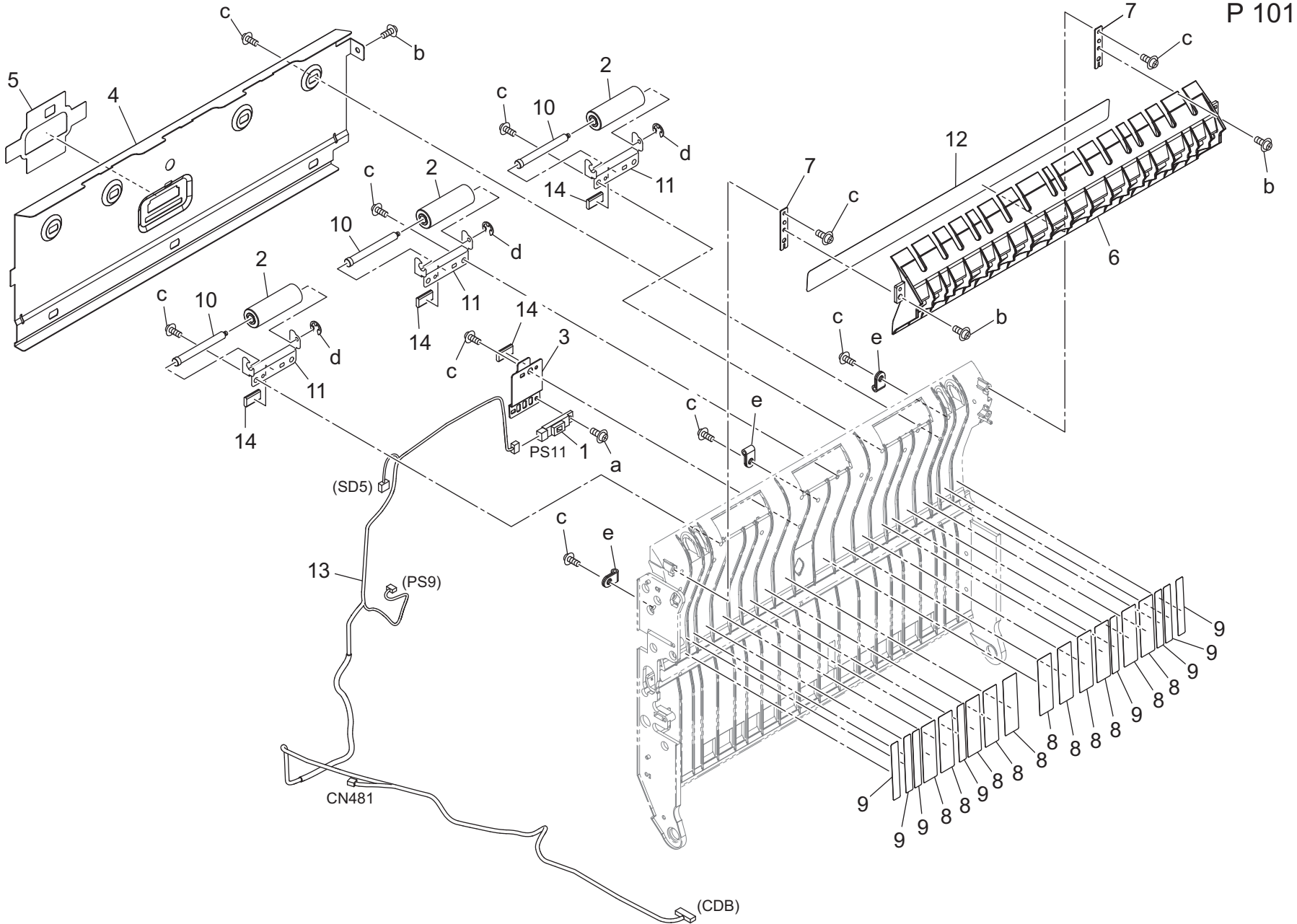
Reverse Section

P 100



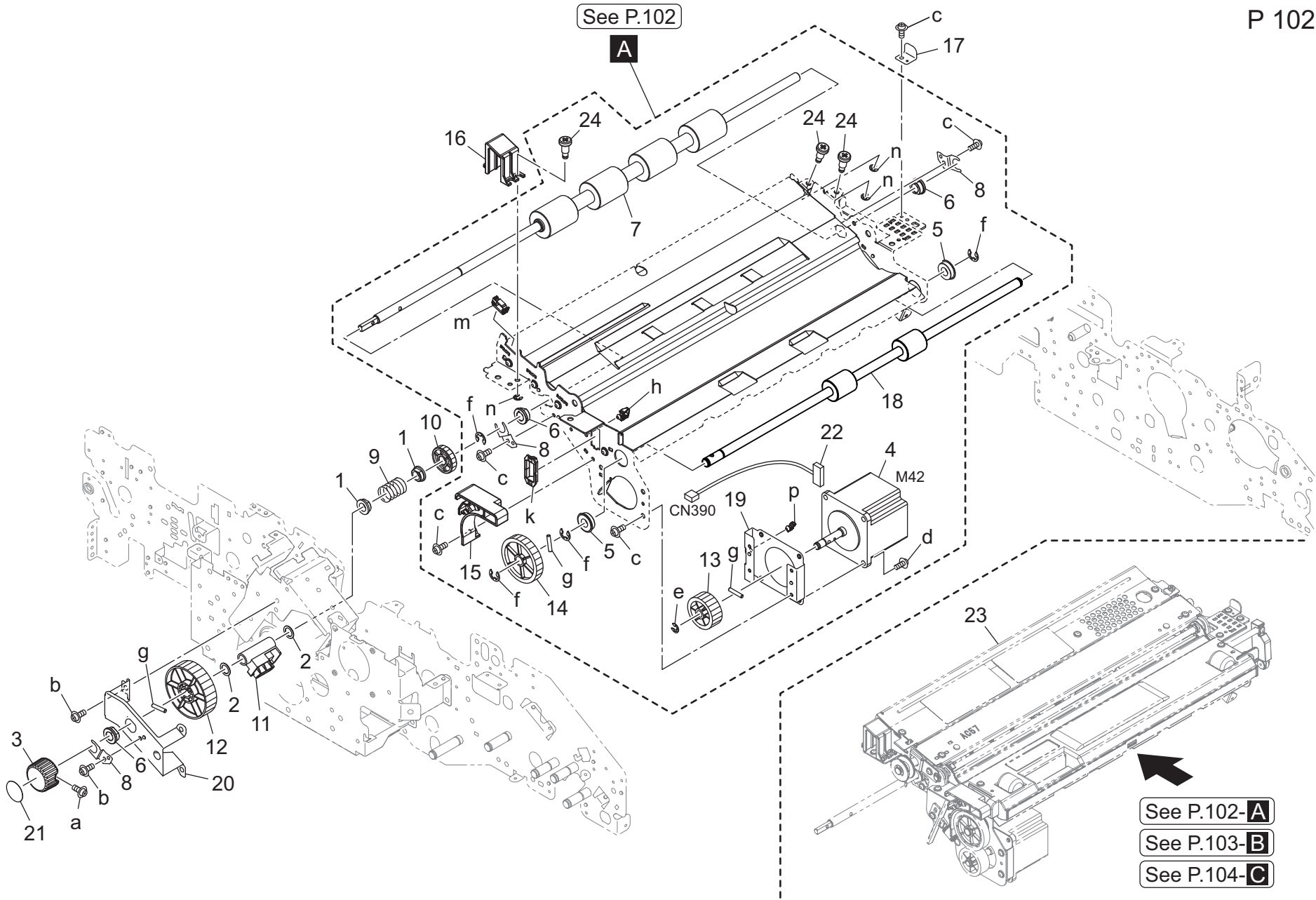
Key	Part No.	Description	Destinations	Class	QTY	Standard parts
1	4470402401	Stopper		D	1	a-V118030403
2	40AA30270	DEVELOPING SPACER		C	1	b-V127030603
3	40AA46261	LOCK CLAW F		B	2	c-V127030604
4	40AA77550	Mirror Drive Gear /2 14/70T		C	1	d-V151030803
5	56AA17321	PIN A D2X12		B	1	e-V217040003
6	V234201450	Pin		V	1	f-V234201250
7	65AA49410	Paper Exit Handle		C	1	h-V500020002
8	A00J617800	Ball Bearing		B	4	k-V570010057
9	A1RF863800	Collar		D	1	m-V500020099
10	A1RJ818800	Drive Gear /8 29T		C	1	
11	A50U860202	Guide Plate /B		D	1	
12	A50U860600	Riverse/exit Shaft		D	1	
13	A50U861100	Guide Plate /4		D	1	
14	A50U861601	Positioning Cam		D	2	
15	A50U864200	Reverse/Exit Spring /Rear		D	1	
16	A50U864300	Reverse/Exit Spring /Front		D	1	
17	A50U865101	Pressing Shaft		D	1	
18	A50U865401	Positioning		D	1	
19	A50U865601	Lock Shaft /A		D	1	
20	A50U867100	Reverse/Exit Gear /A 20T		C	1	
21	A50U867700	Fixing Plate /2		D	1	
22	A50U868000	Reinforce Plate /A		D	1	
23	A50U868401	Open/close Spring /1		D	1	
24	A50U868702	Spring /1		D	1	
25	A50U869300	Mounting Stay		D	1	
26	A50U869601	Arm /1		D	1	
27	A50U869700	Fixing Collar /1		D	1	
28	A50U869800	Ground Plate /1		D	1	
29	A50U943601	Release Label /6		D	1	
30	A50UN17601	ADU Drive harness /8		D	1	
31	A50UN18401	ADU Detection harness /12		D	1	
32	A50UR72711	Drive Motor / 1 Assy		C	1	
33	A85CM55600	Photo Sensor		C	1	

Reverse Section



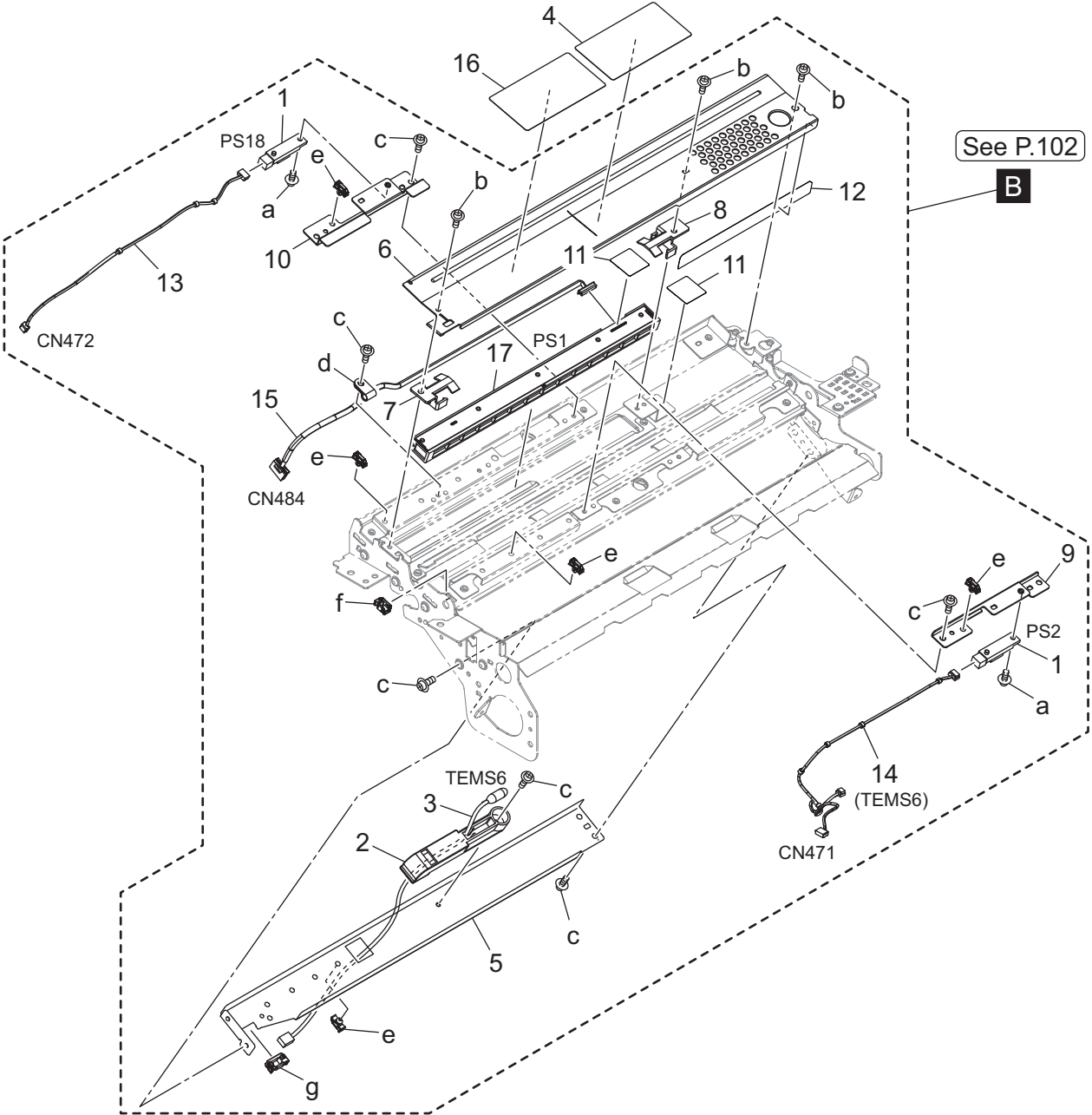
Resist Section

P 102

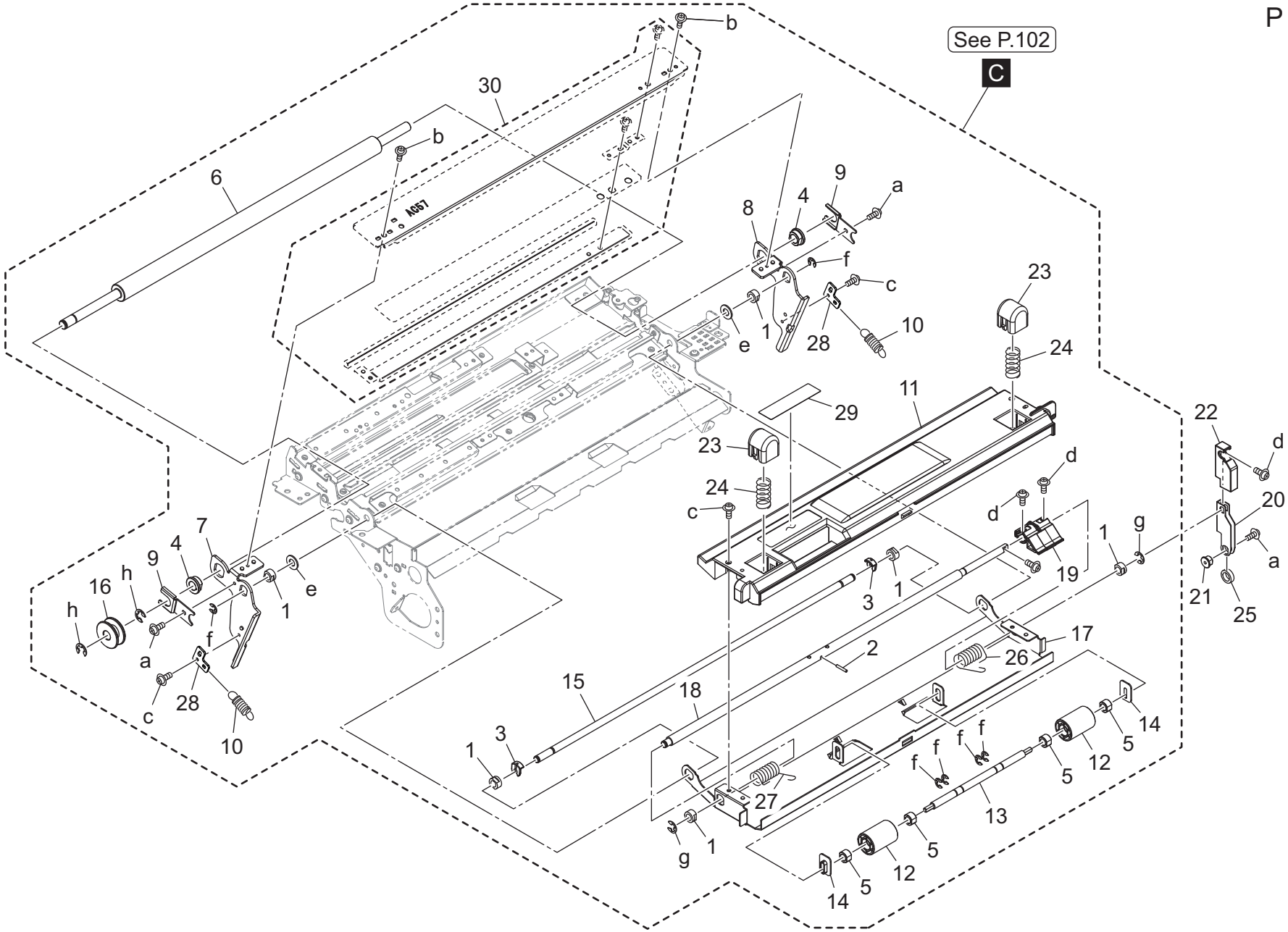


AccurioPress C4080

Resist Section

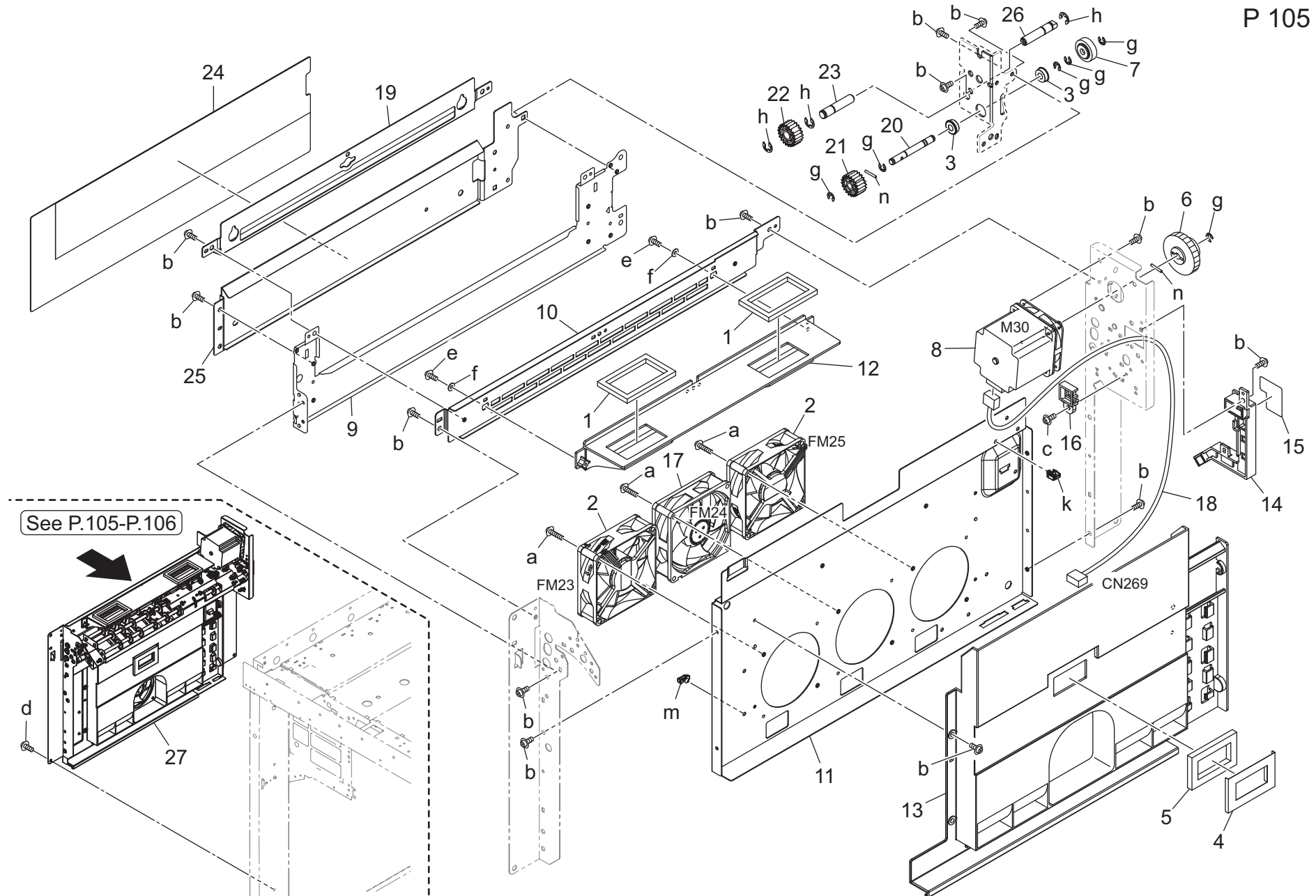


Resist Section



Exit Section

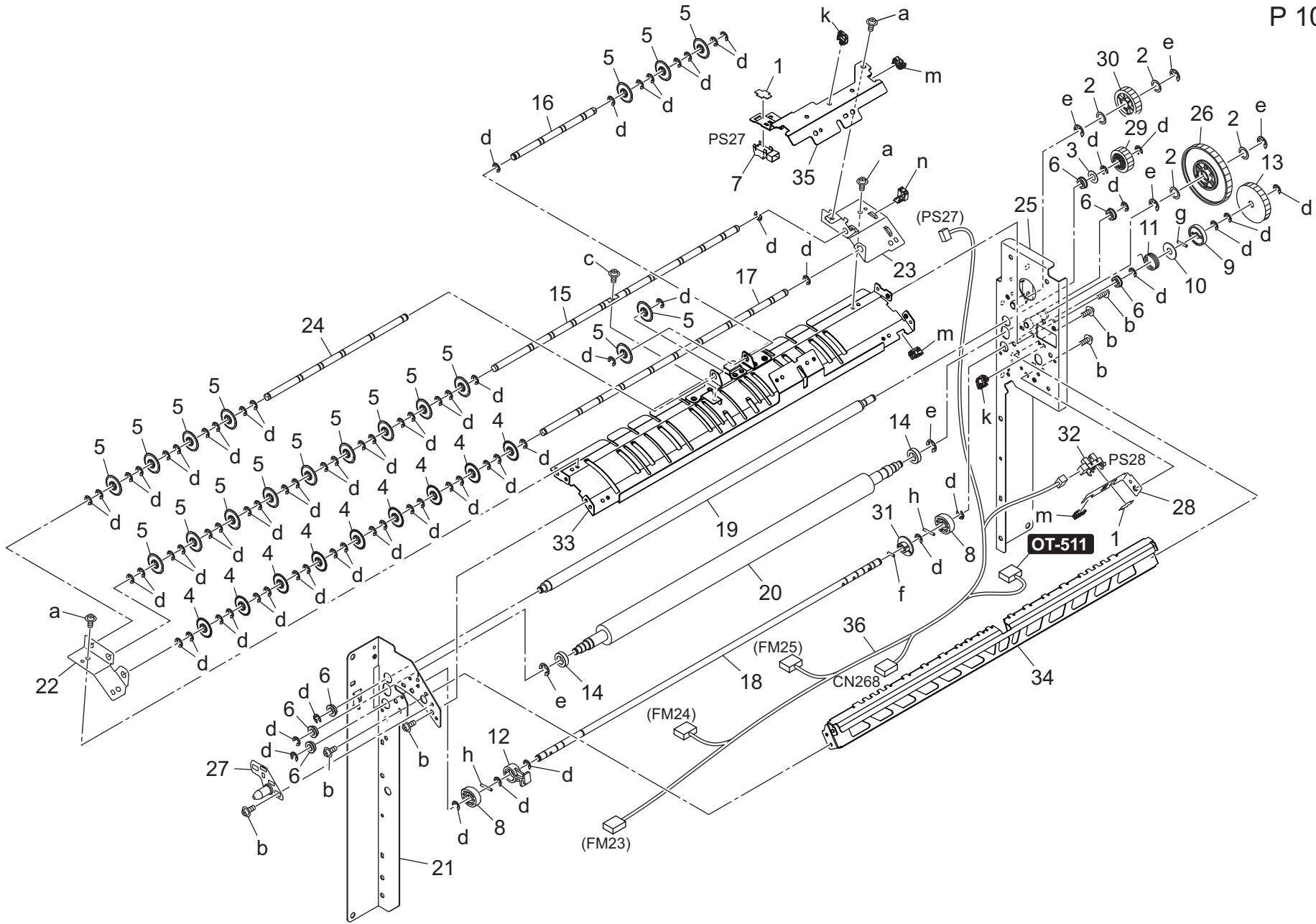
P 105



AccurioPress C4080

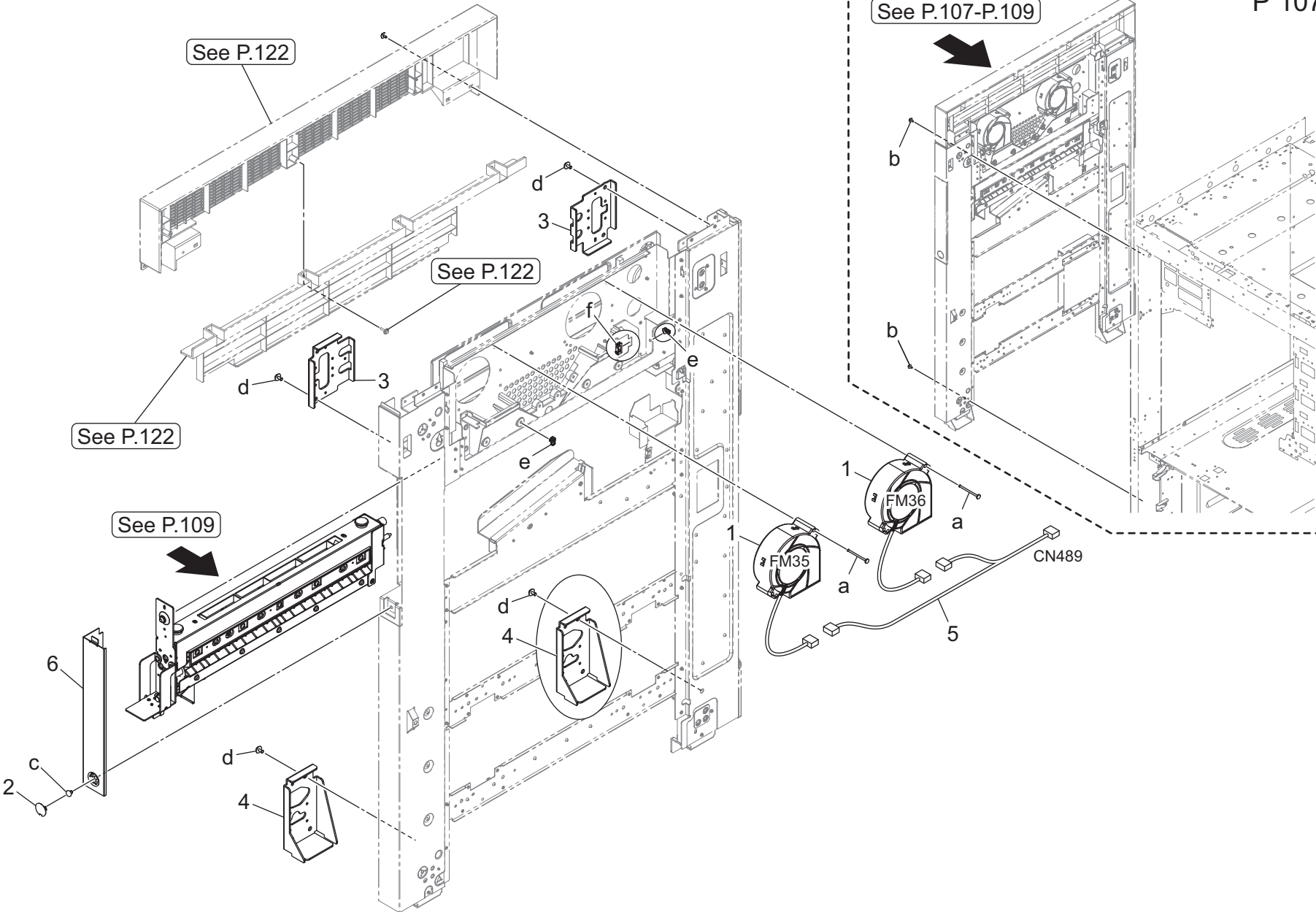
Exit Section

P 106

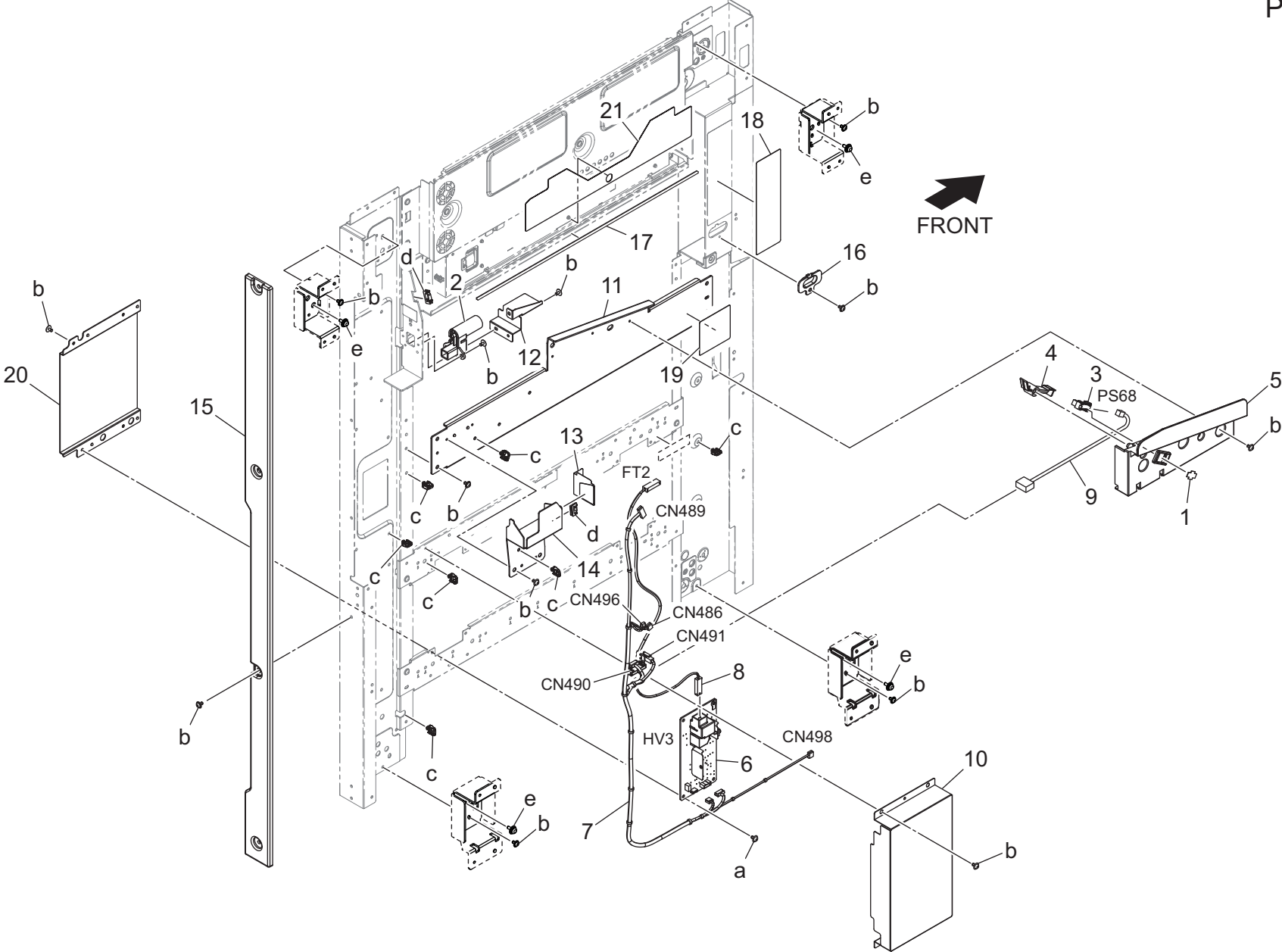


Key	Part No.	Description	Destinations	Class	QTY	Standard parts
1	4470402401	Stopper		D	2	a-V121030303
2	13QA40610	Gear Spacer		C	4	b-V127030604
3	56AA17700	Spacer /B		C	1	c-V127030803
4	65AA48360	Paper Holding Part /1		C	9	d-V217040003
5	65AA48460	PAPER HOLDING PART 2		C	18	e-V217060003
6	A00J617800	Ball Bearing		B	6	f-V234200850
7	A03TM50000	Photorelector		I	1	g-V234201250
8	A03U892701	Positioning Cam		C	2	h-V234201450
9	A03U893000	Slide Plate		C	1	k-V500020098
10	A03U893101	Spacer /Rear		C	1	m-V570010056
11	A03U893200	Stopper Spring		C	1	n-V500010057
12	A03U893502	Regulating Cam		C	1	
13	A03U909502	PAPER EXIT GEAR /5 40 T		C	1	
14	A1RF517300	bearing		C	2	
15	A50U890102	Fixing Shaft /2		D	1	
16	A50U890201	Fixing Shaft /6		D	1	
17	A50U890300	Fixing Shaft /1		D	1	
18	A50U890600	Regulating Shaft		D	1	
19	A50U890700	Paper exit Shaft		D	1	
20	AC57890800	Paper Exit Decurler Roller		A	1	
21	A50U891302	Paper exit Plate /Front		D	1	
22	A50U891500	Support Side plate /Front		D	1	
23	A50U891600	Support Side plate /Rear		D	1	
24	A50U891900	Fixing Shaft /5		D	1	
25	A50U892001	Paper exit Plate /Rear		D	1	
26	A50U892101	Idling Gear /1 68 T		C	1	
27	A50U893201	Adjusting Plate /1		D	1	
28	A50U894000	Plate /Rear		D	1	
29	A50U899700	Paper exit Gear /3 23 T		B	1	
30	A50U899801	Paper exit Gear /2 29 T		C	1	
31	A85C895500	Positioning Roll		D	1	
32	A85CM55500	Photo Sensor		C	1	
33	A9VE890400	Guide Plate /Upper		D	1	
34	A9VE890900	Guide Plate /Lower		D	1	
35	A9VE892800	Support Plate /A		D	1	
36	A9VEN15200	Drive Wiring /3		D	1	

Charge Control Section

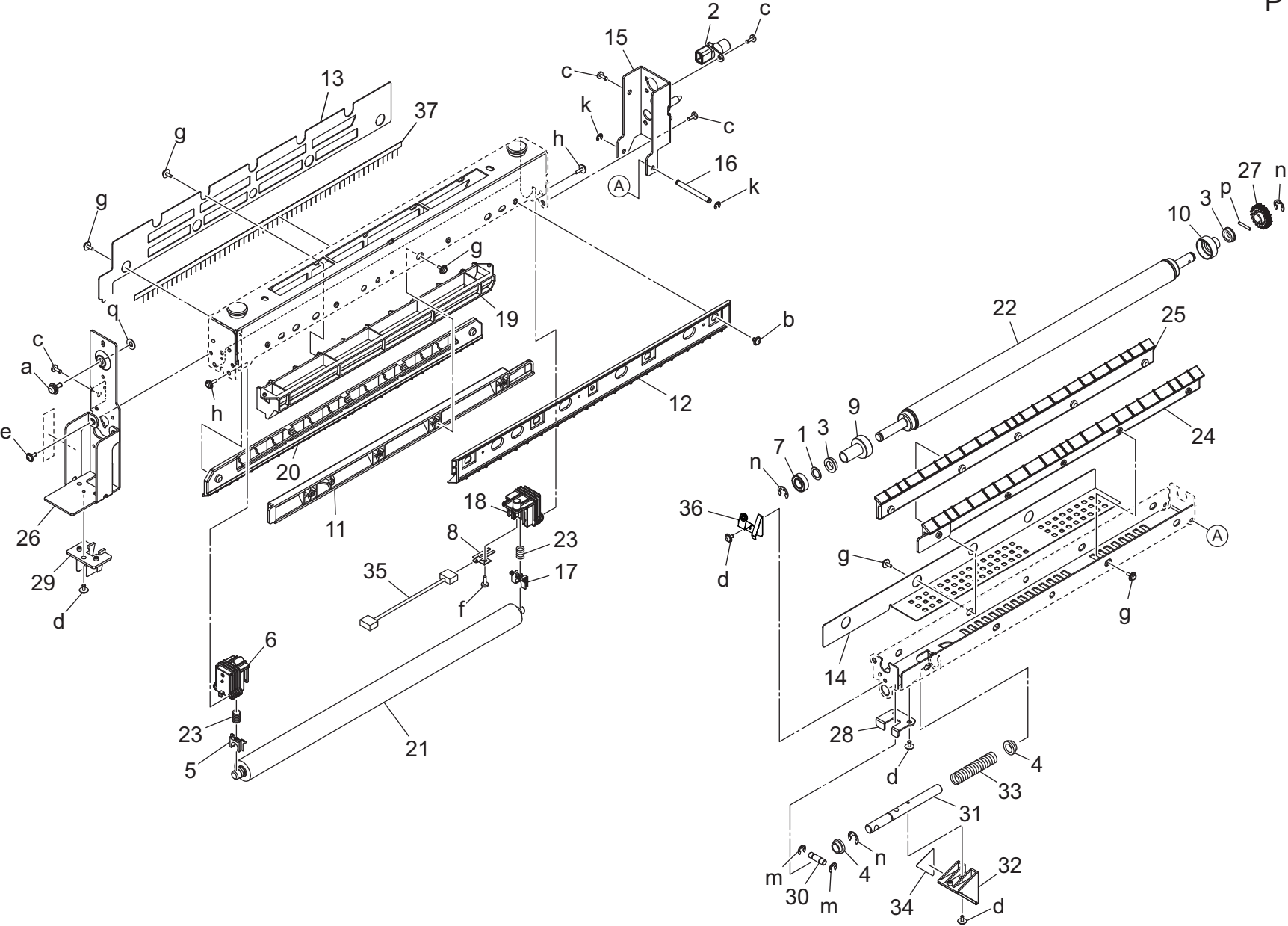


Charge Control Section



Key	Part No.	Description	Destinations	Class	QTY	Standard parts
1	4470402401	Stopper		D	1	a-V127030603 b-V127030604 c-V500020098 d-V570010046 e-V125041001
2	65AAR72700	Powering Block /1 Assy		C	1	
3	A50UM51000	Photointerrupter		C	1	
4	A85C897400	Sensor Actuator /1		D	1	
5	A85C897900	Sensor Cover /1		D	1	
6	AC57M40900	HV Board /3		C	1	
7	AC57N21301	Relay Harness /3		D	1	
8	AC57N21400	HV Harness /20		D	1	
9	A85CN21700	Relay Wiring /7		D	1	
10	AC57898500	Protection Cover /1		D	1	
11	A8AK101503	Stay /Middle		D	1	
12	A8AK101700	Protection Plate /1		D	1	
13	A8AK107100	Protection Cover /2		D	1	
14	A8AW106900	Drive Cover		D	1	
15	AC57891400	Cover /Rear		D	1	
16	A8AW162500	Lock Guide		D	1	
17	A8AW162600	Thermal insulation Sheet /1		D	1	
18	A8AW941002	Processing Label		C	1	
19	A9VE942102	Caution Label		D	1	
20	AC57895600	Protection Cover /2		D	1	
21	AC57891700	Thermal insulation Sheet /4		D	1	

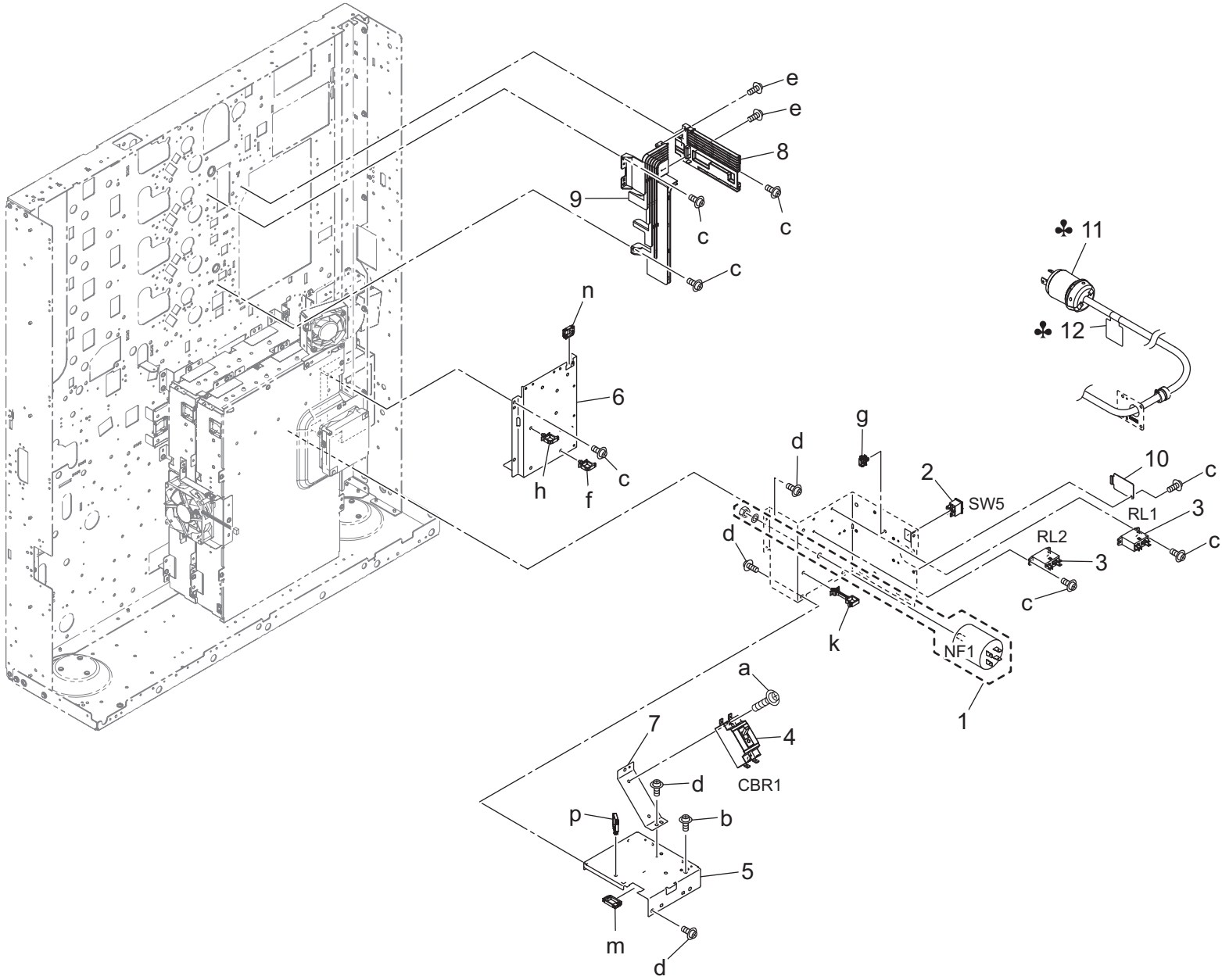
Charge Control Section



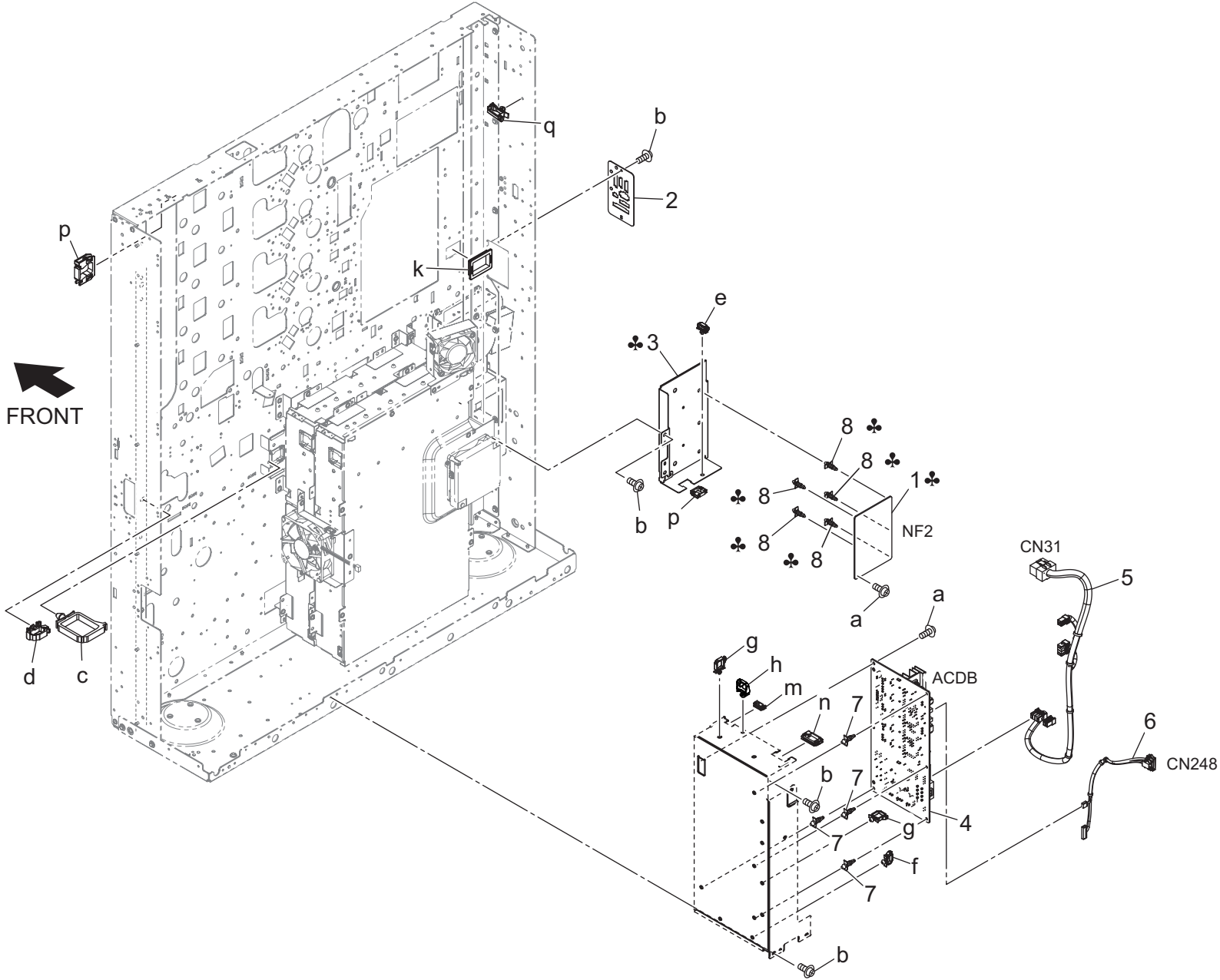
Key	Part No.	Description	Destinations	Class	QTY	Standard parts
1	12QV40650	Spacer	スパーサー	B	1	a-V116041003
2	65AAR74600	POWERING BLOCK A ASSY	給電ブロック A 部組	C	1	b-V121030403
3	A00J617900	Ball Bearing	ボールベアリング	B	2	c-V126030803
4	A0G6739300	Operation Bushing /Front	操作軸受/前	C	2	d-V127030604
5	A1RF508900	Transfer Powering Bearing	転写給電軸受	B	1	e-V127030803
6	A1RF509000	Power supply Block /C	給電ブロック / C	D	1	f-V149030803
7	A1RF820000	Ball Bearing	ボールベアリング	C	1	g-V153030604
8	A5AW510400	Transfer Powering Plate /Front	転写給電板/前	D	1	h-V153030803
9	A85C895300	Insulating Collar /Front	絶縁カラー/前	D	1	k-V217030003
10	A85C895400	Insulating Collar /Rear	絶縁カラー/奥	D	1	m-V217040003
11	A85C895800	Cover Guide	カバーガイド	D	1	n-V217060003
12	A85C895900	Conveyance Guide /1	搬送ガイド/1	D	1	p-V234201450
13	A85C896301	Thermal insulation Sheet /1	防熱シート/1	D	1	q-V211040080
14	A85C896400	Thermal insulation Sheet /3	防熱シート/3	D	1	
15	A85C896800	Fixing Plate	固定板	D	1	
16	A85C896900	Support Shaft	支点軸	D	1	
17	A85C897201	Charging Roller Bushing /Fr	帯電ローラー軸受 / F r	B	1	
18	A85C897300	High voltage Powering Block /C	高圧給電ブロック / C	D	1	
19	A85C897700	Insulating Duct /Middle	断熱ダクト/中	D	1	
20	A85C897800	Conveyance Guide /2	搬送ガイド/2	D	1	
21	AC57899000	Charging Roller /Up	帯電ローラー / U p	A	1	
22	A85C899100	Neutralizing Roller /Lower	除電ローラー/下	D	1	
23	A8AK103200	Power supply Spring	給電ばね	C	2	
24	A8AK103502	Conveyance Guide /1	搬送ガイド/1	D	1	
25	A8AK103601	Conveyance Guide /2	搬送ガイド/2	D	1	
26	A8AK103702	Mounting Plate /Front	取付板/前	D	1	
27	A8AK104100	Drive Gear 20T	駆動ギア 20 T	C	1	
28	A8AK108001	Holding Plate	押さえ板	D	1	
29	A8AK108100	Guide Block	ガイド ブロック	D	1	
30	A8AK108200	Guide Shaft	ガイド軸	D	1	
31	A8AK108302	Positioning Shaft	位置決め軸	D	1	
32	A8AK108400	Lock Handle	ロック取手	C	1	
33	A8AK108500	Lock Spring	ロックばね	D	1	
34	A8AK941301	Processing Label /1	処理ラベル/1	C	1	
35	A8AKN10501	HV Wiring /2	高圧束線/2	D	1	
36	A8AKR70511	Lower Roller Contact Assy	下ローラー接点 A s s y	C	1	
37	AC57896400	Neutralizing Brush	除電ブラシ	D	1	

Rear Electrical Section

FRONT
←



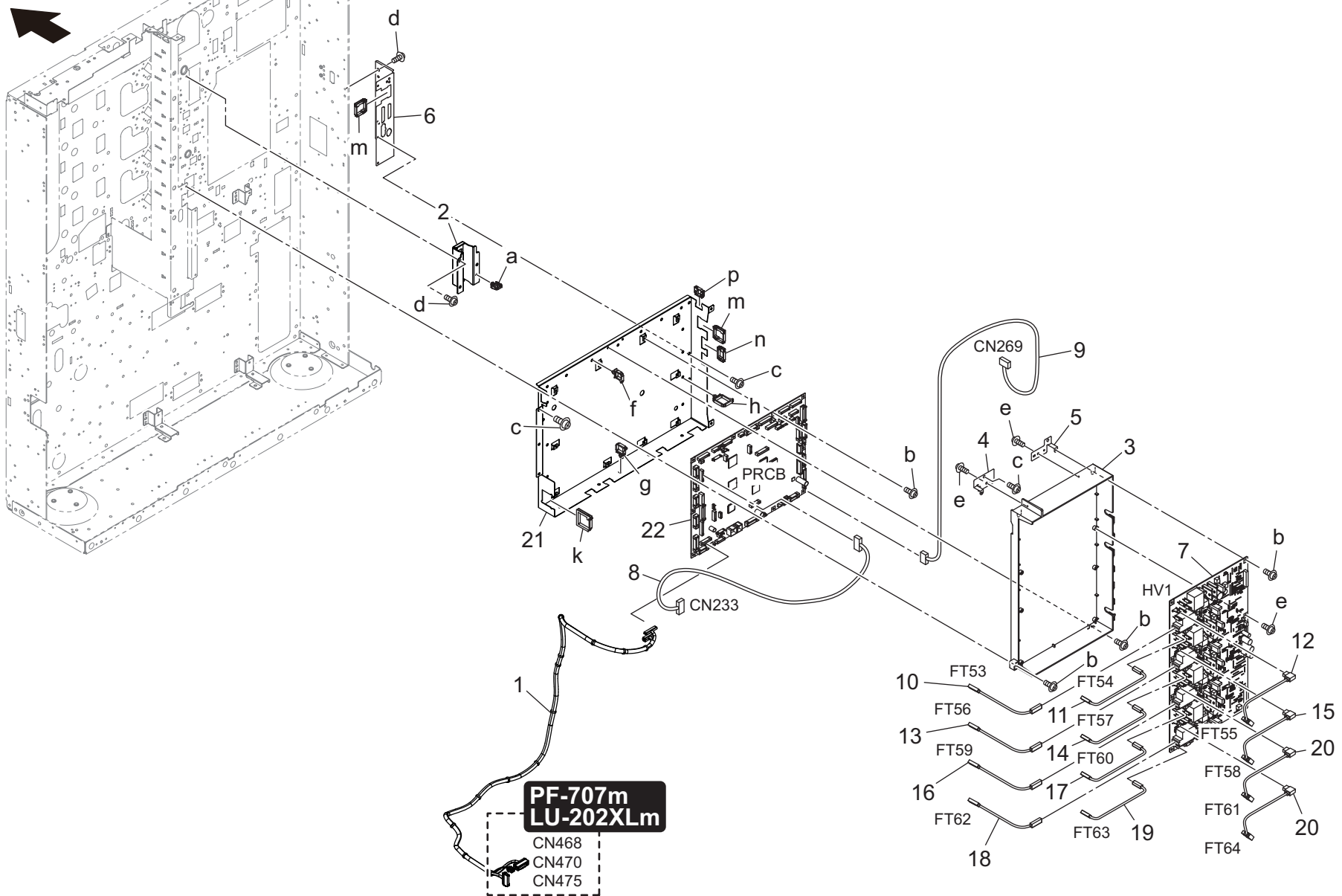
Rear Electrical Section



Key	Part No.	Description	Destinations	Class	QTY	Standard parts
1	A799M45300	Noise filter	C,D3,I	D	1	a-V127030603
2	AC57108100	Power supply Panel /F		D	1	b-V127030604
3	AC57134100	Mounting Plate /2	C,D3,I	D	1	c-V500010063
4	AC57M46100	AC Drive Board /230V		I	1	d-V500010072
5	AC57N11400	AC Harness /2		D	1	e-V500010081
6	AC57N11600	Fusing Relay Harness /2		D	1	f-V500010082
7	V502010033	Circuit Board Spacer		D	4	g-V500010083
8	V502010033	Circuit Board Spacer	C,D3,I	D	5	h-V500020098
						k-V570010038
						m-V570010057
						n-V570010059
						p-V570010060
						q-V500020100

Rear Electrical Section

FRONT

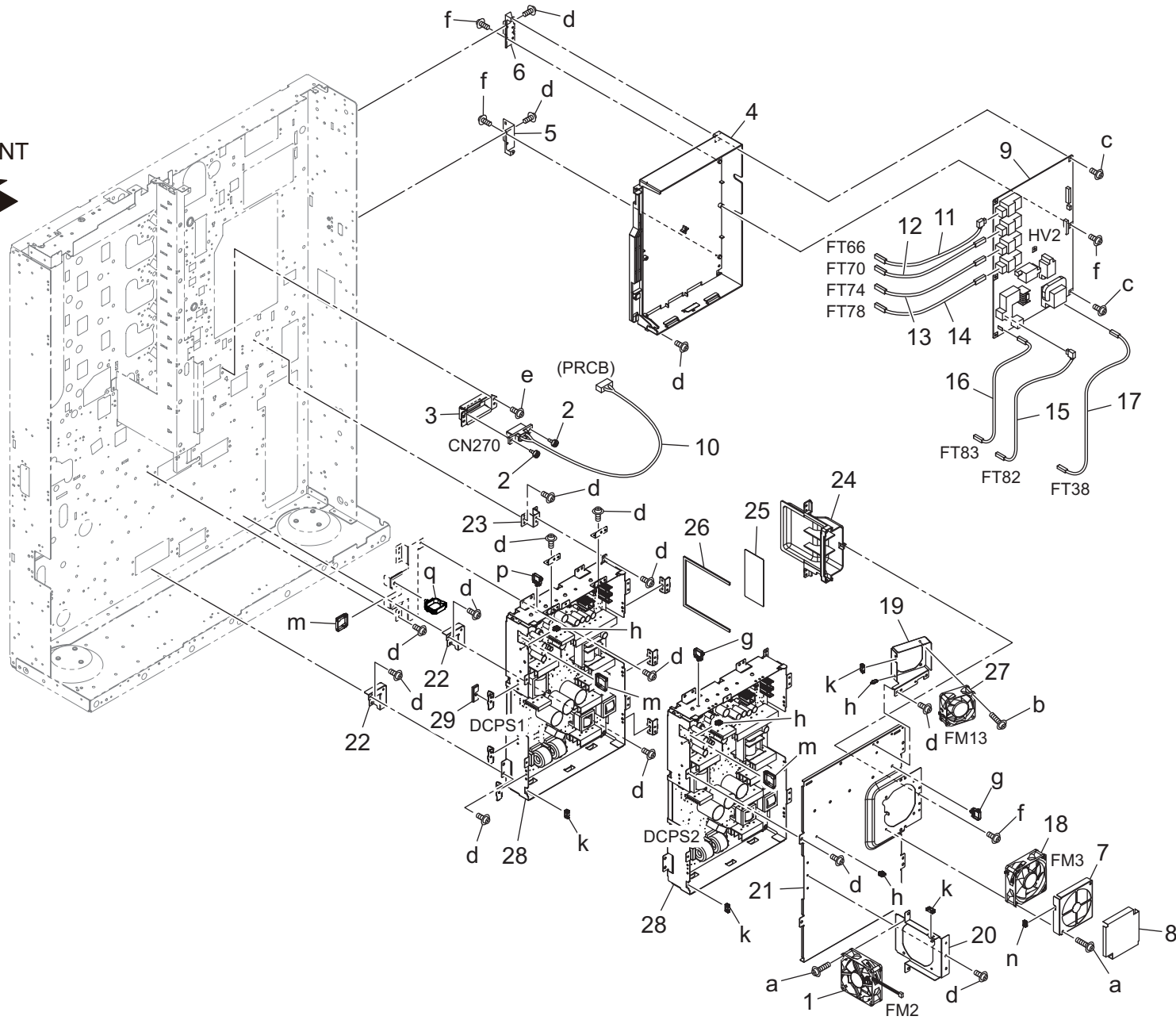


PF-707m
LU-202XLm

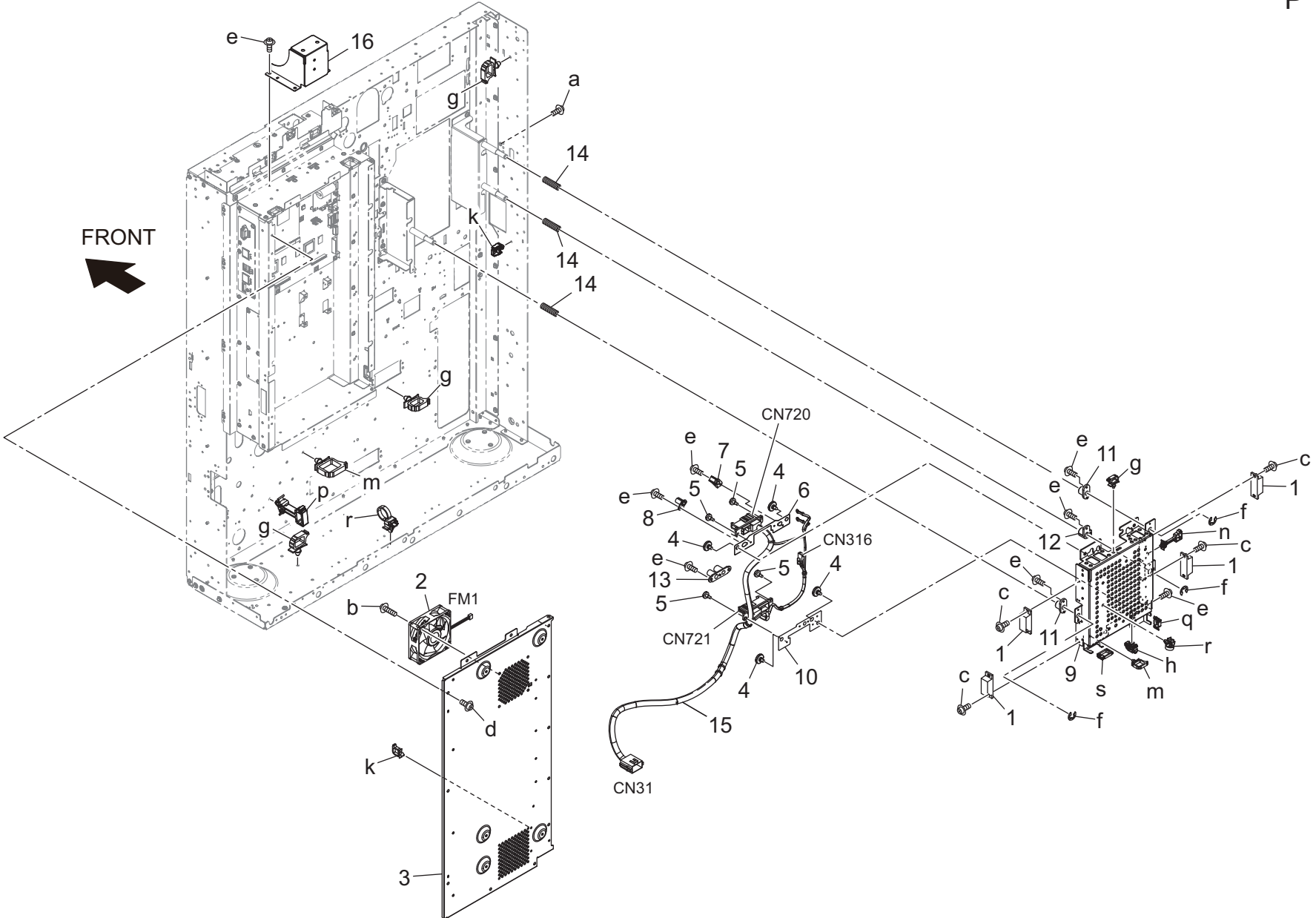
CN468
CN470
CN475

Rear Electrical Section

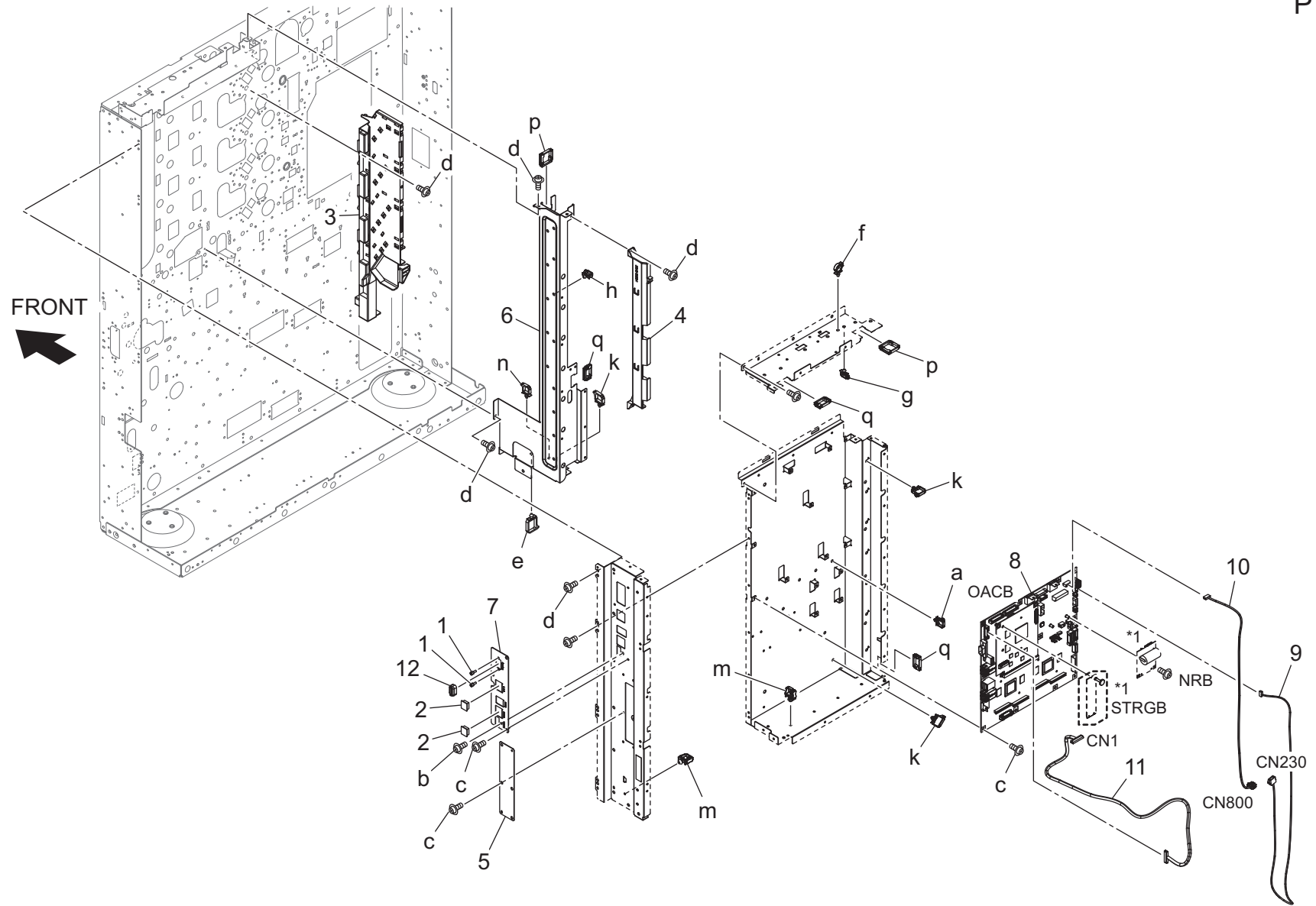
FRONT

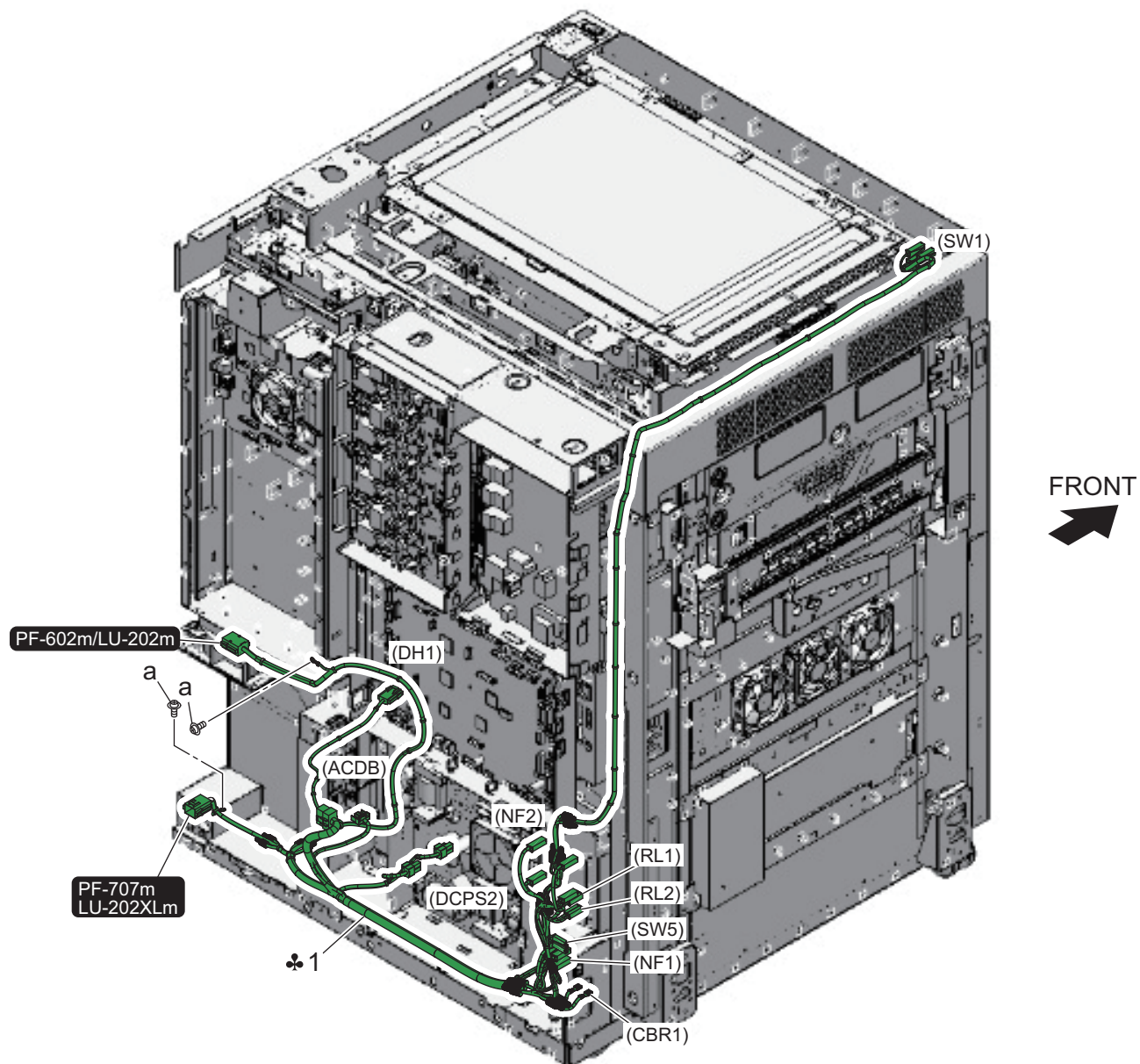
Rear Electrical Section

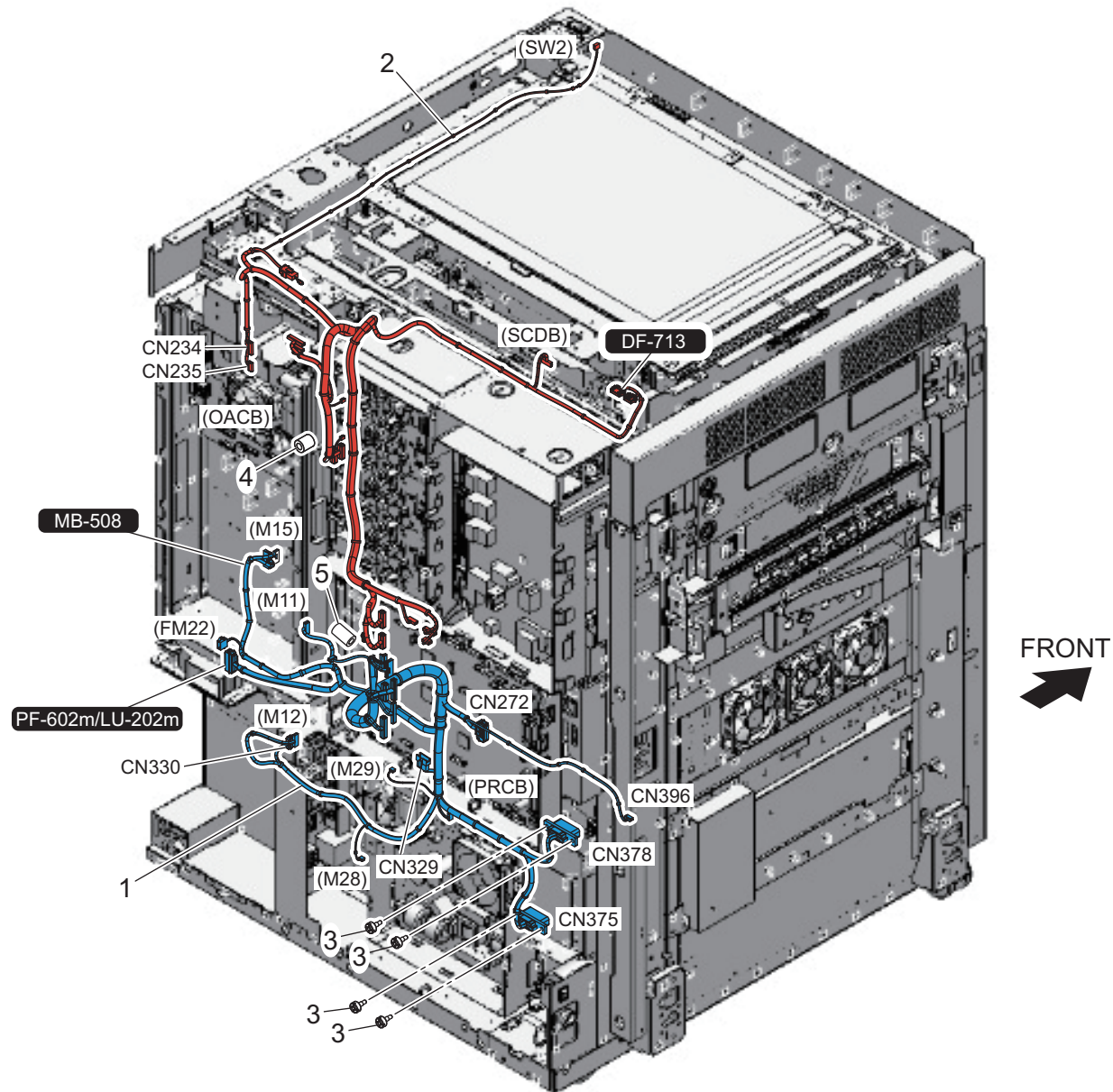


Rear Electrical Section

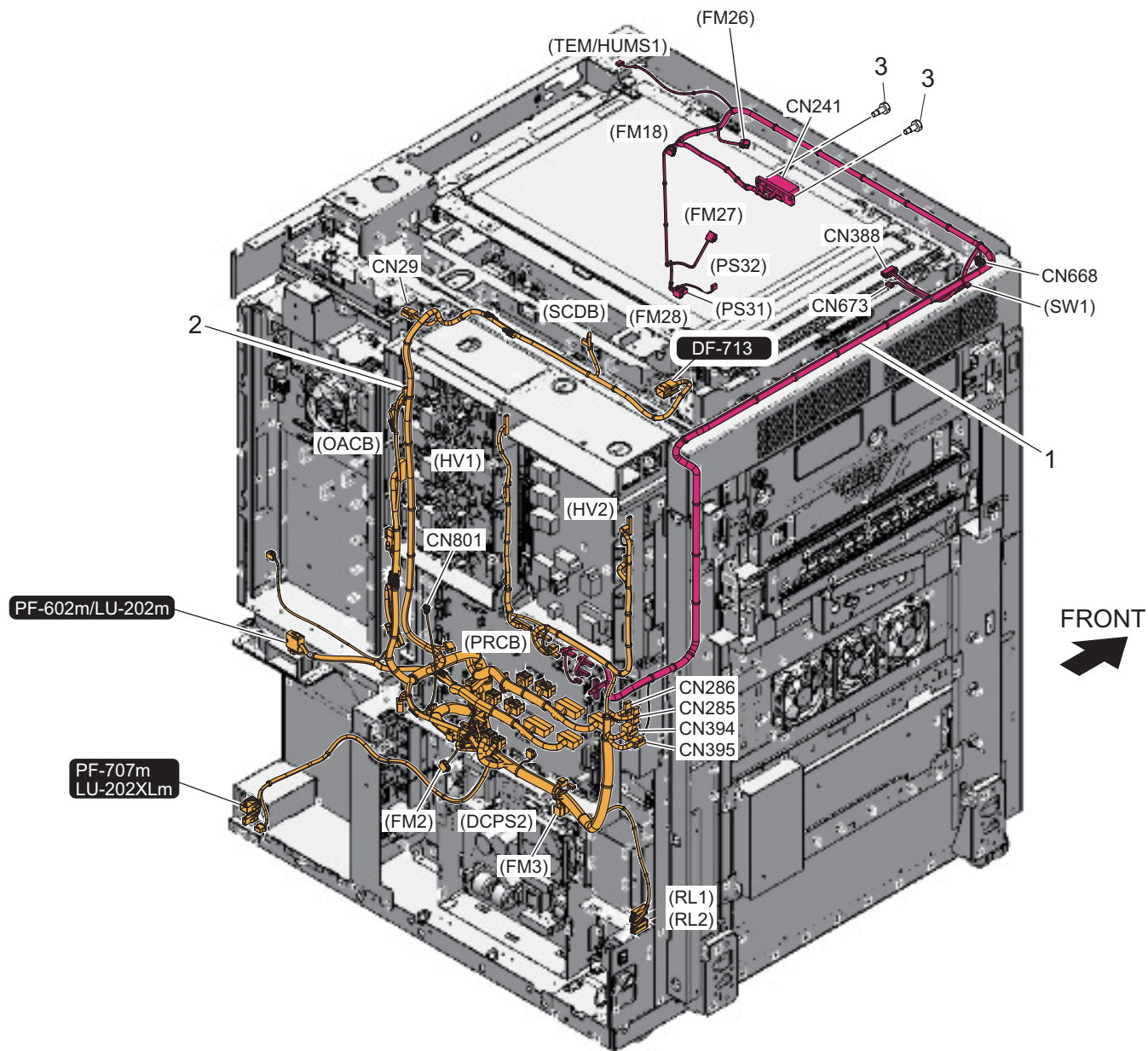


*1: Contact KONICA MINOLTA technical support if needed.
 必要な際は、KMのサポート部門へ問い合わせること。

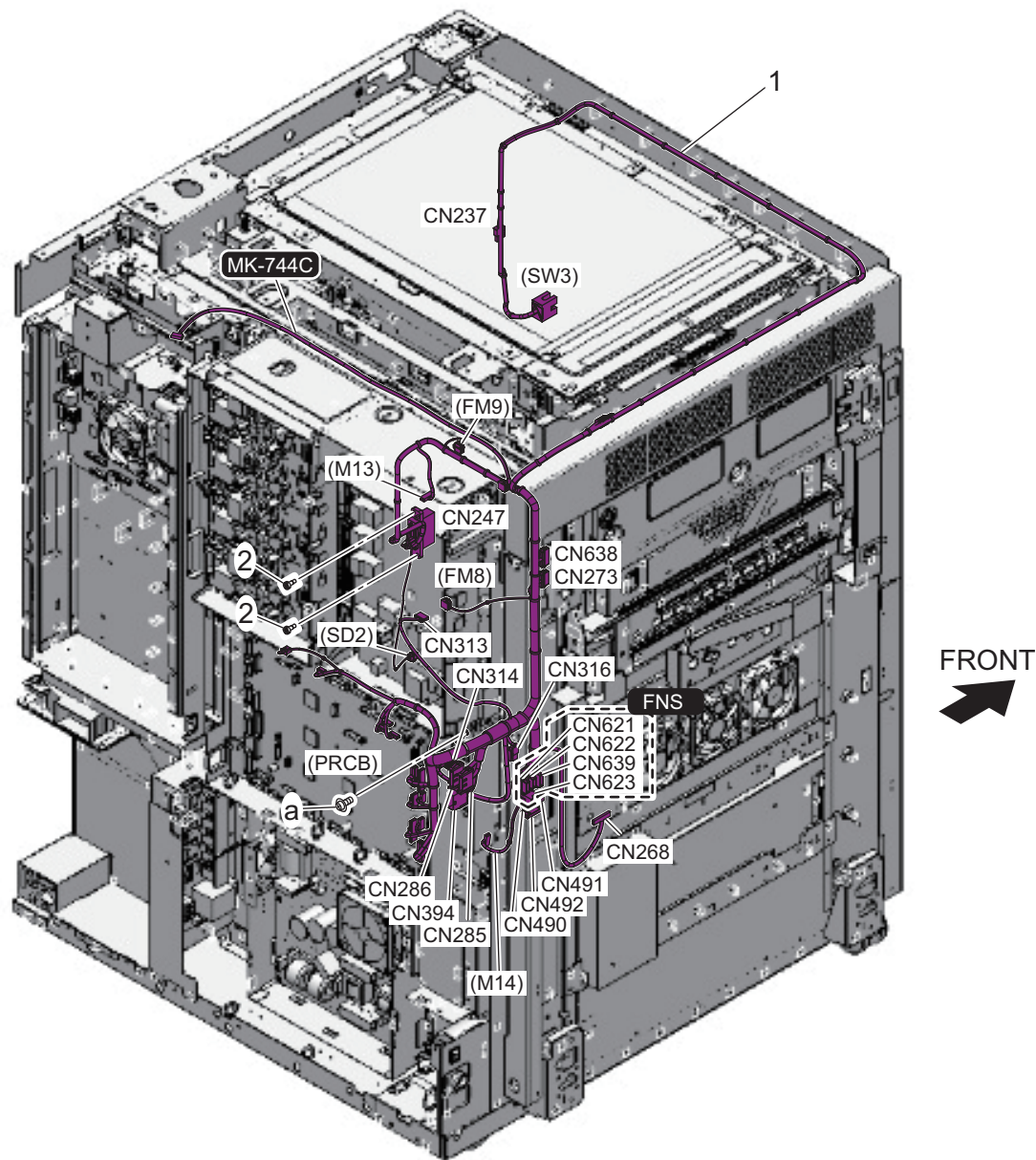




FRONT
➔

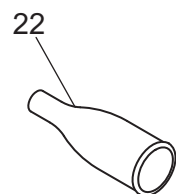
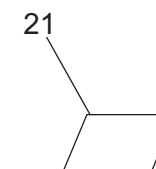
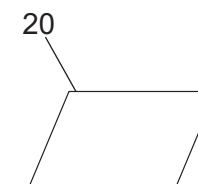
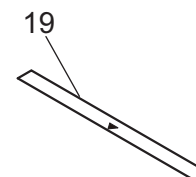
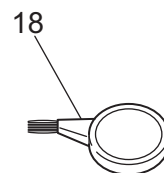
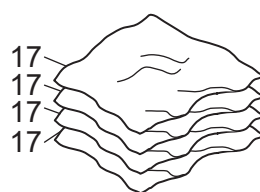
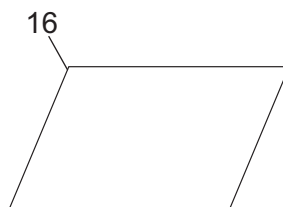
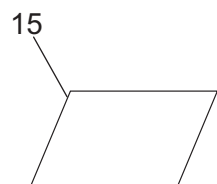
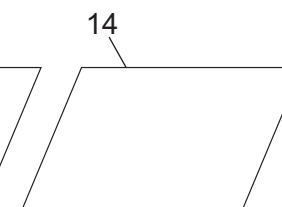
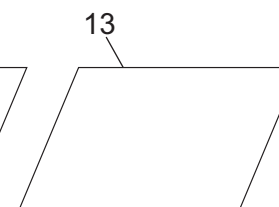
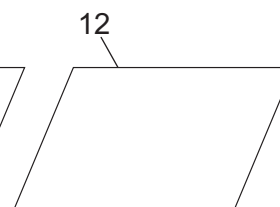
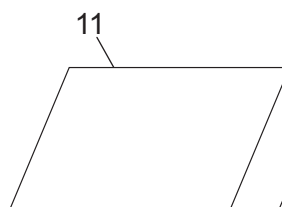
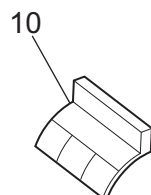
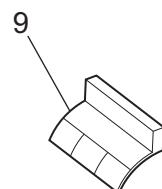
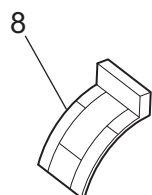
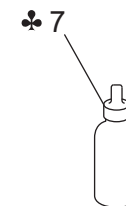
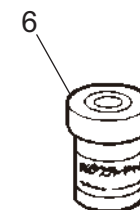
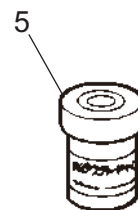
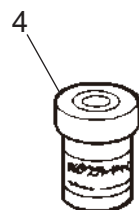
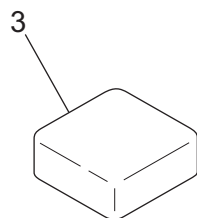
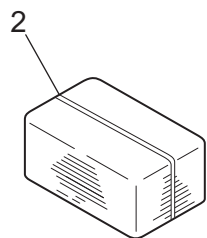


FRONT
➔



Service Tool

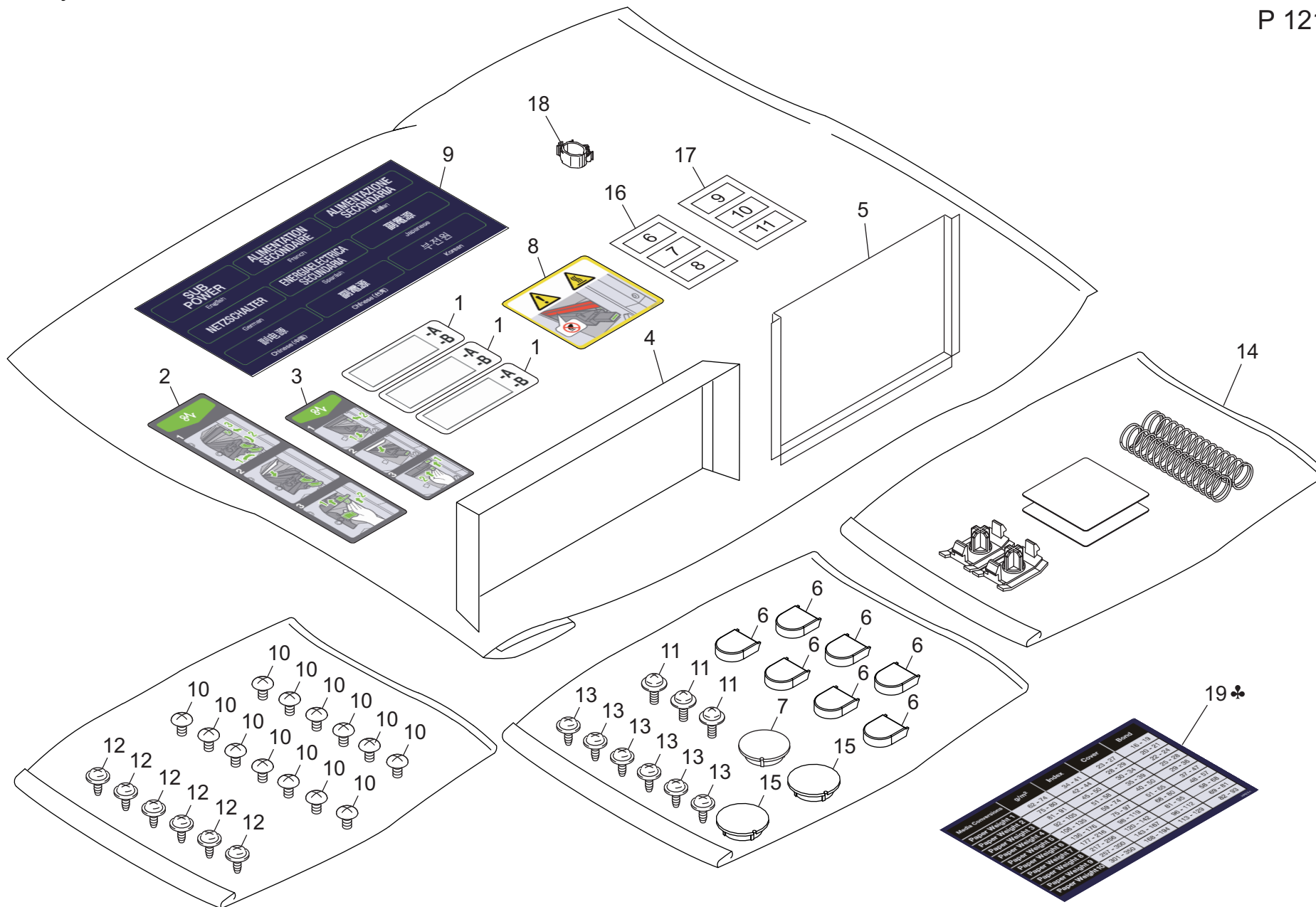
P 120



Key	Part No.	Description	Destinations	Class	QTY	Standard parts
1	A50UPP0100	Setting Toner No.2		S	1	
2	A5AWP00100	Cleaning Pad		S	1	
3	65AA-9920	HYDROWIPE		S	1	
4	00GR00260	Grease(Multemp FF-RM)		S	1	
5	00GR00020	Grease(Plas Guard No.1)		S	1	
6	00GR00220	Grease(Molykote EM-30L Grease)		S	1	
7	A4EUPP0000	MHSURF FT-240	C,D3,I	S	1	
8	A50UPJG300	Positioning Jig /C (Temperature Sensor)		S	1	
9	A50UPJG100	Positioning Jig /A (TS1/2)		S	1	
10	A50UPJG200	Positioning Jig /B (TS3)		S	1	
11	9J06PJP100	Color chart/A3 size		S	1	
12	9J06PJP200	Color chart/11x17size		S	1	
13	A79JPJP000	Test chart/A3 size		S	1	
14	A79JPJP100	Test chart/11x17 size		S	1	
15	120A97110	Adjustment chart/For DF		S	1	
16	65AA99500	AJUST PAPER FOR FIXING UNIT(16SHEET S)		S	1	
17	00VC-2-00	Drum Cover		S	4	
18	00VD-1000	Blower Brush		S	1	
19	9J06PJP100	DF reading chart		S	1	
20	A782945003	Adjusting Sheet		S	1	
21	A8WC707100	Adjusting Sheet		S	1	
22	A1DUPJG100	Cleaning Jig		S	1	

Accessory Parts

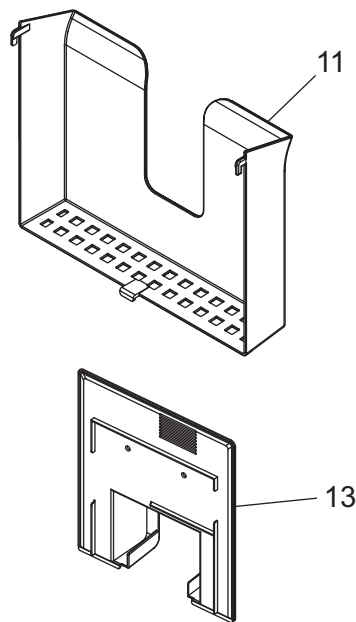
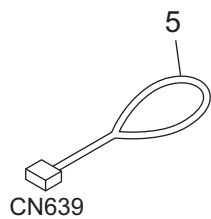
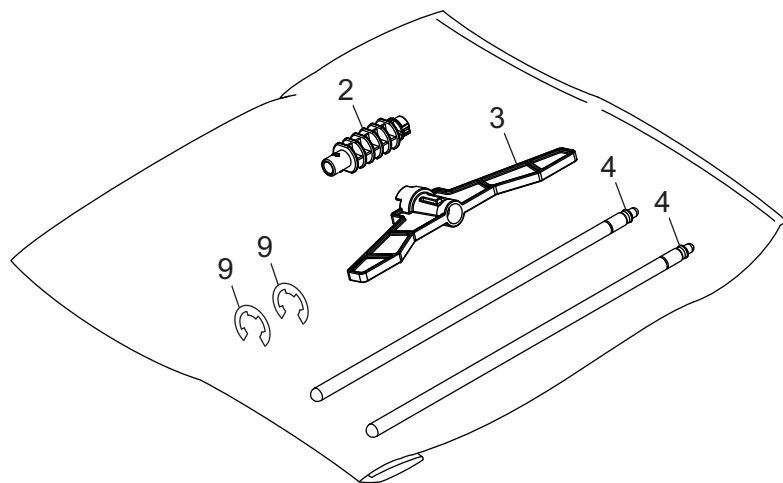
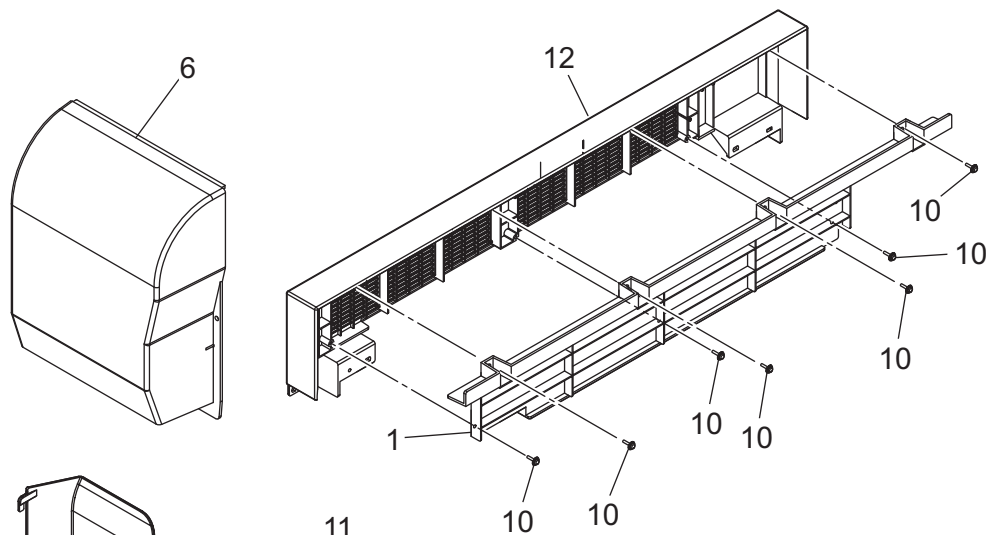
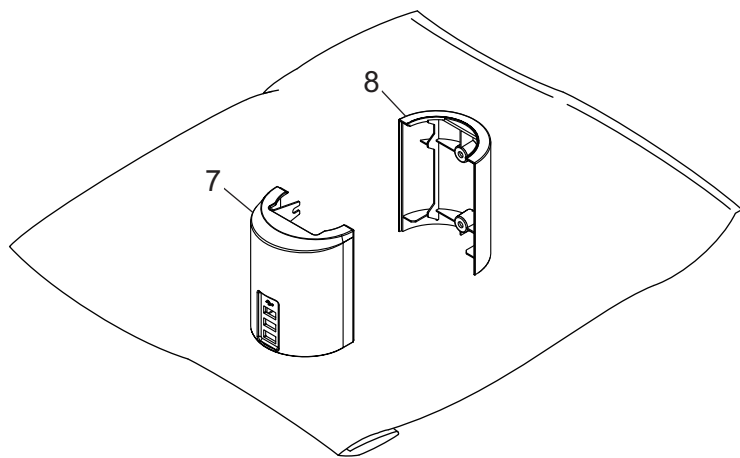
P 121



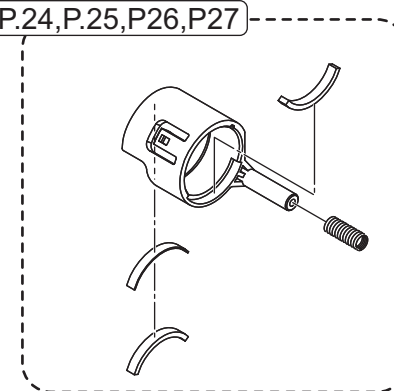
Model	Depth	Index	Color	Brand
Model	92-114	94-114	95-114	96-114
Page Weight	81-100	81-100	81-100	81-100
Page Length	100-100	100-100	100-100	100-100
Page Width	100-100	100-100	100-100	100-100
Page Weight	100-100	100-100	100-100	100-100
Page Length	100-100	100-100	100-100	100-100
Page Width	100-100	100-100	100-100	100-100
Page Weight	100-100	100-100	100-100	100-100
Page Length	100-100	100-100	100-100	100-100
Page Width	100-100	100-100	100-100	100-100
Page Weight	100-100	100-100	100-100	100-100
Page Length	100-100	100-100	100-100	100-100
Page Width	100-100	100-100	100-100	100-100
Page Weight	100-100	100-100	100-100	100-100
Page Length	100-100	100-100	100-100	100-100
Page Width	100-100	100-100	100-100	100-100

Accessory Parts

P 122



See P.24,P.25,P.26,P.27



AccurioPress C4080

MAINTENANCE LIST

● The items with no Page/Key numbers are not handled as spare parts.

No.	Section	PM Parts Description	Maintenance Cycle (K=1,000)		Parts No.	Destinations	Page/Key	Note
			QTY	Replace				
1	External section	Filter box	1	600K	A50UR70A12		P11-27	*1
2		Developing dust-proof filter/1	1	600K	A50U172200		P5-27	*1
3		Developing dust-proof filter/2	1	600K	A50U172300		P5-29	*1
4		PH dust-proof filter	1	600K	A50U172100		P5-26	*1
5		Electric component cooling filter	1	600K	A50U109900		P8-15	*1
6		Suction dust-proof filter	1	600K	A50U164901		P2-11	*1
7		Intermediate transfer cooling filter	1	600K	AC57121100		P5-32	*1
8	Paper feed section	Paper feed roller rubber	2	125K	25SA40960		P70-3/P73-3	
9		Separation roller rubber	2	125K	25SA40960		P68-1/P71-1	
10	Toner collection section	Waste toner box	1	130K	A50UR70115		P34-19	*2
11	Charging section	Charging corona/Y	1	210K	AC57R70100		P22-1	*1
12		Charging corona/M	1	210K	AC57R70100		P22-1	*1
13		Charging corona/C	1	210K	AC57R70100		P22-1	*1
14		Charging corona/K	1	210K	AC57R70100		P22-1	*1
15	Photo conductor section	Lubricant spring	2	210K	AC57R73200		P121-14	*1 *5
16	Intermediate transfer section	Toner collection sheet	1	350K	A1DUR71C00		P41-11	*1
17		Transfer belt cleaning blade	1	350K	A50UR70K22		P41-16	*1
18		Side seal	2	350K	A50U531601		P41-15	*1
19		Transfer belt cleaning unit	1	350K	A50UR70655		P36-1	*1
20	Reverse and exit section	Reverse de-curler roller	1	400K	AC57860500		P39-16	
21	Intermediate transfer section	1st transfer roller/Y	1	444K	A50U501201		P39-9	*1
22		1st transfer roller/M	1	444K	A50U501201		P39-9	*1
23		1st transfer roller/C	1	444K	A50U501201		P39-9	*1
24		1st transfer roller/K	1	444K	A50U501201		P39-9	*1
25		2nd transfer roller/Up	1	444K	A50U500401		P38-13	*1
26	Photo conductor section	Drum unit/Y	1	460K	-			*3
27		Drum unit/M	1	460K	-			*3
28		Drum unit/C	1	460K	-			*3
29		Drum unit/K	1	460K	-			*3
30	Intermediate transfer section	2nd transfer roller/Lw	1	468K	A50U520001		P59-1	*1
31		Separate discharging unit	1	468K	A50UR70B00		P59-6	*1
32	Registration section	Registration cleaning sheet assy	1	600K	AC57R73400		P104-30	
33	Fusing section	Heat insulating sleeve/Lw	4	600K	A50U756300		P46-13/P49-13	Service tool: Fluotribo MH
34		Heat insulating sleeve/Up	2	600K	A5AW744900		P49-16	Service tool: Fluotribo MH
35		Fusing gear/1	1	600K	A50U752700		P46-9	Service tool: Fluotribo MH
36		Fusing gear/3	1	600K	A50U752200		P44-23	Service tool: Fluotribo MH
37		Fusing belt assy	1	600K	A9VER70422		P49-6	
38		Fusing belt	1	600K	A50U765000		P49-14	
39	Intermediate transfer section	Intermediate transfer belt	1	700K	A9VE500100		P38-35	*1
40	Charge control section	Charging roller/Up	1	750K	AC57899000		P109-21	*1
41	Paper feed section	Pick-up roller	2	800K	A1DUR71J00		P70-19/P73-19	
42	Intermediate transfer section	Transfer belt separation claw	3	888K	A1DUR71900		P39-8	
43	Reverse and exit section	Paper exit de-curler roller	1	1,000K	AC57890800		P106-20	
44		Paper exit drive gear /1	1	1,000K	A03U909502		P106-13	
45		Paper exit gear	1	1,000K	A50U899700		P106-29	
46	Charge control section	Paper exit drive gear/2	1	1,000K	A043909901		P105-7	
47	Fusing section	Fusing paper exit roller/Up	2	1,200K	A9VE760900		P50-8	
48		Fusing bearing/Lw	4	1,200K	26NA53712		P46-2/P49-1	Service tool: Fluotribo MH
49		Fusing gear/2	1	1,200K	A03U809500		P49-5	Service tool: Fluotribo MH
50		Fusing roller/Lw	1	1,200K	A50U765500		P46-15	
51		Fusing separating claw assy	5	1,200K	A50UR72U11		P50-33	

No.	Section	PM Parts Description	Maintenance Cycle (K=1,000)		Parts No.	Destinations	Page/Key	Note
			QTY	Replace				
52	Developing section	Developer/Y	1	1,350K	-			*4
53		Developer/M	1	1,350K	-			*4
54		Developer/C	1	1,350K	-			*4
55		Developer/K	1	1,350K	-			*4
56		Developing unit/Y	1	1,350K	AC57R70200		P24-10	*1
57		Developing unit/M	1	1,350K	AC57R70200		P25-10	*1
58		Developing unit/C	1	1,350K	AC57R70200		P26-10	*1
59		Developing unit/K	1	1,350K	AC57R70200		P27-10	*1
60		Registration section	Registration roller	1	1,400K	AC57710100		P102-7
61	Registration roller bearing		2	1,400K	A03U812800		P102-6	
62	Intermediate transfer section	Belt separation claw solenoid (SD2)	1	1,760K	26NA82513		P7-2	
63	Intermediate transfer section	2nd transfer earth plate assy	2	1,872K	A50UR70G01		P82-21	*1
64		C-clip	2	1,872K	V218060086		P59-c	*1
65	Paper feed section	Paper feed clutch	2	2,000K	A795M20300		P70-13/P73-13	
66		Pre-registration clutch	2	2,000K	A795M20300		P69-20/P72-20	
67	Vertical conveyance section	Intermediate conveyance clutch/1 (CL5)	1	2,000K	A795M20300		P81-5	
68	Duplex section	Intermediate conveyance clutch/2 (CL6)	1	2,000K	AC57M20000		P87-9	
69		Intermediate conveyance clutch/3 (CL7)	1	2,000K	AC57M20000		P87-9	
70	Registration section	Registration idler gear	1	2,800K	A50U713700		P88-10	
71	Fusing section	Fusing heater lamp 1 assy/Up	1	3,000K	A9VEM31E00	B,G2	P49-4	
72		Fusing heater lamp 1 assy/Up	1	3,000K	A9VEM31F00	C,I	P49-4	
73		Fusing heater lamp 2 assy/Up	1	3,000K	A9VEM33E00	B,G2	P49-30	
74		Fusing heater lamp 2 assy/Up	1	3,000K	A9VEM33F00	C,I	P49-30	
75		Fusing temperature sensor/3 (TH3)	1	3,000K	A50UR70F00		P48-15	
76		Fusing temperature sensor/4 (TH4)	1	3,000K	A50UR70E22		P45-6	
77	Charge control section	Charging roller bearing/Fr	1	3,150K	A1RF508900		P109-5	
78		Charging roller bearing/Rr	1	3,150K	A85C897201		P109-17	
79	Intermediate transfer section	Transfer roller bearing/Y, transfer roller bearing/M and	6	3,552K	65AA26380		P39-3	
80		Transfer Roller Bearing/K	2	3,552K	A50U505700		P39-15	

*1: Actual replacement: 100% (special parts counter) (See Service Manual F-3 LIFE VALUE.)

*2: The sensor detects its full automatically.

*3: Actual replacement: 460,000 counts (quantity) or 100% (distance), whichever is earlier (See Service Manual F-3 LIFE VALUE.)

*4: Be sure to replace it together with the developing unit at the same time.

*5: Only for drum unit/K

*: The part names used on this page follow the ones used in the Service Manual and they are occasionally different from those written in other pages.

メンテナンスリスト

● ページ / キーナンバーのないものは、アフターサービス部品ではありません。

No.	区分	PM 部品名称	サイクル (K=1,000)		部品番号	仕向地	頁 / キー	備考
			員数	交換				
1	外装部	フィルターボックス	1	600K	A50UR70A12		P11-27	*1
2		現像防塵フィルター /1	1	600K	A50U172200		P5-27	*1
3		現像防塵フィルター /2	1	600K	A50U172300		P5-29	*1
4		PH 防塵フィルター	1	600K	A50U172100		P5-26	*1
5		電装冷却フィルター	1	600K	A50U109900		P8-15	*1
6		吸気防塵フィルター	1	600K	A50U164901		P2-11	*1
7		中間転写冷却フィルター	1	600K	AC57121100		P5-32	*1
8	給紙部	給紙ローラーゴム	2	125K	25SA40960		P70-3/P73-3	
9		分離ローラーゴム	2	125K	25SA40960		P68-1/P71-1	
10	トナー回収部	廃棄トナーボックス	1	130K	A50UR70115		P34-19	*2
11	帯電部	帯電極 /Y	1	210K	AC57R70100		P22-1	*1
12		帯電極 /M	1	210K	AC57R70100		P22-1	*1
13		帯電極 /C	1	210K	AC57R70100		P22-1	*1
14		帯電極 /K	1	210K	AC57R70100		P22-1	*1
15	感光体部	滑剤スプリング	2	210K	AC57R73200		P121-14	*1 *5
16	中間転写部	トナー回収シート	1	350K	A1DUR71C00		P41-11	*1
17		転写ベルトクリーニングブレード	1	350K	A50UR70K22		P41-16	*1
18		サイドシール	2	350K	A50U531601		P41-15	*1
19		転写ベルトクリーニングユニット	1	350K	A50UR70655		P36-1	*1
20	反転 / 排紙部	反転デカローラー	1	400K	AC57860500		P99-16	
21	中間転写部	1次転写ローラー /Y	1	444K	A50U501201		P39-9	*1
22		1次転写ローラー /M	1	444K	A50U501201		P39-9	*1
23		1次転写ローラー /C	1	444K	A50U501201		P39-9	*1
24		1次転写ローラー /K	1	444K	A50U501201		P39-9	*1
25		2次転写ローラー /Up	1	444K	A50U500401		P38-13	*1
26	感光体部	ドラムユニット /Y	1	460K	-			*3
27		ドラムユニット /M	1	460K	-			*3
28		ドラムユニット /C	1	460K	-			*3
29		ドラムユニット /K	1	460K	-			*3
30	中間転写部	2次転写ローラー /Lw	1	468K	A50U520001		P59-1	*1
31		分離放電板ユニット	1	468K	A50UR70B00		P59-6	*1
32	レジスト部	レジスト清掃シート Assy	1	600K	AC57R73400		P104-30	
33	定着部	断熱スリーブ /Lw	4	600K	A50U756300		P46-13/P49-13	サービスツール：フルトライボ MH
34		断熱スリーブ /Up	2	600K	A5AW744900		P49-16	サービスツール：フルトライボ MH
35		定着ギア /1	1	600K	A50U752700		P46-9	サービスツール：フルトライボ MH
36		定着ギア /3	1	600K	A50U752200		P44-23	サービスツール：フルトライボ MH
37		定着ベルト Assy	1	600K	A9VER70422		P49-6	
38		定着ベルト	1	600K	A50U765000		P49-14	
39		中間転写部	中間転写ベルト	1	700K	A9VE500100		P38-35
40	電荷制御部	帯電ローラー /Up	1	750K	AC57899000		P109-21	*1
41	給紙部	ピックアップローラー	2	800K	A1DUR71J00		P70-19/P73-19	
42	中間転写部	転写ベルト分離爪	3	888K	A1DUR71900		P39-8	
43	反転 / 排紙部	排紙デカローラー	1	1,000K	AC57890800		P106-20	
44		排紙駆動ギア /1	1	1,000K	A03U909502		P106-13	
45		排紙ギア	1	1,000K	A50U899700		P106-29	
46	電荷制御部	排紙駆動ギア /2	1	1,000K	A043909901		P105-7	
47	定着部	定着排紙ローラー /Up	2	1,200K	A9VE760900		P50-8	
48		定着軸受 /Lw	4	1,200K	26NA53712		P46-2/P49-1	サービスツール：フルトライボ MH
49		定着ギア /2	1	1,200K	A03U809500		P49-5	サービスツール：フルトライボ MH
50		定着ローラー /Lw	1	1,200K	A50U765500		P46-15	
51		定着分離爪 Assy	5	1,200K	A50UR72U11		P50-33	

No.	区分	PM 部品名称	サイクル (K=1,000)		部品番号	仕向地	頁/キー	備考
			員数	交換				
52	現像部	現像剤 /Y	1	1,350K	-			*4
53		現像剤 /M	1	1,350K	-			*4
54		現像剤 /C	1	1,350K	-			*4
55		現像剤 /K	1	1,350K	-			*4
56		現像ユニット /Y	1	1,350K	AC57R70200		P24-10	*1
57		現像ユニット /M	1	1,350K	AC57R70200		P25-10	*1
58		現像ユニット /C	1	1,350K	AC57R70200		P26-10	*1
59		現像ユニット /K	1	1,350K	AC57R70200		P27-10	*1
60		レジスト部	レジストローラー	1	1,400K	AC57710100		P102-7
61	レジストローラー軸受		2	1,400K	A03U812800		P102-6	
62	中間転写部	ベルト分離爪ソレノイド (SD2)	1	1,760K	26NA82513		P7-2	
63	中間転写部	2次転写アース板 Assy	2	1,872K	A50UR70G01		P82-21	*1
64		Cクリップ	2	1,872K	V218060086		P59-c	*1
65	給紙部	給紙クラッチ	2	2,000K	A795M20300		P70-13/P73-13	
66		プレジストクラッチ	2	2,000K	A795M20300		P69-20/P72-20	
67	垂直搬送部	中間搬送クラッチ /1 (CL5)	1	2,000K	A795M20300		P81-5	
68	両面部	中間搬送クラッチ /2 (CL6)	1	2,000K	AC57M20000		P87-9	
69		中間搬送クラッチ /3 (CL7)	1	2,000K	AC57M20000		P87-9	
70	レジスト部	レジストアイドルギア	1	2,800K	A50U713700		P88-10	
71	定着部	定着ヒーターランプ 1 Assy/Up	1	3,000K	A9VEM31E00	B,G2	P49-4	
72		定着ヒーターランプ 1 Assy/Up	1	3,000K	A9VEM31F00	C,I	P49-4	
73		定着ヒーターランプ 2 Assy/Up	1	3,000K	A9VEM33E00	B,G2	P49-30	
74		定着ヒーターランプ 2 Assy/Up	1	3,000K	A9VEM33F00	C,I	P49-30	
75		定着温度センサー /3 (TH3)	1	3,000K	A50UR70F00		P48-15	
76		定着温度センサー /4 (TH4)	1	3,000K	A50UR70E22		P45-6	
77	電荷制御部	帯電ローラー軸受 /Fr	1	3,150K	A1RF508900		P109-5	
78		帯電ローラー軸受 /Rr	1	3,150K	A85C897201		P109-17	
79	中間転写部	転写ローラー軸受 /Y、/M、/C	6	3,552K	65AA26380		P39-3	
80		転写ローラー軸受 /K	2	3,552K	A50U505700		P39-15	

*1: 実質交換 : 100% (固定パーツカウンター) (サービスマニュアル「F.3 ライフ値の考え方」参照)

*2: フル検知はセンサーにより自動検知

*3: 実質交換 : 460,000 カウント (枚数)、または 100% (距離) いずれか早いタイミング (サービスマニュアル「F.3 ライフ値の考え方」参照)

*4: 現像ユニットと同時に交換すること

*5: ドラムユニット /K のみ

*: ここに記載されている部品名称はサービスマニュアルで使用されている部品名称であり、他のページに記載されている部品名称とは異なる場合があります。

DESTINATION

Destination No.		Destinations		V	Hz	Model No.
A	A1	JAPAN				
	A2	JAPAN				
B		USA, CANADA		208-240	60	AC57011
C		EUROPEAN TYPE		220-240	50/60	AC57021
D	D1	S.E ASIA TYPE	THAILAND, SRI LANKA, SINGAPORE, MALAYSIA, HONG KONG, PAKISTAN, INDIA, BANGLADESH, INDONESIA			
	D3	OCEANIA TYPE	AUSTRALIA, NEW ZEALAND	220-240	50/60	AC57051
E		PHILIPPINES				
F	F1	SAUDI ARABIA				
	F2	SAUDI ARABIA				
G	G1	C.S AMERICA				
	G2	C.S AMERICA		208-240	60	AC57011
H		TAIWAN				
I		JORDAN, LEBANON, SYRIA, SOUTH AFRICA, IRAQ, IRAN, N.YEMEN, CAMEROON, UAE, BAHRAIN, OMAN, QATAR, KUWAIT, KENYA, TUNISIA, IVORY COAST, MOROCCO		220-240	50/60	AC57021
J		CHINA				
K		KOREA				

AccurioPress C4080