

KONICA MINOLTA

PARTS GUIDE MANUAL

APRIL 2023

AccurioPrint 2100 *ADF2*

KONICA MINOLTA, INC.

INFORMATION FOR PARTS GUIDE MANUAL

To find correct Parts No., refer to the "HOW TO MAKE THE BEST USE OF THIS MANUAL" in the following page.

HOW TO MAKE THE BEST USE OF THIS MANUAL

- 1 When you order, please check the proper figures beforehand that are on Our Parts Guide Manual, and order with the appropriate figures.
- 2 For screws, Nuts, Washers, retaining rings and Pins which are used in this model, one letter is shown on the Standard parts column of Parts list and exploded diagrams.
- 3 In order to maintain safety of the product, some specific parts composed of this product are set up as "essential safety parts".
- 4 The assigned parts number for the "essential safety parts" is indicated as "SP00-****".
When replacing these parts, follow precautions for disassembling and installing which are listed in the Service Manual.
Do not use any parts that are not set up as
- 5 ♣ means that there are exclusive parts for each destination.
Please check the appropriate destination when you order.
- 6 Revision Mark
Marked as ▲ on the illustration shows that the revision has been made.
- 7 All rights reserved. (any reprints or quotations are prohibited.)
Use of this parts guide manual should be strictly supervised to avoid disclosure of confidential information.

パーツガイドマニュアルのご案内

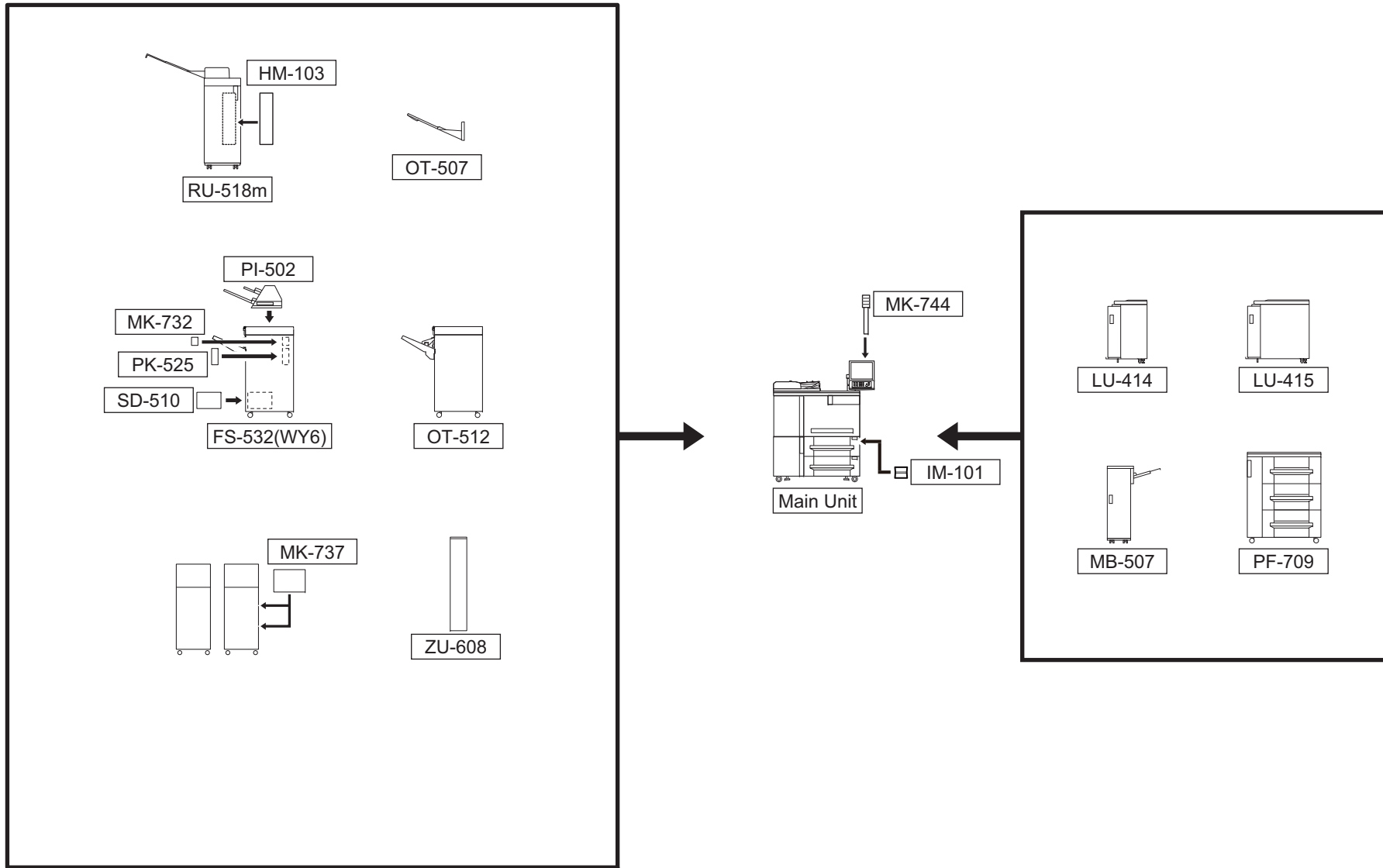
サービス部品をご発注の際には、下記に示す“パーツガイドマニュアルの活用にあたって”をご参照の上、正しい部品番号にてお願い致します。

パーツガイドマニュアルの活用にあたって

- 1 部品発注の際には、掲載されている部品番号の桁数を確認し、掲載されている桁数で発注願います。
- 2 この製品に使用されているネジ、ナット、ワッシャー、止め輪、ピンなどは、リストの右側の Standard parts 欄に a,b,c,……で表示し、イラストにも a,b,c,……表示してあります。
- 3 製品の安全性を維持する為に、製品に使用される特定の部品を「重要保安部品」として設定しています。
- 4 重要保安部品の部品番号は、“SP00-****”と記載されていますので、部品交換時は、サービスマニュアル記載の分解・組み立ての注意事項に従って作業をして下さい。
また、指定以外の部品は一切使用しないで下さい。
- 5 本文に ♣ が表示されている部品は、仕向け地毎に専用部品がある事を意味しています。
オーダーされる時は、仕向け地を確認して下さい。
- 6 改訂記号について
イラスト上に▲印が表示されている部分は、改訂された事を表します。
- 7 著作権所有（無断転載及び無断引用の禁止）
本パーツガイドマニュアルについては、機密保持等その扱いには十分注意して下さい。万一取り扱いを誤った場合には、法律で処罰されることがあります。

09/07/2021

System Configuration

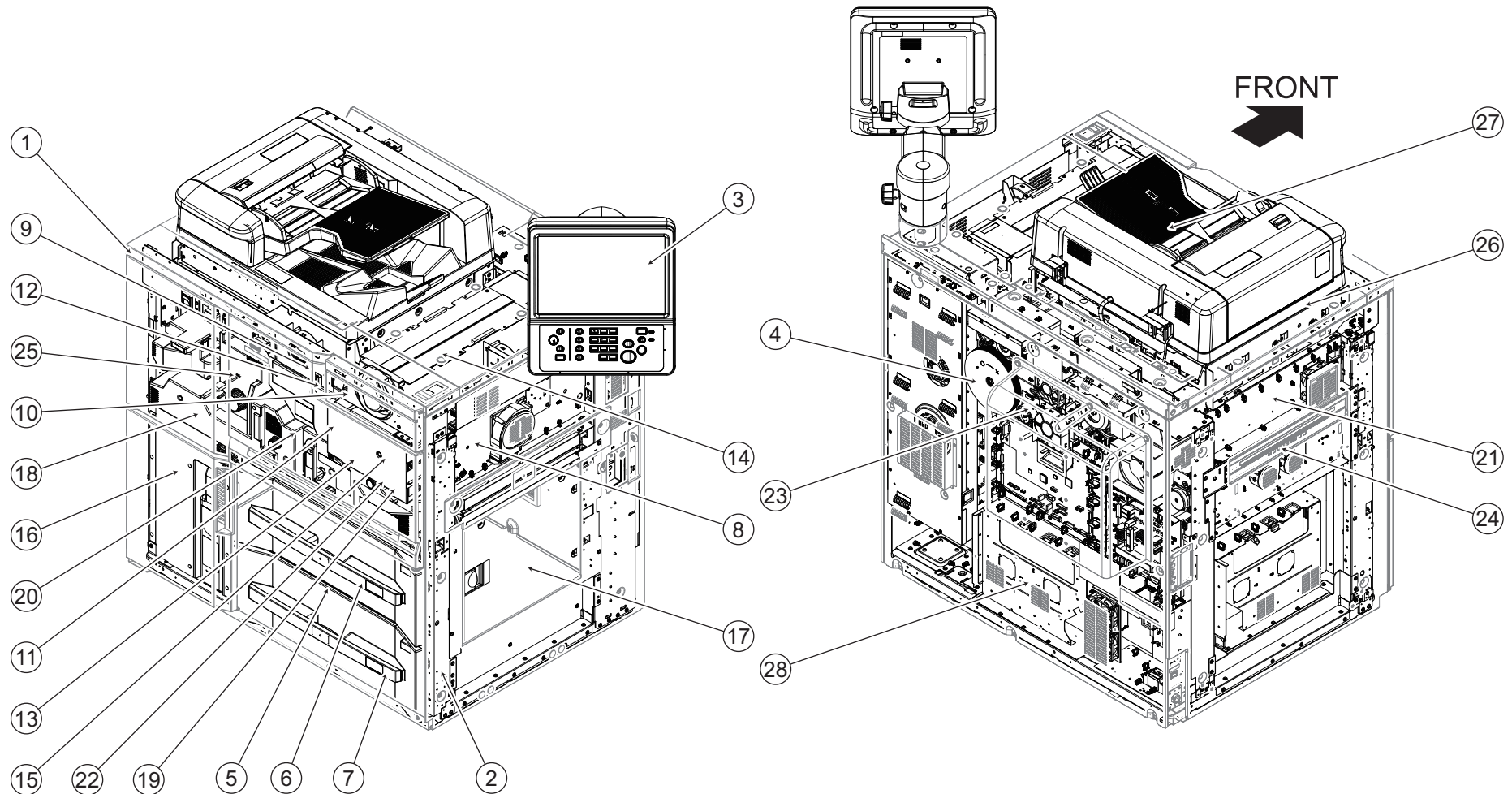


GENERAL CONTENTS

No.	Description	Model
1	Digital MFP B/W	AccurioPrint 2100
2	Finisher/Sorter	FS-532(WY6)
3	Saddle Unit	SD-510
4	Punch Unit	PK-525
5	Folding Unit	ZU-608
6	Post Inserter	PI-502
7	Output Tray	OT-507
8	Output Tray	OT-512
9	Paper Feeder	PF-709
10	Paper Feeder	LU-414
11	Paper Feeder	LU-415
12	Bypass Tray	MB-507
13	Relay Unit	RU-518m
14	Mount Kit	MK-732
15	Other Option	MK-737
16	Mount Kit	MK-744
17	Humidifier	HM-103
18	Other Option	IM-101

AccurioPrint 2100

Section Configuration



AccurioPrint 2100

CONTENTS

No.	DESCRIPTION	名称	PAGE No.
1	External Parts	外装	P1 P2 P3
2	Main Frame	骨格	P4 P5 P6 P7
3	Operation Panel Section	操作部	P8 P9 P10
4	Driving Section	駆動部	P11 P12 P13 P14 P15 P16
5	Tray	トレイ	P17
6	Tray 1	トレイ1	P18 P19 P20 P21 P22 P23 P24 P25 P26
7	Tray 2	トレイ2	P27 P28 P29 P30 P31 P32 P33 P34 P35
8	Drum Cartridge Unit	ドラムカートリッジ部	P36 P37 P38 P39 P40 P41
9	Developing Suction	現像サクシオン部	P42
10	Charge Unit	帯電極ユニット	P43 P44
11	Write Section	書き込み部 (LPH)	P45
12	Drum Cleaning Unit	ドラムクリーニングユニット	P46 P47 P48 P49
13	Developing Unit	現像部	P50 P51
14	Toner Supply Protection Unit	トナー補給ユニット	P52
15	Toner Conveyance Main Body Unit	トナー搬送本体ユニット	P53
16	Toner Collection Section	トナー回収部	P54 P55
17	Vertical Conveyance Unit	垂直搬送ユニット	P56 P57 P58 P59 P60
18	ADU	ADU	P61 P62 P63 P64 P65 P66 P67 P68 P69 P70 P71 P72
19	ADU Transfer Pressure Unit	ADU 転写圧着ユニット	P73 P74
20	ADU Belt Cleaner Unit	ADU ベルト クリーナーユニット	P75 P76
21	ADU Decurler Unit	ADU デカーラユニット	P77 P78 P79 P80
22	ADU Regist Unit	ADU レジスト ユニット	P81 P82
23	Ttransfer Belt Unit	転写ベルト ユニット	P83 P84
24	Main Body Paper Exit Unit	本体排紙ユニット	P85
25	Fuser Unit	定着部	P86 P87 P88 P89 P90 P91 P92
26	Scanner Section	スキャナー部	P93 P94 P95 P96
27	Dual Scan ADF (DF-708)	1パス両面 ADF A s s y (D F - 7 0 8)	P97 P98 P99 P100 P101 P102 P103 P104 P105 P106 P107 P108 P109 P110
28	Electric Parts	電装	P111 P112 P113 P114
29	Wiring	束線	P115 P116
30	Wiring Accessories	配線部品	P117 P118
31	Service Tool	サービスツール	P119
32	Accessory Parts	同梱部品	P120 P121

INDEX

Parts No.	Page No.
000V-19-0	119-17
00GR00020	119-5
00GR00220	119-6
00GR00260	119-4
00VC-2-00	119-1
00VD-1000	119-16
029420640	50-1
048610110	4-1
059076510	26-1
059076510	35-1
066079020	14-1
066079020	74-1
07BA12352	77-1
07BA15871	39-1
08AA76060	70-1
090020510	37-8
090020510	47-1
090020510	49-1
090076040	48-1
113620270	41-1
120A97110	119-11
129X48350	20-1
129X48350	21-1
129X48350	29-1
129X48350	30-1
129X48360	20-2
129X48360	21-2
129X48360	29-2
129X48360	30-2
12AJ45850	60-1
12AJ45850	65-1
12AJ45850	71-1
12AJ45850	81-1
12ER40350	66-14
12QV40650	25-1
12QV40650	34-1
12QV40650	57-1
12QV40650	58-1
12QV40650	59-1
12QV40650	73-1

Parts No.	Page No.
12QV40650	78-1
12QV40650	79-1
12QV40650	84-1
13GQ77550	69-1
13NT80511	7-17
13NT80511	114-1
13QA10330	18-13
13QA10330	27-13
13QA10330	81-2
13QA17730	78-2
13QA17730	79-2
13QA40610	11-1
13QA40610	14-4
13QA40610	16-17
13QA40610	47-2
13QA85511	22-1
13QA85511	24-1
13QA85511	31-1
13QA85511	33-1
13QA85511	59-2
13QA85511	60-2
13QA85511	66-1
13QA85511	67-1
13QA85511	68-1
13QA85511	71-2
13QA85511	80-1
13QA85511	81-3
13QA85511	82-1
13QA85511	85-1
14GE45470	69-2
14GE45470	81-4
15AG57620	79-3
15AG77020	13-1
15BY561200	97-1
173030270	4-2
173030270	25-2
173030270	34-2
190040922E	82-2
25AA20321	41-2
25AA29770	41-3

Parts No.	Page No.
25AA40120	25-3
25AA40120	34-3
25AA40460	26-31
25AA40460	35-31
25AA40870	22-29
25AA40870	31-29
25AA44180	65-2
25AA44180	72-1
25AA47500	69-3
25AA47551	20-12
25AA47551	29-12
25AA50080	72-2
25AA53290	92-1
25AA55360	46-1
25AA55390	46-2
25AA55420	46-3
25AA55720	48-2
25AA85020	112-26
25BA32251	53-1
25HA15210	47-3
25SA15270	14-6
25SA15280	14-7
25SA15390	13-2
25SA20150	14-8
25SA43310	68-2
25SA43310	72-3
25SA43310	81-5
25SA66420	67-22
25SA66420	120-5
26AA53150	89-2
26MA74100	76-1
26TA30770	49-2
392010231	5-1
392010231	55-1
392010231	58-2
392014041	62-1
392015650	51-1
396040681	47-4
396040681	48-3
396040681	76-2

Parts No.	Page No.
396076050	58-3
4004457301	54-1
4025228301	111-1
4036252401	73-2
4036307501	94-1
40AA32290	38-4
40AA32290	39-2
40AA32290	79-4
40AA88031	53-2
40BA75520	18-17
40BA75520	27-17
4131253701	103-1
4131253701	105-1
4131253701	110-1
4163529301	101-1
4163529301	109-1
4470402401	22-2
4470402401	23-1
4470402401	31-2
4470402401	32-1
4470402401	46-4
4470402401	63-2
4470402401	74-2
4470402401	77-16
4470402401	103-2
4470402401	104-1
4470402401	105-2
4470402401	107-1
4470402401	108-1
4470402401	109-2
4470402401	110-2
450053391	87-1
4556M10000	99-1
4581162501	95-1
45AA20400	41-4
45AA20400	43-1
45AA20400	44-1
45AA20400	83-1
462076010	69-4
466076020	49-3

Parts No.	Page No.
466076020	55-2
466076020	58-4
466076020	60-3
466076020	72-5
504097340	121-1
50BA40220	25-4
50BA40220	34-4
540015162	14-2
554010550	14-3
55GA32220	53-3
55TA75020	13-3
55TA75020	14-9
55TA75020	39-3
55VA12460	2-1
55VA15190	11-2
55VA15541	13-4
55VA15541	15-1
55VA15570	11-3
55VA15570	14-10
55VA15570	74-3
55VA15580	14-11
55VA20310	5-2
55VA20520	37-10
55VA20520	39-12
55VA20590	41-5
55VA20680	41-6
55VA20830	40-1
55VA20850D	40-2
55VA25140	44-2
55VA25240	43-2
55VA25270	36-10
55VA25270	44-3
55VA29040	41-7
55VA29050	41-8
55VA29140	41-9
55VA29150	41-10
55VA32530	53-18
55VA40130	26-2
55VA40130	35-2
55VA40260	26-3

Parts No.	Page No.	Parts No.	Page No.	Parts No.	Page No.	Parts No.	Page No.	Parts No.	Page No.
55VA40260	35-3	55VA46490	81-7	55VA73310	7-12	56AA17700	15-3	56UA15230	12-13
55VA40380	22-3	55VA47360	72-8	55VA76521E	69-8	56AA17760	26-6	56UA15320	16-19
55VA40380	31-3	55VA47371	72-9	55VA76530E	59-5	56AA17760	35-6	56UA15420	11-6
55VA40460	22-30	55VA47390	72-10	55VA77040	14-12	56AA25150	44-5	56UA15420	13-6
55VA40460	31-30	55VA47450	65-5	55VA77300E	51-2	56AA40490	25-8	56UA15510	16-2
55VA40610	24-2	55VA47450	66-2	55VA77570	41-11	56AA40490	26-7	56UA15510	71-4
55VA40610	33-2	55VA47450	67-2	55VA77652	24-3	56AA40490	34-8	56UA15510	78-4
55VA40910	19-1	55VA47701	72-11	55VA77652	33-3	56AA40490	35-7	56UA15540	4-5
55VA40910	28-1	55VA47710	72-12	55VA77850	87-2	56AA41340	19-5	56UA15610E	11-7
55VA40920D	19-2	55VA47762E	72-13	55VA77890	52-1	56AA41340	22-6	56UA20160	5-4
55VA40920D	28-2	55VA47770	72-14	55VA77960	53-16	56AA41340	28-5	56UA20380	37-6
55VA42111	22-4	55VA47801E	72-33	55VA79030	25-5	56AA41340	31-6	56UA20720	37-5
55VA42111	31-4	55VA47830	64-2	55VA79030	34-5	56AA41351E	22-7	56UA20730	37-4
55VA42120	26-4	55VA47830	69-5	55VA79050	25-6	56AA41351E	31-7	56UA20740	37-3
55VA42120	35-4	55VA47840	70-2	55VA79050	34-6	56AA42690	67-4	56UA20750	37-2
55VA42120	58-5	55VA47850	59-4	55VA79140	25-7	56AA51810	11-17	56UA25090	44-6
55VA42120	59-3	55VA47850	70-3	55VA79140	34-7	56AA52700	81-8	56UA25280	44-7
55VA42120	81-6	55VA47891	68-18	55VA79210	58-7	56AA54220	90-3	56UA29230	41-12
55VA42220	22-5	55VA47910	72-15	55VAJG031	119-2	56AA97140	112-29	56UA31030	42-2
55VA42220	31-5	55VA47970	72-16	55VAJG041	119-3	56AE43090	22-8	56UA31060	42-6
55VA42330D	19-3	55VA47980	72-34	55VB83042	89-5	56AE43090	31-8	56UA375200	51-3
55VA42330D	28-3	55VA47991F	68-19	56AA15460	112-2	56GA76600E	13-5	56UA40011E	19-25
55VA42340	19-4	55VA49050E	64-3	56AA15471	112-3	56GA76600E	14-13	56UA40011E	28-25
55VA42340	28-4	55VA49080	69-6	56AA15521	112-4	56GA90890	63-3	56UA40020E	23-21
55VA42390	23-23	55VA49131	69-7	56AA17080	112-5	56HA12980	23-2	56UA40020E	32-21
55VA42390	32-23	55VA49240	68-4	56AA17090	11-4	56HA12980	32-2	56UA40051G	22-9
55VA42400	23-24	55VA49260	68-5	56AA17090	15-2	56QA46060	82-4	56UA40051G	31-9
55VA42400	32-24	55VA49440	67-3	56AA17090	16-18	56UA-1930	4-6	56UA40070	22-10
55VA42420	22-25	55VA53450	89-3	56AA17090	71-3	56UA-4080	22-14	56UA40070	31-10
55VA42420	31-25	55VA53970	90-2	56AA17090	78-3	56UA-4080	31-14	56UA40100	26-9
55VA44120	58-6	55VA55130	48-4	56AA17140	36-6	56UA-4321E	18-3	56UA40100	35-9
55VA44150	60-4	55VA55351	46-5	56AA17140	44-4	56UA-4321E	27-3	56UA40140	23-17
55VA44171G	60-5	55VA55361	46-6	56AA17300	60-7	56UA10520	6-2	56UA40140	32-17
55VA44171G	72-6	55VA55490	46-7	56AA17330	112-6	56UA10520	7-4	56UA40160	23-18
55VA46451	57-2	55VA55641	49-4	56AA17350	69-9	56UA12240	2-2	56UA40160	32-18
55VA46451	60-6	55VA55670	48-5	56AA17361	72-35	56UA12370	54-3	56UA40170	26-10
55VA46451	72-7	55VA55680	47-5	56AA17510	26-5	56UA12530	26-32	56UA40170	35-10
55VA46451	80-2	55VA55680	48-6	56AA17510	35-5	56UA12530	35-32	56UA40240	22-11
55VA46451	82-3	55VA70110D	3-2	56AA17510	46-8	56UA12560	23-3	56UA40240	31-11
55VA46490	68-3	55VA70110D	54-2	56AA17700	12-14	56UA12560	32-3	56UA40250	26-11

Parts No.	Page No.	Parts No.	Page No.	Parts No.	Page No.	Parts No.	Page No.	Parts No.	Page No.
56UA40250	35-11	56UA40570	24-17	56UA41150	33-7	56UA41661	30-12	56UA46570	64-5
56UA40260	23-19	56UA40570	33-17	56UA41160	24-8	56UA41670	20-15	56UA46610E	71-16
56UA40260	32-19	56UA40580E	23-20	56UA41160	33-8	56UA41670	29-15	56UA46631F	66-15
56UA40270	23-4	56UA40580E	32-20	56UA41220	19-16	56UA41690	19-17	56UA46740	64-24
56UA40270	32-4	56UA40600	26-18	56UA41220	28-16	56UA41690	28-17	56UA46770E	66-16
56UA40280	26-12	56UA40600	35-18	56UA41240	20-5	56UA42570	18-11	56UA46921	61-1
56UA40280	35-12	56UA40610	25-10	56UA41240	29-5	56UA42570	27-11	56UA47031G	72-19
56UA40320	5-5	56UA40610	34-10	56UA41250	21-4	56UA44050E	57-20	56UA47040F	65-7
56UA40330	5-6	56UA40620	25-11	56UA41250	30-4	56UA44070	57-3	56UA47121	68-7
56UA40351	18-21	56UA40620	34-11	56UA41260	19-29	56UA44080	57-21	56UA47190	71-13
56UA40351	27-21	56UA40660	26-19	56UA41260	28-29	56UA44410E	57-22	56UA47240	72-37
56UA40360	18-20	56UA40660	35-19	56UA41270	24-19	56UA44500	57-5	56UA47250E	72-38
56UA40360	27-20	56UA40680	20-3	56UA41270	33-19	56UA44500	60-8	56UA47260	72-39
56UA40371	19-26	56UA40680	29-3	56UA41281E	24-20	56UA44660	57-6	56UA47270	72-20
56UA40371	28-26	56UA40690	26-20	56UA41281E	33-20	56UA44660	60-9	56UA47310	68-20
56UA40400	26-13	56UA40690	35-20	56UA41340	24-9	56UA44680	57-7	56UA47320	68-21
56UA40400	35-13	56UA40700	121-2	56UA41340	33-9	56UA44680	60-10	56UA47330	68-8
56UA40420	19-6	56UA40760	19-27	56UA41400	24-10	56UA44680	82-5	56UA47350	65-8
56UA40420	28-6	56UA40760	28-27	56UA41400	33-10	56UA45571E	85-2	56UA47380E	69-32
56UA40450E	5-8	56UA41011E	24-4	56UA41470	19-30	56UA45600	85-3	56UA47390	65-9
56UA40460	24-18	56UA41011E	33-4	56UA41470	28-30	56UA45820	66-3	56UA47390	69-10
56UA40460	33-18	56UA41020	21-14	56UA41490	20-6	56UA45820	72-17	56UA47600	77-4
56UA40470	22-31	56UA41020	30-14	56UA41490	21-5	56UA45880	112-8	56UA47670	66-17
56UA40470	31-31	56UA41030	20-17	56UA41490	29-6	56UA45910	64-23	56UA47750	66-18
56UA40480	22-12	56UA41030	29-17	56UA41490	30-5	56UA45960	41-13	56UA47890	68-9
56UA40480	31-12	56UA41040	21-9	56UA41500	19-31	56UA45960	85-4	56UA47920	71-14
56UA40490	25-9	56UA41040	30-9	56UA41500	28-31	56UA45970	72-36	56UA53070	89-6
56UA40490	26-14	56UA41060	21-10	56UA41520	19-32	56UA46030G	81-9	56UA53320	89-7
56UA40490	34-9	56UA41060	30-10	56UA41520	28-32	56UA46061E	82-6	56UA53530	86-1
56UA40490	35-14	56UA41070	20-13	56UA41530	19-9	56UA46100E	81-10	56UA54160E	89-8
56UA40500	26-33	56UA41070	29-13	56UA41530	28-9	56UA46110E	82-7	56UA54430	86-2
56UA40500	35-33	56UA41110	19-28	56UA41540	20-7	56UA46140	65-6	56UA54530	92-2
56UA40511E	19-7	56UA41110	28-28	56UA41540	29-7	56UA46140	80-3	56UA54540	92-3
56UA40511E	28-7	56UA41120E	19-8	56UA41550	21-11	56UA46170	81-11	56UA54570	92-4
56UA40520	26-15	56UA41120E	28-8	56UA41550	30-11	56UA46190	82-8	56UA54600	92-5
56UA40520	35-15	56UA41130	24-5	56UA41640	24-21	56UA46430D	62-2	56UA55550	49-5
56UA40530	26-16	56UA41130	33-5	56UA41640	33-21	56UA46480	66-4	56UA70330	10-2
56UA40530	35-16	56UA41140	24-6	56UA41661	20-14	56UA46480	67-5	56UA70540	8-16
56UA40540	26-17	56UA41140	33-6	56UA41661	21-12	56UA46480	68-6	56UA70600	9-1
56UA40540	35-17	56UA41150	24-7	56UA41661	29-14	56UA46480	72-18	56UA70750	9-2

Parts No.	Page No.	Parts No.	Page No.	Parts No.	Page No.	Parts No.	Page No.	Parts No.	Page No.
56UA70820	8-1	56UA77660	18-10	57AA30260	51-4	A00J617800	58-17	A03UM15802	7-5
56UA73071	112-9	56UA77660	27-10	57GA44300	57-10	A00J617800	59-11	A03UM50500	70-16
56UA73500	114-5	56UA77800	88-2	57GA47640	84-2	A00J617800	81-15	A03UR70200	54-8
56UA75020	4-7	56UA77930	15-7	57GA61560	65-22	A00J617900	12-2	A03X565611	25-14
56UA75030	26-21	56UA78030	11-9	57GA61560	113-15	A00J617900	25-12	A03X565611	34-14
56UA75030	35-21	56UA78060	65-10	57GA79430	57-11	A00J617900	34-12	A04J709800	79-6
56UA75050	64-6	56UA78080	64-7	57GA79440	59-10	A00J617900	57-12	A04J719200	79-7
56UA75050	69-11	56UA78090	59-7	65AA-9920	119-13	A00J617900	58-18	A04J719800	79-18
56UA75050	70-4	56UA886100	72-21	65AA11300	4-8	A00J617900	59-12	A07H570500	103-7
56UA75070	89-9	56UA886200	72-22	65AA26890	76-18	A00J617900	78-5	A07TM60100	112-11
56UA76030	58-10	56UA90250E	60-13	65AA49190	11-18	A00J617900	79-5	A0ED271200	96-1
56UA760900	86-3	56UA90350	22-17	65AA53991	83-2	A00J617900	81-16	A0ED271300	96-2
56UA760900	87-3	56UA90350	31-17	65AA53991	92-6	A00J663200	26-22	A0ED273600	95-2
56UA77040E	11-8	56UA90620	81-13	65AA80112	70-6	A00J663200	35-22	A0ED273600	96-3
56UA77061E	12-1	56UA90650	66-5	9313110033	77-3	A00V240600	11-11	A0ED274200	96-4
56UA77061E	85-5	56UA90650	67-6	9313110033	114-3	A00V240600	13-7	A0ED274300	96-5
56UA77070F	15-4	56UA90650	68-10	9335140051	54-5	A00V240600	14-14	A0ED274400	96-6
56UA77070F	58-11	56UA90700	64-8	9335140071	102-1	A00V240600	15-8	A0ED276301	95-3
56UA77160	58-12	56UA90700	69-12	9335140071	106-1	A00V240600	16-4	A0G6101701	8-15
56UA77170E	58-13	56UA90710	65-11	9J06M60100	3-3	A00V240600	25-13	A0G6102500	6-3
56UA77180E	58-14	56UA90830	59-8	9J06PJP100	119-12	A00V240600	34-13	A0G6102500	7-6
56UA77270	15-5	56UA90840	59-9	9J06PJP100	119-9	A00V240600	51-5	A0G6113500	4-4
56UA77290	41-14	56UA90880	63-7	9J06PJP200	119-10	A00V240600	64-9	A0G6161600	8-17
56UA77400	55-3	56UA90880	66-6	9J07160200	97-2	A00V240600	69-13	A0G6162000	1-3
56UA77430	53-17	56UA90880	82-9	9J07210802	97-3	A00V240600	70-5	A0G6162100	1-4
56UA77440	52-2	56UA90890	85-6	9J07210901	97-4	A00V240600	71-5	A0G6162200	1-5
56UA77450	52-3	56UAR70500	5-3	9J07300801	101-2	A00V240600	78-6	A0G6162400	1-40
56UA77480	18-19	56UAR79500	22-15	9J07330102	103-3	A00V240600	81-17	A0G6162700	1-41
56UA77480	27-19	56UAR79500	23-5	9J07330801	103-4	A00V240600	85-7	A0G6163100	2-3
56UA77530	19-10	56UAR79500	31-15	9J07331901	103-5	A00V240600	104-3	A0G6163602	2-27
56UA77530	28-10	56UAR79500	32-5	9J07340901	104-2	A00V240600	107-2	A0G6164101	2-29
56UA77560	81-12	56UAR79600	23-6	9J07341102	101-3	A00V240600	109-3	A0G6165200	23-22
56UA77600	24-11	56UAR79600	32-6	A00J169100	121-8	A03TM50000	77-2	A0G6165200	32-22
56UA77600	33-11	56UAR79700	22-16	A00J265300	93-1	A03U729500	88-1	A0G6167001	1-43
56UA77620	24-12	56UAR79700	31-16	A00J563600	103-6	A03U734500	86-4	A0G6168101	8-2
56UA77620	33-12	56UAR7A100	60-16	A00J617800	18-4	A03U734500	89-10	A0G6168500	2-4
56UA77640F	18-16	56UAR7A200	60-17	A00J617800	27-4	A03U734500	90-4	A0G6168600	1-42
56UA77640F	27-16	57AA30260	1-1	A00J617800	46-9	A03U812800	26-23	A0G6168700	2-5
56UA77650E	18-15	57AA30260	23-7	A00J617800	54-6	A03U812800	35-23	A0G6192400	10-4
56UA77650E	27-15	57AA30260	32-7	A00J617800	55-4	A03UM15201	112-10	A0G6192500	10-5

Parts No.	Page No.	Parts No.	Page No.	Parts No.	Page No.	Parts No.	Page No.	Parts No.	Page No.
A0G6192700	10-6	A0G6339600	41-24	A0G6501100	83-19	A0G6514200	62-3	A0G6561200	22-18
A0G6192900	10-7	A0G6339812	41-25	A0G6501200	83-20	A0G6514800	67-26	A0G6561200	31-18
A0G6193700	10-25	A0G6342200	38-5	A0G6501300	84-11	A0G6514900	75-7	A0G6561300	22-32
A0G6194000	10-26	A0G6344501	36-2	A0G6501400	84-12	A0G6515100	75-8	A0G6561300	31-32
A0G6215200	14-15	A0G6344801	40-4	A0G6501500	84-13	A0G6515900	75-9	A0G6570101	22-26
A0G6215300	14-16	A0G6345111	41-26	A0G6501600	84-14	A0G6516001	75-10	A0G6570101	31-26
A0G6215400	14-17	A0G6345200	41-27	A0G6501700	83-21	A0G6516100	75-11	A0G6570200	25-17
A0G6215500	13-8	A0G6345311	41-28	A0G6501800	83-22	A0G6520500	67-28	A0G6570200	34-17
A0G6217500	13-9	A0G6345411	41-29	A0G6501900	83-23	A0G6520900	76-7	A0G6570400	25-31
A0G6217600	13-10	A0G6345600	41-30	A0G6502200	84-16	A0G6521000	76-8	A0G6570400	34-31
A0G6221100	14-18	A0G6345700	41-31	A0G6502300	84-4	A0G6521100	76-9	A0G6570500	25-18
A0G6227300	14-19	A0G6345800	41-32	A0G6502600	84-17	A0G6521202	67-27	A0G6570500	34-18
A0G6227400	14-20	A0G6346600	40-5	A0G6503200	83-24	A0G6521400	75-12	A0G6570600	22-27
A0G6237100	11-12	A0G6367400	55-5	A0G6503300	83-25	A0G6521500	67-7	A0G6570600	31-27
A0G6237201	16-5	A0G6367500	55-6	A0G6503401	84-8	A0G6521600	67-8	A0G6570700	22-28
A0G6237300	16-6	A0G6367900	55-7	A0G6503500	83-26	A0G6521900	75-13	A0G6570700	31-28
A0G6247100	15-9	A0G6373200	51-6	A0G6503600	83-27	A0G6521900	76-10	A0G6571600	25-30
A0G6247200	15-10	A0G6374900	50-2	A0G6503900	83-3	A0G6523103	67-29	A0G6571600	34-30
A0G6247300	15-11	A0G6375211	51-3	A0G6504000	64-10	A0G6523300	76-11	A0G6571900	25-19
A0G6247400	15-12	A0G6375400	50-3	A0G6504100	64-25	A0G6525600	43-5	A0G6571900	34-19
A0G6247500	15-13	A0G6376000	77-5	A0G6504200	64-26	A0G6525600	46-10	A0G6572000	25-20
A0G6250500	12-3	A0G6377300	51-8	A0G6504300	64-11	A0G6530300	49-6	A0G6572000	34-20
A0G6250601	12-4	A0G6377400	51-9	A0G6506500	73-3	A0G6530500	47-6	A0G6572100	25-32
A0G6250700	12-5	A0G6378700	50-4	A0G6506600	73-4	A0G6530701	47-7	A0G6572100	34-32
A0G6250800	12-15	A0G6378800	50-5	A0G6506700	73-5	A0G6531300	46-11	A0G6580100	25-33
A0G6251200	12-16	A0G6390800	42-8	A0G6507512	73-6	A0G6531401	49-7	A0G6580100	34-33
A0G6251301	12-17	A0G6394400	42-4	A0G6508600	69-14	A0G6531500	47-8	A0G6600700	19-18
A0G6331101	40-3	A0G6400502	53-19	A0G6509001	74-4	A0G6531500	48-7	A0G6600700	28-18
A0G6331301	39-4	A0G6411200	3-5	A0G6509101	74-5	A0G6531800	49-8	A0G6600800	19-19
A0G6332000	41-15	A0G6411200	54-7	A0G6509201	74-6	A0G6532101	46-13	A0G6600800	28-19
A0G6332600	37-1	A0G6460600	44-8	A0G6509301	74-7	A0G6532202	47-9	A0G6600900	19-20
A0G6333700	36-3	A0G6462901	43-3	A0G6510700	76-4	A0G6532300	47-10	A0G6600900	28-20
A0G6338113	41-16	A0G6463200	44-9	A0G6511312	76-5	A0G6532700	47-11	A0G6601000	19-11
A0G6338201	41-17	A0G6463500	43-4	A0G6511401	75-1	A0G6532900	47-12	A0G6601000	28-11
A0G6338411	41-18	A0G6470800	36-8	A0G6512400	75-2	A0G6534200	49-9	A0G6601300	19-33
A0G6338612	41-19	A0G6500211	83-17	A0G6512800	75-3	A0G6535900	47-13	A0G6601300	28-33
A0G6338911	41-20	A0G6500300	84-9	A0G6513211	76-6	A0G6561000	25-15	A0G6601500	19-21
A0G6339000	41-21	A0G6500801	84-15	A0G6513300	75-4	A0G6561000	26-24	A0G6601500	28-21
A0G6339400	41-22	A0G6500901	84-10	A0G6514000	75-5	A0G6561000	34-15	A0G6601700	19-34
A0G6339500	41-23	A0G6501000	83-18	A0G6514100	75-6	A0G6561000	35-24	A0G6601700	28-34

Parts No.	Page No.	Parts No.	Page No.	Parts No.	Page No.	Parts No.	Page No.	Parts No.	Page No.
A0G6601900	18-14	A0G6732100	86-8	A0G6816200	6-4	A0G6841700	79-19	A0G6M40400	114-7
A0G6601900	27-14	A0G6734100	86-9	A0G6816400	62-4	A0G6842200	77-8	A0G6M50801	50-6
A0G6602101	25-21	A0G6734200	87-5	A0G6816500	62-5	A0G6842323	80-16	A0G6M93100	9-10
A0G6602101	34-21	A0G6734500	86-10	A0G6816600	67-11	A0G6842600	77-20	A0G6N17200	63-6
A0G6602300	25-22	A0G6739300	16-20	A0G6816701	67-12	A0G6843800	78-8	A0G6N18400	10-16
A0G6602300	34-22	A0G6741012	89-12	A0G6816800	72-25	A0G6843800	80-5	A0G6N19200	67-13
A0G6606500	18-18	A0G6742200	87-6	A0G6816900	64-29	A0G6843901	80-17	A0G6N19300	67-14
A0G6606500	27-18	A0G6745202	92-9	A0G6817301	72-40	A0G6844101	77-9	A0G6N19400	67-15
A0G6615100	19-22	A0G6745500	92-10	A0G6818200	64-12	A0G6844200	78-18	A0G6N22202	69-18
A0G6615100	28-22	A0G6746200	92-11	A0G6818200	69-15	A0G6844300	77-10	A0G6N22500	39-10
A0G6615200	19-12	A0G6746300	92-12	A0G6818300	63-4	A0G6844413	77-11	A0G6N22600	114-8
A0G6615200	28-12	A0G6749700	92-13	A0G6818300	64-13	A0G6844500	77-12	A0GC210401	13-11
A0G6620300	24-22	A0G6810500	67-9	A0G6818300	65-12	A0G6844611	77-13	A0GY738300	85-8
A0G6620300	33-22	A0G6810600	67-10	A0G6818300	69-16	A0G6844700	80-13	A0HT561202	104-4
A0G6620400	24-23	A0G6810800	68-11	A0G6818600	71-15	A0G6844800	80-14	A0HU250500	107-3
A0G6620400	33-23	A0G6811101	72-23	A0G6818800	64-14	A0G6844900	77-14	A0P0742300	108-25
A0G6620500	21-6	A0G6811201	72-24	A0G6818900	70-9	A0G6845100	78-9	A0P0M50300	106-2
A0G6620500	30-6	A0G6811501	63-15	A0G6819000	70-17	A0G6845200	78-10	A0P0M50400	4-9
A0G6620600	20-8	A0G6811600	66-19	A0G6819100	70-18	A0G6845500	77-21	A0P0M73100	10-1
A0G6620600	29-8	A0G6811700	66-21	A0G6819200	70-10	A0G6845600	80-15	A0TK397501	73-9
A0G6690300	5-9	A0G6811800	68-22	A0G6819300	70-11	A0G6845700	80-18	A0U0945401	17-1
A0G6700300	59-14	A0G6812100	65-29	A0G6819400	63-5	A0G6845900	77-22	A0U0945501	17-2
A0G6710502	82-11	A0G6812200	5-10	A0G6819500	6-5	A0G6845900	78-19	A0U4109000	6-10
A0G6712100	81-18	A0G6812300	63-12	A0G6819600	6-6	A0G6846100	79-8	A0U4109000	7-7
A0G6712200	82-12	A0G6812400	64-27	A0G6819700	6-7	A0G6846300	78-11	A0Y5162000	1-6
A0G6713200	81-19	A0G6812700	67-24	A0G6819800	6-8	A0G6846600	78-12	A0Y5162000	2-6
A0G6713600	82-13	A0G6812800	65-23	A0G6819900	6-9	A0G6846800	77-15	A0Y5227500	14-22
A0G6714100	81-20	A0G6812900	66-20	A0G6830101	61-2	A0G6848400	62-8	A0Y5227500	16-7
A0G6714200	82-14	A0G6813100	70-21	A0G6830201	62-6	A0G6848500	79-9	A0Y5227600	14-23
A0G6714300	81-21	A0G6813200	70-7	A0G6830301	61-3	A0G6947300	61-7	A0Y5344900	38-2
A0G6714600	82-15	A0G6813300	70-8	A0G6835100	64-31	A0G6950501	36-12	A0Y5344900	39-11
A0G6714700	82-16	A0G6813600	69-33	A0G6835200	64-15	A0G6950501	47-14	A0Y5351500	41-33
A0G6717100	82-17	A0G6813700	64-30	A0G6835300	61-4	A0G6950701	42-9	A0Y5373601	51-3
A0G6725501	92-7	A0G6813900	63-14	A0G6836102	64-32	A0G6951001	83-9	A0Y5601600	25-23
A0G6726000	88-3	A0G6814000	64-28	A0G6836200	64-33	A0G6951101	44-10	A0Y5601600	34-23
A0G6728000	92-8	A0G6814200	70-20	A0G6836400	61-5	A0G6H06000	10-14	A0Y5713100	81-22
A0G6731000	87-4	A0G6814300	68-12	A0G6840900	80-4	A0G6J34000	40-7	A0Y5M15101	4-10
A0G6731102	86-5	A0G6814400	68-13	A0G6841300	78-7	A0G6M10100	11-10	A0Y5M55100	82-18
A0G6731301	86-6	A0G6815600	71-6	A0G6841401	77-6	A0G6M10100	16-3	A108260700	103-8
A0G6731400	86-7	A0G6815900	69-31	A0G6841501	77-7	A0G6M40104	114-6	A108266300	109-4

Parts No.	Page No.	Parts No.	Page No.	Parts No.	Page No.	Parts No.	Page No.	Parts No.	Page No.
A108561500	101-4	A161M50A00	95-16	A3CK568300	104-6	A4EU362200	55-9	A4EU602300	21-3
A108703100	102-2	A161M50A00	95-21	A3CK940000	109-5	A4EU375100	51-3	A4EU602300	29-4
A108703100	106-3	A161N14000	96-18	A3CKH00400	106-4	A4EU375200	51-3	A4EU602300	30-3
A108890500	101-5	A161N14201	95-17	A3CKM10300	110-3	A4EU377000	51-11	A4EU603100	18-9
A108891300	101-6	A1DUPJG100	119-14	A3CKM20000	103-10	A4EU377100	51-12	A4EU603100	27-9
A108M50000	100-1	A1DUR70W00	54-8	A3EWM90300	100-4	A4EU377200	51-13	A4EU603200	18-8
A108M50000	102-3	A1RF115001	113-1	A4EU105100	6-12	A4EU378200	51-7	A4EU603200	27-8
A161210200	99-2	A1RF115101	113-2	A4EU105100	7-9	A4EU380300	51-10	A4EU603300	18-12
A161210200	100-2	A1RF115301	113-3	A4EU107000	4-11	A4EU392600	42-5	A4EU603300	27-12
A161261902	94-3	A1RF403400	52-8	A4EU110200	112-27	A4EU394600	42-3	A4EU603400	18-2
A161262002	94-4	A1RF441500	1-7	A4EU111900	112-28	A4EU394700	42-7	A4EU603400	27-2
A161262200	95-4	A1RF529100	75-14	A4EU112000	112-12	A4EU401900	40-6	A4EU603500	18-5
A161263000	95-5	A1RF529100	76-12	A4EU118300	7-10	A4EU463000	44-11	A4EU603500	27-5
A161268200	93-2	A1RF529300	84-5	A4EU131100	111-4	A4EU464200	44-12	A4EU603600	18-1
A161268300	93-3	A1RF710900	13-14	A4EU136100	112-13	A4EU465000	43-6	A4EU603600	27-1
A161270102	96-7	A1RFM15100	111-3	A4EU138000	111-5	A4EU500400	84-6	A4EU606100	18-7
A161270600	96-8	A1RFM51000	92-15	A4EU194200	10-27	A4EU500600	83-4	A4EU606100	27-7
A161271000	96-9	A1RFN28300	10-17	A4EU211300	13-16	A4EU505100	73-10	A4EU620200	24-14
A161271100	96-10	A1RG101600	6-11	A4EU218000	13-17	A4EU510600	76-13	A4EU620200	33-14
A161273113	96-11	A1RG101600	7-8	A4EU218100	13-18	A4EU512100	75-15	A4EU621100	24-24
A161273401	96-12	A1TT211400	70-12	A4EU222000	14-24	A4EU531000	46-16	A4EU621100	33-24
A161273500	96-13	A1TT214301	16-8	A4EU230800	16-9	A4EU531900	46-12	A4EU700600	58-24
A161273701	96-14	A1TVM10100	12-7	A4EU230900	16-21	A4EU537000	46-17	A4EU700900	59-18
A161273800	96-15	A1TVM10100	66-7	A4EU231000	16-22	A4EU537400	47-15	A4EU701200	58-20
A161274500	96-16	A1TVM10311	53-4	A4EU235000	16-10	A4EU537700	46-18	A4EU701300	58-21
A161274600	96-17	A1UDM50100	19-13	A4EU235200	16-11	A4EU537800	46-19	A4EU701500	58-9
A161275300	95-8	A1UDM50100	22-24	A4EU235400	16-23	A4EU537900	46-20	A4EU701600	57-4
A161275400	95-9	A1UDM50100	28-13	A4EU235500	16-24	A4EU538000	46-21	A4EU701600	60-15
A161275500	95-10	A1UDM50100	31-24	A4EU235700	16-25	A4EU538200	46-22	A4EU701900	57-8
A161275600	95-11	A1UDM50100	100-3	A4EU238100	16-12	A4EU538300	46-23	A4EU702000	58-15
A161276000	95-12	A1UDM50200	95-18	A4EU238200	16-13	A4EU538400	46-24	A4EU702300	58-16
A161276500	95-13	A2X0M10300	103-9	A4EU239100	11-14	A4EU538600	47-16	A4EU702700	60-14
A161278600	93-4	A2Y1718500	13-15	A4EU239200	11-15	A4EU538700	46-25	A4EU710100	81-23
A161278900	93-5	A3CK272001	105-3	A4EU247600	15-6	A4EU560000	4-12	A4EU710411	82-19
A161280211	94-5	A3CK272200	105-4	A4EU251000	12-18	A4EU560200	4-13	A4EU710800	81-24
A161280300	94-6	A3CK272600	105-5	A4EU252000	12-8	A4EU565600	26-25	A4EU715000	62-10
A161281100	95-14	A3CK300102	108-2	A4EU265000	24-13	A4EU565600	35-25	A4EU715400	82-20
A161281300	95-15	A3CK300200	107-4	A4EU265000	33-13	A4EU602100	24-16	A4EU715500	57-13
A161281600	94-7	A3CK300200	108-3	A4EU265000	69-19	A4EU602100	33-16	A4EU715500	78-13
A161940602	93-6	A3CK565100	104-5	A4EU346800	38-3	A4EU602300	20-4	A4EU715500	80-7

Parts No.	Page No.	Parts No.	Page No.	Parts No.	Page No.	Parts No.	Page No.	Parts No.	Page No.
A4EU715500	85-9	A4EU818000	72-28	A4EUN20800	65-19	A4EUR71S00	14-25	A4EUR73500	86-21
A4EU716100	62-9	A4EU818000	81-25	A4EUN20900	80-11	A4EUR71T11	16-14	A4EUR73C00	73-13
A4EU727900	89-13	A4EU820400	65-26	A4EUN21000	77-17	A4EUR71U00	16-15	A4EUR73D00	75-17
A4EU728700	86-18	A4EU821100	65-27	A4EUN21600	72-32	A4EUR71V00	16-26	A4EUR73E00	75-19
A4EU731500	86-11	A4EU821200	65-28	A4EUN21700	71-11	A4EUR71Y00	15-15	A4EUR73F00	75-20
A4EU732300	86-12	A4EU822100	69-24	A4EUN25200	59-17	A4EUR72800	83-6	A4EUR73G00	76-14
A4EU732602	86-13	A4EU823100	57-14	A4EUN25300	47-17	A4EUR72900	83-7	A4EUR73H00	76-15
A4EU742800	87-7	A4EU823100	65-17	A4EUN25500	47-18	A4EUR72A00	114-10	A4EUR73J00	76-16
A4EU746124	92-18	A4EU824100	69-25	A4EUN28500	10-20	A4EUR72B00	112-14	A4EUR73K00	76-17
A4EU747400	92-19	A4EU835600	64-17	A4EUPP0000	119-18	A4EUR72C00	11-16	A4EUR73M00	76-3
A4EU747500	92-20	A4EU835700	72-29	A4EUR70000	75-18	A4EUR72H11	25-24	A4EUR73Q00	63-8
A4EU755600	92-16	A4EU840700	78-14	A4EUR70100	69-28	A4EUR72H11	34-24	A4EUR73Q00	65-18
A4EU810300	65-13	A4EU842101	77-23	A4EUR70200	40-8	A4EUR72J11	25-25	A4EUR73Q00	69-27
A4EU810400	65-14	A4EU846100	79-11	A4EUR70411	42-1	A4EUR72J11	34-25	A4EUR73R11	69-26
A4EU810701	68-14	A4EU847000	78-15	A4EUR70500	53-5	A4EUR72K11	25-26	A4EUR73V11	68-16
A4EU810900	71-7	A4EU847200	78-16	A4EUR70600	53-6	A4EUR72K11	34-26	A4EUR73X00	64-18
A4EU811000	67-17	A4EU848600	79-12	A4EUR70B00	84-7	A4EUR72M11	23-8	A4EUR74300	67-19
A4EU811300	71-8	A4EU848800	79-13	A4EUR70C00	83-5	A4EUR72M11	32-8	A4EUR74400	72-31
A4EU811900	68-23	A4EU848900	79-14	A4EUR70D44	75-16	A4EUR72N11	22-20	A4EUR74500	82-22
A4EU812000	67-25	A4EU849300	80-8	A4EUR70F00	47-19	A4EUR72N11	31-20	A4EUR74600	82-23
A4EU812200	66-8	A4EU896100	85-11	A4EUR70J00	46-26	A4EUR72Q11	18-22	A4EUR74700	81-26
A4EU812501	66-9	A4EU943000	19-23	A4EUR70K00	48-10	A4EUR72Q11	27-22	A4EUR74800	82-21
A4EU813000	65-24	A4EU943000	28-23	A4EUR70N00	58-22	A4EUR72R11	21-7	A4EUR74900	80-9
A4EU813400	66-10	A4EUF33301	38-1	A4EUR70T00	86-14	A4EUR72R11	30-7	A4EUR74A00	80-10
A4EU813801	66-11	A4EUF33900	39-6	A4EUR70U00	89-15	A4EUR72S11	20-9	A4EUR74B11	79-15
A4EU814701	63-13	A4EUF60701	23-9	A4EUR71200	47-21	A4EUR72S11	29-9	A4EUR74J00	9-3
A4EU814800	65-15	A4EUF60701	32-9	A4EUR71300	49-10	A4EUR72U11	19-14	A4EUR74K00	13-19
A4EU814900	65-25	A4EUH08001	71-10	A4EUR71411	25-27	A4EUR72U11	28-14	A4EUR75800	40-16
A4EU815100	71-9	A4EUM10100	16-16	A4EUR71411	26-26	A4EUR72V11	19-15	A4EUR75C00	39-5
A4EU817100	69-20	A4EUM60000	3-7	A4EUR71411	34-27	A4EUR72V11	28-15	A4EUR75E00	40-9
A4EU817200	69-21	A4EUM91811	1-38	A4EUR71411	35-26	A4EUR72W11	20-10	A4EUR75F00	50-7
A4EU817400	69-22	A4EUM91811	2-28	A4EUR71511	26-27	A4EUR72W11	29-10	A4EUR75G00	51-14
A4EU817500	70-13	A4EUM92100	1-9	A4EUR71511	35-27	A4EUR72X11	20-11	A4EUR75H00	50-8
A4EU817600	69-23	A4EUN12400	13-20	A4EUR71600	59-16	A4EUR72X11	29-11	A4EUR75J00	43-7
A4EU817700	64-16	A4EUN14304	43-8	A4EUR71700	4-14	A4EUR72Y00	57-18	A4EUR75K00	36-9
A4EU817700	70-14	A4EUN14800	40-10	A4EUR71A11	5-12	A4EUR73000	59-15	A4EUR75P00	47-22
A4EU817800	72-27	A4EUN16400	74-8	A4EUR71F00	55-11	A4EUR73100	57-19	A4EUR75Q00	48-11
A4EU817900	68-15	A4EUN18800	66-12	A4EUR71J00	53-7	A4EUR73200	92-17	A4EUR75R00	47-23
A4EU818000	65-16	A4EUN19700	64-21	A4EUR71M00	4-16	A4EUR73300	86-19	A4EUR75S00	49-11
A4EU818000	67-18	A4EUN20100	69-29	A4EUR71N00	7-11	A4EUR73400	86-20	A4EUR75U11	36-1

Parts No.	Page No.	Parts No.	Page No.	Parts No.	Page No.	Parts No.	Page No.	Parts No.	Page No.
A4EUR76F00	85-10	A5C1M50100	94-9	A782111000	98-4	A782211300	103-14	A782263700	107-26
A4EUR76G11	55-10	A5C1M50100	95-20	A782111100	98-5	A782211400	103-15	A782263801	107-27
A4EUR76P00	41-34	A5C1M50100	100-5	A782111200	98-6	A782211500	103-16	A782264000	108-7
A4EUR90000	114-9	A5C1M50100	101-7	A782112305	97-8	A782211600	103-17	A782264101	108-8
A4EW570800	25-28	A5C1M50100	102-4	A782113702	97-9	A782211700	103-18	A782264202	108-9
A4EW570800	34-28	A5C1M50100	103-11	A782113801	97-10	A782211800	103-19	A782264300	107-28
A4EW570900	25-16	A5C1M50100	104-7	A782113901	97-11	A782211900	103-20	A782264300	108-10
A4EW570900	34-16	A5C1M50100	105-6	A782114001	97-12	A782212000	103-21	A782264400	108-11
A4EW610000	20-18	A5C1M50100	107-5	A782114100	97-13	A782212300	107-11	A782264501	107-29
A4EW610000	21-15	A5C1M50100	108-4	A782115600	109-8	A782212500	110-11	A782264600	108-12
A4EW610000	29-18	A5C1M50100	109-6	A782115700	104-8	A782212600	104-10	A782264700	108-13
A4EW610000	30-15	A5C1M50100	110-4	A782115700	107-7	A782212702	103-22	A782264800	108-14
A4EW613000	20-16	A5C1N14300	95-6	A782115700	109-9	A782213000	104-11	A782264900	98-11
A4EW613000	29-16	A61FM90200	93-8	A782115800	110-8	A782213100	107-12	A782265102	109-15
A4EW617500	21-13	A61FM90200	94-10	A782116201	106-6	A782213300	107-13	A782265201	108-15
A4EW617500	30-13	A61FM90200	97-28	A782116301	106-7	A782213400	105-18	A782265300	108-16
A4EW732000	90-5	A782100001	105-7	A782116801	105-17	A782213500	109-13	A782265600	109-16
A4EW733100	86-17	A782100102	105-8	A782117000	98-7	A782214300	103-23	A782265700	109-17
A4EW845900	80-19	A782100200	105-9	A782117100	98-8	A782214400	104-12	A782265800	109-18
A4EWM60401	112-16	A782100301	105-10	A782117500	97-14	A782215100	104-13	A782266000	109-19
A4EWN16300	82-10	A782100400	105-11	A782117600	97-15	A782215700	107-14	A782266100	109-20
A4EWN16800	67-20	A782100501	105-12	A782117700	109-10	A782215800	103-24	A782266200	109-21
A4EWR70100	112-15	A782100600	105-13	A782117800	109-11	A782230700	107-15	A782266300	109-22
A4EWR70200	112-15	A782100701	105-14	A782117900	104-9	A782230900	109-14	A782266401	109-23
A4EWR70C00	112-15	A782100802	105-15	A782117900	107-8	A782231000	107-16	A782266502	109-24
A4EWR70E00	89-17	A782101000	103-12	A782117900	109-12	A782260200	105-19	A782266601	109-25
A4EWR70J00	112-15	A782101600	103-13	A782118000	107-9	A782260400	105-20	A782266700	109-26
A4F3905000	18-6	A782101700	98-1	A782118300	107-10	A782260501	105-21	A782266800	109-27
A4F3905000	27-6	A782101900	110-5	A782119300	97-16	A782260600	105-22	A782266900	109-28
A50U133500	111-7	A782102900	107-6	A782125300	98-14	A782260700	105-23	A782267000	109-29
A50U133600	111-8	A782103200	110-6	A782130001	97-17	A782262200	107-18	A782267100	109-30
A55C601600	19-24	A782103600	109-7	A782130301	98-9	A782262300	107-19	A782267200	109-31
A55C601600	28-24	A782104301	108-5	A782130500	99-3	A782262501	107-20	A782268001	109-32
A55D941100	93-7	A782104500	110-7	A782130600	97-18	A782262700	107-21	A782268201	109-33
A5AW162000	1-2	A782104700	105-16	A782160001	97-29	A782262800	98-10	A782268301	108-17
A5AW745200	88-5	A782105001	98-2	A782160101	97-30	A782262800	107-22	A782268500	108-18
A5AWM60200	8-3	A782105101	98-3	A782160200	97-19	A782262900	107-23	A782268900	107-30
A5AWP00100	119-15	A782110009	97-5	A782160300	97-20	A782263000	107-24	A782269200	107-31
A5C1280101	94-8	A782110100	97-6	A782210200	110-9	A782263212	108-6	A782269200	108-19
A5C1M10A00	95-19	A782110600	97-7	A782210800	110-10	A782263300	107-25	A782269300	108-20

Parts No.	Page No.	Parts No.	Page No.	Parts No.	Page No.	Parts No.	Page No.	Parts No.	Page No.
A782269500	108-21	A782571400	99-9	A782704700	102-28	A782N10400	100-24	A799160202	2-8
A782269800	107-32	A782571500	99-10	A782704800	102-29	A782N10501	107-35	A799160300	3-10
A782272200	105-24	A782571600	99-11	A782705600	102-31	A782N10700	109-36	A799160801	1-11
A782272301	105-25	A782571800	101-12	A782707201	103-35	A782N10900	106-9	A799161102	1-12
A782272401	105-26	A782571900	101-13	A782707300	102-39	A782N11100	102-34	A799161401	8-4
A782272800	105-27	A782572000	99-12	A782707400	103-36	A782N11200	97-23	A799161501	8-5
A782561000	100-8	A782572101	101-14	A782710000	104-19	A782N11800	98-12	A799161700	1-13
A782561126	100-9	A782572101	102-9	A782710100	104-20	A782N11800	109-37	A799161800	2-9
A782561703	100-10	A782572900	99-13	A782710201	104-21	A782N12100	105-28	A799162600	1-14
A782561801	101-8	A782573401	99-14	A782710806	104-22	A782N12200	106-10	A799163200	1-15
A782561900	101-9	A782573501	103-32	A782711000	104-23	A782N12300	106-11	A799163501	2-10
A782562001	100-11	A782573612	100-17	A782711901	104-24	A782N12400	108-24	A799163600	3-12
A782562101	103-25	A782573800	99-15	A782712300	104-25	A782N12600	107-36	A799163802	3-13
A782562101	108-22	A782573901	101-15	A782714100	104-26	A782N12700	104-30	A799163900	3-14
A782562400	100-12	A782576000	104-17	A782714200	104-27	A782N20000	106-12	A799164000	60-11
A782562400	102-5	A782576100	103-33	A782890000	110-12	A782N20100	102-35	A799164100	2-11
A782562600	100-13	A782600101	100-18	A782890111	110-13	A782N20201	106-13	A799164400	1-16
A782563800	109-34	A782600900	100-19	A782890200	110-14	A782N20300	103-38	A799164501	2-12
A782565011	101-10	A782601500	100-20	A782890600	110-15	A782N20400	104-31	A799164501	121-7
A782565301	102-6	A782700400	102-10	A782890711	110-16	A782N21100	97-24	A799164700	1-17
A782566000	99-4	A782700801	102-11	A782891001	98-13	A782N21311	106-14	A799164800	2-13
A782566800	100-14	A782700900	102-12	A782891500	110-17	A782R70100	105-29	A799164901	1-18
A782566900	100-15	A782701000	102-13	A782891600	110-18	A782R70200	106-5	A799165100	23-11
A782568200	104-14	A782701100	102-14	A782891700	110-19	A782R70311	100-25	A799165100	32-11
A782568500	100-16	A782701200	102-15	A782891800	100-21	A782R70611	102-36	A799165300	23-12
A782568600	104-15	A782701501	102-17	A782891901	100-22	A782R70800	103-40	A799165300	32-12
A782568701	104-16	A782701900	102-30	A782940100	97-21	A782R71022	97-27	A799165400	23-13
A782568901	103-26	A782702600	102-18	A782940300	109-35	A782R71100	100-6	A799165400	32-13
A782569000	103-27	A782702700	102-19	A782940400	102-32	A782R71200	100-7	A799165601	1-19
A782569200	103-28	A782702801	102-20	A782H00201	97-22	A795167800	93-9	A799165700	1-20
A782569300	103-29	A782703001	102-21	A782M10000	104-28	A795273900	96-20	A799165801	1-21
A782569801	103-30	A782703401	102-22	A782M10000	107-33	A795275700	95-7	A799166100	2-14
A782569900	103-31	A782703900	102-23	A782M10100	99-16	A799108000	36-11	A799166200	8-6
A782570400	102-7	A782704003	102-38	A782M10200	107-34	A799110200	114-11	A799166501	2-15
A782570602	102-8	A782704101	102-24	A782M10400	108-23	A799110500	4-15	A799166800	1-22
A782570800	99-5	A782704200	102-25	A782M50100	106-8	A799117800	5-7	A799167000	1-23
A782570900	101-11	A782704200	104-18	A782M50200	102-33	A799132000	3-18	A799167700	120-3
A782571100	99-6	A782704301	103-34	A782N10100	104-29	A799134802	113-16	A799168000	8-7
A782571201	99-7	A782704400	102-26	A782N10200	103-37	A799143600	111-10	A799168500	2-16
A782571300	99-8	A782704501	102-27	A782N10300	100-23	A799160101	1-10	A799169400	2-17

Parts No.	Page No.	Parts No.	Page No.	Parts No.	Page No.	Parts No.	Page No.	Parts No.	Page No.
A799169600	1-39	A799404000	53-9	A799M45300	112-17	A799R70H00	55-16	A85CN27800	94-2
A799169701	1-24	A799404100	53-10	A799M72100	111-15	A799R70J00	54-12	A8WC700500	102-37
A799169801	1-25	A799404800	52-9	A799M90211	52-7	A799R70K00	53-13	A8WC710500	104-32
A799169901	1-26	A799407400	52-10	A799N10202	113-11	A799R70M00	52-12	A8WCH00100	97-25
A799170500	1-27	A799407800	52-11	A799N10400	112-19	A799R70S11	26-30	A8WCH00200	104-33
A799170600	1-28	A799409400	1-31	A799N10500	3-16	A799R70S11	35-30	A8WCH00300	102-16
A799170700	93-11	A799409500	1-32	A799N10700	112-20	A799R70U11	81-28	A8WCN10000	97-26
A799170900	1-29	A799409600	53-11	A799N11100	5-14	A799R70V00	87-10	A8WCN10100	104-34
A799171001	2-18	A799409900	53-12	A799N11200	112-21	A799R70W00	70-15	A92WM60100	112-1
A799171200	2-19	A799463500	43-9	A799N11301	112-22	A799R70Y00	70-19	A93EM10600	7-2
A799171300	1-30	A799602000	23-14	A799N11400	5-17	A799R71100	39-8	A93EM10600	64-1
A799190500	9-4	A799602000	32-14	A799N11700	12-10	A799R71200	2-21	A93EM10600	65-4
A799190601	8-8	A799623400	26-29	A799N11800	8-11	A799R71300	2-22	A93EM10600	114-2
A799190701	8-9	A799623400	35-29	A799N11900	112-23	A799R71400	2-23	A9JT100400	6-1
A799190801	8-10	A799690200	5-16	A799N12000	112-24	A799R71700	45-7	A9JT100400	7-1
A799190801	9-5	A799707400	60-12	A799N12100	6-13	A799R71D00	45-5	A9JT112300	120-2
A799190900	9-6	A799725200	91-1	A799N12900	52-6	A799R71E00	1-36	A9JT130600	113-4
A799191000	121-6	A799725400	91-2	A799N13300	23-15	A799R71F00	50-9	A9JT130700	113-5
A799197100	9-7	A799731900	87-9	A799N13300	32-15	A799R71N00	112-15	A9JT130901	113-6
A799215101	14-26	A799732500	86-15	A799N13400	24-15	A799R71P00	40-14	A9JT132600	113-7
A799217100	13-21	A799736300	91-3	A799N13400	33-15	A799R71Q00	40-15	A9JT138100	111-6
A799217200	13-22	A799741500	91-4	A799N14100	39-9	A799R71S00	5-18	A9JT166400	3-20
A799217400	13-23	A799743600	87-11	A799N14200	40-12	A79JM90A00	103-39	A9JT170601	93-12
A799217700	13-24	A799745300	91-5	A799N14400	40-13	A79JJP000	119-7	A9JT195500	8-13
A799258300	55-12	A799747900	120-1	A799N14700	53-14	A79JJP100	119-8	A9JT239000	11-13
A799300900	45-1	A799748600	89-18	A799N14901	53-15	A7PUM92511	2-26	A9JT239301	11-5
A799301001	45-2	A799778600	87-12	A799N15100	45-9	A7PUM92511	113-8	A9JT460100	44-13
A799301100	45-3	A799814600	66-13	A799N16100	68-17	A7PUR71133	93-10	A9JT460200	44-14
A799301200	45-4	A799815200	69-30	A799N18200	9-8	A7W7943200	21-8	A9JT460300	44-15
A799330000	14-27	A799840600	78-17	A799N18300	9-9	A7W7943200	30-8	A9JT460400	44-16
A799330900	36-4	A799846400	79-16	A799N18600	15-18	A85CM55500	23-10	A9JT460800	43-11
A799332100	37-7	A799942301	17-3	A799N20700	80-12	A85CM55500	32-10	A9JT461000	44-17
A799333800	36-5	A799944502	121-3	A799N21500	64-22	A85CM55500	43-10	A9JT461100	44-18
A799341700	40-11	A799947600	3-15	A799N22100	4-17	A85CM55500	46-27	A9JT461700	43-12
A799345000	37-9	A799947902	1-34	A799N25100	16-1	A85CM55600	3-6	A9JT462100	44-19
A799351000	54-9	A799H04001	10-24	A799N25600	113-13	A85CM55600	22-22	A9JT463100	43-13
A799361200	55-13	A799H31001	45-8	A799R70D11	45-6	A85CM55600	31-22	A9JT464000	44-20
A799362900	55-14	A799M40200	67-21	A799R70E22	36-7	A85CM55600	63-9	A9JT500100	84-3
A799363000	55-15	A799M45103	113-9	A799R70F11	39-7	A85CM55600	74-9	A9JT502700	83-10
A799403300	53-8	A799M45202	113-10	A799R70G00	54-11	A85CM91100	94-12	A9JT502800	83-11

Parts No.	Page No.
A9JT503100	83-12
A9JT503800	83-13
A9JT504100	83-14
A9JT504201	83-15
A9JT514500	73-8
A9JT514600	73-7
A9JT517700	73-14
A9JT518000	73-15
A9JT532700	47-24
A9JT533000	46-14
A9JT533100	46-15
A9JT534800	49-12
A9JT534900	49-13
A9JT535300	49-14
A9JT536500	47-25
A9JT536600	49-15
A9JT539700	48-12
A9JT602000	22-23
A9JT602000	31-23
A9JT700100	58-19
A9JT700200	59-13
A9JT703700	58-23
A9JT704400	57-9
A9JT723101	90-6
A9JT725000	91-6
A9JT725300	91-7
A9JT727400	89-11
A9JT733000	90-7
A9JT738600	90-8
A9JT741400	90-9
A9JT743800	88-9
A9JT745901	88-7
A9JT746001	88-4
A9JT748300	90-10
A9JT749400	88-10
A9JT843700	77-19
A9JT869900	79-17
A9JT942401	2-25
A9JT942601	67-23
A9JT944200	1-33

Parts No.	Page No.
A9JTH51001	111-14
A9JTM10200	12-6
A9JTM10200	13-12
A9JTM10200	15-14
A9JTM10200	52-4
A9JTM10200	55-8
A9JTM10200	79-10
A9JTM10300	13-13
A9JTM10300	14-21
A9JTM10300	67-16
A9JTM10400	14-5
A9JTM30800	43-15
A9JTM50100	90-11
A9JTM50200	90-12
A9JTM50400	89-4
A9JTN12900	12-12
A9JTN15200	45-10
A9JTN16900	64-20
A9JTR70100	44-21
A9JTR70822	83-16
A9JTR71500	48-13
A9JTR71622	46-28
A9JTR71700	64-19
A9JTR71900	14-28
A9JTR71B00	15-16
A9JTR71G00	43-14
A9JTR71P00	12-9
A9JTR71T00	47-26
A9JTR71Y11	114-15
A9JTR72800	49-16
A9JTR73000	93-14
A9JTR73300	48-8
A9JTR73400	48-9
A9JTR73500	47-20
A9JTR73600	54-8
A9VEM75500	10-15
A9VER72500	93-15
AA2JP10100	107-17
AA7NM31200	96-19
AAMP273000	108-26

Parts No.	Page No.
AAMP70600	108-27
AAPKM10100	52-5
AC57190102	10-21
AC57190201	10-22
AC57190301	10-23
AC57193100	10-8
AC57193200	10-9
AC57193400	10-10
AC57193500	10-11
AC57193600	10-3
AC57193800	10-12
AC57193900	10-13
AC57194101	10-18
AC57195001	8-14
AC57205001	8-14
AC57205101	8-14
AC57M15000	63-1
AC57M15000	64-4
AC57M15000	65-3
AC57M15000	72-4
AC57M15300	4-3
AC57M15300	7-3
AC57M15300	114-4
AC57M20000	26-8
AC57M20000	35-8
AC57M20200	58-8
AC57M20200	59-6
ACVXM40H00	112-7
ADF2113700	114-12
ADF2114700	7-13
ADF2114700	114-16
ADF2115400	6-14
ADF2115800	7-14
ADF2119600	7-18
ADF2119700	7-15
ADF2119800	7-16
ADF2131100	3-17
ADF2134200	111-2
ADF2134300	111-9
ADF2136500	3-8

Parts No.	Page No.
ADF2136600	3-9
ADF2136700	3-19
ADF2136800	3-21
ADF2160400	3-11
ADF2163100	2-20
ADF2165900	1-37
ADF2167000	2-24
ADF2167100	1-8
ADF2169000	2-7
ADF2361900	54-15
ADF2365400	54-10
ADF2621300	25-29
ADF2621300	34-29
ADF2622100	26-28
ADF2622100	35-28
ADF2626700	22-13
ADF2626700	31-13
ADF2626800	22-19
ADF2626800	31-19
ADF2700400	57-23
ADF2706000	57-16
ADF2727100	89-14
ADF2730300	89-19
ADF2730400	88-6
ADF2735000	87-8
ADF2738700	90-13
ADF2944100	1-35
ADF2945100	81-27
ADF2945201	81-14
ADF2945301	82-24
ADF2945401	61-6
ADF2945501	83-8
ADF2945701	80-6
ADF2945800	62-7
ADF2945901	92-14
ADF2946001	72-26
ADF2946101	69-17
ADF2946201	65-21
ADF2947800	23-16
ADF2947800	32-16

Parts No.	Page No.
ADF2F60800	22-21
ADF2F60800	31-21
ADF2H01102	111-11
ADF2H01A00	94-11
ADF2H02000	111-12
ADF2H05000	111-13
ADF2H07000	63-10
ADF2M33000	88-8
ADF2M50100	89-20
ADF2M60100	3-4
ADF2M60100	54-4
ADF2M60100	57-17
ADF2M75800	10-19
ADF2N10100	112-18
ADF2N10300	113-12
ADF2N10601	90-14
ADF2N10800	90-15
ADF2N10900	90-16
ADF2N11001	115-1
ADF2N11501	115-2
ADF2N11600	115-3
ADF2N12300	3-22
ADF2N12600	116-1
ADF2N12700	57-15
ADF2N12800	116-2
ADF2N13000	113-14
ADF2N13100	5-15
ADF2N13200	3-1
ADF2N13200	54-14
ADF2N14500	54-13
ADF2N14600	93-13
ADF2N16000	65-20
ADF2N20000	12-11
ADF2N20500	73-16
ADF2N29800	111-16
ADF2N29900	111-17
ADF2R70100	86-16
ADF2R70200	77-18
ADF2R70600	73-12
ADF2R70700	8-12

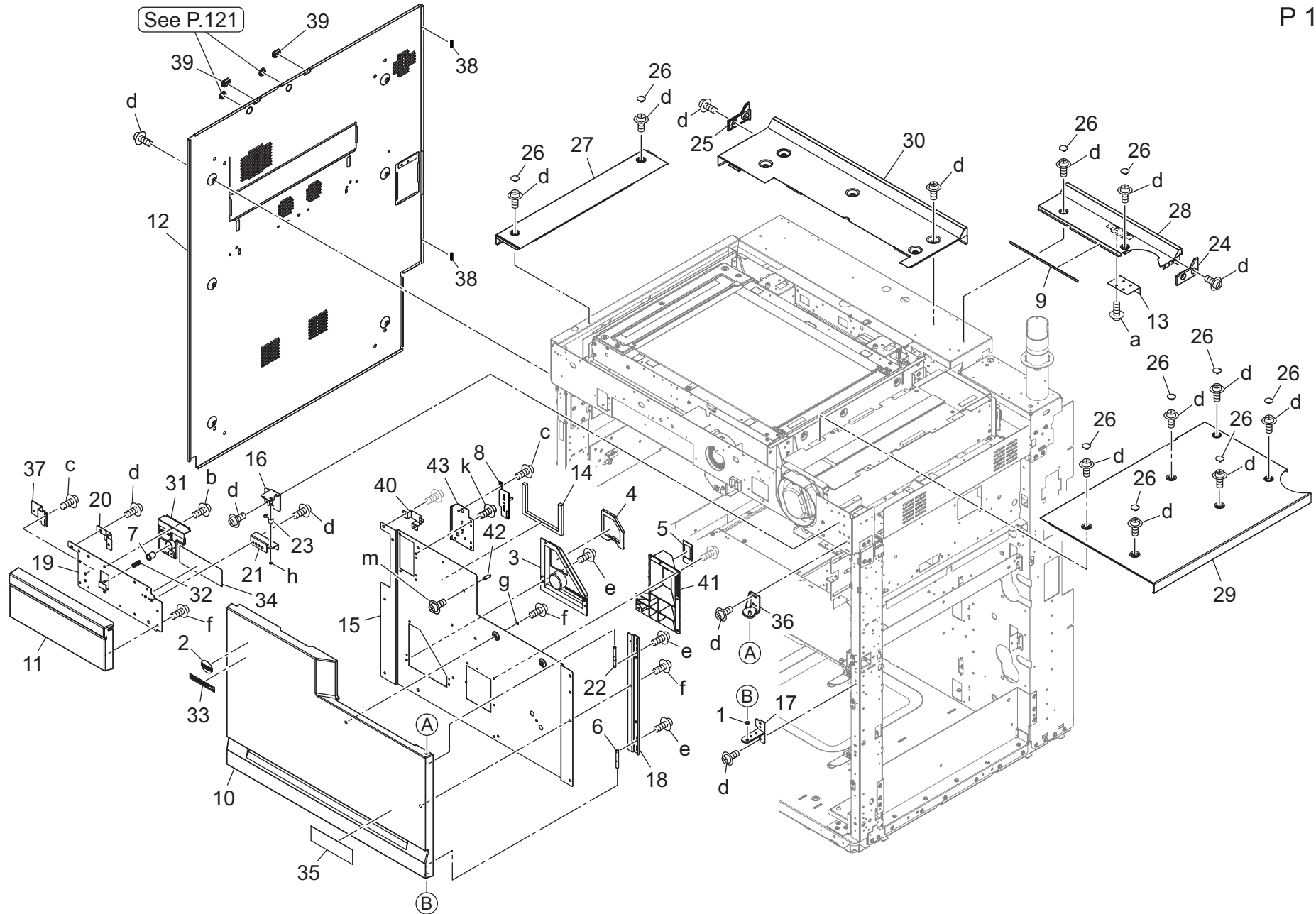
Parts No.	Page No.
ADF2R70800	13-25
ADF2R70900	11-19
ADF2R71000	15-17
ADF2R71211	52-13
ADF2R71311	52-13
ADF2R71411	52-13
ADF2R71500	56-1
ADF2R71700	5-11
ADF2R71800	5-13
ADF2R72000	73-11
ADF2R72100	72-30
ADF2R72200	120-4
ADF2R72500	89-16
ADF2R72600	112-15
ADF2R73000	112-15
SP00-0022	90-1
SP00-0043	89-1
V121030803	121-4
V127030604	121-5
V500010013	117-1
V500010021	117-2
V500010022	117-3
V500010024	117-4
V500010026	117-5
V500010029	117-6
V500010031	117-7
V500010042	117-8
V500010050	117-9
V500010057	117-10
V500010061	117-11
V500010063	117-12
V500010067	117-13
V500010071	117-14
V500010080	117-15
V500010081	117-16
V500010082	117-17
V500010083	117-18
V500010084	117-19
V500010085	117-20
V500020002	117-21

Parts No.	Page No.
V500020005	117-22
V500020007	117-23
V500020018	117-24
V500020037	117-25
V500020038	117-26
V500020064	117-27
V500020068	117-28
V500020069	117-29
V500020077	117-30
V500020092	117-31
V500020098	117-32
V500020099	117-33
V500020100	117-34
V500020108	117-35
V500030001	117-36
V500030002	117-37
V500030003	117-38
V501010002	117-39
V501010003	117-40
V501010009	118-1
V501010010	118-2
V501010013	118-3
V501010018	118-4
V502010007	71-12
V502010021	63-11
V502010029	111-18
V502010032	111-19
V502010032	114-13
V502010033	111-20
V502010033	112-25
V502010033	114-14
V570010012	118-5
V570010013	118-6
V570010021	118-7
V570010023	118-8
V570010026	118-9
V570010027	118-10
V570010028	118-11
V570010035	118-12
V570010038	118-13

Parts No.	Page No.
V570010039	118-14
V570010046	118-15
V570010048	118-16
V570010050	118-17
V570010055	118-18
V570010056	118-19
V570010057	118-20
V570010059	118-21
V570010060	118-22
V570010063	118-23

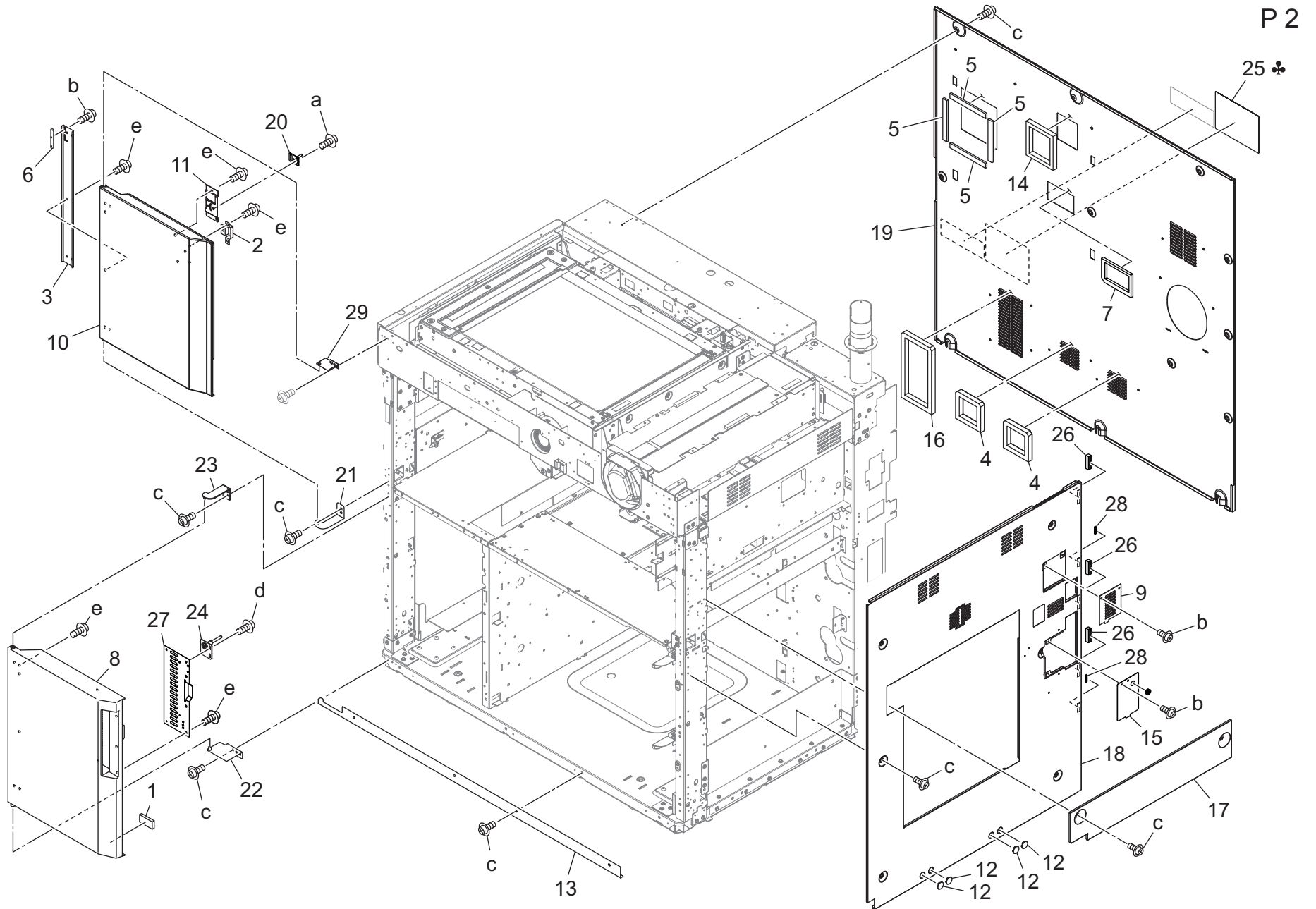
External Parts

P 1

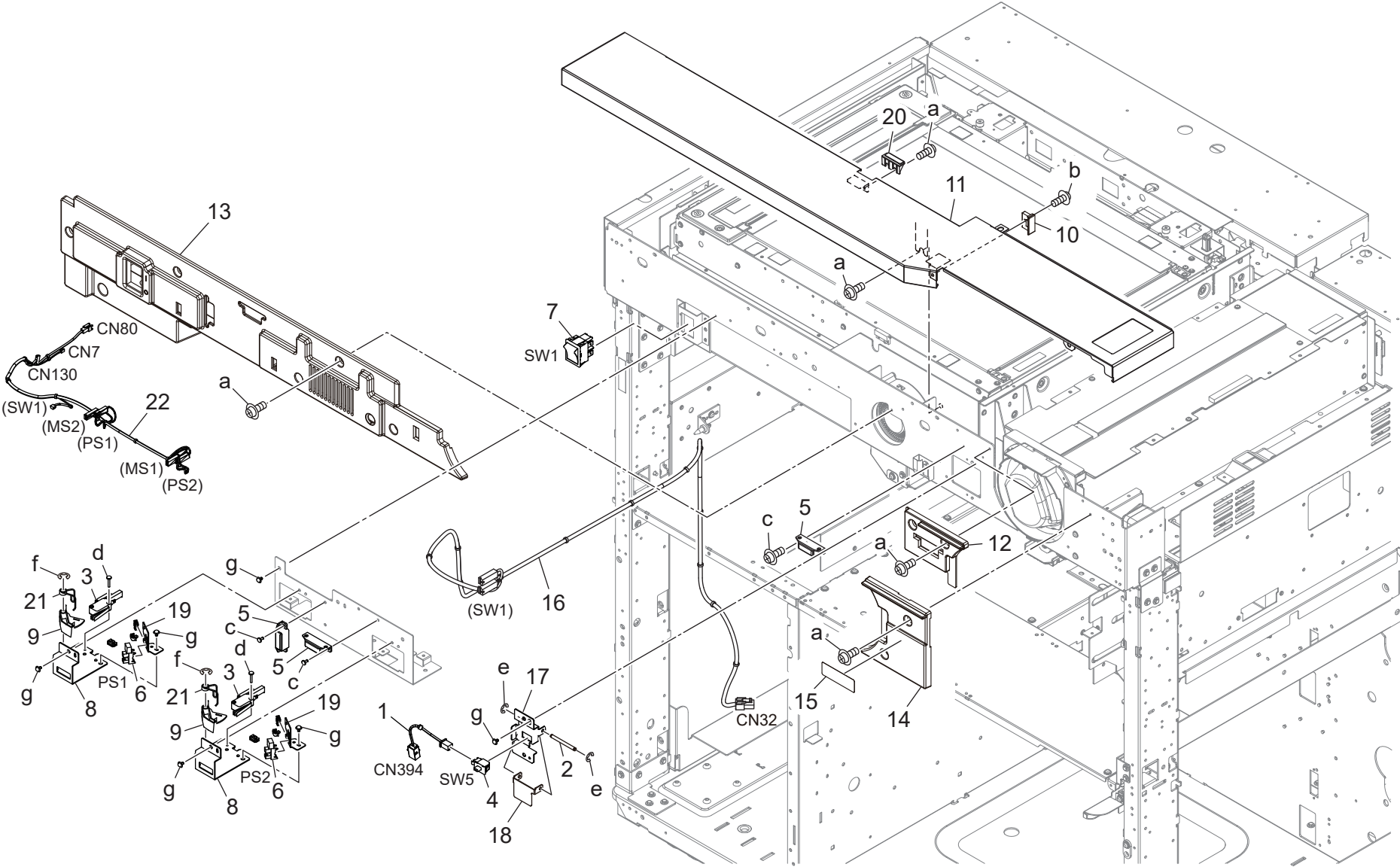


Key	Part No.	Description	Destinations	Class	QTY	Standard parts
1	57AA30260	Developing Agitating Spacer		C	1	a-V118030403
2	A5AW162000	Indicating Plate		C	1	b-V118030604
3	A0G6162000	Duct /Left Front		D	1	c-V116030503
4	A0G6162100	Sealing Cushion /Left		C	1	d-V121040604
5	A0G6162200	Sealing Cushion /Right		C	1	e-V127030604
6	A0Y5162000	Support Shaft		D	1	f-V153030804
7	A1RF441500	Pressing Part /Front		D	1	g-V209030003
8	ADF2167100	Detecting Plate /Middle		D	1	h-V217030003
9	A4EUM92100	Gasket		D	1	k-V121030404
10	A799160101	Door /Right		D	1	m-V121030603
11	A799160801	Cover Door		D	1	
12	A799161102	Cover /Left		D	1	
13	A799161700	Cover		D	1	
14	A799162600	Sealing Part /Upper		D	1	
15	A799163200	Reinforce Door /Right		D	1	
16	A799164400	Support Hinge /Upper		D	1	
17	A799164700	Support Hinge /Lower		D	1	
18	A799164901	Mounting Hinge /2		D	1	
19	A799165601	Reinforce Plate		D	1	
20	A799165700	Stopper Plate		D	1	
21	A799165801	Cover Arm		D	1	
22	A799166800	Rotation Shaft		D	1	
23	A799167000	Toner supply Open/close Spring /A		C	1	
24	A799169701	Protection Cover /Right		D	1	
25	A799169801	Protection Cover /Left		D	1	
26	A799169901	Cover		D	10	
27	A799170500	Read Cover /Left		D	1	
28	A799170600	Cover /Rear		D	1	
29	A799170900	Read Cover /Right		D	1	
30	A799171300	Read Cover /Rear		D	1	
31	A799409400	Pressing Part /Rear		D	1	
32	A799409500	Lock Spring		C	1	
33	A9JT944200	Label /KONICA MINOLTA		D	1	
34	A799947902	Operation Label /F		D	1	
35	ADF2944100	Label /H		D	1	
36	A799R71E00	Support Hinge /1 Assy		D	1	
37	ADF2165900	Detecting Plate /Right		D	1	
38	A4EUM91811	Gasket		D	2	
39	A799169600	Cover Part		C	2	
40	A0G6162400	Suction Plate		D	1	
41	A0G6162700	Duct /Right Front		D	1	
42	A0G6168600	Ground Shaft		D	1	
43	A0G6167001	Ground Plate /1		D	1	

External Parts

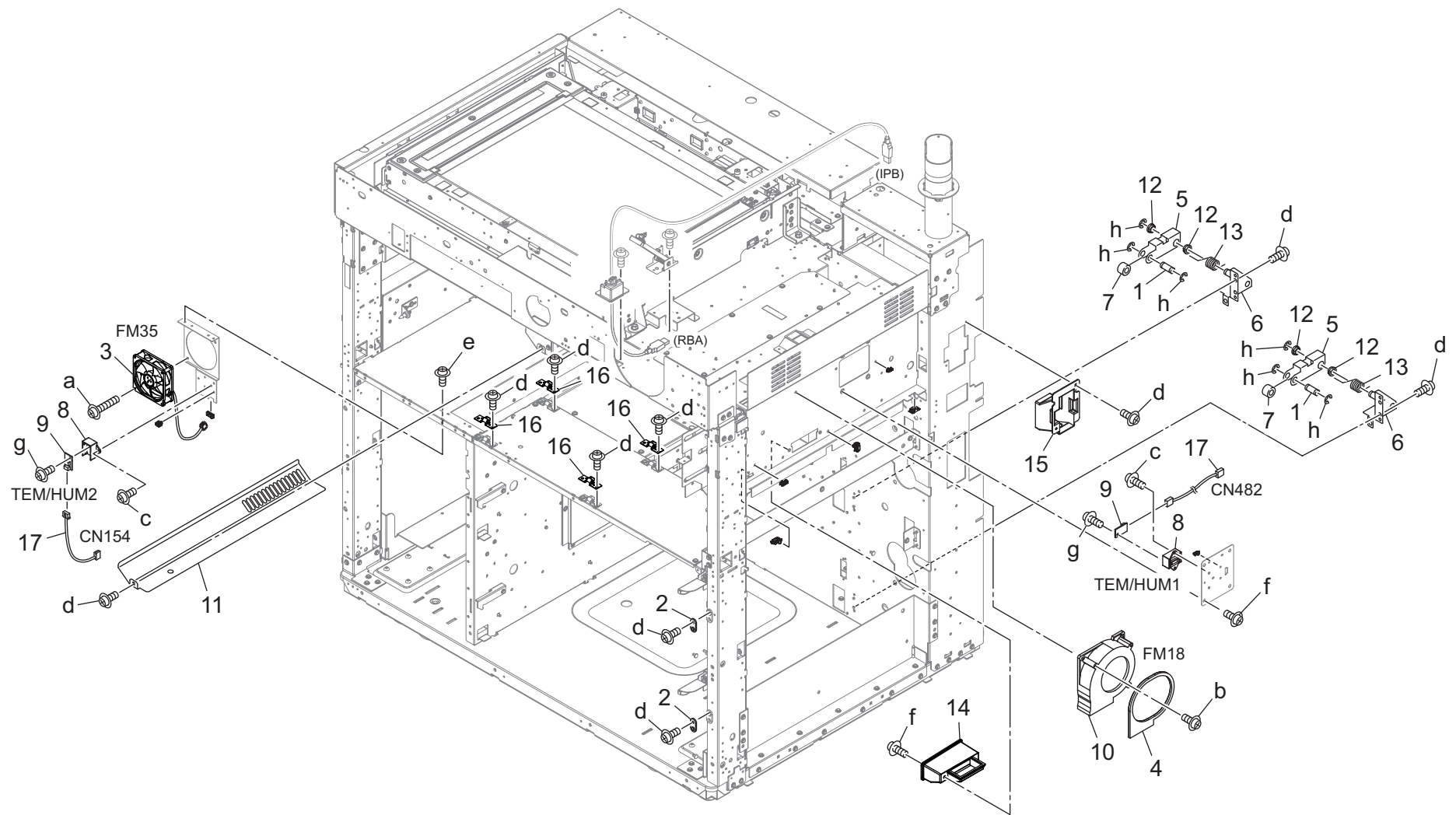


AccurioPrint 2100



Key	Part No.	Description	Destinations	Class	QTY	Standard parts
1	ADF2N13200	Control Signal Harness		D	1	a-V121040604 b-V116030803 c-V118030603 d-V118031403 e-V217030003 f-V217040003 g-V127030604
2	55VA70110D	Door Detection Shaft		D	1	
3	9J06M60100	Micro Switch		C	2	
4	ADF2M60100	Push Switch		D	1	
5	A0G6411200	Magnet /X		D	3	
6	A85CM55600	Photo Sensor		C	2	
7	A4EUM60000	Power source Switch		C	1	
8	ADF2136500	Support Plate		D	2	
9	ADF2136600	Actuator		D	2	
10	A799160300	Auxiliary Cover		D	1	
11	ADF2160400	Cover /Front		D	1	
12	A799163600	Cover /2		D	1	
13	A799163802	Cover /Left		D	1	
14	A799163900	Cover /Right		D	1	
15	A799947600	Toner supply Label		D	1	
16	A799N10500	AC Wiring /4		D	1	
17	ADF2131100	Mounting Plate		D	1	
18	A799132000	Detecting Actuator		D	1	
19	ADF2136700	Mounting Plate		D	2	
20	A9JT166400	Auxiliary Cover /Front		D	1	
21	ADF2136800	Sensor Coil spring		D	2	
22	ADF2N12300	Interlock Detection Harness		D	1	

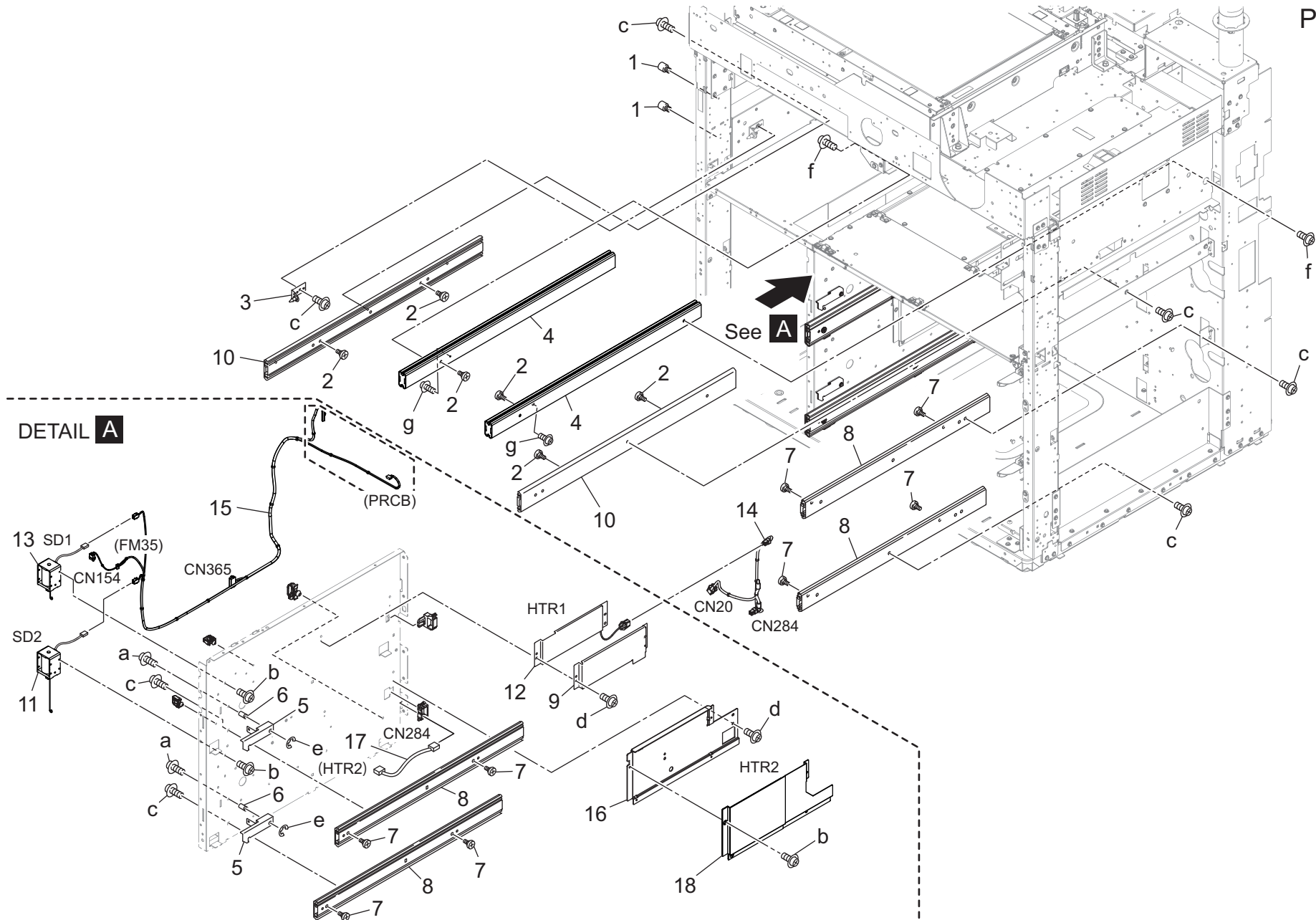
Main Frame



Key	Part No.	Description	Destinations	Class	QTY	Standard parts
1	048610110	Lock Shaft /A		D	2	a-V118043003
2	173030270	Pin Holder A		C	2	b-V118040803
3	AC57M15300	Cooling Fan		C	1	c-V121030603
4	A0G6113500	Cooling Seal /Middle		C	1	d-V121040603
5	56UA15540	Lock Plate		D	2	e-V127030604
6	56UA-1930	Paper Feed Lock Panel Assy		D	2	f-V127040603
7	56UA75020	TRAY LOCK BUSHING		C	2	g-V149030803
8	65AA11300	Support Part		D	2	h-V217060003
9	A0P0M50400	Humidity sensor		C	2	
10	A0Y5M15101	Suction Fan motor		C	1	
11	A4EU107000	Suction Cover		B	1	
12	A4EU560000	Drive Bushing		C	4	
13	A4EU560200	Lock Spring		D	2	
14	A4EUR71700	Cooling Duct Assy		D	1	
15	A799110500	Suction Duct /1		D	1	
16	A4EUR71M00	Bottom Plate Lifting Part Assy		D	4	
17	A799N22100	Temperature Detection harness		D	2	

Main Frame

P 5

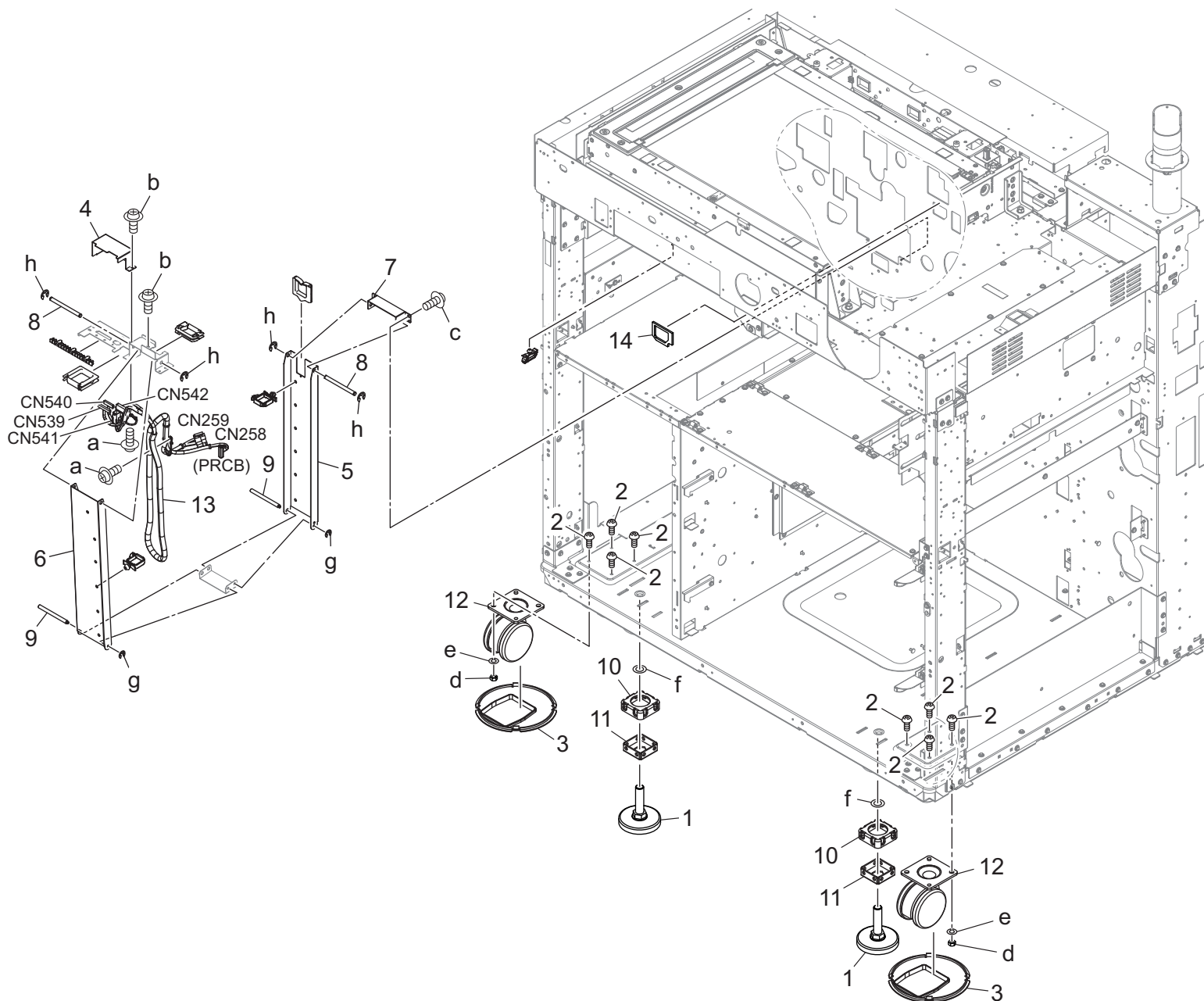


AccurioPrint 2100

Key	Part No.	Description	Destinations	Class	QTY	Standard parts
1	392010231	STOPPER PIN		C	2	a-V116030603 b-V121030403 c-V121040603 d-V127030604 e-V217040003 f-V121040503 g-V126030803
2	55VA20310	POSITIONING SCREW		C	6	
3	56UAR70500	ADU POSITIONING PLATE LEFT		D	1	
4	56UA20160	CARRIAGE RAIL RIGHT		D	2	
5	56UA40320	TRAY LOCK PLATE		D	2	
6	56UA40330	Support Shaft /L		D	2	
7	A799117800	Positioning Screw		D	8	
8	56UA40450E	Tray Slide Rail		D	4	
9	A0G6690300	Heater Cover		D	1	
10	A0G6812200	Slide Rail /A		C	2	
11	ADF2R71700	Tray Connecting Solenoid		C	1	
12	A4EUR71A11	Heater Mounting Plate Assy		D	1	
13	ADF2R71800	Tray Connecting Solenoid/2 Assy		D	1	
14	A799N11100	Heater Relay Harness		D	1	
15	ADF2N13100	Toner Relay Harness /1		D	1	
16	A799690200	Mounting Plate		D	1	
17	A799N11400	Heater Relay Harness /3		D	1	
18	A799R71S00	Heater Assy / 40W		D	1	

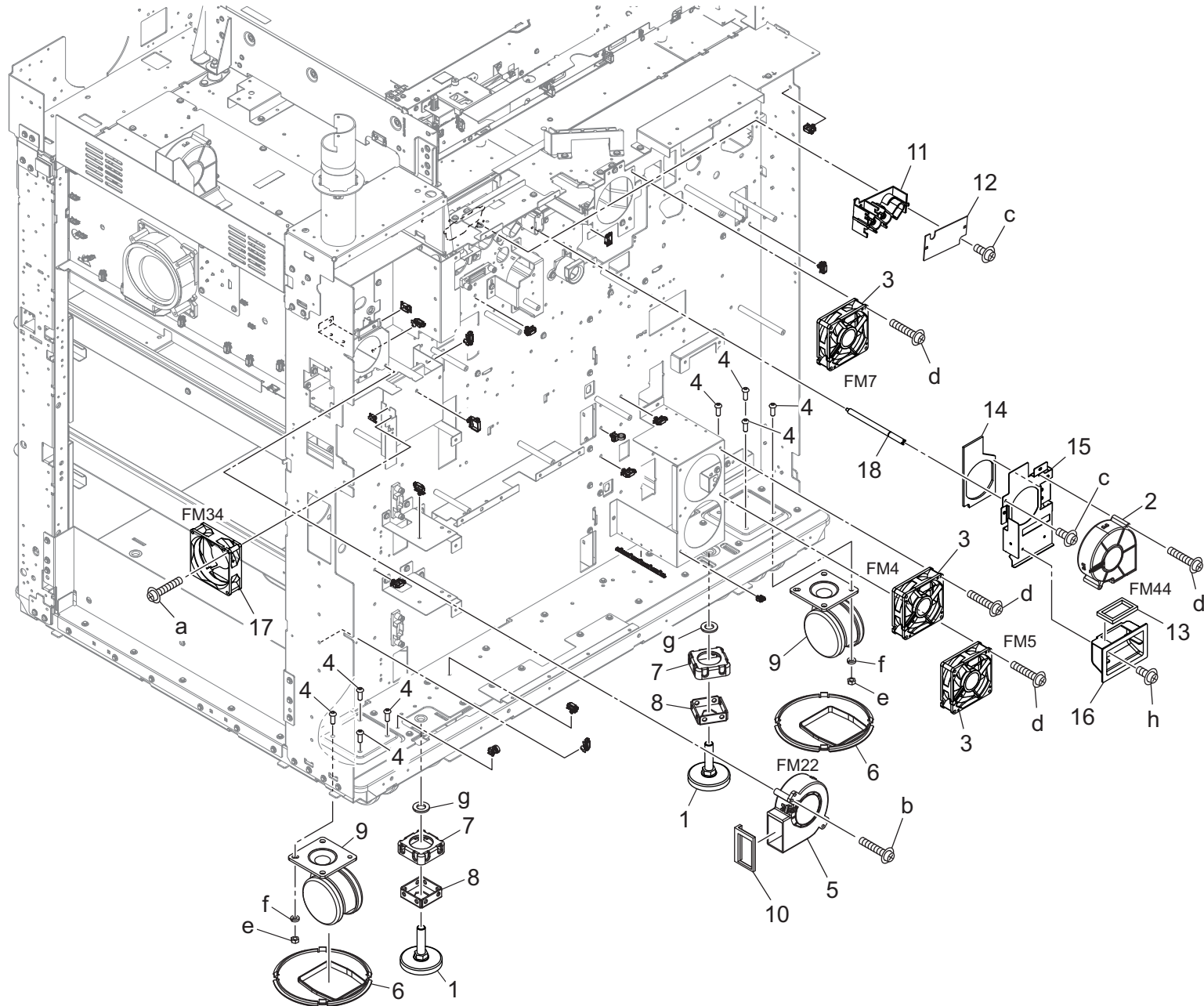
Main Frame

P 6



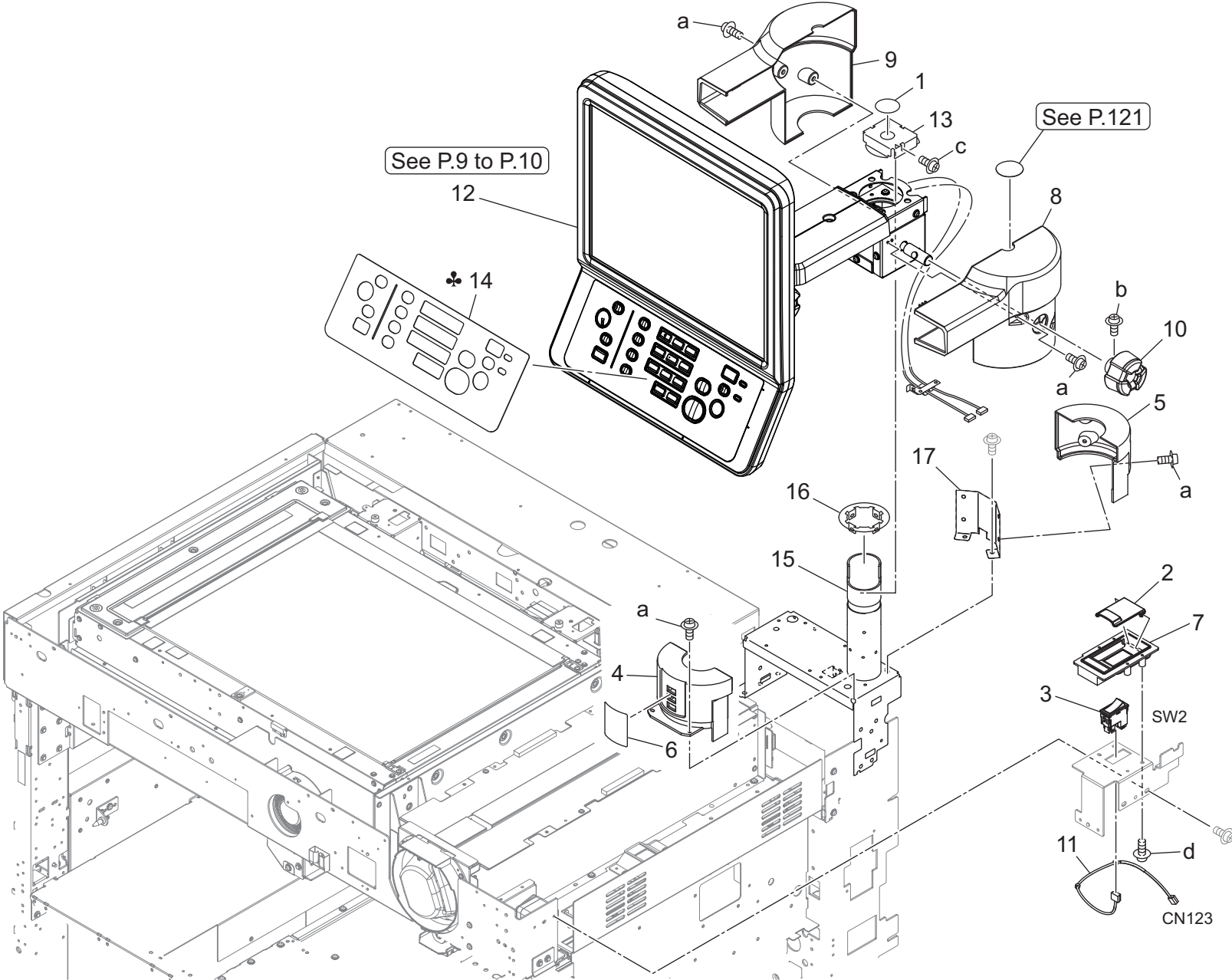
Key	Part No.	Description	Destinations	Class	QTY	Standard parts
1	A9JT100400	Fixing Leg		C	2	a-V116040603
2	56UA10520	ROLLER MOUNTING SCREW		C	8	b-V127030604
3	A0G6102500	Protection Cover		D	2	c-V121040603
4	A0G6816200	Power Supply Cover		D	1	d-V195060003
5	A0G6819500	Power Supply Arm /M		D	1	e-V205060003
6	A0G6819600	Power Supply Arm /A		D	1	f-V207120003
7	A0G6819700	Power Supply Stay /M		D	1	g-V217030003
8	A0G6819800	Support Shaft /1		D	2	h-V217040003
9	A0G6819900	Support Shaft /2		D	2	
10	A0U4109000	Guide Part		D	2	
11	A1RG101600	Adjusting Plate		D	2	
12	A4EU105100	Castor		D	2	
13	A799N12100	ADU Relay harness /5		D	1	
14	ADF2115400	Charging Seal /7		D	1	

Main Frame



Key	Part No.	Description	Destinations	Class	QTY	Standard parts
1	A9JT100400	Fixing Leg		C	2	a-V116033003
2	A93EM10600	Fan motor		C	1	b-V118044003
3	AC57M15300	Cooling Fan		C	3	c-V121040603
4	56UA10520	ROLLER MOUNTING SCREW		C	8	d-V125033503
5	A03UM15802	Main body Cooling Fan		C	1	e-V195060003
6	A0G6102500	Protection Cover		D	2	f-V205060003
7	A0U4109000	Guide Part		D	2	g-V207120003
8	A1RG101600	Adjusting Plate		D	2	h-V127030604
9	A4EU105100	Castor		D	2	
10	A4EU118300	Charging Seal /3		C	1	
11	A4EUR71N00	Chageg Powering Block		D	1	
12	55VA73310	Terminal Protect Cover		D	1	
13	ADF2114700	Cooling Seal /2		D	1	
14	ADF2115800	Ozone Seal		D	1	
15	ADF2119700	Ozone Base frame /2		D	1	
16	ADF2119800	Ozone Duct /4		D	1	
17	13NT80511	Fan Motor /1		C	1	
18	ADF2119600	Hold Leg /Rear		D	1	

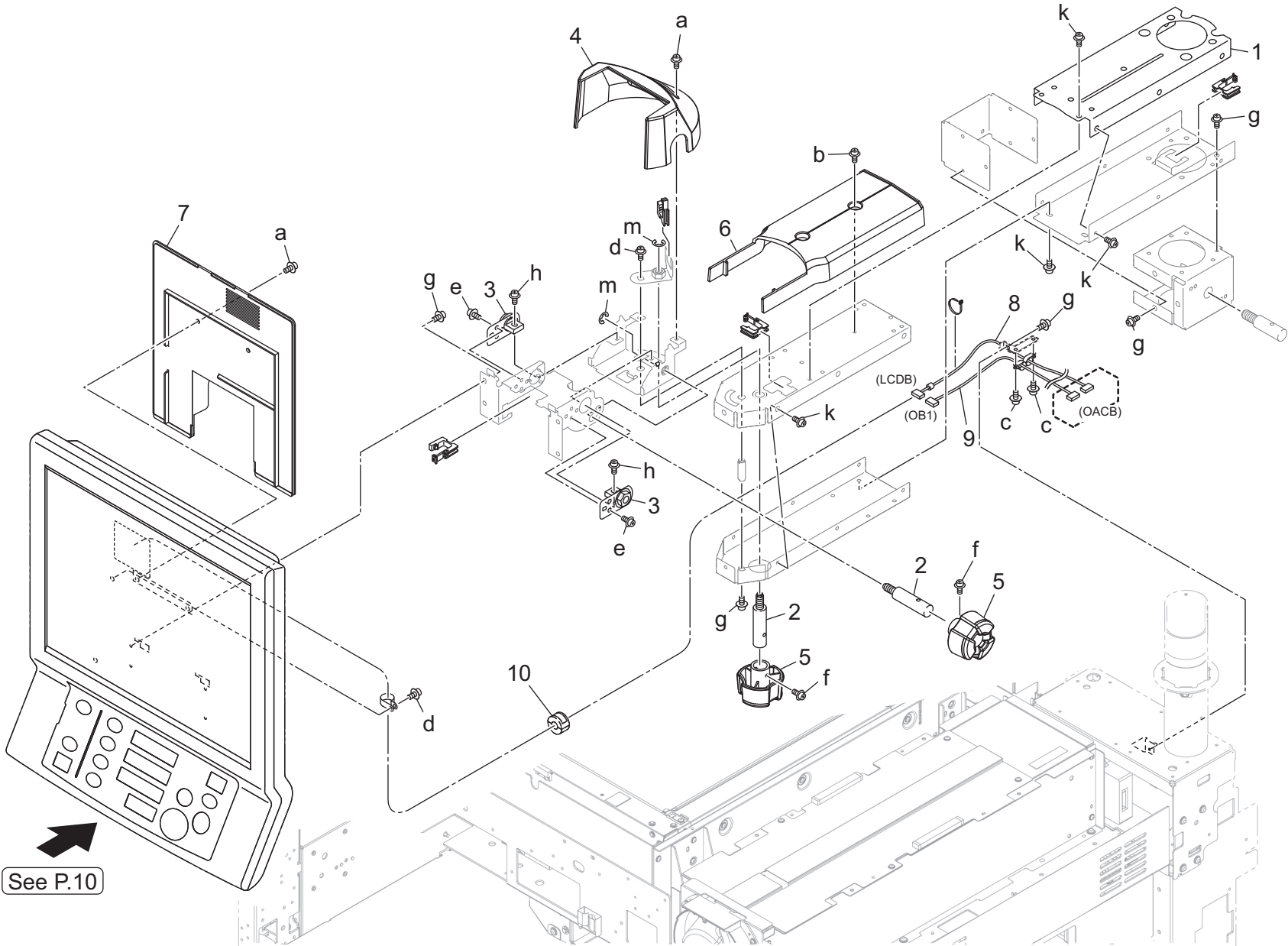
Operation Panel Section



Operation Panel Section

Key	Part No.	Description	Destinations	Class	QTY	Standard parts
1	56UA70820	OPERATION UNIT SEAL		C	1	a-V121040604 b-V118040804 c-V121040603 d-V153030803
2	A0G6168101	Protection Cover		C	1	
3	A5AWM60200	Power Source Switch		C	1	
4	A799161401	Cover /Front		D	1	
5	A799161501	Cover /Rear		D	1	
6	A799166200	Protection Label		D	1	
7	A799168000	Operation Casing		D	1	
8	A799190601	Support Cover /Right		D	1	
9	A799190701	Support Cover /Left		D	1	
10	A799190801	Fixing Knob		D	1	
11	A799N11800	Power source Detection harness		D	1	
12	ADF2R70700	Operation Unit		I	1	
13	A9JT195500	Positioning Plate /Upper		D	1	
14	AC57195001	Operation Sheet	A	D	1	
14	AC57205001	Operation Sheet	B,D1,D3,E,F2,G1,G2, I	D	1	
14	AC57205101	Operation Sheet	J	D	1	
15	A0G6101701	Mounting Pedestal		D	1	
16	56UA70540	Ope Unit Positioning Plate /L		D	1	
17	A0G6161600	Fixing Plate		D	1	

Operation Panel Section

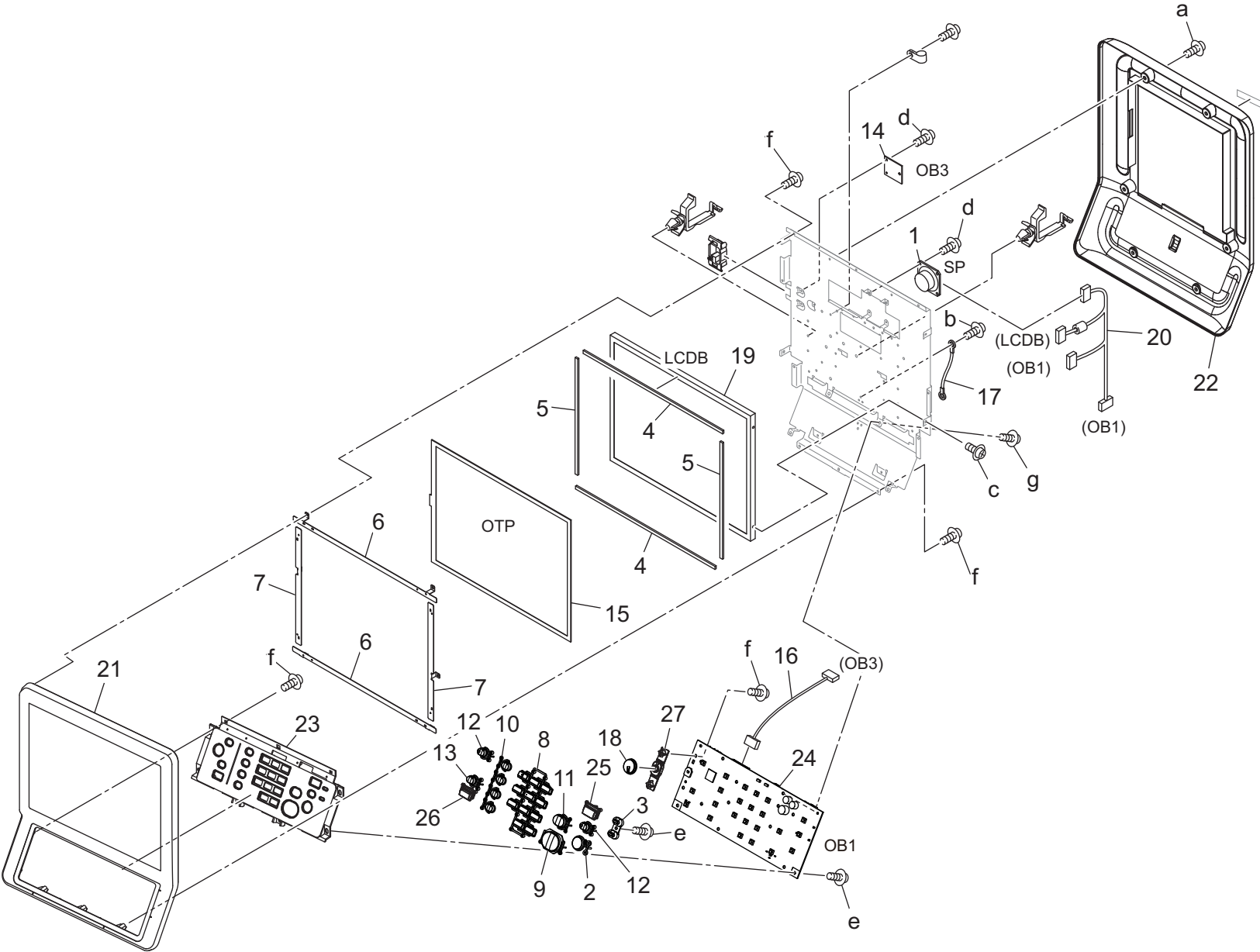


See P.10

Operation Panel Section

Key	Part No.	Description	Destinations	Class	QTY	Standard parts
1	56UA70600	Ope Unit Support Arm /Upper		D	1	a-V121040604
2	56UA70750	OPERATION UNIT FIXING SCREW		D	2	b-V114040804
3	A4EUR74J00	Vertical Rotary Torque Hinge		D	2	c-V116030603
4	A799190500	Rotation Cover		D	1	d-V116040803
5	A799190801	Fixing Knob		D	2	e-V118040603
6	A799190900	Cover /A		D	1	f-V118040804
7	A799197100	Swing Cover		D	1	g-V121040603
8	A799N18200	Ope.unit Control harness /1		D	1	h-V121041003
9	A799N18300	Ope.unit Control harness /2		D	1	k-V127040603
10	A0G6M93100	Ferritecore		D	1	m-V217040003

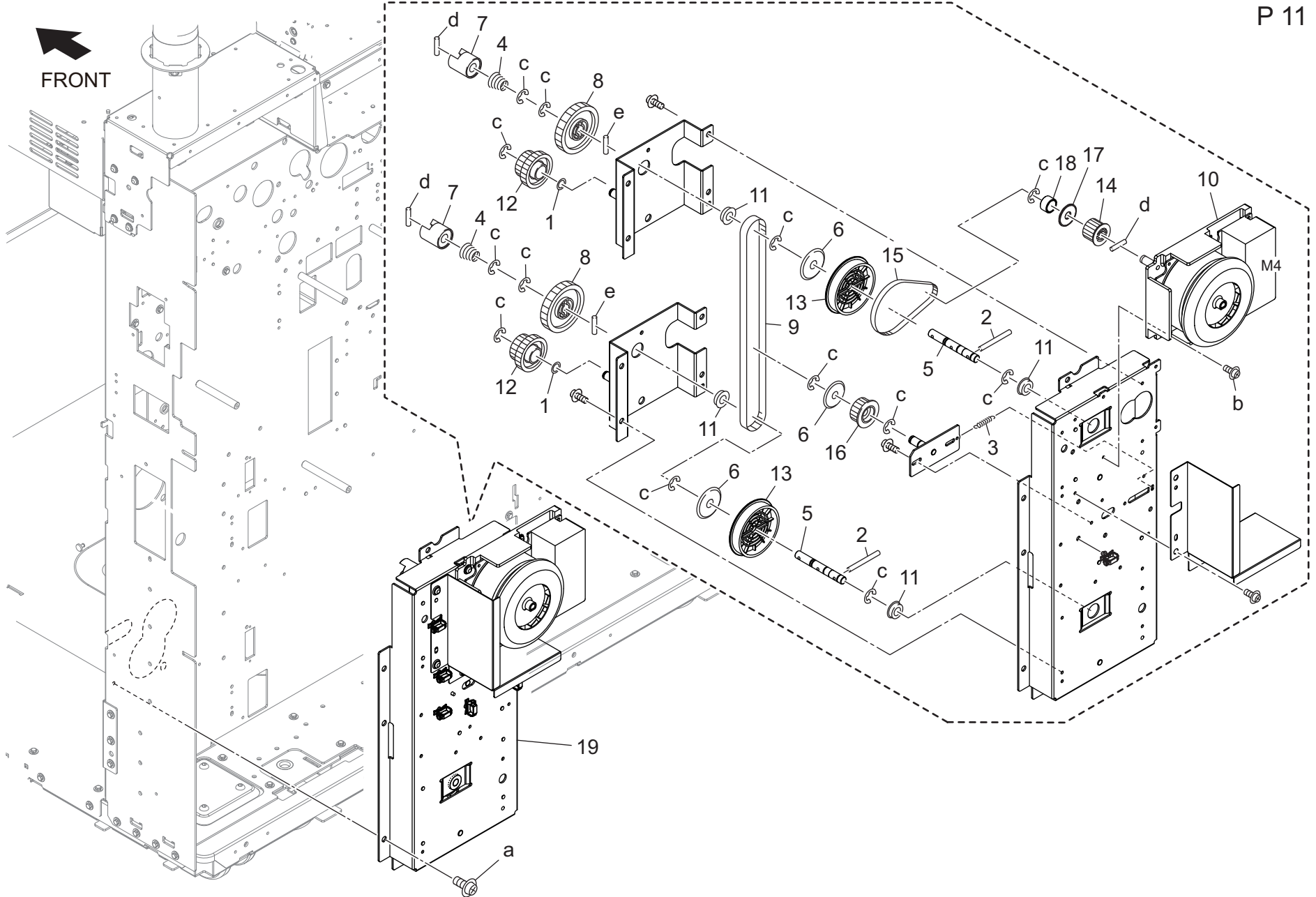
Operation Panel Section



Key	Part No.	Description	Destinations	Class	QTY	Standard parts
1	A0P0M73100	Speaker		D	1	a-V121040604
2	56UA70330	Ope. Unit Button /S		C	1	b-V116040603
3	AC57193600	Indicating Part /1		D	1	c-V118030404
4	A0G6192400	Holding Cushion /Upper		C	2	d-V118030603
5	A0G6192500	Holding Cushion /Right		C	2	e-V153030603
6	A0G6192700	Ground Plate /1		D	2	f-V153030803
7	A0G6192900	Ground Plate /2		D	2	g-V153031003
8	AC57193100	Operation Button /1		D	1	
9	AC57193200	Operation Button /2		D	1	
10	AC57193400	Operation Button /4		D	1	
11	AC57193500	Operation Button /5		D	1	
12	AC57193800	Operation Button /10		D	2	
13	AC57193900	Operation Button /8		D	1	
14	A0G6H06000	Operation Board /3 Assy		C	1	
15	A9VEM75500	Ope. Unit Touch Panel		C	1	
16	A0G6N18400	Ope. Unit Control Harness /3		D	1	
17	A1RFN28300	Ope. unit Wiring /1		D	1	
18	AC57194101	Operation Knob /1		D	1	
19	ADF2M75800	Ope. Unit LCD		C	1	
20	A4EUN28500	Ope. unit Wiring /4		D	1	
21	AC57190102	Operation Cover /Front		D	1	
22	AC57190201	Operation Cover /Rear		D	1	
23	AC57190301	Operation Casing /1		D	1	
24	A799H04001	Operation Board /1 ASSY		I	1	
25	A0G6193700	Operation Button /7		C	1	
26	A0G6194000	Operation Button /9		C	1	
27	A4EU194200	Fixing Holder		D	1	

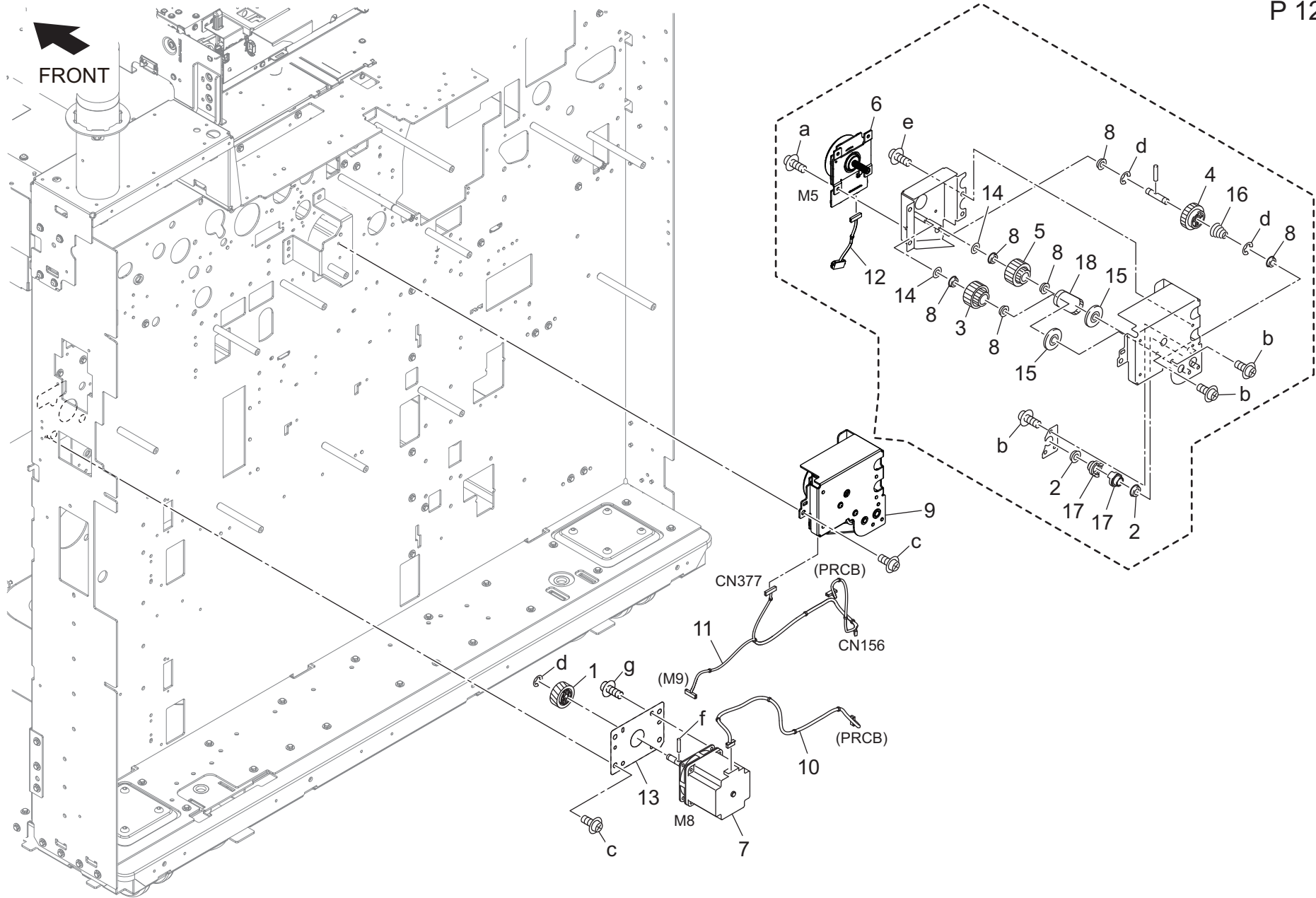
Driving Section

P 11



Key	Part No.	Description	Destinations	Class	QTY	Standard parts
1	13QA40610	Gear Spacer		C	2	a-V121040603 b-V121040803 c-V217060003 d-V234301450 e-V234301650
2	55VA15190	Fixing Drive Pin		B	2	
3	55VA15570	PAPER EXIT TENSION SPRING		B	1	
4	56AA17090	Pressing Spring		C	2	
5	A9JT239301	Drive Shaft		D	2	
6	56UA15420	Belt Collar		C	3	
7	56UA15610E	PAPER FEED DRIVE COUPLING		C	2	
8	56UA77040E	Paper feed Input Gear 40T		C	2	
9	56UA78030	PAPER FEED DRIVE BELT 534L		C	1	
10	A0G6M10100	DC Brushless motor /60		B	1	
11	A00V240600	Ball Bearing		B	4	
12	A0G6237100	Paper Feed Idling Gear 25/32T		C	2	
13	A9JT239000	Paper Feed Pulley /M 26/60T		C	2	
14	A4EU239100	Drive Pulley		B	1	
15	A4EU239200	Drive Belt 228L		C	1	
16	A4EUR72C00	Paper Feed Tension Pulley Assy		C	1	
17	56AA51810	BELT HOLDING COLLAR		C	1	
18	65AA49190	COLLAR 1		C	1	
19	ADF2R70900	Paper Feed Drive Assy		S	1	

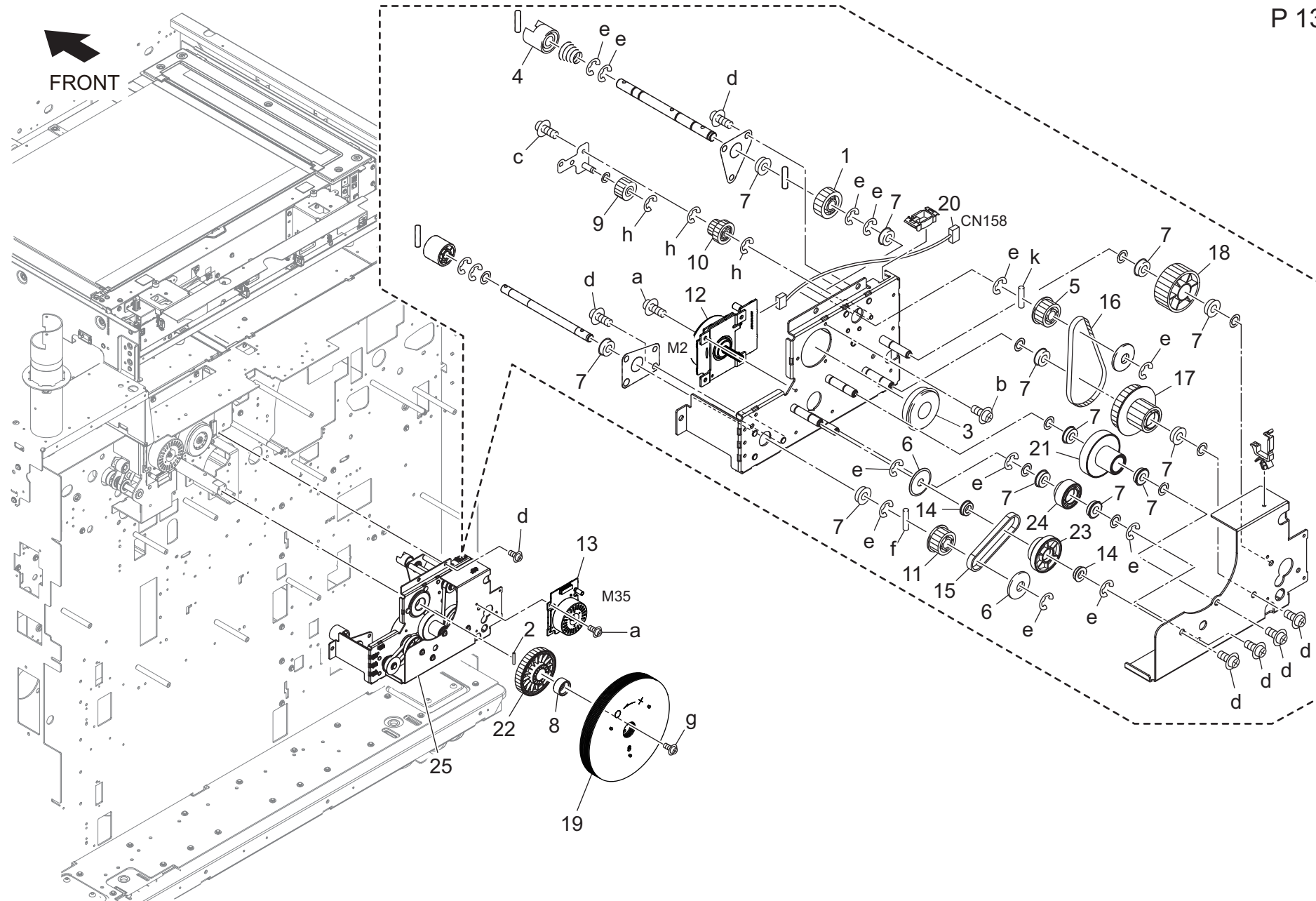
Driving Section



Key	Part No.	Description	Destinations	Class	QTY	Standard parts
1	56UA77061E	Paper Exit Drive Gear 25T		B	1	a-V118040603 b-V121030403 c-V121040603 d-V217040003 e-V121040403 f-V234302050 g-V127030604
2	A00J617900	Ball Bearing		B	2	
3	A0G6250500	Idling Pulley /1		C	1	
4	A0G6250601	Slide Gear 24T		B	1	
5	A0G6250700	Idling Pulley /2		C	1	
6	A9JTM10200	Drum Motor		B	1	
7	A1TVM10100	Stepping motor /50		B	1	
8	A4EU252000	Drive Ball bearing /6		B	6	
9	A9JTR71P00	Belt Cleaning Driving Assy		S	1	
10	A799N11700	Conveyance Drive harness /M		D	1	
11	ADF2N20000	Drive Relay Harness /1		D	1	
12	A9JTN12900	Toner Relay Harness /1		D	1	
13	56UA15230	EXIT DRIVE PANEL		D	1	
14	56AA17700	Spacer /B		C	2	
15	A0G6250800	Collar		C	2	
16	A0G6251200	Pressing Spring		C	1	
17	A0G6251301	Rotation Part		C	2	
18	A4EU251000	Cleaning Belt /1 120L		C	1	

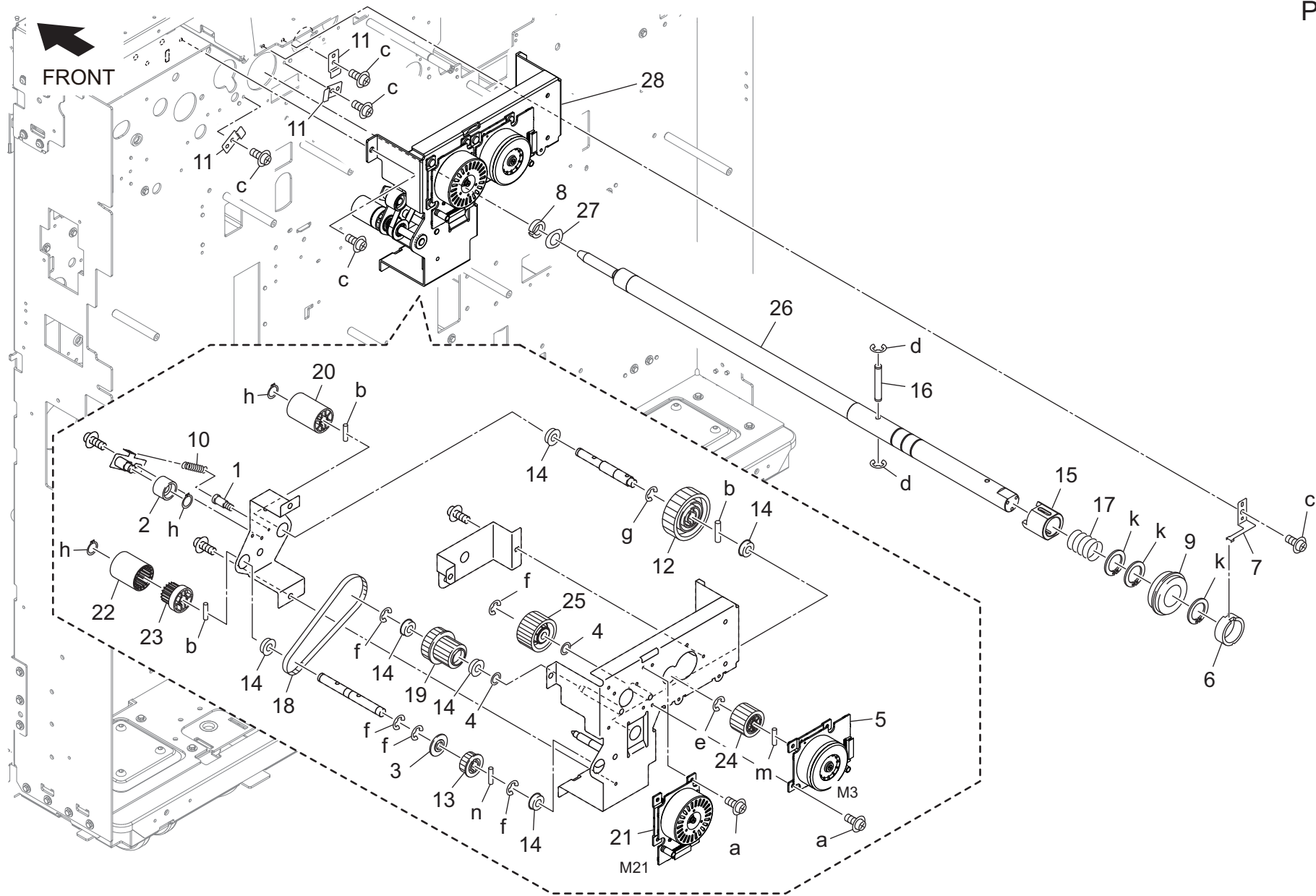


Driving Section



Key	Part No.	Description	Destinations	Class	QTY	Standard parts
1	15AG77020	Drive Connecting Gear/ 1 22T	駆動連結ギア /1 22 T	C	1	a-V118040403
2	25SA15390	Drive Position Pin D4X33	駆動位置決めピン D 4 X 3 3	C	1	b-V118040603
3	55TA75020	Bearing	ドラム回転軸受	B	1	c-V121030603
4	55VA15541	CLEANER COUPLING PART	クリーナーカップリング部材	C	1	d-V121040603
5	56GA76600E	Cleaner Driving Pulley 21T	クリーナー駆動プーリー 21 T	C	1	e-V217060003
6	56UA15420	Belt Collar	ベルトカラー	C	2	f-V234301450
7	A00V240600	Ball Bearing	ボールベアリング	B	12	g-V116041003
8	A0G6215500	Stopper Part	突当て部材	D	1	h-V217040003
9	A0G6217500	Drive Gear /7 20T	駆動ギア /7 20 T	C	1	k-V234301650
10	A0G6217600	Drive Gear /8 15/22T	駆動ギア /8 15 /22 T	C	1	
11	A0GC210401	Drive Pulley 26T	駆動プーリー 26 T	B	1	
12	A9JTM10200	Drum Motor	ドラムモーター	B	1	
13	A9JTM10300	Developing Screw Motor	現像スクリューモーター	B	1	
14	A1RF710900	Ball bearing /1	ボールベアリング /1	C	2	
15	A2Y1718500	Timing belt/1 168L	タイミングベルト /1 168 L	C	1	
16	A4EU211300	Drive Belt /A 255L	駆動ベルト /A 255 L	C	1	
17	A4EU218000	Idling Pulley /1	アイドラプーリー /1	C	1	
18	A4EU218100	Idling Gear 83T	アイドラギア 83 T	C	1	
19	A4EUR74K00	Flywheel Assy	フライホイール部組	D	1	
20	A4EUN12400	Photoconductor Drive harness	感光体駆動束線	D	1	
21	A799217100	Idling Gear /1 24/87T	アイドラギア /1 24 /87 T	C	1	
22	A799217200	Drive Gear 89T	駆動ギア 89 T	C	1	
23	A799217400	Idling Pulley /2	アイドラプーリー /2	C	1	
24	A799217700	Idling Gear /2 50T	アイドラギア /2 50 T	C	1	
25	ADF2R70800	Drum Drive Assy	ドラム駆動 A s s y	S	1	

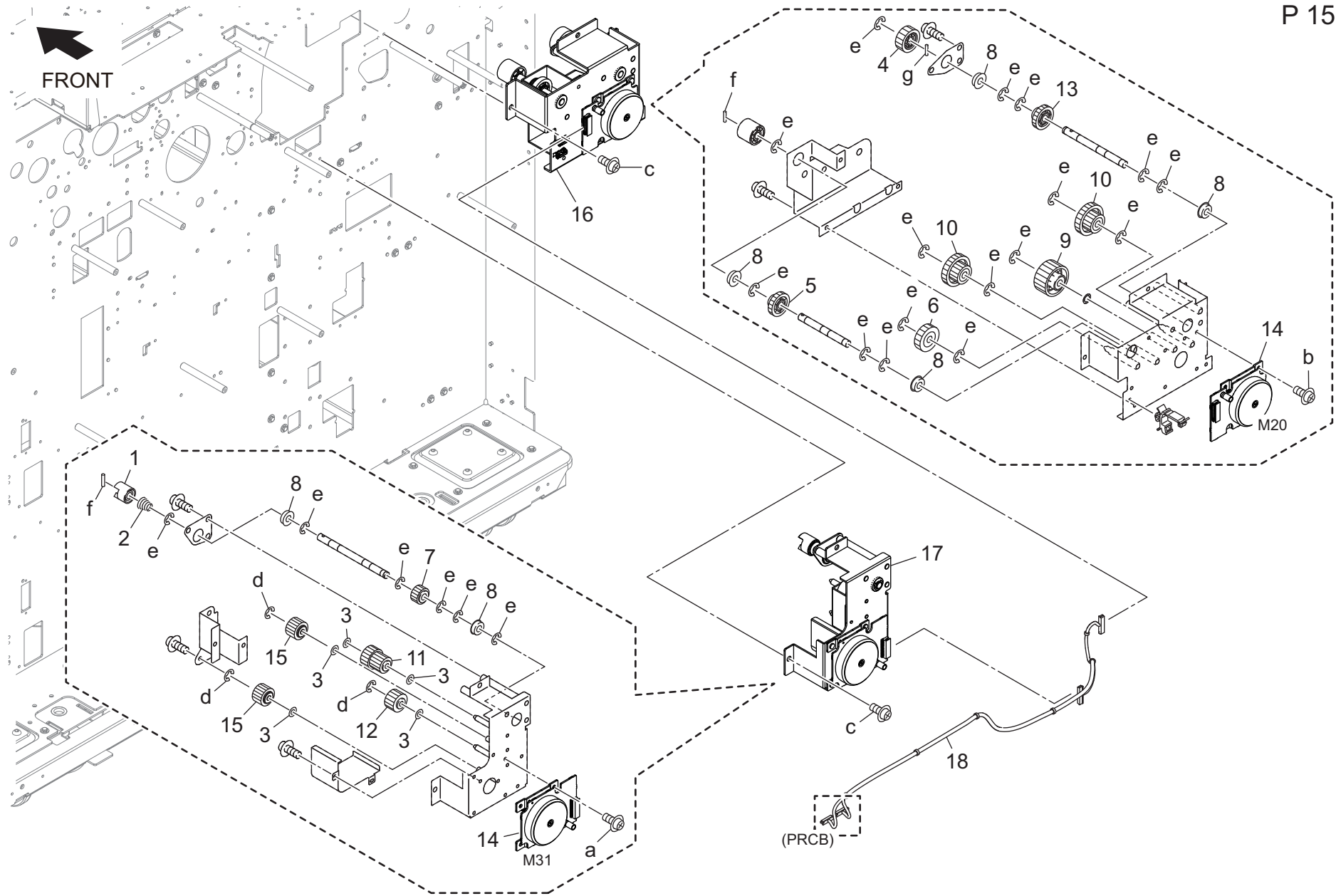
Driving Section



Key	Part No.	Description	Destinations	Class	QTY	Standard parts
1	066079020	DRAWER SCREW M3X10	ドロワーネジ M3 X 10	C	1	a-V118040403
2	540015162	BELT TENSION ROLLER	ベルトテンションコロ	B	1	b-V234302050
3	554010550	Collar	カラー	C	1	c-V121040603
4	13QA40610	Gear Spacer	ギアスペーサー	C	2	d-V217030003
5	A9JTM10400	Developing Motor	現像モーター	B	1	e-V217040003
6	25SA15270	EARTH SHAFT HOLDER	アース軸受	C	1	f-V217060003
7	25SA15280	DRUM EARTH SPRING	ドラムアースバネ	C	1	g-V217080003
8	25SA20150	SPRING POSITION COLLAR	バネ位置決めカラー	A	1	h-V223080050
9	55TA75020	Bearing	ドラム回転軸受	B	1	k-V223200017
10	55VA15570	PAPER EXIT TENSION SPRING	排紙テンションバネ	B	1	m-V234201850
11	55VA15580	Shaft Holder Holding Plate	軸受押え板	D	3	n-V234301450
12	55VA77040	Developing Drive Gear /B 46T	現像駆動歯車 /B 46 T	C	1	
13	56GA76600E	Cleaner Driving Pulley 21T	クリーナー駆動プーリ 21 T	C	1	
14	A00V240600	Ball Bearing	ボールベアリング	B	6	
15	A0G6215200	Coupling Part	カップリング部材	C	1	
16	A0G6215300	Coupling Pin	カップリングピン	C	1	
17	A0G6215400	Compressing Spring	圧縮ばね	C	1	
18	A0G6221100	Drive Belt 210L	駆動ベルト 210 L	C	1	
19	A0G6227300	Idling Pulley /3	アイドルプーリ /3	C	1	
20	A0G6227400	Coupling Part /1	カップリング部材 /1	D	1	
21	A9JTM10300	Developing Screw Motor	現像スクリューモーター	B	1	
22	A0Y5227500	Coupling Part	カップリング部材	D	1	
23	A0Y5227600	Input Coupling	入力カップリング	D	1	
24	A4EU222000	Drive Gear /12 26T	駆動ギア /12 26 T	C	1	
25	A4EUR71S00	Developing Idling Gear Assy	現像アイドル歯車部組	C	1	
26	A799215101	Drive Shaft	駆動軸 (ドラム)	C	1	
27	A799330000	Fixing Spring	固定ばね	A	1	
28	A9JTR71900	Developing Driving Unit	現像駆動ユニット	S	1	

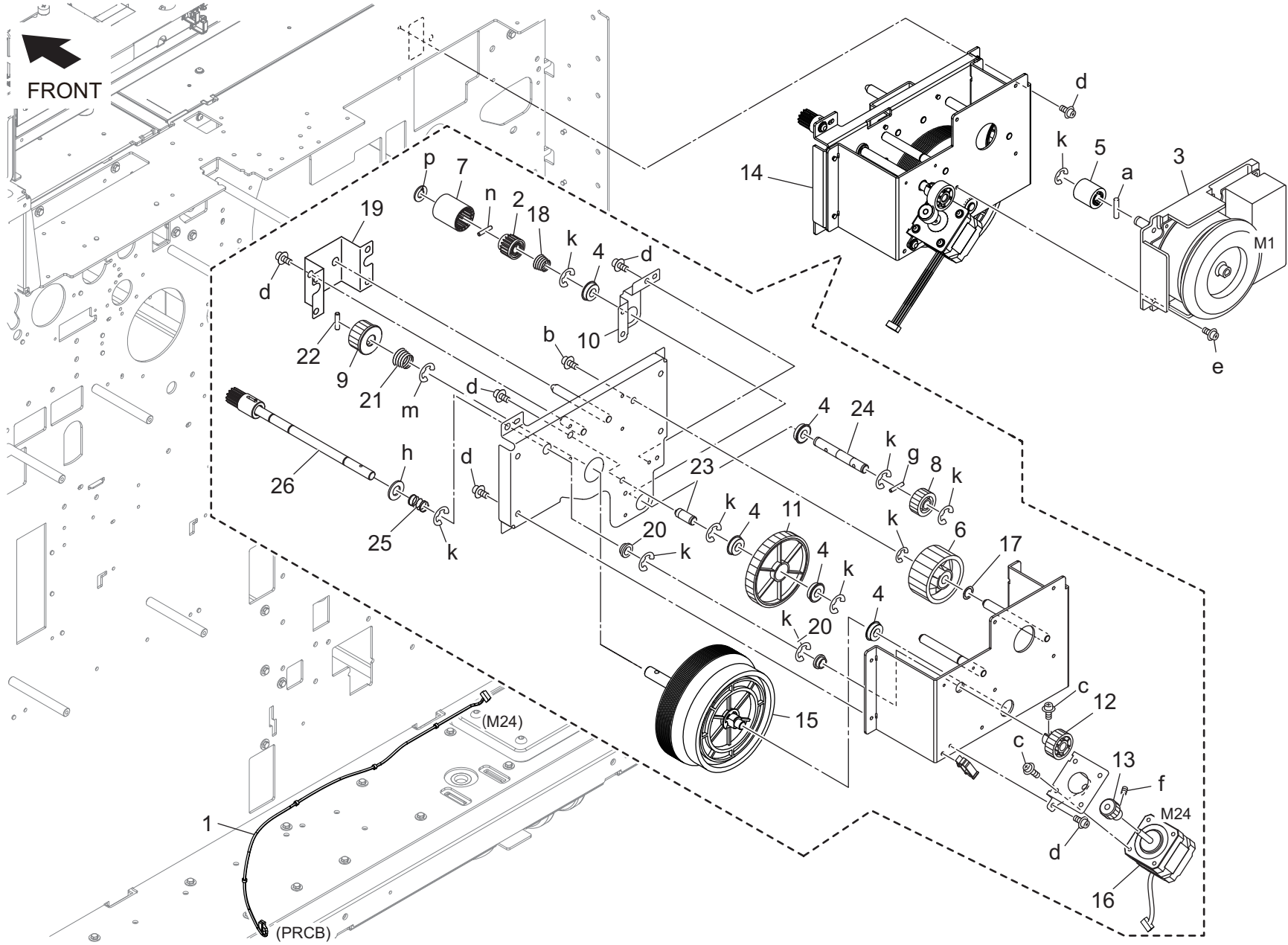
Driving Section

P 15

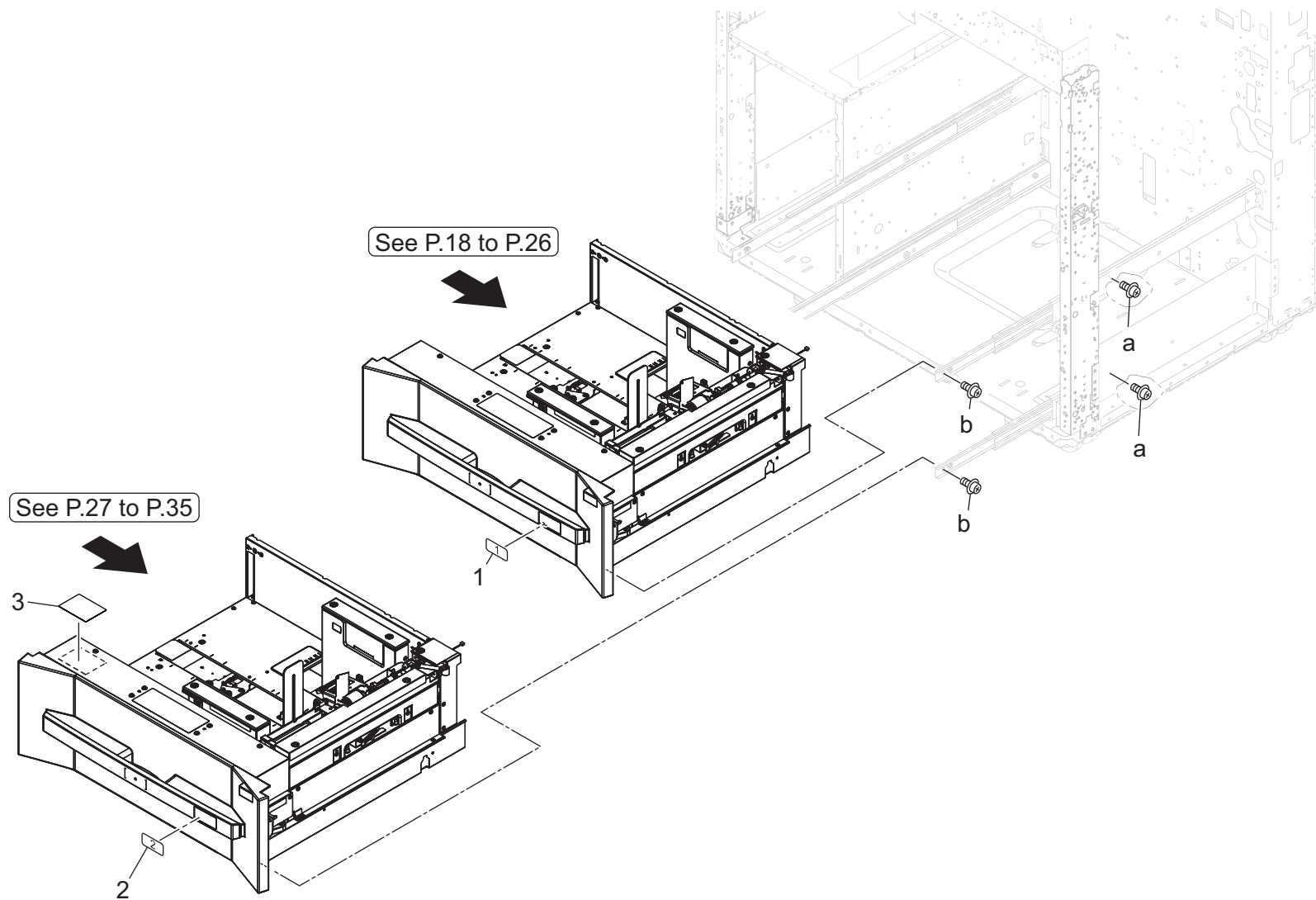


Key	Part No.	Description	Destinations	Class	QTY	Standard parts
1	55VA15541	CLEANER COUPLING PART	クリーナーカップリング部材	C	1	a-V118030403
2	56AA17090	Pressing Spring	押圧バネ	C	1	b-V118040403
3	56AA17700	Spacer /B	スペーサー /B	C	5	c-V121040603
4	56UA77070F	Paper Exit Input Gear 25T	排紙入力歯車 25 T	B	1	d-V217040003
5	56UA77270	PAPER EXIT DRIVE GEAR C 25T	排紙駆動歯車 C 25 T	C	1	e-V217060003
6	A4EU247600	Idling Gear /2 27T	アイドルギア /2 27 T	C	1	f-V234301450
7	56UA77930	ADU Drive Gear 36T	ADU 駆動ギア 36 T	C	1	
8	A00V240600	Ball Bearing	ボールベアリング	B	6	
9	A0G6247100	Idling Gear /1 68T	アイドル歯車 /1 68 T	C	1	
10	A0G6247200	Idling Gear /2 34/40T	アイドル歯車 /2 34 /40 T	C	2	
11	A0G6247300	Idling Gear 36/45T	アイドル歯車 36 /45 T	C	1	
12	A0G6247400	Idling Gear /2 40T	アイドル歯車 /2 40 T	C	1	
13	A0G6247500	Paper Exit Gear /C 25T	排紙歯車 /C 25 T	C	1	
14	A9JTM10200	Drum Motor	ドラムモーター	B	2	
15	A4EUR71Y00	Adu Idling Gear /1 Assy	ADU アイドラー歯車 /1 部組	C	2	
16	A9JTR71B00	Paper Exit Driving Unit	排紙駆動ユニット	S	1	
17	ADF2R71000	ADU Driving Assy	ADU 駆動ユニット	S	1	
18	A799N18600	Conveyance Drive harness /2	搬送駆動束線 /2	D	1	

Driving Section



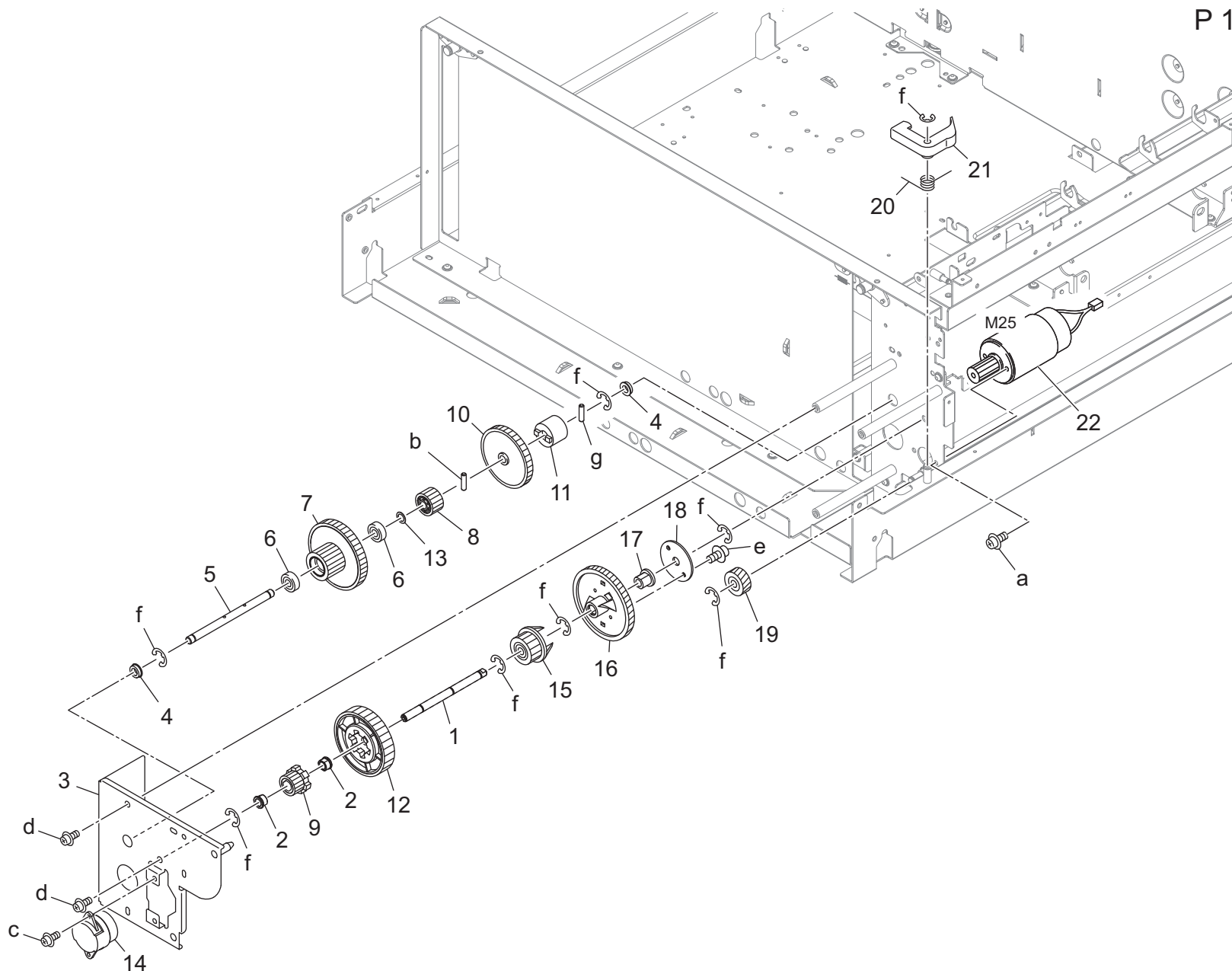
Key	Part No.	Description	Destinations	Class	QTY	Standard parts
1	A799N25100	Wiring /W		D	1	a-V234301450
2	56UA15510	Conveyance Coupling Part		B	1	b-V118040603
3	A0G6M10100	DC Brushless motor /60		B	1	c-V121030603
4	A00V240600	Ball Bearing		B	5	d-V121040603
5	A0G6237201	Gear 17T		B	1	e-V121040803
6	A0G6237300	Idling Gear 42T		C	1	f-V193030304
7	A0Y5227500	Coupling Part		D	1	g-V234301650
8	A1TT214301	Drive Gear /30 21T		C	1	h-V207080003
9	A4EU230800	Fusing Gear /1 24T		C	1	k-V217060003
10	A4EU235000	Drive Side plate /2		D	1	m-V217080003
11	A4EU235200	Fusing Gear /3 68T		C	1	n-V234301250
12	A4EU238100	Drive Gear /2 40T		C	1	p-V223080050
13	A4EU238200	Drive Worm /1		C	1	
14	A4EUR71T11	Fixing Driving Assy		D	1	
15	A4EUR71U00	Fixing Drive Shaft Assy		D	1	
16	A4EUM10100	HB Motor /40		B	1	
17	13QA40610	Gear Spacer		C	1	
18	56AA17090	Pressing Spring		C	1	
19	56UA15320	Fixing Reinforce Plate		D	1	
20	A0G6739300	Operation Bushing /Front		C	2	
21	A4EU230900	Pressing Spring		D	1	
22	A4EU231000	Pin /A		D	1	
23	A4EU235400	Drive Shaft /2		D	1	
24	A4EU235500	Drive Shaft /3		D	1	
25	A4EU235700	Compressing Spring		D	1	
26	A4EUR71V00	Fixing Drive Idol Shaft Assy		D	1	



Key	Part No.	Description	Destinations	Class	QTY	Standard parts
1	A0U0945401	Indicating Label /1		C	1	a-V121040603
2	A0U0945501	Indicating Label /2		C	1	b-V118040803
3	A799942301	Caution Label		D	1	

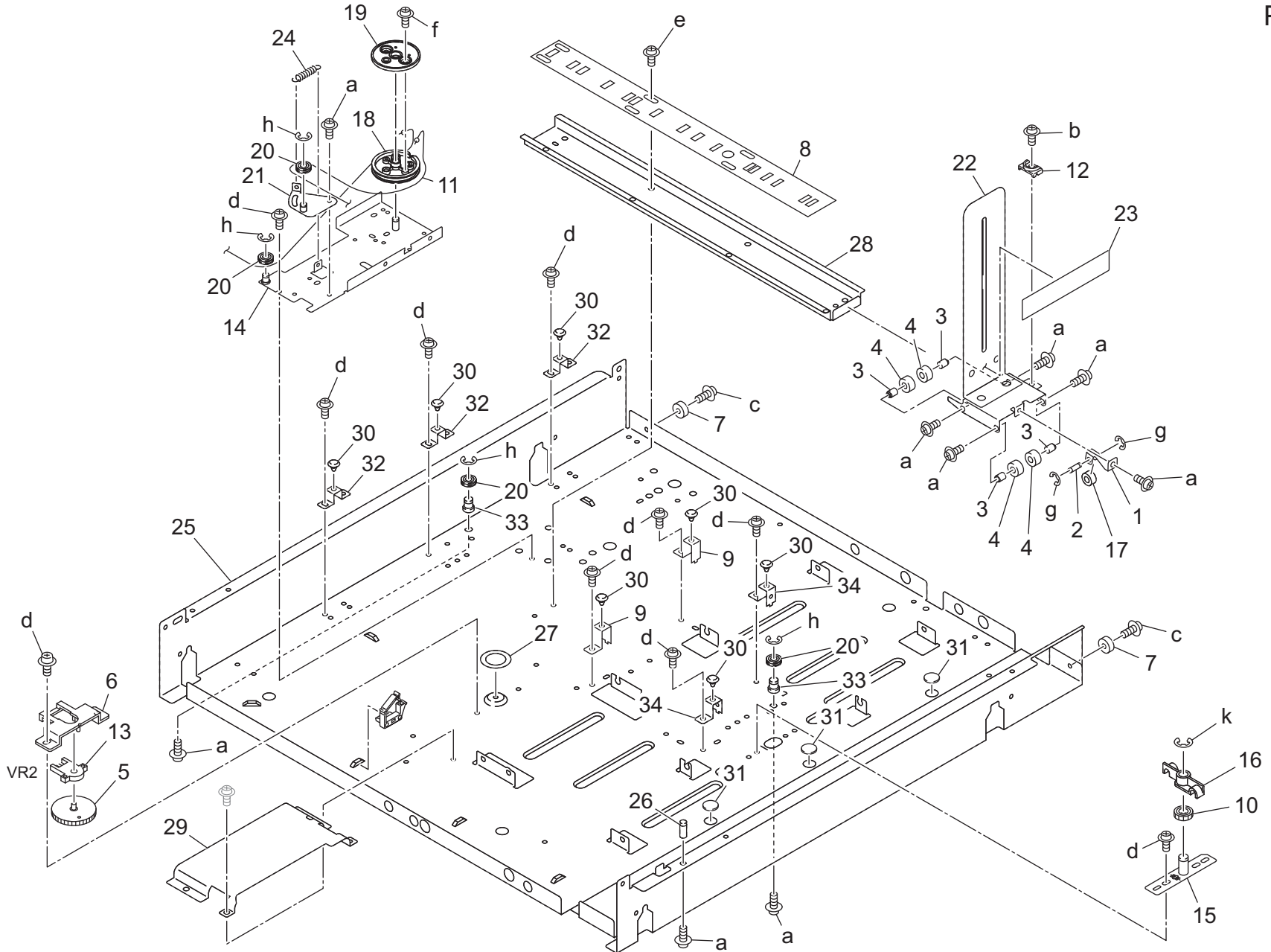
Tray 1

P 18



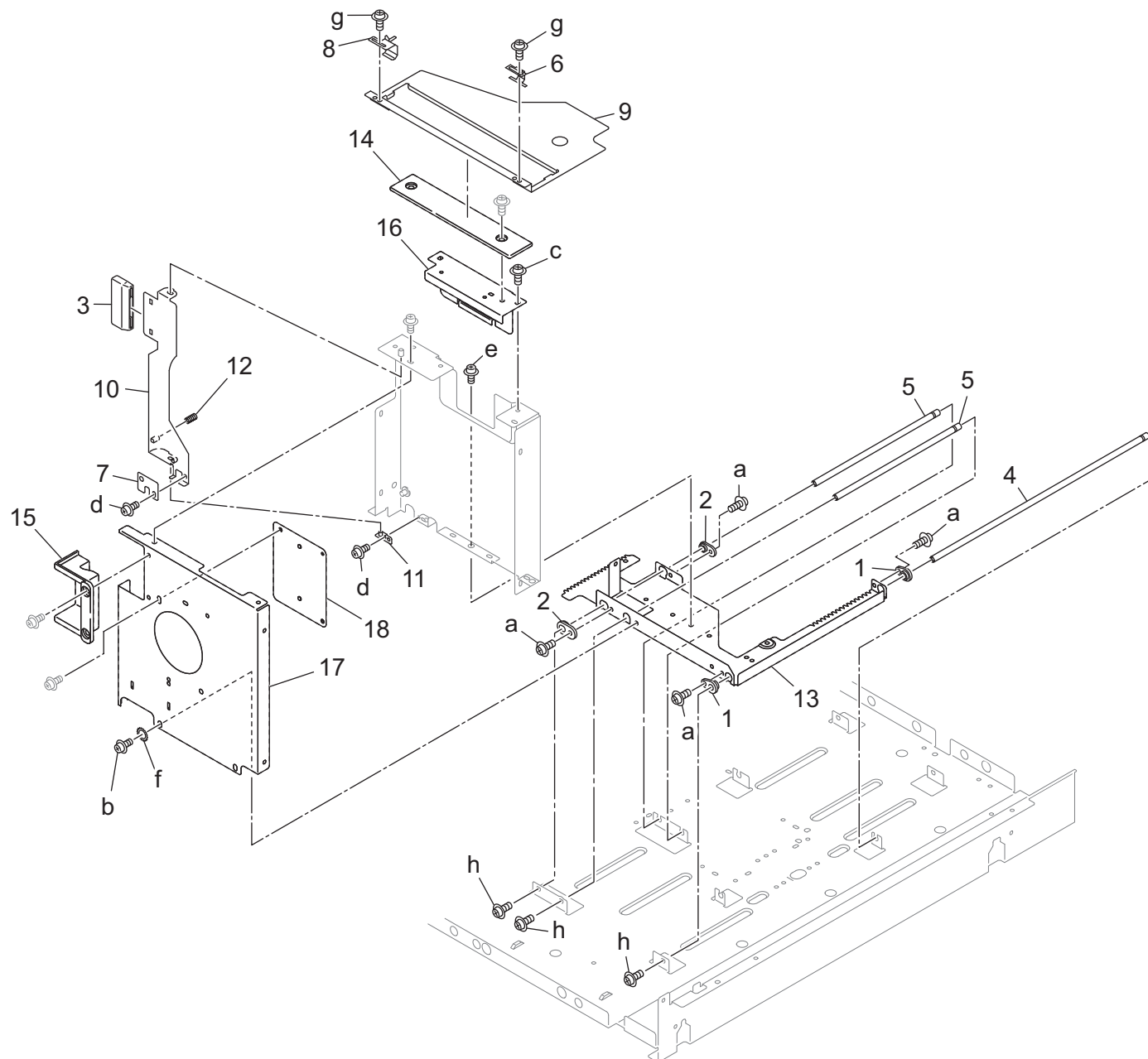
Key	Part No.	Description	Destinations	Class	QTY	Standard parts
1	A4EU603600	Idling Shaft /B	アイドル軸 /B	D	1	a-V118030403
2	A4EU603400	Bushing	すべり軸受	C	2	b-V234201250
3	56UA-4321E	DRIVE UP/DOWN BOARD	駆動昇降基板カシメ	D	1	c-V121030403
4	A00J617800	Ball Bearing	ボールベアリング	A	2	d-V127030516
5	A4EU603500	Idling Shaft /A	アイドル軸 /A	D	1	e-V147030603
6	A4F3905000	Ball Bearing	ボールベアリング	D	2	f-V217040003
7	A4EU606100	Up/down Gear /B 14/55T	昇降ギア /B 14 /55 T	C	1	g-V234200850
8	A4EU603200	Gear 17T	ギア 17 T	C	1	
9	A4EU603100	Gear 15T	ギア 15 T	C	1	
10	56UA77660	Drive Regulating Gear /A 49T	駆動規制歯車 /A 49 T	C	1	
11	56UA42570	TORQUE LIMITER B	トルクリミッタ B	C	1	
12	A4EU603300	Gear 53T	ギア 53 T	C	1	
13	13QA10330	SHAFT SPACER	軸スペーサー	C	1	
14	A0G6601900	Up/Down Dumper	昇降ダンパ	C	1	
15	56UA77650E	Control Gear 21T	制御歯車 21 T	C	1	
16	56UA77640F	Drive Connecting Gear/A 70T	駆動連結歯車 /A 70 T	C	1	
17	40BA75520	Paper Exit Bearing	排紙軸受	C	1	
18	A0G6606500	Holding Part	押さえ部材	C	1	
19	56UA77480	Lock Idler	ロックアイドル	C	1	
20	56UA40360	Lever Spring /1	レバーバネ /1	C	1	
21	56UA40351	GUIDE LEVER	ガイドレバー	D	1	
22	A4EUR72Q11	Updown Motor	昇降モーター	C	1	

Tray 1



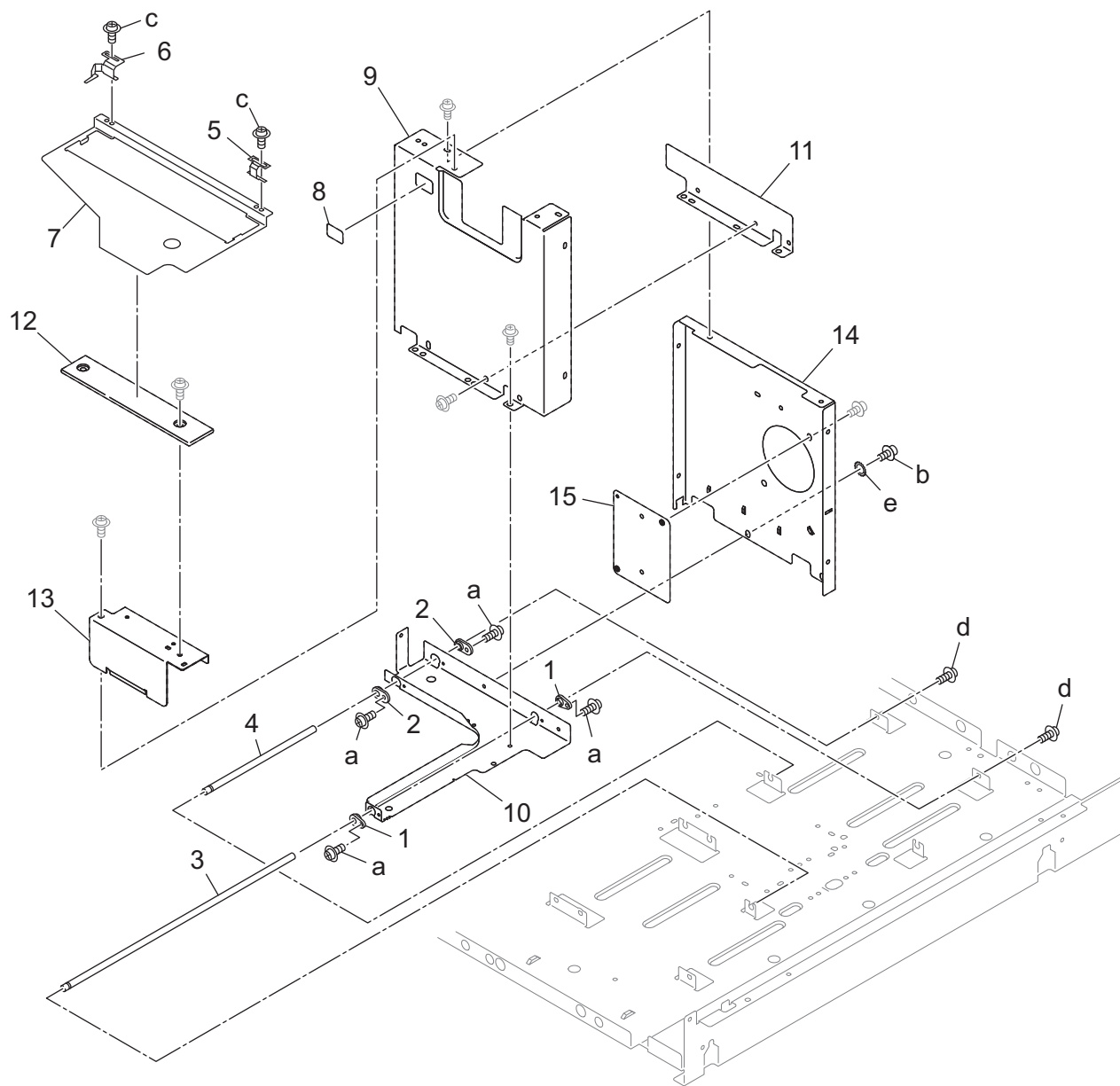
Key	Part No.	Description	Destinations	Class	QTY	Standard parts
1	55VA40910	PRESSURE PLATE A	押圧板 A	D	1	a-V116030603
2	55VA40920D	Support Shaft	支持軸	D	1	b-V116040803
3	55VA42330D	GUIDE SHAFT /E	ガイド軸 /E	D	4	c-V118030603
4	55VA42340	Guide Roller	ガイドコロ	C	4	d-V127030516
5	56AA41340	Detecting Gear 35T	検知ギア 35 T	C	1	e-V127030604
6	56UA40420	DETECTION BOARD	検知基板	D	1	f-V153030603
7	56UA40511E	Stopper Rubber /C	ストップゴム /C	C	2	g-V217030003
8	56UA41120E	Guide Stopper	ガイドストップ	D	1	h-V217040003
9	56UA41530	Paper Feed Tray Support Pedestal /B	給紙皿支持台 /B	D	2	k-V217060003
10	56UA77530	CASSETTE PINION	カセットピニオン	C	1	
11	A0G6601000	Detection Wire	検知ワイヤ	C	1	
12	A0G6615200	Holding Part	押さえ部材	D	1	
13	A1UDM50100	Volume	ボリューム	D	1	
14	A4EUR72U11	Detecting Board Caulking	検知基板カシメ	D	1	
15	A4EUR72V11	Adjusting Plate Caulking	片寄り調整板カシメ	D	1	
16	56UA41220	SHAFT POSITIONING PART	軸位置決め部材	D	1	
17	56UA41690	Tray Lock Roller	トレイロックコロ	C	1	
18	A0G6600700	Pulley	プーリ	C	1	
19	A0G6600800	Detecting Gear 90T	検出ギア 90 T	C	1	
20	A0G6600900	Idling Pulley /A	アイドラプーリ /A	C	4	
21	A0G6601500	Tension Arm	テンションアーム	D	1	
22	A0G6615100	Guide Part /Rear	ガイド部材 /後	D	1	
23	A4EU943000	Operation Label /H	操作ラベル /H	D	1	
24	A55C601600	Tension Spring	テンションばね	D	1	
25	56UA40011E	Tray Bottom Plate	トレイ 底板	D	1	
26	56UA40371	Lever Support Shaft /A	レバー支点軸 /A	D	1	
27	56UA40760	Gear Spacer	ギア スペース	C	1	
28	56UA41110	GUIDE RAIL	ガイドレール	D	1	
29	56UA41260	BOARD PROTECTION COVER	基板保護カバー	D	1	
30	56UA41470	Stopper Rubber	ストップゴム	C	7	
31	56UA41500	Stopper Rubber /B	ストップゴム /B	C	3	
32	56UA41520	Paper Feed Tray Support Pedestal /A	給紙皿支持台 /A	D	3	
33	A0G6601300	Idling Shaft /2	アイドラ軸 /2	D	2	
34	A0G6601700	Support Pedestal	支持台	D	2	

Tray 1

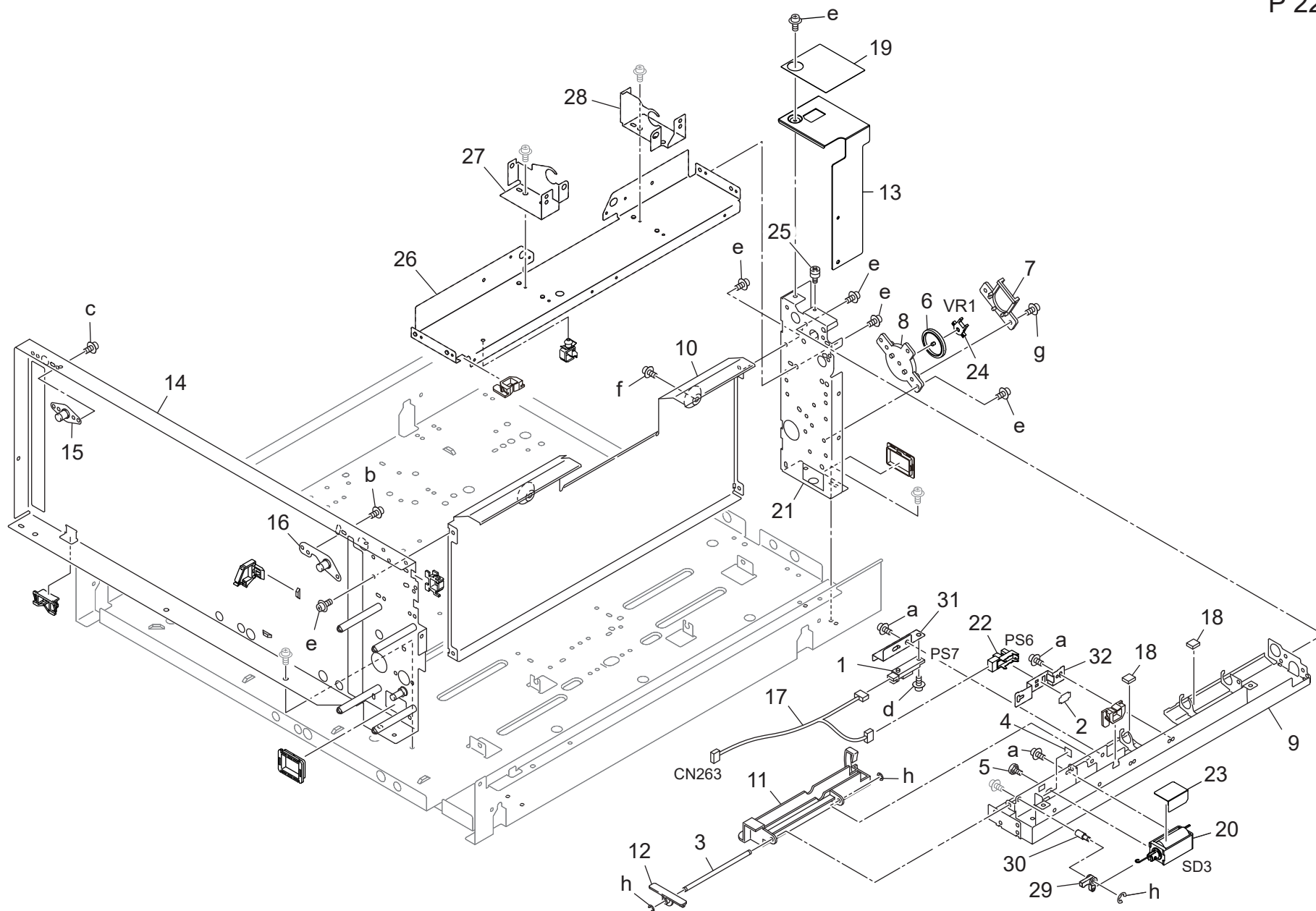


Key	Part No.	Description	Destinations	Class	QTY	Standard parts
1	129X48350	Guide Bearing /A		C	2	a-V116030603
2	129X48360	Guide Bearing /B		C	2	b-V116040803
3	56UA40680	Lever Cover		C	1	c-V118030403
4	A4EU602300	Guide Shaft /L		D	1	d-V121030403
5	56UA41240	GUIDE SHAFT M		C	2	e-V121040404
6	56UA41490	PAPER FEED TRAY HOLDING COVER B		C	1	f-V209040003
7	56UA41540	Lock Plate		C	1	g-V127030516
8	A0G6620600	Holding Plate Spring /B		D	1	h-V127030604
9	A4EUR72S11	Paper Feed Tray Cover /B Unit		D	1	
10	A4EUR72W11	Locking Lever Caulking		D	1	
11	A4EUR72X11	Rocking Board Caulking		D	1	
12	25AA47551	LIFT UP SPRING REAR		C	1	
13	56UA41070	Paper Guide Rack /Front		D	1	
14	56UA41661	PAPER GUIDE COVER		D	1	
15	56UA41670	Lever Protection Cover		D	1	
16	A4EW613000	Auxiliary Plate /Front		D	1	
17	56UA41030	Paper Guide Board /Front		D	1	
18	A4EW610000	Guide Cover		D	1	

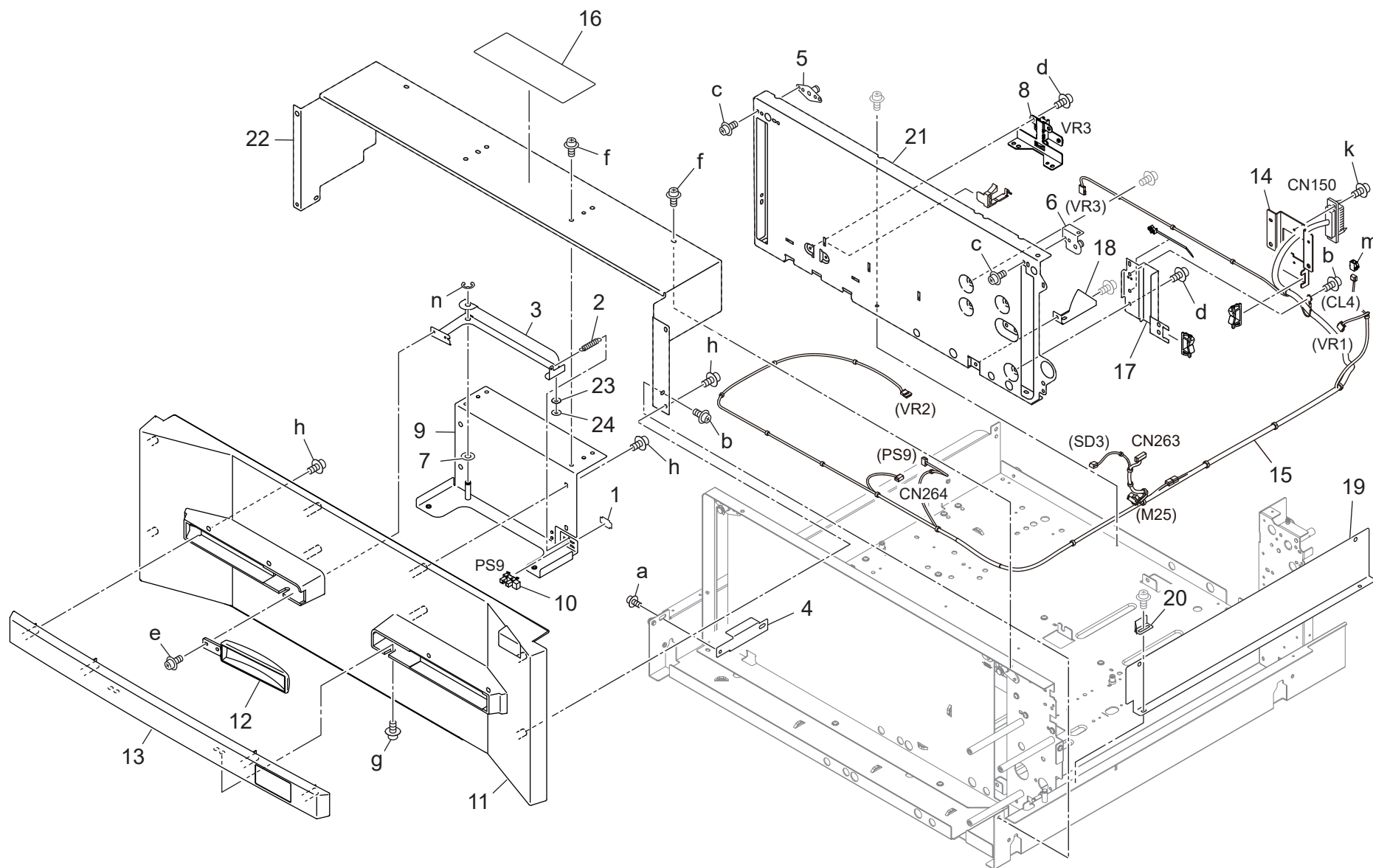
Tray 1



Key	Part No.	Description	Destinations	Class	QTY	Standard parts
1	129X48350	Guide Bearing /A		C	2	a-V116030603 b-V116040803 c-V127030516 d-V127030604 e-V209040003
2	129X48360	Guide Bearing /B		C	2	
3	A4EU602300	Guide Shaft /L		D	1	
4	56UA41250	Guide Shaft /S		D	1	
5	56UA41490	PAPER FEED TRAY HOLDING COVER B		C	1	
6	A0G6620500	Holding Plate Spring /A		D	1	
7	A4EUR72R11	Paper Feed Tray Cover /A Unit		D	1	
8	A7W7943200	Guide Label		C	1	
9	56UA41040	Paper Guide Side Plate /Rear		D	1	
10	56UA41060	Paper Guide Rack /Rear		D	1	
11	56UA41550	REINFORCE PLATE /B		D	1	
12	56UA41661	PAPER GUIDE COVER		D	1	
13	A4EW617500	Auxiliary Plate /R		D	1	
14	56UA41020	PAPER GUIDE BOARD /REAR		D	1	
15	A4EW610000	Guide Cover		D	1	



Key	Part No.	Description	Destinations	Class	QTY	Standard parts
1	13QA85511	Sensor /1		B	1	a-V116030503
2	4470402401	Stopper		D	1	b-V116030603
3	55VA40380	SUPPORT SHAFT A		D	1	c-V121030403
4	55VA42111	SOLENOID STOPPER SHEET		C	1	d-V126030603
5	55VA42220	POSITIONING SCREW		C	1	e-V127030516
6	56AA41340	Detecting Gear 35T		C	1	f-V127040603
7	56AA41351E	Detection Board		C	1	g-V153030803
8	56AE43090	Board Mounting Part		C	1	h-V217030003
9	56UA40051G	Paper Feed Guide Plate /Upper		D	1	
10	56UA40070	PAPER STOPPER PLATE		D	1	
11	56UA40240	Entrance Guide Plate /Front		C	1	
12	56UA40480	PAPER FEED LIFTING LEVER		D	1	
13	ADF2626700	Cover Clutch		D	1	
14	56UA-4080	SIDE GUIDE/FRONT		D	1	
15	56UAR79500	WIRE SUPPORT PLATE A		D	1	
16	56UAR79700	WIRE SUPPORT PLATE C		C	1	
17	56UA90350	PAPER FEED CONTROL WIRING UPPER		D	1	
18	A0G6561200	Stopper Rubber		C	2	
19	ADF2626800	Protection Sheet		D	1	
20	A4EUR72N11	Pick Up Solenoid Pin Assy		C	1	
21	ADF2F60800	TRAY DRIVESIDE GUIDE CAULKING		D	1	
22	A85CM55600	Photo Sensor		C	1	
23	A9JT602000	Protection Cover /S		D	1	
24	A1UDM50100	Volume		D	1	
25	55VA42420	Lever Support Screw		C	1	
26	A0G6570101	Paper feed Stay		D	1	
27	A0G6570600	Support Plate /A		D	1	
28	A0G6570700	Support Plate /B		D	1	
29	25AA40870	SWITCH LEVER 1		C	1	
30	55VA40460	FULCRUM SHAFT C		D	1	
31	56UA40470	Mounting Plate /S		D	1	
32	A0G6561300	Adjusting Plate		D	1	

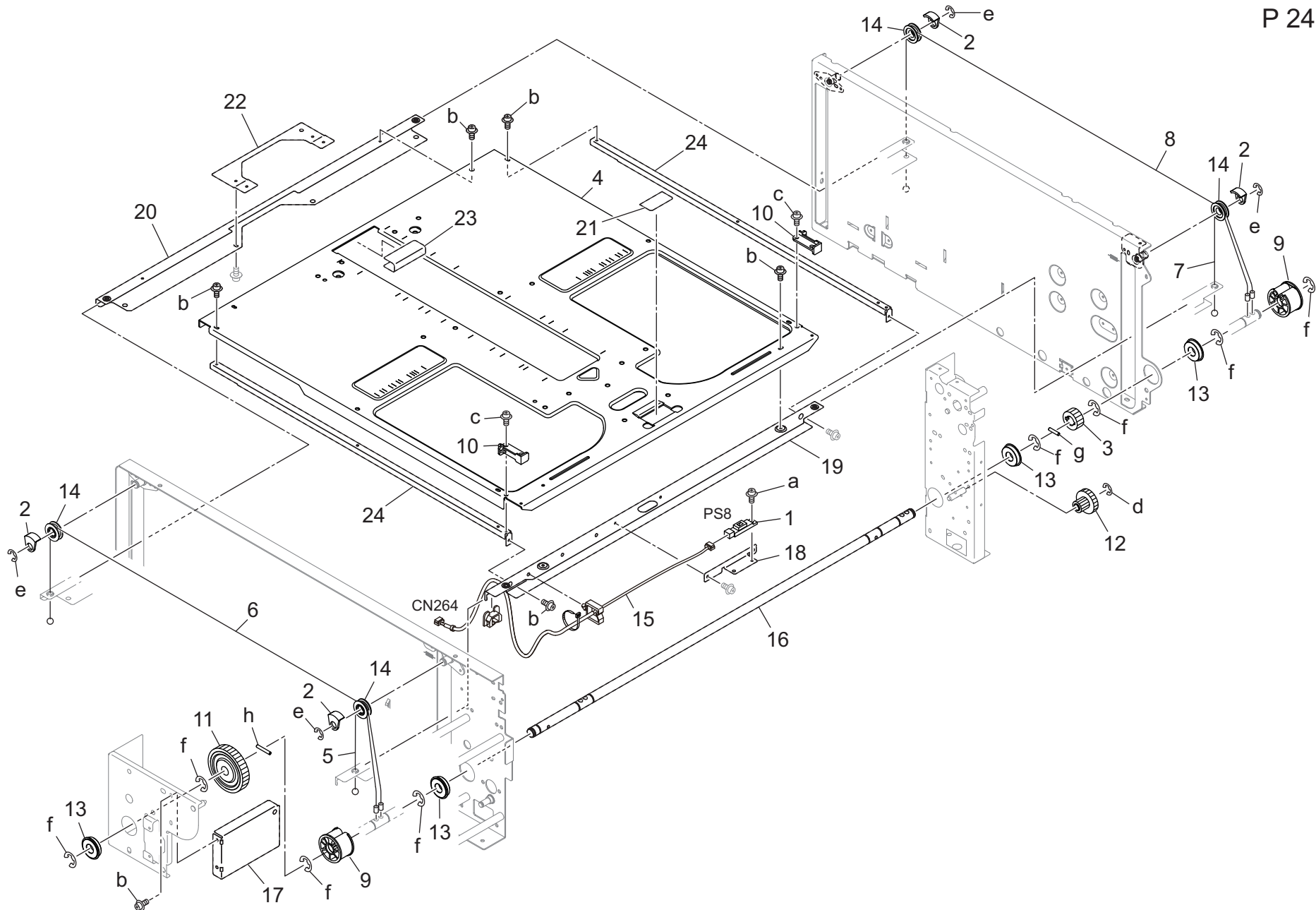


Key	Part No.	Description	Destinations	Class	QTY	Standard parts
1	4470402401	Stopper		D	1	a-V116030603
2	56HA12980	Lever Spring		C	1	b-V116040603
3	56UA12560	Tray Lever		C	1	c-V121030403
4	56UA40270	TRAY POSITIONING PLATE /LEFT		D	1	d-V127030516
5	56UAR79500	WIRE SUPPORT PLATE A		D	1	e-V127030604
6	56UAR79600	WIRE SUPPORT PLATE B		C	1	f-V127040803
7	57AA30260	Developing Agitating Spacer		C	1	h-V153041003
8	A4EUR72M11	Sensor Board		C	1	k-V118030603
9	A4EUF60701	LEVER MOUNTING PLATE CAULKING		D	1	m-V651010001
10	A85CM55500	Photo Sensor		C	1	n-V217040003
11	A799165100	Paper feed Cover		D	1	
12	A799165300	Handle		D	1	
13	A799165400	Paper feed Handle		D	1	
14	A799602000	Wiring Plate /T		D	1	
15	A799N13300	Paperfeed Drive harness		D	1	
16	ADF2947800	Operation Label /E		D	1	
17	56UA40140	Wiring Guide Plate		D	1	
18	56UA40160	Main Body Lock Plate /A		D	1	
19	56UA40260	TRAY COVER RIGHT		D	1	
20	56UA40580E	LEVER HOLDING PART		D	1	
21	56UA40020E	Side plate /Rear		D	1	
22	A0G6165200	Auxiliary Cover		D	1	
23	55VA42390	Attaching Sheet		C	1	
24	55VA42400	Cam Spacer		D	1	



Tray 1

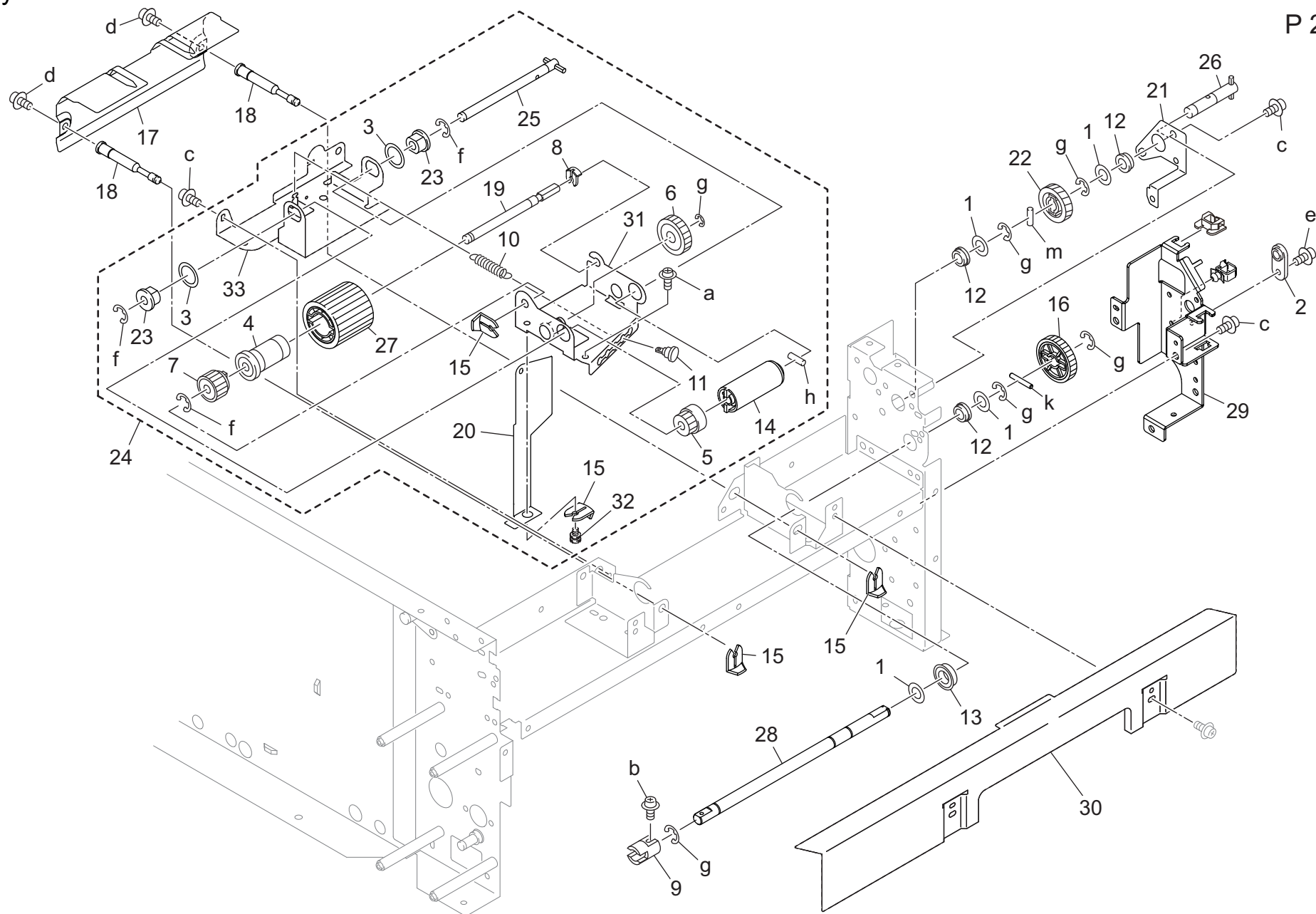
P 24



Key	Part No.	Description	Destinations	Class	QTY	Standard parts
1	13QA85511	Sensor /1		B	1	a-V126030603
2	55VA40610	Wire Holder /A		C	4	b-V127030516
3	55VA77652	ADU CONVEYANCE GEAR 2 19T		B	1	c-V127030604
4	56UA41011E	Paper feed Up/down Plate /M		D	1	d-V217040003
5	56UA41130	Up Down Wire /A		C	1	e-V217060003
6	56UA41140	Up Down Wire /B		C	1	f-V217080003
7	56UA41150	Up Down Wire /C		C	1	g-V234301450
8	56UA41160	Up Down Wire /D		C	1	h-V234302050
9	56UA41340	DRIVE UP DOWN PULLEY		C	2	
10	56UA41400	PAPER FEED TRAY SLIDE PART		D	2	
11	56UA77600	Up Down Gear /A 32T		C	1	
12	56UA77620	TRAY UP DOWN IDLER		C	1	
13	A4EU265000	Ball bearing		B	4	
14	A4EU620200	Roller Pulley Ball bearing Assy		C	4	
15	A799N13400	Paperfeed Detection harness		D	1	
16	A4EU602100	Drive Shaft		D	1	
17	56UA40570	DRIVE UP DOWN COVER RIGHT		D	1	
18	56UA40460	Mounting Plate /O		D	1	
19	56UA41270	Up/Down Stay/A		D	1	
20	56UA41281E	Up/down Stay /B		D	1	
21	56UA41640	Multi Feed Preventing Plate		C	1	
22	A0G6620300	Reinforce Plate /C		D	1	
23	A0G6620400	Protection Sheet		C	1	
24	A4EU621100	Reinforce Shaft /L		D	2	

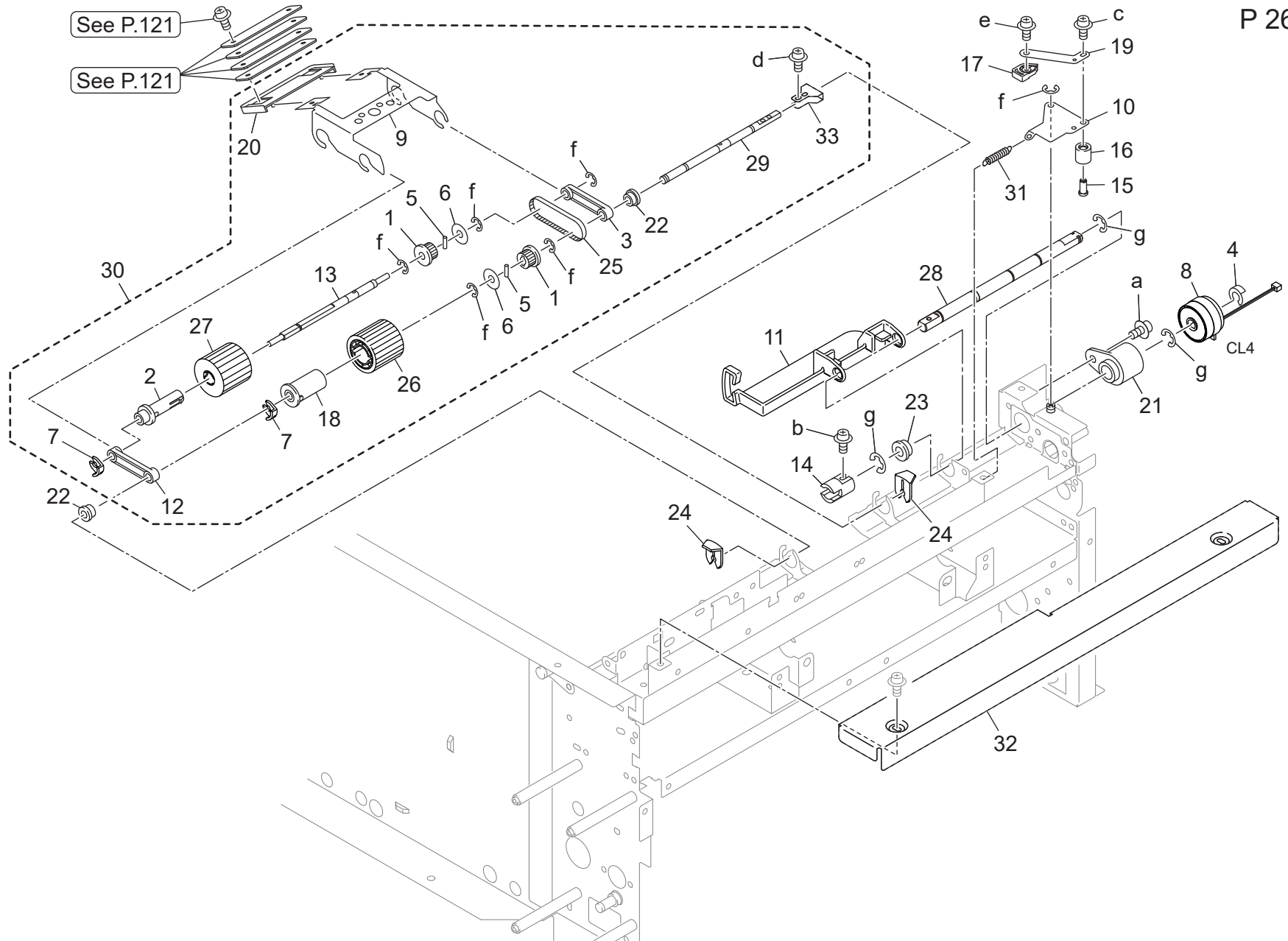
Tray 1

P 25



Key	Part No.	Description	Destinations	Class	QTY	Standard parts
1	12QV40650	Spacer		B	4	a-V116030603
2	173030270	Pin Holder A		C	1	b-V118030603
3	25AA40120	SPACER		C	2	c-V127030516
4	50BA40220	REVERSE ROLLER		C	1	d-V127030604
5	55VA79030	Paper Feed Reversal Gear /C 14T		B	1	e-V127040603
6	55VA79050	Idler Gear /B 24T		C	1	f-V217040003
7	55VA79140	Paper Feed Reversal Gear /D 19T		B	1	g-V217060003
8	56AA40490	Shaft Stopper /4		C	1	h-V234200850
9	56UA40490	COUPLING F		C	1	k-V234302050
10	56UA40610	REVERSE SPRING B		C	1	m-V234301450
11	56UA40620	SPRING ADJUSTMENT LEVER		D	1	
12	A00J617900	Ball Bearing		B	3	
13	A00V240600	Ball Bearing		B	1	
14	A03X565611	Torque Limiter /A		B	1	
15	A0G6561000	Stopper /E		C	4	
16	A4EW570900	Reverse Gear 30T		C	1	
17	A0G6570200	Guide Plate		C	1	
18	A0G6570500	Positioning Shaft /B		D	2	
19	A0G6571900	Reverse Shaft /2		D	1	
20	A0G6572000	Protection Cover		B	1	
21	A0G6602101	Idling Panel		D	1	
22	A0G6602300	Input Gear 25T		B	1	
23	A0Y5601600	Bushing/6		C	2	
24	A4EUR72H11	Separating Unit		C	1	
25	A4EUR72J11	Revers Shaft/B		D	1	
26	A4EUR72K11	Paper Feed Input Shaft		B	1	
27	A4EUR71411	Feeding Roller Unit/B		A	1	
28	A4EW570800	Reverse Shaft		B	1	
29	ADF2621300	Positioning Plate /Rear		D	1	
30	A0G6571600	Guide Plate /Lower		C	1	
31	A0G6570400	Holding Plate /Lower		D	1	
32	A0G6572100	Guide Screw		C	1	
33	A0G6580100	Reverse Frame /A		D	1	

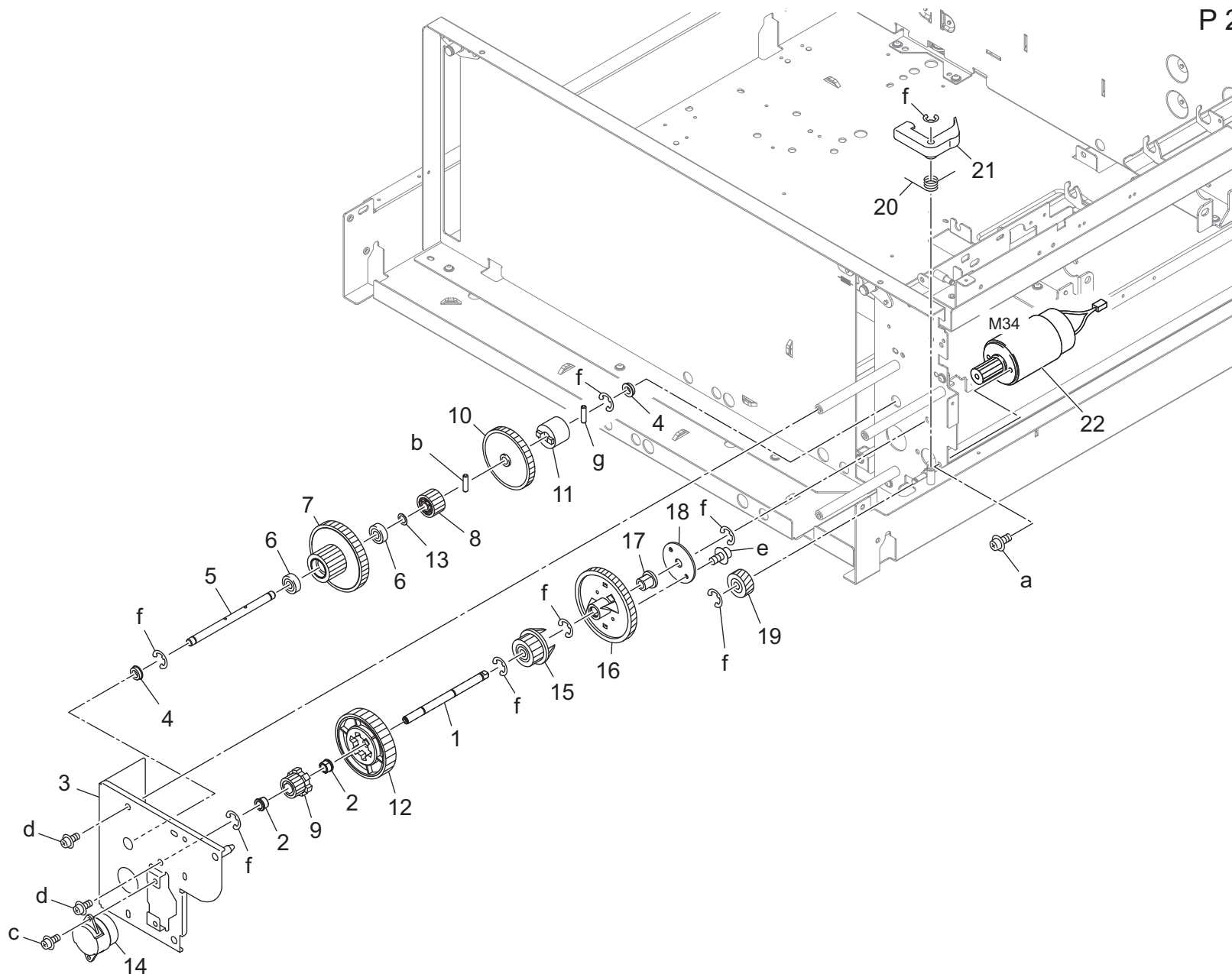
Tray 1



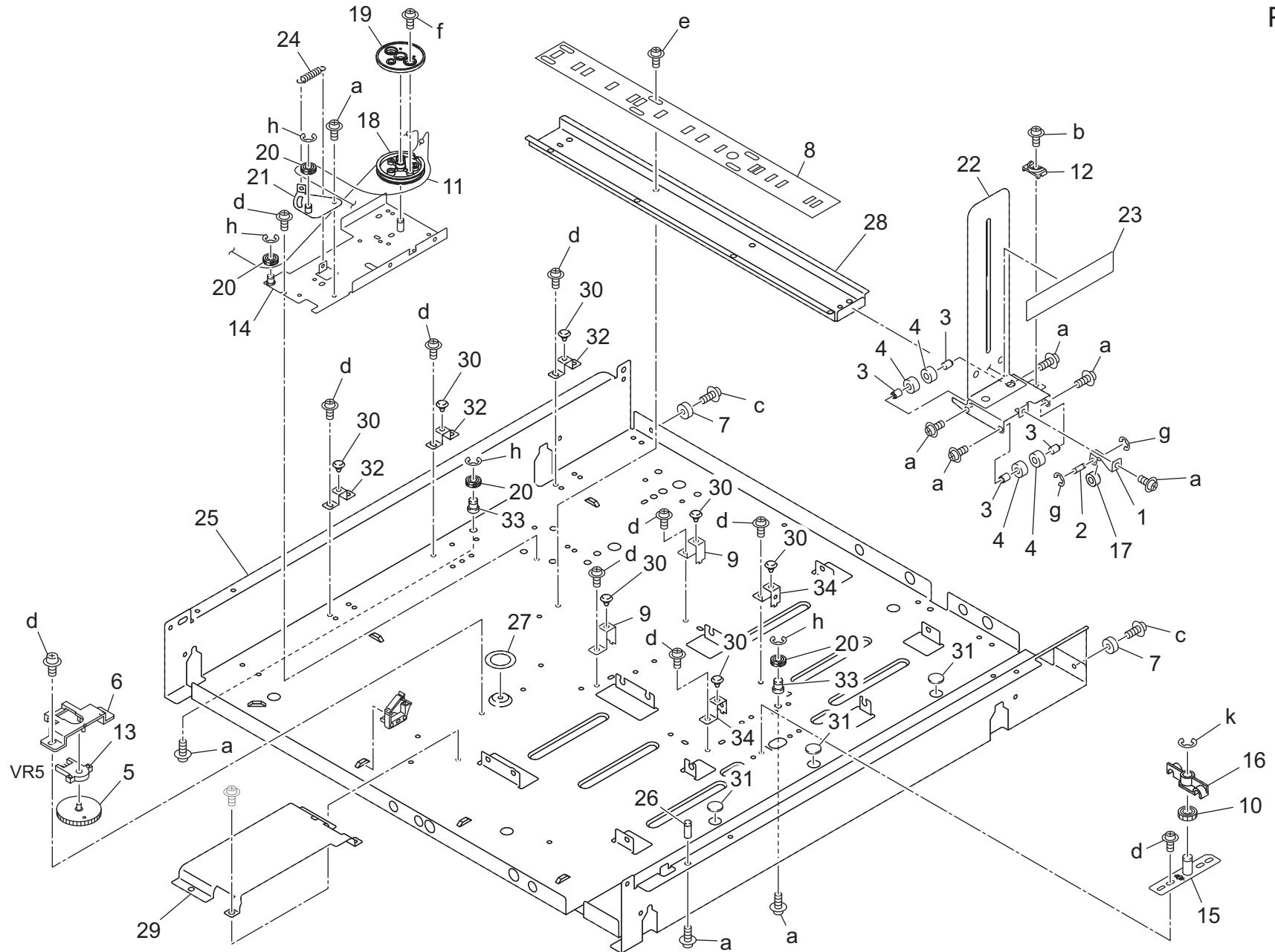
Key	Part No.	Description	Destinations	Class	QTY	Standard parts
1	059076510	PULLEY 1 15T	プーリー 1 15 T	C	2	a-V116030603
2	55VA40130	Feeding Roller /A	送り出しローラ / A	C	1	b-V118030603
3	55VA40260	Paper Feeding Shaft Holder	給紙送り出し軸受	C	1	c-V127030516
4	55VA42120	Shaft Stopper	軸ストッパー	C	1	d-V127030604
5	56AA17510	Pin /B	ピン / B	C	2	e-V153040603
6	56AA17760	COLLAR	カラー	C	2	f-V217040003
7	56AA40490	Shaft Stopper /4	軸 ストップ /4	C	2	
8	AC57M20000	Conveyance Clutch	搬送クラッチ (5 kg)	A	1	
9	56UA40100	Paper Feed Holding Plate /X	給紙ホルダー板 /X	D	1	
10	56UA40170	Lock Lever /A	ロックレバー / A	D	1	
11	56UA40250	ENTRANCE GUIDE PLATE REAR	入口ガイド板 奥	C	1	
12	56UA40280	Paper Feed Feeding Bushing	給紙送り出し軸受	C	1	
13	56UA40400	PAPER FEED SHAFT X	給紙軸 X	D	1	
14	56UA40490	COUPLING F	カップリング F	C	1	
15	56UA40520	Lock Shaft /B	ロック軸 /B	D	1	
16	56UA40530	Release Roller	解除コロ	C	1	
17	56UA40540	Lever Auxiliary Part	レバー補助部材	D	1	
18	56UA40600	Multi-Feed Feeding Roller	重送送り出しローラ	C	1	
19	56UA40660	LEVER AUXILIARY SPRING	レバー補助バネ	D	1	
20	56UA40690	Side Protection Cover /B	側面保護カバー /B	D	1	
21	56UA75030	Lock Bushing /A	ロック軸受 / A	C	1	
22	A00J663200	Bushing	すべり軸受	B	2	
23	A03U812800	Slide Shaft Holder	すべり軸受	B	1	
24	A0G6561000	Stopper /E	ストッパー /E	C	2	
25	A4EU565600	Drive Belt 126L	駆動ベルト (126-3 GT) 126 L	C	1	
26	A4EUR71411	Feeding Roller Unit/B	送り出しローラー部組 /B	A	1	
27	A4EUR71511	Feeding Roller Unit/A	送り出しローラー部組 / A	A	1	
28	ADF2622100	Supply Shaft /Upper	供給軸 /上	D	1	
29	A799623400	Paper feed Shaft /Upper	給紙軸 /上	D	1	
30	A799R70S11	Pickup Unit	送り出しユニット	C	1	
31	25AA40460	LOCK SPRING 2	ロックバネ 2	C	1	
32	56UA12530	FEEDING COVER	送り出しカバー	D	1	
33	56UA40500	COUPLING LEVER F	カップリングレバー F	D	1	

Tray 2

P 27

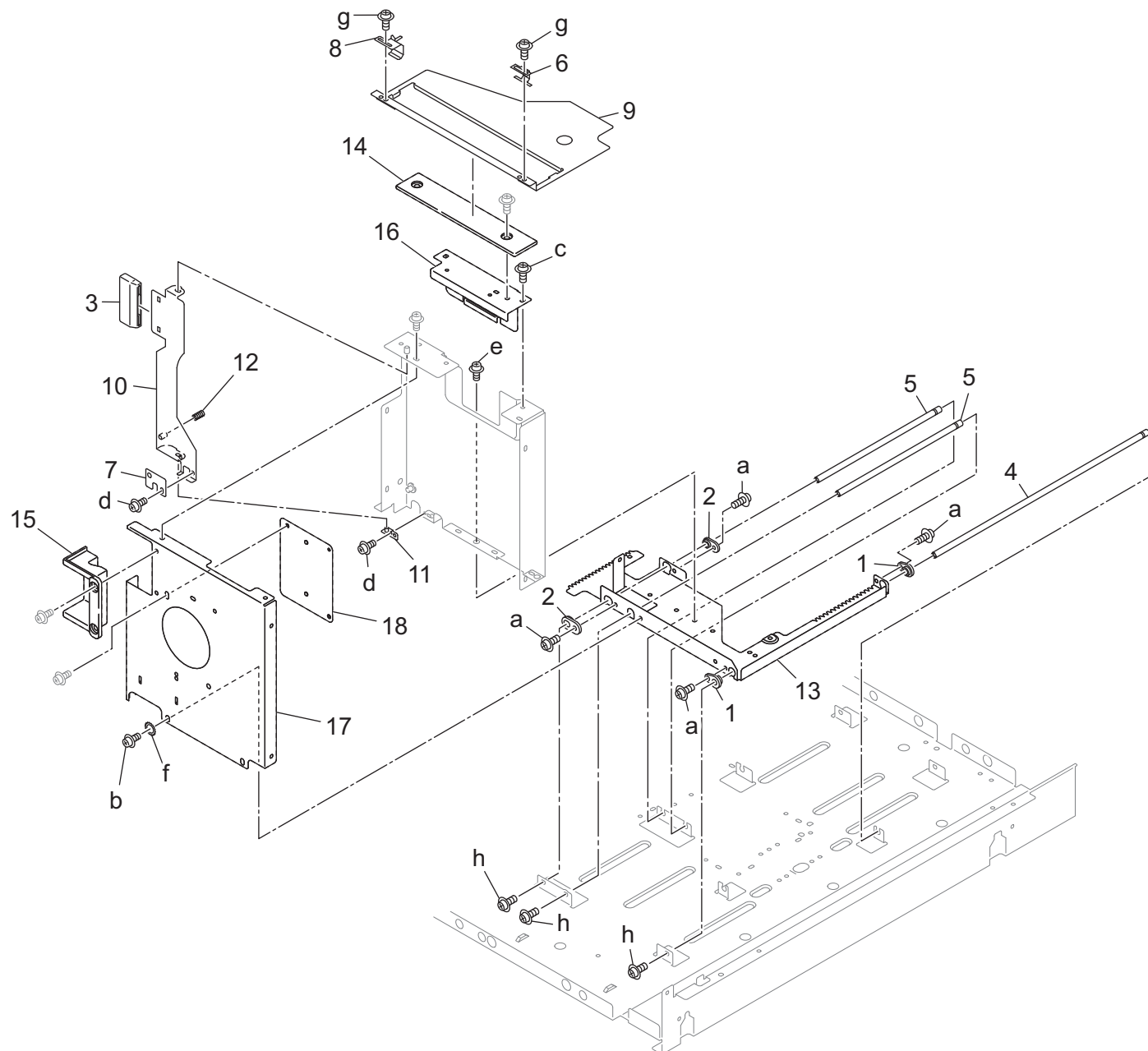


Key	Part No.	Description	Destinations	Class	QTY	Standard parts
1	A4EU603600	Idling Shaft /B	アイドル軸 /B	D	1	a-V118030403
2	A4EU603400	Bushing	すべり軸受	C	2	b-V234201250
3	56UA-4321E	DRIVE UP/DOWN BOARD	駆動昇降基板カシメ	D	1	c-V121030403
4	A00J617800	Ball Bearing	ボールベアリング	A	2	d-V127030516
5	A4EU603500	Idling Shaft /A	アイドル軸 /A	D	1	e-V147030603
6	A4F3905000	Ball Bearing	ボールベアリング	D	2	f-V217040003
7	A4EU606100	Up/down Gear /B 14/55T	昇降ギア /B 14 /55 T	C	1	g-V234200850
8	A4EU603200	Gear 17T	ギア 17 T	C	1	
9	A4EU603100	Gear 15T	ギア 15 T	C	1	
10	56UA77660	Drive Regulating Gear /A 49T	駆動規制歯車 /A 49 T	C	1	
11	56UA42570	TORQUE LIMITER B	トルクリミッタ B	C	1	
12	A4EU603300	Gear 53T	ギア 53 T	C	1	
13	13QA10330	SHAFT SPACER	軸スペーサー	C	1	
14	A0G6601900	Up/Down Dumper	昇降ダンパ	C	1	
15	56UA77650E	Control Gear 21T	制御歯車 21 T	C	1	
16	56UA77640F	Drive Connecting Gear/A 70T	駆動連結歯車 /A 70 T	C	1	
17	40BA75520	Paper Exit Bearing	排紙軸受	C	1	
18	A0G6606500	Holding Part	押さえ部材	C	1	
19	56UA77480	Lock Idler	ロックアイドル	C	1	
20	56UA40360	Lever Spring /1	レバーバネ /1	C	1	
21	56UA40351	GUIDE LEVER	ガイドレバー	D	1	
22	A4EUR72Q11	Updown Motor	昇降モーター	C	1	



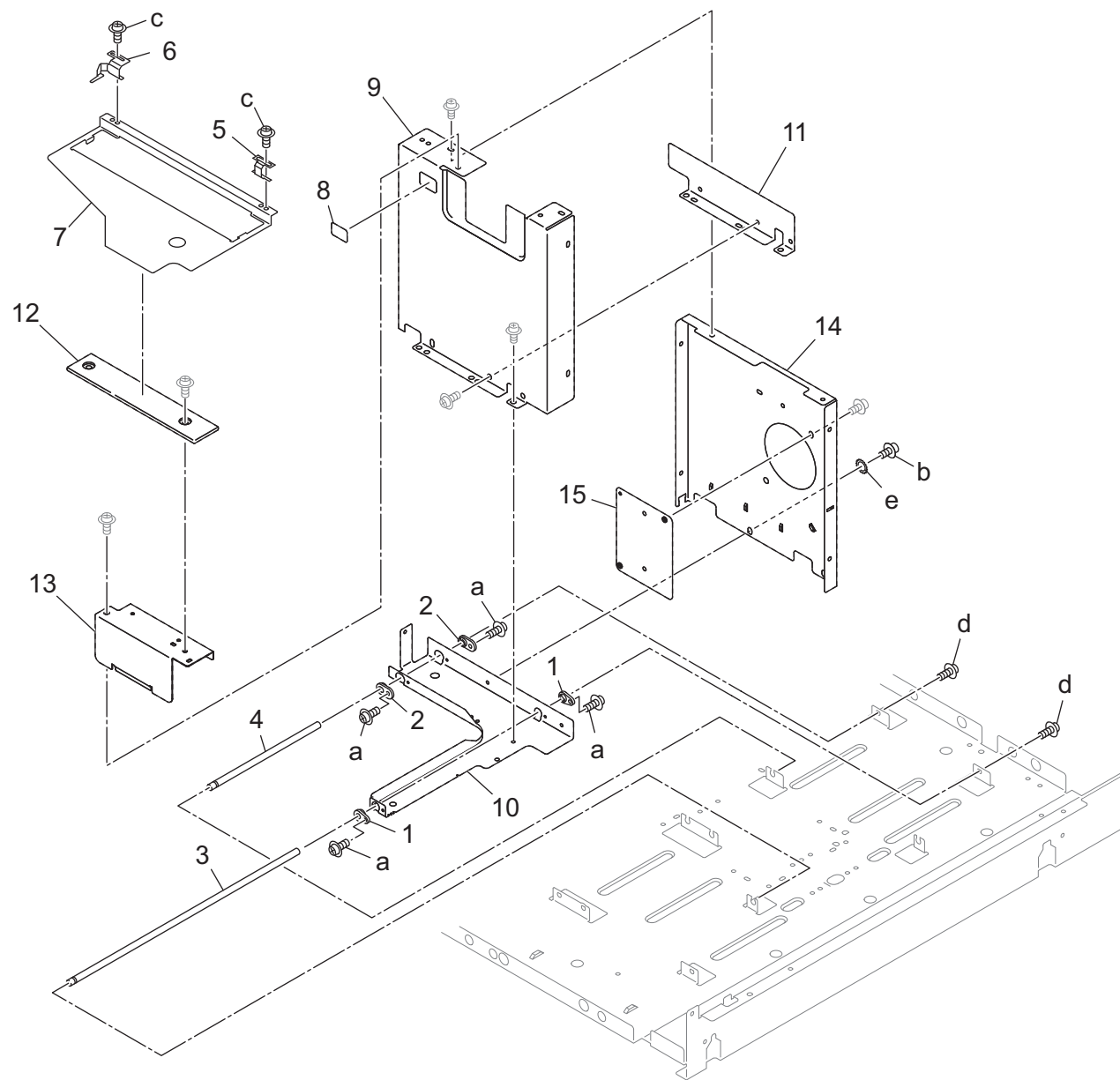
Key	Part No.	Description	Destinations	Class	QTY	Standard parts
1	55VA40910	PRESSURE PLATE A	押圧板 A	D	1	a-V116030603
2	55VA40920D	Support Shaft	支持軸	D	1	b-V116040803
3	55VA42330D	GUIDE SHAFT /E	ガイド軸 /E	D	4	c-V118030603
4	55VA42340	Guide Roller	ガイドコロ	C	4	d-V127030516
5	56AA41340	Detecting Gear 35T	検知ギア 35 T	C	1	e-V127030604
6	56UA40420	DETECTION BOARD	検知基板	D	1	f-V153030603
7	56UA40511E	Stopper Rubber /C	ストップゴム /C	C	2	g-V217030003
8	56UA41120E	Guide Stopper	ガイドストップ	D	1	h-V217040003
9	56UA41530	Paper Feed Tray Support Pedestal /B	給紙皿支持台 /B	D	2	k-V217060003
10	56UA77530	CASSETTE PINION	カセットピニオン	C	1	
11	A0G6601000	Detection Wire	検知ワイヤ	C	1	
12	A0G6615200	Holding Part	押さえ部材	D	1	
13	A1UDM50100	Volume	ボリューム	D	1	
14	A4EUR72U11	Detecting Board Caulking	検知基板カシメ	D	1	
15	A4EUR72V11	Adjusting Plate Caulking	片寄り調整板カシメ	D	1	
16	56UA41220	SHAFT POSITIONING PART	軸位置決め部材	D	1	
17	56UA41690	Tray Lock Roller	トレイロックコロ	C	1	
18	A0G6600700	Pulley	プーリ	C	1	
19	A0G6600800	Detecting Gear 90T	検出ギア 90 T	C	1	
20	A0G6600900	Idling Pulley /A	アイドラプーリ /A	C	4	
21	A0G6601500	Tension Arm	テンションアーム	D	1	
22	A0G6615100	Guide Part /Rear	ガイド部材 /後	D	1	
23	A4EU943000	Operation Label /H	操作ラベル /H	D	1	
24	A55C601600	Tension Spring	テンションばね	D	1	
25	56UA40011E	Tray Bottom Plate	トレイ 底板	D	1	
26	56UA40371	Lever Support Shaft /A	レバー支点軸 /A	D	1	
27	56UA40760	Gear Spacer	ギア スペース	C	1	
28	56UA41110	GUIDE RAIL	ガイドレール	D	1	
29	56UA41260	BOARD PROTECTION COVER	基板保護カバー	D	1	
30	56UA41470	Stopper Rubber	ストップゴム	C	7	
31	56UA41500	Stopper Rubber /B	ストップゴム /B	C	3	
32	56UA41520	Paper Feed Tray Support Pedestal /A	給紙皿支持台 /A	D	3	
33	A0G6601300	Idling Shaft /2	アイドラ軸 /2	D	2	
34	A0G6601700	Support Pedestal	支持台	D	2	

Tray 2

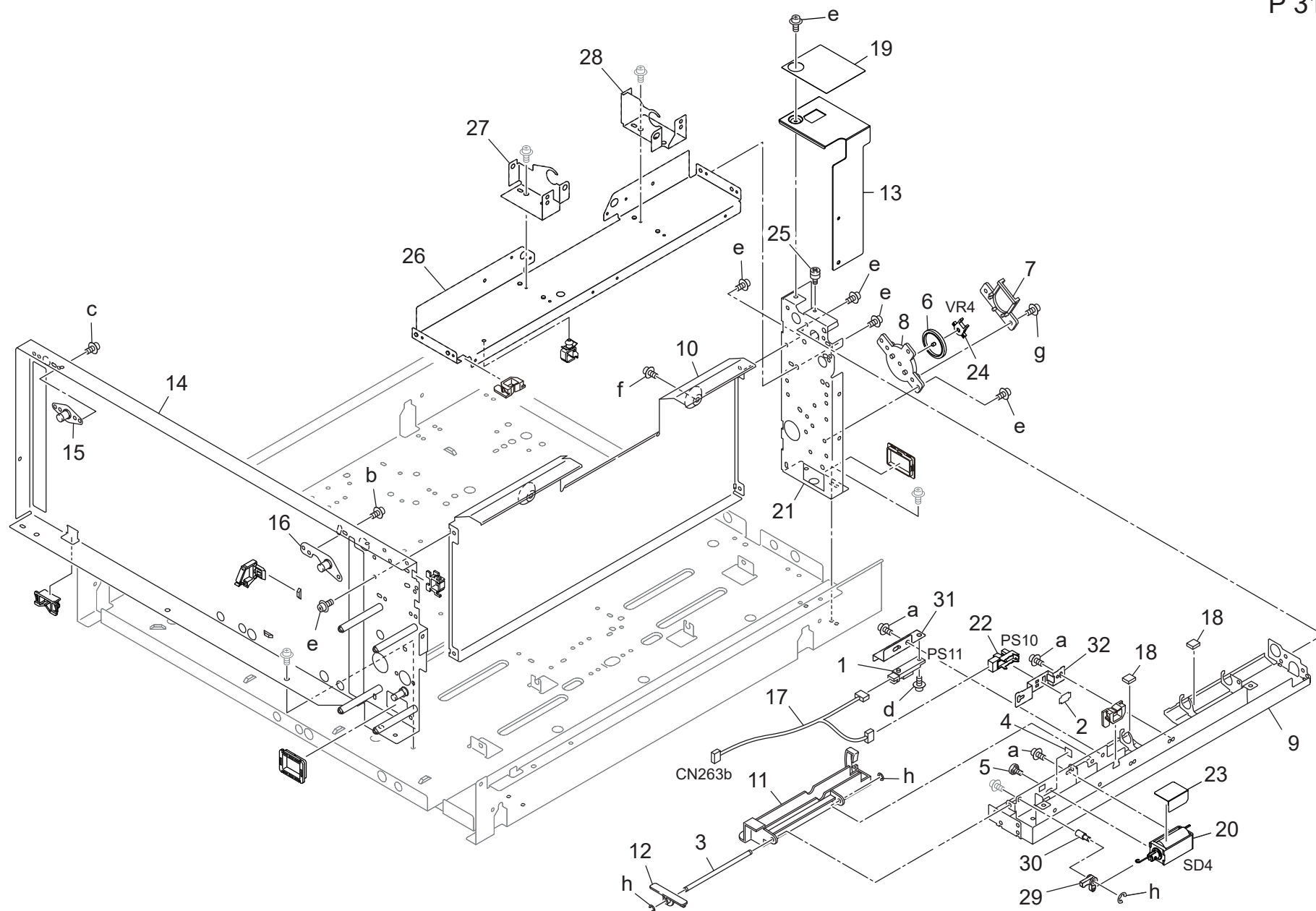


Key	Part No.	Description	Destinations	Class	QTY	Standard parts
1	129X48350	Guide Bearing /A		C	2	a-V116030603
2	129X48360	Guide Bearing /B		C	2	b-V116040803
3	56UA40680	Lever Cover		C	1	c-V118030403
4	A4EU602300	Guide Shaft /L		D	1	d-V121030403
5	56UA41240	GUIDE SHAFT M		C	2	e-V121040404
6	56UA41490	PAPER FEED TRAY HOLDING COVER B		C	1	f-V209040003
7	56UA41540	Lock Plate		C	1	g-V127030516
8	A0G6620600	Holding Plate Spring /B		D	1	h-V127030604
9	A4EUR72S11	Paper Feed Tray Cover /B Unit		D	1	
10	A4EUR72W11	Locking Lever Caulking		D	1	
11	A4EUR72X11	Rocking Board Caulking		D	1	
12	25AA47551	LIFT UP SPRING REAR		C	1	
13	56UA41070	Paper Guide Rack /Front		D	1	
14	56UA41661	PAPER GUIDE COVER		D	1	
15	56UA41670	Lever Protection Cover		D	1	
16	A4EW613000	Auxiliary Plate /Front		D	1	
17	56UA41030	Paper Guide Board /Front		D	1	
18	A4EW610000	Guide Cover		D	1	

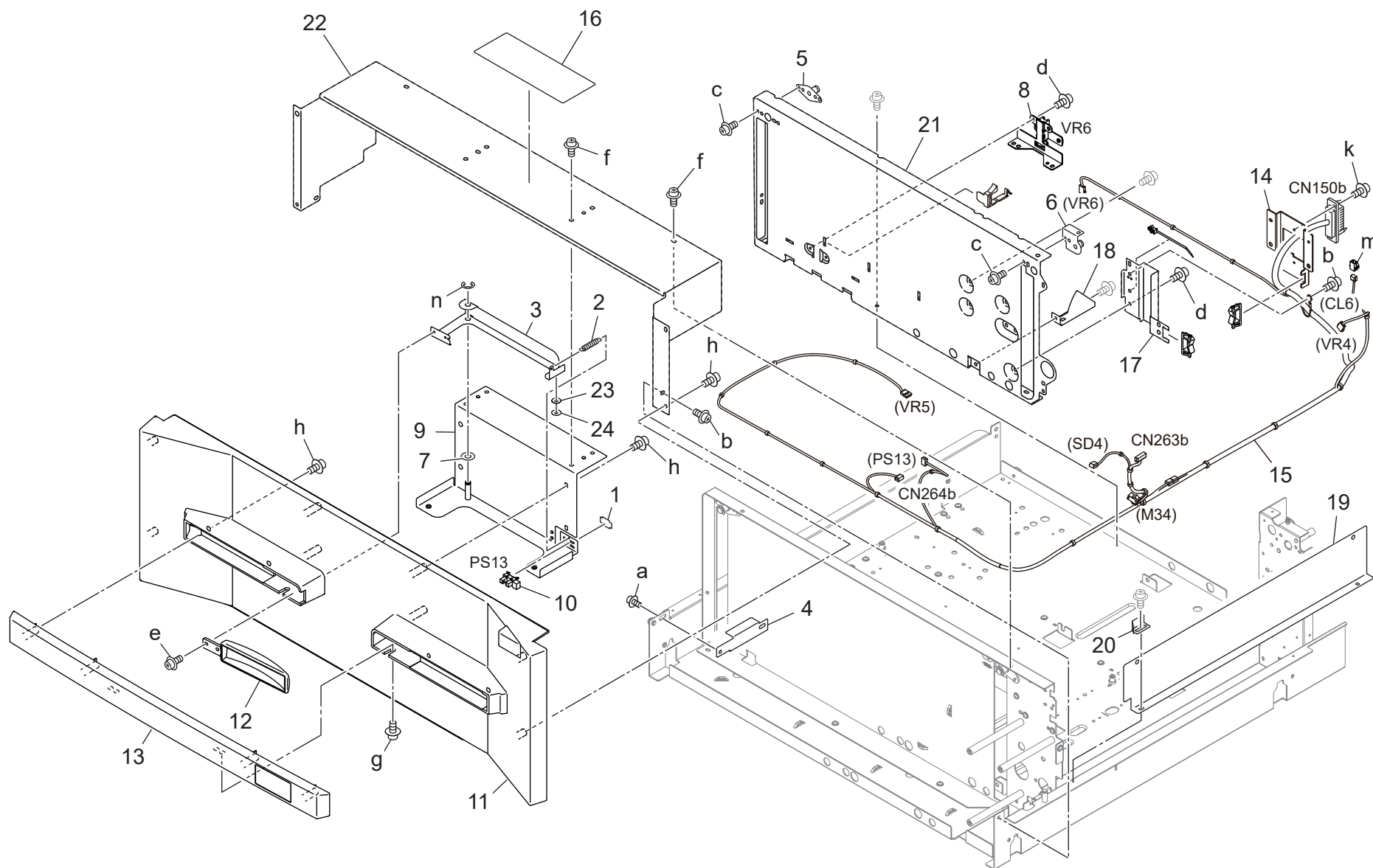
Tray 2



Key	Part No.	Description	Destinations	Class	QTY	Standard parts
1	129X48350	Guide Bearing /A		C	2	a-V116030603 b-V116040803 c-V127030516 d-V127030604 e-V209040003
2	129X48360	Guide Bearing /B		C	2	
3	A4EU602300	Guide Shaft /L		D	1	
4	56UA41250	Guide Shaft /S		D	1	
5	56UA41490	PAPER FEED TRAY HOLDING COVER B		C	1	
6	A0G6620500	Holding Plate Spring /A		D	1	
7	A4EUR72R11	Paper Feed Tray Cover /A Unit		D	1	
8	A7W7943200	Guide Label		C	1	
9	56UA41040	Paper Guide Side Plate /Rear		D	1	
10	56UA41060	Paper Guide Rack /Rear		D	1	
11	56UA41550	REINFORCE PLATE /B		D	1	
12	56UA41661	PAPER GUIDE COVER		D	1	
13	A4EW617500	Auxiliary Plate /R		D	1	
14	56UA41020	PAPER GUIDE BOARD /REAR		D	1	
15	A4EW610000	Guide Cover		D	1	

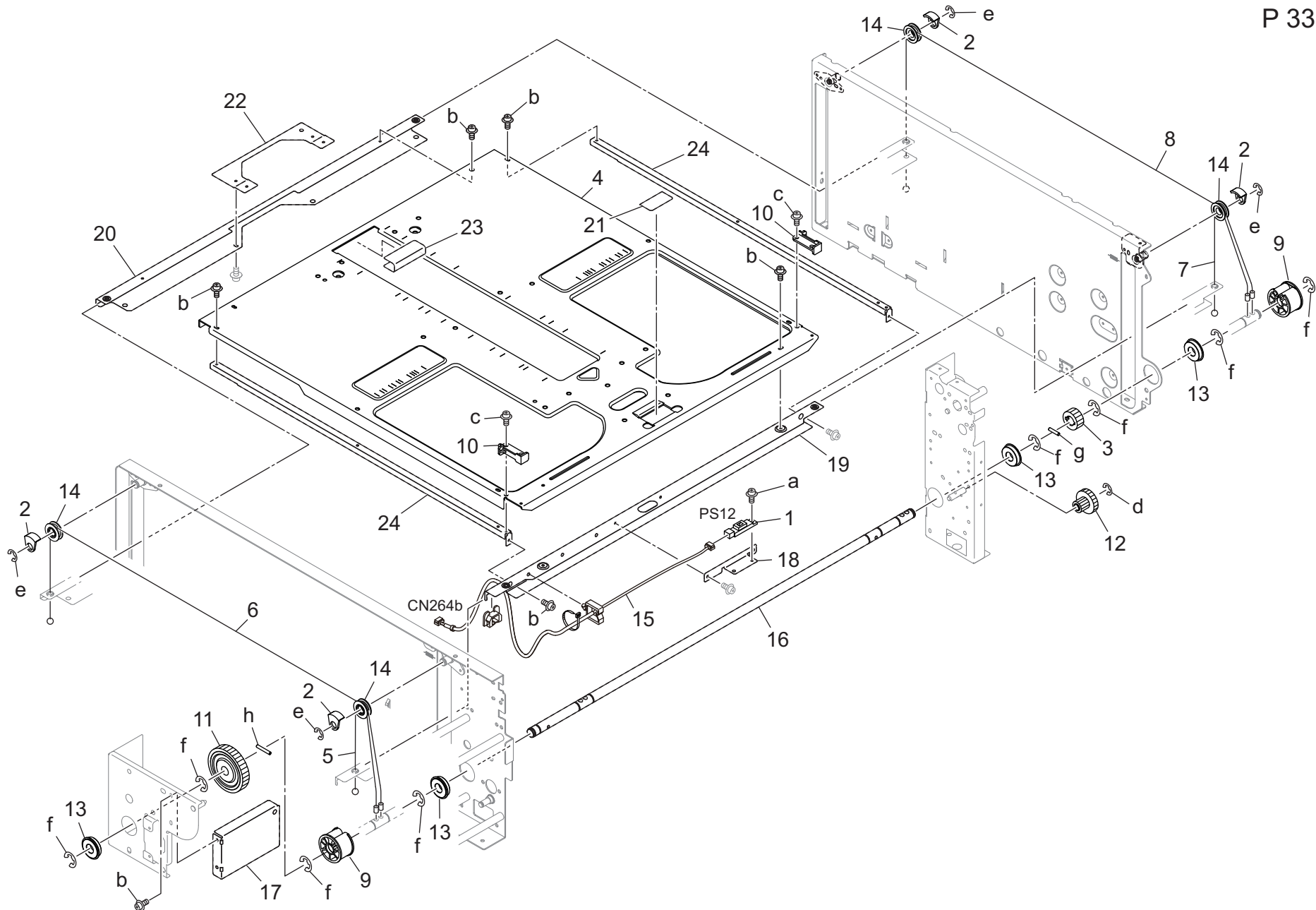


Key	Part No.	Description	Destinations	Class	QTY	Standard parts
1	13QA85511	Sensor /1		B	1	a-V116030503
2	4470402401	Stopper		D	1	b-V116030603
3	55VA40380	SUPPORT SHAFT A		D	1	c-V121030403
4	55VA42111	SOLENOID STOPPER SHEET		C	1	d-V126030603
5	55VA42220	POSITIONING SCREW		C	1	e-V127030516
6	56AA41340	Detecting Gear 35T		C	1	f-V127040603
7	56AA41351E	Detection Board		C	1	g-V153030803
8	56AE43090	Board Mounting Part		C	1	h-V217030003
9	56UA40051G	Paper Feed Guide Plate /Upper		D	1	
10	56UA40070	PAPER STOPPER PLATE		D	1	
11	56UA40240	Entrance Guide Plate /Front		C	1	
12	56UA40480	PAPER FEED LIFTING LEVER		D	1	
13	ADF2626700	Cover Clutch		D	1	
14	56UA-4080	SIDE GUIDE/FRONT		D	1	
15	56UAR79500	WIRE SUPPORT PLATE A		D	1	
16	56UAR79700	WIRE SUPPORT PLATE C		C	1	
17	56UA90350	PAPER FEED CONTROL WIRING UPPER		D	1	
18	A0G6561200	Stopper Rubber		C	2	
19	ADF2626800	Protection Sheet		D	1	
20	A4EUR72N11	Pick Up Solenoid Pin Assy		C	1	
21	ADF2F60800	TRAY DRIVESIDE GUIDE CAULKING		D	1	
22	A85CM55600	Photo Sensor		C	1	
23	A9JT602000	Protection Cover /S		D	1	
24	A1UDM50100	Volume		D	1	
25	55VA42420	Lever Support Screw		C	1	
26	A0G6570101	Paper feed Stay		D	1	
27	A0G6570600	Support Plate /A		D	1	
28	A0G6570700	Support Plate /B		D	1	
29	25AA40870	SWITCH LEVER 1		C	1	
30	55VA40460	FULCRUM SHAFT C		D	1	
31	56UA40470	Mounting Plate /S		D	1	
32	A0G6561300	Adjusting Plate		D	1	



Key	Part No.	Description	Destinations	Class	QTY	Standard parts
1	4470402401	Stopper		D	1	a-V116030603
2	56HA12980	Lever Spring		C	1	b-V116040603
3	56UA12560	Tray Lever		C	1	c-V121030403
4	56UA40270	TRAY POSITIONING PLATE /LEFT		D	1	d-V127030516
5	56UAR79500	WIRE SUPPORT PLATE A		D	1	e-V127030604
6	56UAR79600	WIRE SUPPORT PLATE B		C	1	f-V127040803
7	57AA30260	Developing Agitating Spacer		C	1	h-V153041003
8	A4EUR72M11	Sensor Board		C	1	k-V118030603
9	A4EUF60701	LEVER MOUNTING PLATE CAULKING		D	1	m-V651010001
10	A85CM55500	Photo Sensor		C	1	n-V217040003
11	A799165100	Paper feed Cover		D	1	
12	A799165300	Handle		D	1	
13	A799165400	Paper feed Handle		D	1	
14	A799602000	Wiring Plate /T		D	1	
15	A799N13300	Paperfeed Drive harness		D	1	
16	ADF2947800	Operation Label /E		D	1	
17	56UA40140	Wiring Guide Plate		D	1	
18	56UA40160	Main Body Lock Plate /A		D	1	
19	56UA40260	TRAY COVER RIGHT		D	1	
20	56UA40580E	LEVER HOLDING PART		D	1	
21	56UA40020E	Side plate /Rear		D	1	
22	A0G6165200	Auxiliary Cover		D	1	
23	55VA42390	Attaching Sheet		C	1	
24	55VA42400	Cam Spacer		D	1	

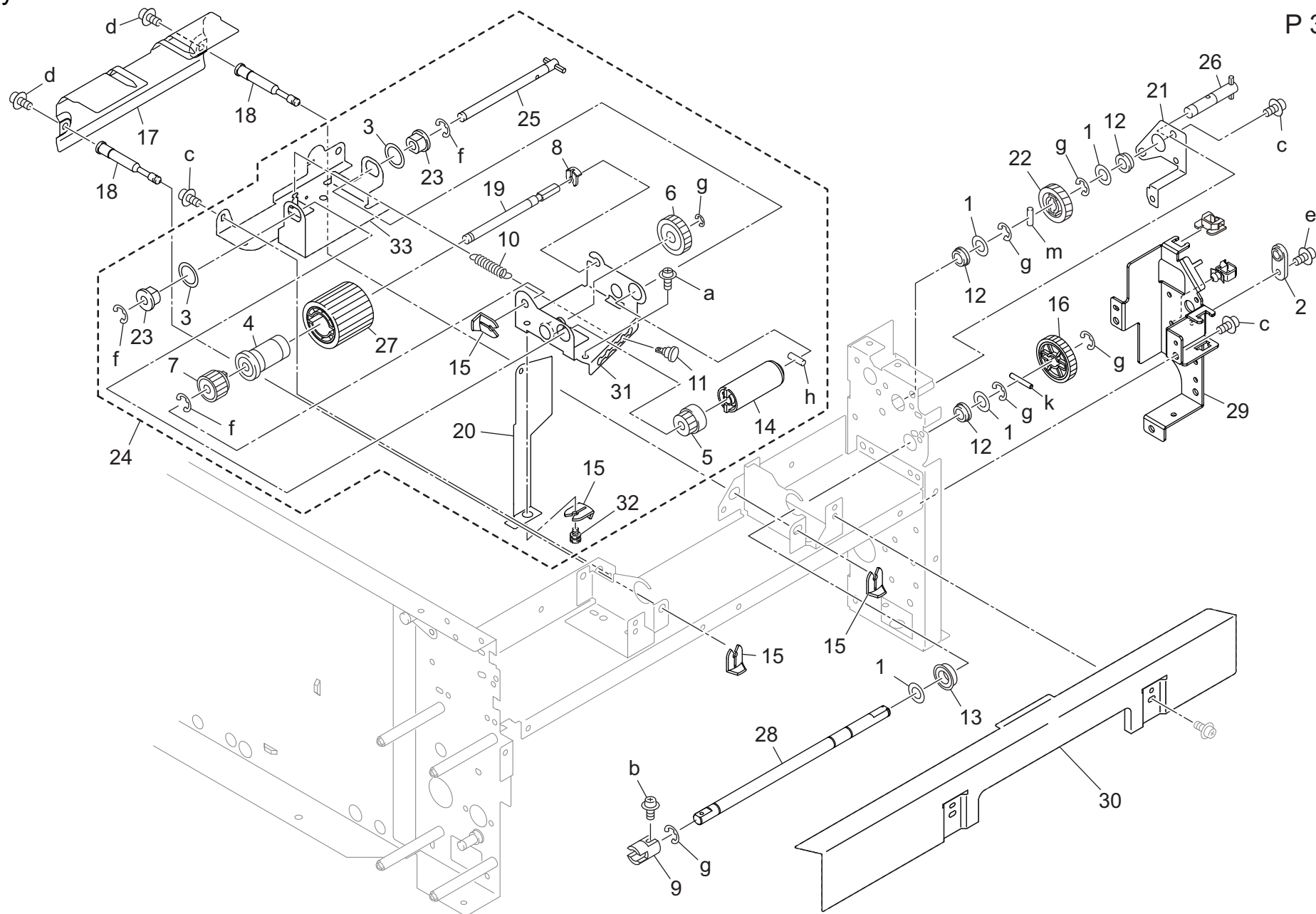
Tray 2



Key	Part No.	Description	Destinations	Class	QTY	Standard parts
1	13QA85511	Sensor /1		B	1	a-V126030603 b-V127030516 c-V127030604 d-V217040003 e-V217060003 f-V217080003 g-V234301450 h-V234302050
2	55VA40610	Wire Holder /A		C	4	
3	55VA77652	ADU CONVEYANCE GEAR 2 19T		B	1	
4	56UA41011E	Paper feed Up/down Plate /M		D	1	
5	56UA41130	Up Down Wire /A		C	1	
6	56UA41140	Up Down Wire /B		C	1	
7	56UA41150	Up Down Wire /C		C	1	
8	56UA41160	Up Down Wire /D		C	1	
9	56UA41340	DRIVE UP DOWN PULLEY		C	2	
10	56UA41400	PAPER FEED TRAY SLIDE PART		D	2	
11	56UA77600	Up Down Gear /A 32T		C	1	
12	56UA77620	TRAY UP DOWN IDLER		C	1	
13	A4EU265000	Ball bearing		B	4	
14	A4EU620200	Roller Pulley Ball bearing Assy		C	4	
15	A799N13400	Paperfeed Detection harness		D	1	
16	A4EU602100	Drive Shaft		D	1	
17	56UA40570	DRIVE UP DOWN COVER RIGHT		D	1	
18	56UA40460	Mounting Plate /O		D	1	
19	56UA41270	Up/Down Stay/A		D	1	
20	56UA41281E	Up/down Stay /B		D	1	
21	56UA41640	Multi Feed Preventing Plate		C	1	
22	A0G6620300	Reinforce Plate /C		D	1	
23	A0G6620400	Protection Sheet		C	1	
24	A4EU621100	Reinforce Shaft /L		D	2	

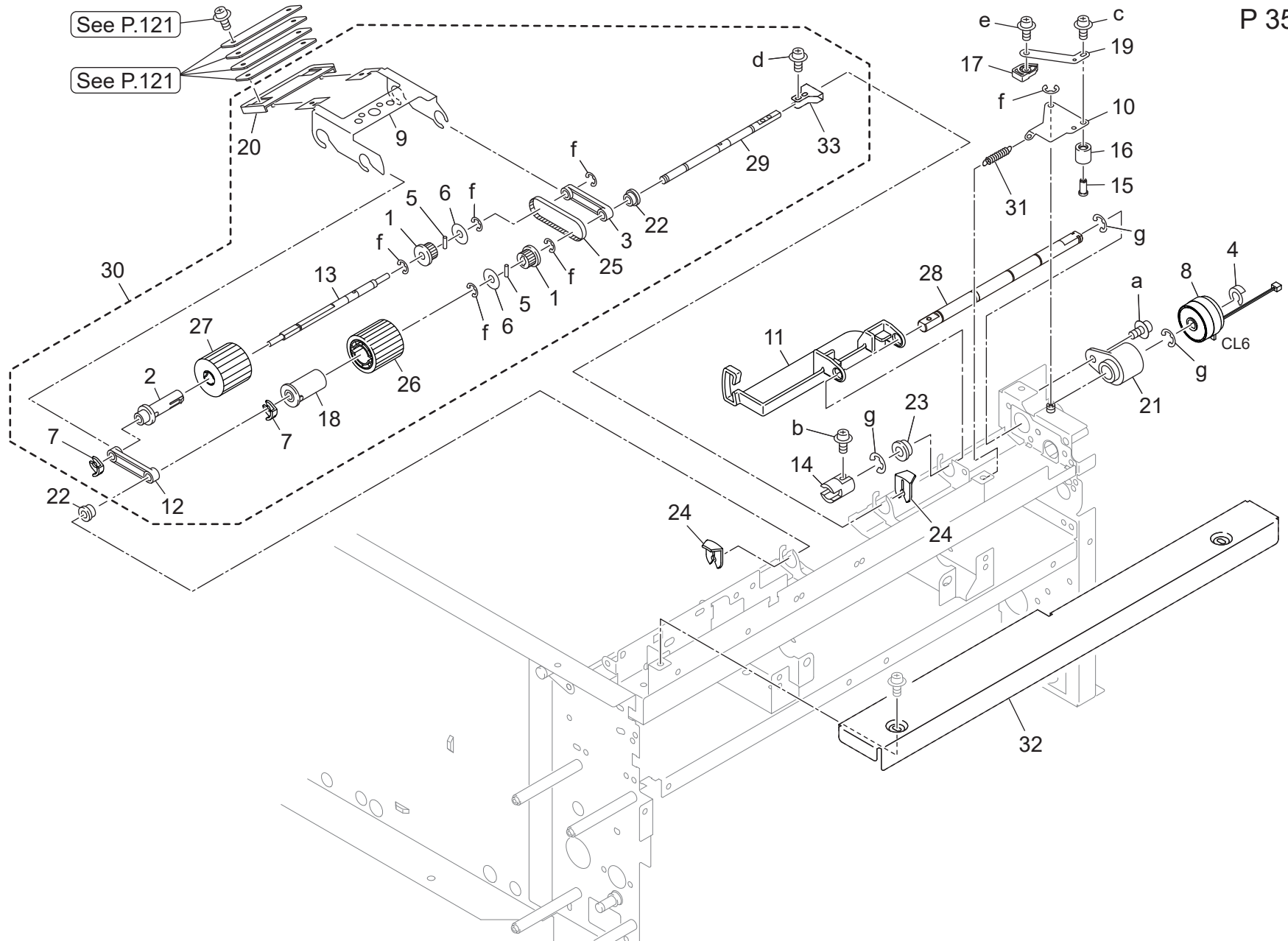
Tray 2

P 34



Key	Part No.	Description	Destinations	Class	QTY	Standard parts
1	12QV40650	Spacer		B	4	a-V116030603
2	173030270	Pin Holder A		C	1	b-V118030603
3	25AA40120	SPACER		C	2	c-V127030516
4	50BA40220	REVERSE ROLLER		C	1	d-V127030604
5	55VA79030	Paper Feed Reversal Gear /C 14T		B	1	e-V127040603
6	55VA79050	Idler Gear /B 24T		C	1	f-V217040003
7	55VA79140	Paper Feed Reversal Gear /D 19T		B	1	g-V217060003
8	56AA40490	Shaft Stopper /4		C	1	h-V234200850
9	56UA40490	COUPLING F		C	1	k-V234302050
10	56UA40610	REVERSE SPRING B		C	1	m-V234301450
11	56UA40620	SPRING ADJUSTMENT LEVER		D	1	
12	A00J617900	Ball Bearing		B	3	
13	A00V240600	Ball Bearing		B	1	
14	A03X565611	Torque Limiter /A		B	1	
15	A0G6561000	Stopper /E		C	4	
16	A4EW570900	Reverse Gear 30T		C	1	
17	A0G6570200	Guide Plate		C	1	
18	A0G6570500	Positioning Shaft /B		D	2	
19	A0G6571900	Reverse Shaft /2		D	1	
20	A0G6572000	Protection Cover		B	1	
21	A0G6602101	Idling Panel		D	1	
22	A0G6602300	Input Gear 25T		B	1	
23	A0Y5601600	Bushing/6		C	2	
24	A4EUR72H11	Separating Unit		C	1	
25	A4EUR72J11	Revers Shaft/B		D	1	
26	A4EUR72K11	Paper Feed Input Shaft		B	1	
27	A4EUR71411	Feeding Roller Unit/B		A	1	
28	A4EW570800	Reverse Shaft		B	1	
29	ADF2621300	Positioning Plate /Rear		D	1	
30	A0G6571600	Guide Plate /Lower		C	1	
31	A0G6570400	Holding Plate /Lower		D	1	
32	A0G6572100	Guide Screw		C	1	
33	A0G6580100	Reverse Frame /A		D	1	

Tray 2

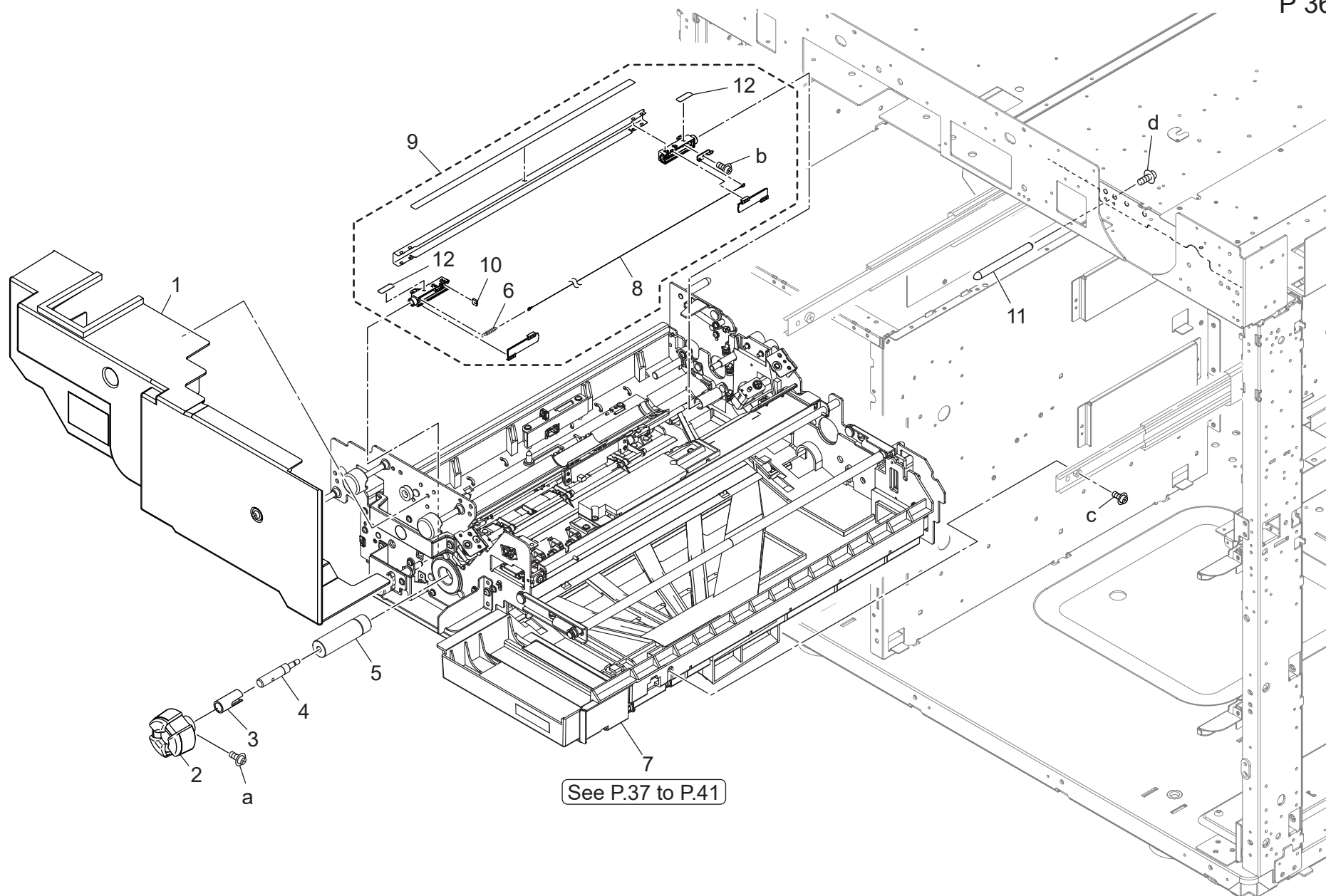


P 35

Key	Part No.	Description	Destinations	Class	QTY	Standard parts
1	059076510	PULLEY 1 15T	プーリー 1 15 T	C	2	a-V116030603 b-V118030603 c-V127030516 d-V127030604 e-V153040603 f-V217040003 g-V217060003
2	55VA40130	Feeding Roller /A	送り出しローラ / A	C	1	
3	55VA40260	Paper Feeding Shaft Holder	給紙送り出し軸受	C	1	
4	55VA42120	Shaft Stopper	軸ストッパー	C	1	
5	56AA17510	Pin /B	ピン / B	C	2	
6	56AA17760	COLLAR	カラー	C	2	
7	56AA40490	Shaft Stopper /4	軸 ストップ /4	C	2	
8	AC57M20000	Conveyance Clutch	搬送クラッチ (5 kg)	A	1	
9	56UA40100	Paper Feed Holding Plate /X	給紙ホルダー板 /X	D	1	
10	56UA40170	Lock Lever /A	ロックレバー / A	D	1	
11	56UA40250	ENTRANCE GUIDE PLATE REAR	入口ガイド板 奥	C	1	
12	56UA40280	Paper Feed Feeding Bushing	給紙送り出し軸受	C	1	
13	56UA40400	PAPER FEED SHAFT X	給紙軸 X	D	1	
14	56UA40490	COUPLING F	カップリング F	C	1	
15	56UA40520	Lock Shaft /B	ロック軸 / B	D	1	
16	56UA40530	Release Roller	解除コロ	C	1	
17	56UA40540	Lever Auxiliary Part	レバー補助部材	D	1	
18	56UA40600	Multi-Feed Feeding Roller	重送送り出しローラ	C	1	
19	56UA40660	LEVER AUXILIARY SPRING	レバー補助バネ	D	1	
20	56UA40690	Side Protection Cover /B	側面保護カバー / B	D	1	
21	56UA75030	Lock Bushing /A	ロック軸受 / A	C	1	
22	A00J663200	Bushing	すべり軸受	B	2	
23	A03U812800	Slide Shaft Holder	すべり軸受	B	1	
24	A0G6561000	Stopper /E	ストッパー / E	C	2	
25	A4EU565600	Drive Belt 126L	駆動ベルト (126-3 GT) 126 L	C	1	
26	A4EUR71411	Feeding Roller Unit/B	送り出しローラー部組 / B	A	1	
27	A4EUR71511	Feeding Roller Unit/A	送り出しローラー部組 / A	A	1	
28	ADF2622100	Supply Shaft /Upper	供給軸 /上	D	1	
29	A799623400	Paper feed Shaft /Upper	給紙軸 /上	D	1	
30	A799R70S11	Pickup Unit	送り出しユニット	C	1	
31	25AA40460	LOCK SPRING 2	ロックバネ 2	C	1	
32	56UA12530	FEEDING COVER	送り出しカバー	D	1	
33	56UA40500	COUPLING LEVER F	カップリングレバー F	D	1	

Drum Cartridge Unit

P 36



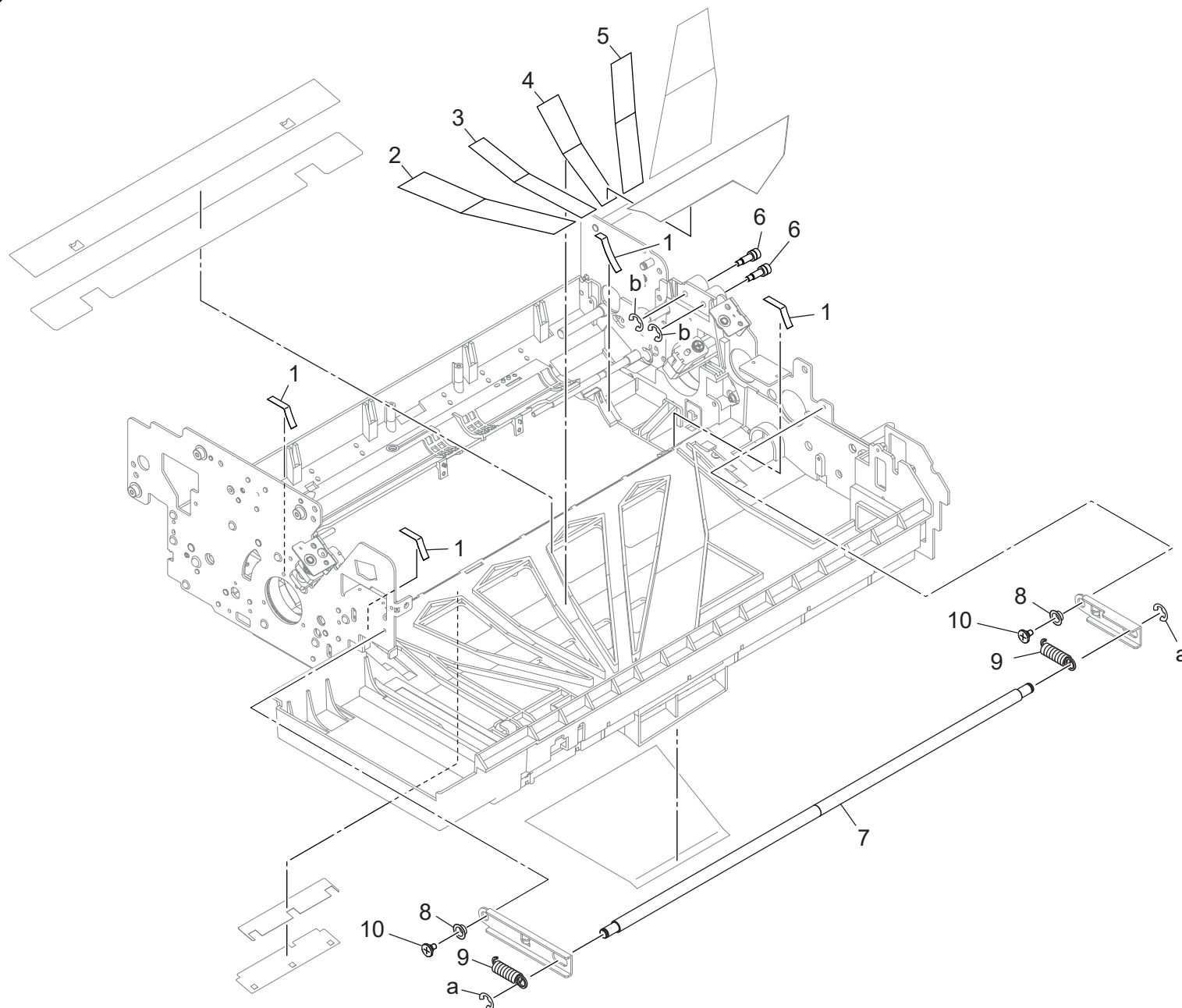
AccurioPrint 2100

Drum Cartridge Unit

Key	Part No.	Description	Destinations	Class	QTY	Standard parts
1	A4EUR75U11	Drum Protect Cover Assy		D	1	a-V121040803 b-V153020503 c-V126030803 d-V116040803
2	A0G6344501	Fixing Knob		C	1	
3	A0G6333700	Regulating Collar		C	1	
4	A799330900	Fixing Screw		D	1	
5	A799333800	Fixing Coupling		D	1	
6	56AA17140	WIRE TENSION SPRING		C	1	
7	A799R70E22	Drum Cartridge Assy		S	1	
8	A0G6470800	Discharge Wire		A	1	
9	A4EUR75K00	PCC Assy		B	1	
10	55VA25270	Electrode Vibrating Rubber		A	1	
11	A799108000	Guide Shaft		D	1	
12	A0G6950501	Set Label /5		D	2	

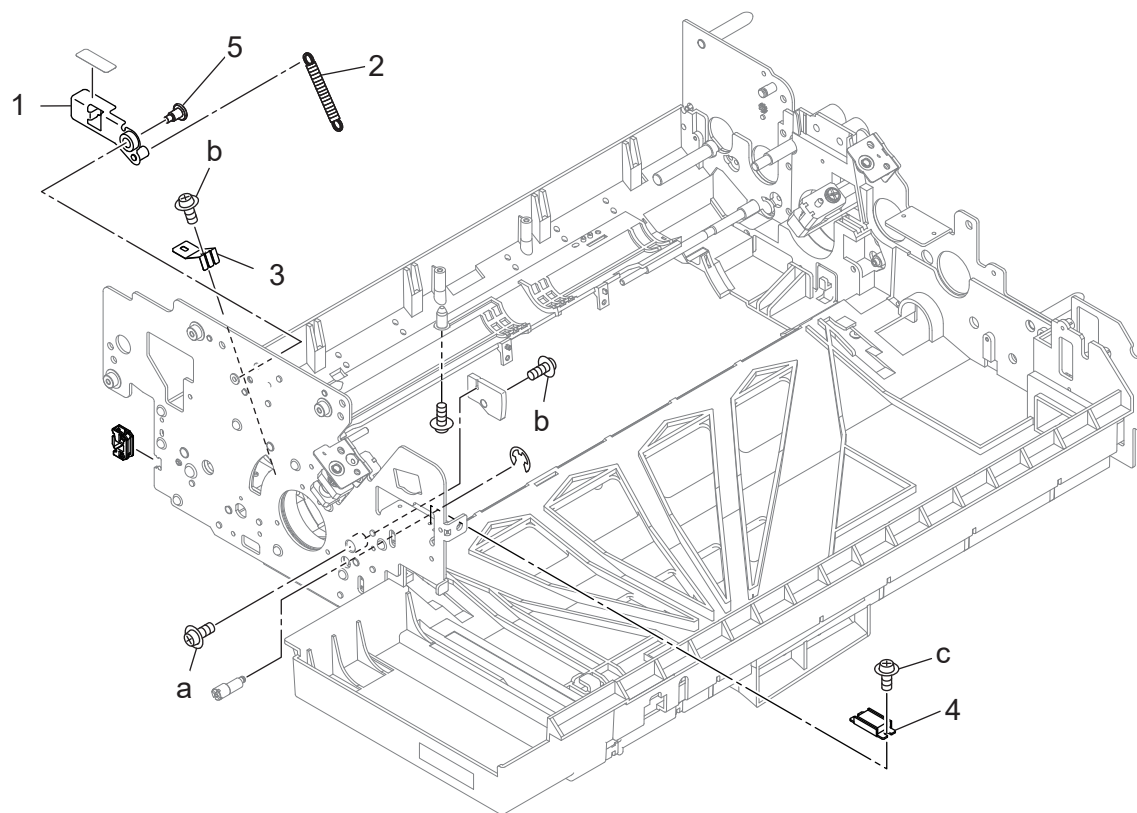
Drum Cartridge Unit

P 37



Key	Part No.	Description	Destinations	Class	QTY	Standard parts
1	A0G6332600	Protection Seal /2		C	4	a-V217060003 b-V217030003
2	56UA20750	Developing Suction Cover /6 保護シール /2 現像サクシヨ ン蓋 /6		C	1	
3	56UA20740	Developing Suction Cover /5 現像サクシヨ ン蓋 /5		D	1	
4	56UA20730	Developing Suction Cover /4 現像サクシヨ ン蓋 /4		D	1	
5	56UA20720	Developing Suction Cover /3 現像サクシヨ ン蓋 /3		D	1	
6	56UA20380	CHARGING SUPPORT SHAFT REAR 帯電支持軸 奥		D	2	
7	A799332100	Pressing Shaft 押圧軸 (現像器)		D	1	
8	090020510	CLEANER MOUNT LEVER COLLAR クリーニング取り付けレバーカラー		C	2	
9	A799345000	Pressing Spring 押圧ばね (現像)		C	2	
10	55VA20520	Cleaner Locking Screw クリーナーロックネジ		C	2	

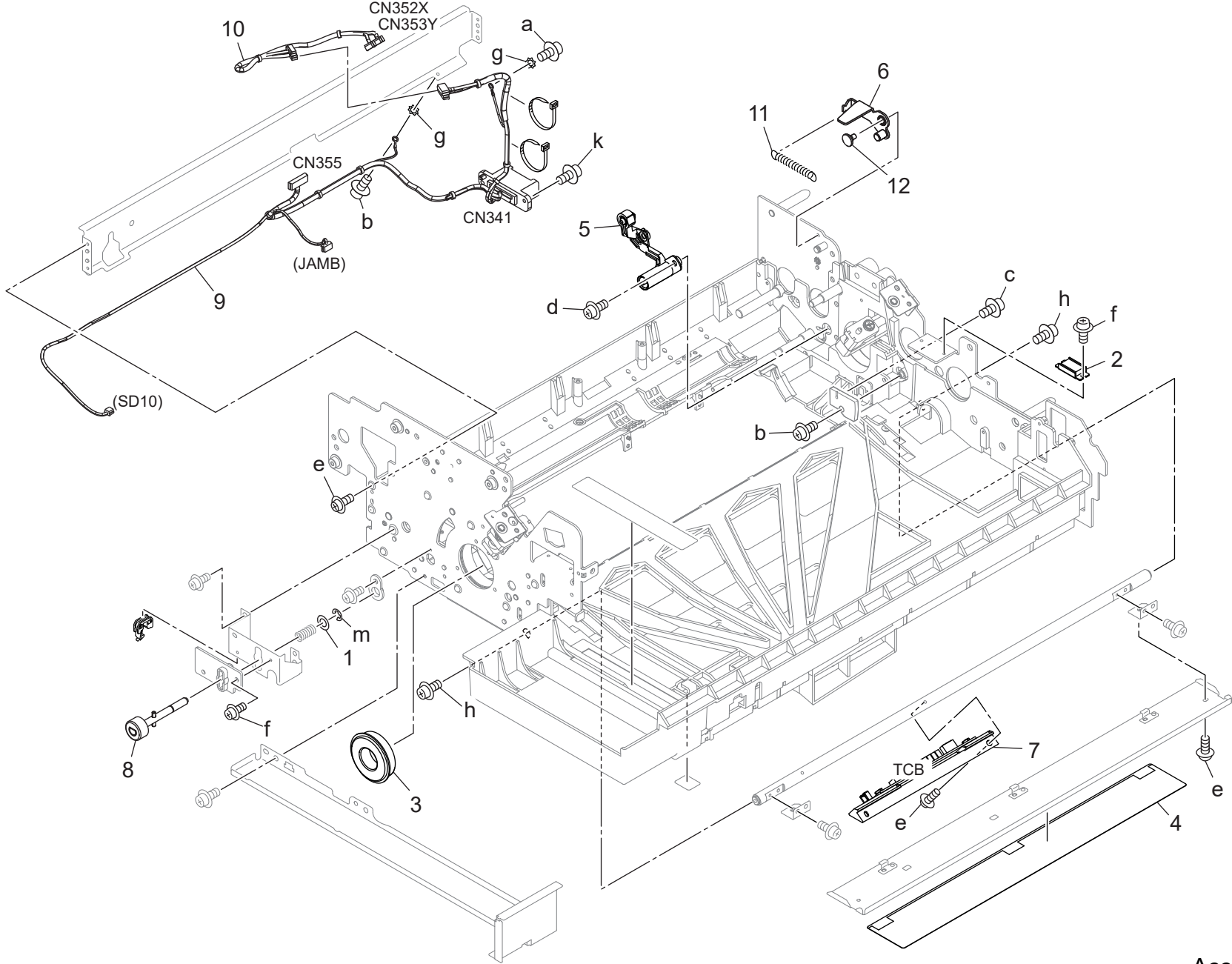
Drum Cartridge Unit



Drum Cartridge Unit

Key	Part No.	Description	Destinations	Class	QTY	Standard parts
1	A4EUF33301	CLENER LEVER/F CAULKING		D	1	a-V116032003 b-V116030603 c-V127030604
2	A0Y5344900	Lock Spring		C	1	
3	A4EU346800	Contact		D	1	
4	40AA32290	MAGNET CATCH		C	1	
5	A0G6342200	Lock Screw		C	1	

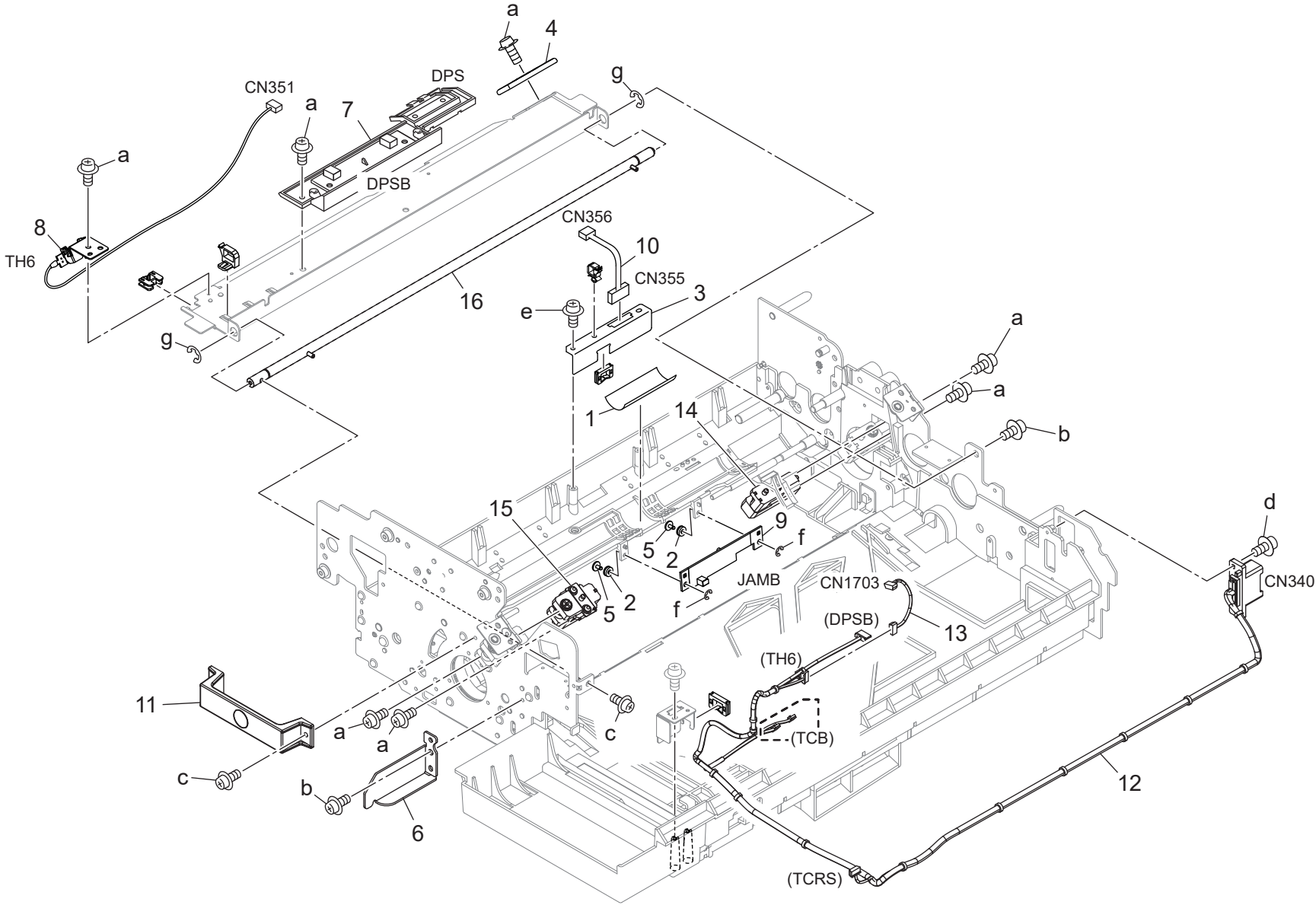
Drum Cartridge Unit



Drum Cartridge Unit

Key	Part No.	Description	Destinations	Class	QTY	Standard parts
1	07BA15871	Spacer /A		C	1	a-V116030503
2	40AA32290	MAGNET CATCH		C	1	b-V116030603
3	55TA75020	Bearing		B	1	c-V116031603
4	A0G6331301	Guide Sheet		C	1	d-V118040604
5	A4EUR75C00	Power Block Assy		D	1	e-V121030603
6	A4EUF33900	Cleener Rock Lever/R Caulking	クリーナーロックレバー /R カシメ	D	1	f-V127030604
7	A799R70F11	Toner Control Board Assy	トナー制御基板 A s s y	I	1	g-V209030003
8	A799R71100	Lock Axis Assy	ロック軸 A s s y	D	1	h-V127040803
9	A799N14100	Photoconductor Wiring /1	感光体束線 /1	D	1	k-V153031004
10	A0G6N22500	Photoconductor Relay Harness /4	感光体中継束線 /4	D	1	m-V217040003
11	A0Y5344900	Lock Spring	ロックばね	C	1	
12	55VA20520	Cleaner Locking Screw	クリーナーロックネジ	C	1	

Drum Cartridge Unit

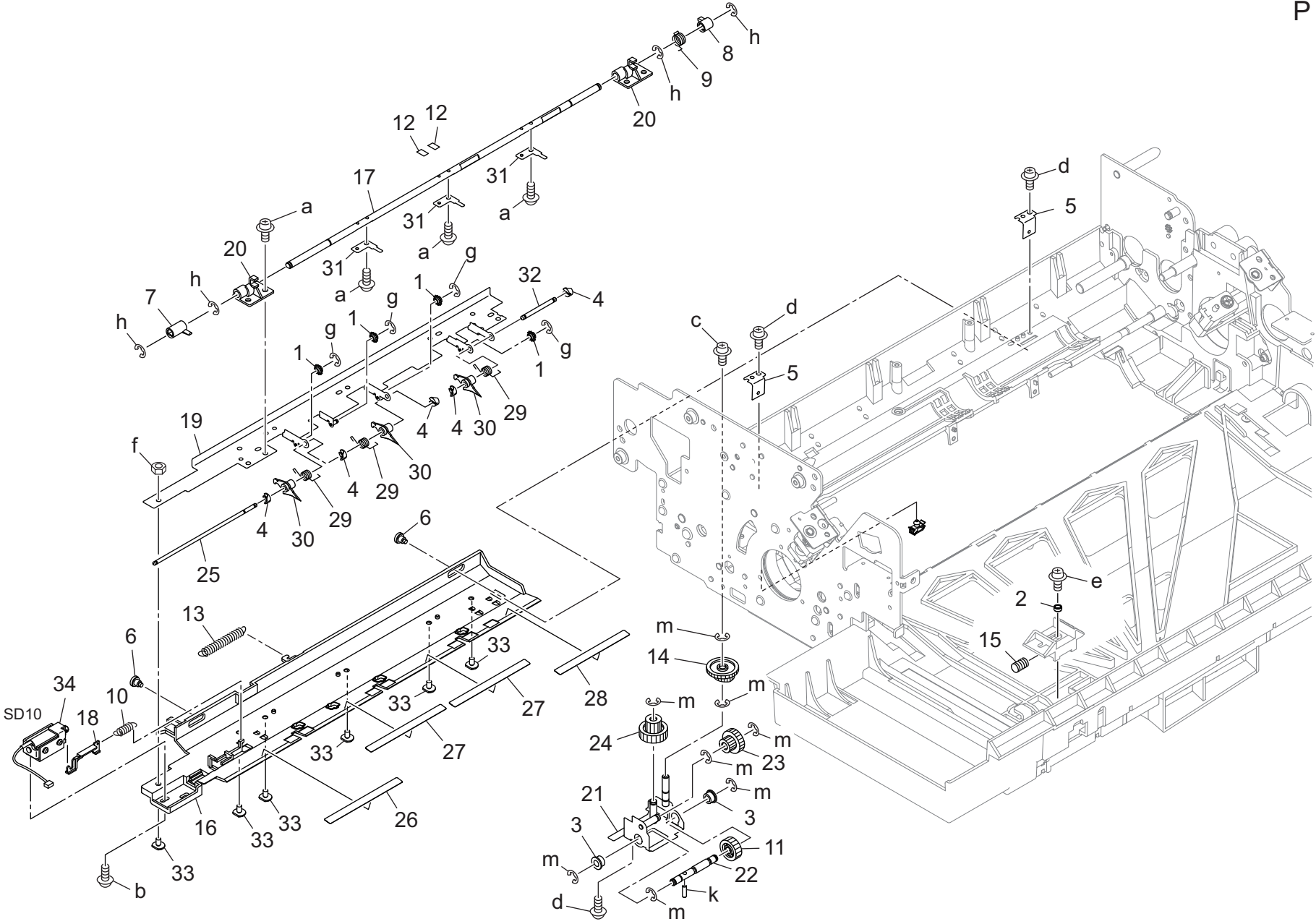


Drum Cartridge Unit

Key	Part No.	Description	Destinations	Class	QTY	Standard parts
1	55VA20830	WIRING GUIDE SHEET		C	1	a-V127030604 b-V126040603 c-V127040803 d-V153031004 e-V153030803 f-V217020003 g-V217060003
2	55VA20850D	Fixing Part		D	2	
3	A0G6331101	Power supply Plate		D	1	
4	A0G6344801	Fixing Knob		C	1	
5	A0G6346600	Pin		D	2	
6	A4EU401900	Positioning Panel /Middle		D	1	
7	A0G6J34000	High Voltage Detection Assy		D	1	
8	A4EUR70200	Drum Temperature Sensor Assy		B	1	
9	A4EUR75E00	Detecting Board Adjust Assy		C	1	
10	A4EUN14800	Photoconductor Relay harness /3		D	1	
11	A799341700	Handle		D	1	
12	A799N14200	Photoconductor Wiring /2		D	1	
13	A799N14400	Exposure Relay harness		D	1	
14	A799R71P00	Fixing Part /Rear ASSY		C	1	
15	A799R71Q00	Fixing Part /Front ASSY		C	1	
16	A4EUR75800	Support Shaft/D Assy		D	1	

Drum Cartridge Unit

P 41

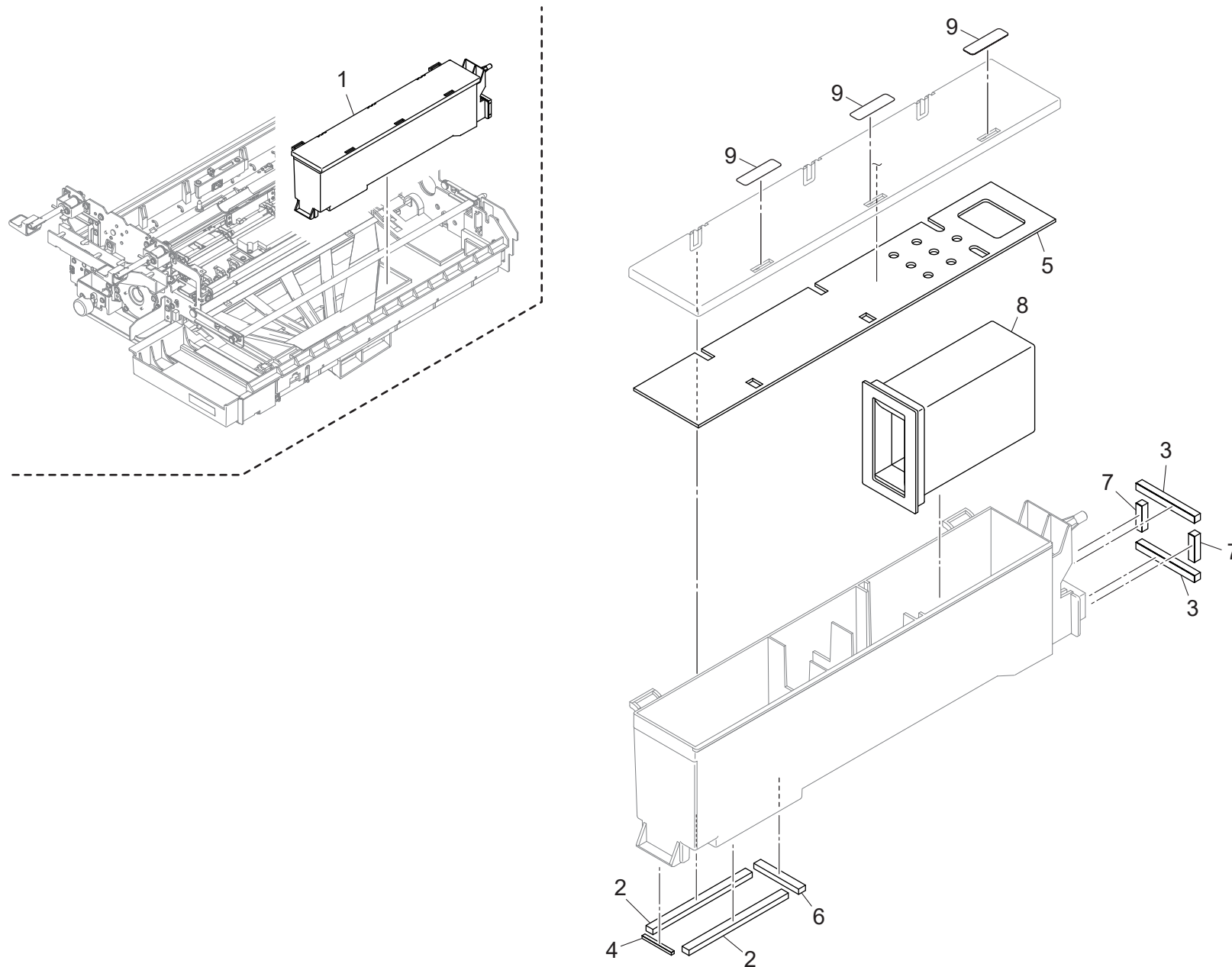


Drum Cartridge Unit

Key	Part No.	Description	Destinations	Class	QTY	Standard parts
1	113620270	CLAW WHEEL	爪車	C	4	a-V118030403
2	25AA20321	PTL SUPPORT SPACER	P T L 支持スペーサー	C	1	b-V121030403
3	25AA29770	SEPARATE FULCRUM SHAFT HOLDER	分離支点軸受	C	2	c-V121030603
4	45AA20400	STOPPER PART	ストップ部材	A	5	d-V153030803
5	55VA20590	SEPARATION FIXING PLATE	分離固定板	D	2	e-V153041003
6	55VA20680	SEPARATION POSITIONING SCREW	分離位置決めネジ	C	2	f-V195030003
7	55VA29040	Separating Release Part /B	分離解除部材 / B	C	1	g-V217020003
8	55VA29050	Separating Release Part /C	分離解除部材 / C	C	1	h-V217030003
9	55VA29140	SOLENOID RELEASE SPRING	ソレノイド解除バネ	B	1	k-V234301050
10	55VA29150	RELEASE SPRING	解除バネ	B	1	m-V217040003
11	55VA77570	SEPARATE ROCKING GEAR B 32T	分離駆動歯車 B 32 T	C	1	
12	56UA29230	Separation Auxiliary Sheet	分離補助シート	C	2	
13	56UA45960	Paper Exit Pressing Spring	排紙押圧バネ	C	1	
14	56UA77290	SEPARATION SWING GEAR 40T	分離揺動歯車 40 T	C	1	
15	A0G6332000	Tension Spring	テンションばね	C	1	
16	A0G6338113	Separating Guide	分離ガイド	D	1	
17	A0G6338201	Release Shaft	解除軸	D	1	
18	A0G6338411	Release Part /A	解除部材 / A	D	1	
19	A0G6338612	Separating Plate	分離板	D	1	
20	A0G6338911	Support Block	支持ブロック	D	2	
21	A0G6339000	Swing Board	揺動基板	D	1	
22	A0G6339400	Swing Shaft /W	揺動軸 / W	D	1	
23	A0G6339500	Swing Gear /A 20/35T	揺動歯車 / A 20 / 35 T	C	1	
24	A0G6339600	Swing Gear /B 18/33T	揺動歯車 / B 18 / 33 T	C	1	
25	A0G6339812	Separating Shaft	分離軸	D	1	
26	A0G6345111	Cover Sheet /F	カバーシート / F	C	1	
27	A0G6345200	Cover Sheet /C	カバーシート / C	C	2	
28	A0G6345311	Cover Sheet /R	カバーシート / R	C	1	
29	A0G6345411	Separating Spring	分離ばね	C	3	
30	A0G6345600	Separating Claw /D	分離爪 / D	A	3	
31	A0G6345700	Release Plate	解除板	D	3	
32	A0G6345800	Separating Shaft /2	分離軸 / 2	D	1	
33	A0Y5351500	Fixing Screw	固定ねじ	C	6	
34	A4EUR76P00	Claw Separating Solenoid Assy	爪分離ソレノイド部組	D	1	

Developing Suction

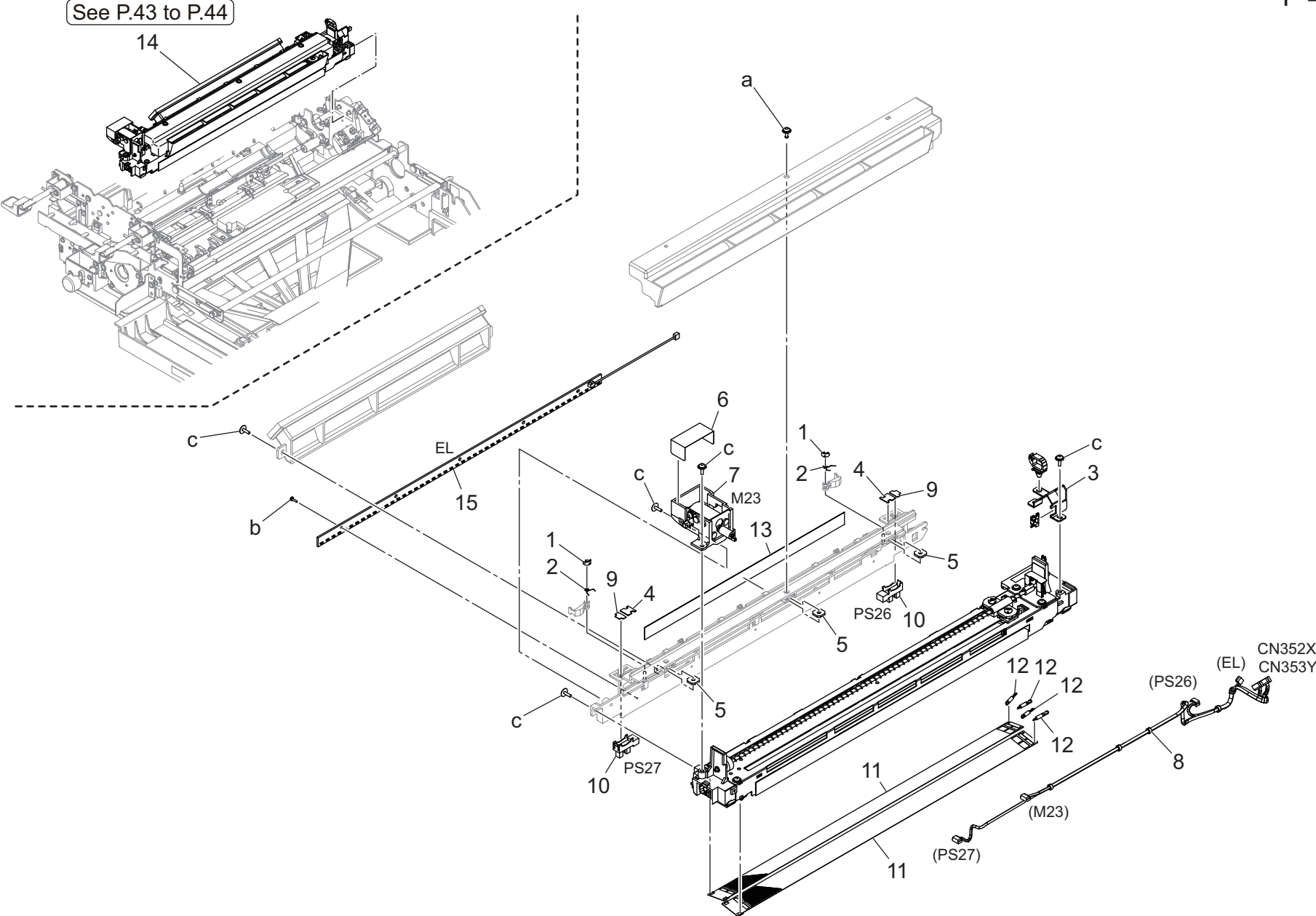
P 42



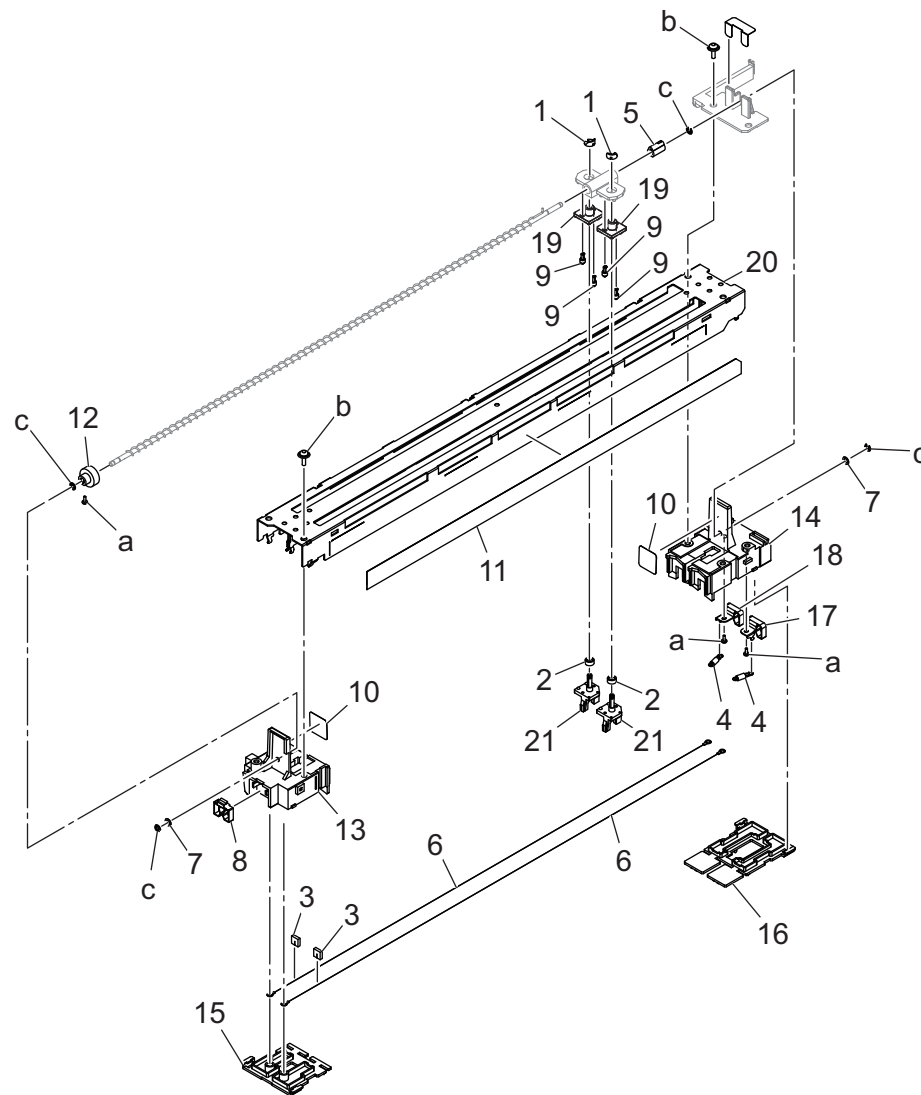
Developing Suction

Key	Part No.	Description	Destinations	Class	QTY	Standard parts
1	A4EUR70411	Developing Suction Assy		B	1	
2	56UA31030	Developing Suction Seal /2		B	2	
3	A4EU394600	Stopper Pad /1		B	2	
4	A0G6394400	Suction Pad /H		B	1	
5	A4EU392600	Suction Pad		D	1	
6	56UA31060	Developing Suction Seal /5		B	1	
7	A4EU394700	Stopper Pad /2		B	2	
8	A0G6390800	Suction Filter /Lower		A	1	
9	A0G6950701	Set Label /7		D	3	

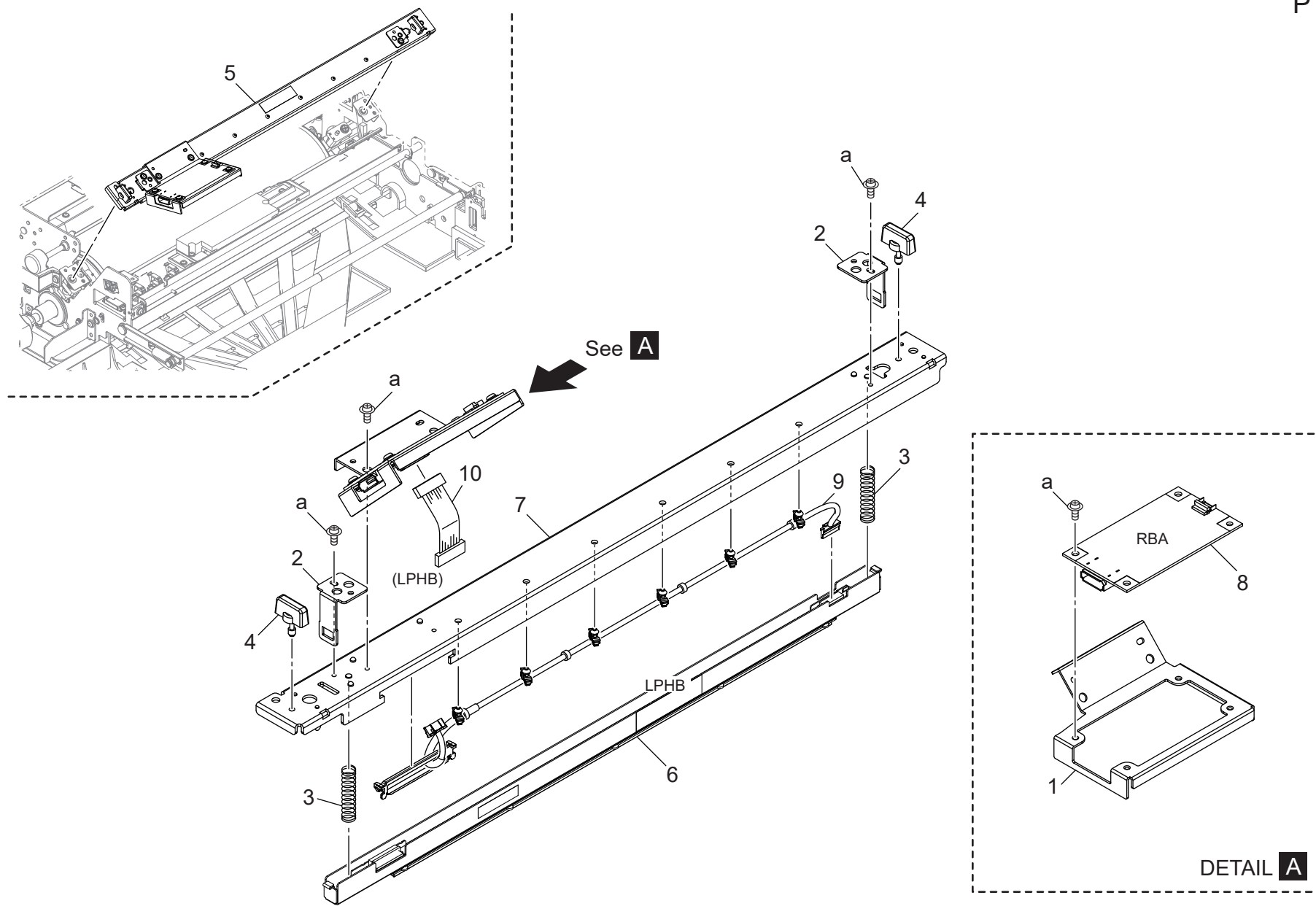
Charge Unit



Key	Part No.	Description	Destinations	Class	QTY	Standard parts
1	45AA20400	STOPPER PART		A	2	a-V127030803 b-V145020603 c-V153030803
2	55VA25240	CHARGING DETECT SPRING		B	2	
3	A0G6462901	Charging Holder		D	1	
4	A0G6463500	Fixing Sheet		C	2	
5	A0G6525600	Mounting Plate		D	3	
6	A4EU465000	Drive Sheet		D	1	
7	A4EUR75J00	Charge Clener Motor Assy		C	1	
8	A4EUN14304	Chaging Relay harness		D	1	
9	A799463500	Fixing Sheet		D	2	
10	A85CM55500	Photo Sensor		C	2	
11	A9JT460800	Charging Control Plate		A	2	
12	A9JT461700	Fixing Spring		C	4	
13	A9JT463100	Regulating Seal		D	1	
14	A9JTR71G00	Charging Pole Unit		B	1	
15	A9JTM30800	PCL		C	1	



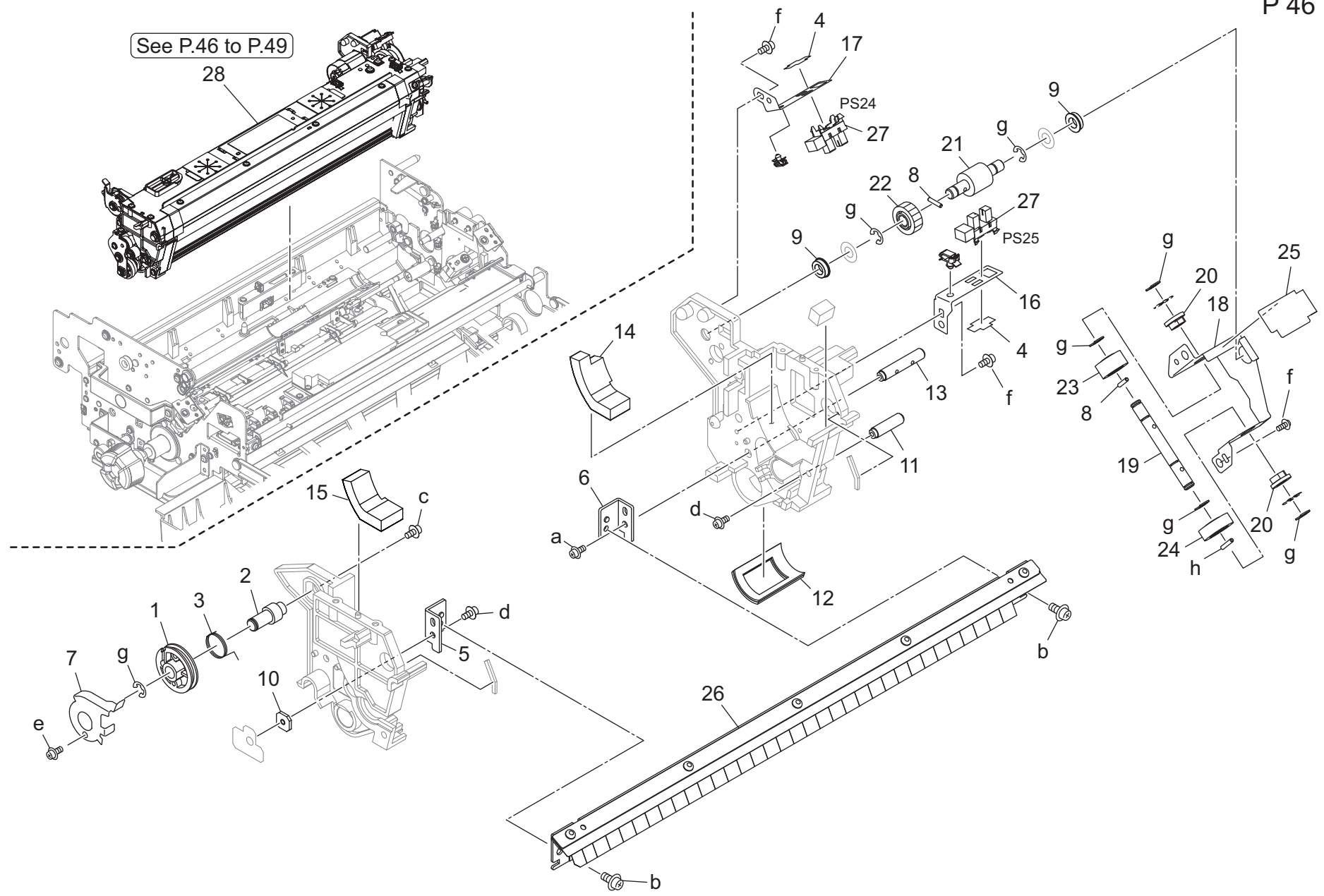
Key	Part No.	Description	Destinations	Class	QTY	Standard parts
1	45AA20400	STOPPER PART		A	2	a-V145020403 b-V153030803 c-V217020003
2	55VA25140	Charging Slide Collar		B	2	
3	55VA25270	Electrode Vibrating Rubber		A	2	
4	56AA17140	WIRE TENSION SPRING		C	2	
5	56AA25150	ELECTRODE CLEANING JOINT		C	1	
6	56UA25090	CHARGING WIRE		A	2	
7	56UA25280	Charge Cleaning Spacer		C	2	
8	A0G6460600	Fixing Spring /Front		D	1	
9	A0G6463200	Guide Roll		C	4	
10	A0G6951101	Set Label /11		C	2	
11	A4EU463000	Scatteringprevention Sheet /T		D	1	
12	A4EU464200	Charging Gear 33T		C	1	
13	A9JT460100	Charging Block /Front		D	1	
14	A9JT460200	Charging Block /Rear		D	1	
15	A9JT460300	Insulating Cover /Front		D	1	
16	A9JT460400	Insulating Cover /Rear		D	1	
17	A9JT461000	Fixing Spring /Right		C	1	
18	A9JT461100	Fixing Spring /Left		C	1	
19	A9JT462100	Cleaning Guide		D	2	
20	A9JT464000	Discharge Plate		D	1	
21	A9JTR70100	Charging Cleaning Assy		A	2	



Key	Part No.	Description	Destinations	Class	QTY	Standard parts
1	A799300900	Hold Plate		D	1	a-V127030604
2	A799301001	Hold Plate		D	2	
3	A799301100	Pressing Spring		C	2	
4	A799301200	Lock Screw		D	2	
5	A799R71D00	LPH Support Stay Unit		I	1	
6	A799R70D11	LPH Assy		C	1	
7	A799R71700	Support Stay Caulking		D	1	
8	A799H31001	Relay Board /A ASSY		C	1	
9	A799N15100	Power source Wiring /L		D	1	
10	A9JTN15200	Control Harness /L		D	1	

Drum Cleaning Unit

P 46

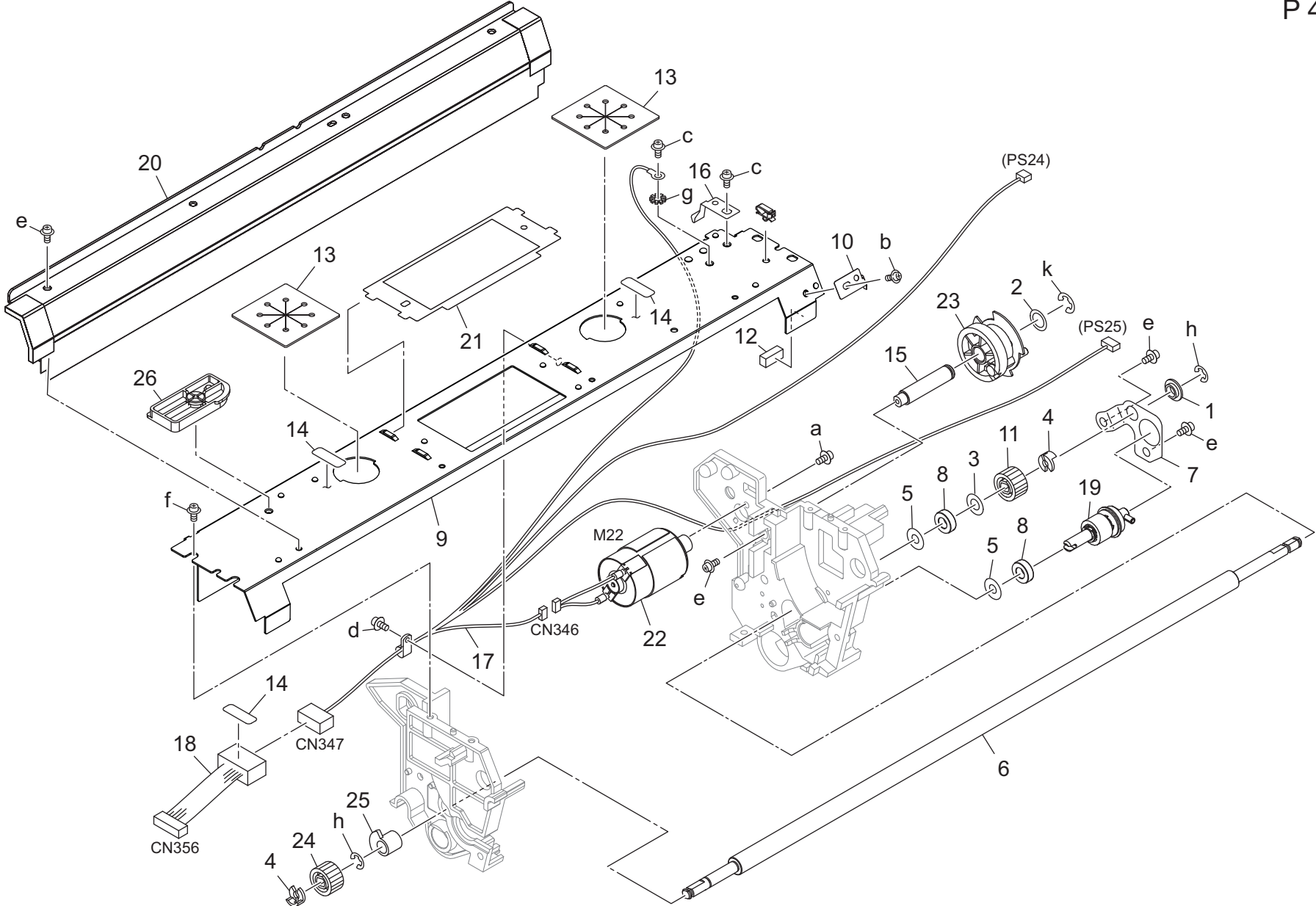


Drum Cleaning Unit

Key	Part No.	Description	Destinations	Class	QTY	Standard parts
1	25AA55360	Blade Pulley /C		C	1	a-V121030803
2	25AA55390	Wire Rotary Shaft		D	1	b-V121040403
3	25AA55420	WIRE TENSION SPRING		C	1	c-V121040603
4	4470402401	Stopper		D	2	d-V127030604
5	55VA55351	Mouting Plate /F		D	1	e-V145030603
6	55VA55361	Mouting Plate /R		D	1	f-V153030803
7	55VA55490	BLADE CHANGE LEVER		D	1	g-V217040003
8	56AA17510	Pin /B		C	2	h-V234201250
9	A00J617800	Ball Bearing		A	2	
10	A0G6525600	Mounting Plate		D	1	
11	A0G6531300	Positioning Shaft /R		D	1	
12	A4EU531900	Cleaning Seal /1		C	1	
13	A0G6532101	Idling Shaft /2		D	1	
14	A9JT533000	Scatteringprevention Part /Rear		D	1	
15	A9JT533100	Scatteringprevention Part /Front		D	1	
16	A4EU531000	Mounting Plate /B		D	1	
17	A4EU537000	Mounting Plate /A		D	1	
18	A4EU537700	Drive Plate		D	1	
19	A4EU537800	Drive Shaft		D	1	
20	A4EU537900	Bushing		C	2	
21	A4EU538000	Swing Shaft		D	1	
22	A4EU538200	Release Gear /2 26T		C	1	
23	A4EU538300	Release Gear /3 18T		C	1	
24	A4EU538400	Release Gear /4 15T		C	1	
25	A4EU538700	Scatteringprevention Filter		D	1	
26	A4EUR70J00	Guide Plate Assy		A	1	
27	A85CM55500	Photo Sensor		C	2	
28	A9JTR71622	Drum Cleaning Unit		S	1	



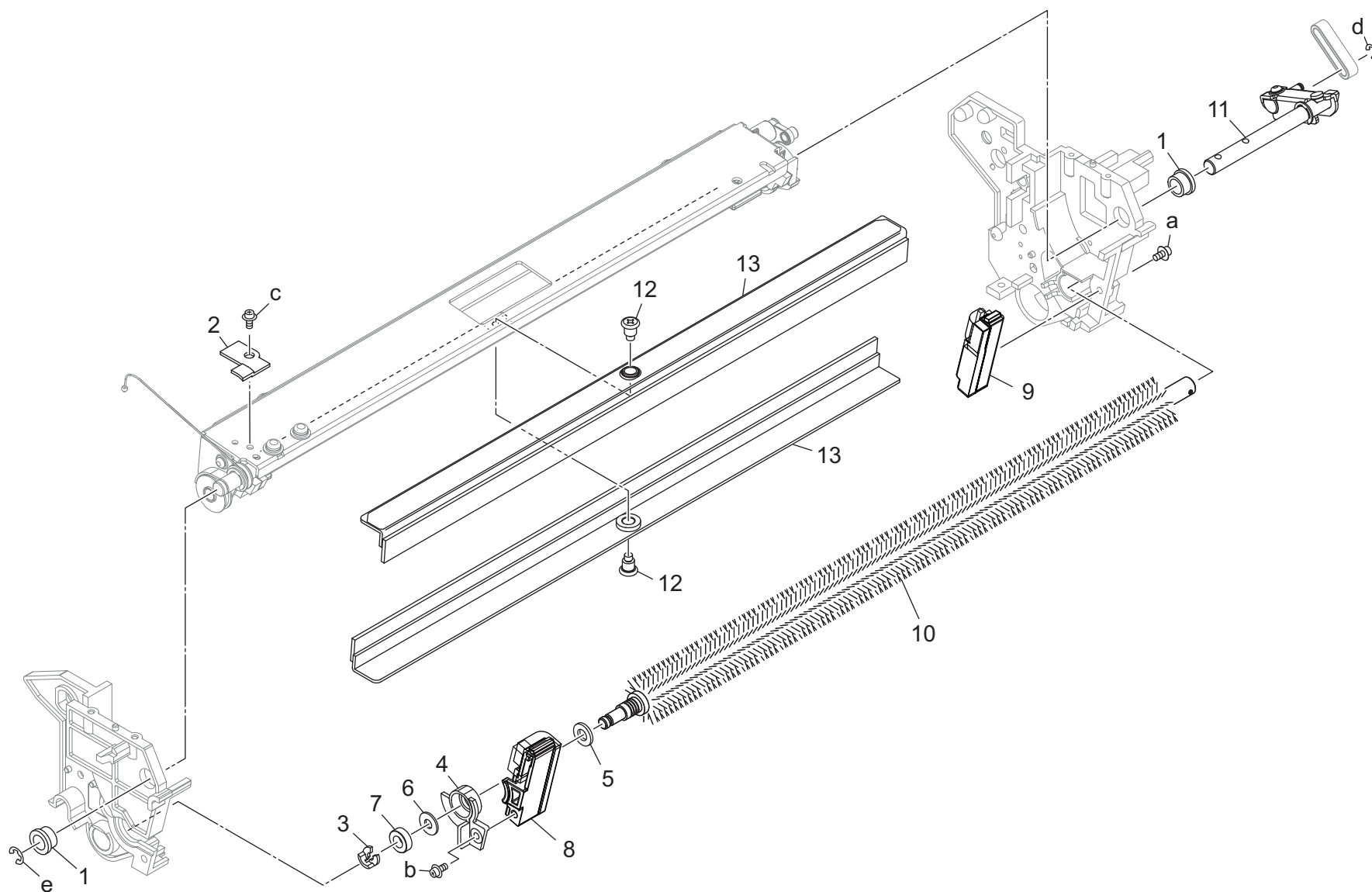
Drum Cleaning Unit



Key	Part No.	Description	Destinations	Class	QTY	Standard parts
1	090020510	CLEANER MOUNT LEVER COLLAR		C	1	a-V118260601
2	13QA40610	Gear Spacer		C	1	b-V121030403
3	25HA15210	SPACER E		C	1	c-V121040403
4	396040681	STOPPER RING		B	2	d-V121040603
5	55VA55680	SPEWING PREVENTIVE FELT		A	2	e-V127030604
6	A0G6530500	Guide Shaft		B	1	f-V153030803
7	A0G6530701	Reinforce Plate /R		D	1	g-V209040050
8	A0G6531500	Cleaning Bearing		C	2	h-V217040003
9	A0G6532202	Cleaning Cover		D	1	k-V217060003
10	A0G6532300	Ground Plate /A		D	1	
11	A0G6532700	Cleaning Gear/3 29T		B	1	
12	A0G6532900	Cleaning Seal /2		C	1	
13	A0G6535900	Cover Rubber		C	2	
14	A0G6950501	Set Label /5		D	3	
15	A4EU537400	Mounting Shaft		D	1	
16	A4EU538600	Ground Plate /B		D	1	
17	A4EUN25300	Relay harness /B		D	1	
18	A4EUN25500	Wiring /B		D	1	
19	A4EUR70F00	Cleaning Gear/2 Assy		B	1	
20	A9JTR73500	Photoconductor Seal Assy		A	1	
21	A4EUR71200	Scatteringprevention Filter Assy		A	1	
22	A4EUR75P00	Blade Motor Assy		C	1	
23	A4EUR75R00	Caum Gear Assy		D	1	
24	A9JT532700	Drive Gear /F 24T		C	1	
25	A9JT536500	Cleaning Bushing		C	1	
26	A9JTR71T00	Release Jig Assy		D	1	

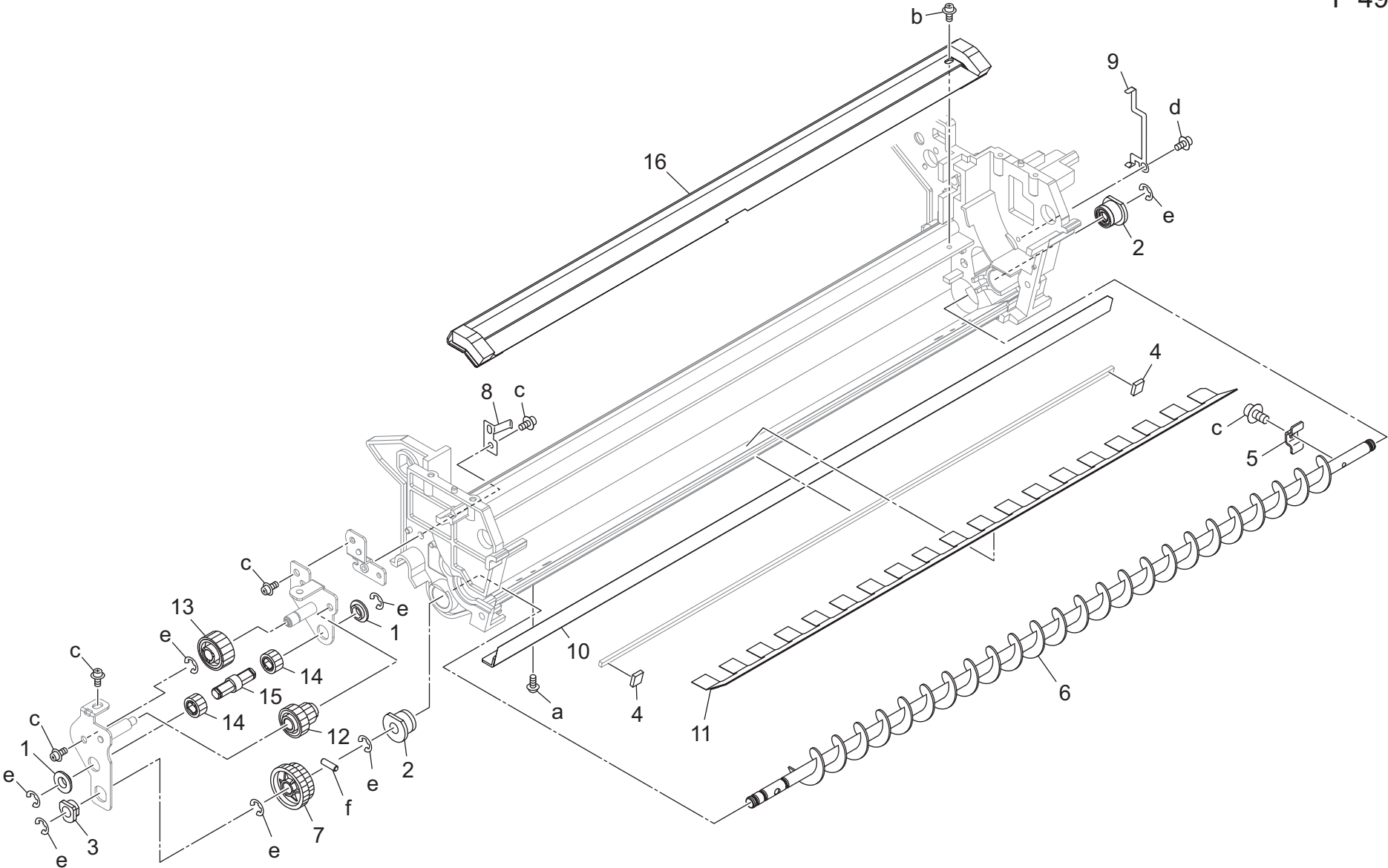
Drum Cleaning Unit

P 48



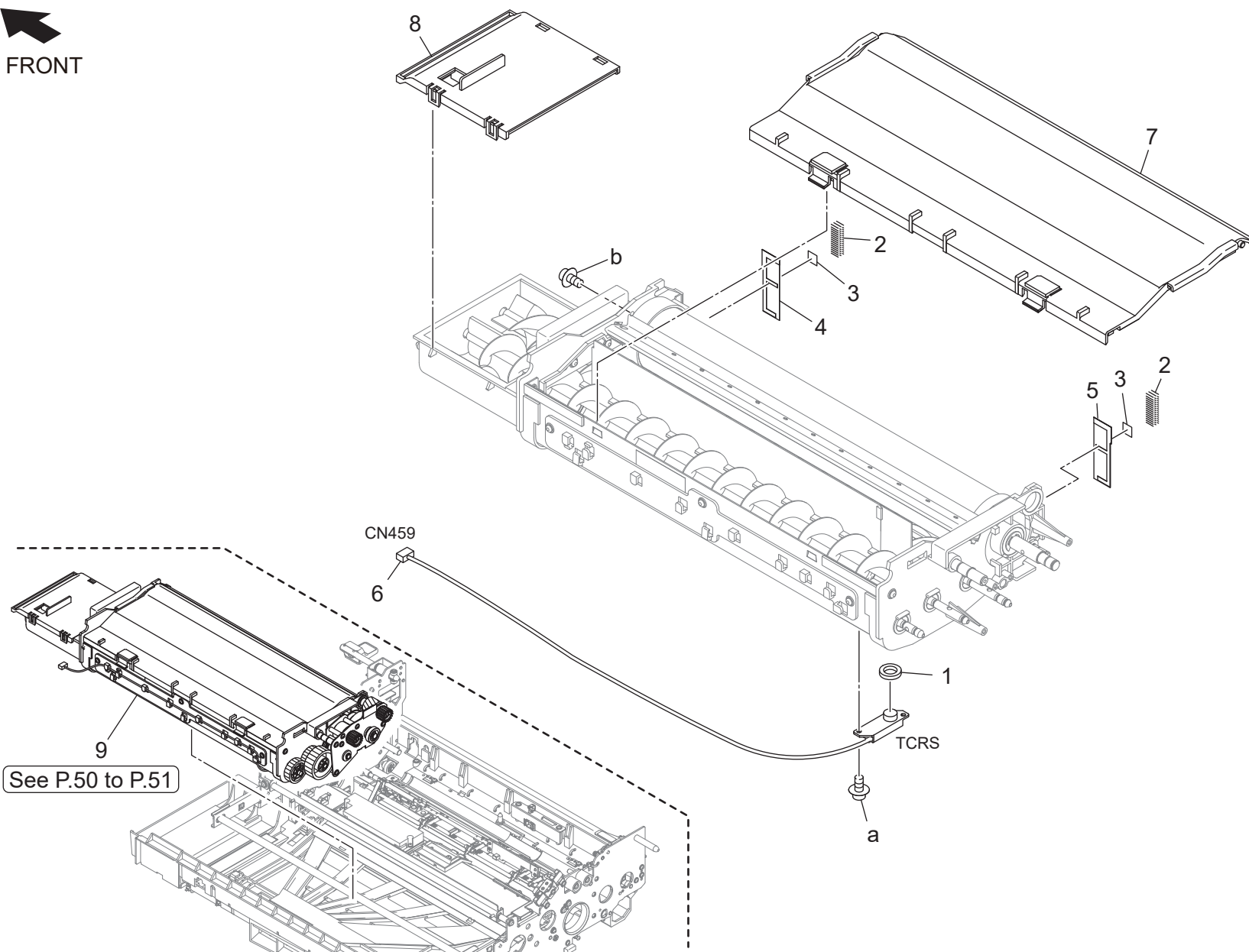
Key	Part No.	Description	Destinations	Class	QTY	Standard parts
1	090076040	SHAFT HOLDER		C	2	a-V121031203 b-V121031803 c-V121040403 d-V217030003 e-V217060003
2	25AA55720	Wire Cover /Upper		C	1	
3	396040681	STOPPER RING		B	1	
4	55VA55130	Shaft Holder Fixed Part		C	1	
5	55VA55670	Toner Preventive Collar		C	1	
6	55VA55680	SPEWING PREVENTIVE FELT		A	1	
7	A0G6531500	Cleaning Bearing		C	1	
8	A9JTR73300	Sealing Plate/F Assy		B	1	
9	A9JTR73400	Sealing Plate/R Assy		B	1	
10	A4EUR70K00	Toner Guide Brushe Assy		A	1	
11	A4EUR75Q00	Blade Release Arm Assy		D	1	
12	A9JT539700	Support Shoulder Screw		D	2	
13	A9JTR71500	Drum Cleaning Blade		A	2	

Drum Cleaning Unit



Key	Part No.	Description	Destinations	Class	QTY	Standard parts
1	090020510	CLEANER MOUNT LEVER COLLAR		C	2	a-V118030403 b-V121030403 c-V127030604 d-V145030603 e-V217040003 f-V234301050
2	26TA30770	DEVELOPING SHAFT HOLDER A		C	2	
3	466076020	Paper Feed Feeding Bearing		B	1	
4	55VA55641	SEALING PART/1		C	2	
5	56UA55550	Toner Agitating Plate		D	1	
6	A0G6530300	Cleaning Screw		C	1	
7	A0G6531401	Cleaning Gear /1 41/47T		C	1	
8	A0G6531800	Ground Plate		D	1	
9	A0G6534200	Ground Plate /B		D	1	
10	A4EUR71300	Toner Sealing Plate Assy		B	1	
11	A4EUR75S00	Sealing Assy		D	1	
12	A9JT534800	Drive Gear /2 20/31T		C	1	
13	A9JT534900	Drive Gear /3 35T		C	1	
14	A9JT535300	Drive Gear /4 20T		C	2	
15	A9JT536600	Drive Shaft /4		D	1	
16	A9JTR72800	Blade Seal /A Assy		D	1	

Developing Unit



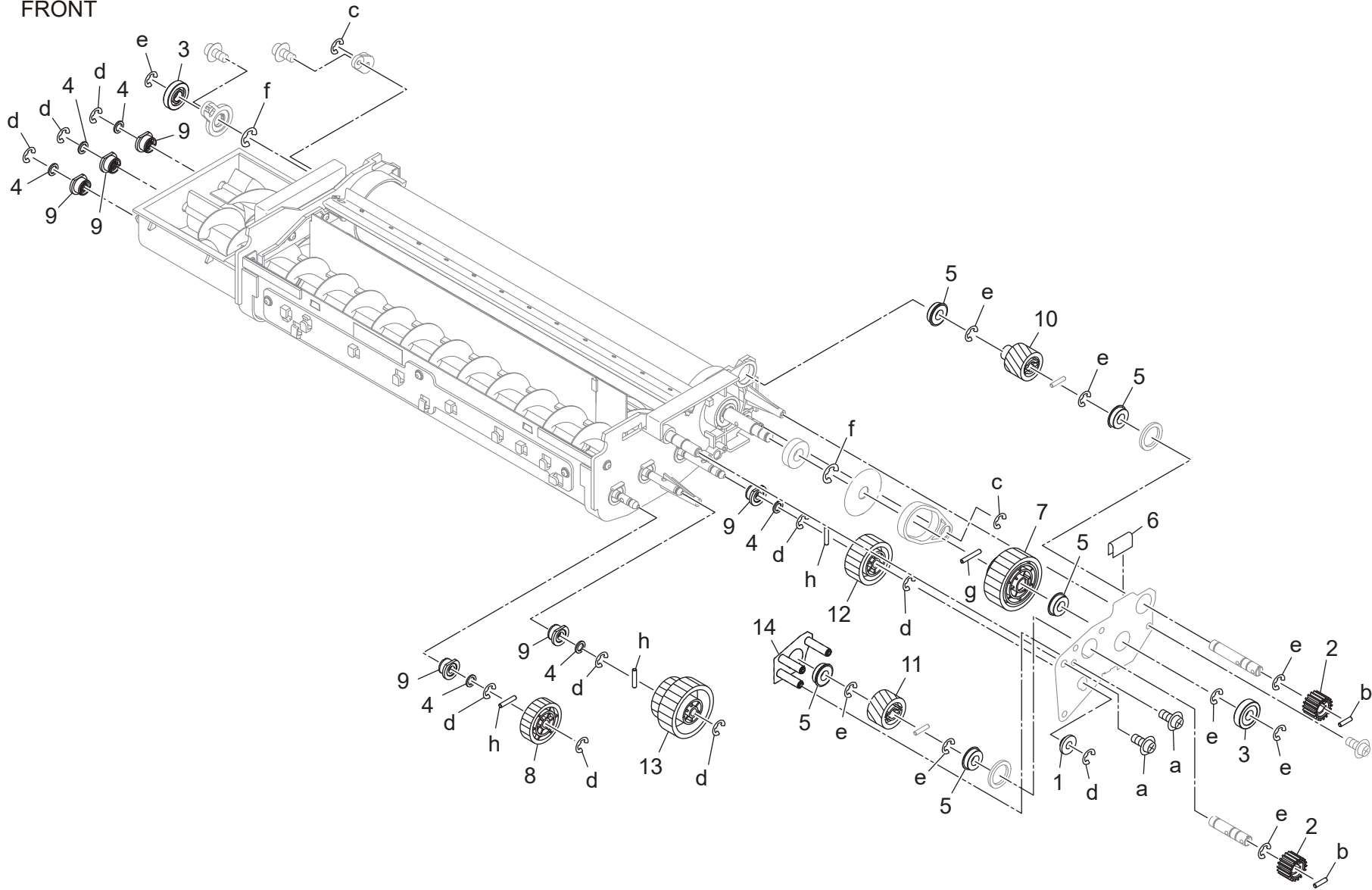
See P.50 to P.51

Developing Unit

Key	Part No.	Description	Destinations	Class	QTY	Standard parts
1	029420640	L DETECTING SEAL		C	1	a-V145030603 b-V125030803
2	A0G6374900	Dust-Proof Packing /E		C	2	
3	A0G6375400	Stopper Spacer		C	2	
4	A0G6378700	Scatteringprevention Sheet /Front		C	1	
5	A0G6378800	Scatteringprevention Sheet /Rear		C	1	
6	A0G6M50801	Toner Sensor		C	1	
7	A4EUR75F00	Developing Cover Assy		D	1	
8	A4EUR75H00	Developing Cover Assy		D	1	
9	A799R71F00	Developing Unit		B	1	

Developing Unit

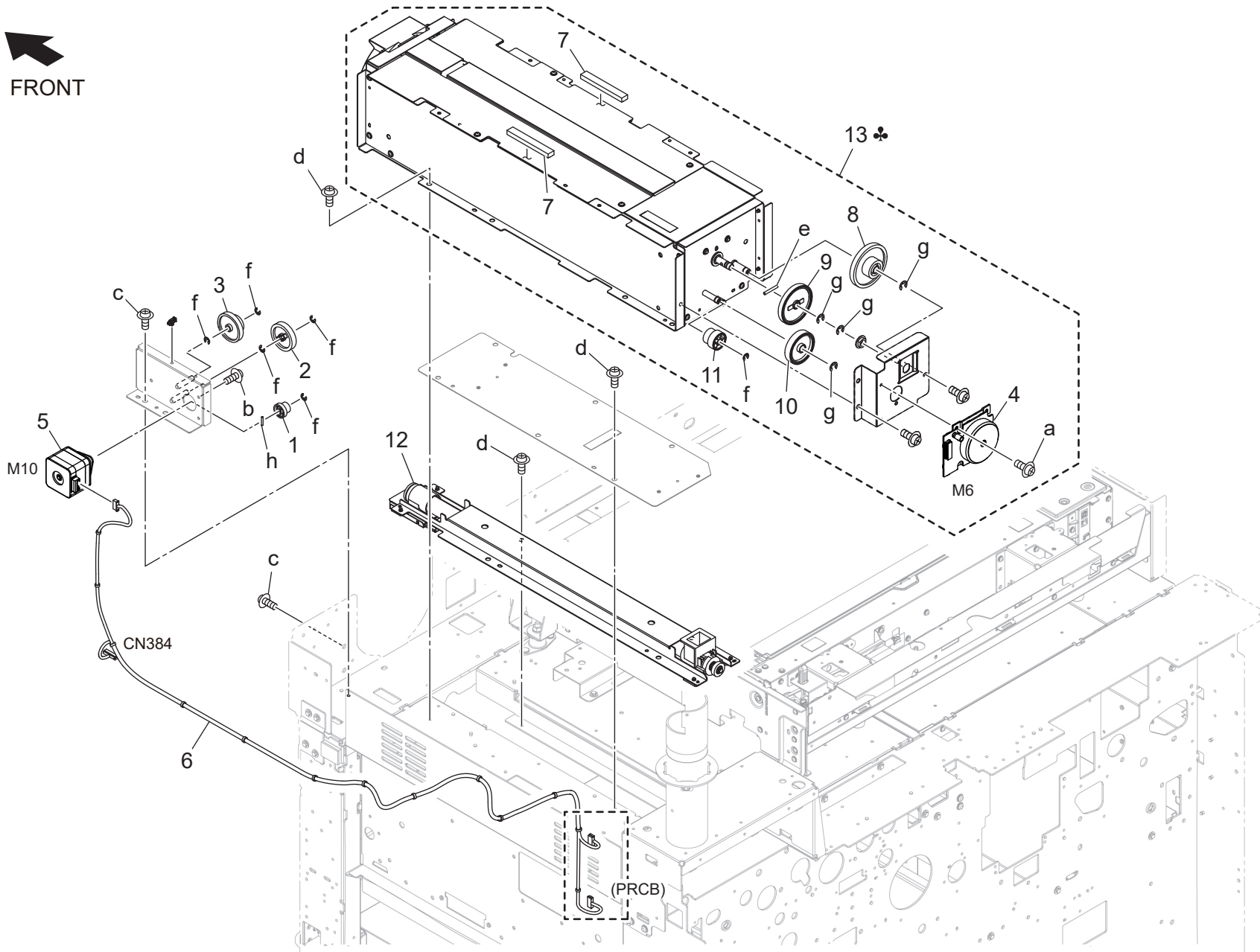
FRONT



Key	Part No.	Description	Destinations	Class	QTY	Standard parts
1	392015650	SLIDE BUSHING/C		C	1	a-V127030604
2	55VA77300E	Developing Input Coupling		B	2	b-V234301250
3	56UA375200	Stopper Roll /Rear		C	2	c-V217030003
3	A0G6375211	Stopper Roll /Rear	(D21.90mm Black)	C	2	d-V217040003
3	A0Y5373601	Stopper Roll /Rear	(D21.98mm Green)	C	2	e-V217060003
3	A4EU375100	Stopper Roll	(D22.06mm Yellow)	C	2	f-V217080003
3	A4EU375200	Stopper Roll	(D22.02mm White)	C	2	g-V234302050
4	57AA30260	Developing Agitating Spacer	(D21.94mm Blue)	C	2	h-V234301650
5	A00V240600	Ball Bearing		C	6	
6	A0G6373200	Slide Sheet		B	5	
7	A4EU378200	Drive Gear /No.2 67T		C	1	
8	A0G6377300	Agitating Gear 30T		C	1	
9	A0G6377400	Sealing Ball Bearing		C	6	
10	A4EU380300	Input Gear /2 33T		C	1	
11	A4EU377000	Input Gear /2 22T		C	1	
12	A4EU377100	Conveyance Gear /1 31T		C	1	
13	A4EU377200	Conveyance Gear /2 30T/39T		C	1	
14	A4EUR75G00	Drive Plate /2 Caulking		D	1	

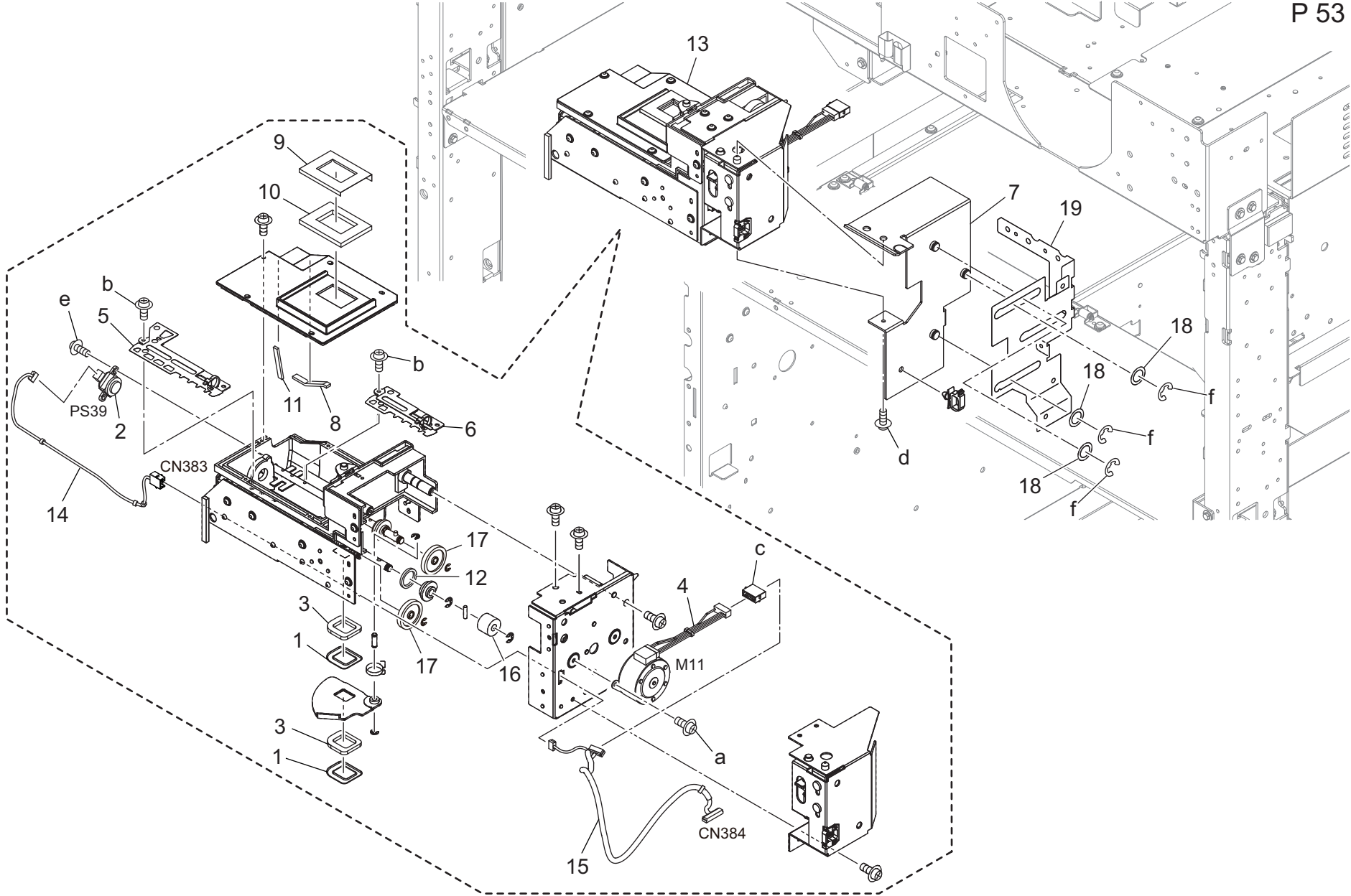
Toner Supply Protection Unit

FRONT



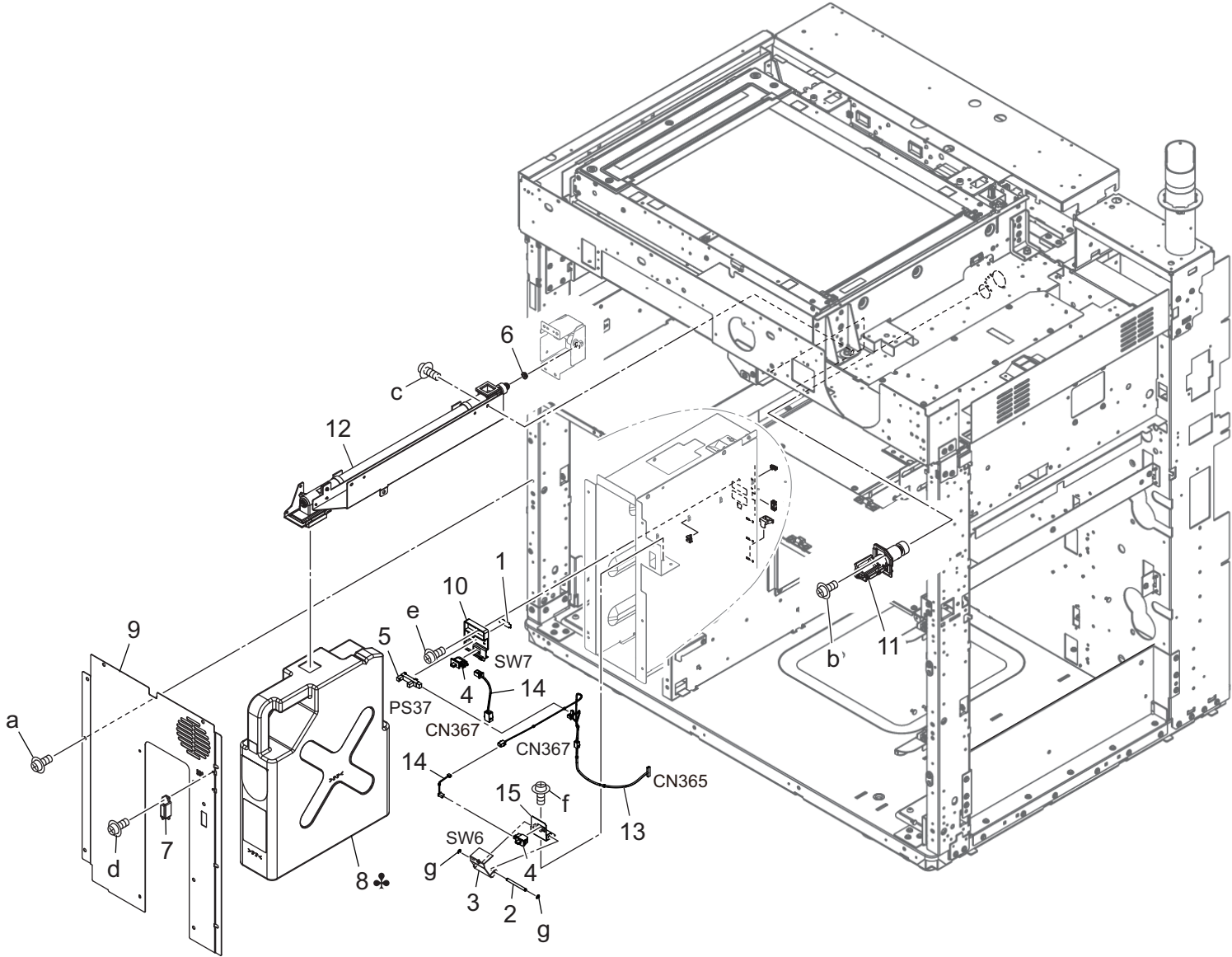
Key	Part No.	Description	Destinations	Class	QTY	Standard parts
1	55VA77890	Motor Gear 20T		B	1	a-V127030604
2	56UA77440	Toner Conveyance Gear 34T		C	1	b-V121030603
3	56UA77450	Idling Gear /B 20T /61T		C	1	c-V121040403
4	A9JTM10200	Drum Motor		B	1	d-V121040603
5	AAPKM10100	HB Stepping Motor /40		C	1	e-V234302250
6	A799N12900	Main body Wiring /4		D	1	f-V217040003
7	A799M90211	Gasket /2		D	2	g-V217060003
8	A1RF403400	Toner Supply Gear /A 22/55T		C	1	h-V234201250
9	A799404800	Toner Supply Gear /B 50T		C	1	
10	A799407400	Toner Supply Gear /1 40T		C	1	
11	A799407800	Toner Supply Gear /2 17/41T		C	1	
12	A799R70M00	Horizontal Conveyance Assy		I	1	
13	ADF2R71211	Toner Supply Unit Assy (JP)	A	I	1	
13	ADF2R71311	Toner Supply Unit Assy (US)	B,G2	I	1	
13	ADF2R71411	Toner Supply Unit Assy (EU)	C,D1,D3,E,F2,G1,I,J	I	1	

Toner Conveyance Main Body Unit



Key	Part No.	Description	Destinations	Class	QTY	Standard parts
1	25BA32251	COVER SEAL		C	2	a-V118030603 b-V121030603 c-V651010038 d-V121040603 e-V145030803 f-V217060003
2	40AA88031	Level Detection Sensor		C	1	
3	55GA32220	OPEN CLOSE CUSHION		C	2	
4	A1TVM10311	Stepping Motor /40		B	1	
5	A4EUR70500	Agitating Plate /A 1 Assy		A	1	
6	A4EUR70600	Agitating Plate /A 2 Assy		A	1	
7	A4EUR71J00	Slide Hinge Caulking		D	1	
8	A799403300	Toner supply Seal /H		D	1	
9	A799404000	Toner supply Sheet		D	1	
10	A799404100	Toner supply Seal		D	1	
11	A799409600	Toner supply Seal /H		D	1	
12	A799409900	Toner supply Cushion /H		D	1	
13	A799R70K00	Toner Conveyance Main Body Assy		I	1	
14	A799N14700	Toner Relay harness /3		D	1	
15	A799N14901	Toner Relay harness /4		D	1	
16	55VA77960	SCREW GEAR 14T		B	1	
17	56UA77430	Toner Agitating Gear 32T		C	2	
18	55VA32530	Spacer		C	3	
19	A0G6400502	Fixing Hinge		C	1	

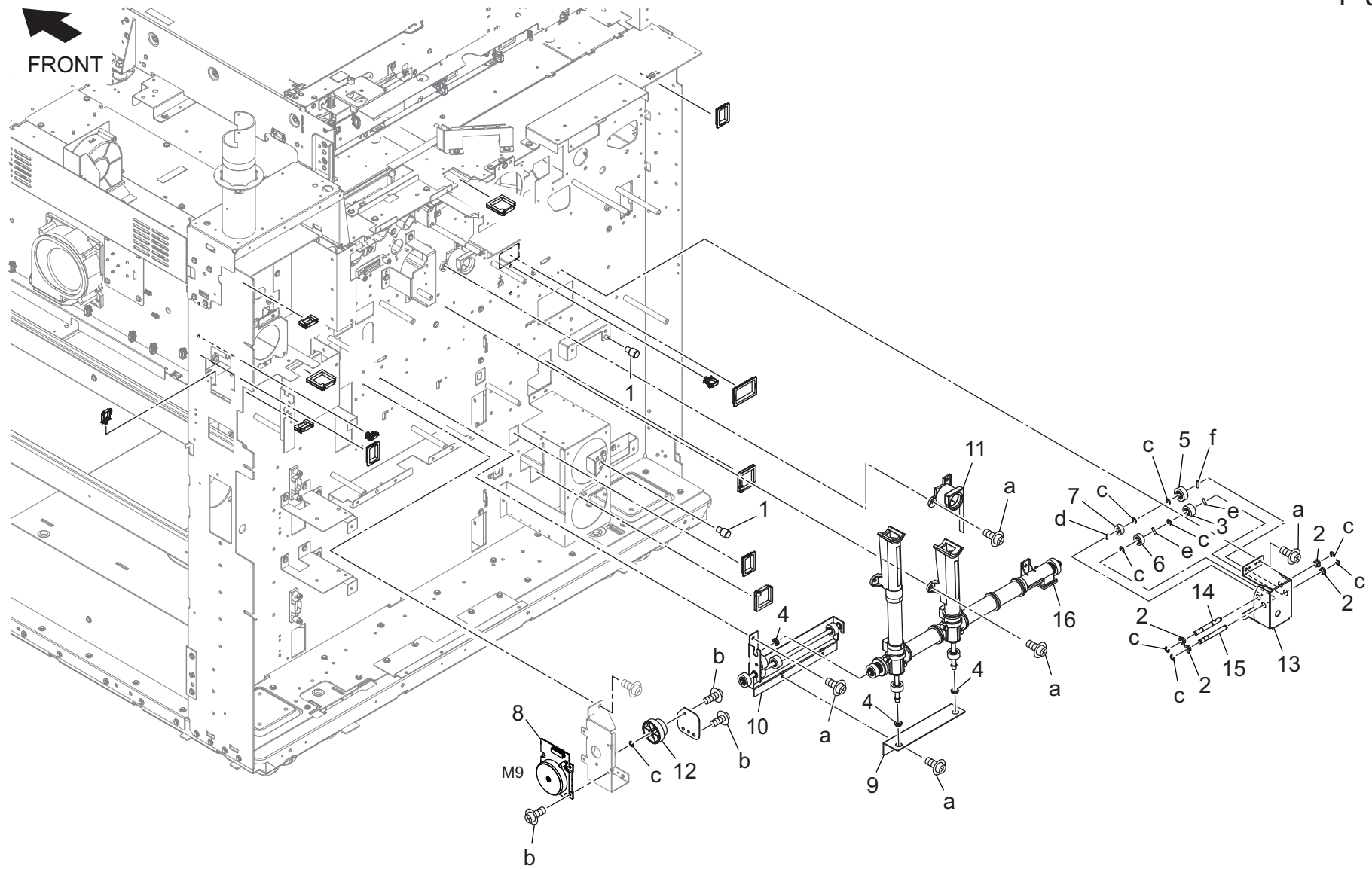
Toner Collection Section



Toner Collection Section

Key	Part No.	Description	Destinations	Class	QTY	Standard parts
1	4004457301	Stopper		D	1	a-V121040604 b-V118040603 c-V121040603 d-V126030603 e-V127030604 f-V127040803 g-V217030003
2	55VA70110D	Door Detection Shaft		D	1	
3	56UA12370	Door Detection Actuator		D	1	
4	ADF2M60100	Push Switch		D	2	
5	9335140051	Solid State Switch		B	1	
6	A00J617800	Ball Bearing		A	1	
7	A0G6411200	Magnet /X		D	1	
8	A1DUR70W00	Toner Collecting Box Assy	D1,D3,E,F2,G1,G2,J	A	1	
8	A9JTR73600	Toner Collecting Box Assy	A	A	1	
8	A03UR70200	TONER COLLECTING BOX ASSY	B,C,I	A	1	
9	A799351000	Mounting Plate /1		D	1	
10	ADF2365400	Sensor Board		D	1	
11	A799R70G00	Connecting Pipe /5 Assy		C	1	
12	A799R70J00	Horizontal Conveyance /2 Assy		I	1	
13	ADF2N14500	Toner Relay Harness /2		D	1	
14	ADF2N13200	Control Signal Harness		D	2	
15	ADF2361900	Mounting Plate		D	1	

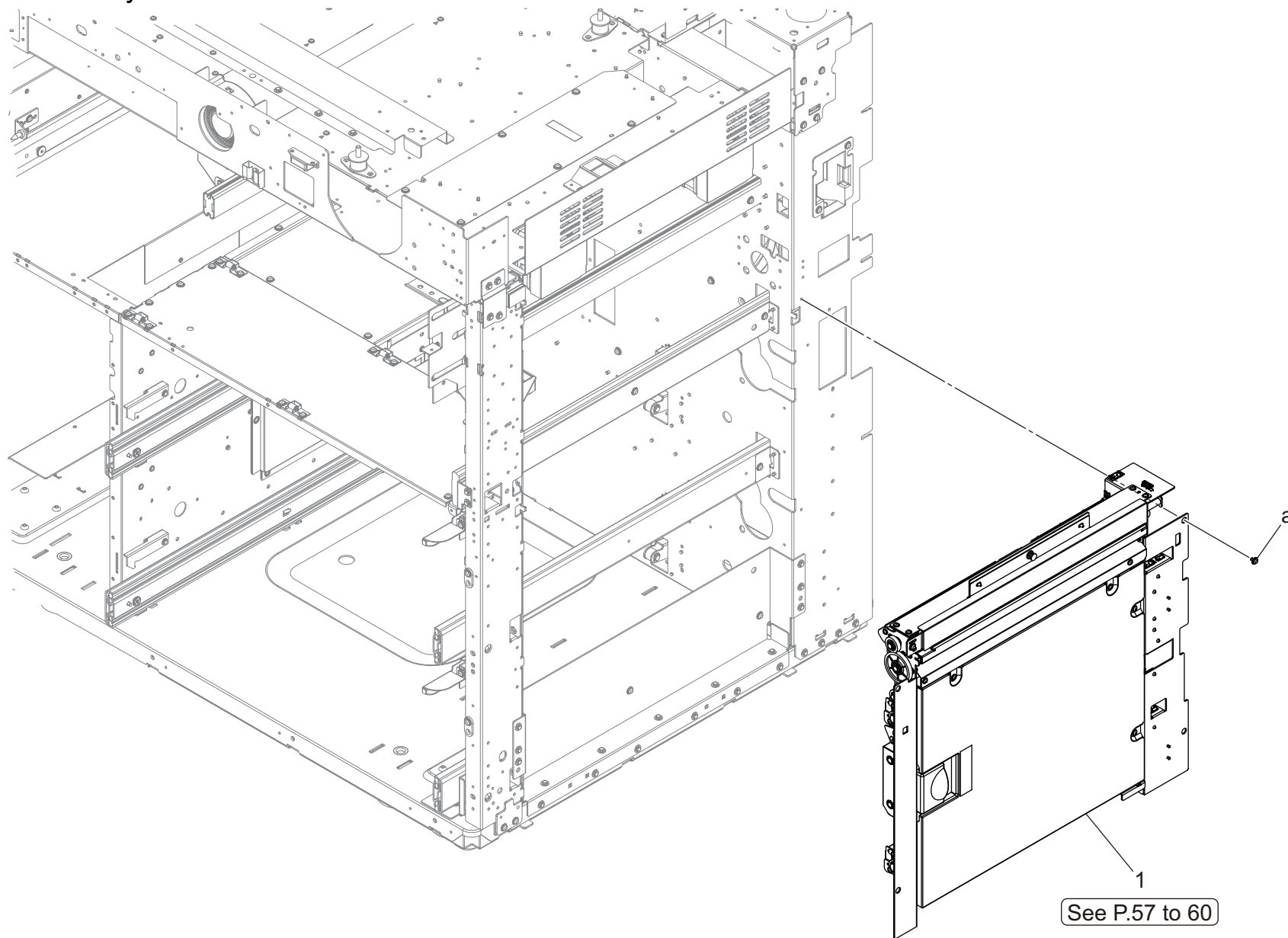
Toner Collection Section



Key	Part No.	Description	Destinations	Class	QTY	Standard parts
1	392010231	STOPPER PIN		C	2	a-V121040603
2	466076020	Paper Feed Feeding Bearing		B	4	b-V127030604
3	56UA77400	Toner Conveyance Gear /C 15T		C	1	c-V217040003
4	A00J617800	Ball Bearing		A	3	d-V234200850
5	A0G6367400	Drive Gear /4 19T		C	1	e-V234301050
6	A0G6367500	Drive Gear /5 18T		C	1	f-V234301250
7	A0G6367900	Drive Gear /9 16T		C	1	
8	A9JTM10200	Drum Motor		B	1	
9	A4EU362200	Positioning Base Frame		D	1	
10	A4EUR76G11	Drive Board/1 Assy		D	1	
11	A4EUR71F00	Connecting Block/C Assy		D	1	
12	A799258300	Toner Supply Gear /2 25/68T		C	1	
13	A799361200	Drive Cover		D	1	
14	A799362900	Drive Shaft /1		D	1	
15	A799363000	Drive Shaft /2		D	1	
16	A799R70H00	Vertical Conveyance /1 Assy		I	1	

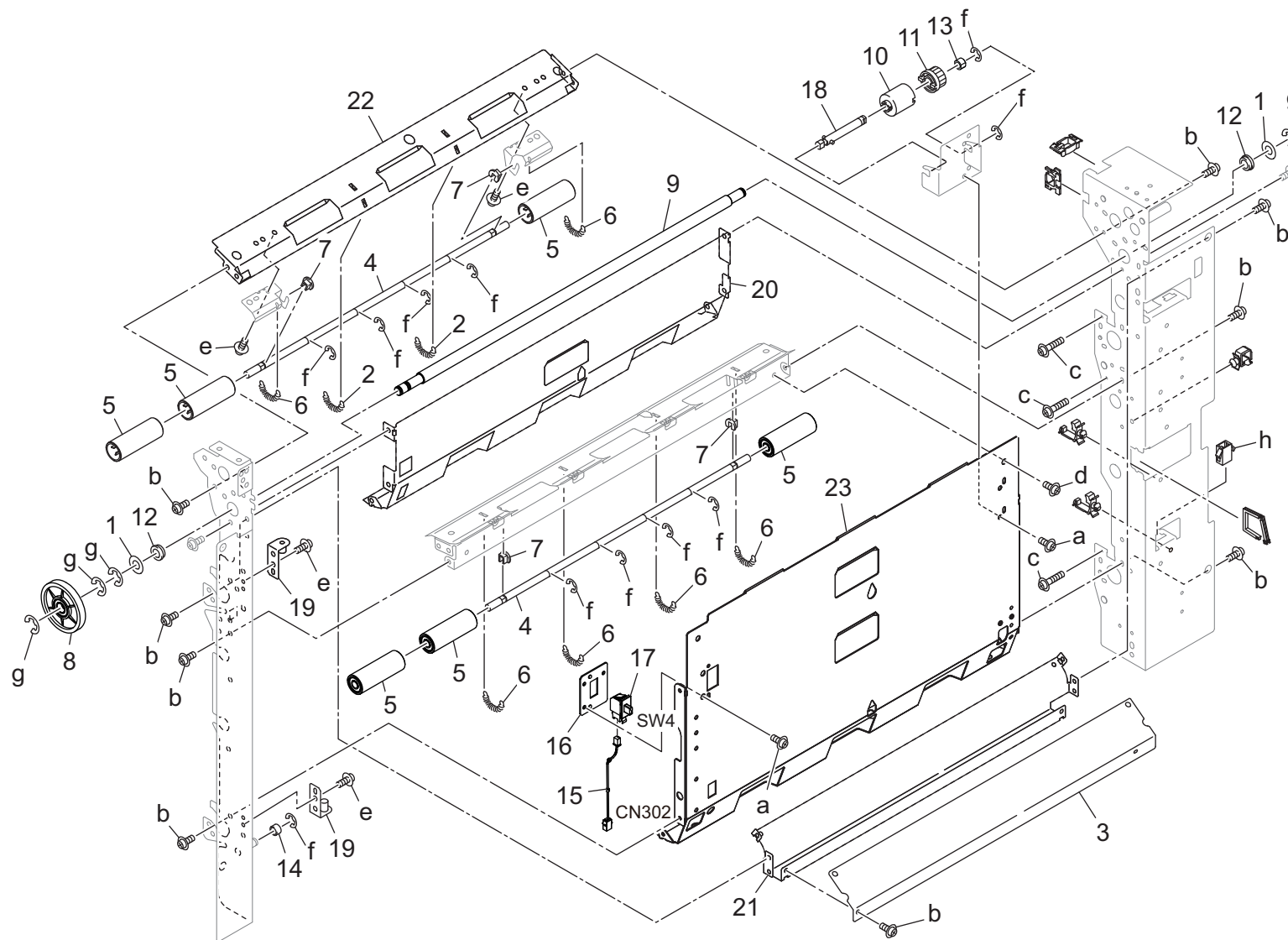
Vertical Conveyance Unit

P 56



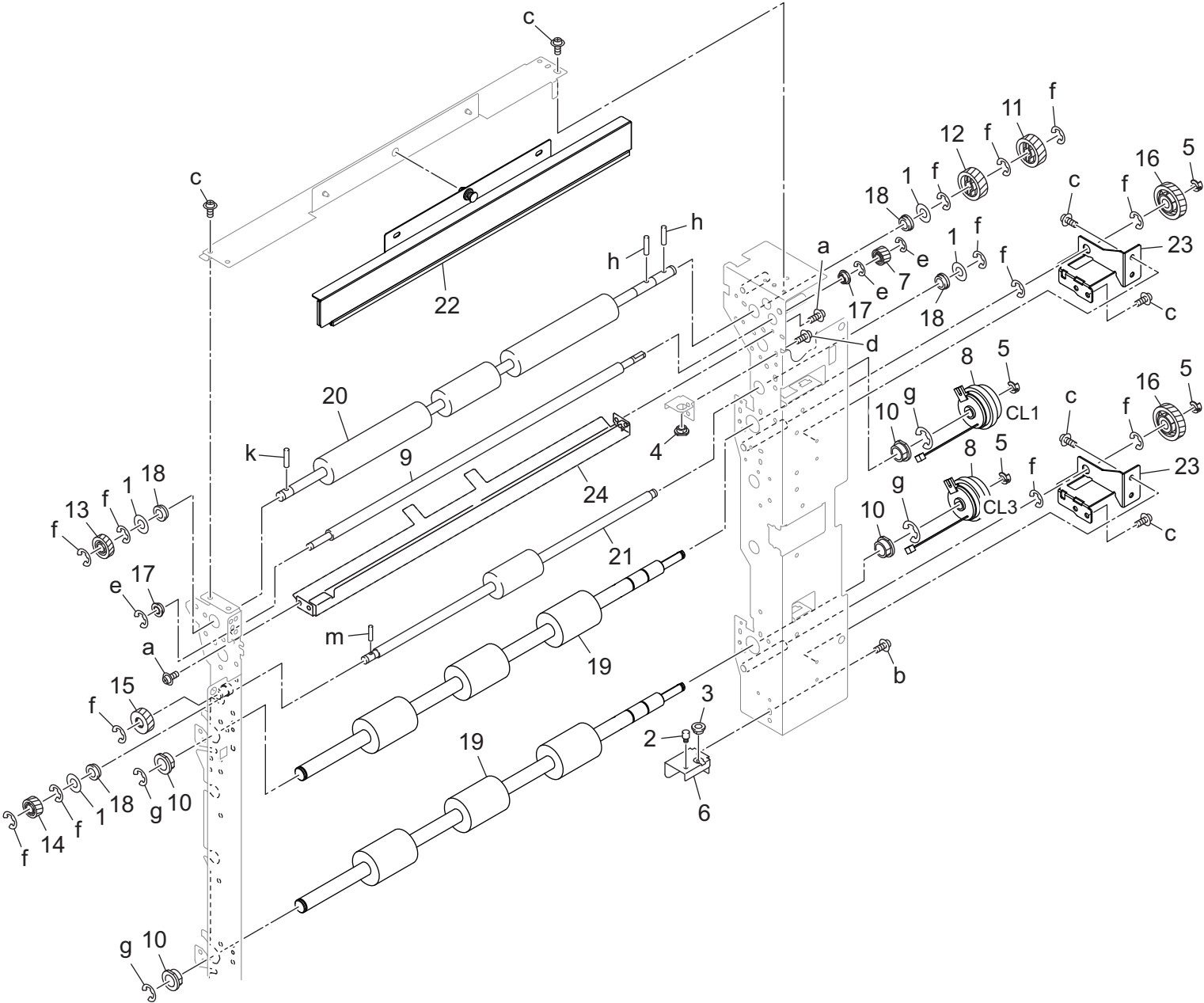
Vertical Conveyance Unit

Key	Part No.	Description	Destinations	Class	QTY	Standard parts
1	ADF2R71500	Vertical Conveyance Assy 垂直搬送 A s s y		I	1	a-V121040603



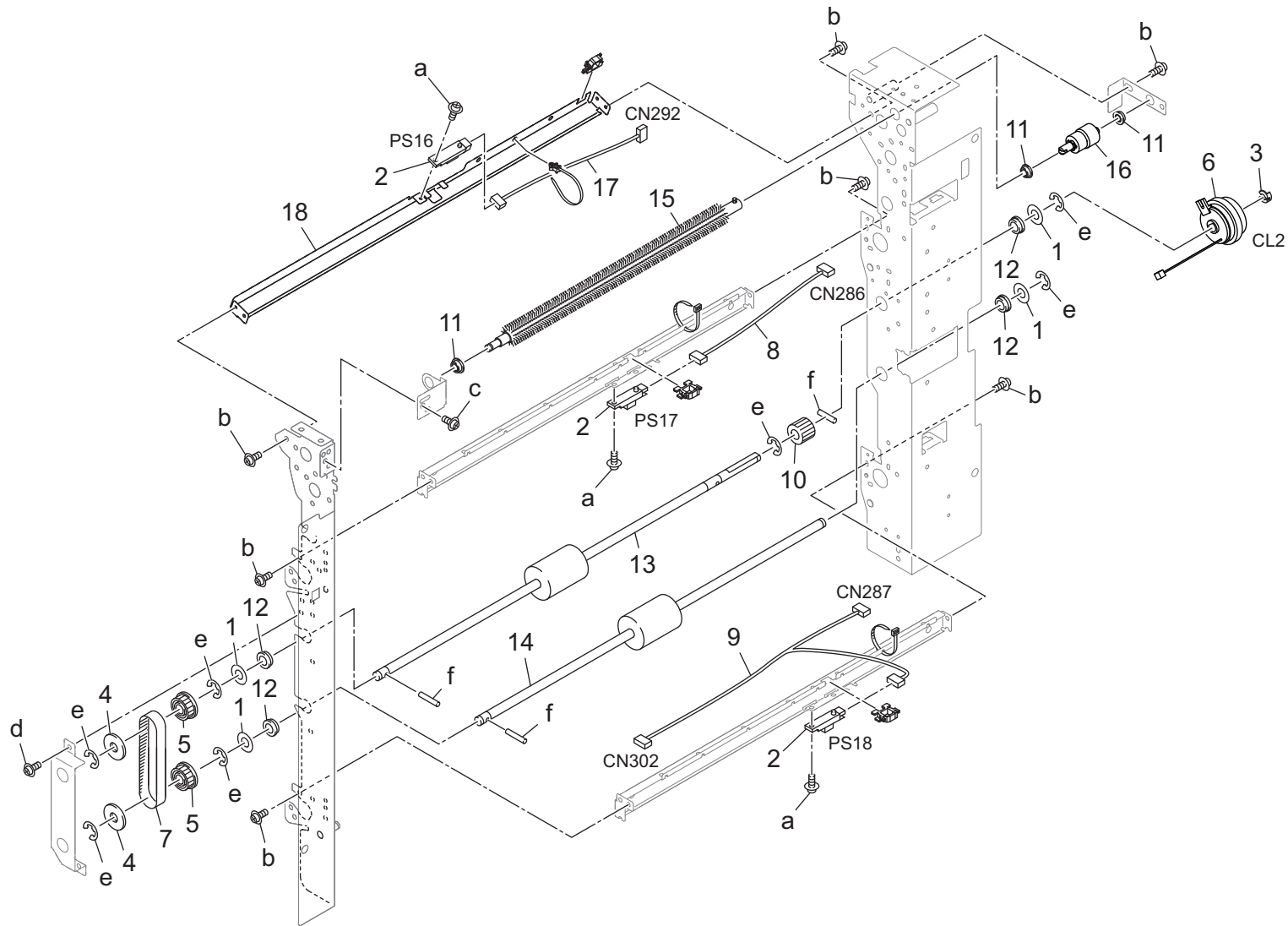
Key	Part No.	Description	Destinations	Class	QTY	Standard parts
1	12QV40650	Spacer		B	2	a-V118030604
2	55VA46451	REGISTRATION FEEDING SPRING		B	2	b-V121030403
3	56UA44070	PFU Guide Plate /Lower		D	1	c-V121033003
4	A4EU701600	Idler Shaft /L		D	2	d-V133030603
5	56UA44500	Conveyance Idler Roller		C	6	e-V138030603
6	56UA44660	Registration Pressing Spring		C	6	f-V217040003
7	56UA44680	Idler Bushing		C	4	g-V217060003
8	A4EU701900	Idling Gear /A 50T		C	1	h-V651010001
9	A9JT704400	Guide Shaft /M		D	1	
10	57GA44300	Torque Limiter		B	1	
11	57GA79430	Torque Gear /1 18T		C	1	
12	A00J617900	Ball Bearing		B	2	
13	A4EU715500	Bushing /No.1		D	1	
14	A4EU823100	Positioning Roll		D	1	
15	ADF2N12700	Conveyance Relay Harness /4		D	1	
16	ADF2706000	Sensor Plate		D	1	
17	ADF2M60100	Push Switch		D	1	
18	A4EUR72Y00	Brake Shaft		D	1	
19	A4EUR73100	Door Stopper Caulking		D	2	
20	56UA44050E	PAPER FEED CONVEYANCE PLATE UPPER		D	1	
21	56UA44080	Side Guide Plate /Upper		D	1	
22	56UA44410E	EXIT GUIDE PLATE /LOWER		D	1	
23	ADF2700400	Paper feed Guide /Lower		D	1	

Vertical Conveyance Unit



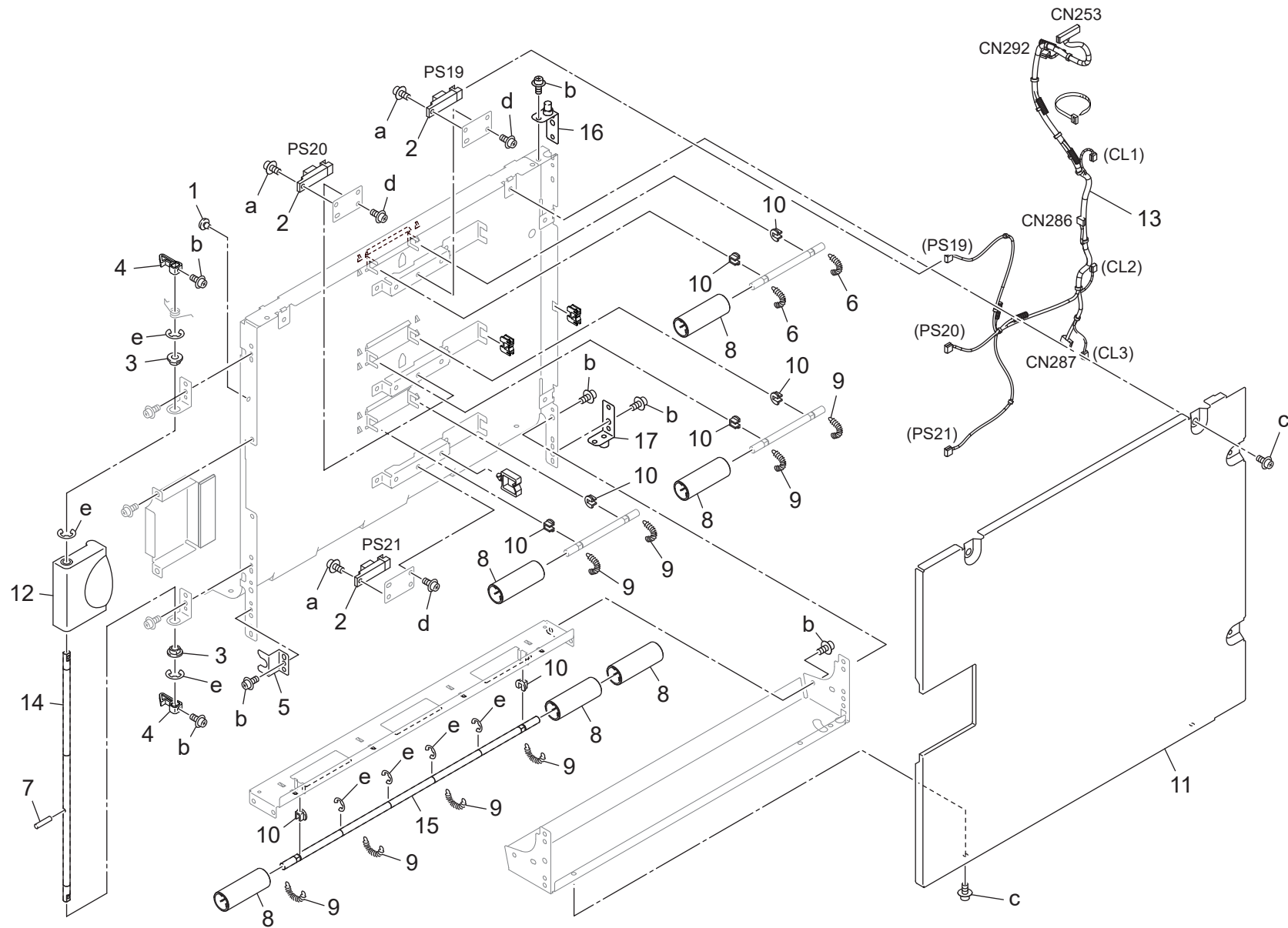
Vertical Conveyance Unit

Key	Part No.	Description	Destinations	Class	QTY	Standard parts
1	12QV40650	Spacer	スペーサー	B	4	a-V121030403
2	392010231	STOPPER PIN	ストッパーピン	C	1	b-V121040403
3	396076050	PAPER FEED SHAFT HOLDER	給紙軸受	B	1	c-V138030603
4	466076020	Paper Feed Feeding Bearing	給紙送り出し軸受	B	1	d-V137040603
5	55VA42120	Shaft Stopper	軸ストッパー	C	4	e-V217040003
6	55VA44120	Hinge Support Plate /Lower	ヒンジ 支持板 /下	D	1	f-V217060003
7	55VA79210	Cleaner Driving Gear /B 18T	クリーナー駆動ギア /B 18 T	B	1	g-V217100050
8	AC57M20200	Conveyance Clutch	搬送クラッチ (6 kg)	B	2	h-V234301650
9	A4EU701500	Scraper Shaft	スクレーパー軸	B	1	k-V234301450
10	56UA76030	Registration Bushing /B	レジスト 軸受 /B	B	4	m-V234301250
11	56UA77070F	Paper Exit Input Gear 25T	排紙入力歯車 25 T	B	1	
12	56UA77160	Paper Feed Cleaning Gear/B 26T	給紙清掃歯車 /B 26 T	B	1	
13	56UA77170E	Conveyance Drive Gear/A 24T	搬送駆動歯車 /A 24 T	B	1	
14	56UA77180E	Conveyance Drive Gear/B 20T	搬送駆動歯車 /B 20 T	B	1	
15	A4EU702000	Idling Gear /B 25T	アイドルギア /B 25 T	C	1	
16	A4EU702300	Drive Gear /F 32T	駆動ギア /F 32 T	C	2	
17	A00J617800	Ball Bearing	ボールベアリング	A	2	
18	A00J617900	Ball Bearing	ボールベアリング	B	4	
19	A9JT700100	Pre-Registration Roller /1	プレレジスト ローラー /1	B	2	
20	A4EU701200	Conveyance Roller /Upper	搬送ローラ /上	B	1	
21	A4EU701300	Conveyance Roller /Middle	搬送ローラ /中 (φ 20)	B	1	
22	A4EUR70N00	Cleaning Cause Assy	清掃ケース部組	B	1	
23	A9JT703700	Reinforce Plate	補強板	D	2	
24	A4EU700600	Guide Plate /Upper	ガイド板 /上	D	1	

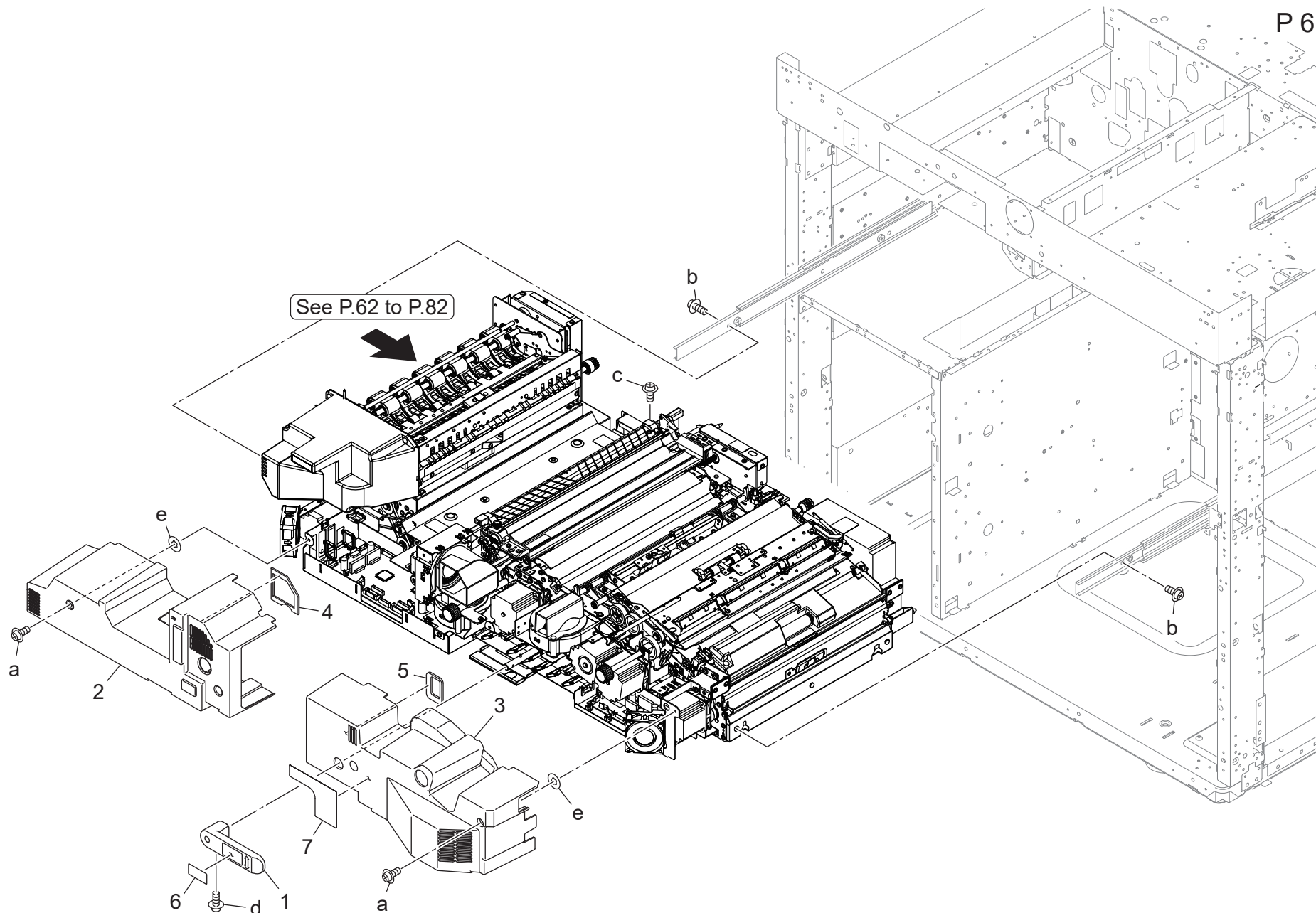


Key	Part No.	Description	Destinations	Class	QTY	Standard parts
1	12QV40650	Spacer		B	4	a-V118030603 b-V121030403 c-V121040603 d-V138030603 e-V217060003 f-V234301250
2	13QA85511	Sensor /1		B	3	
3	55VA42120	Shaft Stopper		C	1	
4	55VA47850	Belt Holding Part /2		D	2	
5	55VA76530E	ADU Conveyance Pulley /3 19T		B	2	
6	AC57M20200	Conveyance Clutch		B	1	
7	56UA78090	CONVEYANCE BELT/A 192L		B	1	
8	56UA90830	CONVEYANCE RELAY WIRING 1		D	1	
9	56UA90840	CONVEYANCE RELAY WIRING 2		D	1	
10	57GA79440	TORQUE GEAR/2 17T		C	1	
11	A00J617800	Ball Bearing		A	3	
12	A00J617900	Ball Bearing		B	4	
13	A9JT700200	Vertical Conveyance Roller		B	1	
14	A0G6700300	Conveyance Roller /A		B	1	
15	A4EUR73000	Toner Guide Brush		A	1	
16	A4EUR71600	Cleaner Drive Assy		B	1	
17	A4EUN25200	Conveyance Relay harness /3		D	1	
18	A4EU700900	Guide Plate /Upper		D	1	

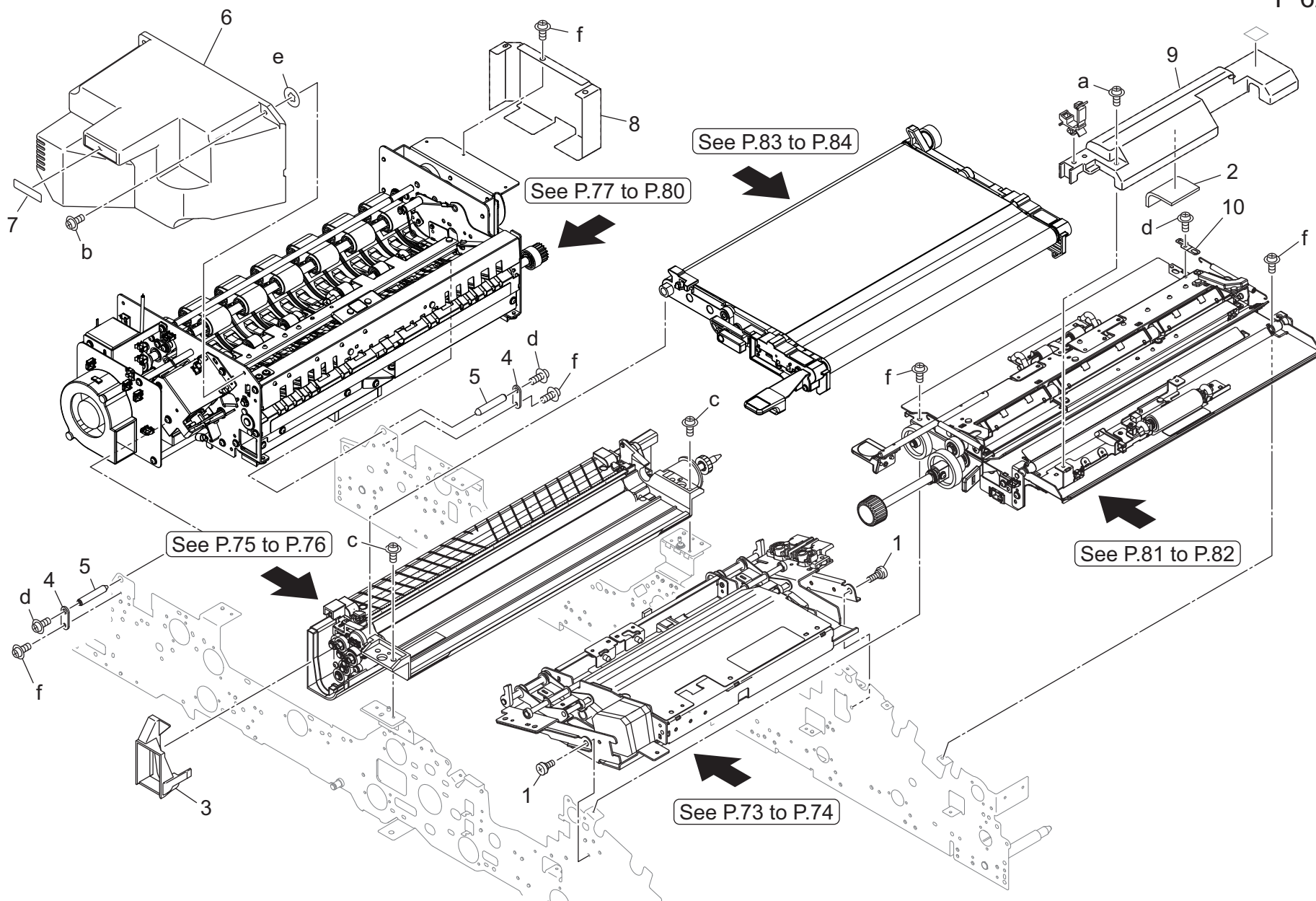
Vertical Conveyance Unit



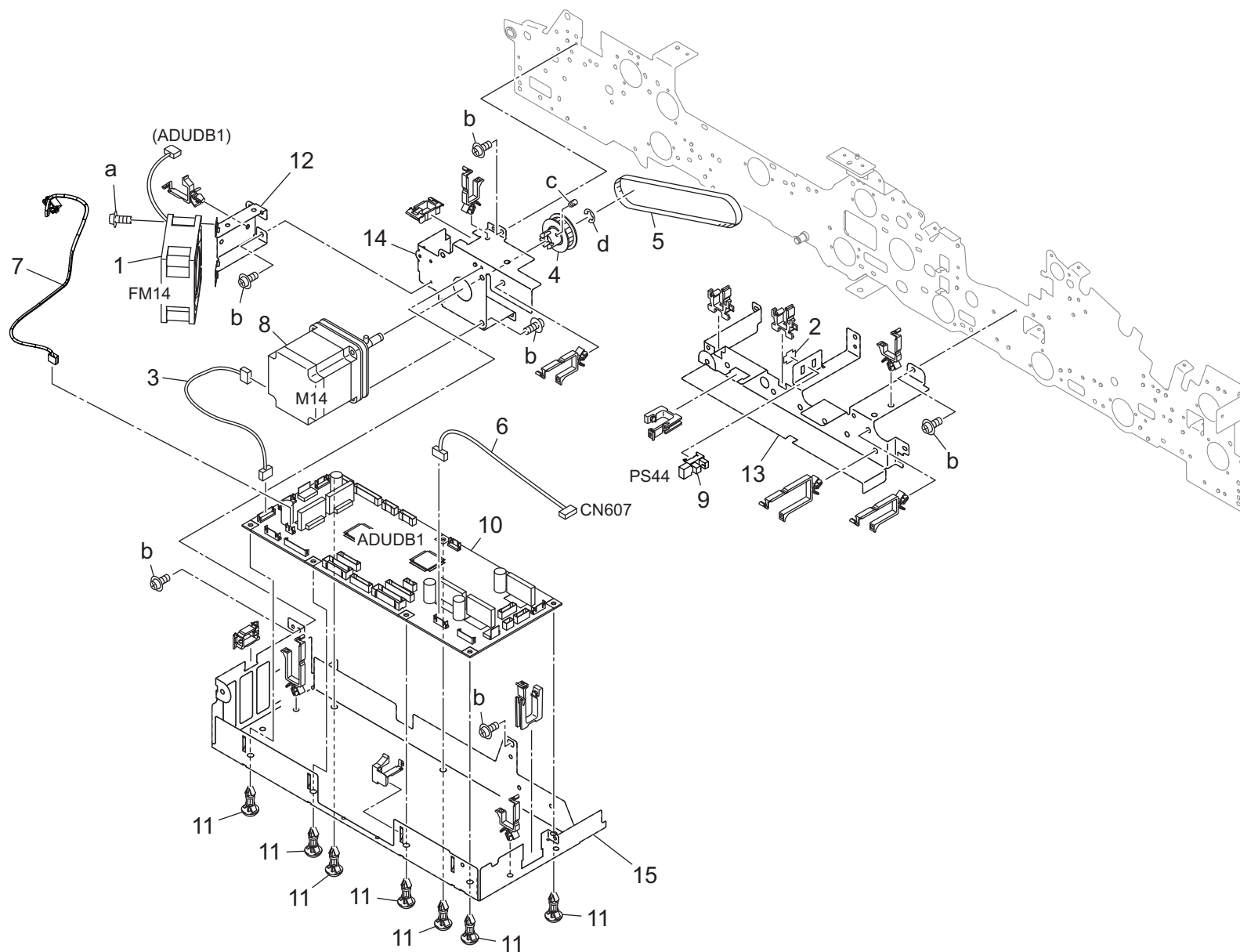
Key	Part No.	Description	Destinations	Class	QTY	Standard parts
1	12AJ45850	Stopper Rubber		C	1	a-V118030603 b-V121030603 c-V127030604 d-V138030603 e-V217040003
2	13QA85511	Sensor /1		B	3	
3	466076020	Paper Feed Feeding Bearing		B	2	
4	55VA44150	Door Lock Claw		C	2	
5	55VA44171G	DOOR POSITIONING PLATE		D	1	
6	55VA46451	REGISTRATION FEEDING SPRING		B	2	
7	56AA17300	PIN		C	1	
8	56UA44500	Conveyance Idler Roller		C	6	
9	56UA44660	Registration Pressing Spring		C	8	
10	56UA44680	Idler Bushing		C	8	
11	A799164000	Open/close Cover	開閉カバー (搬送)	D	1	
12	A799707400	Open/close Lever	開閉レバー (搬送)	C	1	
13	56UA90250E	Conveyance Wiring	搬送束線	D	1	
14	A4EU702700	Lock Shaft	ロック軸	D	1	
15	A4EU701600	Idler Shaft /L	従動軸 /L	D	1	
16	56UAR7A100	HINGE UPPER	ヒンジ上カシメ	D	1	
17	56UAR7A200	HINGE LOWER	ヒンジ下カシメ	D	1	



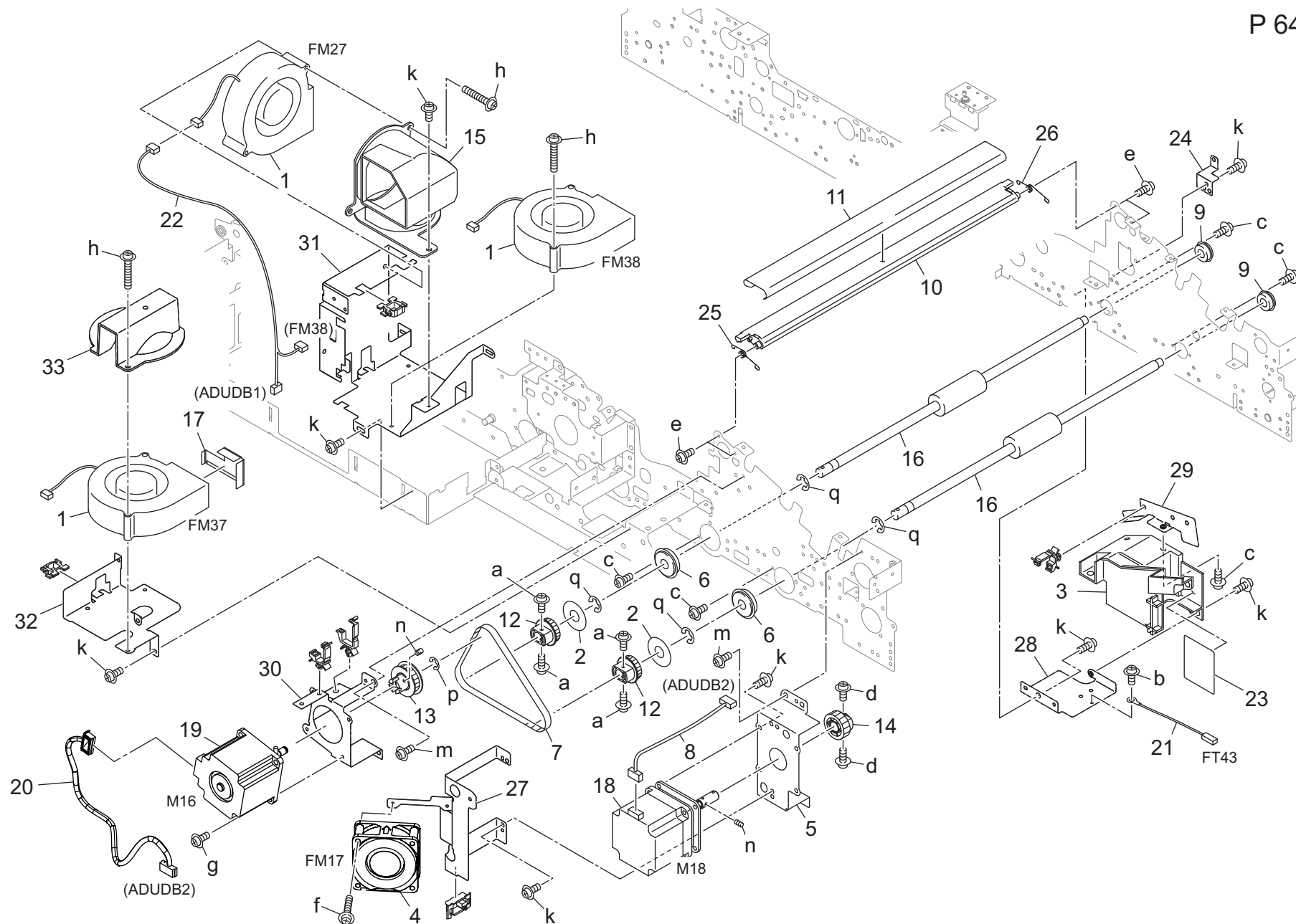
Key	Part No.	Description	Destinations	Class	QTY	Standard parts
1	56UA46921	CARRIGE PULLING LEVER		C	1	a-V114041004 b-V118040603 c-V121030603 d-V121041203 e-V211040080
2	A0G6830101	Duplex Cover /Left		C	1	
3	A0G6830301	Duplex Cover /Right		C	1	
4	A0G6835300	Pad /W		C	1	
5	A0G6836400	Pad /S		C	1	
6	ADF2945401	Label /4		D	1	
7	A0G6947300	Operation Label /A		C	1	



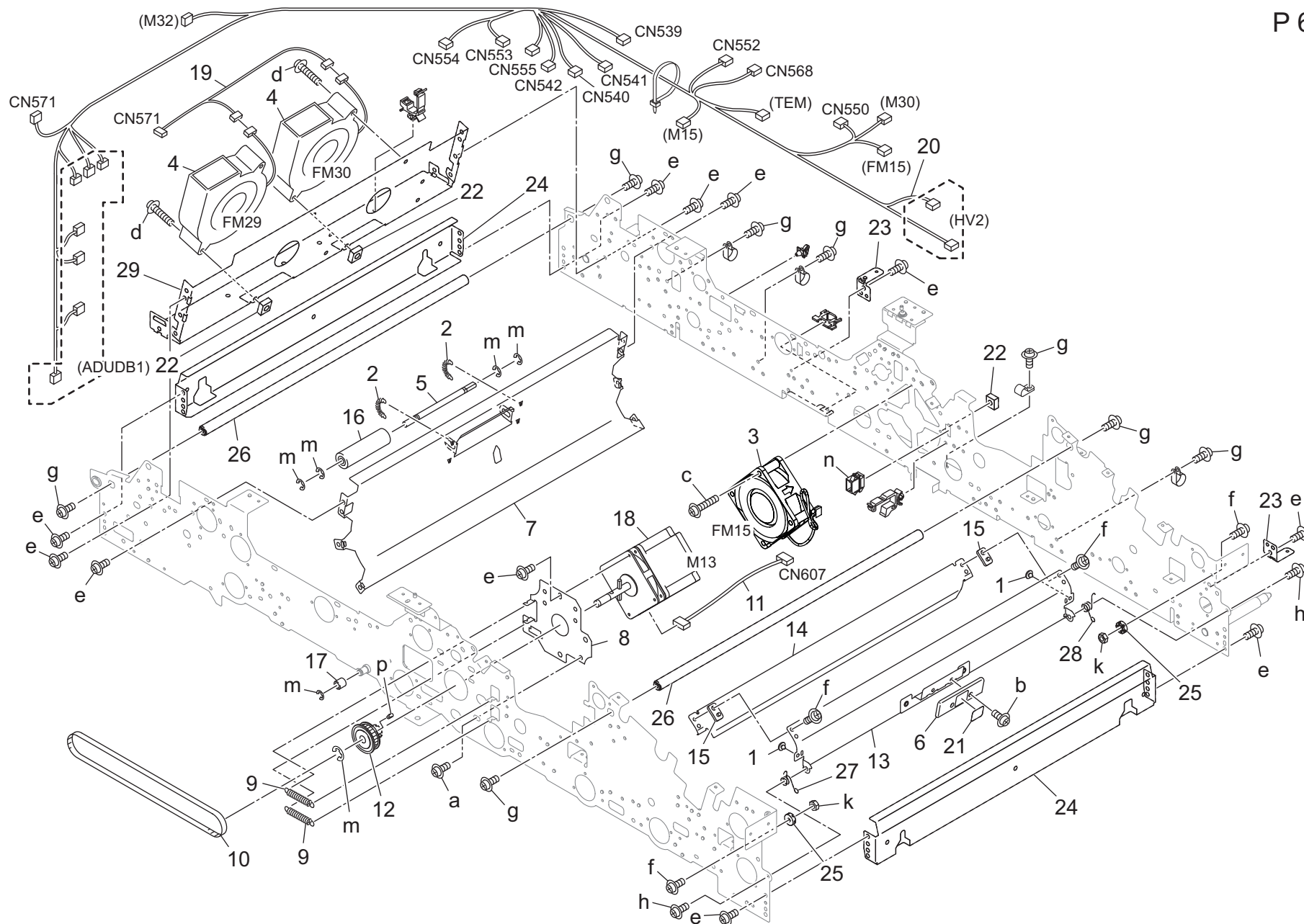
Key	Part No.	Description	Destinations	Class	QTY	Standard parts
1	392014041	PLATEN COVER MOUNT SCREW		C	2	a-V114040604 b-V114041004 c-V127030804 d-V116030603 e-V211040080 f-V127030604
2	56UA46430D	Multi-Feed Cover Seal		D	1	
3	A0G6514200	Cooling Duct /Middle		D	1	
4	A0G6816400	Support Plate		D	2	
5	A0G6816500	Support Shaft		D	2	
6	A0G6830201	Reverse/Exit Cover		C	1	
7	ADF2945800	Label /8		D	1	
8	A0G6848400	Cover /M		D	1	
9	A4EU716100	Registration Cover /Upper		D	1	
10	A4EU715000	Positioning Spacer /R		D	1	



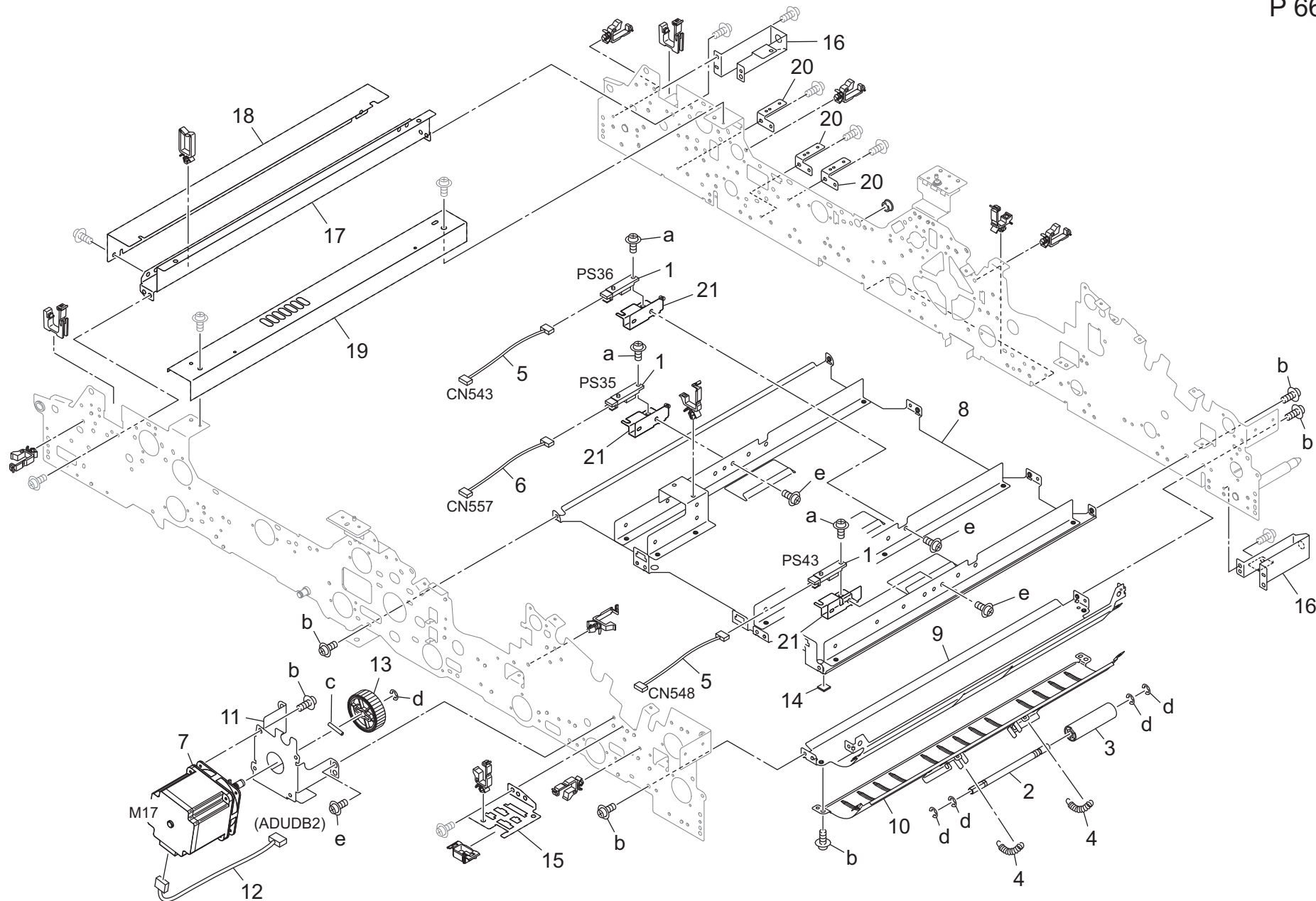
Key	Part No.	Description	Destinations	Class	QTY	Standard parts
1	AC57M15000	Cooling Fan		C	1	a-V118033003 b-V127030604 c-V193030404 d-V217040003
2	4470402401	Stopper		D	1	
3	56GA90890	PAPER EXIT RELAY WIRING 2		D	1	
4	A0G6818300	Drive Pulley		C	1	
5	A0G6819400	Belt/A 324L		B	1	
6	A0G6N17200	ADU Drive Wiring /4		D	1	
7	56UA90880	RELAY WIRING 3		D	1	
8	A4EUR73Q00	Motor /1 Pin Assy		B	1	
9	A85CM55600	Photo Sensor		C	1	
10	ADF2H07000	ADU Drive board ASSY		I	1	
11	V502010021	spacer		D	7	
12	A0G6812300	Cooling Plate /Left		D	1	
13	A4EU814701	Wiring Plate		D	1	
14	A0G6813900	Mounting Plate /6		D	1	
15	A0G6811501	Installing Pedestal /1		D	1	



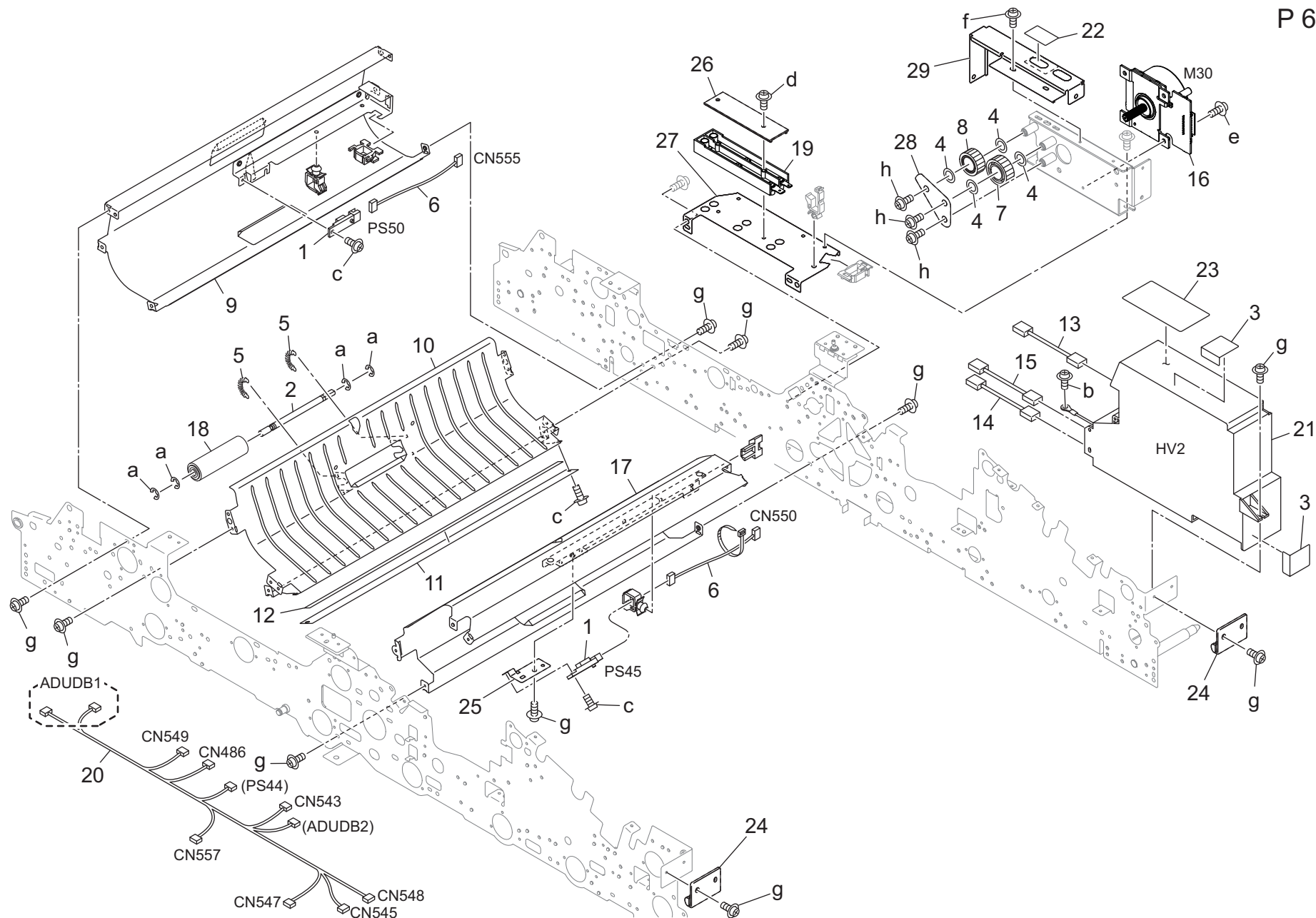
Key	Part No.	Description	Destinations	Class	QTY	Standard parts
1	A93EM10600	Fan motor		C	3	a-V116030603
2	55VA47830	Belt Hold Part		B	2	b-V116040603
3	55VA49050E	Wiring Protection Cover		D	1	c-V118030403
4	AC57M15000	Cooling Fan		C	1	d-V118030603
5	56UA46570	Motor Mounting Plate /L		D	1	e-V118030803
6	56UA75050	ADU Roller Bearing		C	2	f-V118033003
7	56UA78080	ADU DRIVE BELT/C 318L		B	1	g-V118040803
8	56UA90700	REGISTRATION DRIVE WIRING 2		D	1	h-V118043503
9	A00V240600	Ball Bearing		B	2	k-V127030604
10	A0G6504000	Entrance Plate		C	1	m-V127040603
11	A0G6504300	Suction Sheet		C	1	n-V193030404
12	A0G6818200	Conveyance Pulley		B	2	p-V217040003
13	A0G6818300	Drive Pulley		C	1	
14	A0G6818800	Drive Gear /L 23T		C	1	
15	A0G6835200	Duct /W		D	1	
16	A4EU817700	Conveyance Roller /7		B	2	
17	A4EU835600	Cover Film /S		D	1	
18	A4EUR73X00	Motor /2 Pin Assy		B	1	
19	A9JTR71700	ADU Belt/2_Mtr/2		B	1	
20	A9JTN16900	ADU Drive Harness /R		D	1	
21	A4EUN19700	Grounding Wire /T		D	1	
22	A799N21500	ADU Drive harness /9		D	1	
23	56UA45910	Wiring Protection Sheet		C	1	
24	56UA46740	Wiring Protection Plate		D	1	
25	A0G6504100	Rotation Spring /Front		C	1	
26	A0G6504200	Rotation Spring /Rear		C	1	
27	A0G6812400	Cooling Plate /Right		D	1	
28	A0G6814000	Mounting Plate /D		D	1	
29	A0G6816900	Wiring Plate /Rear		D	1	
30	A0G6813700	Mounting Plate /4		D	1	
31	A0G6835100	Cooling Plate /W		D	1	
32	A0G6836102	Cooling Plate /S		D	1	
33	A0G6836200	Duct /S		D	1	



Key	Part No.	Description	Destinations	Class	QTY	Standard parts
1	12AJ45850	Stopper Rubber	ストッパーゴム	C	2	a-V116040803
2	25AA44180	CONVEYANCE PRESSURE SPRING	搬送圧着バネ	C	2	b-V118030403
3	AC57M15000	Cooling Fan	冷却ファン (□60)	C	1	c-V118033003
4	A93EM10600	Fan motor	ファンモータ	C	2	d-V118043503
5	55VA47450	ADU DRIVEN SHAFT /S	ADU 従動軸 /S	D	1	e-V127030604
6	56UA46140	TRANSFER FEEDING HANDLE	転写送り出し把手	C	1	f-V127030803
7	56UA47040F	ADU Fixing Plate /1	ADU 固定板 /1	D	1	g-V127040603
8	56UA47350	Motor Mounting Plate /2	モータ取り付け板 /2	D	1	h-V146041804
9	56UA47390	Motor Slide Spring	モータスライドバネ	C	2	k-V195030003
10	56UA78060	ADU CONVEYANCE BELT/2 417L	ADU 搬送ベルト /2 417L	B	1	m-V217040003 n-V651010002 p-V193030404
11	56UA90710	ADU DRIVE WIRING 3	ADU 駆動束線 3	D	1	
12	A0G6818300	Drive Pulley	駆動プーリ	C	1	
13	A4EU810300	Open/close Guide Outside	開閉ガイド /外	D	1	
14	A4EU810400	Open/close Guide /Inside	開閉ガイド /内	D	1	
15	A4EU814800	Guide Spacer /8	ガイドスペーサ /8	D	2	
16	A4EU818000	Idler Rubber /U	従動ゴム /U	B	1	
17	A4EU823100	Positioning Roll	位置決めころ	D	1	
18	A4EUR73Q00	Motor /1 Pin Assy	モータ部組 /1ピン打ち	B	1	
19	A4EUN20800	ADU Drive harness /7	ADU 駆動束線 /7	D	1	
20	ADF2N16000	ADU Control Harness	ADU 制御束線	D	1	
21	ADF2946201	Label /12	ラベル /12 (JAMラベル /12)	D	1	
22	57GA61560	SCREW PROTECTION CUSHION/1	ネジ保護クッション /1	C	3	
23	A0G6812800	Mounting Plate /H	取付板 /H	D	2	
24	A4EU813000	Fixing Stay /A	固定ステー /A	D	2	
25	A4EU814900	Guide Stopper /8	ガイドストッパ /8	D	2	
26	A4EU820400	Lifting Stay /A	持ち上げステー /A	D	2	
27	A4EU821100	Open/close Spring /Front	開閉ばね /前	D	1	
28	A4EU821200	Open/close Spring /Rear	開閉ばね /奥	D	1	
29	A0G6812100	Cooling Stay	冷却ステー	D	1	

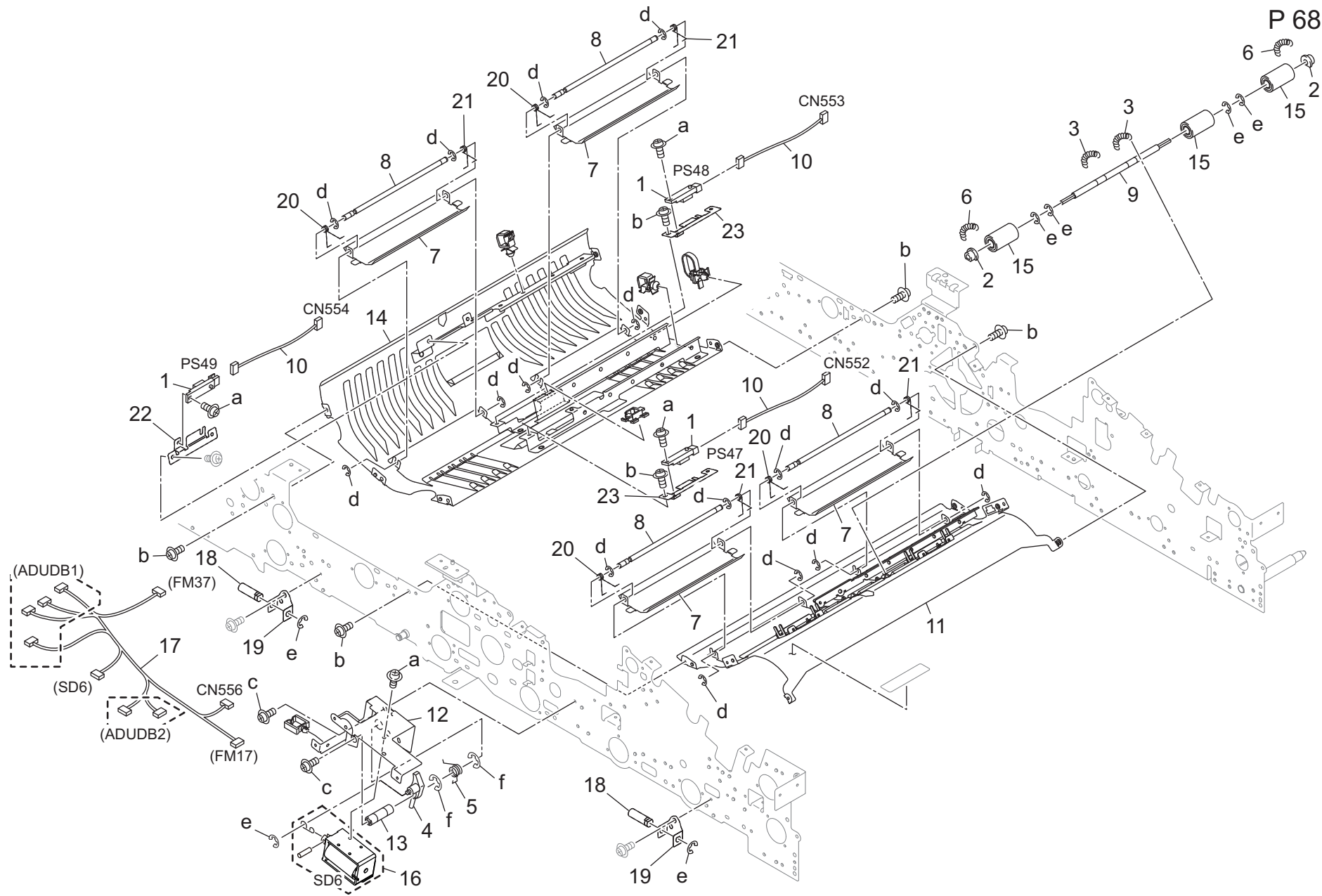


Key	Part No.	Description	Destinations	Class	QTY	Standard parts
1	13QA85511	Sensor /1		B	3	a-V118030403 b-V127030604 c-V234301650 d-V217040003 e-V127040603
2	55VA47450	ADU DRIVEN SHAFT /S		D	1	
3	56UA45820	ADU IDLER ROLLER S		C	1	
4	56UA46480	REGIST PRESSING SPRING		C	2	
5	56UA90650	RELAY WIRING		D	2	
6	56UA90880	RELAY WIRING 3		D	1	
7	A1TVM10100	Stepping motor /50		B	1	
8	A4EU812200	Conveyance Plate /A		D	1	
9	A4EU812501	Fixing Plate /8		D	1	
10	A4EU813400	Fixing Plate /9		D	1	
11	A4EU813801	Mounting Plate /5		D	1	
12	A4EUN18800	ADU Relay harness /2		D	1	
13	A799814600	Registration Gear /A 35T		B	1	
14	12ER40350	Sticking Part		C	1	
15	56UA46631F	Wiring Connecting Plate		D	1	
16	56UA46770E	ADU Positioning Plate /Rear		D	2	
17	56UA47670	Wiring Guide Stay		D	1	
18	56UA47750	WIRING COVER PLATE		D	1	
19	A0G6811600	Protection Plate /S		D	1	
20	A0G6812900	Mounting Plate /A		D	3	
21	A0G6811700	Plate		D	3	



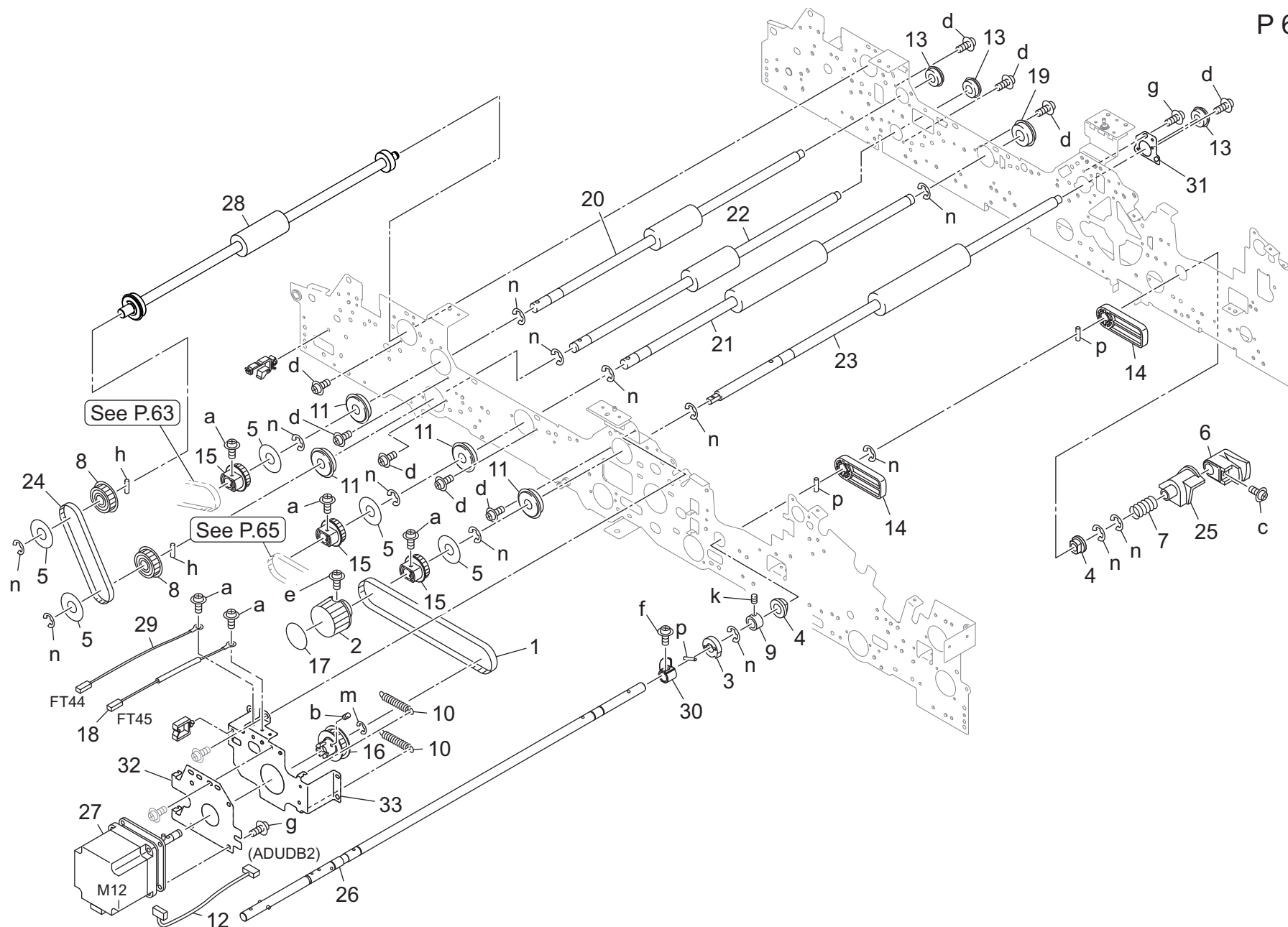
Key	Part No.	Description	Destinations	Class	QTY	Standard parts
1	13QA85511	Sensor /1		B	2	a-V217040003
2	55VA47450	ADU DRIVEN SHAFT /S		D	1	b-V116040603
3	55VA49440	Power Source Cover Sheet		D	2	c-V118030403
4	56AA42690	By-Pass Spacer		C	4	d-V118031603
5	56UA46480	REGIST PRESSING SPRING		C	2	e-V121030404
6	56UA90650	RELAY WIRING		D	2	f-V127030516
7	A0G6521500	Idling Gear /1 48T		C	1	g-V127030604
8	A0G6521600	Idling Gear /2 42T		C	1	h-V127040603
9	A0G6810500	Fixing Plate /2		D	1	
10	A0G6810600	Fixing Plate /3		D	1	
11	A0G6816600	Guide Plate /H		C	1	
12	A0G6816701	Riverse/Exit Tape /H		C	1	
13	A0G6N19200	HV Wire /T		D	1	
14	A0G6N19300	HV Wire /A		D	1	
15	A0G6N19400	HV Wire /B		D	1	
16	A9JTM10300	Developing Screw Motor		B	1	
17	A4EU811000	Fixing Plate /7		D	1	
18	A4EU818000	Idler Rubber /U		B	1	
19	A4EUR74300	Power Block Assy		D	1	
20	A4EWN16800	ADU Relay harness /6		D	1	
21	A799M40200	HV Power source /2		I	1	
22	25SA66420	WRITE LIGHT SHIELD SHEET		C	1	
23	A9JT942601	Caution Label /B		D	1	
24	A0G6812700	Lifting Handle		C	2	
25	A4EU812000	Plate /7		D	1	
26	A0G6514800	Power Supply Cover /Lower		D	1	
27	A0G6521202	Drive Base frame		D	1	
28	A0G6520500	Drive Holder		D	1	
29	A0G6523103	Protection Cover /Rear		D	1	

ADU



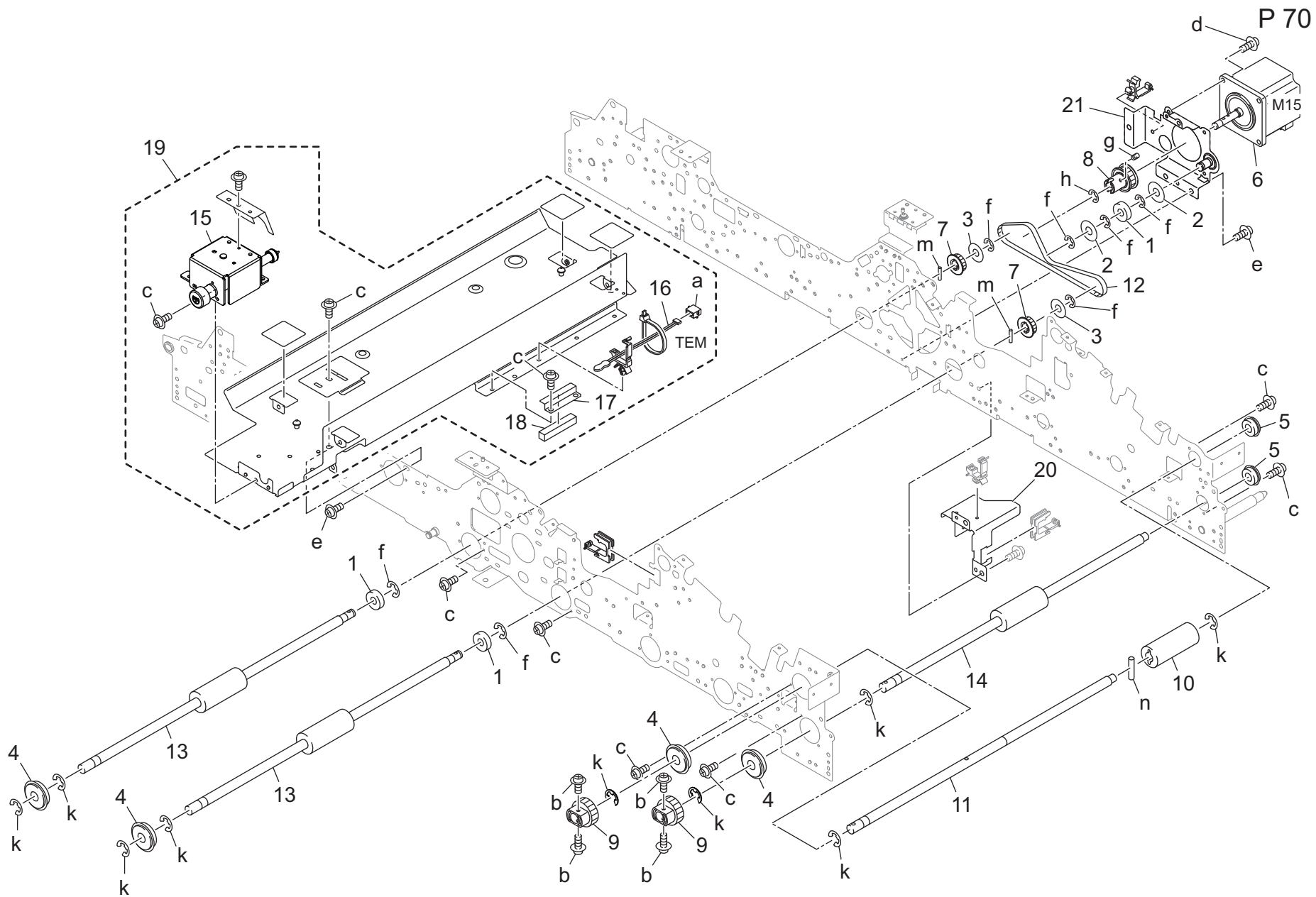
AccurioPrint 2100

Key	Part No.	Description	Destinations	Class	QTY	Standard parts
1	13QA85511	Sensor /1		B	3	a-V118030403 b-V127030604 c-V127040603 d-V217030003 e-V217040003 f-V217080003
2	25SA43310	DRIVEN SHAFT HOLDER		B	2	
3	55VA46490	Registration Pressure Spring		B	2	
4	55VA49240	Lever Lock Claw		C	1	
5	55VA49260	SOLENOID RELEASE SPRING		B	1	
6	56UA46480	REGIST PRESSING SPRING		C	2	
7	56UA47121	ADU Regulating Plate		C	4	
8	56UA47330	Swing Shaft		D	4	
9	56UA47890	ADU Idler Shaft /L		D	1	
10	56UA90650	RELAY WIRING		D	3	
11	A0G6810800	Fixing Plate /5		D	1	
12	A0G6814300	Guide Plate /S		D	1	
13	A0G6814400	Guide Shaft /S		D	1	
14	A4EU810701	Fixing Plate /4		D	1	
15	A4EU817900	Idler Rubber /S		D	3	
16	A4EUR73V11	Lever Locking Solenoid Pin Assy		C	1	
17	A799N16100	ADU Drive harness		D	1	
18	55VA47891	Bottom Plate Locking Shaft		D	2	
19	55VA47991F	Bottom Plate Locking Plate		D	2	
20	56UA47310	Swing Spring /Front		C	4	
21	56UA47320	Swing Spring /Rear		C	4	
22	A0G6811800	Plate /2		D	1	
23	A4EU811900	Plate /4		D	2	



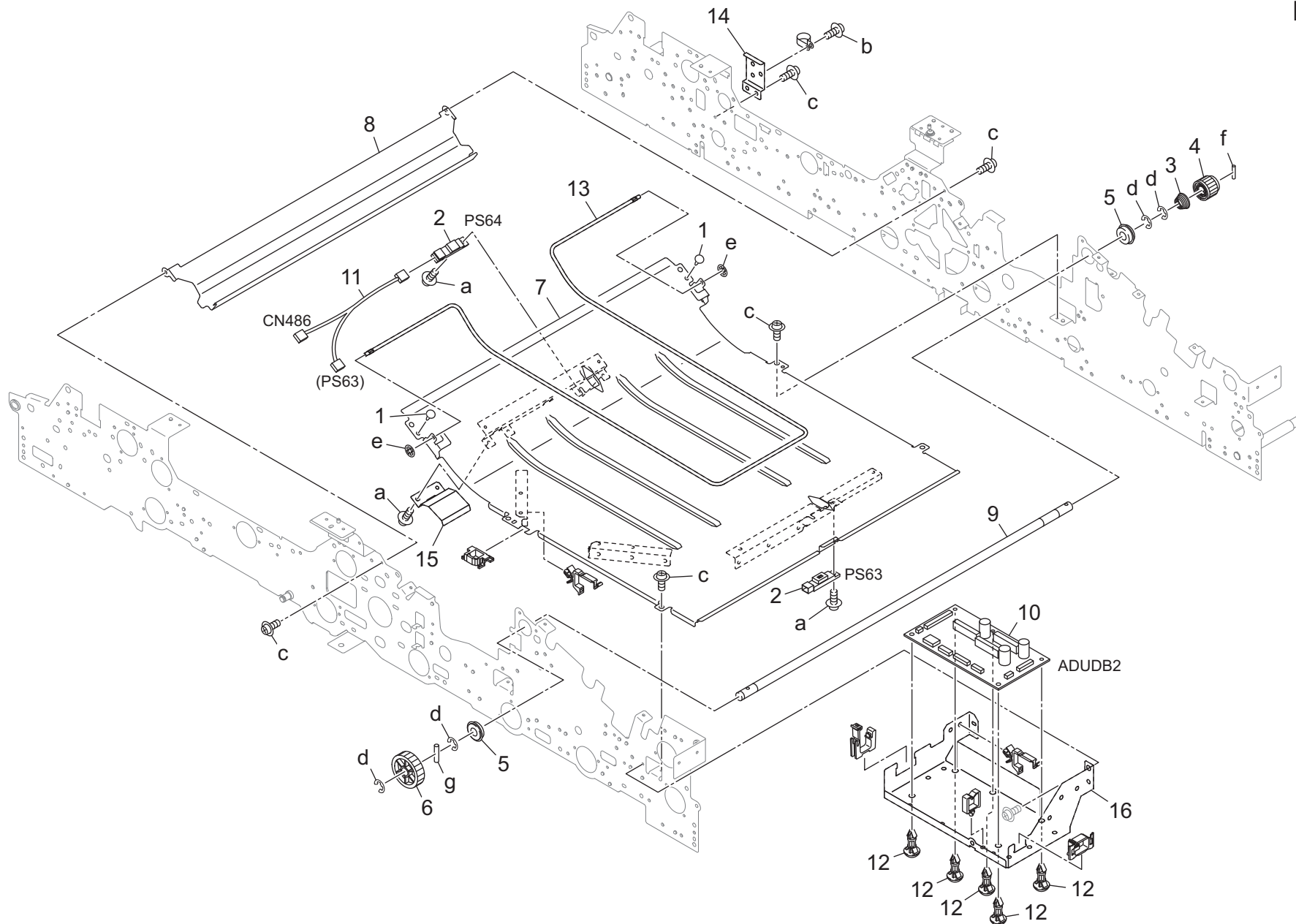
Key	Part No.	Description	Destinations	Class	QTY	Standard parts
1	13GQ77550	Drive Belt /E 195L	駆動ベルト /E 195 L	B	1	a-V116030603
2	14GE45470	Rotation Knob	回転ノブ	C	1	b-V193030404
3	25AA47500	Carriage Lock Claw /B	架台ロック爪 /B	C	1	c-V116041803
4	462076010	Driving Slide Shaft Holder A	駆動滑り軸受 A	C	2	d-V118030403
5	55VA47830	Belt Hold Part	ベルト 押さえ部材	B	5	e-V118030603
6	55VA49080	Positioning Cam	位置決めカム	C	1	f-V127030604
7	55VA49131	Positioning Spring	位置決めバネ	B	1	h-V234301850
8	55VA76521E	ADU Conveying Pulley /2 25T	ADU 搬送プーリー /2 25 T	C	2	k-V193040404
9	56AA17350	SHAFT POSITIONING PART	軸位置決め部材	C	1	m-V217040003
10	56UA47390	Motor Slide Spring	モータスライドバネ	C	2	n-V217080003
11	56UA75050	ADU Roller Bearing	ADU 転がり軸受	C	4	p-V234301650
12	56UA90700	REGISTRATION DRIVE WIRING 2	レジスト 駆動束線 2	D	1	
13	A00V240600	Ball Bearing	ボールベアリング	B	3	
14	A0G6508600	Pressing Cam	押圧カム	C	2	
15	A0G6818200	Conveyance Pulley	搬送プーリー	B	3	
16	A0G6818300	Drive Pulley	駆動プーリー	C	1	
17	ADF2946101	Label /11	ラベル /1 1 (J A M ラベル /1 1)	D	1	
18	A0G6N22202	Grounding High-Volt. Resistor	アース高圧抵抗	D	1	
19	A4EU265000	Ball bearing	ボールベアリング (読取駆動)	B	1	
20	A4EU817100	Conveyance Roller /1	搬送ローラ /1	B	1	
21	A4EU817200	Conveyance Roller /2	搬送ローラ /2	B	1	
22	A4EU817400	Conveyance Roller /4	搬送ローラ /4	B	1	
23	A4EU817600	Conveyance Roller /6	搬送ローラ /6	B	1	
24	A4EU822100	Conveyance Belt /No.1 210L	搬送ベルト /1号 210 L	B	1	
25	A4EU824100	Holding Part /A	押さえ部材 /A	C	1	
26	A4EUR73R11	Caurrige Shaft Pin Assy	架台引張り軸部組ピン打ち	D	1	
27	A4EUR73Q00	Motor /1 Pin Assy	モータ部組 /1ピン打ち	B	1	
28	A4EUR70100	Conveyance Roller /3 Assy	搬送ローラ /3部組	B	1	
29	A4EUN20100	Grounding Wire /C	アース線 /C	D	1	
30	A799815200	Lock Actuator	ロックアクチュエーター	D	1	
31	A0G6815900	Adjusting Plate	調整板	D	1	
32	56UA47380E	Motor Slide Plate	モータスライド板	D	1	
33	A0G6813600	Mounting Plate /3	取付板 /3	D	1	

ADU

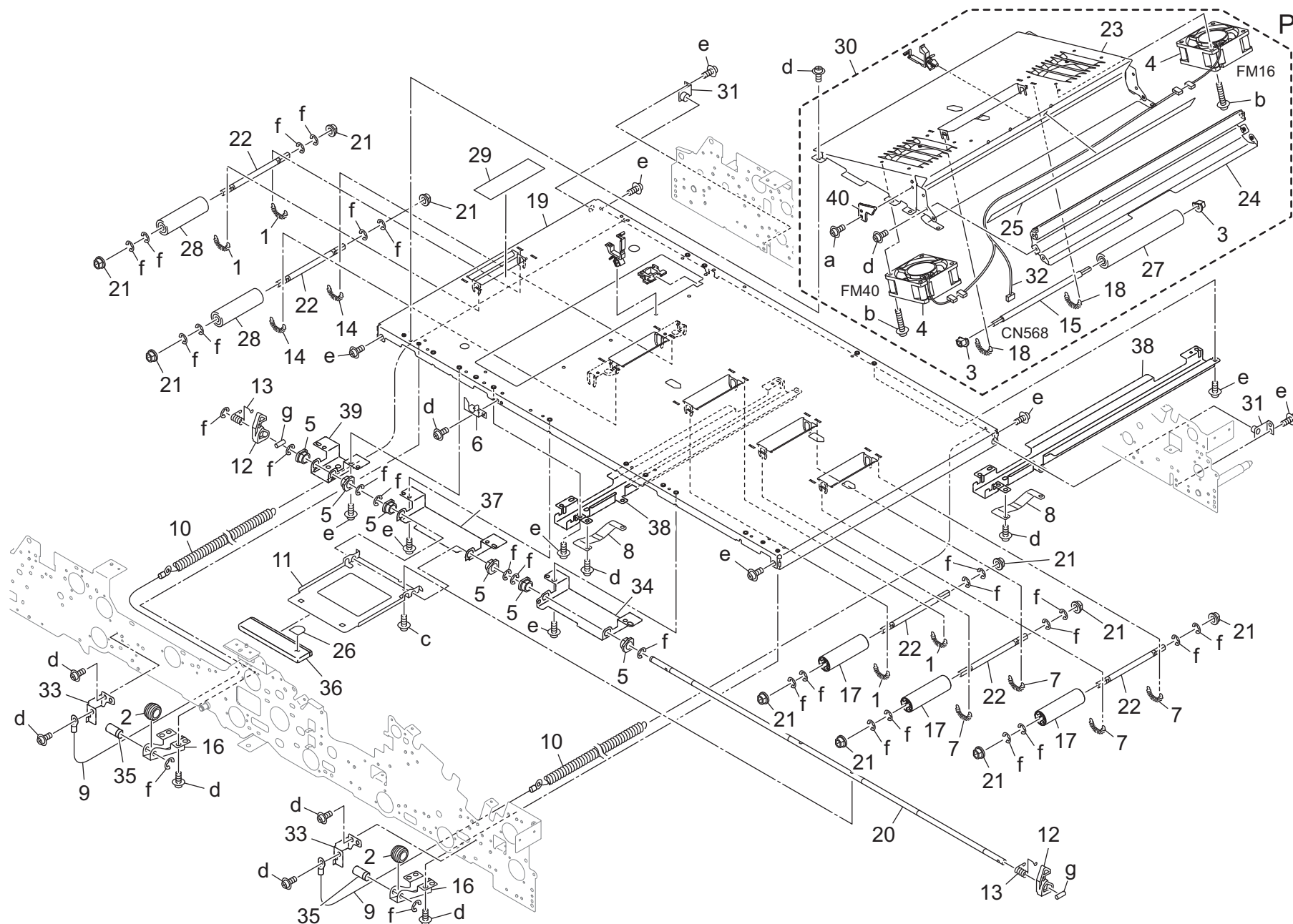


AccurioPrint 2100

Key	Part No.	Description	Destinations	Class	QTY	Standard parts
1	08AA76060	Fixing Bearing /Lower		B	3	a-V651010034
2	55VA47840	Belt Hold Part /3		D	2	b-V116030603
3	55VA47850	Belt Holding Part /2		D	2	c-V118030403
4	56UA75050	ADU Roller Bearing		C	4	d-V118040803
5	A00V240600	Ball Bearing		B	2	e-V127030604
6	65AA80112	HB Motor /50		B	1	f-V217060003
7	A0G6813200	Conveyance Pulley /2		C	2	g-V193030404
8	A0G6813300	Drive Pulley /2		C	1	h-V217040003
9	A0G6818900	Conveyance Gear /L 23T		C	2	k-V217080003
10	A0G6819200	Feeding Roller /L		C	1	m-V234301250
11	A0G6819300	Feeding Shaft /L		D	1	n-V234301650
12	A1TT211400	Drive Belt /1 309L		B	1	
13	A4EU817500	Conveyance Roller /5		B	2	
14	A4EU817700	Conveyance Roller /7		B	1	
15	A799R70W00	Pressure Set Assy		C	1	
16	A03UM50500	Temperature Sensor /5		C	1	
17	A0G6819000	Holding Plate		D	1	
18	A0G6819100	Holding Part		C	1	
19	A799R70Y00	Fixing Guide Rail Assy		D	1	
20	A0G6814200	Holding Plate /C		D	1	
21	A0G6813100	Mounting Plate /2		D	1	



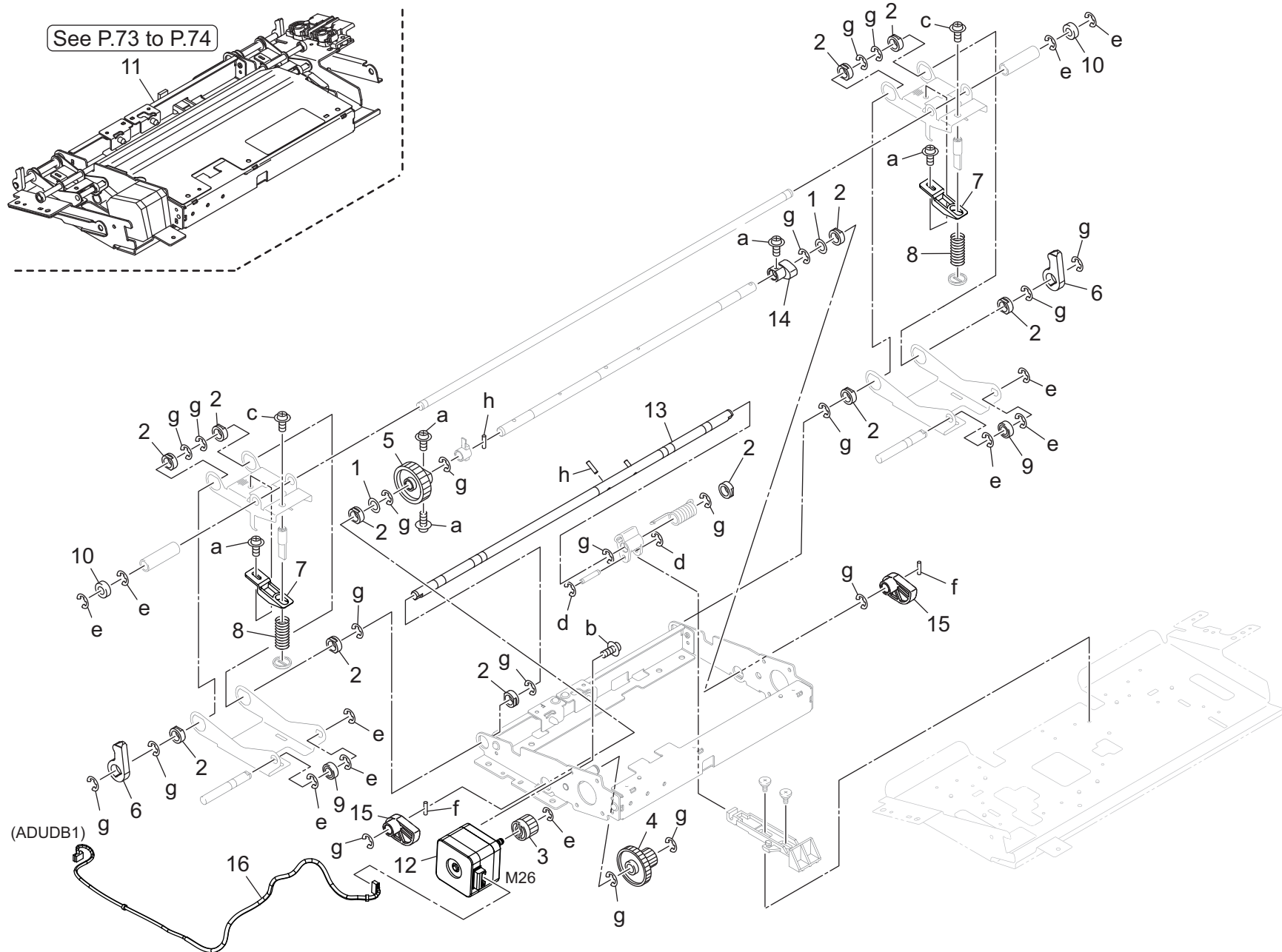
Key	Part No.	Description	Destinations	Class	QTY	Standard parts
1	12AJ45850	Stopper Rubber		C	2	a-V118030403 b-V121040503 c-V127030604 d-V217060003 e-V226030050 f-V234301250 g-V234301650
2	13QA85511	Sensor /1		B	2	
3	56AA17090	Pressing Spring		C	1	
4	56UA15510	Conveyance Coupling Part		B	1	
5	A00V240600	Ball Bearing		B	2	
6	A0G6815600	Connecting Gear /T 31T		C	1	
7	A4EU810900	Fixing Plate /6		D	1	
8	A4EU811300	Open/close Plate /2		D	1	
9	A4EU815100	Connecting Shaft /T		C	1	
10	A4EUH08001	ADU Drive Board/2 Assy		C	1	
11	A4EUN21700	Relay harness /7		D	1	
12	V502010007	spacer		D	5	
13	56UA47190	Paper Guide Shaft		D	1	
14	56UA47920	Wiring Guide Plate		D	1	
15	A0G6818600	Holding Plate		D	1	
16	56UA46610E	Board Mounting Plate /R		D	1	



Key	Part No.	Description	Destinations	Class	QTY	Standard parts
1	25AA44180	CONVEYANCE PRESSURE SPRING		C	4	a-V118030403
2	25AA50080	Wire Pulley		C	2	b-V118033003
3	25SA43310	DRIVEN SHAFT HOLDER		B	2	c-V121030803
4	AC57M15000	Cooling Fan		C	2	d-V127030604
5	466076020	Paper Feed Feeding Bearing		B	6	e-V127040603
6	55VA44171G	DOOR POSITIONING PLATE		D	1	f-V217040003
7	55VA46451	REGISTRATION FEEDING SPRING		B	4	g-V234301250
8	55VA47360	BOTTOM PLATE LOCK SPRING		C	2	
9	55VA47371	BOTTOM PLATE LIFT UP WIRE		C	2	
10	55VA47390	BOTTOM PLATE LIFT UP SPRING		B	2	
11	55VA47701	Bottom Plate Open Shut Handle		D	1	
12	55VA47710	Bottom Plate Locking Claw		C	2	
13	55VA47762E	Bottom plate Open/close Spring		B	2	
14	55VA47770	ADU PRESSURE SPRING		C	2	
15	55VA47910	ADU DRIVEN SHAFT /L		D	1	
16	55VA47970	WIRE FULCRUM PLATE		D	2	
17	56UA45820	ADU IDLER ROLLER S		C	3	
18	56UA46480	REGIST PRESSING SPRING		C	2	
19	56UA47031G	ADU Open/close Plate /1		D	1	
20	56UA47270	Bottom Plate Open/Close Shaft		D	1	
21	56UA886100	Idler Bushing /2		C	10	
22	56UA886200	Idler Shaft /2		D	5	
23	A0G6811101	Open/Close Plate /A		D	1	
24	A0G6811201	Open/Close Plate /B		D	1	
25	A0G6816800	Guide Sheet /A		C	1	
26	ADF2946001	Label /10		D	1	
27	A4EU817800	Idler Rubber /L		D	1	
28	A4EU818000	Idler Rubber /U		B	2	
29	A4EU835700	Guide Sheet /1		D	1	
30	ADF2R72100	Bottom Plate Guide Plate Assy		D	1	
31	A4EUR74400	Support Panel Caulking		D	2	
32	A4EUN21600	ADU Drive harness /10		D	1	
33	55VA47801E	Wire Mounting Plate /Left		D	2	
34	55VA47980	BOTTOM OPEN CLOSE PART RIGHT		D	1	
35	56AA17361	WIRE ROTARY SHAFT		C	2	
36	56UA45970	Lever Cover		C	1	
37	56UA47240	Bottom Plate Open Close Part /Middle		D	1	
38	56UA47250E	Bottom plate Lifting Stay		D	2	
39	56UA47260	BOTTOM PLATE OPEN CLOSE PART LEFT		D	1	
40	A0G6817301	Conveyance Cover		D	1	

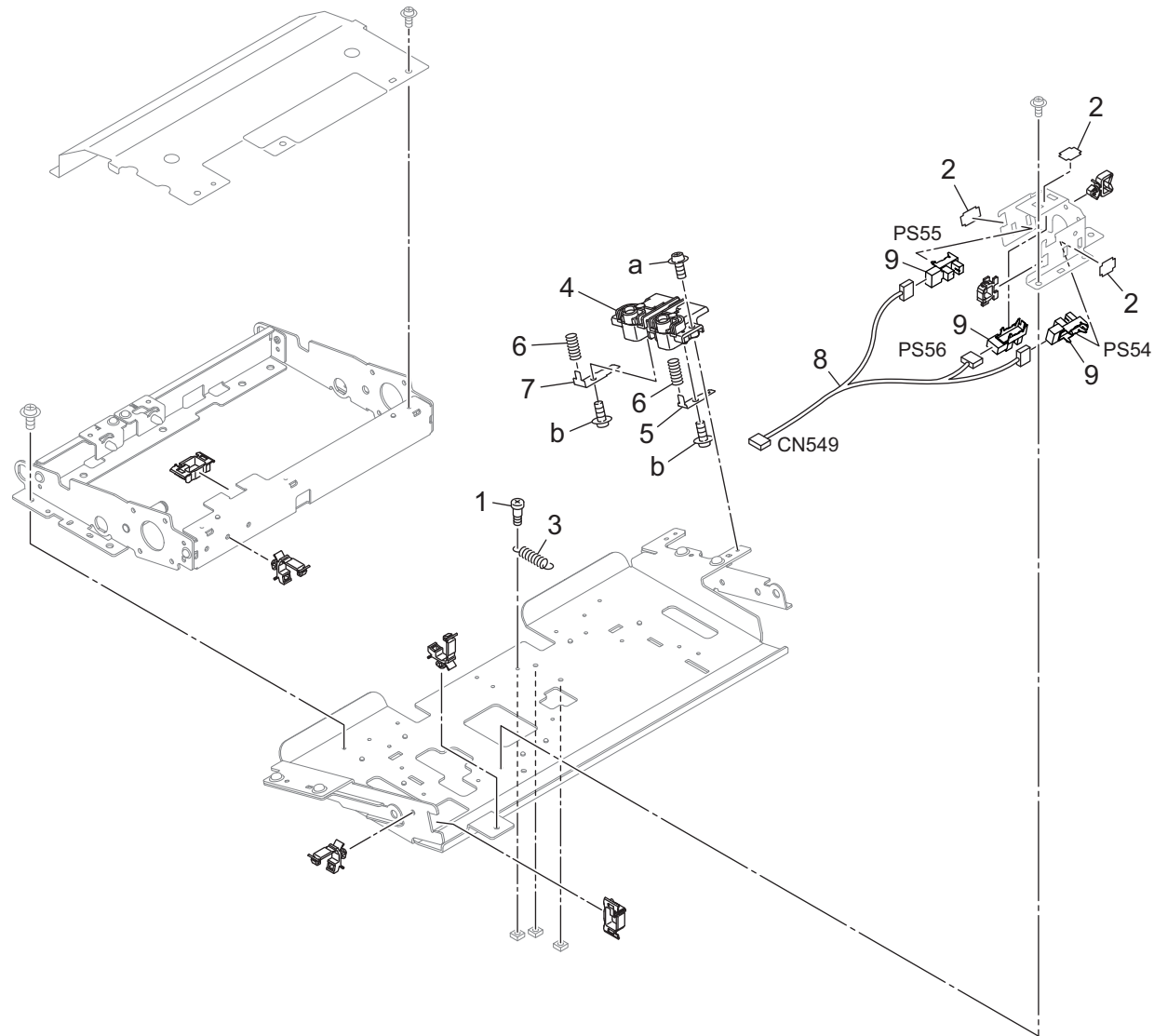
ADU Transfer Pressure Unit

P 73



Key	Part No.	Description	Destinations	Class	QTY	Standard parts
1	12QV40650	Spacer		B	2	a-V116030603 b-V121030603 c-V127030604 d-V217030003 e-V217040003 f-V234301650 g-V217060003 h-V234301250
2	4036252401	BUSHING		C	12	
3	A0G6506500	Drive Gear 29T		C	1	
4	A0G6506600	Idling Gear 19/73T		C	1	
5	A0G6506700	Pressure Gear 45T		C	1	
6	A0G6507512	Release Lever		C	2	
7	A9JT514600	Adjusting Part		D	2	
8	A9JT514500	Compressing Spring		C	2	
9	A0TK397501	Ball bearing		C	2	
10	A4EU505100	Bushing		C	2	
11	ADF2R72000	Transfer Pressure Assy		S	1	
12	ADF2R70600	Transfer Belt Pressure Release Motor		B	1	
13	A4EUR73C00	Support Shaft Assy /P		D	1	
14	A9JT517700	Release Cam		C	1	
15	A9JT518000	Pressure Cam		C	2	
16	ADF2N20500	ADU Drive Harness /5		D	1	

ADU Transfer Pressure Unit



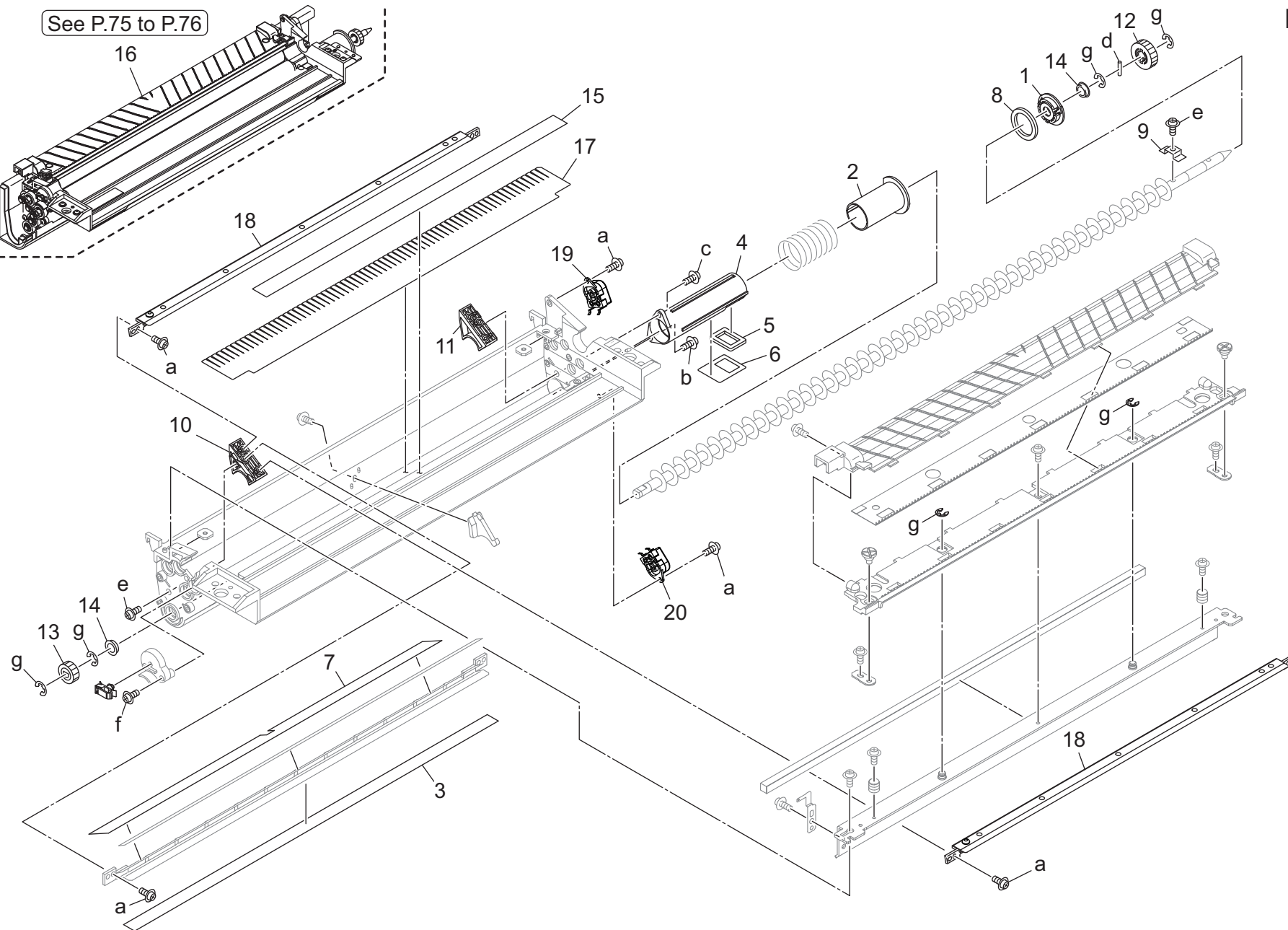
ADU Transfer Pressure Unit

Key	Part No.	Description	Destinations	Class	QTY	Standard parts
1	066079020	DRAWER SCREW M3X10		C	1	a-V121031003 b-V153030603
2	4470402401	Stopper		D	3	
3	55VA15570	PAPER EXIT TENSION SPRING		B	1	
4	A0G6509001	Power supply Part		D	1	
5	A0G6509101	Power supply Terminal		D	1	
6	A0G6509201	Power Supply Spring		C	2	
7	A0G6509301	Power supply Terminal		D	1	
8	A4EUN16400	Transfer Drive harness		D	1	
9	A85CM55600	Photo Sensor		C	3	

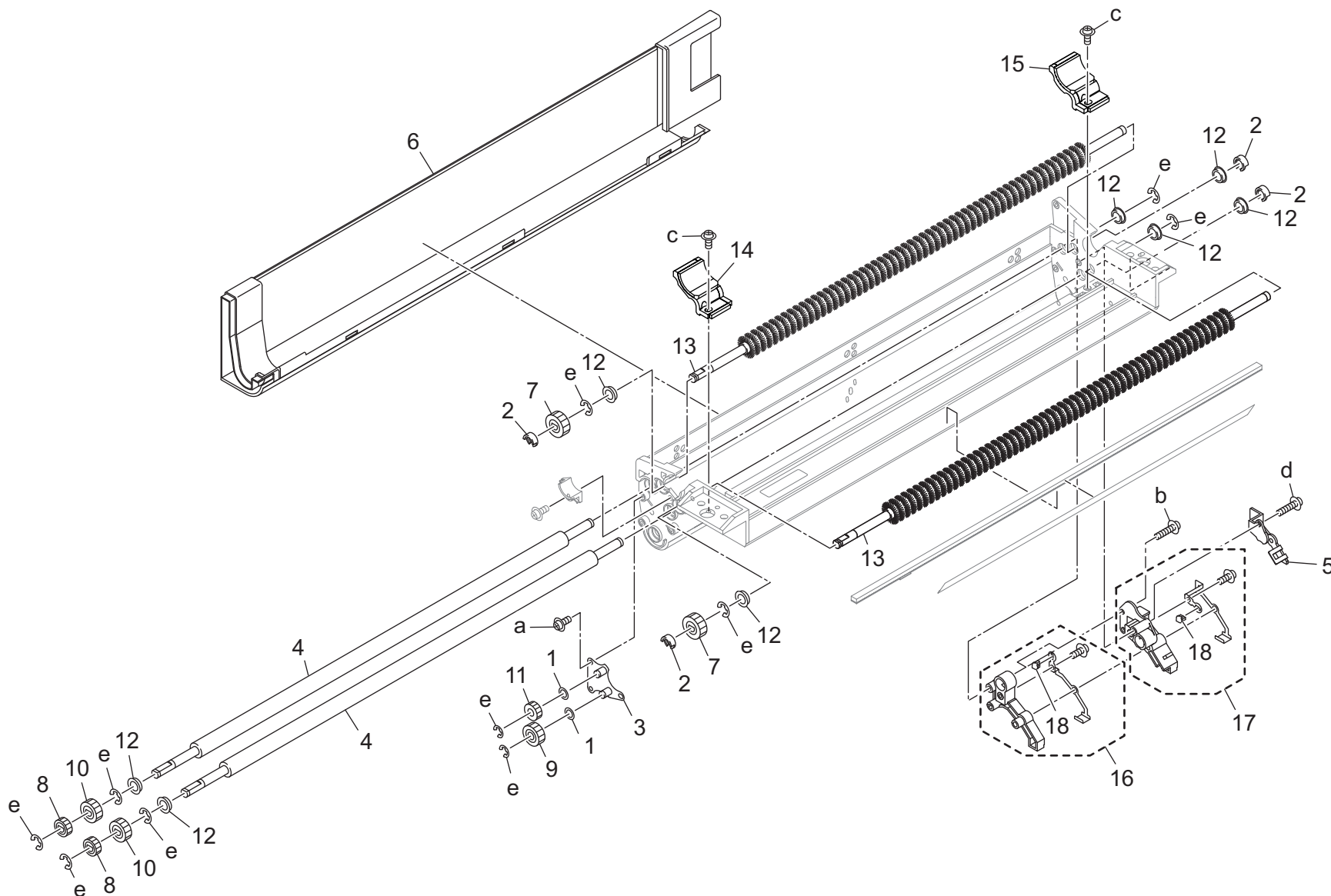
ADU Belt Cleaner Unit

See P.75 to P.76

P 75



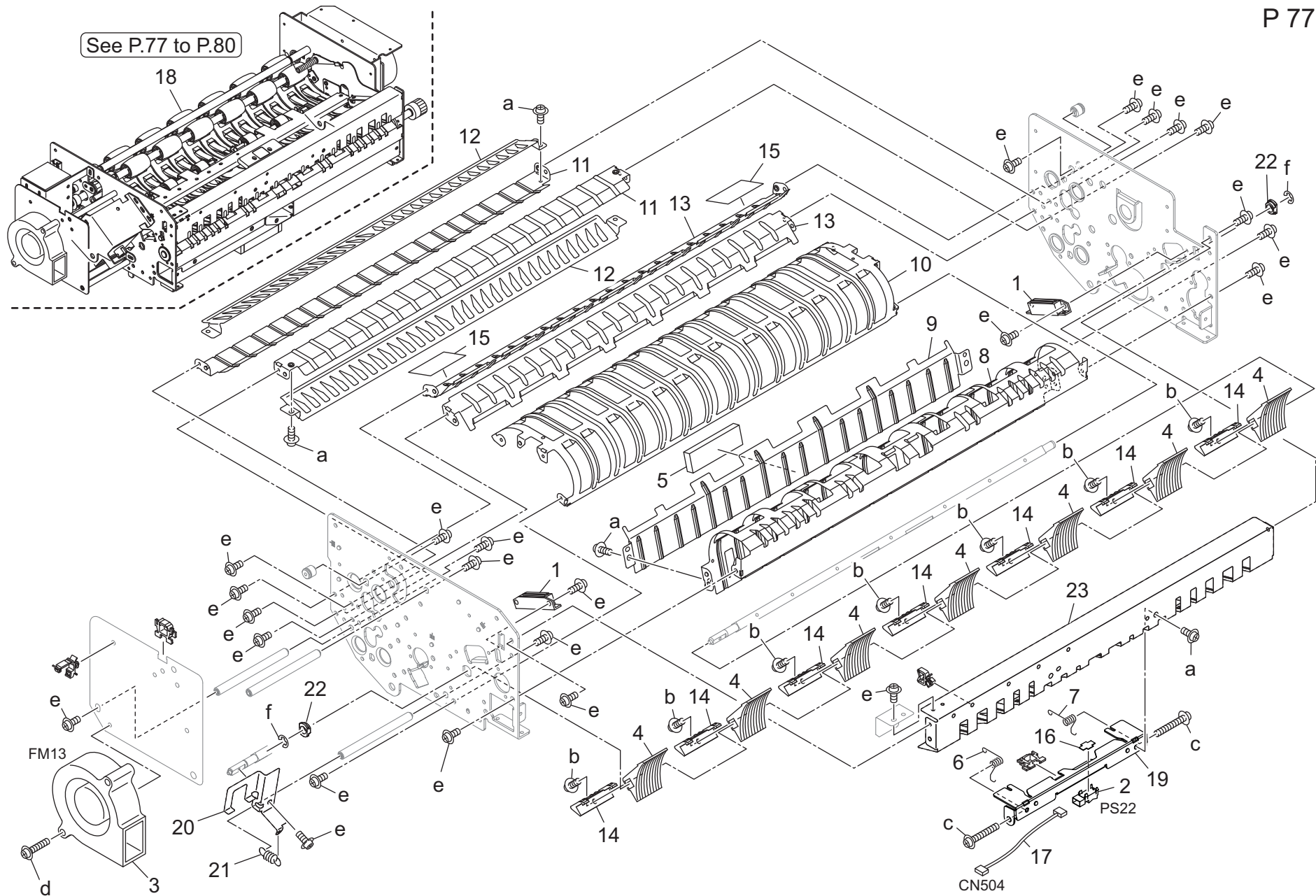
Key	Part No.	Description	Destinations	Class	QTY	Standard parts
1	A0G6511401	Cleaning Bushing		C	1	a-V111030604 b-V118030604 c-V118031003 d-V234201050 e-V121030603 f-V121031203 g-V217040003
2	A0G6512400	Slide Cover		D	1	
3	A0G6512800	Scatteringprevention Sheet /2		C	1	
4	A0G6513300	Cleaning Duct		D	1	
5	A0G6514000	Entrance Seal		C	1	
6	A0G6514100	Entrance Sheet		C	1	
7	A0G6514900	Cleaning Sheet /Lower		C	1	
8	A0G6515100	Toner Guide Seal		C	1	
9	A0G6515900	Toner Agitating Plate		D	1	
10	A0G6516001	Positioning Block /Front		D	1	
11	A0G6516100	Positioning Block /Rear		D	1	
12	A0G6521400	Collection Gear /A 16T		C	1	
13	A0G6521900	Drive Gear 28T		C	1	
14	A1RF529100	Drive Ball bearing		C	2	
15	A4EU512100	Scatteringprevention Sheet Outside		D	1	
16	A4EUR70D44	Belt Cleaner Assy		B	1	
17	A4EUR73D00	Cleaning Seet Assy		D	1	
18	A4EUR70000	Regurating Plate Assy		A	2	
19	A4EUR73E00	Power Bridge /Upper Assy		D	1	
20	A4EUR73F00	Power Bridge /Lower Assy		D	1	



Key	Part No.	Description	Destinations	Class	QTY	Standard parts
1	26MA74100	SPECIAL WASHER		C	2	a-V111030404 b-V111031603 c-V118030604 d-V118031803 e-V217040003
2	396040681	STOPPER RING		B	4	
3	A4EUR73M00	Reinforce Plate Caulking		D	1	
4	A0G6510700	Cleaning Shaft		B	2	
5	A0G6511312	Power Supply Cover		D	1	
6	A0G6513211	Cooling Duct /Middle		D	1	
7	A0G6520900	Drive Gear /A 30T		C	2	
8	A0G6521000	Drive Gear /B 18T		C	2	
9	A0G6521100	Idling Gear /L 30T		C	1	
10	A0G6521900	Drive Gear 28T		C	2	
11	A0G6523300	Idling Gear /S 20T		C	1	
12	A1RF529100	Drive Ball bearing		C	8	
13	A4EU510600	Cleaning Brush		B	2	
14	A4EUR73G00	Scattering Prevention Block /Rear Assy		C	1	
15	A4EUR73H00	Scattering Prevention Block /Front Assy		C	1	
16	A4EUR73J00	Power Block /Lower Assy		D	1	
17	A4EUR73K00	Power Block /Upper Assy		B	1	
18	65AA26890	POWERING PART		B	2	

ADU Decurler Unit

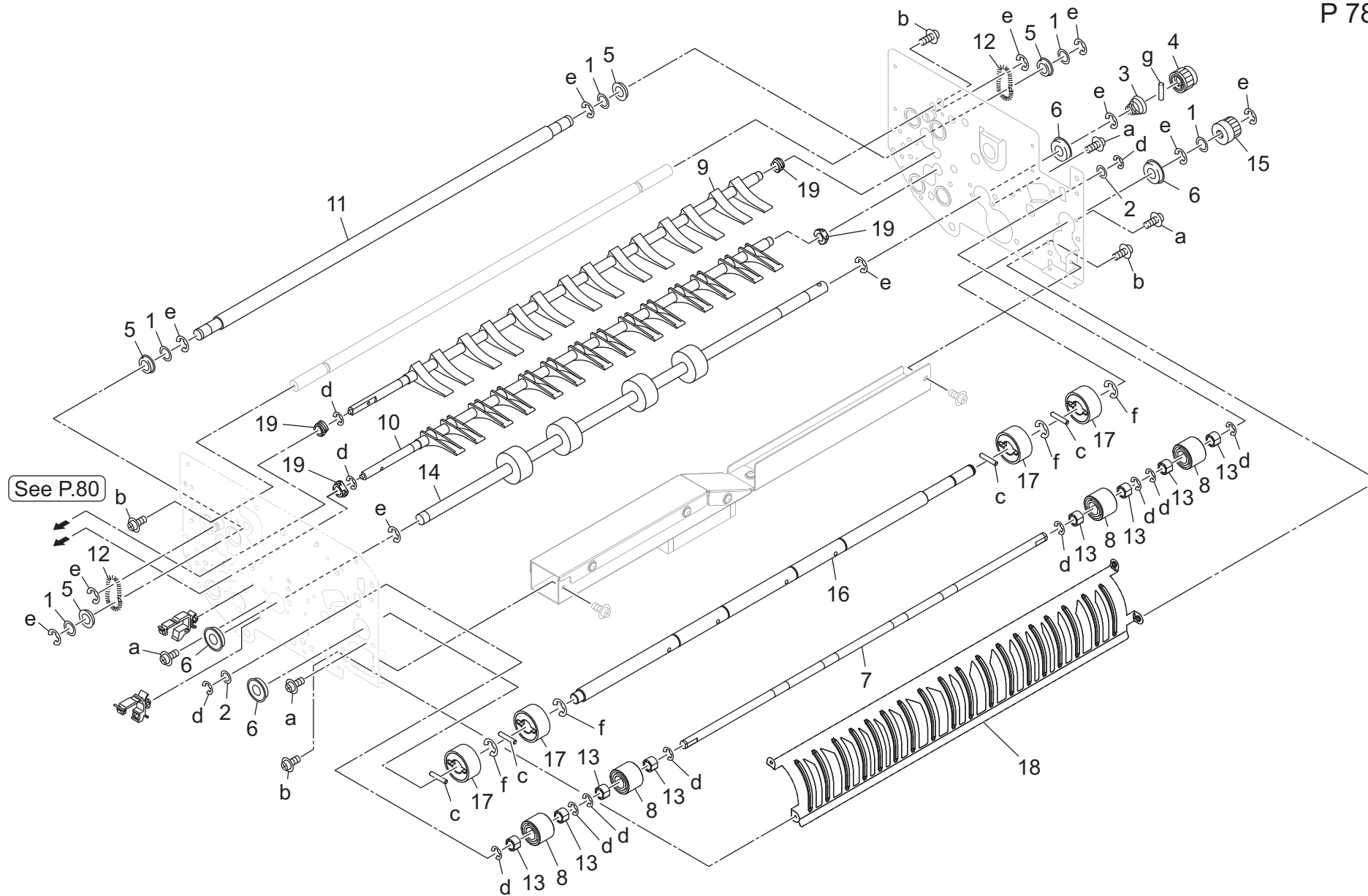
P 77



Key	Part No.	Description	Destinations	Class	QTY	Standard parts
1	07BA12352	Magnet Catch		C	2	a-V118030403
2	A03TM50000	Photoreflector		I	1	b-V118030803
3	9313110033	FAN MOTOR		C	1	c-V118043003
4	56UA47600	Paper Guide Part		B	7	d-V118043503
5	A0G6376000	Scatteringprevention Pad /5		D	1	e-V127030604
6	A0G6841401	Paper Exit Spring /Front		C	1	f-V217040003
7	A0G6841501	Paper Exit Spring /Rear		C	1	
8	A0G6842200	Guide Plate /B		C	1	
9	A0G6844101	Guide Plate /E		C	1	
10	A0G6844300	Guide Plate /G		C	1	
11	A0G6844413	Guide Plate /H		C	2	
12	A0G6844500	Guide Plate /I		C	2	
13	A0G6844611	Guide Plate /J		C	2	
14	A0G6844900	Guide Part /2		C	7	
15	A0G6846800	Holding Sheet		C	2	
16	4470402401	Stopper		D	1	
17	A4EUN21000	Relay harness /5		D	1	
18	ADF2R70200	Decurler Assy		I	1	
19	A9JT843700	Sensor Plate /F		D	1	
20	A0G6842600	Guide Plate		D	1	
21	A0G6845500	Guide Spring /G		C	1	
22	A0G6845900	Bushing /G		C	2	
23	A4EU842101	Guide Plate /A		D	1	

ADU Decurler Unit

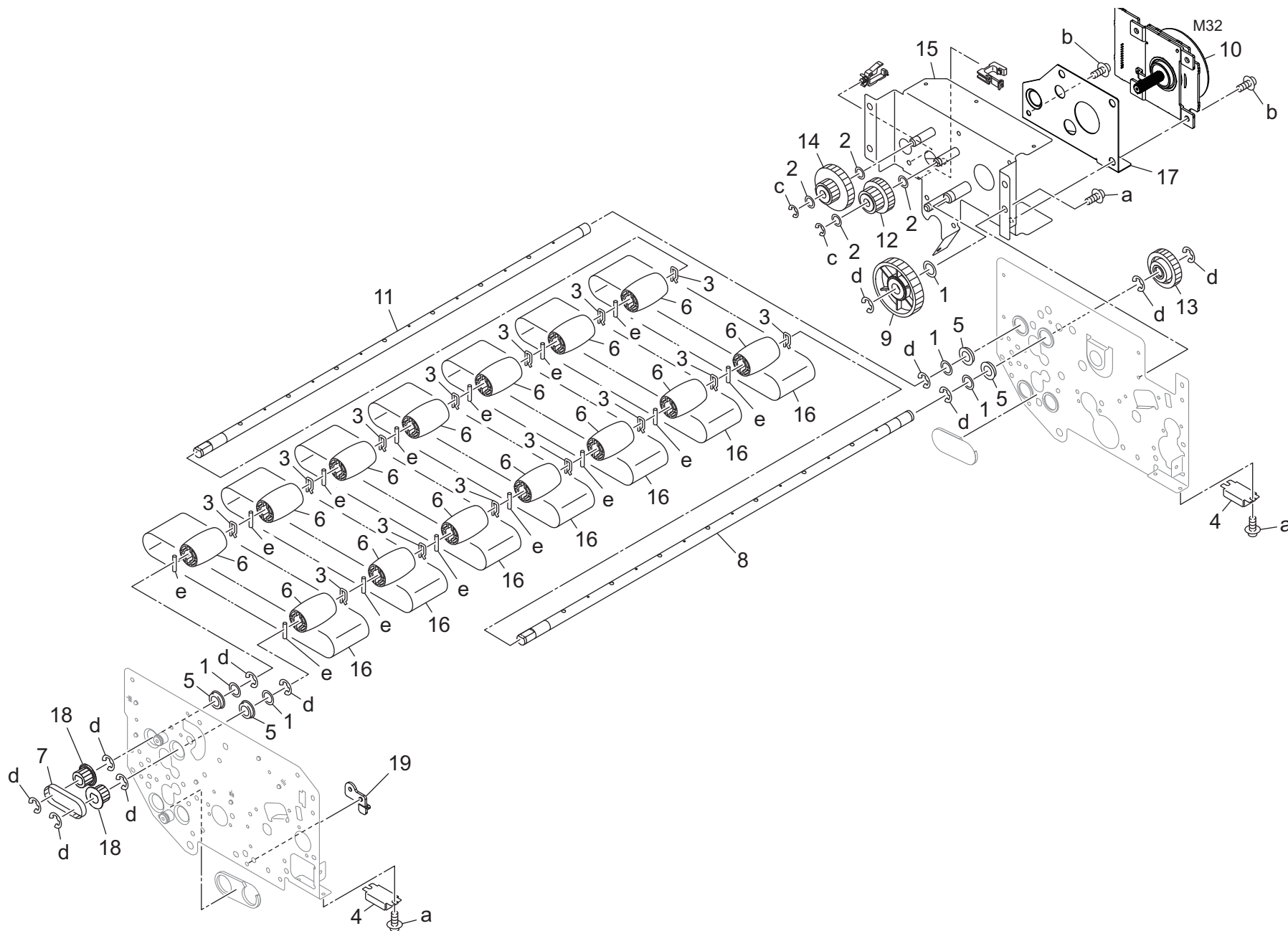
P 78



Key	Part No.	Description	Destinations	Class	QTY	Standard parts
1	12QV40650	Spacer		B	5	a-V118030403 b-V127030604 c-V234301650 d-V217040003 e-V217060003 f-V217080003 g-V234301250
2	13QA17730	COLLAR 6		C	2	
3	56AA17090	Pressing Spring		C	1	
4	56UA15510	Conveyance Coupling Part		B	1	
5	A00J617900	Ball Bearing		B	4	
6	A00V240600	Ball Bearing		B	4	
7	A0G6841300	Idler Shaft /F		D	1	
8	A0G6843800	Idler Roll /D		C	4	
9	A0G6845100	Guide Part /Upper		B	1	
10	A0G6845200	Guide Part /Lower		B	1	
11	A0G6846300	Regulating Shaft		D	1	
12	A0G6846600	Pressing Spring /H		C	2	
13	A4EU715500	Bushing /No.1		D	8	
14	A4EU840700	Entrance Roller /D		B	1	
15	A4EU847000	Coupling Part		B	1	
16	A4EU847200	Drive Shaft /F		D	1	
17	A799840600	Paper exit Roller /1		B	4	
18	A0G6844200	Guide Plate /F		C	1	
19	A0G6845900	Bushing /G		C	4	

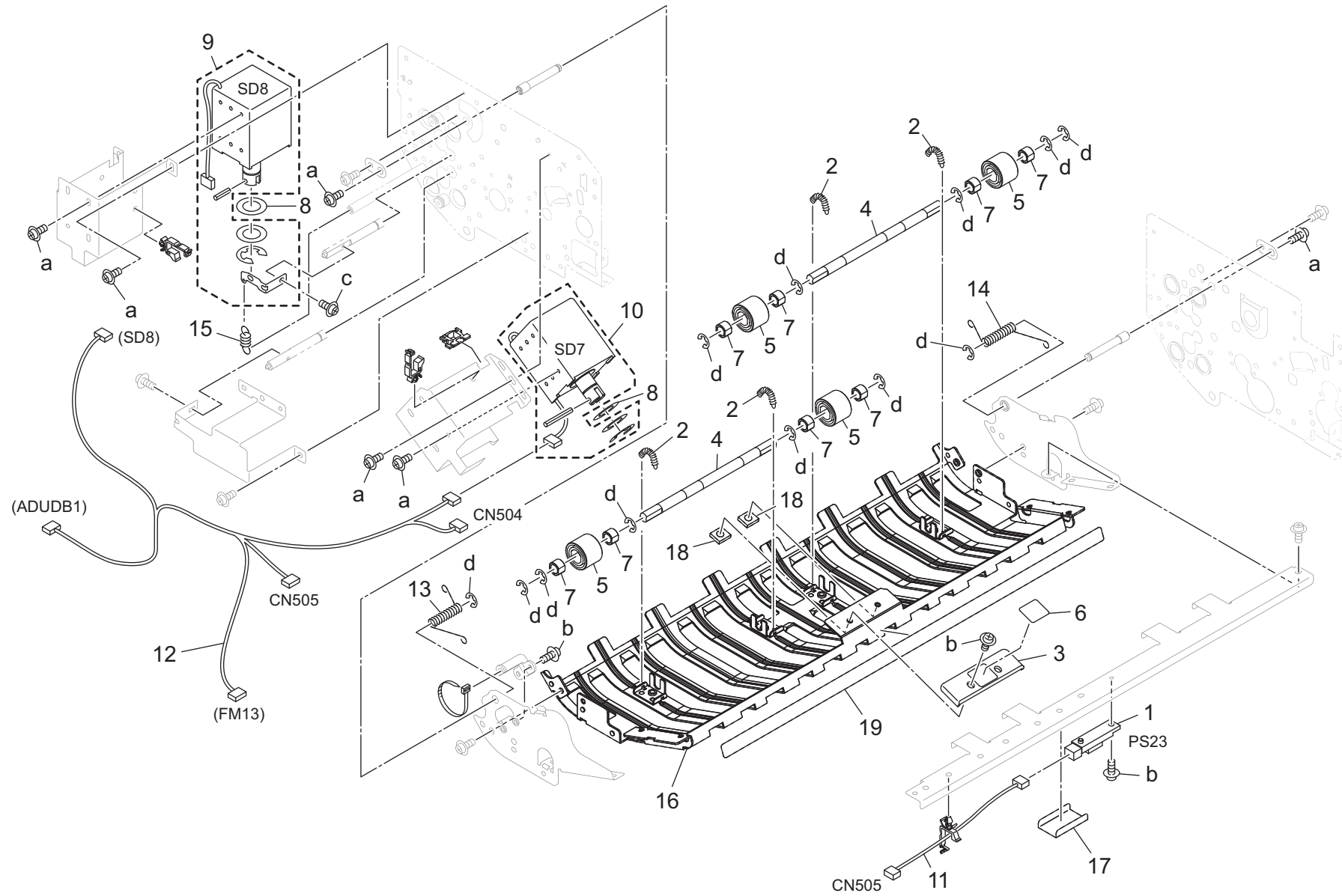
ADU Decurler Unit

P 79



AccurioPrint 2100

Key	Part No.	Description	Destinations	Class	QTY	Standard parts
1	12QV40650	Spacer		B	5	a-V118030403 b-V126040603 c-V217040003 d-V217060003 e-V234301450
2	13QA17730	COLLAR 6		C	4	
3	15AG57620	Fixing Part		C	14	
4	40AA32290	MAGNET CATCH		C	2	
5	A00J617900	Ball Bearing		B	4	
6	A04J709800	Regulating Roll		C	14	
7	A04J719200	BELT /6 91L		C	1	
8	A0G6846100	Drive Shaft /B		D	1	
9	A0G6848500	Idling Gear /1 78T		C	1	
10	A9JTM10200	Drum Motor		B	1	
11	A4EU846100	Drive Shaft /C		D	1	
12	A4EU848600	Idling Gear /2 26/26T		C	1	
13	A4EU848800	Drive Gear /W 26T		C	1	
14	A4EU848900	Idling Gear /4 32T		C	1	
15	A4EUR74B11	Mounting Plate /M Caulking		D	1	
16	A799846400	Regulating Belt /D 115L		B	7	
17	A9JT869900	Protection Spacer /M		D	1	
18	A04J719800	DRIVE PULLEY /B 20T		C	2	
19	A0G6841700	Stopper Plate		D	1	

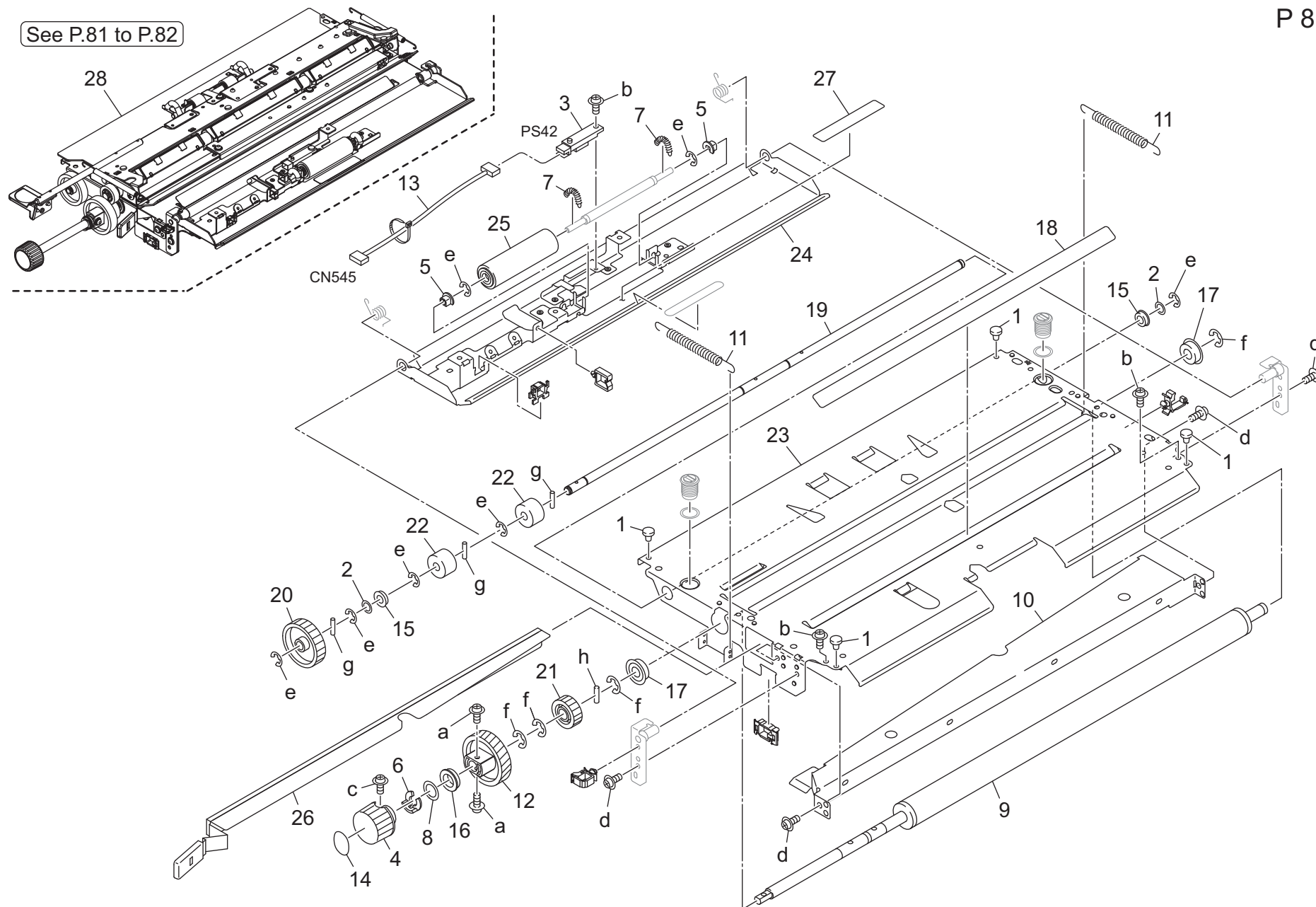


Key	Part No.	Description	Destinations	Class	QTY	Standard parts
1	13QA85511	Sensor /1		B	1	a-V116030603 b-V118030403 c-V127030604 d-V217040003
2	55VA46451	REGISTRATION FEEDING SPRING		B	4	
3	56UA46140	TRANSFER FEEDING HANDLE		C	1	
4	A0G6840900	Idler Shaft /D		D	2	
5	A0G6843800	Idler Roll /D		C	4	
6	ADF2945701	Label /7		D	1	
7	A4EU715500	Bushing /No.1		D	8	
8	A4EU849300	Spacer /12		D	2	
9	A4EUR74900	Solenoid /Upper Pin Assy		B	1	
10	A4EUR74A00	Solenoid /G Pin Assy		B	1	
11	A4EUN20900	Relay harness /6		D	1	
12	A799N20700	ADU Relay harness /4		D	1	
13	A0G6844700	Open/Close Spring /Front		C	1	
14	A0G6844800	Open/Close Spring /Rear		C	1	
15	A0G6845600	Guide Spring /Middle		C	1	
16	A0G6842323	Guide Plate /C		C	1	
17	A0G6843901	Protection Sheet		C	1	
18	A0G6845700	Protection Pad /2		C	2	
19	A4EW845900	Suction Sheet /D		D	1	

ADU Regist Unit

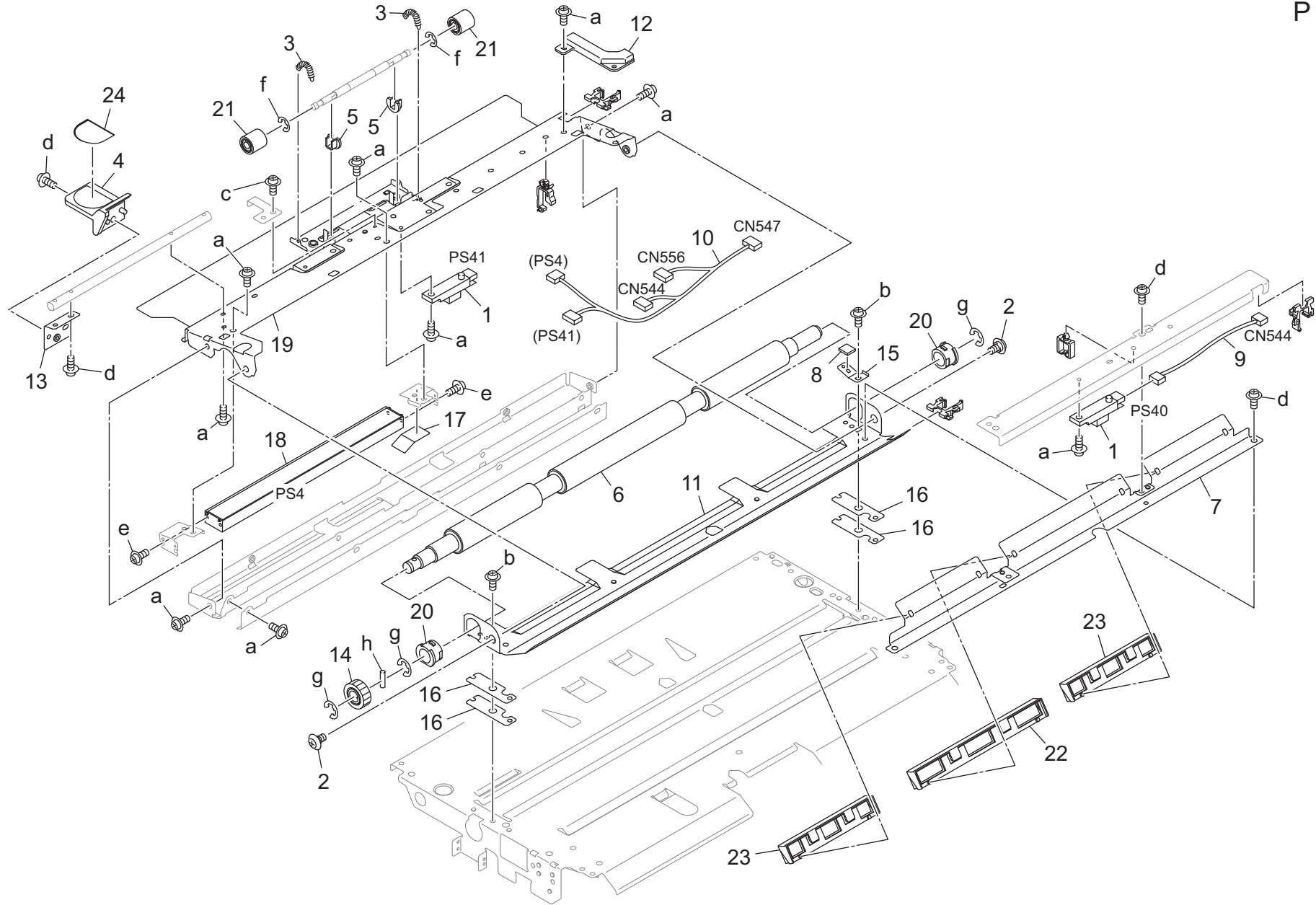
P 81

See P.81 to P.82



Key	Part No.	Description	Destinations	Class	QTY	Standard parts
1	12AJ45850	Stopper Rubber		C	4	a-V116030603
2	13QA10330	SHAFT SPACER		C	2	b-V118030403
3	13QA85511	Sensor /1		B	1	c-V118030603
4	14GE45470	Rotation Knob		C	1	d-V127030604
5	25SA43310	DRIVEN SHAFT HOLDER		B	2	e-V217040003
6	55VA42120	Shaft Stopper		C	1	f-V217060003
7	55VA46490	Registration Pressure Spring		B	2	g-V234201450
8	56AA52700	ADU COUPLING SPACER		C	1	h-V234301250
9	56UA46030G	Registration Roller /Lower		B	1	
10	56UA46100E	Roller Cleaning Rail		D	1	
11	56UA46170	Registration Pressing Spring		C	2	
12	56UA77560	Roller Gear/R 35T		B	1	
13	56UA90620	REGISTRATION WIRING 2		D	1	
14	ADF2945201	Label /2		D	1	
15	A00J617800	Ball Bearing		A	2	
16	A00J617900	Ball Bearing		B	1	
17	A00V240600	Ball Bearing		B	2	
18	A0G6712100	Lifting Sheet		B	1	
19	A0G6713200	Drive Shaft /T		D	1	
20	A0G6714100	Drive Gear /T 31T		C	1	
21	A0G6714300	Registration Gear/Lower 20T		B	1	
22	A0Y5713100	Drive Roller /T		C	2	
23	A4EU710100	Registration Main body		D	1	
24	A4EU710800	Open/close Plate		D	1	
25	A4EU818000	Idler Rubber /U		B	1	
26	A4EUR74700	Regist Clener Assy/Lower		D	1	
27	ADF2945100	Label /1		D	1	
28	A799R70U11	Regist Unit		I	1	

ADU Regist Unit



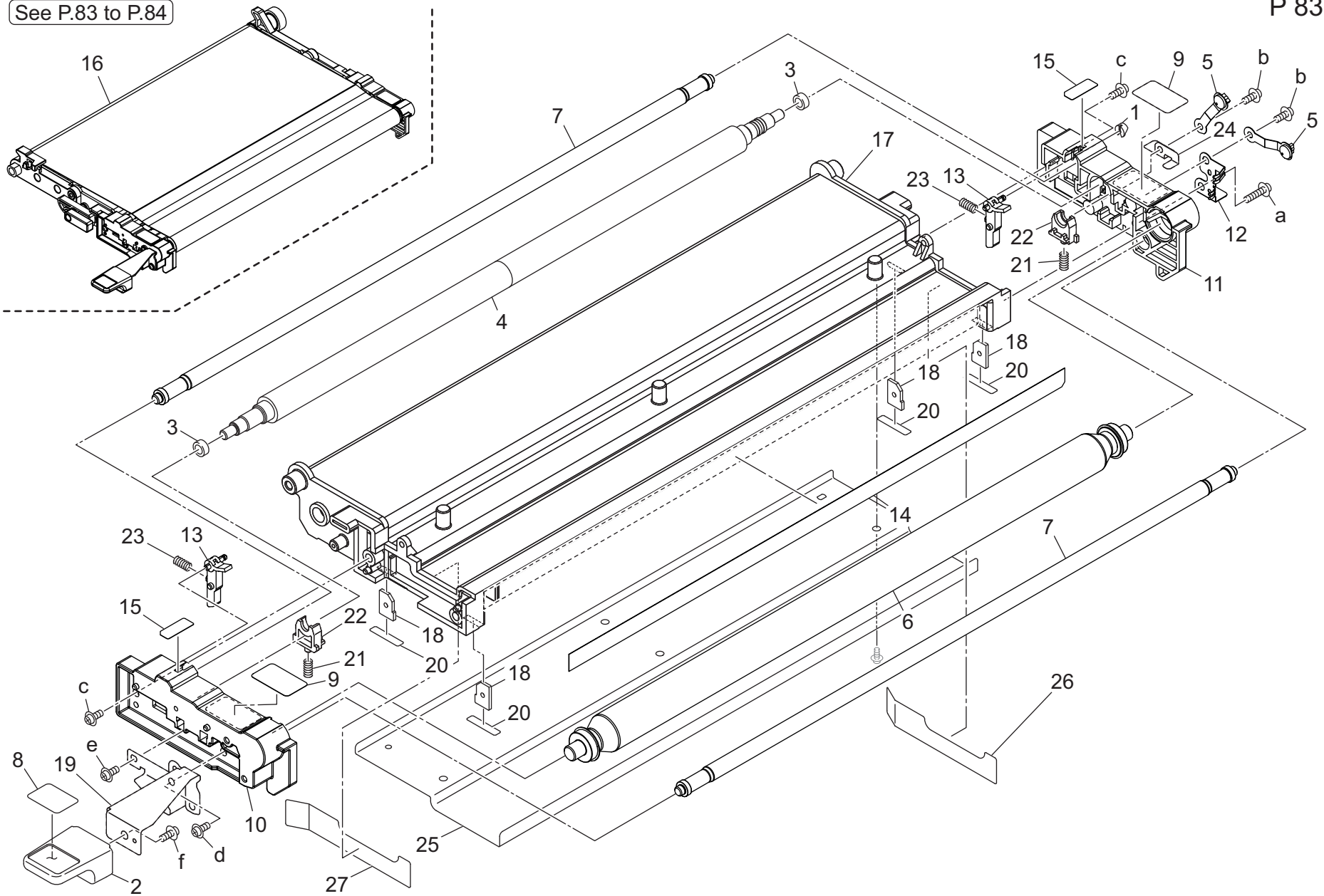
Key	Part No.	Description	Destinations	Class	QTY	Standard parts
1	13QA85511	Sensor /1		B	2	a-V118030403
2	190040922E	Fixing Screw		C	2	b-V121030603
3	55VA46451	REGISTRATION FEEDING SPRING		B	2	c-V127030516
4	56QA46060	Transfer Guide Handle		C	1	d-V127030604
5	56UA44680	Idler Bushing		C	2	e-V145260503
6	56UA46061E	REGIST ROLLER /UPPER		B	1	f-V217040003
7	56UA46110E	Guide Part		D	1	g-V217060003
8	56UA46190	Roller Conductive Pad		C	1	h-V234301250
9	56UA90880	RELAY WIRING 3		D	1	
10	A4EWN16300	Relay harness /4		D	1	
11	A0G6710502	Registration Plate /Upper		D	1	
12	A0G6712200	Holding Holder		C	1	
13	A0G6713600	Open/Close Plate /Front		D	1	
14	A0G6714200	Registration Gear/Upper 18T		B	1	
15	A0G6714600	Ground Plate Spring /R		C	1	
16	A0G6714700	Registration Spacer		D	4	
17	A0G6717100	Protection Seal /Upper		D	1	
18	A0Y5M55100	Compensating Sensor		C	1	
19	A4EU710411	Registration Plate /T		D	1	
20	A4EU715400	Registration Bushing /Upper		B	2	
21	A4EUR74800	Idler Roller /T Assy		B	2	
22	A4EUR74500	Cleaning Brush /1 Assy		C	1	
23	A4EUR74600	Cleaning Brush /2 Assy		C	2	
24	ADF2945301	Label /3		D	1	



Transfer Belt Unit

See P.83 to P.84

P 83



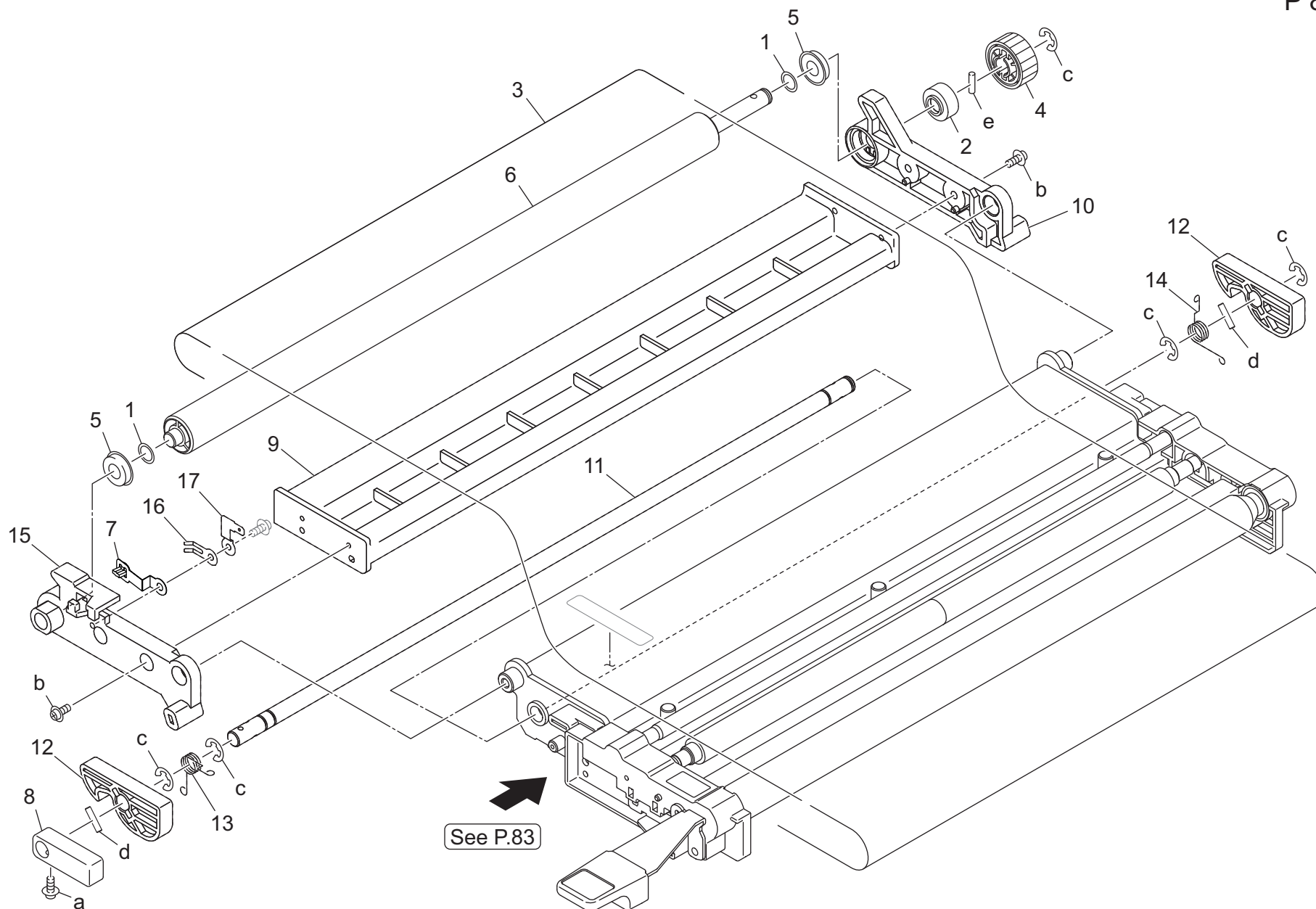
AccurioPrint 2100

Ttransfer Belt Unit

Key	Part No.	Description	Destinations	Class	QTY	Standard parts
1	45AA20400	STOPPER PART		A	1	a-V116031603
2	65AA53991	Fixing Papaer Exit Lever		C	1	b-V121030403
3	A0G6503900	Power supply Ball bearing		B	2	c-V121031203
4	A4EU500600	Transfer Roller		B	1	d-V121031603
5	A4EUR70C00	Transfer Electrode Assy		B	2	e-V153030803
6	A4EUR72800	Idler Roller Assy		C	1	f-V153040803
7	A4EUR72900	Nip Roller Assy		B	2	
8	ADF2945501	Label /5		D	1	
9	A0G6951001	Set Label /10		D	2	
10	A9JT502700	Fixing Part /Front		D	1	
11	A9JT502800	Fixing Part /Rear		D	1	
12	A9JT503100	Ground Plate		D	1	
13	A9JT503800	Release Part		D	2	
14	A9JT504100	Insulating Sheet /1		D	1	
15	A9JT504201	Insulating Sheet /2		D	2	
16	A9JTR70822	Transfer Unit		S	1	
17	A0G6500211	Transfer Bottom Plate /1		D	1	
18	A0G6501000	Receiving Plate /1		D	4	
19	A0G6501100	Open/Close Lever		C	1	
20	A0G6501200	Holding Film		D	4	
21	A0G6501700	Pressure Spring		C	2	
22	A0G6501800	Receiving Part		D	2	
23	A0G6501900	Pressure Spring		C	2	
24	A0G6503200	Power Supply Plate		D	1	
25	A0G6503300	Reinforce Plate /Lower		D	1	
26	A0G6503500	Protection Sheet /Rear		C	1	
27	A0G6503600	Protection Sheet /Front		C	1	

Ttransfer Belt Unit

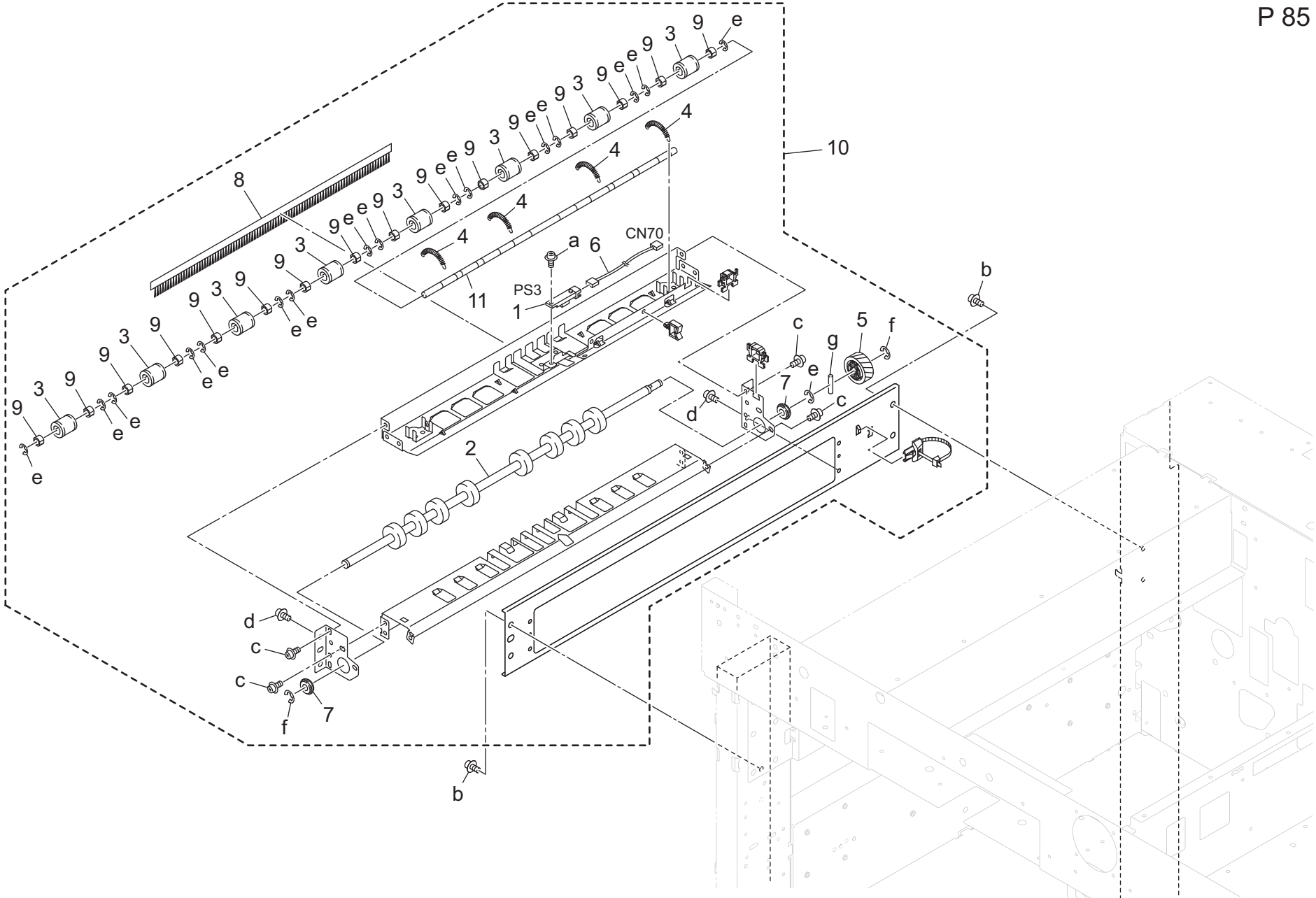
P 84



Ttransfer Belt Unit

Key	Part No.	Description	Destinations	Class	QTY	Standard parts
1	12QV40650	Spacer		B	2	a-V121030603 b-V121030803 c-V217060003 d-V234301450 e-V234301650
2	57GA47640	Belt Tension Roller		C	1	
3	A9JT500100	Transfer Belt 502L		B	1	
4	A0G6502300	Drive Gear 48T		C	1	
5	A1RF529300	Ball bearing		C	2	
6	A4EU500400	Drive Roller		C	1	
7	A4EUR70B00	Earth Electrode Assy		B	1	
8	A0G6503401	Release Lever		C	1	
9	A0G6500300	Transfer Bottom Plate /2		D	1	
10	A0G6500901	Hold Side plate /Rear		D	1	
11	A0G6501300	Rotation Shaft		D	1	
12	A0G6501400	Release Cam		C	2	
13	A0G6501500	Lock Spring /Front		C	1	
14	A0G6501600	Lock Spring /Rear		C	1	
15	A0G6500801	Hold Side plate /Front		D	1	
16	A0G6502200	Ground Plate /2		D	1	
17	A0G6502600	Ground Plate /3		D	1	

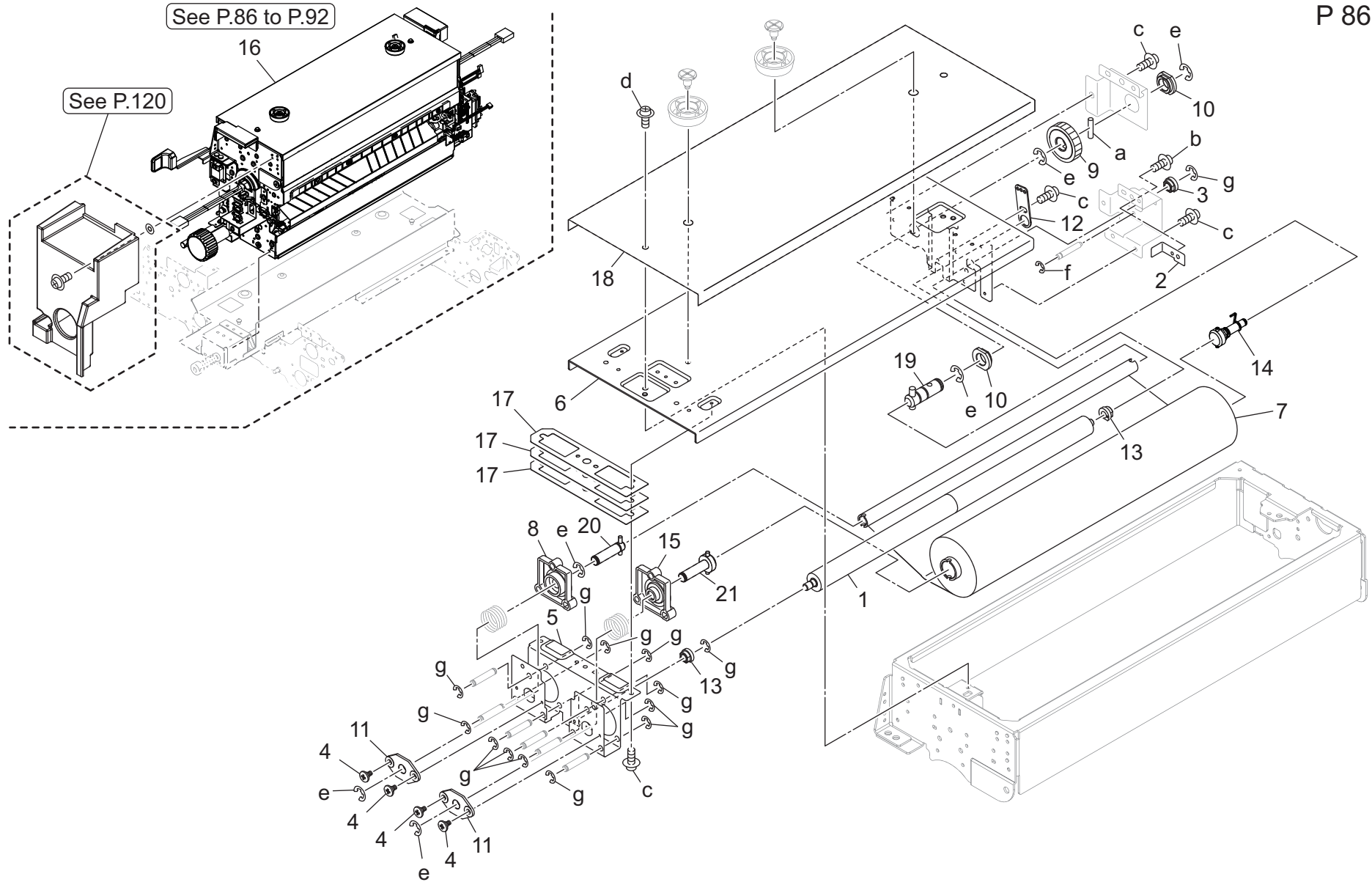
Main Body Paper Exit Unit



Main Body Paper Exit Unit

Key	Part No.	Description	Destinations	Class	QTY	Standard parts
1	13QA85511	Sensor /1		B	1	a-V118030403
2	56UA45571E	Paper exit Roller /2		B	1	b-V121040603
3	56UA45600	Paper Exit Idler Roller /2		C	8	c-V127030604
4	56UA45960	Paper Exit Pressing Spring		C	4	d-V127040603
5	56UA77061E	Paper Exit Drive Gear 25T		B	1	e-V217040003
6	56UA90890	PAPER EXIT RELAY WIRING		D	1	f-V217060003
7	A00V240600	Ball Bearing		B	2	g-V234301850
8	A0GY738300	Neutralizing Brush /C		D	1	
9	A4EU715500	Bushing /No.1		D	16	
10	A4EUR76F00	Main Body Paper Exit Assy		D	1	
11	A4EU896100	Idler Shaft /2		D	1	

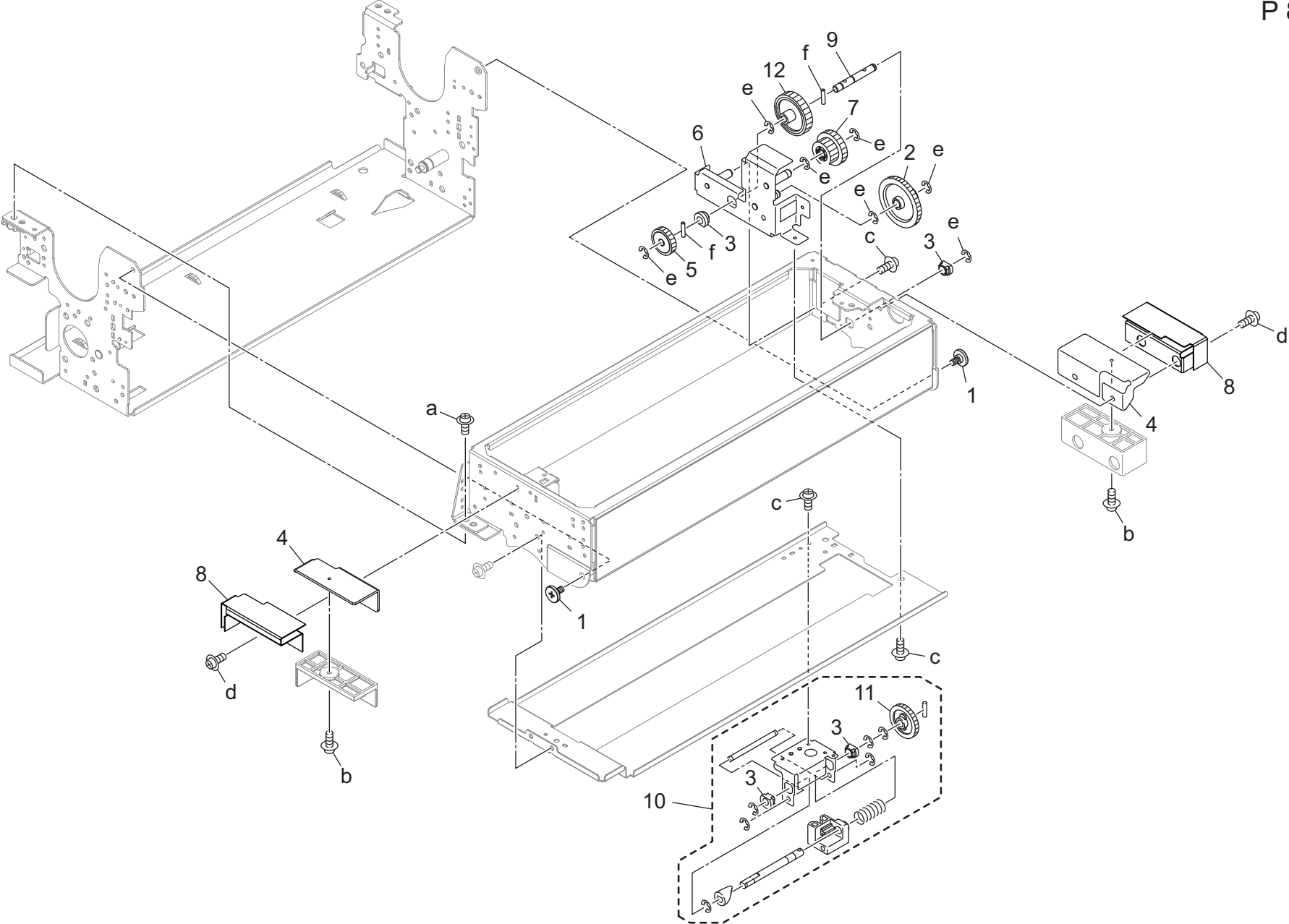
Fuser Unit



Key	Part No.	Description	Destinations	Class	QTY	Standard parts
1	56UA53530	FIXING CLEANING ROLLER		B	1	a-V234301450 b-V116030603 c-V127030516 d-V182040603 e-V217060003 f-V217030003 g-V217040003
2	56UA54430	ADJUSTMENT PLATE REAR		D	1	
3	56UA760900	Fixing Cleaning Bushing /C		B	1	
4	A03U734500	Support Screw /A		C	4	
5	A0G6731102	Stopper Plate /9		D	1	
6	A0G6731301	Fusing Plate /3		D	1	
7	A0G6731400	Web		A	1	
8	A0G6732100	Holding Part /Left		D	1	
9	A0G6734100	Cleaning Gear /1 22T		C	1	
10	A0G6734500	Cleaning Bushing /5		C	2	
11	A4EU731500	Stopper Bushing /5		C	2	
12	A4EU732300	Adjusting Plate		D	1	
13	A4EU732602	Bushing		B	2	
14	A4EUR70T00	Regulating Part Assy		B	1	
15	A799732500	Holding Part /Right		D	1	
16	ADF2R70100	Fusing Unit		I	1	
17	A4EW733100	Adjusting Spacer /2		D	3	
18	A4EU728700	Insulating Cover /F		D	1	
19	A4EUR73300	Cleaning Drive Assy		D	1	
20	A4EUR73400	Holding Shaft / Left Assy		D	1	
21	A4EUR73500	Holding Shaft / Right Assy		D	1	



Fuser Unit

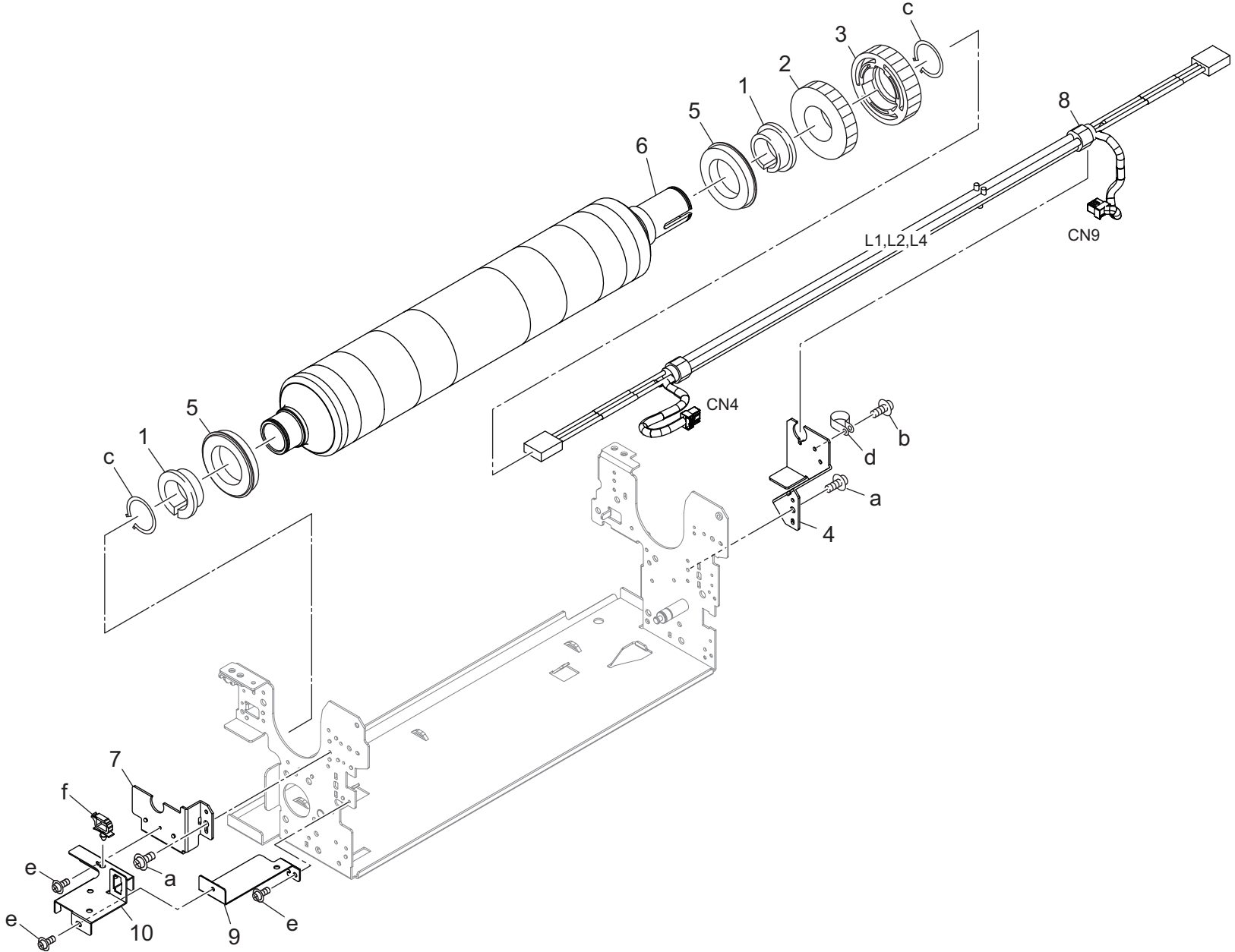


Key	Part No.	Description	Destinations	Class	QTY	Standard parts
1	450053391	EXIT GUIDEPLATE MOUNTING SCREW		C	2	a-V118041003
2	55VA77850	Fixing Cleaner Gear /2 38T/13T		B	1	b-V121030403
3	56UA760900	Fixing Cleaning Bushing /C		B	4	c-V127030516
4	A0G6731000	Fusing Handle /Rear		D	2	d-V127040603
5	A0G6734200	Cleaning Gear /2 23T		C	1	e-V217040003
6	A0G6742200	Drive Plate		D	1	f-V234301450
7	A4EU742800	Cleaning Gear Outside 18/26T		C	1	
8	ADF2735000	Insulating Sheet /Rear		D	2	
9	A799731900	Drive Shaft /4		C	1	
10	A799R70V00	Swing Caum Assy		B	1	
11	A799743600	Swing Gear 31T		C	1	
12	A799778600	Connecting Gear 39T		C	1	



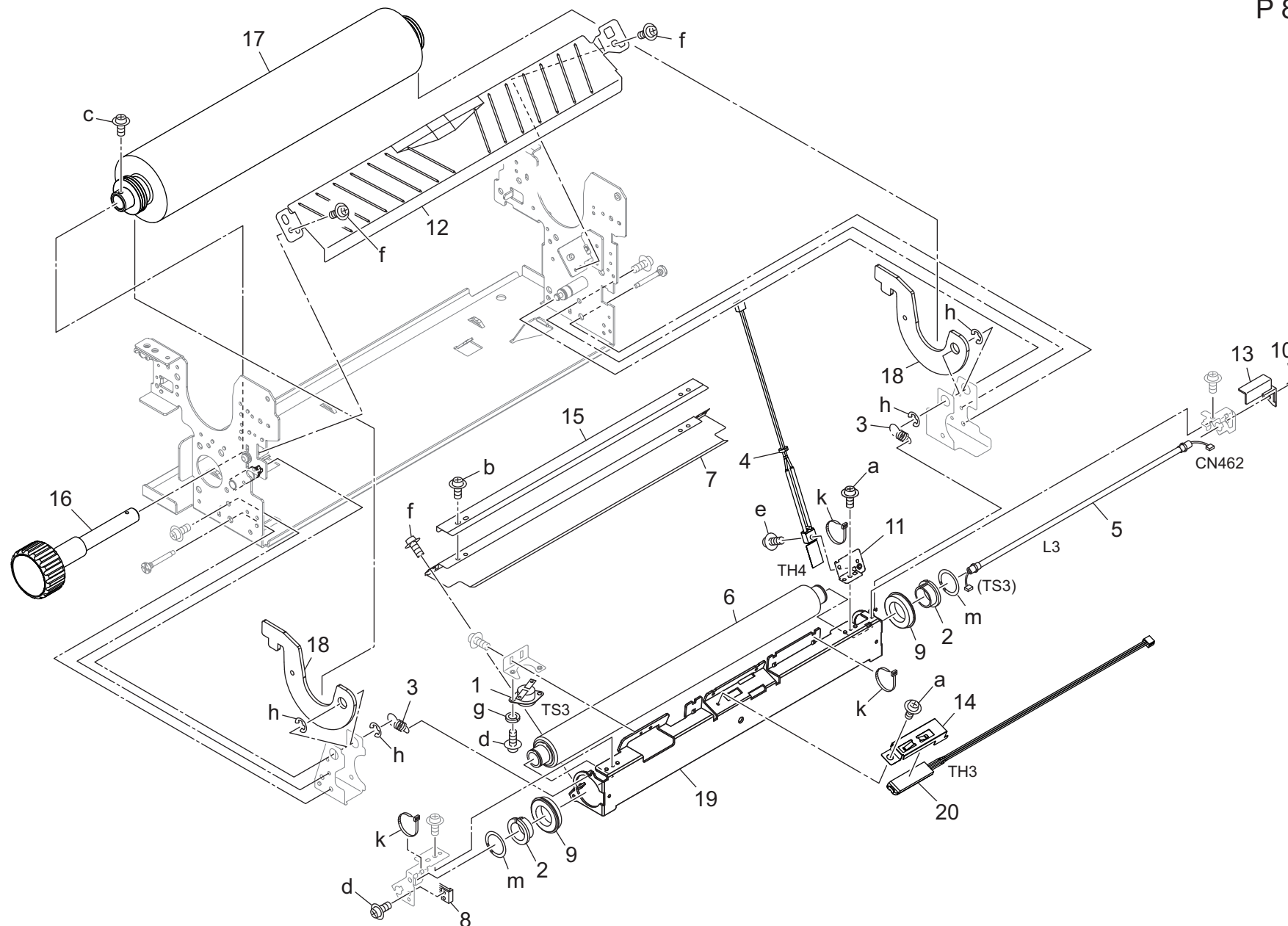
Fuser Unit

P 88



Key	Part No.	Description	Destinations	Class	QTY	Standard parts
1	A03U729500	INSULATING SLEEVE /UPPER		B	2	a-V127040603 b-V182040603 c-V223300017 d-V500020030 e-V127030604 f-V500010073
2	56UA77800	FIXING DRIVING GEAR 60T		B	1	
3	A0G6726000	Fusing Gear/2 60T		B	1	
4	A9JT746001	Hold Heater /Rear		D	1	
5	A5AW745200	Fusing Bearing/2		B	2	
6	ADF2730400	Fusing Roller/Up		B	1	
7	A9JT745901	Hold Heater /Front		D	1	
8	ADF2M33000	Fusing Heater Lamp/1		B	1	
9	A9JT743800	Wiring Plate /Lower		D	1	
10	A9JT749400	Wiring Plate /Upper		D	1	

Fuser Unit

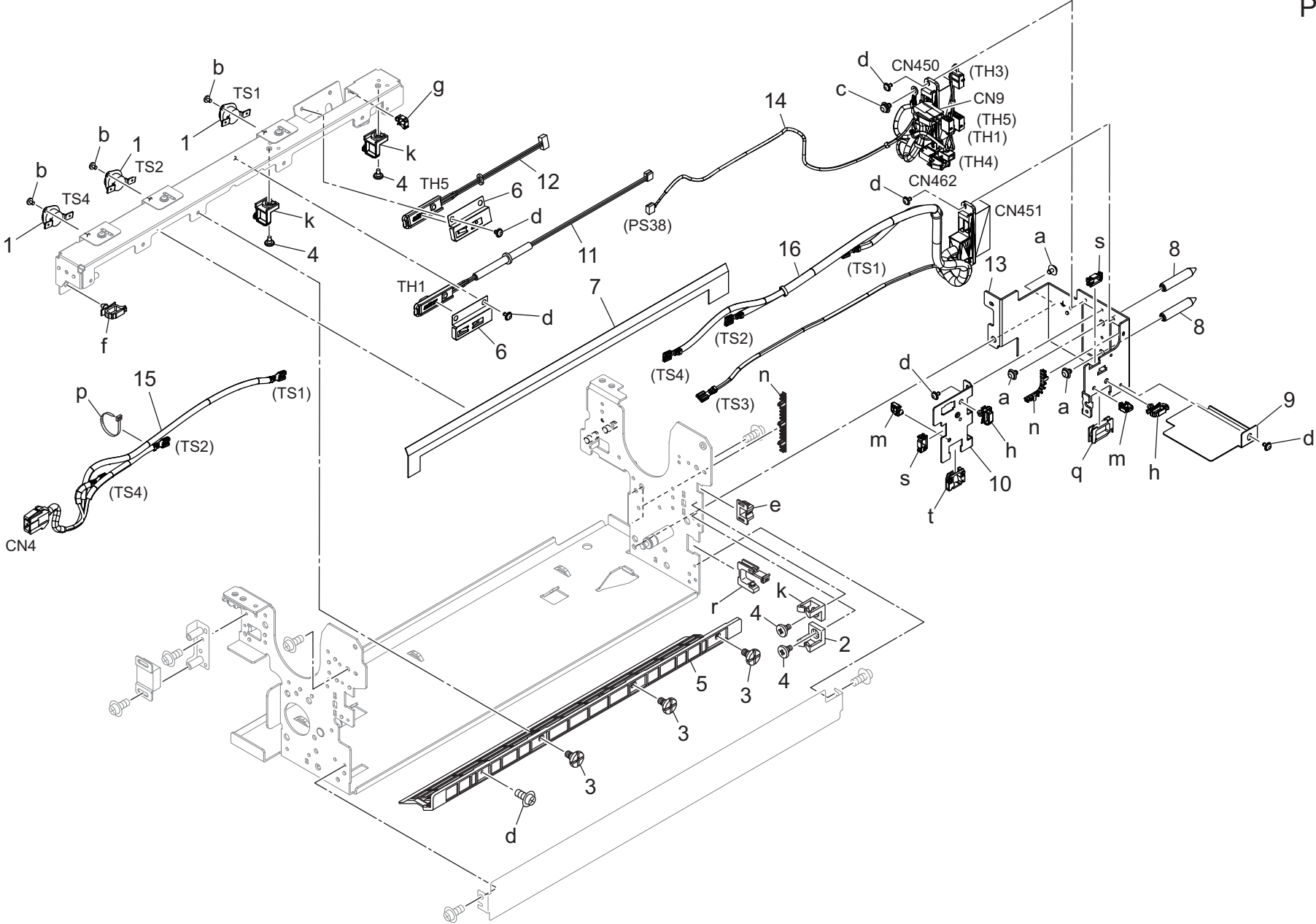


Fuser Unit

Key	Part No.	Description	Destinations	Class	QTY	Standard parts
1	SP00-0043	THERMOSTAT 3		A	1	a-V116030403
2	26AA53150	HEAT INSULATING SLEEVE FRONT		B	2	b-V116030603
3	55VA53450	PRESSURE SPRING		B	2	c-V116041203
4	A9JTM50400	Fusing Temperature Sensor/4		B	1	d-V118030403
5	55VB83042	Fixing Heater /3		A	1	e-V118030803
6	56UA53070	FIXING AUXILIARY ROLLER		B	1	f-V182030603
7	56UA53320	FIXING CLEANING PLATE /1		D	1	g-V205030003
8	56UA54160E	Neutralizing Brush /B		B	1	h-V217080003
9	56UA75070	Fixing Bearing		A	2	k-V501010014
10	A03U734500	Support Screw /A		C	1	m-V223170017
11	A9JT727400	Mounting Plate /Rear		D	1	
12	A0G6741012	Guide Plate /Lower		C	1	
13	A4EU727900	Protection Cover /1		D	1	
14	ADF2727100	Sensor Casing		D	1	
15	A4EUR70U00	Fixing Cleaning Sheet Assy		A	1	
16	ADF2R72500	Paper Exit Knob Assy		D	1	
17	A4EWR70E00	Lower Roller Assy		A	1	
18	A799748600	Pressure Lever		D	2	
19	ADF2730300	Auxiliary Stay /1		D	1	
20	ADF2M50100	Temperature Sensor /3		C	1	

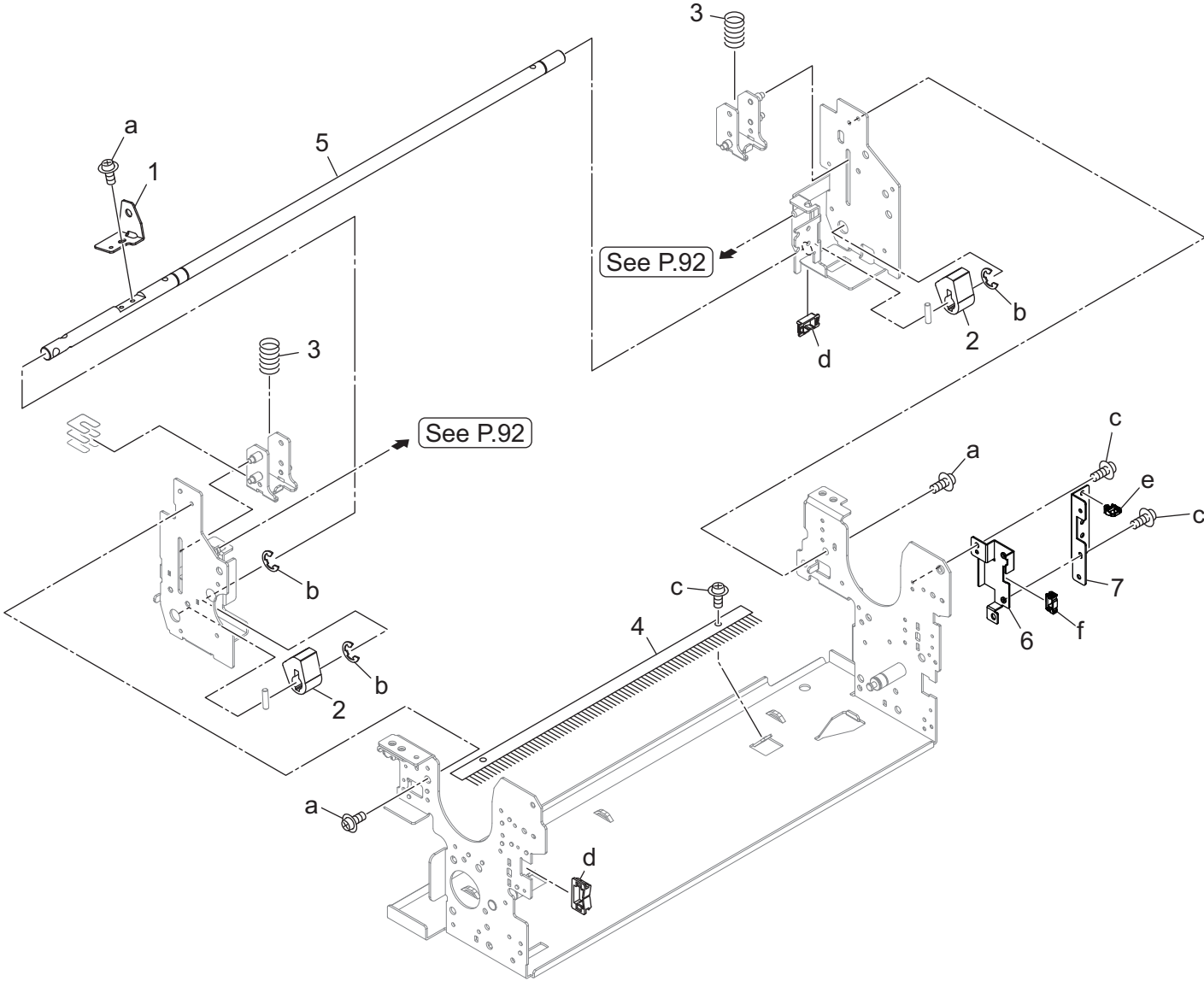


Fuser Unit



Fuser Unit

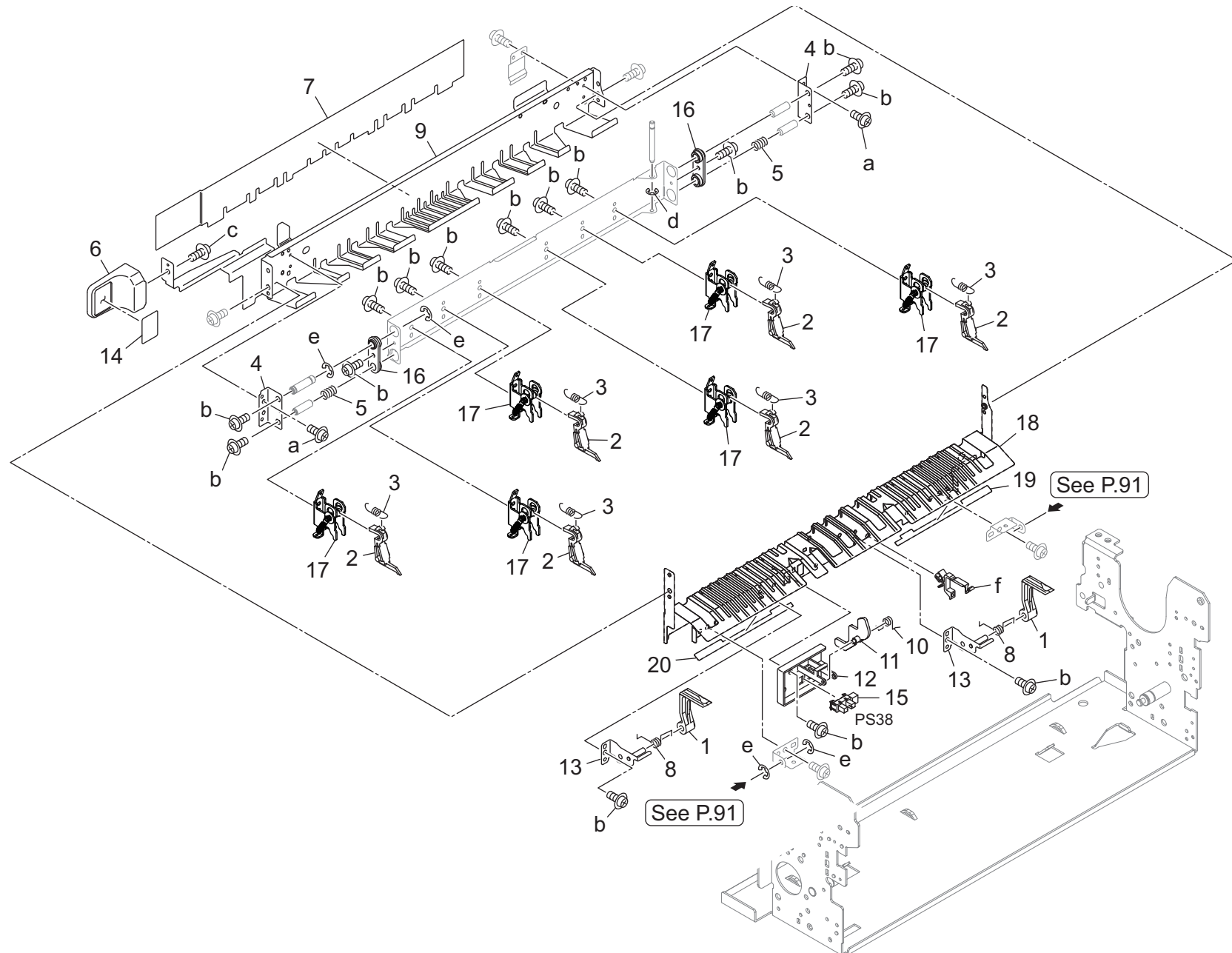
Key	Part No.	Description	Destinations	Class	QTY	Standard parts
1	SP00-0022	THERMOSTAT		A	3	a-V127040603
2	55VA53970	Wiring Holder Part		D	1	b-V118030403
3	56AA54220	FIXING SCREW 2		C	3	c-V125040803
4	A03U734500	Support Screw /A		C	4	d-V127030604
5	A4EW732000	Guide Plate Outside		D	1	e-V570010065
6	A9JT723101	Sensor Casing		D	2	f-V500010073
7	A9JT733000	Insulating Cover /C		D	1	g-V500010074
8	A9JT738600	Guide Shaft		D	2	h-V500010081
9	A9JT741400	Wiring Cover /Lower		D	1	k-V500010086
10	A9JT748300	Wiring Partition		D	1	m-V500020098
11	A9JTM50100	Temperature Sensor /1		C	1	n-V500030003
12	A9JTM50200	Temperature Sensor /5		C	1	q-V570010027
13	ADF2738700	Fixing Connector /Rear		D	1	r-V570010053
14	ADF2N10601	Fusing Harness /1		D	1	s-V570010057
15	ADF2N10800	Fusing Harness /2		D	1	t-V570010060
16	ADF2N10900	Fusing Harness /3		D	1	



Fuser Unit

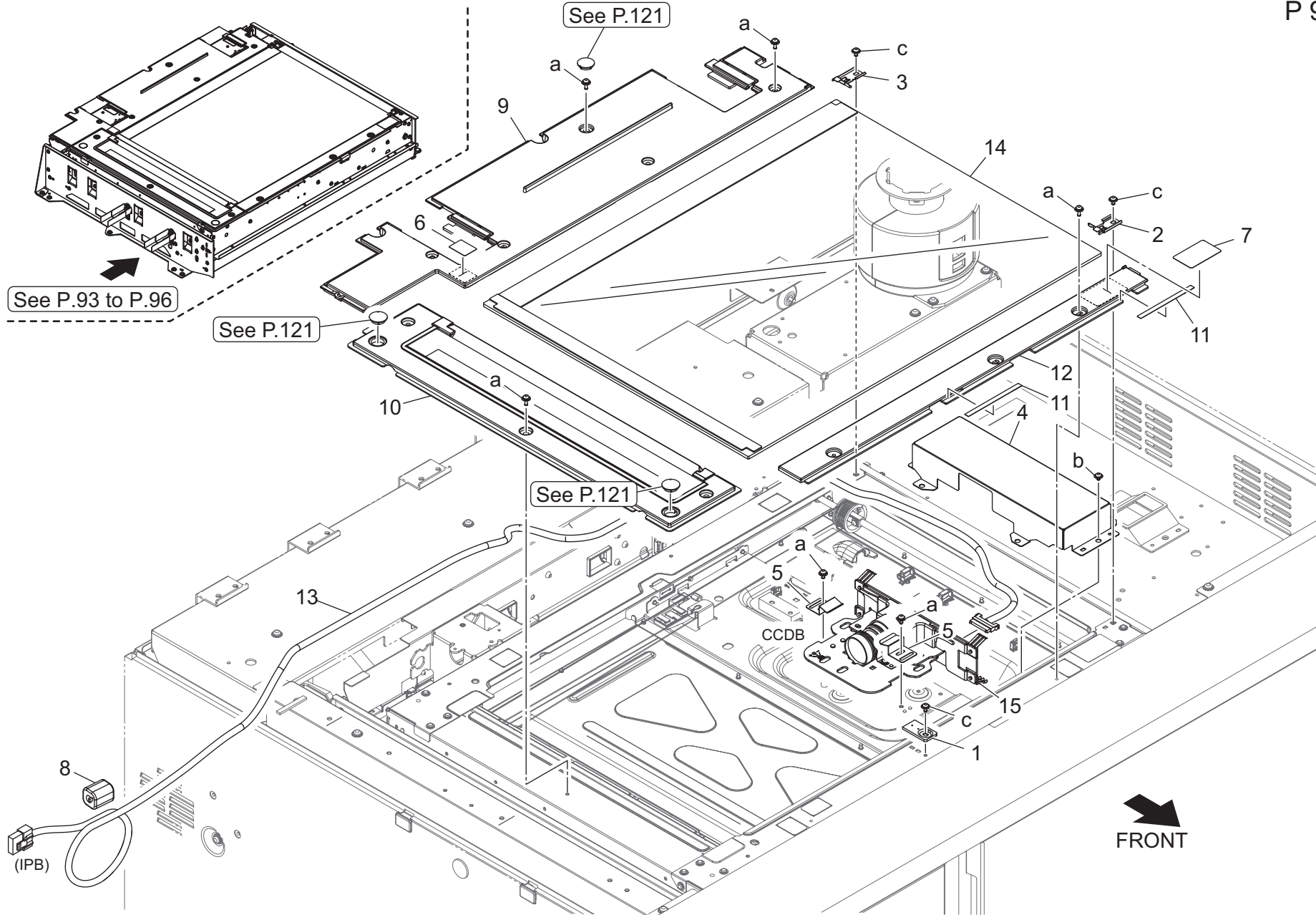
Key	Part No.	Description	Destinations	Class	QTY	Standard parts
1	A799725200	Pressure Guide		D	1	a-V127040603
2	A799725400	Pressure Cam		D	2	b-V217080003
3	A799736300	Pressure Spring		C	2	c-V127030604
4	A799741500	Neutralizing Brush		C	1	d-V570010064
5	A799745300	Pressure Shaft		D	1	e-V500020098
6	A9JT725000	Wiring Plate /Rear		D	1	f-V570010057
7	A9JT725300	Support Plate		D	1	

Fuser Unit

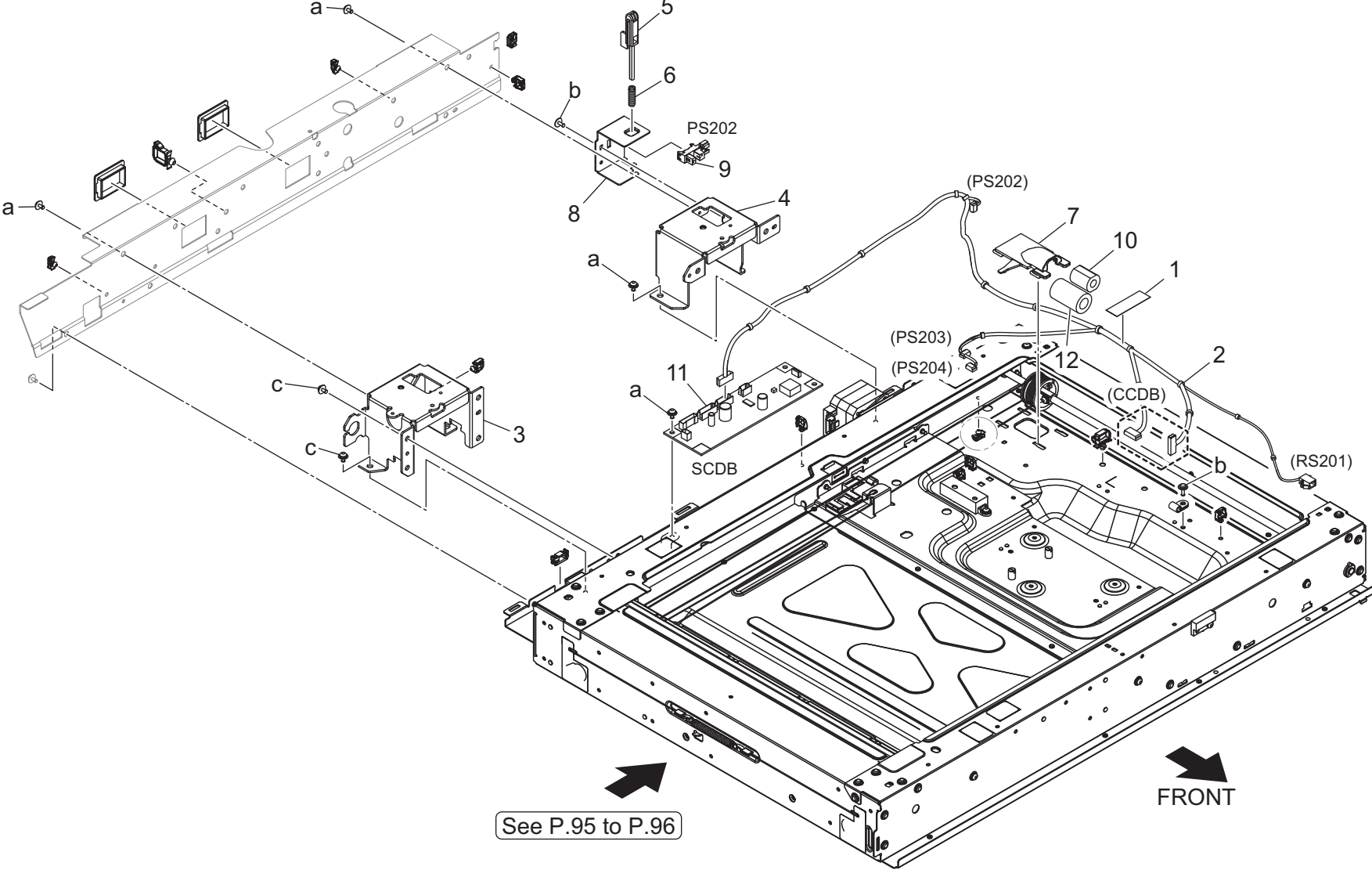


Key	Part No.	Description	Destinations	Class	QTY	Standard parts
1	25AA53290	FIXING CLAW LOWER		A	2	a-V118030403 b-V127030604 c-V153040803 d-V217030003 e-V217040003 f-V500020099
2	56UA54530	FIXING CLAW UPPER		A	6	
3	56UA54540	HOLDING SPRING		C	6	
4	56UA54570	Swing Stopper		D	2	
5	56UA54600	SWING SPRING 1		C	2	
6	65AA53991	Fixing Paper Exit Lever		C	1	
7	A0G6725501	Insulating Cover /B		C	1	
8	A0G6728000	Spring		C	2	
9	A0G6745202	Guide Plate /Upper		C	1	
10	A0G6745500	Holding Spring		C	1	
11	A0G6746200	Paper Exit Actuator		C	1	
12	A0G6746300	Plate /Middle		D	1	
13	A0G6749700	Separating Holder /Lower		D	2	
14	ADF2945901	Label /9		D	1	
15	A1RFM51000	Photointerrupter /H		C	1	
16	A4EU755600	Swing Bushing		C	2	
17	A4EUR73200	Exit Plate Assy		B	6	
18	A4EU746124	Guide Plate /Lower		D	1	
19	A4EU747400	Separating Guide /R		D	1	
20	A4EU747500	Separating Guide /F		D	1	

Scanner Section



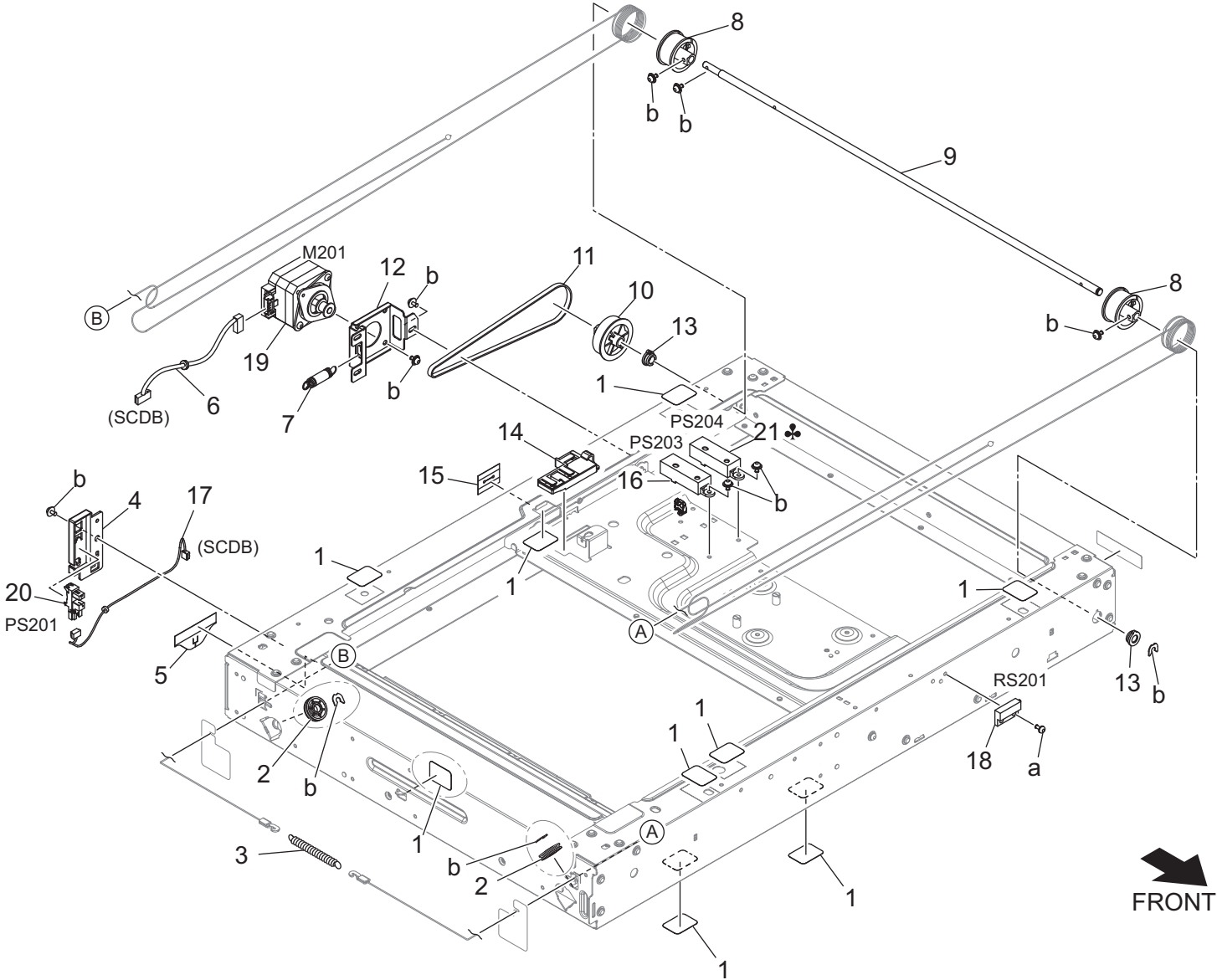
Key	Part No.	Description	Destinations	Class	QTY	Standard parts
1	A00J265300	Regulating Plate		C	1	a-V116030804 b-V127030516 c-V127030604
2	A161268200	Holding Plate		D	1	
3	A161268300	Holding Plate		D	1	
4	A161278600	Cover		D	1	
5	A161278900	Plate spring		D	2	
6	A161940602	Label		D	1	
7	A55D941100	Caution Label		D	1	
8	A61FM90200	Ferritecore		D	1	
9	A795167800	Read Cover /Upper		C	1	
10	A7PUR71133	Slit Glass Assy		C	1	
11	A799170700	Protection Seal		D	2	
12	A9JT170601	Read Cover		D	1	
13	ADF2N14600	CCD Cable		D	1	
14	A9JTR73000	Original Glass Assy		C	1	
15	A9VER72500	CCD Assy		I	1	



See P.95 to P.96

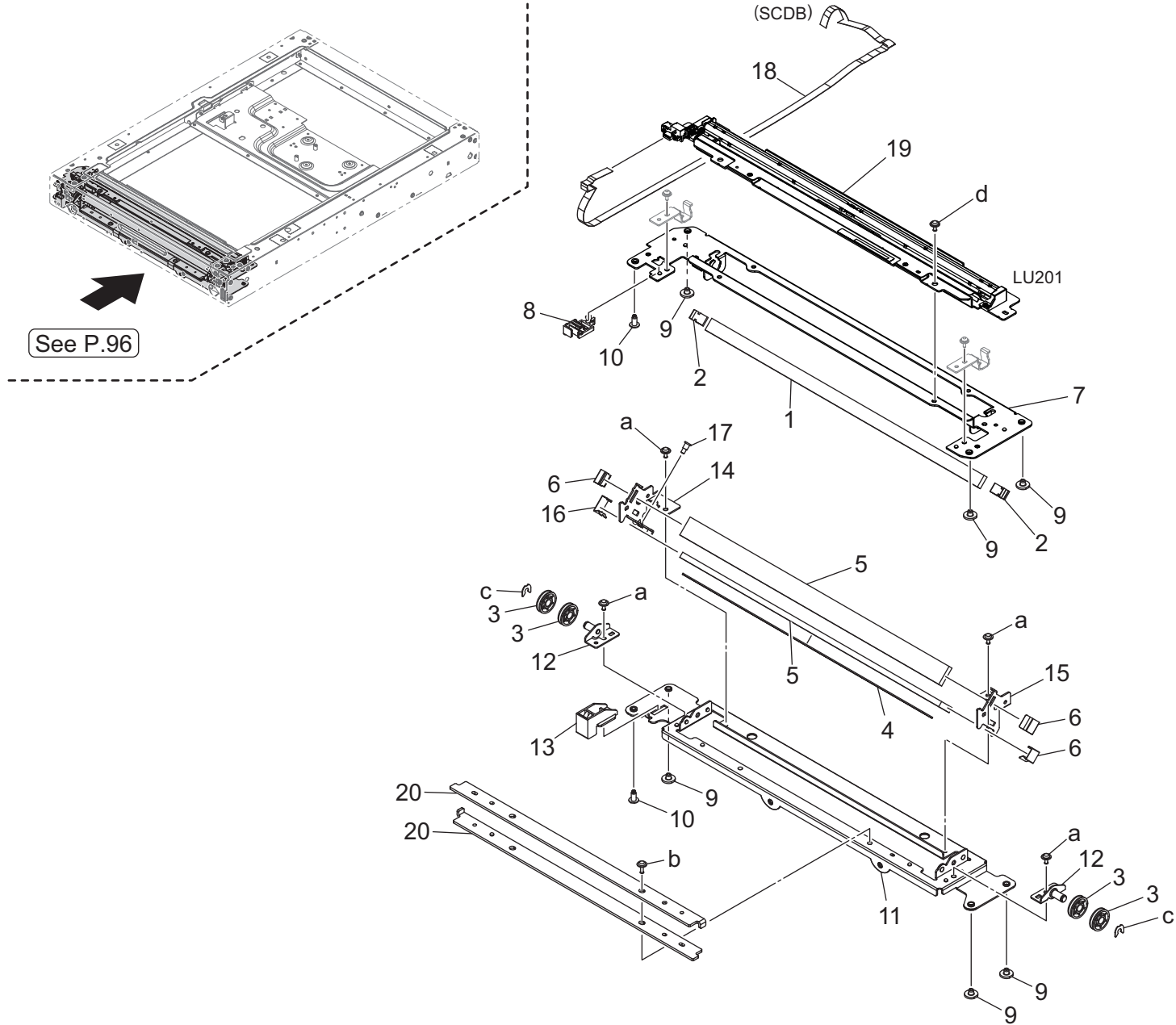
FRONT

Key	Part No.	Description	Destinations	Class	QTY	Standard parts
1	4036307501	Tape		D	1	a-V127030604 b-V137030804 c-V116030603
2	A85CN27800	Scanner Wiring /1		D	1	
3	A161261902	Frame		D	1	
4	A161262002	Frame		D	1	
5	A161280211	Lever		D	1	
6	A161280300	Compressing Coil spring		C	1	
7	A161281600	Guide		D	1	
8	A5C1280101	Mounting Plate		D	1	
9	A5C1M50100	Photointerrupter		B	1	
10	A61FM90200	Ferritecore		D	1	
11	ADF2H01A00	Scanner Drive board ASSY		I	1	
12	A85CM91100	Ferritecore /2		D	1	



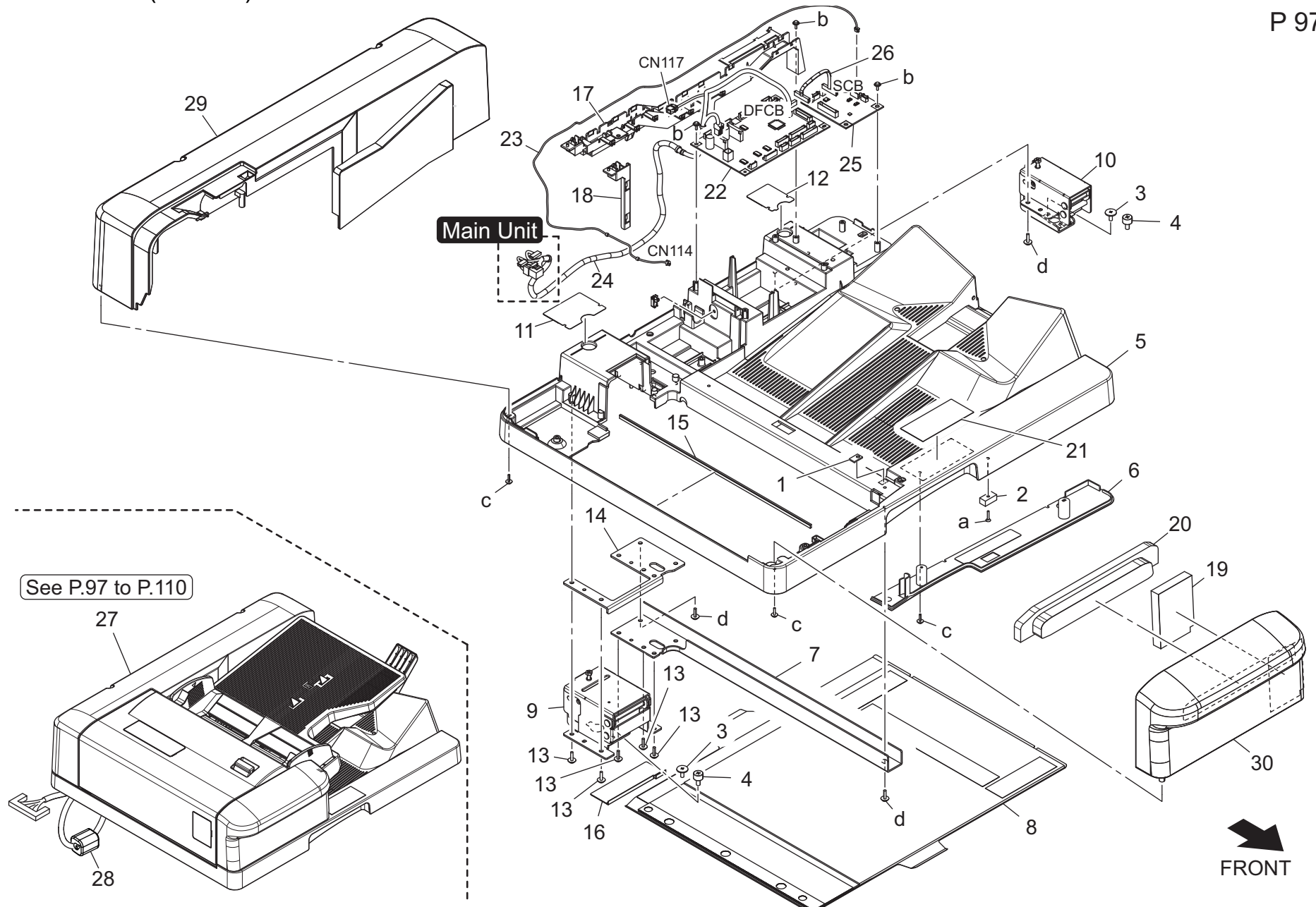
Key	Part No.	Description	Destinations	Class	QTY	Standard parts
1	4581162501	SEAL		C	9	a-V115030603 b-V218040086
2	A0ED273600	Pulley		C	2	
3	A0ED276301	Pulling Spring		D	1	
4	A161262200	Cover		D	1	
5	A161263000	Seal		D	1	
6	A5C1N14300	Scanner Wiring		D	1	
7	A795275700	Pulling Spring		D	1	
8	A161275300	Pulley		D	2	
9	A161275400	Shaft		D	1	
10	A161275500	Pulley 103T		D	1	
11	A161275600	Timing belt 335L		D	1	
12	A161276000	Mounting Plate		D	1	
13	A161276500	Bearing		D	2	
14	A161281100	Guide		D	1	
15	A161281300	Seal		D	1	
16	A161M50A00	APS Photorelector		C	1	
17	A161N14201	Scanner Wiring /2		D	1	
18	A1UDM50200	Lead Switch		C	1	
19	A5C1M10A00	Stepping motor		C	1	
20	A5C1M50100	Photointerrupter		B	1	
21	A161M50A00	APS Photorelector	D1,E,F2,G1,I	C	1	

Scanner Section



Key	Part No.	Description	Destinations	Class	QTY	Standard parts
1	A0ED271200	Mirror		D	1	a-V137030603 b-V137030803 c-V218040086 d-V127030604
2	A0ED271300	Plate spring		D	2	
3	A0ED273600	Pulley		C	4	
4	A0ED274200	Vibrationproof Plate		D	1	
5	A0ED274300	Mirror		D	2	
6	A0ED274400	Plate spring		D	3	
7	A161270102	Frame		D	1	
8	A161270600	Guide		D	1	
9	A161271000	Bushing		D	6	
10	A161271100	Bushing		D	2	
11	A161273113	Frame		D	1	
12	A161273401	Mounting Plate		D	2	
13	A161273500	Guide Part		D	1	
14	A161273701	Mounting Plate		D	1	
15	A161273800	Mounting Plate		D	1	
16	A161274500	Plate spring /1		D	1	
17	A161274600	Adjusting Screw		C	1	
18	A161N14000	Scanner Wiring /4		D	1	
19	AA7NM31200	Lamp		I	1	
20	A795273900	Vibrationproof Plate		D	2	

Dual Scan ADF (DF-708)

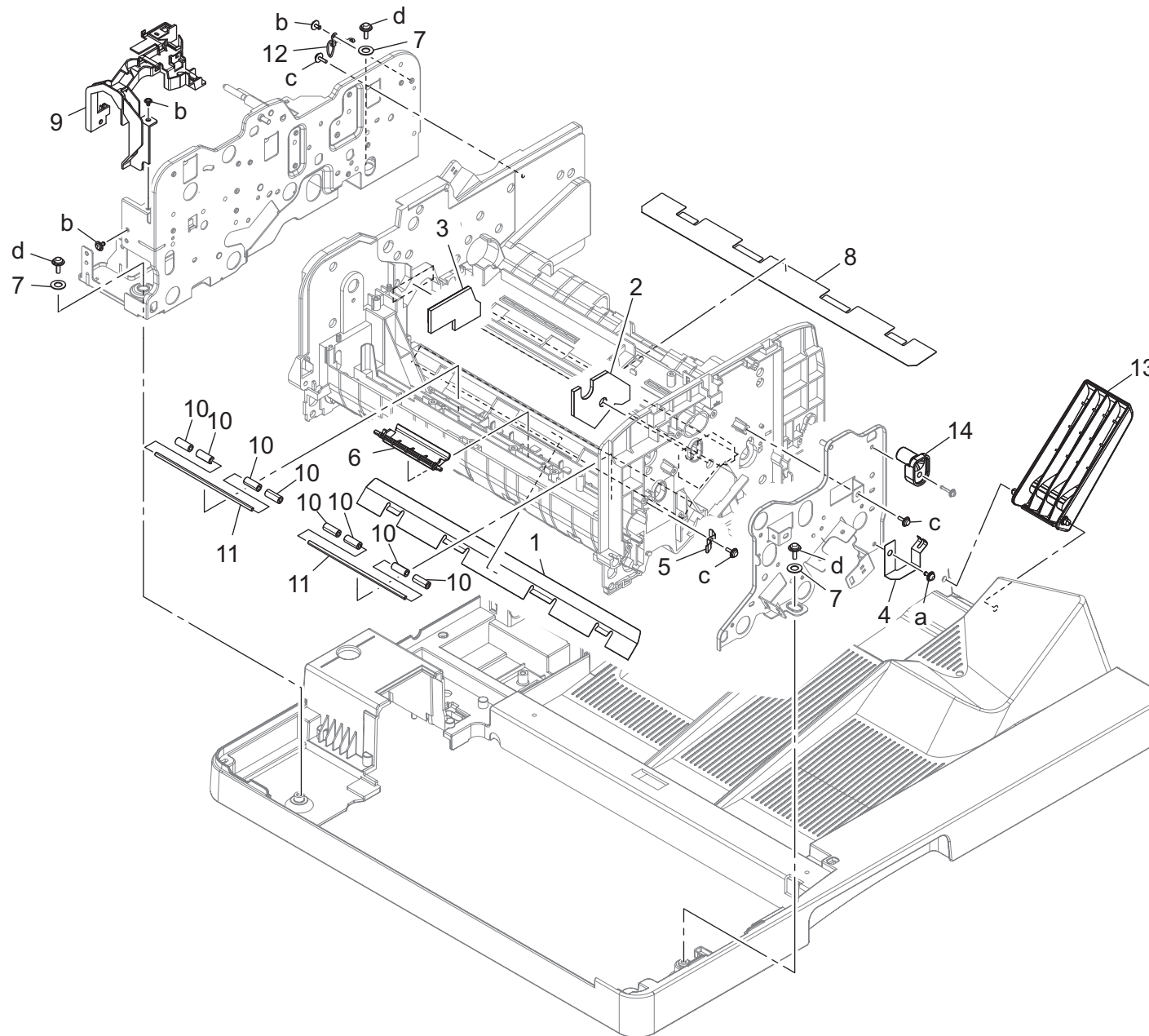


See P.97 to P.110

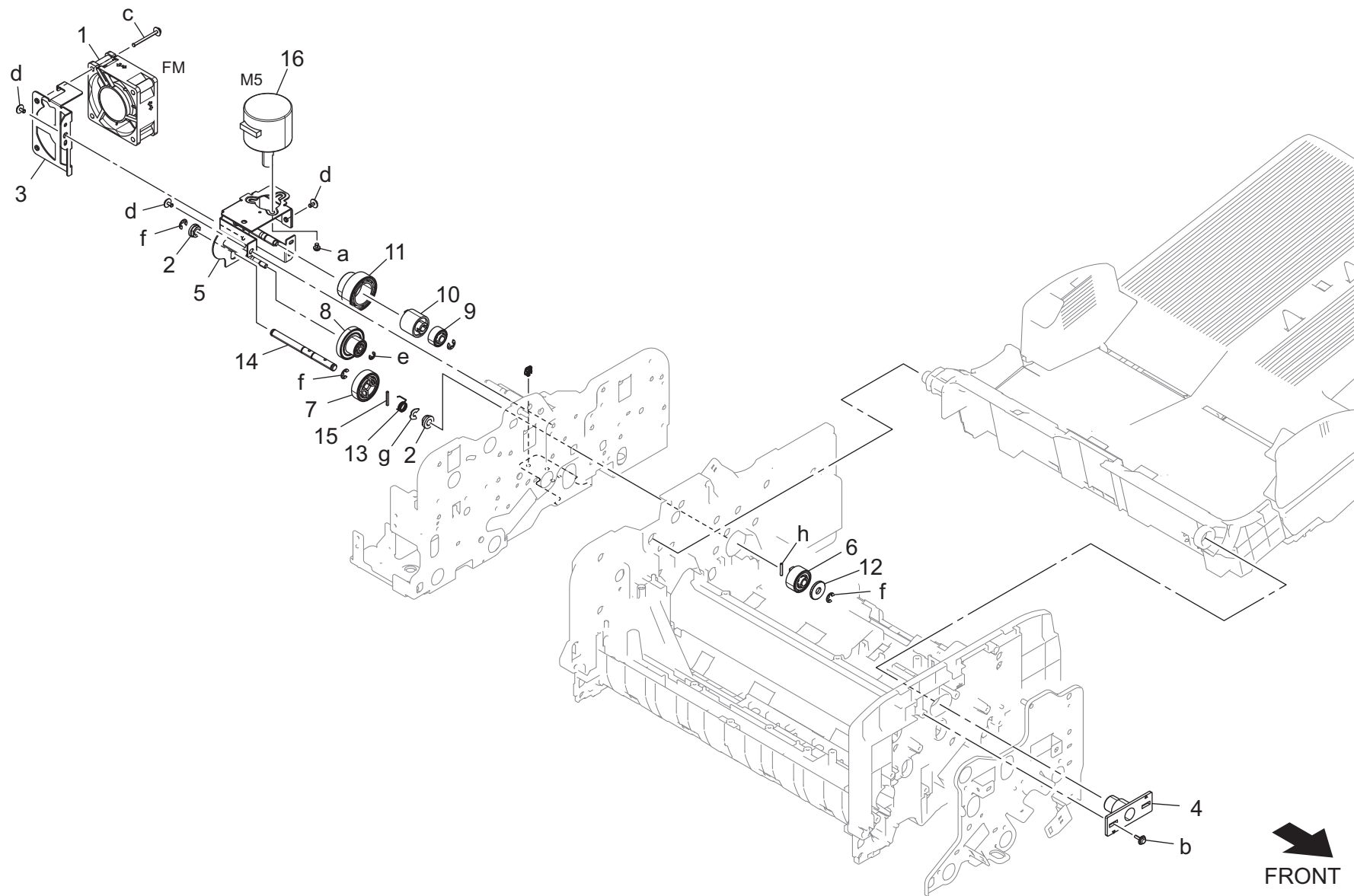
FRONT

AccurioPrint 2100

Key	Part No.	Description	Destinations	Class	QTY	Standard parts
1	15BY561200	Cover Spacer		D	1	a-V147031403 b-V153030803 c-V153031004 d-V153041203
2	9J07160200	MAGNET		D	1	
3	9J07210802	Shoulder Screw		C	2	
4	9J07210901	Shoulder Screw		C	2	
5	A782110009	Base frame		D	1	
6	A782110100	Cover /Lower		D	1	
7	A782110600	Reinforce Plate /1		D	1	
8	A782112305	Holding Mat /1		C	1	
9	A782113702	Hinge /Left		D	1	
10	A782113801	Hinge /Right		D	1	
11	A782113901	Sheet /Left		C	1	
12	A782114001	Sheet /Right		C	1	
13	A782114100	Screw		C	5	
14	A782117500	Reinforce Plate /2		D	1	
15	A782117600	Cushion		C	1	
16	A782119300	Seal /Rear		C	1	
17	A782130001	Wiring Guide /1		D	1	
18	A782130600	Wiring Guide /3		D	1	
19	A782160200	Sound shield Cushion /1		C	1	
20	A782160300	Sound shield Cushion /2		C	1	
21	A782940100	Label /1		C	1	
22	A782H00201	DFCB ASSY		I	1	
23	A782N11200	ADF Wiring /13		D	1	
24	A782N21100	ADF Wiring /1		D	1	
25	A8WCH00100	Sensor Control board Assembly		I	1	
26	A8WCN10000	ADF Wiring /A		D	1	
27	A782R71022	ADF Assy		S	1	
28	A61FM90200	Ferritecore		D	1	
29	A782160001	Protection Cover /Rear		C	1	
30	A782160101	Protection Cover /Front		C	1	



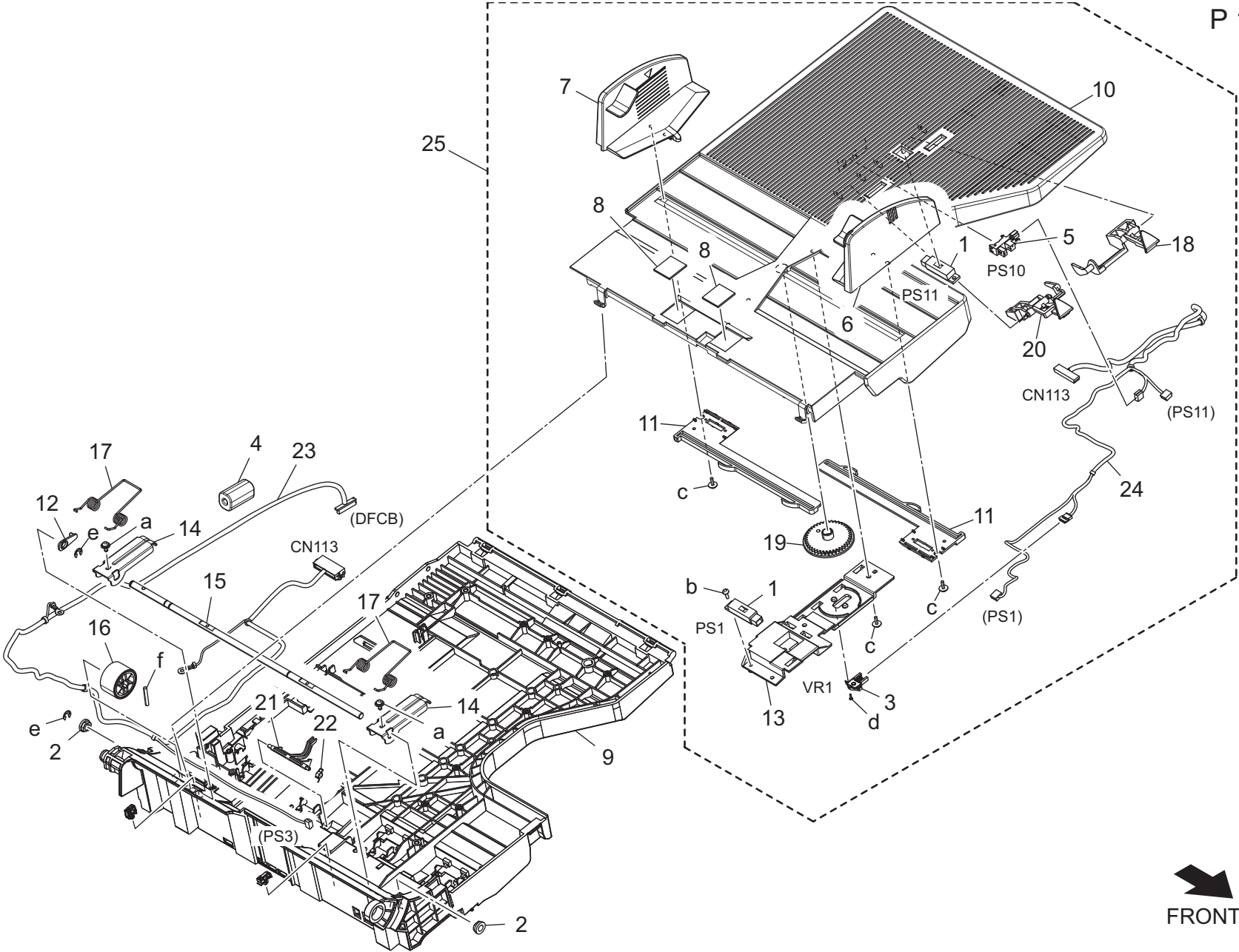
Key	Part No.	Description	Destinations	Class	QTY	Standard parts
1	A782101700	Guide Sheet		D	1	a-V116030803 b-V144030603 c-V153030803 d-V153041003
2	A782105001	Cushion		C	1	
3	A782105101	Cushion		C	1	
4	A782111000	Ground Plate spring /1		D	1	
5	A782111100	Ground Plate spring /2		D	1	
6	A782111200	Guide		D	1	
7	A782117000	Washer		C	3	
8	A782117100	Guide Film		C	1	
9	A782130301	Wiring Guide /2		D	1	
10	A782262800	Roll		C	8	
11	A782264900	Shaft		D	2	
12	A782N11800	ADF Wiring /19		D	1	
13	A782891001	Auxiliary Plate /1		C	1	
14	A782125300	Stopper Shaft		D	1	



Key	Part No.	Description	Destinations	Class	QTY	Standard parts
1	4556M10000	Fan Motor		B	1	a-V115030403
2	A161210200	Bushing		D	2	b-V153030803
3	A782130500	Mounting Plate		D	1	c-V116033003
4	A782566000	Mounting Plate		D	1	d-V144030603
5	A782570800	Mounting Plate		D	1	e-V217030003
6	A782571100	Gear /5 18T		C	1	f-V217040003
7	A782571201	Gear /4 32T		C	1	g-V218040086
8	A782571300	Gear /3 47T/18T		C	1	h-V234201250
9	A782571400	Gear /7 25T		C	1	
10	A782571500	Torque limiter		C	1	
11	A782571600	Gear /8 39T		C	1	
12	A782572000	Flange		C	1	
13	A782572900	Torsion Coil spring /5		C	1	
14	A782573401	Shaft		D	1	
15	A782573800	Pin		D	1	
16	A782M10100	Brushless motor		C	1	

Dual Scan ADF (DF-708)

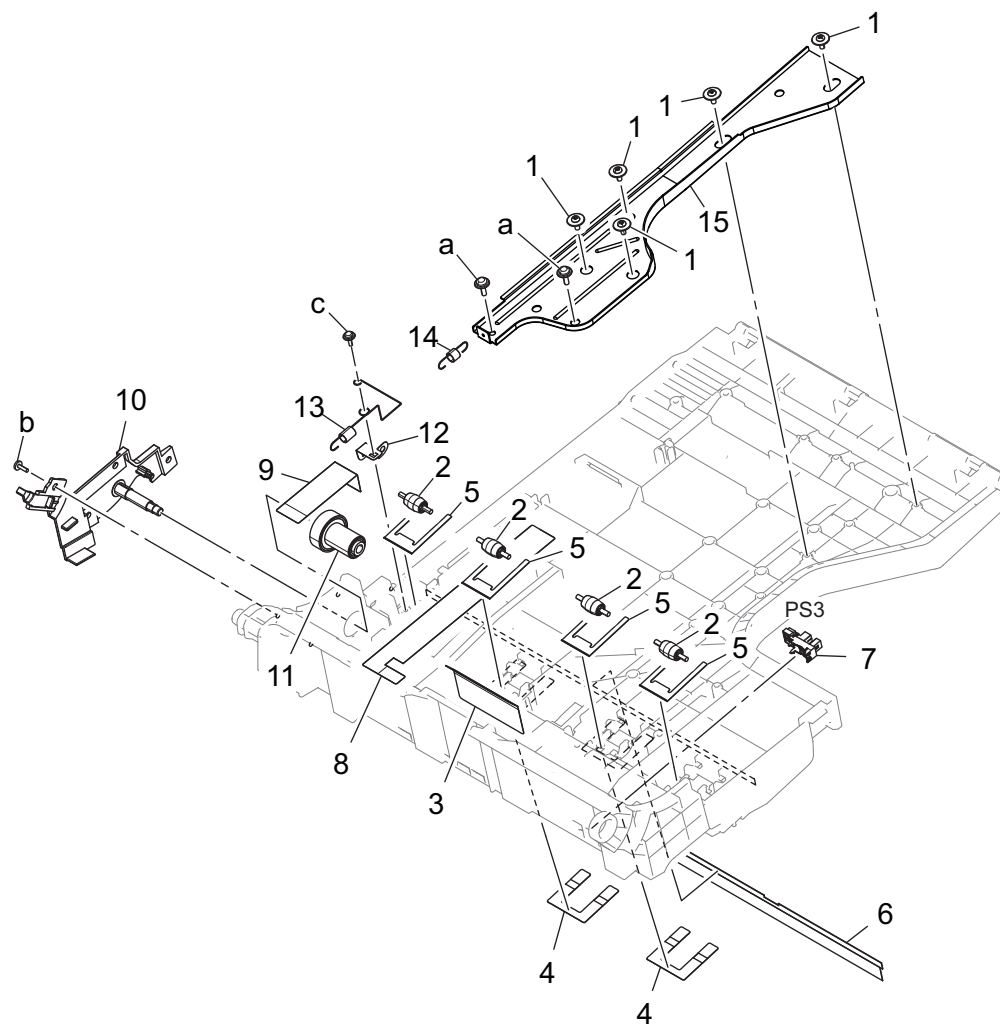
P 100



FRONT

AccurioPrint 2100

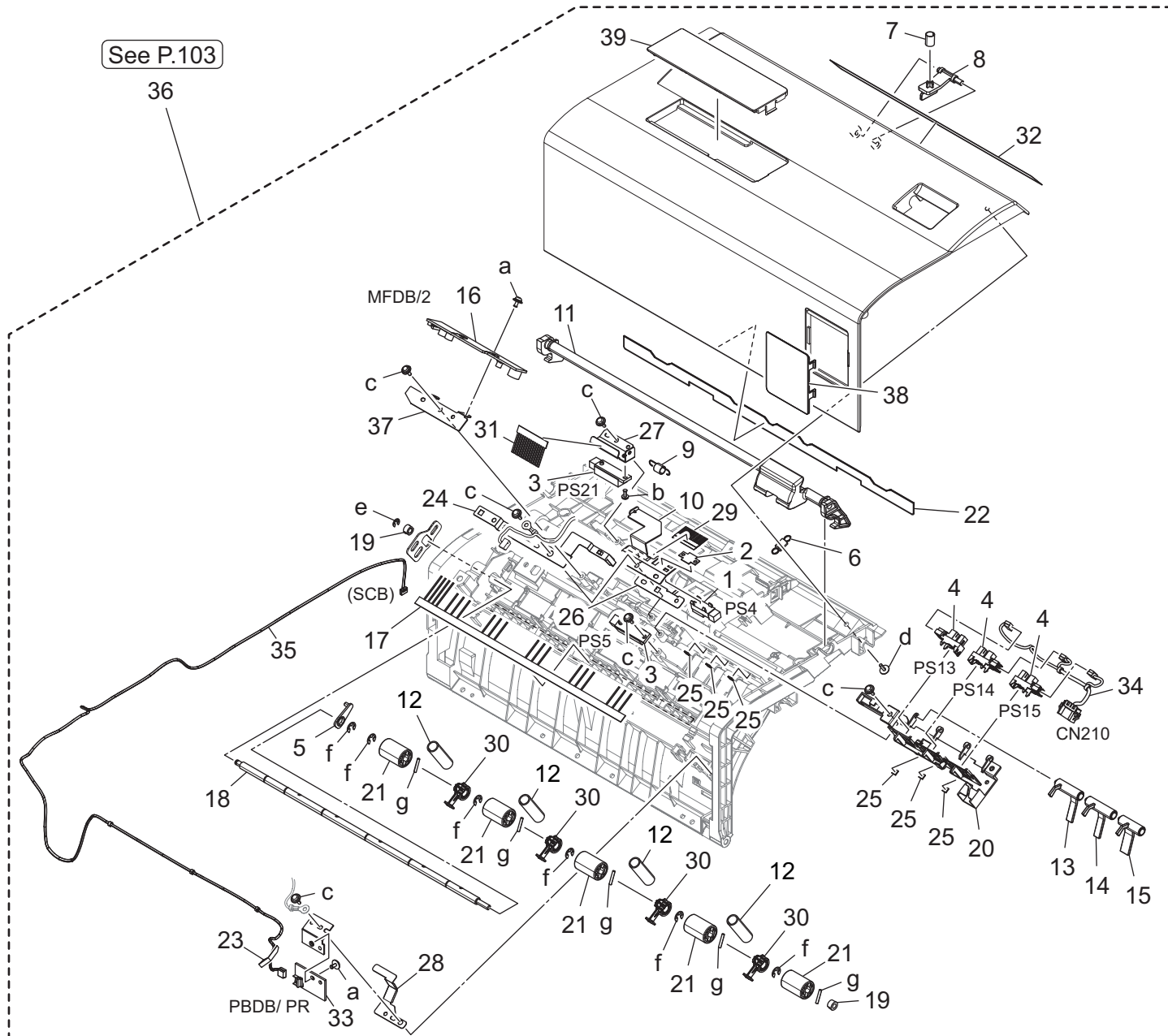
Key	Part No.	Description	Destinations	Class	QTY	Standard parts
1	A108M50000	Photorelector		B	2	a-V116030803
2	A161210200	Bushing		D	2	b-V145030803
3	A1UDM50100	Volume		D	1	c-V153030803
4	A3EWM90300	Ferritecore		D	1	d-V166170504
5	A5C1M50100	Photointerrupter		B	1	e-V217040003 f-V234302050
6	A782R71100	Regulating Plate Assy /Front	規制板 A s s y /前	D	1	
7	A782R71200	Regulating Plate Assy /Rear	規制板 A s s y /後	D	1	
8	A782561000	Friction Plate	摩擦板	C	2	
9	A782561126	Tray	トレイ	D	1	
10	A782561703	Lifting Plate	押上げ板	C	1	
11	A782562001	Rack	ラック	C	2	
12	A782562400	Washer	ワッシャ	C	1	
13	A782562600	Mounting Plate	取付板	D	1	
14	A782566800	Lever	レバー	D	2	
15	A782566900	Shaft	軸	D	1	
16	A782568500	Gear /7 34T	ギア /7 34 T	C	1	
17	A782573612	Torsion Coil spring /A	ねじりコイルばね / A	C	2	
18	A782600101	Arm /1	アーム /1	C	1	
19	A782600900	Gear 40T	ギア 40 T	C	1	
20	A782601500	Arm /2	アーム /2	C	1	
21	A782891800	Actuator	アクチュエータ	C	1	
22	A782891901	Paper exit Spring /6	排紙ばね /6	C	1	
23	A782N10300	ADF Wiring /4	ADF 束線 /4	C	1	
24	A782N10400	ADF Wiring /5	ADF 束線 /5	C	1	
25	A782R70311	Lifting Plate ASSY	押上げ板 A s s y	D	1	



AccurioPrint 2100

Key	Part No.	Description	Destinations	Class	QTY	Standard parts
1	4163529301	SCREW		C	5	a-V153041003 b-V149030803 c-V153030803
2	9J07300801	ROLL		C	4	
3	9J07341102	GUIDE		D	1	
4	A108561500	Guide		D	2	
5	A108890500	Plate spring		D	4	
6	A108891300	Neutralizing Brush		C	1	
7	A5C1M50100	Photointerrupter		B	1	
8	A782561801	Protection Seal /1		D	1	
9	A782561900	Protection Seal /2		D	1	
10	A782565011	Cover		D	1	
11	A782570900	Gear /6 23T		C	1	
12	A782571800	Ground Plate		C	1	
13	A782571900	Pulling Coil spring		C	1	
14	A782572101	Pulling Coil spring		C	1	
15	A782573901	Reinforce Plate /1		D	1	

Dual Scan ADF (DF-708)



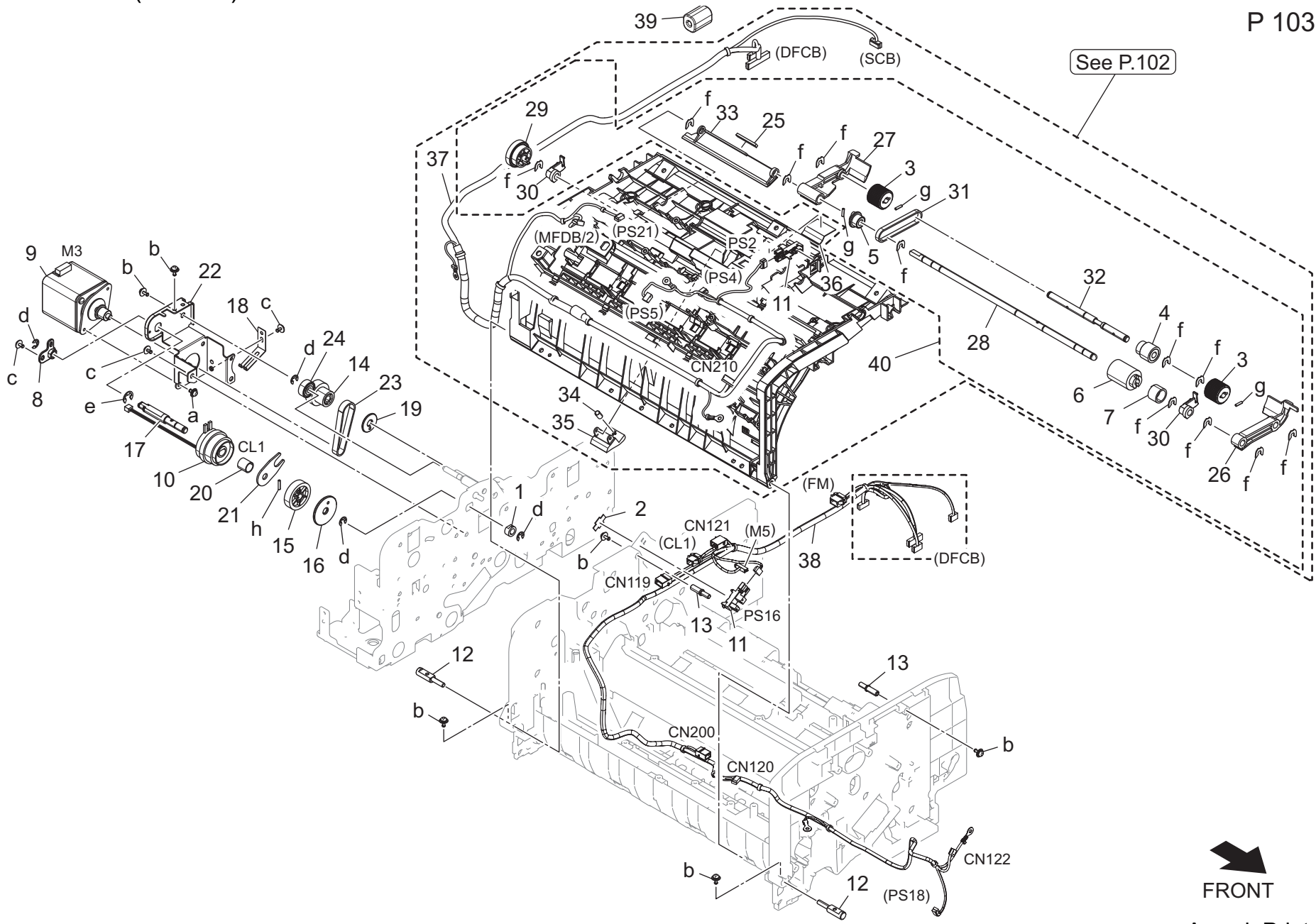
FRONT

AccurioPrint 2100

Key	Part No.	Description	Destinations	Class	QTY	Standard parts
1	9335140071	Solid State Switch		B	1	a-V116030603
2	A108703100	Stopper		D	1	b-V135030603
3	A108M50000	Photoreflector		B	2	c-V153030803
4	A5C1M50100	Photointerrupter		B	3	d-V153030804
5	A782562400	Washer		C	1	e-V217030003
6	A782565301	Pulling Coil spring		C	1	f-V217040003
7	A782570400	Spring		C	1	g-V234201250
8	A782570602	Lever /1		D	1	
9	A782572101	Pulling Coil spring		C	1	
10	A782700400	Mounting Plate		D	1	
11	A782700801	Open/close Lever		D	1	
12	A782700900	Compressing Spring		C	4	
13	A782701000	Actuator /1		C	1	
14	A782701100	Actuator /2		C	1	
15	A782701200	Actuator /3		C	1	
16	A8WCH00300	Paperfeed Detection board/R Assembly		I	1	
17	A782701501	Neutralizing Brush		C	1	
18	A782702600	Rotation Shaft		D	1	
19	A782702700	Bushing		C	2	
20	A782702801	Mounting Plate		D	1	
21	A782703001	Idler Roll		D	5	
22	A782703401	Sealing Rubber		C	1	
23	A782703900	Wiring Cover		D	1	
24	A782704101	Ground Plate		C	1	
25	A782704200	Adjusting Cushion		C	6	
26	A782704400	Scatteringprevention Plate		D	1	
27	A782704501	Mounting Plate		D	1	
28	A782704700	Ground Plate /Lower		D	1	
29	A782704800	Neutralizing Brush		C	1	
30	A782701900	Bushing		C	4	
31	A782705600	Neutralizing Brush /1		D	1	
32	A782940400	Label		C	1	
33	A782M50200	Photointerrupter /R		C	1	
34	A782N11100	ADF Wiring /12		D	1	
35	A782N20100	ADF Wiring		D	1	
36	A782R70611	Top Cover Assy		D	1	
37	A8WC700500	Mounting Plate /Upper		D	1	
38	A782704003	Protection Cover /Lower		C	1	
39	A782707300	Protection Cover /Upper		C	1	

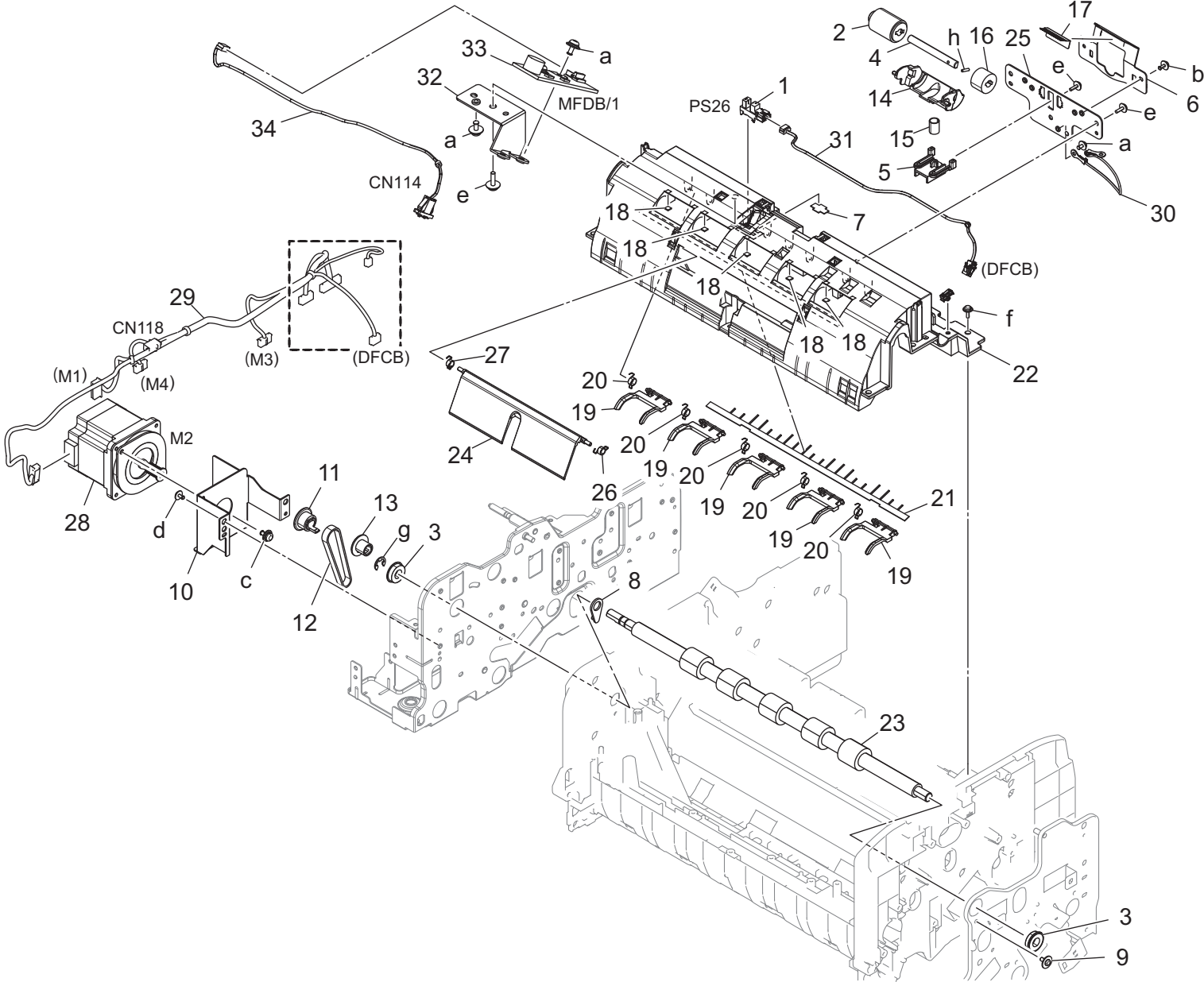
Dual Scan ADF (DF-708)

See P.102



FRONT
AccurioPrint 2100

Key	Part No.	Description	Destinations	Class	QTY	Standard parts
1	4131253701	BUSHING		C	1	a-V116030603
2	4470402401	Stopper		D	1	b-V116030803
3	9J07330102	Roller		A	2	c-V144030603
4	9J07330801	Pulley 21T		C	1	d-V217040003
5	9J07331901	Pulley 19T		C	1	e-V217060003
6	A00J563600	Roller		A	1	f-V218040086
7	A07H570500	Clutch		C	1	g-V234200850
8	A108260700	Bushing		D	1	h-V234201050
9	A2X0M10300	Stepping motor		C	1	
10	A3CKM20000	Clutch		C	1	
11	A5C1M50100	Photointerrupter		B	2	
12	A782101000	Shaft		C	2	
13	A782101600	Positioning Shaft /1		C	2	
14	A782211300	Pulley 27T		C	1	
15	A782211400	Gear 27T		C	1	
16	A782211500	Ring		D	1	
17	A782211600	Shaft		D	1	
18	A782211700	Ground Plate		C	1	
19	A782211800	Flange		C	1	
20	A782211900	Compressing Spring		C	1	
21	A782212000	Holder		D	1	
22	A782212702	Mounting Plate		D	1	
23	A782214300	Timing belt 124L		C	1	
24	A782215800	Gear		D	1	
25	A782562101	Cushion		C	1	
26	A782568901	Arm /Front		C	1	
27	A782569000	Arm /Front		C	1	
28	A782569200	Paper feed Shaft		D	1	
29	A782569300	Gear /2 25T		C	1	
30	A782569801	Lever /2		C	2	
31	A782569900	Timing belt 128L		C	1	
32	A782573501	Shaft		D	1	
33	A782576100	Guide Plate		D	1	
34	A782704301	Spring		C	1	
35	A782707201	Guide /J		D	1	
36	A782707400	Light blocking Part		D	1	
37	A782N10200	ADF Wiring /3		D	1	
38	A782N20300	ADF Wiring		D	1	
39	A79JM90A00	Ferritecore		D	1	
40	A782R70800	Pick Up ASSY		C	1	

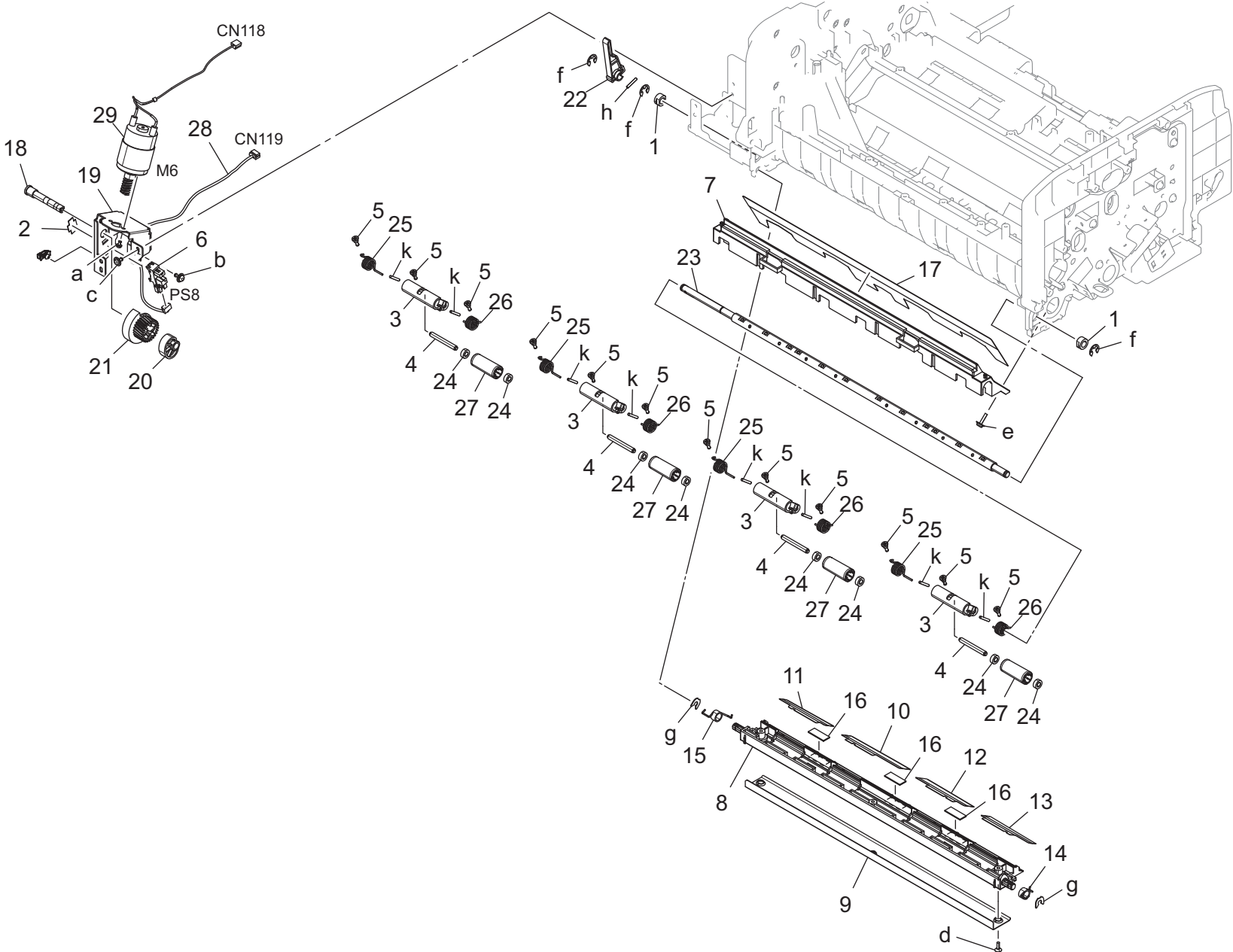


FRONT

AccurioPrint 2100

Key	Part No.	Description	Destinations	Class	QTY	Standard parts
1	4470402401	Stopper		D	1	a-V116030603
2	9J07340901	ROLLER		A	1	b-V116030803
3	A00V240600	Ball Bearing		B	2	c-V116040803
4	A0HT561202	Shaft		C	1	d-V144030603
5	A3CK565100	Holder		D	1	e-V153030803
6	A3CK568300	Guide		D	1	f-V153031004
7	A5C1M50100	Photointerrupter		B	1	g-V217060003
8	A782115700	Washer /1		C	1	h-V234200850
9	A782117900	Shoulder screw		C	1	
10	A782212600	Mounting Plate /B		D	1	
11	A782213000	Gear 23T		C	1	
12	A782214400	Timing belt 150L		C	1	
13	A782215100	Collar		C	1	
14	A782568200	Holder		C	1	
15	A782568600	Spring		C	1	
16	A782568701	Torque limiter		A	1	
17	A782576000	Neutralizing Brush		C	1	
18	A782704200	Adjusting Cushion		C	5	
19	A782710000	Lever /Upper		C	5	
20	A782710100	Spring /1		C	5	
21	A782710201	Neutralizing Brush		C	1	
22	A782710806	Guide		D	1	
23	A782711000	Conveyance Roller		C	1	
24	A782711901	Lever /1		C	1	
25	A782712300	Mounting Plate /2		D	1	
26	A782714100	Spring /Lower		C	1	
27	A782714200	Spring /Lower		C	1	
28	A782M10000	Stepping motor		C	1	
29	A782N10100	ADF Wiring /2		D	1	
30	A782N12700	ADF Wiring /B		D	1	
31	A782N20400	ADF Wiring		D	1	
32	A8WC710500	Mounting Plate /Lower		D	1	
33	A8WCH00200	Paperfeed Detection board/S Assembly		I	1	
34	A8WCN10100	ADF Wiring /B		D	1	

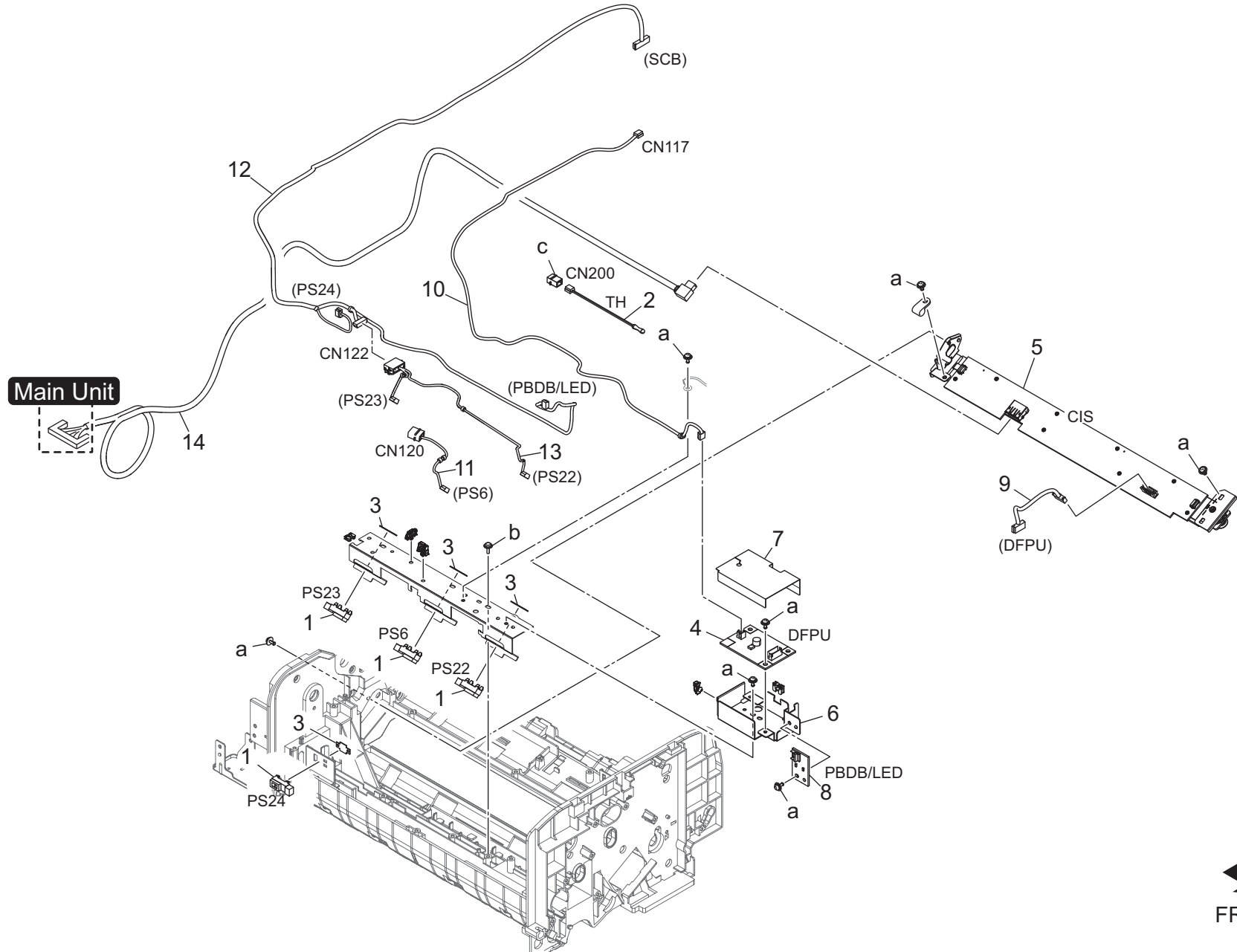
Dual Scan ADF (DF-708)



FRONT

AccurioPrint 2100

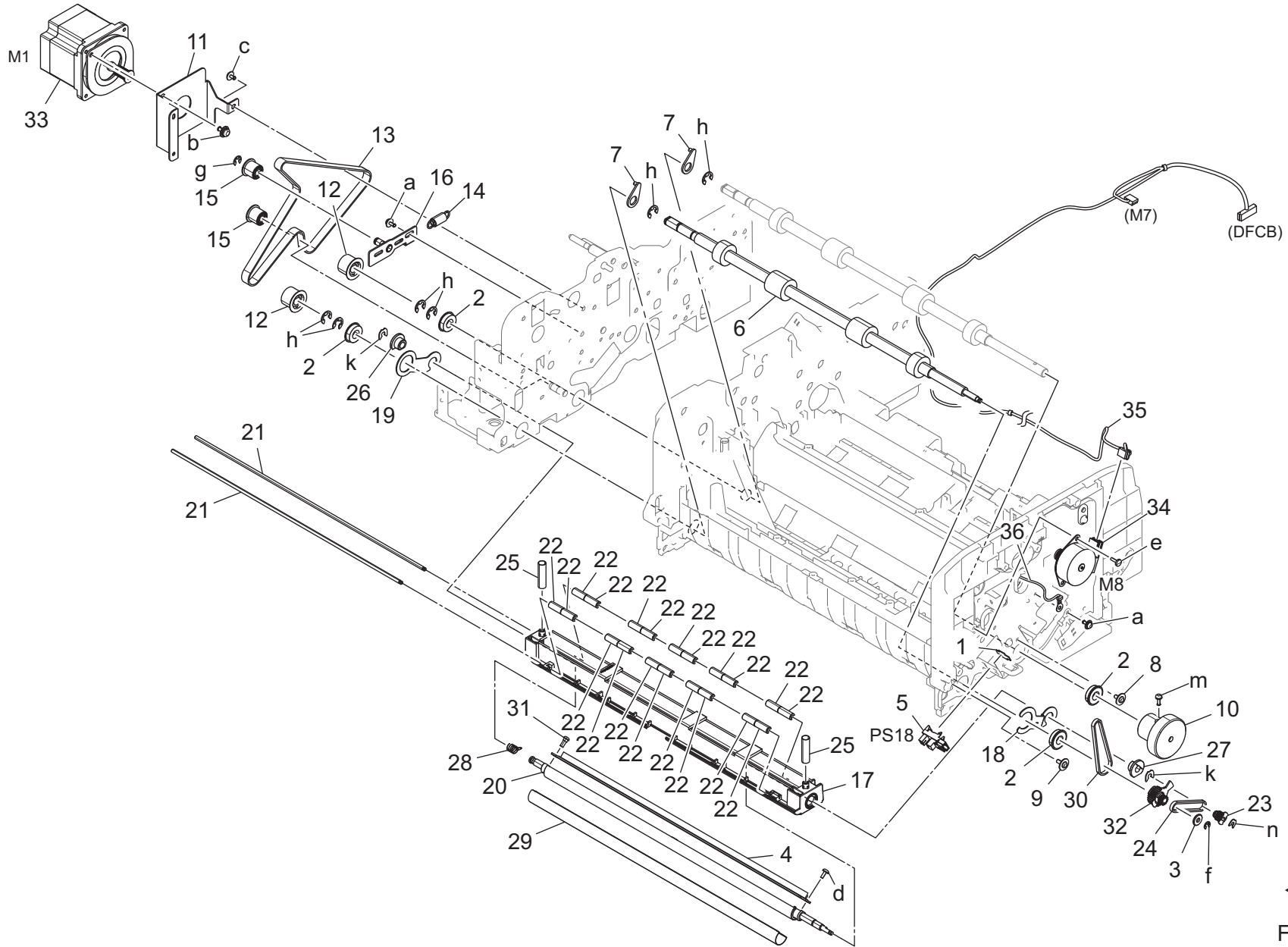
Key	Part No.	Description	Destinations	Class	QTY	Standard parts
1	4131253701	BUSHING		C	2	a-V115260403
2	4470402401	Stopper		D	1	b-V116030803
3	A3CK272001	Lever		C	4	c-V144030603
4	A3CK272200	Shaft		D	4	d-V147030803
5	A3CK272600	Shoulder screw		C	12	e-V153031003
6	A5C1M50100	Photointerrupter		B	1	f-V217050003
7	A782100001	Guide		D	1	g-V218040086
8	A782100102	Guide		C	1	h-V234201250
9	A782100200	Reinforce Plate		D	1	k-V234201450
10	A782100301	Guide /1		C	1	
11	A782100400	Guide /2		C	1	
12	A782100501	Guide /3		C	1	
13	A782100600	Guide /4		C	1	
14	A782100701	Torsion Coil spring		C	1	
15	A782100802	Torsion Coil spring		C	1	
16	A782104700	Cushion		C	3	
17	A782116801	Guide		C	1	
18	A782213400	Shaft		D	1	
19	A782260200	Fixing Plate		D	1	
20	A782260400	Cam		C	1	
21	A782260501	Gear 26T		C	1	
22	A782260600	Lever		C	1	
23	A782260700	Support Shaft		D	1	
24	A782272200	Ball bearing /1		C	8	
25	A782272301	Torsion Coil spring /1		C	4	
26	A782272401	Torsion Coil spring /2		C	4	
27	A782272800	Roll		C	4	
28	A782N12100	ADF Wiring /30		D	1	
29	A782R70100	Breakaway Motor ASSY		C	1	



AccurioPrint 2100

Key	Part No.	Description	Destinations	Class	QTY	Standard parts
1	9335140071	Solid State Switch		B	4	a-V116030803 b-V153030803 c-V651010034
2	A0P0M50300	Thermistor		C	1	
3	A108703100	Stopper		D	4	
4	A3CKH00400	PWB Assembly(PWB-DC Assy)		I	1	
5	A782R70200	CIS Assy		I	1	
6	A782116201	Plate		D	1	
7	A782116301	Wiring Cover		C	1	
8	A782M50100	Photointerrupter /E		C	1	
9	A782N10900	ADF Wiring /10		D	1	
10	A782N12200	ADF Wiring /40		D	1	
11	A782N12300	ADF Wiring /50		D	1	
12	A782N20000	ADF Wiring		D	1	
13	A782N20201	ADF Relay Harness		D	1	
14	A782N21311	ADF Cable		D	1	

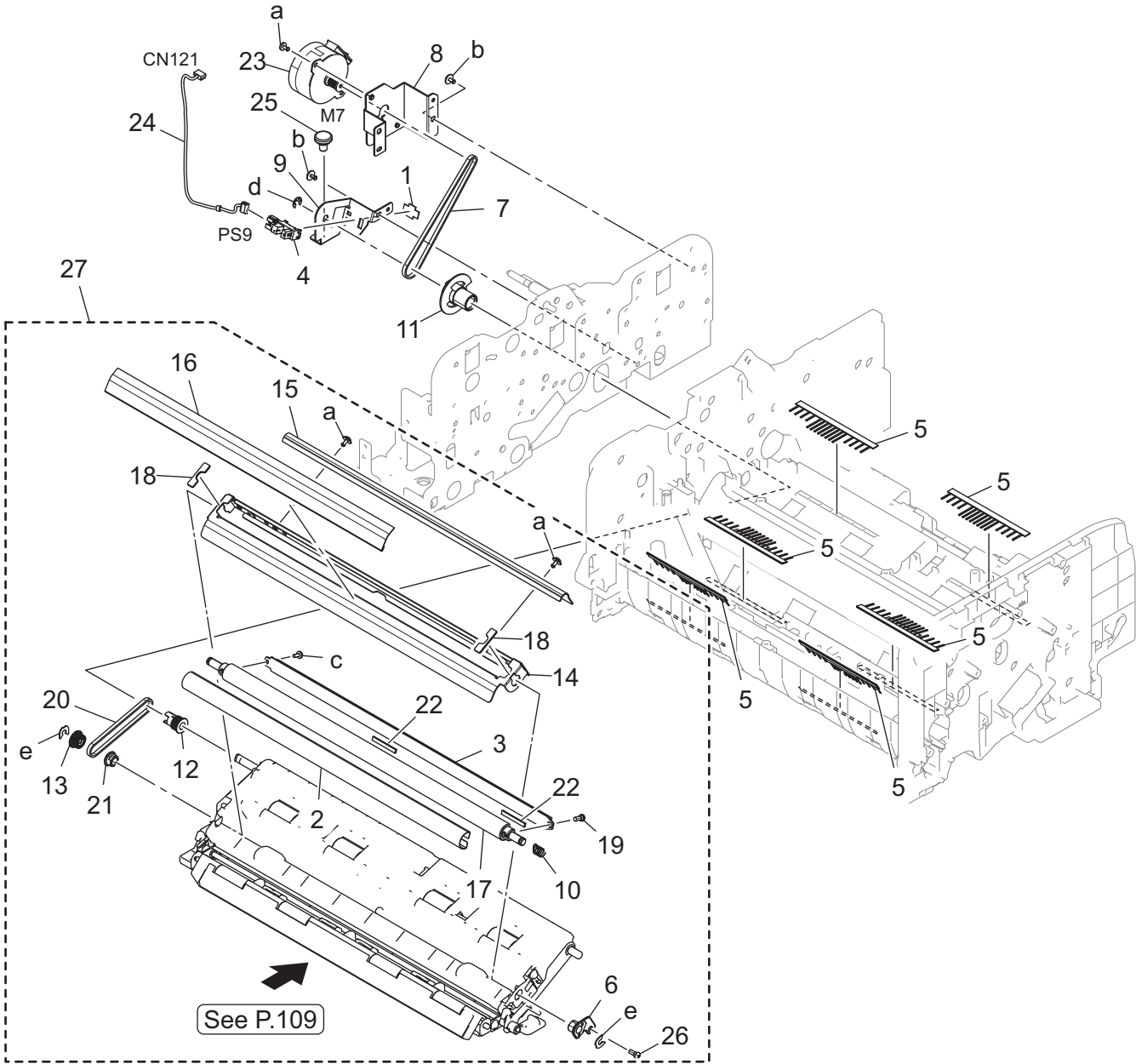
Dual Scan ADF (DF-708)



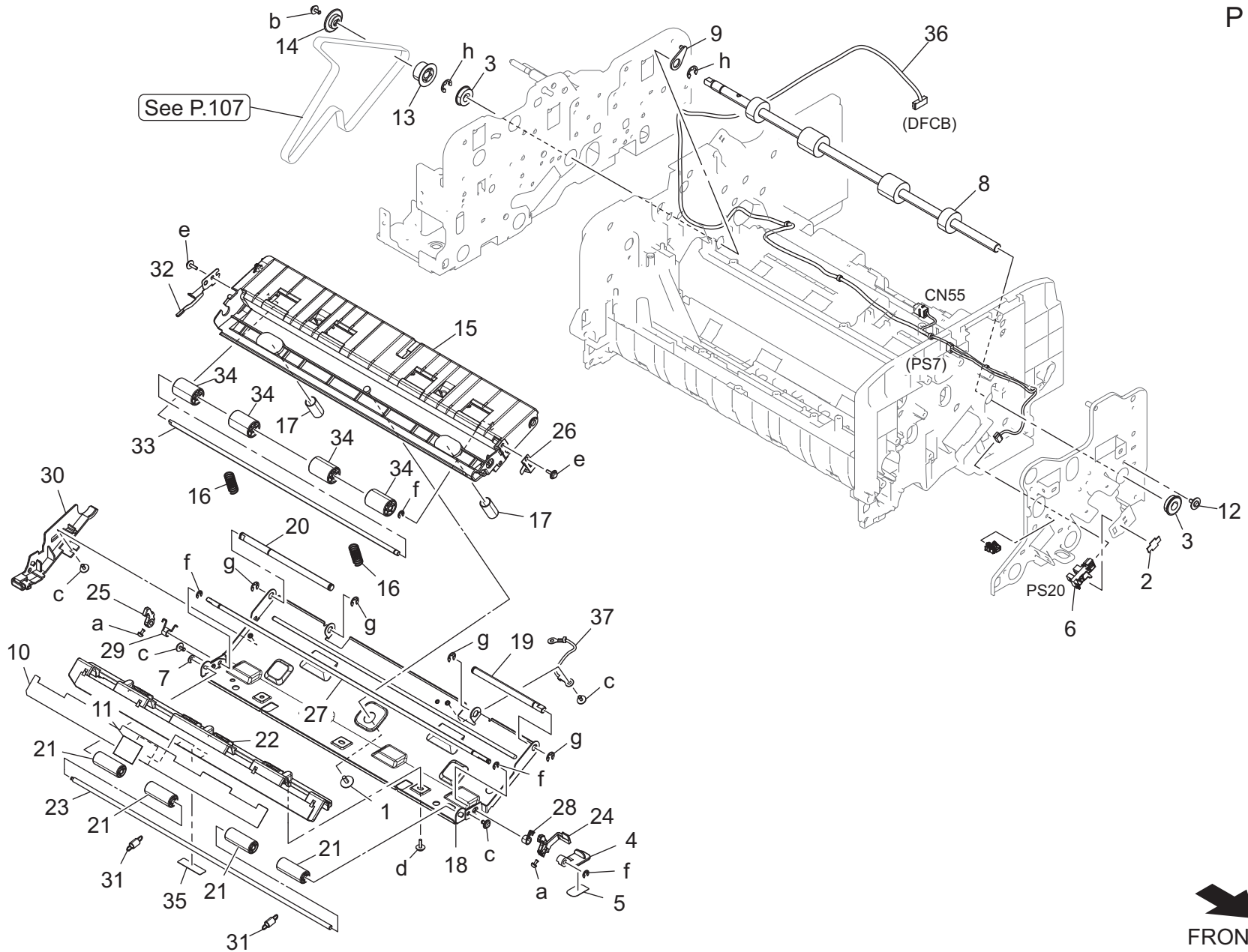
FRONT

AccurioPrint 2100

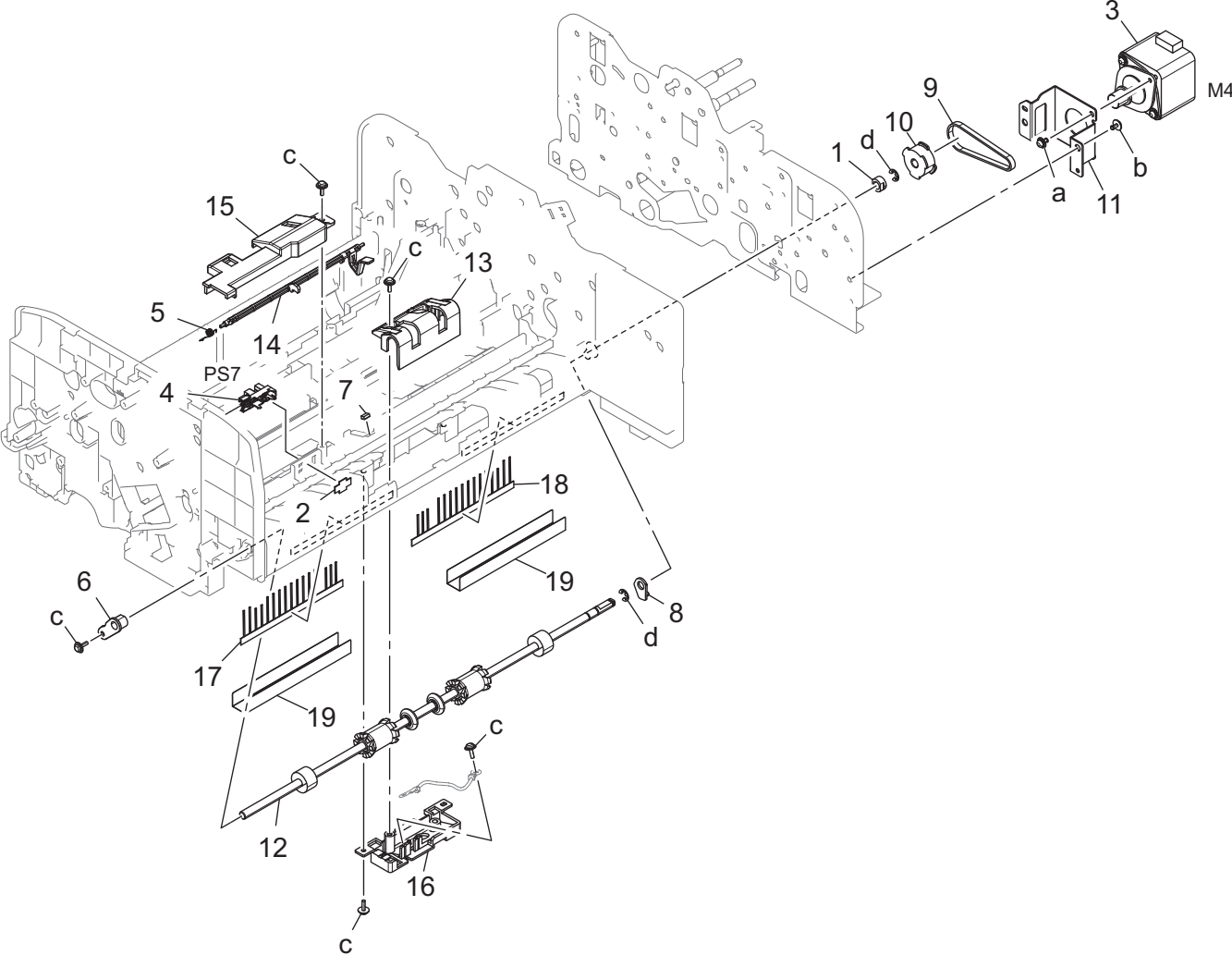
Key	Part No.	Description	Destinations	Class	QTY	Standard parts
1	4470402401	Stopper		D	1	a-V116030803
2	A00V240600	Ball Bearing		B	4	b-V116040803
3	A0HU250500	Flange		D	1	c-V144030603
4	A3CK300200	Brush		C	1	d-V145030603
5	A5C1M50100	Photointerrupter		B	1	e-V149030803
6	A782102900	Roller		D	1	f-V217030003
7	A782115700	Washer /1		C	2	g-V217040003
8	A782117900	Shoulder screw		C	1	h-V217060003
9	A782118000	Shoulder screw		C	1	k-V218040086
10	A782118300	Weight		D	1	m-V115030803
11	A782212300	Mounting Plate		D	1	n-V218030086
12	A782213100	Pulley /2 27T		C	2	
13	A782213300	Timing belt 468L		C	1	
14	A782215700	Pulling Coil spring		D	1	
15	A782230700	Pulley		C	2	
16	A782231000	Tension Plate		D	1	
17	AA2JP10100	Cover /Rear		D	1	
18	A782262200	Arm		D	1	
19	A782262300	Arm		D	1	
20	A782262501	Shaft		D	1	
21	A782262700	Shaft		D	2	
22	A782262800	Roll		C	20	
23	A782262900	Pulley 14T		C	1	
24	A782263000	Belt 100L		C	1	
25	A782263300	Compressing Coil spring		C	2	
26	A782263700	Bushing		C	1	
27	A782263801	Bushing		C	1	
28	A782264300	Spring		D	1	
29	A782264501	Sheet		C	1	
30	A782268900	Belt 140L		C	1	
31	A782269200	Shoulder screw		C	1	
32	A782269800	Pulley T25		C	1	
33	A782M10000	Stepping motor		C	1	
34	A782M10200	Stepping motor		C	1	
35	A782N10501	ADF Wiring /6		D	1	
36	A782N12600	ADF Wiring /A		D	1	



Key	Part No.	Description	Destinations	Class	QTY	Standard parts
1	4470402401	Stopper		D	1	a-V143030603 b-V144030603 c-V145030603 d-V217040003 e-V218040086
2	A3CK300102	Sheet (清掃軸)		C	1	
3	A3CK300200	Brush		C	1	
4	A5C1M50100	Photointerrupter		B	1	
5	A782104301	Neutralizing Brush		D	6	
6	A782263212	Bushing		C	1	
7	A782264000	Belt 230L		C	1	
8	A782264101	Mounting Plate		D	1	
9	A782264202	Mounting Plate		D	1	
10	A782264300	Spring		D	1	
11	A782264400	Pulley T25		C	1	
12	A782264600	Pulley T18		C	1	
13	A782264700	Pulley /2 T18		C	1	
14	A782264800	Housing		D	1	
15	A782265201	Mounting Plate		D	1	
16	A782265300	Sheet /1		D	1	
17	A782268301	Shaft		D	1	
18	A782268500	Spacer		D	2	
19	A782269200	Shoulder screw		C	1	
20	A782269300	Belt 154L		C	1	
21	A782269500	Bushing		C	1	
22	A782562101	Cushion		C	2	
23	A782M10400	Stepping motor		C	1	
24	A782N12400	ADF Wiring /60		D	1	
25	A0P0742300	Shoulder screw		C	1	
26	AAMP273000	Shoulder screw		C	1	
27	AAMP270600	CIS Cleaning ASSY		S	1	



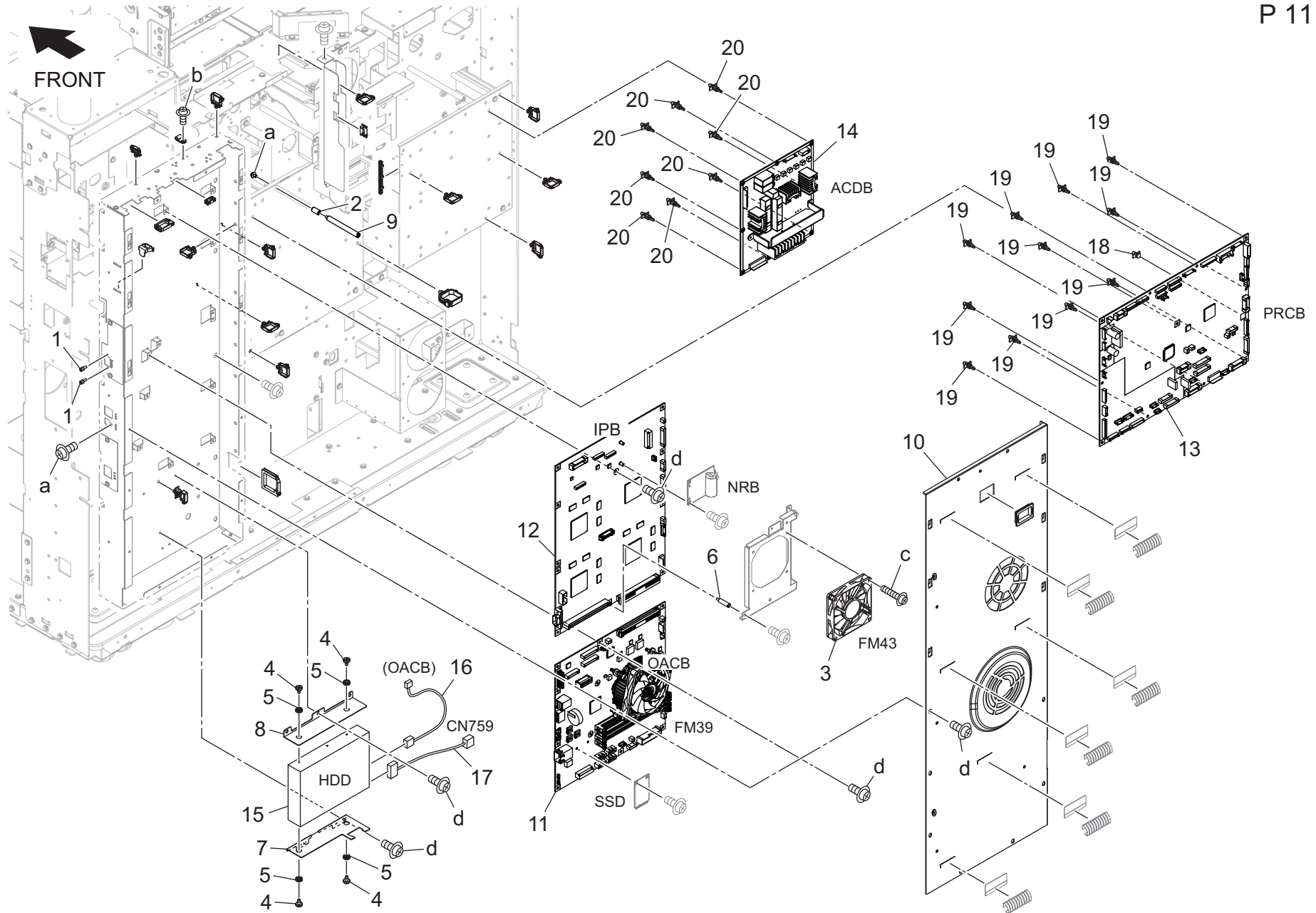
Key	Part No.	Description	Destinations	Class	QTY	Standard parts
1	4163529301	SCREW		C	1	a-V115260503
2	4470402401	Stopper		D	1	b-V116030803
3	A00V240600	Ball Bearing		B	2	c-V144030603
4	A108266300	Lock Lever		C	1	d-V149030803
5	A3CK940000	Label		C	1	e-V153030803
6	A5C1M50100	Photointerrupter		B	1	f-V217030003
7	A782103600	Slide Stopper		C	1	g-V217040003
8	A782115600	Roller		D	1	h-V217060003
9	A782115700	Washer /1		C	1	
10	A782117700	Conveyance Guide		D	1	
11	A782117800	Guide /Middle		D	1	
12	A782117900	Shoulder screw		C	1	
13	A782213500	Pulley 27T		C	1	
14	A782230900	Flange		C	1	
15	A782265102	Conveyance Guide		D	1	
16	A782265600	Compressing Coil		C	2	
17	A782265700	Compressing Coil spring		C	2	
18	A782265800	Cover /1		D	1	
19	A782266000	Open/close Shaft /Front		D	1	
20	A782266100	Shaft		D	1	
21	A782266200	Roll		C	4	
22	A782266300	Guide		D	1	
23	A782266401	Shaft		D	1	
24	A782266502	Lock Part /Front		D	1	
25	A782266601	Lock Part /Rear		D	1	
26	A782266700	Ground Plate spring		D	1	
27	A782266800	Open/close Shaft		D	1	
28	A782266900	Open/close Spring /Left		D	1	
29	A782267000	Open/close Spring /Right		D	1	
30	A782267100	Cover		D	1	
31	A782267200	Pulling Coil spring /3		C	2	
32	A782268001	Plate spring		D	1	
33	A782268201	Shaft		D	1	
34	A782563800	Idling Roller		C	4	
35	A782940300	Cover Film		C	1	
36	A782N10700	ADF Wiring /8		D	1	
37	A782N11800	ADF Wiring /19		D	1	



Key	Part No.	Description	Destinations	Class	QTY	Standard parts
1	4131253701	BUSHING		C	1	a-V116030603 b-V144030603 c-V153030803 d-V217040003
2	4470402401	Stopper		D	1	
3	A3CKM10300	Stepping motor		C	1	
4	A5C1M50100	Photointerrupter		B	1	
5	A782101900	Paper exit Spring		C	1	
6	A782103200	Bushing		C	1	
7	A782104500	Cushion		C	1	
8	A782115800	Paper exit Washer		C	1	
9	A782210200	Paper exit Timing belt 148L		C	1	
10	A782210800	Pulley 34T		C	1	
11	A782212500	Mounting Plate		D	1	
12	A782890000	Paper exit Roller		C	1	
13	A782890111	Paper exit Cover		D	1	
14	A782890200	Paper exit Actuator		C	1	
15	A782890600	Sensor Cover		D	1	
16	A782890711	Mounting Pedestal		D	1	
17	A782891500	Neutralizing Brush /1		C	1	
18	A782891600	Neutralizing Brush /2		C	1	
19	A782891700	Wiring Cover		D	2	

Electric Parts

P 111

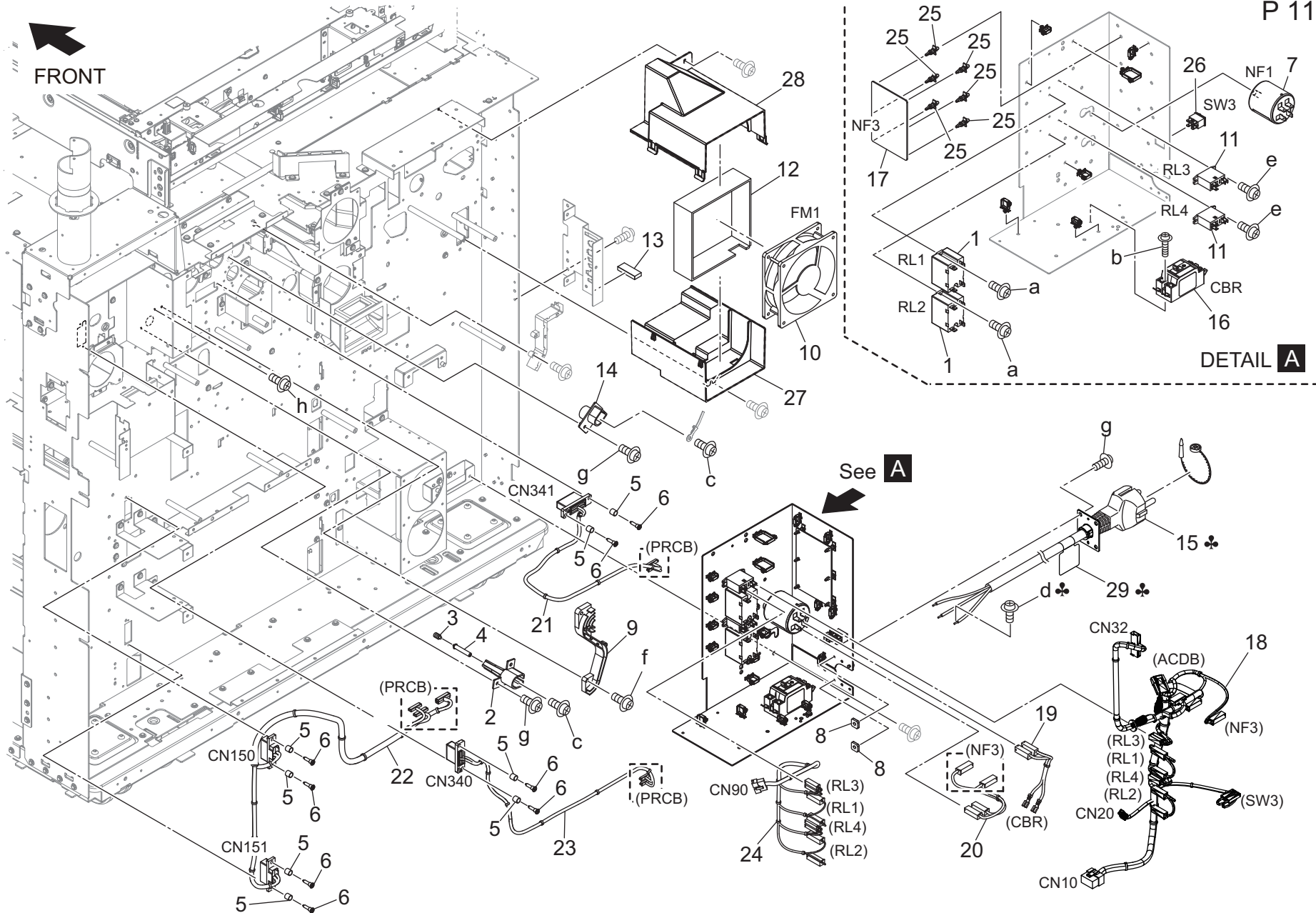


Electric Parts

Key	Part No.	Description	Destinations	Class	QTY	Standard parts
1	4025228301	Screw		D	2	a-V116040803 b-V116030603 c-V121031803 d-V127030604
2	ADF2134200	Support Shaft /1		D	1	
3	A1RFM15100	Fan motor /1		C	1	
4	A4EU131100	Fixing Screw		D	4	
5	A4EU138000	Support Rubber		D	4	
6	A9JT138100	Hold Leg /1		D	1	
7	A50U133500	Mounting Plate /B		D	1	
8	A50U133600	Mounting Plate /A		D	1	
9	ADF2134300	Support Shaft /2		D	1	
10	A799143600	Cover /A		D	1	
11	ADF2H01102	Main Body Control assy		I	1	
12	ADF2H02000	Image Processing Board ASSY		I	1	
13	ADF2H05000	PWB Assembly (print control ASSY)		I	1	
14	A9JTH51001	AC Drive board ASSY		I	1	
15	A799M72100	HDD		I	1	
16	ADF2N29800	Signal Cable /H		D	1	
17	ADF2N29900	Power source Cable /H		D	1	
18	V502010029	spacer		D	1	
19	V502010032	Circuit Board Spacer		D	11	
20	V502010033	Circuit Board Spacer		D	8	

Electric Parts

P 112

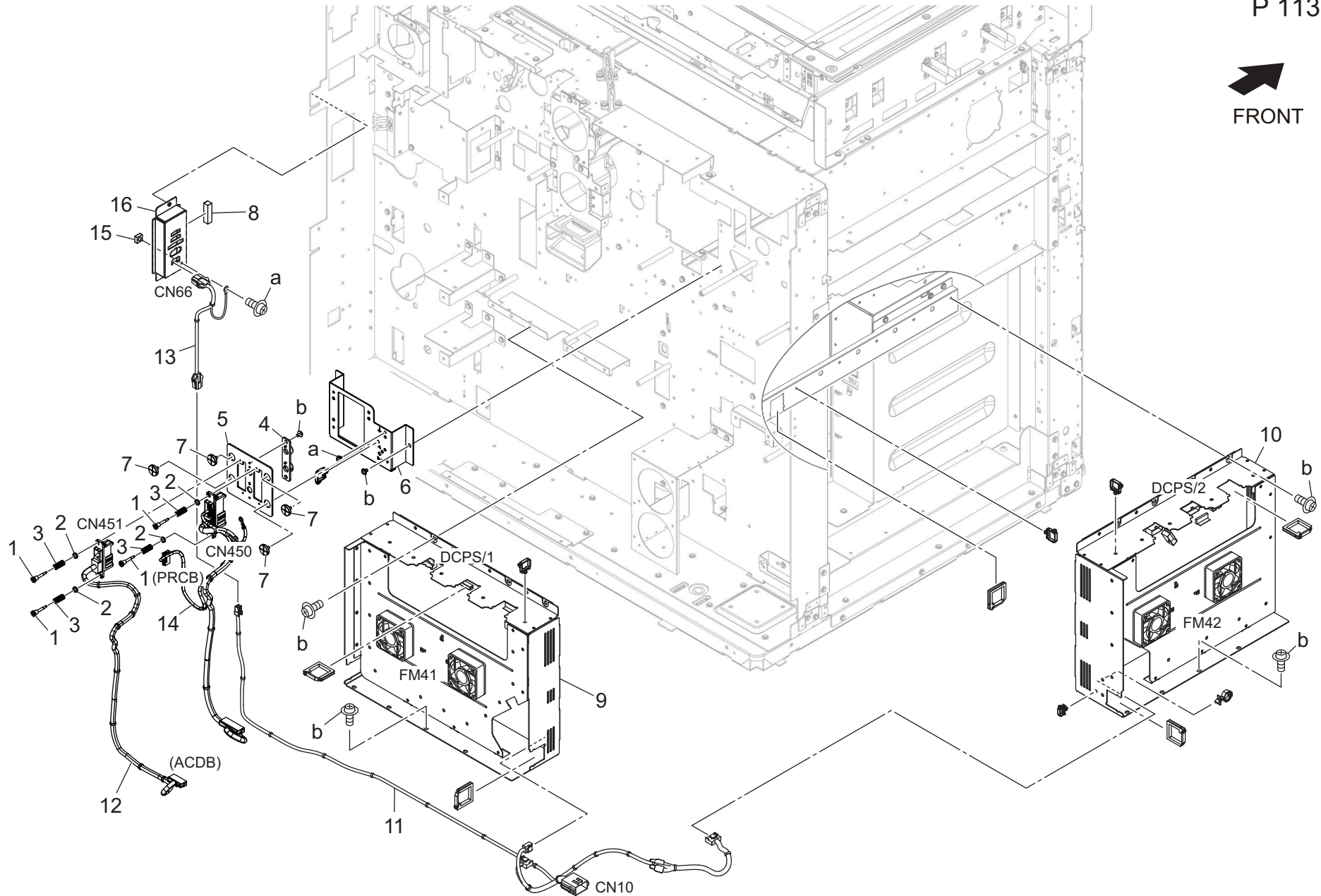


AccurioPrint 2100

Key	Part No.	Description	Destinations	Class	QTY	Standard parts
1	A92WM60100	Relay		D	2	a-V111040603
2	56AA15460	HIGH VOLTAGE GUIDE PART		C	1	b-V111042003
3	56AA15471	CONTACT SPRING		C	1	c-V116030603
4	56AA15521	CONTACT SHAFT		D	1	d-V116040803
5	56AA17080	TERMINAL ROCKING SPRING		C	8	d-V116050803
6	56AA17330	Slide Shaft		C	8	e-V118030603
7	ACVXM40H00	Noise Filter		D	1	f-V118041203
8	56UA45880	Screw Protection Cushion		C	2	g-V121040603
9	56UA73071	HV GUIDE RAIL LEFT		D	1	h-V116040603
10	A03UM15201	Main body Fan motor		B	1	
11	A07TM60100	Power source Relay		C	2	
12	A4EU112000	Heat sink Seal		D	1	
13	A4EU136100	Protection Cushion /3		D	1	
14	A4EUR72B00	Chageg Powering Block		D	1	
15	A4EWR70100	Power Supply Code Assy(JP)	電源コード部組 (日本)	D	1	
15	A4EWR70200	Power Supply Code Assy(USA)	電源コード部組 (北米)	D	1	
15	ADF2R72600	Power Code Assy(EU)	電源コード Assy (欧州)	C,I	1	
15	ADF2R73000	Power Code Assy(AP)	電源コード Assy (AP)	D	1	D1(Except INDIA),E, F2,G1,I
15	A4EWR70C00	Power Supply Code Assy(AUS)	電源コード部組 (AUS)	D	1	D3
15	A4EWR70J00	Power Supply Code Assy(CHINA)	電源コード部組 (中国)	D	1	J
15	A799R71N00	Power Supply Code Assy	電源コード Assy (インド)	D	1	D1(only INDIA)
16	A4EWM60401	Breaker	漏電ブレーカ	D	1	
17	A799M45300	Noise filter	ノイズフィルター	D	1	
18	ADF2N10100	AC Harness /1	AC 束線 /1	D	1	
19	A799N10400	AC Wiring /2	AC 束線 /2	D	1	
20	A799N10700	AC Wiring /3	AC 束線 /3	D	1	
21	A799N11200	Photoconductor Relay harness /1	感光体中継束線 /1	D	1	
22	A799N11301	Paperfeed Wiring /1	給紙束線 /1	D	1	
23	A799N11900	Photoconductor Relay harness /2	感光体中継束線 /2	D	1	
24	A799N12000	Circuit Relay harness	サーキット 中継束線	D	1	
25	V502010033	Circuit Board Spacer	サーキット ボードスペーサー	D	6	
26	25AA85020	Heater Switch	ヒータースイッチ	C	1	
27	A4EU110200	Heat sink Duct Outside	放熱ダクト /外	D	1	
28	A4EU111900	Heat sink Duct /Upper	放熱ダクト /上	D	1	
29	56AA97140	CORD LABEL	コードラベル	D	1	
			B,G2			

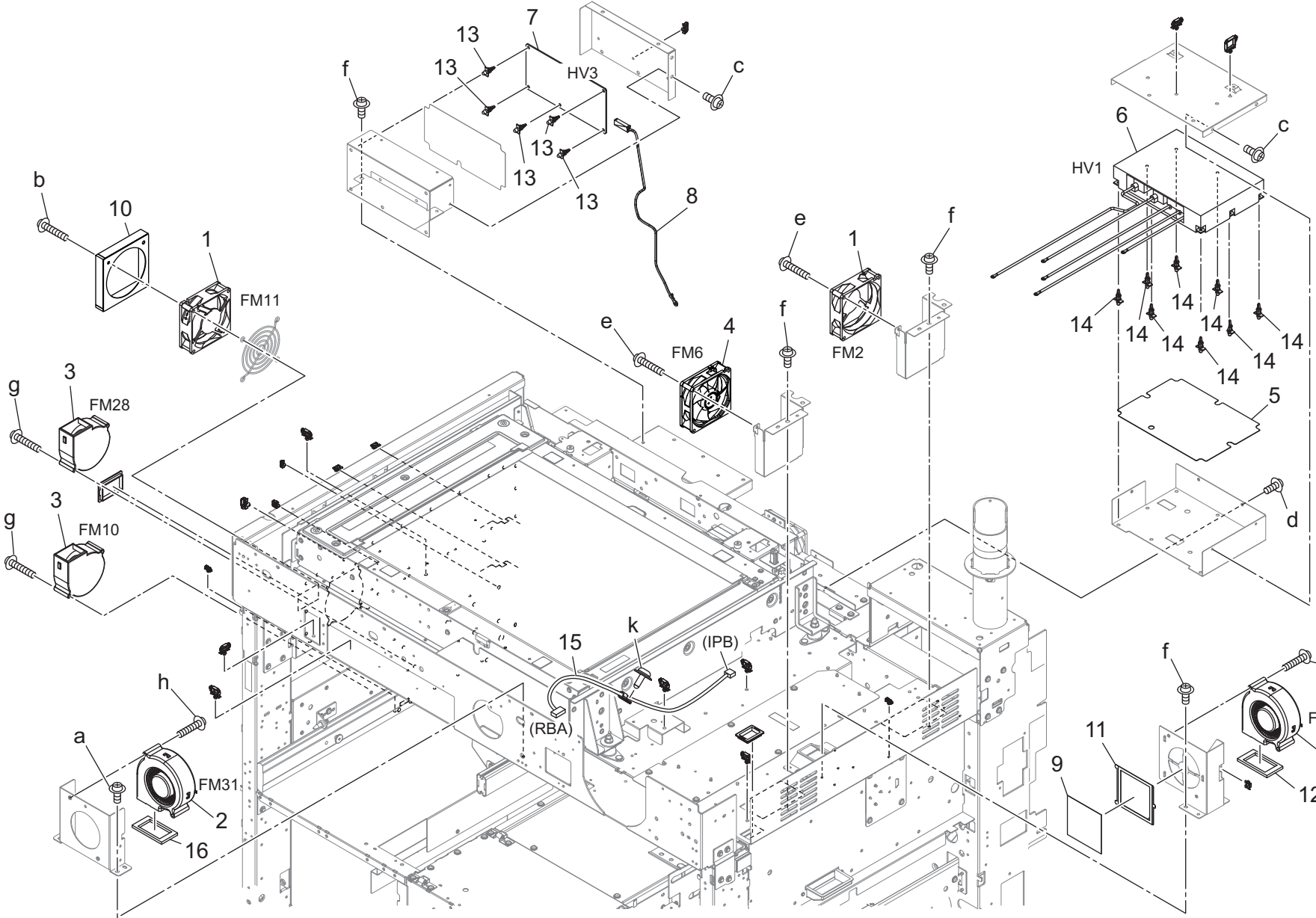
Electric Parts

P 113



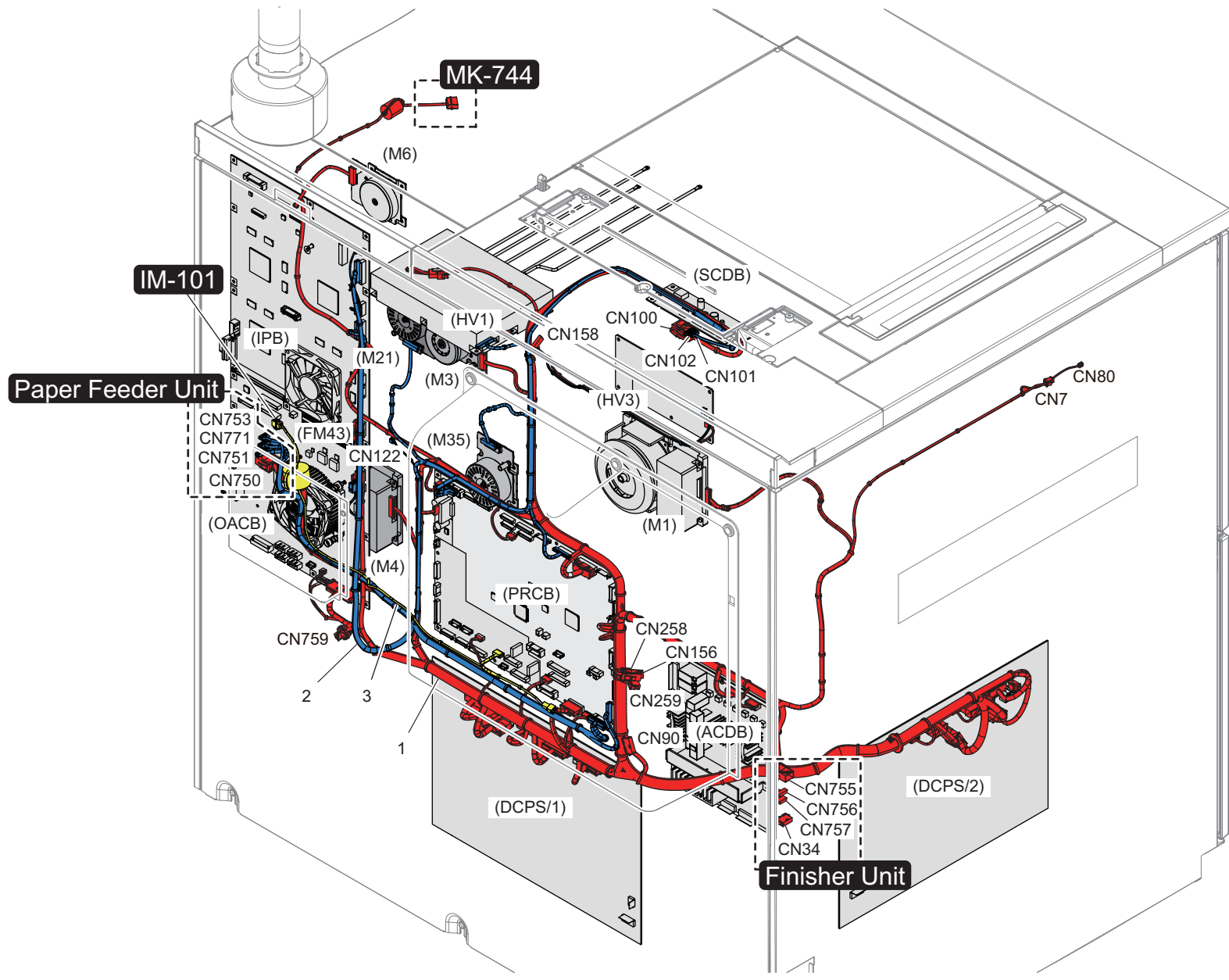
Key	Part No.	Description	Destinations	Class	QTY	Standard parts
1	A1RF115001	Fixing Screw		D	4	a-V116040603 b-V121040603
2	A1RF115101	Slide Spacer		D	4	
3	A1RF115301	Pressing Spring /D		D	4	
4	A9JT130600	Positioning Sleeve		D	1	
5	A9JT130700	Fixing Plate		D	1	
6	A9JT130901	Hold Plate		D	1	
7	A9JT132600	Fixing Shoulder Screw /2		D	4	
8	A7PUM92511	Gasket		C	1	
9	A799M45103	DC Power source /1		I	1	
10	A799M45202	DC Power source /2		I	1	
11	A799N10202	AC Power source harness		D	1	
12	ADF2N10300	Fusing Power Source Harness		D	1	
13	A799N25600	Heater Relay Harness /2		D	1	
14	ADF2N13000	Fusing Power Source Harness /2		D	1	
15	57GA61560	SCREW PROTECTION CUSHION/1		C	1	
16	A799134802	Lock Plate		D	1	

Electric Parts



Electric Parts

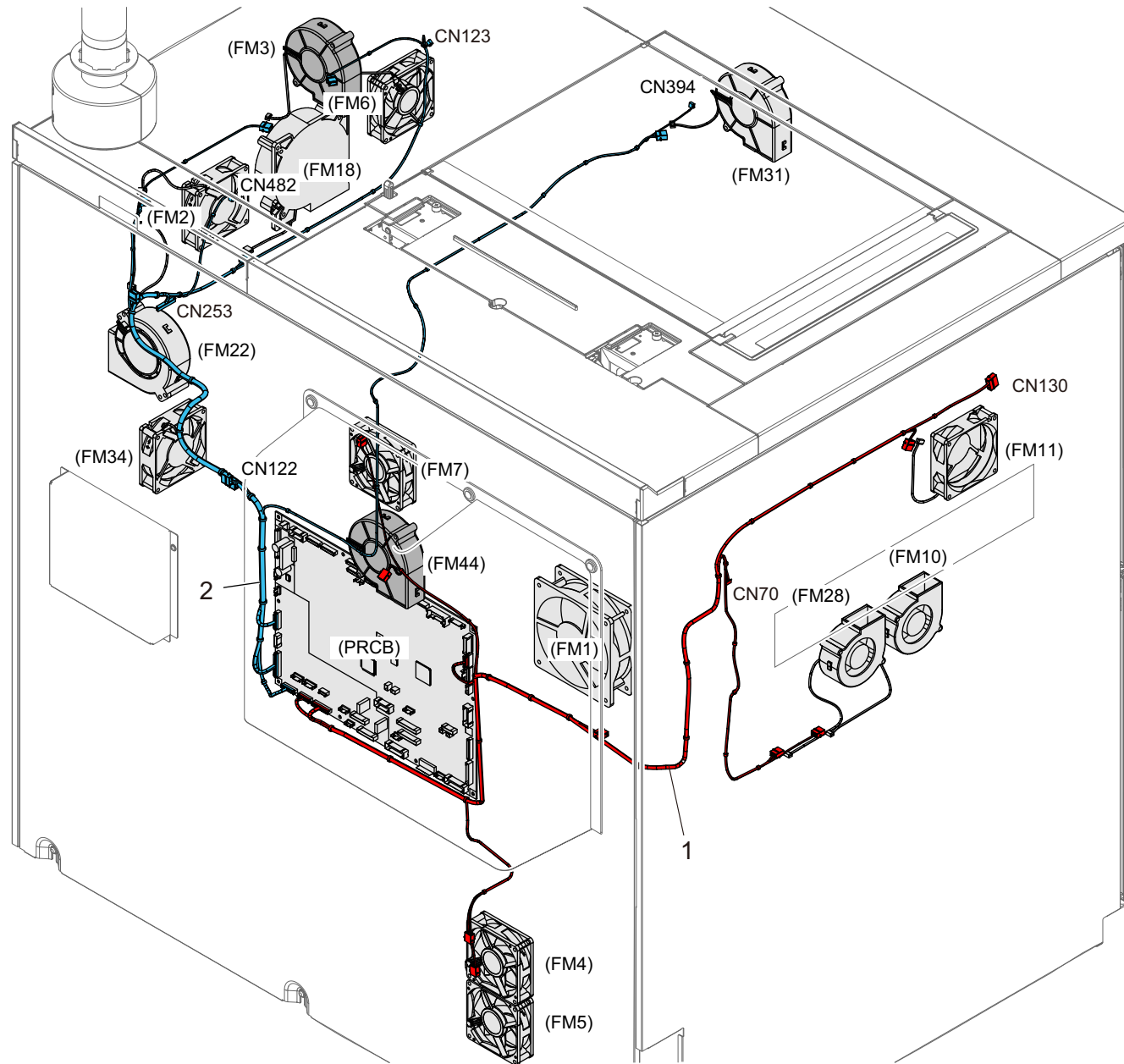
Key	Part No.	Description	Destinations	Class	QTY	Standard parts
1	13NT80511	Fan Motor /1		C	2	a-V121040403
2	A93EM10600	Fan motor		C	2	b-V118043003
3	9313110033	FAN MOTOR		C	2	c-V121030403
4	AC57M15300	Cooling Fan		C	1	d-V121030603
5	56UA73500	HV Protection Sheet		C	1	e-V121033003
6	A0G6M40104	HV Power source /1		I	1	f-V121040603
7	A0G6M40400	HV Power Source /3		I	1	g-V125033503
8	A0G6N22600	HV Wire /C		D	1	h-V118043503
9	A4EUR90000	Charging Filter Kit		B	1	k-V127030604
10	A4EUR72A00	Fan Sealing Part/1 Assy		D	1	
11	A799110200	Filter Plate		B	1	
12	ADF2113700	Cooling Seal /1		D	1	
13	V502010032	Circuit Board Spacer		D	5	
14	V502010033	Circuit Board Spacer		D	8	
15	A9JTR71Y11	LPH Signal Cable		C	1	
16	ADF2114700	Cooling Seal /2		D	1	



Key	Part No.	Description	Destinations	Class	QTY	Standard parts
1	ADF2N11001	DC Power Source Harness		D	1	
2	ADF2N11501	Main Body Harness		D	1	
3	ADF2N11600	Power supply Control Harness		D	1	

Wiring

P 116



Key	Part No.	Description	Destinations	Class	QTY	Standard parts
1	ADF2N12600	Cooling Harness /2		D	1	
2	ADF2N12800	Cooling Harness /1		D	1	

Wiring Accessories

P 117

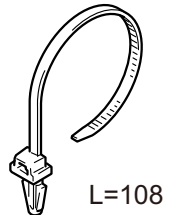
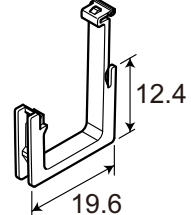
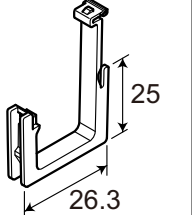
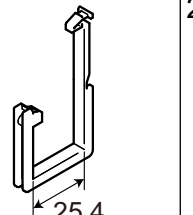
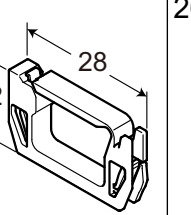
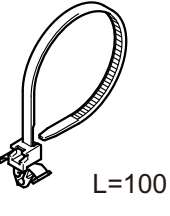
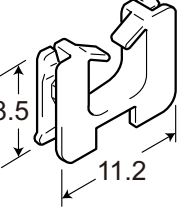
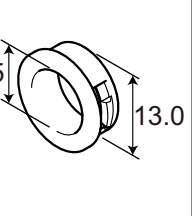
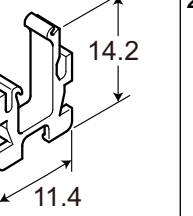
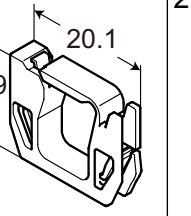
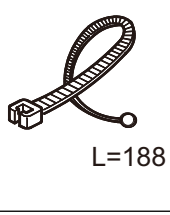
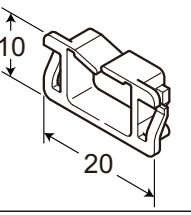
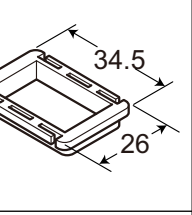
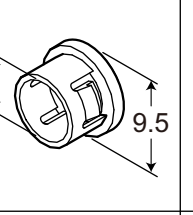
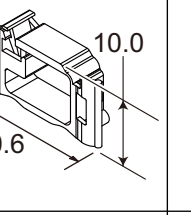
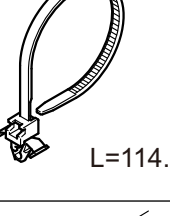
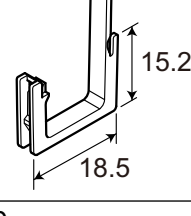
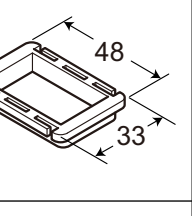
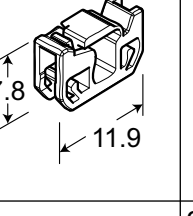
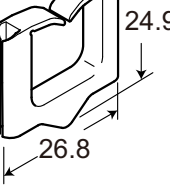
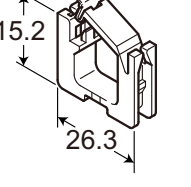
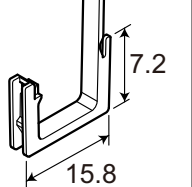
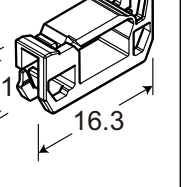
1 	6 	11 	16 White 	21 	26 $\phi 6.8$ 	31 	36
2 	7 	12 	17 	22 	27 	32 	37
3 	8 	13 	18 	23 	28 	33 White 	38
4 	9 	14 	19 	24 $\phi 5.6$ 	29 	34 White 	39
5 	10 	15 	20 	25 $\phi 5.3$ 	30 	35 	40

AccurioPrint 2100

Key	Part No.	Description	Destinations	Class	QTY	Standard parts
1	V500010013	Locking Wire Saddle	ロッキングワイヤーサドル	D		
2	V500010021	Locking Wire Saddle	ロッキングワイヤーサドル	D		
3	V500010022	Locking Wire Saddle	ロッキングワイヤーサドル	D		
4	V500010024	saddle	ミニサドル	D		
5	V500010026	saddle	ミニサドル	D		
6	V500010029	saddle	ミニサドル	D		
7	V500010031	saddle	ミニサドル	D		
8	V500010042	saddle	ワイヤーサドル	D		
9	V500010050	Mini Saddle	ミニサドル	D		
10	V500010057	Locking Wire Saddle	ロッキングワイヤーサドル	D		
11	V500010061	saddle	ミニロッキングワイヤーサドル	D		
12	V500010063	Oval Wide Clamp	オーバルワイドクランプ	V		
13	V500010067	Locking Wire Saddle	ロッキングワイヤーサドル	V		
14	V500010071	Locking Wire Saddle	ロッキングワイヤーサドル	V		
15	V500010080	Lock edging saddle	ロックエッジサドル	V		
16	V500010081	Locking Wire Saddle	ロッキングワイヤーサドル	D		
17	V500010082	Locking Wire Saddle	ロッキングワイヤーサドル	D		
18	V500010083	Locking Wire Saddle	ロッキングワイヤーサドル	D		
19	V500010084	Locking Wire Saddle	ロッキングワイヤーサドル	D		
20	V500010085	Locking Wire Saddle	ロッキングワイヤーサドル	D		
21	V500020002	clamp	ナイロンクランプ	D		
22	V500020005	clamp	ナイロンクランプ	C		
23	V500020007	Clamp	ナイロンクランプ	V		
24	V500020018	clamp	導電クランプ	D		
25	V500020037	clamp	ナイロンクランプ	D		
26	V500020038	clamp	ナイロンクランプ	D		
27	V500020064	clip	スペースクリップ	D		
28	V500020068	Insertion Fastening Part	差し込み式固定具	D		
29	V500020069	Clamp	導電クランプ	D		
30	V500020077	wabe Clamp	小型ウェーブクランプ	D		
31	V500020092	Clamp	リユースワイヤープレスクランプ	V		
32	V500020098	Mini Locking wire saddle	ミニロッキングワイヤーサドル	D		
33	V500020099	Mini Locking wire saddle	ミニロッキングワイヤーサドル	D		
34	V500020100	Mini Locking wire saddle	ミニロッキングワイヤーサドル	D		
35	V500020108	Reuse spacing clamp	リユーススペーシングクランプ	V		
36	V500030001	Edge protector	エッジプロテクター	V		
37	V500030002	Edge protector	エッジプロテクター	D		
38	V500030003	Edge Protector	エッジプロテクター	V		
39	V501010002	band	結束バンド	D		
40	V501010003	band	結束バンド	D		

Wiring Accessories

P 118

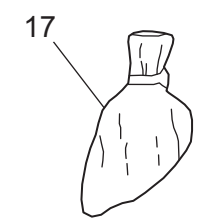
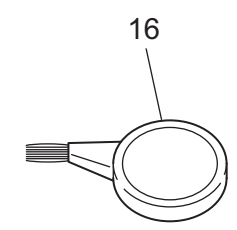
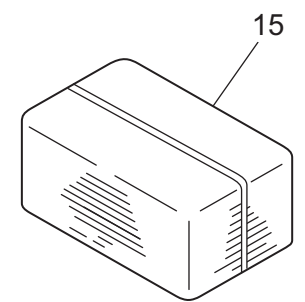
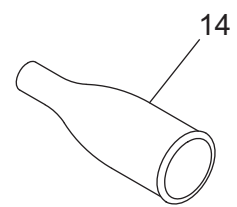
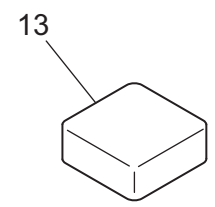
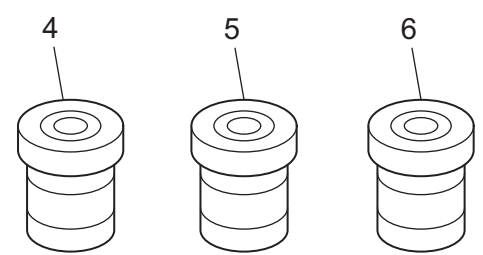
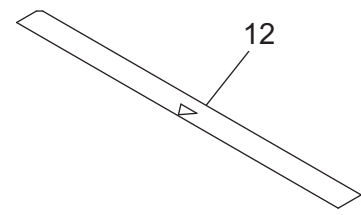
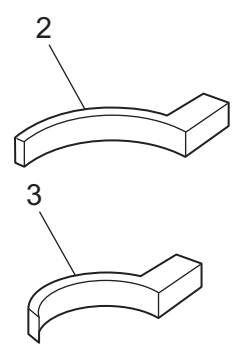
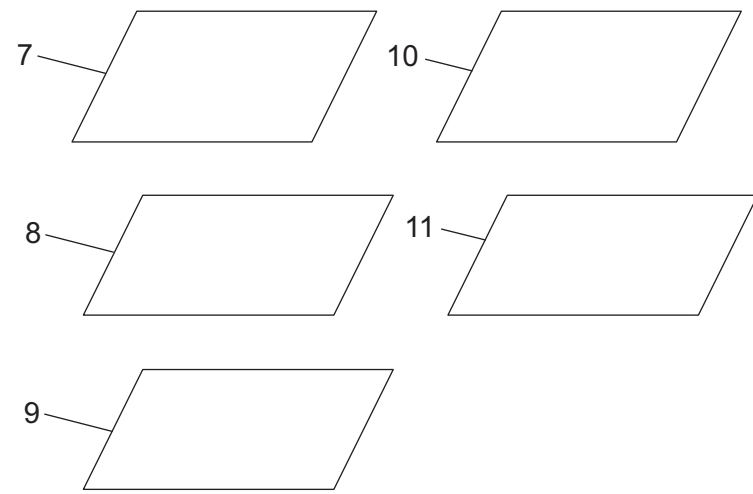
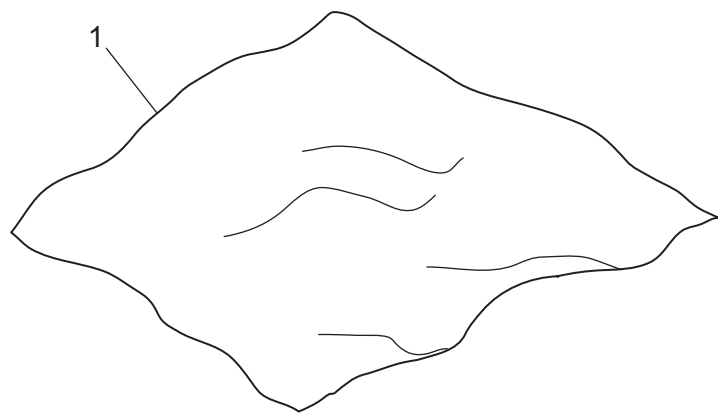
1  L=108	6  12.4 19.6	11  25 26.3	16  25.4 25.4	21  26.2 28	26	31	36
2  L=100	7  8.5 11.2	12  9.5 13.0	17  14.2 11.4	22  15.9 20.1	27	32	37
3  L=188	8  10 20	13  34.5 26	18  6.4 9.5	23  10.0 20.6	28	33	38
4  L=114.1	9  15.2 18.5	14  48 33	19  7.8 11.9	24	29	34	39
5  24.9 26.8	10  15.2 26.3	15  7.2 15.8	20  8.1 16.3	25	30	35	40

AccurioPrint 2100

Key	Part No.	Description	Destinations	Class	QTY	Standard parts
1	V501010009	band	結束バンド	D		
2	V501010010	binder	S K バインダー	D		
3	V501010013	binder	S K バインダー	D		
4	V501010018	BAND	スナップバンド	D		
5	V570010012	saddle	エッジサドル	D		
6	V570010013	saddle	ロック付エッジサドル	D		
7	V570010021	Saddle	エッジサドル	D		
8	V570010023	Edge Saddle	エッジサドル	D		
9	V570010026	Locking Edge Saddle	ロッキングエッジサドル	D		
10	V570010027	saddle	ロッキングエッジサドル	D		
11	V570010028	saddle	ロッキングエッジサドル	D		
12	V570010035	Bushing	ワンタッチブッシュ	D		
13	V570010038	bushing	スクウェ アブッシュ	D		
14	V570010039	bushing	スクウェ アブッシュ	D		
15	V570010046	Locking Edge Holder	ロッキングエッジサドル	D		
16	V570010048	Saddle	エッジカバー	D		
17	V570010050	Locking Edge Saddle	ロッキングエッジサドル	D		
18	V570010055	Miniature Bushing	ミニチュアブッシング	V		
19	V570010056	Locking Edge Saddle	ロッキングエッジサドル	D		
20	V570010057	Wing Edge Saddle	ウィングエッジサドル	D		
21	V570010059	Wing Edge Saddle	ウィングエッジサドル	D		
22	V570010060	Wing Edge Saddle	ウィングエッジサドル	D		
23	V570010063	Locking Edge Saddle	ロッキングエッジサドル	D		

Service Tool

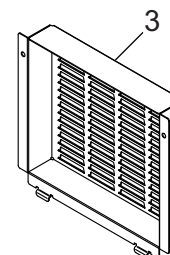
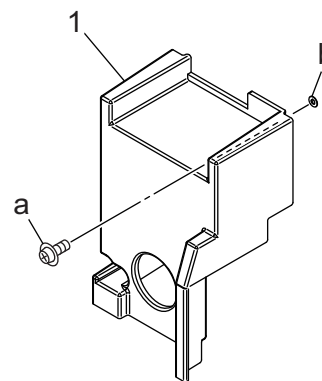
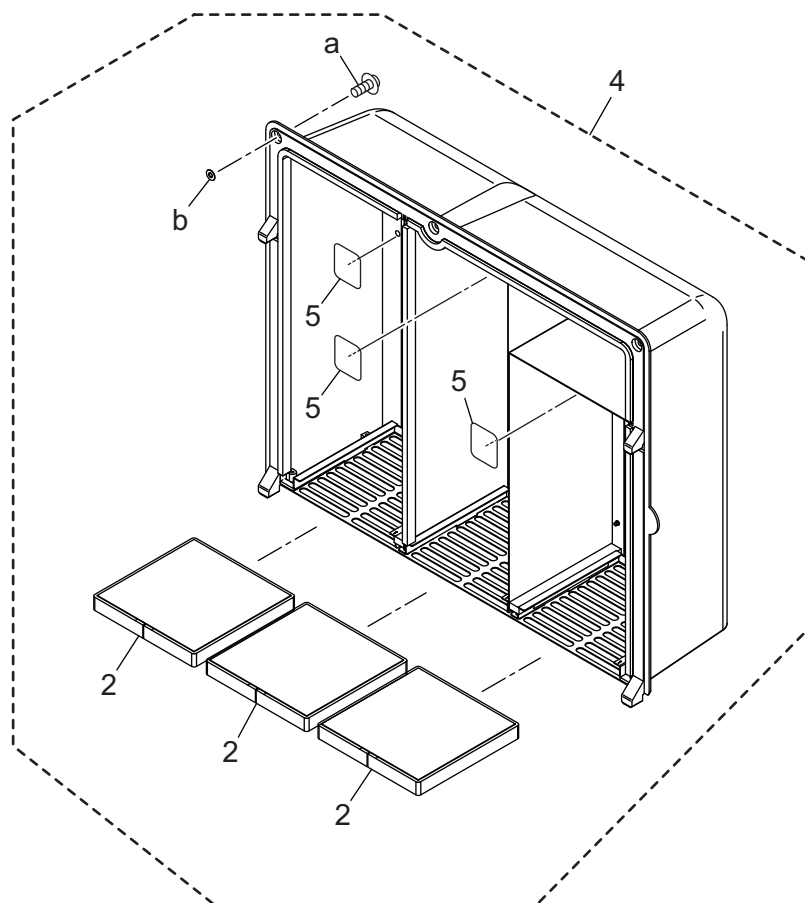
P 119



Key	Part No.	Description	Destinations	Class	QTY	Standard parts
1	00VC-2-00	Drum Cover		S	1	
2	55VAJG031	Thermostat positioning jig/A		S	1	
3	55VAJG041	Thermostat positioning jig/B		S	1	
4	00GR00260	Grease(Multemp FF-RM)		S	1	
5	00GR00020	Grease(Plas Guard No.1)		S	1	
6	00GR00220	Grease(Molykote EM-30L Grease)		S	1	
7	A79JPJP000	Test chart/A3 size		S	1	
8	A79JPJP100	Test chart/11x17 size		S	1	
9	9J06PJP100	Color chart/A3 size		S	1	
10	9J06PJP200	Color chart/11x17size		S	1	
11	120A97110	Adjustment chart/For DF		S	1	
12	9J06PJG100	DF reading chart		S	1	
13	65AA-9920	Hydrowipe		S	1	
14	A1DUPJG100	Cleaning Jig		S	1	
15	A5AWP00100	Cleaning Pad		S	1	
16	00VD-1000	Blower Brush		S	1	
17	000V-19-0	Setting Powder		S	1	
18	A4EUPP0000	MHSURF FT-240		S	1	

Accessory Parts

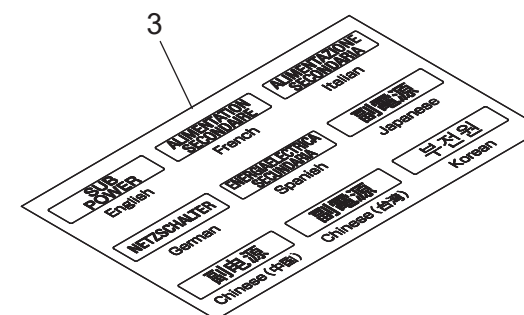
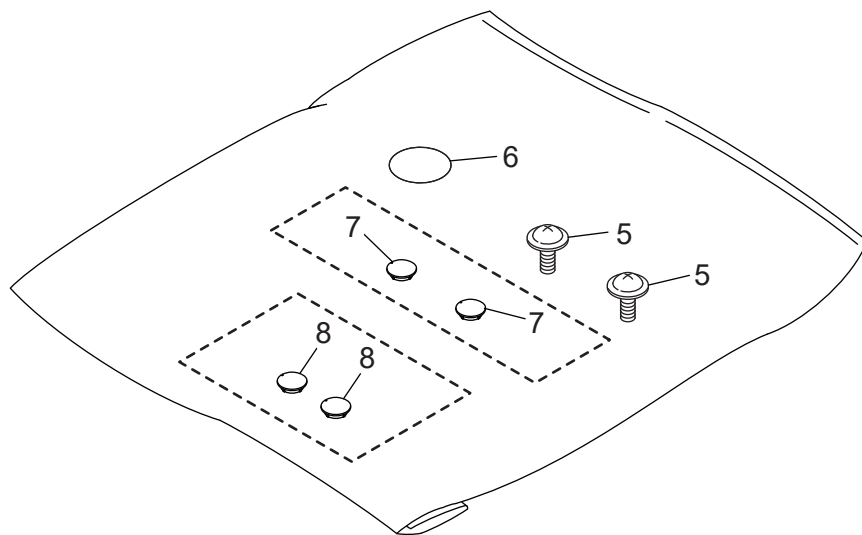
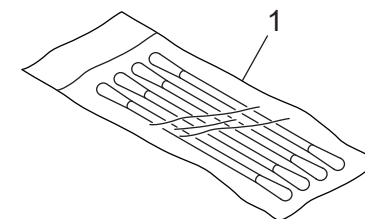
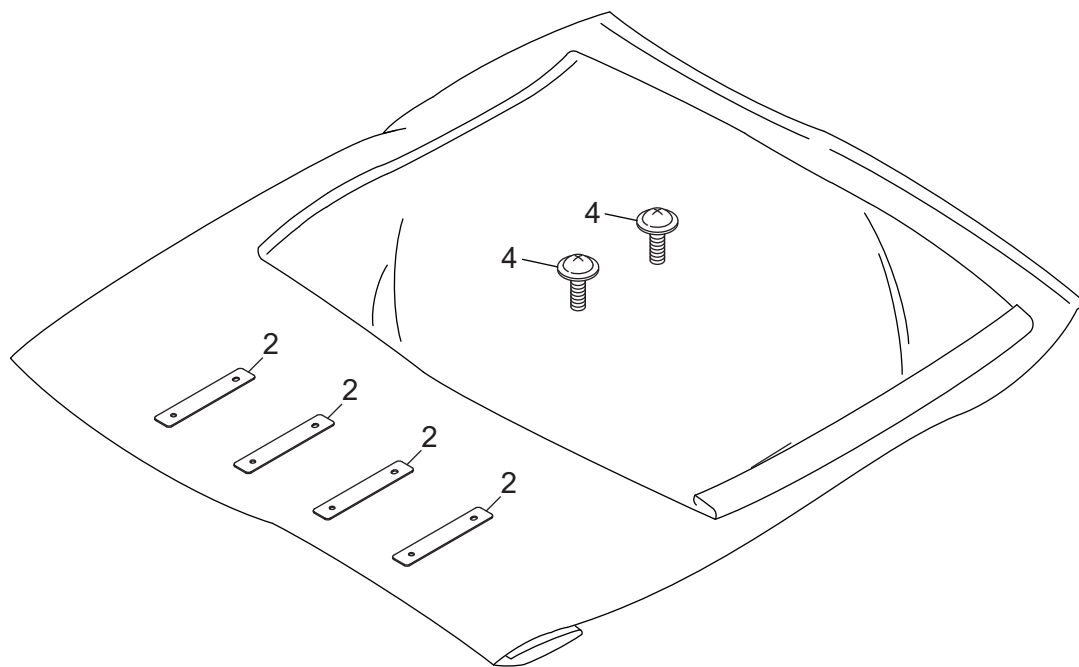
P 120



Key	Part No.	Description	Destinations	Class	QTY	Standard parts
1	A799747900	Fusing Cover		C	1	a-V114041004
2	A9JT112300	Ozone Filter/1		B	3	b-V211040080
3	A799167700	Cooling Cover		C	1	
4	ADF2R72200	Wind Exit Cover Assy		C	1	
5	25SA66420	WRITE LIGHT SHIELD SHEET		C	3	

Accessory Parts

P 121



Key	Part No.	Description	Destinations	Class	QTY	Standard parts
1	504097340	CLEANING MATERIAL		D	1	
2	56UA40700	ADJUSTMENT PLATE P		C	4	
3	A799944502	Indicating Label /2		D	1	
4	V121030803	Screw		V	2	
5	V127030604	Screw		V	2	
6	A799191000	Seal		C	1	
7	A799164501	Auxiliary Cover /2		D	2	
8	A00J169100	Cover		D	2	

MAINTENANCE LIST

● The items with no Page/Key numbers are not handled as spare parts.

No.	Section	PM Parts Description	Maintenance Cycle (K=1,000)		Parts No.	Destinations	Page/Key	Note
			QTY	Replace				
1	Main body	Charging filter	1	2,700K	A4EUR90000		P114-9	
2		Ozone filter/1	3	4,500K	A9JT112300		P120-2	
3		Waste toner box	1	600K	A9JTR73600	A	P54-8	*3
4		Waste toner box	1	600K	A03UR70200	B,C,I	P54-8	*3
5		Waste toner box	1	600K	A1DUR70W00	D1,D3,E,F2,G1,G2,J	P54-8	*3
6	Photo conductor section	Drum	1	*4	-			
7		Drum belt separation claw	3	900K	A0G6345600		P41-30	
8		Drum fixing spring	1	900K	A799330000		P14-27	
9		Drum Positioning Collar	1	900K	25SA20150		P14-8	
10		Drum temperature sensor (TH6)	1	2,700K	A4EUR70200		P40-8	
11	Transfer separation section	Transfer electrode plate	2	4,000K	A4EUR70C00		P83-5	
12		Transfer ground plate	1	4,000K	A4EUR70B00		P84-7	
13		Cleaning shaft electrode plate	2	4,000K	65AA26890		P76-18	
14		Transfer belt	1	5,000K	A9JT500100		P84-3	
15		Transfer belt cleaning brush	2	5,000K	A4EU510600		P76-13	
16		Transfer roller	1	5,000K	A4EU500600		P83-4	
17		Transfer roller bearing	2	5,000K	A0G6503900		P83-3	
18		Regulating plate assy	2	5,000K	A4EUR70000		P75-18	
19		Transfer belt cleaning shaft	2	5,000K	A0G6510700		P76-4	
20		Transfer belt cleaning unit	1	10,000K	A4EUR70D44		P75-16	
21	Charging corona	Charger cleaning assy	2	900K	A9JTR70100		P44-21	
22		Charger control plate	1	900K	A9JT460800		P43-11	
23		Charging wire	2	900K	56UA25090		P44-6	
24		Vibration proof rubber	2	900K	55VA25270		P44-3	
25		C-clip	2	900K	45AA20400		P44-1	
26		Charger unit	1	7,200K	A9JTR71G00		P43-14	
27	Developing section	Developer	1	*4	-			
28		Developing suction filter	1	1,800K	A0G6390800		P42-8	
29		Developing suction seal/2	2	7,200K	56UA31030		P42-2	
30		Developing suction seal/5	1	7,200K	56UA31060		P42-6	
31		Stopper pad/1	2	7,200K	A4EU394600		P42-3	
32		Suction pad/H	1	7,200K	A0G6394400		P42-4	
33		Stopper pad/2	2	7,200K	A4EU394700		P42-7	
34		Developing unit	1	7,200K	A799R71F00		P50-9	
35	Cleaning section	Discharging wire	1	900K	A0G6470800		P36-8	
36		Drum cleaning blade	2	900K	A9JTR71500		P48-13	
37		Photo conductor seal assy	1	900K	A9JTR73500		P47-20	
38		Vibration proof rubber	1	900K	55VA25270		P36-10	
39		Drum cleaning brush	1	1,800K	A4EUR70K00		P48-10	
40		Scattering prevention felt	1	1,800K	55VA55680		P48-6	
41		Scatter preventive filter assy	1	18,000K	A4EUR71200		P47-21	
42		Cleaning guide	1	3,600K	A4EUR71300		P49-10	
43		Side plate assy/Fr	1	10,800K	A9JTR73300		P48-8	*1
44		Side plate assy/Fr	1	3,600K	A9JTR73300		P48-8	*2
45		Side plate assy/Rr	1	10,800K	A9JTR73400		P48-9	*1
46		Side plate assy/Rr	1	3,600K	A9JTR73400		P48-9	*2
47		Drum cleaning shaft scraper assy	1	7,200K	A4EUR70J00		P46-26	*1
48		Drum cleaning shaft scraper assy	1	3,600K	A4EUR70J00		P46-26	*2
49		Discharging unit	1	5,400K	A4EUR75K00		P36-9	
50		Drum cleaning shaft	1	14,400K	A0G6530500		P47-6	*1
51		Drum cleaning shaft	1	10,800K	A0G6530500		P47-6	*2
52		Drum cleaning gear assy/Rr	1	10,800K	A4EUR70F00		P47-19	
53		Drum cleaning gear/3	1	23,400K	A0G6532700		P47-11	

No.	Section	PM Parts Description	Maintenance Cycle (K=1,000)		Parts No.	Destinations	Page/Key	Note
			QTY	Replace				
101	Duplex section	Registration motor gear	1	6,000K	A799814600		P66-13	
102		Paper exit conveyance roller/1	1	12,000K	A4EU817400		P69-22	
103		Paper exit conveyance roller assy/2	1	12,000K	A4EUR70100		P69-28	
104		ADU accelerate roller	1	12,000K	A4EU817100		P69-20	
105		Reverse exit roller	1	12,000K	A4EU817200		P69-21	
106		ADU reverse roller	1	12,000K	A4EU817600		P69-23	
107		ADU conveyance roller/1	1	12,000K	A4EU817500		P70-13	
108		ADU conveyance roller/2	1	12,000K	A4EU817500		P70-13	
109		ADU conveyance roller/3	1	12,000K	A4EU817700		P64-16	
110		ADU conveyance roller/4	1	12,000K	A4EU817700		P64-16	
111		ADU conveyance roller/5	1	12,000K	A4EU817700		P70-14	
112		Registration Motor (M17)	1	36,000K	A1TVM10100		P66-7	
113		ADU conveyance motor belt/2	1	36,000K	56UA78080		P64-7	
114		ADU conveyance motor/2 (M16)	1	36,000K	A9JTR71700		P64-19	
115		ADU reverse motor belt	1	36,000K	13GQ77550		P69-1	
116		ADU reverse motor (M12)	1	36,000K	A4EUR73Q00		P69-27	
117		Transfer belt pressure release motor (M26)	1	36,000K	ADF2R70600		P73-12	
118		Reverse exit motor belt	1	36,000K	56UA78060		P65-10	
119		Reverse exit motor (M13)	1	36,000K	A4EUR73Q00		P65-18	
120		ADU accelerate motor belt	1	36,000K	A0G6819400		P63-5	
121		ADU paper exit roller belt	1	36,000K	A4EU822100		P69-24	
122		ADU accelerate motor (M14)	1	36,000K	A4EUR73Q00		P63-8	
123		Loop motor (M18)	1	36,000K	A4EUR73X00		P64-18	
124		Transfer belt motor (M30)	1	36,000K	A9JTM10300		P67-16	
125		ADU conveyance motor/1 belt	1	36,000K	A1TT211400		P70-12	
126		ADU conveyance motor/1 (M15)	1	36,000K	65AA80112		P70-6	
127	Fusing section	Fusing cleaning web	1	900K	A0G6731400		P86-7	
128		Fusing roller/Up	1	1,800K	ADF2730400		P88-6	
129		Heat insulating sleeve/Up	2	1,800K	A03U729500		P88-1	
130		Fusing bearing/Up	2	1,800K	A5AW745200		P88-5	
131		Fusing roller assy/Lw	1	1,800K	A4EWR70E00		P89-17	
132		Fusing separating claw/Up	6	1,800K	56UA54530		P92-2	
133		Fusing separating claw/Lw	2	1,800K	25AA53290		P92-1	
134		Fusing cleaning sheet assy	1	3,600K	A4EUR70U00		P89-15	*1
135		Fusing cleaning sheet assy	1	1,800K	A4EUR70U00		P89-15	*2
136		Fusing heater lamp/1 (L1/L2/L4)	1	9,000K	ADF2M33000		P88-8	*1
137		Fusing heater lamp/1 (L1/L2/L4)	1	5,400K	ADF2M33000		P88-8	*2
138		Fusing heater lamp/3 (L3)	1	9,000K	55VB83042		P89-5	*1
139		Fusing heater lamp/3 (L3)	1	5,400K	55VB83042		P89-5	*2
140		Fusing heating roller	1	9,000K	56UA53070		P89-6	*1
141		Fusing heating roller	1	3,600K	56UA53070		P89-6	*2
142		Heat roller bearing	2	9,000K	56UA75070		P89-9	*1
143		Heat roller bearing	2	3,600K	56UA75070		P89-9	*2
144		Heat insulating sleeve/Lw	2	9,000K	26AA53150		P89-2	*1
145		Heat insulating sleeve/Lw	2	3,600K	26AA53150		P89-2	*2
146		Fusing temperature sensor/4 (TH4)	1	3,600K	A9JTM50400		P89-4	
147		Fusing gear/2	1	7,200K	A0G6726000		P88-3	
148		Fusing cleaning roller	1	12,600K	56UA53530		P86-1	
149		Fusing cleaning roller bearing	2	12,600K	A4EU732602		P86-13	
150		Fusing oscillation cam assy	1	21,600K	A799R70V00		P87-10	
151		Fusing claws installation assy	6	21,600K	A4EUR73200		P92-17	
152		Web regulating spring assy	1	21,600K	A4EUR70T00		P86-14	
153		Bearing/G	1	21,600K	56UA760900		P86-3	
154	Others	Suction Cover	1	24,000K	A4EU107000		P4-11	

No.	Section	PM Parts Description	Maintenance Cycle (K=1,000)		Parts No.	Destinations	Page/Key	Note
			QTY	Replace				
155	De-curler section	Fusing exit roller	4	6,000K	A799840600		P78-17	
156		De-curler belt/Up	7	6,000K	A799846400		P79-16	
157		Guide/Up	1	6,000K	A0G6845100		P78-9	
158		De-curler entrance roller	1	12,000K	A4EU840700		P78-14	
159		Reverse gate	7	12,000K	56UA47600		P77-4	
160		Coupling	1	12,000K	A4EU847000		P78-15	
161		Reverse exit solenoid (SD7)	1	36,000K	A4EUR74A00		P80-10	
162		De-curler solenoid/Up (SD8)	1	36,000K	A4EUR74900		P80-9	
163		De-curler motor (M32)	1	36,000K	A9JTM10200		P79-10	
164	Paper exit section	Main body paper exit roller	1	6,000K	56UA45571E		P85-2	
165	Main body rear side	Paper feed motor (M4)	1	36,000K	A0G6M10100		P11-10	
166		Paper feed gear	1	36,000K	A4EU239100		P11-14	
167		Vertical conveyance motor (M8)	1	36,000K	A1TVM10100		P12-7	
168		Conveyance gear	1	36,000K	56UA77061E		P12-1	
169		Developing screw motor (M21)	1	36,000K	A9JTM10300		P14-21	
170		Fusing gear	1	36,000K	A0G6237201		P16-5	
171		Transfer belt cleaning motor (M5)	1	36,000K	A9JTM10200		P12-6	
172		Paper exit conveyance motor (M31)	1	36,000K	A9JTM10200		P15-14	
173		Paper exit motor (M20)	1	36,000K	A9JTM10200		P15-14	
174		Fusing motor (M1)	1	36,000K	A0G6M10100		P16-3	
175		Drum motor (M2)	1	36,000K	A9JTM10200		P13-12	
176		Developing motor (M3)	1	36,000K	A9JTM10400		P14-5	
177		Waste toner motor (M9)	1	36,000K	A9JTM10200		P55-8	
178	Belt cleaning gear	1	36,000K	A0G6250601		P12-4		
179		Drum cleaner motor (M35)	1	36,000K	A9JTM10300		P13-13	
180	DF-708	Pick-up roller	2	200K	9J07330102		P103-3	*5
181		Paper feed roller	1	200K	A00J563600		P103-6	*5
182		Separation roller	1	200K	9J07340901		P104-2	*5

Note

The replacement cycle of the specified periodically replaced parts differs according to the setting of DIPSW.

*1: DIPSW55-3=1

*2: DIPSW55-3=0 (Default)

*3: Standard timing of replacement: 600,000 prints (A4 5%)

*4: See Service Manual F-3 LIFE VALUE.

*5: Replace those three parts at the same time.

*: The part names used on this page follow the ones used in the Service Manual and they are occasionally different from those written in other pages.

メンテナンスリスト

● ページ / キーナンバーのないものは、アフターサービス部品ではありません。

No.	区分	P M 部品名称	サイクル (K=1,000)		部品番号	仕向地	頁 / キー	備考
			員数	交換				
1	本体	帯電フィルター	1	2,700K	A4EUR90000	A B,C,I D1,D3,E,F2,G1,G2,J	P114-9	
2		オゾンフィルター /1	3	4,500K	A9JT112300		P120-2	
3		廃棄トナーボックス	1	600K	A9JTR73600		P54-8	*3
4		廃棄トナーボックス	1	600K	A03UR70200		P54-8	*3
5		廃棄トナーボックス	1	600K	A1DUR70W00		P54-8	*3
6	感光体部	ドラム	1	*4	-			
7		ドラム分離爪	3	900K	A0G6345600		P41-30	
8		ドラム固定スプリング	1	900K	A799330000		P14-27	
9		ドラム位置決めカラー	1	900K	25SA20150		P14-8	
10		ドラム温度センサー (TH6)	1	2,700K	A4EUR70200		P40-8	
11	転写 / 分離部	転写電極板	2	4,000K	A4EUR70C00		P83-5	
12		転写アース板	1	4,000K	A4EUR70B00		P84-7	
13		クリーニング軸電極板	2	4,000K	65AA26890		P76-18	
14		転写ベルト	1	5,000K	A9JT500100		P84-3	
15		転写ベルト クリーニングブラシ	2	5,000K	A4EU510600		P76-13	
16		転写ローラー	1	5,000K	A4EU500600		P83-4	
17		転写ローラー軸受	2	5,000K	A0G6503900		P83-3	
18		規制板 Assy	2	5,000K	A4EUR70000		P75-18	
19		転写ベルト クリーニング軸	2	5,000K	A0G6510700		P76-4	
20		転写ベルト クリーニングユニット	1	10,000K	A4EUR70D44		P75-16	
21	帯電極	帯電清掃 Assy	2	900K	A9JTR70100		P44-21	
22		帯電制御プレート	2	900K	A9JT460800		P43-11	
23		帯電ワイヤー	2	900K	56UA25090		P44-6	
24		防振ゴム	2	900K	55VA25270		P44-3	
25		Cクリップ	2	900K	45AA20400		P44-1	
26		帯電極ユニット	1	7,200K	A9JTR71G00		P43-14	
27	現像部	現像剤	1	*4	-			
28		現像サクシオンフィルター	1	1,800K	A0G6390800		P42-8	
29		現像サクシオンシール /2	2	7,200K	56UA31030		P42-2	
30		現像サクシオンシール /5	1	7,200K	56UA31060		P42-6	
31		突き当てパッド /1	2	7,200K	A4EU394600		P42-3	
32		サクシオンパッド /H	1	7,200K	A0G6394400		P42-4	
33		突き当てパッド /2	2	7,200K	A4EU394700		P42-7	
34		現像ユニット	1	7,200K	A799R71F00		P50-9	
35	クリーニング部	放電ワイヤー	1	900K	A0G6470800		P36-8	
36		ドラムクリーニングブレード	2	900K	A9JTR71500		P48-13	
37		感光体シール Assy	1	900K	A9JTR73500		P47-20	
38		防振ゴム	1	900K	55VA25270		P36-10	
39		ドラムクリーニングブラシ	1	1,800K	A4EUR70K00		P48-10	
40		飛散防止フェルト	1	1,800K	55VA55680		P48-6	
41		飛散防止フィルター Assy	1	18,000K	A4EUR71200		P47-21	
42		クリーニングガイド	1	3,600K	A4EUR71300		P49-10	
43		サイドプレート Assy/Fr	1	10,800K	A9JTR73300		P48-8	*1
44		サイドプレート Assy/Fr	1	3,600K	A9JTR73300		P48-8	*2
45		サイドプレート Assy/Rr	1	10,800K	A9JTR73400		P48-9	*1
46		サイドプレート Assy/Rr	1	3,600K	A9JTR73400		P48-9	*2
47		ドラムクリーニング軸スクレーパー Assy	1	7,200K	A4EUR70J00		P46-26	*1
48		ドラムクリーニング軸スクレーパー Assy	1	3,600K	A4EUR70J00		P46-26	*2
49		放電ユニット	1	5,400K	A4EUR75K00		P36-9	
50		ドラムクリーニング軸	1	14,400K	A0G6530500		P47-6	*1
51		ドラムクリーニング軸	1	10,800K	A0G6530500		P47-6	*2
52		ドラムクリーニングギア Assy/Rr	1	10,800K	A4EUR70F00		P47-19	
53		ドラムクリーニングギア /3	1	23,400K	A0G6532700		P47-11	

No.	区分	P M 部品名称	サイクル (K=1,000)		部品番号	仕向地	頁/キー	備考
			員数	交換				
101	両面部	レジスト モーターギア	1	6,000K	A799814600		P66-13	
102		排紙搬送ローラー /1	1	12,000K	A4EU817400		P69-22	
103		排紙搬送ローラー Assy/2	1	12,000K	A4EUR70100		P69-28	
104		ADU 加速ローラー	1	12,000K	A4EU817100		P69-20	
105		反転排紙ローラー	1	12,000K	A4EU817200		P69-21	
106		ADU 反転ローラー	1	12,000K	A4EU817600		P69-23	
107		ADU 搬送ローラー /1	1	12,000K	A4EU817500		P70-13	
108		ADU 搬送ローラー /2	1	12,000K	A4EU817500		P70-13	
109		ADU 搬送ローラー /3	1	12,000K	A4EU817700		P64-16	
110		ADU 搬送ローラー /4	1	12,000K	A4EU817700		P64-16	
111		ADU 搬送ローラー /5	1	12,000K	A4EU817700		P70-14	
112		レジスト モーター (M17)	1	36,000K	A1TVM10100		P66-7	
113		ADU 搬送 モーター ベルト /2	1	36,000K	56UA78080		P64-7	
114		ADU 搬送 モーター /2 (M16)	1	36,000K	A9JTR71700		P64-19	
115		ADU 反転 モーター ベルト	1	36,000K	13GQ77550		P69-1	
116		ADU 反転 モーター (M12)	1	36,000K	A4EUR73Q00		P69-27	
117		転写ベルト 圧着解除 モーター (M26)	1	36,000K	ADF2R70600		P73-12	
118		反転排紙 モーター ベルト	1	36,000K	56UA78060		P65-10	
119		反転排紙 モーター (M13)	1	36,000K	A4EUR73Q00		P65-18	
120		ADU 加速 モーター ベルト	1	36,000K	A0G6819400		P63-5	
121		ADU 排紙ローラー ベルト	1	36,000K	A4EU822100		P69-24	
122		ADU 加速 モーター (M14)	1	36,000K	A4EUR73Q00		P63-8	
123		ループ モーター (M18)	1	36,000K	A4EUR73X00		P64-18	
124		転写ベルト モーター (M30)	1	36,000K	A9JTM10300		P67-16	
125		ADU 搬送 モーター /1 ベルト	1	36,000K	A1TT211400		P70-12	
126		ADU 搬送 モーター /1 (M15)	1	36,000K	65AA80112		P70-6	
127	定着部	定着クリーニングウェブ	1	900K	A0G6731400		P86-7	
128		定着ローラー /Up	1	1,800K	ADF2730400		P88-6	
129		断熱スリーブ /Up	2	1,800K	A03U729500		P88-1	
130		定着軸受 /Up	2	1,800K	A5AW745200		P88-5	
131		定着ローラー Assy/Lw	1	1,800K	A4EWR70E00		P89-17	
132		定着分離爪 /Up	6	1,800K	56UA54530		P92-2	
133		定着分離爪 /Lw	2	1,800K	25AA53290		P92-1	
134		定着清掃シート Assy	1	3,600K	A4EUR70U00		P89-15	*1
135		定着清掃シート Assy	1	1,800K	A4EUR70U00		P89-15	*2
136		定着ヒーターランプ Assy (L1/L2/L4)	1	9,000K	ADF2M33000		P88-8	*1
137		定着ヒーターランプ Assy (L1/L2/L4)	1	5,400K	ADF2M33000		P88-8	*2
138		定着ヒーターランプ /3 (L3)	1	9,000K	55VB83042		P89-5	*1
139		定着ヒーターランプ /3 (L3)	1	5,400K	55VB83042		P89-5	*2
140		定着加熱ローラー	1	9,000K	56UA53070		P89-6	*1
141		定着加熱ローラー	1	3,600K	56UA53070		P89-6	*2
142		加熱ローラー軸受	2	9,000K	56UA75070		P89-9	*1
143		加熱ローラー軸受	2	3,600K	56UA75070		P89-9	*2
144		断熱スリーブ /Lw	2	9,000K	26AA53150		P89-2	*1
145		断熱スリーブ /Lw	2	3,600K	26AA53150		P89-2	*2
146		定着温度センサー /4 (TH4)	1	3,600K	A9JTM50400		P89-4	
147		定着ギア /2	1	7,200K	A0G6726000		P88-3	
148		定着清掃ローラー	1	12,600K	56UA53530		P86-1	
149		定着清掃ローラー軸受	2	12,600K	A4EU732602		P86-13	
150		定着揺動力 ΔAssy	1	21,600K	A799R70V00		P87-10	
151	定着爪取り付け Assy	6	21,600K	A4EUR73200		P92-17		
152	ウェブ規制パネ Assy	1	21,600K	A4EUR70T00		P86-14		
153	軸受 /G	1	21,600K	56UA760900		P86-3		
154	その他	吸着カパー	1	24,000K	A4EU107000		P4-11	

No.	区分	P M 部品名称	サイクル (K=1,000)		部品番号	仕向地	頁/キ-	備考
			員数	交換				
155	デカーラー部	定着出口ローラー	4	6,000K	A799840600		P78-17	
156		デカーラーベルト /Up	7	6,000K	A799846400		P79-16	
157		ガイド /Up	1	6,000K	A0G6845100		P78-9	
158		デカーラー入口ローラー	1	12,000K	A4EU840700		P78-14	
159		反転ゲート	7	12,000K	56UA47600		P77-4	
160		カップリング	1	12,000K	A4EU847000		P78-15	
161		反転排紙ソレノイド (SD7)	1	36,000K	A4EUR74A00		P80-10	
162		デカーラーソレノイド /Up (SD8)	1	36,000K	A4EUR74900		P80-9	
163		デカーラーモーター (M32)	1	36,000K	A9JTM10200		P79-10	
164	排紙部	本体排紙ローラー	1	6,000K	56UA45571E		P85-2	
165	本体背面	給紙モーター (M4)	1	36,000K	A0G6M10100		P11-10	
166		給紙ギア	1	36,000K	A4EU239100		P11-14	
167		垂直搬送モーター (M8)	1	36,000K	A1TVM10100		P12-7	
168		搬送ギア	1	36,000K	56UA77061E		P12-1	
169		現像スクリーモーター (M21)	1	36,000K	A9JTM10300		P14-21	
170		定着ギア	1	36,000K	A0G6237201		P16-5	
171		転写ベルト 清掃モーター (M5)	1	36,000K	A9JTM10200		P12-6	
172		排紙搬送モーター (M31)	1	36,000K	A9JTM10200		P15-14	
173		排紙モーター (M20)	1	36,000K	A9JTM10200		P15-14	
174		定着モーター (M1)	1	36,000K	A0G6M10100		P16-3	
175		ドラムモーター (M2)	1	36,000K	A9JTM10200		P13-12	
176		現像モーター (M3)	1	36,000K	A9JTM10400		P14-5	
177		廃トナーモーター (M9)	1	36,000K	A9JTM10200		P55-8	
178		ベルトクリーニングギア	1	36,000K	A0G6250601		P12-4	
179	ドラムクリーナーモーター (M35)	1	36,000K	A9JTM10300		P13-13		
180	DF-708	ピックアップローラー	2	200K	9J07330102		P103-3	*5
181		給紙ローラー	1	200K	A00J563600		P103-6	*5
182		分離ローラー	1	200K	9J07340901		P104-2	*5

注記

特定の定期交換部品は、DIPSW の設定により交換サイクルが異なる。

*1: DIPSW55-3=1

*2: DIPSW55-3=0(デフォルト)

*3: 交換目安 : 600,000 プリント (A4 5%)

*4: サービスマニュアル「F.3 ライフ値の考え方」参照

*5: 3点同時交換のこと

*: ここに記載されている部品名称はサービスマニュアルで使用されている部品名称であり、他のページに記載されている部品名称とは異なる場合があります。

DESTINATION

Destination No.		Destinations		V	Hz	Model No.
A	A1	JAPAN		200	50/60	ADF2001
	A2	JAPAN		200	50/60	ADF2001
B		USA, CANADA		208-240	60	ADF2011
C		EUROPEAN TYPE		220-240	50/60	ADF2021
D	D1	S.E ASIA TYPE	THAILAND, SRI LANKA, SINGAPORE, MALAYSIA, HONG KONG, PAKISTAN, INDIA, BANGLADESH, INDONESIA	220-240	50/60	ADF2041/ ADF20T1
	D3	OCEANIA TYPE	AUSTRALIA, NEW ZEALAND	220-240	50/60	ADF20051
E		PHILIPPINES		220-240	50/60	ADF2041
F	F1	SAUDI ARABIA				
	F2	SAUDI ARABIA		220-240	50/60	ADF2041
G	G1	C.S AMERICA		220-240	50/60	ADF2041
	G2	C.S AMERICA		208-240	60	ADF2011/ ADF2041
H		TAIWAN				
I		JORDAN, LEBANON, SYRIA, SOUTH AFRICA, IRAQ, IRAN, N.YEMEN, CAMEROON, UAE, BAHRAIN, OMAN, QATAR, KUWAIT, KENYA, TUNISIA, IVORY COAST, MOROCCO		220-240	50/60	ADF2021/ ADF2041
J		CHINA		220-240	50/60	ADF2081
K		KOREA				

AccurioPrint 2100