

KONICA MINOLTA

# *PARTS GUIDE MANUAL*

---

*JANUARY 2023*

# *AccurioPrint C4065P*

## *ADA4081*

## INFORMATION FOR PARTS GUIDE MANUAL

To find correct Parts No., refer to the "HOW TO MAKE THE BEST USE OF THIS MANUAL" in the following page.

### HOW TO MAKE THE BEST USE OF THIS MANUAL

- 1 When you order, please check the proper figures beforehand that are on Our Parts Guide Manual, and order with the appropriate figures.
- 2 For screws, Nuts, Washers, retaining rings and Pins which are used in this model, one letter is shown on the Standard parts column of Parts list and exploded diagrams.
- 3 In order to maintain safety of the product, some specific parts composed of this product are set up as "essential safety parts".
- 4 The assigned parts number for the "essential safety parts" is indicated as "SP00-\*\*\*\*".  
When replacing these parts, follow precautions for disassembling and installing which are listed in the Service Manual.  
Do not use any parts that are not set up as
- 5 ♣ means that there are exclusive parts for each destination.  
Please check the appropriate destination when you order.
- 6 All rights reserved. (any reprints or quotations are prohibited.)  
Use of this parts guide manual should be strictly supervised to avoid disclosure of confidential information.

## パーツガイド マニュアルのご案内

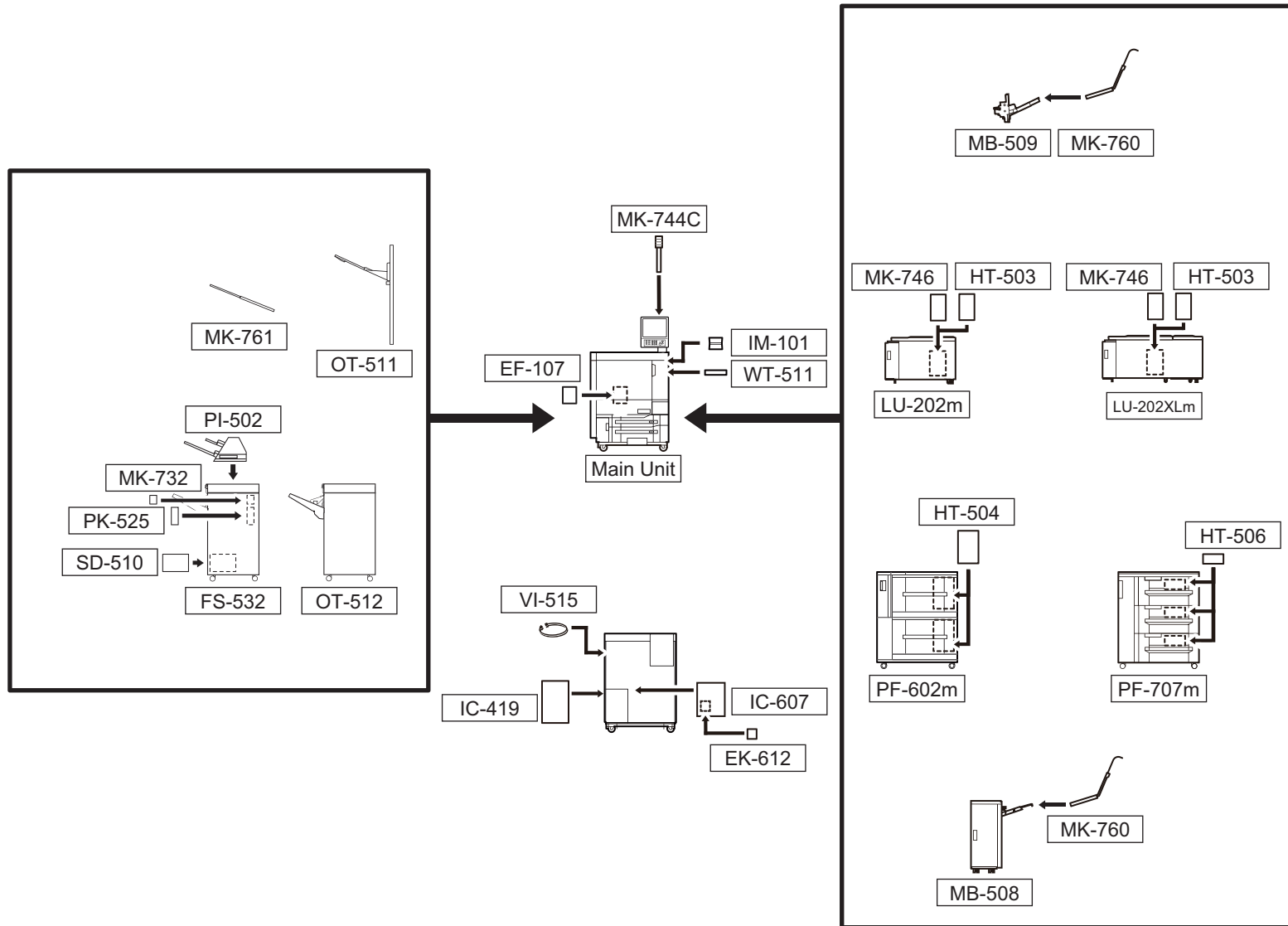
サービス部品をご発注の際には、下記に示す“パーツガイド マニュアルの活用にあたって”をご参照の上、正しい部品番号にてお願い致します。

### パーツガイド マニュアルの活用にあたって

- 1 部品発注の際には、掲載されている部品番号の桁数を確認し、掲載されている桁数で発注願います。
- 2 この製品に使用されているネジ、ナット、ワッシャー、止め輪、ピンなどは、リストの右側の Standard parts 欄に a,b,c,…… で表示し、イラストにも a,b,c,…… 表示してあります。
- 3 製品の安全性を維持する為に、製品に使用される特定の部品を「重要保安部品」として設定しています。
- 4 重要保安部品の部品番号は、“SP00-\*\*\*\*”と記載されていますので、部品交換時は、サービスマニュアル記載の分解・組み立ての注意事項に従って作業をして下さい。  
また、指定以外の部品は一切使用しないで下さい。
- 5 本文に ♣ が表示されている部品は、仕向け地毎に専用部品がある事を意味しています。  
オーダーされる時は、仕向け地を確認して下さい。
- 6 著作権所有（無断転載及び無断引用の禁止）  
本パーツガイド マニュアルについては、機密保持等その扱いには十分注意して下さい。万一取り扱いを誤った場合には、法律で処罰される可能性があります。

03/15/2021

# System Configuration



AccurioPrint C4065P

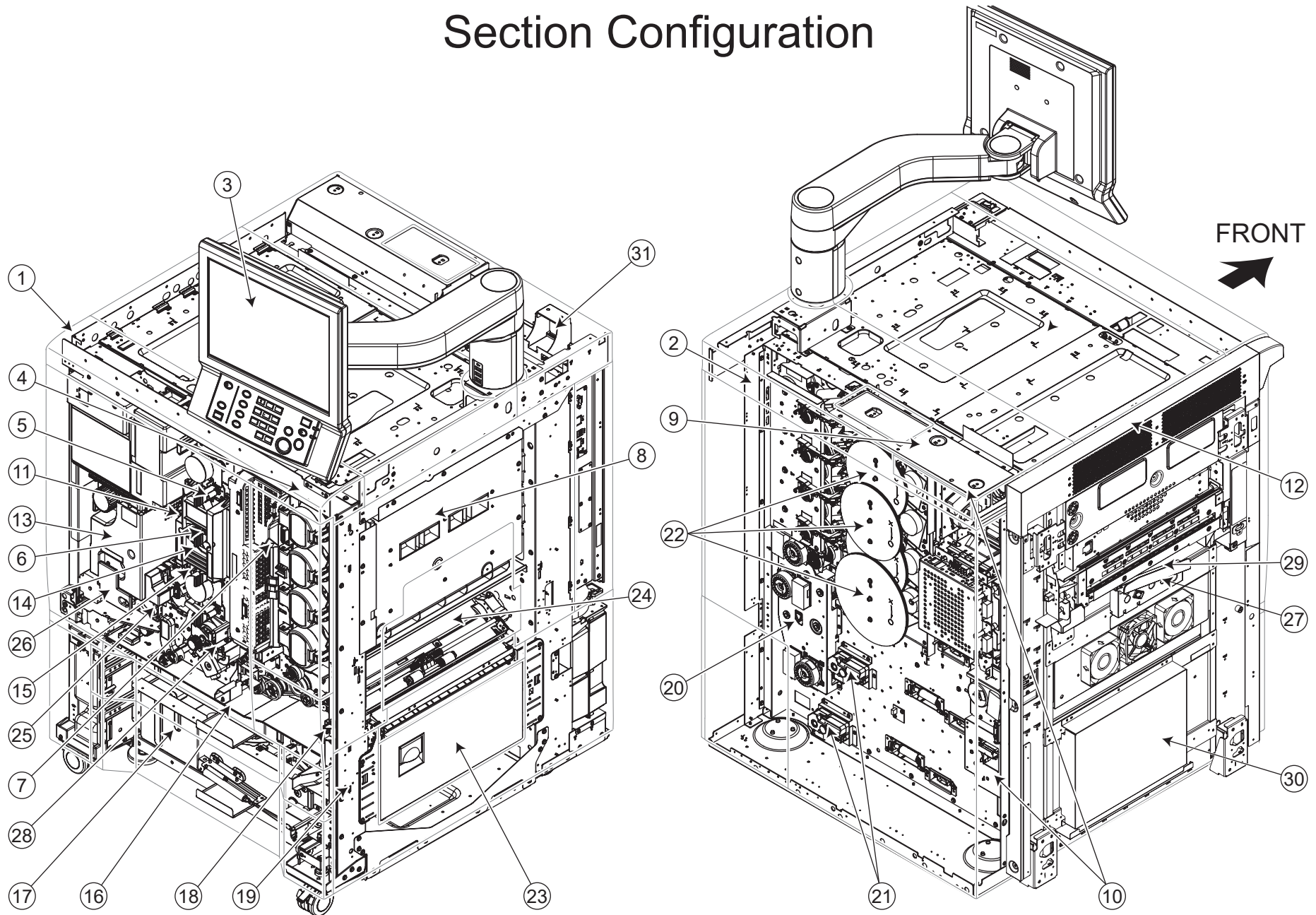
# GENERAL CONTENTS

No.	Description	Model
1	Digital MFP Color	AccurioPrint C4065P
2	Mount Kit	MK-761
3	Output Tray	OT-511
4	Post Inserter	PI-502
5	Mount Kit	MK-732
6	Punch Unit	PK-525
7	Saddle Unit	SD-510
8	Finisher/Sorter	FS-532(WY6)
9	Output Tray	OT-512
10	Mount Kit	MK-744C
11	Envelop Fusing Unit	EF-107
12	Other Option	IM-101
13	Working Table	WT-511
14	Mount Kit	MK-746
15	Heater	HT-503
16	Paper Feeder	LU-202m
17	Heater	HT-504
18	Video IF Kit	VI-515
19	Image Controller	IC-419
20	Other Option	EK-612
21	Image Controller	IC-607
22	Paper Feeder	PF-602/PF-602m

AccurioPrint C4065P

<b>No.</b>	<b>Description</b>	<b>Model</b>
23	Bypass Tray	MB-508
24	Mount Kit	MK-760
25	Paper Feeder	PF-707m
26	Heater	HT-506
27	Paper Feeder	LU-202XLm
28	Bypass Tray	MB-509

# Section Configuration



AccurioPrint C4065P

# CONTENTS

No.	DESCRIPTION	名称	PAGE No.
1	External Parts Section	外装部	P1 P2 P3 P4
2	Main Frame Section	骨格部	P5 P6 P7 P8 P9 P10 P11 P12 P13
3	Operation Panel Section	操作部	P14 P15 P16
4	Write Section	書き込み部	P17
5	Charging Section	帯電部	P18
6	Photo Conductor Section	感光体部	P19
7	Developing Section	現像部	P20 P21 P22 P23
8	Toner Supply Section	トナー補給部	P24 P25 P26 P27 P28
9	Toner Collection Section	トナー回収部	P29 P30
10	Toner Collection Driving Section	トナー回収駆動部	P31
11	Intermediate Transfer Section	中間転写部	P32 P33 P34 P35 P36 P37 P38
12	Color Resist Section	画像補正ユニット部	P39
13	Fusing Section	定着部	P40 P41 P42 P43 P44 P45 P46 P47 P48
14	Process Carriage Section	プロセス架台部	P49 P50 P51 P52 P53 P54 P55
15	Secondary Transfer Section	2次転写部	P56
16	Tray 1 Section	トレイ1	P57 P58 P59 P60
17	Tray 2 Section	トレイ2	P61 P62 P63 P64
18	Tray 1 Paper Feed Section	トレイ1 給紙部	P65 P66 P67
19	Tray 2 Paper Feed Section	トレイ2 給紙部	P68 P69 P70
20	Paper Feed Driving Section	給紙駆動部	P71
21	Tray Driving Section	トレイ駆動部	P72
22	Drum Driving Section	ドラム駆動部	P73 P74 P75 P76
23	Vertical Conveyance Section	垂直搬送部	P77 P78
24	Duplex Carriage Section	両面架台部	P79 P80
25	Duplex Section	両面部	P81 P82 P83 P84 P85 P86 P87 P88 P89 P90 P91 P92 P93
26	Duplex Swing Section	両面揺動部	P94 P95
27	Reverse Section	反転部	P96 P97 P98
28	Resist Section	レジスト部	P99 P100 P101
29	Exit Section	排紙部	P102 P103
30	Charge Control Section	電荷制御部	P104 P105 P106
31	Rear Electrical Section	背面電気部	P107 P108 P109 P110 P111 P112
32	Wiring	束線	P113 P114 P115 P116
33	Service Tool	サービスツール	P117
34	Accessory Parts	同梱部品	P118 P119

# INDEX

Parts No.	Page No.	Parts No.	Page No.	Parts No.	Page No.	Parts No.	Page No.	Parts No.	Page No.
00GR00020	117-5	25AA40100	67-2	40AA32320	59-2	4470402401	93-3	56AA12140	24-4
00GR00220	117-6	25AA40100	70-2	40AA32320	63-2	4470402401	94-1	56AA12160	24-5
00GR00260	117-4	25AA47500	84-3	40AA32320	71-2	4470402401	96-2	56AA12241	2-3
00VC-2-00	117-17	25AA50080	87-3	40AA32320	97-2	4470402401	97-1	56AA12270	30-5
00VD-1000	117-18	25AA77730	78-2	40AA46261	97-3	4470402401	103-1	56AA17090	83-2
059076510	67-1	25BA77171	27-2	40AA77550	81-4	4470402401	105-1	56AA17121	66-4
059076510	70-1	25SA40960	65-1	40AA77550	97-4	462076010	84-1	56AA17121	69-4
07BA12352	25-1	25SA40960	67-3	40AA85011	24-3	466076020	27-1	56AA17321	34-3
07BA12352	41-1	25SA40960	68-1	40AA88031	26-6	466076020	31-2	56AA17321	97-5
07BA15871	35-1	25SA40960	70-3	40AA98020D	81-49	466076020	81-9	56AA17490	90-3
07BA15871	36-14	26NA17580	29-1	4109553001	66-1	466076020	93-1	56AA17510	65-5
1154467001	87-1	26NA32660	28-1	4109553001	69-1	50GA250100	29-3	56AA17510	67-6
120A97110	117-15	26NA32870	25-2	4109553001	88-1	55FA40320	67-4	56AA17510	68-5
12QR86011	24-2	26NA42061	65-2	4131253701	87-2	55FA40320	70-4	56AA17510	70-6
12QV40650	34-1	26NA42061	68-2	4131253701	88-2	55GA75031	47-1	56AA17551	96-5
12QV40650	34-5	26NA42560	65-3	4131253701	89-1	55GA77050	31-5	56AA17551	97-6
12QV40650	34-11	26NA42560	68-3	4131253701	93-2	55VA15190	36-4	56AA17630	10-4
12QV40650	71-1	26NA42560	77-1	4131253701	101-1	55VA15541	83-1	56AA17640	10-5
12QV40650	73-2	26NA47070	59-1	4131353202	81-1	55VA20520	45-1	56AA17760	66-5
12QV40650	74-2	26NA47070	63-1	4131353202	99-1	55VA20680	78-3	56AA17760	67-7
12QV40650	75-2	26NA53712	43-2	4470402401	24-1	55VA32480	111-1	56AA17760	69-5
12QV40650	76-1	26NA53712	46-1	4470402401	30-2	55VA40600	59-3	56AA17760	70-7
12QV40650	84-2	26NA54230	80-2	4470402401	33-1	55VA40930	58-3	56AA20940D	38-1
12QV40650	99-2	26NA82513	7-2	4470402401	41-2	55VA40930	62-3	56AA40010E	68-6
12QV40650	106-1	26TA32970	25-3	4470402401	43-1	55VA42120	34-2	56AA40032F	69-6
13NG45200	9-1	26TA32990	25-4	4470402401	51-1	55VA42120	66-2	56AA40070	67-8
13QA10330	103-3	4004457301	30-1	4470402401	58-1	55VA42120	67-5	56AA40070	70-8
13QA40610	31-3	4025228301	112-1	4470402401	60-1	55VA42120	69-2	56AA40100G	66-7
13QA40610	49-1	4038254001	31-1	4470402401	62-1	55VA42120	70-5	56AA40100G	69-7
13QA40610	96-3	4038351102	7-1	4470402401	73-1	55VA42120	78-4	56AA40120	66-8
13QA40610	103-2	40AA30270	2-1	4470402401	74-1	55VA42120	84-4	56AA40120	69-8
13QA85511	82-1	40AA32320	7-3	4470402401	75-1	55VA42120	30-4	56AA40171	69-31
13QA85511	98-1	40AA32320	27-3	4470402401	78-1	55VA47840	46-2	56AA40190	69-10
13QA85511	100-1	40AA32320	29-2	4470402401	81-2	55VA48500	46-2	56AA40300	67-9
14GE45470	80-1	40AA32320	33-2	4470402401	82-13	55VA75540	66-3	56AA40300	70-9
14GE45470	96-4	40AA32320	35-2	4470402401	85-1	55VA75540	69-3	56AA40310	69-12
14GE45470	99-3	40AA32320	37-1	4470402401	86-1	55VA79030	65-4	56AA40360	65-7
192141710	96-1	40AA32320	39-1	4470402401	88-3	55VA79030	68-4	56AA40360	68-7
20AL48470G	40-1	40AA32320	49-18	4470402401	90-1	55VA90840	2-2	56AA40370	66-13
25AA10091F	10-1	40AA32320	50-1	4470402401	92-1	56AA10300	8-1	56AA40370	69-13
				4470402401		56AA10300	9-2		



Parts No.	Page No.	Parts No.	Page No.	Parts No.	Page No.	Parts No.	Page No.	Parts No.	Page No.
56AA40380	67-10	56AA77590	67-12	65AA40010	66-21	65AA49500	78-31	A00J617800	35-7
56AA40380	70-10	56AA77590	70-12	65AA40010	69-21	65AA50400	9-5	A00J617800	36-15
56AA40390	66-14	56AA77720E	66-18	65AA40080E	67-14	65AA509900	8-2	A00J617800	41-4
56AA40390	69-14	56AA77720E	69-18	65AA40080E	70-14	65AA51510	87-5	A00J617800	50-2
56AA40430	65-8	56AA77730	66-19	65AA42370	96-7	65AA51730	85-3	A00J617800	81-8
56AA40430	68-8	56AA77730	69-19	65AA44200	78-6	65AA53560	47-2	A00J617800	87-6
56AA40440	65-9	56GA76010	83-4	65AA44350	78-7	65AA53991	47-3	A00J617800	97-8
56AA40440	68-9	56QA40080	65-13	65AA44440	78-8	65AA75010E	16-1	A00J617800	103-6
56AA40481	65-10	56QA40080	68-13	65AA45230	81-7	65AA77390	28-3	A00J617900	34-6
56AA40481	68-10	56QA40250	65-14	65AA47120D	62-4	65AA77410	31-8	A00J617900	80-4
56AA40490	28-2	56QA40250	68-14	65AA47131E	59-4	65AA77540	83-5	A00J617900	84-10
56AA40490	38-2	56QA40270	65-15	65AA47310E	58-4	65AA78040	26-4	A00J617900	89-3
56AA40490	67-11	56QA40270	68-15	65AA47310E	62-5	65AA80112	85-4	A00J617900	90-6
56AA40490	70-11	56QA40550	65-16	65AA47320	58-5	65AA80112	92-5	A00J617900	96-8
56AA40490	79-1	56QA40550	68-16	65AA47320	62-6	65AA80112	99-4	A00J617900	106-3
56AA40490	81-6	56UA70330	14-2	65AA47360	72-2	65AA91101E	24-6	A00J663200	65-18
56AA40490	87-4	56UA77280	31-6	65AA47370	72-3	65AA99500	117-16	A00J663200	66-22
56AA40490	101-3	56UA77710	31-7	65AA47390	72-4	65AAR72700	105-2	A00J663200	67-16
56AA40500	66-16	57AA15600	115-3	65AA47550	60-2	65AAR73200	52-23	A00J663200	68-18
56AA40500	69-16	57AA15600	116-2	65AA47550	64-1	65AAR73200	53-23	A00J663200	69-22
56AA40520	66-17	57AA40420	65-17	65AA47600E	59-5	65AAR73200	54-23	A00J663200	70-16
56AA40520	69-17	57AA40420	68-17	65AA47600E	63-4	65AAR73200	55-2	A00J945401	4-1
56AA40530	65-11	65AA-9091E	76-3	65AA47630	60-3	65AAR74600	106-2	A00JM12100	26-3
56AA40530	68-11	65AA-9920	117-3	65AA47630	64-2	65GE97400	67-15	A00JM60300	107-2
56AA40540	65-12	65AA10190	11-1	65AA47700D	59-6	65GE97400	70-15	A00V240600	34-7
56AA40540	68-12	65AA10470	9-4	65AA47700D	63-5	65GE97490	59-8	A00V240600	40-3
56AA42690	40-2	65AA11300	5-2	65AA47710	72-5	65GE97490	63-7	A00V240600	41-5
56AA42690	41-3	65AA11300	33-3	65AA47740E	59-33	65LA48530	102-1	A00V240600	46-3
56AA42690	80-3	65AA11430	5-3	65AA47740E	63-6	9335140051	30-3	A00V240600	50-3
56AA42690	83-3	65AA15210	73-3	65AA47820	58-6	9335140071	66-12	A00V240600	71-3
56AA42690	84-5	65AA15210	74-3	65AA47820	62-7	9335140071	82-1	A00V240600	83-6
56AA42690	85-2	65AA15210	75-3	65AA47860	58-7	9335140071	88-4	A00V240600	84-11
56AA42690	89-2	65AA15210	76-2	65AA47860	62-8	9335140071	92-2	A00V240600	92-6
56AA42690	90-5	65AA20060	37-2	65AA47900E	60-5	9335140071	93-4	A00V240600	94-2
56AA42690	92-3	65AA20300	37-3	65AA47970	72-6	9J06PJP100	117-19	A00V240600	99-5
56AA42690	96-6	65AA26380	35-3	65AA48360	103-4	9J06PJP100	117-11	A034M50000	5-4
56AA50670	84-6	65AA26600	35-4	65AA48460	103-5	9J06PJP200	117-12	A034M50000	33-4
56AA50800	84-7	65AA26690D	35-5	65AA49410	97-7	9J07500201	27-5	A03N621800	63-8
56AA77330	27-4	65AA26870	34-4	65AA49500	58-2	A00FM20000	28-4	A03TM50000	103-7
56AA77530	84-8	65AA26900D	35-6	65AA49500	62-2	A00J211200	102-3	A03U118301	11-2

Parts No.	Page No.	Parts No.	Page No.	Parts No.	Page No.	Parts No.	Page No.	Parts No.	Page No.
A03U190500	16-2	A03U728000	47-5	A03U844901	93-9	A07TM60100	107-3	A1DUR71K00	68-21
A03U190600	16-3	A03U734500	41-7	A03U845100	91-2	A0G6192400	14-4	A1DUR73500	34-10
A03U190700	16-4	A03U734500	43-3	A03U845301	89-4	A0G6192500	14-5	A1DUR73E00	92-14
A03U190802	16-5	A03U734500	44-1	A03U845301	91-3	A0G6192700	14-6	A1DUR73K00	83-10
A03U190900	15-1	A03U734500	45-2	A03U845601	82-3	A0G6192900	14-7	A1DUR73P00	92-15
A03U191100	16-6	A03U734500	48-1	A03U845601	92-9	A0G6194000	14-15	A1DUR75200	67-20
A03U191201	16-7	A03U734800	47-6	A03U845601	98-2	A0G6411200	5-6	A1RF214100	73-6
A03U191301	16-8	A03U734900	47-7	A03U845700	92-10	A0G6739300	106-4	A1RF214100	74-6
A03U191400	15-2	A03U808400	41-8	A03U845902	92-11	A0G6H06000	14-16	A1RF214100	75-6
A03U191500	15-3	A03U809500	46-5	A03U848100	91-4	A0G6N18400	14-18	A1RF214100	76-6
A03U191600	15-4	A03U811600	87-7	A03U849701	87-14	A0P0144300	88-7	A1RF363500	30-6
A03U191700	15-5	A03U811800	87-8	A03U850101	65-19	A0POM50400	5-4	A1RF363801	30-7
A03U191800	15-6	A03U812800	59-9	A03U850101	68-19	A0POM50400	33-4	A1RF368500	31-9
A03U191900	15-7	A03U812800	63-9	A03U850101	77-2	A0POM73100	14-1	A1RF372300	31-10
A03U192000	15-8	A03U812800	66-23	A03U850101	88-6	A0TK341200	94-3	A1RF441500	25-5
A03U192100	15-9	A03U812800	67-18	A03U850101	101-5	A0TKH00200	20-1	A1RF508000	36-1
A03U192200	15-10	A03U812800	69-23	A03U859400	92-12	A0TKH00200	21-1	A1RF508100	36-2
A03U192300	16-9	A03U812800	70-18	A03U859500	92-13	A0TKH00200	22-1	A1RF508200	36-3
A03U193400	15-11	A03U812800	78-9	A03U892300	102-4	A0TKH00200	23-1	A1RF508900	106-5
A03U193600	15-12	A03U812800	83-7	A03U892400	102-5	A0VDM50500	100-3	A1RF509000	106-6
A03U193700	15-13	A03U812800	84-12	A03U892701	103-8	A0Y5M15101	11-3	A1RF517300	34-12
A03U195302	16-10	A03U812800	85-5	A03U893000	103-9	A161626800	57-1	A1RF517300	103-14
A03U195400	16-11	A03U812800	90-7	A03U893101	103-10	A161626800	61-1	A1RF620301	65-22
A03U195500	16-12	A03U812800	99-6	A03U893200	103-11	A1DU111101	7-4	A1RF620301	68-22
A03U259600	73-4	A03U812800	101-4	A03U893502	103-12	A1DU163402	3-1	A1RF701700	77-3
A03U259600	74-4	A03U813601	87-9	A03U909502	103-13	A1DU190101	16-14	A1RF758100	40-6
A03U259600	75-4	A03U814100	87-10	A03U909900	102-6	A1DU622200	110-2	A1RF758100	44-2
A03U259600	76-4	A03U814200	87-11	A03UF19100	16-13	A1DU622200	114-3	A1RF809400	40-7
A03U259900	73-5	A03U814300	87-12	A03UF84300	93-10	A1DU764000	7-5	A1RF815702	8-3
A03U259900	74-5	A03U815700	83-8	A03UN23200	42-1	A1DUF62101	60-7	A1RF820000	41-9
A03U259900	75-5	A03U838900	84-13	A03UN23200	45-3	A1DUF62101	64-7	A1RF820000	89-5
A03U259900	76-5	A03U839000	83-9	A03X565001	84-15	A1DUH11000	16-15	A1RF820000	90-8
A03U512300	34-8	A03U842700	82-2	A03X565611	65-20	A1DUPJG100	117-22	A1RF820000	95-3
A03U515100	33-5	A03U842700	92-7	A03X565611	68-20	A1DUR71600	39-2	A1RF820000	96-9
A03U560500	67-17	A03U842800	92-8	A03X622000	100-2	A1DUR71900	35-8	A1RF820000	106-7
A03U560500	70-17	A03U843500	87-13	A03X622101	64-5	A1DUR71C11	38-4	A1RF847400	91-5
A03U621200	60-6	A03U844200	93-5	A03X622201	64-6	A1DUR71D00	38-5	A1RF863800	97-9
A03U621200	64-4	A03U844300	93-6	A03X656203	58-8	A1DUR71J00	67-19	A1RF945501	118-1
A03U723301	47-4	A03U844700	93-7	A03X656203	62-9	A1DUR71J00	70-19	A1RF946000	62-10
A03U724200	41-6	A03U844802	93-8	A043909901	102-7	A1DUR71K00	65-21	A1RFM51000	43-4

Parts No.	Page No.	Parts No.	Page No.	Parts No.	Page No.	Parts No.	Page No.	Parts No.	Page No.
A1RFN28300	14-19	A50U104801	109-2	A50U123400	6-4	A50U131503	107-5	A50U179500	5-30
A1RG569900	29-4	A50U104901	7-8	A50U123500	6-5	A50U131700	107-6	A50U210600	73-7
A1RG569900	31-11	A50U105000	13-4	A50U123600	6-6	A50U131800	107-7	A50U210600	74-7
A1RG681400	84-16	A50U105100	8-8	A50U123900	6-7	A50U131900	109-5	A50U210600	75-7
A1RJ818800	97-10	A50U105201	8-9	A50U124000	6-8	A50U133101	109-6	A50U210600	76-7
A1RJ825100	94-4	A50U105600	8-10	A50U124100	5-16	A50U133700	107-8	A50U212600	73-9
A1RJ825800	94-5	A50U105800	9-9	A50U124900	5-17	A50U133800	107-9	A50U212600	74-9
A1TVM10100	86-3	A50U106300	10-11	A50U125000	11-13	A50U133902	112-3	A50U212600	75-9
A1TVM10100	102-8	A50U106300	13-5	A50U125101	11-14	A50U136303	112-4	A50U212600	76-9
A1UD210500	31-12	A50U106502	11-4	A50U125500	11-15	A50U136501	9-12	A50U220501	49-14
A1UDM50100	59-10	A50U106600	11-5	A50U125600	11-16	A50U136700	110-7	A50U220700	50-4
A1UDM50100	63-10	A50U106700	11-6	A50U125800	11-17	A50U136800	110-8	A50U221500	49-7
A2X0M12101	72-7	A50U106800	7-9	A50U125901	5-19	A50U160500	2-4	A50U221701	49-8
A4EU190414	14-20	A50U107000	9-10	A50U126200	6-9	A50U161502	2-5	A50U221800	50-5
A4EU194200	14-22	A50U107101	9-11	A50U126300	11-18	A50U161700	2-7	A50U252100	71-5
A4EU265000	40-8	A50U107501	8-11	A50U126400	11-19	A50U162701	1-1	A50U252300	71-6
A4EU265000	44-3	A50U107600	8-12	A50U126500	5-20	A50U162900	1-2	A50U252400	71-7
A4EU538400	26-5	A50U107801	8-13	A50U126600	5-21	A50U163700	4-2	A50U252500	71-8
A4EUM60000	5-7	A50U108001	11-7	A50U126800	6-10	A50U164000	5-24	A50U252600	71-9
A4EUM75800	14-23	A50U108200	11-8	A50U127000	12-3	A50U164100	2-9	A50U252700	71-10
A4EUN28500	14-24	A50U108900	7-10	A50U127201	6-11	A50U164200	2-10	A50U252800	71-11
A4EUPP0000	117-7	A50U109101	6-1	A50U127300	6-12	A50U164901	2-11	A50U314800	9-13
A4EWM60401	107-4	A50U109300	72-9	A50U127401	5-22	A50U165500	2-12	A50U318101	17-2
A4F3744400	10-13	A50U109400	8-14	A50U127500	6-13	A50U165600	2-13	A50U318201	17-3
A50U101600	9-6	A50U109900	8-15	A50U127800	6-14	A50U166100	2-14	A50U318300	17-4
A50U102703	9-7	A50U110000	10-12	A50U127901	5-23	A50U166200	2-15	A50U318500	12-5
A50U102801	7-6	A50U112901	72-10	A50U128000	6-15	A50U166800	24-7	A50U318601	12-6
A50U102900	5-8	A50U112901	110-3	A50U128700	6-16	A50U167201	2-16	A50U318700	17-5
A50U103200	8-4	A50U120300	8-16	A50U128801	11-20	A50U167500	2-17	A50U318700	24-10
A50U103301	10-8	A50U120600	5-9	A50U128900	11-21	A50U167601	2-18	A50U318800	12-7
A50U103403	8-5	A50U120900	11-9	A50U129100	11-22	A50U167801	4-3	A50U318900	17-6
A50U103500	8-6	A50U121300	5-11	A50U129200	8-17	A50U167901	5-25	A50U319301	17-7
A50U103602	7-7	A50U121500	17-1	A50U129300	11-23	A50U169602	49-5	A50U333500	19-1
A50U103800	10-9	A50U121800	11-10	A50U129401	11-24	A50U169900	2-19	A50U333600	19-2
A50U104000	12-1	A50U121900	11-11	A50U129801	11-25	A50U171500	24-8	A50U335600	51-2
A50U104300	13-2	A50U122103	5-13	A50U131002	109-3	A50U172100	5-26	A50U335600	52-3
A50U104401	10-10	A50U122701	12-2	A50U131100	110-4	A50U172200	5-27	A50U335600	53-3
A50U104500	13-3	A50U122900	11-12	A50U131200	110-5	A50U172300	5-29	A50U335600	54-3
A50U104600	9-8	A50U123200	6-2	A50U131300	110-6	A50U175001	3-5	A50U335600	55-3
A50U104700	8-7	A50U123300	6-3	A50U131400	109-4	A50U179000	24-9	A50U337101	50-7

Parts No.	Page No.	Parts No.	Page No.	Parts No.	Page No.	Parts No.	Page No.	Parts No.	Page No.
A50U337200	51-3	A50U362300	29-6	A50U401200	28-6	A50U462801	52-14	A50U505300	34-24
A50U337300	51-4	A50U363200	30-8	A50U401301	28-7	A50U462801	53-14	A50U505500	35-13
A50U337400	50-8	A50U363300	29-7	A50U401401	24-13	A50U462801	54-14	A50U505601	35-14
A50U340501	51-5	A50U363400	30-9	A50U404000	27-7	A50U462801	55-14	A50U505700	35-15
A50U340902	51-6	A50U363701	30-10	A50U404200	27-8	A50U462900	52-15	A50U505800	35-16
A50U341002	49-9	A50U363900	9-14	A50U404600	27-9	A50U462900	53-15	A50U505901	34-25
A50U341301	51-7	A50U365400	29-8	A50U406400	27-10	A50U462900	54-15	A50U506101	34-26
A50U341401	51-8	A50U365600	31-17	A50U407300	13-6	A50U462900	55-15	A50U506200	33-10
A50U341600	51-9	A50U365800	31-18	A50U407600	28-8	A50U463000	52-16	A50U506300	33-11
A50U341800	6-17	A50U366601	9-15	A50U408101	24-14	A50U463000	53-16	A50U506500	119-4
A50U341900	52-5	A50U366800	30-11	A50U408501	25-6	A50U463000	54-16	A50U506701	34-27
A50U341900	53-5	A50U367001	31-19	A50U408600	25-7	A50U463000	55-16	A50U506900	35-17
A50U341900	54-5	A50U367100	30-12	A50U408700	25-8	A50U463100	52-17	A50U507000	34-28
A50U341900	55-5	A50U367400	30-13	A50U408900	25-9	A50U463100	53-17	A50U507600	35-18
A50U342000	52-6	A50U368000	9-16	A50U410200	25-10	A50U463100	54-17	A50U507801	35-19
A50U342000	53-6	A50U368400	30-14	A50U420300	27-11	A50U463100	55-17	A50U507900	35-20
A50U342000	54-6	A50U369900	30-15	A50U420400	28-9	A50U500401	34-13	A50U508001	35-21
A50U342000	55-6	A50U372902	20-2	A50U420800	28-10	A50U500800	33-6	A50U508102	35-22
A50U342200	6-18	A50U372902	21-2	A50U420900	27-12	A50U501201	35-9	A50U508301	7-12
A50U342300	52-7	A50U372902	22-2	A50U421000	27-13	A50U501401	36-5	A50U508600	33-12
A50U342300	53-7	A50U372902	23-2	A50U421000	28-11	A50U501702	36-6	A50U508800	33-13
A50U342300	54-7	A50U373100	20-3	A50U440301	25-11	A50U501900	35-10	A50U509100	34-29
A50U342300	55-7	A50U373100	21-3	A50U440601	25-12	A50U502100	36-7	A50U509300	7-13
A50U342400	6-19	A50U373100	22-3	A50U442100	24-15	A50U502500	34-14	A50U510100	35-23
A50U342502	51-10	A50U373100	23-3	A50U462400	52-10	A50U502600	34-15	A50U510200	35-24
A50U342600	51-11	A50U374501	20-5	A50U462400	53-10	A50U502700	36-8	A50U510400	7-14
A50U342900	8-18	A50U374501	21-5	A50U462400	54-10	A50U502801	119-3	A50U516800	39-3
A50U343000	51-12	A50U374501	22-5	A50U462400	55-10	A50U502900	36-9	A50U516900	39-4
A50U343301	55-24	A50U374501	23-5	A50U462501	52-11	A50U503001	36-10	A50U517300	34-30
A50U343400	51-13	A50U377201	20-8	A50U462501	53-11	A50U503200	35-11	A50U520001	56-1
A50U343500	51-14	A50U377201	21-8	A50U462501	54-11	A50U503500	36-11	A50U520601	81-10
A50U343600	119-2	A50U377201	22-8	A50U462501	55-11	A50U503600	33-7	A50U520700	81-11
A50U343800	51-15	A50U377201	23-8	A50U462600	52-12	A50U503700	33-8	A50U520900	81-12
A50U343900	51-16	A50U377301	20-9	A50U462600	53-12	A50U504400	34-18	A50U521301	81-15
A50U344200	51-18	A50U377301	21-9	A50U462600	54-12	A50U504500	34-19	A50U521500	81-16
A50U360700	31-13	A50U377301	22-9	A50U462600	55-12	A50U504600	34-20	A50U521900	81-17
A50U361200	31-14	A50U377301	23-9	A50U462700	52-13	A50U504700	34-21	A50U522001	81-18
A50U361401	31-15	A50U400503	28-5	A50U462700	53-13	A50U505000	34-22	A50U522400	81-19
A50U361900	29-5	A50U400600	24-11	A50U462700	54-13	A50U505100	34-23	A50U522900	81-20
A50U362200	31-16	A50U400900	24-12	A50U462700	55-13	A50U505202	33-9	A50U523001	81-21

Parts No.	Page No.	Parts No.	Page No.	Parts No.	Page No.	Parts No.	Page No.	Parts No.	Page No.
A50U523100	81-22	A50U622600	58-10	A50U627701	62-19	A50U633200	61-5	A50U704801	78-18
A50U523200	81-23	A50U622600	62-12	A50U628001	10-17	A50U633301	57-4	A50U704900	78-19
A50U523400	81-24	A50U622802	58-11	A50U628100	57-22	A50U633400	57-5	A50U705000	78-20
A50U524100	81-25	A50U622802	62-13	A50U628200	58-19	A50U633400	61-6	A50U705100	77-7
A50U524500	81-26	A50U623201	59-22	A50U628200	60-12	A50U633601	61-7	A50U705200	77-8
A50U524600	81-27	A50U623201	63-18	A50U628200	62-20	A50U633702	57-6	A50U705400	78-21
A50U524700	81-28	A50U623300	59-23	A50U628200	64-12	A50U633702	61-8	A50U705500	78-22
A50U525900	56-2	A50U623300	63-19	A50U628300	57-23	A50U633800	57-7	A50U705600	78-23
A50U560901	66-24	A50U623600	57-20	A50U628300	61-22	A50U633800	61-9	A50U705701	77-9
A50U560901	69-24	A50U623701	57-21	A50U628400	59-28	A50U633900	57-8	A50U706000	77-10
A50U561200	66-25	A50U623900	61-20	A50U628400	63-25	A50U633900	61-10	A50U706800	78-24
A50U561200	69-25	A50U624000	9-17	A50U629001	62-21	A50U634200	10-18	A50U706900	77-11
A50U562400	66-26	A50U624113	10-15	A50U629100	72-8	A50U634300	57-9	A50U707002	78-25
A50U562400	69-26	A50U624201	61-21	A50U629202	62-22	A50U634300	61-11	A50U707300	78-26
A50U564500	66-27	A50U624300	10-16	A50U629300	58-20	A50U635400	63-35	A50U707400	78-27
A50U564500	69-27	A50U624503	9-18	A50U629401	64-14	A50U635500	63-36	A50U707600	77-12
A50U565100	66-28	A50U624600	60-9	A50U629502	60-14	A50U637002	57-10	A50U710300	101-6
A50U565100	69-28	A50U624600	64-9	A50U629502	64-15	A50U637600	60-18	A50U710901	101-7
A50U620602	59-11	A50U624700	60-10	A50U629702	60-15	A50U637700	60-19	A50U711001	101-8
A50U620801	59-12	A50U624700	64-10	A50U629702	64-16	A50U640100	64-18	A50U711101	99-8
A50U620801	63-11	A50U624904	9-19	A50U629801	60-16	A50U640200	10-19	A50U711200	101-9
A50U620902	59-13	A50U625000	58-12	A50U629801	64-17	A50U640400	10-20	A50U711300	101-10
A50U621001	58-9	A50U625100	60-11	A50U629901	60-17	A50U640700	63-37	A50U711400	99-9
A50U621001	62-11	A50U625100	64-11	A50U630203	58-21	A50U640800	59-29	A50U711602	101-11
A50U621200	60-8	A50U625400	59-24	A50U630203	62-23	A50U641500	58-22	A50U712001	100-5
A50U621200	64-8	A50U625500	59-25	A50U630602	63-26	A50U641500	62-27	A50U712200	88-8
A50U621301	59-14	A50U625701	58-13	A50U630902	63-27	A50U642000	59-30	A50U712200	101-12
A50U621301	63-12	A50U625701	62-14	A50U631000	63-28	A50U642000	63-38	A50U712300	88-9
A50U621400	59-15	A50U626000	63-22	A50U631100	63-29	A50U642300	44-4	A50U712300	101-13
A50U621400	63-13	A50U626502	58-14	A50U631200	62-24	A50U642300	64-19	A50U712400	88-10
A50U621800	59-16	A50U626502	62-15	A50U631301	62-25	A50U642300	96-10	A50U712400	101-14
A50U621900	59-17	A50U626601	58-15	A50U631500	63-30	A50U700200	78-10	A50U712700	101-15
A50U621900	63-14	A50U626601	62-16	A50U631600	62-26	A50U700300	78-11	A50U713000	99-10
A50U622001	59-18	A50U626702	58-16	A50U631700	63-31	A50U700400	78-12	A50U713100	101-16
A50U622001	63-15	A50U626702	62-17	A50U631800	63-32	A50U700500	78-13	A50U713200	99-11
A50U622101	59-19	A50U627002	61-2	A50U631900	63-33	A50U700600	78-14	A50U713302	85-7
A50U622101	63-16	A50U627200	61-3	A50U632300	63-34	A50U700901	77-5	A50U713403	85-8
A50U622300	59-20	A50U627601	58-17	A50U633002	57-2	A50U701113	77-6	A50U713500	85-9
A50U622400	59-21	A50U627601	62-18	A50U633002	61-4	A50U701114	77-6	A50U713600	99-12
A50U622400	63-17	A50U627701	58-18	A50U633200	57-3	A50U704700	78-17	A50U713700	85-10

Parts No.	Page No.	Parts No.	Page No.	Parts No.	Page No.	Parts No.	Page No.	Parts No.	Page No.
A50U713800	85-11	A50U722202	45-5	A50U745501	41-17	A50U760600	47-12	A50U800400	94-7
A50U713900	85-12	A50U722700	48-3	A50U745600	40-12	A50U760701	47-13	A50U800700	94-8
A50U714201	101-17	A50U723911	45-6	A50U745700	40-13	A50U760802	47-14	A50U800800	94-9
A50U714300	99-13	A50U725001	46-7	A50U746200	42-3	A50U761100	47-16	A50U801400	94-10
A50U714400	99-14	A50U725200	45-7	A50U746400	41-18	A50U761200	47-17	A50U801500	94-11
A50U714500	101-18	A50U726611	45-8	A50U746500	47-9	A50U761300	47-18	A50U801602	94-12
A50U714601	88-11	A50U728500	45-9	A50U746800	43-5	A50U761400	47-19	A50U802002	94-13
A50U714601	101-19	A50U728800	45-10	A50U747101	44-8	A50U761500	47-20	A50U802100	95-5
A50U714800	85-13	A50U730900	45-11	A50U747803	43-6	A50U761601	47-21	A50U802211	94-14
A50U714900	85-14	A50U731002	45-12	A50U747900	43-7	A50U761700	47-22	A50U802700	95-6
A50U715004	85-15	A50U731102	45-13	A50U748200	43-8	A50U761800	47-23	A50U802801	95-7
A50U715100	85-16	A50U731700	7-15	A50U748506	41-19	A50U761900	47-24	A50U802900	95-8
A50U715200	85-17	A50U731900	7-16	A50U748701	47-10	A50U762000	47-25	A50U803101	95-9
A50U715300	88-12	A50U732000	48-4	A50U749200	41-20	A50U762100	47-26	A50U803300	95-10
A50U715300	101-20	A50U732100	41-10	A50U749300	41-21	A50U762200	47-27	A50U803400	95-11
A50U715400	90-9	A50U733500	45-14	A50U749401	111-9	A50U762300	47-28	A50U803500	95-12
A50U715600	88-13	A50U734100	111-4	A50U749502	111-10	A50U762400	47-29	A50U803600	95-13
A50U715600	101-21	A50U737302	111-5	A50U749600	111-11	A50U763000	48-7	A50U803700	95-14
A50U715800	88-14	A50U737401	111-6	A50U749700	111-12	A50U763600	48-8	A50U803800	95-15
A50U715800	101-22	A50U737601	111-7	A50U749801	111-13	A50U763800	47-30	A50U804001	94-15
A50U715900	99-15	A50U737700	111-8	A50U751101	40-15	A50U763900	47-31	A50U804200	94-16
A50U716301	101-23	A50U737800	7-17	A50U751200	40-16	A50U765000	46-14	A50U804701	95-16
A50U716400	101-24	A50U738001	7-18	A50U751301	40-17	A50U765500	43-15	A50U805200	95-17
A50U716500	56-3	A50U738100	7-19	A50U752000	41-22	A50U785000	44-10	A50U805300	94-17
A50U716500	81-29	A50U738700	48-6	A50U752200	41-23	A50U787003	44-11	A50U810302	87-15
A50U716500	88-15	A50U739000	7-20	A50U752300	41-24	A50U787500	42-4	A50U810400	87-16
A50U716500	101-25	A50U739811	46-8	A50U752600	40-18	A50U787600	42-5	A50U810502	83-11
A50U717100	100-7	A50U739900	46-9	A50U752700	43-9	A50U787700	43-16	A50U811300	13-7
A50U717200	100-8	A50U742901	40-9	A50U753100	111-14	A50U788000	44-12	A50U811500	13-8
A50U717901	99-17	A50U743100	40-10	A50U754700	41-25	A50U788102	44-13	A50U812100	83-12
A50U718300	100-10	A50U743200	40-11	A50U755100	43-10	A50U788602	43-17	A50U813700	13-9
A50U718400	88-16	A50U743302	41-11	A50U755301	43-11	A50U788900	43-18	A50U814401	86-4
A50U718400	101-26	A50U743600	41-12	A50U755900	40-19	A50U789100	43-19	A50U814500	86-5
A50U718500	88-17	A50U743700	41-13	A50U756002	40-20	A50U792901	44-14	A50U815101	86-6
A50U718500	101-27	A50U743900	41-14	A50U756300	43-13	A50U794800	44-15	A50U815800	87-17
A50U719300	100-11	A50U744000	46-10	A50U756300	46-13	A50U799200	44-16	A50U816103	83-13
A50U719400	100-12	A50U744100	46-11	A50U756500	40-21	A50U799601	44-17	A50U816403	90-10
A50U719800	99-19	A50U744400	46-12	A50U757000	40-22	A50U799700	44-18	A50U816700	88-18
A50U721502	48-2	A50U744912	41-16	A50U757100	40-23	A50U799800	44-19	A50U816801	88-19
A50U722100	45-4	A50U745100	42-2	A50U760400	47-11	A50U800300	94-6	A50U816900	88-20

Parts No.	Page No.	Parts No.	Page No.	Parts No.	Page No.	Parts No.	Page No.	Parts No.	Page No.
A50U817300	84-18	A50U833500	88-27	A50U841800	93-14	A50U853200	89-20	A50U863000	98-5
A50U817300	96-11	A50U834200	87-21	A50U841901	91-9	A50U853200	90-22	A50U864200	97-15
A50U817400	83-14	A50U834304	96-13	A50U842000	92-17	A50U853400	93-23	A50U864300	97-16
A50U817603	88-21	A50U834500	88-28	A50U842300	92-18	A50U853700	89-21	A50U865011	98-6
A50U817700	13-10	A50U834600	88-29	A50U842900	80-8	A50U854100	93-24	A50U865101	97-17
A50U817800	88-22	A50U834700	88-30	A50U842900	93-15	A50U854200	89-22	A50U865200	98-7
A50U818201	88-23	A50U834802	81-30	A50U843601	93-16	A50U854302	89-23	A50U865300	96-19
A50U818400	88-24	A50U835001	79-9	A50U843801	93-17	A50U854400	81-31	A50U865401	97-18
A50U818501	84-19	A50U835302	83-16	A50U843900	87-22	A50U854400	89-24	A50U865601	97-19
A50U818601	88-25	A50U835400	83-17	A50U844100	87-23	A50U854600	63-20	A50U865703	96-20
A50U818700	79-3	A50U835601	85-19	A50U844400	93-18	A50U854600	90-23	A50U865902	96-21
A50U818800	79-4	A50U835900	83-18	A50U844501	93-19	A50U854800	81-32	A50U866400	96-22
A50U818900	79-5	A50U836000	83-19	A50U844601	93-20	A50U854800	82-4	A50U866900	96-23
A50U819201	79-6	A50U836100	85-20	A50U844800	91-10	A50U854800	89-25	A50U867100	97-20
A50U819302	79-7	A50U836200	66-10	A50U845400	92-19	A50U854800	91-13	A50U867200	96-24
A50U819500	80-6	A50U836200	88-31	A50U846000	93-21	A50U855200	9-3	A50U867312	96-25
A50U819600	96-12	A50U836300	86-10	A50U846102	89-9	A50U855601	91-14	A50U867400	96-26
A50U819700	85-18	A50U836400	83-20	A50U846304	89-10	A50U855702	79-13	A50U867500	96-27
A50U819812	86-7	A50U836500	83-21	A50U847200	92-20	A50U855800	81-33	A50U867600	96-28
A50U819900	86-8	A50U836801	90-11	A50U848000	91-11	A50U856201	89-26	A50U867700	97-21
A50U830200	84-20	A50U837001	79-10	A50U848302	91-12	A50U856501	93-25	A50U867802	96-29
A50U830300	84-21	A50U837101	79-11	A50U850201	92-21	A50U858101	81-34	A50U868000	97-22
A50U830400	84-22	A50U837300	79-12	A50U850201	93-22	A50U858200	79-14	A50U868200	98-8
A50U830501	84-23	A50U837700	86-11	A50U850700	90-12	A50U858300	79-15	A50U868301	98-9
A50U830600	84-24	A50U838500	86-12	A50U851400	89-11	A50U858400	79-16	A50U868401	97-23
A50U830700	84-25	A50U838701	86-13	A50U851500	89-12	A50U858500	79-17	A50U868500	98-10
A50U830800	84-26	A50U838800	96-14	A50U851500	90-13	A50U858600	83-24	A50U868600	98-11
A50U831000	84-27	A50U839200	83-22	A50U851700	89-13	A50U858703	90-24	A50U868702	97-24
A50U831100	84-28	A50U839200	84-31	A50U851901	90-15	A50U859500	89-27	A50U869100	98-12
A50U831200	84-29	A50U839900	80-7	A50U852000	89-15	A50U859800	89-28	A50U869300	97-25
A50U831300	86-9	A50U840303	89-6	A50U852102	90-16	A50U859900	92-22	A50U869400	96-30
A50U831400	87-18	A50U840400	93-11	A50U852200	90-17	A50U860104	96-15	A50U869501	96-31
A50U831900	84-30	A50U840715	91-6	A50U852301	90-18	A50U860105	96-15	A50U869601	97-26
A50U832100	8-19	A50U840802	89-7	A50U852400	90-19	A50U860202	97-11	A50U869700	97-27
A50U832201	10-22	A50U841100	92-16	A50U852501	89-16	A50U860600	97-12	A50U869800	97-28
A50U832600	87-19	A50U841301	93-12	A50U852501	90-20	A50U861006	96-17	A50U880103	89-29
A50U832700	87-20	A50U841402	89-8	A50U852701	89-17	A50U861100	97-13	A50U880201	91-15
A50U832901	79-8	A50U841501	91-7	A50U852904	89-18	A50U861601	97-14	A50U880702	83-25
A50U833000	8-20	A50U841600	91-8	A50U853001	89-19	A50U861900	98-3	A50U880800	88-32
A50U833400	88-26	A50U841700	93-13	A50U853100	90-21	A50U862600	98-4	A50U881300	89-30

Parts No.	Page No.	Parts No.	Page No.	Parts No.	Page No.	Parts No.	Page No.	Parts No.	Page No.
A50U881400	89-31	A50U891600	103-23	A50U949700	49-12	A50UN12602	5-31	A50UN24400	110-11
A50U881500	8-21	A50U891900	103-24	A50U949700	50-9	A50UN12900	109-8	A50UN24501	34-31
A50U881601	88-34	A50U892001	103-25	A50U949700	51-20	A50UN13203	35-25	A50UN24600	110-12
A50U881700	88-35	A50U892101	103-26	A50UF12000	5-18	A50UN14001	64-13	A50UN24701	34-32
A50U882100	88-36	A50U892201	102-12	A50UF16000	2-23	A50UN14100	60-21	A50UN24800	110-13
A50U882100	90-25	A50U892502	102-13	A50UF16101	2-24	A50UN14201	69-29	A50UN24901	34-33
A50U882300	85-21	A50U893201	103-27	A50UF16201	2-25	A50UN14400	78-29	A50UN25000	110-14
A50U882401	99-20	A50U893300	102-14	A50UF16301	2-26	A50UN15101	110-10	A50UN25200	110-15
A50U882600	85-22	A50U894000	103-28	A50UF16400	2-27	A50UN15301	102-18	A50UN25300	110-16
A50U882701	80-9	A50U895000	102-15	A50UF21100	73-10	A50UN15400	8-22	A50UN25400	83-29
A50U882801	80-10	A50U895101	102-16	A50UF21100	74-10	A50UN15500	79-19	A50UN25500	110-17
A50U882900	90-26	A50U899700	103-29	A50UF21100	75-10	A50UN15800	99-22	A50UN25600	83-30
A50U883001	90-27	A50U899801	103-30	A50UF36500	29-9	A50UN15900	90-37	A50UPJG100	117-9
A50U883101	90-28	A50U943201	88-42	A50UF41500	24-16	A50UN16000	86-14	A50UPJG200	117-10
A50U883200	90-29	A50U943301	101-29	A50UF50700	7-21	A50UN16300	92-24	A50UPJG300	117-8
A50U883300	85-23	A50U943401	99-21	A50UF70800	77-13	A50UN16400	92-25	A50UPP0100	117-1
A50U883400	90-30	A50U943502	40-24	A50UF70900	77-14	A50UN16700	100-14	A50UR70115	30-19
A50U883501	85-24	A50U943601	97-29	A50UF80500	94-18	A50UN16900	86-15	A50UR70500	56-5
A50U883600	88-37	A50U943701	47-32	A50UF81401	85-25	A50UN17100	94-19	A50UR70A12	11-27
A50U883600	90-31	A50U943801	96-32	A50UF82200	83-27	A50UN17200	83-28	A50UR70B00	56-6
A50U883701	90-32	A50U943901	93-26	A50UF83702	80-12	A50UN17502	98-13	A50UR70E22	42-6
A50U884000	90-33	A50U944001	91-16	A50UF84800	92-23	A50UN17601	97-30	A50UR70F00	45-15
A50U884202	80-11	A50U944302	5-33	A50UM30101	52-18	A50UN17700	95-18	A50UR70G01	79-21
A50U884600	81-35	A50U945301	59-32	A50UM30101	53-18	A50UN17900	88-43	A50UR70H00	12-9
A50U884700	81-36	A50U945301	63-21	A50UM30101	54-18	A50UN18100	90-38	A50UR70Q00	76-10
A50U885100	83-26	A50U945601	2-21	A50UM30101	55-18	A50UN18203	85-26	A50UR71K00	73-11
A50U886300	88-38	A50U945601	49-11	A50UM32F00	43-20	A50UN18401	97-31	A50UR71K00	74-11
A50U886700	90-35	A50U945601	51-19	A50UM40100	109-7	A50UN18700	79-20	A50UR71K00	75-11
A50U886800	89-32	A50U945601	56-4	A50UM40201	110-9	A50UN18900	85-27	A50UR71M00	76-11
A50U886900	90-36	A50U945702	57-11	A50UM51000	24-17	A50UN23200	109-10	A50UR71P22	32-2
A50U890102	103-15	A50U945702	61-12	A50UM51000	30-16	A50UN23300	109-11	A50UR71Q00	56-7
A50U890201	103-16	A50U946000	58-23	A50UM51000	78-28	A50UN23400	109-12	A50UR71R11	56-8
A50U890300	103-17	A50U946300	59-31	A50UM51000	105-3	A50UN23500	109-13	A50UR71S11	56-9
A50U890500	102-9	A50U946300	63-3	A50UM60300	5-28	A50UN23600	109-14	A50UR71U12	13-11
A50U890600	103-18	A50U946400	60-20	A50UN10903	40-26	A50UN23700	109-15	A50UR71V01	13-12
A50U890700	103-19	A50U946400	64-20	A50UN11801	30-17	A50UN23800	109-16	A50UR71W01	13-13
A50U891001	102-10	A50U946503	2-22	A50UN12000	30-18	A50UN23900	109-17	A50UR72100	34-34
A50U891201	102-11	A50U948001	49-10	A50UN12101	24-18	A50UN24100	109-18	A50UR72600	88-44
A50U891302	103-21	A50U949600	5-14	A50UN12203	28-12	A50UN24200	109-19	A50UR72600	90-41
A50U891500	103-22	A50U949600	40-25	A50UN12500	51-22	A50UN24300	109-20	A50UR72722	97-32



Parts No.	Page No.	Parts No.	Page No.	Parts No.	Page No.	Parts No.	Page No.	Parts No.	Page No.
A50UR72811	96-33	A7PUM11000	31-20	A85CM55500	90-42	A8AK106800	102-23	A9VE110100	10-2
A50UR72C00	81-37	A7PUM11100	27-6	A85CM55500	96-34	A8AK107100	105-13	A9VE110100	13-1
A50UR72E00	84-36	A7PUM11100	71-4	A85CM55500	103-32	A8AK107200	102-24	A9VE110200	10-3
A50UR72G00	85-29	A85C102000	10-24	A85CM55600	33-14	A8AK108001	106-28	A9VE114600	9-20
A50UR72K00	51-21	A85C213100	76-13	A85CM55600	41-26	A8AK108100	106-29	A9VE133000	109-21
A50UR72R00	94-20	A85C409600	25-17	A85CM55600	51-23	A8AK108200	106-30	A9VE160300	2-29
A50UR72S00	79-22	A85C635200	67-21	A85CM55600	58-24	A8AK108302	106-31	A9VE160600	2-30
A50UR72U11	47-33	A85C635200	70-21	A85CM55600	60-13	A8AK108400	106-32	A9VE160700	57-12
A50UR72X01	73-12	A85C635401	66-30	A85CM55600	62-28	A8AK108500	106-33	A9VE160800	61-13
A50UR72X01	74-12	A85C635401	69-30	A85CM55600	66-9	A8AK162701	102-25	A9VE162300	4-5
A50UR72X01	75-12	A85C757801	47-34	A85CM55600	69-9	A8AK941001	118-2	A9VE162400	3-3
A50UR72X01	76-12	A85C758100	47-35	A85CM55600	73-14	A8AK941200	118-3	A9VE162500	1-6
A50UR72Y00	42-7	A85C764100	47-36	A85CM55600	74-14	A8AK941301	106-34	A9VE162800	1-7
A50UR73J00	36-12	A85C789200	45-21	A85CM55600	75-14	A8AKN10501	106-35	A9VE163200	1-8
A55C712000	77-16	A85C789300	45-20	A85CM55600	78-30	A8AKR70511	106-36	A9VE163600	4-8
A5AW162000	2-33	A85C877111	98-14	A85CM55600	81-38	A8AW106900	105-14	A9VE163800	4-9
A5AW510400	106-8	A85C877211	91-17	A85CM55600	85-31	A8AW161911	102-26	A9VE163900	3-4
A5AW744900	46-16	A85C895300	106-9	A85CM55600	86-16	A8AW162500	105-16	A9VE164800	2-31
A5AWM15101	7-23	A85C895400	106-10	A85CM55600	90-4	A8AW162600	105-17	A9VE168000	119-6
A5AWM15101	104-1	A85C895500	103-31	A85CM55600	94-21	A8AW941002	105-18	A9VE168800	118-6
A5AWP00100	117-2	A85C895800	106-11	A85CM55600	97-33	A8WC707100	117-21	A9VE169000	118-7
A5VM400200	25-18	A85C895900	106-12	A85CN12800	7-24	A92W343000	52-20	A9VE193100	16-16
A5VM944500	25-13	A85C896301	106-13	A85CN19000	73-15	A92W343000	53-20	A9VE193200	16-17
A5VM944600	25-14	A85C896400	106-14	A85CN19100	76-15	A92W343000	54-20	A9VE193300	15-16
A5VM944700	25-15	A85C896800	106-15	A85CN19900	119-5	A92W343000	55-20	A9VE193500	15-17
A5VM944800	25-16	A85C896900	106-16	A85CN21600	104-5	A92W345400	52-21	A9VE193800	15-18
A65U186600	104-2	A85C897201	106-17	A85CN21700	105-9	A92W345400	53-21	A9VE193900	16-18
A782945003	117-20	A85C897300	106-18	A85CR70C22	73-16	A92W345400	54-21	A9VE194000	15-19
A795M20300	66-20	A85C897400	105-4	A8AK100401	104-6	A92W345400	55-21	A9VE194100	15-20
A795M20300	67-13	A85C897700	106-19	A8AK101503	105-11	A93EM10000	8-23	A9VE194200	119-7
A795M20300	69-20	A85C897800	106-20	A8AK101700	105-12	A93EM10000	10-7	A9VE194300	119-8
A795M20300	70-13	A85C897900	105-5	A8AK103200	106-23	A93EM10000	95-1	A9VE197100	119-13
A795M20300	78-5	A85C898701	104-3	A8AK103502	106-24	A93EM10000	102-2	A9VE220500	49-19
A799H04001	14-28	A85C898801	104-4	A8AK103601	106-25	A93EM10000	110-18	A9VE220600	50-10
A799M45300	108-1	A85C899100	106-22	A8AK103702	106-26	A93EM10600	5-1	A9VE222000	50-6
A79J136000	107-10	A85CM10100	76-14	A8AK104100	106-27	A9CE716000	37-4	A9VE500200	34-35
A79JM11300	49-13	A85CM10200	73-13	A8AK106101	102-19	A9CE955000	118-4	A9VE521100	81-5
A79JM90A00	114-4	A85CM10200	74-13	A8AK106200	102-20	A9CE955100	118-5	A9VE521200	81-13
A79JJP000	117-13	A85CM10200	75-13	A8AK106300	102-21	A9JT942401	4-12	A9VE522500	81-39
A79JJP100	117-14	A85CM55500	88-45	A8AK106400	102-22	A9JT944200	2-34	A9VE526200	81-40

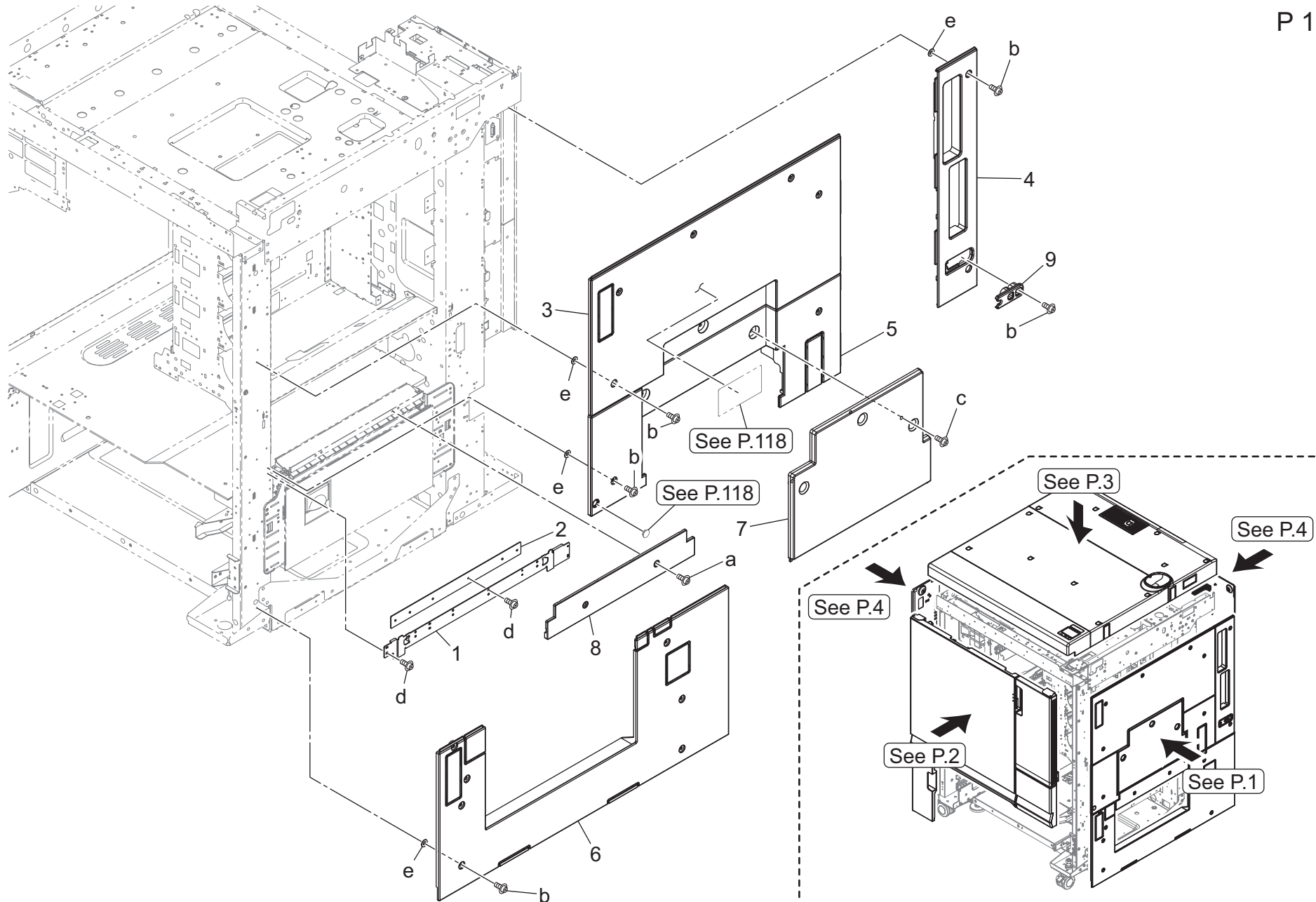
Parts No.	Page No.	Parts No.	Page No.	Parts No.	Page No.	Parts No.	Page No.	Parts No.	Page No.
A9VE560100	66-15	A9VE743500	46-27	A9VE871900	82-11	A9VP513400	35-27	A9VP546300	37-21
A9VE560100	69-15	A9VE743800	41-28	A9VE872000	88-5	A9VP513600	33-15	A9VP546400	37-22
A9VE620701	61-14	A9VE744300	41-29	A9VE890400	103-33	A9VP515200	39-5	A9VP546500	37-23
A9VE625800	72-1	A9VE745800	42-9	A9VE890900	103-34	A9VP515300	39-6	A9VP546600	37-24
A9VE628400	57-13	A9VE758000	47-39	A9VE892800	103-35	A9VP515400	39-7	A9VP546700	37-25
A9VE628400	61-15	A9VE758400	44-22	A9VE942200	118-8	A9VP515500	39-8	A9VP546800	37-26
A9VE628500	57-14	A9VE758600	44-23	A9VE942600	4-11	A9VP515600	39-9	A9VP546900	37-27
A9VE630701	57-15	A9VE760900	47-8	A9VE942700	49-15	A9VP515900	39-10	A9VP547100	37-28
A9VE633100	57-16	A9VE764200	47-41	A9VE943100	79-2	A9VP516401	39-15	A9VP547900	37-29
A9VE633100	61-16	A9VE769001	45-19	A9VE944100	80-5	A9VP516500	39-16	A9VP788700	42-20
A9VE634400	57-17	A9VE769300	48-12	A9VE944901	2-32	A9VP516600	39-17	A9VPM75800	14-23
A9VE634400	61-17	A9VE769600	48-13	A9VE945400	57-18	A9VP516700	39-18	A9VPN20000	39-13
A9VE641600	10-21	A9VE785400	46-28	A9VE945500	61-18	A9VP516800	39-19	A9VPN28600	14-24
A9VE641700	10-14	A9VE785500	46-29	A9VE946300	118-9	A9VP516901	39-20	A9VPR71600	38-12
A9VE700200	77-17	A9VE818100	83-31	A9VE949000	47-42	A9VP517000	39-11	A9VPR71900	39-12
A9VE701300	77-18	A9VE819100	85-32	A9VEF62102	61-19	A9VP517700	36-16	A9VPR73800	38-13
A9VE715700	101-28	A9VE839100	83-32	A9VEF63108	57-19	A9VP517800	33-16	AA2JM10500	110-1
A9VE720300	46-18	A9VE841000	91-19	A9VEF84100	91-18	A9VP517900	33-17	AA2JM10500	111-2
A9VE720500	46-19	A9VE841300	85-6	A9VEM31F00	46-4	A9VP534900	37-5	AAC2160100	3-7
A9VE722800	48-9	A9VE849900	91-1	A9VEM33F00	46-30	A9VP535000	37-6	AAC2160202	3-8
A9VE723500	46-20	A9VE851800	89-14	A9VEM55100	100-17	A9VP535100	37-7	AAK7374100	20-4
A9VE723600	46-21	A9VE851800	90-14	A9VEM75500	14-17	A9VP535200	37-8	AAK7374100	21-4
A9VE724100	46-22	A9VE866100	96-35	A9VEN10601	45-22	A9VP536600	38-6	AAK7374100	22-4
A9VE726800	46-23	A9VE866201	96-36	A9VEN11000	45-23	A9VP536700	38-7	AAK7374100	23-4
A9VE727500	47-37	A9VE867900	96-37	A9VEN11500	109-1	A9VP540100	38-8	AAK7376000	20-6
A9VE727600	48-10	A9VE870100	82-5	A9VEN12400	49-16	A9VP543600	38-9	AAK7376000	21-6
A9VE727700	47-38	A9VE870200	82-6	A9VEN15000	83-34	A9VP543700	38-10	AAK7376000	22-6
A9VE728300	46-24	A9VE870211	82-6	A9VEN15200	103-36	A9VP544001	38-14	AAK7376000	23-6
A9VE728400	45-17	A9VE870300	82-7	A9VEN15601	83-35	A9VP545100	37-9	AAAMP10900	86-2
A9VE731500	48-11	A9VE870400	82-8	A9VEN16100	86-17	A9VP545200	37-10	AC57108100	108-2
A9VE733000	46-25	A9VE870411	82-8	A9VEN16200	82-12	A9VP545302	37-11	AC57120500	8-24
A9VE733100	46-26	A9VE870500	82-9	A9VEN16200	88-33	A9VP545400	37-12	AC57120700	110-19
A9VE733400	45-18	A9VE870600	82-10	A9VEN16500	85-33	A9VP545500	37-13	AC57121000	5-10
A9VE741600	42-8	A9VE870800	81-42	A9VEN18801	83-36	A9VP545600	37-14	AC57121100	5-32
A9VE741700	43-21	A9VE870900	81-43	A9VER70422	46-6	A9VP545700	37-15	AC57121400	5-12
A9VE741800	43-12	A9VE871200	81-44	A9VER70900	48-14	A9VP545800	37-16	AC57123800	5-15
A9VE742400	41-27	A9VE871300	81-45	A9VER71700	26-2	A9VP545900	37-17	AC57130400	112-5
A9VE742500	40-27	A9VE871601	88-46	A9VER71800	29-11	A9VP546000	37-18	AC57130500	111-3
A9VE742800	40-28	A9VE871700	81-46	A9VP368401	29-13	A9VP546100	37-19	AC57132001	110-20
A9VE743000	40-29	A9VE871800	81-47	A9VP505400	35-12	A9VP546200	37-20	AC57132200	110-21

Parts No.	Page No.	Parts No.	Page No.	Parts No.	Page No.	Parts No.	Page No.	Parts No.	Page No.
AC57132500	110-22	AC57340301	52-4	AC57704400	78-16	AC57818000	83-15	AC57M15300	7-22
AC57132800	110-23	AC57340301	53-4	AC57705300	77-20	AC57849100	84-32	AC57M15300	102-17
AC57132900	110-24	AC57340301	54-4	AC57710100	99-7	AC57849200	84-33	AC57M15400	11-26
AC57133200	7-11	AC57340601	55-4	AC57715901	100-6	AC57859000	84-34	AC57M15800	5-5
AC57133400	110-25	AC57340700	8-26	AC57716101	99-16	AC57859400	84-35	AC57M15800	8-27
AC57133700	110-29	AC57341200	55-25	AC57716300	99-24	AC57860500	96-16	AC57M20000	84-9
AC57134000	111-16	AC57341700	49-3	AC57716700	100-9	AC57861800	96-18	AC57M20200	84-14
AC57134100	108-3	AC57343102	55-26	AC57719200	99-18	AC57870700	81-41	AC57M40900	105-6
AC57134800	112-6	AC57343700	55-27	AC57723800	45-24	AC57884400	80-13	AC57M46100	108-4
AC57135800	112-7	AC57347300	52-2	AC57736201	40-5	AC57884500	80-14	AC57M50001	45-26
AC57160100	2-28	AC57347300	53-2	AC57740000	48-5	AC57890800	103-20	AC57M50101	45-27
AC57160400	79-23	AC57347300	54-2	AC57741900	44-20	AC57891400	105-15	AC57M50200	39-14
AC57161001	3-2	AC57347300	55-23	AC57742000	44-21	AC57891700	105-21	AC57M60000	24-3
AC57161600	2-6	AC57347400	52-22	AC57744600	41-15	AC57895600	105-20	AC57M90100	114-5
AC57161800	2-8	AC57347400	53-22	AC57744700	44-5	AC57896001	119-12	AC57N10201	114-1
AC57162001	1-3	AC57347400	54-22	AC57745000	46-17	AC57896400	106-37	AC57N10302	115-2
AC57162100	1-4	AC57347400	55-22	AC57745300	40-31	AC57898000	119-1	AC57N10400	114-2
AC57162201	1-5	AC57363000	31-4	AC57746700	44-7	AC57898500	105-10	AC57N10501	116-1
AC57162600	1-9	AC57400500	28-5	AC57747200	41-30	AC57899000	106-21	AC57N10513	116-1
AC57163000	4-6	AC57401200	28-6	AC57747301	41-31	AC57942100	79-25	AC57N10700	41-33
AC57163100	4-4	AC57401300	28-7	AC57749001	40-14	AC57944100	118-19	AC57N10F01	113-1
AC57163500	4-7	AC57462100	52-8	AC57754900	44-9	AC57946500	38-11	AC57N11300	111-15
AC57169000	49-4	AC57462100	53-8	AC57760300	47-40	AC57946500	51-25	AC57N11400	108-5
AC57174100	2-35	AC57462100	54-8	AC57761000	47-15	AC57946500	52-19	AC57N11600	108-6
AC57174200	2-36	AC57462100	55-8	AC57767400	44-6	AC57946500	53-19	AC57N12701	115-1
AC57174400	2-37	AC57462202	52-9	AC57767600	42-18	AC57946500	54-19	AC57N13601	10-23
AC57175900	8-25	AC57462202	53-9	AC57767701	42-19	AC57946500	55-19	AC57N13700	35-26
AC57190102	14-25	AC57462202	54-9	AC57767800	42-11	AC57946500	69-32	AC57N14200	66-29
AC57190201	14-26	AC57462202	55-9	AC57768000	42-12	AC57974400	52-1	AC57N16600	100-13
AC57193100	14-8	AC57503900	34-16	AC57768100	42-13	AC57H01109	112-8	AC57N16801	100-15
AC57193200	14-9	AC57504000	34-17	AC57768200	42-14	AC57H03002	109-22	AC57N21301	105-7
AC57193400	14-10	AC57533200	38-15	AC57768300	42-15	AC57H03013	109-22	AC57N21400	105-8
AC57193600	14-3	AC57533300	38-16	AC57768401	42-16	AC57H05002	83-33	AC57N22000	85-34
AC57193800	14-13	AC57533400	38-3	AC57768500	42-17	AC57H83000	109-22	AC57N22000	90-2
AC57193900	14-14	AC57560000	66-11	AC57768600	41-34	AC57M10300	34-9	AC57N22000	95-20
AC57194101	14-21	AC57560000	69-11	AC57768800	45-25	AC57M10300	40-4	AC57N22101	81-14
AC57220500	49-2	AC57560301	65-6	AC57784600	48-15	AC57M10600	41-32	AC57N26500	17-8
AC57220700	50-11	AC57560401	66-6	AC57800100	95-4	AC57M15000	10-6	AC57N27000	12-8
AC57314300	12-4	AC57635300	67-22	AC57805500	94-22	AC57M15000	92-4	AC57N27400	112-9
AC57337201	51-24	AC57635300	70-20	AC57812200	84-17	AC57M15000	110-27	AC57N28600	112-10

Parts No.	Page No.	Parts No.	Page No.
AC57N29001	15-14	AC58222300	50-12
AC57N29100	15-15	AC58222400	49-6
AC57N29200	112-11	AC58783400	46-15
AC57R70111	18-1	AC58R70100	49-17
AC57R70222	20-10	ACC2N13500	109-9
AC57R70222	21-10	ACC2R70100	107-11
AC57R70222	22-10	ACC2R70300	107-11
AC57R70222	23-10	ACE6335600	19-3
AC57R70400	17-9	ACE6339100	19-4
AC57R70700	31-21	ACVXM40H00	107-1
AC57R70800	65-23	ADA4109500	3-6
AC57R71000	71-12	ADA4190300	14-27
AC57R71300	77-19	ADA4205100	14-12
AC57R71400	99-23	ADA4947000	79-24
AC57R71500	90-39	ADA4R70122	14-11
AC57R71600	85-28	SP00-0210	45-16
AC57R71700	81-48	SP00-0220	42-10
AC57R71800	90-40	V114040604	118-10
AC57R71900	102-27	V118030604	118-13
AC57R72000	95-19	V121030604	118-11
AC57R72100	47-43	V127030516	118-12
AC57R72411	40-30	V153031004	119-10
AC57R72411	40-30	V217040003	119-9
AC57R72600	26-1	V234201250	101-2
AC57R73200	118-14	V500010075	118-17
AC57R73400	101-30	V501010006	119-14
AC57R73600	95-2	V502010033	108-7
AC57R73700	85-30	V503010002	112-12
AC57R74100	26-1		
AC57R74300	43-14		
AC57R74500	29-10		
AC57R74600	29-12		
AC57R74700	31-22		
AC57R74911	32-3		
AC57R75000	32-4		
AC57R75122	32-1		
AC57R75200	5-34		
AC57R75500	36-13		
AC57R75600	68-23		
AC57V13003	110-28		

# External Parts Section

P 1

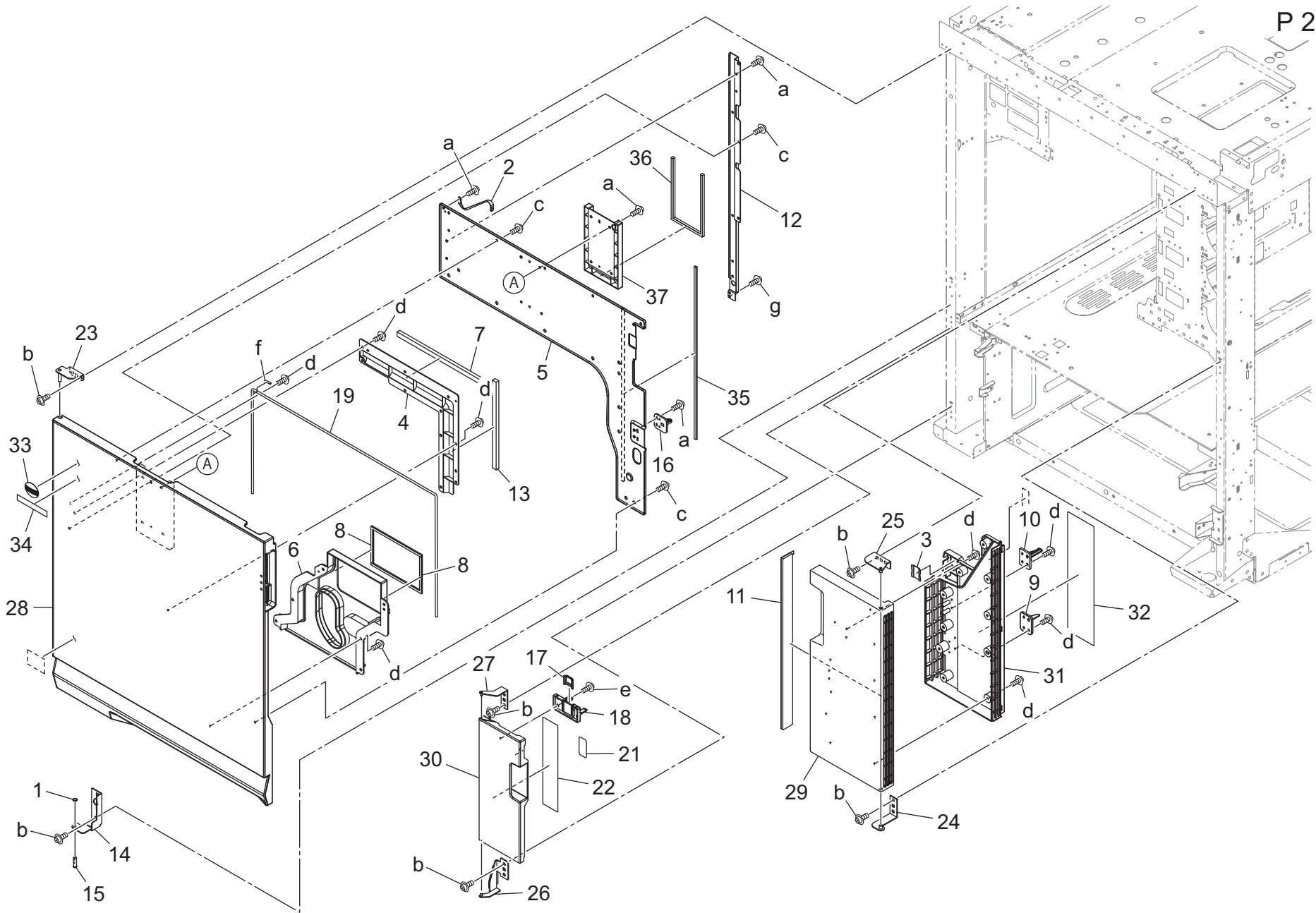


# External Parts Section

Key	Part No.	Description	Destinations	Class	QTY	Standard parts
1	A50U162701	Reinforce Plate		D	1	a-V114040604 b-V114041004 c-V121031004 d-V127030604 e-V211040080
2	A50U162900	Reinforce Plate /2		D	1	
3	AC57162001	Cover /Right		D	1	
4	AC57162100	Protection Cover /1		D	1	
5	AC57162201	Cover /Right		D	1	
6	A9VE162500	Protection Cover /Lower		D	1	
7	A9VE162800	Bypass Cover		D	1	
8	A9VE163200	Protection Cover		D	1	
9	AC57162600	Cover		D	1	

# External Parts Section

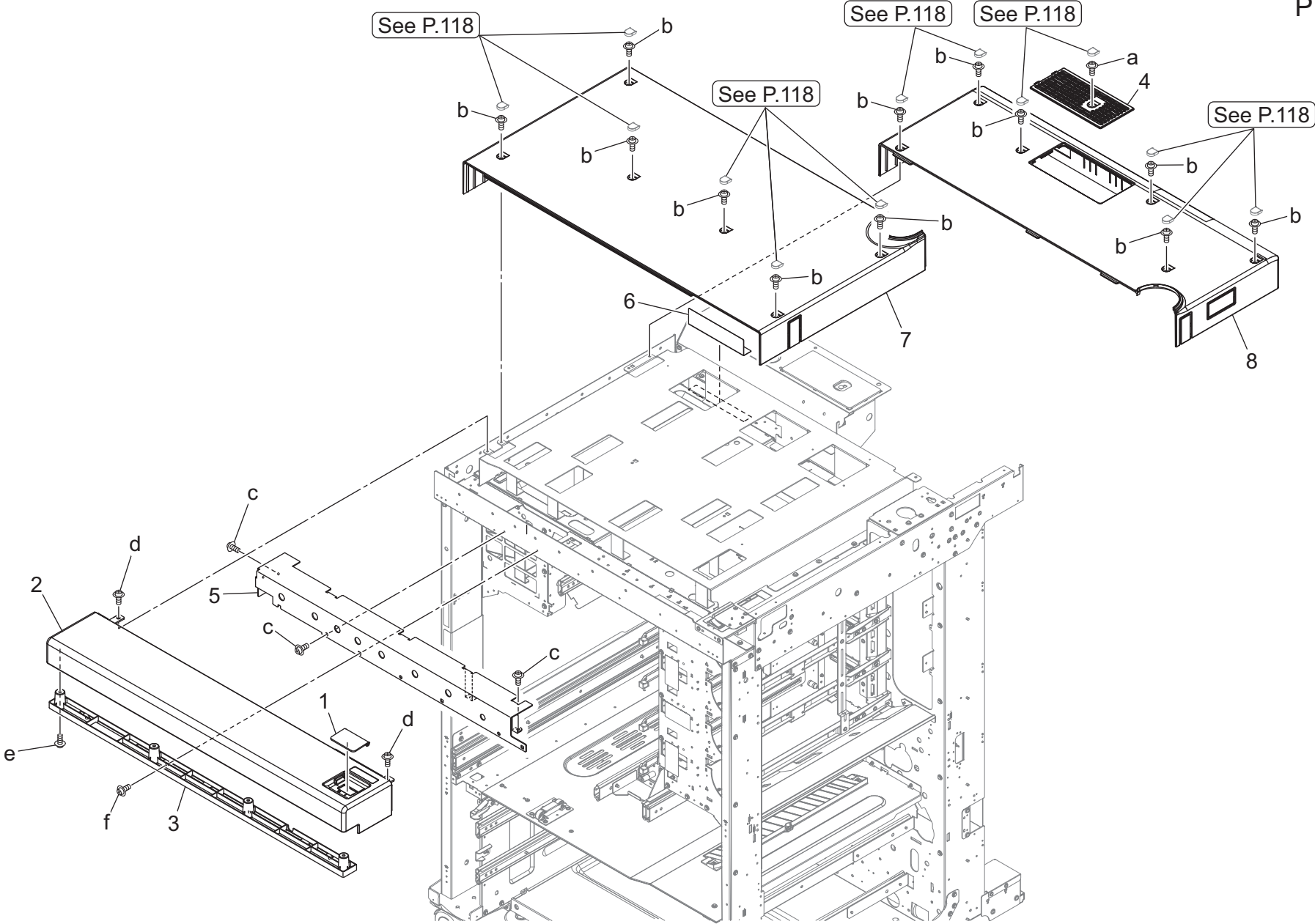
P 2



Key	Part No.	Description	Destinations	Class	QTY	Standard parts
1	40AA30270	DEVELOPING SPACER		C	1	a-V127030604
2	55VA90840	MAIN EARTH WIRE		D	1	b-V127040603
3	56AA12241	EXTERNAL LOCK PLATE		D	1	c-V158030803
4	A50U160500	Fixing Plate		D	1	d-V158030804
5	A50U161502	Reinforce Door /Right		D	1	e-V158031003
6	AC57161600	Cover Duct /Front		D	1	f-V234201450
7	A50U161700	Sealing Cushion /1		D	1	g-V126030603
8	AC57161800	Seal		D	2	
9	A50U164100	Detecting Actuator		D	1	
10	A50U164200	Detecting Part		D	1	
11	A50U164901	Suction Dust-proof Filter		A	1	
12	A50U165500	Reinforce Hinge		D	1	
13	A50U165600	Sealing Cushion /2		D	1	
14	A50U166100	Hinge /Lower		D	1	
15	A50U166200	Support Shaft /Lower		D	1	
16	A50U167201	Lock Cover		D	1	
17	A50U167500	Lock Plate		D	1	
18	A50U167601	Detecting Part		D	1	
19	A50U169900	Reinforce Wire		D	1	
21	A50U945601	Operation Label		D	1	
22	A50U946503	Operation Label /A		D	1	
23	A50UF16000	Left Door Support Plate / Upper Caulking		D	1	
24	A50UF16101	Right Door Support Plate / Lower Caulkin		D	1	
25	A50UF16201	Right Door Support Plate / Upper Caulkin		D	1	
26	A50UF16301	Collection Box Door Support Plate / L		D	1	
27	A50UF16400	Collection Box Door Support Plate / Upper		D	1	
28	AC57160100	Door /Front		D	1	
29	A9VE160300	Toner supply Door		D	1	
30	A9VE160600	Collection Door		D	1	
31	A9VE164800	Toner supply Duct		D	1	
32	A9VE944901	Toner supply Label		D	1	
33	A5AW162000	Indicating Plate		C	1	
34	A9JT944200	Label /KONICA MINOLTA		D	1	
35	AC57174100	Seal		D	1	
36	AC57174200	Seal		D	1	
37	AC57174400	Mounting Part		D	1	



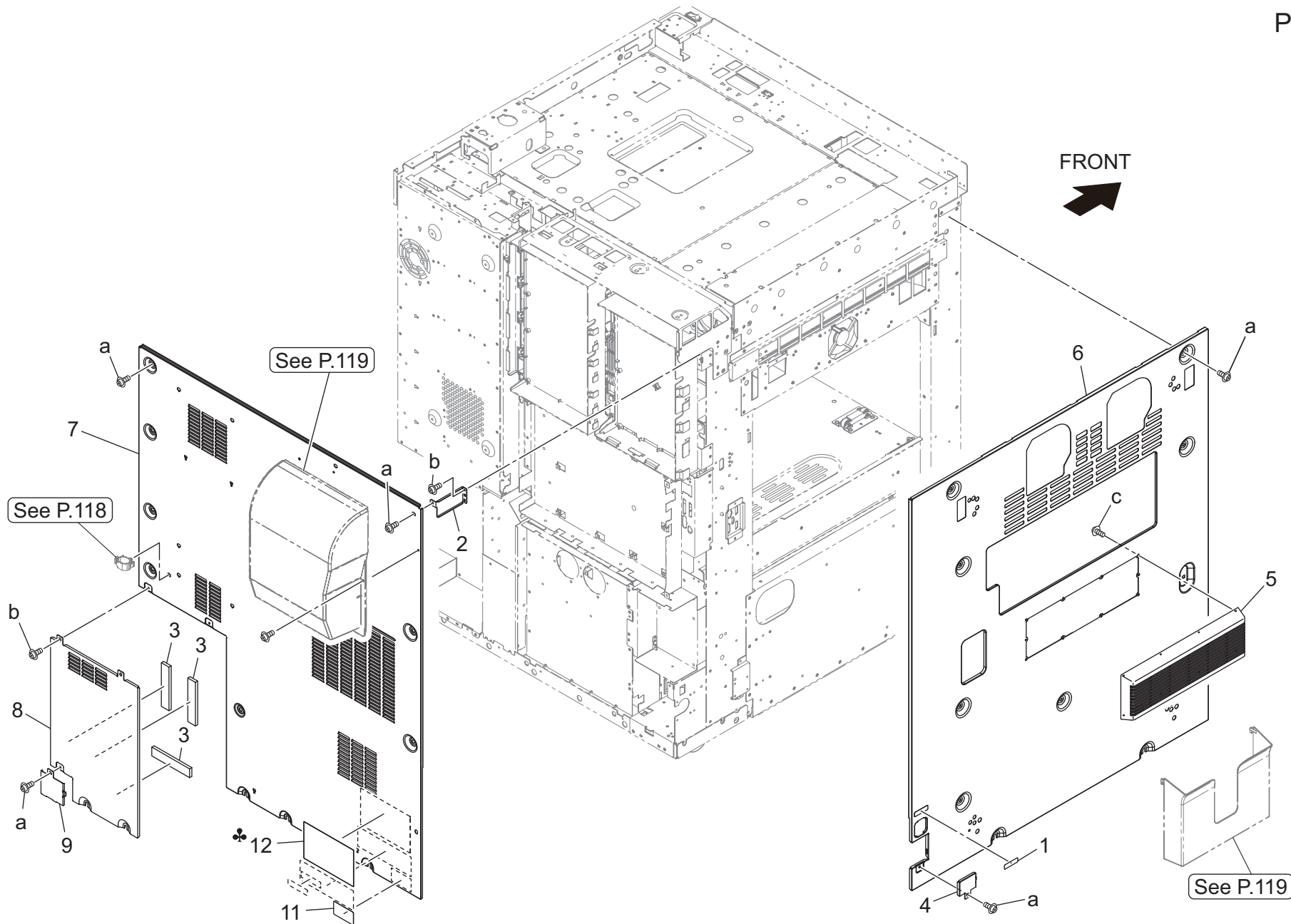
External Parts Section



# External Parts Section

Key	Part No.	Description	Destinations	Class	QTY	Standard parts
1	A1DU163402	Protection Cover		D	1	a-V114040604 b-V114041004 c-V121040604 d-V127040603 e-V158030803 f-V114040804
2	AC57161001	Cover Part		D	1	
3	A9VE162400	Cover Part /Inside		D	1	
4	A9VE163900	Replacement Cover		D	1	
5	A50U175001	Reinforce Plate		D	1	
6	ADA4109500	Seal		D	1	
7	AAC2160100	Read Cover /Middle		D	1	
8	AAC2160202	Read Cover /Rear		D	1	

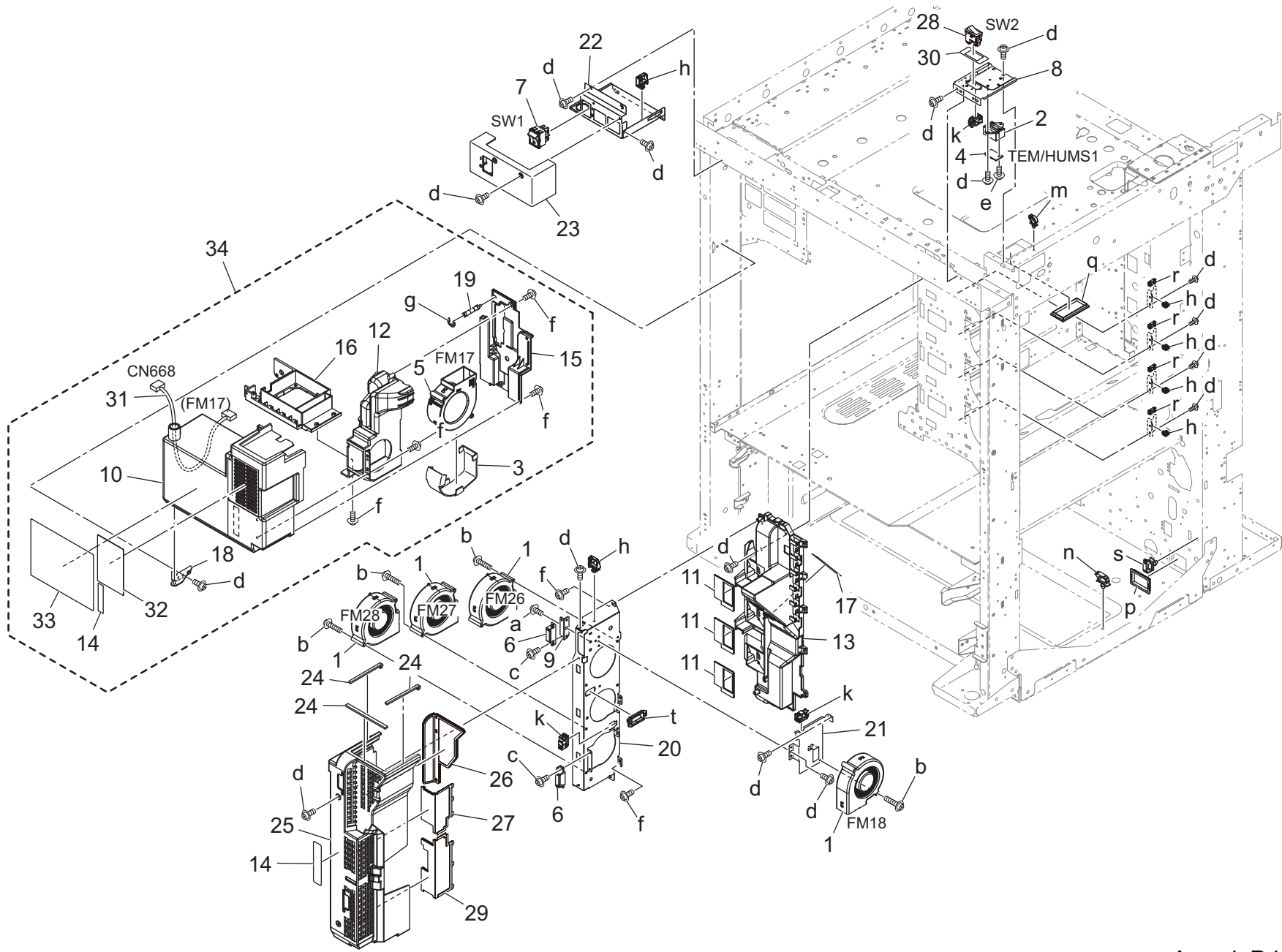
External Parts Section



# External Parts Section

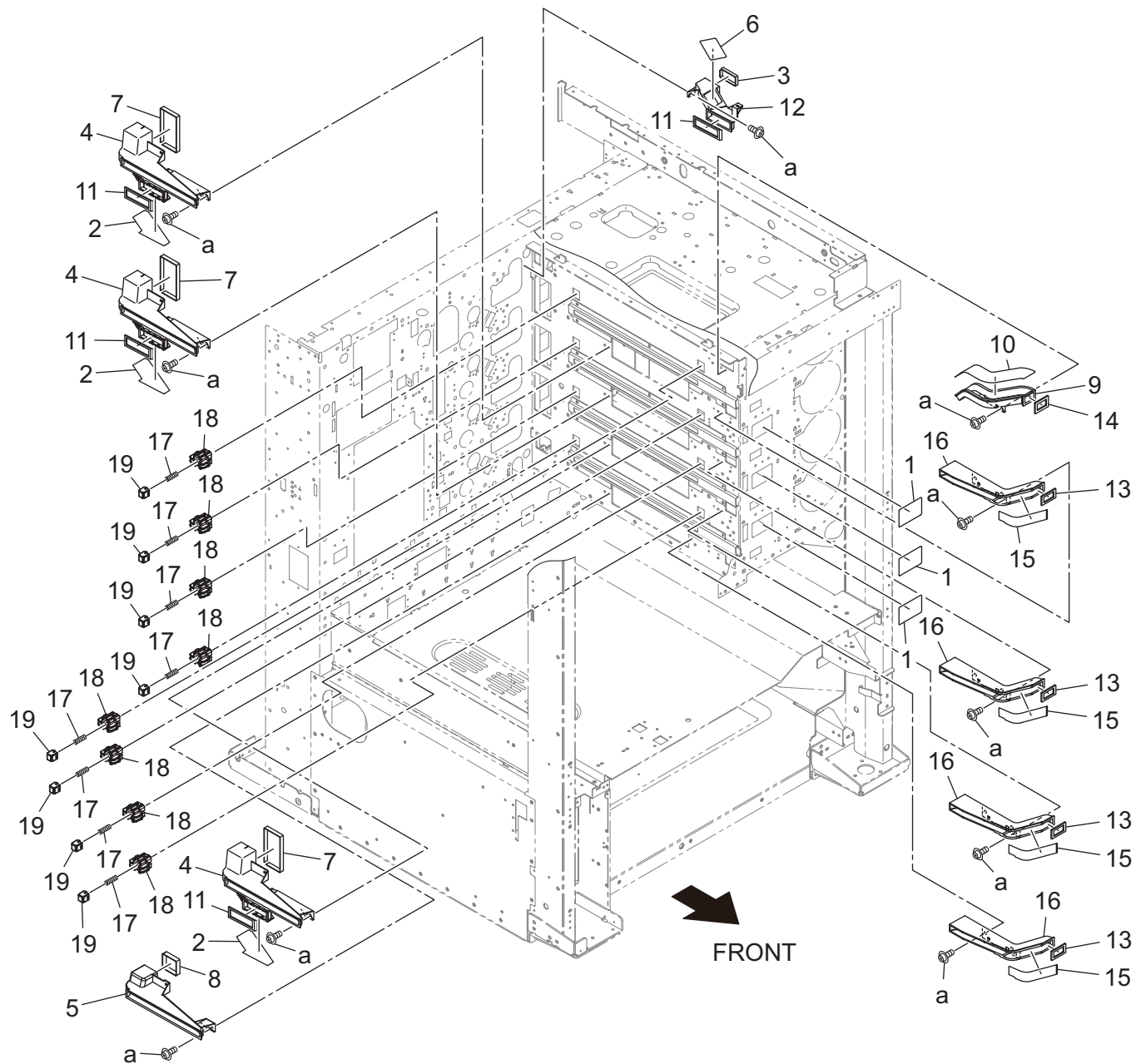
Key	Part No.	Description	Destinations	Class	QTY	Standard parts
1	A00J945401	Label Dehumidifier SW.		C	1	a-V114040604 b-V127030604 c-V158030804
2	A50U163700	Mounting Plate /Upper		D	1	
3	A50U167801	Holding Part		D	3	
4	AC57163100	Cover		D	1	
5	A9VE162300	Paper exit Cover /2		D	1	
6	AC57163000	Paper exit Cover /Left		D	1	
7	AC57163500	Protection Cover /1		D	1	
8	A9VE163600	Cover /Rear		D	1	
9	A9VE163800	Entrance Plate		D	1	
11	A9VE942600	Caution Label		D	1	
12	A9JT942401	Caution Label	C,I	D	1	

# Main Frame Section



Key	Part No.	Description	Destinations	Class	QTY	Standard parts
1	A93EM10600	Fan motor		C	4	a-V116030803
2	65AA11300	Support Part		D	1	b-V118033503
3	65AA11430	FAN SEALING PART 3		C	1	c-V126030603
4	A034M50000Old	Humidity sensor		C	1	d-V127030604
4	A0P0M50400	Humidity sensor		C	1	e-V153030803
5	AC57M15800	Cooling Fan		C	1	f-V158030803
6	A0G6411200	Magnet /X		D	2	g-V217060003
7	A4EUM60000	Power source Switch		C	1	h-V500020098
8	A50U102900	Mounting Plate		D	1	k-V570010056
9	A50U120600	Fixing Plate		D	1	m-V500010076
10	AC57121000	Duct		D	1	n-V500010081
11	A50U121300	Cooling Seal /Front		D	3	p-V570010039
12	AC57121400	Duct /2		D	1	q-V570010040
13	A50U122103	Cooling Duct		D	1	r-V570010057
14	A50U949600	Replacement Label		D	2	s-V500010082
15	AC57123800	Cover		D	1	t-V570010037
16	A50U124100	Duct		D	1	
17	A50U124900	Cover Sheet		D	1	
18	A50UF12000	Fusing Front Cooling Duct Support Shaft		D	1	
19	A50U125901	Fixing Screw		D	1	
20	A50U126500	Mounting Plate		D	1	
21	A50U126600	Mounting Plate		D	1	
22	A50U127401	Mounting Plate		D	1	
23	A50U127901	Cover		D	1	
24	A50U164000	Cooling Seal /1		D	3	
25	A50U167901	Cooling Cover		D	1	
26	A50U172100	PH Dust-proof Filter		B	1	
27	A50U172200	Deve. Dust-proof Filter/1		B	1	
28	A50UM60300	Power source Switch		C	1	
29	A50U172300	Deve. Dust-proof Filter/2		B	1	
30	A50U179500	Protection Sheet		D	1	
31	A50UN12602	Cooling Relay harness /1		D	1	
32	AC57121100	Filter		A	1	
33	A50U944302	Processing Label /2		D	1	
34	AC57R75200	Fusing Front Cooling Duct Assy		C	1	

# Main Frame Section

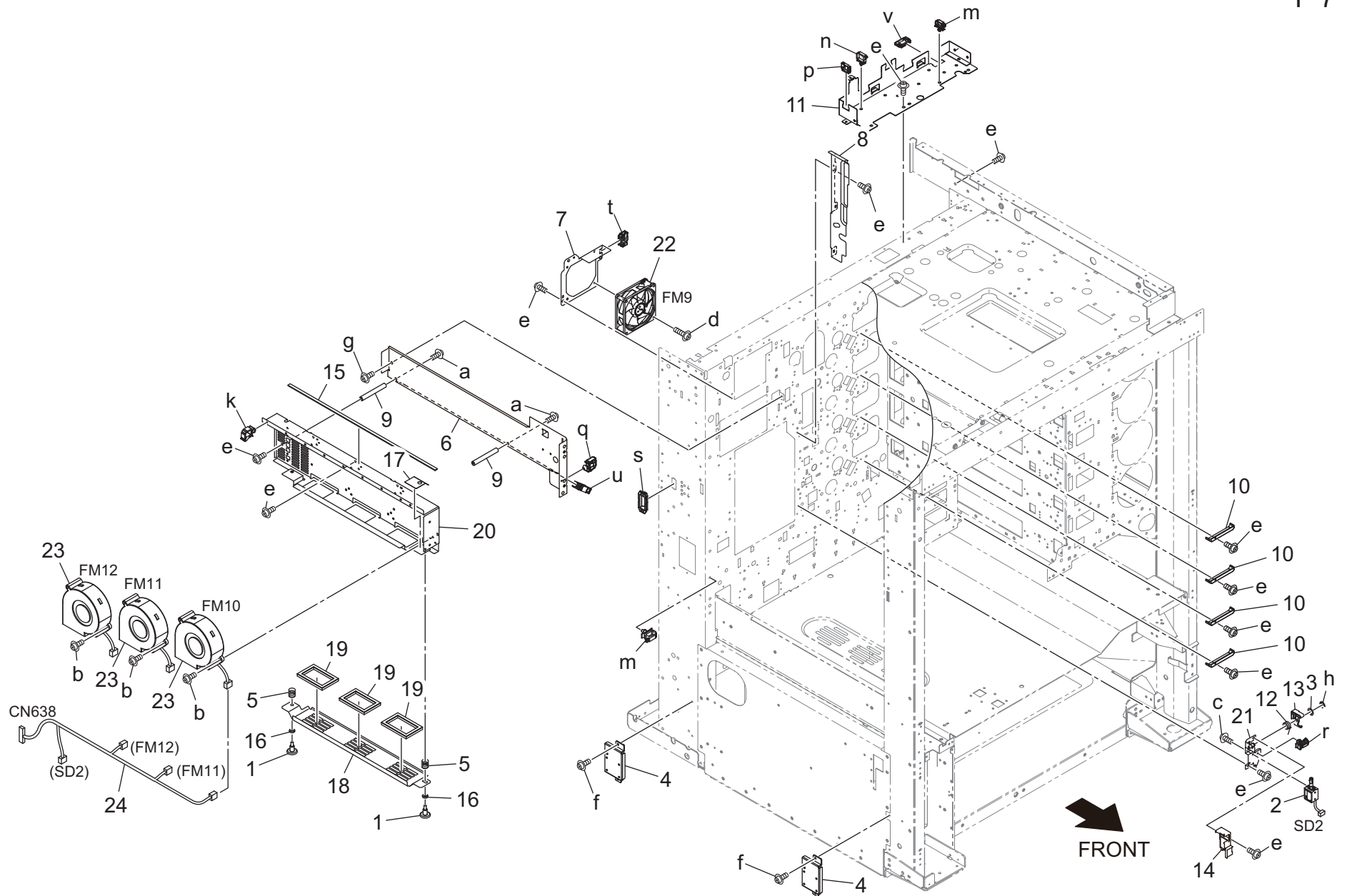


FRONT

Key	Part No.	Description	Destinations	Class	QTY	Standard parts
1	A50U109101	Writing Cover		D	3	a-V127030604
2	A50U123200	Ozone Cover		D	3	
3	A50U123300	Suction Seal		D	1	
4	A50U123400	Duct /Cyan		D	3	
5	A50U123500	Duct		D	1	
6	A50U123600	Suction Cover		D	1	
7	A50U123900	Suction Seal		D	3	
8	A50U124000	Suction Seal		D	1	
9	A50U126200	Duct		D	1	
10	A50U126800	Sheet /1		D	1	
11	A50U127201	Suction Seal /Rear		D	4	
12	A50U127300	Suction Duct		D	1	
13	A50U127500	Seal		D	4	
14	A50U127800	Seal		D	1	
15	A50U128000	Sheet /2		D	4	
16	A50U128700	Duct /1		D	4	
17	A50U341800	Pressing Spring /D		D	8	
18	A50U342200	Pressing Pedestal		D	8	
19	A50U342400	Charge Pressing Block		D	8	



# Main Frame Section



AccurioPrint C4065P

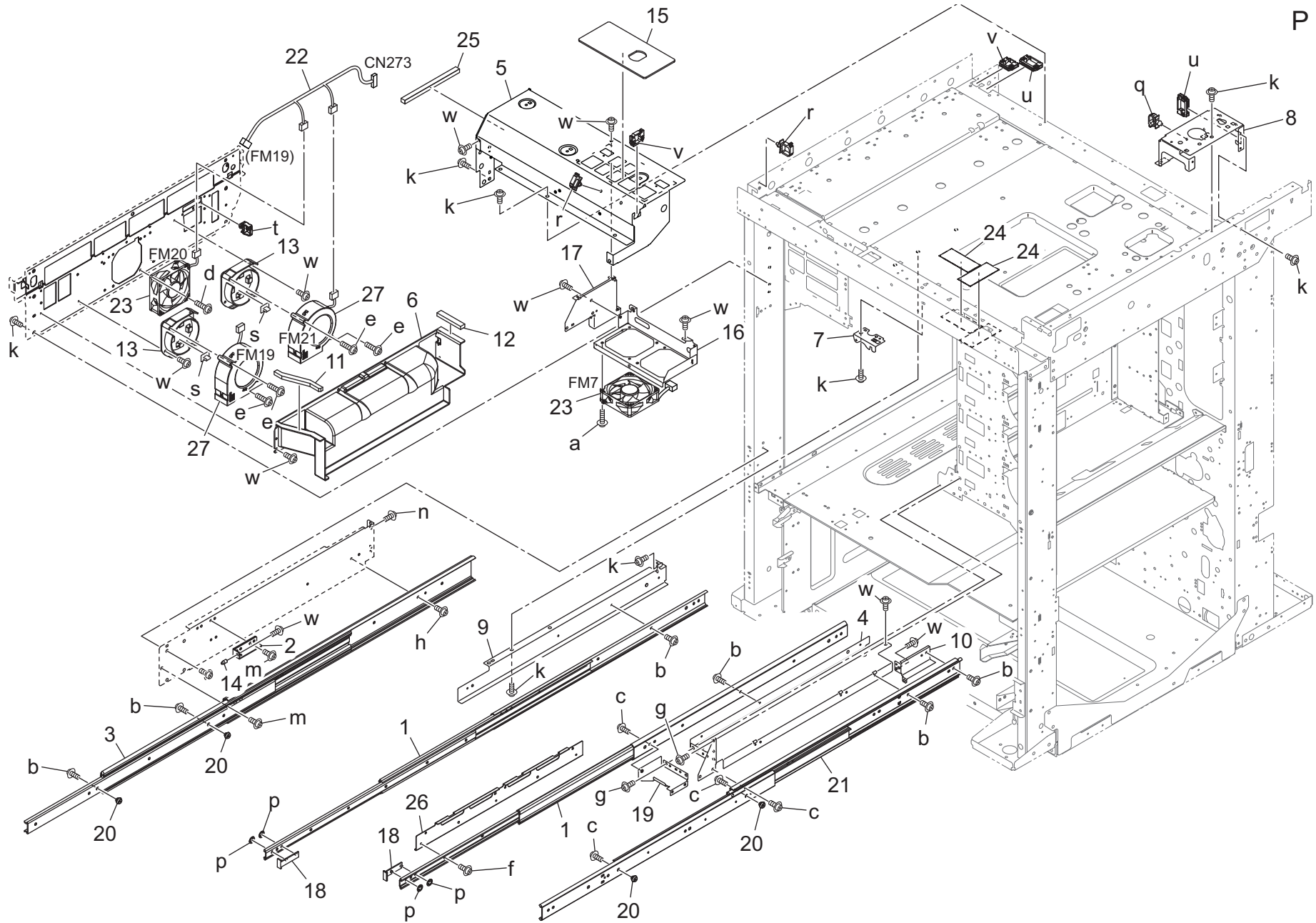
## Main Frame Section

Key	Part No.	Description	Destinations	Class	QTY	Standard parts
1	4038351102	SHOULDER SCREW		C	2	a-V116030803
2	26NA82513	Paper Feed Solenoid		B	1	b-V116031003
3	40AA32320	Toner Supply Spacer		C	1	c-V118030303
4	A1DU111101	Connecting Plate /F		D	2	d-V118033003
5	A1DU764000	Spring		D	2	e-V127030604
6	A50U102801	Mounting Stay /Middle		D	1	f-V127040603
7	A50U103602	Mounting Plate /Rear		D	1	g-V146040804
8	A50U104901	Inner partition		D	1	h-V217040003
9	A50U106800	Mounting Shaft /Inside		D	2	k-V500010074
10	A50U108900	Receiving Part /1		D	4	m-V500010082
11	AC57133200	Mounting Plate /Upper		D	1	n-V500010084
12	A50U508301	Solenoid Release Spring		D	1	p-V570010060
13	A50U509300	Separating Cam		D	1	q-V500020098
14	A50U510400	Cover		D	1	r-V500020099
15	A50U731700	Insulating Seal /1		D	1	s-V570010037
16	A50U731900	Lifting Spacer /1		D	2	t-V570010056
17	A50U737800	Protection Sheet /1		D	1	u-V570010057
18	A50U738001	Shutter		D	1	v-V570010059
19	A50U738100	Cushion		D	3	
20	A50U739000	Mounting Plate		D	1	
21	A50UF50700	Mounting Stay Caulking		D	1	
22	AC57M15300	Cooling Fan		C	1	
23	A5AWM15101	Cooling Fan		B	3	
24	A85CN12800	Fixing Relay harness /2		D	1	

AccurioPrint C4065P

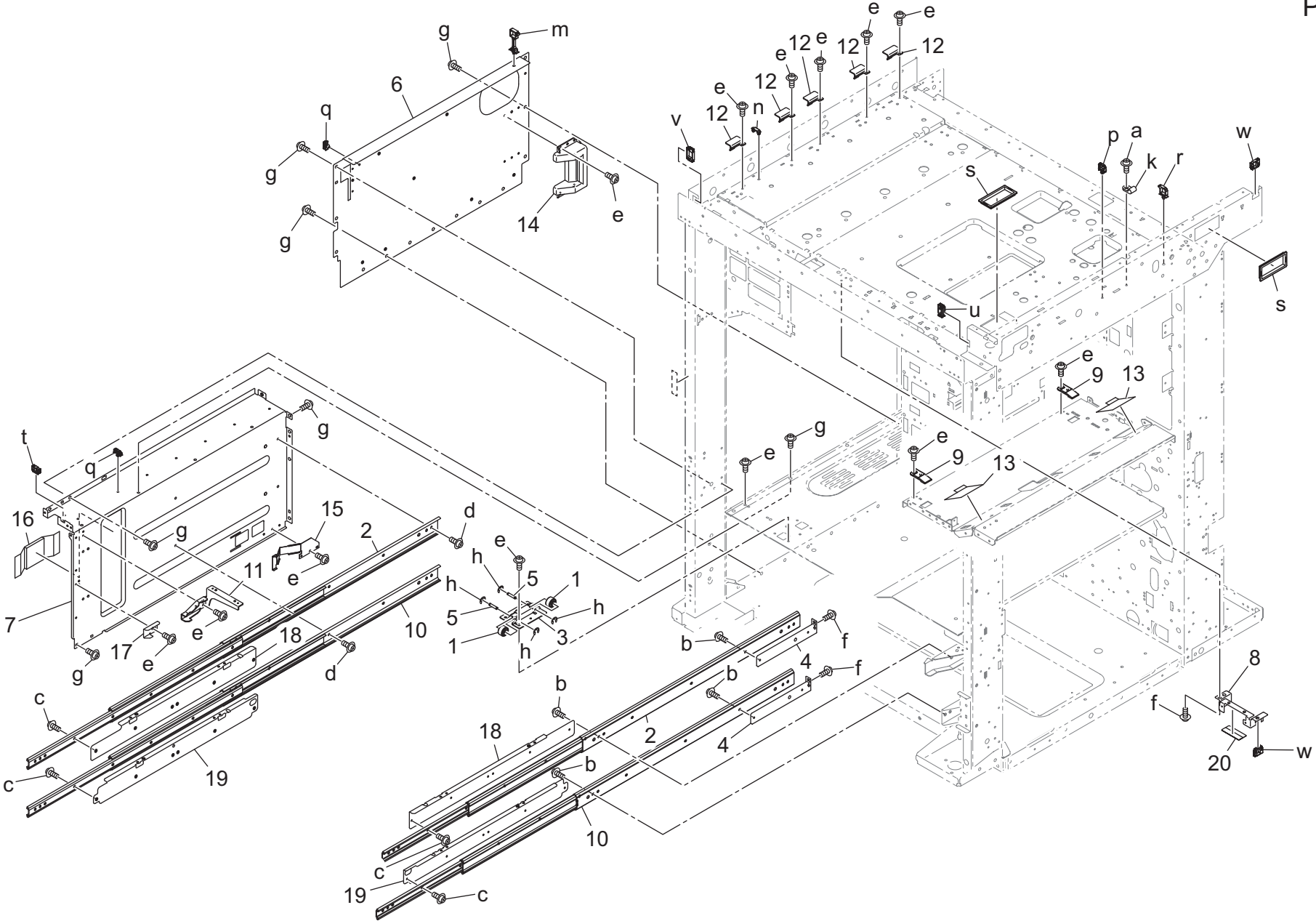
# Main Frame Section

P 8



Key	Part No.	Description	Destinations	Class	QTY	Standard parts
1	56AA10300	Slide Rail /A		C	2	a-V118033003
2	65AA509900	Mounting Plate /Left		D	1	b-V118040604
3	A1RF815702	Slide Rail /Left		D	1	c-V118040804
4	A50U103200	Reinforce Rail		D	1	d-V118043003
5	A50U103403	Fixing Plate /Left rear		D	1	e-V118045503
6	A50U103500	Separating Duct		D	1	f-V121030403
7	A50U104700	Mounting Plate		D	1	g-V121040803
8	A50U105100	Support Plate /A		D	1	h-V126040603
9	A50U105201	Support Rail /Front		D	1	k-V127040603
10	A50U105600	Rail /Rear		D	1	m-V127040803
11	A50U107501	Sealing Part /Front		D	1	n-V146040804
12	A50U107600	Sealing Part /Rear		D	1	p-V226040050
13	A50U107801	Fan duct		D	2	q-V500010082
14	A50U109400	Guide Pin /Left		D	1	r-V500010083
15	A50U109900	Electric Comp. Cooling Filter		B	1	s-V500020050
16	A50U120300	Fixing Plate		D	1	t-V500020098
17	A50U129200	Fixing Plate		D	1	u-V570010059
18	A50U342900	Protection Cover		D	2	v-V570010060
19	A50U832100	Reinforce Rail /A		D	1	w-V127030604
20	A50U833000	Mounting Collar /1		C	4	
21	A50U881500	Slide Rail		D	1	
22	A50UN15400	Drive harness /F		D	1	
23	A93EM10000	Fan motor		C	2	
24	AC57120500	Seal /4		D	2	
25	AC57175900	Seal		D	1	
26	AC57340700	Mounting Rail		D	1	
27	AC57M15800	Cooling Fan		C	2	

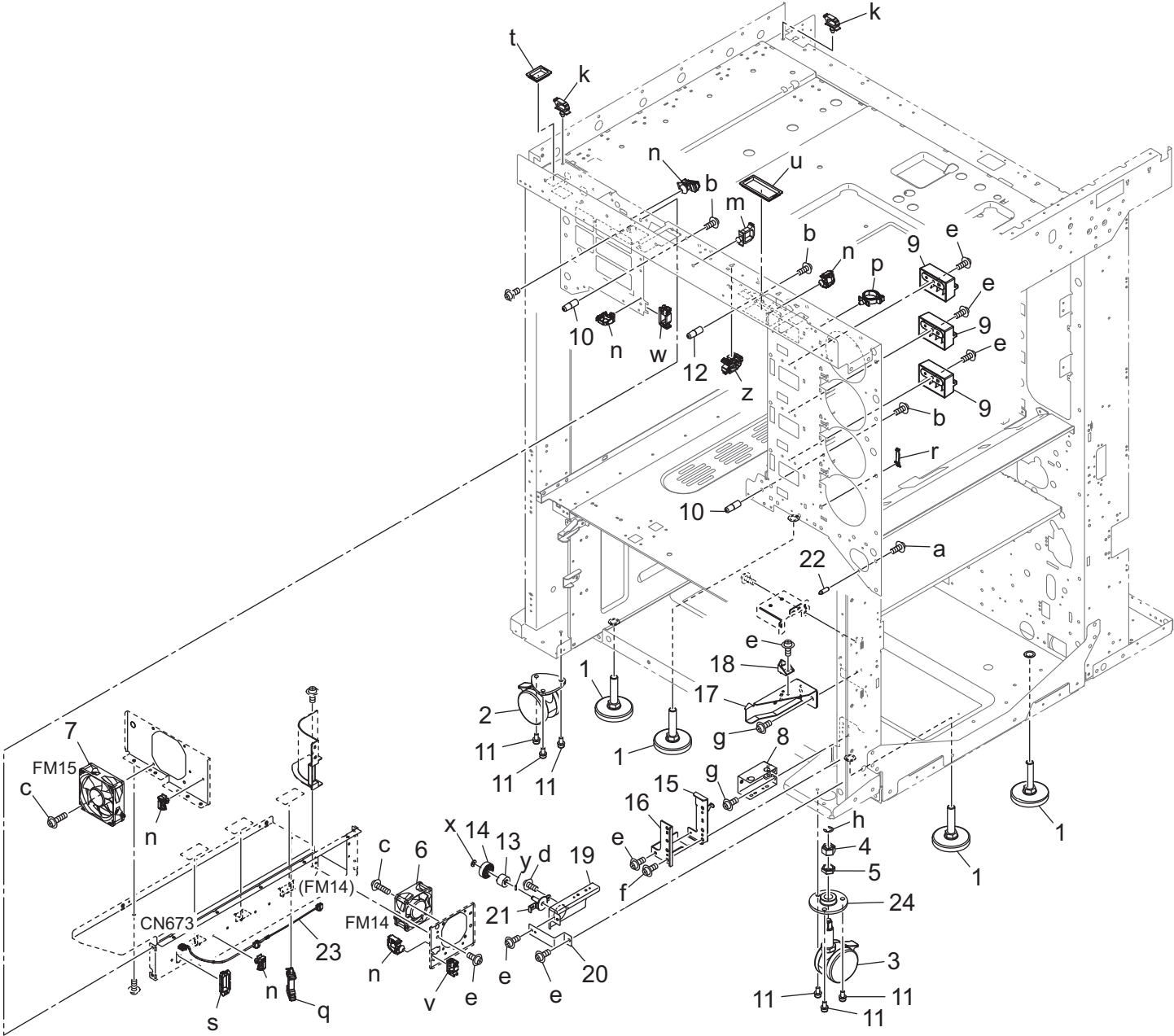
Main Frame Section



# Main Frame Section

Key	Part No.	Description	Destinations	Class	QTY	Standard parts
1	13NG45200	Conveyance Driven Roller		C	2	a-V116030803
2	56AA10300	Slide Rail /A		C	2	b-V118040603
3	A50U855200	Lifting Base frame		D	1	c-V118040604
4	65AA10470	Mounting Plate /4		D	2	d-V126040603
5	65AA50400	Guide Shaft		D	2	e-V127030604
6	A50U101600	Auxiliary Plate /Left		D	1	f-V127040603
7	A50U102703	Protection Plate		D	1	g-V146040804
8	A50U104600	Mounting Plate /Front		D	1	h-V217030003
9	A50U105800	Writing Guide /Front		D	2	k-V500020069
10	A50U107000	Slide Rail /A		D	2	m-V500020085
11	A50U107101	Hold Plate /Front		D	1	n-V500020092
12	A50U136501	Cover		D	5	p-V500020098
13	A50U314800	Receiving Sheet		D	2	q-V500020099
14	A50U363900	Collection Guide		D	1	r-V500010083
15	A50U366601	Regulating Plate		D	1	s-V570010040
16	A50U368000	Collection Seal /2		D	1	t-V570010056
17	A50U624000	Lock Claw		D	1	u-V570010057
18	A50U624503	Support Stay /2		D	2	v-V570010059
19	A50U624904	Support Stay /2		D	2	w-V570010060
20	A9VE114600	Seal		D	1	

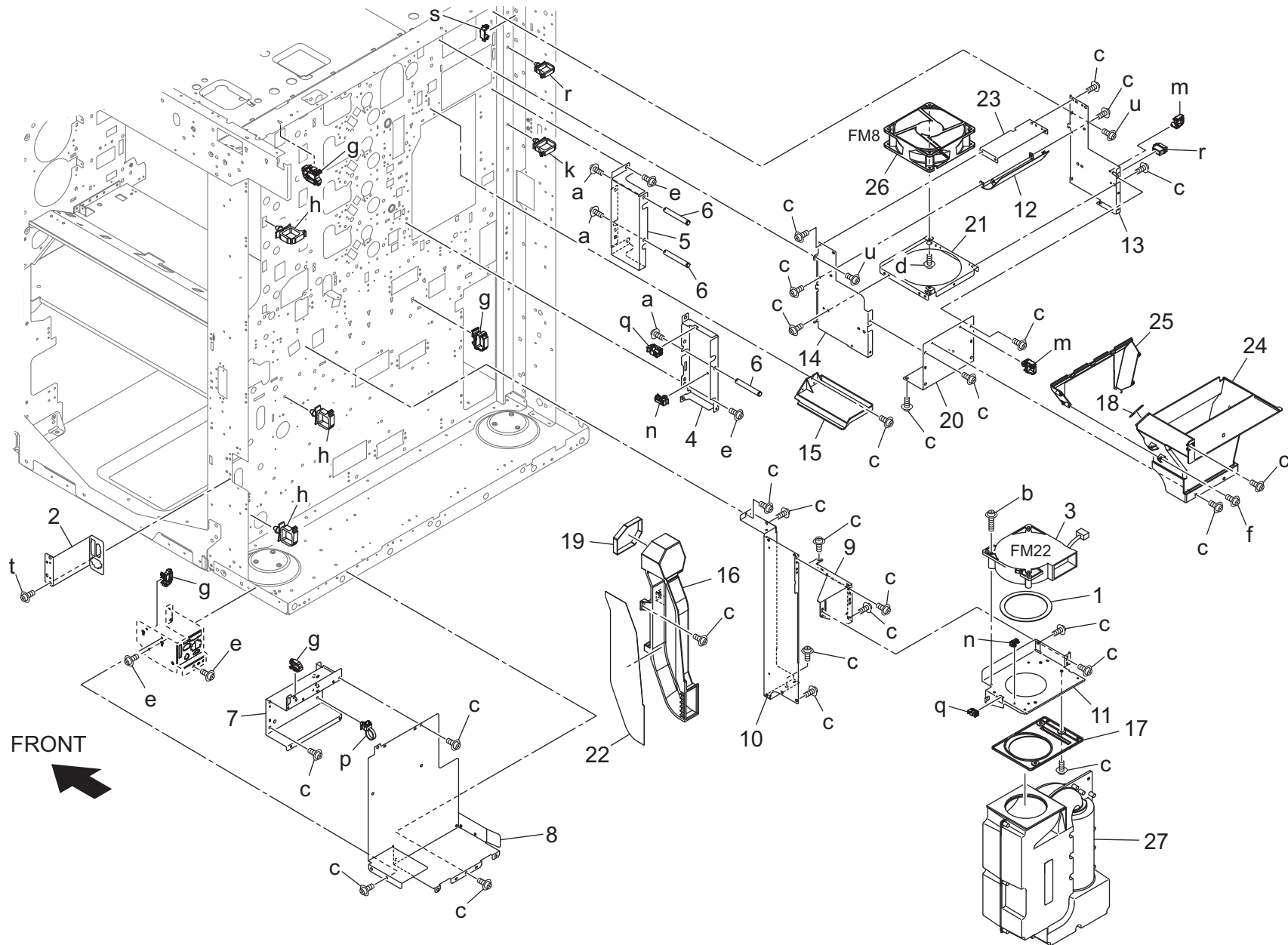
Main Frame Section



Key	Part No.	Description	Destinations	Class	QTY	Standard parts
1	25AA10091F	Mainbody Fixing Stopper		C	4	a-V116030803
2	A9VE110100	Castor /A		D	1	b-V116040803
3	A9VE110200	Castor /B		D	1	c-V118033003
4	56AA17630	ADJUSTING PART		C	1	d-V126030603
5	56AA17640	ADJUSTING PART 2		C	1	e-V127030604
6	AC57M15000	Cooling Fan		C	1	f-V127040603
7	A93EM10000	Fan motor		C	1	g-V146040804
8	A50U103301	Support Part /Middle		D	1	h-V217080003
9	A50U103800	Guide Part /Front		D	3	k-V500010081
10	A50U104401	Positioning Shaft /Front		D	2	m-V500010083
11	A50U106300	Lock Screw		D	6	n-V500020098
12	A50U110000	Positioning Shaft /Upper		D	1	p-V500020107
13	A4F3744400	Torque limiter		C	1	q-V500020101
14	A9VE641700	Gear 15T		C	1	r-V500020102
15	A50U624113	Lock Part		D	1	s-V570010037
16	A50U624300	Reinforce Plate		D	1	t-V570010038
17	A50U628001	Lock Claw		D	1	u-V570010040
18	A50U634200	Lock Part		D	1	v-V570010056
19	A50U640200	Mounting Plate		D	1	w-V570010057
20	A50U640400	Reinforce Part		D	1	x-V221050050
21	A9VE641600	Mounting Plate		D	1	y-V234200850
22	A50U832201	Guide Pin /Right front		D	1	z-V500010071
23	AC57N13601	Cooling Relay Harness /3		D	1	
24	A85C102000	Adjusting Part		C	1	

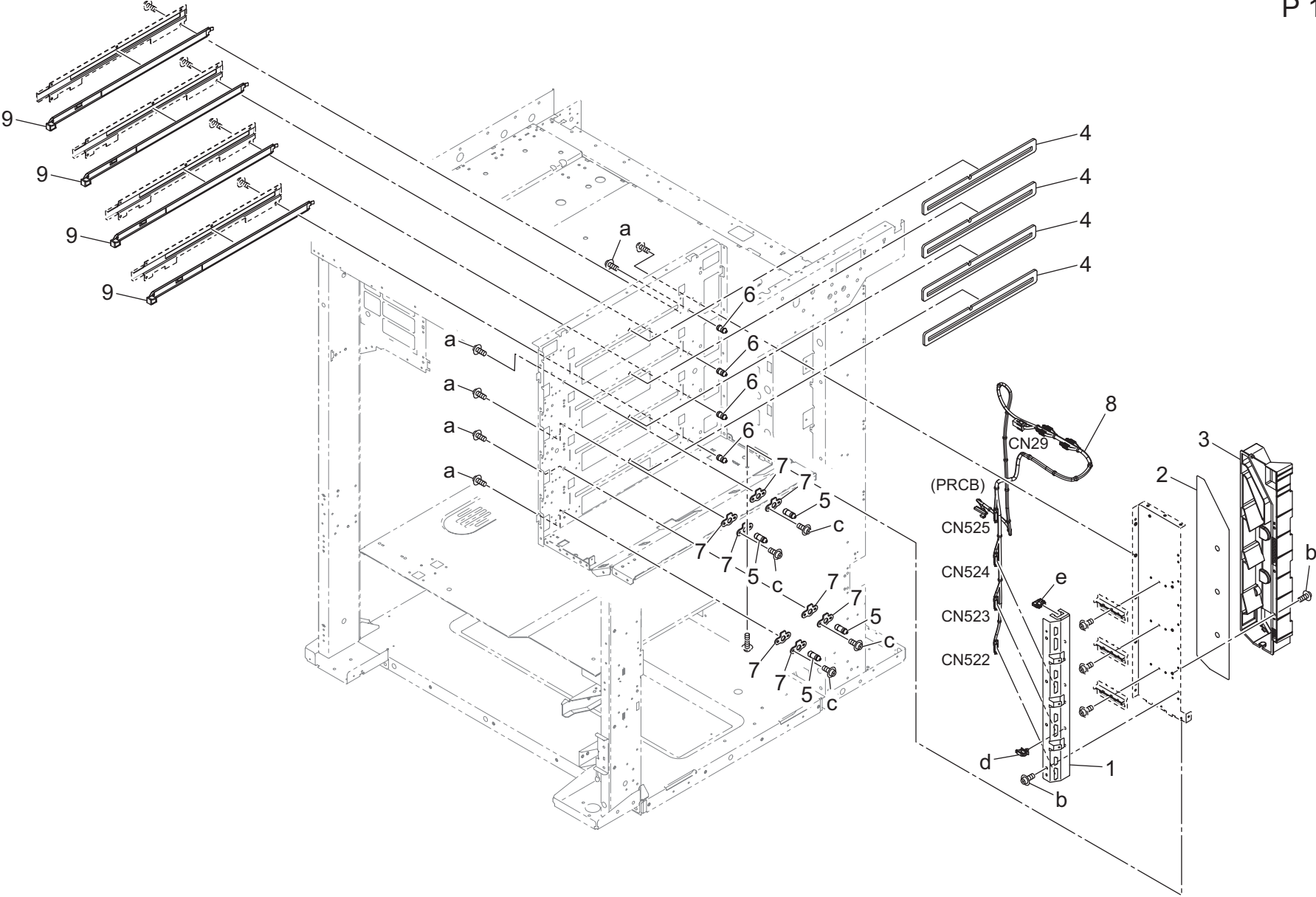


# Main Frame Section



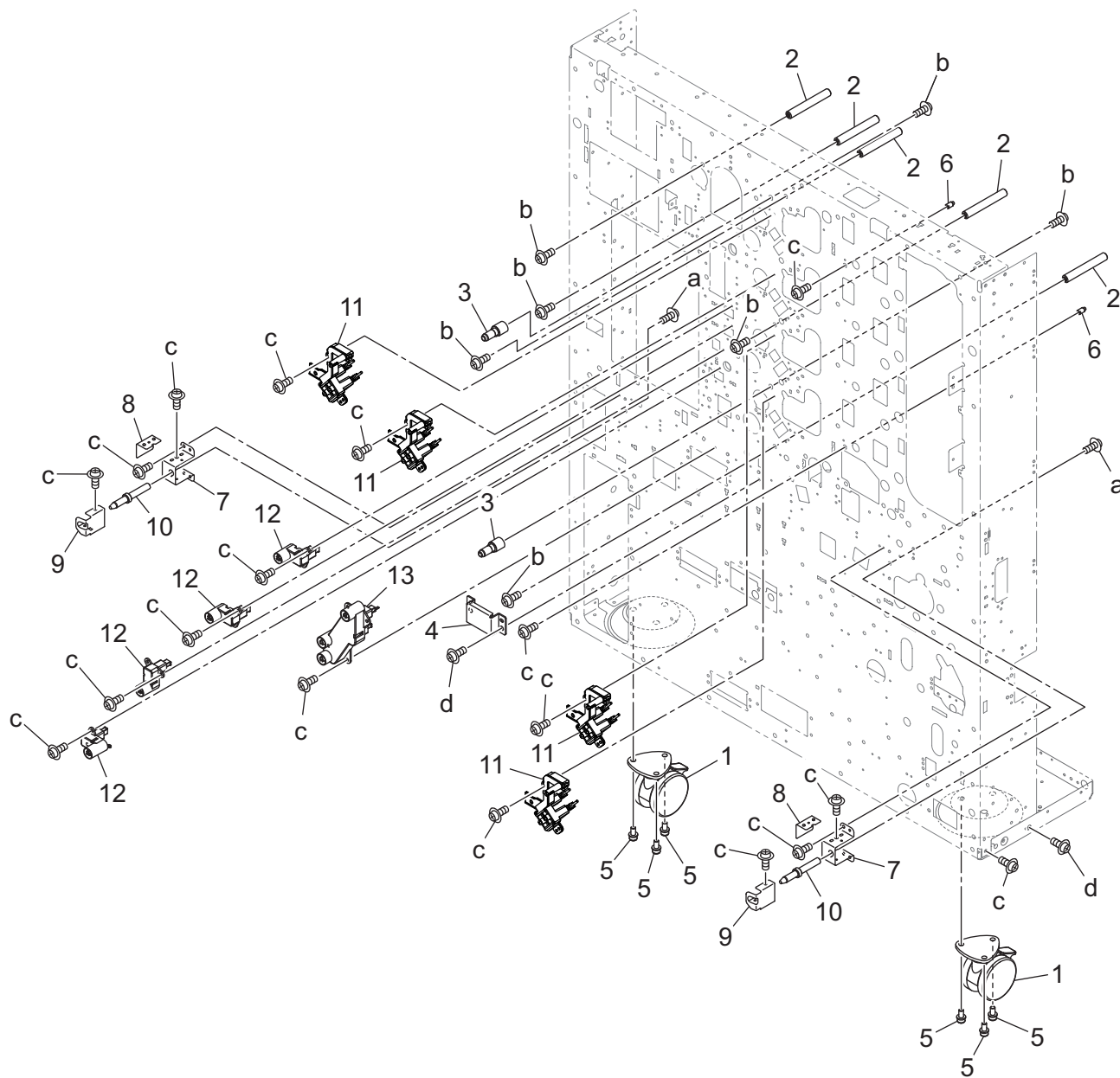
Key	Part No.	Description	Destinations	Class	QTY	Standard parts
1	65AA10190	FAN SEALING PART 1		C	1	a-V116040803
2	A03U118301	PFU Power supply Panel		D	1	b-V118033503
3	A0Y5M15101	Suction Fan motor		C	1	c-V127030604
4	A50U106502	Fusing Plate		D	1	d-V127031203
5	A50U106600	Fusing Plate /B		D	1	e-V127040603
6	A50U106700	Swing Shaft		D	3	f-V153030803
7	A50U108001	Protection Plate /P		D	1	g-V500010071
8	A50U108200	Guide Part /Rear		D	1	h-V500010083
9	A50U120900	Mounting Frame /2		D	1	k-V500010085
10	A50U121800	Mounting Frame /Right Rear		D	1	m-V500020098
11	A50U121900	Fixing Plate /1		D	1	n-V500020099
12	A50U122900	Fusing Duct /4		D	1	p-V501010018
13	A50U125000	Fusing Duct /2		D	1	q-V501010056
14	A50U125101	Fusing Duct /1		D	1	r-V500010084
15	A50U125500	Heat blocking Plate		D	1	s-V500020092
16	A50U125600	Suction Duct /Lower		D	1	t-V127040803
17	A50U125800	Connecting Duct		D	1	u-V121030403
18	A50U126300	Cooling Seal		D	1	
19	A50U126400	Suction Seal		D	1	
20	A50U128801	Fusing Duct /3		D	1	
21	A50U128900	Fusing Duct /5		D	1	
22	A50U129100	Suction Cover /Lower		D	1	
23	A50U129300	Fusing Duct /6		D	1	
24	A50U129401	Fusing Duct		D	1	
25	A50U129801	Fusing Duct /7		D	1	
26	AC57M15400	Cooling Fan		C	1	
27	A50UR70A12	Filter Box		B	1	

# Main Frame Section



Key	Part No.	Description	Destinations	Class	QTY	Standard parts
1	A50U104000	Support Plate /P		D	1	a-V116040803 b-V127030604 c-V116030803 d-V500010082 e-V570010060
2	A50U122701	Suction Cover /Upper		D	1	
3	A50U127000	Suction Duct /Upper		D	1	
4	AC57314300	Seal /4		D	4	
5	A50U318500	Positioning Pin /Front		D	4	
6	A50U318601	Positioning Pin /Rear		D	4	
7	A50U318800	Stopper Plate /Black		D	8	
8	AC57N27000	Polygon Relay Harness /1		D	1	
9	A50UR70H00	PH Protection Glass Assy		D	4	

# Main Frame Section

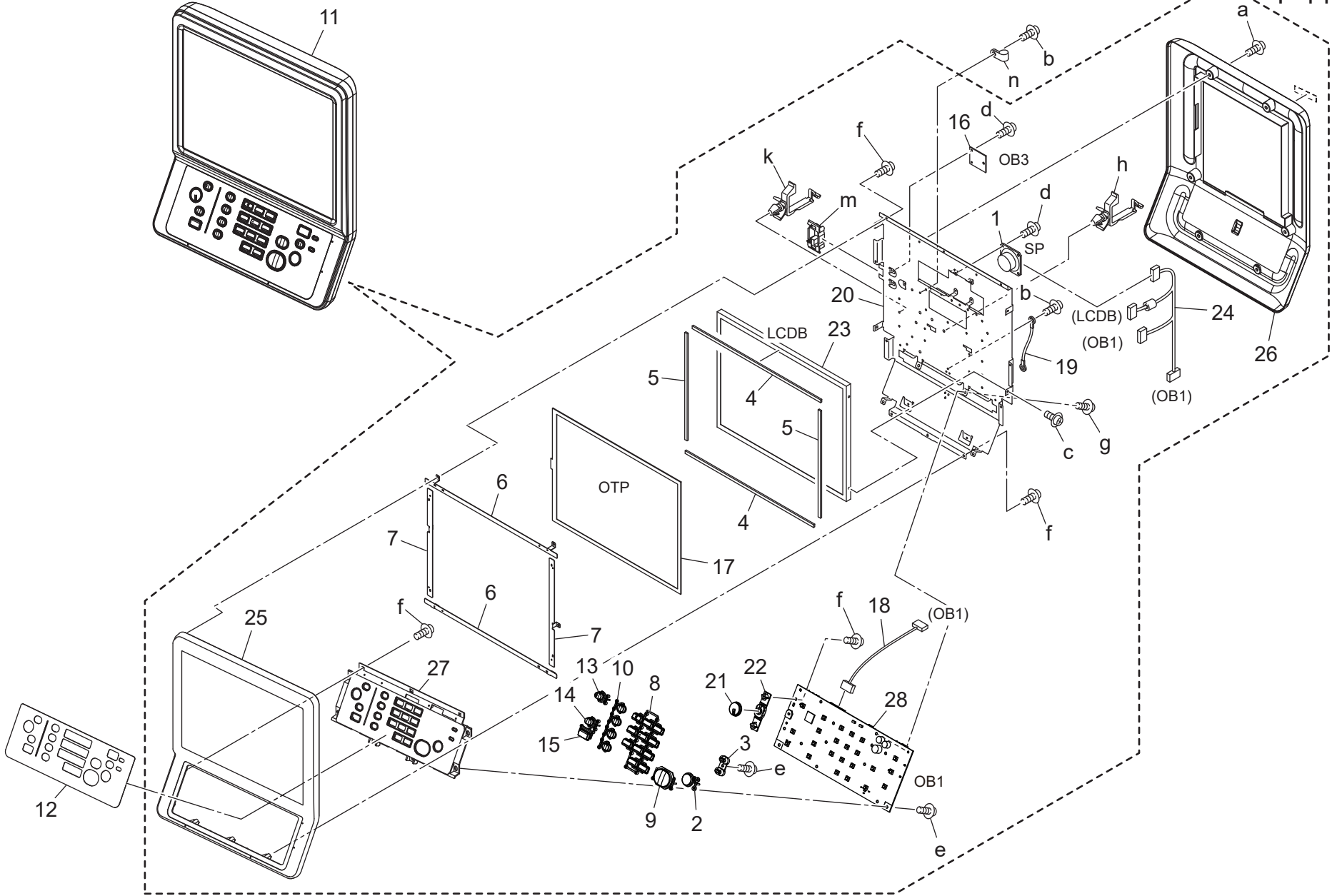


# Main Frame Section

Key	Part No.	Description	Destinations	Class	QTY	Standard parts
1	A9VE110100	Castor /A		D	2	a-V116030803 b-V116040803 c-V127030604 d-V146040804
2	A50U104300	Drive Shaft		D	5	
3	A50U104500	Positioning Shaft /Rear		D	2	
4	A50U105000	Lock Plate		D	1	
5	A50U106300	Lock Screw		D	6	
6	A50U407300	Positioning Shaft /Rear		D	2	
7	A50U811300	Guide Holder /Rear		D	2	
8	A50U811500	Guide Holder /1		D	2	
9	A50U813700	Ground Plate		D	2	
10	A50U817700	Guide Pin /Right rear		D	2	
11	A50UR71U12	Terminal 1 Assy / HV		C	4	
12	A50UR71V01	Terminal 2 Assy / HV		C	4	
13	A50UR71W01	Terminal 3 Assy / HV		C	1	

# Operation Panel Section

P 14

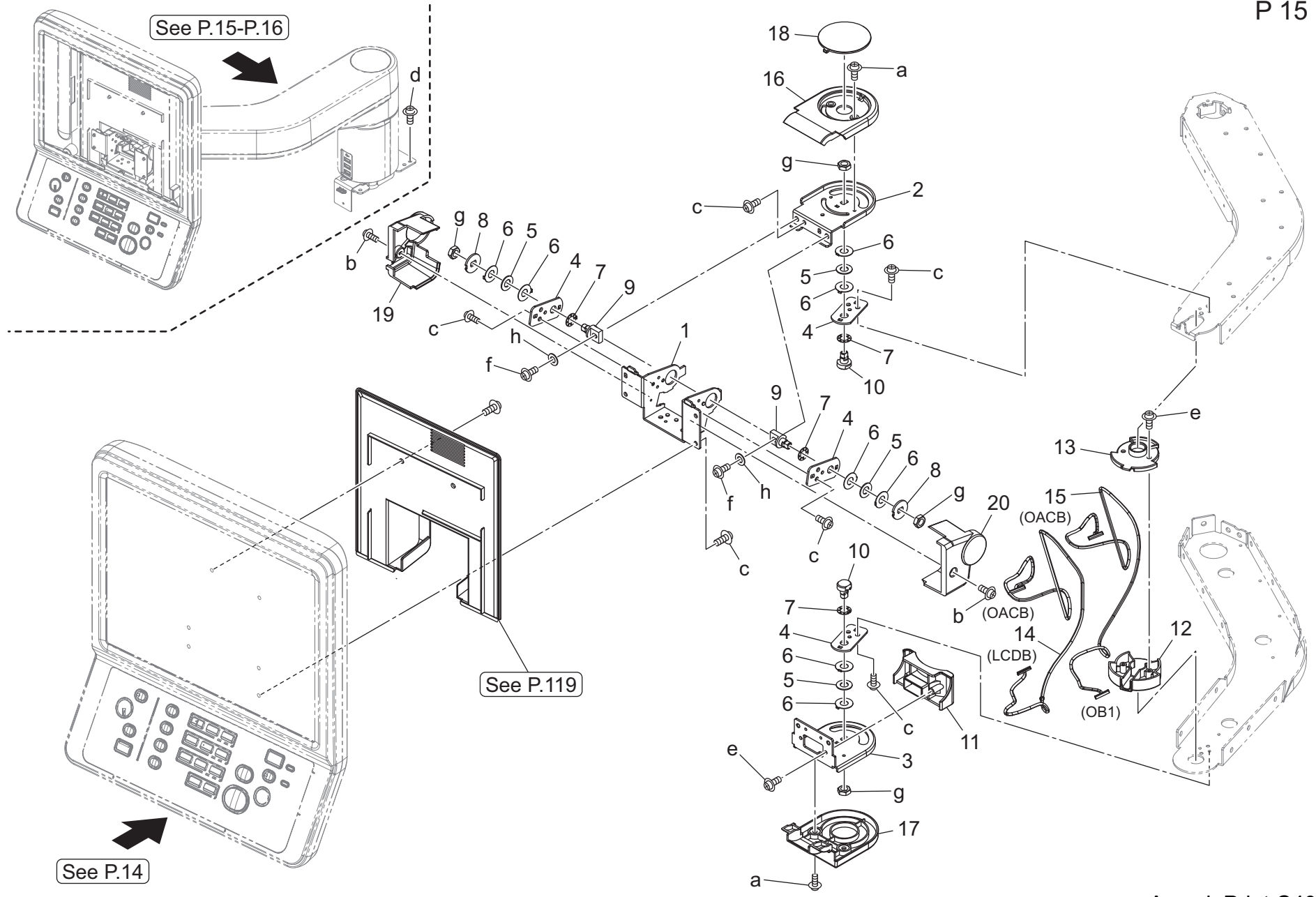


AccurioPrint C4065P

Key	Part No.	Description	Destinations	Class	QTY	Standard parts
1	A0P0M73100	Speaker		D	1	a-V114040604
2	56UA70330	Ope. Unit Button /S		C	1	b-V116040603
3	AC57193600	Indicating Part /1		D	1	c-V118030404
4	A0G6192400	Holding Cushion /Upper		C	2	d-V118030603
5	A0G6192500	Holding Cushion /Right		C	2	e-V153030603
6	A0G6192700	Ground Plate /1		D	2	f-V153030803
7	A0G6192900	Ground Plate /2		D	2	g-V153031003
8	AC57193100	Operation Button /1		D	1	h-V500010082
9	AC57193200	Operation Button /2		D	1	k-V500020099
10	AC57193400	Operation Button /4		D	1	m-V570010063
11	ADA4R70122	OPE.UNIT ASSY		I	1	n-V500020069
12	ADA4205100	Operation Sheet		D	1	
13	AC57193800	Operation Button /10		D	1	
14	AC57193900	Operation Button /8		D	1	
15	A0G6194000	Operation Button /9		C	1	
16	A0G6H06000	Operation Board /3 Assy		C	1	
17	A9VEM75500	Ope. Unit Touch Panel		C	1	
18	A0G6N18400	Ope. Unit Control Harness /3		D	1	
19	A1RFN28300	Ope. unit Wiring /1		D	1	
20	A4EU190414	Operation Plate		D	1	
21	AC57194101	Operation Knob /1		D	1	
22	A4EU194200	Fixing Holder		D	1	
23	A4EUM75800Old	Ope. unit LCD		C	1	
23	A9VPM75800	Ope. Unit LCD		C	1	
24	A4EUN28500Old	Ope. unit Wiring /4		D	1	
24	A9VPM28600	Ope. Unit Harness /4		D	1	
25	AC57190102	Operation Cover /Front		D	1	
26	AC57190201	Operation Cover /Rear		D	1	
27	ADA4190300	Operation Casing /1		D	1	
28	A799H04001	Operation Board /1 ASSY		I	1	



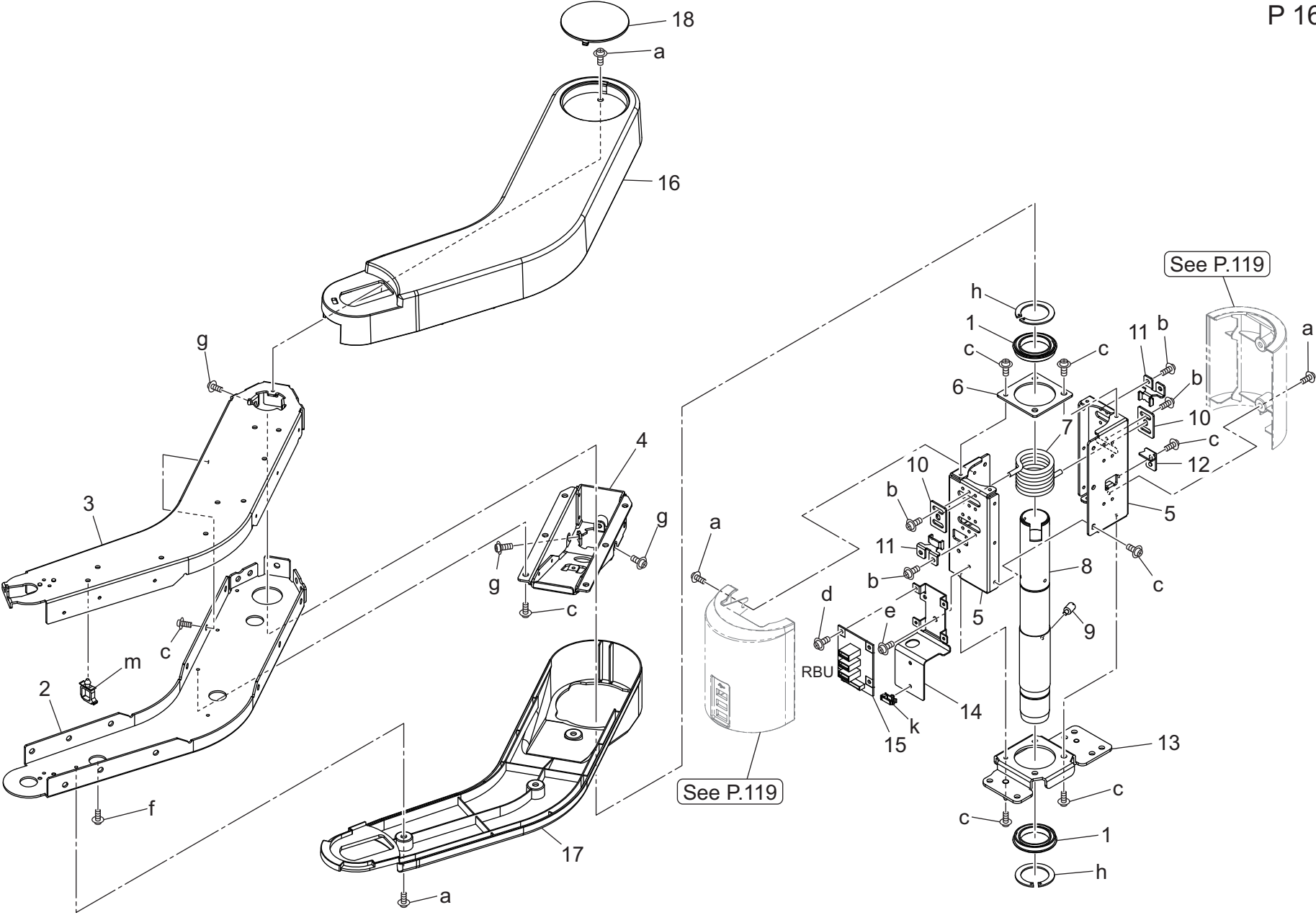
# Operation Panel Section



# Operation Panel Section

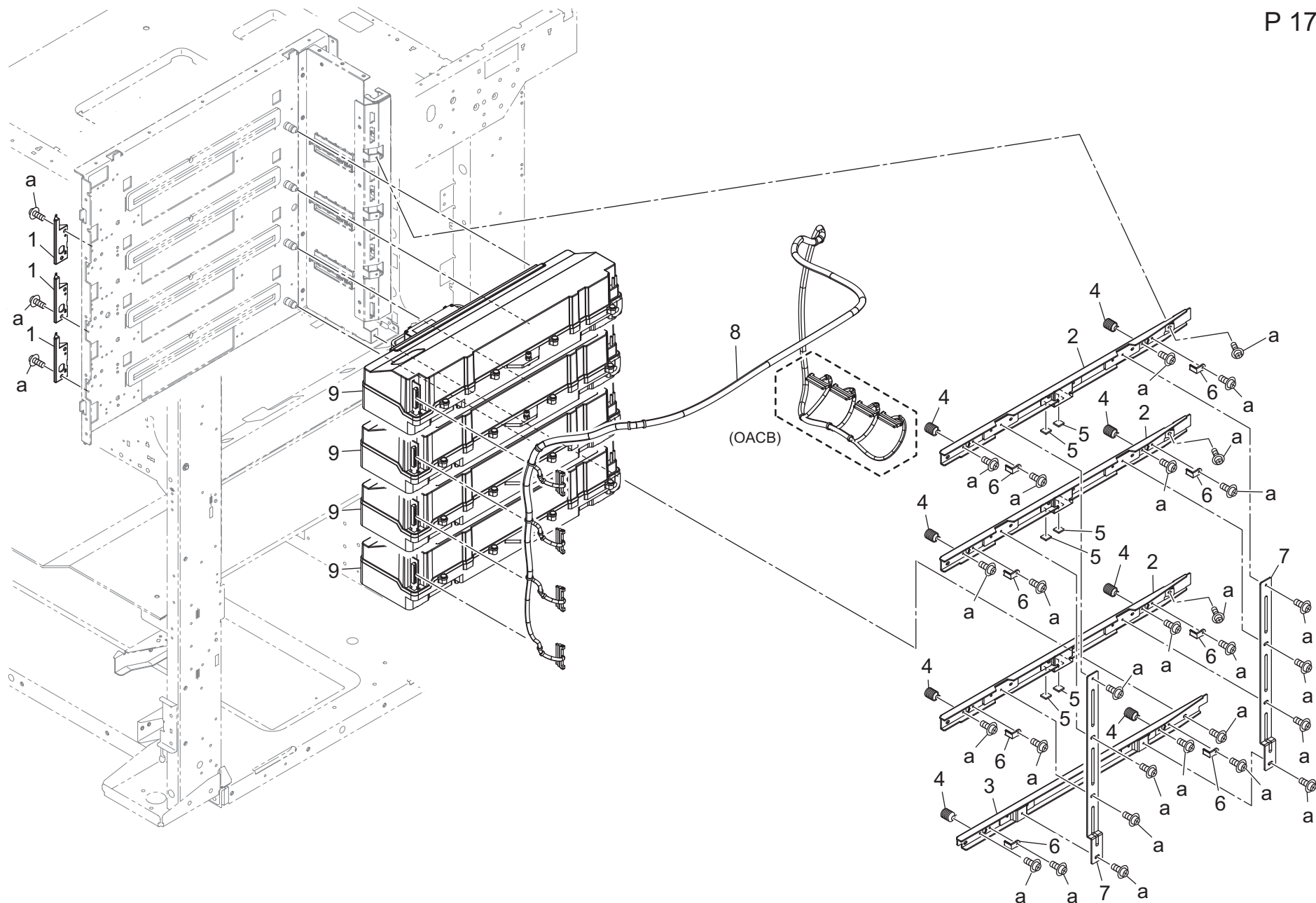
Key	Part No.	Description	Destinations	Class	QTY	Standard parts
1	A03U190900	Ope. unit Mounting Stay /1		D	1	a-V114040604 b-V121030603 c-V121040603 d-V127040803 e-V158030803 f-V188051604 g-V196080003 h-V207050003
2	A03U191400	Support Plate /Upper		D	1	
3	A03U191500	Support Plate /Lower		D	1	
4	A03U191600	Mounting Plate /T		D	4	
5	A03U191700	Rotation Spring /T		D	4	
6	A03U191800	Rotation Spacer /1		D	8	
7	A03U191900	Rotation Spacer /2		D	4	
8	A03U192000	Fixing Part /T		D	2	
9	A03U192100	Fixing Shaft /U		D	2	
10	A03U192200	Rotation Shaft /T		D	2	
11	A03U193400	Operation Cover /E		C	1	
12	A03U193600	Swing Cover /Lower		C	1	
13	A03U193700	Swing Cover /Upper		C	1	
14	AC57N29001	Ope. Unit Control Harness /1		D	1	
15	AC57N29100	Ope. Unit Control Harness /2		D	1	
16	A9VE193300	Operation Cover /C		D	1	
17	A9VE193500	Operation Cover /D		D	1	
18	A9VE193800	Operation Cover /I		D	1	
19	A9VE194000	Operation Cover /F		D	1	
20	A9VE194100	Operation Cover /G		D	1	

# Operation Panel Section



# Operation Panel Section

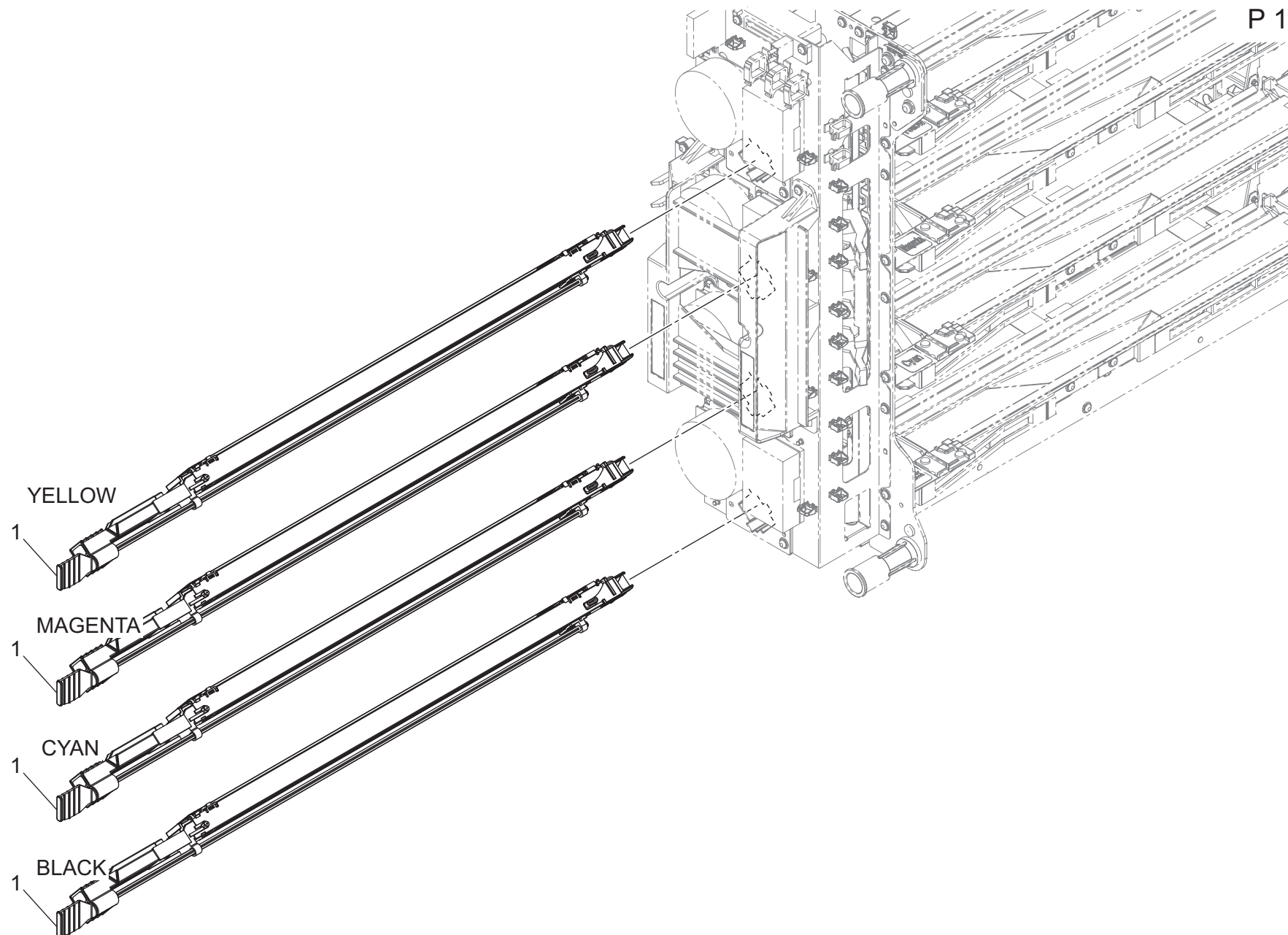
Key	Part No.	Description	Destinations	Class	QTY	Standard parts
1	65AA75010E	DRUM SUPPORT BEARING		D	2	a-V114040604 b-V116040803 c-V121040603 d-V127030603 e-V127040603 f-V158030803 g-V121040603 h-V223300017 k-V500020100 m-V500010083
2	A03U190500	Ope. unit Mounting Arm /Lower		D	1	
3	A03U190600	Ope. unit Mounting Arm /Upper		D	1	
4	A03U190700	Support Plate /1		D	1	
5	A03U190802	Support Plate /2		D	2	
6	A03U191100	Support Plate /3		D	1	
7	A03U191201	Support Spring		C	1	
8	A03U191301	Ope. unit Support Pipe		D	1	
9	A03U192300	Stopper Screw /A		C	1	
10	A03U195302	REGULATING PLATE		D	2	
11	A03U195400	Regulating Part		D	2	
12	A03U195500	Rotation Stopper		D	1	
13	A03UF19100	Main Body Attachment Caulking		D	1	
14	A1DU190101	Installing Plate		D	1	
15	A1DUH11000	Relay Board/U ASSY		C	1	
16	A9VE193100	Operation Cover /Upper		D	1	
17	A9VE193200	Operation Cover /Lower		D	1	
18	A9VE193900	Operation Cover /J		D	1	



Key	Part No.	Description	Destinations	Class	QTY	Standard parts
1	A50U121500	Cooling Guide /Front		D	3	a-V127030604
2	A50U318101	Pressing Stay /Color		D	3	
3	A50U318201	Pressing Stay /Black		D	1	
4	A50U318300	Pressing Spring /R		D	8	
5	A50U318700	Auxiliary Pad		D	6	
6	A50U318900	Pressing Guide		D	8	
7	A50U319301	Connecting Plate /1		D	2	
8	AC57N26500	LD Harness /1		D	1	
9	AC57R70400	PH Unit		I	4	

# Charging Section

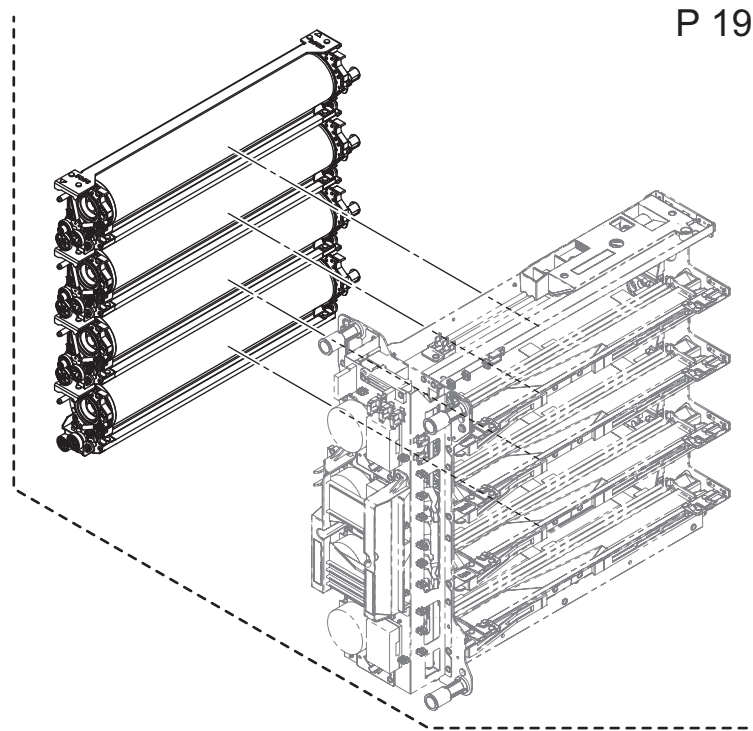
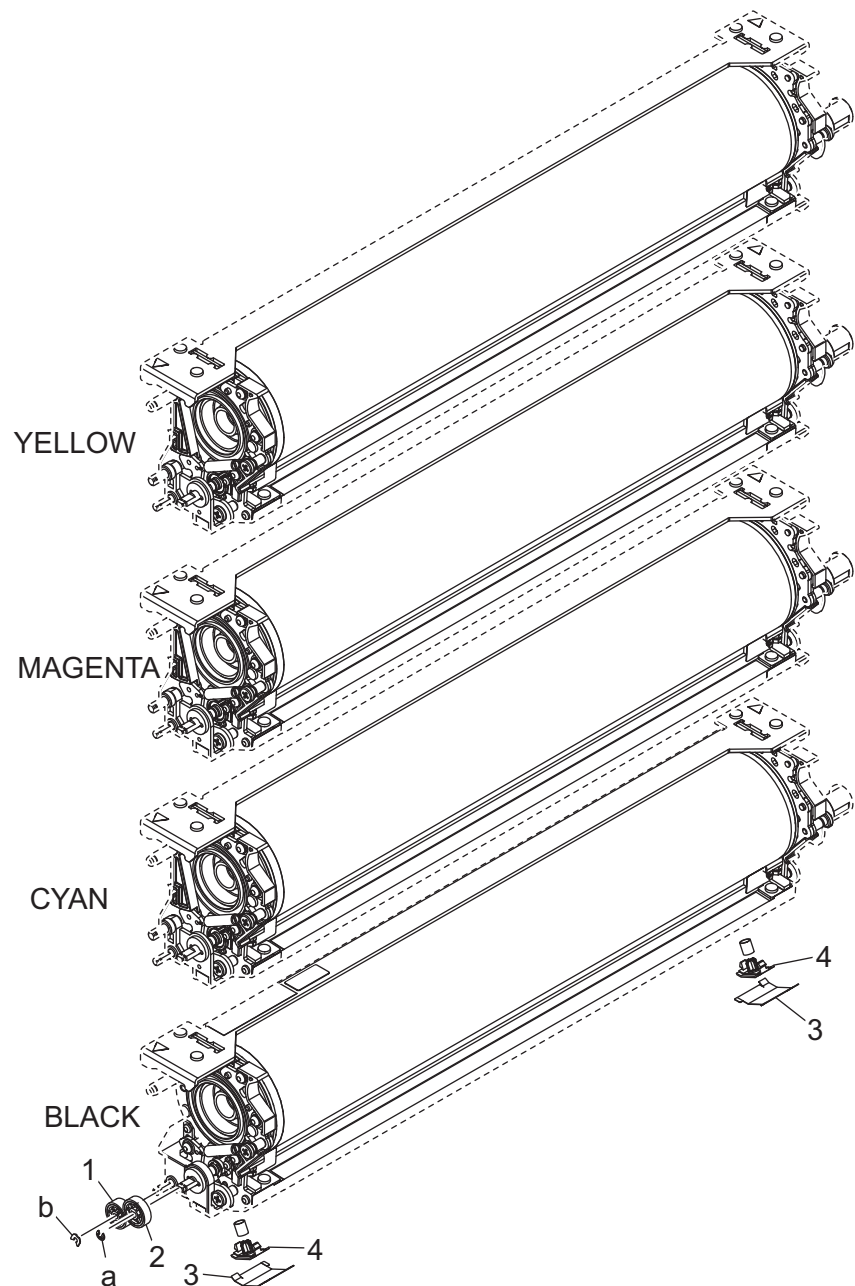
P 18



Key	Part No.	Description		Destinations	Class	QTY	Standard parts
1	AC57R70111	Charging Pole Unit	帯電極ユニット		A	4	



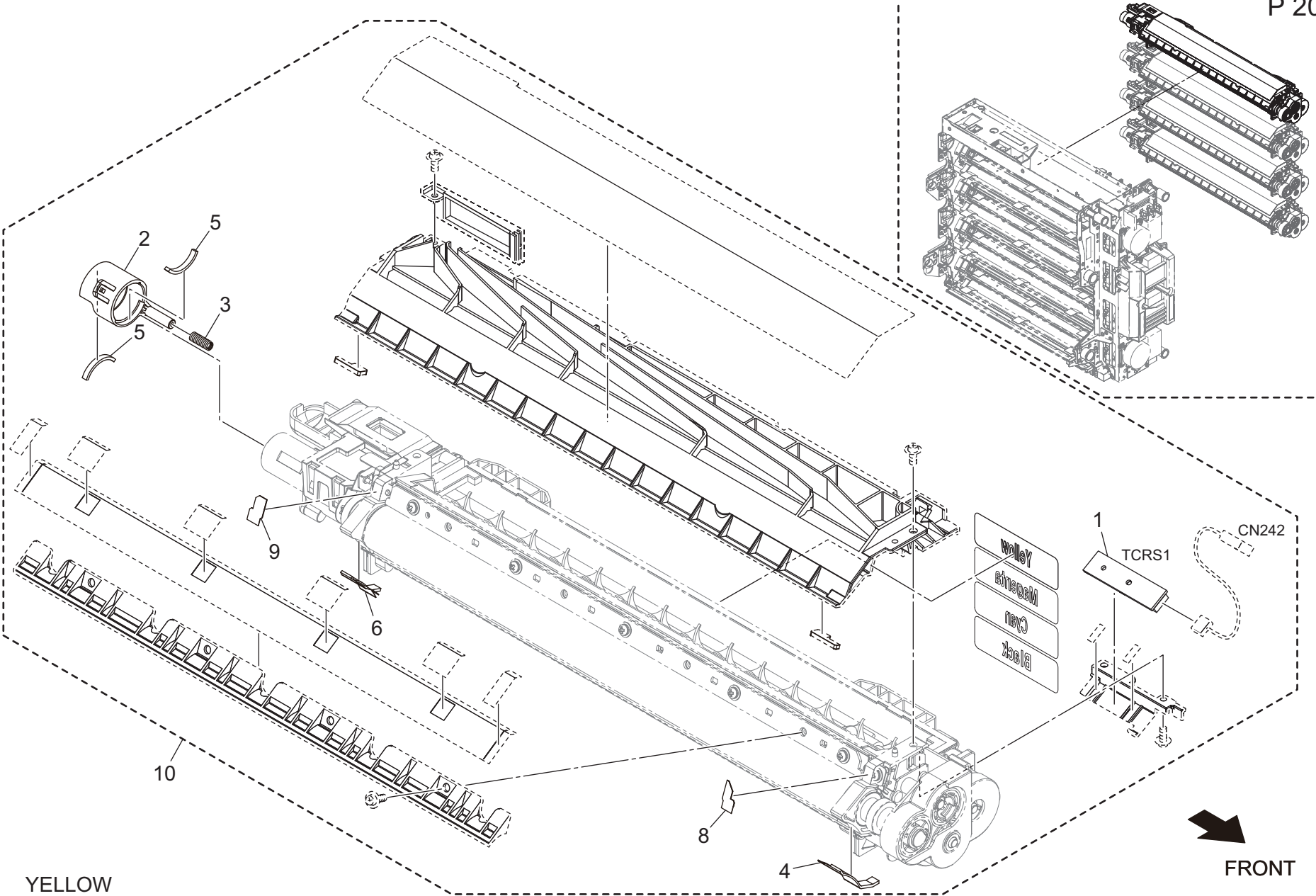
# Photo Conductor Section



Key	Part No.	Description	Destinations	Class	QTY	Standard parts
1	A50U333500	Cleaning Gear /1 28T		C	1	a-V217030003 b-V218030086
2	A50U333600	Cleaning Gear /2 30T		C	1	
3	ACE6335600	Scatteringprevention Seal		C	2	
4	ACE6339100	Cover		D	2	

Developing Section

P 20



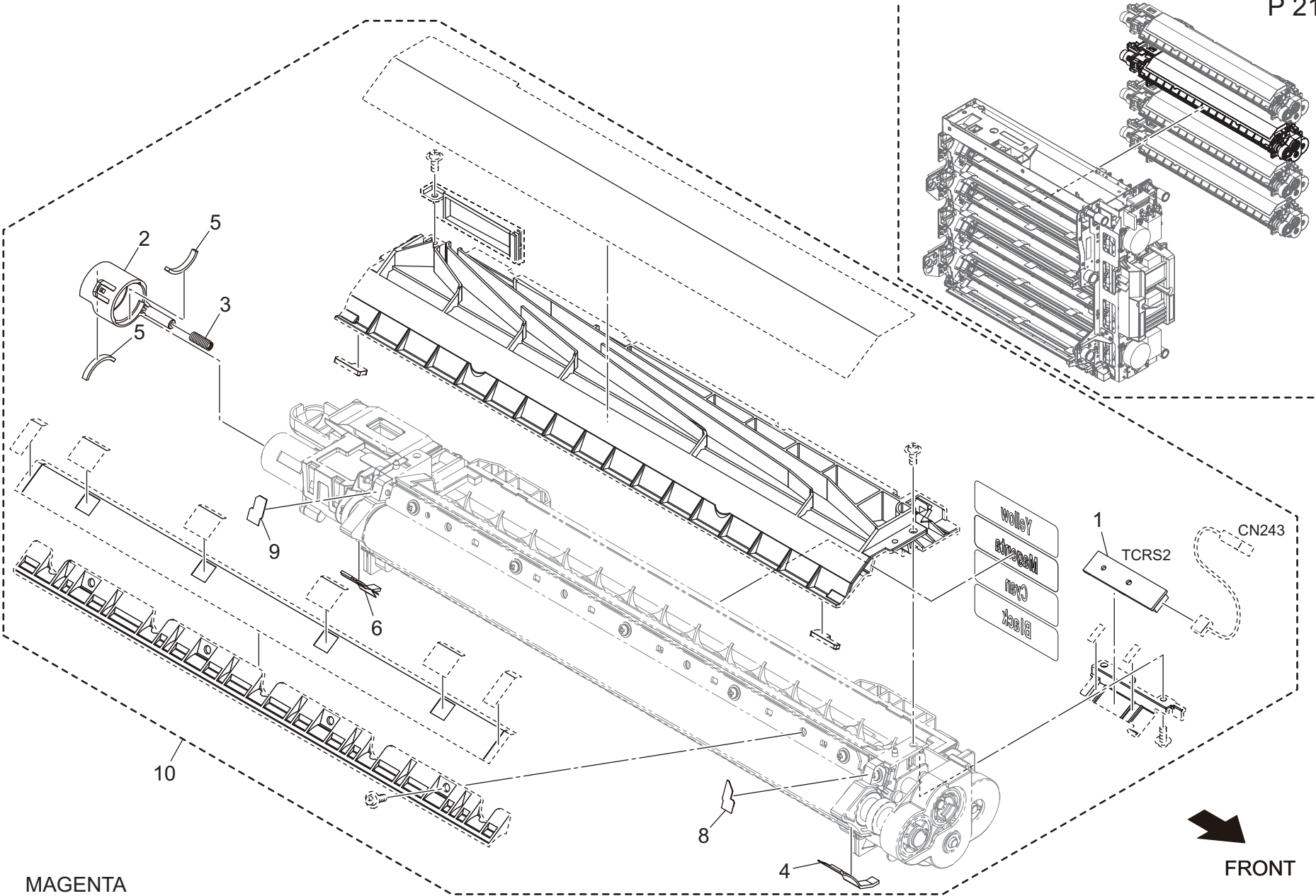
YELLOW

FRONT

AccurioPrint C4065P

Key	Part No.	Description	Destinations	Class	QTY	Standard parts
1	A0TKH00200	PWB Assembly(PWB-TCR ASSY)	基板 ASSY ( PWB-TCR ASSY )	I	1	
2	A50U372902	Collection Cover	回収カバー	D	1	
3	A50U373100	Compressing Coil spring /1	圧縮コイルばね /1	D	1	
4	AAK7374100	Scatteringprevention Sheet /Front	飛散防止シート /前	D	1	
5	A50U374501	Seal /J	シール / J	D	2	
6	AAK7376000	Scatteringprevention Sheet /Rear	飛散防止シート /奥	D	1	
8	A50U377201	Auxiliary Seal /Front	補助シール /前	D	1	
9	A50U377301	Auxiliary Seal /Rear	補助シール /奥	D	1	
10	AC57R70222	Developing Unit	現像ユニット	A	1	

Developing Section



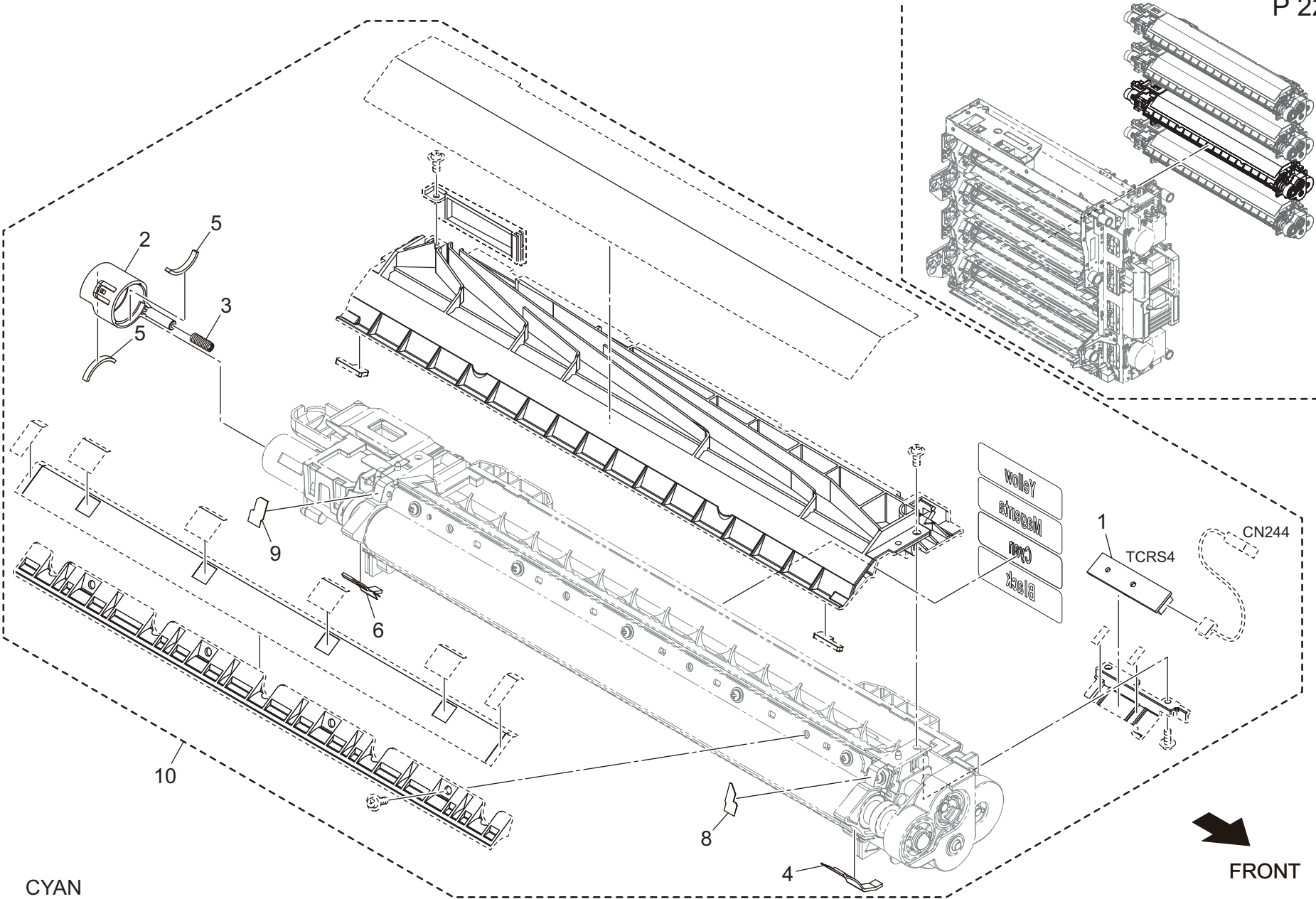
MAGENTA

FRONT

AccurioPrint C4065P

Key	Part No.	Description	Destinations	Class	QTY	Standard parts
1	A0TKH00200	PWB Assembly(PWB-TCR ASSY)	基板 A S S Y ( P W B - T C R A S S Y )	I	1	
2	A50U372902	Collection Cover	回収カバー	D	1	
3	A50U373100	Compressing Coil spring /1	圧縮コイルばね / 1	D	1	
4	AAK7374100	Scatteringprevention Sheet /Front	飛散防止シート / 前	D	1	
5	A50U374501	Seal /J	シール / J	D	2	
6	AAK7376000	Scatteringprevention Sheet /Rear	飛散防止シート / 奥	D	1	
8	A50U377201	Auxiliary Seal /Front	補助シール / 前	D	1	
9	A50U377301	Auxiliary Seal /Rear	補助シール / 奥	D	1	
10	AC57R70222	Developing Unit	現像ユニット	A	1	

Developing Section



CYAN

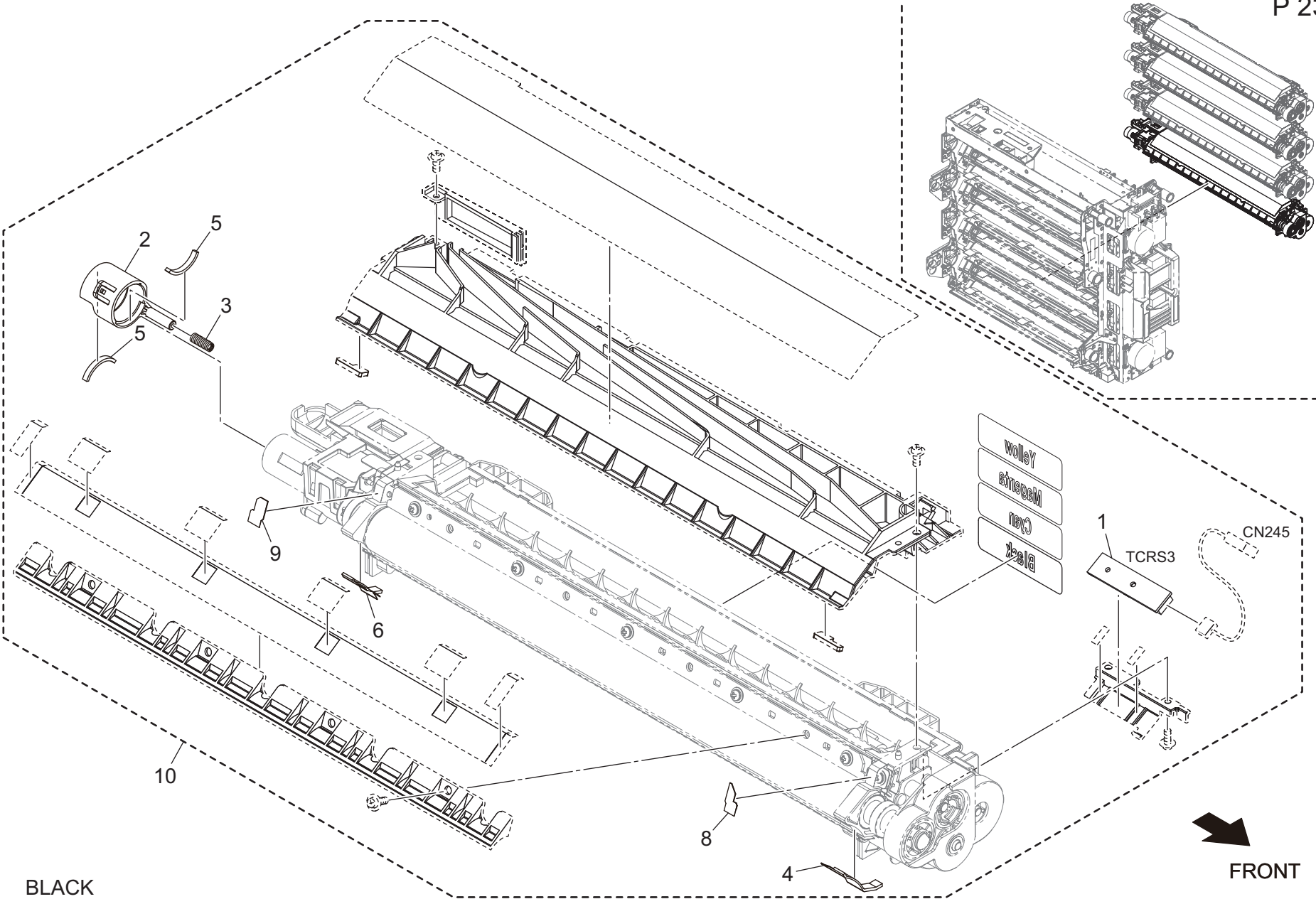
FRONT

AccurioPrint C4065P

Key	Part No.	Description	Destinations	Class	QTY	Standard parts
1	A0TKH00200	PWB Assembly(PWB-TCR ASSY)	基板ASSY(PWB-TCR ASSY)	I	1	
2	A50U372902	Collection Cover	回収カバー	D	1	
3	A50U373100	Compressing Coil spring /1	圧縮コイルばね/1	D	1	
4	AAK7374100	Scatteringprevention Sheet /Front	飛散防止シート /前	D	1	
5	A50U374501	Seal /J	シール/J	D	2	
6	AAK7376000	Scatteringprevention Sheet /Rear	飛散防止シート /奥	D	1	
8	A50U377201	Auxiliary Seal /Front	補助シール/前	D	1	
9	A50U377301	Auxiliary Seal /Rear	補助シール/奥	D	1	
10	AC57R70222	Developing Unit	現像ユニット	A	1	



Developing Section



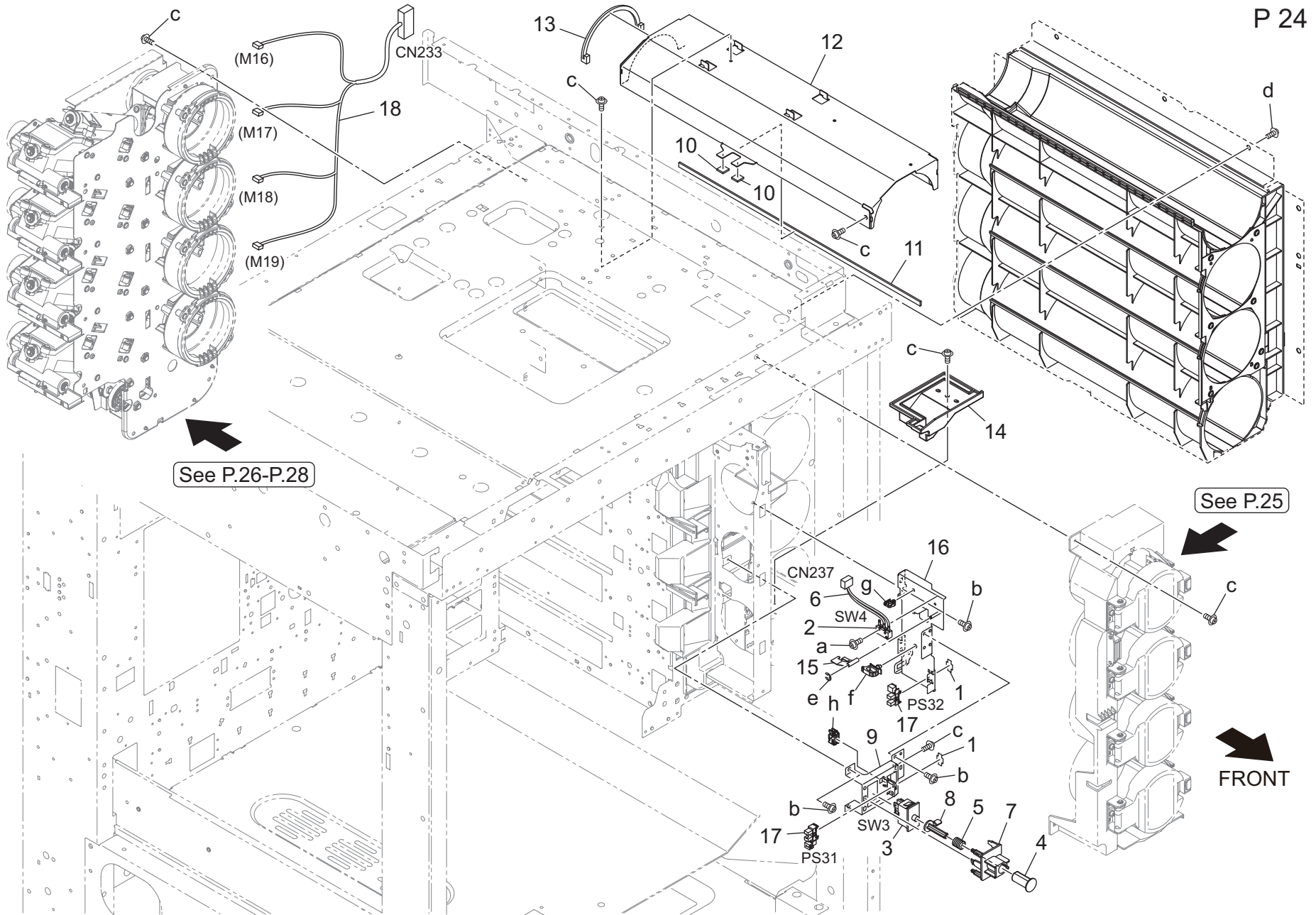
BLACK

FRONT

AccurioPrint C4065P

Key	Part No.	Description	Destinations	Class	QTY	Standard parts
1	A0TKH00200	PWB Assembly(PWB-TCR ASSY)	基板ASSY ( PWB-TCR ASSY )	I	1	
2	A50U372902	Collection Cover	回収カバー	D	1	
3	A50U373100	Compressing Coil spring /1	圧縮コイルばね /1	D	1	
4	AAK7374100	Scatteringprevention Sheet /Front	飛散防止シート /前	D	1	
5	A50U374501	Seal /J	シール / J	D	2	
6	AAK7376000	Scatteringprevention Sheet /Rear	飛散防止シート /奥	D	1	
8	A50U377201	Auxiliary Seal /Front	補助シール /前	D	1	
9	A50U377301	Auxiliary Seal /Rear	補助シール /奥	D	1	
10	AC57R70222	Developing Unit	現像ユニット	A	1	

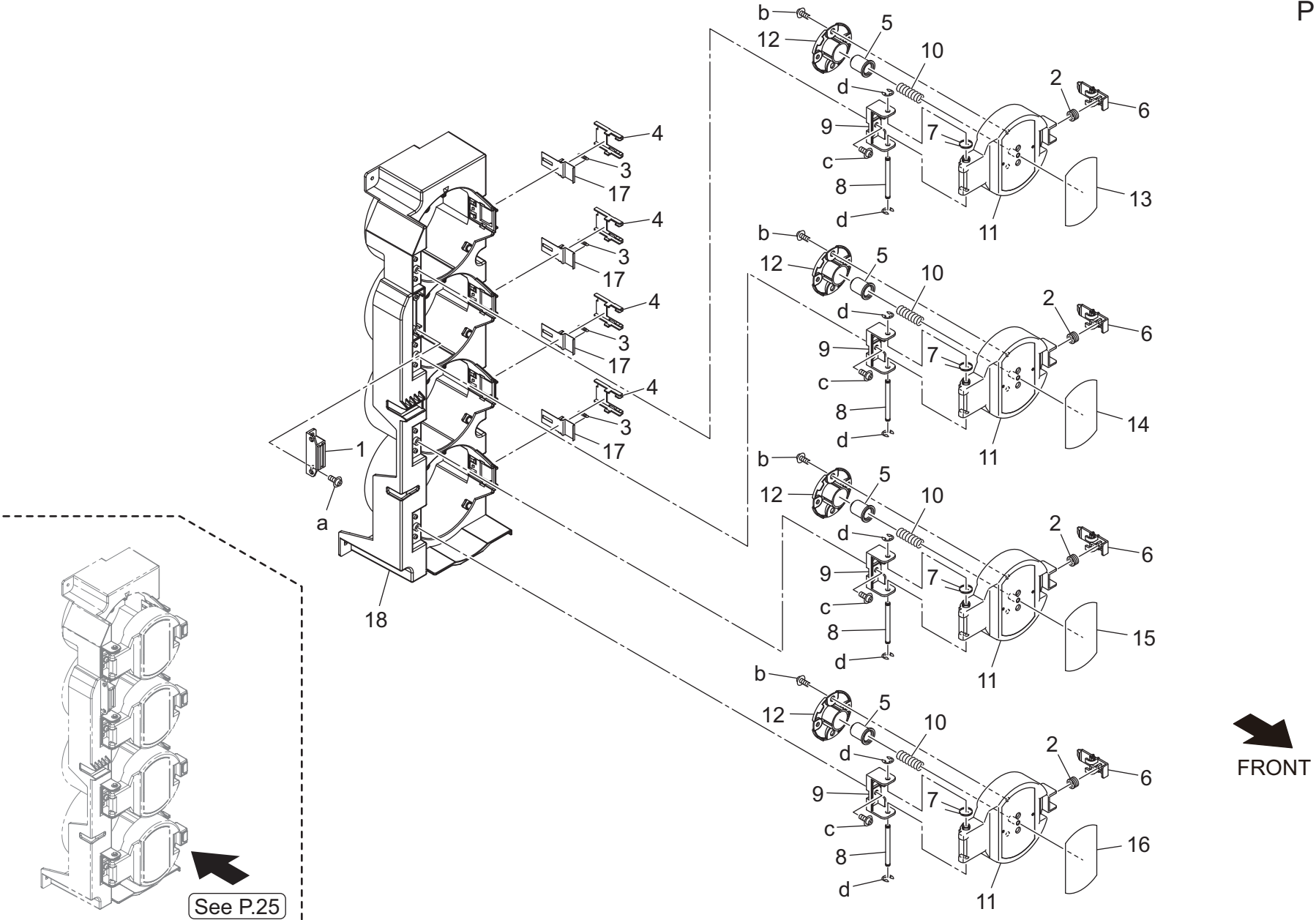
# Toner Supply Section



P 24

Key	Part No.	Description	Destinations	Class	QTY	Standard parts
1	4470402401	Stopper		D	2	a-V111020803 b-V127030516 c-V127030604 d-V127040603 e-V217020003 f-V500010081 g-V500020098 h-V570010056
2	12QR86011	Interlock Switch		B	1	
3	40AA85011Old	Door Switch		B	1	
3	AC57M60000	Door Switch		B	1	
4	56AA12140	Switch Connecting Actuator		C	1	
5	56AA12160	Contact Pressing Spring /1		C	1	
6	65AA91101E	INTER LOCK WIRING		D	1	
7	A50U166800	Guide Part		D	1	
8	A50U171500	Pressing Actuator		C	1	
9	A50U179000	Plate		D	1	
10	A50U318700	Auxiliary Pad		D	2	
11	A50U400600	Toner supply Seal /Upper		D	1	
12	A50U400900	Toner supply Frame /Upper		D	1	
13	A50U401401	Seal /Rear		D	1	
14	A50U408101	Receiving Lower tray		D	1	
15	A50U442100	Switch Plate		D	1	
16	A50UF41500	Toner Supply Support Shaft Caulking ASSY		D	1	
17	A50UM51000	Photointerrupter		C	2	
18	A50UN12101	Toner Wiring /1		D	1	

# Toner Supply Section



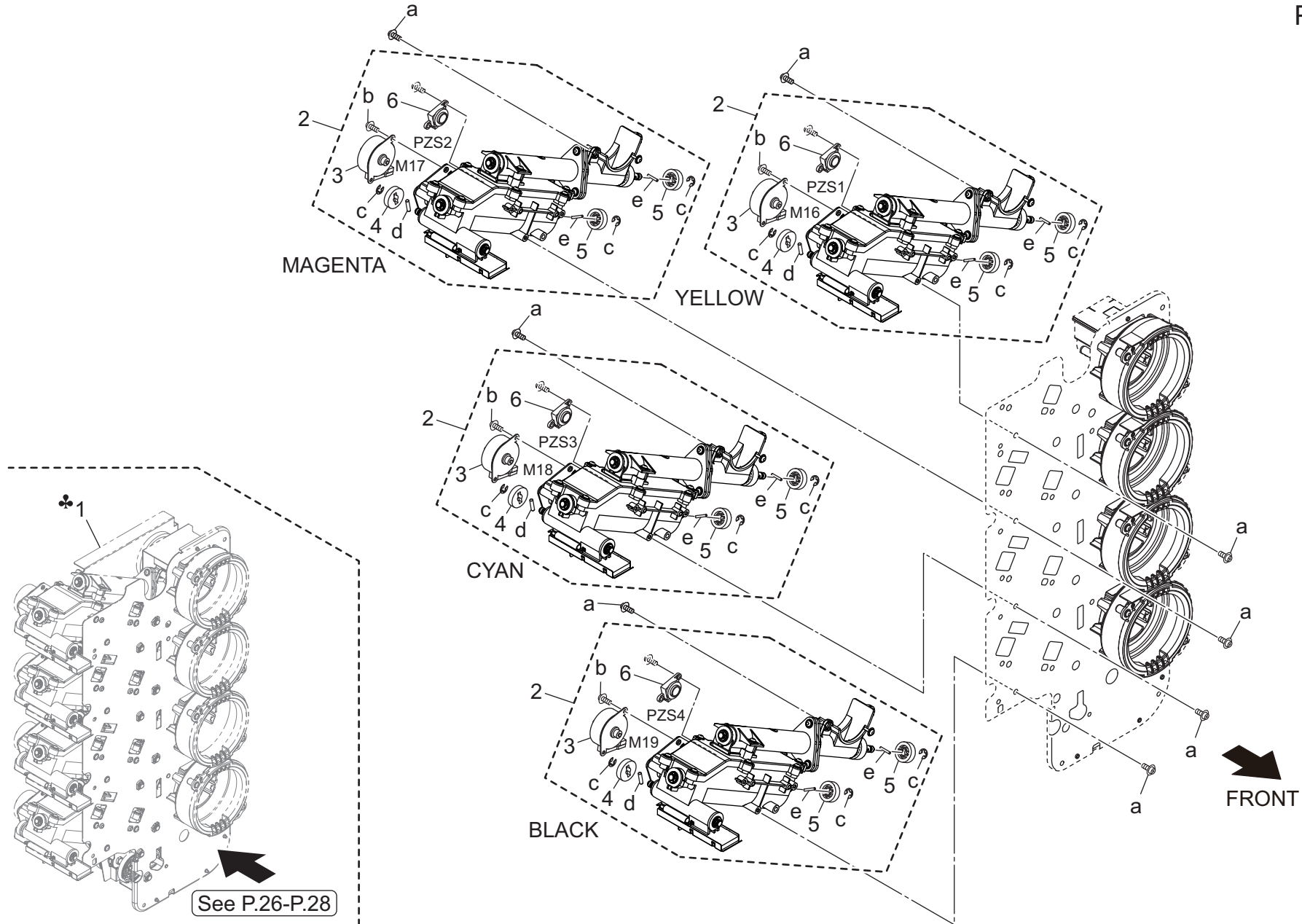
See P.25

FRONT

# Toner Supply Section

Key	Part No.	Description	Destinations	Class	QTY	Standard parts
1	07BA12352	Magnet Catch		C	1	a-V149030803 b-V153041003 c-V158030803 d-V217030003
2	26NA32870	CARTRIDGE PRESSING SPRING 2		C	4	
3	26TA32970	CARTRIDGE REGULATING SPRING		C	4	
4	26TA32990	COVER PART		C	4	
5	A1RF441500	Pressing Part /Front		D	4	
6	A50U408501	Pressing Handle		D	4	
7	A50U408600	Toner supply Open/close Spring /A		D	4	
8	A50U408700	Support Shaft		D	4	
9	A50U408900	Support Part		D	4	
10	A50U410200	Lock Spring		D	4	
11	A50U440301	Pressing Pedestal /Front		D	4	
12	A50U440601	Pressing Part /Rear		D	4	
13	A5VM944500	Toner supply Label /Y		D	1	
14	A5VM944600	Toner supply Label /M		D	1	
15	A5VM944700	Toner supply Label /C		D	1	
16	A5VM944800	Toner supply Label /K		D	1	
17	A85C409600	Regulating Plate		D	4	
18	A5VM400200	Guide Part		D	1	

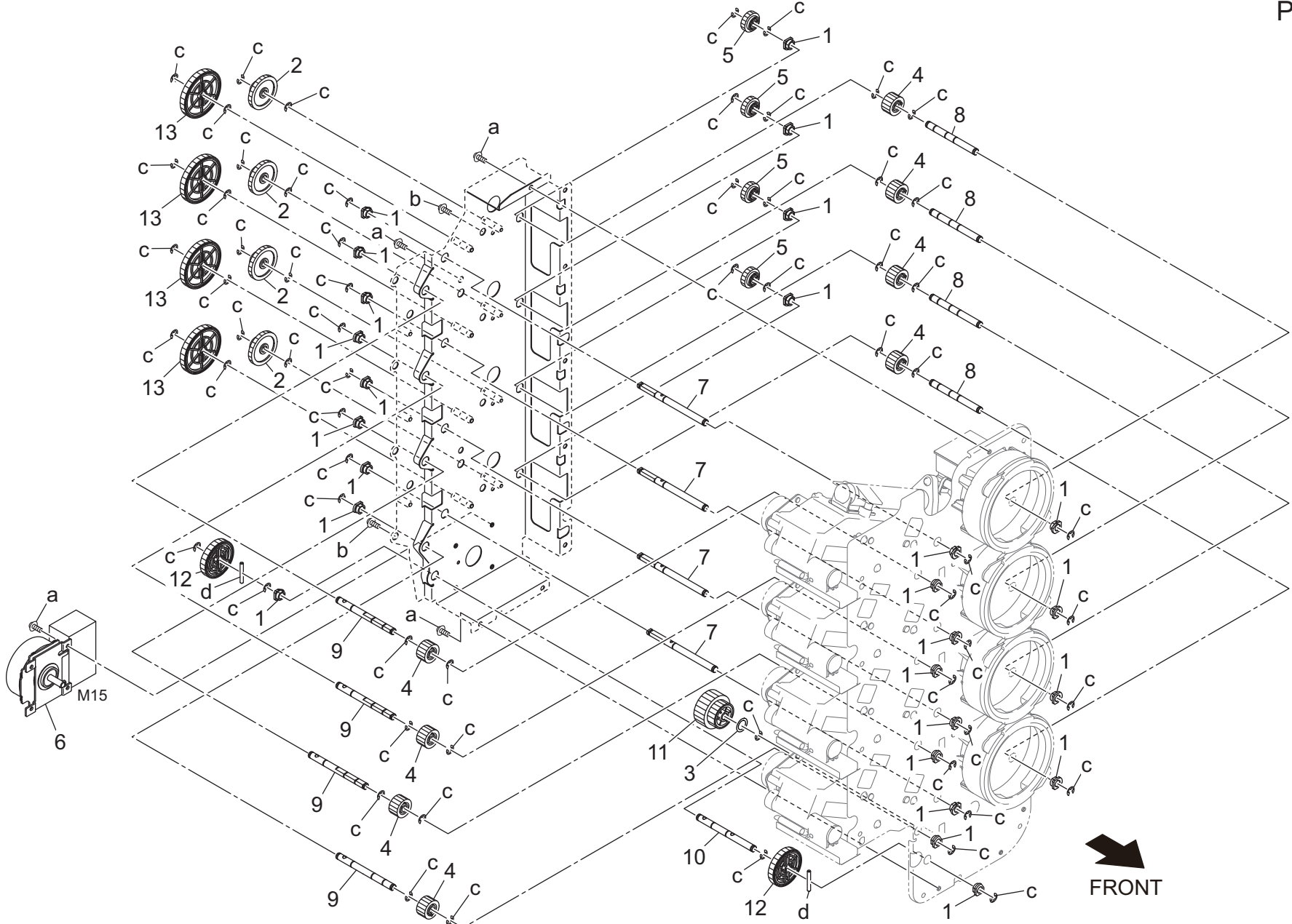
# Toner Supply Section



Key	Part No.	Description	Destinations	Class	QTY	Standard parts
1	AC57R74100	Toner Supply Unit ASSY	J	S	1	a-V158030803 b-V118030403 c-V217040003 d-V234301250 e-V234201250
1	AC57R72600	Toner Supply Unit ASSY	C,I	S	1	
2	A9VER71700	Toner Conveyance Assy		D	4	
3	A00JM12100	Stepping motor		C	4	
4	65AA78040	AGITATING GEAR A 18T		C	4	
5	A4EU538400	Release Gear /4 15T		C	8	
6	40AA88031	Level Detection Sensor		C	4	



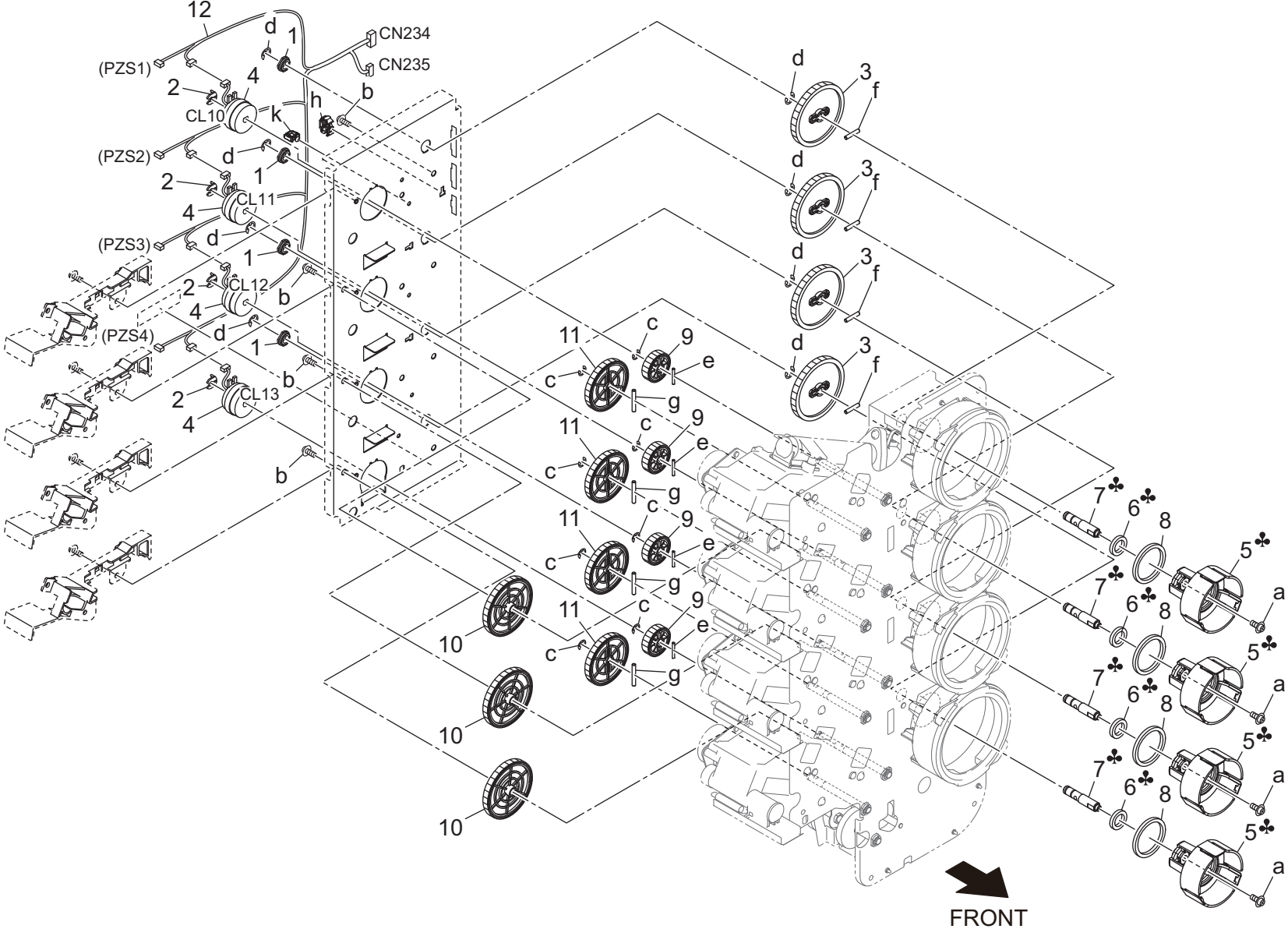
Toner Supply Section



# Toner Supply Section

Key	Part No.	Description	Destinations	Class	QTY	Standard parts
1	466076020	Paper Feed Feeding Bearing		B	26	a-V127030604 b-V158030803 c-V217040003 d-V234302250
2	25BA77171	Toner Supply Gear /2 13/31T		C	4	
3	40AA32320	Toner Supply Spacer		C	1	
4	56AA77330	Screw Gear 15T		C	8	
5	9J07500201	GEAR 17T		C	4	
6	A7PUM111100	brushless Motor /30		C	1	
7	A50U404000	Drive Shaft /A		D	4	
8	A50U404200	Drive Shaft /C		D	4	
9	A50U404600	Drive Shaft /B		D	4	
10	A50U406400	Drive Shaft /D		D	1	
11	A50U420300	Toner supply Gear /3 25/65T		C	1	
12	A50U420900	Toner supply Gear /9 35T		C	2	
13	A50U421000	Toner supply Gear /10 45T		C	4	

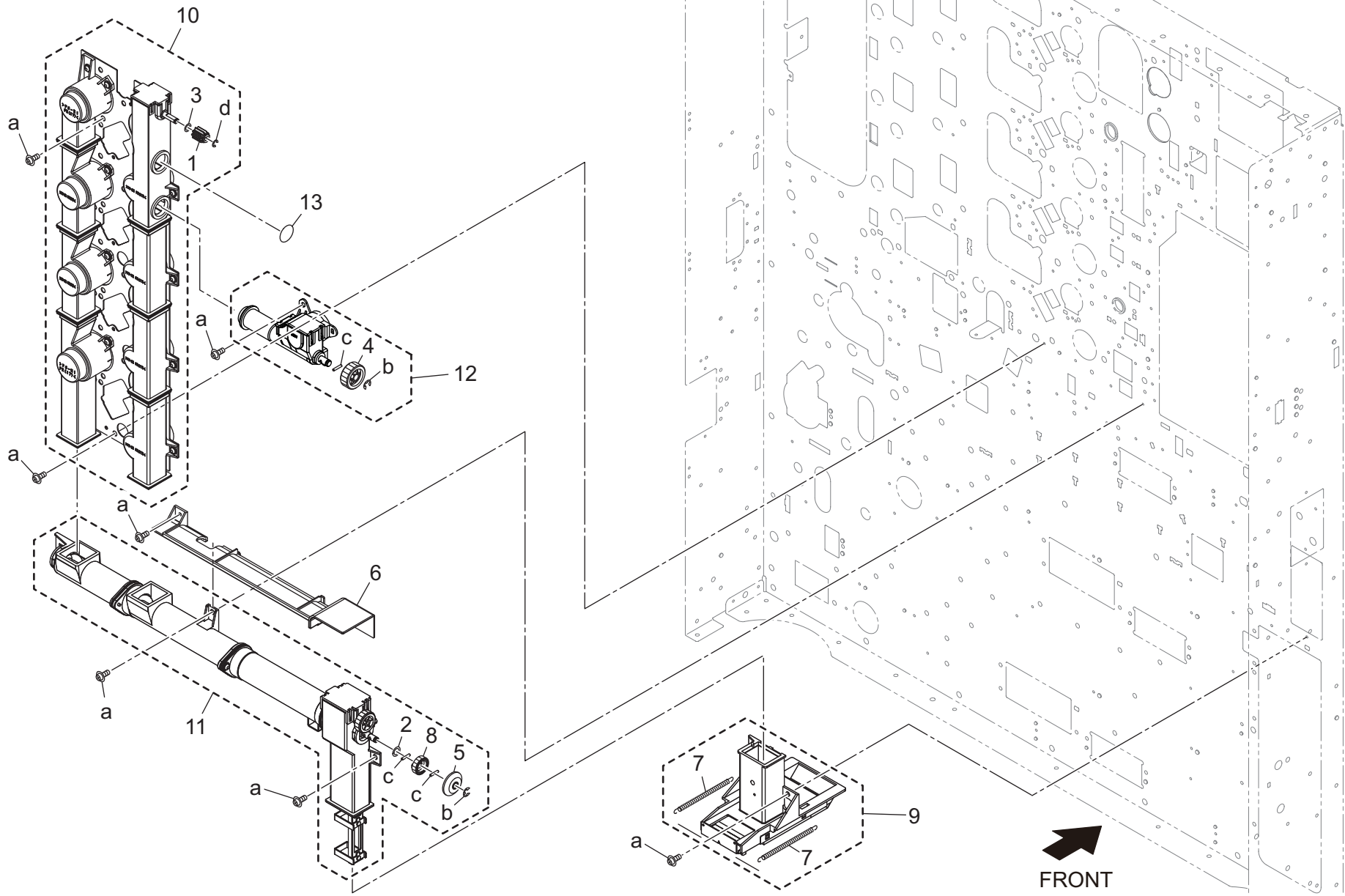
# Toner Supply Section



AccurioPrint C4065P

Key	Part No.	Description	Destinations	Class	QTY	Standard parts
1	26NA32660	TONER SUPPLY SHAFT HOLDER		C	4	a-V116030803 b-V127030604 c-V217040003 d-V217050003 e-V234201650 f-V234301650 g-V234302250 h-V500020098 k-V500020098
2	56AA40490	Shaft Stopper /4		C	4	
3	65AA77390	Toner Supply Gear /B 56T		C	4	
4	A00FM20000	Clutch		C	4	
5	AC57400500	Toner supply Coupling	J	D	4	
5	A50U400503	Toner supply Coupling	C,I	D	4	
6	AC57401200	Seal	J	D	4	
6	A50U401200	Holding Seal /A	C,I	D	4	
7	AC57401300	Connecting Shaft	J	D	4	
7	A50U401301	Connecting Shaft	C,I	D	4	
8	A50U407600	Toner supply Holding Seal /A		D	4	
9	A50U420400	Toner supply Gear /4 25T		C	4	
10	A50U420800	Toner supply Gear /8 52T		C	3	
11	A50U421000	Toner supply Gear /10 45T		C	4	
12	A50UN12203	Toner Wiring /2		D	1	

# Toner Collection Section

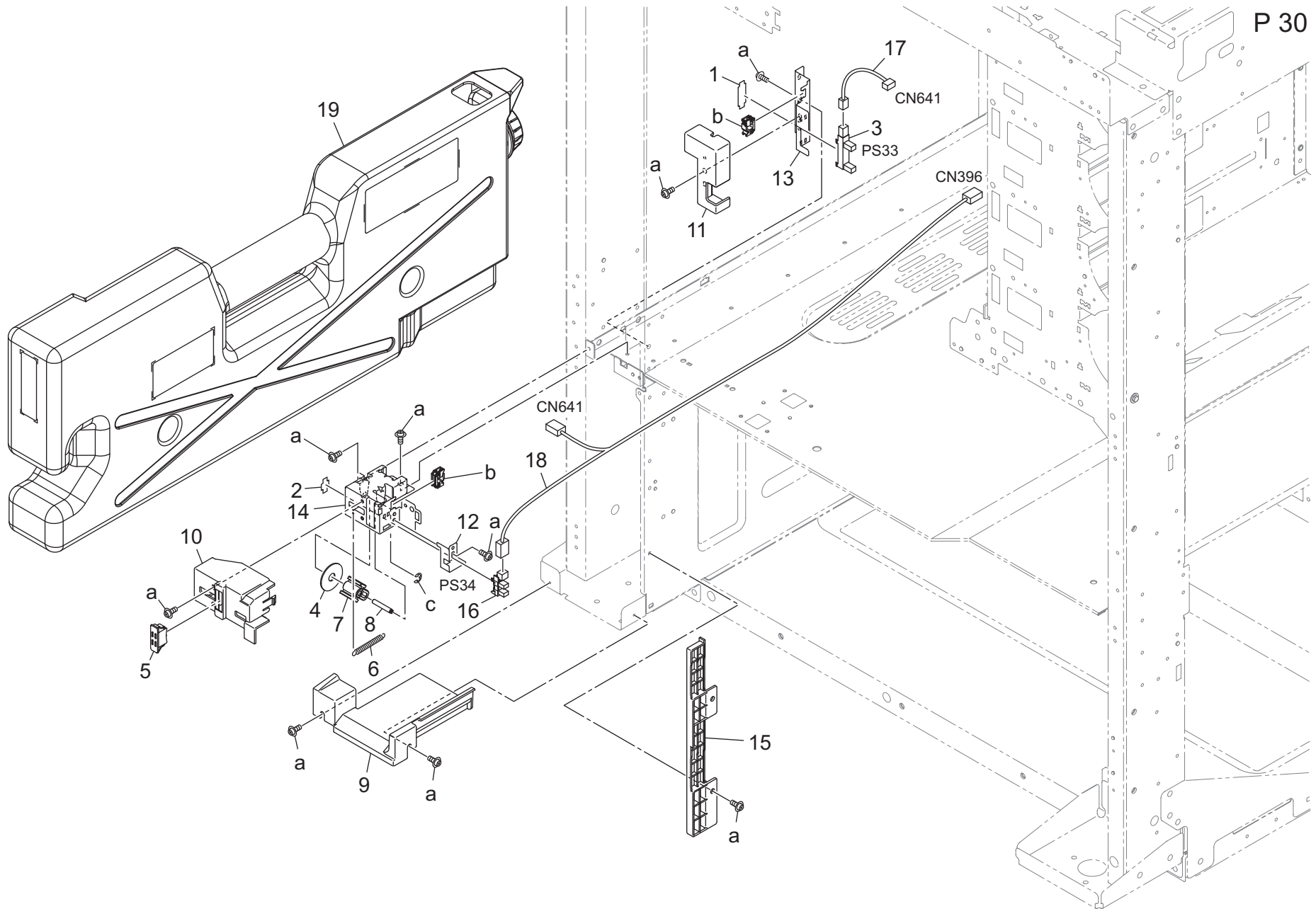


Toner Collection Section

Key	Part No.	Description	Destinations	Class	QTY	Standard parts
1	26NA17580	Agitating Coupling /B		C	1	a-V127030604 b-V217040003 c-V234201050 d-V217030003
2	40AA32320	Toner Supply Spacer		C	1	
3	50GA250100	SPACER		C	1	
4	A1RG569900	Suction Gear /2 21T		C	1	
5	A50U361900	Collection Gear /2 14T		C	1	
6	A50U362300	Insulating Cover		D	1	
7	A50U363300	Open/close Spring		D	2	
8	A50U365400	Collection Gear 19T		C	1	
9	A50UF36500	Toner Collection Gate ASSY		D	1	
10	AC57R74500	Collection Pipe Assy		S	1	
11	A9VER71800	Toner Collection Conveyance Assy		S	1	
12	AC57R74600	Collection Pipe / 1 Assy		D	1	
13	A9VP368401	Seal		D	1	

# Toner Collection Section

P 30

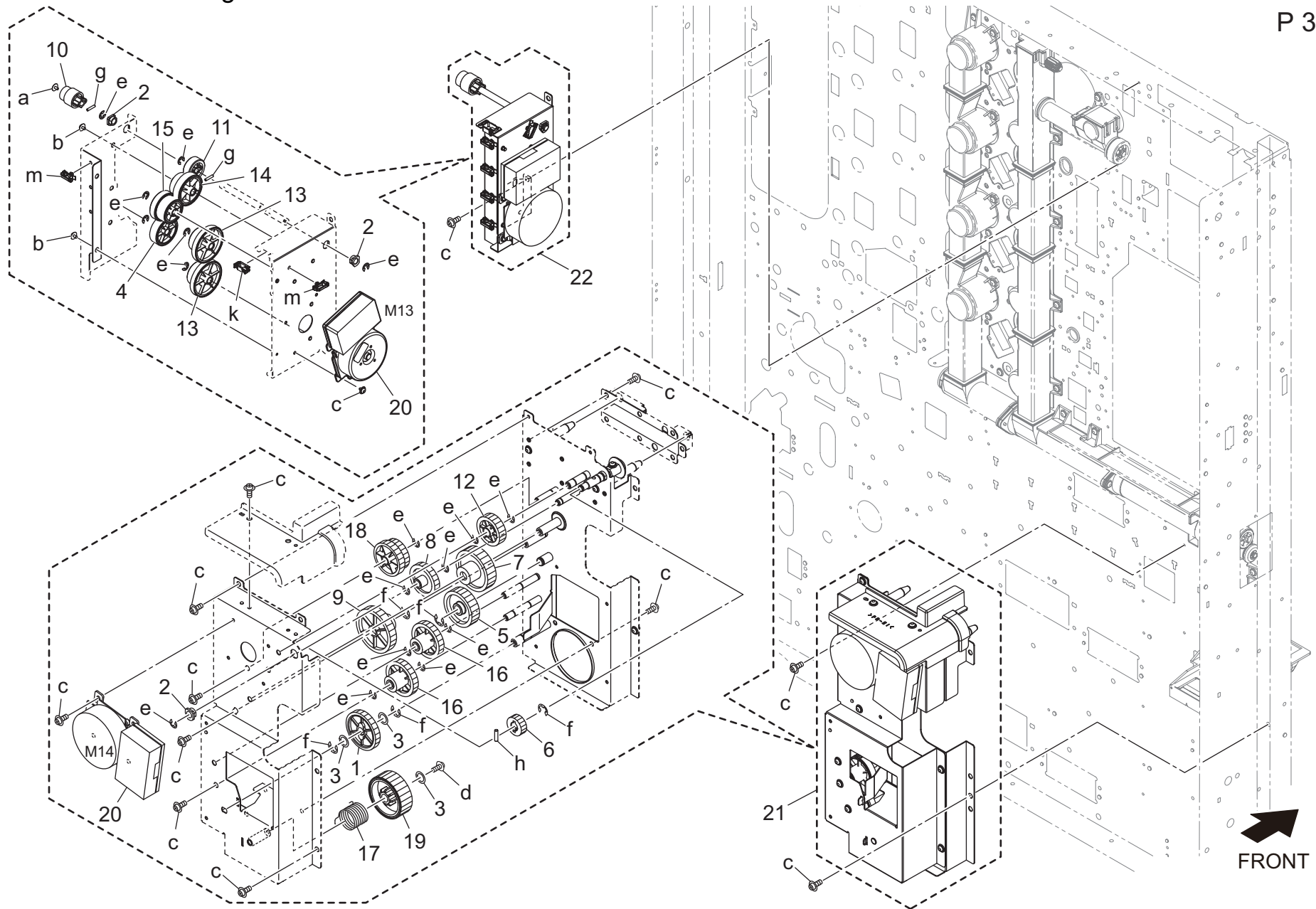


AccurioPrint C4065P

Key	Part No.	Description	Destinations	Class	QTY	Standard parts
1	4004457301	Stopper		D	1	a-V127030604 b-V570010056 c-V217020003
2	4470402401	Stopper		D	1	
3	9335140051	Solid State Switch		B	1	
4	55VA47840	Belt Hold Part /3		D	1	
5	56AA12270	EXTERNAL LOCKING PART		C	1	
6	A1RF363500	Control Spring		C	1	
7	A1RF363801	Detecting Part /2		D	1	
8	A50U363200	Collection Shaft		D	1	
9	A50U363400	Protection Cover /Lower		D	1	
10	A50U363701	Cover Outside		D	1	
11	A50U366800	Cover /2		D	1	
12	A50U367100	Card		D	1	
13	A50U367400	Cover		D	1	
14	A50U368400	Cover		D	1	
15	A50U369900	Cover /Front		D	1	
16	A50UM51000	Photointerrupter		C	1	
17	A50UN11801	Detection Relay harness /3		D	1	
18	A50UN12000	Detection Relay harness /1		D	1	
19	A50UR70115	Waste Toner Box		A	1	



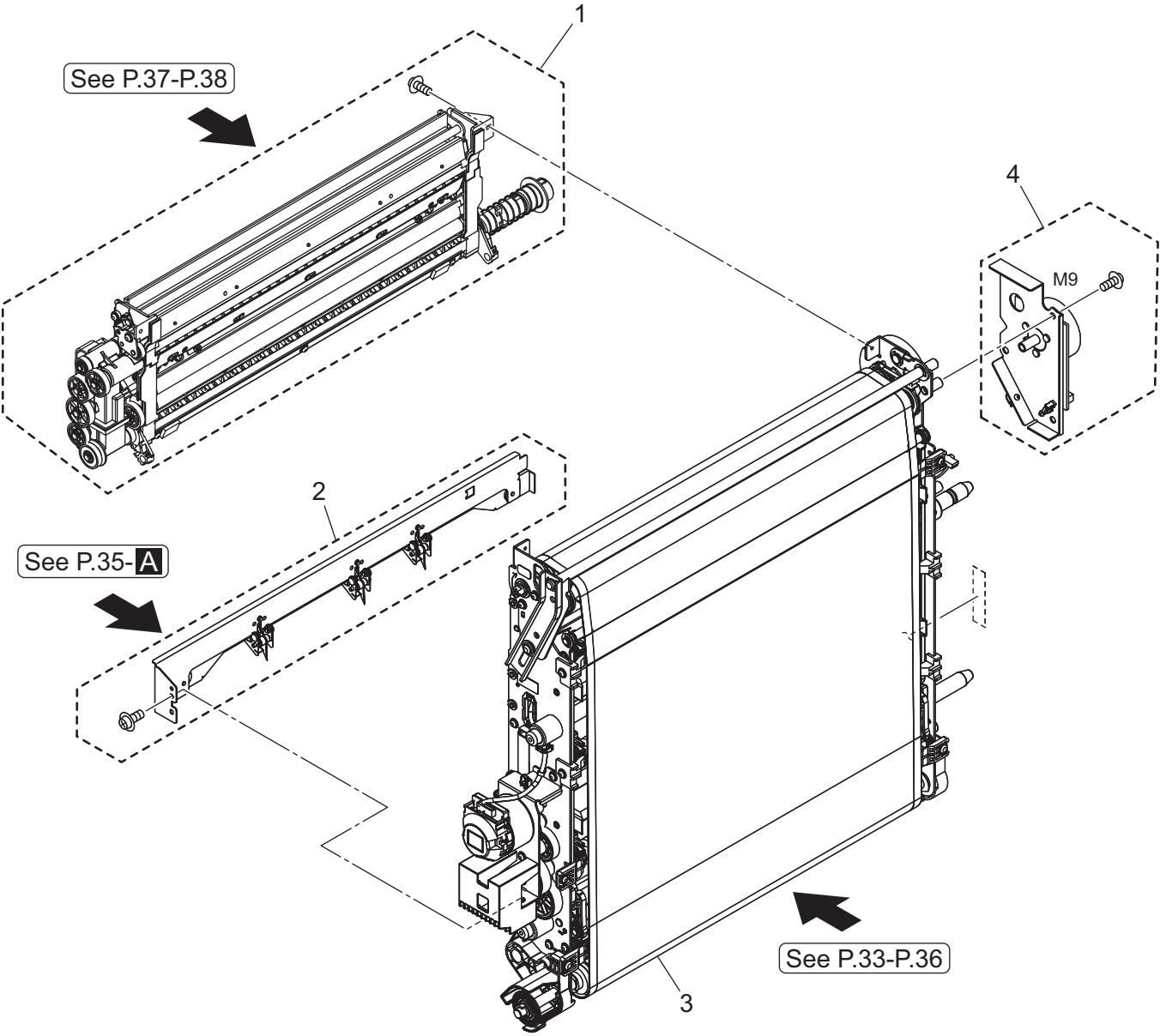
# Toner Collection Driving Section



FRONT

Key	Part No.	Description	Destinations	Class	QTY	Standard parts
1	4038254001	GEAR 37T		C	1	a-V121030403 b-V127030516 c-V127030604 d-V127040603 e-V217040003 f-V217060003 g-V234201050 h-V234301250 k-V570010057 m-V500020100
2	466076020	Paper Feed Feeding Bearing		B	3	
3	13QA40610	Gear Spacer		C	3	
4	AC57363000	Collection Gear/4 29T		C	1	
5	55GA77050	Conveyance Drive Gear /2 35T		B	1	
6	56UA77280	ADU Conveyance Gear 17T		C	1	
7	56UA77710	Toner Supply Drive Gear /B 16/40T		C	1	
8	65AA77410	Toner Supply Gear /D 31T		C	1	
9	A1RF368500	Collection Gear 14/43T		C	1	
10	A1RF372300	Agitating Coupling /1		D	1	
11	A1RG569900	Suction Gear /2 21T		C	1	
12	A1UD210500	Gear 28T		C	1	
13	A50U360700	Collection Gear /1 75/23T		C	2	
14	A50U361200	Collection Gear /3 32/22T		C	1	
15	A50U361401	Collection Gear /2 29/25T		C	1	
16	A50U362200	Gear /1 34/14T		C	2	
17	A50U365600	Collection Spring		D	1	
18	A50U365800	Collection Gear /1 62/28T		C	1	
19	A50U367001	Collection Coupling		D	1	
20	A7PUM11000	brushless Motor /20		C	2	
21	AC57R70700	Toner Collection Drive ASSY		S	1	
22	AC57R74700	Collection Drive Assy		S	1	

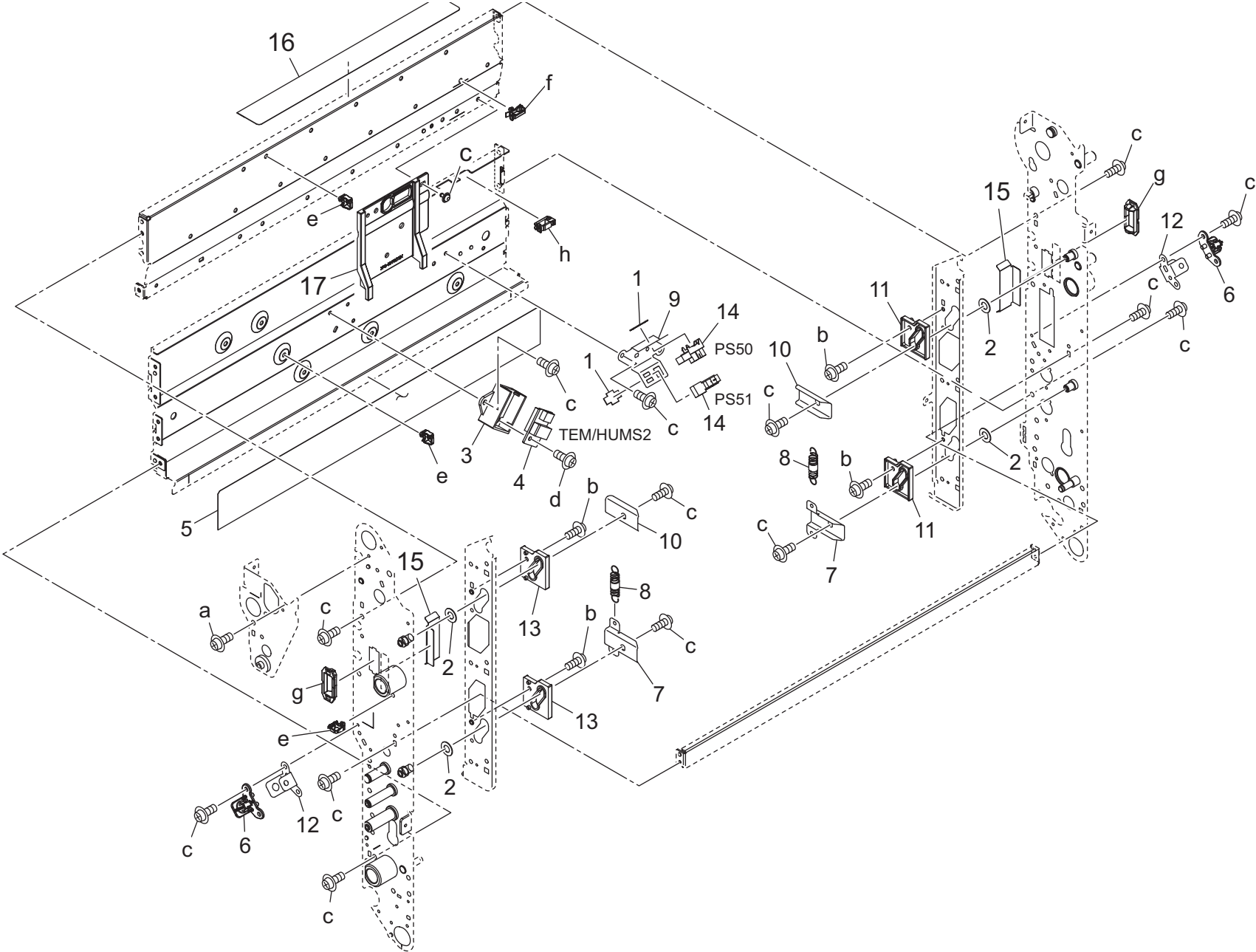
Intermediate Transfer Section



# Intermediate Transfer Section

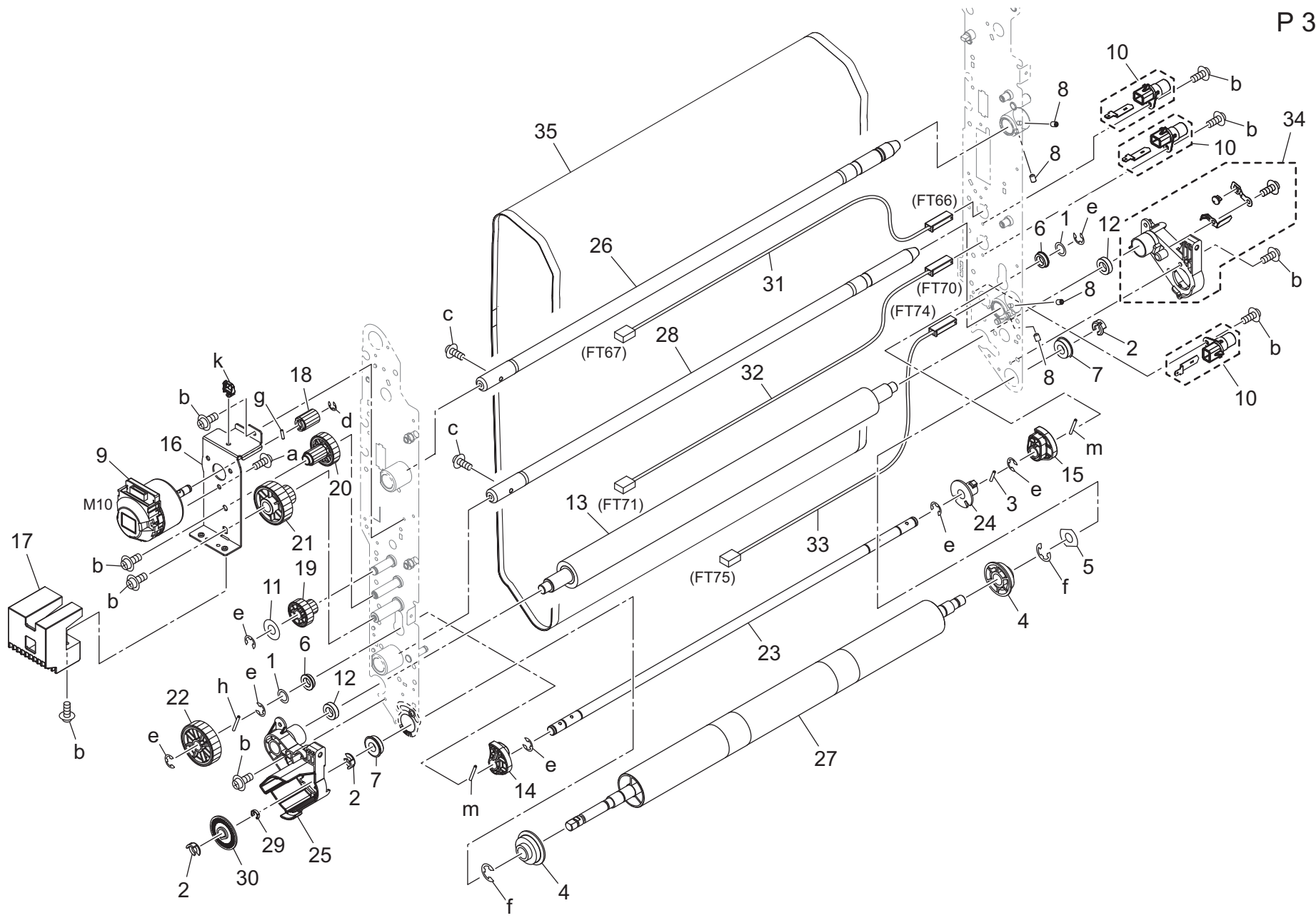
Key	Part No.	Description	Destinations	Class	QTY	Standard parts
1	AC57R75122	Transfer Belt Cleaning Unit		A	1	
2	A50UR71P22	Separating Claw Unit		I	1	
3	AC57R74911	Middle Transfer Assy		I	1	
4	AC57R75000	Drive Plate Assy		C	1	

Intermediate Transfer Section



Key	Part No.	Description	Destinations	Class	QTY	Standard parts
1	4470402401	Stopper		D	2	a-V116030503 b-V121030403 c-V127030604 d-V158030803 e-V500020098 f-V500020100 g-V570010037 h-V570010057
2	40AA32320	Toner Supply Spacer		C	4	
3	65AA11300	Support Part		D	1	
4	A034M50000Old	Humidity sensor		C	1	
4	A0P0M50400	Humidity sensor		C	1	
5	A03U515100	Insulating Sheet		D	1	
6	A50U500800	Hold Part		D	2	
7	A50U503600	Stopper Plate		D	2	
8	A50U503700	Spring		D	2	
9	A50U505202	Plate		D	1	
10	A50U506200	Stopper Plate		D	2	
11	A50U506300	Transfer Bushing /Rear		D	2	
12	A50U508600	Transfer Support Plate		D	2	
13	A50U508800	Transfer Bushing /Front		D	2	
14	A85CM55600	Photo Sensor		C	2	
15	A9VP513600	Protection Sheet /2		D	2	
16	A9VP517800	Protection Sheet /3		D	1	
17	A9VP517900	Guide Cover		D	1	

# Intermediate Transfer Section



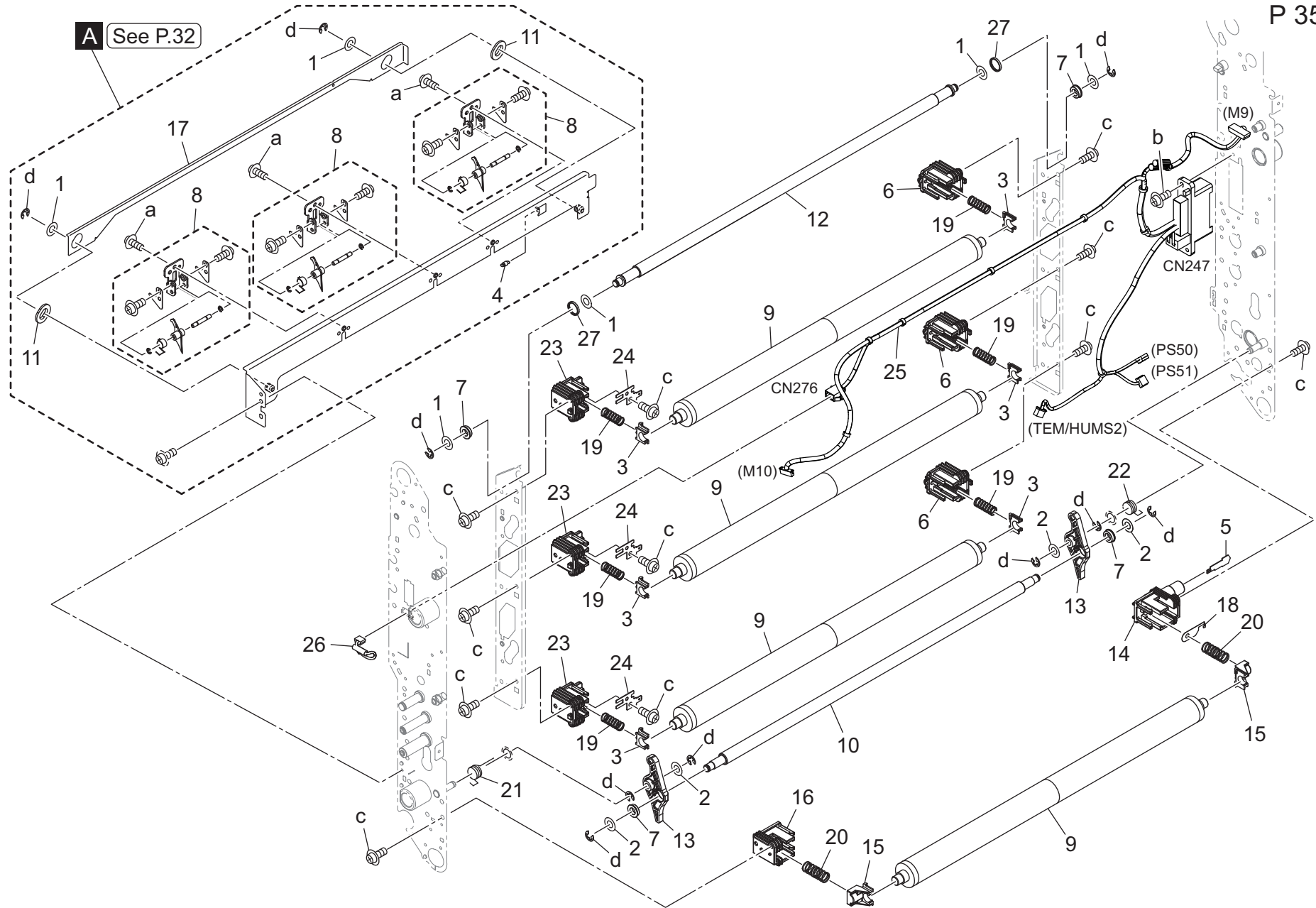
Intermediate Transfer Section

Key	Part No.	Description	Destinations	Class	QTY	Standard parts
1	12QV40650	Spacer	スペーサー	B	2	a-V121030403 b-V127030604 c-V127040803 d-V217040003 e-V217060003 f-V217080003 g-V234200850 h-V234201850 k-V500020098 m-V237201850
2	55VA42120	Shaft Stopper	軸ストッパー	C	3	
3	56AA17321	PIN A D2X12	ピン A D 2 X 1 2	B	1	
4	65AA26870	REGULATING COLLAR	規制カラー	C	2	
5	12QV40650	Spacer	スペーサー	B	1	
6	A00J617900	Ball Bearing	ボールベアリング	B	2	
7	A00V240600	Ball Bearing	ボールベアリング	B	2	
8	A03U512300	Fixing Screw	固定ねじ	C	4	
9	AC57M10300	DC Brushless Motor /25	DC ブラシレスモーター / 2 5	C	1	
10	A1DUR73500	Power Supply Block / A Assy	給電ブロック / A A S S Y	D	3	
11	12QV40650	Spacer	スペーサー	B	1	
12	A1RF517300	bearing	軸受	C	2	
13	A50U500401	2nd Transfer Roller/Up	2 次転写ローラー / U p	A	1	
14	A50U502500	Transfer Release Cam /C	転写解除カム / C	D	1	
15	A50U502600	Transfer Release Cam /C	転写解除カム / C	D	1	
16	AC57503900	Drive Plate	駆動板 ( 1 次転写離間)	D	1	
17	AC57504000	Cover	カバー ( 取っ手)	D	1	
18	A50U504400	Pressure Gear /M 18T	圧着ギア / M 1 8 T	C	1	
19	A50U504500	Compressing Gear /1 35/18T	圧縮ギア / 1 3 5 / 1 8 T	C	1	
20	A50U504600	Pressure Gear /2 43/18T	圧着ギア / 2 4 3 / 1 8 T	C	1	
21	A50U504700	Pressure Gear /3 56/18T	圧着ギア / 3 5 6 / 1 8 T	C	1	
22	A50U505000	Pressure Gear /4 44T	圧着ギア / 4 4 4 T	C	1	
23	A50U505100	Pressure Shaft	圧着軸	D	1	
24	A50U505300	Light blocking Plate	遮光板	D	1	
25	A50U505901	Insulating Holder /Front	絶縁ホルダ / 前	D	1	
26	A50U506101	Positioning Shaft /Upper	位置決め軸 / 上	D	1	
27	A50U506701	Idler Roller	従動ローラ	C	1	
28	A50U507000	Positioning Shaft /Lower	位置決め軸 / 下	D	1	
29	A50U509100	Lifting Collar /8	押上げカラー / 8	D	1	
30	A50U517300	Control Plate	制御プレート	D	1	
31	A50UN24501	HV Relay harness /1	高圧中継束線 / 1	D	1	
32	A50UN24701	HV Relay harness /2	高圧中継束線 / 2	D	1	
33	A50UN24901	HV Relay harness /3	高圧中継束線 / 3	D	1	
34	A50UR72100	Insulating Holder / Rear Assy	絶縁ホルダ / 奥 A s s y	D	1	
35	A9VE500200	Transfer Belt / C	転写ベルト / C	A	1	



# Intermediate Transfer Section

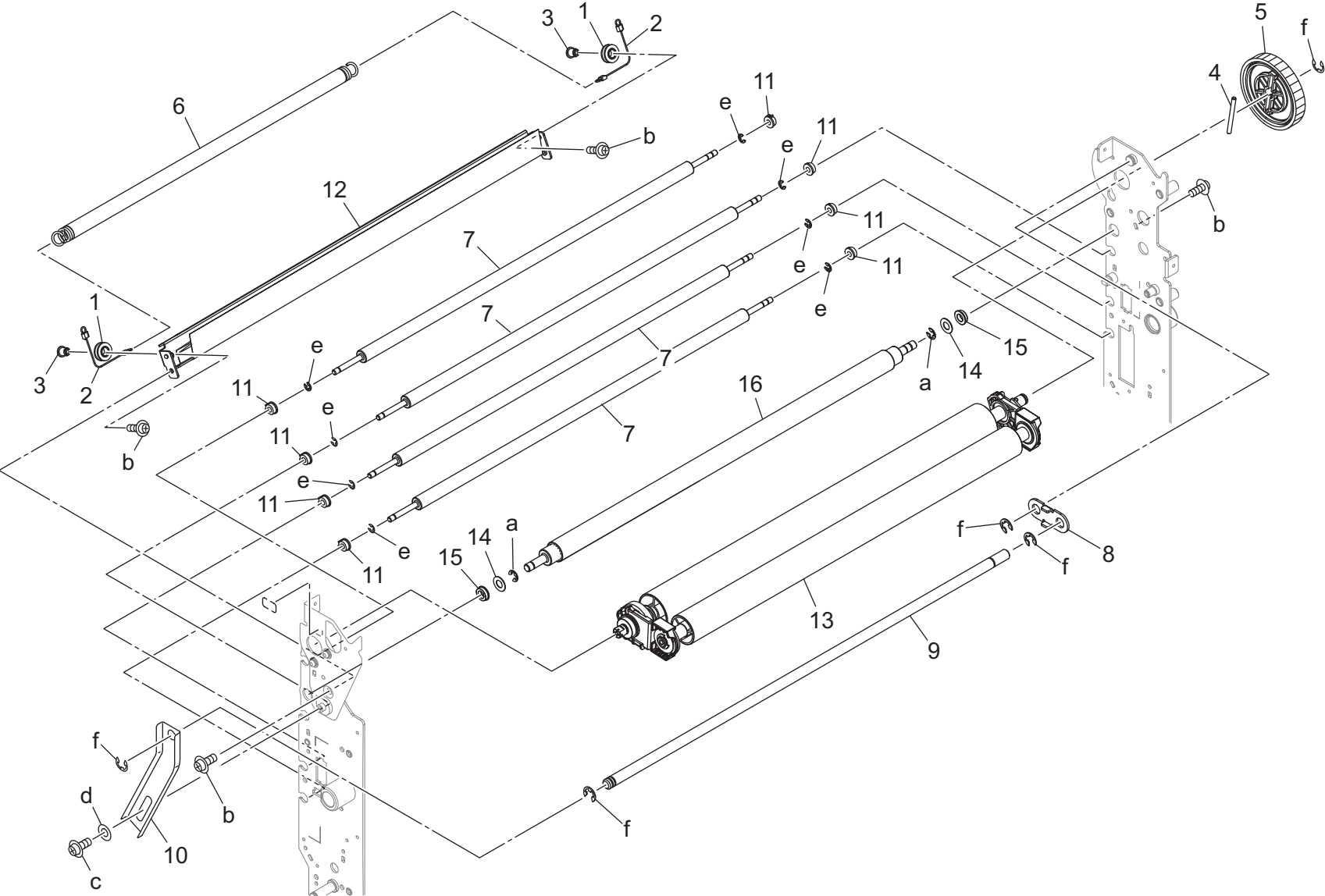
P 35



## Intermediate Transfer Section

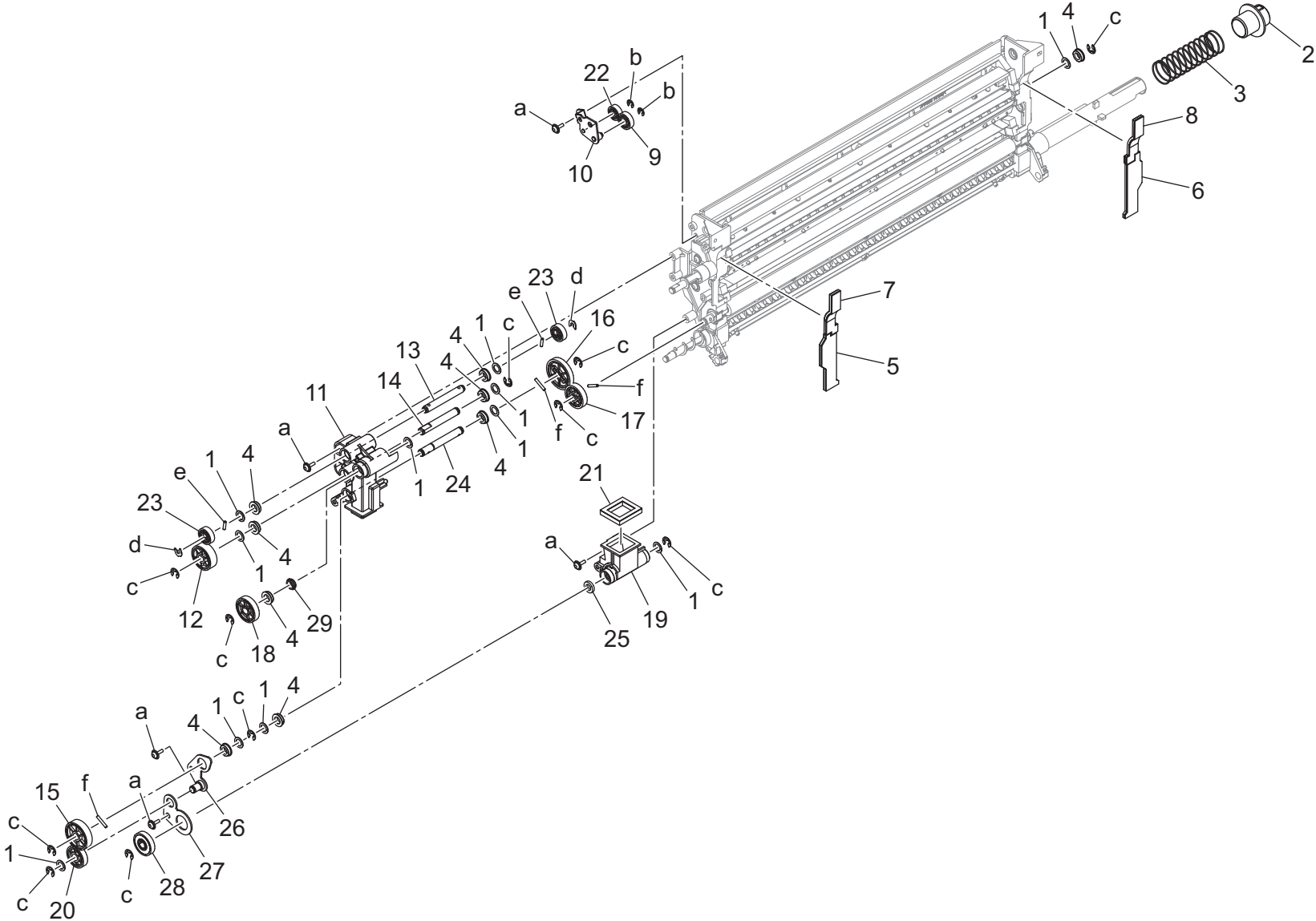
Key	Part No.	Description	Destinations	Class	QTY	Standard parts
1	07BA15871	Spacer /A	スパーサー / A	C	6	a-V121030403 b-V127030803 c-V158030803 d-V217040003
2	40AA32320	Toner Supply Spacer	トナー補給スパーサー	C	4	
3	65AA26380	Transfer Powering Bushing	転写給電軸受	B	6	
4	65AA26600	Slide Spring	スライドバネ	C	1	
5	65AA26690D	Transfer Powering Plate /K	転写給電板 / K	D	1	
6	65AA26900D	High voltage Powering Block /C	高圧給電ブロック / C	D	3	
7	A00J617800	Ball Bearing	ボールベアリング	A	4	
8	A1DUR71900	Separation Claw Assy	分離爪部組	B	3	
9	A50U501201	1st Transfer Roller	1次転写ローラー	A	4	
10	A50U501900	Transfer Pressure Roller /K	転写圧着ローラ / K	C	1	
11	A50U503200	Bushing	すべり軸受	D	2	
12	A9VP505400	Transfer Pressure Roller /Y	転写圧着ローラ / Y	C	1	
13	A50U505500	Release Arm	解除アーム	D	2	
14	A50U505601	Power supply Block /D	給電ブロック / D	D	1	
15	A50U505700	Transfer Roller Bearing /K	転写ローラー軸受 / K	B	2	
16	A50U505800	High voltage Powering Block /B	高圧給電ブロック / B	D	1	
17	A50U506900	Release Plate	解除板	D	1	
18	A50U507600	Transfer Powering Plate /L	転写給電板 / L	D	1	
19	A50U507801	Pressure Spring /C	圧着ばね / C	D	6	
20	A50U507900	Pressure Spring /Black	圧着ばね / 黒	D	2	
21	A50U508001	Pressing Spring /Front	押圧ばね / 前	D	1	
22	A50U508102	Pressing Spring /Rear	押圧ばね / 奥	D	1	
23	A50U510100	High voltage Powering Block /C	高圧給電ブロック / C	D	3	
24	A50U510200	Transfer Powering Plate /Front	転写給電板 / 前	D	3	
25	A50UN13203	Transfer Drive harness /1	転写駆動束線 / 1	D	1	
26	AC57N13700	Transfer Detection Harness /4	転写検知束線 / 4	D	1	
27	A9VP513400	Stopper	ストッパ	D	2	

Intermediate Transfer Section



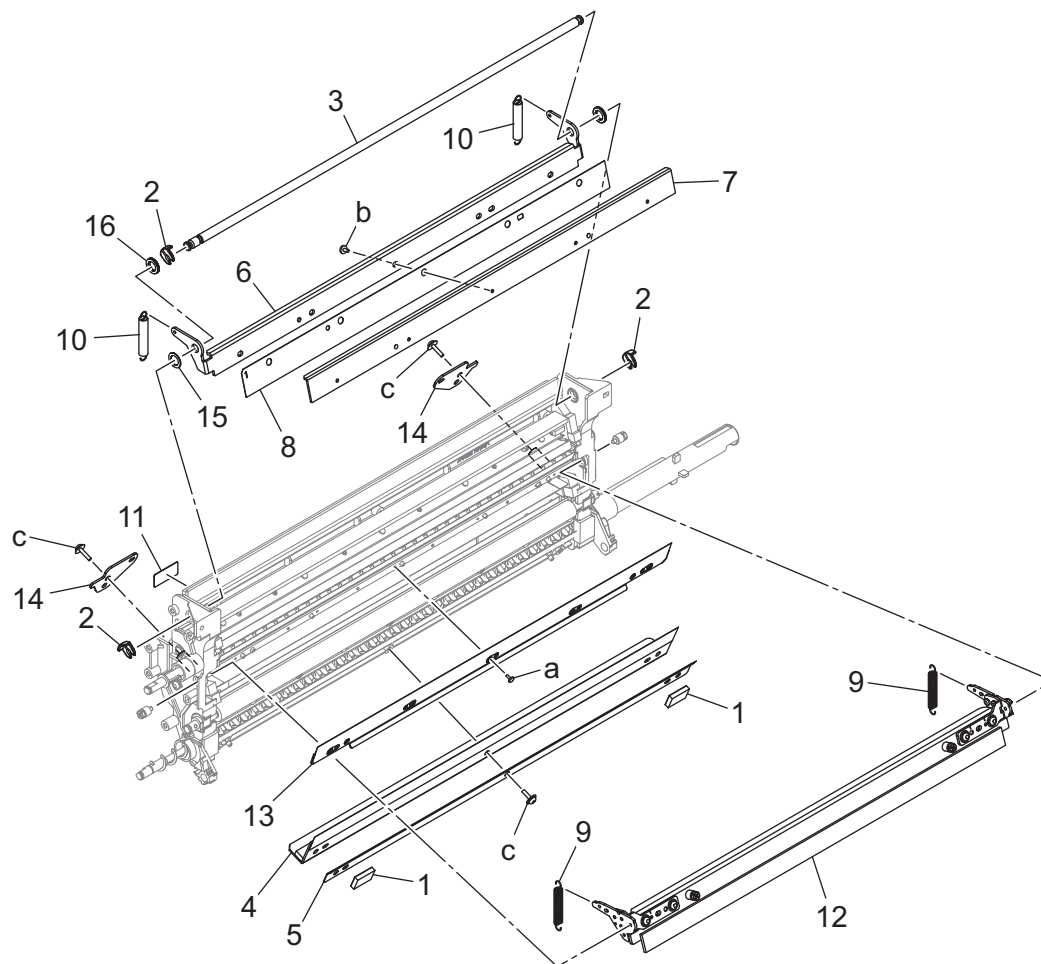
Key	Part No.	Description	Destinations	Class	QTY	Standard parts
1	A1RF508000	Tension Pulley		D	2	a-V217040003 b-V127030604 c-V127040603 d-V207060003 e-V217030003 f-V217060003
2	A1RF508100	Pulling Wire		D	2	
3	A1RF508200	Tension Shaft		D	2	
4	55VA15190	Fixing Drive Pin		B	1	
5	A50U501401	Drive Gear 108T		C	1	
6	A50U501702	Tension Spring		D	1	
7	A50U502100	Auxiliary Roller /1		C	4	
8	A50U502700	Handle /Rear		D	1	
9	A50U502900	Handle		D	1	
10	A50U503001	Mounting Plate		D	1	
11	A50U503500	Bushing		D	8	
12	A50UR73J00	Cleaning Sheet Assy		D	1	
13	AC57R75500	Drive Roller Assy		C	1	
14	07BA15871	Spacer /A		C	2	
15	A00J617800	Ball Bearing		A	2	
16	A9VP517700	Auxiliary Roller /1		C	1	

Intermediate Transfer Section



Key	Part No.	Description	Destinations	Class	QTY	Standard parts
1	40AA32320	Toner Supply Spacer		C	11	a-V158030803 b-V217030003 c-V217040003 d-V218030086 e-V234200850 f-V234201250
2	65AA20060	COLLECTING COVER		C	1	
3	65AA20300	TONER COLLECTING SPRING		C	1	
4	A9CE716000	Ball bearing /S		C	9	
5	A9VP534900	Lower Side Seal/Fr		A	1	
6	A9VP535000	Lower Side Seal/Rr		A	1	
7	A9VP535100	Upper Side Seal/Fr		A	1	
8	A9VP535200	Upper Side Seal/Rr		A	1	
9	A9VP545100	Gear /1 22T		C	1	
10	A9VP545200	Mounting Plate		D	1	
11	A9VP545302	Collection Pipe /Upper		D	1	
12	A9VP545400	Gear /2 35T		C	1	
13	A9VP545500	Drive Shaft /1		D	1	
14	A9VP545600	Drive Shaft /6		D	1	
15	A9VP545700	Gear /3 40T		C	1	
16	A9VP545800	Gear /4 33T		C	1	
17	A9VP545900	Gear /5 25T		C	1	
18	A9VP546000	Gear /7 35T		C	1	
19	A9VP546100	Collection Pipe /Lower		D	1	
20	A9VP546200	Gear /6 31T		C	1	
21	A9VP546300	Collection Seal /1		D	1	
22	A9VP546400	Gear /1 19T		C	1	
23	A9VP546500	Gear /2 22T		C	2	
24	A9VP546600	Drive Shaft /4		D	1	
25	A9VP546700	Cleaning Seal /2		D	1	
26	A9VP546800	Positioning Lever		D	1	
27	A9VP546900	Positioning Lever /1		D	1	
28	A9VP547100	Gear /8 32T		C	1	
29	A9VP547900	Rotation Roll		D	1	

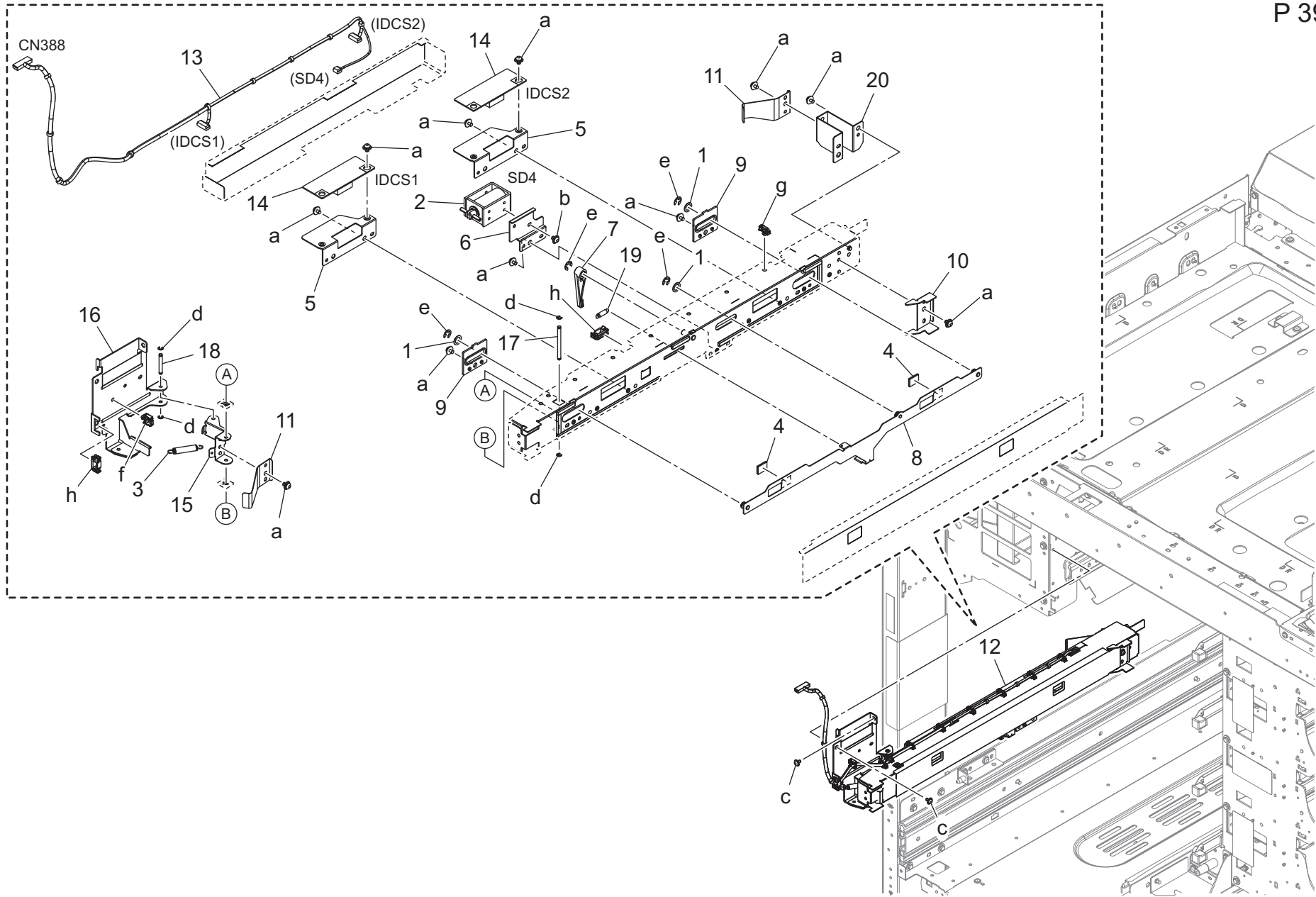
# Intermediate Transfer Section



Key	Part No.	Description	Destinations	Class	QTY	Standard parts
1	56AA20940D	Toner Dust-proof Seal /D		D	2	a-V118020403 b-V118260403 c-V158030803
2	56AA40490	Shaft Stopper /4		C	3	
3	AC57533400	Blade Fulcrum Shaft		D	1	
4	A1DUR71C11	Sheet /1 Assy		A	1	
5	A1DUR71D00	Sheet /2 Assy		C	1	
6	A9VP536600	Pressing Plate		D	1	
7	A9VP536700	Holding Plate		D	1	
8	A9VP540100	Collection Scraper/C		A	1	
9	A9VP543600	Pulling Coil spring /C		D	2	
10	A9VP543700	Transfer Spring /C		D	2	
11	AC57946500	ID Label		D	1	
12	A9VPR71600	Belt Cleaning Blade /C		A	1	
13	A9VPR73800	Positioning Plate Assy /C		A	1	
14	A9VP544001	Holding Part /1		D	2	
15	AC57533200	Spacer		D	1	
16	AC57533300	Regulating Seal		D	1	



# Color Resist Section



Key	Part No.	Description	Destinations	Class	QTY	Standard parts
1	40AA32320	Toner Supply Spacer		C	3	a-V116030503
2	A1DUR71600	Solenoid Assy		C	1	b-V121030403
3	A50U516800	Spring		D	1	c-V127030604
4	A50U516900	Scatteringprevention Pad		D	2	d-V217020003
5	A9VP515200	Mounting Plate		D	2	e-V217040003
6	A9VP515300	Mounting Plate		D	1	f-V500020098
7	A9VP515400	Lever		D	1	g-V500020099
8	A9VP515500	Open/close Shutter /ASSY		D	1	h-V570010057
9	A9VP515600	Bushing		D	2	
10	A9VP515900	Positioning Plate		D	1	
11	A9VP517000	Pressing Spring /Rear		D	2	
12	A9VPR71900	Color Registration Unit		S	1	
13	A9VPN20000	Sensor Harness /1		D	1	
14	AC57M50200	Photo Sensing Element		I	2	
15	A9VP516401	Hinge		D	1	
16	A9VP516500	Fixing Plate		D	1	
17	A9VP516600	Shaft /1		D	1	
18	A9VP516700	Shaft /2		D	1	
19	A9VP516800	Pulling Spring		D	1	
20	A9VP516901	Mounting Plate		D	1	

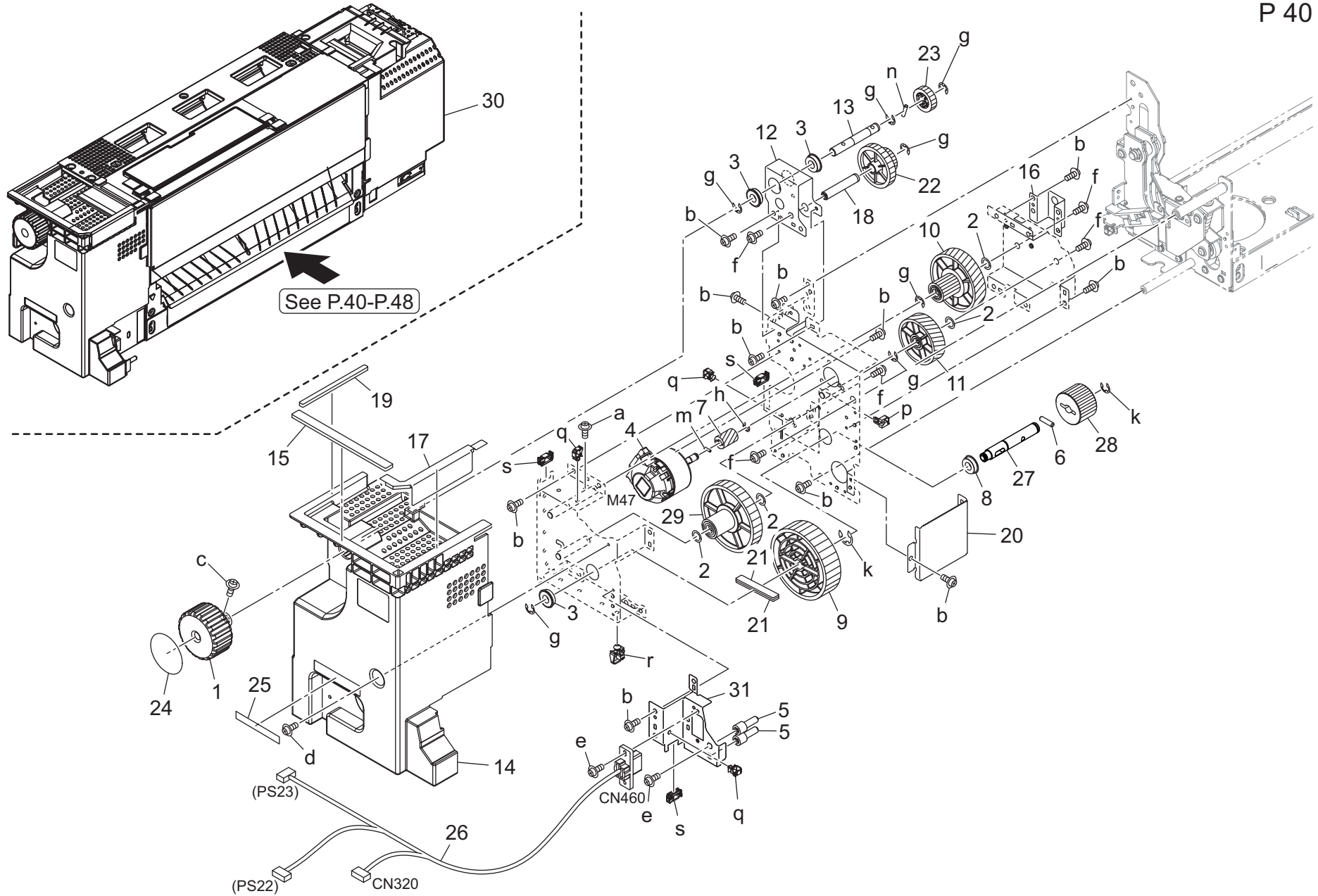
AccurioPrint C4065P



Order here  
8 (495) 646-0426  
www.km-shop.ru

# Fusing Section

P 40

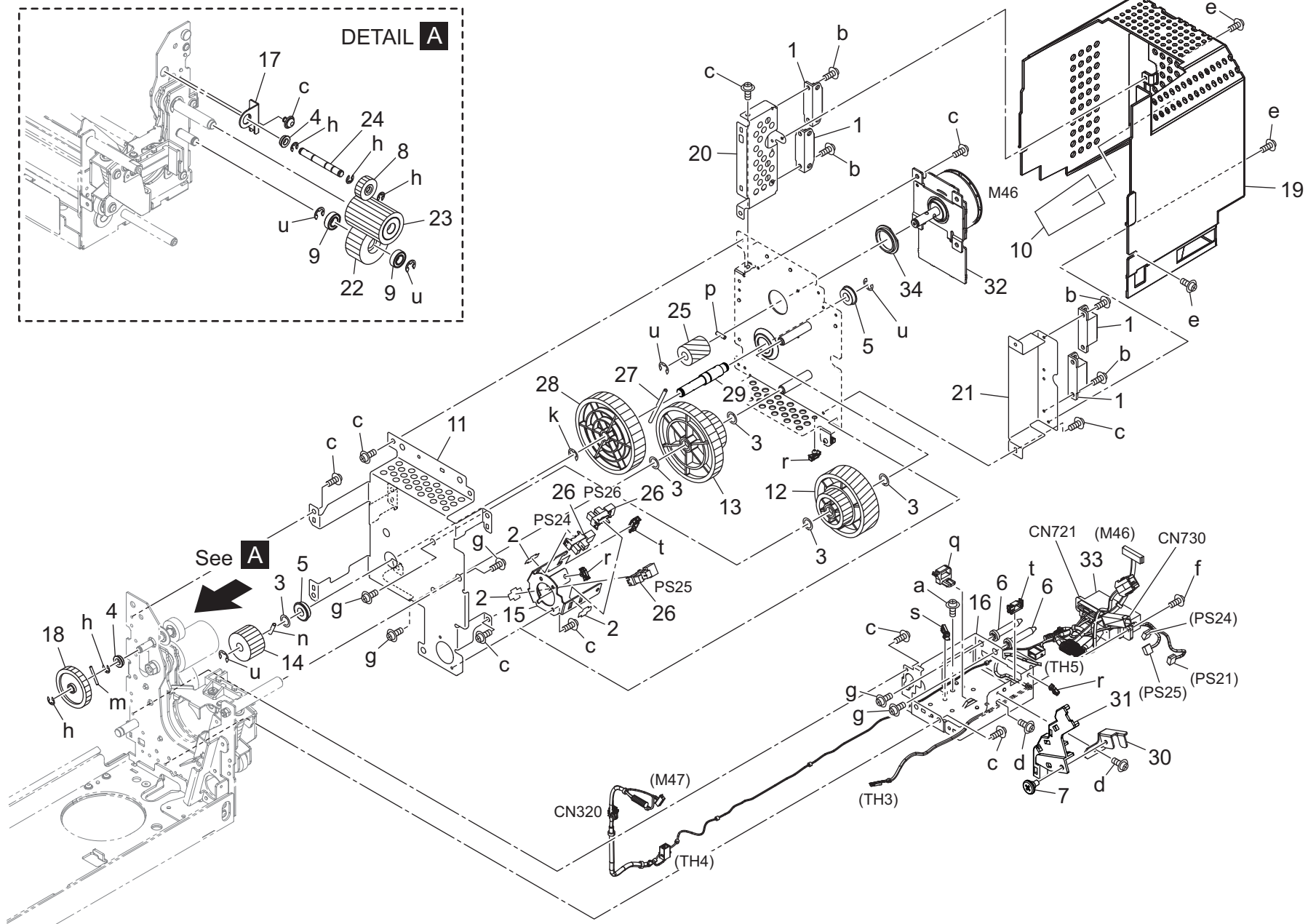


AccurioPrint C4065P

Key	Part No.	Description	Destinations	Class	QTY	Standard parts
1	20AL48470G	Jam Release Knob		C	1	a-V116030603
2	56AA42690	By-Pass Spacer		C	4	b-V121030403
3	A00V240600	Ball Bearing		B	3	c-V121041003
4	AC57M10300	DC Brushless Motor /25		C	1	d-V127030604
5	AC57736201	Positioning Shaft /11		D	2	e-V127030803
6	A1RF758100	Pin /B		D	1	f-V127040603
7	A1RF809400	Pressure Gear /1 22T		C	1	g-V217060003
8	A4EU265000	Ball bearing		B	1	h-V217040003
9	A50U742901	Pressure Gear /2 90T		C	1	k-V217080003
10	A50U743100	Pressure Gear /4 23/110T		C	1	m-V234200850
11	A50U743200	Pressure Gear /5 87T		C	1	n-V234301450
12	A50U745600	Fixing Plate /1		D	1	p-V500010057
13	A50U745700	Processing Shaft /A		D	1	q-V500010074
14	AC57749001	Fusing Cover /A		D	1	r-V500020098
15	A50U751101	Spacer /1		D	1	s-V570010057
16	A50U751200	Positioning Plate /A		D	1	
17	A50U751301	Spacer /2		D	1	
18	A50U752600	Processing Shaft		D	1	
19	A50U755900	Spacer /3		D	1	
20	A50U756002	Auxiliary Side plate		D	1	
21	A50U756500	Part /1		D	2	
22	A50U757000	Connecting Gear /A 41/22T		C	1	
23	A50U757100	Idling Gear /A 22T		C	1	
24	A50U943502	Release Label /5		D	1	
25	A50U949600	Replacement Label		D	1	
26	A50UN10903	Fixing Wiring /5		D	1	
27	A9VE742500	Pressure Shaft /B		D	1	
28	A9VE742800	Pressure Gear /1 31T		C	1	
29	A9VE743000	Pressure Gear /3 23/85T		C	1	
30	AC57R72411	Fusing Unit (220V)		I	1	
30	AC57R72411	Fusing Unit (220V)	C,I	I	1	
31	AC57745300	Fixing Plate /5	J	D	1	

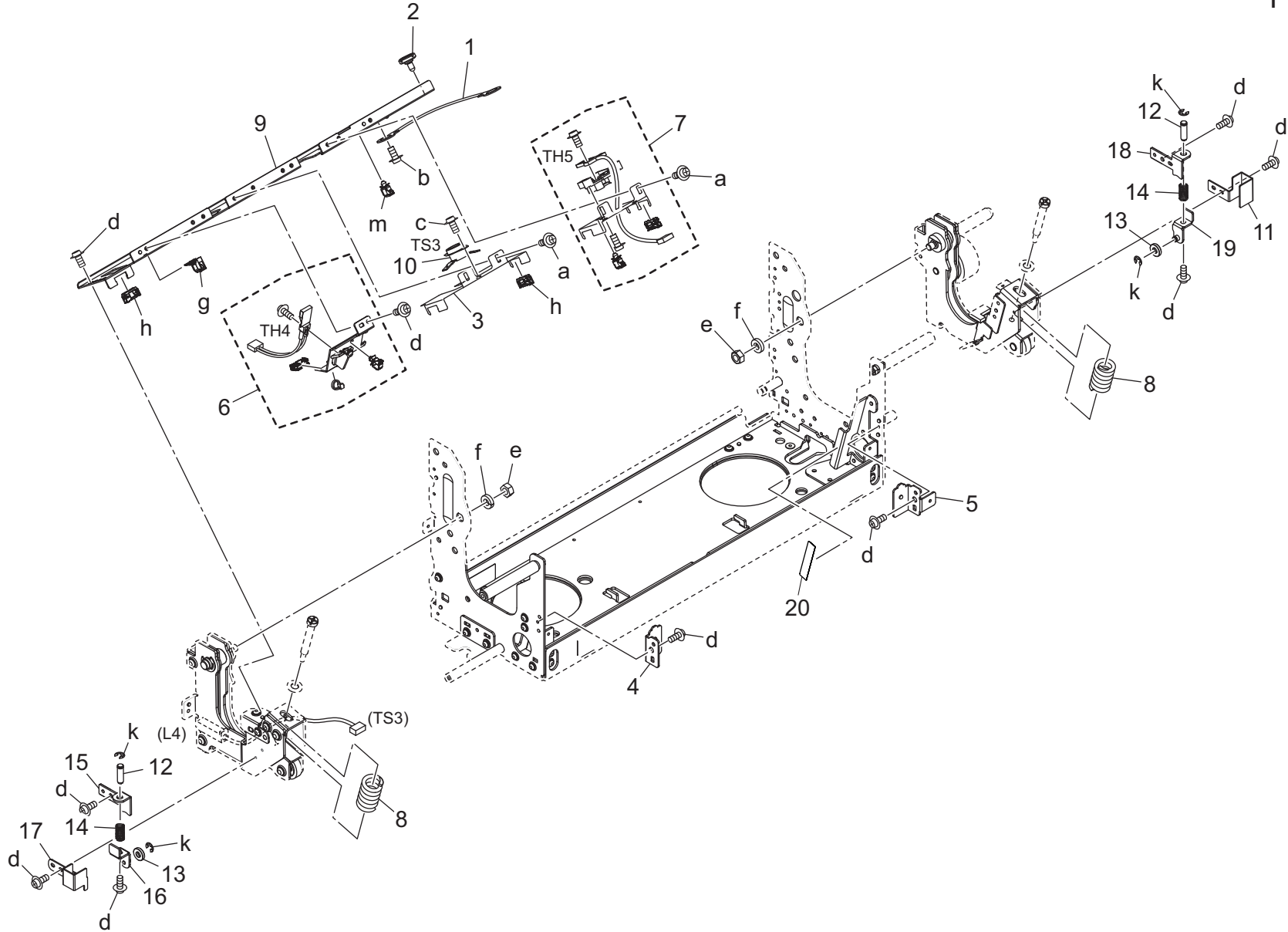
# Fusing Section

P 41



Key	Part No.	Description	Destinations	Class	QTY	Standard parts
1	07BA12352	Magnet Catch		C	4	a-V116040603
2	4470402401	Stopper		D	3	b-V118030603
3	56AA42690	By-Pass Spacer		C	5	c-V121030403
4	A00J617800	Ball Bearing		A	2	d-V127030516
5	A00V240600	Ball Bearing		B	2	e-V127030604
6	A03U724200	Positioning Shaft		D	2	f-V127030803
7	A03U734500	Support Screw /A		C	1	g-V127040603
8	A03U808400	FIXING DRIVE GEAR /D 19T		B	1	h-V217040003
9	A1RF820000	Ball Bearing		C	2	k-V217080003
10	A50U732100	Protection Seal /1		D	1	m-V234201850
11	A50U743302	Drive Plate /4		D	1	n-V234301450
12	A50U743600	Drive Gear /2 33/58T		C	1	p-V237301150
13	A50U743700	Drive Gear /3 36/74T		C	1	q-V500010021
14	A50U743900	Drive Gear /5 26T		C	1	r-V500020099
15	AC57744600	Sensor Plate		D	1	s-V500020100
16	A50U744912	Mounting Plate /4		D	1	t-V570010057
17	A50U745501	Paper exit Plate /1		D	1	u-V217060003
18	A50U746400	Paper exit Gear /A 37T		C	1	
19	A50U748506	Fusing Cover /Rear		D	1	
20	A50U749200	Mounting Plate /1		D	1	
21	A50U749300	Mounting Plate /2		D	1	
22	A50U752000	Drive Gear /C 36T		D	1	
23	A50U752200	Fusing Gear/3 30T		B	1	
24	A50U752300	Paper exit Shaft /A		D	1	
25	A50U754700	Fusing Gear /6 16T		C	1	
26	A85CM55600	Photo Sensor		C	3	
27	A9VE742400	Pin /4		D	1	
28	A9VE743800	Drive Gear /4 74T		C	1	
29	A9VE744300	Drive Shaft /2		D	1	
30	AC57747200	Hold Plate /2		D	1	
31	AC57747301	Wiring Part /5		D	1	
32	AC57M10600	DC Brushless Motor /50		C	1	
33	AC57N10700	Fusing Harness /2		D	1	
34	AC57768600	Guide Collar		D	1	

Fusing Section

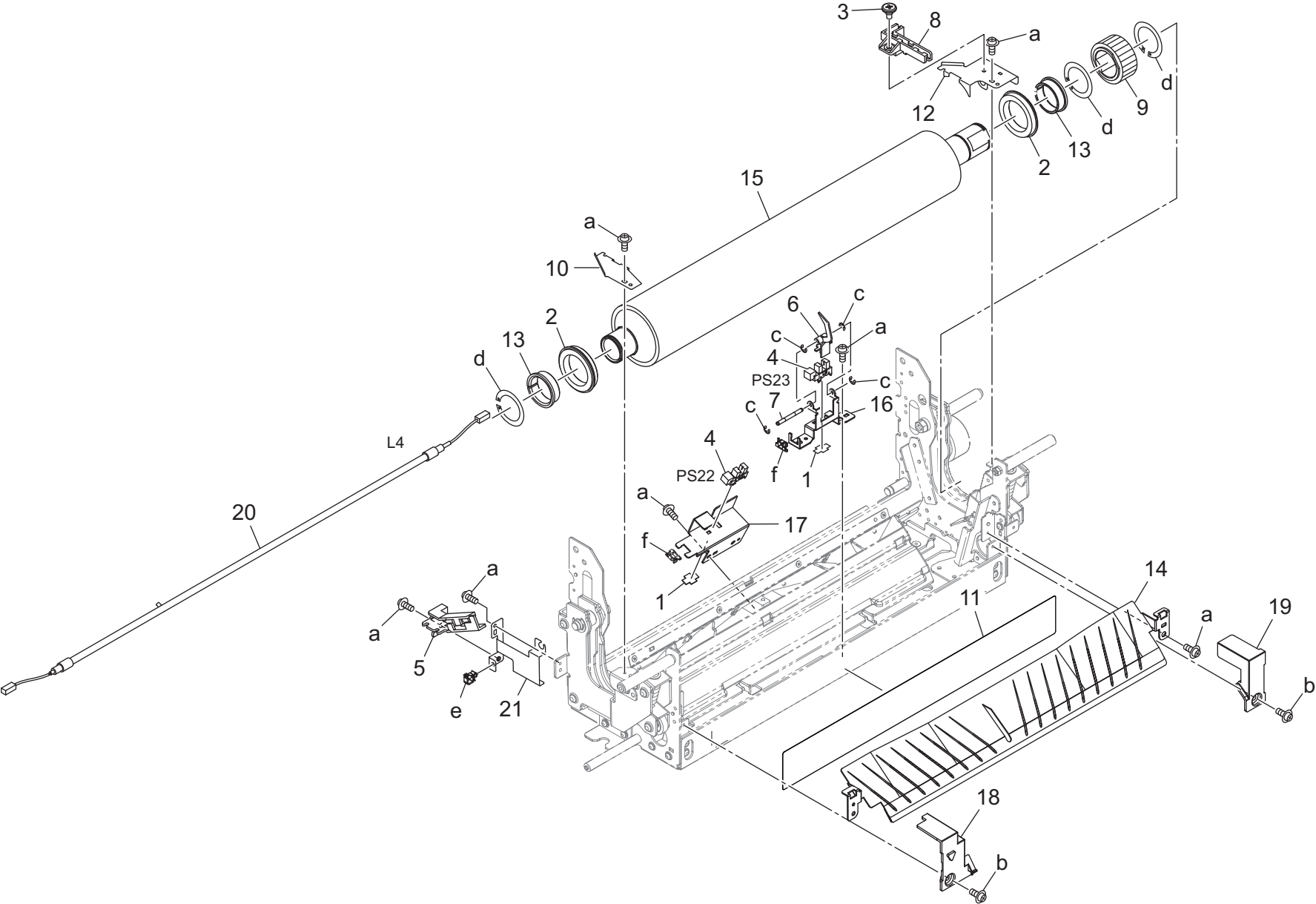


# Fusing Section

Key	Part No.	Description	Destinations	Class	QTY	Standard parts
1	A03UN23200	Grounding Wiring /F		D	1	a-V116030603
2	A50U745100	Guide Screw		D	1	b-V116040603
3	A50U746200	Stay /2		D	1	c-V118030403
4	A50U787500	Hold Arm /Front		D	1	d-V121030403
5	A50U787600	Hold Arm /Rear		D	1	e-V195060003
6	A50UR70E22	Fusing Temperature Sensor/4		B	1	f-V205060003
7	A50UR72Y00	Fusing Temperature Sensor/5		C	1	g-V500020097
8	A9VE741600	Pressure Spring /11		D	2	h-V500020096
9	A9VE745800	Sensor Stay /4		D	1	k-V217040003
10	SP00-0220	Thermostat /Lower		I	1	m-V500010074
11	AC57767800	Mounting Plate /23		D	1	
12	AC57768000	Guide Shaft /22		D	2	
13	AC57768100	Guide Roll /11		D	2	
14	AC57768200	Pressure Spring /12		C	2	
15	AC57768300	Mounting Plate /24		D	1	
16	AC57768401	Support Plate /Front		D	1	
17	AC57768500	Mounting Plate /26		D	1	
18	AC57767600	Mounting Plate /21		D	1	
19	AC57767701	Support Plate /Rear		D	1	
20	A9VP788700	Protection Sheet /1		D	1	



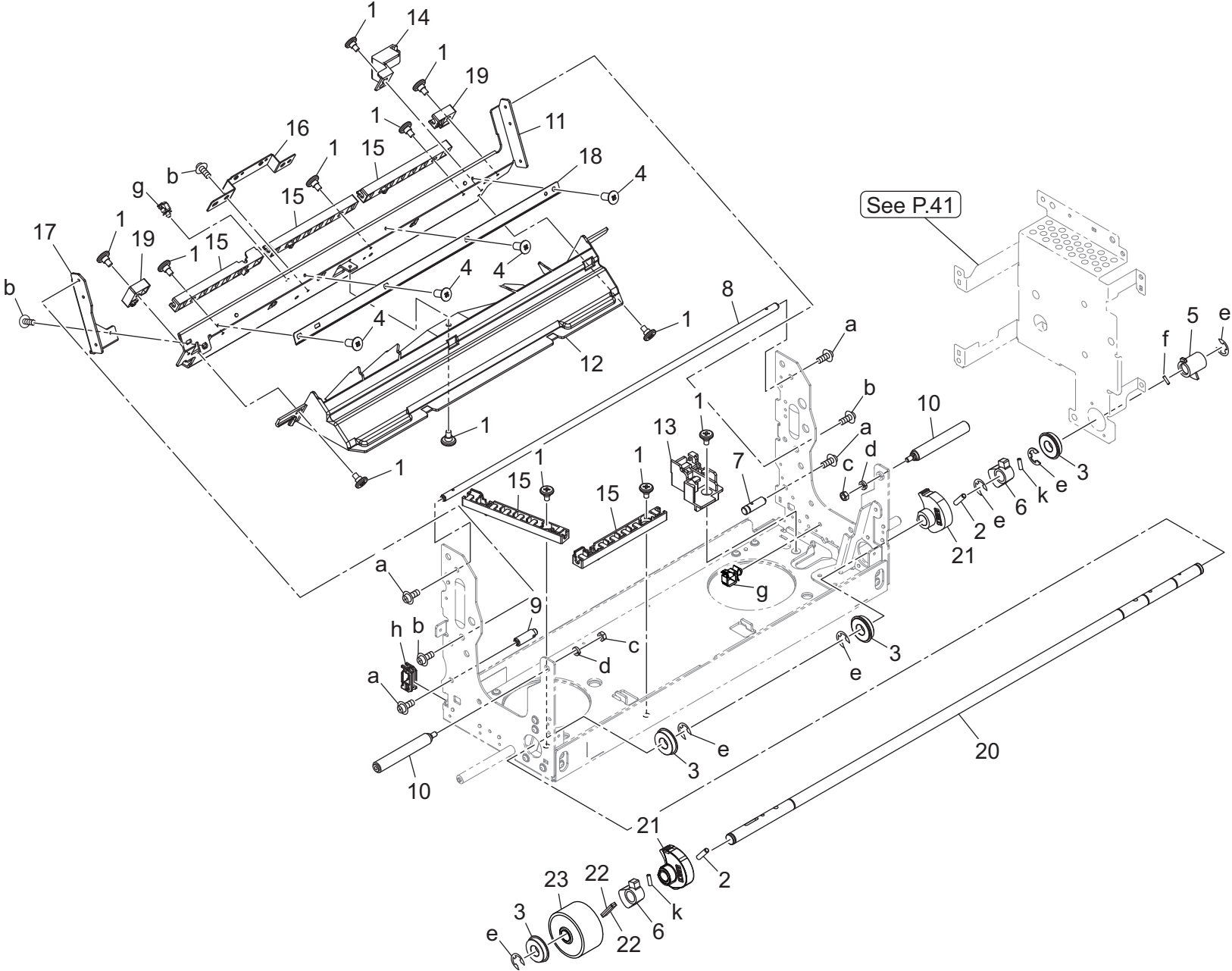
Fusing Section



# Fusing Section

Key	Part No.	Description	Destinations	Class	QTY	Standard parts
1	4470402401	Stopper		D	2	a-V121030403 b-V127030604 c-V217020003 d-V223260017 e-V500010074 f-V570010025
2	26NA53712	BALL BEARING		A	2	
3	A03U734500	Support Screw /A		C	1	
4	A1RFM51000	Photointerrupter /H		C	2	
5	A50U746800	Wiring Part /3		D	1	
6	A50U747803	Actuator /A		D	1	
7	A50U747900	Shaft /1		D	1	
8	A50U748200	Wiring Part /1		D	1	
9	A50U752700	Fusing Gear/1 38T		B	1	
10	A50U755100	Holding Part /F		D	1	
11	A50U755301	Sheet /L		D	1	
12	A9VE741800	Hold Plate /2		D	1	
13	A50U756300	Insulating Sleeve /Lower		B	2	
14	AC57R74300	Guide Plate Assy		D	1	
15	A50U765500	Fusing Roller /Lw		B	1	
16	A50U787700	Sensor Plate /Front		D	1	
17	A50U788602	Sensor Plate /Rear		D	1	
18	A50U788900	Insulating Plate /Front		D	1	
19	A50U789100	Insulating Plate /Rear		D	1	
20	A50UM32F00	Fusing Heater Lamp/4 (220V)		I	1	
21	A9VE741700	Hold Plate /1		D	1	

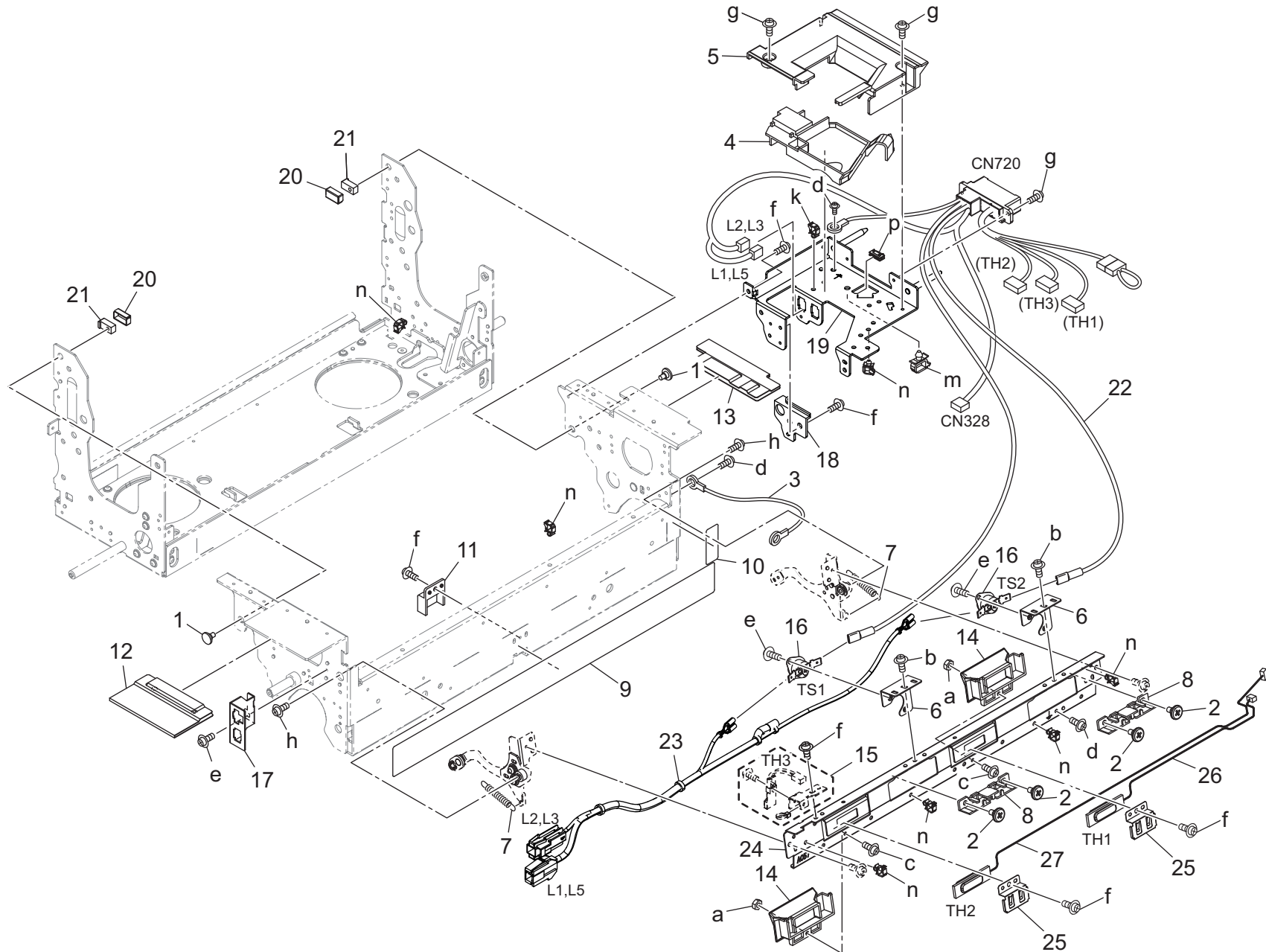
Fusing Section



# Fusing Section

Key	Part No.	Description	Destinations	Class	QTY	Standard parts
1	A03U734500	Support Screw /A		C	12	a-V116030603 b-V121030403 c-V195040003 d-V205040003 e-V217080003 f-V234200850 g-V500010074 h-V500020096 k-V234301050
2	A1RF758100	Pin /B		D	2	
3	A4EU265000	Ball bearing		B	4	
4	A50U642300	Mounting Screw		D	4	
5	AC57744700	Pressure Actuator /1		C	1	
6	AC57767400	Pressure Cam /2		C	2	
7	AC57746700	Support Shaft /Rear		D	1	
8	A50U747101	Stopper Shaft /1		D	1	
9	AC57754900	Support Shaft /Front		D	1	
10	A50U785000	Rotation Shaft /2		D	2	
11	A50U787003	Cover Plate		D	1	
12	A50U788000	Cooling Duct		D	1	
13	A50U788102	Wiring Part /2		D	1	
14	A50U792901	Wiring Part /D		D	1	
15	A50U794800	Wiring Part		D	5	
16	A50U799200	Mounting Plate		D	1	
17	A50U799601	Adjusting Plate		D	1	
18	A50U799700	Regulating Plate		D	1	
19	A50U799800	Wiring Part		D	2	
20	AC57741900	Pressure Shaft /A		D	1	
21	AC57742000	Pressure Cam /1		C	2	
22	A9VE758400	Drive Plate /2		D	2	
23	A9VE758600	Pressure Gear /5 4 2 T		C	1	

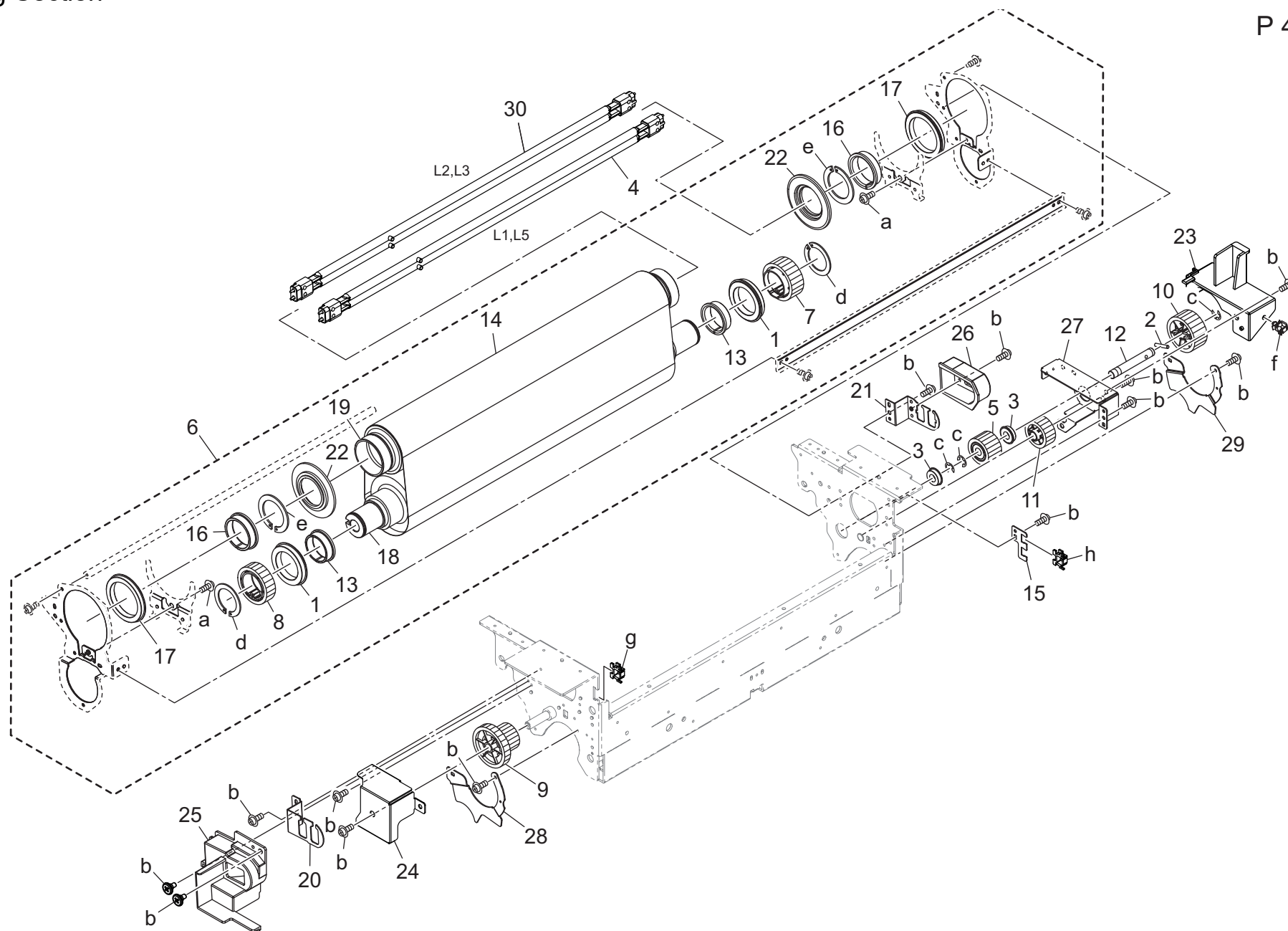
# Fusing Section



Key	Part No.	Description	Destinations	Class	QTY	Standard parts
1	55VA20520	Cleaner Locking Screw		C	2	a-V195030003
2	A03U734500	Support Screw /A		C	4	b-V116030603
3	A03UN23200	Grounding Wiring /F		D	1	c-V116030803
4	A50U722100	Fusing Cover /1		D	1	d-V116040603
5	A50U722202	Fusing Cover /2		D	1	e-V118030303
6	A50U723911	Stay /2		D	2	f-V121030403
7	A50U725200	Tension Spring /1		D	2	g-V127030604
8	A50U726611	Guide Part /2		D	2	h-V127040603
9	A50U728500	Insulating Sheet /A		D	2	k-V500010070
10	A50U728800	Insulating Sheet /D		D	1	m-V500010073
11	A50U730900	Cover Part /1		D	1	n-V500010074
12	A50U731002	Insulating Sheet /F		D	1	p-V570010057
13	A50U731102	Insulating Sheet /G		D	1	
14	A50U733500	Protection Part /1		D	2	
15	A50UR70F00	Fusing Temperature Sensor/3		B	1	
16	SP00-0210	Thermostat /Upper		I	2	
17	A9VE728400	Mounting Plate /B		D	1	
18	A9VE733400	Protection Cover /A		D	1	
19	A9VE769001	Fusing Stay /2		D	1	
20	A85C789300	Insulating Sheet /F		D	2	
21	A85C789200	Hold Part /A		D	2	
22	A9VEN10601	Fixing Wiring /1		D	1	
23	A9VEN11000	Fixing Relay harness /1		D	1	
24	AC57723800	Sensor Stay /1		D	1	
25	AC57768800	Holding Spring /11		D	2	
26	AC57M50001	Temperature Sensor /1		I	1	
27	AC57M50101	Temperature Sensor /2		I	1	

# Fusing Section

P 46

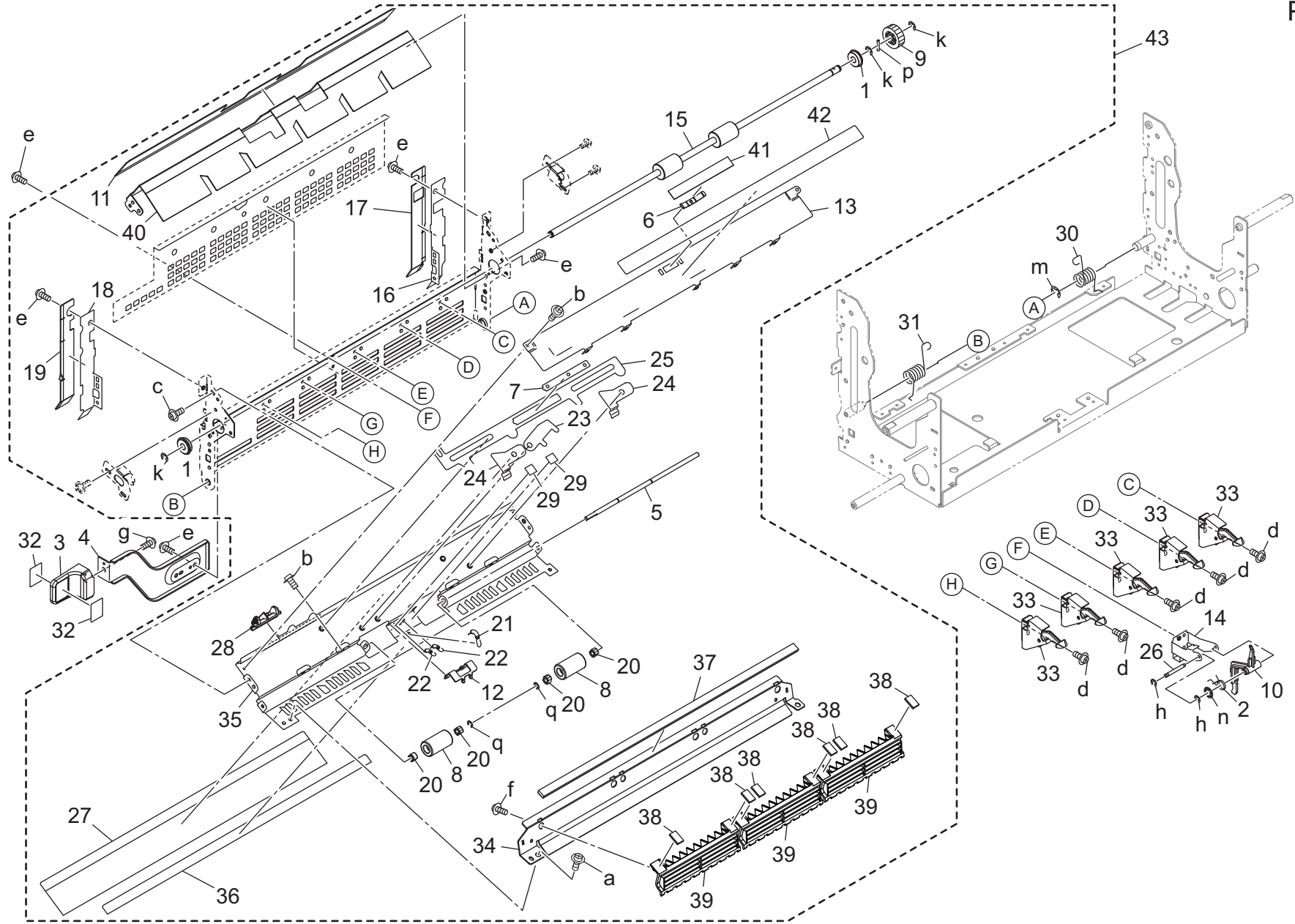


Key	Part No.	Description	Destinations	Class	QTY	Standard parts
1	26NA53712	BALL BEARING		A	2	a-V116030503
2	55VA48500	PARALLEL PIN D3X18		D	1	b-V121030403
3	A00V240600	Ball Bearing		B	2	c-V217060003
4	A9VEM31F00	Fusing Heater Lamp Assy 1 /Up (220V )	定着ヒーターランプ1 /Up ( 220 V )	B	1	d-V223260017 e-V223400017 f-V500010074 g-V500020096 h-V570010025
5	A03U809500	FIXING DRIVE GEAR /O 26T	定着駆動ギア / O 26 T	A	1	
6	A9VER70422	Fusing Belt Assy	定着ベルト Ass y	B	1	
7	A50U725001	Drive Gear /Upper 38T	駆動ギア /上 38 T	C	1	
8	A50U739811	Drive Gear /Front 38T	駆動ギア /前 38 T	C	1	
9	A50U739900	Connecting Gear /A 42/25T	連結ギア /A 42 /25 T	C	1	
10	A50U744000	Drive Gear /6 36T	駆動ギア /6 36 T	C	1	
11	A50U744100	Drive Gear /7 27T	駆動ギア /7 27 T	C	1	
12	A50U744400	Drive Shaft /3	駆動軸 /3	D	1	
13	A50U756300	Insulating Sleeve /Lower	断熱スリーブ /下	B	2	
14	A50U765000	Fusing Belt	定着ベルト	B	1	
15	AC58783400	Hold Plate /4	保持板 /4	D	1	
16	A5AW744900	Heat Insulating Sleeve /1	断熱スリーブ /1	B	2	
17	AC57745000	Fusing Ball bearing /Upper	定着ボールベアリング /上	A	2	
18	A9VE720300	Fusing Roller /1	定着ローラ /1 ( 上)	B	1	
19	A9VE720500	Fusing Roller /2	定着ローラ /2	B	1	
20	A9VE723500	Support Plate /1	支持板 /1	D	1	
21	A9VE723600	Support Plate /2	支持板 /2	D	1	
22	A9VE724100	Regulating Sleeve /1	規制スリーブ /1	B	2	
23	A9VE726800	Guide Part /3	ガイド 部材 /3	D	1	
24	A9VE728300	Support Plate /11	支持板 /1 1	D	1	
25	A9VE733000	Cover /Front	カバー /前	D	1	
26	A9VE733100	Cover /Rear	カバー /奥	D	1	
27	A9VE743500	Drive Plate /6	駆動板 /6	D	1	
28	A9VE785400	Stopper Stopper /A	突当てストップパ /A	D	1	
29	A9VE785500	Stopper Stopper /B	突当てストップパ /B	D	1	
30	A9VEM33F00	Fusing Heater Lamp Assy 2 /Up (220V )	定着ヒーターランプ2 /Up ( 220 V )	B	1	



# Fusing Section

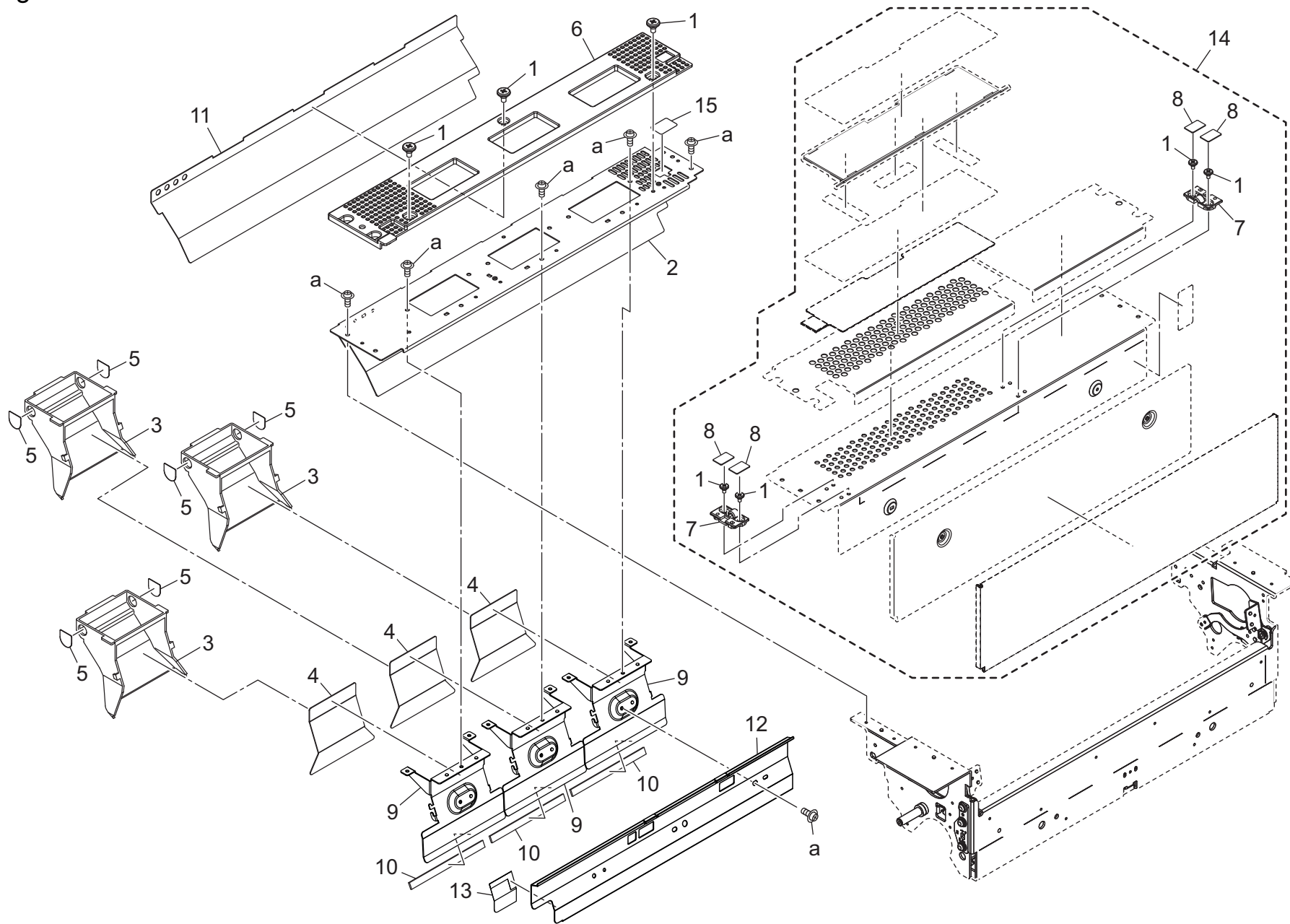
P 47



Key	Part No.	Description	Destinations	Class	QTY	Standard parts
1	55GA75031	BALL BEARING	軸受	A	2	a-V116030603
2	65AA53560	PAPER EXIT DETECTING SPRING	排紙検知バネ	C	1	b-V118020403
3	65AA53991	Fixing Papaer Exit Lever	定着排紙レバー	C	1	c-V118030403
4	A03U723301	Open/close Lever	開閉レバー	C	1	d-V127030516
5	A03U728000	PAPER EXIT SHAFT	排紙軸	D	1	e-V127030604
6	A03U734800	Positioning Plate spring /1	位置決め板ばね /1	C	1	f-V153030803
7	A03U734900	Positioning Plate	位置決め板	D	1	g-V153040803
8	A9VE760900	Paper exit Roll	排紙ころ	B	2	h-V217020003
9	A50U746500	Paper exit Gear /B 20T	排紙ギア / B 20 T	C	1	k-V217040003
10	A50U748701	Paper exit Actuator	排紙アクチュエータ	D	1	m-V217050003
11	A50U760400	Insulating Sheet	断熱シート	D	1	n-V226060050
12	A50U760600	Pressing Cam /1	押圧カム /1	D	1	p-V234201250
13	A50U760701	Holding Plate	押さえ板	D	1	q-V217030003
14	A50U760802	Support Plate	支持板	D	1	
15	AC57761000	Fixing Paper exit Roller	定着排紙ローラ	C	1	
16	A50U761100	Heat blocking Plate /Rear	遮熱板 /奥	D	1	
17	A50U761200	Insulating Sheet /Rear	断熱シート /後	D	1	
18	A50U761300	Heat blocking Plate /Front	遮熱板 /前	D	1	
19	A50U761400	Insulating Sheet /Front	断熱シート /前	D	1	
20	A50U761500	Fixing Paper exit Bearing	定着排紙軸受	C	4	
21	A50U761601	Paper exit Spring /1	排紙ばね /1	D	1	
22	A50U761700	Paper exit Spring /2	排紙ばね /2	D	2	
23	A50U761800	Pressing Cam /2	押圧カム /2	D	1	
24	A50U761900	Release Lever	解除レバー	D	2	
25	A50U762000	Slide Plate	スライド板	D	1	
26	A50U762100	Paper exit Detecting Shaft	排紙検知軸	D	1	
27	A50U762200	Protection Film	保護フィルム	D	1	
28	A50U762300	Slide Knob	スライドつまみ	D	1	
29	A50U762400	Fusing Spacer /2	定着スペーサ /2	D	2	
30	A50U763800	Paper exit Open/shut Spring /B	排紙開閉バネ / B	D	1	
31	A50U763900	Paper exit Open/shut Spring /A	排紙開閉バネ / A	D	1	
32	A50U943701	Release Label /7	解除ラベル /7	D	2	
33	A50UR72U11	Fusing Separating Claw Assy	定着分離爪 A s s y	B	5	
34	A85C757801	Guide Plate /E	ガイド板 / E	D	1	
35	A85C758100	Paper exit Plate /Upper	排紙板 /上	D	1	
36	A85C764100	Holding Sheet /A	押さえシート / A	D	1	
37	A9VE727500	Guide Seal /A	ガイドシール / A	D	1	
38	A9VE727700	Guide Seal /C	ガイドシール / C	D	6	
39	A9VE758000	Separating Cell /11	分離セル / 1 1	D	3	
40	AC57760300	Paper exit Plate /Lower	排紙板 /下	D	1	
41	A9VE764200	Protection Film /B	保護フィルム / B	D	1	
42	A9VE949000	Caution Label	注意ラベル	D	1	
43	AC57R72100	Fusing Paper Exit Door Duct Assy	定着排紙扉ダクト A s s y	D	1	

# Fusing Section

P 48

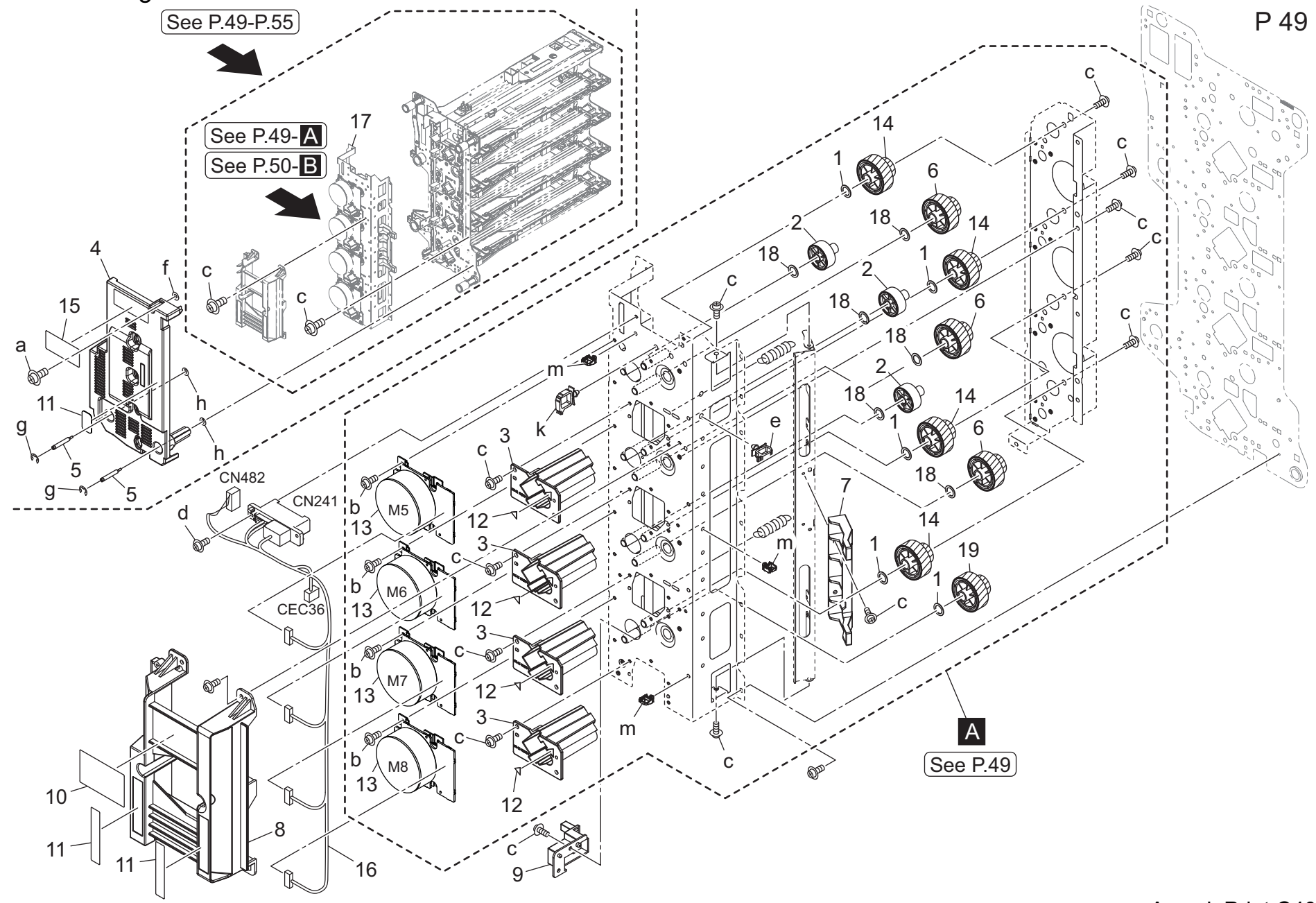


# Fusing Section

Key	Part No.	Description	Destinations	Class	QTY	Standard parts
1	A03U734500	Support Screw /A		C	7	a-V121030403
2	A50U721502	Fusing Frame /Upper		D	1	
3	A50U722700	Fusing Duct /3		D	3	
4	A50U732000	Insulating Sheet /N		D	3	
5	AC57740000	Separating Seal		D	6	
6	A50U738700	Cover Part /A		D	1	
7	A50U763000	Support Plate		D	2	
8	A50U763600	Insulating Sheet /6		D	4	
9	A9VE722800	Fusing Duct /4		D	3	
10	A9VE727600	Guide Seal /B		D	3	
11	A9VE731500	Insulating Sheet /L		D	1	
12	A9VE769300	Reflecting Plate /3		D	1	
13	A9VE769600	Holding Sheet /Front		D	1	
14	A9VER70900	Fusing Stay/ Upper Assy		D	1	
15	AC57784600	Protection Sheet /A		D	1	

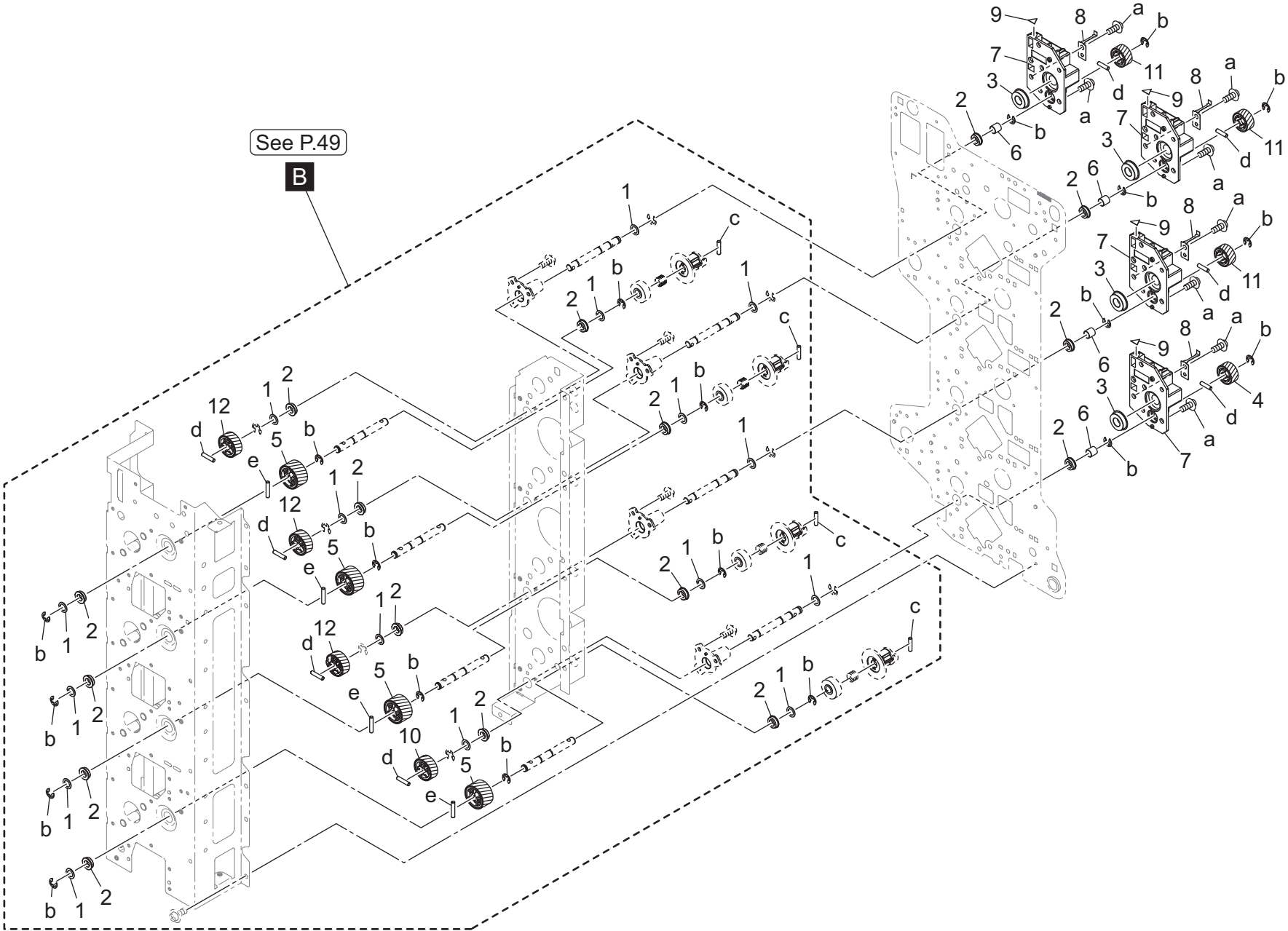
# Process Carriage Section

P 49



Key	Part No.	Description	Destinations	Class	QTY	Standard parts
1	13QA40610	Gear Spacer		C	5	a-V114041004 b-V121030403 c-V127030604 d-V127030803 e-V500010082 f-V211040080 g-V217060003 h-V221040050 k-V500010083 m-V500020098
2	AC57220500	Idling Gear 45T		C	3	
3	AC57341700	Guide Rail		D	4	
4	AC57169000	Cover Duct /B		D	1	
5	A50U169602	Mounting Screw		D	2	
6	AC58222400	Idling Gear 31/41T		C	3	
7	A50U221500	Release Lever		D	1	
8	A50U221701	Guide Handle		D	1	
9	A50U341002	Protection Cover /2		D	1	
10	A50U948001	Caution Label		D	1	
11	A50U945601	Operation Label		D	3	
12	A50U949700	Replacement Label /1		D	4	
13	A79JM11300	DC Brushless motor /30		I	4	
14	A50U220501	Idling Gear /C 63/34T		C	4	
15	A9VE942700	Caution Label		D	1	
16	A9VEN12400	Developing Wiring /1		D	1	
17	AC58R70100	Developing Drive ASSY		S	1	
18	40AA32320	Toner Supply Spacer		C	6	
19	A9VE220500	Idling Gear /C 35/62T		C	1	

# Process Carriage Section

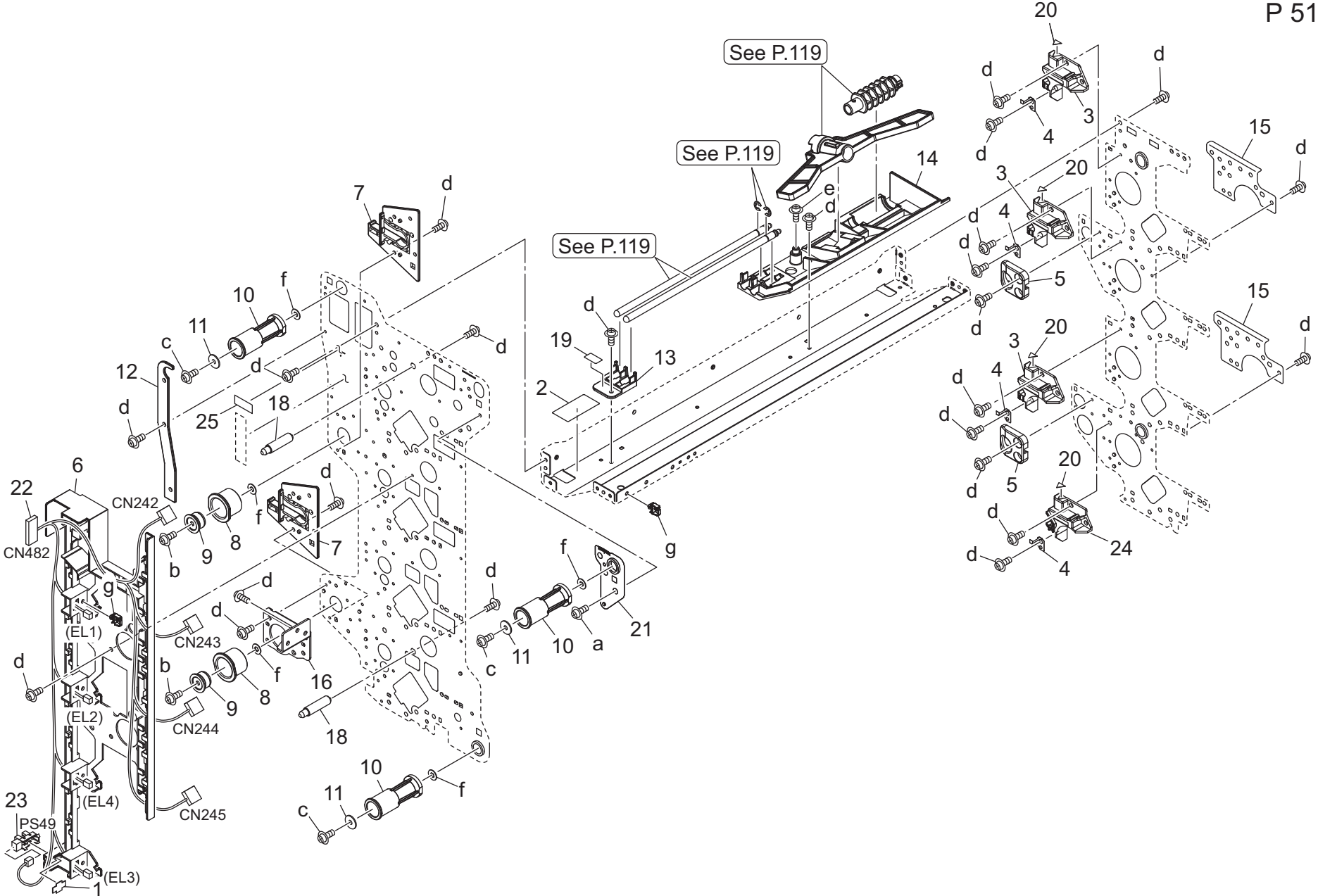


# Process Carriage Section

Key	Part No.	Description	Destinations	Class	QTY	Standard parts
1	40AA32320	Toner Supply Spacer		C	16	a-V127030604 b-V217040003 c-V234301050 d-V234301250 e-V234301650
2	A00J617800	Ball Bearing		A	16	
3	A00V240600	Ball Bearing		B	4	
4	A50U220700	Coupling Gear /C 28T		C	1	
5	A50U221800	Drive Gear /D 40T		C	4	
6	A9VE222000	Collar		D	4	
7	A50U337101	Positioning Rail /1		D	4	
8	A50U337400	Ground Plate spring /Front		D	4	
9	A50U949700	Replacement Label /1		D	4	
10	A9VE220600	Drive Gear /C 36T		C	1	
11	AC57220700	Drive Gear 28T		C	3	
12	AC58222300	Drive Gear 36T		C	3	

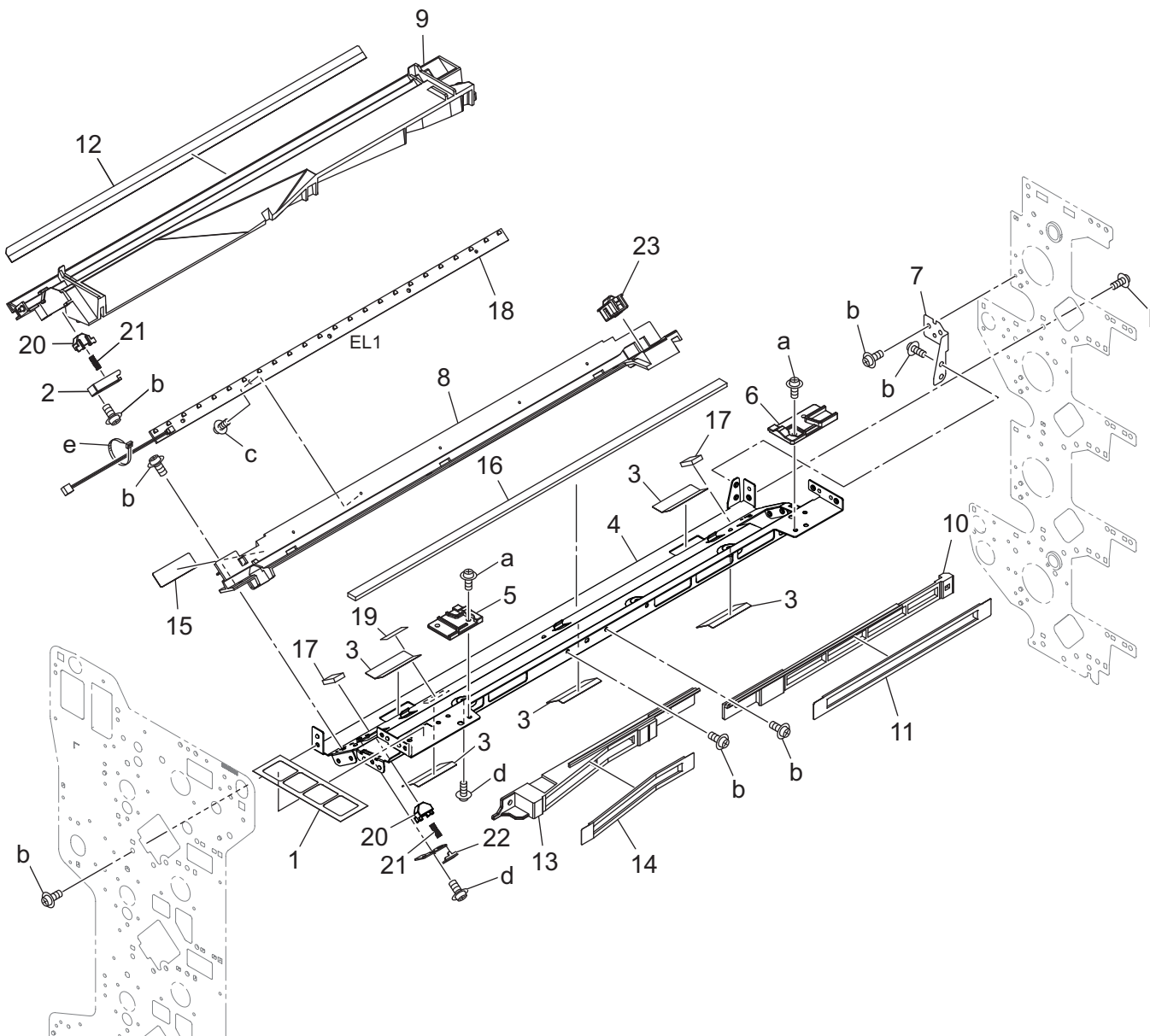


# Process Carriage Section

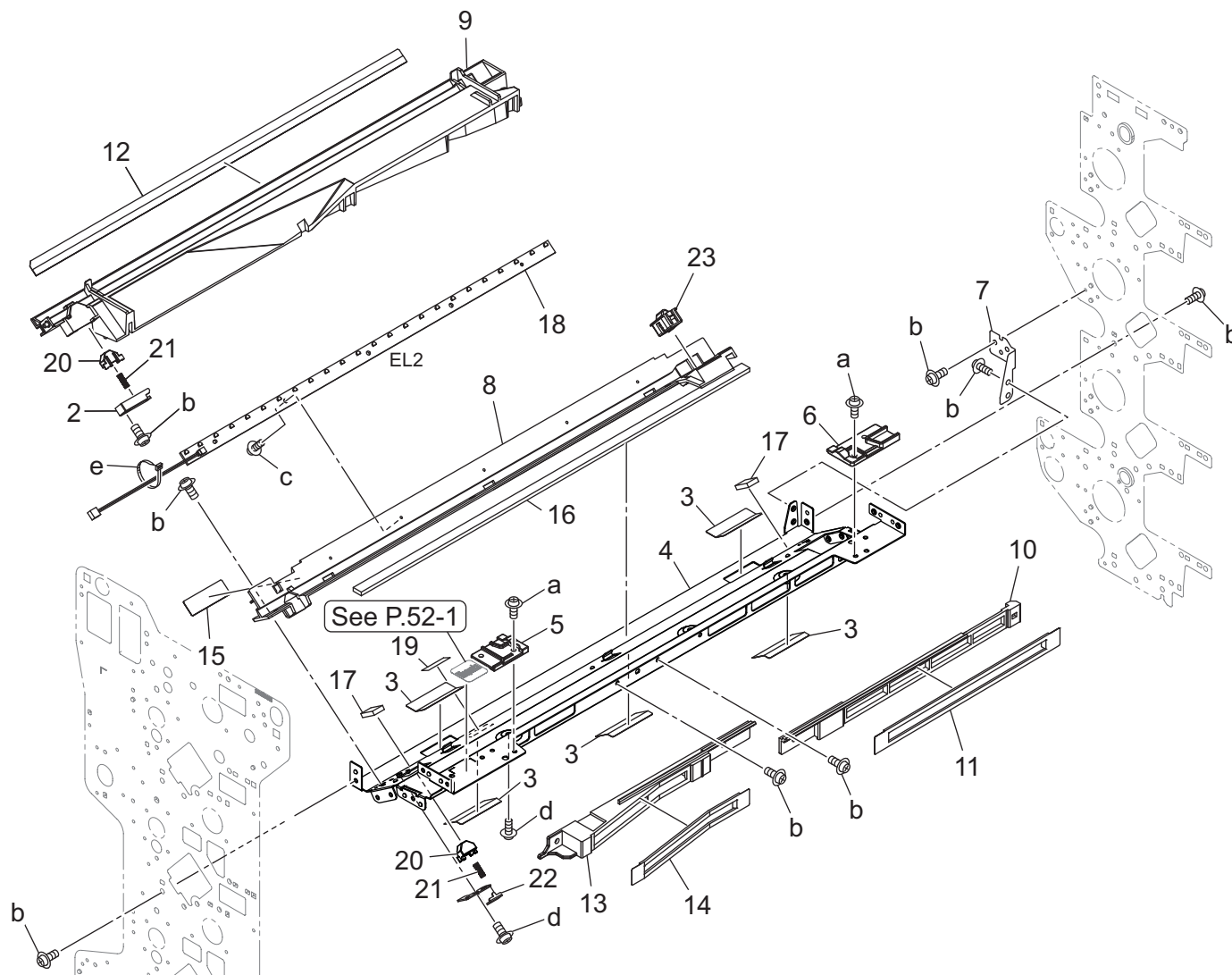


Key	Part No.	Description	Destinations	Class	QTY	Standard parts
1	4470402401	Stopper		D	1	a-V116040803 b-V121041003 c-V121041403 d-V127030604 e-V127031203 f-V211040080 g-V500020098
2	A50U335600	Cleaning Seal /A		D	1	
3	A50U337200	Positioning Rail /2		D	3	
4	A50U337300	Ground Plate spring /Rear		D	4	
5	A50U340501	Transfer Hinge		D	2	
6	A50U340902	Protection Cover /1		D	1	
7	A50U341301	Positioning Block /1		D	2	
8	A50U341401	Positioning Collar /1		D	2	
9	A50U341600	Transfer Shaft		D	2	
10	A50U342502	Set Collar		D	3	
11	A50U342600	Collar		D	3	
12	A50U343000	Operation Cover		D	1	
13	A50U343400	Tray /Front		D	1	
14	A50U343500	Tray /Rear		D	1	
15	A50U343800	Transfer Plate		D	2	
16	A50U343900	Transfer Plate /2		D	1	
18	A50U344200	Positioning Shaft		D	2	
19	A50U945601	Operation Label		D	1	
20	A50U949700	Replacement Label /1		D	4	
21	A50UR72K00	Adjusting Plate Caulking Assy		D	1	
22	A50UN12500	Developing Wiring /2		D	1	
23	A85CM55600	Photo Sensor		C	1	
24	AC57337201	Positioning Rail /3		D	1	
25	AC57946500	ID Label		D	1	

# Process Carriage Section



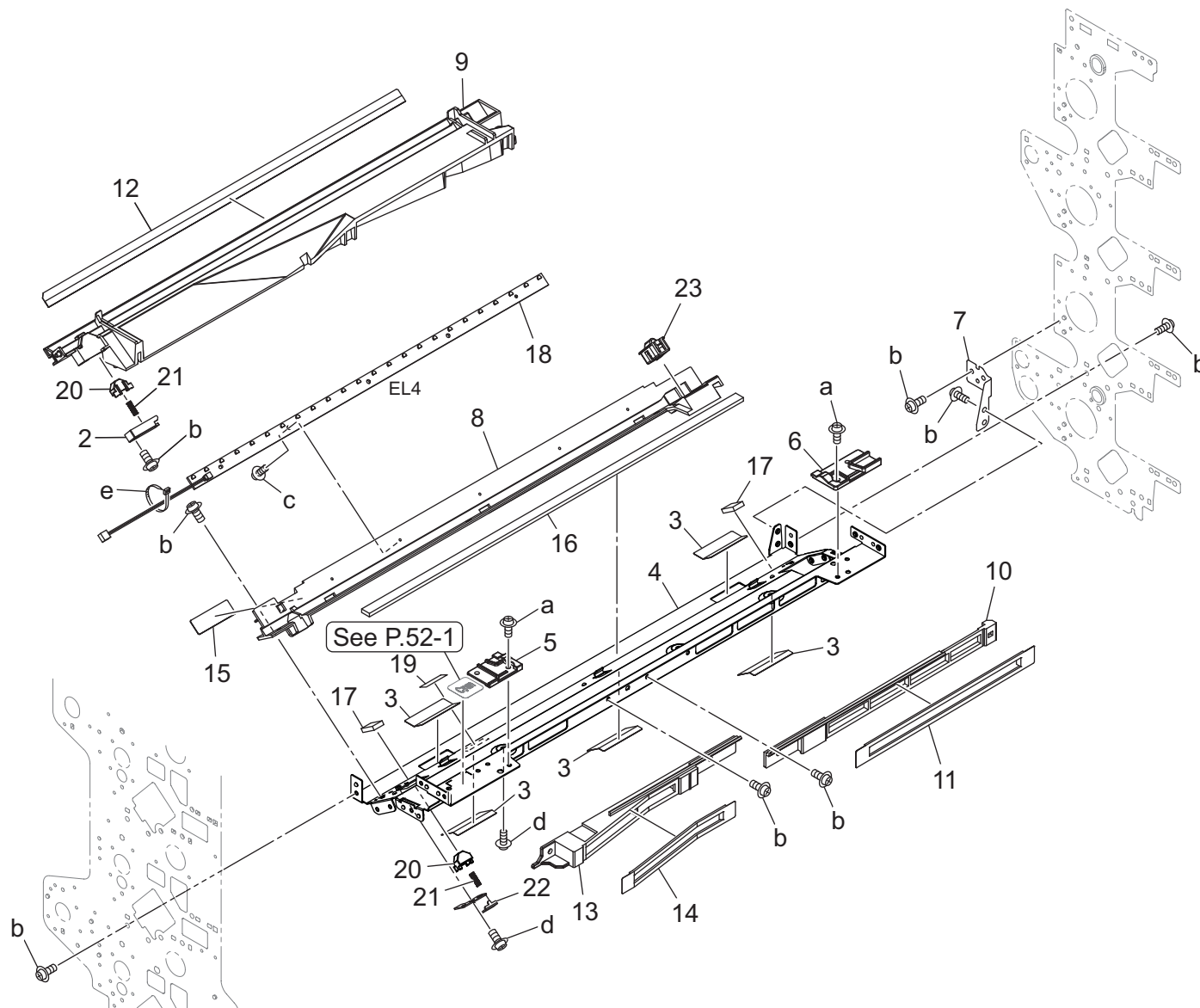
Key	Part No.	Description	Destinations	Class	QTY	Standard parts
1	AC57974400	Replacement Label		D	1	a-V118030403 b-V127030604 c-V153020603 d-V158030803 e-V501010002
2	AC57347300	Pressing Holder /1		D	1	
3	A50U335600	Cleaning Seal /A		D	5	
4	AC57340301	Fixing Stay /1		D	1	
5	A50U341900	Developing Rail /Front		D	1	
6	A50U342000	Developing Rail /Rear		D	1	
7	A50U342300	Reinforce Plate		D	1	
8	AC57462100	Charging Rail		D	1	
9	AC57462202	Charging Rail /2		D	1	
10	A50U462400	Charging Duct /3		D	1	
11	A50U462501	Charging Seal /1		D	1	
12	A50U462600	Charging Seal		D	1	
13	A50U462700	Charging Duct		D	1	
14	A50U462801	Charging Seal		D	1	
15	A50U462900	Auxiliary Seal /A		D	1	
16	A50U463000	Charging Seal /2		D	1	
17	A50U463100	Charging Seal /3		D	2	
18	A50UM30101	LED array		D	1	
19	AC57946500	ID Label		D	1	
20	A92W343000	Pressing Block		D	2	
21	A92W345400	Pressing Spring		D	2	
22	AC57347400	Pressing Holder /2		D	1	
23	65AAR73200	CHARGE PRESSING ASSY		C	1	



# Process Carriage Section

Key	Part No.	Description	Destinations	Class	QTY	Standard parts
2	AC57347300	Pressing Holder /1		D	1	a-V118030403 b-V127030604 c-V153020603 d-V158030803 e-V501010002
3	A50U335600	Cleaning Seal /A		D	5	
4	AC57340301	Fixing Stay /1		D	1	
5	A50U341900	Developing Rail /Front		D	1	
6	A50U342000	Developing Rail /Rear		D	1	
7	A50U342300	Reinforce Plate		D	1	
8	AC57462100	Charging Rail		D	1	
9	AC57462202	Charging Rail /2		D	1	
10	A50U462400	Charging Duct /3		D	1	
11	A50U462501	Charging Seal /1		D	1	
12	A50U462600	Charging Seal		D	1	
13	A50U462700	Charging Duct		D	1	
14	A50U462801	Charging Seal		D	1	
15	A50U462900	Auxiliary Seal /A		D	1	
16	A50U463000	Charging Seal /2		D	1	
17	A50U463100	Charging Seal /3		D	2	
18	A50UM30101	LED array		D	1	
19	AC57946500	ID Label		D	1	
20	A92W343000	Pressing Block		D	2	
21	A92W345400	Pressing Spring		D	2	
22	AC57347400	Pressing Holder /2		D	1	
23	65AAR73200	CHARGE PRESSING ASSY		C	1	

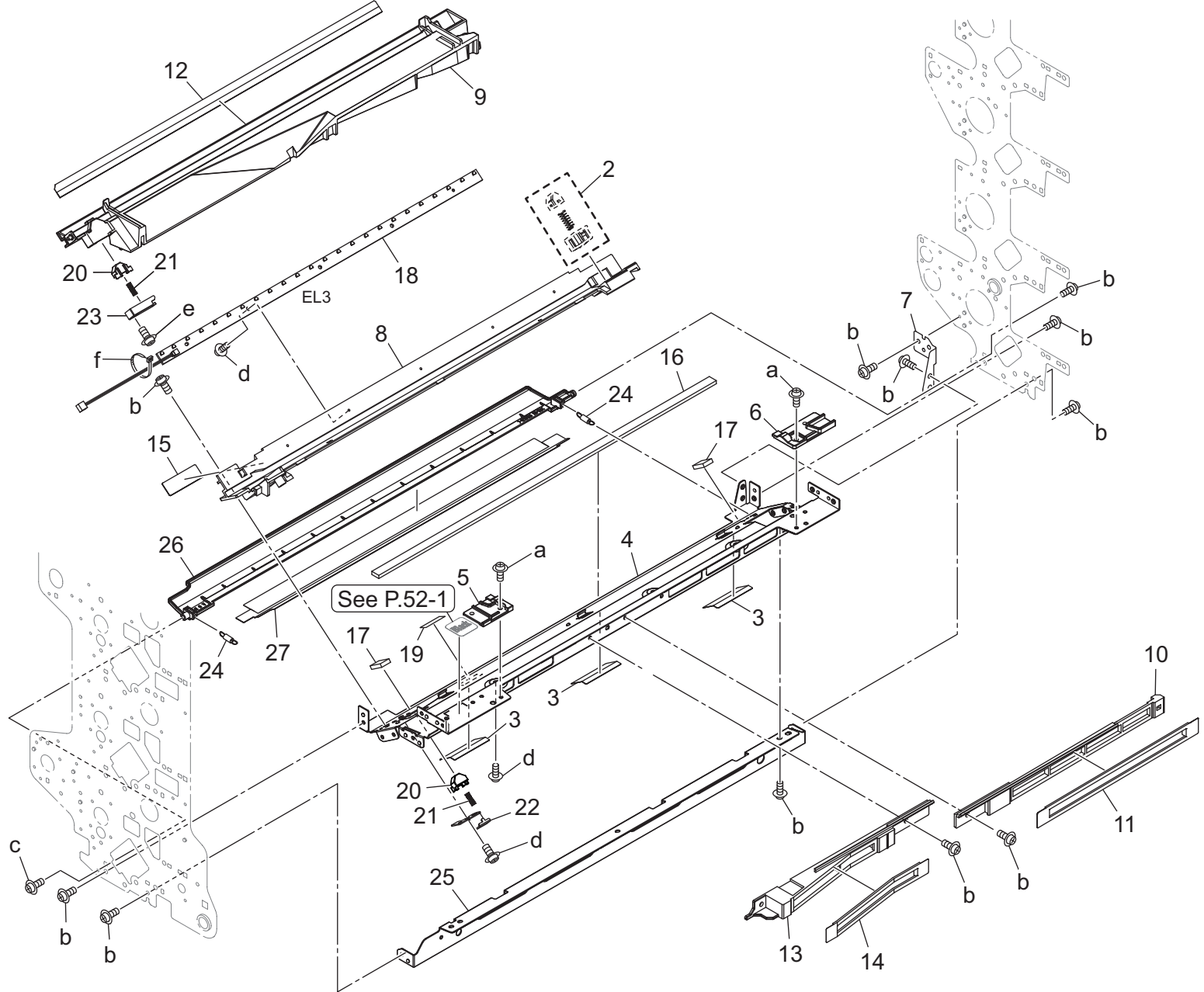
# Process Carriage Section



Key	Part No.	Description	Destinations	Class	QTY	Standard parts
2	AC57347300	Pressing Holder /1		D	1	a-V118030403 b-V127030604 c-V153020603 d-V158030803 e-V501010002
3	A50U335600	Cleaning Seal /A		D	5	
4	AC57340301	Fixing Stay /1		D	1	
5	A50U341900	Developing Rail /Front		D	1	
6	A50U342000	Developing Rail /Rear		D	1	
7	A50U342300	Reinforce Plate		D	1	
8	AC57462100	Charging Rail		D	1	
9	AC57462202	Charging Rail /2		D	1	
10	A50U462400	Charging Duct /3		D	1	
11	A50U462501	Charging Seal /1		D	1	
12	A50U462600	Charging Seal		D	1	
13	A50U462700	Charging Duct		D	1	
14	A50U462801	Charging Seal		D	1	
15	A50U462900	Auxiliary Seal /A		D	1	
16	A50U463000	Charging Seal /2		D	1	
17	A50U463100	Charging Seal /3		D	2	
18	A50UM30101	LED array		D	1	
19	AC57946500	ID Label		D	1	
20	A92W343000	Pressing Block		D	2	
21	A92W345400	Pressing Spring		D	2	
22	AC57347400	Pressing Holder /2		D	1	
23	65AAR73200	CHARGE PRESSING ASSY		C	1	

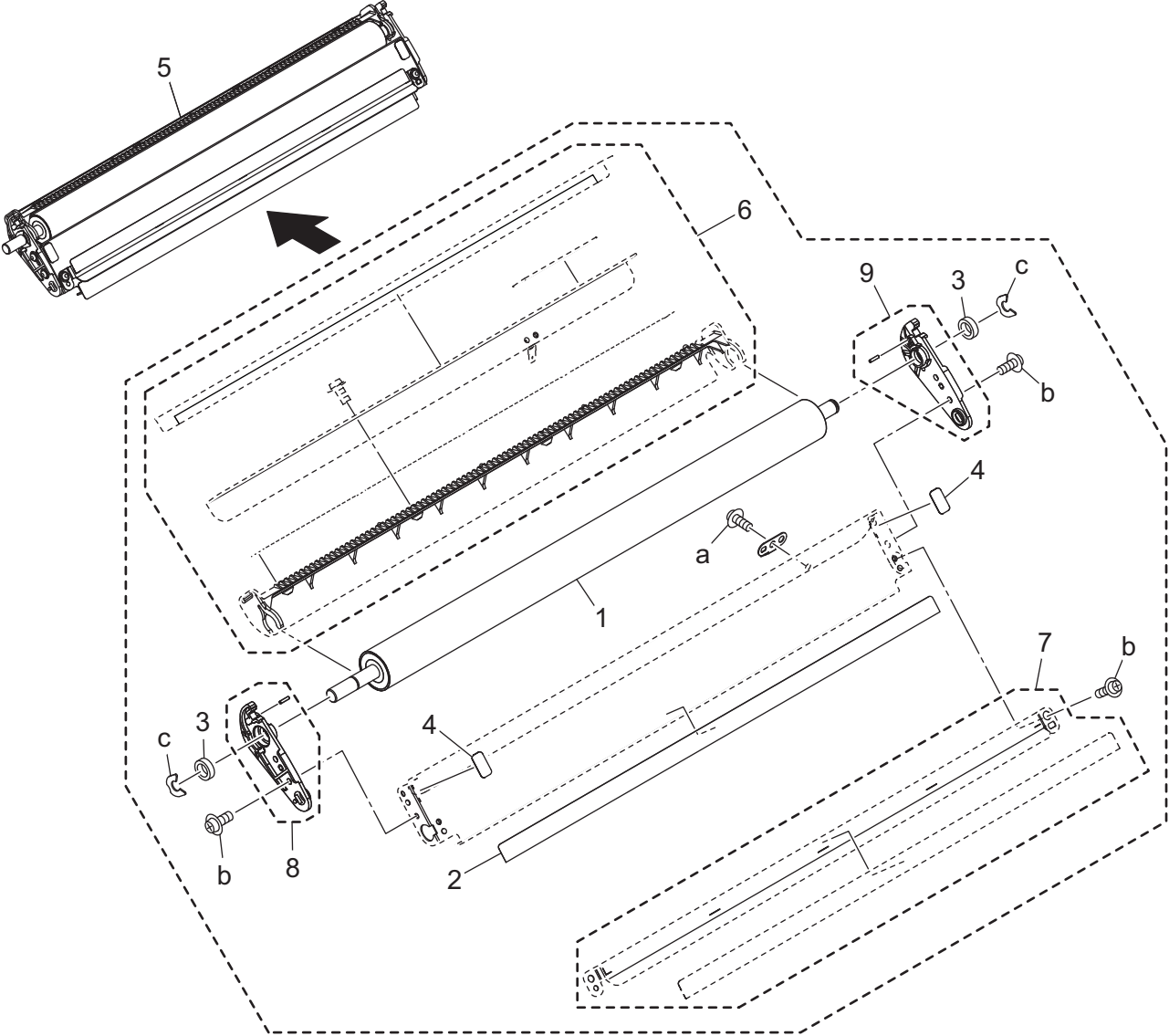


Process Carriage Section



Key	Part No.	Description	Destinations	Class	QTY	Standard parts
2	65AAR73200	CHARGE PRESSING ASSY		C	1	a-V118030403 b-V127030604 c-V127030803 d-V153020603 e-V158030803 f-V501010002
3	A50U335600	Cleaning Seal /A		D	3	
4	AC57340601	Fixing Stay /2		D	1	
5	A50U341900	Developing Rail /Front		D	1	
6	A50U342000	Developing Rail /Rear		D	1	
7	A50U342300	Reinforce Plate		D	1	
8	AC57462100	Charging Rail		D	1	
9	AC57462202	Charging Rail /2		D	1	
10	A50U462400	Charging Duct /3		D	1	
11	A50U462501	Charging Seal /1		D	1	
12	A50U462600	Charging Seal		D	1	
13	A50U462700	Charging Duct		D	1	
14	A50U462801	Charging Seal		D	1	
15	A50U462900	Auxiliary Seal /A		D	1	
16	A50U463000	Charging Seal /2		D	1	
17	A50U463100	Charging Seal /3		D	2	
18	A50UM30101	LED array		D	1	
19	AC57946500	ID Label		D	1	
20	A92W343000	Pressing Block		D	2	
21	A92W345400	Pressing Spring		D	2	
22	AC57347400	Pressing Holder /2		D	1	
23	AC57347300	Pressing Holder /1		D	1	
24	A50U343301	Receiving Spring		D	2	
25	AC57341200	Fixing Stay /3		D	1	
26	AC57343102	Cleaning Catch		C	1	
27	AC57343700	Receiving Seal		C	1	

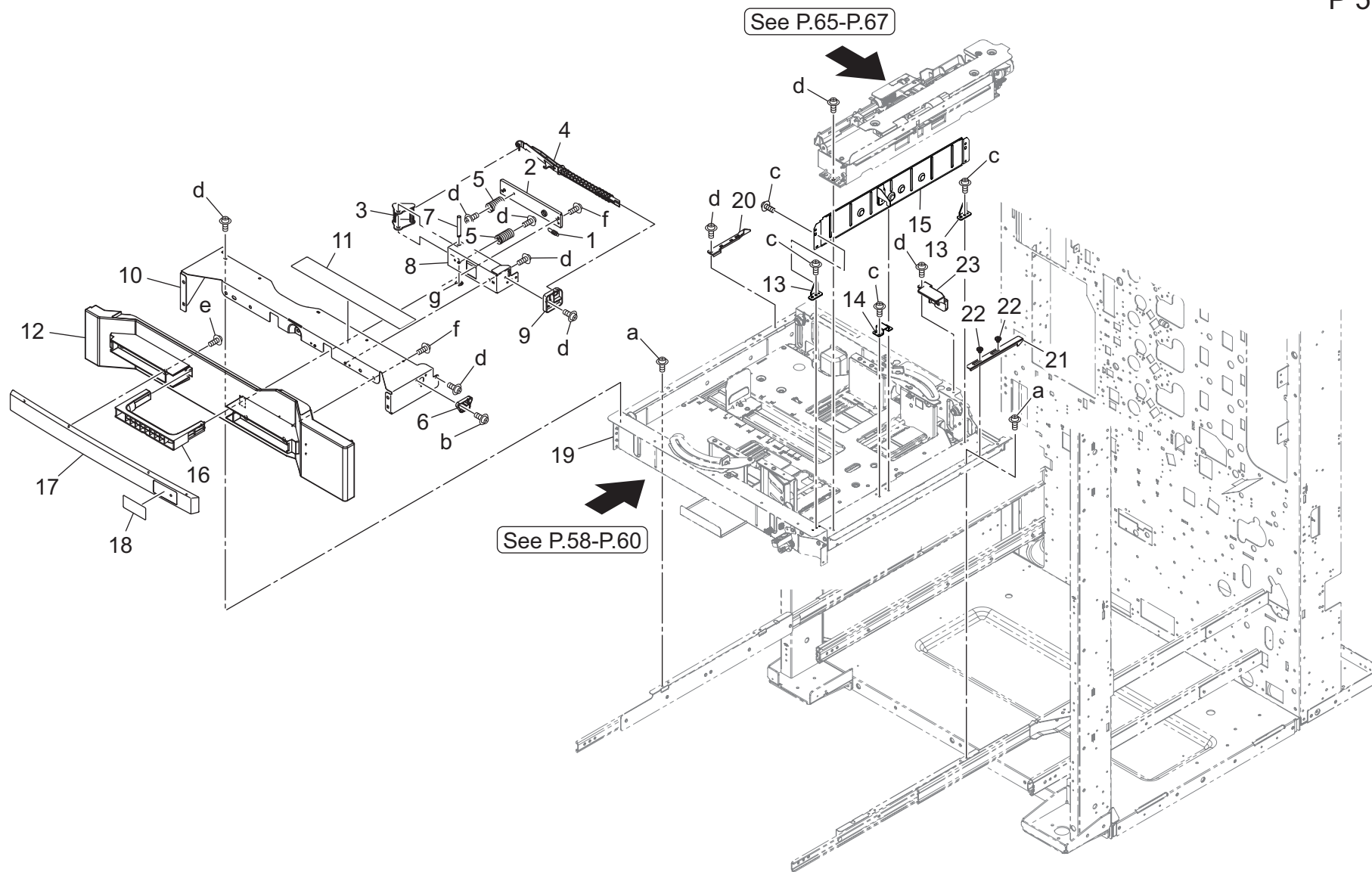
Secondary Transfer Section



# Secondary Transfer Section

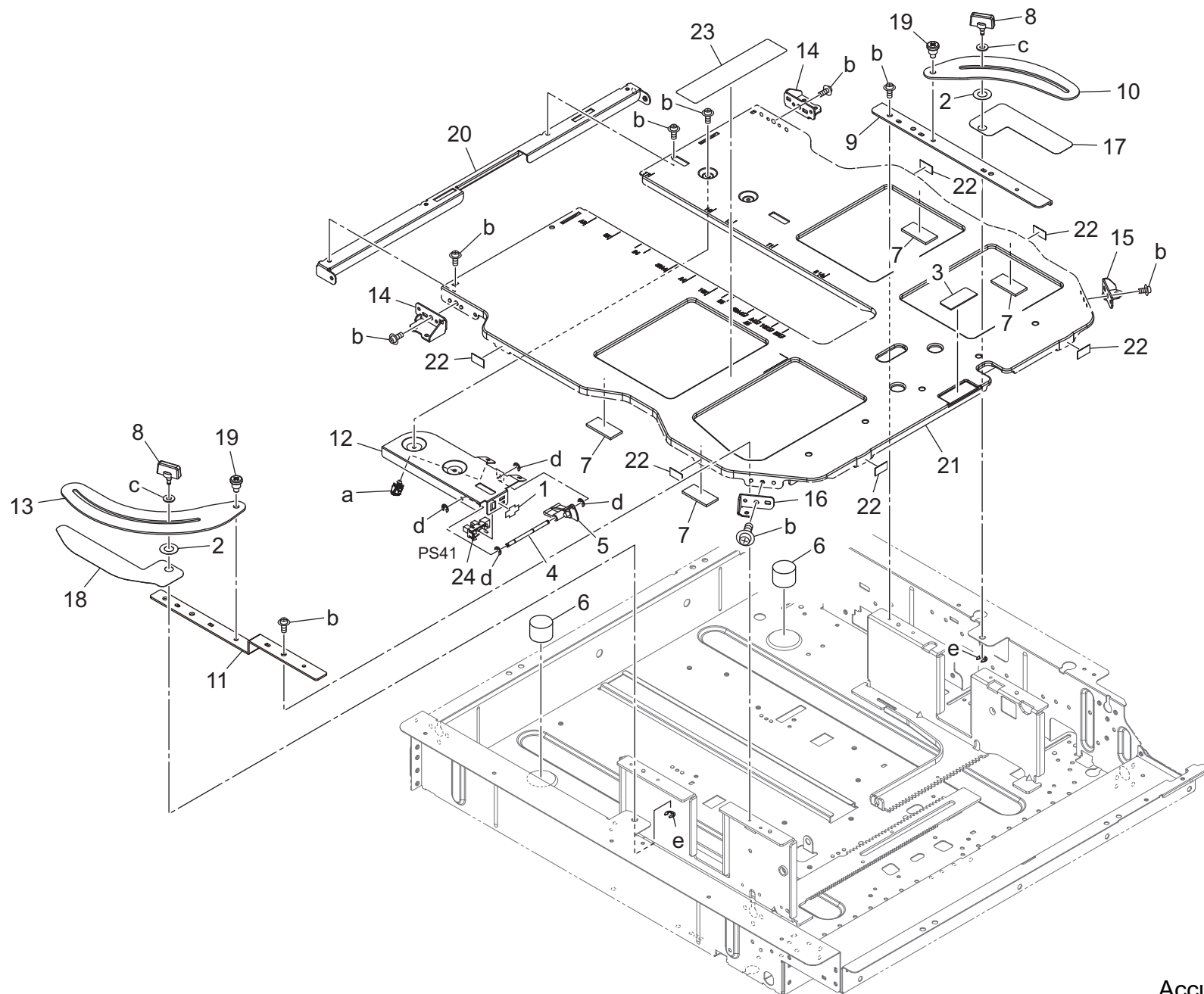
Key	Part No.	Description	Destinations	Class	QTY	Standard parts
1	A50U520001	2nd Transfer Roller/L		A	1	a-V127030603 b-V127030604 c-V218060086
2	A50U525900	Entrance Sheet		D	1	
3	A50U716500	Ball Bearing		C	2	
4	A50U945601	Operation Label		D	2	
5	A50UR70500	2nd Transfer Unit		I	1	
6	A50UR70B00	Separation Discharging Unit		A	1	
7	A50UR71Q00	Transfer Guide / Upper Assy		D	1	
8	A50UR71R11	Transfer Side Plate / Front Assy		D	1	
9	A50UR71S11	Transfer Side Plate / Rear Assy		D	1	

# Tray 1 Section



Key	Part No.	Description	Destinations	Class	QTY	Standard parts
1	A161626800	Pulling Coil spring		C	1	a-V118030303 b-V126030603 c-V127030516 d-V127030604 e-V153041003 f-V158030803 g-V217040003
2	A50U633002	Holding Handle		D	1	
3	A50U633200	Release Lever		D	1	
4	A50U633301	Lock Lever		D	1	
5	A50U633400	Stable Spring		D	2	
6	A50U633702	Receiving Guide /1		D	1	
7	A50U633800	Release Shaft /1		D	1	
8	A50U633900	Fixing Plate		D	1	
9	A50U634300	Receiving Guide /2		D	1	
10	A50U637002	Fixing Plate /1		D	1	
11	A50U945702	Operation Label /1		D	1	
12	A9VE160700	Cover Tray /1		D	1	
13	A9VE628400	Mounting Plate /1		D	2	
14	A9VE628500	Hold Part /1		D	1	
15	A9VE630701	Regulating Plate /Right		D	1	
16	A9VE633100	Handle /B		D	1	
17	A9VE634400	Paper feed Handle		D	1	
18	A9VE945400	Indicating Label /1		D	1	
19	A9VEF63108	500 Paper Cassette ASSY		S	1	
20	A50U623600	Lock Claw		D	1	
21	A50U623701	Lock Claw		D	1	
22	A50U628100	Shoulder Screw		D	2	
23	A50U628300	Cover		D	1	

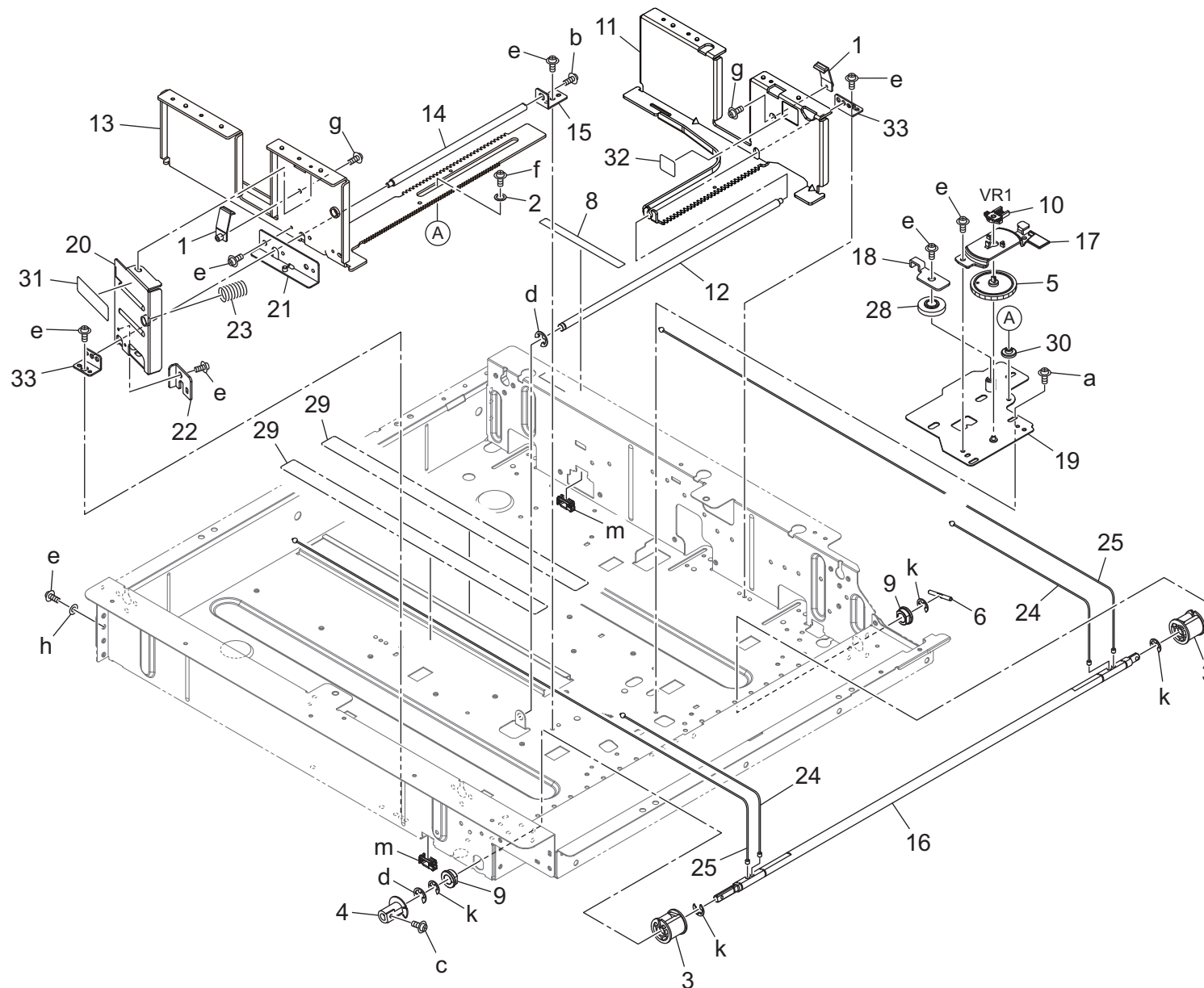
# Tray 1 Section



Key	Part No.	Description	Destinations	Class	QTY	Standard parts
1	4470402401	Stopper		D	1	a-V500020098 b-V127030604 c-V207040003 d-V217020003 e-V217025050
2	65AA49500	Paper Exit Spacer /1		C	2	
3	55VA40930	DOUBLE FEED PREVENTIVE PLATE		C	1	
4	65AA47310E	PAPER DETECTING SHAFT		D	1	
5	65AA47320	Paper Detecting Actuator		C	1	
6	65AA47820	REGULATING PART		C	2	
7	65AA47860	AUXILIARY SHEET		C	4	
8	A03X656203	Lock Screw		C	2	
9	A50U621001	Reinforce Plate /Rear		D	1	
10	A50U622600	Regulating Plate /Rear		D	1	
11	A50U622802	Reinforce Plate /Front		D	1	
12	A50U625000	Mounting Plate /2		D	1	
13	A50U625701	Regulating Plate /Front		D	1	
14	A50U626502	Support Plate /1		D	2	
15	A50U626601	Support Plate /2		D	1	
16	A50U626702	Support Plate /3		D	1	
17	A50U627601	Sheet		D	1	
18	A50U627701	Sheet		D	1	
19	A50U628200	Shoulder Screw		D	2	
20	A50U629300	Guide Base frame		D	1	
21	A50U630203	Lifting Plate		D	1	
22	A50U641500	Slide Sheet		D	6	
23	A50U946000	Paper feed Label		D	1	
24	A85CM55600	Photo Sensor		C	1	

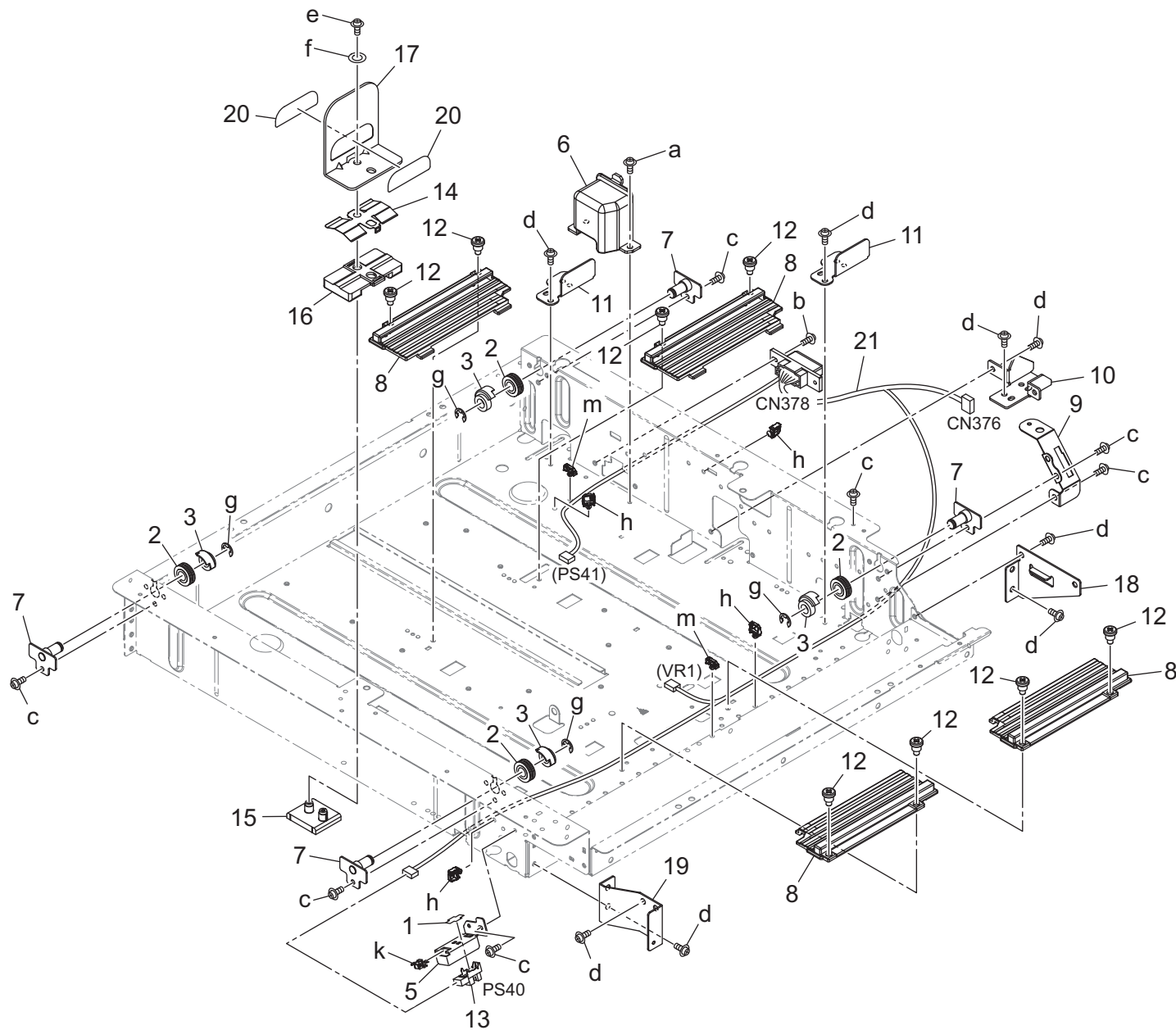


# Tray 1 Section



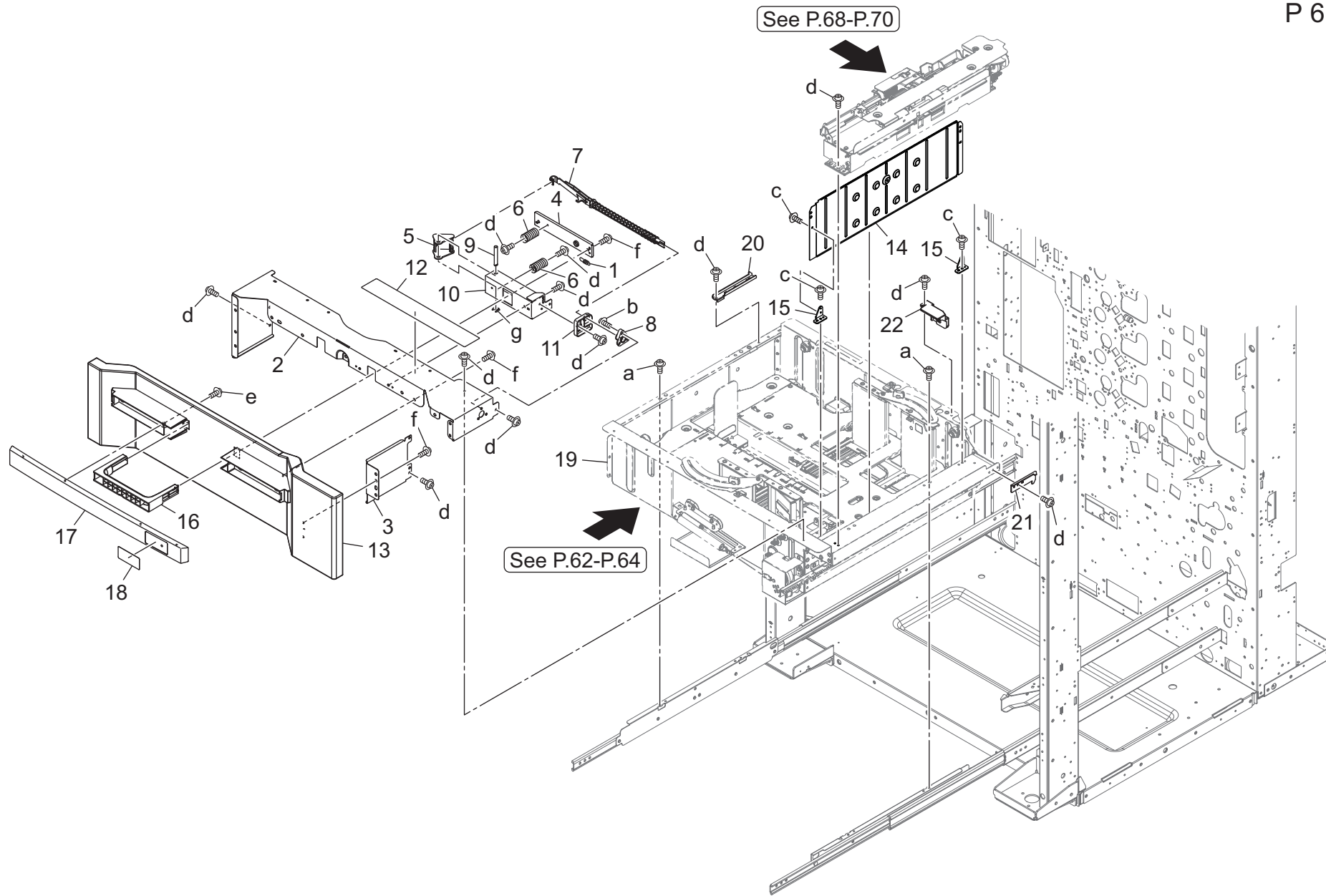
Key	Part No.	Description	Destinations	Class	QTY	Standard parts
1	26NA47070	PAPER REGULATING CLAW		C	2	a-V116030503
2	40AA32320	Toner Supply Spacer		C	1	b-V116030603
3	55VA40600	Driving Up /Down Pulley		B	2	c-V121030603
4	65AA47131E	Paper Detecting Actuator		C	1	d-V217040003
5	65AA47600E	Detecting Gear 45T		C	1	e-V127030604
6	65AA47700D	Up/down Pin		D	1	f-V127030803
8	65GE97490	CASSETTE GUIDE LABEL		D	1	g-V147030803
9	A03U812800	Slide Shaft Holder		B	2	h-V207030003
10	A1UDM50100	Volume		D	1	k-V217060003
11	A50U620602	Guide Rack /Rear		D	1	m-V570010057
12	A50U620801	Regulating Shaft		D	1	
13	A50U620902	Guide Rack /Front		D	1	
14	A50U621301	Stopper Shaft		D	1	
15	A50U621400	Mounting Plate		D	1	
16	A50U621800	Lifting Shaft		D	1	
17	A50U621900	Mounting Plate		D	1	
18	A50U622001	Stopper Plate		D	1	
19	A50U622101	Positioning Plate		D	1	
20	A50U622300	Brake Knob		D	1	
21	A50U622400	Support Plate		D	1	
22	A50U623201	Lock Claw		D	1	
23	A50U623300	Slide Spring /1		D	1	
24	A50U625400	Up/down Wire /1		D	2	
25	A50U625500	Up/down Wire /2		D	2	
28	A50U628400	Pinion		C	1	
29	A50U640800	Sheet		D	2	
30	A50U642000	Guide Spacer		D	1	
31	A50U946300	Lock Label /2		D	1	
32	A50U945301	Regulating Label		D	1	
33	65AA47740E	Shaft Mounting Plate		D	2	

# Tray 1 Section



Key	Part No.	Description	Destinations	Class	QTY	Standard parts
1	4470402401	Stopper		D	1	a-V116030503
2	65AA47550	WIRE ROLLER		C	4	b-V121030603
3	65AA47630	WIRE GUIDE PART		C	4	c-V127030516
5	65AA47900E	Mounting Plate /2		D	1	d-V127030604
6	A03U621200	GUIDE COVER		C	1	e-V158031003
7	A1DUF62101	PULLEY FULCRUM PLATE CAULKING		D	4	f-V207030003
8	A50U621200	Slide Guide		D	4	g-V217060003
9	A50U624600	Mounting Plate		D	1	h-V500020098
10	A50U624700	Fixing Cam		D	1	k-V570010050
11	A50U625100	Positioning Plate		D	2	m-V500020099
12	A50U628200	Shoulder Screw		D	8	
13	A85CM55600	Photo Sensor		C	1	
14	A50U629502	Plate spring		D	1	
15	A50U629702	Brake Part /Lower		D	1	
16	A50U629801	Brake Part		D	1	
17	A50U629901	Regulating Plate /Rear		D	1	
18	A50U637600	Reinforce Plate /1		D	1	
19	A50U637700	Reinforce Plate /2		D	1	
20	A50U946400	Lock Label /1		D	2	
21	A50UN14100	Paperfeed Wiring /3		D	1	

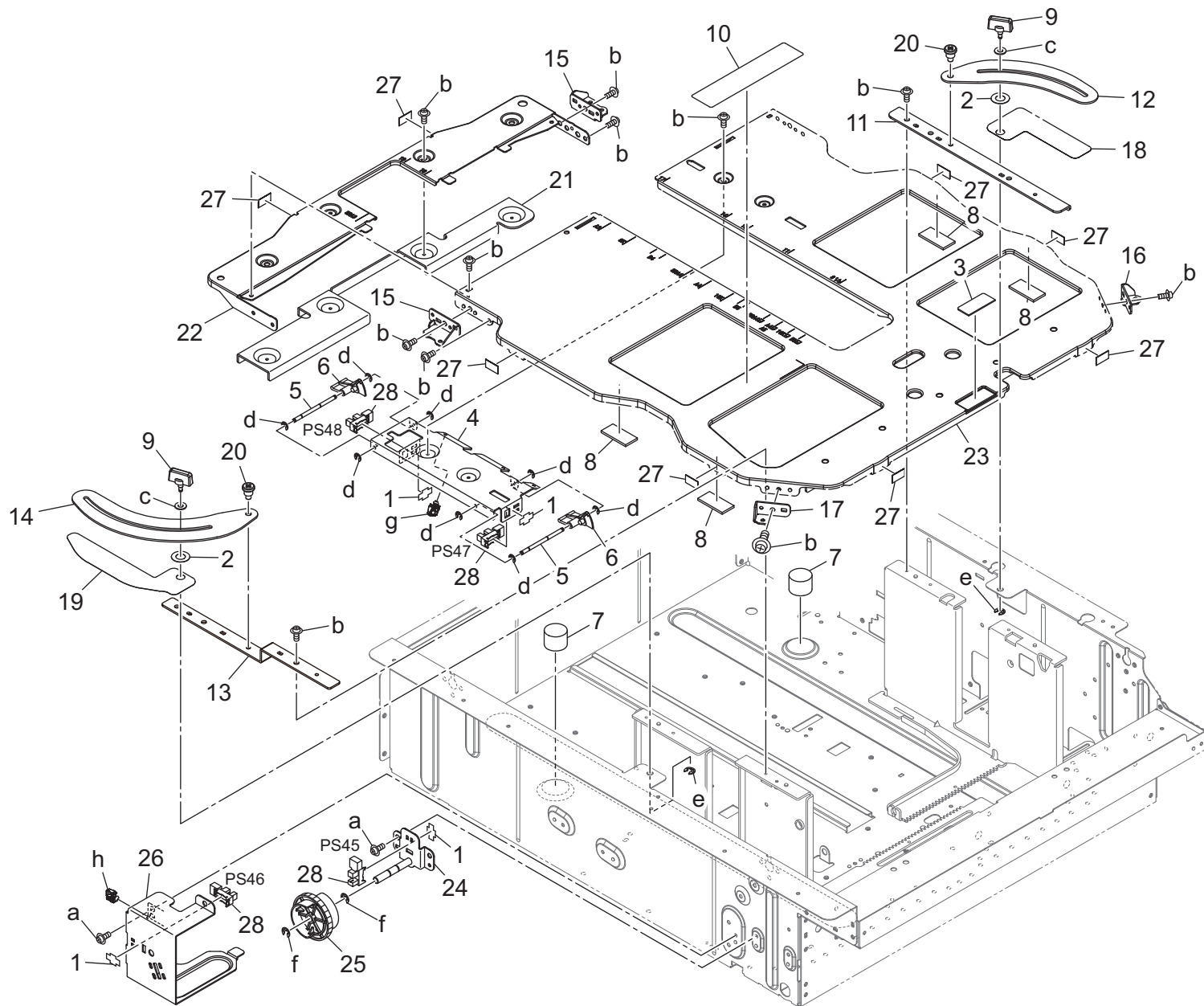
# Tray 2 Section



Tray 2 Section

Key	Part No.	Description	Destinations	Class	QTY	Standard parts
1	A161626800	Pulling Coil spring		C	1	a-V118030303 b-V126030603 c-V127030516 d-V127030604 e-V153041003 f-V158030803 g-V217040003
2	A50U627002	Fixing Plate /2		D	1	
3	A50U627200	Fixing Plate /3		D	1	
4	A50U633002	Holding Handle		D	1	
5	A50U633200	Release Lever		D	1	
6	A50U633400	Stable Spring		D	2	
7	A50U633601	Lock Lever		D	1	
8	A50U633702	Receiving Guide /1		D	1	
9	A50U633800	Release Shaft /1		D	1	
10	A50U633900	Fixing Plate		D	1	
11	A50U634300	Receiving Guide /2		D	1	
12	A50U945702	Operation Label /1		D	1	
13	A9VE160800	Cover Tray /2		D	1	
14	A9VE620701	Regulating Plate /Right		D	1	
15	A9VE628400	Mounting Plate /1		D	2	
16	A9VE633100	Handle /B		D	1	
17	A9VE634400	Paper feed Handle		D	1	
18	A9VE945500	Indicating Label /2		D	1	
19	A9VEF62102	1000 Paper Cassette ASSY		S	1	
20	A50U623900	Lock Claw		D	1	
21	A50U624201	Lock Part		D	1	
22	A50U628300	Cover		D	1	

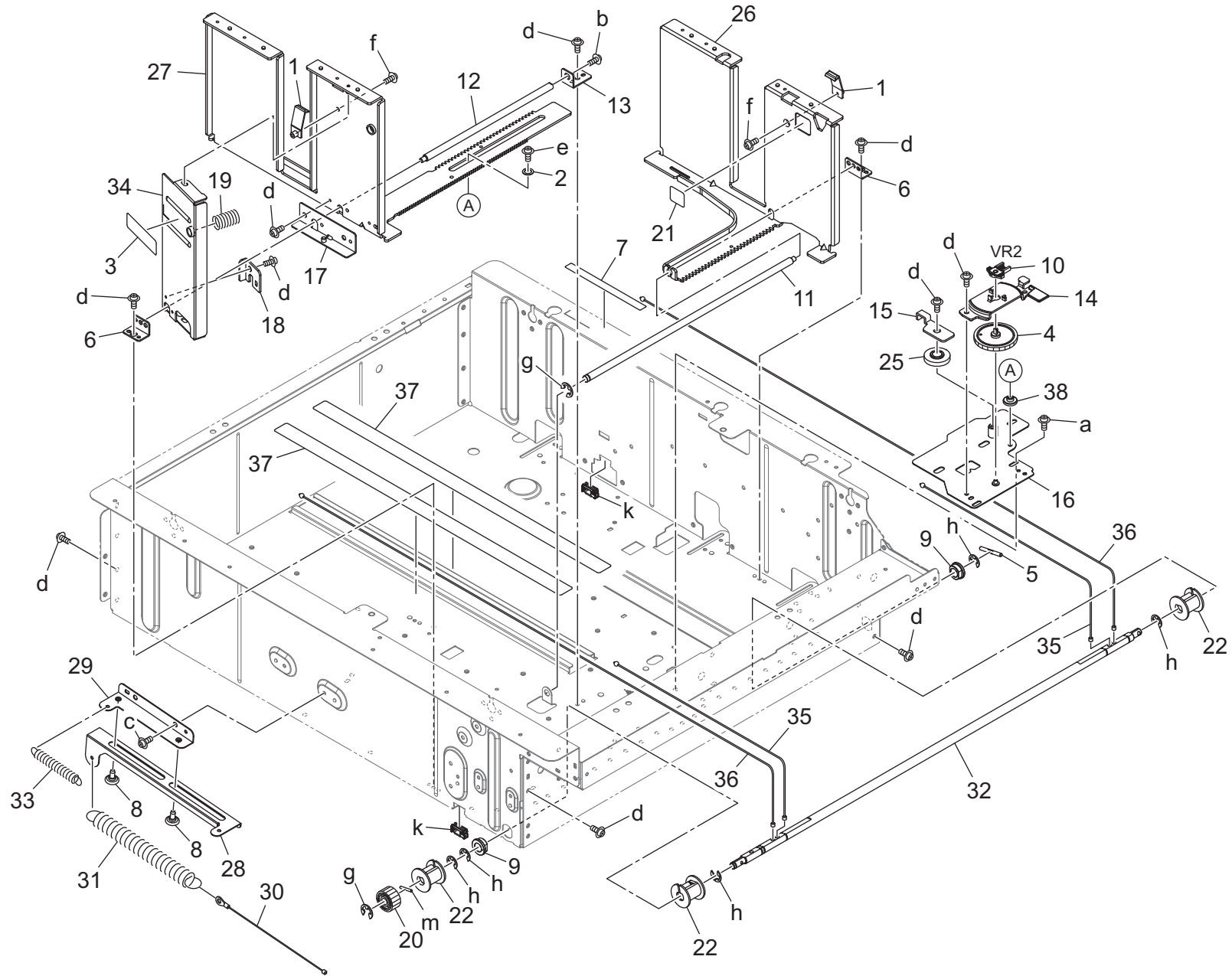
# Tray 2 Section



Key	Part No.	Description	Destinations	Class	QTY	Standard parts
1	4470402401	Stopper		D	4	a-V127030516 b-V127030604 c-V207040003 d-V217020003 e-V217025050 f-V217040003 g-V500010051 h-V500020098
2	65AA49500	Paper Exit Spacer /1	ストップパー	C	2	
3	55VA40930	DOUBLE FEED PREVENTIVE PLATE	排紙 スペーサー /1	C	1	
4	65AA47120D	Mounting Plate	重送防止板	D	1	
5	65AA47310E	PAPER DETECTING SHAFT	センサ取り 付け板	D	2	
6	65AA47320	Paper Detecting Actuator	紙検知軸	C	2	
7	65AA47820	REGULATING PART	紙検知アクチュエタ	C	2	
8	65AA47860	AUXILIARY SHEET	規制部材	C	4	
9	A03X656203	Lock Screw	補助シート	C	2	
10	A1RF946000	Paper feed Label /1	ロックねじ	D	1	
11	A50U621001	Reinforce Plate /Rear	給紙ラベル /1	D	1	
12	A50U622600	Regulating Plate /Rear	補強板 /奥	D	1	
13	A50U622802	Reinforce Plate /Front	規制板 /奥	D	1	
14	A50U625701	Regulating Plate /Front	補強板 /前	D	1	
15	A50U626502	Support Plate /1	規制板 /前	D	2	
16	A50U626601	Support Plate /2	支持板 /1	D	1	
17	A50U626702	Support Plate /3	支持板 /2	D	1	
18	A50U627601	Sheet	支持板 /3	D	1	
19	A50U627701	Sheet	シート	D	1	
20	A50U628200	Shoulder Screw	シート	D	2	
21	A50U629001	Reinforce Stay	段ねじ	D	1	
22	A50U629202	Up/down Plate /Rear	補強ステー	D	1	
23	A50U630203	Lifting Plate	昇降板 /後	D	1	
24	A50U631200	Mounting Plate /Assy	持ち上げ板 ( ASSY )	D	1	
25	A50U631301	Up/down Gear 60T	取付板 / A s s y	C	1	
26	A50U631600	Mounting Plate	昇降ギア 60 T	D	1	
27	A50U641500	Slide Sheet	取付板 ( 1000 枚トレイ 残量検知)	D	8	
28	A85CM55600	Photo Sensor	スライドシート	C	4	

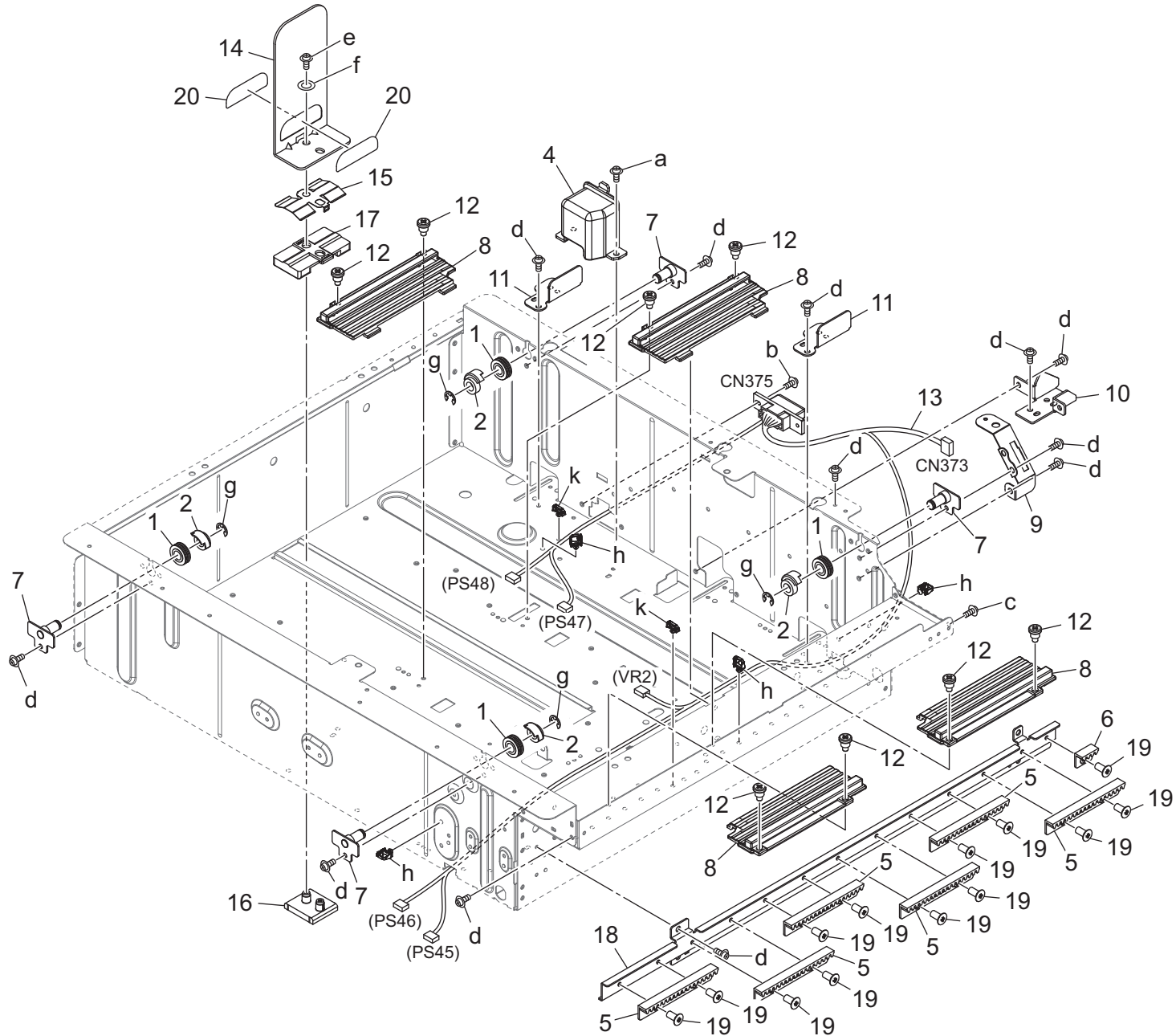


# Tray 2 Section



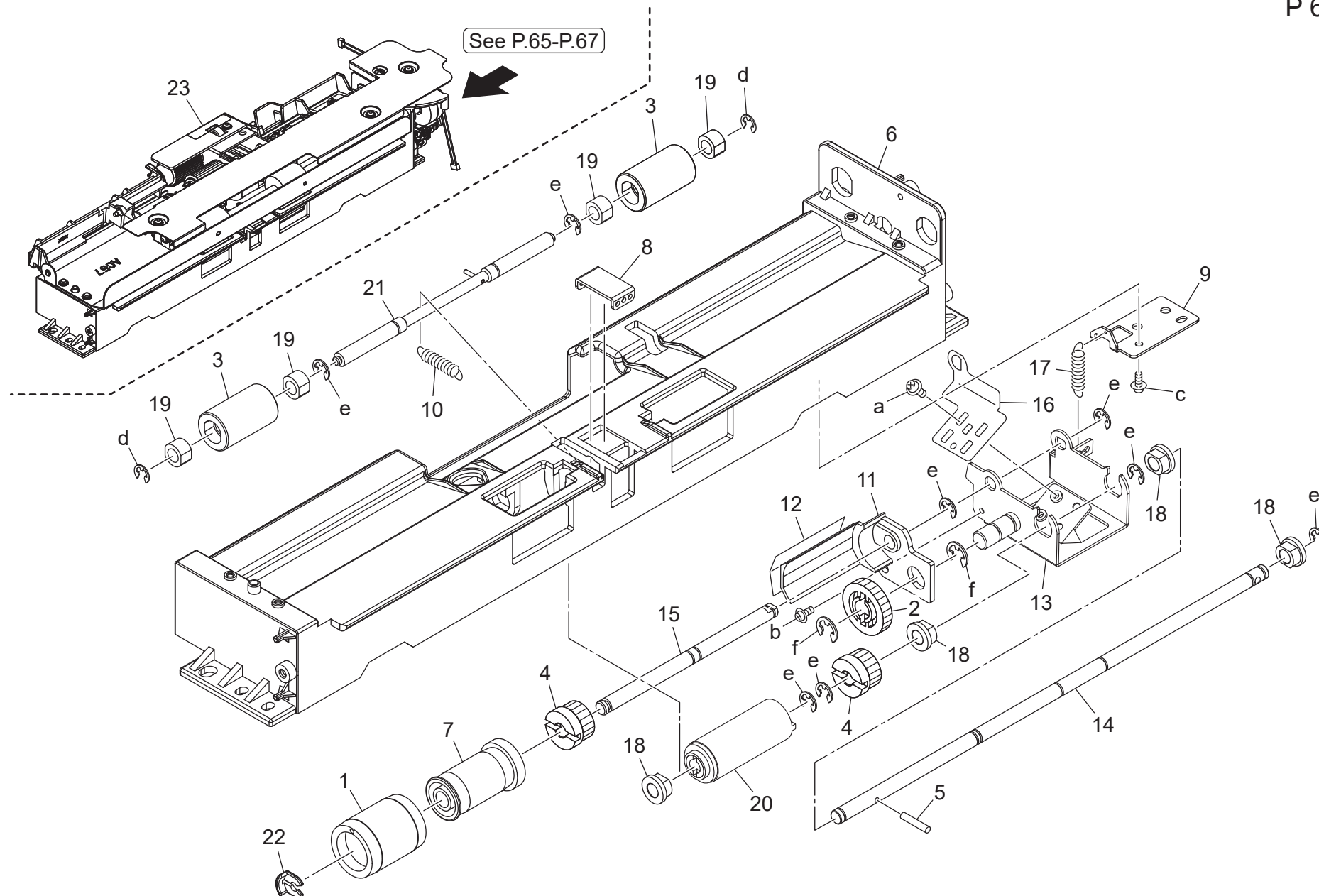
Key	Part No.	Description	Destinations	Class	QTY	Standard parts	
1	26NA47070	PAPER REGULATING CLAW		C	2	a-V116030503 b-V116030603 c-V127030516 d-V127030604 e-V127030803 f-V147030803 g-V217040003 h-V217060003 k-V570010057 m-V234201450	
2	40AA32320	Toner Supply Spacer		C	1		
3	A50U946300	Lock Label /2		D	1		
4	65AA47600E	Detecting Gear 45T		C	1		
5	65AA47700D	Up/down Pin		D	1		
6	65AA47740E	Shaft Mounting Plate		D	2		
7	65GE97490	CASSETTE GUIDE LABEL		D	1		
8	A03N621800	Slide Shoulder screw		C	2		
9	A03U812800	Slide Shaft Holder		B	2		
10	A1UDM50100	Volume		D	1		
11	A50U620801	Regulating Shaft		D	1		
12	A50U621301	Stopper Shaft		D	1		
13	A50U621400	Mounting Plate		D	1		
14	A50U621900	Mounting Plate		D	1		
15	A50U622001	Stopper Plate		D	1		
16	A50U622101	Positioning Plate		D	1		
17	A50U622400	Support Plate		D	1		
18	A50U623201	Lock Claw		D	1		
19	A50U623300	Slide Spring /1		D	1		
20	A50U854600	Release Gear /1 24T		C	1		
21	A50U945301	Regulating Label		D	1		
22	A50U626000	Pulley		C	3		
25	A50U628400	Pinion		C	1		
26	A50U630602	Guide Rack /Rear		D	1		
27	A50U630902	Guide Rack /Front		D	1		
28	A50U631000	Slide Plate		D	1		
29	A50U631100	Mounting Plate		D	1		
30	A50U631500	Auxiliary Wire		D	1		
31	A50U631700	Slide Spring /1		D	1		
32	A50U631800	Up/down Shaft		D	1		
33	A50U631900	Slide Spring /1		D	1		
34	A50U632300	Brake Knob		D	1		
35	A50U635400	Up/down Wire /1		D	2		
36	A50U635500	Up/down Wire /2		D	2		
37	A50U640700	Sheet		D	2		
38	A50U642000	Guide Spacer		D	1		

# Tray 2 Section



Key	Part No.	Description	Destinations	Class	QTY	Standard parts
1	65AA47550	WIRE ROLLER		C	4	a-V116030503
2	65AA47630	WIRE GUIDE PART		C	4	b-V121030603
4	A03U621200	GUIDE COVER		C	1	c-V127030516
5	A03X622101	REGULATING RACK /1		D	6	d-V127030604
6	A03X622201	REGULATING RACK /2		D	1	e-V158031003
7	A1DUF62101	PULLEY FULCRUM PLATE CAULKING		D	4	f-V207030003
8	A50U621200	Slide Guide		D	4	g-V217060003
9	A50U624600	Mounting Plate		D	1	h-V500020098
10	A50U624700	Fixing Cam		D	1	k-V500020099
11	A50U625100	Positioning Plate		D	2	
12	A50U628200	Shoulder Screw		D	8	
13	A50UN14001	Paperfeed Wiring /2		D	1	
14	A50U629401	Regulating Plate /Rear		D	1	
15	A50U629502	Plate spring		D	1	
16	A50U629702	Brake Part /Lower		D	1	
17	A50U629801	Brake Part		D	1	
18	A50U640100	Guide Rail		D	1	
19	A50U642300	Mounting Screw		D	13	
20	A50U946400	Lock Label /1		D	2	

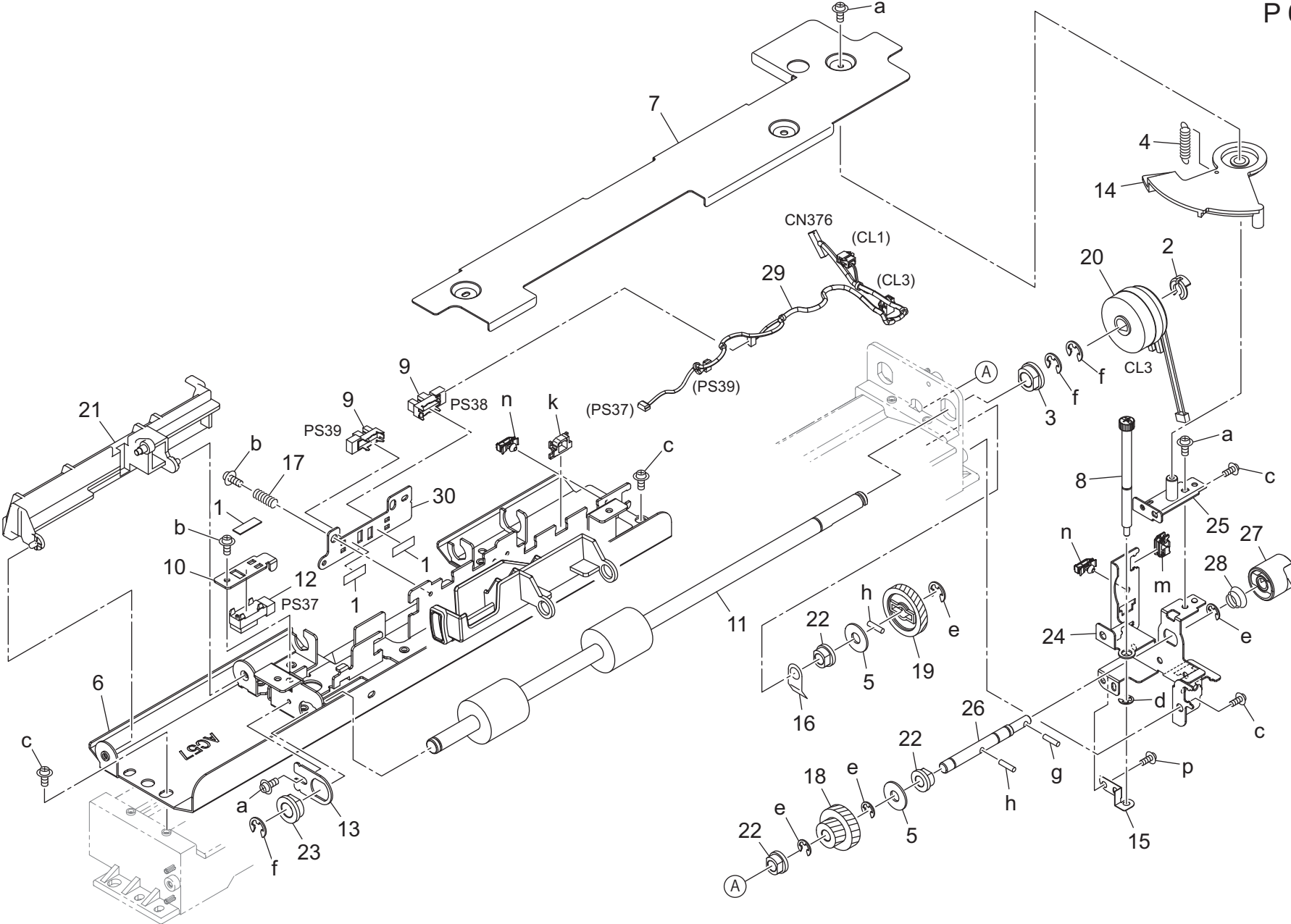
# Tray 1 Paper Feed Section



# Tray 1 Paper Feed Section

Key	Part No.	Description	Destinations	Class	QTY	Standard parts
1	25SA40960	DOUBLE FEED PREVENTION RUBBER		A	1	a-V116030603 b-V121030603 c-V153030803 d-V217030003 e-V217040003 f-V217060003
2	26NA42061	BY PASS FEED CONVEYING GEAR 21T		B	1	
3	26NA42560	By-Pass Idler Roller		C	2	
4	55VA79030	Paper Feed Reversal Gear /C 14T		B	2	
5	56AA17510	Pin /B		C	1	
6	AC57560301	Paper feed Main body		D	1	
7	56AA40360	Reverse Roller		C	1	
8	56AA40430	SPRING MOUNTING PLATE 1		D	1	
9	56AA40440	SPRING MOUNTING PLATE 2		D	1	
10	56AA40481	PAPERFEEDPRESSINGSRING		C	1	
11	56AA40530	ENTRANCE GUIDE PART		D	1	
12	56AA40540	ENTRANCE GUIDE SHEET		C	1	
13	56QA40080	Multi-feed Preventing Plate		C	1	
14	56QA40250	MULTI FEED SUPPORT SHAFT		D	1	
15	56QA40270	MULTI FEED REVERSE SHAFT		D	1	
16	56QA40550	MULTI FEED ADJUSTMENT PLATE		D	1	
17	57AA40420	MULTI FEED PREVENTING SPRING		C	1	
18	A00J663200	Bushing		B	4	
19	A03U850101	Slide Bushing		C	4	
20	A03X565611	Torque Limiter /A		B	1	
21	A1DUR71K00	Paper Feed Driven Shaft Assy		D	1	
22	A1RF620301	Stopper Collar		D	1	
23	AC57R70800	Paper Feed ASSY		S	1	

# Tray 1 Paper Feed Section



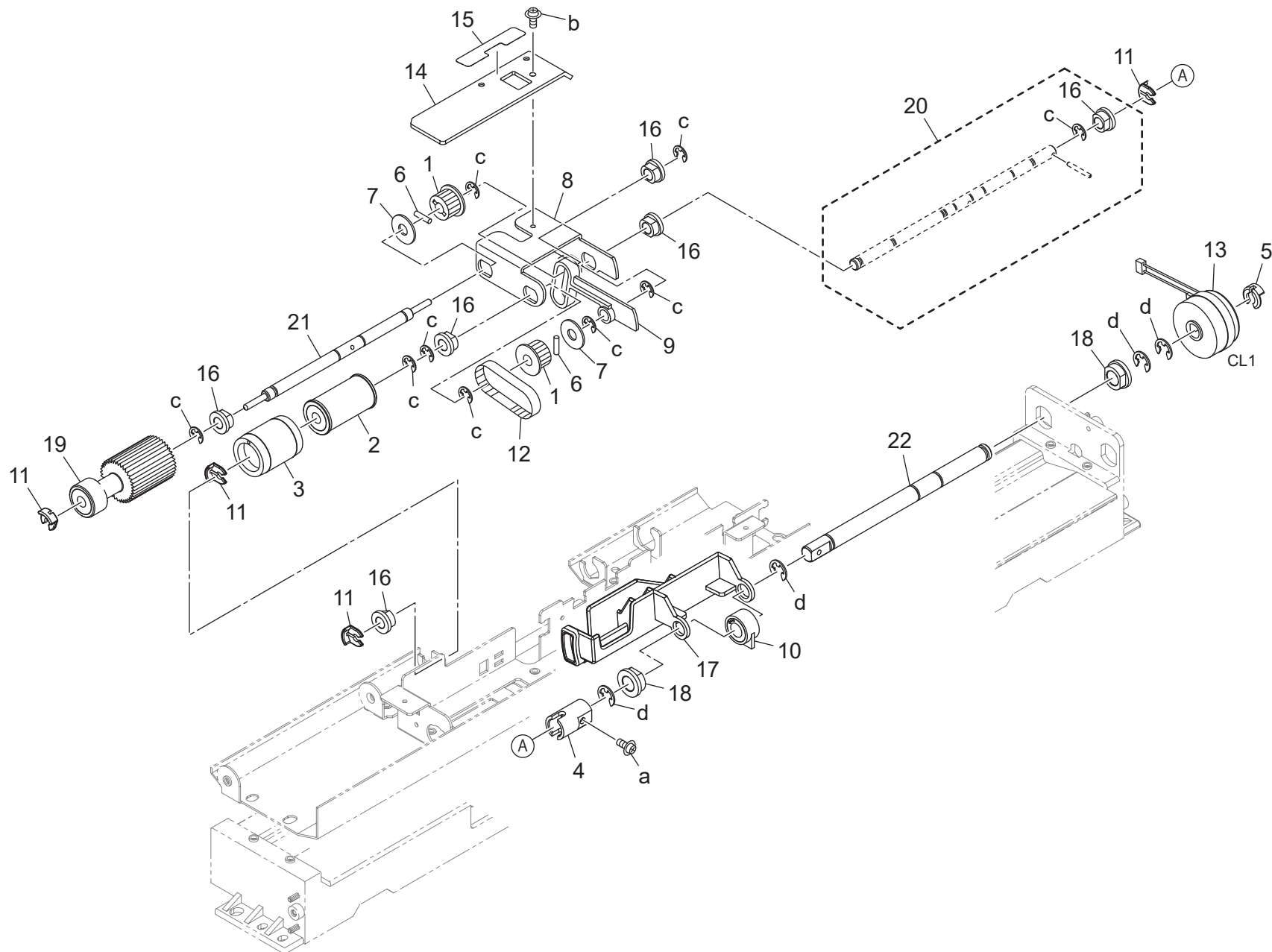
Tray 1 Paper Feed Section

Key	Part No.	Description	Destinations	Class	QTY	Standard parts
1	4109553001	Stopper	ストッパー	C	3	a-V121030603
2	55VA42120	Shaft Stopper	軸ストッパー	C	1	b-V127030604
3	55VA75540	PAPER FEED SHAFT HOLDER B	給紙軸受 B	B	1	c-V153030803
4	56AA17121	SEPARATE SPRING UPPER	分離バネ 上	C	1	d-V217030003
5	56AA17760	COLLAR	カラー	C	2	e-V217040003
6	AC57560401	Guide Plate /ASSY	ガイド板 / ASSY (給紙)	D	1	f-V217060003
7	56AA40100G	Wiring Protection Cover	束線保護カバー	D	1	g-V234301250
8	56AA40120	PAPER FEED HOLDING SCREW	給紙押えネジ	C	1	h-V234301450
9	A85CM55600	Photo Sensor	フォトセンサ	C	2	k-V570010050
10	A50U836200	Plate /23	センサ板 / 2 3	D	1	m-V570010056
11	AC57560000	Registration Roller	レジストローラ (給紙)	C	1	n-V500020099
12	9335140071	Solid State Switch	反射型フォトスイッチ	B	1	p-V125030803
13	56AA40370	ADJUSTING PLATE	調整板	D	1	
14	56AA40390	CAM PLATE	カム板	C	1	
15	A9VE560100	Ground Plate	アース板	C	1	
16	56AA40500	SHAFT HOLDER EARTH PLATE	軸受アース板	C	1	
17	56AA40520	EARTH SPRING	センサアースバネ	C	1	
18	56AA77720E	Paper Feed Reverse Gear /1 16/22T	給紙逆転歯車 / 1 16 / 2 2 T	C	1	
19	56AA77730	PAPER FEED REVERSING GEAR 2 33T	給紙逆転歯車 2 3 3 T	C	1	
20	A795M20300	Clutch	クラッチ	C	1	
21	65AA40010	Regulating Plate	規制板	D	1	
22	A00J663200	Bushing	すべり軸受	B	3	
23	A03U812800	Slide Shaft Holder	すべり軸受	B	1	
24	A50U560901	Drive Side plate /1	駆動側板 / 1	D	1	
25	A50U561200	Drive Side plate /Assy	駆動側板 / A s s y	D	1	
26	A50U562400	Input Shaft	入力軸	D	1	
27	A50U564500	Paper feed Coupling	給紙カップリング	B	1	
28	A50U565100	Pressing Spring	押圧ばね	D	1	
29	AC57N14200	Paper Feed Harness	給紙束線	D	1	
30	A85C635401	Adjusting Plate	調整板	D	1	



# Tray 1 Paper Feed Section

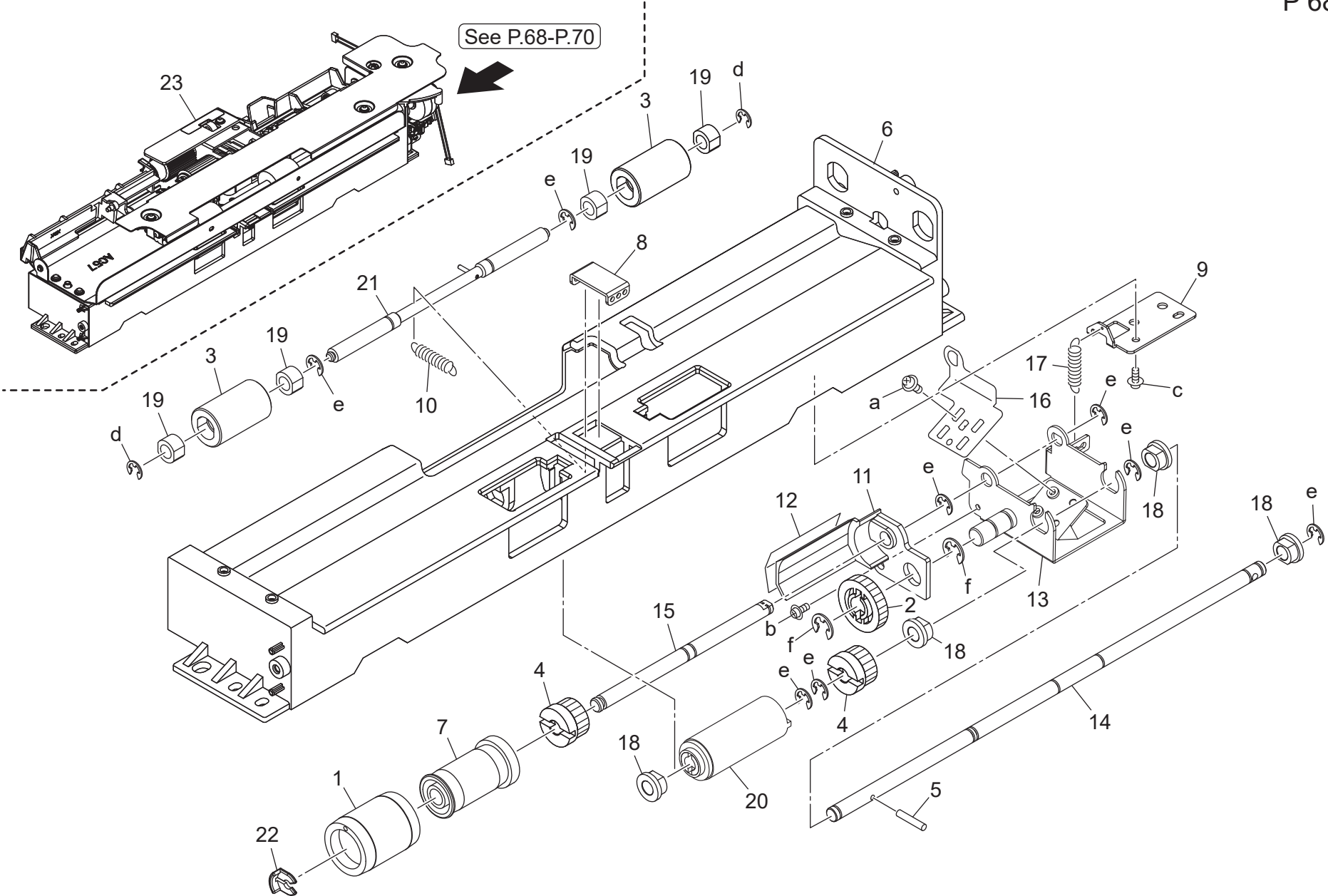
P 67



# Tray 1 Paper Feed Section

Key	Part No.	Description	Destinations	Class	QTY	Standard parts
1	059076510	PULLEY 1 15T		C	2	a-V118030603 b-V121030603 c-V217040003 d-V217060003
2	25AA40100	Feeding Roller /B		B	1	
3	25SA40960	DOUBLE FEED PREVENTION RUBBER		A	1	
4	55FA40320	COUPLING		C	1	
5	55VA42120	Shaft Stopper		C	1	
6	56AA17510	Pin /B		C	2	
7	56AA17760	COLLAR		C	2	
8	56AA40070	Paper feed Swing Plate		D	1	
9	56AA40300	PAPER QUANTITY ACTUATOR		C	1	
10	56AA40380	PAPER FEED REGULATING BLOCK		B	1	
11	56AA40490	Shaft Stopper /4		C	4	
12	56AA77590	PAPER FEED ROCKING BELT 111L		C	1	
13	A795M20300	Clutch		C	1	
14	65AA40080E	Paper feed Auxiliary Plate		D	1	
15	65GE97400	GUIDE LABEL /1		C	1	
16	A00J663200	Bushing		B	6	
17	A03U560500	Regulating Plate /Rear		C	1	
18	A03U812800	Slide Shaft Holder		B	2	
19	A1DUR71J00	Paper Feed Oscillate Roller		B	1	
20	A1DUR75200	Paper Feed Feeding Shaft Assy		D	1	
21	A85C635200	Swing Shaft		D	1	
22	AC57635300	Drive Shaft		D	1	

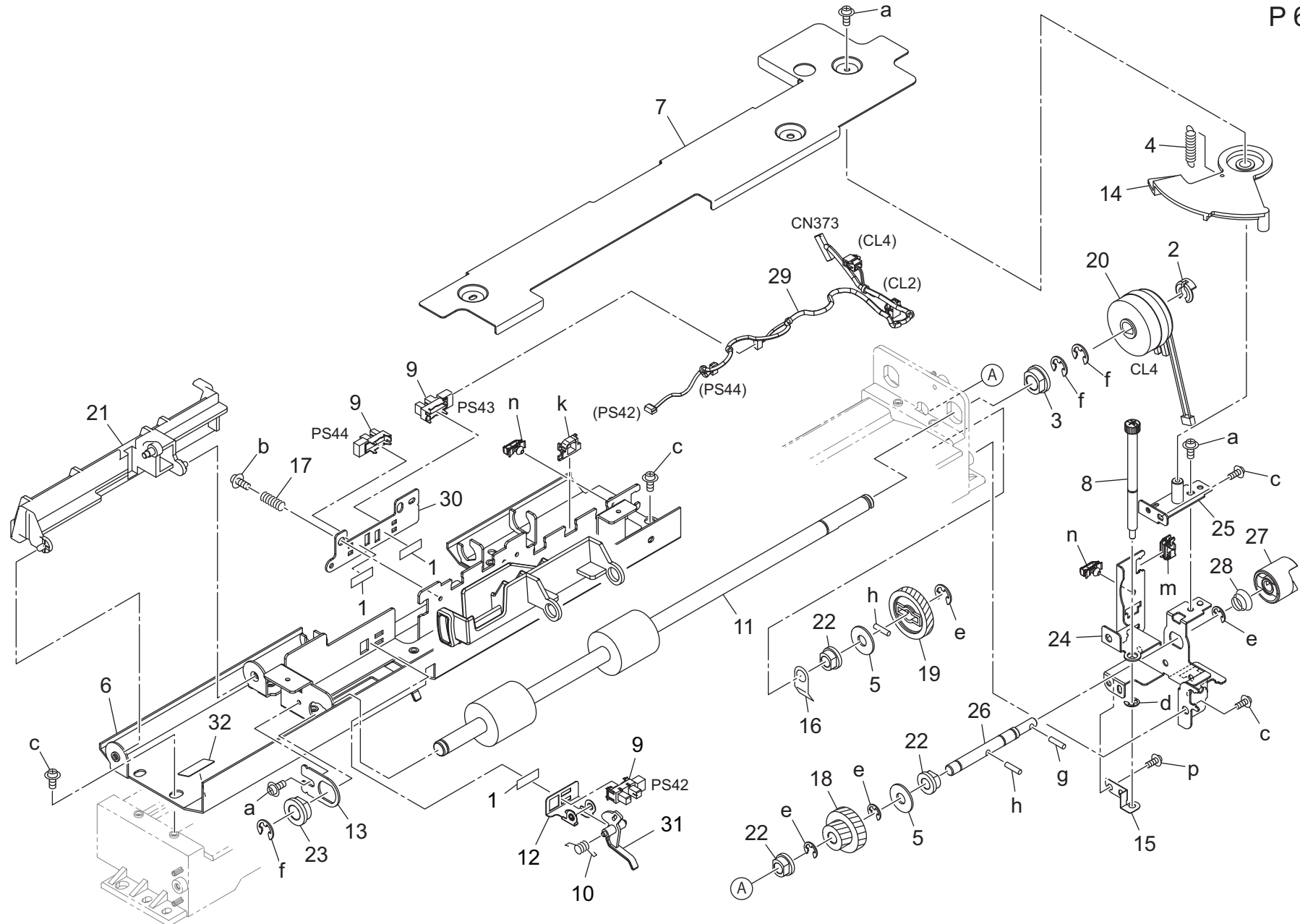
Tray 2 Paper Feed Section



# Tray 2 Paper Feed Section

Key	Part No.	Description	Destinations	Class	QTY	Standard parts
1	25SA40960	DOUBLE FEED PREVENTION RUBBER	重送防止ゴム	A	1	a-V116030603
2	26NA42061	BY PASS FEED CONVEYING GEAR 21T	手差し搬送ギア 21 T	B	1	b-V121030603
3	26NA42560	By-Pass Idler Roller	手差し従動ローラー	C	2	c-V153030803
4	55VA79030	Paper Feed Reversal Gear /C 14T	給紙逆転歯車 / C 14 T	B	2	d-V217030003
5	56AA17510	Pin /B	ピン / B	C	1	e-V217040003 f-V217060003
6	56AA40010E	Paper feed Main body	給紙 本体	C	1	
7	56AA40360	Reverse Roller	逆転ローラー	C	1	
8	56AA40430	SPRING MOUNTING PLATE 1	バネ取り 付け板 /1	D	1	
9	56AA40440	SPRING MOUNTING PLATE 2	バネ取り 付け板 /2	D	1	
10	56AA40481	PAPERFEEDPRESSINGSRING	給紙押圧バネ	C	1	
11	56AA40530	ENTRANCE GUIDE PART	入口ガイド 部材	D	1	
12	56AA40540	ENTRANCE GUIDE SHEET	入口ガイド シート	C	1	
13	56QA40080	Multi-feed Preventing Plate	重送防止板	C	1	
14	56QA40250	MULTI FEED SUPPORT SHAFT	重送支点軸	D	1	
15	56QA40270	MULTI FEED REVERSE SHAFT	重送逆転軸	D	1	
16	56QA40550	MULTI FEED ADJUSTMENT PLATE	重送調整板	D	1	
17	57AA40420	MULTI FEED PREVENTING SPRING	重送防止バネ	C	1	
18	A00J663200	Bushing	すべり軸受	B	4	
19	A03U850101	Slide Bushing	すべり軸受	C	4	
20	A03X565611	Torque Limiter /A	トルクリミッター /A	B	1	
21	A1DUR71K00	Paper Feed Driven Shaft Assy	給紙従動軸部組	D	1	
22	A1RF620301	Stopper Collar	ストップパカラー	D	1	
23	AC57R75600	Paper Feed Assy	給紙 A s s y	S	1	

# Tray 2 Paper Feed Section

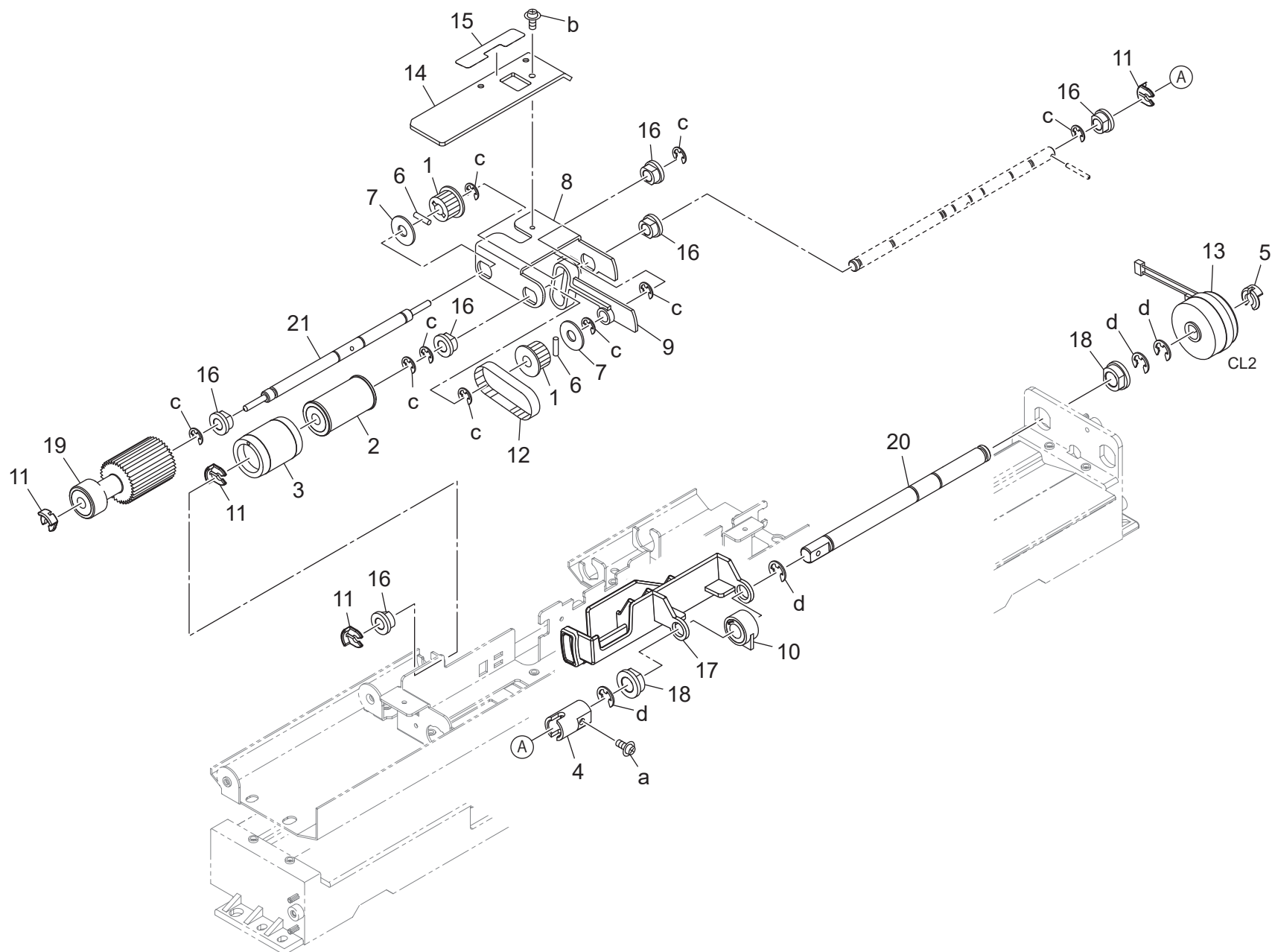


# Tray 2 Paper Feed Section

Key	Part No.	Description	Destinations	Class	QTY	Standard parts
1	4109553001	Stopper		C	3	a-V121030603
2	55VA42120	Shaft Stopper		C	1	b-V127030604
3	55VA75540	PAPER FEED SHAFT HOLDER B		B	1	c-V153030803
4	56AA17121	SEPARATE SPRING UPPER		C	1	d-V217030003
5	56AA17760	COLLAR		C	2	e-V217040003
6	56AA40032F	Paper Feed Guide Plate /Upper		C	1	f-V217060003
7	56AA40100G	Wiring Protection Cover		D	1	g-V234301250
8	56AA40120	PAPER FEED HOLDING SCREW		C	1	h-V234301450
9	A85CM55600	Photo Sensor		C	3	k-V570010050
10	56AA40190	PRESSING SPRING		C	1	m-V570010056
11	AC57560000	Registration Roller		C	1	n-V500020099
12	56AA40310	MOUNTING PLATE		D	1	p-V125030803
13	56AA40370	ADJUSTING PLATE		D	1	
14	56AA40390	CAM PLATE		C	1	
15	A9VE560100	Ground Plate		C	1	
16	56AA40500	SHAFT HOLDER EARTH PLATE		C	1	
17	56AA40520	EARTH SPRING		C	1	
18	56AA77720E	Paper Feed Reverse Gear /1 16/22T		C	1	
19	56AA77730	PAPER FEED REVERSING GEAR 2 33T		C	1	
20	A795M20300	Clutch		C	1	
21	65AA40010	Regulating Plate		D	1	
22	A00J663200	Bushing		B	3	
23	A03U812800	Slide Shaft Holder		B	1	
24	A50U560901	Drive Side plate /1		D	1	
25	A50U561200	Drive Side plate /Assy		D	1	
26	A50U562400	Input Shaft		D	1	
27	A50U564500	Paper feed Coupling		B	1	
28	A50U565100	Pressing Spring		D	1	
29	A50UN14201	Paperfeed Wiring /1		D	1	
30	A85C635401	Adjusting Plate		D	1	
31	56AA40171	PAPER FEED DETECTING ACTUATOR		C	1	
32	AC57946500	ID Label		D	1	

# Tray 2 Paper Feed Section

P 70



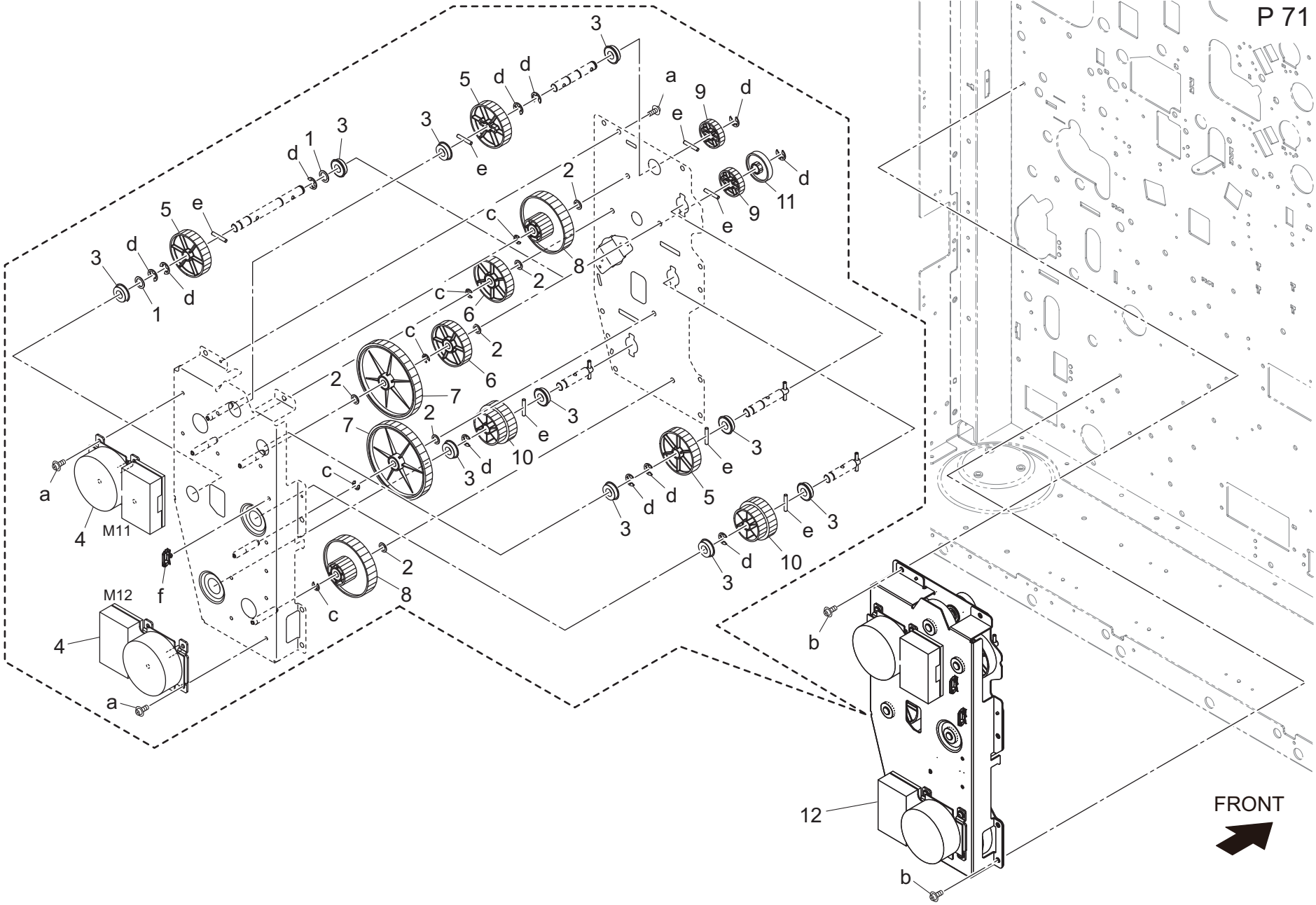
# Tray 2 Paper Feed Section

Key	Part No.	Description	Destinations	Class	QTY	Standard parts
1	059076510	PULLEY 1 15T		C	2	a-V118030603 b-V121030603 c-V217040003 d-V217060003
2	25AA40100	Feeding Roller /B		B	1	
3	25SA40960	DOUBLE FEED PREVENTION RUBBER		A	1	
4	55FA40320	COUPLING		C	1	
5	55VA42120	Shaft Stopper		C	1	
6	56AA17510	Pin /B		C	2	
7	56AA17760	COLLAR		C	2	
8	56AA40070	Paper feed Swing Plate		D	1	
9	56AA40300	PAPER QUANTITY ACTUATOR		C	1	
10	56AA40380	PAPER FEED REGULATING BLOCK		B	1	
11	56AA40490	Shaft Stopper /4		C	4	
12	56AA77590	PAPER FEED ROCKING BELT 111L		C	1	
13	A795M20300	Clutch		C	1	
14	65AA40080E	Paper feed Auxiliary Plate		D	1	
15	65GE97400	GUIDE LABEL /1		C	1	
16	A00J663200	Bushing		B	6	
17	A03U560500	Regulating Plate /Rear		C	1	
18	A03U812800	Slide Shaft Holder		B	2	
19	A1DUR71J00	Paper Feed Oscillate Roller		B	1	
20	AC57635300	Drive Shaft		D	1	
21	A85C635200	Swing Shaft		D	1	



# Paper Feed Driving Section

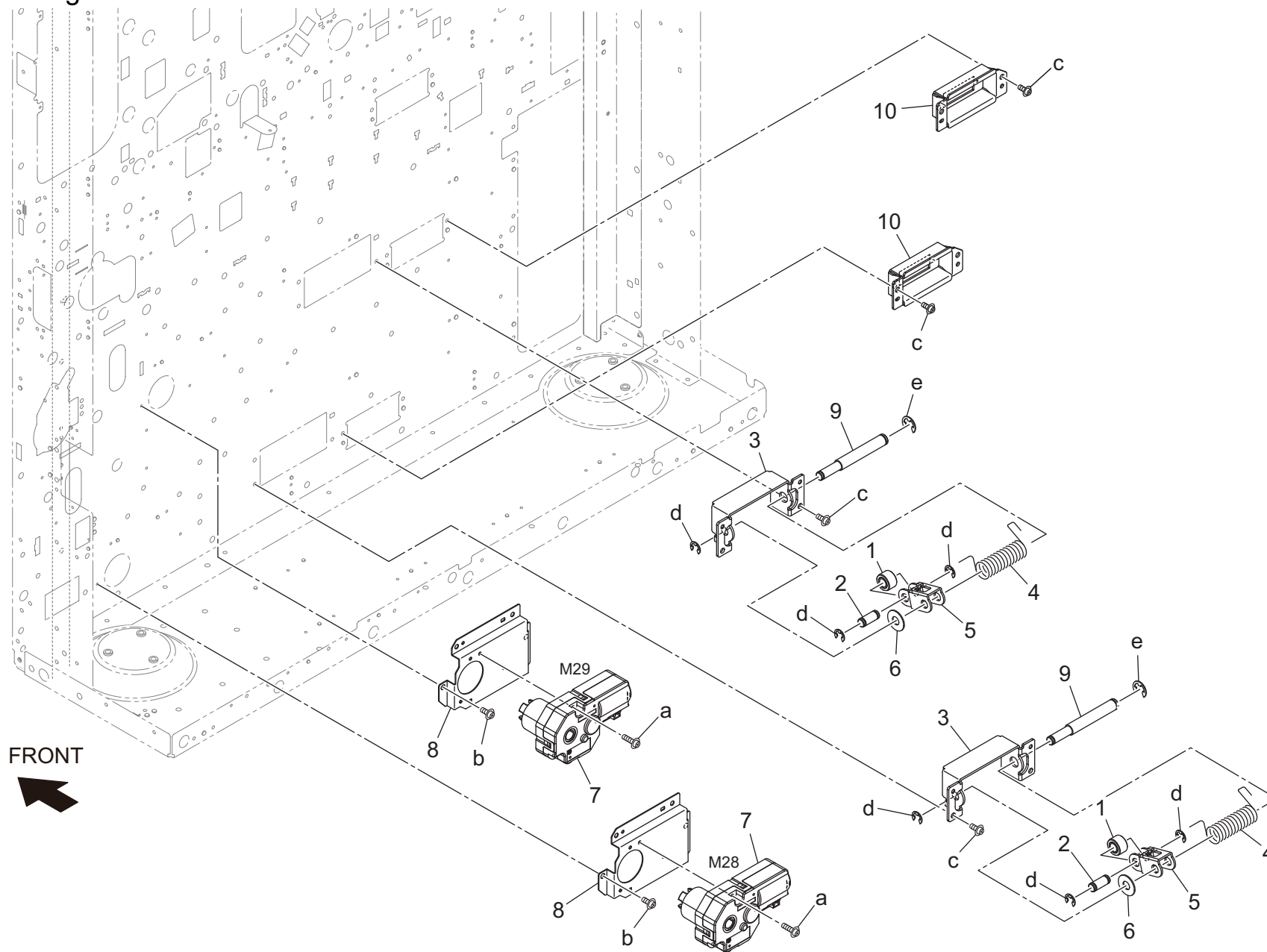
P 71



Key	Part No.	Description	Destinations	Class	QTY	Standard parts
1	12QV40650	Spacer		B	2	a-V121030403 b-V127030604 c-V217040003 d-V217060003 e-V234301850 f-V500020100
2	40AA32320	Toner Supply Spacer		C	6	
3	A00V240600	Ball Bearing		B	10	
4	A7PUM11100	brushless Motor /30		C	2	
5	A50U252100	Paper feed Gear /1 46T		C	3	
6	A50U252300	Paper feed Gear /3 45T		C	2	
7	A50U252400	Paper feed Gear /4 74T		C	2	
8	A50U252500	Paper feed Gear /5 47/60T		C	2	
9	A50U252600	Paper feed Gear /6 29T		C	2	
10	A50U252700	Paper feed Gear /2 35/41T		C	2	
11	A50U252800	Stopper Roll		D	1	
12	AC57R71000	Paper Feed Drive ASSY		S	1	

# Tray Driving Section

P 72



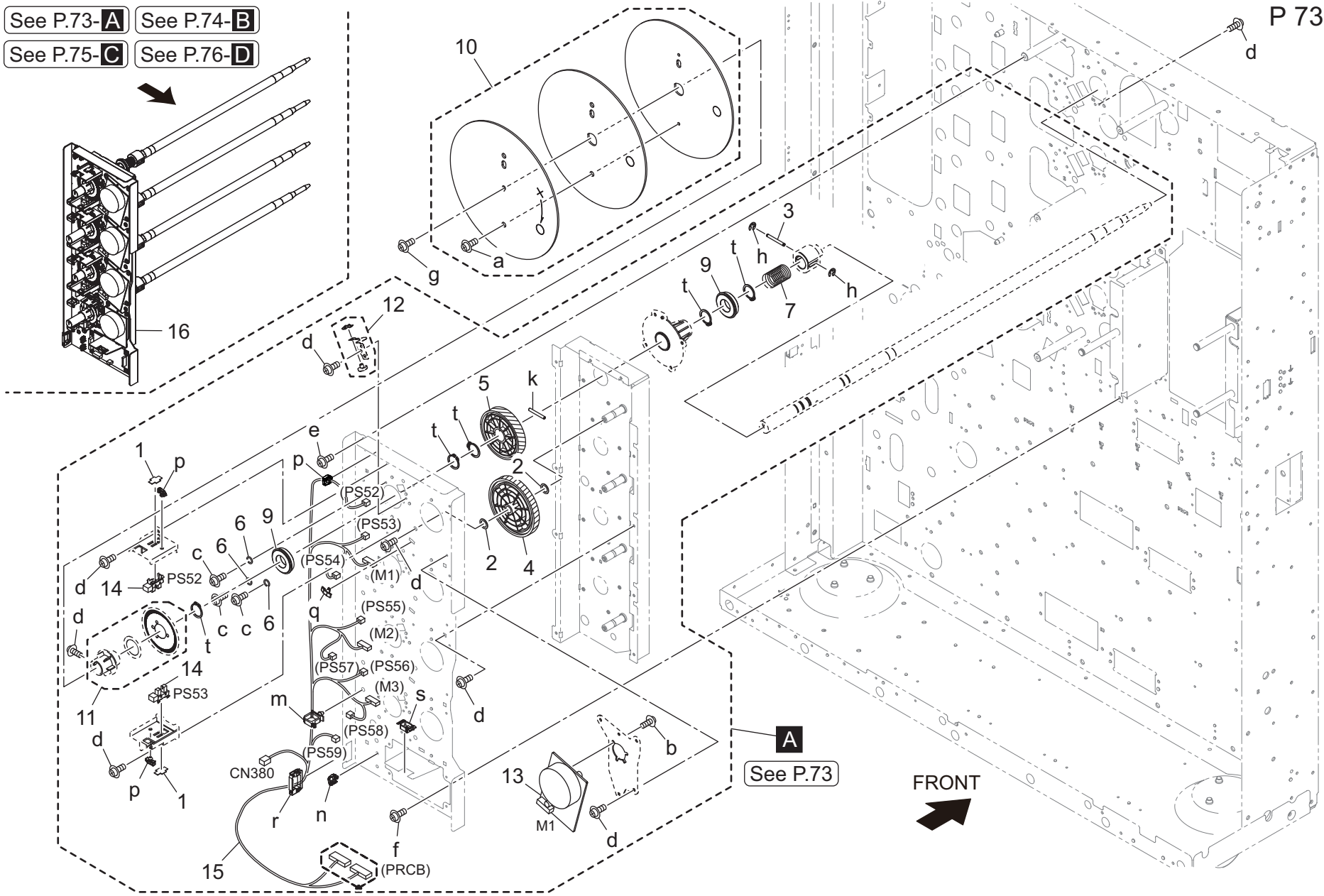
FRONT  
←

# Tray Driving Section

Key	Part No.	Description	Destinations	Class	QTY	Standard parts
1	A9VE625800	Roll		C	2	a-V118032003 b-V127030604 c-V146040804 d-V217060003 e-V217080003
2	65AA47360	CASSETTE LOCKING SHAFT		D	2	
3	65AA47370	FULCRUM PLATE		D	2	
4	65AA47390	GUIDE SPRING		C	2	
5	65AA47710	LOCKING PLATE		D	2	
6	65AA47970	SPACER		C	2	
7	A2X0M12101	Brush motor		B	2	
8	A50U629100	Mounting Plate		D	2	
9	A50U109300	Support Shaft		D	2	
10	A50U112901	Mounting Tray		D	2	

# Drum Driving Section

- See P.73-**A**    See P.74-**B**
- See P.75-**C**    See P.76-**D**



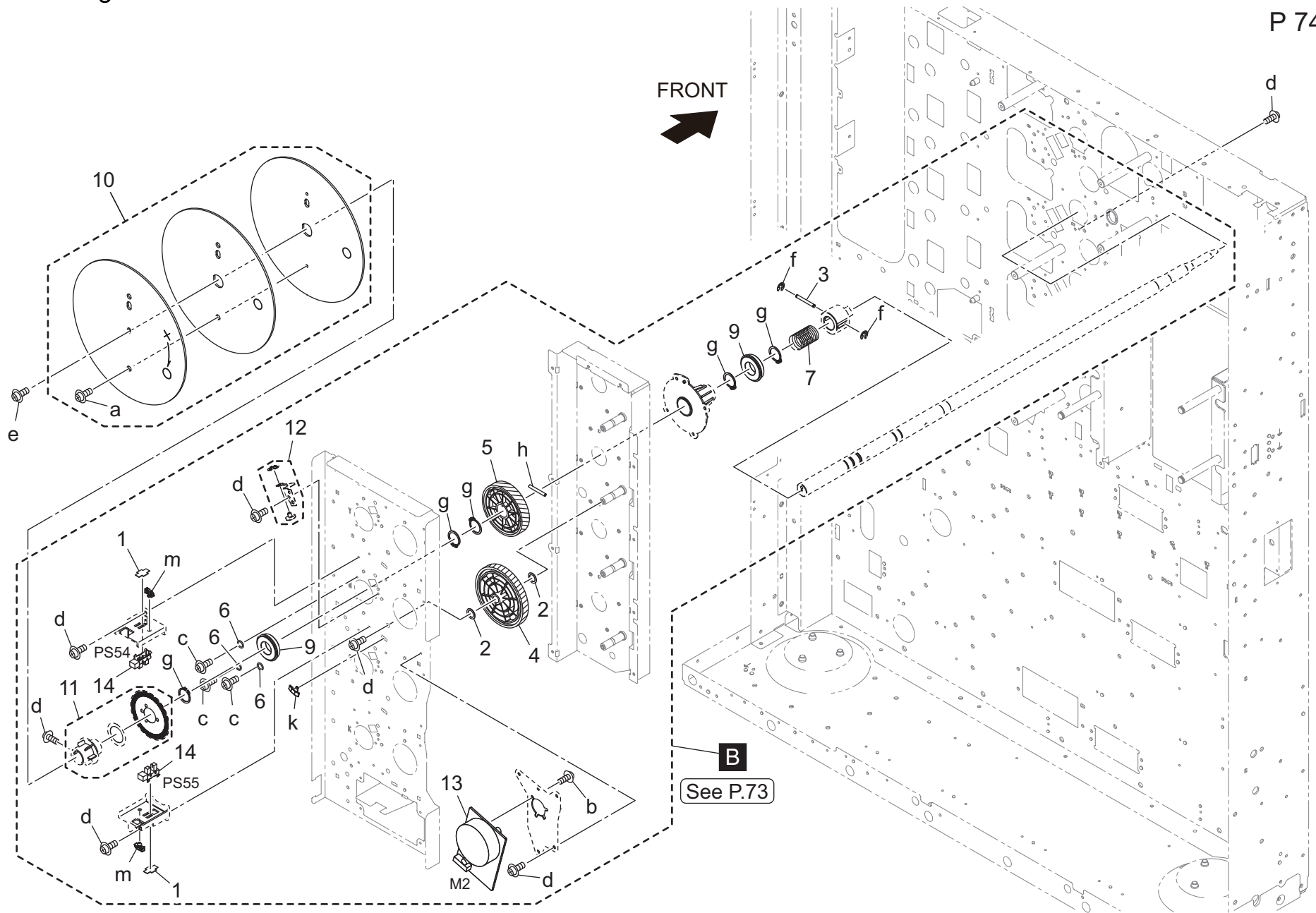
AccurioPrint C4065P

# Drum Driving Section

Key	Part No.	Description	Destinations	Class	QTY	Standard parts
1	4470402401	Stopper		D	2	a-V116040803
2	12QV40650	Spacer		B	2	b-V118030403
3	65AA15210	Coupling Pin		D	1	c-V118030603
4	A03U259600	Idling Gear 46/132T		C	1	d-V127030604
5	A03U259900	DRIVE GEAR 92T		C	1	e-V127040603
6	A1RF214100	Set Washer /1		D	3	f-V127040803
7	A50U210600	Pressing Spring		D	1	g-V185041003
9	A50U212600	Ball Bearing /15		C	2	h-V217020003
10	A50UF21100	Drum Drive Fly Wheel / Y M C		D	1	k-V234302550
11	A50UR71K00	Encoder / YMC		D	1	m-V500010082
12	A50UR72X01	Drum Ground Assy		D	1	n-V500020098
13	A85CM10200	DC Brushless motor /20		C	1	q-V500020103
14	A85CM55600	Photo Sensor		C	2	r-V570010059
15	A85CN19000	Drive Wiring /1		D	1	s-V570010063
16	A85CR70C22	Drum Drive Assy		S	1	t-V223150017

# Drum Driving Section

P 74



AccurioPrint C4065P

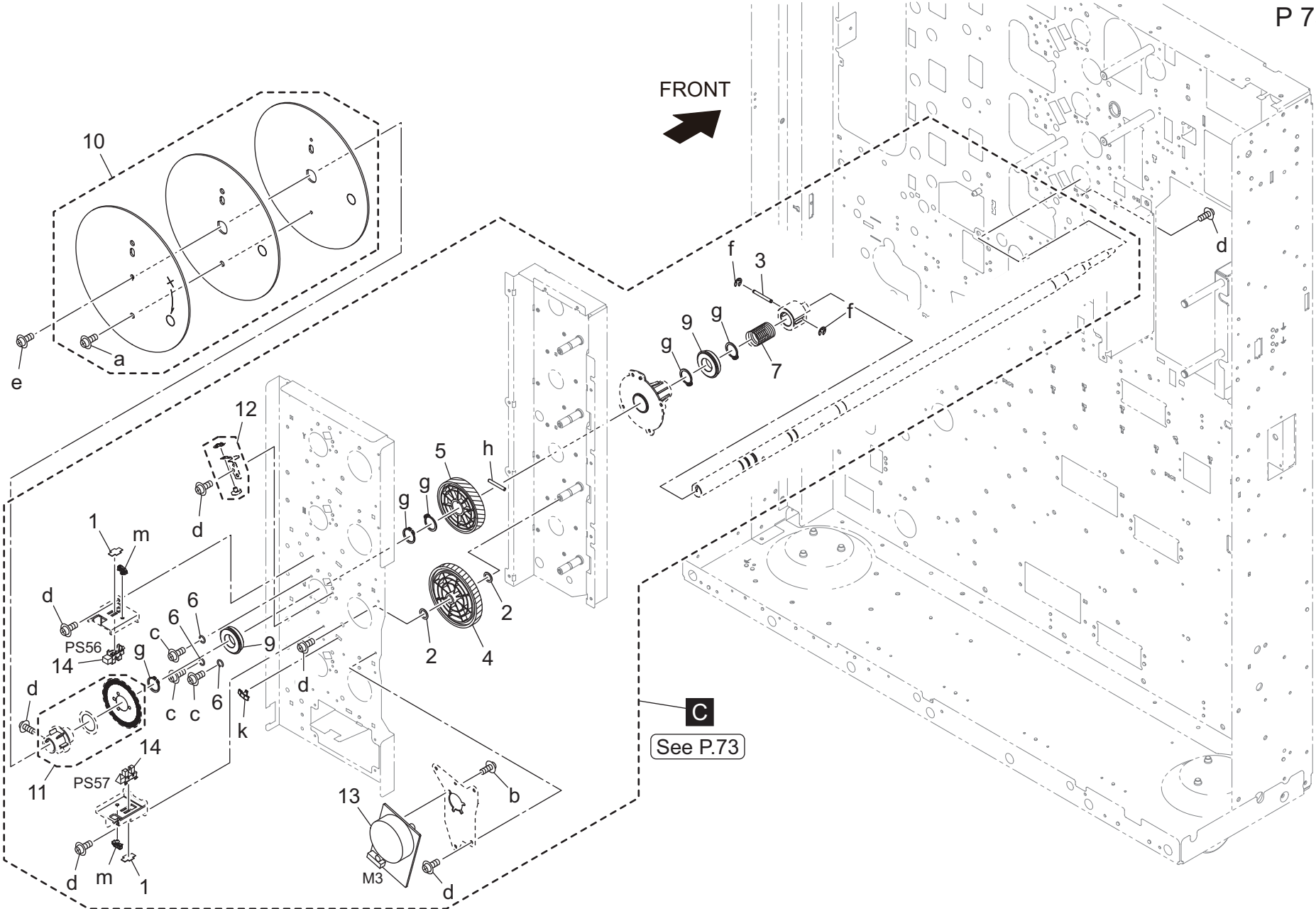
# Drum Driving Section

Key	Part No.	Description	Destinations	Class	QTY	Standard parts
1	4470402401	Stopper		D	2	a-V116040803
2	12QV40650	Spacer		B	2	b-V118030403
3	65AA15210	Coupling Pin		D	1	c-V118030603
4	A03U259600	Idling Gear 46/132T		C	1	d-V127030604
5	A03U259900	DRIVE GEAR 92T		C	1	e-V185041003
6	A1RF214100	Set Washer /1		D	3	f-V217020003
7	A50U210600	Pressing Spring		D	1	g-V223150017
9	A50U212600	Ball Bearing /15		C	2	h-V234302550
10	A50UF21100	Drum Drive Fly Wheel / Y M C		D	1	k-V500020103
11	A50UR71K00	Encoder / YMC		D	1	m-V500020099
12	A50UR72X01	Drum Ground Assy		D	1	
13	A85CM10200	DC Brushless motor /20		C	1	
14	A85CM55600	Photo Sensor		C	2	



# Drum Driving Section

FRONT

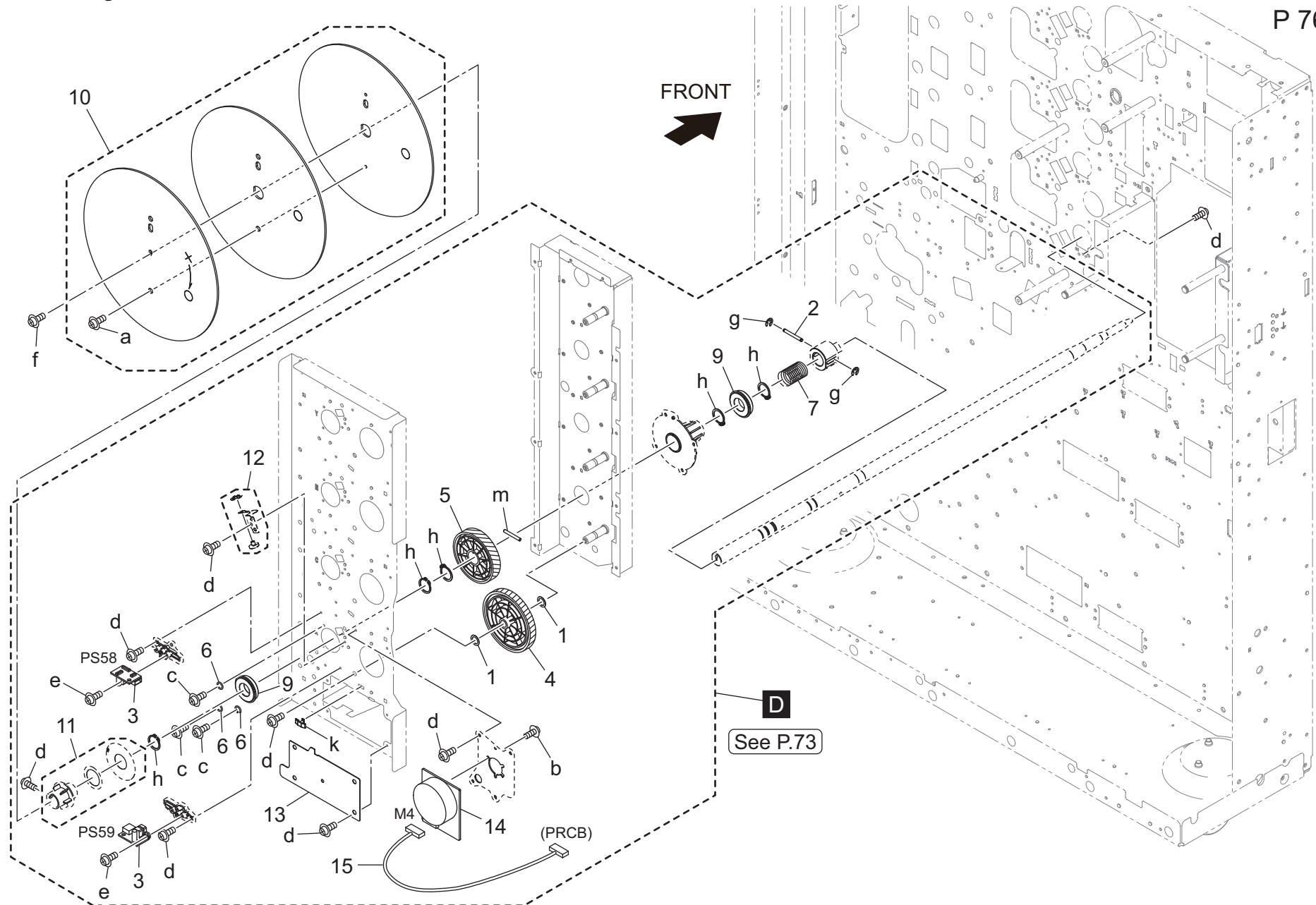


# Drum Driving Section

Key	Part No.	Description	Destinations	Class	QTY	Standard parts
1	4470402401	Stopper		D	2	a-V116040803 b-V118030403 c-V118030603 d-V127030604 e-V185041003 f-V217020003 g-V223150017 h-V234302550 k-V500020103 m-V500020099
2	12QV40650	Spacer		B	2	
3	65AA15210	Coupling Pin		D	1	
4	A03U259600	Idling Gear 46/132T		C	1	
5	A03U259900	DRIVE GEAR 92T		C	1	
6	A1RF214100	Set Washer /1		D	3	
7	A50U210600	Pressing Spring		D	1	
9	A50U212600	Ball Bearing /15		C	2	
10	A50UF21100	Drum Drive Fly Wheel / Y M C		D	1	
11	A50UR71K00	Encoder / YMC		D	1	
12	A50UR72X01	Drum Ground Assy		D	1	
13	A85CM10200	DC Brushless motor /20		C	1	
14	A85CM55600	Photo Sensor		C	2	

# Drum Driving Section

P 76

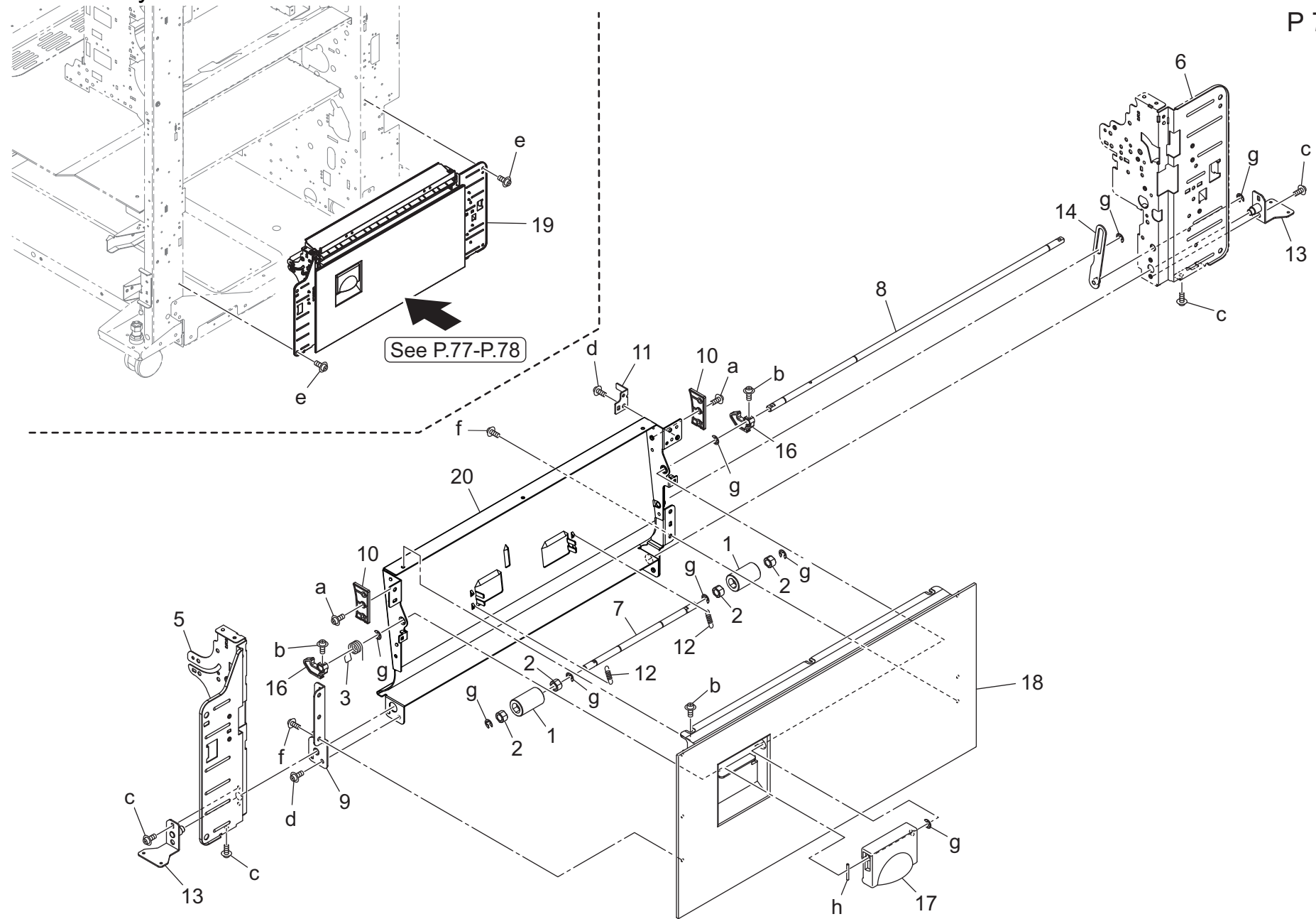


# Drum Driving Section

Key	Part No.	Description	Destinations	Class	QTY	Standard parts
1	12QV40650	Spacer		B	2	a-V116040803
2	65AA15210	Coupling Pin		D	1	b-V118030403
3	65AA-9091E	Sensor Board Assy		B	2	c-V118030603
4	A03U259600	Idling Gear 46/132T		C	1	d-V127030604
5	A03U259900	DRIVE GEAR 92T		C	1	e-V149020603
6	A1RF214100	Set Washer /1		D	3	f-V185041003
7	A50U210600	Pressing Spring		D	1	g-V217020003
9	A50U212600	Ball Bearing /15		C	2	h-V223150017
10	A50UR70Q00	Drum Drive Fly Wheel / K		D	1	k-V500020103
11	A50UR71M00	Encoder / K		D	1	m-V234302550
12	A50UR72X01	Drum Ground Assy		D	1	
13	A85C213100	Drive Frame /3		D	1	
14	A85CM10100	DC Brushless motor		C	1	
15	A85CN19100	Drive Wiring /K		D	1	

# Vertical Conveyance Section

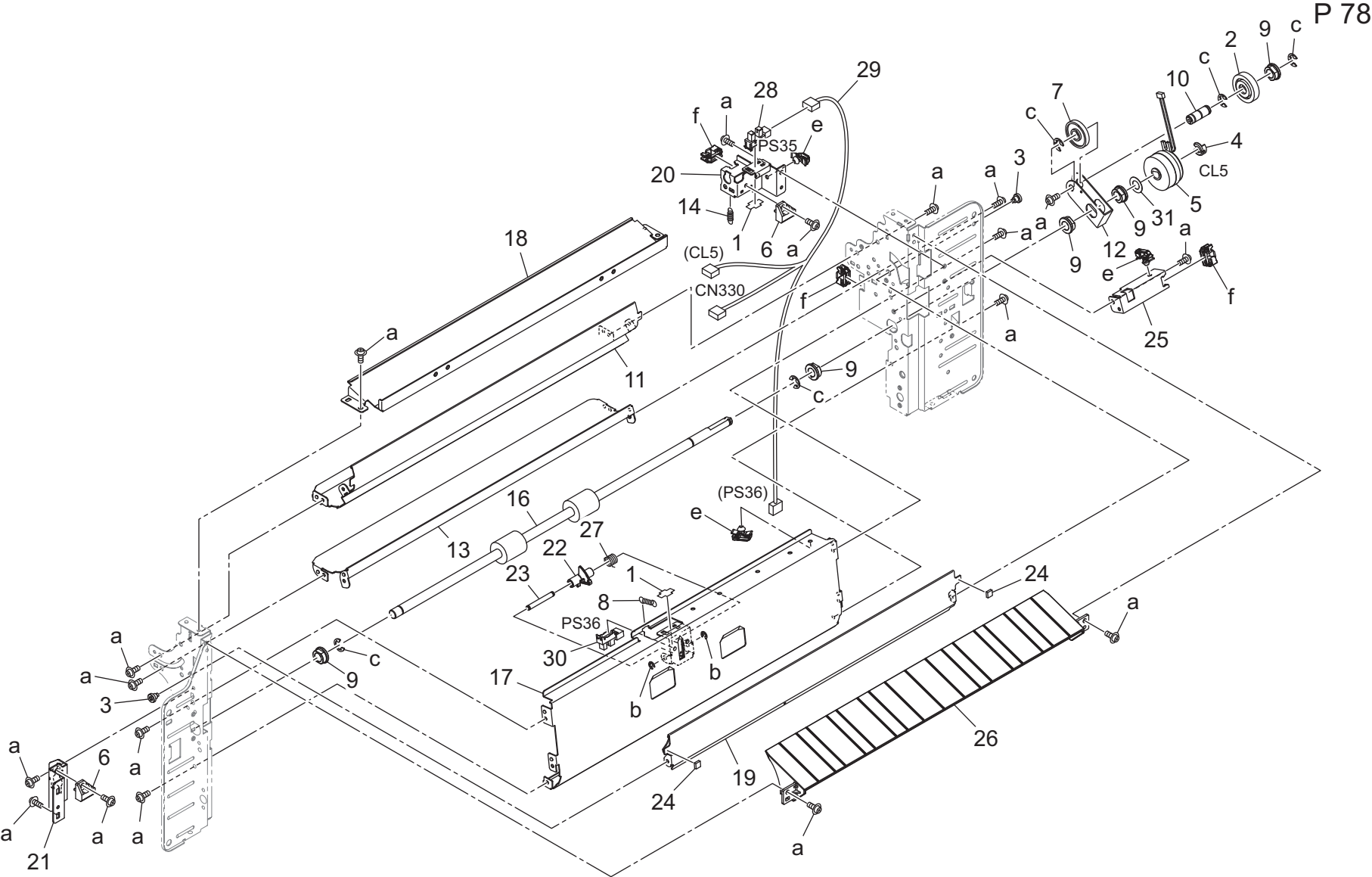
P 77



# Vertical Conveyance Section

Key	Part No.	Description	Destinations	Class	QTY	Standard parts
1	26NA42560	By-Pass Idler Roller		C	2	a-V112030603
2	A03U850101	Slide Bushing		C	4	b-V118030603
3	A1RF701700	Lock Spring /Front		D	1	c-V121030403
5	A50U700901	Side plate /1		D	1	d-V127030604
6	A50U701113Old	Side plate /2		D	1	e-V127040603
6	A50U701114	Side plate /2		D	1	f-V158030803
7	A50U705100	Idler Shaft		D	1	g-V217040003
8	A50U705200	Open/close Shaft		D	1	h-V234201850
9	A50U705701	Support Plate /3		D	1	
10	A50U706000	Regulating Plate /Front		D	2	
11	A50U706900	Detecting Plate		D	1	
12	A50U707600	Idler Spring		D	2	
13	A50UF70800	Support Plate / 1 Caulking		D	2	
14	A50UF70900	Connecting Plate Caulking		D	1	
16	A55C712000	Lock Claw		D	2	
17	A9VE700200	Conveyance Handle		D	1	
18	A9VE701300	Cover Door		D	1	
19	AC57R71300	Vertical Conveyance ASSY		S	1	
20	AC57705300	Support Plate /ASSY		D	1	

# Vertical Conveyance Section

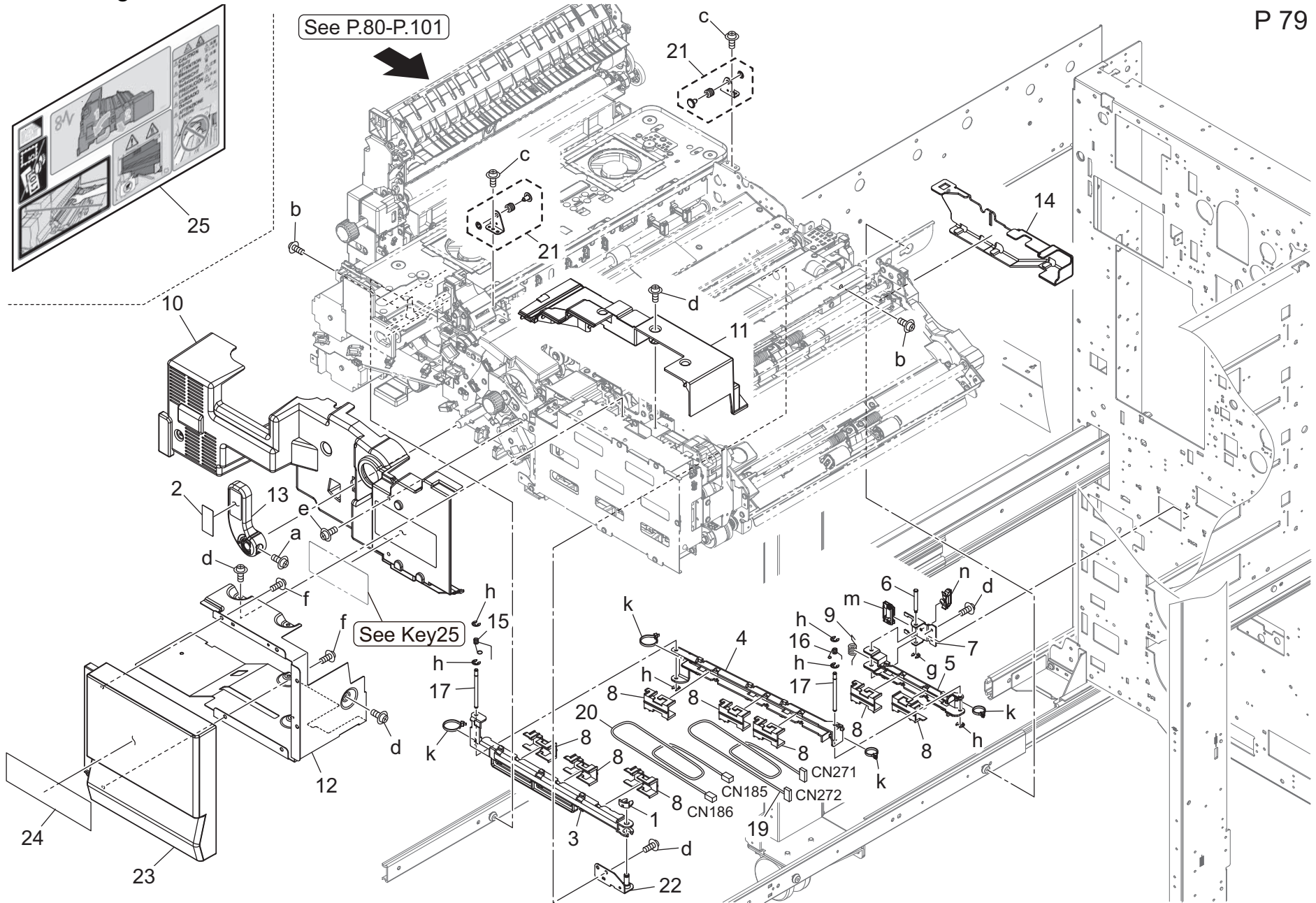


P 78

Key	Part No.	Description	Destinations	Class	QTY	Standard parts
1	4470402401	Stopper		D	2	a-V127030604 b-V217030003 c-V217060003 e-V500020099 f-V570010056
2	25AA77730	CONVEYANCE IDLER RIGHT 24T		C	1	
3	55VA20680	SEPARATION POSITIONING SCREW		C	2	
4	55VA42120	Shaft Stopper		C	1	
5	A795M20300	Clutch		C	1	
6	65AA44200	LOCKING PLATE		C	2	
7	65AA44350	Stopper Roller		C	1	
8	65AA44440	OPEN SHUT SPRING		C	1	
9	A03U812800	Slide Shaft Holder		B	5	
10	A50U700200	Idling Shaft		D	1	
11	A50U700300	Guide Plate /Upper		D	1	
12	A50U700400	Rotation Plate		D	1	
13	A50U700500	Guide Plate /Inside		D	1	
14	A50U700600	Positioning Spring		D	1	
16	AC57704400	Conveyance Roller /1		C	1	
17	A50U704700	Guide Plate /Middle		D	1	
18	A50U704801	Guide Plate /2		D	1	
19	A50U704900	Open/shut Plate		D	1	
20	A50U705000	Mounting Plate /Rear		D	1	
21	A50U705400	Fixing Plate /1		D	1	
22	A50U705500	Detection Actuator		D	1	
23	A50U705600	Support Shaft		D	1	
24	A50U706800	Cushion		D	2	
25	A50U707002	Lock Plate		D	1	
26	A50U707300	Guide Plate		D	1	
27	A50U707400	Pressing Spring /1		D	1	
28	A50UM51000	Photointerrupter		C	1	
29	A50UN14400	Conveyance Wiring /1		D	1	
30	A85CM55600	Photo Sensor		C	1	
31	65AA49500	Paper Exit Spacer /1		C	1	



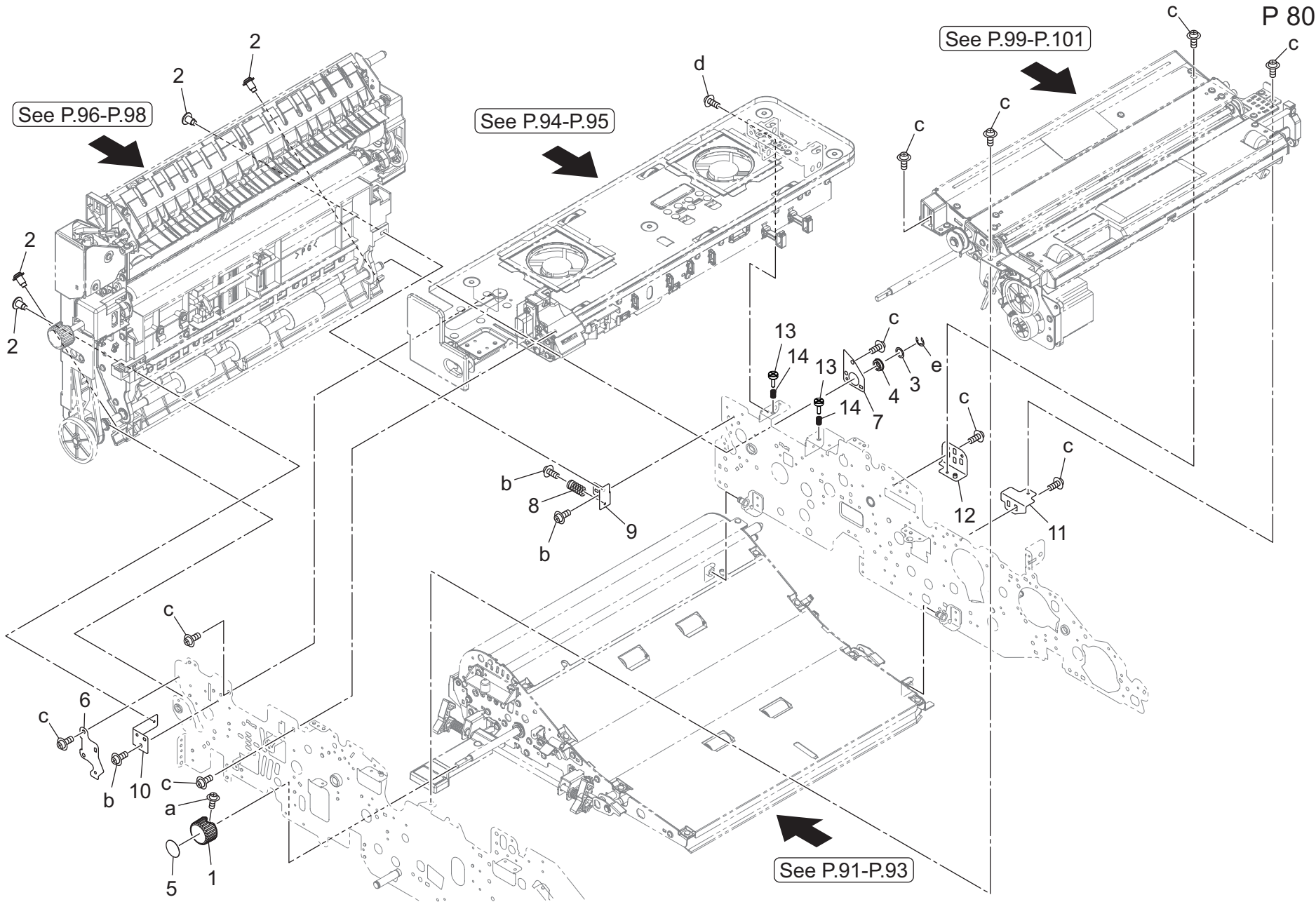
# Duplex Carriage Section



# Duplex Carriage Section

Key	Part No.	Description	Destinations	Class	QTY	Standard parts
1	56AA40490	Shaft Stopper /4		C	1	a-V116041203
2	A9VE943100	Release Label /1		D	1	b-V118040603
3	A50U818700	Wiring Guide /Front		D	1	c-V121030403
4	A50U818800	Wiring Guide /Middle		D	1	d-V127030604
5	A50U818900	Wiring Guide /Rear		D	1	e-V127030804
6	A50U819201	Support Shaft /Rear		D	1	f-V153030803
7	A50U819302	Support Plate /Rear		D	1	g-V217020003
8	A50U832901	Wiring Cover		D	8	h-V217030003
9	A50U835001	Torsion Coil spring		D	1	k-V501010002
10	A50U837001	Cover Part /1		D	1	m-V570010059
11	A50U837101	Cover Part /2		D	1	n-V500020100
12	A50U837300	Cover Part /3		D	1	
13	A50U855702	Pulling Lever		D	1	
14	A50U858200	Cover Cover		D	1	
15	A50U858300	Ground Spring /2		D	1	
16	A50U858400	Ground Spring /1		D	1	
17	A50U858500	Support Shaft /Middle		D	2	
19	A50UN15500	ADU Relay harness /3		D	1	
20	A50UN18700	ADU Relay harness /6		D	1	
21	A50UR70G01	2nd Transfer Earth Plate Assy		B	2	
22	A50UR72S00	Support Plate / Front Caulking		D	1	
23	AC57160400	Duplex Cover		D	1	
24	ADA4947000	Label AccurioPrint C4065P		D	1	
25	AC57942100	Label /A		D	1	

# Duplex Carriage Section

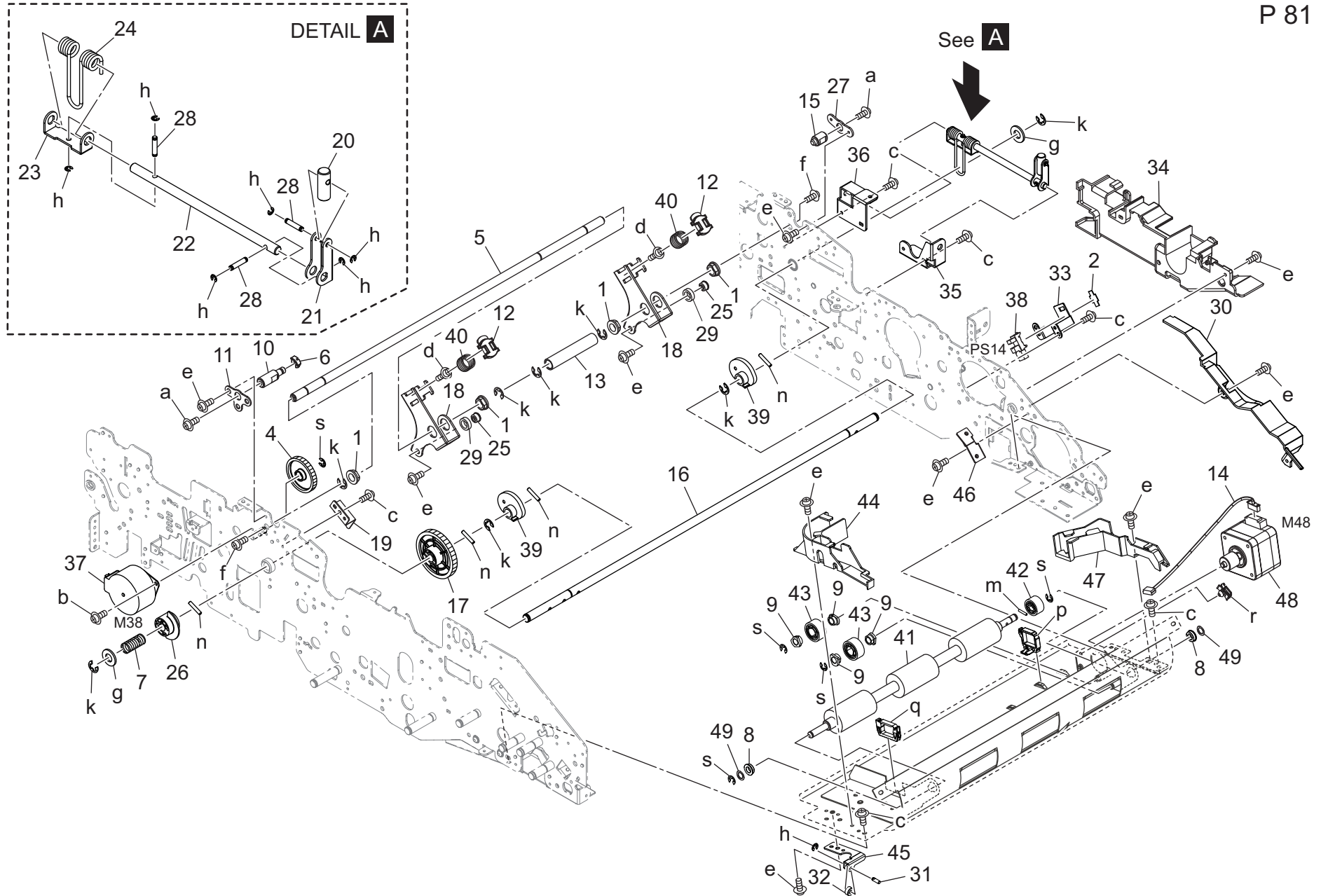


AccurioPrint C4065P

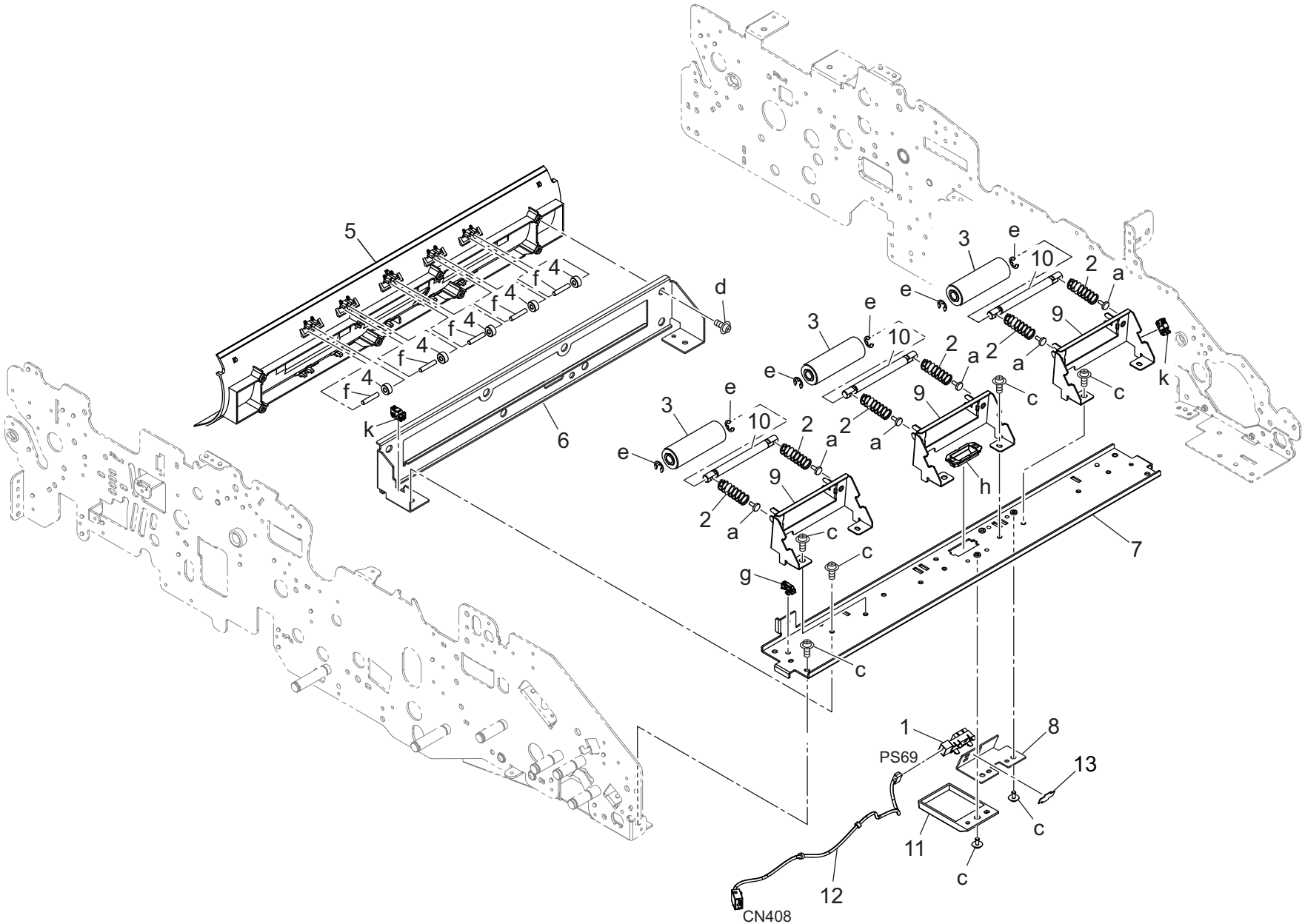
# Duplex Carriage Section

Key	Part No.	Description	Destinations	Class	QTY	Standard parts
1	14GE45470	Rotation Knob		C	1	a-V118030603 b-V121030403 c-V127030604 d-V127040803 e-V217060003
2	26NA54230	Terminal Fixing Screw		C	4	
3	56AA42690	By-Pass Spacer		C	1	
4	A00J617900	Ball Bearing		B	1	
5	A9VE944100	Release Label /11		D	1	
6	A50U819500	Connecting Plate		D	1	
7	A50U839900	Connecting Plate		D	1	
8	A50U842900	Conveyance Spring /5		D	1	
9	A50U882701	Reverse/Exit Joint /Rear		D	1	
10	A50U882801	Reverse/Exit Joint /Front		D	1	
11	A50U884202	Registration Base frame /2		D	1	
12	A50UF83702	Registration Base Frame / 1 Caulking		D	1	
13	AC57884400	Fusing Screw /Rear		D	2	
14	AC57884500	Compressing Coil spring		D	2	

# Duplex Section



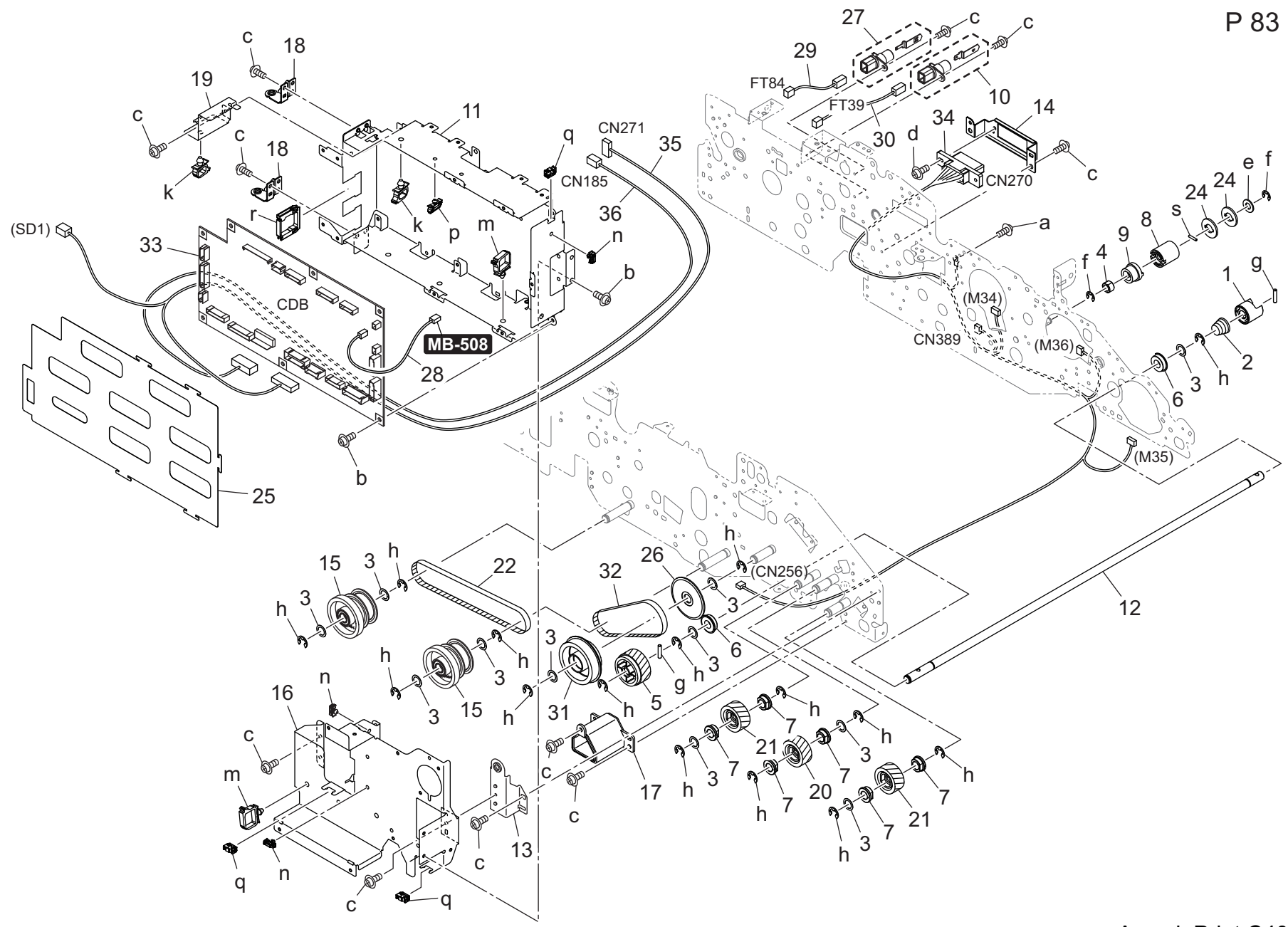
Key	Part No.	Description	Destinations	Class	QTY	Standard parts
1	4131353202	BUSHING	軸受	C	4	a-V116050803
2	4470402401	Stopper	ストッパー	D	1	b-V118030403
4	40AA77550	Mirror Drive Gear /2 14/70T	ミラー駆動ギア /2 14 /70 T	C	1	c-V121030403
5	A9VE521100	Pressing Shaft /1	押圧軸 /1	D	1	d-V121040403
6	56AA40490	Shaft Stopper /4	軸 ストッパー /4	C	1	e-V127030604
7	65AA45230	CAM PULLING SPRING	カム引張りバネ	C	1	f-V127040803
8	A00J617800	Ball Bearing	ボールベアリング	A	2	g-V207080003
9	466076020	Paper Feed Feeding Bearing	給紙送り出し軸受	B	4	h-V217020003
10	A50U520601	Support Shaft /Front	支点軸 /前	D	1	k-V217060003
11	A50U520700	Adjusting Plate /Front	調整板 /前	D	1	m-V234201050
12	A50U520900	Pressing Cover	押圧蓋	D	2	n-V234301650
13	A9VE521200	Transfer Collar /1	転写カラー /1	D	1	p-V500010079
14	AC57N22101	Drive Relay Harness /4	駆動中継束線 /4	D	1	q-V570010059
15	A50U521301	Support Shaft /Rear	支点軸 /奥	D	1	r-V500020099
16	A50U521500	Drive Shaft	駆動軸	D	1	s-V217040003
17	A50U521900	Pressure Gear /3 47T	圧着ギア /3 47 T	C	1	
18	A50U522001	Rotation Arm	回転アーム	D	2	
19	A50U522400	Holding Plate	押さえ板	D	1	
20	A50U522900	Rotation Shaft	回転軸	D	1	
21	A50U523001	Release Arm	解除アーム	D	1	
22	A50U523100	Support Shaft	支点軸	D	1	
23	A50U523200	Rotation Cover	回転カバー	D	1	
24	A50U523400	Torsion Coil spring	ねじりコイルばね	D	1	
25	A50U524100	Receiving Shaft	受け軸	D	2	
26	A50U524500	Transfer Actuator	転写アクチュエータ	D	1	
27	A50U524600	Adjusting Plate /Rear	調整板 /奥	D	1	
28	A50U524700	Support Shaft	支点軸	D	3	
29	A50U716500	Ball Bearing	ボールベアリング	C	2	
30	A50U834802	Cover Side plate /Right rear	カバー側板 /右後	D	1	
31	A50U854400	Fixing Shaft	固定軸	D	1	
32	A50U854800	Conveyance Roll	搬送ころ	D	1	
33	A50U855800	Drive Side plate /2	駆動側板 /2	D	1	
34	A50U858101	Cover Box	カバー箱	D	1	
35	A50U884600	Support Plate /1	支持板 /1	D	1	
36	A50U884700	Support Plate /2	支持板 /2	D	1	
37	A50UR72C00	Drive Motor / 1 Assy	駆動モータ /1 Assy	C	1	
38	A85CM55600	Photo Sensor	フォトセンサ	C	1	
39	A9VE522500	Transfer Cam	転写カム	C	2	
40	A9VE526200	Pressing Spring	押圧ばね	D	2	
41	AC57870700	Conveyance Roller	搬送ローラ	C	1	
42	A9VE870800	Drive Gear /1 20T	駆動ギア /1 20 T	C	1	
43	A9VE870900	Idling Gear 24T	アイドルギア 24 T	C	2	
44	A9VE871200	Wiring Guide /1	配線ガイド /1	D	1	
45	A9VE871300	Support Plate	支持板	D	1	
46	A9VE871700	Mounting Plate /5	取付板 /5	D	1	
47	A9VE871800	Wiring Guide /2	配線ガイド /2	D	1	
48	AC57R71700	Stepping Motor ASSY	ステッピングモータ ASSY	C	1	
49	40AA98020D	Paper exit Spacer	排紙 スペース	D	2	



Key	Part No.	Description	Destinations	Class	QTY	Standard parts
1	13QA85511Old	Sensor /1		B	1	a-V118030603 c-V127030604 d-V153030803 e-V217040003 f-V234301650 g-V500020099 h-V570010037 k-V570010056
1	9335140071	Solid State Switch		B	1	
2	A03U842700	Conveyance Spring /3		C	6	
3	A03U845601	Idler Roller /2		C	3	
4	A50U854800	Conveyance Roll		D	5	
5	A9VE870100	Guide Plate		D	1	
6	A9VE870200Old	Mounting Plate /4		D	1	
6	A9VE870211	Mounting Plate /4		D	1	
7	A9VE870300	Mounting Plate /3		D	1	
8	A9VE870400Old	Sensor Plate		D	1	
8	A9VE870411	Sensor Plate		D	1	
9	A9VE870500	Idler Plate		D	3	
10	A9VE870600	Idler Shaft		D	3	
11	A9VE871900	Wiring Cover		D	1	
12	A9VEN16200	ADU Detection harness /16		D	1	
13	4470402401	Stopper		D	1	

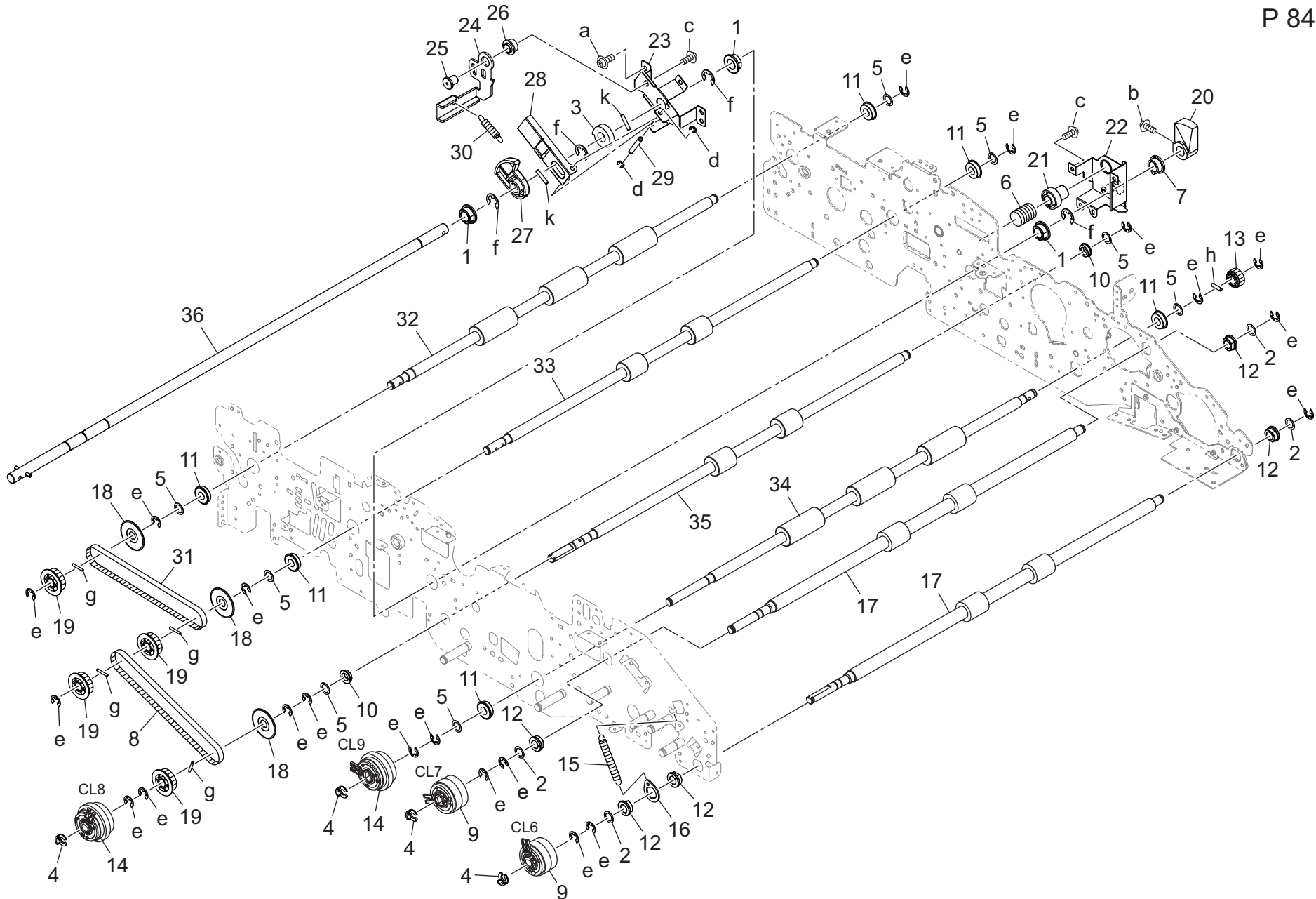


# Duplex Section



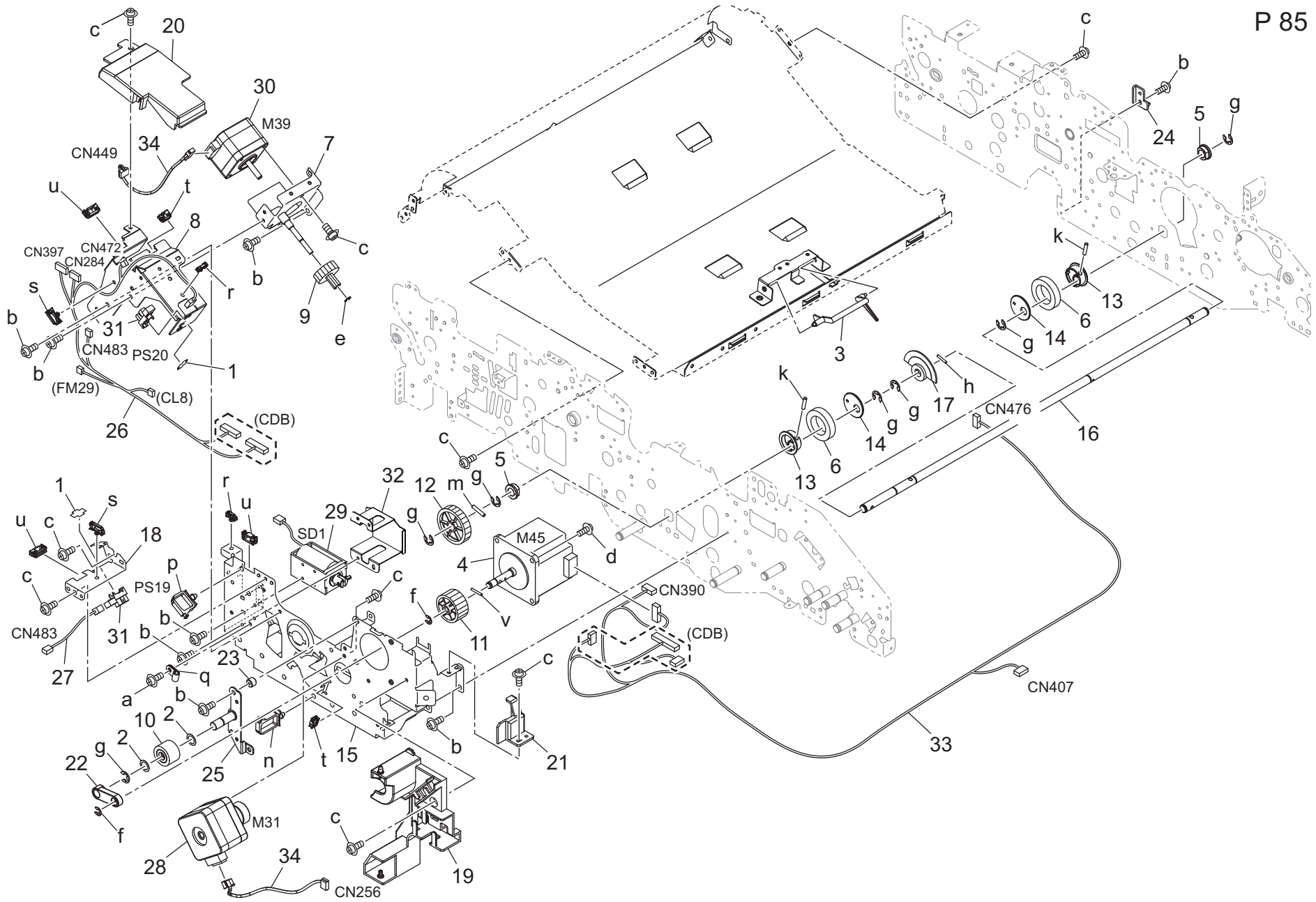
Key	Part No.	Description	Destinations	Class	QTY	Standard parts
1	55VA15541	CLEANER COUPLING PART	クリーナーカップリング部材	C	1	a-V116030603
2	56AA17090	Pressing Spring	押圧バネ	C	1	b-V127030603
3	56AA42690	By-Pass Spacer	手差しスペーサー	C	11	c-V127030604
4	56GA76010	Slide Bearing /2	すべり軸受/2	C	1	d-V127030803
5	65AA77540	PAPER FEED GEAR 2 29T	給紙歯車 2 29 T	C	1	e-V207060003
6	A00V240600	Ball Bearing	ボールベアリング	B	2	f-V217050003
7	A03U812800	Slide Shaft Holder	すべり軸受	B	6	g-V234301450
8	A03U815700	Torque Limiter	トルクリミッター	B	1	h-V217060003
9	A03U839000	BRAKE GEAR /1 21T	ブレーキギア/1 21 T	C	1	k-V500010082
10	A1DUR73K00	Powering Block A Assy	給電ブロック/A 部組	C	1	m-V500010084
11	A50U810502	Mounting Board /1	取付基板/1	D	1	n-V500020099
12	A50U812100	Drive Input Shaft	駆動入力軸	D	1	p-V500020100
13	A50U816103	Positioning Side plate /Right	位置決め側板/右	D	1	q-V570010056
14	A50U817400	Mounting Side plate /1	取付側板/1	D	1	r-V570010058
15	AC57818000	Drive Gear 29/29/38T	駆動ギア 29/29/38 T	C	2	s-V234201050
16	A50U835302	Mounting Board /2	取付基板/2	D	1	
17	A50U835400	Guide Part /Front	ガイド部材/前	D	1	
18	A50U835900	Support Plate	支点板 (基板)	D	2	
19	A50U836000	Cover	カバー (基板)	D	1	
20	A50U836400	Conveyance Idler /Right	搬送アイドラ/右	D	1	
21	A50U836500	Conveyance Idler /Right	搬送アイドラ/右	D	2	
22	A50U839200	Belt /3 342L	ベルト/3 342 L	C	1	
24	A50U858600	Stopper Plate	ストップ板	D	2	
25	A50U880702	Packing Board /Front	包装基板/前	D	1	
26	A50U885100	Drive Spacer	駆動スペーサー	D	1	
27	A50UF82200	Power Supply Block / B ASSY	給電ブロック/B ASSY	D	1	
28	A50UN17200	ADU Drive harness /7	A D U 駆動束線/7	D	1	
29	A50UN25400	HV Relay harness /5	高圧中継束線/5	D	1	
30	A50UN25600	HV Relay harness /6	高圧中継束線/6	D	1	
31	A9VE818100	Drive Gear /1 39T	駆動ギア/1 39 T	C	1	
32	A9VE839100	Belt /4	ベルト/4	D	1	
33	AC57H05002	Conveyance Drive Board ASSY	搬送駆動基板 ASSY	I	1	
34	A9VEN15000	ADU Drive harness /1	A D U 駆動束線/1	D	1	
35	A9VEN15601	ADU Control harness /1	A D U 制御束線/1	D	1	
36	A9VEN18801	ADU Control harness /2	A D U 制御束線/2	D	1	

# Duplex Section

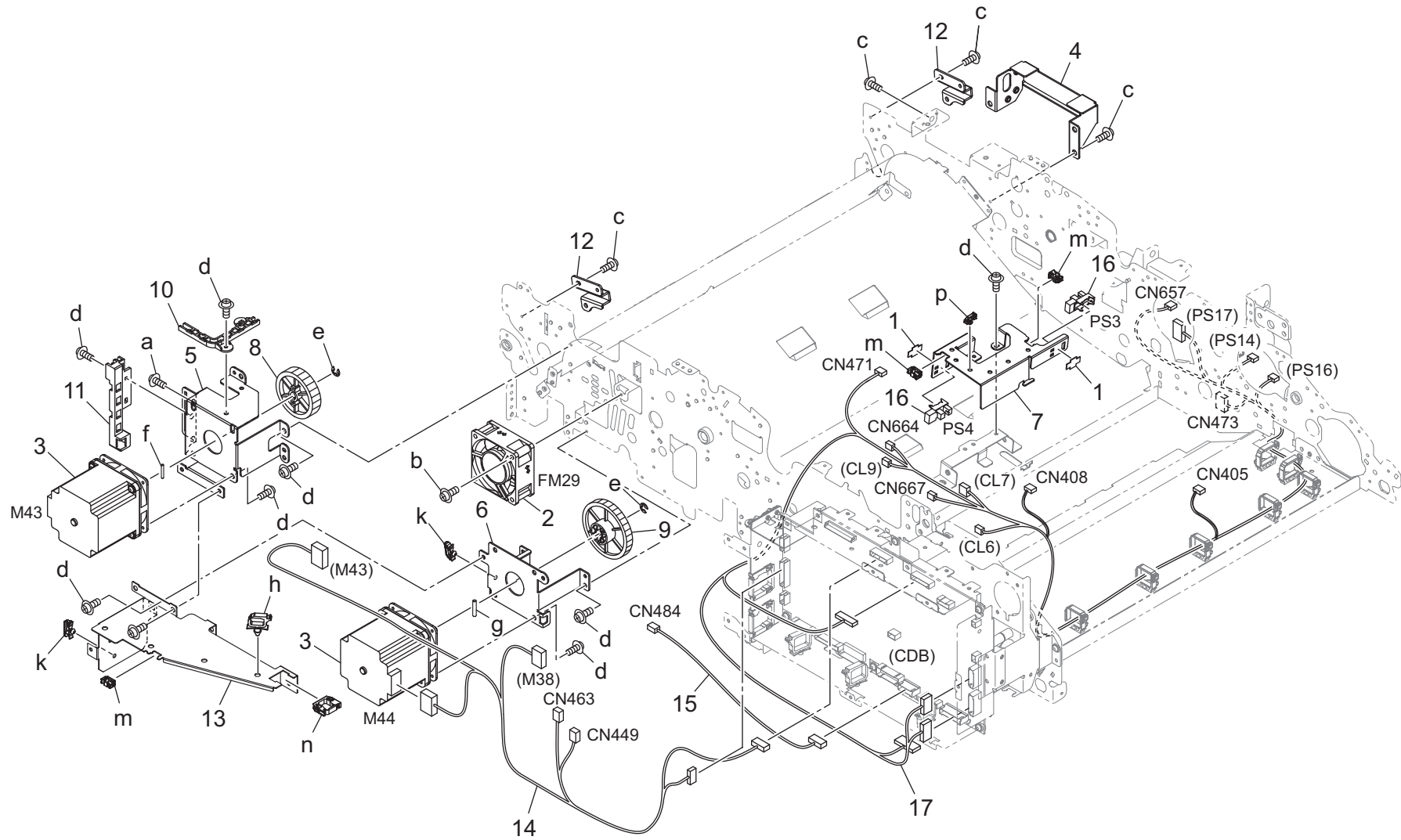


Key	Part No.	Description	Destinations	Class	QTY	Standard parts
1	462076010	Driving Slide Shaft Holder A	駆動滑り軸受 A	C	3	a-V121030403
2	12QV40650	Spacer	スペーサー	B	4	b-V116041403
3	25AA47500	Carriage Lock Claw /B	架台ロック爪 / B	C	1	c-V127030604
4	55VA42120	Shaft Stopper	軸ストッパー	C	4	d-V217030003
5	56AA42690	By-Pass Spacer	手差しスペーサー	C	8	e-V217060003
6	56AA50670	Cam Stopper Spring	カムストッパバネ	C	1	f-V217080003
7	56AA50800	LEVER SUPPORT SHAFT HOLDER	レバー支持軸受	C	1	g-V234201450
8	56AA77530	Paper Feed Drive Belt /1 336L	給紙駆動ベルト /1 336 L	C	1	h-V234301250
9	AC57M20000	Conveyance Clutch	搬送クラッチ ( 5 k g )	A	2	k-V234301650
10	A00J617900	Ball Bearing	ボールベアリング	B	2	
11	A00V240600	Ball Bearing	ボールベアリング	B	6	
12	A03U812800	Slide Shaft Holder	すべり軸受	B	5	
13	A03U838900	Brake Gear /2 24T	ブレーキギア /2 24 T	C	1	
14	AC57M20200	Conveyance Clutch	搬送クラッチ ( 6 k g )	B	2	
15	A03X565001	Swing Spring	首振りばね	C	1	
16	A1RG681400	Brake Plate /8	ブレーキ板 /8	D	1	
17	AC57812200	ADU Conveying Roller /Right	A D U 搬送ローラ /右	C	2	
18	A50U817300	Holding Collar	押さえカラ	D	3	
19	A50U818501	Pulley /2	プーリ /2	D	4	
20	A50U830200	Positioning Part /Rear	位置決め部材 /奥	D	1	
21	A50U830300	Regulating Part /Rear	規制部材 /奥	D	1	
22	A50U830400	Hold Plate /Assy	保持板 / A s s y	D	1	
23	A50U830501	Reinforce Plate /1	補強板 /1	D	1	
24	A50U830600	Lock Plate	ロック板	D	1	
25	A50U830700	Support Shaft	支持軸	D	1	
26	A50U830800	Lock Bushing	ロックすべり軸受	D	1	
27	A50U831000	Release Cam	解除カム	D	1	
28	A50U831100	Release Plate	解除板	D	1	
29	A50U831200	Release Shaft /1	解除軸 /1	D	1	
30	A50U831900	Pulling Spring	引張りばね ( ロックレバー)	D	1	
31	A50U839200	Belt /3 342L	ベルト /3 342 L	C	1	
32	AC57849100	Roller /1	ローラ /1	C	1	
33	AC57849200	Roller /2	ローラ /2	C	1	
34	AC57859000	Roller	ローラ	C	1	
35	AC57859400	Roller /3	ローラ /3	C	1	
36	A50UR72E00	Release Shaft Pin Assy	解除軸ピン A s s y	D	1	

# Duplex Section



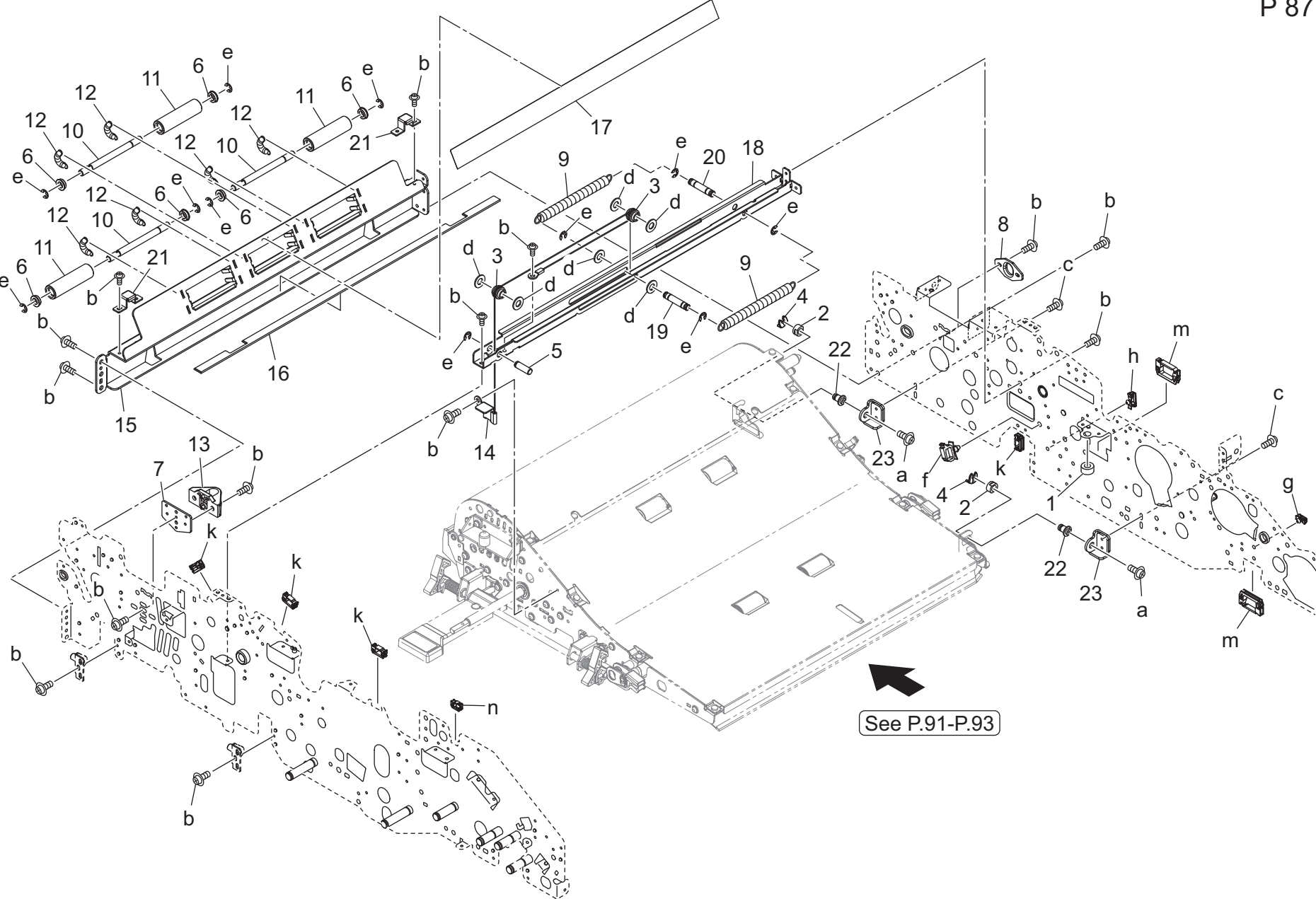
Key	Part No.	Description	Destinations	Class	QTY	Standard parts
1	4470402401	Stopper		D	2	a-V116030603
2	56AA42690	By-Pass Spacer		C	2	b-V121030403
3	65AA51730	ADU 2		C	1	c-V127030604
4	65AA80112	HB Motor /50		B	1	d-V121030803
5	A03U812800	Slide Shaft Holder		B	2	e-V217030003
6	A9VE841300	Ball bearing		C	2	f-V217040003
7	A50U713302	Swing Side plate /ASSY		D	1	g-V217060003
8	A50U713403	Swing Side plate /2		D	1	h-V234201250
9	A50U713500	Swing Gear /1 18/51T		D	1	k-V234301450
10	A50U713700	Registration Idler /1		C	1	m-V234301650
11	A50U713800	Registration Gear /1 56T		B	1	n-V500010013
12	A50U713900	Registration Gear /2 48T		C	1	p-V500010084
13	A50U714800	Pressure Cam		C	1	q-V500020069
14	A50U714900	Spacer		D	2	r-V500020099
15	A50U715004	Mounting Lever /1		D	2	s-V500020100
16	A50U715100	Pressure Shaft /2		D	1	t-V570010056
17	A50U715200	Pressure Actuator		D	1	u-V570010057
18	A50U819700	Cover		D	1	v-V234201450
19	A50U835601	Drive Cover		D	1	
20	A50U836100	Cover		D	1	
21	A50U882300	Protection Cover		D	1	
22	A50U882600	Registration ring /Front		D	1	
23	A50U883300	Idling Shaft /1		D	1	
24	A50U883501	Protection Plate		D	1	
25	A50UF81401	Adjusting Plate Caulking		D	1	
26	A50UN18203	ADU Drive harness /12		D	1	
27	A50UN18900	ADU Detection harness /14		D	1	
28	AC57R71600	Motor ASSY		C	1	
29	A50UR72G00	ADU Connecting Solenoid Pin Assy		C	1	
30	AC57R73700	Stepping Motor / 3 Assy		C	1	
31	A85CM55600	Photo Sensor		C	2	
32	A9VE819100	Regulating Plate		D	1	
33	A9VEN16500	ADU Drive harness /6		D	1	
34	AC57N22000	Drive Relay Harness /3		D	2	



Key	Part No.	Description	Destinations	Class	QTY	Standard parts
1	4470402401	Stopper		D	2	a-V118030403
2	AAMP10900	Fan Motor		C	1	b-V118033003
3	A1TVM10100	Stepping motor /50		B	2	c-V121030403
4	A50U814401	Reinforce Plate		D	1	d-V127030604
5	A50U814500	Positioning Plate /Upper		D	1	e-V217040003
6	A50U815101	Positioning Plate /Lower		D	1	f-V234201450
7	A50U819812	Mounting /A		D	1	g-V234301650
8	A50U819900	Riverse/exit Gear /1 42T		D	1	h-V500010082
9	A50U831300	Preventing Gear /1 57T		C	1	k-V500020100
10	A50U836300	Cover		C	1	m-V570010056
				D	1	n-V570010031
11	A50U837700	Wiring Guide		D	1	p-V500020099
12	A50U838500	Mounting Handle /Left		D	2	
13	A50U838701	Reverse/Exit Plate /Left front		D	1	
14	A50UN16000	ADU Drive harness /4		D	1	
15	A50UN16900	ADU Detection harness /15		D	1	
16	A85CM55600	Photo Sensor		C	2	
17	A9VEN16100	ADU Drive harness /11		D	1	



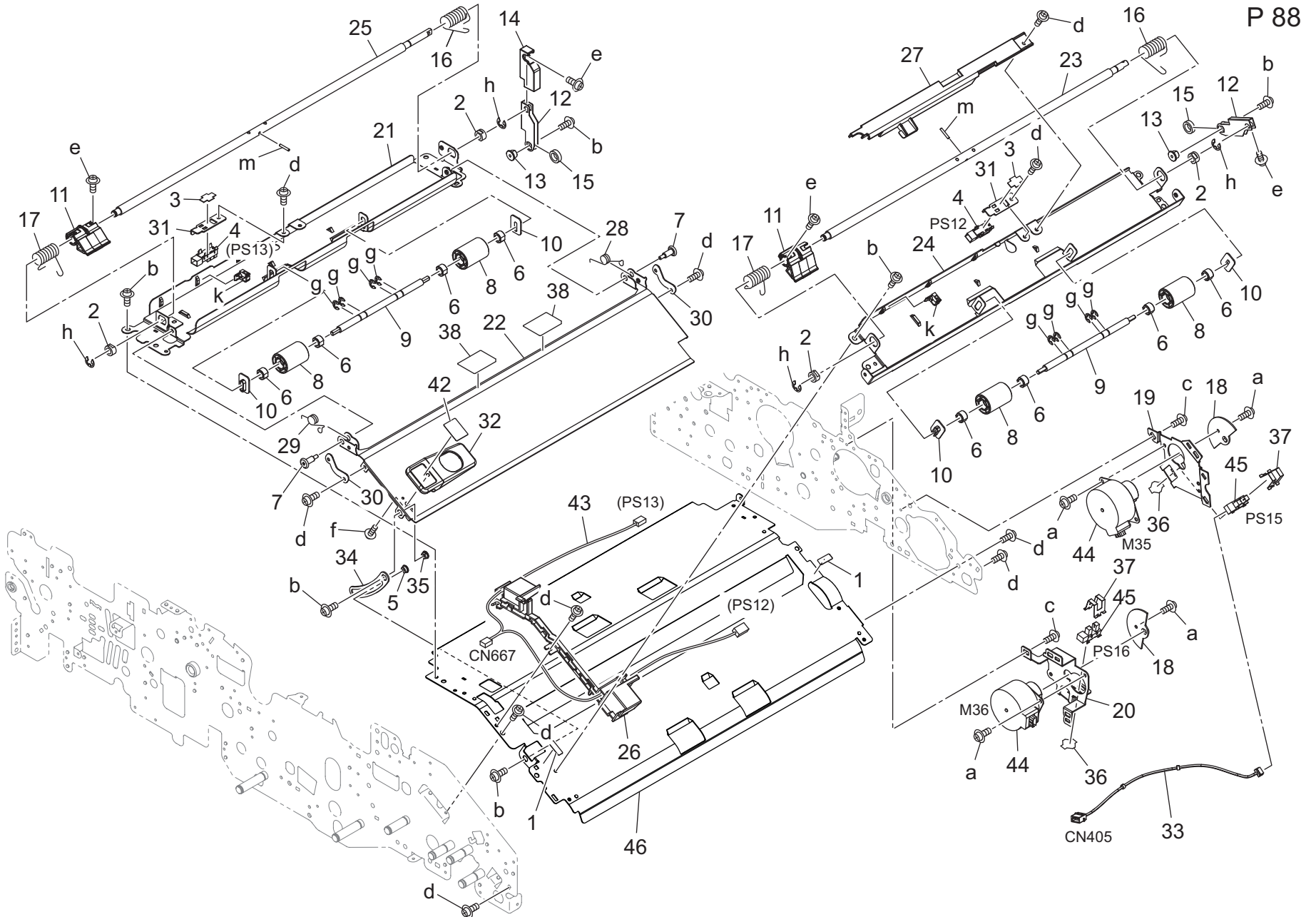
Duplex Section



See P.91-P.93

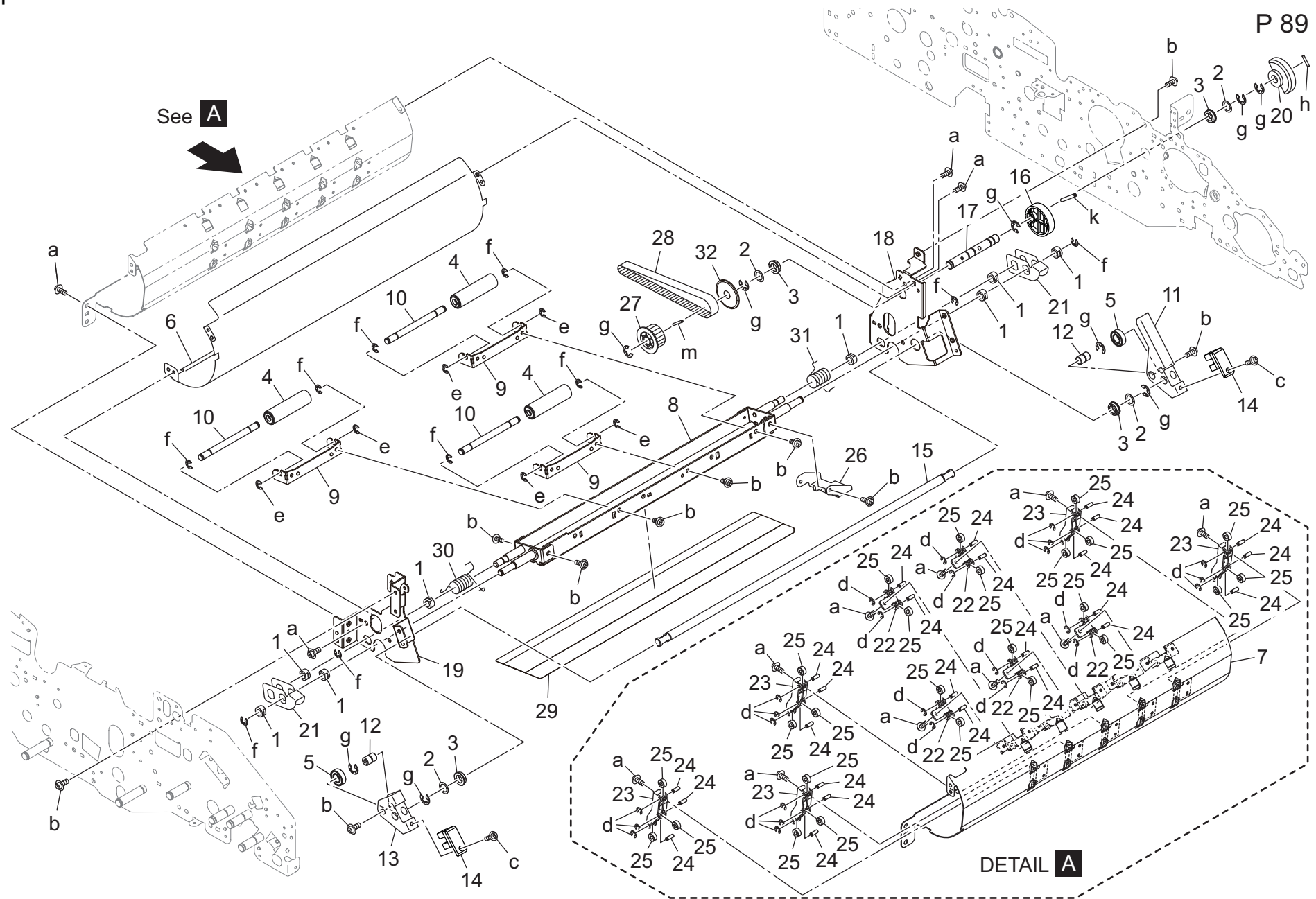


# Duplex Section



Key	Part No.	Description	Destinations	Class	QTY	Standard parts
1	4109553001	Stopper	ストッパー	C	2	a-V118030403
2	4131253701	BUSHING	軸受	C	4	b-V121030303
3	4470402401	Stopper	ストッパー	D	2	c-V121030403
4	9335140071	Solid State Switch	反射型フォトスイッチ	B	2	d-V127030604
5	A9VE872000	Support Screw /A	支持ねじ / A	D	1	e-V127030803
6	A03U850101	Slide Bushing	すべり軸受	C	8	f-V153040803
7	A0P0144300	Shoulder screw	段ねじ ( HDD )	D	2	g-V217040003
8	A50U712200	Idler Roll /1	従動ころ / 1	D	4	h-V217050003
9	A50U712300	Idler Shaft /1	従動軸 / 1	D	2	k-V500010057
10	A50U712400	Receiving Shaft /1	受け軸 / 1	D	4	m-V234201250
11	A50U714601	Lever	レバー	D	2	
12	A50U715300	Pressure Lever /25	圧着レバー / 2 5	D	2	
13	A50U715600	Support Shaft /2	支点軸 / 2	D	2	
14	A50U715800	Protection Cover	保護カバー	D	1	
15	A50U716500	Ball Bearing	ボールベアリング	C	2	
16	A50U718400	Pressing Spring /Rear	押圧ばね / 奥	D	2	
17	A50U718500	Pressing Spring /Front	押圧ばね / 前	D	2	
18	A50U816700	Light blocking Plate /1	遮光板 / 1	D	2	
19	A50U816801	Drive Side plate /1	駆動側板 / 1	D	1	
20	A50U816900	Drive Side plate /2	駆動側板 / 2	D	1	
21	A50U817603	Guide Plate	ガイド板	D	1	
22	A50U817800	Guide Plate /Middle	ガイド板 / 中	D	1	
23	A50U818201	Release Shaft /1	解除軸 / 1	D	1	
24	A50U818400	Guide Plate /Right	ガイド板 / 右	D	1	
25	A50U818601	Release Shaft /2	解除軸 / 2	D	1	
26	A50U833400	Protection Cover /1	保護カバー / 1	D	1	
27	A50U833500	Protection Cover /2	保護カバー / 2	D	1	
28	A50U834500	Pressing Spring /Left	押圧バネ / 左	D	1	
29	A50U834600	Pressing Spring /Right	押圧バネ / 右	D	1	
30	A50U834700	Reinforce Plate /A	補強板 / A	D	2	
31	A50U836200	Plate /23	センサ板 / 2 3	D	2	
32	A50U880800	Processing Lever	処理レバー	D	1	
33	A9VEN16200	ADU Detection harness /16	A D U 検知束線 / 1 6	D	1	
34	A50U881601	Processing Guide /1	処理ガイド / 1	D	1	
35	A50U881700	Support Screw /A	支持ねじ / A	D	1	
36	A50U882100	Stopper Plate	ストッパ板 ( センサー )	D	2	
37	A50U883600	Guide /1	センサガイド / 1	D	2	
38	A50U886300	Sheet	シート	D	2	
42	A50U943201	Release Label /2	解除ラベル / 2	D	1	
43	A50UN17900	ADU Detection harness /13	A D U 検知束線 / 1 3	D	1	
44	A50UR72600	Drive Motor / 1 Assy	駆動モータ / 1 A s s y	C	2	
45	A85CM55500	Photo Sensor	フォトセンサ	C	2	
46	A9VE871601	Conveyance Guide /Lower	搬送ガイド / 下	D	1	

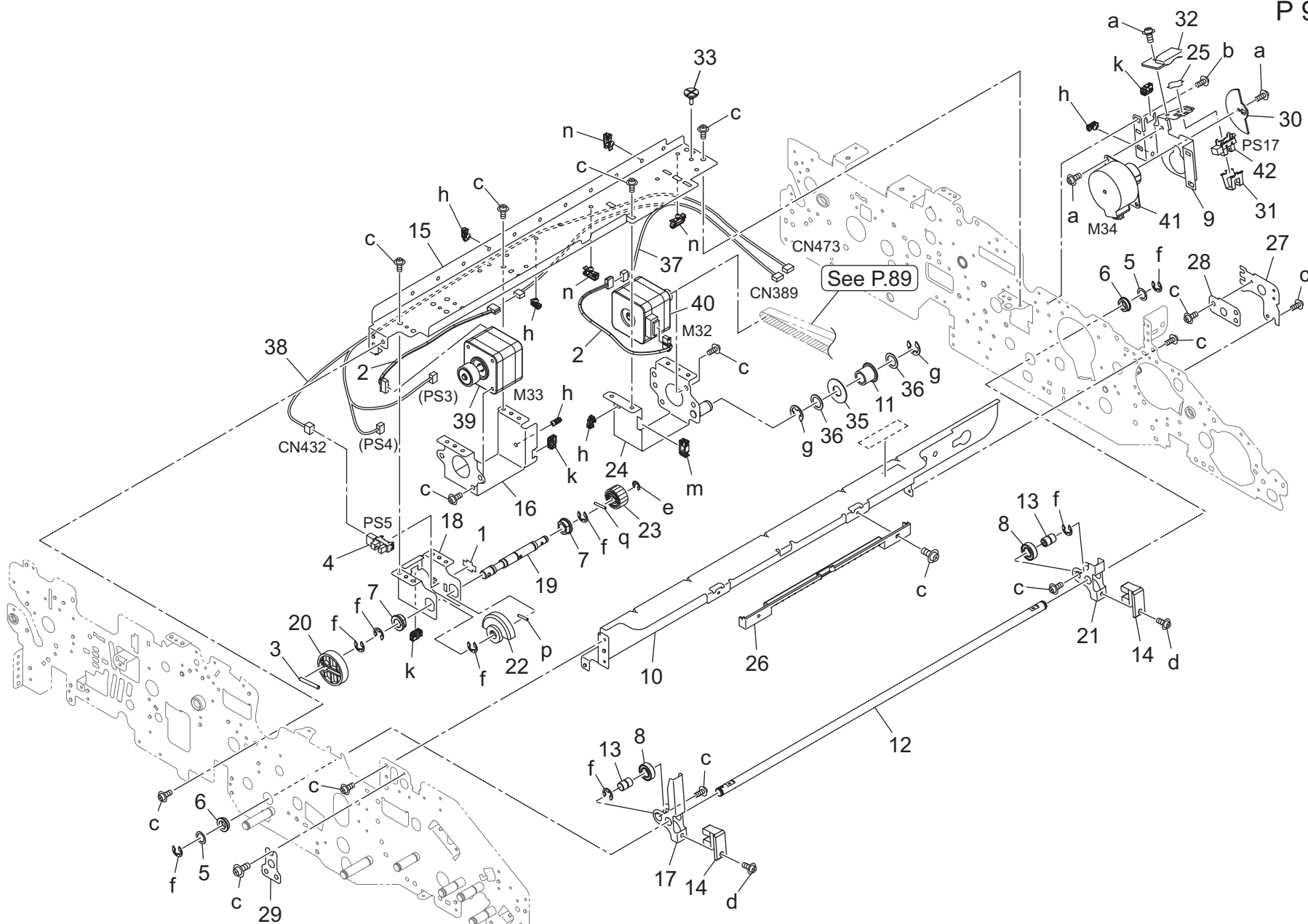
# Duplex Section



Key	Part No.	Description	Destinations	Class	QTY	Standard parts
1	4131253701	BUSHING		C	8	a-V121030403
2	56AA42690	By-Pass Spacer		C	4	b-V127030604
3	A00J617900	Ball Bearing		B	4	c-V127030803
4	A03U845301	Idler Roller /1		C	3	d-V217020003
5	A1RF820000	Ball Bearing		C	2	e-V217030003
6	A50U840303	Guide Plate /3		D	1	f-V217040003
7	A50U840802	Guide Plate /2		D	1	g-V217060003
8	A50U841402	Release Plate /10		D	1	h-V234201250
9	A50U846102	Mounting Plate /5		D	3	k-V234302550
10	A50U846304	Idler Shaft /F		D	3	m-V234201650
11	A50U851400	Release Plate /Rear		D	1	
12	A50U851500	Shaft		D	2	
13	A50U851700	Release Plate		D	1	
14	A9VE851800	Reinforce Block		D	2	
15	A50U852000	Release Shaft /4		D	1	
16	A50U852501	Cam		D	1	
17	A50U852701	Release Shaft /3		D	1	
18	A50U852904	Release Plate /4		D	1	
19	A50U853001	Release Plate /5		D	1	
20	A50U853200	Pressure Actuator		D	1	
21	A50U853700	Release Plate /7		D	2	
22	A50U854200	Roller Base frame /2		D	5	
23	A50U854302	Roller Base frame /1		D	5	
24	A50U854400	Fixing Shaft		D	25	
25	A50U854800	Conveyance Roll		D	25	
26	A50U856201	Support Plate		D	1	
27	A50U859500	Pulley /2		D	1	
28	A50U859800	Belt /1 280L		C	1	
29	A50U880103	Conveyance Guide /1		D	1	
30	A50U881300	Torsion Coil spring		D	1	
31	A50U881400	Torsion Coil spring		D	1	
32	A50U886800	Regulating Spacer		D	1	

# Duplex Section

P 90

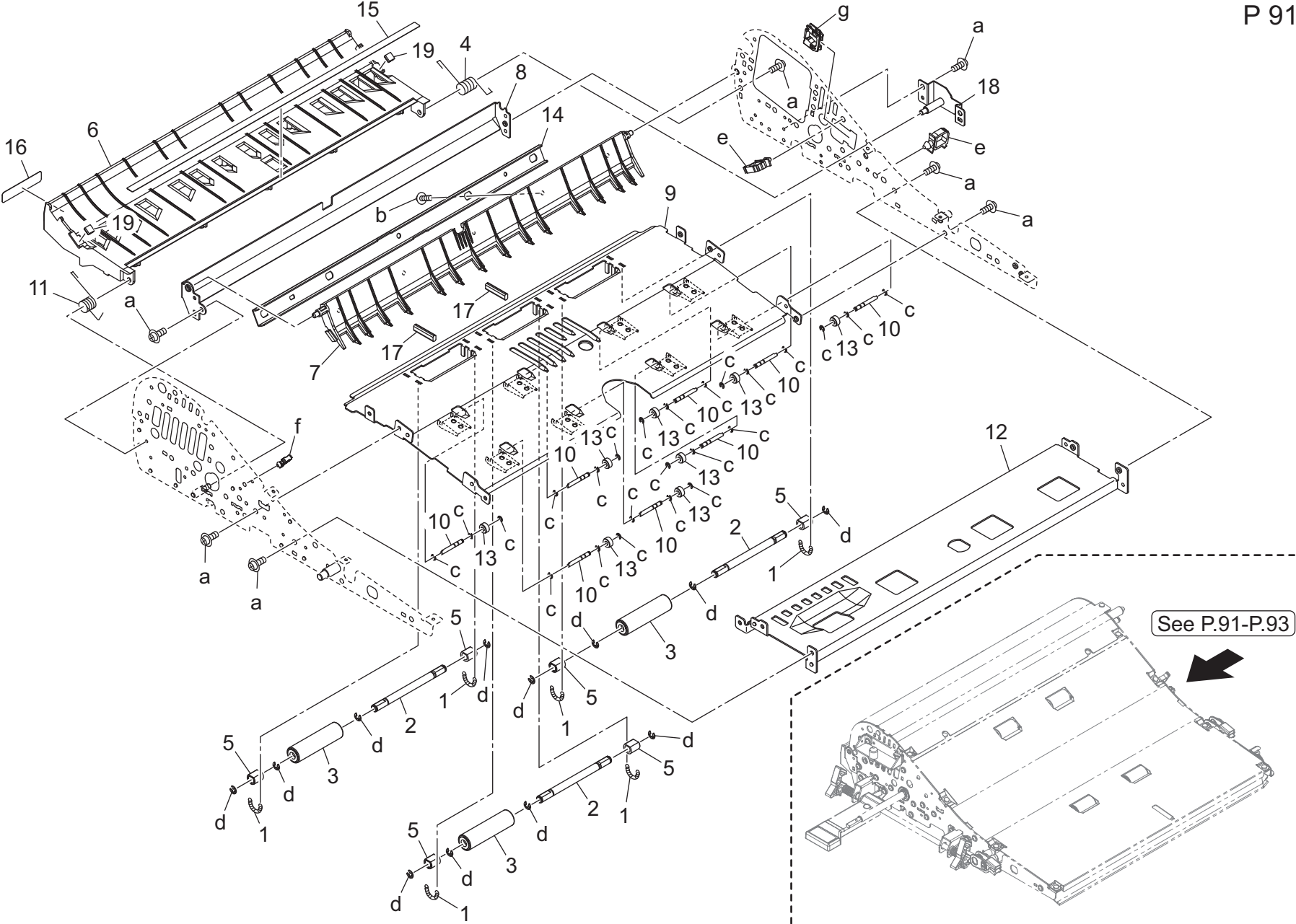


See P.89

Key	Part No.	Description	Destinations	Class	QTY	Standard parts
1	4470402401	Stopper		D	1	a-V118030403
2	AC57N22000	Drive Relay Harness /3		D	2	b-V121030403
3	56AA17490	Pin		C	1	c-V127030604
4	A85CM55600	Photo Sensor		C	1	d-V127030803
5	56AA42690	By-Pass Spacer		C	2	e-V217040003
6	A00J617900	Ball Bearing		B	2	f-V217060003
7	A03U812800	Slide Shaft Holder		B	2	g-V217080003
8	A1RF820000	Ball Bearing		C	2	h-V500020099
9	A50U715400	Pressure Side plate /1		D	1	k-V570010056
10	A50U816403	Hold Stay /Right		D	1	m-V570010057
11	A50U836801	Tension Pulley /B		D	1	n-V500020100
12	A50U850700	Release Shaft /2		D	1	p-V234201250
13	A50U851500	Shaft		D	2	q-V234201450
14	A9VE851800	Reinforce Block		D	2	
15	A50U851901	Mounting Plate /1		D	1	
16	A50U852102	Mounting Plate /2		D	1	
17	A50U852200	Release Plate /3		D	1	
18	A50U852301	Mounting Plate /3		D	1	
19	A50U852400	Release Shaft /1		D	1	
20	A50U852501	Cam		D	1	
21	A50U853100	Release Plate /6		D	1	
22	A50U853200	Pressure Actuator		D	1	
23	A50U854600	Release Gear /1 24T		C	1	
24	A50U858703	Mounting Plate /3		D	1	
25	A50U882100	Stopper Plate		D	1	
26	A50U882900	Handle		D	1	
27	A50U883001	Positioning Side plate /Rear		D	1	
28	A50U883101	Positioning Plate /Rear		D	1	
29	A50U883200	Positioning Plate /Front		D	1	
30	A50U883400	Light blocking Plate		D	1	
31	A50U883600	Guide /1		D	1	
32	A50U883701	Protection Cover /1		D	1	
33	A50U884000	Registration Screw		D	1	
35	A50U886700	Holding Collar		D	1	
36	A50U886900	Spacer		D	2	
37	A50UN15900	ADU Drive harness /3		D	1	
38	A50UN18100	ADU Detection harness /10		D	1	
39	AC57R71500	Stepping Motor / 2 ASSY		C	1	
40	AC57R71800	Stepping Motor / 1 ASSY		C	1	
41	A50UR72600	Drive Motor / 1 Assy		C	1	
42	A85CM55500	Photo Sensor		C	1	



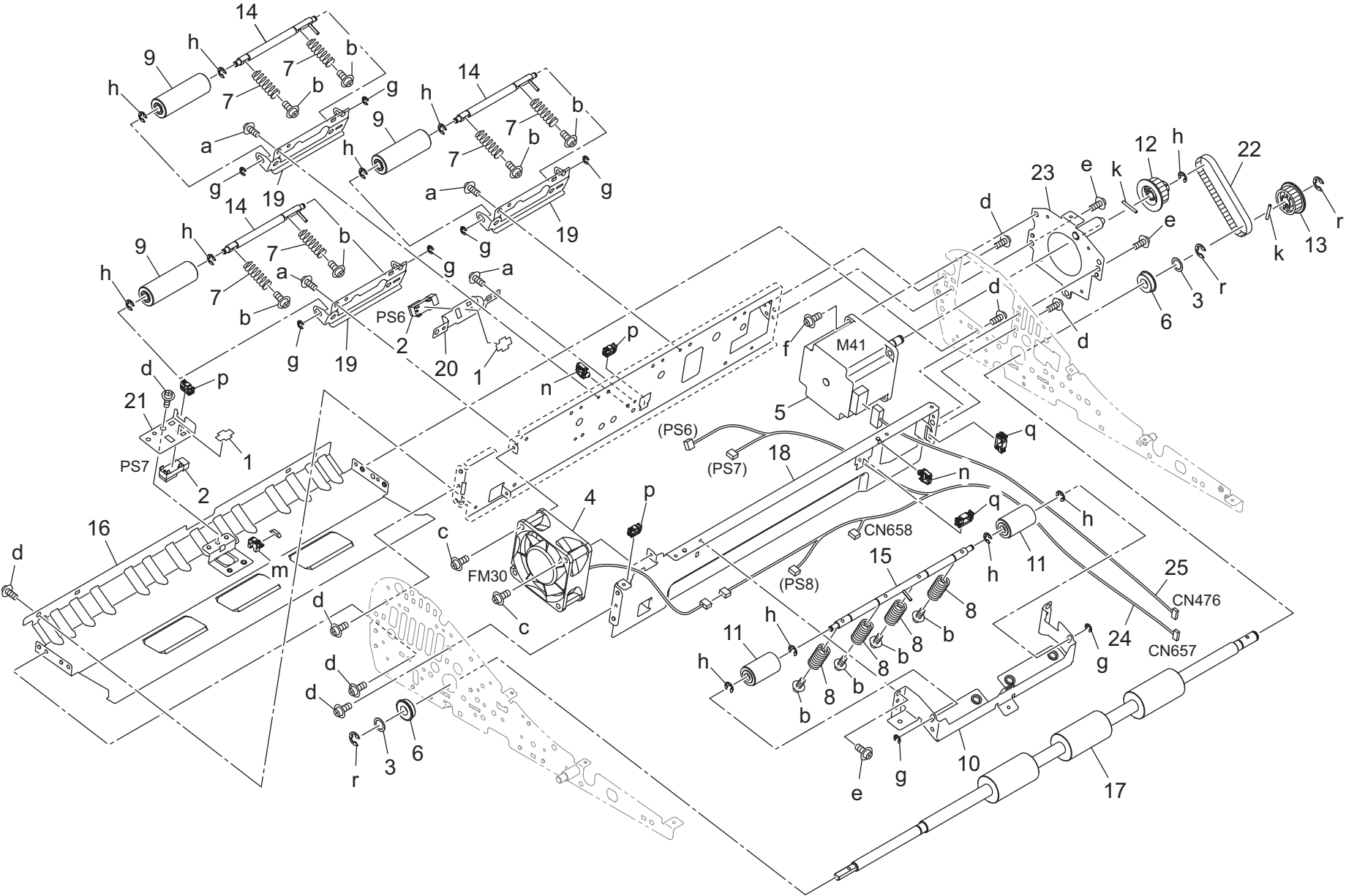
Duplex Section



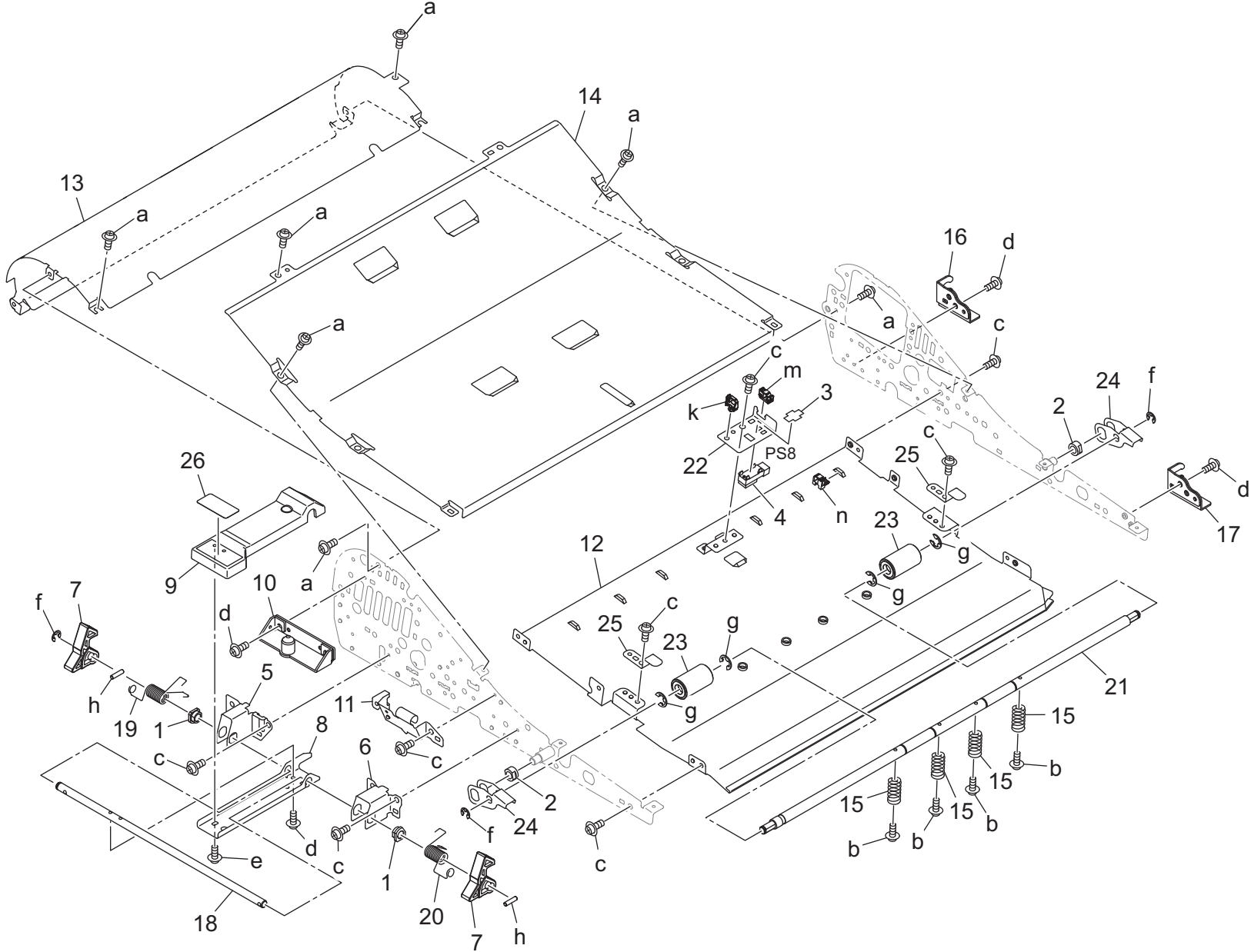
See P.91-P.93

Key	Part No.	Description	Destinations	Class	QTY	Standard parts
1	A9VE849900	Conveyance Spring /2		D	6	a-V121030403 b-V153030603 c-V217020003 d-V217030003 e-V500010082 f-V500020098 g-V570010060
2	A03U845100	Idler Shaft /B		D	3	
3	A03U845301	Idler Roller /1		C	3	
4	A03U848100	Open/close Spring /4		C	1	
5	A1RF847400	Collar /1		D	6	
6	A50U840715	Guide Plate /A		D	1	
7	A50U841501	Guide Plate /J		D	1	
8	A50U841600	Guide Plate /K		D	1	
9	A50U841901	Guide Plate /F		D	1	
10	A50U844800	Fixing Shaft		D	8	
11	A50U848000	Open/close Spring /3		D	1	
12	A50U848302	Reinforce Plate /B		D	1	
13	A50U854800	Conveyance Roll		D	8	
14	A50U855601	Reinforce Plate		D	1	
15	A50U880201	Conveyance Guide /2		D	1	
16	A50U944001	Release Label /10		D	1	
17	A85C877211	Ground Part /2		D	2	
18	A9VEF84100	Support Plate / C Caulking		D	1	
19	A9VE841000	Cushion		D	2	

Duplex Section



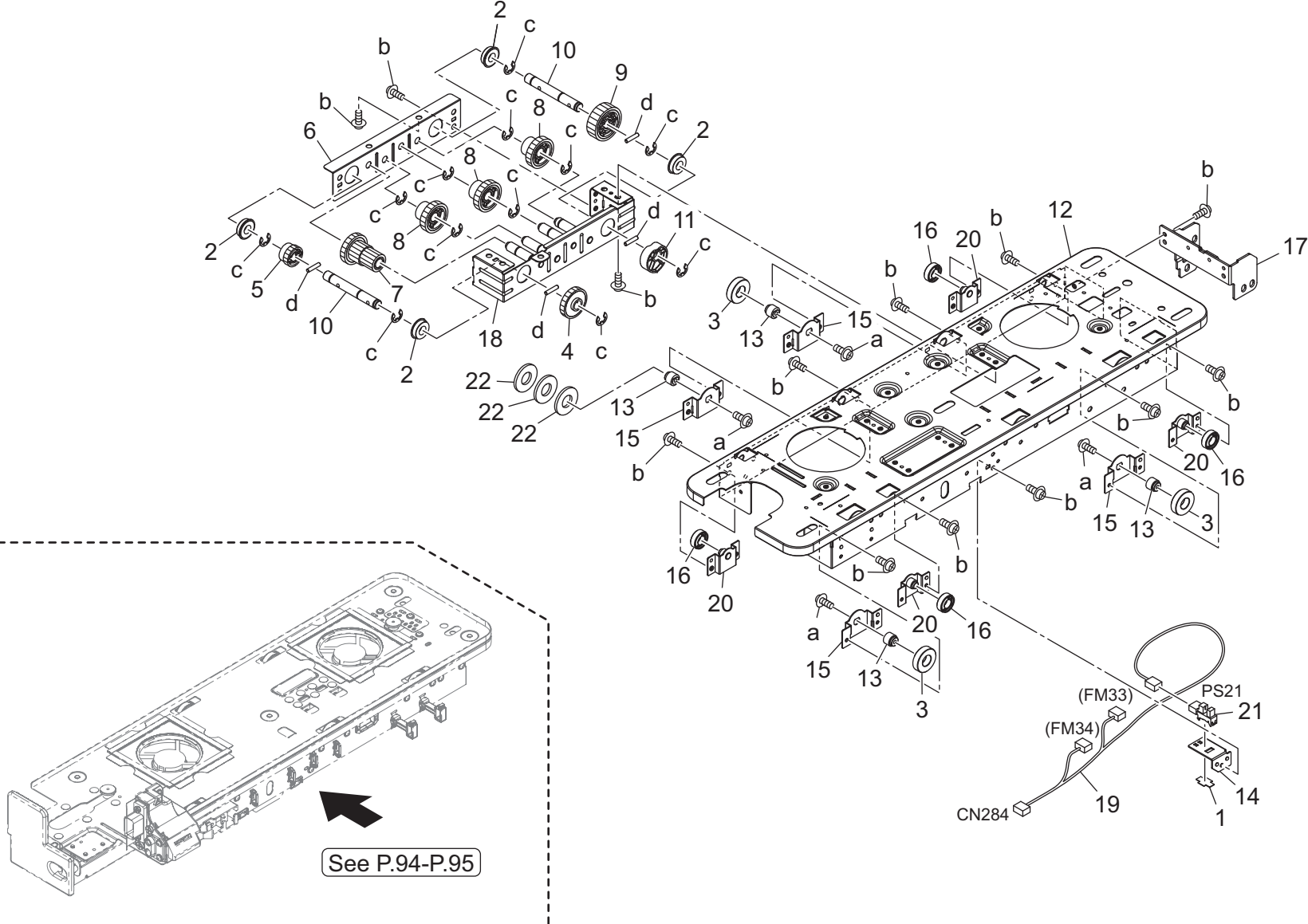
Key	Part No.	Description	Destinations	Class	QTY	Standard parts
1	4470402401	Stopper		D	2	a-V118030303
2	9335140071	Solid State Switch		B	2	b-V118030603
3	56AA42690	By-Pass Spacer		C	2	c-V118033003
4	AC57M15000	Cooling Fan		C	1	d-V121030403
5	65AA80112	HB Motor /50		B	1	e-V127030604
6	A00V240600	Ball Bearing		B	2	f-V121030803
7	A03U842700	Conveyance Spring /3		C	6	g-V217030003
8	A03U842800	Conveyance Spring /4		C	4	h-V217040003
9	A03U845601	Idler Roller /2		C	3	k-V234201650
10	A03U845700	Mounting Plate /4		D	1	m-V500010057
11	A03U845902	Idler Roller /3		C	2	n-V500020098
12	A03U859400	PULLEY /1 24T		C	1	p-V570010056
13	A03U859500	PULLEY /2 24T		C	1	q-V570010057
14	A1DUR73E00	Idler Shaft /C Assy		D	3	r-V217060003
15	A1DUR73P00	Idler Shaft /D Assy		D	1	
16	A50U841100	Guide Plate /E		D	1	
17	A50U842000	Roller		C	1	
18	A50U842300	Support Plate /1		D	1	
19	A50U845400	Mounting Plate /3		D	3	
20	A50U847200	Mounting Plate /A		D	1	
21	A50U850201	Mounting Plate /F		D	1	
22	A50U859900	Belt /2 177L		C	1	
23	A50UF84800	Mounting Plate / 2 Caulking		D	1	
24	A50UN16300	ADU Relay harness /1		D	1	
25	A50UN16400	ADU Drive harness /5		D	1	



Key	Part No.	Description	Destinations	Class	QTY	Standard parts
1	466076020	Paper Feed Feeding Bearing		B	2	a-V118030403
2	4131253701	BUSHING		C	2	b-V118030603
3	4470402401	Stopper		D	1	c-V121030403
4	9335140071	Solid State Switch		B	1	d-V127030604
5	A03U844200	Mounting Plate /Left		D	1	e-V153030803
6	A03U844300	Mounting Plate /Right		D	1	f-V217040003
7	A03U844700	Lock Claw		C	2	g-V217060003
8	A03U844802	Open/close Plate		D	1	h-V234301250
9	A03U844901	Open/close Lever		C	1	k-V500020098
10	A03UF84300	Mounting Plate /1 Caulking		D	1	m-V570010056
11	A50U840400	Mounting Plate		D	1	n-V500010057
12	A50U841301	Guide Plate /G		D	1	
13	A50U841700	Guide Plate /L		D	1	
14	A50U841800	Guide Plate /M		D	1	
15	A50U842900	Conveyance Spring /5		D	4	
16	A50U843601	Support Plate		D	1	
17	A50U843801	Support Plate /Right rear		D	1	
18	A50U844400	Lock Shaft		D	1	
19	A50U844501	Open/close Spring /1		D	1	
20	A50U844601	Open/close Spring /2		D	1	
21	A50U846000	Idler Shaft /E		D	1	
22	A50U850201	Mounting Plate /F		D	1	
23	A50U853400	Pressure Roller		C	2	
24	A50U854100	Release Plate /8		D	2	
25	A50U856501	Hold Plate		D	2	
26	A50U943901	Release Label /9		D	1	



# Duplex Swing Section

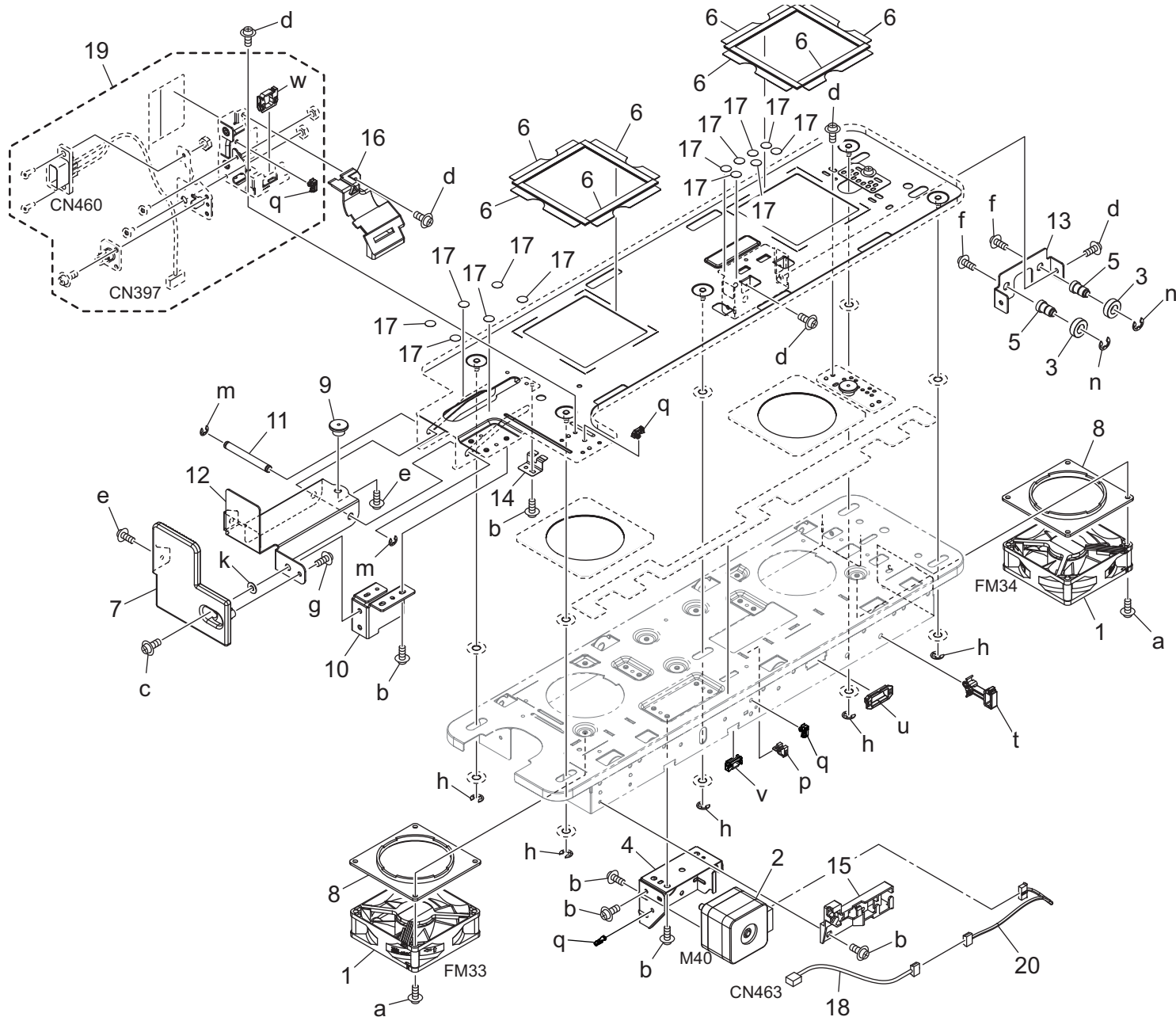


See P.94-P.95

Key	Part No.	Description	Destinations	Class	QTY	Standard parts
1	4470402401	Stopper		D	1	a-V116040803 b-V121030403 c-V217060003 d-V234301450
2	A00V240600	Ball Bearing		B	4	
3	A0TK341200	Ball Bearing /Front		C	3	
4	A1RJ825100	Drive Gear /4 34T		C	1	
5	A1RJ825800	Drive Gear /5 14T		C	1	
6	A50U800300	Swing Frame /2		D	1	
7	A50U800400	Drive Gear /3 14/25T		C	1	
8	A50U800700	Drive Gear /6 14/25T		C	3	
9	A50U800800	Drive Gear /7 29T		C	1	
10	A50U801400	Drive Shaft		D	2	
11	A50U801500	Swing Cam		D	1	
12	A50U801602	Fixing Plate /ASSY		D	1	
13	A50U802002	Positioning Shaft /A		D	4	
14	A50U802211	Plate		D	1	
15	A50U804001	Fusing Rail /B		D	4	
16	A50U804200	Fusing Roll		D	4	
17	A50U805300	Mounting Plate /1		D	1	
18	A50UF80500	Swing Frame Caulking		D	1	
19	A50UN17100	ADU Detection harness /7		D	1	
20	A50UR72R00	Swing Rail Caulking		D	4	
21	A85CM55600	Photo Sensor		C	1	
22	AC57805500	Spacer /12		D	3	



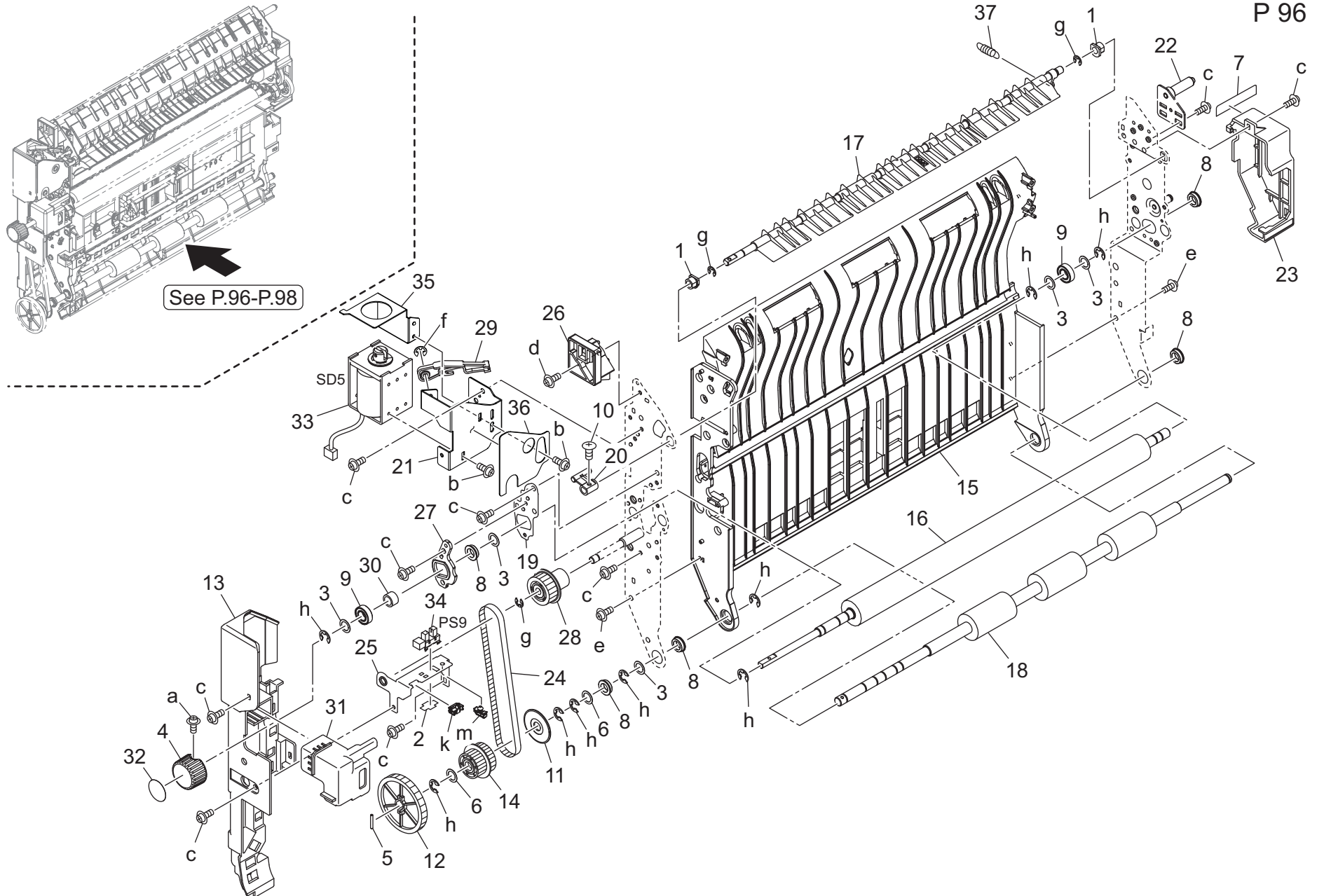
# Duplex Swing Section



# Duplex Swing Section

Key	Part No.	Description	Destinations	Class	QTY	Standard parts
1	A93EM10000	Fan motor		C	2	a-V118033003
2	AC57R73600	Motor Assy		C	1	b-V121030403
3	A1RF820000	Ball Bearing		C	2	c-V121041203
4	AC57800100	Support Plate		D	1	d-V127030604
5	A50U802100	Positioning Shaft /B		D	2	e-V127030803
6	A50U802700	Heat blocking Part /B		D	8	f-V127040803
7	A50U802801	Handle		D	1	g-V153030803
8	A50U802900	Spacer		D	1	h-V217050003
9	A50U803101	Guide Pin /Front		D	2	k-V211040080
10	A50U803300	Fusing Rail /A		D	1	m-V217040003
11	A50U803400	Positioning Shaft /1		D	1	n-V217060003
12	A50U803500	Positioning Plate /Front		D	1	p-V500010057
13	A50U803600	Holding Plate		D	1	q-V500020098
14	A50U803700	Ground Plate		D	1	t-V500020101
15	A50U803800	Guide Part		D	1	u-V570010037
16	A50U804701	Wiring Cover		D	1	v-V570010057
17	A50U805200	Protection Seal		D	13	w-V570010060
18	A50UN17700	ADU Drive harness /9		D	1	
19	AC57R72000	Power Supply Guide ASSY		D	1	
20	AC57N22000	Drive Relay Harness /3		D	1	

# Reverse Section

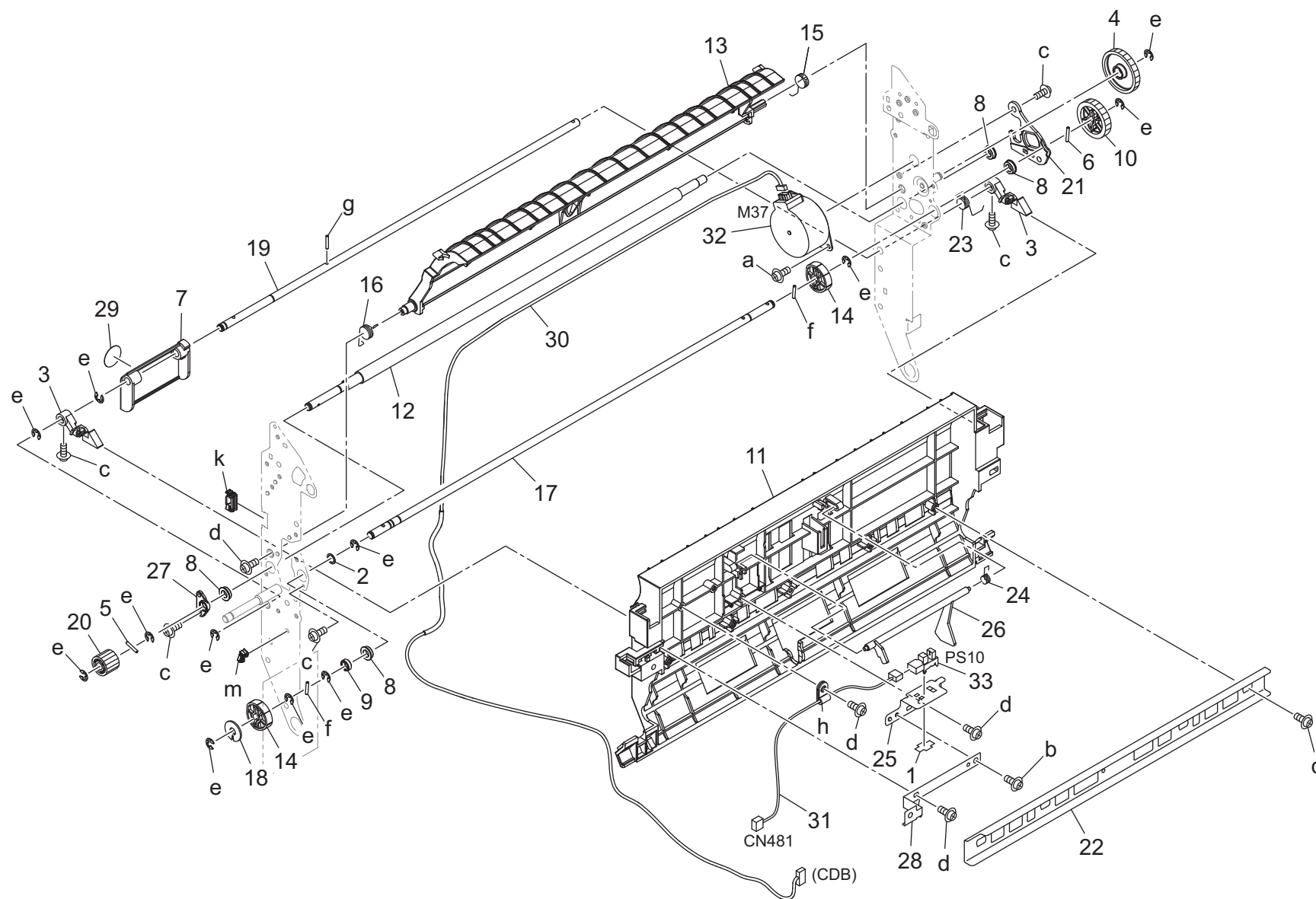


AccurioPrint C4065P

Key	Part No.	Description	Destinations	Class	QTY	Standard parts
1	192141710	PAPER LIFT UP LEVER BUSHING		B	2	a-V118030603
2	4470402401	Stopper		D	1	b-V121030403
3	13QA40610	Gear Spacer		C	5	c-V127030604
4	14GE45470	Rotation Knob		C	1	d-V127031203
5	56AA17551	PIN A		C	1	e-V153030803
6	56AA42690	By-Pass Spacer		C	2	f-V217030003
7	65AA42370	SLIDE PART 1		D	1	g-V217040003
8	A00J617900	Ball Bearing		B	5	h-V217060003
9	A1RF820000	Ball Bearing		C	2	k-V570010056
10	A50U642300	Mounting Screw		D	1	m-V500020099
11	A50U817300	Holding Collar		D	1	
12	A50U819600	Reverse/Exit Gear /2 50T		C	1	
13	A50U834304	Cover Part /2		D	1	
14	A50U838800	Drive Idler /1		D	1	
15	A50U860104Old	Guide Plate /A		D	1	
15	A50U860105	Guide Plate /A		D	1	
16	AC57860500	Decurler Roller		A	1	
17	A50U861006	Swing Part		D	1	
18	AC57861800	Reverse/Exit Roller /Lower		C	1	
19	A50U865300	Holding Plate		D	1	
20	A50U865703	Swing Arm		D	1	
21	A50U865902	Support Plate		D	1	
22	A50U866400	Positioning Plate /2		D	1	
23	A50U866900	Drive Cover /1		D	1	
24	A50U867200	Belt /A 324L		C	1	
25	A50U867312	Fixing Plate /1		D	1	
26	A50U867400	Positioning Part		D	1	
27	A50U867500	Fixing Plate /1		D	1	
28	A50U867600	Reverse/Exit Gear /1 20T		C	1	
29	A50U867802	Positioning Plate /1		D	1	
30	A50U869400	Collar		D	1	
31	A50U869501	Cover		D	1	
32	A50U943801	Release Label /8		D	1	
33	A50UR72811	ADU Solenoid Pin Assy		C	1	
34	A85CM55500	Photo Sensor		C	1	
35	A9VE866100	Receiving Plate /1		D	1	
36	A9VE866201	Insulating Sheet /1		D	1	
37	A9VE867900	Open/close Spring		D	1	

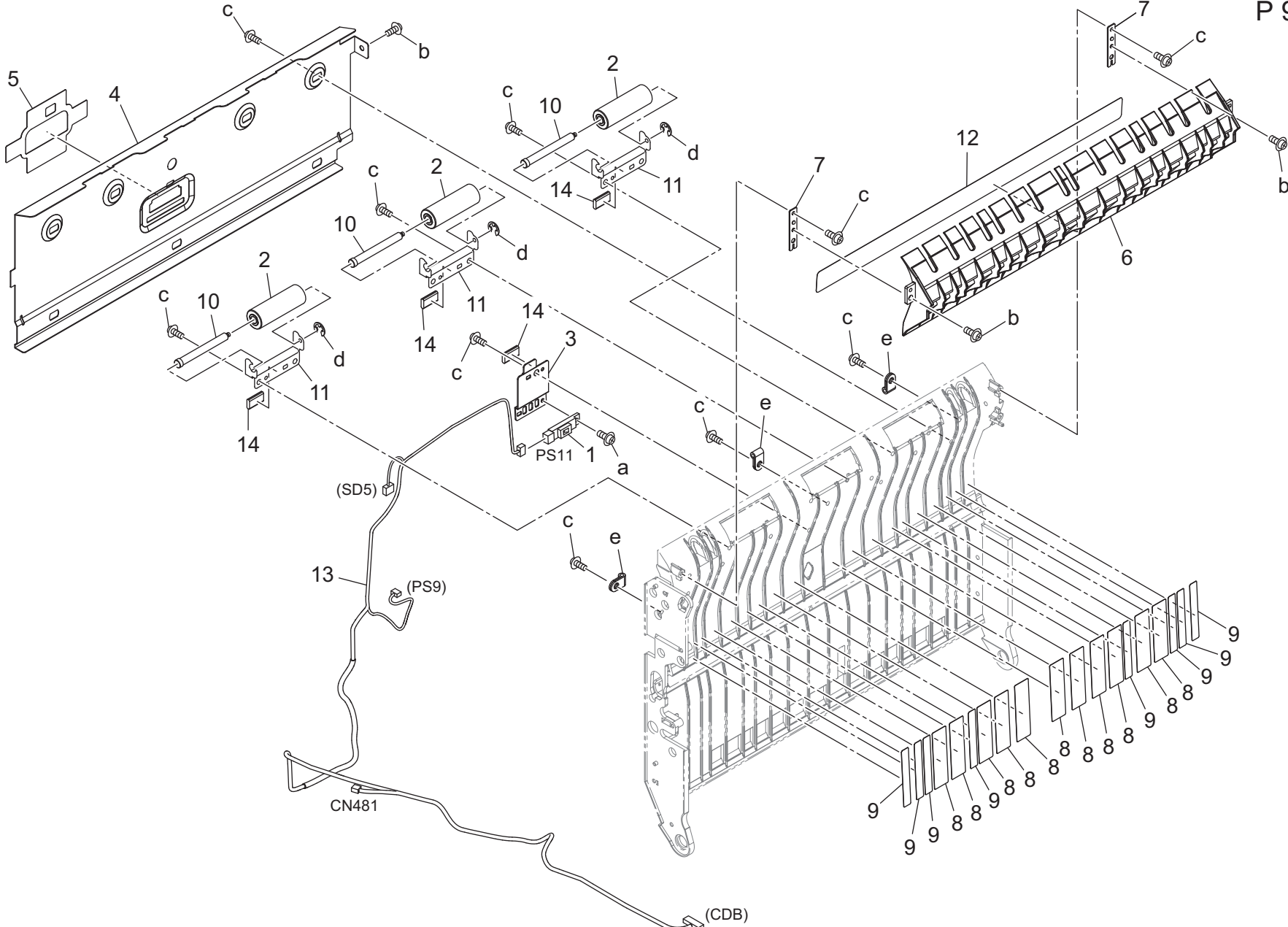
# Reverse Section

P 97



Key	Part No.	Description	Destinations	Class	QTY	Standard parts
1	4470402401	Stopper		D	1	a-V118030403
2	40AA32320	Toner Supply Spacer		C	1	b-V127030603
3	40AA46261	Lock Claw /F		B	2	c-V127030604
4	40AA77550	Mirror Drive Gear /2 14/70T		C	1	d-V153030803
5	56AA17321	PIN A D2X12		B	1	e-V217040003
6	56AA17551	PIN A		C	1	f-V234200850
7	65AA49410	Paper Exit Handle		C	1	g-V234201250
8	A00J617800	Ball Bearing		A	4	h-V500020002
9	A1RF863800	Collar		D	1	k-V570010057
10	A1RJ818800	Drive Gear /8 29T		C	1	m-V500020099
11	A50U860202	Guide Plate /B		D	1	
12	A50U860600	Riverse/exit Shaft		D	1	
13	A50U861100	Guide Plate /4		D	1	
14	A50U861601	Positioning Cam		D	2	
15	A50U864200	Reverse/Exit Spring /Rear		D	1	
16	A50U864300	Reverse/Exit Spring /Front		D	1	
17	A50U865101	Pressing Shaft		D	1	
18	A50U865401	Positioning		D	1	
19	A50U865601	Lock Shaft /A		D	1	
20	A50U867100	Reverse/Exit Gear /A 20T		C	1	
21	A50U867700	Fixing Plate /2		D	1	
22	A50U868000	Reinforce Plate /A		D	1	
23	A50U868401	Open/close Spring /1		D	1	
24	A50U868702	Spring /1		D	1	
25	A50U869300	Mounting Stay		D	1	
26	A50U869601	Arm /1		D	1	
27	A50U869700	Fixing Collar /1		D	1	
28	A50U869800	Ground Plate /1		D	1	
29	A50U943601	Release Label /6		D	1	
30	A50UN17601	ADU Drive harness /8		D	1	
31	A50UN18401	ADU Detection harness /12		D	1	
32	A50UR72722	Drive Motor / 1 Assy		C	1	
33	A85CM55600	Photo Sensor		C	1	

Reverse Section

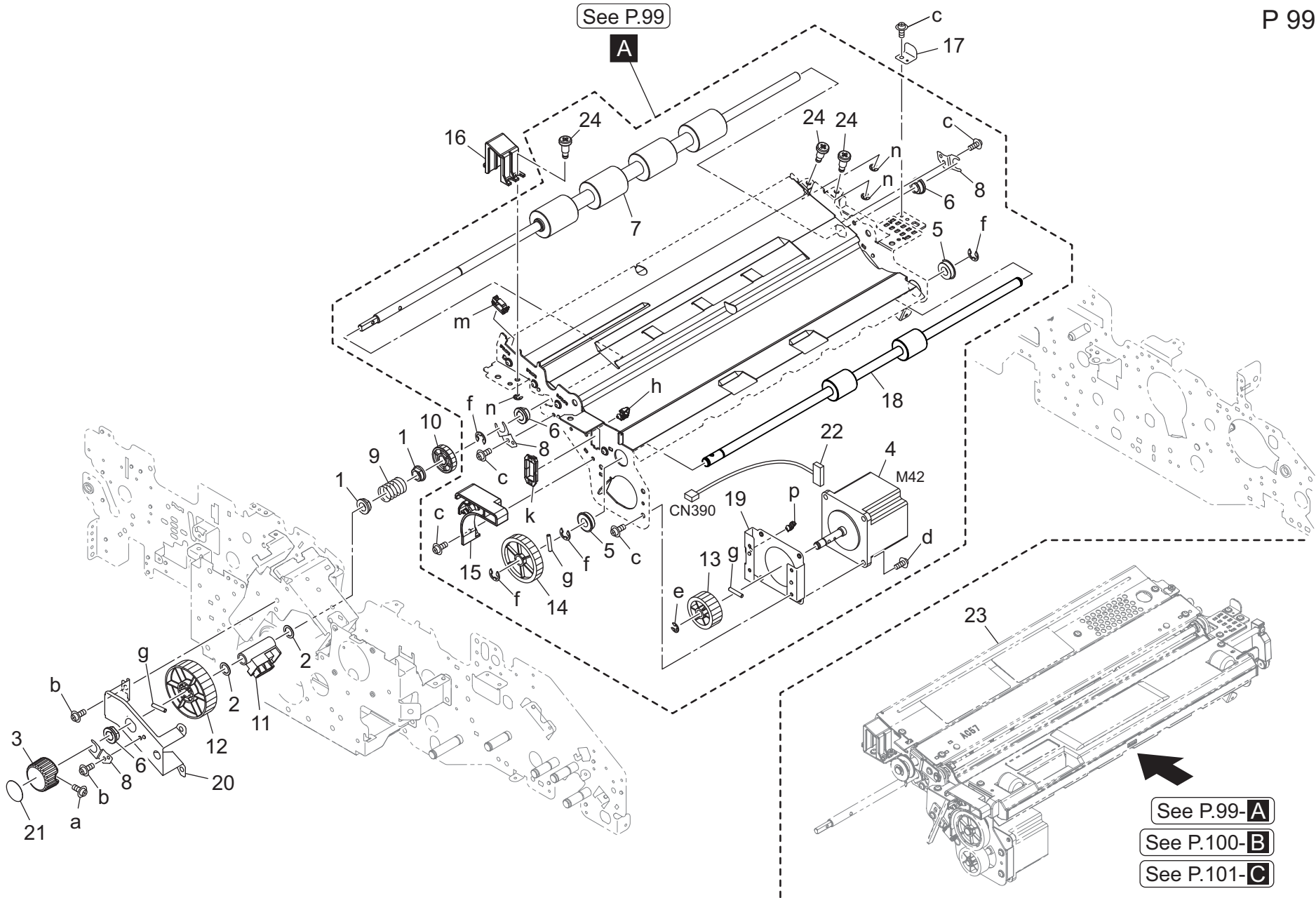


Key	Part No.	Description	Destinations	Class	QTY	Standard parts
1	13QA85511	Sensor /1		B	1	a-V118030403 b-V127030604 c-V153030803 d-V217020003 e-V500020002
2	A03U845601	Idler Roller /2		C	3	
3	A50U861900	Fixing Plate		D	1	
4	A50U862600	Reinforce Plate /3		D	1	
5	A50U863000	Slide Seal		D	1	
6	A50U865011	Paper exit Guide Plate /5		D	1	
7	A50U865200	Positioning Plate /1		D	2	
8	A50U868200	Guide Sheet /1		D	11	
9	A50U868301	Guide Sheet /2		D	8	
10	A50U868500	Idler Shaft		D	3	
11	A50U868600	Support Plate		D	3	
12	A50U869100	Separating Guide /1		D	1	
13	A50UN17502	ADU Detection harness /8		D	1	
14	A85C877111	Ground Part /1		D	4	



# Resist Section

P 99

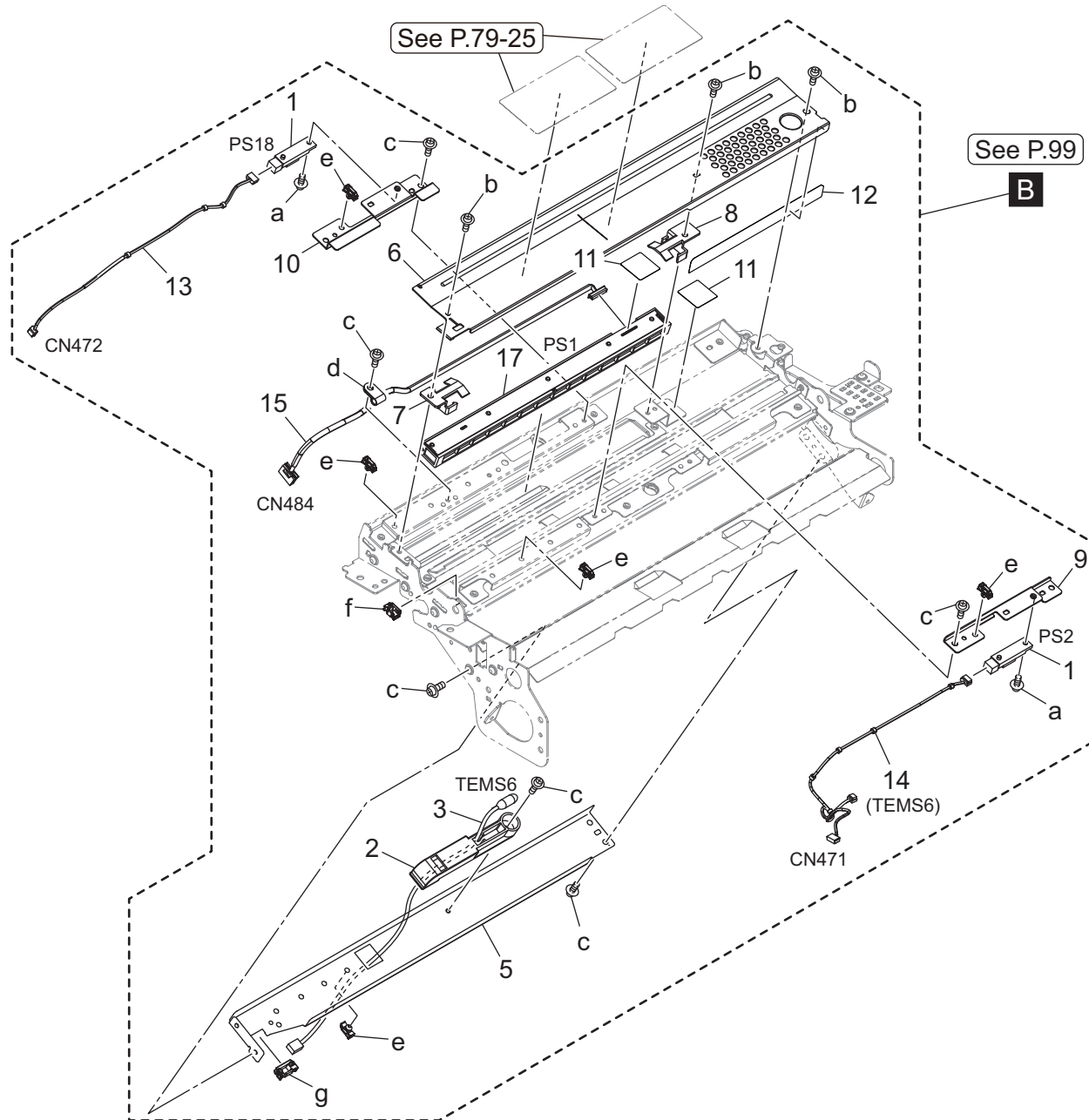


Resist Section

Key	Part No.	Description	Destinations	Class	QTY	Standard parts
1	4131353202	BUSHING		C	2	a-V118030603
2	12QV40650	Spacer		B	2	b-V121030403
3	14GE45470	Rotation Knob		C	1	c-V127030604
4	65AA80112	HB Motor /50		B	1	d-V121030803
5	A00V240600	Ball Bearing		B	2	e-V217040003
6	A03U812800	Slide Shaft Holder		B	3	f-V217060003
7	AC57710100	Registration Roller		A	1	g-V234301650
8	A50U711101	Holding Plate /1		D	3	h-V500020098
9	A50U711400	Swing Spring		D	1	k-V570010037
10	A50U713000	Roll /1		D	1	m-V570010057
11	A50U713200	Light blocking Rack		D	1	n-V217020003
12	A50U713600	Swing Gear /2 104T		C	1	p-V500020099
13	A50U714300	Drive Gear /1 28T		C	1	
14	A50U714400	Conveyance Gear /1 40T		C	1	
15	A50U715900	Wiring Cover /1		D	1	
16	AC57716101	Wiring Cover /2		D	1	
17	A50U717901	Adjusting Jig /ASSY		D	1	
18	AC57719200	Roller		C	1	
19	A50U719800	Drive Side plate		D	1	
20	A50U882401	Registration Side plate /Front		D	1	
21	A50U943401	Release Label /4		D	1	
22	A50UN15800	ADU Drive harness /2		D	1	
23	AC57R71400	Registration ASSY		S	1	
24	AC57716300	Shoulder screw		D	3	

# Resist Section

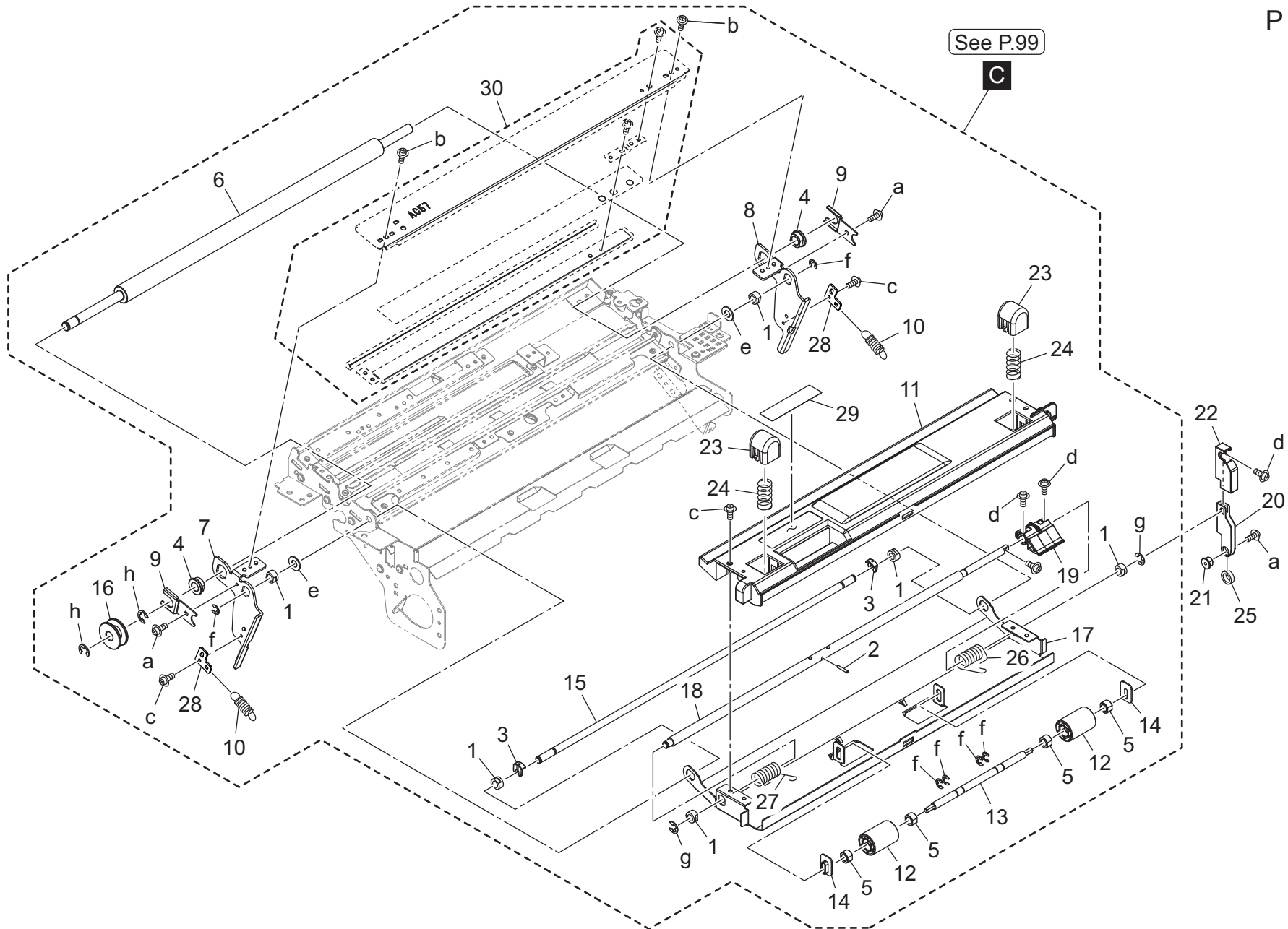
P 100



Key	Part No.	Description	Destinations	Class	QTY	Standard parts	
1	13QA85511	Sensor /1		B	2	a-V118030403 b-V127030603 c-V127030604 d-V500020069 e-V500020099 f-V570010056 g-V570010057	
2	A03X622000	Detecting Cover		C	1		
3	A0VDM50500	Thermistor /1		I	1		
5	A50U712001	Mounting Stay /Lower		D	1		
6	AC57715901	Sensor Cover		D	1		
7	A50U717100	Stopper /1		D	1		
8	A50U717200	Stopper /2		D	1		
9	AC57716700	Sensor Plate /1		D	1		
10	A50U718300	Plate /2		D	1		
11	A50U719300	Protection Sheet		D	2		
12	A50U719400	Protection Sheet /2		D	1		
13	AC57N16600	ADU Detection Harness /3		D	1		
14	A50UN16700	ADU Detection harness /4		D	1		
15	AC57N16801	ADU Detection Harness /5		D	1		
17	A9VEM55100	Compensating Sensor		C	1		

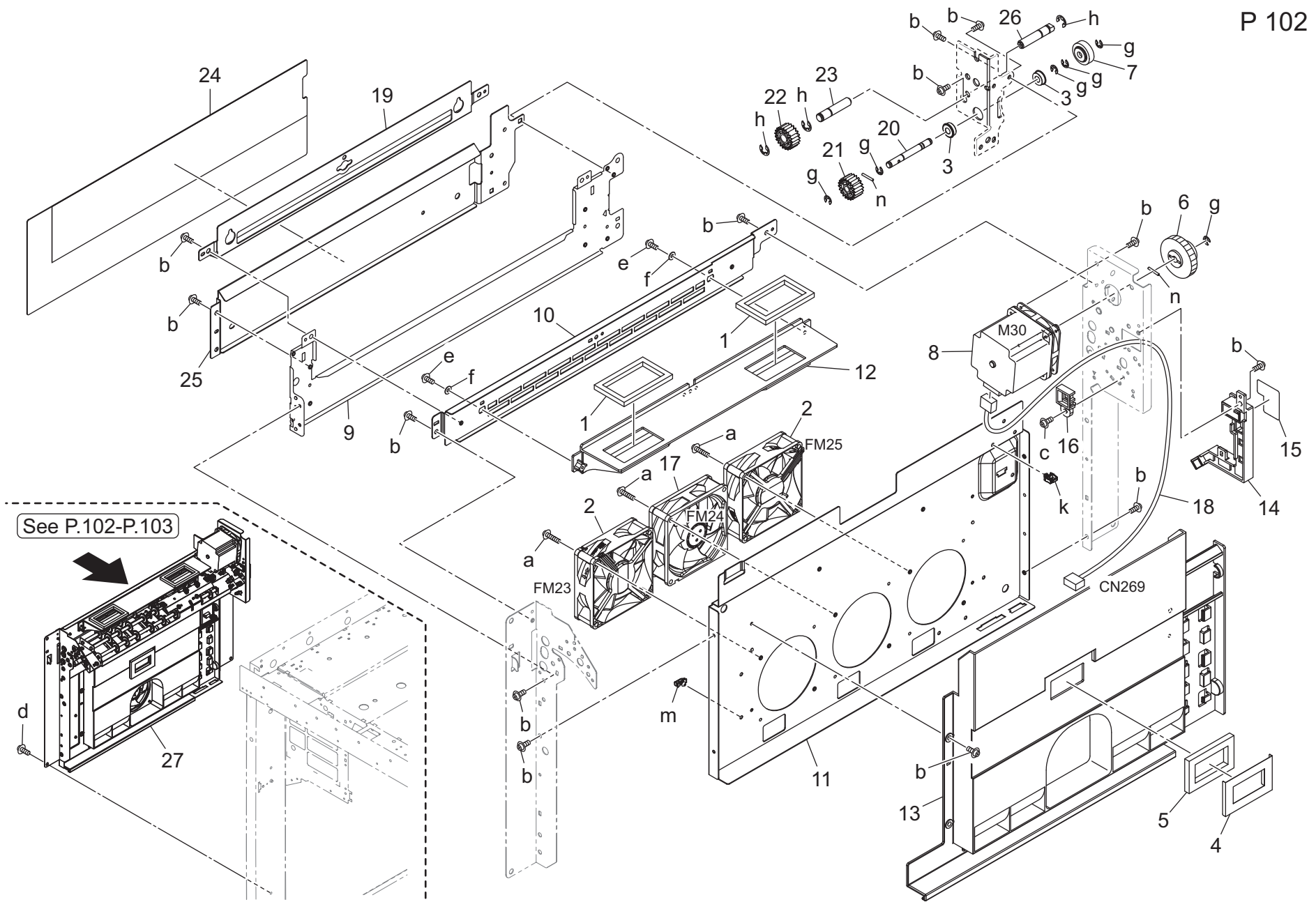
# Resist Section

P 101



Key	Part No.	Description	Destinations	Class	QTY	Standard parts
1	4131253701	BUSHING		C	6	a-V121030403
2	V234201250	Pin		V	1	b-V127030603
3	56AA40490	Shaft Stopper /4		C	2	c-V127030604
4	A03U812800	Slide Shaft Holder		B	2	d-V127030803
5	A03U850101	Slide Bushing		C	4	e-V207060003
6	A50U710300	Idler Roller		D	1	f-V217040003
7	A50U710901	Pressure Lever /1		D	1	g-V217050003
8	A50U711001	Pressure Lever /2		D	1	h-V217060003
9	A50U711200	Holding Plate /2		D	2	
10	A50U711300	Pressure Spring		D	2	
11	A50U711602	Open/close Holder		D	1	
12	A50U712200	Idler Roll /1		D	2	
13	A50U712300	Idler Shaft /1		D	1	
14	A50U712400	Receiving Shaft /1		D	2	
15	A50U712700	Pressure Shaft /1		D	1	
16	A50U713100	Roll /2		D	1	
17	A50U714201	Open/close Guide		D	1	
18	A50U714500	Release Shaft		D	1	
19	A50U714601	Lever		D	1	
20	A50U715300	Pressure Lever /25		D	1	
21	A50U715600	Support Shaft /2		D	1	
22	A50U715800	Protection Cover		D	1	
23	A50U716301	Pressing Block		D	2	
24	A50U716400	Compressing Coil spring		D	2	
25	A50U716500	Ball Bearing		C	1	
26	A50U718400	Pressing Spring /Rear		D	1	
27	A50U718500	Pressing Spring /Front		D	1	
28	A9VE715700	Pulling Plate /1		D	2	
29	A50U943301	Release Label /3		D	1	
30	AC57R73400	Registration Cleaning Sheet Assy		A	1	

Exit Section



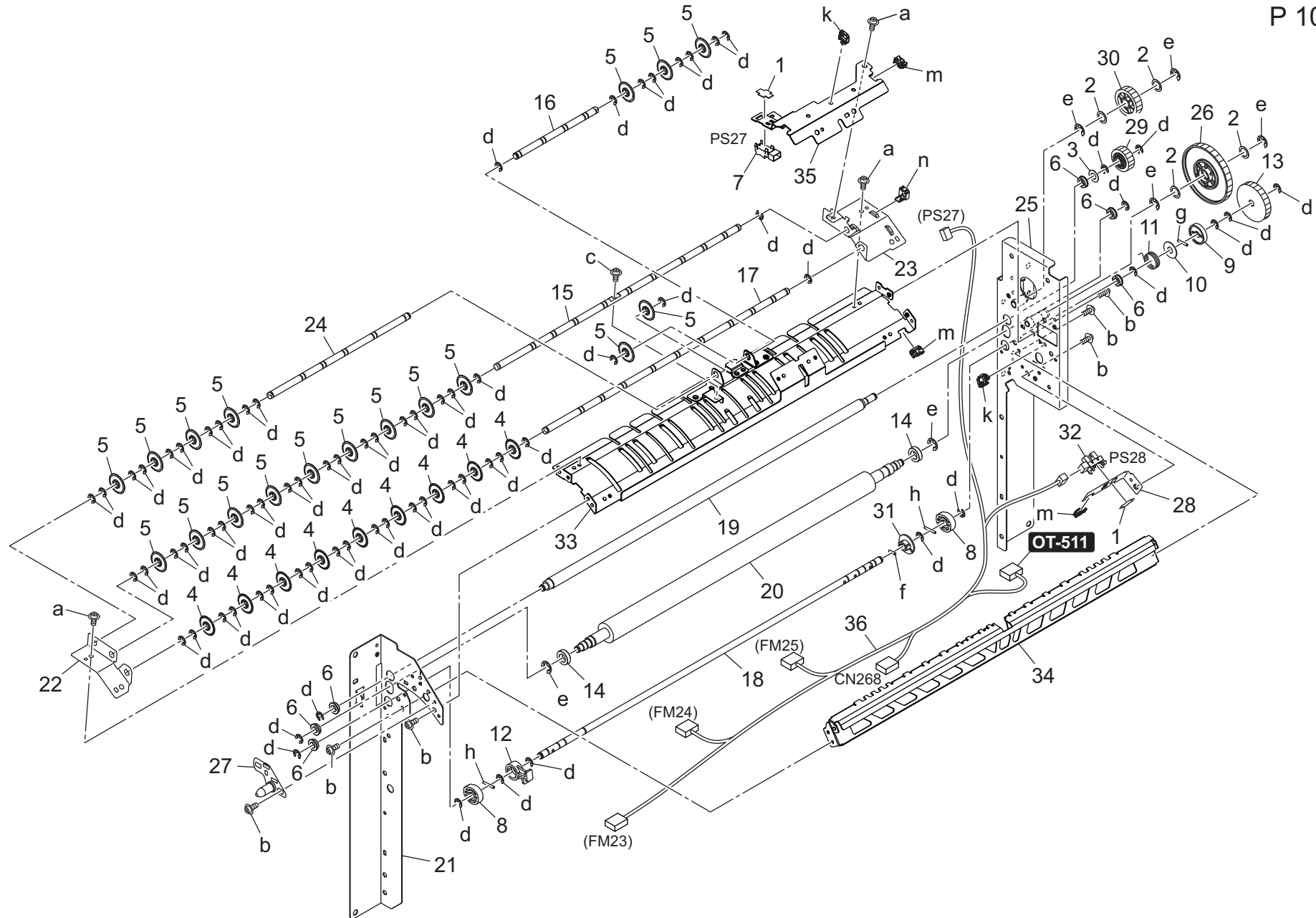
## Exit Section

Key	Part No.	Description	Destinations	Class	QTY	Standard parts
1	65LA48530	DUCT SEAL 1		D	2	a-V118033003
2	A93EM10000	Fan motor		C	2	b-V127030604
3	A00J211200	Ball Bearing		C	2	c-V127030803
4	A03U892300	Sheet		C	1	d-V127040603
5	A03U892400	Seal		C	1	e-V145030803
6	A03U909900	Paper exit Gear /1 22/44T		C	1	f-V207030003
7	A043909901	PAPER EXIT GEAR /6 23T		B	1	g-V217040003
8	A1TVM10100	Stepping motor /50		B	1	h-V217060003
9	A50U890500	Reinforce Plate /Left		D	1	k-V500020098
10	A50U891001	Guide Plate /Left		D	1	m-V500020099
11	A50U891201	Paper exit Plate		D	1	n-V234201450
12	A50U892201	Cooling Duct /2		D	1	
13	A50U892502	Paper exit Duct		D	1	
14	A50U893300	Guide Cover /1		D	1	
15	A50U895000	Wiring Sheet		D	1	
16	A50U895101	Positioning Part		D	1	
17	AC57M15300	Cooling Fan		C	1	
18	A50UN15301	Drive harness /2		D	1	
19	A8AK106101	Paper Exit Guide /Upper		C	1	
20	A8AK106200	Drive Shaft		D	1	
21	A8AK106300	Drive Gear /B 20T		C	1	
22	A8AK106400	Drive Gear /C 21T		C	1	
23	A8AK106800	Idling Shaft		D	1	
24	A8AK107200	Thermal insulation Sheet /4		D	1	
25	A8AK162701	Paper exit Guide /Lower		D	1	
26	A8AW161911	Idling Shaft /2		D	1	
27	AC57R71900	Main Body Paper Exit Unit ASSY		D	1	



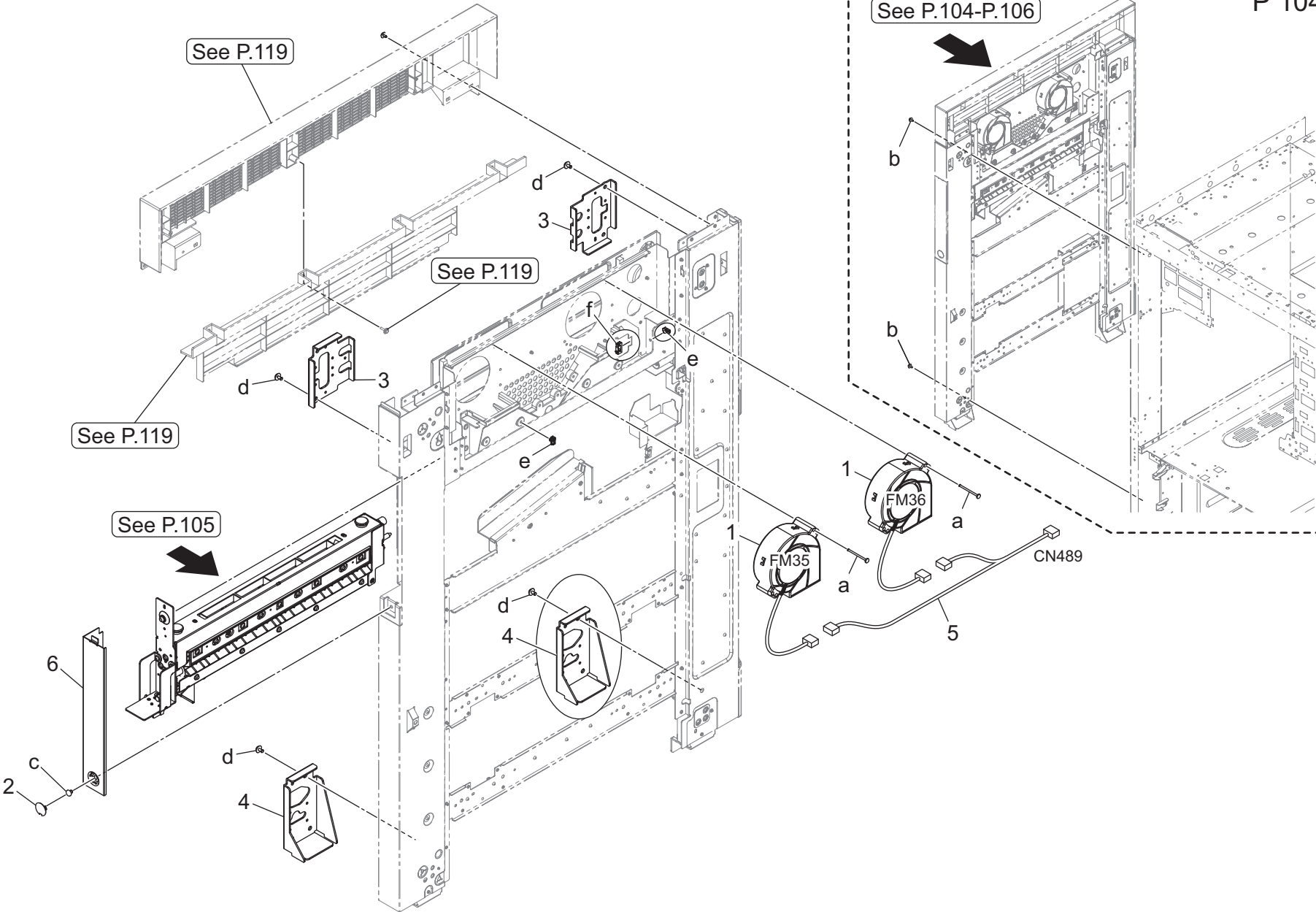
Exit Section

P 103



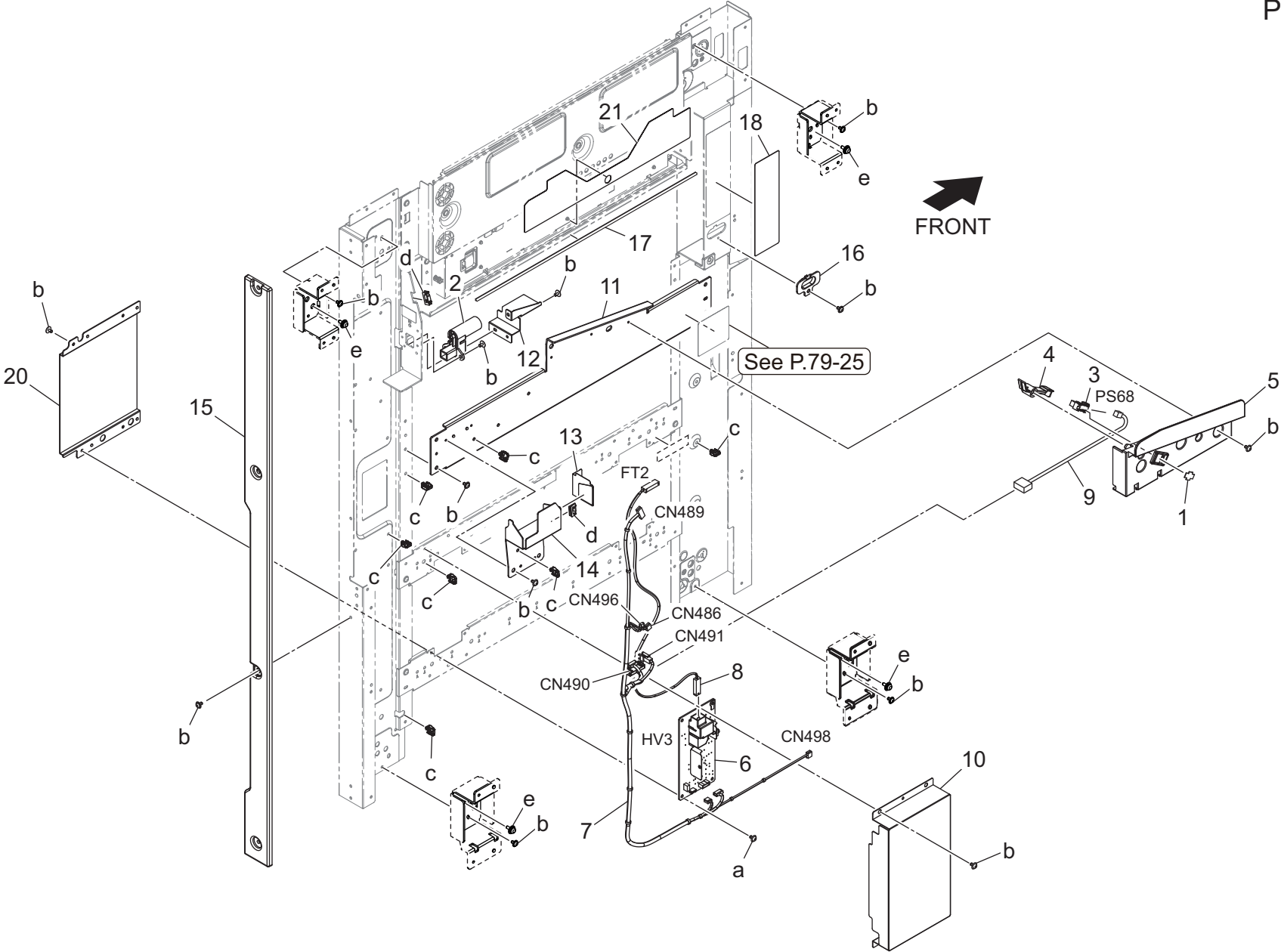
Key	Part No.	Description	Destinations	Class	QTY	Standard parts
1	4470402401	Stopper		D	2	a-V121030303
2	13QA40610	Gear Spacer		C	4	b-V127030604
3	13QA10330	SHAFT SPACER		C	1	c-V127030803
4	65AA48360	Paper Holding Part /1		C	9	d-V217040003
5	65AA48460	PAPER HOLDING PART 2		C	18	e-V217060003
6	A00J617800	Ball Bearing		A	6	f-V234200850
7	A03TM50000	Photoreflector		I	1	h-V234201450
8	A03U892701	Positioning Cam		C	2	k-V500020098
9	A03U893000	Slide Plate		C	1	m-V570010056
10	A03U893101	Spacer /Rear		C	1	n-V500010057
11	A03U893200	Stopper Spring		C	1	
12	A03U893502	Regulating Cam		C	1	
13	A03U909502	PAPER EXIT GEAR /5 40 T		C	1	
14	A1RF517300	bearing		C	2	
15	A50U890102	Fixing Shaft /2		D	1	
16	A50U890201	Fixing Shaft /6		D	1	
17	A50U890300	Fixing Shaft /1		D	1	
18	A50U890600	Regulating Shaft		D	1	
19	A50U890700	Paper exit Shaft		D	1	
20	AC57890800	Paper Exit Decurler Roller		A	1	
21	A50U891302	Paper exit Plate /Front		D	1	
22	A50U891500	Support Side plate /Front		D	1	
23	A50U891600	Support Side plate /Rear		D	1	
24	A50U891900	Fixing Shaft /5		D	1	
25	A50U892001	Paper exit Plate /Rear		D	1	
26	A50U892101	Idling Gear /1 68T		C	1	
27	A50U893201	Adjusting Plate /1		D	1	
28	A50U894000	Plate /Rear		D	1	
29	A50U899700	Paper exit Gear /3 23T		B	1	
30	A50U899801	Paper exit Gear /2 29T		C	1	
31	A85C895500	Positioning Roll		D	1	
32	A85CM55500	Photo Sensor		C	1	
33	A9VE890400	Guide Plate /Upper		D	1	
34	A9VE890900	Guide Plate /Lower		D	1	
35	A9VE892800	Support Plate /A		D	1	
36	A9VEN15200	Drive Wiring /3		D	1	

# Charge Control Section



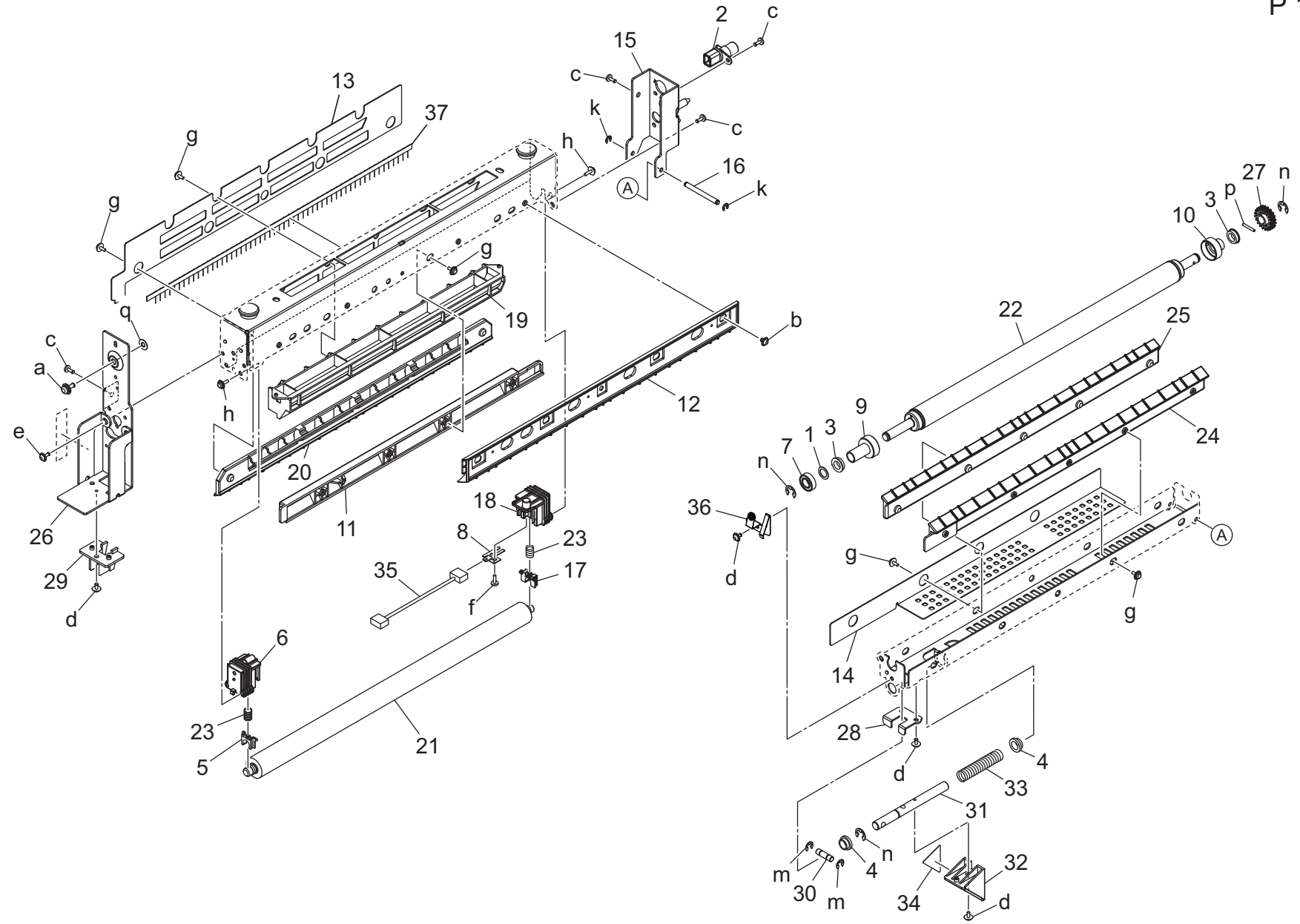


Charge Control Section



Key	Part No.	Description	Destinations	Class	QTY	Standard parts
1	4470402401	Stopper		D	1	a-V127030603 b-V127030604 c-V500020098 d-V570010046 e-V125041003
2	65AAR72700	Powering Block /1 Assy		C	1	
3	A50UM51000	Photointerrupter		C	1	
4	A85C897400	Sensor Actuator /1		D	1	
5	A85C897900	Sensor Cover /1		D	1	
6	AC57M40900	HV Board /3		C	1	
7	AC57N21301	Relay Harness /3		D	1	
8	AC57N21400	HV Harness /20		D	1	
9	A85CN21700	Relay Wiring /7		D	1	
10	AC57898500	Protection Cover /1		D	1	
11	A8AK101503	Stay /Middle		D	1	
12	A8AK101700	Protection Plate /1		D	1	
13	A8AK107100	Protection Cover /2		D	1	
14	A8AW106900	Drive Cover		D	1	
15	AC57891400	Cover /Rear		D	1	
16	A8AW162500	Lock Guide		D	1	
17	A8AW162600	Thermal insulation Sheet /1		D	1	
18	A8AW941002	Processing Label		C	1	
20	AC57895600	Protection Cover /2		D	1	
21	AC57891700	Thermal insulation Sheet /4		D	1	

# Charge Control Section

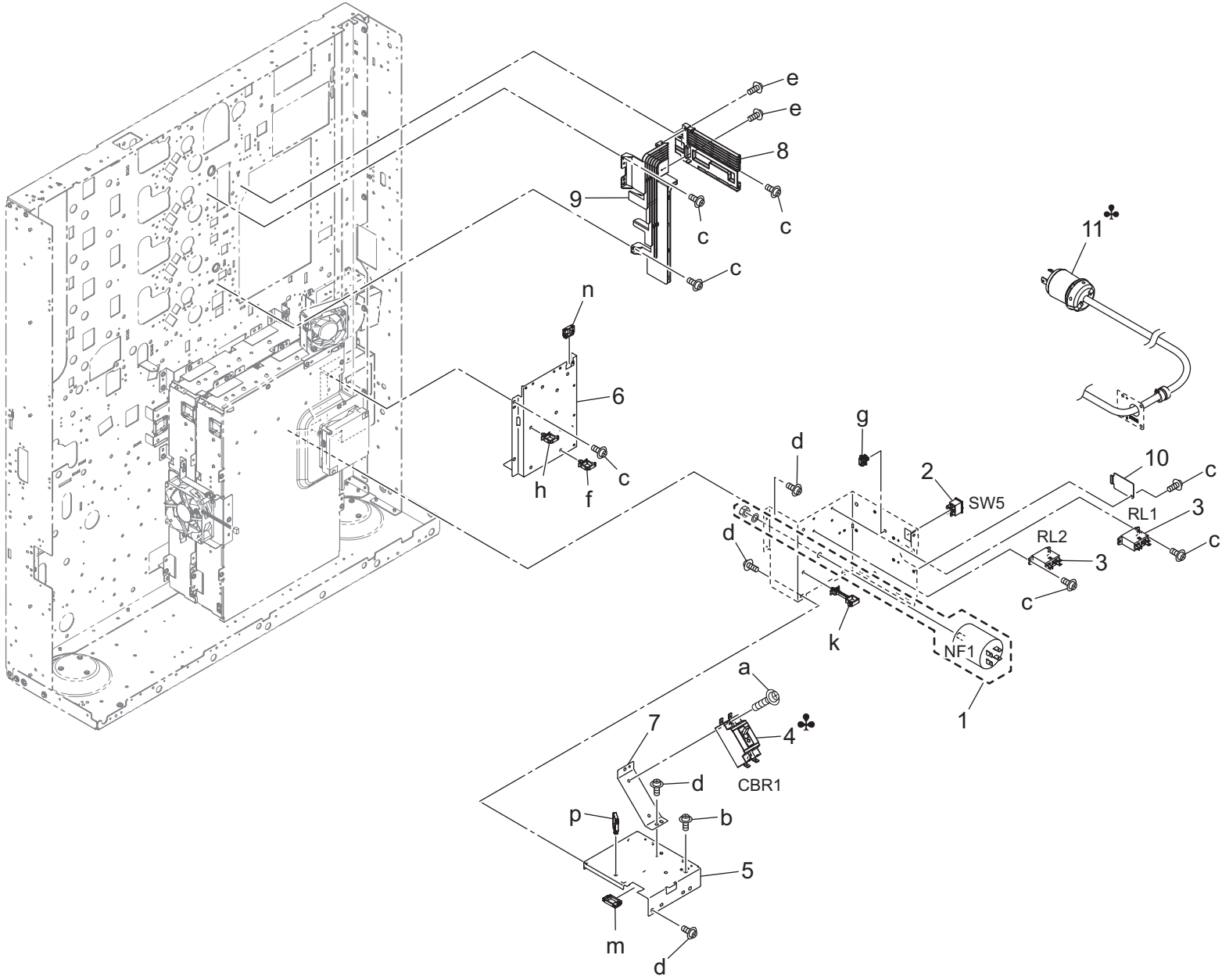


Key	Part No.	Description	Destinations	Class	QTY	Standard parts
1	12QV40650	Spacer		B	1	a-V116041003
2	65AAR74600	Powering Block /A Assy		C	1	b-V121030403
3	A00J617900	Ball Bearing		B	2	c-V126030803
4	A0G6739300	Operation Bushing /Front		C	2	d-V127030604
5	A1RF508900	Transfer Powering Bearing		B	1	e-V127030803
6	A1RF509000	Power supply Block /C		D	1	f-V149030803
7	A1RF820000	Ball Bearing		C	1	g-V153030604
8	A5AW510400	Transfer Powering Plate /Front		D	1	h-V153030803
9	A85C895300	Insulating Collar /Front		D	1	k-V217030003
10	A85C895400	Insulating Collar /Rear		D	1	m-V217040003
11	A85C895800	Cover Guide		D	1	n-V217060003
12	A85C895900	Conveyance Guide /1		D	1	p-V234201450
13	A85C896301	Thermal insulation Sheet /1		D	1	q-V211040080
14	A85C896400	Thermal insulation Sheet /3		D	1	
15	A85C896800	Fixing Plate		D	1	
16	A85C896900	Support Shaft		D	1	
17	A85C897201	Charging Roller Bushing /Fr		B	1	
18	A85C897300	High voltage Powering Block /C		D	1	
19	A85C897700	Insulating Duct /Middle		D	1	
20	A85C897800	Conveyance Guide /2		D	1	
21	AC57899000	Charging Roller /Up		A	1	
22	A85C899100	Neutralizing Roller /Lower		D	1	
23	A8AK103200	Power supply Spring		C	2	
24	A8AK103502	Conveyance Guide /1		D	1	
25	A8AK103601	Conveyance Guide /2		D	1	
26	A8AK103702	Mounting Plate /Front		D	1	
27	A8AK104100	Drive Gear 20T		C	1	
28	A8AK108001	Holding Plate		D	1	
29	A8AK108100	Guide Block		D	1	
30	A8AK108200	Guide Shaft		D	1	
31	A8AK108302	Positioning Shaft		D	1	
32	A8AK108400	Lock Handle		C	1	
33	A8AK108500	Lock Spring		D	1	
34	A8AK941301	Processing Label /1		C	1	
35	A8AKN10501	HV Wiring /2		D	1	
36	A8AKR70511	Lower Roller Contact Assy		C	1	
37	AC57896400	Neutralizing Brush		D	1	



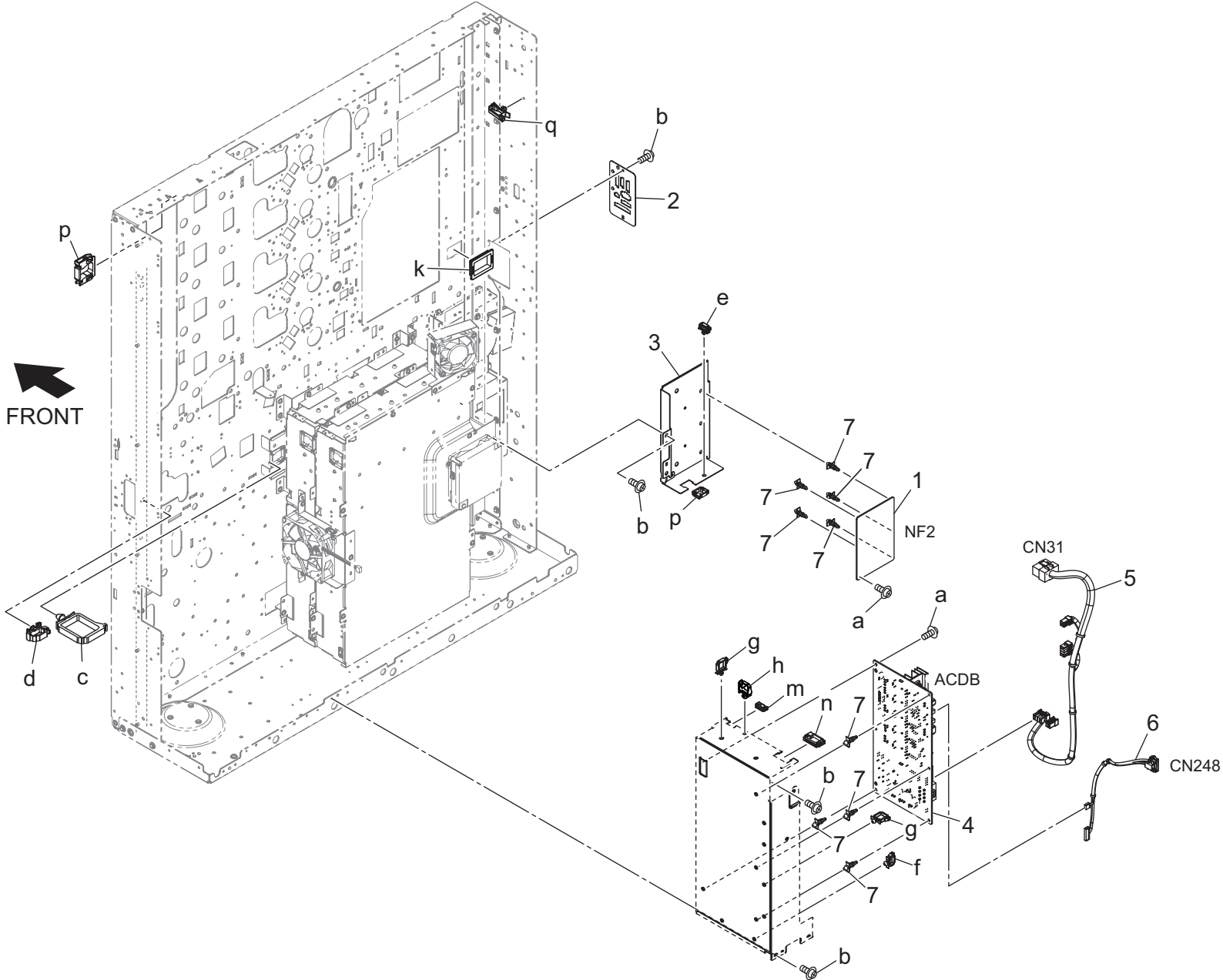
Rear Electrical Section

FRONT  
←





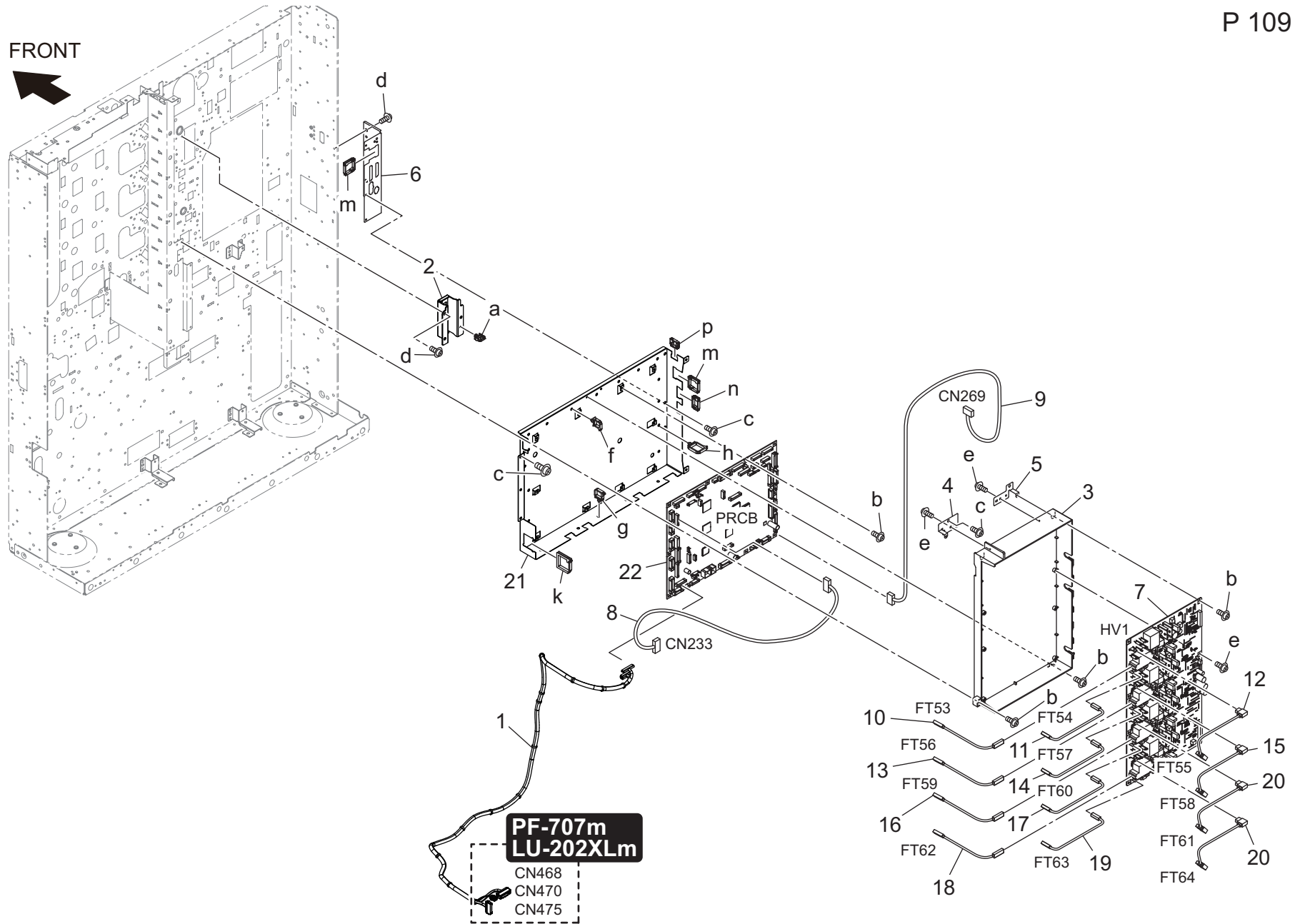
Rear Electrical Section



Key	Part No.	Description	Destinations	Class	QTY	Standard parts
1	A799M45300	Noise filter		D	1	a-V127030603
2	AC57108100	Power supply Panel /F		D	1	b-V127030604
3	AC57134100	Mounting Plate /2		D	1	c-V500010063
4	AC57M46100	AC Drive Board /230V		I	1	d-V500010072
5	AC57N11400	AC Harness /2		D	1	e-V500010081
6	AC57N11600	Fusing Relay Harness /2		D	1	f-V500010082
7	V502010033	Circuit Board Spacer		D	9	g-V500010083
						h-V500020098
						k-V570010038
						m-V570010057
						n-V570010059
						p-V570010060
						q-V500020100

# Rear Electrical Section

FRONT



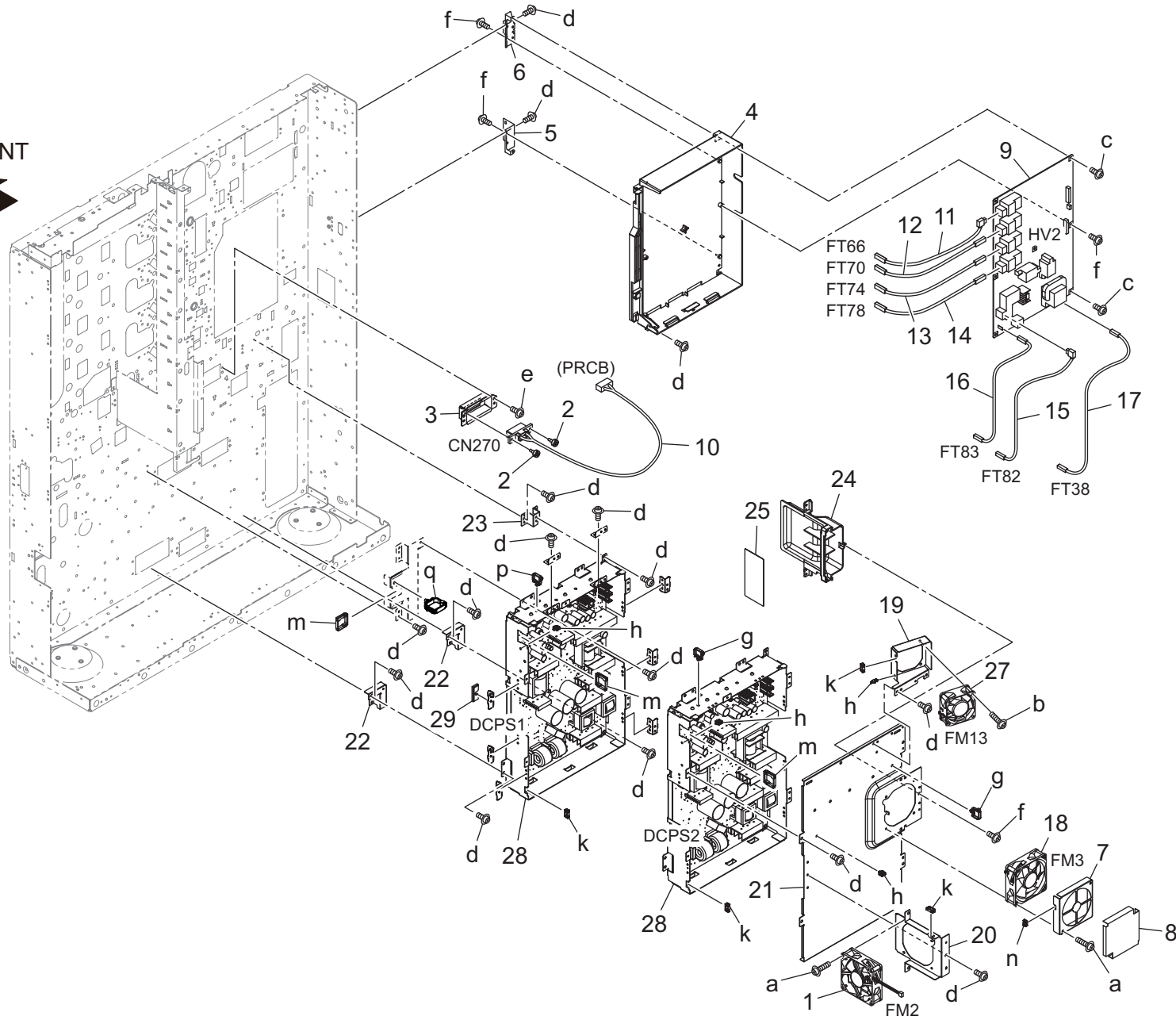
**PF-707m**  
**LU-202XLm**

- CN468
- CN470
- CN475

Key	Part No.	Description	Destinations	Class	QTY	Standard parts
1	A9VEN11500	Main body Wiring /5		D	1	a-V500020099
2	A50U104801	Connecting Frame		D	1	b-V127030603
3	A50U131002	Casing /1		D	1	c-V127030604
4	A50U131400	Ground Plate /1		D	1	d-V127040603
5	A50U131900	Ground Plate /2		D	1	e-V158030803
6	A50U133101	Support Plate /B		D	1	f-V500010082
7	A50UM40100	HV Board /1		D	1	g-V500010084
8	A50UN12900	Toner Relay harness /1		D	1	h-V500010085
9	ACC2N13500	Drive Relay Harness /5		D	1	k-V570010048
10	A50UN23200	HV Wiring /3		D	1	m-V570010058
11	A50UN23300	HV Wiring /4		D	1	n-V570010059
12	A50UN23400	HV Wiring /5		D	1	p-V570010060
13	A50UN23500	HV Wiring /6		D	1	
14	A50UN23600	HV Wiring /7		D	1	
15	A50UN23700	HV Wiring /8		D	1	
16	A50UN23800	HV Wiring /9		D	1	
17	A50UN23900	HV Wiring /10		D	1	
18	A50UN24100	HV Wiring /12		D	1	
19	A50UN24200	HV Wiring /13		D	1	
20	A50UN24300	HV Wiring /14		D	2	
21	A9VE133000	Support Plate		D	1	
22	AC57H03002Old	Printer Control Board ASSY		I	1	
22	AC57H03013Old	Printer Control Board ASSY		I	1	
22	AC57H83000	Printer Control Board ASSY		I	1	

# Rear Electrical Section

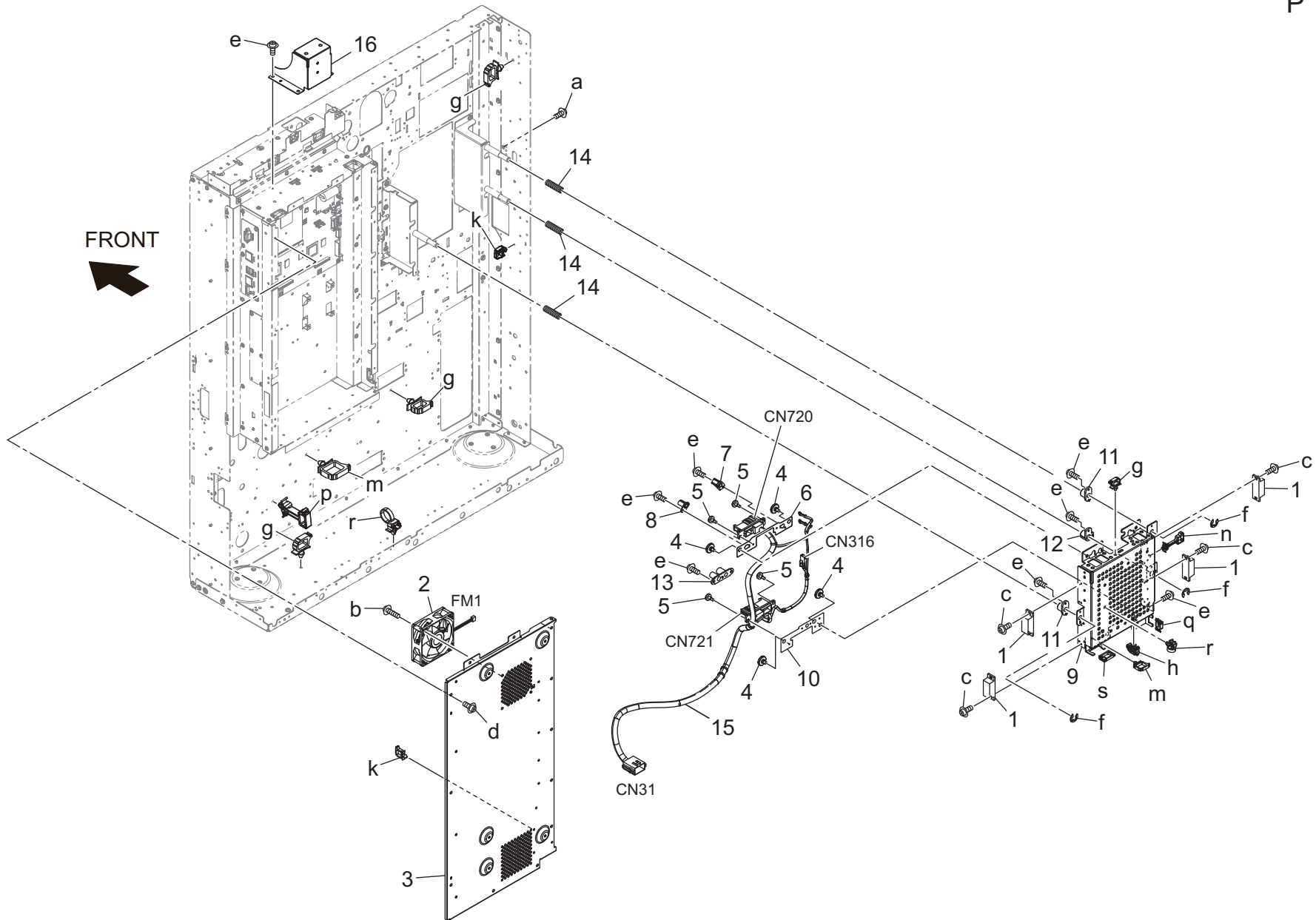
FRONT  

Key	Part No.	Description	Destinations	Class	QTY	Standard parts
1	AA2JM10500	Fan Motor		C	1	a-V118033003
2	A1DU622200	Mounting Screw		D	2	b-V121033003
3	A50U112901	Mounting Tray		D	1	c-V127030603
4	A50U131100	Hold Casing /2		D	1	d-V127030604
5	A50U131200	Ground Plate /4		D	1	e-V146040804
6	A50U131300	Ground Plate /3		D	1	f-V158030803
7	A50U136700	Cover Part		D	1	g-V500010084
8	A50U136800	Filter		D	1	h-V500020098
9	A50UM40201	HV Board /2		C	1	k-V570010057
10	A50UN15101	ADU Relay harness /2		D	1	m-V570010058
11	A50UN24400	HV Wiring /15		D	1	n-V570010056
12	A50UN24600	HV Wiring /16		D	1	p-V500010085
13	A50UN24800	HV Wiring /17		D	1	q-V500010063
14	A50UN25000	HV Wiring /18		D	1	
15	A50UN25200	HV Wiring /19		D	1	
16	A50UN25300	HV Wiring /G		D	1	
17	A50UN25500	HV Wiring /S		D	1	
18	A93EM10000	Fan motor		C	1	
19	AC57120700	Mounting Plate		D	1	
20	AC57132001	Mounting Plate		D	1	
21	AC57132200	Cover		D	1	
22	AC57132500	Fixing Plate /1		D	2	
23	AC57132800	Fixing Plate /4		D	1	
24	AC57132900	Duct		D	1	
25	AC57133400	Cover		D	1	
27	AC57M15000	Cooling Fan		C	1	
28	AC57V13003	Power Supply Assy (200V)		I	2	
29	AC57133700	Cushion		D	1	

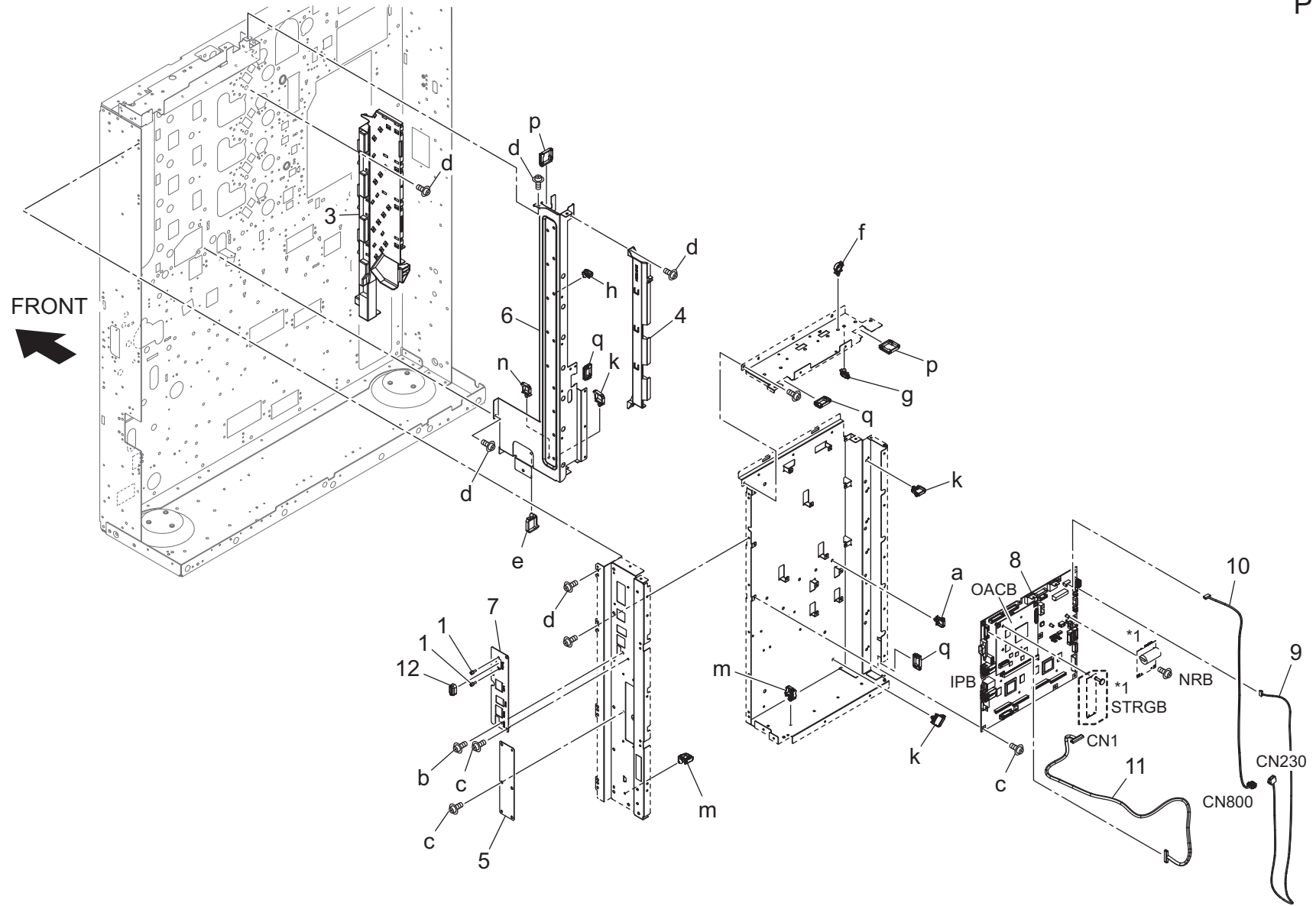


Rear Electrical Section



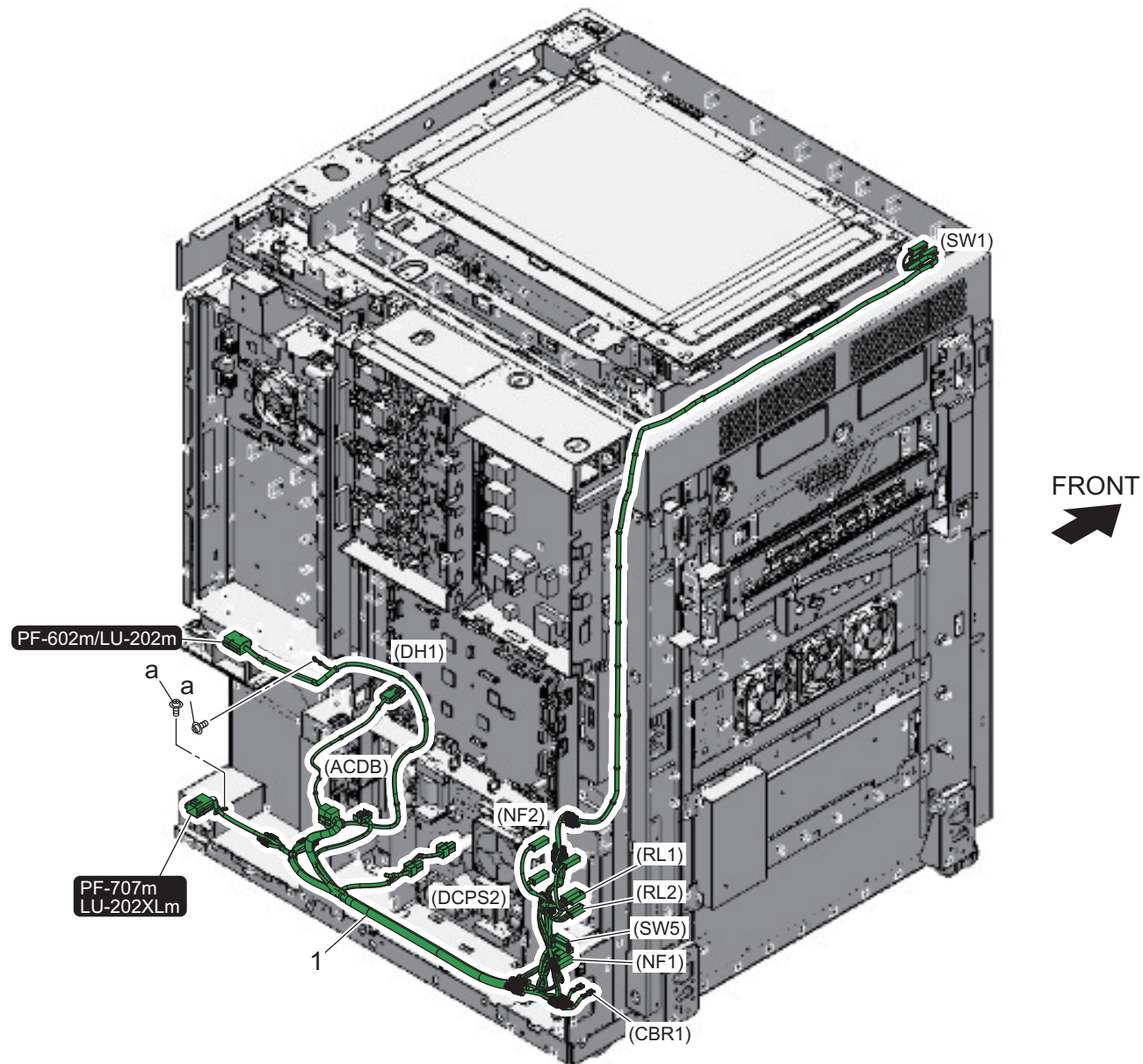


# Rear Electrical Section

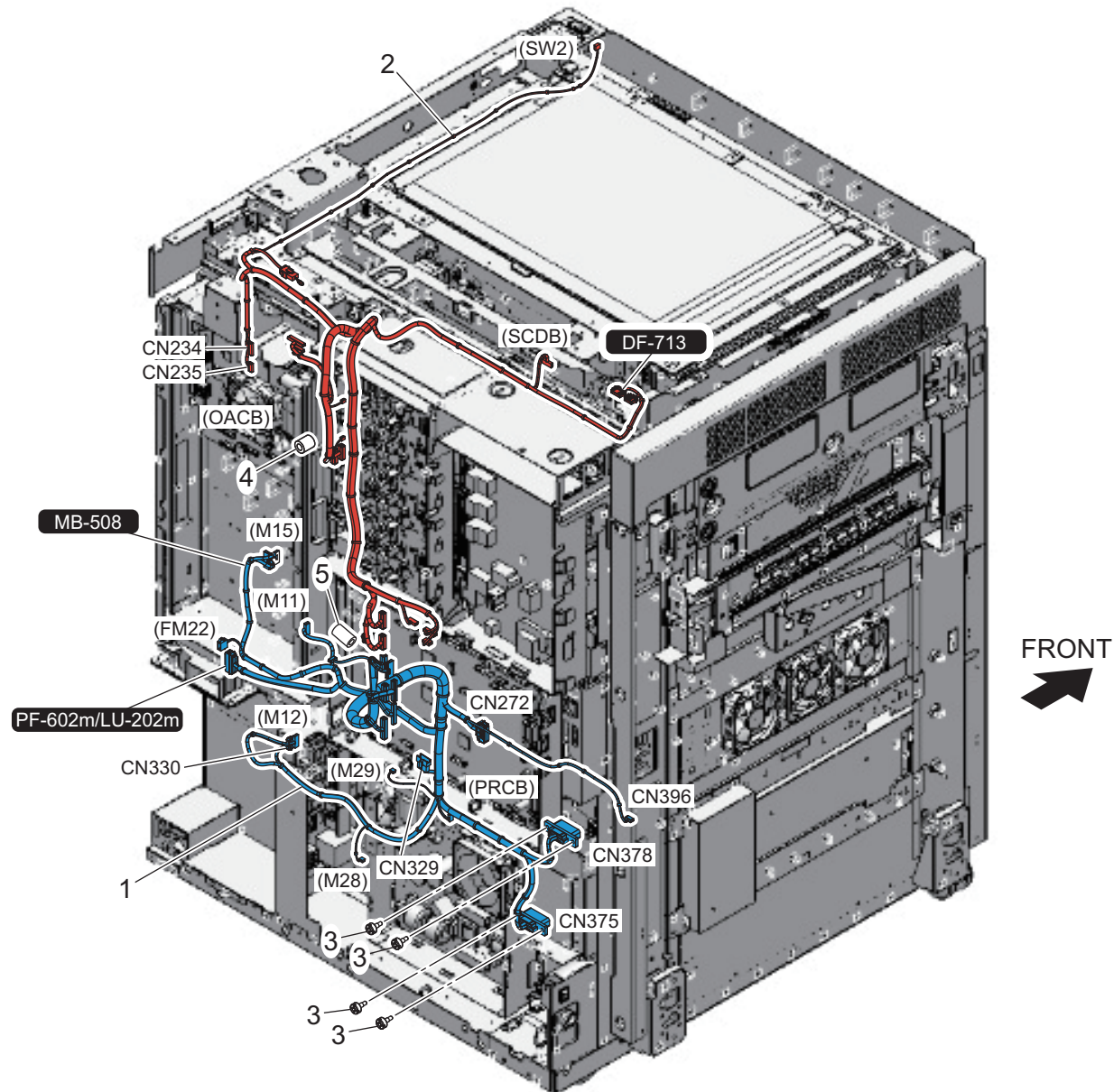


\*1: Contact KONICA MINOLTA technical support if needed.  
 必要の際は、KMのサポート部門へ問い合わせること。





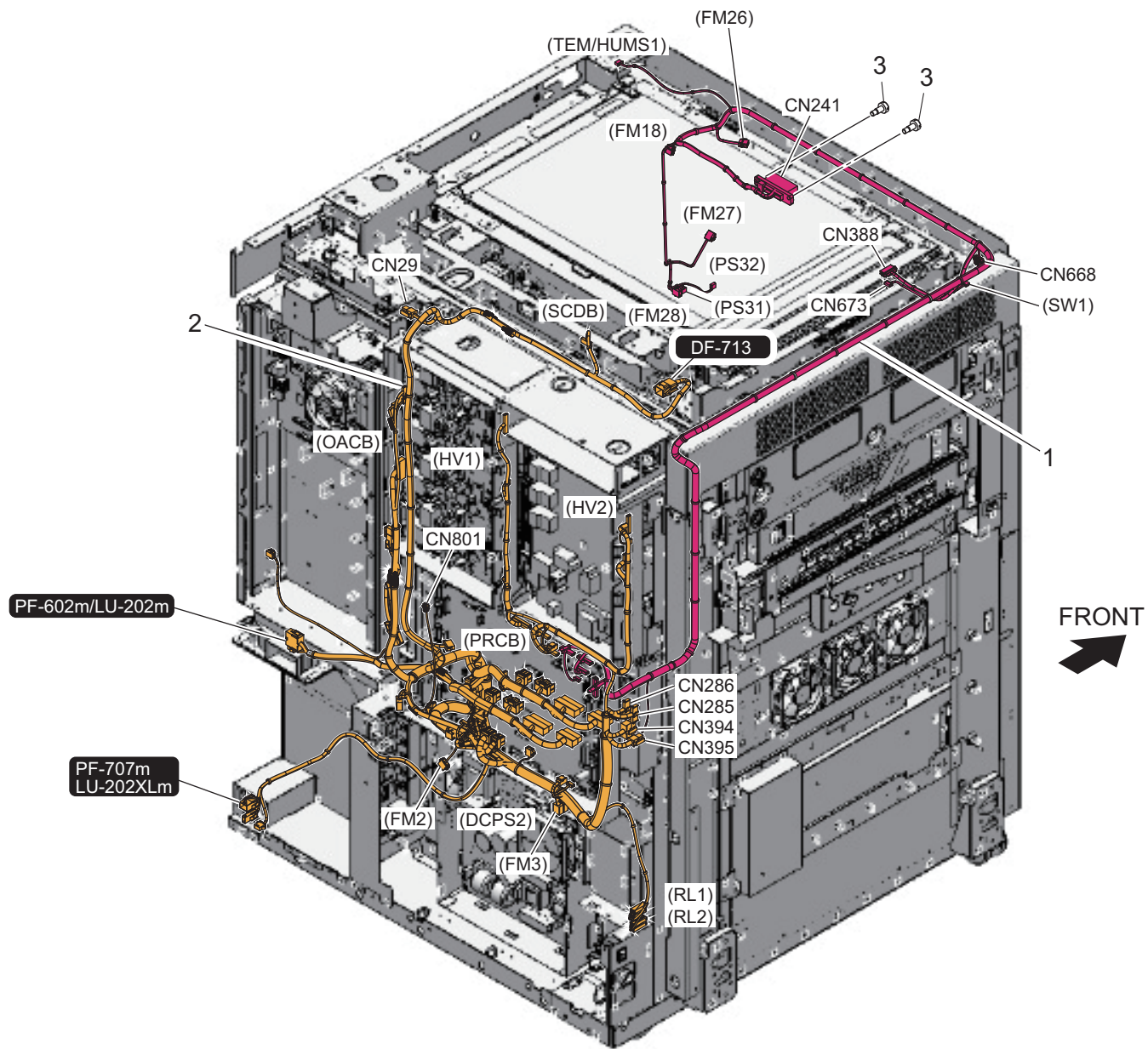




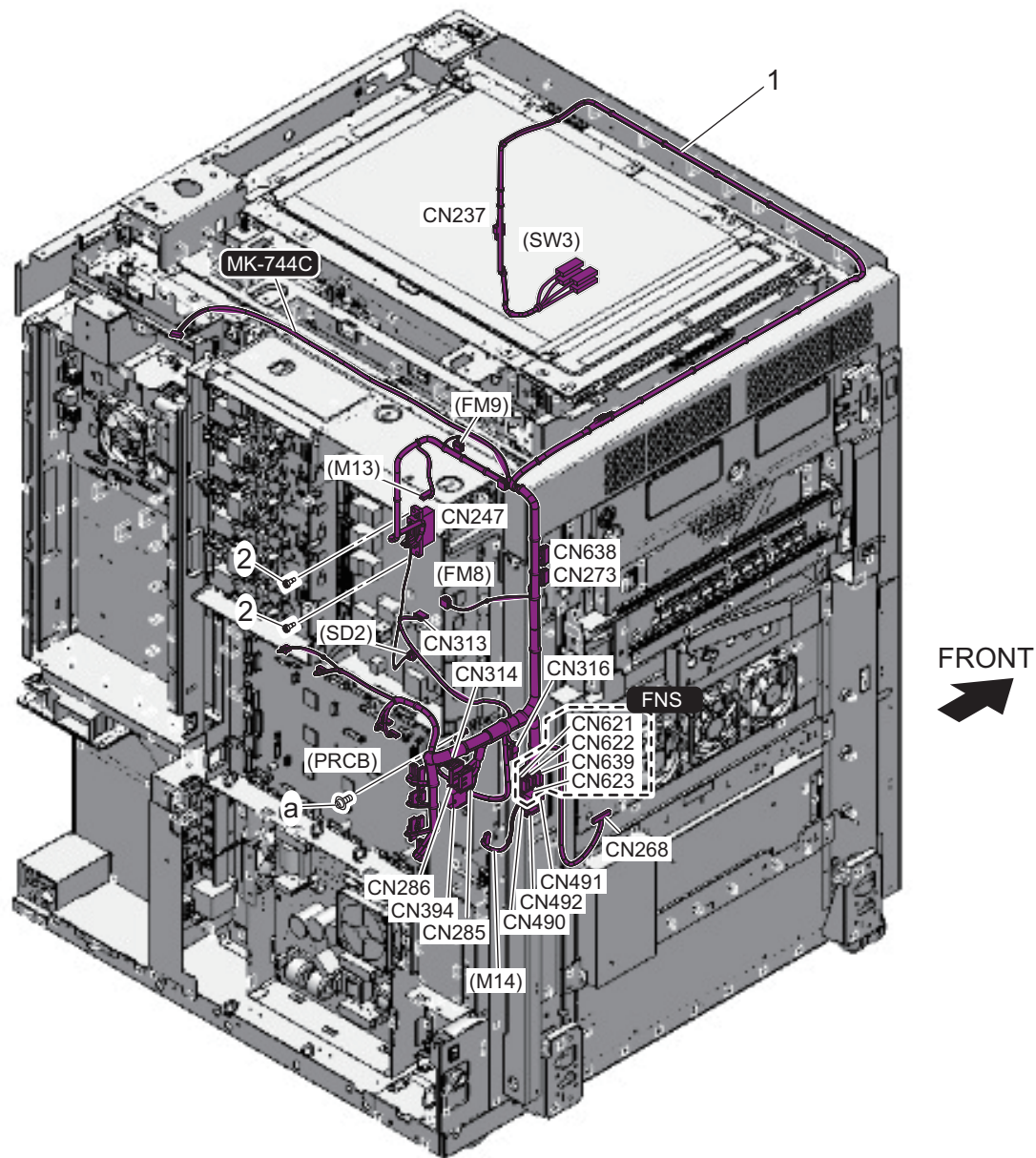
FRONT  
➔









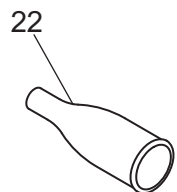
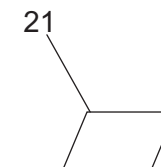
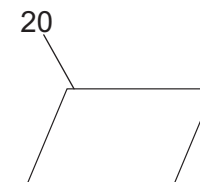
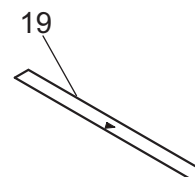
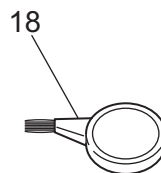
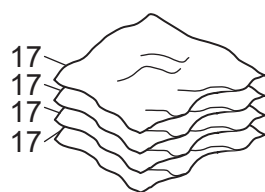
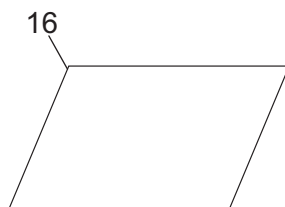
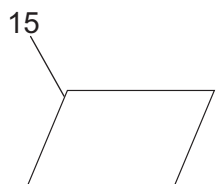
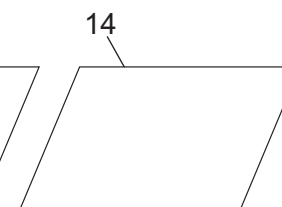
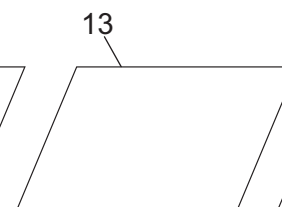
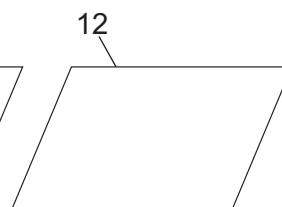
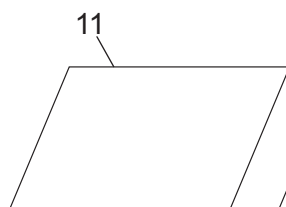
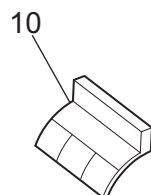
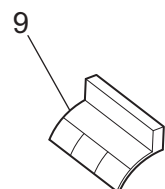
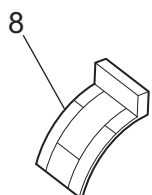
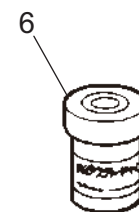
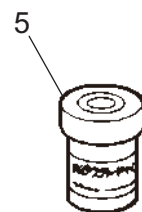
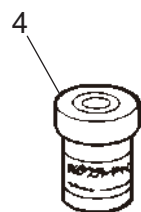
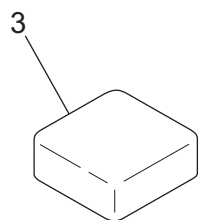
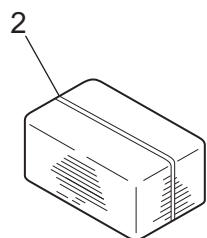


FRONT  
➔

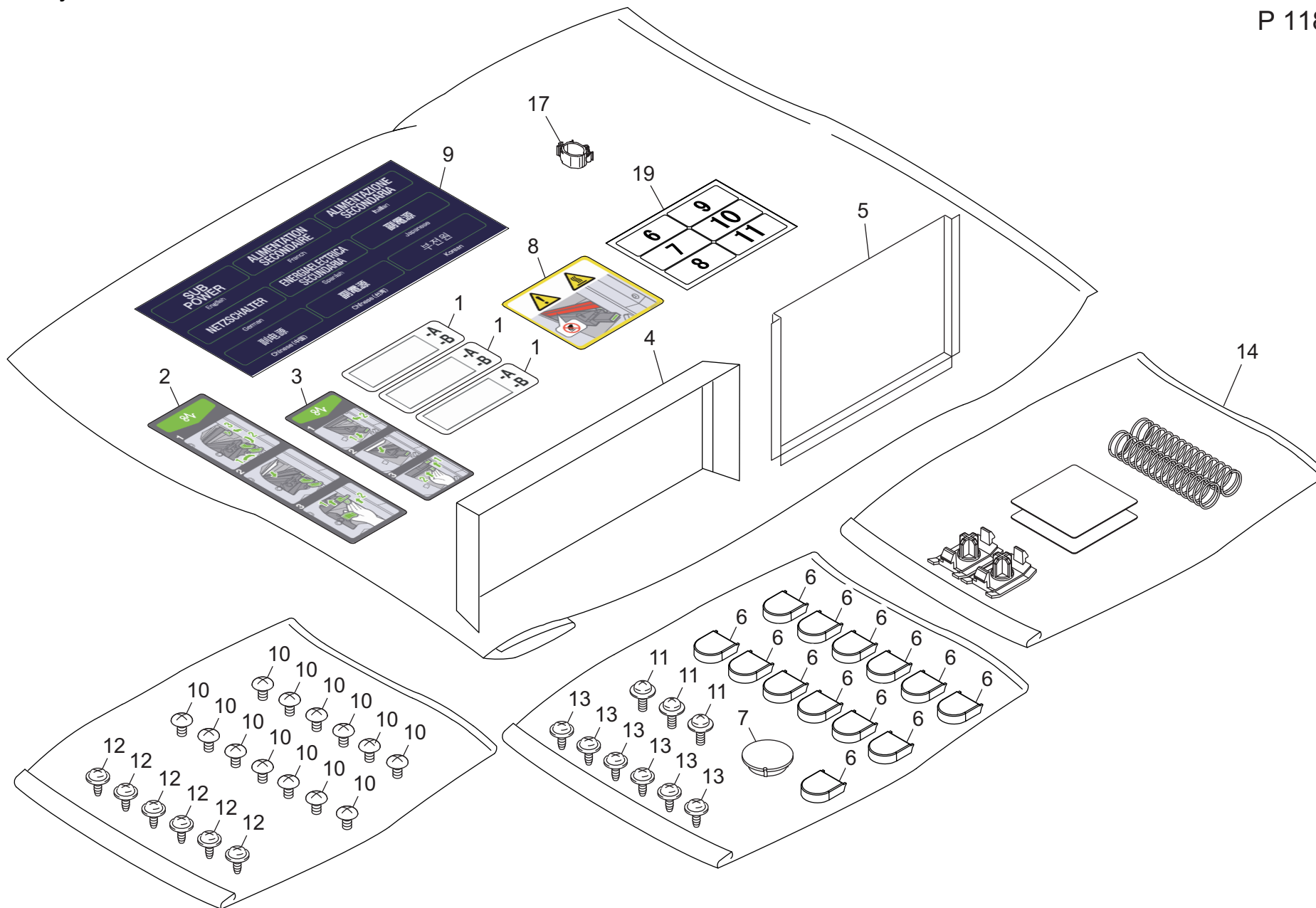


# Service Tool

P 117



Key	Part No.	Description	Destinations	Class	QTY	Standard parts
1	A50UPP0100	Setting Toner No.2		S	1	
2	A5AWP00100	Cleaning Pad		S	1	
3	65AA-9920	Hydrowipe		S	1	
4	00GR00260	Grease(Multemp FF-RM)		S	1	
5	00GR00020	Grease(Plas Guard No.1)		S	1	
6	00GR00220	Grease(Molykote EM-30L Grease)		S	1	
7	A4EUPP0000	MHSURF FT-240		S	1	
8	A50UPJG300	Positioning Jig /C (Temperature Sensor)		S	1	
9	A50UPJG100	Positioning Jig /A (TS1/2)		S	1	
10	A50UPJG200	Positioning Jig /B (TS3)		S	1	
11	9J06PJP100	Color chart/A3 size		S	1	
12	9J06PJP200	Color chart/11x17size		S	1	
13	A79JJP000	Test chart/A3 size		S	1	
14	A79JJP100	Test chart/11x17 size		S	1	
15	120A97110	Adjustment chart/For DF		S	1	
16	65AA99500	Ajust Paper For Fixing Unit(16Sheets)		S	1	
17	00VC-2-00	Drum Cover		S	4	
18	00VD-1000	Blower Brush		S	1	
19	9J06PJP100	DF reading chart		S	1	
20	A782945003	Adjusting Sheet		S	1	
21	A8WC707100	Adjusting Sheet		S	1	
22	A1DUPJG100	Cleaning Jig		S	1	

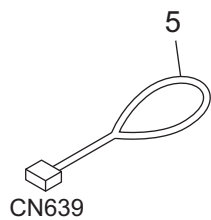
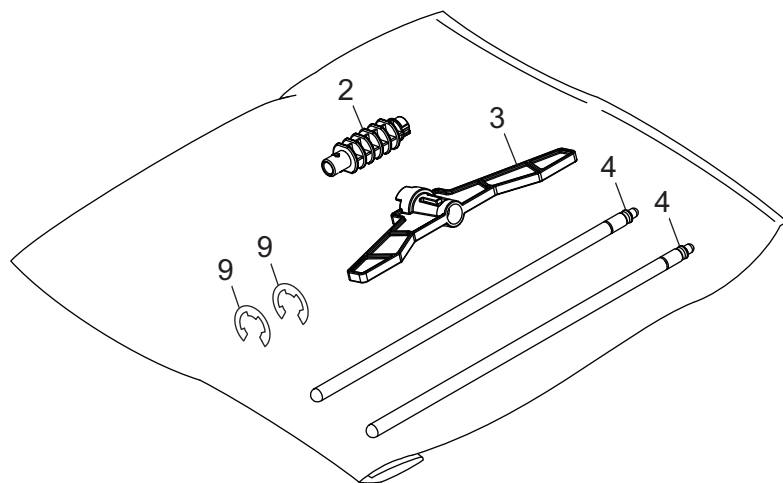
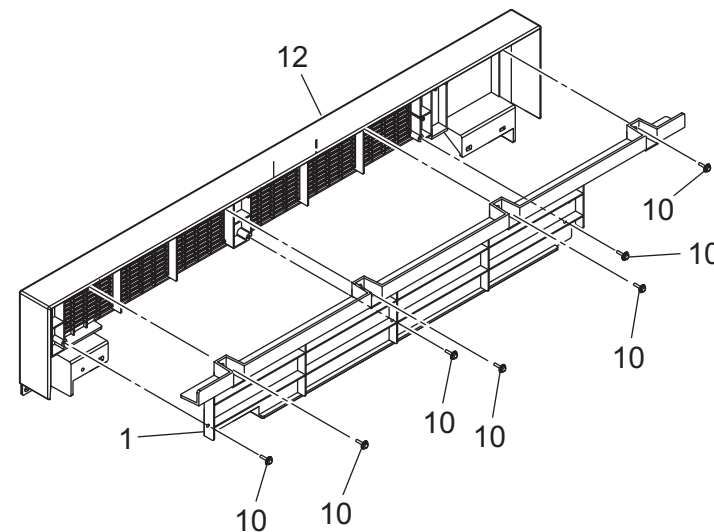
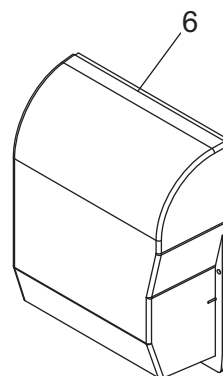
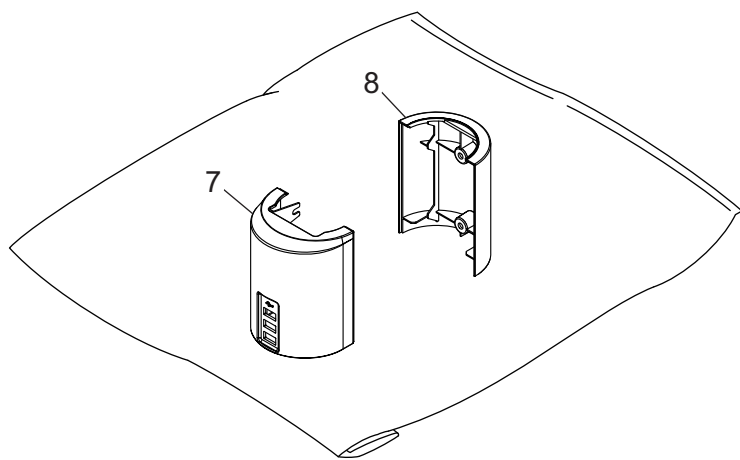




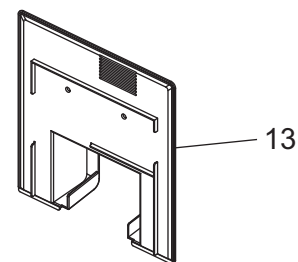


# Accessory Parts

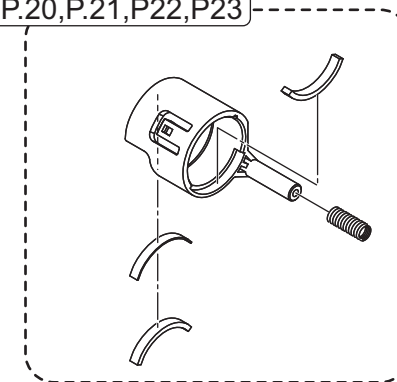
P 119



CN639



See P.20,P.21,P.22,P.23



AccurioPrint C4065P



# MAINTENANCE LIST

● The items with no Page/Key numbers are not handled as spare parts.

No.	Section	PM Parts Description	Maintenance Cycle (K=1,000)		Parts No.	Destinations	Page/Key	Note
			QTY	Replace				
1	External section	Filter box	1	600K	A50UR70A12		P11-27	*1
2	External section	Developing dust-proof filter/1	1	600K	A50U172200		P5-27	*1
3		Developing dust-proof filter/2	1	600K	A50U172300		P5-29	*1
4		PH dust-proof filter	1	600K	A50U172100		P5-26	*1
5		Electric component cooling filter	1	600K	A50U109900		P8-15	*1
6		Suction dust-proof filter	1	600K	A50U164901		P2-11	*1
7		Intermediate transfer cooling filter	1	600K	AC57121100		P5-32	
8	Paper feed section	Paper feed roller rubber	2	125K	25SA40960		P67-3/P70-3	
9		Separation roller rubber	2	125K	25SA40960		P65-1/P68-1	
10	Toner collection section	Waste toner box	1	130K	A50UR70115		P30-19	*2
11	Charging section	Charging corona/Y	1	210K	AC57R70111		P18-1	*1
12		Charging corona/M	1	210K	AC57R70111		P18-1	*1
13		Charging corona/C	1	210K	AC57R70111		P18-1	*1
14		Charging corona/K	1	210K	AC57R70111		P18-1	*1
15	Photo conductor section	Lubricant spring	2	210K	-			*1 *5
16	Intermediate transfer section	Transfer belt cleaning unit (STEP3)	1	220K	AC57R75122		P32-1	*1
17		Intermediate transfer belt/C (STEP3)	1	346K	A9VE500200		P34-35	*1
18	Photo conductor section	Drum unit/K	1	420K	-			*6
19	Intermediate transfer section	1st transfer roller/Y	1	440K	A50U501201		P35-9	*1
20		1st transfer roller/M	1	440K	A50U501201		P35-9	*1
21		1st transfer roller/C	1	440K	A50U501201		P35-9	*1
22		1st transfer roller/K	1	440K	A50U501201		P35-9	*1
23		2nd transfer roller/Up	1	440K	A50U500401		P34-13	*1
24		2nd transfer roller/Lw	1	440K	A50U520001		P56-1	*1
25		Separate discharging unit	1	440K	A50UR70B00		P56-6	*1
26		Photo conductor section	Drum unit/Y Drum unit/M Drum unit/C	1	440K	-		
27	Registration section	Registration cleaning sheet assy	1	600K	AC57R73400		P101-30	
28	Fusing section	Heat insulating sleeve/Lw	2	600K	A50U756300		P43-13	Service tool: Fluotribo MH
29	Charge control section	Charging roller/Up	1	750K	AC57899000		P106-21	*1
30	Paper feed section	Pick-up roller	2	800K	A1DUR71J00		P67-19/P70-19	
31	Intermediate transfer section	Transfer belt separation claw	3	888K	A1DUR71900		P35-8	
32	Fusing section	Heat insulating sleeve/belt	2	888K	A50U756300		P46-13	
33		Fusing gear/1	1	888K	A50U752700		P43-9	
34		Fusing gear/3	1	888K	A50U752200		P41-23	
35		Fusing belt	1	888K	A50U765000		P46-14	
36	Reverse and exit section	Paper exit de-curler roller	1	1,000K	AC57890800		P103-20	
37		Paper exit drive gear /1	1	1,000K	A03U909502		P103-13	
38		Paper exit gear	1	1,000K	A50U899700		P103-29	
39		Reverse de-curler roller	1	1,000K	AC57860500		P96-16	
40	Charge control section	Paper exit drive gear/2	1	1,000K	A043909901		P102-7	
41	Fusing section	Fusing paper exit roller/Up	2	1,200K	A9VE760900		P47-8	
42	Developing section	Developer/Y	1	1,200K	-			*4
43		Developer/M	1	1,200K	-			*4
44		Developer/C	1	1,200K	-			*4
45		Developer/K	1	1,200K	-			*4
46		Developing unit/Y	1	1,200K	AC57R70222		P20-10	*1
47		Developing unit/M	1	1,200K	AC57R70222		P21-10	*1
48		Developing unit/C	1	1,200K	AC57R70222		P22-10	*1
49		Developing unit/K	1	1,200K	AC57R70222		P23-10	*1
50	Registration section	Registration roller	1	1,400K	AC57710100		P99-7	
51		Registration roller bearing	2	1,400K	A03U812800		P99-6	

No.	Section	PM Parts Description	Maintenance Cycle (K=1,000)		Parts No.	Destinations	Page/Key	Note
			QTY	Replace				
52	Intermediate transfer section	Belt separation claw solenoid (SD2)	1	1,600K	26NA82513		P7-2	
53		2nd transfer earth plate assy	2	1,760K	A50UR70G01		P79-21	*1
54		C-clip	2	1,760K	V218060086		P56-c	*1
55	Fusing section	Fusing bearing/Lw	4	1,800K	26NA53712		P43-2/P46-1	
56		Fusing gear/2	1	1,800K	A03U809500		P46-5	
57		Heat insulating sleeve/Up	2	1,800K	A5AW744900		P46-16	
58		Fusing ball bearing/Up	2	1,800K	AC57745000		P46-17	
59		Belt regulating sleeve	2	1,800K	A9VE724100		P46-22	
60		Fusing roller/1	1	1,800K	A9VE720300		P46-18	
61		Fusing roller/2	1	1,800K	A9VE720500		P46-19	
62		Fusing roller/Lw	1	1,800K	A50U765500		P43-15	
63		Fusing separating claw assy	5	1,800K	A50UR72U11		P47-33	
64	Paper feed section	Paper feed clutch	2	2,000K	A795M20300		P67-13/P70-13	
65		Pre-registration clutch	2	2,000K	A795M20300		P66-20/P69-20	
66	Vertical conveyance section	Intermediate conveyance clutch/1 (CL5)	1	2,000K	A795M20300		P78-5	
67	Duplex section	Intermediate conveyance clutch/2 (CL6)	1	2,000K	AC57M20000		P84-9	
68		Intermediate conveyance clutch/3 (CL7)	1	2,000K	AC57M20000		P84-9	
69	Registration section	Registration idler gear	1	2,800K	A50U713700		P85-10	
70	Fusing section	Fusing heater lamp 1 assy/Up	1	3,000K	A9VEM31F00		P46-4	
71		Fusing heater lamp 2 assy/Up	1	3,000K	A9VEM33F00		P46-30	
72		Fusing temperature sensor/3 (TH3)	1	3,000K	A50UR70F00		P45-15	
73		Fusing temperature sensor/4 (TH4)	1	3,000K	A50UR70E22		P42-6	
74	Charge control section	Charging roller bearing/Fr	1	3,150K	A1RF508900		P106-5	
75		Charging roller bearing/Rr	1	3,150K	A85C897201		P106-17	
76	Intermediate transfer section	Transfer roller bearing/Y, /M, /C	6	3,520K	65AA26380		P35-3	
77		Transfer roller bearing/K	2	3,520K	A50U505700		P35-15	

\*1: Actual replacement: 100% (special parts counter) (See Service Manual F-3 LIFE VALUE.)

\*2: The sensor detects its full automatically.

\*3: Actual replacement: 460,000 counts (quantity) or 100% (distance), whichever is earlier (See Service Manual F-3 LIFE VALUE.)

\*4: Be sure to replace it together with the developing unit at the same time.

\*5: Only for drum unit/K

\*6: Actual replacement: 420,000 counts (quantity) or 100% (distance), whichever is earlier (See Service Manual F-3 LIFE VALUE.)

\*: The part names used on this page follow the ones used in the Service Manual and they are occasionally different from those written in other pages.

## メンテナンスリスト

● ページ / キーナンバーのないものは、アフターサービス部品ではありません。

No.	区分	P M 部品名称	サイクル ( K=1,000)		部品番号	仕向地	頁 / キー	備考
			員数	交換				
1	外装部	フィルターボックス	1	600K	A50UR70A12		P11-27	*1
2		現像防塵フィルター /1	1	600K	A50U172200		P5-27	*1
3		現像防塵フィルター /2	1	600K	A50U172300		P5-29	*1
4		PH 防塵フィルター	1	600K	A50U172100		P5-26	*1
5		電装冷却フィルター	1	600K	A50U109900		P8-15	*1
6		吸気防塵フィルター	1	600K	A50U164901		P2-11	*1
7		中間転写冷却フィルター	1	600K	AC57121100		P5-32	
8		給紙ローラーゴム	2	125K	25SA40960		P67-3/P70-3	
9		分離ローラーゴム	2	125K	25SA40960		P65-1/P68-1	
10	トナー回収部	廃棄トナーボックス	1	130K	A50UR70115		P30-19	*2
11	帯電部	帯電極 /Y	1	210K	AC57R70111		P18-1	*1
12		帯電極 /M	1	210K	AC57R70111		P18-1	*1
13		帯電極 /C	1	210K	AC57R70111		P18-1	*1
14		帯電極 /K	1	210K	AC57R70111		P18-1	*1
15	感光体部	滑剤スプリング	2	210K	-			*1 *5
16	中間転写部 (STEP3)	転写ベルト クリーニングユニット (STEP3)	1	325K	AC57R75122		P32-1	*1
17		中間転写ベルト /C (STEP3)	1	346K	A9VE500200		P34-35	*1
18	感光体部	ドラムユニット /K	1	420K	-			*6
19	中間転写部	1次転写ローラー /Y	1	440K	A50U501201		P35-9	*1
20		1次転写ローラー /M	1	440K	A50U501201		P35-9	*1
21		1次転写ローラー /C	1	440K	A50U501201		P35-9	*1
22		1次転写ローラー /K	1	440K	A50U501201		P35-9	*1
23		2次転写ローラー /Up	1	440K	A50U500401		P34-13	*1
24		2次転写ローラー /Lw	1	440K	A50U520001		P56-1	*1
25		分離放電板ユニット	1	440K	A50UR70B00		P56-6	*1
26	感光体部	ドラムユニット /Yドラムユニット /Mドラムユニッ	1	460K	-			*3
27	レジスト部	レジスト 清掃シート Assy	1	600K	AC57R73400		P101-30	
28	定着部	断熱スリーブ /Lw	2	600K	A50U756300		P43-13	サービスツール:フルトライボ MH
29	電荷制御部	帯電ローラー /Up	1	750K	AC57899000		P106-21	*1
30	給紙部	ピックアップローラー	2	800K	A1DUR71J00		P67-19/P70-19	
31	中間転写部	転写ベルト 分離爪	3	888K	A1DUR71900		P35-8	
32	定着部	断熱スリーブ /ベルト	2	900K	A50U756300		P46-13	
33		定着ギア /1	1	900K	A50U752700		P43-9	
34		定着ギア /3	1	900K	A50U752200		P41-23	
35		定着ベルト	1	900K	A50U765000		P46-14	
36	反転 / 排紙部	排紙デカローラー	1	1,000K	AC57890800		P103-20	
37		排紙駆動ギア /1	1	1,000K	A03U909502		P103-13	
38		排紙ギア	1	1,000K	A50U899700		P103-29	
39		反転デカローラー	1	1,000K	AC57860500		P96-16	
40	電荷制御部	排紙駆動ギア /2	1	1,000K	A043909901		P102-7	
41	定着部	定着排紙ローラー /Up	2	1,200K	A9VE760900		P47-8	
42	現像部	現像剤 /Y	1	1,200K	-			*4
43		現像剤 /M	1	1,200K	-			*4
44		現像剤 /C	1	1,200K	-			*4
45		現像剤 /K	1	1,200K	-			*4
46		現像ユニット /Y	1	1,200K	AC57R70222		P20-10	*1
47		現像ユニット /M	1	1,200K	AC57R70222		P21-10	*1
48		現像ユニット /C	1	1,200K	AC57R70222		P22-10	*1
49		現像ユニット /K	1	1,200K	AC57R70222		P23-10	*1
50	レジスト部	レジスト ローラー	1	1,400K	AC57710100		P99-7	
51		レジスト ローラー軸受	2	1,400K	A03U812800		P99-6	

No.	区分	P M 部品名称	サイクル (K=1,000)		部品番号	仕向地	頁 / キー	備考
			員数	交換				
52	中間転写部	ベルト 分離爪ソレノイド (SD2)	1	1,600K	26NA82513		P7-2	
53		2次転写アース板 Assy	2	1,760K	A50UR70G01		P79-21	*1
54		Cクリップ	2	1,760K	V218060086		P56-c	*1
55	定着部	定着軸受 /Lw	4	1,800K	26NA53712		P43-2/P46-1	
56		定着ギア /2	1	1,800K	A03U809500		P46-5	
57		断熱スリーブ /上	2	1,800K	A5AW744900		P46-16	
58		定着ボールベアリング /上	2	1,800K	AC57745000		P46-17	
59		ベルト 規制スリーブ	2	1,800K	A9VE724100		P46-22	
60		定着ローラー /1	1	1,800K	A9VE720300		P46-18	
61		定着ローラー /2	1	1,800K	A9VE720500		P46-19	
62		定着ローラー /Lw	1	1,800K	A50U765500		P43-15	
63		定着分離爪 Assy	5	1,800K	A50UR72U11		P47-33	
64	給紙部	給紙クラッチ	2	2,000K	A795M20300		P67-13/P70-13	
65		ブレジストクラッチ	2	2,000K	A795M20300		P66-20/P69-20	
66	垂直搬送部	中間搬送クラッチ /1 (CL5)	1	2,000K	A795M20300		P78-5	
67	両面部	中間搬送クラッチ /2 (CL6)	2	2,000K	AC57M20000		P84-9	
68		中間搬送クラッチ /3 (CL7)	1	2,000K	AC57M20000		P84-9	
69	レジスト部	レジストアイドラーギア	1	2,800K	A50U713700		P85-10	
70	定着部	定着ヒーターランプ 1 Assy/Up	1	3,000K	A9VEM31F00		P46-4	
71		定着ヒーターランプ 2 Assy/Up	1	3,000K	A9VEM33F00		P46-30	
72		定着温度センサー /3 (TH3)	1	3,000K	A50UR70F00		P45-15	
73		定着温度センサー /4 (TH4)	1	3,000K	A50UR70E22		P42-6	
74	電荷制御部	帯電ローラー軸受 /Fr	1	3,150K	A1RF508900		P106-5	
75		帯電ローラー軸受 /Rr	1	3,150K	A85C897201		P106-17	
76	中間転写部	転写ローラー軸受 /Y、/M、/C	6	3,520K	65AA26380		P35-3	
77		転写ローラー軸受 /K	2	3,520K	A50U505700		P35-15	

\*1: 実質交換: 100% (固定パーツカウンター) (サービスマニュアル「F.3 ライフ値の考え方」参照)

\*2: フル検知はセンサーにより自動検知

\*3: 実質交換: 460,000 カウント (枚数)、または 100% (距離) いずれか早いタイミング (サービスマニュアル「F.3 ライフ値の考え方」参照)

\*4: 現像ユニットと同時に交換すること

\*5: ドラムユニット /Kのみ

\*6: 実質交換: 420,000 カウント (枚数)、または 100% (距離) いずれか早いタイミング (サービスマニュアル「F.3 ライフ値の考え方」参照)

\*: ここに記載されている部品名称はサービスマニュアルで使用されている部品名称であり、他のページに記載されている部品名称とは異なる場合があります。

## DESTINATION

Destination No.		Destinations		V	Hz	Model No.
A	A1	JAPAN				
	A2	JAPAN				
B		USA, CANADA				
C		EUROPEAN TYPE		220-240	50/60	ADA4021
D	D1	S.E ASIA TYPE	THAILAND, SRI LANKA, SINGAPORE, MALAYSIA, HONG KONG, PAKISTAN, INDIA, BANGLADESH, INDONESIA			
	D3	OCEANIA TYPE	AUSTRALIA, NEW ZEALAND			
E		PHILIPPINES				
F	F1	SAUDI ARABIA				
	F2	SAUDI ARABIA				
G	G1	C.S AMERICA				
	G2	C.S AMERICA				
H		TAIWAN				
I		JORDAN, LEBANON, SYRIA, SOUTH AFRICA, IRAQ, IRAN, N.YEMEN, CAMEROON, UAE, BAHRAIN, OMAN, QATAR, KUWAIT, KENYA, TUNISIA, IVORY COAST, MOROCCO		220-240	50/60	ADA4021
J		CHINA		220-240	50/60	ADA4081
K		KOREA				

AccurioPrint C4065P