

KONICA MINOLTA

PARTS GUIDE MANUAL

AUGUST 2006

*bizhub 160/bizhub 160f/
bizhub 161/bizhub 161f
4980561*

INFORMATION FOR PARTS GUIDE MANUAL

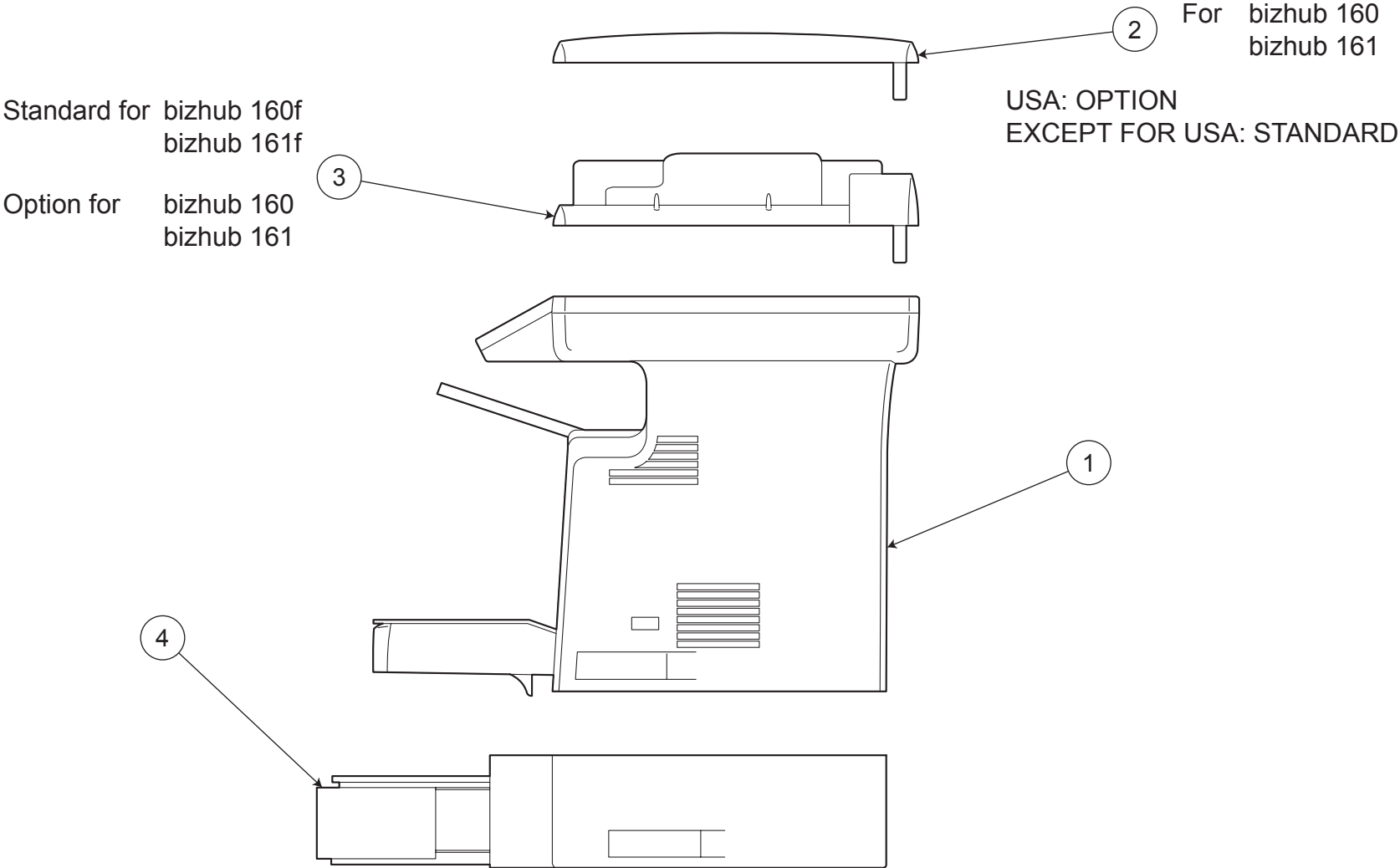
To find correct Parts No., refer to the "HOW TO MAKE THE BEST USE OF THIS MANUAL" in the following page.

HOW TO MAKE THE BEST USE OF THIS MANUAL

- 1 When you order, please check the proper figures beforehand that are on Our Parts Guide Manual, and order with the appropriate figures.
- 2 For screws, Nuts, Washers, retaining rings and Pins which are used in this model, one letter is shown on the Standard parts column of Parts list and exploded diagrams.
- 3 In order to maintain safety of the product, some specific parts composed of this product are set up as "essential safety parts".
- 4 The assigned parts number for the "essential safety parts" is indicated as "SP00-****".
When replacing these parts, follow precautions for disassembling and installing which are listed in the Service Manual.
Do not use any parts that are not set up as
- 5 ♣ means that there are exclusive parts for each destination.
Please check the appropriate destination when you order.
- 6 Revision Mark
Marked as ▲ on the illustration shows that the revision has been made.
- 7 All rights reserved. (any reprints or quotations are prohibited.)
Use of this parts guide manual should be strictly supervised to avoid disclosure of confidential information.

04/15/2005

SYSTEM OUTLINE



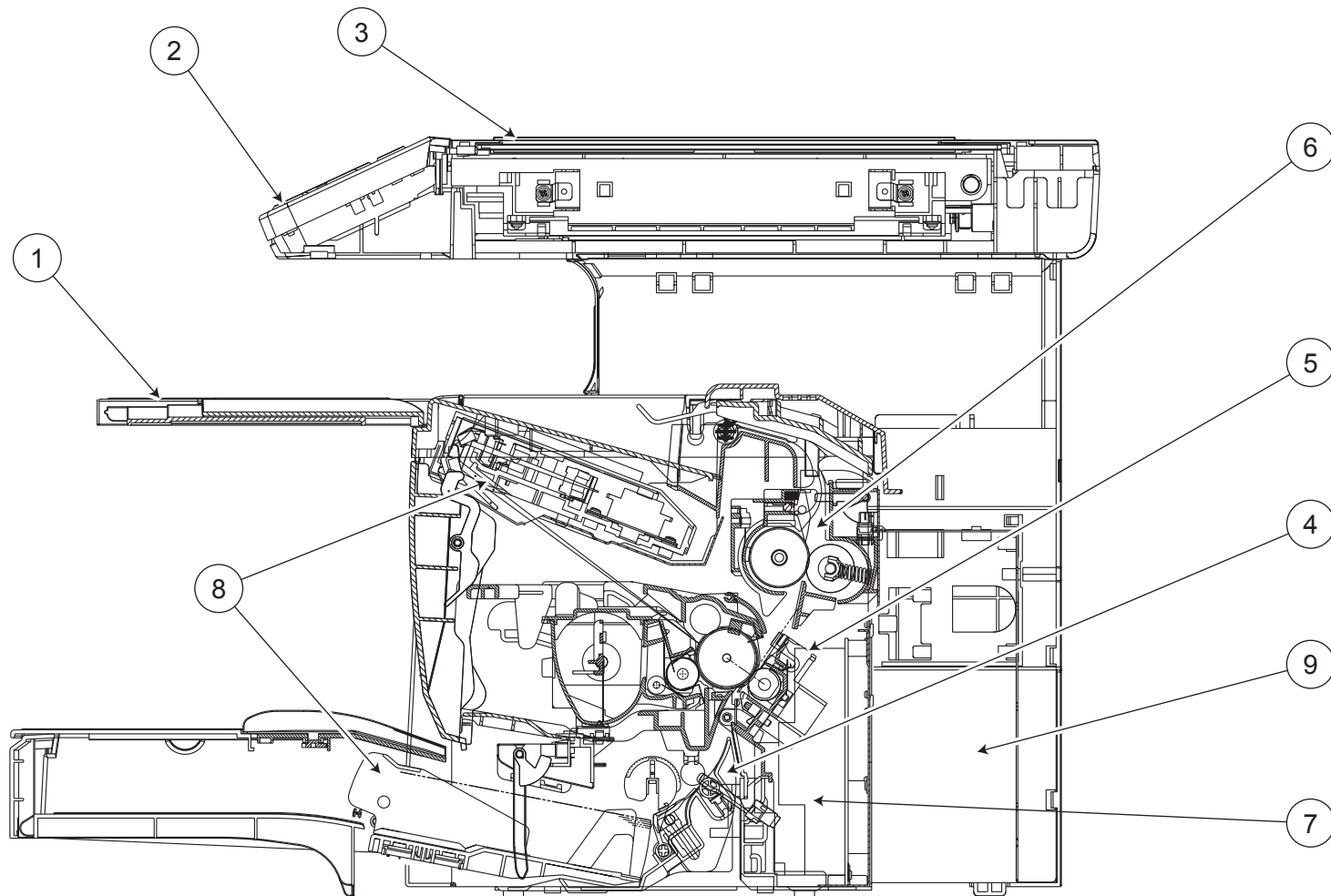
bizhub 160/bizhub 160f/bizhub 161/bizhub 161f

GENERAL CONTENTS

No.	Description	Model
1	DIGITAL MFP B/W	bizhub 160/bizhub 160f/bizhub 161/ bizhub 161f
2	OTHER OPTION	OC-503
3	DOCUMENT FEEDER	DF-501
4	PAPER FEEDER	PF-501

bizhub 160/bizhub 160f/bizhub 161/bizhub 161f

DIAGRAMS OF MAIN PARTS SECTION



bizhub 160/bizhub 160f/bizhub 161/bizhub 161f

CONTENTS

No.	DESCRIPTION	PAGE No.
1	EXTERNAL PARTS	P1
2	OPERATION PANEL	P2
3	OPTICAL SECTION	P3
4	PAPER TAKE-UP SECTION	P4
5	PAPER TRANSPORT SECTION	P5
6	FUSING UNIT	P6
7	DRIVE SECTION	P7
8	ELECTRICAL COMPONENTS	P8 P9
9	WIRING	P10
10	WIRING ACCESSORIES AND JIGS	P11
11	ACCESSORY PARTS	P12

bizhub 160/bizhub 160f/bizhub 161/bizhub 161f

INDEX

Parts No.	Page No.
4109 2003 01	4-21
4111 2531 01	6-12
4127 3041 02	4-26
4127 3104 01	1-13
4127 3104 01	8-11
4127 3707 01	6-6
4127 4106 01	5-6
4127 4107 01	5-28
4127 4108 01	5-3
4127 4109 01	5-7
4127 4111 01	5-23
4127 4135 01	5-27
4127 5571 01	6-18
4136 0151 02	4-5
4136 1020 03	1-22
4136 1021 02	1-24
4136 2001 02	8-13
4136 2004 16	7-11
4136 2005 18	7-23
4136 2006 03	7-4
4136 2007 02	7-7
4136 2008 04	7-3
4136 2009 03	7-6
4136 2010 03	7-5
4136 2012 02	7-2
4136 2013 01	7-14
4136 2015 01	7-8
4136 2018 02	7-9
4136 2019 03	7-22
4136 2032 04	8-15
4136 2055 04	8-20
4136 2102 01	7-13
4136 2310 02	7-25
4136 2501 01	7-27
4136 2502 01	7-17
4136 2503 01	7-18
4136 2504 01	7-16
4136 2505 01	7-19
4136 2506 01	7-20
4136 2507 01	7-28

Parts No.	Page No.
4136 2508 01	7-29
4136 2509 01	7-30
4136 2510 01	7-33
4136 2511 01	7-32
4136 2526 03	7-15
4136 2527 01	7-31
4136 3001 01	4-14
4136 3002 02	4-1
4136 3005 04	8-7
4136 3006 01	4-2
4136 3009 02	4-3
4136 3013 01	8-8
4136 3014 02	4-27
4136 3016 02	5-13
4136 3018 01	4-4
4136 3021 01	5-14
4136 3022 01	4-16
4136 3025 01	4-10
4136 3026 01	4-6
4136 3027 01	4-9
4136 3035 01	4-22
4136 3037 01	4-24
4136 3038 01	4-23
4136 3039 12	4-15
4136 3043 01	4-12
4136 3044 01	4-17
4136 3045 01	4-7
4136 3046 01	4-13
4136 3047 01	4-11
4136 3048 01	4-18
4136 3049 01	4-8
4136 3101 01	8-10
4136 3501 04	4-19
4136 3709 02	6-4
4136 3714 01	6-11
4136 3716 01	6-25
4136 3730 03	6-8
4136 4102 04	5-2
4136 4103 02	5-26
4136 4104 01	5-24

Parts No.	Page No.
4136 4105 01	5-5
4136 4106 01	5-8
4136 4109 06	5-11
4136 4111 01	5-30
4136 4113 02	5-1
4136 4114 02	5-4
4136 4132 01	5-25
4136 4133 01	5-9
4136 5503 03	6-16
4136 5505 05	6-22
4136 5510 02	6-19
4136 5517 02	6-20
4136 5518 02	6-24
4136 5531 01	6-15
4136 5598 01	6-17
4136 5599 01	6-14
4136 6205 07	8-21
4136 6301 02	5-12
4136 6702 01	6-13
4136 6751 01	5-21
4136 6804 01	8-14
4136 6805 03	10-1
4136 6810 03	10-2
4136 7321 01	6-9
4136 7325 02	6-26
4136 7326 02	6-27
4136 7500 01	1-18
4136 R701 00	5-29
4136 R702 00	4-28
4137 0105 01	5-22
4137 0752 00	6-28
4137 1001 14	1-9
4137 1004 06	6-3
4137 1005 02	6-10
4137 1006 01	1-12
4137 1007 03	1-6
4137 1008 02	1-14
4137 1009 01	1-15
4137 1011 01	1-4
4137 1012 02	1-10

Parts No.	Page No.
4137 1017 03	1-7
4137 1018 01	1-8
4137 1024 02	6-7
4137 1033 01	1-20
4137 1036 03	6-1
4137 1051 01	1-5
4137 2006 03	8-1
4137 2007 01	8-6
4137 2011 02	7-1
4137 2302 02	8-19
4137 2311 02	8-5
4137 2312 01	8-4
4137 2524 13	7-21
4137 3020 02	5-20
4137 3102 02	8-9
4137 3103 01	8-12
4137 3201 01	5-18
4137 3202 01	1-17
4137 3203 01	1-16
4137 3204 01	5-16
4137 3205 01	5-17
4137 3221 01	5-19
4137 3763 01	6-5
4137 5545 02	6-23
4137 6201 04	8-18
4137 6202 02	8-18
4137 6202 04	8-18
4137 6802 01	10-3
4137 6803 03	10-4
4137 6806 02	7-12
4137 6807 02	10-5
4137 6808 01	5-10
4137 6809 01	10-6
4137 6812 02	8-16
4137 6818 02	10-7
4137 6824 03	10-8
4137 6825 02	10-9
4137 6827 14	8-2
4137 6828 02	10-10
4137 6829 01	8-17

Parts No.	Page No.
4137 7301 01	1-3
4137 7301 01	6-2
4137 7302 13	1-23
4137 7303 01	6-9
4137 7305 02	1-19
4137 R708 00	6-28
4137 R709 00	6-28
4137 R709 00	6-28
4137 R711 00	1-28
4137 R712 00	6-29
4137 R713 00	7-34
4137 R714 00	7-35
4137 R723 00	8-23
4139 3018 03	4-25
4154 3804 01	8-22
4508 2011 02	9-20
4647 1039 03	3-1
4980 1001 02	3-2
4980 1014 02	9-15
4980 1015 01	9-15
4980 1020 02	9-4
4980 1021 02	9-18
4980 1022 02	9-10
4980 1023 01	9-11
4980 1025 02	3-9
4980 1026 02	3-4
4980 1027 02	2-4
4980 1099 01	3-17
4980 1100 01	1-1
4980 1101 01	3-6
4980 1102 01	3-12
4980 1103 01	3-10
4980 1104 01	3-8
4980 1105 01	3-7
4980 1106 01	3-11
4980 1107 01	3-5
4980 1108 01	3-15
4980 1109 01	3-16
4980 1110 01	3-13
4980 1111 01	3-14

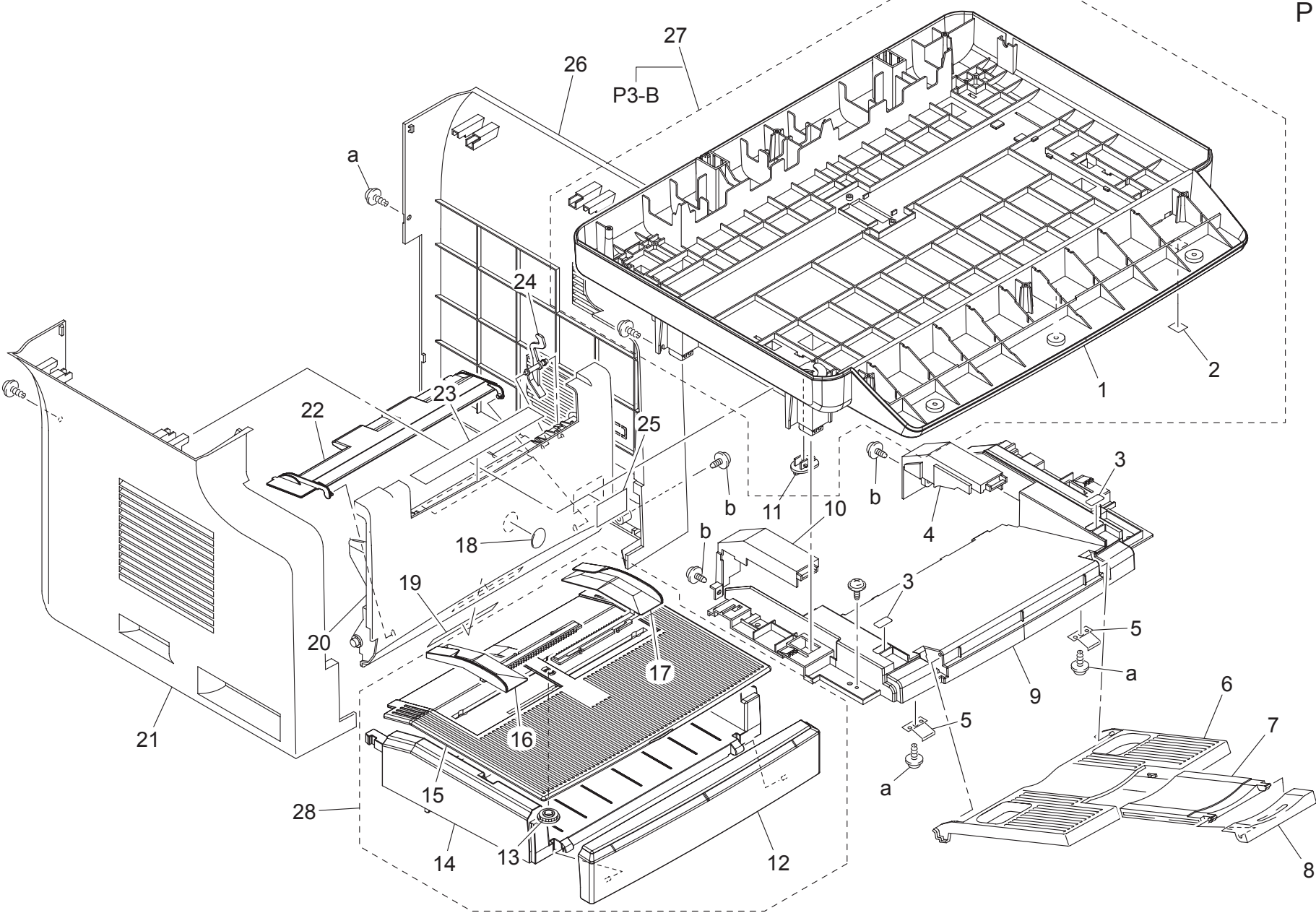
Parts No.	Page No.
4980 1112 01	1-11
4980 1113 01	1-2
4980 1114 01	3-3
4980 1115 01	2-1
4980 1115 01	2-1
4980 1116 01	2-2
4980 1116 01	2-2
4980 1117 01	2-2
4980 1128 01	2-2
4980 1128 01	2-2
4980 1139 01	9-6
4980 1141 01	1-21
4980 1142 01	1-26
4980 1143 01	8-24
4980 1144 01	8-25
4980 1145 01	9-3
4980 1146 01	9-2
4980 1147 01	9-7
4980 1148 01	9-7
4980 1149 01	9-12
4980 1151 01	9-17
4980 1152 01	9-9
4980 1153 01	9-13
4980 1156 01	1-27
4980 1157 01	11-2
4980 1161 03	9-16
4980 1162 01	9-16
4980 1163 03	9-14
4980 1164 01	9-8
4980 1168 01	2-2
4980 1169 01	2-2
4980 1205 01	12-1
4980 1206 01	12-1
4980 1207 01	12-1
4980 1210 01	12-2
4980 1211 01	12-2
4980 1211 02	12-2
4980 1212 01	12-2
4980 1212 02	12-2
4980 1213 01	12-1

Parts No.	Page No.
4980 1218 03	11-3
4980 1219 01	6-30
4980 1220 01	6-30
4980 1221 01	6-30
4980 1222 01	6-30
4980 1224 01	9-19
4980 1225 01	9-1
4980 1226 01	9-1
4980 1227 01	9-1
4980 1228 01	9-1
4980 1500 02	2-3
4980 1501 01	2-3
4980 1502 02	2-3
4980 1503 01	1-25
4980 1504 01	1-25
4980 1505 01	1-25
4980 1506 01	1-25
4980 1510 01	9-5
9314 1201 32	7-26
9321 2300 12	4-20
9331 2200 31	7-10
9335 1300 61	5-15
9384 1311 11	11-6
9384 2300 11	11-4
9384 2300 21	11-5
9384 2910 31	11-1
9J03 0901 01	6-21
9J03 M100 00	8-3
9J03 M100 00	7-24

bizhub 160/bizhub 160f/bizhub 161/bizhub 161f

EXTERNAL PARTS

P 1



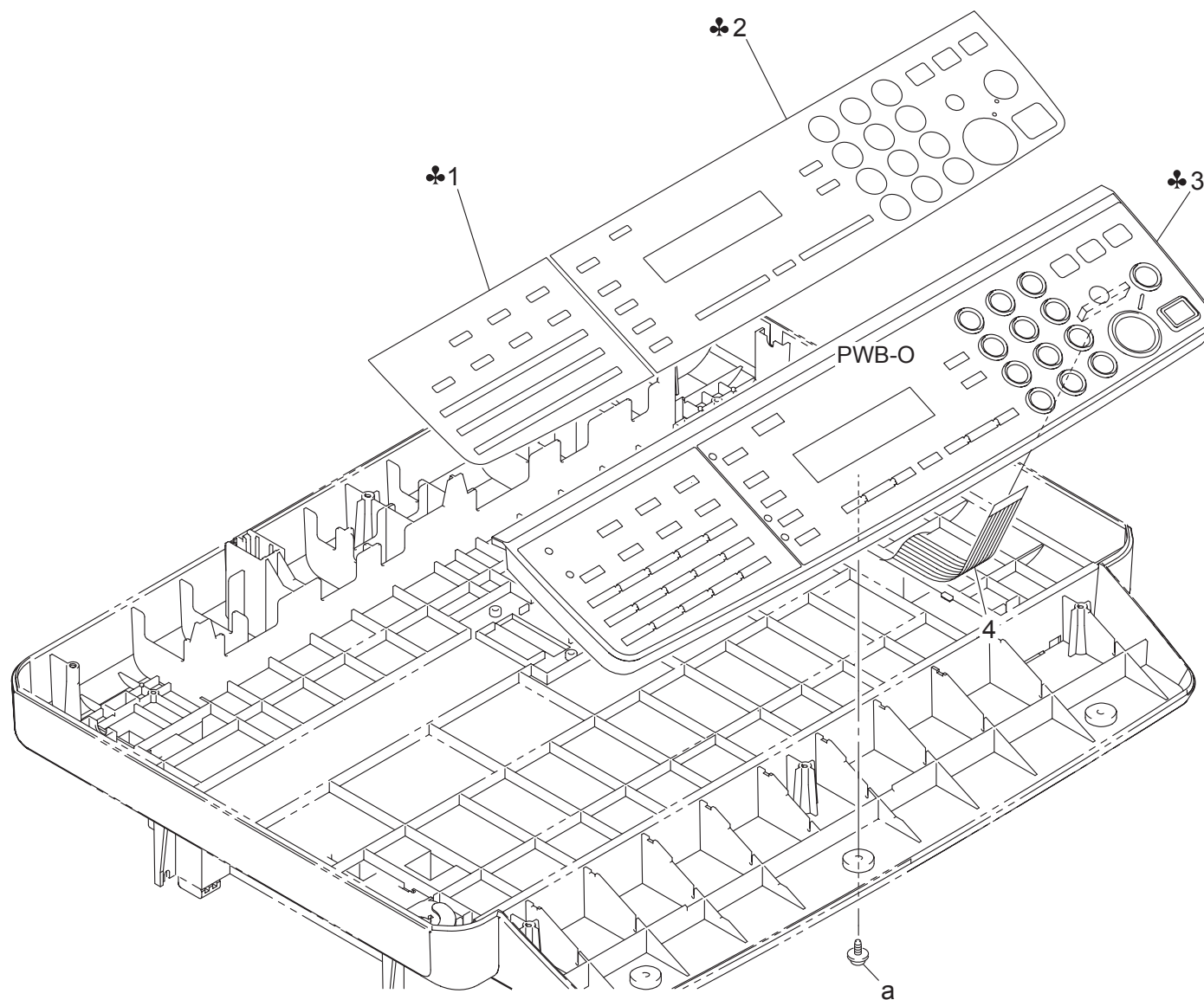
bizhub 160/bizhub 160f/bizhub 161/bizhub 161f

EXTERNAL PARTS

Key	Part No.	Description	Destinations	Class	QTY	Standard parts
1	4980 1100 01	FRAME		D	1	a-9739 0308 14 b-9735 0306 14
2	4980 1113 01	SEAL		C	1	
3	4137 7301 01	LABEL CAUTION		D	2	
4	4137 1011 01	UPPER COVER RIGHT		C	1	
5	4137 1051 01	PLATE SPRING		C	2	
6	4137 1007 03	TRAY		C	1	
7	4137 1017 03	TRAY		C	1	
8	4137 1018 01	TRAY		C	1	
9	4137 1001 14	TOP COVER		D	1	
10	4137 1012 02	UPPER COVER LEFT		C	1	
11	4980 1112 01	STOPPER		D	1	
12	4137 1006 01	FRONT COVER		D	1	
13	4127 3104 01	GEAR 14T		C	1	
14	4137 1008 02	TRAY		D	1	
15	4137 1009 01	COVER		C	1	
16	4137 3203 01	REGULATING PLATE		C	1	
17	4137 3202 01	REGULATING PLATE		C	1	
18	4136 7500 01	LABEL KM		C	1	
19	4137 7305 02	LABEL		C	1	
20	4137 1033 01	FRONT COVER		C	1	
21	4980 1141 01	LEFT COVER		C	1	
22	4136 1020 03	COVER LOWER		C	1	
23	4137 7302 13	LABEL		C	1	
24	4136 1021 02	LEVER		C	1	
25	4980 1503 01	LABEL bizhub 160	(bizhub 160)	C	1	
25	4980 1504 01	LABEL bizhub 161	(bizhub 161)	C	1	
25	4980 1505 01	LABEL bizhub 160f	(bizhub 160f)	C	1	
25	4980 1506 01	LABEL bizhub 161f	(bizhub 161f)	C	1	
26	4980 1142 01	RIGHT COVER		C	1	
27	4980 1156 01	IR UNIT ASSY		S	1	
28	4137 R711 00	TRAY ASSY		C	1	

bizhub 160/bizhub 160f/bizhub 161/bizhub 161f

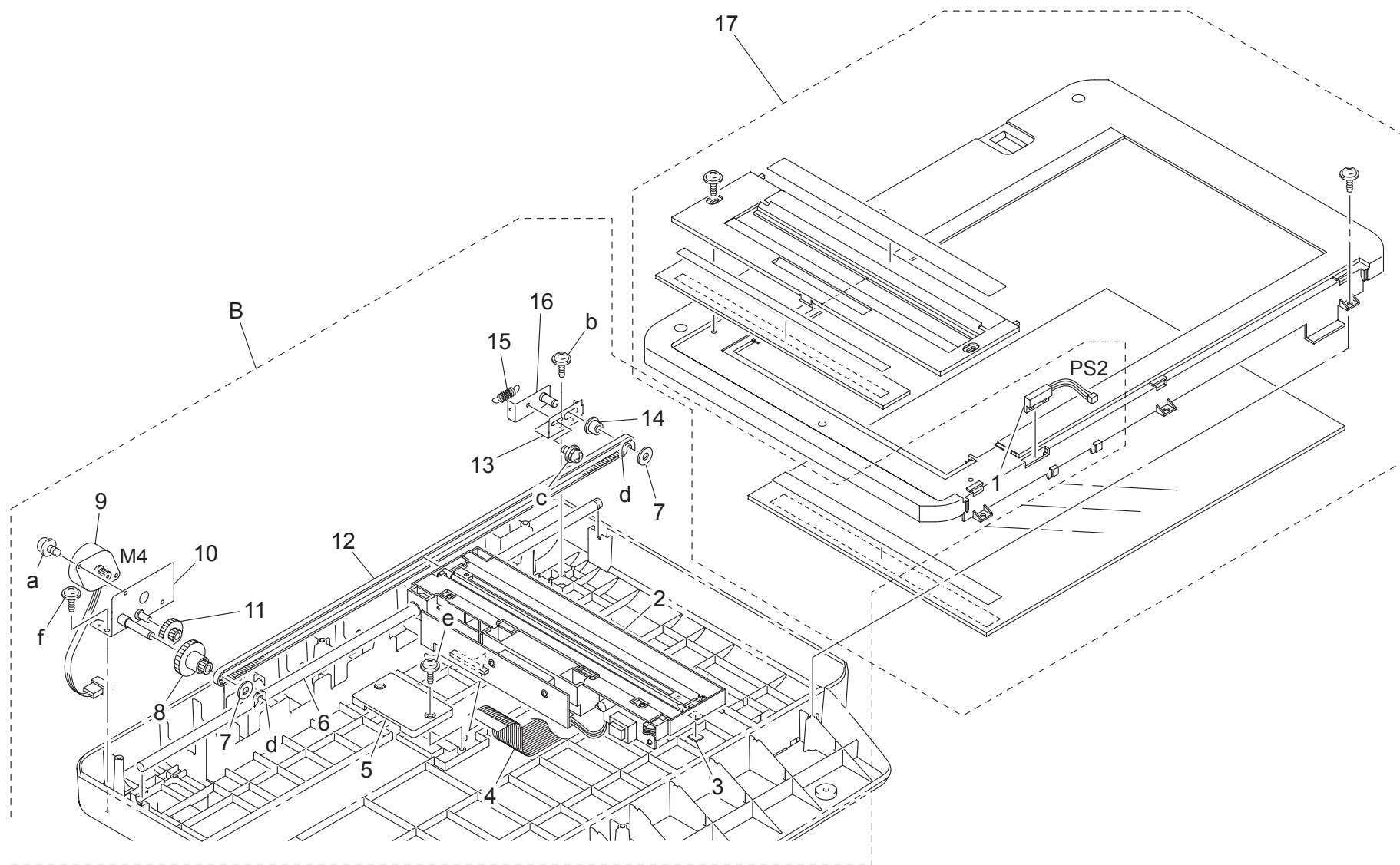
OPERATION PANEL



bizhub 160/bizhub 160f/bizhub 161/bizhub 161f

OPTICAL SECTION

P 3



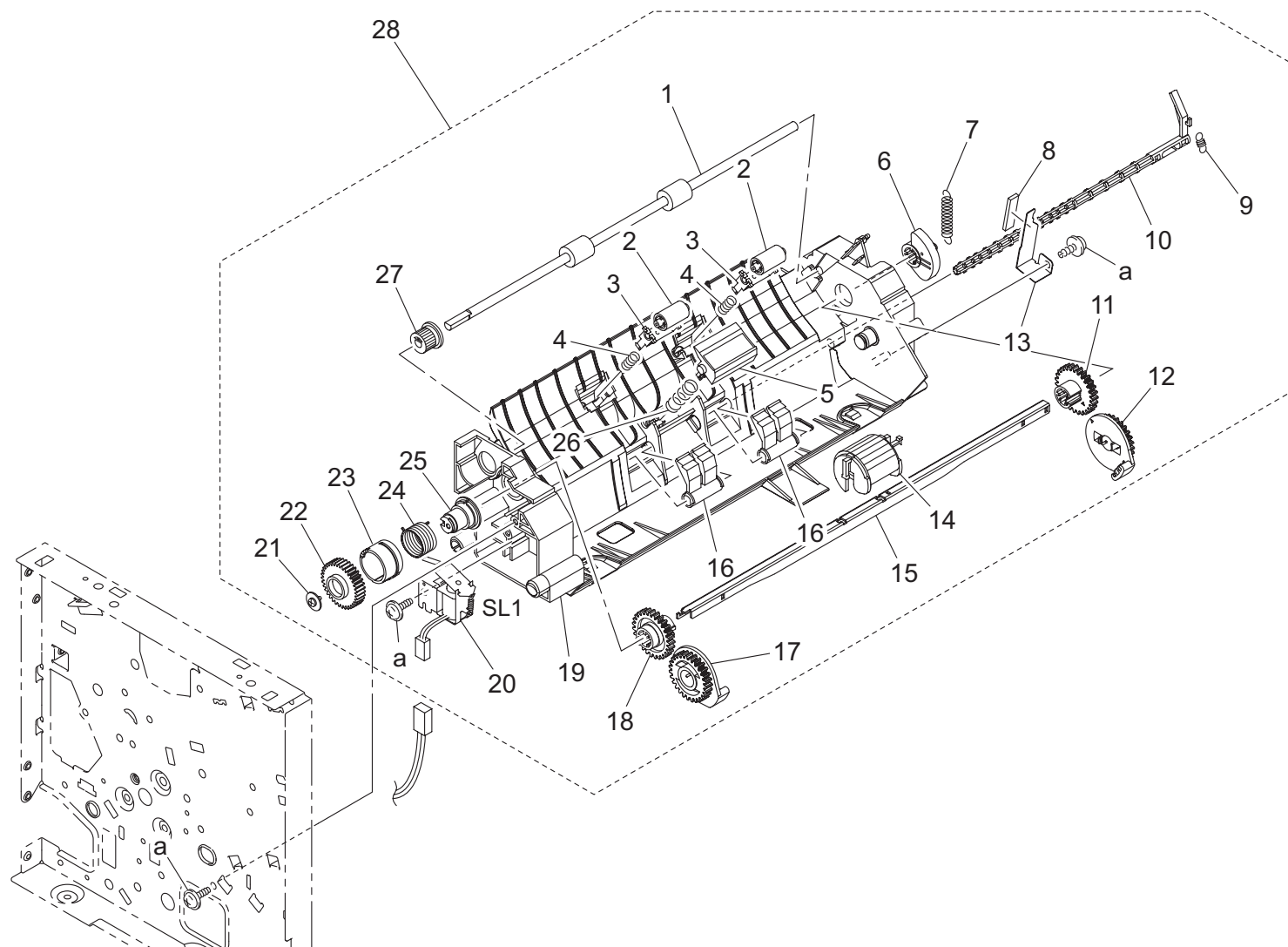
bizhub 160/bizhub 160f/bizhub 161/bizhub 161f

OPTICAL SECTION

Key	Part No.	Description	Destinations	Class	QTY	Standard parts
1	4647 1039 03	MAGNETIC SW		C	1	a-9646 0306 14 b-9735 0308 14 c-9646 0306 07 d-9721 0200 01 e-9739 0412 14 f-9739 0308 14
2	4980 1001 02	CCD MODULE		C	1	
3	4980 1114 01	SLIDER		C	1	
4	4980 1026 02	CCD FFC		C	1	
5	4980 1107 01	COVER		D	1	
6	4980 1101 01	SHAFT		D	1	
7	4980 1105 01	COLLAR		C	2	
8	4980 1104 01	GEAR 16/57T		C	1	
9	4980 1025 02	PM MOTOR		B	1	
10	4980 1103 01	BRACKET		D	1	
11	4980 1106 01	GEAR 19/40T		C	1	
12	4980 1102 01	BELT		C	1	
13	4980 1110 01	HOLDER		D	1	
14	4980 1111 01	PULLEY		C	1	
15	4980 1108 01	TENSION SPRING		C	1	
16	4980 1109 01	SHAFT ASSY		D	1	
17	4980 1099 01	TOP COVER ASSY		C	1	

bizhub 160/bizhub 160f/bizhub 161/bizhub 161f

PAPER TAKE-UP SECTION



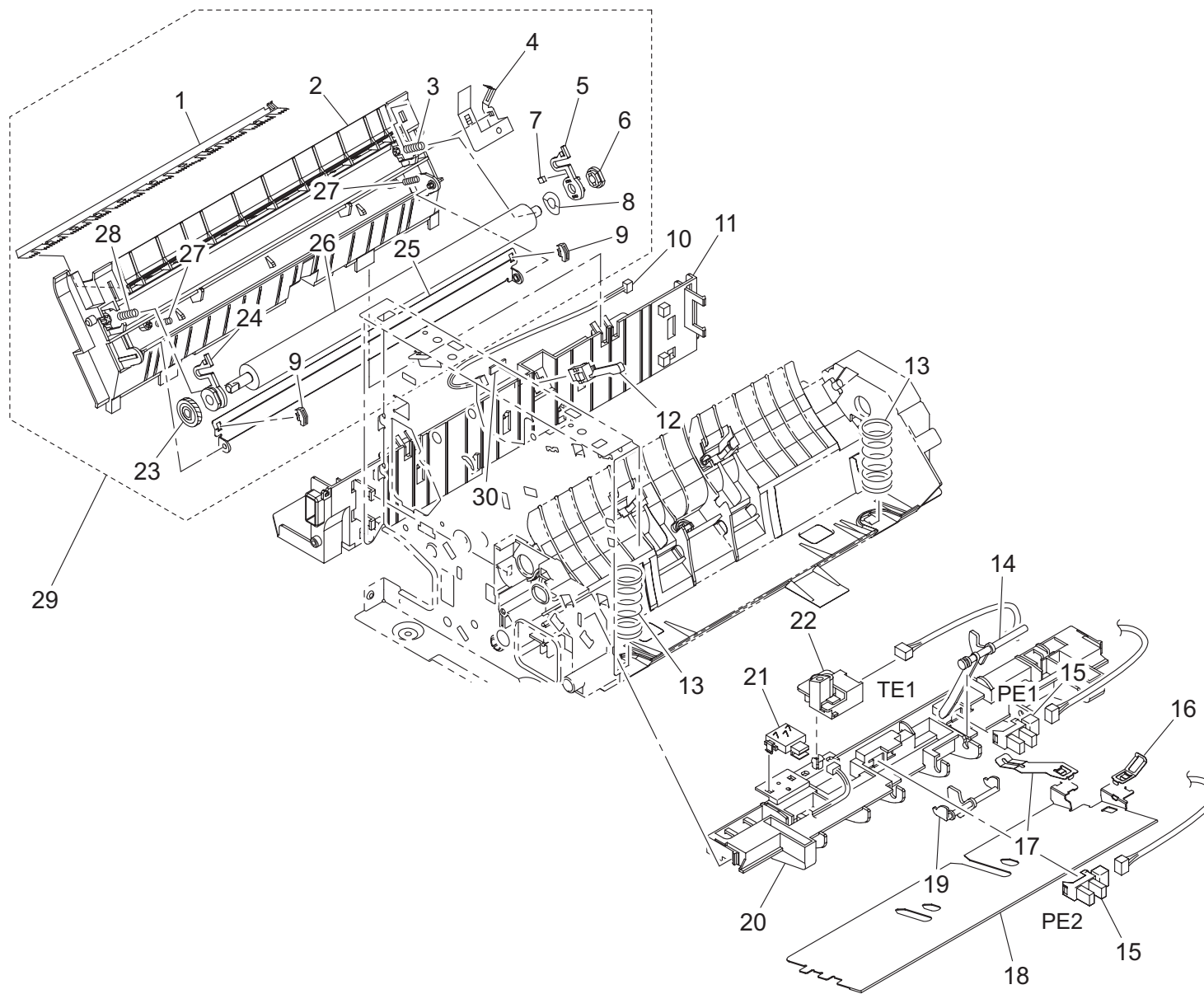
bizhub 160/bizhub 160f/bizhub 161/bizhub 161f

PAPER TAKE-UP SECTION

Key	Part No.	Description	Destinations	Class	QTY	Standard parts
1	4136 3002 02	ROLLER		C	1	a-9739 0308 14
2	4136 3006 01	ROLL		C	2	
3	4136 3009 02	HOLDER		C	2	
4	4136 3018 01	PRESSURE SPRING		C	2	
5	4136 0151 02	FRICTION SHEET ASSY		C	1	
6	4136 3026 01	CAM		C	1	
7	4136 3045 01	TENSION SPRING		C	1	
8	4136 3049 01	FRICTION SHEET		C	1	
9	4136 3027 01	TENSION SPRING		C	1	
10	4136 3025 01	LEVER		C	1	
11	4136 3047 01	GEAR 27T		C	1	
12	4136 3043 01	CAM		C	1	
13	4136 3046 01	PLATE SPRING		D	1	
14	4136 3001 01	ROLLER		B	1	
15	4136 3039 12	SHAFT		D	1	
16	4136 3022 01	STOPPER		C	2	
17	4136 3044 01	CAM		C	1	
18	4136 3048 01	GEAR 27T		C	1	
19	4136 3501 04	GUIDE		D	1	
20	9321 2300 12	SOLENOID		C	1	
21	4109 2003 01	SHOULDER SCREW		C	1	
22	4136 3035 01	GEAR 35T		C	1	
23	4136 3038 01	RATCHET		C	1	
24	4136 3037 01	TORSION SPRING		C	1	
25	4139 3018 03	DRUM		C	1	
26	4127 3041 02	PRESSURE SPRING		C	1	
27	4136 3014 02	GEAR 14T		C	1	
28	4136 R702 00	PAPER TAKE UP ASSY		S	1	

bizhub 160/bizhub 160f/bizhub 161/bizhub 161f

PAPER TRANSPORT SECTION



bizhub 160/bizhub 160f/bizhub 161/bizhub 161f

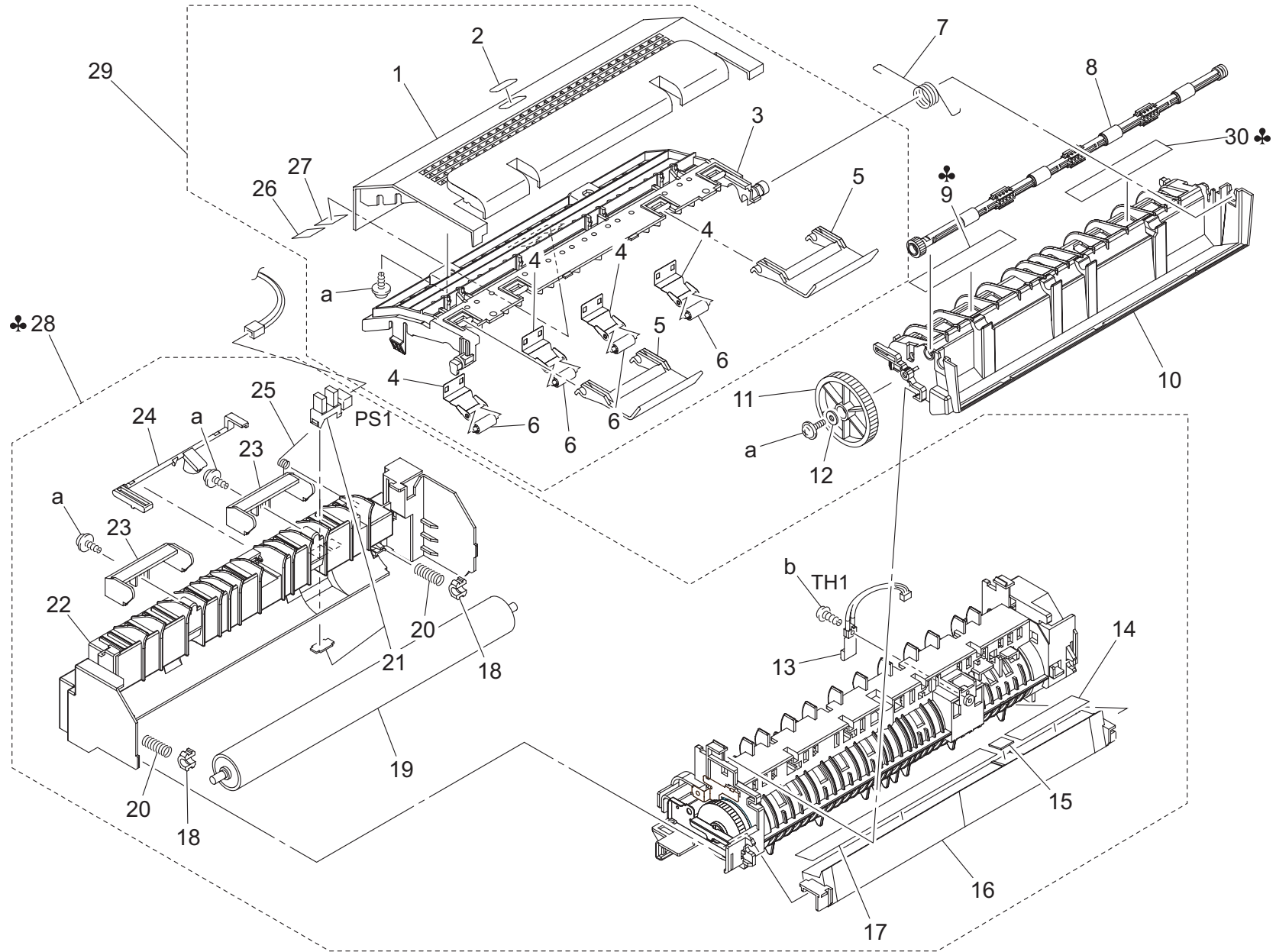
PAPER TRANSPORT SECTION

Key	Part No.	Description	Destinations	Class	QTY	Standard parts
1	4136 4113 02	NEUTRALIZING NEEDLE		D	1	
2	4136 4102 04	HOLDER		D	1	
3	4127 4108 01	PRESSURE SPRING		C	1	
4	4136 4114 02	CONTACT		C	1	
5	4136 4105 01	BUSHING		C	1	
6	4127 4106 01	CONDUCTIVE MEMBER		C	1	
7	4127 4109 01	CUSHION		C	1	
8	4136 4106 01	SPACER		C	1	
9	4136 4133 01	SPACER		C	2	
10	4137 6808 01	WIRE HARNESS ASSY		D	1	
11	4136 4109 06	GUIDE		D	1	
12	4136 6301 02	MICRO-SWITCH		I	1	
13	4136 3016 02	PRESSURE SPRING		C	2	
14	4136 3021 01	ACTUATOR		C	1	
15	9335 1300 61	PHOTO INTERRUPTER		B	2	
16	4137 3204 01	EARTH GROUND		D	1	
17	4137 3205 01	EARTH GROUND		D	1	
18	4137 3201 01	TRAY		D	1	
19	4137 3221 01	ACTUATOR		D	1	
20	4137 3020 02	HOLDER		D	1	
21	4136 6751 01	CONNECTOR PIN		D	1	
22	4137 0105 01	PWB ASSY		I	1	
23	4127 4111 01	GEAR 21T		C	1	
24	4136 4104 01	BUSHING		C	1	
25	4136 4132 01	GUIDE PLATE		D	1	
26	4136 4103 02	TRANSFER ROLLER		A	1	
27	4127 4135 01	PRESSURE SPRING		C	2	
28	4127 4107 01	PRESSURE SPRING		C	1	
29	4136 R701 00	TRANSFER UNIT		S	1	
30	4136 4111 01	SPACER		C	1	

bizhub 160/bizhub 160f/bizhub 161/bizhub 161f

FUSING UNIT

P 6



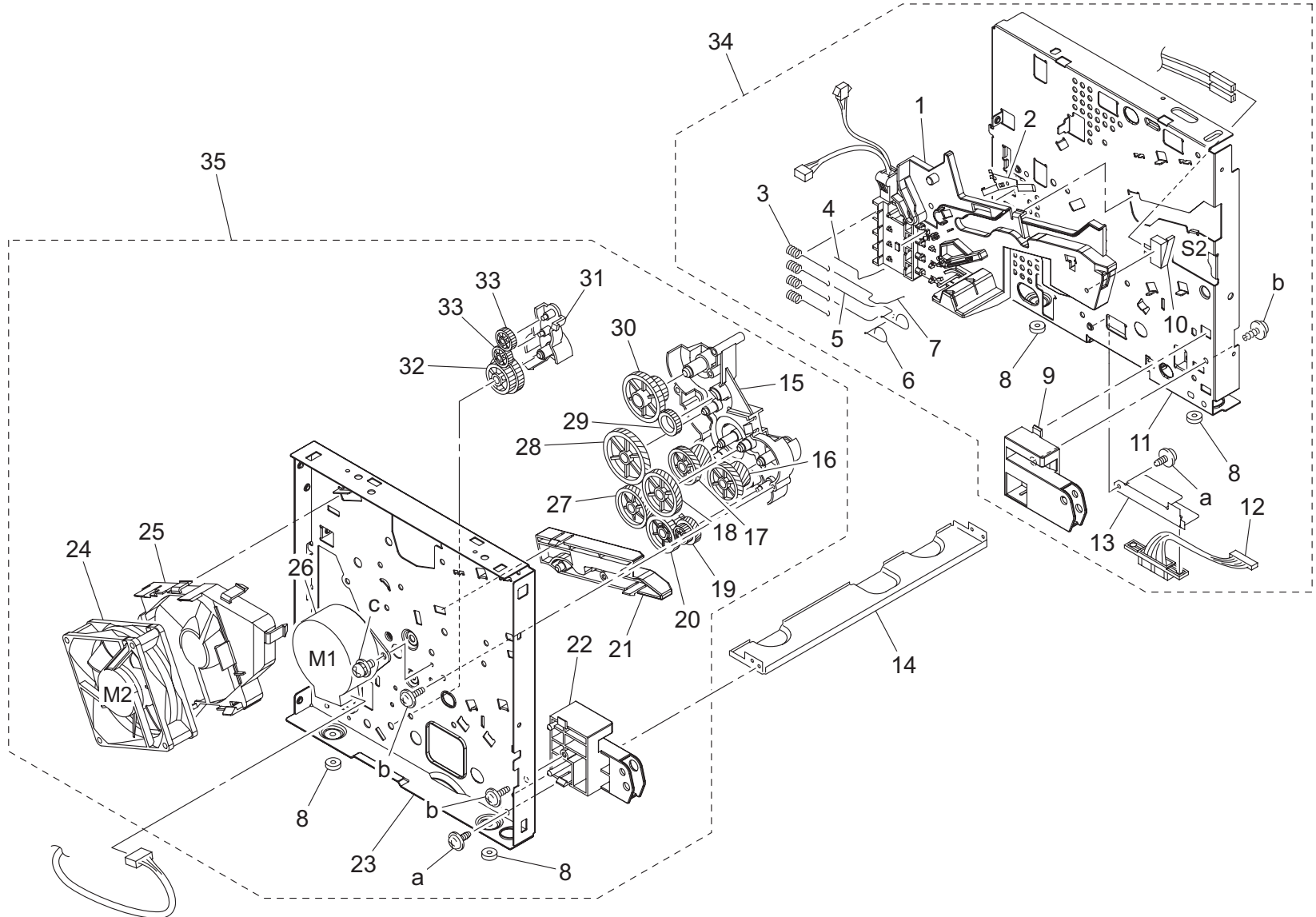
bizhub 160/bizhub 160f/bizhub 161/bizhub 161f

FUSING UNIT

Key	Part No.	Description	Destinations	Class	QTY	Standard parts
1	4137 1036 03	TOP COVER		D	1	a-9739 0308 14 b-9732 0310 14
2	4137 7301 01	LABEL CAUTION		D	1	
3	4137 1004 06	GUIDE		D	1	
4	4136 3709 02	SPRING		D	4	
5	4137 3763 01	LEVER		D	2	
6	4127 3707 01	ROLL		C	4	
7	4137 1024 02	TORSION SPRING		C	1	
8	4136 3730 03	ROLLER		C	1	
9	4136 7321 01	LABEL CAUTION	B,H,G2,F1	C	1	
9	4137 7303 01	LABEL CAUTION	C,D,E,F2,G1,I,K	D	1	
10	4137 1005 02	GUIDE		D	1	
11	4136 3714 01	GEAR 61T		C	1	
12	4111 2531 01	WASHER		C	1	
13	4136 6702 01	THERMISTOR		C	1	
14	4136 5599 01	SEAL		C	1	
15	4136 5531 01	BRUSH		D	1	
16	4136 5503 03	GUIDE		D	1	
17	4136 5598 01	SEAL		C	1	
18	4127 5571 01	BUSHING		C	2	
19	4136 5510 02	ROLLER		C	1	
20	4136 5517 02	PRESSURE SPRING		C	2	
21	9J03 0901 01	PHOTO INTERRUPTER		I	1	
22	4136 5505 05	HOUSING		D	1	
23	4137 5545 02	GUIDE		D	2	
24	4136 5518 02	ACTUATOR		C	1	
25	4136 3716 01	TORSION SPRING		C	1	
26	4136 7325 02	LABEL HOT		C	1	
27	4136 7326 02	LABEL CAUTION		C	1	
28	4137 0752 00	FUSING UNIT 220V	K	A	1	
28	4137 R708 00	FUSING UNIT	B,H,G2,F1	A	1	
28	4137 R709 00	FUSING UNIT	C,D,E,F2,G1,I	A	1	
29	4137 R712 00	GUIDE ASSY		C	1	
30	4980 1219 01	LABEL CAUTION	H (CHINESE/ARABIC)	D	1	
30	4980 1220 01	LABEL CAUTION	B,G2 (GERMAN/FRENCH)	D	1	
30	4980 1221 01	LABEL CAUTION	C (GERMAN/FRENCH)	D	1	
30	4980 1222 01	LABEL CAUTION	D,E,F1,F2,G1,G2,I,K (ARABIC /HANGL)	D	1	

bizhub 160/bizhub 160f/bizhub 161/bizhub 161f

DRIVE SECTION

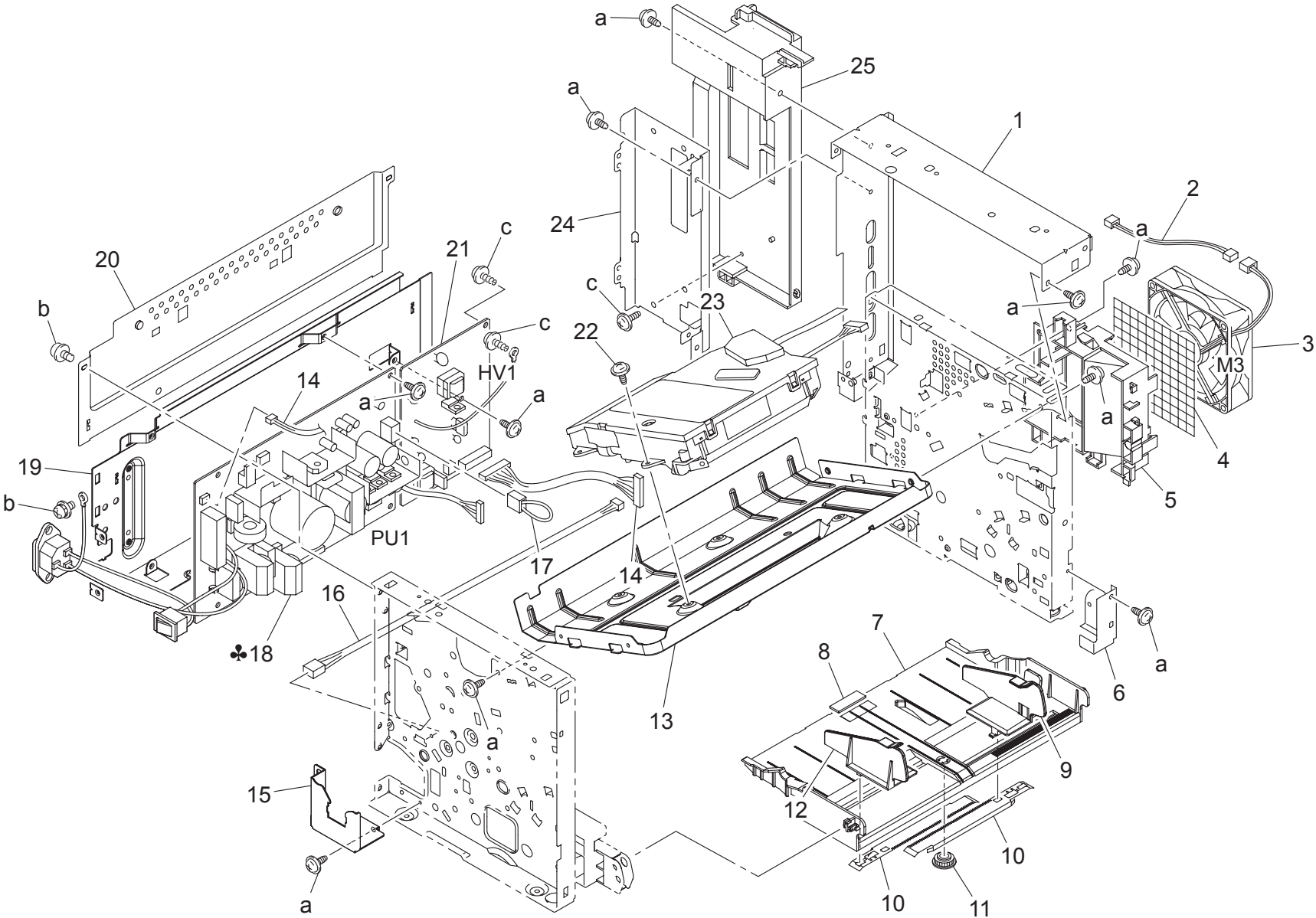


bizhub 160/bizhub 160f/bizhub 161/bizhub 161f

DRIVE SECTION

Key	Part No.	Description	Destinations	Class	QTY	Standard parts
1	4137 2011 02	GUIDE		D	1	a-9735 0308 14 b-9739 0308 14 c-9646 0306 14
2	4136 2012 02	EARTH GROUND		D	1	
3	4136 2008 04	CONTACT		D	4	
4	4136 2006 03	CONTACT		C	1	
5	4136 2010 03	CONTACT		C	1	
6	4136 2009 03	CONTACT		C	1	
7	4136 2007 02	CONTACT		C	1	
8	4136 2015 01	RUBBER FOOT		D	4	
9	4136 2018 02	HOLDER		D	1	
10	9331 2200 31	MICRO-SWITCH		C	1	
11	4136 2004 16	FRAME		D	1	
12	4137 6806 02	WIRE HARNESS ASSY		D	1	
13	4136 2102 01	BRACKET		D	1	
14	4136 2013 01	REINFORCE PLATE		D	1	
15	4136 2526 03	HOLDER		D	1	
16	4136 2504 01	GEAR 21/51T		C	1	
17	4136 2502 01	GEAR 19/48T		C	1	
18	4136 2503 01	GEAR 24/59T		C	1	
19	4136 2505 01	GEAR 32/18T		C	1	
20	4136 2506 01	GEAR 21/25/35T		C	1	
21	4137 2524 13	GUIDE		D	1	
22	4136 2019 03	HOLDER		D	1	
23	4136 2005 18	FRAME		D	1	
24	9J03 M100 00	FAN MOTOR		B	1	
25	4136 2310 02	DUCT		D	1	
26	9314 1201 32	MOTOR		B	1	
27	4136 2501 01	GEAR 21/53T		C	1	
28	4136 2507 01	GEAR 28/70T		C	1	
29	4136 2508 01	GEAR 24T		C	1	
30	4136 2509 01	GEAR 23/48T		C	1	
31	4136 2527 01	HOLDER		D	1	
32	4136 2511 01	GEAR 25/27T		C	1	
33	4136 2510 01	GEAR 20T		C	2	
34	4137 R713 00	RIGHT FRAME ASSY		S	1	
35	4137 R714 00	LEFT FRAME ASSY		S	1	

bizhub 160/bizhub 160f/bizhub 161/bizhub 161f



bizhub 160/bizhub 160f/bizhub 161/bizhub 161f

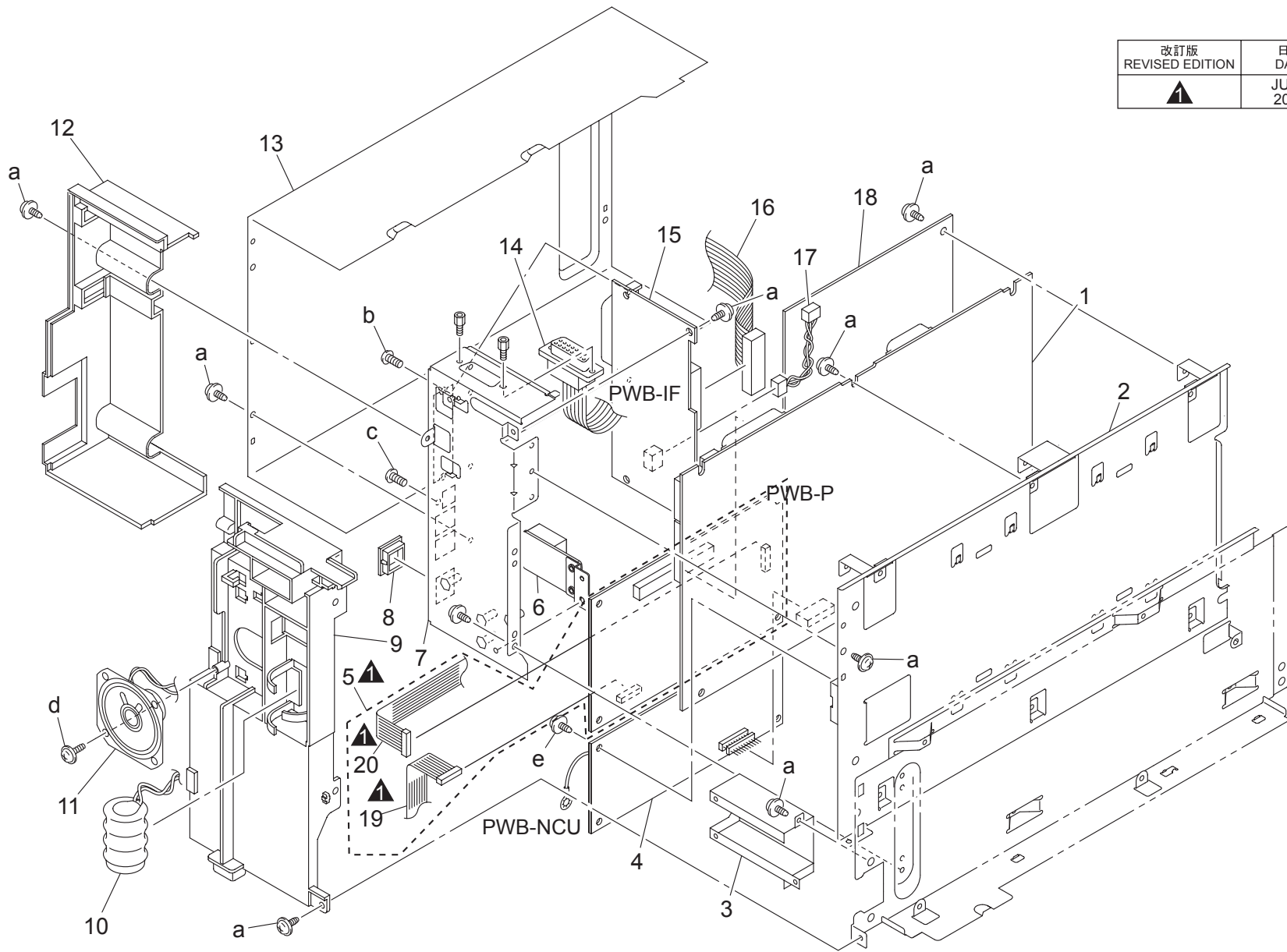
ELECTRICAL COMPONENTS

Key	Part No.	Description	Destinations	Class	QTY	Standard parts
1	4137 2006 03	REINFORCE PLATE		D	1	a-9735 0308 14 b-9646 0308 14 c-9739 0308 14
2	4137 6827 14	WIRE HARNESS ASSY		D	1	
3	9J03 M100 00	FAN MOTOR		B	1	
4	4137 2312 01	FILTER		C	1	
5	4137 2311 02	DUCT		D	1	
6	4137 2007 01	REINFORCE PLATE		D	1	
7	4136 3005 04	LIFTING PLATE		C	1	
8	4136 3013 01	FRICTION SHEET		C	1	
9	4137 3102 02	REGULATING PLATE		C	1	
10	4136 3101 01	RACK		C	2	
11	4127 3104 01	GEAR 14T		C	1	
12	4137 3103 01	REGULATING PLATE		C	1	
13	4136 2001 02	BASE FRAME		D	1	
14	4136 6804 01	WIRE HARNESS ASSY		D	1	
15	4136 2032 04	BRACKET		D	1	
16	4137 6812 02	WIRE HARNESS ASSY		D	1	
17	4137 6829 01	WIRE HARNESS ASSY		D	1	
18	4137 6201 04	POWER SUPPLY	B,H,G2,F1	I	1	
18	4137 6202 02	POWER SUPPLY	K	I	1	
18	4137 6202 04	POWER SUPPLY	C,D,E,F2,G1,I	I	1	
19	4137 2302 02	FRAME		D	1	
20	4136 2055 04	FRAME		D	1	
21	4136 6205 07	HV1		I	1	
22	4154 3804 01	SCREW		C	3	
23	4137 R723 00	PRINT HEAD ASSY		I	1	
24	4980 1143 01	SHIELD		D	1	
25	4980 1144 01	COVER		D	1	

bizhub 160/bizhub 160f/bizhub 161/bizhub 161f

ELECTRICAL COMPONENTS

改訂版 REVISED EDITION	日付 DATE
▲	JULY 2005



bizhub 160/bizhub 160f/bizhub 161/bizhub 161f

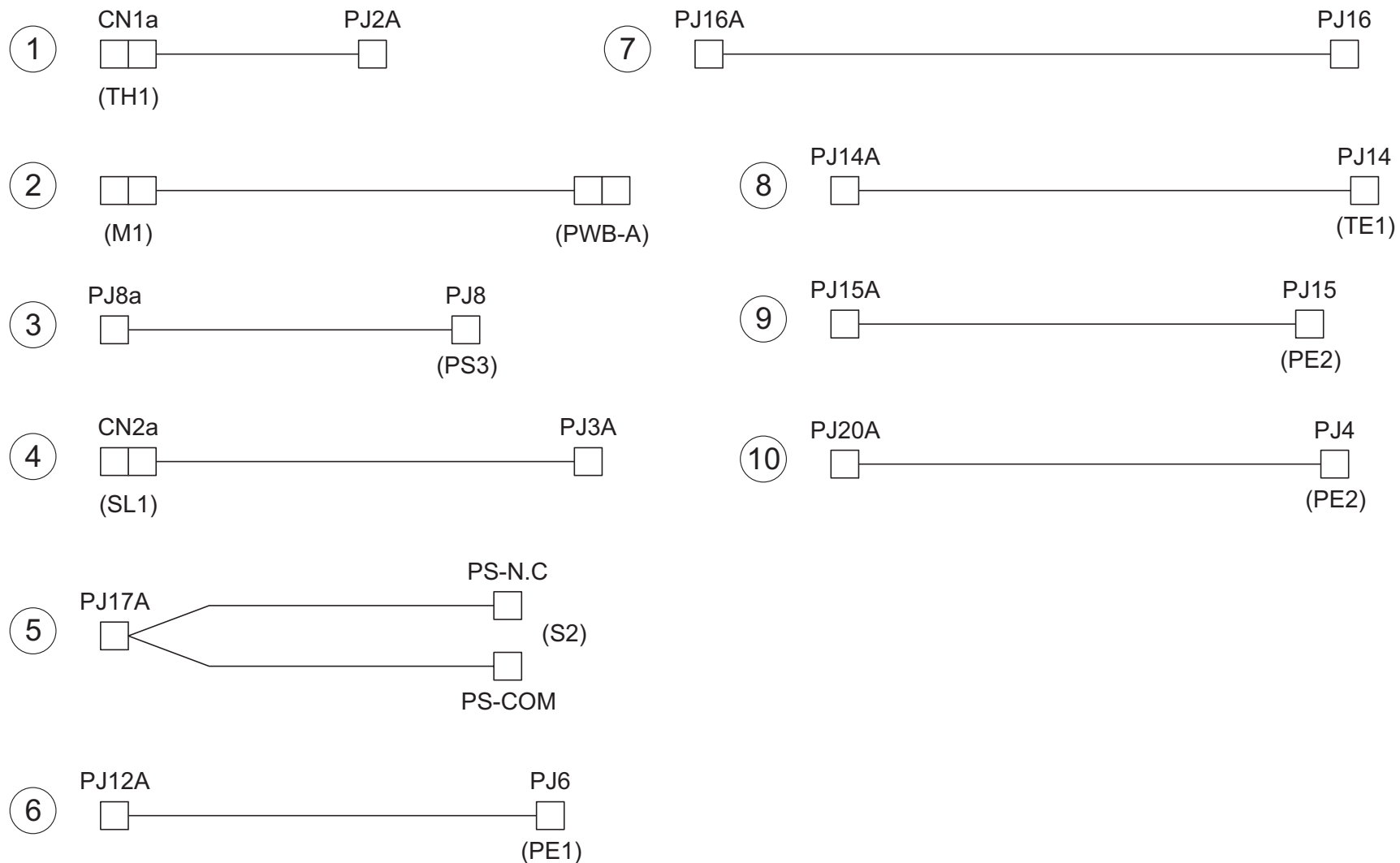
ELECTRICAL COMPONENTS

Key	Part No.	Description	Destinations	Class	QTY	Standard parts
1	4980 1225 01	PWB-P(COPY/GDI)	{bizhub 160}	I	1	a-9735 0306 14 b-9733 0310 14 c-9733 0306 14 d-9739 0308 14 e-9735 0308 14
1	4980 1226 01	PWB-P(COPY/PCL)	{bizhub 161}	I	1	
1	4980 1227 01	PWB-P(FAX GDI)	{bizhub 160f}	I	1	
1	4980 1228 01	PWB-P(FAX/PCL)	{bizhub 161f}	I	1	
2	4980 1146 01	BRACKET		D	1	
3	4980 1145 01	BRACKET		D	1	
4	4980 1020 02	NCU PWB	(bizhub 160f/161f)	I	1	
5	4980 1510 01	PWB-NIC	(bizhub 161/161f)	I	1	
6	4980 1139 01	NIC PCB ASSY	(bizhub 161/161f)	I	1	
7	4980 1147 01	BRACKET	(bizhub 160f/161f)	D	1	
7	4980 1148 01	BRACKET	(bizhub 160/161)	D	1	
8	4980 1164 01	COVER		D	1	
9	4980 1152 01	COVER		D	1	
10	4980 1022 02	BATTERY	(bizhub 160f/161f)	D	1	
11	4980 1023 01	SPEAKER ASSY	(bizhub 160f/161f)	D	1	
12	4980 1149 01	COVER		D	1	
13	4980 1153 01	SHIELD BOX		D	1	
14	4980 1163 03	WIRE HARNESS ASSY		D	1	
15	4980 1014 02	PWB-IF COPY	(bizhub 160/161)	I	1	
15	4980 1015 01	PWB-IF FAX	(bizhub 160f/161f)	I	1	
16	4980 1161 03	WIRE HARNESS ASSY	(bizhub 161/161f)	D	1	
16	4980 1162 01	WIRE HARNESS ASSY	(bizhub 160/160f)	D	1	
17	4980 1151 01	WIRE HARNESS ASSY	(bizhub 160f/161f)	D	1	
18	4980 1021 02	PCL PWB	(bizhub 161/161f)	I	1	
19	4980 1224 01	CONNECTOR	(NC-501,OPTION)	D	1	
20	4508 2011 02	CONNECTOR	(NC-501,OPTION)	D	1	

bizhub 160/bizhub 160f/bizhub 161/bizhub 161f

WIRING

P 10



bizhub 160/bizhub 160f/bizhub 161/bizhub 161f

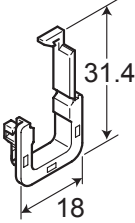

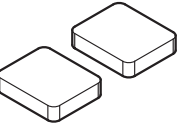
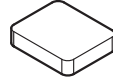
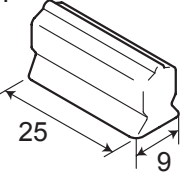
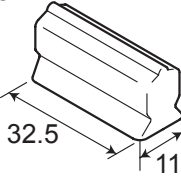
WIRING

Key	Part No.	Description	Destinations	Class	QTY	Standard parts
1	4136 6805 03	WIRE HARNESS ASSY		D	1	
2	4136 6810 03	WIRE HARNESS ASSY		D	1	
3	4137 6802 01	WIRE HARNESS ASSY		D	1	
4	4137 6803 03	WIRE HARNESS ASSY		D	1	
5	4137 6807 02	WIRE HARNESS ASSY		D	1	
6	4137 6809 01	WIRE HARNESS ASSY		D	1	
7	4137 6818 02	WIRE HARNESS ASSY		D	1	
8	4137 6824 03	WIRE HARNESS ASSY		D	1	
9	4137 6825 02	WIRE HARNESS ASSY		D	1	
10	4137 6828 02	WIRE HARNESS ASSY		D	1	

bizhub 160/bizhub 160f/bizhub 161/bizhub 161f

WIRING ACCESSORIES AND JIGS

P 11

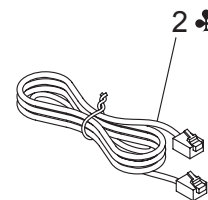
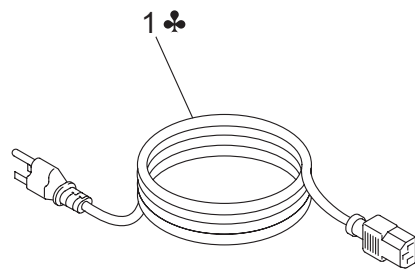
1 	6 	11	16	21	26	31	36
2 	7	12	17	22	27	32	37
3 	8	13	18	23	28	33	38
4 	9	14	19	24	29	34	39
5 ♣ 	10	15	20	25	30	35	40

bizhub 160/bizhub 160f/bizhub 161/bizhub 161f

WIRING ACCESSORIES AND JIGS

Key	Part No.	Description	Destinations	Class	QTY	Standard parts
1	9384 2910 31	EDGE COVER		D	1	
2	4980 1157 01	BIOS ROM	(bizhub 160/160f)	S	1	
3	4980 1218 03	BIOS ROM	(bizhub 161/161f)	S	1	
4	9384 2300 11	EDGE COVER		D	2	
5	9384 2300 21	EDGE COVER	B,H,G2,F1	D	1	
6	9384 1311 11	CABLE TIE 104L		D	1	

bizhub 160/bizhub 160f/bizhub 161/bizhub 161f



bizhub 160/bizhub 160f/bizhub 161/bizhub 161f

ACCESSORY PARTS

Key	Part No.	Description	Destinations	Class	QTY	Standard parts
1	4980 1205 01	POWER CORD	B,G2	D	1	
1	4980 1206 01	POWER CORD	H	D	1	
1	4980 1207 01	POWER CORD	D,E,F2,G1,I,K	D	1	
1	4980 1213 01	POWER CORD	C	D	1	
2	4980 1210 01	WIRE HARNESS ASSY	D,E,F1,F2,G1,G2,I,K,B,H (bizhub 160f/161f)	D	1	
2	4980 1211 01	WIRE HARNESS ASSY	K(bizhub 160f/161f)	D	1	
2	4980 1211 02	WIRE HARNESS ASSY	D,E,F2,G1,I (bizhub 160f/161f)	D	1	
2	4980 1212 01	WIRE HARNESS ASSY	K(bizhub 160f/161f)	D	1	
2	4980 1212 02	WIRE HARNESS ASSY	D,E,F2,G1,I (bizhub 160f/161f)	D	1	

bizhub 160/bizhub 160f/bizhub 161/bizhub 161f

MAINTENANCE LIST

● The items with no Page/Key numbers are not handled as spare parts.

No.	Section	PM Parts Description	Maintenance Cycle (K=1,000)		Parts No.	Destinations	Page/Key	Note
			QTY	Replace				
1	Image Transfer section	Image Transfer Roller	1	50K	4136410302		P5-26	
2	Fusing section	Fusing Unit	1	50K	4137R70800	B H G2 F1	P6-28	
2		Fusing Unit	1	50K	4137075200	C D E F2 G1 I K	P6-28	

DESTINATION

Destination No.		Destinations		V	Hz	Model No.
A	A1	JAPAN		100	50/60	
	A2	JAPAN				
B		USA, CANADA		120	60	4980-561 4980-501
C		EUROPEAN TYPE		220-240	50/60	4980-461 4980-411 4980-451 4980-468
D	D1	S.E ASIA TYPE	THAILAND, SRI LANKA, SINGAPORE, MALAYSIA, HONG KONG, PAKISTAN, INDIA, BANGLADESH, INDONESIA	220-240	50/60	4980-462 4980-412 4980-452 4980-402
	D3	OCEANIA TYPE	AUSTRALIA, NEW ZEALAND	220-240	50/60	4980-462 4980-412 4980-452 4980-402
E		PHILIPPINES		120	60	4980-462 4980-412 4980-452 4980-402
F	F1	SAUDI ARABIA		127	60	4980-564 4980-514 4980-554 4980-504
	F2	SAUDI ARABIA		220-240	50/60	4980-462 4980-412 4980-452 4980-402

bizhub 160/bizhub 160f/bizhub 161/bizhub 161f

Destination No.		Destinations	V	Hz	Model No.
G	G1	C.S AMERICA	220-240	50/60	4980-462 4980-412 4980-452 4980-402
	G2	C.S AMERICA	120	60	4980-563/ 513/553/ 503/564/ 514
H		TAIWAN	110	60	4980-562 4980-512 4980-552 4980-502
I		JORDAN, LEBANON, SYRIA, SOUTH AFRICA, IRAQ, IRAN, N.YEMEN, CAMEROON, UAE, SAUDI ARABIA, OMAN, QATAR, KUWAIT, KENYA, TUNISIA, IVORY COAST, MOROCCO	220-240	50/60	4980-462 4980-412 4980-452 4980-402
J		CHINA	220-240	50/60	
K		KOREA	220-240	50/60	

bizhub 160/bizhub 160f/bizhub 161/bizhub 161f