

KONICA MINOLTA

PARTS GUIDE MANUAL

SEPTEMBER 2012

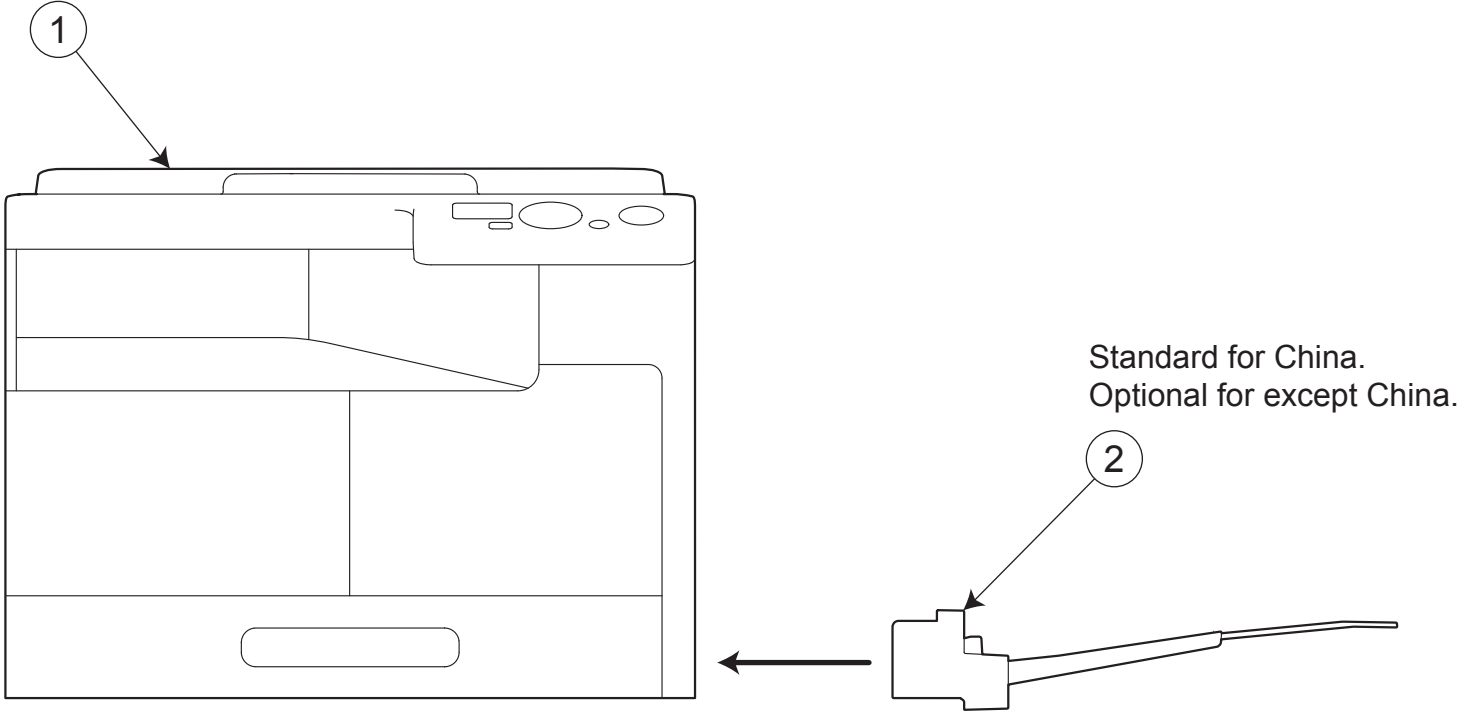
bizhub 164

bizhub 184

bizhub 7718

A0XX

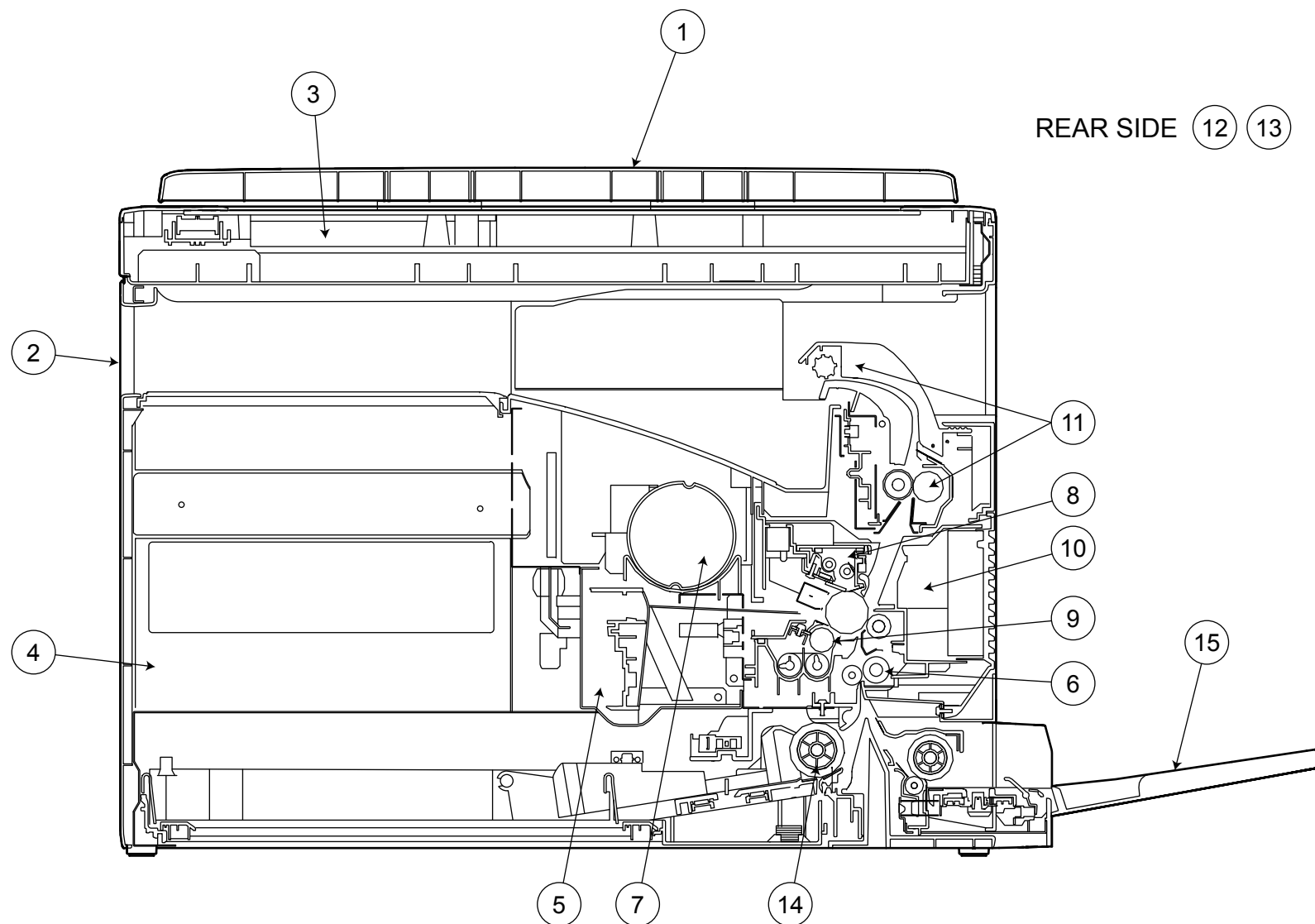
SYSTEM OUTLINE



GENERAL CONTENTS

No.	Description	Model
1	DIGITAL MFP B/W	bizhub 164/bizhub 184/bizhub 7718
2	PAPER FEEDER	MB-503

DIAGRAMS OF MAIN PARTS SECTION



bizhub 164/bizhub 184/bizhub 7718

CONTENTS

No.	DESCRIPTION	PAGE No.
1	ORIGINAL COVER	P1
2	EXTERNAL PARTS	P2
3	IR SECTION	P3 P4
4	FRAME SECTION	P5
5	PRINT HEAD SECTION	P6
6	PAPER TAKE-UP SECTION	P7
7	HOPPER SECTION	P8
8	CHARGE SECTION	P9
9	DEVELOPING SECTION	P10
10	PAPER TRANSPORT SECTION	P11
11	FUSING & PAPER EXIT SECTION	P12
12	DRIVE SECTION	P13
13	ELECTRICAL COMPONENTS	P14
14	CASSETTE SECTION	P15
15	MANUAL PAPER FEED SECTION	P16
16	WIRING ACCESSORIES AND JIGS	P17
17	ACCESSORY PARTS	P18

bizhub 164/bizhub 184/bizhub 7718

INDEX

Parts No.	Page No.
0910550712	9-4
1164300403	15-17
1164302701	7-10
1164304501	15-12
1164305401	7-13
1164306101	15-8
1164306201	15-9
4002504202	12-2
4021016602	9-8
4021210101	12-6
4021254702	13-15
4021410801	9-44
4021436802	9-33
4021560601	9-7
4021561501	9-24
4021561601	9-13
4021561801	9-35
4021561901	9-32
4025357201	7-9
4030309301	16-50
4030340201	16-44
4030340301	16-43
4030347501	16-20
4030520401	10-1
4034015101	16-46
4034220501	6-12
4034230501	6-6
4034353401	7-5
4036301401	15-27
4036301401	16-34
4037321001	15-21
4038321501	16-14
4038323601	16-19
4038325501	16-10
4038326001	16-49
4038326802	16-42
4038326902	16-45
4038328601	16-3
4038541202	8-6
4038560100	15-20

Parts No.	Page No.
4039328201	16-15
4128201901	5-8
4131353202	16-16
4162407401	9-11
4163407201	9-39
4163436104	9-9
4163523102	10-10
4163529301	11-3
4163560302	9-27
4163560403	9-38
4163560503	9-12
4163560702	9-5
4163560901	9-25
4163561101	9-26
4163561202	9-2
4163561401	9-29
4163561701	9-36
4163562501	9-31
4163563901	9-14
4686330401	5-9
4687328101	16-40
9335130061	7-11
9335130061	16-7
9455307801	11-20
9J03M10000	11-2
9J06730201	14-15
9J06M20000	16-31
9J06M60100	5-4
9J06M60100	6-10
A00J307000	6-13
A00J945500	2-18
A02F621101	15-19
A02F621200	15-14
A02F623200	15-10
A02F625400	15-18
A02F944100	15-15
A0DE371300	10-32
A0DE385100	10-20
A0ED240700	8-7
A0XX330100	9-30

Parts No.	Page No.
A0XX330300	9-17
A0XX330401	9-34
A0XX330600	9-19
A0XX330900	9-18
A0XX333101	9-50
A0XX333201	9-45
A0XX333300	9-41
A0XX333400	9-51
A0XX333500	9-42
A0XX333600	9-43
A0XX333700	9-49
A0XX333800	9-46
A0XX333900	9-47
A0XX334100	9-48
A0XX360200	9-37
A0XX360400	9-16
A0XX360500	9-22
A0XX360600	9-21
A0XX360800	9-20
A0XX361000	9-6
A0XX361100	9-10
A0XX361200	9-2
A0XX361300	9-15
A0XX361600	9-3
A0XX361611	9-3
A0XX361701	9-23
A0XX361800	9-28
A0XX370101	10-14
A0XX370200	10-2
A0XX370300	10-21
A0XX370400	10-34
A0XX370500	10-33
A0XX370900	10-35
A0XX371000	10-36
A0XX371101	10-12
A0XX371200	10-17
A0XX371300	10-7
A0XX371400	10-19
A0XX371500	10-16
A0XX371600	10-22

Parts No.	Page No.
A0XX371700	10-30
A0XX371800	10-9
A0XX372000	10-27
A0XX372100	10-25
A0XX372200	10-29
A0XX372300	10-26
A0XX372400	10-24
A0XX372500	10-28
A0XX373000	10-5
A0XX373100	10-3
A0XX373400	10-11
A0XX373500	10-13
A0XX373600	10-23
A0XX374000	10-4
A0XX374100	10-6
A0XX374200	10-31
A0XX374500	10-8
A0XX560200	15-4
A0XX594700	16-39
A0XXPP0000	5-10
A0XXPP0100	14-11
A0XXPP0200	16-27
A0XXPP0300	14-14
A0XXPP0400	14-7
A0XXPP0500	12-3
A0XXPP0600	6-1
A0XXPP0700	12-5
A0XXPP0800	14-2
A0XXPP0900	7-12
A0XXPP0A00	7-12
A0XXPP0B00	11-18
A0XXPP0C00	14-13
A0XXPP0C00	14-13
A0XXPP0D00	14-13
A0XXPP0F00	3-14
A0XXPP0G00	4-13
A0XXPP0H00	14-8
A0XXPP0J00	14-4
A0XXPP0J00	14-4
A0XXPP0K00	14-4

Parts No.	Page No.
A0XXPP0K00	14-4
A0XXPP0M00	3-4
A0XXPP0N00	13-19
A0XXPP0P00	13-3
A0XXPP0R01	15-23
A0XXPP0S00	11-10
A0XXPP0T00	11-15
A0XXPP0U00	11-21
A0XXPP0V00	11-19
A0XXPP0W01	7-15
A0XXPP0X01	7-7
A0XXPP0Y00	11-17
A0XXPP1401	12-4
A0XXPP1501	12-8
A0XXPP1601	12-7
A0XXPP1700	6-3
A0XXPP1800	14-5
A0XXPP1900	16-22
A0XXPP1A00	16-28
A0XXPP1B00	16-38
A0XXPP1C00	16-29
A0XXPP1D01	16-6
A0XXPP1E00	3-6
A0XXPP1F00	4-14
A0XXPP1G00	3-1
A0XXPP1H00	2-15
A0XXPP1J00	6-15
A0XXPP1K00	2-1
A0XXPP1M00	5-2
A0XXPP1N00	16-9
A0XXPP1P00	5-7
A0XXPP1Q00	5-11
A0XXPP1R00	6-8
A0XXPP1S00	14-12
A0XXPP1T00	16-11
A0XXPP1U00	11-16
A0XXPP1V01	11-5
A0XXPP1V01	11-7
A0XXPP1W01	16-21
A0XXPP1X01	11-8

Parts No.	Page No.
A0XXPP1Y00	13-2
A0XXPP2000	13-16
A0XXPP2101	15-3
A0XXPP2200	15-2
A0XXPP2301	7-2
A0XXPP2401	16-48
A0XXPP2501	16-51
A0XXPP2601	16-23
A0XXPP2900	3-5
A0XXPP2B00	3-19
A0XXPP2C01	3-20
A0XXPP2D00	4-11
A0XXPP2E00	4-7
A0XXPP2F00	2-10
A0XXPP2G00	2-6
A0XXPP2H00	2-2
A0XXPP2J00	2-5
A0XXPP2K00	2-12
A0XXPP2M00	2-12
A0XXPP2M00	2-12
A0XXPP2N00	2-13
A0XXPP2P00	2-7
A0XXPP2Q00	2-14
A0XXPP2R00	2-4
A0XXPP2S00	11-22
A0XXPP2S00	11-22
A0XXPP2T00	2-16
A0XXPP2T00	2-16
A0XXPP2U00	5-6
A0XXPP2V00	6-5
A0XXPP2W01	13-9
A0XXPP2X01	13-12
A0XXPP2Y01	13-18
A0XXPP3001	13-14
A0XXPP3101	13-10
A0XXPP3201	13-5
A0XXPP3301	13-11
A0XXPP3401	13-13
A0XXPP3501	13-8
A0XXPP3601	13-7

Parts No.	Page No.
A0XXPP3701	13-6
A0XXPP3800	13-4
A0XXPP3900	12-9
A0XXPP3A01	15-6
A0XXPP3B01	15-13
A0XXPP3C00	15-11
A0XXPP3D00	15-5
A0XXPP3E00	15-7
A0XXPP3F00	15-22
A0XXPP3G01	7-14
A0XXPP3H01	11-9
A0XXPP3J00	11-4
A0XXPP3K00	11-1
A0XXPP3M00	11-6
A0XXPP3N01	7-6
A0XXPP3P00	7-3
A0XXPP3Q01	8-4
A0XXPP3S01	8-5
A0XXPP3T01	8-3
A0XXPP3U01	8-2
A0XXPP3V01	8-8
A0XXPP4400	6-2
A0XXPP4500	16-13
A0XXPP4600	16-53
A0XXPP4700	5-5
A0XXPP4800	5-1
A0XXPP4902	16-2
A0XXPP4A01	16-1
A0XXPP4B01	16-37
A0XXPP4C00	16-5
A0XXPP4D00	16-4
A0XXPP4E01	16-41
A0XXPP4F00	16-36
A0XXPP4G01	16-30
A0XXPP4H01	16-24
A0XXPP4J01	16-32
A0XXPP4K01	16-26
A0XXPP4M01	16-8
A0XXPP4N03	1-4
A0XXPP4P00	1-3

Parts No.	Page No.
A0XXPP4Q00	1-2
A0XXPP4U00	2-3
A0XXPP4V00	16-18
A0XXPP4W01	6-7
A0XXPP4X00	14-3
A0XXPP4Y00	16-54
A0XXPP5002	11-11
A0XXPP5102	11-13
A0XXPP5201	2-11
A0XXPP5300	7-8
A0XXPP5400	16-17
A0XXPP5501	7-4
A0XXPP5700	16-33
A0XXPP5800	4-8
A0XXPP5900	4-6
A0XXPP5A00	4-10
A0XXPP5A00	4-10
A0XXPP5B00	4-9
A0XXPP5C01	2-9
A0XXPP5D02	4-5
A0XXPP5E02	4-5
A0XXPP5F02	4-5
A0XXPP5F02	4-5
A0XXPP5G00	4-10
A0XXPP5H00	4-10
A0XXPP5J01	2-8
A0XXPP5K00	16-35
A0XXPP5M01	11-12
A0XXPP5N00	3-9
A0XXPP5P02	1-5
A0XXPP5Q00	1-1
A0XXPP5R00	3-2
A0XXPP5S00	6-4
A0XXPP5T00	6-14
A0XXPP5U00	3-10
A0XXPP5V00	13-17
A0XXPP5V00	16-25
A0XXPP5W00	13-1
A0XXPP5X00	3-7
A0XXPP6200	14-10

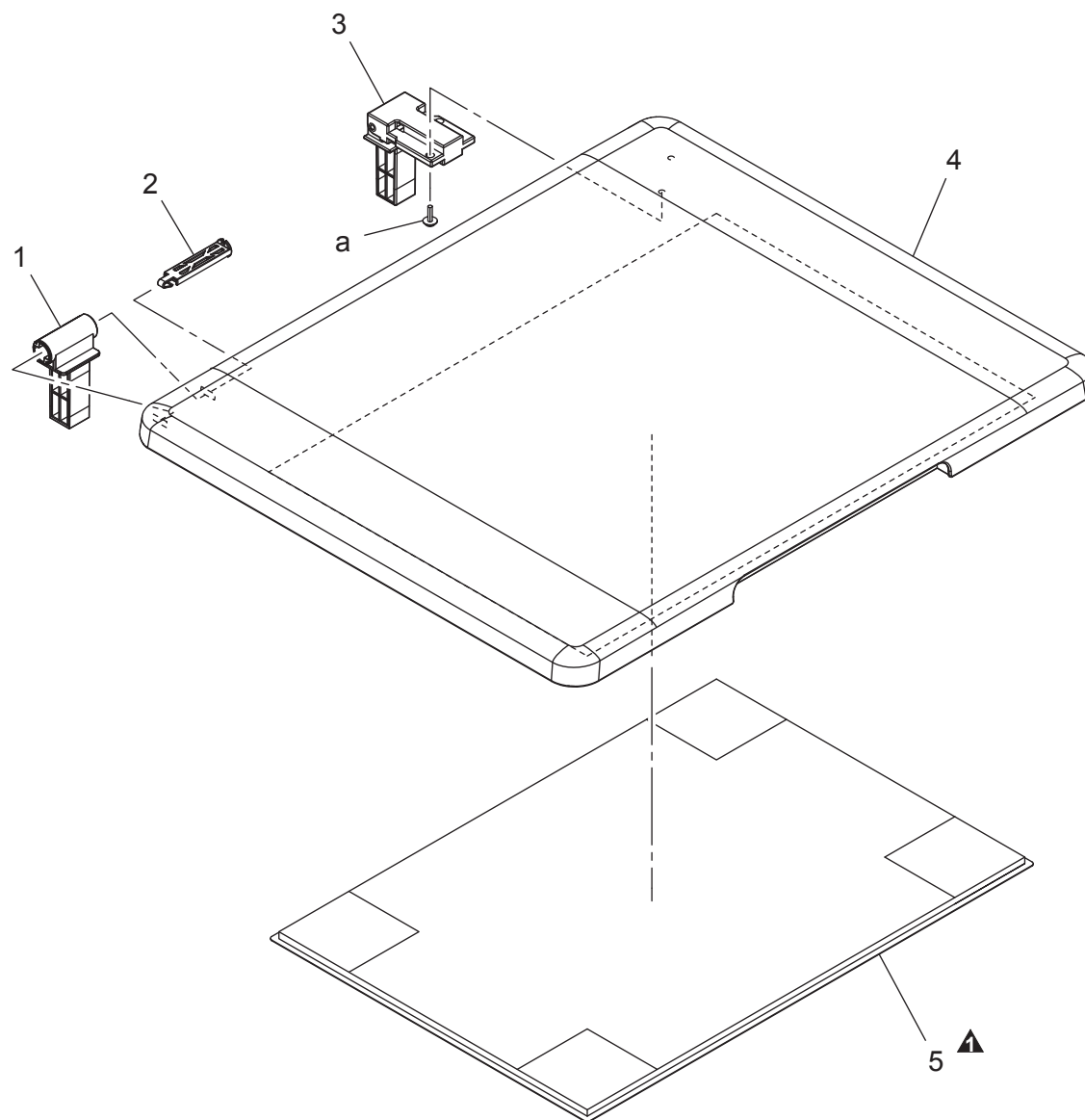
Parts No.	Page No.
A0XXPP6302	14-1
A0XXPP6400	4-12
A0XXPP6401	4-12
A0XXPP6502	14-1
A0XXPP6601	4-4
A0XXPP6601	4-4
A0XXPP6701	4-4
A0XXPP6801	4-4
A0XXPP6900	4-2
A0XXPP6A00	7-1
A0XXPP6E01	15-25
A0XXPP6F00	4-3
A0XXPP6F01	4-3
A0XXPP6H01	11-14
A0XXPP6J00	15-1
A0XXPP6K00	8-1
A0XXPP6N00	2-17
A0XXPP6P00	2-17
A0XXPP6Q00	2-17
A0XXPP6S00	16-12
A0XXPP6T00	16-47
A0XXPP6U00	3-12
A0XXPP6V00	6-16
A0XXPP6X00	12-1
A0XXPP6X00	12-1
A0XXPP6Y00	12-1
A0XXPP7000	12-1
A0XXPP7100	18-2
A0XXPP7200	18-2
A0XXPP7300	18-1
A0XXPP7700	16-52
A0XXPP7800	5-12
A0XXPP7900	15-16
A0XXPP7A00	15-24
A0XXPP7B00	4-15
A0XXPP7C00	2-12
A0XXPP8500	14-16
A0XXPP8800	5-3
A0XXPP9000	3-21
A1XTR70011	6-11

Parts No.	Page No.
A1XUM50300	10-18
A1XUN11600	10-15
A1XUR70000	9-1
A1XUR70100	9-40
V500010005	17-1
V500010020	17-2
V500010021	17-3
V500010046	17-4
V500020042	17-5
V502010045	14-6
V570010021	17-6
V570010050	17-7

ORIGINAL COVER

P 1

改訂版 REVISED EDITION	日付 DATE
▲	JULY 2011



ORIGINAL COVER

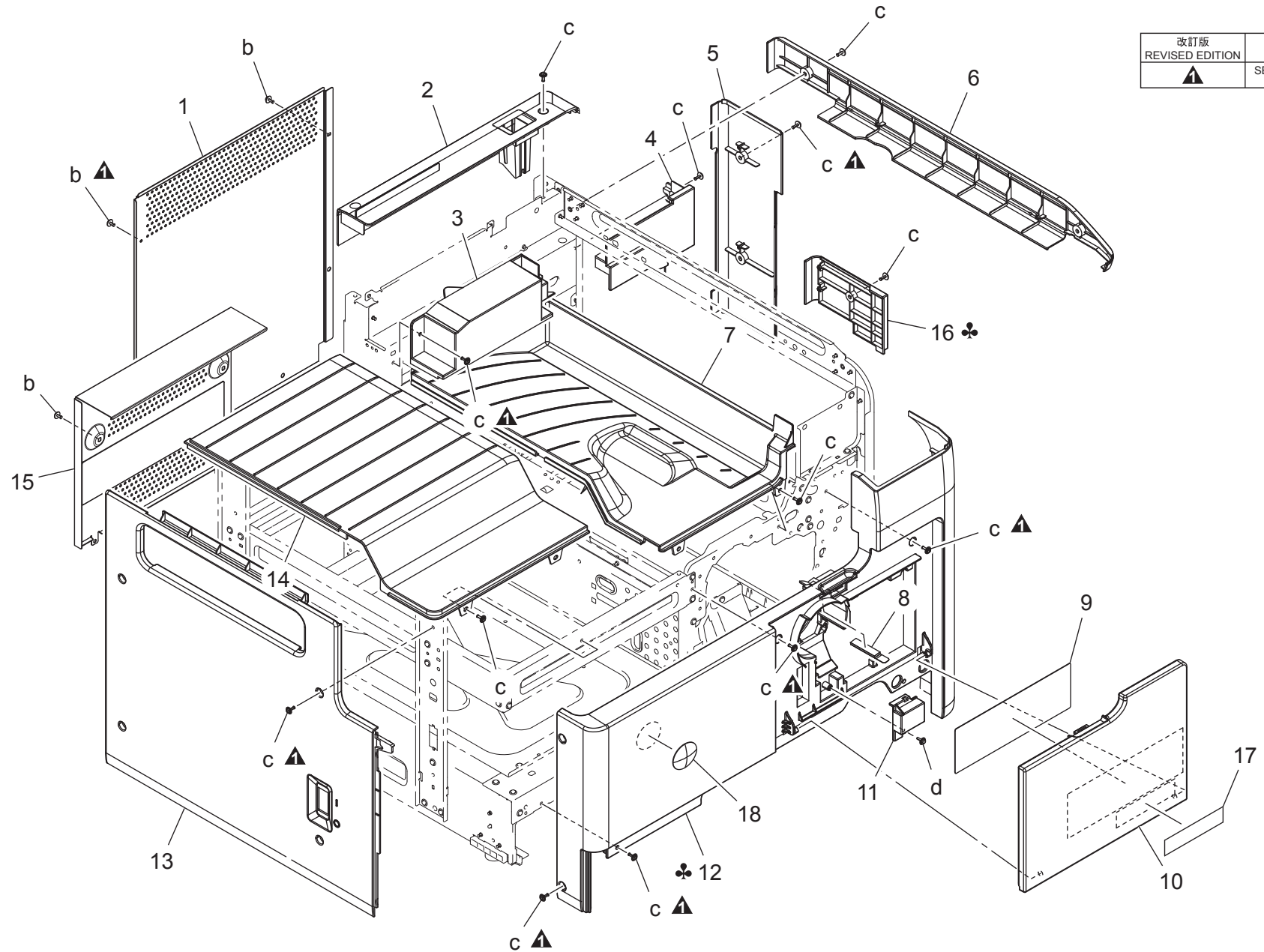
Key	Part No.	Description	Destinations	Class	QTY	Standard parts
1	A0XXPP5Q00	Hinge Left		C	1	a-V153041204
2	A0XXPP4Q00	Shaft		C	1	
3	A0XXPP4P00	Hinge Right		C	1	
4	A0XXPP4N03	Original Cover		C	1	
5	A0XXPP5P02	Pad		C	1	

bizhub 164/bizhub 184/bizhub 7718

EXTERNAL PARTS

P 2

改訂版 REVISED EDITION	日付 DATE
▲	SEPTEMBER 2010



bizhub 164/bizhub 184/bizhub 7718

EXTERNAL PARTS

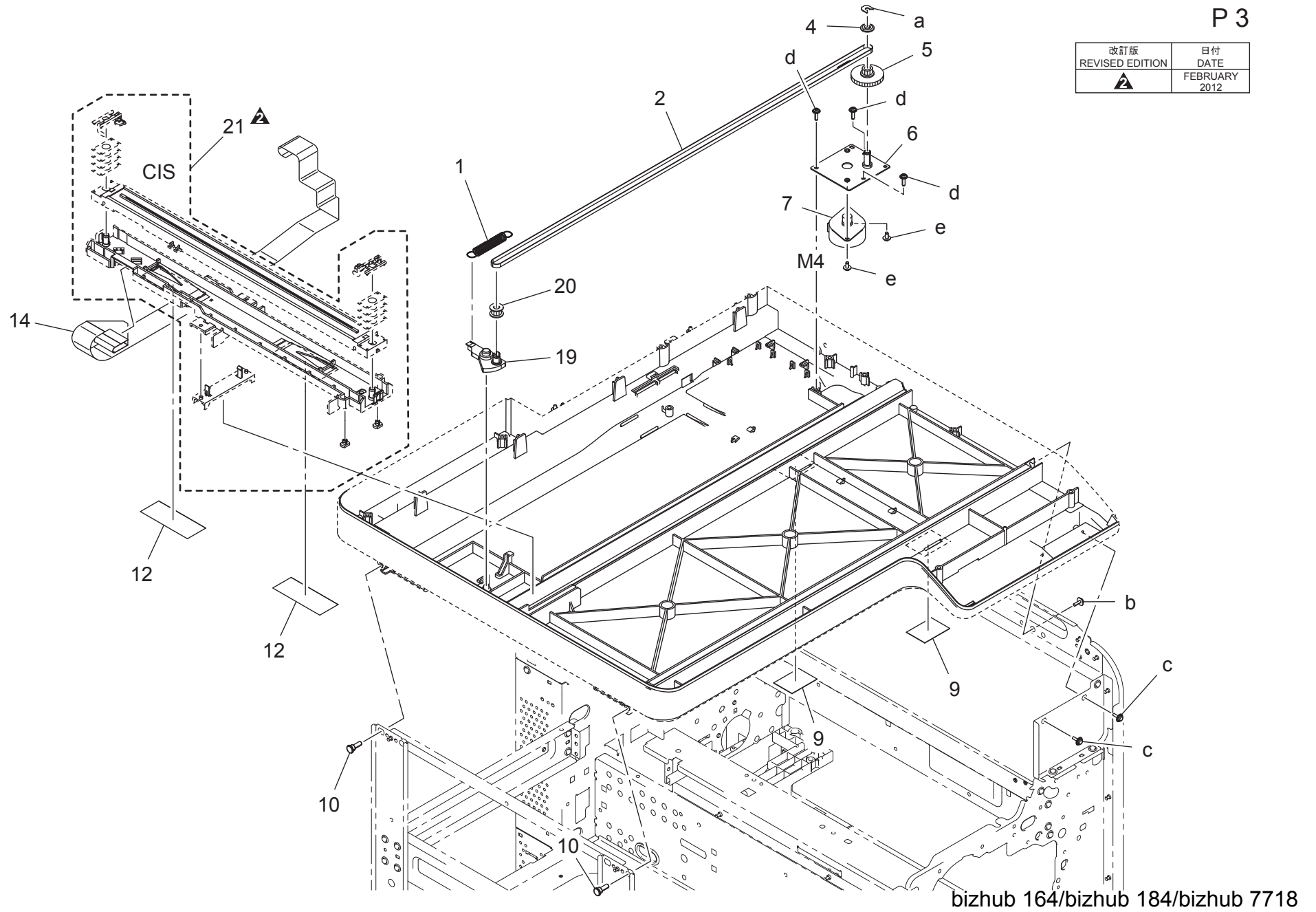
Key	Part No.	Description	Destinations	Class	QTY	Standard parts
1	A0XXPP1K00	Rear Cover		C	1	b-V137030603 c-V137030803 d-V153030804
2	A0XXPP2H00	Rear Upper Cover		C	1	
3	A0XXPP4U00	Cover		C	1	
4	A0XXPP2R00	Cover		C	1	
5	A0XXPP2J00	Right Rear Cover		C	1	
6	A0XXPP2G00	Right Upper Cover		C	1	
7	A0XXPP2P00	Right Exit Tray		C	1	
8	A0XXPP5J01	Spacer		C	1	
9	A0XXPP5C01	Print Cover Panel		C	1	
10	A0XXPP2F00	Front Door		C	1	
11	A0XXPP5201	Cover		D	1	
12	A0XXPP2M00	Front Cover	D1,D3,E,F1,F2,G1,G2,I,K	C	1	
12	A0XXPP2M00	Front Cover	H{bizhub164}	C	1	
12	A0XXPP2K00	Front Cover	J	C	1	
12	A0XXPP7C00	Front Cover	C{bizhub164}	C	1	
13	A0XXPP2N00	Left Cover		C	1	
14	A0XXPP2Q00	Left Exit Tray		C	1	
15	A0XXPP1H00	Rear Left Cover		C	1	
16	A0XXPP2T00	Cover	D1,D3,E,F1,F2,G1,G2,I,K	C	1	
16	A0XXPP2T00	Cover	C,H {bizhub164}	C	1	
17	A0XXPP6P00	Label bizhub164	{bizhub164}	C	1	
17	A0XXPP6N00	Label bizhub184	{bizhub184}	C	1	
17	A0XXPP6Q00	Label bizhub7718	{bizhub7718}	C	1	
18	A00J945500	Logo Mark		C	1	

bizhub 164/bizhub 184/bizhub 7718

IR SECTION

P 3

改訂版 REVISED EDITION	日付 DATE
	FEBRUARY 2012



bizhub 164/bizhub 184/bizhub 7718

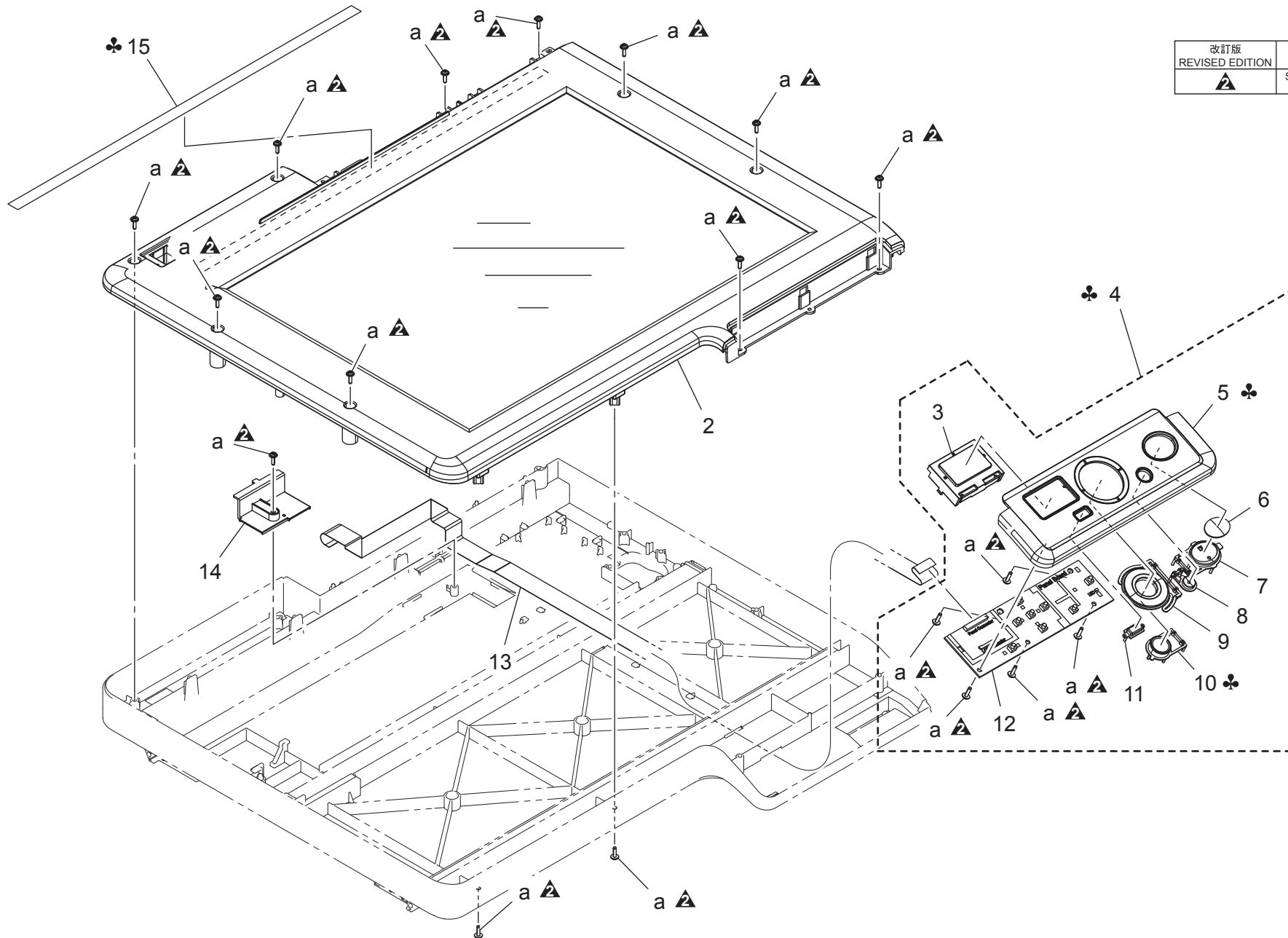
Key	Part No.	Description	Destinations	Class	QTY	Standard parts	
1	A0XXPP1G00	Tension Spring		C	1	a-V218060086 b-V153041003 c-V153030803 d-V153031003 e-V116030603	
2	A0XXPP5R00	Timing Belt		C	1		
4	A0XXPP0M00	Collar		C	1		
5	A0XXPP2900	Gear		C	1		
6	A0XXPP1E00	Bracket Assy		D	1		
7	A0XXPP5X00	Motor		B	1		
9	A0XXPP5N00	Seal		C	2		
10	A0XXPP5U00	Shoulder Screw		C	2		
12	A0XXPP6U00	Seal		C	2		
14	A0XXPP0F00	FFC CIS		C	1		
19	A0XXPP2B00	Holder		C	1		
20	A0XXPP2C01	Pulley		C	1		
21	A0XXPP9000	CIS ASSY		C	1		

bizhub 164/bizhub 184/bizhub 7718

IR SECTION

P 4

改訂版 REVISED EDITION	日付 DATE
	SEPTEMBER 2010



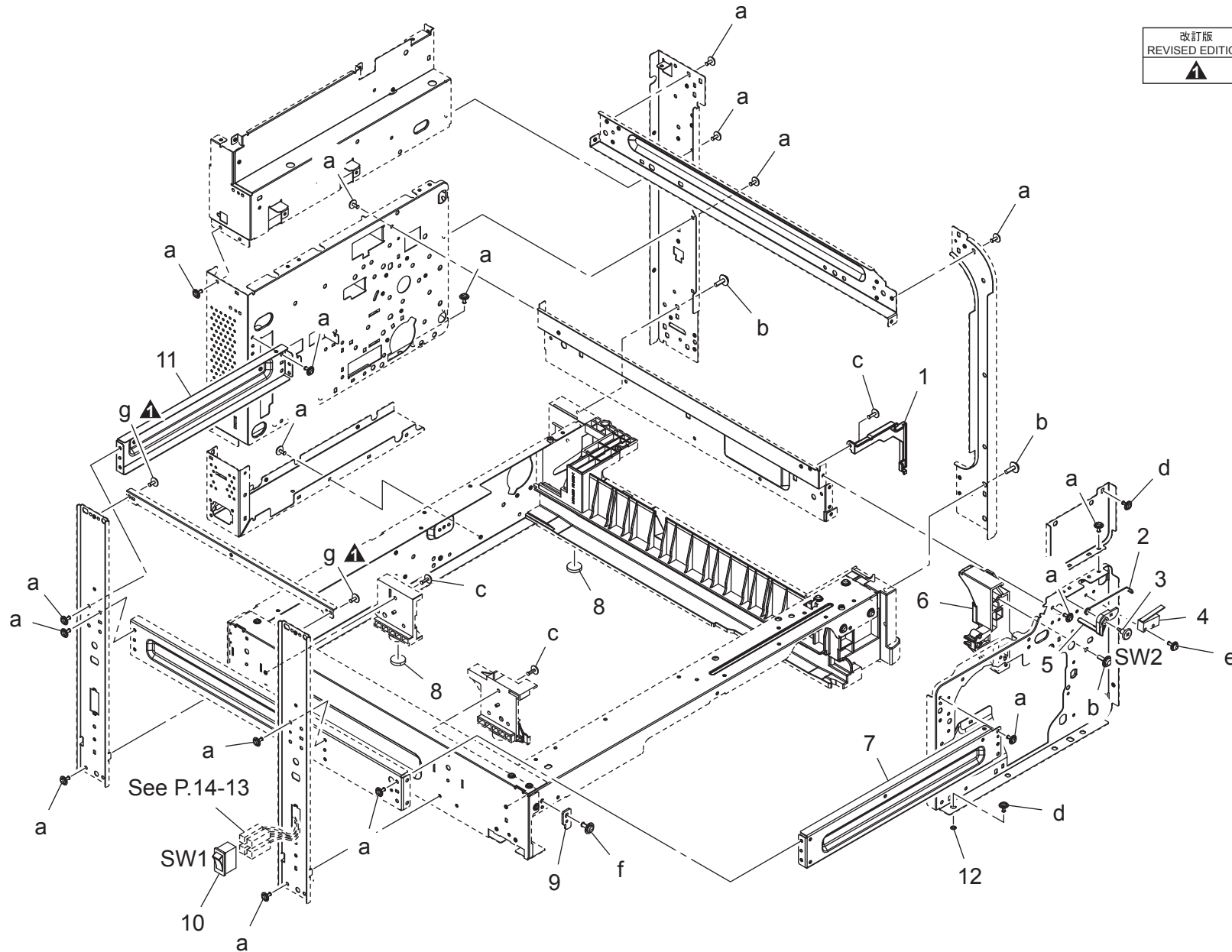
bizhub 164/bizhub 184/bizhub 7718

Key	Part No.	Description	Destinations	Class	QTY	Standard parts
2	A0XXPP6900	IR Cover Assy		C	1	a-V153031003
3	A0XXPP6F00Old	LCD Assy		C	1	
3	A0XXPP6F01	LCD ASSY		C	1	
4	A0XXPP6601	CONTROL PANEL ASSY (ENGLISH)	D1,D3,E,F1,F2,G1,G2,I,K	I	1	
4	A0XXPP6601	CONTROL PANEL ASSY (ENGLISH)	C {bizhub164}	I	1	
4	A0XXPP6701	CONTROL PANEL ASSY (TRADITIONAL)	H {bizhub164}	I	1	
4	A0XXPP6801	CONTROL PANEL ASSY (SIMPLIFIED)	J	I	1	
5	A0XXPP5F02	Control Panel (English)	D1,D3,E,F1,F2,G1,G2,I,K	C	1	
5	A0XXPP5F02	Control Panel (English)	C {bizhub164}	C	1	
5	A0XXPP5D02	Control Panel (Traditional)	H {bizhub164}	C	1	
5	A0XXPP5E02	Control Panel (Simplified)	J	C	1	
6	A0XXPP5900	Print Start Key		B	1	
7	A0XXPP2E00	Lens Start Key		C	1	
8	A0XXPP5800	Print Stop Key		C	1	
9	A0XXPP5B00	Print Arrow Key		C	1	
10	A0XXPP5A00	Print Select Key (English)	D1,D3,E,F1,F2,G1,G2,I,K	C	1	
10	A0XXPP5A00	Print Select Key (English)	C {bizhub164}	C	1	
10	A0XXPP5G00	Print Select Key (Traditional)	H {bizhub164}	C	1	
10	A0XXPP5H00	Print Select Key (Simplified)	J	C	1	
11	A0XXPP2D00	Interrupt Key		C	1	
12	A0XXPP6400Old	PW Board Assy		I	1	
12	A0XXPP6401	PW BOARD ASSY		I	1	
13	A0XXPP0G00	FFC Panel		C	1	
14	A0XXPP1F00	Cover		D	1	
15	A0XXPP7B00	Label FD Scale	D1,D3,E,F1,F2,G1,G2,H,I,K	C	1	

FRAME SECTION

P 5

改訂版 REVISED EDITION	日付 DATE
	SEPTEMBER 2010



bizhub 164/bizhub 184/bizhub 7718

FRAME SECTION

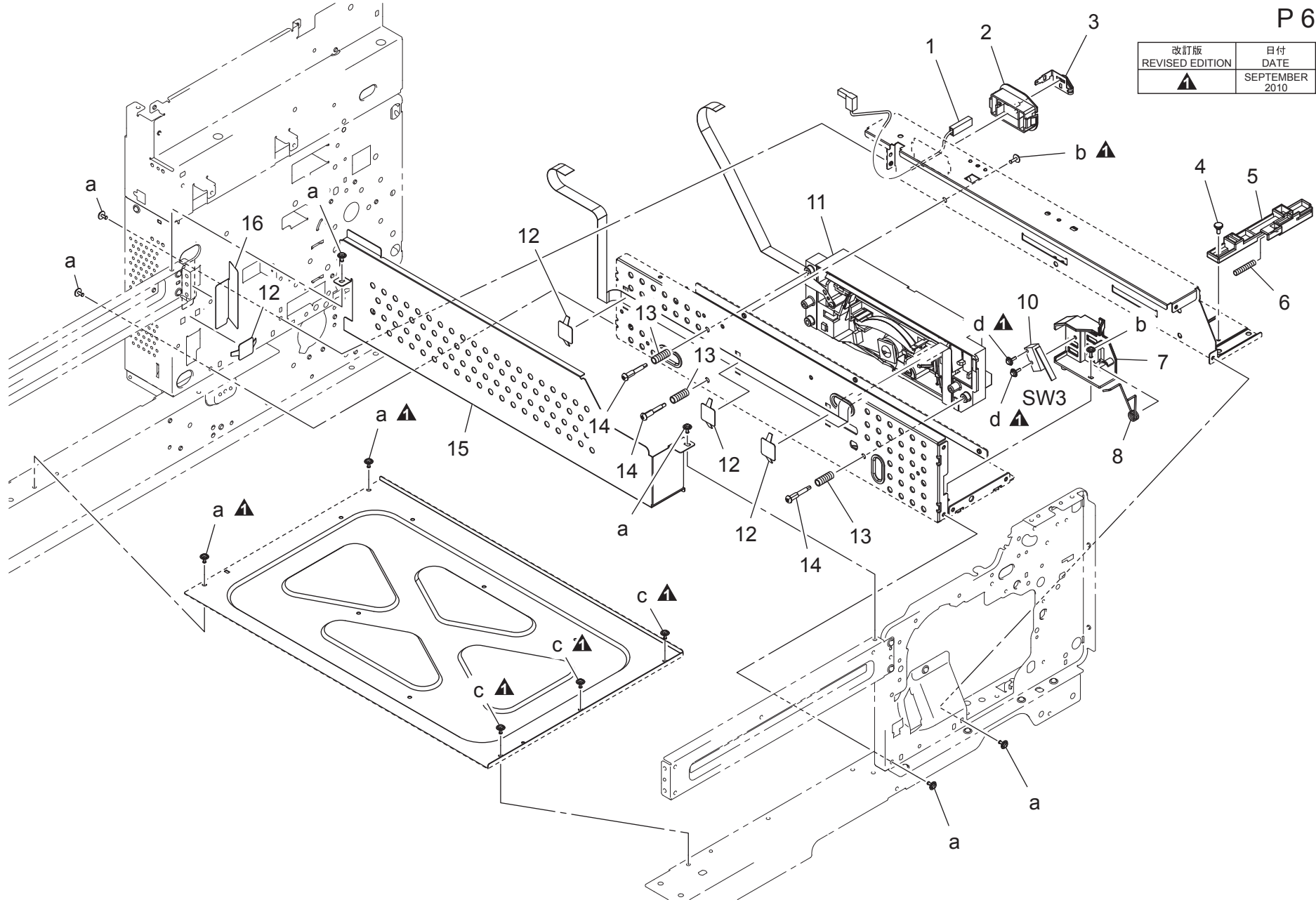
Key	Part No.	Description	Destinations	Class	QTY	Standard parts
1	A0XXPP4800	Cover		D	1	a-V137030603 b-V153041003 c-V137030803 d-V144030603 e-V116031603 f-V137040803 g-V115030803
2	A0XXPP1M00	Torsion Spring		C	1	
3	A0XXPP8800	SHOULDER SCREW		C	1	
4	9J06M60100	MICRO SWITCH		C	1	
5	A0XXPP4700	Lever		C	1	
6	A0XXPP2U00	Holder		D	1	
7	A0XXPP1P00	Reinforce Plate		D	1	
8	4128201901	RUBBER FOOT		D	2	
9	4686330401	STOPPER		D	1	
10	A0XXPP0000	Switch		C	1	
11	A0XXPP1Q00	Reinforce Plate		D	1	
12	A0XXPP7800	Washer		C	1	

bizhub 164/bizhub 184/bizhub 7718

PRINT HEAD SECTION

P 6

改訂版 REVISED EDITION	日付 DATE
▲	SEPTEMBER 2010



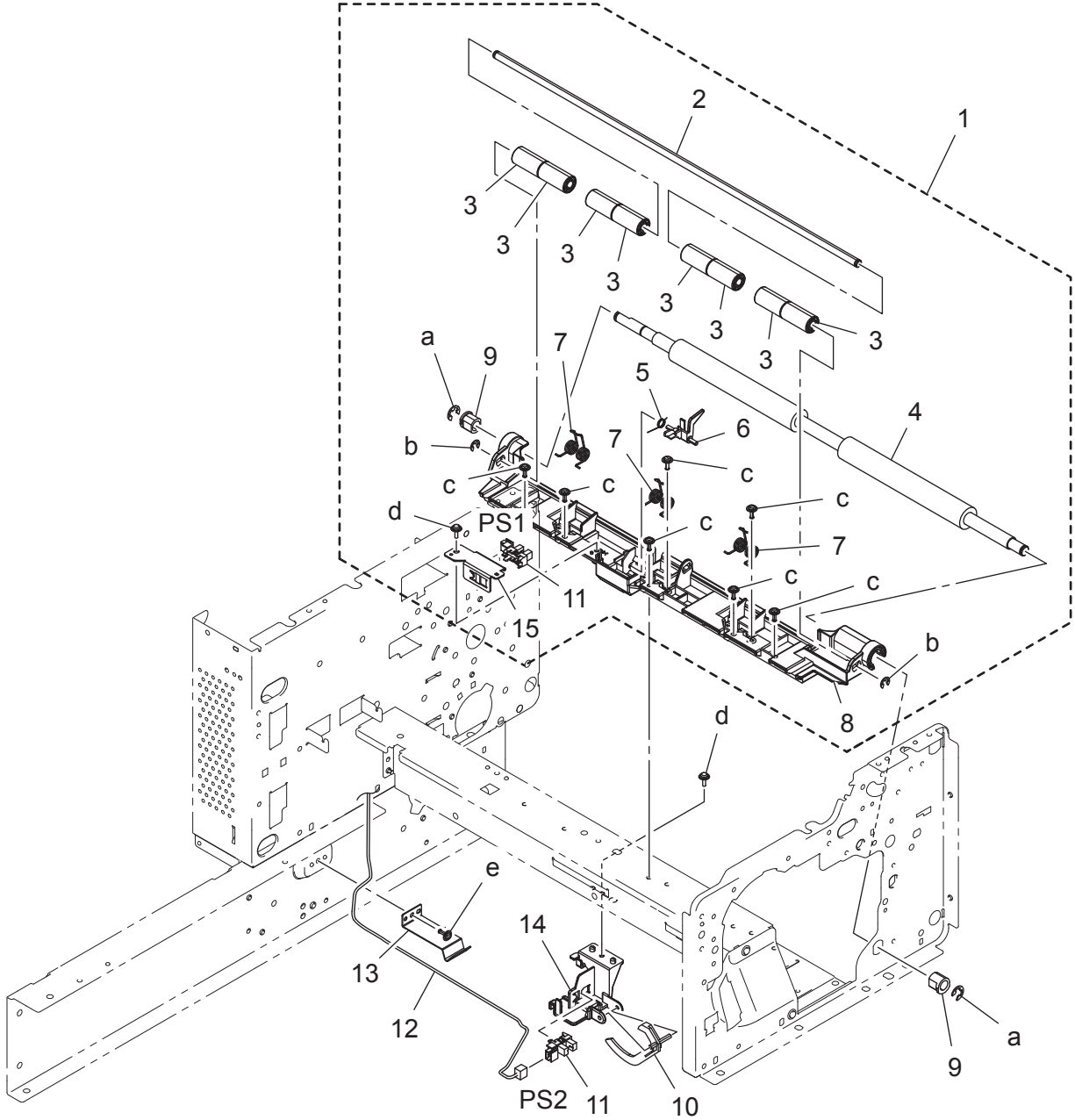
bizhub 164/bizhub 184/bizhub 7718

PRINT HEAD SECTION

Key	Part No.	Description	Destinations	Class	QTY	Standard parts
1	A0XXPP0600	Wire Harness Assy		D	1	a-V137030603 b-V144030803 c-V144030603 d-V149031603
2	A0XXPP4400	Holder		D	1	
3	A0XXPP1700	Contact		C	1	
4	A0XXPP5S00	Shoulder Screw		C	1	
5	A0XXPP2V00	Arm		D	1	
6	4034230501	PRESSURE SPRING		C	1	
7	A0XXPP4W01	Bracket		C	1	
8	A0XXPP1R00	Torsion Spring		C	1	
10	9J06M60100	MICRO SWITCH		C	1	
11	A1XTR70011	PH Unit		I	1	
12	4034220501	SUPPORTER		D	4	
13	A00J307000	Compressing Spring		C	3	
14	A0XXPP5T00	Shoulder Screw		C	3	
15	A0XXPP1J00	PH Cover		D	1	
16	A0XXPP6V00	Guide		C	1	

bizhub 164/bizhub 184/bizhub 7718

PAPER TAKE-UP SECTION



bizhub 164/bizhub 184/bizhub 7718



PAPER TAKE-UP SECTION

Key	Part No.	Description	Destinations	Class	QTY	Standard parts
1	A0XXPP6A00	Timing Roller Assy		S	1	a-V217060001 b-V217040001 c-V137030803 d-V153030803 e-V137030603
2	A0XXPP2301	Shaft		D	1	
3	A0XXPP3P00	Roller		C	8	
4	A0XXPP5501	Roller		C	1	
5	4034353401	TORSION SPRING		C	1	
6	A0XXPP3N01	Actuator		C	1	
7	A0XXPP0X01	Tension Spring		C	3	
8	A0XXPP5300	Holder		D	1	
9	4025357201	BUSHING		C	2	
10	1164302701	ACTUATOR		C	1	
11	9335130061	PHOTO INTERRUPTER		B	2	
12	A0XXPP0A00	Wire Harness Assy	{bizhub164}	D	1	
12	A0XXPP0900	Wire Harness Assy	{bizhub184/7718}	D	1	
13	1164305401	PLATE SPRING		C	1	
14	A0XXPP3G01	Holder		C	1	
15	A0XXPP0W01	Bracket		C	1	

bizhub 164/bizhub 184/bizhub 7718

