

KONICA MINOLTA

# *PARTS GUIDE MANUAL*

---

*MAY 2010*

*bizhub 20P*  
*A32P011*

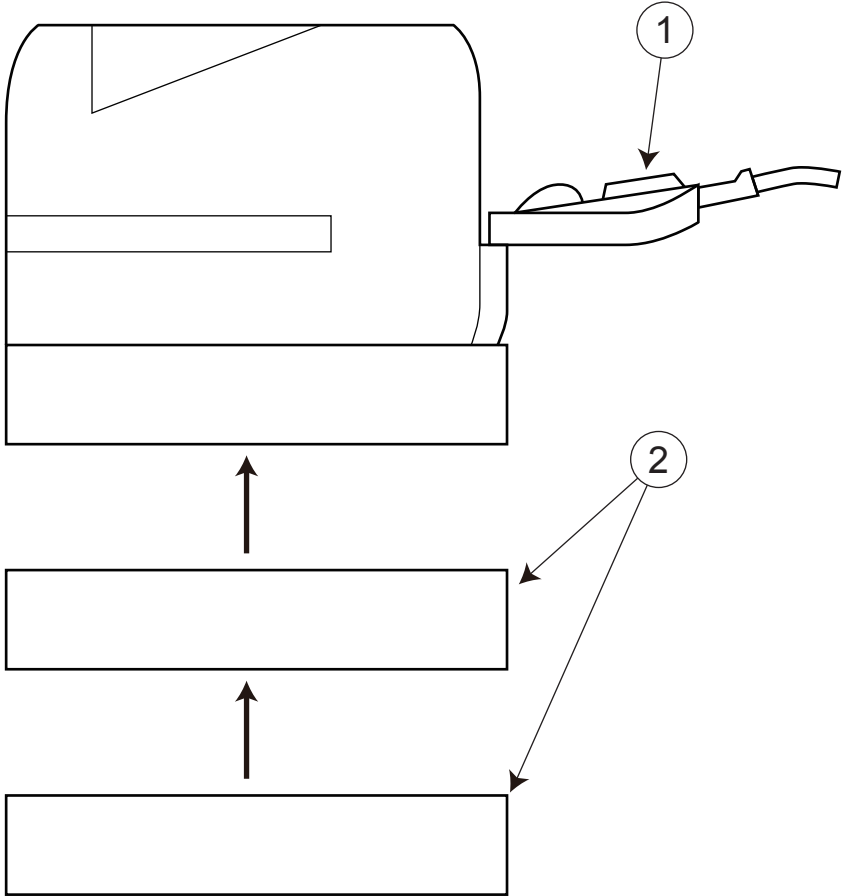
## INFORMATION FOR PARTS GUIDE MANUAL

To find correct Parts No., refer to the "HOW TO MAKE THE BEST USE OF THIS MANUAL" in the following page.

### HOW TO MAKE THE BEST USE OF THIS MANUAL

- 1 When you order, please check the proper figures beforehand that are on Our Parts Guide Manual, and order with the appropriate figures.
- 2 For screws, Nuts, Washers, retaining rings and Pins which are used in this model, one letter is shown on the Standard parts column of Parts list and exploded diagrams.
- 3 In order to maintain safety of the product, some specific parts composed of this product are set up as "essential safety parts".
- 4 The assigned parts number for the "essential safety parts" is indicated as "SP00-\*\*\*\*".  
When replacing these parts, follow precautions for disassembling and installing which are listed in the Service Manual.  
Do not use any parts that are not set up as
- 5 ♣ means that there are exclusive parts for each destination.  
Please check the appropriate destination when you order.
- 6 Revision Mark  
Marked as ▲ on the illustration shows that the revision has been made.
- 7 All rights reserved. (any reprints or quotations are prohibited.)  
Use of this parts guide manual should be strictly supervised to avoid disclosure of confidential information.

# SYSTEM OUTLINE

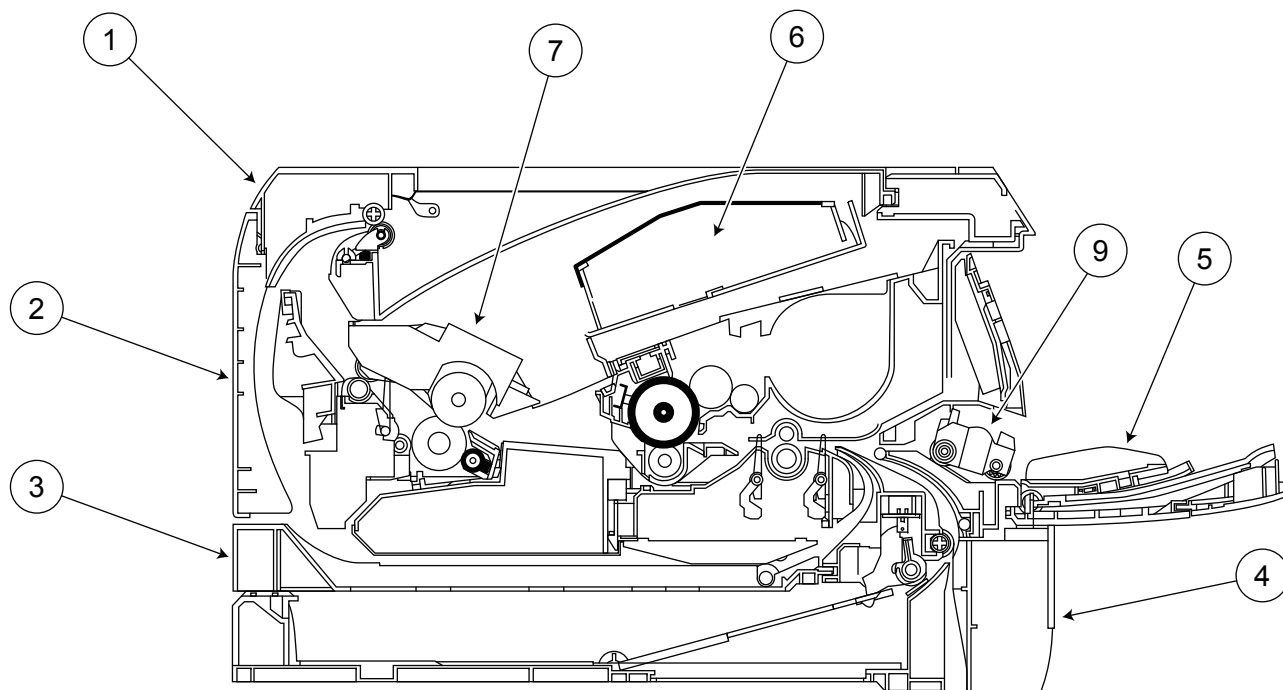


# GENERAL CONTENTS

<b>No.</b>	<b>Description</b>	<b>Model</b>
1	PRINTER B/W	bizhub 20P
2	PAPER FEEDER	PF-P10

# DIAGRAMS OF MAIN PARTS SECTION

LEFT SIDE (8) (10)



# CONTENTS

No.	DESCRIPTION	PAGE No.
1	EXTERNAL PARTS	P1 P2
2	MAIN FRAME SECTION	P3
3	DUPLEX TRAY SECTION	P4
4	CASSETTE SECTION	P5
5	PAPER FEED TRAY SECTION	P6 P7
6	LASER UNIT	P8
7	FUSING UNIT	P9
8	DRIVE SECTION	P10
9	ROLLER ASSY	P11
10	ELECTRICAL COMPONENTS	P12
11	AC CORD	P13
12	WIRING ACCESSORIES AND JIGS	P14

# INDEX

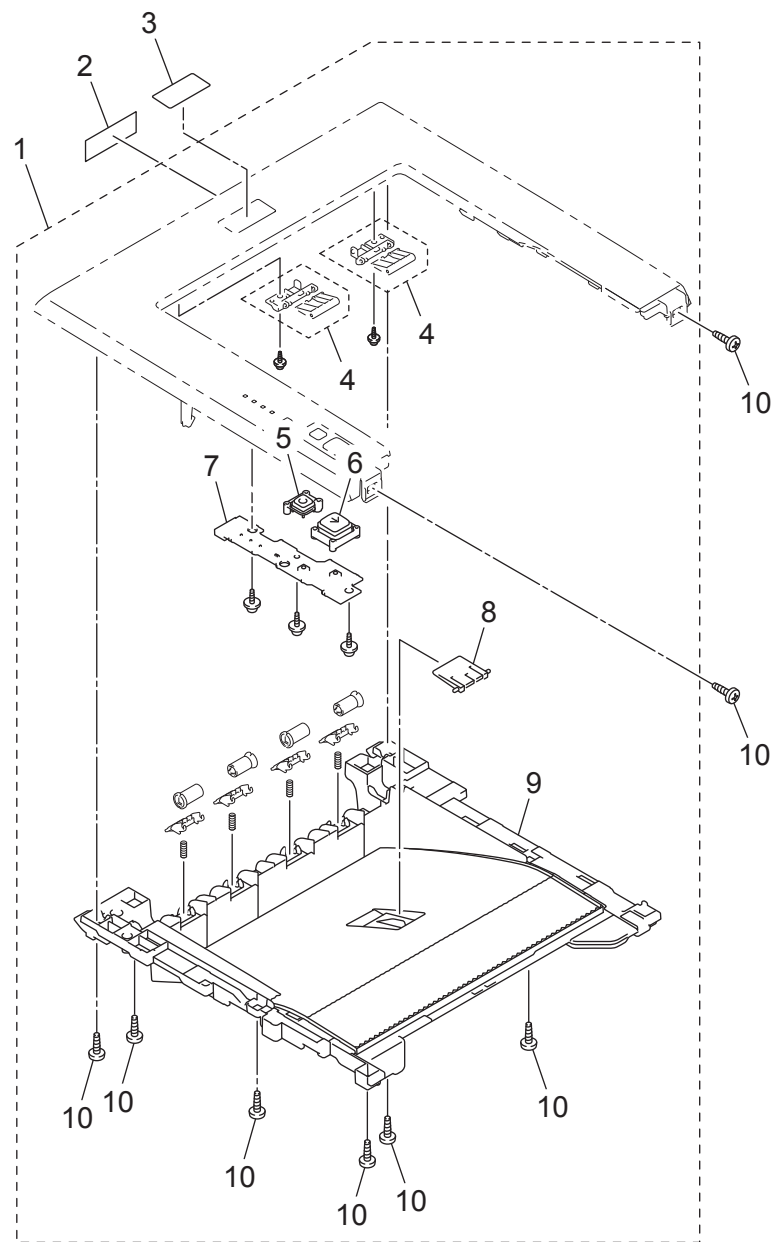
Parts No.	Page No.
A32P PP01 00	7-5
A32P PP02 00	10-2
A32P PP02 00	10-5
A32P PP03 00	1-10
A32P PP03 00	2-4
A32P PP04 00	10-12
A32P PP05 00	8-3
A32P PP05 00	10-18
A32P PP06 00	6-4
A32P PP08 00	8-2
A32P PP0C 00	3-7
A32P PP0C 00	10-15
A32P PP0E 00	10-7
A32P PP0F 00	10-23
A32P PP0G 00	10-13
A32P PP0H 00	10-24
A32P PP0J 00	10-17
A32P PP0M 00	12-3
A32P PP0N 00	7-3
A32P PP0Q 00	3-5
A32P PP0R 00	10-3
A32P PP0S 00	10-22
A32P PP0T 00	10-19
A32P PP0U 00	10-4
A32P PP0V 00	10-6
A32P PP0X 00	10-14
A32P PP0Y 00	10-16
A32P PP10 00	10-20
A32P PP11 00	10-11
A32P PP12 01	1-6
A32P PP13 01	1-5
A32P PP14 00	10-9
A32P PP15 00	10-10
A32P PP16 00	10-26
A32P PP17 00	10-25
A32P PP18 00	3-4
A32P PP19 00	6-3
A32P PP1A 00	7-10
A32P PP1B 00	7-11
A32P PP1D 00	7-13

Parts No.	Page No.
A32P PP1E 00	7-14
A32P PP1F 00	7-15
A32P PP1G 00	7-7
A32P PP1H 01	6-5
A32P PP1K 00	5-2
A32P PP1L 00	5-3
A32P PP1M 00	5-5
A32P PP1N 00	5-6
A32P PP1P 00	5-4
A32P PP1Q 01	2-8
A32P PP1Y 01	2-5
A32P PP20 01	2-7
A32P PP22 00	7-2
A32P PP23 00	3-2
A32P PP24 00	7-1
A32P PP25 00	7-12
A32P PP27 00	7-6
A32P PP29 01	10-1
A32P PP2A 00	3-3
A32P PP2B 01	1-1
A32P PP2C 01	1-9
A32P PP2D 01	2-1
A32P PP2E 00	2-2
A32P PP2F 00	9-2
A32P PP2G 01	1-8
A32P PP2H 00	2-3
A32P PP2J 00	3-1
A32P PP2L 00	8-1
A32P PP2M 00	7-8
A32P PP2N 00	7-4
A32P PP2P 00	10-21
A32P PP2V 00	1-4
A32P PP2X 00	11-1
A32P PP2Y 00	11-2
A32P PP31 00	6-2
A32P PP32 00	14-1
A32P PP33 01	6-6
A32P PP35 01	6-1
A32P PP36 01	5-1
A32P PP39 00	7-9

Parts No.	Page No.
A32P PP3A 00	9-1
A32P PP3B 00	9-1
A32P PP3C 00	3-6
A32P PP3D 00	1-7
A32P PP3E 00	12-2
A32P PP3F 00	12-2
A32P PP3G 01	12-1
A32P PP3H 00	10-8
A32P PP3J 00	13-1
A32P PP3K 00	4-1
A32P PP3L 01	5-1
A32P PP3M 00	12-2
A32P PP3N 00	13-1
A32P PP3P 00	2-6
A32P PP3Q 00	1-3
A32P PP3R 00	1-2
A32R PP23 00	4-1

# EXTERNAL PARTS

P 1

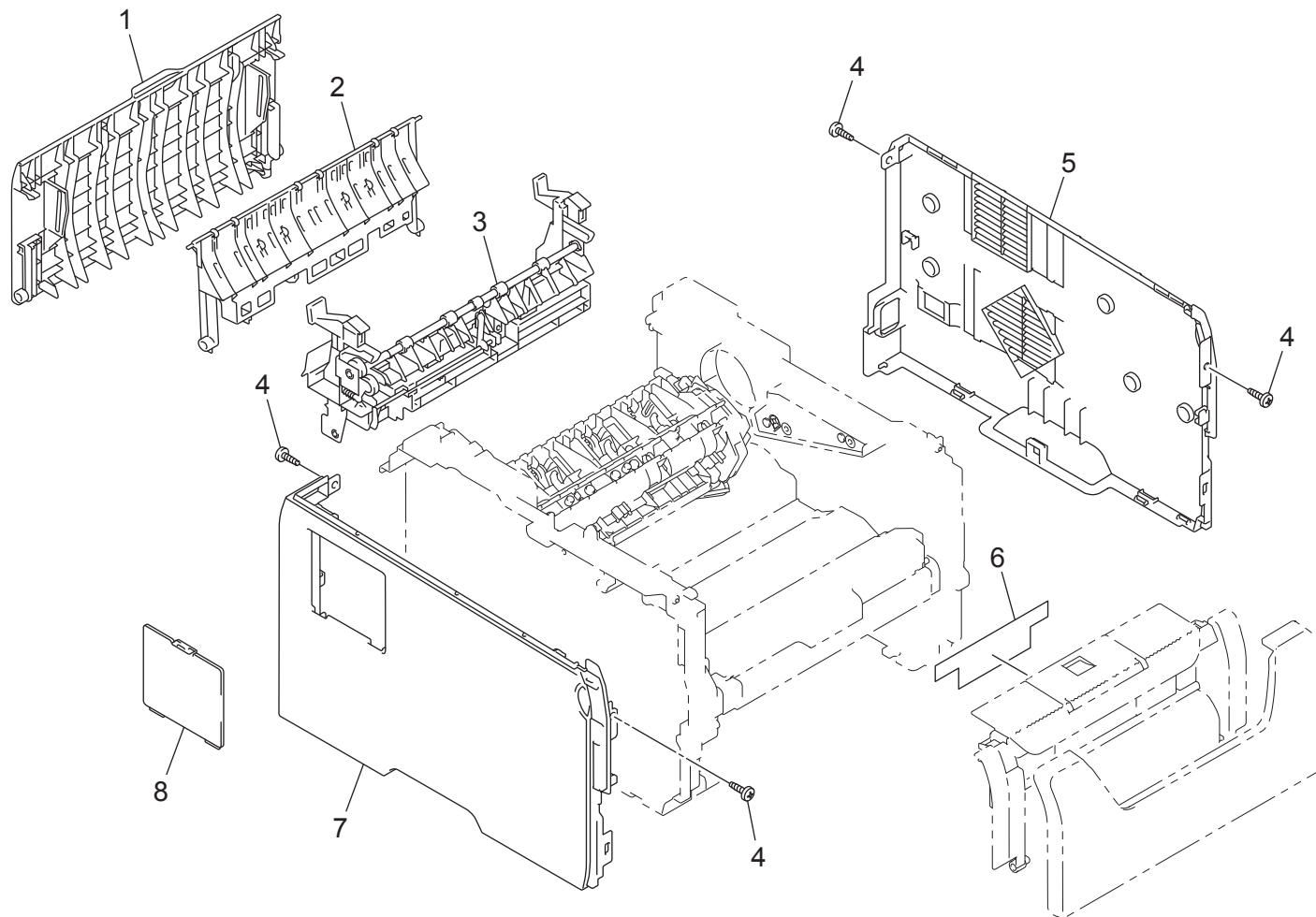




# EXTERNAL PARTS

Key	Part No.	Description	Destinations	Class	QTY	Standard parts
1	A32P PP2B 01	TOP COVER ASSY		D	1	
2	A32P PP3R 00	FUSER CAUTION LABEL		C	1	
3	A32P PP3Q 00	BLANK PLATE		C	1	
4	A32P PP2V 00	PAPER STACK LEVER SP ASSY		C	2	
5	A32P PP13 01	SW KEY A		C	1	
6	A32P PP12 01	SW KEY A		C	1	
7	A32P PP3D 00	PANEL PCB ASSY		C	1	
8	A32P PP2G 01	SUPPORT FLAP 2		D	1	
9	A32P PP2C 01	INNER CHUTE		D	1	
10	A32P PP03 00	TAPTITE BIND B M4X12		D	8	

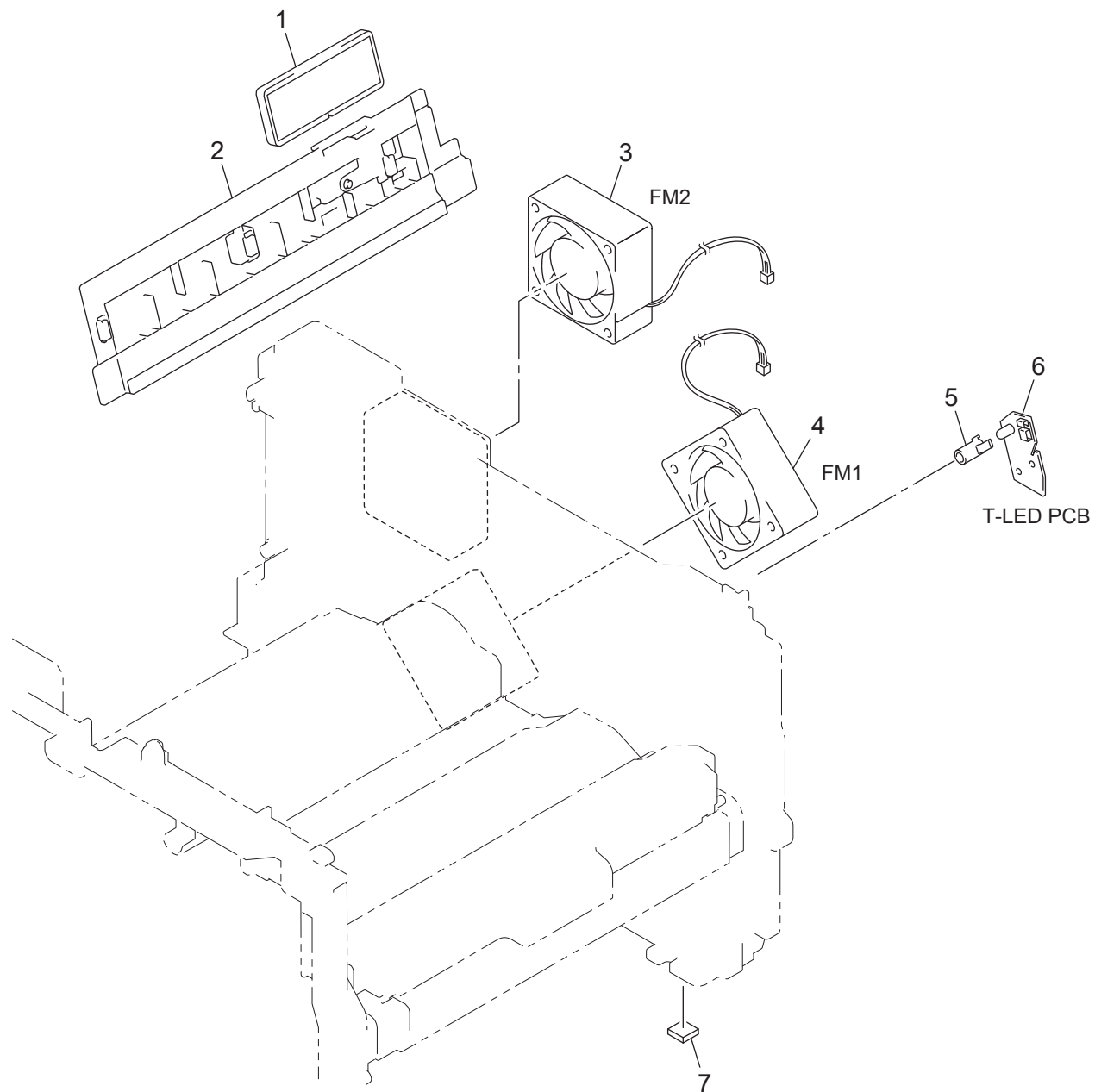
# EXTERNAL PARTS



# EXTERNAL PARTS

Key	Part No.	Description	Destinations	Class	QTY	Standard parts
1	A32P PP2D 01	BACK COVER		D	1	
2	A32P PP2E 00	OUTER CHUTE ASSY		D	1	
3	A32P PP2H 00	REAR CHUTE ASSY		D	1	
4	A32P PP03 00	TAPTITE BIND B M4X12		D	4	
5	A32P PP1Y 01	SIDE COVER R ASSY		D	1	
6	A32P PP3P 00	PROCESS UNIT OP LABEL		C	1	
7	A32P PP20 01	SIDE COVER L ASSY		D	1	
8	A32P PP1Q 01	ACCESS COVER		C	1	

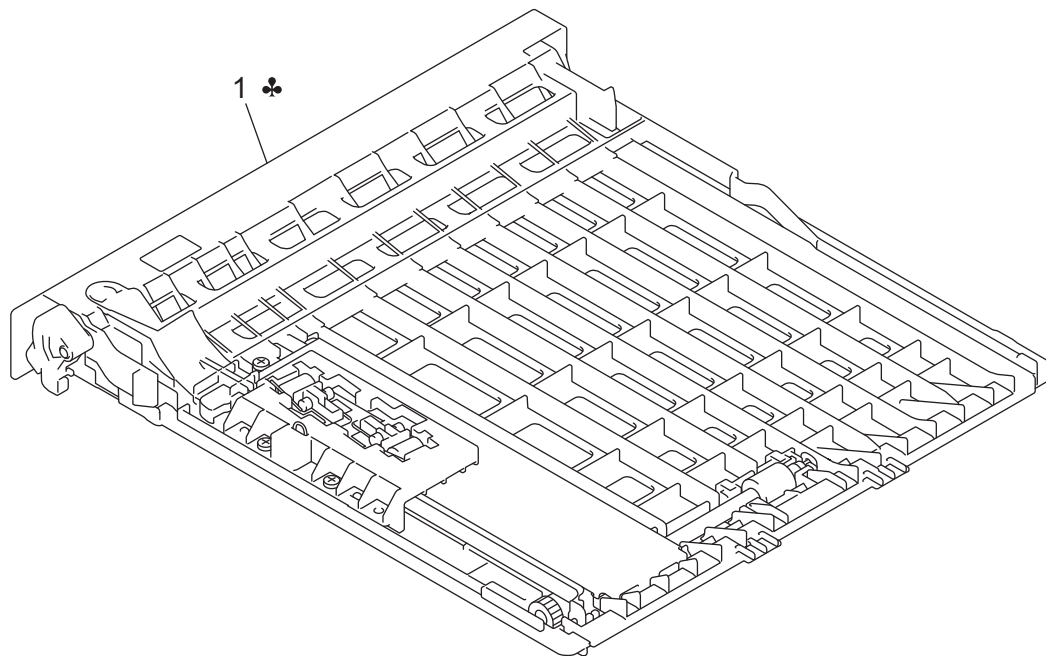
# MAIN FRAME SECTION



# MAIN FRAME SECTION

Key	Part No.	Description	Destinations	Class	QTY	Standard parts
1	A32P PP2J 00	FILTER		C	1	
2	A32P PP23 00	AIR DUCT JPN ASSY AL		D	1	
3	A32P PP2A 00	FAN MOTOR 60 UNIT		C	1	
4	A32P PP18 00	FAN MOTOR 60 UNIT LV		C	1	
5	A32P PP0Q 00	LED HOLDER		D	1	
6	A32P PP3C 00	TONER LED PCB ASSY		C	1	
7	A32P PP0C 00	RUBBER FOOT		D	1	

# DUPLEX TRAY SECTION

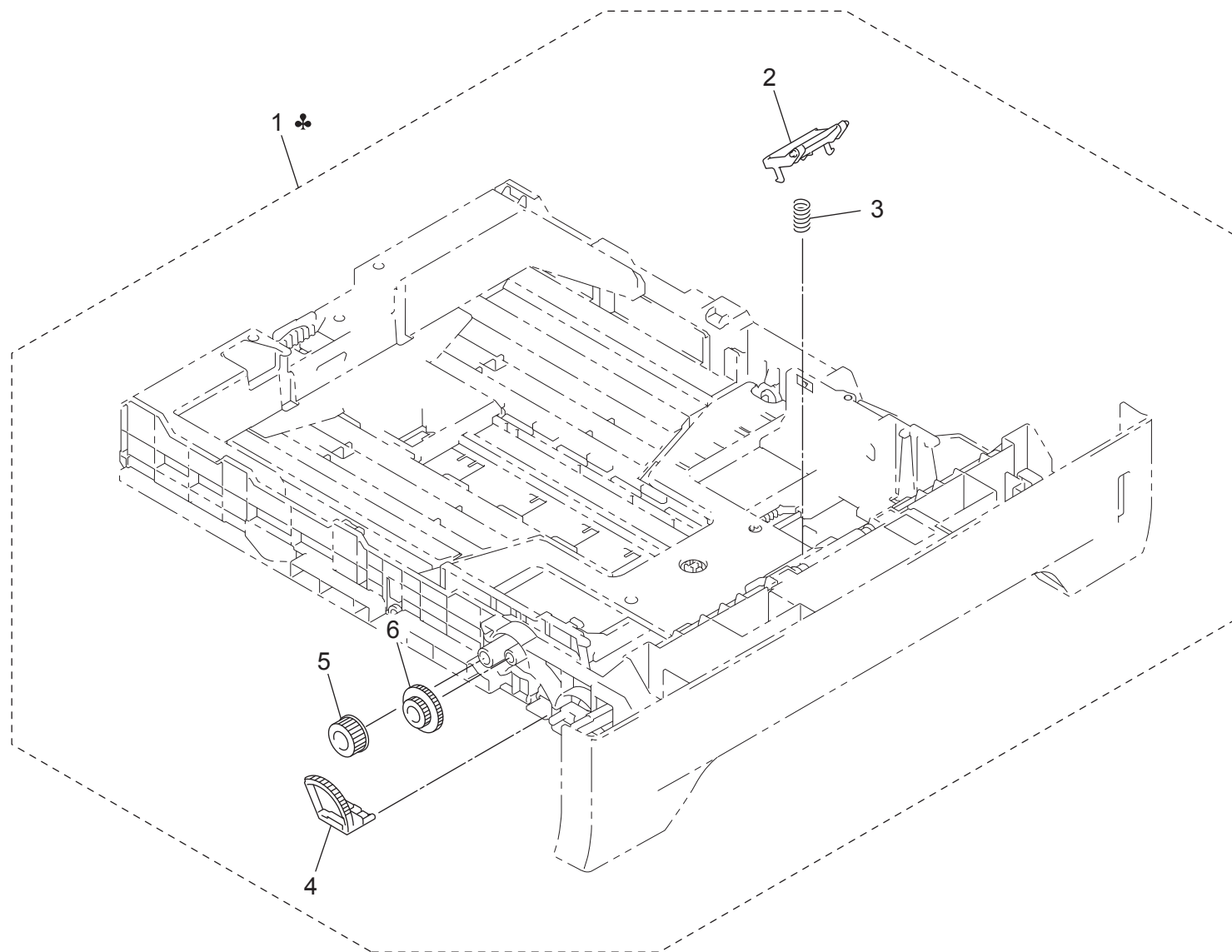


# DUPLEX TRAY SECTION

Key	Part No.	Description	Destinations	Class	QTY	Standard parts
1	A32P PP3K 00	DX FEED ASSY A4 FOR GER/RUS	C	C	1	
1	A32R PP23 00	DX FEED ASSY	B,G2	C	1	

# CASSETTE SECTION

P 5



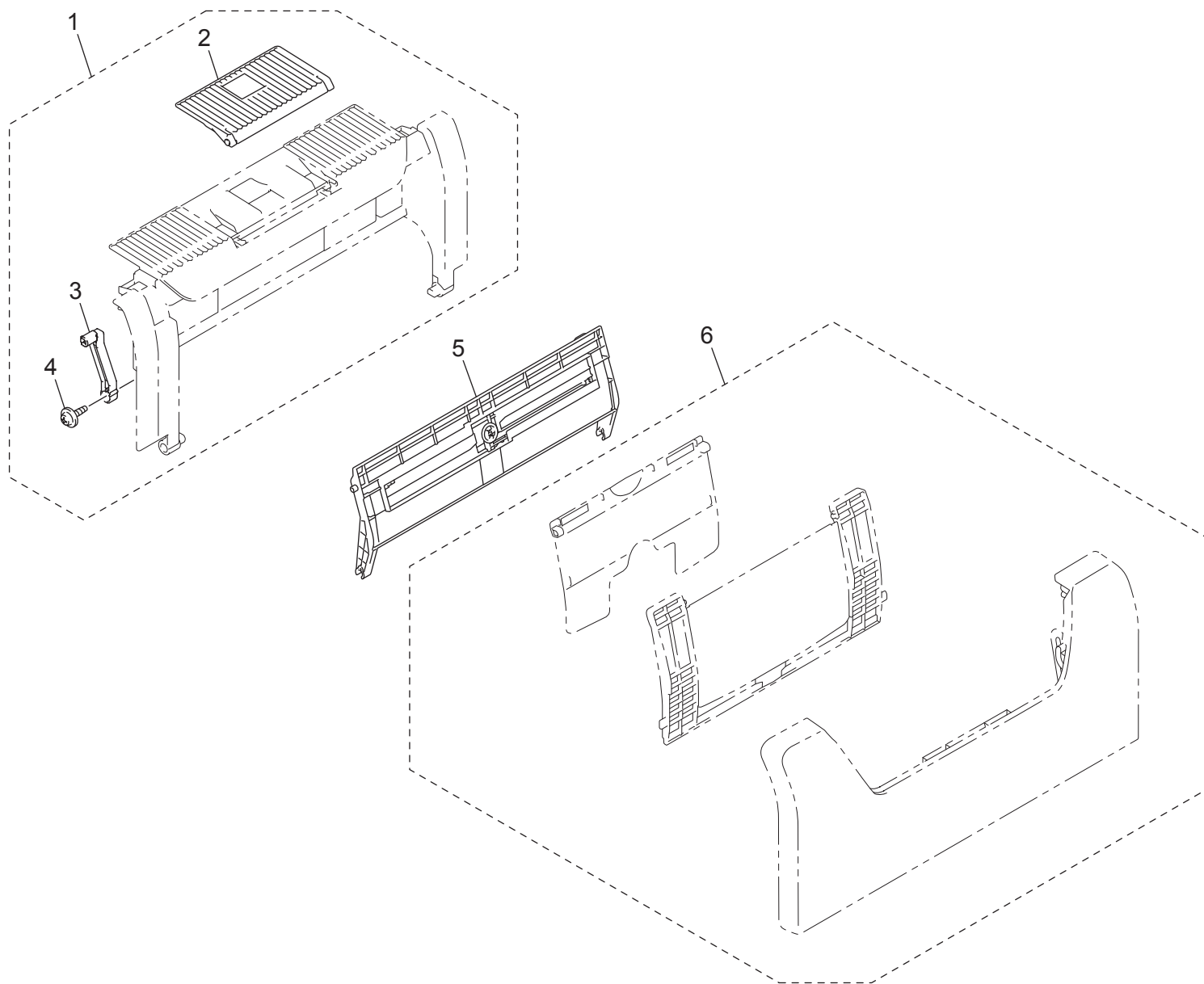


# CASSETTE SECTION

Key	Part No.	Description	Destinations	Class	QTY	Standard parts
1	A32P PP36 01	PAPER TRAY UNIT	B,G2	S	1	
1	A32P PP3L 01	PAPER TRAY UNIT A4 FOR GER/RUS	C	S	1	
2	A32P PP1K 00	SEPARATION PAD ASSY		B	1	
3	A32P PP1L 00	SEPARATION PAD SPRING		C	1	
4	A32P PP1P 00	LIFT GEAR 46		C	1	
5	A32P PP1M 00	GEAR 15		C	1	
6	A32P PP1N 00	GEAR 21-16		C	1	

# PAPER FEED TRAY SECTION

P 6

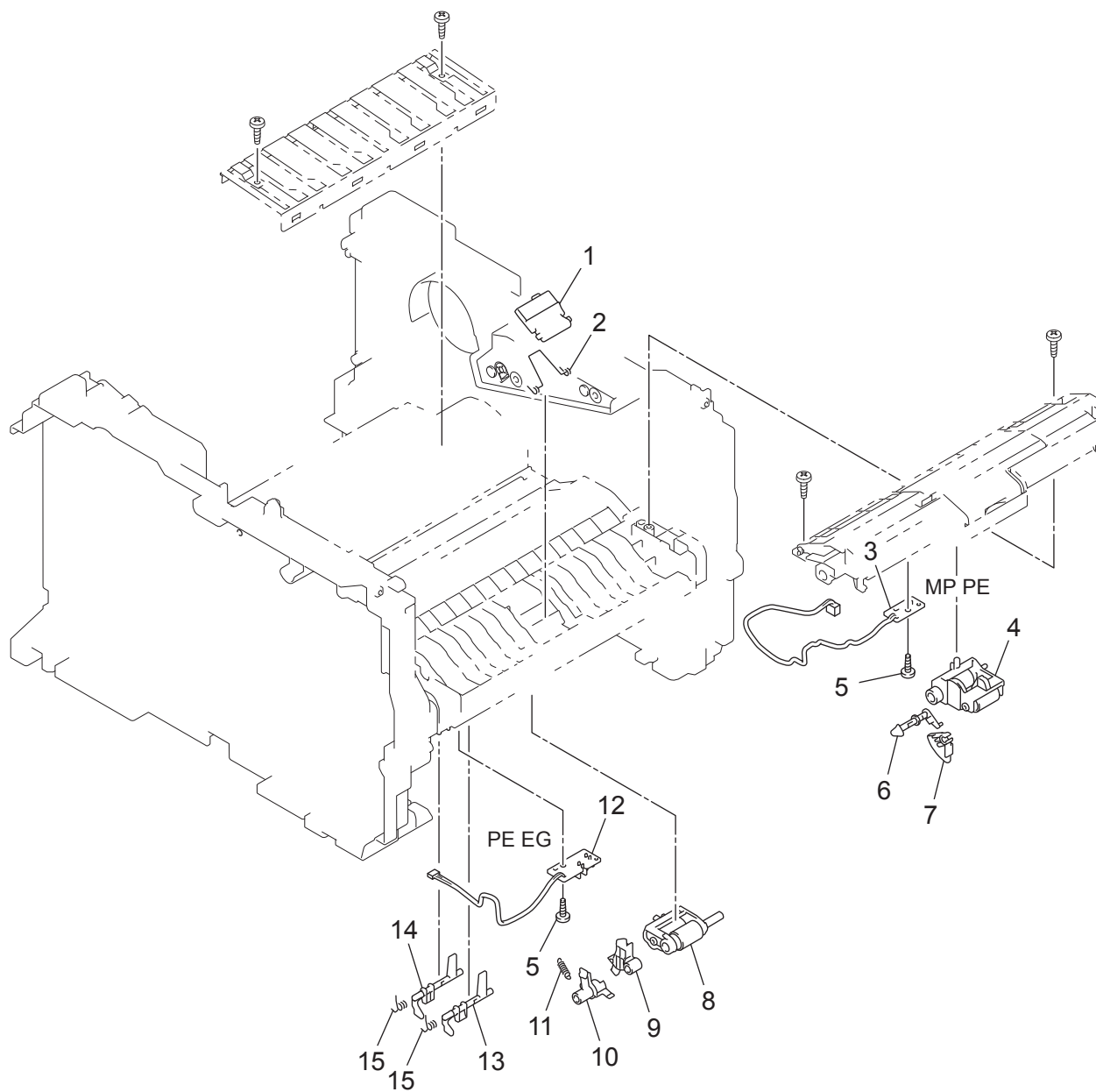


PAPER FEED TRAY SECTION

Key	Part No.	Description	Destinations	Class	QTY	Standard parts
1	A32P PP35 01	PROCESS COVER ASSY		D	1	
2	A32P PP31 00	SUPPORT FLAP 1		D	1	
3	A32P PP19 00	PROCESS COVER STOPPER		D	1	
4	A32P PP06 00	TAPTITE CUP B M4X10		D	1	
5	A32P PP1H 01	TRAY MP ASSY		D	1	
6	A32P PP33 01	MP TRAY COVER ASSY		D	1	

# PAPER FEED TRAY SECTION

P 7

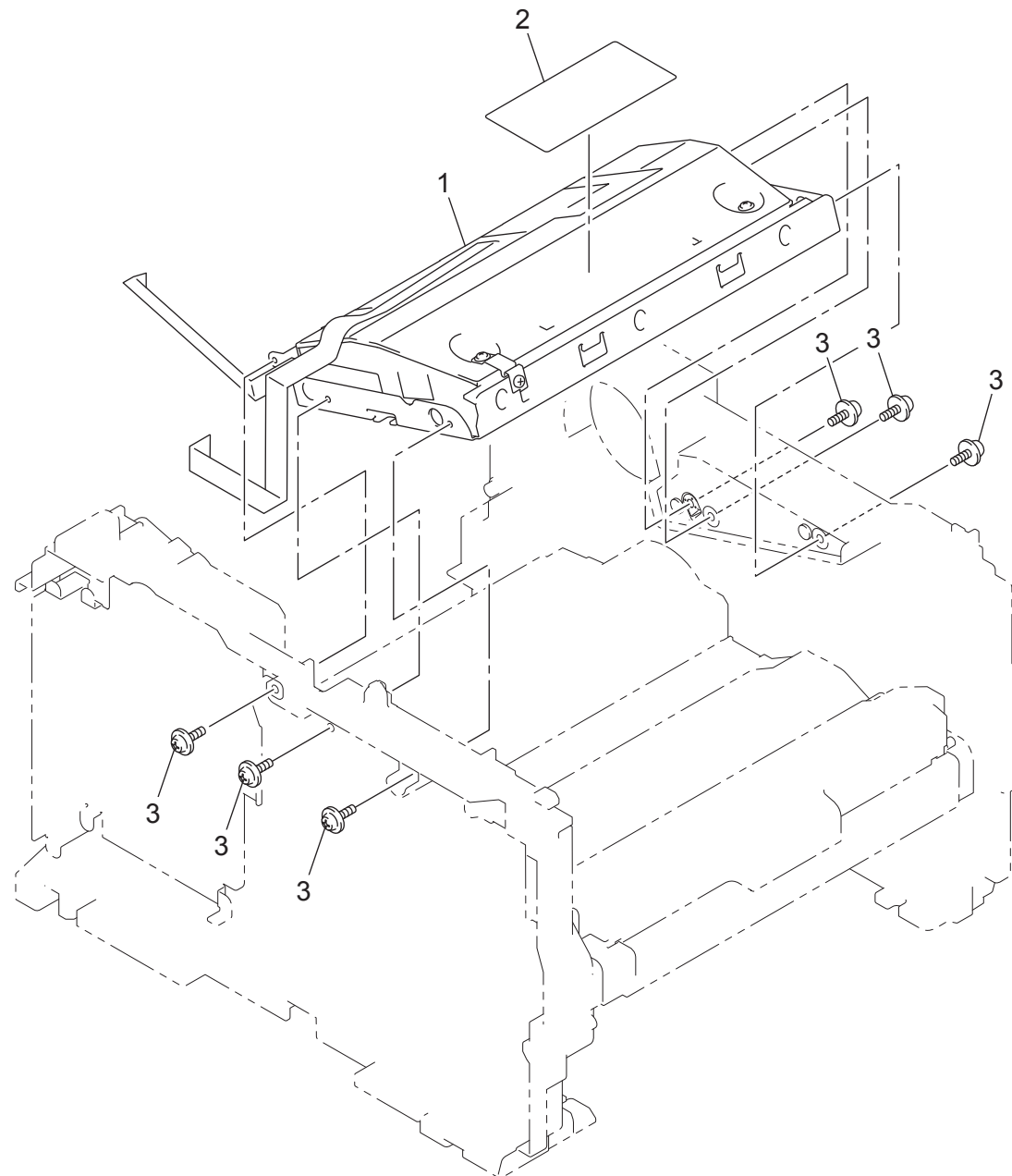


# PAPER FEED TRAY SECTION

Key	Part No.	Description	Destinations	Class	QTY	Standard parts
1	A32P PP24 00	SEPARATION PAD ASSY MP 2		B	1	
2	A32P PP22 00	MP SEPARATION SPRING A		C	1	
3	A32P PP0N 00	MP PE SENSOR ASSY		C	1	
4	A32P PP2N 00	MP ROLLER HOLDER ASSY		B	1	
5	A32P PP01 00	TAPTITE BIND B M3X8		D	2	
6	A32P PP27 00	PE ACTUATOR MP B 2		D	1	
7	A32P PP1G 00	PE ACTUATOR MP		C	1	
8	A32P PP2M 00	ROLLER HOLDER ASSY		B	1	
9	A32P PP39 00	PE ACTUATOR 2		D	1	
10	A32P PP1A 00	EDGE ACTUATOR		C	1	
11	A32P PP1B 00	EDGE ACTUATOR SPRING		C	1	
12	A32P PP25 00	PE EG SENSOR ASSY		C	1	
13	A32P PP1D 00	REGIST ACTUATOR FRONT		C	1	
14	A32P PP1E 00	REGIST ACTUATOR REAR		C	1	
15	A32P PP1F 00	REGIST ACTUATOR SPRING		C	2	

# LASER UNIT

P 8

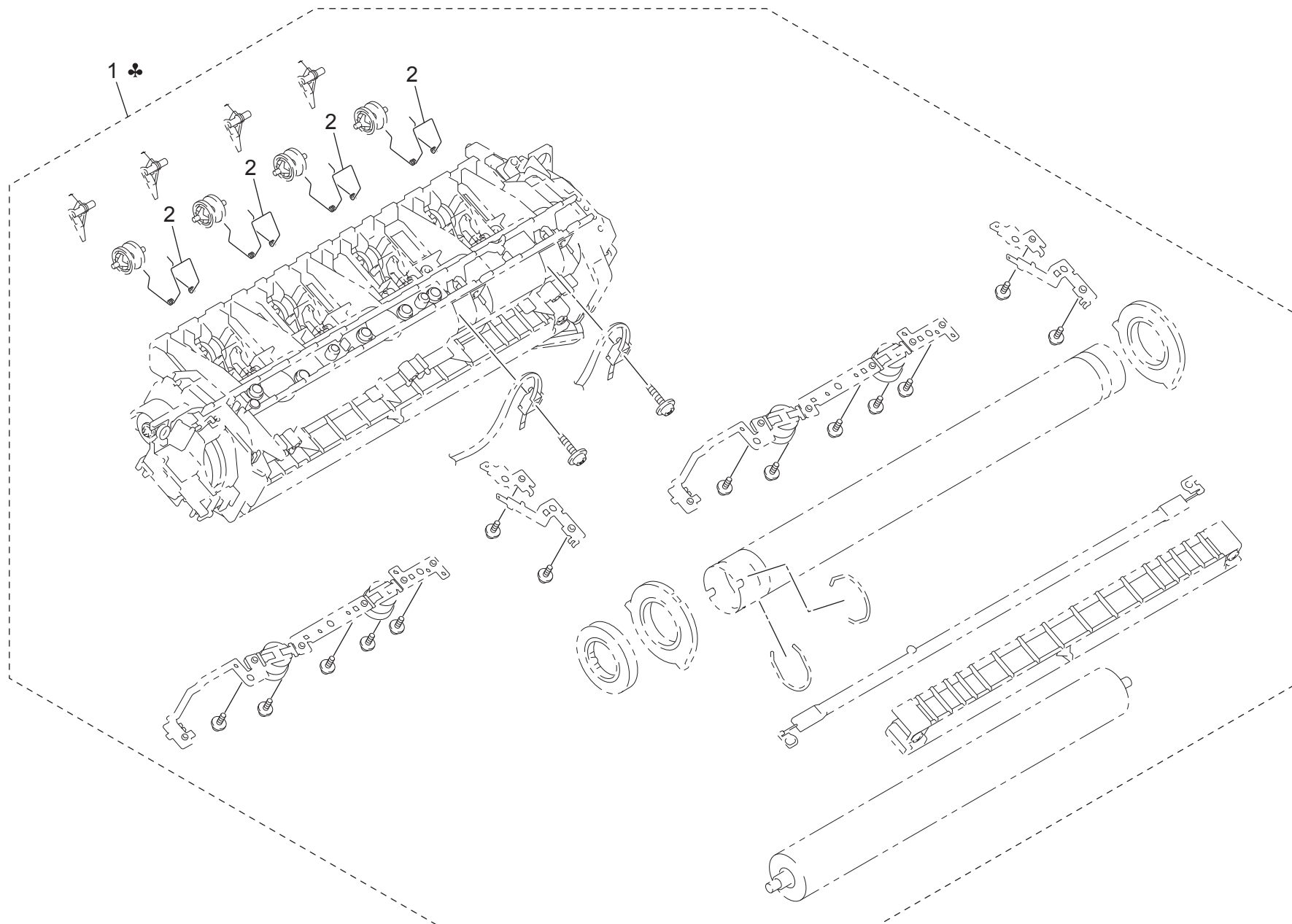


# LASER UNIT

Key	Part No.	Description	Destinations	Class	QTY	Standard parts
1	A32P PP2L 00	LASER UNIT (SP)		C	1	
2	A32P PP08 00	LASER CAUTION LABEL B		D	1	
3	A32P PP05 00	TAPTITE CUP S M3X6		D	6	

# FUSING UNIT

P 9



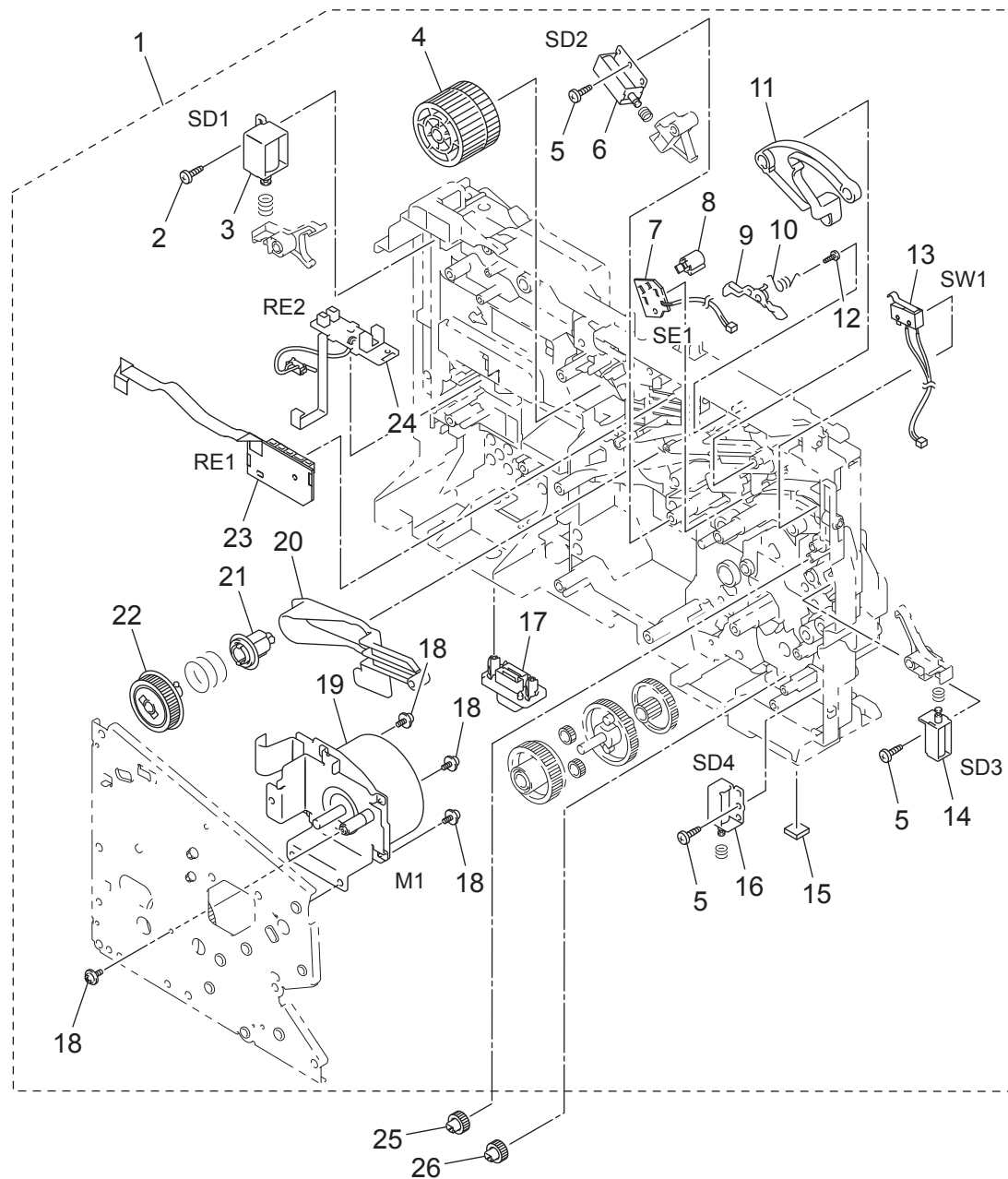


# FUSING UNIT

Key	Part No.	Description	Destinations	Class	QTY	Standard parts
1	A32P PP3A 00	FUSER UNIT 115V (SP)	B,G2	I	1	
1	A32P PP3B 00	FUSER UNIT 230V (SP)	C	I	1	
2	A32P PP2F 00	PRESSURE SPRING		C	4	

# DRIVE SECTION

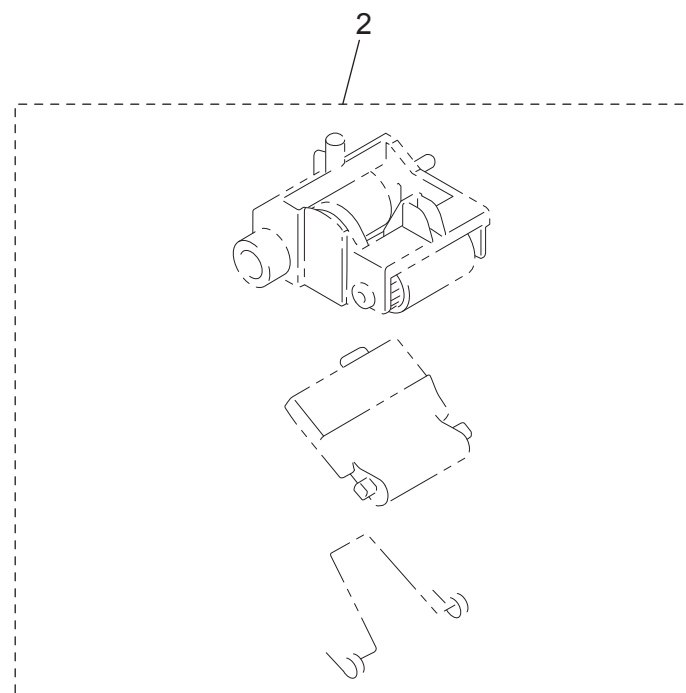
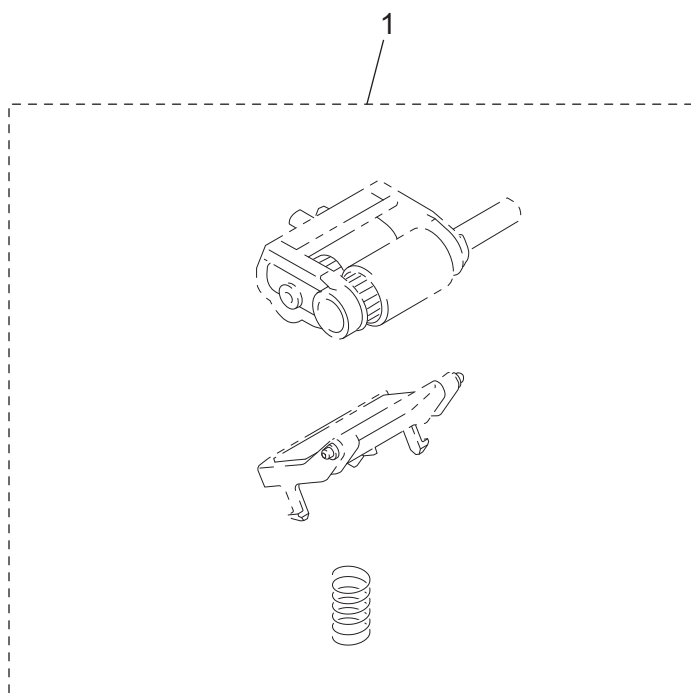
P 10



DRIVE SECTION

Key	Part No.	Description	Destinations	Class	QTY	Standard parts
1	A32P PP29 01	MAIN FRAME L UNIT 80		C	1	
2	A32P PP02 00	TAPTITE BIND B M3X10		D	1	
3	A32P PP0R 00	EJECTOR SOLENOID		C	1	
4	A32P PP0U 00	FUSER GEAR 39 H/R DRIVE		C	1	
5	A32P PP02 00	TAPTITE BIND B M3X10		D	3	
6	A32P PP0V 00	REGISTER SOLENOID ASSY		C	1	
7	A32P PP0E 00	TONER SENSOR PCB ASSY		I	1	
8	A32P PP3H 00	PT SENSOR HOLDER		C	1	
9	A32P PP14 00	NEW TONER ACTUATOR		C	1	
10	A32P PP15 00	NEW TONER ACTUATOR SPRING		C	1	
11	A32P PP11 00	DRIVE RELEASE LINK		D	1	
12	A32P PP04 00	TAPTITE CUP B M2X6		D	1	
13	A32P PP0G 00	INTERLOCK SW ASSY		C	1	
14	A32P PP0X 00	MP SOLENOID ASSY		C	1	
15	A32P PP0C 00	RUBBER FOOT		D	1	
16	A32P PP0Y 00	T1 SOLENOID ASSY		C	1	
17	A32P PP0J 00	CONNECTOR 54702-1219		C	1	
18	A32P PP05 00	TAPTITE CUP S M3X6		D	4	
19	A32P PP0T 00	MAIN MOTOR ASSY		B	1	
20	A32P PP10 00	DRIVE RELEASE CAM		D	1	
21	A32P PP2P 00	DEVELOP JOINT		C	1	
22	A32P PP0S 00	DEV GEAR 37R JOINT DRIVE		C	1	
23	A32P PP0F 00	RELAY FRONT PCB ASSY		C	1	
24	A32P PP0H 00	RELAY REAR PCB ASSY		C	1	
25	A32P PP17 00	GEAR 17 MP ROLLER DRIVE		C	1	
26	A32P PP16 00	GEAR 20 T1 ROLLER DRIVE		C	1	

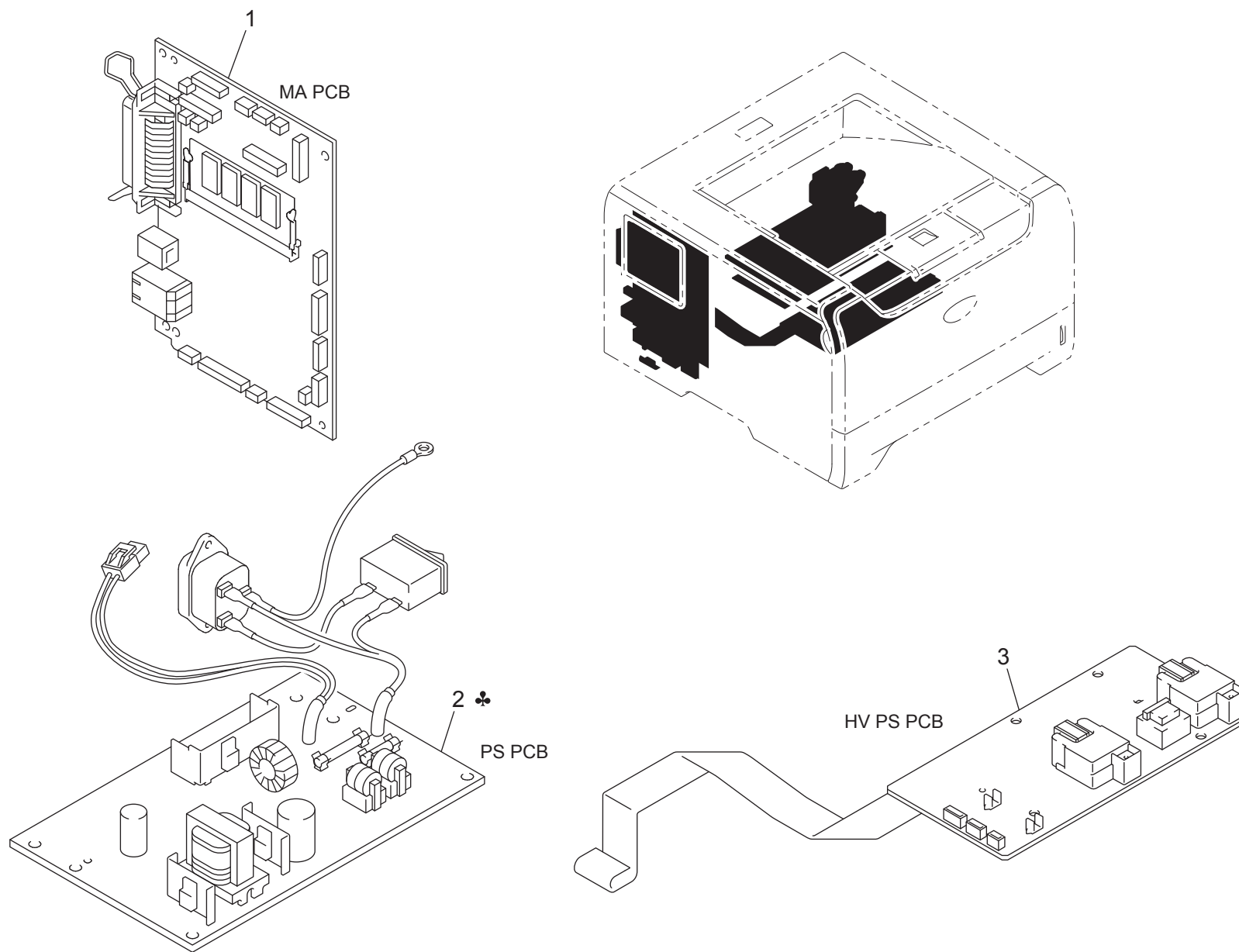
# ROLLER ASSY



# ROLLER ASSY

Key	Part No.	Description	Destinations	Class	QTY	Standard parts
1	A32P PP2X 00	ROLLER HOLDER ALE SP ASSY		B	1	
2	A32P PP2Y 00	MP ROLLER HOLDER ALE SP ASSY		B	1	

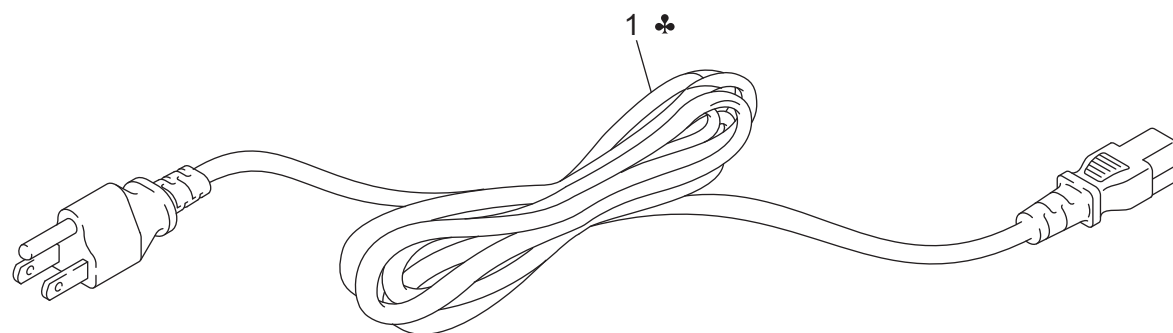
# ELECTRICAL COMPONENTS



# ELECTRICAL COMPONENTS

Key	Part No.	Description	Destinations	Class	QTY	Standard parts
1	A32P PP3G 01	MAIN PCB ASSY		D	1	
2	A32P PP3E 00	PS PCB UNIT 115V	B,G2	C	1	
2	A32P PP3F 00	PS PCB UNIT 230V	C,(EUROPE)	C	1	
2	A32P PP3M 00	PS PCB UNIT 230V FOR RUS	C,(RUSSIA)	C	1	
3	A32P PP0M 00	HIGH-VOLTAGE PS PCB ASSY		I	1	

# AC CORD



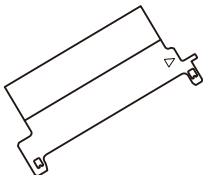


# AC CORD

Key	Part No.	Description	Destinations	Class	QTY	Standard parts
1	A32P PP3J 00	AC CORD ASSY LF	B,G2	D	1	
1	A32P PP3N 00	AC CORD ASSY LF VDE FOR GER/RUS	C	D	1	

# WIRING ACCESSORIES AND JIGS

P 14

1 	6	11	16	21	26	31	36
2	7	12	17	22	27	32	37
3	8	13	18	23	28	33	38
4	9	14	19	24	29	34	39
5	10	15	20	25	30	35	40

bizhub 20P

# WIRING ACCESSORIES AND JIGS

Key	Part No.	Description	Destinations	Class	QTY	Standard parts
1	A32P PP32 00	DRUM CLEANING SHEET KIT		S	1	

# MAINTENANCE LIST

● The items with no Page/Key numbers are not handled as spare parts.

No.	Section	PM Parts Description	Maintenance Cycle (K=1,000)		Parts No.	Destinations	Page/Key	Note
			QTY	Replace				
1	Fusing section	Fuser unit	1	100K	A32PPP3A00	AREA 120V	P9-1	
2		Fuser unit	1	100K	A32PPP3B00	AREA 230V	P9-1	
3	Laser unit section	Laser unit	1	100K	A32PPP2L00		P8-1	
4	Paper feed section	Paper feed kit T1/T2	1	100K	A32PPP2M00		P7-8	
5		Paper feed kit MP	1	50K	A32PPP2N00		P7-4	

## DESTINATION

Destination No.		Destinations		V	Hz	Model No.
A	A1	JAPAN				
	A2	JAPAN				
B		USA, CANADA		120	60	A32P011
C		EUROPEAN TYPE		220-240	50/60	A32P021/ A32P0R1
D	D1	S.E ASIA TYPE	THAILAND, SRI LANKA, SINGAPORE, MALAYSIA, HONG KONG, PAKISTAN, INDIA, BANGLADESH, INDONESIA			
	D3	OCEANIA TYPE	AUSTRALIA, NEW ZEALAND			
E		PHILIPPINES				
F	F1	SAUDI ARABIA				
	F2	SAUDI ARABIA				
G	G1	C.S AMERICA				
	G2	C.S AMERICA		120	60	A32P011
H		TAIWAN				
I		JORDAN, LEBANON, SYRIA, SOUTH AFRICA, IRAQ, IRAN, N.YEMEN, CAMEROON, UAE, BAHRAIN, OMAN, QATAR, KUWAIT, KENYA, TUNISIA, IVORY COAST, MOROCCO				
J		CHINA				
K		KOREA				

bizhub 20P