

KONICA MINOLTA

PARTS GUIDE MANUAL

DECEMBER 2018

bizhub 266
A8A3

INFORMATION FOR PARTS GUIDE MANUAL

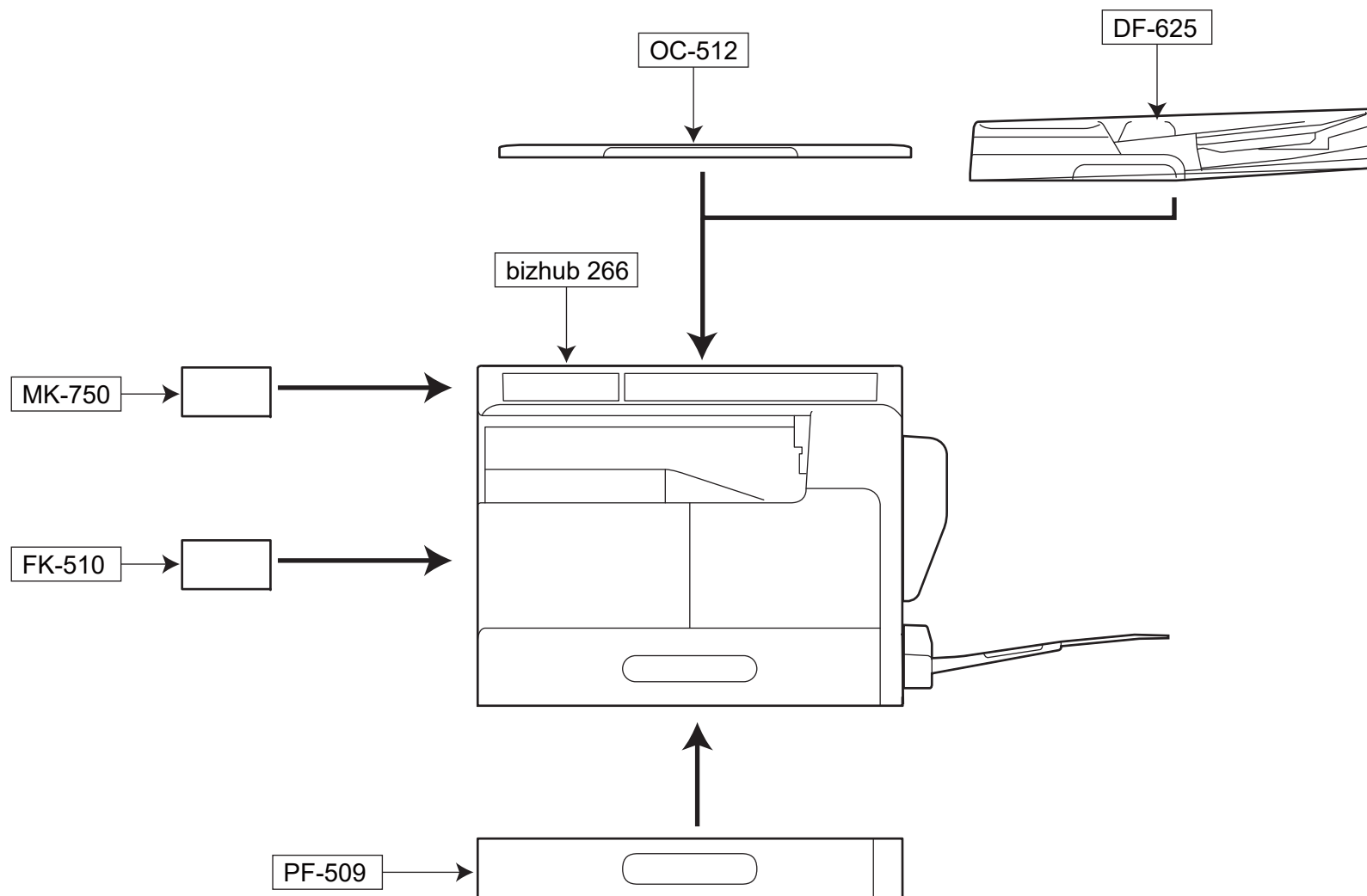
To find correct Parts No., refer to the "HOW TO MAKE THE BEST USE OF THIS MANUAL" in the following page.

HOW TO MAKE THE BEST USE OF THIS MANUAL

- 1 When you order, please check the proper figures beforehand that are on Our Parts Guide Manual, and order with the appropriate figures.
- 2 For screws, Nuts, Washers, retaining rings and Pins which are used in this model, one letter is shown on the Standard parts column of Parts list and exploded diagrams.
- 3 In order to maintain safety of the product, some specific parts composed of this product are set up as "essential safety parts".
- 4 The assigned parts number for the "essential safety parts" is indicated as "SP00-****".
When replacing these parts, follow precautions for disassembling and installing which are listed in the Service Manual.
Do not use any parts that are not set up as
- 5 ♣ means that there are exclusive parts for each destination.
Please check the appropriate destination when you order.
- 6 Revision Mark
Marked as ▲ on the illustration shows that the revision has been made.
- 7 All rights reserved. (any reprints or quotations are prohibited.)
Use of this parts guide manual should be strictly supervised to avoid disclosure of confidential information.

04/27/2016

System Configuration

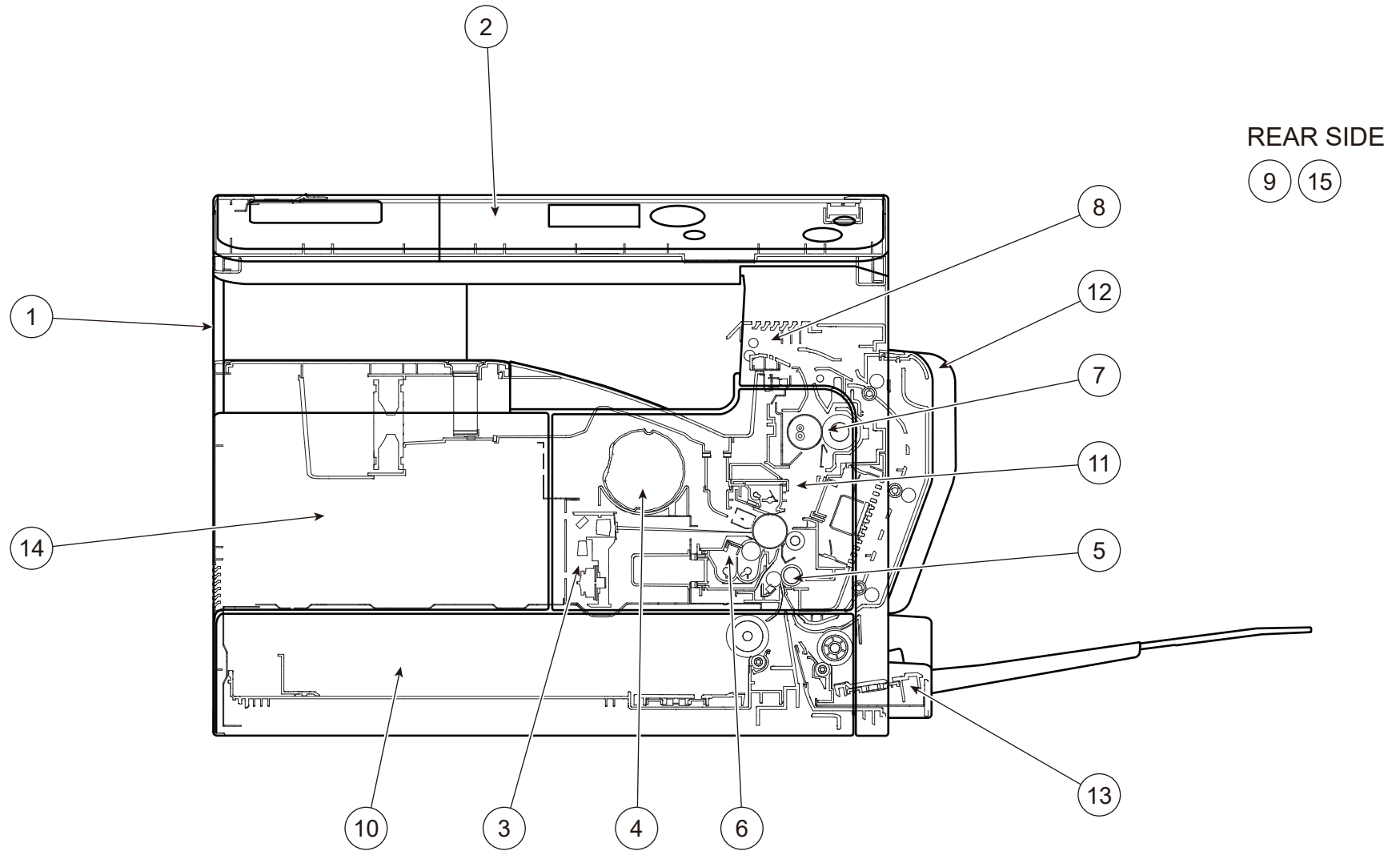


bizhub 266

GENERAL CONTENTS

No.	Description	Model
1	Digital MFP B/W	bizhub 266
2	Document Feeder	DF-625
3	Original Cover	OC-512
4	Paper Feeder	PF-509
5	Mount Kit	MK-750
6	Fax Kit	FK-510

Section Configuration



CONTENTS

No.	DESCRIPTION	PAGE No.
1	EXTERNAL PARTS	P1 P2
2	SCANNER & OPERATION PANEL SECTION	P3 P4 P5
3	WRITE SECTION	P6
4	TONER SUPPLY SECTION	P7
5	TRANSFER SECTION	P8
6	PROCESSING SECTION	P9 P10
7	FUSING SECTION	P11
8	EXIT SECTION	P12
9	DRIVE SECTION	P13
10	TRAY 1 SECTION	P14 P15
11	CONVEYANCE SECTION	P16
12	DUPLEX SECTION	P17
13	MULTIPLE BYPASS TRAY SECTION	P18 P19
14	HIGH VOLTAGE SECTION	P20
15	ELECTRICAL COMPONENTS	P21
16	WIRING	P22 P23
17	WIRING ACCESSORIES AND JIGS	P24

INDEX

Parts No.	Page No.
0910550712	9-4
1139325372	8-9
1164300403	15-16
1164302701	14-8
1164304501	15-14
1164304902	15-13
1164305401	14-6
1164306101	15-23
1164306201	15-22
1164306601	15-33
4002504202	13-29
4004300501	15-35
4004300603	15-27
4004300801	15-41
4004303301	15-39
4004303801	15-40
4011302001	15-32
4011575802	11-15
4021016602	9-3
4021210101	13-27
4021254702	13-2
4021410801	9-23
4021436201	24-12
4021561501	9-12
4021561601	9-11
4021561801	9-20
4021561901	9-19
4025357201	8-17
4030309301	17-11
4030309301	19-28
4030340201	19-15
4030340301	19-14
4030371001	17-25
4030520401	10-1
4030581101	11-8
4030581302	11-4
4034230501	8-20
4034301201	15-34
4034574101	11-7
4036303001	15-31

Parts No.	Page No.
4036308601	15-2
4036576501	11-12
4037321001	15-11
4038321501	18-11
4038323601	19-27
4038326001	19-30
4038326802	19-16
4038326902	19-10
4038328601	18-4
4038541202	7-6
4038560100	15-10
4038565400	15-26
4038565500	15-28
4038M60000	20-15
4039328201	18-12
4040575501	11-22
4128201901	14-13
4134310601	15-21
4136N30000	21-14
4162407401	9-5
4163407201	9-6
4163436104	9-7
4163529301	12-16
4163529301	16-3
4163560302	9-14
4163560403	9-15
4163560702	9-2
4163560901	9-10
4163561101	9-9
4163562501	9-21
4163563901	9-16
4497311701	17-12
4497313401	17-8
4658015106	15-29
4658015106	19-21
4658304001	15-25
4658304601	15-36
4658351701	19-19
4687328101	18-16
9321240011	19-38

Parts No.	Page No.
9455307801	8-31
9455307801	16-27
9J03M10000	2-8
9J03M10000	6-5
9J03M10000	16-2
9J06M60100	20-8
A00J307000	6-7
A00J945500	1-8
A02E815200	12-8
A02F621101	15-9
A02F621200	15-1
A02F622101	15-4
A02F622901	15-8
A02F625400	15-17
A02F626300	15-30
A02F944100	15-3
A0ED240700	7-7
A0GE709900	12-12
A0P0M50400	21-5
A0XX333202	9-22
A0XX361100	9-8
A0XX361800	9-18
A0XX372000	10-5
A0XX372100	10-6
A0XX372200	10-7
A0XX372300	10-8
A0XX372400	10-10
A0XX372500	10-9
A0XX594700	19-9
A0XXPP1G00	4-7
A1UD723400	11-14
A1UDN30200	21-14
A1XUM50300	10-11
A2UPN30100	21-14
A2UPN30300	21-14
A2UPN30501	21-14
A3PE101500	3-3
A3PE102902	20-17
A3PE103100	8-22
A3PE103600	14-12

Parts No.	Page No.
A3PE104100	6-8
A3PE130300	20-14
A3PE130400	20-13
A3PE130501	8-18
A3PE130601	8-19
A3PE130700	8-21
A3PE130800	20-16
A3PE130900	20-10
A3PE131000	20-9
A3PE131100	20-12
A3PE131200	20-11
A3PE131601	21-18
A3PE131701	14-3
A3PE131800	14-1
A3PE131900	21-3
A3PE132000	21-2
A3PE132100	21-15
A3PE132200	20-18
A3PE133300	14-15
A3PE160300	1-1
A3PE160402	1-7
A3PE160501	1-2
A3PE160800	2-1
A3PE160900	1-4
A3PE161301	1-3
A3PE162000	1-12
A3PE210500	13-9
A3PE210600	13-6
A3PE210700	13-16
A3PE210800	13-15
A3PE210901	13-19
A3PE211200	13-17
A3PE211300	13-18
A3PE211400	13-20
A3PE211500	13-24
A3PE211600	13-23
A3PE211700	13-14
A3PE211800	13-13
A3PE211900	13-10
A3PE212200	13-22

Parts No.	Page No.
A3PE212300	13-21
A3PE212400	13-8
A3PE212500	13-7
A3PE212800	13-26
A3PE212900	13-5
A3PE401200	7-3
A3PE401300	7-5
A3PE401400	7-2
A3PE401500	7-4
A3PE401800	7-8
A3PE401900	1-11
A3PE590500	18-5
A3PE590600	18-8
A3PE590700	18-14
A3PE591800	18-7
A3PE591900	19-33
A3PE592000	18-10
A3PE592101	19-29
A3PE592600	19-32
A3PE592700	19-31
A3PE592801	19-36
A3PE592900	19-5
A3PE593000	19-8
A3PE593700	19-6
A3PE593800	19-4
A3PE593901	19-2
A3PE594800	19-34
A3PE594901	19-37
A3PE595101	19-23
A3PE595700	19-22
A3PE596000	19-24
A3PE596100	19-26
A3PE596200	18-2
A3PE596300	18-1
A3PE596400	19-1
A3PE596600	18-9
A3PE596700	18-3
A3PE596900	19-3
A3PE620700	15-12
A3PE621700	15-6

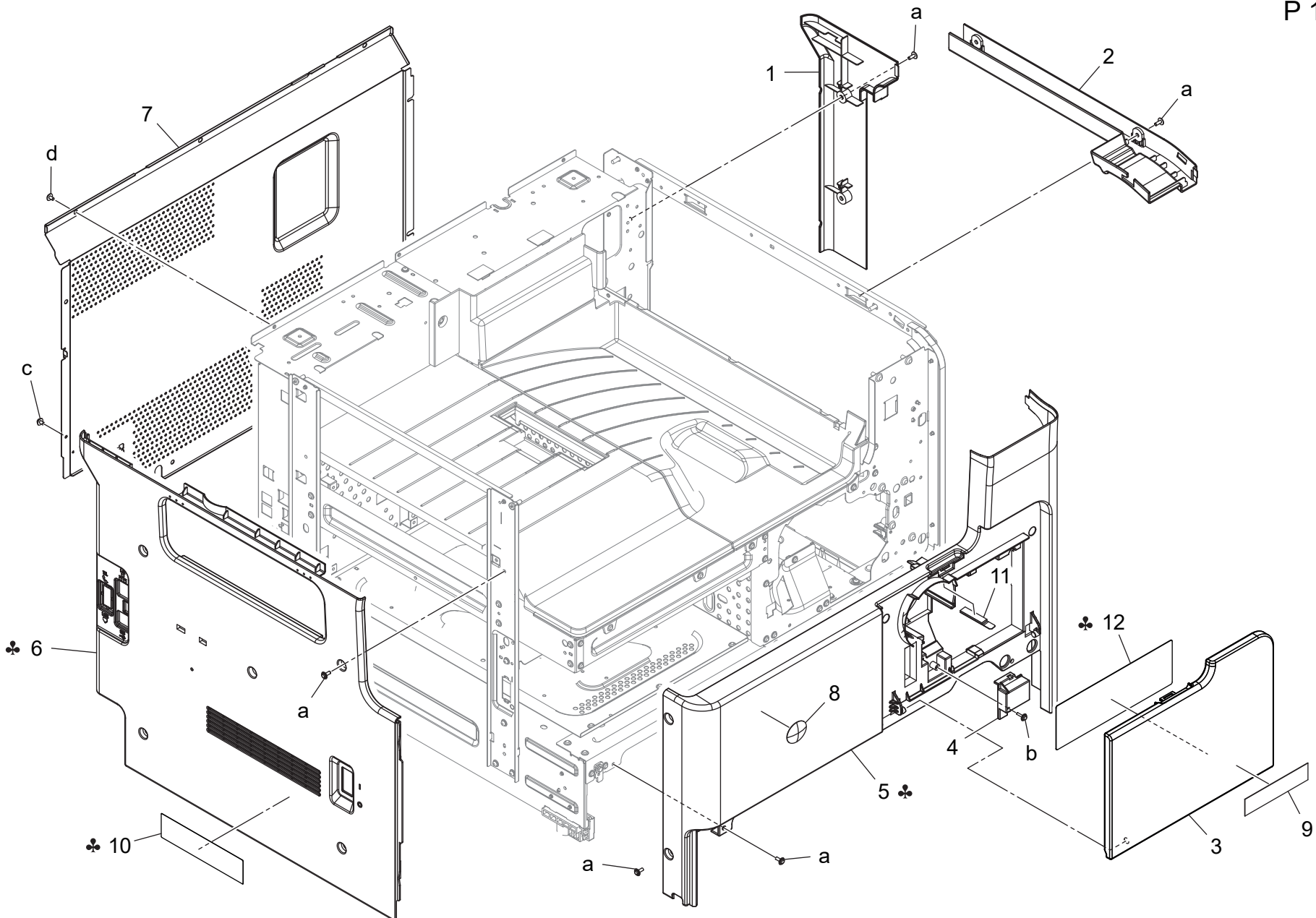
Parts No.	Page No.	Parts No.	Page No.	Parts No.	Page No.	Parts No.	Page No.	Parts No.	Page No.
A3PE622100	15-18	A3PE890300	12-17	A7PU941701	1-10	A8A1371100	10-3	A8A1703901	16-10
A3PE625201	15-7	A3PE891201	12-7	A8A1120000	6-11	A8A1591200	18-15	A8A1704000	16-19
A3PE625300	14-4	A3PE891400	12-10	A8A1120200	10-12	A8A1591300	18-13	A8A1704502	16-5
A3PE625500	15-20	A3PE892100	12-4	A8A1120300	6-10	A8A1592302	19-17	A8A1704601	16-8
A3PE625600	15-19	A3PE892200	12-5	A8A1120400	6-1	A8A1592400	19-13	A8A1704701	16-9
A3PE626500	14-7	A3PE948000	14-11	A8A1120600	6-6	A8A1592500	19-11	A8A1706000	16-6
A3PE628600	14-10	A3PEPP0000	4-9	A8A1120800	6-3	A8A1592600	19-25	A8A1706100	16-24
A3PE628700	14-9	A3PEPP0200	4-10	A8A1120900	6-2	A8A1596500	19-18	A8A1706500	8-23
A3PE700600	16-13	A3PEPP0300	4-8	A8A1121600	2-12	A8A1597000	19-20	A8A1707600	8-13
A3PE701701	16-30	A3PEPP0500	4-4	A8A1121700	2-13	A8A1620102	15-5	A8A1707700	8-30
A3PE701800	16-25	A3PEPP0600	4-11	A8A1121800	2-11	A8A1620800	15-42	A8A1710300	8-8
A3PE701900	16-18	A3PEPP0600	4-20	A8A1121901	2-7	A8A1622400	15-38	A8A1720701	11-13
A3PE702000	16-22	A3PEPP0600	4-15	A8A1122000	2-5	A8A1622500	15-37	A8A1720901	11-2
A3PE702300	16-12	A3PEPP0A00	4-14	A8A1122100	2-3	A8A1624100	15-24	A8A1721001	11-1
A3PE702400	16-15	A3PEPP0B01	4-12	A8A1122200	2-9	A8A1627100	15-44	A8A1721600	11-3
A3PE702500	16-26	A3PEPP0D00	4-19	A8A1122400	2-4	A8A1627200	15-45	A8A1721700	11-5
A3PE702601	16-28	A3PEPP0H01	4-3	A8A1122500	11-28	A8A1627700	15-43	A8A1721900	11-19
A3PE702700	16-16	A3PEPP0M00	5-10	A8A1132301	21-6	A8A1628000	15-15	A8A1722000	11-17
A3PE702800	16-17	A3PEPP0Q00	5-9	A8A1132800	8-25	A8A1700101	8-15	A8A1722100	11-20
A3PE703200	16-14	A3PEPP0R00	5-5	A8A1132900	20-1	A8A1700113	8-15	A8A1722200	11-16
A3PE703300	16-21	A3PEPP0V00	5-8	A8A1133200	6-9	A8A1700200	8-7	A8A1722300	11-18
A3PE703501	16-1	A3PEPP0W00	5-7	A8A1134000	21-22	A8A1700201	8-7	A8A1725100	11-10
A3PE810003	17-24	A3PEPP1000	5-6	A8A1160001	1-5	A8A1700301	8-8	A8A1725200	11-11
A3PE810100	17-7	A3PEPP1100	5-4	A8A1160101	1-5	A8A1700400	8-16	A8A1725400	11-6
A3PE810200	17-6	A3PEPP1X00	4-18	A8A1160201	1-5	A8A1700700	8-6	A8A1725500	11-23
A3PE810600	17-23	A3PEPP6K00	4-16	A8A1160600	2-10	A8A1700801	8-5	A8A1728100	11-29
A3PE810601	17-23	A49FM90100	21-16	A8A1160701	2-2	A8A1701000	8-10	A8A1810300	17-5
A3PE810701	17-22	A49FM90100	21-19	A8A1161001	1-6	A8A1701100	8-11	A8A1810500	17-4
A3PE810900	17-13	A5AWP00100	24-10	A8A1161101	1-6	A8A1701200	8-14	A8A1890001	12-13
A3PE811000	17-14	A5AWP00100	24-11	A8A1195000	3-1	A8A1701300	8-2	A8A1890101	12-15
A3PE811100	17-15	A5C1M50100	8-3	A8A1195100	3-1	A8A1701400	8-1	A8A1890201	12-14
A3PE811200	17-27	A5C1M50100	11-24	A8A1210000	13-28	A8A1701500	8-12	A8A1891001	12-9
A3PE811302	17-17	A5C1M50100	14-2	A8A1210300	13-11	A8A1701600	8-13	A8A1891101	12-11
A3PE811400	17-28	A5C1M50100	14-14	A8A1210400	13-12	A8A1702101	16-11	A8A1891300	12-6
A3PE811600	17-26	A5C1M50100	17-3	A8A1212700	13-25	A8A1702103	16-11	A8A1892001	12-3
A3PE811700	17-1	A5C1M50100	19-12	A8A1213300	13-3	A8A1703000	8-23	A8A1940100	11-9
A3PE811800	17-21	A64JN30300	21-14	A8A1330202	9-13	A8A1703100	8-4	A8A1940200	16-7
A3PE811900	17-29	A797N30000	21-14	A8A1330900	9-1	A8A1703600	8-26	A8A1942500	18-6
A3PE812100	17-9	A7AH726400	11-21	A8A1370600	10-4	A8A1703700	16-23	A8A1M10000	13-1
A3PE812200	17-2	A7AHN30000	21-14	A8A1370901	10-2	A8A1703800	16-20	A8A1M10200	17-16

Parts No.	Page No.
A8A1M10300	12-2
A8A1M20001	8-24
A8A1M20001	19-35
A8A1M20201	13-4
A8A1M40000	21-9
A8A1M40101	21-9
A8A1M40300	20-19
A8A1M60100	20-15
A8A1M60200	14-5
A8A1M70501	3-2
A8A1N10200	16-4
A8A1N10300	20-7
A8A1N10400	20-20
A8A1N10500	20-6
A8A1N10600	20-5
A8A1N10700	20-3
A8A1N10800	13-30
A8A1N10B00	22-1
A8A1N10C00	21-10
A8A1N10D01	23-1
A8A1N10E01	23-2
A8A1N10F00	20-4
A8A1N10G00	21-13
A8A1N10H00	20-2
A8A1N10J01	21-1
A8A1N10K01	21-21
A8A1N10M00	21-20
A8A1N10N01	16-29
A8A1N10P00	12-1
A8A1N11000	19-7
A8A1N11100	17-19
A8A1N11200	17-10
A8A1N11301	17-18
A8A1N11F02	21-21
A8A1N11H00	21-13
A8A1N30000	21-17
A8A1PP0000	4-6
A8A1PP0100	4-5
A8A1PP0200	4-2
A8A1PP0300	4-1

Parts No.	Page No.
A8A1PP0400	4-13
A8A1PP0500	4-17
A8A1PP0600	5-1
A8A1PP0700	5-2
A8A1PP0800	5-3
A8A1PP0900	17-20
A8A1PP1100	21-12
A8A1R70000	11-27
A8A1R70022	11-27
A8A1R70100	11-27
A8A1R70200	9-24
A8A1R70300	6-4
A8A1R70411	8-28
A8A1R70500	7-1
A8A1R70600	9-17
A8A1R70700	8-27
A8A1R70822	11-26
A8A1R70922	11-25
A8A1R70933	11-25
A8A1R71000	15-46
A8A3941100	1-9
A8A3N10901	14-16
A8A3PP0001	21-11
V500010082	24-1
V500010083	24-7
V500020076	24-8
V500020098	24-2
V500020099	24-3
V500020100	24-4
V502010009	21-4
V502010017	21-8
V502010044	21-7
V570010021	24-5
V570010060	24-6
V570010066	24-9
V651010002	2-6

EXTERNAL PARTS

P 1

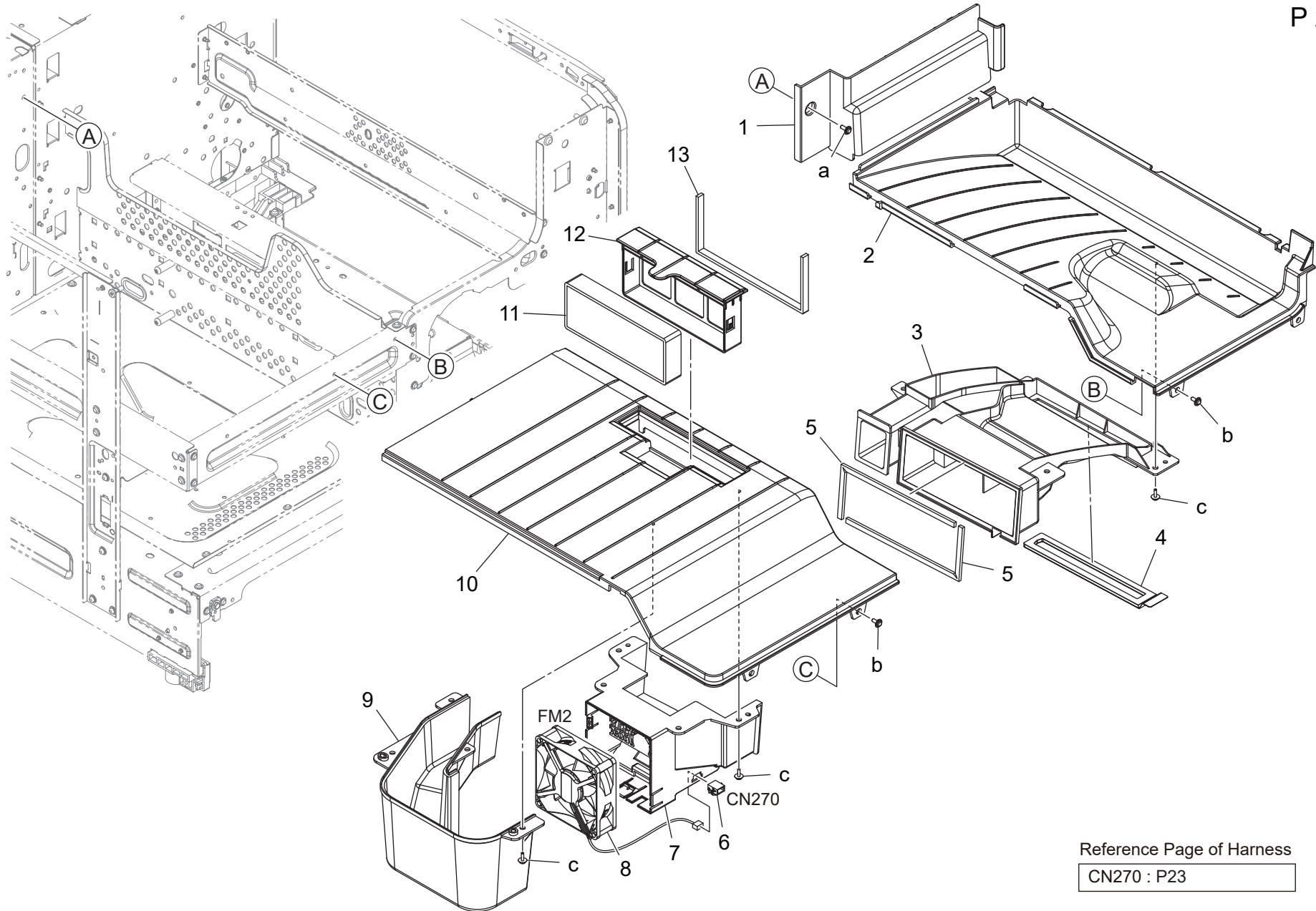


EXTERNAL PARTS

Key	Part No.	Description	Destinations	Class	QTY	Standard parts
1	A3PE160300	Cover /Right rear		C	1	a-V137030804 b-V153031004 c-V116030603 d-V144030603
2	A3PE160501	Cover /Right		C	1	
3	A3PE161301	Open/close Cover /Front		C	1	
4	A3PE160900	Cover		D	1	
5	A8A1160001	Cover /Front	C,I(South Africa)	C	1	
5	A8A1160101	Cover /Front	J	C	1	
5	A8A1160201	Cover /Front	D1,E,F2,G1,G2,K,I(Except South Africa)	C	1	
6	A8A1161001	Cover /Left	D1,E,F2,G1,G2,J,K,I(Except South Africa)	C	1	
6	A8A1161101	Cover /Left	C,I(South Africa)	C	1	
7	A3PE160402	Cover /Rear		D	1	
8	A00J945500	Logo Mark		C	1	
9	A8A3941100	Label bizhub 266		C	1	
10	A7PU941701	Label Caution	C,I(South Africa)	C	1	
11	A3PE401900	Spacer		C	1	
12	A3PE162000	Label replace toner	C,G2,I(South Africa)	C	1	

EXTERNAL PARTS

P 2



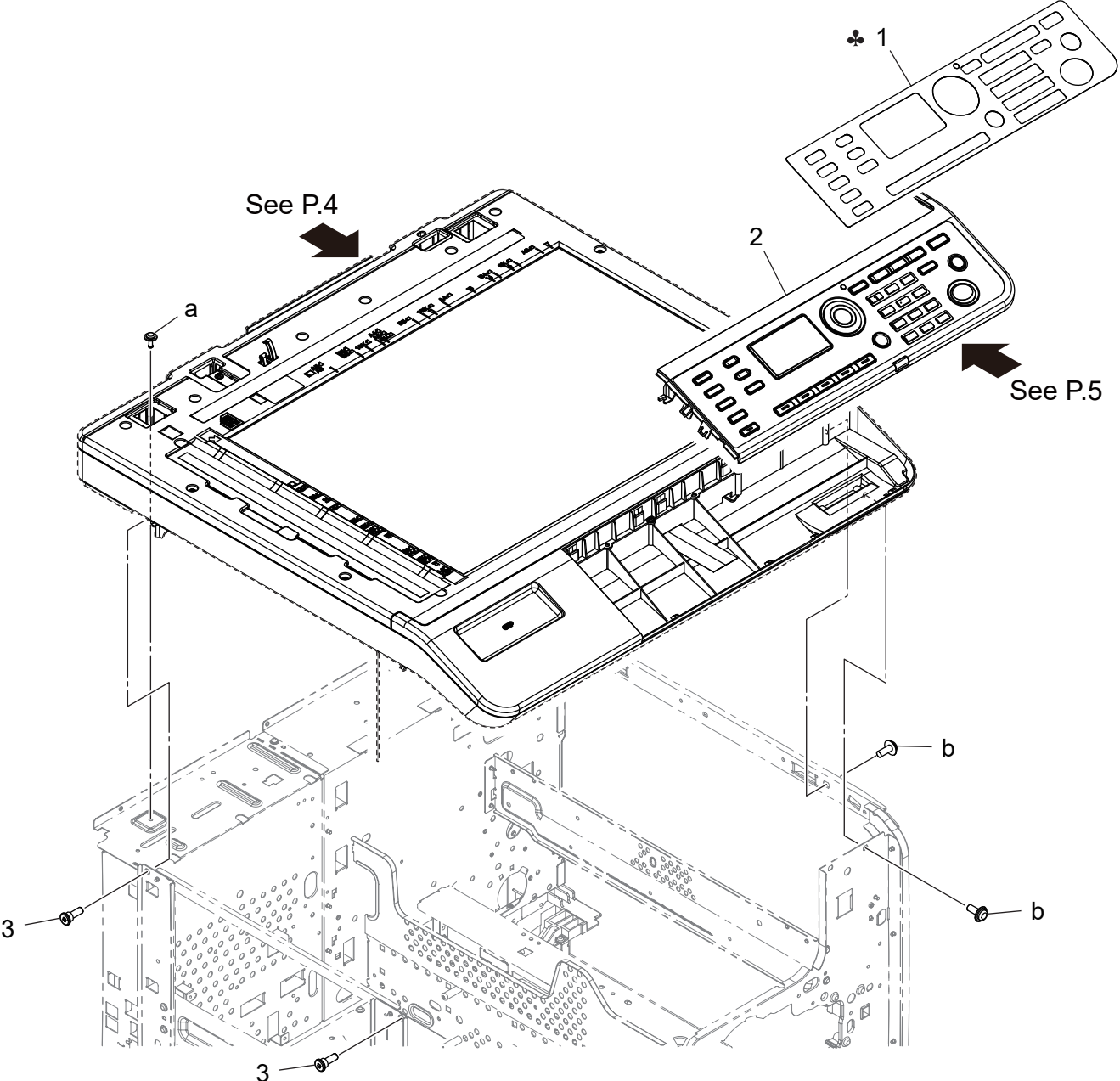
Reference Page of Harness

CN270 : P23

EXTERNAL PARTS

Key	Part No.	Description	Destinations	Class	QTY	Standard parts
1	A3PE160800	Cover /Upper		C	1	a-V137030804 b-V144030803 c-V153030803
2	A8A1160701	Paper exit Tray /Right		C	1	
3	A8A1122100	Ozone Duct		D	1	
4	A8A1122400	Cushion		C	1	
5	A8A1122000	Cushion		C	2	
6	V651010002	connector		D	1	
7	A8A1121901	Ozone Duct /Left		D	1	
8	9J03M10000	FAN MOTOR		B	1	
9	A8A1122200	Ozone Duct		D	1	
10	A8A1160600	Paper exit Tray /Left		C	1	
11	A8A1121800	Ozone Filter		A	1	
12	A8A1121600	Filter Holder		D	1	
13	A8A1121700	Cushion		C	1	

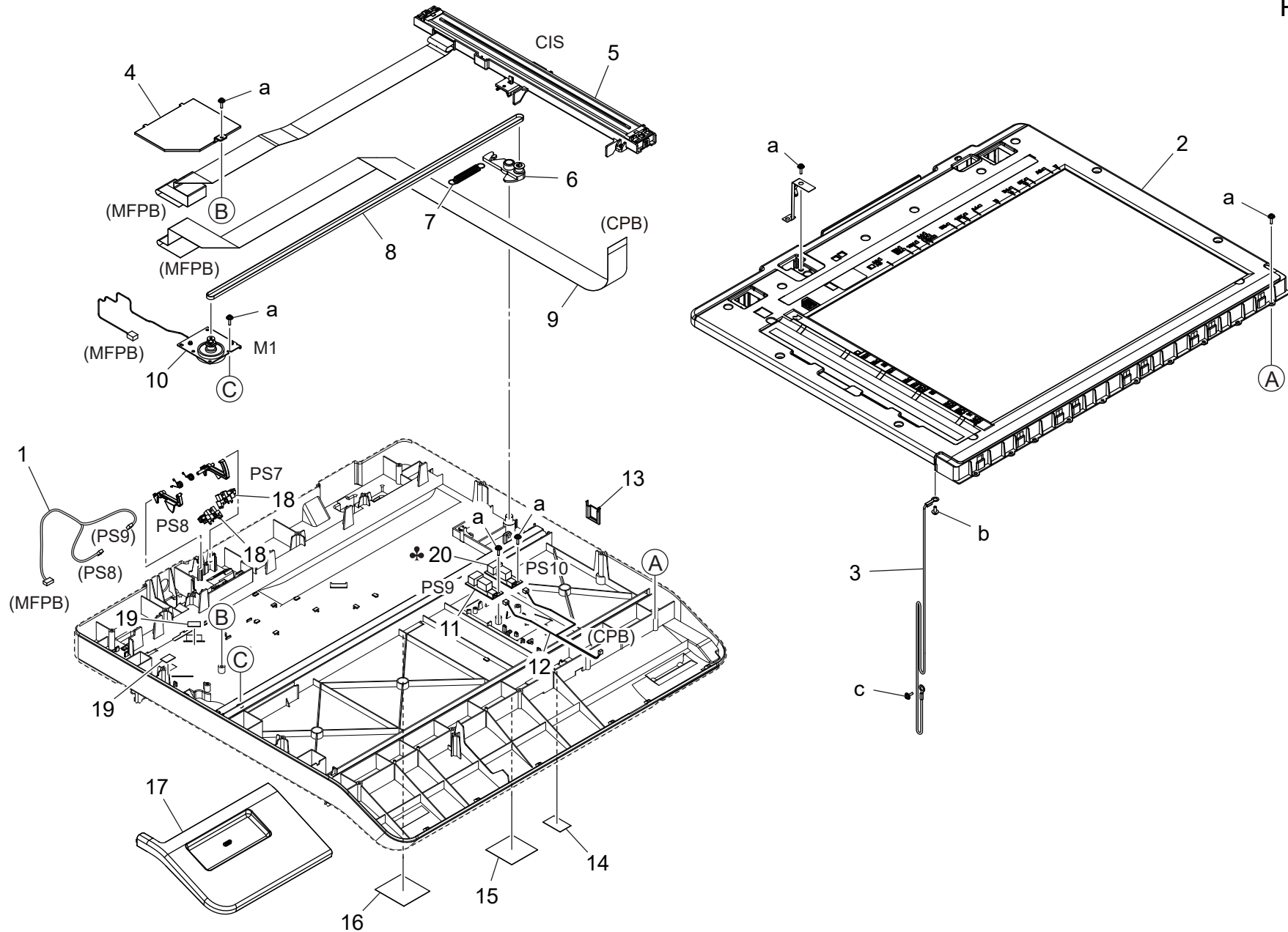
SCANNER & OPERATION PANEL SECTION



SCANNER & OPERATION PANEL SECTION

Key	Part No.	Description	Destinations	Class	QTY	Standard parts	
1	A8A1195000	Operation Sheet	D1,E,F2,G1,G2,K,I(Except South Africa) J	D	1	a-V116031003 b-V153041003	
1	A8A1195100	Operation Sheet		D	1		
2	A8A1M70501	Panel assembly		I	1		
3	A3PE101500	Shoulder screw		C	2		

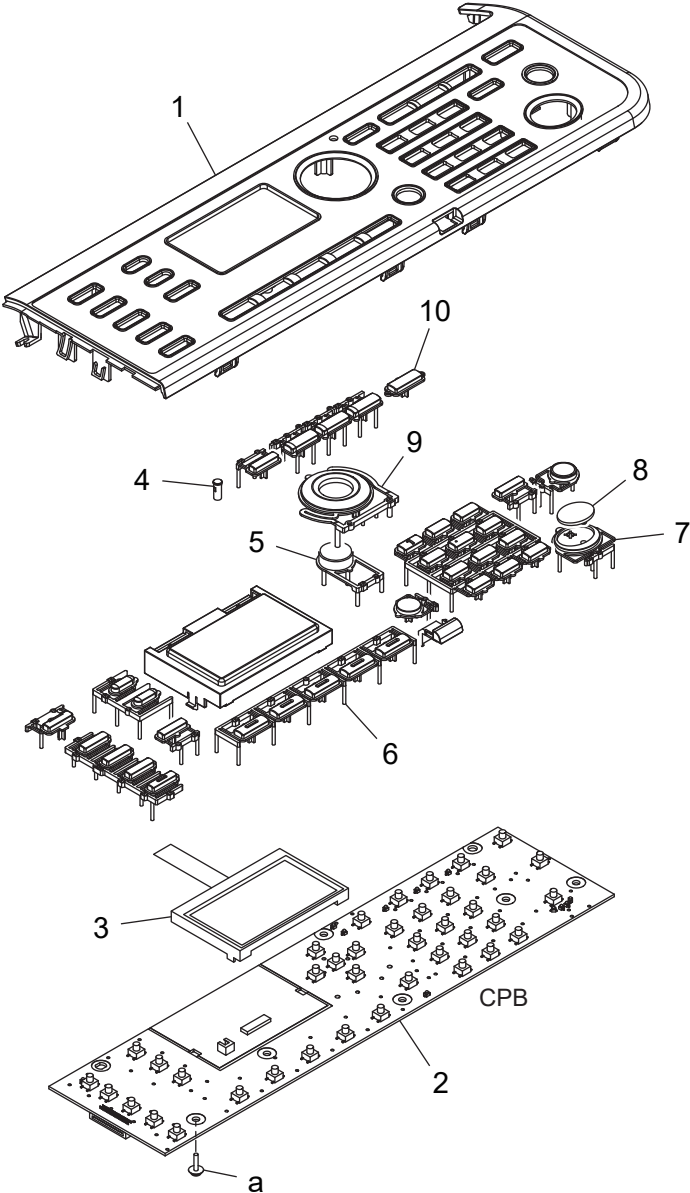
SCANNER & OPERATION PANEL SECTION



SCANNER & OPERATION PANEL SECTION

Key	Part No.	Description	Destinations	Class	QTY	Standard parts
1	A8A1PP0300	Sensor Harness/IR		D	1	a-A3PEPP0800 b-V116030603 c-V116030803
2	A8A1PP0200	Cover Assy/IR		C	1	
3	A3PEPP0H01	Wire Harness Assy		D	1	
4	A3PEPP0500	Holder		D	1	
5	A8A1PP0100	CIS ASSY		I	1	
6	A8A1PP0000	Pulley Assy		C	1	
7	A0XXPP1G00	Tension Spring		C	1	
8	A3PEPP0300	Timing Belt		C	1	
9	A3PEPP0000	FFC Panel		C	1	
10	A3PEPP0200	Motor Fix Assy		C	1	
11	A3PEPP0600	Photoreflector		I	1	
12	A3PEPP0B01	WIRE HARNESS ASSY		D	1	
13	A8A1PP0400	Cover		C	1	
14	A3PEPP0A00	Seal		C	1	
15	A3PEPP0900	Seal		C	1	
16	A3PEPP6K00	Seal		C	1	
17	A8A1PP0500	Cover		C	1	
18	A3PEPP1X00	Photointtrupter		I	2	
19	A3PEPP0D00	Seal		C	2	
20	A3PEPP0600	Photoreflector	(OPTION)	I	1	

SCANNER & OPERATION PANEL SECTION

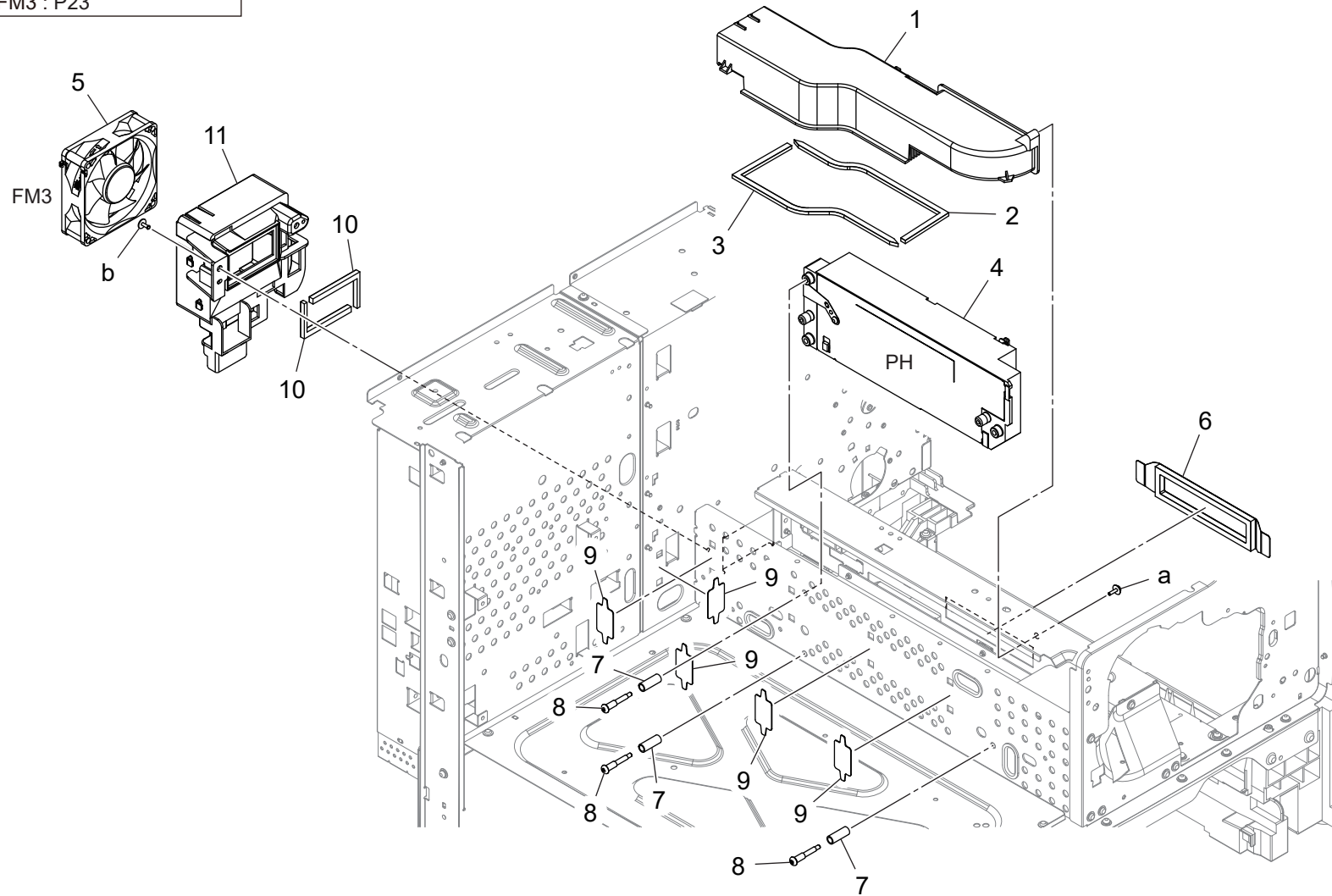


SCANNER & OPERATION PANEL SECTION

Key	Part No.	Description	Destinations	Class	QTY	Standard parts
1	A8A1PP0600	Cover/Control Panel		C	1	a-A3PEPP0800
2	A8A1PP0700	PWB Assy		I	1	
3	A8A1PP0800	LCD Unit		C	1	
4	A3PEPP1100	Cover		D	1	
5	A3PEPP0R00	Print Select Key		D	1	
6	A3PEPP1000	Print Copy Function Key 1		D	1	
7	A3PEPP0W00	Lens Start Key		D	1	
8	A3PEPP0V00	Print Start Key		D	1	
9	A3PEPP0Q00	Print Arrow Key		D	1	
10	A3PEPP0M00	Reset Key		D	1	

WRITE SECTION

Reference Page of Harness
FM3 : P23



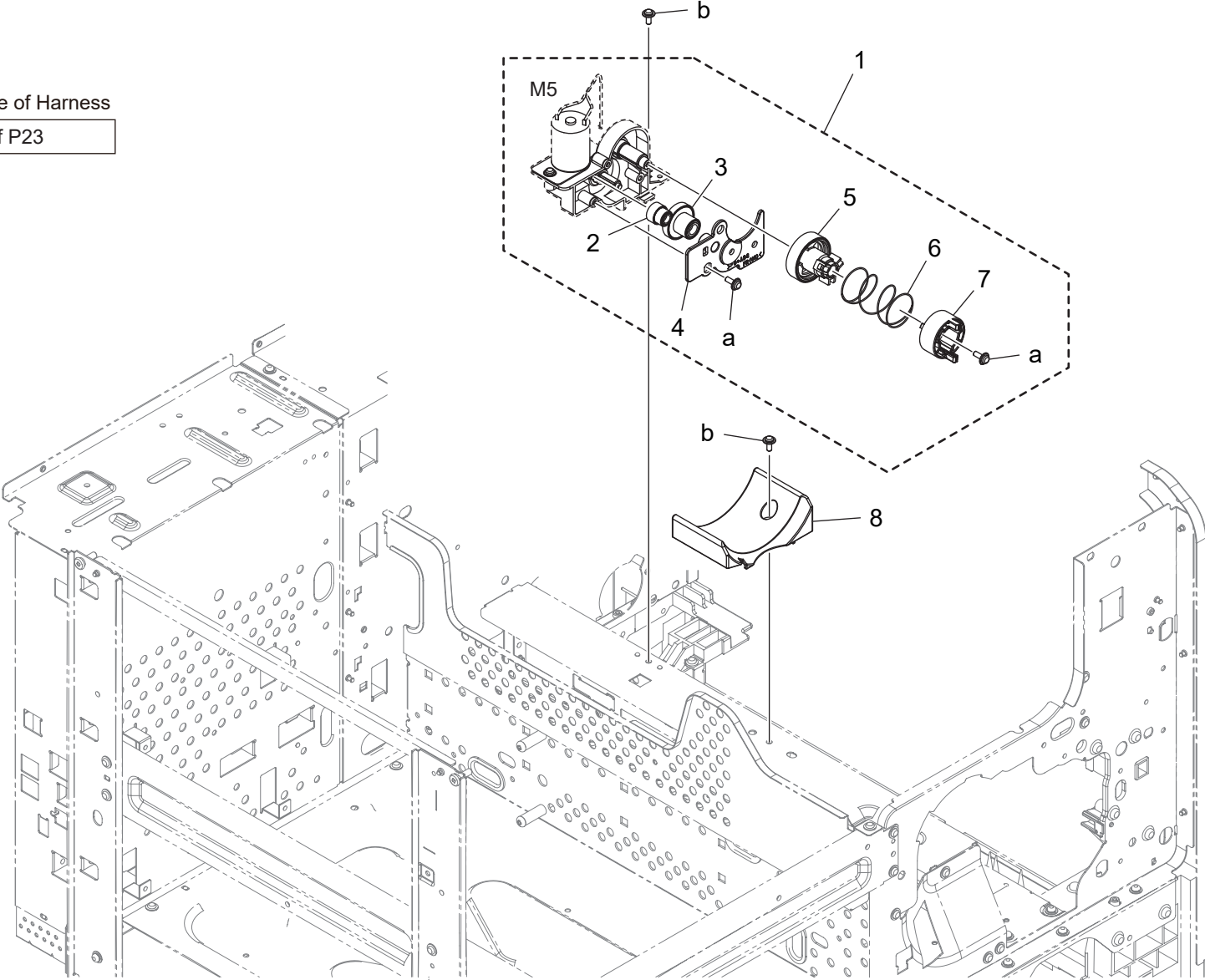
WRITE SECTION

Key	Part No.	Description	Destinations	Class	QTY	Standard parts
1	A8A1120400	Duct /Upper		D	1	a-V153030803 b-V144030803
2	A8A1120900	Cushion		C	1	
3	A8A1120800	Cushion		C	1	
4	A8A1R70300	PRINT HEAD ASSY		I	1	
5	9J03M10000	FAN MOTOR		B	1	
6	A8A1120600	Cushion		C	1	
7	A00J307000	Compressing Spring		C	3	
8	A3PE104100	Shoulder screw		C	3	
9	A8A1133200	Sheet		D	5	
10	A8A1120300	Cushion		C	2	
11	A8A1120000	Duct Outside		D	1	

TONER SUPPLY SECTION

Reference Page of Harness


M5 : CN152 of P23

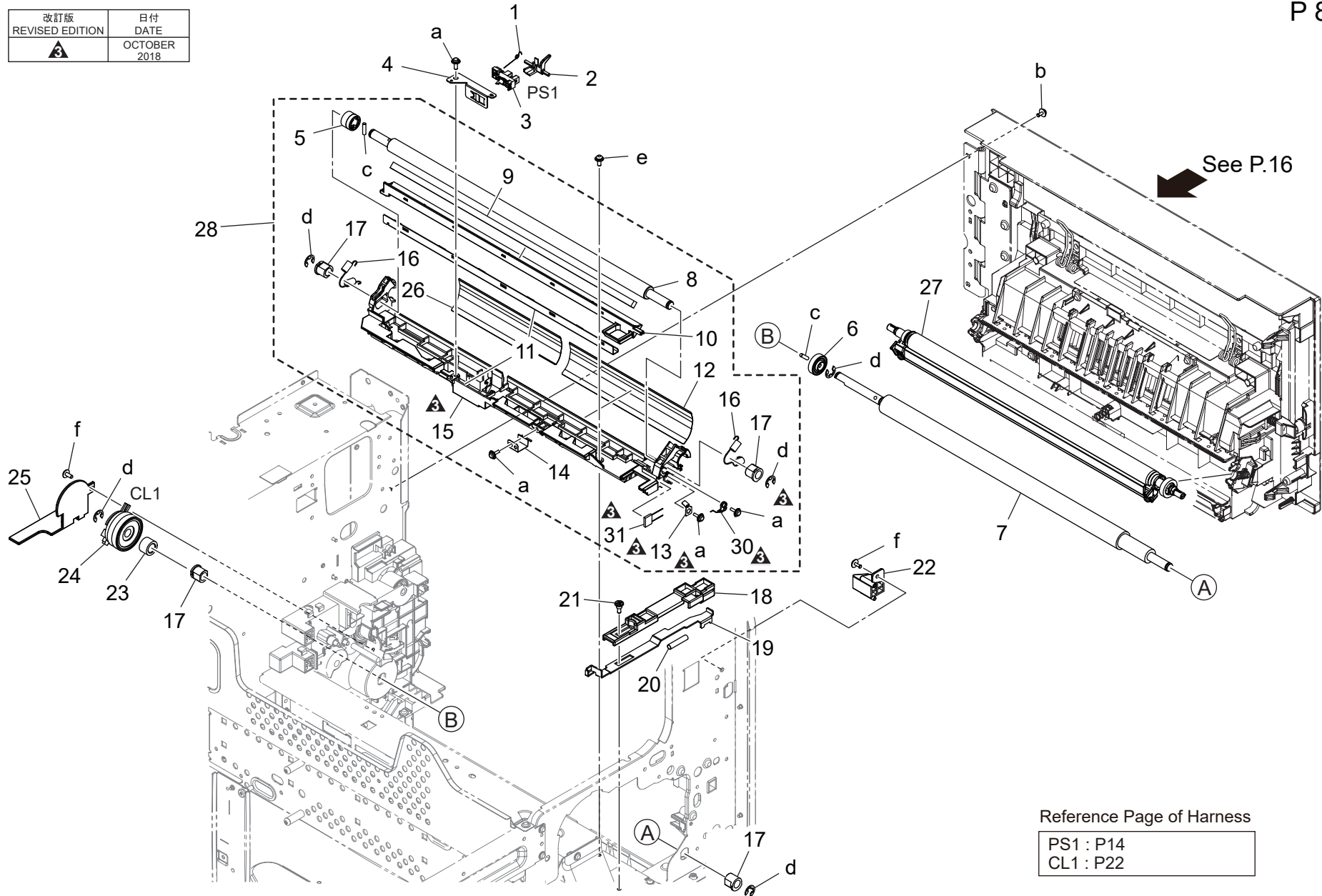


TONER SUPPLY SECTION

Key	Part No.	Description	Destinations	Class	QTY	Standard parts
1	A8A1R70500	TB Drive ASSY		C	1	a-V153030803 b-V144030803
2	A3PE401400	Gear 30T/18T		C	1	
3	A3PE401200	Gear 43T/24T		C	1	
4	A3PE401500	Cover		C	1	
5	A3PE401300	Gear 57T		C	1	
6	4038541202	PRESSURE SPRING		C	1	
7	A0ED240700	Joint		C	1	
8	A3PE401800	Guide		C	1	

TRANSFER SECTION

改訂版 REVISED EDITION	日付 DATE
	OCTOBER 2018



Reference Page of Harness

PS1 : P14
CL1 : P22

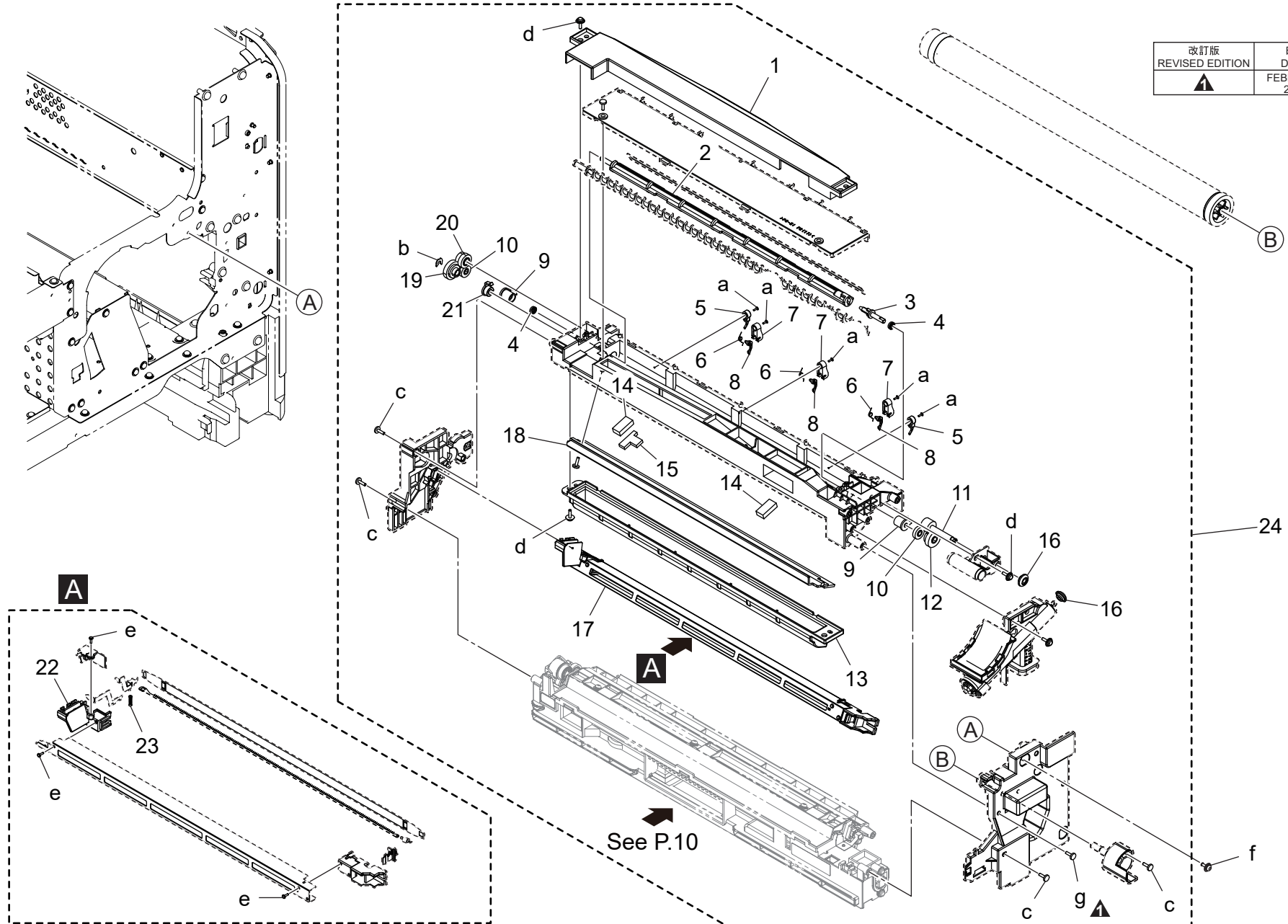
TRANSFER SECTION

Key	Part No.	Description	Destinations	Class	QTY	Standard parts
1	A8A1701400	Spring		C	1	a-V153030803 b-V116030803 c-V234301250 d-V217060001 e-V116030803 f-V144030803
2	A8A1701300	Actuator		C	1	
3	A5C1M50100	Photointerrupter		B	1	
4	A8A1703100	Mounting Plate		D	1	
5	A8A1700801	Gear /2 13T		C	1	
6	A8A1700700	Gear /1 18T		C	1	
7	A8A1700200Old	Registration Roller		C	1	
7	A8A1700201	Registration Roller		C	1	
8	A8A1700301Old	Registration Roller		C	1	
8	A8A1710300	Registration Roller		C	1	
9	1139325372	Paper dust remover		B	1	
10	A8A1701000	Collection Case		D	1	
11	A8A1701100	Reinforce Plate		D	1	
12	A8A1701500	Guide Sheet		C	1	
13	A8A1701600Old	Ground Plate		C	1	
13	A8A1707600	Ground Plate		C	1	
14	A8A1701200	Pressing Plate spring		D	1	
15	A8A1700101Old	Conveyance Holder		D	1	
15	A8A1700113	Conveyance Holder		D	1	
16	A8A1700400	Registration Spring		C	2	
17	4025357201	BUSHING		C	4	
18	A3PE130501	Stopper		D	1	
19	A3PE130601	Lever		D	1	
20	4034230501	PRESSURE SPRING		C	1	
21	A3PE130700	Shoulder screw		C	1	
22	A3PE103100	Stopper		C	1	
23	A8A1703000Old	Collar		C	1	
23	A8A1706500	Collar		C	1	
24	A8A1M20001	Clutch		C	1	
25	A8A1132800	Cover		D	1	
26	A8A1703600	Guide Sheet		C	1	
27	A8A1R70700	Transfer roller unit		A	1	
28	A8A1R70411	Timing Roller ASSY		C	1	
30	A8A1707700	Contact		D	1	
31	9455307801	RESISTOR		D	1	

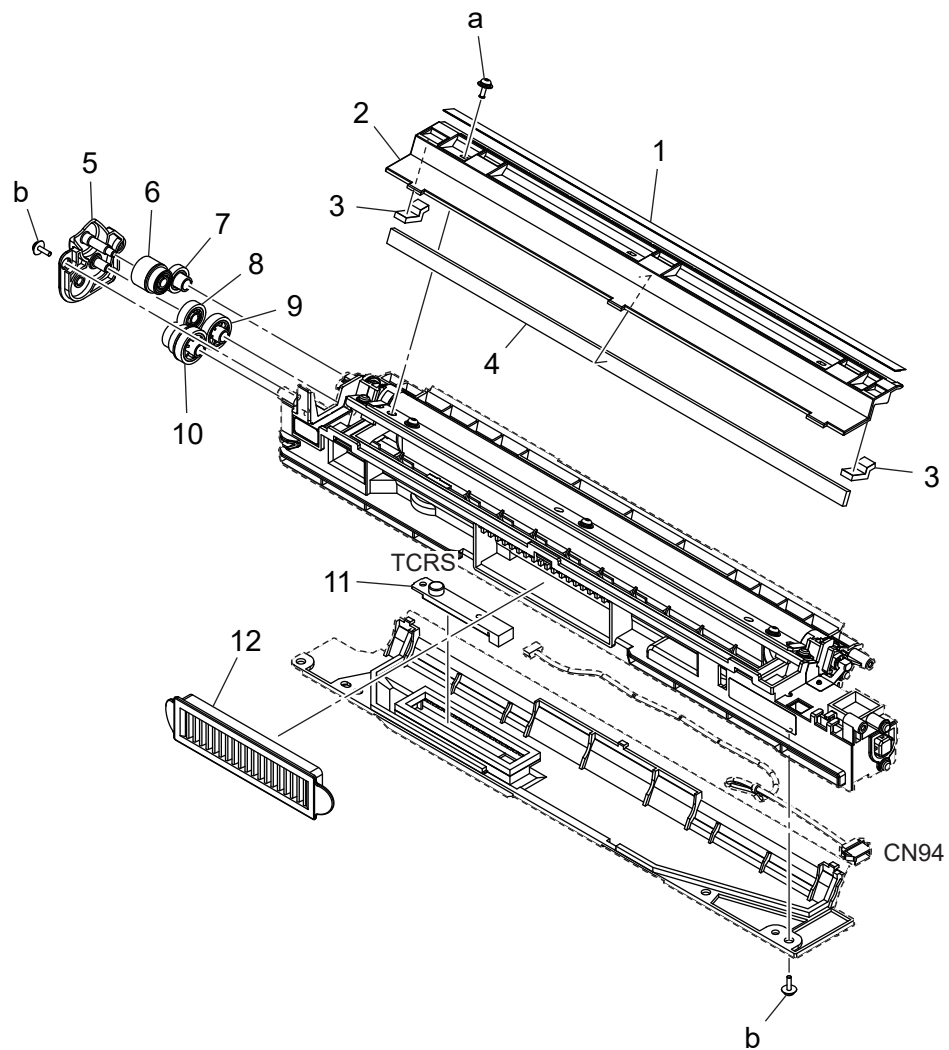
PROCESSING SECTION

P 9

改訂版 REVISED EDITION	日付 DATE
▲	FEBRUARY 2018



Key	Part No.	Description	Destinations	Class	QTY	Standard parts
1	A8A1330900	Cooling Duct		D	1	a-V166170404 b-V218030086 c-V149030804 d-V153030803 e-V162020504 f-V116030803 g-V149031004
2	4163560702	SCREW		C	1	
3	4021016602	SHAFT		D	1	
4	0910550712	SEAL		C	2	
5	4162407401	GUIDE		D	2	
6	4163407201	TORSION SPRING		C	3	
7	4163436104	HOLDER		D	3	
8	A0XX361100	Separating Claw		B	3	
9	4163561101	BUSHING		C	2	
10	4163560901	GEAR 14T		C	2	
11	4021561601	GEAR 14T		C	1	
12	4021561501	GEAR 14/14T		C	1	
13	A8A1330202	Ozone Duct		D	1	
14	4163560302	SEAL		C	2	
15	4163560403	SEAL		C	1	
16	4163563901	GEAR 14T		C	2	
17	A8A1R70600	Drum charge corona assy		A	1	
18	A0XX361800	Cleaning Part		A	1	
19	4021561901	GEAR 22T		C	1	
20	4021561801	GEAR 14/16T		C	1	
21	4163562501	BUSHING		C	1	
22	A0XX333202	Holder /Rear		C	1	
23	4021410801	SPRING		C	1	
24	A8A1R70200	Imaging unit (without Drum)		A	1	



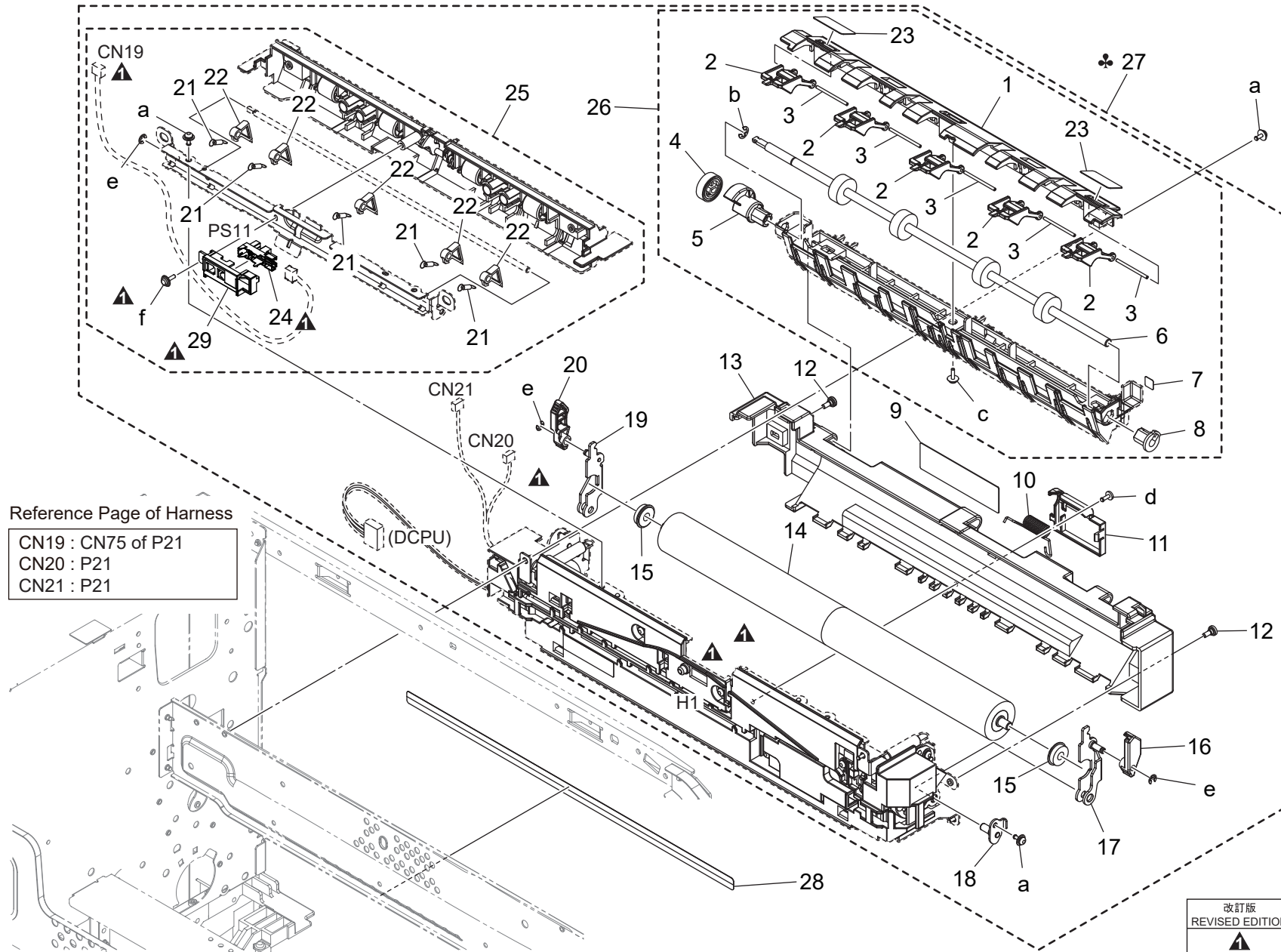
Reference Page of Harness

CN94 : CN14 of P23

Key	Part No.	Description	Destinations	Class	QTY	Standard parts
1	4030520401	SEAL		C	1	a-V116030803 b-V153030803
2	A8A1370901	Cover		C	1	
3	A8A1371100	Seal		D	2	
4	A8A1370600	Seal /1		D	1	
5	A0XX372000	Holder		C	1	
6	A0XX372100	Gear 15/18T		C	1	
7	A0XX372200	Gear 16T		C	1	
8	A0XX372300	Gear 18T		C	1	
9	A0XX372500	Gear 21T		C	1	
10	A0XX372400	Gear 15/22T		C	1	
11	A1XUM50300	Magnetic sensor		B	1	
12	A8A1120200	Toner filter		A	1	

FUSING SECTION

P 11



Reference Page of Harness
 CN19 : CN75 of P21
 CN20 : P21
 CN21 : P21

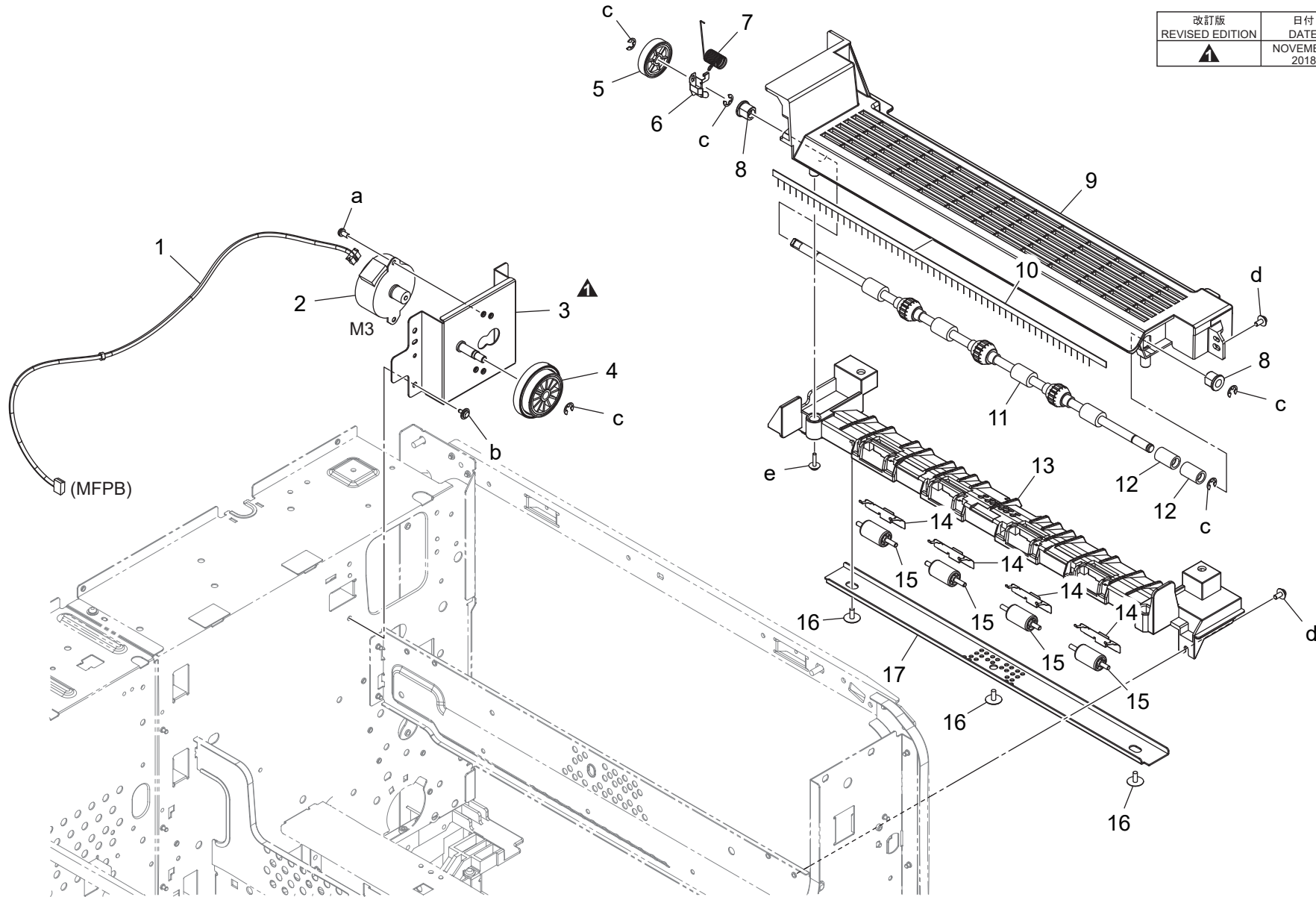
改訂版 REVISED EDITION	日付 DATE
▲	NOVEMBER 2016

FUSING SECTION

Key	Part No.	Description	Destinations	Class	QTY	Standard parts
1	A8A1721001	Cover		D	1	a-V116030803 b-V217040001 c-V153030803 d-V126030803 e-V217030001 f-V153031003
2	A8A1720901	Guide		D	5	
3	A8A1721600	Shaft		D	5	
4	4030581302	GEAR 18T		C	1	
5	A8A1721700	Bushing		D	1	
6	A8A1725400	Roller		C	1	
7	4034574101	LABEL		C	1	
8	4030581101	BUSHING		C	1	
9	A8A1940100	Label		C	1	
10	A8A1725100	Torsion Coil spring		C	1	
11	A8A1725200	Cover		D	1	
12	4036576501	SHOULDER SCREW		C	2	
13	A8A1720701	Fusing Cover /Right		D	1	
14	A1UD723400	Roller		C	1	
15	4011575802	BALL BEARING		C	2	
16	A8A1722200	Release Lever /Front		D	1	
17	A8A1722000	Lever /Front		D	1	
18	A8A1722300	Mounting Plate		D	1	
19	A8A1721900	Lever /Rear		D	1	
20	A8A1722100	Release Lever /Rear		D	1	
21	A7AH726400	Pulling Coil spring		C	5	
22	4040575501	SEPARATOR		C	5	
23	A8A1725500	Seal		C	2	
24	A5C1M50100	Photointerrupter		B	1	
25	A8A1R70922Old	Fusing Separator Assy		C	1	
25	A8A1R70933	Fusing Separator Assy		C	1	
26	A8A1R70822	Fusing Exit Roller Assy		C	1	
27	A8A1R70022	Fusing Unit 220V	D1,E,F2,G1,I(Except South Africa),J,K	A	1	
27	A8A1R70100	Fusing Unit 120V	G2	A	1	
27	A8A1R70000	Fusing Unit 220V	C,I(South Africa)	A	1	
28	A8A1122500	Seal		C	1	
29	A8A1728100	Holder		D	1	

EXIT SECTION

改訂版 REVISED EDITION	日付 DATE
▲	NOVEMBER 2018



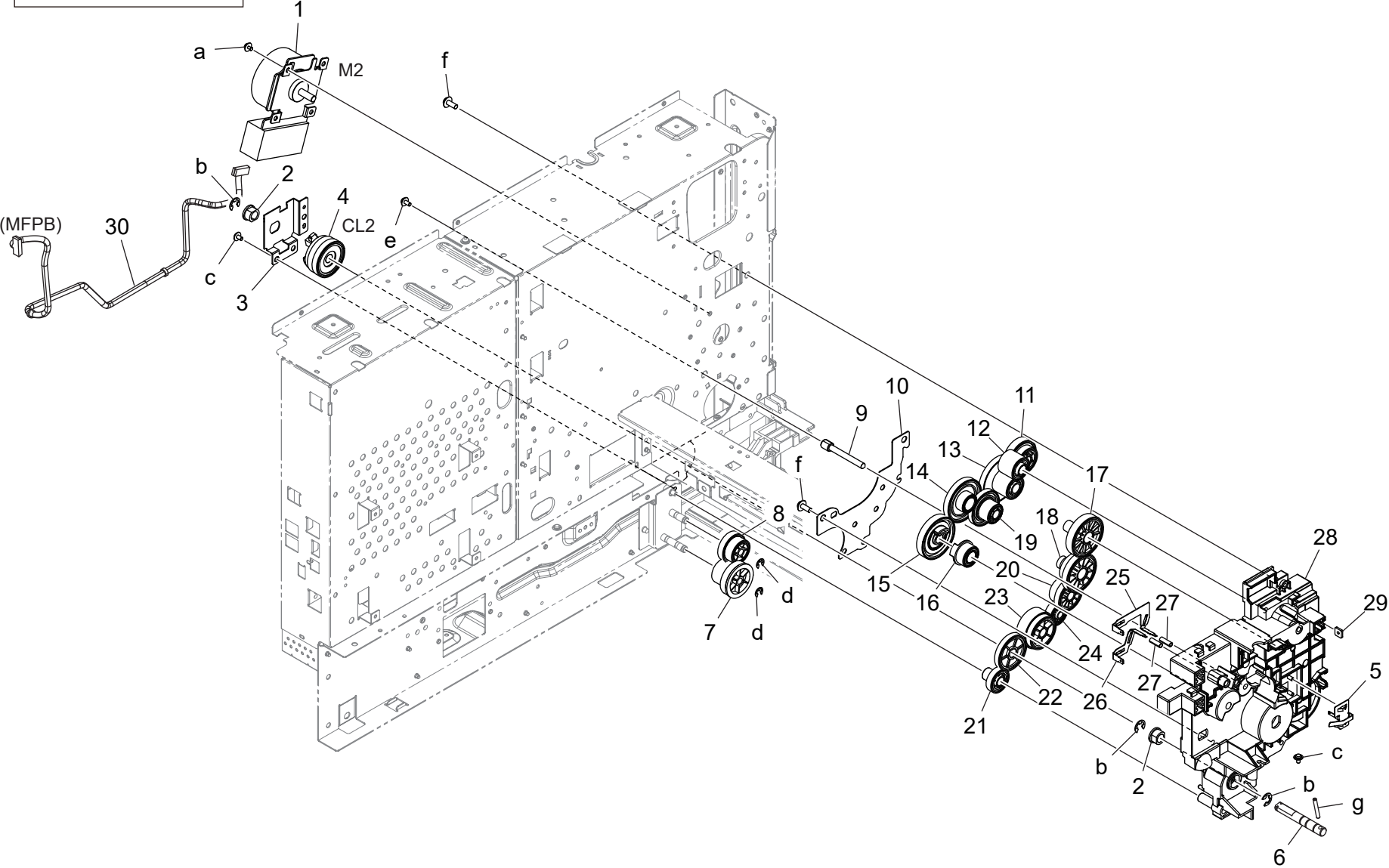
EXIT SECTION

Key	Part No.	Description	Destinations	Class	QTY	Standard parts
1	A8A1N10P00	Drive harness		D	1	a-V115030603 b-V144030603 c-V217040001 d-V116030803 e-V153031003
2	A8A1M10300	Stepping motor		C	1	
3	A8A1892001	Mounting Plate		D	1	
4	A3PE892100	Paper exit Gear /2 (32T/75T)		C	1	
5	A3PE892200	Paper exit Gear/2(26T)		C	1	
6	A8A1891300	Electrostaticproof Plate spring		C	1	
7	A3PE891201	Electrostaticproof Spring		C	1	
8	A02E815200	BUSHING		C	2	
9	A8A1891001	Paper exit Guide		C	1	
10	A3PE891400	Electrostaticproof Brush		C	1	
11	A8A1891101	Paper exit Roller		C	1	
12	A0GE709900	Release Roll		C	2	
13	A8A1890001	Paper exit Guide /Lower		C	1	
14	A8A1890201	Pressure Plate spring /3		D	4	
15	A8A1890101	Idler Roller		C	4	
16	4163529301	SCREW		C	3	
17	A3PE890300	Reinforce Plate /Lower		D	1	

DRIVE SECTION

Reference Page of Harness

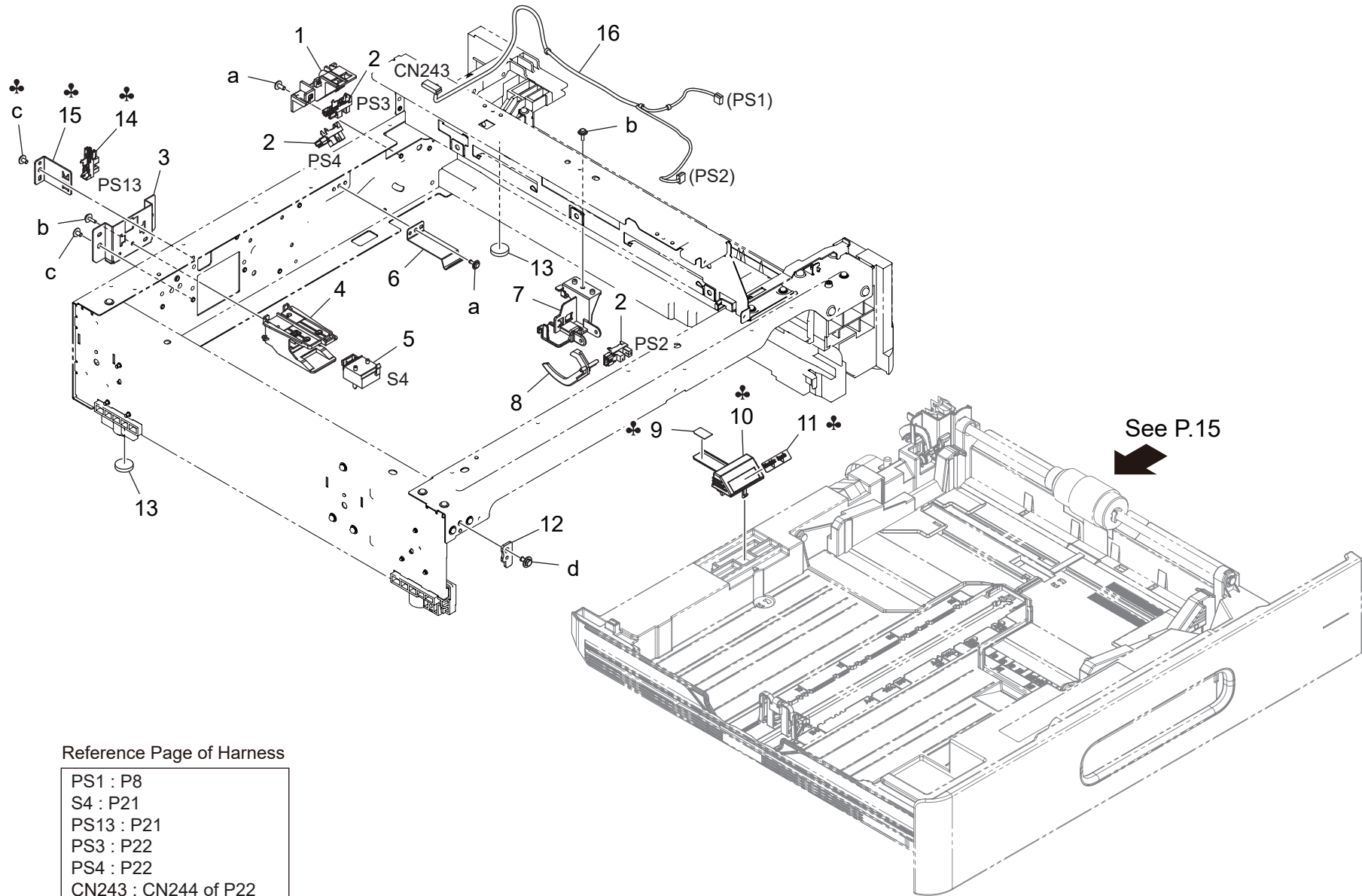
CL2 : P22



DRIVE SECTION

Key	Part No.	Description	Destinations	Class	QTY	Standard parts
1	A8A1M10000	Brushless motor		C	1	a-V116030504 b-V217060001 c-V144030603 d-V217040001 e-V116030803 f-V153041003 g-V232302209
2	4021254702	BUSHING		C	2	
3	A8A1213300	Frame		D	1	
4	A8A1M20201	Clutch		C	1	
5	A3PE212900	Contact		C	1	
6	A3PE210600	Shaft		D	1	
7	A3PE212500	Gear 21T/30T		C	1	
8	A3PE212400	Gear /3 21T/26T		C	1	
9	A3PE210500	Stake		D	1	
10	A3PE211900	Hold Plate		D	1	
11	A8A1210300	Gear 32T/23T		C	1	
12	A8A1210400	Gear 20T		C	1	
13	A3PE211800	Gear 81T/20T		C	1	
14	A3PE211700	Gear 32T/76T		C	1	
15	A3PE210800	Gear 75T		C	1	
16	A3PE210700	Gear 22T		C	1	
17	A3PE211200	Gear 37T		C	1	
18	A3PE211300	Gear 24T/35T		C	1	
19	A3PE210901	Gear 22T/62T		C	1	
20	A3PE211400	Gear 21T/28T		C	1	
21	A3PE212300	Gear /2 21T		C	1	
22	A3PE212200	Gear /1 33T		C	1	
23	A3PE211600	Gear 33T/30T		C	1	
24	A3PE211500	Gear 20T		C	1	
25	A8A1212700	Contact		C	1	
26	A3PE212800	Contact		C	1	
27	4021210101	PRESSURE SPRING		C	2	
28	A8A1210000	Holder		C	1	
29	4002504202	PLATE NUT		D	1	
30	A8A1N10800	Drive Wiring		D	1	

TRAY 1 SECTION



Reference Page of Harness

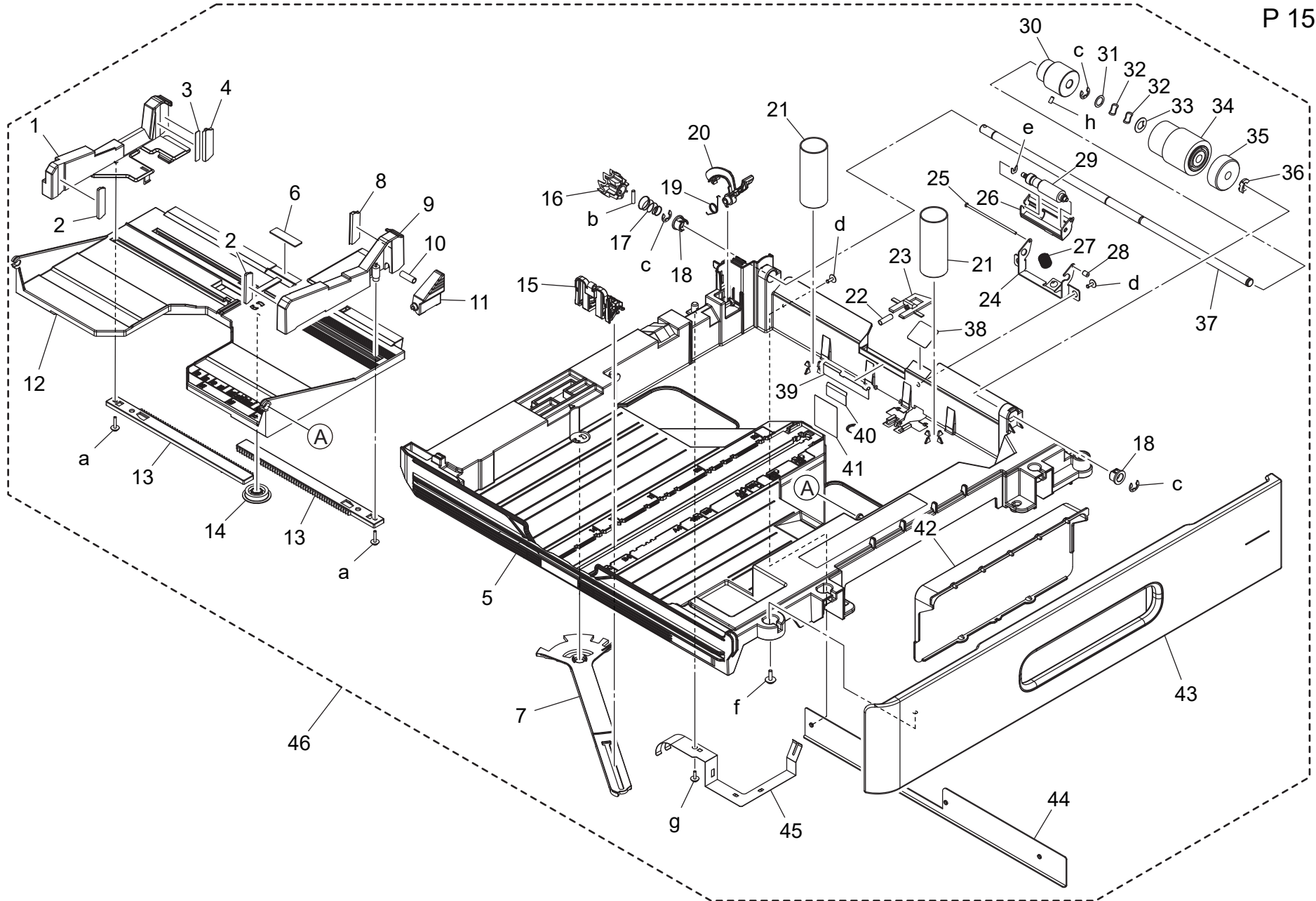
- PS1 : P8
- S4 : P21
- PS13 : P21
- PS3 : P22
- PS4 : P22
- CN243 : CN244 of P22

TRAY 1 SECTION

Key	Part No.	Description	Destinations	Class	QTY	Standard parts
1	A3PE131800	Hold /Sensor		D	1	a-V144030803 b-V153030803 c-V144030603 d-V146040804
2	A5C1M50100	Photointerrupter		B	3	
3	A3PE131701	Mounting Plate		D	1	
4	A3PE625300	Sensor Holder		D	1	
5	A8A1M60200	Switch		C	1	
6	1164305401	PLATE SPRING		C	1	
7	A3PE626500	Sensor Holder		D	1	
8	1164302701	ACTUATOR		C	1	
9	A3PE628700	Light blocking Sheet	D1,E,F2,G1,G2,K,I(Except South Africa)	C	1	
10	A3PE628600	Lever	D1,E,F2,G1,G2,K,I(Except South Africa)	C	1	
11	A3PE948000	Label	D1,E,F2,G1,G2,K,I(Except South Africa)	C	1	
12	A3PE103600	Stopper		D	1	
13	4128201901	RUBBER FOOT		D	2	
14	A5C1M50100	Photointerrupter	D1,E,F2,G1,G2,K,I(Except South Africa)	B	1	
15	A3PE133300	Mounting Plate	D1,E,F2,G1,G2,K,I(Except South Africa)	D	1	
16	A8A3N10901	Sensor Wiring /2		D	1	

TRAY 1 SECTION

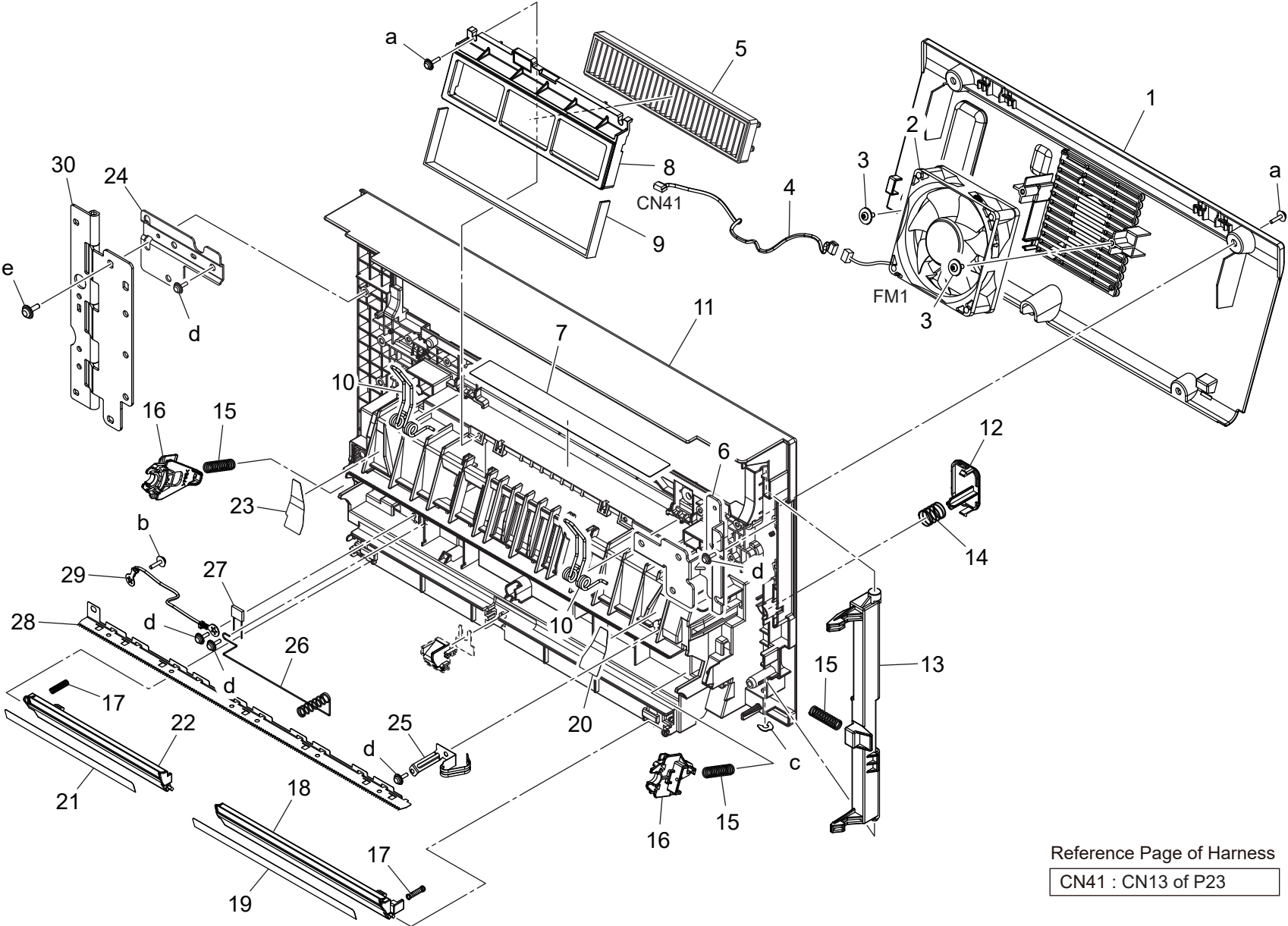
P 15



TRAY 1 SECTION

Key	Part No.	Description	Destinations	Class	QTY	Standard parts
1	A02F621200	Regulating plate		C	1	a-V153031203 b-V234301450 c-V217060001 d-V144030803 e-V218030086 f-V153041003 g-V153030803 h-V192040609
2	4036308601	BRAKE		D	2	
3	A02F944100	Label Level		C	1	
4	A02F622101	Seal		C	1	
5	A8A1620102	Paper feed Cassette		D	1	
6	A3PE621700	Friction Plate		C	1	
7	A3PE625201	Detecting Lever		C	1	
8	A02F622901	Seal		C	1	
9	A02F621101	Regulating Plate		C	1	
10	4038560100	PRESSURE SPRING		C	1	
11	4037321001	LEVER		C	1	
12	A3PE620700	Lifting Plate		C	1	
13	1164304902	RACK		C	2	
14	1164304501	GEAR 20T		C	1	
15	A8A1628000	Regulating Plate		C	1	
16	1164300403	PAWL		C	1	
17	A02F625400	Pressure Spring		C	1	
18	A3PE622100	Bushing		C	2	
19	A3PE625600	Torsion Coil spring		C	1	
20	A3PE625500	Detecting Lever		C	1	
21	4134310601	PRESSURE SPRING		C	2	
22	1164306201	PRESSURE SPRING		C	1	
23	1164306101	LEVER		C	1	
24	A8A1624100	Mounting Plate		D	1	
25	4658304001	SHAFT		D	1	
26	4038565400	HOLDER		C	1	
27	4004300603	PRESSURE SPRING		C	1	
28	4038565500	COLLAR		D	1	
29	4658015106	Roller Assy		A	1	
30	A02F626300	Weight		D	1	
31	4036303001	WASHER		C	1	
32	4011302001	WASHER		C	2	
33	1164306601	WASHER		C	1	
34	4034301201	ROLLER		A	1	
35	4004300501	COLLAR		C	1	
36	4658304601	STOP RING		C	1	
37	A8A1622500	Paper feed Shaft		C	1	
38	A8A1622400	Guide Sheet		C	1	
39	4004303301	GUIDE PLATE		D	1	
40	4004303801	GUIDE		C	1	
41	4004300801	SEAL		C	1	
42	A8A1620800	Cover		C	1	
43	A8A1627700	Cover Cassette		C	1	
44	A8A1627100	Reinforce Plate		D	1	
45	A8A1627200	Ground Plate		C	1	
46	A8A1R71000	Paper Feed Cassette ASSY		S	1	

CONVEYANCE SECTION




Reference Page of Harness
CN41 : CN13 of P23

CONVEYANCE SECTION

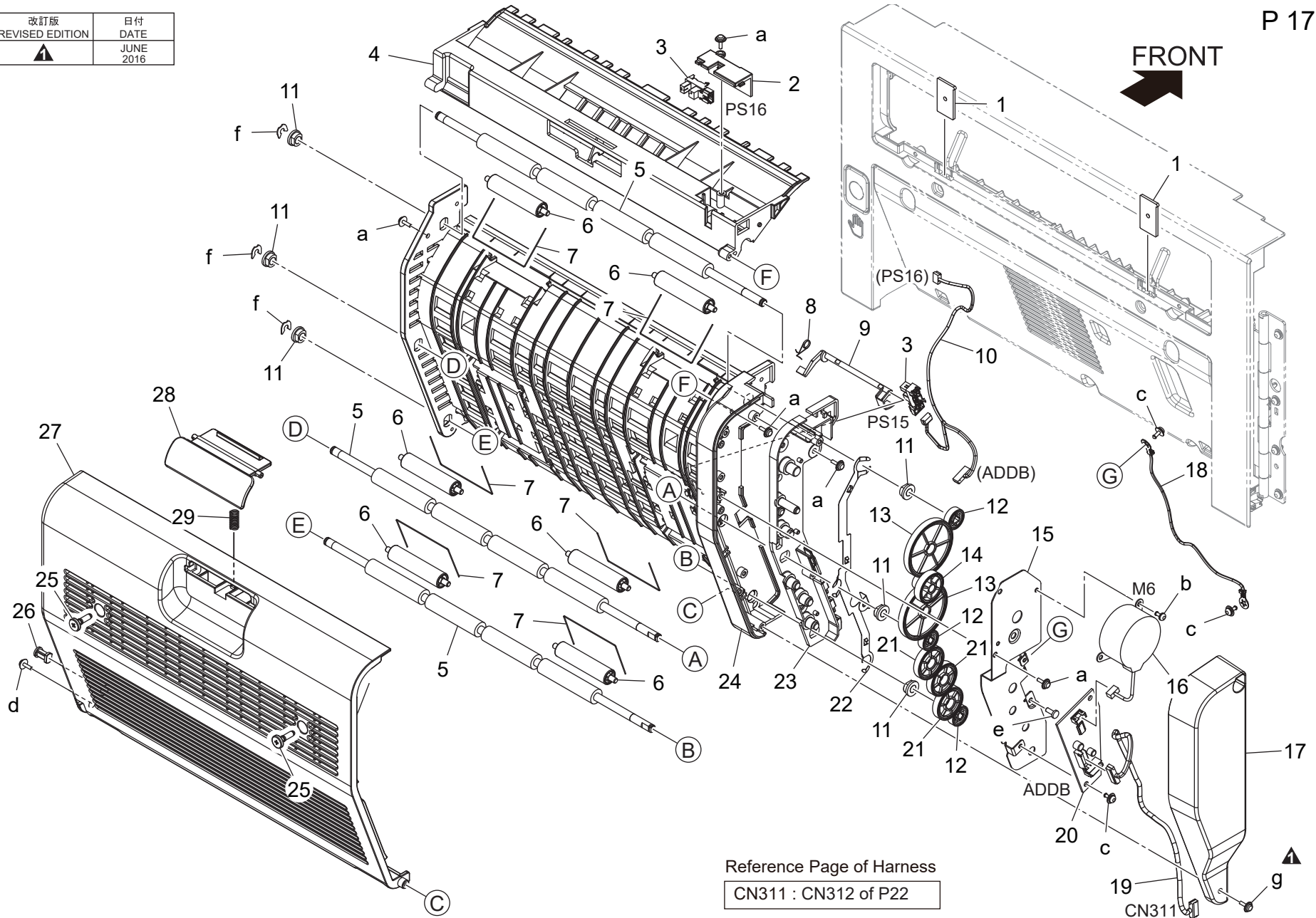
Key	Part No.	Description	Destinations	Class	QTY	Standard parts
1	A3PE703501	Cover Fan		C	1	a-V153031004 b-V116030803 c-V218040086 d-V153030803 e-V153041003
2	9J03M10000	FAN MOTOR		B	1	
3	4163529301	SCREW		C	2	
4	A8A1N10200	Drive Wiring		D	1	
5	A8A1704502	Filter		C	1	
6	A8A1706000	Reinforce Plate /Front		D	1	
7	A8A1940200	Label		C	1	
8	A8A1704601	Holder		D	1	
9	A8A1704701	Cushion		C	1	
10	A8A1703901	Pressing Spring		C	2	
11	A8A1702101Old	Door		C	1	
11	A8A1702103	Door		C	1	
12	A3PE702300	Pressing Button		C	1	
13	A3PE700600	Lock Lever		C	1	
14	A3PE703200	Compressing Coil spring		C	1	
15	A3PE702400	Compressing Coil spring		C	3	
16	A3PE702700	Holder		C	2	
17	A3PE702800	Compressing Coil spring		C	2	
18	A3PE701900	Guide /Front		D	1	
19	A8A1704000	Seal		C	1	
20	A8A1703800	Sheet /Front		C	1	
21	A3PE703300	Seal		C	1	
22	A3PE702000	Guide /Rear		D	1	
23	A8A1703700	Sheet /Rear		C	1	
24	A8A1706100	Reinforce Plate /Rear		D	1	
25	A3PE701800	Conductive Plate spring		D	1	
26	A3PE702500	Spring		C	1	
27	9455307801	RESISTOR		D	1	
28	A3PE702601	Comb electrode		C	1	
29	A8A1N10N01	Grounding Wiring		D	1	
30	A3PE701701	Hinge		C	1	

DUPLEX SECTION

改訂版 REVISED EDITION	日付 DATE
	JUNE 2016

P 17

FRONT

Reference Page of Harness

CN311 : CN312 of P22

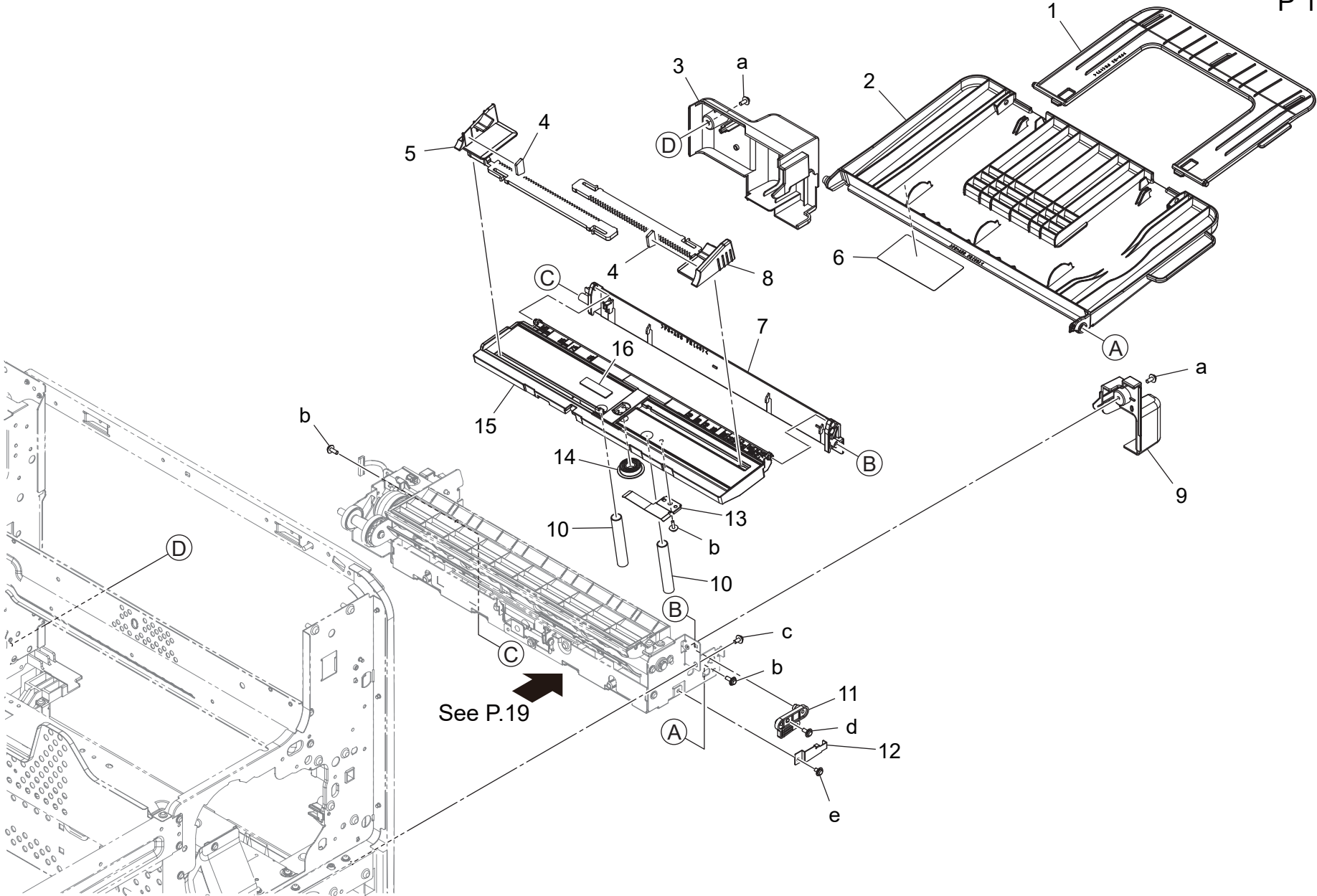
bizhub 266

DUPLEX SECTION

Key	Part No.	Description	Destinations	Class	QTY	Standard parts
1	A3PE811700	Mounting Nut		C	2	a-V153030803 b-V115030603 c-V116030803 d-V153030804 e-V149030803 f-V218040086 g-V153031004
2	A3PE812200	Cover		C	1	
3	A5C1M50100	Photointerrupter		B	2	
4	A8A1810500	Duplex Guide /Upper		C	1	
5	A8A1810300	Duplex Roller		C	3	
6	A3PE810200	Roller		C	6	
7	A3PE810100	Spring		D	6	
8	4497313401	TORSION SPRING		C	1	
9	A3PE812100	Arm		C	1	
10	A8A1N11200	ADU Control harness		D	1	
11	4030309301	BUSHING		C	6	
12	4497311701	GEAR 20T		C	3	
13	A3PE810900	Gear 60T		C	2	
14	A3PE811000	Gear 14T/45T		C	1	
15	A3PE811100	Mounting Plate		D	1	
16	A8A1M10200	Stepping motor		C	1	
17	A3PE811302	Cover		C	1	
18	A8A1N11301	Grounding Wiring		D	1	
19	A8A1N11100	ADU Relay harness		D	1	
20	A8A1PP0900	Drive board		I	1	
21	A3PE811800	Gear 34T		C	3	
22	A3PE810701	Ground Plate		C	1	
23	A3PE810600Old	Frame		D	1	
23	A3PE810601	Frame		D	1	
24	A3PE810003	Duplex Frame		D	1	
25	4030371001	SHOULDER SCREW		C	2	
26	A3PE811600	Pin		C	1	
27	A3PE811200	Cover		C	1	
28	A3PE811400	Lever		C	1	
29	A3PE811900	Compressing Coil spring		C	1	

MULTIPLE BYPASS TRAY SECTION

P 18



bizhub 266

MULTIPLE BYPASS TRAY SECTION

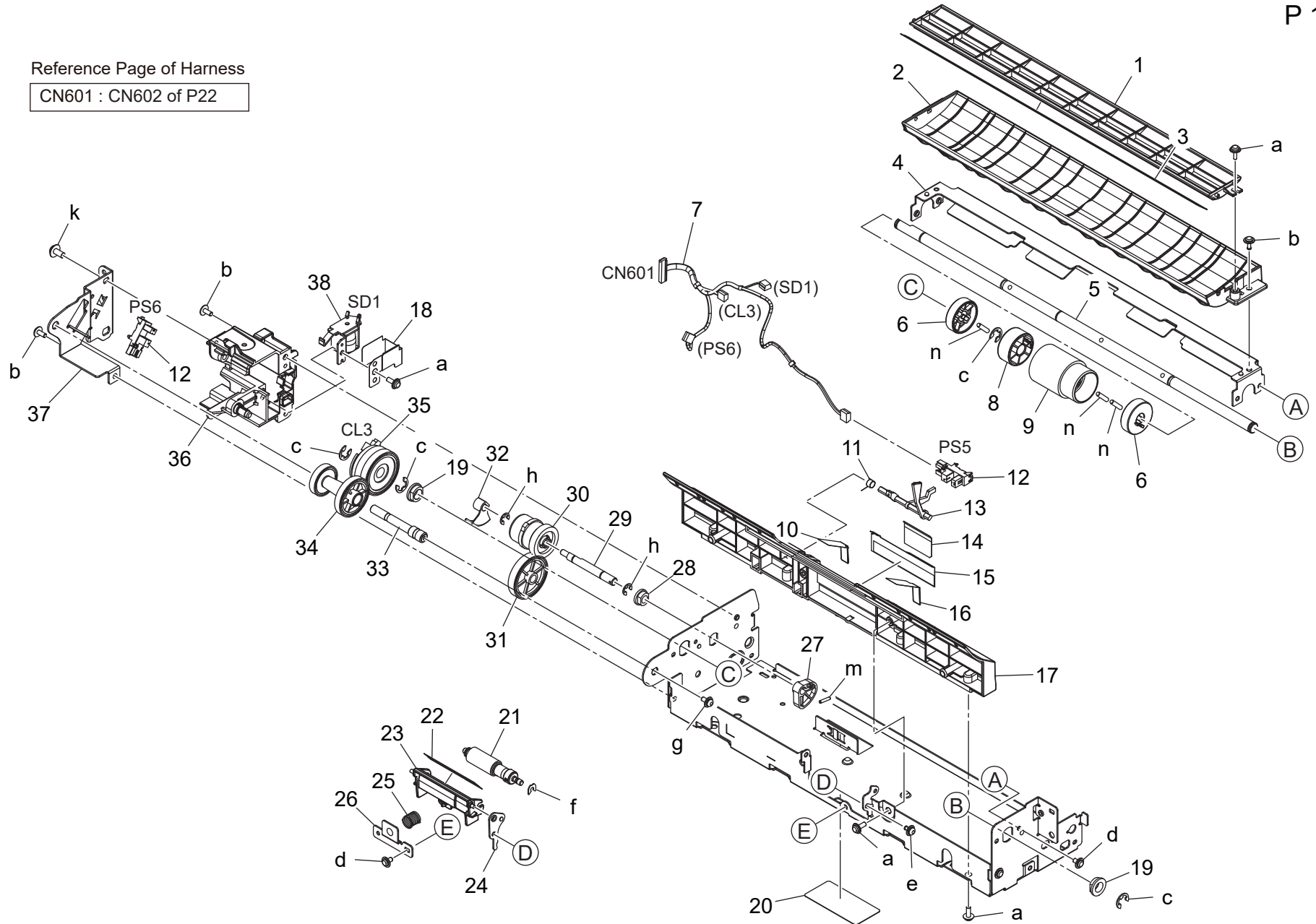
Key	Part No.	Description	Destinations	Class	QTY	Standard parts
1	A3PE596300	Tray		C	1	a-V116030804 b-V153030803 c-V116030803 d-V144030803 e-V144030603
2	A3PE596200	Tray		C	1	
3	A3PE596700	Cover /Rear		C	1	
4	4038328601	BRAKE		C	2	
5	A3PE590500	Regulating Plate		C	1	
6	A8A1942500	Label		C	1	
7	A3PE591800	Holder		C	1	
8	A3PE590600	Regulating Plate		C	1	
9	A3PE596600	Cover /Front		C	1	
10	A3PE592000	Compressing Coil spring		C	2	
11	4038321501	HOLD PLATE		D	1	
12	4039328201	PLATE SPRING		D	1	
13	A8A1591300	Brake Part		C	1	
14	A3PE590700	Gear 18T		C	1	
15	A8A1591200	Lifting Plate		C	1	
16	4687328101	FRICITION SHEET		C	1	

MULTIPLE BYPASS TRAY SECTION

P 19

Reference Page of Harness

CN601 : CN602 of P22

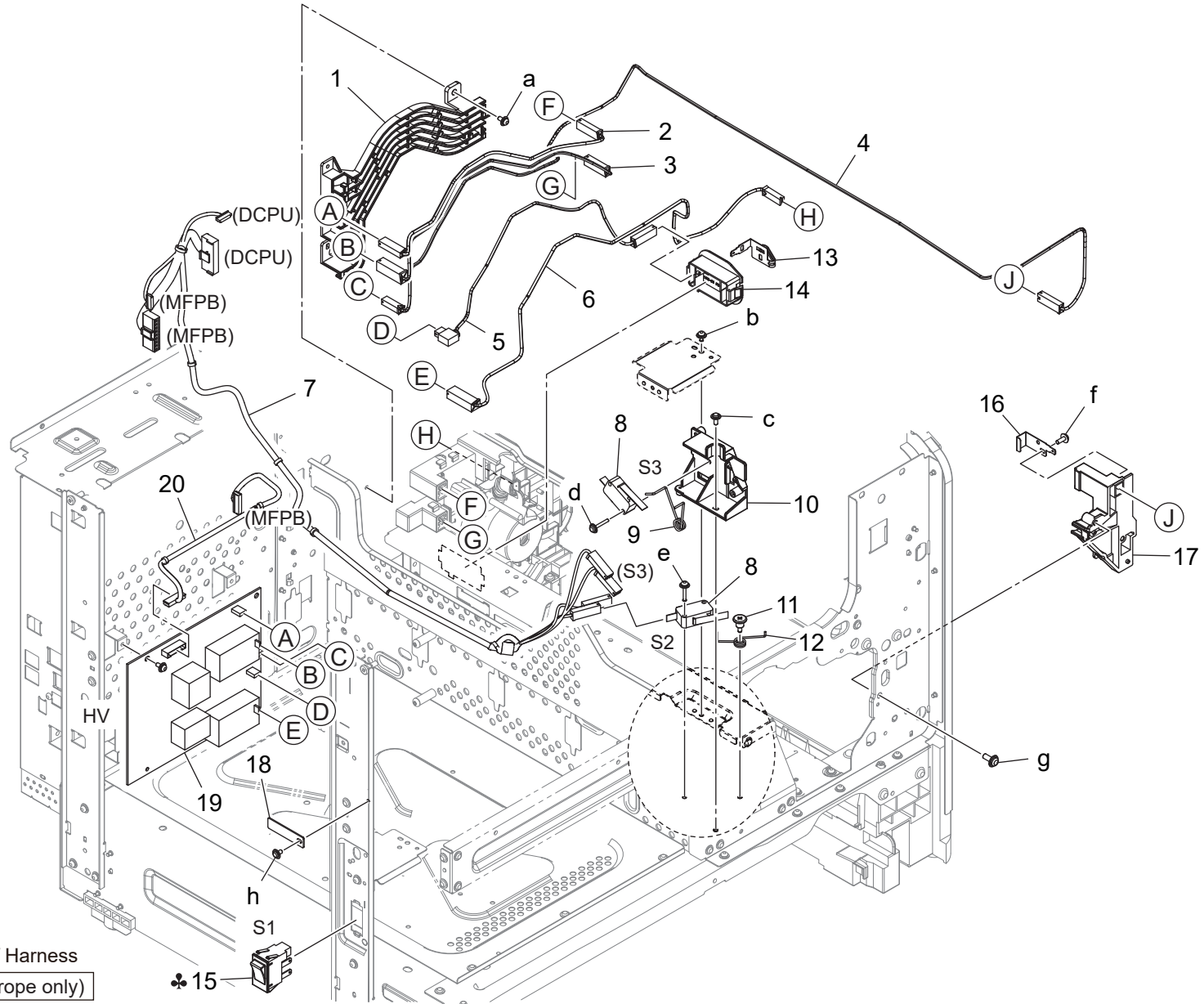


bizhub 266

MULTIPLE BYPASS TRAY SECTION

Key	Part No.	Description	Destinations	Class	QTY	Standard parts
1	A3PE596400	Guide Plate /Upper		D	1	a-V153030803
2	A3PE593901	Guide Plate		C	1	b-V144030803
3	A3PE596900	Sheet		C	1	c-V217060001
4	A3PE593800	Mounting Plate		D	1	d-V144030603
5	A3PE592900	Paper feed Shaft		D	1	e-V116030603
6	A3PE593700	Collar		C	2	f-V218030086
7	A8A1N11000	Control harness		D	1	g-V116030803
8	A3PE593000	Bias Collar		C	1	h-V217040001
9	A0XX594700	Paper feed Roller		B	1	k-V153040803
10	4038326902	GUIDE		C	1	m-V234201050
11	A8A1592500	Torsion Coil spring		C	1	n-V234301450
12	A5C1M50100	Photointerrupter		B	2	
13	A8A1592400	Actuator		C	1	
14	4030340301	GUIDE		C	1	
15	4030340201	GUIDE PLATE		C	1	
16	4038326802	GUIDE		C	1	
17	A8A1592302	Paper feed Guide		C	1	
18	A8A1596500	Preventing Plate		D	1	
19	4658351701	BUSHING		C	2	
20	A8A1597000	Attaching Sheet /1		C	1	
21	4658015106	Roller Assy		A	1	
22	A3PE595700	Sheet		C	1	
23	A3PE595101	Holder		C	1	
24	A3PE596000	Adjusting Plate		D	1	
25	A8A1592600	Compressing Coil spring		C	1	
26	A3PE596100	Mounting Plate		D	1	
27	4038323601	CAM		C	1	
28	4030309301	BUSHING		C	1	
29	A3PE592101	Drive Shaft		D	1	
30	4038326001	CLUTCH ASSY		C	1	
31	A3PE592700	Gear 33T		C	1	
32	A3PE592600	Light blocking Plate		C	1	
33	A3PE591900	SHAFT_DRIVE_DOCKING		D	1	
34	A3PE594800	Gear 22T/29T		C	1	
35	A8A1M20001	Clutch		C	1	
36	A3PE592801	Mounting Plate		C	1	
37	A3PE594901	Frame /R		D	1	
38	9321240011	SOLENOID		C	1	

HIGH VOLTAGE SECTION



Reference Page of Harness
S1 : P21, P23(Europe only)

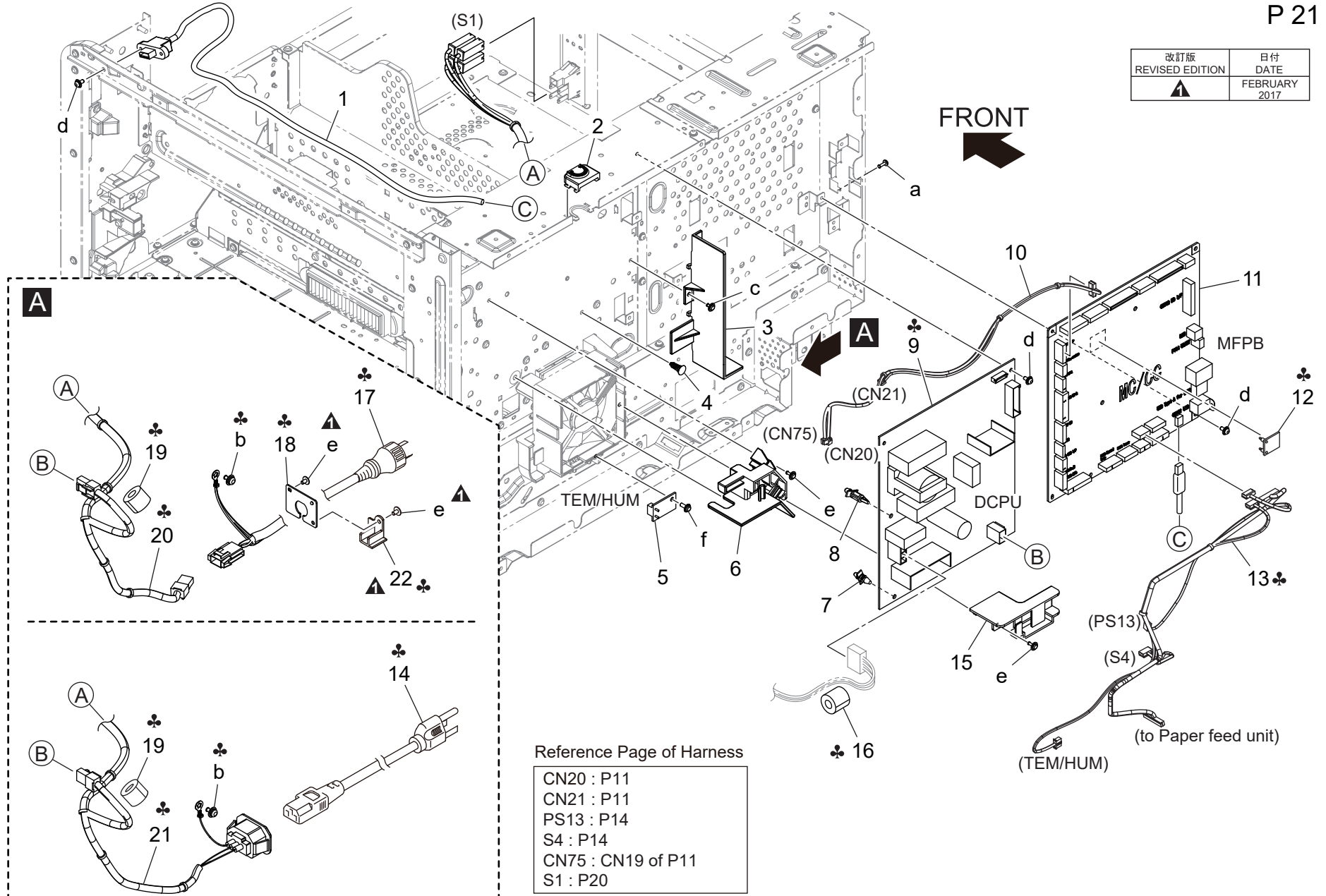
HIGH VOLTAGE SECTION

Key	Part No.	Description	Destinations	Class	QTY	Standard parts
1	A8A1132900	Guide		D	1	a-V116030803
2	A8A1N10H00	Chaging Wiring		D	1	b-V116030603
3	A8A1N10700	Chaging Wiring		D	1	c-V144030803
4	A8A1N10F00	Separating Wiring		D	1	d-V153031603
5	A8A1N10600	Developing Wiring		D	1	e-V116031603
6	A8A1N10500	Transfer Wiring		D	1	f-V153030803
7	A8A1N10300	DC Power source harness		D	1	g-V153041003
8	9J06M60100	MICRO SWITCH		C	2	h-V144030603
9	A3PE131000	Torsion Coil spring		C	1	
10	A3PE130900	Mounting Plate		D	1	
11	A3PE131200	Shoulder screw		C	1	
12	A3PE131100	Torsion Coil spring		C	1	
13	A3PE130400	Contact		D	1	
14	A3PE130300	Holder		C	1	
15	4038M60000	SEESAW-SWITCH	D1,E,F2,G1,G2,J,K,I(Except South Africa)	C	1	
15	A8A1M60100	Rocker switch	C,I(South Africa)	C	1	
16	A3PE130800	Contact		C	1	
17	A3PE102902	Lock		C	1	
18	A3PE132200	Holding Plate		D	1	
19	A8A1M40300	High voltage unit		I	1	
20	A8A1N10400	HV Control harness		D	1	

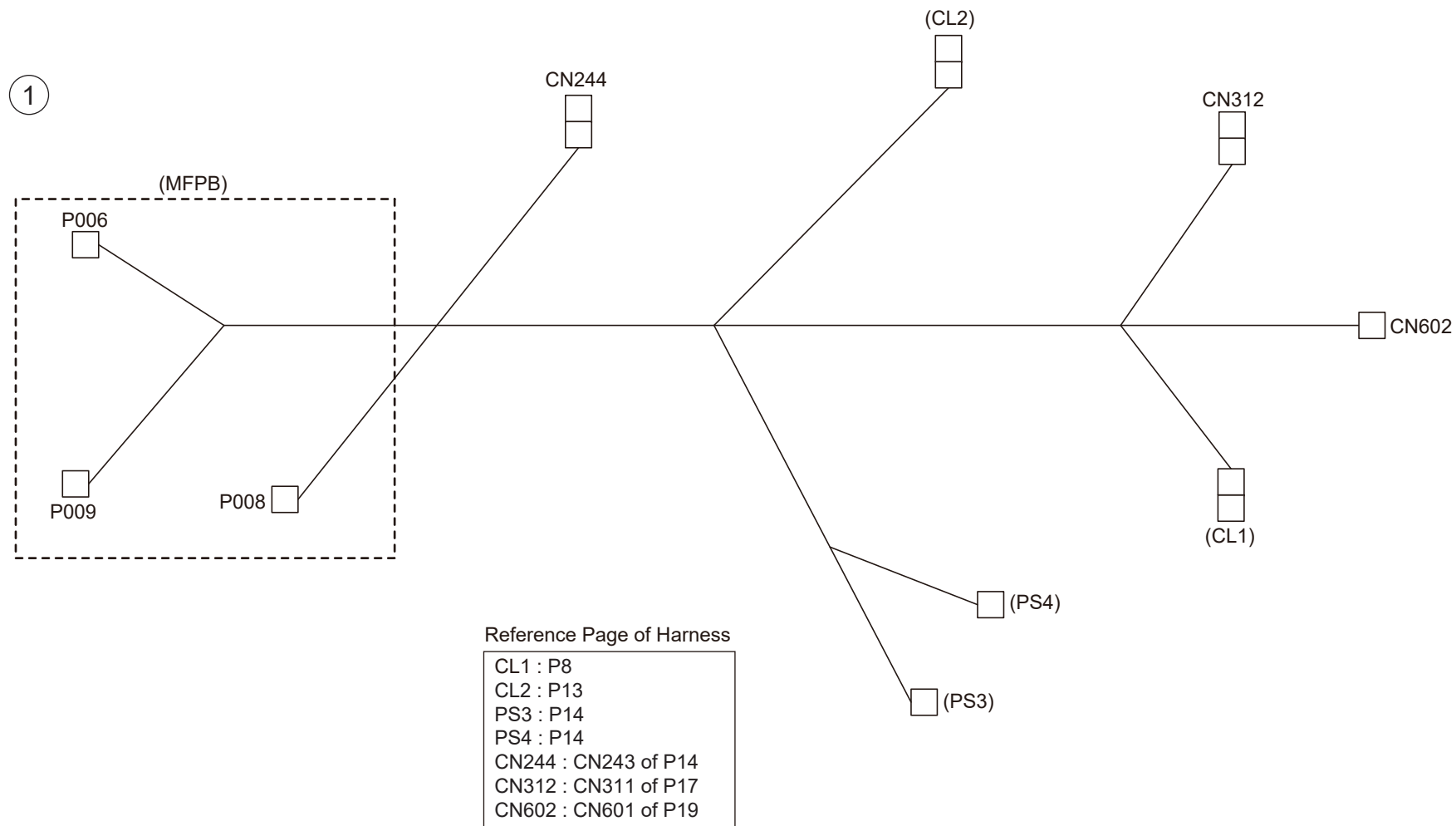
ELECTRICAL COMPONENTS

P 21

改訂版 REVISED EDITION	日付 DATE
	FEBRUARY 2017

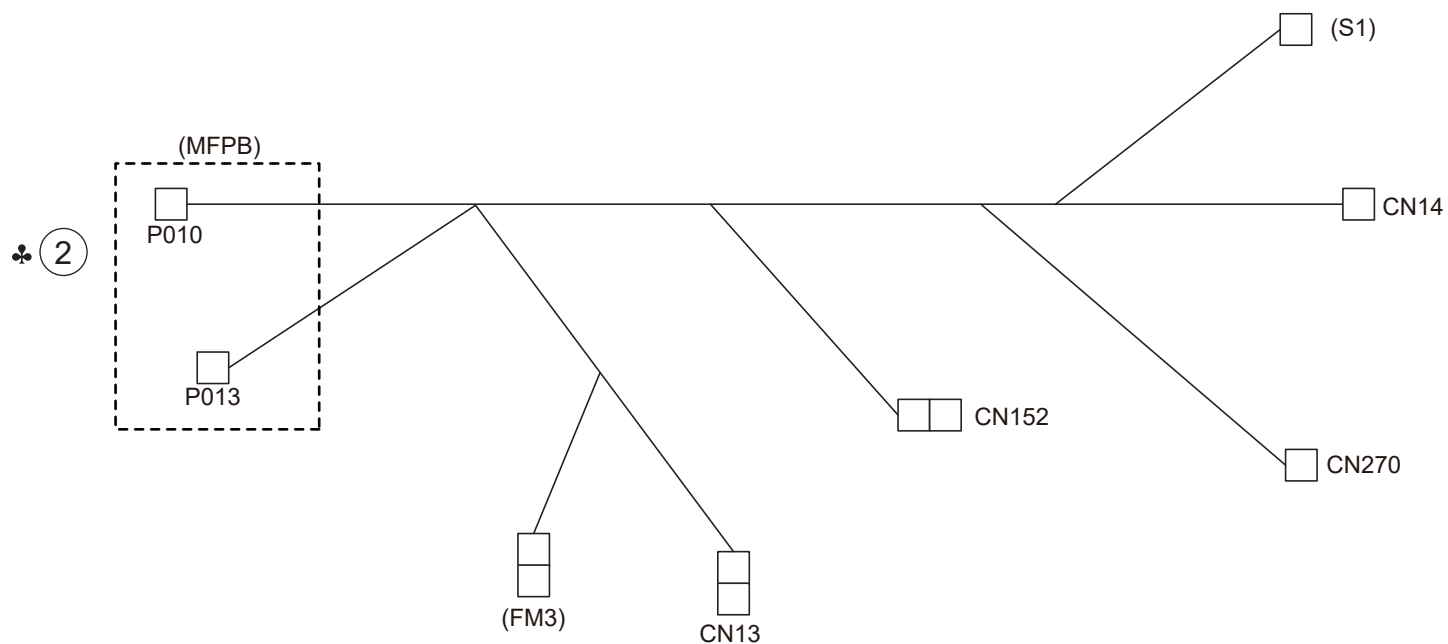
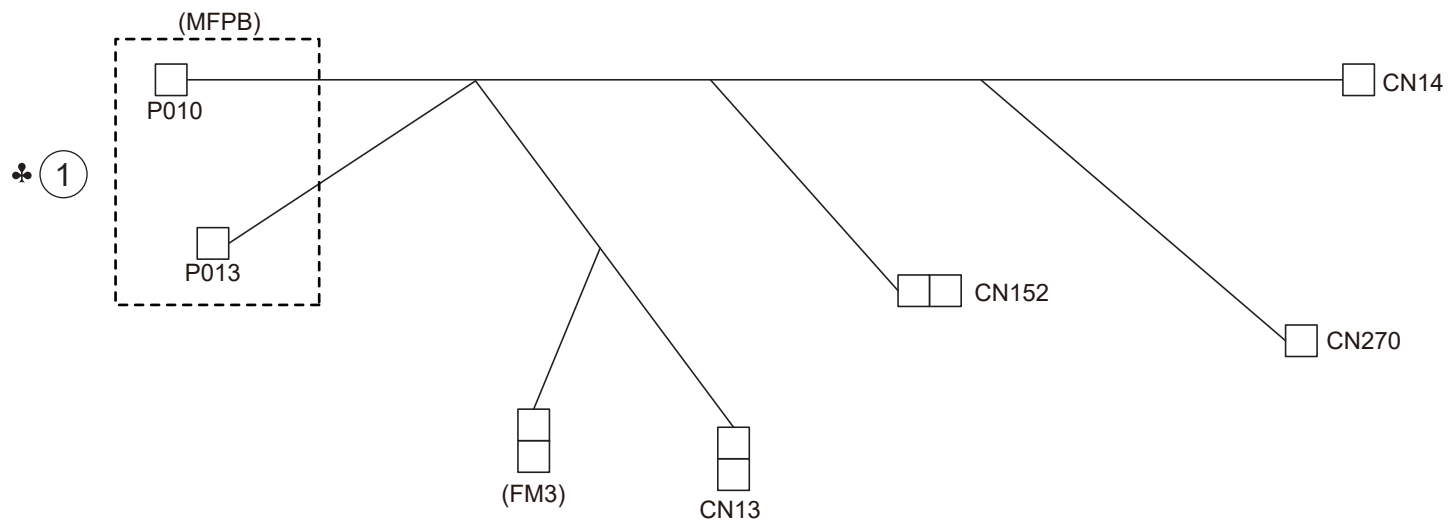


Key	Part No.	Description	Destinations	Class	QTY	Standard parts
1	A8A1N10J01	Interface Cable		D	1	a-V111030803
2	A3PE132000	Wiring Cover		D	1	b-V116040803
3	A3PE131900	Separating Plate		D	1	c-V144030603
4	V502010009	spacer		D	1	d-V116030803
5	A0P0M50400	Humidity sensor		C	1	e-V144030803
6	A8A1132301	Holder		D	1	f-V153030803
7	V502010044	PCB Support		D	1	
8	V502010017	support		D	1	
9	A8A1M40000	Power supply 120V	G2	I	1	
9	A8A1M40101	Power supply 230V	C,D1,E,F2,G1,I,J,K	I	1	
10	A8A1N10C00	Fixing Control harness		D	1	
11	A8A3PP0001	Control board		I	1	
12	A8A1PP1100	Control board	C,I(South Africa)	C	1	
13	A8A1N10G00	LCT Control harness	C,J,I(South Africa)	D	1	
13	A8A1N11H00	LCT Control harness	D1,E,F2,G1,G2,K,I(Except South Africa)	D	1	
14	A64JN30300	Power source Cord /120V	G2(Except Brazil)	C	1	
14	A2UPN30501	Power code /230V	G2(Brazil)	D	1	
14	A1UDN30200	Power cord /230V	G1(Argentina)	C	1	
14	A2UPN30100	Power code (220-240V)	D1(Hong Kong),F2,I(Kuwait,UAE,Bahrain,Qatar,Oman,Ymen)	D	1	
14	A2UPN30300	Power code (220-240V)	G1(Peru)	D	1	
14	A797N30000	Power code /230V	I(Israel)	D	1	
14	4136N30000	POWER CODE	D1(Pakistan,Nepal,Maldives),G1(Except Argentina,Peru),K	D	1	
14	A7AHN30000	Power code /230V	D1(India)	D	1	
15	A3PE132100	Holder		D	1	
16	A49FM90100	Ferritecore	G2	D	1	
17	A8A1N30000	Power code	J	D	1	
18	A3PE131601	Mounting Plate	J	D	1	
19	A49FM90100	Ferritecore	C,D1,E,F2,G1,G2,I,K	D	1	
20	A8A1N10M00	AC Power source harness	J	D	1	
21	A8A1N10K01	AC Power source harness	D1,E,F2,G1,G2,K,I(Except South Africa)	D	1	
21	A8A1N11F02	AC Power source harness	C,I(South Africa)	D	1	
22	A8A1134000	Protection Cover	J	D	1	



WIRING

Key	Part No.	Description	Destinations	Class	QTY	Standard parts
1	A8A1N10B00	Conveyance Wiring		D	1	



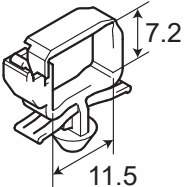
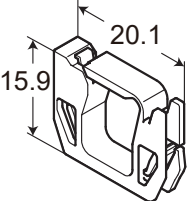
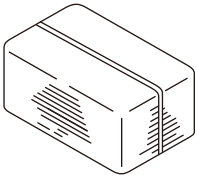
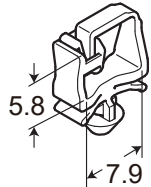
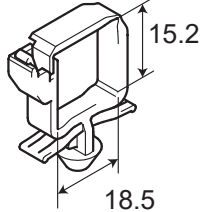
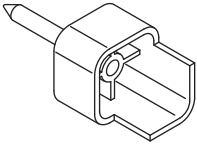
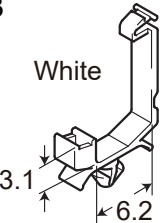
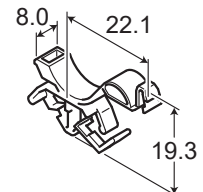
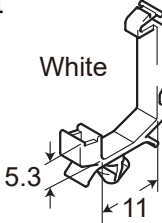
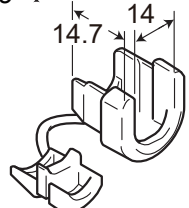
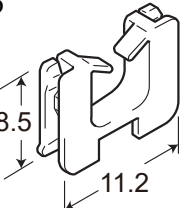
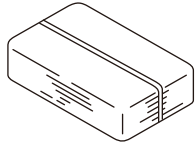
Reference Page of Harness

- CN270 : P2
- FM3 : P6
- CN152 : M5 of P7
- CN14 : CN94 of P10
- CN13 : CN41 of P16
- S1 : P20

Key	Part No.	Description	Destinations	Class	QTY	Standard parts
1	A8A1N10D01	Toner Wiring	D1,E,F2,G1,G2,J,K,I(Except South Africa)	D	1	
2	A8A1N10E01	Toner Wiring	C,I(South Africa)	D	1	

WIRING ACCESSORIES AND JIGS

P 24

1 	6 	11 	16	21	26	31	36
2 	7 	12 	17	22	27	32	37
3 White 	8 	13	18	23	28	33	38
4 White 	9 ♣ 	14	19	24	29	34	39
5 	10 	15	20	25	30	35	40

bizhub 266

WIRING ACCESSORIES AND JIGS

Key	Part No.	Description	Destinations	Class	QTY	Standard parts
1	V500010082	Locking Wire Saddle		D		
2	V500020098	Mini Locking wire saddle		D		
3	V500020099	Mini Locking wire saddle		D		
4	V500020100	Mini Locking wire saddle		D		
5	V570010021	Saddle		D		
6	V570010060	Wing Edge Saddle		D		
7	V500010083	Locking Wire Saddle		D		
8	V500020076	wabe Clamp		D		
9	V570010066	Cord Bush	J	V		
10	A5AWP00100	Cleaning Pad		S	1	
11	A5AWP00100	Cleaning Pad		S	1	
12	4021436201	PIN		C	1	

MAINTENANCE LIST

● The items with no Page/Key numbers are not handled as spare parts.

No.	Section	PM Parts Description	Maintenance Cycle (K=1,000)		Parts No.	Destinations	Page/Key	Note
			QTY	Replace				
1	Processing sections	Developer	1	60K	-			
2		Drum	1	60K	-			
3		Toner filter	1	60K	A8A1120200		P10-12	
4		Cleaning blade	1	60K	A0XX361800		P9-18	
5		Drum charge corona assy	1	60K	A8A1R70600		P9-17	
6		Toner bottle (5.4K)	1	5.4K	-			
7		Toner bottle (12K)	1	12K	-			
8		Imaging unit (without Drum)	1	180K	A8A1R70200		P9-24	
9		Ozone filter	1	180K	A8A1121800		P2-11	
10	Fusing section	Fusing unit/ 120-127V	1	180K	A8A1R70100	G2	P11-27	*1
11		Fusing unit/ 220-240V	1	180K	A8A1R70022	C,D1,E,F2,G1,I,J	P11-27	*1
12	Paper feed section	Tray 1feed roller	1	180K	4034301201		P15-34	*2
13		Tray 1 separation roller	1	180K	4658015106		P15-29	*2
14		Multi bypass tray feed roller	1	180K	A0XX594700		P19-9	*3
15		Multi bypass tray separation roller	1	180K	4658015106		P19-21	*3
16	Conveyance section	Transfer roller unit	1	180K	A8A1R70700		P8-27	
17		Paper dust remover	1	120K	1139325372		P8-9	

*1: Actual durable cycle (PM counter value)

*2: Replace those parts at the same time.

*3: Replace those parts at the same time.

DESTINATION

Destination No.		Destinations		V	Hz	Model No.
A	A1	JAPAN				
	A2	JAPAN				
B		USA, CANADA				
C		EUROPEAN TYPE		220-240	50/60	A8A3021
D	D1	S.E ASIA TYPE	THAILAND, SRI LANKA, SINGAPORE, MALAYSIA, HONG KONG, PAKISTAN, INDIA, BANGLADESH, INDONESIA	220-240	50/60	A8A3041
	D3	OCEANIA TYPE	AUSTRALIA, NEW ZEALAND			
E		PHILIPPINES		220-240	50/60	A8A3041
F	F1	SAUDI ARABIA				
	F2	SAUDI ARABIA		220-240	50/60	A8A3041
G	G1	C.S AMERICA		220-240	50/60	A8A3041
	G2	C.S AMERICA		120	60	A8A3011
H		TAIWAN				
I		JORDAN, LEBANON, SYRIA, SOUTH AFRICA, IRAQ, IRAN, N.YEMEN, CAMEROON, UAE, BAHRAIN, OMAN, QATAR, KUWAIT, KENYA, TUNISIA, IVORY COAST, MOROCCO		220-240	50/60	A8A3021/ A8A3041
J		CHINA		220-240	50/60	A8A3081
K		KOREA				