

KONICA MINOLTA

PARTS GUIDE MANUAL

APRIL 2013

bizhub 3300P
A63P

INFORMATION FOR PARTS GUIDE MANUAL

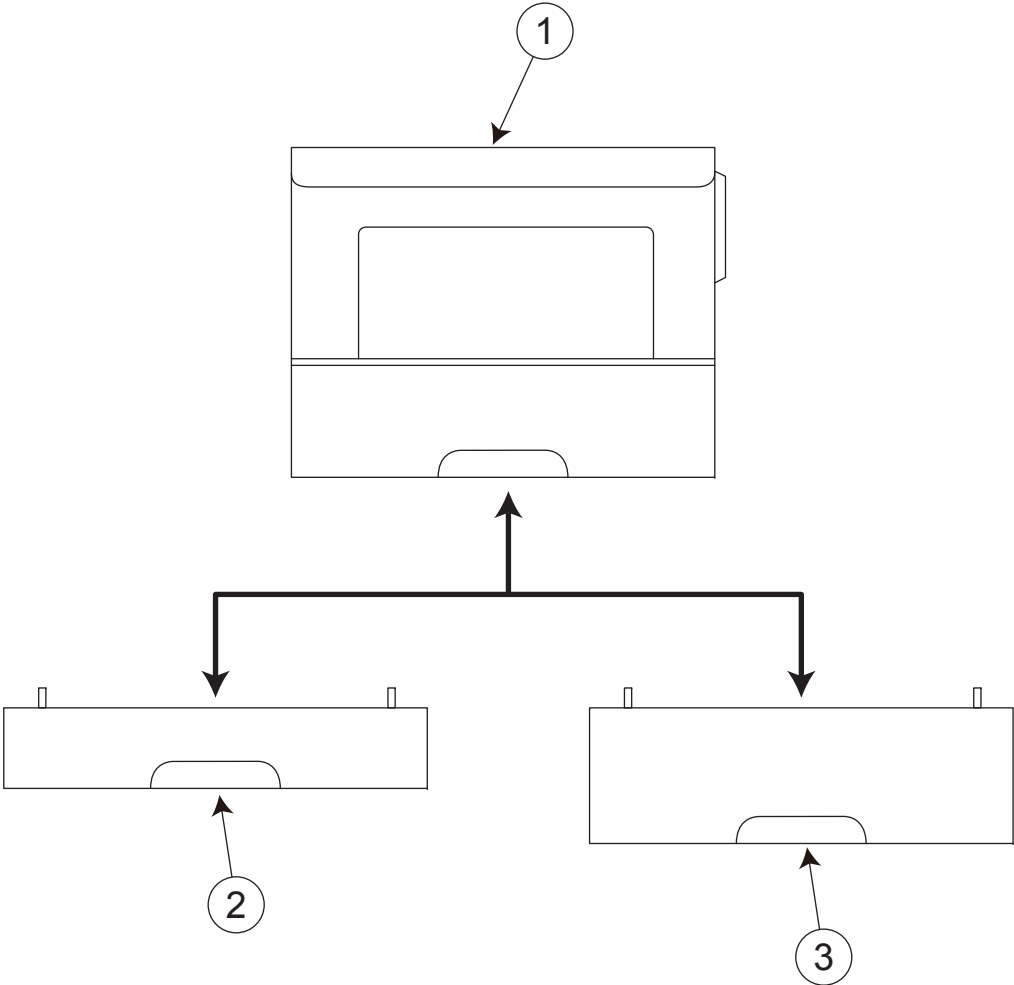
To find correct Parts No., refer to the "HOW TO MAKE THE BEST USE OF THIS MANUAL" in the following page.

HOW TO MAKE THE BEST USE OF THIS MANUAL

- 1 When you order, please check the proper figures beforehand that are on Our Parts Guide Manual, and order with the appropriate figures.
- 2 For screws, Nuts, Washers, retaining rings and Pins which are used in this model, one letter is shown on the Standard parts column of Parts list and exploded diagrams.
- 3 In order to maintain safety of the product, some specific parts composed of this product are set up as "essential safety parts".
- 4 The assigned parts number for the "essential safety parts" is indicated as "SP00-****".
When replacing these parts, follow precautions for disassembling and installing which are listed in the Service Manual.
Do not use any parts that are not set up as
- 5 ♣ means that there are exclusive parts for each destination.
Please check the appropriate destination when you order.
- 6 Revision Mark
Marked as ▲ on the illustration shows that the revision has been made.
- 7 All rights reserved. (any reprints or quotations are prohibited.)
Use of this parts guide manual should be strictly supervised to avoid disclosure of confidential information.

01/22/2013

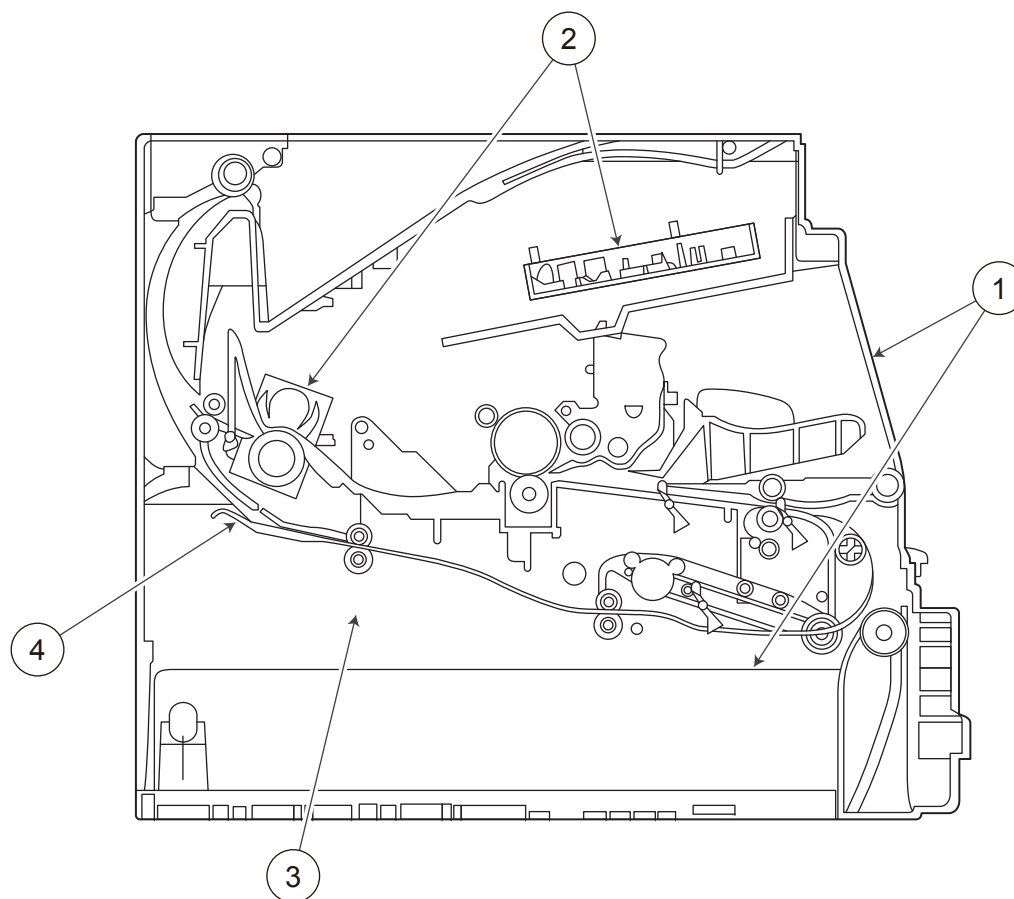
SYSTEM OUTLINE



GENERAL CONTENTS

No.	Description	Model
1	PRINTER B/W	bizhub 3300P
2	PAPER FEEDER	PF-P11
3	PAPER FEEDER	PF-P12

DIAGRAMS OF MAIN PARTS SECTION



bizhub 3300P

CONTENTS

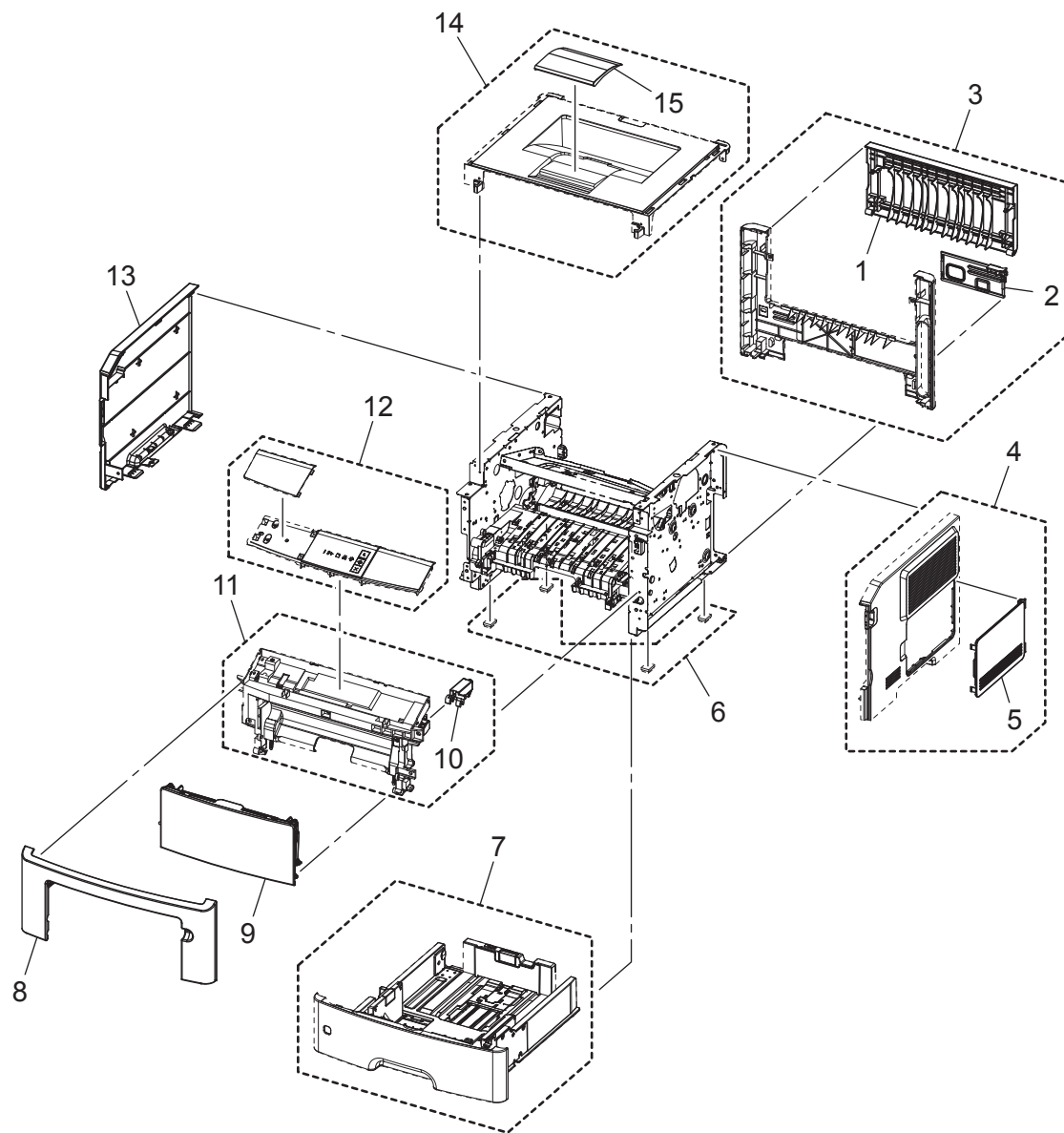
No.	DESCRIPTION	PAGE No.
1	EXTERNAL PARTS/CASSETTE SECTION	P1
2	PH/FUSING SECTION	P2
3	MAIN POWER SUPPLY SECTION	P3
4	REVERSAL/MAIN DRIVE SECTION	P4
5	ACCESSORY PARTS	P5

INDEX

Parts No.	Page No.
A63NPP0800	1-11
A63NPP0C00	2-8
A63NPP0D00	2-7
A63NPP0E00	2-6
A63NPP0F00	2-4
A63NPP0H00	2-3
A63NPP0K00	2-10
A63NPP0M00	2-2
A63NPP0N00	2-2
A63NPP0P00	3-1
A63NPP0Q00	3-3
A63NPP0T00	3-6
A63NPP0Y00	4-1
A63NPP1100	4-8
A63NPP1200	4-9
A63NPP1300	4-10
A63NPP1400	4-11
A63NPP1500	4-5
A63NPP1700	4-15
A63NPP1900	4-13
A63NPP1F00	5-1
A63NPP1G00	1-6
A63NPP1H00	1-10
A63NPP1N00	4-4
A63NPP1P00	5-2
A63NPP1R00	5-2
A63NPP1S00	5-2
A63NPP1T00	5-2
A63NPP1U00	5-2
A63NPP1V00	5-2
A63NPP1W00	5-2
A63NPP1X00	5-2
A63NPP1Y00	5-2
A63NPP2000	5-2
A63NPP2100	5-2
A63NPP2200	5-2
A63NPP2300	5-2
A63NPP2400	1-15
A63NPP2600	1-1
A63NPP2800	1-2

Parts No.	Page No.
A63NPP2900	1-5
A63NPP2A00	4-2
A63NPP2B00	4-14
A63PPP0000	1-7
A63PPP0100	1-9
A63PPP0200	1-12
A63PPP0300	1-14
A63PPP0400	1-3
A63PPP0500	1-13
A63PPP0600	1-4
A63PPP0800	2-5
A63PPP0900	2-9
A63PPP0A00	2-1
A63PPP0B00	3-2
A63PPP0C00	3-5
A63PPP0D00	3-4
A63PPP0E00	3-4
A63PPP0F00	4-3
A63PPP0G00	4-6
A63PPP0H00	4-7
A63PPP0K00	4-12
A63PPP0M00	1-8

EXTERNAL PARTS/CASSETTE SECTION

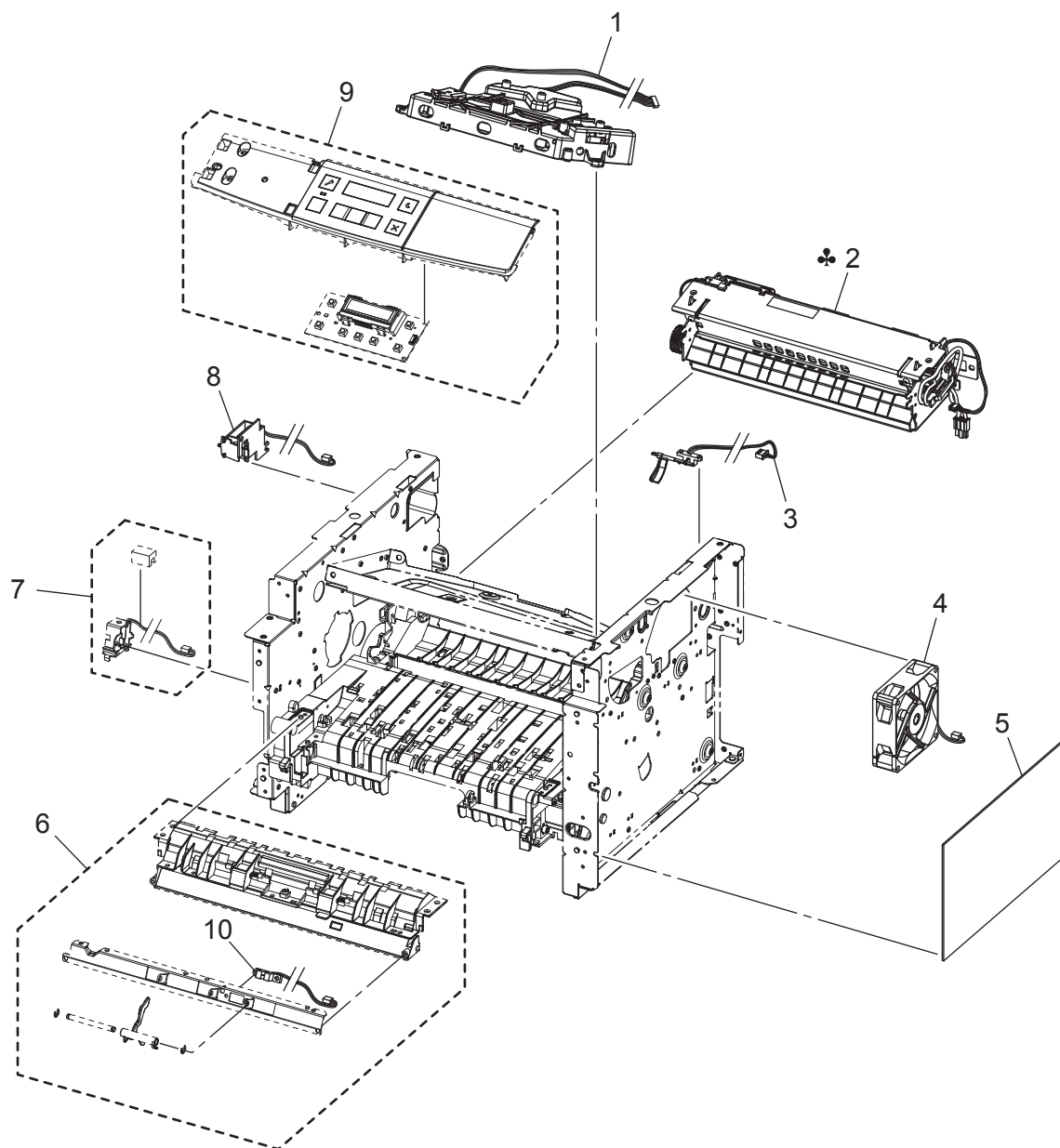


EXTERNAL PARTS/CASSETTE SECTION

Key	Part No.	Description	Destinations	Class	QTY	Standard parts
1	A63NPP2600	Cover		D	1	
2	A63NPP2800	Cover		D	1	
3	A63PPP0400	Cover/Rear Assy		C	1	
4	A63PPP0600	Cover/Right Assy		C	1	
5	A63NPP2900	Cover		D	1	
6	A63NPP1G00	Rubber Foot Set(4 pcs/set)		D	1	
7	A63PPP0000	Cassette Assy/250 Sheet		B	1	
8	A63PPP0M00	Cover/Front		C	1	
9	A63PPP0100	Tray		C	1	
10	A63NPP1H00	Holder		C	1	
11	A63NPP0800	Front Guide Assy		D	1	
12	A63PPP0200	Panel Cover/Button Assy		D	1	
13	A63PPP0500	Cover/Left		C	1	
14	A63PPP0300	Cover/Upper Assy		C	1	
15	A63NPP2400	Tray		C	1	

PH/FUSING SECTION

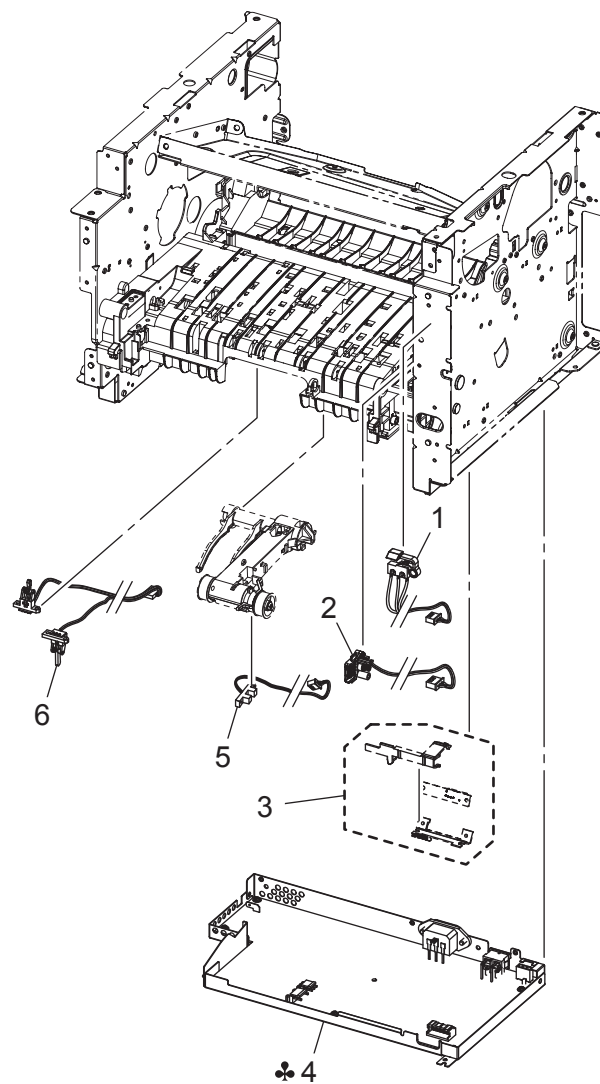
P 2



PH/FUSING SECTION

Key	Part No.	Description	Destinations	Class	QTY	Standard parts
1	A63PPP0A00	Print Head Assy		I	1	
2	A63NPP0N00	Fusing Unit 110V	B,G2,H	B	1	
2	A63NPP0M00	Fusing Unit 220V	C,D1,D3,F2,G1,G2,I,J	B	1	
3	A63NPP0H00	Sensor		I	1	
4	A63NPP0F00	Fun motor		C	1	
5	A63PPP0800	PWB assembly		I	1	
6	A63NPP0E00	Guide Assy		D	1	
7	A63NPP0D00	Solenoid Kit		C	1	
8	A63NPP0C00	Solenoid		C	1	
9	A63PPP0900	Panel assembly		I	1	
10	A63NPP0K00	Sensor		I	1	

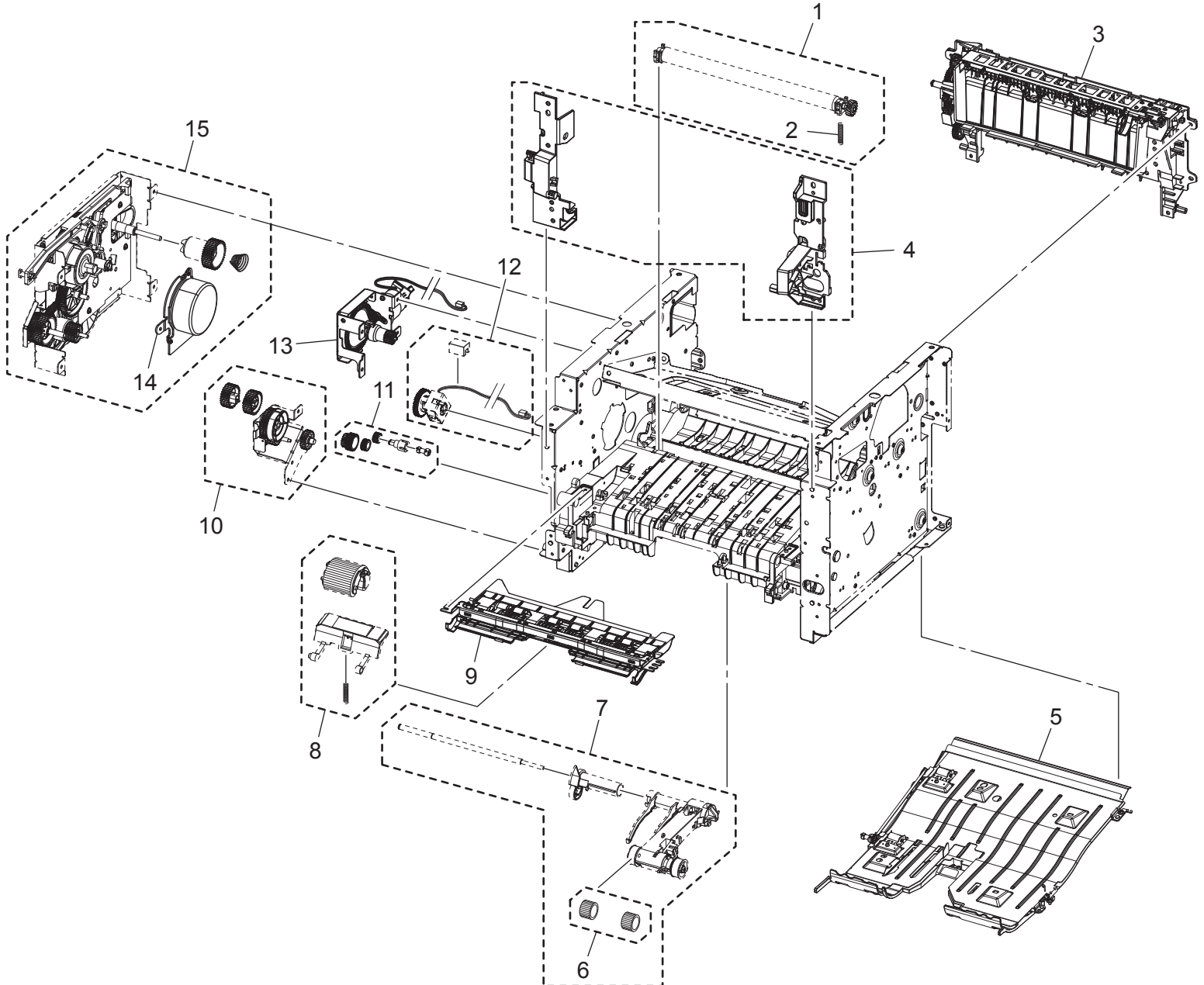
MAIN POWER SUPPLY SECTION



MAIN POWER SUPPLY SECTION

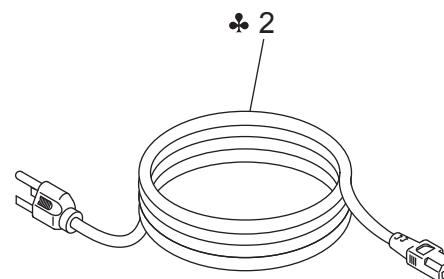
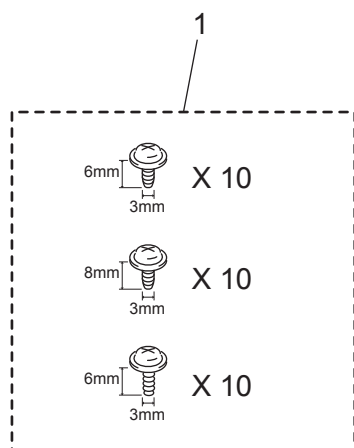
Key	Part No.	Description	Destinations	Class	QTY	Standard parts
1	A63NPP0P00	Sensor		I	1	
2	A63PPP0B00	Contact/Cartridge		C	1	
3	A63NPP0Q00	Sensor		I	1	
4	A63PPP0E00	Power supply Assy 100V	B,G2,H	I	1	
4	A63PPP0D00	Power supply Assy 220V	C,D1,D3,F2,G1,G2,I,J	I	1	
5	A63PPP0C00	Sensor		I	1	
6	A63NPP0T00	Sensor		I	1	

REVERSAL/MAIN DRIVE SECTION



REVERSAL/MAIN DRIVE SECTION

Key	Part No.	Description	Destinations	Class	QTY	Standard parts
1	A63NPP0Y00	Transfer Roller		B	1	
2	A63NPP2A00	Compressing Spring		D	1	
3	A63PPP0F00	Reverse Assy		B	1	
4	A63NPP1N00	Holder Kit		C	1	
5	A63NPP1500	Duplex Assy		C	1	
6	A63PPP0G00	Pick tire Set(2 pcs/set)		B	1	
7	A63PPP0H00	ACM Assy		C	1	
8	A63NPP1100	Paper Feed/Separation Pad Kit		B	1	
9	A63NPP1200	Guide Assy		D	1	
10	A63NPP1300	MPF Drive Assy		C	1	
11	A63NPP1400	Duplex Gear Assy		C	1	
12	A63PPP0K00	Clutch Kit		C	1	
13	A63NPP1900	Cartridge Gear Assy		C	1	
14	A63NPP2B00	Main Drive Motor		B	1	
15	A63NPP1700	Main Drive Assy		C	1	



ACCESSORY PARTS

Key	Part No.	Description	Destinations	Class	QTY	Standard parts
1	A63NPP1F00	Screw Kit		C	1	
2	A63NPP1P00	Power Cord	B, G2	D	1	
2	A63NPP1U00	Power Cord	C (Italy)	D	1	
2	A63NPP2100	Power Cord	C (Denmark)	D	1	
2	A63NPP1Y00	Power Cord	C (Switzerland)	D	1	
2	A63NPP1T00	Power Cord	C (United Kingdom)	D	1	
2	A63NPP2300	Power Cord	C (Europe and others)	D	1	
2	A63NPP1X00	Power Cord	D3	D	1	
2	A63NPP1W00	Power Cord	G1	D	1	
2	A63NPP1V00	Power Cord	I (Israel)	D	1	
2	A63NPP2000	Power Cord	I (South Africa)	D	1	
2	A63NPP2200	Power Cord	K	D	1	
2	A63NPP1S00	Power Cord	H	D	1	
2	A63NPP1R00	Power Cord	J	D	1	

MAINTENANCE LIST

● The items with no Page/Key numbers are not handled as spare parts.

No.	Section	PM Parts Description	Maintenance Cycle (K=1,000)		Parts No.	Destinations	Page/Key	Note
			QTY	Replace				
1	REVERSAL/MAIN DRIVE SEC-	ACM pick tire	1	200K	A63PPP0G00		P4-6	
2		MPF pick roller/separator pad	1	200K	A63NPP1100		P4-8	
4		Redrive Assembly	1	200K	A63PPP0F00		P4-3	
5		Transfer roll	1	200K	A63NPP0Y00		P4-1	
6		EXTERNAL PARTS/CAS-	Tray insert	1	200K	A63PPP0000		P1-7
7	PH/FUSING SECTION	Fuser assembly	1	200K	A63NPP0N00	Aera 110-127V	P2-2	
8		Fuser assembly	1	200K	A63NPP0M00	Aera 220-240V	P2-2	
9	Toner Cartridge	Toner Cartridge (TNP36)	1	10K	-			Return Program Cartridge
11		Toner Cartridge (TNP39)	1	10K	-			Standard Cartridge
13	Imaging Unit	Imaging Unit (IUP16)	1	60K	-			Return Program Cartridge
14		Imaging Unit (IUP17)	1	60K	-			Standard Cartridge

DESTINATION

Destination No.		Destinations		V	Hz	Model No.
A	A1	JAPAN				
	A2	JAPAN				
B		USA, CANADA		120	60	A63P011
C		EUROPEAN TYPE		220-240	50/60	A63P021
D	D1	S.E ASIA TYPE	THAILAND, SRI LANKA, SINGAPORE, MALAYSIA, HONG KONG, PAKISTAN, INDIA, BANGLADESH, INDONESIA	220-240	50/60	A63P041
	D3	OCEANIA TYPE	AUSTRALIA, NEW ZEALAND	220-240	50/60	A63P041
E		PHILIPPINES		220-240	50/60	A63P041
F	F1	SAUDI ARABIA				
	F2	SAUDI ARABIA		220-240	50/60	A63P041
G	G1	C.S AMERICA		220-240	50/60	A63P041
	G2	C.S AMERICA		120	60	A63P011
H		TAIWAN		110	60	A63P011
I		JORDAN, LEBANON, SYRIA, SOUTH AFRICA, IRAQ, IRAN, N.YEMEN, CAMEROON, UAE, BAHRAIN, OMAN, QATAR, KUWAIT, KENYA, TUNISIA, IVORY COAST, MOROCCO		220-240	50/60	A63P041
J		CHINA		220-240	50/60	A63P081
K		KOREA		220-240	50/60	A63P041

bizhub 3300P