

KONICA MINOLTA

# *PARTS GUIDE MANUAL*

---

*FEBRUARY 2013*

*bizhub 360*  
**36GA**

## INFORMATION FOR PARTS GUIDE MANUAL

To find correct Parts No., refer to the "HOW TO MAKE THE BEST USE OF THIS MANUAL" in the following page.

### HOW TO MAKE THE BEST USE OF THIS MANUAL

- 1 When you order, please check the proper figures beforehand that are on Our Parts Guide Manual, and order with the appropriate figures.
- 2 For screws, Nuts, Washers, retaining rings and Pins which are used in this model, one letter is shown on the Standard parts column of Parts list and exploded diagrams.
- 3 In order to maintain safety of the product, some specific parts composed of this product are set up as "essential safety parts".
- 4 The assigned parts number for the "essential safety parts" is indicated as "SP00-\*\*\*\*".  
When replacing these parts, follow precautions for disassembling and installing which are listed in the Service Manual.  
Do not use any parts that are not set up as
- 5 ♣ means that there are exclusive parts for each destination.  
Please check the appropriate destination when you order.
- 6 Revision Mark  
Marked as ▲ on the illustration shows that the revision has been made.
- 7 All rights reserved. (any reprints or quotations are prohibited.)  
Use of this parts guide manual should be strictly supervised to avoid disclosure of confidential information.

## パーツガイドマニュアルのご案内

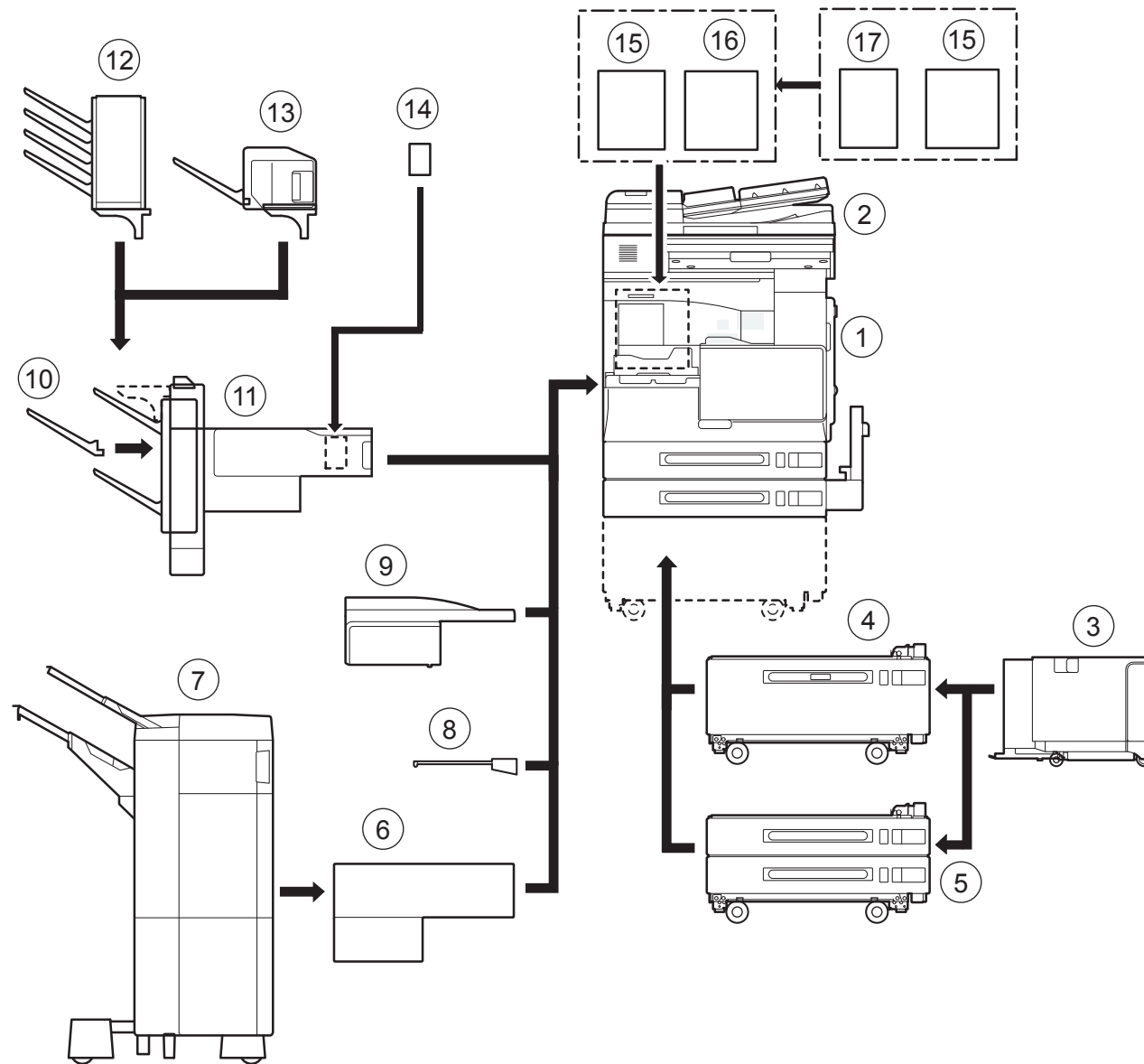
サービス部品をご発注の際には、下記に示す“パーツガイドマニュアルの活用にあたって”をご参照の上、正しい部品番号にてお願い致します。

### パーツガイドマニュアルの活用にあたって

- 1 部品発注の際には、掲載されている部品番号の桁数を確認し、掲載されている桁数で発注願います。
- 2 この製品に使用されているネジ、ナット、ワッシャー、止め輪、ピンなどは、リストの右側の Standard parts 欄に a,b,c,……で表示し、イラストにも a,b,c,……表示してあります。
- 3 製品の安全性を維持する為に、製品に使用される特定の部品を「重要保安部品」として設定しています。
- 4 重要保安部品の部品番号は、“SP00-\*\*\*\*”と記載されていますので、部品交換時は、サービスマニュアル記載の分解・組み立ての注意事項に従って作業をして下さい。  
また、指定以外の部品は一切使用しないで下さい。
- 5 本文に ♣ が表示されている部品は、仕向け地毎に専用部品がある事を意味しています。  
オーダーされる時は、仕向け地を確認して下さい。
- 6 改訂記号について  
イラスト上に ▲ 印が表示されている部分は、改訂された事を表します。
- 7 著作権所有（無断転載及び無断引用の禁止）  
本パーツガイドマニュアルについては、機密保持等その扱いには十分注意して下さい。万一取り扱いを誤った場合には、法律で処罰されることがあります。

01/15/2007

# SYSTEM OUTLINE



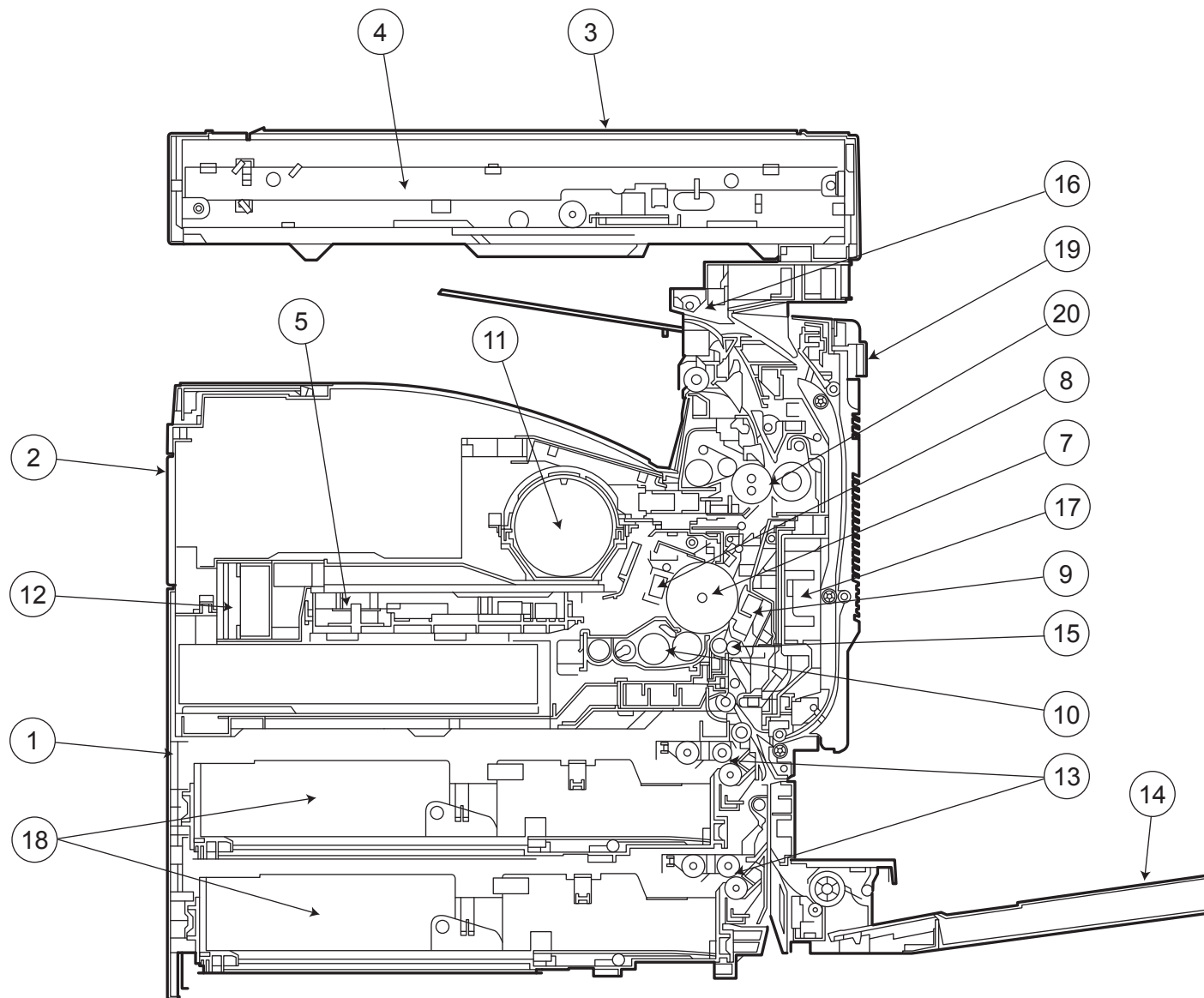
# GENERAL CONTENTS

| No. | Description     | Model         |
|-----|-----------------|---------------|
| 1   | DIGITAL MFP B/W | bizhub 360    |
| 2   | DOCUMENT FEEDER | DF-607        |
| 3   | PAPER FEEDER    | LU-201        |
| 4   | PAPER FEEDER    | PC-402        |
| 5   | PAPER FEEDER    | PC-202        |
| 6   | OTHER OPTION    | RU-502        |
| 7   | SORTER/FINISHER | FS-511        |
| 8   | STACKER         | JS-502        |
| 9   | OTHER OPTION    | OT-501        |
| 10  | OTHER OPTION    | OT-601        |
| 11  | SORTER/FINISHER | FS-508/FS-510 |
| 12  | SORTER/FINISHER | MT-501        |
| 13  | SORTER/FINISHER | SD-502        |
| 14  | PUNCH UNIT      | PU-501        |
| 15  | FAX CONTROLLER  | FK-502        |
| 16  | FAX CONTROLLER  | MK-708        |
| 17  | FAX CONTROLLER  | ML-503        |

bizhub 360



# DIAGRAMS OF MAIN PARTS SECTION



# CONTENTS

| No. | DESCRIPTION                    | 名称          | PAGE No.                            |
|-----|--------------------------------|-------------|-------------------------------------|
| 1   | MAIN FRAME                     | 骨格          | P1 P2 P3 P4                         |
| 2   | EXTERNAL PARTS                 | 外装          | P5 P6                               |
| 3   | OPERATION UNIT                 | 操作部         | P7                                  |
| 4   | OPTICS UNIT                    | 光学部         | P8 P9                               |
| 5   | WRITE UNIT                     | 書き込みユニット    | P10                                 |
| 6   | DRIVING UNIT                   | 駆動部         | P11 P12 P13 P14                     |
| 7   | DRUM CARTRIDGE                 | ドラムカートリッジ   | P15 P16 P17 P18                     |
| 8   | CHARGING UNIT                  | 帯電極         | P19                                 |
| 9   | TRANSFER SEPARATOR CORONA UNIT | 転写分離極       | P20                                 |
| 10  | DEVELOPING UNIT                | 現像ユニット      | P21 P22                             |
| 11  | TONER SUPPLY UNIT              | トナー補給部      | P23 P24 P25 P26 P27                 |
| 12  | DEVELOPING SUCTION UNIT        | 現像サクションユニット | P28                                 |
| 13  | PAPER FEED UNIT                | 給紙部         | P29 P30 P31 P32                     |
| 14  | MANUAL FEED UNIT               | 手差しユニット     | P33 P34 P35                         |
| 15  | REGISTRATION UNIT              | レジストユニット    | P36                                 |
| 16  | TURNOVER UNIT                  | 反転部         | P37 P38                             |
| 17  | CONVEYANCE UNIT                | 搬送部         | P39                                 |
| 18  | CASSETTE                       | カセット        | P40                                 |
| 19  | AUTO DUPLEX UNIT               | 自動両面ユニット    | P41 P42 P43 P44 P45 P46             |
| 20  | FIXING UNIT                    | 定着部         | P47 P48 P49 P50 P51 P52             |
| 21  | ELECTRIC PARTS                 | 電装部         | P53 P54 P55 P56                     |
| 22  | WIRING                         | 束線          | P57 P58 P59 P60 P61 P62 P63 P64 P65 |
| 23  | WIRING ACCESSORY AND JIGS      | 配線部品 治具     | P66 P67                             |
| 24  | ACCESSORY PARTS                | アクセサリパーツ    | P68                                 |

# INDEX

| Parts No. | Page No. |
|-----------|----------|
| 000V10010 | 67-7     |
| 000V10020 | 67-8     |
| 000V10030 | 67-9     |
| 000V10040 | 67-10    |
| 00Z164501 | 68-10    |
| 00Z193061 | 68-11    |
| 00Z193081 | 68-12    |
| 00Z253081 | 68-13    |
| 00Z920001 | 66-33    |
| 00Z920016 | 66-1     |
| 00Z920020 | 66-25    |
| 00Z920021 | 66-26    |
| 00Z920022 | 66-3     |
| 00Z920025 | 66-4     |
| 00Z920045 | 66-5     |
| 00Z920091 | 66-6     |
| 00Z920094 | 66-7     |
| 00Z920095 | 66-8     |
| 00Z920096 | 66-9     |
| 00Z920108 | 66-34    |
| 00Z920111 | 66-10    |
| 00Z920112 | 66-35    |
| 00Z920115 | 66-11    |
| 00Z920116 | 66-12    |
| 00Z920121 | 66-13    |
| 00Z920131 | 66-36    |
| 00Z920132 | 66-37    |
| 00Z921106 | 66-14    |
| 00Z921161 | 66-38    |
| 00Z921301 | 66-39    |
| 00Z921370 | 66-15    |
| 00Z921372 | 66-16    |
| 00Z921931 | 66-17    |
| 00Z921940 | 66-18    |
| 00Z921941 | 66-19    |
| 00Z921981 | 67-1     |
| 00Z922420 | 66-27    |
| 00Z922470 | 67-5     |
| 00Z924508 | 66-20    |
| 00Z924512 | 66-21    |

| Parts No.  | Page No. |
|------------|----------|
| 00Z924524  | 66-22    |
| 00Z925108  | 67-2     |
| 00Z926257  | 66-23    |
| 00Z930001  | 66-24    |
| 00Z930005  | 67-3     |
| 00Z930034  | 67-4     |
| 029420640  | 21-7     |
| 083020140  | 6-11     |
| 0928303301 | 44-7     |
| 0992301401 | 40-27    |
| 1052441201 | 29-22    |
| 1065308601 | 29-19    |
| 1065308601 | 31-25    |
| 1067250101 | 29-27    |
| 1067250101 | 31-22    |
| 1067250201 | 34-8     |
| 1067251301 | 14-29    |
| 1075256501 | 34-20    |
| 1134304101 | 31-10    |
| 1134304101 | 38-11    |
| 1134304101 | 43-3     |
| 1134304202 | 35-6     |
| 1139316901 | 38-2     |
| 1149345401 | 32-23    |
| 1155251801 | 14-22    |
| 1164215501 | 1-9      |
| 1164306501 | 52-21    |
| 1171132101 | 7-3      |
| 1200210502 | 37-12    |
| 1200521204 | 31-7     |
| 1274360301 | 40-8     |
| 12QV40660  | 36-8     |
| 1300332217 | 34-21    |
| 13QA10330  | 13-13    |
| 13QA76021  | 36-9     |
| 13QA85521  | 36-4     |
| 190041410  | 11-3     |
| 190041410  | 12-34    |
| 190041410  | 12-39    |
| 190041410  | 13-6     |

| Parts No.  | Page No. |
|------------|----------|
| 190041410  | 14-41    |
| 190041420  | 12-31    |
| 190041420  | 12-40    |
| 192141710  | 49-1     |
| 25AA75530  | 45-11    |
| 25HA25100  | 19-5     |
| 25HA32152  | 24-6     |
| 26NA-9092E | 10-8     |
| 26NA-9182E | 16-2     |
| 26NA-9512E | 9-20     |
| 26NA12401  | 6-10     |
| 26NA12550  | 5-8      |
| 26NA15200  | 12-5     |
| 26NA15600  | 12-3     |
| 26NA17570  | 13-9     |
| 26NA17580  | 12-18    |
| 26NA17590  | 13-10    |
| 26NA20140  | 18-6     |
| 26NA20160  | 18-5     |
| 26NA20170  | 18-8     |
| 26NA20200  | 16-1     |
| 26NA20220  | 18-13    |
| 26NA20242  | 15-22    |
| 26NA20250F | 16-8     |
| 26NA20270  | 15-15    |
| 26NA20290  | 15-21    |
| 26NA20300  | 15-19    |
| 26NA20300  | 30-23    |
| 26NA20310  | 15-18    |
| 26NA20370D | 17-26    |
| 26NA20380  | 17-4     |
| 26NA20420  | 17-3     |
| 26NA20480  | 16-7     |
| 26NA20553  | 18-11    |
| 26NA20560  | 18-15    |
| 26NA20570  | 17-2     |
| 26NA20580  | 18-4     |
| 26NA20710  | 18-7     |
| 26NA20760D | 17-24    |
| 26NA20860D | 17-17    |

| Parts No.  | Page No. |
|------------|----------|
| 26NA20870  | 17-6     |
| 26NA20920  | 17-1     |
| 26NA20950  | 16-3     |
| 26NA21070  | 17-8     |
| 26NA21160  | 18-14    |
| 26NA21280  | 17-11    |
| 26NA21340  | 15-2     |
| 26NA21360  | 15-9     |
| 26NA21360  | 22-17    |
| 26NA21380  | 15-14    |
| 26NA21400  | 15-24    |
| 26NA21420  | 15-16    |
| 26NA21430  | 15-23    |
| 26NA21440  | 15-3     |
| 26NA25170  | 19-9     |
| 26NA25180  | 19-8     |
| 26NA26080  | 20-8     |
| 26NA26230  | 20-10    |
| 26NA26250  | 20-4     |
| 26NA26260  | 20-3     |
| 26NA30090  | 22-30    |
| 26NA30211G | 22-27    |
| 26NA30360  | 22-19    |
| 26NA30450  | 21-5     |
| 26NA30470  | 21-3     |
| 26NA30490  | 21-2     |
| 26NA30630  | 22-18    |
| 26NA30650  | 22-20    |
| 26NA30660  | 22-21    |
| 26NA30700  | 22-22    |
| 26NA30720  | 21-6     |
| 26NA30730  | 22-25    |
| 26NA30750  | 22-12    |
| 26NA30770  | 22-3     |
| 26NA30850  | 22-4     |
| 26NA30860  | 22-16    |
| 26NA30870  | 12-6     |
| 26NA30930  | 22-13    |
| 26NA30940  | 22-7     |
| 26NA30950  | 22-26    |

| Parts No.  | Page No. |
|------------|----------|
| 26NA30960  | 22-23    |
| 26NA31011E | 22-10    |
| 26NA32040  | 24-14    |
| 26NA32090  | 24-25    |
| 26NA32200  | 24-23    |
| 26NA32280  | 24-21    |
| 26NA32300  | 24-27    |
| 26NA32311E | 23-14    |
| 26NA32420  | 23-16    |
| 26NA32430  | 24-28    |
| 26NA32540  | 24-22    |
| 26NA32550  | 24-24    |
| 26NA32560  | 24-9     |
| 26NA32590  | 23-1     |
| 26NA32660  | 23-10    |
| 26NA32680  | 23-3     |
| 26NA32690  | 24-29    |
| 26NA32870  | 25-5     |
| 26NA32900  | 24-26    |
| 26NA32910  | 24-16    |
| 26NA32920  | 24-17    |
| 26NA32930  | 24-15    |
| 26NA32940  | 23-2     |
| 26NA32950  | 23-15    |
| 26NA32960  | 24-7     |
| 26NA32970  | 24-13    |
| 26NA42560  | 45-9     |
| 26NA45071  | 39-6     |
| 26NA45141  | 36-11    |
| 26NA45360  | 36-13    |
| 26NA45371  | 36-10    |
| 26NA45381  | 39-25    |
| 26NA45490  | 39-5     |
| 26NA45520  | 39-3     |
| 26NA50370  | 11-9     |
| 26NA53211  | 48-15    |
| 26NA53290  | 49-7     |
| 26NA53460  | 49-4     |
| 26NA53490  | 52-10    |
| 26NA53590  | 11-20    |

| Parts No. | Page No. | Parts No.  | Page No. | Parts No.  | Page No. | Parts No.  | Page No. | Parts No.  | Page No. |
|-----------|----------|------------|----------|------------|----------|------------|----------|------------|----------|
| 26NA53590 | 12-20    | 26NA62391  | 9-11     | 26TA32640  | 23-8     | 4030200802 | 1-4      | 4030301703 | 30-7     |
| 26NA53610 | 52-9     | 26NA65280  | 4-1      | 26TA32960  | 25-8     | 4030200901 | 3-2      | 4030301703 | 32-5     |
| 26NA53620 | 47-10    | 26NA65290  | 4-2      | 26TA32970  | 25-9     | 4030201001 | 1-8      | 4030301801 | 31-6     |
| 26NA53712 | 47-12    | 26NA73251  | 20-6     | 26TA32980  | 25-7     | 4030201101 | 1-6      | 4030301902 | 31-9     |
| 26NA53720 | 47-11    | 26NA73251  | 54-3     | 26TA32990  | 25-10    | 4030201801 | 2-3      | 4030302101 | 31-36    |
| 26NA53740 | 47-7     | 26NA73732  | 10-7     | 26TA33010  | 24-18    | 4030202102 | 46-7     | 4030302201 | 31-26    |
| 26NA53770 | 47-5     | 26NA73732  | 28-9     | 26TA62521  | 9-9      | 4030202201 | 46-9     | 4030302303 | 29-15    |
| 26NA53840 | 49-6     | 26NA73732  | 55-5     | 26TA62530  | 9-10     | 4030202301 | 46-8     | 4030302505 | 30-14    |
| 26NA54030 | 48-1     | 26NA80061  | 23-11    | 26TAR70100 | 17-9     | 4030202603 | 1-10     | 4030302505 | 32-14    |
| 26NA54140 | 49-20    | 26NA82513  | 23-6     | 26TAR70200 | 22-2     | 4030202805 | 1-17     | 4030302602 | 30-11    |
| 26NA54190 | 49-21    | 26NA88041  | 21-8     | 27LA53830  | 52-8     | 4030202902 | 1-11     | 4030302702 | 30-12    |
| 26NA54230 | 47-6     | 26NA88461  | 55-7     | 27LA54190  | 52-3     | 4030203701 | 2-6      | 4030303001 | 29-18    |
| 26NA54230 | 48-3     | 26NA90311  | 59-9     | 27LA54460  | 3-13     | 4030203802 | 1-13     | 4030303001 | 31-24    |
| 26NA54240 | 49-28    | 26NAR70100 | 55-11    | 27LA73910  | 10-9     | 4030203902 | 3-3      | 4030303101 | 31-8     |
| 26NA54280 | 48-10    | 26NAR70200 | 12-2     | 27LA73910  | 28-10    | 4030204102 | 1-15     | 4030303203 | 30-2     |
| 26NA54290 | 49-3     | 26NAR70300 | 16-4     | 27LA73910  | 55-15    | 4030204202 | 1-7      | 4030303401 | 29-8     |
| 26NA54300 | 52-13    | 26NAR70400 | 15-4     | 27LA80032E | 11-1     | 4030206201 | 3-1      | 4030303401 | 31-14    |
| 26NA61150 | 8-11     | 26NAR70500 | 15-13    | 27LA80032E | 12-35    | 4030208001 | 2-7      | 4030303701 | 30-13    |
| 26NA61300 | 8-7      | 26NAR70600 | 16-5     | 27LA80032E | 13-1     | 4030208101 | 1-3      | 4030303701 | 32-30    |
| 26NA61310 | 9-17     | 26NAR70700 | 22-24    | 27LA80511  | 10-5     | 4030300103 | 29-28    | 4030303901 | 30-18    |
| 26NA61340 | 9-21     | 26NAR70800 | 21-1     | 27LA80511  | 28-3     | 4030300202 | 29-10    | 4030303901 | 32-7     |
| 26NA61370 | 9-14     | 26NAR70900 | 3-11     | 27LA80511  | 55-2     | 4030300202 | 31-16    | 4030304102 | 29-4     |
| 26NA61380 | 9-4      | 26NAR71000 | 11-8     | 27LA88031  | 54-10    | 4030300301 | 29-12    | 4030304202 | 31-5     |
| 26NA61390 | 9-23     | 26NAR71100 | 9-1      | 392045260  | 15-7     | 4030300301 | 31-21    | 4030304401 | 30-6     |
| 26NA61410 | 9-22     | 26NAR71200 | 54-5     | 4002310801 | 40-37    | 4030300401 | 29-20    | 4030304603 | 53-15    |
| 26NA61531 | 9-5      | 26TA-2350  | 17-20    | 4002311002 | 53-5     | 4030300501 | 29-7     | 4030304702 | 53-6     |
| 26NA61540 | 9-7      | 26TA-2360  | 17-21    | 4002313101 | 53-4     | 4030300501 | 31-13    | 4030304802 | 53-13    |
| 26NA61551 | 9-12     | 26TA-2371  | 17-22    | 4002730601 | 40-12    | 4030300801 | 29-11    | 4030304901 | 53-14    |
| 26NA61560 | 9-3      | 26TA20320  | 15-20    | 4011301201 | 53-1     | 4030300801 | 31-17    | 4030305101 | 14-18    |
| 26NA61590 | 9-13     | 26TA20531  | 17-19    | 4011302001 | 40-7     | 4030301004 | 31-37    | 4030305201 | 14-33    |
| 26NA61600 | 9-8      | 26TA20881  | 17-18    | 4011302101 | 40-6     | 4030301103 | 29-24    | 4030305301 | 14-31    |
| 26NA61610 | 9-6      | 26TA21460  | 17-15    | 4011585202 | 37-5     | 4030301103 | 31-27    | 4030305401 | 14-23    |
| 26NA61732 | 8-4      | 26TA21470  | 17-14    | 4011585202 | 43-12    | 4030301201 | 29-25    | 4030305501 | 14-32    |
| 26NA61751 | 9-26     | 26TA21480  | 17-13    | 4030021605 | 35-17    | 4030301201 | 31-28    | 4030305701 | 14-27    |
| 26NA61812 | 8-5      | 26TA21490  | 17-12    | 4030101102 | 6-19     | 4030301301 | 30-17    | 4030305901 | 14-30    |
| 26NA61940 | 9-2      | 26TA21510  | 18-3     | 4030101504 | 6-2      | 4030301301 | 32-8     | 4030306001 | 14-28    |
| 26NA62060 | 9-18     | 26TA21540  | 17-10    | 4030103402 | 68-3     | 4030301401 | 30-8     | 4030306301 | 31-35    |
| 26NA62130 | 5-7      | 26TA21611  | 17-7     | 4030200502 | 1-2      | 4030301401 | 32-6     | 4030306401 | 31-32    |
| 26NA62160 | 8-18     | 26TA32580  | 23-9     | 4030200601 | 1-1      | 4030301612 | 29-30    | 4030306701 | 14-20    |
| 26NA62280 | 8-6      | 26TA32610  | 23-7     | 4030200701 | 1-5      | 4030301612 | 31-11    | 4030306801 | 31-34    |

| Parts No.  | Page No. | Parts No.  | Page No. | Parts No.  | Page No. | Parts No.  | Page No. | Parts No.  | Page No. |
|------------|----------|------------|----------|------------|----------|------------|----------|------------|----------|
| 4030306901 | 31-33    | 4030320202 | 40-31    | 4030342501 | 33-7     | 4030348601 | 35-1     | 4030381101 | 38-12    |
| 4030307701 | 30-16    | 4030320301 | 40-23    | 4030342601 | 35-29    | 4030348701 | 35-24    | 4030381101 | 43-4     |
| 4030307701 | 32-9     | 4030320501 | 40-26    | 4030342701 | 34-16    | 4030348901 | 33-12    | 4030381201 | 38-13    |
| 4030307801 | 30-4     | 4030320601 | 40-25    | 4030342801 | 33-11    | 4030349201 | 33-18    | 4030381201 | 43-5     |
| 4030307801 | 32-4     | 4030320701 | 40-2     | 4030342902 | 34-30    | 4030370301 | 42-1     | 4030381301 | 38-14    |
| 4030307901 | 30-10    | 4030320802 | 53-9     | 4030343001 | 34-1     | 4030370612 | 44-1     | 4030381301 | 43-6     |
| 4030307901 | 32-3     | 4030321102 | 40-17    | 4030343207 | 34-32    | 4030370701 | 44-8     | 4030381401 | 38-15    |
| 4030308001 | 30-9     | 4030321201 | 40-10    | 4030343401 | 34-12    | 4030370801 | 44-10    | 4030381401 | 43-7     |
| 4030308104 | 53-11    | 4030321402 | 40-14    | 4030343501 | 35-14    | 4030370901 | 44-15    | 4030381701 | 38-7     |
| 4030308301 | 53-12    | 4030321501 | 40-15    | 4030343601 | 35-27    | 4030371001 | 41-10    | 4030381802 | 38-18    |
| 4030308401 | 29-2     | 4030321601 | 40-36    | 4030343701 | 35-13    | 4030371301 | 41-7     | 4030381901 | 38-17    |
| 4030308501 | 29-16    | 4030321701 | 40-21    | 4030343801 | 33-24    | 4030372501 | 41-8     | 4030382001 | 37-7     |
| 4030308601 | 29-3     | 4030321801 | 40-35    | 4030344101 | 34-18    | 4030372601 | 41-6     | 4030382101 | 37-11    |
| 4030308701 | 29-1     | 4030322101 | 40-28    | 4030344202 | 33-1     | 4030373303 | 41-19    | 4030382301 | 38-9     |
| 4030308801 | 29-14    | 4030322203 | 40-24    | 4030344401 | 34-5     | 4030373401 | 41-11    | 4030382401 | 43-11    |
| 4030309101 | 53-2     | 4030322303 | 40-1     | 4030344501 | 34-6     | 4030373501 | 42-3     | 4030382502 | 43-10    |
| 4030309201 | 31-31    | 4030322402 | 40-29    | 4030344601 | 35-8     | 4030373701 | 44-6     | 4030382601 | 38-5     |
| 4030309301 | 34-10    | 4030322402 | 53-10    | 4030344701 | 34-15    | 4030373803 | 44-5     | 4030382901 | 38-16    |
| 4030309501 | 32-16    | 4030322601 | 40-22    | 4030344801 | 33-21    | 4030373901 | 44-3     | 4030382901 | 43-8     |
| 4030310501 | 32-10    | 4030322701 | 40-4     | 4030345502 | 35-20    | 4030374001 | 44-14    | 4030383401 | 37-17    |
| 4030310701 | 32-17    | 4030322812 | 40-5     | 4030345601 | 33-8     | 4030374103 | 44-13    | 4030571701 | 51-10    |
| 4030310801 | 30-1     | 4030322902 | 40-9     | 4030345703 | 33-10    | 4030374201 | 44-12    | 4030575003 | 51-1     |
| 4030311106 | 32-1     | 4030323800 | 40-49    | 4030345902 | 35-10    | 4030374302 | 44-11    | 4030580201 | 50-10    |
| 4030311202 | 31-1     | 4030340113 | 34-17    | 4030346002 | 35-19    | 4030374401 | 41-9     | 4030580301 | 52-15    |
| 4030311402 | 32-18    | 4030340201 | 33-14    | 4030346301 | 35-16    | 4030374501 | 41-14    | 4030580503 | 50-5     |
| 4030311501 | 32-28    | 4030340401 | 33-16    | 4030346401 | 34-4     | 4030374801 | 41-3     | 4030580503 | 51-9     |
| 4030311601 | 32-19    | 4030340803 | 35-12    | 4030346501 | 34-7     | 4030374901 | 41-2     | 4030580601 | 50-4     |
| 4030311702 | 32-21    | 4030340914 | 33-3     | 4030346602 | 35-3     | 4030374901 | 44-17    | 4030580803 | 51-3     |
| 4030312101 | 32-26    | 4030341003 | 35-23    | 4030346701 | 34-23    | 4030375001 | 44-16    | 4030580902 | 51-6     |
| 4030312201 | 32-25    | 4030341103 | 35-2     | 4030347201 | 35-22    | 4030375102 | 42-8     | 4030581002 | 51-7     |
| 4030312301 | 32-24    | 4030341201 | 35-18    | 4030347302 | 35-15    | 4030375401 | 33-2     | 4030581101 | 52-16    |
| 4030312403 | 32-11    | 4030341401 | 35-7     | 4030347401 | 33-15    | 4030375401 | 42-11    | 4030581201 | 50-15    |
| 4030312501 | 30-5     | 4030341502 | 35-4     | 4030347501 | 33-19    | 4030375501 | 42-9     | 4030581601 | 50-22    |
| 4030312501 | 32-12    | 4030341602 | 34-3     | 4030347601 | 33-4     | 4030376001 | 44-2     | 4030581702 | 50-20    |
| 4030312801 | 31-4     | 4030341701 | 34-2     | 4030347701 | 33-5     | 4030380502 | 37-15    | 4030582003 | 50-23    |
| 4030312903 | 32-13    | 4030341901 | 34-35    | 4030347802 | 34-27    | 4030380602 | 38-10    | 4030582102 | 50-24    |
| 4030313002 | 32-22    | 4030342002 | 34-34    | 4030347901 | 34-9     | 4030380602 | 43-9     | 4030582203 | 50-21    |
| 4030313403 | 32-27    | 4030342201 | 34-26    | 4030348001 | 35-30    | 4030380703 | 38-19    | 4030582301 | 50-1     |
| 4030313501 | 32-20    | 4030342303 | 35-9     | 4030348101 | 33-9     | 4030380801 | 38-8     | 4030582701 | 50-34    |
| 4030320109 | 40-39    | 4030342401 | 33-26    | 4030348401 | 33-6     | 4030381001 | 37-10    | 4030582701 | 51-2     |

| Parts No.  | Page No. | Parts No.  | Page No. | Parts No.  | Page No. | Parts No.  | Page No. | Parts No.  | Page No. |
|------------|----------|------------|----------|------------|----------|------------|----------|------------|----------|
| 4030583402 | 52-19    | 4030R70500 | 14-21    | 4040620500 | 1-12     | 40LA62010  | 8-13     | 42GA53040  | 47-1     |
| 4030583601 | 50-18    | 4030R70700 | 34-31    | 4040730401 | 40-30    | 40LA62460  | 8-19     | 42GA53070  | 47-17    |
| 4030583903 | 50-2     | 4030R70800 | 34-19    | 4040R70600 | 50-29    | 40LA65260  | 10-2     | 42GA53080  | 47-18    |
| 4030584002 | 50-14    | 4034015101 | 33-20    | 4040R70700 | 50-30    | 40LA83011E | 9-15     | 42GA53600  | 47-14    |
| 4030584101 | 52-17    | 4036138103 | 7-7      | 40AA20170  | 15-11    | 40LA83513  | 8-15     | 42GA53900  | 47-13    |
| 4030584201 | 50-11    | 4036138302 | 7-9      | 40AA20230  | 15-17    | 40LA90071  | 15-5     | 42GA54060  | 47-9     |
| 4030584302 | 50-6     | 4036138501 | 7-13     | 40AA32290  | 46-10    | 40LA90071  | 61-5     | 42GA54500  | 48-20    |
| 4030584402 | 50-17    | 4036138702 | 7-11     | 40AA53470  | 47-8     | 40LA90210E | 59-10    | 42GA54510  | 48-8     |
| 4030584502 | 50-16    | 4036138801 | 7-12     | 40AA73191  | 15-6     | 40LA90220E | 61-6     | 42GA54740  | 48-9     |
| 4030584701 | 50-3     | 4036139001 | 7-10     | 40AA85011  | 54-15    | 40LA90250  | 21-4     | 42GA54820  | 50-19    |
| 4030584801 | 50-33    | 4036302501 | 40-41    | 40AA88031  | 24-19    | 40LA90250  | 61-4     | 42GA54860E | 51-13    |
| 4030585401 | 50-7     | 4037010401 | 53-3     | 40LA-2151  | 17-25    | 40LA97361  | 56-4     | 42GA54980  | 51-1     |
| 4030585501 | 50-9     | 4037090601 | 29-26    | 40LA-2210  | 15-26    | 40LAR70100 | 18-9     | 42GAN10100 | 57-1     |
| 4030585601 | 50-32    | 4037090601 | 31-3     | 40LA-2220  | 15-27    | 40LAR70200 | 15-10    | 42GAR70100 | 49-16    |
| 4030585601 | 51-15    | 4037090601 | 34-13    | 40LA17400  | 14-2     | 40LAR70300 | 18-10    | 42GAR70200 | 49-16    |
| 4030585701 | 50-8     | 4037090601 | 35-5     | 40LA17540  | 13-4     | 40LAR70400 | 19-14    | 42GAR70300 | 49-16    |
| 4030585801 | 50-31    | 4037090601 | 37-18    | 40LA17550  | 13-5     | 40LAR70500 | 28-1     | 4348620600 | 1-16     |
| 4030621400 | 40-47    | 4037090601 | 53-7     | 40LA17560  | 13-8     | 40LAR70600 | 24-12    | 4425301301 | 29-29    |
| 4030621500 | 40-48    | 4037139801 | 7-2      | 40LA20050  | 17-23    | 40LAR70700 | 52-6     | 4425301301 | 31-15    |
| 4030681002 | 65-3     | 4037320401 | 40-18    | 40LA20190  | 18-1     | 40LAR70800 | 52-11    | 4425301601 | 29-9     |
| 4030681101 | 29-5     | 4037321312 | 40-3     | 40LA20340D | 18-17    | 4128382301 | 40-20    | 4425301601 | 31-20    |
| 4030681202 | 64-1     | 4037689901 | 35-21    | 40LA20360E | 18-16    | 4131253602 | 38-4     | 4426441102 | 38-6     |
| 4030681302 | 64-2     | 404001560D | 40-42    | 40LA20940  | 15-8     | 4131253701 | 11-26    | 4470402401 | 27-17    |
| 4030681403 | 65-1     | 4040078001 | 55-6     | 40LA21670  | 16-6     | 4131300101 | 34-11    | 4470402401 | 51-4     |
| 4030681801 | 65-2     | 4040078001 | 68-5     | 40LA25011  | 19-12    | 4131300301 | 14-19    | 4497311401 | 42-5     |
| 4030682401 | 37-16    | 4040101301 | 6-17     | 40LA25020  | 19-4     | 4131300301 | 14-24    | 4497311401 | 44-19    |
| 4030730102 | 40-34    | 4040309601 | 29-23    | 40LA25040  | 19-6     | 4131300301 | 29-6     | 4497311601 | 42-6     |
| 4030730202 | 40-32    | 4040309601 | 31-29    | 40LA25050  | 19-13    | 4131300301 | 31-12    | 4497311601 | 44-20    |
| 4030730302 | 40-32    | 4040309701 | 29-17    | 40LA25070  | 19-7     | 4131300402 | 34-36    | 4498346901 | 40-38    |
| 4030730501 | 35-11    | 4040309701 | 31-23    | 40LA25160  | 19-10    | 4131300702 | 34-28    | 4498382501 | 40-19    |
| 4030730602 | 35-25    | 4040344301 | 34-14    | 40LA25190  | 19-2     | 4131305302 | 33-17    | 4498382601 | 40-33    |
| 4030730702 | 35-25    | 4040349501 | 33-22    | 40LA25200  | 19-16    | 4131353202 | 31-2     | 4498383401 | 40-40    |
| 4030730802 | 35-25    | 4040349601 | 33-23    | 40LA32270  | 24-10    | 4131412801 | 34-29    | 4581137901 | 7-5      |
| 4030730902 | 35-11    | 4040349701 | 34-33    | 40LA54430  | 48-12    | 4131462304 | 35-26    | 4581138201 | 7-6      |
| 4030731001 | 68-4     | 4040383302 | 37-4     | 40LA61140  | 8-3      | 4163529301 | 32-29    | 4581138901 | 7-8      |
| 4030731201 | 68-4     | 4040561000 | 30-19    | 40LA61161E | 8-27     | 42GA-5332  | 51-14    | 4641450402 | 38-1     |
| 4030731501 | 1-14     | 4040561000 | 32-31    | 40LA61190  | 9-29     | 42GA-5400  | 52-1     | 4657371401 | 41-13    |
| 4030734201 | 43-2     | 4040561200 | 30-20    | 40LA61210  | 9-19     | 42GA-5480  | 48-17    | 4658301201 | 40-16    |
| 4030750001 | 6-8      | 4040561200 | 32-32    | 40LA61920  | 9-28     | 42GA160800 | 6-9      | 4658304701 | 10-10    |
| 4030P00200 | 40-45    | 4040575801 | 49-27    | 40LA61930  | 9-27     | 42GA53030  | 47-2     | 4658304801 | 40-11    |

| Parts No.  | Page No. | Parts No.  | Page No. | Parts No.  | Page No. | Parts No.  | Page No. | Parts No.  | Page No. |
|------------|----------|------------|----------|------------|----------|------------|----------|------------|----------|
| 4658304901 | 40-13    | 50GA-3140  | 28-8     | 50GA10070E | 4-7      | 50GA15060  | 11-22    | 50GA17030  | 13-11    |
| 4658351301 | 30-24    | 50GA-3150  | 28-2     | 50GA10071F | 4-7      | 50GA15070F | 14-35    | 50GA17510  | 13-7     |
| 4658351701 | 34-22    | 50GA-3160  | 28-5     | 50GA10100  | 2-10     | 50GA15091  | 14-40    | 50GA17520  | 13-3     |
| 466076020  | 11-14    | 50GA-3190  | 28-7     | 50GA10110  | 2-12     | 50GA15181E | 12-41    | 50GA17530  | 13-12    |
| 466076020  | 12-7     | 50GA-3222  | 23-12    | 50GA10121  | 2-14     | 50GA15182F | 12-41    | 50GA17601E | 13-17    |
| 466076020  | 36-12    | 50GA-3230  | 23-13    | 50GA10130  | 2-16     | 50GA15220E | 11-23    | 50GA18111G | 14-34    |
| 466078010  | 22-5     | 50GA-3321  | 25-1     | 50GA10140  | 2-19     | 50GA15221F | 11-23    | 50GA18220D | 14-36    |
| 466078010  | 49-2     | 50GA-3330  | 25-6     | 50GA10150  | 2-9      | 50GA15410  | 11-5     | 50GA18241E | 14-37    |
| 4661310601 | 42-12    | 50GA-3340  | 25-11    | 50GA10160  | 2-18     | 50GA15450  | 11-7     | 50GA18410  | 14-5     |
| 4661315001 | 42-13    | 50GA-3342  | 25-11    | 50GA10180  | 2-5      | 50GA15470  | 11-25    | 50GA18420  | 14-10    |
| 4661315501 | 42-14    | 50GA-3360  | 27-8     | 50GA10190  | 2-4      | 50GA15471E | 11-25    | 50GA18430  | 14-11    |
| 4687328101 | 33-27    | 50GA-3380  | 26-4     | 50GA10210  | 2-11     | 50GA15480  | 12-8     | 50GA18510  | 14-1     |
| 50GA-1220  | 6-7      | 50GA-3801  | 36-1     | 50GA10220  | 2-15     | 50GA15500  | 11-2     | 50GA18523I | 14-8     |
| 50GA-1340  | 6-15     | 50GA-3820  | 36-2     | 50GA10230D | 4-8      | 50GA15510  | 12-4     | 50GA18532G | 14-4     |
| 50GA-1530  | 12-21    | 50GA-4001  | 31-38    | 50GA10240  | 2-13     | 50GA15520  | 11-4     | 50GA18542G | 14-3     |
| 50GA-1540  | 12-19    | 50GA-4020  | 31-39    | 50GA10260  | 68-1     | 50GA15530  | 11-16    | 50GA18552G | 14-6     |
| 50GA-1550  | 12-1     | 50GA-4200  | 33-25    | 50GA10290  | 68-2     | 50GA15540  | 11-17    | 50GA18560  | 11-10    |
| 50GA-1571  | 11-21    | 50GA-4500  | 39-24    | 50GA10300  | 2-17     | 50GA15550  | 12-11    | 50GA18570  | 11-11    |
| 50GA-1591  | 12-36    | 50GA-4520  | 39-22    | 50GA10310  | 55-10    | 50GA15560  | 12-13    | 50GA18580E | 11-12    |
| 50GA-1601E | 12-47    | 50GA-5130  | 45-3     | 50GA12012G | 6-14     | 50GA15570  | 12-16    | 50GA18592G | 14-7     |
| 50GA-1641F | 12-38    | 50GA-5190  | 41-21    | 50GA12030  | 6-1      | 50GA15590  | 12-14    | 50GA20070  | 18-2     |
| 50GA-1650E | 12-44    | 50GA-5200  | 41-16    | 50GA12040  | 5-2      | 50GA15600  | 12-15    | 50GA20350E | 15-1     |
| 50GA-1680E | 12-45    | 50GA-5210  | 42-17    | 50GA12050E | 6-3      | 50GA15610E | 11-18    | 50GA250100 | 12-37    |
| 50GA-1692  | 14-16    | 50GA-5332  | 51-14    | 50GA12071  | 6-16     | 50GA15620  | 12-9     | 50GA25060  | 19-11    |
| 50GA-1710  | 13-15    | 50GA-5430  | 49-24    | 50GA12210  | 5-3      | 50GA15630  | 12-10    | 50GA25090  | 19-15    |
| 50GA-1720  | 13-14    | 50GA-5440  | 48-6     | 50GA12231E | 5-9      | 50GA15640  | 12-12    | 50GA26040  | 20-12    |
| 50GA-1730E | 13-16    | 50GA-5461  | 49-15    | 50GA12240F | 5-1      | 50GA15650  | 11-13    | 50GA26060E | 20-2     |
| 50GA-1760  | 14-25    | 50GA-5480  | 48-17    | 50GA12250  | 5-10     | 50GA15660  | 11-19    | 50GA26070F | 20-11    |
| 50GA-1830  | 11-15    | 50GA-5500  | 3-14     | 50GA12340  | 6-6      | 50GA16050  | 12-46    | 50GA26191E | 20-7     |
| 50GA-1861G | 14-38    | 50GA-5560  | 52-12    | 50GA13070F | 5-5      | 50GA16100  | 12-27    | 50GA30140  | 22-8     |
| 50GA-1890  | 11-24    | 50GA-6261  | 8-22     | 50GA13110  | 6-13     | 50GA16110  | 12-26    | 50GA30150  | 22-6     |
| 50GA-2050  | 17-16    | 50GA-6270  | 8-1      | 50GA13120  | 6-4      | 50GA16120  | 12-25    | 50GA30170  | 22-15    |
| 50GA-2170  | 17-5     | 50GA-7510  | 54-2     | 50GA13120  | 68-6     | 50GA16130  | 12-24    | 50GA30180  | 22-14    |
| 50GA-2180  | 15-12    | 50GA-9020E | 56-1     | 50GA13130E | 5-4      | 50GA16140E | 12-29    | 50GA30710  | 21-11    |
| 50GA-2610  | 20-13    | 50GA-9050  | 8-16     | 50GA13140  | 6-18     | 50GA16160  | 12-32    | 50GA30740  | 21-9     |
| 50GA-2620  | 20-5     | 50GA-9130  | 39-1     | 50GA13190E | 6-12     | 50GA16170  | 12-33    | 50GA31570  | 21-10    |
| 50GA-3040  | 22-11    | 50GA-9304O | 56-2     | 50GA133000 | 54-19    | 50GA16180F | 12-30    | 50GA31600  | 22-29    |
| 50GA-3070E | 22-31    | 50GA10031F | 4-12     | 50GA133100 | 54-20    | 50GA16191  | 12-23    | 50GA31610  | 22-28    |
| 50GA-3110  | 28-6     | 50GA10060  | 4-9      | 50GA15030  | 12-42    | 50GA16200E | 12-28    | 50GA32080  | 24-20    |
| 50GA-3130  | 28-4     | 50GA10061E | 4-9      | 50GA15040E | 14-39    | 50GA16401E | 14-26    | 50GA32102I | 26-2     |

| Parts No.  | Page No. | Parts No.  | Page No. | Parts No.  | Page No. | Parts No.  | Page No. | Parts No.  | Page No. |
|------------|----------|------------|----------|------------|----------|------------|----------|------------|----------|
| 50GA32111F | 27-1     | 50GA38581F | 36-24    | 50GA45720  | 45-21    | 50GA50400  | 45-8     | 50GA54530  | 48-5     |
| 50GA32230  | 27-4     | 50GA38610  | 36-21    | 50GA45730  | 39-15    | 50GA50410  | 44-22    | 50GA54540  | 47-16    |
| 50GA32510  | 24-8     | 50GA38650E | 36-7     | 50GA45740  | 39-14    | 50GA50430  | 45-19    | 50GA54600  | 52-5     |
| 50GA32520  | 24-2     | 50GA38670E | 36-23    | 50GA45750  | 39-13    | 50GA50450  | 46-1     | 50GA54611  | 50-28    |
| 50GA32530  | 24-5     | 50GA38680E | 36-22    | 50GA50010  | 42-4     | 50GA50470E | 45-2     | 50GA54620  | 50-26    |
| 50GA32700  | 24-4     | 50GA38691F | 36-18    | 50GA50010  | 44-18    | 50GA50480  | 45-6     | 50GA54630  | 50-27    |
| 50GA32710  | 23-5     | 50GA38790  | 36-20    | 50GA50020  | 45-5     | 50GA50490  | 45-16    | 50GA54650  | 4-3      |
| 50GA32720  | 23-4     | 50GA40010  | 30-3     | 50GA50030  | 45-15    | 50GA50510  | 45-4     | 50GA54660  | 4-6      |
| 50GA32822F | 25-15    | 50GA40020  | 30-22    | 50GA50041F | 46-3     | 50GA50530  | 45-1     | 50GA54670  | 4-10     |
| 50GA32851  | 25-12    | 50GA40030  | 30-21    | 50GA50050  | 46-6     | 50GA50550  | 42-16    | 50GA54680  | 4-5      |
| 50GA33020  | 27-14    | 50GA40050  | 31-18    | 50GA50060  | 45-10    | 50GA50560E | 45-18    | 50GA54690  | 49-10    |
| 50GA33030  | 27-10    | 50GA400800 | 40-43    | 50GA50070  | 45-13    | 50GA50570  | 42-15    | 50GA54700  | 49-9     |
| 50GA33040  | 26-7     | 50GA400900 | 40-44    | 50GA50080  | 45-12    | 50GA505800 | 41-15    | 50GA54710  | 52-20    |
| 50GA33050E | 27-16    | 50GA430700 | 24-29    | 50GA50090  | 46-14    | 50GA506100 | 41-18    | 50GA54721  | 52-18    |
| 50GA33060E | 26-5     | 50GA44020  | 37-21    | 50GA50100  | 45-17    | 50GA506200 | 46-5     | 50GA54731E | 49-11    |
| 50GA33071  | 27-12    | 50GA44030  | 37-8     | 50GA50110  | 45-14    | 50GA53030  | 47-2     | 50GA54740  | 48-9     |
| 50GA33080E | 26-1     | 50GA44041  | 37-1     | 50GA50120  | 41-22    | 50GA53040  | 47-1     | 50GA54810  | 50-25    |
| 50GA33091E | 26-6     | 50GA44050  | 37-3     | 50GA50140  | 46-13    | 50GA53070  | 47-17    | 50GA54820  | 50-19    |
| 50GA33100  | 25-14    | 50GA44060  | 37-2     | 50GA50150  | 46-4     | 50GA53080  | 47-18    | 50GA54830D | 49-22    |
| 50GA33110  | 25-13    | 50GA44070  | 37-20    | 50GA50160  | 41-4     | 50GA53300D | 49-25    | 50GA54840  | 49-23    |
| 50GA33120  | 25-4     | 50GA44100E | 37-22    | 50GA50170  | 41-12    | 50GA53360  | 48-18    | 50GA54850  | 49-14    |
| 50GA33130  | 27-7     | 50GA44110  | 37-9     | 50GA50190  | 2-2      | 50GA53430  | 52-7     | 50GA54860E | 51-13    |
| 50GA33140  | 27-15    | 50GA45080  | 39-29    | 50GA50190  | 3-6      | 50GA53470  | 52-14    | 50GA54870  | 50-13    |
| 50GA33161E | 27-9     | 50GA45090  | 39-26    | 50GA50200  | 3-7      | 50GA53510  | 52-4     | 50GA54880  | 52-2     |
| 50GA33170E | 27-3     | 50GA45210D | 39-27    | 50GA50210  | 3-9      | 50GA53590  | 47-15    | 50GA54920  | 50-12    |
| 50GA33182  | 26-3     | 50GA45221  | 39-10    | 50GA50220  | 2-1      | 50GA53600  | 47-14    | 50GA54931E | 49-12    |
| 50GA33190  | 26-8     | 50GA45270  | 39-17    | 50GA50220  | 3-5      | 50GA53651E | 48-16    | 50GA54940  | 48-11    |
| 50GA33210  | 26-10    | 50GA45280  | 39-28    | 50GA50230  | 3-10     | 50GA53660  | 3-12     | 50GA54950  | 51-8     |
| 50GA33220  | 24-11    | 50GA45311  | 39-11    | 50GA50240  | 3-8      | 50GA53780  | 48-14    | 50GA61110  | 8-24     |
| 50GA33230E | 24-3     | 50GA45320  | 39-8     | 50GA50270  | 46-11    | 50GA53890  | 47-19    | 50GA61120  | 8-28     |
| 50GA33231F | 24-3     | 50GA45330  | 39-9     | 50GA50280  | 46-12    | 50GA53900  | 47-13    | 50GA61200  | 9-24     |
| 50GA33240  | 27-11    | 50GA45351  | 39-7     | 50GA50290F | 42-2     | 50GA54040  | 49-8     | 50GA61220  | 9-16     |
| 50GA33250  | 27-6     | 50GA45390  | 39-19    | 50GA50300E | 42-10    | 50GA54050  | 48-13    | 50GA61820  | 5-6      |
| 50GA33260  | 25-2     | 50GA45530  | 39-4     | 50GA50310  | 41-1     | 50GA54060  | 47-9     | 50GA62110  | 8-20     |
| 50GA33320  | 26-11    | 50GA45580  | 39-18    | 50GA50330  | 41-20    | 50GA54170  | 49-26    | 50GA62120  | 8-21     |
| 50GA33330  | 27-13    | 50GA45590  | 39-12    | 50GA50350  | 42-7     | 50GA54290  | 49-5     | 50GA62140  | 8-25     |
| 50GA38130  | 36-19    | 50GA45650  | 39-16    | 50GA50360  | 43-1     | 50GA54420  | 48-19    | 50GA62510E | 8-26     |
| 50GA38480  | 36-6     | 50GA45691E | 12-22    | 50GA50370  | 41-5     | 50GA54500  | 48-20    | 50GA62520  | 8-32     |
| 50GA38490  | 36-5     | 50GA45700  | 45-20    | 50GA50380  | 44-21    | 50GA54510  | 48-8     | 50GA62530  | 8-31     |
| 50GA38541F | 36-3     | 50GA45710  | 39-2     | 50GA50390  | 3-4      | 50GA54520  | 48-4     | 50GA62540  | 8-29     |



| Parts No.  | Page No. |
|------------|----------|
| 50GA62570  | 8-30     |
| 50GA627101 | 53-16    |
| 50GA70600  | 7-14     |
| 50GA70800  | 7-15     |
| 50GA70990  | 7-4      |
| 50GA722711 | 51-11    |
| 50GA722800 | 51-12    |
| 50GA729600 | 49-13    |
| 50GA73330  | 56-5     |
| 50GA73340  | 56-6     |
| 50GA73371  | 55-3     |
| 50GA73381  | 55-1     |
| 50GA73390  | 10-3     |
| 50GA73410  | 54-8     |
| 50GA73420  | 54-4     |
| 50GA73430  | 54-18    |
| 50GA73440  | 55-13    |
| 50GA73451E | 56-7     |
| 50GA73460E | 55-8     |
| 50GA73470  | 54-9     |
| 50GA73482E | 54-11    |
| 50GA73500  | 54-16    |
| 50GA73510  | 54-17    |
| 50GA73540  | 56-8     |
| 50GA73550  | 55-14    |
| 50GA73560  | 56-9     |
| 50GA73570E | 56-10    |
| 50GA73590  | 54-14    |
| 50GA73740  | 56-11    |
| 50GA73761  | 54-13    |
| 50GA73770  | 56-12    |
| 50GA73790E | 10-6     |
| 50GA73800  | 54-1     |
| 50GA73910  | 10-4     |
| 50GA73910  | 55-4     |
| 50GA80020  | 8-17     |
| 50GA80510  | 4-4      |
| 50GA80520  | 55-9     |
| 50GA82020  | 31-19    |
| 50GA82020  | 36-17    |

| Parts No.  | Page No. |
|------------|----------|
| 50GA82030  | 44-9     |
| 50GA84010  | 54-7     |
| 50GA84510  | 54-6     |
| 50GA860100 | 38-3     |
| 50GA87030F | 7-1      |
| 50GA90020  | 63-1     |
| 50GA90030  | 60-1     |
| 50GA90040  | 58-1     |
| 50GA90051  | 48-2     |
| 50GA90051  | 58-2     |
| 50GA90060  | 27-5     |
| 50GA90060  | 62-1     |
| 50GA90080  | 62-2     |
| 50GA90090  | 62-3     |
| 50GA90110E | 58-3     |
| 50GA90120  | 58-4     |
| 50GA90130  | 58-5     |
| 50GA90140  | 58-6     |
| 50GA90150  | 63-2     |
| 50GA90160  | 58-7     |
| 50GA90171  | 63-3     |
| 50GA90190  | 58-8     |
| 50GA90200  | 62-5     |
| 50GA90240  | 58-9     |
| 50GA90260  | 59-1     |
| 50GA90270  | 59-2     |
| 50GA90290  | 62-4     |
| 50GA90300  | 61-7     |
| 50GA90310  | 59-3     |
| 50GA90320E | 59-4     |
| 50GA90330  | 61-1     |
| 50GA90340  | 61-2     |
| 50GA90350  | 61-3     |
| 50GA90370  | 59-5     |
| 50GA90380  | 59-6     |
| 50GA90390  | 59-7     |
| 50GA90420  | 8-10     |
| 50GA90420  | 59-8     |
| 50GA90500  | 60-2     |
| 50GA97040  | 6-5      |

| Parts No.  | Page No. |
|------------|----------|
| 50GA97180  | 6-20     |
| 50GA97460  | 46-2     |
| 50GA97460  | 49-18    |
| 50GA97470E | 49-17    |
| 50GA97480E | 49-19    |
| 50GA97490E | 36-15    |
| 50GA97951E | 15-28    |
| 50GAM32A00 | 47-3     |
| 50GAM33A00 | 47-4     |
| 50GAR70200 | 15-25    |
| 50GAR70300 | 18-12    |
| 50GAR70400 | 22-1     |
| 50GAR70600 | 52-1     |
| 50GAR71000 | 20-1     |
| 50GAR71100 | 24-1     |
| 50GAR71300 | 19-3     |
| 50GAR71400 | 19-1     |
| 50GAR71500 | 8-9      |
| 50GAR71600 | 10-1     |
| 50GE-3380  | 26-4     |
| 50GE-4200  | 33-25    |
| 50GE83021F | 47-3     |
| 50GE83031F | 47-4     |
| 50GE87030F | 7-1      |
| 50GF-3380  | 26-4     |
| 50GF-4200  | 33-25    |
| 50GF83021F | 47-3     |
| 50GF83031F | 47-4     |
| 50GF84511  | 54-6     |
| 50GF87030F | 7-1      |
| 50GF97180  | 6-20     |
| 56AA17830  | 20-9     |
| 56AA85511  | 8-12     |
| 56AA85531  | 8-2      |
| 56QA75070  | 9-25     |
| 56RER70100 | 5-11     |
| 56UA12770  | 68-7     |
| 56UA97920  | 8-23     |
| 56UA97920  | 22-9     |
| 56UA97920  | 39-23    |

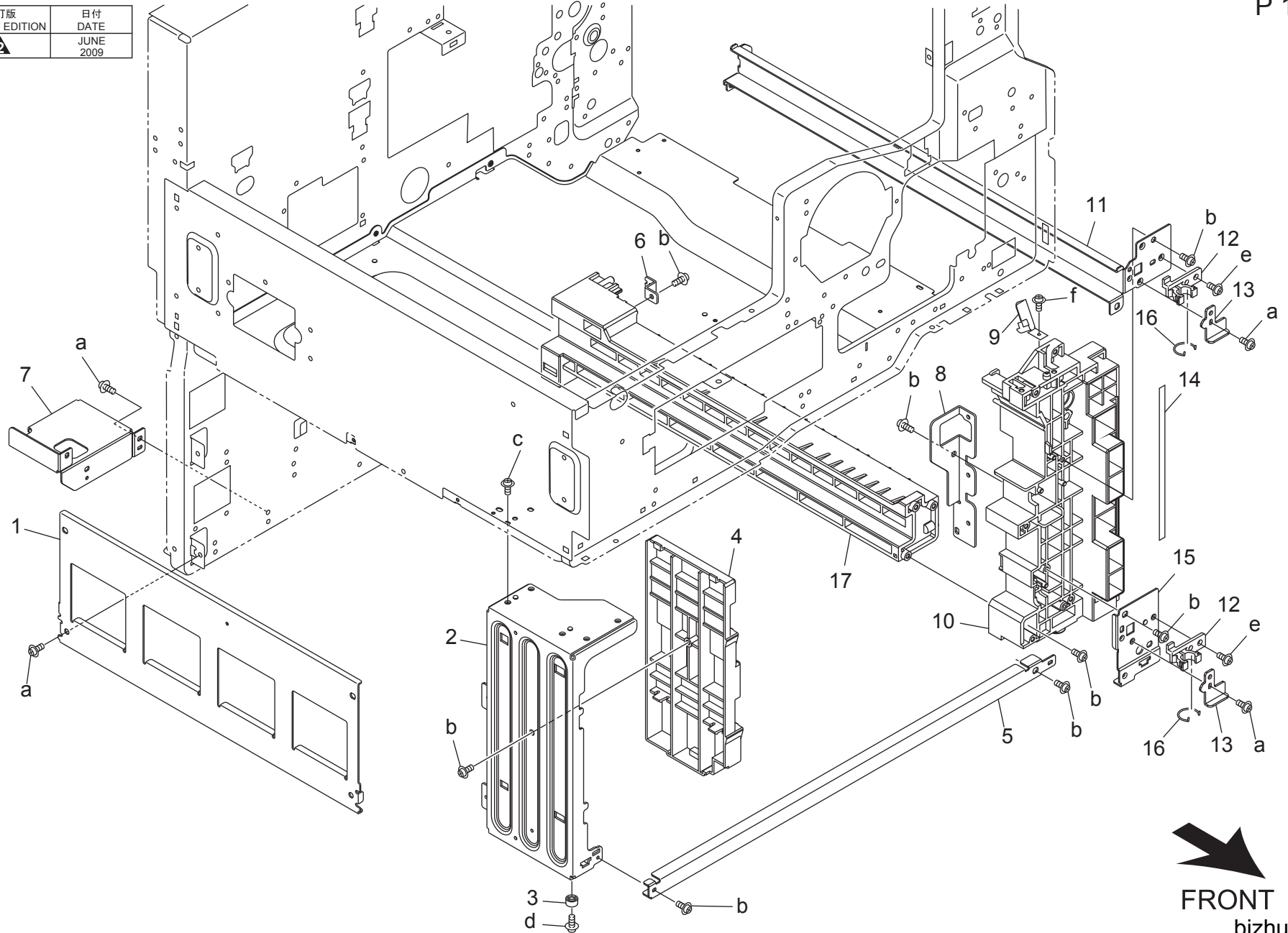
| Parts No.  | Page No. |
|------------|----------|
| 57AA82030  | 36-16    |
| 685286040  | 55-7     |
| 9313110033 | 37-6     |
| 9313110033 | 45-7     |
| 9314120091 | 37-14    |
| 9321220032 | 37-23    |
| 9322150012 | 14-17    |
| 9322150012 | 31-30    |
| 9326191031 | 35-28    |
| 9332571011 | 2-8      |
| 9334261012 | 8-8      |
| 9335130061 | 8-14     |
| 9335130061 | 27-2     |
| 9335130061 | 44-4     |
| 9335130061 | 51-5     |
| 9381410131 | 55-6     |
| 9381410131 | 68-5     |
| 9381430041 | 55-6     |
| 9381430041 | 68-5     |
| 9384110091 | 66-28    |
| 9384131091 | 66-29    |
| 9384131111 | 66-30    |
| 9384160011 | 67-6     |
| 9384160011 | 68-8     |
| 9384201021 | 66-31    |
| 9384240021 | 55-12    |
| 9384291031 | 66-32    |
| 9735030814 | 68-9     |
| 9J06M10300 | 53-8     |
| 9J06M20000 | 34-25    |
| 9J06M20100 | 34-24    |
| A00J589400 | 29-21    |
| A00J617800 | 11-6     |
| A00J617800 | 12-17    |
| A00J617800 | 13-2     |
| A00J617800 | 14-9     |
| A00J623400 | 40-46    |
| A03U812800 | 36-14    |
| A0ED563700 | 30-26    |
| A0ED563700 | 32-34    |

| Parts No.  | Page No. |
|------------|----------|
| A0ED563900 | 30-27    |
| A0ED563900 | 32-35    |
| A0R5103400 | 4-11     |
| A0R5134900 | 54-12    |
| A0R5600300 | 33-13    |
| A0R5729711 | 51-16    |
| A0R5943600 | 26-12    |
| A0R5R72200 | 26-9     |
| A0R5R72300 | 23-17    |
| A0R5R72500 | 12-43    |
| A11U560000 | 30-25    |
| A11U560000 | 32-33    |
| A11U560300 | 29-13    |
| A11U560300 | 32-15    |
| A11UR92600 | 29-31    |
| A11UR92600 | 31-40    |
| SP00-0112  | 48-7     |
| V500010008 | 66-2     |
| V500020055 | 66-40    |

# MAIN FRAME

P 1

|   |              |
|---|--------------|
| 改訂版<br>REVISED EDITION  | 日付<br>DATE   |
|  | JUNE<br>2009 |

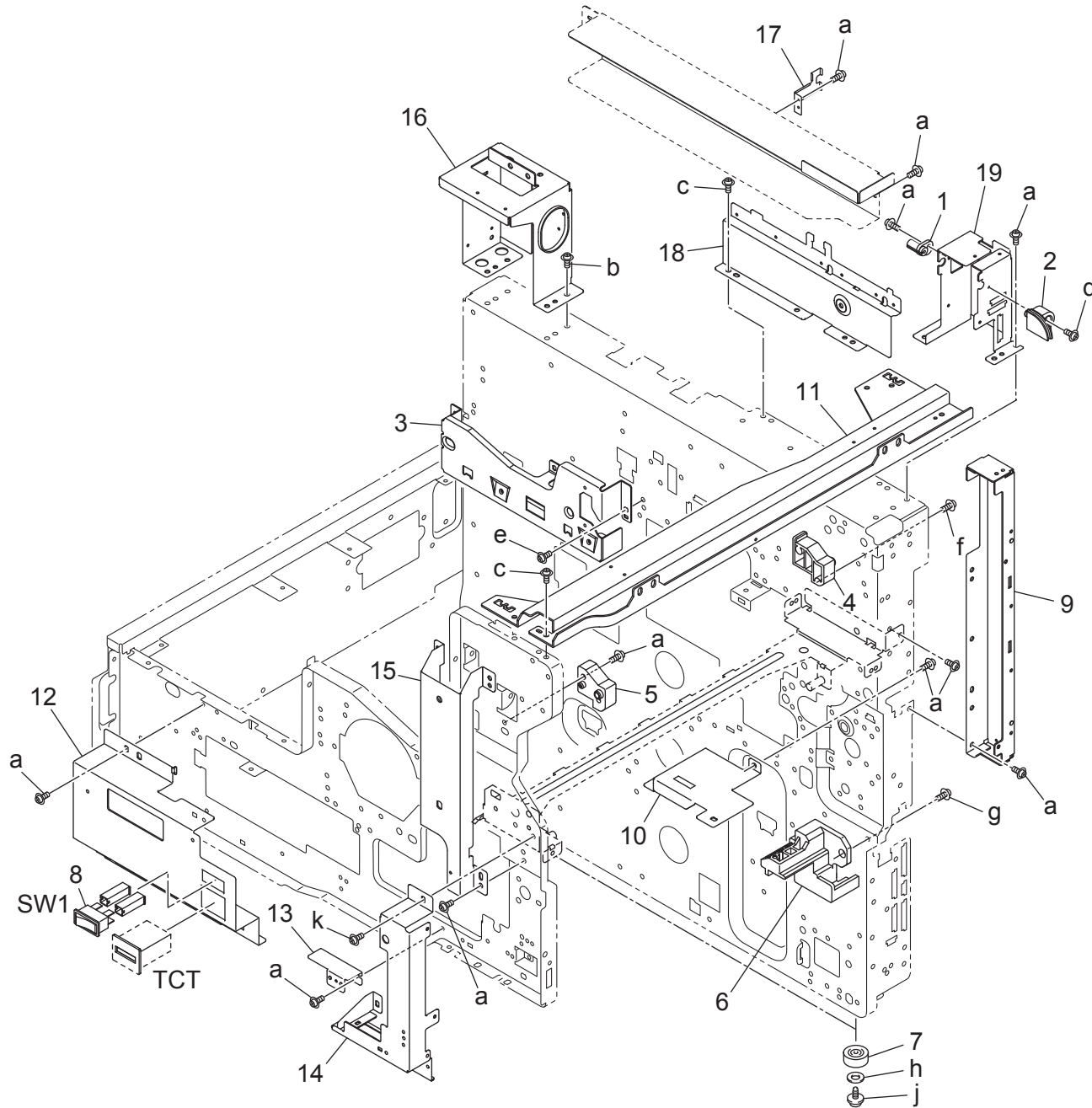


MAIN FRAME

| Key | Part No.   | Description            | Destinations | Class | QTY | Standard parts   |
|-----|------------|------------------------|--------------|-------|-----|--|
| 1   | 4030200601 | REINFORCE PLATE<br>補強板 |              | D     | 1   | a-V137030603<br>b-9739041014<br>c-4154380401<br>d-9733031014<br>e-9735040814<br>f-9739030814 |
| 2   | 4030200502 | REINFORCE PLATE<br>補強板 |              | D     | 1   |  |
| 3   | 4030208101 | SPACER<br>スペーサ         |              | D     | 1   |  |
| 4   | 4030200802 | RAIL<br>レール            |              | D     | 1   |  |
| 5   | 4030200701 | REINFORCE PLATE<br>補強板 |              | D     | 1   |  |
| 6   | 4030201101 | BRACKET<br>取付板         |              | D     | 1   |  |
| 7   | 4030204202 | BRACKET<br>取付板         |              | D     | 1   |  |
| 8   | 4030201001 | BRACKET<br>取付板         |              | D     | 1   |  |
| 9   | 1164215501 | CONTACT<br>接点          |              | C     | 1   |  |
| 10  | 4030202603 | STAY<br>支柱             |              | D     | 1   |  |
| 11  | 4030202902 | RAIL<br>レール            |              | D     | 1   |  |
| 12  | 4040620500 | Holder<br>ホルダ          |              | D     | 2   |  |
| 13  | 4030203802 | STOPPER<br>ストッパ        |              | D     | 2   |  |
| 14  | 4030731501 | LABEL<br>ラベル           |              | D     | 1   |  |
| 15  | 4030204102 | BRACKET<br>取付板         |              | D     | 1   |  |
| 16  | 4348620600 | Stop ring<br>止め輪       |              | D     | 2   |  |
| 17  | 4030202805 | Rail<br>レール (カセット・右・下) |              | D     | 1   |  |
|     |            |                        |              |       |     |  |
|     |            |                        |              |       |     |  |
|     |            |                        |              |       |     |  |
|     |            |                        |              |       |     |  |
|     |            |                        |              |       |     |  |
|     |            |                        |              |       |     |  |
|     |            |                        |              |       |     |  |
|     |            |                        |              |       |     |  |
|     |            |                        |              |       |     |  |

# MAIN FRAME

|   |                  |
|---|------------------|
| 改訂版<br>REVISED EDITION  | 日付<br>DATE       |
|  | NOVEMBER<br>2007 |

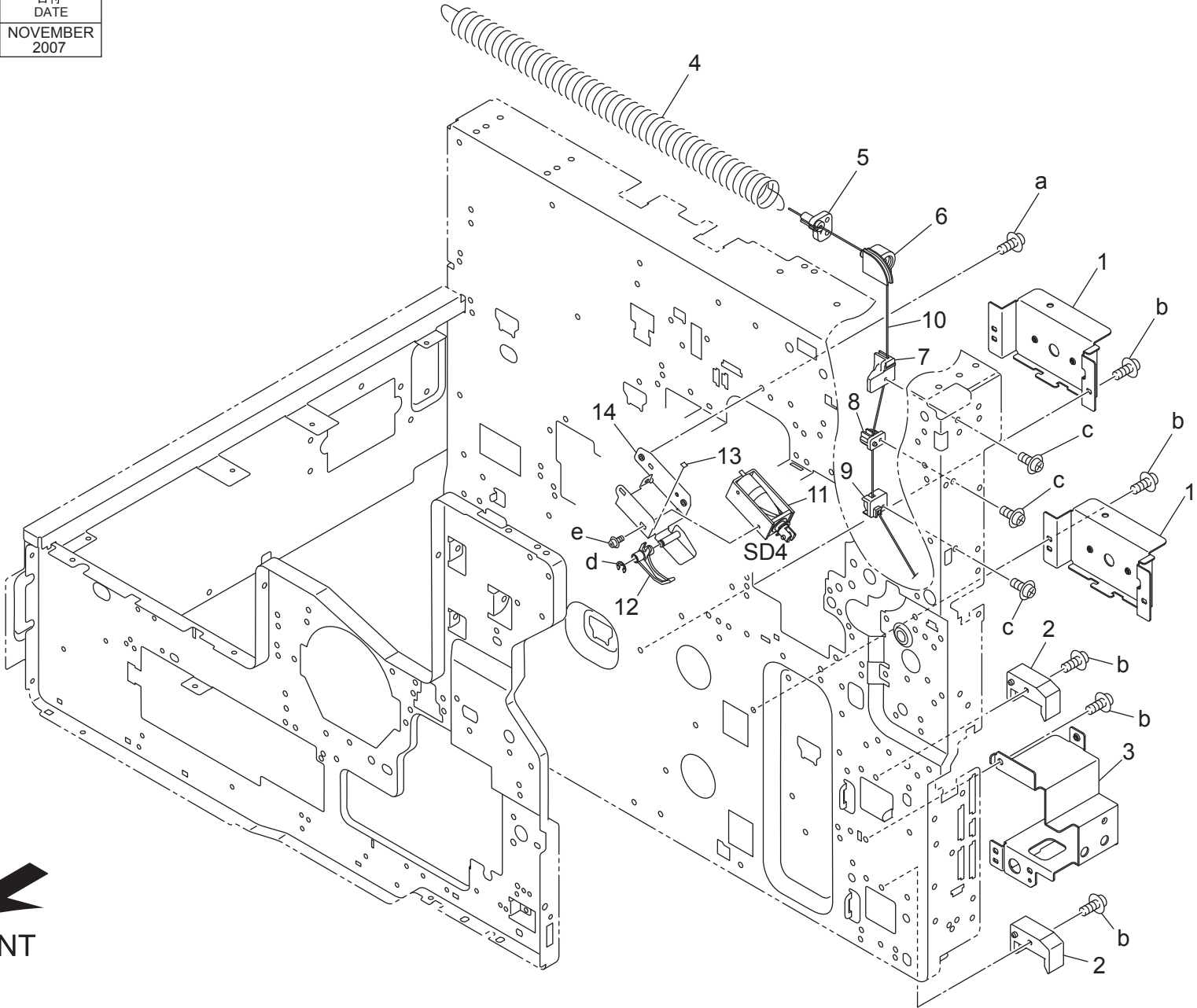


  
FRONT



# MAIN FRAME

|   |                  |
|---|------------------|
| 改訂版<br>REVISED EDITION  | 日付<br>DATE       |
|  | NOVEMBER<br>2007 |

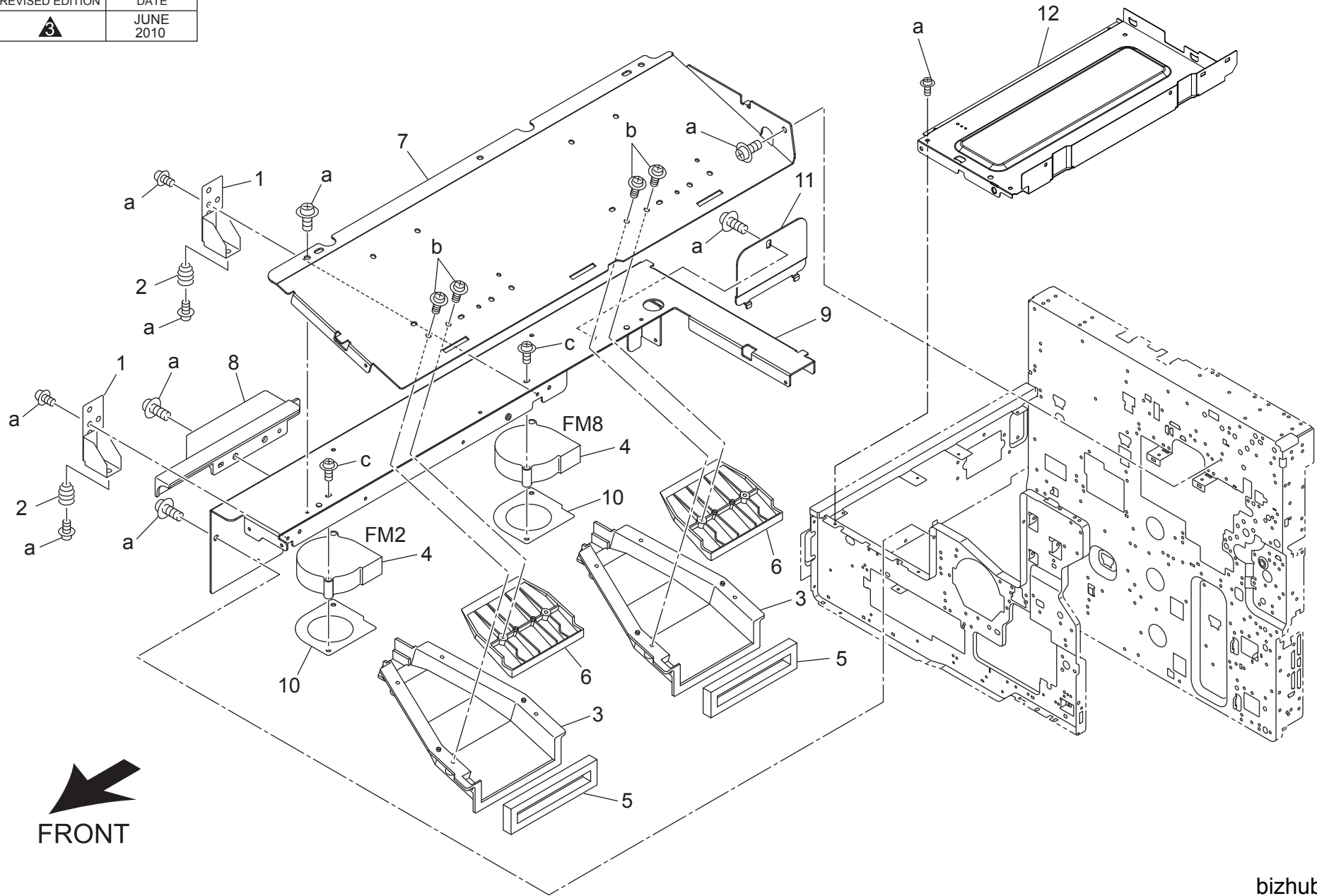


  
FRONT

| Key | Part No.   | Description                    | Destinations   | Class | QTY | Standard parts  |
|-----|------------|--------------------------------|----------------|-------|-----|---|
| 1   | 4030206201 | BRACKET                        | 取付板            | D     | 2   | a-00Z193061<br>b-V137030603<br>c-00Z253081<br>d-V217040050<br>e-00Z193041 |
| 2   | 4030200901 | GUIDE                          | ガイド            | D     | 2   |   |
| 3   | 4030203902 | BRACKET                        | 取付板            | D     | 1   |   |
| 4   | 50GA50390  | ADU Holding Spring             | A D U 押えバネ     | C     | 1   |   |
| 5   | 50GA50220  | WIRE SUPPORT PART 4            | ワイヤー支持部材 4     | C     | 1   |   |
| 6   | 50GA50190  | WIRE SUPPORT PART 1            | ワイヤー支持部材 1     | C     | 1   |   |
| 7   | 50GA50200  | WIRE SUPPORT PART 2            | ワイヤー支持部材 2     | C     | 1   |   |
| 8   | 50GA50240  | WIRE SUPPORT PART 5            | ワイヤー支持部材 5     | C     | 1   |   |
| 9   | 50GA50210  | WIRE SUPPORT PART 3            | ワイヤー支持部材 3     | C     | 1   |   |
| 10  | 50GA50230  | ADU STOPPER WIRE               | A D U 突き当てワイヤー | C     | 1   |   |
| 11  | 26NAR70900 | ADU SOLENOID SHAFT ASSY        | A D U ソレノイド軸部組 | D     | 1   |   |
| 12  | 50GA53660  | SOLENOID ACTUATOR              | ソレノイドアクチュエタ    | C     | 1   |   |
| 13  | 27LA54460  | SOLENOID STOPPER               | ソレノイドストップパ     | D     | 1   |   |
| 14  | 50GA-5500  | SOLENOID MOUNTING PLATE CAULKI | ソレノイド取り付け板カシメ  | D     | 1   |   |
|     |            |                                |                |       |     |   |
|     |            |                                |                |       |     |   |
|     |            |                                |                |       |     |   |
|     |            |                                |                |       |     |   |
|     |            |                                |                |       |     |   |
|     |            |                                |                |       |     |   |
|     |            |                                |                |       |     |   |
|     |            |                                |                |       |     |   |
|     |            |                                |                |       |     |   |
|     |            |                                |                |       |     |   |

# MAIN FRAME

|   |              |
|---|--------------|
| 改訂版<br>REVISED EDITION  | 日付<br>DATE   |
|  | JUNE<br>2010 |



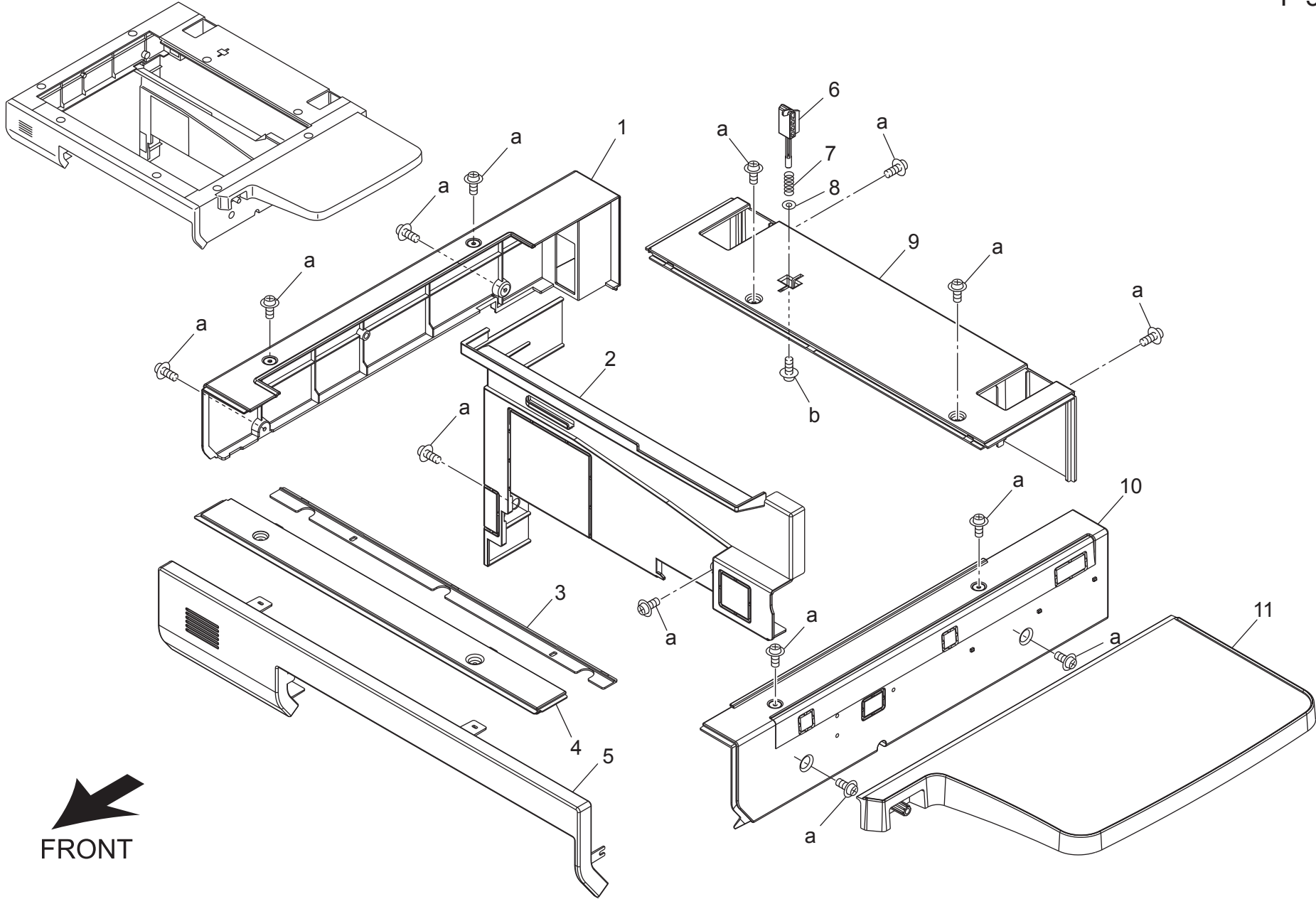
  
FRONT



MAIN FRAME

| Key | Part No.      | Description           | Destinations | Class | QTY | Standard parts                            |
|-----|---------------|-----------------------|--------------|-------|-----|---|
| 1   | 26NA65280     | WRITING MOUNT PART    |              | D     | 2   | a-00Z193061<br>b-00Z253081<br>c-00Z193201 |
| 2   | 26NA65290     | WRITING MOUNT SPRING  |              | D     | 2   |   |
| 3   | 50GA54650     | ROLLER COOLING DUCT 3 |              | D     | 2   |   |
| 4   | 50GA80510     | Cooling Fan Motor     |              | C     | 2   |   |
| 5   | 50GA54680     | SEALING PART          |              | D     | 2   |   |
| 6   | 50GA54660     | ROLLER COOLING DUCT 4 |              | D     | 2   |   |
| 7   | 50GA10070EOld | Reinforce Stay /B     |              | D     | 1   |   |
| 7   | 50GA10071F    | Reinforce Stay /B     |              | D     | 1   |   |
| 8   | 50GA10230D    | Guide Part /F         |              | D     | 1   |   |
| 9   | 50GA10060Old  | SUPPLY STAY /A        |              | D     | 1   |   |
| 9   | 50GA10061E    | Supply Stay /A        |              | D     | 1   |   |
| 10  | 50GA54670     | FAN MOUNTING PLATE    |              | D     | 1   |   |
| 11  | A0R5103400    | Cover Plate           |              | D     | 1   |   |
| 12  | 50GA10031F    | Write Cover           |              | D     | 1   |   |
|     |               |                       |              |       |     |   |
|     |               |                       |              |       |     |   |
|     |               |                       |              |       |     |   |
|     |               |                       |              |       |     |   |
|     |               |                       |              |       |     |   |
|     |               |                       |              |       |     |   |
|     |               |                       |              |       |     |   |
|     |               |                       |              |       |     |   |
|     |               |                       |              |       |     |   |
|     |               |                       |              |       |     |   |

EXTERNAL PARTS



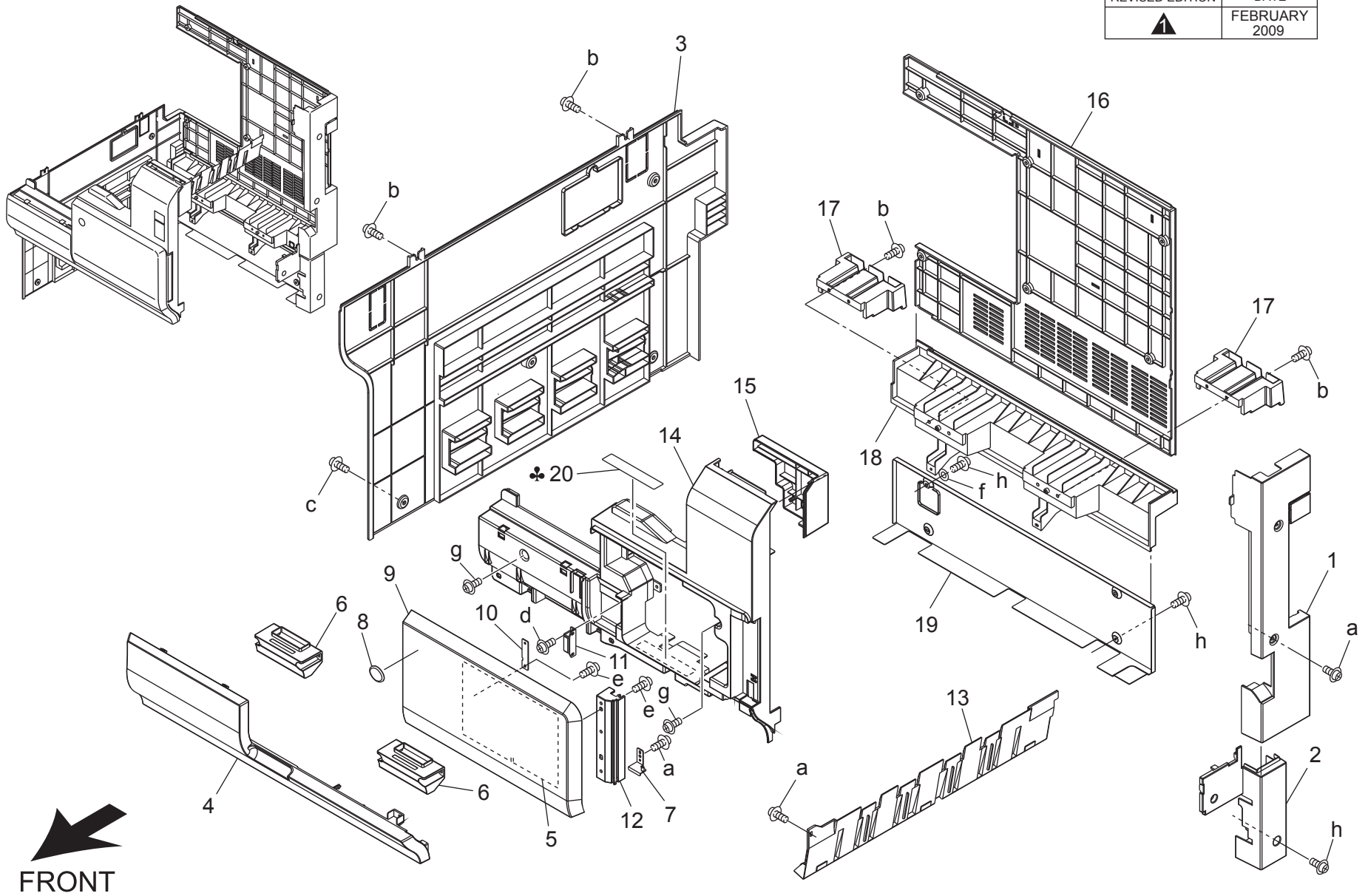
# EXTERNAL PARTS

| Key | Part No.   | Description             | Destinations | Class | QTY | Standard parts             |
|-----|------------|-------------------------|--------------|-------|-----|----------------------------|
| 1   | 50GA12240F | Read Cover /Left        |              | C     | 1   | a-00Z193061<br>b-00Z253081 |
| 2   | 50GA12040  | SIDE COVER REAR         |              | C     | 1   |                            |
| 3   | 50GA12210  | GLASS MOUNTING PLATE 1  |              | C     | 1   |                            |
| 4   | 50GA13130E | GLASS MOUNTING PLATE /2 |              | C     | 1   |                            |
| 5   | 50GA13070F | READ COVER /FRONT       |              | C     | 1   |                            |
| 6   | 50GA61820  | ADF Detection Actuator  |              | C     | 1   |                            |
| 7   | 26NA62130  | DETECTING SPRING        |              | C     | 1   |                            |
| 8   | 26NA12550  | SPRING REGULATING SHEET |              | C     | 1   |                            |
| 9   | 50GA12231E | READ COVER /REAR        |              | C     | 1   |                            |
| 10  | 50GA12250  | READ COVER RIGHT        |              | C     | 1   |                            |
| 11  | 56RER70100 | WORKING TABLE           |              | C     | 1   |                            |
|     |            |                         |              |       |     |                            |
|     |            |                         |              |       |     |                            |
|     |            |                         |              |       |     |                            |
|     |            |                         |              |       |     |                            |
|     |            |                         |              |       |     |                            |
|     |            |                         |              |       |     |                            |
|     |            |                         |              |       |     |                            |
|     |            |                         |              |       |     |                            |

# EXTERNAL PARTS

|   |                  |
|---|------------------|
| 改訂版<br>REVISED EDITION  | 日付<br>DATE       |
|  | FEBRUARY<br>2009 |

P 6



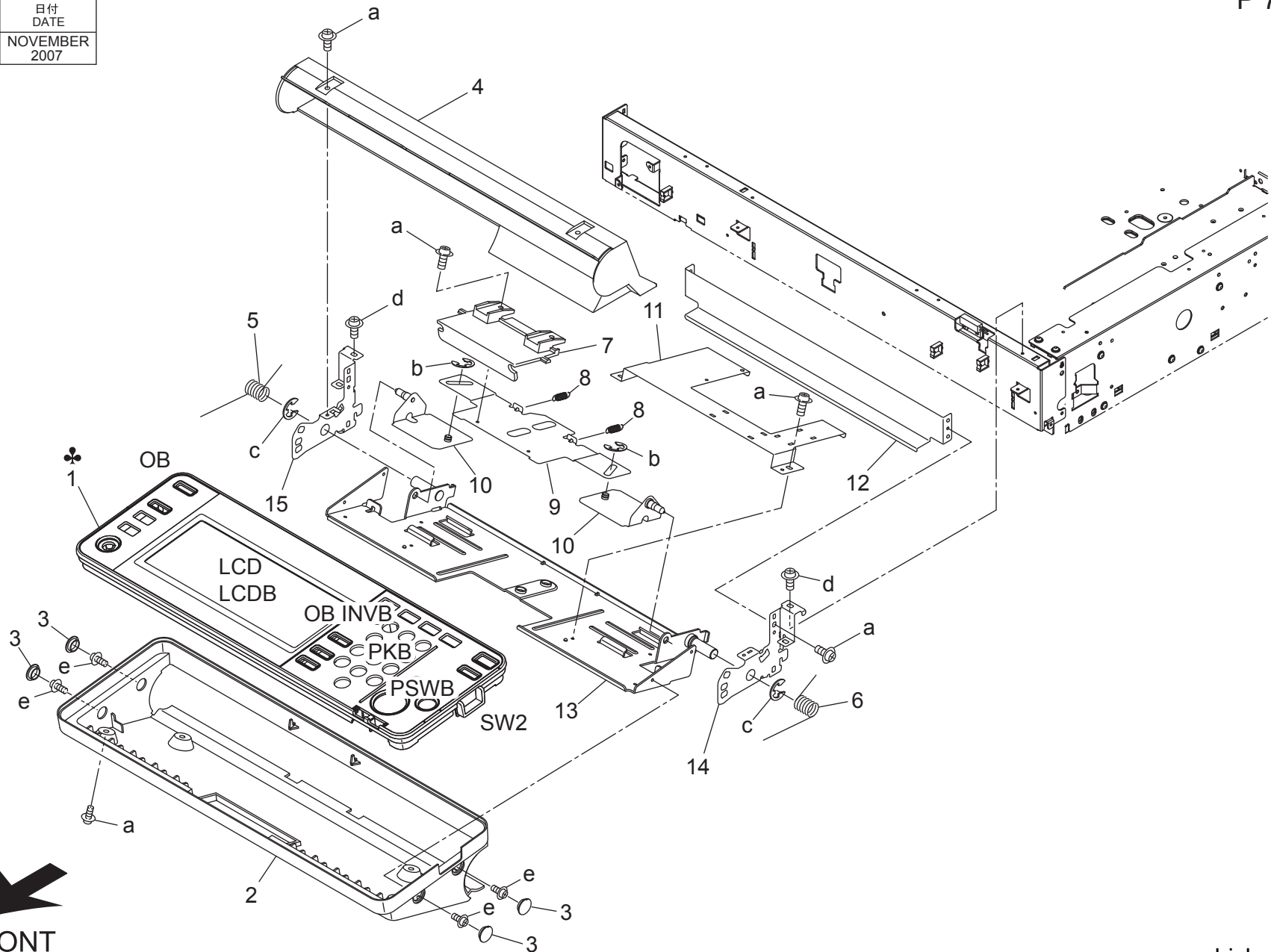
bizhub 360

EXTERNAL PARTS

| Key | Part No.   | Description                | Destinations | Class | QTY | Standard parts   |
|-----|------------|----------------------------|--------------|-------|-----|--|
| 1   | 50GA12030  | REAR COVER RIGHT           |              | C     | 1   | a-00Z193061<br>b-9735031014<br>c-V137030603<br>d-00Z243081<br>e-00Z253081<br>f-9712030014<br>g-00Z193081<br>h-9735030814 |
| 2   | 4030101504 | RIGHT COVER                |              | C     | 1   |  |
| 3   | 50GA12050E | SIDE COVER /LEFT           |              | C     | 1   |  |
| 4   | 50GA13120  | Front Cover /Lower         |              | C     | 1   |  |
| 5   | 50GA97040  | TONER SUPPLY LABEL         |              | C     | 1   |  |
| 6   | 50GA12340  | FRONT LIFTING HANDLE       |              | C     | 2   |  |
| 7   | 50GA-1220  | FULCRUM PLATE ASSY         |              | D     | 1   |  |
| 8   | 4030750001 | LABEL LOGO MARK            |              | C     | 1   |  |
| 9   | 42GA160800 | FRONT DOOR /RIGHT          |              | C     | 1   |  |
| 10  | 26NA12401  | MAGNET PRESSURE PLATE      |              | D     | 1   |  |
| 11  | 083020140  | STOPPER MATERIAL           |              | C     | 1   |  |
| 12  | 50GA13190E | FRONT COVER HINGE          |              | C     | 1   |  |
| 13  | 50GA13110  | PAPER EXIT COVER A         |              | C     | 1   |  |
| 14  | 50GA12012G | MAIN BODY COVER /FRONT     |              | C     | 1   |  |
| 15  | 50GA-1340  | FRONT AUXILIARY COVER ASSY |              | C     | 1   |  |
| 16  | 50GA12071  | REAR COVER 1               |              | C     | 1   |  |
| 17  | 4040101301 | HANDLE                     |              | D     | 2   |  |
| 18  | 50GA13140  | REAR COVER 2               |              | C     | 1   |  |
| 19  | 4030101102 | REAR COVER                 |              | C     | 1   |  |
| 20  | 50GA97180  | LASER CAUTION LABEL/3      | A,B,D3,G2    | C     | 1   |  |
| 20  | 50GF97180  | LASER CAUTION LABEL/3      | C            | C     | 1   |  |
|     |            |                            |              |       |     |  |
|     |            |                            |              |       |     |  |
|     |            |                            |              |       |     |  |
|     |            |                            |              |       |     |  |
|     |            |                            |              |       |     |  |
|     |            |                            |              |       |     |  |
|     |            |                            |              |       |     |  |
|     |            |                            |              |       |     |  |
|     |            |                            |              |       |     |  |
|     |            |                            |              |       |     |  |

# OPERATION UNIT

|   |                  |
|---|------------------|
| 改訂版<br>REVISED EDITION  | 日付<br>DATE       |
|  | NOVEMBER<br>2007 |



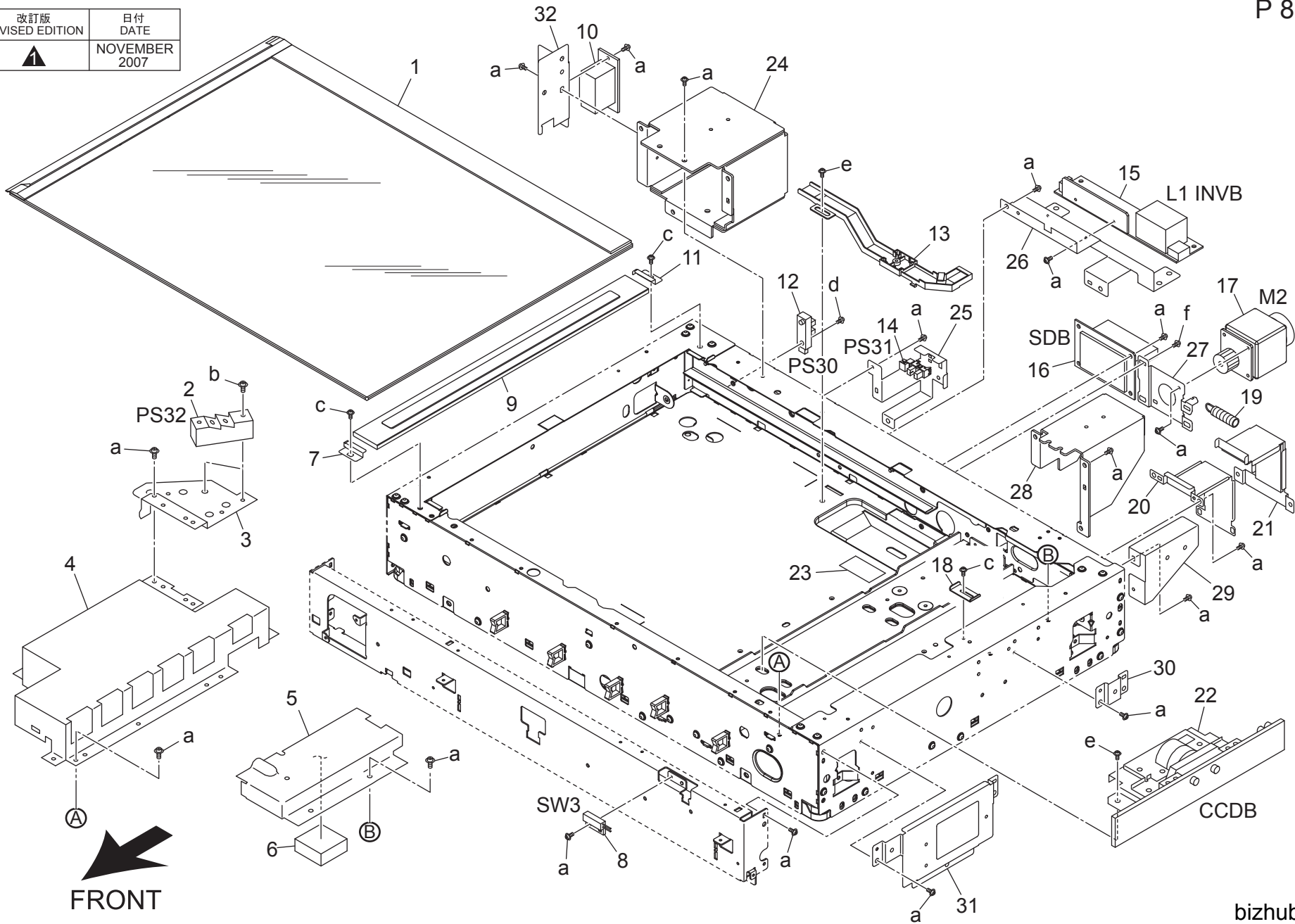
  
FRONT

# OPERATION UNIT

| Key | Part No.   | Description                   | Destinations | Class | QTY | Standard parts   |
|-----|------------|-------------------------------|--------------|-------|-----|--|
| 1   | 50GA87030F | OPE. UNIT UNIT                | A            | I     | 1   | a-00Z283061<br>b-V217040050<br>c-V217080050<br>d-00Z193061<br>e-9735030814 |
| 1   | 50GE87030F | OPE. UNIT UNIT                | B,D3,G2      | I     | 1   |  |
| 1   | 50GF87030F | OPE. UNIT UNIT                | C            | I     | 1   |  |
| 2   | 4037139801 | COVER PANEL LOWER             |              | C     | 1   |  |
| 3   | 1171132101 | CAP                           |              | C     | 4   |  |
| 4   | 50GA70990  | Operation Unit Cover /Lower   |              | C     | 1   |  |
| 5   | 4581137901 | TORSION SPRING                |              | C     | 1   |  |
| 6   | 4581138201 | TORSION SPRING                |              | C     | 1   |  |
| 7   | 4036138103 | LEVER                         |              | C     | 1   |  |
| 8   | 4581138901 | TENSION SPRING                |              | C     | 2   |  |
| 9   | 4036138302 | COUPLING                      |              | D     | 1   |  |
| 10  | 4036139001 | POSITIONING PLATE             |              | D     | 2   |  |
| 11  | 4036138702 | BRACKET                       |              | D     | 1   |  |
| 12  | 4036138801 | BRACKET                       |              | D     | 1   |  |
| 13  | 4036138501 | BRACKET                       |              | D     | 1   |  |
| 14  | 50GA70600  | OPE UNIT MOUNTING PLATE/RIGHT |              | D     | 1   |  |
| 15  | 50GA70800  | OPE UNIT MOUNTING PLATE/LEFT  |              | D     | 1   |  |
|     |            |                               |              |       |     |  |
|     |            |                               |              |       |     |  |
|     |            |                               |              |       |     |  |
|     |            |                               |              |       |     |  |
|     |            |                               |              |       |     |  |
|     |            |                               |              |       |     |  |
|     |            |                               |              |       |     |  |
|     |            |                               |              |       |     |  |
|     |            |                               |              |       |     |  |
|     |            |                               |              |       |     |  |

# OPTICS UNIT

|   |                  |
|---|------------------|
| 改訂版<br>REVISED EDITION  | 日付<br>DATE       |
|  | NOVEMBER<br>2007 |

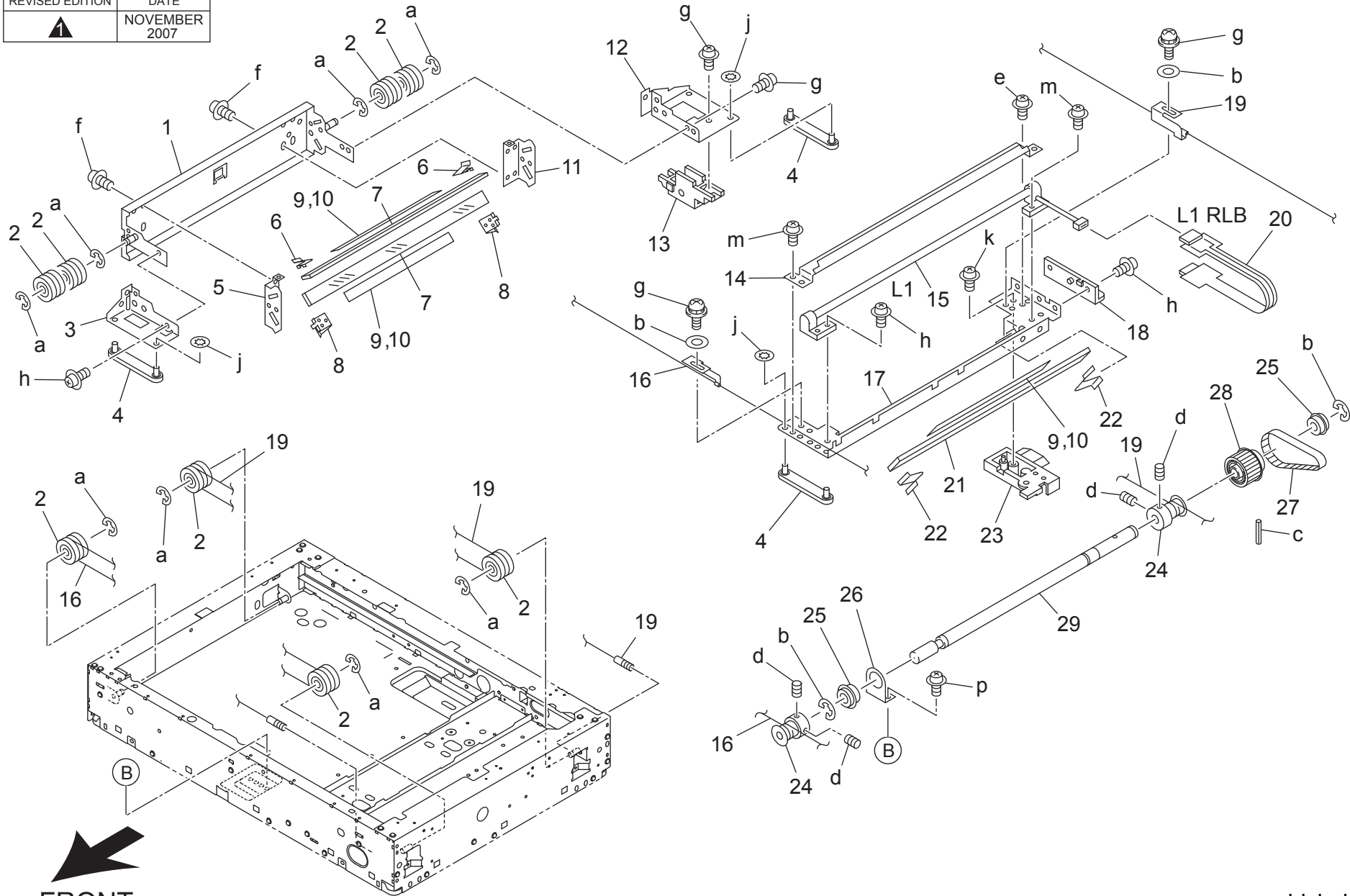





| Key | Part No.   | Description                  | Destinations    | Class | QTY | Standard parts |
|-----|------------|------------------------------|-----------------|-------|-----|----------------|
| 1   | 50GA-6270  | ORIGINAL TABLE GLASS ASSY    |                 | C     | 1   | a-00Z193061    |
| 2   | 56AA85531  | APS Sensor /2                | A P S センサ / 2   | B     | 1   | b-00Z183201    |
| 3   | 40LA61140  | MOUNTING PLATE               | センサー取り付け板       | D     | 1   | c-00Z193043    |
| 4   | 26NA61732  | LENS COVER                   | レンズカバー          | C     | 1   | d-00Z183101    |
| 5   | 26NA61812  | WIRING GUIDE PLATE 1         | 束線ガイド板 1        | D     | 1   | e-00Z163061    |
| 6   | 26NA62280  | WIRING HOLD PART 1           | 束線押さえ部材 1       | D     | 1   | f-00Z163081    |
| 7   | 26NA61300  | GLASS HOLDER PLATE FRONT     | ガラス押さえ板 前       | C     | 1   |                |
| 8   | 9334261012 | REED SWITCH                  | リードスイッチ         | C     | 1   |                |
| 9   | 50GAR71500 | Original Table Glass Assy /2 | 原稿台ガラス部組 / 2    | C     | 1   |                |
| 10  | 50GA90420  | OPTION RELAY WIRING          | オプション中継束線       | D     | 1   |                |
| 11  | 26NA61150  | GLASS HOLDER PLATE REAR      | ガラス押さえ板 奥       | C     | 1   |                |
| 12  | 56AA85511  | Photo Sensor                 | フォトセンサ          | B     | 1   |                |
| 13  | 40LA62010  | WIRING GUIDE PART 3          | 束線ガイド部材 3       | D     | 1   |                |
| 14  | 9335130061 | PHOTO INTERRUPTER            | フォトインタラプタ       | B     | 1   |                |
| 15  | 40LA83513  | Lamp Starter                 | ランプ点灯器          | B     | 1   |                |
| 16  | 50GA-9050  | SCANNER DRIVE BOAD ASSY      | スキャナ駆動基板部組      | I     | 1   |                |
| 17  | 50GA80020  | SCANNER DRIVE MOTOR          | スキャナ駆動モータ       | C     | 1   |                |
| 18  | 26NA62160  | GLASS HOLDING PLATE          | ガラス押え板          | C     | 1   |                |
| 19  | 40LA62460  | MOTOR TENSION SPRING 1       | モータテンションバネ 1    | C     | 1   |                |
| 20  | 50GA62110  | WIRING GUIDE PLATE 2         | 束線ガイド板 2        | D     | 1   |                |
| 21  | 50GA62120  | WIRING GUIDE PLATE 3         | 束線ガイド板 3        | D     | 1   |                |
| 22  | 50GA-6261  | CCD Unit                     | C C D ユニット      | I     | 1   |                |
| 23  | 56UA97920  | HIGE VOLTAGE CAUTION LABEL   | 高圧注意ラベル         | C     | 1   |                |
| 24  | 50GA61110  | ADF MOUNTING PLATE /LEFT     | A D F 取り付け板 / 左 | D     | 1   |                |
| 25  | 50GA62140  | MOUNTING PLATE /2            | センサ取り付け板 / 2    | D     | 1   |                |
| 26  | 50GA62510E | Board Mounting Plate /No.1   | 基板取り付け板 / 1号    | D     | 1   |                |
| 27  | 40LA61161E | Motor Mounting Plate         | モータ取付板          | D     | 1   |                |
| 28  | 50GA61120  | ADF MOUNTING PLATE /RIGHT    | A D F 取り付け板 / 右 | D     | 1   |                |
| 29  | 50GA62540  | READ AUXILIARY PLATE /B      | 読取補助板 / B       | D     | 1   |                |
| 30  | 50GA62570  | READ AUXILIARY PLATE /C      | 読取補助板 / C       | D     | 1   |                |
| 31  | 50GA62530  | READ AUXILIARY PLATE /A      | 読取補助板 / A       | D     | 1   |                |
| 32  | 50GA62520  | ADF CONNECTOR /1             | A D F コネクタ / 1  | D     | 1   |                |
|     |            |                              |                 |       |     |                |
|     |            |                              |                 |       |     |                |
|     |            |                              |                 |       |     |                |
|     |            |                              |                 |       |     |                |
|     |            |                              |                 |       |     |                |
|     |            |                              |                 |       |     |                |

# OPTICS UNIT

|   |                  |
|---|------------------|
| 改訂版<br>REVISED EDITION  | 日付<br>DATE       |
|  | NOVEMBER<br>2007 |



  
**FRONT**

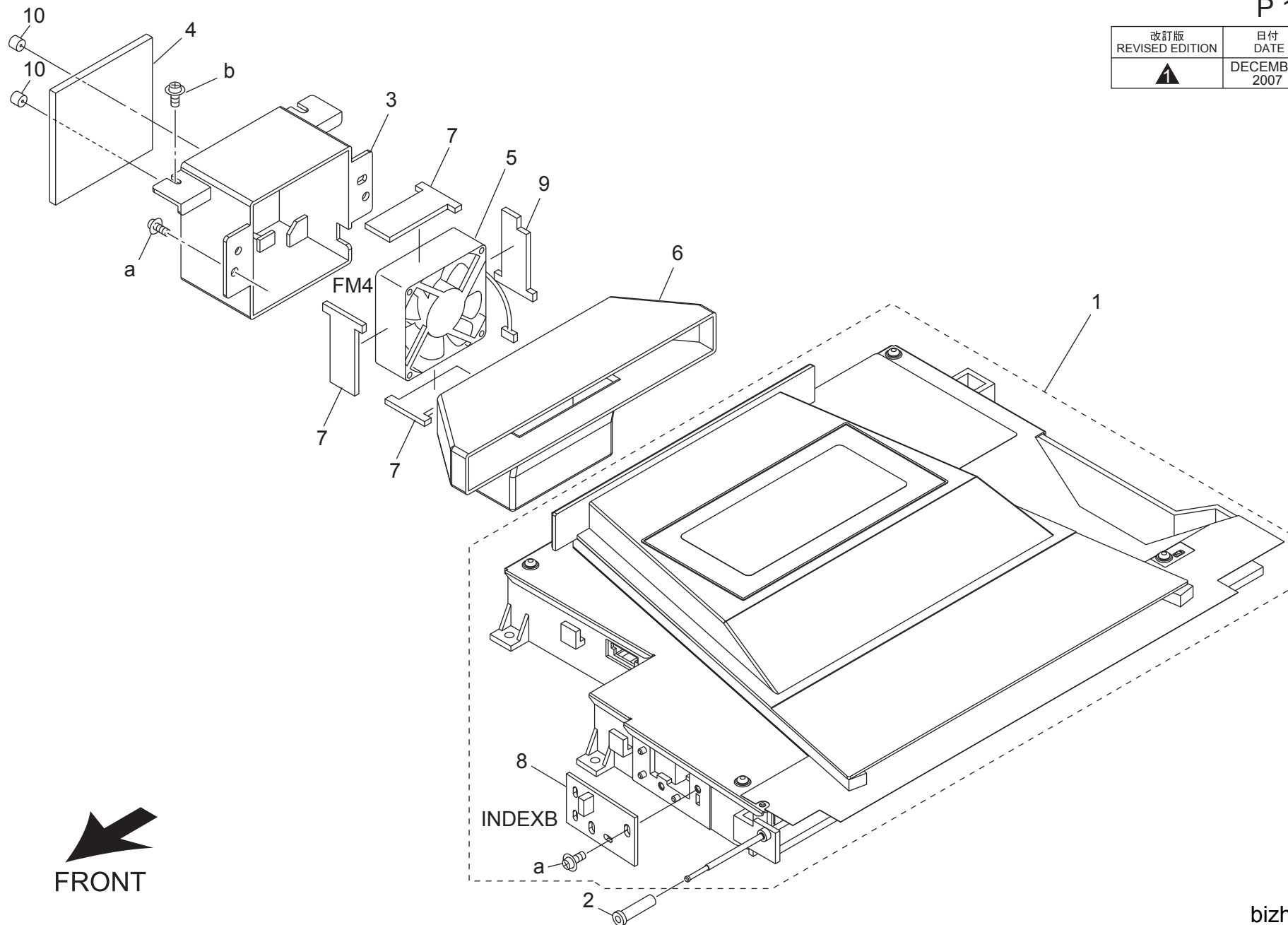
 Order here  
8 (495) 646-0426  
ПЯТЫЙ ПАРТНЕР [www.km-shop.ru](http://www.km-shop.ru)



# WRITE UNIT

P 10

|   |                  |
|---|------------------|
| 改訂版<br>REVISED EDITION  | 日付<br>DATE       |
|  | DECEMBER<br>2007 |



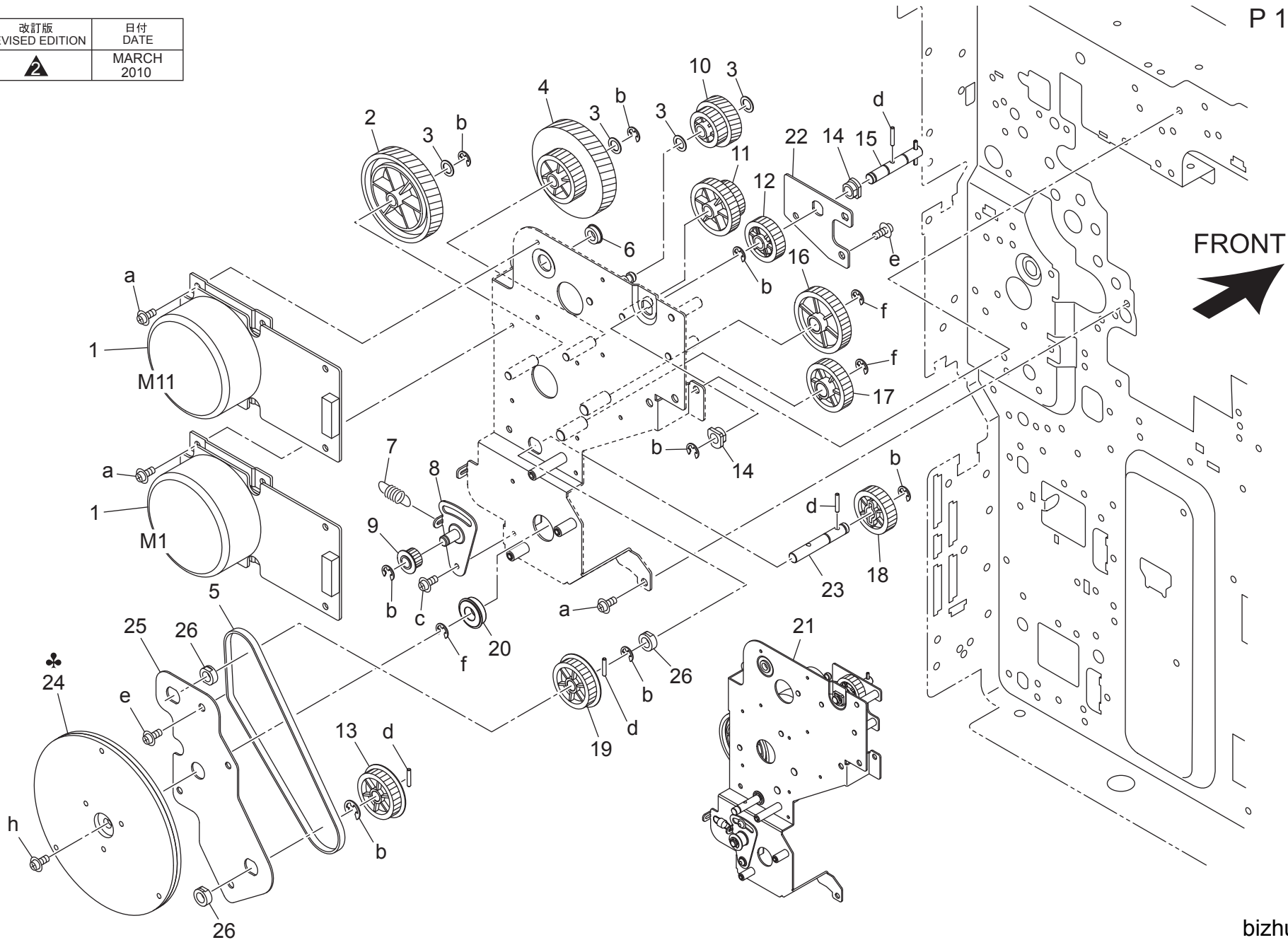
  
FRONT



# DRIVING UNIT

P 11

|   |               |
|---|---------------|
| 改訂版<br>REVISED EDITION  | 日付<br>DATE    |
|  | MARCH<br>2010 |



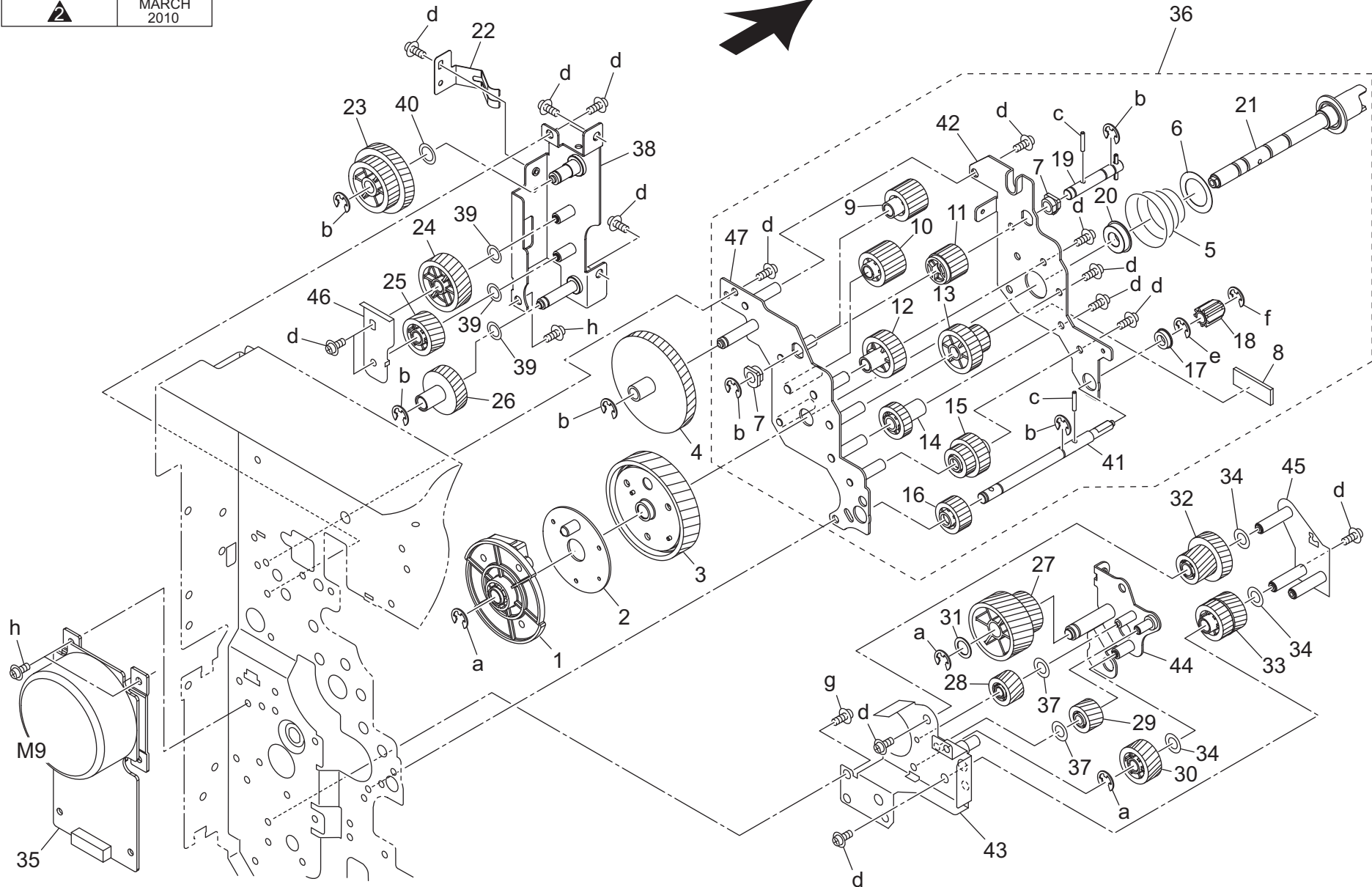
bizhub 360

| Key | Part No.      | Description                       | Destinations    | Class | QTY | Standard parts  |
|-----|---------------|-----------------------------------|-----------------|-------|-----|---|
| 1   | 27LA80032E    | DC BRUSHLESS MOTOR/30             | DC ブラシレス モータ/30 | C     | 2   | a-00Z193041<br>b-V217040050<br>c-00Z163061<br>d-V237201250<br>e-00Z193061<br>f-00Z670606<br>h-00Z164081 |
| 2   | 50GA15500     | GEAR /A 30/100T                   | ギア/A 30/100 T   | C     | 1   |   |
| 3   | 190041410     | PLYSLIDER 6                       | ポリスライダ 6        | C     | 4   |   |
| 4   | 50GA15520     | GEAR /C 35/102T                   | ギア/C 35/102 T   | C     | 1   |   |
| 5   | 50GA15410     | BELT 296L                         | ベルト 296 L       | C     | 1   |   |
| 6   | A00J617800    | BALL BEARING                      | ボールベアリング        | C     | 1   |   |
| 7   | 50GA15450     | TENSION SPRING                    | テンションバネ         | C     | 1   |   |
| 8   | 26NAR71000    | TENSION PLATE CAULKING            | テンション板カシメ       | D     | 1   |   |
| 9   | 26NA50370     | IDLER PULLEY 18T                  | アイドラープーリ 18 T   | C     | 1   |   |
| 10  | 50GA18560     | Conveyance Gear /A 27/50T         | 搬送ギア/A 27/50 T  | C     | 1   |   |
| 11  | 50GA18570     | Conveyance Gear/B 27/41T          | 搬送ギア/B 27/41 T  | C     | 1   |   |
| 12  | 50GA18580E    | Conveyance Gear /C 31T            | 搬送ギア/C 31 T     | C     | 1   |   |
| 13  | 50GA15650     | DEVELOPING DRIVE PULLEY LOWER 45T | 現像駆動プーリ 下 45 T  | C     | 1   |   |
| 14  | 466076020     | PAPER FEED SHAFT HOLDER           | 給紙送り出し軸受        | B     | 2   |   |
| 15  | 50GA-1830     | SHAFT ASSY                        | 軸部組             | D     | 1   |   |
| 16  | 50GA15530     | Gear/D 45T                        | ギア/D 45 T       | C     | 1   |   |
| 17  | 50GA15540     | Gear/E 35T                        | ギア/E 35 T       | C     | 1   |   |
| 18  | 50GA15610E    | GEAR /I 31T                       | ギア/I 31 T       | C     | 1   |   |
| 19  | 50GA15660     | DRIVE PULLEY UPPER 40T            | 駆動プーリ 上 40 T    | C     | 1   |   |
| 20  | 26NA53590     | BALL BEARING                      | 定着軸受 下          | A     | 1   |   |
| 21  | 50GA-1571     | RU Drive Assy                     | RU 駆動部組         | D     | 1   |   |
| 22  | 50GA15060     | DRIVE PANEL /F                    | 駆動 パネル/F        | D     | 1   |   |
| 23  | 50GA15220EOld | Idling Shaft /B                   | アイドラー軸/B        | D     | 1   |   |
| 23  | 50GA15221F    | Idling Shaft /B                   | アイドラー軸/B        | D     | 1   |   |
| 24  | 50GA-1890     | DRUM ROTATION PLATE ASSY          | ドラム回転プレート部組     | C     | 1   | {bizhub 360}  |
| 25  | 50GA15470Old  | Drive Panel /I                    | 駆動 パネル/I        | D     | 1   |   |
| 25  | 50GA15471E    | Drive Panel /I                    | 駆動 パネル/I        | D     | 1   |   |
| 26  | 4131253701    | BUSHING                           | 軸受              | C     | 3   |   |
|     |               |                                   |                 |       |     |   |
|     |               |                                   |                 |       |     |   |
|     |               |                                   |                 |       |     |   |
|     |               |                                   |                 |       |     |   |
|     |               |                                   |                 |       |     |   |
|     |               |                                   |                 |       |     |   |
|     |               |                                   |                 |       |     |   |
|     |               |                                   |                 |       |     |   |

# DRIVING UNIT

|   |               |
|---|---------------|
| 改訂版<br>REVISED EDITION  | 日付<br>DATE    |
|  | MARCH<br>2010 |

FRONT

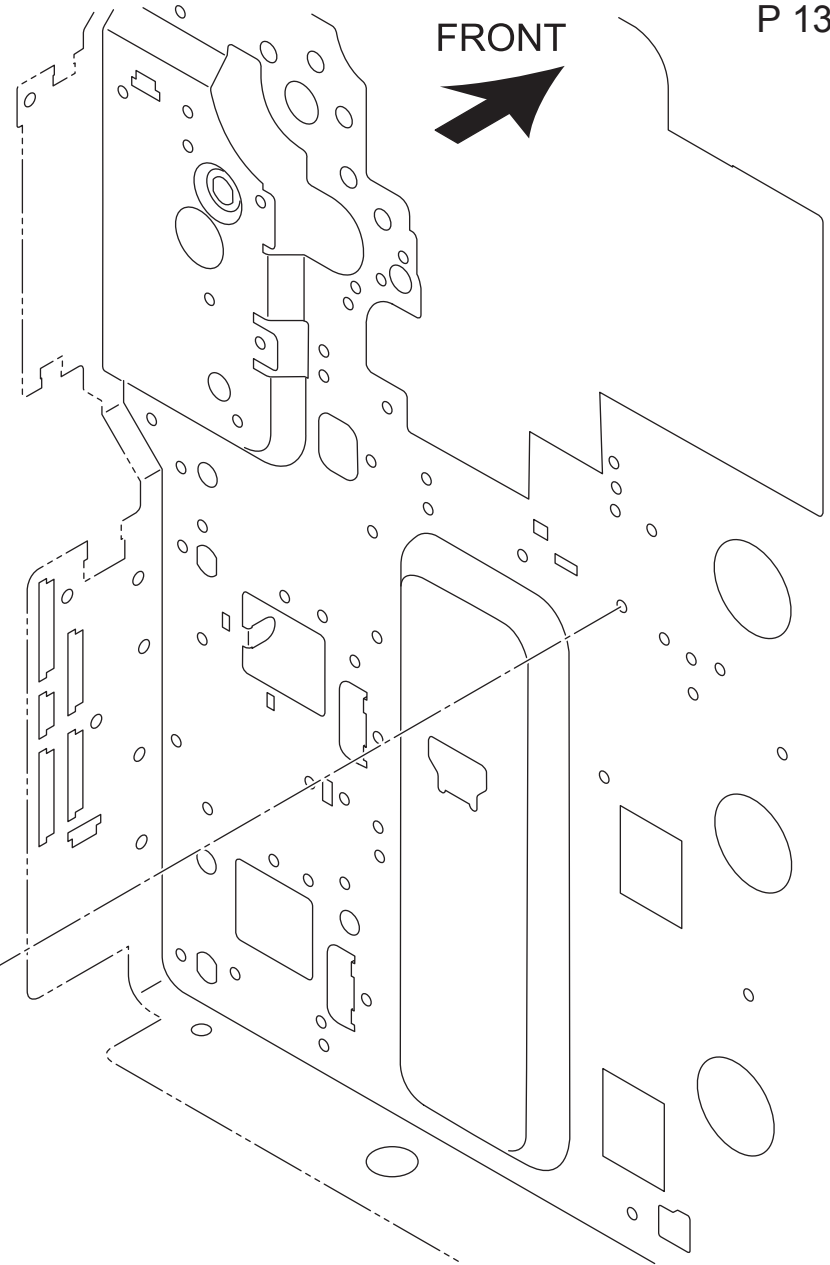
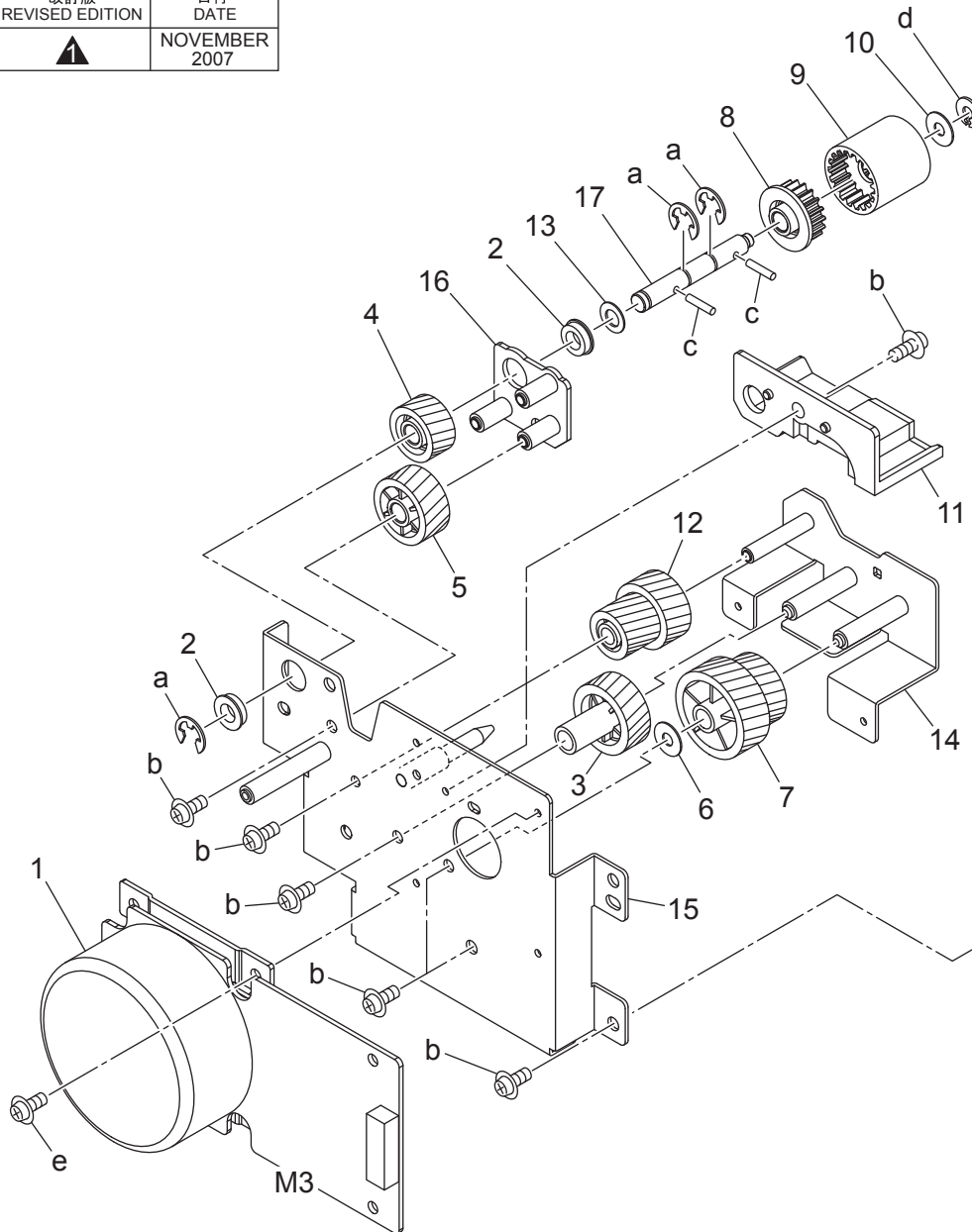




| Key | Part No.      | Description                  | Destinations     | Class | QTY | Standard parts |
|-----|---------------|------------------------------|------------------|-------|-----|----------------|
| 1   | 50GA-1550     | DUMPER PLATE ASSY            | ダンパープレート部組       | C     | 1   | a-00Z670606    |
| 2   | 26NAR70200    | DRIVE PLATE COMBINED         | 駆動プレートカシメ        | C     | 1   | b-V217040050   |
| 3   | 26NA15600     | DRUM DRIVING GEAR 108T       | ドラム駆動ギア 108 T    | C     | 1   | c-V237201250   |
| 4   | 50GA15510     | GEAR B 105T                  | ギア B 105 T       | C     | 1   | d-00Z193061    |
| 5   | 26NA15200     | COUPLING SPRING              | カップリングバネ         | B     | 1   | e-00Z670306    |
| 6   | 26NA30870     | SPRING SPACER                | バネスペーサー          | C     | 1   | f-00Z600306    |
| 7   | 466076020     | PAPER FEED SHAFT HOLDER      | 給紙送り出し軸受         | B     | 2   | g-V137030603   |
| 8   | 50GA15480     | PRESSING PART                | 押圧部材             | D     | 1   | h-00Z193041    |
| 9   | 50GA15620     | GEAR J 21T                   | ギア J 21 T        | C     | 1   |                |
| 10  | 50GA15630     | GEAR K 23T                   | ギア K 23 T        | C     | 1   |                |
| 11  | 50GA15550     | COLLECTION GEAR 20T          | 回収ギア 20 T        | C     | 1   |                |
| 12  | 50GA15640     | GEAR L 28T                   | ギア L 28 T        | C     | 1   |                |
| 13  | 50GA15560     | AGITATING GEAR /UPPER 17/30T | 攪拌ギア/上 17/30 T   | C     | 1   |                |
| 14  | 50GA15590     | GEAR G 22T                   | ギア G 22 T        | C     | 1   |                |
| 15  | 50GA15600     | GEAR /H 19/26T               | ギア/H 19/26 T     | C     | 1   |                |
| 16  | 50GA15570     | AGITATING GEAR 21T           | 攪拌ギア 21 T        | C     | 1   |                |
| 17  | A00J617800    | BALL BEARING                 | ボールベアリング         | C     | 1   |                |
| 18  | 26NA17580     | AGITATING COUPLING B         | 攪拌カップリング B       | C     | 1   |                |
| 19  | 50GA-1540     | SHAFT ASSY                   | 軸部組              | D     | 1   |                |
| 20  | 26NA53590     | BALL BEARING                 | 定着軸受 下           | A     | 1   |                |
| 21  | 50GA-1530     | DRUM INPUT SHAFT ASSY        | ドラム入力軸部組         | C     | 1   |                |
| 22  | 50GA45691E    | CONVEYANCE EARTH PLATE       | 搬送アース板           | D     | 1   |                |
| 23  | 50GA16191     | ADU Input Gear 28/49T        | ADU 入力ギア 28/49 T | C     | 1   |                |
| 24  | 50GA16130     | Paper feed Gear/C 38T        | 給紙ギア/C 38 T      | C     | 1   |                |
| 25  | 50GA16120     | Paper feed Gear/B 27T        | 給紙ギア/B 27 T      | C     | 1   |                |
| 26  | 50GA16110     | PAPER FEED GEAR A 32T        | 給紙ギア A 32 T      | C     | 1   |                |
| 27  | 50GA16100     | Paper feed Drive Gear 29/62T | 給紙駆動ギア 29/62 T   | C     | 1   |                |
| 28  | 50GA16200E    | PAPER FEED GEAR /I 20T       | 給紙 ギア/I 20 T     | C     | 1   |                |
| 29  | 50GA16140E    | PAPER FEED GEAR /D 19T       | 給紙 ギア/D 19 T     | C     | 1   |                |
| 30  | 50GA16180F    | PAPER FEED GEAR /H 28T       | 給紙 ギア/H 28 T     | C     | 1   |                |
| 31  | 190041420     | POLYSLIDER 8                 | ポリスライダー 8        | C     | 1   |                |
| 32  | 50GA16160     | Paper feed Gear /F 21/23T    | 給紙ギア/F 21/23 T   | C     | 1   |                |
| 33  | 50GA16170     | Paper feed Gear /G 19/26T    | 給紙ギア/G 19/26 T   | C     | 1   |                |
| 34  | 190041410     | PLYSLIDER 6                  | ポリスライダー 6        | C     | 3   |                |
| 35  | 27LA80032E    | DC BRUSHLESS MOTOR/30        | DC ブラシレス モーター/30 | C     | 1   |                |
| 36  | 50GA-1591     | Drum Drive Assy              | ドラム駆動部組          | C     | 1   |                |
| 37  | 50GA250100    | SPACER                       | スペーサ             | C     | 2   |                |
| 38  | 50GA-1641F    | CAULKING ASSY                | カシメ部組            | D     | 1   |                |
| 39  | 190041410     | PLYSLIDER 6                  | ポリスライダー 6        | C     | 3   |                |
| 40  | 190041420     | POLYSLIDER 8                 | ポリスライダー 8        | C     | 1   |                |
| 41  | 50GA15181EOld | Agitating Shaft              | 攪拌軸              | D     | 1   |                |
| 41  | 50GA15182F    | Agitating Shaft              | 攪拌軸              | D     | 1   |                |
| 42  | 50GA15030     | DRIVE PANEL /C               | 駆動 パネル/C         | D     | 1   |                |
| 43  | A0R5R72500    | Paper Feed Drive Panel Assy  | 給紙駆動パネル部組        | D     | 1   |                |
| 44  | 50GA-1650E    | Caulking Assy                | カシメ部組            | D     | 1   |                |
| 45  | 50GA-1680E    | CAULKING ASSY                | カシメ部組            | D     | 1   |                |
| 46  | 50GA16050     | PAPER FEED PROTECTION PANEL  | 給紙保護パネル          | D     | 1   |                |
| 47  | 50GA-1601E    | Caulking Assy                | カシメ部組            | D     | 1   |                |

# DRIVING UNIT

|   |                  |
|---|------------------|
| 改訂版<br>REVISED EDITION  | 日付<br>DATE       |
|  | NOVEMBER<br>2007 |



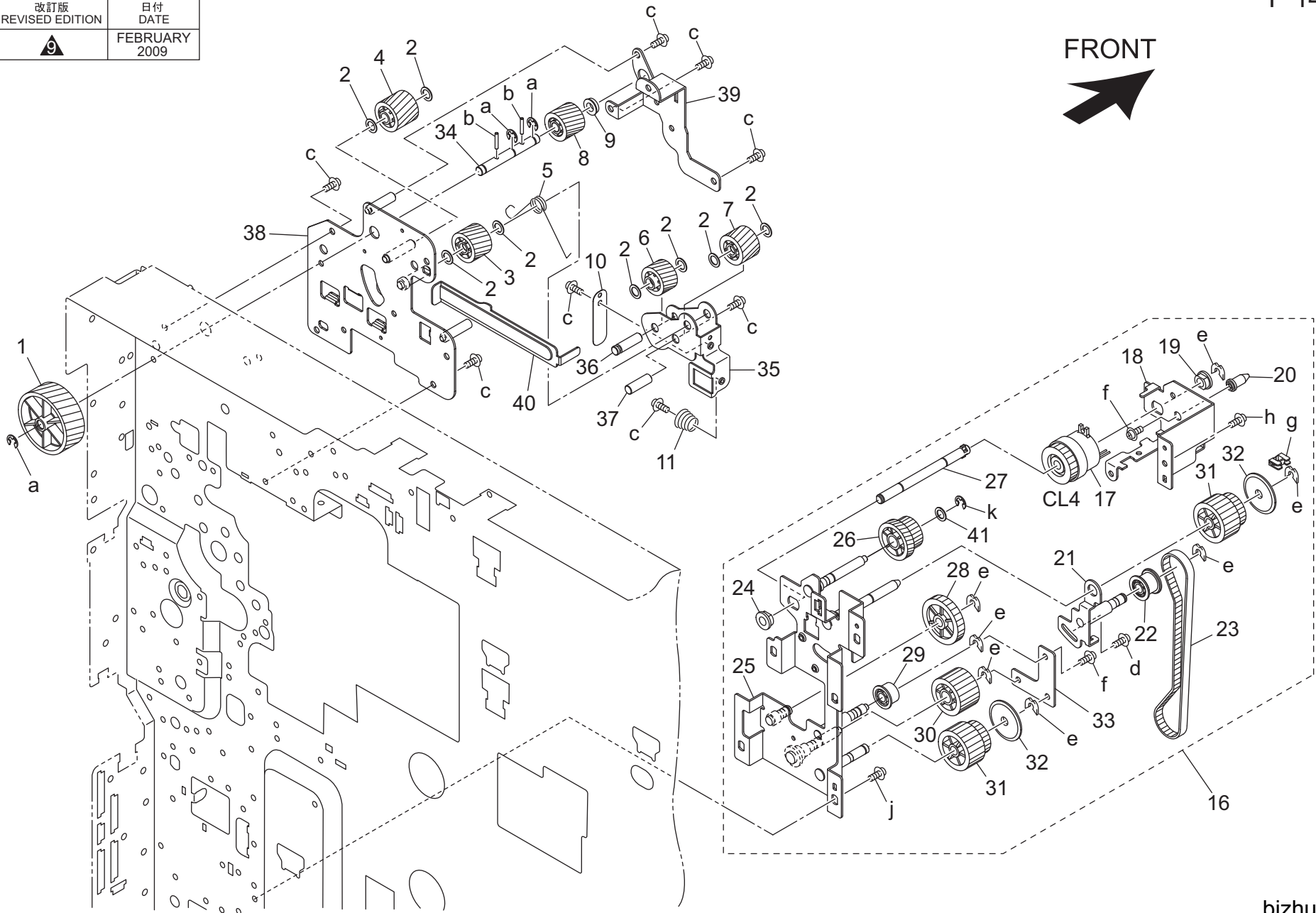
P 13

bizhub 360



# DRIVING UNIT

|   |                  |
|---|------------------|
| 改訂版<br>REVISED EDITION  | 日付<br>DATE       |
|  9 | FEBRUARY<br>2009 |

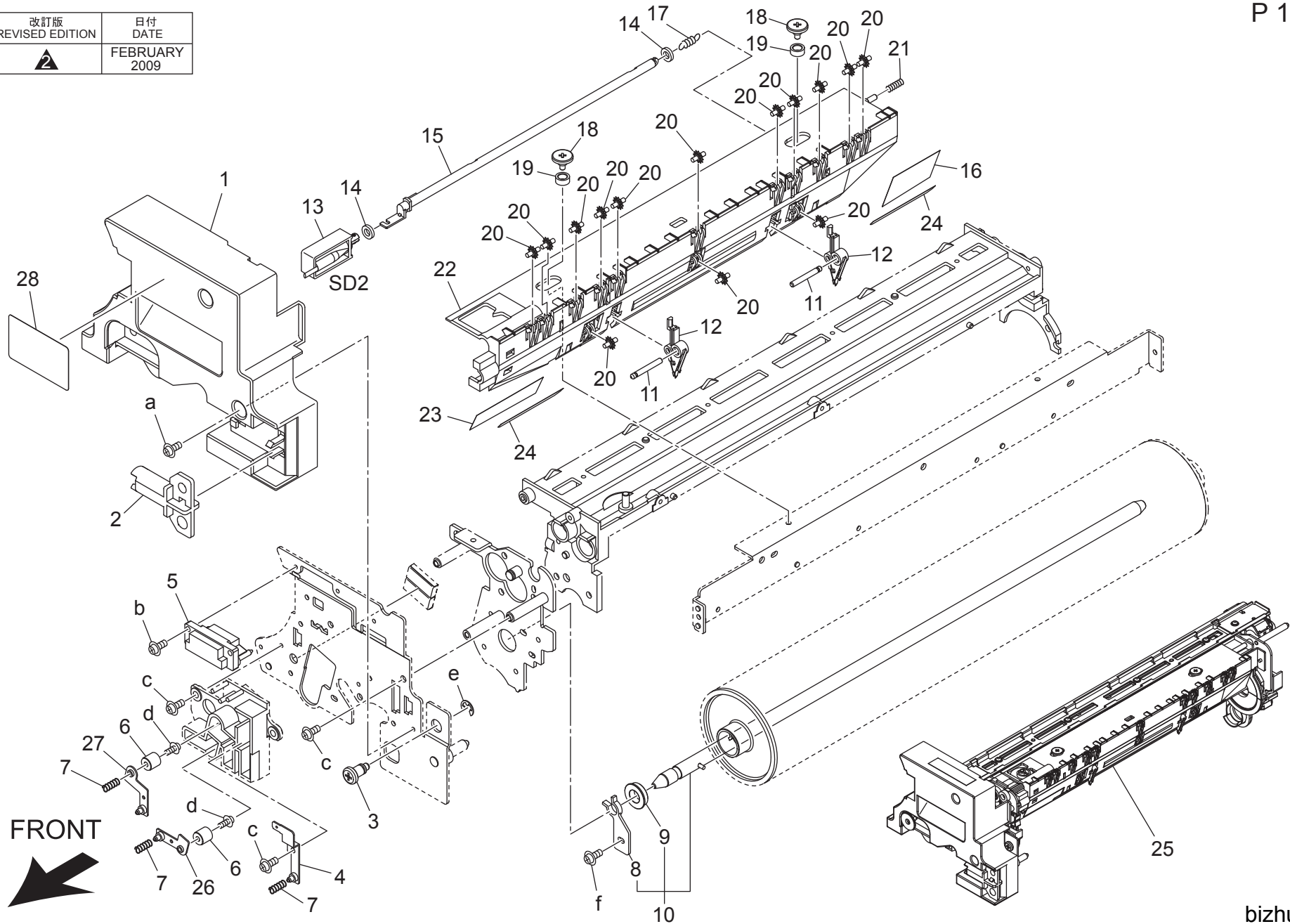


# DRIVING UNIT

| Key | Part No.   | Description                 | Destinations   | Class | QTY | Standard parts  |  |
|-----|------------|-----------------------------|----------------|-------|-----|---|--|
| 1   | 50GA18510  | FIXING GEAR A 80T           | 定着ギア A 80 T    | B     | 1   | a-V217040050<br>b-V237201250<br>c-00Z193061<br>d-9646030814<br>e-V218040086<br>f-9646030614<br>g-9384201021<br>h-V137030603<br>j-1066115101<br>k-V217040050 |  |
| 2   | 40LA17400  | DRIVING SPACER 1            | 駆動スペーサー 1      | C     | 8   |   |  |
| 3   | 50GA18542G | Fixing Gear/D 19T           | 定着 ギア/D 19 T   | B     | 1   |   |  |
| 4   | 50GA18532G | Fixing Gear/C 19T           | 定着 ギア/C 19 T   | B     | 1   |   |  |
| 5   | 50GA18410  | FIXING SWING SPRING         | 定着揺動バネ         | C     | 1   |   |  |
| 6   | 50GA18552G | Fixing Gear/E 18T           | 定着 ギア/E 18 T   | B     | 1   |   |  |
| 7   | 50GA18592G | Fixing Gear /F 19T          | 定着 ギア/F 19 T   | B     | 1   |   |  |
| 8   | 50GA18523I | Fixing Gear/B 18T           | 定着 ギア/B 18 T   | B     | 1   |   |  |
| 9   | A00J617800 | BALL BEARING                | ボールベアリング       | C     | 1   |   |  |
| 10  | 50GA18420  | LEVER PRESSING SPRING       | レバー押圧バネ        | D     | 1   |   |  |
| 11  | 50GA18430  | FIXING PRESSING SPRING      | 定着押圧バネ         | C     | 1   |   |  |
| 16  | 50GA-1692  | LOWER PAPER FEED DRIVE ASSY | 下給紙駆動部組        | C     | 1   |   |  |
| 17  | 9322150012 | CLUTCH                      | クラッチ           | C     | 1   |   |  |
| 18  | 4030305101 | BRACKET                     | 取付板            | D     | 1   |   |  |
| 19  | 4131300301 | BUSHING                     | 軸受             | C     | 1   |   |  |
| 20  | 4030306701 | SHAFT                       | シャフト           | D     | 1   |   |  |
| 21  | 4030R70500 | BRACKET ASSY                | 取付板 ASSY       | C     | 1   |   |  |
| 22  | 1155251801 | PULLEY                      | フーリー           | C     | 1   |   |  |
| 23  | 4030305401 | TIMING BELT 324L            | タイミングベルト 324 L | C     | 1   |   |  |
| 24  | 4131300301 | BUSHING                     | 軸受             | C     | 1   |   |  |
| 25  | 50GA-1760  | PAPER FEED STAKE ASSY       | 給紙かしめ部組        | D     | 1   |   |  |
| 26  | 50GA16401E | Paper feed Gear 19/33T      | 給紙ギア 19/33 T   | C     | 1   |   |  |
| 27  | 4030305701 | SHAFT                       | シャフト           | D     | 1   |   |  |
| 28  | 4030306001 | GEAR 30T                    | ギヤ 30 T        | C     | 1   |   |  |
| 29  | 1067251301 | PULLEY                      | フーリー           | C     | 1   |   |  |
| 30  | 4030305901 | GEAR 24T                    | ギヤ 24 T        | C     | 1   |   |  |
| 31  | 4030305301 | PULLEY 28/36T               | プーリ 28/36 T    | C     | 2   |   |  |
| 32  | 4030305501 | COLLAR                      | カラー            | C     | 2   |   |  |
| 33  | 4030305201 | BRACKET                     | 取付板            | D     | 1   |   |  |
| 34  | 50GA18111G | FIXING INPUT SHAFT          | 定着入力軸          | C     | 1   |   |  |
| 35  | 50GA15070F | Drive Panel /G              | 駆動 パネル/G       | D     | 1   |   |  |
| 36  | 50GA18220D | Fixing Idling Shaft         | 定着アイドル軸        | C     | 1   |   |  |
| 37  | 50GA18241E | Fixing Idling Shaft /2      | 定着アイドル軸/2      | D     | 1   |   |  |
| 38  | 50GA-1861G | Caulking Assy               | カシメ部組          | C     | 1   |   |  |
| 39  | 50GA15040E | Drive Panel /D              | 駆動 パネル/D       | C     | 1   |   |  |
| 40  | 50GA15091  | DRIVE PRESSING STAY         | 駆動押圧ステー        | C     | 1   |   |  |
| 41  | 190041410  | PLYSLIDER 6                 | ポリスライダー 6      | C     | 1   |   |  |
|     |            |                             |                |       |     |   |  |
|     |            |                             |                |       |     |   |  |
|     |            |                             |                |       |     |   |  |

# DRUM CARTRIDGE

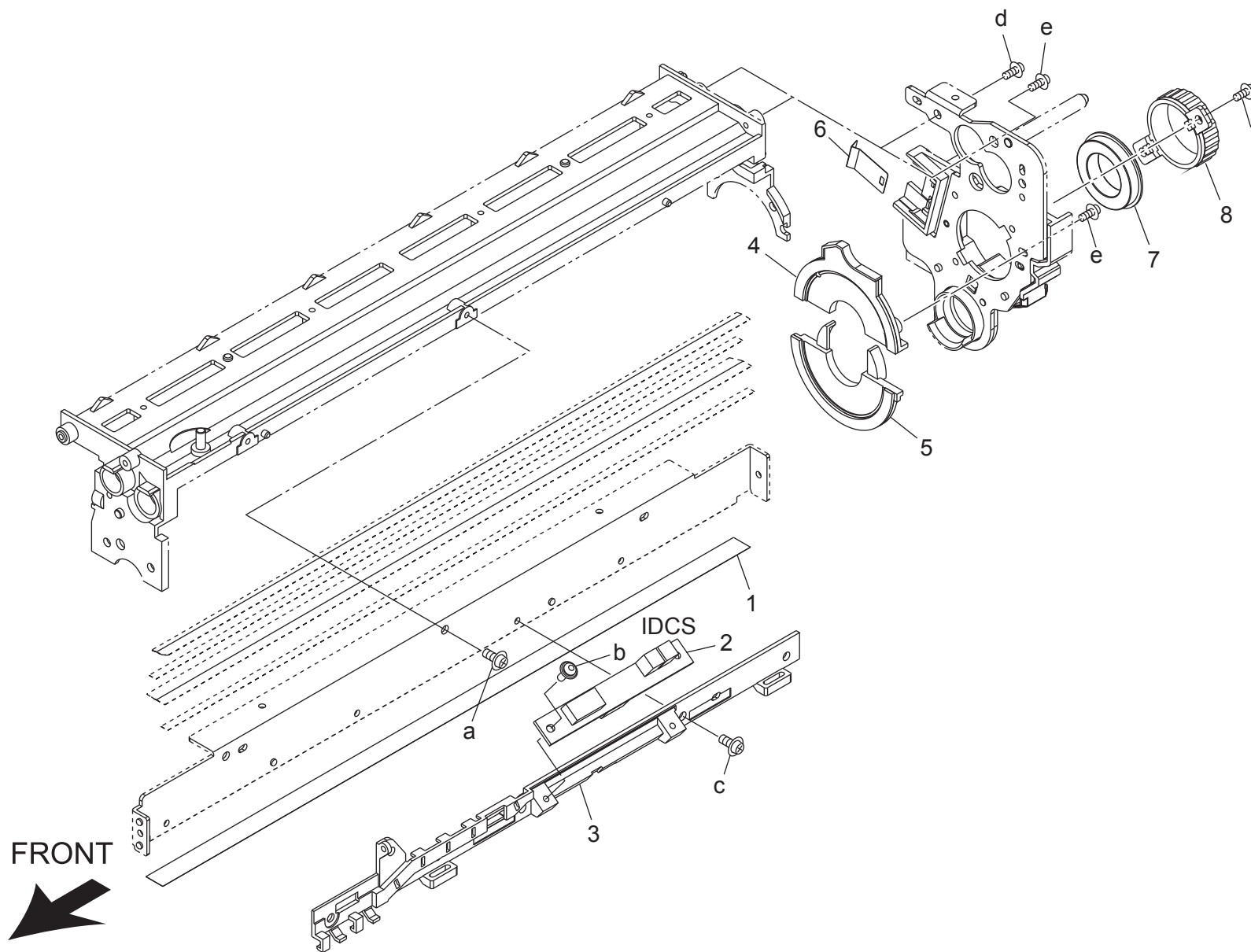
|   |                  |
|---|------------------|
| 改訂版<br>REVISED EDITION  | 日付<br>DATE       |
|  | FEBRUARY<br>2009 |





# DRUM CARTRIDGE

P 16

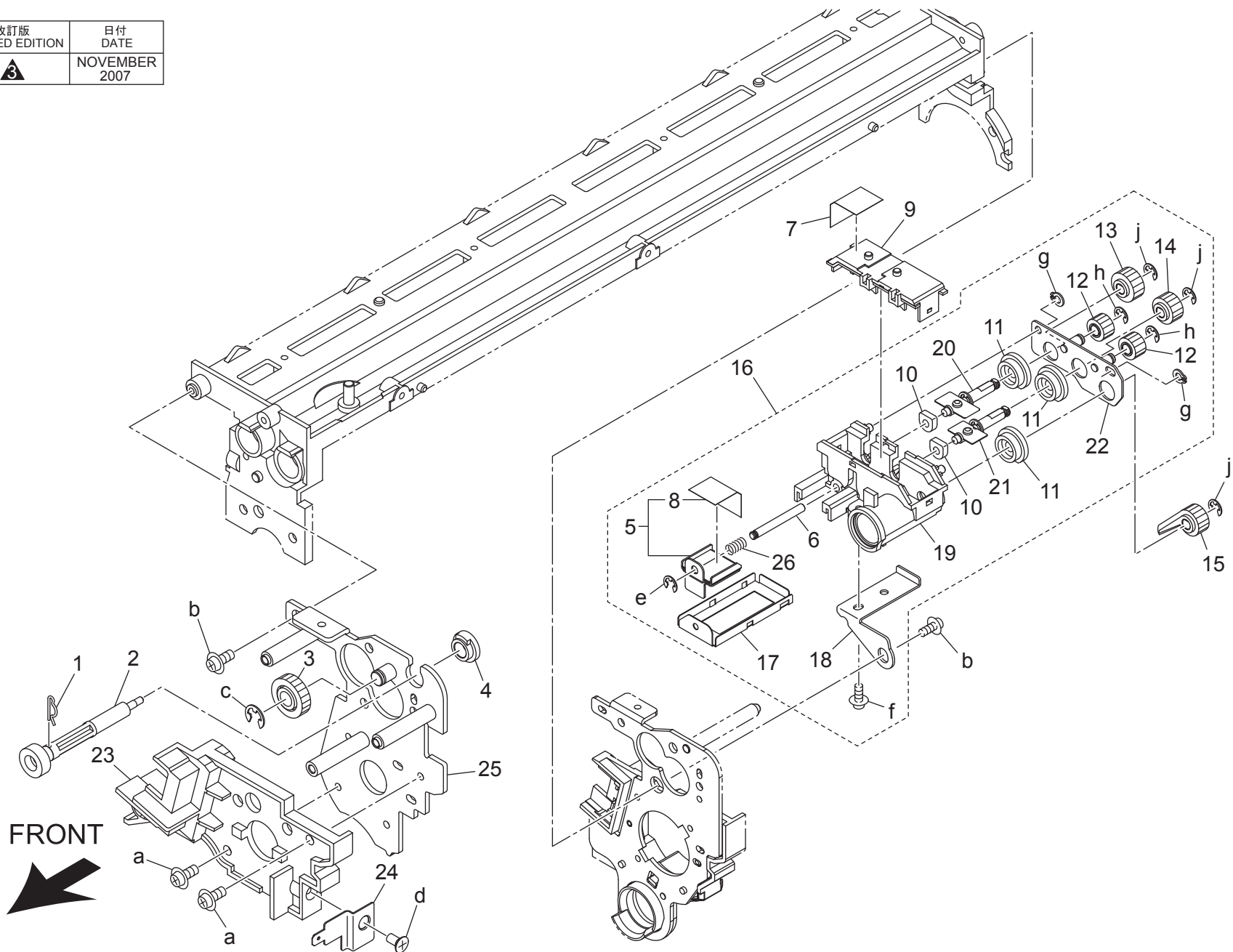






# DRUM CARTRIDGE

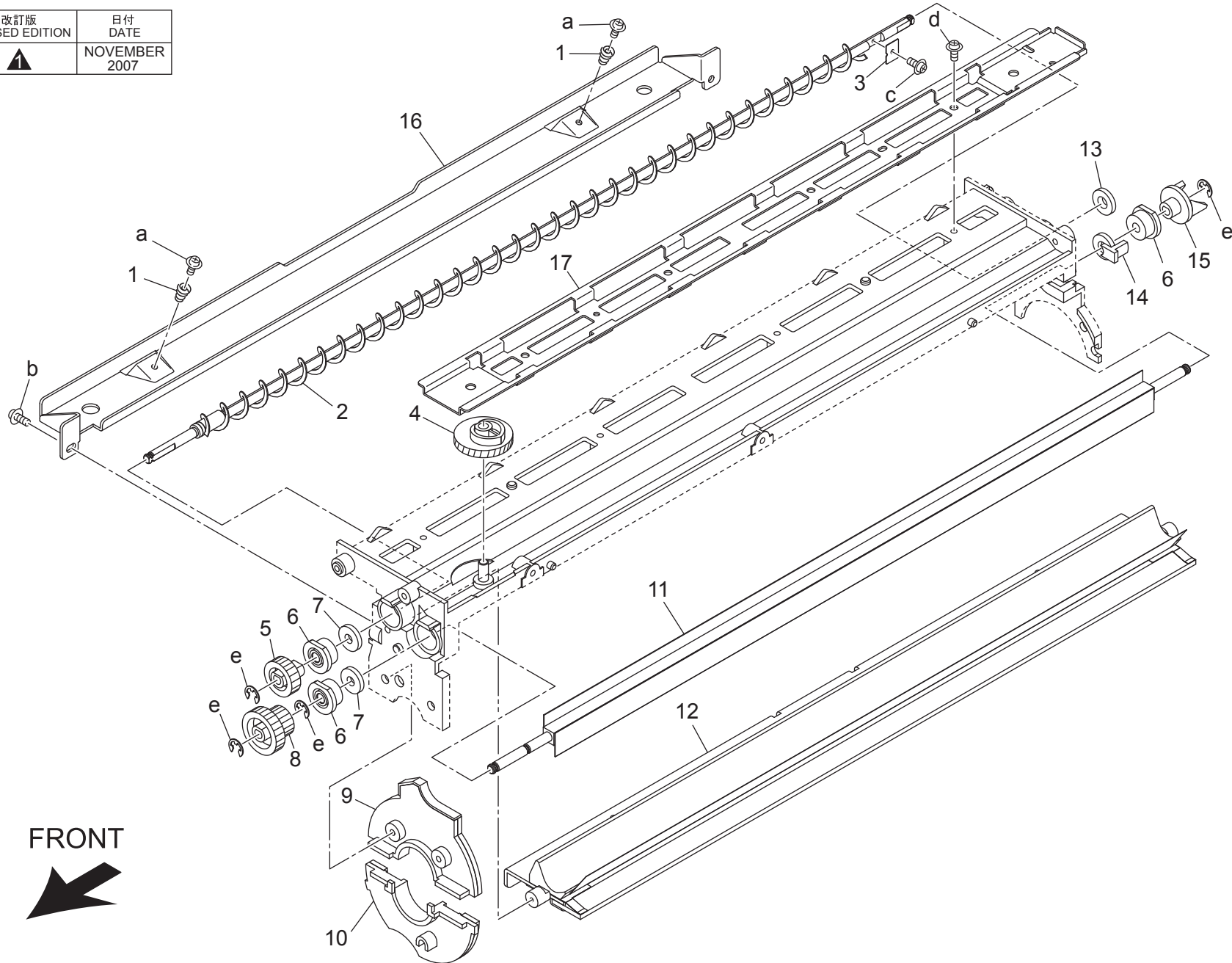
|   |                  |
|---|------------------|
| 改訂版<br>REVISED EDITION  | 日付<br>DATE       |
|  | NOVEMBER<br>2007 |





# DRUM CARTRIDGE

|   |                  |
|---|------------------|
| 改訂版<br>REVISED EDITION  | 日付<br>DATE       |
|  | NOVEMBER<br>2007 |



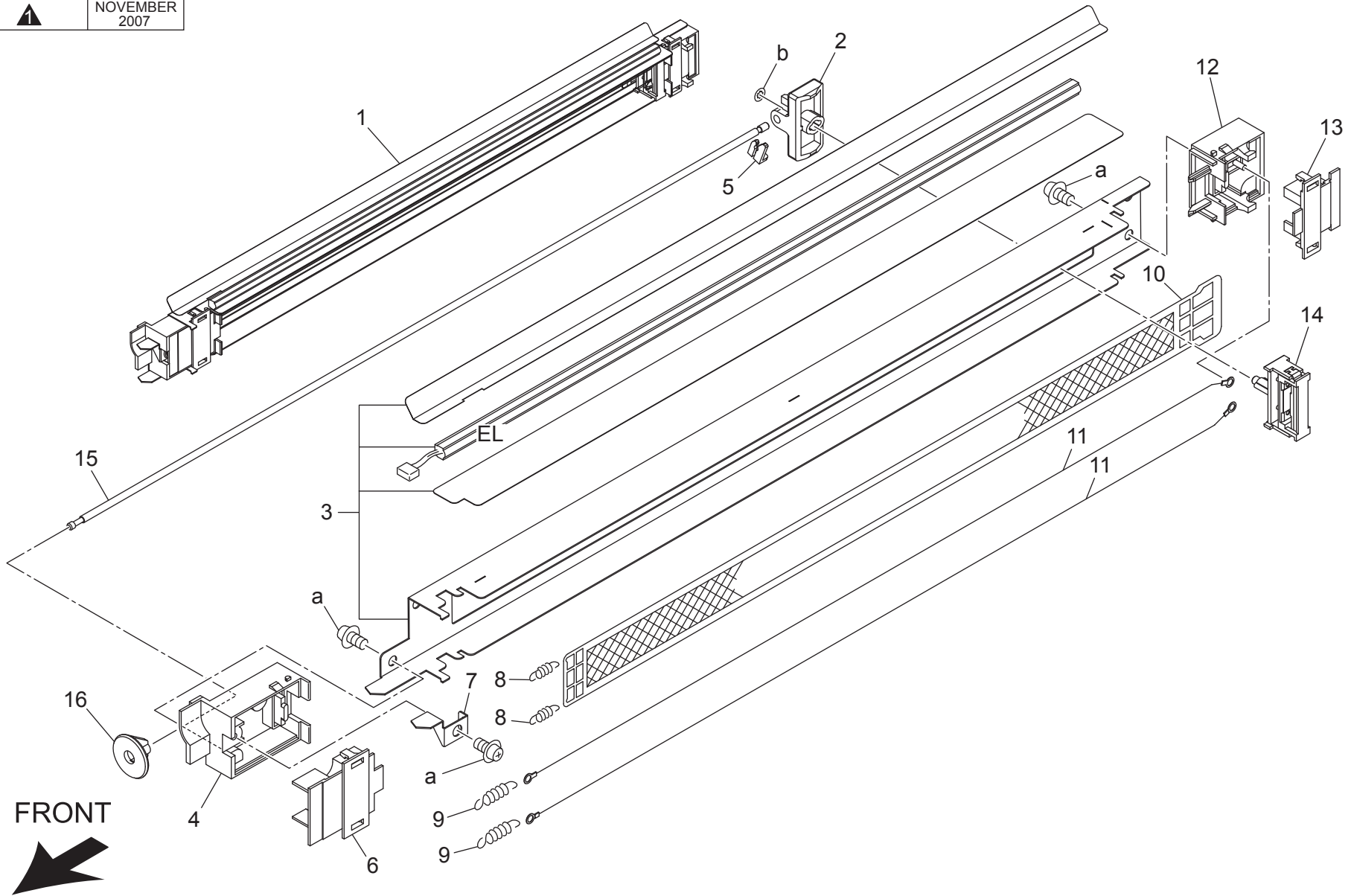
FRONT





# CHARGING UNIT

|   |                  |
|---|------------------|
| 改訂版<br>REVISED EDITION  | 日付<br>DATE       |
|  | NOVEMBER<br>2007 |





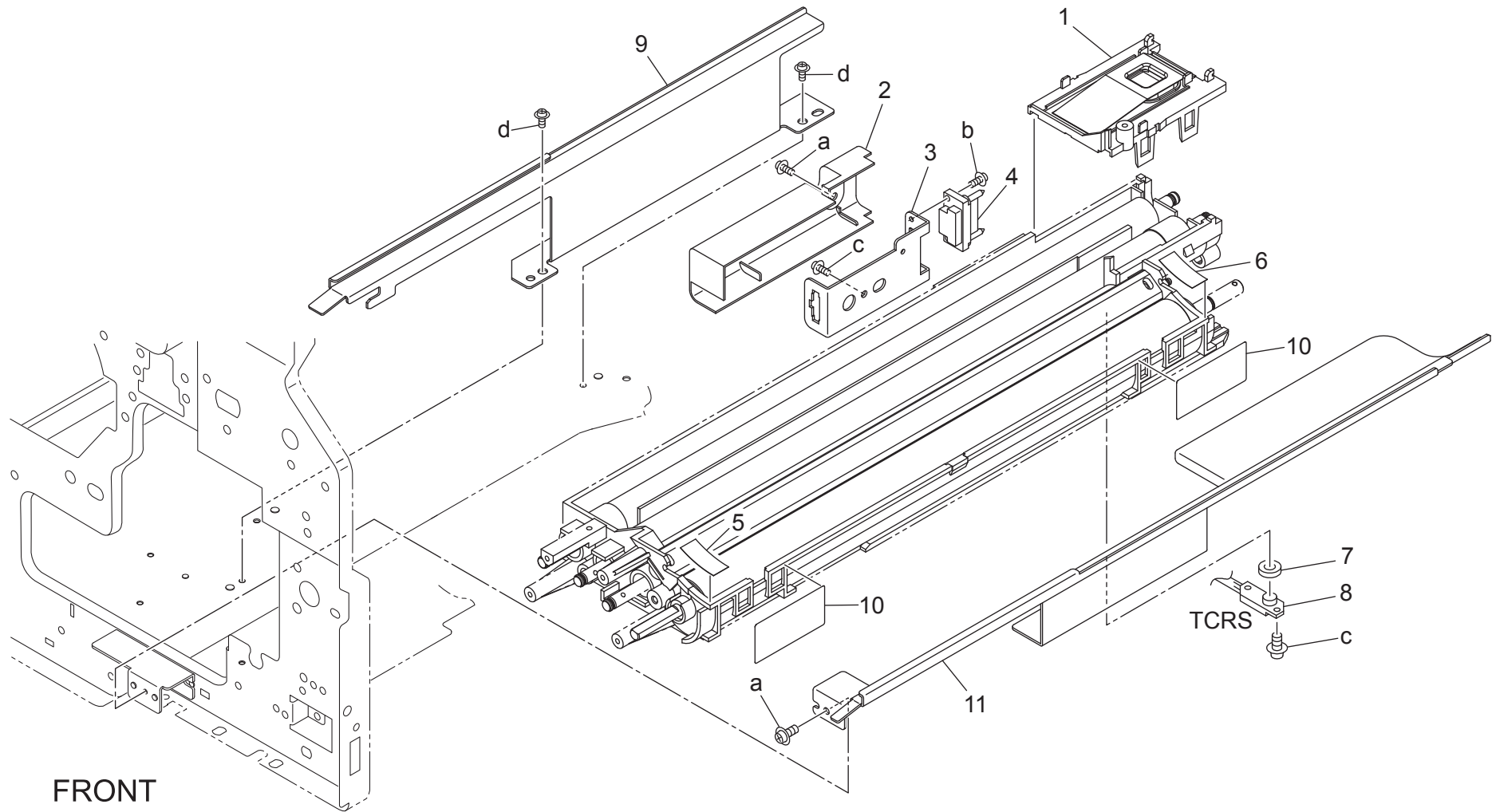






# DEVELOPING UNIT

|   |                  |
|---|------------------|
| 改訂版<br>REVISED EDITION  | 日付<br>DATE       |
|  | NOVEMBER<br>2007 |



FRONT



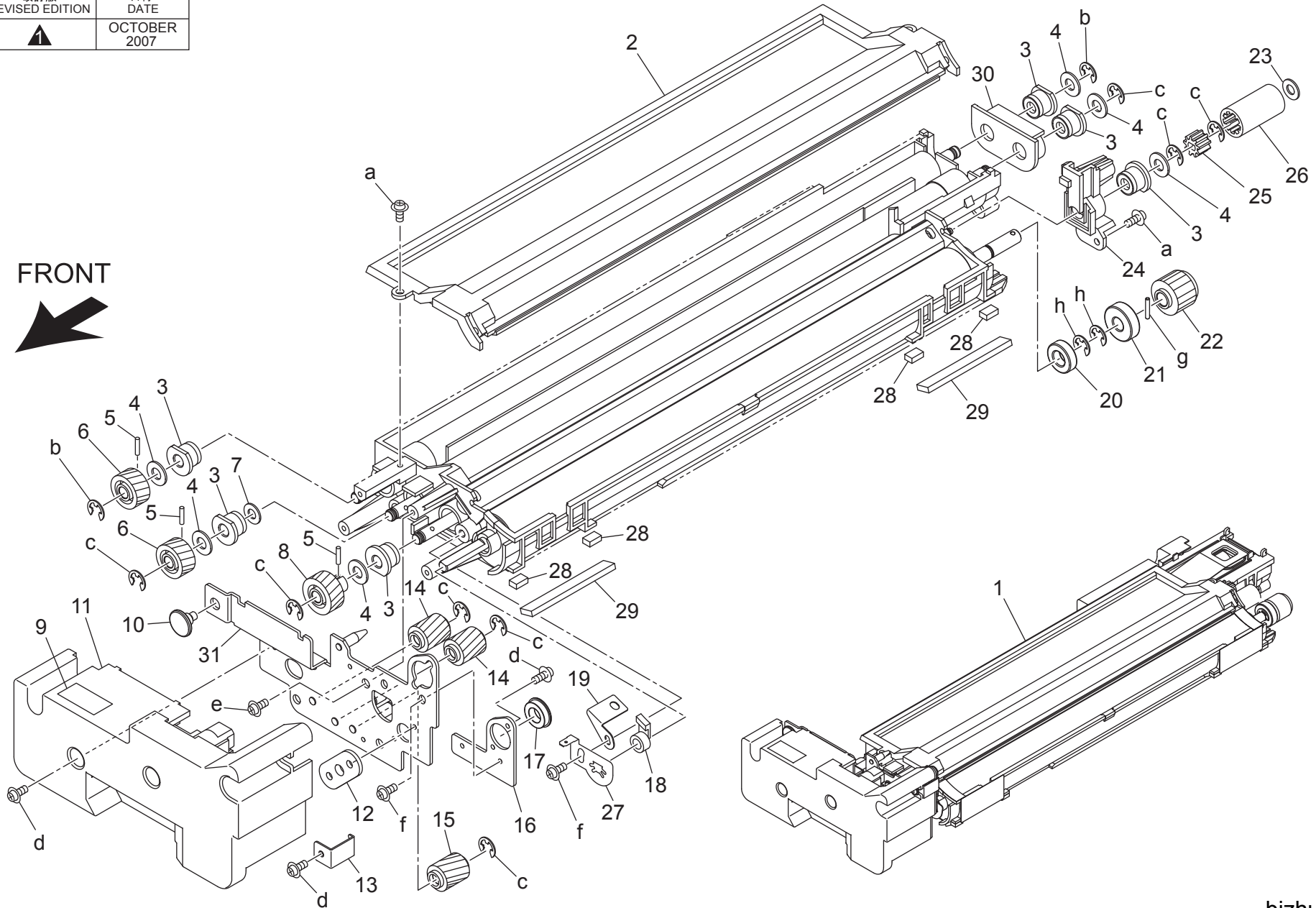


# DEVELOPING UNIT

P 22

|   |                 |
|---|-----------------|
| 改訂版<br>REVISED EDITION  | 日付<br>DATE      |
|  | OCTOBER<br>2007 |

FRONT

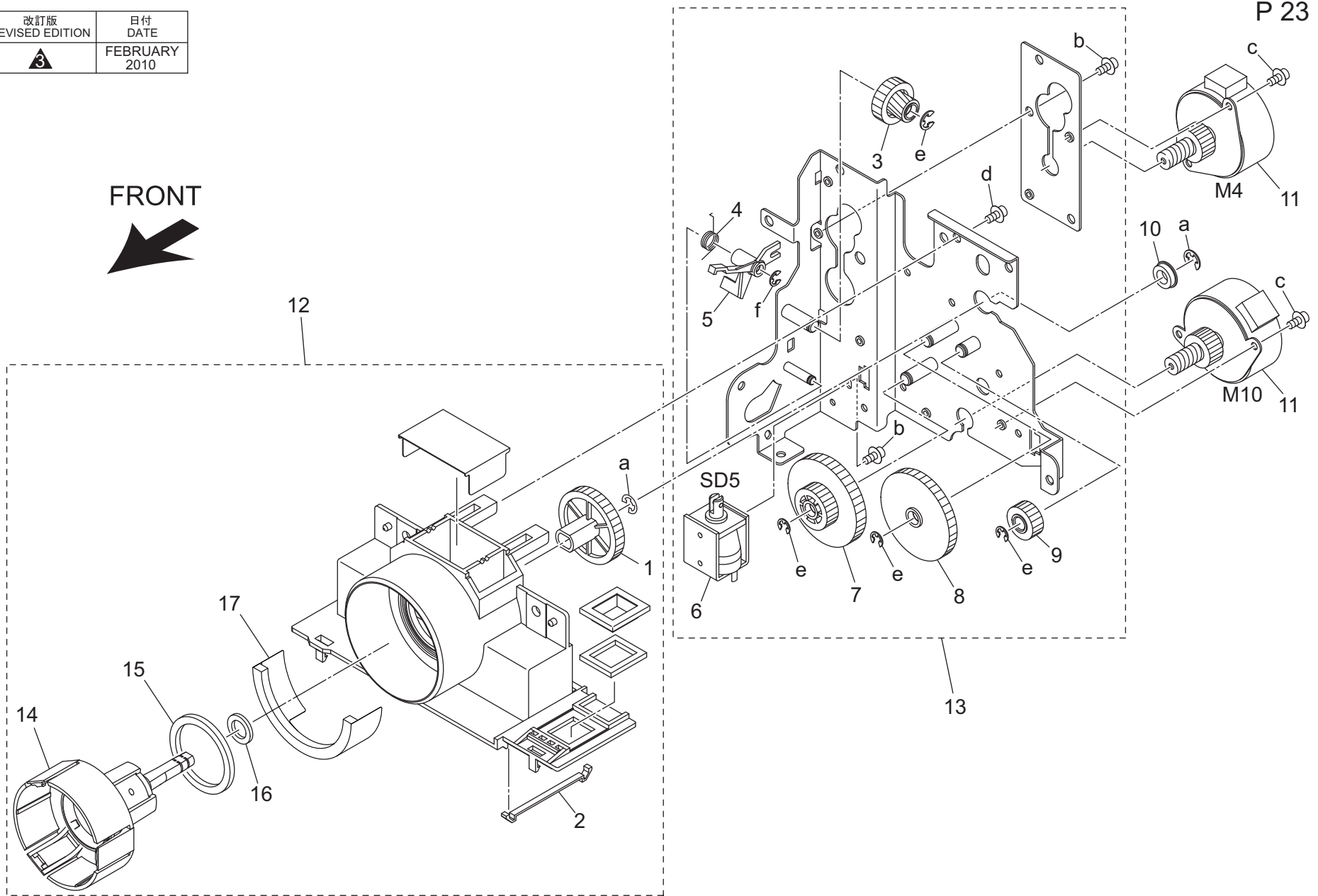


| Key | Part No.   | Description                    | Destinations | Class | QTY | Standard parts |
|-----|------------|--------------------------------|--------------|-------|-----|----------------|
| 1   | 50GAR70400 | Developing Unit                |              | B     | 1   | a-00Z253061    |
| 2   | 26TAR70200 | DEVELOPING COVER ASSY          |              | C     | 1   | b-00Z670506    |
| 3   | 26NA30770  | DEVELOPING SHAFT HOLDER        |              | B     | 6   | c-V217040050   |
| 4   | 26NA30850  | SHAFT HOLDER SPACER            |              | C     | 6   | d-00Z193061    |
| 5   | 466078010  | PIN A D2X10                    |              | B     | 3   | e-00Z253081    |
| 6   | 50GA30150  | AGITATING GEAR B 20T           |              | B     | 2   | f-00Z163061    |
| 7   | 26NA30940  | DEVELOPING SEAL S              |              | C     | 1   | g-V237201250   |
| 8   | 50GA30140  | AGITATING GEAR A 22T           |              | B     | 1   | h-00Z670606    |
| 9   | 56UA97920  | HIGE VOLTAGE CAUTION LABEL     |              | C     | 1   |                |
| 10  | 26NA31011E | Positioning Screw              |              | C     | 1   |                |
| 11  | 50GA-3040  | DEVELOPING COVER ASSY          |              | C     | 1   |                |
| 12  | 26NA30750  | DEVELOPING ADJUSTING CAM FRONT |              | D     | 1   |                |
| 13  | 26NA30930  | DEVELOPING SUPPORT STOPPER     |              | D     | 1   |                |
| 14  | 50GA30180  | IDLING GEAR 2 15T              |              | B     | 2   |                |
| 15  | 50GA30170  | IDLING GEAR 1 15T              |              | B     | 1   |                |
| 16  | 26NA30860  | SHAFT HOLDER FULCRUM PART      |              | C     | 1   |                |
| 17  | 26NA21360  | Drum Support Bearing           |              | C     | 1   |                |
| 18  | 26NA30630  | Developing Shaft Holder /Front |              | C     | 1   |                |
| 19  | 26NA30360  | DEVELOPING CONNECTING PLATE    |              | D     | 1   |                |
| 20  | 26NA30650  | Ball Bearing                   |              | C     | 1   |                |
| 21  | 26NA30660  | BALL BEARING                   |              | C     | 1   |                |
| 22  | 26NA30700  | DEVELOPING GEAR                |              | C     | 1   |                |
| 23  | 26NA30960  | SPACER C                       |              | C     | 1   |                |
| 24  | 26NAR70700 | DEVELOPING COVER PART C ASSY   |              | D     | 1   |                |
| 25  | 26NA30730  | AGITATE COUPLING               |              | B     | 1   |                |
| 26  | 26NA30950  | AGITATE COUPLING A             |              | C     | 1   |                |
| 27  | 26NA30211G | Magnet Adjusting Plate         |              | D     | 1   |                |
| 28  | 50GA31610  | DEVELOPING SUCTION SEAL C      |              | C     | 4   |                |
| 29  | 50GA31600  | DEVELOPING SUCTION SEAL B      |              | C     | 2   |                |
| 30  | 26NA30090  | DEVELOPING COVER PART /B       |              | D     | 1   |                |
| 31  | 50GA-3070E | DEVELOPING STAY CAULKING       |              | D     | 1   |                |
|     |            |                                |              |       |     |                |
|     |            |                                |              |       |     |                |
|     |            |                                |              |       |     |                |
|     |            |                                |              |       |     |                |
|     |            |                                |              |       |     |                |
|     |            |                                |              |       |     |                |

# TONER SUPPLY UNIT

|   |                  |
|---|------------------|
| 改訂版<br>REVISED EDITION  | 日付<br>DATE       |
|  | FEBRUARY<br>2010 |

FRONT



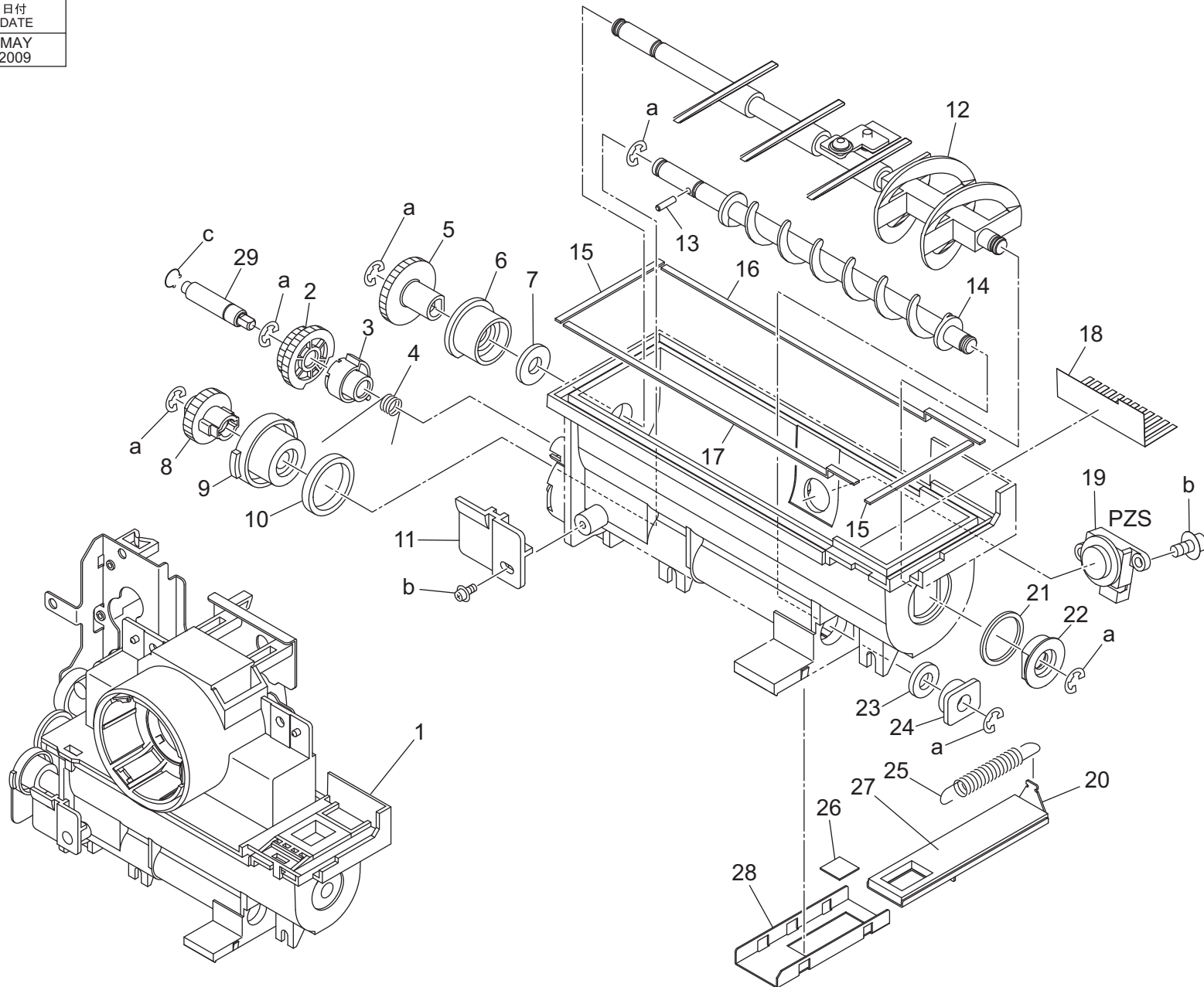
P 23



# TONER SUPPLY UNIT

|   |             |
|---|-------------|
| 改訂版<br>REVISED EDITION  | 日付<br>DATE  |
|  | MAY<br>2009 |

FRONT



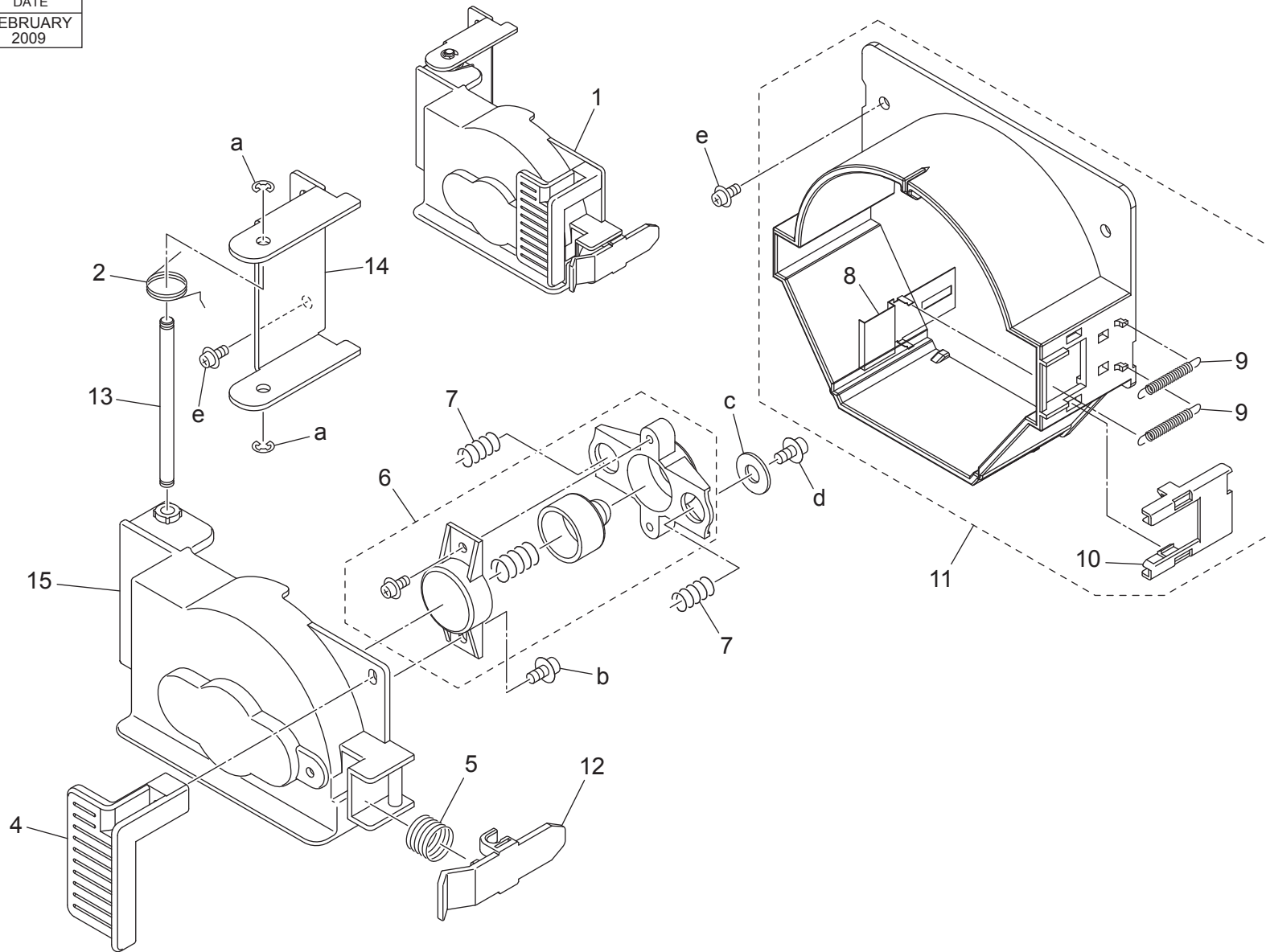


# TONER SUPPLY UNIT

| Key | Part No.      | Description                      | Destinations          | Class | QTY | Standard parts                             |
|-----|---------------|----------------------------------|-----------------------|-------|-----|--|
| 1   | 50GAR71100    | Toner Supply Unit                |                       | I     | 1   | a-V217040050<br>b-00Z253081<br>c-00Z600406 |
| 2   | 50GA32520     | TONER CONVEYANCE GEAR /3 20/25T  | トナー搬送歯車 / 3 20 / 25 T | C     | 1   |  |
| 3   | 50GA33230EOld | TONER SUPPLY DRIVE CAM           | トナー補給駆動カム             | C     | 1   |  |
| 3   | 50GA33231F    | Toner supply Drive Cam           | トナー補給駆動カム             | C     | 1   |  |
| 4   | 50GA32700     | STOPPER SPRING                   | 突き当てバネ                | C     | 1   |  |
| 5   | 50GA32530     | TONER CONVEYANCE GEAR 4 27T      | トナー搬送歯車 4 27 T        | C     | 1   |  |
| 6   | 25HA32152     | TONER CONVEYANCE SHAFT HOLDER A  | トナー搬送軸受 A             | C     | 1   |  |
| 7   | 26NA32960     | FELT C                           | フェルト C                | C     | 1   |  |
| 8   | 50GA32510     | TONER SUPPLY REGULATING GEAR 21T | トナー補給規制歯車 21 T        | C     | 1   |  |
| 9   | 26NA32560     | TONER CONVEYANCE BEARING /LEFT   | トナー搬送軸受 / 左           | C     | 1   |  |
| 10  | 40LA32270     | SCREW SEAL PART MIDDLE           | スクリュースील部材 中          | D     | 1   |  |
| 11  | 50GA33220     | Spring Regulating Part /A        | バネ規制部材 / A            | C     | 1   |  |
| 12  | 40LAR70600    | AGITATE SCREW ASSY               | 攪拌スクリュース組             | D     | 1   |  |
| 13  | 26NA32970     | Pin                              | ピン                    | C     | 1   |  |
| 14  | 26NA32040     | TONER SUPPLY SCREW               | トナー補給スクリュース           | C     | 1   |  |
| 15  | 26NA32930     | TONER SUPPLY SEAL 3              | トナー補給シール 3            | C     | 2   |  |
| 16  | 26NA32910     | TONER SUPPLY SEAL 1              | トナー補給シール 1            | C     | 1   |  |
| 17  | 26NA32920     | TONER SUPPLY SEAL 2              | トナー補給シール 2            | C     | 1   |  |
| 18  | 26TA33010     | TONER AGITATE SHEET FRONT        | トナー攪拌シート 前            | C     | 1   |  |
| 19  | 40AA88031     | Level Detection Sensor           | 残量検知センサ               | C     | 1   |  |
| 20  | 50GA32080     | TONER SUPPLY OPEN CLOSE PLATE    | トナー補給開閉板              | D     | 1   |  |
| 21  | 26NA32280     | SCREW SEAL PART UPPER            | スクリュースील部材 上          | C     | 1   |  |
| 22  | 26NA32540     | TONER AGITATE SHAFT HOLDER       | トナー攪拌軸受               | C     | 1   |  |
| 23  | 26NA32200     | SCREW SEAL PART LOWER            | スクリュースील部材 下          | C     | 1   |  |
| 24  | 26NA32550     | TONER AGITATE SHAFT HOLDER RIGHT | トナー搬送軸受 右             | C     | 1   |  |
| 25  | 26NA32090     | TONER SUPPLY OPEN CLOSE SPRING   | トナー補給開閉バネ             | B     | 1   |  |
| 26  | 26NA32900     | SPEWING PREVENTIVE SPACER        | 飛散防止スペーサー             | C     | 1   |  |
| 27  | 26NA32300     | TONER SUPPLY OPEN CLOSE SHEET    | トナー補給開閉シート            | C     | 1   |  |
| 28  | 26NA32430     | TONER SUPPLY OPEN CLOSE COVER    | トナー補給開閉カバー            | C     | 1   |  |
| 29  | 26NA32690Old  | TONER AGITATING SHAFT /2         | トナー攪拌軸 / 2            | D     | 1   |  |
| 29  | 50GA430700    | Agitating Shaft /2               | 攪拌軸 / 2               | D     | 1   |  |
|     |               |                                  |                       |       |     |  |
|     |               |                                  |                       |       |     |  |
|     |               |                                  |                       |       |     |  |
|     |               |                                  |                       |       |     |  |
|     |               |                                  |                       |       |     |  |

# TONER SUPPLY UNIT

|   |                  |
|---|------------------|
| 改訂版<br>REVISED EDITION  | 日付<br>DATE       |
|  4 | FEBRUARY<br>2009 |



FRONT

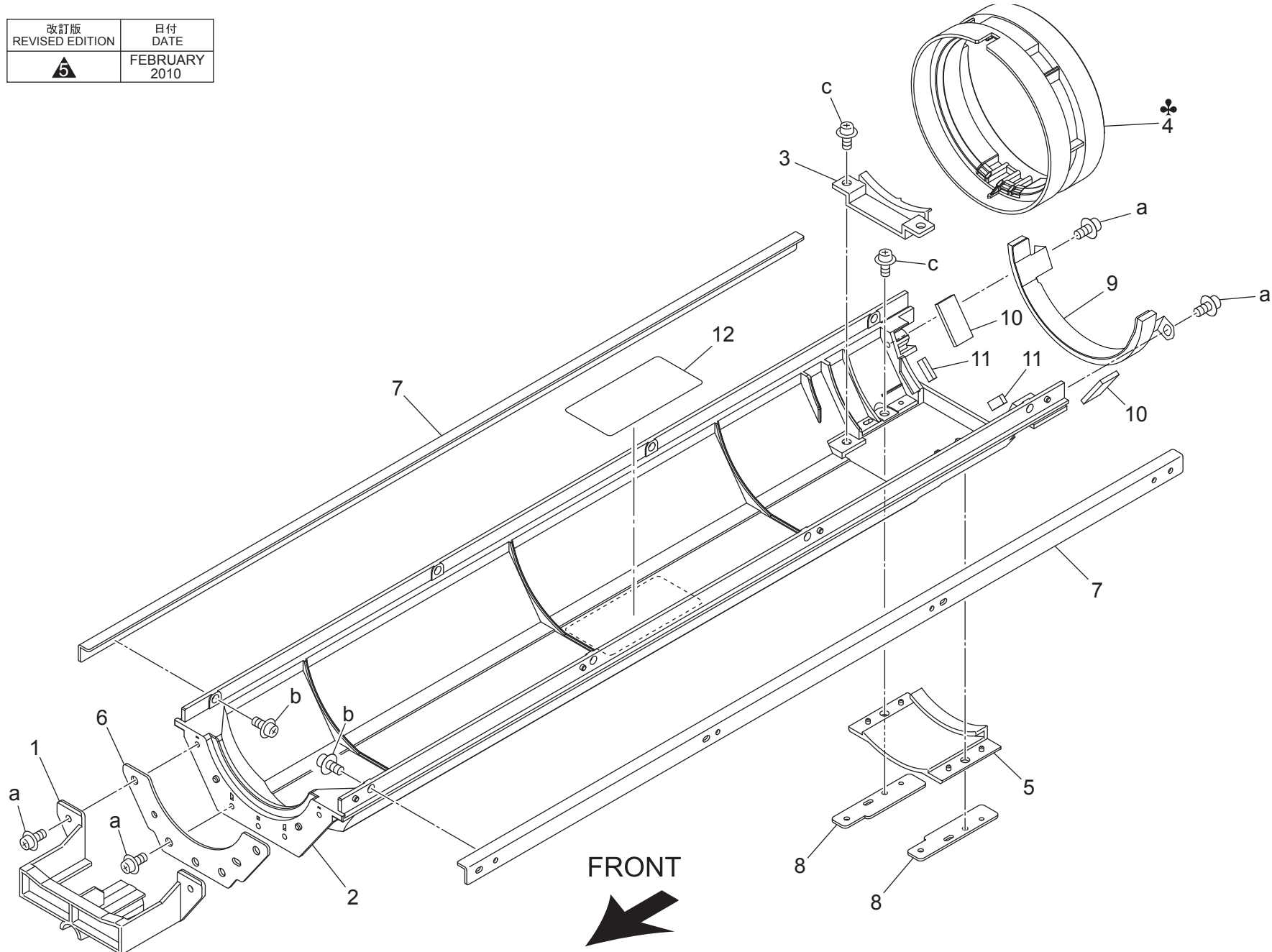


# TONER SUPPLY UNIT

| Key | Part No.     | Description                    | Destinations  | Class | QTY | Standard parts  |
|-----|--------------|--------------------------------|---------------|-------|-----|---|
| 1   | 50GA-3321    | TONER CARTRIDGE PRESSING ASSY  | トナーカートリッジ押圧部組 | C     | 1   | a-00Z670306<br>b-00Z253081<br>c-00Z610421<br>d-00Z254101<br>e-00Z193061 |
| 2   | 50GA33260    | TONER SUPPLY OPEN CLOSE SPRING | トナー補給開閉バネ A   | C     | 1   |   |
| 4   | 50GA33120    | CARTRIDGE PRESSING HANDLE B    | カートリッジ押圧把手 B  | C     | 1   |   |
| 5   | 26NA32870    | CARTRIDGE PRESSING SPRING 2    | カートリッジ押圧バネ 2  | C     | 1   |   |
| 6   | 50GA-3330    | PRESSING ASSY                  | 押圧部組          | C     | 1   |   |
| 7   | 26TA32980    | CARTRIDGE PRESSING SPRING 3    | カートリッジ押圧バネ／3  | C     | 2   |   |
| 8   | 26TA32960    | CARTRIDGE REGULATING PLATE     | カートリッジ規制板     | C     | 1   |   |
| 9   | 26TA32970    | CARTRIDGE REGULATING SPRING    | カートリッジ規制バネ    | C     | 2   |   |
| 10  | 26TA32990    | COVER PART                     | カバー部材         | C     | 1   |   |
| 11  | 50GA-3340Old | TONER SUPPLY GUIDE PART ASSY   | トナー補給ガイド部材部組  | C     | 1   |   |
| 11  | 50GA-3342    | TONER SUPPLY GUIDE PART ASSY   | トナーガイド部材部組    | C     | 1   |   |
| 12  | 50GA32851    | CARTRIDGE PRESSING HANDLE      | カートリッジ押圧把手    | C     | 1   |   |
| 13  | 50GA33110    | TONER SUPPLY SUPPORT SHAFT     | トナー補給支点軸      | D     | 1   |   |
| 14  | 50GA33100    | TONER SUPPLY SUPPORT PLATE     | トナー補給支点板      | D     | 1   |   |
| 15  | 50GA32822F   | Cartridge Pressing Pedestal    | カートリッジ押圧台     | C     | 1   |   |
|     |              |                                |               |       |     |   |
|     |              |                                |               |       |     |   |
|     |              |                                |               |       |     |   |
|     |              |                                |               |       |     |   |
|     |              |                                |               |       |     |   |
|     |              |                                |               |       |     |   |
|     |              |                                |               |       |     |   |
|     |              |                                |               |       |     |   |
|     |              |                                |               |       |     |   |
|     |              |                                |               |       |     |   |

# TONER SUPPLY UNIT

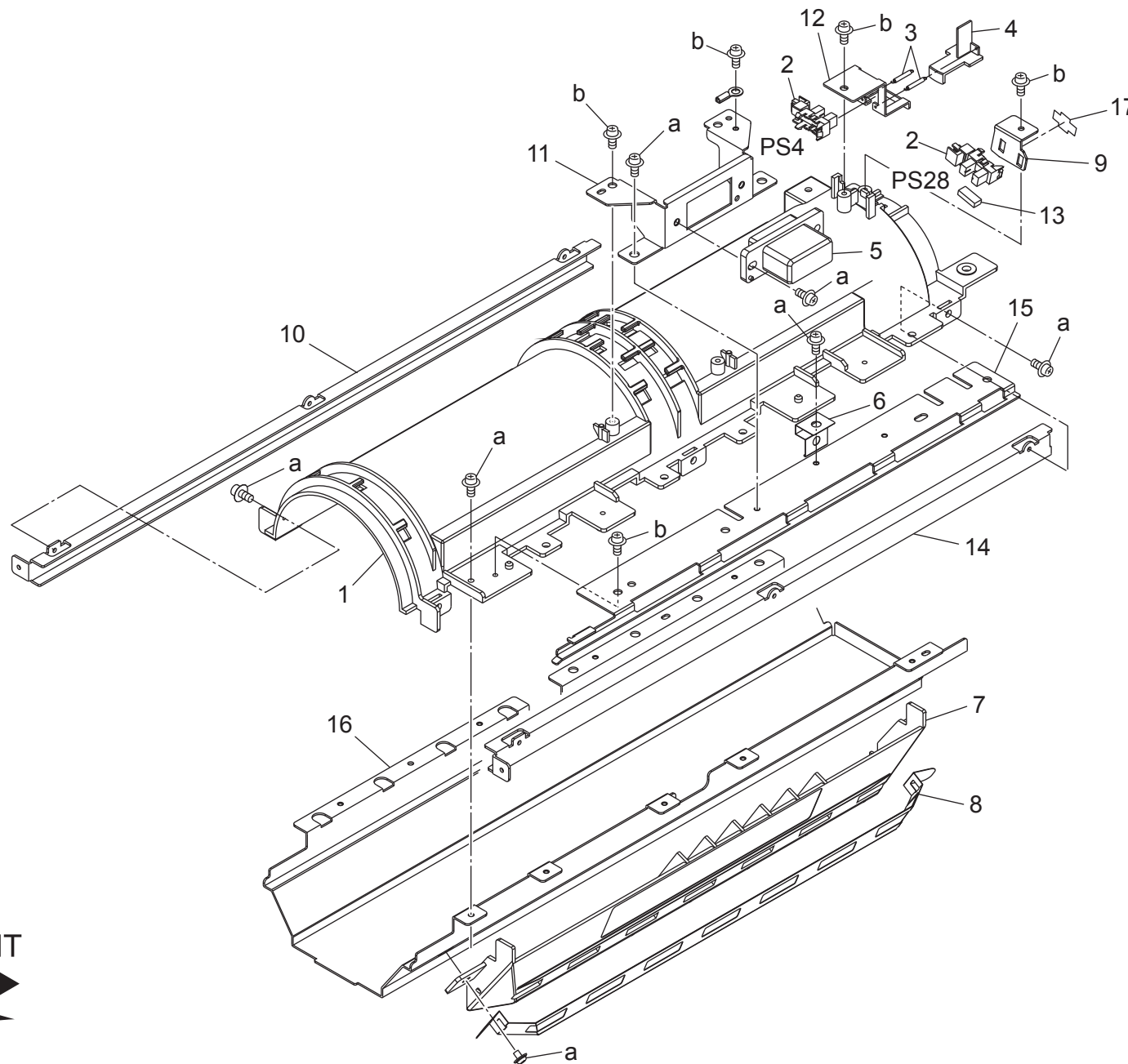
|   |                  |
|---|------------------|
| 改訂版<br>REVISED EDITION  | 日付<br>DATE       |
|  | FEBRUARY<br>2010 |





# TONER SUPPLY UNIT

P 27



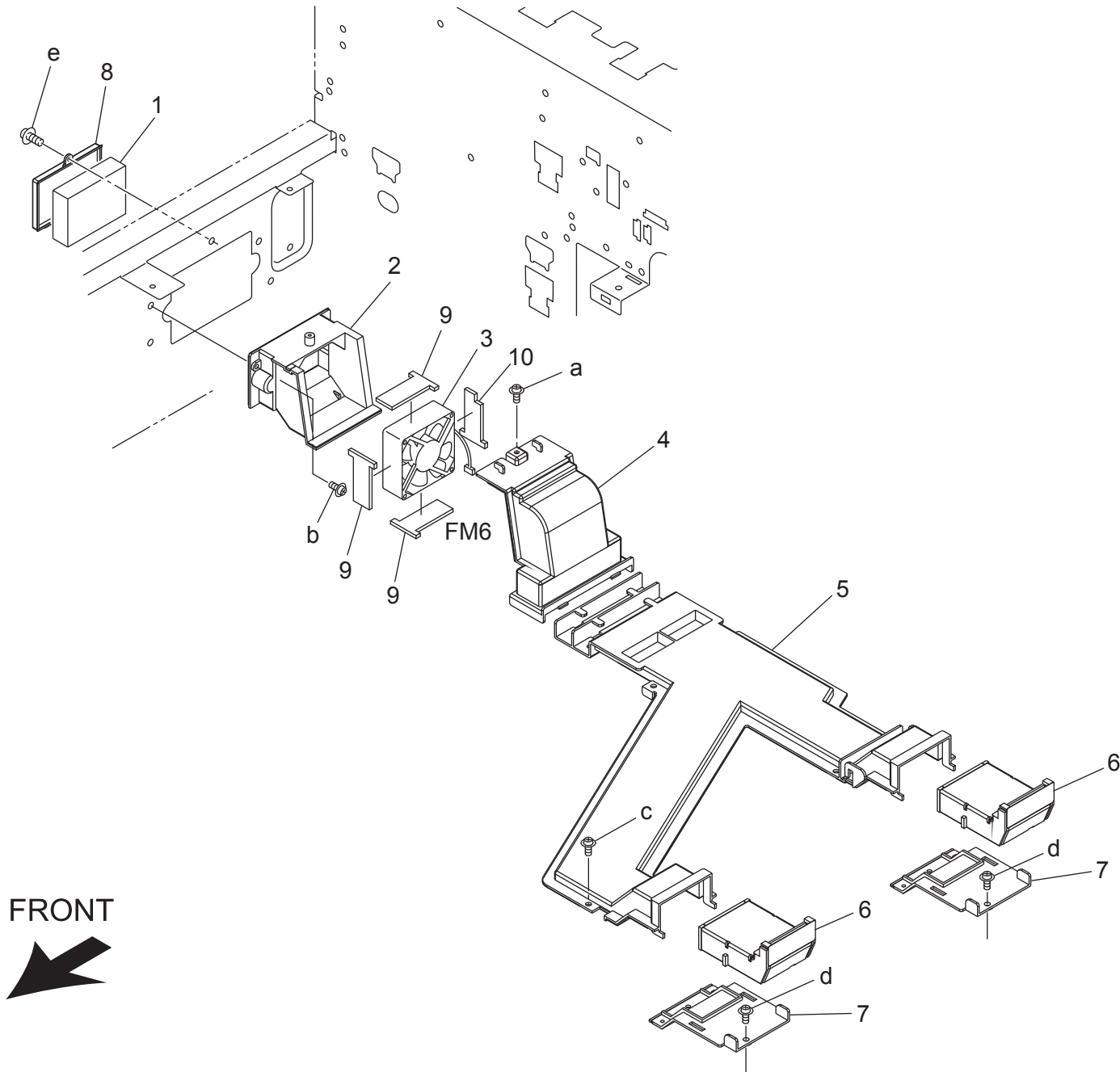
FRONT



| Key | Part No.   | Description                     | Destinations | Class | QTY | Standard parts             |
|-----|------------|---------------------------------|--------------|-------|-----|----------------------------|
| 1   | 50GA32111F | Toner Supply Guide Plate /Upper |              | C     | 1   | a-00Z193041<br>b-00Z253081 |
| 2   | 9335130061 | PHOTO INTERRUPTER               |              | B     | 2   |                            |
| 3   | 50GA33170E | SLIDE SPRING /A                 |              | C     | 2   |                            |
| 4   | 50GA32230  | DETECTION ACTUATOR              |              | C     | 1   |                            |
| 5   | 50GA90060  | Fixing Relay Wiring             |              | D     | 1   |                            |
| 6   | 50GA33250  | TONER SUPPLY EARTH PLATE 1      |              | C     | 1   |                            |
| 7   | 50GA33130  | Cooling Cover /E                |              | C     | 1   |                            |
| 8   | 50GA-3360  | FILTER MOUNTING PLATE ASSY      |              | A     | 1   |                            |
| 9   | 50GA33161E | MOUNTING PLATE /B               |              | C     | 1   |                            |
| 10  | 50GA33030  | TONER SUPPLY GUIDE RAIL/LEFT    |              | D     | 1   |                            |
| 11  | 50GA33240  | CORD MOUNTING PLATE/1           |              | D     | 1   |                            |
| 12  | 50GA33071  | MOUNTING PLATE                  |              | C     | 1   |                            |
| 13  | 50GA33330  | SCATTER PREVENTING SEAL C       |              | C     | 1   |                            |
| 14  | 50GA33020  | TONER SUPPLY GUIDE RAIL/RIGHT   |              | D     | 1   |                            |
| 15  | 50GA33140  | RAIL/LEFT                       |              | D     | 1   |                            |
| 16  | 50GA33050E | TONER SUPPLY PROTECTION PART    |              | D     | 1   |                            |
| 17  | 4470402401 | STOPPER                         |              | D     | 1   |                            |
|     |            |                                 |              |       |     |                            |
|     |            |                                 |              |       |     |                            |
|     |            |                                 |              |       |     |                            |
|     |            |                                 |              |       |     |                            |
|     |            |                                 |              |       |     |                            |
|     |            |                                 |              |       |     |                            |
|     |            |                                 |              |       |     |                            |
|     |            |                                 |              |       |     |                            |
|     |            |                                 |              |       |     |                            |

# DEVELOPING SUCTION UNIT

|   |                  |
|---|------------------|
| 改訂版<br>REVISED EDITION  | 日付<br>DATE       |
|  | DECEMBER<br>2007 |

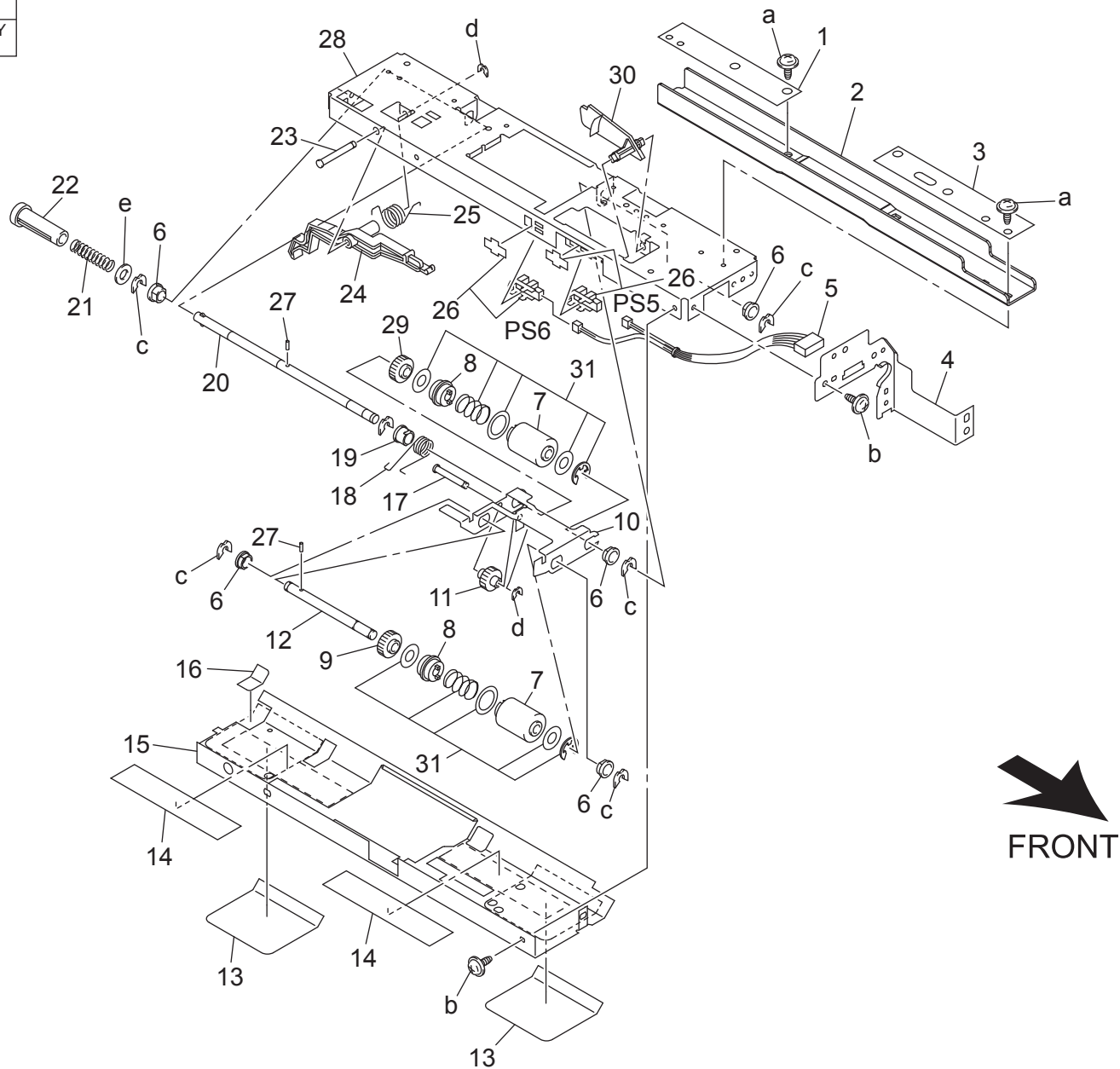






# PAPER FEED UNIT

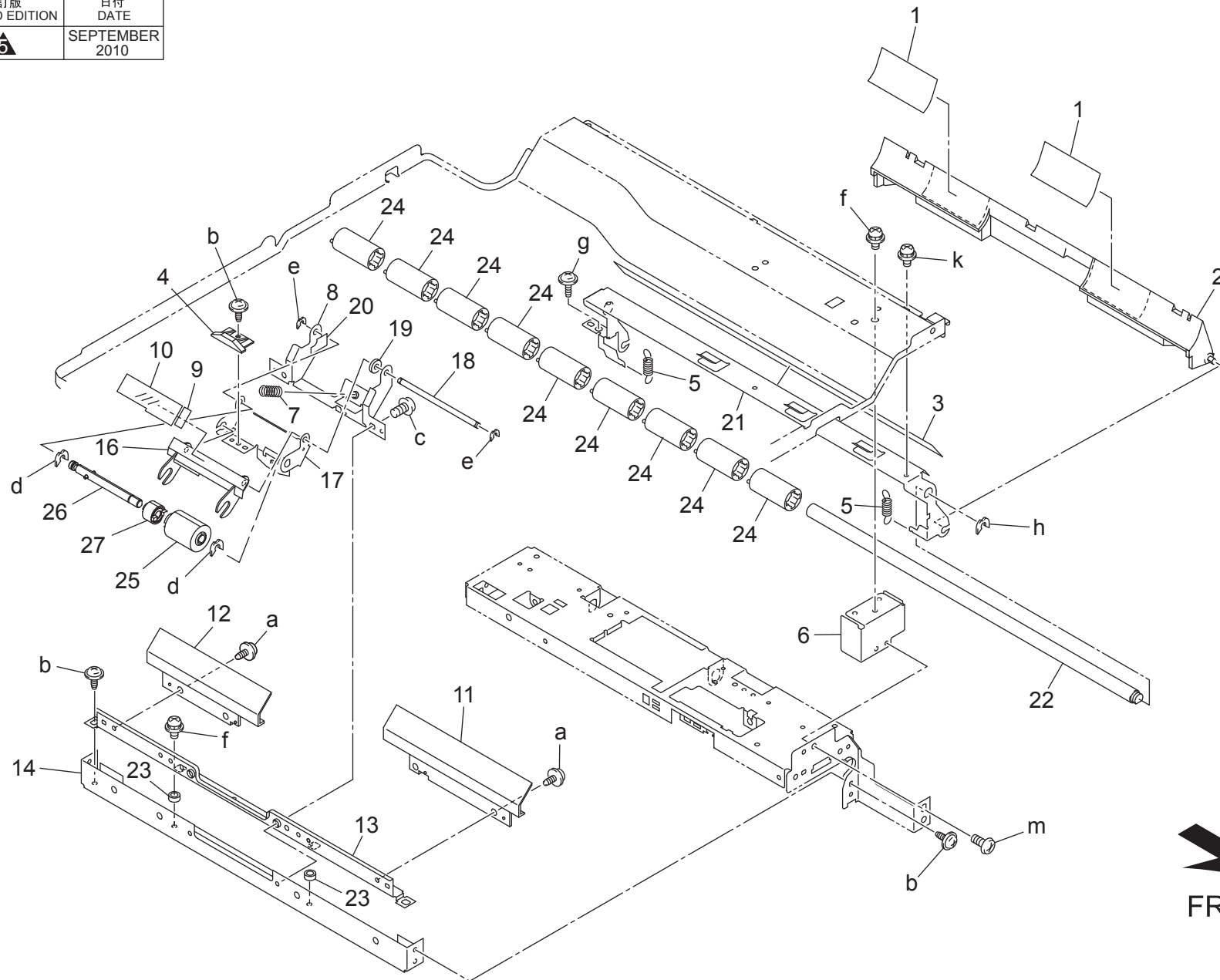
|   |                  |
|---|------------------|
| 改訂版<br>REVISED EDITION  | 日付<br>DATE       |
|  | FEBRUARY<br>2011 |





# PAPER FEED UNIT

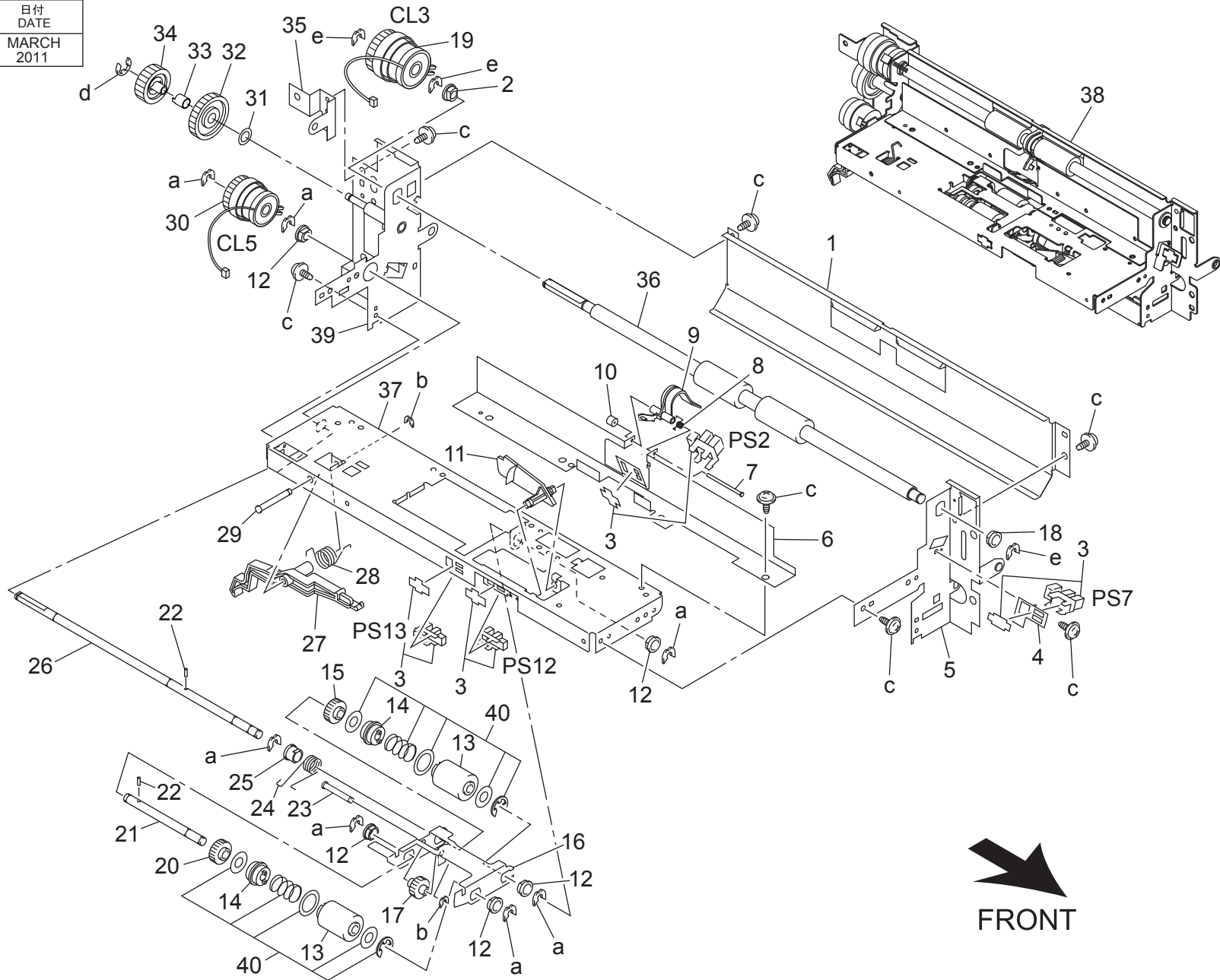
|   |                   |
|---|-------------------|
| 改訂版<br>REVISED EDITION  | 日付<br>DATE        |
|  | SEPTEMBER<br>2010 |





# PAPER FEED UNIT

|   |               |
|---|---------------|
| 改訂版<br>REVISED EDITION  | 日付<br>DATE    |
|  | MARCH<br>2011 |

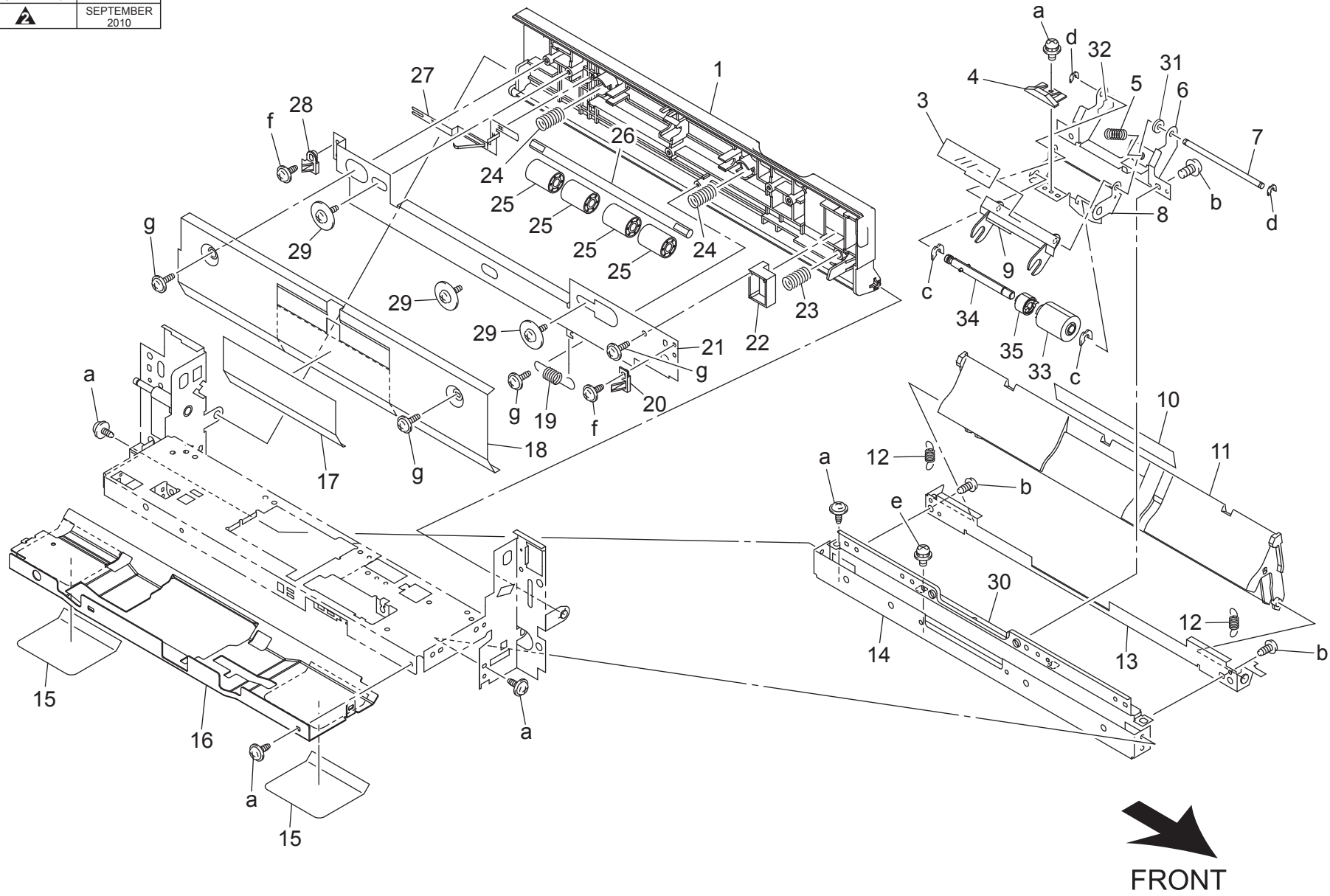


  
FRONT

| Key | Part No.   | Description             | Destinations | Class | QTY | Standard parts   |
|-----|------------|-------------------------|--------------|-------|-----|--|
| 1   | 4030311202 | GUIDE PLATE             | ガイド板         | D     | 1   | a-V218040086<br>b-V218030086<br>c-V137030603<br>d-9721040001<br>e-1066115101 |
| 2   | 4131353202 | BUSHING                 | 軸受           | C     | 1   |  |
| 3   | 4037090601 | PHOTO INTERRUPTER       | フォトインタラプター   | B     | 4   |  |
| 4   | 4030312801 | BRACKET                 | 取付板          | D     | 1   |  |
| 5   | 4030304202 | FRAME                   | フレーム         | D     | 1   |  |
| 6   | 4030301801 | BRACKET                 | 取付板          | C     | 1   |  |
| 7   | 1200521204 | PIN                     | ピン           | D     | 1   |  |
| 8   | 4030303101 | TORSION SPRING          | ねじりコイルばね     | C     | 1   |  |
| 9   | 4030301902 | ACTUATOR                | アクチュエータ      | C     | 1   |  |
| 10  | 1134304101 | COLLAR                  | カラー          | D     | 1   |  |
| 11  | 4030301612 | ACTUATOR                | アクチュエータ      | C     | 1   |  |
| 12  | 4131300301 | BUSHING                 | 軸受           | C     | 5   |  |
| 13  | 4030300501 | ROLLER                  | ローラ          | A     | 2   |  |
| 14  | 4030303401 | CLUTCH                  | クラッチ         | C     | 2   |  |
| 15  | 4425301301 | GEAR 30T                | ギヤ 30 T      | C     | 1   |  |
| 16  | 4030300202 | HOLDER                  | ホルダ          | C     | 1   |  |
| 17  | 4030300801 | GEAR 29T                | ギヤ 29 T      | C     | 1   |  |
| 18  | 50GA40050  | Paper Feed Shaft Holder | 給紙軸受         | C     | 1   |  |
| 19  | 50GA82020  | Conveyance Clutch       | 搬送 クラッチ      | C     | 1   |  |
| 20  | 4425301601 | GEAR 32T                | ギヤ 32 T      | C     | 1   |  |
| 21  | 4030300301 | SHAFT                   | シャフト         | D     | 1   |  |
| 22  | 1067250101 | PIN                     | ピン           | C     | 2   |  |
| 23  | 4040309701 | SHAFT                   | シャフト         | D     | 1   |  |
| 24  | 4030303001 | TORSION SPRING          | ねじりコイルばね     | C     | 1   |  |
| 25  | 1065308601 | BUSHING                 | シクウケ         | C     | 1   |  |
| 26  | 4030302201 | SHAFT                   | シャフト         | D     | 1   |  |
| 27  | 4030301103 | LEVER                   | レバー          | C     | 1   |  |
| 28  | 4030301201 | TORSION SPRING          | ねじりコイルばね     | C     | 1   |  |
| 29  | 4040309601 | SHAFT                   | シャフト         | D     | 1   |  |
| 30  | 9322150012 | CLUTCH                  | クラッチ         | C     | 1   |  |
| 31  | 4030309201 | WASHER                  | ワッシャ         | D     | 1   |  |
| 32  | 4030306401 | GEAR 33T                | ギヤ 33 T      | C     | 1   |  |
| 33  | 4030306901 | SLEEVE                  | スリーブ         | D     | 1   |  |
| 34  | 4030306801 | GEAR 26T                | ギヤ 26 T      | C     | 1   |  |
| 35  | 4030306301 | BRACKET                 | 取付板          | D     | 1   |  |
| 36  | 4030302101 | ROLLER                  | ローラ          | C     | 1   |  |
| 37  | 4030301004 | Frame                   | フレーム         | C     | 1   |  |
| 38  | 50GA-4001  | Lower Paper Assy        | 給紙 2 部組      | S     | 1   |  |
| 39  | 50GA-4020  | FRAME ASSY              | フレーム A S S Y | D     | 1   |  |
| 40  | A11UR92600 | SUPPORT KIT             | サポートキット      | C     | 2   |  |
|     |            |                         |              |       |     |  |
|     |            |                         |              |       |     |  |
|     |            |                         |              |       |     |  |

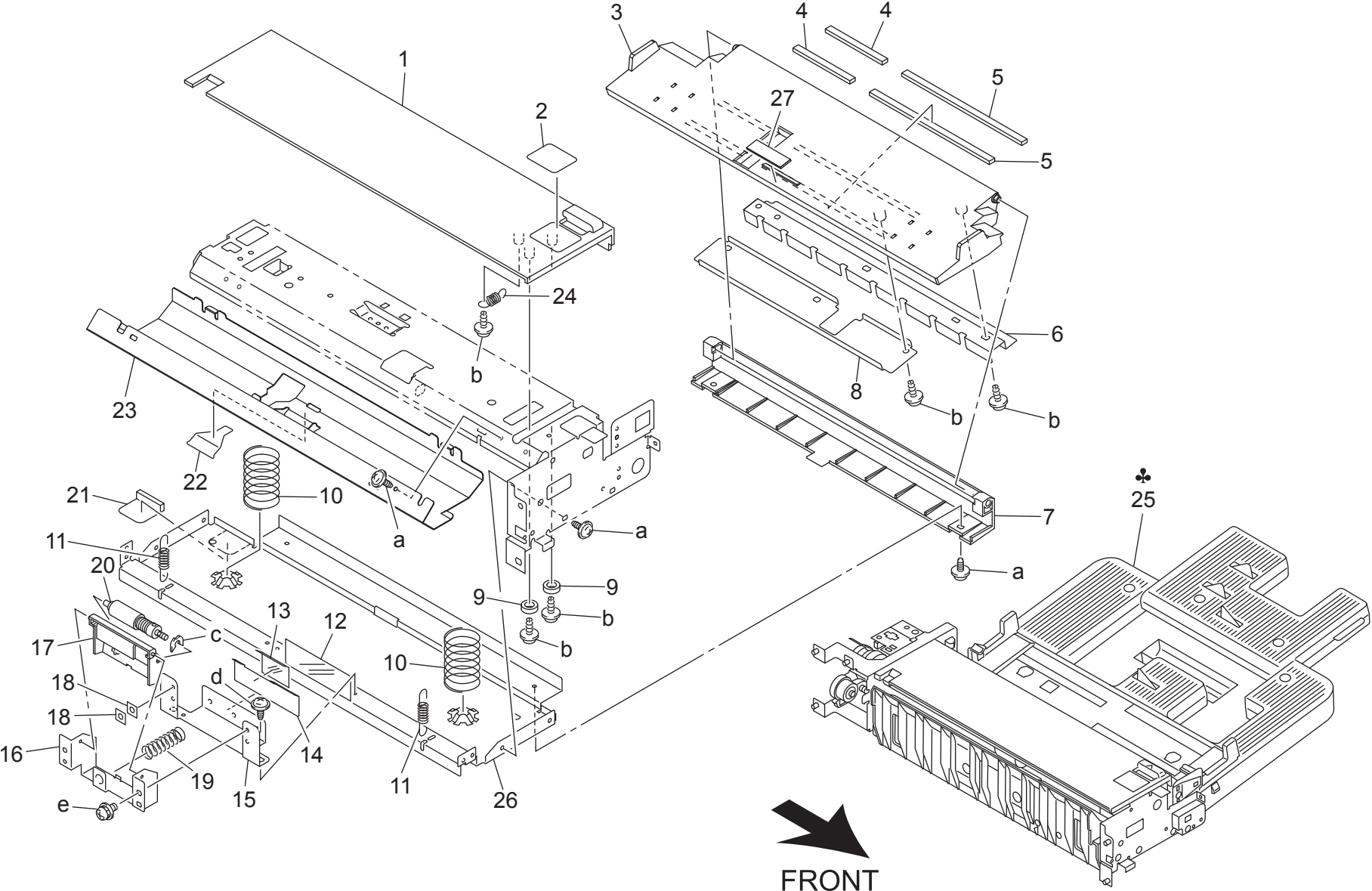
# PAPER FEED UNIT

|   |                   |
|---|-------------------|
| 改訂版<br>REVISED EDITION  | 日付<br>DATE        |
|  | SEPTEMBER<br>2010 |



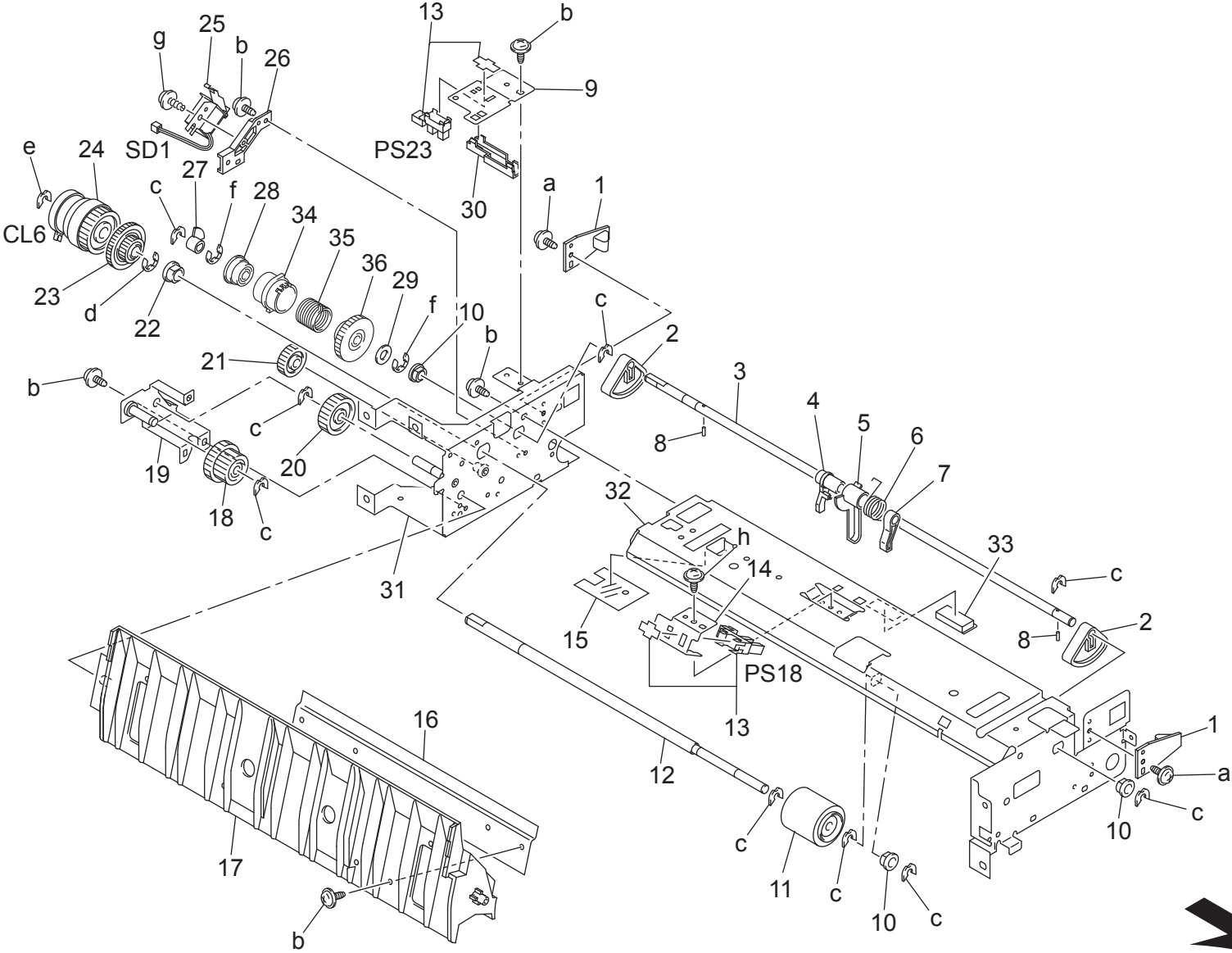


| Key | Part No.   | Description     | Destinations | Class | QTY | Standard parts   |
|-----|------------|-----------------|--------------|-------|-----|--|
| 1   | 4030311106 | DOOR            |              | C     | 1   | a-V137030603<br>b-9743030814<br>c-V218040086<br>d-V218030086<br>e-9646030814<br>f-9735030814<br>g-9739030814 |
| 3   | 4030307901 | GUIDE           | 扉<br>ガイド     | C     | 1   |  |
| 4   | 4030307801 | LEVER           | レバー          | C     | 1   |  |
| 5   | 4030301703 | PRESSURE SPRING | 圧縮コイルばね      | C     | 1   |  |
| 6   | 4030301401 | BRACKET         | 取付板          | D     | 1   |  |
| 7   | 4030303901 | SHAFT           | シャフト         | D     | 1   |  |
| 8   | 4030301301 | HOLDER          | ホルダ          | C     | 1   |  |
| 9   | 4030307701 | GUIDE           | ガイド          | D     | 1   |  |
| 10  | 4030310501 | GUIDE           | ガイド          | C     | 1   |  |
| 11  | 4030312403 | GUIDE           | ガイド          | D     | 1   |  |
| 12  | 4030312501 | TENSION SPRING  | 引張コイルばね      | C     | 2   |  |
| 13  | 4030312903 | BRACKET         | 取付板          | D     | 1   |  |
| 14  | 4030302505 | Bracket         | 取付板          | D     | 1   |  |
| 15  | A11U560300 | Guide           | ガイド (給紙上面)   | C     | 2   |  |
| 16  | 4030309501 | GUIDE PLATE     | ガイド板         | C     | 1   |  |
| 17  | 4030310701 | GUIDE           | ガイド          | C     | 1   |  |
| 18  | 4030311402 | GUIDE PLATE     | ガイド板         | D     | 1   |  |
| 19  | 4030311601 | TENSION SPRING  | 引張コイルばね      | C     | 1   |  |
| 20  | 4030313501 | LEVER           | レバー          | C     | 1   |  |
| 21  | 4030311702 | BRACKET         | 取付板          | D     | 1   |  |
| 22  | 4030313002 | HANDLE          | 取手           | C     | 1   |  |
| 23  | 1149345401 | PRESSURE SPRING | 圧縮コイルばね      | C     | 1   |  |
| 24  | 4030312301 | PRESSURE SPRING | 圧縮コイルばね      | C     | 2   |  |
| 25  | 4030312201 | ROLL            | ころ           | C     | 4   |  |
| 26  | 4030312101 | SHAFT           | シャフト         | D     | 1   |  |
| 27  | 4030313403 | EARTH GROUND    | アース          | C     | 1   |  |
| 28  | 4030311501 | LEVER           | レバー          | C     | 1   |  |
| 29  | 4163529301 | SCREW           | ねじ           | C     | 3   |  |
| 30  | 4030303701 | REINFORCE PLATE | 補強板          | D     | 1   |  |
| 31  | 4040561000 | Spacer          | スペーサ         | D     | 1   |  |
| 32  | 4040561200 | Spacer          | スペーサ         | D     | 1   |  |
| 33  | A11U560000 | Roller          | ローラ (さばき)    | A     | 1   |  |
| 34  | A0ED563700 | Shaft           | 軸            | D     | 1   |  |
| 35  | A0ED563900 | Torque limiter  | トルクリミッタ      | C     | 1   |  |
|     |            |                 |              |       |     |  |
|     |            |                 |              |       |     |  |
|     |            |                 |              |       |     |  |
|     |            |                 |              |       |     |  |



| Key | Part No.   | Description       | Destinations | Class | QTY | Standard parts   |
|-----|------------|-------------------|--------------|-------|-----|--|
| 1   | 4030344202 | COVER             |              | D     | 1   | a-9735030814<br>b-9739030814<br>c-V218030086<br>d-4154380401<br>e-9646030614 |
| 2   | 4030375401 | LABEL             |              | C     | 1   |  |
| 3   | 4030340914 | LIFTING PLATE     |              | D     | 1   |  |
| 4   | 4030347601 | SEAL              |              | C     | 2   |  |
| 5   | 4030347701 | SEAL              |              | C     | 2   |  |
| 6   | 4030348401 | WEIGHT            |              | D     | 1   |  |
| 7   | 4030342501 | HOLDER            |              | D     | 1   |  |
| 8   | 4030345601 | REINFORCE PLATE   |              | D     | 1   |  |
| 9   | 4030348101 | COLLAR            |              | C     | 2   |  |
| 10  | 4030345703 | PRESSURE SPRING   |              | C     | 2   |  |
| 11  | 4030342801 | TENSION SPRING    |              | C     | 2   |  |
| 12  | 4030348901 | SEAL              |              | C     | 1   |  |
| 13  | A0R5600300 | Guide Sheet       |              | C     | 1   |  |
| 14  | 4030340201 | GUIDE PLATE       |              | C     | 1   |  |
| 15  | 4030347401 | BRACKET           |              | D     | 1   |  |
| 16  | 4030340401 | BRACKET           |              | D     | 1   |  |
| 17  | 4131305302 | HOLDER            |              | D     | 1   |  |
| 18  | 4030349201 | SPACER            |              | C     | 2   |  |
| 19  | 4030347501 | PRESSURE SPRING   |              | C     | 1   |  |
| 20  | 4034015101 | SEPARATION ROLLER |              | A     | 1   |  |
| 21  | 4030344801 | CUSHION           |              | C     | 1   |  |
| 22  | 4040349501 | GUIDE             |              | C     | 1   |  |
| 23  | 4040349601 | GUIDE             |              | D     | 1   |  |
| 24  | 4030343801 | TENSION SPRING    |              | C     | 1   |  |
| 25  | 50GA-4200  | MULTI BYPATH UNIT | A            | C     | 1   |  |
| 25  | 50GE-4200  | MULTI BYPATH UNIT | C,D3         | C     | 1   |  |
| 25  | 50GF-4200  | MULTI BYPATH UNIT | B,G2         | C     | 1   |  |
| 26  | 4030342401 | BRACKET           |              | D     | 1   |  |
| 27  | 4687328101 | FRICITION SHEET   |              | C     | 1   |  |
|     |            |                   |              |       |     |  |
|     |            |                   |              |       |     |  |
|     |            |                   |              |       |     |  |
|     |            |                   |              |       |     |  |
|     |            |                   |              |       |     |  |
|     |            |                   |              |       |     |  |
|     |            |                   |              |       |     |  |

MANUAL FEED UNIT

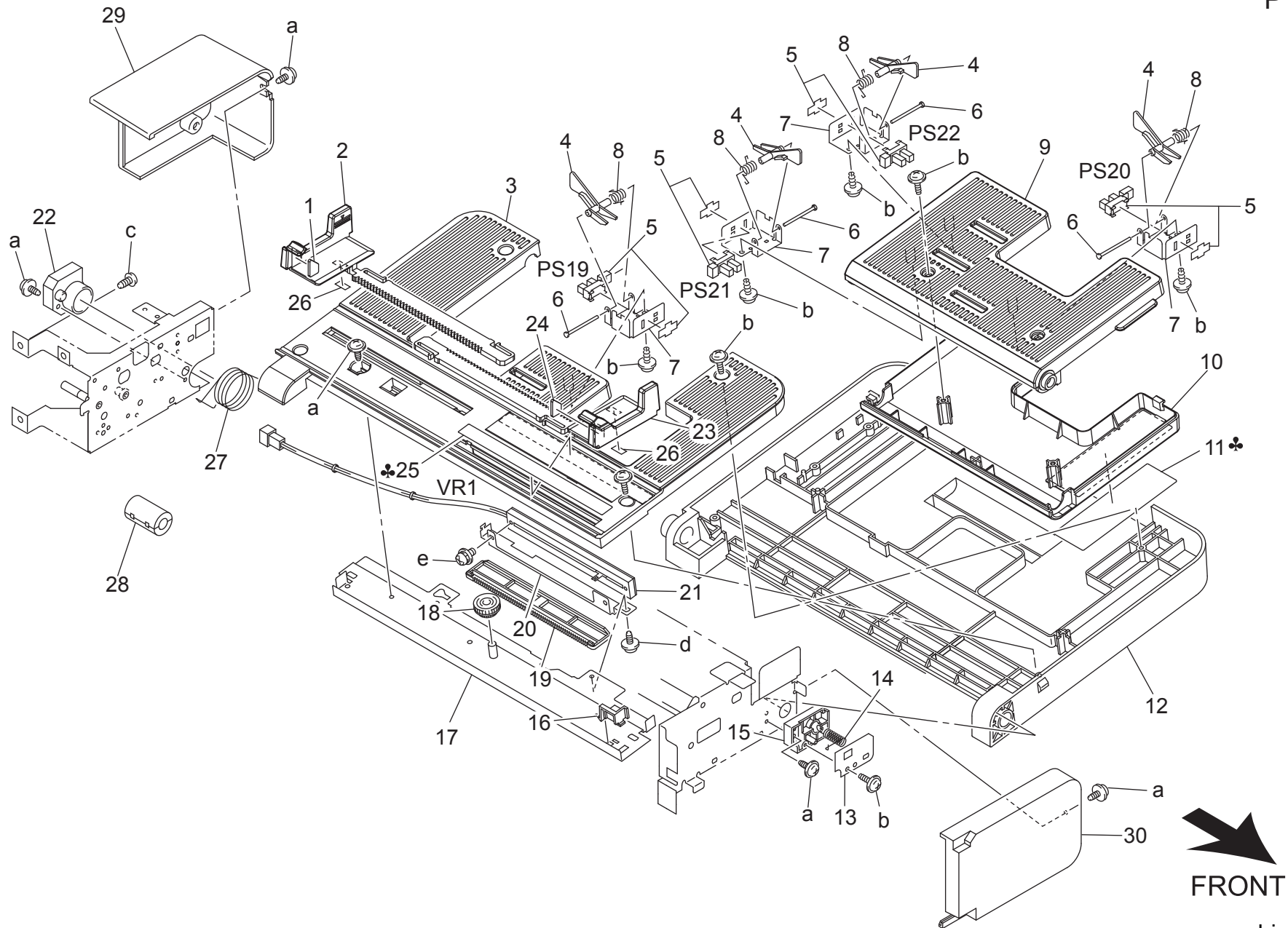


FRONT

bizhub 360

| Key | Part No.   | Description       | Destinations | Class | QTY | Standard parts   |
|-----|------------|-------------------|--------------|-------|-----|--|
| 1   | 4030343001 | LEVER             |              | C     | 2   | a-4154380401<br>b-9735030814<br>c-V218040086<br>d-9721060001<br>e-1066115101<br>f-9721040001<br>g-9739030814<br>h-V137030603 |
| 2   | 4030341701 | CAM               |              | C     | 2   |  |
| 3   | 4030341602 | SHAFT             |              | D     | 1   |  |
| 4   | 4030346401 | HOLDER            |              | D     | 1   |  |
| 5   | 4030344401 | ACTUATOR          |              | C     | 1   |  |
| 6   | 4030344501 | TORSION SPRING    |              | C     | 1   |  |
| 7   | 4030346501 | HOLDER            |              | D     | 1   |  |
| 8   | 1067250201 | PIN               |              | D     | 2   |  |
| 9   | 4030347901 | BRACKET           |              | D     | 1   |  |
| 10  | 4030309301 | BUSHING           |              | C     | 3   |  |
| 11  | 4131300101 | ROLLER            |              | A     | 1   |  |
| 12  | 4030343401 | SHAFT             |              | D     | 1   |  |
| 13  | 4037090601 | PHOTO INTERRUPTER |              | B     | 2   |  |
| 14  | 4040344301 | BRACKET           |              | D     | 1   |  |
| 15  | 4030344701 | GUIDE             |              | C     | 1   |  |
| 16  | 4030342701 | REINFORCE PLATE   |              | D     | 1   |  |
| 17  | 4030340113 | HOLDER            |              | D     | 1   |  |
| 18  | 4030344101 | GEAR 20/25T       |              | C     | 1   |  |
| 19  | 4030R70800 | BRACKET ASSY      |              | D     | 1   |  |
| 20  | 1075256501 | GEAR 25T          |              | C     | 1   |  |
| 21  | 1300332217 | GEAR 20T          |              | C     | 1   |  |
| 22  | 4658351701 | BUSHING           |              | C     | 1   |  |
| 23  | 4030346701 | GEAR 16/30T       |              | C     | 1   |  |
| 24  | 9J06M20100 | CLUTCH            |              | C     | 1   |  |
| 25  | 9J06M20000 | SOLENOID          |              | C     | 1   |  |
| 26  | 4030342201 | HOLDER            |              | D     | 1   |  |
| 27  | 4030347802 | SHIELD PLATE      |              | D     | 1   |  |
| 28  | 4131300702 | DRUM              |              | D     | 1   |  |
| 29  | 4131412801 | WASHER            |              | C     | 1   |  |
| 30  | 4030342902 | MEMBER            |              | D     | 1   |  |
| 31  | 4030R70700 | BRACKET ASSY      |              | C     | 1   |  |
| 32  | 4030343207 | BRACKET           |              | C     | 1   |  |
| 33  | 4040349701 | CUSHION           |              | C     | 1   |  |
| 34  | 4030342002 | RATCHET           |              | C     | 1   |  |
| 35  | 4030341901 | TORSION SPRING    |              | B     | 1   |  |
| 36  | 4131300402 | GEAR 30T          |              | C     | 1   |  |
|     |            |                   |              |       |     |  |
|     |            |                   |              |       |     |  |
|     |            |                   |              |       |     |  |
|     |            |                   |              |       |     |  |

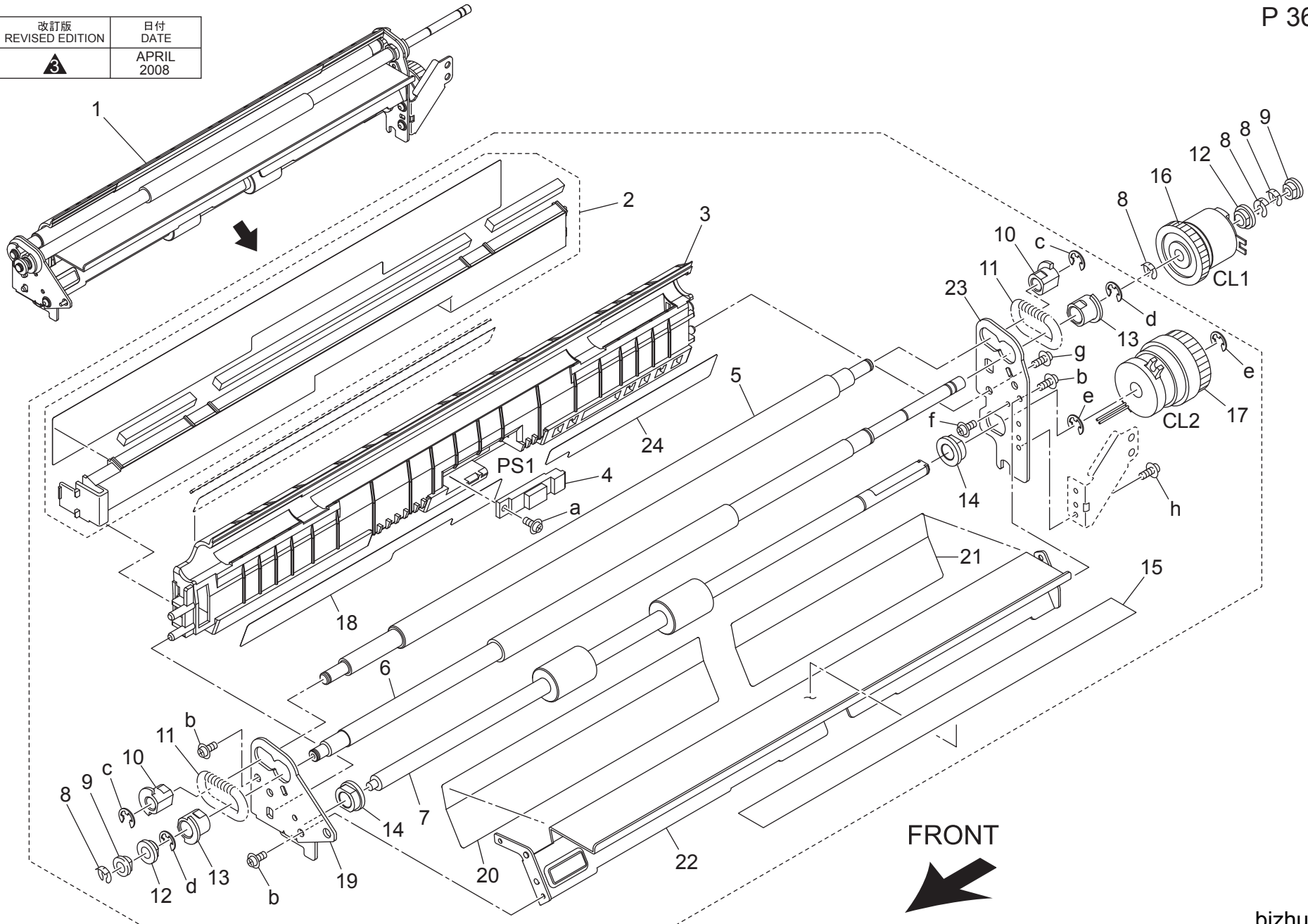
# MANUAL FEED UNIT



| Key | Part No.   | Description        | Destinations | Class | QTY | Standard parts   |
|-----|------------|--------------------|--------------|-------|-----|--|
| 1   | 4030348601 | BRAKE              |              | C     | 1   | a-9735030814<br>b-9739030814<br>c-9743040814<br>d-V137030603<br>e-9646030614 |
| 2   | 4030341103 | REGULATING PLATE   |              | C     | 1   |  |
| 3   | 4030346602 | COVER              |              | C     | 1   |  |
| 4   | 4030341502 | ACTUATOR           |              | C     | 4   |  |
| 5   | 4037090601 | PHOTO INTERRUPTER  |              | B     | 4   |  |
| 6   | 1134304202 | SHAFT              |              | D     | 4   |  |
| 7   | 4030341401 | BRACKET            |              | D     | 4   |  |
| 8   | 4030344601 | TORSION SPRING     |              | C     | 4   |  |
| 9   | 4030342303 | TRAY               |              | C     | 1   |  |
| 10  | 4030345902 | COVER              |              | C     | 1   |  |
| 11  | 4030730902 | LABEL TRAY CAUTION | B,C,D3,G2    | C     | 1   |  |
| 11  | 4030730501 | LABEL              | A            | C     | 1   |  |
| 12  | 4030340803 | TRAY               |              | C     | 1   |  |
| 13  | 4030343701 | BRACKET            |              | D     | 1   |  |
| 14  | 4030343501 | TORSION SPRING     |              | C     | 1   |  |
| 15  | 4030347302 | HOLDER             |              | D     | 1   |  |
| 16  | 4030346301 | STOPPER            |              | D     | 1   |  |
| 17  | 4030021605 | BRACKET ASSY       |              | D     | 1   |  |
| 18  | 4030341201 | GEAR 13/18T        |              | C     | 1   |  |
| 19  | 4030346002 | RACK               |              | C     | 1   |  |
| 20  | 4030345502 | BRACKET            |              | D     | 1   |  |
| 21  | 4037689901 | RESISTOR           |              | D     | 1   |  |
| 22  | 4030347201 | HOLDER             |              | D     | 1   |  |
| 23  | 4030341003 | REGULATING PLATE   |              | C     | 1   |  |
| 24  | 4030348701 | BRAKE              |              | C     | 1   |  |
| 25  | 4030730702 | SCALE METRIC       | C,D3         | D     | 1   |  |
| 25  | 4030730602 | SCALE METRIC       | A            | C     | 1   |  |
| 25  | 4030730802 | SCALE INCH         | B,G2         | C     | 1   |  |
| 26  | 4131462304 | CLEANING PAD       |              | C     | 2   |  |
| 27  | 4030343601 | TORSION SPRING     |              | C     | 1   |  |
| 28  | 9326191031 | FERRITE CORE       |              | D     | 1   |  |
| 29  | 4030342601 | COVER              |              | C     | 1   |  |
| 30  | 4030348001 | COVER              |              | C     | 1   |  |
|     |            |                    |              |       |     |  |
|     |            |                    |              |       |     |  |
|     |            |                    |              |       |     |  |
|     |            |                    |              |       |     |  |
|     |            |                    |              |       |     |  |

# REGISTRATION UNIT

|   |               |
|---|---------------|
| 改訂版<br>REVISED EDITION  | 日付<br>DATE    |
|  | APRIL<br>2008 |

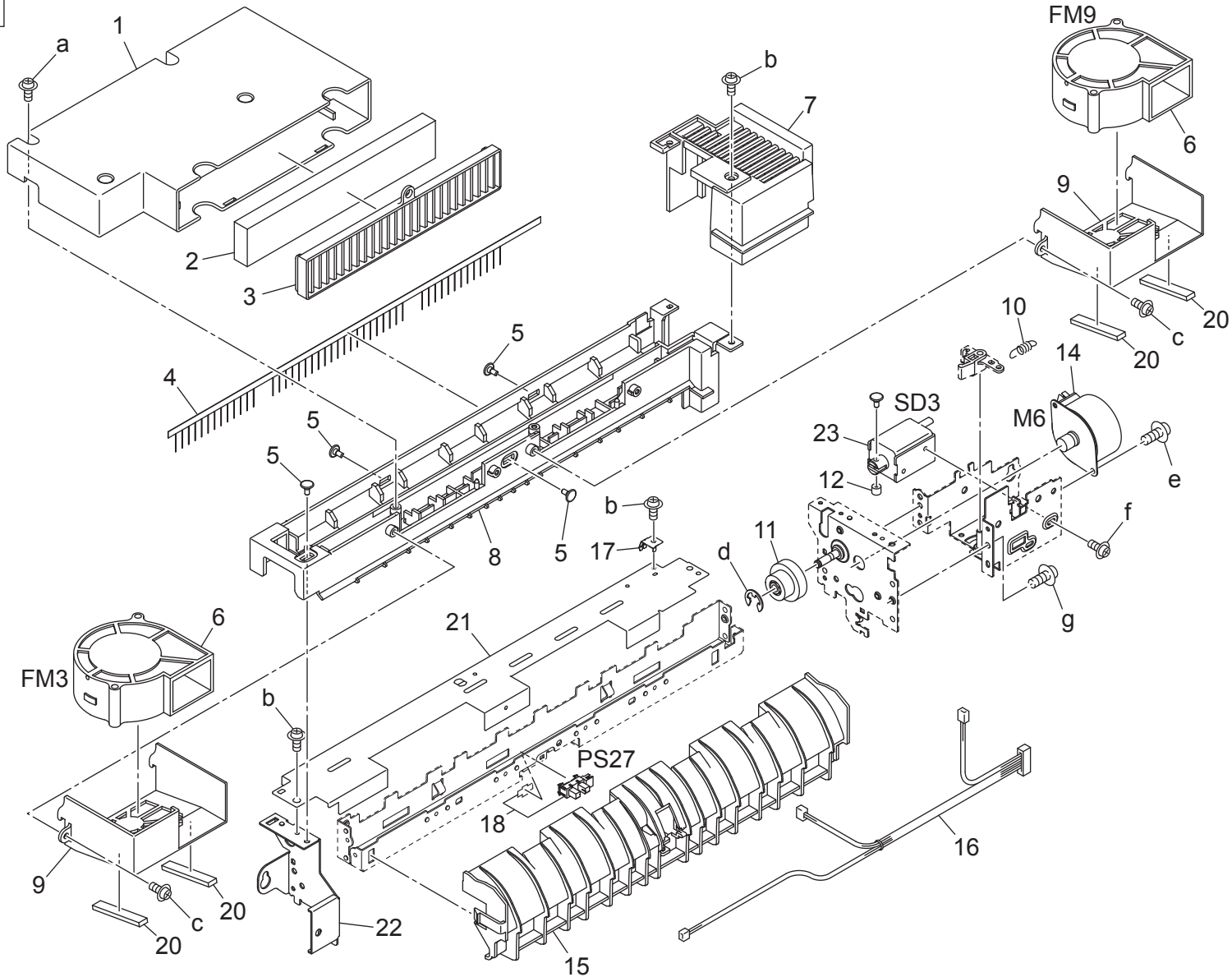




| Key | Part No.   | Description                         | Destinations  | Class | QTY | Standard parts |
|-----|------------|-------------------------------------|---------------|-------|-----|----------------|
| 1   | 50GA-3801  | REGISTRATION ASSY                   | レジスト部組        | C     | 1   | a-00Z243081    |
| 2   | 50GA-3820  | REGISTRATION CLEANER ASSY           | レジストクリーナー部組   | C     | 1   | b-4106206301   |
| 3   | 50GA38541F | Regist Main body                    | レジスト 本体       | D     | 1   | c-V217040050   |
| 4   | 13QA85521  | Sensor /2                           | センサ / 2       | B     | 1   | d-00Z670506    |
| 5   | 50GA38490  | REGISTRATION ROLLER B               | レジスト ローラ B    | C     | 1   | e-00Z670606    |
| 6   | 50GA38480  | REGISTRATION ROLLER A               | レジストローラ A     | B     | 1   | f-00Z193141    |
| 7   | 50GA38650E | PAPER FEED CONNECTING ROLLER        | 給紙連結ローラ       | B     | 1   | g-00Z253081    |
| 8   | 12QV40660  | SHAFT POSITIONING PART              | 軸位置決め部材       | C     | 4   | h-00Z163061    |
| 9   | 13QA76021  | SHAFT HOLDER 2                      | 軸受 2          | C     | 2   |                |
| 10  | 26NA45371  | REGISTRATION UNIT SHAFT HOLDER /2   | レジスト軸受 / 2    | B     | 2   |                |
| 11  | 26NA45141  | REGISTRATION UNIT SPRING            | レジストバネ        | B     | 2   |                |
| 12  | 466076020  | PAPER FEED SHAFT HOLDER             | 給紙送り出し軸受      | B     | 2   |                |
| 13  | 26NA45360  | REGISTRATION UNIT SHAFT HOLDER /1   | レジスト軸受 / 1    | B     | 2   |                |
| 14  | A03U812800 | Slide Shaft Holder                  | すべり軸受         | B     | 2   |                |
| 15  | 50GA97490E | Drum Caution Label                  | ドラム注意ラベル      | D     | 1   |                |
| 16  | 57AA82030  | CONVEYANCE DRIVE CLUTCH             | 搬送駆動クラッチ      | C     | 1   |                |
| 17  | 50GA82020  | Conveyance Clutch                   | 搬送 クラッチ       | C     | 1   |                |
| 18  | 50GA38691F | Paper feed Regulating Sheet /Middle | 給紙規制シート / 中   | C     | 1   |                |
| 19  | 50GA38130  | REGIST SUPPORT PANEL FRONT          | レジスト支持パネル / 前 | D     | 1   |                |
| 20  | 50GA38790  | REGIST GUIDE SHEET FRONT            | レジストガイドシート 前  | C     | 1   |                |
| 21  | 50GA38610  | REGIST GUIDE SHEET REAR             | レジストガイドシート 奥  | C     | 1   |                |
| 22  | 50GA38680E | Regist Guide Plate                  | レジストガイド板      | D     | 1   |                |
| 23  | 50GA38670E | REGIST SUPPORT PANEL /REAR          | レジスト支持パネル / 奥 | D     | 1   |                |
| 24  | 50GA38581F | Paper feed Regulating Sheet         | 給紙規制シート       | C     | 1   |                |
|     |            |                                     |               |       |     |                |
|     |            |                                     |               |       |     |                |
|     |            |                                     |               |       |     |                |
|     |            |                                     |               |       |     |                |
|     |            |                                     |               |       |     |                |
|     |            |                                     |               |       |     |                |
|     |            |                                     |               |       |     |                |
|     |            |                                     |               |       |     |                |
|     |            |                                     |               |       |     |                |

# TURNOVER UNIT

|   |                  |
|---|------------------|
| 改訂版<br>REVISED EDITION  | 日付<br>DATE       |
|  | NOVEMBER<br>2012 |



FRONT

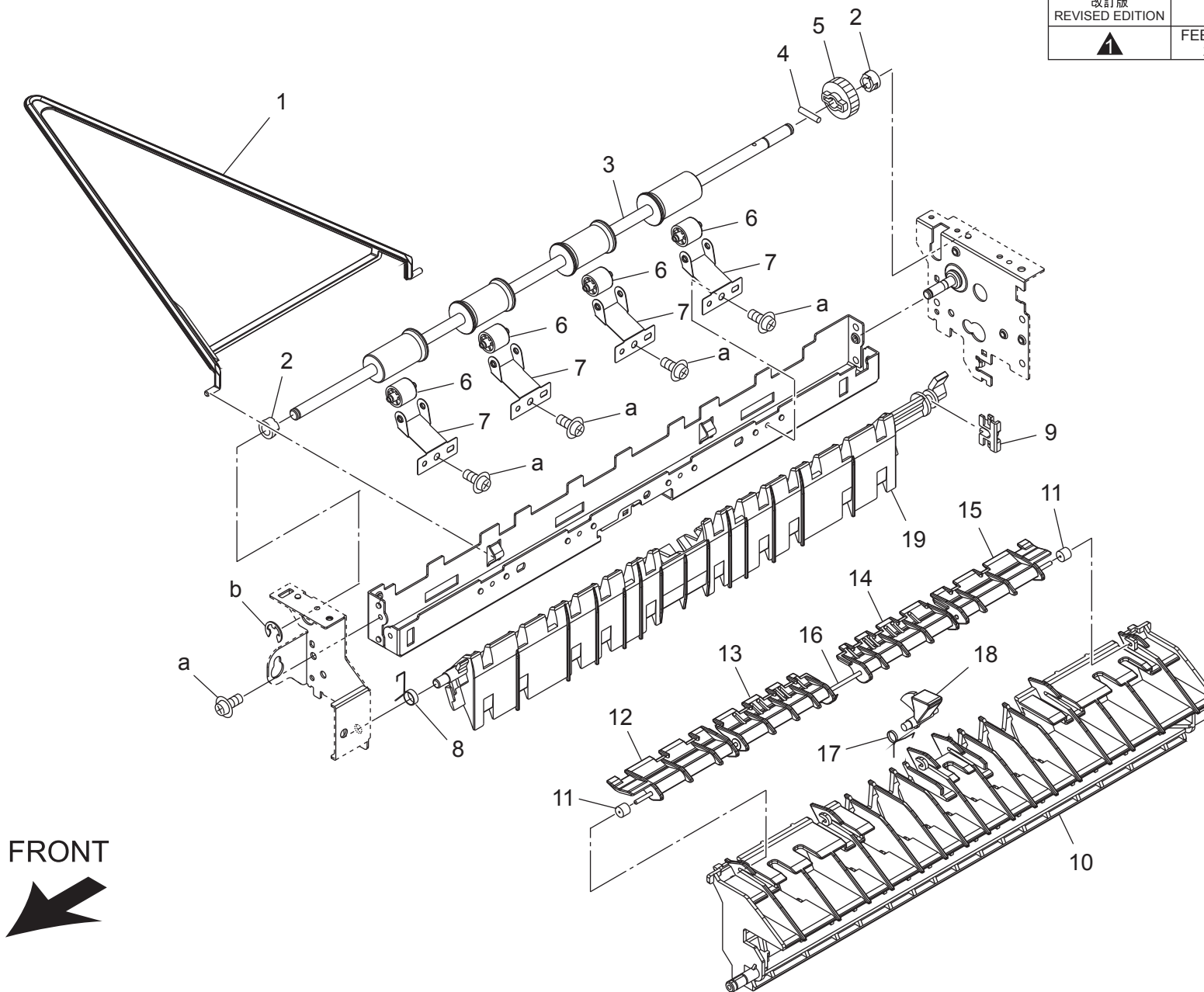




# TURNOVER UNIT

|   |                  |
|---|------------------|
| 改訂版<br>REVISED EDITION  | 日付<br>DATE       |
|  | FEBRUARY<br>2007 |

P 38



FRONT

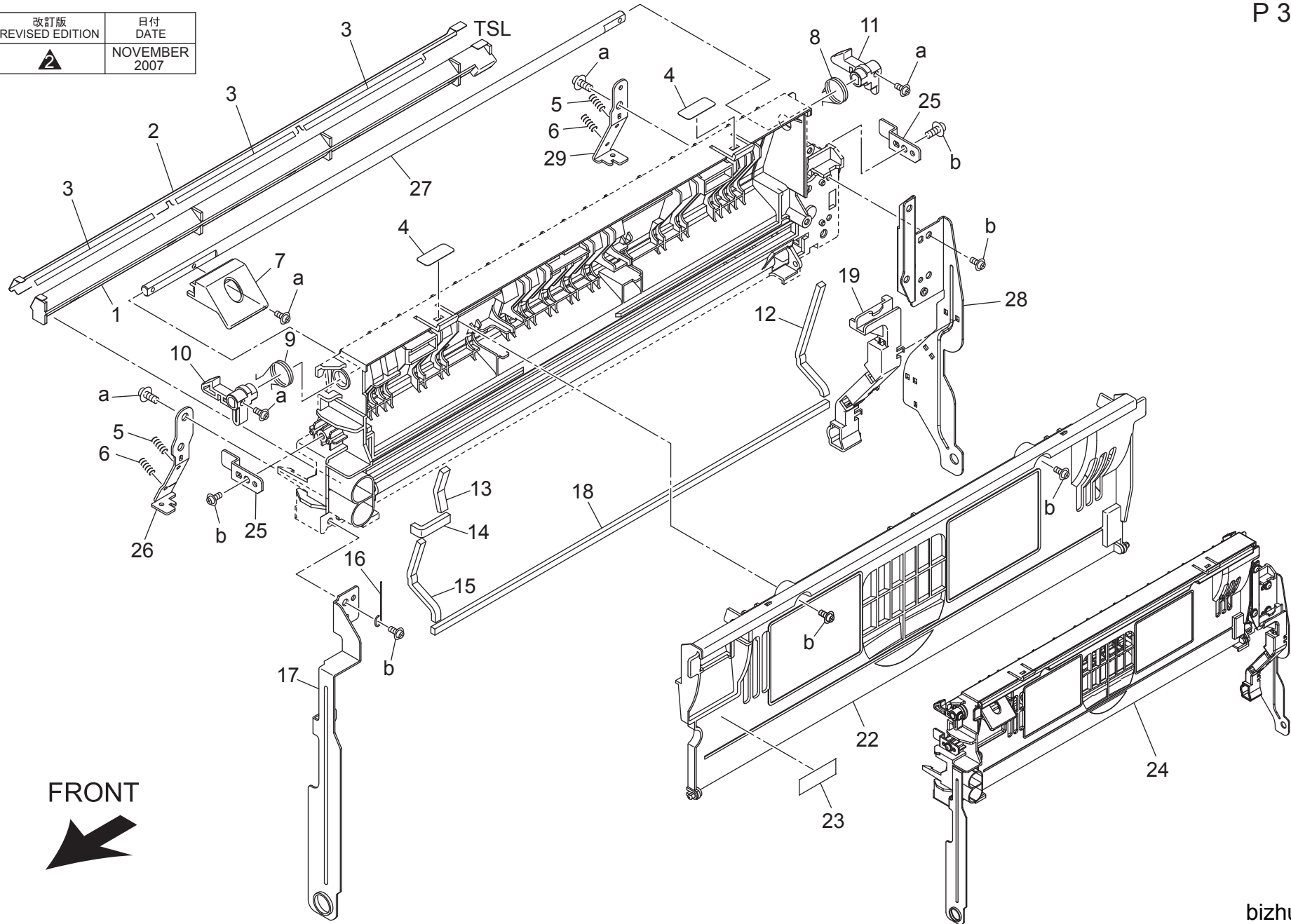


# TURNOVER UNIT

| Key | Part No.   | Description          | Destinations | Class | QTY | Standard parts               |
|-----|------------|----------------------|--------------|-------|-----|------------------------------|
| 1   | 4641450402 | GUIDE                |              | D     | 1   | a-V137030603<br>b-V218040086 |
| 2   | 1139316901 | BUSHING              |              | C     | 2   |                              |
| 3   | 50GA860100 | Paper exit Roller /1 |              | C     | 1   |                              |
| 4   | 4131253602 | PIN                  |              | C     | 1   |                              |
| 5   | 4030382601 | Gear 19T             |              | C     | 1   |                              |
| 6   | 4426441102 | ROLL                 |              | C     | 4   |                              |
| 7   | 4030381701 | PLATE SPRING         |              | C     | 4   |                              |
| 8   | 4030380801 | TORSION SPRING       |              | C     | 1   |                              |
| 9   | 4030382301 | BUSHING              |              | D     | 1   |                              |
| 10  | 4030380602 | GUIDE                |              | D     | 1   |                              |
| 11  | 1134304101 | COLLAR               |              | D     | 2   |                              |
| 12  | 4030381101 | GUIDE                |              | D     | 1   |                              |
| 13  | 4030381201 | GUIDE                |              | D     | 1   |                              |
| 14  | 4030381301 | GUIDE                |              | D     | 1   |                              |
| 15  | 4030381401 | GUIDE                |              | D     | 1   |                              |
| 16  | 4030382901 | SHAFT                |              | D     | 1   |                              |
| 17  | 4030381901 | TORSION SPRING       |              | C     | 1   |                              |
| 18  | 4030381802 | ACTUATOR             |              | C     | 1   |                              |
| 19  | 4030380703 | GUIDE                |              | D     | 1   |                              |
|     |            |                      |              |       |     |                              |
|     |            |                      |              |       |     |                              |
|     |            |                      |              |       |     |                              |
|     |            |                      |              |       |     |                              |
|     |            |                      |              |       |     |                              |
|     |            |                      |              |       |     |                              |
|     |            |                      |              |       |     |                              |
|     |            |                      |              |       |     |                              |
|     |            |                      |              |       |     |                              |

# CONVEYANCE UNIT

|   |                  |
|---|------------------|
| 改訂版<br>REVISED EDITION  | 日付<br>DATE       |
|  | NOVEMBER<br>2007 |



# CONVEYANCE UNIT

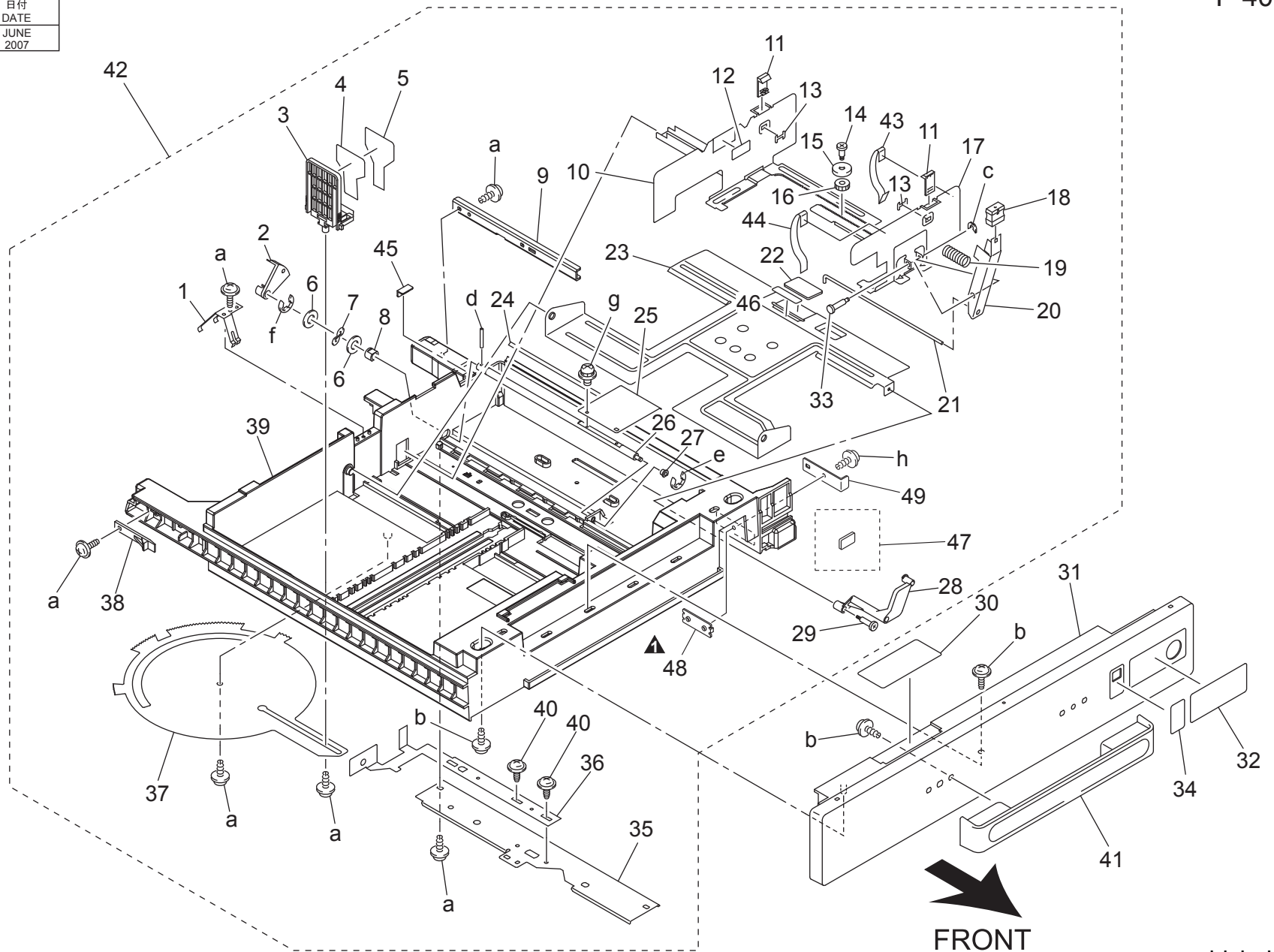
| Key | Part No.   | Description                 | Destinations | Class | QTY | Standard parts             |
|-----|------------|-----------------------------|--------------|-------|-----|----------------------------|
| 1   | 50GA-9130  | PTL                         | PTL          | I     | 1   | a-00Z193061<br>b-00Z253081 |
| 2   | 50GA45710  | PTL LIGHT BLOCKING SHEET    | PTL 遮光シート    | C     | 1   |                            |
| 3   | 26NA45520  | STICKING PART               | 貼り部材         | C     | 3   |                            |
| 4   | 50GA45530  | CONVEYANCE COVER SHEET      | 搬送カバーシート     | C     | 2   |                            |
| 5   | 26NA45490  | LIFTING SPRING 2            | 持ち上げバネ 2     | C     | 2   |                            |
| 6   | 26NA45071  | LIFT UP SPRING              | 持ち上げバネ       | C     | 2   |                            |
| 7   | 50GA45351  | CONVEYANCE HANDLE           | 搬送把手         | C     | 1   |                            |
| 8   | 50GA45320  | LOCK SPRING 1               | ロックバネ 1      | C     | 1   |                            |
| 9   | 50GA45330  | LOCK SPRING 2               | ロックバネ 2      | C     | 1   |                            |
| 10  | 50GA45221  | OPEN CLOSE LEVER 1          | 開閉レバー 1      | C     | 1   |                            |
| 11  | 50GA45311  | OPEN CLOSE LEVER 2          | 開閉レバー 2      | C     | 1   |                            |
| 12  | 50GA45590  | CONVEYANCE COVER PART 2     | 搬送カバー部材 2    | D     | 1   |                            |
| 13  | 50GA45750  | CONVEYANCE COVER PART 5     | 搬送カバー部材 5    | D     | 1   |                            |
| 14  | 50GA45740  | CONVEYANCE COVER PART 4     | 搬送カバー部材 4    | D     | 1   |                            |
| 15  | 50GA45730  | CONVEYANCE COVER PART 3     | 搬送カバー部材 3    | D     | 1   |                            |
| 16  | 50GA45650  | EARTH SHAFT 1               | アース軸 1       | D     | 1   |                            |
| 17  | 50GA45270  | CONVEYANCE SUPPORT PLATE 1  | 搬送支持板 1      | D     | 1   |                            |
| 18  | 50GA45580  | CONVEYANCE COVER PART 1     | 搬送カバー部材 1    | D     | 1   |                            |
| 19  | 50GA45390  | CORD COVER                  | コードカバー       | D     | 1   |                            |
| 22  | 50GA-4520  | CONVEYANCE COVER ASSY       | 搬送カバー部組      | D     | 1   |                            |
| 23  | 56UA97920  | HIGE VOLTAGE CAUTION LABEL  | 高圧注意ラベル      | C     | 1   |                            |
| 24  | 50GA-4500  | CONVEYANCE UNIT             | 搬送ユニット       | C     | 1   |                            |
| 25  | 26NA45381  | STOPPER PLATE               | ストッパ板        | D     | 2   |                            |
| 26  | 50GA45090  | EARTH PLATE                 | アース板         | D     | 1   |                            |
| 27  | 50GA45210D | Conveyance Open/close Shaft | 搬送開閉軸        | D     | 1   |                            |
| 28  | 50GA45280  | CONVEYANCE SUPPORT PLATE /2 | 搬送支持板 / 2    | D     | 1   |                            |
| 29  | 50GA45080  | LIFTING PLATE               | 持ち上げ板        | D     | 1   |                            |
|     |            |                             |              |       |     |                            |
|     |            |                             |              |       |     |                            |
|     |            |                             |              |       |     |                            |
|     |            |                             |              |       |     |                            |
|     |            |                             |              |       |     |                            |
|     |            |                             |              |       |     |                            |
|     |            |                             |              |       |     |                            |

# CASSETTE

P 40

|                        |              |
|------------------------|--------------|
| 改訂版<br>REVISED EDITION | 日付<br>DATE   |
| ▲                      | JUNE<br>2007 |

2 UNIT



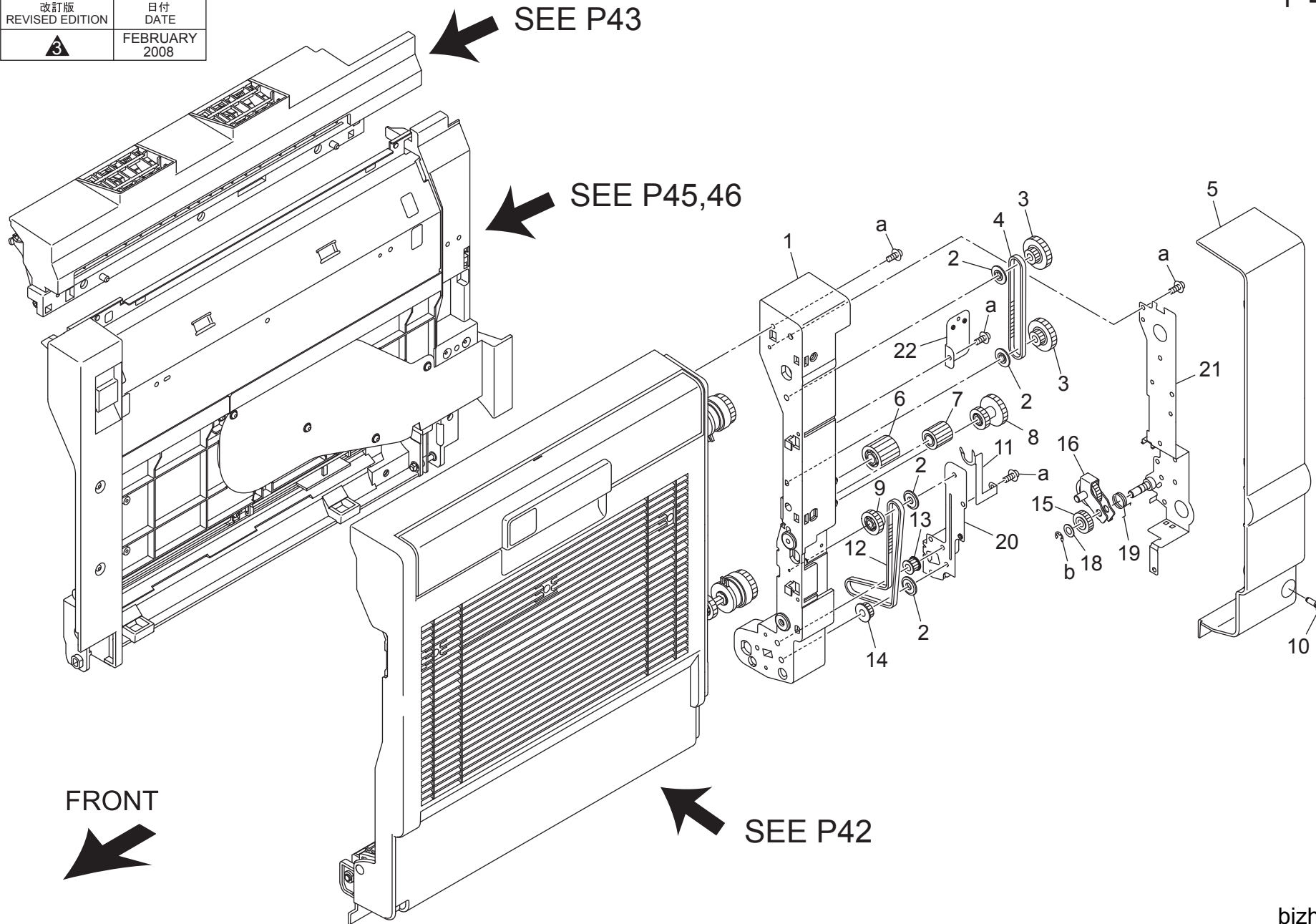


| Key | Part No.   | Description             | Destinations | Class | QTY | Standard parts   |
|-----|------------|-------------------------|--------------|-------|-----|--|
| 1   | 4030322303 | Earth ground            |              | C     | 1   | a-9739030814<br>b-9739041014<br>c-V218030086<br>d-9754302508<br>e-9721030001<br>f-9721060001<br>g-9646030814<br>h-9735031014 |
| 2   | 4030320701 | ACTUATOR                |              | C     | 1   |  |
| 3   | 4037321312 | REGULATING PLATE        |              | C     | 1   |  |
| 4   | 4030322701 | GUIDE                   |              | C     | 1   |  |
| 5   | 4030322812 | GUIDE                   |              | C     | 1   |  |
| 6   | 4011302101 | WASHER                  |              | C     | 2   |  |
| 7   | 4011302001 | WASHER                  |              | C     | 1   |  |
| 8   | 1274360301 | BUSHING                 |              | C     | 1   |  |
| 9   | 4030322902 | REINFORCE PLATE         |              | D     | 1   |  |
| 10  | 4030321201 | REGULATING PLATE        |              | C     | 1   |  |
| 11  | 4658304801 | GUIDE                   |              | C     | 2   |  |
| 12  | 4002730601 | LABEL CARRYING CAPACITY |              | C     | 1   |  |
| 13  | 4658304901 | STOPPER                 |              | C     | 2   |  |
| 14  | 4030321402 | SHOULDER SCREW          |              | C     | 1   |  |
| 15  | 4030321501 | GUIDE                   |              | D     | 1   |  |
| 16  | 4658301201 | GEAR 14T                |              | C     | 1   |  |
| 17  | 4030321102 | REGULATING PLATE        |              | C     | 1   |  |
| 18  | 4037320401 | KNOB                    |              | C     | 1   |  |
| 19  | 4498382501 | PRESSURE SPRING         |              | C     | 1   |  |
| 20  | 4128382301 | LEVER                   |              | C     | 1   |  |
| 21  | 4030321701 | SHAFT                   |              | D     | 1   |  |
| 22  | 4030322601 | FRICITION SHEET         |              | C     | 1   |  |
| 23  | 4030320301 | LIFTING PLATE           |              | C     | 1   |  |
| 24  | 4030322203 | GUIDE                   |              | C     | 1   |  |
| 25  | 4030320601 | LEVER                   |              | D     | 1   |  |
| 26  | 4030320501 | SHAFT                   |              | D     | 1   |  |
| 27  | 0992301401 | BUSHING                 |              | C     | 1   |  |
| 28  | 4030322101 | LEVER                   |              | C     | 1   |  |
| 29  | 4030322402 | SHOULDER SCREW          |              | C     | 1   |  |
| 30  | 4040730401 | LABEL PAPER SUPPLY      |              | C     | 1   |  |
| 31  | 4030320202 | FRONT COVER CASSETTE    |              | C     | 1   |  |
| 32  | 4030730302 | LABEL CASSETTE CNT 2    |              | C     | 1   |  |
| 32  | 4030730202 | LABEL CASSETTE CNT 1    |              | C     | 1   |  |
| 33  | 4498382601 | SHAFT                   |              | D     | 1   |  |
| 34  | 4030730102 | LABEL NEAR EMPTY        |              | C     | 1   |  |
| 35  | 4030321801 | BRACKET                 |              | D     | 1   |  |
| 36  | 4030321601 | BRACKET                 |              | D     | 1   |  |
| 37  | 4002310801 | LEVER                   |              | C     | 1   |  |
| 38  | 4498346901 | STOPPER                 |              | D     | 1   |  |
| 39  | 4030320109 | Cassette                |              | C     | 1   |  |
| 40  | 4498383401 | SCREW                   |              | C     | 2   |  |
| 41  | 4036302501 | HANDLE                  |              | C     | 1   |  |
| 42  | 404001560D | CASSETTE ASSY           |              | S     | 1   |  |
| 43  | 50GA400800 | REGULATING PART /A      |              | C     | 1   |  |
| 44  | 50GA400900 | REGULATING PART /B      |              | C     | 1   |  |
| 45  | 4030P00200 | SPACER                  |              | C     | 1   |  |
| 46  | A00J623400 | FRICITION PLATE         |              | C     | 1   |  |
| 47  | 4030621400 | Stopper                 |              | C     | 1   |  |
| 48  | 4030621500 | Plate nut               |              | C     | 1   |  |
| 49  | 4030323800 | STOPPER                 |              | C     | 1   |  |

# AUTO DUPLEX UNIT

P 41

|                        |                  |
|------------------------|------------------|
| 改訂版<br>REVISED EDITION | 日付<br>DATE       |
| 3                      | FEBRUARY<br>2008 |

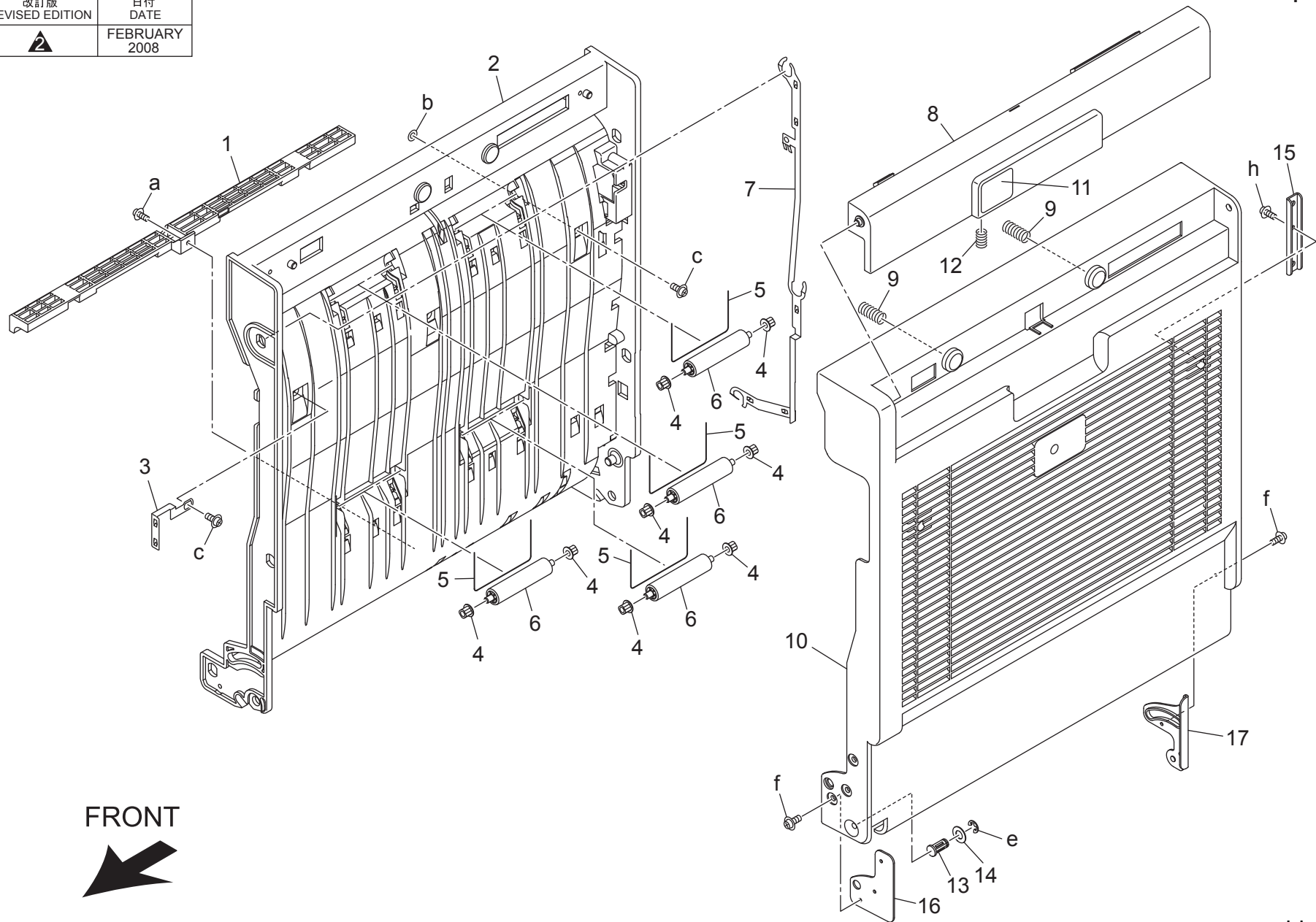




# AUTO DUPLEX UNIT

P 42

|   |                  |
|---|------------------|
| 改訂版<br>REVISED EDITION  | 日付<br>DATE       |
|  | FEBRUARY<br>2008 |



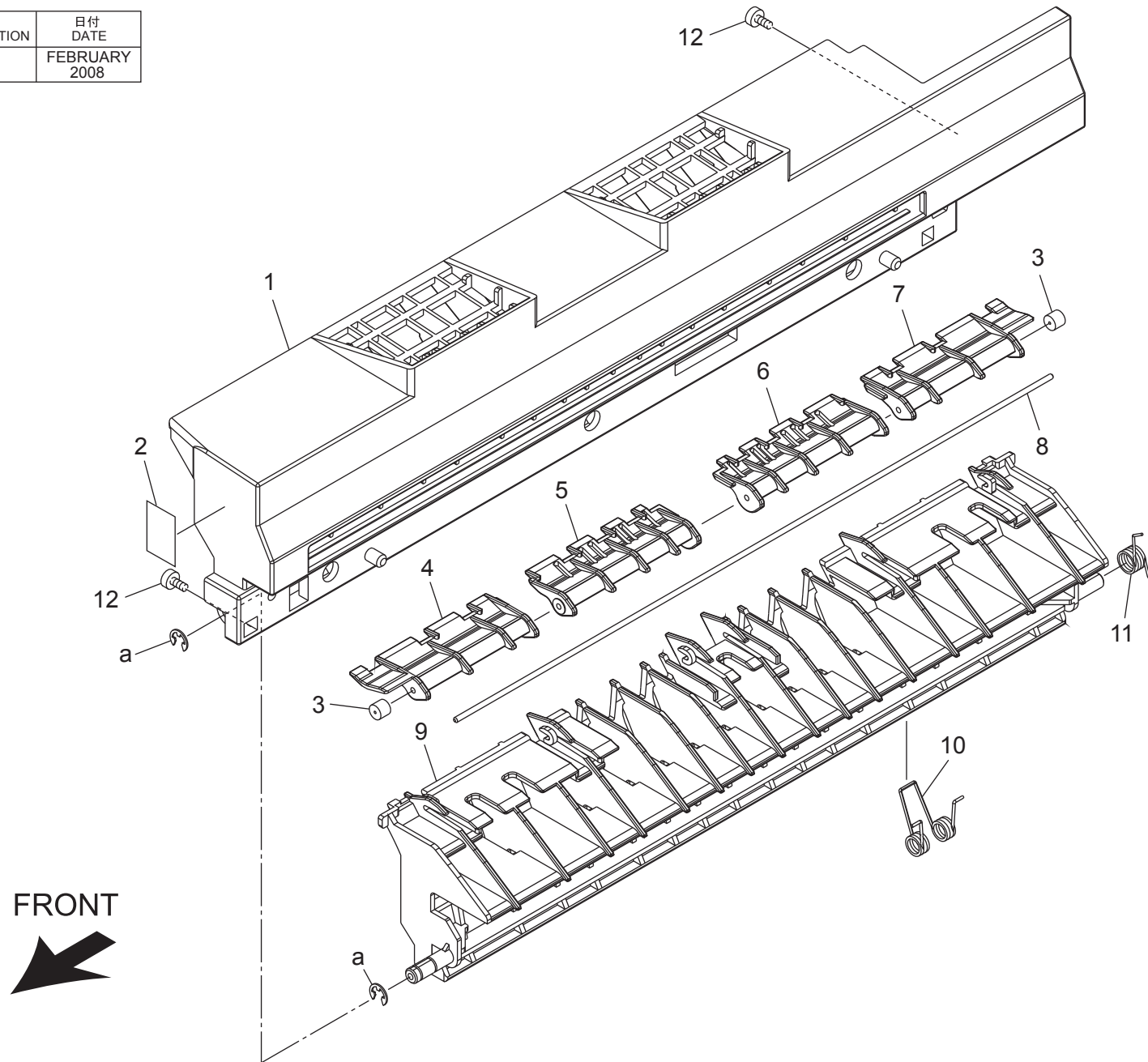
FRONT





# AUTO DUPLEX UNIT

|   |                  |
|---|------------------|
| 改訂版<br>REVISED EDITION  | 日付<br>DATE       |
|  | FEBRUARY<br>2008 |




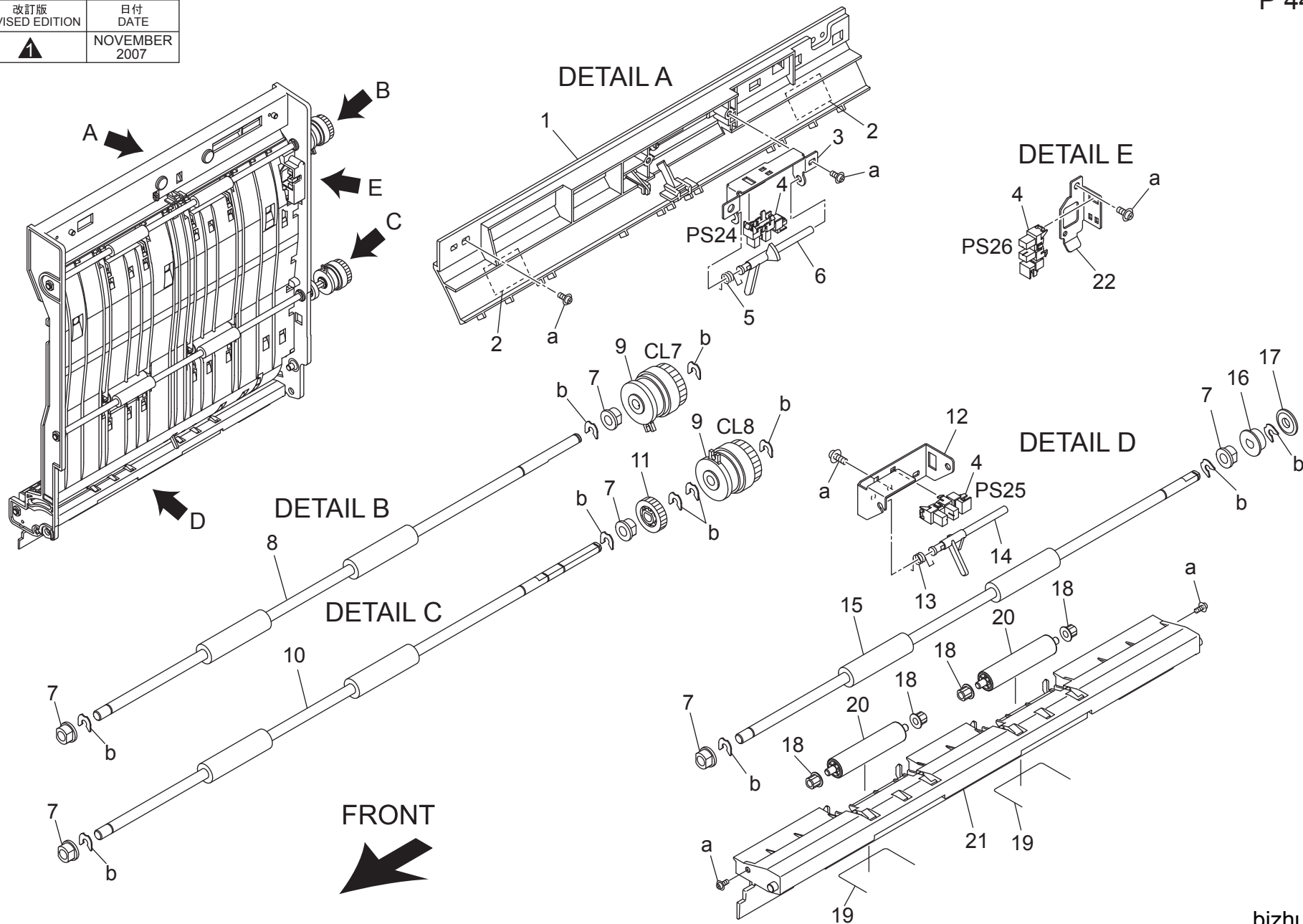
FRONT





# AUTO DUPLEX UNIT

|   |                  |
|---|------------------|
| 改訂版<br>REVISED EDITION  | 日付<br>DATE       |
|  | NOVEMBER<br>2007 |

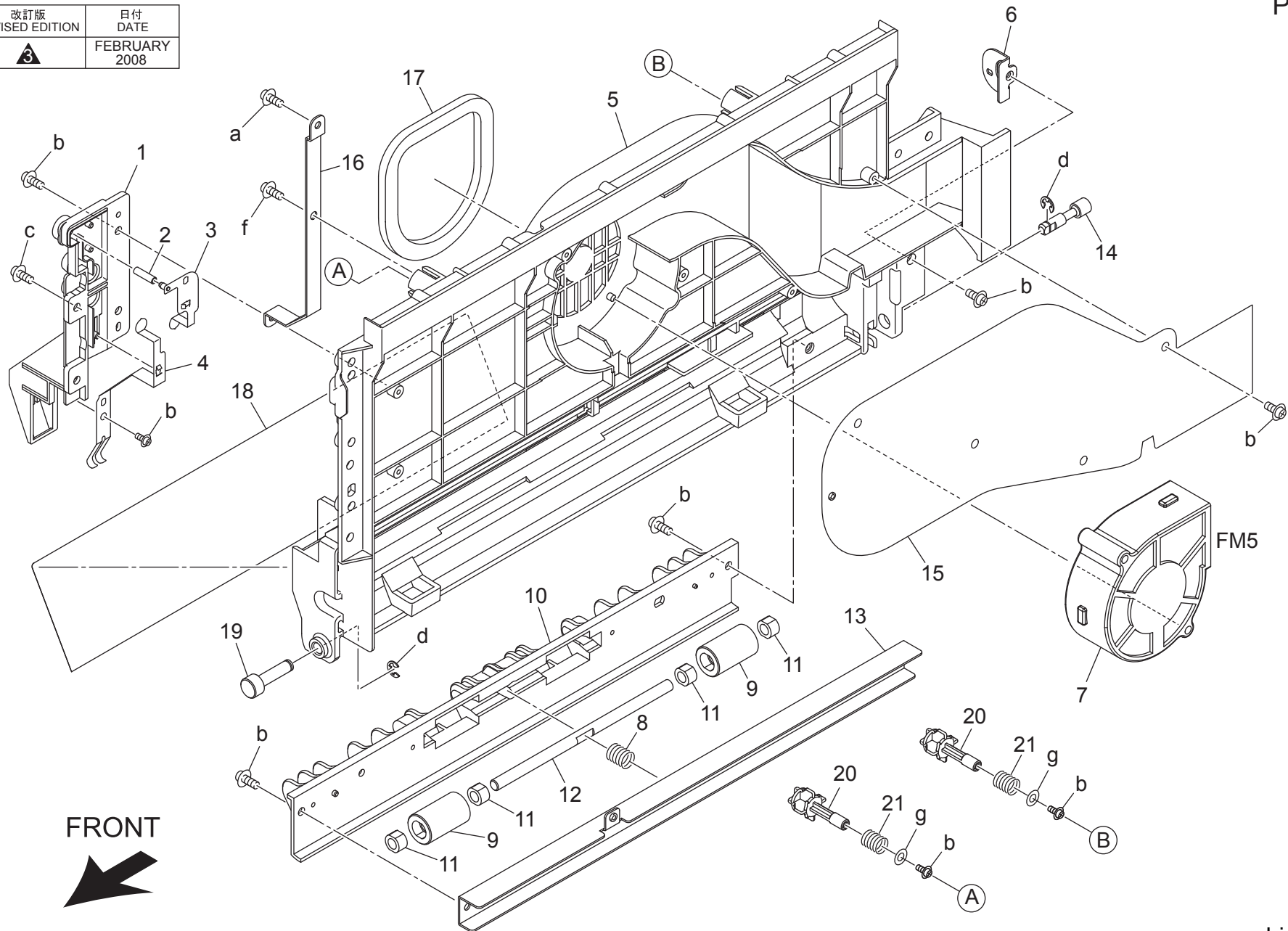






# AUTO DUPLEX UNIT

|   |                  |
|---|------------------|
| 改訂版<br>REVISED EDITION  | 日付<br>DATE       |
|  | FEBRUARY<br>2008 |



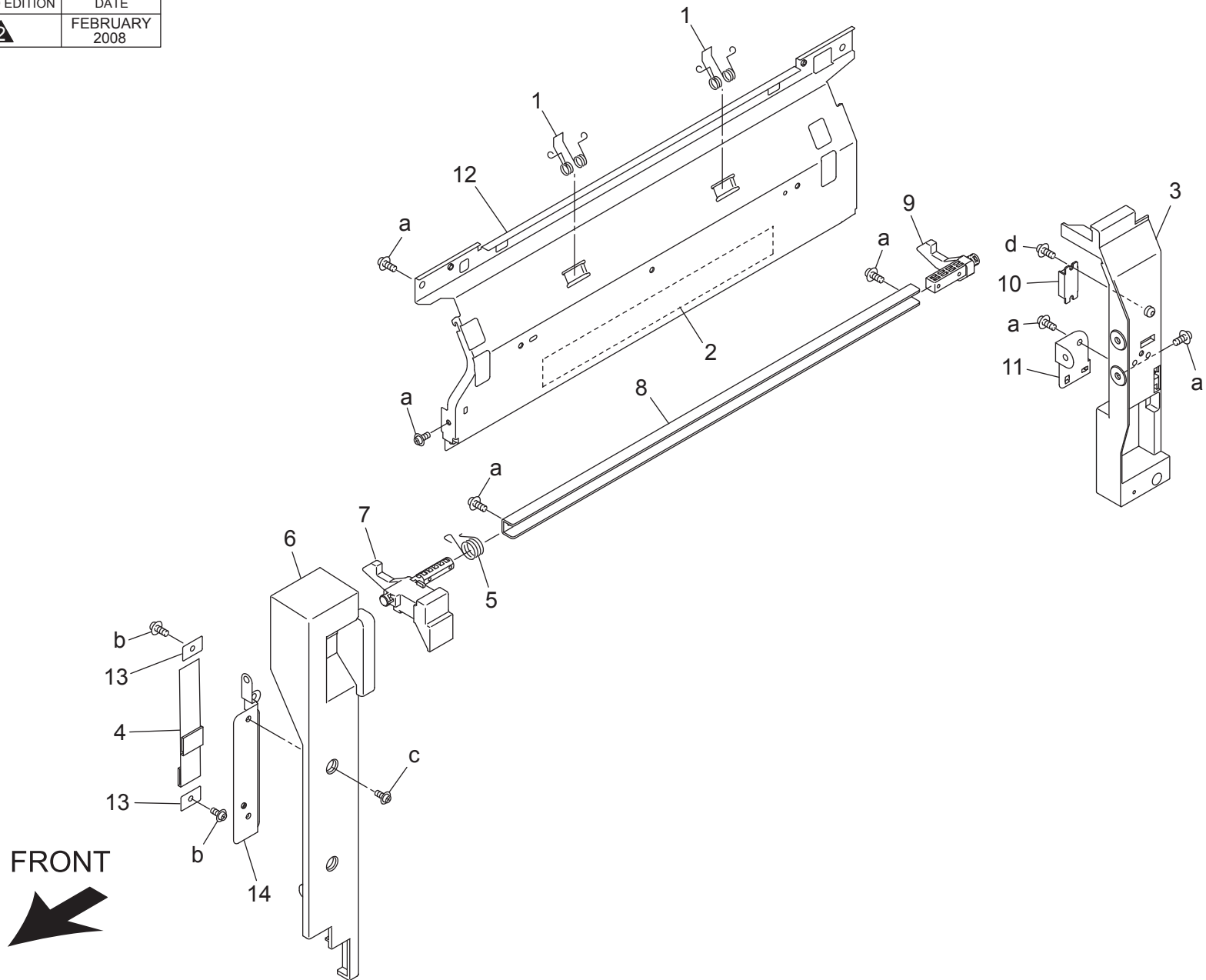
FRONT





# AUTO DUPLEX UNIT

|   |                  |
|---|------------------|
| 改訂版<br>REVISED EDITION  | 日付<br>DATE       |
|  | FEBRUARY<br>2008 |



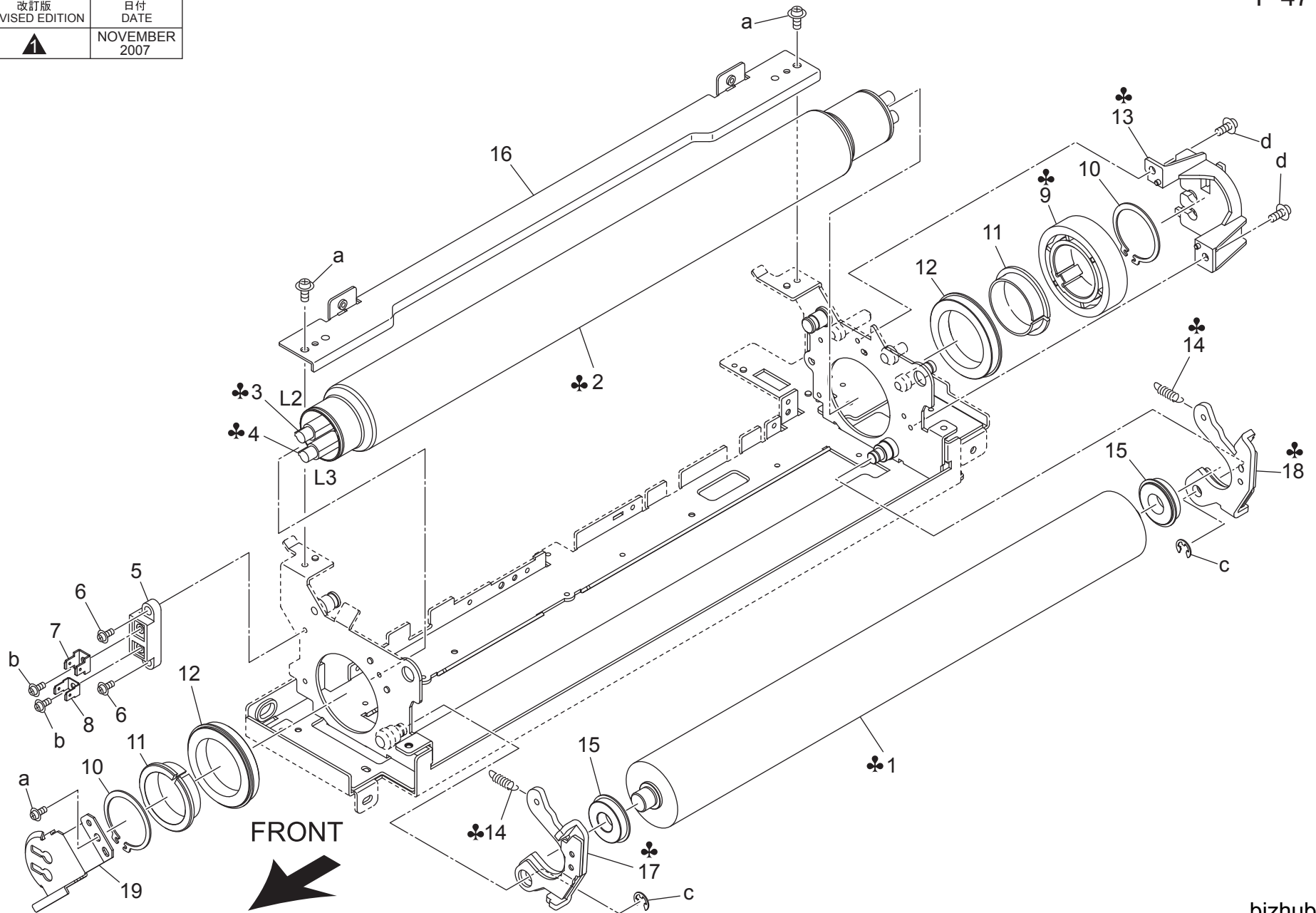
# AUTO DUPLEX UNIT

| Key | Part No.   | Description             | Destinations | Class | QTY | Standard parts  |
|-----|------------|-------------------------|--------------|-------|-----|---|
| 1   | 50GA50450  | FIXING PRESSING SPRING  |              | C     | 2   | a-9739030814<br>b-V137030603<br>c-00Z383061<br>d-9732030814 |
| 2   | 50GA97460  | HIGH TEMP CAUTION LABEL |              | C     | 1   |   |
| 3   | 50GA50041F | ADU DOOR /REAR          |              | C     | 1   |   |
| 4   | 50GA50150  | ADU OPEN CLOSE BELT     |              | C     | 1   |   |
| 5   | 50GA506200 | LOCK SPRING             |              | C     | 1   |   |
| 6   | 50GA50050  | ADU DOOR FRONT          |              | C     | 1   |   |
| 7   | 4030202102 | PAWL                    |              | C     | 1   |   |
| 8   | 4030202301 | BRACKET                 |              | D     | 1   |   |
| 9   | 4030202201 | PAWL                    |              | C     | 1   |   |
| 10  | 40AA32290  | MAGNET CATCH            |              | C     | 1   |   |
| 11  | 50GA50270  | ADU EARTH PLATE 1       |              | C     | 1   |   |
| 12  | 50GA50280  | FIXING COVER PLATE      |              | D     | 1   |   |
| 13  | 50GA50140  | BELT REINFORCE PLATE    |              | D     | 2   |   |
| 14  | 50GA50090  | ADU REINFORCE PLATE     |              | D     | 1   |   |
|     |            |                         |              |       |     |   |
|     |            |                         |              |       |     |   |
|     |            |                         |              |       |     |   |
|     |            |                         |              |       |     |   |
|     |            |                         |              |       |     |   |
|     |            |                         |              |       |     |   |
|     |            |                         |              |       |     |   |
|     |            |                         |              |       |     |   |
|     |            |                         |              |       |     |   |
|     |            |                         |              |       |     |   |
|     |            |                         |              |       |     |   |

# FIXING UNIT

P 47

|   |                  |
|---|------------------|
| 改訂版<br>REVISED EDITION  | 日付<br>DATE       |
|  | NOVEMBER<br>2007 |

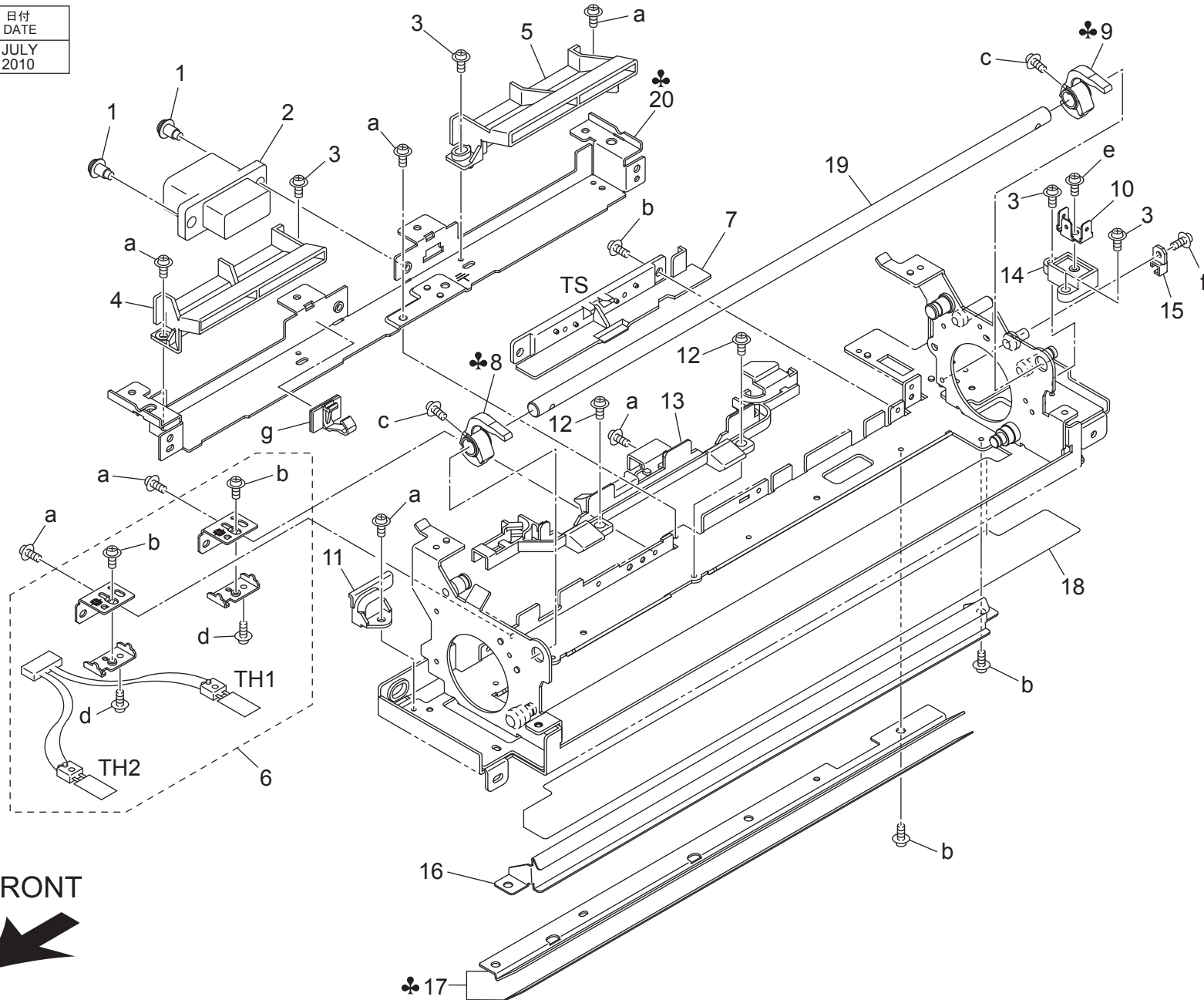


# FIXING UNIT

| Key | Part No.   | Description              | Destinations | Class     | QTY | Standard parts |   |
|-----|------------|--------------------------|--------------|-----------|-----|----------------|---|
| 1   | 50GA53040  | FIXING ROLLER LOWER      | 定着 ローラ / 下   | B,C,D3,G2 | A   | 1              | a-00Z193041<br>b-00Z153061<br>c-V217040050<br>d-00Z163061 |
| 1   | 42GA53040  | FIXING ROLLER LOWER      | 定着 ローラ / 下   | A         | A   | 1              |   |
| 2   | 50GA53030  | FIXING ROLLER UPPER      | 定着 ローラ / 上   | B,C,D3,G2 | A   | 1              |   |
| 2   | 42GA53030  | FIXING ROLLER UPPER      | 定着 ローラ / 上   | A         | A   | 1              |   |
| 3   | 50GAM32A00 | FIXING HEATER /1         | 定着 ヒータ / 1   | A         | I   | 1              |   |
| 3   | 50GE83021F | Fixing Heater /1         | 定着 ヒータ / 1   | B,G2      | I   | 1              |   |
| 3   | 50GF83021F | Fixing Heater /1         | 定着 ヒータ / 1   | C,D3      | I   | 1              |   |
| 4   | 50GAM33A00 | FIXING HEATER /2         | 定着 ヒータ / 2   | A         | I   | 1              |   |
| 4   | 50GE83031F | Fixing Heater /2         | 定着 ヒータ / 2   | B,G2      | I   | 1              |   |
| 4   | 50GF83031F | Fixing Heater /2         | 定着 ヒータ / 2   | C,D3      | I   | 1              |   |
| 5   | 26NA53770  | Terminal Pedestal /A     | 端子台 / A      |           | D   | 1              |   |
| 6   | 26NA54230  | TERMINAL FIXING SCREW    | 端子固定ネジ       |           | C   | 2              |   |
| 7   | 26NA53740  | TERMINAL PLATE A         | 端子板 A        |           | D   | 1              |   |
| 8   | 40AA53470  | TERMINAL PLATE 1         | 端子板 1        |           | D   | 1              |   |
| 9   | 50GA54060  | Fixing Gear 46T          | 定着歯車 46 T    | B,C,D3,G2 | B   | 1              |   |
| 9   | 42GA54060  | FIXING GEAR 39T          | 定着歯車 39 T    | A         | B   | 1              |   |
| 10  | 26NA53620  | FIXING FIXED PART        | 定着固定部材       |           | C   | 2              |   |
| 11  | 26NA53720  | HEAT INSULATING SLEEVE A | 断熱スリーブ A     |           | A   | 2              |   |
| 12  | 26NA53712  | BALL BEARING             | 定着 軸受 上      |           | A   | 2              |   |
| 13  | 50GA53900  | LAMP SUPPORT PART REAR   | ランプ支持部材 奥    | B,C,D3,G2 | C   | 1              |   |
| 13  | 42GA53900  | LAMP SUPPORT PART REAR   | ランプ支持部材 奥    | A         | C   | 1              |   |
| 14  | 50GA53600  | PRESSURE SPRING          | 圧着バネ         | B,C,D3,G2 | C   | 2              |   |
| 14  | 42GA53600  | PRESSURE SPRING          | 圧着バネ         | A         | C   | 2              |   |
| 15  | 50GA53590  | Separating Ball Bearing  | 分離ボールベアリング   |           | A   | 2              |   |
| 16  | 50GA54540  | REINFORCE STAY           | 補強ステー        |           | D   | 1              |   |
| 17  | 50GA53070  | PRESSING ARM /FRONT      | 押圧アーム / 前    | B,C,D3,G2 | C   | 1              |   |
| 17  | 42GA53070  | PRESSING ARM /FRONT      | 押圧アーム / 前    | A         | C   | 1              |   |
| 18  | 50GA53080  | PRESSING ARM /REAR       | 押圧アーム / 奥    | B,C,D3,G2 | C   | 1              |   |
| 18  | 42GA53080  | PRESSING ARM /REAR       | 押圧アーム / 奥    | A         | C   | 1              |   |
| 19  | 50GA53890  | LAMP SUPPORT PART /FRONT | ランプ支持部材 / 前  |           | D   | 1              |   |
|     |            |                          |              |           |     |                |   |
|     |            |                          |              |           |     |                |   |
|     |            |                          |              |           |     |                |   |
|     |            |                          |              |           |     |                |   |
|     |            |                          |              |           |     |                |   |
|     |            |                          |              |           |     |                |   |

# FIXING UNIT

|   |              |
|---|--------------|
| 改訂版<br>REVISED EDITION  | 日付<br>DATE   |
|  | JULY<br>2010 |



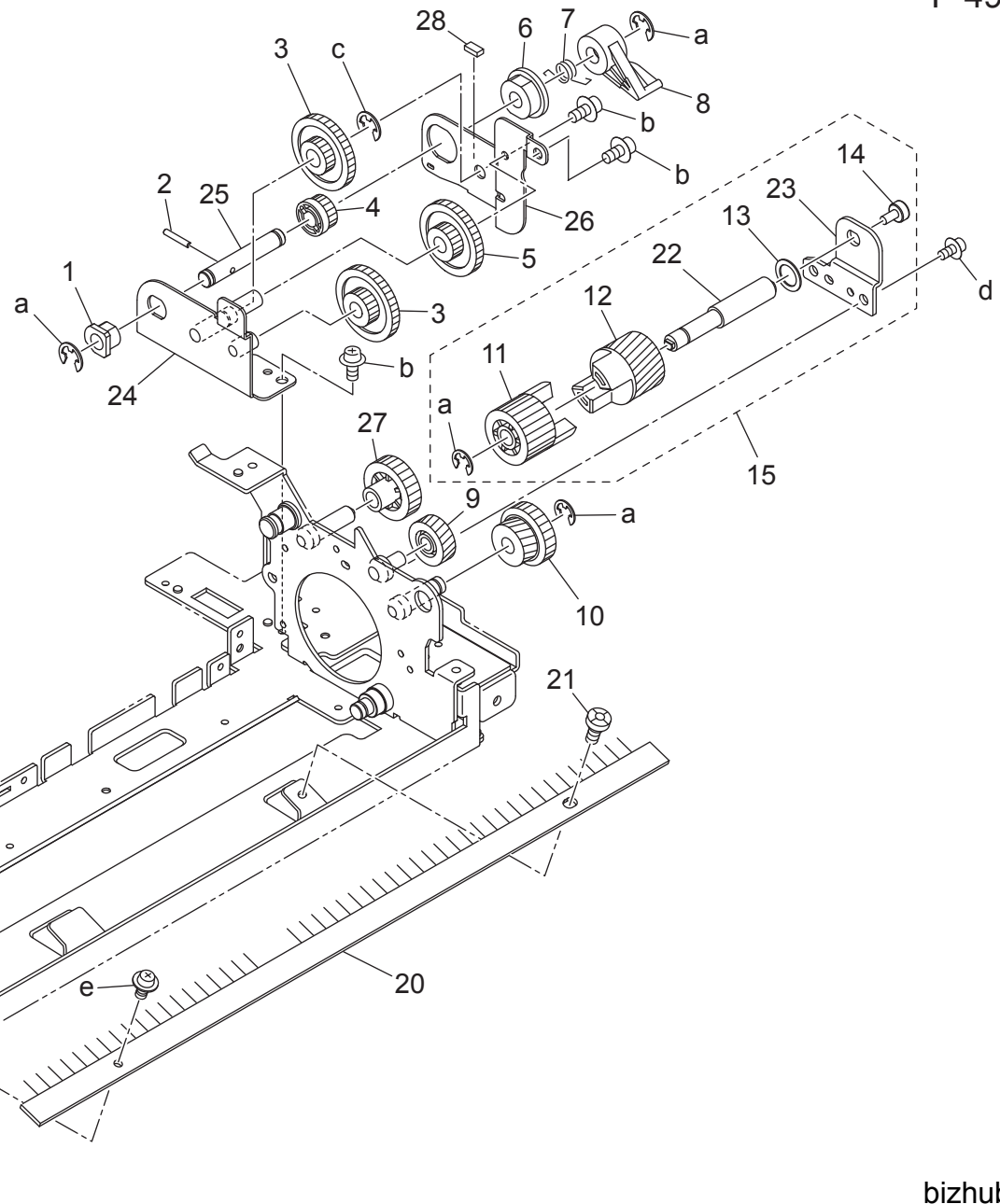
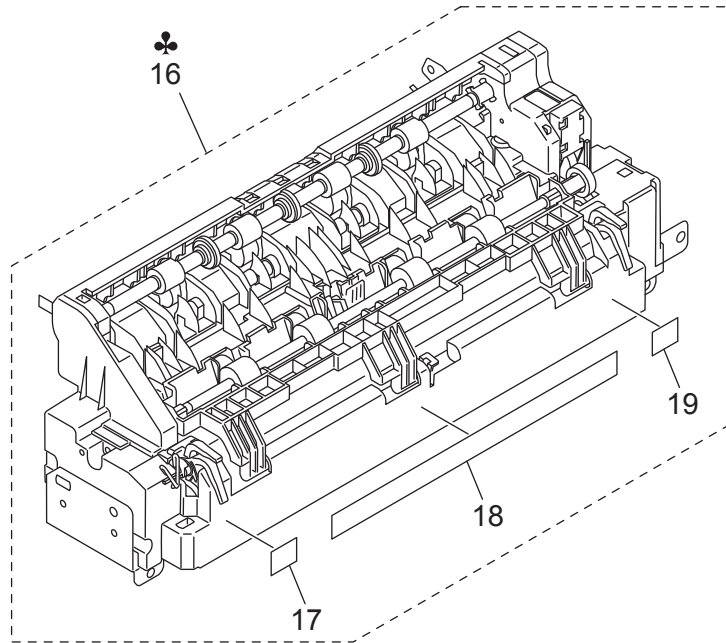


# FIXING UNIT

| Key | Part No.   | Description                       | Destinations | Class | QTY | Standard parts   |
|-----|------------|-----------------------------------|--------------|-------|-----|--|
| 1   | 26NA54030  | MOUNT SCREW                       |              | C     | 2   | a-00Z193041<br>b-00Z163061<br>c-00Z184061<br>d-00Z163101<br>e-00Z153061<br>f-00Z113041<br>g-V500020087 |
| 2   | 50GA90051  | FIXING POWER SUPPLY WIRING        |              | D     | 1   |  |
| 3   | 26NA54230  | TERMINAL FIXING SCREW             |              | C     | 4   |  |
| 4   | 50GA54520  | ROLLER COOLING DUCT FRONT         |              | D     | 1   |  |
| 5   | 50GA54530  | ROLLER COOLING DUCT REAR          |              | D     | 1   |  |
| 6   | 50GA-5440  | FIXING SENSOR ASSY                |              | A     | 1   |  |
| 7   | SP00-0112  | FUSE MOUNTING PLATE ASSY 26NA 535 |              | A     | 1   |  |
| 8   | 50GA54510  | RELEASE LEVER FRONT               | B,C,D3,G2    | C     | 1   |  |
| 8   | 42GA54510  | RELEASE LEVER FRONT               | A            | C     | 1   |  |
| 9   | 50GA54740  | RELEASE LEVER REAR                | B,C,D3,G2    | C     | 1   |  |
| 9   | 42GA54740  | RELEASE LEVER REAR                | A            | C     | 1   |  |
| 10  | 26NA54280  | TERMINAL PLATE                    |              | D     | 1   |  |
| 11  | 50GA54940  | COVER PART                        |              | C     | 1   |  |
| 12  | 40LA54430  | TERMINAL FIXING SCREW 2           |              | C     | 2   |  |
| 13  | 50GA54050  | WIRING GUIDE PART B               |              | D     | 1   |  |
| 14  | 50GA53780  | TERMINAL PEDESTAL B               |              | C     | 1   |  |
| 15  | 26NA53211  | WIRING GUIDE PART A               |              | D     | 1   |  |
| 16  | 50GA53651E | FIXING ENTRANCE PLATE             |              | D     | 1   |  |
| 17  | 50GA-5480  | FIXING ENTRANCE PLATE 2 ASSY      | B,C,D3,G2    | C     | 1   |  |
| 17  | 42GA-5480  | FIXING ENTRANCE PLATE 2 ASSY      | A            | C     | 1   |  |
| 18  | 50GA53360  | Fixing Insulating Sheet /C        |              | D     | 1   |  |
| 19  | 50GA54420  | Fixing Pressing Stopper           |              | D     | 1   |  |
| 20  | 50GA54500  | CLEANER SUPPORT PART /2           | B,C,D3,G2    | D     | 1   |  |
| 20  | 42GA54500  | CLEANER SUPPORT PART /2           | A            | D     | 1   |  |
|     |            |                                   |              |       |     |  |
|     |            |                                   |              |       |     |  |
|     |            |                                   |              |       |     |  |
|     |            |                                   |              |       |     |  |
|     |            |                                   |              |       |     |  |
|     |            |                                   |              |       |     |  |
|     |            |                                   |              |       |     |  |
|     |            |                                   |              |       |     |  |

# FIXING UNIT

|   |                  |
|---|------------------|
| 改訂版<br>REVISED EDITION  | 日付<br>DATE       |
|  | FEBRUARY<br>2008 |




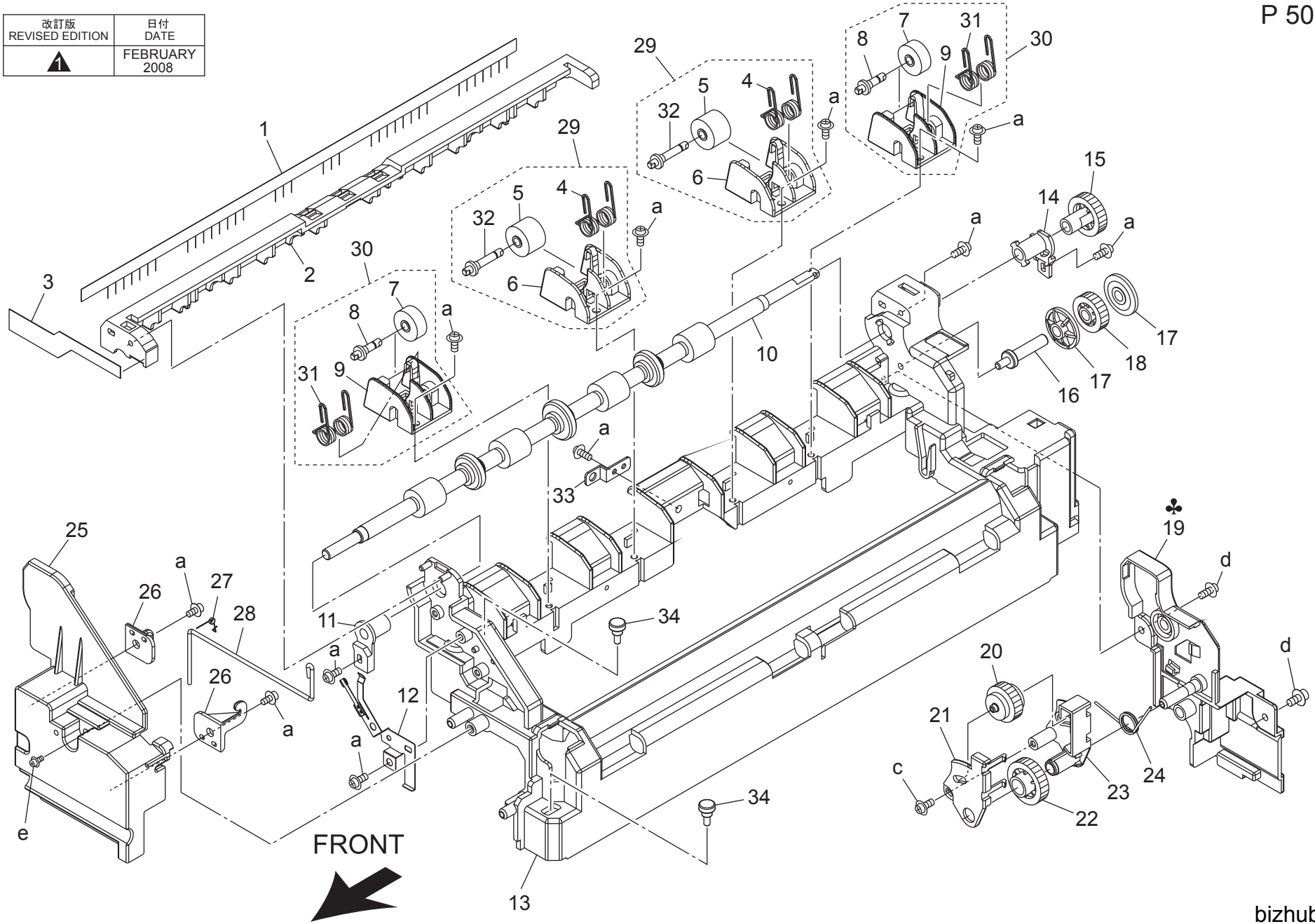
FRONT






# FIXING UNIT

|   |                  |
|---|------------------|
| 改訂版<br>REVISED EDITION  | 日付<br>DATE       |
|  | FEBRUARY<br>2008 |

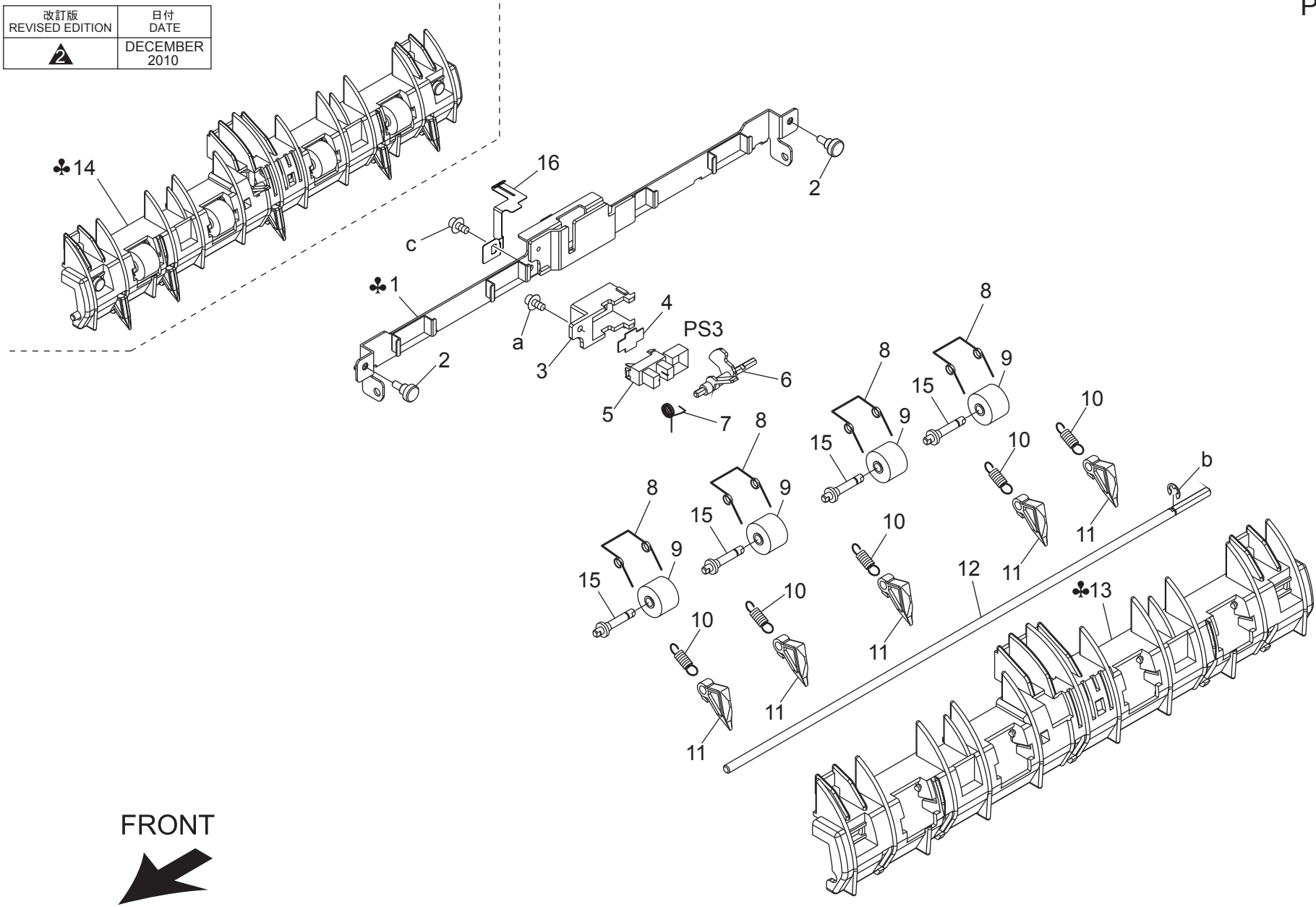



 Order here  
 8 (495) 646-0426  
 ПЯТЫЙ ПАРТНЕР www.km-shop.ru

| Key | Part No.   | Description             | Destinations | Class | QTY | Standard parts   |
|-----|------------|-------------------------|--------------|-------|-----|--|
| 1   | 4030582301 | NEUTRALIZING BRUSH      |              | C     | 1   | a-00Z253081<br>b-00Z193061<br>c-9739030814<br>d-00Z253083<br>e-00Z163081 |
| 2   | 4030583903 | HOLDER                  |              | D     | 1   |  |
| 3   | 4030584701 | NETURALIZING MEMBER     |              | C     | 1   |  |
| 4   | 4030580601 | TORSION SPRING          |              | C     | 2   |  |
| 5   | 4030580503 | ROLL                    |              | C     | 2   |  |
| 6   | 4030584302 | HOLDER                  |              | D     | 2   |  |
| 7   | 4030585401 | ROLL                    |              | C     | 2   |  |
| 8   | 4030585701 | SHAFT                   |              | D     | 2   |  |
| 9   | 4030585501 | HOLDER                  |              | D     | 2   |  |
| 10  | 4030580201 | ROLLER                  |              | C     | 1   |  |
| 11  | 4030584201 | BUSHING                 |              | C     | 1   |  |
| 12  | 50GA54920  | EARTH PLATE             |              | C     | 1   |  |
| 13  | 50GA54870  | Fixing Casing           |              | D     | 1   |  |
| 14  | 4030584002 | BUSHING                 |              | C     | 1   |  |
| 15  | 4030581201 | GEAR 21T                |              | C     | 1   |  |
| 16  | 4030584502 | SHOULDER SCREW          |              | D     | 1   |  |
| 17  | 4030584402 | COLLAR                  |              | C     | 2   |  |
| 18  | 4030583601 | GEAR 19T                |              | C     | 1   |  |
| 19  | 50GA54820  | FIXING COVER REAR       | B,C,D3,G2    | C     | 1   |  |
| 19  | 42GA54820  | FIXING COVER REAR       | A            | C     | 1   |  |
| 20  | 4030581702 | GEAR 19T                |              | C     | 1   |  |
| 21  | 4030582203 | HOLDER                  |              | D     | 1   |  |
| 22  | 4030581601 | GEAR 19T                |              | C     | 1   |  |
| 23  | 4030582003 | HOLDER                  |              | D     | 1   |  |
| 24  | 4030582102 | TORSION SPRING          |              | C     | 1   |  |
| 25  | 50GA54810  | FIXING COVER FRONT      |              | C     | 1   |  |
| 26  | 50GA54620  | SHAFT SUPPORT PART      |              | C     | 2   |  |
| 27  | 50GA54630  | CLEANER LOCK SPRING     |              | C     | 1   |  |
| 28  | 50GA54611  | CLEANER LOCK SHAFT      |              | D     | 1   |  |
| 29  | 4040R70600 | EXIT ROLL HOLDER 1 ASSY |              | A     | 2   |  |
| 30  | 4040R70700 | EXIT ROLL HOLDER 2 ASSY |              | A     | 2   |  |
| 31  | 4030585801 | TORSION SPRING          |              | C     | 2   |  |
| 32  | 4030585601 | SHAFT                   |              | D     | 2   |  |
| 33  | 4030584801 | POSITIONING PLATE       |              | D     | 1   |  |
| 34  | 4030582701 | SHOULDER SCREW          |              | C     | 2   |  |
|     |            |                         |              |       |     |  |
|     |            |                         |              |       |     |  |
|     |            |                         |              |       |     |  |
|     |            |                         |              |       |     |  |

# FIXING UNIT

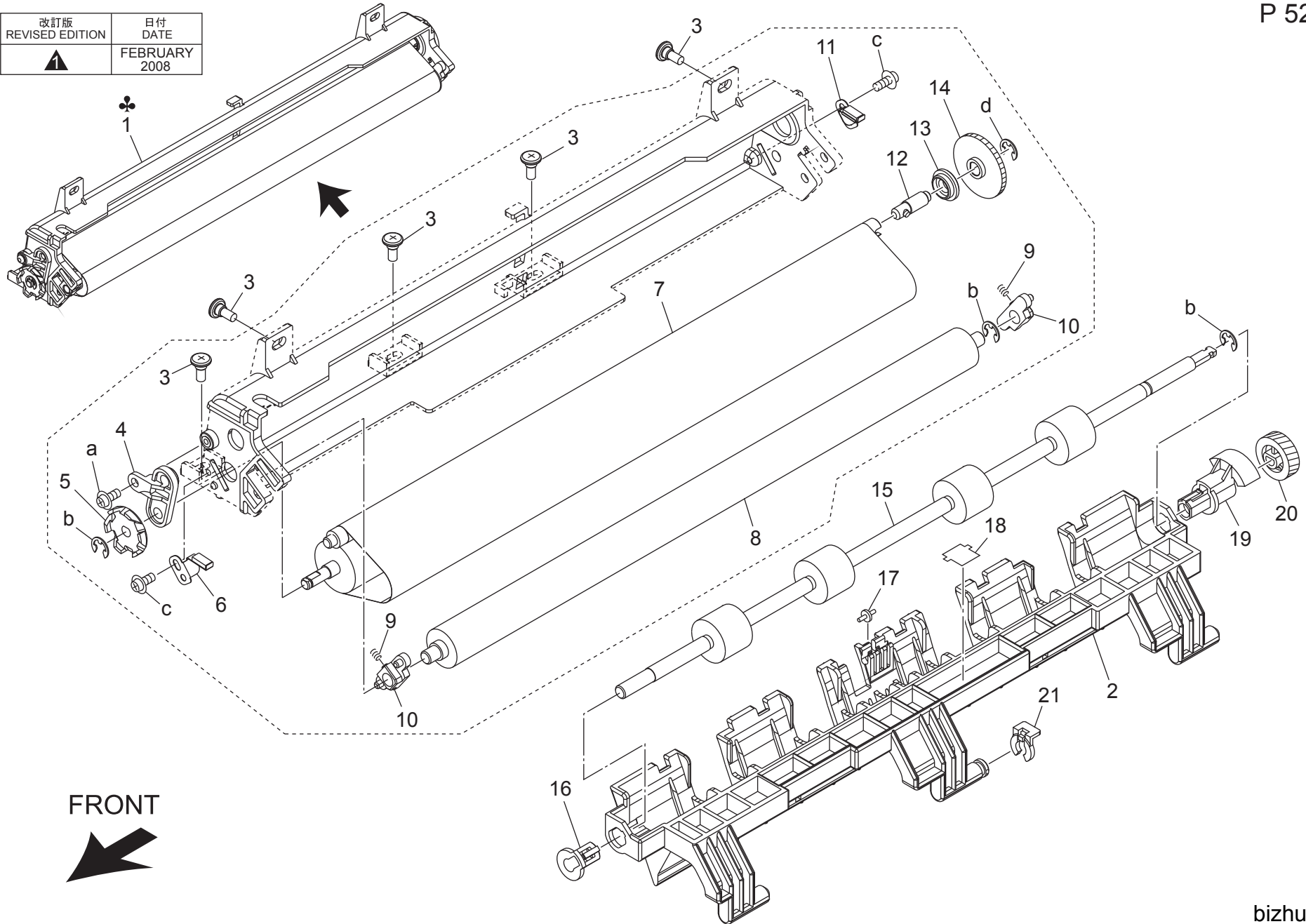
|   |                  |
|---|------------------|
| 改訂版<br>REVISED EDITION  | 日付<br>DATE       |
|  | DECEMBER<br>2010 |





# FIXING UNIT

|   |                  |
|---|------------------|
| 改訂版<br>REVISED EDITION  | 日付<br>DATE       |
|  | FEBRUARY<br>2008 |



FRONT

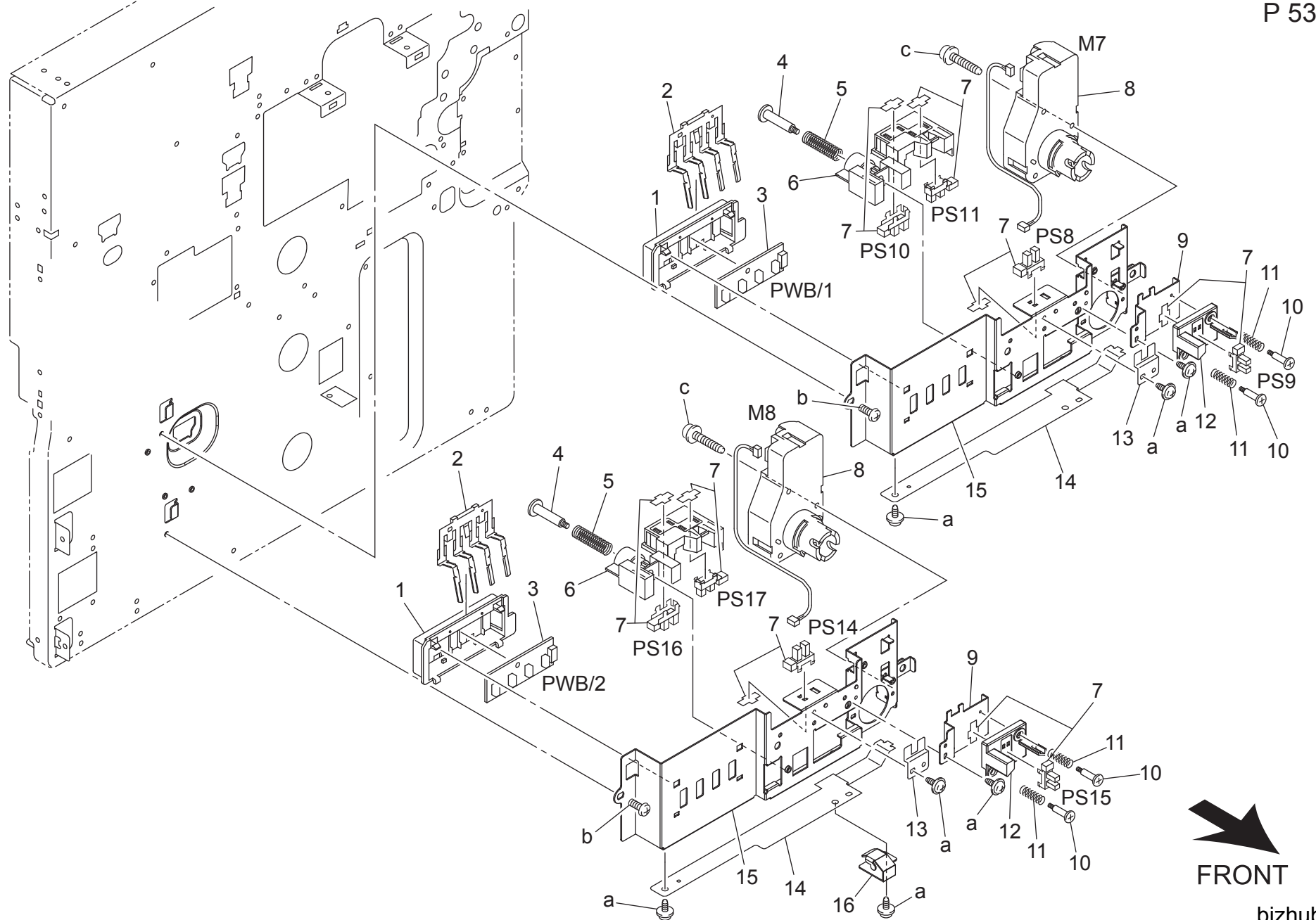






# ELECTRIC PARTS

P 53



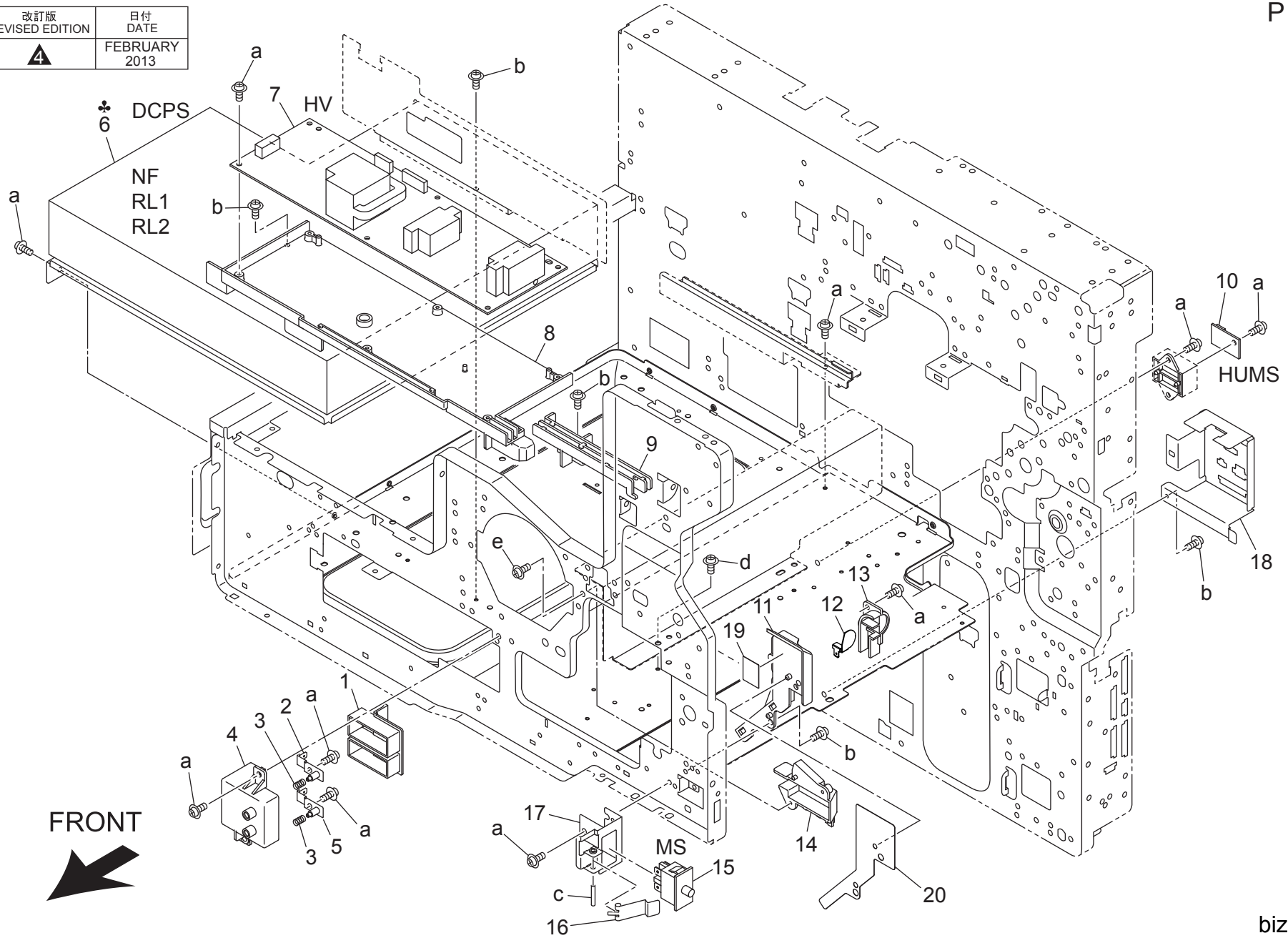
FRONT

bizhub 360

| Key | Part No.   | Description       | Destinations | Class | QTY | Standard parts                               |
|-----|------------|-------------------|--------------|-------|-----|--|
| 1   | 4011301201 | HOLDER            | ホルダ          | D     | 2   | a-V137030603<br>b-9743040814<br>c-9646033014 |
| 2   | 4030309101 | LEVER             | レバー          | C     | 2   |  |
| 3   | 4037010401 | PWB ASSY          | 基板 A S S Y   | C     | 2   |  |
| 4   | 4002313101 | SHOULDER SCREW    | 段ねじ          | C     | 2   |  |
| 5   | 4002311002 | Pressure Spring   | 圧縮コイルばね      | C     | 2   |  |
| 6   | 4030304702 | HOLDER            | ホルダ          | D     | 2   |  |
| 7   | 4037090601 | PHOTO INTERRUPTER | フォトインタラプター   | B     | 8   |  |
| 8   | 9J06M10300 | MOTOR             | マグネットモータ     | B     | 2   |  |
| 9   | 4030320802 | BRACKET           | 取付板          | D     | 2   |  |
| 10  | 4030322402 | SHOULDER SCREW    | 段ねじ          | C     | 4   |  |
| 11  | 4030308104 | Pressure Spring   | 圧縮コイルばね      | C     | 4   |  |
| 12  | 4030308301 | HOLDER            | ホルダ          | D     | 2   |  |
| 13  | 4030304802 | BRACKET           | 取付板          | D     | 2   |  |
| 14  | 4030304901 | BRACKET           | 取付板          | D     | 2   |  |
| 15  | 4030304603 | BRACKET           | 取付板          | D     | 2   |  |
| 16  | 50GA627101 | LIFTING STAY      | 押上げステー       | C     | 2   |  |
|     |            |                   |              |       |     |  |
|     |            |                   |              |       |     |  |
|     |            |                   |              |       |     |  |
|     |            |                   |              |       |     |  |
|     |            |                   |              |       |     |  |
|     |            |                   |              |       |     |  |
|     |            |                   |              |       |     |  |
|     |            |                   |              |       |     |  |
|     |            |                   |              |       |     |  |
|     |            |                   |              |       |     |  |

# ELECTRIC PARTS

|   |                  |
|---|------------------|
| 改訂版<br>REVISED EDITION  | 日付<br>DATE       |
|  | FEBRUARY<br>2013 |

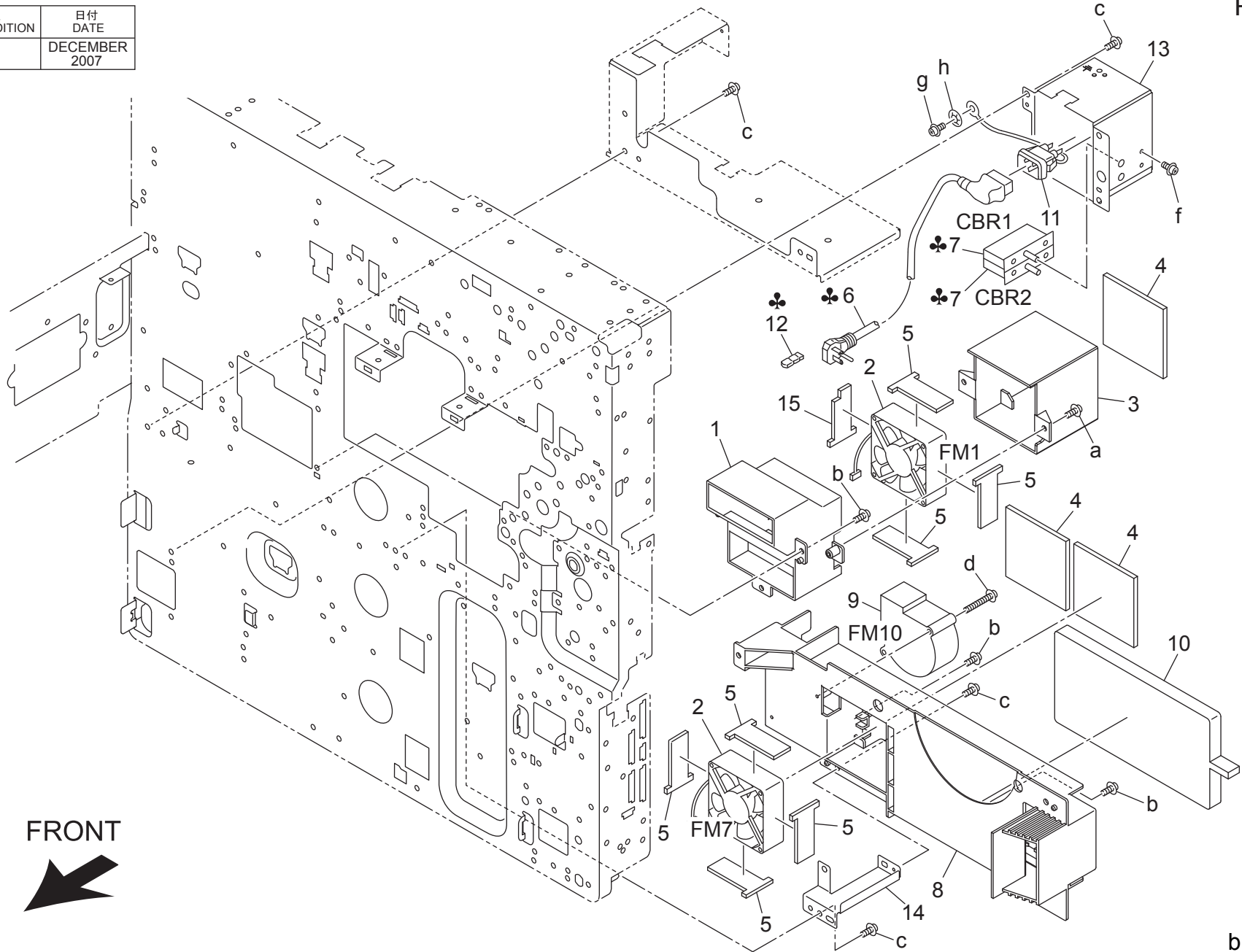


FRONT  





# ELECTRIC PARTS

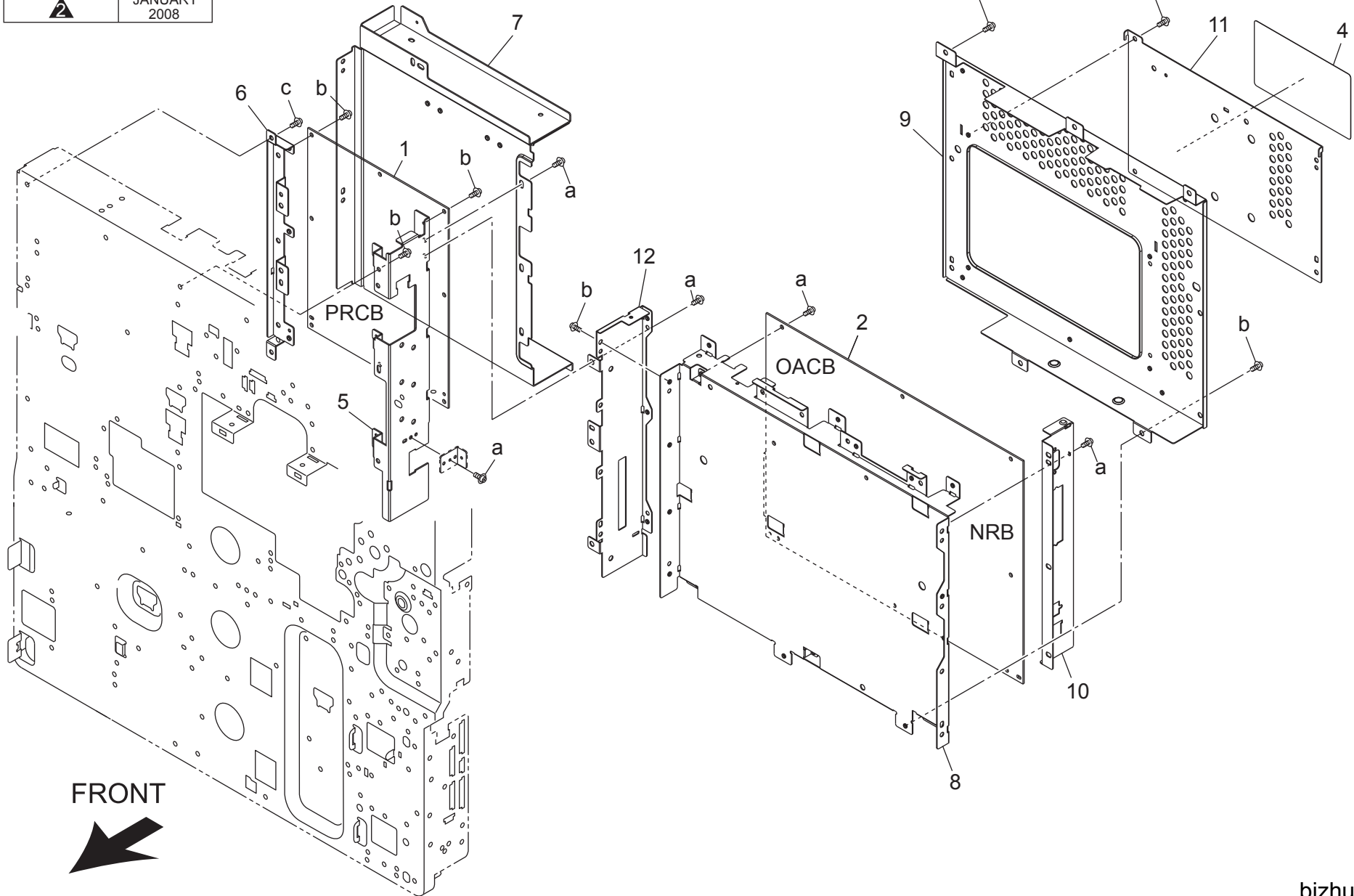
|   |                  |
|---|------------------|
| 改訂版<br>REVISED EDITION  | 日付<br>DATE       |
|  | DECEMBER<br>2007 |





# ELECTRIC PARTS

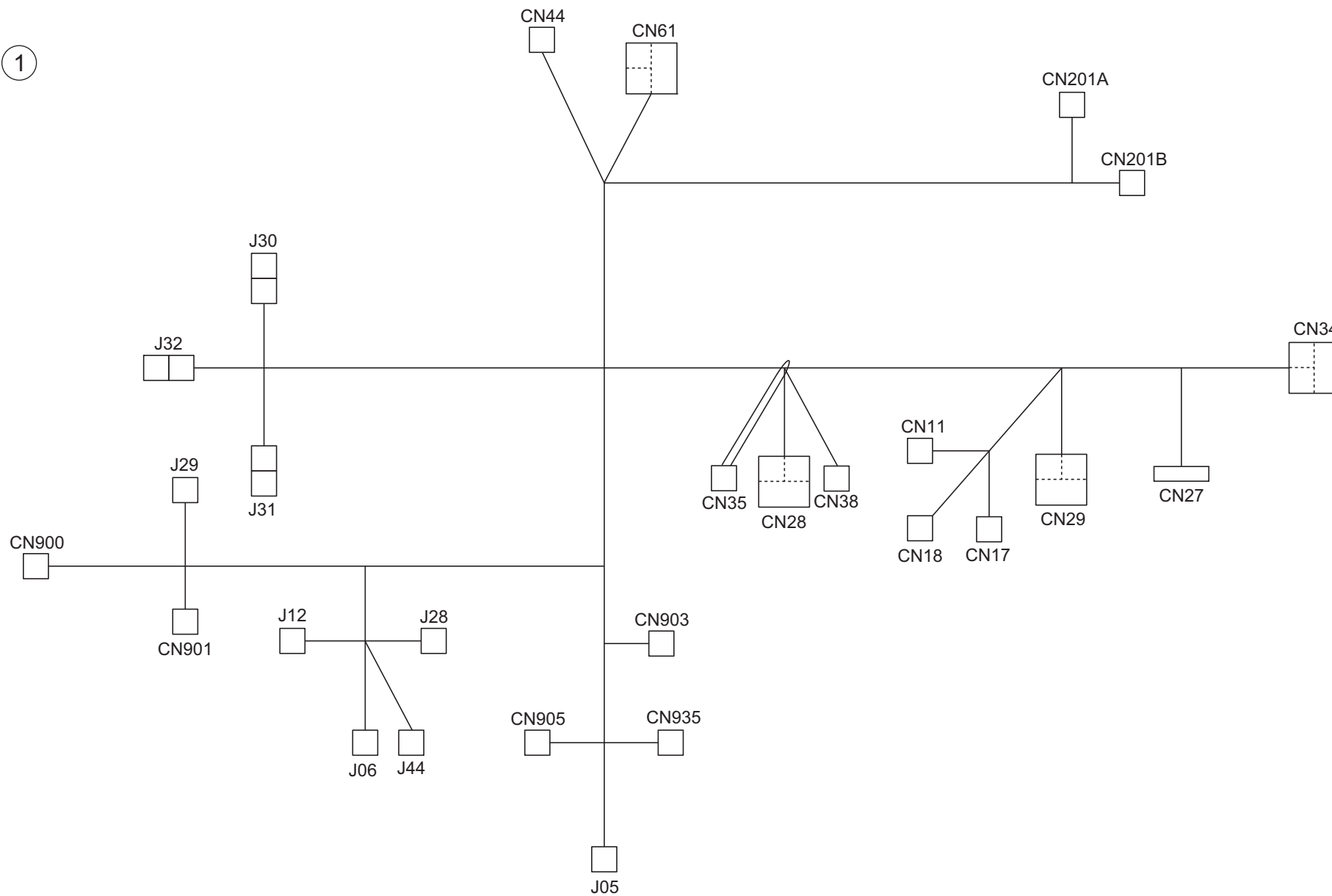
|   |                 |
|---|-----------------|
| 改訂版<br>REVISED EDITION  | 日付<br>DATE      |
|  | JANUARY<br>2008 |





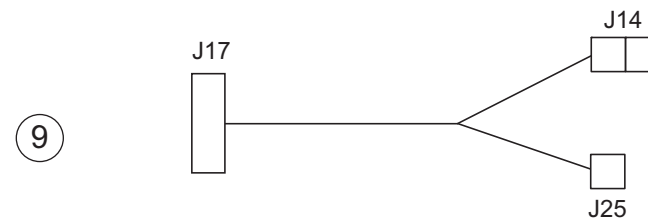
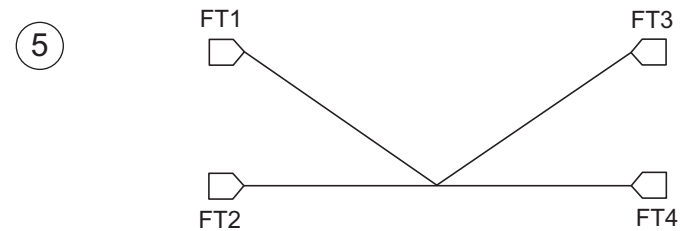
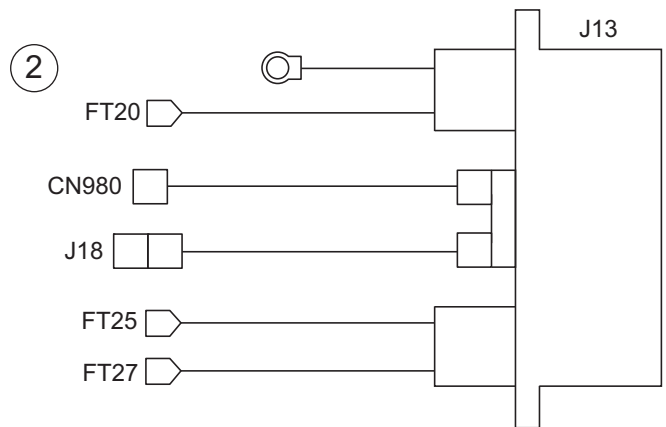


1





# WIRING

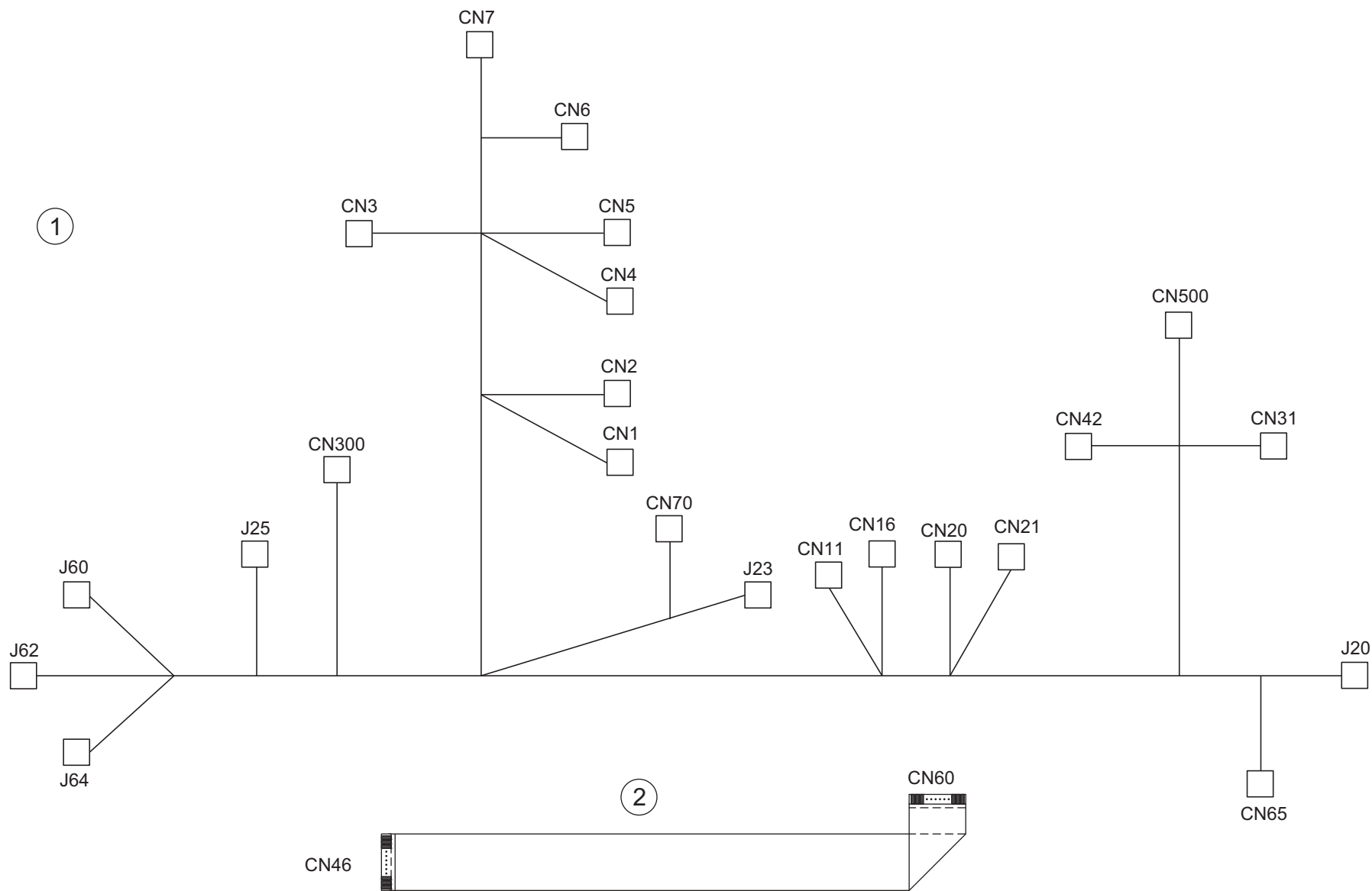




# WIRING



| Key | Part No.   | Description               | Destinations | Class | QTY | Standard parts |
|-----|------------|---------------------------|--------------|-------|-----|----------------|
| 1   | 50GA90260  | Lamp Relay Wiring         |              | D     | 1   |                |
| 2   | 50GA90270  | DC INTERLOCK WIRING       |              | D     | 1   |                |
| 3   | 50GA90310  | RELAY WIRING              |              | D     | 1   |                |
| 4   | 50GA90320E | CONVEYANCE SUCTION WIRING |              | D     | 1   |                |
| 5   | 50GA90370  | REGISTRATION WIRING       |              | D     | 1   |                |
| 6   | 50GA90380  | High Voltage Wiring /1    |              | D     | 1   |                |
| 7   | 50GA90390  | High Voltage Wiring /2    |              | D     | 1   |                |
| 8   | 50GA90420  | OPTION RELAY WIRING       |              | D     | 1   |                |
| 9   | 26NA90311  | RELAY WIRING 1            |              | D     | 1   |                |
| 10  | 40LA90210E | LD DRIVE WIRING           |              | D     | 1   |                |
|     |            |                           |              |       |     |                |
|     |            |                           |              |       |     |                |
|     |            |                           |              |       |     |                |
|     |            |                           |              |       |     |                |
|     |            |                           |              |       |     |                |
|     |            |                           |              |       |     |                |
|     |            |                           |              |       |     |                |
|     |            |                           |              |       |     |                |
|     |            |                           |              |       |     |                |
|     |            |                           |              |       |     |                |
|     |            |                           |              |       |     |                |



1

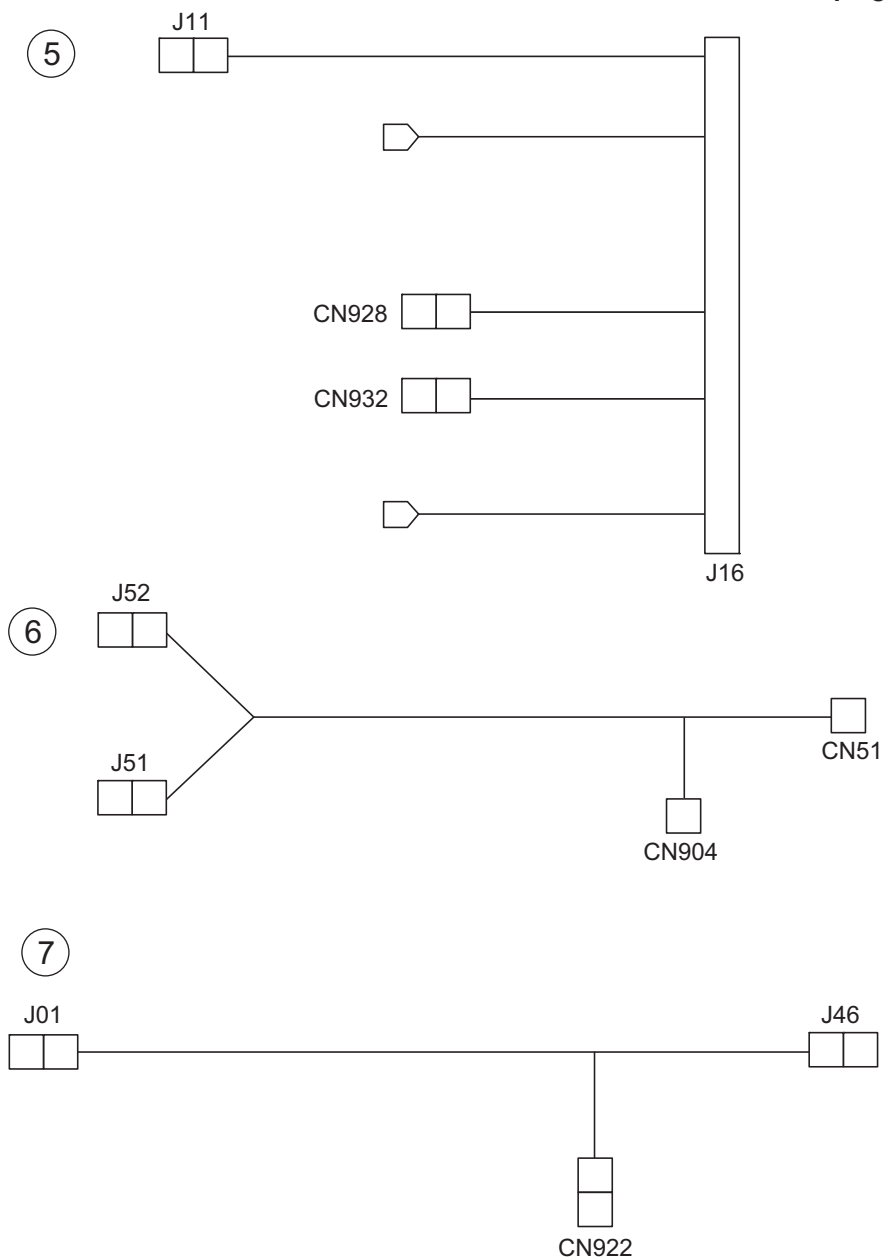
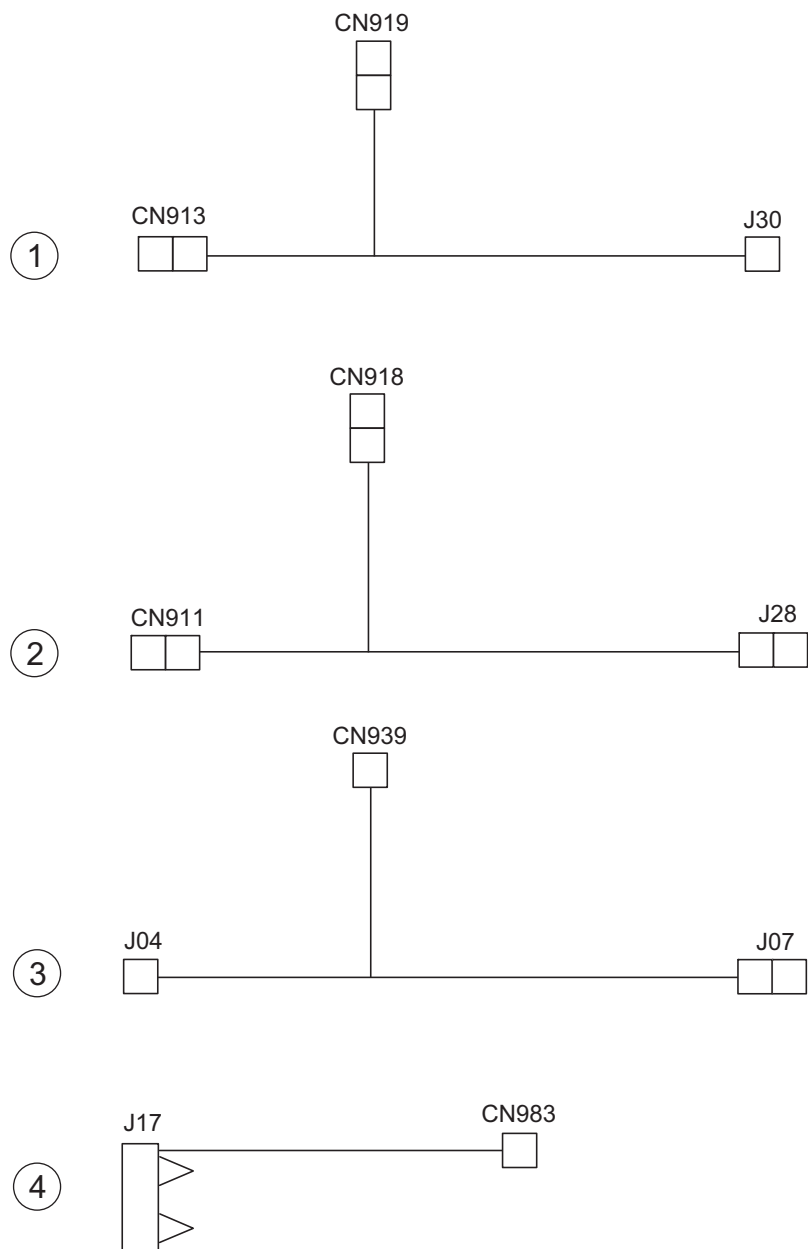
2





# WIRING

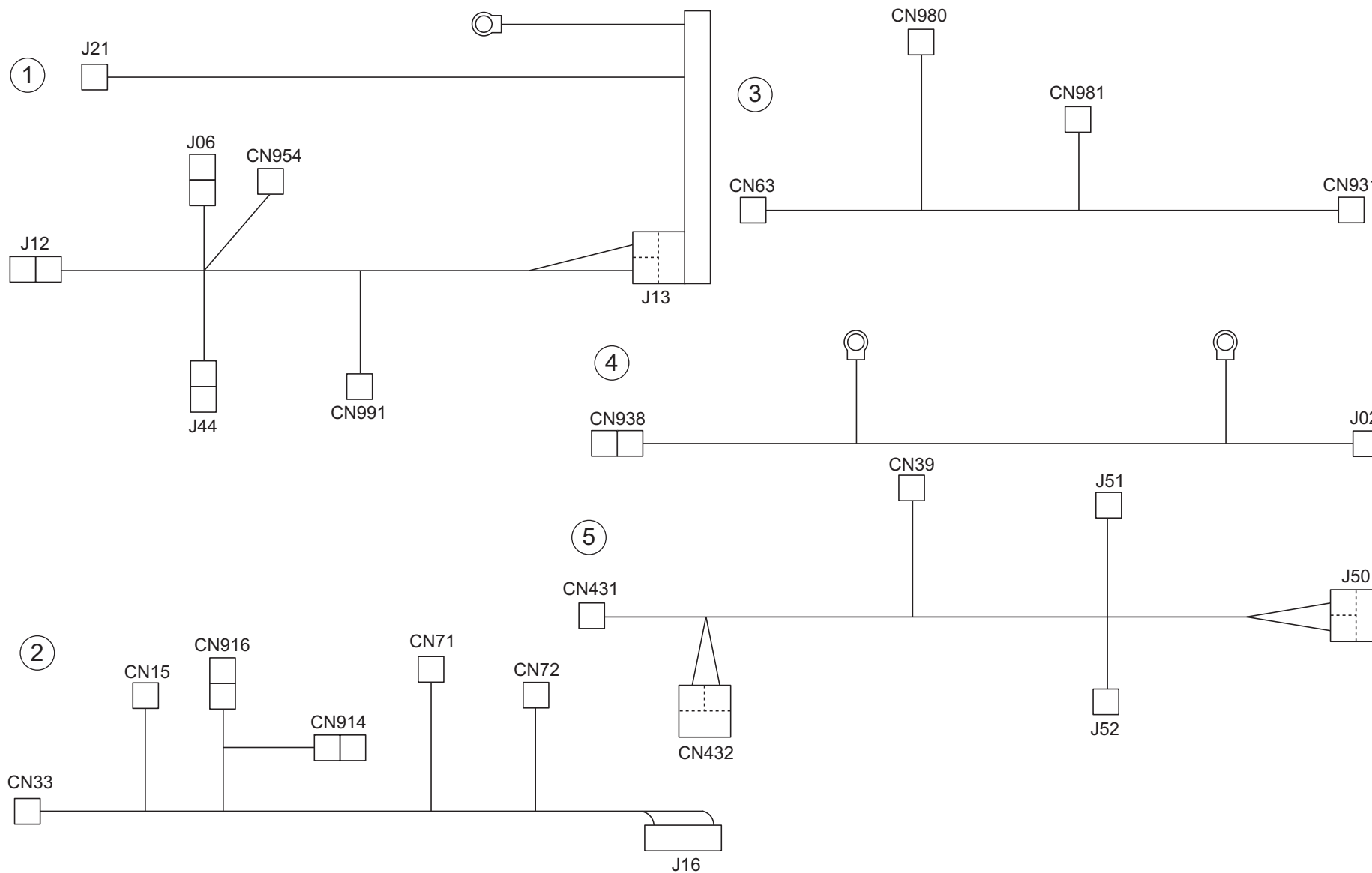
P 61





# WIRING

P 62

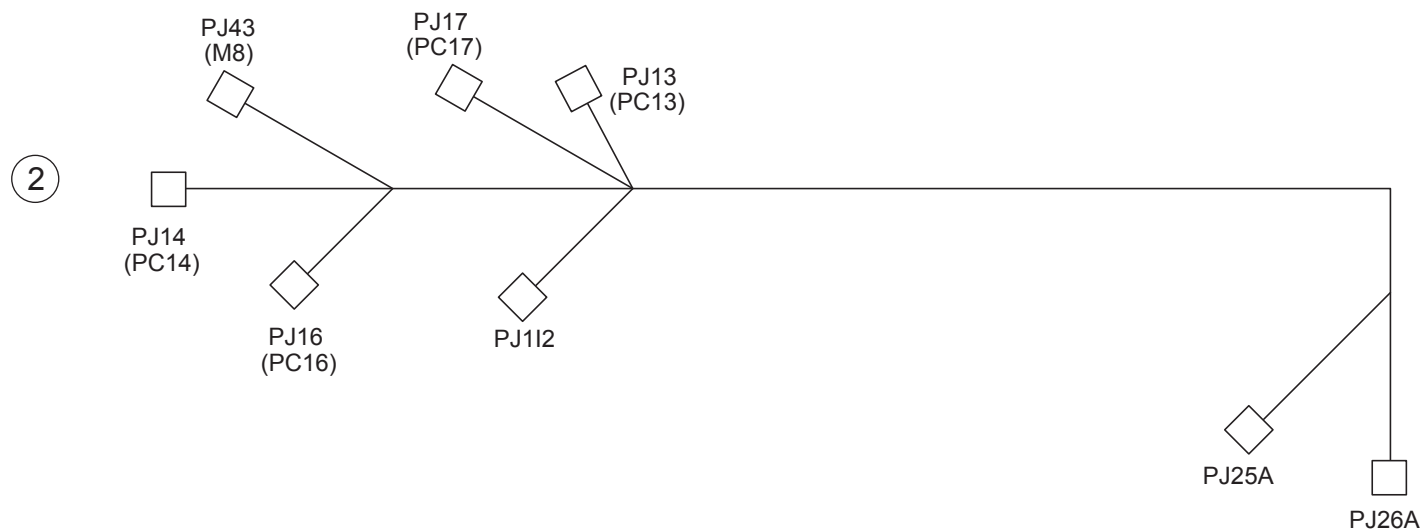
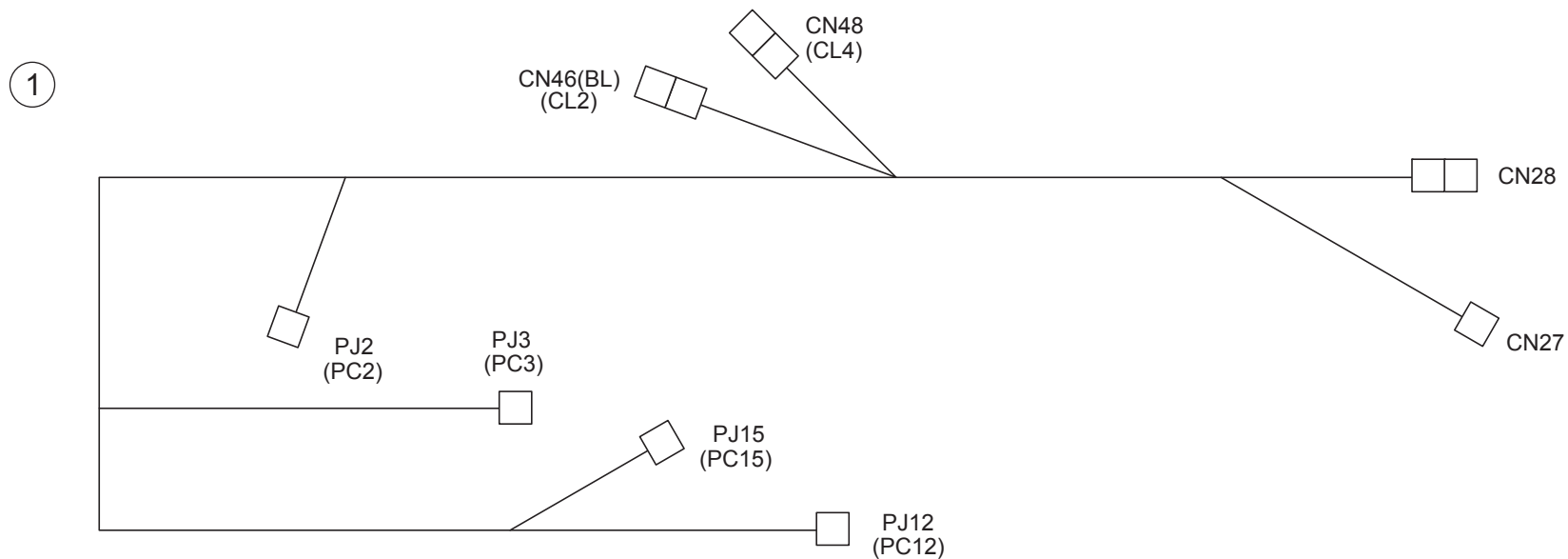


bizhub 360



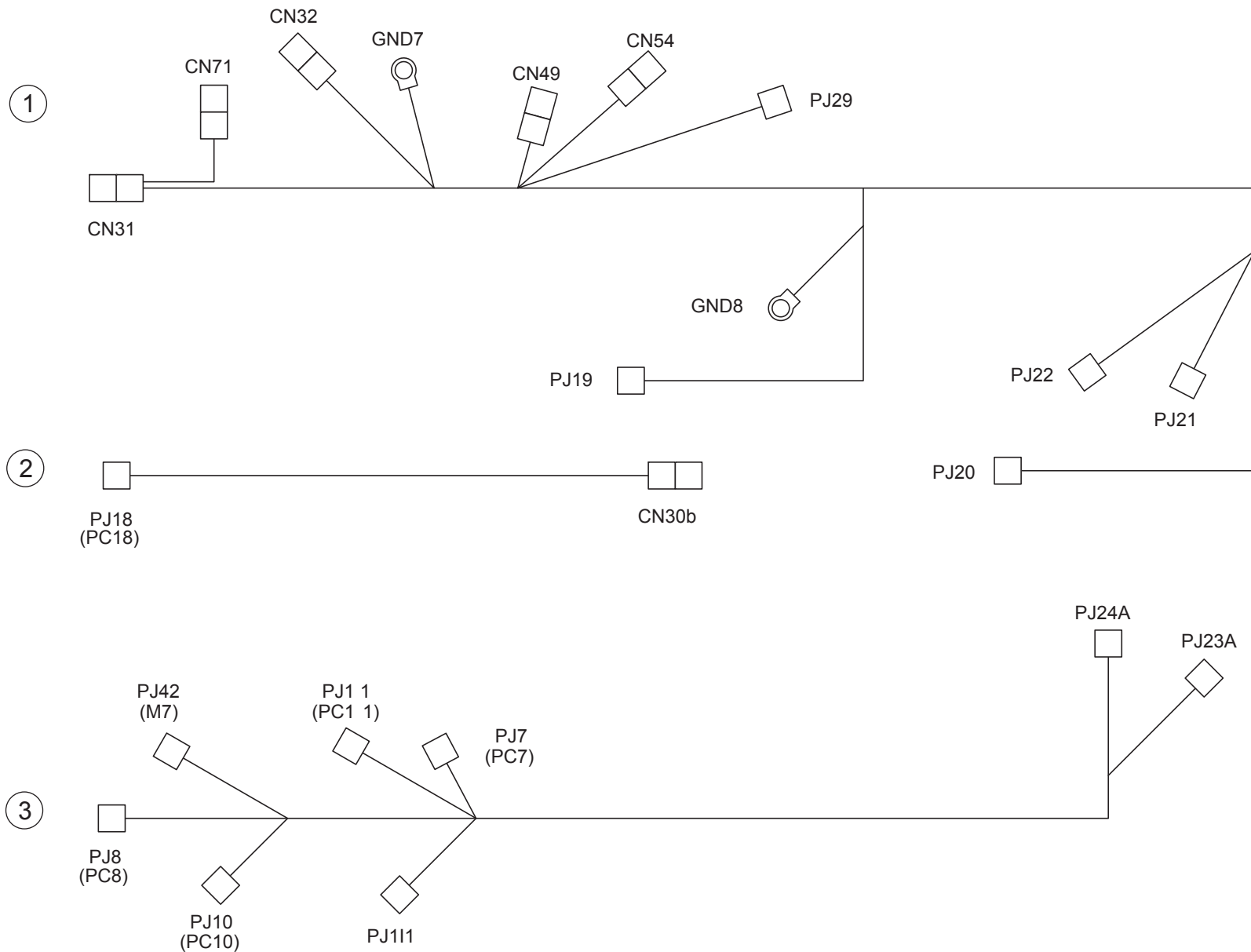








| Key | Part No.   | Description       | Destinations | Class | QTY | Standard parts |
|-----|------------|-------------------|--------------|-------|-----|----------------|
| 1   | 4030681202 | WIRE HARNESS ASSY |              | D     | 1   |                |
| 2   | 4030681302 | WIRE HARNESS ASSY |              | D     | 1   |                |
|     |            |                   |              |       |     |                |
|     |            |                   |              |       |     |                |
|     |            |                   |              |       |     |                |
|     |            |                   |              |       |     |                |
|     |            |                   |              |       |     |                |
|     |            |                   |              |       |     |                |
|     |            |                   |              |       |     |                |
|     |            |                   |              |       |     |                |
|     |            |                   |              |       |     |                |
|     |            |                   |              |       |     |                |





# WIRING ACCESSORY AND JIGS

P 66

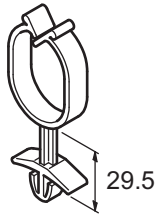
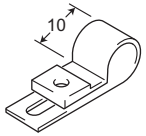
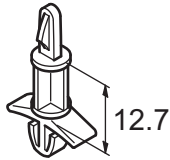
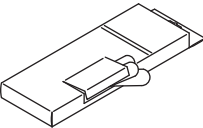
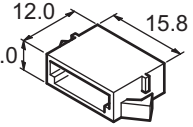
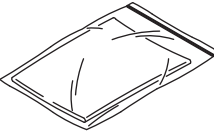
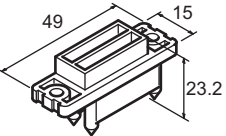
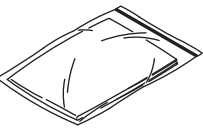
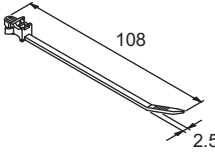
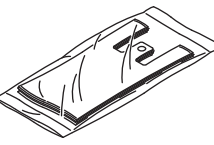
|       |        |        |        |        |        |        |        |
|-------|--------|--------|--------|--------|--------|--------|--------|
| 1<br> | 6<br>  | 11<br> | 16<br> | 21<br> | 26<br> | 31<br> | 36<br> |
| 2<br> | 7<br>  | 12<br> | 17<br> | 22<br> | 27<br> | 32<br> | 37<br> |
| 3<br> | 8<br>  | 13<br> | 18<br> | 23<br> | 28<br> | 33<br> | 38<br> |
| 4<br> | 9<br>  | 14<br> | 19<br> | 24<br> | 29<br> | 34<br> | 39<br> |
| 5<br> | 10<br> | 15<br> | 20<br> | 25<br> | 30<br> | 35<br> | 40<br> |

bizhub 360

| Key | Part No.   | Description              | Destinations   | Class | QTY | Standard parts |
|-----|------------|--------------------------|----------------|-------|-----|----------------|
| 1   | 00Z920016  | Locking Wire Saddle      | ロッキングワイヤーサドル   | V     | 1   |                |
| 2   | V500010008 | saddle                   | ロッキングワイヤーサドル   | D     | 1   |                |
| 3   | 00Z920022  | Locking Wire Saddle      | ロッキングワイヤーサドル   | V     | 1   |                |
| 4   | 00Z920025  | Square Bush              | スクウェアブッシュ      | V     | 1   |                |
| 5   | 00Z920045  | Locking Wire Saddle      | ロッキングワイヤーサドル   | V     | 1   |                |
| 6   | 00Z920091  | Edge Saddle              | エッジサドル         | V     | 1   |                |
| 7   | 00Z920094  | Locking Edge Saddle      | ロッキングエッジサドル    | V     | 1   |                |
| 8   | 00Z920095  | Locking Edge Saddle      | ロッキングエッジサドル    | V     | 1   |                |
| 9   | 00Z920096  | Locking Edge Saddle      | ロッキングエッジサドル    | V     | 1   |                |
| 10  | 00Z920111  | Mini Locking Wire Saddle | ミニロッキングワイヤーサドル | V     | 1   |                |
| 11  | 00Z920115  | Mini Locking Wire Saddle | ミニロッキングワイヤーサドル | V     | 1   |                |
| 12  | 00Z920116  | Mini Locking Wire Saddle | ミニロッキングワイヤーサドル | V     | 1   |                |
| 13  | 00Z920121  | Locking Edge Saddle      | ロッキングエッジサドル    | V     | 1   |                |
| 14  | 00Z921106  | Nylon Clamp              | ナイロンクランプ       | V     | 1   |                |
| 15  | 00Z921370  | Super Saddle             | スーパーサドル        | V     | 1   |                |
| 16  | 00Z921372  | Super Saddle             | スーパーサドル        | V     | 1   |                |
| 17  | 00Z921931  | Mini Saddle              | ミニサドル          | V     | 1   |                |
| 18  | 00Z921940  | Mini Saddle              | ミニサドル          | V     | 1   |                |
| 19  | 00Z921941  | Mini Saddle              | ミニサドル          | V     | 1   |                |
| 20  | 00Z924508  | Edging                   | エッジング (ナチュラル)  | V     | 1   |                |
| 21  | 00Z924512  | Edging                   | エッジング (ナチュラル)  | V     | 1   |                |
| 22  | 00Z924524  | Edging                   | エッジング (ナチュラル)  | V     | 1   |                |
| 23  | 00Z926257  | Edge Saddle              | エッジサドル         | V     | 1   |                |
| 24  | 00Z930001  | CT Panel Mount           | CT 中継パネル       | V     | 1   |                |
| 25  | 00Z920020  | Locking Wire Saddle      | ロッキングワイヤーサドル   | V     | 1   |                |
| 26  | 00Z920021  | Locking Wire Saddle      | ロッキングワイヤーサドル   | V     | 1   |                |
| 27  | 00Z922420  | Cable Tie                | 結束バンド          | V     | 1   |                |
| 28  | 9384110091 | WIRING SADDLE            | ワイヤーサドル        | D     | 1   |                |
| 29  | 9384131091 | WIRING SADDLE 18.5H      | ワイヤーサドル        | D     | 1   |                |
| 30  | 9384131111 | CABLE TIE 104L           | ケソクハント         | D     | 1   |                |
| 31  | 9384201021 | EDGE COVER 8.5H          | エッジカバー         | D     | 1   |                |
| 32  | 9384291031 | EDGE COVER               | エッジカバー         | D     | 1   |                |
| 33  | 00Z920001  | Cable Tie                | 結束バンド          | V     | 1   |                |
| 34  | 00Z920108  | Mini Saddle              | ミニサドル          | V     | 1   |                |
| 35  | 00Z920112  | PCB Support              | PCB サポート       | V     | 1   |                |
| 36  | 00Z920131  | PCB Support              | PCB サポート       | V     | 1   |                |
| 37  | 00Z920132  | PCB Support              | PCB サポート       | V     | 1   |                |
| 38  | 00Z921161  | Clamp                    | 耐熱クランプ         | V     | 1   |                |
| 39  | 00Z921301  | Wire Saddle              | ワイヤーサドル        | V     | 1   |                |
| 40  | V500020055 | Mini Clamp               | ミニクランプ         | D     | 1   |                |
|     |            |                          |                |       |     |                |
|     |            |                          |                |       |     |                |
|     |            |                          |                |       |     |                |

# WIRING ACCESSORY AND JIGS

P 67

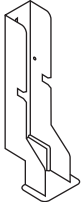
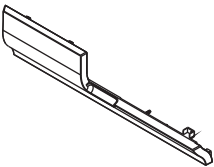

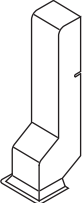
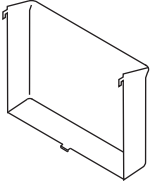

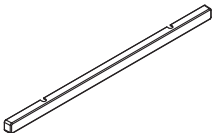
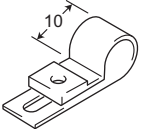

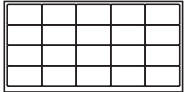

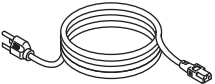
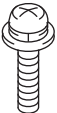
|   |  |  |  |  |  |  |  |
|---|--|--|--|--|--|--|--|
| <p>1</p>  <p>29.5</p>                  | <p>6</p>  <p>10</p> |  |  |  |  |  |  |
| <p>2</p>  <p>12.7</p>                  | <p>7</p>            |  |  |  |  |  |  |
| <p>3</p>  <p>12.0<br/>15.8<br/>6.0</p> | <p>8</p>            |  |  |  |  |  |  |
| <p>4</p>  <p>49<br/>15<br/>23.2</p>   | <p>9</p>           |  |  |  |  |  |  |
| <p>5</p>  <p>108<br/>2.5</p>         | <p>10</p>         |  |  |  |  |  |  |

bizhub 360



# ACCESSORY PARTS

P 68

|  |   |   |  |  |  |  |  |
|--|---|---|--|--|--|--|--|
| 1<br>     | 6<br>    | 11<br> |  |  |  |  |  |
| 2<br>     | 7<br>    | 12<br> |  |  |  |  |  |
| 3<br>     | 8<br>    | 13<br> |  |  |  |  |  |
| 4 ♣<br> | 9<br>  |   |  |  |  |  |  |
| 5 ♣<br> | 10<br> |   |  |  |  |  |  |

bizhub 360





# MAINTENANCE LIST

● The items with no Page/Key numbers are not handled as spare parts.

| No. | Section                | PM Parts Description            | Maintenance Cycle (K=1,000) |         | Parts No.  | Destinations | Page/Key      | Note |
|-----|------------------------|---------------------------------|-----------------------------|---------|------------|--------------|---------------|------|
|     |                        |                                 | QTY                         | Replace |            |              |               |      |
| 1   | DC SECTION (CONTAINING | DRUM                            | 1                           | 225K    | -          |              |               |      |
| 2   |                        | DRUM CLEANING BLADE ASSY        | 1                           | 225K    | 50GAR70300 |              | P18-12        |      |
| 3   |                        | DRUM UNIT                       | 1                           | 675K    | 50GAR70200 |              | P15-25        |      |
| 4   | TRANSFER SEPARATING    | TRANSFER SEPARATING CORONA UNIT | 1                           | 450K    | 50GAR71000 |              | P20-1         |      |
| 5   | DEVELOPING UNIT        | DEVELOPING SOLVENT              | 1                           | 225K    | -          |              |               |      |
| 6   |                        | DEVELOPING UNIT                 | 1                           | 675K    | 50GAR70400 |              | P22-1         |      |
| 7   | MAIN BODY SECTION      | FILTER MOUNTING PLATE ASSY      | 1                           | 225K    | 50GA-3360  |              | P27-8         |      |
| 8   |                        | OZONE FILTER                    | 1                           | 225K    | 50GA10310  |              | P55-10        |      |
| 9   |                        | SUCTION FILTER/A ASSY           | 1                           | 225K    | 40LAR70500 |              | P28-1         |      |
| 10  |                        | FILTERCOVER ASSY                | 1                           | 225K    | 50GA-3140  |              | P28-8         |      |
| 11  |                        | SUCTION COVER 2 ASSY            | 2                           | 225K    | 50GA-3110  |              | P28-6         |      |
| 12  | PAPER FEED SECTION     | ROLLER                          | 2                           | 300K    | 4030300501 |              | P29-7/P31-13  |      |
| 13  |                        | ROLLER                          | 2                           | 300K    | 4030300501 |              | P29-7/P31-13  |      |
| 15  |                        | ROLLER                          | 2                           | 300K    | A11U560000 |              | P30-25/P32-33 | new  |
| 16  | BY-PASS FEED SECTION   | ROLLER                          | 1                           | 200K    | 4131300101 |              | P34-11        |      |
| 17  |                        | ROLLER ASSY                     | 1                           | 200K    | 4034015101 |              | P33-20        |      |
| 18  | REGISTRATION SECTION   | PAPER FEED CONNECTING ROLLER    | 1                           | 900K    | 50GA38650E |              | P36-7         |      |
| 19  |                        | REGISTRATION ROLLER A           | 1                           | 900K    | 50GA38480  |              | P36-6         |      |
| 20  |                        | REGIST BEARING /1               | 2                           | 900K    | 26NA45360  |              | P36-13        |      |
| 21  |                        | REGIST BEARING /2               | 2                           | 900K    | 26NA45371  |              | P36-10        |      |
| 22  |                        | PAPER FEED SLIDE BEARING        | 2                           | 900K    | A03U812800 |              | P36-14        |      |
| 23  | FIXING SECTION         | FIXING ROLLER UPPER             | 1                           | 225K    | 42GA53030  | A            | P47-2         |      |
| 24  |                        | FIXING ROLLER UPPER             | 1                           | 225K    | 50GA53030  | B,C,D3,G2    | P47-2         |      |
| 25  |                        | FIXING ROLLER LOWER             | 1                           | 225K    | 42GA53040  | A            | P47-1         |      |
| 26  |                        | FIXING ROLLER LOWER             | 1                           | 225K    | 50GA53040  | B,C,D3,G2    | P47-1         |      |
| 27  |                        | FIXING CLEANER ASSY             | 1                           | 225K    | 42GA-5400  | A            | P52-1         |      |
| 28  |                        | FIXING CLEANER ASSY             | 1                           | 225K    | 50GAR70600 | B,C,D3,G2    | P52-1         |      |
| 29  |                        | HEAT INSULATING SLEEVE/A 10/1S  | 2                           | 225K    | 26NA53720  |              | P47-11        |      |
| 30  |                        | FIXING SHAFT HOLDER/UPPER       | 2                           | 225K    | 26NA53712  |              | P47-12        |      |
| 31  |                        | FIXING BEARING LOWER            | 2                           | 225K    | 50GA53590  |              | P47-15        |      |
| 32  |                        | FIXING SENSOR ASSY              | 1                           | 450K    | 50GA-5440  |              | P48-6         |      |
| 33  |                        | FUSE MOUNTING PLATE ASSY        | 1                           | 450K    | SP00-0112  |              | P48-7         |      |
| 34  |                        | FIXING CLAW ASSY                | 1                           | 450K    | 42GA-5332  | A            | P51-14        |      |
| 35  |                        | FIXING CLAW ASSY                | 1                           | 450K    | 50GA-5332  | B,C,D3,G2    | P51-14        |      |
| 36  |                        | FIXING DRIVEN ROLLER A ASSY     | 2                           | 225K    | 4040R70600 |              | P50-29        |      |
| 37  |                        | FIXING DRIVEN ROLLER B ASSY     | 2                           | 225K    | 4040R70700 |              | P50-30        |      |
| 38  |                        | FIXING INPUT GEAR ASSY          | 1                           | 450K    | 50GA-5461  |              | P49-15        |      |
| 39  | TURNOVER SECTION       | PAPER EXIT SUCTION FILTER       | 1                           | 225K    | 50GA44060  |              | P37-2         |      |
| 40  | WRITE SECTION          | WRITE UNIT                      | 1                           | 900K    | 50GAR71600 |              | P10-1         |      |

# メンテナンスリスト

● ページ / キーナンバーのないものは、アフターサービス部品ではありません。

| No. | 区分         | PM 部品名称           | サイクル (K=1,000) |           | 部品番号       | 仕向地       | 頁 / キー        | 備考 |
|-----|------------|-------------------|----------------|-----------|------------|-----------|---------------|----|
|     |            |                   | 員数             | 交換        |            |           |               |    |
| 1   | DC (含む帯電極) | ドラム               | 1              | 225K      | -          |           |               |    |
| 2   |            | 清掃ブレード部組          | 1              | 225K      | 50GAR70300 |           | P18-12        |    |
| 3   |            | ドラムユニット (含む耐電極)   | 1              | 675K      | 50GAR70200 |           | P15-25        |    |
| 4   | 転写分離極      | 転写分離極ユニット         | 1              | 450K      | 50GAR71000 |           | P20-1         |    |
| 5   | 現像ユニット     | 現像剤               | 1              | 225K      | -          |           |               |    |
| 6   |            | 現像ユニット            | 1              | 675K      | 50GAR70400 |           | P22-1         |    |
| 7   | 本体部        | フィルタ取付板部組         | 1              | 225K      | 50GA-3360  |           | P27-8         |    |
| 8   |            | オゾンフィルター          | 1              | 225K      | 50GA10310  |           | P55-10        |    |
| 9   |            | サクシオンフィルター / A 部組 | 1              | 225K      | 40LAR70500 |           | P28-1         |    |
| 10  |            | フィルターカバー部組        | 1              | 225K      | 50GA-3140  |           | P28-8         |    |
| 11  |            | サクシオンカバー / 2 部組   | 2              | 225K      | 50GA-3110  |           | P28-6         |    |
| 12  | 給紙ユニット     | ピックアップローラ         | 2              | 300K      | 4030300501 |           | P29-7/P31-13  |    |
| 13  |            | 給紙ローラ             | 2              | 300K      | 4030300501 |           | P29-7/P31-13  |    |
| 15  |            | ローラ (さばき)         | 2              | 300K      | A11U560000 |           | P30-25/P32-33 | 新  |
| 16  | 手差しユニット    | 手差し給紙ローラ          | 1              | 200K      | 4131300101 |           | P34-11        |    |
| 17  |            | 手差し捌きローラ          | 1              | 200K      | 4034015101 |           | P33-20        |    |
| 18  | レジスト       | 給紙連結ローラ           | 1              | 900K      | 50GA38650E |           | P36-7         |    |
| 19  |            | レジストローラ / A       | 1              | 900K      | 50GA38480  |           | P36-6         |    |
| 20  |            | レジスト軸受 / 1        | 2              | 900K      | 26NA45360  |           | P36-13        |    |
| 21  |            | レジスト軸受 / 2        | 2              | 900K      | 26NA45371  |           | P36-10        |    |
| 22  |            | 給紙すべり軸受け          | 2              | 900K      | A03U812800 |           | P36-14        |    |
| 23  | 定着ユニット     | 定着加熱ローラ           | 1              | 225K      | 42GA53030  | A         | P47-2         |    |
| 24  |            | 定着加熱ローラ           | 1              | 225K      | 50GA53030  | B,C,D3,G2 | P47-2         |    |
| 25  |            | 定着加圧ローラ           | 1              | 225K      | 42GA53040  | A         | P47-1         |    |
| 26  |            | 定着加圧ローラ           | 1              | 225K      | 50GA53040  | B,C,D3,G2 | P47-1         |    |
| 27  |            | 定着クリーナー部組         | 1              | 225K      | 42GA-5400  | A         | P52-1         |    |
| 28  |            | 定着クリーナー部組         | 1              | 225K      | 50GAR70600 | B,C,D3,G2 | P52-1         |    |
| 29  |            | 断熱スリーブ / A        | 2              | 225K      | 26NA53720  |           | P47-11        |    |
| 30  |            | 定着軸受け / 上         | 2              | 225K      | 26NA53712  |           | P47-12        |    |
| 31  |            | 定着軸受け / 下         | 2              | 225K      | 50GA53590  |           | P47-15        |    |
| 32  |            | 定着センサ部組           | 1              | 450K      | 50GA-5440  |           | P48-6         |    |
| 33  |            | ヒューズ取り付け板部組       | 1              | 450K      | SP00-0112  |           | P48-7         |    |
| 34  |            | 定着爪部組             | 1              | 450K      | 42GA-5332  | A         | P51-14        |    |
| 35  |            | 定着爪部組             | 1              | 450K      | 50GA-5332  | B,C,D3,G2 | P51-14        |    |
| 36  |            | 定着従動ローラ A 部組      | 2              | 225K      | 4040R70600 |           | P50-29        |    |
| 37  |            | 定着従動ローラ B 部組      | 2              | 225K      | 4040R70700 |           | P50-30        |    |
| 38  | 定着入力ギア部組   | 1                 | 450K           | 50GA-5461 |            | P49-15    |               |    |
| 39  | 反転ユニット     | 排紙サクシオンフィルタ       | 1              | 225K      | 50GA44060  |           | P37-2         |    |
| 40  | 書き込みユニット   | 書き込みユニット          | 1              | 900K      | 50GAR71600 |           | P10-1         |    |

## DESTINATION

| Destination No. |    | Destinations   |   | V       | Hz    | Model No. |
|-----------------|----|--|---|---------|-------|-----------|
| A               | A1 | JAPAN  |   | 100     | 50    | 36GA      |
|                 | A2 | JAPAN  |   | 100     | 60    | 36GA      |
| B               |    | USA, CANADA  |   | 120     | 60    | 36GE      |
| C               |    | EUROPEAN TYPE  |   | 220-240 | 50/60 | 36GF      |
| D               | D1 | S.E ASIA TYPE  | THAILAND, SRI LANKA, SINGAPORE, MALAYSIA, HONG KONG, PAKISTAN, INDIA, BANGLADESH, INDONESIA |         |       |           |
|                 | D3 | OCEANIA TYPE   | AUSTRALIA, NEW ZEALAND  | 220-240 | 50/60 | 36GN      |
| E               |    | PHILIPPINES  |   |         |       |           |
| F               | F1 | SAUDI ARABIA   |   |         |       |           |
|                 | F2 | SAUDI ARABIA   |   |         |       |           |
| G               | G1 | C.S AMERICA  |   |         |       |           |
|                 | G2 | C.S AMERICA  |   | 120     | 60    | 36GE      |
| H               |    | TAIWAN   |   |         |       |           |
| I               |    | JORDAN, LEBANON, SYRIA, SOUTH AFRICA, IRAQ, IRAN, N.YEMEN, CAMEROON, UAE, BAHRAIN, OMAN, QATAR, KUWAIT, KENYA, TUNISIA, IVORY COAST, MOROCCO |   |         |       |           |
| J               |    | CHINA  |   |         |       |           |
| K               |    | KOREA  |   |         |       |           |