

KONICA MINOLTA

PARTS GUIDE MANUAL

APRIL 2008

bizhub 361
A0R7

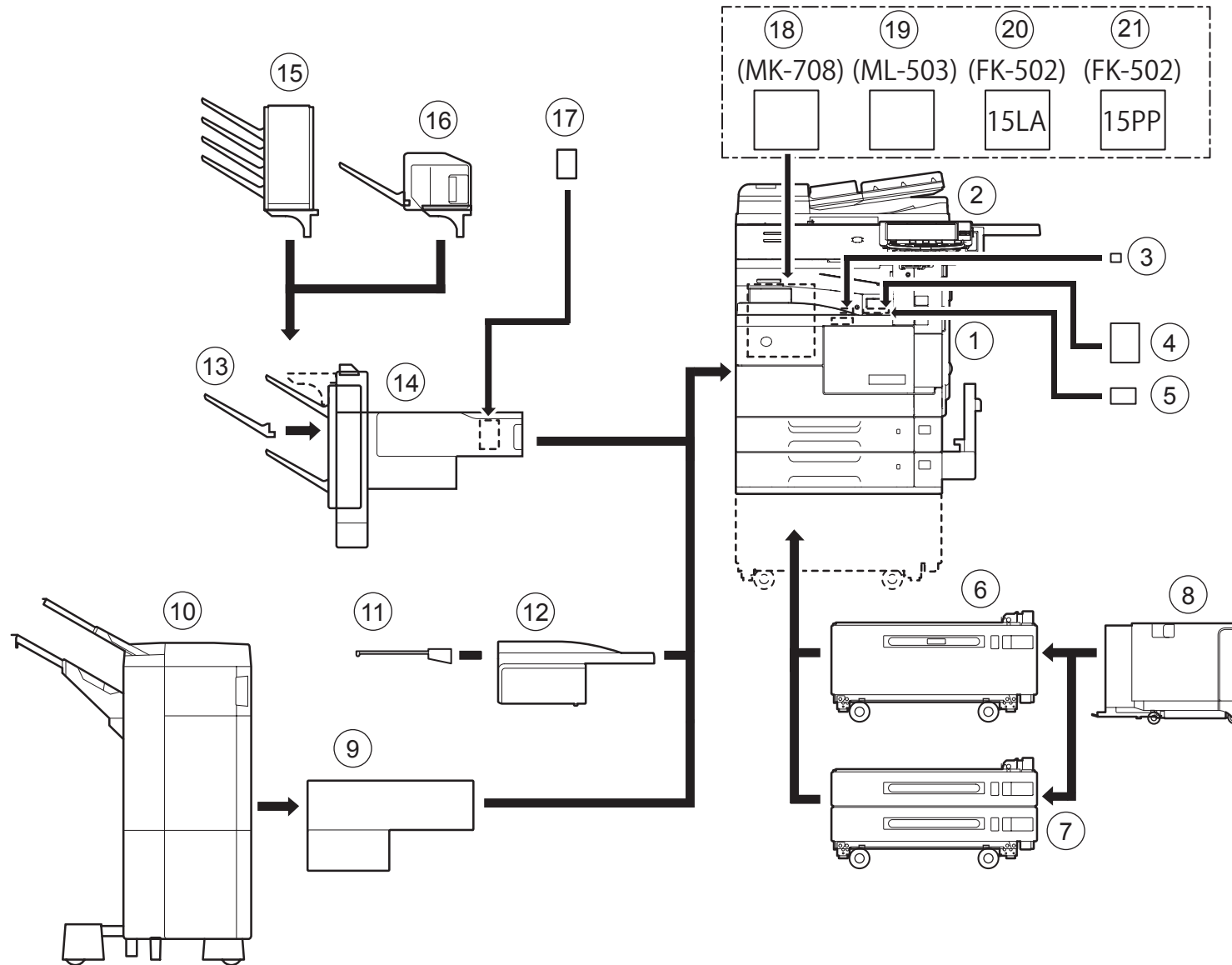
INFORMATION FOR PARTS GUIDE MANUAL

To find correct Parts No., refer to the "HOW TO MAKE THE BEST USE OF THIS MANUAL" in the following page.

HOW TO MAKE THE BEST USE OF THIS MANUAL

- 1 When you order, please check the proper figures beforehand that are on Our Parts Guide Manual, and order with the appropriate figures.
- 2 For screws, Nuts, Washers, retaining rings and Pins which are used in this model, one letter is shown on the Standard parts column of Parts list and exploded diagrams.
- 3 In order to maintain safety of the product, some specific parts composed of this product are set up as "essential safety parts".
- 4 The assigned parts number for the "essential safety parts" is indicated as "SP00-****".
When replacing these parts, follow precautions for disassembling and installing which are listed in the Service Manual.
Do not use any parts that are not set up as
- 5 ♣ means that there are exclusive parts for each destination.
Please check the appropriate destination when you order.
- 6 Revision Mark
Marked as ▲ on the illustration shows that the revision has been made.
- 7 All rights reserved. (any reprints or quotations are prohibited.)
Use of this parts guide manual should be strictly supervised to avoid disclosure of confidential information.

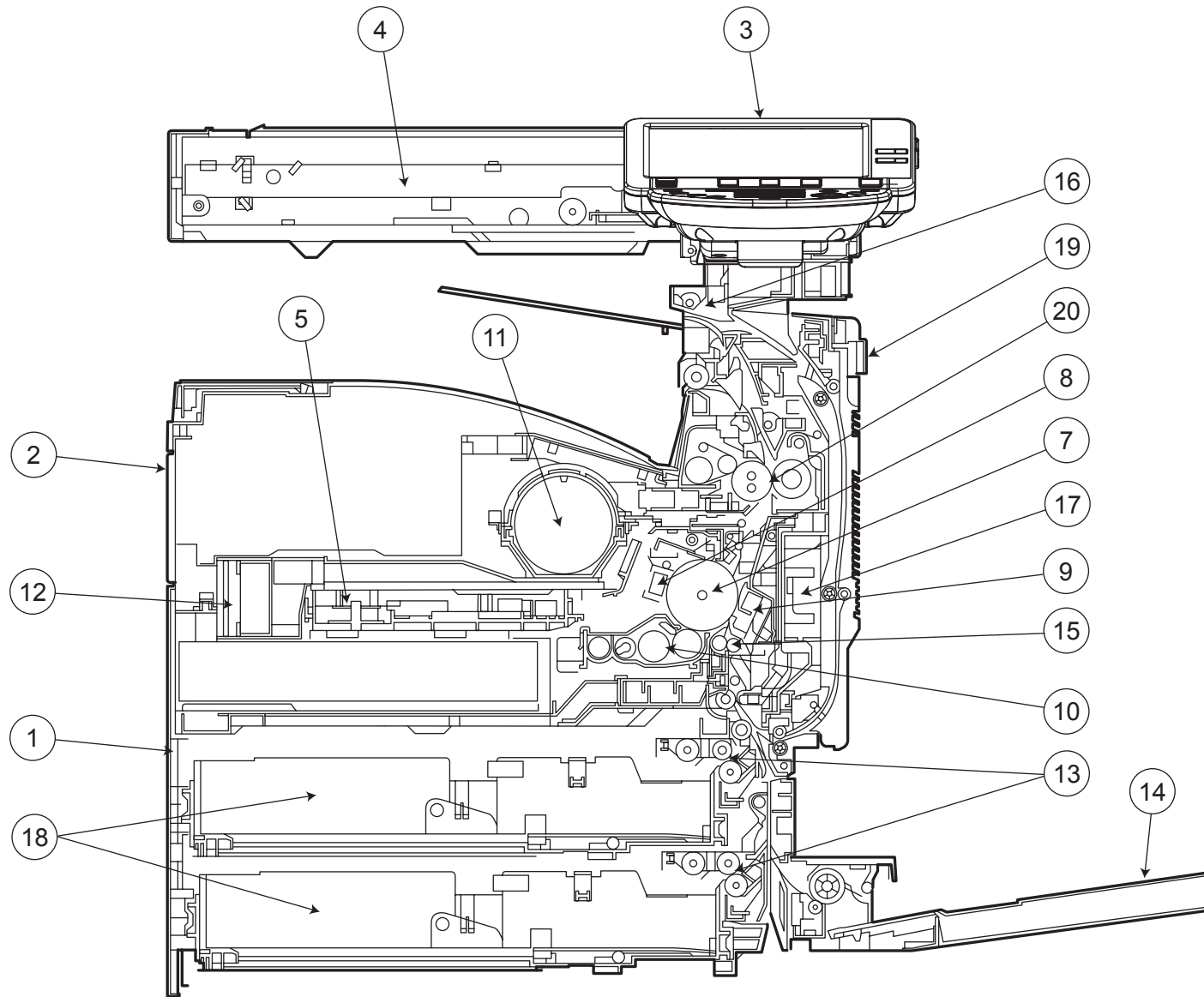
SYSTEM OUTLINE



GENERAL CONTENTS

No.	Description	Model
1	DIGITAL MFP B/W	bizhub 361
2	DOCUMENT FEEDER	DF-613
3	PRINT CONTROLLER	IC-207
4	OTHER OPTION	EK-703
5	OTHER OPTION	HD-509
6	PAPER FEEDER	PC-407
7	PAPER FEEDER	PC-206
8	PAPER FEEDER	LU-203
9	OTHER OPTION	RU-507
10	SORTER/FINISHER	FS-523
11	STACKER	JS-502
12	OTHER OPTION	OT-504
13	OTHER OPTION	OT-602
14	SORTER/FINISHER	FS-522
15	SORTER/FINISHER	MT-502
16	SORTER/FINISHER	SD-507
17	PUNCH UNIT	PU-501
18	FAX CONTROLLER	MK-708
19	FAX CONTROLLER	ML-503
20	FAX CONTROLLER	FK-502

DIAGRAMS OF MAIN PARTS SECTION



CONTENTS

No.	DESCRIPTION	PAGE No.
1	MAIN FRAME	P1 P2 P3 P4
2	EXTERNAL PARTS	P5 P6
3	OPERATION UNIT	P7
4	OPTICS UNIT	P8 P9 P10
5	WRITE UNIT	P11
6	DRIVING UNIT	P12 P13 P14 P15 P16
7	DRUM CARTRIDGE	P17 P18 P19 P20
8	CHARGING UNIT	P21
9	TRANSFER SEPARATOR CORONA UNIT	P22
10	DEVELOPING UNIT	P23 P24
11	TONER SUPPLY UNIT	P25 P26 P27 P28 P29
12	DEVELOPING SUCTION UNIT	P30
13	PAPER FEED UNIT	P31 P32 P33 P34
14	MANUAL FEED UNIT	P35 P36 P37
15	REGISTRATION UNIT	P38
16	TURNOVER UNIT	P39 P40
17	CONVEYANCE UNIT	P41
18	CASSETTE	P42
19	AUTO DUPLEX UNIT	P43 P44 P45 P46 P47 P48
20	FIXING UNIT	P49 P50 P51 P52 P53 P54
21	ELECTRIC PARTS	P55 P56 P57 P58
22	WIRING	P59 P60 P61 P62 P63 P64 P65 P66 P67 P68
23	WIRING ACCESSORY AND JIGS	P69 P70
24	ACCESSORY PARTS	P71

INDEX

Parts No.	Page No.	Parts No.	Page No.	Parts No.	Page No.	Parts No.	Page No.	Parts No.	Page No.
000V -18- 1	70-12	13RN 7312 0	58-11	26NA 2055 3	20-11	26NA 3073 0	24-11	26NA 4536 0	38-21
000V -18- 2	70-12	1900 4141 0	12-6	26NA 2056 0	20-10	26NA 3075 0	24-28	26NA 4537 1	38-20
000V 1001 0	70-7	1900 4141 0	13-5	26NA 2057 0	19-2	26NA 3077 0	24-4	26NA 4538 1	41-19
000V 1002 0	70-8	1900 4141 0	14-4	26NA 2058 0	20-4	26NA 3084 0	24-19	26NA 4549 0	21-14
000V 1003 0	70-9	1900 4141 0	15-17	26NA 2071 0	20-13	26NA 3085 0	24-3	26NA 4549 0	41-11
000V 1004 0	70-10	1900 4142 0	14-6	26NA 2076 0D	19-4	26NA 3086 0	24-25	26NA 4552 0	41-1
000V 1005 0	70-11	1921 4171 0	51-3	26NA 2086 0D	19-11	26NA 3087 0	13-26	26NA 5037 0	12-21
00Z9 2450 8	69-20	25AA 7553 0	47-16	26NA 2087 0	19-13	26NA 3093 0	24-27	26NA 5321 1	50-17
00Z9 2451 2	69-21	25HA 2510 0	21-2	26NA 2092 0	19-1	26NA 3094 0	24-5	26NA 5329 0	51-12
00Z9 2452 4	69-22	25HA 3215 2	26-6	26NA 2095 0	18-7	26NA 3095 0	24-10	26NA 5346 0	51-6
0294 2064 0	23-9	26NA -909 2E	11-2	26NA 2107 0	19-9	26NA 3096 0	24-9	26NA 5349 0	54-9
0830 2014 0	6-20	26NA -918 2E	18-6	26NA 2116 0	20-8	26NA 3101 0	24-30	26NA 5359 0	12-22
0928 3033 01	46-7	26NA -951 2E	10-20	26NA 2128 0	19-19	26NA 3204 0	26-14	26NA 5359 0	13-20
0992 3014 01	42-36	26NA 1240 1	6-22	26NA 2133 0	18-9	26NA 3209 0	26-25	26NA 5361 0	54-8
1052 4412 01	31-22	26NA 1255 0	5-11	26NA 2134 0	17-2	26NA 3220 0	26-23	26NA 5362 0	49-8
1065 3086 01	31-19	26NA 1520 0	13-24	26NA 2136 0	17-20	26NA 3228 0	26-21	26NA 5371 2	49-5
1065 3086 01	33-25	26NA 1560 0	13-4	26NA 2136 0	24-21	26NA 3230 0	26-27	26NA 5372 0	49-6
1067 2501 01	31-27	26NA 1728 0	12-3	26NA 2138 0	17-5	26NA 3231 1E	25-16	26NA 5374 0	49-17
1067 2501 01	33-22	26NA 1728 0	13-19	26NA 2140 0	17-14	26NA 3242 0	25-14	26NA 5377 0	49-19
1067 2502 01	36-26	26NA 1728 0	15-2	26NA 2142 0	17-13	26NA 3243 0	26-28	26NA 5384 0	51-11
1067 2513 01	16-30	26NA 1728 0	16-6	26NA 2143 0	17-17	26NA 3254 0	26-22	26NA 5403 0	50-1
1070 3072 01	31-21	26NA 1757 0	15-10	26NA 2144 0	17-22	26NA 3255 0	26-24	26NA 5414 0	51-25
1075 2565 01	36-7	26NA 1758 0	13-21	26NA 2517 0	21-11	26NA 3256 0	26-9	26NA 5419 0	51-24
1134 3041 01	33-10	26NA 1759 0	15-11	26NA 2518 0	21-9	26NA 3259 0	25-12	26NA 5423 0	49-18
1134 3041 01	45-3	26NA 2014 0	20-9	26NA 2608 0	22-3	26NA 3266 0	25-6	26NA 5423 0	50-3
1134 3042 02	37-20	26NA 2016 0	20-14	26NA 2623 0	22-5	26NA 3268 0	25-4	26NA 5424 0	51-10
1136 2060 0	24-14	26NA 2017 0	20-15	26NA 2625 0	22-11	26NA 3269 0	26-29	26NA 5428 0	50-16
1139 3169 01	40-1	26NA 2020 0	18-8	26NA 2626 0	22-12	26NA 3287 0	27-9	26NA 5429 0	51-7
1149 3454 01	34-29	26NA 2022 0	20-7	26NA 3009 0	24-8	26NA 3290 0	26-26	26NA 5430 0	54-12
1155 2518 01	16-28	26NA 2024 2	17-6	26NA 3021 1G	24-24	26NA 3291 0	26-16	26NA 6115 0	9-6
1164 2155 01	1-6	26NA 2025 0F	18-3	26NA 3036 0	24-22	26NA 3292 0	26-17	26NA 6130 0	9-4
1164 3065 01	54-21	26NA 2027 0	17-8	26NA 3044 0	24-17	26NA 3293 0	26-15	26NA 6131 0	10-17
1200 2105 02	39-14	26NA 2029 0	17-12	26NA 3045 0	23-8	26NA 3294 0	25-13	26NA 6134 0	10-21
1200 5212 04	33-7	26NA 2030 0	17-9	26NA 3047 0	23-2	26NA 3295 0	25-15	26NA 6137 0	10-14
1274 3603 01	42-29	26NA 2030 0	32-13	26NA 3049 0	23-1	26NA 3296 0	26-7	26NA 6138 0	10-4
12QV 4066 0	38-18	26NA 2031 0	17-10	26NA 3063 0	24-23	26NA 3297 0	26-13	26NA 6139 0	10-23
1300 3322 17	36-24	26NA 2037 0D	19-10	26NA 3065 0	24-16	26NA 4082 0	38-12	26NA 6141 0	10-22
13QA 1033 0	15-7	26NA 2038 0	19-7	26NA 3066 0	24-15	26NA 4256 0	47-17	26NA 6153 1	10-5
13QA 7602 1	38-17	26NA 2042 0	19-5	26NA 3070 0	24-13	26NA 4507 1	41-10	26NA 6154 0	10-7
13QA 8552 1	38-7	26NA 2048 0	18-2	26NA 3072 0	23-4	26NA 4514 1	38-23	26NA 6155 1	10-12

Parts No.	Page No.	Parts No.	Page No.	Parts No.	Page No.	Parts No.	Page No.	Parts No.	Page No.
26NA 6156 0	10-3	26NA R711 00	10-1	4002 3131 01	55-5	4030 3010 02	33-37	4030 3051 01	16-22
26NA 6159 0	10-13	26NA R712 00	56-18	4002 3779 01	39-17	4030 3011 03	31-24	4030 3052 01	16-25
26NA 6160 0	10-8	26TA -235 0	19-17	4002 7306 01	42-20	4030 3011 03	33-27	4030 3053 01	16-27
26NA 6161 0	10-6	26TA -236 0	19-18	4011 3012 01	55-1	4030 3012 01	31-25	4030 3054 01	16-29
26NA 6173 2	8-1	26TA -237 1	19-22	4011 3020 01	42-27	4030 3012 01	33-28	4030 3055 01	16-26
26NA 6175 1	10-26	26TA 2032 0	17-7	4011 3021 01	42-26	4030 3013 01	32-17	4030 3057 01	16-19
26NA 6181 2	8-4	26TA 2053 1	19-15	4011 5852 02	39-5	4030 3013 01	34-9	4030 3059 01	16-35
26NA 6184 0	10-31	26TA 2088 1	19-12	4011 5852 02	45-12	4030 3014 01	32-7	4030 3060 01	16-34
26NA 6194 0	10-2	26TA 2146 0	19-26	4030 0151 01	32-15	4030 3014 01	34-7	4030 3063 01	33-35
26NA 6206 0	10-18	26TA 2147 0	19-25	4030 0151 01	34-11	4030 3016 12	31-30	4030 3064 01	33-32
26NA 6213 0	5-10	26TA 2148 0	19-24	4030 0207 04	39-16	4030 3016 12	33-11	4030 3067 01	16-21
26NA 6216 0	8-14	26TA 2149 0	19-23	4030 0216 05	37-9	4030 3017 03	32-6	4030 3068 01	33-34
26NA 6228 0	8-5	26TA 2151 0	20-6	4030 2005 02	1-16	4030 3017 03	34-5	4030 3069 01	33-33
26NA 6232 0	10-32	26TA 2154 0	19-16	4030 2006 01	1-1	4030 3018 01	33-6	4030 3077 01	32-16
26NA 6239 1	10-11	26TA 2161 1	19-20	4030 2007 01	1-13	4030 3019 02	33-9	4030 3077 01	34-10
26NA 6245 1	8-13	26TA 3258 0	25-7	4030 2008 02	1-14	4030 3021 01	33-36	4030 3078 01	32-4
26NA 6528 0	4-2	26TA 3261 0	25-10	4030 2009 01	3-3	4030 3022 01	33-26	4030 3078 01	34-3
26NA 6529 0	4-1	26TA 3264 0	25-8	4030 2010 01	1-5	4030 3023 03	31-15	4030 3079 01	32-9
26NA 7325 1	22-9	26TA 3296 0	27-2	4030 2011 01	1-3	4030 3025 02	32-14	4030 3079 01	34-2
26NA 7325 1	56-17	26TA 3297 0	27-3	4030 2018 01	2-1	4030 3025 02	34-17	4030 3080 01	32-8
26NA 7357 0	58-12	26TA 3298 0	27-6	4030 2022 01	48-6	4030 3026 02	32-10	4030 3081 01	55-10
26NA 7373 2	57-1	26TA 3299 0	27-4	4030 2023 01	48-8	4030 3027 02	32-11	4030 3083 01	55-12
26NA 8006 1	25-5	26TA 3301 0	26-18	4030 2029 02	1-12	4030 3030 01	31-18	4030 3084 01	31-2
26NA 8251 3	25-11	26TA 6251 0	8-9	4030 2038 02	1-11	4030 3030 01	33-24	4030 3085 01	31-16
26NA 8804 1	23-10	26TA 6252 1	10-9	4030 2039 02	3-4	4030 3031 01	33-8	4030 3086 01	31-3
26NA 8846 1	57-6	26TA 6253 0	10-10	4030 2041 02	1-8	4030 3032 03	32-2	4030 3087 01	31-1
26NA 9019 1	59-1	26TA 8452 1	8-10	4030 2042 02	1-2	4030 3034 01	31-8	4030 3088 01	31-14
26NA 9031 1	62-9	26TA R701 00	19-21	4030 2062 01	3-2	4030 3034 01	33-14	4030 3091 01	55-2
26NA 9035 1	59-2	26TA R702 00	24-7	4030 2080 01	2-19	4030 3036 01	31-13	4030 3092 01	33-31
26NA JG01 1	70-6	27LA 5383 0	54-7	4030 2081 01	1-15	4030 3036 01	34-18	4030 3093 01	36-17
26NA R701 00	57-7	27LA 5419 0	54-2	4030 3001 03	31-28	4030 3037 01	32-12	4030 3095 01	34-19
26NA R702 00	13-3	27LA 5446 0	3-10	4030 3002 02	31-10	4030 3037 01	34-16	4030 3105 01	34-12
26NA R703 00	18-4	27LA 7391 0	57-2	4030 3002 02	33-16	4030 3039 01	32-18	4030 3107 01	34-22
26NA R704 00	17-23	27LA 7399 0	58-17	4030 3003 01	31-12	4030 3039 01	34-8	4030 3108 01	32-1
26NA R705 00	17-4	27LA 8003 2E	12-1	4030 3003 01	33-21	4030 3041 02	31-4	4030 3112 02	33-1
26NA R706 00	18-5	27LA 8051 1	57-3	4030 3004 01	31-20	4030 3042 02	33-5	4030 3114 02	34-23
26NA R707 00	24-12	27LA 8803 1	56-9	4030 3005 01	31-7	4030 3046 03	55-16	4030 3115 01	34-30
26NA R708 00	23-3	3920 4526 0	17-24	4030 3005 01	33-13	4030 3047 02	55-4	4030 3116 01	34-24
26NA R709 00	3-9	4002 3108 01	42-37	4030 3008 01	31-11	4030 3048 02	55-13	4030 3117 02	34-27
26NA R710 00	12-19	4002 3110 01	55-6	4030 3008 01	33-17	4030 3049 01	55-14	4030 3121 01	34-34

Parts No.	Page No.	Parts No.	Page No.	Parts No.	Page No.	Parts No.	Page No.	Parts No.	Page No.
4030 3122 01	34-33	4030 3420 02	36-14	4030 3492 01	35-12	4030 3818 02	40-9	4030 5848 01	52-14
4030 3123 01	34-32	4030 3422 01	36-20	4030 3523 02	57-14	4030 3819 01	40-10	4030 5854 01	52-8
4030 3124 03	34-13	4030 3424 01	35-19	4030 3524 01	57-15	4030 3821 01	39-18	4030 5855 01	52-6
4030 3125 01	32-5	4030 3427 01	36-23	4030 3703 01	44-1	4030 3823 01	40-8	4030 5856 01	52-9
4030 3125 01	34-14	4030 3428 01	35-17	4030 3707 01	46-8	4030 3824 01	45-11	4030 5856 01	53-9
4030 3128 01	33-4	4030 3429 02	36-1	4030 3708 01	46-10	4030 3825 02	45-10	4030 5857 01	52-7
4030 3129 03	34-15	4030 3430 01	36-18	4030 3709 01	46-15	4030 3826 01	40-4	4030 5858 01	52-5
4030 3134 03	34-31	4030 3432 07	36-35	4030 3710 01	43-10	4030 3829 01	45-8	4030 6214 00	42-38
4030 3135 01	34-25	4030 3434 01	36-4	4030 3713 01	43-4	4030 3834 01	39-19	4030 6215 00	42-39
4030 3201 09	42-12	4030 3435 01	37-27	4030 3725 01	43-14	4030 5717 01	53-12	4030 6810 02	68-3
4030 3203 01	42-16	4030 3436 01	37-13	4030 3726 01	43-3	4030 5750 03	53-2	4030 6811 01	31-5
4030 3205 01	42-35	4030 3437 01	37-28	4030 3733 03	43-11	4030 5753 01	53-14	4030 6812 02	67-1
4030 3206 01	42-34	4030 3438 01	35-23	4030 3734 01	43-15	4030 5802 01	52-15	4030 6813 02	67-2
4030 3207 01	42-25	4030 3441 01	36-5	4030 3735 01	44-3	4030 5803 01	54-14	4030 6814 03	68-1
4030 3208 02	55-9	4030 3444 01	36-29	4030 3737 01	46-6	4030 5805 03	52-11	4030 6818 01	68-2
4030 3211 02	42-8	4030 3445 01	36-30	4030 3738 03	46-5	4030 5805 03	53-11	4030 6824 01	59-4
4030 3212 01	42-19	4030 3446 01	37-17	4030 3739 01	46-3	4030 5806 01	52-12	4030 7306 02	37-30
4030 3214 02	42-21	4030 3447 01	36-28	4030 3740 01	46-14	4030 5808 02	53-4	4030 7307 02	37-30
4030 3215 01	42-22	4030 3448 01	35-20	4030 3741 03	46-13	4030 5809 02	53-7	4030 7308 02	37-30
4030 3216 01	42-32	4030 3455 02	37-11	4030 3742 01	46-12	4030 5810 02	53-8	4030 7315 01	1-4
4030 3217 01	42-3	4030 3456 01	35-5	4030 3743 02	46-11	4030 5811 01	54-15	4030 R705 00	16-31
4030 3218 01	42-33	4030 3457 03	35-18	4030 3744 01	43-19	4030 5812 01	52-16	4030 R707 00	36-19
4030 3222 03	42-24	4030 3460 02	37-8	4030 3745 01	43-21	4030 5816 01	52-24	4030 R708 00	36-6
4030 3223 03	42-28	4030 3463 01	37-10	4030 3748 01	43-7	4030 5817 02	52-25	4034 0151 01	35-8
4030 3224 02	42-41	4030 3464 01	36-27	4030 3749 01	43-5	4030 5820 03	52-23	4037 0104 01	55-3
4030 3224 02	55-11	4030 3465 01	36-31	4030 3749 01	46-17	4030 5821 02	52-22	4037 0906 01	31-26
4030 3226 01	42-30	4030 3467 01	36-9	4030 3750 01	46-16	4030 5822 03	52-26	4037 0906 01	33-3
4030 3227 01	42-13	4030 3472 01	37-14	4030 3755 01	44-9	4030 5823 01	52-2	4037 0906 01	36-3
4030 3228 12	42-11	4030 3473 02	37-26	4030 3760 01	46-2	4030 5827 01	52-30	4037 0906 01	37-21
4030 3229 02	42-31	4030 3474 01	35-13	4030 3805 02	40-11	4030 5827 01	53-3	4037 0906 01	39-22
4030 3401 13	36-22	4030 3475 01	35-11	4030 3806 02	45-9	4030 5834 02	54-18	4037 0906 01	55-7
4030 3402 01	35-14	4030 3476 01	35-4	4030 3807 03	40-7	4030 5836 01	52-19	4037 3204 01	42-2
4030 3403 01	35-15	4030 3477 01	35-3	4030 3808 01	40-12	4030 5839 03	52-3	4037 3213 12	42-14
4030 3404 01	35-10	4030 3478 02	36-11	4030 3809 01	39-13	4030 5840 02	52-17	4037 6899 01	37-12
4030 3412 01	37-7	4030 3479 01	36-2	4030 3810 01	39-12	4030 5841 01	54-16	4040 0780 01	57-5
4030 3414 01	37-19	4030 3481 01	35-24	4030 3811 01	45-4	4030 5842 01	52-33	4040 3096 01	31-23
4030 3415 02	37-18	4030 3484 01	35-6	4030 3812 01	45-5	4030 5843 02	52-10	4040 3096 01	33-29
4030 3416 02	36-34	4030 3486 01	37-1	4030 3813 01	45-6	4030 5844 02	52-18	4040 3097 01	31-17
4030 3417 01	36-25	4030 3487 01	37-3	4030 3814 01	45-7	4030 5845 02	52-20	4040 3097 01	33-23
4030 3419 01	36-15	4030 3489 01	35-16	4030 3817 01	40-6	4030 5847 01	52-1	4040 3443 01	36-32

Parts No.	Page No.	Parts No.	Page No.	Parts No.	Page No.	Parts No.	Page No.	Parts No.	Page No.
4040 3495 01	35-26	40LA 3227 0	26-10	4163 5293 01	34-26	4658 3049 01	42-7	50GA -304 0	24-31
4040 3496 01	35-25	40LA 5443 0	50-13	42GA -530 0	51-1	4658 3513 01	32-23	50GA -307 0E	24-29
4040 3497 01	36-33	40LA 6114 0	8-2	42GA -533 0	53-1	4658 3517 01	36-8	50GA -311 0	30-7
4040 3833 02	39-4	40LA 6116 1E	9-16	42GA -540 0	54-1	4660 7602 0	12-12	50GA -313 0	30-3
4040 5610 00	32-19	40LA 6119 0	10-29	42GA -548 0	50-20	4660 7602 0	13-7	50GA -315 0	30-4
4040 5610 00	34-6	40LA 6121 0	10-19	42GA 5303 0	49-4	4660 7801 0	24-2	50GA -316 0	30-5
4040 5612 00	32-20	40LA 6174 1	8-12	42GA 5304 0	49-13	4660 7801 0	51-4	50GA -319 0	30-6
4040 5612 00	34-4	40LA 6183 0	10-30	42GA 5307 0	49-14	4661 3106 01	44-12	50GA -320 1	26-1
4040 5758 01	51-21	40LA 6192 0	10-28	42GA 5308 0	49-11	4661 3150 01	44-13	50GA -322 1	25-1
4040 6205 00	1-9	40LA 6193 0	10-27	42GA 5390 0	49-9	4661 3155 01	44-14	50GA -323 0	25-9
4040 R706 00	52-13	40LA 6201 0	9-9	42GA 5406 0	49-7	4687 3281 01	35-2	50GA -332 1	27-1
4040 R707 00	52-4	40LA 6246 0	9-18	42GA 5450 0	50-5	50GA -153 0	13-27	50GA -333 0	27-7
40AA 2017 0	17-16	40LA 6526 0	11-3	42GA 5451 0	50-8	50GA -154 0	13-25	50GA -334 1	27-5
40AA 2023 0	17-11	40LA 7384 0	58-15	42GA 5474 0	50-12	50GA -155 0	13-2	50GA -336 0	29-14
40AA 3229 0	48-4	40LA 8301 1	10-15	42GA 5482 0	52-21	50GA -157 0	12-18	50GA -337 0	28-9
40AA 5347 0	49-16	40LA 8351 3	9-12	42GA 5486 0E	53-15	50GA -159 0	13-22	50GA -380 1	38-1
40AA 7319 1	17-25	40LA 9007 1	64-5	42GA 5498 0	53-2	50GA -160 1E	13-8	50GA -382 0	38-2
40AA 8501 1	56-12	40LA 9022 0E	64-6	42GA N101 00	60-1	50GA -164 1F	14-9	50GA -400 0	33-38
40AA 8803 1	26-19	40LA 9025 0	64-4	42GE -530 0	51-1	50GA -165 0E	14-13	50GA -402 0	33-39
40LA -215 1	19-6	40LA 9736 1	58-8	42GF -530 0	51-1	50GA -167 0F	14-18	50GA -450 0	41-22
40LA -221 0	17-26	40LA R701 00	20-16	4348 6206 00	1-10	50GA -168 0E	14-10	50GA -452 0	41-23
40LA -222 0	17-27	40LA R702 00	17-19	4425 3013 01	31-29	50GA -169 2	16-23	50GA -513 0	47-3
40LA 1740 0	16-7	40LA R703 00	20-17	4425 3013 01	33-15	50GA -171 0	15-3	50GA -519 0	43-9
40LA 1754 0	15-4	40LA R704 00	21-7	4425 3016 01	31-9	50GA -172 0	15-13	50GA -520 0	43-13
40LA 1755 0	15-5	40LA R705 00	30-2	4425 3016 01	33-20	50GA -173 0E	15-6	50GA -521 0	44-17
40LA 1756 0	15-9	40LA R706 00	26-12	4426 4411 02	40-5	50GA -176 0	16-33	50GA -533 0	53-1
40LA 2005 0	19-3	40LA R707 00	54-5	4470 4024 01	29-7	50GA -183 0	12-13	50GA -540 0	54-1
40LA 2019 0	20-1	40LA R708 00	54-10	4470 4024 01	53-5	50GA -186 1G	16-3	50GA -543 0	51-2
40LA 2034 0D	20-5	4128 3823 01	42-1	4497 3114 01	44-5	50GA -189 0	12-27	50GA -544 0	50-6
40LA 2036 0E	20-2	4131 2536 02	40-3	4497 3114 01	46-19	50GA -200 1	17-18	50GA -546 1	51-20
40LA 2094 0	17-21	4131 3001 01	36-36	4497 3116 01	44-6	50GA -205 0	19-14	50GA -548 0	50-20
40LA 2167 0	18-1	4131 3003 01	16-20	4497 3116 01	46-20	50GA -209 0	20-12	50GA -550 0	3-11
40LA 2501 1	21-4	4131 3003 01	31-6	4498 3388 01	39-6	50GA -217 0	19-8	50GA -556 0	54-11
40LA 2502 0	21-13	4131 3003 01	33-12	4498 3469 01	42-15	50GA -218 0	17-15	50GA -626 1	8-11
40LA 2504 0	21-12	4131 3004 02	36-16	4498 3825 01	42-4	50GA -250 0	21-1	50GA -628 0	9-5
40LA 2505 0	21-5	4131 3007 02	36-13	4498 3826 01	42-5	50GA -251 0	21-16	50GA -751 0	56-16
40LA 2507 0	21-10	4131 3053 02	35-9	4657 3714 01	43-18	50GA -260 0	22-1	50GA -902 0E	58-2
40LA 2516 0	21-6	4131 3532 02	33-2	4658 3012 01	42-23	50GA -261 0	22-8	50GA -905 0	9-13
40LA 2519 0	21-3	4131 4128 01	36-12	4658 3047 01	57-9	50GA -262 0	22-10	50GA -913 0	41-3
40LA 2520 0	21-15	4131 4623 04	37-5	4658 3048 01	42-6	50GA -300 1	24-18	50GA 1006 0	4-5

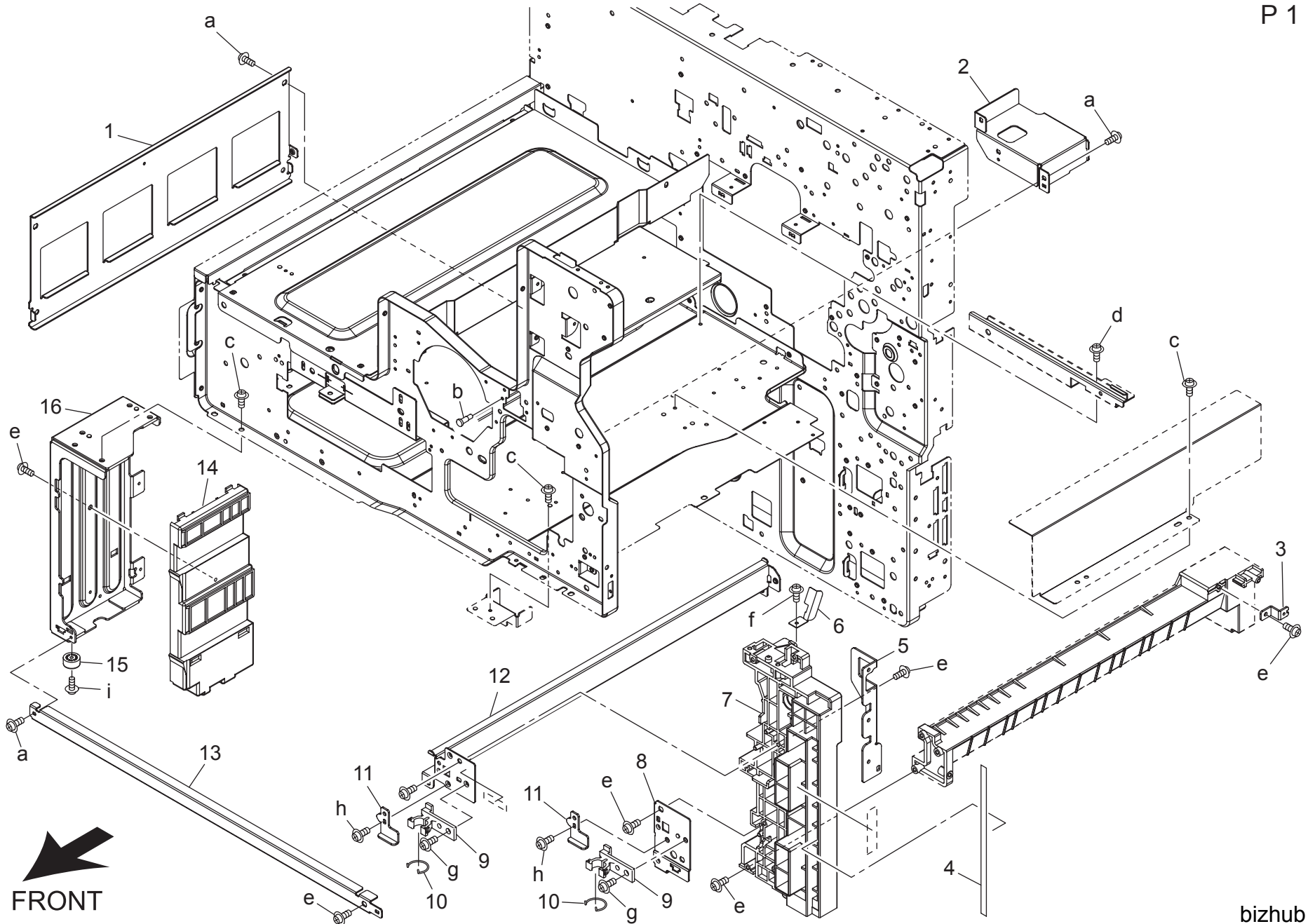
Parts No.	Page No.	Parts No.	Page No.	Parts No.	Page No.	Parts No.	Page No.	Parts No.	Page No.
50GA 1007 0E	4-4	50GA 1565 0	12-23	50GA 2604 0	22-7	50GA 3317 0E	29-5	50GA 4527 0	41-26
50GA 1010 0	2-17	50GA 1566 0	12-4	50GA 2606 0E	22-13	50GA 3318 2	28-3	50GA 4528 0	41-21
50GA 1011 0	2-22	50GA 1605 0	14-1	50GA 2607 0F	22-6	50GA 3319 0	28-8	50GA 4531 1	41-18
50GA 1013 0	2-2	50GA 1610 0	14-19	50GA 2619 1E	22-2	50GA 3321 0	28-10	50GA 4532 0	41-17
50GA 1014 0	2-10	50GA 1611 0	14-5	50GA 3014 0	24-6	50GA 3322 0	26-11	50GA 4533 0	41-5
50GA 1015 0	2-13	50GA 1612 0	14-7	50GA 3015 0	24-1	50GA 3323 0E	26-3	50GA 4535 1	41-6
50GA 1018 0	2-16	50GA 1613 0	14-2	50GA 3017 0	24-26	50GA 3324 0	29-2	50GA 4539 0	41-20
50GA 1019 0	2-14	50GA 1614 0E	14-16	50GA 3018 0	24-20	50GA 3325 0	29-11	50GA 4553 0	41-8
50GA 1021 0	2-12	50GA 1616 0	14-11	50GA 3071 0	3-13	50GA 3326 0	27-13	50GA 4558 0	41-15
50GA 1023 0D	4-3	50GA 1617 0	14-12	50GA 3074 0	2-15	50GA 3332 0	28-11	50GA 4559 0	41-16
50GA 1024 0	2-21	50GA 1618 0F	14-17	50GA 3157 0	23-7	50GA 3333 0	29-9	50GA 4565 0	41-25
50GA 1026 0	71-1	50GA 1619 1	14-3	50GA 3160 0	23-6	50GA 3813 0	38-25	50GA 4569 1E	14-8
50GA 1030 0	2-4	50GA 1620 0E	14-15	50GA 3161 0	23-5	50GA 3848 0	38-10	50GA 4570 0	47-14
50GA 1031 0	57-12	50GA 1640 1E	16-32	50GA 3208 0	26-20	50GA 3849 0	38-9	50GA 4571 0	41-2
50GA 1360 00	58-5	50GA 1703 0	15-12	50GA 3210 2I	28-2	50GA 3854 1F	38-5	50GA 4572 0	47-15
50GA 1503 0	13-18	50GA 1751 0	15-16	50GA 3211 1F	29-16	50GA 3858 1F	38-6	50GA 4573 0	41-14
50GA 1504 0E	16-18	50GA 1752 0	15-14	50GA 3223 0	29-6	50GA 3861 0	38-14	50GA 4574 0	41-13
50GA 1506 0	12-11	50GA 1753 0	15-15	50GA 3251 0	26-8	50GA 3865 0E	38-11	50GA 4575 0	41-12
50GA 1507 0F	16-15	50GA 1760 1E	15-8	50GA 3252 0	26-2	50GA 3867 0E	38-24	50GA 5001 0	44-4
50GA 1509 1	16-2	50GA 1811 1G	16-4	50GA 3253 0	26-5	50GA 3868 0E	38-15	50GA 5001 0	46-18
50GA 1518 1E	13-9	50GA 1822 0D	16-10	50GA 3270 0	26-4	50GA 3869 1F	38-8	50GA 5003 0	47-11
50GA 1522 0E	12-17	50GA 1824 1E	16-14	50GA 3271 0	25-2	50GA 3870 0E	38-4	50GA 5004 1F	48-3
50GA 1541 0	12-25	50GA 1841 0	16-9	50GA 3272 0	25-3	50GA 3875 0D	38-3	50GA 5006 0	47-19
50GA 1545 0	12-20	50GA 1842 0	16-12	50GA 3282 2F	27-11	50GA 3879 0	38-13	50GA 5007 0	47-13
50GA 1547 0	12-26	50GA 1843 0	16-11	50GA 3285 1	27-8	50GA 4001 0	32-3	50GA 5008 0	47-20
50GA 1548 0	13-23	50GA 1851 0	16-1	50GA 3302 0	29-12	50GA 4002 0	32-22	50GA 5009 0	48-12
50GA 1550 0	12-5	50GA 1852 3I	16-5	50GA 3303 0	29-1	50GA 4003 0	32-21	50GA 5010 0	47-7
50GA 1551 0	13-6	50GA 1853 2G	16-8	50GA 3304 0	28-7	50GA 4005 0	33-18	50GA 5011 0	47-10
50GA 1552 0	12-7	50GA 1854 2G	16-17	50GA 3305 0E	29-15	50GA 4006 00	34-21	50GA 5012 0	43-2
50GA 1553 0	12-14	50GA 1855 2G	16-13	50GA 3306 0E	28-5	50GA 4007 00	34-20	50GA 5014 0	48-13
50GA 1554 0	12-15	50GA 1856 0	12-8	50GA 3307 1	29-4	50GA 4008 00	42-10	50GA 5015 0	48-14
50GA 1555 0	13-16	50GA 1857 0	12-9	50GA 3308 0E	28-1	50GA 4009 00	42-9	50GA 5016 0	43-6
50GA 1556 0	13-11	50GA 1858 0E	12-10	50GA 3309 1E	28-6	50GA 4402 0	39-21	50GA 5017 0	43-20
50GA 1557 0	13-17	50GA 1859 2G	16-16	50GA 3310 0	27-14	50GA 4406 0	39-2	50GA 5019 0	2-11
50GA 1559 0	13-12	50GA 2007 0	20-3	50GA 3311 0	27-12	50GA 4407 0	39-10	50GA 5020 0	3-6
50GA 1560 0	13-10	50GA 2035 0E	17-3	50GA 3312 0	27-10	50GA 4410 0E	39-23	50GA 5021 0	3-8
50GA 1561 0E	12-16	50GA 2104 00	12-24	50GA 3313 0	29-13	50GA 4508 0	41-9	50GA 5022 0	2-9
50GA 1562 0	13-15	50GA 2501 00	14-14	50GA 3314 0	29-10	50GA 4509 0	41-27	50GA 5023 0	3-5
50GA 1563 0	13-13	50GA 2506 0	21-8	50GA 3315 2F	28-4	50GA 4521 0D	41-7	50GA 5024 0	3-7
50GA 1564 0	13-14	50GA 2509 0	21-17	50GA 3316 1E	29-8	50GA 4522 1	41-4	50GA 5027 0	48-5

Parts No.	Page No.	Parts No.	Page No.	Parts No.	Page No.	Parts No.	Page No.	Parts No.	Page No.
50GA 5028 0	48-1	50GA 5429 0	51-8	50GA 6212 0	9-20	50GA 9003 0	63-1	50GF 3315 2F	28-4
50GA 5031 0	43-1	50GA 5442 0	50-11	50GA 6214 0	9-10	50GA 9004 0	61-1	50GF 8302 1	49-2
50GA 5033 0	43-17	50GA 5450 0	50-5	50GA 6251 0E	9-11	50GA 9005 1	61-2	50GF 8303 1	49-1
50GA 5035 0	44-7	50GA 5451 0	50-8	50GA 6252 0	9-2	50GA 9006 0	65-1	50GF 8451 1	56-1
50GA 5039 0	3-1	50GA 5452 0	50-2	50GA 6258 0	9-21	50GA 9008 0	65-2	56AA 1783 0	22-4
50GA 5040 0	47-18	50GA 5453 0	50-4	50GA 6259 0	9-19	50GA 9009 0	65-3	56AA 8551 1	9-7
50GA 5041 0	46-22	50GA 5454 0	49-3	50GA 6271 01	55-15	50GA 9011 0E	61-3	56AA 8553 1	8-3
50GA 5043 0	47-21	50GA 5460 0	54-4	50GA 7227 00	53-13	50GA 9012 0	61-4	56QA 7507 0	10-25
50GA 5045 0	48-2	50GA 5461 1	52-34	50GA 7296 00	51-16	50GA 9013 0	61-5	56UA 9792 0	8-15
50GA 5047 0E	47-2	50GA 5462 0	52-35	50GA 7334 0	58-1	50GA 9014 0	61-6	56UA 9792 0	24-32
50GA 5048 0	47-9	50GA 5463 0	52-36	50GA 7337 1	57-11	50GA 9016 0	61-7	56UA 9792 0	41-24
50GA 5049 0	47-6	50GA 5464 0E	50-9	50GA 7338 1	57-4	50GA 9017 1	66-2	57AA 8203 0	38-19
50GA 5051 0	47-4	50GA 5465 0	4-9	50GA 7339 0	57-19	50GA 9019 0	61-8	5850 9705 0	58-3
50GA 5053 0	47-1	50GA 5466 0	4-8	50GA 7341 0	56-3	50GA 9020 0	65-5	65AA 1130 0	56-8
50GA 5055 0	44-16	50GA 5467 0	4-7	50GA 7342 0	56-19	50GA 9024 0	61-9	6852 8604 0	57-6
50GA 5056 0E	47-5	50GA 5468 0	4-10	50GA 7343 0	56-10	50GA 9026 0	62-1	9313 1100 33	39-9
50GA 5057 0	44-15	50GA 5469 0	51-23	50GA 7344 0	57-8	50GA 9027 0	62-2	9313 1100 33	47-12
50GA 5058 00	43-16	50GA 5470 0	51-22	50GA 7346 0E	57-16	50GA 9029 0	65-4	9314 1200 91	39-11
50GA 5061 00	43-12	50GA 5471 0	54-19	50GA 7347 0	56-4	50GA 9030 0	64-7	9321 2200 32	39-15
50GA 5062 00	48-9	50GA 5472 1	54-17	50GA 7348 1	56-5	50GA 9031 0	62-3	9322 1500 12	16-24
50GA 5303 0	49-4	50GA 5473 1E	51-19	50GA 7349 1	56-6	50GA 9032 0E	62-4	9322 1500 12	33-30
50GA 5304 0	49-13	50GA 5474 0	50-12	50GA 7350 0	56-13	50GA 9033 0	64-1	9326 1910 31	37-15
50GA 5307 0	49-14	50GA 5481 0	52-37	50GA 7351 0	56-14	50GA 9034 0	64-2	9332 5710 11	2-23
50GA 5308 0	49-11	50GA 5482 0	52-21	50GA 7355 0	57-17	50GA 9035 0	64-3	9334 2610 12	8-17
50GA 5330 0D	51-5	50GA 5483 0D	51-17	50GA 7359 0	56-11	50GA 9037 0	62-5	9335 1300 61	9-8
50GA 5336 0	50-18	50GA 5484 0	51-15	50GA 7376 1	56-7	50GA 9038 0	62-6	9335 1300 61	29-3
50GA 5343 0	54-6	50GA 5485 0	51-14	50GA 7377 0	58-4	50GA 9039 0	62-7	9335 1300 61	46-4
50GA 5347 0	54-13	50GA 5486 0E	53-15	50GA 7379 0E	57-18	50GA 9042 0	62-8	9335 1300 61	53-6
50GA 5351 0	54-3	50GA 5487 0	52-31	50GA 7380 0	56-15	50GA 9050 0	63-2	9373 2200 11	8-21
50GA 5359 0	49-12	50GA 5488 0	54-20	50GA 7391 0	57-10	50GA 9746 0	48-7	9381 4101 31	57-5
50GA 5360 0	49-10	50GA 5492 0	52-32	50GA 8002 0	9-17	50GA 9746 0	52-28	9384 1600 11	70-5
50GA 5365 1E	50-19	50GA 5493 1E	51-18	50GA 8051 0	4-6	50GA 9747 0E	52-29	9384 1600 11	71-7
50GA 5366 0	3-12	50GA 5494 0	50-7	50GA 8052 0	57-13	50GA 9748 0E	52-27	9J06 M103 00	55-8
50GA 5378 0	50-15	50GA 5495 0	53-10	50GA 8202 0	33-19	50GA 9749 0E	38-16	9J06 M200 00	36-21
50GA 5389 0	49-15	50GA 6111 0	9-3	50GA 8202 0	38-22	50GA 9795 1E	17-1	9J06 M201 00	36-10
50GA 5390 0	49-9	50GA 6112 0	9-14	50GA 8203 0	46-9	50GA M32A 00	49-2	A00J 1682 02	5-2
50GA 5404 0	51-13	50GA 6120 0	10-24	50GA 8401 0	56-2	50GA M33A 00	49-1	A00J 1685 02	5-3
50GA 5405 0	50-14	50GA 6122 0	10-16	50GA 8451 0	56-1	50GE 3315 2F	28-4	A00J 1689 02	5-1
50GA 5406 0	49-7	50GA 6182 0	5-9	50GA 8601 00	40-2	50GE 8302 1	49-2	A00J 1691 00	5-5
50GA 5417 0	51-9	50GA 6211 0	9-15	50GA 9002 0	66-1	50GE 8303 1	49-1	A00J 1699 01	71-6

Parts No.	Page No.	Parts No.	Page No.	Parts No.	Page No.	Parts No.	Page No.	Parts No.	Page No.
A00J 1919 00	7-10	A0R5 1017 00	2-6	A0R5 1711 00	6-18	A0R5 8704 00	39-1	V500 0100 07	69-25
A00J 6234 00	42-17	A0R5 1029 00	71-2	A0R5 1712 00	71-5	A0R5 8705 00	39-3	V500 0100 08	69-2
A00J 9437 00	71-15	A0R5 1032 00	2-8	A0R5 1713 00	5-15	A0R5 8711 00	39-8	V500 0100 20	69-12
A00J 9455 00	71-13	A0R5 1033 00	2-5	A0R5 1714 00	6-13	A0R5 8820 00	39-7	V500 0100 22	69-1
A00J H00E 00	5-4	A0R5 1126 00	1-7	A0R5 1715 00	6-11	A0R5 9421 01	35-22	V500 0100 26	69-17
A02E 1683 00	7-22	A0R5 1137 00	2-18	A0R5 1716 00	6-14	A0R5 9421 01	44-11	V500 0100 28	69-18
A02E 1694 00	7-18	A0R5 1354 00	58-18	A0R5 1719 00	6-24	A0R5 9422 00	6-21	V500 0100 29	69-19
A02E 1911 00	7-7	A0R5 1356 00	58-7	A0R5 1761 01	6-12	A0R5 9426 00	5-12	V500 0100 35	69-38
A02E 1912 00	7-16	A0R5 1357 00	58-16	A0R5 1762 00	6-5	A0R5 9428 00	45-2	V500 0100 46	69-10
A02E 1913 02	7-5	A0R5 1361 00	58-13	A0R5 2650 00	8-16	A0R5 9430 00	37-24	V500 0100 47	69-33
A02E 1914 02	7-11	A0R5 1362 00	58-14	A0R5 2651 00	7-6	A0R5 9434 01	42-47	V500 0100 61	69-11
A02E 1915 02	7-12	A0R5 1363 00	6-9	A0R5 2653 00	8-7	A0R5 9435 01	42-46	V500 0200 05	69-14
A02E 1916 01	7-4	A0R5 1364 00	6-8	A0R5 2654 00	8-6	A0R5 A162 00	6-19	V500 0200 10	69-28
A02E 1917 01	7-15	A0R5 1374 00	58-9	A0R5 2657 00	8-8	A0R5 A620 02	42-18	V500 0200 27	69-40
A02E 1918 00	7-17	A0R5 1388 00	8-19	A0R5 5611 00	34-1	A0R5 H010 06	58-6	V500 0200 29	69-37
A02E 1921 01	7-20	A0R5 1389 01	8-18	A0R5 5630 00	34-28	A0R5 H030 00	8-20	V500 0200 55	69-39
A02E 1922 01	7-25	A0R5 1601 00	6-15	A0R5 6008 00	37-25	A0R5 M103 00	12-2	V501 0100 01	69-29
A02E 1923 01	7-24	A0R5 1603 00	6-10	A0R5 6009 00	35-1	A0R5 M103 00	13-1	V501 0100 06	69-27
A02E 1924 00	7-19	A0R5 1604 00	5-6	A0R5 6010 00	37-2	A0R5 M103 00	15-1	V501 0100 09	70-4
A02E 1925 00	7-23	A0R5 1605 00	6-4	A0R5 6011 00	37-4	A0R5 M710 00	7-26	V501 0100 12	69-32
A02E 1926 01	7-21	A0R5 1607 00	6-6	A0R5 6023 00	37-22	A0R5 N100 00	59-5	V502 0100 17	70-1
A02E 1927 01	7-9	A0R5 1608 00	6-23	A0R5 6025 00	35-7	A0R5 N101 00	59-6	V502 0100 44	69-34
A02E 1928 01	7-1	A0R5 1621 00	5-14	A0R5 6026 00	37-16	A0R5 N105 00	59-3	V502 0100 45	69-35
A02E 1930 00	7-3	A0R5 1623 00	5-8	A0R5 6042 00	35-21	A0R5 R700 00	11-1	V502 0100 46	69-36
A02E 1931 01	7-8	A0R5 1624 00	5-7	A0R5 6059 00	37-23	A0R5 R701 00	30-1	V502 0100 54	58-10
A02E 1932 01	7-14	A0R5 1625 00	5-13	A0R5 6066 00	37-6	A0R5 R703 00	35-27	V570 0100 07	69-15
A02E 1933 00	7-13	A0R5 1634 00	6-26	A0R5 6108 01	37-29	A0R5 R704 00	35-27	V570 0100 08	69-16
A02E 1934 00	7-2	A0R5 1641 00	42-44	A0R5 6221 00	42-40	A0R5 R705 00	35-27	V570 0100 12	69-23
A02E 2639 00	2-7	A0R5 1651 00	42-45	A0R5 6299 00	42-42	A0R5 R707 00	9-1	V570 0100 21	69-30
A02E 9412 00	42-43	A0R5 1674 00	6-3	A0R5 8102 00	47-8	A0R7 9451 01	6-25	V570 0100 23	69-6
A02E 9481 00	7-27	A0R5 1675 01	6-1	A0R5 8105 00	48-11	A0RA 1701 01	71-14	V570 0100 26	69-7
A02E 9482 00	7-27	A0R5 1676 00	6-17	A0R5 8129 00	44-2	SP00 -011 2	50-10	V570 0100 27	69-8
A02E 9483 00	7-27	A0R5 1677 00	71-3	A0R5 8130 00	44-10	V116 0306 03	71-12	V570 0100 28	69-9
A02E 9486 00	7-29	A0R5 1678 01	6-2	A0R5 8136 00	45-1	V121 0306 03	71-10	V570 0100 31	69-31
A02E 9487 00	7-29	A0R5 1679 00	6-16	A0R5 8137 00	43-8	V121 0308 04	71-11	V570 0100 39	69-4
A02E 9490 00	7-28	A0R5 1680 00	71-4	A0R5 8138 00	46-21	V123 0450 03	71-9	V570 0100 50	69-13
A02E 9491 00	7-28	A0R5 1681 01	5-18	A0R5 8206 00	46-1	V137 0308 04	71-8	V590 0400 02	57-20
A02E 9494 00	7-30	A0R5 1682 01	5-17	A0R5 8221 00	48-10	V500 0100 03	69-3	V651 0100 01	69-24
A0R5 1012 01	2-20	A0R5 1707 01	5-16	A0R5 8251 00	44-8	V500 0100 04	69-5	V651 0100 05	70-2
A0R5 1016 00	2-3	A0R5 1708 01	6-7	A0R5 8703 00	39-20	V500 0100 05	69-26	V651 0200 01	70-3

MAIN FRAME

P 1



FRONT

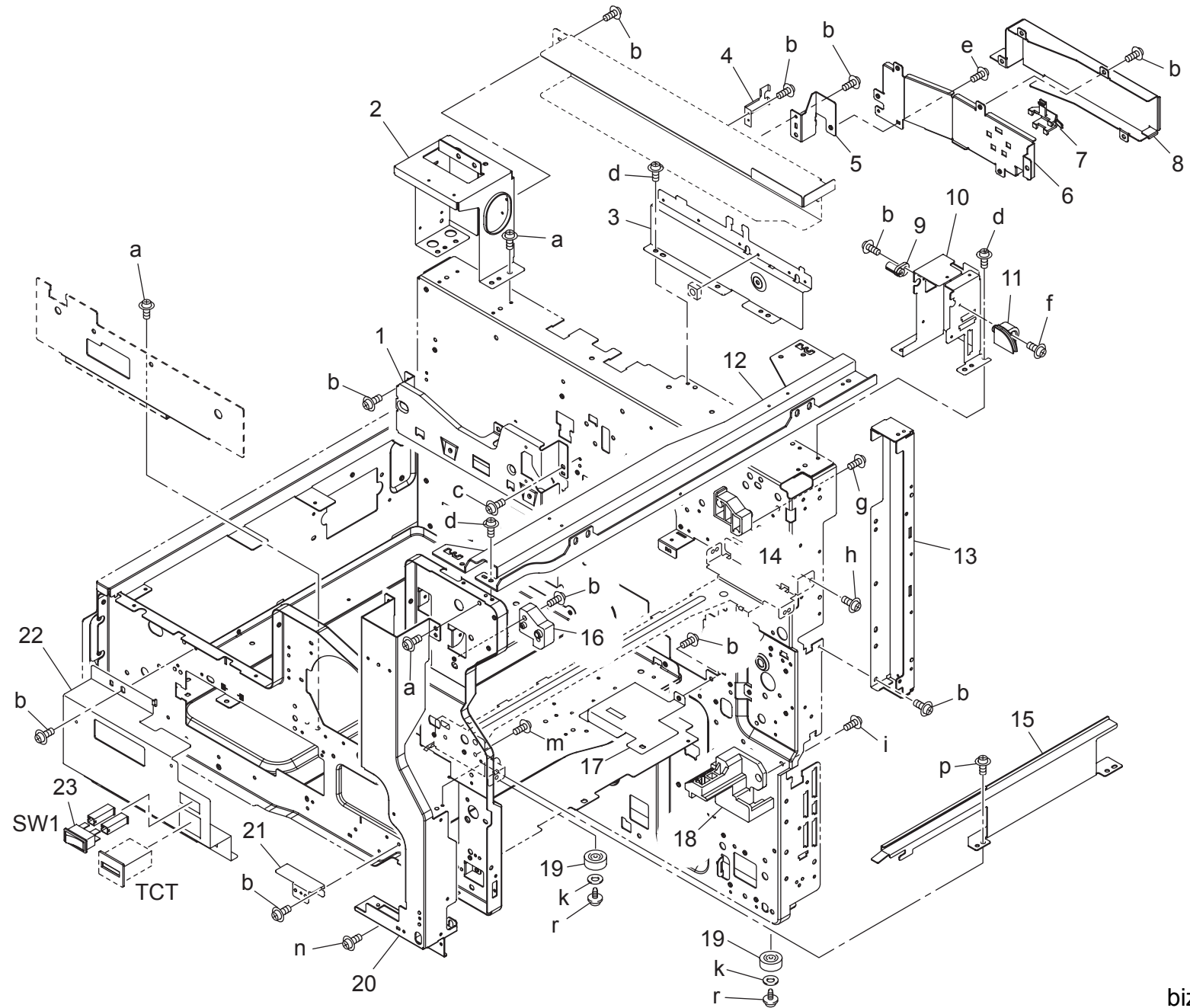
bizhub 361

MAIN FRAME

Key	Part No.	Description	Destinations	Class	QTY	Standard parts
1	4030 2006 01	REINFORCE PLATE		D	1	a-V137 0306 03 b-1079 2219 01 c-V144 0306 03 d-V121 0306 03 e-V153 0410 03 f-V153 0308 03 g-V137 0408 03 h-V116 0308 03 i-V135 0310 03
2	4030 2042 02	BRACKET		D	1	
3	4030 2011 01	BRACKET		D	1	
4	4030 7315 01	LABEL		D	1	
5	4030 2010 01	BRACKET		D	1	
6	1164 2155 01	CONTACT		C	1	
7	A0R5 1126 00	Support Part		D	1	
8	4030 2041 02	BRACKET		D	1	
9	4040 6205 00	Holder		D	2	
10	4348 6206 00	Stop ring		D	2	
11	4030 2038 02	STOPPER		D	2	
12	4030 2029 02	RAIL		D	1	
13	4030 2007 01	REINFORCE PLATE		D	1	
14	4030 2008 02	RAIL		D	1	
15	4030 2081 01	SPACER		D	1	
16	4030 2005 02	REINFORCE PLATE		D	1	

MAIN FRAME

P 2

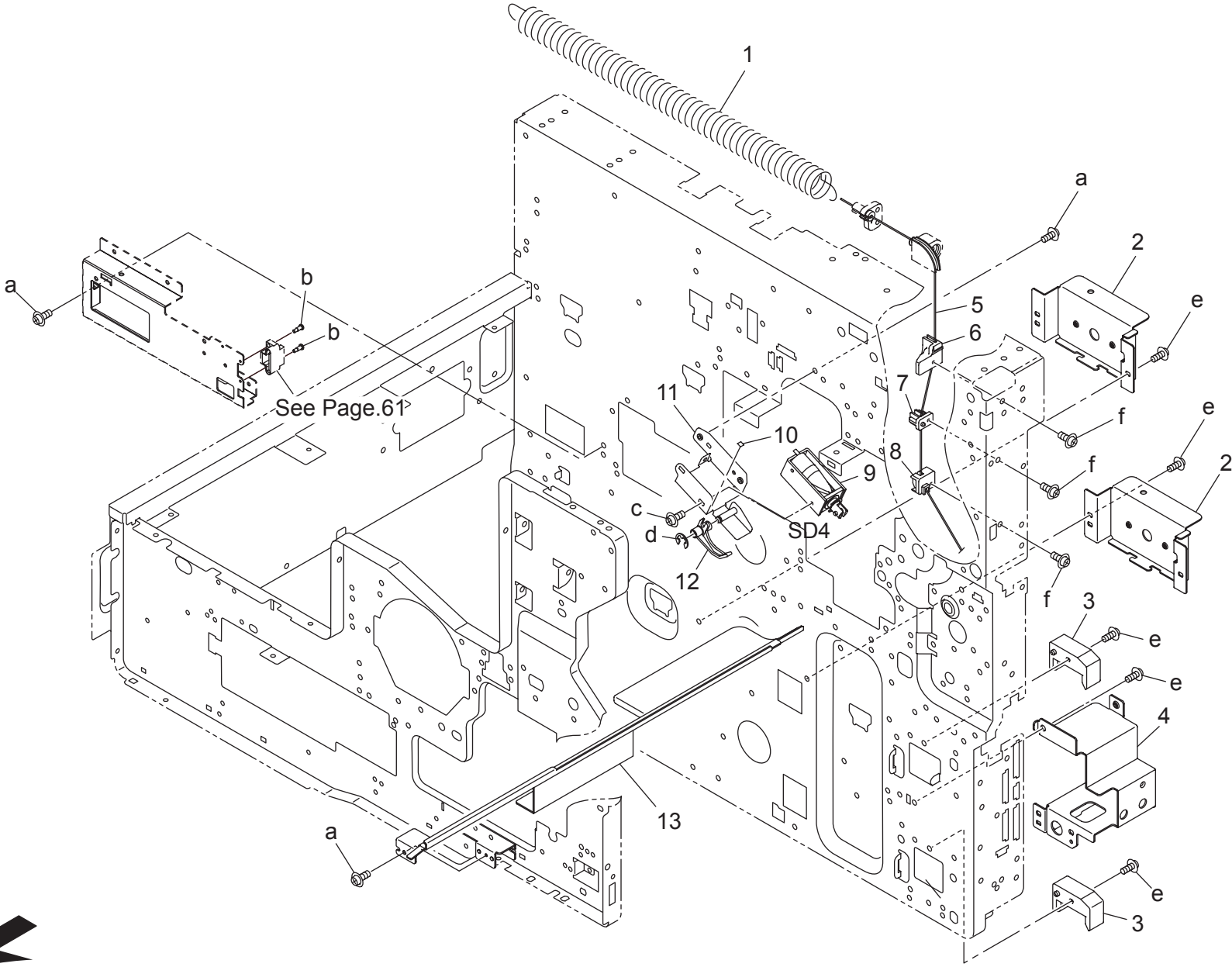


FRONT

MAIN FRAME

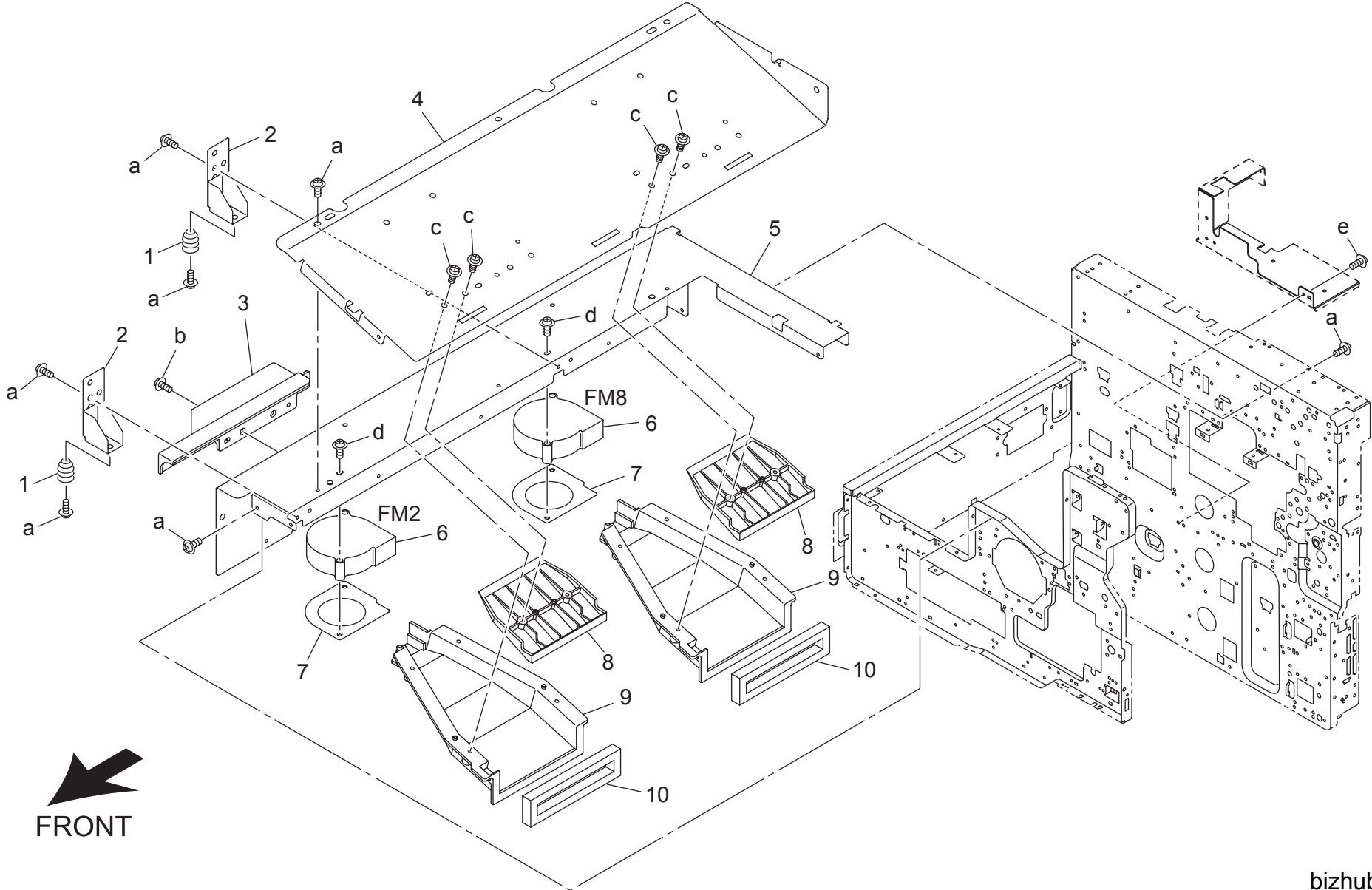
Key	Part No.	Description	Destinations	Class	QTY	Standard parts
1	4030 2018 01	BRACKET		D	1	a-V144 0306 03
2	50GA 1013 0	READ MOUNTING PEDESTAL /LEFT		D	1	b-V121 0306 03
3	A0R5 1016 00	Board Mounting Stay /Rear		D	1	c-V137 0308 03
4	50GA 1030 0	EXTERNAL SUPPORT PLATE /1		D	1	d-V137 0306 03
5	A0R5 1033 00	Holding Plate /C		D	1	e-V121 0306 04
6	A0R5 1017 00	Holding Plate /A		D	1	f-V121 0314 03
7	A02E 2639 00	Cord clamp		D	1	g-V151 0408 03
8	A0R5 1032 00	Holding Plate /B		D	1	h-V121 0304 03
9	50GA 5022 0	WIRE SUPPORT PART 4		C	1	i-V153 0410 03
10	50GA 1014 0	READ MOUNTING PEDESTAL /RIGHT		D	1	k-V207 0300 01
11	50GA 5019 0	WIRE SUPPORT PART 1		C	1	m-V123 0306 03
12	50GA 1021 0	READ MOUNTING STAY		D	1	n-V153 0408 03
13	50GA 1015 0	BOARD MOUNTING STAY /RIGHT		D	1	p-V144 0306 03
14	50GA 1019 0	ADU LOCK PART/REAR		C	1	r-V137 0310 03
15	50GA 3074 0	DEVELOPING RAIL /LEFT		D	1	
16	50GA 1018 0	ADU LOCK PART/ FRONT		C	1	
17	50GA 1010 0	REINFORCE STAY /2		D	1	
18	A0R5 1137 00	Holder		D	1	
19	4030 2080 01	RUBBER FOOT		D	2	
20	A0R5 1012 01	Reinforce Stay /4		D	1	
21	50GA 1024 0	MOUNTING PLATE /1		D	1	
22	50GA 1011 0	REINFORCE STAY /3		D	1	
23	9332 5710 11	SWITCH		C	1	

MAIN FRAME



Order here
 8 (495) 646-0426
 ПЯТЫЙ ПАРТНЕР www.km-shop.ru

MAIN FRAME

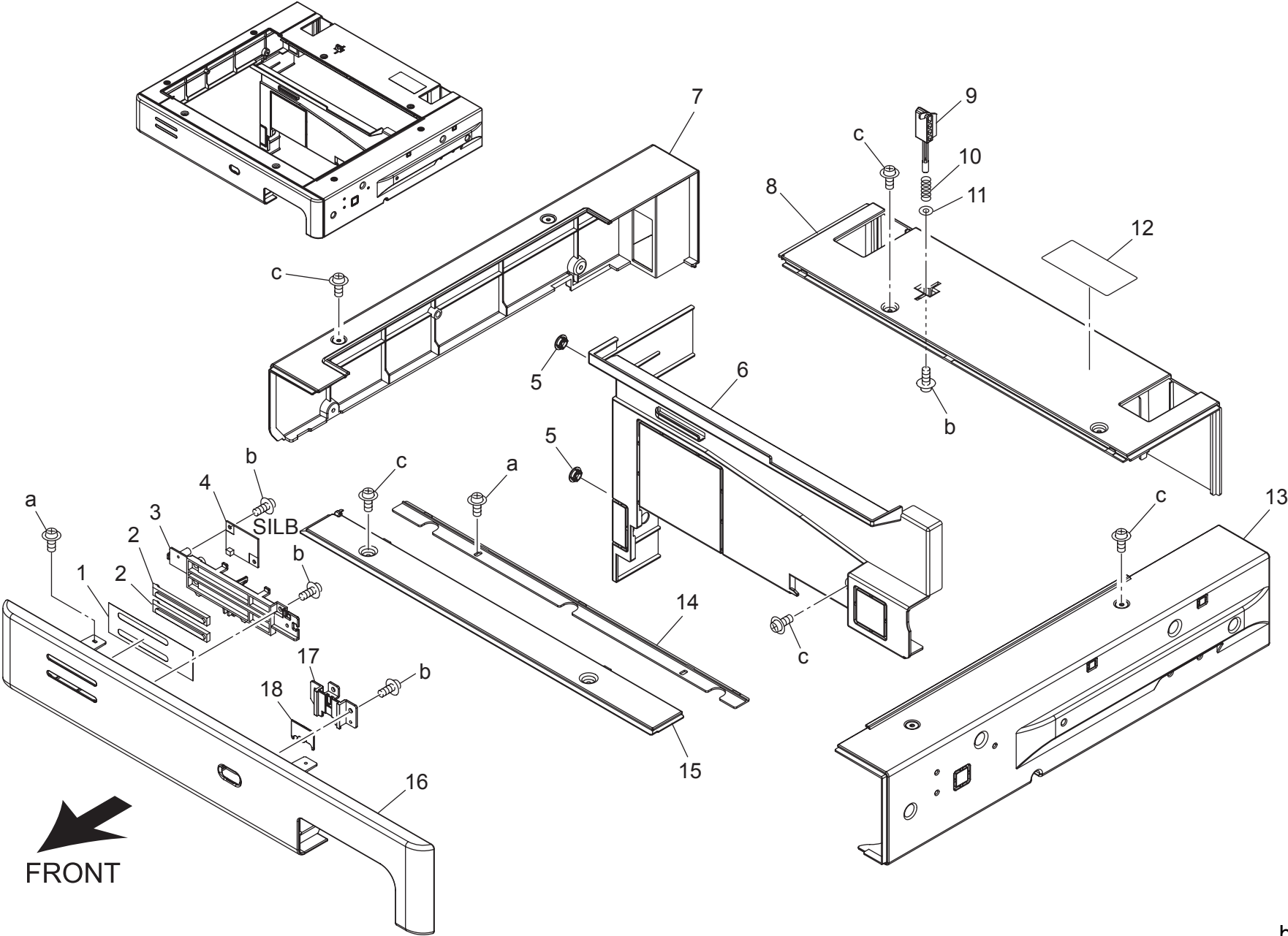


FRONT

MAIN FRAME

Key	Part No.	Description	Destinations	Class	QTY	Standard parts
1	26NA 6529 0	WRITING MOUNT SPRING		D	2	a-V121 0306 03 b-V121 0306 04 c-V151 0308 03 d-V121 0320 03 e-V137 0306 03
2	26NA 6528 0	WRITING MOUNT PART		D	2	
3	50GA 1023 0D	Guide Part /F		D	1	
4	50GA 1007 0E	Reinforce Stay /B		D	1	
5	50GA 1006 0	SUPPLY STAY /A		D	1	
6	50GA 8051 0	COOLING FAN MOTOR		C	2	
7	50GA 5467 0	FAN MOUNTING PLATE		D	2	
8	50GA 5466 0	ROLLER COOLING DUCT 4		D	2	
9	50GA 5465 0	ROLLER COOLING DUCT 3		D	2	
10	50GA 5468 0	SEALING PART		D	2	

EXTERNAL PARTS

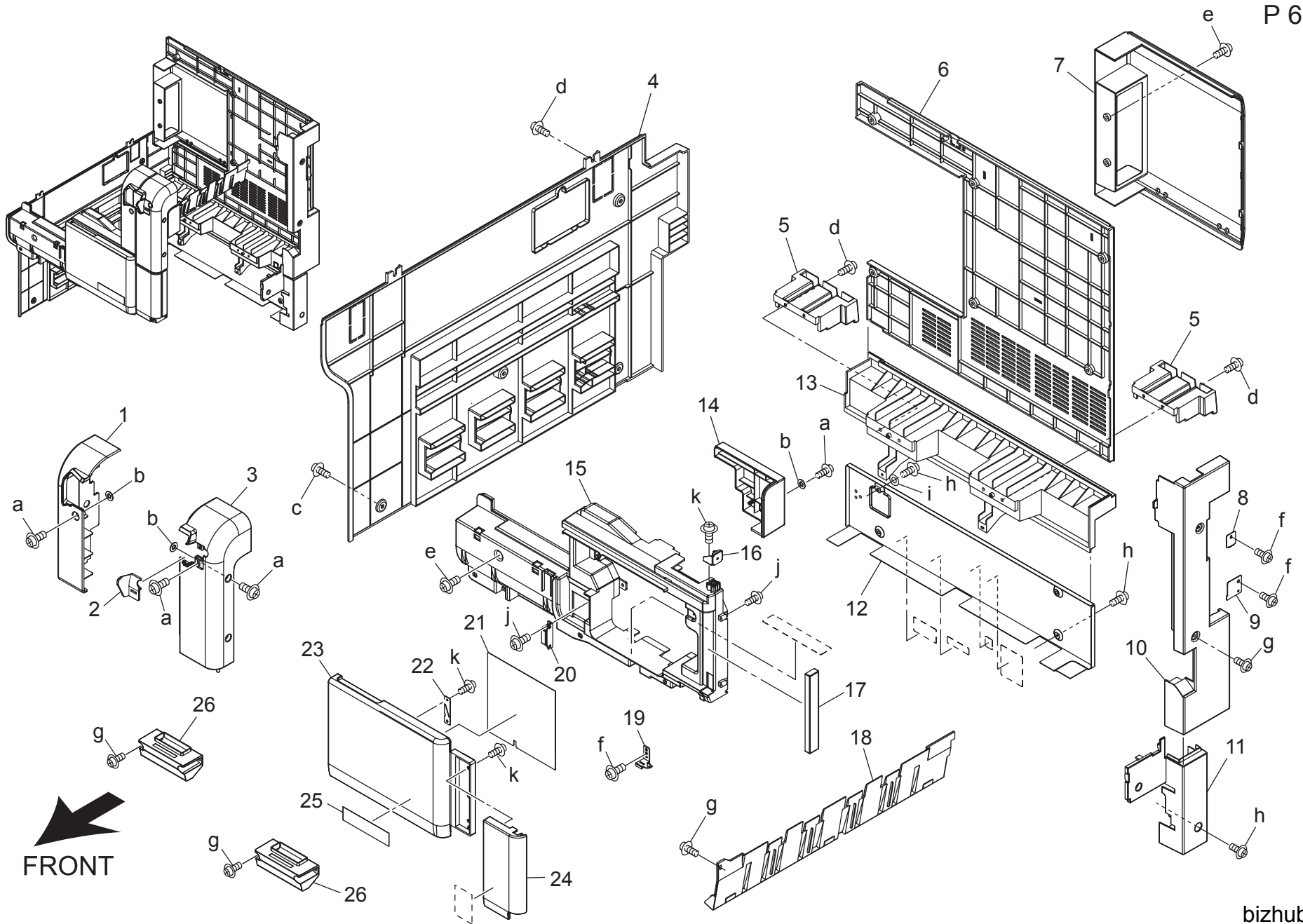


EXTERNAL PARTS

Key	Part No.	Description	Destinations	Class	QTY	Standard parts
1	A00J 1689 02	Light blocking Plate		C	1	a-V121 0306 03 b-V151 0308 03 c-V121 0306 04
2	A00J 1682 02	Lens /B		C	2	
3	A00J 1685 02	Light blocking Cover /C		D	1	
4	A00J H00E 00	PWB Assembly LED2		I	1	
5	A00J 1691 00	Cover		C	2	
6	A0R5 1604 00	Cover /Rear		C	1	
7	A0R5 1624 00	Read Cover /Left		C	1	
8	A0R5 1623 00	Read Cover /Rear		C	1	
9	50GA 6182 0	ADF DETECTION ACTUATOR		C	1	
10	26NA 6213 0	DETECTING SPRING		C	1	
11	26NA 1255 0	SPRING REGULATING SHEET		C	1	
12	A0R5 9426 00	Label		C	1	
13	A0R5 1625 00	Read Cover /Right		C	1	
14	A0R5 1621 00	Part /Front		D	1	
15	A0R5 1713 00	Mounting Plate /2		D	1	
16	A0R5 1707 01	Read Cover /Front		C	1	
17	A0R5 1682 01	Guide		C	1	
18	A0R5 1681 01	Cover		C	1	

EXTERNAL PARTS

P 6



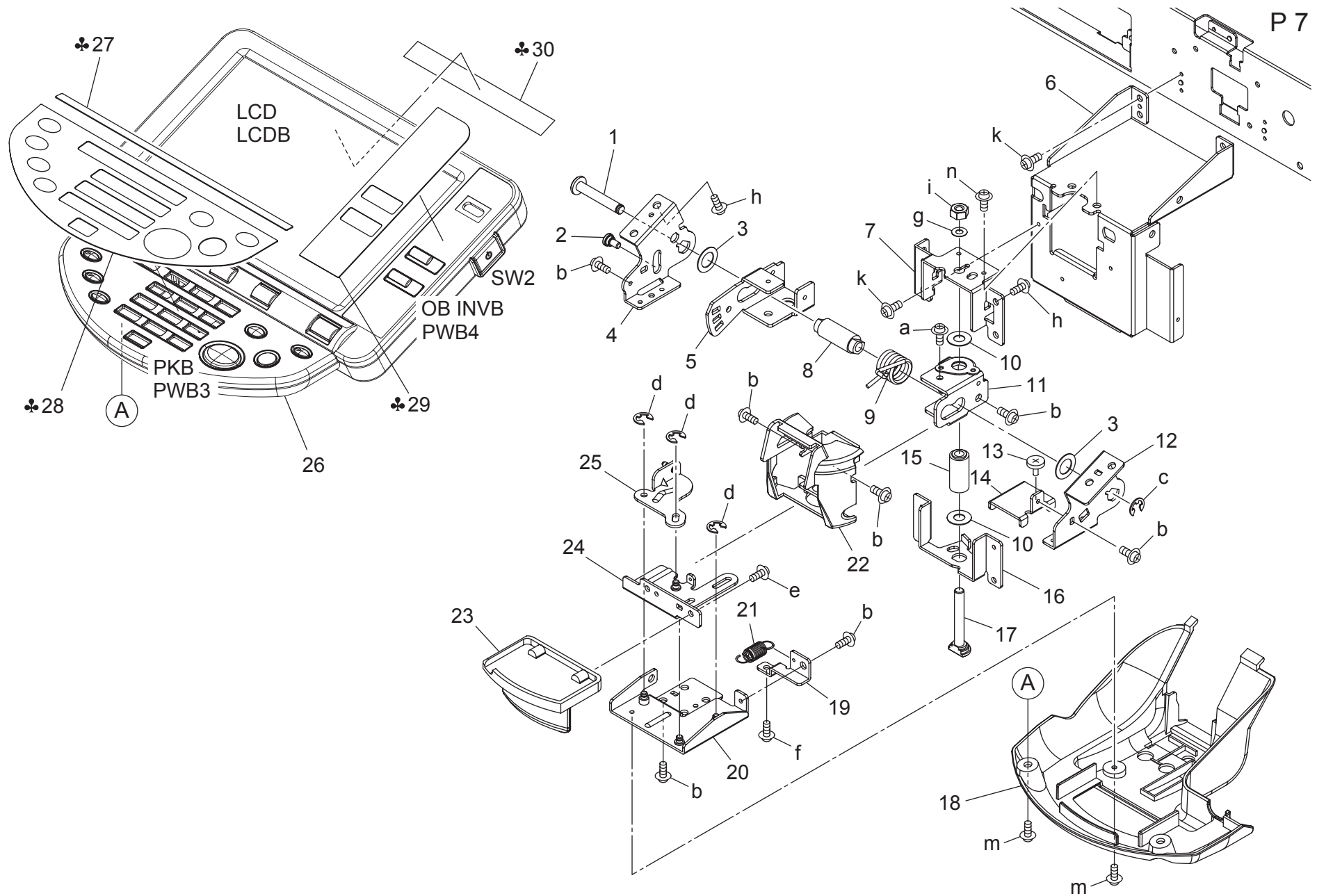
FRONT

bizhub 361

EXTERNAL PARTS

Key	Part No.	Description	Destinations	Class	QTY	Standard parts
1	A0R5 1675 01	Operation Cover /Left		C	1	a-V121 0310 03
2	A0R5 1678 01	Operation Cover /3		C	1	b-V211 0300 80
3	A0R5 1674 00	Operation Cover /Right		C	1	c-V137 0306 04
4	A0R5 1605 00	Cover /Left		C	1	d-V137 0310 04
5	A0R5 1762 00	Handle		D	2	e-V121 0308 04
6	A0R5 1607 00	Cover /1		C	1	f-V121 0306 03
7	A0R5 1708 01	Cover		C	1	g-V121 0306 04
8	A0R5 1364 00	Cover		D	1	h-V137 0308 04
9	A0R5 1363 00	Cover		D	1	i-V209 0300 03
10	A0R5 1603 00	Rear Cover /Right		C	1	j-V145 0308 03
11	A0R5 1715 00	Cover		C	1	k-V151 0308 03
12	A0R5 1761 01	Cover		C	1	
13	A0R5 1714 00	Cover /2		C	1	
14	A0R5 1716 00	Auxiliary Cover /1		C	1	
15	A0R5 1601 00	Main body Cover /Front		C	1	
16	A0R5 1679 00	Plate		D	1	
17	A0R5 1676 00	Cover		C	1	
18	A0R5 1711 00	Paper exit Cover /A		C	1	
19	A0R5 A162 00	FULCRUM PLATE ASSY		D	1	
20	0830 2014 0	STOPPER MATERIAL		C	1	
21	A0R5 9422 00	Label		C	1	
22	26NA 1240 1	MAGNET PRESSURE PLATE		D	1	
23	A0R5 1608 00	Cover		C	1	
24	A0R5 1719 00	Cover		C	1	
25	A0R7 9451 01	Label		C	1	
26	A0R5 1634 00	Front Lifting Handle		C	2	

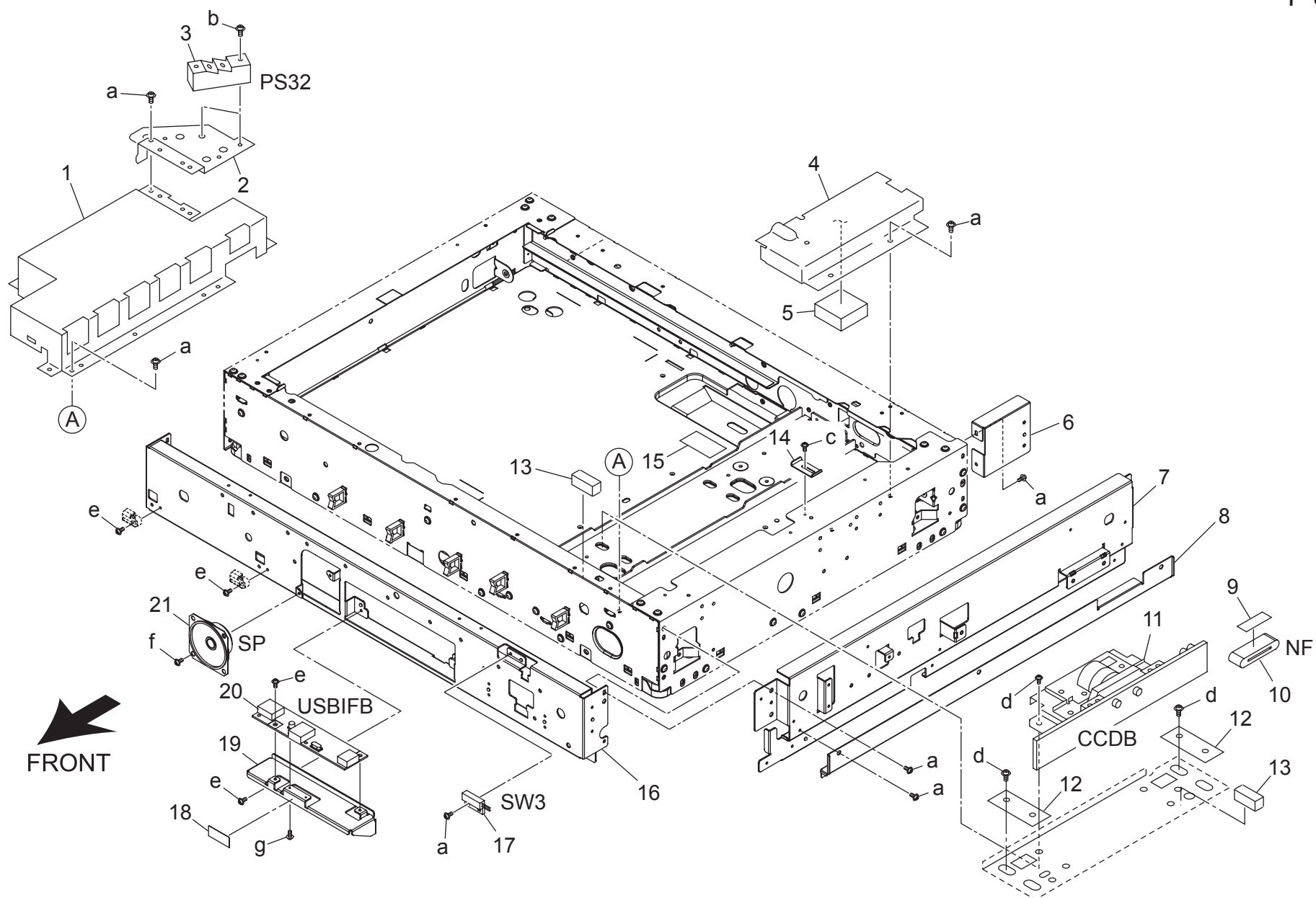
OPERATION UNIT



bizhub 361

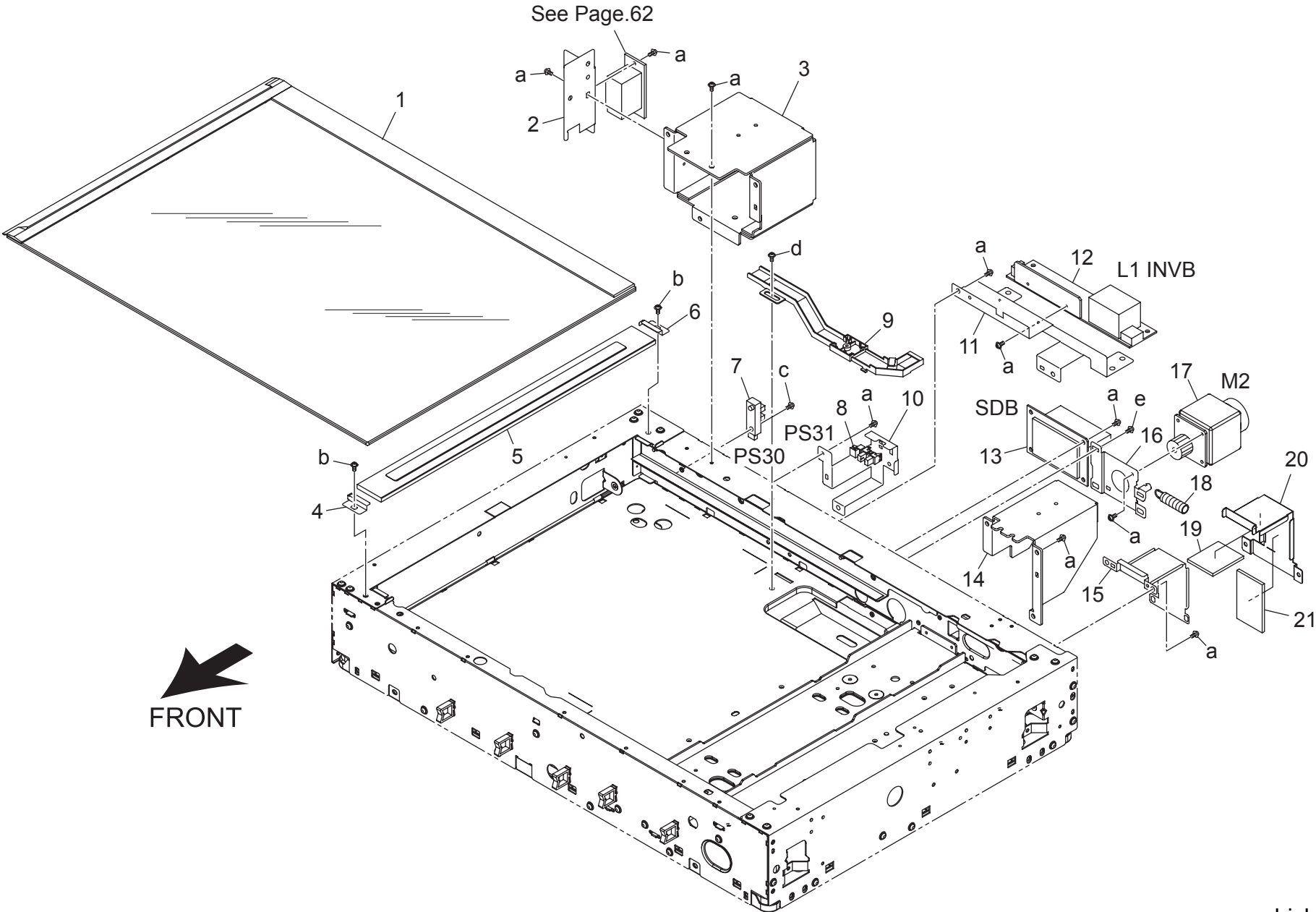
Key	Part No.	Description	Destinations	Class	QTY	Standard parts
1	A02E 1928 01	Stay		D	1	a-V116 0306 03 b-V137 0306 03 c-V217 0500 01 d-V217 0300 01 e-V153 0308 03 f-V137 0308 03 g-V205 0600 03 h-V136 0308 03 i-V195 0600 03 k-V121 0306 03 m-9646 0308 14 n-9735 0306 14
2	A02E 1934 00	Shoulder screw		C	1	
3	A02E 1930 00	Washer		C	2	
4	A02E 1916 01	Bracket		D	1	
5	A02E 1913 02	Arm		D	1	
6	A0R5 2651 00	Auxiliary Plate /A		D	1	
7	A02E 1911 00	Bracket		D	1	
8	A02E 1931 01	Collar		D	1	
9	A02E 1927 01	Torsion Spring		C	1	
10	A00J 1919 00	Washer		C	2	
11	A02E 1914 02	Arm		D	1	
12	A02E 1915 02	Bracket		D	1	
13	A02E 1933 00	Shoulder screw		C	1	
14	A02E 1932 01	Reinforce Plate		D	1	
15	A02E 1917 01	Collar		D	1	
16	A02E 1912 00	Bracket		D	1	
17	A02E 1918 00	Stay		D	1	
18	A02E 1694 00	Cover		C	1	
19	A02E 1924 00	Bracket		D	1	
20	A02E 1921 01	Bracket		D	1	
21	A02E 1926 01	Pulling Spring		C	1	
22	A02E 1683 00	Cover		C	1	
23	A02E 1925 00	Handle		C	1	
24	A02E 1923 01	Lever		C	1	
25	A02E 1922 01	Lever		C	1	
26	A0R5 M710 00	Panel assembly		I	1	
27	A02E 9481 00	Panel sheet	A	C	1	
27	A02E 9482 00	Panel sheet	B,G2	C	1	
27	A02E 9483 00	Panel sheet	C	C	1	
28	A02E 9490 00	Panel sheet	A	C	1	
28	A02E 9491 00	Panel sheet	B,G2	C	1	
29	A02E 9486 00	Panel sheet	A	C	1	
29	A02E 9487 00	Panel sheet	B,G2	C	1	
30	A02E 9494 00	Panel sheet	B,G2	C	1	

OPTICS UNIT



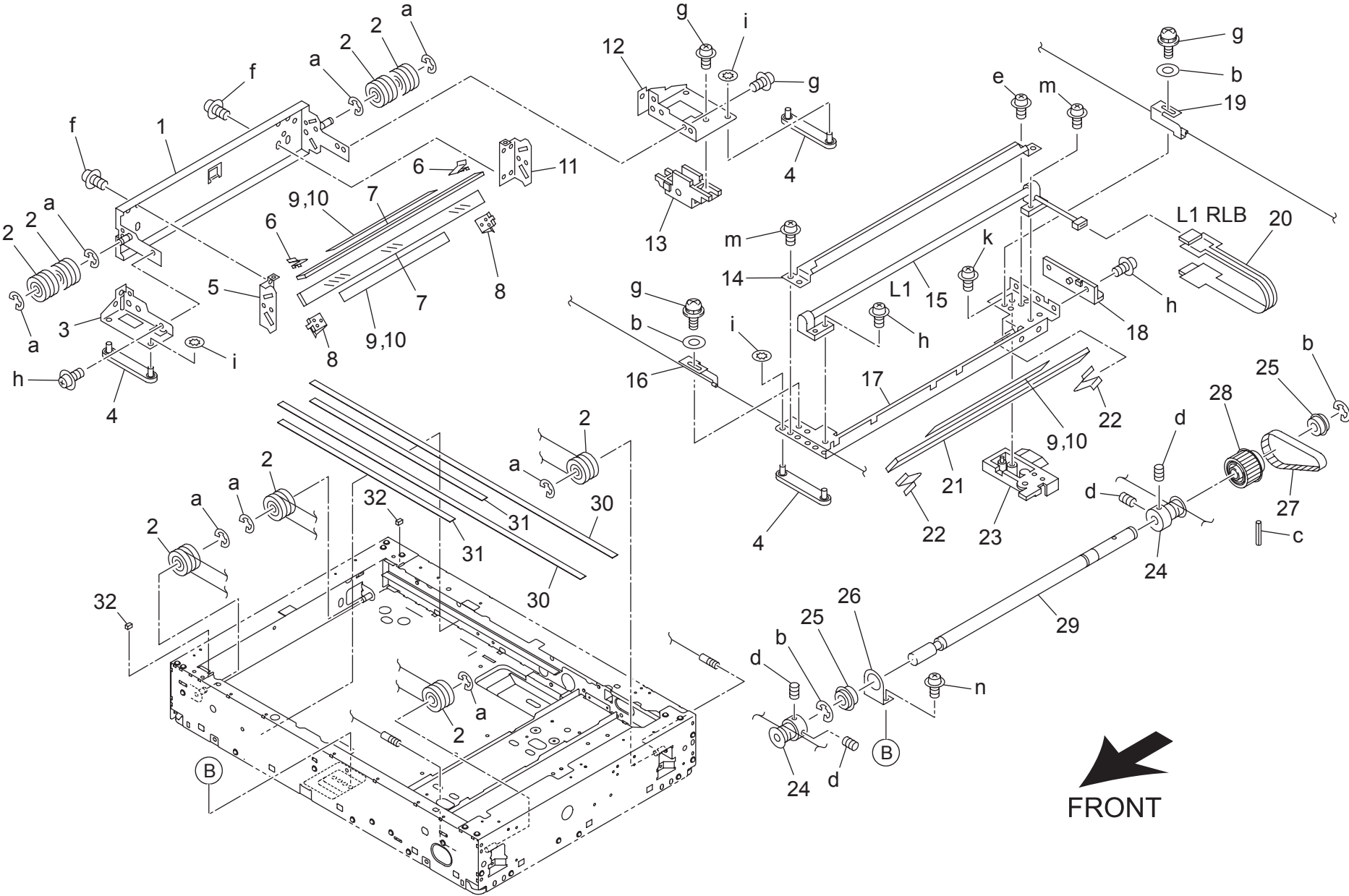
Key	Part No.	Description	Destinations	Class	QTY	Standard parts
1	26NA 6173 2	LENS COVER		C	1	a-V121 0306 03 b-V118 0320 03 c-V121 0304 04 d-V123 0306 03 e-V118 0306 03 f-V111 0206 03 g-V121 0308 03
2	40LA 6114 0	MOUNTING PLATE		D	1	
3	56AA 8553 1	APS SENSOR 2		B	1	
4	26NA 6181 2	WIRING GUIDE PLATE 1		D	1	
5	26NA 6228 0	WIRING HOLD PART 1		D	1	
6	A0R5 2654 00	Auxiliary Plate /C		D	1	
7	A0R5 2653 00	Auxiliary Plate /B		D	1	
8	A0R5 2657 00	Auxiliary Plate /D		D	1	
9	26TA 6251 0	FIXING SEAL		C	1	
10	26TA 8452 1	NOISE FILTER /1		C	1	
11	50GA -626 1	CCD UNIT		I	1	
12	40LA 6174 1	SCREW FIXING PLATE		D	2	
13	26NA 6245 1	EARTH SPRING 3		D	2	
14	26NA 6216 0	GLASS HOLDING PLATE		C	1	
15	56UA 9792 0	HIGE VOLTAGE CAUTION LABEL		C	1	
16	A0R5 2650 00	Mounting Plate /A		D	1	
17	9334 2610 12	REED SWITCH		C	1	
18	A0R5 1389 01	Label		D	1	
19	A0R5 1388 00	Plate		D	1	
20	A0R5 H030 00	I/F BOARD/H ASSY		C	1	
21	9373 2200 11	LOUDSPEAKER		D	1	

OPTICS UNIT



Key	Part No.	Description	Destinations	Class	QTY	Standard parts
1	A0R5 R707 00	ORIGINAL TABLE GLASS ASSY		C	1	a-V121 0306 03 b-V121 0304 04 c-V118 0310 03 d-V123 0306 03 e-V123 0308 03
2	50GA 6252 0	ADF CONNECTOR /1		D	1	
3	50GA 6111 0	ADF MOUNTING PLATE /LEFT		D	1	
4	26NA 6130 0	GLASS HOLDER PLATE FRONT		C	1	
5	50GA -628 0	ORIGINAL TABLE GLASS ASSY 2		C	1	
6	26NA 6115 0	GLASS HOLDER PLATE REAR		C	1	
7	56AA 8551 1	PHOTO SENSOR		B	1	
8	9335 1300 61	PHOTO INTERRUPTER		B	1	
9	40LA 6201 0	WIRING GUIDE PART 3		D	1	
10	50GA 6214 0	MOUNTING PLATE /2		D	1	
11	50GA 6251 0E	Board Mounting Plate /No.1		D	1	
12	40LA 8351 3	LAMP STARTER		B	1	
13	50GA -905 0	SCANNER DRIVE BOAD ASSY		I	1	
14	50GA 6112 0	ADF MOUNTING PLATE /RIGHT		D	1	
15	50GA 6211 0	WIRING GUIDE PLATE 2		D	1	
16	40LA 6116 1E	Motor Mounting Plate		D	1	
17	50GA 8002 0	SCANNER DRIVE MOTOR		C	1	
18	40LA 6246 0	MOTOR TENSION SPRING 1		C	1	
19	50GA 6259 0	WIRING HOLDING PART /2		D	1	
20	50GA 6212 0	WIRING GUIDE PLATE 3		D	1	
21	50GA 6258 0	WIRING HOLDING PART /1		D	1	

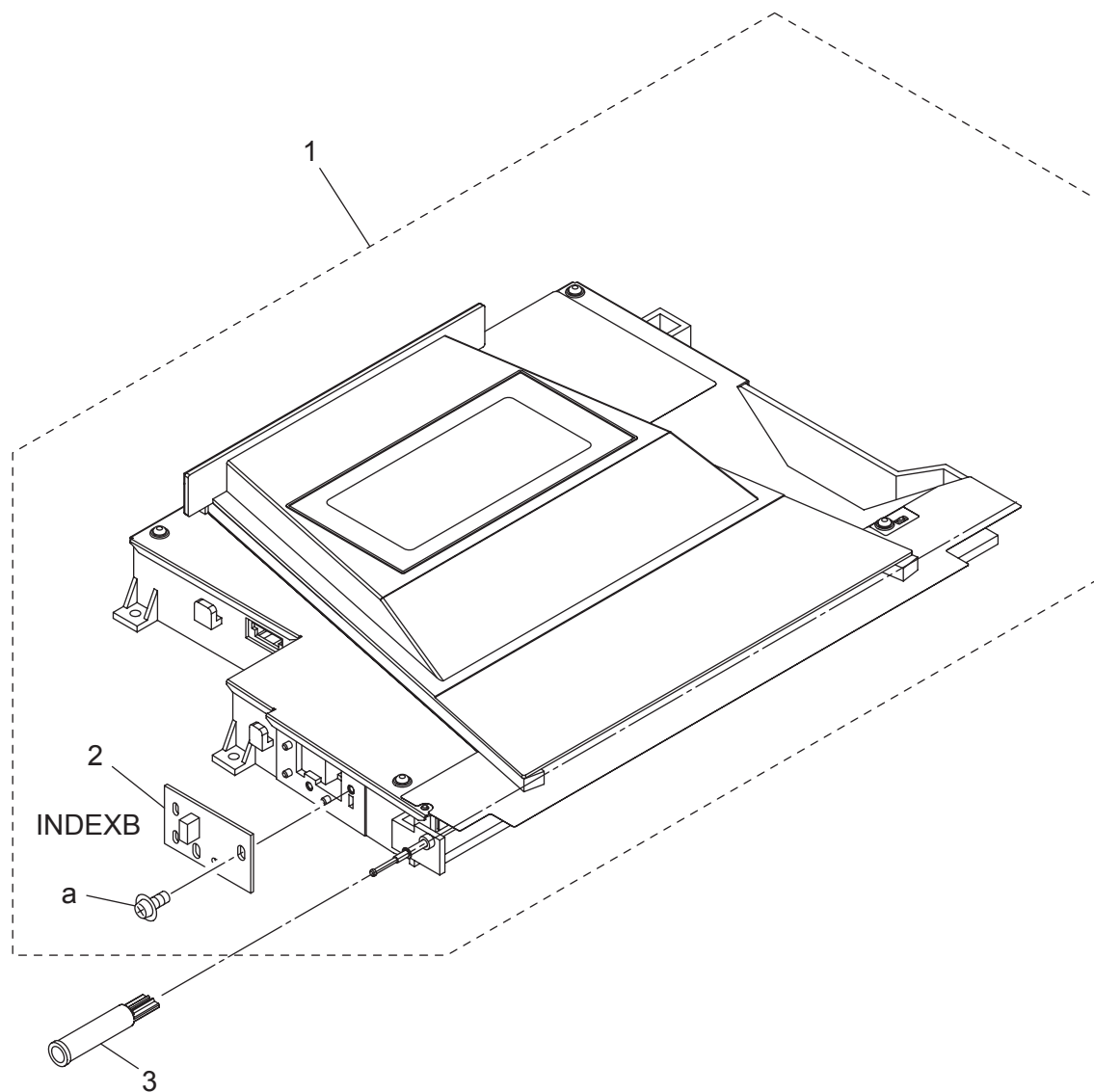
OPTICS UNIT



Key	Part No.	Description	Destinations	Class	QTY	Standard parts
1	26NA R711 00	MIRROR MOUNT PLATE 2 ASSY		D	1	a-V217 0400 50
2	26NA 6194 0	BEARING		C	8	b-V217 0600 50
3	26NA 6156 0	OPTICS SLIDE PLATE FRONT		D	1	c-V233 3018 50
4	26NA 6138 0	SLIDE PART		D	3	d-V193 0406 04
5	26NA 6153 1	MIRROR SUPPORT PLATE FRONT		D	1	e-V121 0304 03
6	26NA 6161 0	MIRROR PRESSURE SPRING 4		C	2	f-V118 0310 03
7	26NA 6154 0	OPTICS MIRROR 2		C	2	g-V123 0306 03
8	26NA 6160 0	MIRROR PRESSURE SPRING 3		C	2	h-V123 0308 03
9	26TA 6252 1	MIRROR REINFORCE PART 1		D	3	i-V226 0300 50
10	26TA 6253 0	STICKING PART1		D	3	k-V151 0306 03
11	26NA 6239 1	MIRROR SUPPORT PLATE REAR		D	1	m-V118 0303 03
12	26NA 6155 1	OPTICS SLIDE PLATE REAR		D	1	n-V121 0304 04
13	26NA 6159 0	WIRING GUIDE PART 2		D	1	
14	26NA 6137 0	REFLECT MIRROR		C	1	
15	40LA 8301 1	EXPOSURE LAMP		A	1	
16	50GA 6122 0	OPTICAL WIRE FRONT		C	1	
17	26NA 6131 0	MIRROR MOUNT PLATE 1		C	1	
18	26NA 6206 0	MIRROR ADJUSTING SCREW		D	1	
19	40LA 6121 0	OPTICS WIRE REAR		C	1	
20	26NA -951 2E	POWERING BOARD ASSY		C	1	
21	26NA 6134 0	OPTICS MIRROR 1		C	1	
22	26NA 6141 0	MIRROR PRESSURE SPRING		B	2	
23	26NA 6139 0	WIRING GUIDE PART 1		D	1	
24	50GA 6120 0	WIRE DRIVE PULLEY		C	2	
25	56QA 7507 0	BEARING/8		C	2	
26	26NA 6175 1	PULLEY FIXED PLATE		D	1	
27	40LA 6193 0	MOTOR BELT 160L		C	1	
28	40LA 6192 0	DRIVING PULLEY 55T		C	1	
29	40LA 6119 0	DRIVE SHAFT		D	1	
30	40LA 6183 0	OPTICS SLIDE SHEET 1		D	2	
31	26NA 6184 0	OPTICS SLIDE SHEET 2		C	2	
32	26NA 6232 0	READING SEAL/7		D	2	

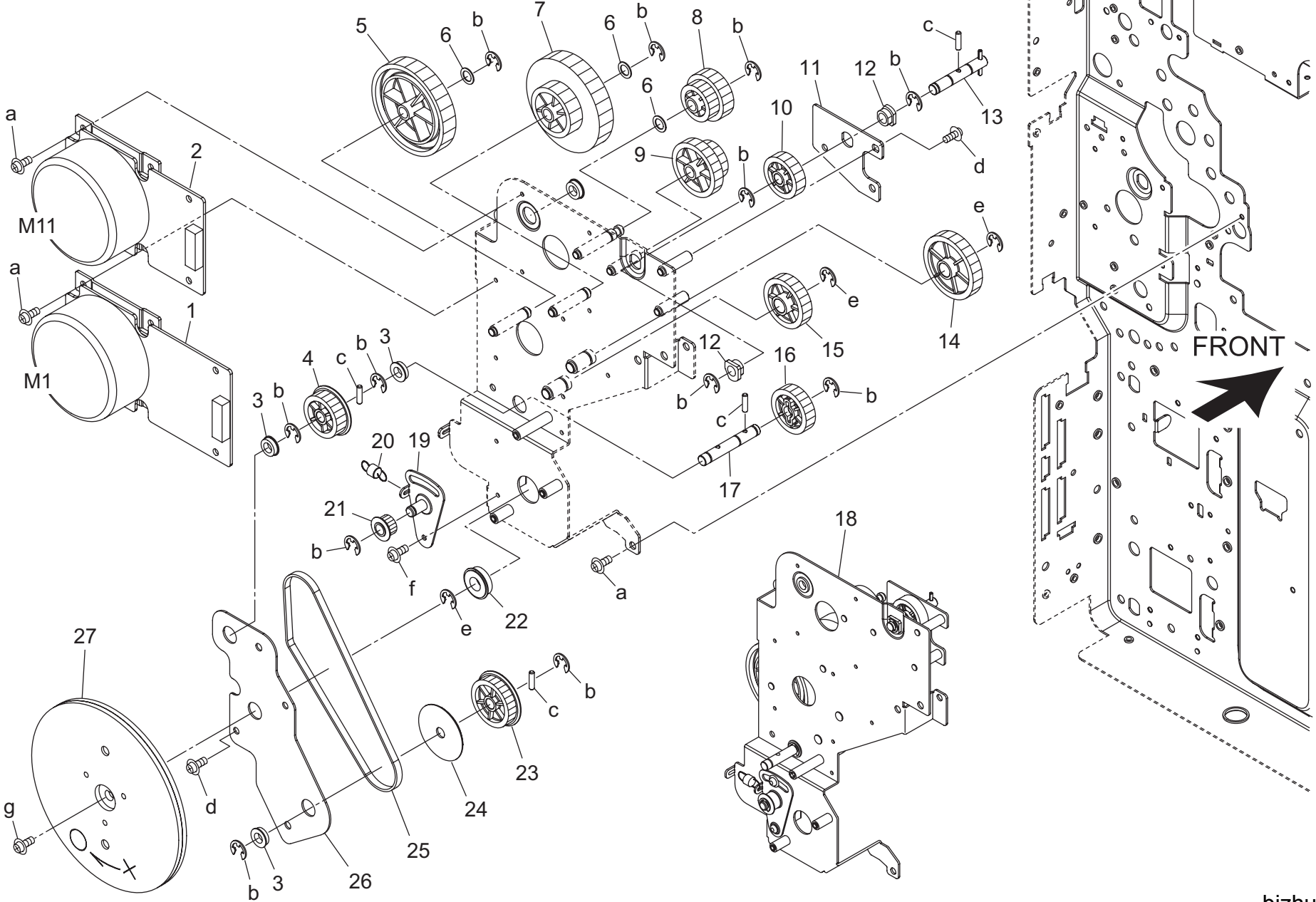
WRITE UNIT

P 11



DRIVING UNIT

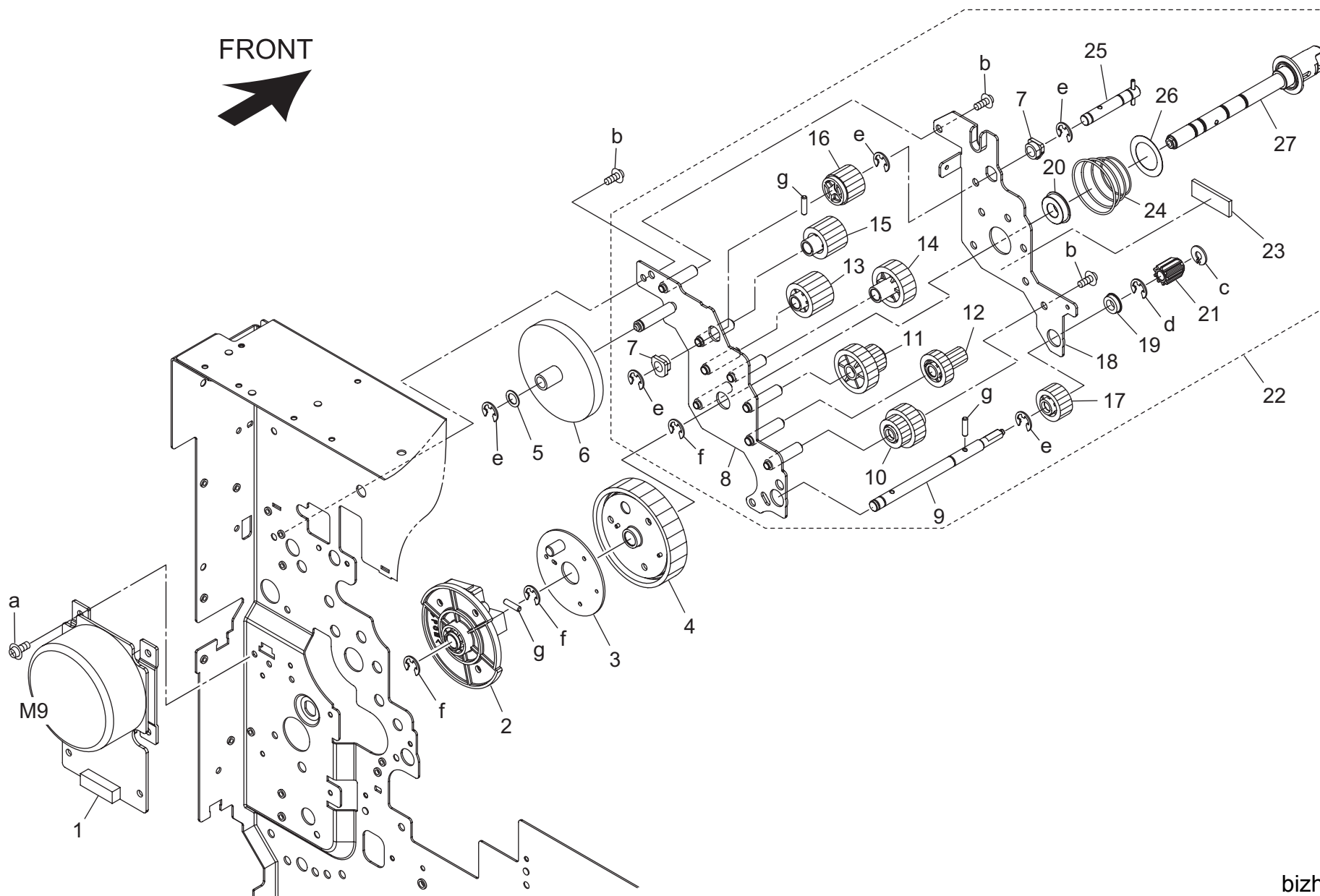
P 12



DRIVING UNIT

P 13

FRONT

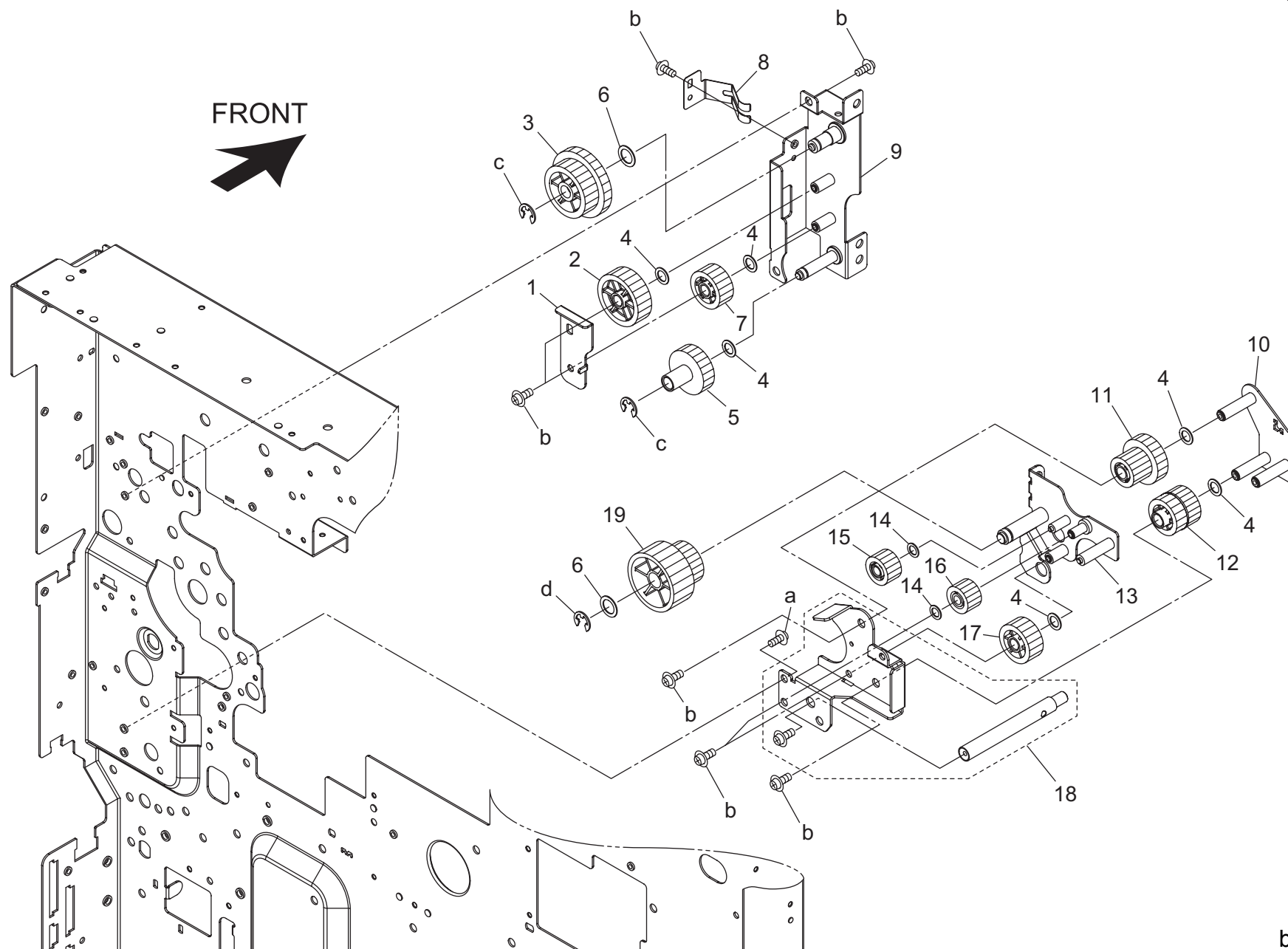


DRIVING UNIT

Key	Part No.	Description	Destinations	Class	QTY	Standard parts
1	A0R5 M103 00	DC Brushless motor /30		C	1	a-V121 0304 03 b-V121 0306 03 c-V221 0300 50 d-V217 0300 50 e-V217 0400 50 f-V217 0600 50 g-V237 2012 50
2	50GA -155 0	DUMPER PLATE ASSY		C	1	
3	26NA R702 00	DRIVE PLATE COMBINED		C	1	
4	26NA 1560 0	DRUM DRIVING GEAR 108T		C	1	
5	1900 4141 0	PLYSLIDER 6		C	1	
6	50GA 1551 0	GEAR B 105T		C	1	
7	4660 7602 0	PAPER FEED SHAFT HOLDER		B	2	
8	50GA -160 1E	CAULKING ASSY		D	1	
9	50GA 1518 1E	Agitating Shaft		D	1	
10	50GA 1560 0	GEAR H 19T 26T		C	1	
11	50GA 1556 0	AGITATING GEAR UPPER 17T 30T		C	1	
12	50GA 1559 0	GEAR G 22T		C	1	
13	50GA 1563 0	GEAR K 23T		C	1	
14	50GA 1564 0	GEAR L 28T		C	1	
15	50GA 1562 0	GEAR J 21T		C	1	
16	50GA 1555 0	COLLECTION GEAR 20T		C	1	
17	50GA 1557 0	AGITATING GEAR 21T		C	1	
18	50GA 1503 0	DRIVE PANEL /C		D	1	
19	26NA 1728 0	BALL BEARING		C	1	
20	26NA 5359 0	BALL BEARING		A	1	
21	26NA 1758 0	AGITATING COUPLING B		C	1	
22	50GA -159 0	DRUM DRIVE ASSY		C	1	
23	50GA 1548 0	PRESSING PART		D	1	
24	26NA 1520 0	COUPLING SPRING		B	1	
25	50GA -154 0	SHAFT ASSY		D	1	
26	26NA 3087 0	SPRING SPACER		C	1	
27	50GA -153 0	DRUM INPUT SHAFT ASSY		C	1	

DRIVING UNIT

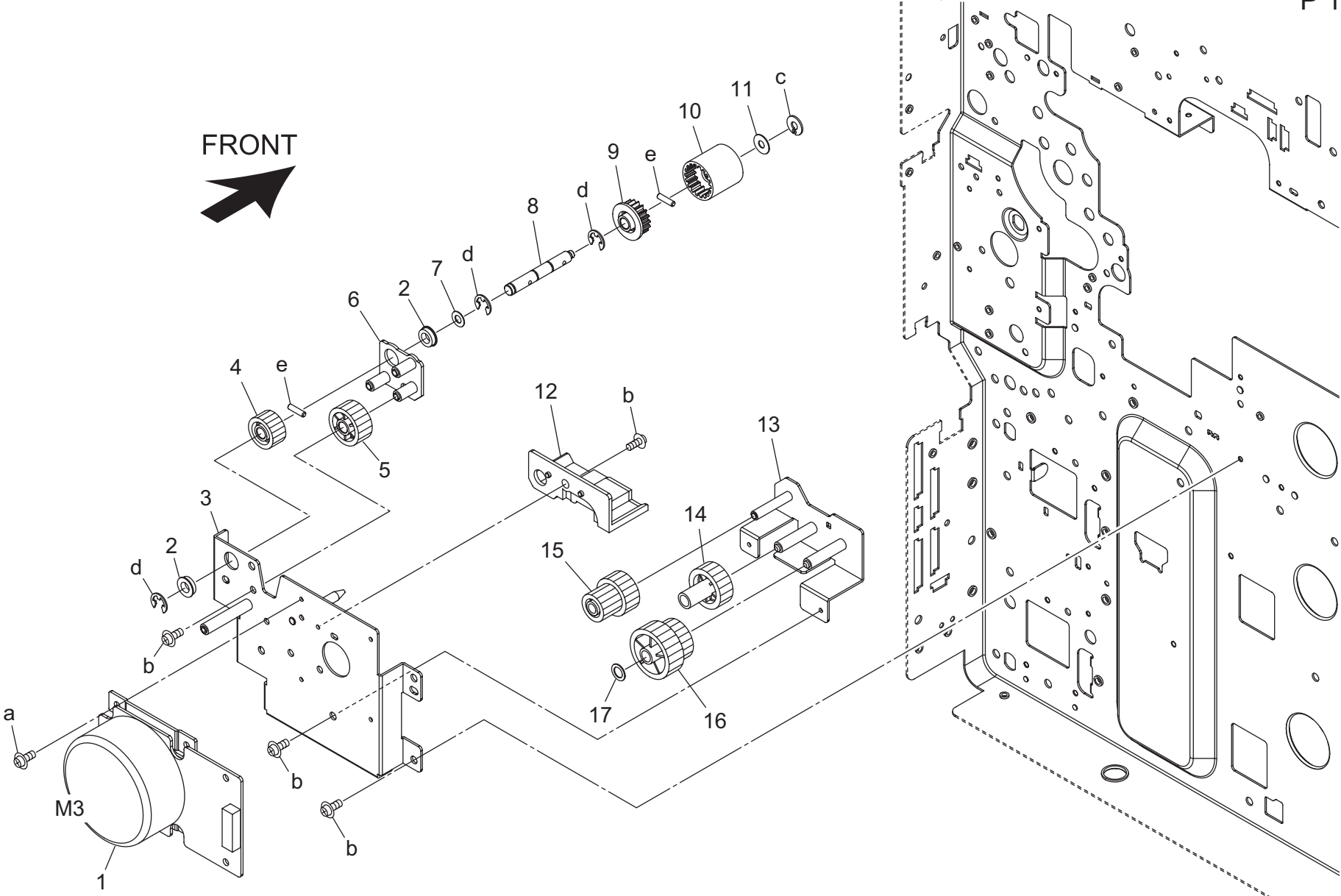
P 14



DRIVING UNIT

Key	Part No.	Description	Destinations	Class	QTY	Standard parts
1	50GA 1605 0	PAPER FEED PROTECTION PANEL		D	1	a-9735 0306 14 b-V121 0306 03 c-V217 0400 50 d-V217 0600 50
2	50GA 1613 0	PAPER FEED GEAR C 38T		C	1	
3	50GA 1619 1	ADU INPUT GEAR 49T 28T		C	1	
4	1900 4141 0	PLYSLIDER 6		C	6	
5	50GA 1611 0	PAPER FEED GEAR A 32T		C	1	
6	1900 4142 0	POLYSLIDER 8		C	2	
7	50GA 1612 0	PAPER FEED GEAR B 27T		C	1	
8	50GA 4569 1E	CONVEYANCE EARTH PLATE		D	1	
9	50GA -164 1F	CAULKING ASSY		D	1	
10	50GA -168 0E	CAULKING ASSY		D	1	
11	50GA 1616 0	PAPER FEED GEAR F 21T 23T		C	1	
12	50GA 1617 0	PAPER FEED GEAR G 26T 19T		C	1	
13	50GA -165 0E	CAULKING ASSY		D	1	
14	50GA 2501 00	SPACER		C	2	
15	50GA 1620 0E	PAPER FEED GEAR /I 20T		C	1	
16	50GA 1614 0E	PAPER FEED GEAR /D 19T		C	1	
17	50GA 1618 0F	PAPER FEED GEAR /H 28T		C	1	
18	50GA -167 0F	CAULKING ASSY		D	1	
19	50GA 1610 0	PAPER FEED DRIVE GEAR 62T 29T		C	1	

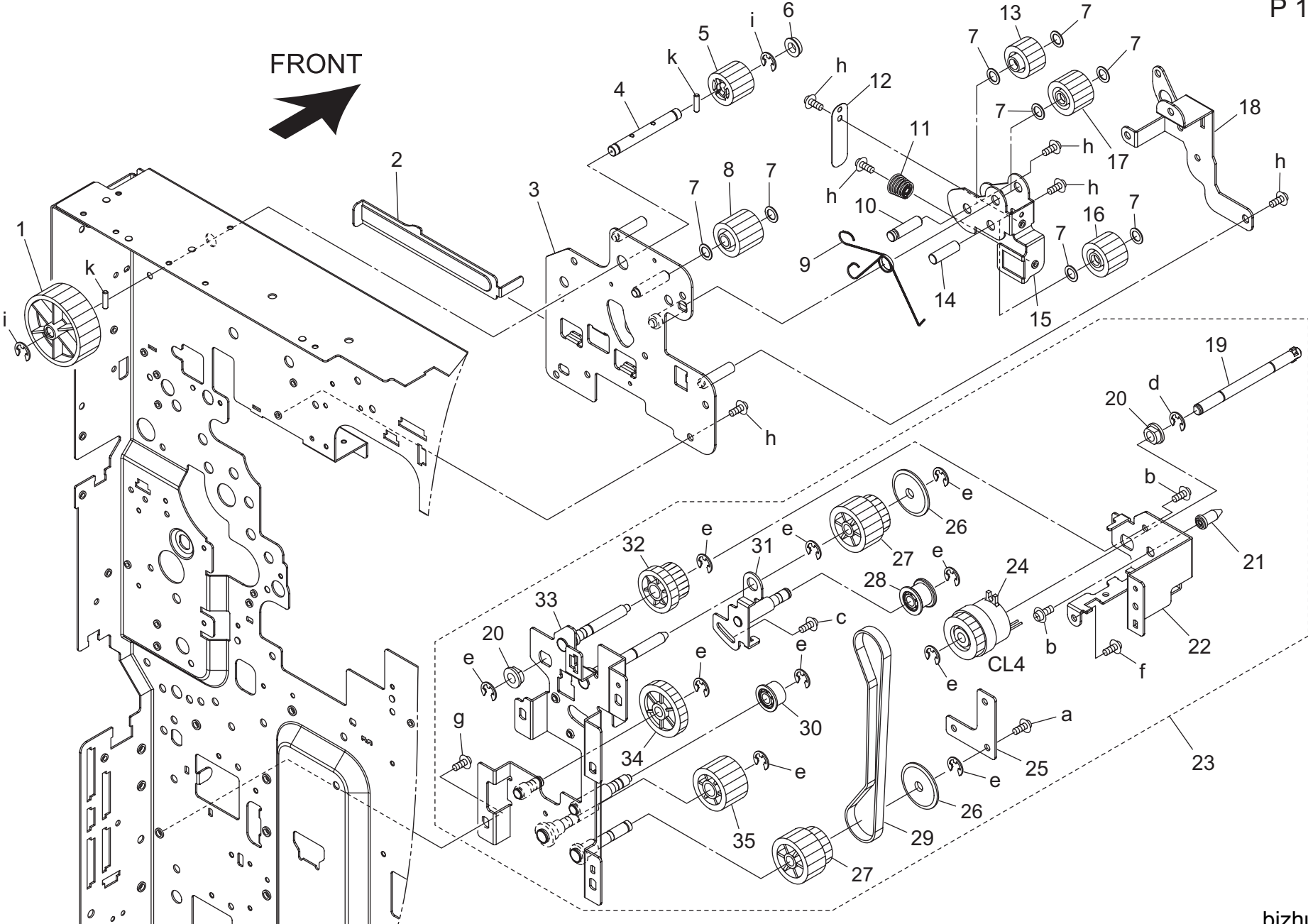
DRIVING UNIT



DRIVING UNIT

Key	Part No.	Description	Destinations	Class	QTY	Standard parts
1	A0R5 M103 00	DC Brushless motor /30		C	1	a-V121 0304 03 b-V121 0306 03 c-V221 0400 50 d-V217 0400 50 e-V237 2012 50
2	26NA 1728 0	BALL BEARING		C	2	
3	50GA -171 0	CAULKING ASSY		D	1	
4	40LA 1754 0	DEVELOPING DRIVE GEAR 6 32T		C	1	
5	40LA 1755 0	DEVELOPING DRIVE GEAR 7 39T		C	1	
6	50GA -173 0E	CAULKING ASSY		D	1	
7	13QA 1033 0	SHAFT SPACER		C	1	
8	50GA 1760 1E	Developing Drive Shaft		D	1	
9	40LA 1756 0	DEVELOPING INPUT COUPLING A		C	1	
10	26NA 1757 0	DEVELOPING INPUT COUPLING B		C	1	
11	26NA 1759 0	SPACER B		C	1	
12	50GA 1703 0	DUST PROOF COVER		C	1	
13	50GA -172 0	CAULKING ASSY		D	1	
14	50GA 1752 0	DEVELOPING DRIVE GEAR 2 27T		B	1	
15	50GA 1753 0	DEVELOPING DRIVE GEAR 3 25T 28T		B	1	
16	50GA 1751 0	DEVELOPING DRIVE GEAR 1 52T 26T		B	1	
17	1900 4141 0	PLYSLIDER 6		C	1	

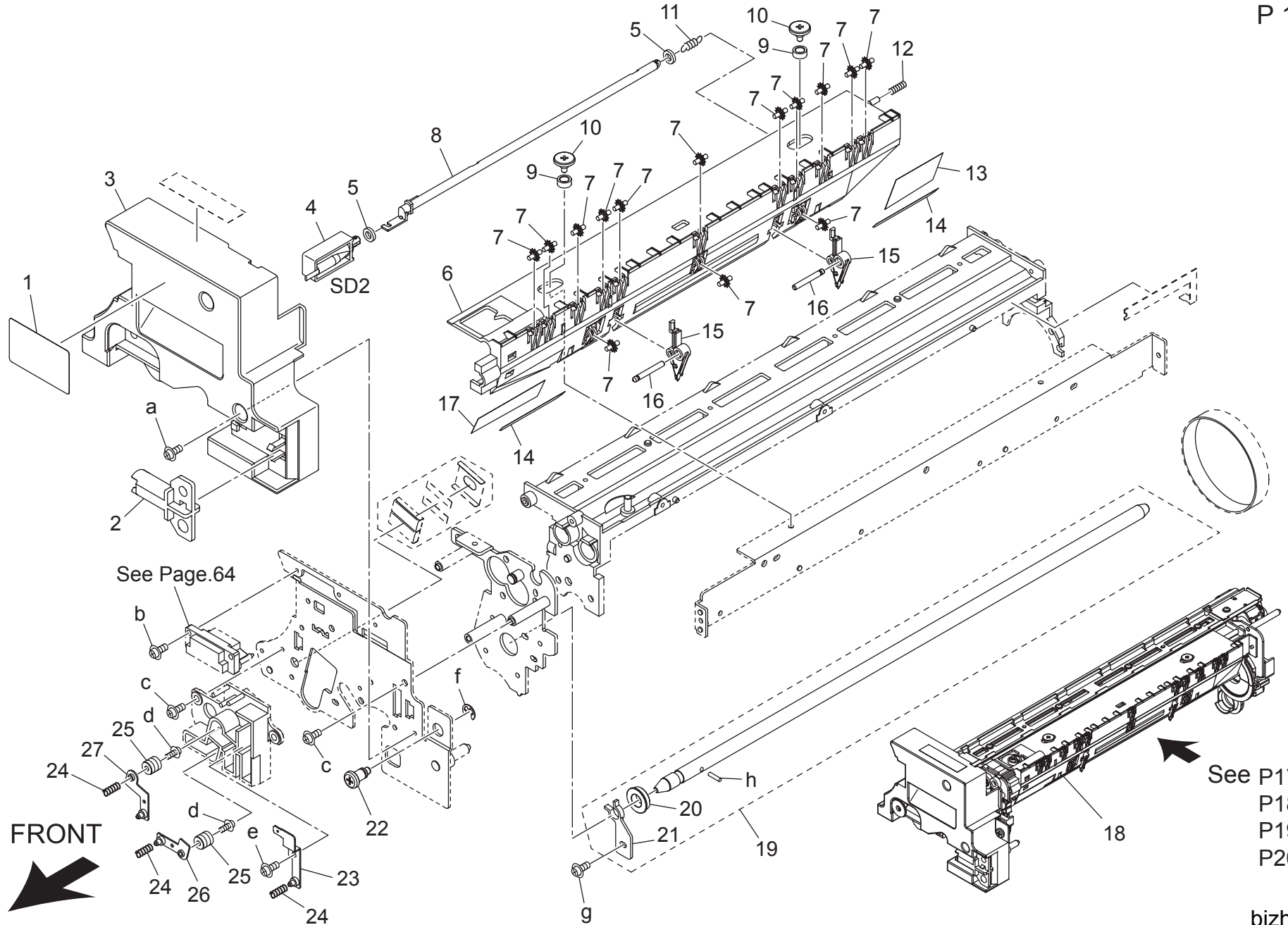
DRIVING UNIT



Key	Part No.	Description	Destinations	Class	QTY	Standard parts
1	50GA 1851 0	FIXING GEAR A 80T		B	1	a-9646 0306 13
2	50GA 1509 1	DRIVE PRESSING STAY		D	1	b-9646 0306 14
3	50GA -186 1G	CAULKING ASSY		C	1	c-9646 0308 14
4	50GA 1811 1G	FIXING INPUT SHAFT		C	1	d-9721 0400 01
5	50GA 1852 3I	Fixing Gear/B 18T		B	1	e-4425 3001 01
6	26NA 1728 0	BALL BEARING		C	1	f-9735 0306 14
7	40LA 1740 0	DRIVING SPACER 1		C	8	g-9743 0408 14
8	50GA 1853 2G	Fixing Gear/C 19T		B	1	h-V121 0306 03
9	50GA 1841 0	FIXING SWING SPRING		C	1	i-V217 0400 50
10	50GA 1822 0D	Fixing Idling Shaft		C	1	k-V237 2012 50
11	50GA 1843 0	FIXING PRESSING SPRING		C	1	
12	50GA 1842 0	LEVER PRESSING SPRING		D	1	
13	50GA 1855 2G	Fixing Gear/E 18T		B	1	
14	50GA 1824 1E	Fixing Idling Shaft /2		D	1	
15	50GA 1507 0F	Drive Panel /G		D	1	
16	50GA 1859 2G	Fixing Gear /F 19T		B	1	
17	50GA 1854 2G	Fixing Gear/D 19T		B	1	
18	50GA 1504 0E	Drive Panel /D		D	1	
19	4030 3057 01	SHAFT		D	1	
20	4131 3003 01	BUSHING		C	2	
21	4030 3067 01	SHAFT		D	1	
22	4030 3051 01	BRACKET		D	1	
23	50GA -169 2	LOWER PAPER FEED DRIVE ASSY		C	1	
24	9322 1500 12	CLUTCH		C	1	
25	4030 3052 01	BRACKET		D	1	
26	4030 3055 01	COLLAR		C	2	
27	4030 3053 01	PULLEY 28/36T		C	2	
28	1155 2518 01	PULLEY		C	1	
29	4030 3054 01	TIMING BELT 324L		C	1	
30	1067 2513 01	PULLEY		C	1	
31	4030 R705 00	BRACKET ASSY		C	1	
32	50GA 1640 1E	Paper feed Gear 19T 33T		C	1	
33	50GA -176 0	PAPER FEED STAKE ASSY		D	1	
34	4030 3060 01	GEAR 30T		C	1	
35	4030 3059 01	GEAR 24T		C	1	

DRUM CARTRIDGE

P 17



See P17
P18
P19
P20

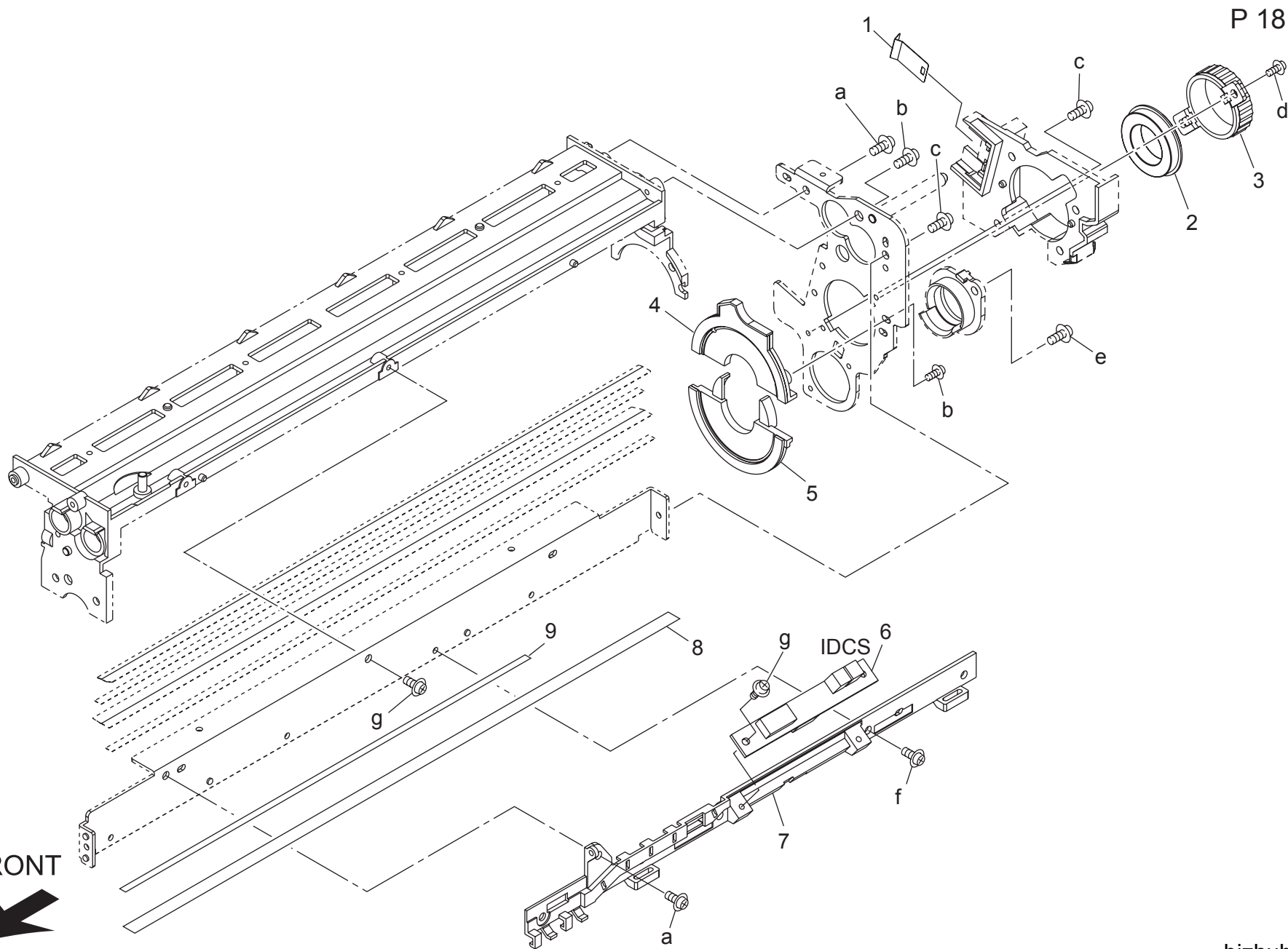
bizhub 361

DRUM CARTRIDGE

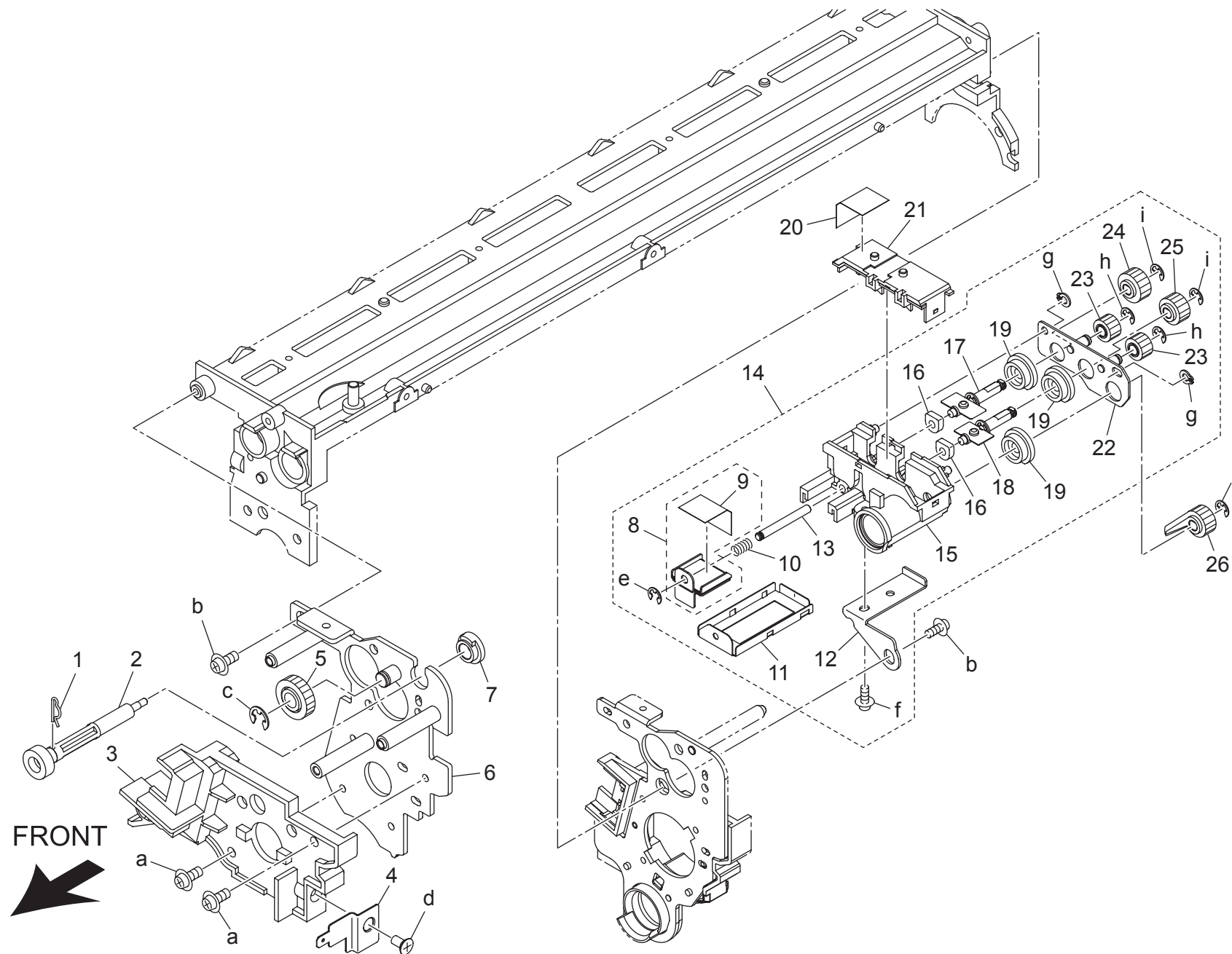
Key	Part No.	Description	Destinations	Class	QTY	Standard parts
1	50GA 9795 1E	Toner Indicating Label		C	1	a-V121 0304 04
2	26NA 2134 0	DRUM ROTARY PART		C	1	b-V121 0308 03
3	50GA 2035 0E	CARTRIDGE COVER /FRONT		C	1	c-V121 0306 03
4	26NA R705 00	SEPARATE SORENOID ASSY		C	1	d-V118 0306 03
5	26NA 2138 0	SOLENOID SEAL		C	2	e-V151 0308 03
6	26NA 2024 2	SEPARATE GUIDE PLATE		C	1	f-V217 0400 50
7	26TA 2032 0	SEPARATE AUXILIARY ROLLER		C	14	g-V121 0310 04
8	26NA 2027 0	SEPARATE RELEASE LEVER		C	1	h-V233 2012 50
9	26NA 2030 0	SEPARATE ROCKING COLLAR		C	2	
10	26NA 2031 0	SEPARATE ROCKING SCREW		C	2	
11	40AA 2023 0	SEPARATOR RELEASE SPRING		C	1	
12	26NA 2029 0	SEPARATE ROCKING SPRING		C	1	
13	26NA 2142 0	PAPER GUIDE SHEET C		C	1	
14	26NA 2140 0	PAPER GUIDE SHEET A		C	2	
15	50GA -218 0	SEPARATING CLAW ASSY		C	2	
16	40AA 2017 0	SEPARATOR FULCRUM SHAFT		C	2	
17	26NA 2143 0	PAPER GUIDE SHEET D		C	1	
18	50GA -200 1	DRUM UNIT		B	1	
19	40LA R702 00	DRUM SHAFT ASSY		D	1	
20	26NA 2136 0	DRUM SUPPORT SHAFT HOLDER		C	1	
21	40LA 2094 0	DRUM SUPPORT PART		C	1	
22	26NA 2144 0	CARTRIDGE SCREW		C	1	
23	26NA R704 00	DEVELOPING ELECTRIFY COMBINED		C	1	
24	3920 4526 0	ELECTRODE CONNECTING SPRING B		C	3	
25	40AA 7319 1	CHARGING INPUT SPRING		C	2	
26	40LA -221 0	CHARGE POWERING /A CAULKING		D	1	
27	40LA -222 0	CHARGE POWERING /B CAULKING		D	1	

DRUM CARTRIDGE

FRONT



DRUM CARTRIDGE

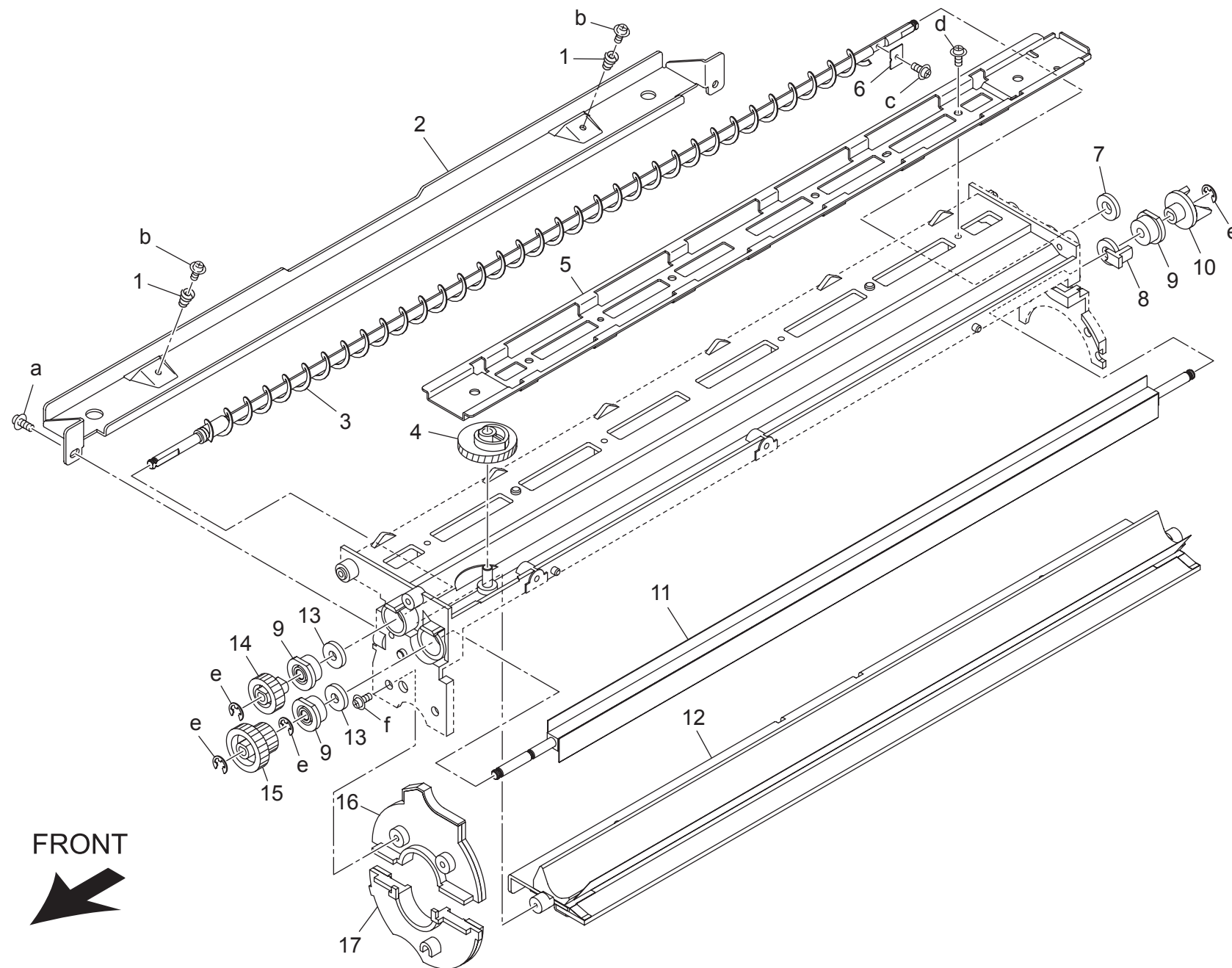


DRUM CARTRIDGE

Key	Part No.	Description	Destinations	Class	QTY	Standard parts
1	26NA 2092 0	SHAFT FIXED PART		C	1	a-V121 0306 03
2	26NA 2057 0	SEPARATION ROCKING GEAR 18T		C	1	b-V151 0310 03
3	40LA 2005 0	ELECTRODE GUIDE PART /FRONT		D	1	c-V217 0400 50
4	26NA 2076 0D	Transfer Power supply Plate		C	1	d-V147 0308 03
5	26NA 2042 0	IDLER GEAR 25T		C	1	e-V217 0200 50
6	40LA -215 1	PANEL /FRONT CAULKING		D	1	f-V151 0308 03
7	26NA 2038 0	ROCKING SHAFT HOLDER		C	1	g-V221 0300 50
8	50GA -217 0	COLLECTING COVER ASSY		D	1	h-V217 0250 50
9	26NA 2107 0	COLLECTING SEAL		C	1	i-V217 0300 50
10	26NA 2037 0D	Collection Spring		C	1	
11	26NA 2086 0D	Collection Cover /B		C	1	
12	26TA 2088 1	CLEANER FIXING PART		D	1	
13	26NA 2087 0	CLEANER AUXILIARY PART		C	1	
14	50GA -205 0	SCREW GUIDE PART/REAR ASSY		C	1	
15	26TA 2053 1	SCREW GUIDE PART /REAR		D	1	
16	26TA 2154 0	RECYCLING SHAFT HOLDER		C	2	
17	26TA -235 0	RECYCLING SHAFT/1 ASSY		D	1	
18	26TA -236 0	RECYCLING SHAFT/2 ASSY		D	1	
19	26NA 2128 0	SCREW SHAFT HOLDER B		C	3	
20	26TA 2161 1	SPEWING PV SHEET B		C	1	
21	26TA R701 00	COLLECT COVER C ASSY		D	1	
22	26TA -237 1	DRIVE SUPPORT PANEL/1 CAULKING		D	1	
23	26TA 2149 0	TONER CONVEYANCE GEAR 4 13T		C	2	
24	26TA 2148 0	TONER CONVEYANCE GEAR 3 16T		C	1	
25	26TA 2147 0	TONER CONVEYANCE GEAR 2 18T		C	1	
26	26TA 2146 0	TONER CONVEYANCE GEAR 1 19T		C	1	

DRUM CARTRIDGE

P 20



FRONT

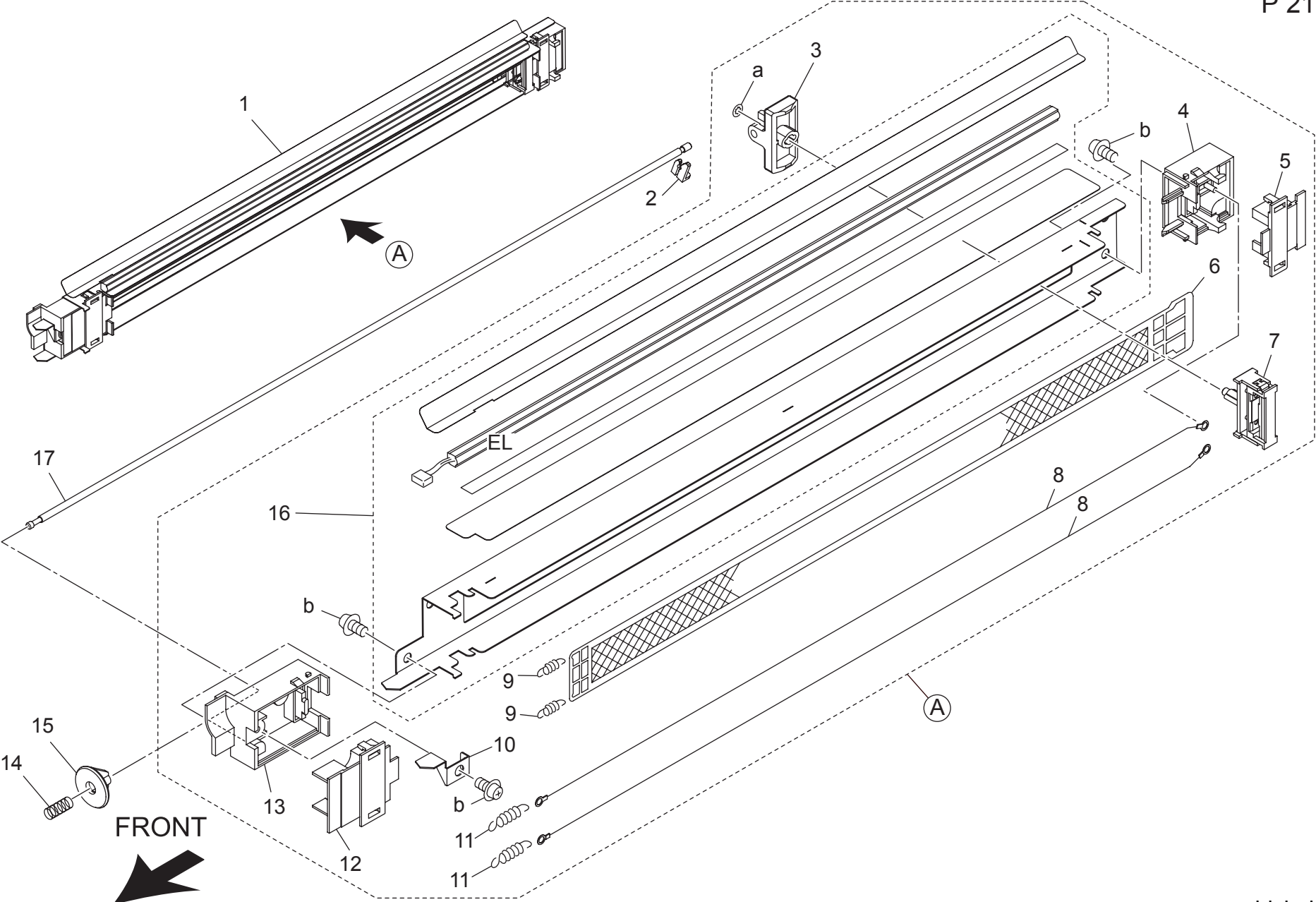


DRUM CARTRIDGE

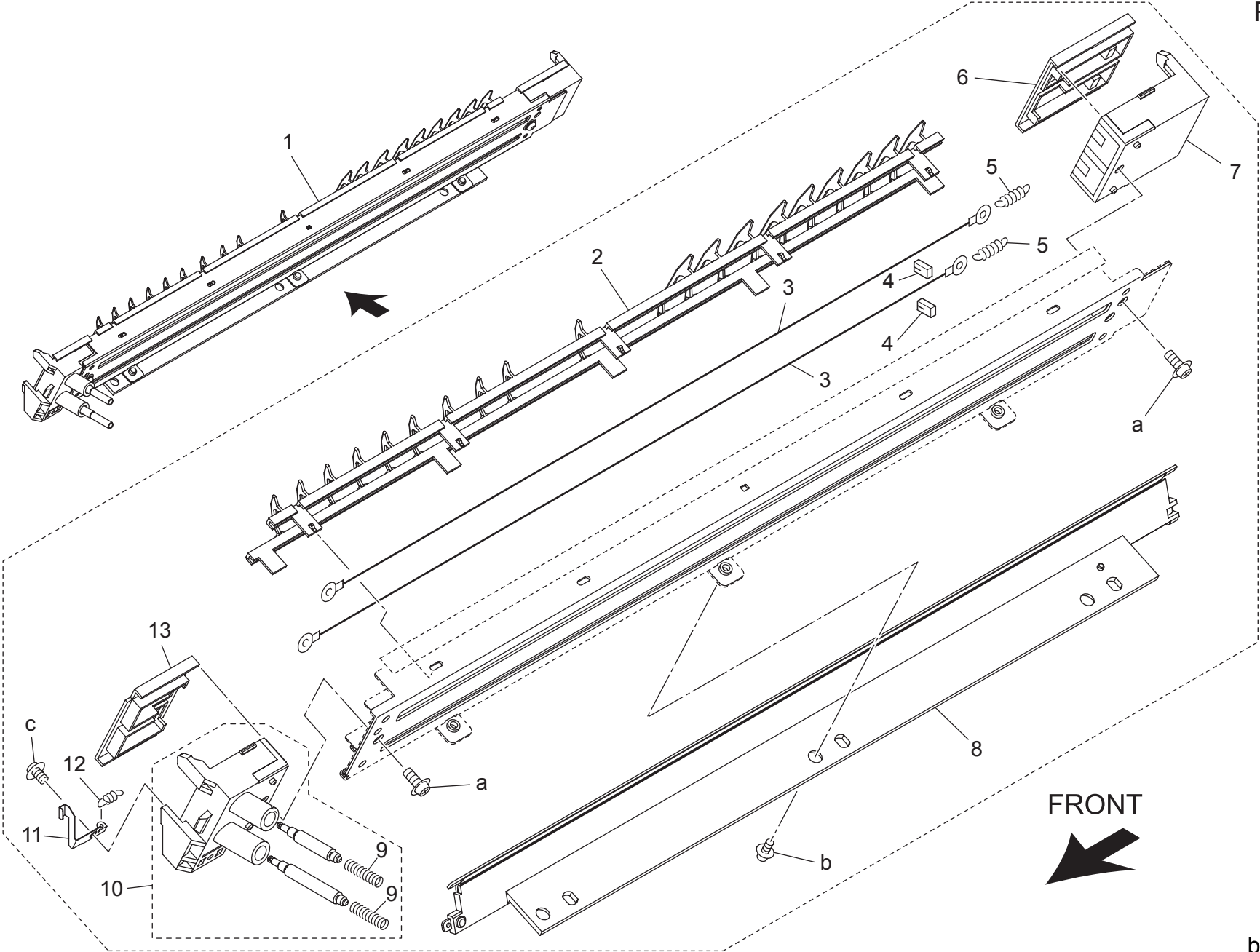
Key	Part No.	Description	Destinations	Class	QTY	Standard parts
1	40LA 2019 0	BLADE PRESSURE SPRING		C	2	a-V121 0304 04 b-V118 0304 03 c-V111 0202 03 d-V151 0308 03 e-V217 0300 50 f-V151 0312 03
2	40LA 2036 0E	Cartridge Reinforce Part		D	1	
3	50GA 2007 0	TONER COLLECTION SCREW		D	1	
4	26NA 2058 0	SEPARATION ROCKING CAM		C	1	
5	40LA 2034 0D	Cartridge Rail		D	1	
6	26TA 2151 0	AGITATOR PLATE A		D	1	
7	26NA 2022 0	CLEANER COLLECT SEAL		C	1	
8	26NA 2116 0	SHAFT HOLDER SPACER		C	1	
9	26NA 2014 0	SCREW SHAFT HOLDER		C	3	
10	26NA 2056 0	TONER COLLECT COUPLING		B	1	
11	26NA 2055 3	TONER AGITATE SHAFT		D	1	
12	50GA -209 0	DRUM CLEANING BLADE ASSY		A	1	
13	26NA 2071 0	FELT A		C	2	
14	26NA 2016 0	SCREW GEAR 24T		C	1	
15	26NA 2017 0	AGITATING GEAR 19T 30T		C	1	
16	40LA R701 00	BLADE SEAL BLOCK F ASSY		B	1	
17	40LA R703 00	BLADE SEAL BLOCK 1 ASSY		B	1	

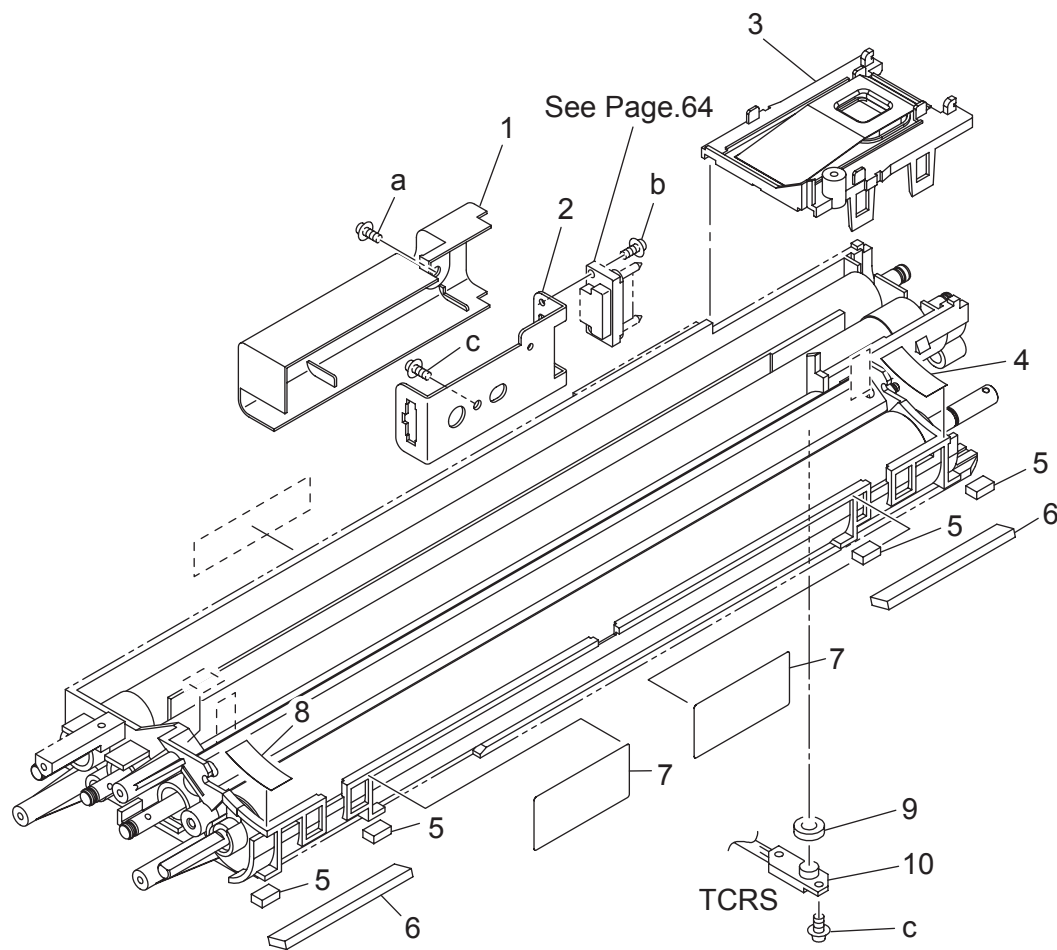
CHARGING UNIT

P 21



TRANSFER SEPARATOR CORONA UNIT





FRONT

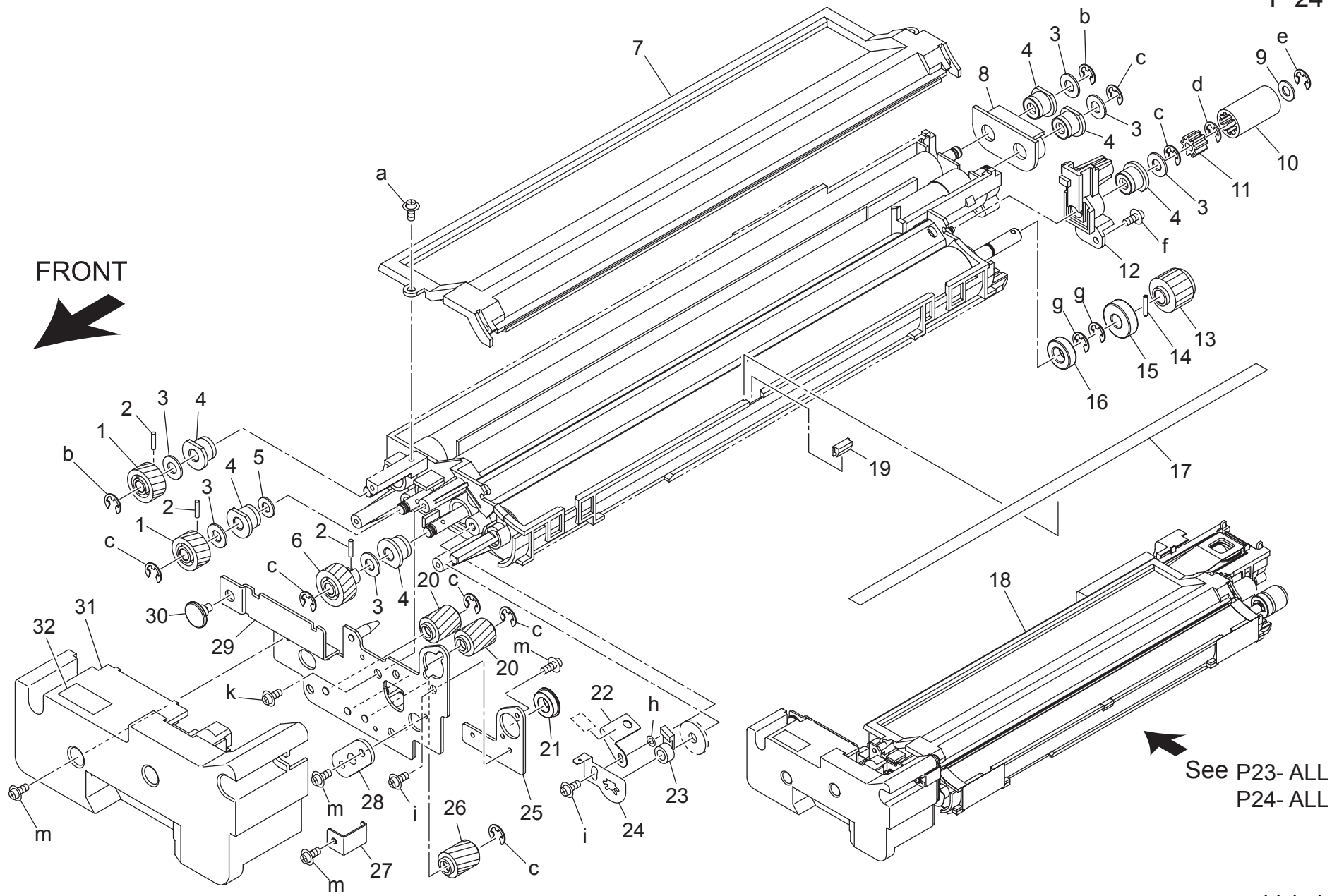


DEVELOPING UNIT

Key	Part No.	Description	Destinations	Class	QTY	Standard parts
1	26NA 3049 0	DEVELOPING ELECTRODE COVER		D	1	a-V121 0306 03 b-V118 0306 03 c-V151 0306 03
2	26NA 3047 0	DEVELOPING ELECTRODE STAY		D	1	
3	26NA R708 00	DEVELOPING COVER PART A ASSY		C	1	
4	26NA 3072 0	SCATTER PREVENTING SHEET 4		C	1	
5	50GA 3161 0	DEVELOPING SUCTION SEAL C		C	4	
6	50GA 3160 0	DEVELOPING SUCTION SEAL B		C	2	
7	50GA 3157 0	SCATTER PREVENTING SHEET /A		C	2	
8	26NA 3045 0	SCATTER PREVENTING SHEET 3		C	1	
9	0294 2064 0	L DETECTING SEAL		C	1	
10	26NA 8804 1	TONER DENSITY SENSOR		B	1	

DEVELOPING UNIT

P 24



See P23- ALL
P24- ALL

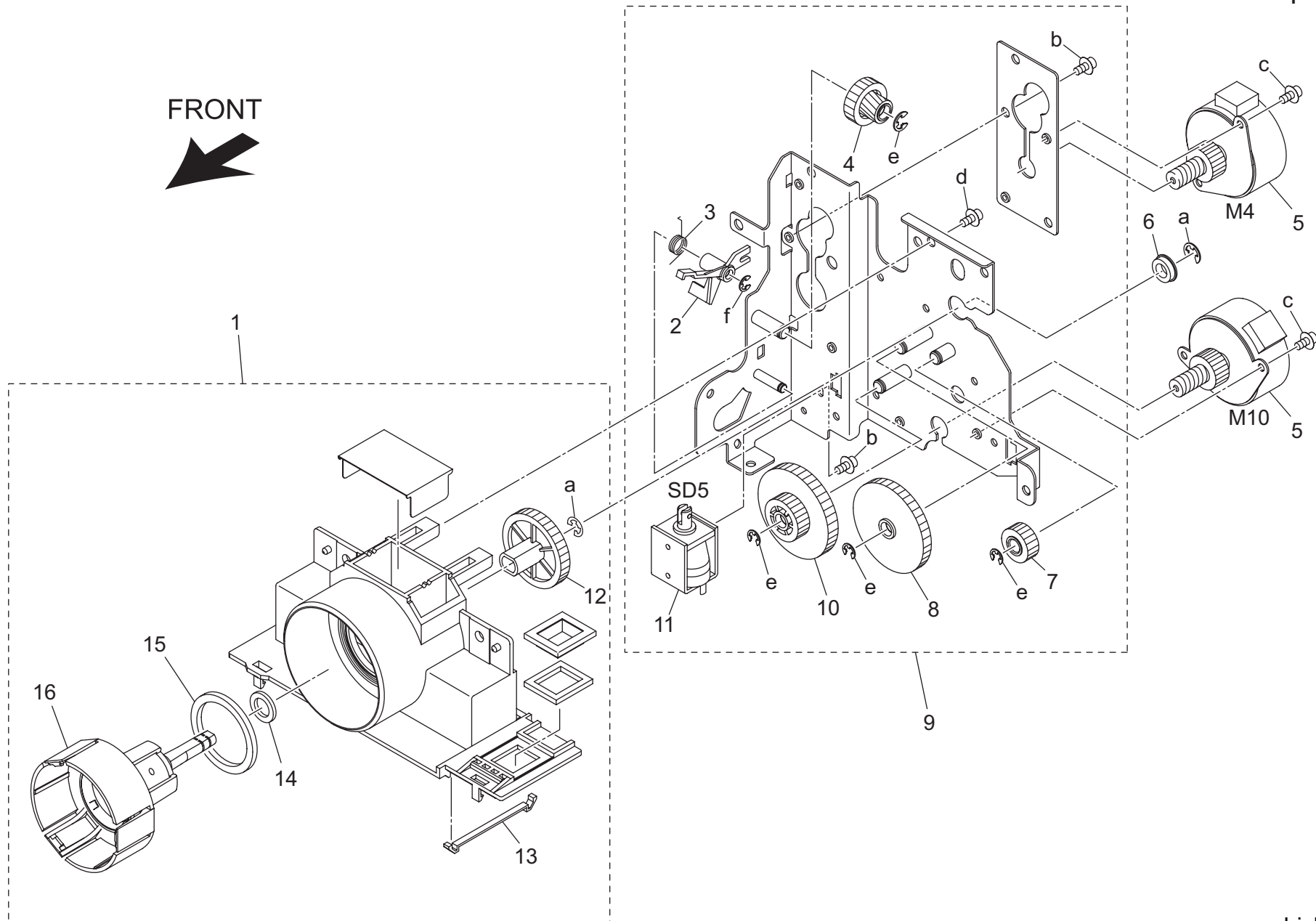
bizhub 361

Key	Part No.	Description	Destinations	Class	QTY	Standard parts
1	50GA 3015 0	AGITATING GEAR B 20T		B	2	a-V121 0306 04
2	4660 7801 0	PIN A D2X10		B	3	b-V217 0500 50
3	26NA 3085 0	SHAFT HOLDER SPACER		C	6	c-V217 0400 50
4	26NA 3077 0	DEVELOPING SHAFT HOLDER		B	6	d-V217 0300 50
5	26NA 3094 0	DEVELOPING SEAL S		C	1	e-V221 0300 50 f-V151 0306 03
6	50GA 3014 0	AGITATING GEAR A 22T		B	1	g-V217 0600 50
7	26TA R702 00	DEVELOPING COVER ASSY		C	1	h-V207 0600 03
8	26NA 3009 0	DEVELOPING COVER PART /B		D	1	i-V123 0306 03
9	26NA 3096 0	SPACER C		C	1	k-V151 0308 03
10	26NA 3095 0	AGITATE COUPLING A		C	1	m-V121 0306 03
11	26NA 3073 0	AGITATE COUPLING		B	1	
12	26NA R707 00	DEVELOPING COVER PART C ASSY		D	1	
13	26NA 3070 0	DEVELOPING GEAR		C	1	
14	1136 2060 0	PIN A		C	1	
15	26NA 3066 0	BALL BEARING		C	1	
16	26NA 3065 0	DEVELOPING SHAFT HOLDER REAR		C	1	
17	26NA 3044 0	SPEWING PREVENTIVE SHEET 2		D	1	
18	50GA -300 1	DEVELOPING UNIT		B	1	
19	26NA 3084 0	DEVELOPING BLOCK		D	1	
20	50GA 3018 0	IDLING GEAR 2 15T		B	2	
21	26NA 2136 0	DRUM SUPPORT SHAFT HOLDER		C	1	
22	26NA 3036 0	DEVELOPING CONNECTING PLATE		D	1	
23	26NA 3063 0	DEVELOPING SHAFT HOLDER FRONT		C	1	
24	26NA 3021 1G	Magnet Adjusting Plate		D	1	
25	26NA 3086 0	SHAFT HOLDER FULCRUM PART		C	1	
26	50GA 3017 0	IDLING GEAR 1 15T		B	1	
27	26NA 3093 0	DEVELOPING SUPPORT STOPPER		D	1	
28	26NA 3075 0	DEVELOPING ADJUSTING CAM FRONT		D	1	
29	50GA -307 0E	DEVELOPING STAY CAULKING		D	1	
30	26NA 3101 0	POSITIONING SCREW		C	1	
31	50GA -304 0	DEVELOPING COVER ASSY		C	1	
32	56UA 9792 0	HIGE VOLTAGE CAUTION LABEL		C	1	

TONER SUPPLY UNIT

P 25

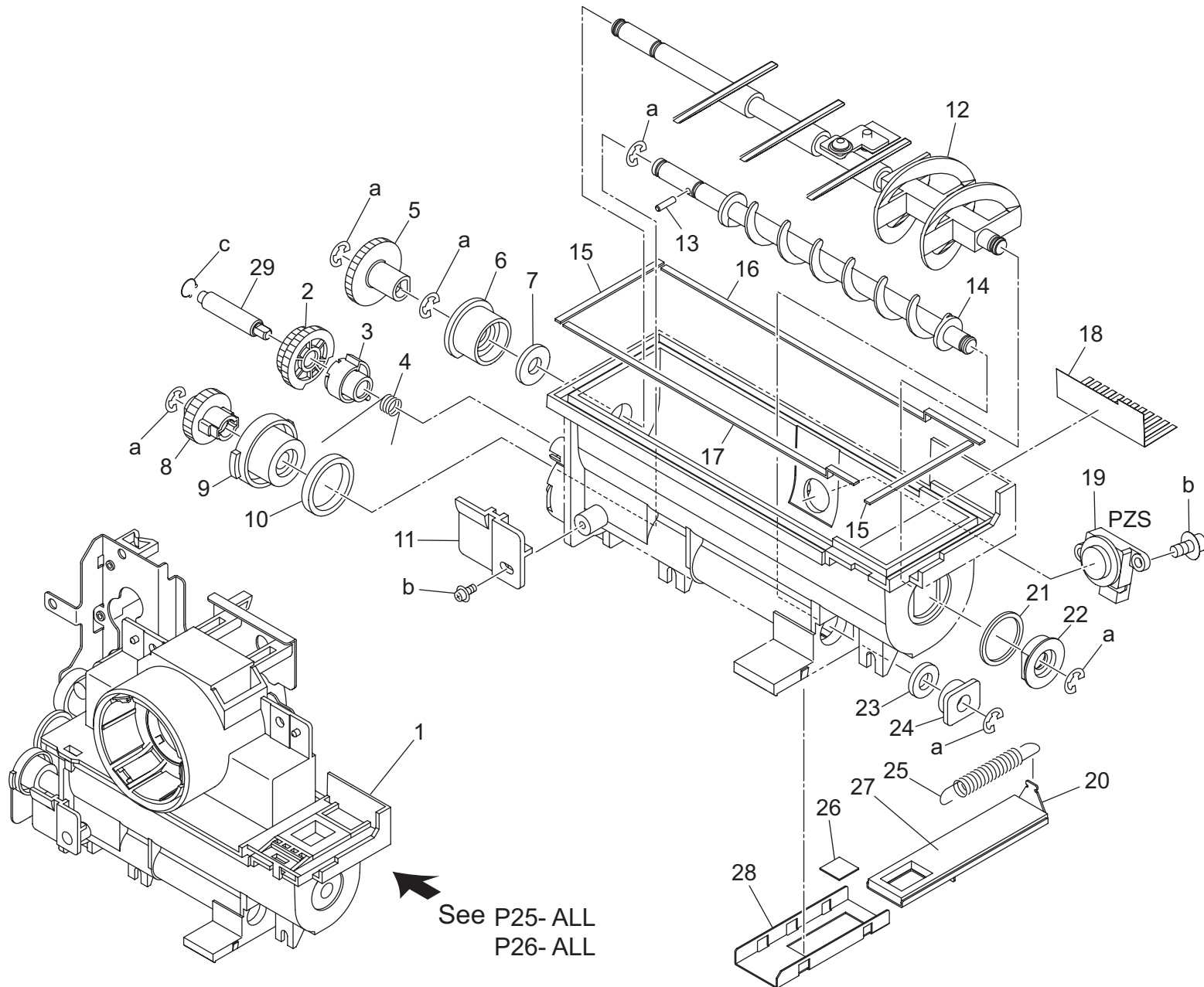
FRONT



TONER SUPPLY UNIT

P 26

FRONT



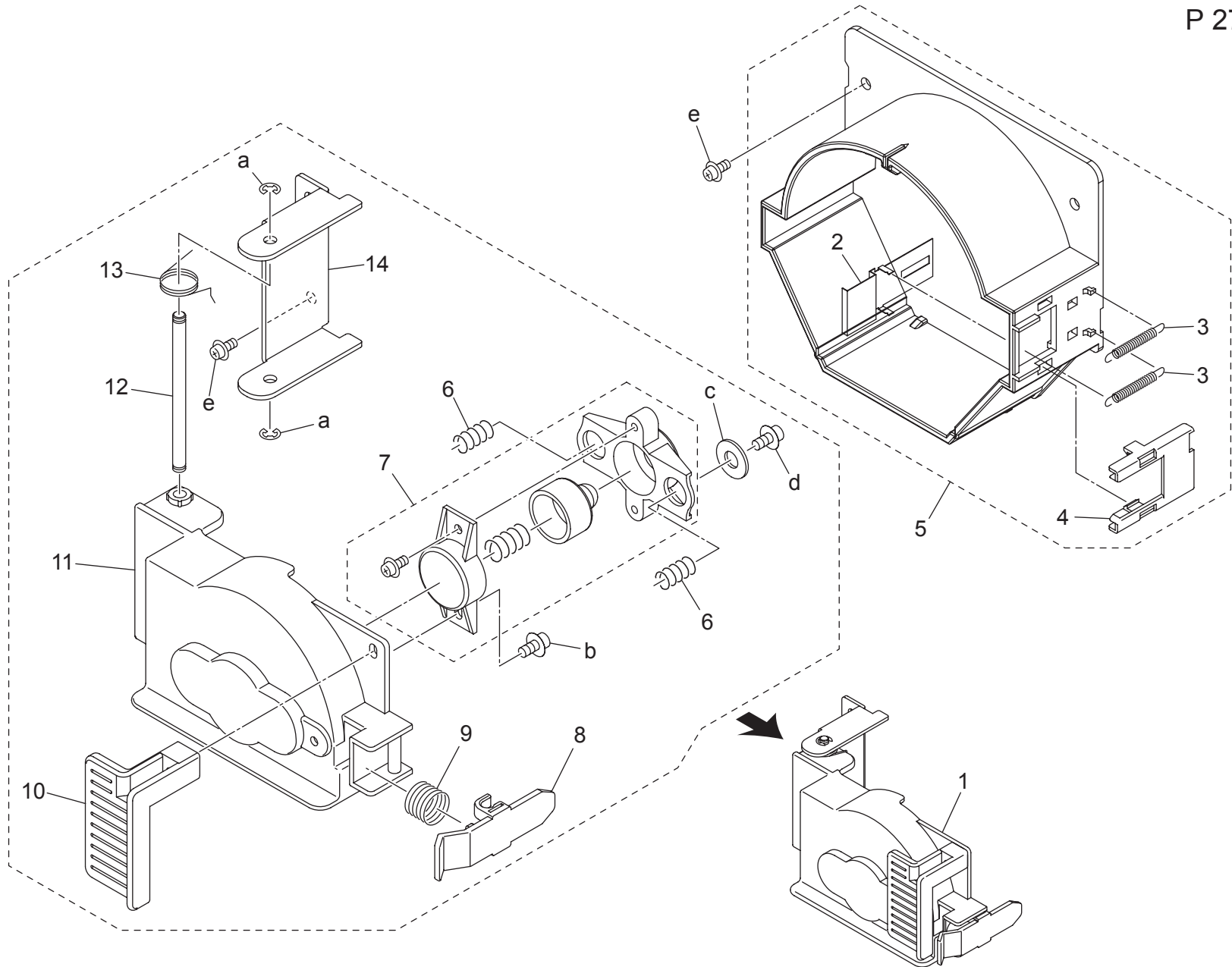
See P25- ALL
P26- ALL

TONER SUPPLY UNIT

Key	Part No.	Description	Destinations	Class	QTY	Standard parts
1	50GA -320 1	TONER SUPPLY UNIT		I	1	a-V217 0400 50 b-V151 0308 03 c-V221 0400 50
2	50GA 3252 0	TONER CONVEYANCE GEAR 3 20T 25T		C	1	
3	50GA 3323 0E	TONER SUPPLY DRIVE CAM		C	1	
4	50GA 3270 0	STOPPER SPRING		C	1	
5	50GA 3253 0	TONER CONVEYANCE GEAR 4 27T		C	1	
6	25HA 3215 2	TONER CONVEYANCE SHAFT HOLDER A		C	1	
7	26NA 3296 0	FELT C		C	1	
8	50GA 3251 0	TONER SUPPLY REGULATING GEAR 21T		C	1	
9	26NA 3256 0	TONER AGITATE SHAFT HOLDER LEFT		C	1	
10	40LA 3227 0	SCREW SEAL PART MIDDLE		D	1	
11	50GA 3322 0	SPRING REGULATING PART A		C	1	
12	40LA R706 00	AGITATE SCREW ASSY		D	1	
13	26NA 3297 0	PIN		C	1	
14	26NA 3204 0	TONER SUPPLY SCREW		C	1	
15	26NA 3293 0	TONER SUPPLY SEAL 3		C	2	
16	26NA 3291 0	TONER SUPPLY SEAL 1		C	1	
17	26NA 3292 0	TONER SUPPLY SEAL 2		C	1	
18	26TA 3301 0	TONER AGITATE SHEET FRONT		C	1	
19	40AA 8803 1	LEVEL DETECTION SENSOR		C	1	
20	50GA 3208 0	TONER SUPPLY OPEN CLOSE PLATE		D	1	
21	26NA 3228 0	SCREW SEAL PART UPPER		C	1	
22	26NA 3254 0	TONER AGITATE SHAFT HOLDER		C	1	
23	26NA 3220 0	SCREW SEAL PART LOWER		C	1	
24	26NA 3255 0	TONER AGITATE SHAFT HOLDER RIGHT		C	1	
25	26NA 3209 0	TONER SUPPLY OPEN CLOSE SPRING		B	1	
26	26NA 3290 0	SPEWING PREVENTIVE SPACER		C	1	
27	26NA 3230 0	TONER SUPPLY OPEN CLOSE SHEET		C	1	
28	26NA 3243 0	TONER SUPPLY OPEN CLOSE COVER		C	1	
29	26NA 3269 0	TONER AGITATING SHAFT /2		D	1	

TONER SUPPLY UNIT

P 27



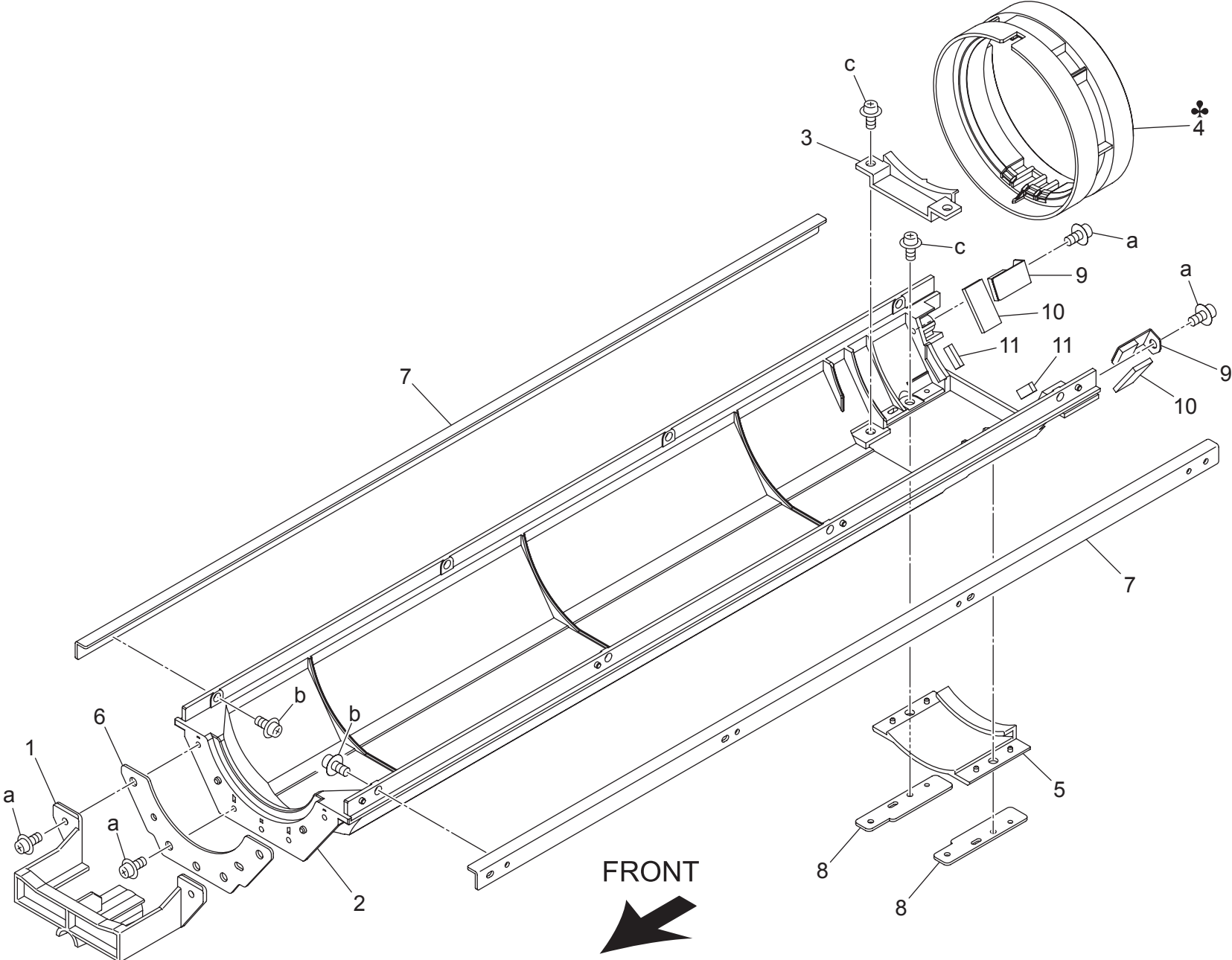
FRONT



TONER SUPPLY UNIT

Key	Part No.	Description	Destinations	Class	QTY	Standard parts
1	50GA -332 1	TONER CARTRIDGE PRESSING ASSY		C	1	a-V217 0300 50 b-V151 0308 03 c-00Z6 1042 1 d-V151 0410 03 e-V121 0306 03
2	26TA 3296 0	CARTRIDGE REGULATING PLATE		C	1	
3	26TA 3297 0	CARTRIDGE REGULATING SPRING		C	2	
4	26TA 3299 0	COVER PART		C	1	
5	50GA -334 1	TONER SUPPLY GUIDE PART ASSY		C	1	
6	26TA 3298 0	CARTRIDGE PRESSING SPRING 3		C	2	
7	50GA -333 0	PRESSING ASSY		C	1	
8	50GA 3285 1	CARTRIDGE PRESSING HANDLE		C	1	
9	26NA 3287 0	CARTRIDGE PRESSING SPRING 2		C	1	
10	50GA 3312 0	CARTRIDGE PRESSING HANDLE B		C	1	
11	50GA 3282 2F	Cartridge Pressing Pedestal		C	1	
12	50GA 3311 0	TONER SUPPLY SUPPORT SHAFT		D	1	
13	50GA 3326 0	TONER SUPPLY OPEN CLOSE SPRING		C	1	
14	50GA 3310 0	TONER SUPPLY SUPPORT PLATE		D	1	

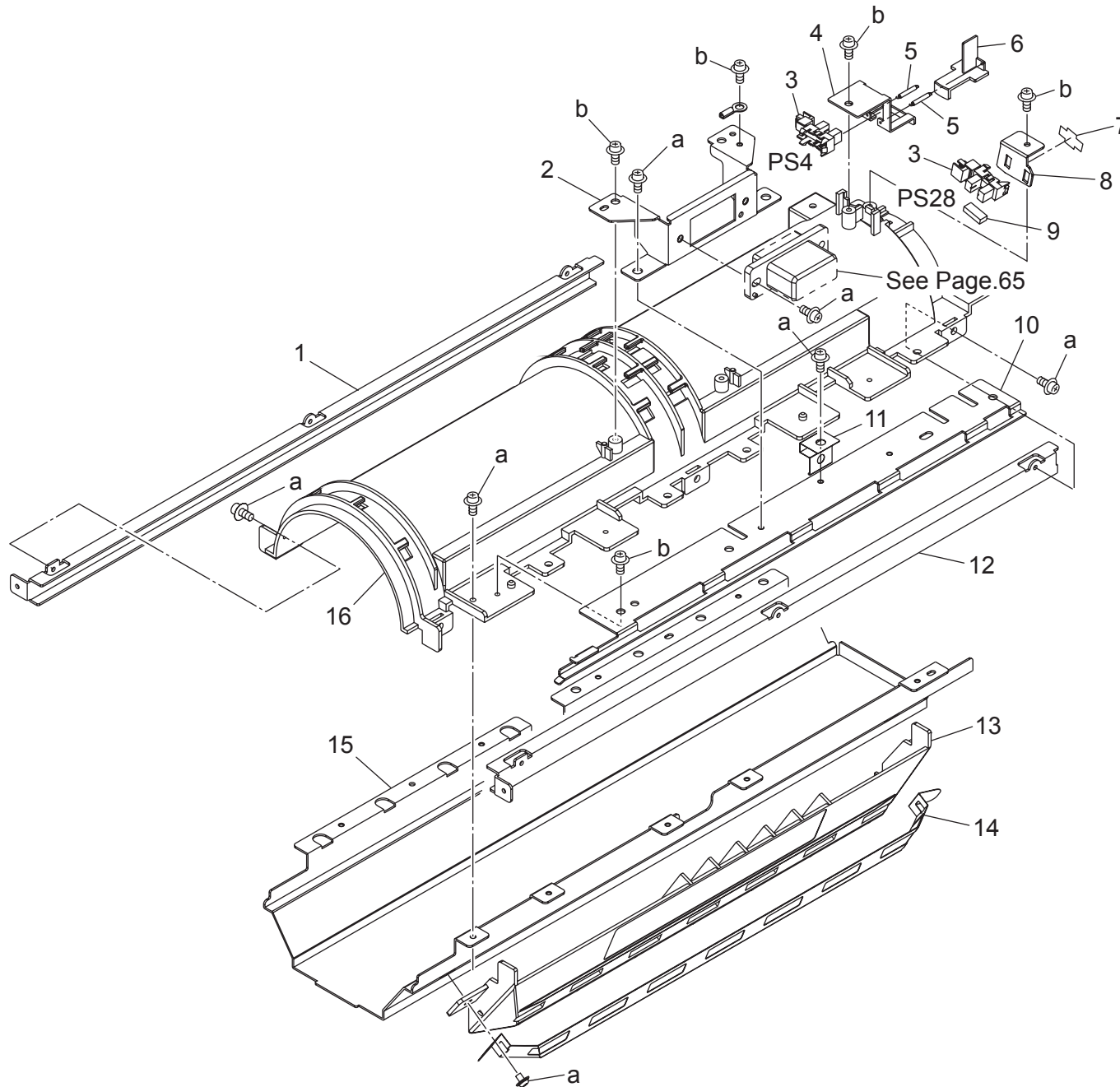
TONER SUPPLY UNIT



TONER SUPPLY UNIT

Key	Part No.	Description	Destinations	Class	QTY	Standard parts
1	50GA 3308 0E	TONER SUPPLY PULLING LEVER		C	1	a-V151 0308 03 b-V118 0304 03 c-V121 0306 03
2	50GA 3210 2I	Toner supply Guide Plate /Lower		C	1	
3	50GA 3318 2	TONER SUPPLY AUXILIARY COVER B		C	1	
4	50GA 3315 2F	Toner supply Index Part	A	C	1	
4	50GE 3315 2F	Toner supply Index Part	B,G2	C	1	
4	50GF 3315 2F	Toner supply Index Part	C	C	1	
5	50GA 3306 0E	TONER SUPPLY AUXILIARY COVER		C	1	
6	50GA 3309 1E	LEVER MOUNTING PLATE		C	1	
7	50GA 3304 0	TONER SUPPLY GUIDE RAIL /MIDDL		D	2	
8	50GA 3319 0	MOUNTING PLATE /A		D	2	
9	50GA -337 0	MOUNTING PART /A ASSY		C	2	
10	50GA 3321 0	REGULATING SEAL A		C	2	
11	50GA 3332 0	SCATTER PREVENTING SEAL B		C	2	

TONER SUPPLY UNIT



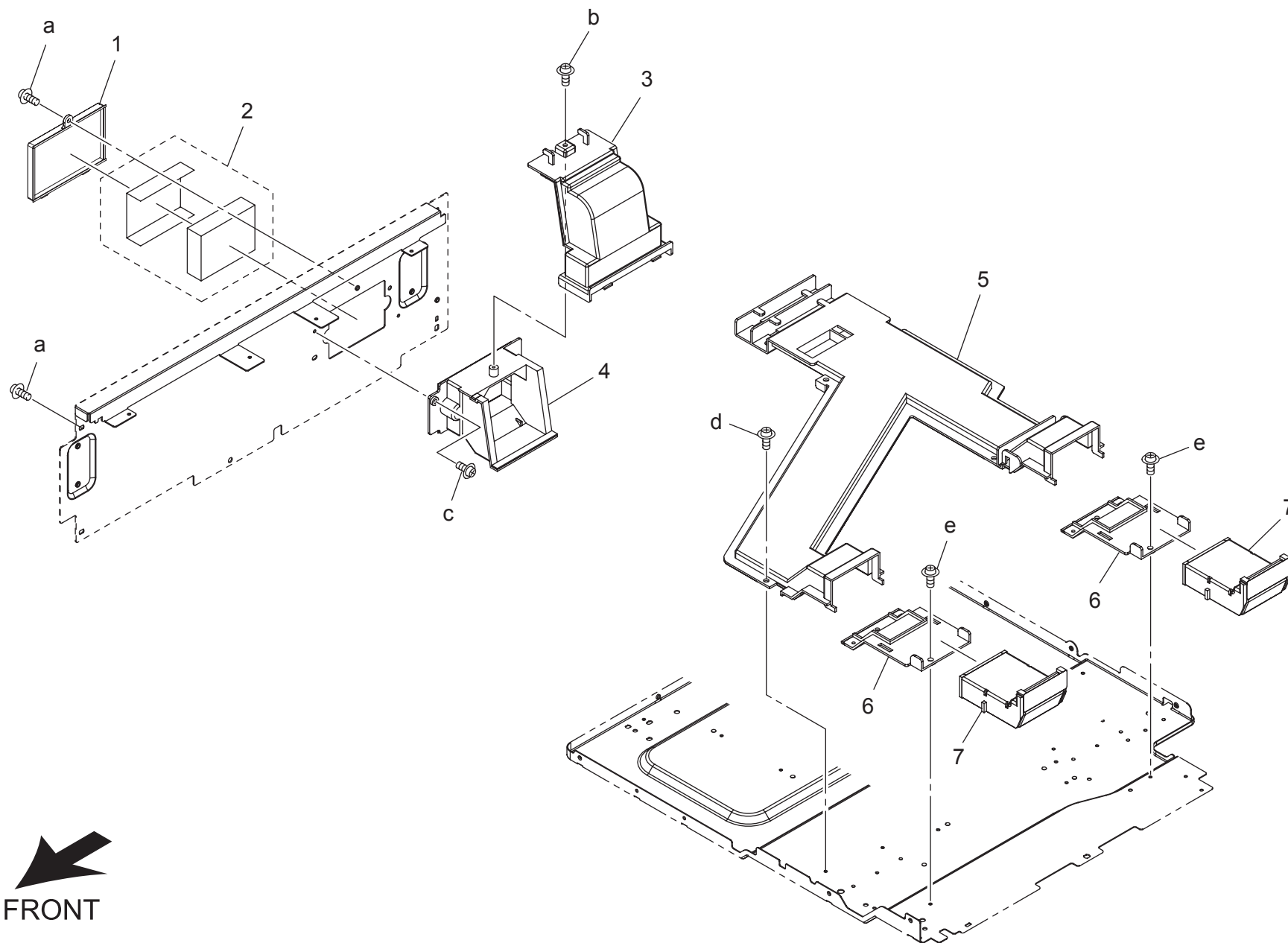
FRONT



TONER SUPPLY UNIT

Key	Part No.	Description	Destinations	Class	QTY	Standard parts
1	50GA 3303 0	TONER SUPPLY GUIDE RAIL/LEFT		D	1	a-V121 0304 03 b-V151 0308 03
2	50GA 3324 0	CORD MOUNTING PLATE/1		D	1	
3	9335 1300 61	PHOTO INTERRUPTER		B	2	
4	50GA 3307 1	MOUNTING PLATE		C	1	
5	50GA 3317 0E	SLIDE SPRING /A		C	2	
6	50GA 3223 0	DETECTION ACTUATOR		C	1	
7	4470 4024 01	STOPPER		D	1	
8	50GA 3316 1E	MOUNTING PLATE /B		C	1	
9	50GA 3333 0	SCATTER PREVENTING SEAL C		C	1	
10	50GA 3314 0	RAIL/LEFT		D	1	
11	50GA 3325 0	TONER SUPPLY EARTH PLATE 1		C	1	
12	50GA 3302 0	TONER SUPPLY GUIDE RAIL/RIGHT		D	1	
13	50GA 3313 0	COOLING COVER E		C	1	
14	50GA -336 0	FILTER MOUNTING PLATE ASSY		A	1	
15	50GA 3305 0E	TONER SUPPLY PROTECTION PART		D	1	
16	50GA 3211 1F	TONER SUPPLY GUIDE PLATE /UPPER		C	1	

DEVELOPING SUCTION UNIT

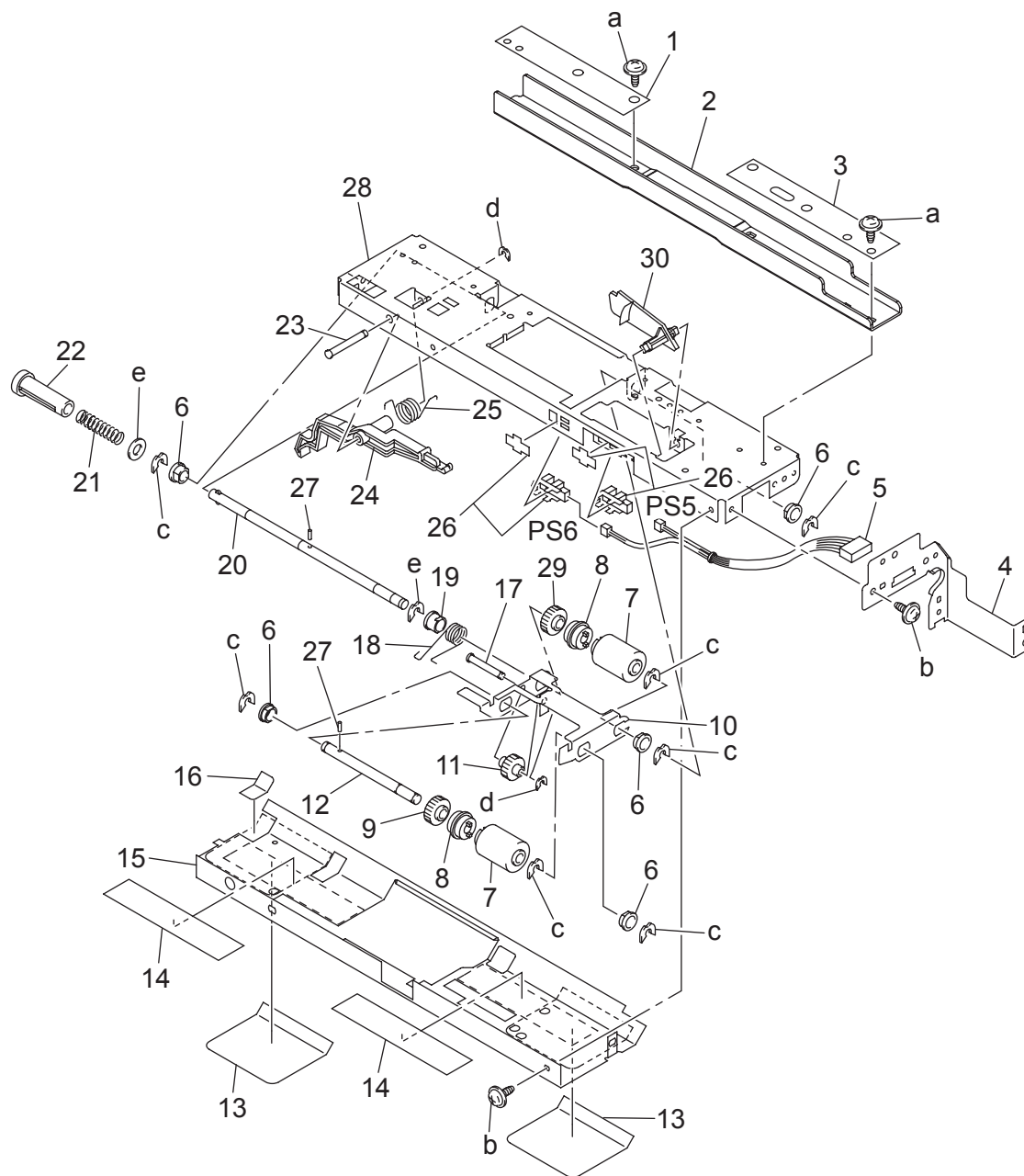


DEVELOPING SUCTION UNIT

Key	Part No.	Description	Destinations	Class	QTY	Standard parts
1	A0R5 R701 00	Filter Cover ASSY		A	1	a-V121 0306 03 b-V151 0308 03 c-V137 0308 03 d-V144 0306 03 e-V144 0308 03
2	40LA R705 00	SUCTION FILTER A ASSY		A	1	
3	50GA -313 0	SUCTION COVER 6 ASSY		D	1	
4	50GA -315 0	FAN COVER ASSY		D	1	
5	50GA -316 0	SUCTION COVER 1 ASSY		D	1	
6	50GA -319 0	SUCTION COVER 8 ASSY		D	2	
7	50GA -311 0	SUCTION COVER 2 ASSY		A	2	

PAPER FEED UNIT

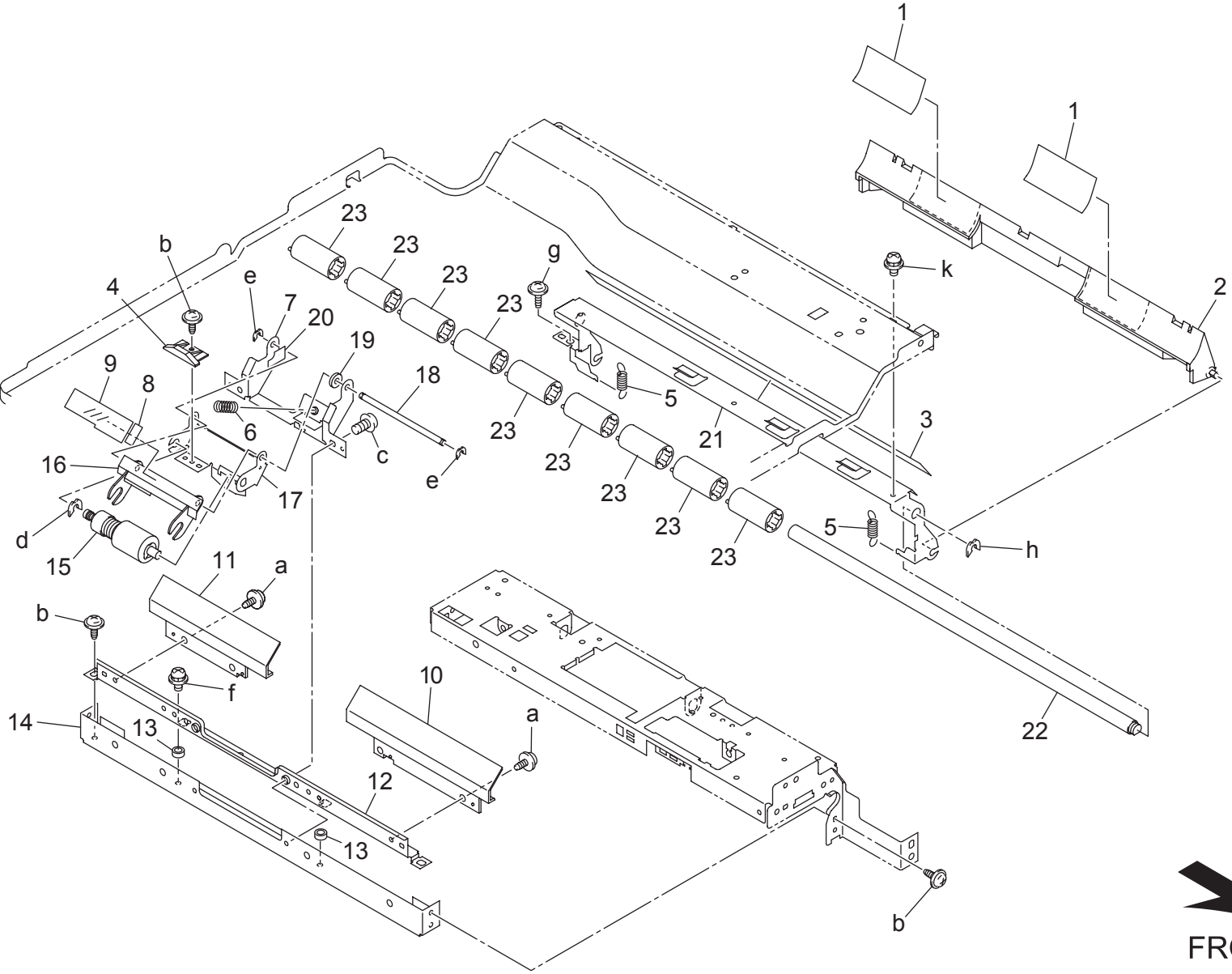
P 31



PAPER FEED UNIT

Key	Part No.	Description	Destinations	Class	QTY	Standard parts
1	4030 3087 01	REINFORCE PLATE		D	1	a-9735 0308 14 b-9735 0306 14 c-4425 3001 01 d-4425 3002 01 e-9715 0600 01
2	4030 3084 01	REINFORCE PLATE		D	1	
3	4030 3086 01	REINFORCE PLATE		D	1	
4	4030 3041 02	FRAME		D	1	
5	4030 6811 01	WIRE HARNESS ASSY		D	1	
6	4131 3003 01	BUSHING		C	5	
7	4030 3005 01	ROLLER		A	2	
8	4030 3034 01	CLUTCH		C	2	
9	4425 3016 01	GEAR 32T		C	1	
10	4030 3002 02	HOLDER		D	1	
11	4030 3008 01	GEAR 29T		C	1	
12	4030 3003 01	SHAFT		D	1	
13	4030 3036 01	GUIDE		C	2	
14	4030 3088 01	WEIGHT		C	2	
15	4030 3023 03	GUIDE PLATE		D	1	
16	4030 3085 01	COVER		C	1	
17	4040 3097 01	SHAFT		D	1	
18	4030 3030 01	TORSION SPRING		C	1	
19	1065 3086 01	BUSHING		C	1	
20	4030 3004 01	SHAFT		D	1	
21	1070 3072 01	PRESSURE SPRING		C	1	
22	1052 4412 01	JOINT		C	1	
23	4040 3096 01	SHAFT		D	1	
24	4030 3011 03	LEVER		C	1	
25	4030 3012 01	TORSION SPRING		C	1	
26	4037 0906 01	PHOTO INTERRUPTER		B	2	
27	1067 2501 01	PIN		C	2	
28	4030 3001 03	FRAME		D	1	
29	4425 3013 01	GEAR 30T		C	1	
30	4030 3016 12	ACTUATOR		C	1	

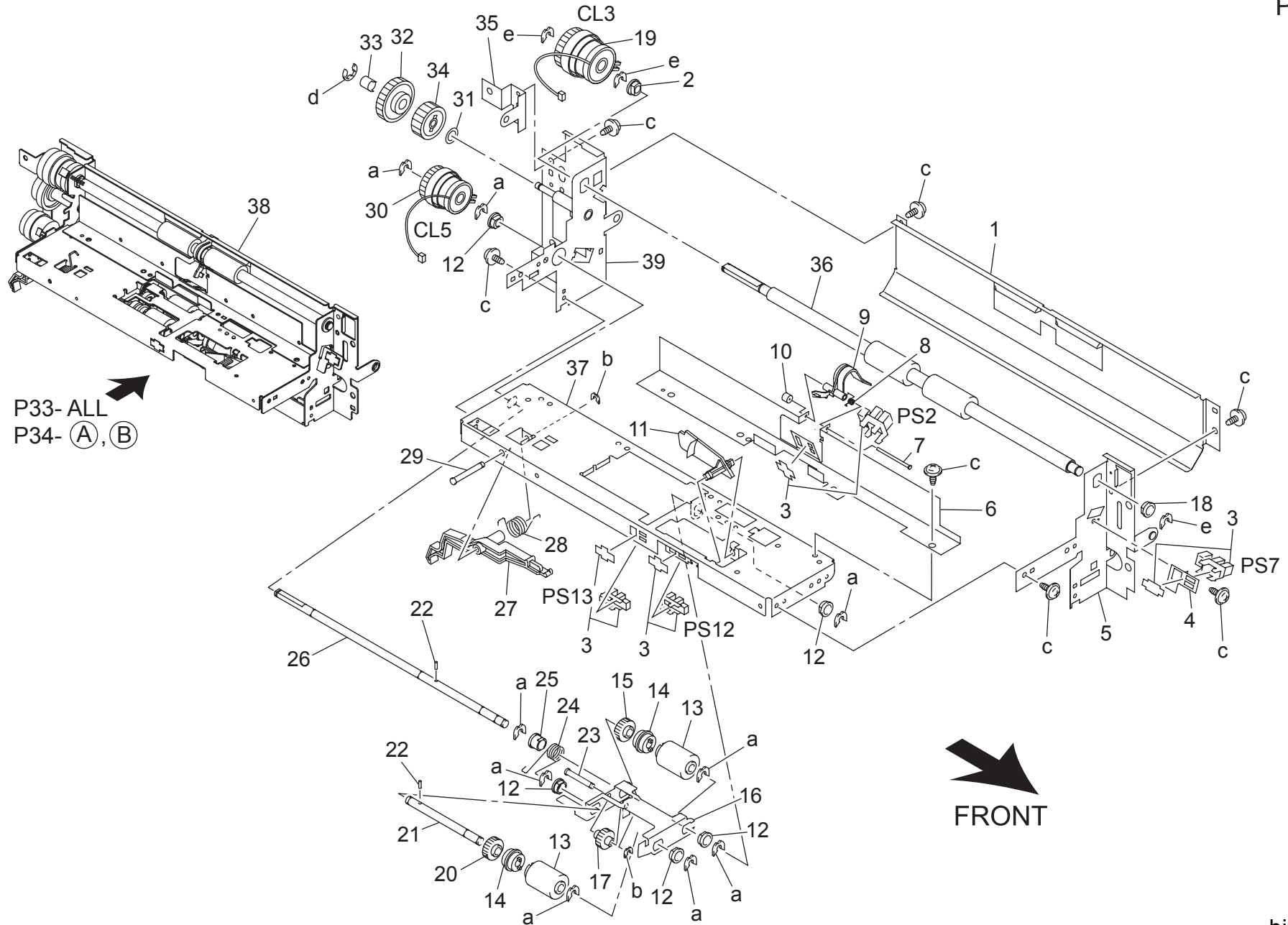
PAPER FEED UNIT



Key	Part No.	Description	Destinations	Class	QTY	Standard parts
1	4030 3108 01	GUIDE		C	2	a-9735 0308 14 b-9735 0306 14 c-9743 0308 14 d-4425 3001 01 e-4425 3002 01 f-9646 0308 14 g-9739 0308 14 h-1066 1151 01 k-9646 0306 14
2	4030 3032 03	GUIDE		D	1	
3	50GA 4001 0	ROLLER GUIDE SHEET		C	1	
4	4030 3078 01	LEVER		C	1	
5	4030 3125 01	TENSION SPRING		C	2	
6	4030 3017 03	PRESSURE SPRING		C	1	
7	4030 3014 01	BRACKET		D	1	
8	4030 3080 01	GUIDE		C	1	
9	4030 3079 01	GUIDE		C	1	
10	4030 3026 02	GUIDE		D	1	
11	4030 3027 02	GUIDE		D	1	
12	4030 3037 01	REINFORCE PLATE		D	1	
13	26NA 2030 0	SEPARATE ROCKING COLLAR		C	2	
14	4030 3025 02	BRACKET		D	1	
15	4030 0151 01	SEPARATION ROLLER ASSY		A	1	
16	4030 3077 01	GUIDE		D	1	
17	4030 3013 01	HOLDER		D	1	
18	4030 3039 01	SHAFT		D	1	
19	4040 5610 00	Spacer		D	1	
20	4040 5612 00	Spacer		D	1	
21	50GA 4003 0	ROLLER MOUNTING PLATE UPPER		D	1	
22	50GA 4002 0	PAPER FEED ROLLER SHAFT		C	1	
23	4658 3513 01	ROLLER		C	9	

PAPER FEED UNIT

P 33



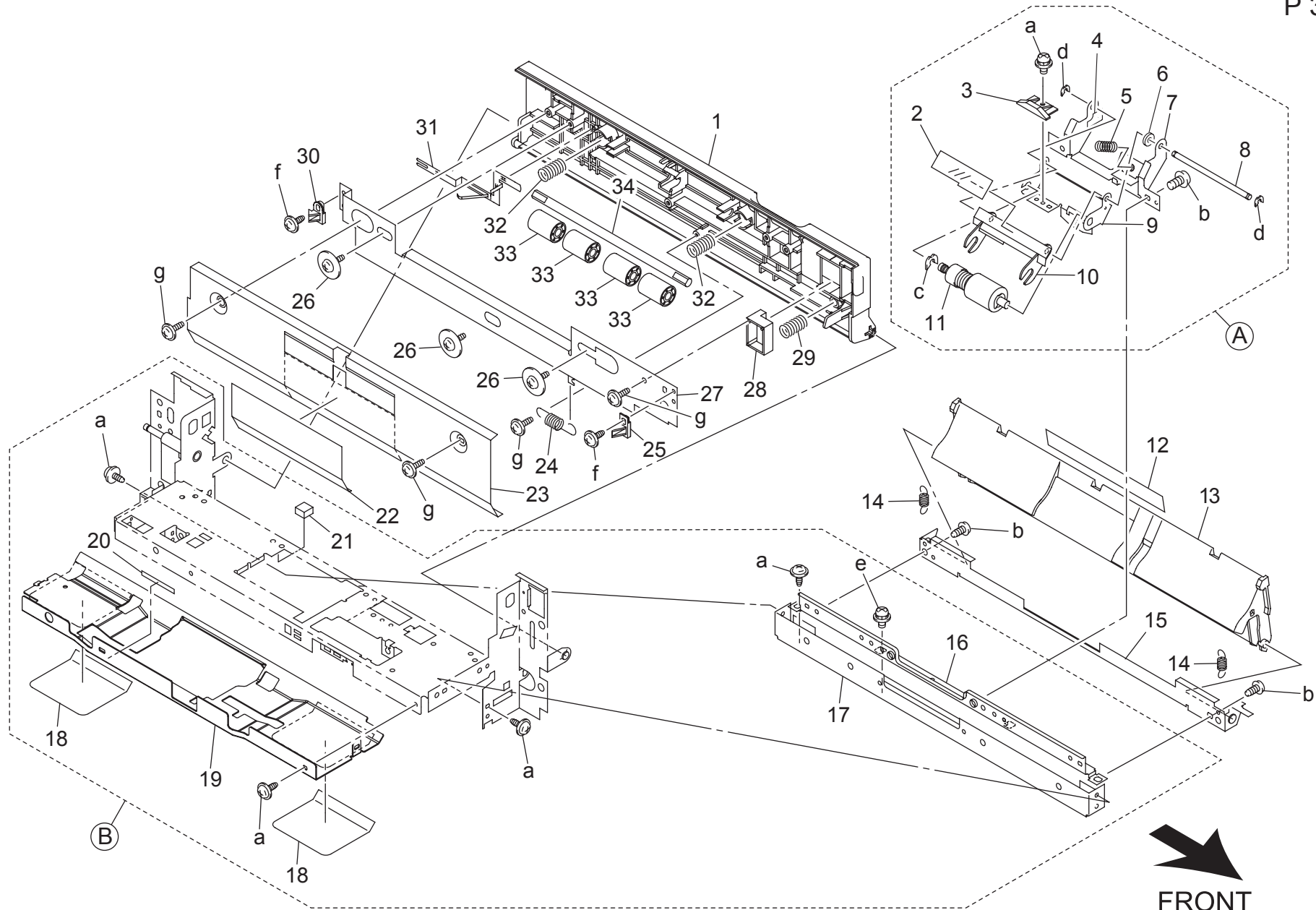
P33- ALL
P34- (A), (B)

FRONT

Key	Part No.	Description	Destinations	Class	QTY	Standard parts
1	4030 3112 02	GUIDE PLATE		D	1	a-4425 3001 01 b-4425 3002 01 c-9735 0306 14 d-9721 0400 01 e-1066 1151 01
2	4131 3532 02	BUSHING		C	1	
3	4037 0906 01	PHOTO INTERRUPTER		B	4	
4	4030 3128 01	BRACKET		D	1	
5	4030 3042 02	FRAME		D	1	
6	4030 3018 01	BRACKET		D	1	
7	1200 5212 04	PIN		D	1	
8	4030 3031 01	TORSION SPRING		C	1	
9	4030 3019 02	ACTUATOR		C	1	
10	1134 3041 01	COLLAR		D	1	
11	4030 3016 12	ACTUATOR		C	1	
12	4131 3003 01	BUSHING		C	5	
13	4030 3005 01	ROLLER		A	2	
14	4030 3034 01	CLUTCH		C	2	
15	4425 3013 01	GEAR 30T		C	1	
16	4030 3002 02	HOLDER		D	1	
17	4030 3008 01	GEAR 29T		C	1	
18	50GA 4005 0	PAPER FEED SHAFT HOLDER		C	1	
19	50GA 8202 0	CONVEYANCE CLUTCH		C	1	
20	4425 3016 01	GEAR 32T		C	1	
21	4030 3003 01	SHAFT		D	1	
22	1067 2501 01	PIN		C	2	
23	4040 3097 01	SHAFT		D	1	
24	4030 3030 01	TORSION SPRING		C	1	
25	1065 3086 01	BUSHING		C	1	
26	4030 3022 01	SHAFT		D	1	
27	4030 3011 03	LEVER		C	1	
28	4030 3012 01	TORSION SPRING		C	1	
29	4040 3096 01	SHAFT		D	1	
30	9322 1500 12	CLUTCH		C	1	
31	4030 3092 01	WASHER		D	1	
32	4030 3064 01	GEAR 33T		C	1	
33	4030 3069 01	SLEEVE		D	1	
34	4030 3068 01	GEAR 26T		C	1	
35	4030 3063 01	BRACKET		D	1	
36	4030 3021 01	ROLLER		C	1	
37	4030 3010 02	FRAME		C	1	
38	50GA -400 0	LOWER PAPER ASSY		S	1	
39	50GA -402 0	FRAME ASSY		D	1	

PAPER FEED UNIT

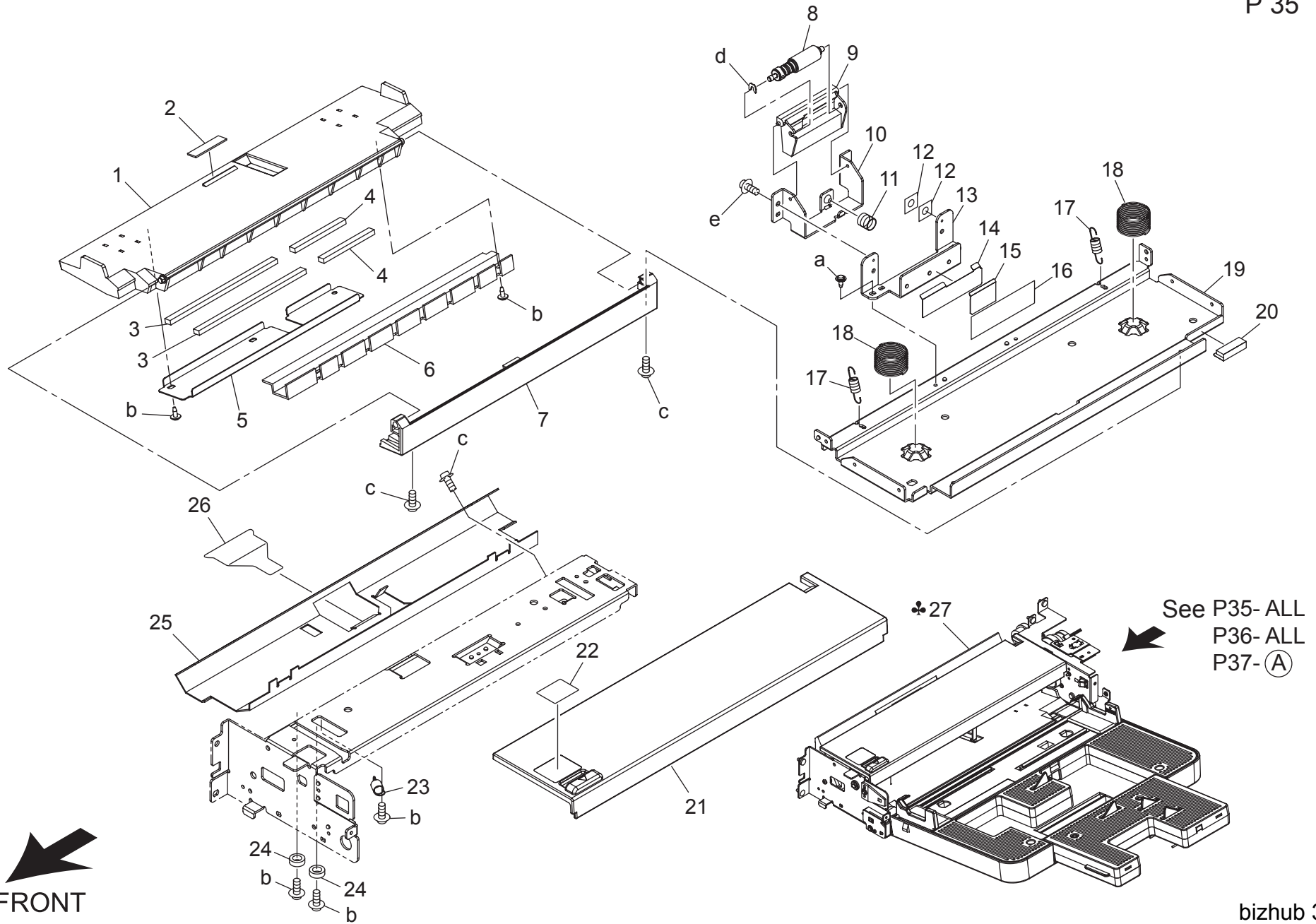
P 34



Key	Part No.	Description	Destinations	Class	QTY	Standard parts
1	A0R5 5611 00	Door		C	1	a-9735 0306 14 b-9743 0308 14 c-4425 3001 01 d-4425 3002 01 e-9646 0308 14 f-9735 0308 14 g-9739 0308 14
2	4030 3079 01	GUIDE		C	1	
3	4030 3078 01	LEVER		C	1	
4	4040 5612 00	Spacer		D	1	
5	4030 3017 03	PRESSURE SPRING		C	1	
6	4040 5610 00	Spacer		D	1	
7	4030 3014 01	BRACKET		D	1	
8	4030 3039 01	SHAFT		D	1	
9	4030 3013 01	HOLDER		D	1	
10	4030 3077 01	GUIDE		D	1	
11	4030 0151 01	SEPARATION ROLLER ASSY		A	1	
12	4030 3105 01	GUIDE		C	1	
13	4030 3124 03	GUIDE		D	1	
14	4030 3125 01	TENSION SPRING		C	2	
15	4030 3129 03	BRACKET		D	1	
16	4030 3037 01	REINFORCE PLATE		D	1	
17	4030 3025 02	BRACKET		D	1	
18	4030 3036 01	GUIDE		C	2	
19	4030 3095 01	GUIDE PLATE		C	1	
20	50GA 4007 00	FILM		C	1	
21	50GA 4006 00	CUSHION		C	1	
22	4030 3107 01	GUIDE		C	1	
23	4030 3114 02	GUIDE PLATE		D	1	
24	4030 3116 01	TENSION SPRING		C	1	
25	4030 3135 01	LEVER		C	1	
26	4163 5293 01	SCREW		C	3	
27	4030 3117 02	BRACKET		D	1	
28	A0R5 5630 00	Handle		C	1	
29	1149 3454 01	PRESSURE SPRING		C	1	
30	4030 3115 01	LEVER		C	1	
31	4030 3134 03	EARTH GROUND		C	1	
32	4030 3123 01	PRESSURE SPRING		C	2	
33	4030 3122 01	ROLL		C	4	
34	4030 3121 01	SHAFT		D	1	

MANUAL FEED UNIT

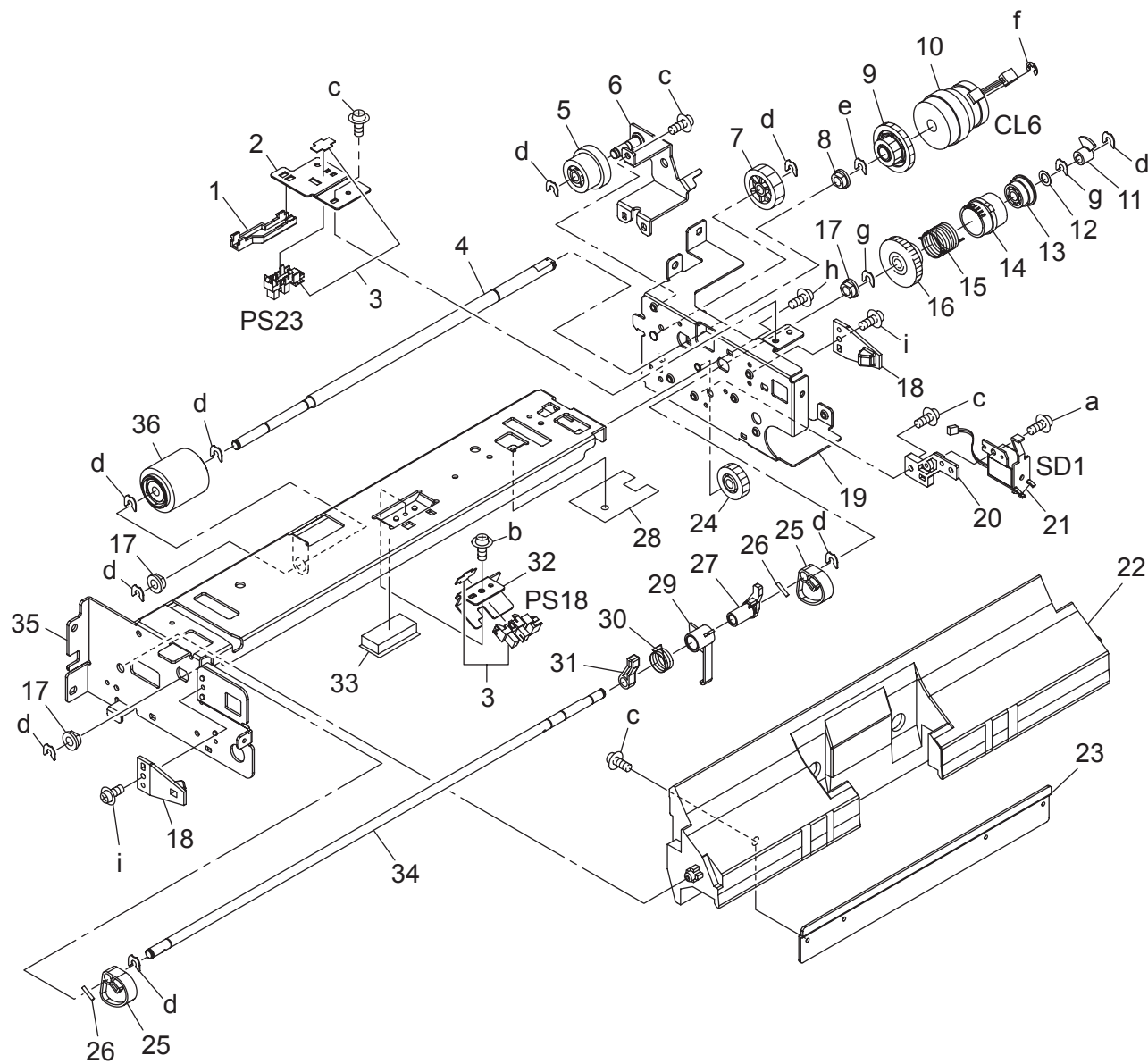
P 35




FRONT

Key	Part No.	Description	Destinations	Class	QTY	Standard parts
1	A0R5 6009 00	Lifting Plate		D	1	a-V144 0308 03 b-V153 0308 03 c-V137 0308 03 d-V218 0300 86 e-V116 0306 03
2	4687 3281 01	FRICION SHEET		C	1	
3	4030 3477 01	SEAL		C	2	
4	4030 3476 01	SEAL		C	2	
5	4030 3456 01	REINFORCE PLATE		D	1	
6	4030 3484 01	WEIGHT		D	1	
7	A0R5 6025 00	Holder		D	1	
8	4034 0151 01	SEPARATION ROLLER		A	1	
9	4131 3053 02	HOLDER		D	1	
10	4030 3404 01	BRACKET		D	1	
11	4030 3475 01	PRESSURE SPRING		C	1	
12	4030 3492 01	SPACER		C	2	
13	4030 3474 01	BRACKET		D	1	
14	4030 3402 01	GUIDE PLATE		C	1	
15	4030 3403 01	GUIDE		C	1	
16	4030 3489 01	SEAL		C	1	
17	4030 3428 01	TENSION SPRING		C	2	
18	4030 3457 03	PRESSURE SPRING		C	2	
19	4030 3424 01	BRACKET		D	1	
20	4030 3448 01	CUSHION		C	1	
21	A0R5 6042 00	Cover /Upper		D	1	
22	A0R5 9421 01	Label		C	1	
23	4030 3438 01	TENSION SPRING		C	1	
24	4030 3481 01	COLLAR		C	2	
25	4040 3496 01	GUIDE		D	1	
26	4040 3495 01	GUIDE		C	1	
27	A0R5 R703 00	Multi Bypass UNIT	A	C	1	
27	A0R5 R704 00	Multi Bypass UNIT	B,G2	C	1	
27	A0R5 R705 00	Multi Bypass UNIT	C	C	1	

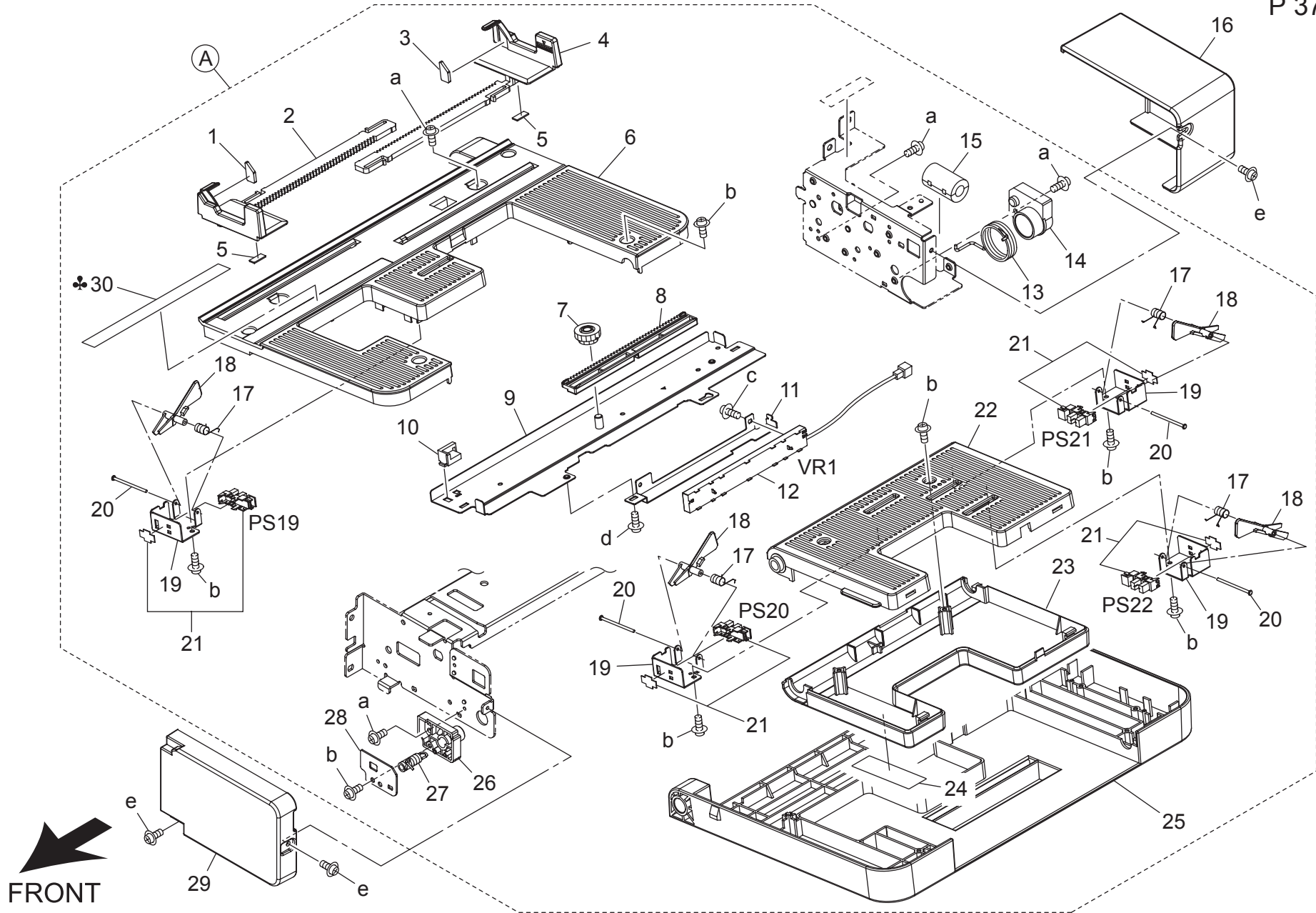
MANUAL FEED UNIT



Key	Part No.	Description	Destinations	Class	QTY	Standard parts
1	4030 3429 02	MEMBER		D	1	a-V153 0308 03 b-V137 0306 03 c-V137 0308 03 d-V218 0400 86 e-V217 0600 01 f-V218 0600 86 g-V217 0400 01 h-V136 0308 03 i-V144 0308 03
2	4030 3479 01	BRACKET		D	1	
3	4037 0906 01	PHOTO INTERRUPTER		B	2	
4	4030 3434 01	SHAFT		D	1	
5	4030 3441 01	GEAR 20/25T		C	1	
6	4030 R708 00	BRACKET ASSY		D	1	
7	1075 2565 01	GEAR 25T		C	1	
8	4658 3517 01	BUSHING		C	1	
9	4030 3467 01	GEAR 16/30T		C	1	
10	9J06 M201 00	CLUTCH		C	1	
11	4030 3478 02	SHIELD PLATE		D	1	
12	4131 4128 01	WASHER		C	1	
13	4131 3007 02	DRUM		D	1	
14	4030 3420 02	RATCHET		C	1	
15	4030 3419 01	TORSION SPRING		B	1	
16	4131 3004 02	GEAR 30T		C	1	
17	4030 3093 01	BUSHING		C	3	
18	4030 3430 01	LEVER		C	2	
19	4030 R707 00	BRACKET ASSY		C	1	
20	4030 3422 01	HOLDER		D	1	
21	9J06 M200 00	SOLENOID		C	1	
22	4030 3401 13	HOLDER		D	1	
23	4030 3427 01	REINFORCE PLATE		D	1	
24	1300 3322 17	GEAR 20T		C	1	
25	4030 3417 01	CAM		C	2	
26	1067 2502 01	PIN		D	2	
27	4030 3464 01	HOLDER		D	1	
28	4030 3447 01	GUIDE		C	1	
29	4030 3444 01	ACTUATOR		C	1	
30	4030 3445 01	TORSION SPRING		C	1	
31	4030 3465 01	HOLDER		D	1	
32	4040 3443 01	BRACKET		D	1	
33	4040 3497 01	CUSHION		C	1	
34	4030 3416 02	SHAFT		D	1	
35	4030 3432 07	BRACKET		C	1	
36	4131 3001 01	ROLLER		A	1	

MANUAL FEED UNIT

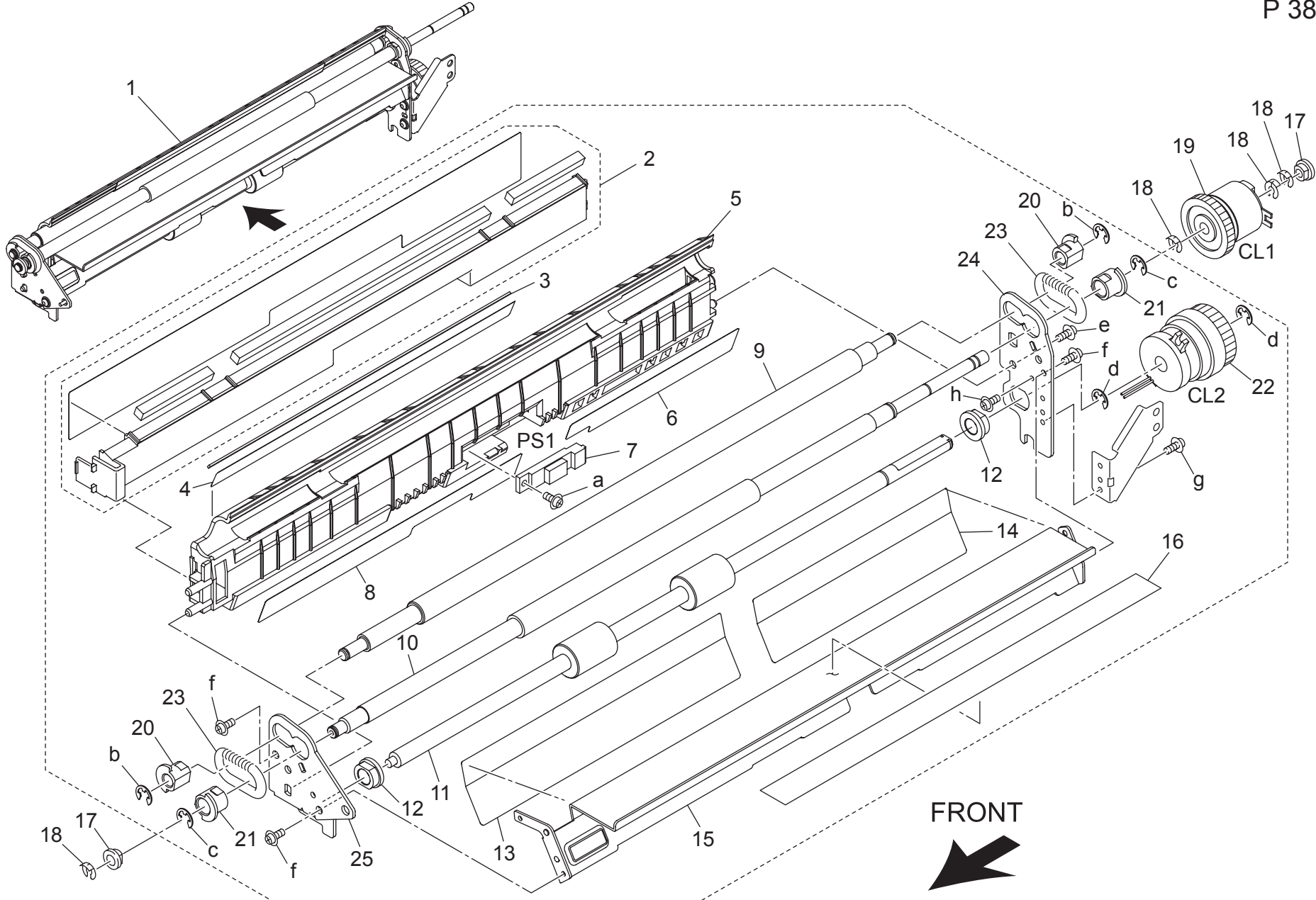
P 37



bizhub 361

Key	Part No.	Description	Destinations	Class	QTY	Standard parts
1	4030 3486 01	BRAKE		C	1	a-V137 0308 03 b-V153 0308 03 c-V116 0306 03 d-V137 0306 03 e-V137 0308 04
2	A0R5 6010 00	Regulating Plate		C	1	
3	4030 3487 01	BRAKE		C	1	
4	A0R5 6011 00	Regulating Plate		C	1	
5	4131 4623 04	CLEANING PAD		C	2	
6	A0R5 6066 00	Cover		C	1	
7	4030 3412 01	GEAR 13/18T		C	1	
8	4030 3460 02	RACK		C	1	
9	4030 0216 05	BRACKET ASSY		D	1	
10	4030 3463 01	STOPPER		D	1	
11	4030 3455 02	BRACKET		D	1	
12	4037 6899 01	RESISTOR		D	1	
13	4030 3436 01	TORSION SPRING		C	1	
14	4030 3472 01	HOLDER		D	1	
15	9326 1910 31	FERRITE CORE		D	1	
16	A0R5 6026 00	Cover		C	1	
17	4030 3446 01	TORSION SPRING		C	4	
18	4030 3415 02	ACTUATOR		C	4	
19	4030 3414 01	BRACKET		D	4	
20	1134 3042 02	SHAFT		D	4	
21	4037 0906 01	PHOTO INTERRUPTER		B	4	
22	A0R5 6023 00	Tray		C	1	
23	A0R5 6059 00	Cover		C	1	
24	A0R5 9430 00	Label		C	1	
25	A0R5 6008 00	Tray		C	1	
26	4030 3473 02	HOLDER		D	1	
27	4030 3435 01	TORSION SPRING		C	1	
28	4030 3437 01	BRACKET		D	1	
29	A0R5 6108 01	Cover /Front		C	1	
30	4030 7306 02	SCALE METRIC	A	C	1	
30	4030 7308 02	SCALE INCH	B,G2	C	1	
30	4030 7307 02	SCALE METRIC	C	D	1	

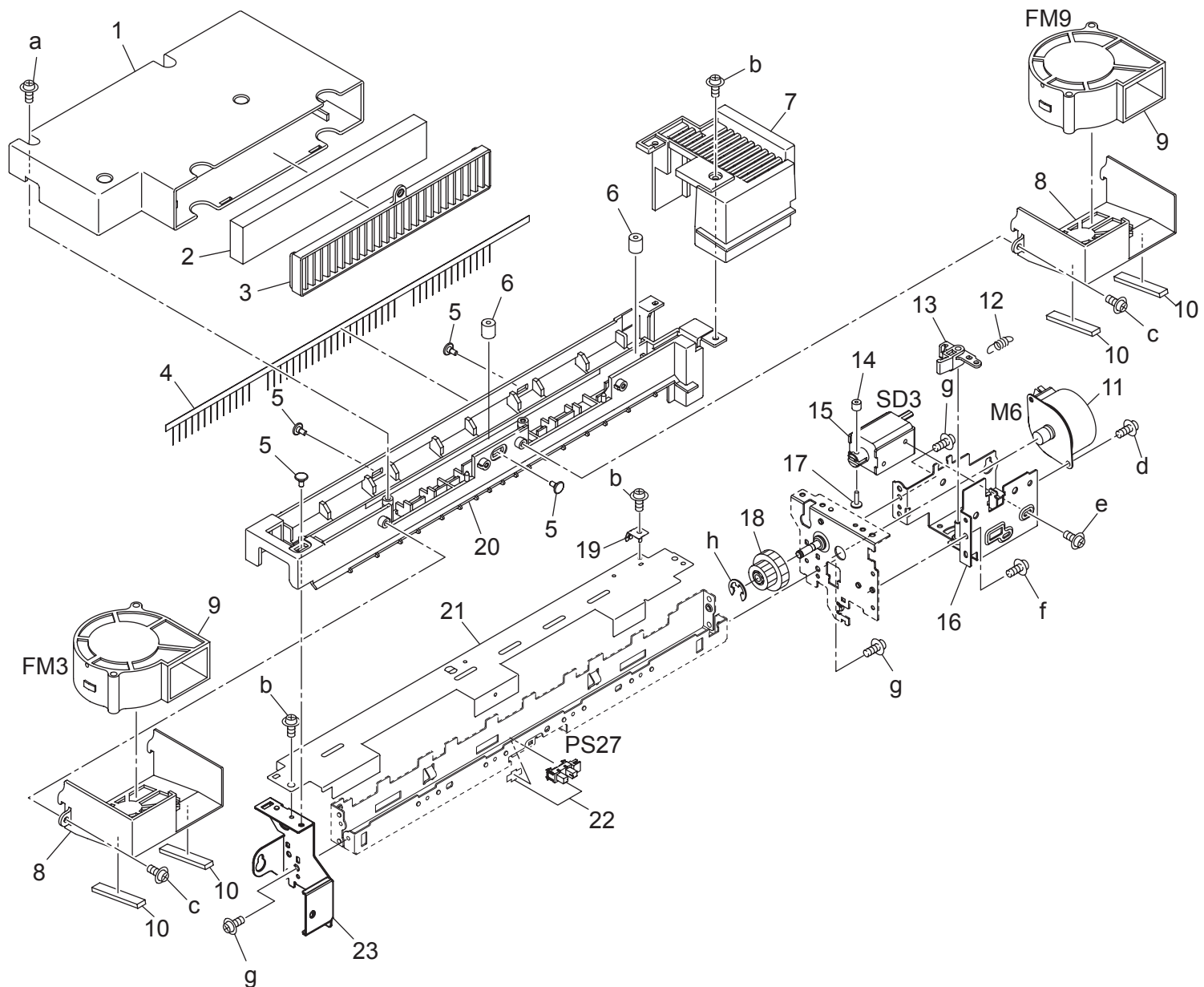
REGISTRATION UNIT



REGISTRATION UNIT

Key	Part No.	Description	Destinations	Class	QTY	Standard parts
1	50GA -380 1	REGISTRATION ASSY		C	1	a-V145 0308 03
2	50GA -382 0	REGISTRATION CLEANER ASSY		C	1	b-V217 0400 50
3	50GA 3875 0D	Regist Dust-proof Part		C	1	c-V217 0500 50
4	50GA 3870 0E	Transfer Guide Sheet		C	1	d-V217 0600 50
5	50GA 3854 1F	Regist Main body		D	1	e-V151 0308 03
6	50GA 3858 1F	Paper feed Regulating Sheet		C	1	f-V144 0306 03
7	13QA 8552 1	SENSOR 2		B	1	g-V123 0306 03
8	50GA 3869 1F	Paper feed Regulating Sheet /Middle		C	1	h-V121 0314 03
9	50GA 3849 0	REGISTRATION ROLLER B		C	1	
10	50GA 3848 0	REGISTRATION ROLLER A		B	1	
11	50GA 3865 0E	PAPER FEED CONNECTING ROLLER		B	1	
12	26NA 4082 0	PAPER FEED SLIDE BUSHING		B	2	
13	50GA 3879 0	REGIST GUIDE SHEET FRONT		C	1	
14	50GA 3861 0	REGIST GUIDE SHEET REAR		C	1	
15	50GA 3868 0E	Regist Guide Plate		D	1	
16	50GA 9749 0E	Drum Caution Label		D	1	
17	13QA 7602 1	SHAFT HOLDER 2		C	2	
18	12QV 4066 0	SHAFT POSITIONING PART		C	4	
19	57AA 8203 0	CONVEYANCE DRIVE CLUTCH		C	1	
20	26NA 4537 1	REGISTRATION UNIT SHAFT HOLDER /2		B	2	
21	26NA 4536 0	REGISTRATION UNIT SHAFT HOLDER /1		B	2	
22	50GA 8202 0	CONVEYANCE CLUTCH		C	1	
23	26NA 4514 1	REGISTRATION UNIT SPRING		B	2	
24	50GA 3867 0E	REGIST SUPPORT PANEL /REAR		D	1	
25	50GA 3813 0	REGIST SUPPORT PANEL FRONT		D	1	

TURNOVER UNIT

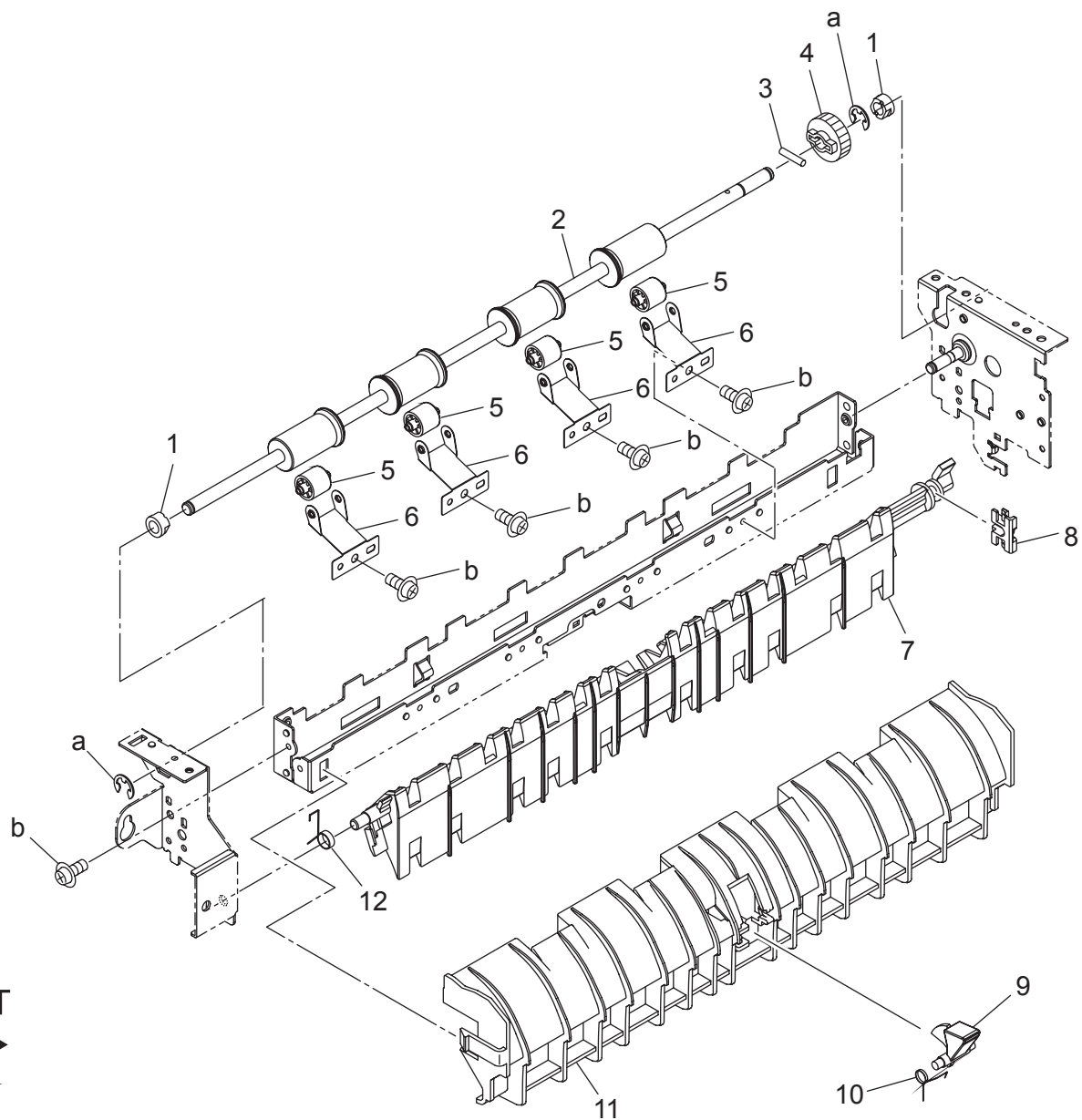


TURNOVER UNIT

Key	Part No.	Description	Destinations	Class	QTY	Standard parts
1	A0R5 8704 00	Cover		C	1	a-V153 0310 03 b-V136 0308 03 c-V153 0306 03 d-V135 0308 03 e-V116 0306 03 f-V137 0306 03 g-V121 0306 03 h-V218 0400 86
2	50GA 4406 0	PAPER EXIT SUCTION FILTER		A	1	
3	A0R5 8705 00	Cover /Right		C	1	
4	4040 3833 02	NEUTRALIZING BRUSH		D	1	
5	4011 5852 02	SHOULDER SCREW		C	4	
6	4498 3388 01	COLLAR		C	2	
7	A0R5 8820 00	Cover /Upper		D	1	
8	A0R5 8711 00	Cover		D	2	
9	9313 1100 33	FAN MOTOR		C	2	
10	50GA 4407 0	PAPER EXIT SEAL /1		C	4	
11	9314 1200 91	MOTOR		C	1	
12	4030 3810 01	TENSION SPRING		C	1	
13	4030 3809 01	LEVER		C	1	
14	1200 2105 02	COLLAR		D	1	
15	9321 2200 32	SOLENOID		C	1	
16	4030 0207 04	BRACKET ASSY		D	1	
17	4002 3779 01	PIN		D	1	
18	4030 3821 01	GEAR		C	1	
19	4030 3834 01	EARTH GROUND		C	1	
20	A0R5 8703 00	Guide Part		D	1	
21	50GA 4402 0	MOUNTING STAY /RIGHT		D	1	
22	4037 0906 01	PHOTO INTERRUPTER		B	1	
23	50GA 4410 0E	Paper exit Panel /Front		D	1	

TURNOVER UNIT

P 40



FRONT

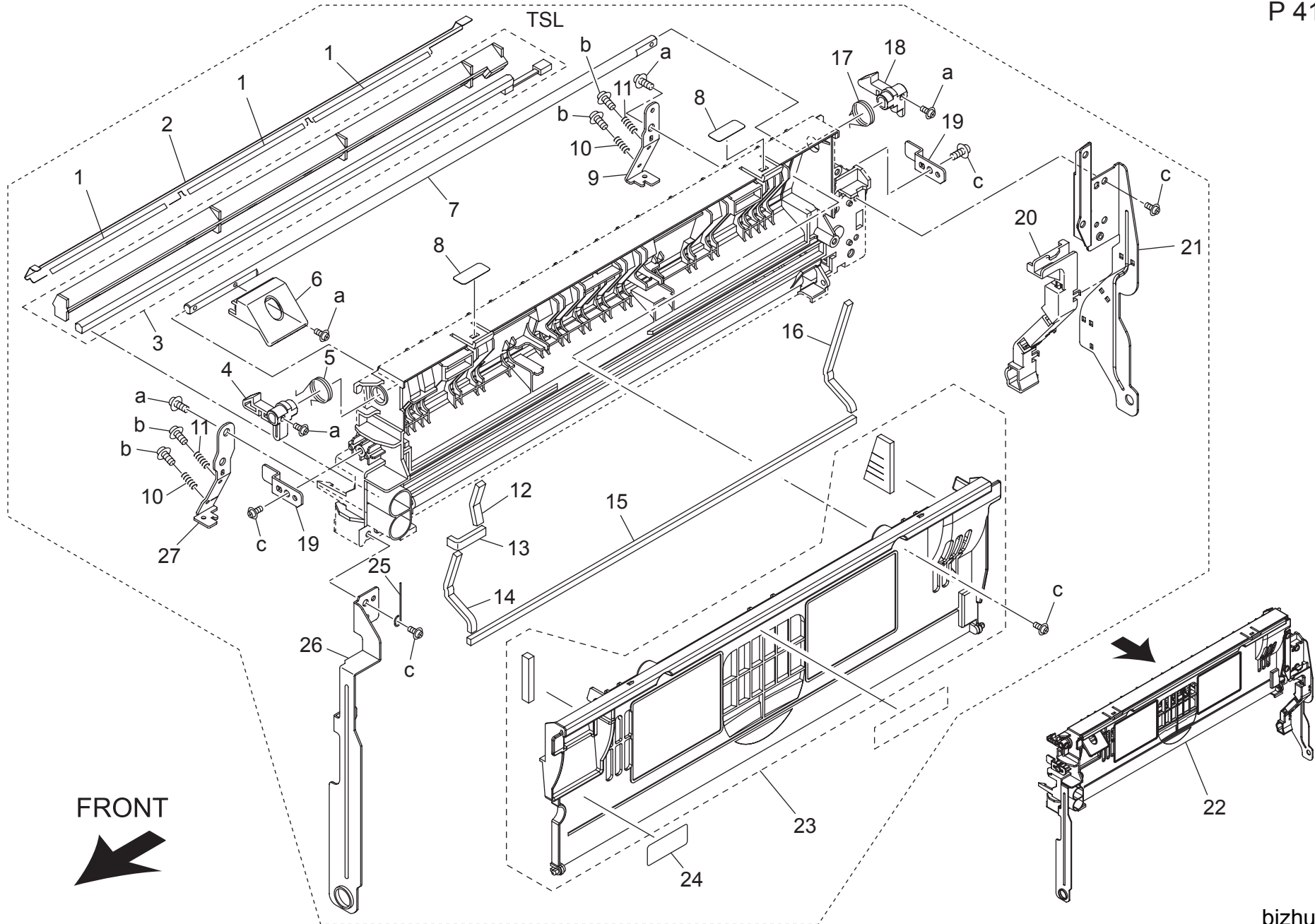


TURNOVER UNIT

Key	Part No.	Description	Destinations	Class	QTY	Standard parts
1	1139 3169 01	BUSHING		C	2	a-V218 0400 86 b-V137 0306 03
2	50GA 8601 00	Paper exit Roller /1		C	1	
3	4131 2536 02	PIN		C	1	
4	4030 3826 01	GEAR		C	1	
5	4426 4411 02	ROLL		C	4	
6	4030 3817 01	PLATE SPRING		C	4	
7	4030 3807 03	GUIDE		D	1	
8	4030 3823 01	BUSHING		D	1	
9	4030 3818 02	ACTUATOR		C	1	
10	4030 3819 01	TORSION SPRING		C	1	
11	4030 3805 02	GUIDE		D	1	
12	4030 3808 01	TORSION SPRING		C	1	

CONVEYANCE UNIT

P 41



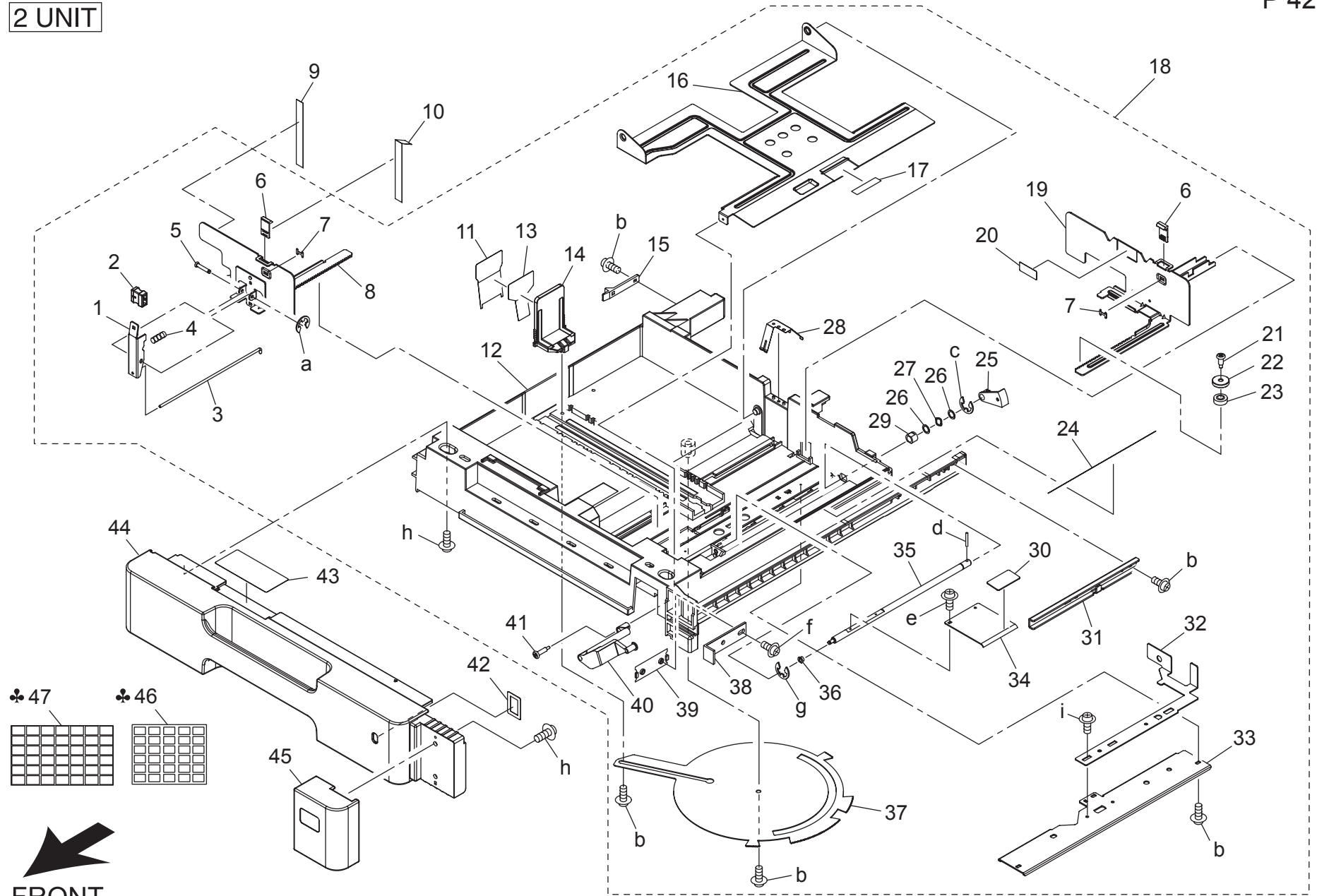
FRONT



CASSETTE

P 42

2 UNIT



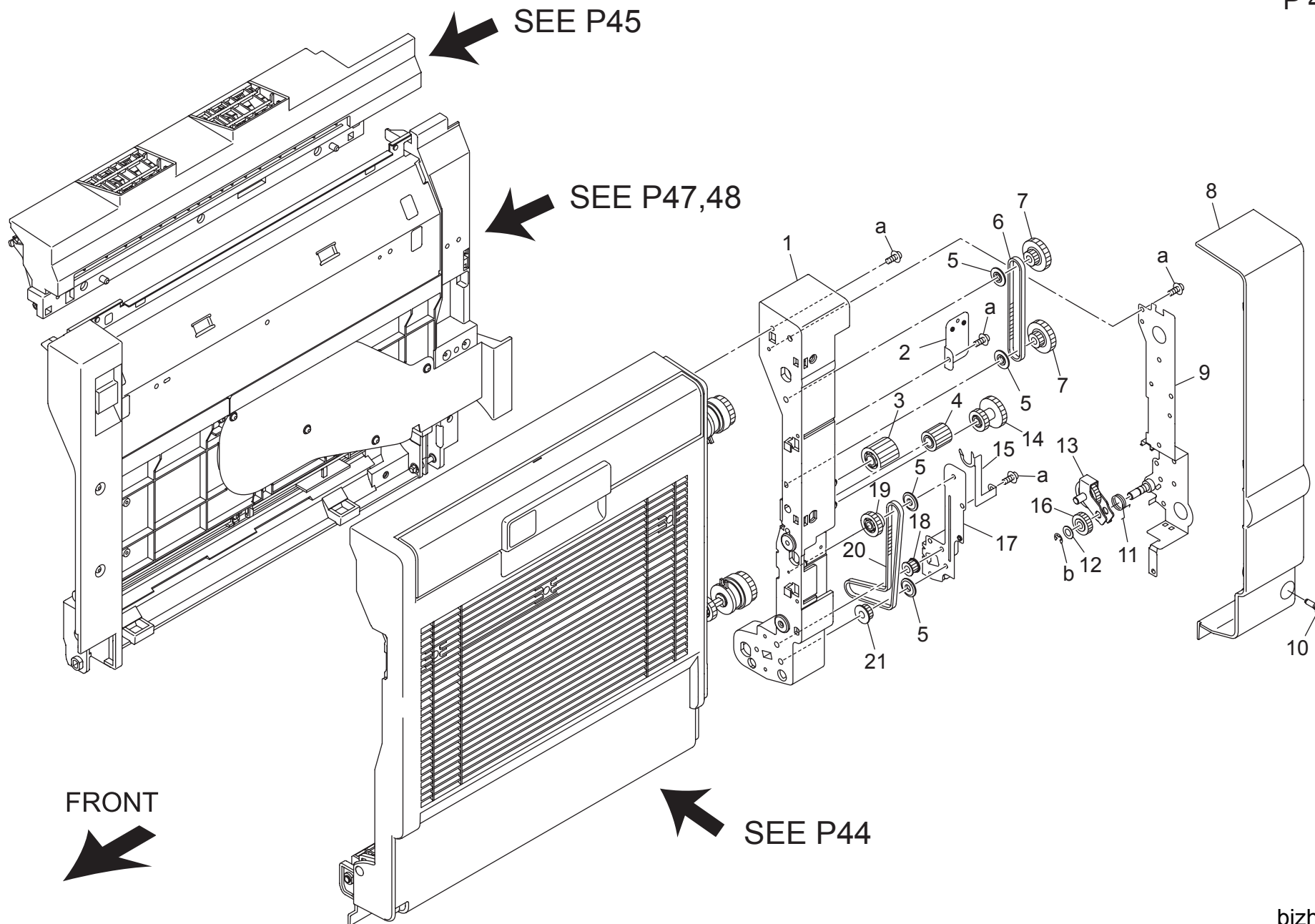
bizhub 361

Order here
8 (495) 646-0426
www.km-shop.ru

Key	Part No.	Description	Destinations	Class	QTY	Standard parts
1	4128 3823 01	LEVER		C	1	a-4425 3002 01
2	4037 3204 01	KNOB		C	1	b-V153 0308 03
3	4030 3217 01	SHAFT		D	1	c-V217 0600 01
4	4498 3825 01	PRESSURE SPRING		C	1	d-V232 3025 09
5	4498 3826 01	SHAFT		D	1	e-V116 0308 03
6	4658 3048 01	GUIDE		C	2	f-V137 0310 03
7	4658 3049 01	STOPPER		C	2	g-V217 0300 01
8	4030 3211 02	REGULATING PLATE		C	1	h-V153 0410 03
9	50GA 4009 00	REGULATING PART /B		D	1	i-V144 0406 03
10	50GA 4008 00	REGULATING PART /A		D	1	
11	4030 3228 12	GUIDE		C	1	
12	4030 3201 09	Cassette		D	1	
13	4030 3227 01	GUIDE		C	1	
14	4037 3213 12	REGULATING PLATE		C	1	
15	4498 3469 01	STOPPER		D	1	
16	4030 3203 01	LIFTING PLATE		C	1	
17	A00J 6234 00	FRICITION PLATE		C	1	
18	A0R5 A620 02	CASSETTE ASSY		S	1	
19	4030 3212 01	REGULATING PLATE		C	1	
20	4002 7306 01	LABEL CARRYING CAPACITY		C	1	
21	4030 3214 02	SHOULDER SCREW		C	1	
22	4030 3215 01	GUIDE		D	1	
23	4658 3012 01	GEAR 14T		C	1	
24	4030 3222 03	GUIDE		C	1	
25	4030 3207 01	ACTUATOR		C	1	
26	4011 3021 01	WASHER		C	2	
27	4011 3020 01	WASHER		C	1	
28	4030 3223 03	Earth ground		C	1	
29	1274 3603 01	BUSHING		C	1	
30	4030 3226 01	FRICITION SHEET		C	1	
31	4030 3229 02	REINFORCE PLATE		D	1	
32	4030 3216 01	BRACKET		D	1	
33	4030 3218 01	BRACKET		D	1	
34	4030 3206 01	LEVER		D	1	
35	4030 3205 01	SHAFT		D	1	
36	0992 3014 01	BUSHING		C	1	
37	4002 3108 01	LEVER		C	1	
38	4030 6214 00	Stopper		C	1	
39	4030 6215 00	Plate nut		C	1	
40	A0R5 6221 00	Detecting Lever		C	1	
41	4030 3224 02	SHOULDER SCREW		C	1	
42	A0R5 6299 00	Seal		C	1	
43	A02E 9412 00	Label Paper Supply		C	1	
44	A0R5 1641 00	Cover		C	1	
45	A0R5 1651 00	Cover /Right		C	1	
46	A0R5 9435 01	Label	B,G2	C	1	
47	A0R5 9434 01	Label	A,C	C	1	

AUTO DUPLEX UNIT

P 43

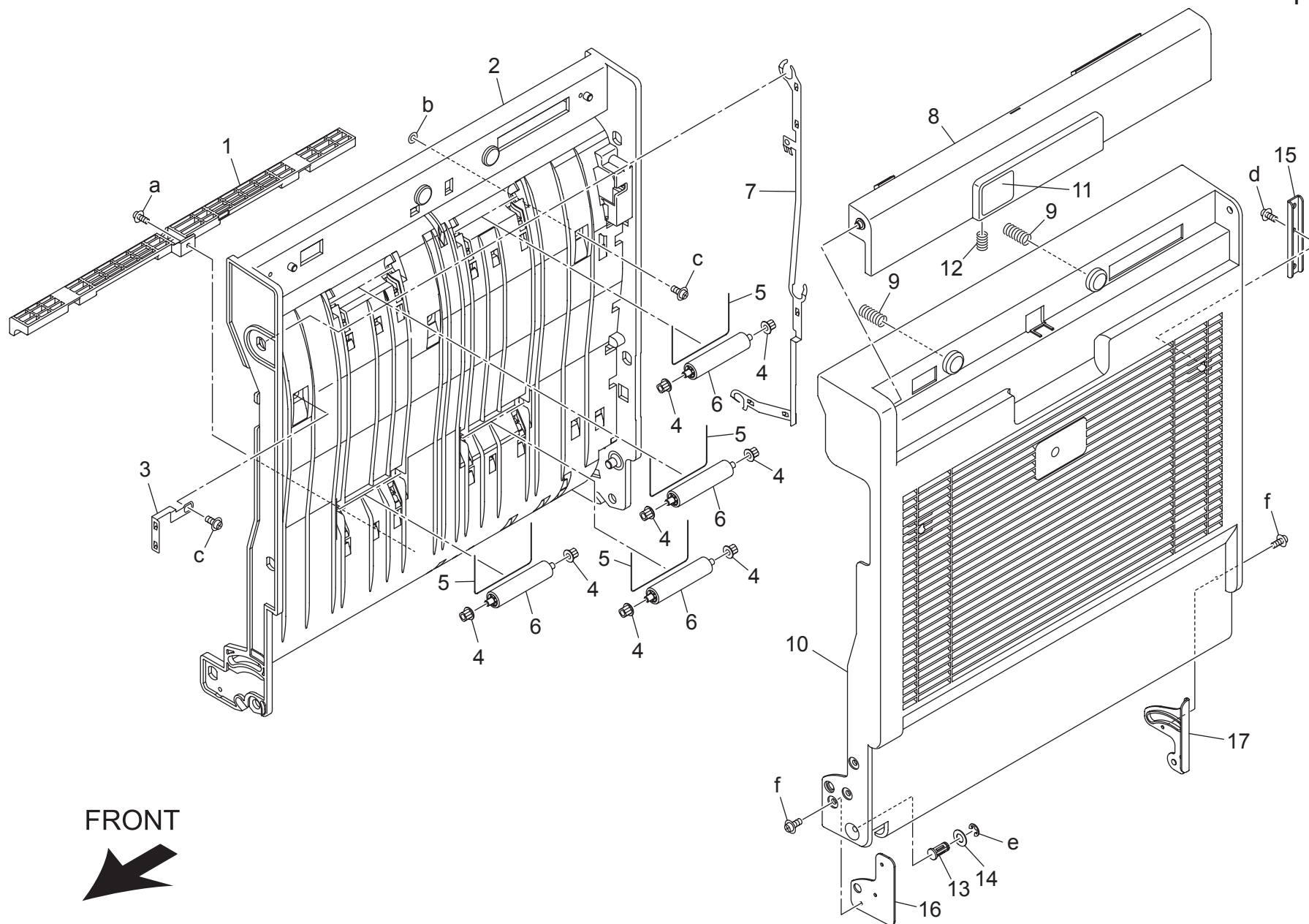


AUTO DUPLEX UNIT

Key	Part No.	Description	Destinations	Class	QTY	Standard parts
1	50GA 5031 0	ADU DRIVE MAIN BODY		D	1	a-9739 0308 14 b-4425 3001 01
2	50GA 5012 0	ADU SUPPORT PLATE		D	1	
3	4030 3726 01	GEAR		C	1	
4	4030 3713 01	GEAR		C	1	
5	4030 3749 01	COLLAR		C	4	
6	50GA 5016 0	ADU DRIVE BELT UPPER 213L		C	1	
7	4030 3748 01	PULLEY		C	2	
8	A0R5 8137 00	Drive Cover		C	1	
9	50GA -519 0	DRIVE PLATE/1 CAULKING		C	1	
10	4030 3710 01	SHOULDER SCREW		C	1	
11	4030 3733 03	TORSION SPRING		C	1	
12	50GA 5061 00	ROTATION SPACER		C	1	
13	50GA -520 0	DRIVE PLATE 2CAULKING		C	1	
14	4030 3725 01	GEAR		C	1	
15	4030 3734 01	EARTH GROUND		C	1	
16	50GA 5058 00	INPUT GEAR /1		C	1	
17	50GA 5033 0	ADU DRIVE PLATE /2		D	1	
18	4657 3714 01	ROLL		C	1	
19	4030 3744 01	PULLEY		C	1	
20	50GA 5017 0	ADU DRIVE BELT LOWER 312L		C	1	
21	4030 3745 01	PULLEY		C	1	

AUTO DUPLEX UNIT

P 44



FRONT

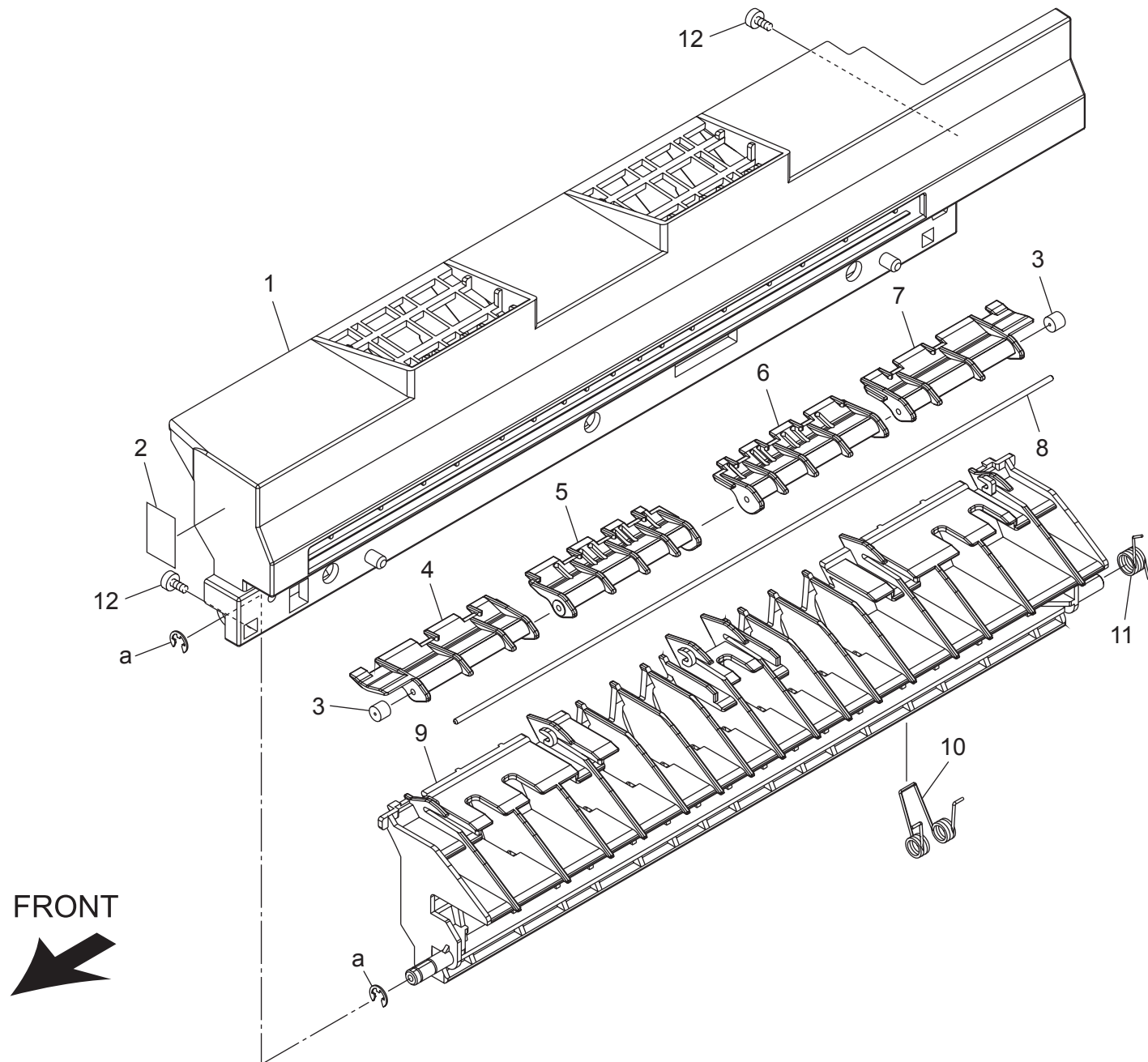


AUTO DUPLEX UNIT

Key	Part No.	Description	Destinations	Class	QTY	Standard parts
1	4030 3703 01	GUIDE		D	1	a-9739 0308 14 b-V211 0400 80 c-V126 0410 03 d-V151 0306 03 e-V217 0400 50 f-V118 0304 03
2	A0R5 8129 00	Main body		C	1	
3	4030 3735 01	EARTH GROUND		C	1	
4	50GA 5001 0	SHAFT ROLLER PART		C	8	
5	4497 3114 01	MEMBER		C	4	
6	4497 3116 01	ROLL		C	4	
7	50GA 5035 0	ADU EARTH PLATE 2		C	1	
8	A0R5 8251 00	Lever		C	1	
9	4030 3755 01	PRESSURE SPRING		C	2	
10	A0R5 8130 00	Cover		C	1	
11	A0R5 9421 01	Label		C	1	
12	4661 3106 01	PRESSURE SPRING		C	1	
13	4661 3150 01	PIN		D	1	
14	4661 3155 01	WASHER		D	1	
15	50GA 5057 0	REINFORCE PLATE /2		D	1	
16	50GA 5055 0	REINFORCE PLATE /1		D	1	
17	50GA -521 0	DOOR HINGE		C	1	

AUTO DUPLEX UNIT

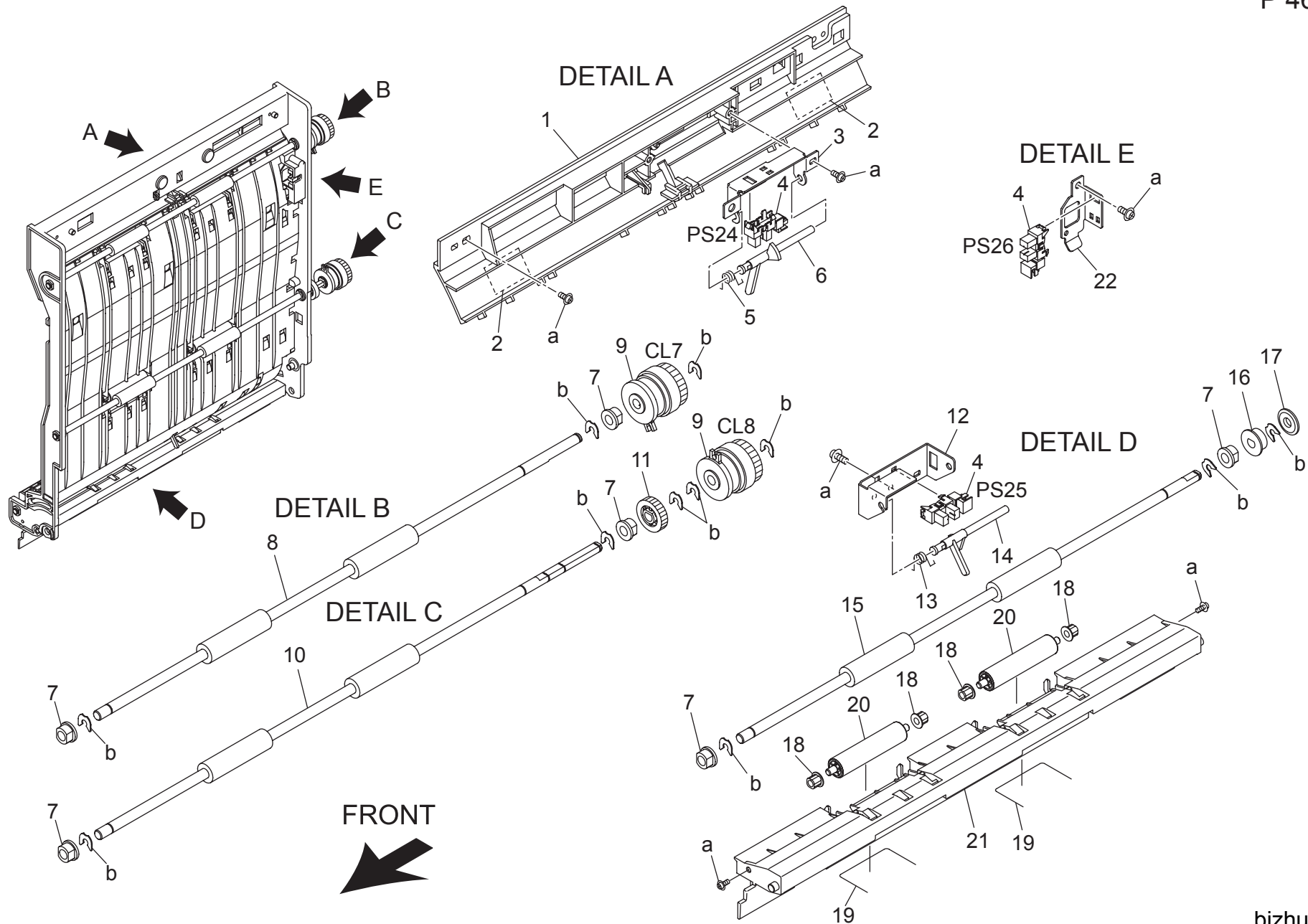
P 45



AUTO DUPLEX UNIT

Key	Part No.	Description	Destinations	Class	QTY	Standard parts
1	A0R5 8136 00	Entrance Guide		C	1	a-4425 3001 01
2	A0R5 9428 00	Label		C	1	
3	1134 3041 01	COLLAR		D	2	
4	4030 3811 01	GUIDE		D	1	
5	4030 3812 01	GUIDE		D	1	
6	4030 3813 01	GUIDE		D	1	
7	4030 3814 01	GUIDE		D	1	
8	4030 3829 01	SHAFT		D	1	
9	4030 3806 02	GUIDE		D	1	
10	4030 3825 02	TORSION SPRING		C	1	
11	4030 3824 01	TORSION SPRING		C	1	
12	4011 5852 02	SHOULDER SCREW		C	2	

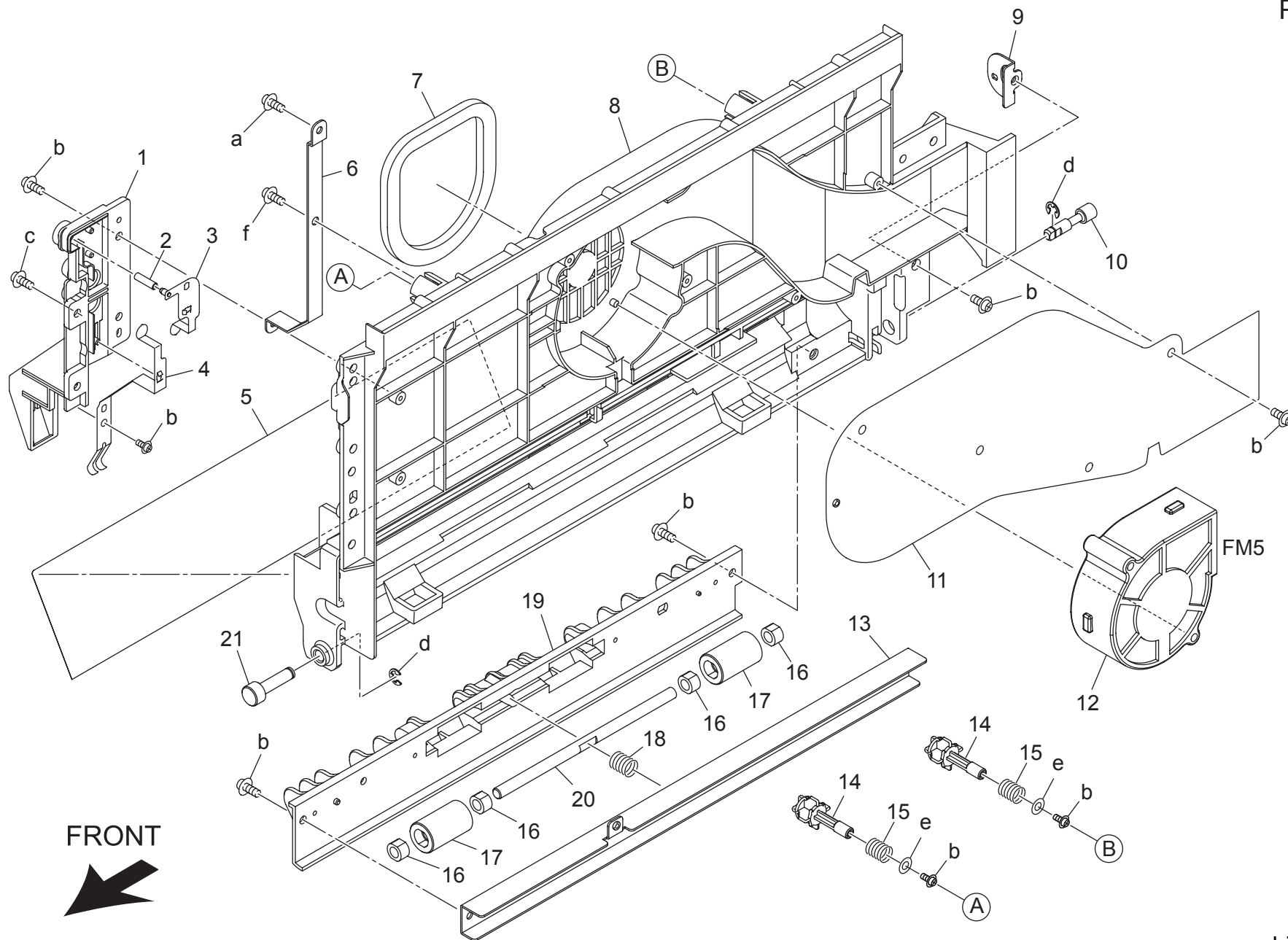
AUTO DUPLEX UNIT



Key	Part No.	Description	Destinations	Class	QTY	Standard parts
1	A0R5 8206 00	Guide /Upper		C	1	a-9739 0308 14 b-4425 3001 01
2	4030 3760 01	GUIDE		C	2	
3	4030 3739 01	BRACKET		D	1	
4	9335 1300 61	PHOTO INTERRUPTER		B	3	
5	4030 3738 03	TORSION SPRING		C	1	
6	4030 3737 01	ACTUATOR		C	1	
7	0928 3033 01	BUSHING		C	6	
8	4030 3707 01	ROLLER		C	1	
9	50GA 8203 0	ADU CLUTCH		C	2	
10	4030 3708 01	ROLLER		C	1	
11	4030 3743 02	GEAR		C	1	
12	4030 3742 01	BRACKET		D	1	
13	4030 3741 03	TORSION SPRING		C	1	
14	4030 3740 01	ACTUATOR		C	1	
15	4030 3709 01	ROLLER		C	1	
16	4030 3750 01	PULLEY		C	1	
17	4030 3749 01	COLLAR		C	1	
18	50GA 5001 0	SHAFT ROLLER PART		C	4	
19	4497 3114 01	MEMBER		C	2	
20	4497 3116 01	ROLL		C	2	
21	A0R5 8138 00	Paper exit Guide		C	1	
22	50GA 5041 0	FIXING PLATE		D	1	

AUTO DUPLEX UNIT

P 47

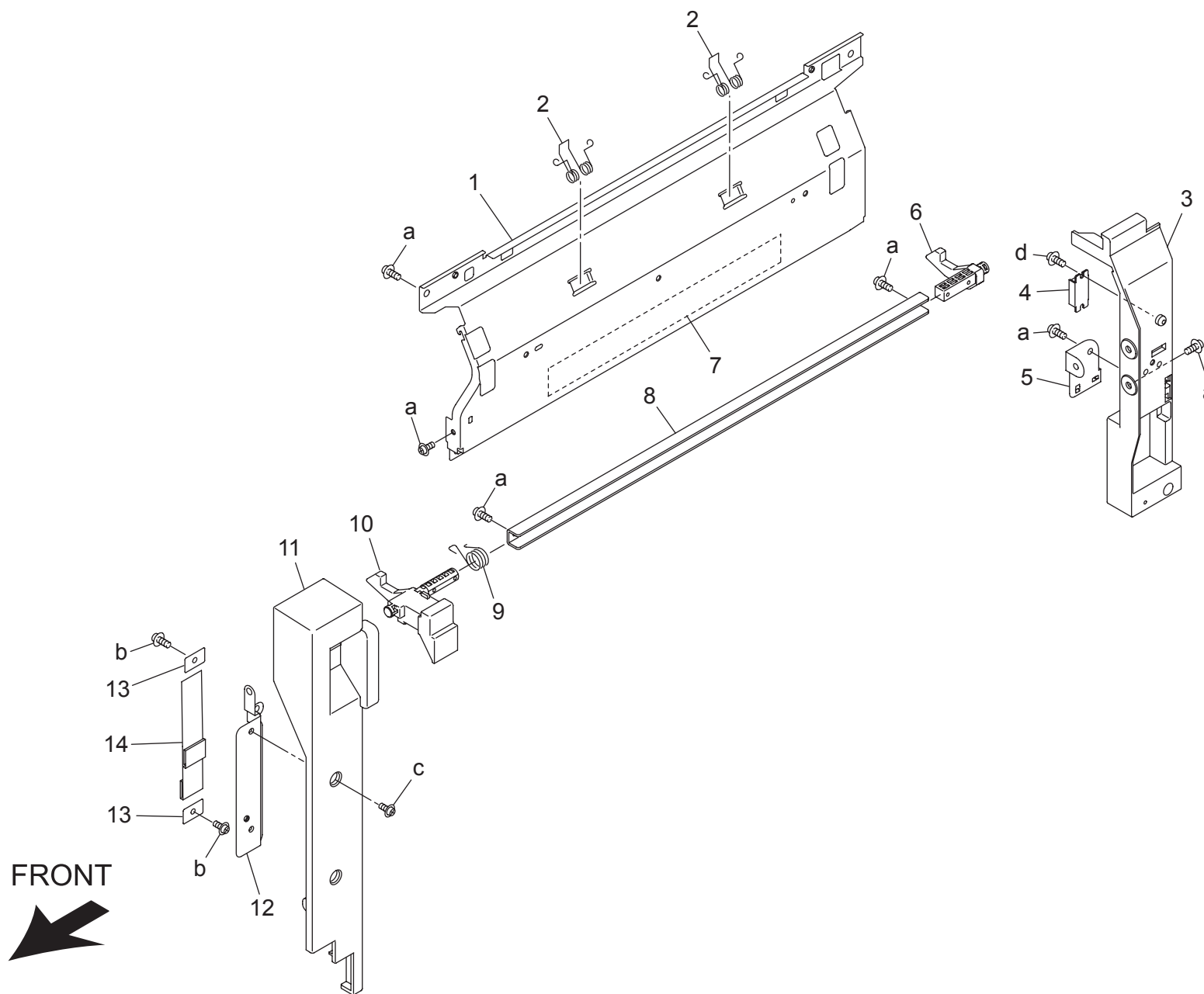


FRONT
↓

Key	Part No.	Description	Destinations	Class	QTY	Standard parts
1	50GA 5053 0	HV CASING		C	1	a-V121 0306 03 b-9739 0308 14 c-V151 0312 03 d-V217 0400 50 e-V207 0400 03 f-V123 0314 03
2	50GA 5047 0E	HV POWER SUPPLY SPRING		C	1	
3	50GA -513 0	SHAFT SUPPORTING PLATE		C	1	
4	50GA 5051 0	TRANSFER POWER SUPPLY PLATE		C	1	
5	50GA 5056 0E	Conveyance Guide Sheet		C	1	
6	50GA 5049 0	CONVEYANCE CONNECTING PLATE		D	1	
7	50GA 5010 0	DUCT CONNECTING PART		D	1	
8	A0R5 8102 00	Cover		C	1	
9	50GA 5048 0	DUCT SUPPLY PLATE		D	1	
10	50GA 5011 0	ADU CONNECTING SHAFT		D	1	
11	50GA 5003 0	DUCT COVER PLATE		D	1	
12	9313 1100 33	FAN MOTOR		C	1	
13	50GA 5007 0	CONVEYANCE SUPPORT PLATE		D	1	
14	50GA 4570 0	CONVEYANCE PRESSING PART		C	2	
15	50GA 4572 0	CONVEYANCE PRESSING SPRING		C	2	
16	25AA 7553 0	SLIDE SHAFT HOLDER		C	4	
17	26NA 4256 0	BY PASS FEED DRIVEN ROLLER		C	2	
18	50GA 5040 0	PAPER FEED CONVEYANCE SPRING		C	1	
19	50GA 5006 0	ADU PAPER EXIT PLATE		D	1	
20	50GA 5008 0	PAPER FEED IDLER SHAFT		D	1	
21	50GA 5043 0	ADU SUPPORT SHAFT		D	1	

AUTO DUPLEX UNIT

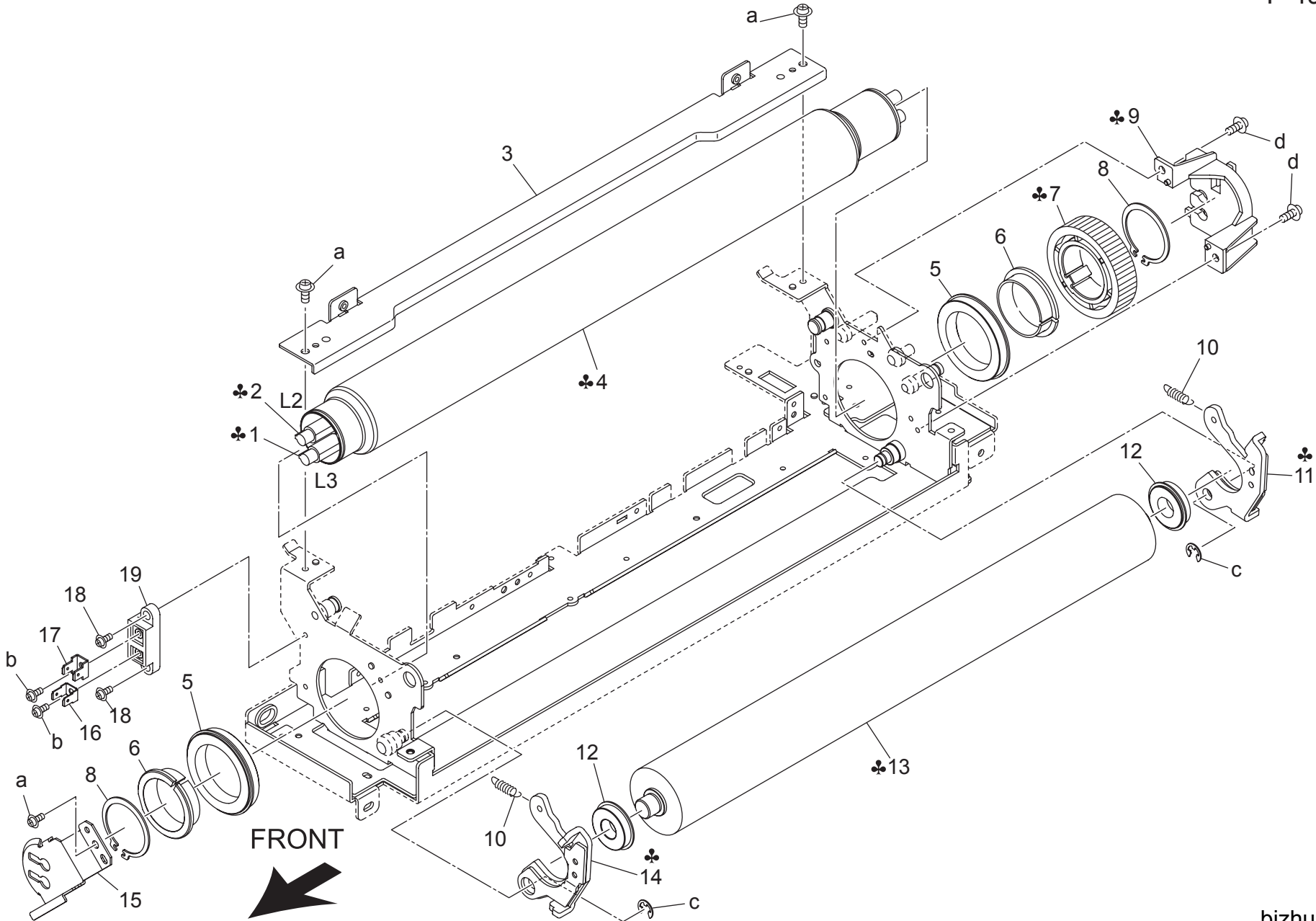
P 48



AUTO DUPLEX UNIT

Key	Part No.	Description	Destinations	Class	QTY	Standard parts
1	50GA 5028 0	FIXING COVER PLATE		D	1	a-9739 0308 14 b-9735 0306 14 c-V127 0306 03 d-9732 0308 14
2	50GA 5045 0	FIXING PRESSING SPRING		C	2	
3	50GA 5004 1F	ADU DOOR /REAR		C	1	
4	40AA 3229 0	MAGNET CATCH		C	1	
5	50GA 5027 0	ADU EARTH PLATE 1		C	1	
6	4030 2022 01	PAWL		C	1	
7	50GA 9746 0	HIGH TEMP CAUTION LABEL		C	1	
8	4030 2023 01	BRACKET		D	1	
9	50GA 5062 00	LOCK SPRING		C	1	
10	A0R5 8221 00	Lock Claw /Front		C	1	
11	A0R5 8105 00	Door /Front		C	1	
12	50GA 5009 0	ADU REINFORCE PLATE		D	1	
13	50GA 5014 0	BELT REINFORCE PLATE		D	2	
14	50GA 5015 0	ADU OPEN CLOSE BELT		C	1	

FIXING UNIT

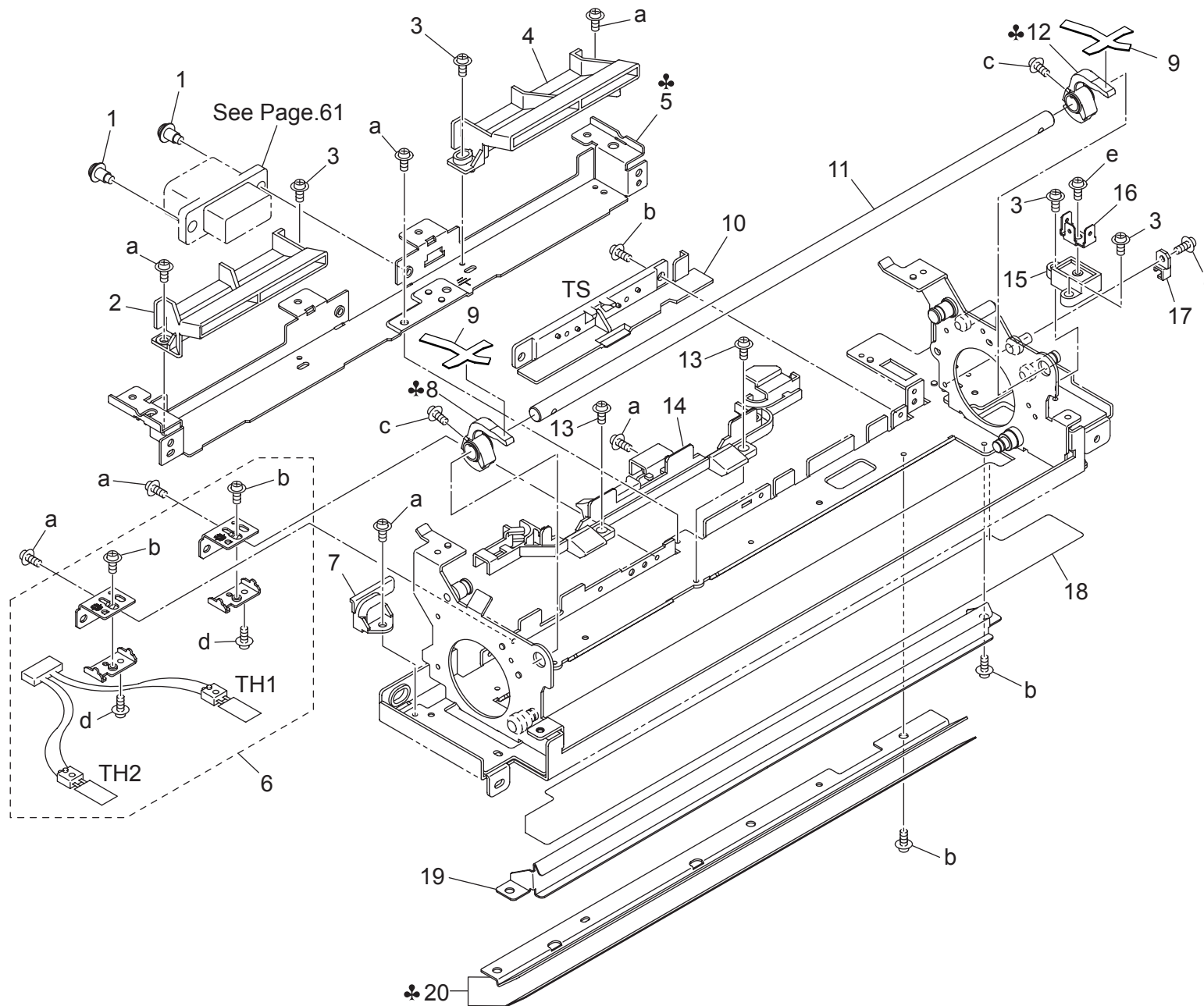


FIXING UNIT

Key	Part No.	Description	Destinations	Class	QTY	Standard parts
1	50GA M33A 00	FIXING HEATER /2	A	I	1	a-V121 0304 03 b-V122 0306 03 c-V217 0400 50 d-V123 0306 03
1	50GE 8303 1	FIXING HEATER 2	B,G2	I	1	
1	50GF 8303 1	FIXING HEATER 2	C	I	1	
2	50GA M32A 00	FIXING HEATER /1	A	I	1	
2	50GE 8302 1	FIXING HEATER 1	B,G2	I	1	
2	50GF 8302 1	FIXING HEATER 1	C	I	1	
3	50GA 5454 0	REINFORCE STAY		D	1	
4	42GA 5303 0	FIXING ROLLER UPPER	A	A	1	
4	50GA 5303 0	FIXING ROLLER UPPER	B,C,G2	A	1	
5	26NA 5371 2	BALL BEARING		A	2	
6	26NA 5372 0	HEAT INSULATING SLEEVE A		A	2	
7	42GA 5406 0	FIXING GEAR 39T	A	B	1	
7	50GA 5406 0	FIXING GEAR 46T	B,C,G2	B	1	
8	26NA 5362 0	FIXING FIXED PART		C	2	
9	42GA 5390 0	LAMP SUPPORT PART REAR	A	C	1	
9	50GA 5390 0	LAMP SUPPORT PART REAR	B,C,G2	C	1	
10	50GA 5360 0	PRESSURE SPRING		C	2	
11	42GA 5308 0	PRESSING ARM /REAR	A	C	1	
11	50GA 5308 0	PRESSING ARM /REAR	B,C,G2	C	1	
12	50GA 5359 0	FIXING BEARING LOWER		A	2	
13	42GA 5304 0	FIXING ROLLER LOWER	A	A	1	
13	50GA 5304 0	FIXING ROLLER LOWER	B,C,G2	A	1	
14	42GA 5307 0	PRESSING ARM /FRONT	A	C	1	
14	50GA 5307 0	PRESSING ARM /FRONT	B,C,G2	C	1	
15	50GA 5389 0	LAMP SUPPORT PART /FRONT		D	1	
16	40AA 5347 0	TERMINAL PLATE 1		D	1	
17	26NA 5374 0	TERMINAL PLATE A		D	1	
18	26NA 5423 0	TERMINAL FIXING SCREW		C	2	
19	26NA 5377 0	TERMINAL PEDESTAL A		D	1	

FIXING UNIT

P 50



FRONT

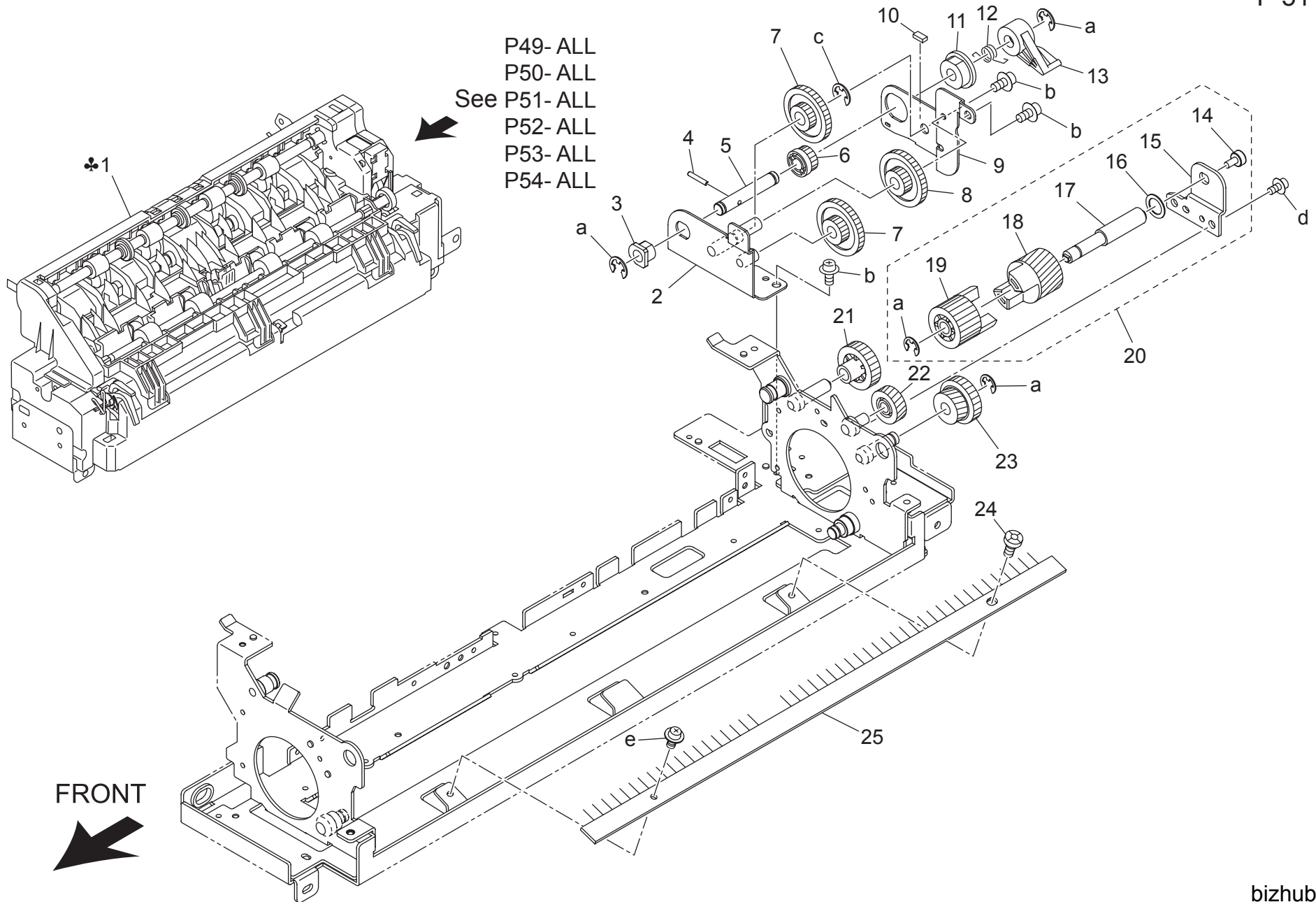


FIXING UNIT

Key	Part No.	Description	Destinations	Class	QTY	Standard parts
1	26NA 5403 0	MOUNT SCREW		C	2	a-V121 0304 03 b-V123 0306 03 c-V118 0406 03 d-V123 0310 03 e-V122 0306 03 f-V111 0304 03
2	50GA 5452 0	ROLLER COOLING DUCT FRONT		D	1	
3	26NA 5423 0	TERMINAL FIXING SCREW		C	4	
4	50GA 5453 0	ROLLER COOLING DUCT REAR		D	1	
5	42GA 5450 0	CLEANER SUPPORT PART /2	A	D	1	
5	50GA 5450 0	CLEANER SUPPORT PART /2	B,C,G2	D	1	
6	50GA -544 0	FIXING SENSOR ASSY		A	1	
7	50GA 5494 0	COVER PART		C	1	
8	42GA 5451 0	RELEASE LEVER FRONT	A	C	1	
8	50GA 5451 0	RELEASE LEVER FRONT	B,C,G2	C	1	
9	50GA 5464 0E	Lever Insulating Part		D	2	
10	SP00 -011 2	FUSE MOUNTING PLATE ASSY 26NA 535		A	1	
11	50GA 5442 0	FIXING PRESSING STOPPER		D	1	
12	42GA 5474 0	RELEASE LEVER REAR	A	C	1	
12	50GA 5474 0	RELEASE LEVER REAR	B,C,G2	C	1	
13	40LA 5443 0	TERMINAL FIXING SCREW 2		C	2	
14	50GA 5405 0	WIRING GUIDE PART B		D	1	
15	50GA 5378 0	TERMINAL PEDESTAL B		C	1	
16	26NA 5428 0	TERMINAL PLATE		D	1	
17	26NA 5321 1	WIRING GUIDE PART A		D	1	
18	50GA 5336 0	FIXING INSULATING SHEET C		D	1	
19	50GA 5365 1E	FIXING ENTRANCE PLATE		D	1	
20	42GA -548 0	FIXING ENTRANCE PLATE 2 ASSY	A	C	1	
20	50GA -548 0	FIXING ENTRANCE PLATE 2 ASSY	B,C,G2	C	1	

FIXING UNIT

P 51



P49- ALL
P50- ALL
See P51- ALL
P52- ALL
P53- ALL
P54- ALL

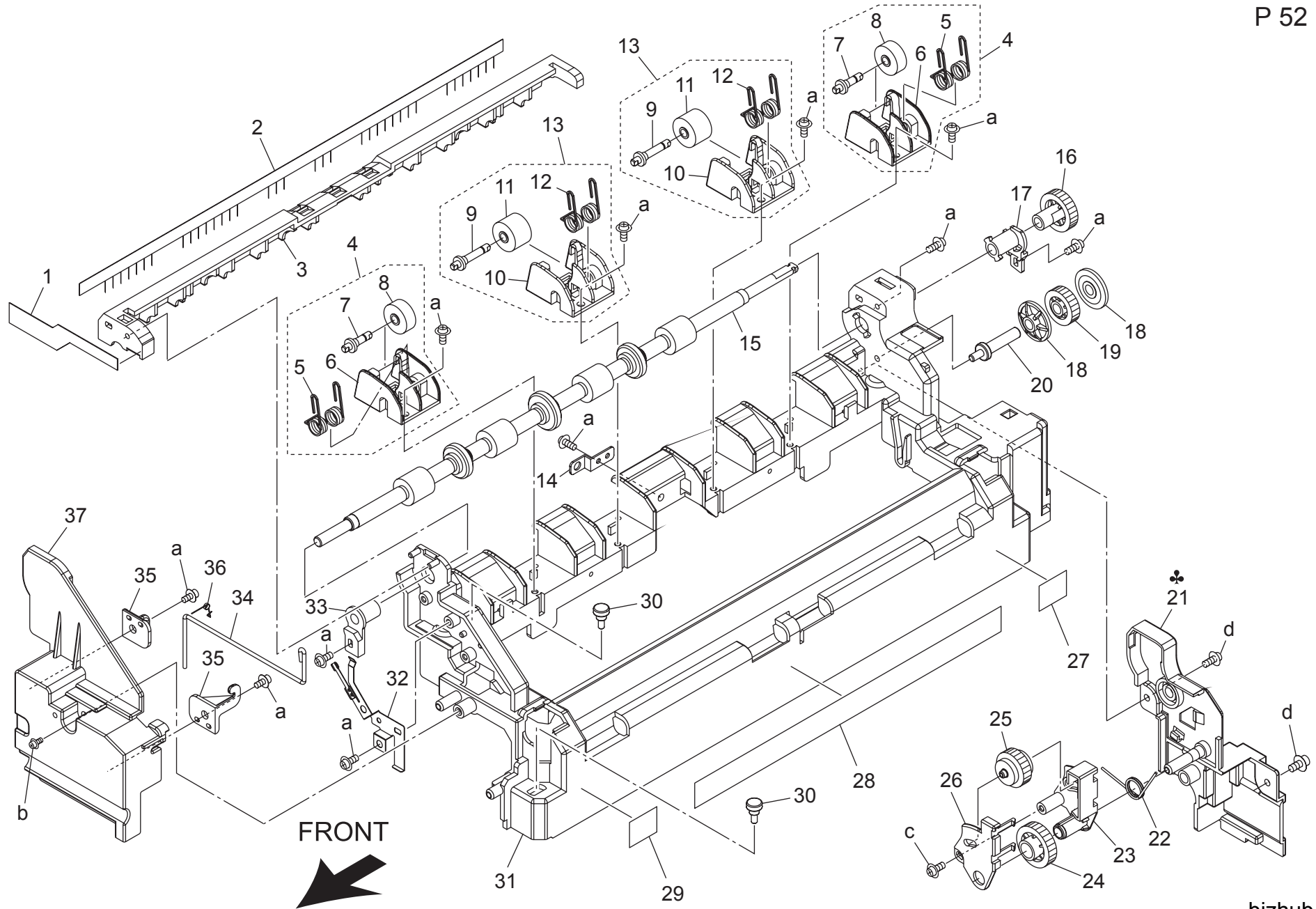
FRONT

FIXING UNIT

Key	Part No.	Description	Destinations	Class	QTY	Standard parts
1	42GA -530 0	FIXING UNIT	A	I	1	a-V217 0400 50 b-V121 0304 03 c-V217 0500 50 d-V123 0306 03 e-V123 0306 03
1	42GE -530 0	FIXING UNIT	B,G2	I	1	
1	42GF -530 0	FIXING UNIT	C	I	1	
2	50GA -543 0	AUXILIARY PART CAULKING		D	1	
3	1921 4171 0	PAPER LIFT UP LEVER BUSHING		B	1	
4	4660 7801 0	PIN A D2X10		B	1	
5	50GA 5330 0D	Cleaner Idling Shaft /A		D	1	
6	26NA 5346 0	CLEANER GEAR A 18T		C	1	
7	26NA 5429 0	FIXING DRIVING GEAR D 18T 44T		B	2	
8	50GA 5429 0	FIXING DRIVE GEAR D 44T 14T		B	1	
9	50GA 5417 0	AUXILIARY PART		D	1	
10	26NA 5424 0	LEVER STOPPER PART		D	1	
11	26NA 5384 0	FIXING CLEANER SHAFT HOLDER C		C	1	
12	26NA 5329 0	LEVER SPRING		C	1	
13	50GA 5404 0	FIXING CLEANING LEVER		C	1	
14	50GA 5485 0	GEAR REGULATING SHAFT		D	1	
15	50GA 5484 0	MOUNTING PLATE		D	1	
16	50GA 7296 00	FUSING SPACER		C	1	
17	50GA 5483 0D	Idling Shaft /D		D	1	
18	50GA 5493 1E	FIXING INPUT GEAR 19T		B	1	
19	50GA 5473 1E	FIXING INPUT GEAR /2 19T		B	1	
20	50GA -546 1	FIXING INPUT GEAR ASSY		A	1	
21	4040 5758 01	GEAR /20T		C	1	
22	50GA 5470 0	FIXING IDLING GEAR B 15T		B	1	
23	50GA 5469 0	FIXING IDLING GEAR A 14T 20T		B	1	
24	26NA 5419 0	FIXING GUIDE SCREW		C	1	
25	26NA 5414 0	NEUTRALIZING BRUSH		C	1	

FIXING UNIT

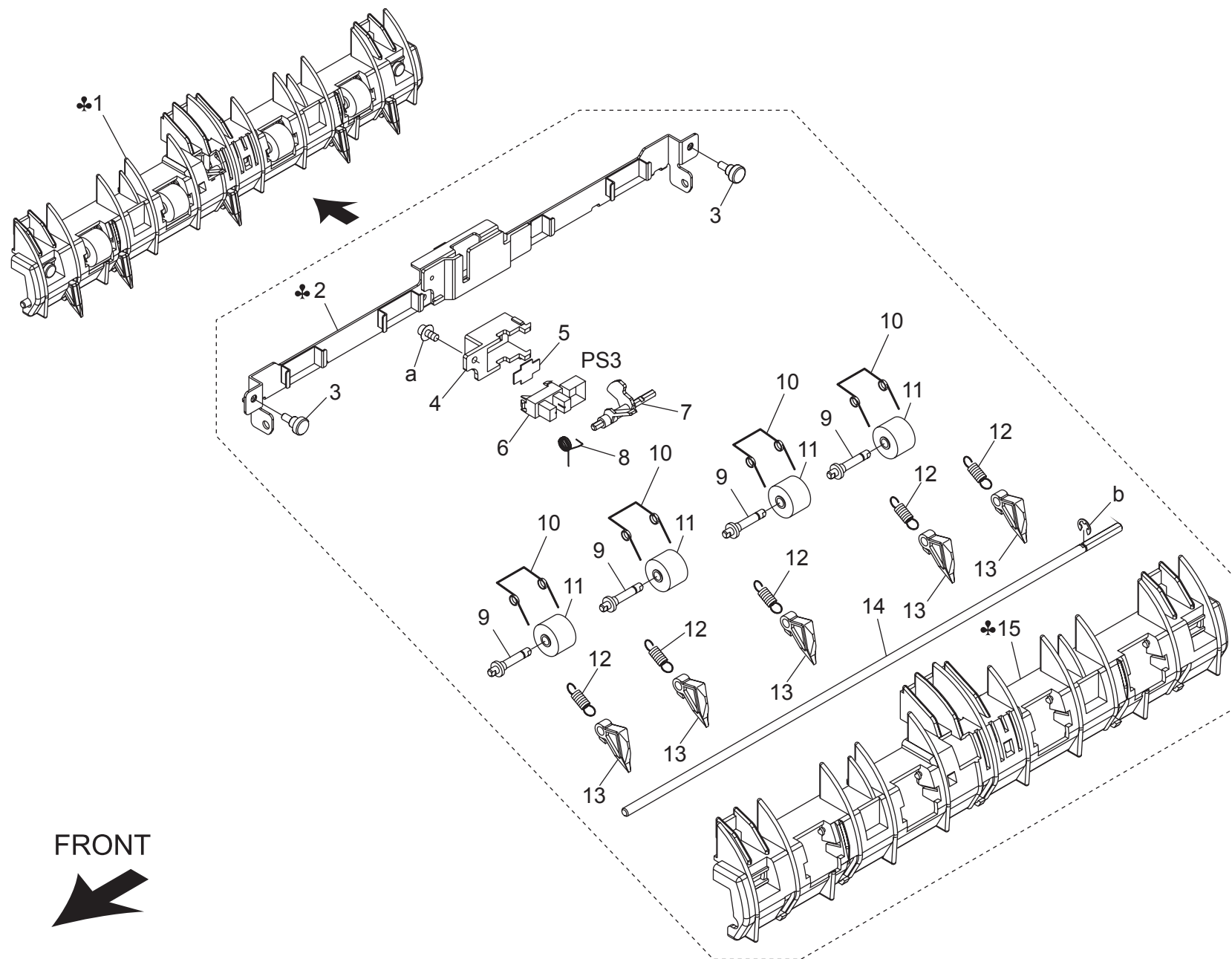
P 52



bizhub 361

Key	Part No.	Description	Destinations	Class	QTY	Standard parts
1	4030 5847 01	NETURALIZING MEMBER		C	1	a-V151 0308 03 b-V123 0308 03 c-9739 0308 14 d-V151 0308 04
2	4030 5823 01	NEUTRALIZING BRUSH		C	1	
3	4030 5839 03	HOLDER		D	1	
4	4040 R707 00	EXIT ROLL HOLDER 2 ASSY		A	2	
5	4030 5858 01	TORSION SPRING		C	2	
6	4030 5855 01	HOLDER		D	2	
7	4030 5857 01	SHAFT		D	2	
8	4030 5854 01	ROLL		C	2	
9	4030 5856 01	SHAFT		D	2	
10	4030 5843 02	HOLDER		D	2	
11	4030 5805 03	ROLL		C	2	
12	4030 5806 01	TORSION SPRING		C	2	
13	4040 R706 00	EXIT ROLL HOLDER 1 ASSY		A	2	
14	4030 5848 01	POSITIONING PLATE		D	1	
15	4030 5802 01	ROLLER		C	1	
16	4030 5812 01	GEAR 21T		C	1	
17	4030 5840 02	BUSHING		C	1	
18	4030 5844 02	COLLAR		C	2	
19	4030 5836 01	GEAR 19T		C	1	
20	4030 5845 02	SHOULDER SCREW		D	1	
21	42GA 5482 0	FIXING COVER REAR	A	C	1	
21	50GA 5482 0	FIXING COVER REAR	B,C,G2	C	1	
22	4030 5821 02	TORSION SPRING		C	1	
23	4030 5820 03	HOLDER		D	1	
24	4030 5816 01	GEAR 19T		C	1	
25	4030 5817 02	GEAR 19T		C	1	
26	4030 5822 03	HOLDER		D	1	
27	50GA 9748 0E	Lever Indicating Label /Rear		C	1	
28	50GA 9746 0	HIGH TEMP CAUTION LABEL		C	1	
29	50GA 9747 0E	Lever Indicating Label /Front		C	1	
30	4030 5827 01	SHOULDER SCREW		C	2	
31	50GA 5487 0	FIXING CASING		D	1	
32	50GA 5492 0	EARTH PLATE		C	1	
33	4030 5842 01	BUSHING		C	1	
34	50GA 5461 1	CLEANER LOCK SHAFT		D	1	
35	50GA 5462 0	SHAFT SUPPORT PART		C	2	
36	50GA 5463 0	CLEANER LOCK SPRING		C	1	
37	50GA 5481 0	FIXING COVER FRONT		C	1	

FIXING UNIT



FRONT

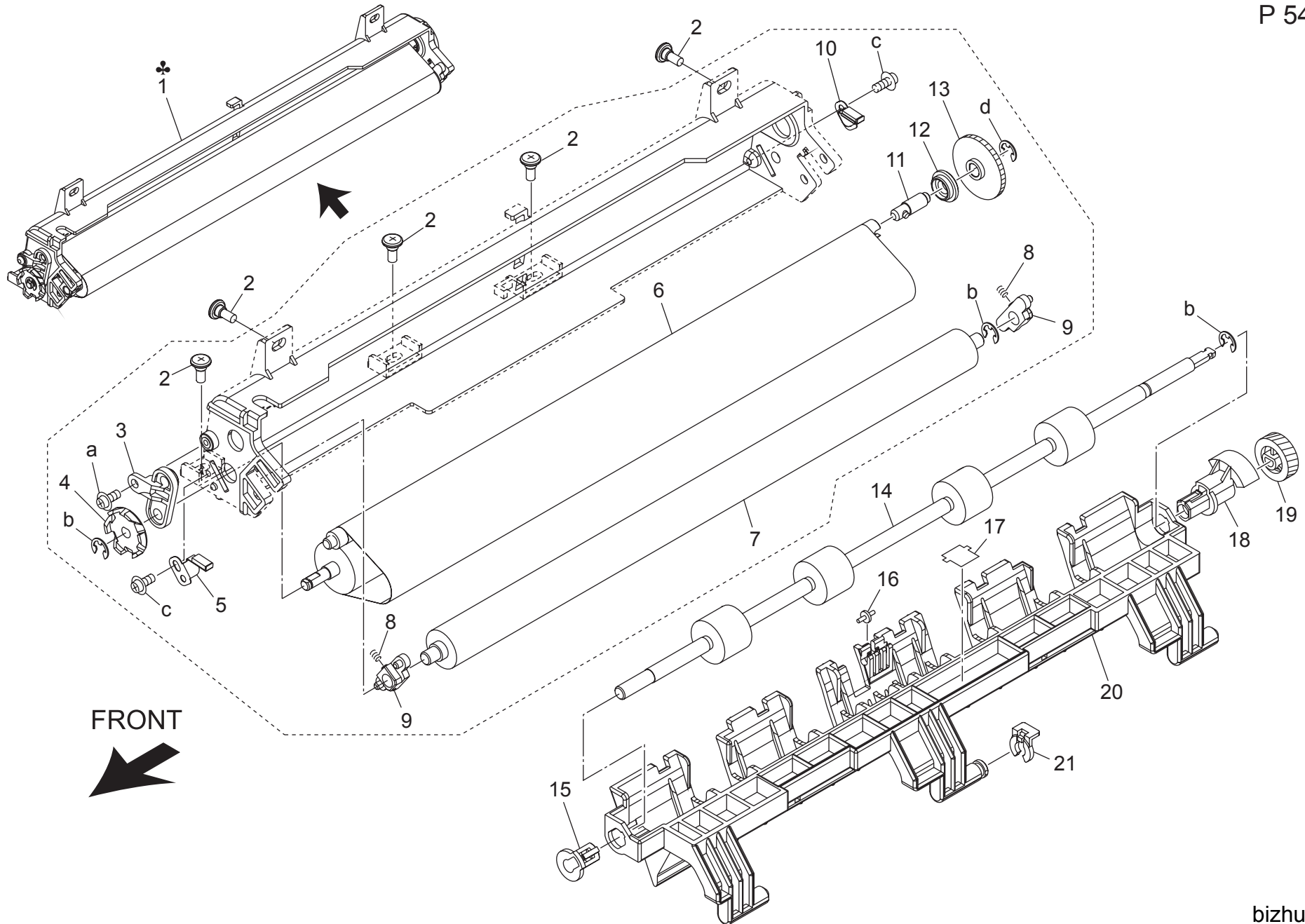


FIXING UNIT

Key	Part No.	Description	Destinations	Class	QTY	Standard parts
1	42GA -533 0	FIXING CLAW ASSY	A	A	1	a-V151 0308 03 b-V217 0300 50
1	50GA -533 0	FIXING CLAW ASSY	B,C,G2	A	1	
2	42GA 5498 0	SEPARATION SUPPORT PART	A	D	1	
2	4030 5750 03	BRACKET	B,C,G2	D	1	
3	4030 5827 01	SHOULDER SCREW		C	2	
4	4030 5808 02	HOLDER		D	1	
5	4470 4024 01	STOPPER		D	1	
6	9335 1300 61	PHOTO INTERRUPTER		B	1	
7	4030 5809 02	ACTUATOR		C	1	
8	4030 5810 02	TORSION SPRING		C	1	
9	4030 5856 01	SHAFT		D	4	
10	50GA 5495 0	ROLLER PRESSING SPRING		C	4	
11	4030 5805 03	ROLL		C	4	
12	4030 5717 01	TENSION SPRING		C	5	
13	50GA 7227 00	FIXING CLAW		C	5	
14	4030 5753 01	SHAFT		D	1	
15	42GA 5486 0E	Conveyance Guide Part /Left	A	D	1	
15	50GA 5486 0E	CONVEYANCE GUIDE PART /LEFT	B,C,G2	D	1	

FIXING UNIT

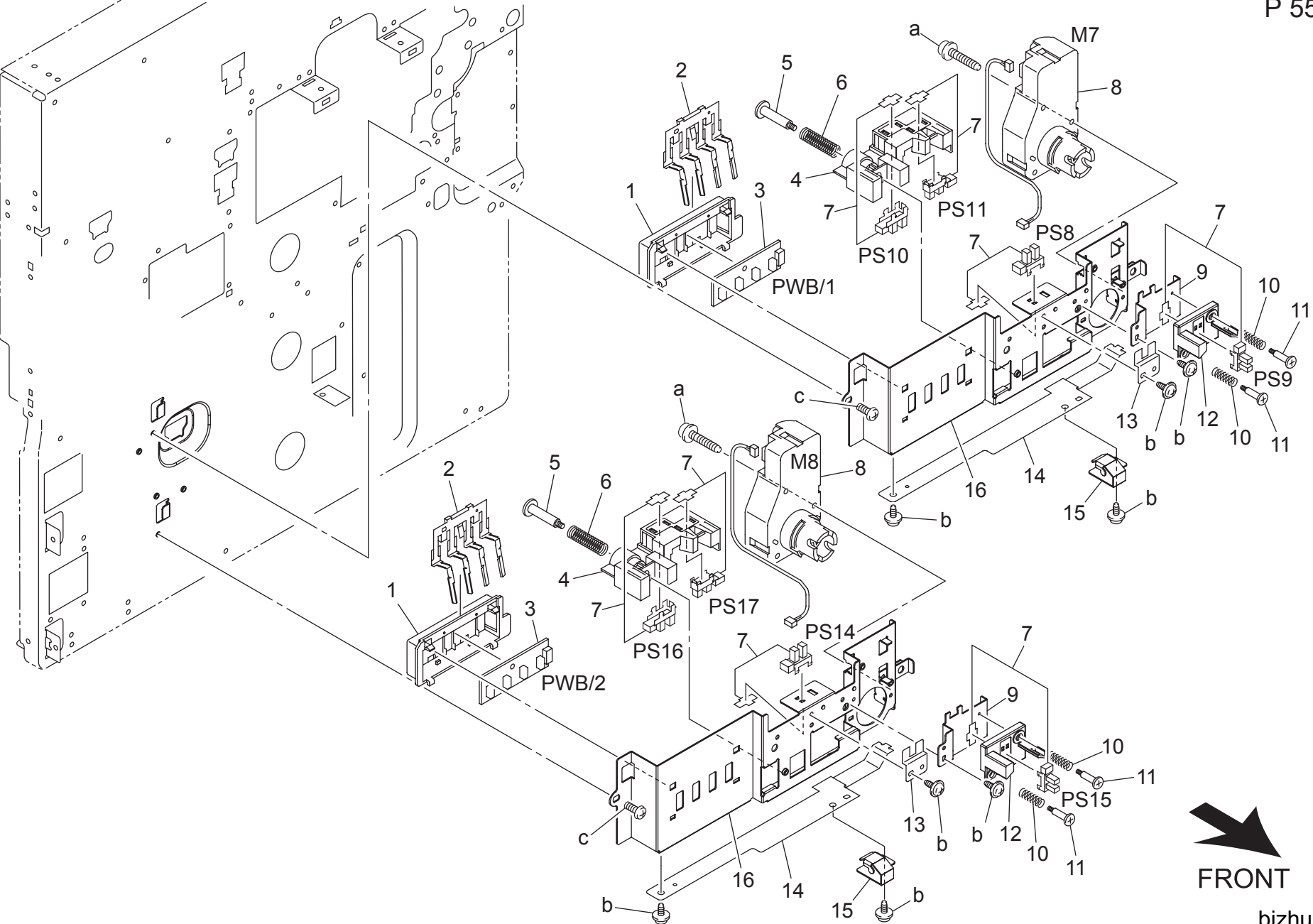
P 54



FIXING UNIT

Key	Part No.	Description	Destinations	Class	QTY	Standard parts
1	42GA -540 0	FIXING CLEANER ASSY	A	A	1	a-V121 0306 03 b-V217 0400 50 c-V151 0306 03 d-V217 0300 50
1	50GA -540 0	FIXING CLEANER ASSY	B,C,G2	A	1	
2	27LA 5419 0	FIXING GUIDE SCREW		C	5	
3	50GA 5351 0	FIXING CLEANING BUSHING		C	1	
4	50GA 5460 0	CLEANER LOCK GEAR		C	1	
5	40LA R707 00	REGULATING PLATE FRONT ASSY		C	1	
6	50GA 5343 0	WEB		C	1	
7	27LA 5383 0	FIXING CLEANER ROLLER		B	1	
8	26NA 5361 0	CLEANER PRESSURE SPRING		B	2	
9	26NA 5349 0	FIXING CLEANER SHAFT HOLDER A		C	2	
10	40LA R708 00	REGULATING PLATE REAR ASSY		C	1	
11	50GA -556 0	CLEANER DRIVING SHAFT ASSY		D	1	
12	26NA 5430 0	FIXING CLEANER SHAFT HOLDER A		C	1	
13	50GA 5347 0	CLEANER GEAR B 34T		B	1	
14	4030 5803 01	ROLLER		C	1	
15	4030 5811 01	BUSHING		C	1	
16	4030 5841 01	ROLL		C	1	
17	50GA 5472 1	PROTECTION PART		D	1	
18	4030 5834 02	BUSHING		C	1	
19	50GA 5471 0	PAPER EXIT GEAR 18T		B	1	
20	50GA 5488 0	CONVEYANCE GUIDE PART RIGHT		C	1	
21	1164 3065 01	STOPPER RING		D	1	

ELECTRIC PARTS



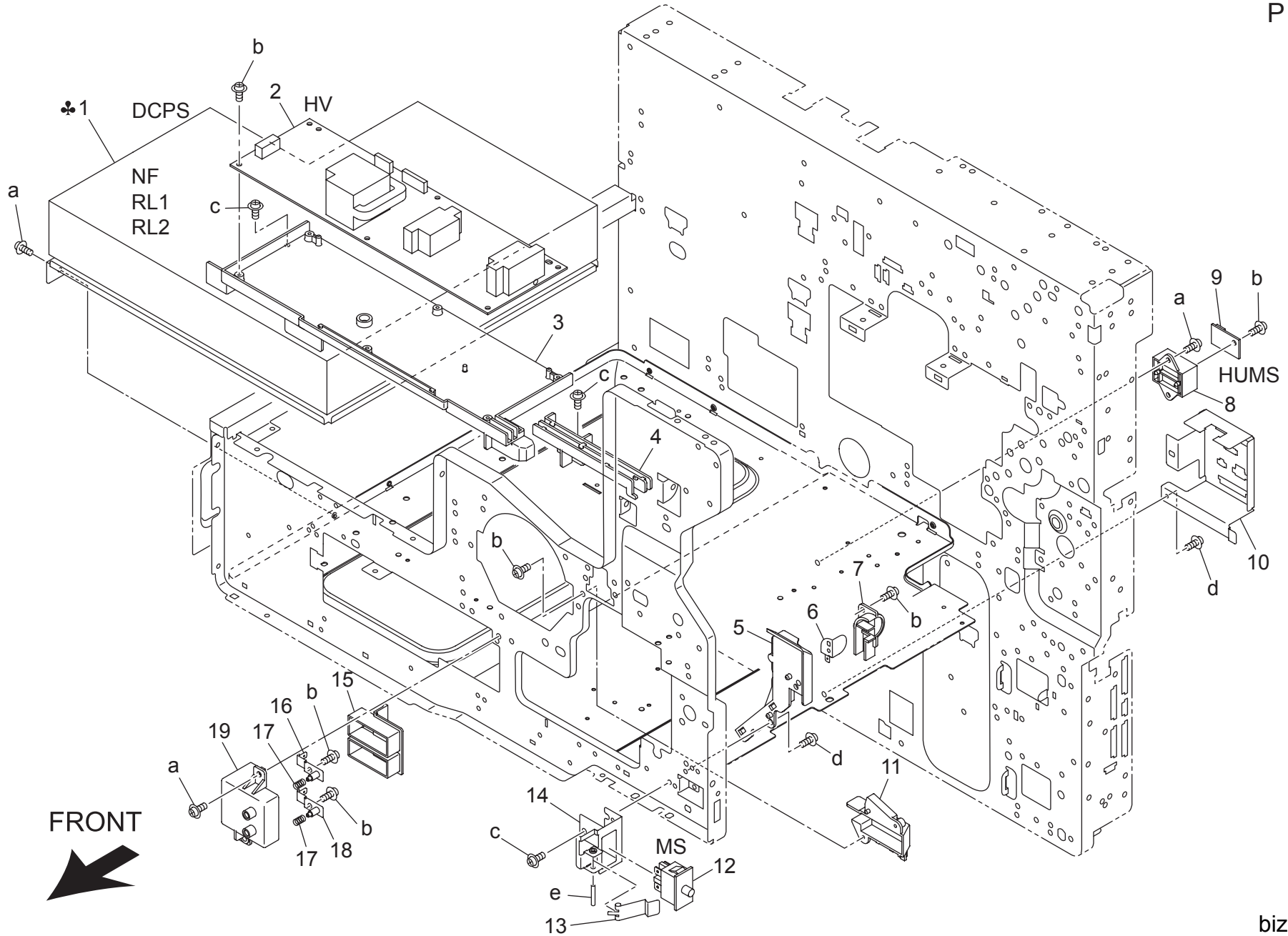
FRONT

bizhub 361

ELECTRIC PARTS

Key	Part No.	Description	Destinations	Class	QTY	Standard parts
1	4011 3012 01	HOLDER		D	2	a-V116 0330 03 b-V137 0306 03 c-V136 0408 03
2	4030 3091 01	LEVER		C	2	
3	4037 0104 01	PWB ASSY		C	2	
4	4030 3047 02	HOLDER		D	2	
5	4002 3131 01	SHOULDER SCREW		C	2	
6	4002 3110 01	PRESSURE SPRING		C	2	
7	4037 0906 01	PHOTO INTERRUPTER		B	8	
8	9J06 M103 00	MOTOR		B	2	
9	4030 3208 02	BRACKET		D	2	
10	4030 3081 01	PRESSURE SPRING		C	4	
11	4030 3224 02	SHOULDER SCREW		C	4	
12	4030 3083 01	HOLDER		D	2	
13	4030 3048 02	BRACKET		D	2	
14	4030 3049 01	BRACKET		D	2	
15	50GA 6271 01	LIFTING STAY		C	2	
16	4030 3046 03	BRACKET		D	2	

ELECTRIC PARTS



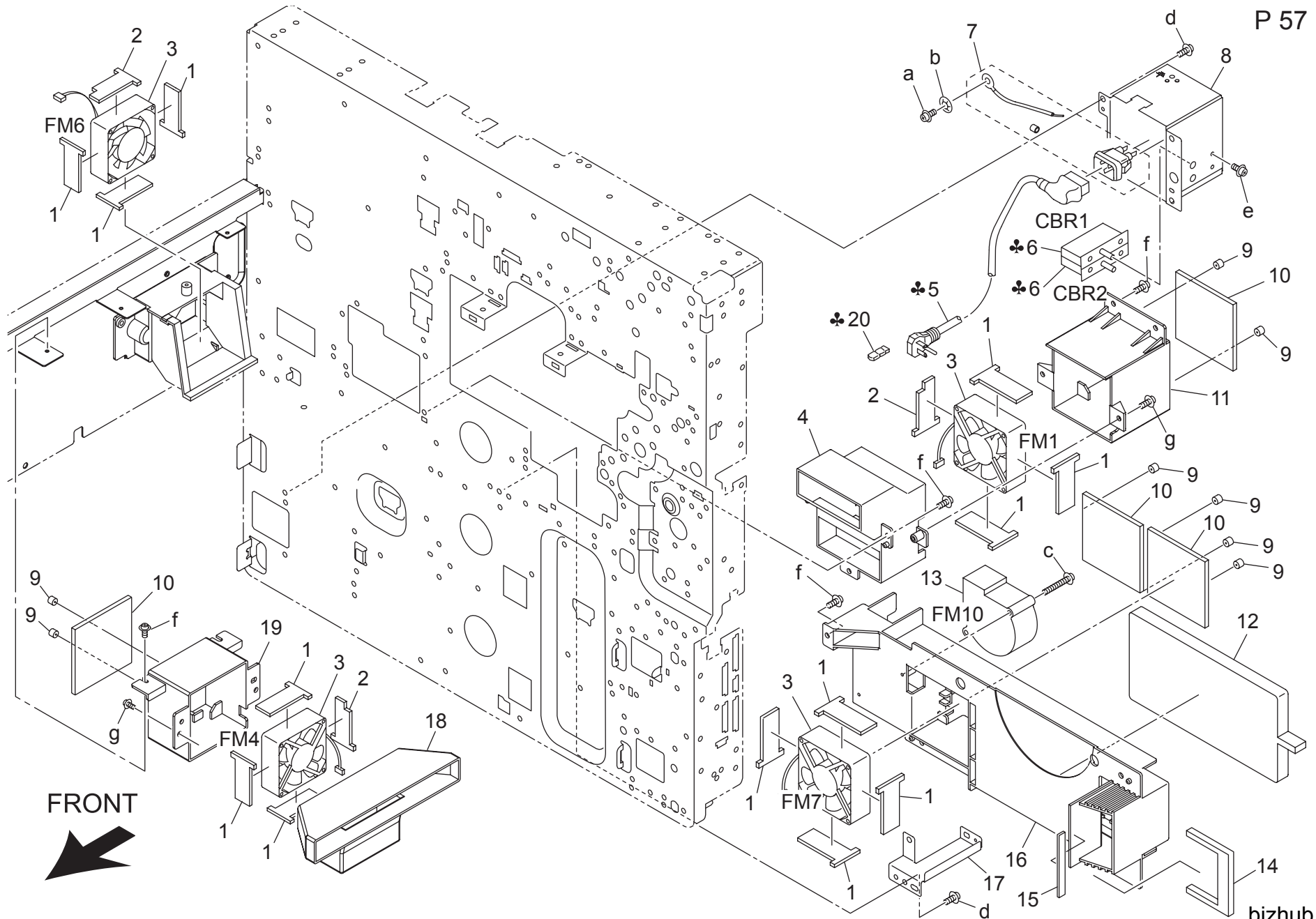
FRONT
↙

ELECTRIC PARTS

Key	Part No.	Description	Destinations	Class	QTY	Standard parts
1	50GA 8451 0	DC POWER SOURCE 1	A,B,G2	I	1	a-V121 0306 03 b-V151 0308 03 c-V144 0306 03 d-V137 0306 03 e-V233 3018 50
1	50GF 8451 1	DC POWER SOURCE 1	C	I	1	
2	50GA 8401 0	HIGH VOLTAGE POWER SOURCE		I	1	
3	50GA 7341 0	HV MOUNTING PEDESTAL		D	1	
4	50GA 7347 0	WIRING GUIDE PART 1		D	1	
5	50GA 7348 1	WIRING GUIDE PART 2		C	1	
6	50GA 7349 1	CONTACT PLATE A		C	1	
7	50GA 7376 1	HV COVER PART		C	1	
8	65AA 1130 0	SUPPORT PART		D	1	
9	27LA 8803 1	PROCESS SENSOR		B	1	
10	50GA 7343 0	WIRING MOUNTING PLATE		D	1	
11	50GA 7359 0	CORD COVER		D	1	
12	40AA 8501 1	DOOR SWITCH		B	1	
13	50GA 7350 0	SWITCH GUIDE PLATE A		D	1	
14	50GA 7351 0	SWITCH MOUNTING PLATE		D	1	
15	50GA 7380 0	COVER PLATE		D	1	
16	50GA -751 0	HIGH VOLTAGE CONNECTING PLATE S ASSY		D	1	
17	26NA 7325 1	ELECTRODE CONNECTING SPRING A		B	2	
18	26NA R712 00	HIGH VOLTAGE CONNECTING PLATE B ASSY		D	1	
19	50GA 7342 0	CONTACT PEDESTAL 1		D	1	

ELECTRIC PARTS

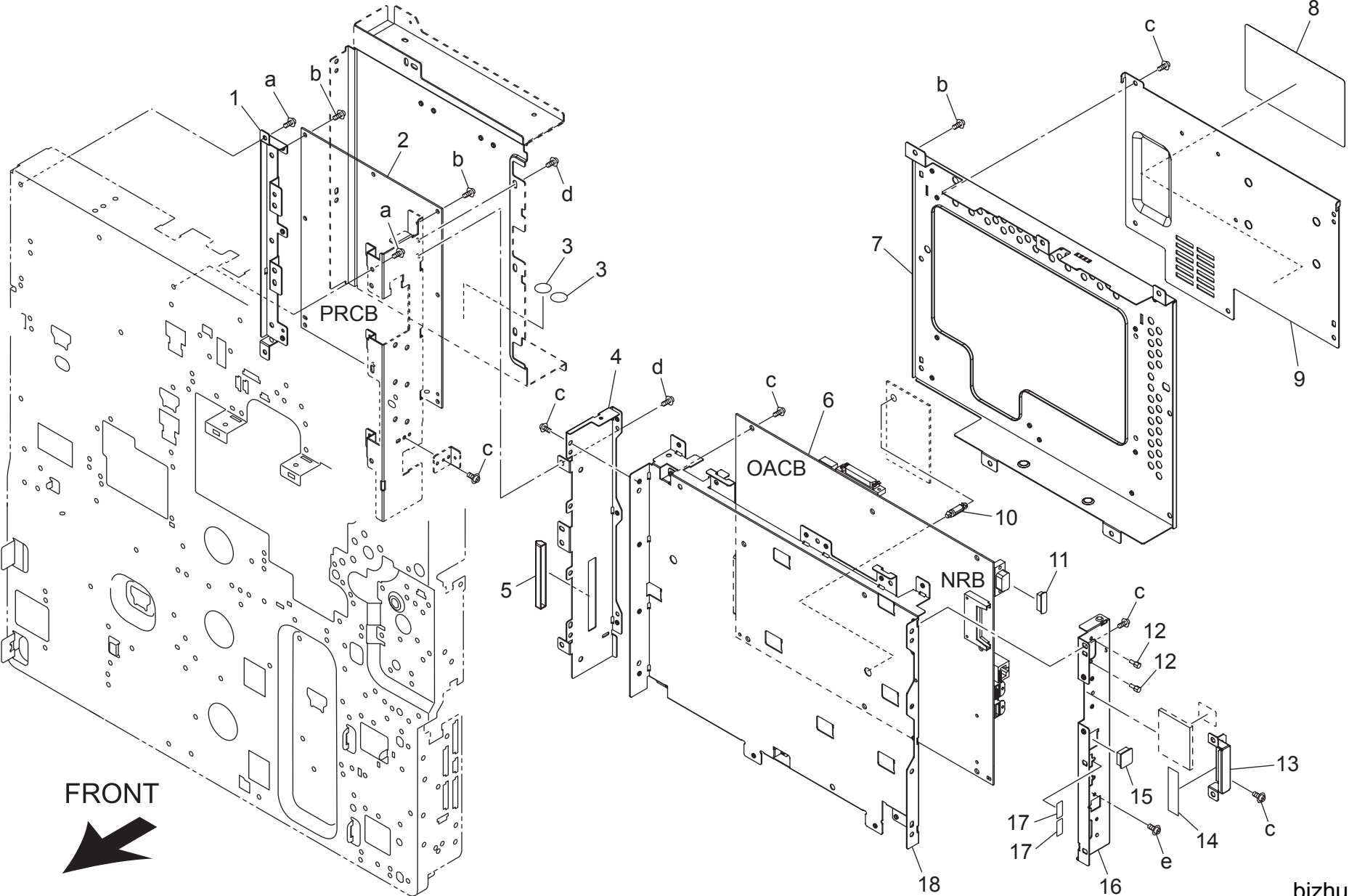
P 57



bizhub 361

Key	Part No.	Description	Destinations	Class	QTY	Standard parts
1	26NA 7373 2	DUST PROOFSEAL 5		C	13	a-V118 0406 21
2	27LA 7391 0	Dustproof Seal		C	3	b-V208 0400 50
3	27LA 8051 1	MAIN BODY FAN MOTOR		B	4	c-V151 0335 03
4	50GA 7338 1	POWER SOURCE COOLING DUCT/2		D	1	d-V137 0306 03
5	4040 0780 01	POWER CORD	A	C	1	e-V123 0306 03
5	9381 4101 31	POWER CORD	B,G2	C	1	f-V121 0306 03
6	26NA 8846 1	CIRCUIT BLACKER	A,B,G2	B	2	g-V151 0308 03
6	6852 8604 0	BLACKER	C	D	2	
7	26NA R701 00	POWER SOCKET ASSY		D	1	
8	50GA 7344 0	CORD MOUNTING PLATE		D	1	
9	4658 3047 01	COLLAR		C	8	
10	50GA 7391 0	DUST PROOF FILTER		C	4	
11	50GA 7337 1	POWER SOURCE COOLING DUCT/1		D	1	
12	50GA 1031 0	OZONE FILTER		A	1	
13	50GA 8052 0	SYSTEM COOLING FAN		C	1	
14	4030 3523 02	CUSHION		C	1	
15	4030 3524 01	CUSHION		C	1	
16	50GA 7346 0E	FAN MOUNTING BOARD /REAR		D	1	
17	50GA 7355 0	DUCT MOUNTING PLATE		D	1	
18	50GA 7379 0E	DRUM COOLING DUCT /2		D	1	
19	50GA 7339 0	DRUM COOLING DUCT/1		D	1	
20	V590 0400 02	Terminal Cap	A	D	1	

ELECTRIC PARTS



FRONT

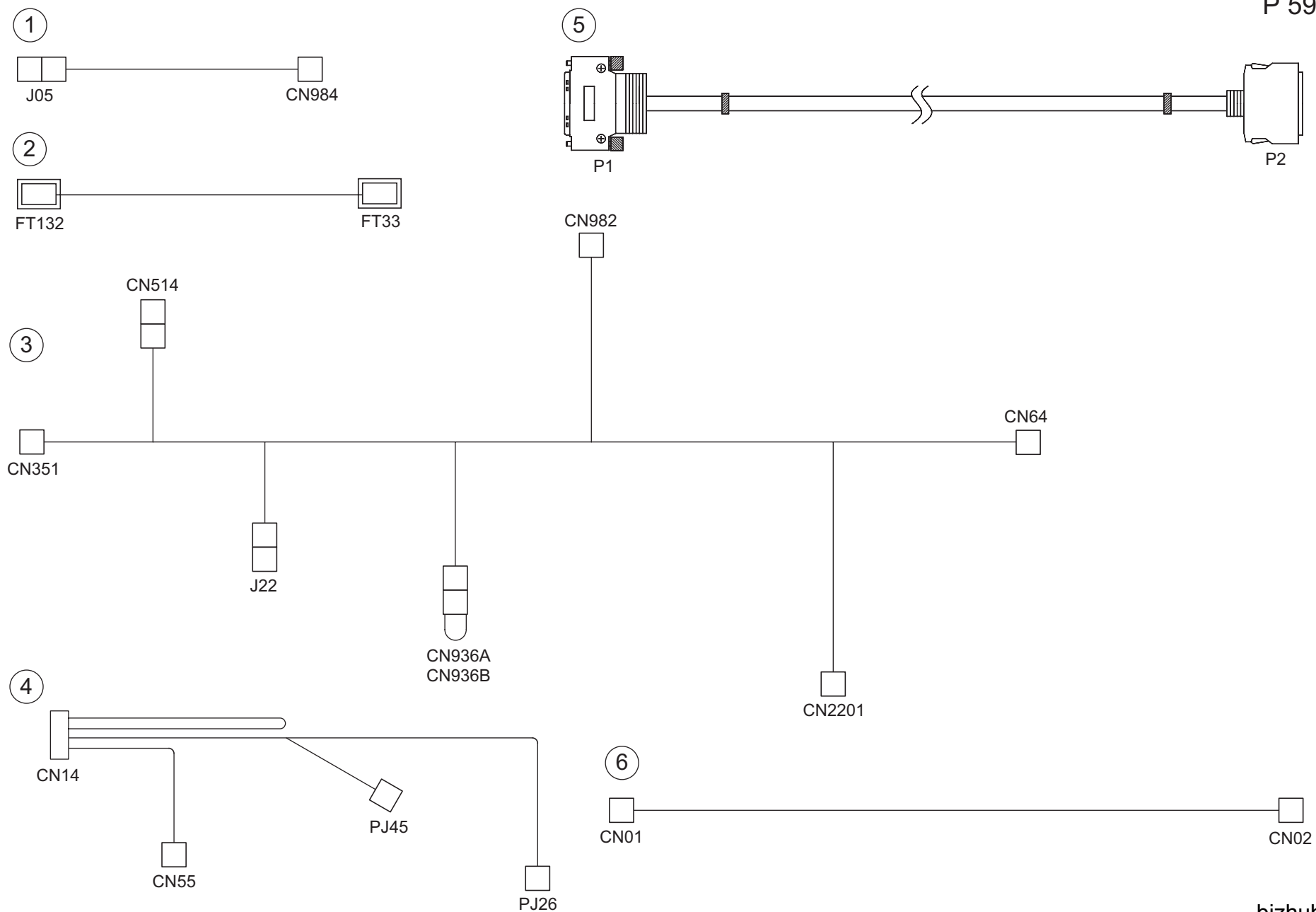


ELECTRIC PARTS

Key	Part No.	Description	Destinations	Class	QTY	Standard parts
1	50GA 7334 0	BOARD MOUNTING STAY/2		D	1	a-V137 0306 03 b-V121 0306 03 c-V121 0304 03 d-V127 0306 03 e-V111 0306 21
2	50GA -902 0E	MAIN CONTROL BOARD UNIT		I	1	
3	5850 9705 0	LABEL SCREW COVER		D	2	
4	50GA 7377 0	BOARD COVER PLATE/C		D	1	
5	50GA 1360 00	Protection Cover /A		D	1	
6	A0R5 H010 06	CONTROL BOARD ASSY		I	1	
7	A0R5 1356 00	Board Cover Plate /A		D	1	
8	40LA 9736 1	CORD CAUTION LABEL		D	1	
9	A0R5 1374 00	Board Cover Plate /E		D	1	
10	V502 0100 54	mini double board post		D	1	
11	13RN 7312 0	TERMINAL PROTECTION COVER 1		D	1	
12	26NA 7357 0	CONTACT FIXING SCREW A		C	2	
13	A0R5 1361 00	Cover		D	1	
14	A0R5 1362 00	Cushion		C	1	
15	40LA 7384 0	CONTACT PROTECTION COVER		D	1	
16	A0R5 1357 00	Board Cover /B		D	1	
17	27LA 7399 0	CONTACT PROTECTION SEAL		C	2	
18	A0R5 1354 00	Board Mounting Plate		D	1	

WIRING

P 59

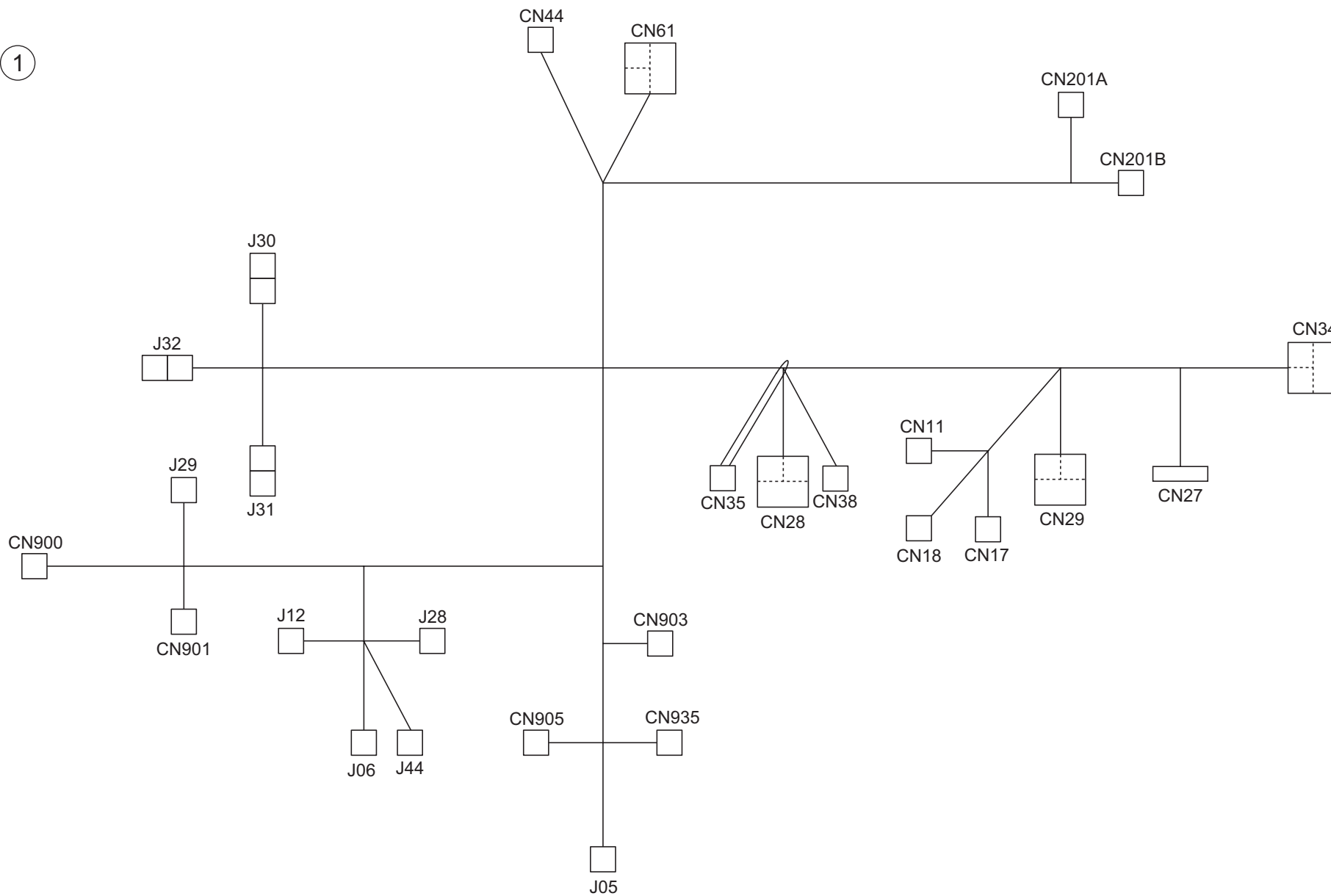


bizhub 361

WIRING

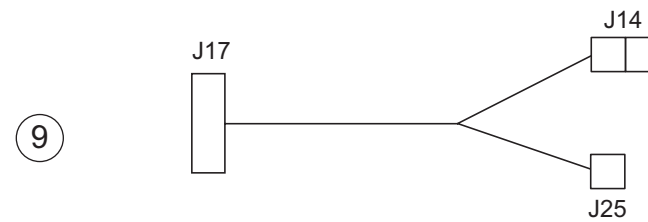
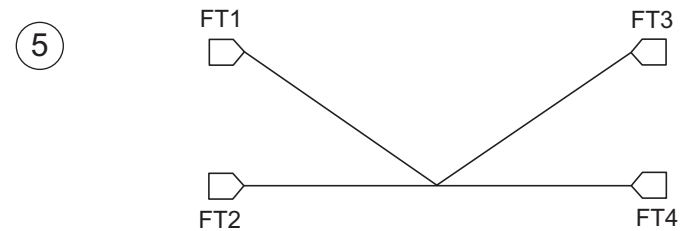
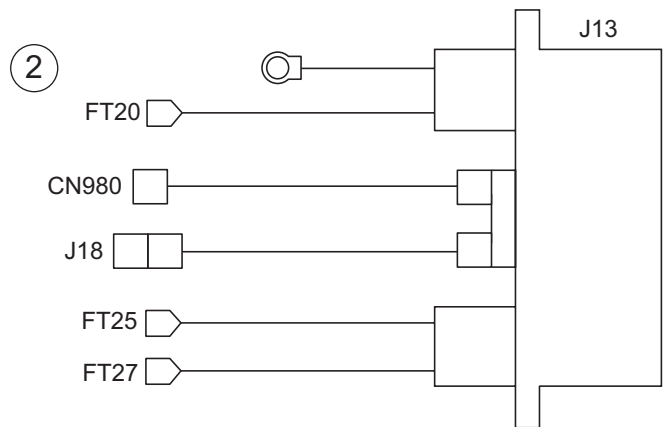
Key	Part No.	Description	Destinations	Class	QTY	Standard parts
1	26NA 9019 1	TONER SUPPLY WIRING 1		D	1	
2	26NA 9035 1	DEVELOPING RELAY WIRING 2		D	1	
3	A0R5 N105 00	Scanner Wiring		D	1	
4	4030 6824 01	WIRE HARNESS ASSY		D	1	
5	A0R5 N100 00	Ope.unit Cable		C	1	
6	A0R5 N101 00	I/O Relay harness		D	1	

1



WIRING

P 61

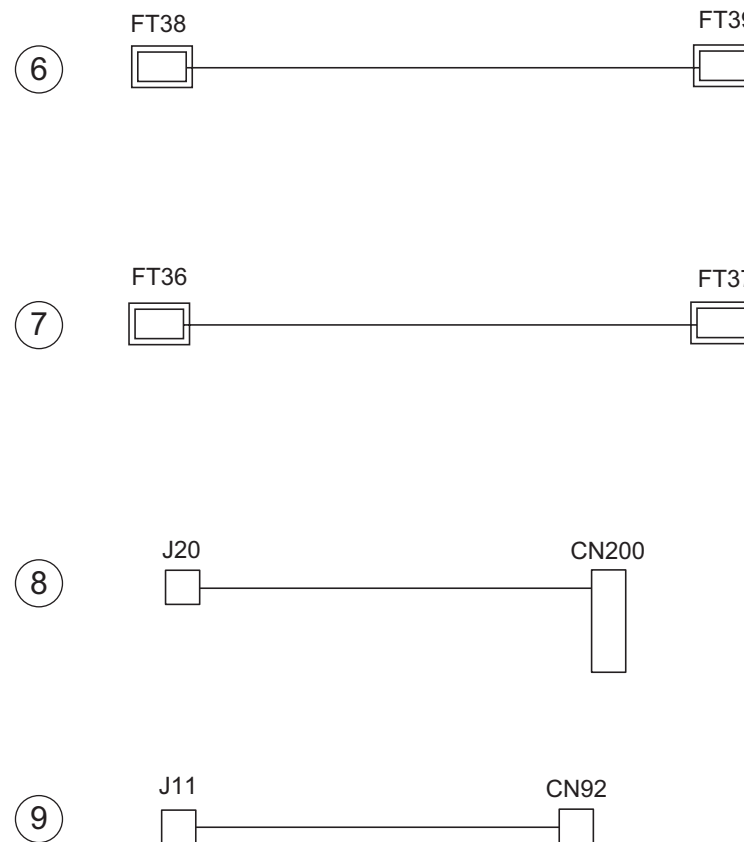
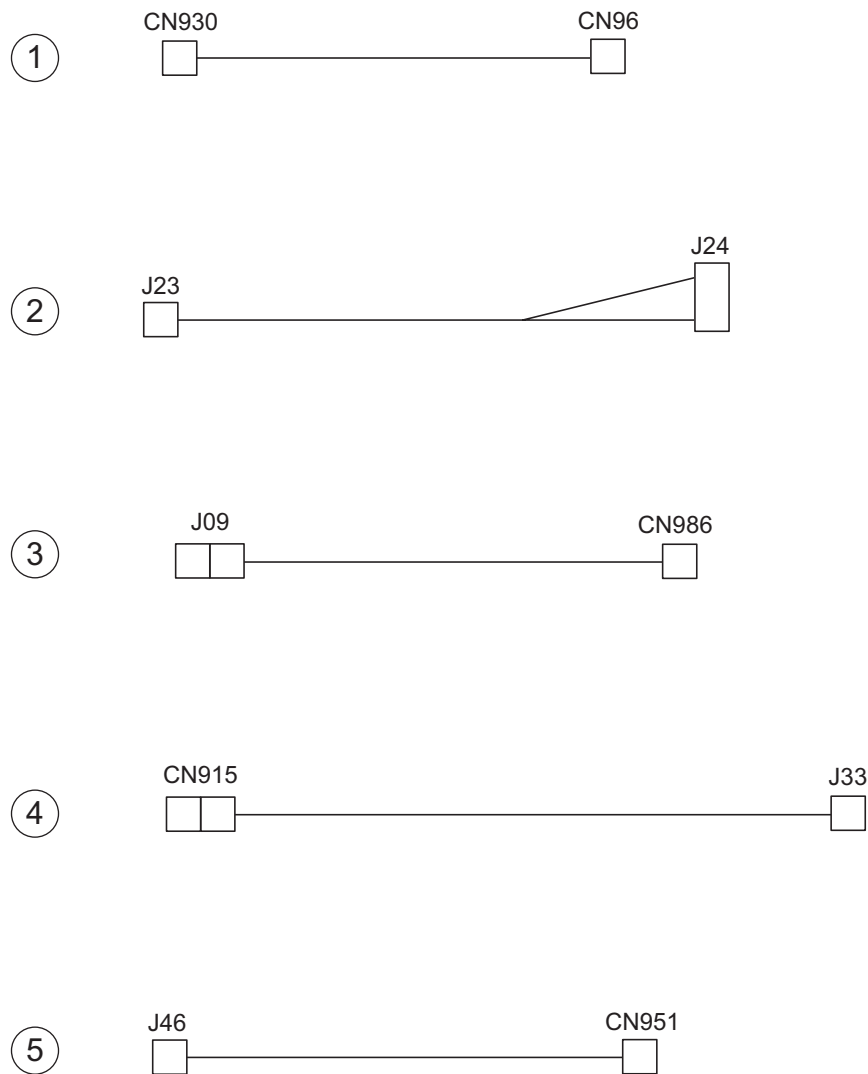


WIRING

Key	Part No.	Description	Destinations	Class	QTY	Standard parts
1	50GA 9004 0	FUSE CORD 1		D	1	
2	50GA 9005 1	FIXING POWER SUPPLY WIRING		D	1	
3	50GA 9011 0E	AC Power supply Wiring /1		D	1	
4	50GA 9012 0	AC POWER SUPPLY WIRING 2		D	1	
5	50GA 9013 0	AC POWER SUPPLY WIRING 3		D	1	
6	50GA 9014 0	FIXING RELAY WIRING 2		D	1	
7	50GA 9016 0	OPTICAL RELAY WIRING		D	1	
8	50GA 9019 0	CONVEYANCE EARTH WIRING		D	1	
9	50GA 9024 0	DEVELOPING RELAY WIRING		D	1	

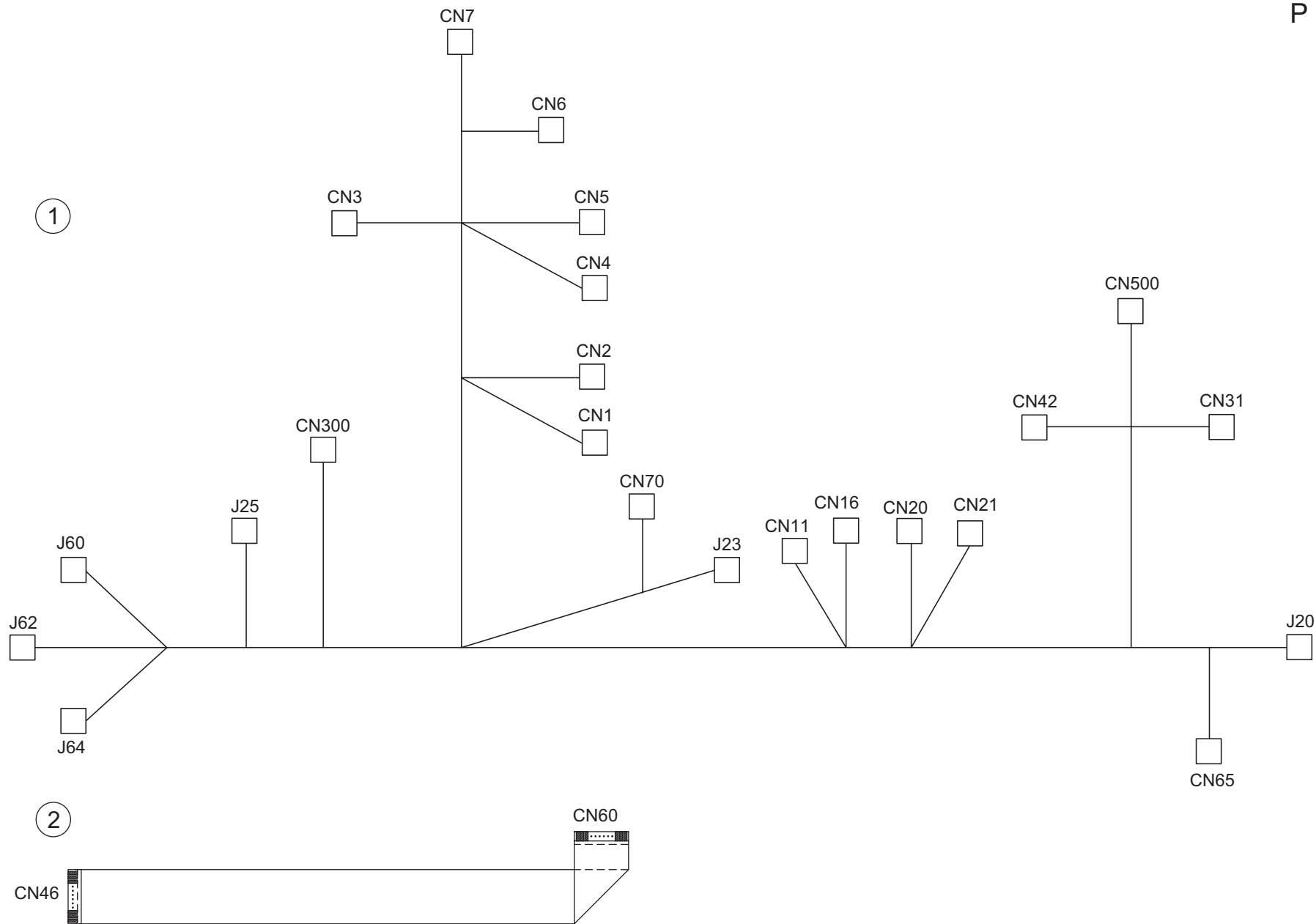
WIRING

P 62



WIRING

Key	Part No.	Description	Destinations	Class	QTY	Standard parts
1	50GA 9026 0	LAMP RELAY WIRING		D	1	
2	50GA 9027 0	DC INTERLOCK WIRING		D	1	
3	50GA 9031 0	RELAY WIRING		D	1	
4	50GA 9032 0E	CONVEYANCE SUCTION WIRING		D	1	
5	50GA 9037 0	REGISTRATION WIRING		D	1	
6	50GA 9038 0	HIGH VOLTAGE WIRING 1		D	1	
7	50GA 9039 0	HIGH VOLTAGE WIRING 2		D	1	
8	50GA 9042 0	OPTION RELAY WIRING		D	1	
9	26NA 9031 1	RELAY WIRING 1		D	1	

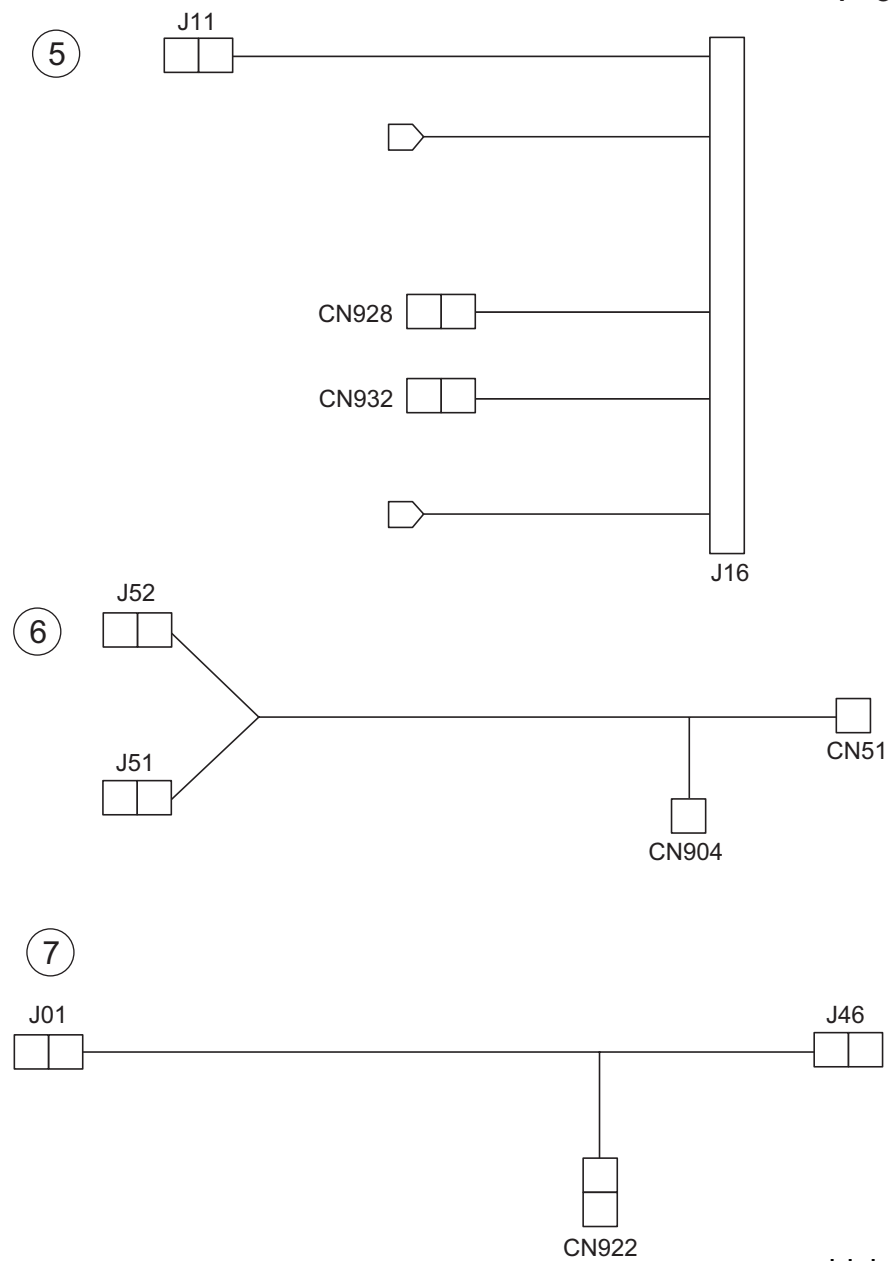
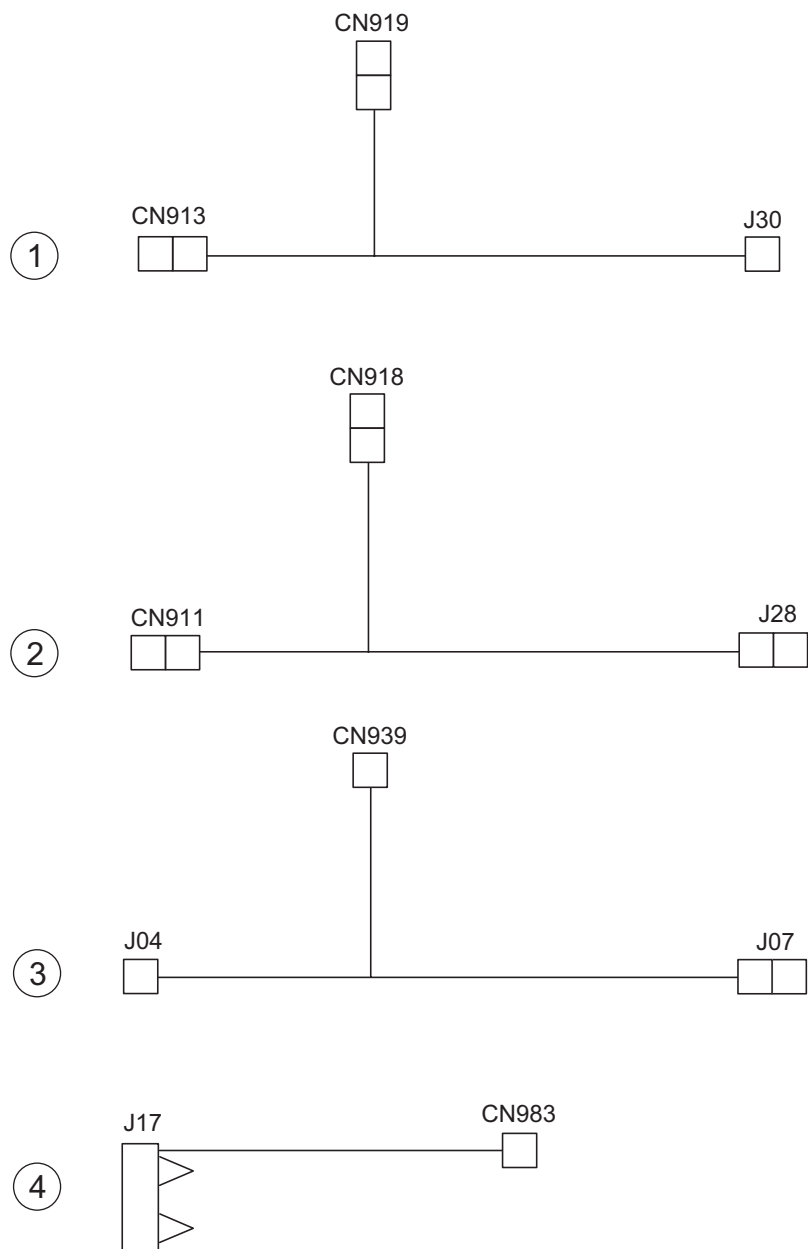


WIRING

Key	Part No.	Description	Destinations	Class	QTY	Standard parts
1	50GA 9003 0	DC POWER SOURCE WIRING		D	1	
2	50GA 9050 0	AD WIRING		C	1	

WIRING

P 64

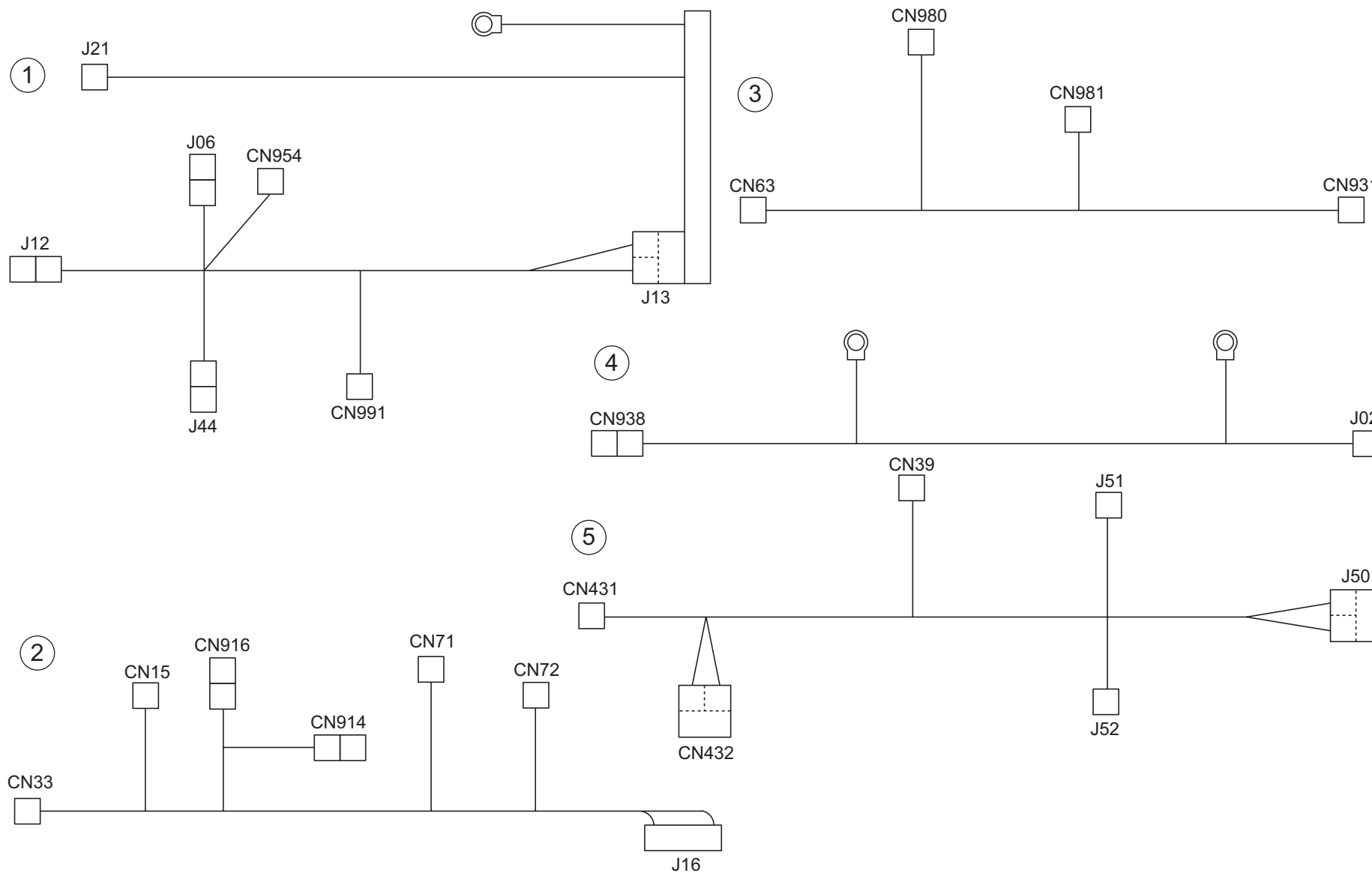


bizhub 361

Key	Part No.	Description	Destinations	Class	QTY	Standard parts
1	50GA 9033 0	INTERNAL COOLING WIRING		D	1	
2	50GA 9034 0	FIXING COOLING WIRING		D	1	
3	50GA 9035 0	PAPER FEED RELAY WIRING UPPER		D	1	
4	40LA 9025 0	DEVELOPMENT WIRING		D	1	
5	40LA 9007 1	DRUM WIRING		D	1	
6	40LA 9022 0E	POLYGON RELAY WIRING		D	1	
7	50GA 9030 0	REGISTRATION RELAY WIRING		D	1	

WIRING

P 65



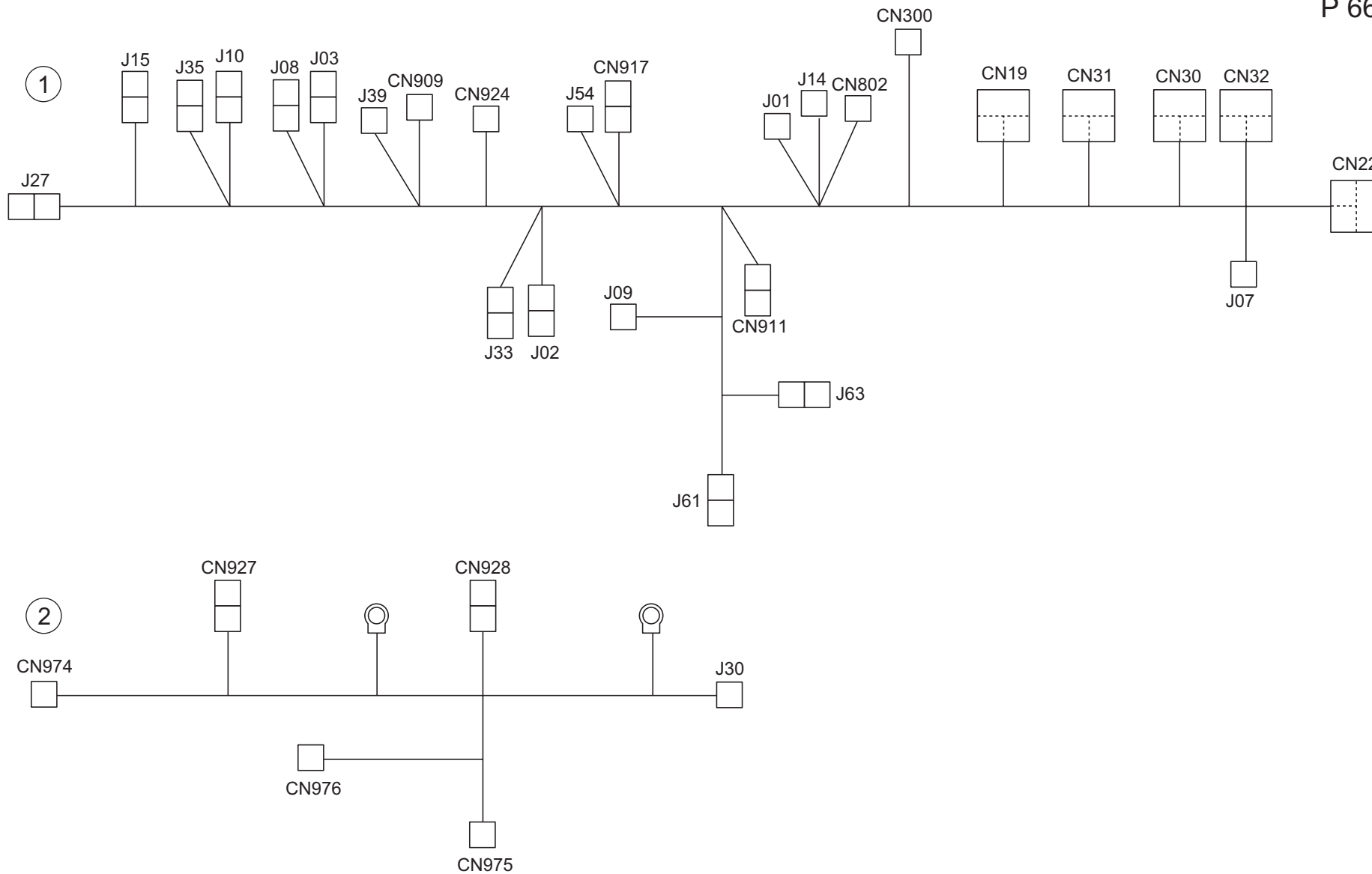
bizhub 361

WIRING

Key	Part No.	Description	Destinations	Class	QTY	Standard parts
1	50GA 9006 0	FIXING RELAY WIRING		D	1	
2	50GA 9008 0	DRUM RELAY WIRING		D	1	
3	50GA 9009 0	OPTICAL WIRING		D	1	
4	50GA 9029 0	CONVEYANCE RELAY WIRING		D	1	
5	50GA 9020 0	LD RELAY WIRING		D	1	

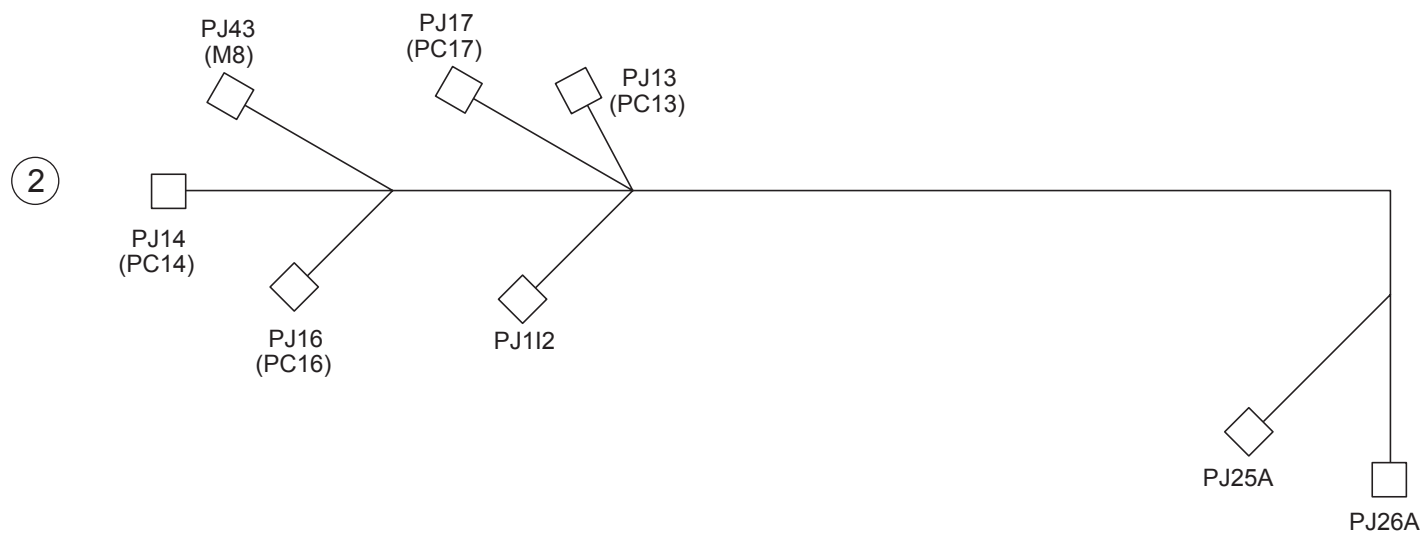
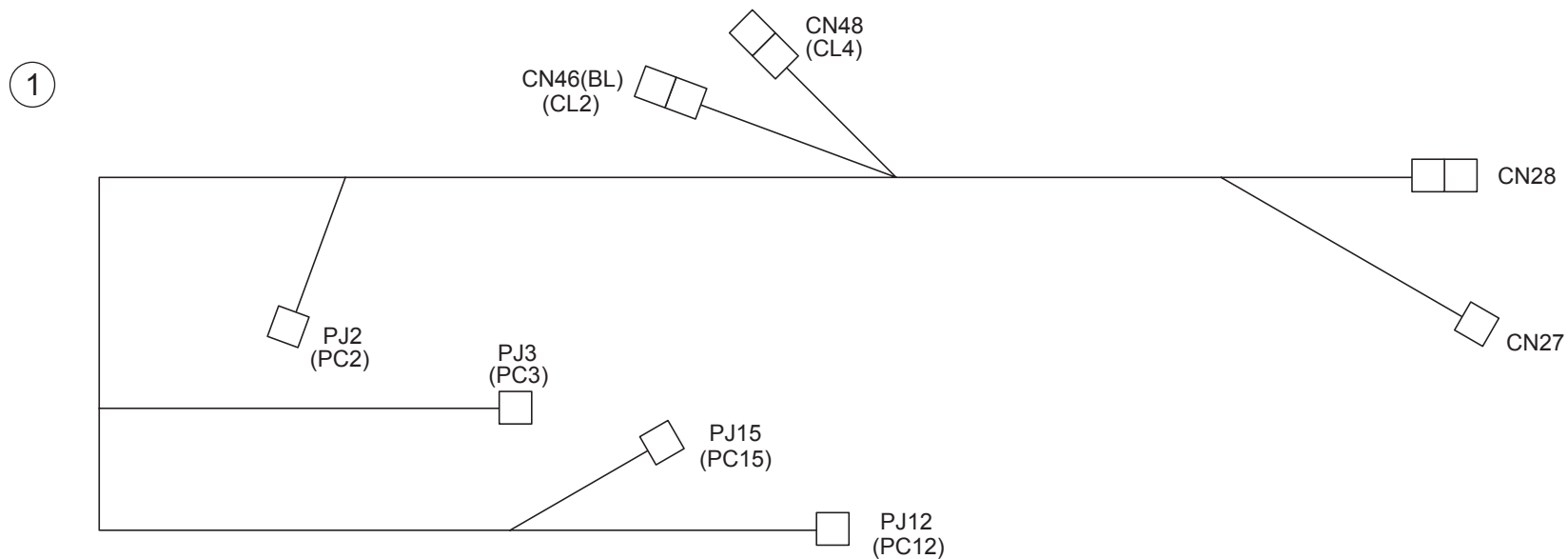
WIRING

P 66



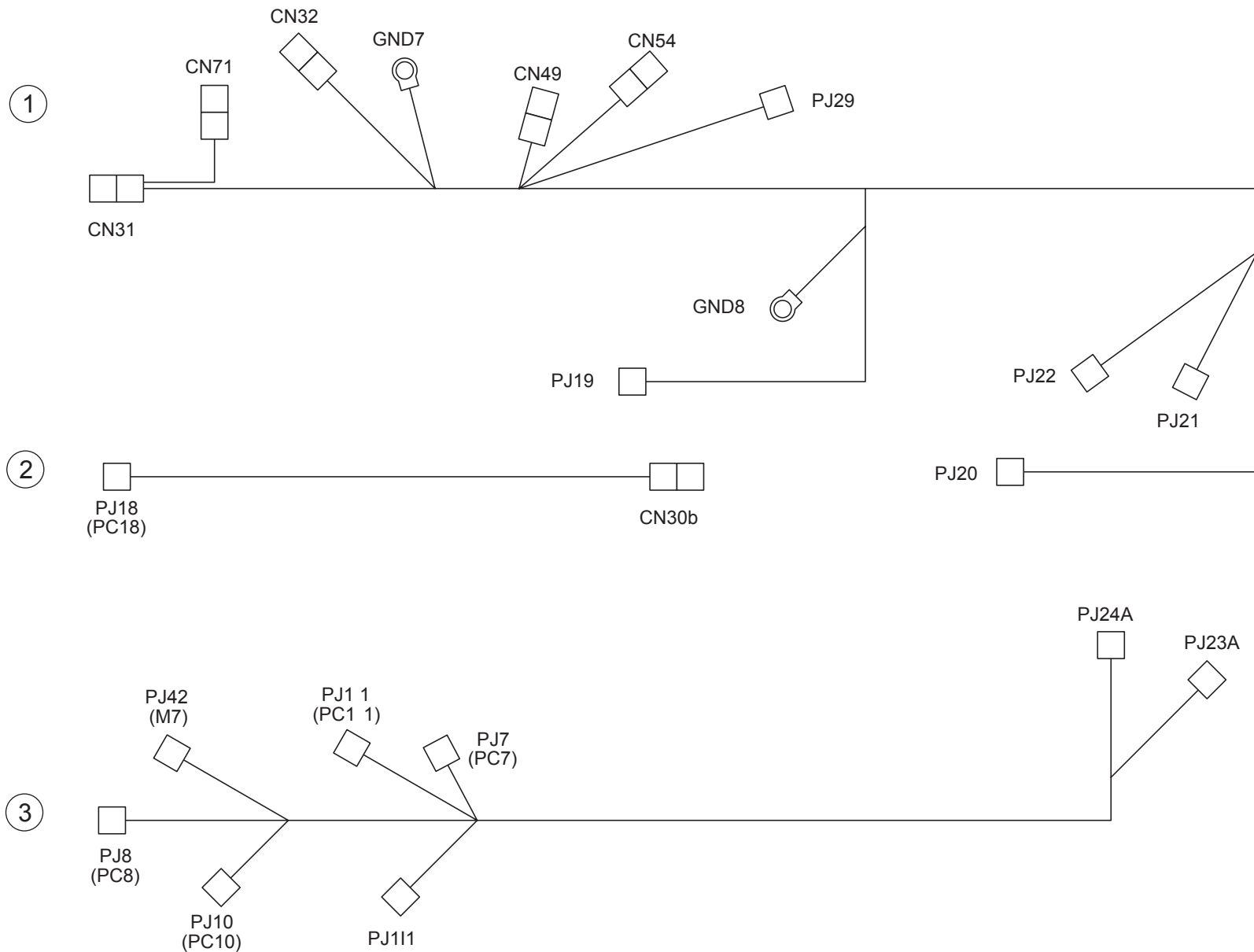
WIRING

Key	Part No.	Description	Destinations	Class	QTY	Standard parts
1	50GA 9002 0	MAIN BODY WIRING LOWER		D	1	
2	50GA 9017 1	ADU WIRING		D	1	



WIRING

Key	Part No.	Description	Destinations	Class	QTY	Standard parts
1	4030 6812 02	WIRE HARNESS ASSY		D	1	
2	4030 6813 02	WIRE HARNESS ASSY		D	1	



WIRING

Key	Part No.	Description	Destinations	Class	QTY	Standard parts
1	4030 6814 03	WIRE HARNESS ASSY		D	1	
2	4030 6818 01	WIRE HARNESS ASSY		D	1	
3	4030 6810 02	WIRE HARNESS ASSY		D	1	

WIRING ACCESSORY AND JIGS

P 69

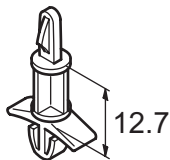
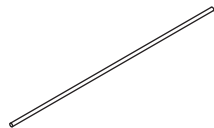
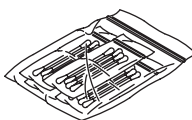
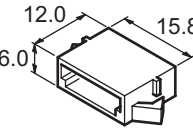
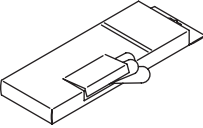
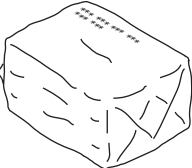
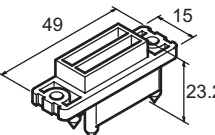
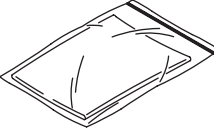
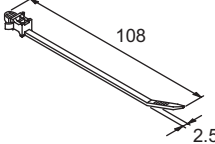
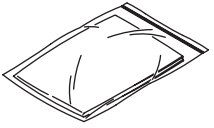
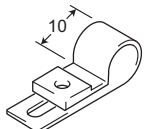
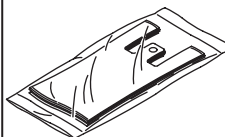
1 	6 	11 	16 	21 	26 	31 	36
2 	7 	12 	17 	22 	27 	32 	37
3 	8 	13 	18 	23 	28 	33 	38
4 	9 	14 	19 	24 	29 	34 	39
5 	10 	15 	20 	25 	30 	35 	40

bizhub 361

Key	Part No.	Description	Destinations	Class	QTY	Standard parts
1	V500 0100 22	saddle		D		
2	V500 0100 08	saddle		D		
3	V500 0100 03	Saddle		D		
4	V570 0100 39	bushing		D		
5	V500 0100 04	saddle		D		
6	V570 0100 23	saddle		D		
7	V570 0100 26	saddle		D		
8	V570 0100 27	saddle		D		
9	V570 0100 28	saddle		D		
10	V500 0100 46	saddle		D		
11	V500 0100 61	saddle		D		
12	V500 0100 20	Saddle		D		
13	V570 0100 50	Locking Edge Saddle		D		
14	V500 0200 05	clamp		C		
15	V570 0100 07	saddle		D		
16	V570 0100 08	saddle		D		
17	V500 0100 26	saddle		D		
18	V500 0100 28	saddle		D		
19	V500 0100 29	saddle		D		
20	00Z9 2450 8	FLEXIBLE BUSH		C		
21	00Z9 2451 2	FLEXIBLE BUSH		C		
22	00Z9 2452 4	FLEXIBLE BUSH		D		
23	V570 0100 12	saddle		D		
24	V651 0100 01	connector		D		
25	V500 0100 07	saddle		D		
26	V500 0100 05	saddle		D		
27	V501 0100 06	band		D		
28	V500 0200 10	clip		D		
29	V501 0100 01	band		D		
30	V570 0100 21	Saddle		D		
31	V570 0100 31	holder		D		
32	V501 0100 12	band		D		
33	V500 0100 47	saddle		D		
34	V502 0100 44	PCB Support		D		
35	V502 0100 45	PCB Support		D		
36	V502 0100 46	PCB Support		D		
37	V500 0200 29	clamp		D		
38	V500 0100 35	saddle		D		
39	V500 0200 55	clamp		D		
40	V500 0200 27	lifter		D		

WIRING ACCESSORY AND JIGS

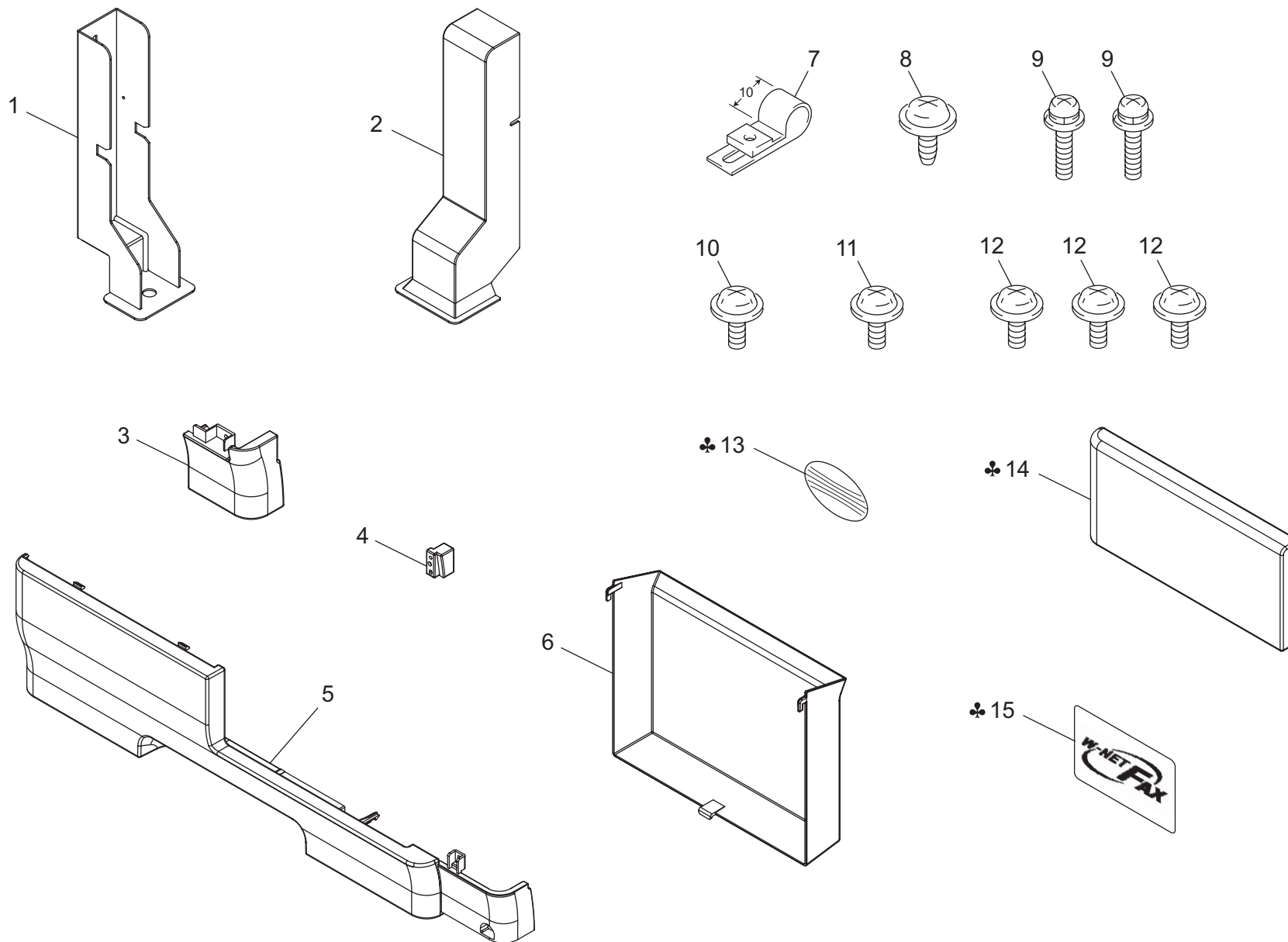
P 70

<p>1</p>  <p>12.7</p>	<p>6</p> 	<p>11 ♣</p> 					
<p>2</p>  <p>12.0 15.8 6.0</p>	<p>7</p> 	<p>12 ♣</p> 					
<p>3</p>  <p>49 15 23.2</p>	<p>8</p> 						
<p>4</p>  <p>108 2.5</p>	<p>9</p> 						
<p>5</p>  <p>10</p>	<p>10</p> 						

bizhub 361

ACCESSORY PARTS

P 71



ACCESSORY PARTS

Key	Part No.	Description	Destinations	Class	QTY	Standard parts
1	50GA 1026 0	ENCLOSED INSTALLING PLATE A		C	1	
2	A0R5 1029 00	Cover		C	1	
3	A0R5 1677 00	Cover /Right		C	1	
4	A0R5 1680 00	Cover		C	1	
5	A0R5 1712 00	Cover		C	1	
6	A00J 1699 01	Holder		C	1	
7	9384 1600 11	P-CLIP 10D		D	1	
8	V137 0308 04	screw		D	1	
9	V123 0450 03	Screw		C	2	
10	V121 0306 03	screw		D	1	
11	V121 0308 04	screw		D	1	
12	V116 0306 03	Screw		D	3	
13	A00J 9455 00	Logo Mark	C	C	1	
14	A0RA 1701 01	Cover /Left front	C	C	1	
15	A00J 9437 00	Label	A	D	1	

MAINTENANCE LIST

● The items with no Page/Key numbers are not handled as spare parts.

No.	Section	PM Parts Description	Maintenance Cycle (K=1,000)		Parts No.	Destinations	Page/Key	Note
			QTY	Replace				
1	Photo Conductor Section	Drum	1	225K	-		-	
2		Cleaning Blade assy	1	225K	50GA-2090		P20-12	
3		Drum unit (without drum)	1	675K	50GA-2001		P17-18	
4	Transfer/separation section	Transfer/separation unit	1	450K	50GA-2600		P22-1	
5	Developing section	Developer	1	225K	-		-	
6		Developing unit	1	675K	50GA-3001		P24-18	
7	Main Body	Filter mounting plate assy	1	225K	50GA-3360		P29-14	
8		Ozone Filter	1	225K	50GA10310		P57-12	
9		Suction Filter/A assy	1	225K	40LAR70500		P30-2	
10		Filter cover assy	1	225K	A0R5R70100		P30-1	
11		Suction Cover 2 assy	2	225K	50GA-3110		P30-7	
12	Paper feed section	Pick-up roller	2	300K	4030300501		P31-7/P33-13	
13		Feed roller	2	300K	4030300501		P31-7/P33-13	
14		Separation roller assy(Tray 1, 2)	2	300K	4030015101		P32-15/P34-11	
15	Bypass tray section	Paper feed roller	1	200K	4131300101		P36-36	
16		Separation roller assy	1	200K	4034015101		P35-8	
17	Registration section	Loop roller	1	900K	50GA38650E		P38-11	
18		Registration roller /Rt	1	900K	50GA38480		P38-10	
19		Registration bearing /Rt	2	900K	26NA45360		P38-21	
20		Registration bearing /Lt	2	900K	26NA45371		P38-20	
21		Loop bearing	2	900K	26NA40820		P38-12	
22	Fusing section	Fusing roller	1	225K	42GA53030	A	P49-4	
23		Fusing roller	1	225K	50GA53030	B,C,G2	P49-4	
24		Fusing pressure roller	1	225K	42GA53040	A	P49-13	
25		Fusing pressure roller	1	225K	50GA53040	B,C,G2	P49-13	
26		Fusing web	1	225K	42GA-5400	A	P54-1	
27		Fusing web	1	225K	50GA-5400	B,C,G2	P54-1	
28		Heat insulating sleeve /A	2	225K	26NA53720		P49-6	
29		Fusing bearing /Up	2	225K	26NA53712		P49-5	
30		Fusing bearing /Lw	2	225K	50GA53590		P49-12	
31		Fusing sensor assy	1	450K	50GA-5440		P50-6	
32		Fuse holder assy	1	450K	SP00-0112		P50-10	
33		Fusing claw assy	1	450K	42GA-5330	A	P53-1	
34		Fusing claw assy	1	450K	50GA-5330	B,C,G2	P53-1	
35		Fusing driven roller /A assy	2	225K	4040R70600		P52-13	
36		Fusing driven roller /B assy	2	225K	4040R70700		P52-4	
37	Fusing input gear assy	1	450K	50GA-5461		P51-20		
38	Paper reverse section	Paper exit suction filter	1	225K	50GA44060		P39-2	
39	Write section	Write unit	1	900K	A0R5R70000		P11-1	

DESTINATION

Destination No.		Destinations		V	Hz	Model No.
A	A1	JAPAN		100	50/60	A0R7001
	A2	JAPAN		100	50/60	A0R7001
B		USA, CANADA		120	60	A0R7011/ A0R7012
C		EUROPEAN TYPE		220-240	50/60	A0R7021
D	D1	S.E ASIA TYPE	THAILAND, SRI LANKA, SINGAPORE, MALAYSIA, HONG KONG, PAKISTAN, INDIA, BANGLADESH, INDONESIA	220-240	50/60	
	D3	OCEANIA TYPE	AUSTRALIA, NEW ZEALAND	220-240	50/60	
E		PHILIPPINES		220-240	50/60	
F	F1	SAUDI ARABIA				
	F2	SAUDI ARABIA		220-240	50/60	
G	G1	C.S AMERICA		220-240	50/60	
	G2	C.S AMERICA		120	60	A0R7011
H		TAIWAN				
I		JORDAN, LEBANON, SYRIA, SOUTH AFRICA, IRAQ, IRAN, N.YEMEN, CAMEROON, UAE, BAHRAIN, OMAN, QATAR, KUWAIT, KENYA, TUNISIA, IVORY COAST, MOROCCO		220-240	50/60	
J		CHINA				
K		KOREA		220-240	50/60	