

KONICA MINOLTA

PARTS GUIDE MANUAL

APRIL 2013

*bizhub 4000P/bizhub 4700P
A63N*

INFORMATION FOR PARTS GUIDE MANUAL

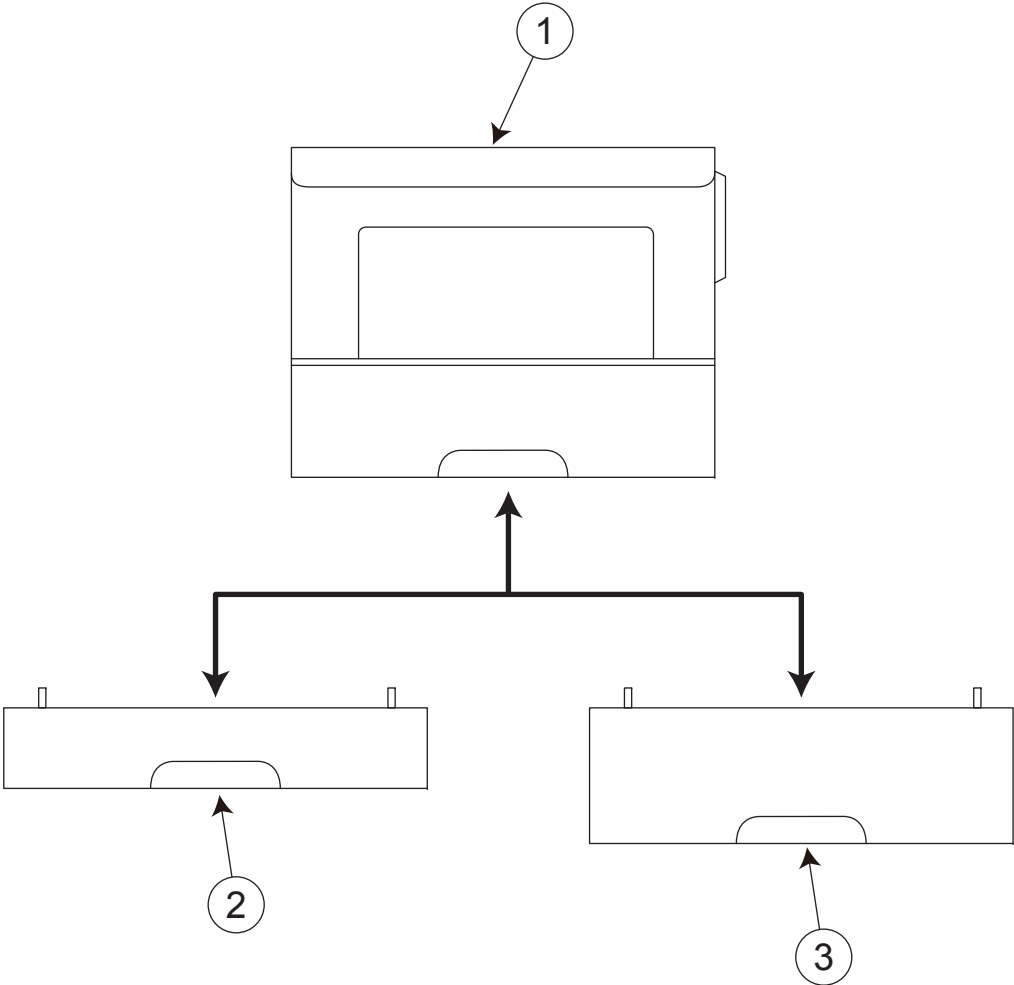
To find correct Parts No., refer to the "HOW TO MAKE THE BEST USE OF THIS MANUAL" in the following page.

HOW TO MAKE THE BEST USE OF THIS MANUAL

- 1 When you order, please check the proper figures beforehand that are on Our Parts Guide Manual, and order with the appropriate figures.
- 2 For screws, Nuts, Washers, retaining rings and Pins which are used in this model, one letter is shown on the Standard parts column of Parts list and exploded diagrams.
- 3 In order to maintain safety of the product, some specific parts composed of this product are set up as "essential safety parts".
- 4 The assigned parts number for the "essential safety parts" is indicated as "SP00-****".
When replacing these parts, follow precautions for disassembling and installing which are listed in the Service Manual.
Do not use any parts that are not set up as
- 5 ♣ means that there are exclusive parts for each destination.
Please check the appropriate destination when you order.
- 6 Revision Mark
Marked as ▲ on the illustration shows that the revision has been made.
- 7 All rights reserved. (any reprints or quotations are prohibited.)
Use of this parts guide manual should be strictly supervised to avoid disclosure of confidential information.

01/22/2013

SYSTEM OUTLINE

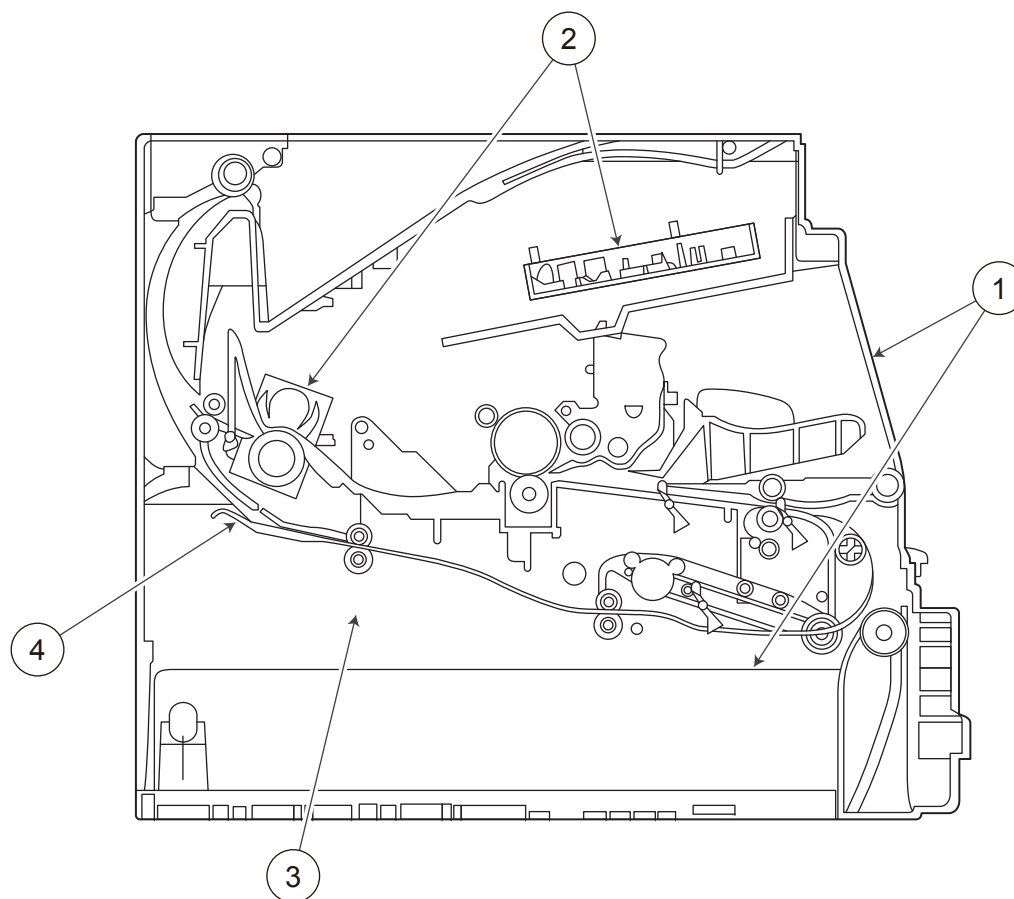


bizhub 4000P/bizhub 4700P

GENERAL CONTENTS

No.	Description	Model
1	PRINTER B/W	bizhub 4000P/bizhub 4700P
2	PAPER FEEDER	PF-P11
3	PAPER FEEDER	PF-P12

DIAGRAMS OF MAIN PARTS SECTION



bizhub 4000P/bizhub 4700P

CONTENTS

No.	DESCRIPTION	PAGE No.
1	EXTERNAL PARTS/CASSETTE SECTION	P1
2	PH/FUSING SECTION	P2
3	MAIN POWER SUPPLY SECTION	P3
4	REVERSAL/MAIN DRIVE SECTION	P4
5	ACCESSORY PARTS	P5
6	MAINTENANCE KIT	P6

INDEX

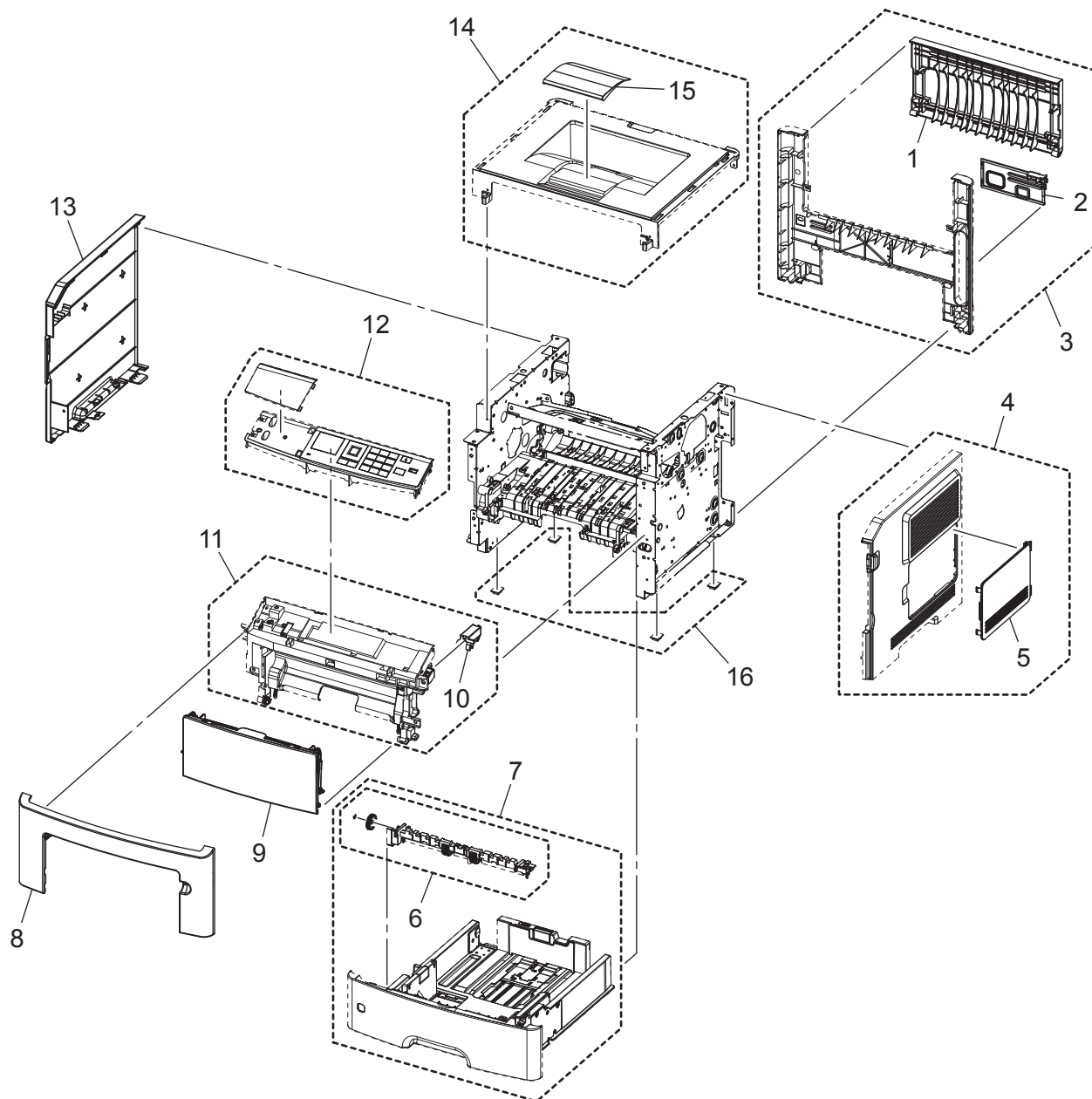
Parts No.	Page No.
A63NPP0000	1-7
A63NPP0100	1-9
A63NPP0300	1-14
A63NPP0400	1-3
A63NPP0500	1-13
A63NPP0600	1-4
A63NPP0700	1-12
A63NPP0800	1-11
A63NPP0900	2-5
A63NPP0A00	2-10
A63NPP0C00	2-9
A63NPP0D00	2-8
A63NPP0E00	2-7
A63NPP0F00	2-4
A63NPP0G00	2-1
A63NPP0H00	2-3
A63NPP0K00	2-11
A63NPP0M00	2-2
A63NPP0N00	2-2
A63NPP0P00	3-1
A63NPP0Q00	3-3
A63NPP0R00	3-6
A63NPP0S00	3-8
A63NPP0T00	3-5
A63NPP0U00	3-4
A63NPP0V00	3-4
A63NPP0W00	2-6
A63NPP0W00	3-7
A63NPP0X00	4-3
A63NPP0Y00	4-1
A63NPP1000	4-7
A63NPP1100	4-9
A63NPP1200	4-10
A63NPP1300	4-11
A63NPP1400	4-12
A63NPP1500	4-5
A63NPP1600	4-8
A63NPP1700	4-15
A63NPP1800	4-6
A63NPP1900	4-13

Parts No.	Page No.
A63NPP1C00	1-6
A63NPP1F00	5-1
A63NPP1G00	1-16
A63NPP1H00	1-10
A63NPP1K00	1-8
A63NPP1N00	4-4
A63NPP1P00	5-2
A63NPP1R00	5-2
A63NPP1S00	5-2
A63NPP1T00	5-2
A63NPP1U00	5-2
A63NPP1V00	5-2
A63NPP1W00	5-2
A63NPP1X00	5-2
A63NPP1Y00	5-2
A63NPP2000	5-2
A63NPP2100	5-2
A63NPP2200	5-2
A63NPP2300	5-2
A63NPP2400	1-15
A63NPP2500	1-15
A63NPP2600	1-1
A63NPP2700	1-1
A63NPP2800	1-2
A63NPP2900	1-5
A63NPP2A00	4-2
A63NPP2B00	4-14
A63NPP2F00	6-1
A63NPP2G00	6-1
A63PPP0300	1-14
A63PPP0400	1-3
A63PPP0500	1-13
A63PPP0600	1-4
A63PPP0B00	3-2
A63PPP0F00	4-3
A63RPP0000	1-7
A63RPP0100	1-8
A63RPP0200	1-12
A63RPP0300	2-1
A63RPP0400	2-5

Parts No.	Page No.
A63RPP0500	2-10
A63RPP0700	6-1
A63RPP0800	6-1

EXTERNAL PARTS/CASSETTE SECTION

P 1

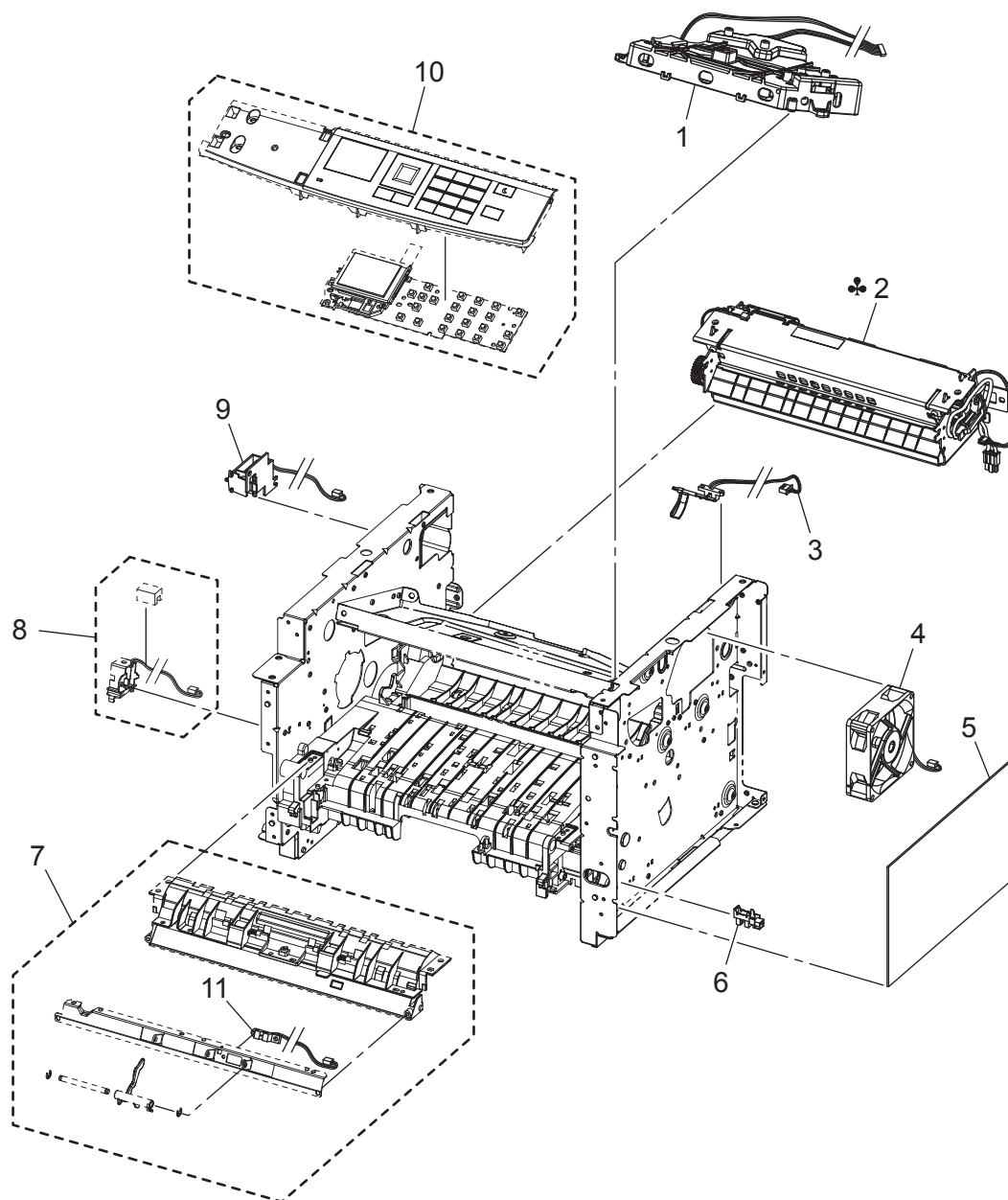


EXTERNAL PARTS/CASSETTE SECTION

Key	Part No.	Description	Destinations	Class	QTY	Standard parts
1	A63NPP2600	Cover	{bizhub 4000P}	D	1	
1	A63NPP2700	Cover	{bizhub 4700P}	D	1	
2	A63NPP2800	Cover		D	1	
3	A63PPP0400	Cover/Rear Assy	{bizhub 4000P}	C	1	
3	A63NPP0400	Cover/Rear Assy	{bizhub 4700P}	C	1	
4	A63PPP0600	Cover/Right Assy	{bizhub 4000P}	C	1	
4	A63NPP0600	Cover/Right Assy	{bizhub 4700P}	C	1	
5	A63NPP2900	Cover		D	1	
6	A63NPP1C00	Separation Roller Assy		B	1	
7	A63RPP0000	Cassette Assy/250 Sheet	{bizhub 4000P}	C	1	
7	A63NPP0000	Cassette Assy/550 Sheet	{bizhub 4700P}	C	1	
8	A63RPP0100	Cover/Front	{bizhub 4000P}	C	1	
8	A63NPP1K00	Cover/Front	{bizhub 4700P}	C	1	
9	A63NPP0100	Tray		C	1	
10	A63NPP1H00	Holder		C	1	
11	A63NPP0800	Front Guide Assy		D	1	
12	A63RPP0200	Panel Cover/Button Assy	{bizhub 4000P}	D	1	
12	A63NPP0700	Panel Cover/Button Assy	{bizhub 4700P}	D	1	
13	A63PPP0500	Cover/Left	{bizhub 4000P}	C	1	
13	A63NPP0500	Cover/Left	{bizhub 4700P}	C	1	
14	A63PPP0300	Cover/Upper Assy	{bizhub 4000P}	C	1	
14	A63NPP0300	Cover/Upper Assy	{bizhub 4700P}	C	1	
15	A63NPP2400	Tray	{bizhub 4000P}	C	1	
15	A63NPP2500	Tray	{bizhub 4700P}	C	1	
16	A63NPP1G00	Rubber Foot Set(4 pcs/set)		D	1	

bizhub 4000P/bizhub 4700P

PH/FUSING SECTION

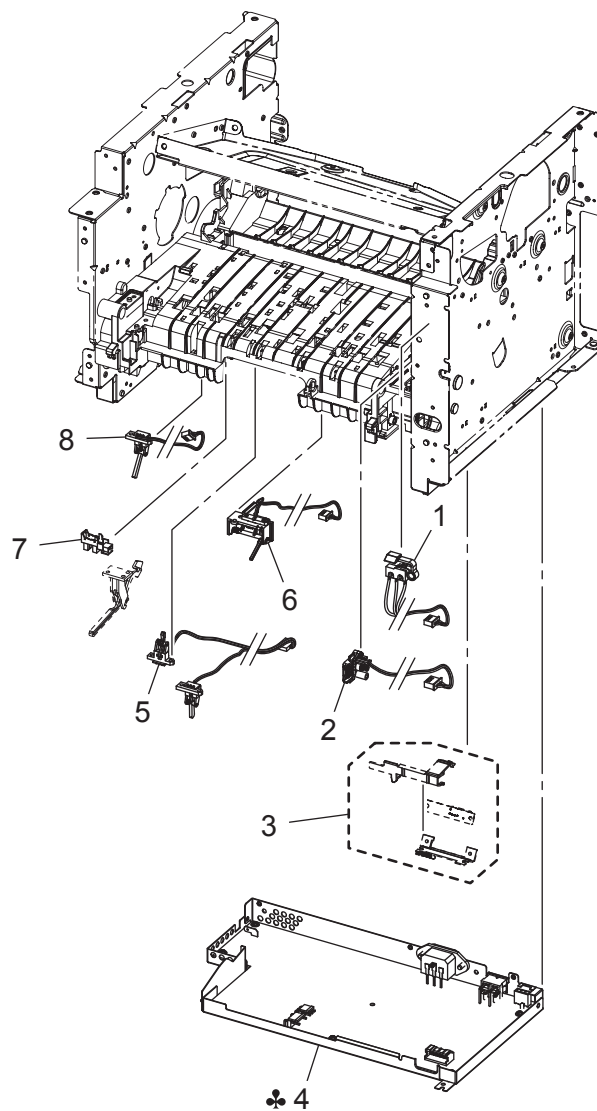


PH/FUSING SECTION

Key	Part No.	Description	Destinations	Class	QTY	Standard parts
1	A63RPP0300	Print Head Assy	{bizhub 4000P}	I	1	
1	A63NPP0G00	Print Head Assy	{bizhub 4700P}	I	1	
2	A63NPP0N00	Fusing Unit 110V	B,G2,H	B	1	
2	A63NPP0M00	Fusing Unit 220V	C,D1,D3,F2,G1,G2,I,J	B	1	
3	A63NPP0H00	Sensor		I	1	
4	A63NPP0F00	Fun motor		C	1	
5	A63RPP0400	PWB assembly	{bizhub 4000P}	I	1	
5	A63NPP0900	PWB assembly	{bizhub 4700P}	I	1	
6	A63NPP0W00	Sensor		I	1	
7	A63NPP0E00	Guide Assy		D	1	
8	A63NPP0D00	Solenoid Kit		C	1	
9	A63NPP0C00	Solenoid		C	1	
10	A63RPP0500	Panel assembly	{bizhub 4000P}	I	1	
10	A63NPP0A00	Panel assembly	{bizhub 4700P}	I	1	
11	A63NPP0K00	Sensor		I	1	

bizhub 4000P/bizhub 4700P

MAIN POWER SUPPLY SECTION

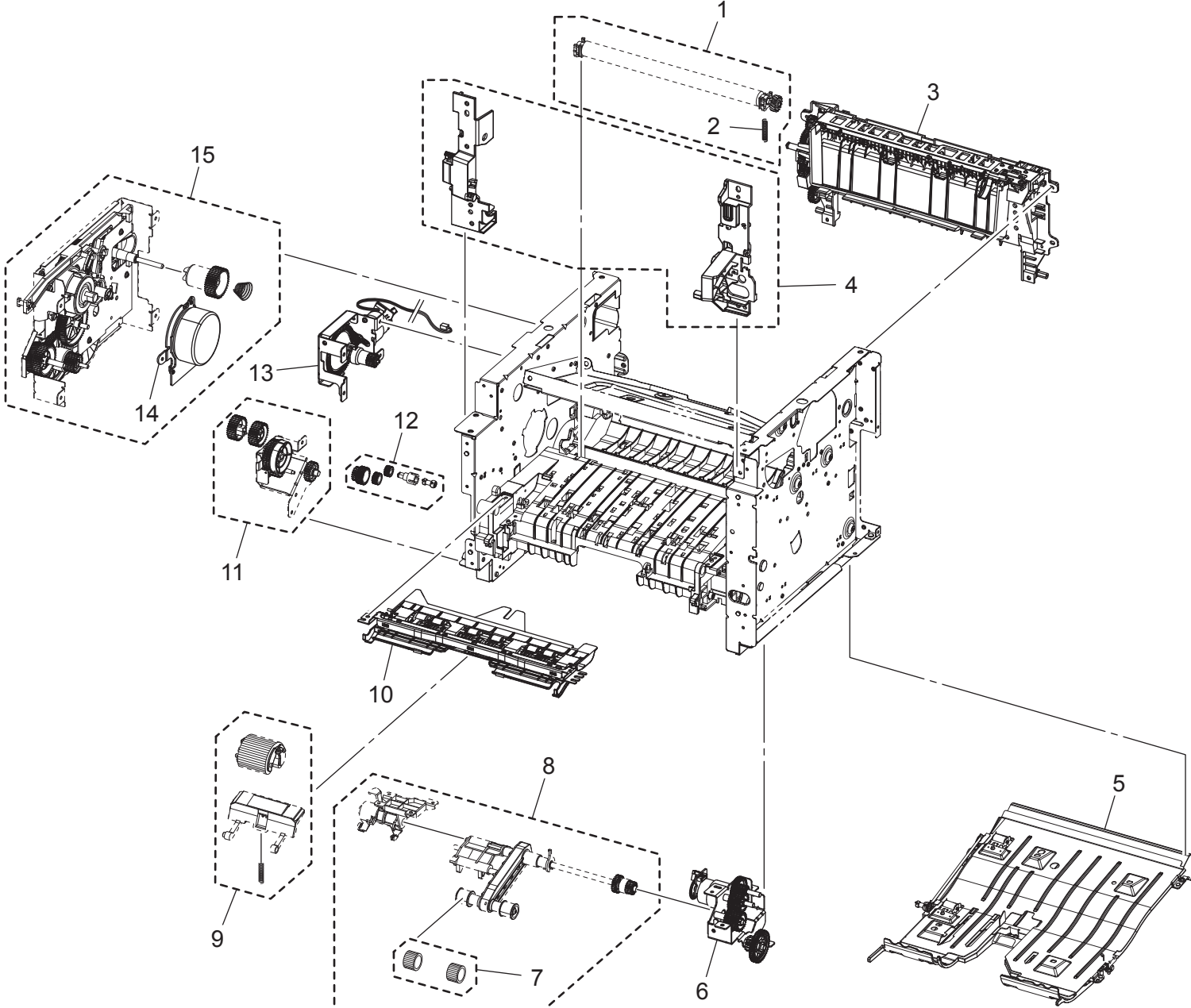


MAIN POWER SUPPLY SECTION

Key	Part No.	Description	Destinations	Class	QTY	Standard parts
1	A63NPP0P00	Sensor		I	1	
2	A63PPP0B00	Contact/Cartridge		C	1	
3	A63NPP0Q00	Sensor		I	1	
4	A63NPP0V00	Power supply Assy 100V	B,G2,H	I	1	
4	A63NPP0U00	Power supply Assy 220V	C,D1,D3,F2,G1,G2,I,J	I	1	
5	A63NPP0T00	Sensor		I	1	
6	A63NPP0R00	Sensor		I	1	
7	A63NPP0W00	Sensor		I	1	
8	A63NPP0S00	Sensor		I	1	

bizhub 4000P/bizhub 4700P

REVERSAL/MAIN DRIVE SECTION



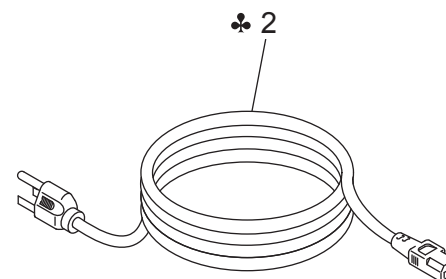
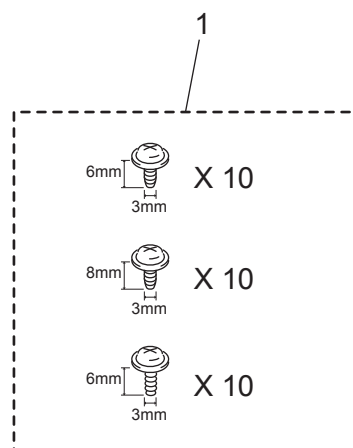
bizhub 4000P/bizhub 4700P



REVERSAL/MAIN DRIVE SECTION

Key	Part No.	Description	Destinations	Class	QTY	Standard parts
1	A63NPP0Y00	Transfer Roller		B	1	
2	A63NPP2A00	Compressing Spring		D	1	
3	A63PPP0F00	Reverse Assy	{bizhub 4000P}	B	1	
3	A63NPP0X00	Reverse Assy	{bizhub 4700P}	B	1	
4	A63NPP1N00	Holder Kit		C	1	
5	A63NPP1500	Duplex Assy		C	1	
6	A63NPP1800	ACM Drive Assy		C	1	
7	A63NPP1000	Pick tire Set(2 pcs/set)		B	1	
8	A63NPP1600	ACM Assy		C	1	
9	A63NPP1100	Paper Feed/Separation Pad Kit		B	1	
10	A63NPP1200	Guide Assy		D	1	
11	A63NPP1300	MPF Drive Assy		C	1	
12	A63NPP1400	Duplex Gear Assy		C	1	
13	A63NPP1900	Cartridge Gear Assy		C	1	
14	A63NPP2B00	Main Drive Motor		B	1	
15	A63NPP1700	Main Drive Assy		C	1	

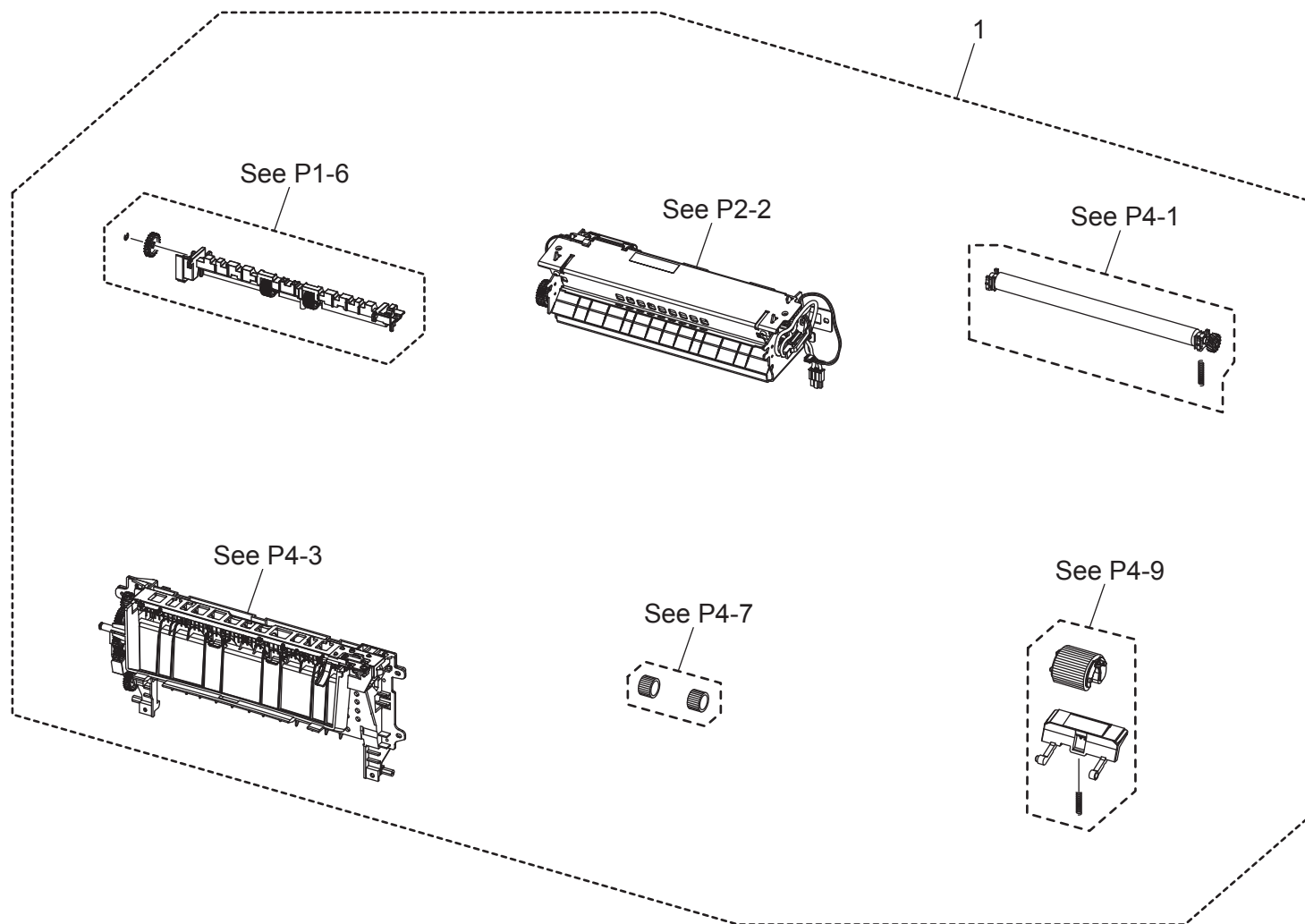
bizhub 4000P/bizhub 4700P



ACCESSORY PARTS

Key	Part No.	Description	Destinations	Class	QTY	Standard parts
1	A63NPP1F00	Screw Kit		C	1	
2	A63NPP1P00	Power Cord	B, G2	D	1	
2	A63NPP1U00	Power Cord	C (Italy)	D	1	
2	A63NPP2100	Power Cord	C (Denmark)	D	1	
2	A63NPP1Y00	Power Cord	C (Switzerland)	D	1	
2	A63NPP1T00	Power Cord	C (United Kingdom)	D	1	
2	A63NPP2300	Power Cord	C (Europe and others)	D	1	
2	A63NPP1X00	Power Cord	D3	D	1	
2	A63NPP1W00	Power Cord	G1	D	1	
2	A63NPP1V00	Power Cord	I (Israel)	D	1	
2	A63NPP2000	Power Cord	I (South Africa)	D	1	
2	A63NPP2200	Power Cord	K	D	1	
2	A63NPP1S00	Power Cord	H	D	1	
2	A63NPP1R00	Power Cord	J	D	1	

bizhub 4000P/bizhub 4700P



MAINTENANCE KIT

Key	Part No.	Description	Destinations	Class	QTY	Standard parts
1	A63RPP0700	Maintenance kit 110V	{bizhub 4000P} B,G2,H	D	1	
1	A63RPP0800	Maintenance kit 220V	{bizhub 4000P} C,D1,D3,F2,G 1,G2,I,J	D		
1	A63NPP2F00	Maintenance kit 110V	{bizhub 4700P} B,G2,H	D	1	
1	A63NPP2G00	Maintenance kit 220V	{bizhub 4700P} C,D1,D3,F2,G 1,G2,I,J	D	1	

bizhub 4000P/bizhub 4700P

MAINTENANCE LIST

● The items with no Page/Key numbers are not handled as spare parts.

No.	Section	PM Parts Description	Maintenance Cycle (K=1,000)		Parts No.	Destinations	Page/Key	Note
			QTY	Replace				
1	REVERSAL/MAIN DRIVE SEC-	ACM pick tire	1	200K	A63NPP1000		P4-7	
2		MPF pick roller/separator pad	1	200K	A63NPP1100		P4-9	
3		Redrive Assembly	1	200K	A63NPP0X00	{bizhub 4700P}	P4-3	
4		Redrive Assembly	1	200K	A63PPP0F00	{bizhub 4000P}	P4-3	
5		Transfer roll	1	200K	A63NPP0Y00		P4-1	
6	EXTERNAL PARTS/CAS-	Separator roll assembly	1	200K	A63NPP1C00		P1-6	
7	PH/FUSING SECTION	Fuser assembly	1	200K	A63NPP0N00	Aera 110-127V	P2-2	
8		Fuser assembly	1	200K	A63NPP0M00	Aera 220-240V	P2-2	
9	Toner Cartridge	Toner Cartridge (TNP34)	1	20K	-	{bizhub 4700P}		Return Program Cartridge
10		Toner Cartridge (TNP35)	1	20K	-	{bizhub 4000P}		Return Program Cartridge
11		Toner Cartridge (TNP37)	1	20K	-	{bizhub 4700P}		Standard Cartridge
12		Toner Cartridge (TNP38)	1	20K	-	{bizhub 4000P}		Standard Cartridge
13	Imaging Unit	Imaging Unit (IUP16)	1	60K	-			Return Program Cartridge
14		Imaging Unit (IUP17)	1	60K	-			Standard Cartridge

DESTINATION

Destination No.		Destinations		V	Hz	Model No.
A	A1	JAPAN				
	A2	JAPAN				
B		USA, CANADA		120	60	A63N011/ A63R011
C		EUROPEAN TYPE		220-240	50/60	A63N021/ A63R021
D	D1	S.E ASIA TYPE	THAILAND, SRI LANKA, SINGAPORE, MALAYSIA, HONG KONG, PAKISTAN, INDIA, BANGLADESH, INDONESIA	220-240	50/60	A63N041/ A63R041
	D3	OCEANIA TYPE	AUSTRALIA, NEW ZEALAND	220-240	50/60	A63N041/ A63R041
E		PHILIPPINES		220-240	50/60	A63N041/ A63R041
F	F1	SAUDI ARABIA				
	F2	SAUDI ARABIA		220-240	50/60	A63N041/ A63R041
G	G1	C.S AMERICA		220-240	50/60	A63N041/ A63R041
	G2	C.S AMERICA		120	60	A63N011/ A63R011
H		TAIWAN		110	60	A63N011/ A63R011
I		JORDAN, LEBANON, SYRIA, SOUTH AFRICA, IRAQ, IRAN, N.YEMEN, CAMEROON, UAE, BAHRAIN, OMAN, QATAR, KUWAIT, KENYA, TUNISIA, IVORY COAST, MOROCCO		220-240	50/60	A63N041/ A63R041

bizhub 4000P/bizhub 4700P

Destination No.	Destinations	V	Hz	Model No.
J	CHINA	220-240	50/60	A63N081/ A63R081
K	KOREA	220-240	50/60	A63N041/ A63R041