

KONICA MINOLTA

# *PARTS GUIDE MANUAL*

---

*MARCH 2008*

*bizhub 420*  
*bizhub 500*  
*50GA*

## INFORMATION FOR PARTS GUIDE MANUAL

To find correct Parts No., refer to the "HOW TO MAKE THE BEST USE OF THIS MANUAL" in the following page.

### HOW TO MAKE THE BEST USE OF THIS MANUAL

- 1 When you order, please check the proper figures beforehand that are on Our Parts Guide Manual, and order with the appropriate figures.
- 2 For screws, Nuts, Washers, retaining rings and Pins which are used in this model, one letter is shown on the Standard parts column of Parts list and exploded diagrams.
- 3 In order to maintain safety of the product, some specific parts composed of this product are set up as "essential safety parts".
- 4 The assigned parts number for the "essential safety parts" is indicated as "SP00-\*\*\*\*".  
When replacing these parts, follow precautions for disassembling and installing which are listed in the Service Manual.  
Do not use any parts that are not set up as
- 5 ♣ means that there are exclusive parts for each destination.  
Please check the appropriate destination when you order.
- 6 Revision Mark  
Marked as ▲ on the illustration shows that the revision has been made.
- 7 All rights reserved. (any reprints or quotations are prohibited.)  
Use of this parts guide manual should be strictly supervised to avoid disclosure of confidential information.

## パーツガイドマニュアルのご案内

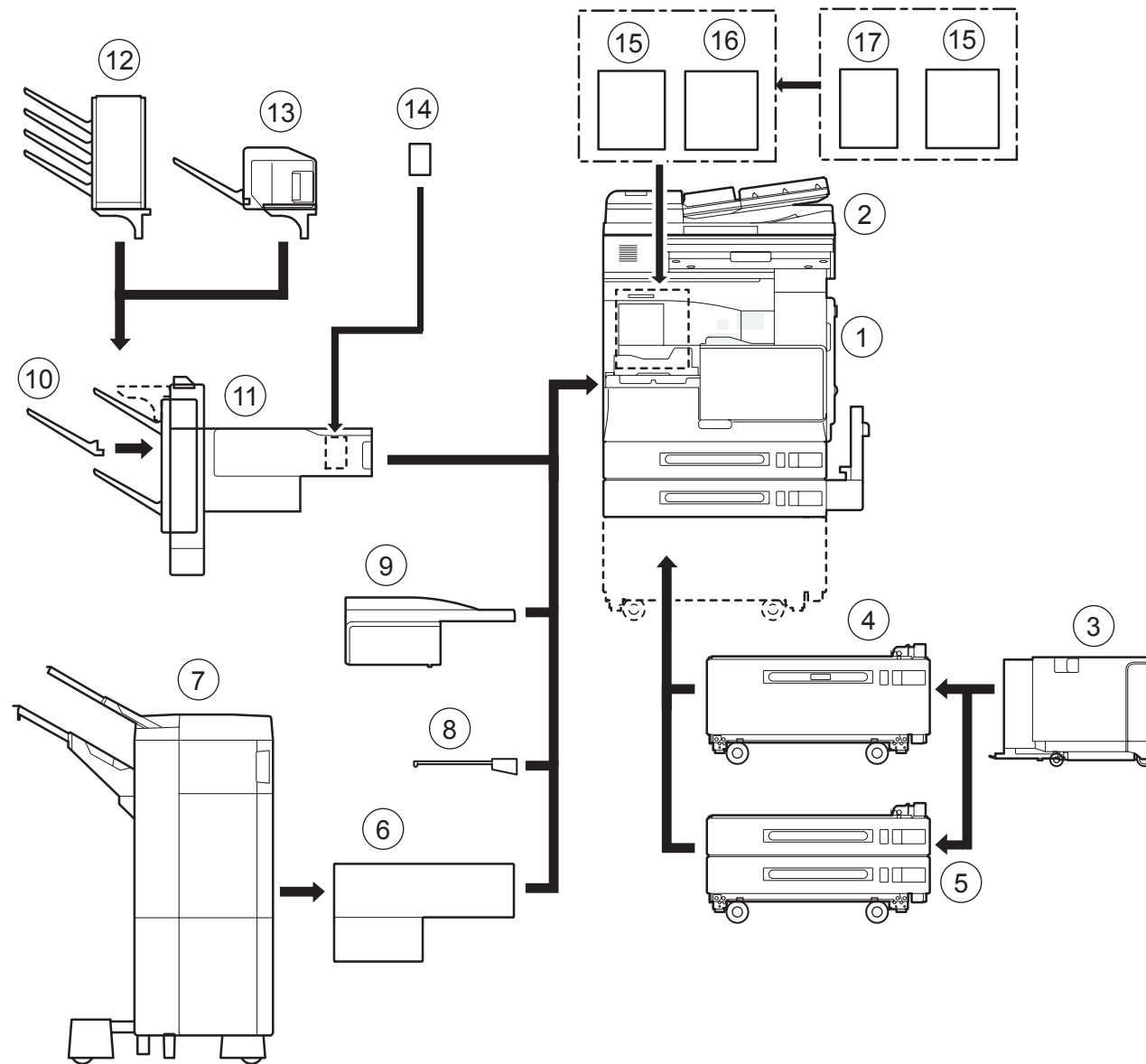
サービス部品をご発注の際には、下記に示す“パーツガイドマニュアルの活用にあたって”をご参照の上、正しい部品番号にてお願い致します。

### パーツガイドマニュアルの活用にあたって

- 1 部品発注の際には、掲載されている部品番号の桁数を確認し、掲載されている桁数で発注願います。
- 2 この製品に使用されているネジ、ナット、ワッシャー、止め輪、ピンなどは、リストの右側の Standard parts 欄に a,b,c,……で表示し、イラストにも a,b,c,……表示してあります。
- 3 製品の安全性を維持する為に、製品に使用される特定の部品を「重要保安部品」として設定しています。
- 4 重要保安部品の部品番号は、“SP00-\*\*\*\*”と記載されていますので、部品交換時は、サービスマニュアル記載の分解・組み立ての注意事項に従って作業をして下さい。  
また、指定以外の部品は一切使用しないで下さい。
- 5 本文に ♣ が表示されている部品は、仕向け地毎に専用部品がある事を意味しています。  
オーダーされる時は、仕向け地を確認して下さい。
- 6 改訂記号について  
イラスト上に▲印が表示されている部分は、改訂された事を表します。
- 7 著作権所有（無断転載及び無断引用の禁止）  
本パーツガイドマニュアルについては、機密保持等その扱いには十分注意して下さい。万一取り扱いを誤った場合には、法律で処罰されることがあります。

02/03/2006

# SYSTEM OUTLINE



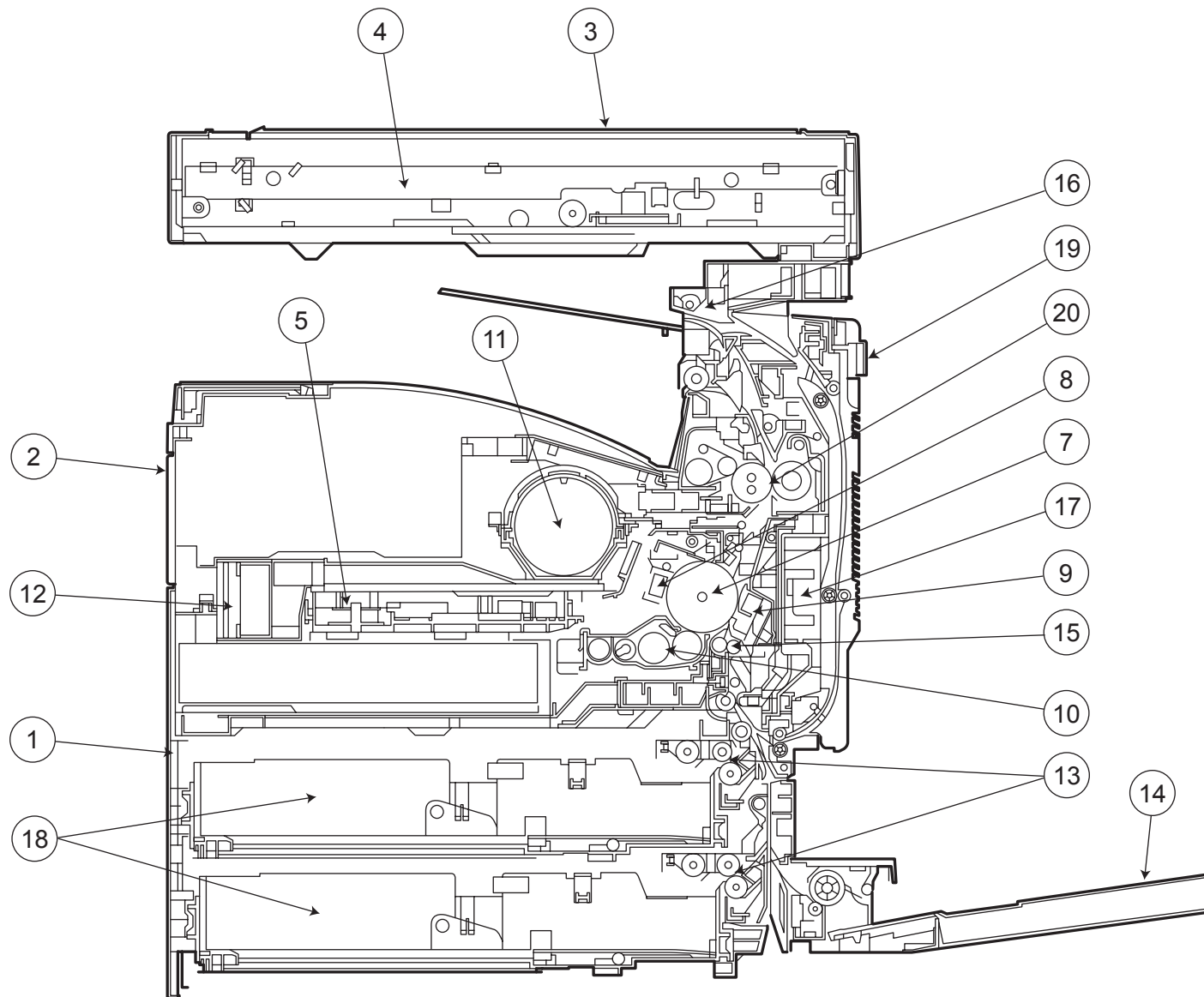
bizhub 420/bizhub 500

# GENERAL CONTENTS

No.	Description	Model
1	DIGITAL MFP B/W	bizhub 420/bizhub 500
2	DOCUMENT FEEDER	DF-607
3	PAPER FEEDER	LU-201
4	PAPER FEEDER	PC-402
5	PAPER FEEDER	PC-202
6	OTHER OPTION	RU-502
7	SORTER/FINISHER	FS-511
8	STACKER	JS-502
9	OTHER OPTION	OT-501
10	OTHER OPTION	OT-601
11	SORTER/FINISHER	FS-508/FS-510
12	SORTER/FINISHER	MT-501
13	SORTER/FINISHER	SD-502
14	PUNCH UNIT	PU-501
15	FAX CONTROLLER	FK-502
16	FAX CONTROLLER	MK-708
17	FAX CONTROLLER	ML-503

bizhub 420/bizhub 500

# DIAGRAMS OF MAIN PARTS SECTION



bizhub 420/bizhub 500

# CONTENTS

No.	DESCRIPTION	名称	PAGE No.
1	MAIN FRAME	骨格	P1 P2 P3 P4
2	EXTERNAL PARTS	外装	P5 P6
3	OPERATION UNIT	操作部	P7
4	OPTICS UNIT	光学部	P8 P9
5	WRITE UNIT	書き込みユニット	P10
6	DRIVING UNIT	駆動部	P11 P12 P13 P14
7	DRUM CARTRIDGE	ドラムカートリッジ	P15 P16 P17 P18
8	CHARGING UNIT	帯電極	P19
9	TRANSFER SEPARATOR CORONA UNIT	転写分離極	P20
10	DEVELOPING UNIT	現像ユニット	P21 P22
11	TONER SUPPLY UNIT	トナー補給部	P23 P24 P25 P26 P27
12	DEVELOPING SUCTION UNIT	現像サクションユニット	P28
13	PAPER FEED UNIT	給紙部	P29 P30 P31 P32
14	MANUAL FEED UNIT	手差しユニット	P33 P34 P35
15	REGISTRATION UNIT	レジストユニット	P36
16	TURNOVER UNIT	反転部	P37 P38
17	CONVEYANCE UNIT	搬送部	P39
18	CASSETTE	カセット	P40
19	AUTO DUPLEX UNIT	自動両面ユニット	P41 P42 P43 P44 P45 P46
20	FIXING UNIT	定着部	P47 P48 P49 P50 P51 P52
21	ELECTRIC PARTS	電装部	P53 P54 P55 P56
22	WIRING	束線	P57 P58 P59 P60 P61 P62 P63 P64 P65 P66
23	WIRING ACCESSORY AND JIGS	配線部品 治具	P67 P68
24	ACCESSORY PARTS	アクセサリパーツ	P69

# INDEX

Parts No.	Page No.	Parts No.	Page No.	Parts No.	Page No.	Parts No.	Page No.	Parts No.	Page No.
000V -18- 1	68-7	00Z9 2198 1	68-1	13QA 7602 1	36-9	26NA 2048 0	16-7	26NA 3075 0	22-12
000V -18- 2	68-7	00Z9 2242 0	67-27	13QA 8552 1	36-4	26NA 2055 3	18-11	26NA 3077 0	22-3
000V 1001 0	68-8	00Z9 2247 0	68-5	1900 4141 0	11-3	26NA 2056 0	18-15	26NA 3085 0	22-4
000V 1002 0	68-9	00Z9 2450 8	67-20	1900 4141 0	12-34	26NA 2057 0	17-2	26NA 3086 0	22-16
000V 1003 0	68-10	00Z9 2451 2	67-21	1900 4141 0	12-39	26NA 2058 0	18-4	26NA 3087 0	12-6
000V 1004 0	68-11	00Z9 2452 4	67-22	1900 4141 0	13-6	26NA 2071 0	18-7	26NA 3093 0	22-13
000V 1005 0	68-12	00Z9 2510 8	68-2	1900 4142 0	12-31	26NA 2076 0D	17-24	26NA 3094 0	22-7
00Z1 6450 1	69-10	00Z9 2625 7	67-23	1900 4142 0	12-40	26NA 2086 0D	17-17	26NA 3095 0	22-26
00Z1 9306 1	69-11	00Z9 3000 1	67-24	1921 4171 0	49-1	26NA 2087 0	17-6	26NA 3096 0	22-23
00Z1 9308 1	69-12	00Z9 3000 5	68-3	25AA 7553 0	45-11	26NA 2092 0	17-1	26NA 3101 0	22-10
00Z2 5308 1	69-13	00Z9 3003 4	68-4	25HA 2510 0	19-5	26NA 2095 0	16-3	26NA 3204 0	24-14
00Z9 2000 1	67-33	0294 2064 0	21-7	25HA 3215 2	24-6	26NA 2107 0	17-8	26NA 3209 0	24-25
00Z9 2001 6	67-1	0830 2014 0	6-11	26NA -909 2E	10-8	26NA 2116 0	18-14	26NA 3220 0	24-23
00Z9 2001 9	67-2	0928 3033 01	44-7	26NA -918 2E	16-2	26NA 2128 0	17-11	26NA 3228 0	24-21
00Z9 2002 0	67-25	0992 3014 01	40-27	26NA -951 2E	9-20	26NA 2134 0	15-2	26NA 3230 0	24-27
00Z9 2002 1	67-26	1052 4412 01	29-22	26NA 1240 1	6-10	26NA 2136 0	15-9	26NA 3231 1E	23-14
00Z9 2002 2	67-3	1065 3086 01	29-19	26NA 1255 0	5-8	26NA 2136 0	22-17	26NA 3242 0	23-16
00Z9 2002 5	67-4	1065 3086 01	31-25	26NA 1520 0	12-5	26NA 2138 0	15-14	26NA 3243 0	24-28
00Z9 2004 5	67-5	1067 2501 01	29-27	26NA 1560 0	12-3	26NA 2140 0	15-24	26NA 3254 0	24-22
00Z9 2009 1	67-6	1067 2501 01	31-22	26NA 1728 0	11-6	26NA 2142 0	15-16	26NA 3255 0	24-24
00Z9 2009 4	67-7	1067 2502 01	34-8	26NA 1728 0	12-17	26NA 2143 0	15-23	26NA 3256 0	24-9
00Z9 2009 5	67-8	1067 2513 01	14-29	26NA 1728 0	13-2	26NA 2144 0	15-3	26NA 3259 0	23-1
00Z9 2009 6	67-9	1070 3072 01	29-21	26NA 1728 0	14-9	26NA 2517 0	19-9	26NA 3266 0	23-10
00Z9 2010 8	67-34	1075 2565 01	34-20	26NA 1757 0	13-9	26NA 2518 0	19-8	26NA 3268 0	23-3
00Z9 2011 1	67-10	1134 3041 01	31-10	26NA 1758 0	12-18	26NA 2608 0	20-8	26NA 3269 0	24-29
00Z9 2011 2	67-35	1134 3041 01	38-11	26NA 1759 0	13-10	26NA 2623 0	20-10	26NA 3287 0	25-5
00Z9 2011 5	67-11	1134 3041 01	43-3	26NA 2014 0	18-6	26NA 2625 0	20-4	26NA 3290 0	24-26
00Z9 2011 6	67-12	1134 3042 02	35-6	26NA 2016 0	18-5	26NA 2626 0	20-3	26NA 3291 0	24-16
00Z9 2012 1	67-13	1139 3169 01	38-2	26NA 2017 0	18-8	26NA 3009 0	22-30	26NA 3292 0	24-17
00Z9 2013 1	67-36	1149 3454 01	32-23	26NA 2020 0	16-1	26NA 3021 1G	22-27	26NA 3293 0	24-15
00Z9 2013 2	67-37	1155 2518 01	14-22	26NA 2022 0	18-13	26NA 3036 0	22-19	26NA 3294 0	23-2
00Z9 2110 6	67-14	1164 2155 01	1-9	26NA 2024 2	15-22	26NA 3045 0	21-5	26NA 3295 0	23-15
00Z9 2116 1	67-38	1164 3065 01	52-21	26NA 2025 0F	16-8	26NA 3047 0	21-3	26NA 3296 0	24-7
00Z9 2130 1	67-39	1171 1321 01	7-3	26NA 2027 0	15-15	26NA 3049 0	21-2	26NA 3297 0	24-13
00Z9 2137 0	67-15	1200 2105 02	37-12	26NA 2029 0	15-21	26NA 3063 0	22-18	26NA 4082 0	36-14
00Z9 2137 2	67-16	1200 5212 04	31-7	26NA 2030 0	15-19	26NA 3065 0	22-20	26NA 4256 0	45-9
00Z9 2191 3	67-40	1274 3603 01	40-8	26NA 2031 0	15-18	26NA 3066 0	22-21	26NA 4507 1	39-6
00Z9 2193 1	67-17	12QV 4066 0	36-8	26NA 2037 0D	17-26	26NA 3070 0	22-22	26NA 4514 1	36-11
00Z9 2194 0	67-18	1300 3322 17	34-21	26NA 2038 0	17-4	26NA 3072 0	21-6	26NA 4536 0	36-13
00Z9 2194 1	67-19	13QA 1033 0	13-13	26NA 2042 0	17-3	26NA 3073 0	22-25	26NA 4537 1	36-10

Parts No.	Page No.	Parts No.	Page No.	Parts No.	Page No.	Parts No.	Page No.	Parts No.	Page No.
26NA 4538 1	39-25	26NA 6161 0	9-6	26TA 2146 0	17-15	4011 5852 02	37-5	4030 3011 03	29-24
26NA 4549 0	39-5	26NA 6173 2	8-4	26TA 2147 0	17-14	4011 5852 02	43-12	4030 3011 03	31-27
26NA 4552 0	39-3	26NA 6175 1	9-26	26TA 2148 0	17-13	4030 0151 01	30-15	4030 3012 01	29-25
26NA 5037 0	11-9	26NA 6181 2	8-5	26TA 2149 0	17-12	4030 0151 01	32-2	4030 3012 01	31-28
26NA 5321 1	48-15	26NA 6194 0	9-2	26TA 2151 0	18-3	4030 0216 05	35-17	4030 3013 01	30-17
26NA 5329 0	49-7	26NA 6206 0	9-18	26TA 2154 0	17-10	4030 1011 02	6-19	4030 3013 01	32-8
26NA 5346 0	49-4	26NA 6213 0	5-7	26TA 2161 1	17-7	4030 1015 04	6-2	4030 3014 01	30-8
26NA 5349 0	52-10	26NA 6216 0	8-18	26TA 3258 0	23-9	4030 1034 02	69-3	4030 3014 01	32-6
26NA 5359 0	11-20	26NA 6228 0	8-6	26TA 3261 0	23-7	4030 2005 02	1-2	4030 3016 12	29-30
26NA 5359 0	12-20	26NA 6239 1	9-11	26TA 3264 0	23-8	4030 2006 01	1-1	4030 3016 12	31-11
26NA 5361 0	52-9	26NA 6528 0	4-1	26TA 3296 0	25-8	4030 2007 01	1-5	4030 3017 03	30-7
26NA 5362 0	47-10	26NA 6529 0	4-2	26TA 3297 0	25-9	4030 2008 02	1-4	4030 3017 03	32-5
26NA 5371 2	47-12	26NA 7325 1	20-6	26TA 3298 0	25-7	4030 2009 01	3-2	4030 3018 01	31-6
26NA 5372 0	47-11	26NA 7325 1	54-3	26TA 3299 0	25-10	4030 2010 01	1-8	4030 3019 02	31-9
26NA 5374 0	47-7	26NA 7373 2	10-7	26TA 3301 0	24-18	4030 2011 01	1-6	4030 3021 01	31-36
26NA 5377 0	47-5	26NA 7373 2	28-9	26TA 6252 1	9-9	4030 2018 01	2-3	4030 3022 01	31-26
26NA 5384 0	49-6	26NA 7373 2	55-5	26TA 6253 0	9-10	4030 2021 02	46-7	4030 3023 03	29-15
26NA 5403 0	48-1	26NA 8006 1	23-11	26TA R701 00	17-9	4030 2022 01	46-9	4030 3025 02	30-14
26NA 5414 0	49-20	26NA 8251 3	23-6	26TA R702 00	22-2	4030 2023 01	46-8	4030 3025 02	32-14
26NA 5419 0	49-21	26NA 8804 1	21-8	27LA 5383 0	52-8	4030 2026 03	1-10	4030 3026 02	30-11
26NA 5423 0	47-6	26NA 8846 1	55-7	27LA 5419 0	52-3	4030 2029 02	1-11	4030 3027 02	30-12
26NA 5423 0	48-3	26NA 9031 1	60-9	27LA 5446 0	3-13	4030 2037 01	2-6	4030 3030 01	29-18
26NA 5424 0	49-28	26NA R701 00	55-11	27LA 7391 0	10-9	4030 2038 02	1-13	4030 3030 01	31-24
26NA 5428 0	48-10	26NA R702 00	12-2	27LA 7391 0	28-10	4030 2039 02	3-3	4030 3031 01	31-8
26NA 5429 0	49-3	26NA R703 00	16-4	27LA 7391 0	55-15	4030 2041 02	1-15	4030 3032 03	30-2
26NA 5430 0	52-13	26NA R704 00	15-4	27LA 8003 2E	11-1	4030 2042 02	1-7	4030 3034 01	29-8
26NA 6115 0	8-11	26NA R705 00	15-13	27LA 8003 2E	12-35	4030 2062 01	3-1	4030 3034 01	31-14
26NA 6130 0	8-7	26NA R706 00	16-5	27LA 8003 2E	13-1	4030 2080 01	2-7	4030 3036 01	29-13
26NA 6131 0	9-17	26NA R707 00	22-24	27LA 8051 1	10-5	4030 2081 01	1-3	4030 3036 01	32-15
26NA 6134 0	9-21	26NA R708 00	21-1	27LA 8051 1	28-3	4030 3001 03	29-28	4030 3037 01	30-13
26NA 6137 0	9-14	26NA R709 00	3-11	27LA 8051 1	55-2	4030 3002 02	29-10	4030 3037 01	32-30
26NA 6138 0	9-4	26NA R710 00	11-8	27LA 8803 1	54-10	4030 3002 02	31-16	4030 3039 01	30-18
26NA 6139 0	9-23	26NA R711 00	9-1	3920 4526 0	15-7	4030 3003 01	29-12	4030 3039 01	32-7
26NA 6141 0	9-22	26NA R712 00	54-5	4002 3108 01	40-37	4030 3003 01	31-21	4030 3041 02	29-4
26NA 6153 1	9-5	26TA -235 0	17-20	4002 3110 01	53-5	4030 3004 01	29-20	4030 3042 02	31-5
26NA 6154 0	9-7	26TA -236 0	17-21	4002 3131 01	53-4	4030 3005 01	29-7	4030 3044 01	30-6
26NA 6155 1	9-12	26TA -237 1	17-22	4002 7306 01	40-12	4030 3005 01	31-13	4030 3046 03	53-15
26NA 6156 0	9-3	26TA 2032 0	15-20	4011 3012 01	53-1	4030 3008 01	29-11	4030 3047 02	53-6
26NA 6159 0	9-13	26TA 2053 1	17-19	4011 3020 01	40-7	4030 3008 01	31-17	4030 3048 02	53-13
26NA 6160 0	9-8	26TA 2088 1	17-18	4011 3021 01	40-6	4030 3010 02	31-37	4030 3049 01	53-14



Parts No.	Page No.	Parts No.	Page No.	Parts No.	Page No.	Parts No.	Page No.	Parts No.	Page No.
4030 3051 01	14-18	4030 3121 01	32-26	4030 3409 14	33-3	4030 3466 02	35-3	4030 3749 01	44-17
4030 3052 01	14-33	4030 3122 01	32-25	4030 3410 03	35-23	4030 3467 01	34-23	4030 3750 01	44-16
4030 3053 01	14-31	4030 3123 01	32-24	4030 3411 03	35-2	4030 3472 01	35-22	4030 3751 02	42-8
4030 3054 01	14-23	4030 3124 03	32-11	4030 3412 01	35-18	4030 3473 02	35-15	4030 3754 01	33-2
4030 3055 01	14-32	4030 3125 01	30-5	4030 3414 01	35-7	4030 3474 01	33-15	4030 3754 01	42-11
4030 3057 01	14-27	4030 3125 01	32-12	4030 3415 02	35-4	4030 3475 01	33-19	4030 3755 01	42-9
4030 3059 01	14-30	4030 3128 01	31-4	4030 3416 02	34-3	4030 3476 01	33-4	4030 3760 01	44-2
4030 3060 01	14-28	4030 3129 03	32-13	4030 3417 01	34-2	4030 3477 01	33-5	4030 3805 02	37-15
4030 3063 01	31-35	4030 3130 02	32-22	4030 3419 01	34-35	4030 3478 02	34-27	4030 3806 02	38-10
4030 3064 01	31-32	4030 3134 03	32-27	4030 3420 02	34-34	4030 3479 01	34-9	4030 3806 02	43-9
4030 3067 01	14-20	4030 3135 01	32-20	4030 3422 01	34-26	4030 3480 01	35-30	4030 3807 03	38-19
4030 3068 01	31-34	4030 3201 09	40-39	4030 3423 03	35-9	4030 3481 01	33-9	4030 3808 01	38-8
4030 3069 01	31-33	4030 3202 02	40-31	4030 3424 01	33-26	4030 3484 01	33-6	4030 3810 01	37-10
4030 3077 01	30-16	4030 3203 01	40-23	4030 3425 01	33-7	4030 3486 01	35-1	4030 3811 01	38-12
4030 3077 01	32-9	4030 3205 01	40-26	4030 3426 01	35-29	4030 3487 01	35-24	4030 3811 01	43-4
4030 3078 01	30-4	4030 3206 01	40-25	4030 3427 01	34-16	4030 3489 01	33-12	4030 3812 01	38-13
4030 3078 01	32-4	4030 3207 01	40-2	4030 3428 01	33-11	4030 3492 01	33-18	4030 3812 01	43-5
4030 3079 01	30-10	4030 3208 02	53-9	4030 3429 02	34-30	4030 3703 01	42-1	4030 3813 01	38-14
4030 3079 01	32-3	4030 3211 02	40-17	4030 3430 01	34-1	4030 3706 12	44-1	4030 3813 01	43-6
4030 3080 01	30-9	4030 3212 01	40-10	4030 3432 07	34-32	4030 3707 01	44-8	4030 3814 01	38-15
4030 3081 01	53-11	4030 3214 02	40-14	4030 3434 01	34-12	4030 3708 01	44-10	4030 3814 01	43-7
4030 3083 01	53-12	4030 3215 01	40-15	4030 3435 01	35-14	4030 3709 01	44-15	4030 3817 01	38-7
4030 3084 01	29-2	4030 3216 01	40-36	4030 3436 01	35-27	4030 3710 01	41-10	4030 3818 02	38-18
4030 3085 01	29-16	4030 3217 01	40-21	4030 3437 01	35-13	4030 3713 01	41-7	4030 3819 01	38-17
4030 3086 01	29-3	4030 3218 01	40-35	4030 3438 01	33-24	4030 3725 01	41-8	4030 3820 01	37-7
4030 3087 01	29-1	4030 3221 01	40-28	4030 3441 01	34-18	4030 3726 01	41-6	4030 3821 01	37-11
4030 3088 01	29-14	4030 3222 03	40-24	4030 3442 02	33-1	4030 3733 03	41-19	4030 3823 01	38-9
4030 3091 01	53-2	4030 3223 03	40-1	4030 3444 01	34-5	4030 3734 01	41-11	4030 3824 01	43-11
4030 3092 01	31-31	4030 3224 02	40-29	4030 3445 01	34-6	4030 3735 01	42-3	4030 3825 02	43-10
4030 3093 01	34-10	4030 3224 02	53-10	4030 3446 01	35-8	4030 3737 01	44-6	4030 3826 01	38-5
4030 3095 01	32-16	4030 3226 01	40-22	4030 3447 01	34-15	4030 3738 03	44-5	4030 3829 01	38-16
4030 3105 01	32-10	4030 3227 01	40-4	4030 3448 01	33-21	4030 3739 01	44-3	4030 3829 01	43-8
4030 3107 01	32-17	4030 3228 12	40-5	4030 3455 02	35-20	4030 3740 01	44-14	4030 3834 01	37-17
4030 3108 01	30-1	4030 3229 02	40-9	4030 3456 01	33-8	4030 3741 03	44-13	4030 5717 01	51-10
4030 3111 06	32-1	4030 3238 00	40-49	4030 3457 03	33-10	4030 3742 01	44-12	4030 5750 03	51-1
4030 3112 02	31-1	4030 3401 13	34-17	4030 3459 02	35-10	4030 3743 02	44-11	4030 5753 01	51-12
4030 3114 02	32-18	4030 3402 01	33-14	4030 3460 02	35-19	4030 3744 01	41-9	4030 5802 01	50-10
4030 3115 01	32-28	4030 3403 01	33-13	4030 3463 01	35-16	4030 3745 01	41-14	4030 5803 01	52-15
4030 3116 01	32-19	4030 3404 01	33-16	4030 3464 01	34-4	4030 3748 01	41-3	4030 5805 03	50-5
4030 3117 02	32-21	4030 3408 03	35-12	4030 3465 01	34-7	4030 3749 01	41-2	4030 5805 03	51-9

Parts No.	Page No.	Parts No.	Page No.	Parts No.	Page No.	Parts No.	Page No.	Parts No.	Page No.
4030 5806 01	50-4	4030 7301 02	40-34	4040 3096 01	29-23	40LA 2167 0	16-6	4131 3003 01	14-19
4030 5808 02	51-3	4030 7302 02	40-32	4040 3096 01	31-29	40LA 2501 1	19-12	4131 3003 01	14-24
4030 5809 02	51-6	4030 7303 02	40-32	4040 3097 01	29-17	40LA 2502 0	19-4	4131 3003 01	29-6
4030 5810 02	51-7	4030 7305 01	35-11	4040 3097 01	31-23	40LA 2504 0	19-6	4131 3003 01	31-12
4030 5811 01	52-16	4030 7306 02	35-25	4040 3443 01	34-14	40LA 2505 0	19-13	4131 3004 02	34-36
4030 5812 01	50-15	4030 7307 02	35-25	4040 3495 01	33-22	40LA 2507 0	19-7	4131 3007 02	34-28
4030 5816 01	50-22	4030 7308 02	35-25	4040 3496 01	33-23	40LA 2516 0	19-10	4131 3053 02	33-17
4030 5817 02	50-20	4030 7309 02	35-11	4040 3497 01	34-33	40LA 2519 0	19-2	4131 3532 02	31-2
4030 5820 03	50-23	4030 7310 01	69-4	4040 3833 02	37-4	40LA 2520 0	19-16	4131 4128 01	34-29
4030 5821 02	50-24	4030 7312 01	69-4	4040 5610 00	30-19	40LA 3227 0	24-10	4131 4623 04	35-26
4030 5822 03	50-21	4030 7315 01	1-14	4040 5610 00	32-31	40LA 5443 0	48-12	4163 5293 01	32-29
4030 5823 01	50-1	4030 7342 01	43-2	4040 5612 00	30-20	40LA 6114 0	8-3	42GA -530 0	49-16
4030 5827 01	50-34	4030 7500 01	6-8	4040 5612 00	32-32	40LA 6116 1E	8-27	42GA -533 0	51-14
4030 5827 01	51-2	4030 P002 00	40-45	4040 5758 01	49-27	40LA 6119 0	9-29	42GA -540 0	52-1
4030 5834 02	52-19	4030 R705 00	14-21	4040 6205 00	1-12	40LA 6121 0	9-19	42GA -548 0	48-17
4030 5836 01	50-18	4030 R707 00	34-31	4040 7304 01	40-30	40LA 6192 0	9-28	42GA 1208 0	6-9
4030 5839 03	50-2	4030 R708 00	34-19	4040 R706 00	50-29	40LA 6193 0	9-27	42GA 5303 0	47-2
4030 5840 02	50-14	4034 0151 01	33-20	4040 R707 00	50-30	40LA 6201 0	8-13	42GA 5304 0	47-1
4030 5841 01	52-17	4036 1381 03	7-7	4040 R718 00	33-25	40LA 6246 0	8-19	42GA 5307 0	47-17
4030 5842 01	50-11	4036 1383 02	7-9	4040 R719 00	33-25	40LA 6526 0	10-2	42GA 5308 0	47-18
4030 5843 02	50-6	4036 1385 01	7-13	4040 R720 00	33-25	40LA 8301 1	9-15	42GA 5360 0	47-14
4030 5844 02	50-17	4036 1387 02	7-11	40AA 2017 0	15-11	40LA 8351 3	8-15	42GA 5390 0	47-13
4030 5845 02	50-16	4036 1388 01	7-12	40AA 2023 0	15-17	40LA 9007 1	15-5	42GA 5406 0	47-9
4030 5847 01	50-3	4036 1390 01	7-10	40AA 3229 0	46-10	40LA 9007 1	62-5	42GA 5450 0	48-20
4030 5848 01	50-33	4036 3025 01	40-41	40AA 5347 0	47-8	40LA 9021 0E	60-10	42GA 5451 0	48-8
4030 5854 01	50-7	4037 0104 01	53-3	40AA 7319 1	15-6	40LA 9022 0E	62-6	42GA 5474 0	48-9
4030 5855 01	50-9	4037 0906 01	29-26	40AA 8501 1	54-15	40LA 9025 0	21-4	42GA 5482 0	50-19
4030 5856 01	50-32	4037 0906 01	31-3	40AA 8803 1	24-19	40LA 9025 0	62-4	42GA 5486 0E	51-13
4030 5856 01	51-15	4037 0906 01	34-13	40LA -215 1	17-25	40LA 9736 1	56-4	42GA 5498 0	51-1
4030 5857 01	50-8	4037 0906 01	35-5	40LA -221 0	15-26	40LA R701 00	18-9	42GA 9001 0	57-1
4030 5858 01	50-31	4037 0906 01	37-18	40LA -222 0	15-27	40LA R702 00	15-10	42GE -530 0	49-16
4030 6214 00	40-47	4037 0906 01	53-7	40LA 1740 0	14-2	40LA R703 00	18-10	42GF -530 0	49-16
4030 6215 00	40-48	4037 1398 01	7-2	40LA 1754 0	13-4	40LA R704 00	19-14	42GS -530 0	49-16
4030 6810 02	66-3	4037 3204 01	40-18	40LA 1755 0	13-5	40LA R705 00	28-1	4348 6206 00	1-16
4030 6811 01	29-5	4037 3213 12	40-3	40LA 1756 0	13-8	40LA R706 00	24-12	4425 3013 01	29-29
4030 6812 02	65-1	4037 6899 01	35-21	40LA 2005 0	17-23	40LA R707 00	52-6	4425 3013 01	31-15
4030 6813 02	65-2	4040 0156 0D	40-42	40LA 2019 0	18-1	40LA R708 00	52-11	4425 3016 01	29-9
4030 6814 03	66-1	4040 0780 01	55-6	40LA 2034 0D	18-17	4128 3823 01	40-20	4425 3016 01	31-20
4030 6818 01	66-2	4040 0780 01	69-5	40LA 2036 0E	18-16	4131 2536 02	38-4	4426 4411 02	38-6
4030 6824 01	37-16	4040 1013 01	6-17	40LA 2094 0	15-8	4131 3001 01	34-11	4470 4024 01	27-17

Parts No.	Page No.	Parts No.	Page No.	Parts No.	Page No.	Parts No.	Page No.	Parts No.	Page No.
4470 4024 01	51-4	50GA -168 0E	12-45	50GA -400 0	31-38	50GA 1024 0	2-13	50GA 1556 0	12-13
4497 3114 01	42-5	50GA -169 1	14-16	50GA -402 0	31-39	50GA 1026 0	69-1	50GA 1557 0	12-16
4497 3114 01	44-19	50GA -171 0	13-15	50GA -450 0	39-24	50GA 1029 0	69-2	50GA 1559 0	12-14
4497 3116 01	42-6	50GA -172 0	13-14	50GA -452 0	39-22	50GA 1030 0	2-17	50GA 1560 0	12-15
4497 3116 01	44-20	50GA -173 0E	13-16	50GA -513 0	45-3	50GA 1031 0	55-10	50GA 1561 0E	11-18
4498 3469 01	40-38	50GA -176 0	14-25	50GA -519 0	41-21	50GA 1201 2G	6-14	50GA 1562 0	12-9
4498 3825 01	40-19	50GA -183 0	11-15	50GA -520 0	41-16	50GA 1203 0	6-1	50GA 1563 0	12-10
4498 3826 01	40-33	50GA -186 1G	14-38	50GA -521 0	42-17	50GA 1204 0	5-2	50GA 1564 0	12-12
4498 3834 01	40-40	50GA -188 0	11-24	50GA -530 0	49-16	50GA 1205 0E	6-3	50GA 1565 0	11-13
4581 1379 01	7-5	50GA -189 0	11-24	50GA -533 0	51-14	50GA 1207 1	6-16	50GA 1566 0	11-19
4581 1382 01	7-6	50GA -200 0	15-25	50GA -540 0	52-1	50GA 1208 0E	6-9	50GA 1605 0	12-46
4581 1389 01	7-8	50GA -205 0	17-16	50GA -543 0	49-24	50GA 1221 0	5-3	50GA 1610 0	12-27
4641 4504 02	38-1	50GA -209 0	18-12	50GA -544 0	48-6	50GA 1223 1E	5-9	50GA 1611 0	12-26
4657 3714 01	41-13	50GA -217 0	17-5	50GA -546 1	49-15	50GA 1224 0E	5-1	50GA 1612 0	12-25
4658 3012 01	40-16	50GA -218 0	15-12	50GA -548 0	48-17	50GA 1225 0	5-10	50GA 1613 0	12-24
4658 3047 01	10-10	50GA -250 0	19-1	50GA -550 0	3-14	50GA 1234 0	6-6	50GA 1614 0E	12-29
4658 3048 01	40-11	50GA -251 0	19-3	50GA -556 0	52-12	50GA 1307 0F	5-5	50GA 1616 0	12-32
4658 3049 01	40-13	50GA -260 0	20-1	50GA -626 1	8-22	50GA 1311 0	6-13	50GA 1617 0	12-33
4658 3513 01	30-24	50GA -261 0	20-13	50GA -627 0	8-1	50GA 1312 0	6-4	50GA 1618 0F	12-30
4658 3517 01	34-22	50GA -262 0	20-5	50GA -628 0	8-9	50GA 1312 0	69-6	50GA 1619 1	12-23
4660 7602 0	11-14	50GA -300 1	22-1	50GA -650 1	10-1	50GA 1313 0E	5-4	50GA 1620 0E	12-28
4660 7602 0	12-7	50GA -304 0	22-11	50GA -751 0	54-2	50GA 1314 0	6-18	50GA 1640 0	14-26
4660 7602 0	36-12	50GA -307 0E	22-31	50GA -902 0E	56-1	50GA 1319 0E	6-12	50GA 1703 0	13-11
4660 7801 0	22-5	50GA -311 0	28-6	50GA -905 0	8-16	50GA 1503 0	12-42	50GA 1751 0	13-7
4660 7801 0	49-2	50GA -313 0	28-4	50GA -913 0	39-1	50GA 1504 0E	14-39	50GA 1752 0	13-3
4661 3106 01	42-12	50GA -314 0	28-8	50GA -930 4M	56-2	50GA 1506 0	11-22	50GA 1753 0	13-12
4661 3150 01	42-13	50GA -315 0	28-2	50GA 1006 0	4-9	50GA 1507 0F	14-35	50GA 1760 1E	13-17
4661 3155 01	42-14	50GA -316 0	28-5	50GA 1007 0E	4-7	50GA 1509 1	14-40	50GA 1811 1G	14-34
4687 3281 01	33-27	50GA -319 0	28-7	50GA 1010 0	2-10	50GA 1518 1E	12-41	50GA 1822 0D	14-36
50GA -122 0	6-7	50GA -320 1	24-1	50GA 1011 0	2-12	50GA 1522 0E	11-23	50GA 1824 1E	14-37
50GA -134 0	6-15	50GA -322 1	23-12	50GA 1012 1	2-14	50GA 1541 0	11-5	50GA 1841 0	14-5
50GA -153 0	12-21	50GA -323 0	23-13	50GA 1013 0	2-16	50GA 1545 0	11-7	50GA 1842 0	14-10
50GA -154 0	12-19	50GA -332 1	25-1	50GA 1014 0	2-19	50GA 1547 0	11-25	50GA 1843 0	14-11
50GA -155 0	12-1	50GA -333 0	25-6	50GA 1015 0	2-9	50GA 1548 0	12-8	50GA 1851 0	14-1
50GA -157 0	11-21	50GA -334 0	25-11	50GA 1016 0	2-18	50GA 1550 0	11-2	50GA 1852 0F	14-8
50GA -159 0	12-36	50GA -334 1	25-11	50GA 1018 0	2-5	50GA 1551 0	12-4	50GA 1852 3I	14-8
50GA -160 1E	12-47	50GA -336 0	27-8	50GA 1019 0	2-4	50GA 1552 0	11-4	50GA 1853 0E	14-4
50GA -164 1F	12-38	50GA -337 0	26-9	50GA 1021 0	2-11	50GA 1553 0	11-16	50GA 1853 2G	14-4
50GA -165 0E	12-44	50GA -380 0	36-1	50GA 1022 0	2-15	50GA 1554 0	11-17	50GA 1854 0E	14-3
50GA -167 0F	12-43	50GA -382 0	36-2	50GA 1023 0D	4-8	50GA 1555 0	12-11	50GA 1854 2G	14-3

Parts No.	Page No.	Parts No.	Page No.	Parts No.	Page No.	Parts No.	Page No.	Parts No.	Page No.
50GA 1855 0E	14-6	50GA 3304 0	26-7	50GA 4009 00	40-44	50GA 5008 0	45-12	50GA 5058 00	41-15
50GA 1855 2G	14-6	50GA 3305 0E	27-16	50GA 4402 0	37-21	50GA 5009 0	46-14	50GA 5061 00	41-18
50GA 1856 0	11-10	50GA 3306 0E	26-5	50GA 4403 0	37-8	50GA 5010 0	45-17	50GA 5062 00	46-5
50GA 1857 0	11-11	50GA 3307 1	27-12	50GA 4404 1	37-1	50GA 5011 0	45-14	50GA 5303 0	47-2
50GA 1858 0E	11-12	50GA 3308 0E	26-1	50GA 4405 0	37-3	50GA 5012 0	41-22	50GA 5304 0	47-1
50GA 1859 0E	14-7	50GA 3309 1E	26-6	50GA 4406 0	37-2	50GA 5014 0	46-13	50GA 5307 0	47-17
50GA 1859 2G	14-7	50GA 3310 0	25-14	50GA 4407 0	37-20	50GA 5015 0	46-4	50GA 5308 0	47-18
50GA 2007 0	18-2	50GA 3311 0	25-13	50GA 4410 0E	37-22	50GA 5016 0	41-4	50GA 5330 0D	49-25
50GA 2035 0E	15-1	50GA 3312 0	25-4	50GA 4411 0	37-9	50GA 5017 0	41-12	50GA 5336 0	48-18
50GA 2501 00	12-37	50GA 3313 0	27-7	50GA 4508 0	39-29	50GA 5019 0	2-2	50GA 5343 0	52-7
50GA 2506 0	19-11	50GA 3314 0	27-15	50GA 4509 0	39-26	50GA 5019 0	3-6	50GA 5347 0	52-14
50GA 2509 0	19-15	50GA 3315 2F	26-4	50GA 4521 0D	39-27	50GA 5020 0	3-7	50GA 5351 0	52-4
50GA 2604 0	20-12	50GA 3316 1E	27-9	50GA 4522 1	39-10	50GA 5021 0	3-9	50GA 5359 0	47-15
50GA 2606 0E	20-2	50GA 3317 0E	27-3	50GA 4527 0	39-17	50GA 5022 0	2-1	50GA 5360 0	47-14
50GA 2607 0F	20-11	50GA 3318 2	26-3	50GA 4528 0	39-28	50GA 5022 0	3-5	50GA 5365 1E	48-16
50GA 2619 1E	20-7	50GA 3319 0	26-8	50GA 4531 1	39-11	50GA 5023 0	3-10	50GA 5366 0	3-12
50GA 3014 0	22-8	50GA 3321 0	26-10	50GA 4532 0	39-8	50GA 5024 0	3-8	50GA 5378 0	48-14
50GA 3015 0	22-6	50GA 3322 0	24-11	50GA 4533 0	39-9	50GA 5027 0	46-11	50GA 5389 0	47-19
50GA 3017 0	22-15	50GA 3323 0E	24-3	50GA 4535 1	39-7	50GA 5028 0	46-12	50GA 5390 0	47-13
50GA 3018 0	22-14	50GA 3324 0	27-11	50GA 4539 0	39-19	50GA 5029 0F	42-2	50GA 5404 0	49-8
50GA 3071 0	21-11	50GA 3325 0	27-6	50GA 4553 0	39-4	50GA 5030 0E	42-10	50GA 5405 0	48-13
50GA 3074 0	21-9	50GA 3326 0	25-2	50GA 4558 0	39-18	50GA 5031 0	41-1	50GA 5406 0	47-9
50GA 3157 0	21-10	50GA 3332 0	26-11	50GA 4559 0	39-12	50GA 5033 0	41-20	50GA 5417 0	49-26
50GA 3160 0	22-29	50GA 3333 0	27-13	50GA 4565 0	39-16	50GA 5035 0	42-7	50GA 5429 0	49-5
50GA 3161 0	22-28	50GA 3813 0	36-19	50GA 4569 0	12-22	50GA 5036 0	43-1	50GA 5442 0	48-19
50GA 3208 0	24-20	50GA 3848 0	36-6	50GA 4569 1E	12-22	50GA 5037 0	41-5	50GA 5450 0	48-20
50GA 3210 1F	26-2	50GA 3849 0	36-5	50GA 4570 0	45-20	50GA 5038 0	44-21	50GA 5451 0	48-8
50GA 3210 2G	26-2	50GA 3854 0E	36-3	50GA 4571 0	39-2	50GA 5039 0	3-4	50GA 5452 0	48-4
50GA 3211 1F	27-1	50GA 3858 0E	36-24	50GA 4572 0	45-21	50GA 5040 0	45-8	50GA 5453 0	48-5
50GA 3223 0	27-4	50GA 3861 0	36-21	50GA 4573 0	39-15	50GA 5041 0	44-22	50GA 5454 0	47-16
50GA 3251 0	24-8	50GA 3865 0E	36-7	50GA 4574 0	39-14	50GA 5043 0	45-19	50GA 5460 0	52-5
50GA 3252 0	24-2	50GA 3867 0E	36-23	50GA 4575 0	39-13	50GA 5045 0	46-1	50GA 5461 1	50-28
50GA 3253 0	24-5	50GA 3868 0E	36-22	50GA 5001 0	42-4	50GA 5047 0E	45-2	50GA 5462 0	50-26
50GA 3270 0	24-4	50GA 3869 0E	36-18	50GA 5001 0	44-18	50GA 5048 0	45-6	50GA 5463 0	50-27
50GA 3271 0	23-5	50GA 3879 0	36-20	50GA 5002 0	45-5	50GA 5049 0	45-16	50GA 5465 0	4-3
50GA 3272 0	23-4	50GA 4001 0	30-3	50GA 5003 0	45-15	50GA 5051 0	45-4	50GA 5466 0	4-6
50GA 3282 2F	25-15	50GA 4002 0	30-22	50GA 5004 1F	46-3	50GA 5053 0	45-1	50GA 5467 0	4-10
50GA 3285 1	25-12	50GA 4003 0	30-21	50GA 5005 0	46-6	50GA 5055 0	42-16	50GA 5468 0	4-5
50GA 3302 0	27-14	50GA 4005 0	31-18	50GA 5006 0	45-10	50GA 5056 0E	45-18	50GA 5469 0	49-10
50GA 3303 0	27-10	50GA 4008 00	40-43	50GA 5007 0	45-13	50GA 5057 0	42-15	50GA 5470 0	49-9

Parts No.	Page No.
50GA 5471 0	52-20
50GA 5472 1	52-18
50GA 5473 0	49-11
50GA 5473 1E	49-11
50GA 5474 0	48-9
50GA 5481 0	50-25
50GA 5482 0	50-19
50GA 5483 0D	49-22
50GA 5484 0	49-23
50GA 5485 0	49-14
50GA 5486 0E	51-13
50GA 5487 0	50-13
50GA 5488 0	52-2
50GA 5492 0	50-12
50GA 5493 0	49-12
50GA 5493 1E	49-12
50GA 5494 0	48-11
50GA 5495 0	51-8
50GA 6111 0	8-24
50GA 6112 0	8-28
50GA 6120 0	9-24
50GA 6122 0	9-16
50GA 6182 0	5-6
50GA 6211 0	8-20
50GA 6212 0	8-21
50GA 6214 0	8-25
50GA 6251 0E	8-26
50GA 6252 0	8-32
50GA 6253 0	8-31
50GA 6254 0	8-29
50GA 6257 0	8-30
50GA 6271 01	53-16
50GA 7060 0	7-14
50GA 7080 0	7-15
50GA 7099 0	7-4
50GA 7227 00	51-11
50GA 7296 00	49-13
50GA 7333 0	56-5
50GA 7334 0	56-6
50GA 7337 1	55-3

Parts No.	Page No.
50GA 7338 1	55-1
50GA 7339 0	10-3
50GA 7341 0	54-8
50GA 7342 0	54-4
50GA 7343 0	54-18
50GA 7344 0	55-13
50GA 7345 1E	56-7
50GA 7346 0E	55-8
50GA 7347 0	54-9
50GA 7348 1	54-11
50GA 7349 1	54-12
50GA 7350 0	54-16
50GA 7351 0	54-17
50GA 7354 0	56-8
50GA 7355 0	55-14
50GA 7356 0	56-9
50GA 7357 0E	56-10
50GA 7359 0	54-14
50GA 7374 0	56-11
50GA 7376 1	54-13
50GA 7377 0	56-12
50GA 7379 0E	10-6
50GA 7380 0	54-1
50GA 7391 0	10-4
50GA 7391 0	55-4
50GA 8002 0	8-17
50GA 8051 0	4-4
50GA 8052 0	55-9
50GA 8202 0	31-19
50GA 8202 0	36-17
50GA 8203 0	44-9
50GA 8401 0	54-7
50GA 8451 0	54-6
50GA 8601 00	38-3
50GA 8703 0F	7-1
50GA 9001 0	58-1
50GA 9002 0	64-1
50GA 9003 0	61-1
50GA 9004 0	59-1
50GA 9005 1	48-2

Parts No.	Page No.
50GA 9005 1	59-2
50GA 9006 0	27-5
50GA 9006 0	63-1
50GA 9008 0	63-2
50GA 9009 0	63-3
50GA 9011 0E	59-3
50GA 9012 0	59-4
50GA 9013 0	59-5
50GA 9014 0	59-6
50GA 9015 0	64-2
50GA 9016 0	59-7
50GA 9017 1	64-3
50GA 9019 0	59-8
50GA 9020 0	63-5
50GA 9024 0	59-9
50GA 9026 0	60-1
50GA 9027 0	60-2
50GA 9029 0	63-4
50GA 9030 0	62-7
50GA 9031 0	60-3
50GA 9032 0E	60-4
50GA 9033 0	62-1
50GA 9034 0	62-2
50GA 9035 0	62-3
50GA 9037 0	60-5
50GA 9038 0	60-6
50GA 9039 0	60-7
50GA 9042 0	8-10
50GA 9042 0	60-8
50GA 9050 0	61-2
50GA 9704 0	6-5
50GA 9746 0	46-2
50GA 9746 0	49-18
50GA 9747 0	49-17
50GA 9748 0	49-19
50GA 9749 0	36-15
50GA 9795 0	25-3
50GA M32A 00	47-3
50GA M33A 00	47-4
50GE -530 0	49-16

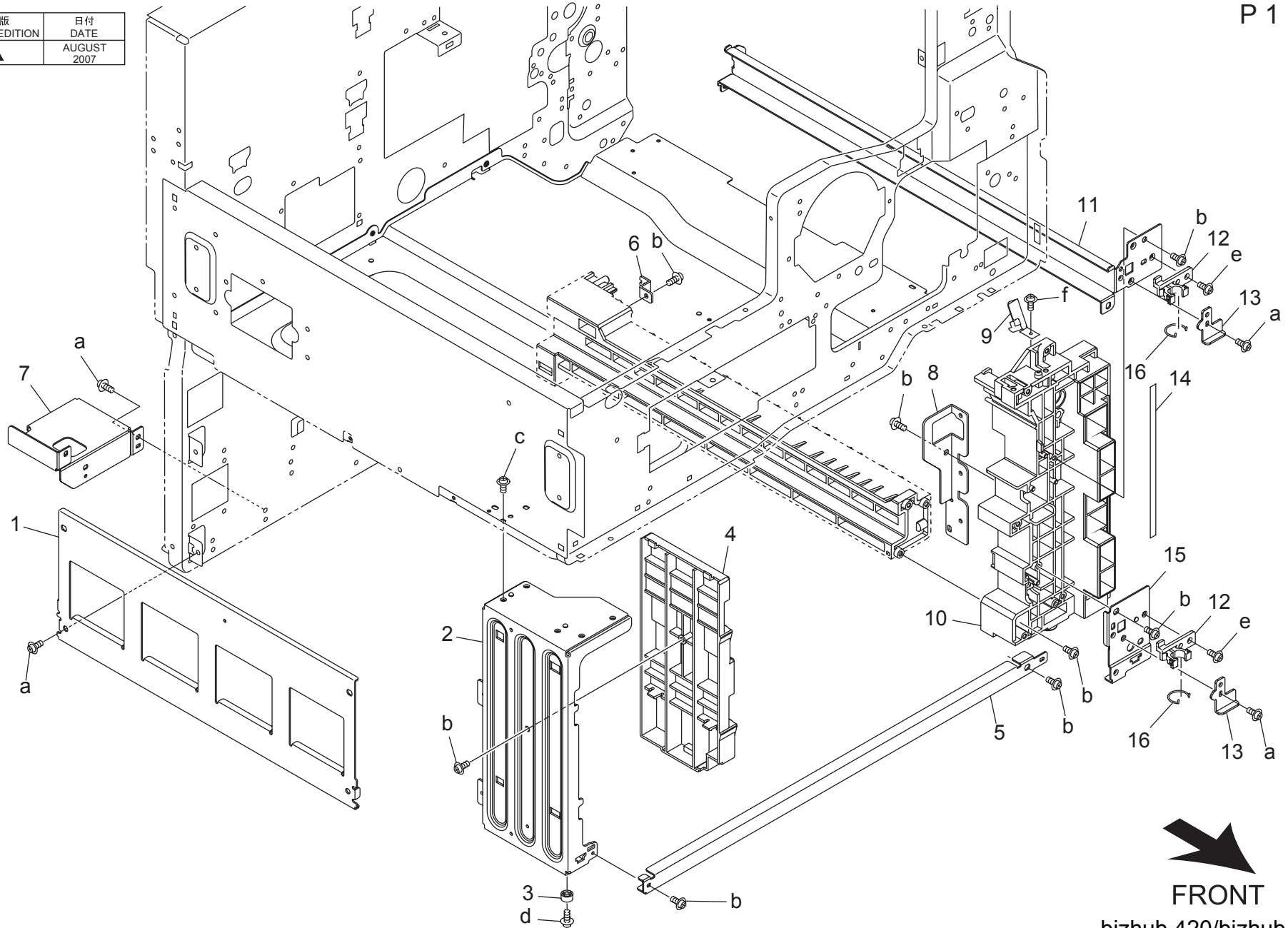
Parts No.	Page No.
50GE 3315 2F	26-4
50GE 5303 0	47-2
50GE 8302 1	47-3
50GE 8303 1	47-4
50GE 8703 0F	7-1
50GF -530 0	49-16
50GF 3315 2F	26-4
50GF 8302 1	47-3
50GF 8303 1	47-4
50GF 8451 1	54-6
50GF 8703 0F	7-1
50GG 8703 0G	7-1
50GK 8703 0G	7-1
50GK M451 00	54-6
50GS -530 0	49-16
50GS 8302 0	47-3
50GS 8303 0	47-4
56AA 1783 0	20-9
56AA 8551 1	8-12
56AA 8553 1	8-2
56QA 7507 0	9-25
56RE R701 00	5-11
56UA 1277 0	69-7
56UA 9792 0	8-23
56UA 9792 0	22-9
56UA 9792 0	39-23
57AA 8203 0	36-16
6852 8604 0	55-7
9313 1100 33	37-6
9313 1100 33	45-7
9314 1200 91	37-14
9321 2200 32	37-19
9322 1500 12	14-17
9322 1500 12	31-30
9326 1910 31	35-28
9332 5710 11	2-8
9334 2610 12	8-8
9335 1300 61	8-14
9335 1300 61	27-2
9335 1300 61	44-4

Parts No.	Page No.
9335 1300 61	51-5
9381 4101 31	55-6
9381 4101 31	69-5
9381 4300 31	55-6
9381 4300 31	69-5
9381 4300 41	55-6
9381 4300 41	69-5
9384 1100 91	67-28
9384 1310 91	67-29
9384 1311 11	67-30
9384 1600 11	68-6
9384 1600 11	69-8
9384 2010 21	67-31
9384 2400 21	55-12
9384 2910 31	67-32
9735 0308 14	69-9
9J06 M103 00	53-8
9J06 M200 00	34-25
9J06 M201 00	34-24
A00J 6234 00	40-46
SP00 -011 2	48-7

# MAIN FRAME

P 1

改訂版 REVISED EDITION	日付 DATE
	AUGUST 2007



FRONT

bizhub 420/bizhub 500

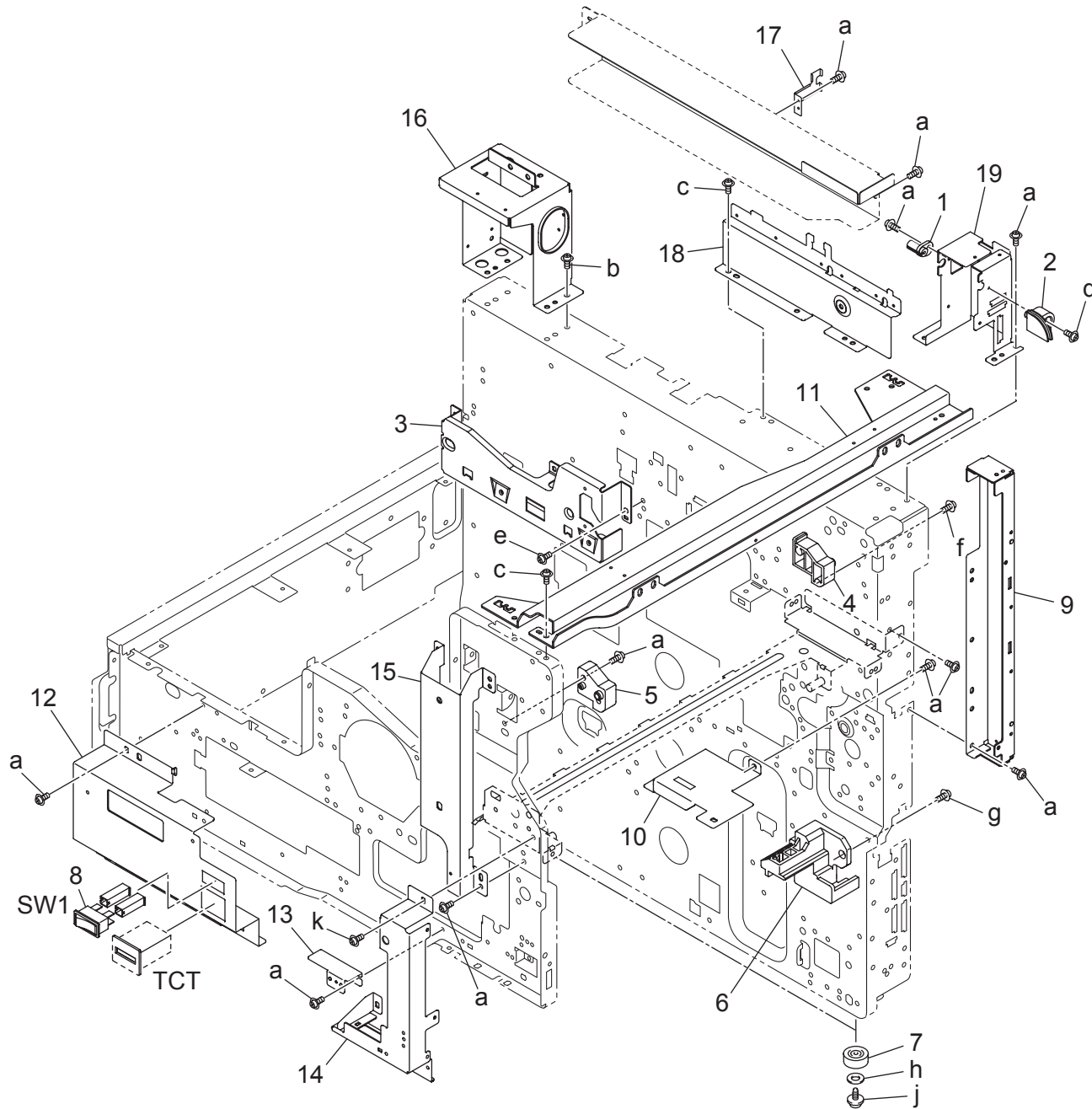
# MAIN FRAME

Key	Part No.	Description	Destinations	Class	QTY	Standard parts
1	4030 2006 01	REINFORCE PLATE		D	1	a-9735 0306 14 b-9739 0410 14 c-4154 3804 01 d-9733 0310 14 e-9735 0408 14 f-9739 0308 14
2	4030 2005 02	REINFORCE PLATE		D	1	
3	4030 2081 01	SPACER		D	1	
4	4030 2008 02	RAIL		D	1	
5	4030 2007 01	REINFORCE PLATE		D	1	
6	4030 2011 01	BRACKET		D	1	
7	4030 2042 02	BRACKET		D	1	
8	4030 2010 01	BRACKET		D	1	
9	1164 2155 01	CONTACT		C	1	
10	4030 2026 03	STAY		D	1	
11	4030 2029 02	RAIL		D	1	
12	4040 6205 00	Holder		D	2	
13	4030 2038 02	STOPPER		D	2	
14	4030 7315 01	LABEL		D	1	
15	4030 2041 02	BRACKET		D	1	
16	4348 6206 00	Stop ring		D	2	

bizhub 420/bizhub 500

# MAIN FRAME

改訂版 REVISED EDITION	日付 DATE
	NOVEMBER 2007



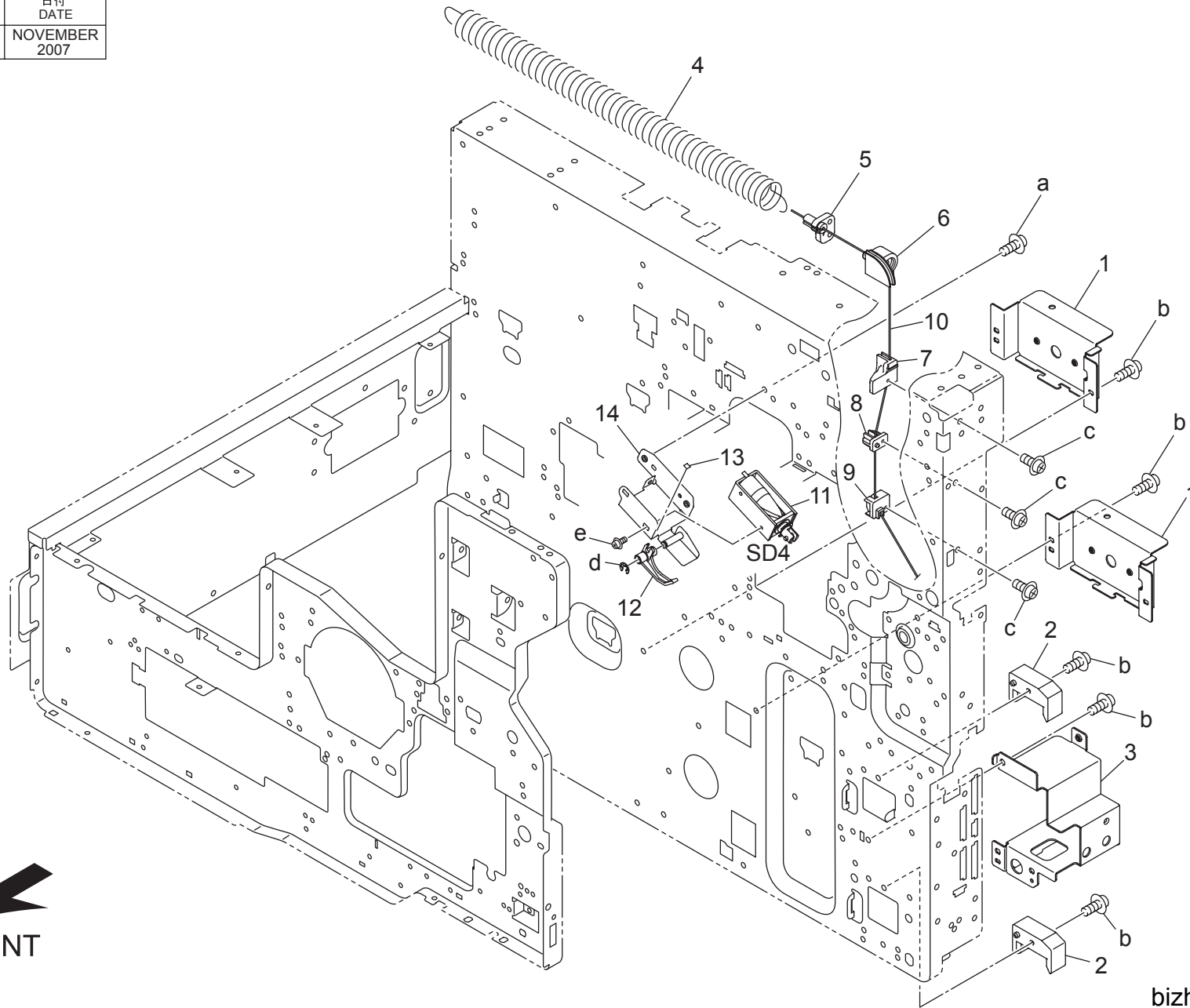


# MAIN FRAME

Key	Part No.	Description	Destinations	Class	QTY	Standard parts
1	50GA 5022 0	WIRE SUPPORT PART 4	ワイヤー支持部材 4	C	1	a-00Z1 9306 1
2	50GA 5019 0	WIRE SUPPORT PART 1	ワイヤー支持部材 1	C	1	b-4106 2063 01
3	4030 2018 01	BRACKET	取付板	D	1	c-9735 0306 14
4	50GA 1019 0	ADU LOCK PART/REAR	A D U ロック部材 / 奥	C	1	d-00Z1 9314 1
5	50GA 1018 0	ADU LOCK PART/ FRONT	A D U ロック部材 / 前	C	1	e-9735 0308 14
6	4030 2037 01	HOLDER	ホルダ	D	1	f-00Z2 5408 1
7	4030 2080 01	RUBBER FOOT	ゴム足	D	2	g-9739 0410 14
8	9332 5710 11	SWITCH	スイッチ	C	1	h-9716 0300 01
9	50GA 1015 0	BOARD MOUNTING STAY /RIGHT	基板取り付けステー / 右	D	1	j-9735 0310 14
10	50GA 1010 0	REINFORCE STAY /2	補強ステー / 2	D	1	k-00Z1 9304 1
11	50GA 1021 0	READ MOUNTING STAY	読取取り付けステー	D	1	
12	50GA 1011 0	REINFORCE STAY /3	補強ステー / 3	D	1	
13	50GA 1024 0	MOUNTING PLATE /1	取り付け板 / 1	D	1	
14	50GA 1012 1	REINFORCE STAY /4	補強ステー / 4	D	1	
15	50GA 1022 0	REINFORCE STAY /5	補強ステー / 5	D	1	
16	50GA 1013 0	READ MOUNTING PEDESTAL /LEFT	読取取り付け台 / 左	D	1	
17	50GA 1030 0	EXTERNAL SUPPORT PLATE /1	外装支持板 / 1	D	1	
18	50GA 1016 0	BOARD MOUNTING STAY /REAR	基板取り付けステー / 奥	D	1	
19	50GA 1014 0	READ MOUNTING PEDESTAL /RIGHT	読取取り付け台 / 右	D	1	

# MAIN FRAME

改訂版 REVISED EDITION	日付 DATE
	NOVEMBER 2007



bizhub 420/bizhub 500

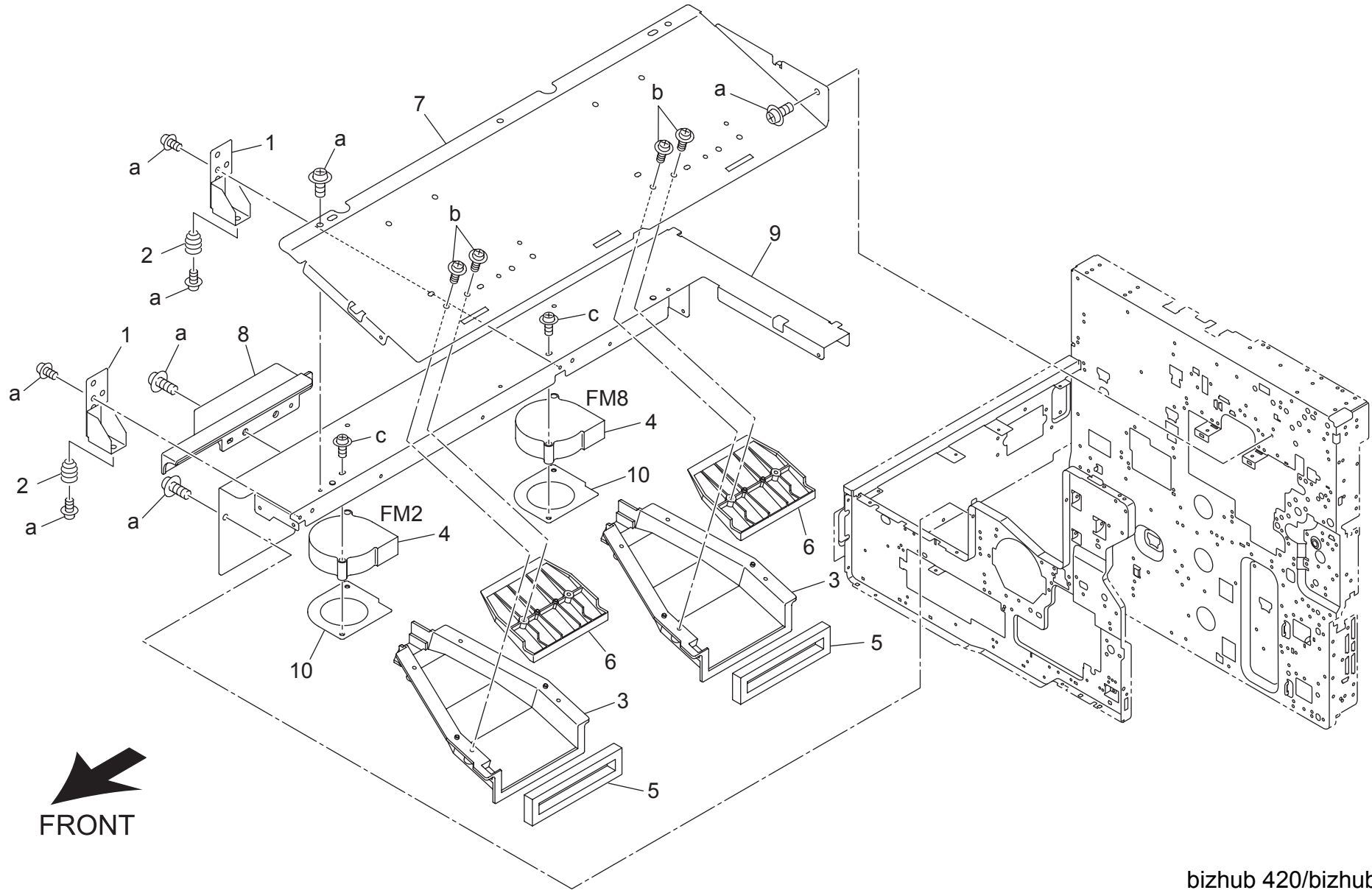
# MAIN FRAME

Key	Part No.	Description	Destinations	Class	QTY	Standard parts
1	4030 2062 01	BRACKET	取付板	D	2	a-00Z1 9306 1 b-9735 0306 14 c-00Z2 5308 1 d-00Z6 7040 6 e-00Z1 9304 1
2	4030 2009 01	GUIDE	ガイド	D	2	
3	4030 2039 02	BRACKET	取付板	D	1	
4	50GA 5039 0	ADU HOLDING SPRING	A D U 押えバネ	C	1	
5	50GA 5022 0	WIRE SUPPORT PART 4	ワイヤー支持部材 4	C	1	
6	50GA 5019 0	WIRE SUPPORT PART 1	ワイヤー支持部材 1	C	1	
7	50GA 5020 0	WIRE SUPPORT PART 2	ワイヤー支持部材 2	C	1	
8	50GA 5024 0	WIRE SUPPORT PART 5	ワイヤー支持部材 5	C	1	
9	50GA 5021 0	WIRE SUPPORT PART 3	ワイヤー支持部材 3	C	1	
10	50GA 5023 0	ADU STOPPER WIRE	A D U 突き当てワイヤー	C	1	
11	26NA R709 00	ADU SOLENOID SHAFT ASSY	A D U ソレノイド軸部組	D	1	
12	50GA 5366 0	SOLENOID ACTUATOR	ソレノイドアクチュエタ	C	1	
13	27LA 5446 0	SOLENOID STOPPER	ソレノイドストップパ	D	1	
14	50GA -550 0	SOLENOID MOUNTING PLATE CAULKI	ソレノイド取り付け板カシメ	D	1	

bizhub 420/bizhub 500

# MAIN FRAME

改訂版 REVISED EDITION	日付 DATE
	NOVEMBER 2007

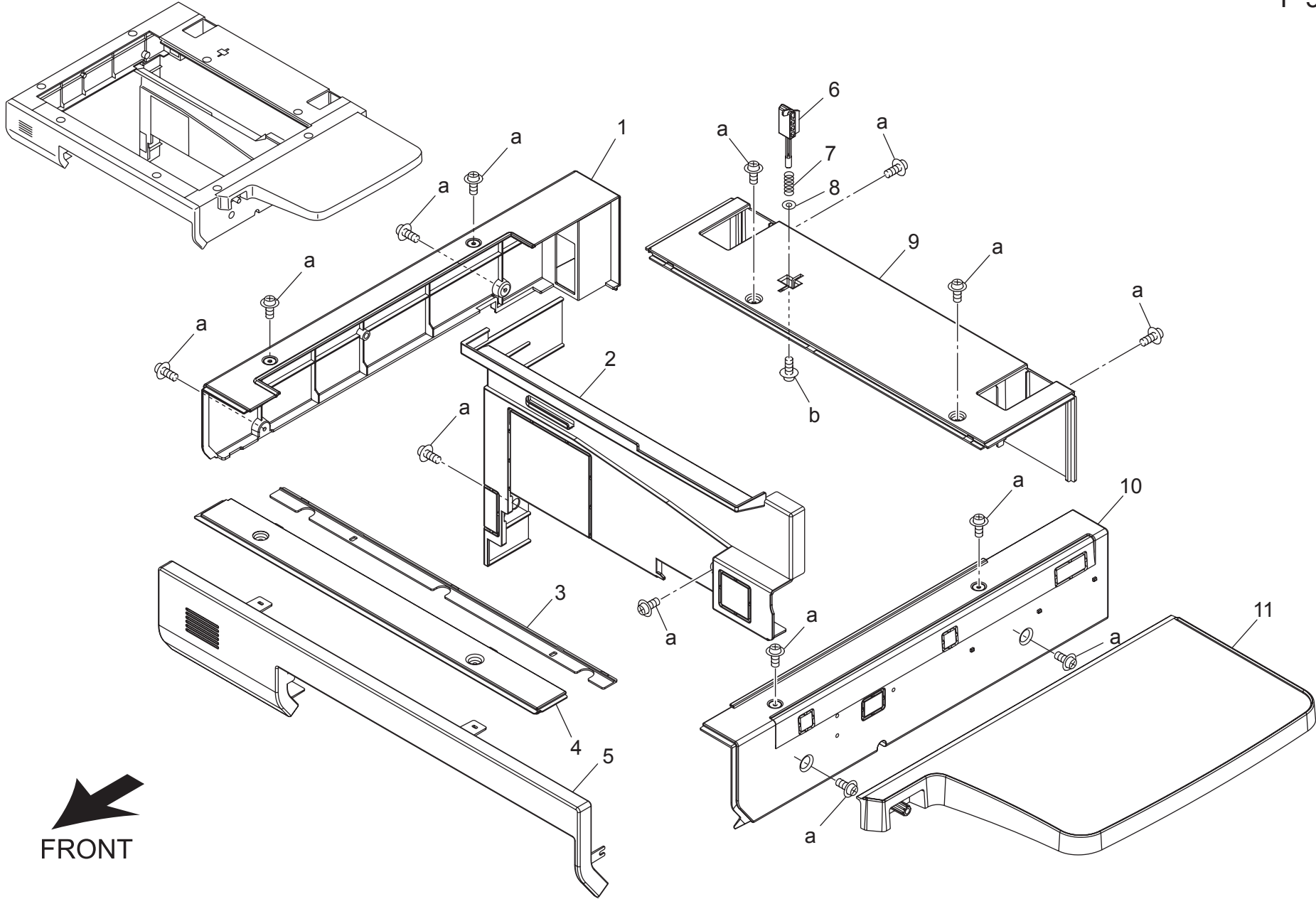


  
FRONT

# MAIN FRAME

Key	Part No.	Description	Destinations	Class	QTY	Standard parts
1	26NA 6528 0	WRITING MOUNT PART		D	2	a-00Z1 9306 1 b-00Z2 5308 1 c-00Z1 9320 1
2	26NA 6529 0	WRITING MOUNT SPRING		D	2	
3	50GA 5465 0	ROLLER COOLING DUCT 3		D	2	
4	50GA 8051 0	COOLING FAN MOTOR		C	2	
5	50GA 5468 0	SEALING PART		D	2	
6	50GA 5466 0	ROLLER COOLING DUCT 4		D	2	
7	50GA 1007 0E	Reinforce Stay /B		D	1	
8	50GA 1023 0D	Guide Part /F		D	1	
9	50GA 1006 0	SUPPLY STAY /A		D	1	
10	50GA 5467 0	FAN MOUNTING PLATE		D	1	

EXTERNAL PARTS



FRONT

## EXTERNAL PARTS

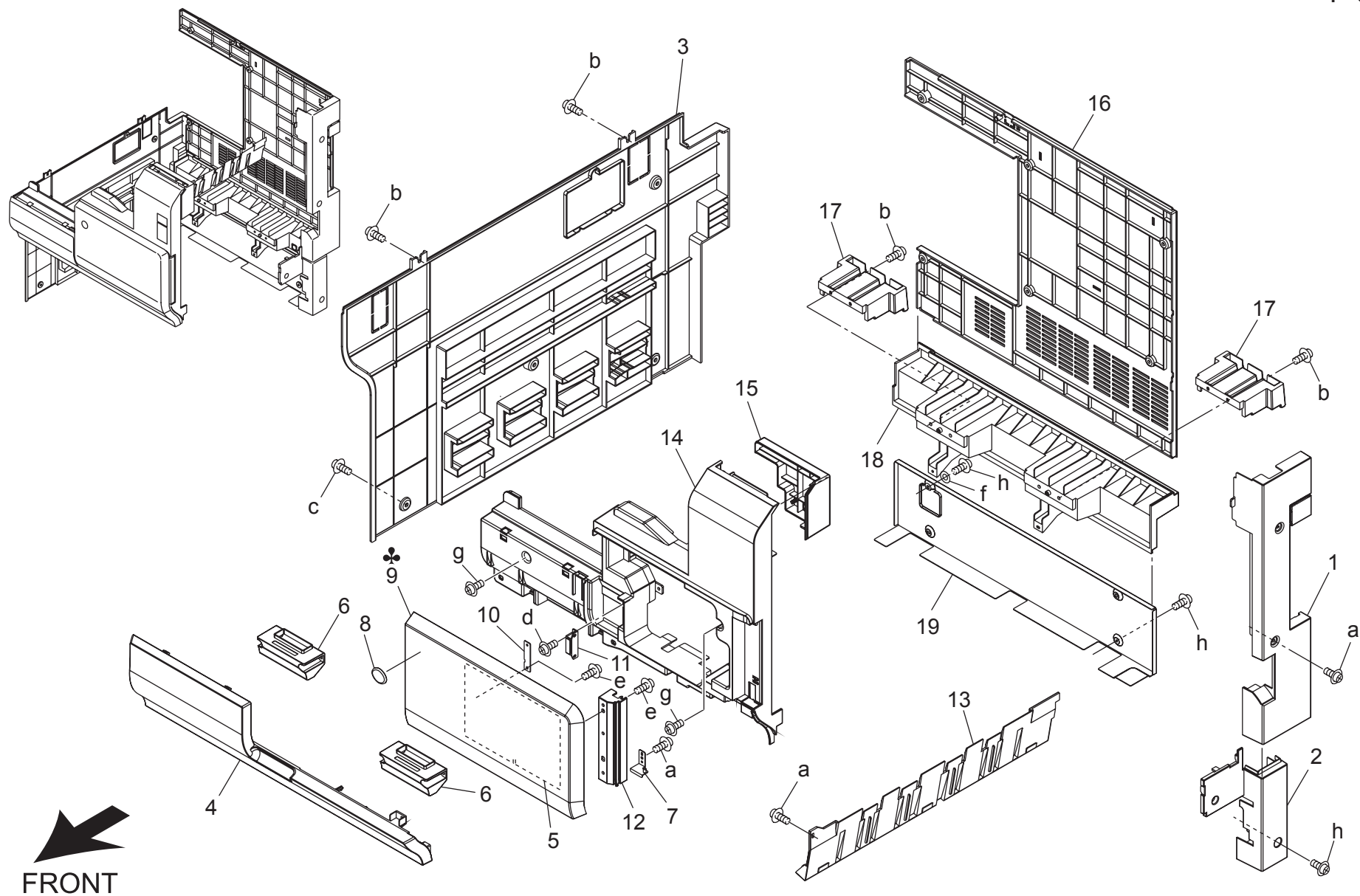
Key	Part No.	Description	Destinations	Class	QTY	Standard parts
1	50GA 1224 0E	READ COVER /LEFT		C	1	a-00Z1 9306 1 b-00Z2 5308 1
2	50GA 1204 0	SIDE COVER REAR		C	1	
3	50GA 1221 0	GLASS MOUNTING PLATE 1		C	1	
4	50GA 1313 0E	GLASS MOUNTING PLATE /2		C	1	
5	50GA 1307 0F	READ COVER /FRONT		C	1	
6	50GA 6182 0	ADF DETECTION ACTUATOR		C	1	
7	26NA 6213 0	DETECTING SPRING		C	1	
8	26NA 1255 0	SPRING REGULATING SHEET		C	1	
9	50GA 1223 1E	READ COVER /REAR		C	1	
10	50GA 1225 0	READ COVER RIGHT		C	1	
11	56RE R701 00	WORKING TABLE		C	1	

bizhub 420/bizhub 500



Order here  
8 (495) 646-0426  
ПЯТЫЙ ПАРТНЕР www.km-shop.ru

# EXTERNAL PARTS



bizhub 420/bizhub 500



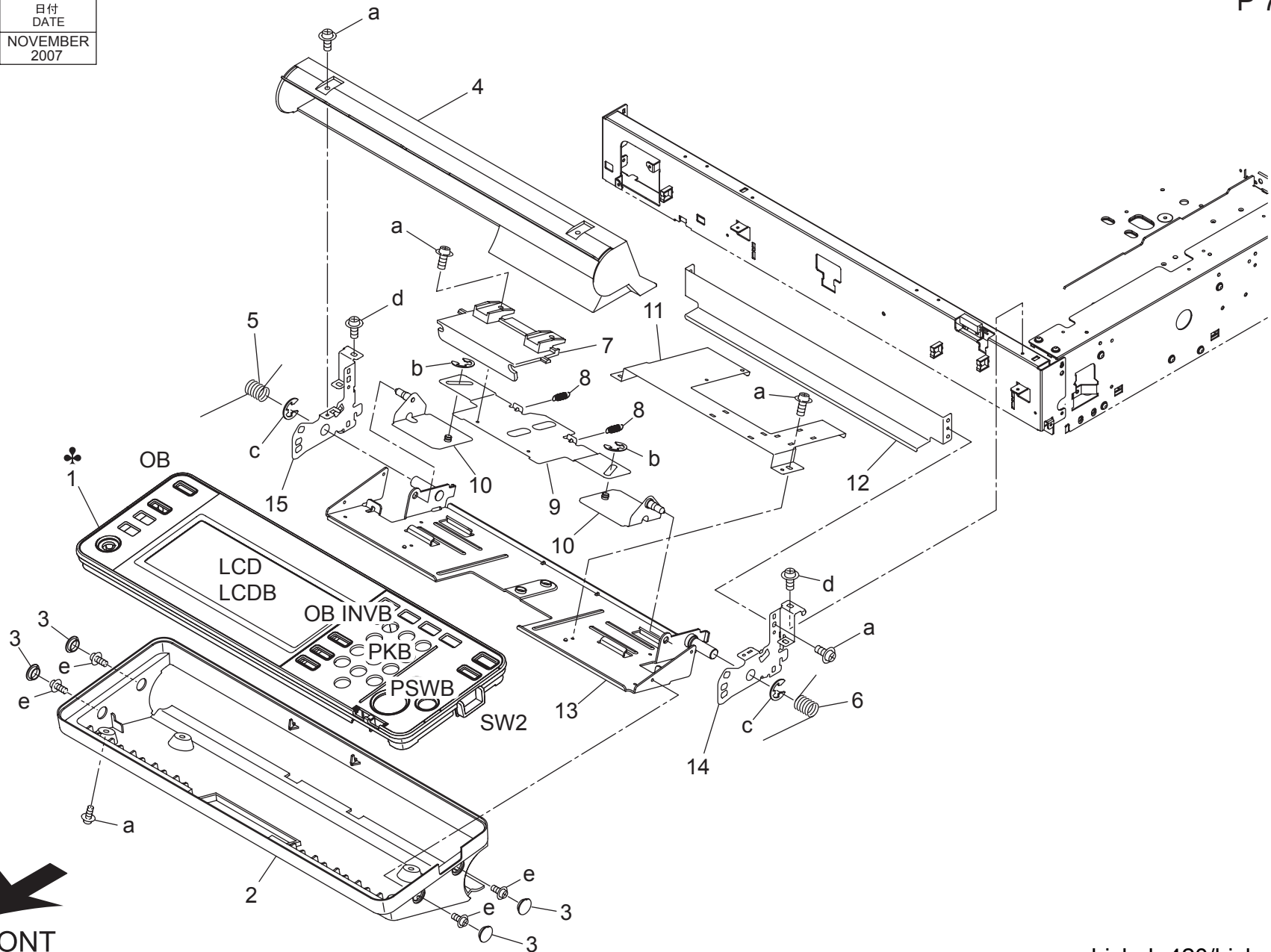
Key	Part No.	Description	Destinations	Class	QTY	Standard parts
1	50GA 1203 0	REAR COVER RIGHT		C	1	a-00Z1 9306 1
2	4030 1015 04	RIGHT COVER		C	1	b-9735 0310 14
3	50GA 1205 0E	SIDE COVER /LEFT		C	1	c-9735 0306 14
4	50GA 1312 0	FRONT COVER LOWER		C	1	d-00Z2 4308 1
5	50GA 9704 0	TONER SUPPLY LABEL		C	1	e-00Z2 5308 1
6	50GA 1234 0	FRONT LIFTING HANDLE		C	2	f-9712 0300 14
7	50GA -122 0	FULCRUM PLATE ASSY		D	1	g-00Z1 9308 1
8	4030 7500 01	LABEL LOGO MARK		C	1	h-9735 0308 14
9	50GA 1208 0E	FRONT DOOR /RIGHT	{bizhub 500}	C	1	
9	42GA 1208 0	FRONT DOOR RIGHT	{bizhub 420}	C	1	
10	26NA 1240 1	MAGNET PRESSURE PLATE		D	1	
11	0830 2014 0	STOPPER MATERIAL		C	1	
12	50GA 1319 0E	FRONT COVER HINGE		C	1	
13	50GA 1311 0	PAPER EXIT COVER A		C	1	
14	50GA 1201 2G	MAIN BODY COVER /FRONT		C	1	
15	50GA -134 0	FRONT AUXILIARY COVER ASSY		C	1	
16	50GA 1207 1	REAR COVER 1		C	1	
17	4040 1013 01	HANDLE		D	2	
18	50GA 1314 0	REAR COVER 2		C	1	
19	4030 1011 02	REAR COVER		C	1	

bizhub 420/bizhub 500



# OPERATION UNIT

改訂版 REVISED EDITION	日付 DATE
	NOVEMBER 2007



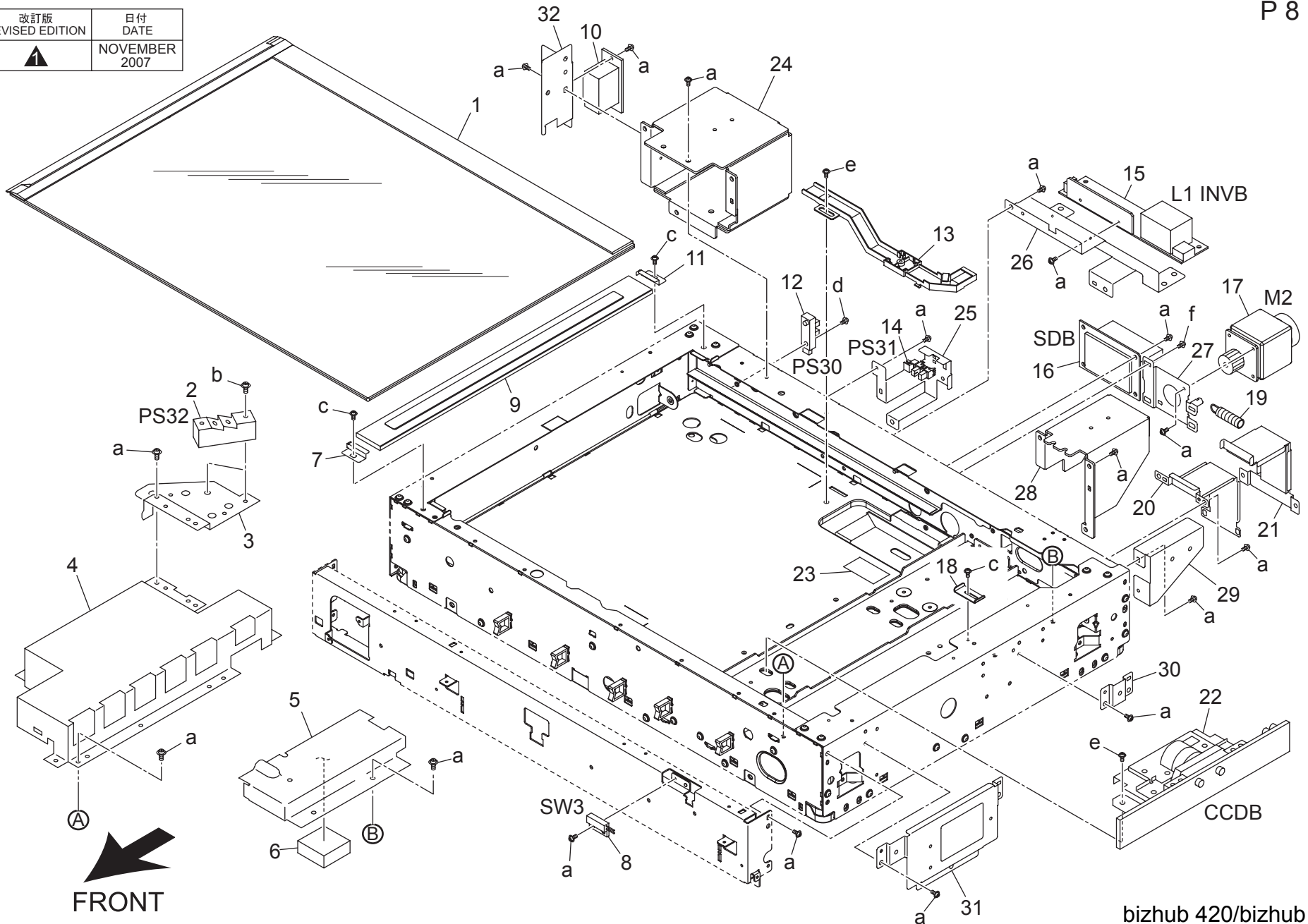
  
FRONT

# OPERATION UNIT

Key	Part No.	Description	Destinations	Class	QTY	Standard parts
1	50GA 8703 0F	OPE. UNIT UNIT		I	1	a-00Z2 8306 1 b-00Z6 7040 6 c-00Z6 7080 6 d-00Z1 9306 1 e-9735 0308 14
1	50GE 8703 0F	OPE. UNIT UNIT		I	1	
1	50GF 8703 0F	OPE. UNIT UNIT		I	1	
1	50GG 8703 0G	OPE. UNIT UNIT	A B,D1,D3,E,F1,F2,G1,G2, I,K	I	1	
1	50GK 8703 0G	OPE. UNIT UNIT	C J H	I I I	1 1 1	
2	4037 1398 01	COVER PANEL LOWER		C	1	
3	1171 1321 01	CAP		C	4	
4	50GA 7099 0	OPERATION UNIT COVER LOWER		C	1	
5	4581 1379 01	TORSION SPRING		C	1	
6	4581 1382 01	TORSION SPRING		C	1	
7	4036 1381 03	LEVER		C	1	
8	4581 1389 01	TENSION SPRING		C	2	
9	4036 1383 02	COUPLING		D	1	
10	4036 1390 01	POSITIONING PLATE		D	2	
11	4036 1387 02	BRACKET		D	1	
12	4036 1388 01	BRACKET		D	1	
13	4036 1385 01	BRACKET		D	1	
14	50GA 7060 0	OPE UNIT MOUNTING PLATE/RIGHT		D	1	
15	50GA 7080 0	OPE UNIT MOUNTING PLATE/LEFT		D	1	

# OPTICS UNIT

改訂版 REVISED EDITION	日付 DATE
	NOVEMBER 2007



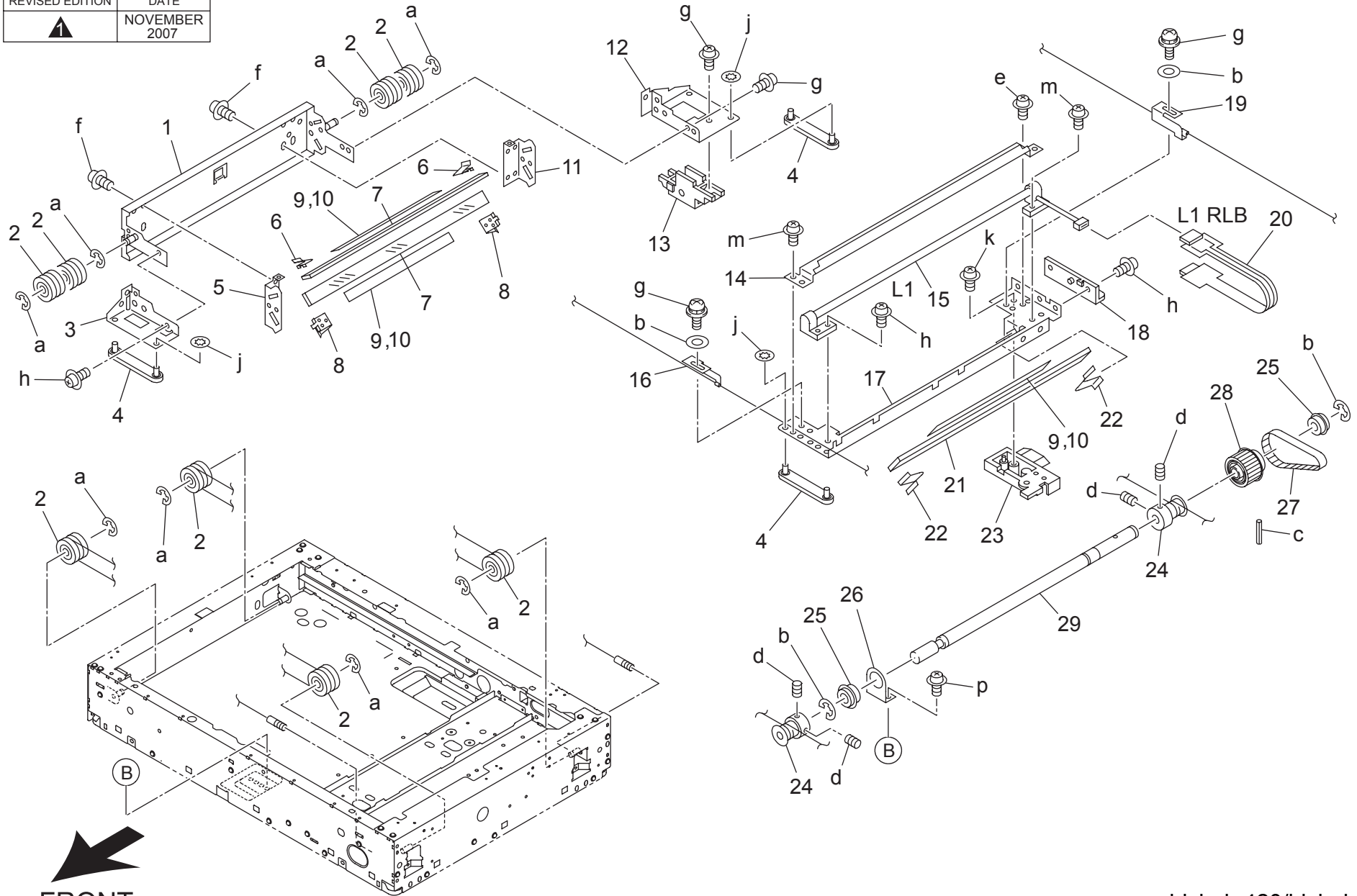
**FRONT**

bizhub 420/bizhub 500

Key	Part No.	Description	Destinations	Class	QTY	Standard parts
1	50GA -627 0	ORIGINAL TABLE GLASS ASSY	原稿台ガラス部組	C	1	a-00Z1 9306 1
2	56AA 8553 1	APS SENSOR 2	A P S センサ 2	B	1	b-00Z1 8320 1
3	40LA 6114 0	MOUNTING PLATE	センサー取り付け板	D	1	c-00Z1 9304 3
4	26NA 6173 2	LENS COVER	レンズカバー	C	1	d-00Z1 8310 1
5	26NA 6181 2	WIRING GUIDE PLATE 1	束線ガイド板 1	D	1	e-00Z1 6306 1
6	26NA 6228 0	WIRING HOLD PART 1	束線押さえ部材 1	D	1	f-00Z1 6308 1
7	26NA 6130 0	GLASS HOLDER PLATE FRONT	ガラス押さえ板 前	C	1	
8	9334 2610 12	REED SWITCH	リードスイッチ	C	1	
9	50GA -628 0	ORIGINAL TABLE GLASS ASSY 2	原稿台ガラス部組 / 2	C	1	
10	50GA 9042 0	OPTION RELAY WIRING	オプション中継束線	D	1	
11	26NA 6115 0	GLASS HOLDER PLATE REAR	ガラス押さえ板 奥	C	1	
12	56AA 8551 1	PHOTO SENSOR	フォトセンサ	B	1	
13	40LA 6201 0	WIRING GUIDE PART 3	束線ガイド部材 3	D	1	
14	9335 1300 61	PHOTO INTERRUPTER	フォトインタラプタ	B	1	
15	40LA 8351 3	LAMP STARTER	ランプ点灯器	B	1	
16	50GA -905 0	SCANNER DRIVE BOARD ASSY	スキャナ駆動基板部組	I	1	
17	50GA 8002 0	SCANNER DRIVE MOTOR	スキャナ駆動モータ	C	1	
18	26NA 6216 0	GLASS HOLDING PLATE	ガラス押さえ板	C	1	
19	40LA 6246 0	MOTOR TENSION SPRING 1	モータテンションバネ 1	C	1	
20	50GA 6211 0	WIRING GUIDE PLATE 2	束線ガイド板 2	D	1	
21	50GA 6212 0	WIRING GUIDE PLATE 3	束線ガイド板 3	D	1	
22	50GA -626 1	CCD UNIT	C C D ユニット	I	1	
23	56UA 9792 0	HIGE VOLTAGE CAUTION LABEL	高圧注意ラベル	C	1	
24	50GA 6111 0	ADF MOUNTING PLATE /LEFT	A D F 取り付け板 / 左	D	1	
25	50GA 6214 0	MOUNTING PLATE /2	センサ取り付け板 / 2	D	1	
26	50GA 6251 0E	Board Mounting Plate /No.1	基板取り付け板 / 1号	D	1	
27	40LA 6116 1E	Motor Mounting Plate	モータ取付板	D	1	
28	50GA 6112 0	ADF MOUNTING PLATE /RIGHT	A D F 取り付け板 / 右	D	1	
29	50GA 6254 0	READ AUXILIARY PLATE /B	読取補助板 / B	D	1	
30	50GA 6257 0	READ AUXILIARY PLATE /C	読取補助板 / C	D	1	
31	50GA 6253 0	READ AUXILIARY PLATE /A	読取補助板 / A	D	1	
32	50GA 6252 0	ADF CONNECTOR /1	A D F コネクタ / 1	D	1	

# OPTICS UNIT

改訂版 REVISED EDITION	日付 DATE
	NOVEMBER 2007



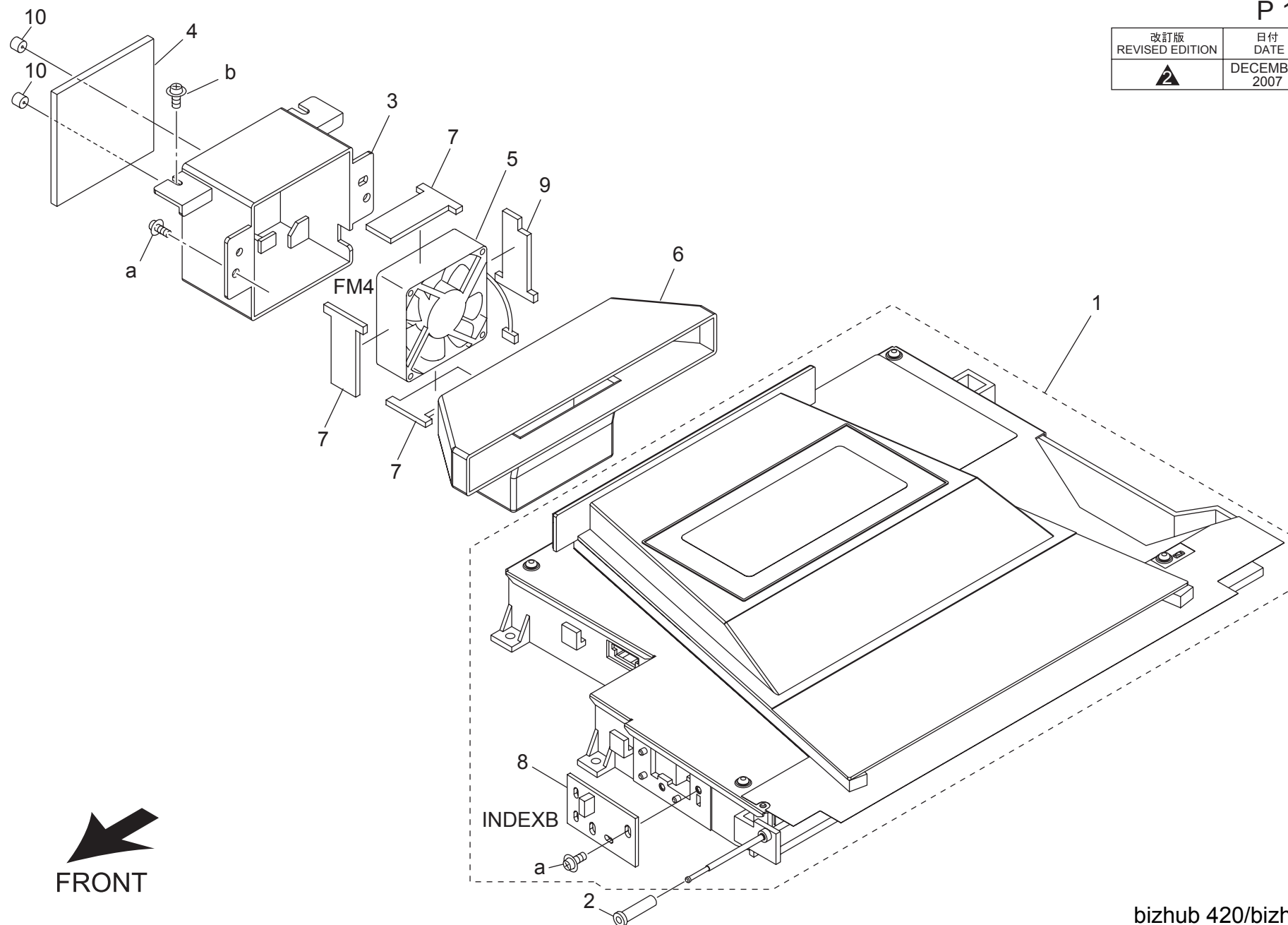
Order here  
8 (495) 646-0426  
ПЯТЫЙ ПАРТНЕР www.km-shop.ru

Key	Part No.	Description	Destinations	Class	QTY	Standard parts
1	26NA R711 00	MIRROR MOUNT PLATE 2 ASSY	ミラー取付板 / 2 部組	D	1	a-00Z6 7040 6
2	26NA 6194 0	BEARING	ワイヤーブーリ	C	8	b-00Z6 7060 6
3	26NA 6156 0	OPTICS SLIDE PLATE FRONT	光学スライド板 前	D	1	c-00Z7 1318 6
4	26NA 6138 0	SLIDE PART	スライド部材	D	3	d-00Z4 7406 3
5	26NA 6153 1	MIRROR SUPPORT PLATE FRONT	ミラー支持板 前	D	1	e-00Z1 9304 1
6	26NA 6161 0	MIRROR PRESSURE SPRING 4	ミラー押圧パネ 4	C	2	f-00Z1 8310 1
7	26NA 6154 0	OPTICS MIRROR 2	光学ミラー 2	C	2	g-00Z1 6306 1
8	26NA 6160 0	MIRROR PRESSURE SPRING 3	ミラー押圧パネ 3	C	2	h-00Z1 6308 1
9	26TA 6252 1	MIRROR REINFORCE PART 1	ミラー補強部材 1	D	3	j-00Z6 6030 6
10	26TA 6253 0	STICKING PART1	貼り部材 1	D	3	k-00Z2 5306 1
11	26NA 6239 1	MIRROR SUPPORT PLATE REAR	ミラー支持板 奥	D	1	m-00Z1 8303 1
12	26NA 6155 1	OPTICS SLIDE PLATE REAR	光学スライド板 奥	D	1	p-00Z1 9304 3
13	26NA 6159 0	WIRING GUIDE PART 2	束線ガイド部材 2	D	1	
14	26NA 6137 0	REFLECT MIRROR	反射鏡	C	1	
15	40LA 8301 1	EXPOSURE LAMP	露光ランプ	A	1	
16	50GA 6122 0	OPTICAL WIRE FRONT	光学ワイヤー 前	C	1	
17	26NA 6131 0	MIRROR MOUNT PLATE 1	ミラー取り付け板 1	C	1	
18	26NA 6206 0	MIRROR ADJUSTING SCREW	ミラー調整ネジ	D	1	
19	40LA 6121 0	OPTICS WIRE REAR	光学ワイヤー 奥	C	1	
20	26NA -951 2E	POWERING BOARD ASSY	給電基板部組	C	1	
21	26NA 6134 0	OPTICS MIRROR 1	光学ミラー 1	C	1	
22	26NA 6141 0	MIRROR PRESSURE SPRING	ミラー押圧パネ	B	2	
23	26NA 6139 0	WIRING GUIDE PART 1	束線ガイド部材 1	D	1	
24	50GA 6120 0	WIRE DRIVE PULLEY	ワイヤー駆動ブーリ	C	2	
25	56QA 7507 0	BEARING/8	駆動軸受 8	C	2	
26	26NA 6175 1	PULLEY FIXED PLATE	フーリーコティイタ ( 0 4 / 2 )	D	1	
27	40LA 6193 0	MOTOR BELT 160L	モータベルト 1 6 0 L	C	1	
28	40LA 6192 0	DRIVING PULLEY 55T	駆動ブーリ 5 5 T	C	1	
29	40LA 6119 0	DRIVE SHAFT	駆動軸	D	1	

# WRITE UNIT

P 10

改訂版 REVISED EDITION	日付 DATE
	DECEMBER 2007



  
FRONT

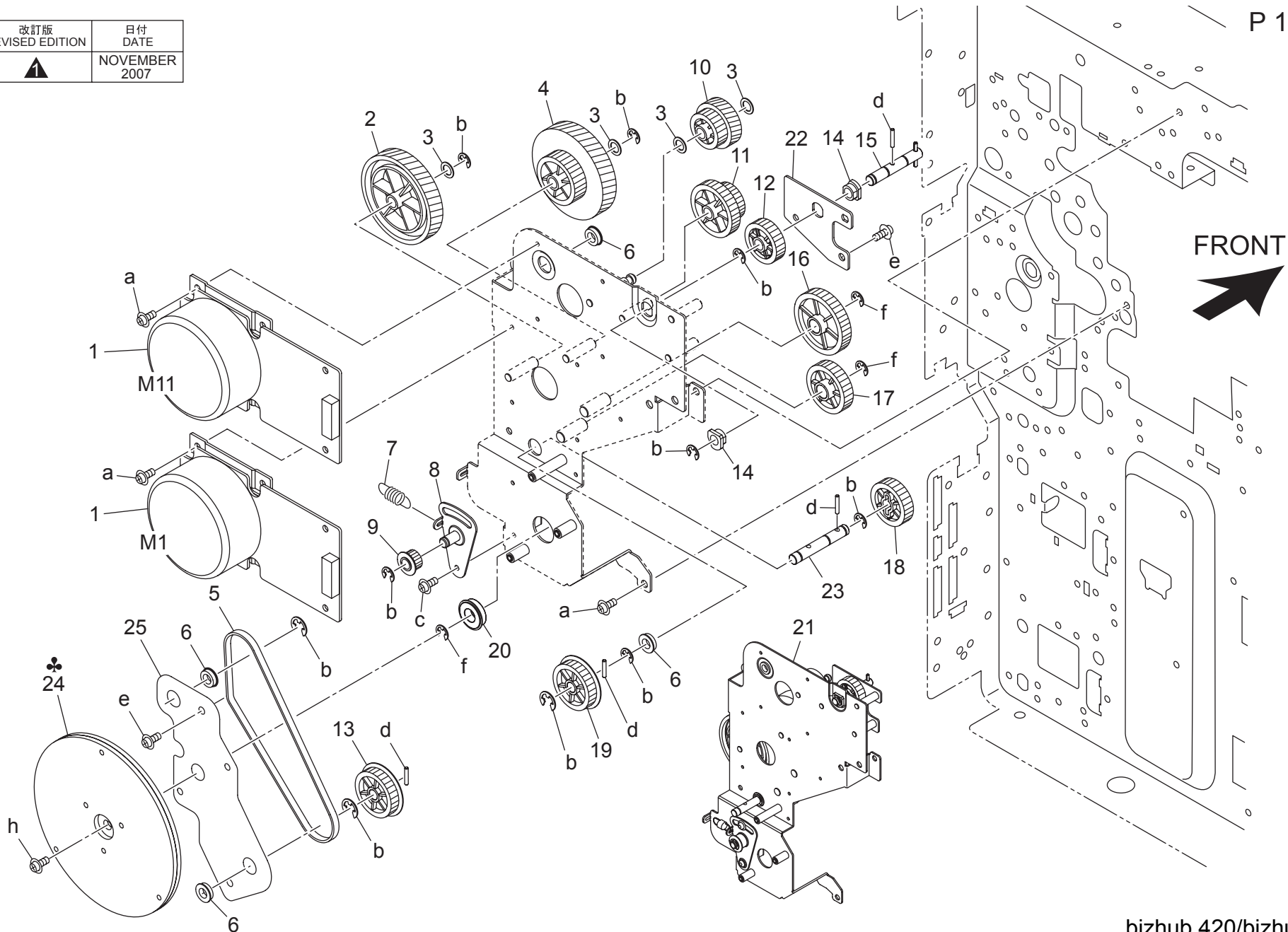


Key	Part No.	Description	Destinations	Class	QTY	Standard parts
1	50GA -650 1	WRITE UNIT		B	1	a-00Z2 5308 1 b-00Z1 9306 1
2	40LA 6526 0	WRITING CLEANER KNOB		C	1	
3	50GA 7339 0	DRUM COOLING DUCT/1		D	1	
4	50GA 7391 0	DUST PROOF FILTER		C	1	
5	27LA 8051 1	MAIN BODY FAN MOTOR		B	1	
6	50GA 7379 0E	DRUM COOLING DUCT /2		D	1	
7	26NA 7373 2	DUST PROOFSEAL 5		C	3	
8	26NA -909 2E	INDEX ASSY		I	1	
9	27LA 7391 0	Dustproof Seal		C	1	
10	4658 3047 01	COLLAR		C	2	

# DRIVING UNIT

P 11

改訂版 REVISED EDITION	日付 DATE
	NOVEMBER 2007



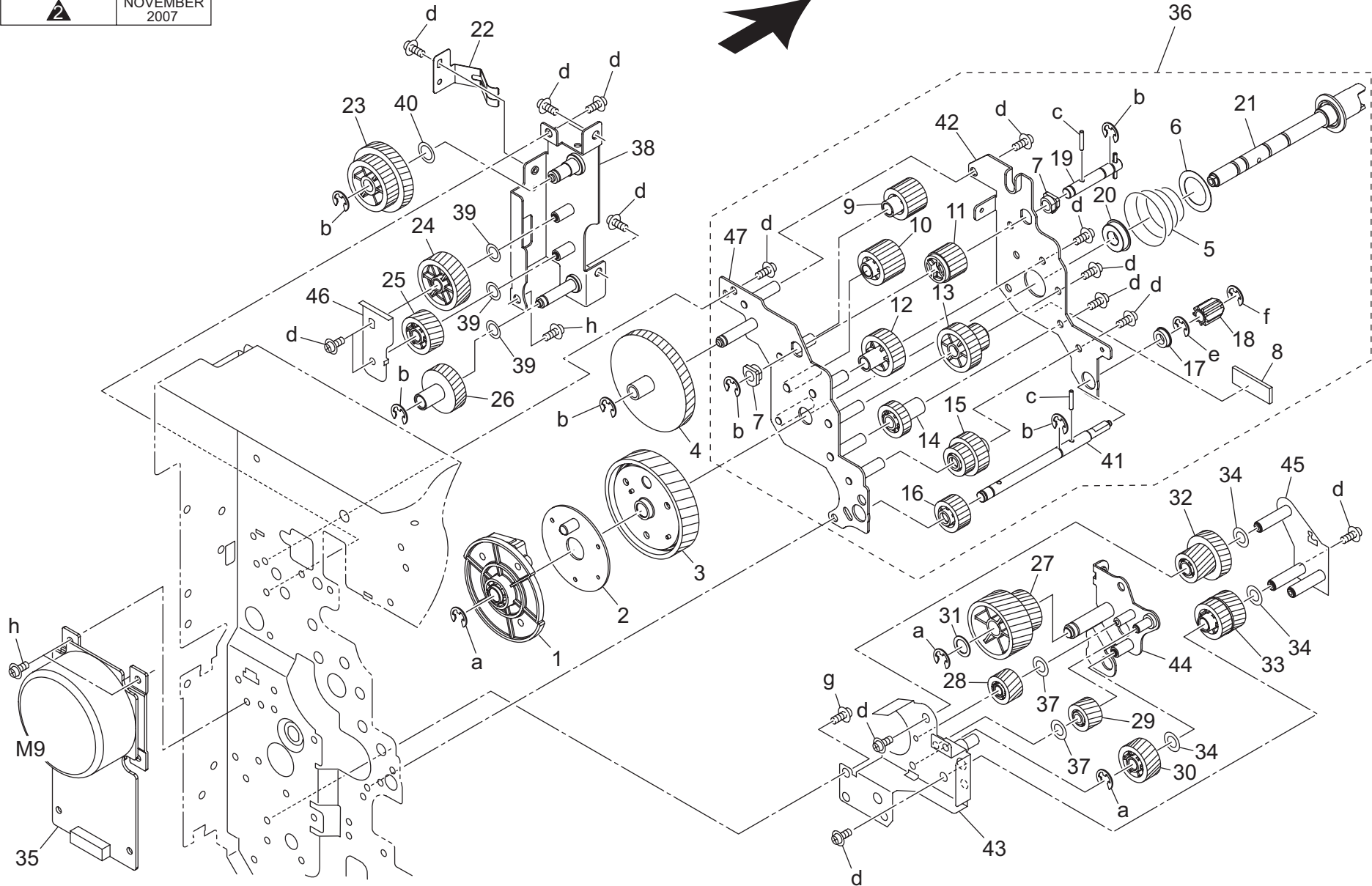
bizhub 420/bizhub 500

Key	Part No.	Description	Destinations	Class	QTY	Standard parts
1	27LA 8003 2E	DC BRUSHLESS MOTOR/30	DC ブラシレス モータ/30	C	2	a-00Z1 9304 1 b-00Z6 7040 6 c-00Z1 6306 1 d-00Z7 4212 6 e-00Z1 9306 1 f-00Z6 7060 6 h-00Z1 6408 1
2	50GA 1550 0	GEAR A 100T 30T	ギア A 100 T 30 T	C	1	
3	1900 4141 0	PLYSIDER 6	ポリスライダ 6	C	4	
4	50GA 1552 0	GEAR C 102T 35T	ギア C 102 T 35 T	C	1	
5	50GA 1541 0	BELT 296L	ベルト 296 L	C	1	
6	26NA 1728 0	BALL BEARING	現像駆動軸受	C	4	
7	50GA 1545 0	TENSION SPRING	テンションバネ	C	1	
8	26NA R710 00	TENSION PLATE CAULKING	テンション板カシメ	D	1	
9	26NA 5037 0	IDLER PULLEY 18T	アイドラープーリ 18 T	C	1	
10	50GA 1856 0	CONVEYANCE GEAR A 50T 27T	搬送ギア A 50 T 27 T	C	1	
11	50GA 1857 0	CONVEYANCE GEAR B 41T 27T	搬送ギア B 41 T 27 T	C	1	
12	50GA 1858 0E	CONVEYANCE GEAR /C 31T	搬送 ギア/ C 31 T	C	1	
13	50GA 1565 0	DEVELOPING DRIVE PULLEY LOWER 45T	現像駆動プーリ 下 45 T	C	1	
14	4660 7602 0	PAPER FEED SHAFT HOLDER	給紙送り出し軸受	B	2	
15	50GA -183 0	SHAFT ASSY	軸部組	D	1	
16	50GA 1553 0	GEAR D 45T	ギア D 45 T	C	1	
17	50GA 1554 0	GEAR E 35T	ギア E 35 T	C	1	
18	50GA 1561 0E	GEAR /I 31T	ギア/ I 31 T	C	1	
19	50GA 1566 0	DRIVE PULLEY UPPER 40T	駆動プーリ 上 40 T	C	1	
20	26NA 5359 0	BALL BEARING	定着軸受 下	A	1	
21	50GA -157 0	RU DRIVE ASSY	RU 駆動部組	C	1	
22	50GA 1506 0	DRIVE PANEL /F	駆動 パネル/ F	D	1	
23	50GA 1522 0E	Idling Shaft /B	アイドラー軸/ B	D	1	
24	50GA -188 0	DRUM ROTATION PLATE/D ASSY	ドラム回転プレート/ D 部組	C	1	{bizhub 500}
24	50GA -189 0	DRUM ROTATION PLATE ASSY	ドラム回転プレート部組	C	1	{bizhub 420}
25	50GA 1547 0	DRIVE PANEL /I	駆動 パネル/ I	D	1	

# DRIVING UNIT

改訂版 REVISED EDITION	日付 DATE
	NOVEMBER 2007

FRONT

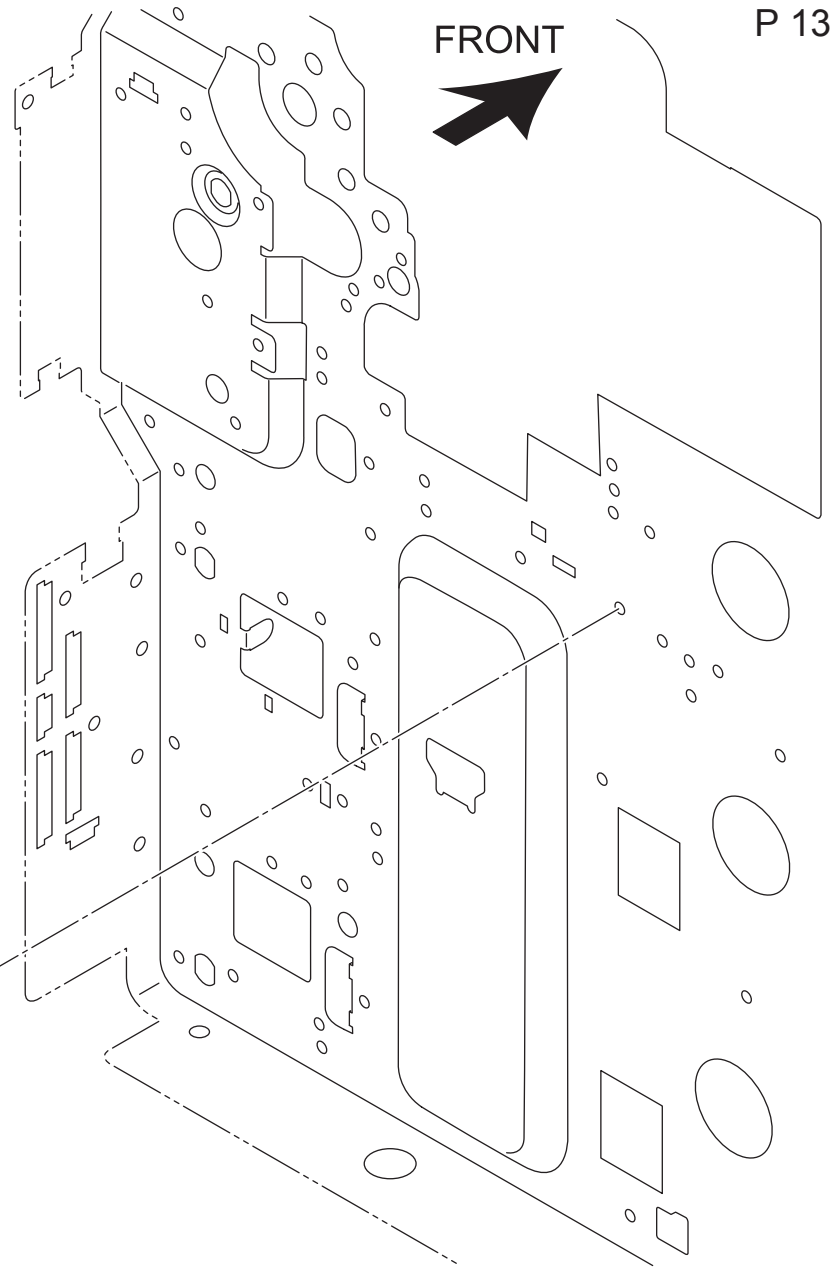
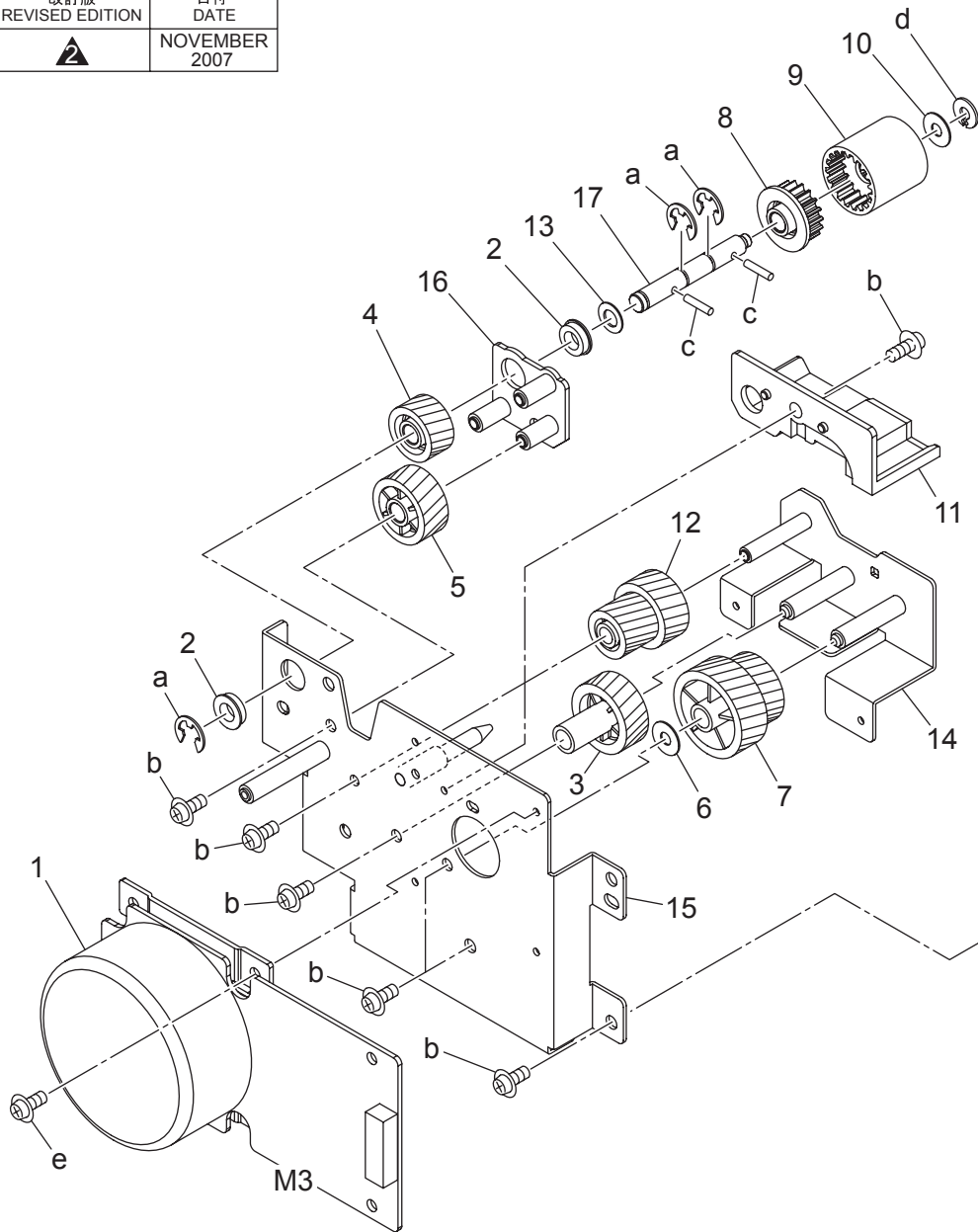


bizhub 420/bizhub 500

Key	Part No.	Description	Destinations	Class	QTY	Standard parts
1	50GA -155 0	DUMPER PLATE ASSY	ダンパープレート部組	C	1	a-00Z6 7060 6
2	26NA R702 00	DRIVE PLATE COMBINED	駆動プレートカシメ	C	1	b-00Z6 7040 6
3	26NA 1560 0	DRUM DRIVING GEAR 108T	ドラム駆動ギア 108 T	C	1	c-00Z7 4212 6
4	50GA 1551 0	GEAR B 105T	ギア B 105 T	C	1	d-00Z1 9306 1
5	26NA 1520 0	COUPLING SPRING	カップリングバネ	B	1	e-00Z6 7030 6
6	26NA 3087 0	SPRING SPACER	バネスパーサー	C	1	f-00Z6 0030 6
7	4660 7602 0	PAPER FEED SHAFT HOLDER	給紙送り出し軸受	B	2	g-9735 0306 14
8	50GA 1548 0	PRESSING PART	押圧部材	D	1	h-00Z1 9304 1
9	50GA 1562 0	GEAR J 21T	ギア J 21 T	C	1	
10	50GA 1563 0	GEAR K 23T	ギア K 23 T	C	1	
11	50GA 1555 0	COLLECTION GEAR 20T	回収ギア 20 T	C	1	
12	50GA 1564 0	GEAR L 28T	ギア L 28 T	C	1	
13	50GA 1556 0	AGITATING GEAR UPPER 17T 30T	攪拌ギア 上 17 T 30 T	C	1	
14	50GA 1559 0	GEAR G 22T	ギア G 22 T	C	1	
15	50GA 1560 0	GEAR H 19T 26T	ギア H 19 T 26 T	C	1	
16	50GA 1557 0	AGITATING GEAR 21T	攪拌ギア 21 T	C	1	
17	26NA 1728 0	BALL BEARING	現像駆動軸受	C	1	
18	26NA 1758 0	AGITATING COUPLING B	攪拌カップリング B	C	1	
19	50GA -154 0	SHAFT ASSY	軸部組	D	1	
20	26NA 5359 0	BALL BEARING	定着軸受 下	A	1	
21	50GA -153 0	DRUM INPUT SHAFT ASSY	ドラム入力軸部組	C	1	
22	50GA 4569 0 Old	CONVEYANCE EARTH PLATE	搬送アース板	D	1	
22	50GA 4569 1E	CONVEYANCE EARTH PLATE	搬送アース板	D	1	
23	50GA 1619 1	ADU INPUT GEAR 49T 28T	A D U 入力ギア 49 T 28 T	C	1	
24	50GA 1613 0	PAPER FEED GEAR C 38T	給紙ギア C 38 T	C	1	
25	50GA 1612 0	PAPER FEED GEAR B 27T	給紙ギア B 27 T	C	1	
26	50GA 1611 0	PAPER FEED GEAR A 32T	給紙ギア A 32 T	C	1	
27	50GA 1610 0	PAPER FEED DRIVE GEAR 62T 29T	給紙駆動ギア 62 T 29 T	C	1	
28	50GA 1620 0E	PAPER FEED GEAR /I 20T	給紙 ギア / I 20 T	C	1	
29	50GA 1614 0E	PAPER FEED GEAR /D 19T	給紙 ギア / D 19 T	C	1	
30	50GA 1618 0F	PAPER FEED GEAR /H 28T	給紙 ギア / H 28 T	C	1	
31	1900 4142 0	POLYSLIDER 8	ポリスライダ 8	C	1	
32	50GA 1616 0	PAPER FEED GEAR F 21T 23T	給紙ギア F 21 T 23 T	C	1	
33	50GA 1617 0	PAPER FEED GEAR G 26T 19T	給紙ギア G 26 T 19 T	C	1	
34	1900 4141 0	PLYSLIDER 6	ポリスライダ 6	C	3	
35	27LA 8003 2E	DC BRUSHLESS MOTOR/30	D C ブラシレス モータ / 30	C	1	
36	50GA -159 0	DRUM DRIVE ASSY	ドラム駆動部組	C	1	
37	50GA 2501 00	SPACER	スペーサ	C	2	
38	50GA -164 1F	CAULKING ASSY	カシメ部組	D	1	
39	1900 4141 0	PLYSLIDER 6	ポリスライダ 6	C	3	
40	1900 4142 0	POLYSLIDER 8	ポリスライダ 8	C	1	
41	50GA 1518 1E	Agitating Shaft	攪拌軸	D	1	
42	50GA 1503 0	DRIVE PANEL /C	駆動 パネル / C	D	1	
43	50GA -167 0F	CAULKING ASSY	カシメ部組	D	1	
44	50GA -165 0E	CAULKING ASSY	カシメ部組	D	1	
45	50GA -168 0E	CAULKING ASSY	カシメ部組	D	1	
46	50GA 1605 0	PAPER FEED PROTECTION PANEL	給紙保護パネル	D	1	
47	50GA -160 1E	CAULKING ASSY	カシメ部組	D	1	

# DRIVING UNIT

改訂版 REVISED EDITION	日付 DATE
	NOVEMBER 2007



P 13

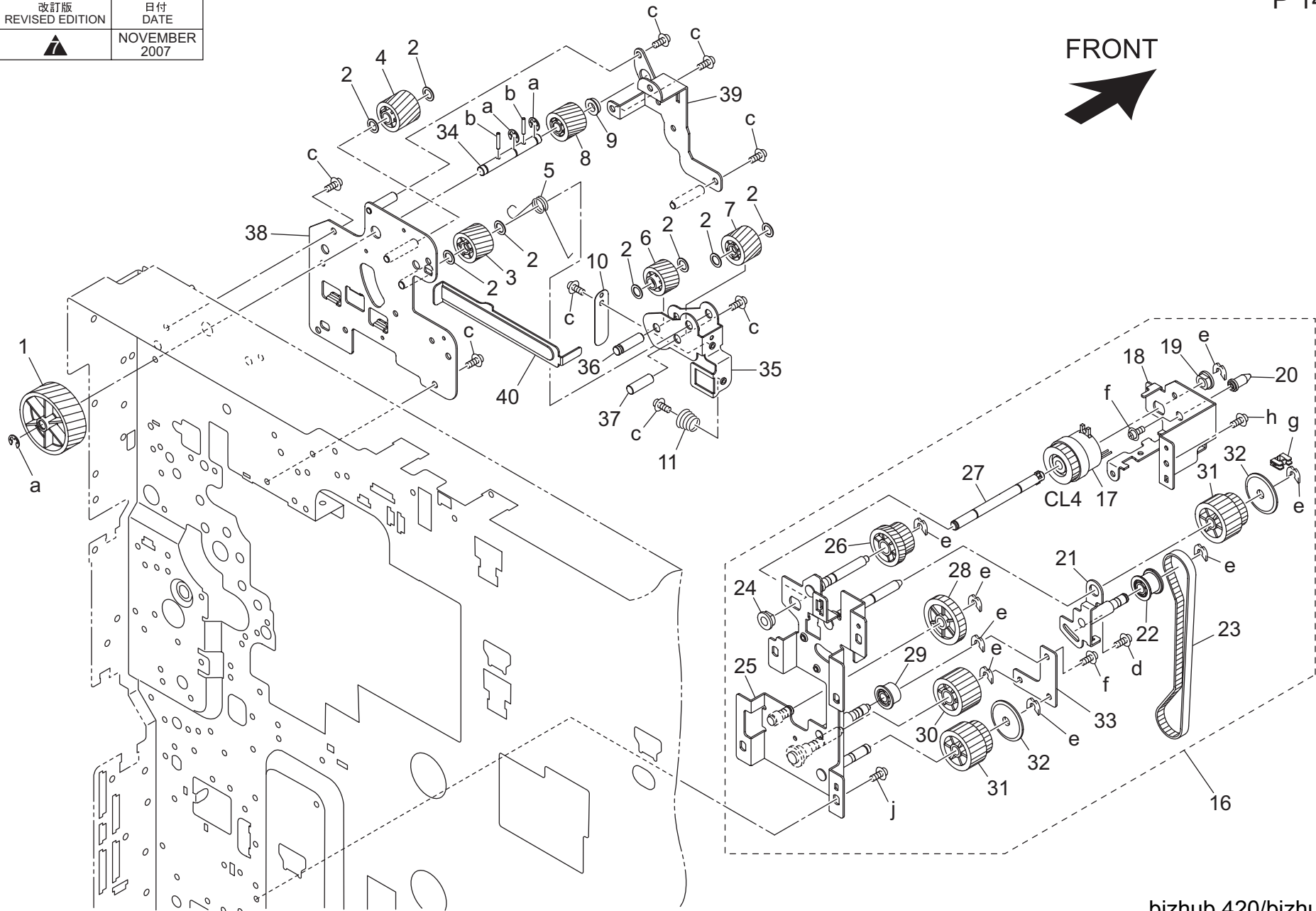
bizhub 420/bizhub 500

# DRIVING UNIT

Key	Part No.	Description	Destinations	Class	QTY	Standard parts
1	27LA 8003 2E	DC BRUSHLESS MOTOR/30		C	1	a-00Z6 7040 6 b-00Z1 9306 1 c-00Z7 4212 6 d-00Z6 0040 6 e-00Z1 9304 1
2	26NA 1728 0	BALL BEARING		C	2	
3	50GA 1752 0	DEVELOPING DRIVE GEAR 2 27T		B	1	
4	40LA 1754 0	DEVELOPING DRIVE GEAR 6 32T		C	1	
5	40LA 1755 0	DEVELOPING DRIVE GEAR 7 39T		C	1	
6	1900 4141 0	PLYSLIDER 6		C	1	
7	50GA 1751 0	DEVELOPING DRIVE GEAR 1 52T 26T		B	1	
8	40LA 1756 0	DEVELOPING INPUT COUPLING A		C	1	
9	26NA 1757 0	DEVELOPING INPUT COUPLING B		C	1	
10	26NA 1759 0	SPACER B		C	1	
11	50GA 1703 0	DUST PROOF COVER		C	1	
12	50GA 1753 0	DEVELOPING DRIVE GEAR 3 25T 28T		B	1	
13	13QA 1033 0	SHAFT SPACER		C	1	
14	50GA -172 0	CAULKING ASSY		D	1	
15	50GA -171 0	CAULKING ASSY		D	1	
16	50GA -173 0E	CAULKING ASSY		D	1	
17	50GA 1760 1E	Developing Drive Shaft		D	1	

# DRIVING UNIT

改訂版 REVISED EDITION	日付 DATE
	NOVEMBER 2007

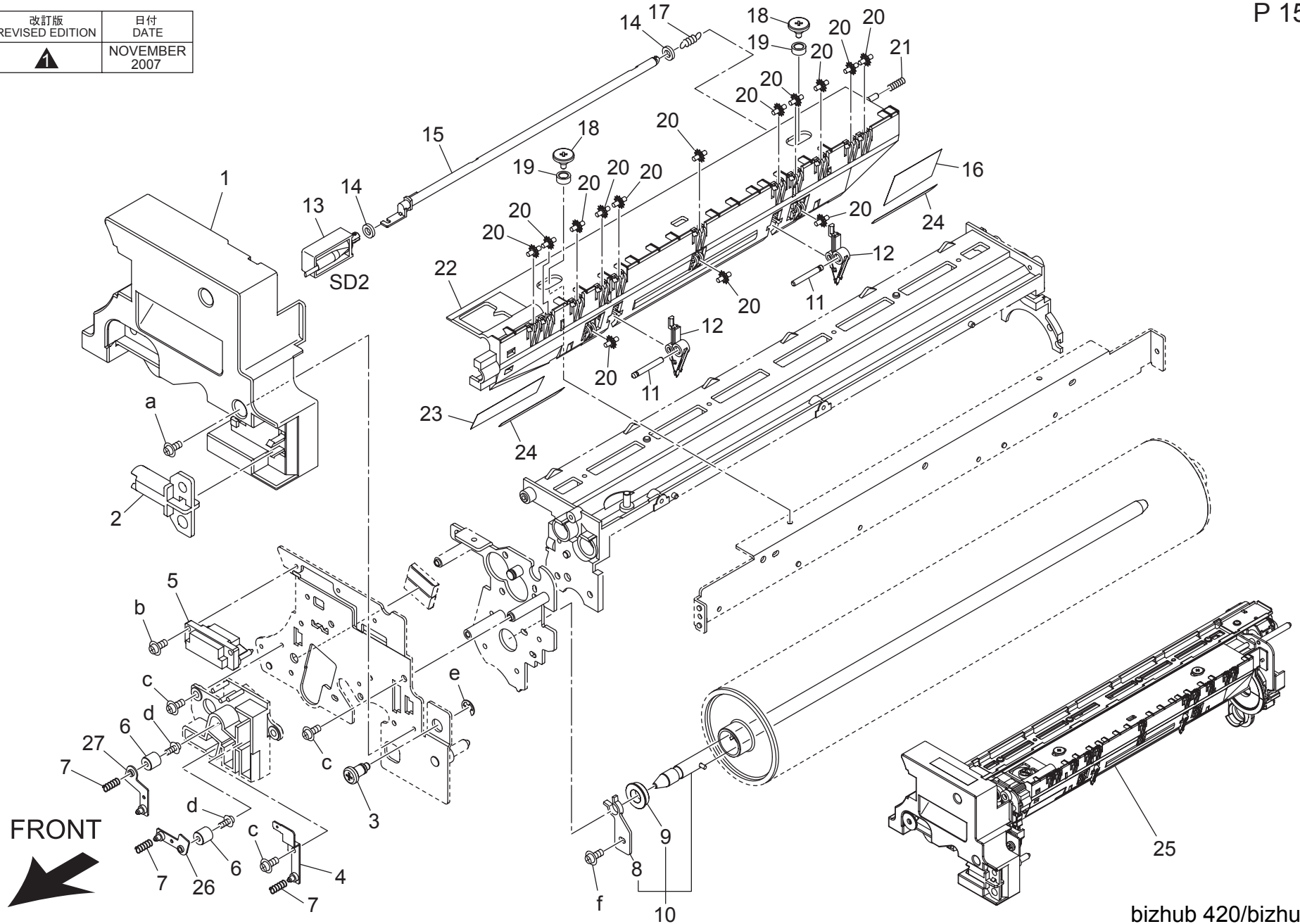




Key	Part No.	Description	Destinations	Class	QTY	Standard parts
1	50GA 1851 0	FIXING GEAR A 80T	定着ギア A 80 T	B	1	a-00Z6 7040 6 b-00Z7 4212 6 c-00Z1 9306 1 d-9646 0308 14 e-4425 3001 01 f-9646 0306 14 g-9384 2010 21 h-9735 0306 14 j-1066 1151 01
2	40LA 1740 0	DRIVING SPACER 1	駆動スペーサー 1	C	8	
3	50GA 1854 0E Old	FIXING GEAR /D 19T	定着 ギア / D 19 T	B	1	
3	50GA 1854 2G	Fixing Gear/D 19T	定着 ギア / D 19 T	B	1	
4	50GA 1853 0E Old	FIXING GEAR /C 19T	定着 ギア / C 19 T	B	1	
4	50GA 1853 2G	Fixing Gear/C 19T	定着 ギア / C 19 T	B	1	
5	50GA 1841 0	FIXING SWING SPRING	定着揺動バネ	C	1	
6	50GA 1855 0E Old	FIXING GEAR /E 18T	定着 ギア / E 18 T	B	1	
6	50GA 1855 2G	Fixing Gear/E 18T	定着 ギア / E 18 T	B	1	
7	50GA 1859 0E Old	FIXING GEAR /F 19T	定着 ギア / F 19 T	B	1	
7	50GA 1859 2G	Fixing Gear /F 19T	定着 ギア / F 19 T	B	1	
8	50GA 1852 0F Old	FIXING GEAR /B 18T	定着 ギア / B 18 T	B	1	
8	50GA 1852 3I	Fixing Gear/B 18T	定着 ギア / B 18 T	B	1	
9	26NA 1728 0	BALL BEARING	現像駆動軸受	C	1	
10	50GA 1842 0	LEVER PRESSING SPRING	レバー押圧バネ	D	1	
11	50GA 1843 0	FIXING PRESSING SPRING	定着押圧バネ	C	1	
16	50GA -169 1	LOWER PAPER FEED DRIVE ASSY	下給紙駆動部組	C	1	
17	9322 1500 12	CLUTCH	クラッチ	C	1	
18	4030 3051 01	BRACKET	取付板	D	1	
19	4131 3003 01	BUSHING	軸受	C	1	
20	4030 3067 01	SHAFT	シャフト	D	1	
21	4030 R705 00	BRACKET ASSY	取付板 ASSY	C	1	
22	1155 2518 01	PULLEY	フーリー	C	1	
23	4030 3054 01	TIMING BELT 324L	タイミングベルト 324 L	C	1	
24	4131 3003 01	BUSHING	軸受	C	1	
25	50GA -176 0	PAPER FEED STAKE ASSY	給紙かしめ部組	D	1	
26	50GA 1640 0	PAPER FEED GEAR 19T 33T	給紙ギア 19 T 33 T	C	1	
27	4030 3057 01	SHAFT	シャフト	D	1	
28	4030 3060 01	GEAR 30T	ギヤ 30 T	C	1	
29	1067 2513 01	PULLEY	フーリー	C	1	
30	4030 3059 01	GEAR 24T	ギヤ 24 T	C	1	
31	4030 3053 01	PULLEY 28/36T	プーリ 28 / 36 T	C	2	
32	4030 3055 01	COLLAR	カラー	C	2	
33	4030 3052 01	BRACKET	取付板	D	1	
34	50GA 1811 1G	FIXING INPUT SHAFT	定着入力軸	C	1	
35	50GA 1507 0F	Drive Panel /G	駆動 パネル / G	D	1	
36	50GA 1822 0D	Fixing Idling Shaft	定着アイドル軸	C	1	
37	50GA 1824 1E	Fixing Idling Shaft /2	定着アイドル軸 / 2	D	1	
38	50GA -186 1G	CAULKING ASSY	カシメ部組	C	1	
39	50GA 1504 0E	Drive Panel /D	駆動 パネル / D	D	1	
40	50GA 1509 1	DRIVE PRESSING STAY	駆動押圧ステー	D	1	

# DRUM CARTRIDGE

改訂版 REVISED EDITION	日付 DATE
	NOVEMBER 2007

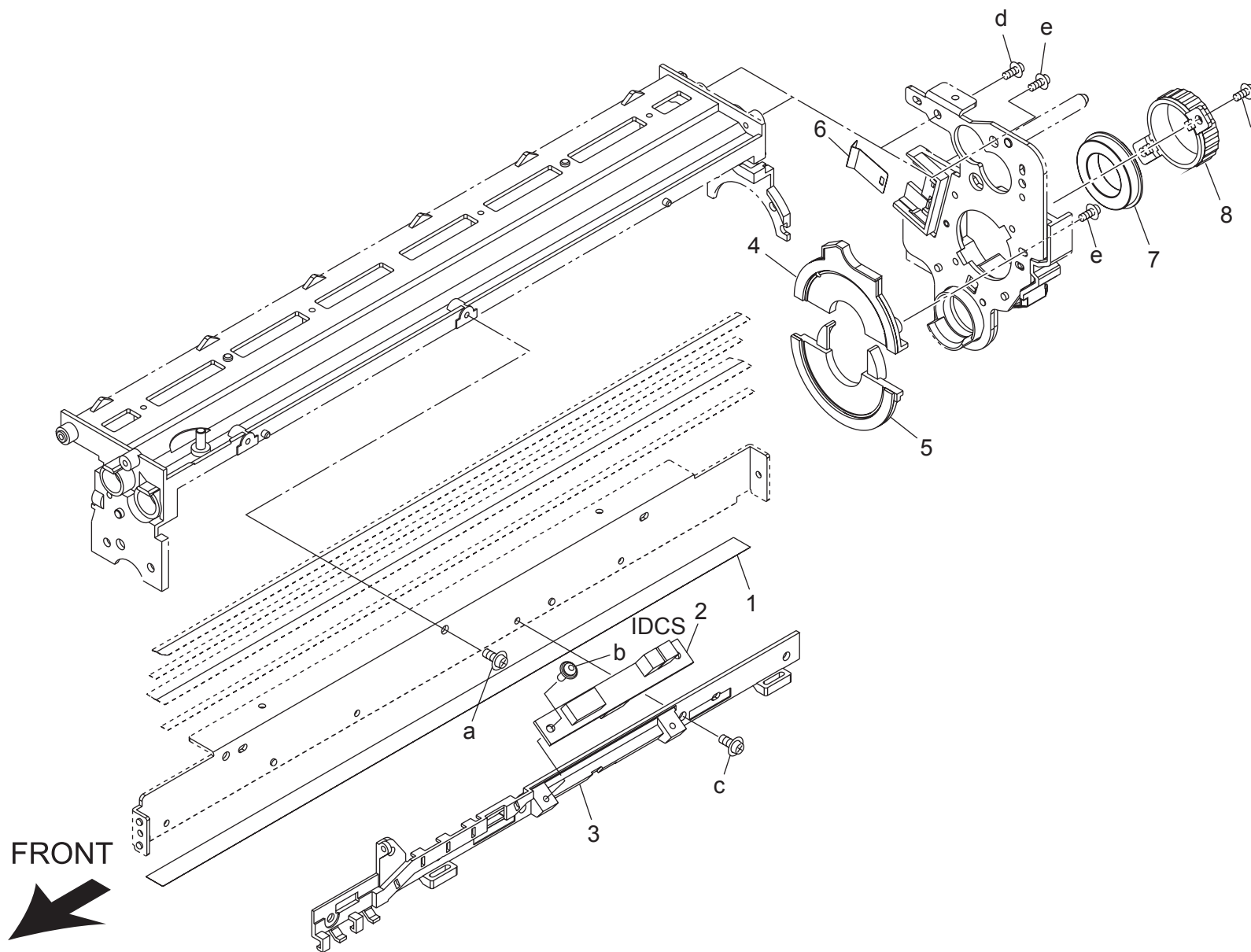


# DRUM CARTRIDGE

Key	Part No.	Description	Destinations	Class	QTY	Standard parts
1	50GA 2035 0E	CARTRIDGE COVER /FRONT	カートリッジ カバー／前	C	1	a-00Z1 9304 3 b-00Z1 9308 1 c-00Z1 9306 1 d-00Z1 8306 1 e-00Z6 7040 6 f-00Z1 9310 3
2	26NA 2134 0	DRUM ROTARY PART	ドラム回転部材	C	1	
3	26NA 2144 0	CARTRIDGE SCREW	カートリッジネジ	C	1	
4	26NA R704 00	DEVELOPING ELECTRIFY COMBINED	現像給電板カシメ	C	1	
5	40LA 9007 1	DRUM WIRING	ドラム束線	D	1	
6	40AA 7319 1	CHARGING INPUT SPRING	帯電入力バネ	C	2	
7	3920 4526 0	ELECTRODE CONNECTING SPRING B	電極連結バネ B	C	3	
8	40LA 2094 0	DRUM SUPPORT PART	ドラム支持部材	C	1	
9	26NA 2136 0	DRUM SUPPORT SHAFT HOLDER	ドラム支持軸受	C	1	
10	40LA R702 00	DRUM SHAFT ASSY	ドラム軸部組	D	1	
11	40AA 2017 0	SEPARATOR FULCRUM SHAFT	分離支点軸	C	2	
12	50GA -218 0	SEPARATING CLAW ASSY	分離爪部組	C	2	
13	26NA R705 00	SEPARATE SORENOID ASSY	分離ソレノイド部組	C	1	
14	26NA 2138 0	SOLENOID SEAL	ソレノイドシール	C	2	
15	26NA 2027 0	SEPARATE RELEASE LEVER	分離解除レバー	C	1	
16	26NA 2142 0	PAPER GUIDE SHEET C	紙ガイドシート C	C	1	
17	40AA 2023 0	SEPARATOR RELEASE SPRING	分離解除バネ	C	1	
18	26NA 2031 0	SEPARATE ROCKING SCREW	分離揺動ネジ	C	2	
19	26NA 2030 0	SEPARATE ROCKING COLLAR	分離揺動カラー	C	2	
20	26TA 2032 0	SEPARATE AUXILIARY ROLLER	搬送補助ローラ	C	14	
21	26NA 2029 0	SEPARATE ROCKING SPRING	分離揺動バネ	C	1	
22	26NA 2024 2	SEPARATE GUIDE PLATE	分離ガイド板	C	1	
23	26NA 2143 0	PAPER GUIDE SHEET D	紙ガイドシート D	C	1	
24	26NA 2140 0	PAPER GUIDE SHEET A	紙ガイドシート A	C	2	
25	50GA -200 0	DRUM UNIT	ドラムカートリッジ	B	1	
26	40LA -221 0	CHARGE POWERING /A CAULKING	帯電給電板／ A カシメ	D	1	
27	40LA -222 0	CHARGE POWERING /B CAULKING	帯電給電板／ B カシメ	D	1	

# DRUM CARTRIDGE

P 16

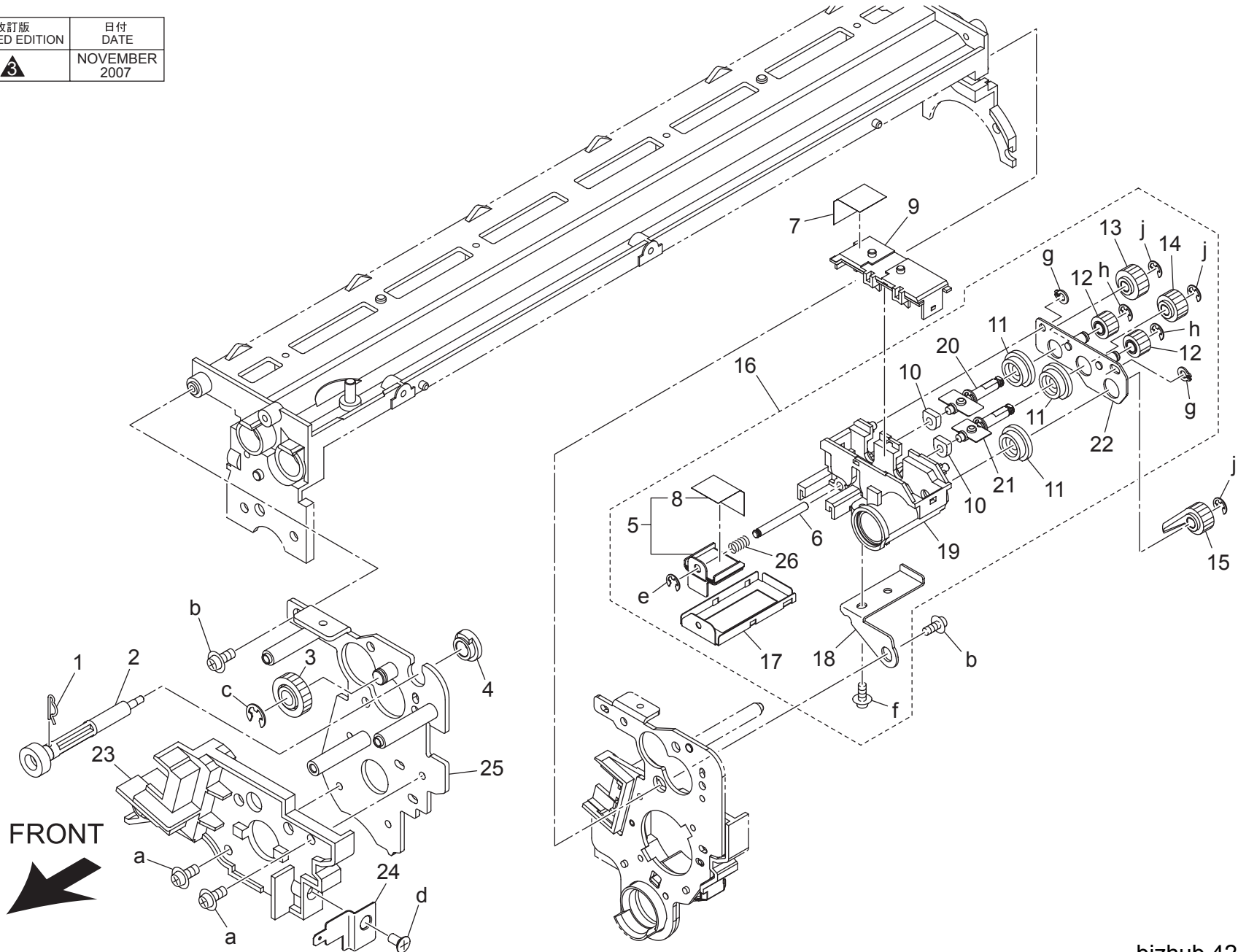


DRUM CARTRIDGE

Key	Part No.	Description	Destinations	Class	QTY	Standard parts
1	26NA 2020 0	TONER GUIDE SHEET		C	1	a-00Z1 9306 1 b-00Z2 5306 1 c-00Z1 9304 1 d-00Z2 5310 1 e-00Z2 5312 1 f-00Z1 9304 3
2	26NA -918 2E	TONER DETECTED BOARD ASSY		C	1	
3	26NA 2095 0	WIRING GUIDE PART		D	1	
4	26NA R703 00	BLADE SEAL BLOCK R ASSY		B	1	
5	26NA R706 00	BLADE SEAL BLOCK 2 ASSY		B	1	
6	40LA 2167 0	ELECTRODE PRESSING SPRING		C	1	
7	26NA 2048 0	DRUM SHAFT HOLDER F		C	1	
8	26NA 2025 0F	Shaft holder Support Part		D	1	

# DRUM CARTRIDGE

改訂版 REVISED EDITION	日付 DATE
	NOVEMBER 2007



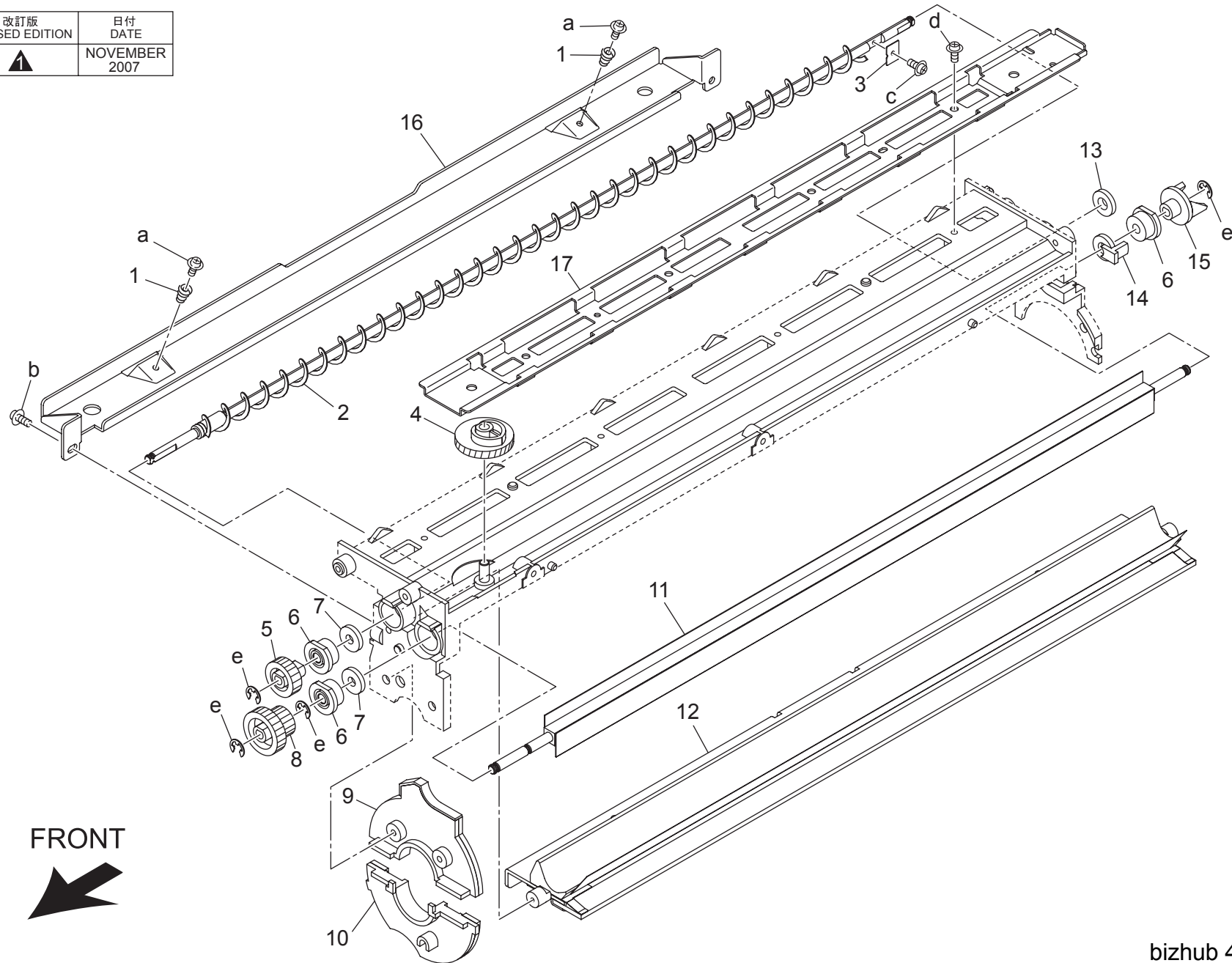
bizhub 420/bizhub 500

# DRUM CARTRIDGE

Key	Part No.	Description	Destinations	Class	QTY	Standard parts
1	26NA 2092 0	SHAFT FIXED PART		C	1	a-00Z1 9306 1
2	26NA 2057 0	SEPARATION ROCKING GEAR 18T		C	1	b-00Z2 5310 1
3	26NA 2042 0	IDLER GEAR 25T		C	1	c-00Z6 7040 6
4	26NA 2038 0	ROCKING SHAFT HOLDER		C	1	d-00Z2 6308 1
5	50GA -217 0	COLLECTING COVER ASSY		D	1	e-00Z6 7020 6
6	26NA 2087 0	CLEANER AUXILIARY PART		C	1	f-00Z2 5308 1
7	26TA 2161 1	SPEWING PV SHEET B		C	1	g-00Z6 0030 6
8	26NA 2107 0	COLLECTING SEAL		C	1	h-00Z6 7025 6
9	26TA R701 00	COLLECT COVER C ASSY		D	1	j-00Z6 7030 6
10	26TA 2154 0	RECYCLING SHAFT HOLDER		C	2	
11	26NA 2128 0	SCREW SHAFT HOLDER B		C	3	
12	26TA 2149 0	TONER CONVEYANCE GEAR 4 13T		C	2	
13	26TA 2148 0	TONER CONVEYANCE GEAR 3 16T		C	1	
14	26TA 2147 0	TONER CONVEYANCE GEAR 2 18T		C	1	
15	26TA 2146 0	TONER CONVEYANCE GEAR 1 19T		C	1	
16	50GA -205 0	SCREW GUIDE PART/REAR ASSY		C	1	
17	26NA 2086 0D	Collection Cover /B		C	1	
18	26TA 2088 1	CLEANER FIXING PART		D	1	
19	26TA 2053 1	SCREW GUIDE PART /REAR		D	1	
20	26TA -235 0	RECYCLING SHAFT/1 ASSY		D	1	
21	26TA -236 0	RECYCLING SHAFT/2 ASSY		D	1	
22	26TA -237 1	DRIVE SUPPORT PANEL/1 CAULKING		D	1	
23	40LA 2005 0	ELECTRODE GUIDE PART /FRONT		D	1	
24	26NA 2076 0D	Transfer Power supply Plate		C	1	
25	40LA -215 1	PANEL /FRONT CAULKING		D	1	
26	26NA 2037 0D	Collection Spring		C	1	

# DRUM CARTRIDGE

改訂版 REVISED EDITION	日付 DATE
	NOVEMBER 2007



FRONT



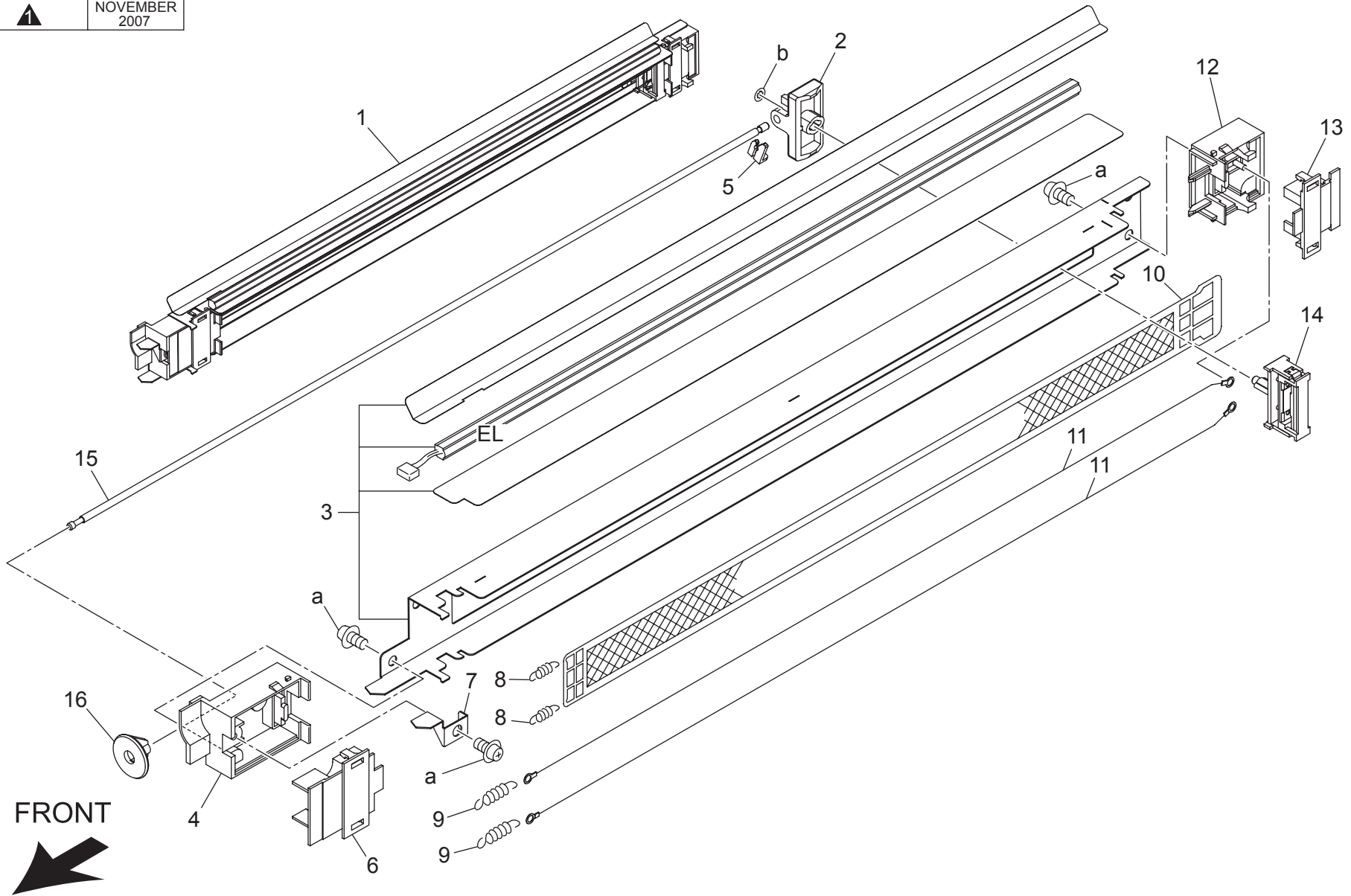


# DRUM CARTRIDGE

Key	Part No.	Description	Destinations	Class	QTY	Standard parts
1	40LA 2019 0	BLADE PRESSURE SPRING		C	2	a-00Z1 8304 1 b-00Z1 9304 3 c-00Z1 1202 1 d-00Z2 5308 1 e-00Z6 7030 6
2	50GA 2007 0	TONER COLLECTION SCREW		D	1	
3	26TA 2151 0	AGITATOR PLATE A		D	1	
4	26NA 2058 0	SEPARATION ROCKING CAM		C	1	
5	26NA 2016 0	SCREW GEAR 24T		C	1	
6	26NA 2014 0	SCREW SHAFT HOLDER		C	3	
7	26NA 2071 0	FELT A		C	2	
8	26NA 2017 0	AGITATING GEAR 19T 30T		C	1	
9	40LA R701 00	BLADE SEAL BLOCK F ASSY		B	1	
10	40LA R703 00	BLADE SEAL BLOCK 1 ASSY		B	1	
11	26NA 2055 3	TONER AGITATE SHAFT		D	1	
12	50GA -209 0	DRUM CLEANING BLADE ASSY		A	1	
13	26NA 2022 0	CLEANER COLLECT SEAL		C	1	
14	26NA 2116 0	SHAFT HOLDER SPACER		C	1	
15	26NA 2056 0	TONER COLLECT COUPLING		B	1	
16	40LA 2036 0E	Cartridge Reinforce Part		D	1	
17	40LA 2034 0D	Cartridge Rail		D	1	

# CHARGING UNIT

改訂版 REVISED EDITION	日付 DATE
	NOVEMBER 2007



bizhub 420/bizhub 500

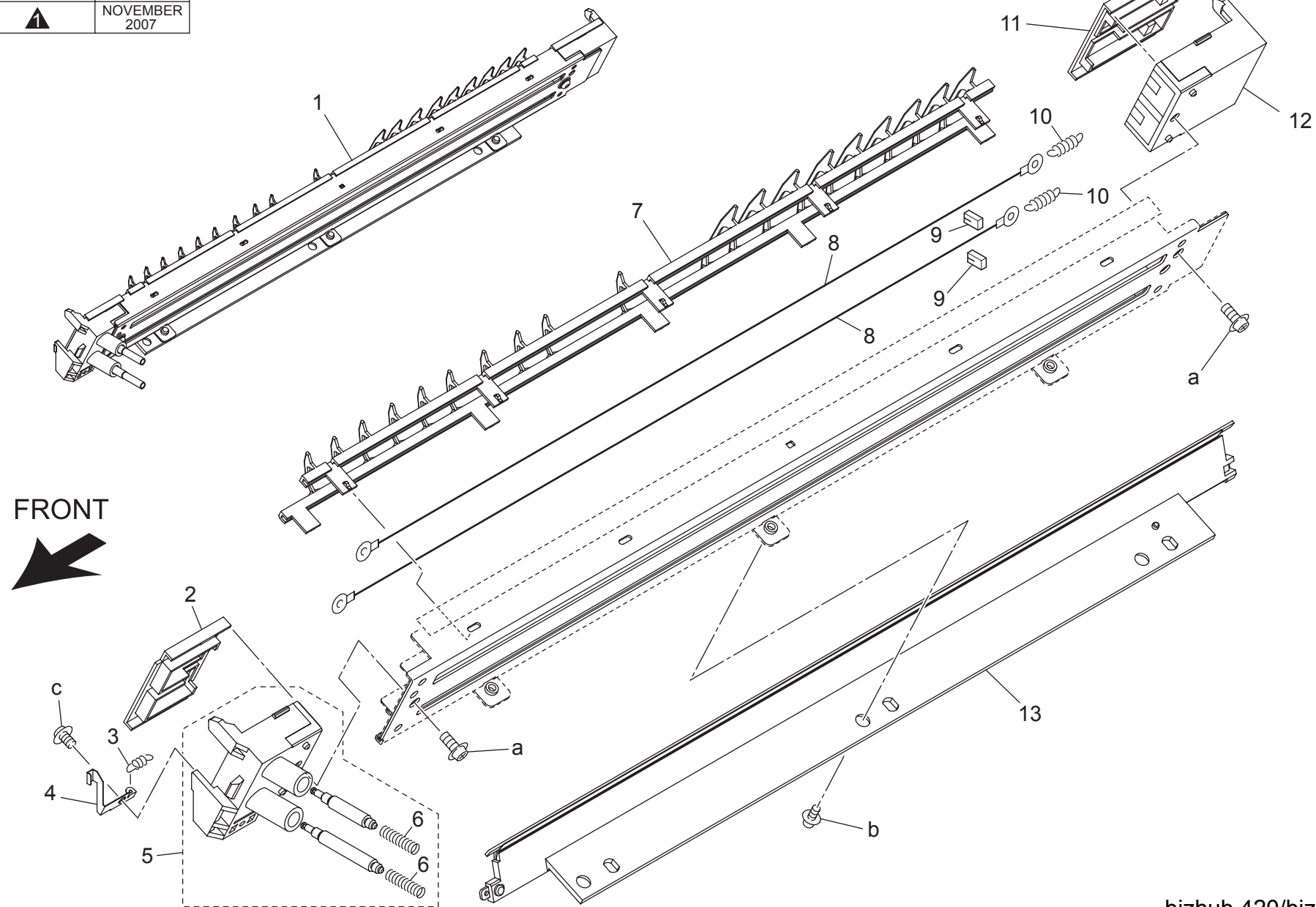
# CHARGING UNIT

Key	Part No.	Description	Destinations	Class	QTY	Standard parts
1	50GA -250 0	CHARGE CORONA UNIT		B	1	a-00Z2 5306 1 b-00Z6 6030 6
2	40LA 2519 0	CHARGE CLEANIG KNOB		C	1	
3	50GA -251 0	CHARGE DISCHARGING PLATE ASSY		C	1	
4	40LA 2502 0	CHARGING BLOCK FRONT		C	1	
5	25HA 2510 0	SHAFT STOPPER PART		B	1	
6	40LA 2504 0	SPARK ARRESTER PREVENTIVE PLATE FRO NT		B	1	
7	40LA 2507 0	CHARGING ELECTRODE PLATE		C	1	
8	26NA 2518 0	CHARGING SPRING		B	2	
9	26NA 2517 0	WIRE TENSION SPRING		B	2	
10	40LA 2516 0	CHARGING CONTROL PLATE		B	1	
11	50GA 2506 0	CHARGING WIRE		C	2	
12	40LA 2501 1	CHARGING BLOCK REAR		C	1	
13	40LA 2505 0	SPARK ARRESTER PREVENTIVE PLATE REA R		B	1	
14	40LA R704 00	CHARGING CLEANING ASSY		C	1	
15	50GA 2509 0	CHARGING CLEANING SHAFT		C	1	
16	40LA 2520 0	CHARGING CLEANING HANDLE		C	1	

# TRANSFER SEPARATOR CORONA UNIT

P 20


改訂版 REVISED EDITION	日付 DATE
	NOVEMBER 2007

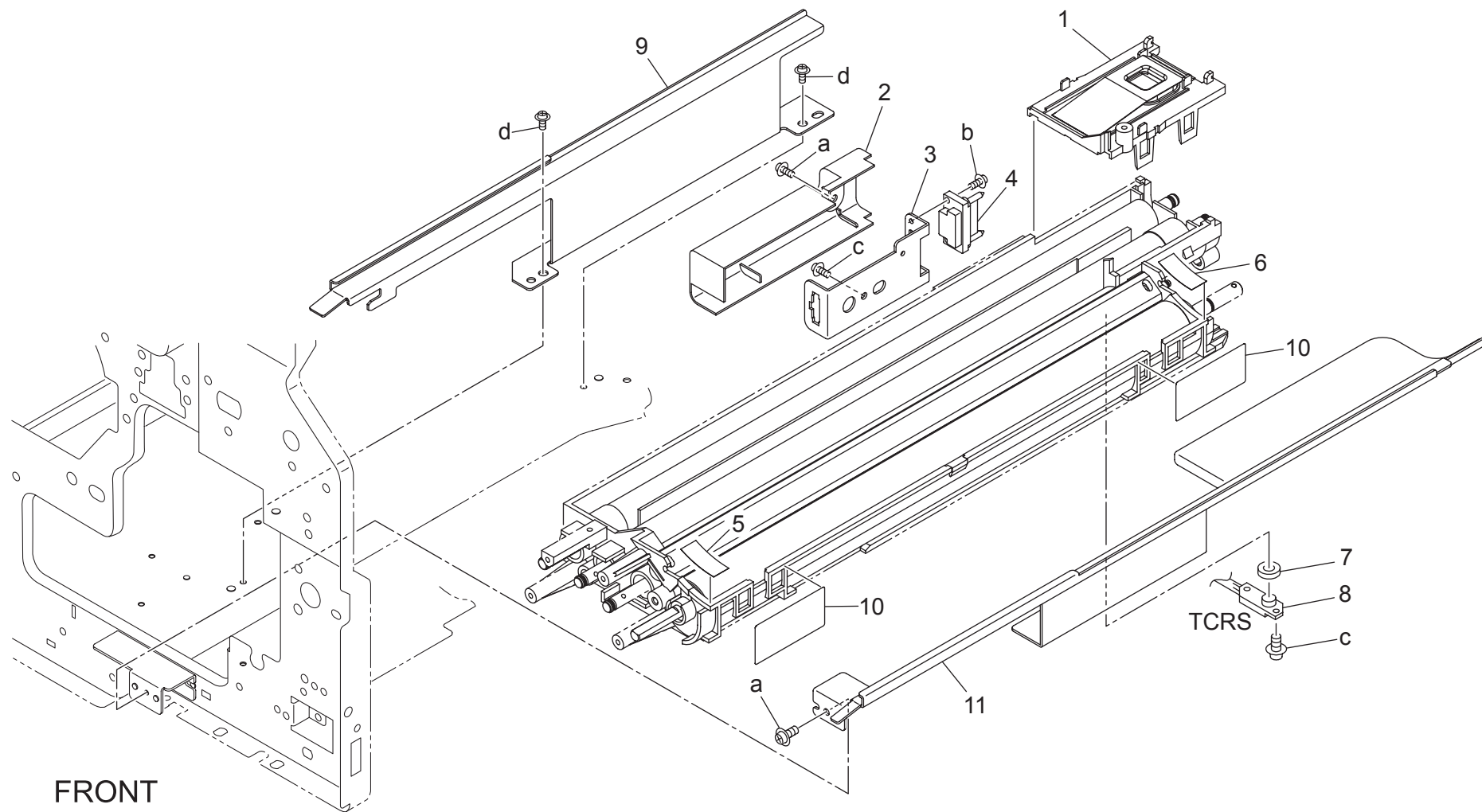


# TRANSFER SEPARATOR CORONA UNIT

Key	Part No.	Description	Destinations	Class	QTY	Standard parts
1	50GA -260 0	TRANSFER SEPARATING CORONA UNIT	転写分離極	A	1	a-00Z2 5308 1 b-00Z1 6306 1 c-00Z2 4B06 1
2	50GA 2606 0E	SPARK PREVENTING PLATE /FRONT	落雷防止板／前	C	1	
3	26NA 2626 0	ELECTRODE SPRING	給電バネ	B	1	
4	26NA 2625 0	ELECTRODE PLATE	給電板	D	1	
5	50GA -262 0	TRANSFER SEPARATOR BLOCK FRONT ASSY	転写分離ブロック前部組	C	1	
6	26NA 7325 1	ELECTRODE CONNECTING SPRING A	電極連結バネ A	B	2	
7	50GA 2619 1E	SEPARATION BRIDGE	分離 ブリッジ	C	1	
8	26NA 2608 0	DISCHARGE WIRE	放電ワイヤー	A	2	
9	56AA 1783 0	TRANSFER HOLDING RUBBER	転写押えゴム	A	2	
10	26NA 2623 0	WIRE TENSION SPRING	ワイヤーテンションバネ	B	2	
11	50GA 2607 0F	SPARK PREVENTING PLATE /REAR	落雷防止板／奥	C	1	
12	50GA 2604 0	TRANSFER SEPARATOR BLOCK REAR	転写分離ブロック 奥	C	1	
13	50GA -261 0	TRANSFER GUIDE PLATE ASSY	転写ガイド板部組	C	1	

# DEVELOPING UNIT

改訂版 REVISED EDITION	日付 DATE
	NOVEMBER 2007



FRONT



bizhub 420/bizhub 500

# DEVELOPING UNIT

Key	Part No.	Description	Destinations	Class	QTY	Standard parts
1	26NA R708 00	DEVELOPING COVER PART A ASSY	現像カバー部材 / A 部組	C	1	a-00Z1 9306 1 b-00Z1 8306 1 c-00Z2 5306 1 d-4106 2063 01
2	26NA 3049 0	DEVELOPING ELECTRODE COVER	現像給電カバー	D	1	
3	26NA 3047 0	DEVELOPING ELECTRODE STAY	現像給電ステー	D	1	
4	40LA 9025 0	DEVELOPMENT WIRING	現像束線	D	1	
5	26NA 3045 0	SCATTER PREVENTING SHEET 3	飛散防止シート / 3	C	1	
6	26NA 3072 0	SCATTER PREVENTING SHEET 4	飛散防止シート / 4	C	1	
7	0294 2064 0	L DETECTING SEAL	L 検シール	C	1	
8	26NA 8804 1	TONER DENSITY SENSOR	トナー濃度センサー	B	1	
9	50GA 3074 0	DEVELOPING RAIL /LEFT	現像 レール / 左	D	1	
10	50GA 3157 0	SCATTER PREVENTING SHEET /A	飛散防止シート / A	C	2	
11	50GA 3071 0	DEVELOPING RAIL /RIGHT	現像 レール / 右	D	1	

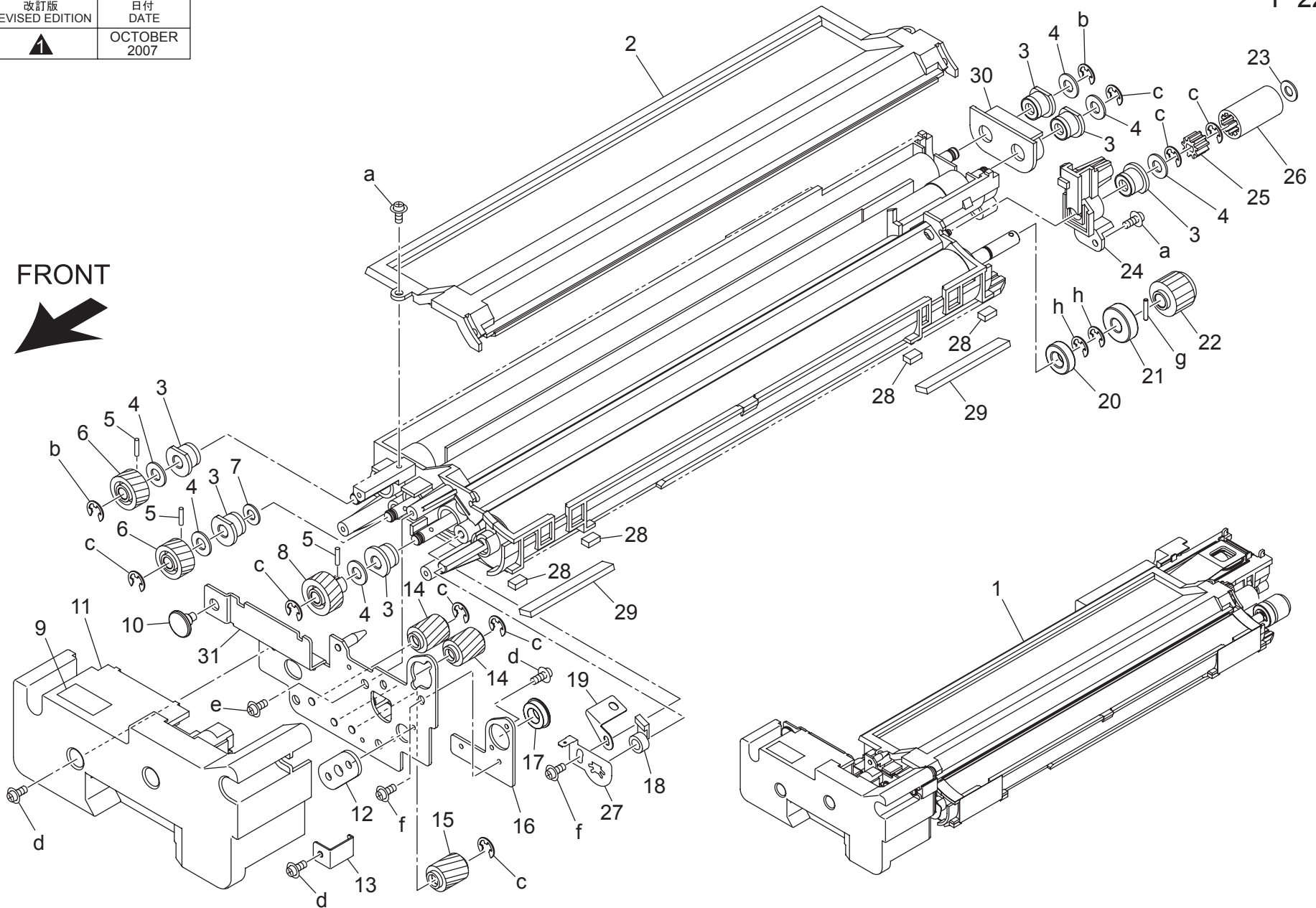
bizhub 420/bizhub 500

# DEVELOPING UNIT

P 22

改訂版 REVISED EDITION	日付 DATE
	OCTOBER 2007

FRONT



bizhub 420/bizhub 500

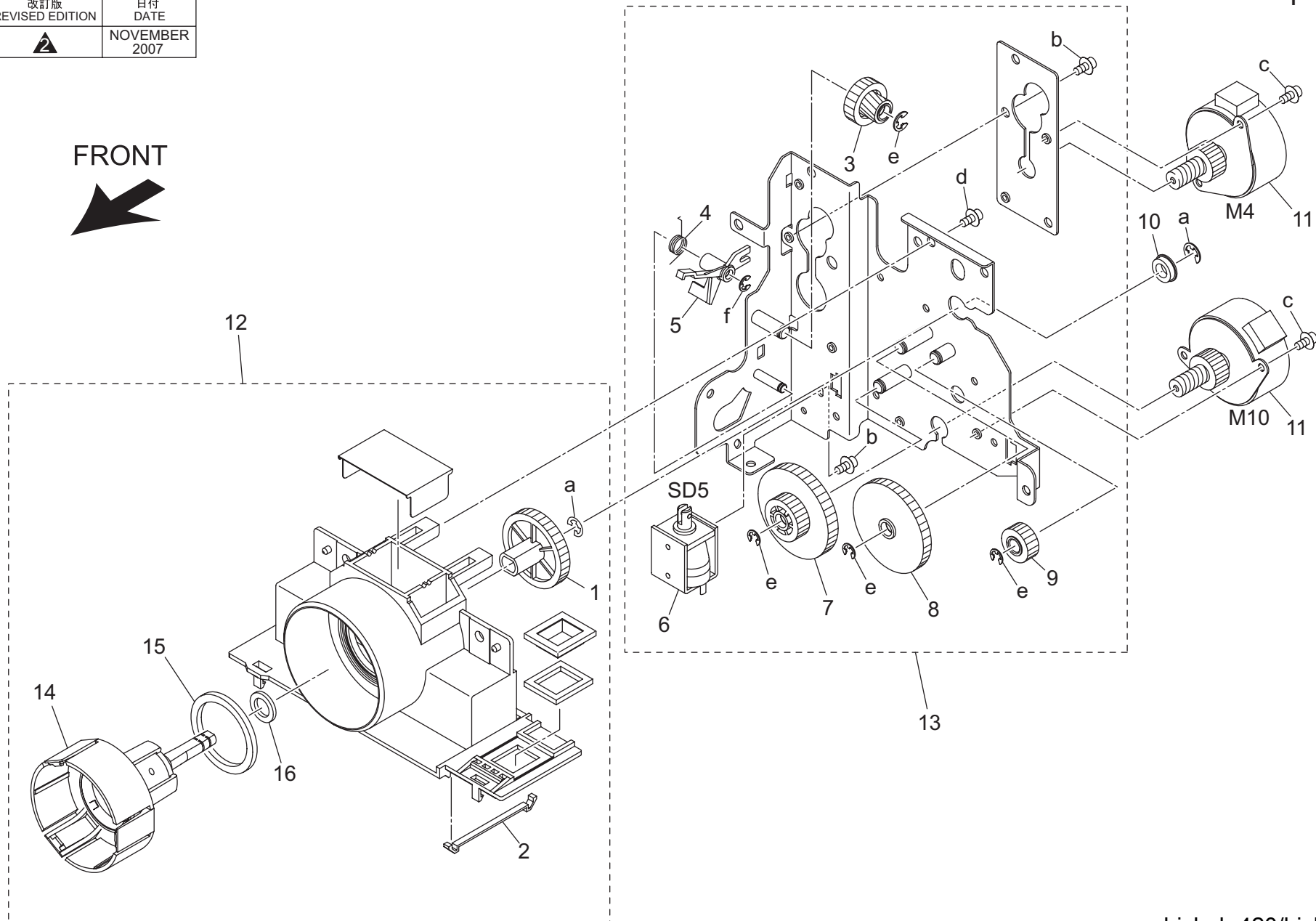


Key	Part No.	Description	Destinations	Class	QTY	Standard parts
1	50GA -300 1	DEVELOPING UNIT		B	1	a-00Z2 5306 1
2	26TA R702 00	DEVELOPING COVER ASSY		C	1	b-00Z6 7050 6
3	26NA 3077 0	DEVELOPING SHAFT HOLDER		B	6	c-00Z6 7040 6
4	26NA 3085 0	SHAFT HOLDER SPACER		C	6	d-00Z1 9306 1
5	4660 7801 0	PIN A D2X10		B	3	e-00Z2 5308 1
6	50GA 3015 0	AGITATING GEAR B 20T		B	2	f-00Z1 6306 1
7	26NA 3094 0	DEVELOPING SEAL S		C	1	g-00Z7 4212 6
8	50GA 3014 0	AGITATING GEAR A 22T		B	1	h-00Z6 7060 6
9	56UA 9792 0	HIGE VOLTAGE CAUTION LABEL		C	1	
10	26NA 3101 0	POSITIONING SCREW		C	1	
11	50GA -304 0	DEVELOPING COVER ASSY		C	1	
12	26NA 3075 0	DEVELOPING ADJUSTING CAM FRONT		D	1	
13	26NA 3093 0	DEVELOPING SUPPORT STOPPER		D	1	
14	50GA 3018 0	IDLING GEAR 2 15T		B	2	
15	50GA 3017 0	IDLING GEAR 1 15T		B	1	
16	26NA 3086 0	SHAFT HOLDER FULCRUM PART		C	1	
17	26NA 2136 0	DRUM SUPPORT SHAFT HOLDER		C	1	
18	26NA 3063 0	DEVELOPING SHAFT HOLDER FRONT		C	1	
19	26NA 3036 0	DEVELOPING CONNECTING PLATE		D	1	
20	26NA 3065 0	DEVELOPING SHAFT HOLDER REAR		C	1	
21	26NA 3066 0	BALL BEARING		C	1	
22	26NA 3070 0	DEVELOPING GEAR		C	1	
23	26NA 3096 0	SPACER C		C	1	
24	26NA R707 00	DEVELOPING COVER PART C ASSY		D	1	
25	26NA 3073 0	AGITATE COUPLING		B	1	
26	26NA 3095 0	AGITATE COUPLING A		C	1	
27	26NA 3021 1G	Magnet Adjusting Plate		D	1	
28	50GA 3161 0	DEVELOPING SUCTION SEAL C		C	4	
29	50GA 3160 0	DEVELOPING SUCTION SEAL B		C	2	
30	26NA 3009 0	DEVELOPING COVER PART /B		D	1	
31	50GA -307 0E	DEVELOPING STAY CAULKING		D	1	

# TONER SUPPLY UNIT

改訂版 REVISED EDITION	日付 DATE
	NOVEMBER 2007

FRONT

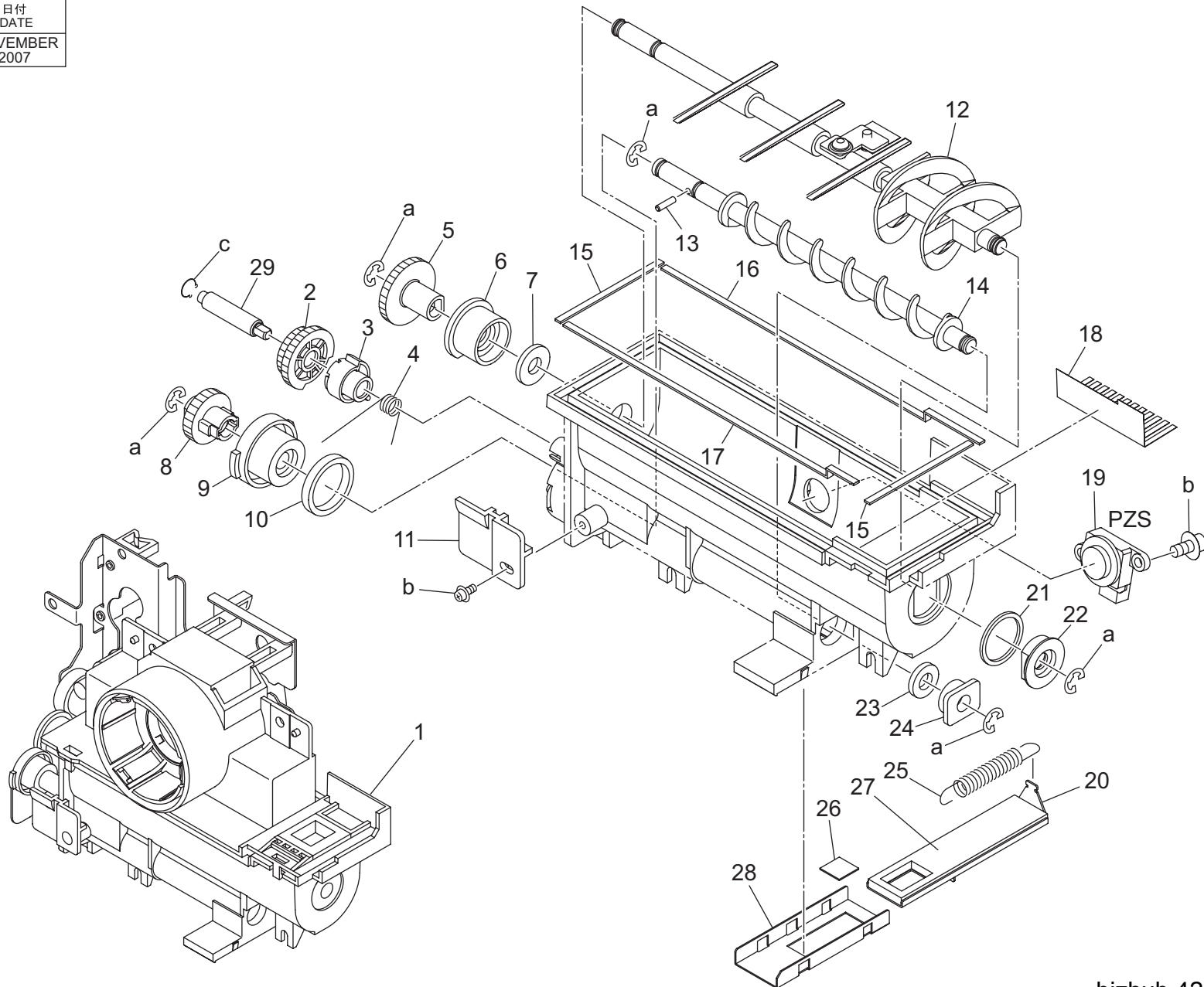


Key	Part No.	Description	Destinations	Class	QTY	Standard parts
1	26NA 3259 0	TONER SUPPLY REGULATING GEAR 42T	トナー補給駆動歯車 4 2 T	C	1	a-00Z6 7050 6 b-00Z1 9304 1 c-00Z1 5304 1 d-00Z2 5306 1 e-00Z6 7040 6 f-00Z6 7030 6
2	26NA 3294 0	TONER SUPPLY SEAL 4	トナー補給シール 4	D	1	
3	26NA 3268 0	TONER CONVEYANCE GEAR 5 16T 23T	トナー搬送歯車 5 1 6 T 2 3 T	C	1	
4	50GA 3272 0	LOCK SPRING	ロックバネ	C	1	
5	50GA 3271 0	LOCK ARM	ロックアーム	C	1	
6	26NA 8251 3	PAPER FEED SOLENOID	給紙ソレノイド	C	1	
7	26TA 3261 0	TONER SUPPLY GEAR 1 23T 51T	トナー補給歯車 1 2 3 T 5 1 T	C	1	
8	26TA 3264 0	TONER SUPPLY GEAR 2 16T 51T	トナー補給歯車 2 1 6 T 5 1 T	C	1	
9	26TA 3258 0	TONER SUPPLY REGULATING GEAR 18T	トナー補給規制歯車 1 8 T	C	1	
10	26NA 3266 0	TONER SUPPLY SHAFT HOLDER	トナー補給軸受	C	1	
11	26NA 8006 1	TONER SUPPLY MOTOR	トナー補給モータ	B	2	
12	50GA -322 1	TONER SUPPLY MAIN/UPPER ASSY	トナー補給本体/上部組	C	1	
13	50GA -323 0	TONER CONVEYING DRIVE ASSY	トナー補給駆動部組	C	1	
14	26NA 3231 1E	TONER SUPPLY HOLDING MAIN BODY	トナー補給ホルダ本体	D	1	
15	26NA 3295 0	TONER SUPPLY HOLDING SEAL /A	トナー補給ホルダーシール / A	C	1	
16	26NA 3242 0	TONER SUPPLY SEAL/REAR	トナーホキュシール/オク GN	C	1	

# TONER SUPPLY UNIT

改訂版 REVISED EDITION	日付 DATE
	NOVEMBER 2007

FRONT



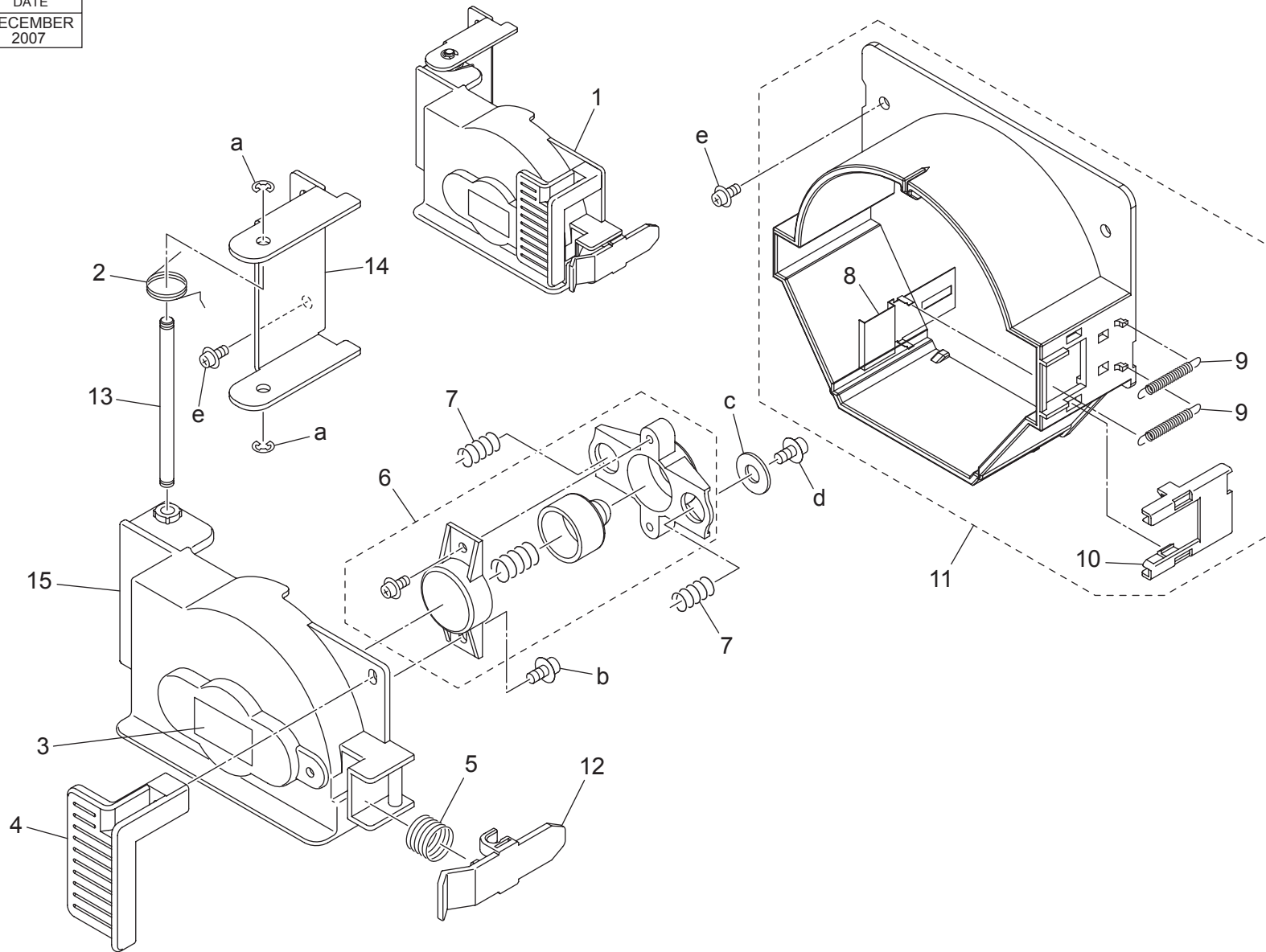
bizhub 420/bizhub 500

# TONER SUPPLY UNIT

Key	Part No.	Description	Destinations	Class	QTY	Standard parts
1	50GA -320 1	TONER SUPPLY UNIT		I	1	a-00Z6 7040 6 b-00Z2 5308 1 c-00Z6 0040 6
2	50GA 3252 0	TONER CONVEYANCE GEAR 3 20T 25T	トナー搬送歯車 3 20 T 25 T	C	1	
3	50GA 3323 0E	TONER SUPPLY DRIVE CAM	トナー補給駆動カム	C	1	
4	50GA 3270 0	STOPPER SPRING	突き当てバネ	C	1	
5	50GA 3253 0	TONER CONVEYANCE GEAR 4 27T	トナー搬送歯車 4 27 T	C	1	
6	25HA 3215 2	TONER CONVEYANCE SHAFT HOLDER A	トナー搬送軸受 A	C	1	
7	26NA 3296 0	FELT C	フェルト C	C	1	
8	50GA 3251 0	TONER SUPPLY REGULATING GEAR 21T	トナー補給規制歯車 21 T	C	1	
9	26NA 3256 0	TONER AGITATE SHAFT HOLDER LEFT	トナー搬送軸受/左	C	1	
10	40LA 3227 0	SCREW SEAL PART MIDDLE	スクリーシール部材 中	D	1	
11	50GA 3322 0	SPRING REGULATING PART A	バネ規制部材 A	C	1	
12	40LA R706 00	AGITATE SCREW ASSY	攪拌スクリー部組	D	1	
13	26NA 3297 0	PIN	ピン	C	1	
14	26NA 3204 0	TONER SUPPLY SCREW	トナー補給スクリー	C	1	
15	26NA 3293 0	TONER SUPPLY SEAL 3	トナー補給シール 3	C	2	
16	26NA 3291 0	TONER SUPPLY SEAL 1	トナー補給シール 1	C	1	
17	26NA 3292 0	TONER SUPPLY SEAL 2	トナー補給シール 2	C	1	
18	26TA 3301 0	TONER AGITATE SHEET FRONT	トナー攪拌シート 前	C	1	
19	40AA 8803 1	LEVEL DETECTION SENSOR	残量検知センサ	C	1	
20	50GA 3208 0	TONER SUPPLY OPEN CLOSE PLATE	トナー補給開閉板	D	1	
21	26NA 3228 0	SCREW SEAL PART UPPER	スクリーシール部材 上	C	1	
22	26NA 3254 0	TONER AGITATE SHAFT HOLDER	トナー攪拌軸受	C	1	
23	26NA 3220 0	SCREW SEAL PART LOWER	スクリーシール部材 下	C	1	
24	26NA 3255 0	TONER AGITATE SHAFT HOLDER RIGHT	トナー搬送軸受 右	C	1	
25	26NA 3209 0	TONER SUPPLY OPEN CLOSE SPRING	トナー補給開閉バネ	B	1	
26	26NA 3290 0	SPEWING PREVENTIVE SPACER	飛散防止スペーサー	C	1	
27	26NA 3230 0	TONER SUPPLY OPEN CLOSE SHEET	トナー補給開閉シート	C	1	
28	26NA 3243 0	TONER SUPPLY OPEN CLOSE COVER	トナー補給開閉カバー	C	1	
29	26NA 3269 0	TONER AGITATING SHAFT /2	トナー攪拌軸 /2	D	1	

# TONER SUPPLY UNIT

改訂版 REVISED EDITION	日付 DATE
	DECEMBER 2007



FRONT

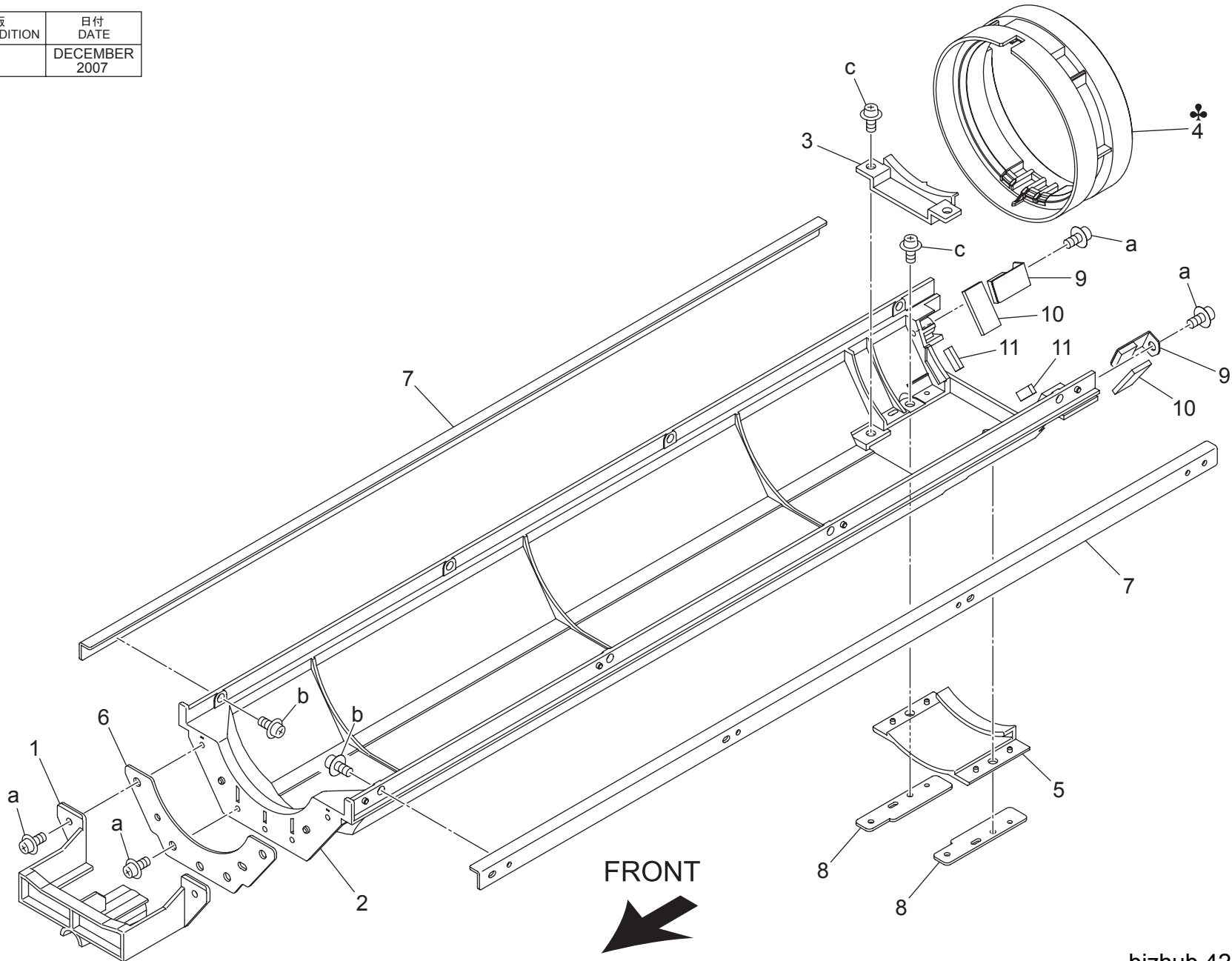


# TONER SUPPLY UNIT

Key	Part No.	Description	Destinations	Class	QTY	Standard parts
1	50GA -332 1	TONER CARTRIDGE PRESSING ASSY	トナーカートリッジ押圧部組	C	1	a-00Z6 7030 6 b-00Z2 5308 1 c-00Z6 1042 1 d-00Z2 5410 1 e-00Z1 9306 1
2	50GA 3326 0	TONER SUPPLY OPEN CLOSE SPRING	トナー補給開閉バネ A	C	1	
3	50GA 9795 0	TONER INDICATING LABEL	トナー表示ラベル	C	1	
4	50GA 3312 0	CARTRIDGE PRESSING HANDLE B	カートリッジ押圧把手 B	C	1	
5	26NA 3287 0	CARTRIDGE PRESSING SPRING 2	カートリッジ押圧バネ 2	C	1	
6	50GA -333 0	PRESSING ASSY	押圧部組	C	1	
7	26TA 3298 0	CARTRIDGE PRESSING SPRING 3	カートリッジ押圧バネ / 3	C	2	
8	26TA 3296 0	CARTRIDGE REGULATING PLATE	カートリッジ規制板	C	1	
9	26TA 3297 0	CARTRIDGE REGULATING SPRING	カートリッジ規制バネ	C	2	
10	26TA 3299 0	COVER PART	カバー部材	C	1	
11	50GA -334 0 Old	TONER SUPPLY GUIDE PART ASSY	トナー補給ガイド部材部組	C	1	
11	50GA -334 1	TONER SUPPLY GUIDE PART ASSY	トナー補給ガイド部材部組	C	1	
12	50GA 3285 1	CARTRIDGE PRESSING HANDLE	カートリッジ押圧把手	C	1	
13	50GA 3311 0	TONER SUPPLY SUPPORT SHAFT	トナー補給支点軸	D	1	
14	50GA 3310 0	TONER SUPPLY SUPPORT PLATE	トナー補給支点板	D	1	
15	50GA 3282 2F	Cartridge Pressing Pedestal	カートリッジ押圧台	C	1	

# TONER SUPPLY UNIT

改訂版 REVISED EDITION	日付 DATE
	DECEMBER 2007



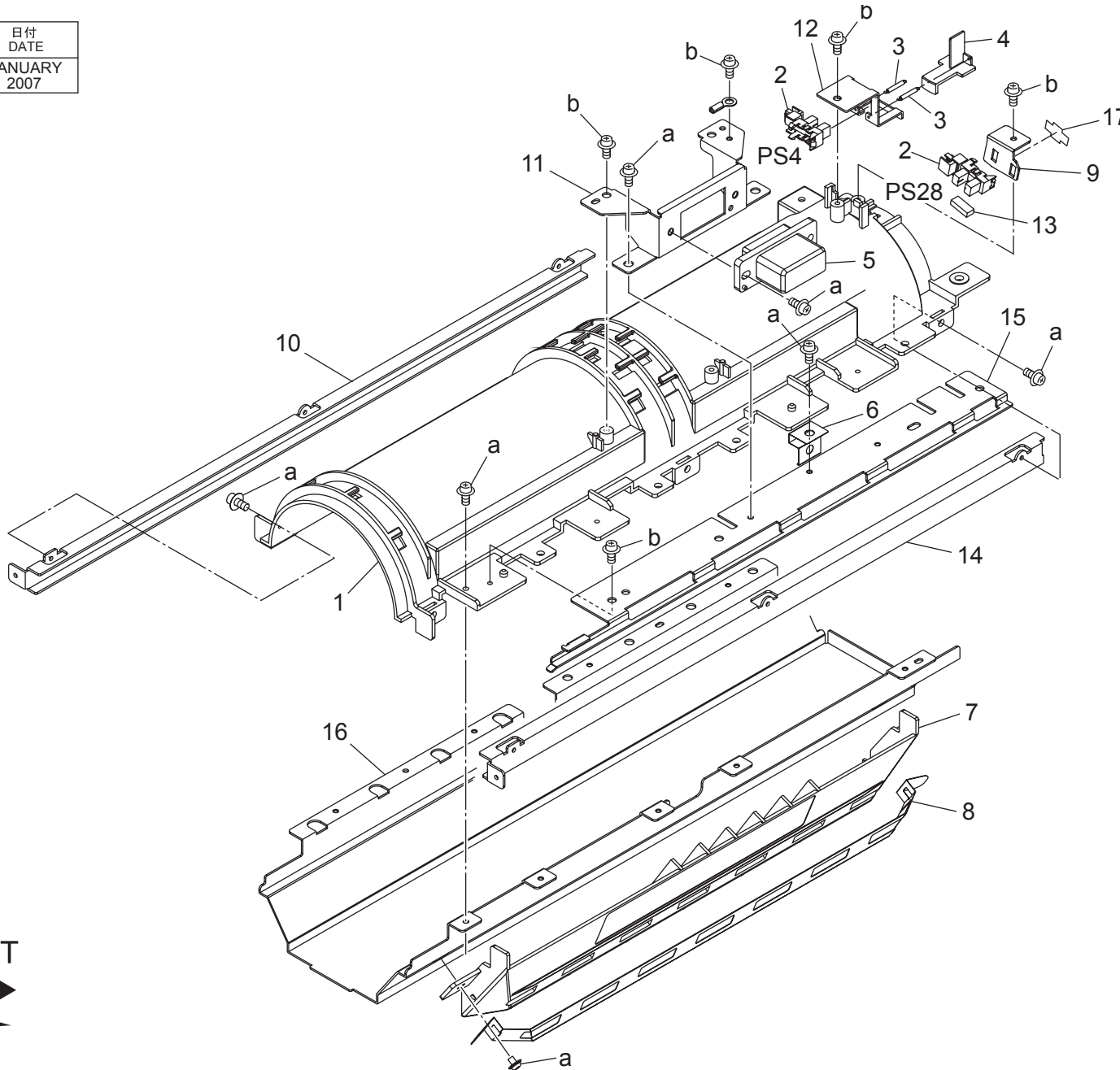


# TONER SUPPLY UNIT

Key	Part No.	Description	Destinations	Class	QTY	Standard parts
1	50GA 3308 0E	TONER SUPPLY PULLING LEVER		C	1	a-00Z2 5308 1 b-00Z1 8304 1 c-00Z1 9306 1
2	50GA 3210 1F Old	TONER SUPPLY GUIDE PLATE /LOWER		C	1	
2	50GA 3210 2G	TONER SUPPLY GUIDE PLATE /LOWER		C	1	
3	50GA 3318 2	TONER SUPPLY AUXILIARY COVER B		C	1	
4	50GA 3315 2F	Toner supply Index Part	A	C	1	
4	50GE 3315 2F	Toner supply Index Part	B,G2	C	1	
4	50GF 3315 2F	Toner supply Index Part	C,D1,D3,E,F1,F2,G1,H,I,J,K	C	1	
5	50GA 3306 0E	TONER SUPPLY AUXILIARY COVER		C	1	
6	50GA 3309 1E	LEVER MOUNTING PLATE		C	1	
7	50GA 3304 0	TONER SUPPLY GUIDE RAIL /MIDDL		D	2	
8	50GA 3319 0	MOUNTING PLATE /A		D	2	
9	50GA -337 0	MOUNTING PART /A ASSY		C	2	
10	50GA 3321 0	REGULATING SEAL A		C	2	
11	50GA 3332 0	SCATTER PREVENTING SEAL B		C	2	

# TONER SUPPLY UNIT

改訂版 REVISED EDITION	日付 DATE
	JANUARY 2007



FRONT

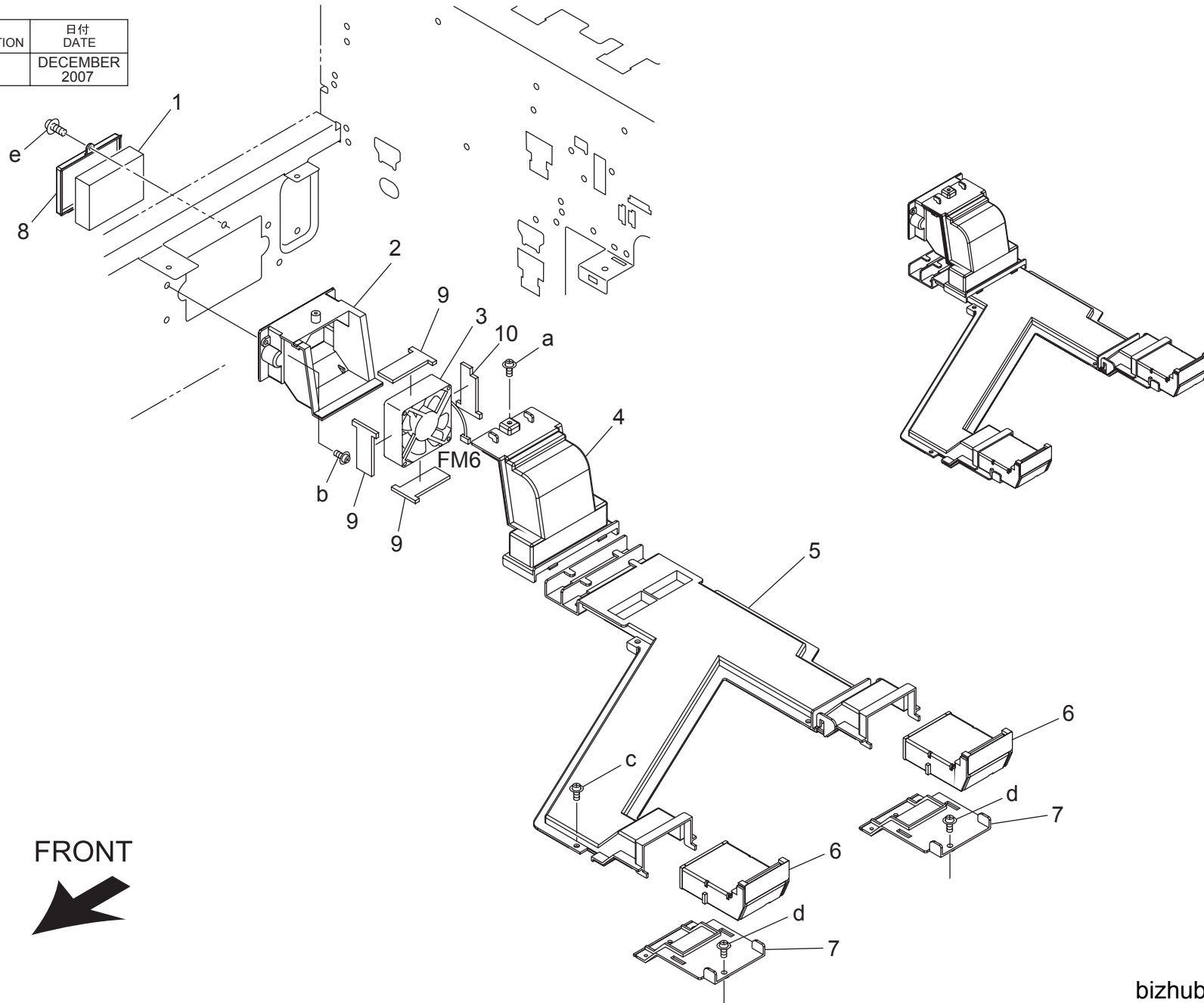


# TONER SUPPLY UNIT

Key	Part No.	Description	Destinations	Class	QTY	Standard parts
1	50GA 3211 1F	TONER SUPPLY GUIDE PLATE /UPPER		C	1	a-00Z1 9304 1 b-00Z2 5308 1
2	9335 1300 61	PHOTO INTERRUPTER		B	2	
3	50GA 3317 0E	SLIDE SPRING /A		C	2	
4	50GA 3223 0	DETECTION ACTUATOR		C	1	
5	50GA 9006 0	FIXING RELAY WIRING		D	1	
6	50GA 3325 0	TONER SUPPLY EARTH PLATE 1		C	1	
7	50GA 3313 0	COOLING COVER E		C	1	
8	50GA -336 0	FILTER MOUNTING PLATE ASSY		A	1	
9	50GA 3316 1E	MOUNTING PLATE /B		C	1	
10	50GA 3303 0	TONER SUPPLY GUIDE RAIL/LEFT		D	1	
11	50GA 3324 0	CORD MOUNTING PLATE/1		D	1	
12	50GA 3307 1	MOUNTING PLATE		C	1	
13	50GA 3333 0	SCATTER PREVENTING SEAL C		C	1	
14	50GA 3302 0	TONER SUPPLY GUIDE RAIL/RIGHT		D	1	
15	50GA 3314 0	RAIL/LEFT		D	1	
16	50GA 3305 0E	TONER SUPPLY PROTECTION PART		D	1	
17	4470 4024 01	STOPPER		D	1	

# DEVELOPING SUCTION UNIT

改訂版 REVISED EDITION	日付 DATE
	DECEMBER 2007



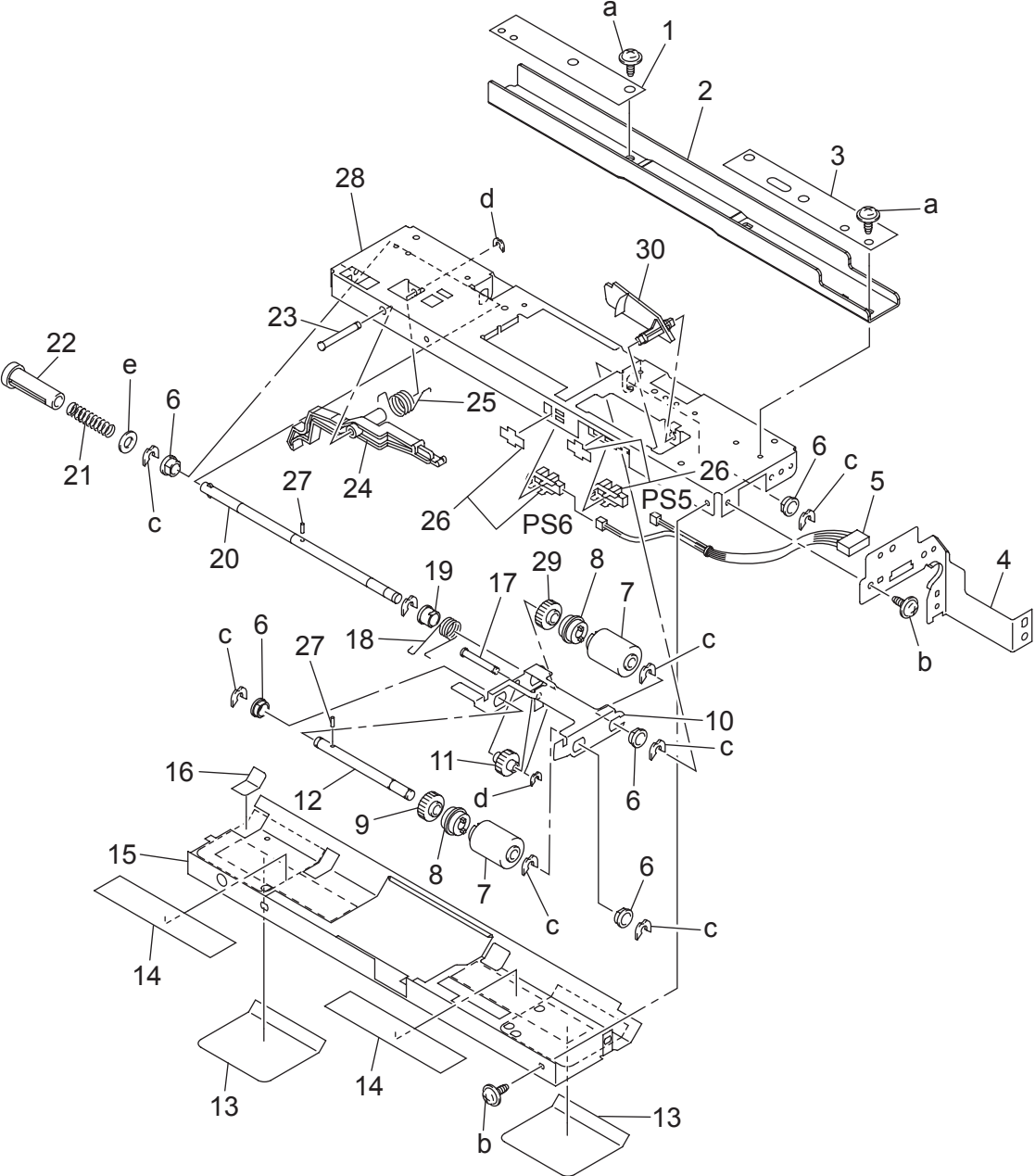
FRONT



# DEVELOPING SUCTION UNIT

Key	Part No.	Description	Destinations	Class	QTY	Standard parts
1	40LA R705 00	SUCTION FILTER A ASSY		A	1	a-00Z2 5308 1 b-9735 0308 14 c-4106 2063 01 d-4154 3804 01 e-00Z1 9306 1
2	50GA -315 0	FAN COVER ASSY		D	1	
3	27LA 8051 1	MAIN BODY FAN MOTOR		B	1	
4	50GA -313 0	SUCTION COVER 6 ASSY		D	1	
5	50GA -316 0	SUCTION COVER 1 ASSY		D	1	
6	50GA -311 0	SUCTION COVER 2 ASSY		A	2	
7	50GA -319 0	SUCTION COVER 8 ASSY		D	2	
8	50GA -314 0	FILTERCOVER ASSY		A	1	
9	26NA 7373 2	DUST PROOFSEAL 5		C	3	
10	27LA 7391 0	Dustproof Seal		C	1	

PAPER FEED UNIT

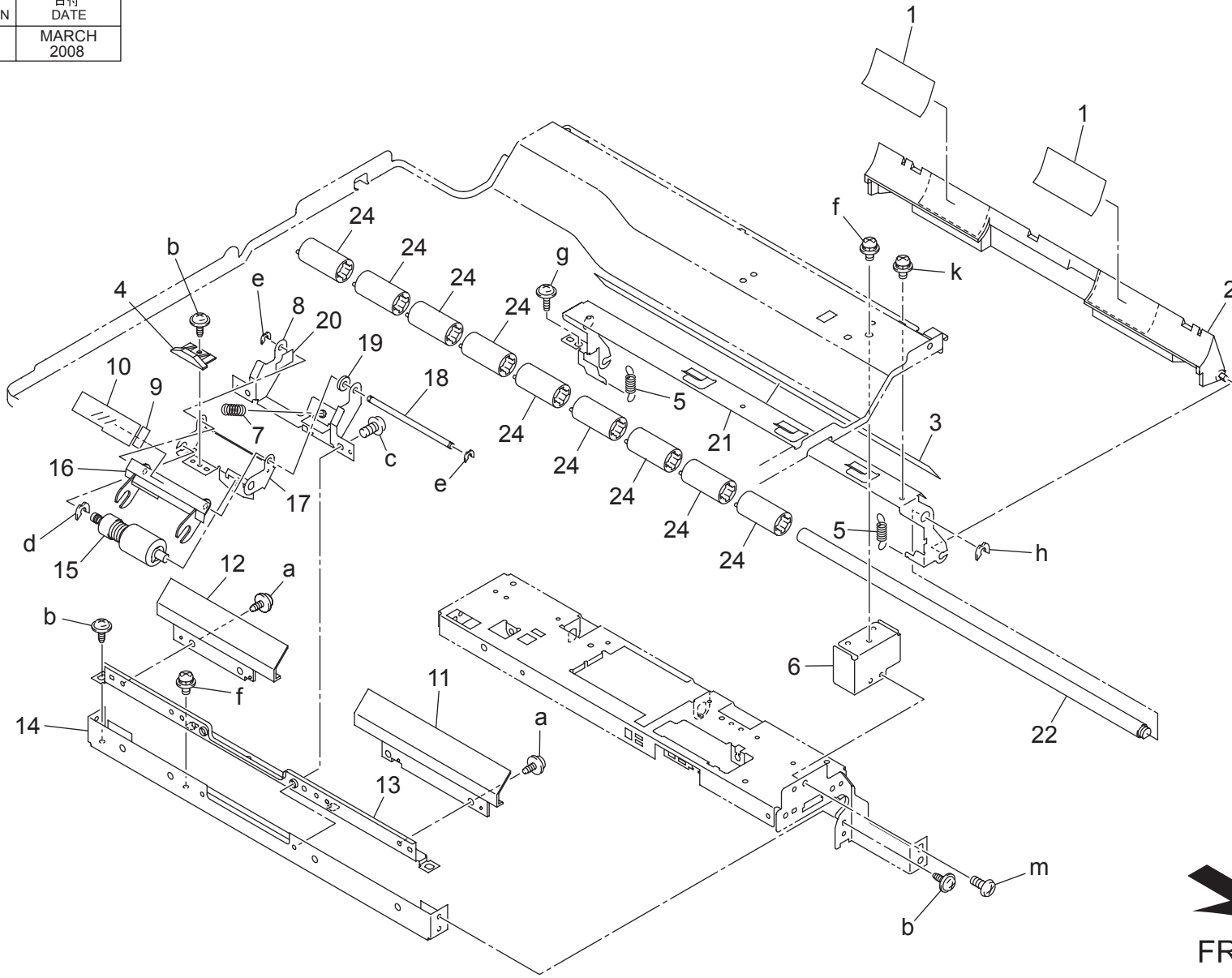


FRONT

Key	Part No.	Description	Destinations	Class	QTY	Standard parts
1	4030 3087 01	REINFORCE PLATE		D	1	a-9735 0308 14 b-9735 0306 14 c-4425 3001 01 d-4425 3002 01 e-9715 0600 01
2	4030 3084 01	REINFORCE PLATE		D	1	
3	4030 3086 01	REINFORCE PLATE		D	1	
4	4030 3041 02	FRAME		D	1	
5	4030 6811 01	WIRE HARNESS ASSY		D	1	
6	4131 3003 01	BUSHING		C	5	
7	4030 3005 01	ROLLER		A	2	
8	4030 3034 01	CLUTCH		C	2	
9	4425 3016 01	GEAR 32T		C	1	
10	4030 3002 02	HOLDER		D	1	
11	4030 3008 01	GEAR 29T		C	1	
12	4030 3003 01	SHAFT		D	1	
13	4030 3036 01	GUIDE		C	2	
14	4030 3088 01	WEIGHT		C	2	
15	4030 3023 03	GUIDE PLATE		D	1	
16	4030 3085 01	COVER		C	1	
17	4040 3097 01	SHAFT		D	1	
18	4030 3030 01	TORSION SPRING		C	1	
19	1065 3086 01	BUSHING		C	1	
20	4030 3004 01	SHAFT		D	1	
21	1070 3072 01	PRESSURE SPRING		C	1	
22	1052 4412 01	JOINT		C	1	
23	4040 3096 01	SHAFT		D	1	
24	4030 3011 03	LEVER		C	1	
25	4030 3012 01	TORSION SPRING		C	1	
26	4037 0906 01	PHOTO INTERRUPTER		B	2	
27	1067 2501 01	PIN		C	2	
28	4030 3001 03	FRAME		D	1	
29	4425 3013 01	GEAR 30T		C	1	
30	4030 3016 12	ACTUATOR		C	1	

# PAPER FEED UNIT

改訂版 REVISED EDITION	日付 DATE
	MARCH 2008



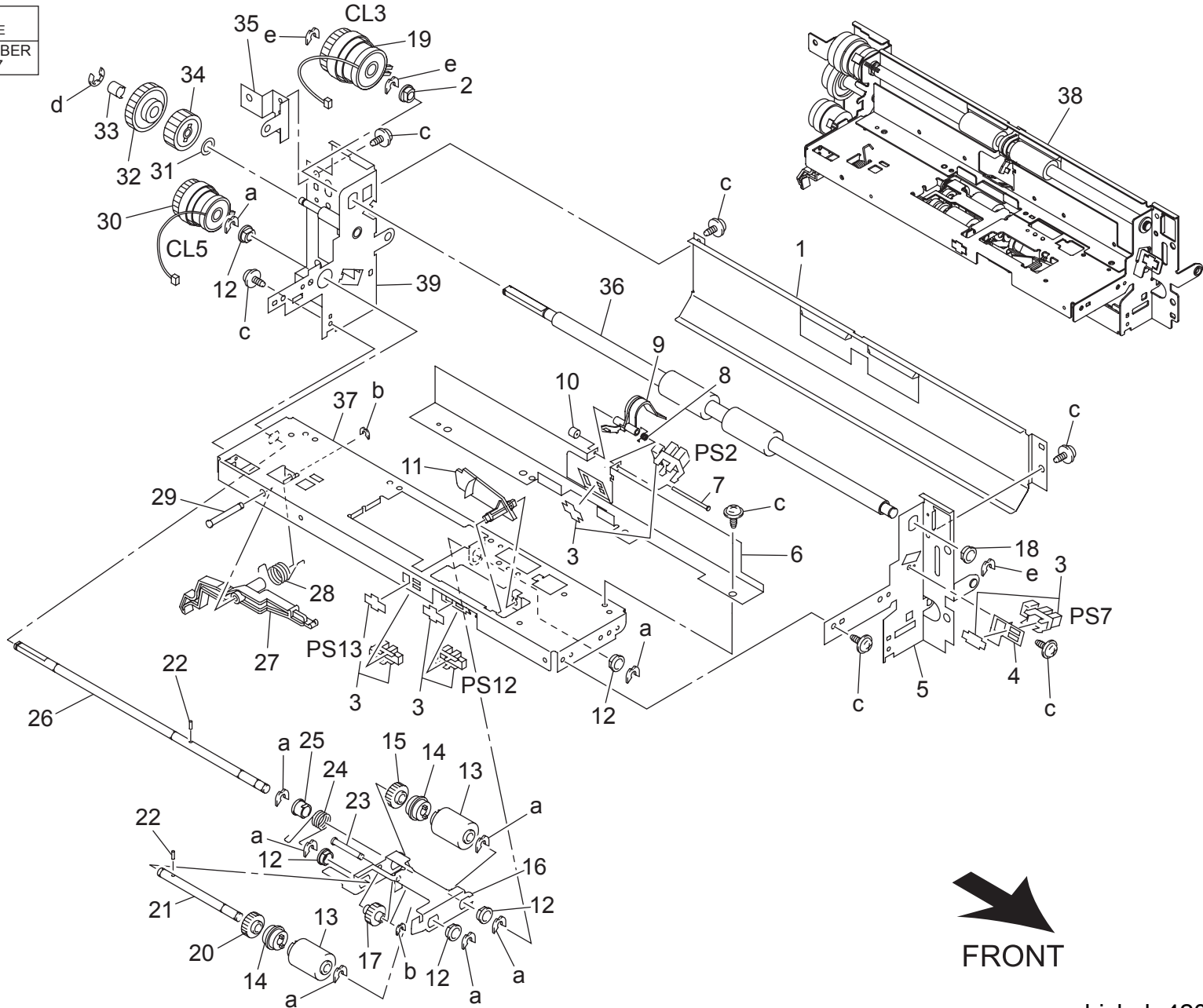
bizhub 420/bizhub 500



Key	Part No.	Description	Destinations	Class	QTY	Standard parts
1	4030 3108 01	GUIDE	ガイド	C	2	a-9735 0308 14
2	4030 3032 03	GUIDE	ガイド	D	1	b-9735 0306 14
3	50GA 4001 0	ROLLER GUIDE SHEET	ローラガイドシート	C	1	c-9743 0308 14
4	4030 3078 01	LEVER	レバー	C	1	d-4425 3001 01
5	4030 3125 01	TENSION SPRING	引張コイルばね	C	2	e-4425 3002 01
6	4030 3044 01	BRACKET	取付板	D	1	f-9646 0308 14
7	4030 3017 03	PRESSURE SPRING	圧縮コイルばね	C	1	g-9739 0308 14
8	4030 3014 01	BRACKET	取付板	D	1	h-1066 1151 01
9	4030 3080 01	GUIDE	ガイド	C	1	k-9646 0306 14
10	4030 3079 01	GUIDE	ガイド	C	1	m-9743 0408 14
11	4030 3026 02	GUIDE	ガイド	D	1	
12	4030 3027 02	GUIDE	ガイド	D	1	
13	4030 3037 01	REINFORCE PLATE	補強板	D	1	
14	4030 3025 02	BRACKET	取付板	D	1	
15	4030 0151 01	SEPARATION ROLLER ASSY	分離ローラ A S S Y	A	1	
16	4030 3077 01	GUIDE	ガイド	D	1	
17	4030 3013 01	HOLDER	ホルダ	D	1	
18	4030 3039 01	SHAFT	シャフト	D	1	
19	4040 5610 00	Spacer	スペーサ	D	1	
20	4040 5612 00	Spacer	スペーサ	D	1	
21	50GA 4003 0	ROLLER MOUNTING PLATE UPPER	ローラ取り付け板 / 上	D	1	
22	50GA 4002 0	PAPER FEED ROLLER SHAFT	給紙ころがり軸	C	1	
24	4658 3513 01	ROLLER	ローラ	C	9	

# PAPER FEED UNIT

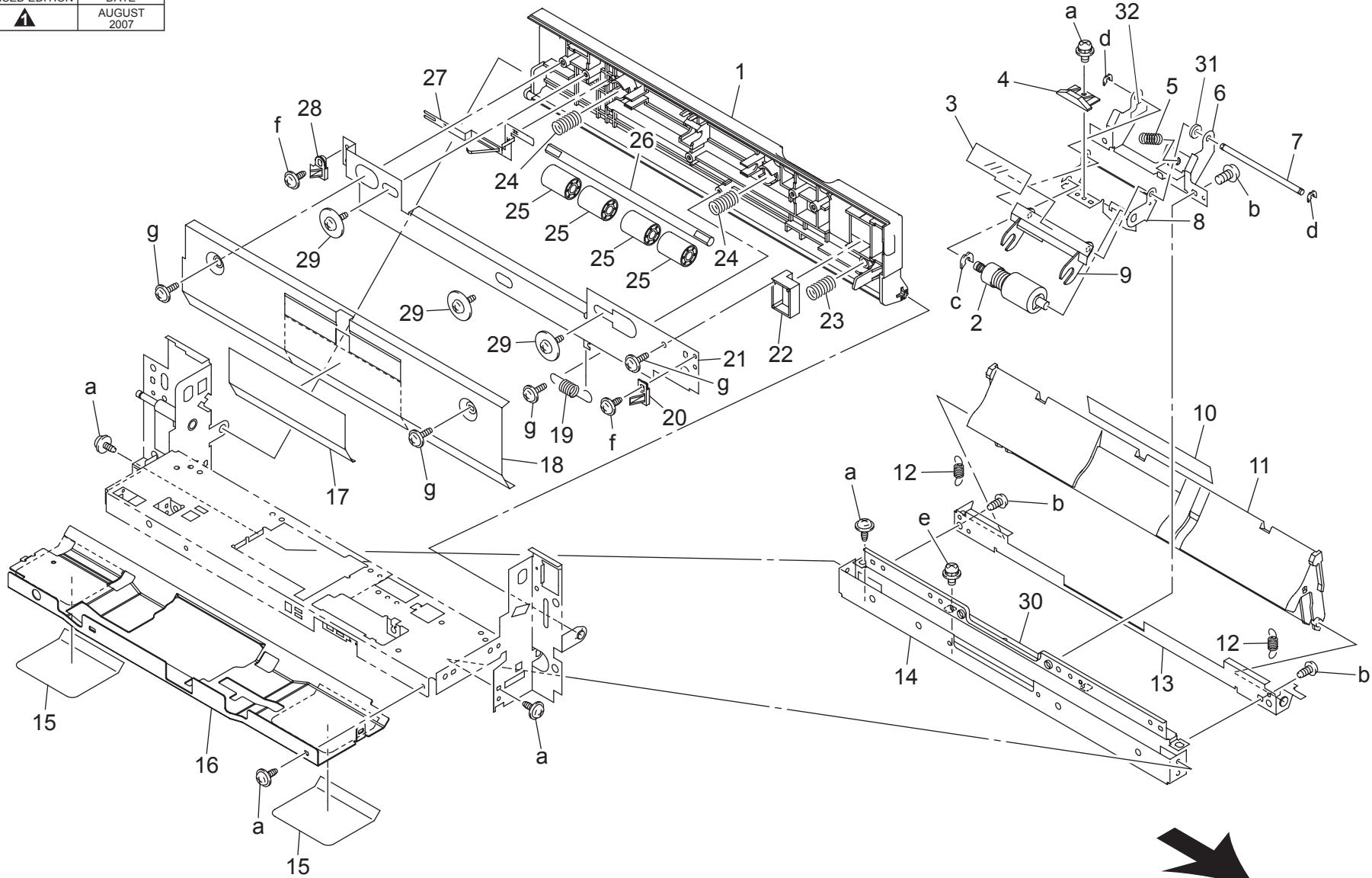
改訂版 REVISED EDITION	日付 DATE
	NOVEMBER 2007



Key	Part No.	Description	Destinations	Class	QTY	Standard parts
1	4030 3112 02	GUIDE PLATE	ガイド板	D	1	a-4425 3001 01 b-4425 3002 01 c-9735 0306 14 d-9721 0400 01 e-1066 1151 01
2	4131 3532 02	BUSHING	軸受	C	1	
3	4037 0906 01	PHOTO INTERRUPTER	フォトインタラプター	B	4	
4	4030 3128 01	BRACKET	取付板	D	1	
5	4030 3042 02	FRAME	フレーム	D	1	
6	4030 3018 01	BRACKET	取付板	D	1	
7	1200 5212 04	PIN	ピン	D	1	
8	4030 3031 01	TORSION SPRING	ねじりコイルばね	C	1	
9	4030 3019 02	ACTUATOR	アクチュエータ	C	1	
10	1134 3041 01	COLLAR	カラー	D	1	
11	4030 3016 12	ACTUATOR	アクチュエータ	C	1	
12	4131 3003 01	BUSHING	軸受	C	5	
13	4030 3005 01	ROLLER	ローラ	A	2	
14	4030 3034 01	CLUTCH	クラッチ	C	2	
15	4425 3013 01	GEAR 30T	ギヤ 30 T	C	1	
16	4030 3002 02	HOLDER	ホルダ	D	1	
17	4030 3008 01	GEAR 29T	ギヤ 29 T	C	1	
18	50GA 4005 0	PAPER FEED SHAFT HOLDER	給紙軸受	C	1	
19	50GA 8202 0	CONVEYANCE CLUTCH	搬送 クラッチ	C	1	
20	4425 3016 01	GEAR 32T	ギヤ 32 T	C	1	
21	4030 3003 01	SHAFT	シャフト	D	1	
22	1067 2501 01	PIN	ピン	C	2	
23	4040 3097 01	SHAFT	シャフト	D	1	
24	4030 3030 01	TORSION SPRING	ねじりコイルばね	C	1	
25	1065 3086 01	BUSHING	シクウケ	C	1	
26	4030 3022 01	SHAFT	シャフト	D	1	
27	4030 3011 03	LEVER	レバー	C	1	
28	4030 3012 01	TORSION SPRING	ねじりコイルばね	C	1	
29	4040 3096 01	SHAFT	シャフト	D	1	
30	9322 1500 12	CLUTCH	クラッチ	C	1	
31	4030 3092 01	WASHER	ワッシャ	D	1	
32	4030 3064 01	GEAR 33T	ギヤ 33 T	C	1	
33	4030 3069 01	SLEEVE	スリーブ	D	1	
34	4030 3068 01	GEAR 26T	ギヤ 26 T	C	1	
35	4030 3063 01	BRACKET	取付板	D	1	
36	4030 3021 01	ROLLER	ローラ	C	1	
37	4030 3010 02	FRAME	フレーム	C	1	
38	50GA -400 0	LOWER PAPER ASSY	給紙 2 部組	S	1	
39	50GA -402 0	FRAME ASSY	フレーム A S S Y	D	1	

# PAPER FEED UNIT

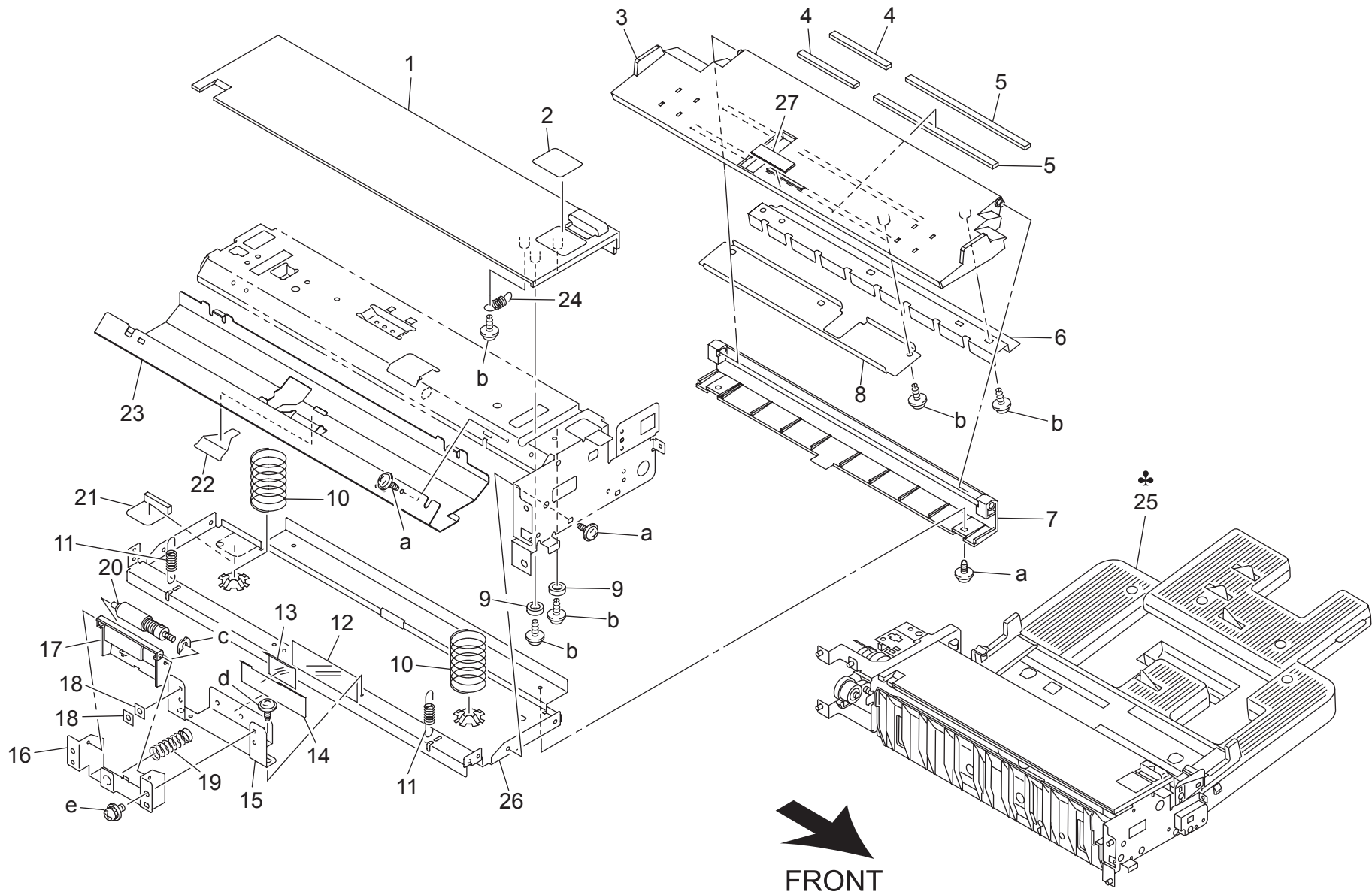
改訂版 REVISED EDITION	日付 DATE
	AUGUST 2007



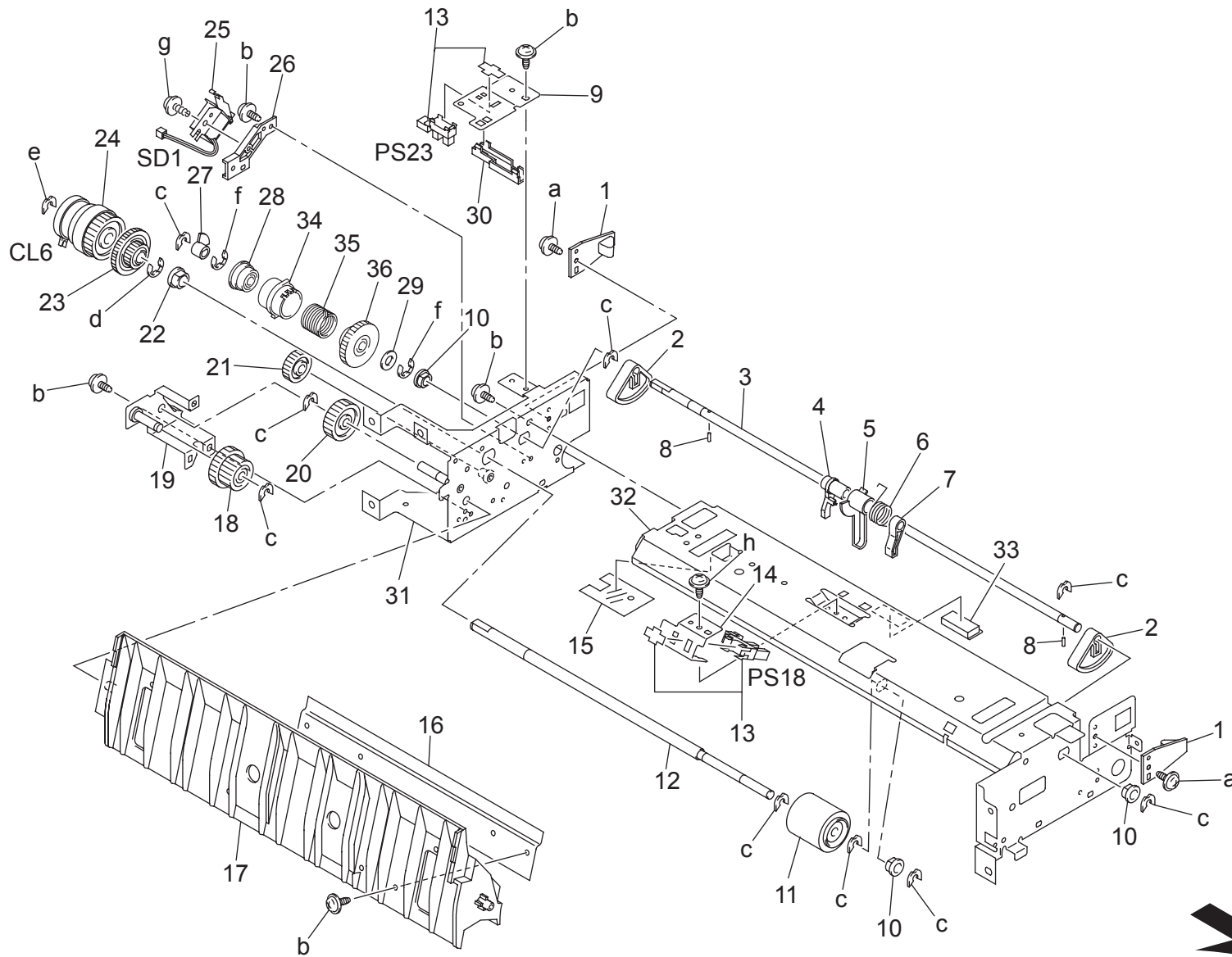
FRONT

bizhub 420/bizhub 500

Key	Part No.	Description	Destinations	Class	QTY	Standard parts
1	4030 3111 06	DOOR		C	1	a-9735 0306 14 b-9743 0308 14 c-4425 3001 01 d-4425 3002 01 e-9646 0308 14 f-9735 0308 14 g-9739 0308 14
2	4030 0151 01	SEPARATION ROLLER ASSY		A	1	
3	4030 3079 01	GUIDE		C	1	
4	4030 3078 01	LEVER		C	1	
5	4030 3017 03	PRESSURE SPRING		C	1	
6	4030 3014 01	BRACKET		D	1	
7	4030 3039 01	SHAFT		D	1	
8	4030 3013 01	HOLDER		D	1	
9	4030 3077 01	GUIDE		D	1	
10	4030 3105 01	GUIDE		C	1	
11	4030 3124 03	GUIDE		D	1	
12	4030 3125 01	TENSION SPRING		C	2	
13	4030 3129 03	BRACKET		D	1	
14	4030 3025 02	BRACKET		D	1	
15	4030 3036 01	GUIDE		C	2	
16	4030 3095 01	GUIDE PLATE		C	1	
17	4030 3107 01	GUIDE		C	1	
18	4030 3114 02	GUIDE PLATE		D	1	
19	4030 3116 01	TENSION SPRING		C	1	
20	4030 3135 01	LEVER		C	1	
21	4030 3117 02	BRACKET		D	1	
22	4030 3130 02	HANDLE		C	1	
23	1149 3454 01	PRESSURE SPRING		C	1	
24	4030 3123 01	PRESSURE SPRING		C	2	
25	4030 3122 01	ROLL		C	4	
26	4030 3121 01	SHAFT		D	1	
27	4030 3134 03	EARTH GROUND		C	1	
28	4030 3115 01	LEVER		C	1	
29	4163 5293 01	SCREW		C	3	
30	4030 3037 01	REINFORCE PLATE		D	1	
31	4040 5610 00	Spacer		D	1	
32	4040 5612 00	Spacer		D	1	



Key	Part No.	Description	Destinations	Class	QTY	Standard parts
1	4030 3442 02	COVER		D	1	a-9735 0308 14 b-9739 0308 14 c-4425 3002 01 d-4154 3804 01 e-9646 0306 14
2	4030 3754 01	LABEL		C	1	
3	4030 3409 14	LIFTING PLATE		D	1	
4	4030 3476 01	SEAL		C	2	
5	4030 3477 01	SEAL		C	2	
6	4030 3484 01	WEIGHT		D	1	
7	4030 3425 01	HOLDER		D	1	
8	4030 3456 01	REINFORCE PLATE		D	1	
9	4030 3481 01	COLLAR		C	2	
10	4030 3457 03	PRESSURE SPRING		C	2	
11	4030 3428 01	TENSION SPRING		C	2	
12	4030 3489 01	SEAL		C	1	
13	4030 3403 01	GUIDE		C	1	
14	4030 3402 01	GUIDE PLATE		C	1	
15	4030 3474 01	BRACKET		D	1	
16	4030 3404 01	BRACKET		D	1	
17	4131 3053 02	HOLDER		D	1	
18	4030 3492 01	SPACER		C	2	
19	4030 3475 01	PRESSURE SPRING		C	1	
20	4034 0151 01	SEPARATION ROLLER		A	1	
21	4030 3448 01	CUSHION		C	1	
22	4040 3495 01	GUIDE		C	1	
23	4040 3496 01	GUIDE		D	1	
24	4030 3438 01	TENSION SPRING		C	1	
25	4040 R718 00	MANUAL FEED TRAY UNIT		S	1	
25	4040 R719 00	MANUAL FEED TRAY UNIT	A	S	1	
25	4040 R720 00	MANUAL FEED TRAY UNIT	C,J,H,D1,D3,E,F2,G1,I, K,F1	S	1	
26	4030 3424 01	BRACKET	B,G2	D	1	
27	4687 3281 01	FRICITION SHEET		C	1	

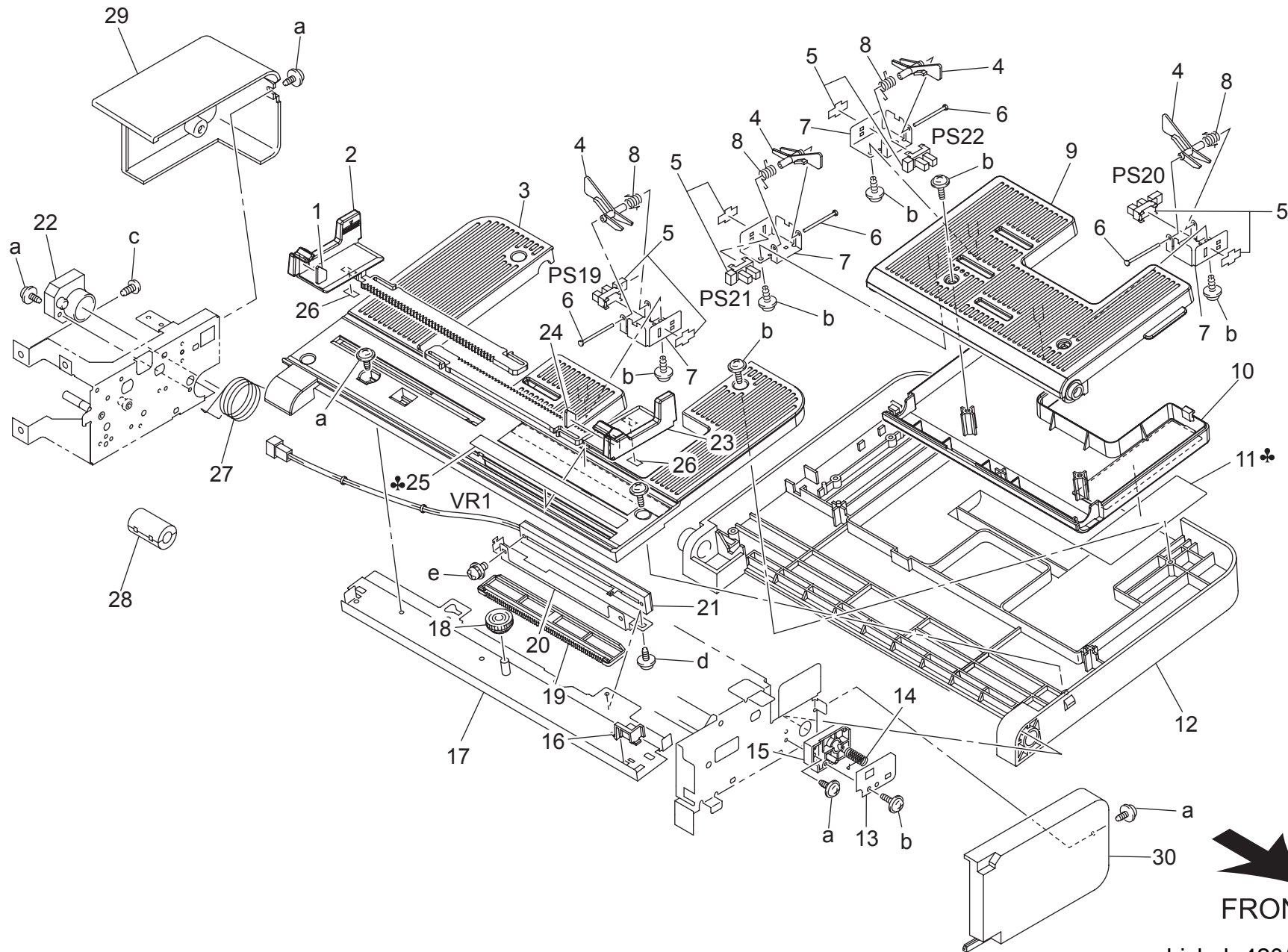


FRONT  
bizhub 420/bizhub 500



Key	Part No.	Description	Destinations	Class	QTY	Standard parts
1	4030 3430 01	LEVER		C	2	a-4154 3804 01 b-9735 0308 14 c-4425 3001 01 d-9721 0600 01 e-1066 1151 01 f-9721 0400 01 g-9739 0308 14 h-9735 0306 14
2	4030 3417 01	CAM		C	2	
3	4030 3416 02	SHAFT		D	1	
4	4030 3464 01	HOLDER		D	1	
5	4030 3444 01	ACTUATOR		C	1	
6	4030 3445 01	TORSION SPRING		C	1	
7	4030 3465 01	HOLDER		D	1	
8	1067 2502 01	PIN		D	2	
9	4030 3479 01	BRACKET		D	1	
10	4030 3093 01	BUSHING		C	3	
11	4131 3001 01	ROLLER		A	1	
12	4030 3434 01	SHAFT		D	1	
13	4037 0906 01	PHOTO INTERRUPTER		B	2	
14	4040 3443 01	BRACKET		D	1	
15	4030 3447 01	GUIDE		C	1	
16	4030 3427 01	REINFORCE PLATE		D	1	
17	4030 3401 13	HOLDER		D	1	
18	4030 3441 01	GEAR 20/25T		C	1	
19	4030 R708 00	BRACKET ASSY		D	1	
20	1075 2565 01	GEAR 25T		C	1	
21	1300 3322 17	GEAR 20T		C	1	
22	4658 3517 01	BUSHING		C	1	
23	4030 3467 01	GEAR 16/30T		C	1	
24	9J06 M201 00	CLUTCH		C	1	
25	9J06 M200 00	SOLENOID		C	1	
26	4030 3422 01	HOLDER		D	1	
27	4030 3478 02	SHIELD PLATE		D	1	
28	4131 3007 02	DRUM		D	1	
29	4131 4128 01	WASHER		C	1	
30	4030 3429 02	MEMBER		D	1	
31	4030 R707 00	BRACKET ASSY		C	1	
32	4030 3432 07	BRACKET		C	1	
33	4040 3497 01	CUSHION		C	1	
34	4030 3420 02	RATCHET		C	1	
35	4030 3419 01	TORSION SPRING		B	1	
36	4131 3004 02	GEAR 30T		C	1	

# MANUAL FEED UNIT

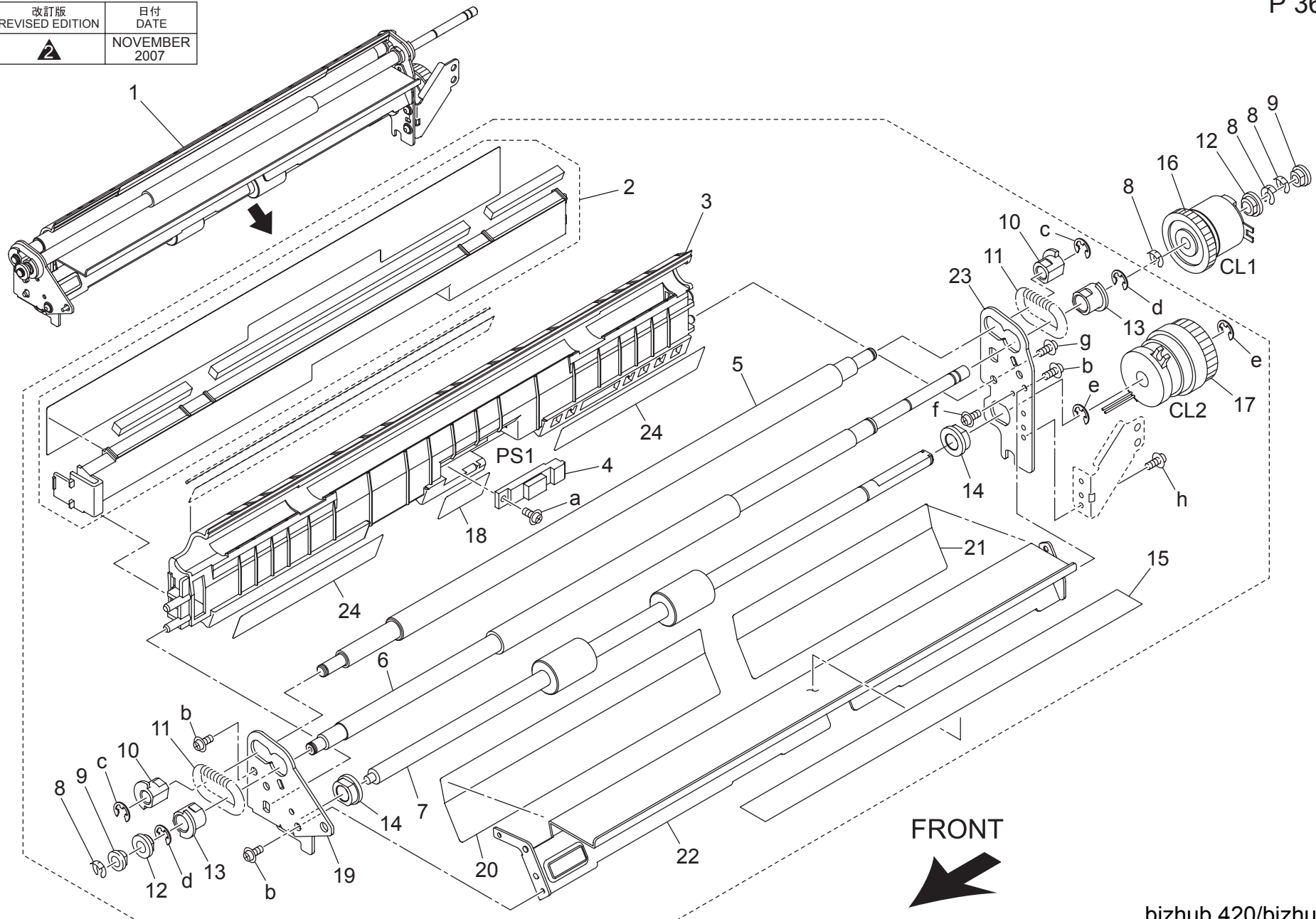


bizhub 420/bizhub 500

Key	Part No.	Description	Destinations	Class	QTY	Standard parts
1	4030 3486 01	BRAKE	ブレーキ材	C	1	a-9735 0308 14 b-9739 0308 14 c-9743 0408 14 d-9735 0306 14 e-9646 0306 14
2	4030 3411 03	REGULATING PLATE	規制板	C	1	
3	4030 3466 02	COVER	カバー	C	1	
4	4030 3415 02	ACTUATOR	アクチュエータ	C	4	
5	4037 0906 01	PHOTO INTERRUPTER	フォトインタラプター	B	4	
6	1134 3042 02	SHAFT	シャフト	D	4	
7	4030 3414 01	BRACKET	取付板	D	4	
8	4030 3446 01	TORSION SPRING	ねじりコイルばね	C	4	
9	4030 3423 03	TRAY	トレイ	C	1	
10	4030 3459 02	COVER	カバー	C	1	
11	4030 7309 02	LABEL TRAY CAUTION	ラベル	C	1	B,C,D1,D3,E,F1,F2,G1,G 2,H,I,J,K A
11	4030 7305 01	LABEL	ラベル 補助トレイ注意	C	1	
12	4030 3408 03	TRAY	トレイ	C	1	
13	4030 3437 01	BRACKET	取付板	D	1	
14	4030 3435 01	TORSION SPRING	ねじりコイルばね	C	1	
15	4030 3473 02	HOLDER	ホルダ	D	1	C,D1,D3,E,F1,F2,G1,H,I ,J,K A B,G2
16	4030 3463 01	STOPPER	ストッパ	D	1	
17	4030 0216 05	BRACKET ASSY	取付板 ASSY	D	1	
18	4030 3412 01	GEAR 13/18T	ギヤ 13/18 T	C	1	
19	4030 3460 02	RACK	ラック	C	1	
20	4030 3455 02	BRACKET	取付板	D	1	
21	4037 6899 01	RESISTOR	テイクウキ	D	1	
22	4030 3472 01	HOLDER	ホルダ	D	1	
23	4030 3410 03	REGULATING PLATE	規制板	C	1	
24	4030 3487 01	BRAKE	ブレーキ材	C	1	
25	4030 7307 02	SCALE METRIC	スケール メトリック	D	1	C,D1,D3,E,F1,F2,G1,H,I ,J,K A B,G2
25	4030 7306 02	SCALE METRIC	スケール メトリック	C	1	
25	4030 7308 02	SCALE INCH	スケール インチ	C	1	
26	4131 4623 04	CLEANING PAD	クリーニングパッド	C	2	
27	4030 3436 01	TORSION SPRING	ねじりコイルばね	C	1	
28	9326 1910 31	FERRITE CORE	フェライトコア	D	1	D C C
29	4030 3426 01	COVER	カバー	C	1	
30	4030 3480 01	COVER	カバー	C	1	

# REGISTRATION UNIT

改訂版 REVISED EDITION	日付 DATE
	NOVEMBER 2007

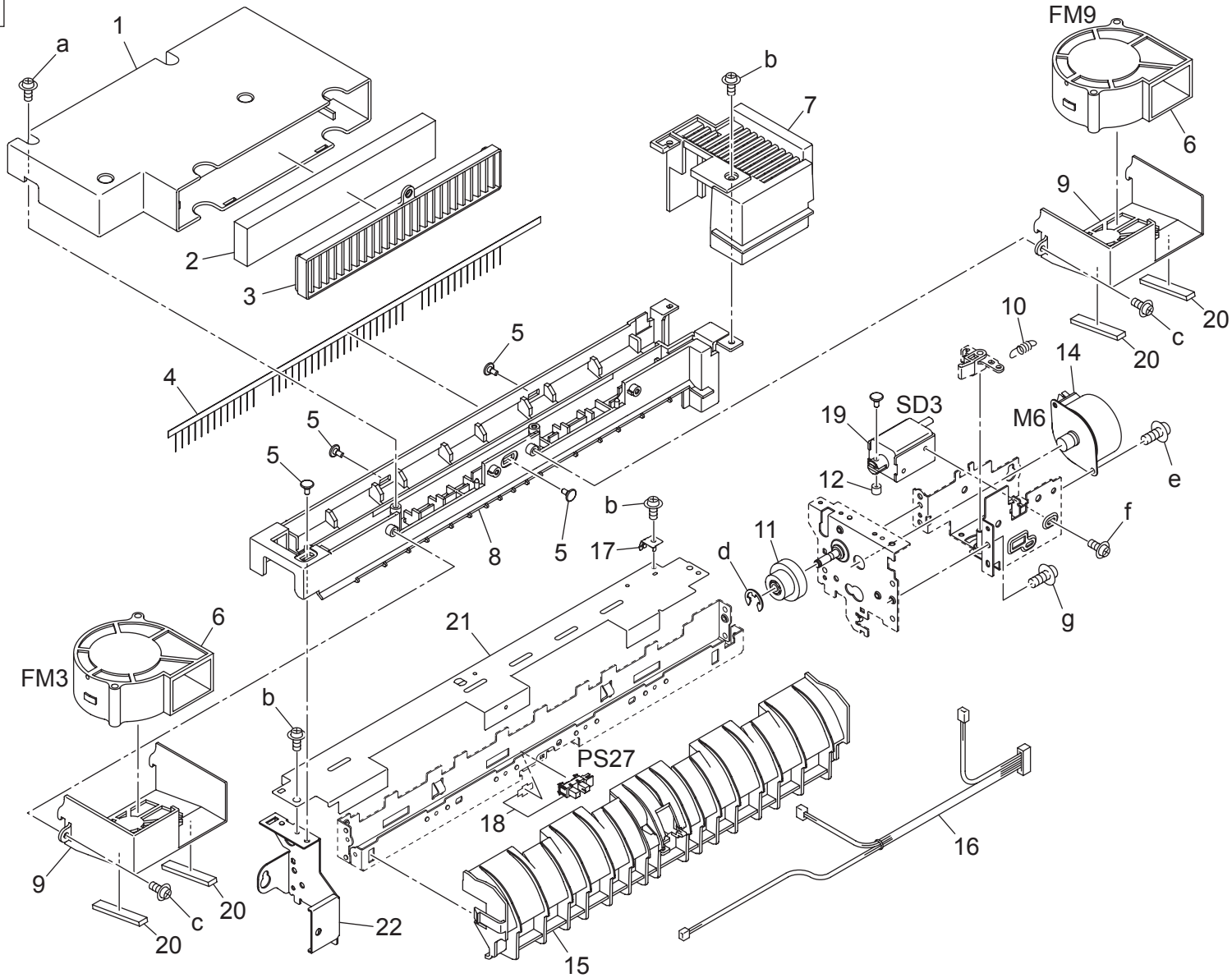


# REGISTRATION UNIT

Key	Part No.	Description	Destinations	Class	QTY	Standard parts
1	50GA -380 0	REGISTRATION ASSY		C	1	a-00Z2 4308 1
2	50GA -382 0	REGISTRATION CLEANER ASSY		C	1	b-4106 2063 01
3	50GA 3854 0E	REGIST MAIN BODY		D	1	c-00Z6 7040 6
4	13QA 8552 1	SENSOR 2		B	1	d-00Z6 7050 6
5	50GA 3849 0	REGISTRATION ROLLER B		C	1	e-00Z6 7060 6
6	50GA 3848 0	REGISTRATION ROLLER A		B	1	f-00Z1 9314 1
7	50GA 3865 0E	PAPER FEED CONNECTING ROLLER		B	1	g-00Z2 5308 1
8	12QV 4066 0	SHAFT POSITIONING PART		C	4	h-00Z1 6306 1
9	13QA 7602 1	SHAFT HOLDER 2		C	2	
10	26NA 4537 1	REGISTRATION UNIT SHAFT HOLDER /2		B	2	
11	26NA 4514 1	REGISTRATION UNIT SPRING		B	2	
12	4660 7602 0	PAPER FEED SHAFT HOLDER		B	2	
13	26NA 4536 0	REGISTRATION UNIT SHAFT HOLDER /1		B	2	
14	26NA 4082 0	PAPER FEED SLIDE BUSHING		B	2	
15	50GA 9749 0	DRUM CAUTION LABEL		D	1	
16	57AA 8203 0	CONVEYANCE DRIVE CLUTCH		C	1	
17	50GA 8202 0	CONVEYANCE CLUTCH		C	1	
18	50GA 3869 0E	Paper feed Regulating Sheet /Middle		C	1	
19	50GA 3813 0	REGIST SUPPORT PANEL FRONT		D	1	
20	50GA 3879 0	REGIST GUIDE SHEET FRONT		C	1	
21	50GA 3861 0	REGIST GUIDE SHEET REAR		C	1	
22	50GA 3868 0E	Regist Guide Plate		D	1	
23	50GA 3867 0E	REGIST SUPPORT PANEL /REAR		D	1	
24	50GA 3858 0E	Paper feed Regulating Sheet		C	2	

# TURNOVER UNIT

改訂版 REVISED EDITION	日付 DATE
	NOVEMBER 2007



FRONT



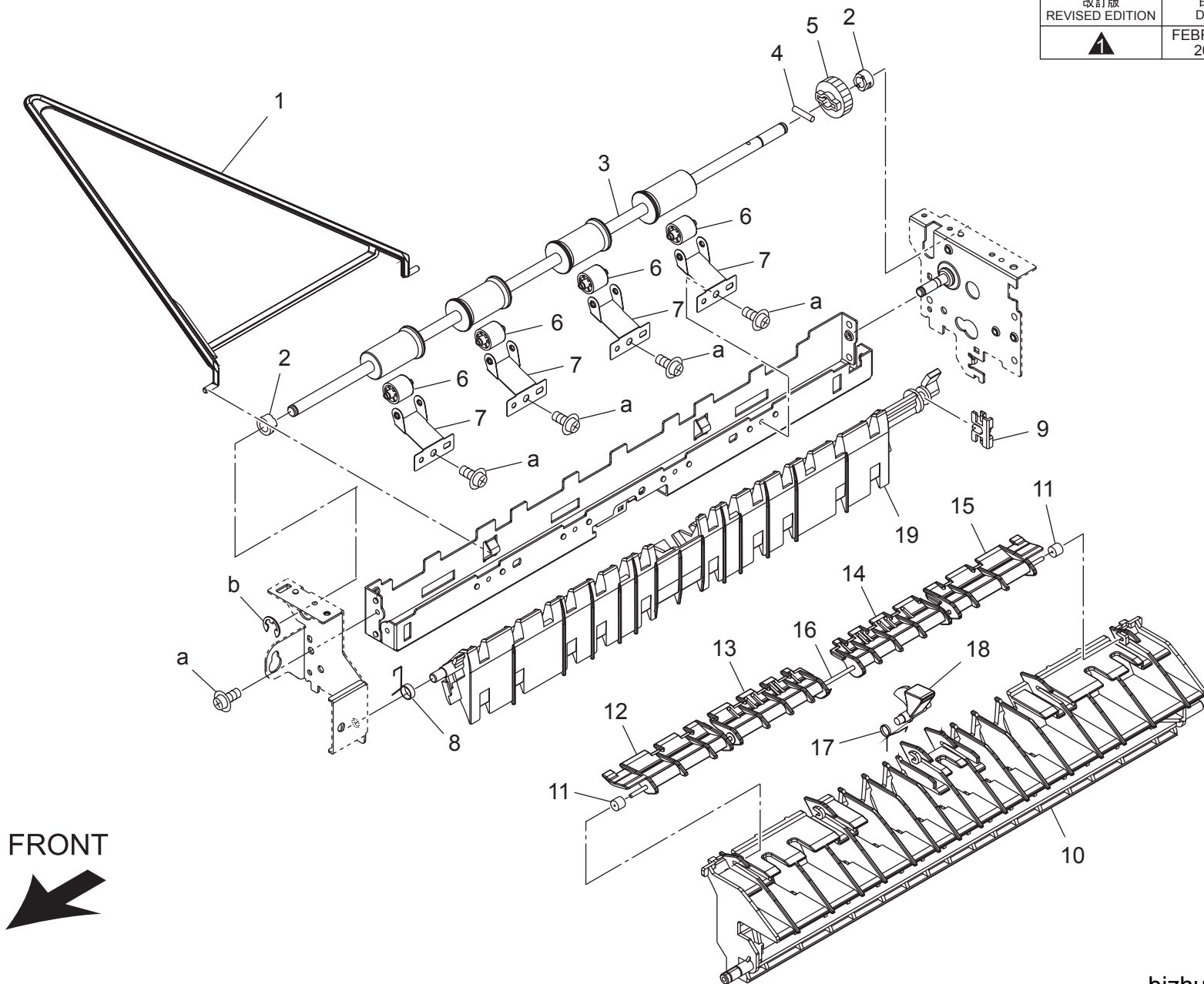
# TURNOVER UNIT

Key	Part No.	Description	Destinations	Class	QTY	Standard parts
1	50GA 4404 1	FAN COVER RIGHT	ファンカバー 右	D	1	a-9739 0310 14 b-9743 0308 14 c-9739 0306 14 d-4425 3001 01 e-9733 0308 14 f-9646 0306 14 g-9735 0306 14
2	50GA 4406 0	PAPER EXIT SUCTION FILTER	排紙サクシヨンフィルタ	A	1	
3	50GA 4405 0	FILTER COVER RIGHT	フィルタカバー 右	C	1	
4	4040 3833 02	NEUTRALIZING BRUSH	除電ブラシ	D	1	
5	4011 5852 02	SHOULDER SCREW	段ねじ	C	3	
6	9313 1100 33	FAN MOTOR	ファンモータ	C	2	
7	4030 3820 01	COVER	カバー	D	1	
8	50GA 4403 0	GUIDE PART RIGHT	ガイド部材 右	D	1	
9	50GA 4411 0	DUCT COVER CASING	ダクトカバーケーシング	D	2	
10	4030 3810 01	TENSION SPRING	引張コイルばね	C	1	
11	4030 3821 01	GEAR	ギヤ	C	1	
12	1200 2105 02	COLLAR	カラー	D	1	
14	9314 1200 91	MOTOR	パルスモータ	C	1	
15	4030 3805 02	GUIDE	ガイド	D	1	
16	4030 6824 01	WIRE HARNESS ASSY	ハーネス A S S Y	D	1	
17	4030 3834 01	EARTH GROUND	アース	C	1	
18	4037 0906 01	PHOTO INTERRUPTER	フォトインタラプター	B	1	
19	9321 2200 32	SOLENOID	直流ブランジャソレノイド	C	1	
20	50GA 4407 0	PAPER EXIT SEAL /1	排紙 シール / 1	C	4	
21	50GA 4402 0	MOUNTING STAY /RIGHT	取り付けステー / 右	D	1	
22	50GA 4410 0E	Paper exit Panel /Front	排紙 パネル / 前	D	1	

# TURNOVER UNIT

改訂版 REVISED EDITION	日付 DATE
	FEBRUARY 2007

P 38



FRONT



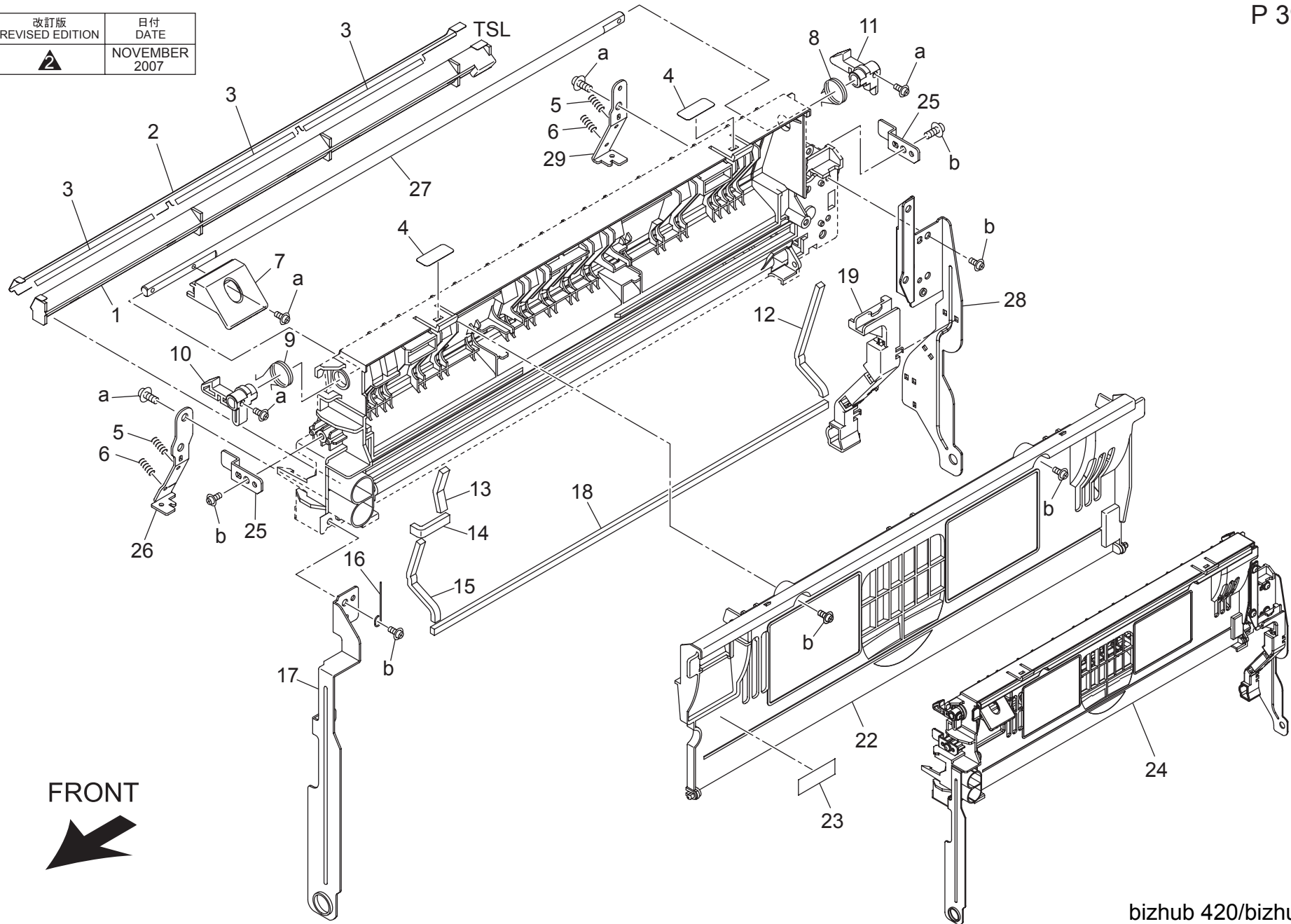


# TURNOVER UNIT

Key	Part No.	Description	Destinations	Class	QTY	Standard parts
1	4641 4504 02	GUIDE		D	1	a-9735 0306 14 b-4425 3001 01
2	1139 3169 01	BUSHING		C	2	
3	50GA 8601 00	Paper exit Roller /1		C	1	
4	4131 2536 02	PIN		C	1	
5	4030 3826 01	GEAR		C	1	
6	4426 4411 02	ROLL		C	4	
7	4030 3817 01	PLATE SPRING		C	4	
8	4030 3808 01	TORSION SPRING		C	1	
9	4030 3823 01	BUSHING		D	1	
10	4030 3806 02	GUIDE		D	1	
11	1134 3041 01	COLLAR		D	2	
12	4030 3811 01	GUIDE		D	1	
13	4030 3812 01	GUIDE		D	1	
14	4030 3813 01	GUIDE		D	1	
15	4030 3814 01	GUIDE		D	1	
16	4030 3829 01	SHAFT		D	1	
17	4030 3819 01	TORSION SPRING		C	1	
18	4030 3818 02	ACTUATOR		C	1	
19	4030 3807 03	GUIDE		D	1	

# CONVEYANCE UNIT

改訂版 REVISED EDITION	日付 DATE
	NOVEMBER 2007



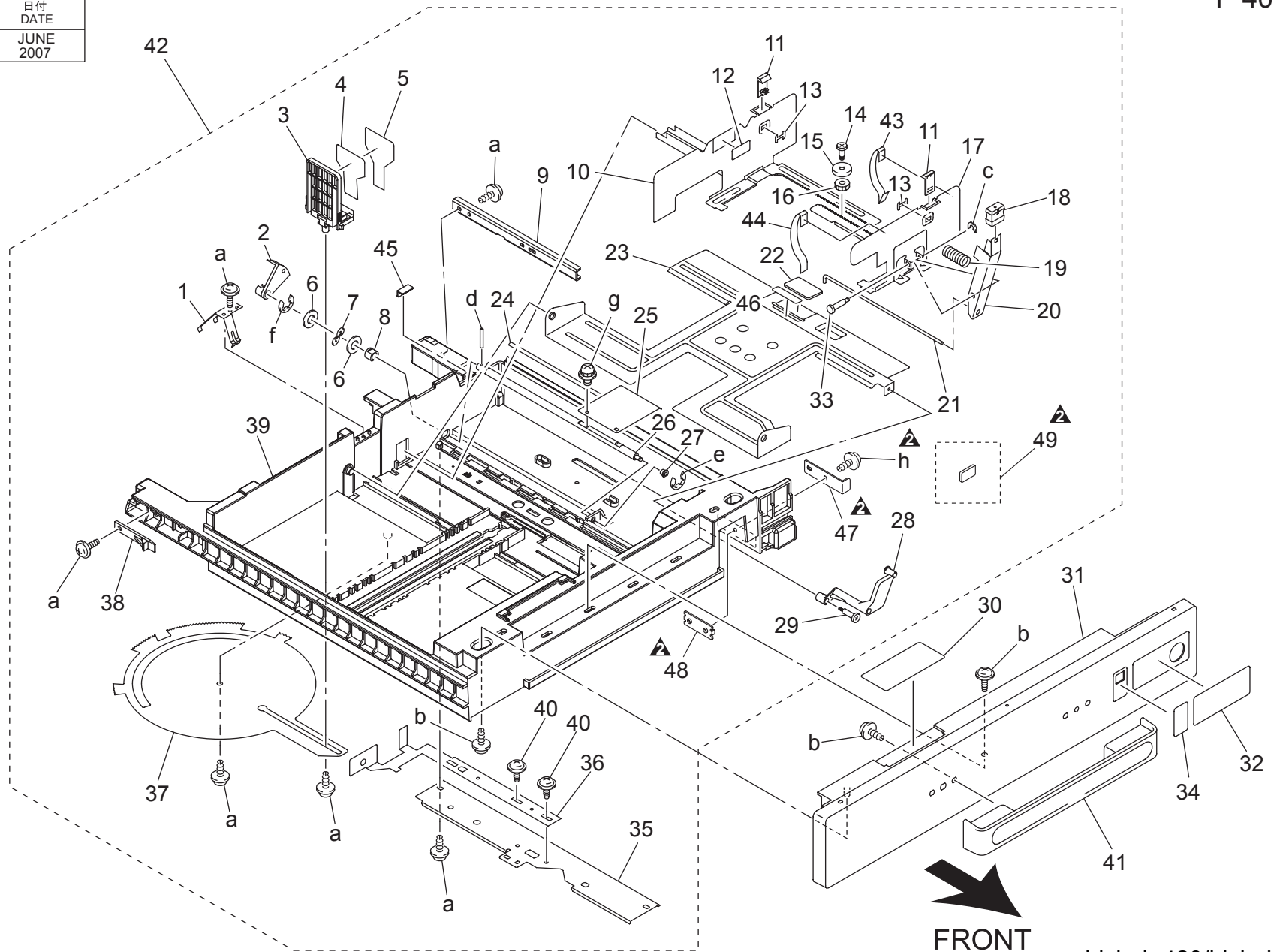
bizhub 420/bizhub 500

Key	Part No.	Description	Destinations	Class	QTY	Standard parts	
1	50GA -913 0	PTL	PTL	I	1	a-00Z1 9306 1 b-00Z2 5308 1	
2	50GA 4571 0	PTL LIGHT BLOCKING SHEET	PTL 遮光シート	C	1		
3	26NA 4552 0	STICKING PART	貼り部材	C	3		
4	50GA 4553 0	CONVEYANCE COVER SHEET	搬送カバーシート	C	2		
5	26NA 4549 0	LIFTING SPRING 2	持ち上げバネ 2	C	2		
6	26NA 4507 1	LIFT UP SPRING	持ち上げバネ	C	2		
7	50GA 4535 1	CONVEYANCE HANDLE	搬送把手	C	1		
8	50GA 4532 0	LOCK SPRING 1	ロックバネ 1	C	1		
9	50GA 4533 0	LOCK SPRING 2	ロックバネ 2	C	1		
10	50GA 4522 1	OPEN CLOSE LEVER 1	開閉レバー 1	C	1		
11	50GA 4531 1	OPEN CLOSE LEVER 2	開閉レバー 2	C	1		
12	50GA 4559 0	CONVEYANCE COVER PART 2	搬送カバー部材 2	D	1		
13	50GA 4575 0	CONVEYANCE COVER PART 5	搬送カバー部材 5	D	1		
14	50GA 4574 0	CONVEYANCE COVER PART 4	搬送カバー部材 4	D	1		
15	50GA 4573 0	CONVEYANCE COVER PART 3	搬送カバー部材 3	D	1		
16	50GA 4565 0	EARTH SHAFT 1	アース軸 1	D	1		
17	50GA 4527 0	CONVEYANCE SUPPORT PLATE 1	搬送支持板 1	D	1		
18	50GA 4558 0	CONVEYANCE COVER PART 1	搬送カバー部材 1	D	1		
19	50GA 4539 0	CORD COVER	コードカバー	D	1		
22	50GA -452 0	CONVEYANCE COVER ASSY	搬送カバー部組	D	1		
23	56UA 9792 0	HIGE VOLTAGE CAUTION LABEL	高圧注意ラベル	C	1		
24	50GA -450 0	CONVEYANCE UNIT	搬送ユニット	C	1		
25	26NA 4538 1	STOPPER PLATE	ストッパ板	D	2		
26	50GA 4509 0	EARTH PLATE	アース板	D	1		
27	50GA 4521 0D	Conveyance Open/close Shaft	搬送開閉軸	D	1		
28	50GA 4528 0	CONVEYANCE SUPPORT PLATE /2	搬送支持板 / 2	D	1		
29	50GA 4508 0	LIFTING PLATE	持ち上げ板	D	1		

# CASSETTE

改訂版 REVISED EDITION	日付 DATE
	JUNE 2007

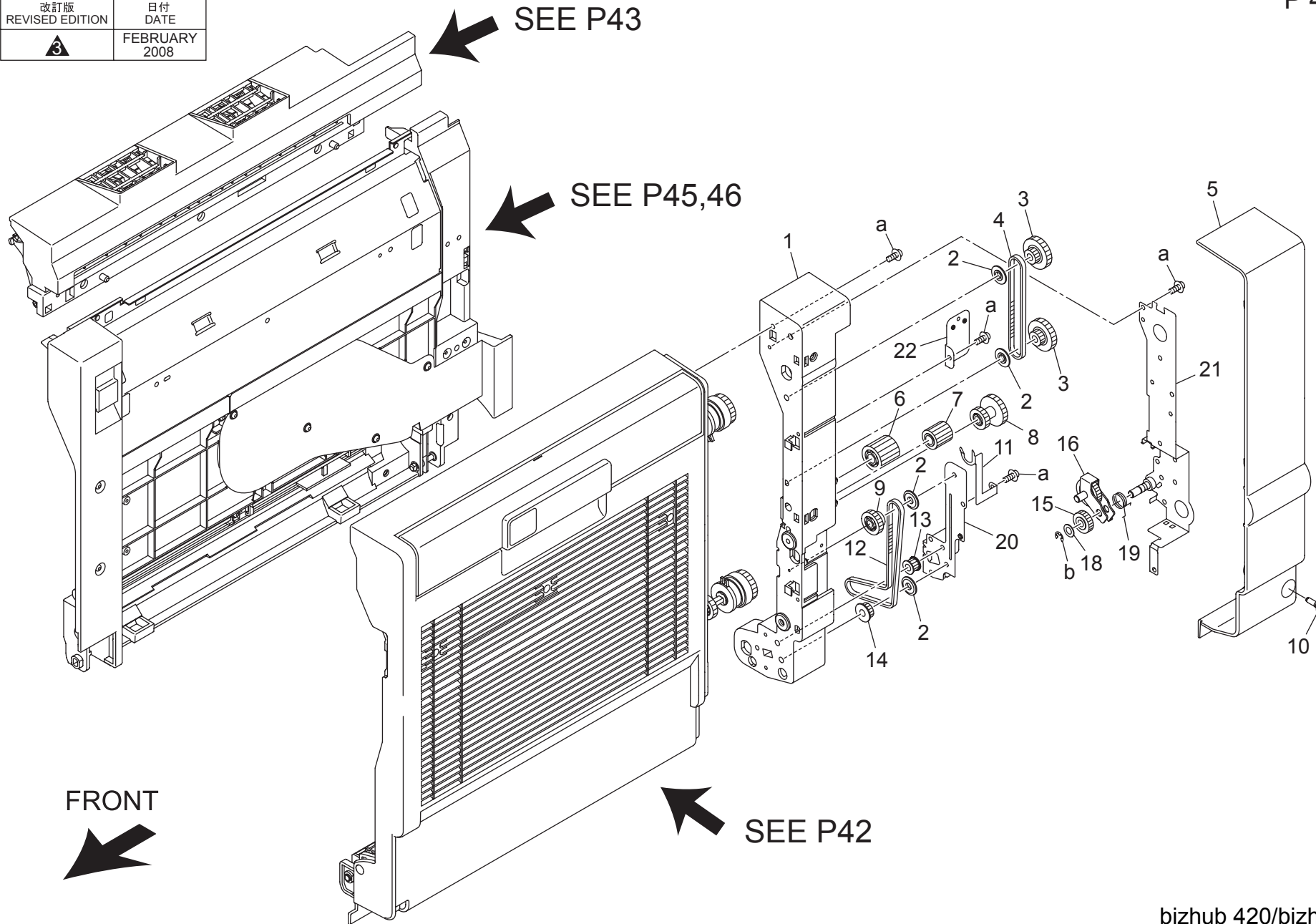
2 UNIT



Key	Part No.	Description	Destinations	Class	QTY	Standard parts
1	4030 3223 03	Earth ground		C	1	a-9739 0308 14
2	4030 3207 01	ACTUATOR		C	1	b-9739 0410 14
3	4037 3213 12	REGULATING PLATE		C	1	c-4425 3002 01
4	4030 3227 01	GUIDE		C	1	d-9754 3025 08
5	4030 3228 12	GUIDE		C	1	e-9721 0300 01
6	4011 3021 01	WASHER		C	2	f-9721 0600 01
7	4011 3020 01	WASHER		C	1	g-9646 0308 14
8	1274 3603 01	BUSHING		C	1	h-9735 0310 14
9	4030 3229 02	REINFORCE PLATE		D	1	
10	4030 3212 01	REGULATING PLATE		C	1	
11	4658 3048 01	GUIDE		C	2	
12	4002 7306 01	LABEL CARRYING CAPACITY		C	1	
13	4658 3049 01	STOPPER		C	2	
14	4030 3214 02	SHOULDER SCREW		C	1	
15	4030 3215 01	GUIDE		D	1	
16	4658 3012 01	GEAR 14T		C	1	
17	4030 3211 02	REGULATING PLATE		C	1	
18	4037 3204 01	KNOB		C	1	
19	4498 3825 01	PRESSURE SPRING		C	1	
20	4128 3823 01	LEVER		C	1	
21	4030 3217 01	SHAFT		D	1	
22	4030 3226 01	FRICITION SHEET		C	1	
23	4030 3203 01	LIFTING PLATE		C	1	
24	4030 3222 03	GUIDE		C	1	
25	4030 3206 01	LEVER		D	1	
26	4030 3205 01	SHAFT		D	1	
27	0992 3014 01	BUSHING		C	1	
28	4030 3221 01	LEVER		C	1	
29	4030 3224 02	SHOULDER SCREW		C	1	
30	4040 7304 01	LABEL PAPER SUPPLY		C	1	
31	4030 3202 02	FRONT COVER CASSETTE		C	1	
32	4030 7303 02	LABEL CASSETTE CNT 2		C	1	
32	4030 7302 02	LABEL CASSETTE CNT 1		C	1	
33	4498 3826 01	SHAFT		D	1	
34	4030 7301 02	LABEL NEAR EMPTY		C	1	
35	4030 3218 01	BRACKET		D	1	
36	4030 3216 01	BRACKET		D	1	
37	4002 3108 01	LEVER		C	1	
38	4498 3469 01	STOPPER		D	1	
39	4030 3201 09	Cassette		D	1	
40	4498 3834 01	SCREW		C	2	
41	4036 3025 01	HANDLE		C	1	
42	4040 0156 0D	CASSETTE ASSY		S	1	
43	50GA 4008 00	REGULATING PART /A		D	1	
44	50GA 4009 00	REGULATING PART /B		D	1	
45	4030 P002 00	SPACER		C	1	
46	A00J 6234 00	FRICITION PLATE		C	1	
47	4030 6214 00	Stopper		C	1	
48	4030 6215 00	Plate nut		C	1	
49	4030 3238 00	STOPPER		C	1	

# AUTO DUPLEX UNIT

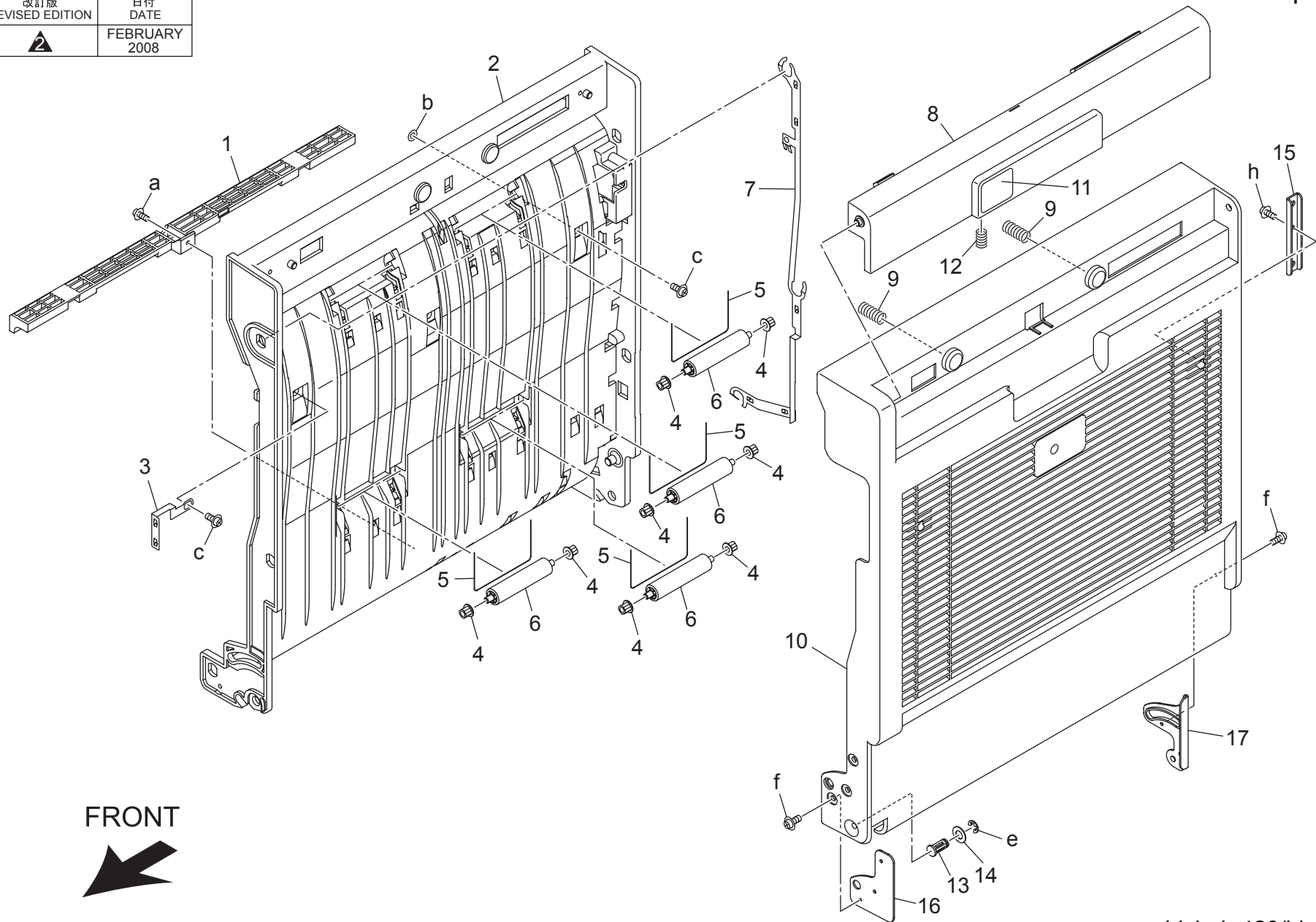
改訂版 REVISED EDITION	日付 DATE
3	FEBRUARY 2008



Key	Part No.	Description	Destinations	Class	QTY	Standard parts
1	50GA 5031 0	ADU DRIVE MAIN BODY	A D U 駆動本体	D	1	a-9739 0308 14 b-4425 3001 01 c-4030 3710 01
2	4030 3749 01	COLLAR	カラー	C	4	
3	4030 3748 01	PULLEY	プーリ	C	2	
4	50GA 5016 0	ADU DRIVE BELT UPPER 213L	A D U 駆動ベルト 上 2 1 3 L	C	1	
5	50GA 5037 0	DRIVE COVER MAIN BODY	駆動カバー本体	D	1	
6	4030 3726 01	GEAR	ギヤ	C	1	
7	4030 3713 01	GEAR	ギヤ	C	1	
8	4030 3725 01	GEAR	ギヤ	C	1	
9	4030 3744 01	PULLEY	プーリ	C	1	
10	4030 3710 01	SHOULDER SCREW	段ねじ	C	1	
11	4030 3734 01	EARTH GROUND	アース	C	1	
12	50GA 5017 0	ADU DRIVE BELT LOWER 312L	A D U 駆動ベルト 下 3 1 2 L	C	1	
13	4657 3714 01	ROLL	ころ	C	1	
14	4030 3745 01	PULLEY	プーリ	C	1	
15	50GA 5058 00	INPUT GEAR /1	入力歯車 / 1	C	1	
16	50GA -520 0	DRIVE PLATE 2CAULKING	駆動プレート / 2 カシメ	C	1	
18	50GA 5061 00	ROTATION SPACER	回転スペーサ	C	1	
19	4030 3733 03	TORSION SPRING	ねじりコイルばね	C	1	
20	50GA 5033 0	ADU DRIVE PLATE /2	A D U 駆動板 / 2	D	1	
21	50GA -519 0	DRIVE PLATE/1 CAULKING	駆動プレート / 1 カシメ	D	1	
22	50GA 5012 0	ADU SUPPORT PLATE	A D U 支持板	D	1	

# AUTO DUPLEX UNIT

改訂版 REVISED EDITION	日付 DATE
	FEBRUARY 2008



FRONT

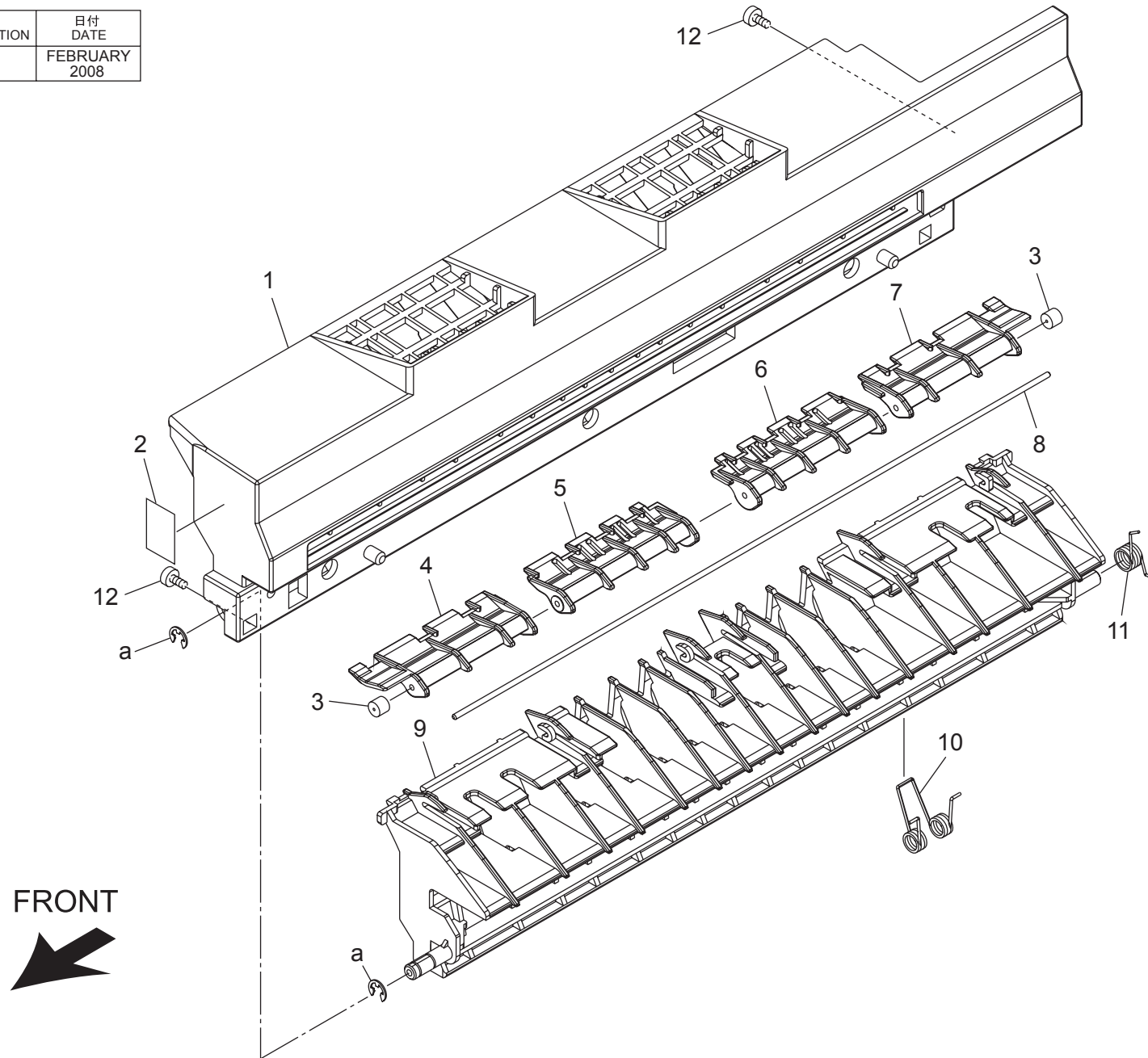




Key	Part No.	Description	Destinations	Class	QTY	Standard parts
1	4030 3703 01	GUIDE		D	1	a-9739 0308 14 b-00ZA B000 1 c-00Z3 0410 1 e-00Z6 7040 6 f-00Z1 8304 1 g-00Z2 5304 1 h-00Z2 5306 1
2	50GA 5029 0F	ADU MAIN BODY		D	1	
3	4030 3735 01	EARTH GROUND		C	1	
4	50GA 5001 0	SHAFT ROLLER PART		C	8	
5	4497 3114 01	MEMBER		C	4	
6	4497 3116 01	ROLL		C	4	
7	50GA 5035 0	ADU EARTH PLATE 2		C	1	
8	4030 3751 02	LEVER		C	1	
9	4030 3755 01	PRESSURE SPRING		C	2	
10	50GA 5030 0E	ADU COVER PLATE		D	1	
11	4030 3754 01	LABEL		C	1	
12	4661 3106 01	PRESSURE SPRING		C	1	
13	4661 3150 01	PIN		D	1	
14	4661 3155 01	WASHER		D	1	
15	50GA 5057 0	REINFORCE PLATE /2		D	1	
16	50GA 5055 0	REINFORCE PLATE /1		D	1	
17	50GA -521 0	DOOR HINGE		C	1	

# AUTO DUPLEX UNIT

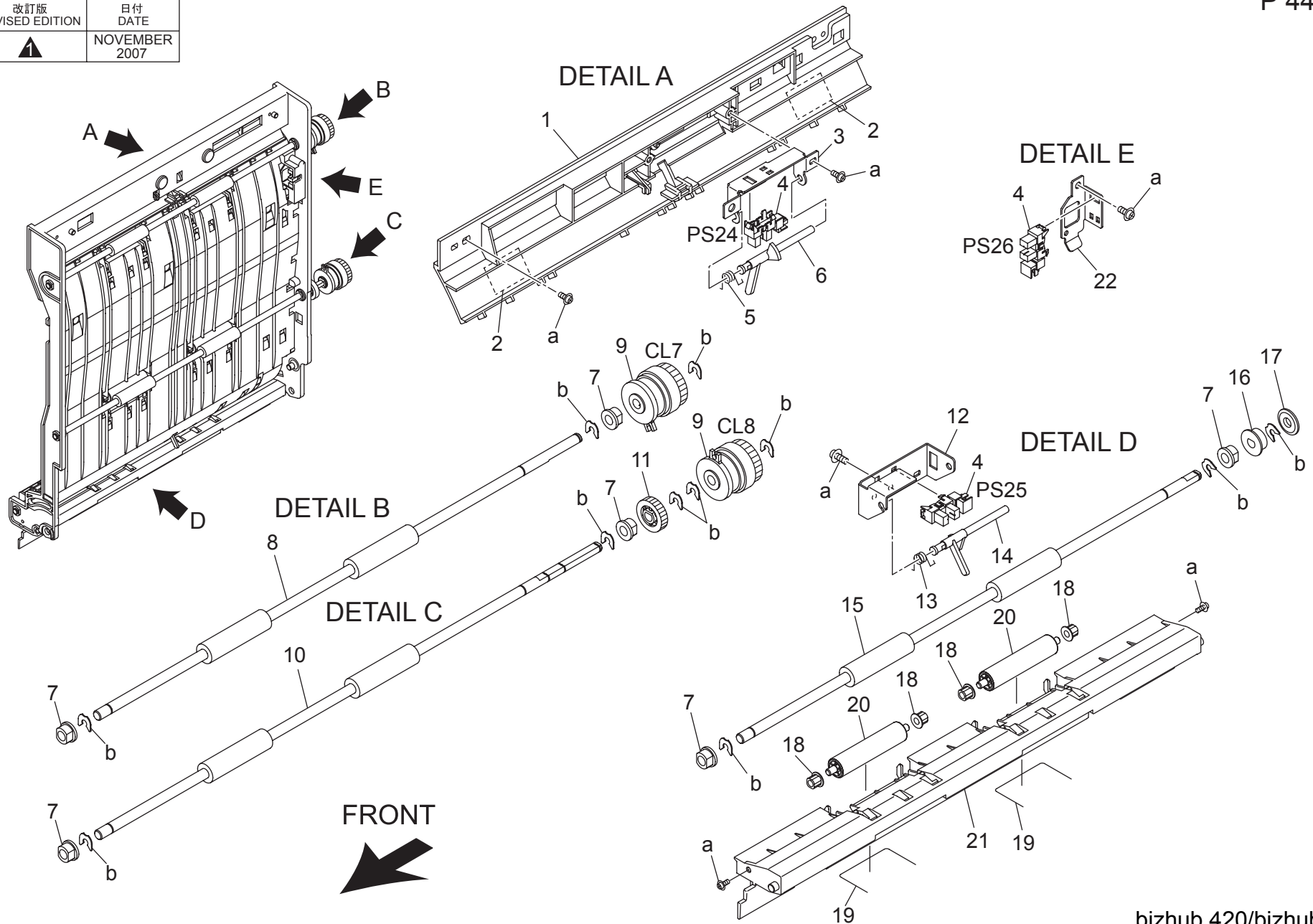
改訂版 REVISED EDITION	日付 DATE
	FEBRUARY 2008



Key	Part No.	Description	Destinations	Class	QTY	Standard parts
1	50GA 5036 0	ENTRANCE GUIDE MAIN BODY	入口ガイド本体	D	1	a-4425 3001 01
2	4030 7342 01	LABEL	ラベル	D	1	
3	1134 3041 01	COLLAR	カラー	D	2	
4	4030 3811 01	GUIDE	ガイド	D	1	
5	4030 3812 01	GUIDE	ガイド	D	1	
6	4030 3813 01	GUIDE	ガイド	D	1	
7	4030 3814 01	GUIDE	ガイド	D	1	
8	4030 3829 01	SHAFT	シャフト	D	1	
9	4030 3806 02	GUIDE	ガイド	D	1	
10	4030 3825 02	TORSION SPRING	ねじりコイルばね	C	1	
11	4030 3824 01	TORSION SPRING	ねじりコイルばね	C	1	
12	4011 5852 02	SHOULDER SCREW	段ねじ	C	2	

# AUTO DUPLEX UNIT

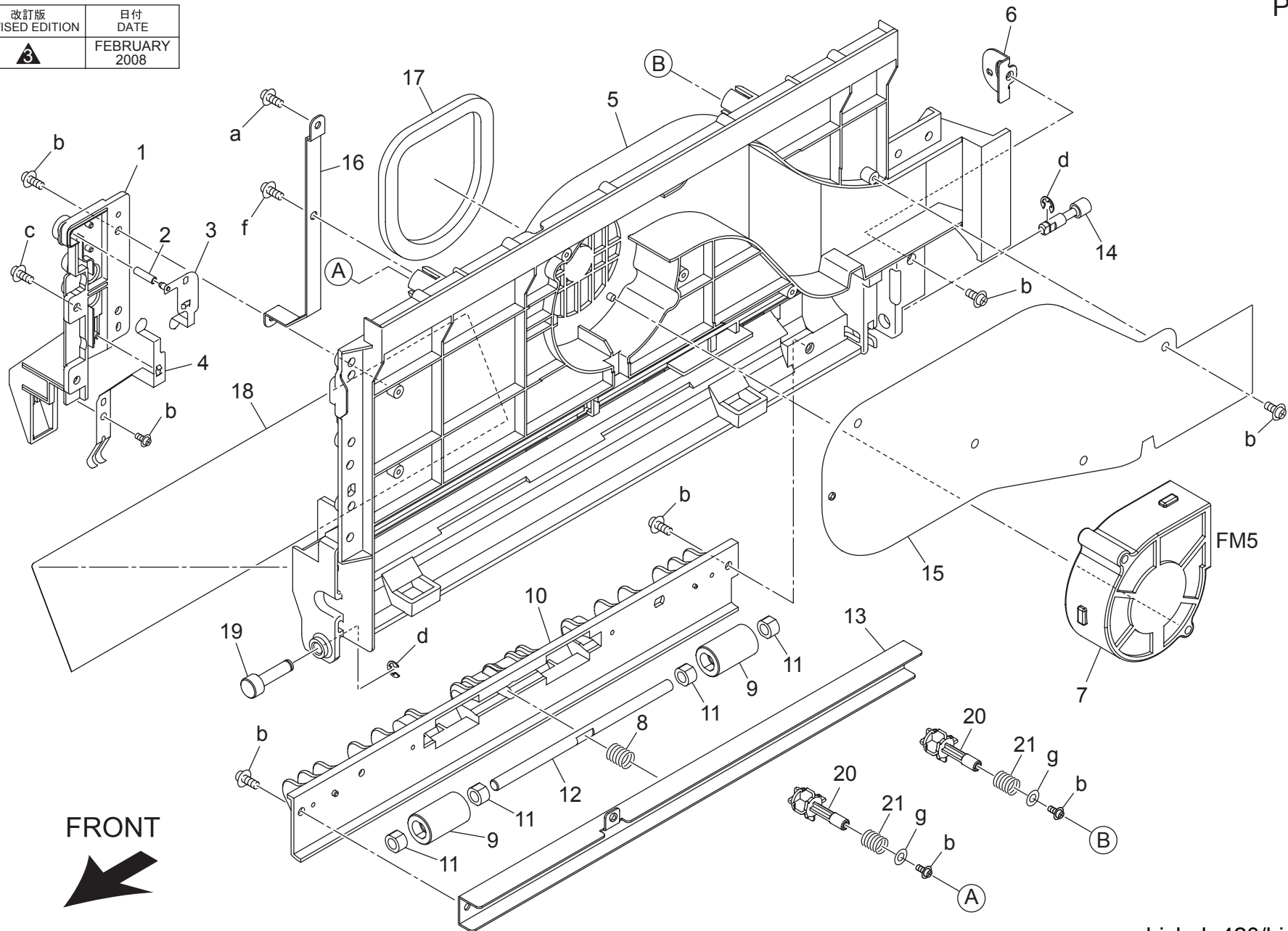
改訂版 REVISED EDITION	日付 DATE
	NOVEMBER 2007



Key	Part No.	Description	Destinations	Class	QTY	Standard parts
1	4030 3706 12	GUIDE		D	1	a-9739 0308 14 b-4425 3001 01
2	4030 3760 01	GUIDE		C	2	
3	4030 3739 01	BRACKET		D	1	
4	9335 1300 61	PHOTO INTERRUPTER		B	3	
5	4030 3738 03	TORSION SPRING		C	1	
6	4030 3737 01	ACTUATOR		C	1	
7	0928 3033 01	BUSHING		C	6	
8	4030 3707 01	ROLLER		C	1	
9	50GA 8203 0	ADU CLUTCH		C	2	
10	4030 3708 01	ROLLER		C	1	
11	4030 3743 02	GEAR		C	1	
12	4030 3742 01	BRACKET		D	1	
13	4030 3741 03	TORSION SPRING		C	1	
14	4030 3740 01	ACTUATOR		C	1	
15	4030 3709 01	ROLLER		C	1	
16	4030 3750 01	PULLEY		C	1	
17	4030 3749 01	COLLAR		C	1	
18	50GA 5001 0	SHAFT ROLLER PART		C	4	
19	4497 3114 01	MEMBER		C	2	
20	4497 3116 01	ROLL		C	2	
21	50GA 5038 0	ADU PAPER EXIT PLATE		D	1	
22	50GA 5041 0	FIXING PLATE		D	1	

# AUTO DUPLEX UNIT

改訂版 REVISED EDITION	日付 DATE
	FEBRUARY 2008



FRONT

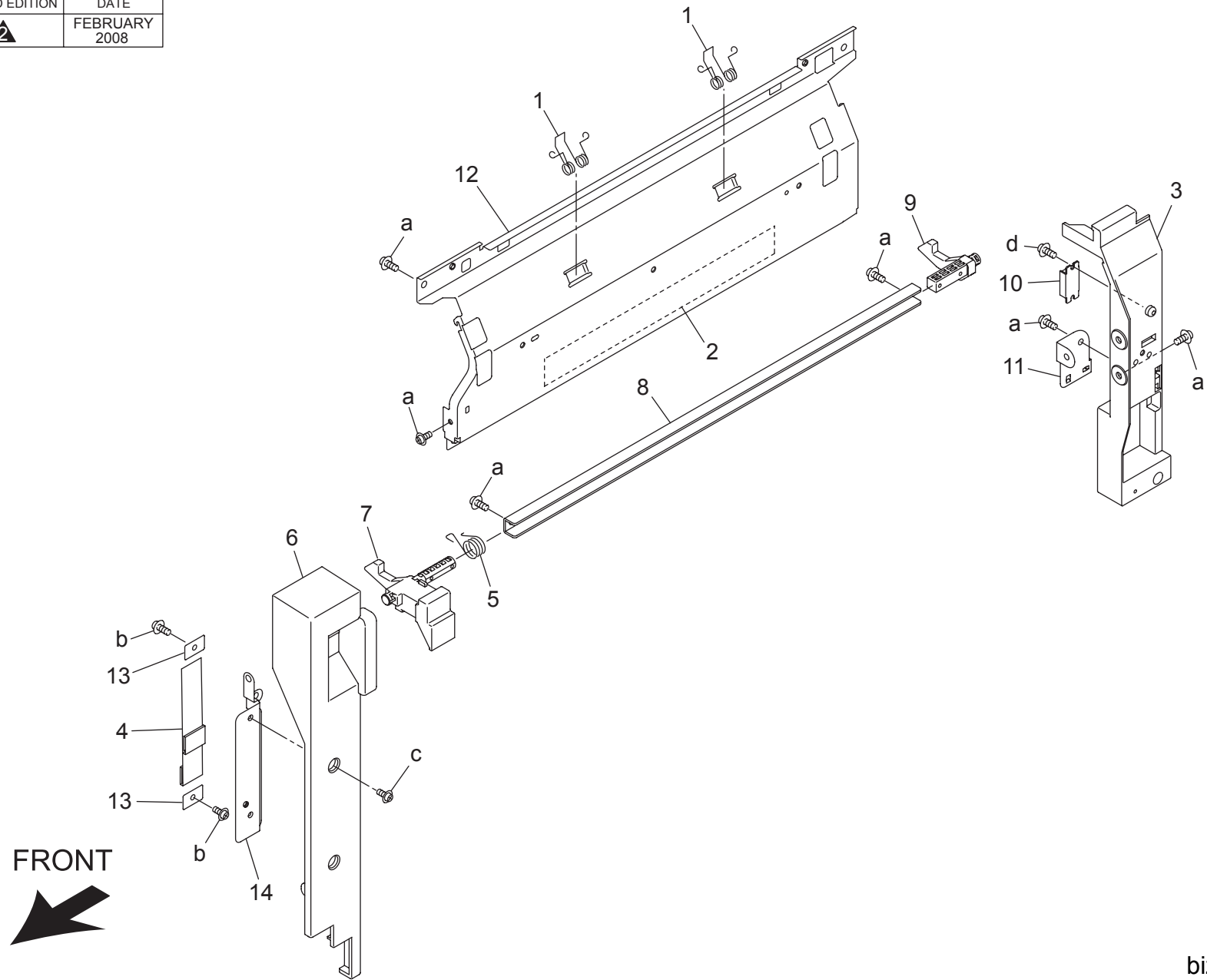


# AUTO DUPLEX UNIT

Key	Part No.	Description	Destinations	Class	QTY	Standard parts
1	50GA 5053 0	HV CASING		C	1	a-00Z1 9306 1 b-9739 0308 14 c-00Z2 5312 1 d-00Z6 7040 6 e-9735 0308 14 f-00Z1 6314 1 g-00Z6 1040 1
2	50GA 5047 0E	HV POWER SUPPLY SPRING		C	1	
3	50GA -513 0	SHAFT SUPPORTING PLATE		C	1	
4	50GA 5051 0	TRANSFER POWER SUPPLY PLATE		C	1	
5	50GA 5002 0	DUCT COVER MAIN BODY		D	1	
6	50GA 5048 0	DUCT SUPPLY PLATE		D	1	
7	9313 1100 33	FAN MOTOR		C	1	
8	50GA 5040 0	PAPER FEED CONVEYANCE SPRING		C	1	
9	26NA 4256 0	BY PASS FEED DRIVEN ROLLER		C	2	
10	50GA 5006 0	ADU PAPER EXIT PLATE		D	1	
11	25AA 7553 0	SLIDE SHAFT HOLDER		C	4	
12	50GA 5008 0	PAPER FEED IDLER SHAFT		D	1	
13	50GA 5007 0	CONVEYANCE SUPPORT PLATE		D	1	
14	50GA 5011 0	ADU CONNECTING SHAFT		D	1	
15	50GA 5003 0	DUCT COVER PLATE		D	1	
16	50GA 5049 0	CONVEYANCE CONNECTING PLATE		D	1	
17	50GA 5010 0	DUCT CONNECTING PART		D	1	
18	50GA 5056 0E	Conveyance Guide Sheet		C	1	
19	50GA 5043 0	ADU SUPPORT SHAFT		D	1	
20	50GA 4570 0	CONVEYANCE PRESSING PART		C	2	
21	50GA 4572 0	CONVEYANCE PRESSING SPRING		C	2	

# AUTO DUPLEX UNIT

改訂版 REVISED EDITION	日付 DATE
	FEBRUARY 2008





# AUTO DUPLEX UNIT

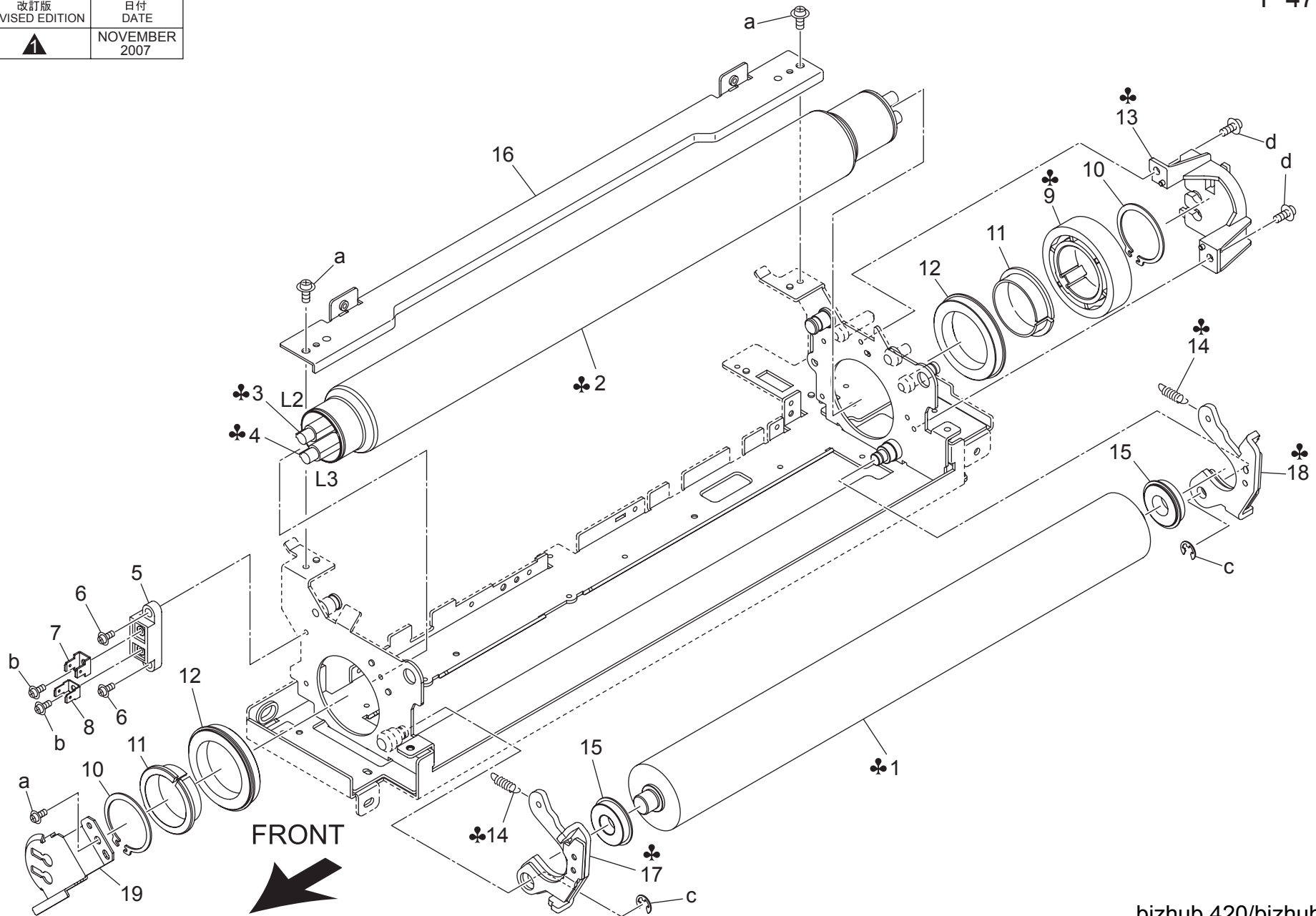
Key	Part No.	Description	Destinations	Class	QTY	Standard parts
1	50GA 5045 0	FIXING PRESSING SPRING		C	2	a-9739 0308 14 b-9735 0306 14 c-00Z3 8306 1 d-9732 0308 14
2	50GA 9746 0	HIGH TEMP CAUTION LABEL		C	1	
3	50GA 5004 1F	ADU DOOR /REAR		C	1	
4	50GA 5015 0	ADU OPEN CLOSE BELT		C	1	
5	50GA 5062 00	LOCK SPRING		C	1	
6	50GA 5005 0	ADU DOOR FRONT		C	1	
7	4030 2021 02	PAWL		C	1	
8	4030 2023 01	BRACKET		D	1	
9	4030 2022 01	PAWL		C	1	
10	40AA 3229 0	MAGNET CATCH		C	1	
11	50GA 5027 0	ADU EARTH PLATE 1		C	1	
12	50GA 5028 0	FIXING COVER PLATE		D	1	
13	50GA 5014 0	BELT REINFORCE PLATE		D	2	
14	50GA 5009 0	ADU REINFORCE PLATE		D	1	

bizhub 420/bizhub 500

# FIXING UNIT

P 47

改訂版 REVISED EDITION	日付 DATE
	NOVEMBER 2007

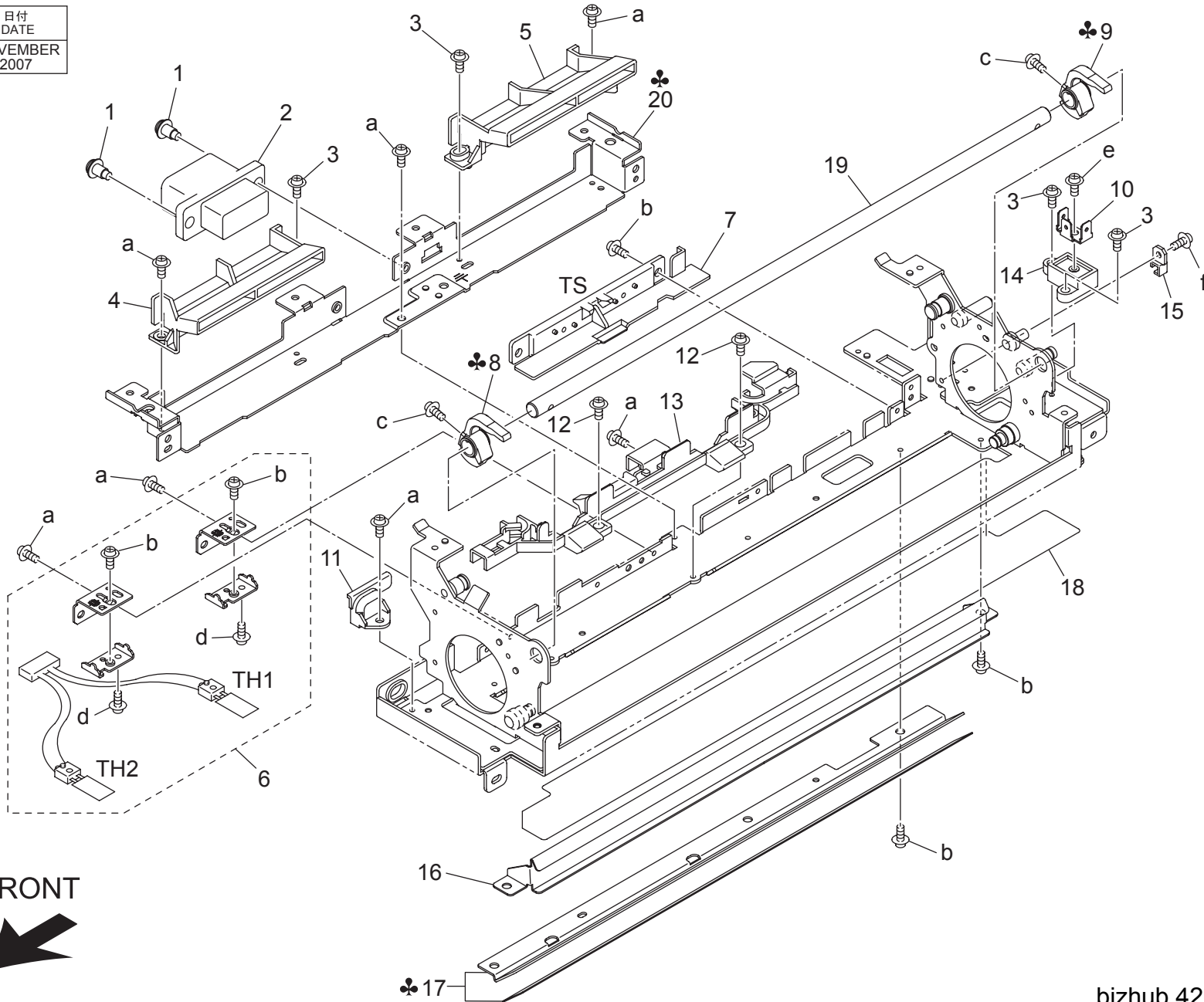


bizhub 420/bizhub 500

Key	Part No.	Description	Destinations	Class	QTY	Standard parts
1	50GA 5304 0	FIXING ROLLER LOWER 定着 ローラ/下	B,C,D1,D3,E,F1,F2,G1,G 2,H,I,J,K,{bizhub 500} A	A	1	a-00Z1 9304 1 b-00Z1 5306 1 c-00Z6 7040 6 d-00Z1 6306 1
1	42GA 5304 0	FIXING ROLLER LOWER 定着 ローラ/下	{bizhub 420}A	A	1	
2	50GA 5303 0	FIXING ROLLER UPPER 定着 ローラ/上	{bizhub 420}B,C,D1,D3, E,F1,F2,G1,G2,H,I,J,K, {bizhub 500}A	A	1	
2	50GE 5303 0	FIXING ROLLER UPPER 定着 ローラ/上	{bizhub 500}B,C,D1,D3, E,F1,F2,G1,G2,H,I,J,K {bizhub 420}A	A	1	
3	50GA M32A 00	FIXING HEATER /1 定着ヒータ /1	A	I	1	
3	50GE 8302 1	FIXING HEATER 1 定着ヒータ 1	B,G2,H	I	1	
3	50GF 8302 1	FIXING HEATER 1 定着ヒータ 1	C,D1,D3,E,F2,G1,I,J,K	I	1	
3	50GS 8302 0	FIXING HEATER 1 定着 ヒーター /1	F1	I	1	
4	50GA M33A 00	FIXING HEATER /2 定着ヒータ /2	A	I	1	
4	50GE 8303 1	FIXING HEATER 2 定着ヒータ 2	B,G2,H	I	1	
4	50GF 8303 1	FIXING HEATER 2 定着ヒータ 2	C,D1,D3,E,F2,G1,I,J,K	I	1	
4	50GS 8303 0	FIXING HEATER 2 定着 ヒーター /2	F1	I	1	
5	26NA 5377 0	TERMINAL PEDESTAL A 端子台 A		D	1	
6	26NA 5423 0	TERMINAL FIXING SCREW 端子固定ネジ		C	2	
7	26NA 5374 0	TERMINAL PLATE A 端子板 A		D	1	
8	40AA 5347 0	TERMINAL PLATE 1 端子板 1		D	1	
9	50GA 5406 0	FIXING GEAR 46T 定着歯車 4 6 T	B,C,D1,D3,E,F1,F2,G1,G 2,H,I,J,K,{bizhub 500} A	B	1	
9	42GA 5406 0	FIXING GEAR 39T 定着歯車 3 9 T	{bizhub 420}A	B	1	
10	26NA 5362 0	FIXING FIXED PART 定着固定部材		C	2	
11	26NA 5372 0	HEAT INSULATING SLEEVE A 断熱スリーブ A		A	2	
12	26NA 5371 2	BALL BEARING 定着 軸受 上		A	2	
13	50GA 5390 0	LAMP SUPPORT PART REAR ランプ支持部材 奥	B,C,D1,D3,E,F1,F2,G1,G 2,H,I,J,K,{bizhub 500} A	C	1	
13	42GA 5390 0	LAMP SUPPORT PART REAR ランプ支持部材 奥	{bizhub 420}A	C	1	
14	50GA 5360 0	PRESSURE SPRING 圧着バネ	B,C,D1,D3,E,F1,F2,G1,G 2,H,I,J,K,{bizhub 500} A	C	2	
14	42GA 5360 0	PRESSURE SPRING 圧着バネ	{bizhub 420}A	C	2	
15	50GA 5359 0	FIXING BEARING LOWER 定着 軸受/下		A	2	
16	50GA 5454 0	REINFORCE STAY 補強ステー		D	1	
17	50GA 5307 0	PRESSING ARM /FRONT 押圧アーム/前	B,C,D1,D3,E,F1,F2,G1,G 2,H,I,J,K,{bizhub 500} A	C	1	
17	42GA 5307 0	PRESSING ARM /FRONT 押圧アーム/前	{bizhub 420}A	C	1	
18	50GA 5308 0	PRESSING ARM /REAR 押圧アーム/奥	B,C,D1,D3,E,F1,F2,G1,G 2,H,I,J,K,{bizhub 500} A	C	1	
18	42GA 5308 0	PRESSING ARM /REAR 押圧アーム/奥	{bizhub 420}A	C	1	
19	50GA 5389 0	LAMP SUPPORT PART /FRONT ランプ支持部材/前		D	1	

# FIXING UNIT

改訂版 REVISED EDITION	日付 DATE
	NOVEMBER 2007



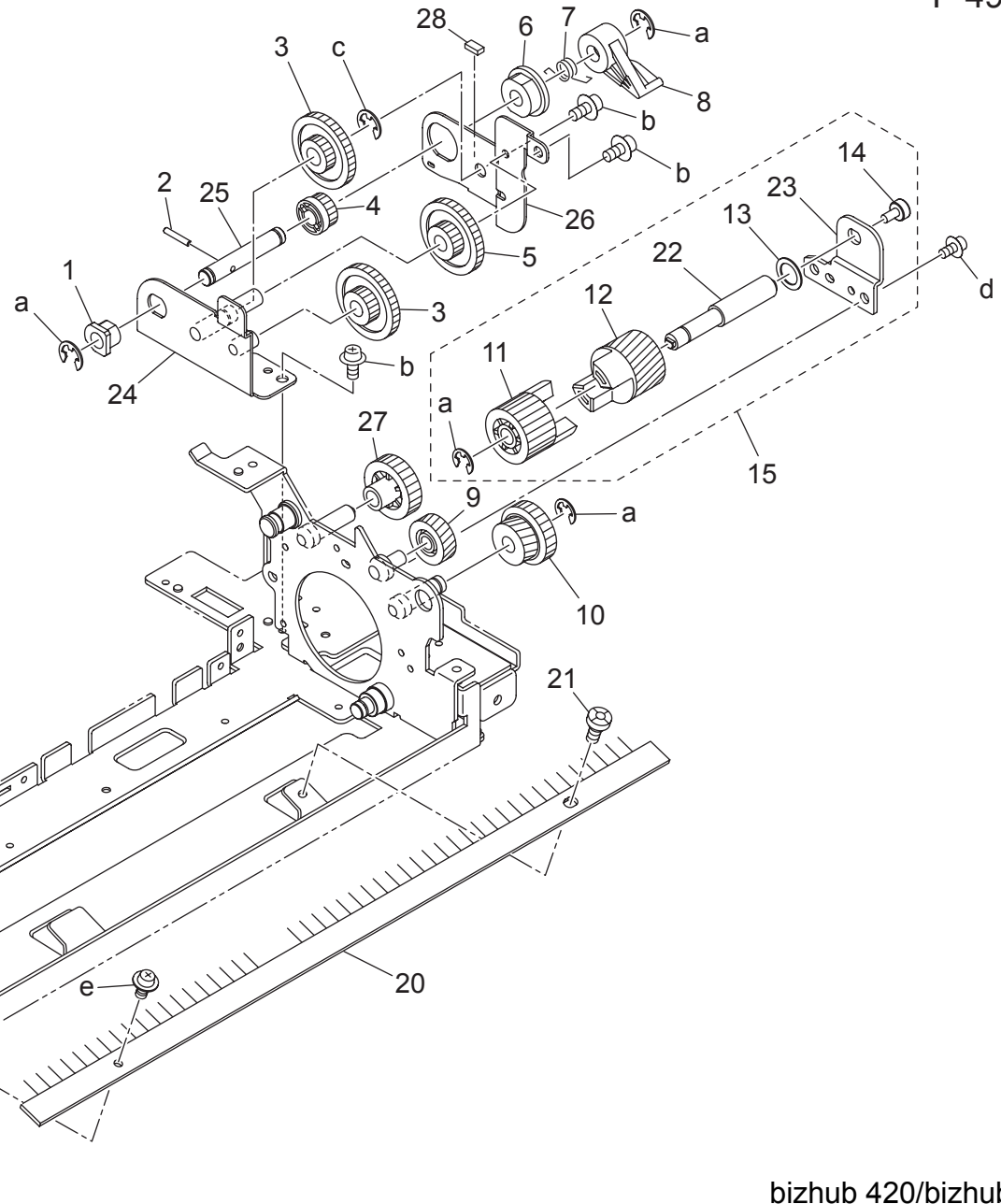
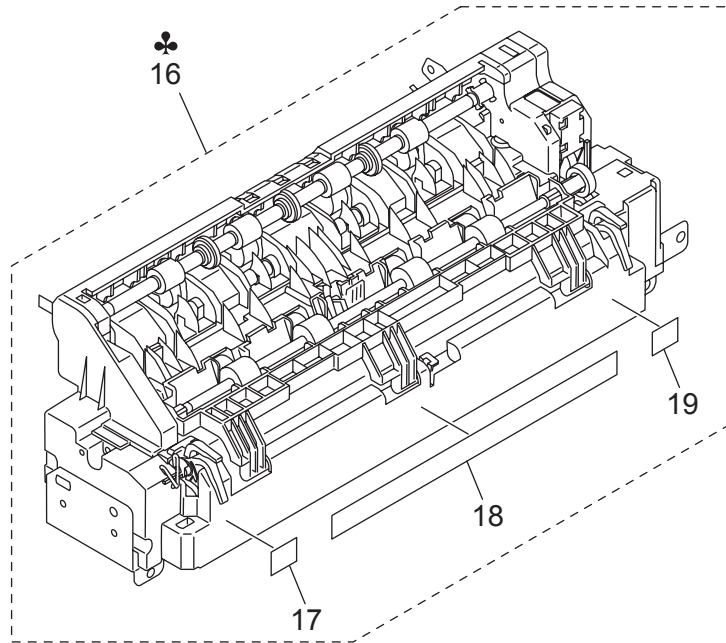
FRONT



Key	Part No.	Description	Destinations	Class	QTY	Standard parts
1	26NA 5403 0	MOUNT SCREW		C	2	a-00Z1 9304 1
2	50GA 9005 1	FIXING POWER SUPPLY WIRING		D	1	b-00Z1 6306 1
3	26NA 5423 0	TERMINAL FIXING SCREW		C	4	c-00Z1 8406 1
4	50GA 5452 0	ROLLER COOLING DUCT FRONT		D	1	d-00Z1 6310 1
5	50GA 5453 0	ROLLER COOLING DUCT REAR		D	1	e-00Z1 5306 1 f-00Z1 1304 1
6	50GA -544 0	FIXING SENSOR ASSY		A	1	
7	SP00 -011 2	FUSE MOUNTING PLATE ASSY 26NA 535		A	1	
8	50GA 5451 0	RELEASE LEVER FRONT		C	1	
8	42GA 5451 0	RELEASE LEVER FRONT		C	1	
9	50GA 5474 0	RELEASE LEVER REAR		C	1	
9	42GA 5474 0	RELEASE LEVER REAR		C	1	
10	26NA 5428 0	TERMINAL PLATE		D	1	
11	50GA 5494 0	COVER PART		C	1	
12	40LA 5443 0	TERMINAL FIXING SCREW 2		C	2	
13	50GA 5405 0	WIRING GUIDE PART B		D	1	
14	50GA 5378 0	TERMINAL PEDESTAL B		C	1	
15	26NA 5321 1	WIRING GUIDE PART A		D	1	
16	50GA 5365 1E	FIXING ENTRANCE PLATE		D	1	
17	50GA -548 0	FIXING ENTRANCE PLATE 2 ASSY		C	1	
17	42GA -548 0	FIXING ENTRANCE PLATE 2 ASSY		C	1	
18	50GA 5336 0	FIXING INSULATING SHEET C		D	1	
19	50GA 5442 0	FIXING PRESSING STOPPER		D	1	
20	50GA 5450 0	CLEANER SUPPORT PART /2		D	1	
20	42GA 5450 0	CLEANER SUPPORT PART /2		D	1	

# FIXING UNIT

改訂版 REVISED EDITION	日付 DATE
 4	FEBRUARY 2008



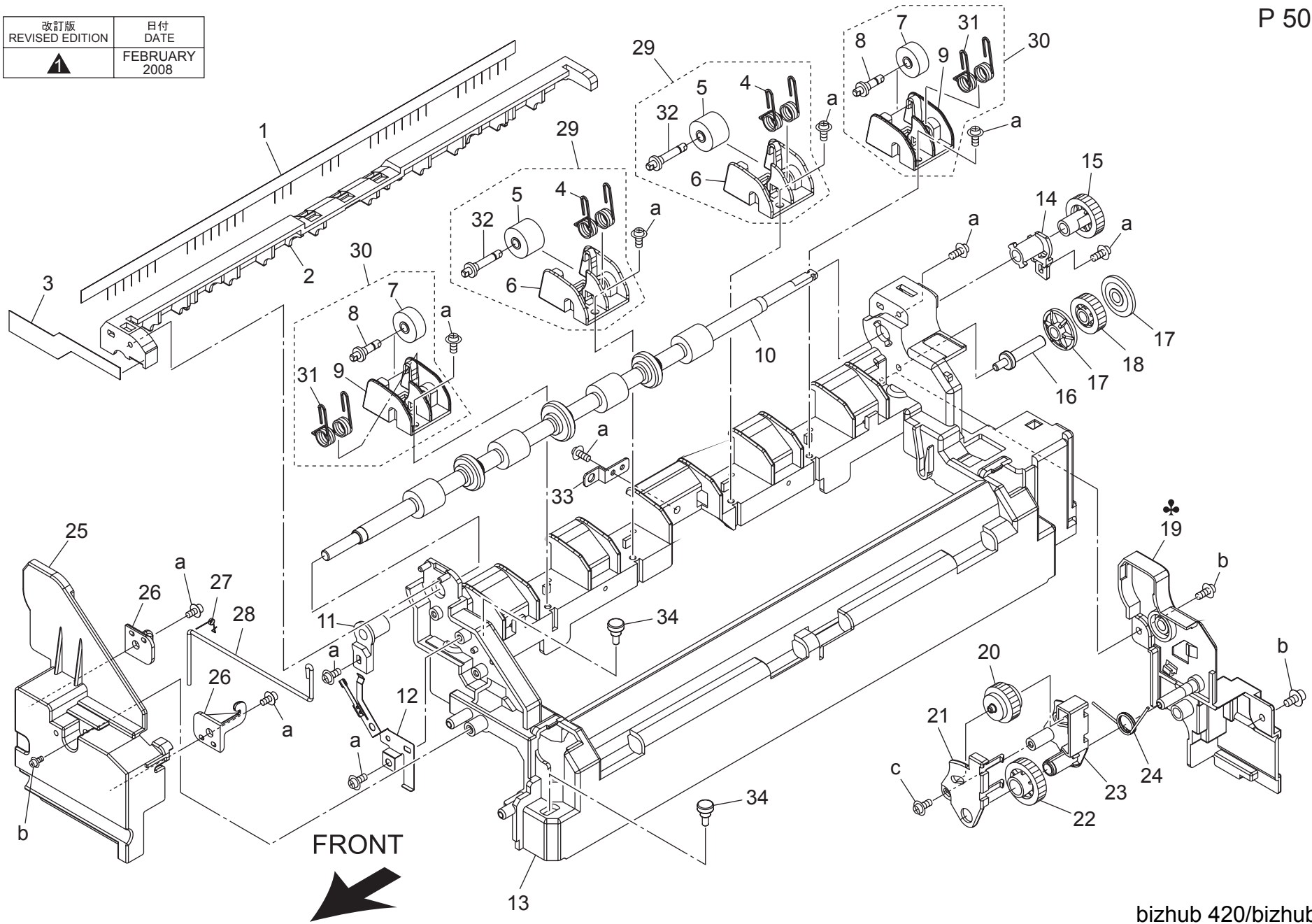
FRONT  


Key	Part No.	Description	Destinations	Class	QTY	Standard parts
1	1921 4171 0	PAPER LIFT UP LEVER BUSHING		B	1	a-00Z6 7040 6 b-00Z1 9304 1 c-00Z6 7050 6 d-00Z1 6306 1 e-00Z1 6306 1
2	4660 7801 0	PIN A D2X10		B	1	
3	26NA 5429 0	FIXING DRIVING GEAR D 18T 44T		B	2	
4	26NA 5346 0	CLEANER GEAR A 18T		C	1	
5	50GA 5429 0	FIXING DRIVE GEAR D 44T 14T		B	1	
6	26NA 5384 0	FIXING CLEANER SHAFT HOLDER C		C	1	
7	26NA 5329 0	LEVER SPRING		C	1	
8	50GA 5404 0	FIXING CLEANING LEVER		C	1	
9	50GA 5470 0	FIXING IDLING GEAR B 15T		B	1	
10	50GA 5469 0	FIXING IDLING GEAR A 14T 20T		B	1	
11	50GA 5473 0 Old	FIXING INPUT GEAR 2 19T		B	1	
11	50GA 5473 1E	FIXING INPUT GEAR /2 19T		B	1	
12	50GA 5493 0 Old	FIXING INPUT GEAR 19T		B	1	
12	50GA 5493 1E	FIXING INPUT GEAR 19T		B	1	
13	50GA 7296 00	FUSING SPACER		C	1	
14	50GA 5485 0	GEAR REGULATING SHAFT		D	1	
15	50GA -546 1	FIXING INPUT GEAR ASSY		A	1	
16	50GA -530 0	FIXING UNIT	{bizhub 500}A	I	1	
16	50GE -530 0	FIXING UNIT	{bizhub 500}B,G2,H	I	1	
16	50GF -530 0	FIXING UNIT	{bizhub 500}C,D1,D3,E, F2,G1,I,J,K	I	1	
16	42GA -530 0	FIXING UNIT	{bizhub 420}A	I	1	
16	42GE -530 0	FIXING UNIT	{bizhub 420}B,G2,H	I	1	
16	42GF -530 0	FIXING UNIT	{bizhub 420}C,D1,D3,E, F2,G1,I,J,K	I	1	
16	50GS -530 0	FIXING UNIT	{bizhub 500}F1	I	1	
16	42GS -530 0	FIXING UNIT	{bizhub 420}F1	I	1	
17	50GA 9747 0	LEVER INDICATING LABEL FRONT		C	1	
18	50GA 9746 0	HIGH TEMP CAUTION LABEL		C	1	
19	50GA 9748 0	LEVER INDICATING LABEL REAR		C	1	
20	26NA 5414 0	NEUTRALIZING BRUSH		C	1	
21	26NA 5419 0	FIXING GUIDE SCREW		C	1	
22	50GA 5483 0D	Idling Shaft /D		D	1	
23	50GA 5484 0	MOUNTING PLATE		D	1	
24	50GA -543 0	AUXILIARY PART CAULKING		D	1	
25	50GA 5330 0D	Cleaner Idling Shaft /A		D	1	
26	50GA 5417 0	AUXILIARY PART		D	1	
27	4040 5758 01	GEAR /20T		C	1	
28	26NA 5424 0	LEVER STOPPER PART		D	1	

bizhub 420/bizhub 500

# FIXING UNIT

改訂版 REVISED EDITION	日付 DATE
	FEBRUARY 2008

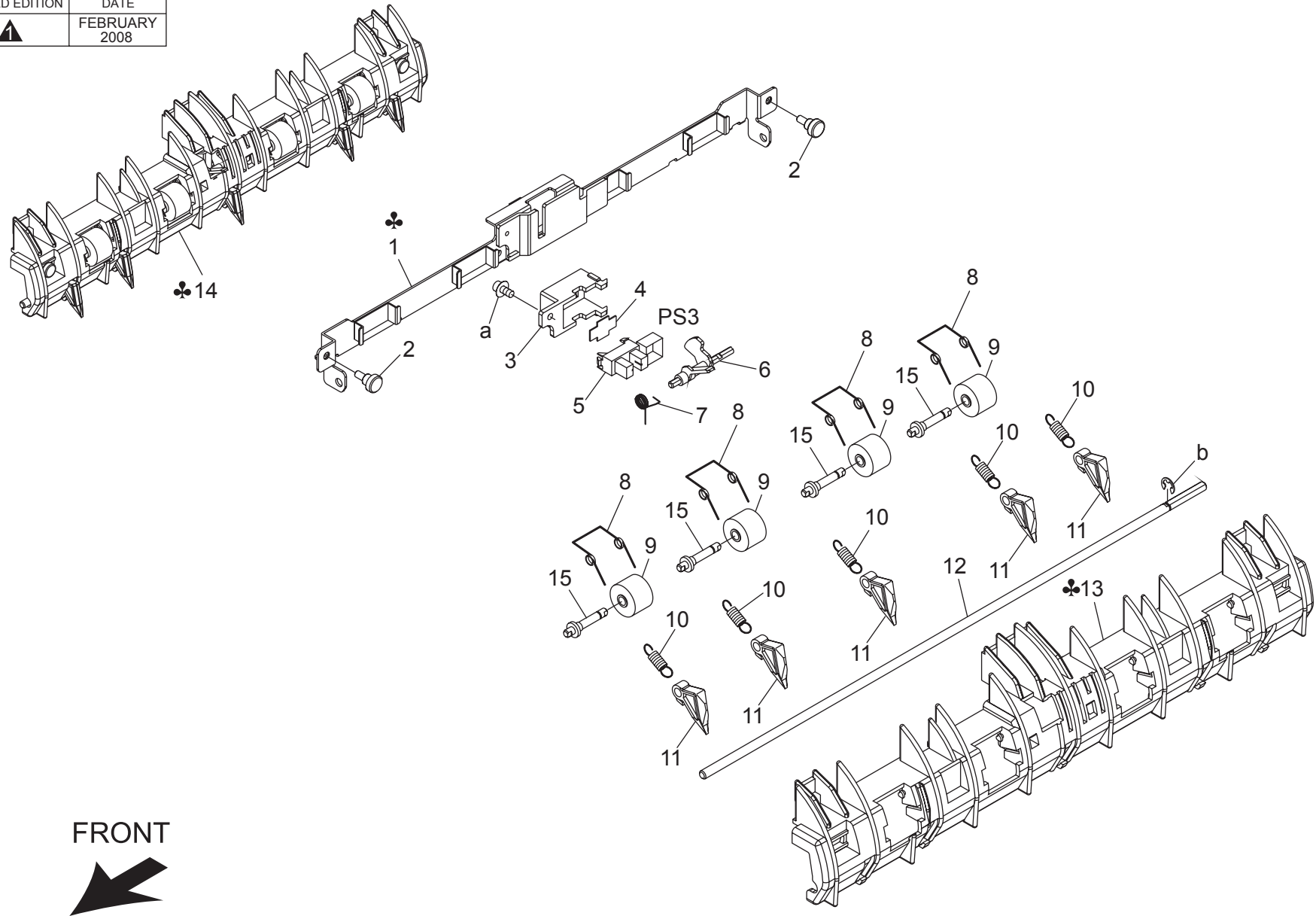




Key	Part No.	Description	Destinations	Class	QTY	Standard parts
1	4030 5823 01	NEUTRALIZING BRUSH		C	1	a-00Z2 5308 1 b-00Z1 9306 1 c-9739 0308 14 d-00Z2 5308 3 e-00Z1 6308 1
2	4030 5839 03	HOLDER		D	1	
3	4030 5847 01	NETURALIZING MEMBER		C	1	
4	4030 5806 01	TORSION SPRING		C	2	
5	4030 5805 03	ROLL		C	2	
6	4030 5843 02	HOLDER		D	2	
7	4030 5854 01	ROLL		C	2	
8	4030 5857 01	SHAFT		D	2	
9	4030 5855 01	HOLDER		D	2	
10	4030 5802 01	ROLLER		C	1	
11	4030 5842 01	BUSHING		C	1	
12	50GA 5492 0	EARTH PLATE		C	1	
13	50GA 5487 0	FIXING CASING		D	1	
14	4030 5840 02	BUSHING		C	1	
15	4030 5812 01	GEAR 21T		C	1	
16	4030 5845 02	SHOULDER SCREW		D	1	
17	4030 5844 02	COLLAR		C	2	
18	4030 5836 01	GEAR 19T		C	1	
19	50GA 5482 0	FIXING COVER REAR	B,C,D1,D3,E,F1,F2,G1,G 2,H,I,J,K,{bizhub 500} A	C	1	
19	42GA 5482 0	FIXING COVER REAR	{bizhub 420}A	C	1	
20	4030 5817 02	GEAR 19T		C	1	
21	4030 5822 03	HOLDER		D	1	
22	4030 5816 01	GEAR 19T		C	1	
23	4030 5820 03	HOLDER		D	1	
24	4030 5821 02	TORSION SPRING		C	1	
25	50GA 5481 0	FIXING COVER FRONT		C	1	
26	50GA 5462 0	SHAFT SUPPORT PART		C	2	
27	50GA 5463 0	CLEANER LOCK SPRING		C	1	
28	50GA 5461 1	CLEANER LOCK SHAFT		D	1	
29	4040 R706 00	EXIT ROLL HOLDER 1 ASSY		A	2	
30	4040 R707 00	EXIT ROLL HOLDER 2 ASSY		A	2	
31	4030 5858 01	TORSION SPRING		C	2	
32	4030 5856 01	SHAFT		D	2	
33	4030 5848 01	POSITIONING PLATE		D	1	
34	4030 5827 01	SHOULDER SCREW		C	2	

# FIXING UNIT

改訂版 REVISED EDITION	日付 DATE
	FEBRUARY 2008



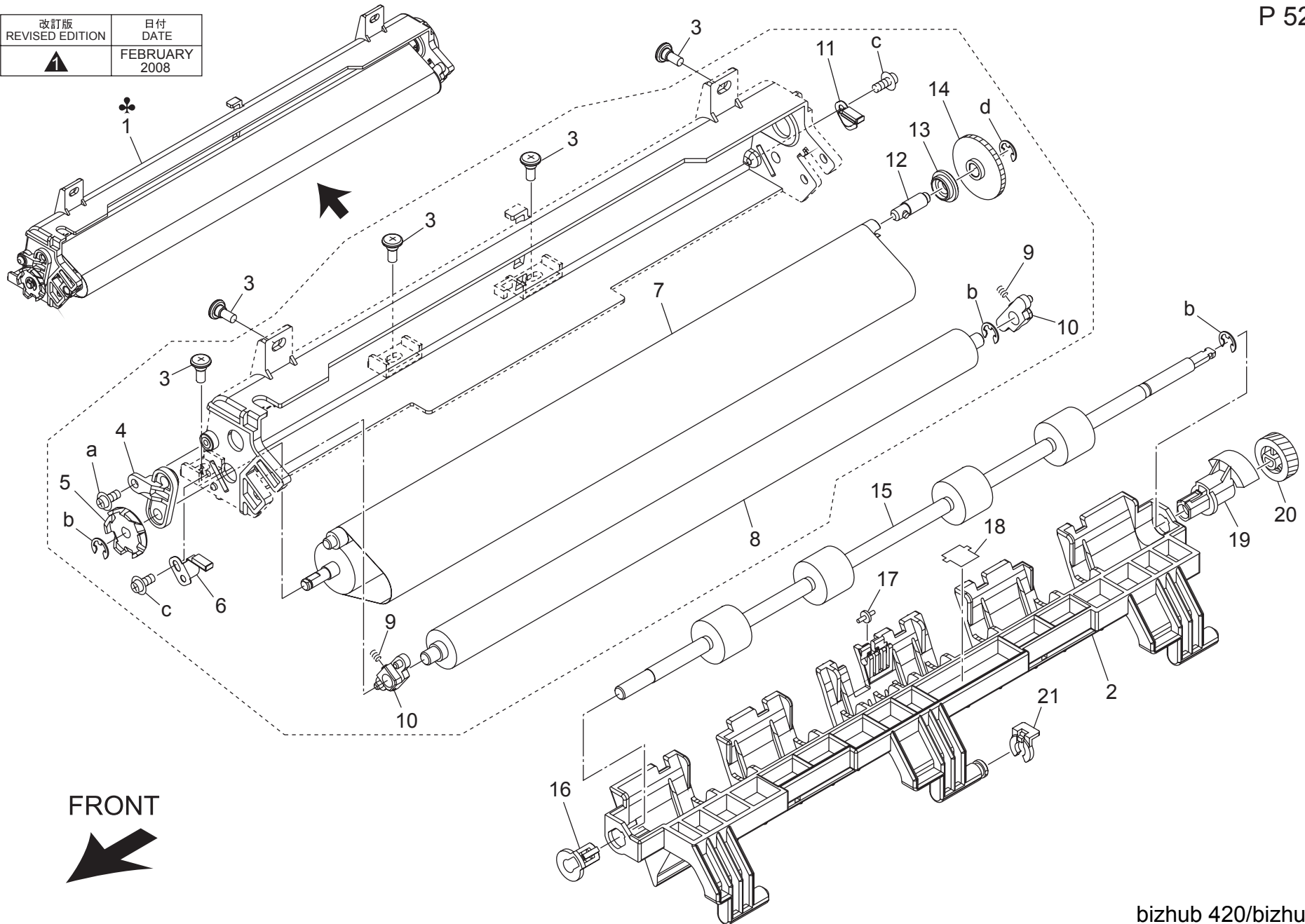
FRONT



Key	Part No.	Description	Destinations	Class	QTY	Standard parts	
1	4030 5750 03	BRACKET	取付板	B,C,D1,D3,E,F1,F2,G1,G 2,H,I,J,K,{bizhub 500} A	D	1	a-00Z2 5308 1 b-00Z6 7030 6
1	42GA 5498 0	SEPARATION SUPPORT PART	分離支持部材	{bizhub 420}A	D	1	
2	4030 5827 01	SHOULDER SCREW	段ねじ		C	2	
3	4030 5808 02	HOLDER	ホルダ		D	1	
4	4470 4024 01	STOPPER	ストッパ		D	1	
5	9335 1300 61	PHOTO INTERRUPTER	フォトインタラプタ		B	1	
6	4030 5809 02	ACTUATOR	アクチュエータ		C	1	
7	4030 5810 02	TORSION SPRING	ねじりコイルばね		C	1	
8	50GA 5495 0	ROLLER PRESSING SPRING	ローラ押圧バネ		C	4	
9	4030 5805 03	ROLL	ころ		C	4	
10	4030 5717 01	TENSION SPRING	引張コイルばね		C	5	
11	50GA 7227 00	FIXING CLAW	定着 爪		C	5	
12	4030 5753 01	SHAFT	シャフト		D	1	
13	50GA 5486 0E	CONVEYANCE GUIDE PART /LEFT	搬送ガイド部材/左	B,C,D1,D3,E,F1,F2,G1,G 2,H,I,J,K,{bizhub 500} A	D	1	
13	42GA 5486 0E	Conveyance Guide Part /Left	搬送ガイド部材/左	{bizhub 420}A	D	1	
14	50GA -533 0	FIXING CLAW ASSY	定着爪部組	B,C,D1,D3,E,F1,F2,G1,G 2,H,I,J,K,{bizhub 500} A	A	1	
14	42GA -533 0	FIXING CLAW ASSY	定着爪部組	{bizhub 420}A	A	1	
15	4030 5856 01	SHAFT	シャフト		D	4	

# FIXING UNIT

改訂版 REVISED EDITION	日付 DATE
	FEBRUARY 2008



FRONT



FIXING UNIT

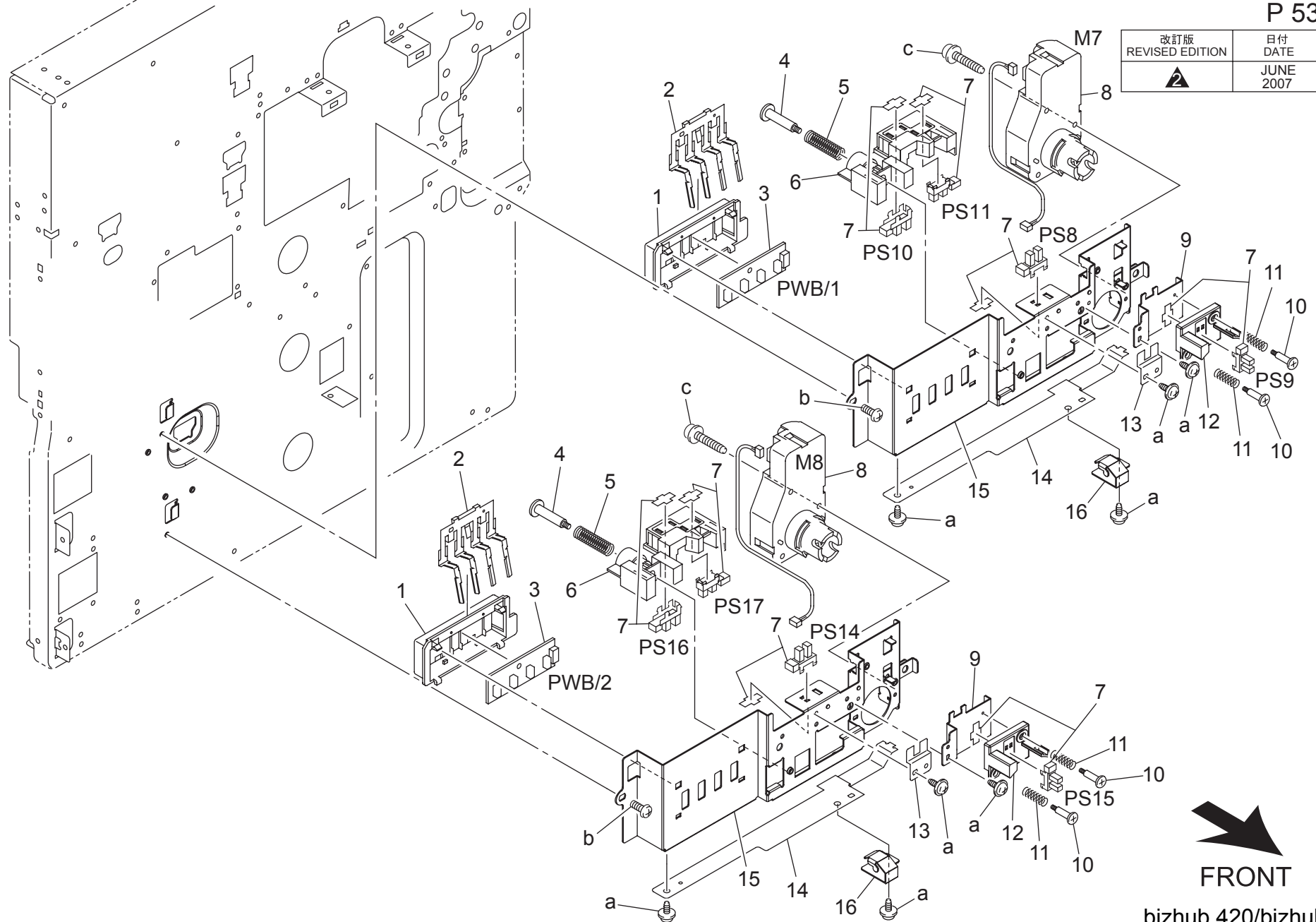
Key	Part No.	Description	Destinations	Class	QTY	Standard parts	
1	50GA -540 0	FIXING CLEANER ASSY	定着クリーナー部組	B,C,D1,D3,E,F1,F2,G1,G 2,H,I,J,K,{bizhub 500} A	A	1	a-00Z1 9306 1 b-00Z6 7040 6 c-00Z2 5306 1 d-00Z6 7030 6
1	42GA -540 0	FIXING CLEANER ASSY	定着クリーナー部組	{bizhub 420}A	A	1	
2	50GA 5488 0	CONVEYANCE GUIDE PART RIGHT	搬送ガイド部材 右		C	1	
3	27LA 5419 0	FIXING GUIDE SCREW	定着ガイドネジ		C	5	
4	50GA 5351 0	FIXING CLEANING BUSHING	定着清掃軸受		C	1	
5	50GA 5460 0	CLEANER LOCK GEAR	クリーナーロックギア		C	1	
6	40LA R707 00	REGULATING PLATE FRONT ASSY	規制板ノ前 部組		C	1	
7	50GA 5343 0	WEB	ウェブ		C	1	
8	27LA 5383 0	FIXING CLEANER ROLLER	定着清掃ローラ		B	1	
9	26NA 5361 0	CLEANER PRESSURE SPRING	クリーナー押圧バネ		B	2	
10	26NA 5349 0	FIXING CLEANER SHAFT HOLDER A	定着清掃軸受 A		C	2	
11	40LA R708 00	REGULATING PLATE REAR ASSY	規制板ノ奥 部組		C	1	
12	50GA -556 0	CLEANER DRIVING SHAFT ASSY	クリーナー駆動軸部組		D	1	
13	26NA 5430 0	FIXING CLEANER SHAFT HOLDER A	定着清掃軸受 A		C	1	
14	50GA 5347 0	CLEANER GEAR B 34T	クリーナーギア B 34 T		B	1	
15	4030 5803 01	ROLLER	ローラ		C	1	
16	4030 5811 01	BUSHING	軸受		C	1	
17	4030 5841 01	ROLL	ころ		C	1	
18	50GA 5472 1	PROTECTION PART	保護部材		D	1	
19	4030 5834 02	BUSHING	軸受		C	1	
20	50GA 5471 0	PAPER EXIT GEAR 18T	排紙ギア 18 T		B	1	
21	1164 3065 01	STOPPER RING	トメリング		D	1	



# ELECTRIC PARTS

P 53

改訂版 REVISED EDITION	日付 DATE
	JUNE 2007



FRONT

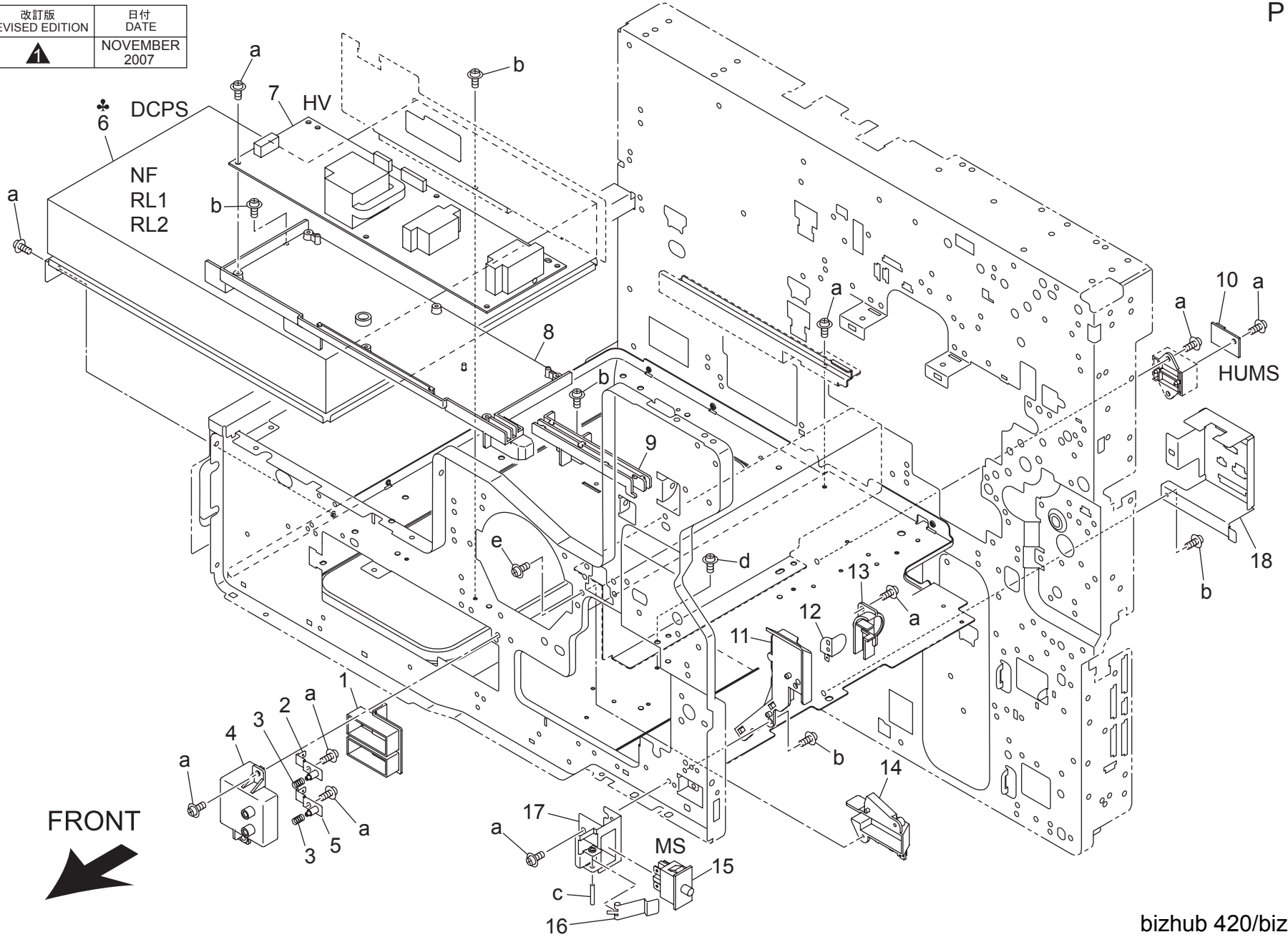
bizhub 420/bizhub 500

# ELECTRIC PARTS

Key	Part No.	Description	Destinations	Class	QTY	Standard parts
1	4011 3012 01	HOLDER	ホルダ	D	2	a-9735 0306 14 b-9743 0408 14 c-9646 0330 14
2	4030 3091 01	LEVER	レバー	C	2	
3	4037 0104 01	PWB ASSY	基板 A S S Y	C	2	
4	4002 3131 01	SHOULDER SCREW	段ねじ	C	2	
5	4002 3110 01	PRESSURE SPRING	圧縮コイルばね	C	2	
6	4030 3047 02	HOLDER	ホルダ	D	2	
7	4037 0906 01	PHOTO INTERRUPTER	フォトインタラプター	B	8	
8	9J06 M103 00	MOTOR	マグネットモータ	B	2	
9	4030 3208 02	BRACKET	取付板	D	2	
10	4030 3224 02	SHOULDER SCREW	段ねじ	C	4	
11	4030 3081 01	PRESSURE SPRING	圧縮コイルばね	C	4	
12	4030 3083 01	HOLDER	ホルダ	D	2	
13	4030 3048 02	BRACKET	取付板	D	2	
14	4030 3049 01	BRACKET	取付板	D	2	
15	4030 3046 03	BRACKET	取付板	D	2	
16	50GA 6271 01	LIFTING STAY	押し上げステー	C	2	

# ELECTRIC PARTS

改訂版 REVISED EDITION	日付 DATE
	NOVEMBER 2007



bizhub 420/bizhub 500

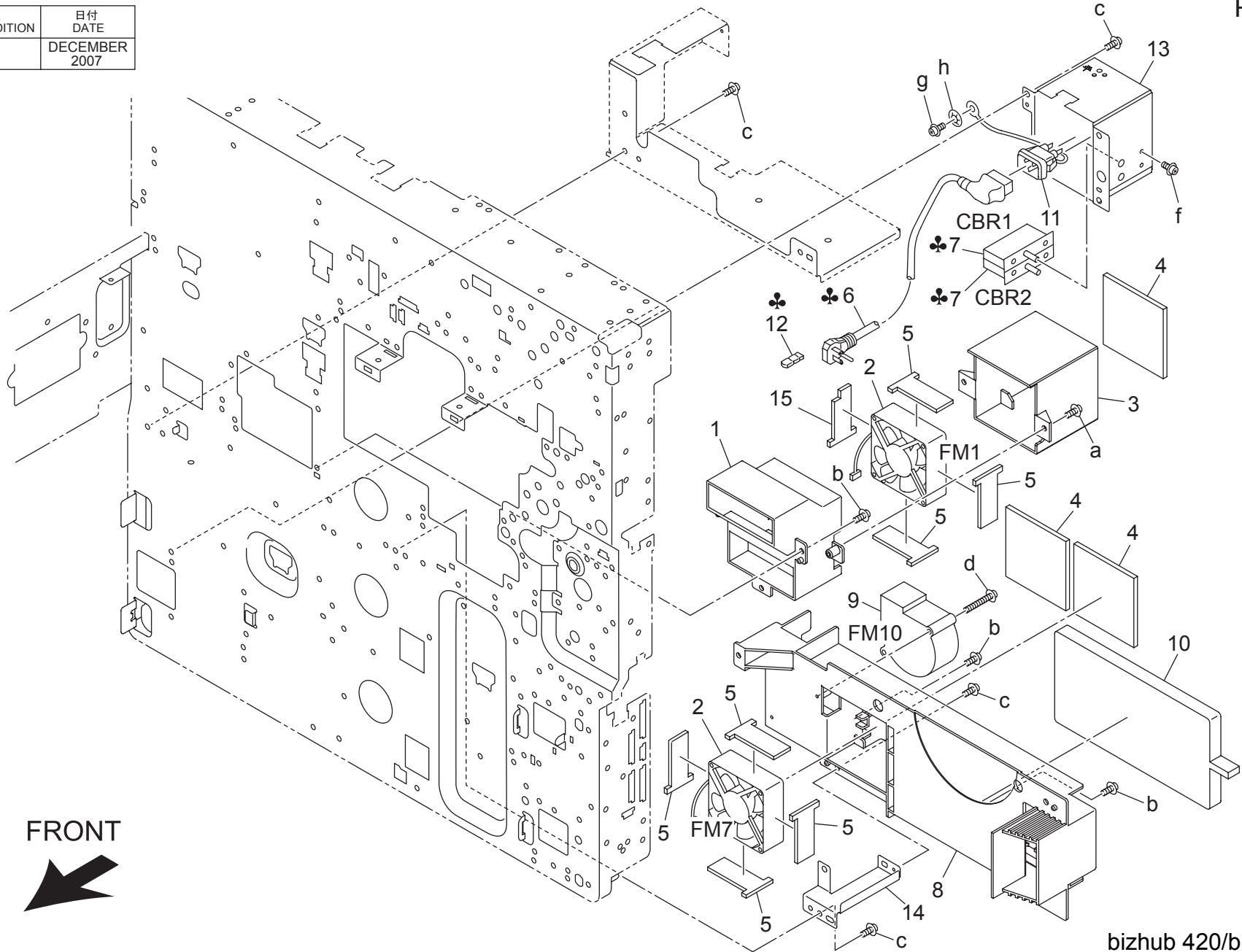


# ELECTRIC PARTS

Key	Part No.	Description	Destinations	Class	QTY	Standard parts
1	50GA 7380 0	COVER PLATE		D	1	a-00Z1 9306 1 b-9735 0306 14 c-00Z7 1318 6 d-4106 2063 01 e-00Z2 5308 1
2	50GA -751 0	HIGH VOLTAGE CONNECTING PLATE S ASS Y		D	1	
3	26NA 7325 1	ELECTRODE CONNECTING SPRING A		B	2	
4	50GA 7342 0	CONTACT PEDESTAL 1		D	1	
5	26NA R712 00	HIGH VOLTAGE CONNECTING PLATE B ASS Y		D	1	
6	50GA 8451 0	DC POWER SOURCE 1	A,B,F1,G2	I	1	a-00Z1 9306 1 b-9735 0306 14 c-00Z7 1318 6 d-4106 2063 01 e-00Z2 5308 1
6	50GF 8451 1	DC POWER SOURCE 1	C,D1,D3,E,F2,G1,I,J,K	I	1	
6	50GK M451 00	DC POWER SOURCE /1	H	I	1	
7	50GA 8401 0	HIGH VOLTAGE POWER SOURCE		I	1	
8	50GA 7341 0	HV MOUNTING PEDESTAL		D	1	
9	50GA 7347 0	WIRING GUIDE PART 1		D	1	
10	27LA 8803 1	PROCESS SENSOR		B	1	
11	50GA 7348 1	WIRING GUIDE PART 2		C	1	
12	50GA 7349 1	CONTACT PLATE A		C	1	
13	50GA 7376 1	HV COVER PART		C	1	
14	50GA 7359 0	CORD COVER		D	1	a-00Z1 9306 1 b-9735 0306 14 c-00Z7 1318 6 d-4106 2063 01 e-00Z2 5308 1
15	40AA 8501 1	DOOR SWITCH		B	1	
16	50GA 7350 0	SWITCH GUIDE PLATE A		D	1	
17	50GA 7351 0	SWITCH MOUNTING PLATE		D	1	
18	50GA 7343 0	WIRING MOUNTING PLATE		D	1	

# ELECTRIC PARTS

改訂版 REVISED EDITION	日付 DATE
	DECEMBER 2007



FRONT



bizhub 420/bizhub 500

## ELECTRIC PARTS

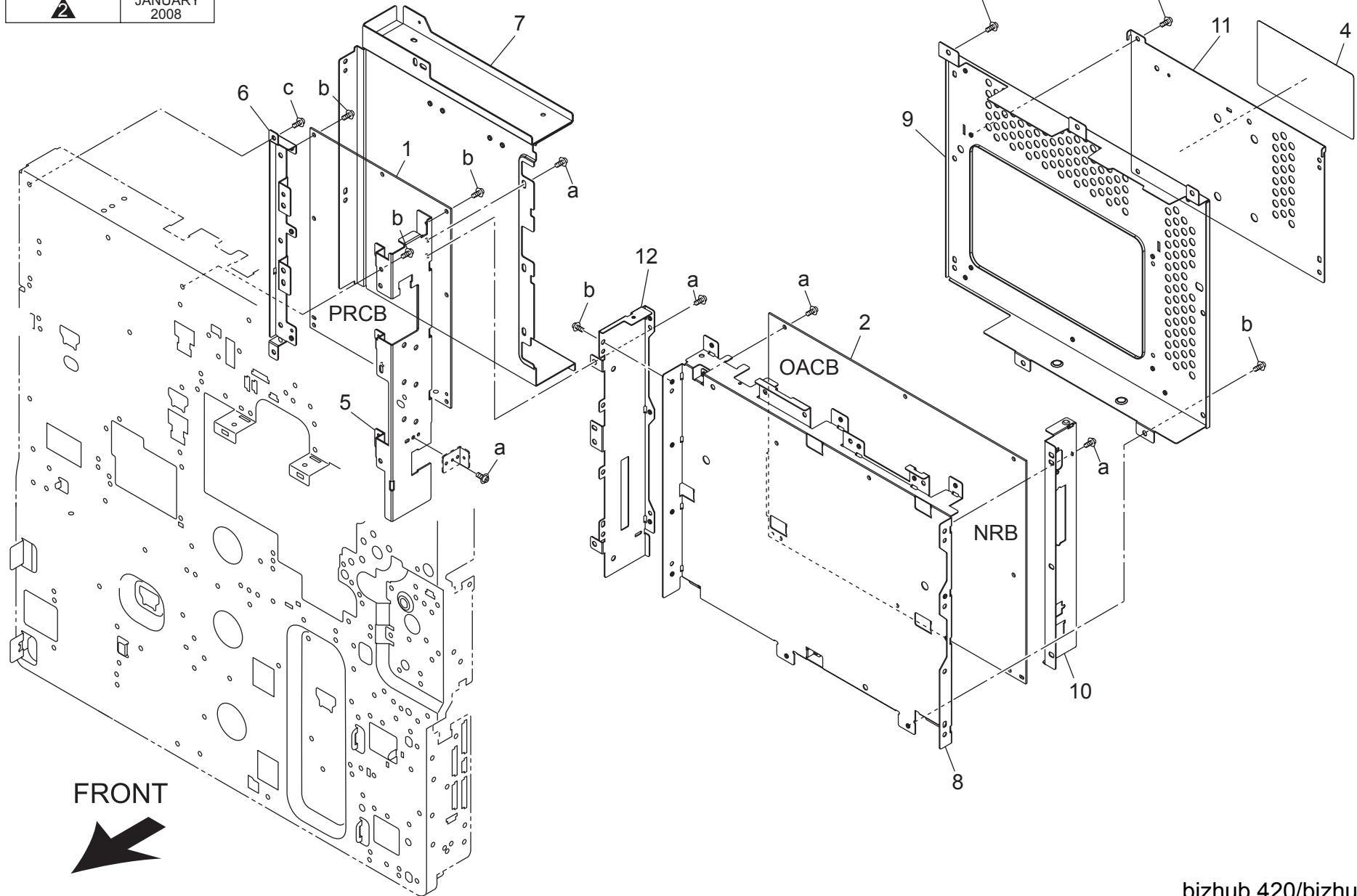
Page. 55

Key	Part No.	Description	Destinations	Class	QTY	Standard parts	
1	50GA 7338 1	POWER SOURCE COOLING DUCT/2	電源冷却ダクト／2		D	1	a-00Z2 5308 1 b-00Z1 9306 1 c-9735 0306 14 d-00Z2 5335 1 f-00Z1 6306 1 g-00Z1 8406 5 h-00Z6 3040 6
2	27LA 8051 1	MAIN BODY FAN MOTOR	本体 ファンモータ		B	2	
3	50GA 7337 1	POWER SOURCE COOLING DUCT/1	電源冷却ダクト／1		D	1	
4	50GA 7391 0	DUST PROOF FILTER	防塵フィルター		C	3	
5	26NA 7373 2	DUST PROOFSEAL 5	防塵シール／5		C	7	
6	4040 0780 01	POWER CORD	電源コード	A	C	1	
6	9381 4101 31	POWER CORD	プラグ付電源コード	B,G2	C	1	
6	9381 4300 41	POWER CORD	プラグなし電源コード	D1,D3,E,F2,G1,I,K	C	1	
6	9381 4300 31	POWER CORD	プラグ付電源コード	J	D	1	
7	26NA 8846 1	CIRCUIT BLACKER	サーキットブレーカー	A,B,F1,G2,H	B	2	
7	6852 8604 0	BLACKER	ブレーカー	C,D1,D3,E,F2,G1,I,J,K	D	2	
8	50GA 7346 0E	FAN MOUNTING BOARD /REAR	ファン取り付け基板／奥		D	1	
9	50GA 8052 0	SYSTEM COOLING FAN	システム冷却ファン		C	1	
10	50GA 1031 0	OZONE FILTER	オゾン フィルタ		A	1	
11	26NA R701 00	POWER SOCKET ASSY	電源ソケット部組		D	1	
12	9384 2400 21	TERMINAL CAP	端子キャップ	A	D	1	
13	50GA 7344 0	CORD MOUNTING PLATE	コード取り付け板		D	1	
14	50GA 7355 0	DUCT MOUNTING PLATE	ダクト取り付け板		D	1	
15	27LA 7391 0	Dustproof Seal	防塵シール		C	1	

bizhub 420/bizhub 500

# ELECTRIC PARTS

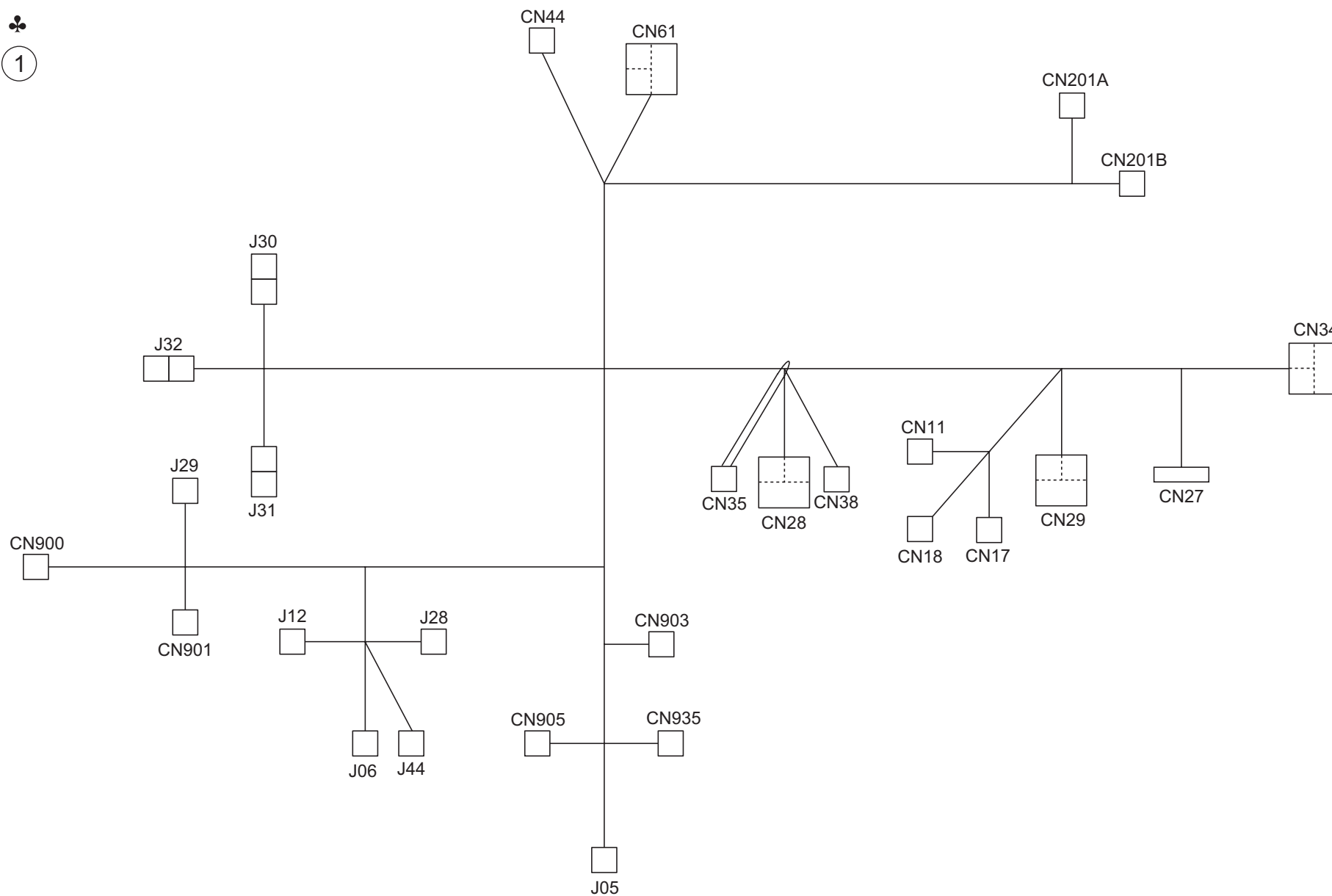
改訂版 REVISED EDITION	日付 DATE
	JANUARY 2008



bizhub 420/bizhub 500

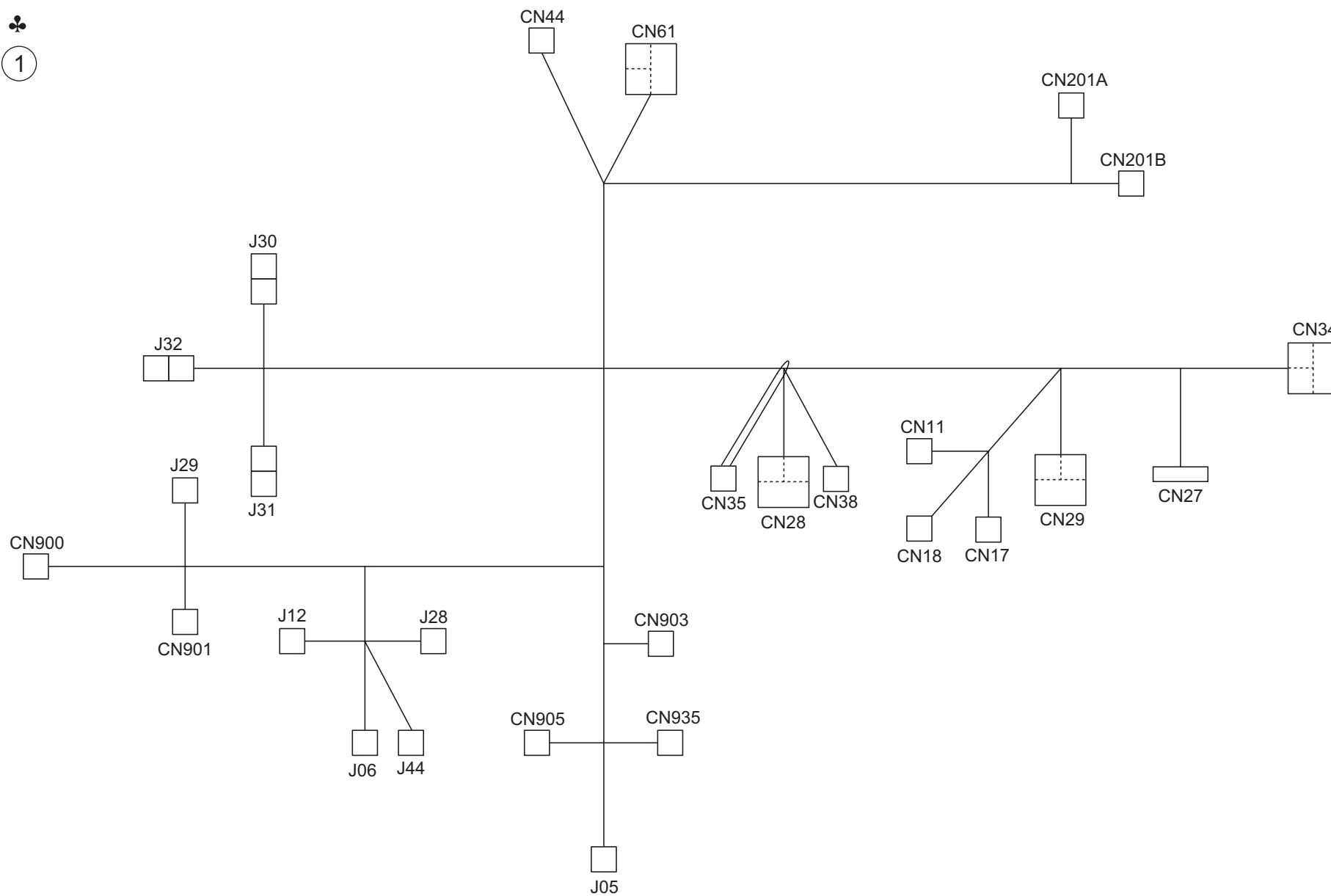
Key	Part No.	Description	Destinations	Class	QTY	Standard parts
1	50GA -902 0E	MAIN CONTROL BOARD UNIT		I	1	a-00Z1 9304 1 b-00Z1 9306 1 c-9735 0306 14
2	50GA -930 4M	SYSTEM CONTROL BOARD UNIT		I	1	
4	40LA 9736 1	CORD CAUTION LABEL		D	1	
5	50GA 7333 0	BOARD MOUNTING STAY/1		D	1	
6	50GA 7334 0	BOARD MOUNTING STAY/2		D	1	
7	50GA 7345 1E	Board Cover /D		D	1	
8	50GA 7354 0	BOARD MOUNTING PLATE		D	1	
9	50GA 7356 0	BOARD COVER PLATE/A		D	1	
10	50GA 7357 0E	Board Cover /B		D	1	
11	50GA 7374 0	BOARD COVER PLATE/E		D	1	
12	50GA 7377 0	BOARD COVER PLATE/C		D	1	

# WIRING



Key	Part No.	Description		Destinations	Class	QTY	Standard parts
1	42GA 9001 0	MAIN BODY WIRING UPPER	本体 束線/上	{bizhub 420}	D	1	

# WIRING

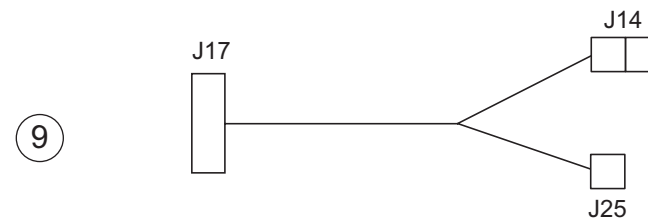
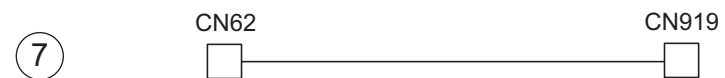
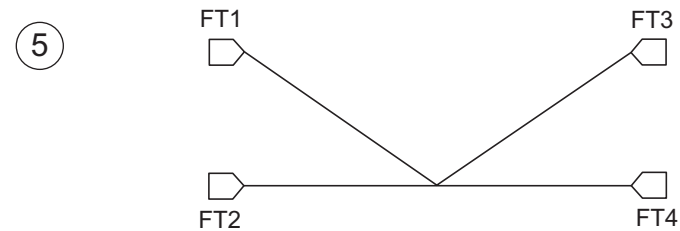
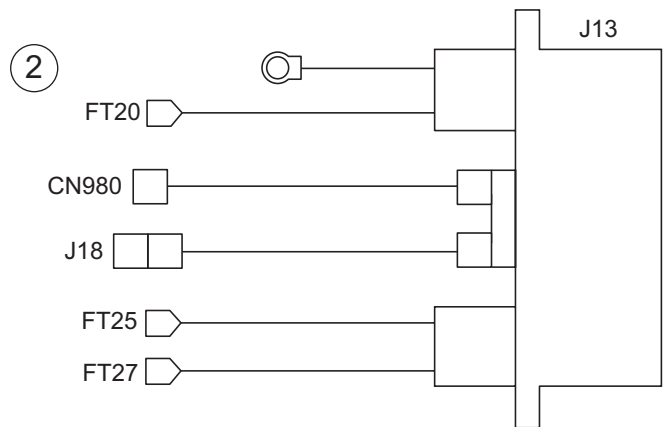




WIRING

Key	Part No.	Description	Destinations	Class	QTY	Standard parts
1	50GA 9001 0	MAIN BODY WIRING UPPER 本体 束線／上	{bizhub 500}	D	1	

# WIRING



# WIRING

Key	Part No.	Description	Destinations	Class	QTY	Standard parts
1	50GA 9004 0	FUSE CORD 1	ヒューズコード 1	D	1	
2	50GA 9005 1	FIXING POWER SUPPLY WIRING	定着給電束線	D	1	
3	50GA 9011 0E	AC Power supply Wiring /1	A C 給電束線 / 1	D	1	
4	50GA 9012 0	AC POWER SUPPLY WIRING 2	A C 給電束線 / 2	D	1	
5	50GA 9013 0	AC POWER SUPPLY WIRING 3	A C 給電束線 / 3	D	1	
6	50GA 9014 0	FIXING RELAY WIRING 2	定着中継束線 2	D	1	
7	50GA 9016 0	OPTICAL RELAY WIRING	光学中継束線	D	1	
8	50GA 9019 0	CONVEYANCE EARTH WIRING	搬送アース束線	D	1	
9	50GA 9024 0	DEVELOPING RELAY WIRING	現像中継束線	D	1	


# WIRING

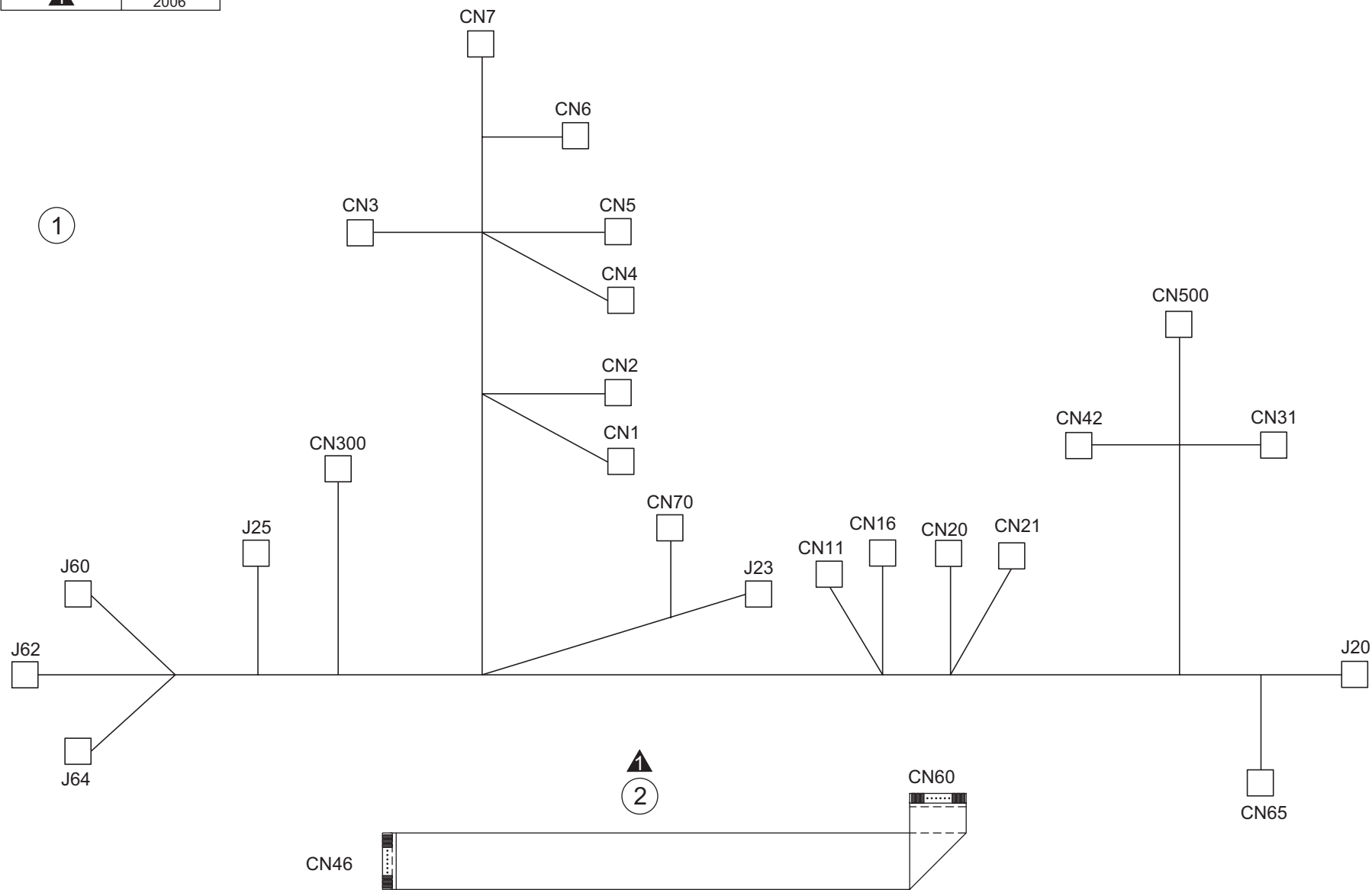
P 60



Key	Part No.	Description	Destinations	Class	QTY	Standard parts
1	50GA 9026 0	LAMP RELAY WIRING		D	1	
2	50GA 9027 0	DC INTERLOCK WIRING		D	1	
3	50GA 9031 0	RELAY WIRING		D	1	
4	50GA 9032 0E	CONVEYANCE SUCTION WIRING		D	1	
5	50GA 9037 0	REGISTRATION WIRING		D	1	
6	50GA 9038 0	HIGH VOLTAGE WIRING 1		D	1	
7	50GA 9039 0	HIGH VOLTAGE WIRING 2		D	1	
8	50GA 9042 0	OPTION RELAY WIRING		D	1	
9	26NA 9031 1	RELAY WIRING 1		D	1	
10	40LA 9021 0E	LD DRIVE WIRING		D	1	

# WIRING

改訂版 REVISED EDITION	日付 DATE
	AUGUST 2006



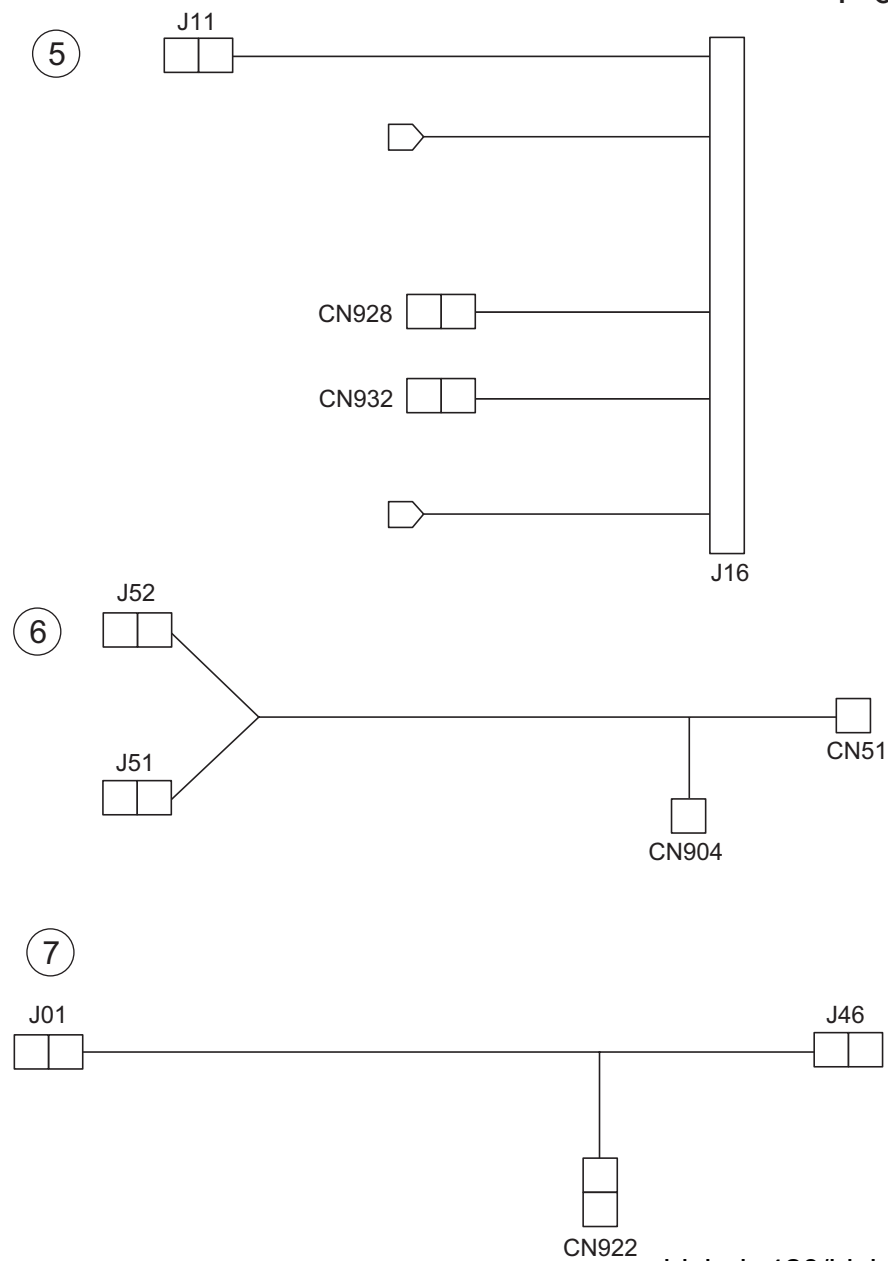
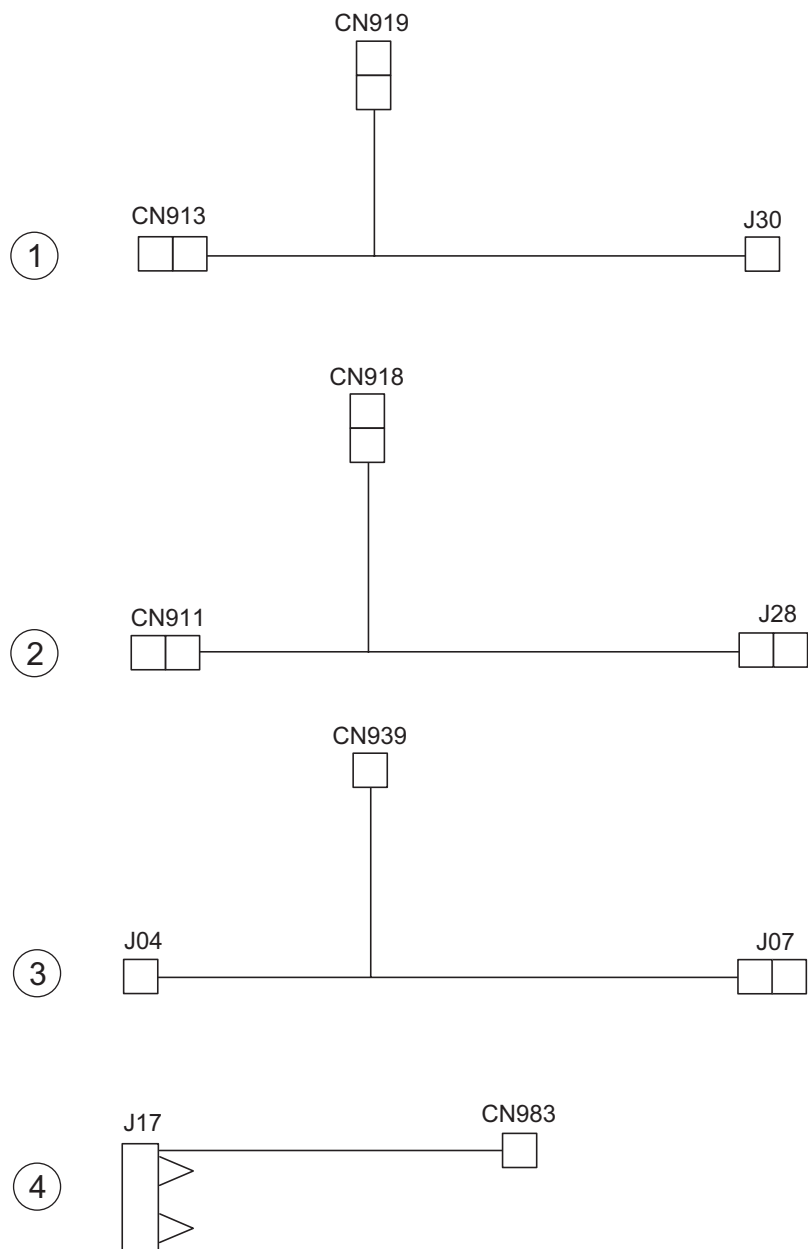
bizhub 420/bizhub 500

Key	Part No.	Description	Destinations	Class	QTY	Standard parts
1	50GA 9003 0	DC POWER SOURCE WIRING		D	1	
2	50GA 9050 0	AD WIRING		C	1	

bizhub 420/bizhub 500

# WIRING

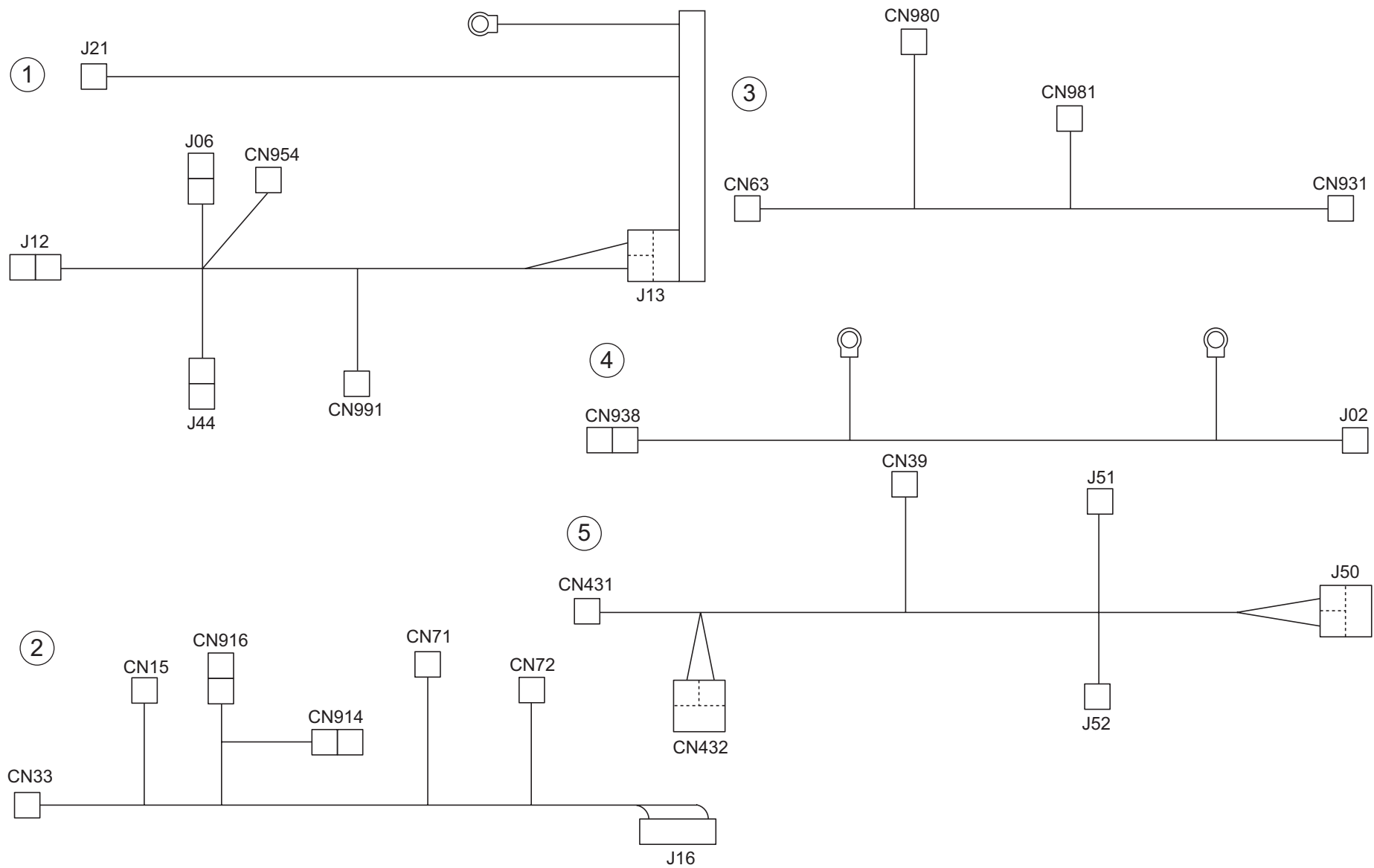
P 62



bizhub 420/bizhub 500



Key	Part No.	Description	Destinations	Class	QTY	Standard parts
1	50GA 9033 0	INTERNAL COOLING WIRING		D	1	
2	50GA 9034 0	FIXING COOLING WIRING		D	1	
3	50GA 9035 0	PAPER FEED RELAY WIRING UPPER		D	1	
4	40LA 9025 0	DEVELOPMENT WIRING		D	1	
5	40LA 9007 1	DRUM WIRING		D	1	
6	40LA 9022 0E	POLYGON RELAY WIRING		D	1	
7	50GA 9030 0	REGISTRATION RELAY WIRING		D	1	

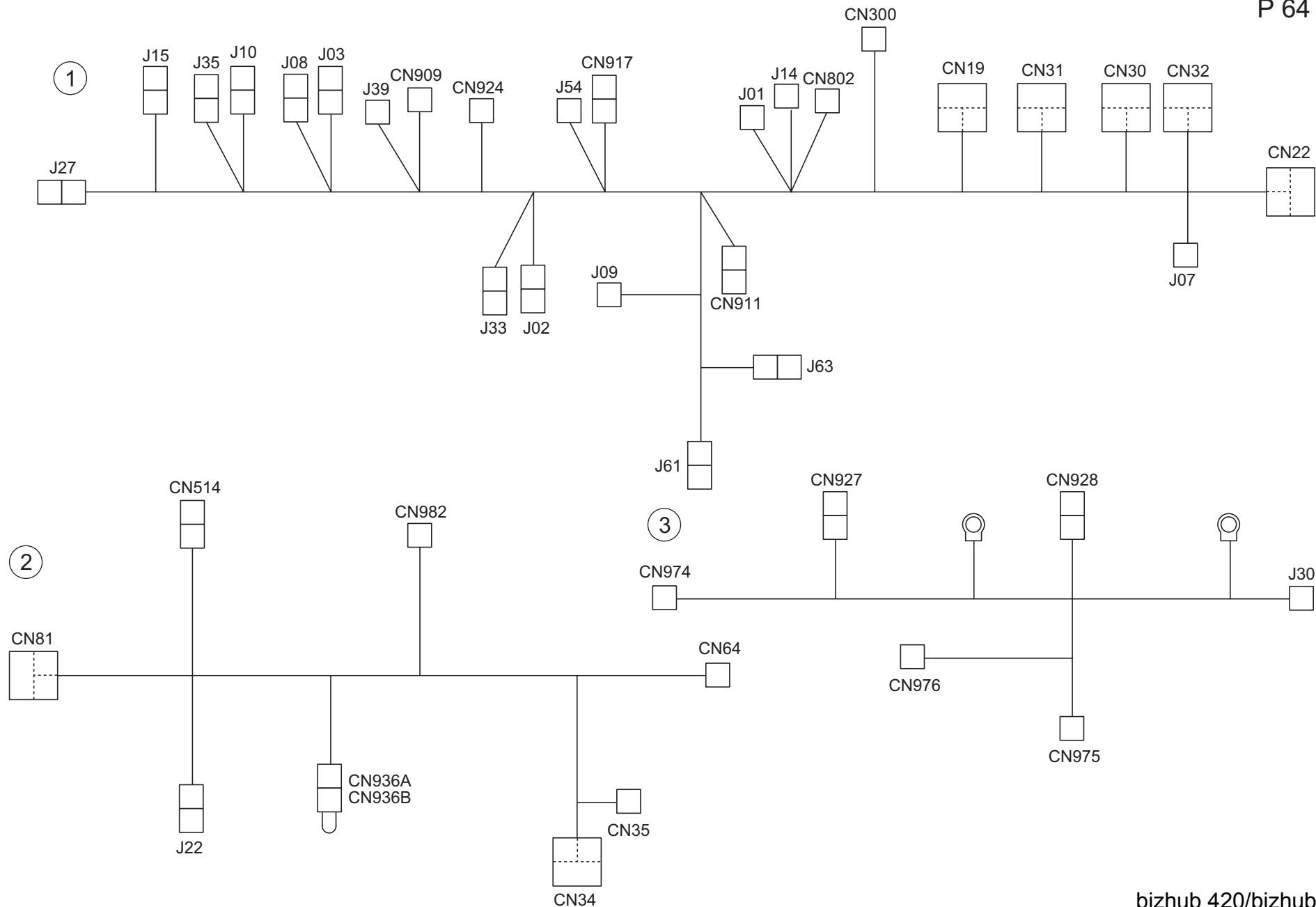


bizhub 420/bizhub 500

Key	Part No.	Description	Destinations	Class	QTY	Standard parts
1	50GA 9006 0	FIXING RELAY WIRING		D	1	
2	50GA 9008 0	DRUM RELAY WIRING		D	1	
3	50GA 9009 0	OPTICAL WIRING		D	1	
4	50GA 9029 0	CONVEYANCE RELAY WIRING		D	1	
5	50GA 9020 0	LD RELAY WIRING		D	1	

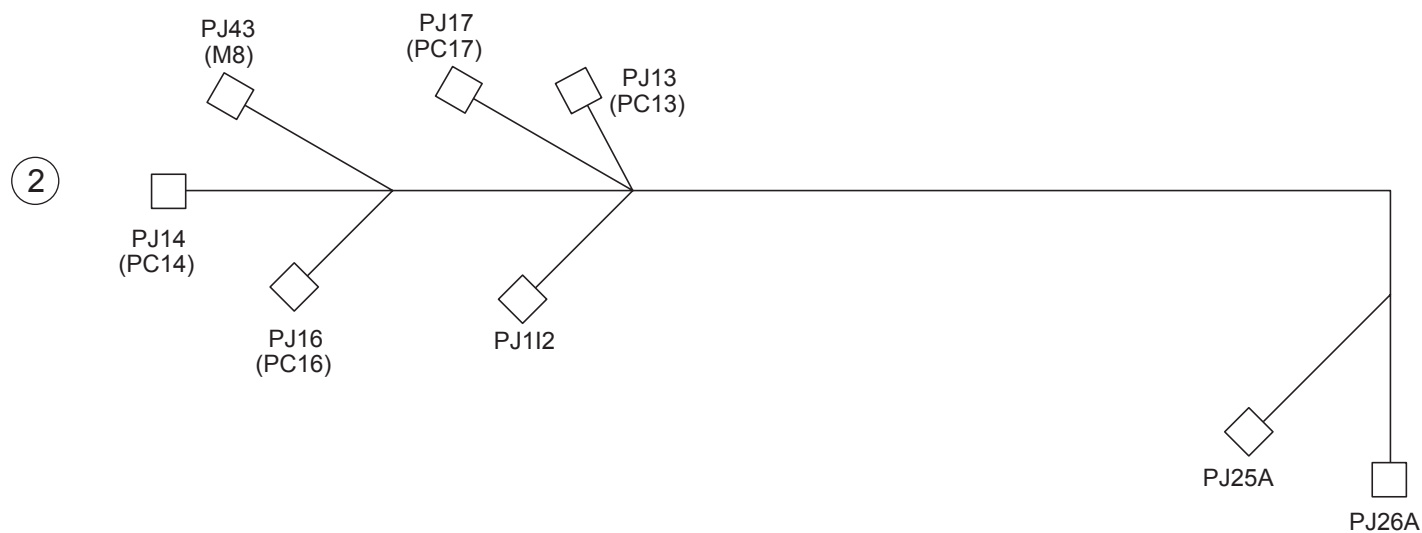
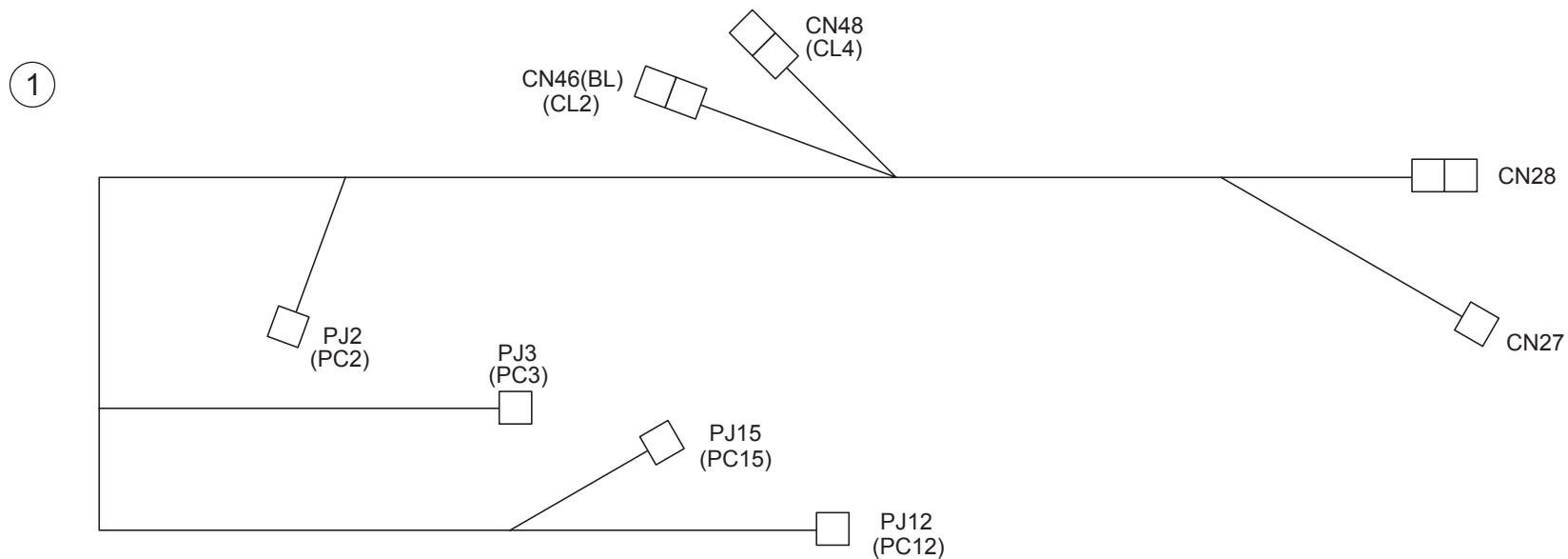
# WIRING

P 64



Key	Part No.	Description	Destinations	Class	QTY	Standard parts
1	50GA 9002 0	MAIN BODY WIRING LOWER		D	1	
2	50GA 9015 0	OPE UNIT WIRING		D	1	
3	50GA 9017 1	ADU WIRING		D	1	

bizhub 420/bizhub 500

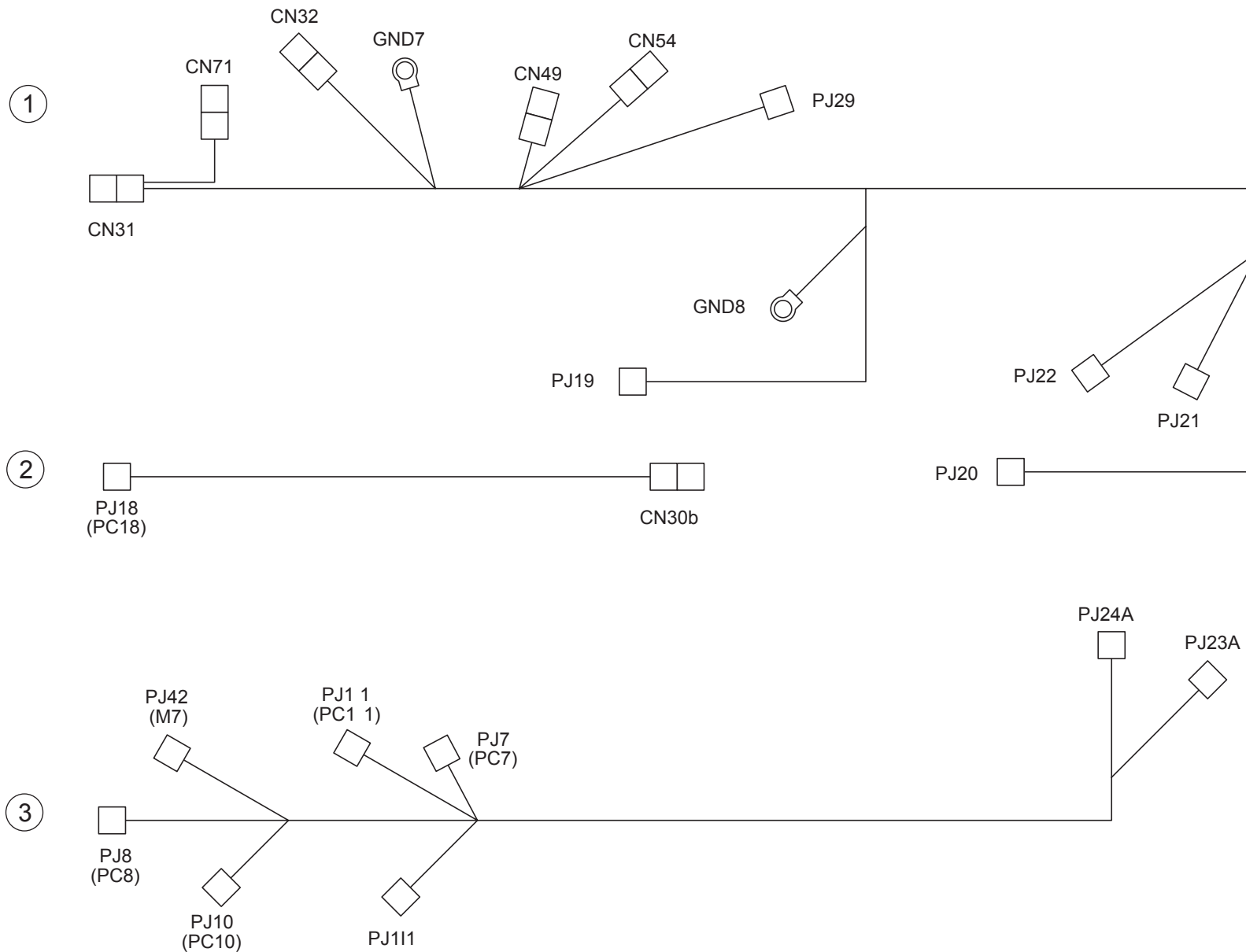


bizhub 420/bizhub 500

# WIRING

Key	Part No.	Description	Destinations	Class	QTY	Standard parts
1	4030 6812 02	WIRE HARNESS ASSY		D	1	
2	4030 6813 02	WIRE HARNESS ASSY		D	1	

bizhub 420/bizhub 500



bizhub 420/bizhub 500



Key	Part No.	Description	Destinations	Class	QTY	Standard parts
1	4030 6814 03	WIRE HARNESS ASSY		D	1	
2	4030 6818 01	WIRE HARNESS ASSY		D	1	
3	4030 6810 02	WIRE HARNESS ASSY		D	1	

# WIRING ACCESSORY AND JIGS

P 67

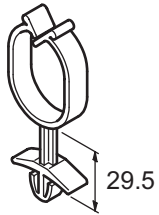
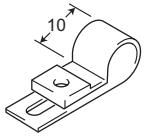
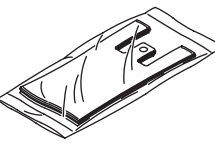
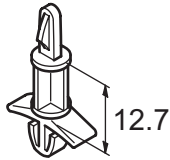
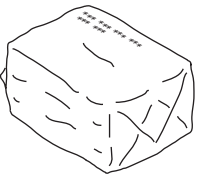
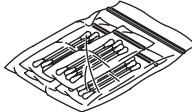
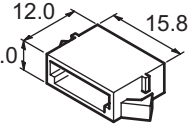
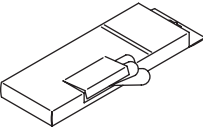
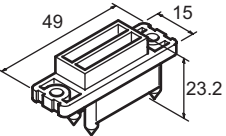
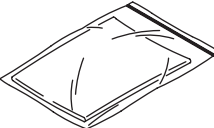
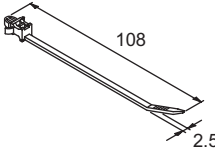
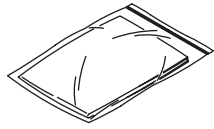
1 	6 	11 	16 	21 	26 	31 	36 
2 	7 	12 	17 	22 	27 	32 	37 
3 	8 	13 	18 	23 	28 	33 	38 
4 	9 	14 	19 	24 	29 	34 	39 
5 	10 	15 	20 	25 	30 	35 	40 

bizhub 420/bizhub 500

Key	Part No.	Description	Destinations	Class	QTY	Standard parts
1	00Z9 2001 6	WIRE SADDLE LWSS-2N 10/1	ワイヤーサドル LWSS-2 N	D	1	
2	00Z9 2001 9	WIRE SADDLE LWS-1316Z 10/1	ワイヤーサドル LWS-1316 Z	D	1	
3	00Z9 2002 2	WIRE SADDLE LWS-0511 10/1	ワイヤーサドル LWS-0511	D	1	
4	00Z9 2002 5	BUSHING SB-4025	フッシク SB-4025	D	1	
5	00Z9 2004 5	LOCKING WIRE SADDLE LWS-0711D	ロッキン ワイヤ (LWS-0711 D)	D	1	
6	00Z9 2009 1	EDDGE SADDLE	エッジサドル	D	1	
7	00Z9 2009 4	ROCKING EDDGE SADDLE	ロッキングエッジサドル	D	1	
8	00Z9 2009 5	ROCKING EDDGE SADDLE	ロッキングエッジサドル	D	1	
9	00Z9 2009 6	LOCKING EDDGE SADDLE	ロッキングエッジサドル	D	1	
10	00Z9 2011 1	MINI LOCKING WIRE SADDLE	ミニロッキングワイヤーサドル	D	1	
11	00Z9 2011 5	MINI LOCKING WIRE SADDLE	ミニロッキングワイヤーサドル	D	1	
12	00Z9 2011 6	MINI LOCKING WIRE SADDLE	ミニロッキングワイヤーサドル	D	1	
13	00Z9 2012 1	ROCKING EDDGE SADDLE	ロッキングエッジサドル	D	1	
14	00Z9 2110 6	NYLON CLAMP 10PCS/1SET	ナイロンクランプ (HP-6 N)	C	1	
15	00Z9 2137 0	EDGE SADDLE 10/1SET	エッジサドル (D-820)	C	1	
16	00Z9 2137 2	SUPER SADDLE D820-S 10/1SET	スーパーサドル (D820-S)	C	1	
17	00Z9 2193 1	MINI CLAMP MSB-1607 10/1SET	ミニ クランプ (MSB-1607)	C	1	
18	00Z9 2194 0	MINI CLAMP MSC-1607 10/1SET	ミニ クランプ (MSC-1607)	C	1	
19	00Z9 2194 1	MINI CLAMP MSC-1609 10/1SET	ミニ クランプ (MSC-1609)	C	1	
20	00Z9 2450 8	FLEXIBLE BUSH	オンタシエッシンク (CE012S)	C	1	
21	00Z9 2451 2	FLEXIBLE BUSH	自在ブッシュ (CE012)	C	1	
22	00Z9 2452 4	FLEXIBLE BUSH	シッサイフッシュ1M (CE024)	D	1	
23	00Z9 2625 7	EDGE SUDDLE EDS-1717U	(EDS-1717U) エッジサドル	C	1	
24	00Z9 3000 1	RELAY CONNECTOR 175694-2 10/1	チュウケイコネクタ 175694-2	D	1	
25	00Z9 2002 0	WIRE SADDLE LWS-1211Z 10/1	ワイヤーサドル LWS-1211 Z	D	1	
26	00Z9 2002 1	WIRE SADDLE LWS-0711 10/1	ワイヤーサドル LWS-0711	D	1	
27	00Z9 2242 0	WIRING BAND	ケツソク ハント CV200	D	1	
28	9384 1100 91	WIRING SADDLE	ワイヤーサドル	D	1	
29	9384 1310 91	WIRING SADDLE 18.5H	ワイヤーサドル	D	1	
30	9384 1311 11	CABLE TIE 104L	ケツソクハント	D	1	
31	9384 2010 21	EDGE COVER 8.5H	エッジカバー	D	1	
32	9384 2910 31	EDGE COVER	エッジカバー	D	1	
33	00Z9 2000 1	WIRING BAND SKB-1MH	ケツソクハント (SKB-1MH)	D	1	
34	00Z9 2010 8	MINI SADDLE	ミニサドル MS-0507	D	1	
35	00Z9 2011 2	PCB SUPPORT	PCB サポート PCB-3 L	D	1	
36	00Z9 2013 1	PCB SUPPORT	PCB サポート PCB-4 L	D	1	
37	00Z9 2013 2	PCB SUPPORT	PCB サポート PCB-6 L	D	1	
38	00Z9 2116 1	KCA CLAMP	KCA クランプ (KCA-34)	C	1	
39	00Z9 2130 1	WIRE SADDLE	ワイヤーサドル (WSA101)	B	1	
40	00Z9 2191 3	MINI CLAMP 10/1 SET	ミニクランプ (10/1 SET)	C	1	

# WIRING ACCESSORY AND JIGS

P 68

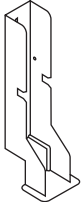
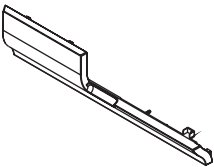

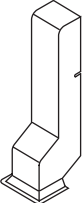
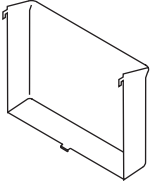

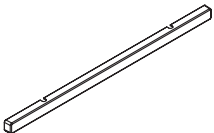
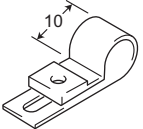

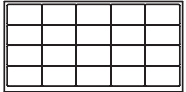

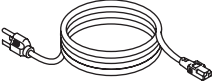

<p>1</p>  <p>29.5</p>	<p>6</p>  <p>10</p>	<p>11</p> 					
<p>2</p>  <p>12.7</p>	<p>7 ♣</p> 	<p>12 ♣</p> 					
<p>3</p>  <p>12.0 15.8 6.0</p>	<p>8</p> 						
<p>4</p>  <p>49 15 23.2</p>	<p>9</p> 						
<p>5</p>  <p>108 2.5</p>	<p>10</p> 						

bizhub 420/bizhub 500

Key	Part No.	Description	Destinations	Class	QTY	Standard parts
1	00Z9 2198 1	HARNESS LIFTER		D	1	
2	00Z9 2510 8	ROCKING CIRCUIT SUPPORT		C	1	
3	00Z9 3000 5	RELAY CONNECTOR 175694-6 10/1		D	1	
4	00Z9 3003 4	MINI DRAWER CONNECTOR		D	1	
5	00Z9 2247 0	WIRING BAND SG PS100		D	1	
6	9384 1600 11	P-CLIP 10D		D	1	
7	000V -18- 1	CLEANING PAD	C,D1,D3,E,F1,F2,H,I,J, K	A	1	
7	000V -18- 2	CLEANING PAD		A	1	
8	000V 1001 0	GLOVES		S	1	
9	000V 1002 0	DUST BAG		S	1	
10	000V 1003 0	DEVE COLLECTING SHEET		S	1	
11	000V 1004 0	COLLECTING HAND BAG		S	1	
12	000V 1005 0	COTTON SWAB	A,C,D1,D3,E,F1,F2,H,I, J,K	S	1	

# ACCESSORY PARTS

P 69

1 	6 	11 					
2 	7 	12 					
3 	8 	13 					
4 ♣ 	9 						
5 ♣ 	10 						

bizhub 420/bizhub 500

ACCESSORY PARTS

Key	Part No.	Description		Destinations	Class	QTY	Standard parts
1	50GA 1026 0	ENCLOSED INSTALLING PLATE A	同梱設置板 A		C	1	
2	50GA 1029 0	UNPACKING COVER	開梱カバー		C	1	
3	4030 1034 02	COVER	カバー		C	1	
4	4030 7310 01	LABEL METRIC	ラベル メトリック	(METRIC)	C	1	
4	4030 7312 01	LABEL INCH	ラベル インチ	(INCH)	C	1	
5	4040 0780 01	POWER CORD	電源コード	A	C	1	
5	9381 4101 31	POWER CORD	プラグ付電源コード	B,G2	C	1	
5	9381 4300 41	POWER CORD	プラグなし電源コード	D1,D3,E,F2,G1,I,K	C	1	
5	9381 4300 31	POWER CORD	プラグ付電源コード	J	D	1	
6	50GA 1312 0	FRONT COVER LOWER	前面カバー 下		C	1	
7	56UA 1277 0	ACCESSARIES HOLDING PANEL	付属品ホルダーパネル		C	1	
8	9384 1600 11	P-CLIP 10D	コート`オサエ		D	1	
9	9735 0308 14	TAPPING SCREW	タッピング`ネジ`		D	1	
10	00Z1 6450 1	C.R.P.H SCREW SEMS2 M4X50	ナベ小ネジ セムスII M 4 X 5 0		D	1	
11	00Z1 9306 1	C.R.P.H SCREW M3X6	座付ナベ小ネジ M 3 X 6		B	1	
12	00Z1 9308 1	C.R.P.H SCREW M3X8	座付ナベ小ネジ M 3 X 8		B	1	
13	00Z2 5308 1	C.R.P.H TAPPING SCREW M3X8	タッピング座付ナベ小ネジ M 3 X 8		C	1	



# MAINTENANCE LIST

● The items with no Page/Key numbers are not handled as spare parts.

No.	Section	PM Parts Description	Maintenance Cycle (K=1,000)		Parts No.	Destinations	Page/Key	Note
			QTY	Replace				
1	DC SECTION (CONTAINING	DRUM	1	250K	-			
2		DRUM CLEANING BLADE ASSY	1	250K	50GA-2090		P18-12	
3		DRUM UNIT	1	750K	50GA-2000		P15-25	
4	TRANSFER SEPARATING	TRANSFER SEPARATING CORONA UNIT	1	500K	50GA-2600		P20-1	
5	DEVELOPING UNIT	DEVELOPING SOLVENT	1	250K	-			
6		DEVELOPING UNIT	1	750K	50GA-3001		P22-1	
7	MAIN BODY SECTION	FILTER MOUNTING PLATE ASSY	1	250K	50GA-3360		P27-8	
8		OZONE FILTER	1	250K	50GA10310		P55-10	
9		SUCTION FILTER/A ASSY	1	250K	40LAR70500		P28-1	
10		FILTERCOVER ASSY	1	250K	50GA-3140		P28-8	
11		SUCTION COVER 2 ASSY	2	250K	50GA-3110		P28-6	
12	PAPER FEED SECTION	ROLLER	2	300K	4030300501		P29-7/P31-13	
13		ROLLER	2	300K	4030300501		P29-7/P31-13	
14		ROLLER ASSY	2	300K	4030015101		P30-15/P32-2	
15	BY-PASS FEED SECTION	ROLLER	1	200K	4131300101		P34-11	
16		ROLLER ASSY	1	200K	4034015101		P33-20	
17	REGISTRATION SECTION	PAPER FEED CONNECTING ROLLER	1	1250K	50GA38650E		P36-7	
18		REGISTRATION ROLLER A	1	1250K	50GA38480		P36-6	
19		REGIST BEARING /1	2	1250K	26NA45360		P36-13	
20		REGIST BEARING /2	2	1250K	26NA45371		P36-10	
21		PAPER FEED SLIDE BEARING	2	1250K	26NA40820		P36-14	
22	FIXING SECTION	FIXING ROLLER UPPER	1	250K	50GA53030	{bizhub420}B,C,D1,D3	P47-2	
23		FIXING ROLLER UPPER	1	250K	50GE53030	{bizhub500}B,C,D1,D3	P47-2	
24		FIXING ROLLER LOWER	1	250K	50GA53040	B,C,D1,D3,E,F2,G1,G	P47-1	
25		FIXING CLEANER ASSY	1	250K	50GA-5400	B,C,D1,D3,E,F2,G1,G	P52-1	
26		HEAT INSULATING SLEEVE/A 10/1S	2	250K	26NA53720		P47-11	
27		FIXING SHAFT HOLDER/UPPER	2	250K	26NA53712		P47-12	
28		FIXING BEARING LOWER	2	250K	50GA53590		P47-15	
29		FIXING SENSOR ASSY	1	500K	50GA-5440		P48-6	
30		FUSE MOUNTING PLATE ASSY	1	500K	SP00-0112		P48-7	
31		FIXING CLAW ASSY	1	500K	50GA-5330	B,C,D1,D3,E,F2,G1,G	P51-14	
32		FIXING DRIVEN ROLLER A ASSY	2	250K	4040R70600		P50-29	
33		FIXING DRIVEN ROLLER B ASSY	2	250K	4040R70700		P50-30	
34		FIXING INPUT GEAR ASSY	1	500K	50GA-5461		P49-15	
35	TURNOVER SECTION	PAPER EXIT SUCTION FILTER	1	250K	50GA44060		P37-2	
36	WRITE SECTION	WRITE UNIT	1	1250K	50GA-6501		P10-1	
37	DRIVING UNIT	FIXING GEAR /B 18T	1	750K	50GA18523I		P14-8	
38		FIXING GEAR /C 19T	1	750K	50GA18532G		P14-4	
39		FIXING GEAR /D 19T	1	750K	50GA18542G		P14-3	
40		FIXING GEAR /E 18T	1	750K	50GA18552G		P14-6	
41		FIXING GEAR /F 19T	1	750K	50GA18592G		P14-7	



# メンテナンスリスト

● ページ / キーナンバーのないものは、アフターサービス部品ではありません。

No.	区分	PM 部品名称	サイクル (K=1,000)		部品番号	仕向地	頁 / キー	備考
			員数	交換				
1	DC (含む帯電極)	ドラム	1	250K	-			
2		清掃ブレード部組	1	250K	50GA-2090		P18-12	
3		ドラムユニット (含む耐電極)	1	750K	50GA-2000		P15-25	
4	転写分離極	転写分離極ユニット	1	500K	50GA-2600		P20-1	
5	現像ユニット	現像剤	1	250K	-			
6		現像ユニット	1	750K	50GA-3001		P22-1	
7	本体部	フィルタ取付板部組	1	250K	50GA-3360		P27-8	
8		オゾンフィルター	1	250K	50GA10310		P55-10	
9		サクシオンフィルター / A 部組	1	250K	40LAR70500		P28-1	
10		フィルターカバー部組	1	250K	50GA-3140		P28-8	
11		サクシオンカバー / 2部組	2	250K	50GA-3110		P28-6	
12	給紙ユニット	ピックアップローラ	2	300K	4030300501		P29-7/P31-13	
13		給紙ローラ	2	300K	4030300501		P29-7/P31-13	
14		捌きローラ (分離ローラ)「トレイ: 1, 2」	2	300K	4030015101		P30-15/P32-2	
15	手差しユニット	手差し給紙ローラ	1	200K	4131300101		P34-11	
16		手差し捌きローラ	1	200K	4034015101		P33-20	
17	レジスト	給紙連結ローラ	1	1250K	50GA38650E		P36-7	
18		レジストローラ / A	1	1250K	50GA38480		P36-6	
19		レジスト軸受 / 1	2	1250K	26NA45360		P36-13	
20		レジスト軸受 / 2	2	1250K	26NA45371		P36-10	
21		給紙すべり軸受け	2	1250K	26NA40820		P36-14	
22	定着ユニット	定着加熱ローラ	1	250K	50GA53030	{bizhub500}A	P47-2	
23		定着加熱ローラ	1	250K	42GA53030	{bizhub420}A	P47-2	
24		定着加圧ローラ	1	250K	50GA53040	{bizhub500}A	P47-1	
25		定着加圧ローラ	1	250K	42GA53040	{bizhub420}A	P47-1	
26		定着クリーナー部組	1	250K	50GA-5400	{bizhub500}A	P52-1	
27		定着クリーナー部組	1	250K	42GA-5400	{bizhub420}A	P52-1	
28		断熱スリーブ / A	2	250K	26NA53720		P47-11	
29		定着軸受け / 上	2	250K	26NA53712		P47-12	
30		定着軸受け / 下	2	250K	50GA53590		P47-15	
31		定着センサ部組	1	500K	50GA-5440		P48-6	
32		ヒューズ取り付け板部組	1	500K	SP00-0112		P48-7	
33		定着爪部組	1	500K	50GA-5330	{bizhub500}A	P51-14	
34		定着爪部組	1	500K	42GA-5330	{bizhub420}A	P51-14	
35		定着従動ローラ A 部組	2	250K	4040R70600		P50-29	
36		定着従動ローラ B 部組	2	250K	4040R70700		P50-30	
37	定着入力ギア部組	1	500K	50GA-5461		P49-15		
38	反転ユニット	排紙サクシオンフィルタ	1	250K	50GA44060		P37-2	
39	書き込みユニット	書き込みユニット	1	1250K	50GA-6501		P10-1	
40	駆動部	定着 ギア / B 1 8 T	1	750K	50GA185231		P14-8	
41		定着 ギア / C 1 9 T	1	750K	50GA18532G		P14-4	
42		定着 ギア / D 1 9 T	1	750K	50GA18542G		P14-3	
43		定着 ギア / E 1 8 T	1	750K	50GA18552G		P14-6	
44		定着 ギア / F 1 9 T	1	750K	50GA18592G		P14-7	

## DESTINATION

Destination No.		Destinations		V	Hz	Model No.
A	A1	JAPAN		100	50	42GA/50GA
	A2	JAPAN		100	60	42GA/50GA
B		USA, CANADA		120	60	42GE/50GE
C		EUROPEAN TYPE		220-240	50/60	42GF/50GF
D	D1	S.E ASIA TYPE	THAILAND, SRI LANKA, SINGAPORE, MALAYSIA, HONG KONG, PAKISTAN, INDIA, BANGLADESH, INDONESIA	220-240	50/60	42GN/50GN
	D3	OCEANIA TYPE	AUSTRALIA, NEW ZEALAND	220-240	50/60	42GN/50GN
E		PHILIPPINES		220-240	50/60	42GN/50GN
F	F1	SAUDI ARABIA		127	60	42GS/50GS
	F2	SAUDI ARABIA		220-240	50/60	42GN/50GN
G	G1	C.S AMERICA		220-240	50/60	42GN/50GN
	G2	C.S AMERICA		120	60	42GE/50GE
H		TAIWAN		110	60	42GK/50GK
I		JORDAN, LEBANON, SYRIA, SOUTH AFRICA, IRAQ, IRAN, N.YEMEN, CAMEROON, UAE, BAHRAIN, OMAN, QATAR, KUWAIT, KENYA, TUNISIA, IVORY COAST, MOROCCO		220-240	50/60	42GN/50GN
J		CHINA		220-240	50	42GG/ 50GG
K		KOREA		220-240	50/60	42GN/50GN

bizhub 420/bizhub 500