

Bizhub 43



SPARE PARTS LIST

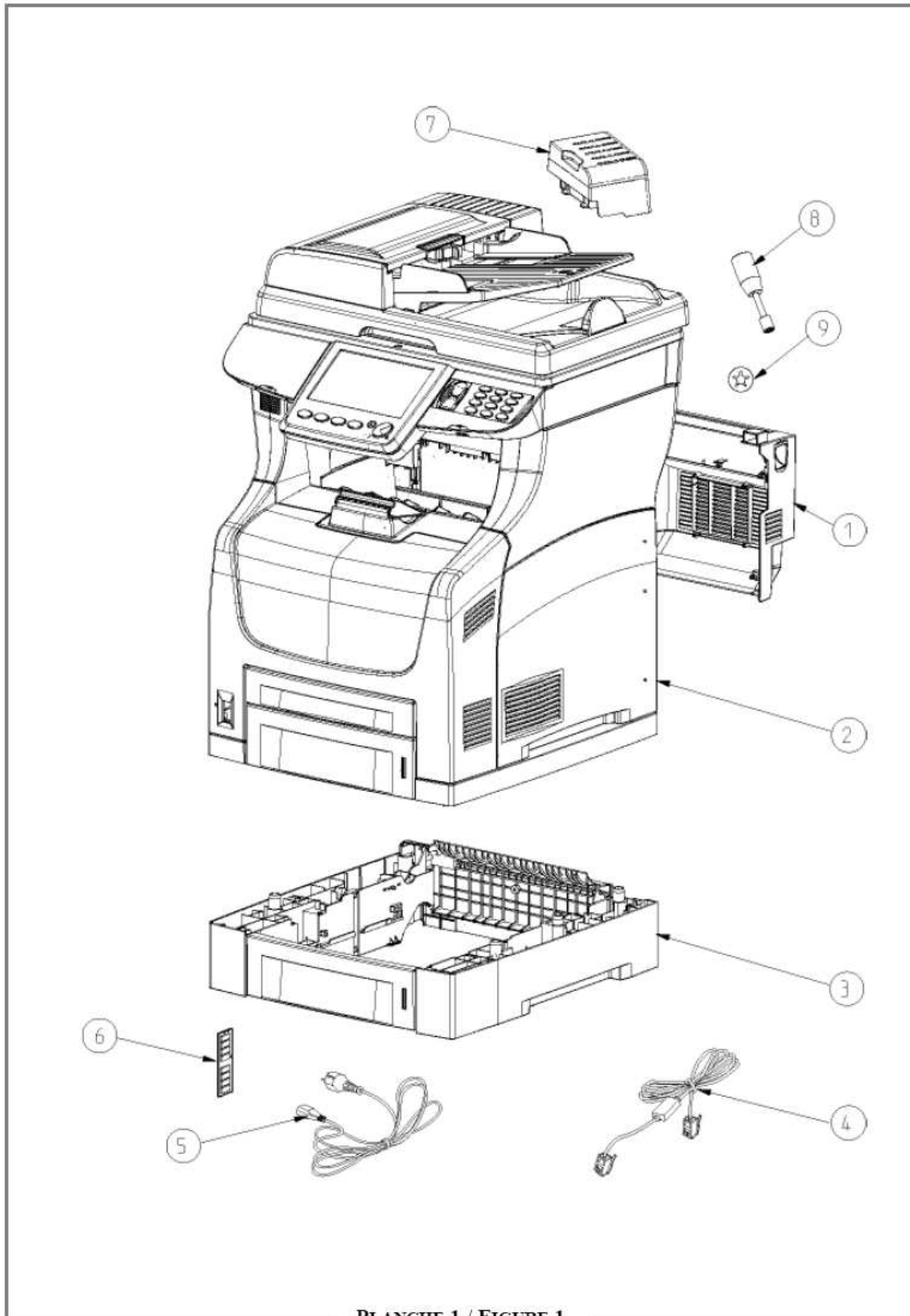
List of modifications

Indice A Creation of the document	23 / 09 / 2010
Indice B Reference Konica Minolta added Maintenance parts identified Tool identified	30 / 09 / 2010
Indice C New reference for part 14-10	08 / 10 / 2010
Indice D New reference for part 14-10	27 / 07 / 2011
Indice E New references for part 19-1, 19-3	30 / 09 / 2011
Indice F Reference part 27-14 added	25 / 01 / 2012

Summary

1) HFF V2 Product.....	5
2) Housing.....	6
3) ADF module	7
4) Keypad.....	8
5) Front panel ASM	9
6) Flatbed ASM.....	10
7) Open button	11
8) Scanner tray ASM.....	12
9) Interface	13
10) HDD support.....	14
11) Mainboard.....	15
12) Back cover	16
13) Trap holder.....	17
14) Detail of scanner tray (1)	18
15) Detail of scanner tray (2)	19
16) Detail of front panel.....	20
17) Detail of HDD support.....	21
18) Scanner M&H upper cover (flap cover)	22
19) Flap scanner equipped	23
20) ADF M&H equipped	24
21) ADF cover M&H assy	25
22) Input paperway guide equipped.....	26
23) Flatbed scanner H&M assy.....	27
24) Cover.....	28
25) Paper cassette 150.....	29
26) Paper cassette 550.....	30
27) Paper feeder 150	31
28) Paper feeder 550	32
29) Xero	33
30) Paper exit 500 1/2	34
31) Paper exit 500 2/2	35
32) Frame & drive.....	36
33) Electrical	37
34) Option paper feeder 550	38
35) Duplex unit	39

1) HFF V2 Product



2) Housing

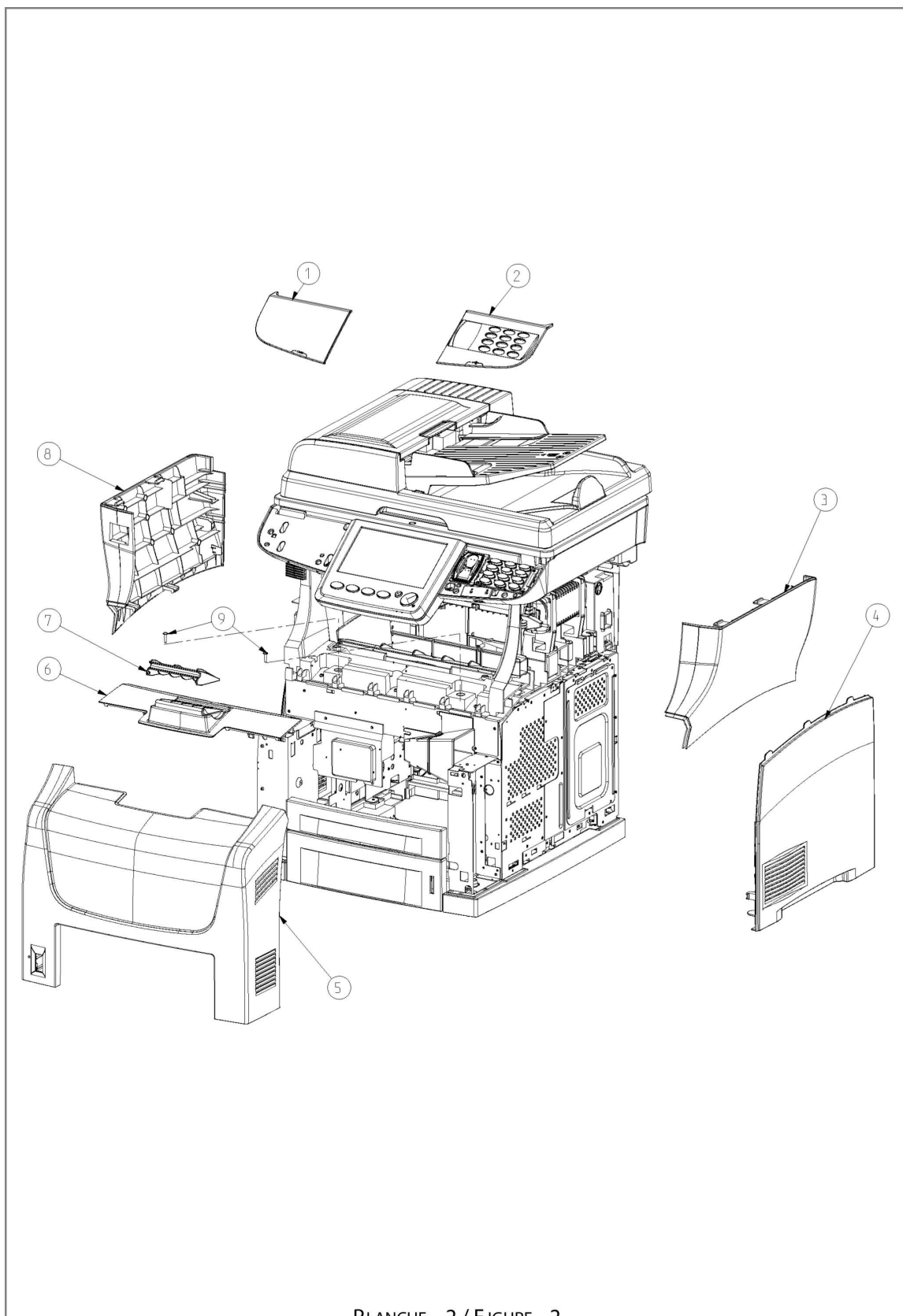


PLANCHE 2 / FIGURE 2

3) ADF module

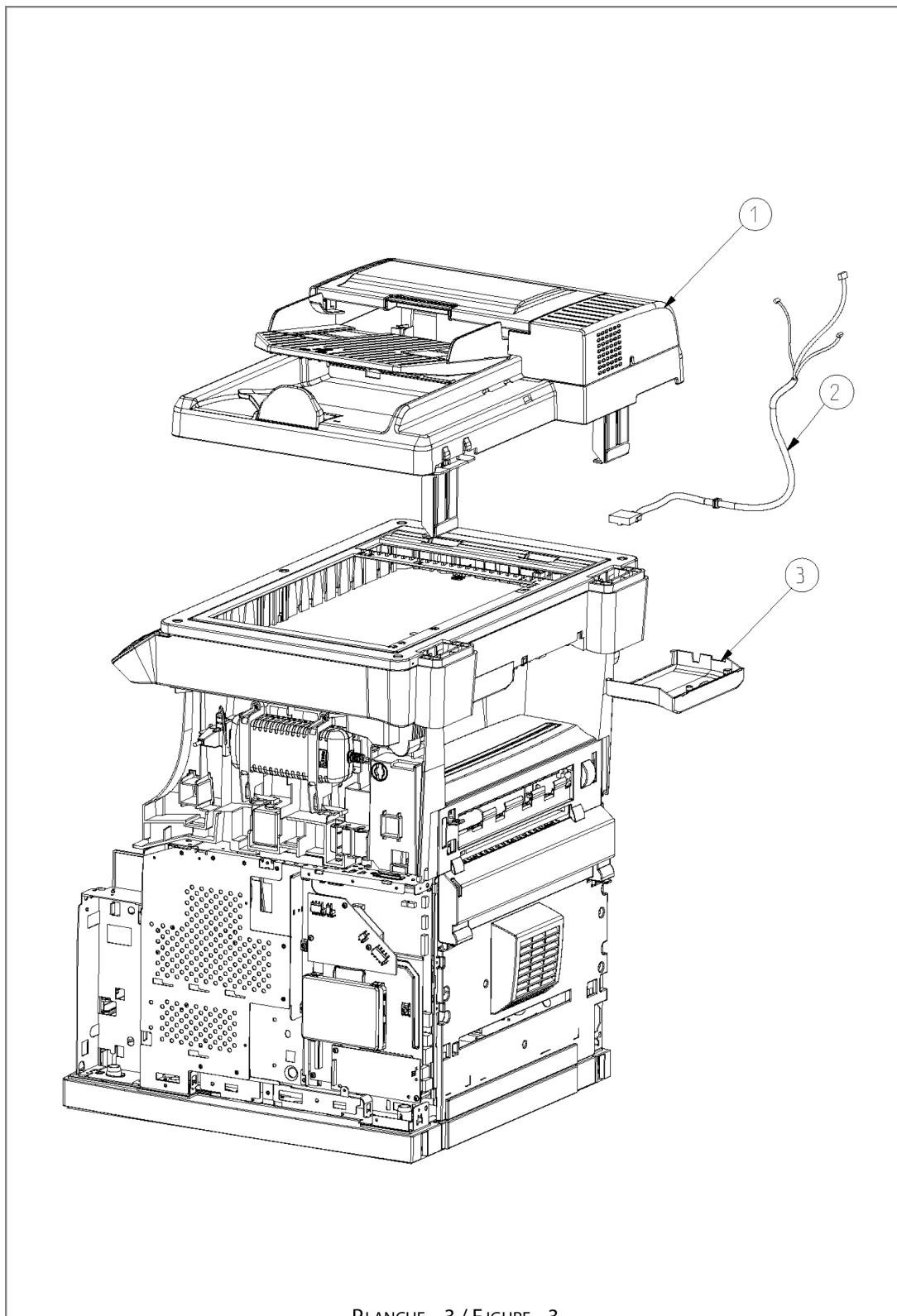
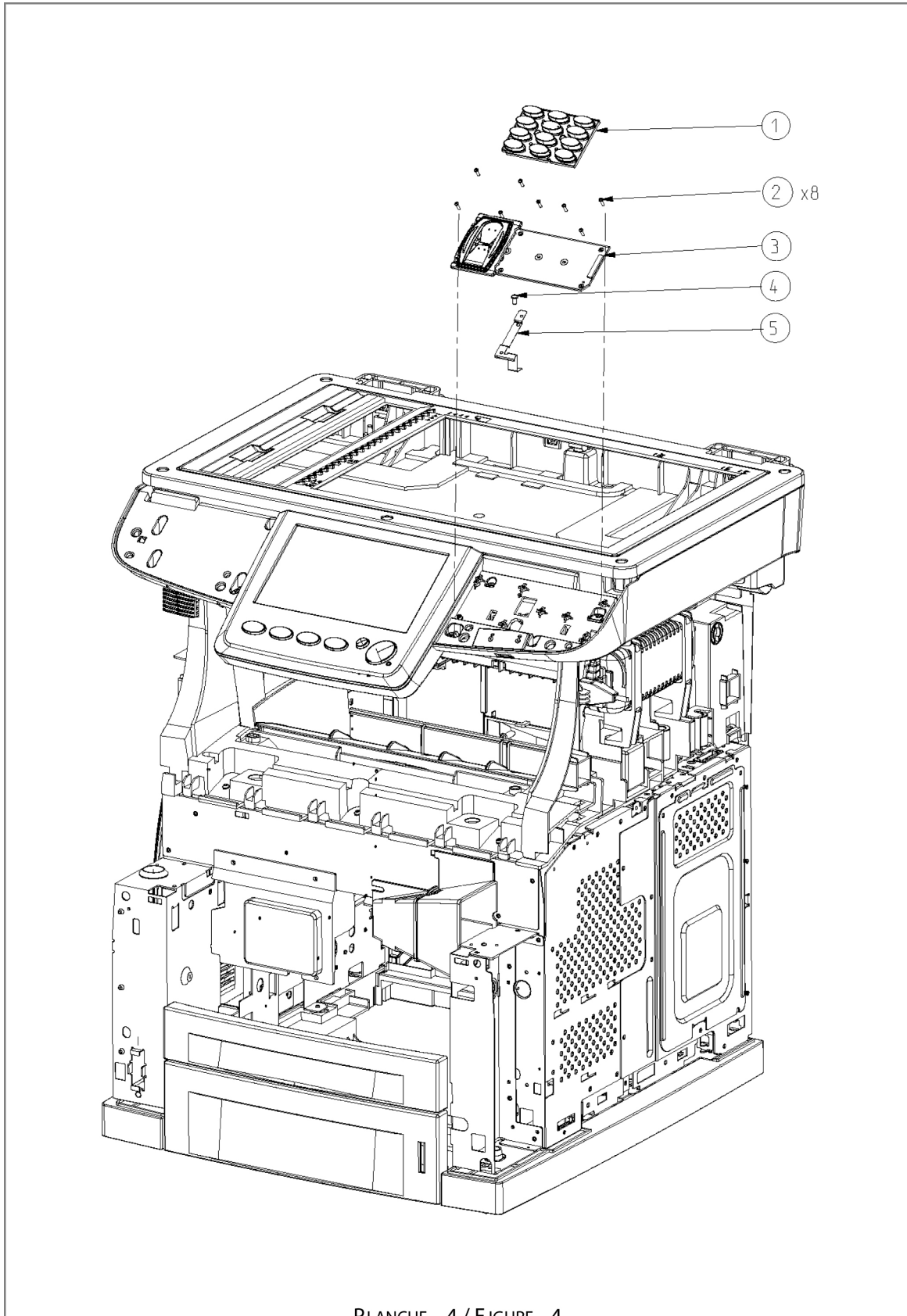


PLANCHE 3 / FIGURE 3

4) Keypad



5) Front panel ASM

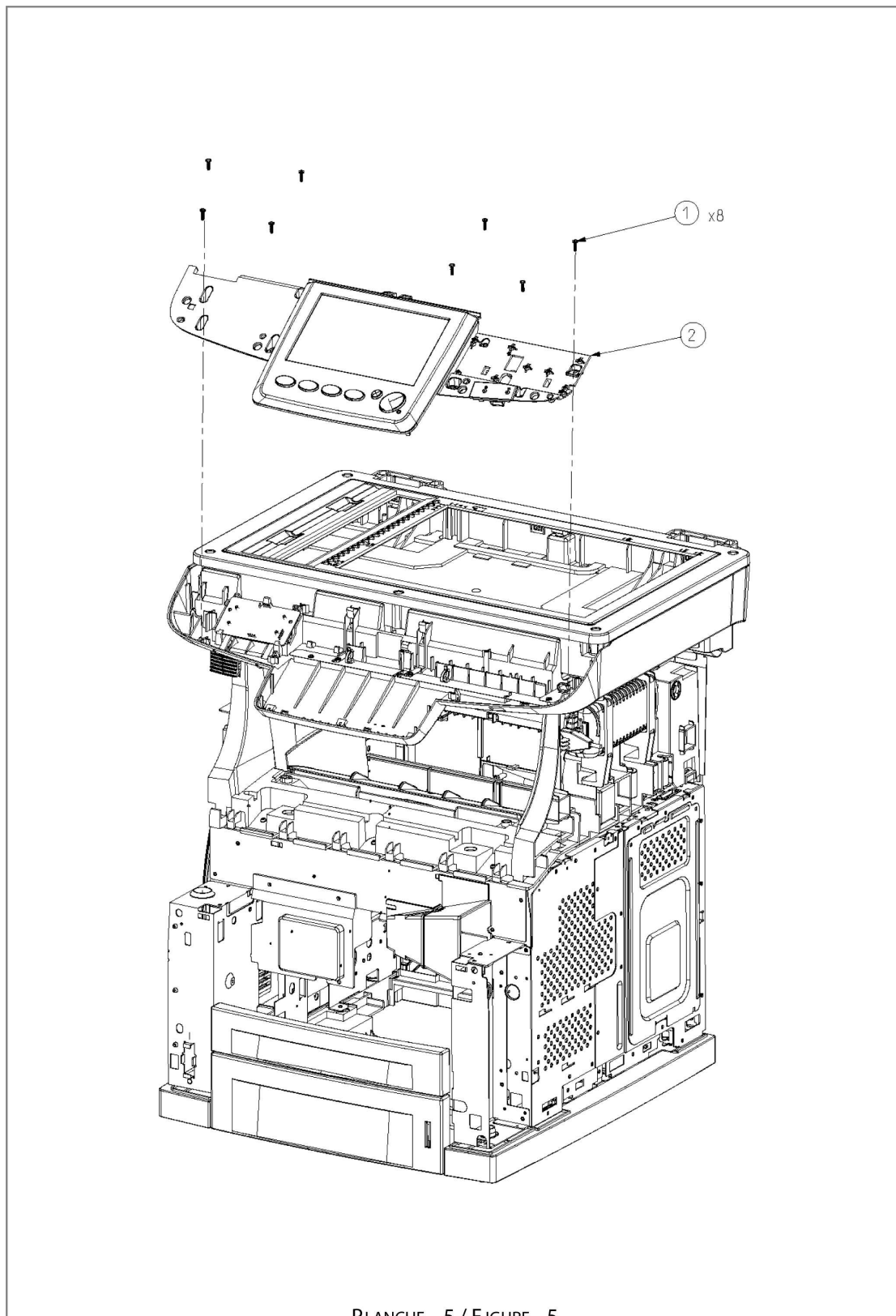


PLANCHE 5 / FIGURE 5

6) Flatbed ASM

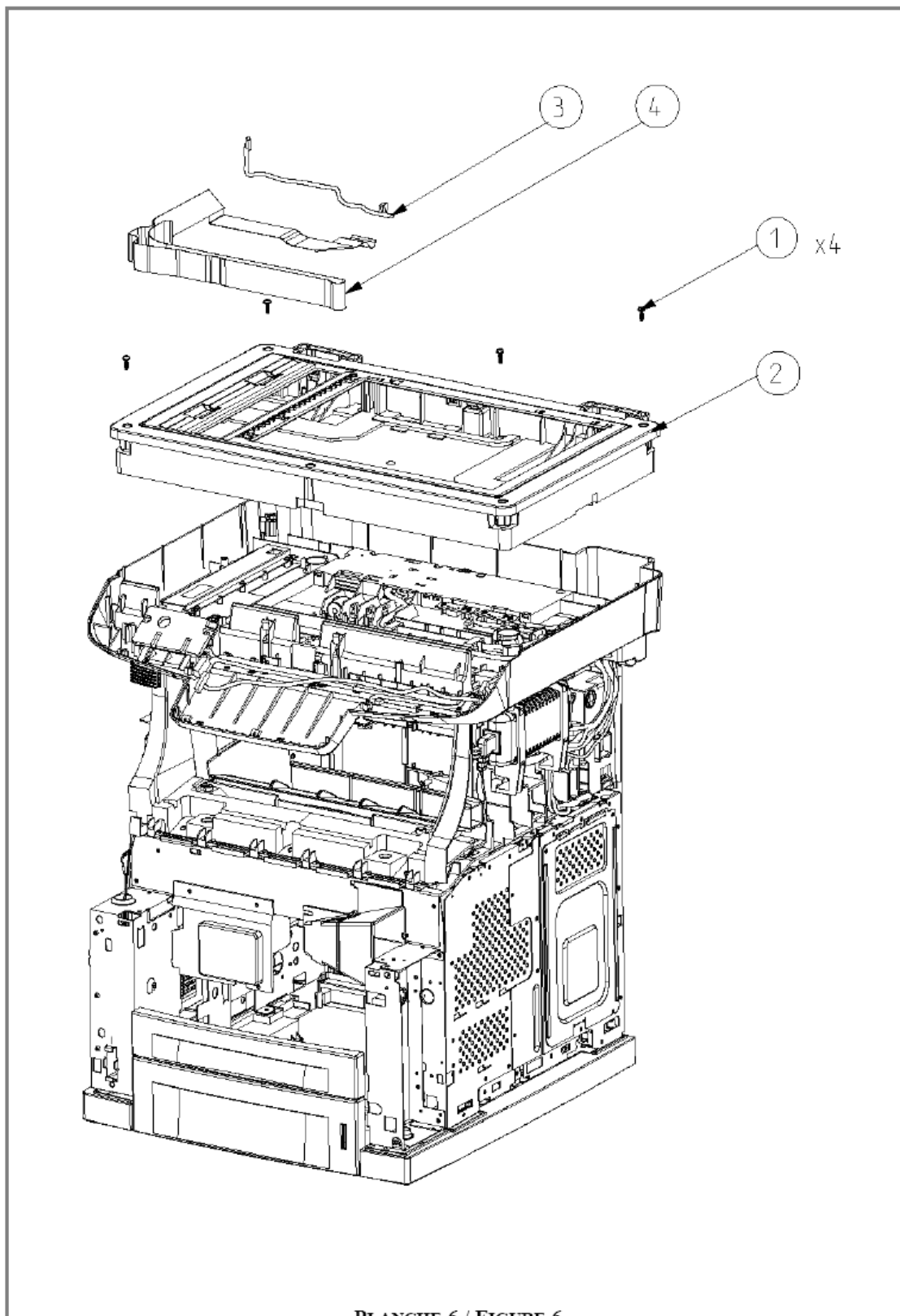


PLANCHE 6 / FIGURE 6

7) Open button

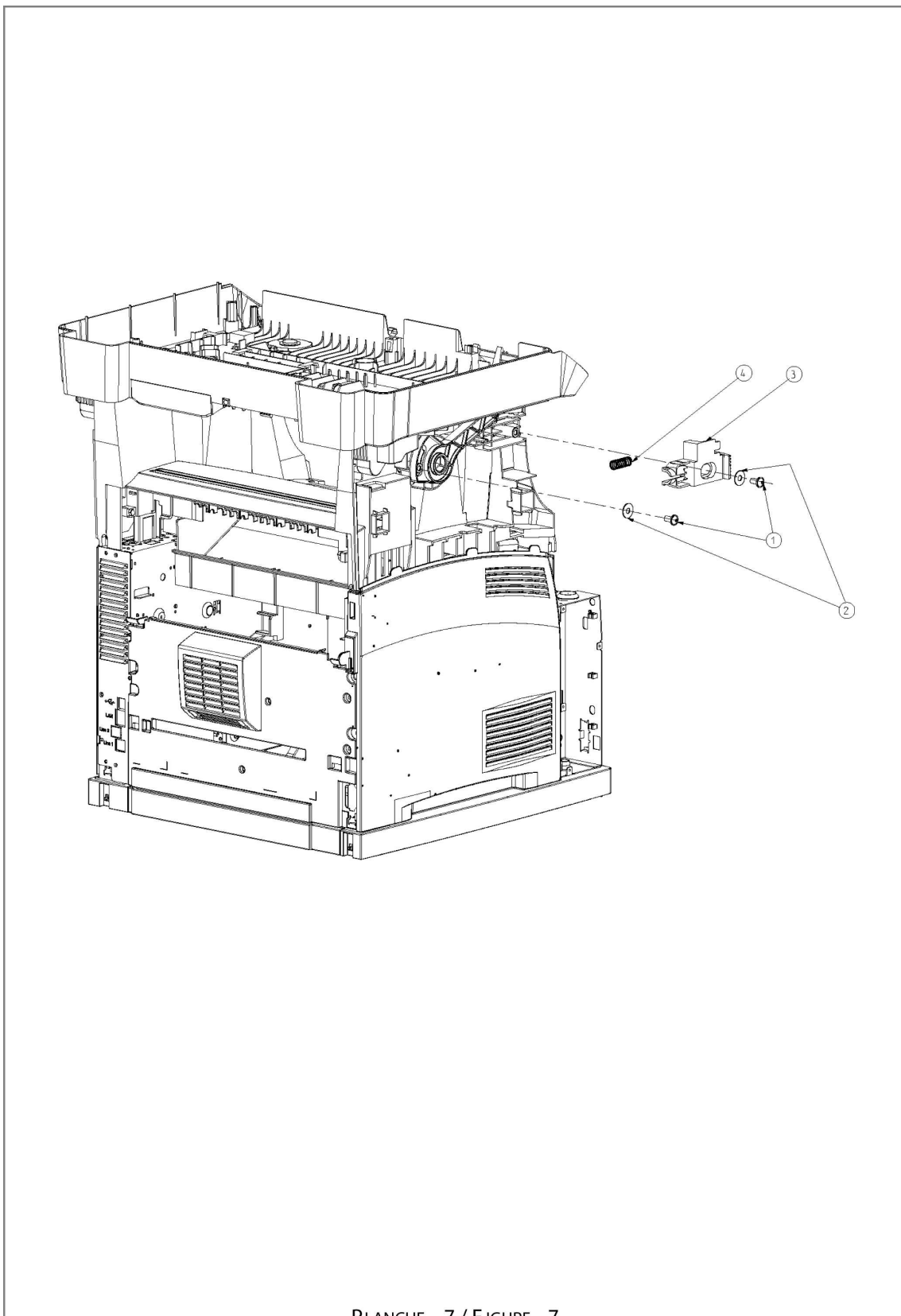


PLANCHE 7 / FIGURE 7

8) Scanner tray ASM

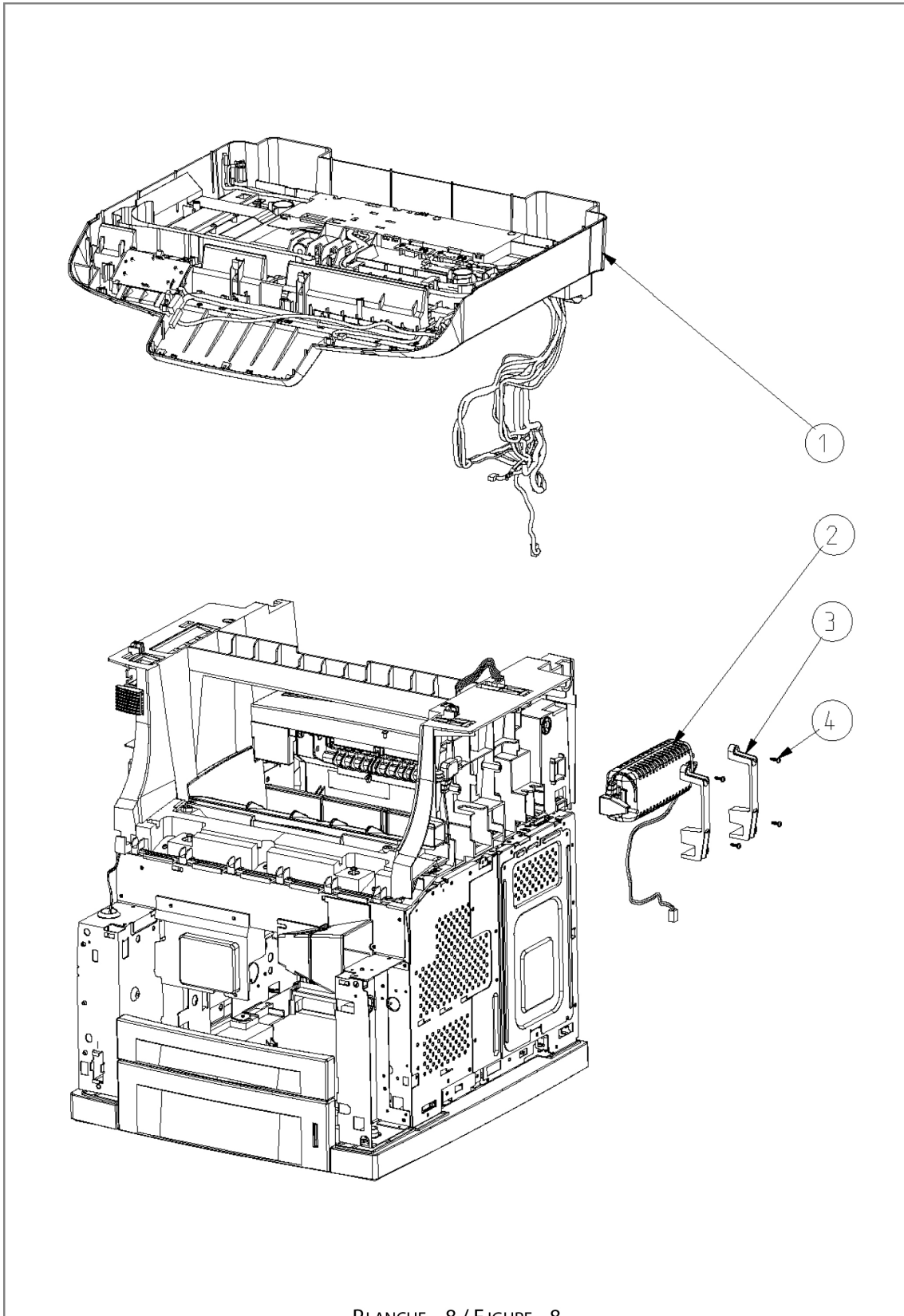


PLANCHE 8 / FIGURE 8

9) Interface

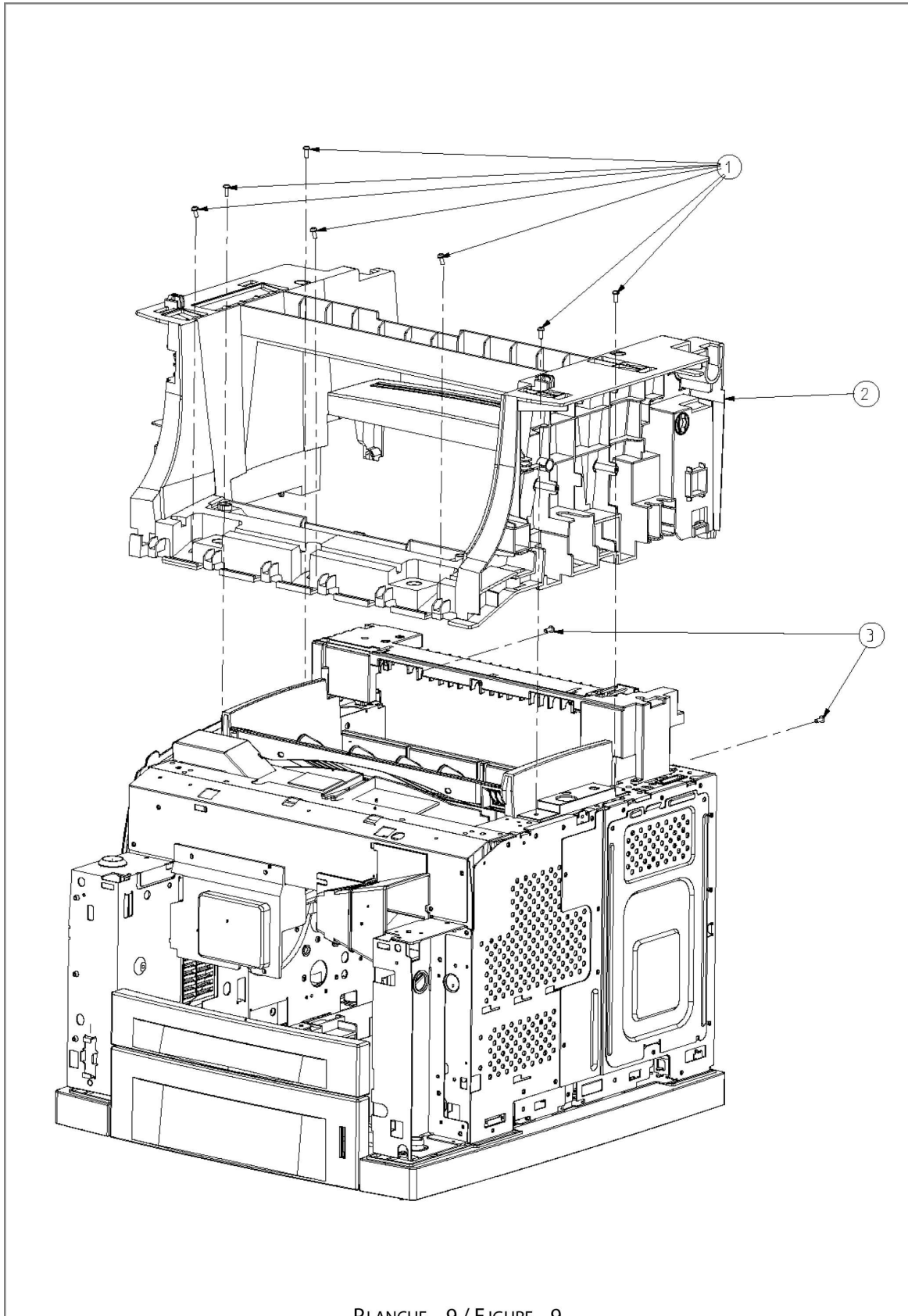
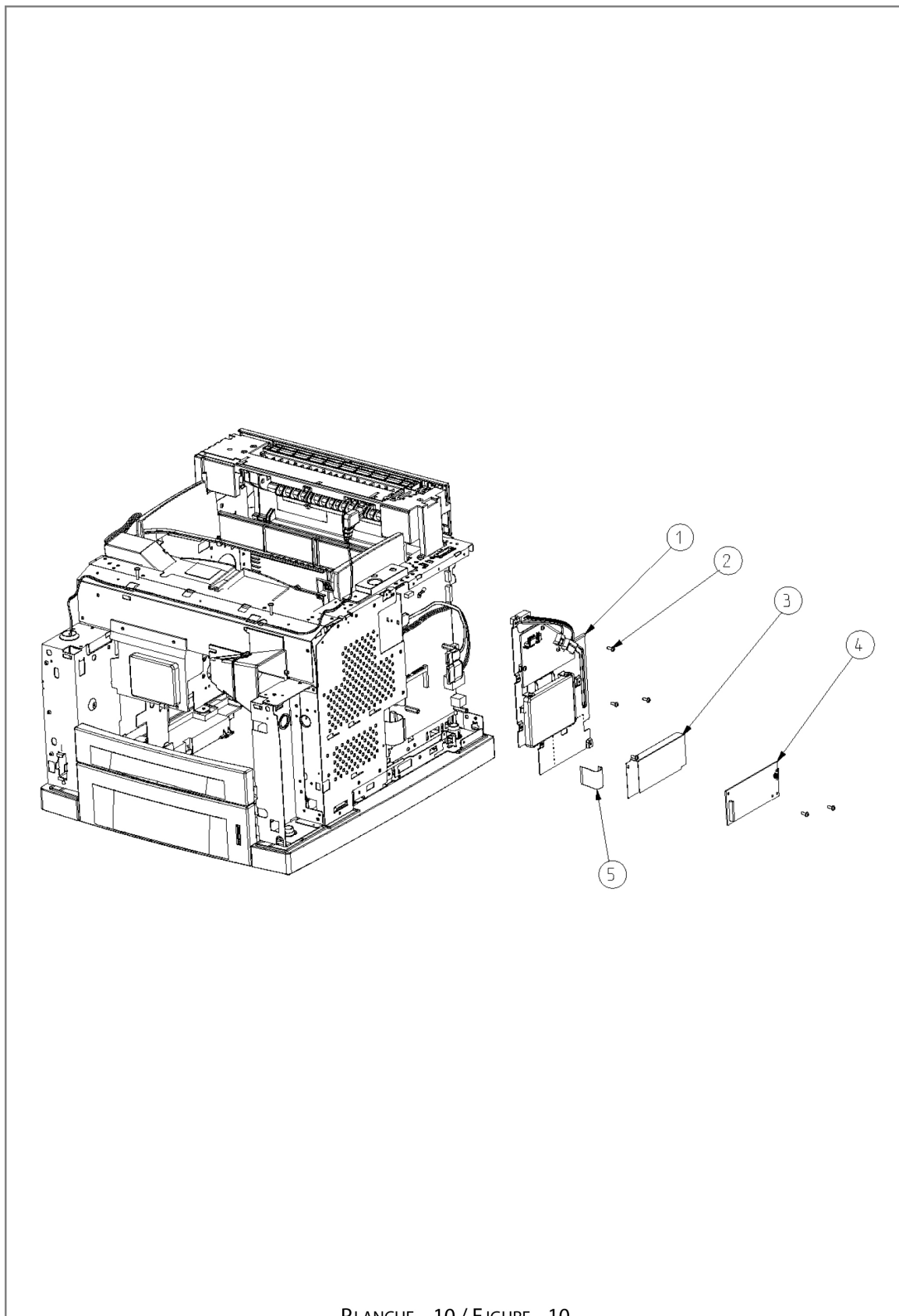
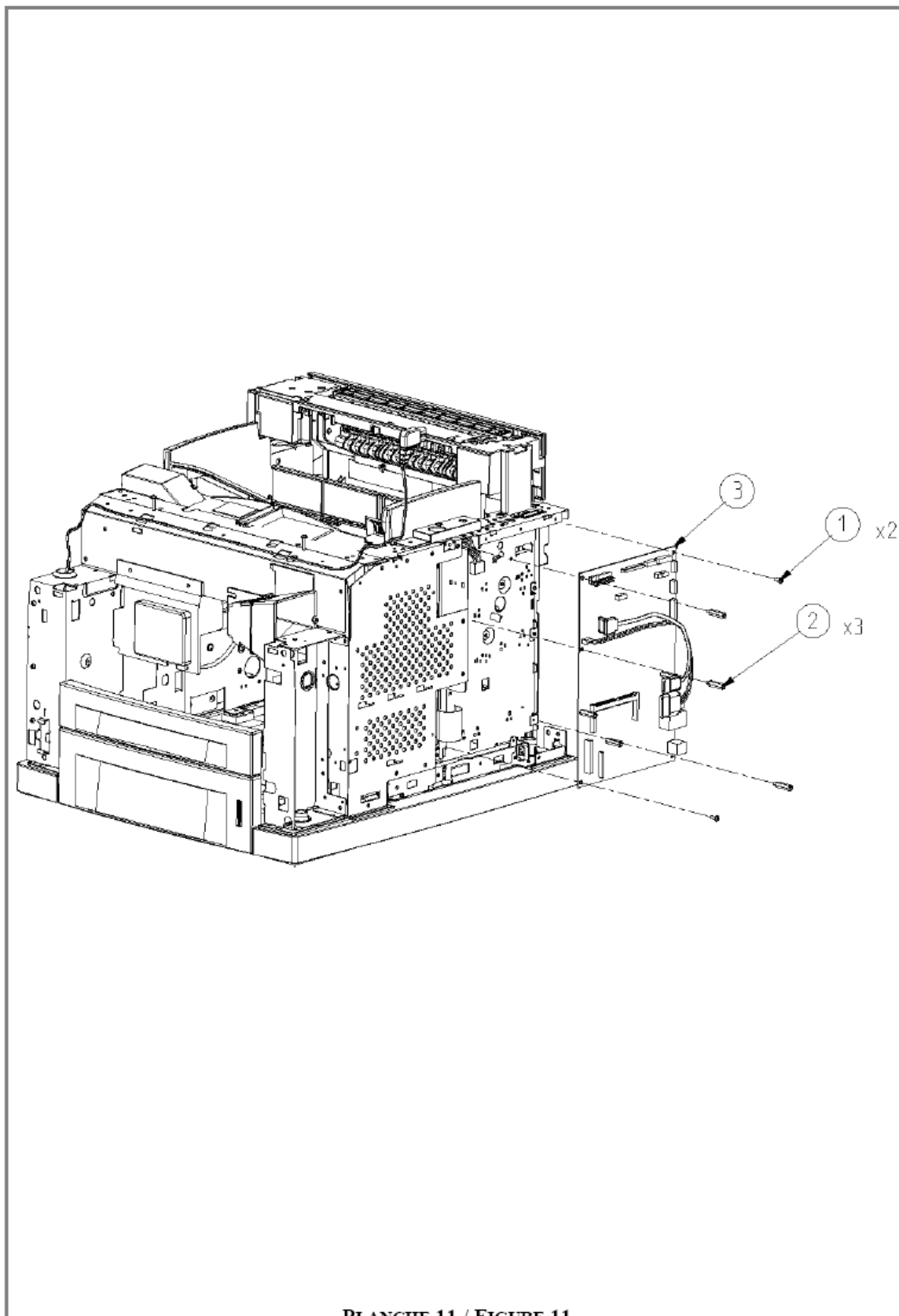


PLANCHE 9 / FIGURE 9

10) HDD support



11) Mainboard



12) Back cover

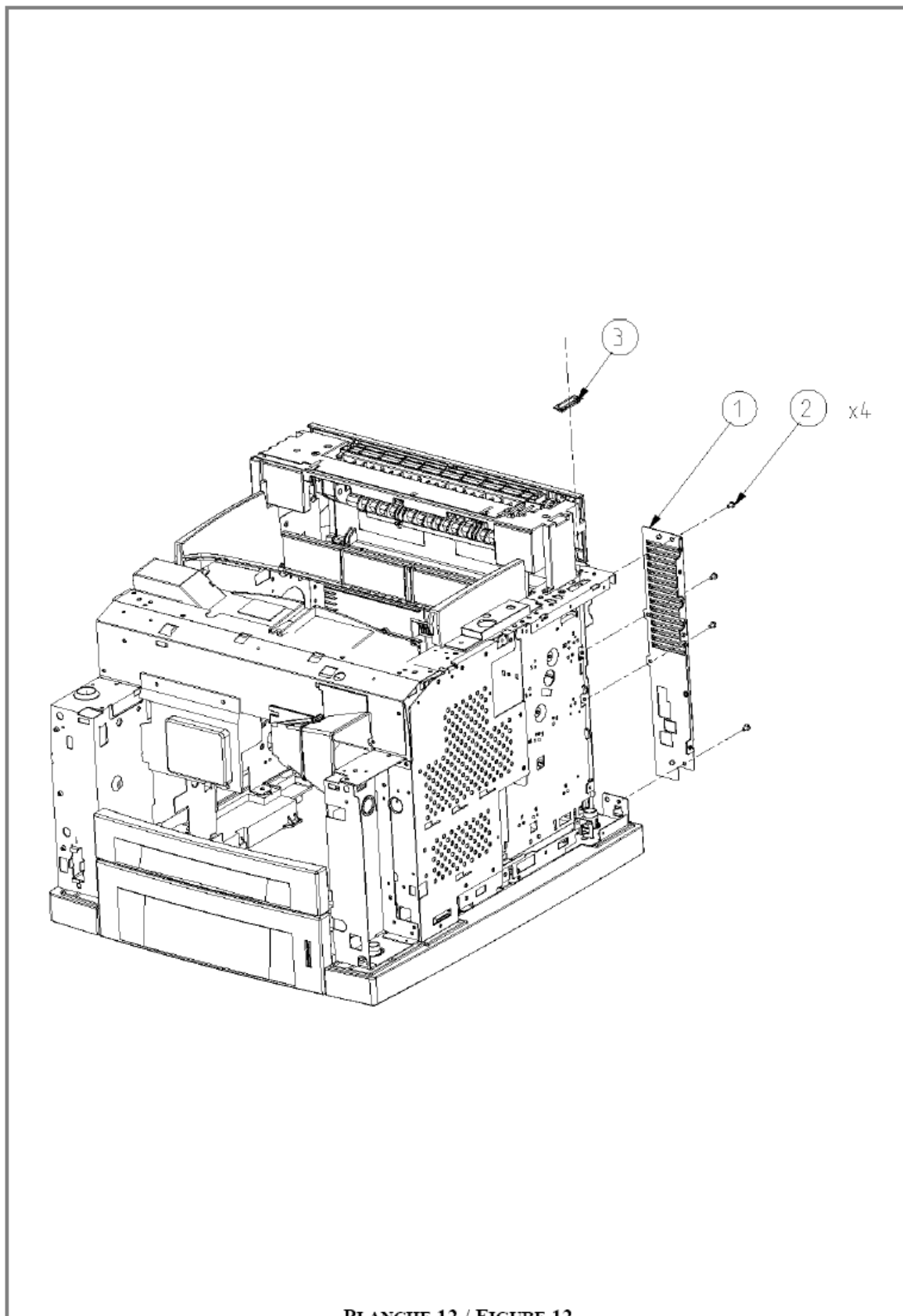


PLANCHE 12 / FIGURE 12

13) Trap holder

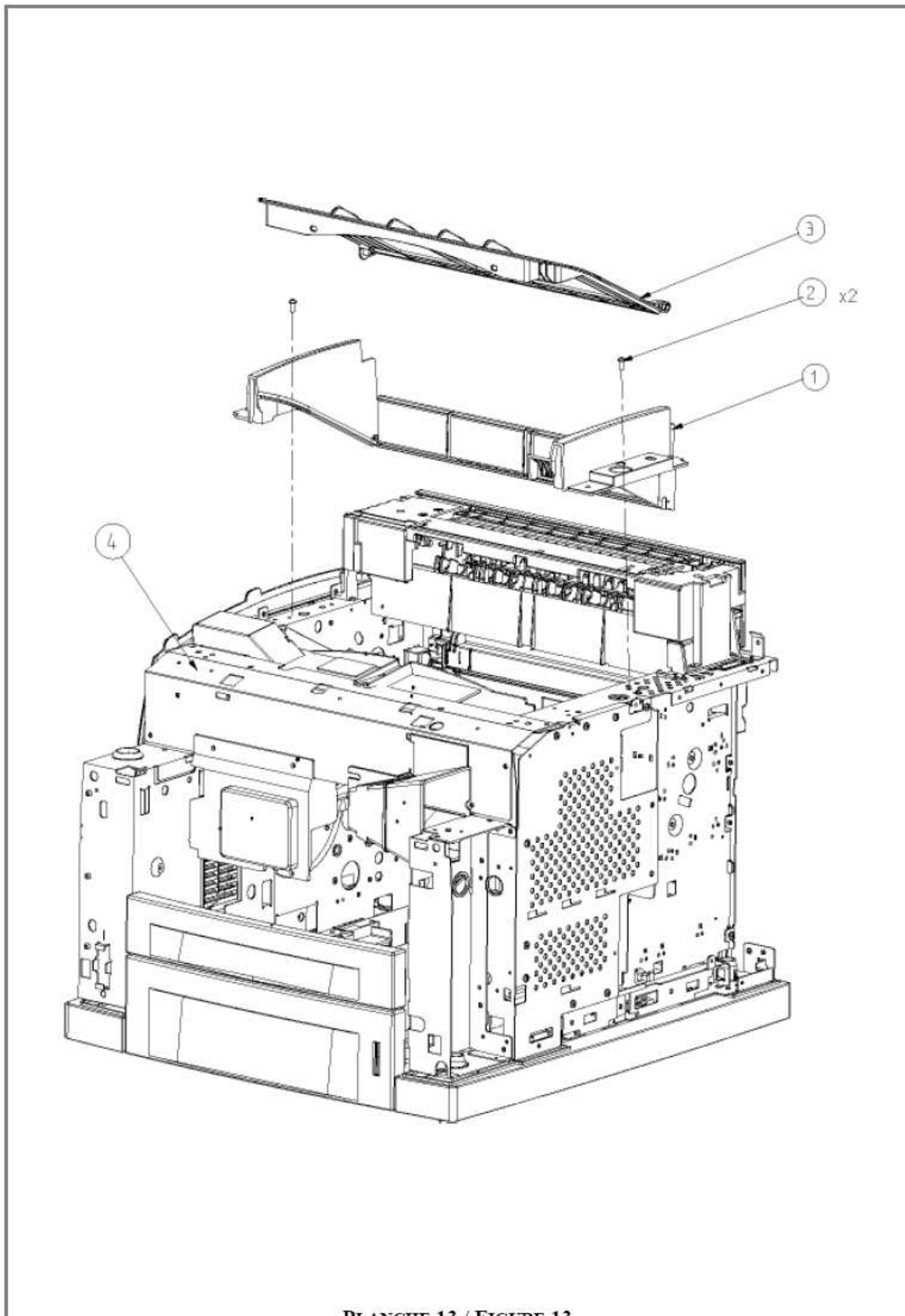


PLANCHE 13 / FIGURE 13

14) Detail of scanner tray (1)

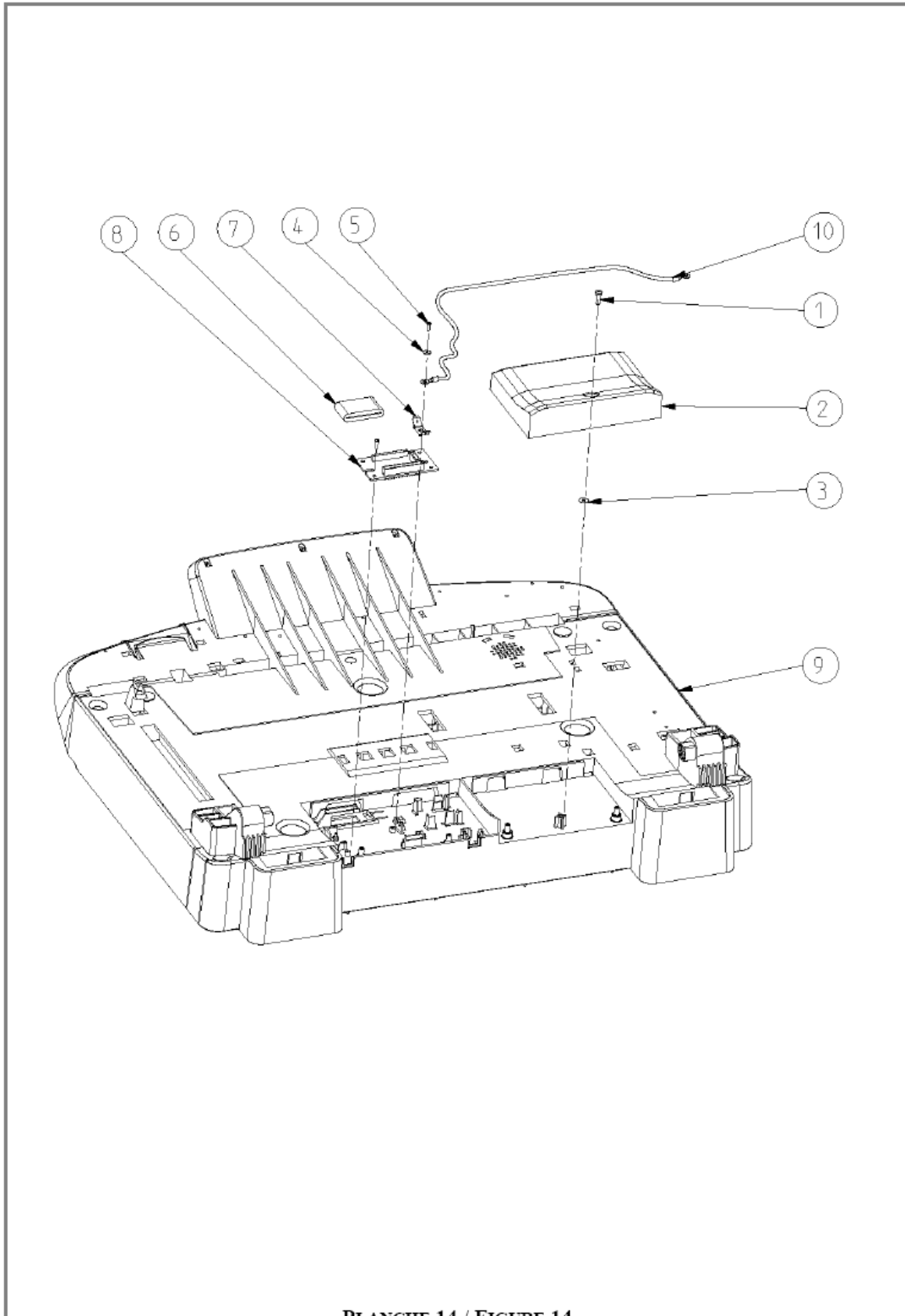


PLANCHE 14 / FIGURE 14

15) Detail of scanner tray (2)

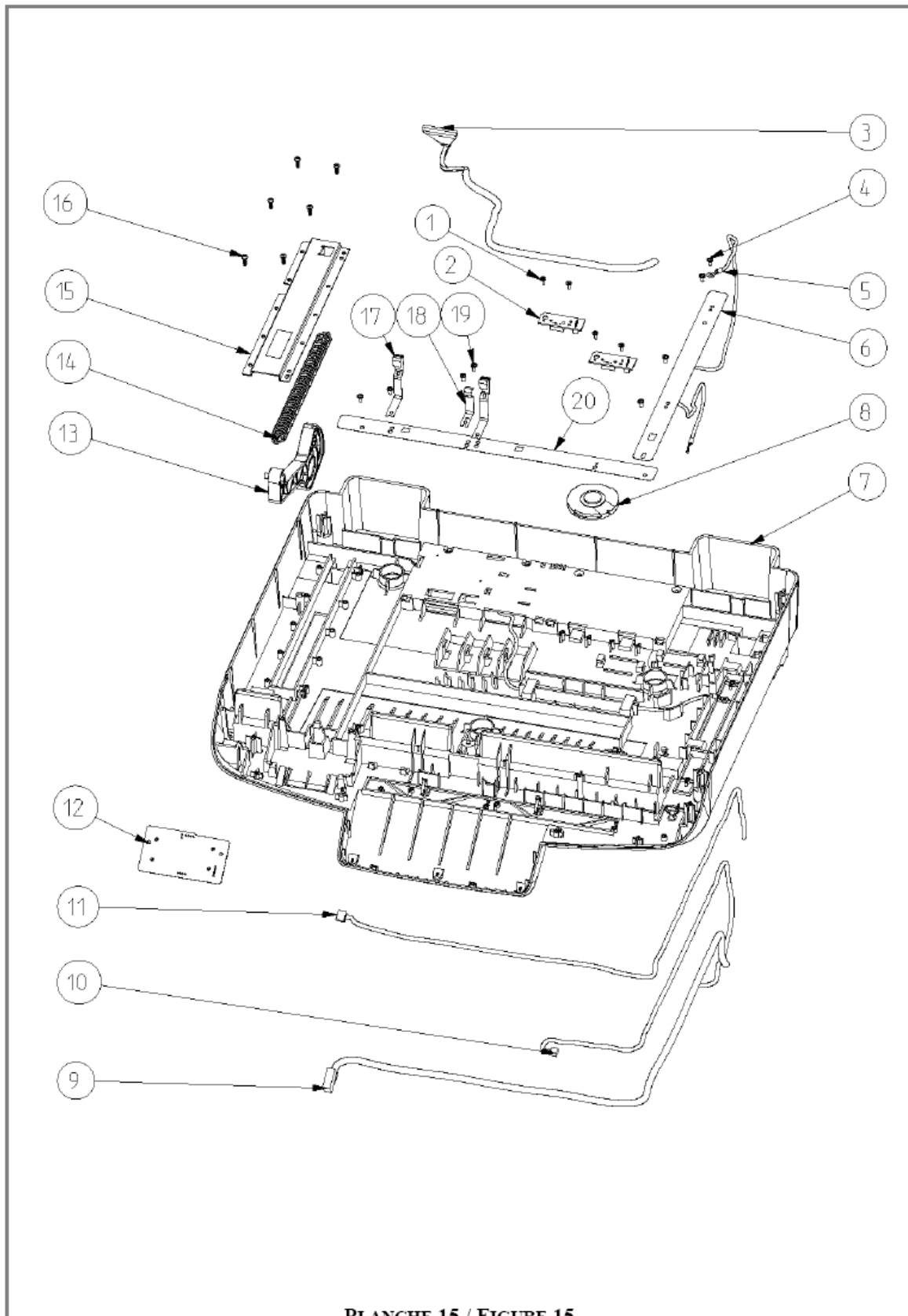
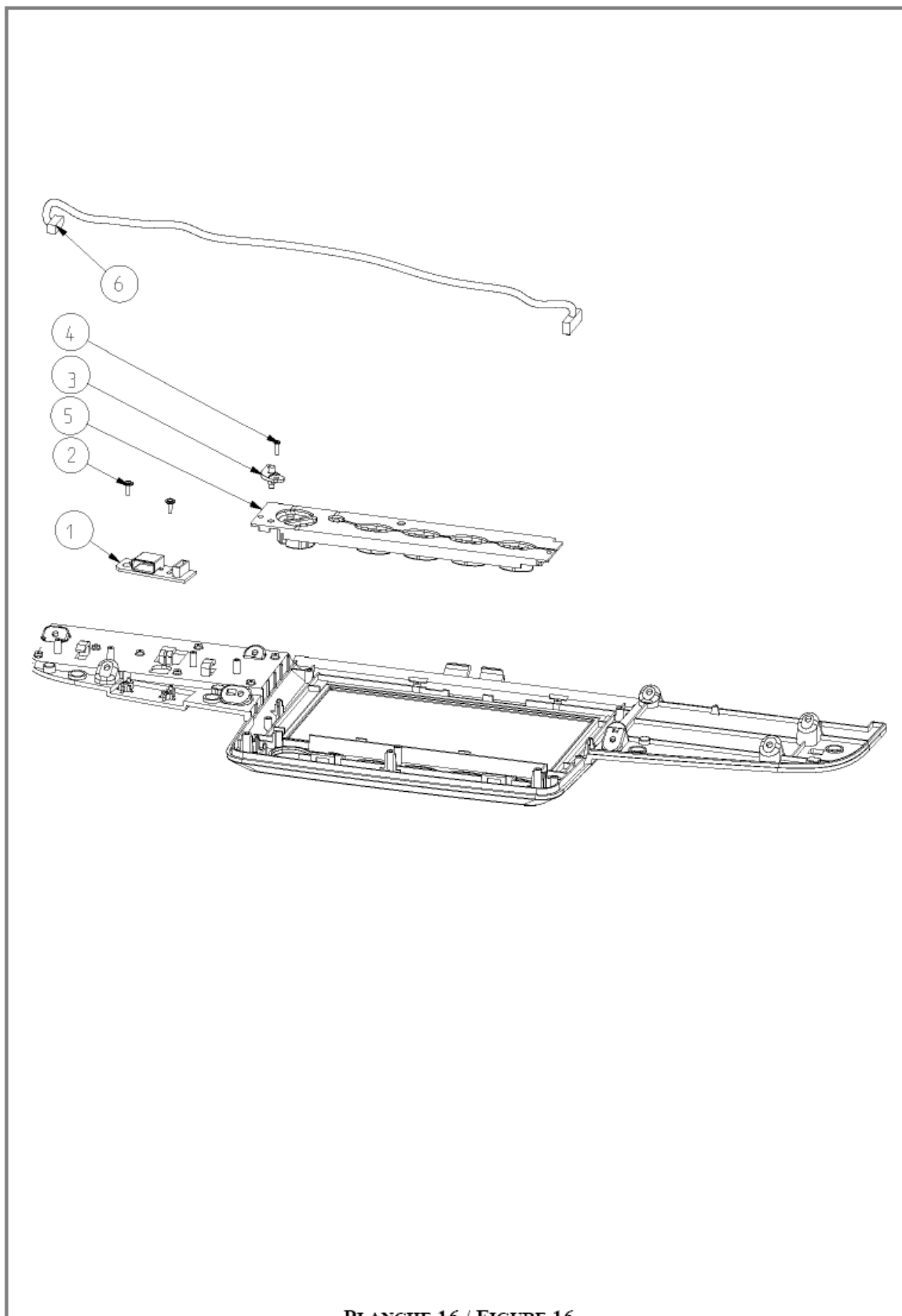


PLANCHE 15 / FIGURE 15

16) Detail of front panel



17) Detail of HDD support

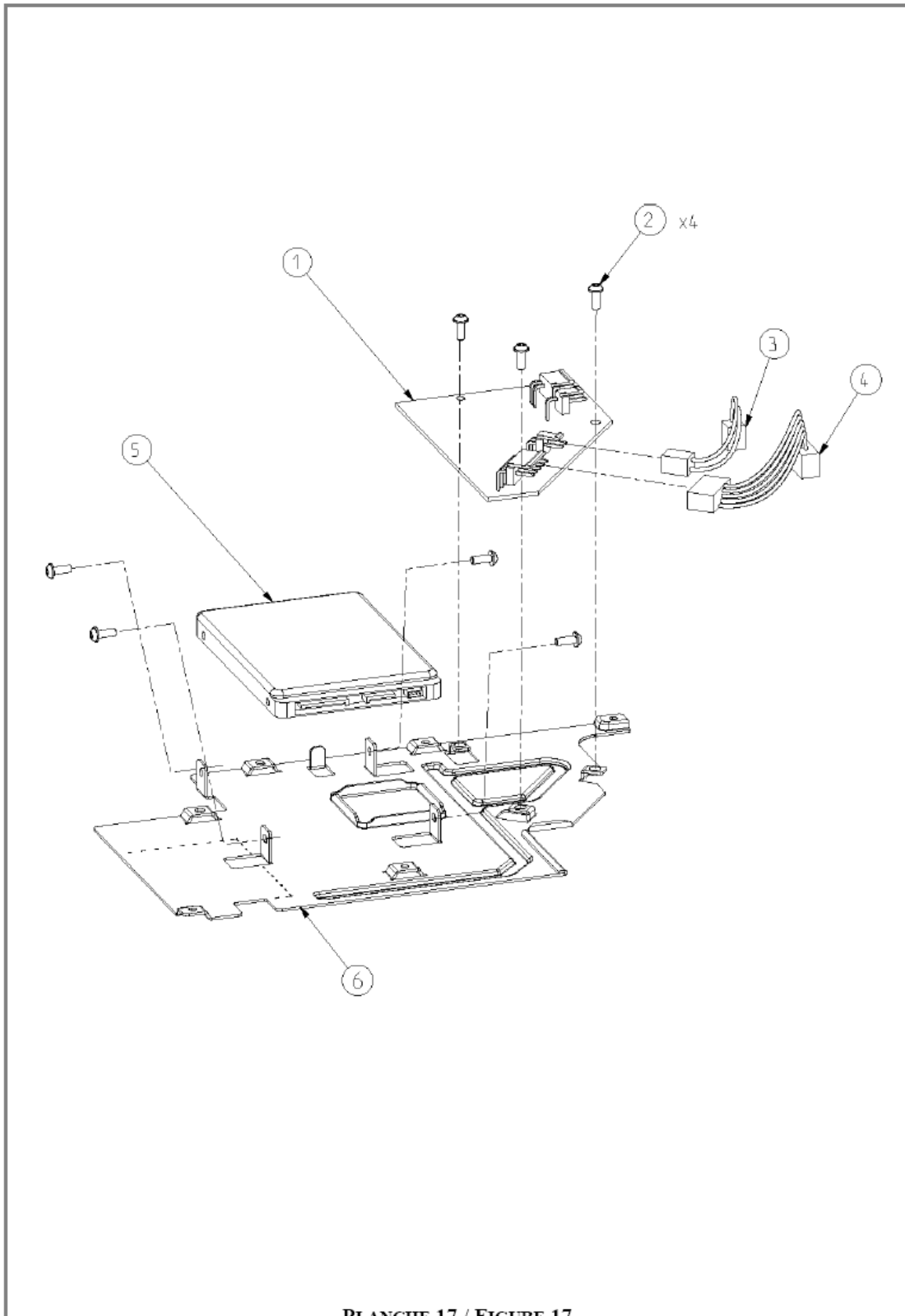


PLANCHE 17 / FIGURE 17

18) Scanner M&H upper cover (flap cover)

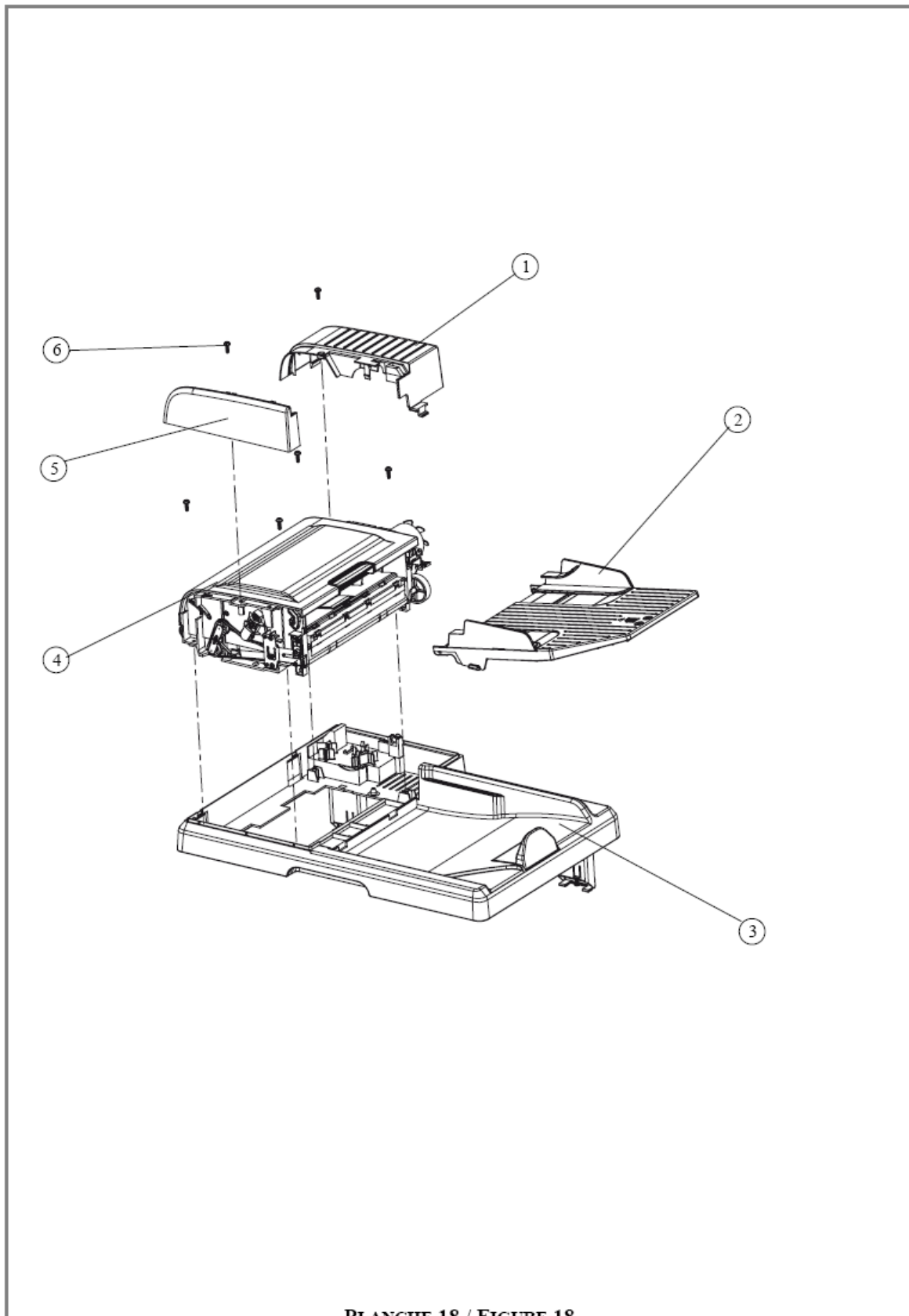
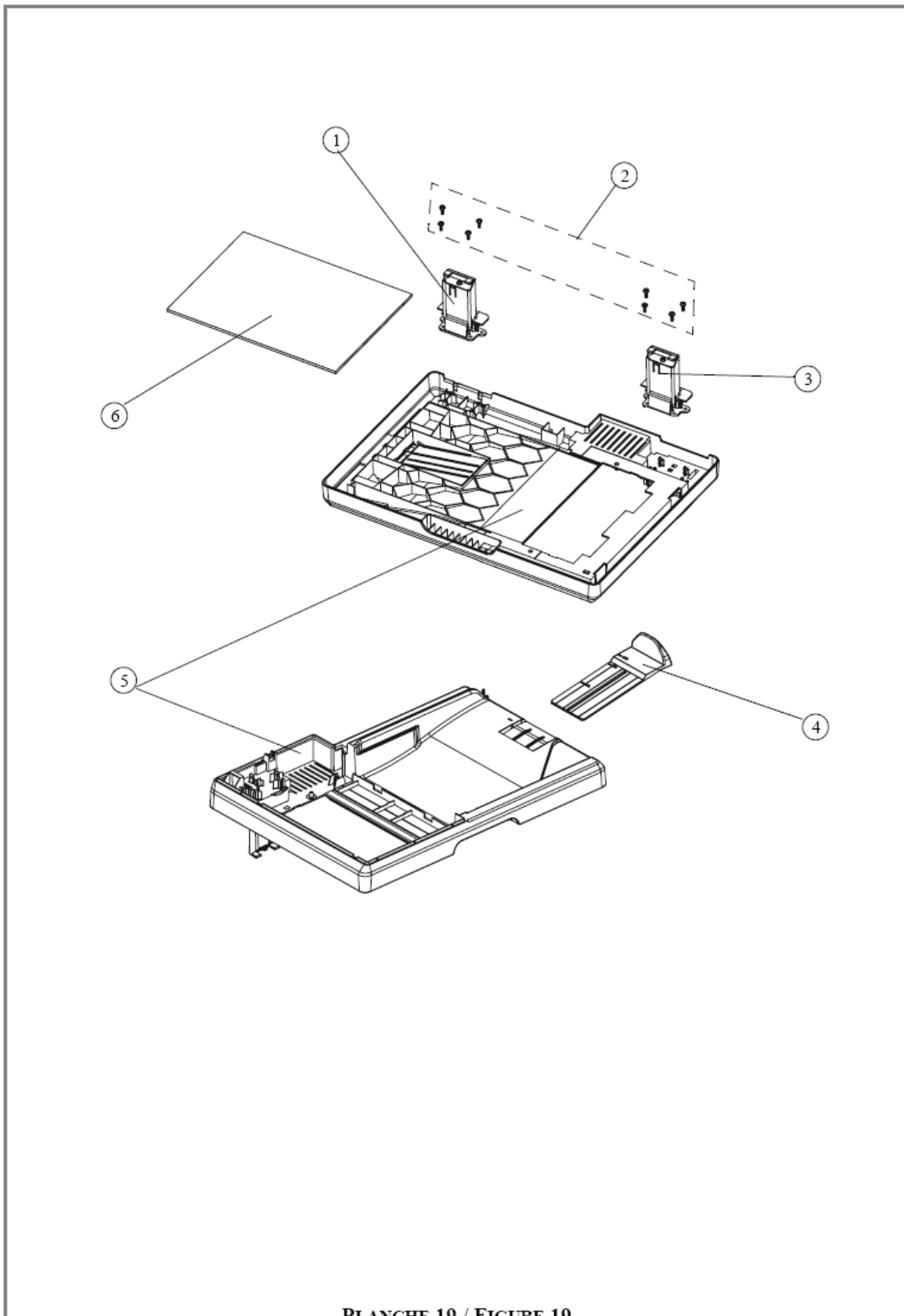


PLANCHE 18 / FIGURE 18

19) Flap scanner equipped



20) ADF M&H equipped

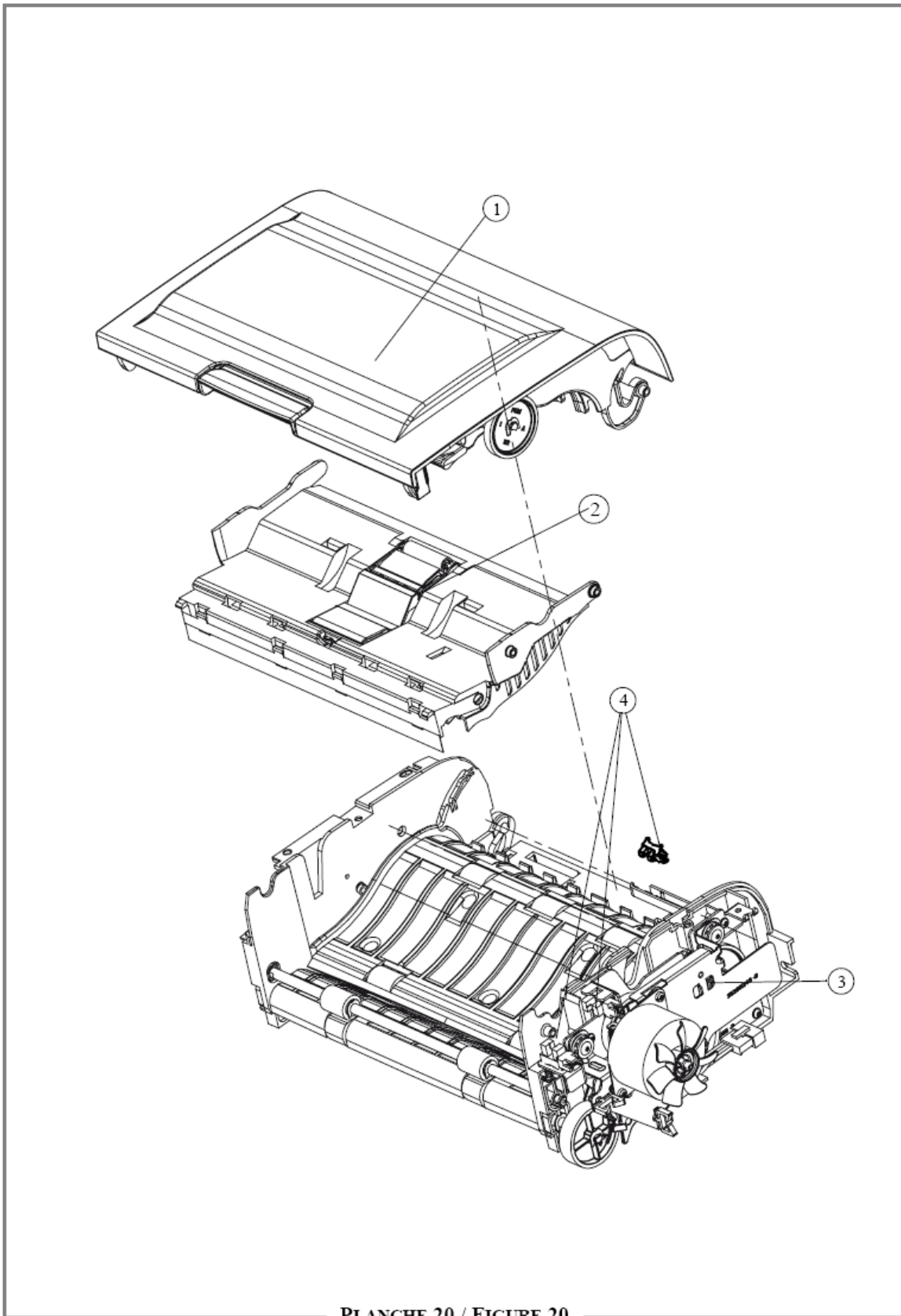


PLANCHE 20 / FIGURE 20

21) ADF cover M&H assy

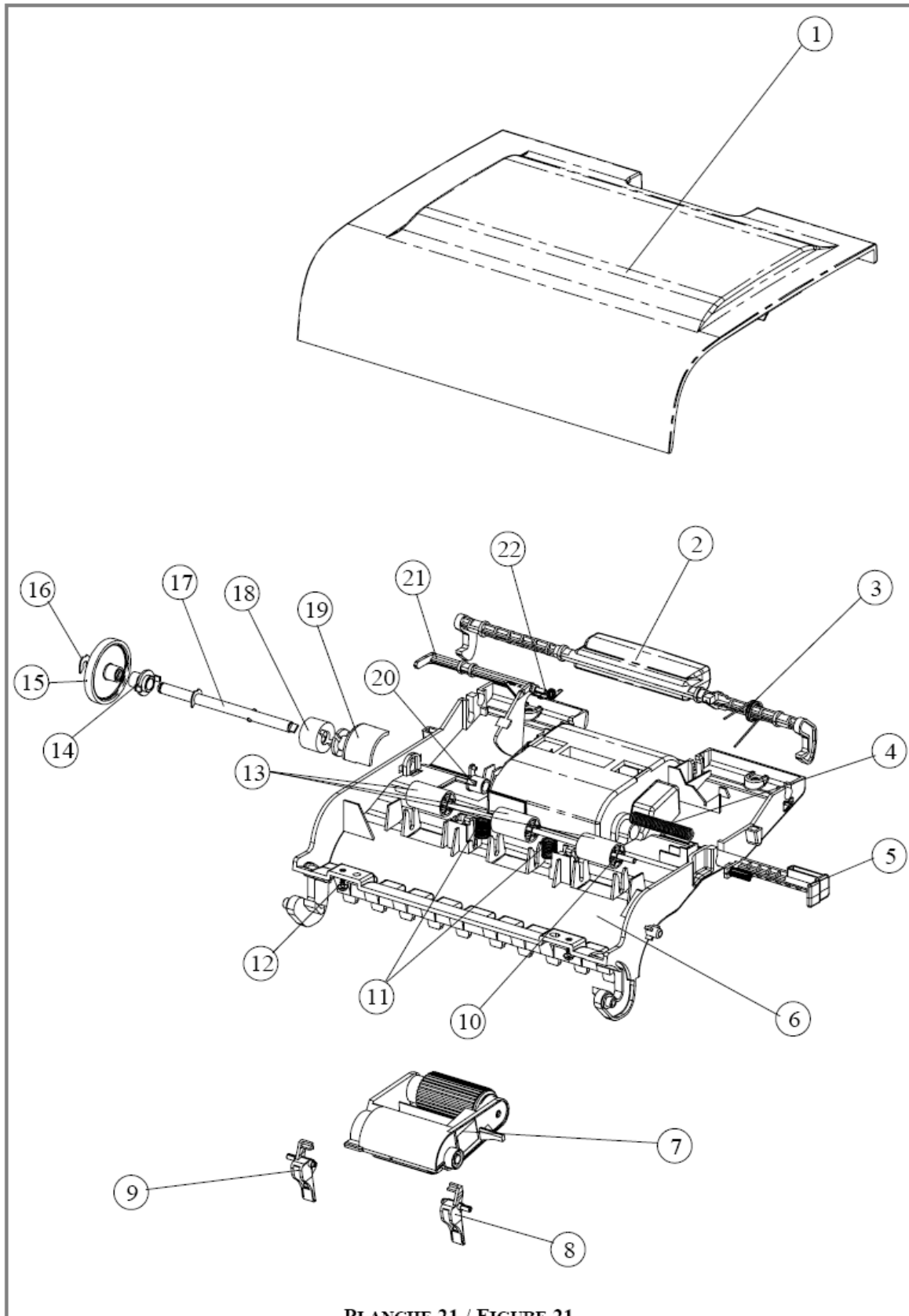


PLANCHE 21 / FIGURE 21

22) Input paperway guide equipped

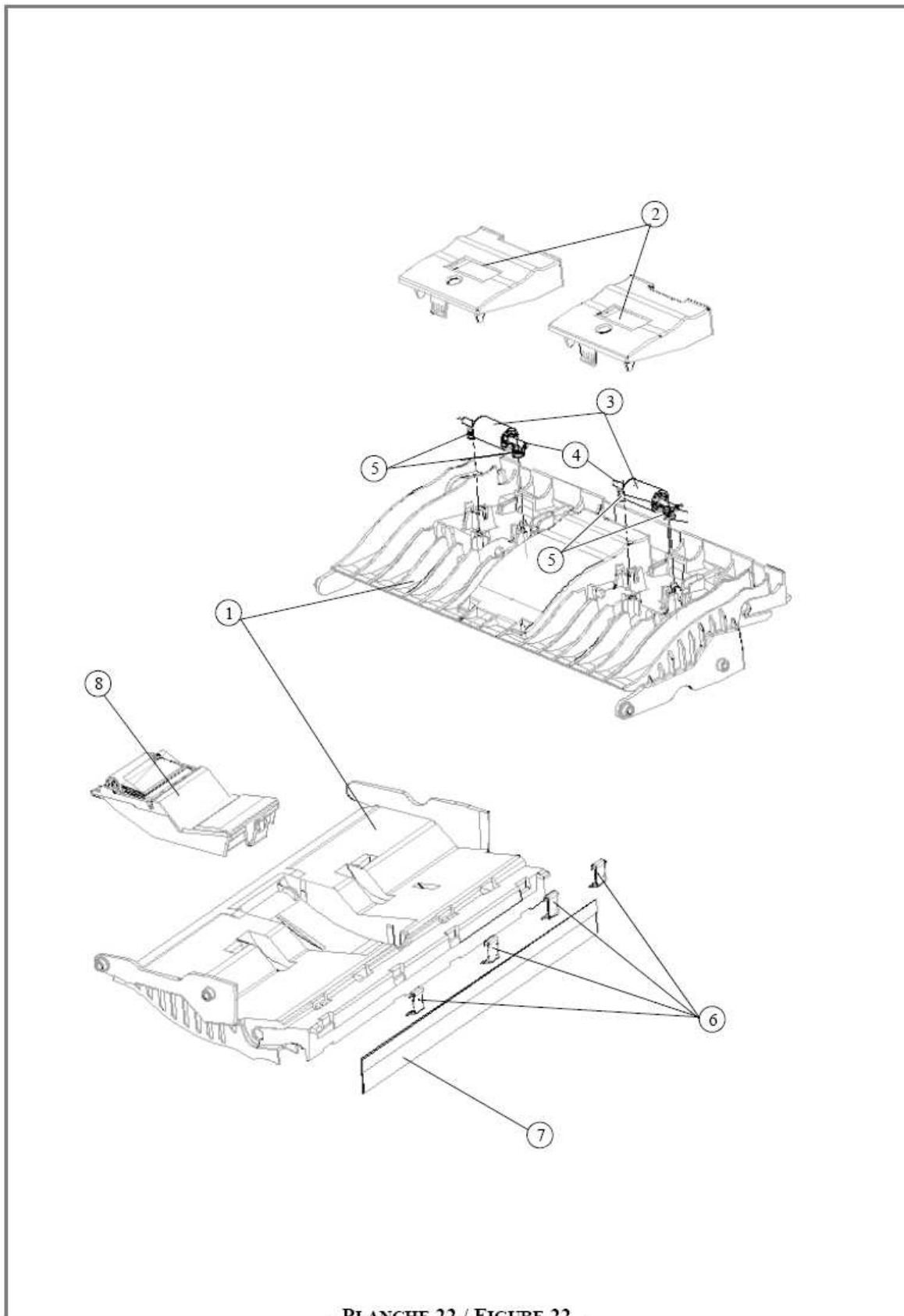


PLANCHE 22 / FIGURE 22

23) Flatbed scanner H&M assy

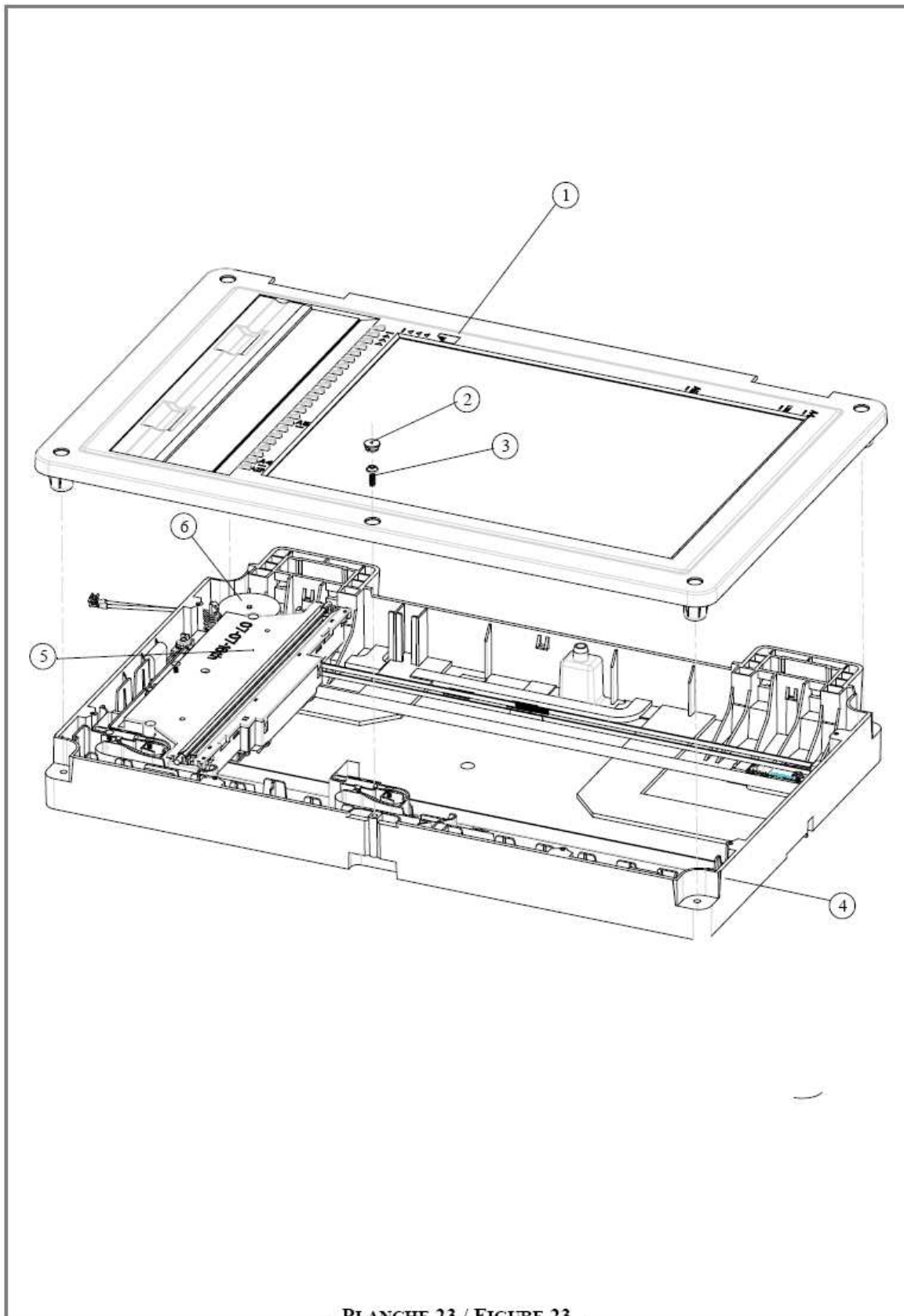


PLANCHE 23 / FIGURE 23

24) Cover

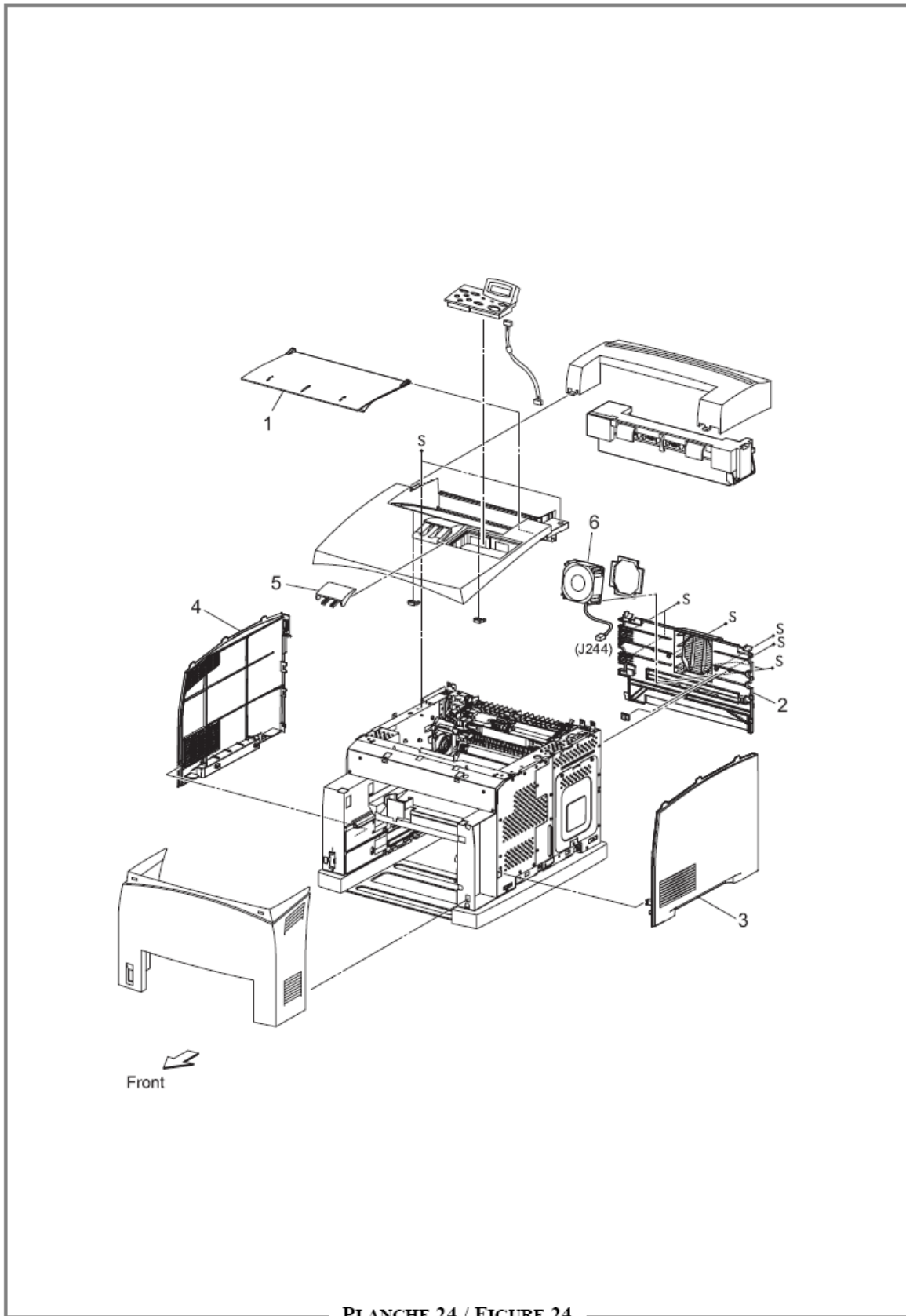


PLANCHE 24 / FIGURE 24

25) Paper cassette 150

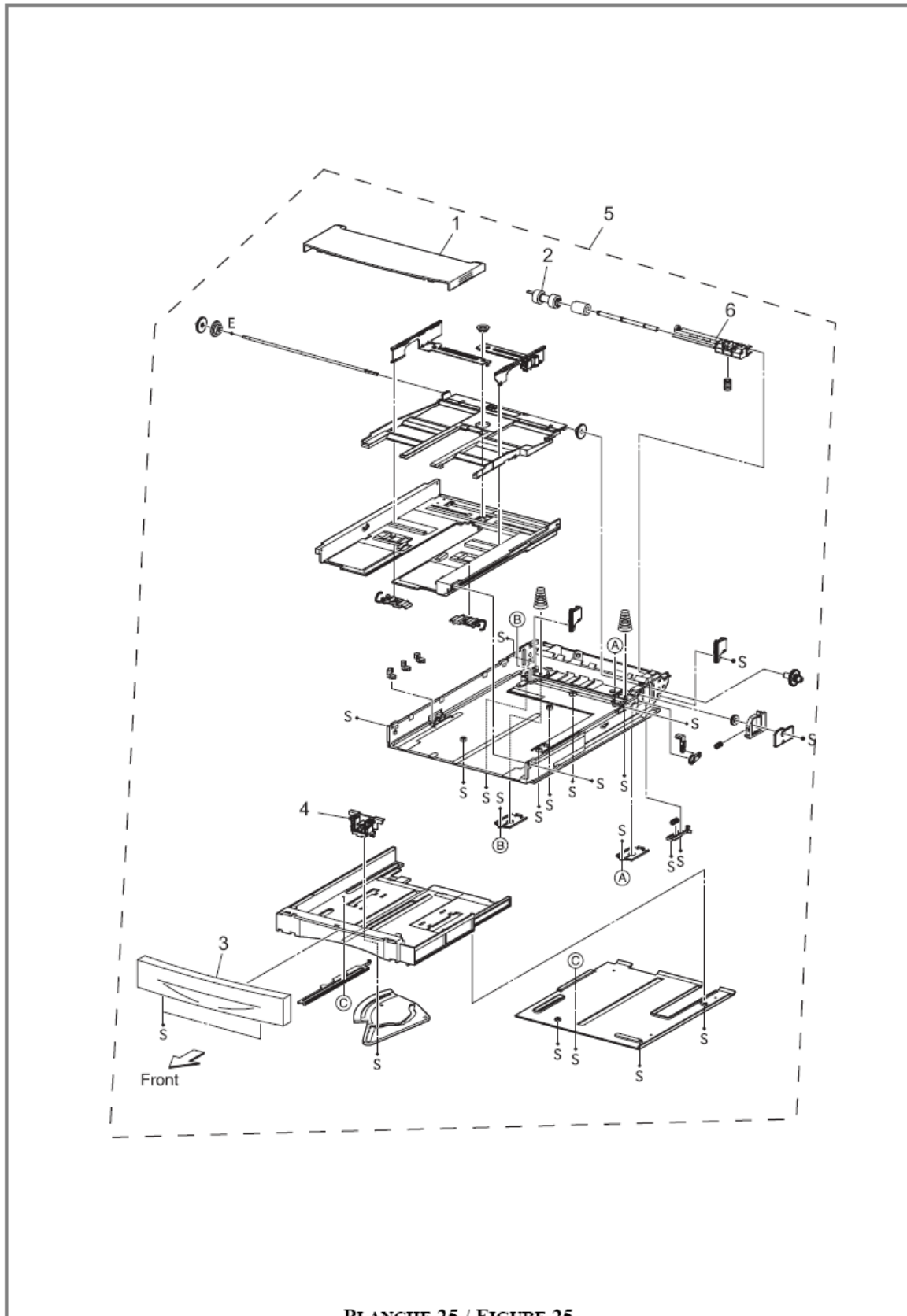


PLANCHE 25 / FIGURE 25

26) Paper cassette 550

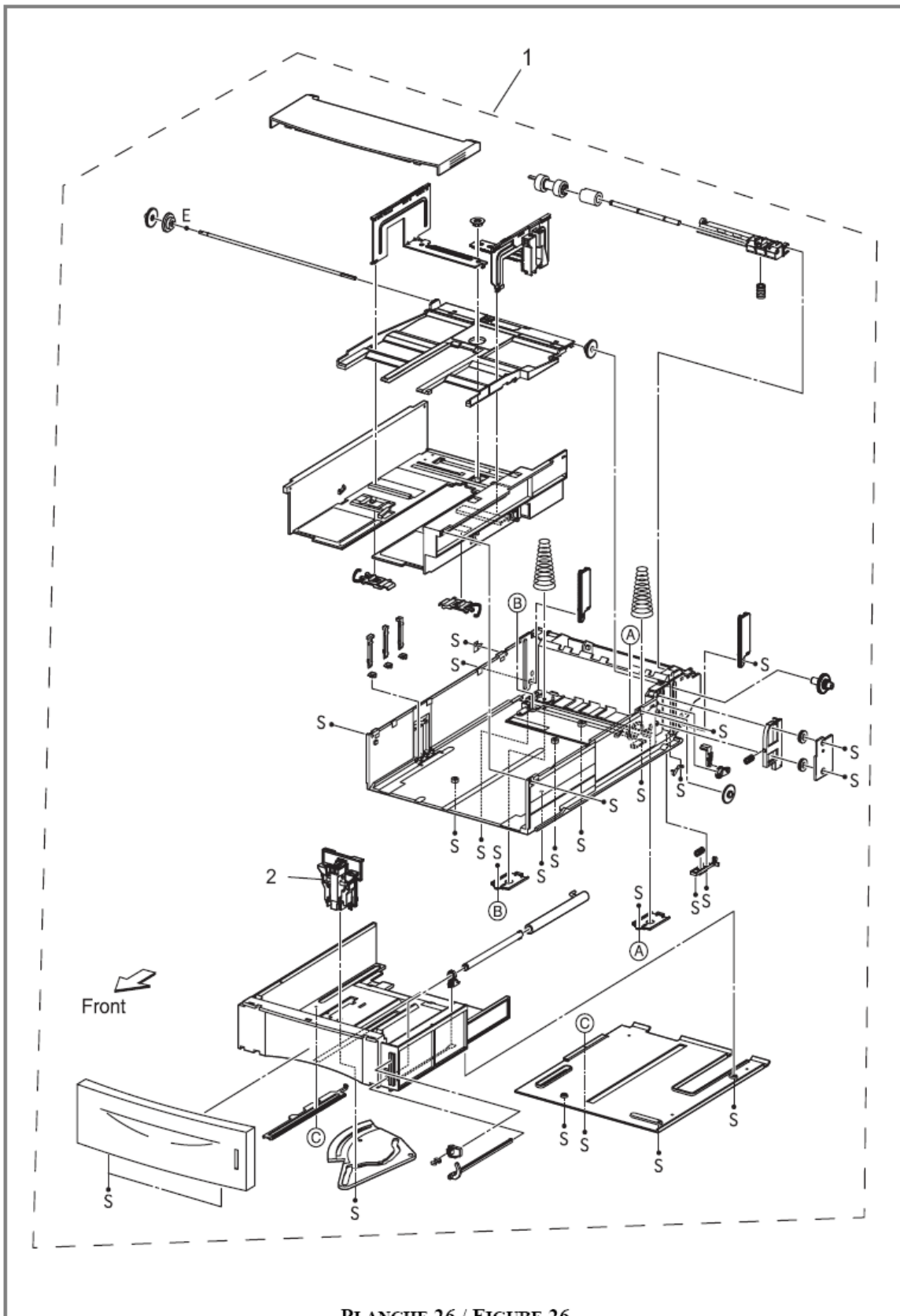


PLANCHE 26 / FIGURE 26

27) Paper feeder 150

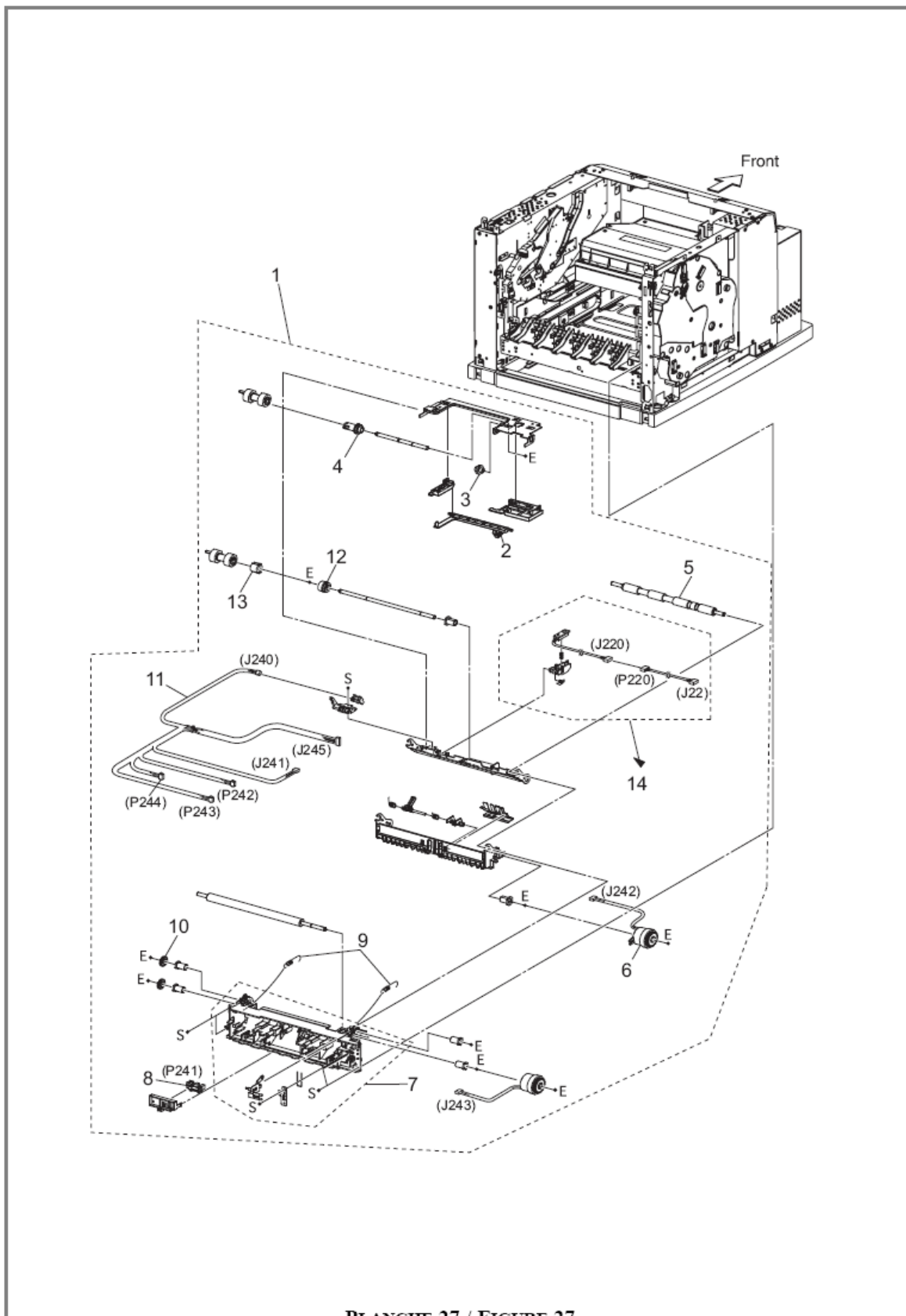
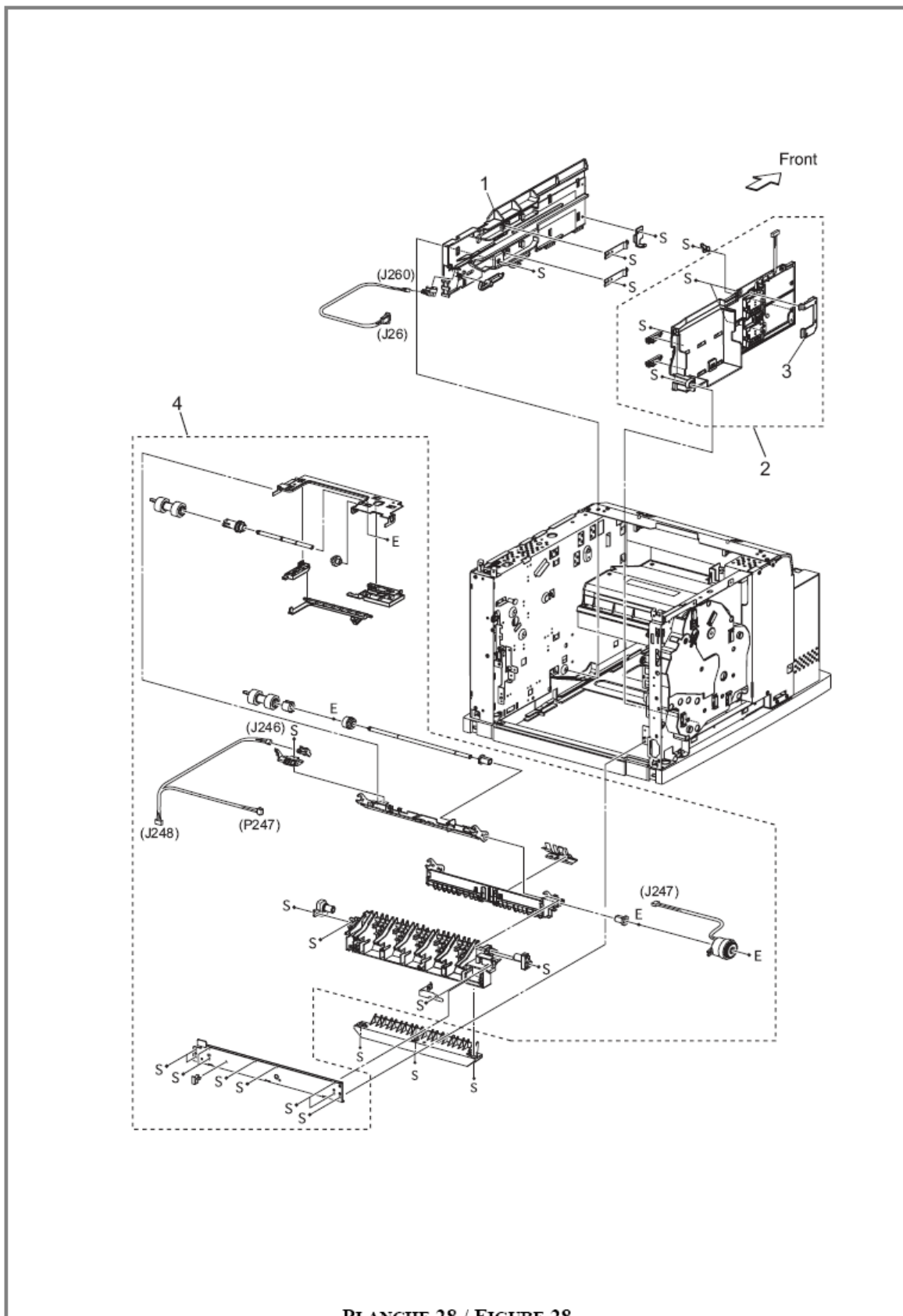
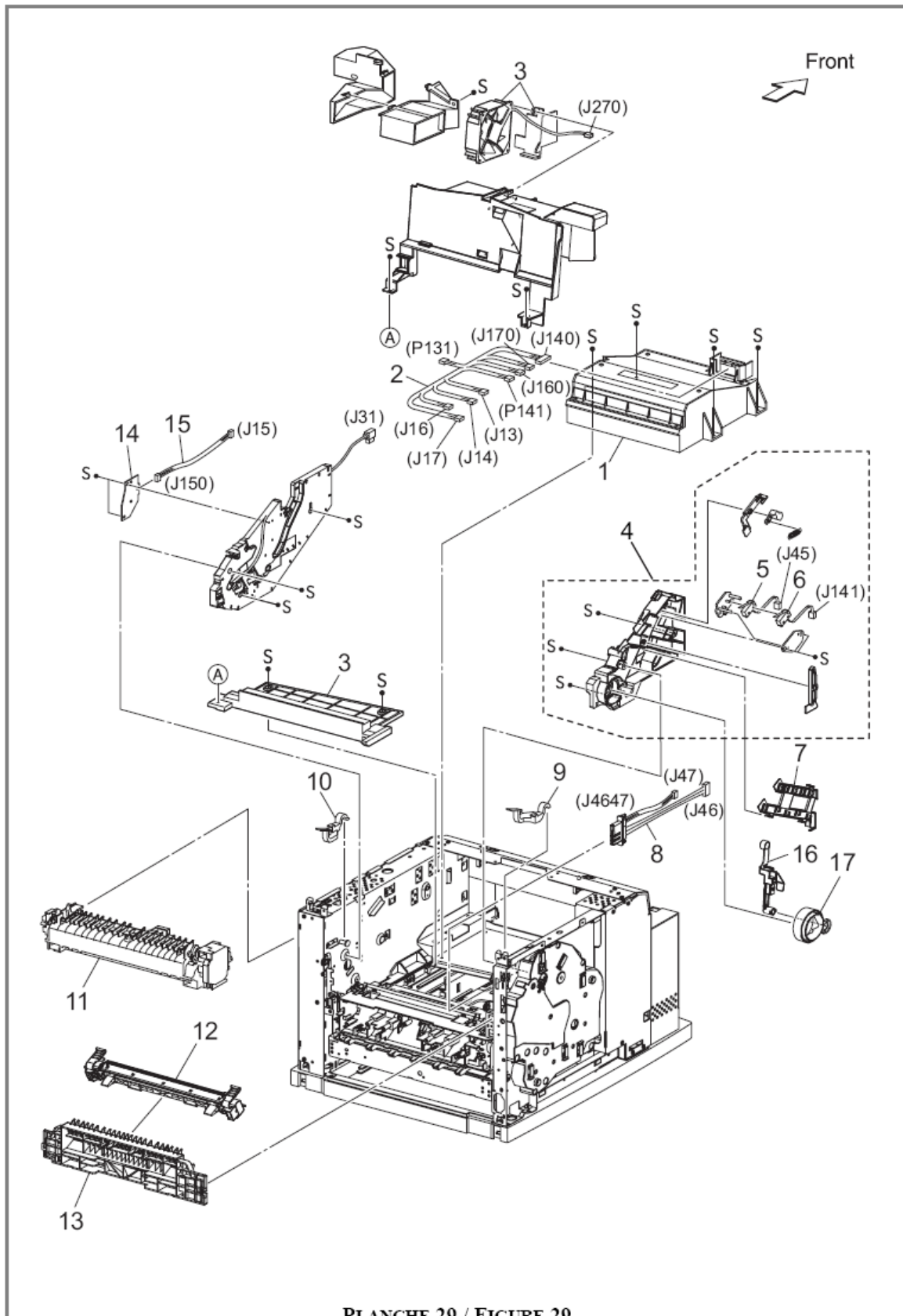


PLANCHE 27 / FIGURE 27

28) Paper feeder 550



29) Xero



30) Paper exit 500 1/2

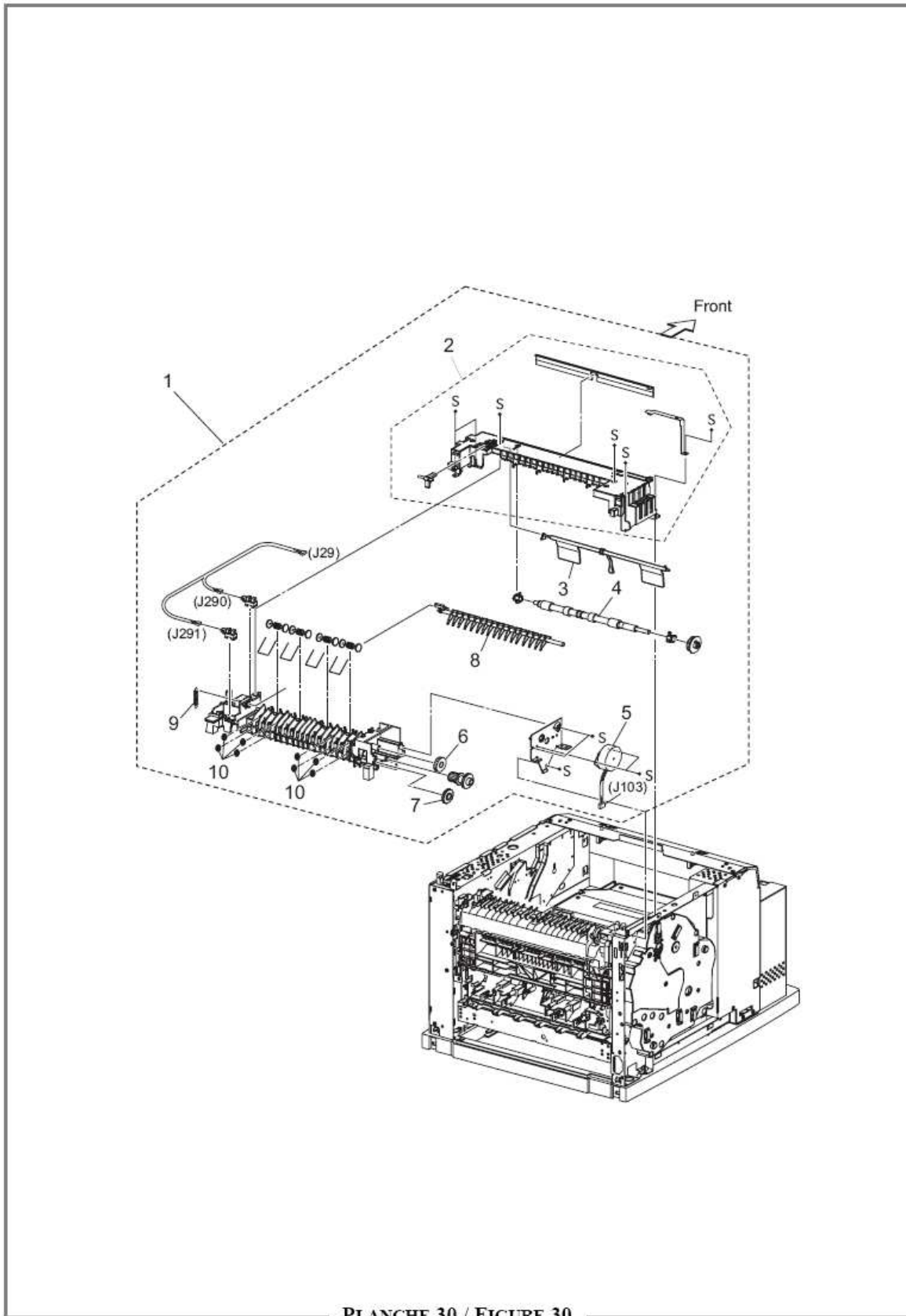


PLANCHE 30 / FIGURE 30

31) Paper exit 500 2/2

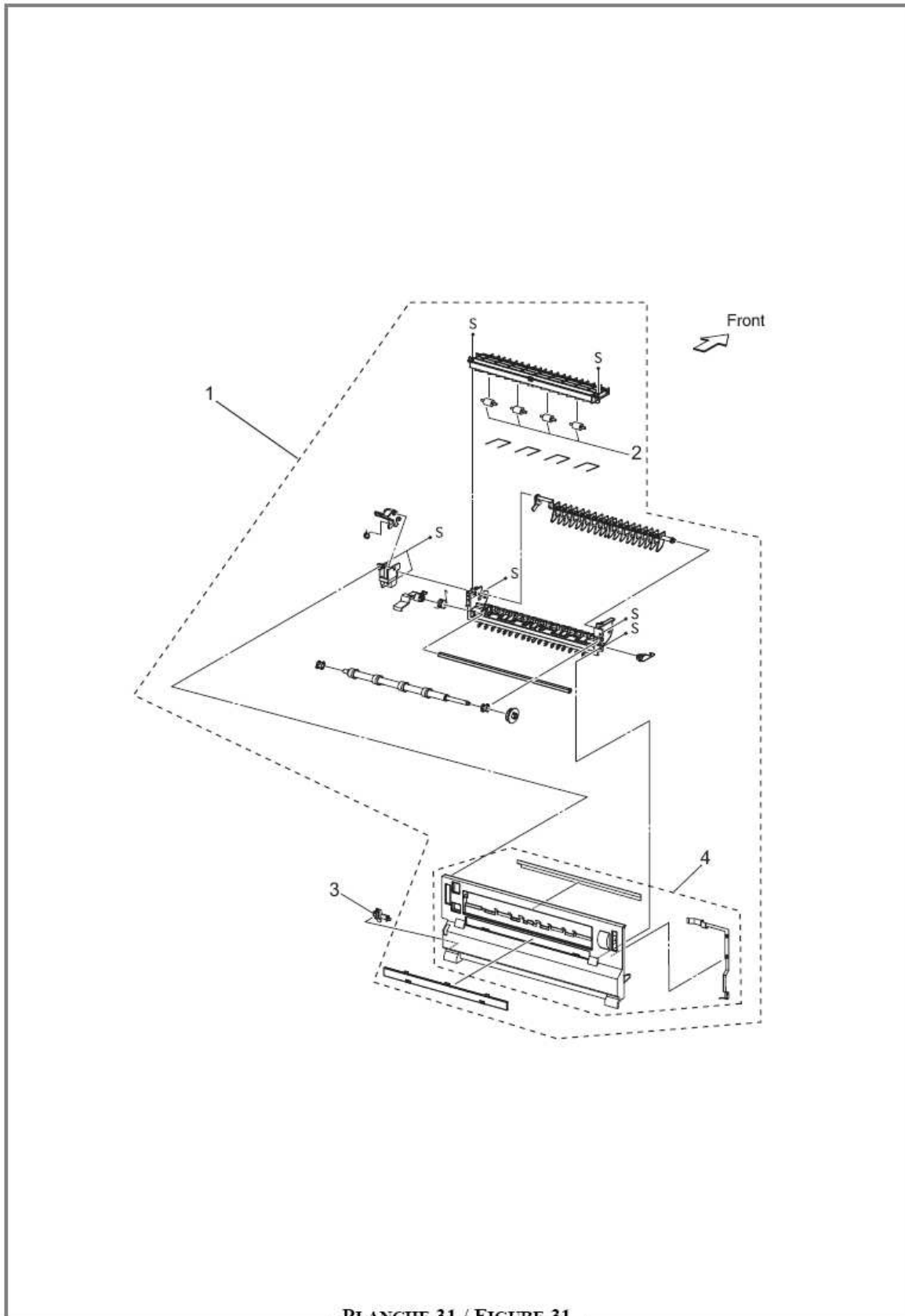


PLANCHE 31 / FIGURE 31

32) Frame & drive

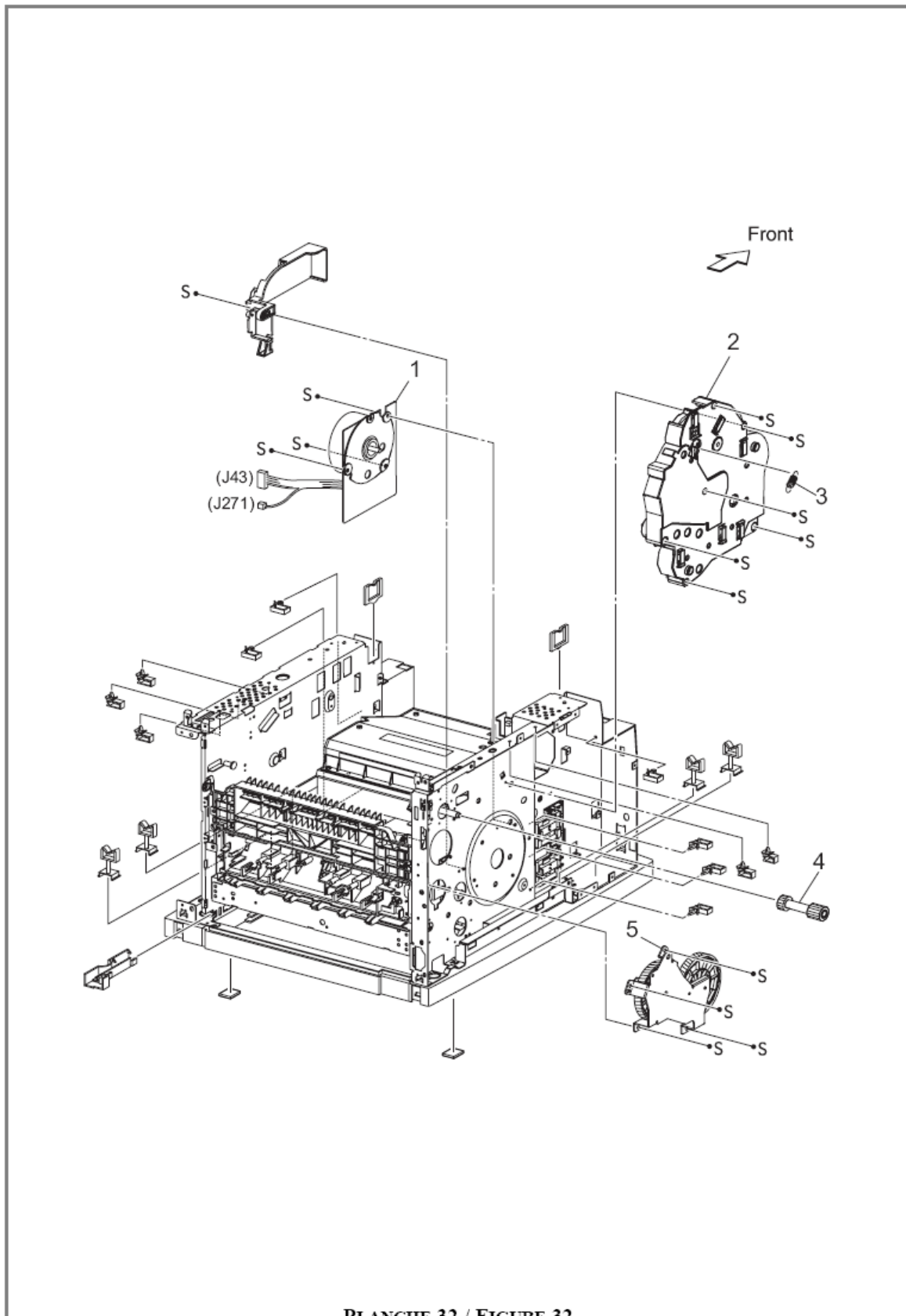


PLANCHE 32 / FIGURE 32

33) Electrical

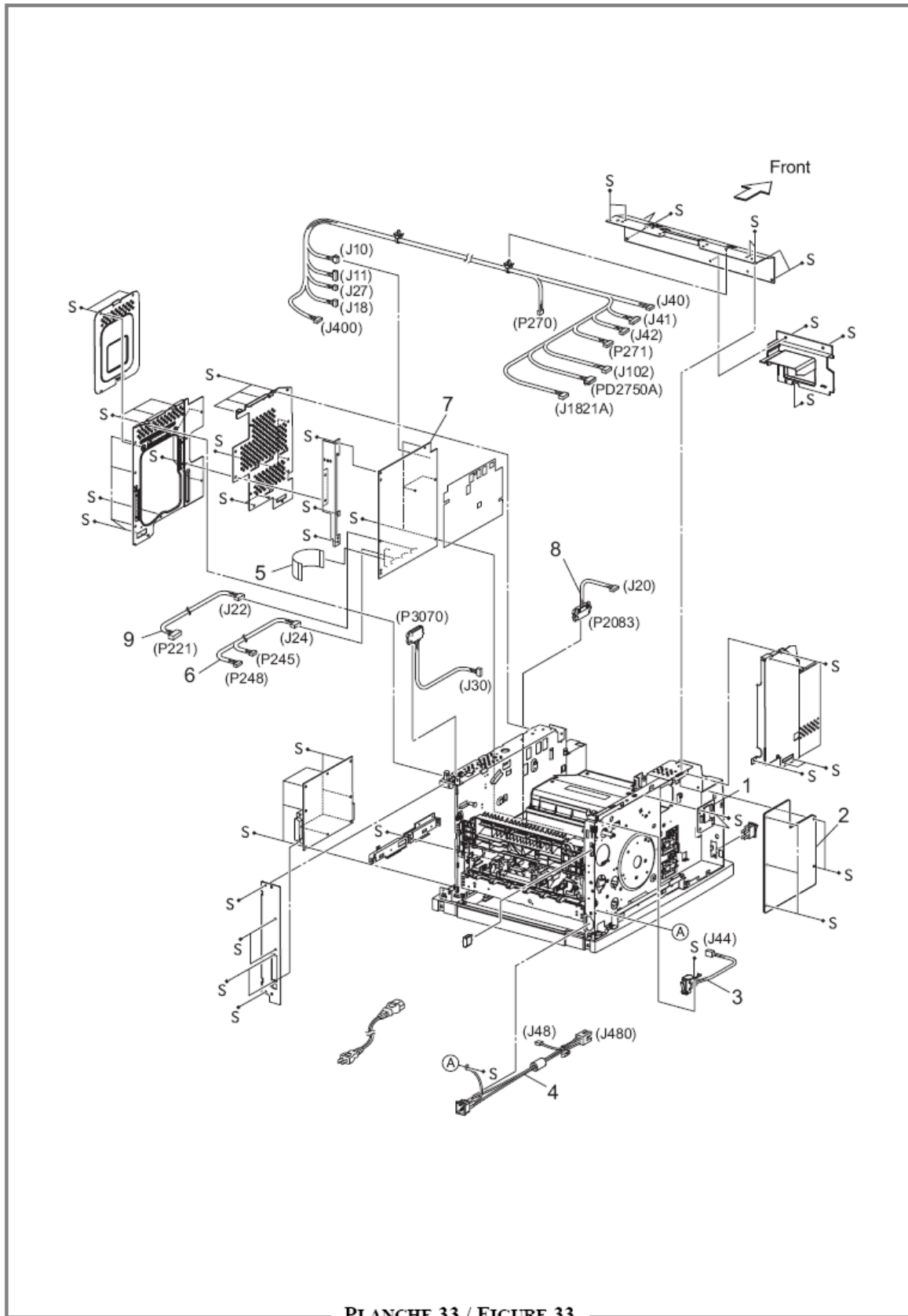


PLANCHE 33 / FIGURE 33

34) Option paper feeder 550

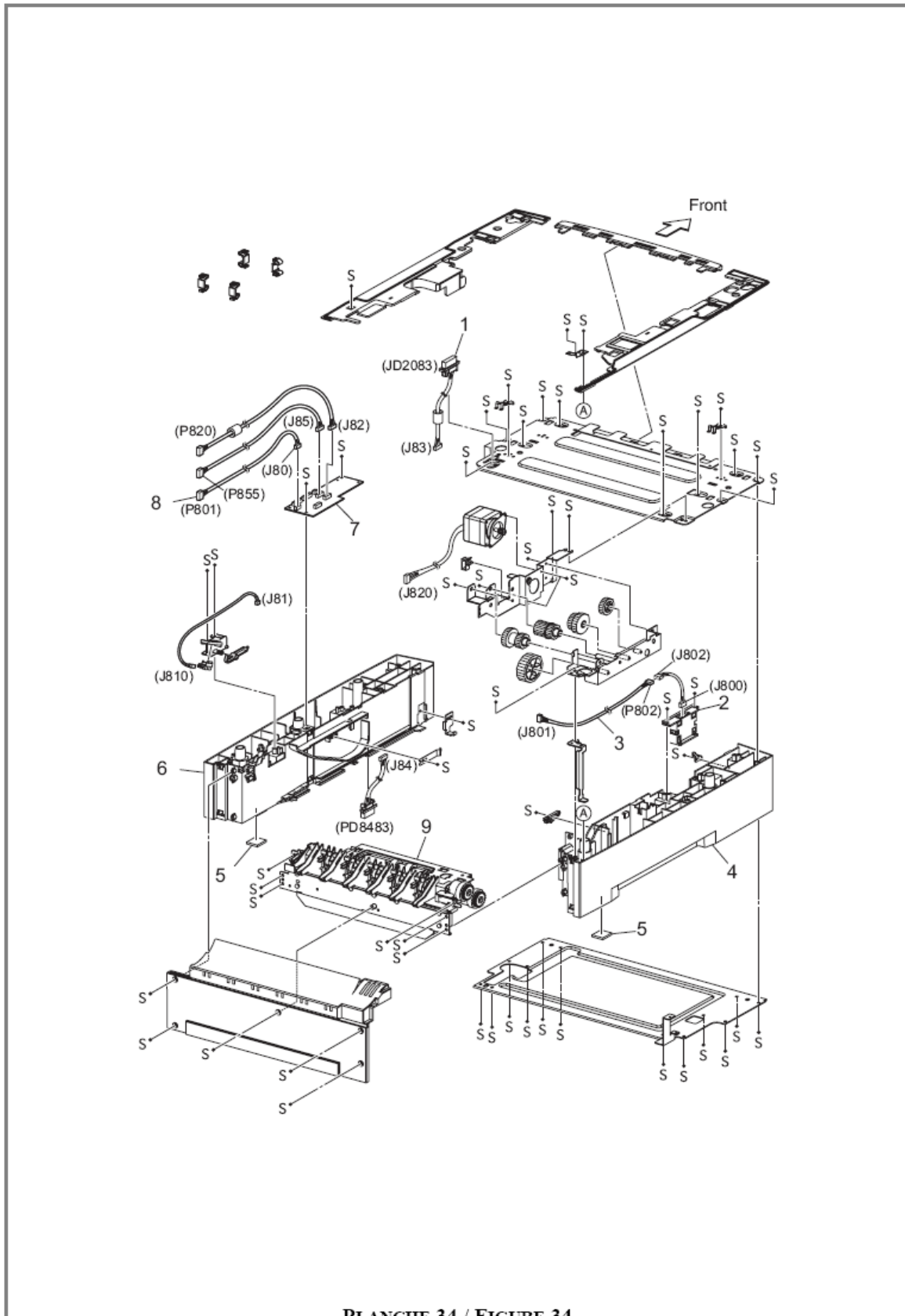


PLANCHE 34 / FIGURE 34

35) Duplex unit

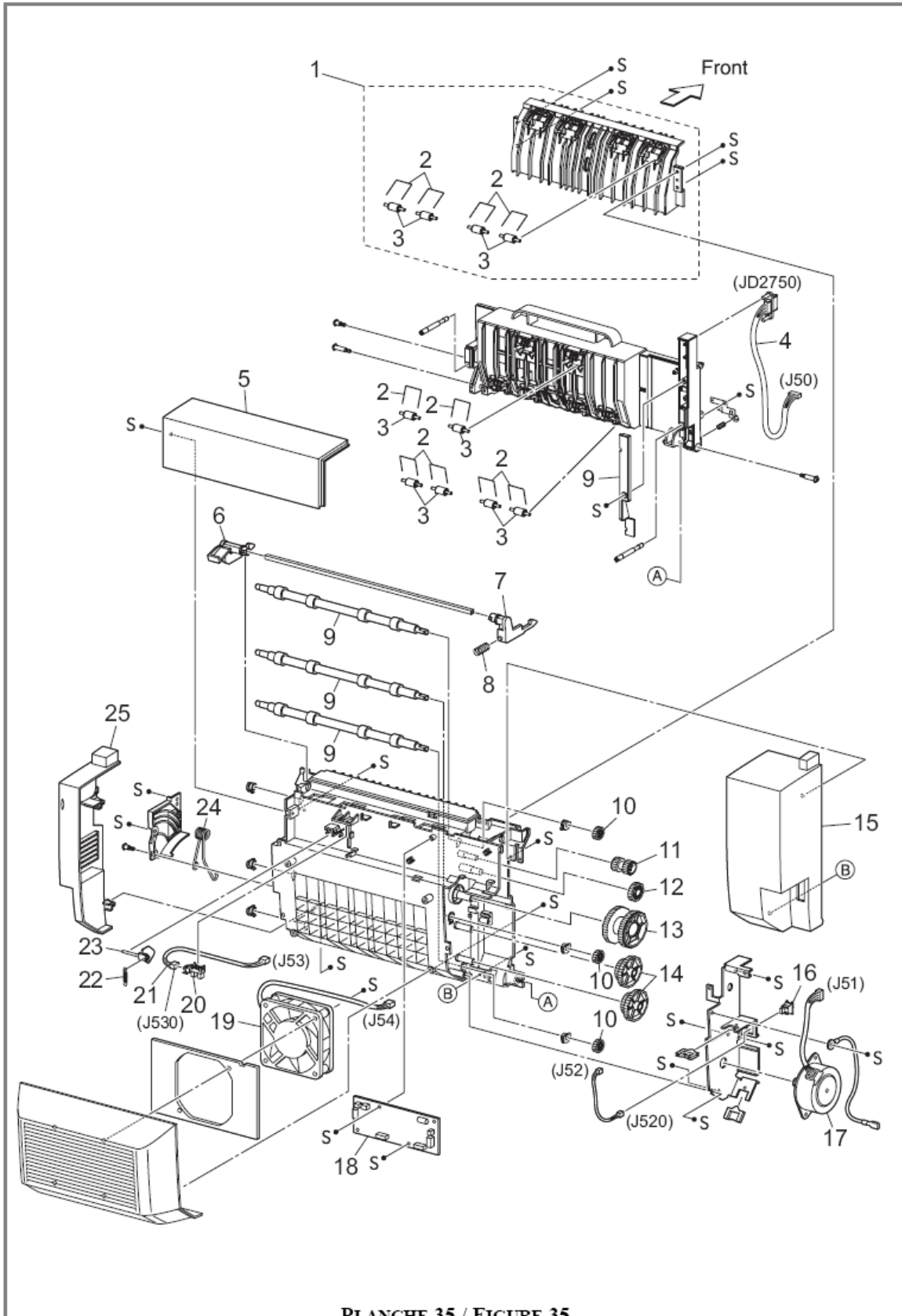


PLANCHE 35 / FIGURE 35

Fig	ITEM	REF KONICA MINOLTA	REF SAGEM	DESCRIPTION	Transfer Price Ex Works	Recommended Qty/1000
1	1	9960P253086918	253086918	Duplex module		2
1	4	9960P189721227	189721227	Line Cord (RJ11)		1
1	5	9960P189641841	189641841	Power cord (EU)		1
1	8	9960P253235371	253235371	Grip ring tool		1 (**)
1	9	9960P186205664	186205664	Grip ring DIAM11.5*DIAM4*0.2 THICK		20
2	1	9960P253107030	253107030	Left front panel		1
2	7	9960P186138735	186138735	Paper guide		1
3	2	9960P253125968	253125968	HFFv2 ADF in scanner cable not shielded		1
4	3	9960P253058162	253058162	Keypad panel ASM		2
5	2	9960P253058183	253058183	LCD front cover ASM HFF-V2		2
6	2	9960P253033053	253033053	Flatbed scanner H&M assy		1
6	3	9960P253096005	253096005	HFF V2 Flatbed ground cable		1
6	4	9960P189955232	189955232	Flat cable		1
8	2	9960P191031847	191031847	Power supply 24V/2A		2
10	4	9960P253052798	253052798	Ref card mezz modem		1
10	5	9960P253074629	253074629	Mezz modem card		1
11	3	9960P253336243	253336243	Main PCB board programmed Bizhub43 (SAV)		5
14	8	9960P253108540	253108540	Ref interco card		1
14	10	9960P253083053	253083053	Ground plate to printer ground plate		1
15	2	9960P253093640	253093640	USB host back		1
15	3	9960P253083053	253083053	Ground plate to printer ground plate		1
15	8	9960P253083029	253083029	HP HFF V2		1
15	9	9960P253066891	253066891	Front panel cable		1
15	10	9960P253074596	253074596	USB front cable		1
15	11	9960P253066911	253066911	Cable smartcard		1
15	12	9960P253108579	253108579	Ref smartcard		2
16	1	9960P253110384	253110384	Ref USB board		1
16	6	9960P253066903	253066903	Cable keypad		2
17	1	9960P253108582	253108582	Ref card DC-DC		1
17	3	9960P253083040	253083040	DC-DC 2 wires cables		1
17	4	9960P253083032	253083032	DC-DC 5 wires cables		1
17	5	9960P253284019	253284019	HDD (160 Gb)		3
18	2	9960P253033029	253033029	Input scanner assy		1
19	1	9960P253442351	253442351	RIGHT HINGE ASSEMBLY		1
19	3	9960P253442343	253442343	LEFT HINGE ASSEMBLY		1
19	4	9960P253029294	253029294	Exit tray makalu colored		1
20	1	9960P253032811	253032811	ADF cover M&H assy		2
20	2	9960P253032788	253032788	Input paperway guide equipped		2
20	3	9960P253032725	253032725	ADF M&H assembly		4
20	4	9960P189978272	189978272	Photointerrupter optic GP 1S73 SP		3
21	7	9960P253032840	253032840	Feeder roller module		2 (*)
22	8	9960P253032796	253032796	Feeder shoe assy		2 (*)

Spare Parts List Bizhub 43

Fig	ITEM	REF KONICA MINOLTA	REF SAGEM	DESCRIPTION	Transfer Price Ex Works	Recommended Qty/1000
23	5	9960P253056431	253056431	CCD Primax box assy		4
23	6	9960P253104927	253104927	FLATBED MOTOR FDK -SMW35-EQUIPPED		1
24	6	9960P186138673	186138673	HFFV2 PRN COVER - FAN MAIN 80		1
25	2	9960P186138777	186138777	HFFV2 PRN CST 150 - KIT ROLL ASSY RETARD		3 (*)
25	5	9960P186138821	186138821	HFFV2 PRN CST 150 - 150 PAPER CASSETTE		2
26	1	9960P186138850	186138850	HFFV2 PRN CST 550 - 550 PAPER CASSETTE		2
27	1	9960P186138863	186138863	HFFV2 PRN FDR 150 - KIT 150 FDR ASSY J2		1
27	14	9960P186139013	186139013	HFFV2 PRN FDR 150 - SENSOR TONER ASSY		1
28	4	9960P186139063	186139063	HFFV2 PRN CST FDR - FEEDER2 ASSY 250-J2		3
29	1	9960P186139076	186139076	HFFV2 PRN TNR ZONE - ROS ASSY 45-1200		2
29	2	9960P186139097	186139097	HFFV2 PRN TNR ZONE - HARNESS ASSY ROS 34		1
29	3	9960P186139104	186139104	HFFV2 PRN TNR ZONE - FAN SUB		1
29	4	9960P186139117	186139117	HFFV2 PRN TNR ZONE - GUIDE ASSY CRU L J2		1
29	5	9960P186139125	186139125	HFFV2 PRN TNR ZONE - HARNESS ASSY LOCK1		1
29	6	9960P186139146	186139146	HFFV2 PRN TNR ZONE - HARNESS ASSY LOCK3		1
29	7	9960P186139167	186139167	HFFV2 PRN TNR ZONE - COVER GUIDE CRU		1
29	8	9960P186139188	186139188	HFFV2 PRN TNR ZONE - HRNS ASSY FSR		1
29	9	9960P186139191	186139191	HFFV2 PRN TNR ZONE - LEVER FSR LH 34PPM		1
29	10	9960P186139203	186139203	HFFV2 PRN TNR ZONE - LEVER CRU FSR RH J2		1
29	11	9960P186139224	186139224	HFFV2 PRN TNR ZONE - FUSER ASSY J2		2 (*)
29	12	9960P186139232	186139232	HFFV2 PRN TNR ZONE - BTR ASSY J2		1 (*)
29	13	9960P186139245	186139245	HFFV2 PRN TNR ZONE - CHUTE TRANSFER (34)		1
29	14	9960P186139253	186139253	HFFV2 PRN TNR ZONE - PWBA ASSY ANT P150		1
29	15	9960P186139266	186139266	HFFV2 PRN TNR ZONE - HARNESS ASSY ANT		1
29	16	9960P186139274	186139274	HFFV2 PRN TNR ZONE - LEVER LINK		1
29	17	9960P186139287	186139287	HFFV2 PRN TNR ZONE - LINK GEAR 3		1
30	1	9960P186139295	186139295	HFFV2 PRN PAP EXIT1 - 500 EXIT ASSY 45		1
31	1	9960P186139422	186139422	HFFV2 PRN PAP EXIT2 - ROLL PINCH FU		1

Fig	ITEM	REF KONICA MINOLTA	REF SAGEM	DESCRIPTION	Transfer Price Ex Works	Recommended Qty/1000
32	1	9960P186139456	186139456	HFFV2 PRN FRM DRV - MAIN MOTOR (J2)		1
32	2	9960P186139464	186139464	HFFV2 PRN FRM DRV - GEAR ASSY HOUSING		1
32	5	9960P186139498	186139498	HFFV2 PRN FRM DRV - GEAR ASSY PLATE		1
33	2	9960P186139526	186139526	HFFV2 PRN ELEC - PS LV 200V J2		1
33	5	9960P186139571	186139571	HFFV2 PRN ELEC - FFC ASSY ESS		1
33	7	9960P186143116	186143116	HFFV2 PRN ELEC - HVPS/MCU J2 220V		2

(*) Parts for maintenance. See Service Manual

(**) One tool for each technician