

KONICA MINOLTA

# *PARTS GUIDE MANUAL*

---

*MAY 2012*

*bizhub 751*  
*A0PN*

## INFORMATION FOR PARTS GUIDE MANUAL

To find correct Parts No., refer to the "HOW TO MAKE THE BEST USE OF THIS MANUAL" in the following page.

### HOW TO MAKE THE BEST USE OF THIS MANUAL

- 1 When you order, please check the proper figures beforehand that are on Our Parts Guide Manual, and order with the appropriate figures.
- 2 For screws, Nuts, Washers, retaining rings and Pins which are used in this model, one letter is shown on the Standard parts column of Parts list and exploded diagrams.
- 3 In order to maintain safety of the product, some specific parts composed of this product are set up as "essential safety parts".
- 4 The assigned parts number for the "essential safety parts" is indicated as "SP00-\*\*\*\*".  
When replacing these parts, follow precautions for disassembling and installing which are listed in the Service Manual.  
Do not use any parts that are not set up as
- 5 ♣ means that there are exclusive parts for each destination.  
Please check the appropriate destination when you order.
- 6 Revision Mark  
Marked as ▲ on the illustration shows that the revision has been made.
- 7 All rights reserved. (any reprints or quotations are prohibited.)  
Use of this parts guide manual should be strictly supervised to avoid disclosure of confidential information.

## パーツガイドマニュアルのご案内

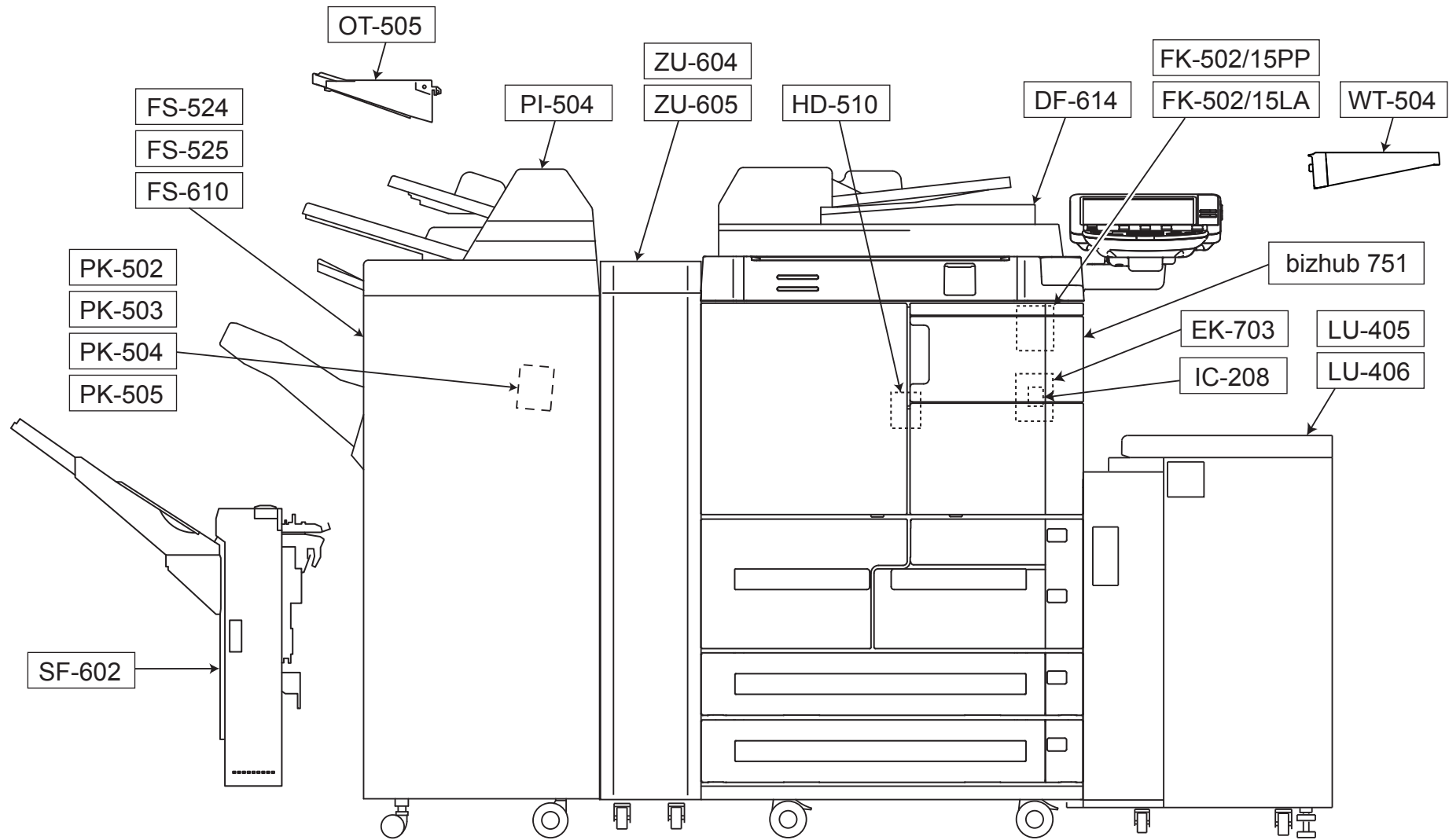
サービス部品をご発注の際には、下記に示す“パーツガイドマニュアルの活用にあたって”をご参照の上、正しい部品番号にてお願い致します。

### パーツガイドマニュアルの活用にあたって

- 1 部品発注の際には、掲載されている部品番号の桁数を確認し、掲載されている桁数で発注願います。
- 2 この製品に使用されているネジ、ナット、ワッシャー、止め輪、ピンなどは、リストの右側の Standard parts 欄に a,b,c,……で表示し、イラストにも a,b,c,……表示してあります。
- 3 製品の安全性を維持する為に、製品に使用される特定の部品を「重要保安部品」として設定しています。
- 4 重要保安部品の部品番号は、“SP00-\*\*\*\*”と記載されていますので、部品交換時は、サービスマニュアル記載の分解・組み立ての注意事項に従って作業をして下さい。  
また、指定以外の部品は一切使用しないで下さい。
- 5 本文に ♣ が表示されている部品は、仕向け地毎に専用部品がある事を意味しています。  
オーダーされる時は、仕向け地を確認して下さい。
- 6 改訂記号について  
イラスト上に ▲ 印が表示されている部分は、改訂された事を表します。
- 7 著作権所有（無断転載及び無断引用の禁止）  
本パーツガイドマニュアルについては、機密保持等その扱いには十分注意して下さい。万一取り扱いを誤った場合には、法律で処罰されることがあります。

11/10/2008

# SYSTEM OUTLINE



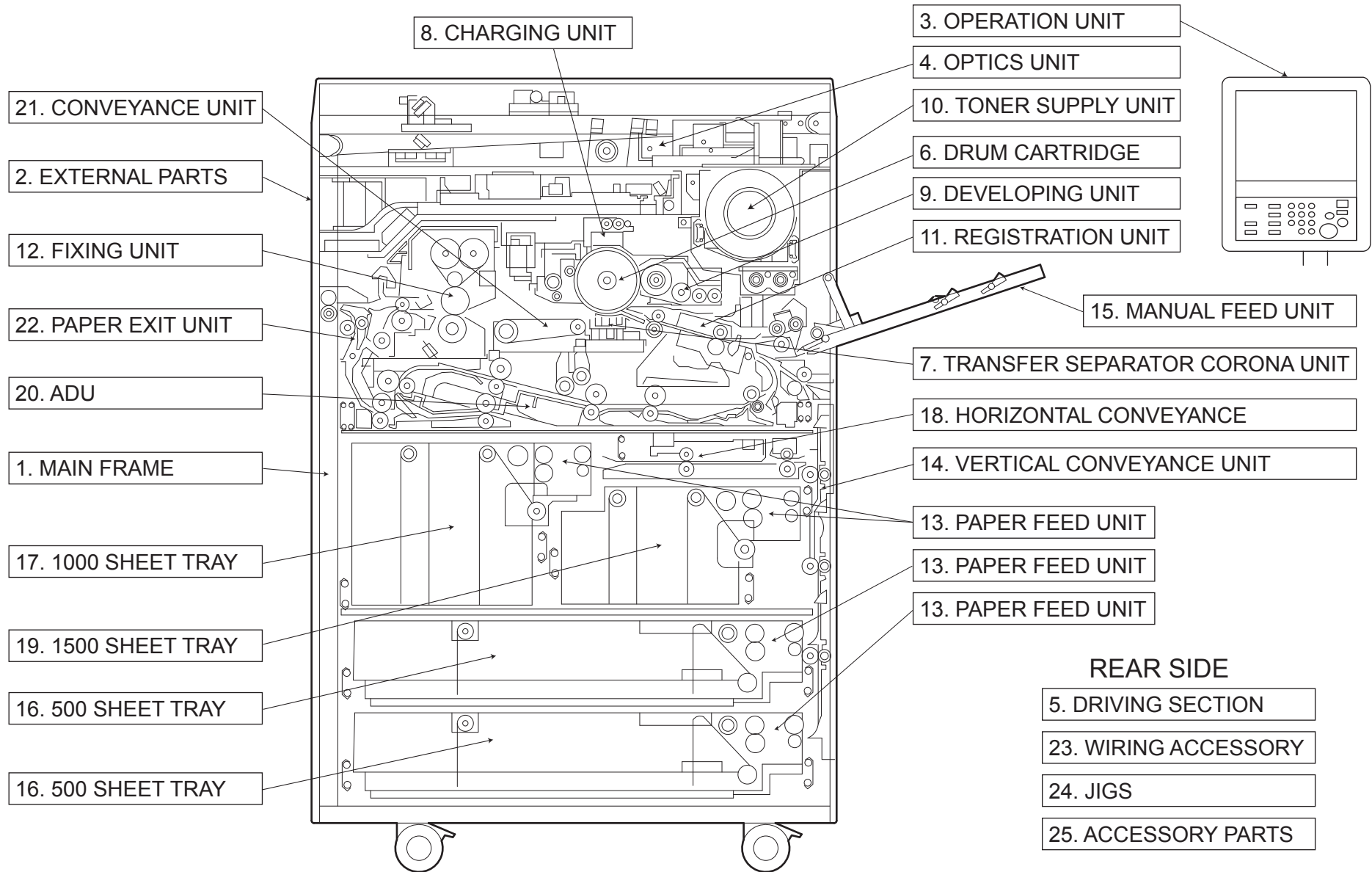
bizhub 751

# GENERAL CONTENTS

No.	Description	Model
1	DIGITAL MFP B/W	bizhub 751
2	DOCUMENT FEEDER	DF-614
3	SORTER/FINISHER	FS-524
4	SORTER/FINISHER	FS-525
5	SORTER/FINISHER	FS-610
6	SORTER/FINISHER	SF-602
7	OTHER OPTION	PI-504
8	OTHER OPTION	ZU-604
9	OTHER OPTION	ZU-605
10	PAPER FEEDER	LU-405
11	PAPER FEEDER	LU-406
12	OTHER OPTION	OT-505
13	OTHER OPTION	HD-510
14	PRINT CONTROLLER	IC-208
15	OTHER OPTION	EK-703
16	FAX CONTROLLER	MK-716
17	PUNCH UNIT	PK-502
18	PUNCH UNIT	PK-503
19	PUNCH UNIT	PK-504
20	PUNCH UNIT	PK-505
21	OTHER OPTION	WT-504
22	FAX CONTROLLER	FK-502

bizhub 751

# DIAGRAMS OF MAIN PARTS SECTION



# CONTENTS

No.	DESCRIPTION	名称	PAGE No.
1	MAIN FRAME	骨格	P1 P2 P3 P4
2	EXTERNAL PARTS	外装	P5 P6 P7 P8 P9
3	OPERATION UNIT	操作部	P10
4	OPTICS UNIT	光学部	P11 P12 P13 P14 P15
5	DRIVING SECTION	駆動部	P16 P17 P18 P19 P20 P21
6	DRUM CARTRIDGE	ドラムカートリッジ	P22 P23 P24 P25
7	TRANSFER SEPARATOR CORONA UNIT	転写分離極	P26
8	CHARGING UNIT	帯電極	P27
9	DEVELOPING UNIT	現像ユニット	P28
10	TONER SUPPLY UNIT	トナー補給部	P29 P30 P31
11	REGISTRATION UNIT	レジストユニット	P32 P33
12	FIXING UNIT	定着部	P34 P35 P36 P37 P38 P39 P40 P41 P42 P43 P44 P45 P46 P47
13	PAPER FEED UNIT	給紙部	P48 P49 P50 P51 P52 P53 P54 P55 P56 P57 P58 P59
14	VERTICAL CONVEYANCE UNIT	垂直搬送ユニット	P60 P61 P62
15	MANUAL FEED UNIT	手差しユニット	P63 P64 P65
16	500 SHEET TRAY	500 枚トレイ	P66 P67 P68 P69 P70 P71
17	1000 SHEET TRAY	1000 枚トレイ	P72 P73
18	HORIZONTAL CONVEYANCE	水平搬送	P74
19	1500 SHEET TRAY	1500 枚トレイ	P75 P76
20	ADU	ADU	P77 P78 P79 P80 P81 P82 P83 P84 P85
21	CONVEYANCE UNIT	搬送部	P86 P87
22	PAPER EXIT UNIT	排紙部	P88 P89
23	ELECTRIC PARTS	電装	P90 P91 P92 P93 P94
24	WIRING	束線	P95 P96 P97 P98
25	WIRING ACCESSORY	配線部品 治具	P99 P100
26	JIGS	治具	P101
27	ACCESSORY PARTS	同梱部品	P102

# INDEX

Parts No.	Page No.	Parts No.	Page No.	Parts No.	Page No.	Parts No.	Page No.	Parts No.	Page No.
000V-18-1	101-3	08AA85512	61-7	13QA10170	11-1	25SA40960	58-15	26NA73732	9-9
000V-18-2	101-3	08AA85512	63-13	13QA40610	80-10	25SA53691	34-15	26NA82513	25-11
00M6-2-00	101-4	08AA85512	64-25	13RN73120	5-23	25SA61420	13-5	26NAR70100	91-11
00VC-2-00	101-2	08AA85512	65-14	14GA46970	102-4	25SA61420	14-9	26NG88611	91-12
00VD-1000	101-5	08AA85512	66-2	14GE45470	32-25	25SA61460	13-13	26NR88612	91-12
00Z930003	100-17	08AA85512	68-19	14GE45470	79-19	25SA61470	13-8	27LA80511	94-13
048644480	88-4	08AA85512	69-2	14GE45470	89-30	25SA61540	14-12	27LA88031	92-16
059076510	49-11	08AA85512	71-19	15AA80050	17-27	25SA61550	14-7	323584531	92-5
059076510	52-11	08AA85512	73-18	25AA40100	49-16	25SA61650	11-34	392015650	22-22
059076510	55-11	08AA85512	76-18	25AA40100	52-16	25SA61700	11-38	396040681	63-2
059076510	58-11	08AA85512	77-15	25AA40100	55-16	25SA61710	11-40	396040681	64-4
07AA75090	35-15	08AA85512	78-11	25AA40100	58-16	25SA61861	12-17	396077240	63-22
07AA75090	42-9	08AA85512	79-8	25AA47500	84-23	25SA61881	12-16	4036596601	94-12
07BA12352	65-19	08AA85512	82-15	25AA49520	63-25	25SA62070	13-14	4040M40100	9-2
07BA54721	25-7	08AA85512	83-5	25AA50080	81-21	25SA62080	13-10	4040PJP100	101-11
08AA76010	22-11	08AA85512	86-3	25AA75530	33-11	25SA62160	14-5	4040PJP400	101-12
08AA76010	32-5	08AA85512	88-17	25AA77360	63-29	25SA77170	22-13	40AA30270	89-3
08AA76010	48-7	090020410	4-1	25AA77730	63-28	25SA77180	22-8	40AA32290	32-4
08AA76010	49-4	129X48350	78-37	25BA77191	45-14	26MA74060	46-27	40AA85011	9-19
08AA76010	51-7	129X48360	77-3	25BA77262	21-6	26NA42061	48-21	40AA88031	30-22
08AA76010	52-4	12AA77080	30-29	25BA88472E	47-11	26NA42061	51-21	40LA73840	5-21
08AA76010	54-7	12AJ77031	19-24	25HA15210	22-17	26NA42061	54-21	4109553001	49-20
08AA76010	55-4	12QV40650	16-17	25HE97070	3-11	26NA42061	57-21	4109553001	52-20
08AA76010	57-7	12QV40650	17-7	25SA-6201	11-29	26NA42560	48-15	4109553001	55-20
08AA76010	58-4	12QV40650	18-12	25SA10200	1-5	26NA42560	51-15	4109553001	58-20
08AA76010	63-3	12QV40650	42-18	25SA10431	1-16	26NA42560	54-15	4470402401	4-30
08AA76010	72-5	12QV40650	45-16	25SA15270	18-22	26NA42560	57-15	454053391	44-19
08AA76010	75-6	12QV40650	63-24	25SA15280	18-23	26NA42560	61-2	454075040	44-29
08AA76010	79-11	12QV40650	74-25	25SA15390	18-19	26NA42560	74-6	45AA20400	25-17
08AA76010	80-18	12QV40650	80-11	25SA20280	23-4	26NA42560	83-13	45AA20400	26-28
08AA85512	3-18	12QV40660	16-1	25SA20640	22-19	26NA42560	89-18	45AA20400	27-3
08AA85512	4-26	12QV40660	17-16	25SA20670	22-38	26NA45440	34-17	462076010	84-20
08AA85512	9-11	12QV40660	48-10	25SA25180	27-7	26NA45440	68-9	466076020	30-15
08AA85512	11-7	12QV40660	51-10	25SA40960	48-26	26NA45440	71-9	466076020	31-18
08AA85512	32-19	12QV40660	54-10	25SA40960	49-15	26NA45440	73-13	466076020	35-16
08AA85512	49-18	12QV40660	57-10	25SA40960	51-26	26NA45440	76-13	466076020	43-15
08AA85512	52-18	12QV40660	79-25	25SA40960	52-15	26NA54030	41-6	466076020	64-15
08AA85512	55-18	12QV40660	80-36	25SA40960	54-26	26NA54030	43-12	466077130	65-2
08AA85512	58-18	13GQ45511	64-21	25SA40960	55-15	26NA54190	34-12	466077220	63-23
08AA85512	60-13	13NT80511	92-2	25SA40960	57-26	26NA73570	90-30	466078030	28-13

Parts No.	Page No.	Parts No.	Page No.	Parts No.	Page No.	Parts No.	Page No.	Parts No.	Page No.
500075010	11-27	55TA61320	12-5	55VA79030	48-22	56AA-4501	60-14	56AA12761	7-4
540015162	16-13	55TA61341	14-10	55VA79030	51-22	56AA-4632	63-32	56AA15082	21-1
540015162	17-13	55TA84561	92-5	55VA79030	54-22	56AA-4721	63-15	56AA15101	16-26
540030170	28-12	55VA15470	16-12	55VA79030	57-22	56AA-4771	65-26	56AA15131	19-5
540040562	63-5	55VA15470	17-10	55VA79030	64-17	56AA-4790	63-20	56AA15152	19-25
540040562	64-2	55VA15541	74-23	55VA79150	67-14	56AA-5011	88-14	56AA15190D	21-4
540047200	73-6	55VA15541	80-19	55VA79150	70-14	56AA-5490	47-7	56AA15271D	16-15
540047200	76-6	55VA20680	25-4	55VA80122	11-20	56AA-5640	43-21	56AA15281	19-3
540053460	37-24	55VA40610	68-2	55VA85521	34-8	56AA-5651	43-17	56AA15321	19-18
540053460	44-7	55VA40610	71-2	55VA85521	47-2	56AA-5681	46-18	56AA15411	19-1
540053510	37-28	55VA40610	72-8	55WA10300	1-15	56AA-6261	14-2	56AA15460	19-9
540053510	44-3	55VA40610	75-8	55WA10310	1-27	56AA-6271	14-6	56AA15471	19-6
540053540	44-32	55VA40930	66-4	55WA30010	22-16	56AA-6421	11-17	56AA15490	19-23
540076060	37-17	55VA40930	69-4	55WA30010	28-2	56AA-9102E	25-1	56AA15521	19-7
540076060	44-11	55VA40930	72-18	55WA61150	13-12	56AA10031D	2-18	56AA15590	17-20
540077052	65-13	55VA40930	75-19	56AA-0190	81-27	56AA10061	2-3	56AA15590	18-3
544077201	44-27	55VA42120	19-27	56AA-0371	85-18	56AA10081	2-2	56AA17011	18-2
552012250	88-6	55VA42120	50-23	56AA-0400	84-29	56AA10101	1-23	56AA17011	20-7
55FA12101	9-25	55VA42120	53-23	56AA-0990	1-37	56AA10112	3-9	56AA17011	21-7
55FA40320	50-4	55VA42120	56-23	56AA-1121	4-3	56AA10131D	1-12	56AA17030	22-32
55FA40320	53-4	55VA42120	59-23	56AA-1421	6-6	56AA10271	1-31	56AA17040	26-23
55FA40320	56-4	55VA46890	33-12	56AA-1431	6-1	56AA10280	1-6	56AA17060	67-6
55FA40320	59-4	55VA47920	2-22	56AA-1462	91-1	56AA10300	2-4	56AA17060	70-6
55FA42330	63-10	55VA47920	73-16	56AA-1660	19-16	56AA10300	29-3	56AA17071	86-11
55FA61130	14-11	55VA47920	76-16	56AA-1860	21-8	56AA10480	1-11	56AA17071	87-22
55FA61140	14-8	55VA61931	12-15	56AA-2100	25-10	56AA10550	1-3	56AA17080	93-24
55FA80521	94-5	55VA62020	11-22	56AA-2121	24-19	56AA10560	1-2	56AA17090	74-24
55GA53652	36-10	55VA75540	50-25	56AA-2271	24-10	56AA10600	1-14	56AA17090	80-20
55GA53652	38-11	55VA75540	53-25	56AA-3281	31-23	56AA10610	1-28	56AA17100	25-27
55GA53652	44-26	55VA75540	56-25	56AA-3322	31-12	56AA12120	9-15	56AA17110	38-3
55GA75510	80-22	55VA75540	59-25	56AA-3330	30-23	56AA12130	9-20	56AA17110	43-2
55GA75520	80-23	55VA76700	11-21	56AA-3821	86-15	56AA12140	9-17	56AA17121	50-10
55GA76550	26-4	55VA76710	11-25	56AA-4151	68-1	56AA12150	9-13	56AA17121	53-10
55GA77680	30-28	55VA77120	16-20	56AA-4151	71-1	56AA12160	9-21	56AA17121	56-10
55GA86010	9-31	55VA77130	16-16	56AA-4151	72-7	56AA12170	9-14	56AA17121	59-10
55TA61110	13-1	55VA77420	86-12	56AA-4151	75-7	56AA12180	9-16	56AA17130	38-6
55TA61120	13-3	55VA77430	86-14	56AA-4161	67-15	56AA12340	5-6	56AA17130	43-5
55TA61130	13-2	55VA77440	86-10	56AA-4161	70-15	56AA12481	9-12	56AA17140	26-7
55TA61151	12-14	55VA77740	64-16	56AA-4451	60-11	56AA12620	5-27	56AA17160	27-24
55TA61161	12-9	55VA78110	11-24	56AA-4471	60-16	56AA12751	7-11	56AA17300	60-7



Parts No.	Page No.	Parts No.	Page No.	Parts No.	Page No.	Parts No.	Page No.	Parts No.	Page No.
56AA17310	26-13	56AA17510	49-8	56AA17840	26-1	56AA21080	25-5	56AA30150	28-22
56AA17310	64-19	56AA17510	51-12	56AA17900	38-4	56AA21120	23-31	56AA30420	28-5
56AA17310	68-14	56AA17510	52-8	56AA17900	43-3	56AA21130	23-14	56AA32011	30-17
56AA17310	71-14	56AA17510	54-12	56AA20030	25-3	56AA21141D	23-13	56AA32020	31-1
56AA17321	17-25	56AA17510	55-8	56AA20040	23-27	56AA21150	23-9	56AA32030	30-25
56AA17321	30-7	56AA17510	57-12	56AA20070D	24-4	56AA21160	23-6	56AA32060	30-26
56AA17321	40-8	56AA17510	58-8	56AA20090	22-26	56AA21170	23-29	56AA32090	30-5
56AA17321	46-5	56AA17520	22-9	56AA20140D	24-8	56AA21180	23-23	56AA32130	30-10
56AA17321	64-18	56AA17520	30-9	56AA20170	24-9	56AA21190	25-25	56AA32140	30-27
56AA17321	89-7	56AA17531	19-14	56AA20292D	23-10	56AA21200	25-18	56AA32151	31-3
56AA17330	93-23	56AA17531	24-20	56AA20400	24-2	56AA21210	25-19	56AA32160	31-7
56AA17350	84-24	56AA17531	37-20	56AA20421	25-28	56AA21220	25-20	56AA32260D	31-20
56AA17361	81-19	56AA17531	44-13	56AA20430	25-9	56AA21230	25-21	56AA32270	31-10
56AA17390	26-19	56AA17551	37-13	56AA20441	25-14	56AA21240	25-23	56AA32280	30-8
56AA17410	23-7	56AA17551	45-4	56AA20450D	25-26	56AA21250	24-11	56AA32312	30-32
56AA17420	25-12	56AA17551	62-7	56AA20460	25-24	56AA21260	25-13	56AA32351	30-2
56AA17461	34-19	56AA17551	79-2	56AA20510	22-30	56AA25030	27-23	56AA32390	31-9
56AA17461	65-20	56AA17551	80-25	56AA20520	22-20	56AA25090	27-22	56AA32400	31-4
56AA17461	84-6	56AA17551	82-4	56AA20560	22-37	56AA25141	27-12	56AA32410	31-8
56AA17461	87-34	56AA17551	84-10	56AA20590D	22-10	56AA25150	27-14	56AA32420	31-5
56AA17471	19-19	56AA17580	26-15	56AA20680D	24-5	56AA25170	27-21	56AA32432	29-7
56AA17471	28-9	56AA17590	25-22	56AA20700	25-8	56AA25230	27-20	56AA32440	29-11
56AA17471	30-24	56AA17620	1-26	56AA20730	24-21	56AA25301	27-2	56AA32450	29-10
56AA17471	32-2	56AA17630	1-24	56AA20750	24-22	56AA25330	27-11	56AA32462	29-2
56AA17471	81-15	56AA17640	1-25	56AA20750	25-16	56AA25340	27-19	56AA32521	29-13
56AA17471	87-32	56AA17700	86-13	56AA20760	22-18	56AA25380	27-5	56AA32560	30-6
56AA17480	16-22	56AA17760	48-8	56AA20770	23-20	56AA25400	27-6	56AA32591	30-4
56AA17480	17-3	56AA17760	49-10	56AA20780D	23-26	56AA25450	27-8	56AA32610	29-15
56AA17480	19-2	56AA17760	50-21	56AA20810	22-33	56AA26040	26-10	56AA32620	29-14
56AA17480	20-4	56AA17760	51-8	56AA20850	23-15	56AA26050	26-17	56AA32630	29-9
56AA17480	21-5	56AA17760	52-10	56AA20870	18-5	56AA26082	26-25	56AA32640	29-8
56AA17480	50-17	56AA17760	53-21	56AA20910	64-9	56AA26090	26-9	56AA32650	30-12
56AA17480	53-17	56AA17760	54-8	56AA20920	23-12	56AA26120	26-2	56AA32660	30-11
56AA17480	56-17	56AA17760	55-10	56AA20930	23-17	56AA26172	26-16	56AA32670	31-6
56AA17480	59-17	56AA17760	56-21	56AA20940D	24-6	56AA26180	26-12	56AA32680	31-2
56AA17480	62-8	56AA17760	57-8	56AA20960	25-15	56AA26192	26-21	56AA32691	30-36
56AA17480	74-3	56AA17760	58-10	56AA20980	25-6	56AA26250	26-3	56AA32700	30-3
56AA17480	80-24	56AA17760	59-21	56AA20990	24-14	56AA26280	26-6	56AA32710	29-4
56AA17500	31-19	56AA17821	33-8	56AA21061	22-3	56AA26310	26-8	56AA32720	31-22
56AA17510	48-12	56AA17830	26-18	56AA21071	22-2	56AA26310	40-19	56AA32730	31-17

Parts No.	Page No.	Parts No.	Page No.	Parts No.	Page No.	Parts No.	Page No.	Parts No.	Page No.
56AA32740	30-16	56AA40281	49-7	56AA40440	48-4	56AA41091	67-8	56AA41450	71-16
56AA32751	29-6	56AA40281	52-7	56AA40440	51-4	56AA41091	70-8	56AA41460	67-9
56AA32761	29-5	56AA40281	55-7	56AA40440	54-4	56AA41110	68-7	56AA41460	70-9
56AA32770	30-21	56AA40281	58-7	56AA40440	57-4	56AA41110	71-7	56AA41471	68-8
56AA40010	48-2	56AA40290	49-12	56AA40450	50-12	56AA41120	68-6	56AA41471	71-8
56AA40010	51-2	56AA40290	52-12	56AA40450	53-12	56AA41120	71-6	56AA41471	73-12
56AA40010	54-2	56AA40290	55-12	56AA40450	56-12	56AA41160	66-7	56AA41471	76-12
56AA40010	57-2	56AA40290	58-12	56AA40450	59-12	56AA41160	69-7	56AA41481	68-15
56AA40032	49-21	56AA40300	49-9	56AA40460	49-19	56AA41160	72-19	56AA41481	71-15
56AA40032	52-21	56AA40300	52-9	56AA40460	52-19	56AA41160	75-20	56AA41491	66-8
56AA40032	55-21	56AA40300	55-9	56AA40460	55-19	56AA41190	67-10	56AA41491	69-8
56AA40032	58-21	56AA40300	58-9	56AA40460	58-19	56AA41190	70-10	56AA41560	2-25
56AA40070	49-5	56AA40310	49-24	56AA40481	48-16	56AA41200	67-4	56AA41572	2-24
56AA40070	52-5	56AA40310	52-24	56AA40481	51-16	56AA41200	70-4	56AA41600	67-5
56AA40070	55-5	56AA40310	55-24	56AA40481	54-16	56AA41211	67-20	56AA41600	70-5
56AA40070	58-5	56AA40310	58-24	56AA40481	57-16	56AA41211	70-20	56AA41610	66-5
56AA40100E	50-6	56AA40330	48-17	56AA40490	48-27	56AA41220D	67-12	56AA41610	69-5
56AA40100E	53-6	56AA40330	51-17	56AA40490	49-2	56AA41220D	70-12	56AA41610	72-15
56AA40100E	56-6	56AA40330	54-17	56AA40490	51-27	56AA41230	67-13	56AA41610	75-16
56AA40100E	59-6	56AA40330	57-17	56AA40490	52-2	56AA41230	70-13	56AA41621	66-6
56AA40120	50-9	56AA40341	50-5	56AA40490	54-27	56AA41290D	67-3	56AA41621	69-6
56AA40120	53-9	56AA40341	53-5	56AA40490	55-2	56AA41290D	70-3	56AA41640	68-24
56AA40120	56-9	56AA40341	56-5	56AA40490	57-27	56AA41330	67-16	56AA41650	68-18
56AA40120	59-9	56AA40341	59-5	56AA40490	58-2	56AA41330	70-16	56AA41650	71-18
56AA40171	49-22	56AA40370	50-3	56AA40510	50-13	56AA41340	67-17	56AA41650	73-19
56AA40171	52-22	56AA40370	53-3	56AA40510	53-13	56AA41340	70-17	56AA41650	76-19
56AA40171	55-22	56AA40370	56-3	56AA40510	56-13	56AA41351E	67-19	56AA41660	66-14
56AA40171	58-22	56AA40370	59-3	56AA40510	59-13	56AA41351E	70-19	56AA41660	69-14
56AA40190	49-23	56AA40380	50-8	56AA40520	49-17	56AA41371	68-20	56AA41671	68-22
56AA40190	52-23	56AA40380	53-8	56AA40520	52-17	56AA41371	71-20	56AA41671	71-22
56AA40190	55-23	56AA40380	56-8	56AA40520	55-17	56AA41380	68-25	56AA41680	66-13
56AA40190	58-23	56AA40380	59-8	56AA40520	58-17	56AA41390	68-12	56AA41680	69-13
56AA40210	50-1	56AA40390	50-11	56AA41022D	66-3	56AA41390	71-12	56AA41690	68-11
56AA40210	53-1	56AA40390	53-11	56AA41022D	69-3	56AA41390	72-11	56AA41690	71-11
56AA40210	56-1	56AA40390	56-11	56AA41051	67-21	56AA41390	75-12	56AA41690	73-14
56AA40210	59-1	56AA40390	59-11	56AA41051	70-21	56AA41431	68-17	56AA41690	76-14
56AA40230	50-26	56AA40430	48-5	56AA41061	67-2	56AA41431	71-17	56AA41711	2-7
56AA40230	53-26	56AA40430	51-5	56AA41061	70-2	56AA41440	68-21	56AA41711	74-17
56AA40230	56-26	56AA40430	54-5	56AA41082	68-5	56AA41440	71-21	56AA41741	2-10
56AA40230	59-26	56AA40430	57-5	56AA41082	71-5	56AA41450	68-16	56AA41741	74-18

Parts No.	Page No.	Parts No.	Page No.	Parts No.	Page No.	Parts No.	Page No.	Parts No.	Page No.
56AA41760	2-9	56AA42530	64-14	56AA45191	87-23	56AA48220	89-19	56AA50771	77-13
56AA41760	4-23	56AA42541	64-33	56AA45210	86-7	56AA48250	89-22	56AA50791	84-22
56AA41760	74-19	56AA42550	79-5	56AA45222	87-25	56AA48260	89-21	56AA50800	84-14
56AA42011	63-35	56AA42550	82-11	56AA45300	86-5	56AA50130	84-12	56AA50910	87-20
56AA42031	63-11	56AA42550	88-19	56AA45320	87-8	56AA50140	78-25	56AA50920	87-19
56AA42040	64-8	56AA42570	79-7	56AA45330	87-11	56AA50160	78-36	56AA50930	87-14
56AA42050	64-12	56AA42570	82-13	56AA45400	87-6	56AA50191	78-35	56AA50940	84-19
56AA42061	64-5	56AA42570	88-18	56AA45410	87-5	56AA50201	77-16	56AA50951	79-14
56AA42070	63-18	56AA42580	64-29	56AA45420D	87-4	56AA50210	77-9	56AA51010	79-18
56AA42080	65-24	56AA42590	64-24	56AA45430D	87-27	56AA50221	78-27	56AA51020	77-11
56AA42090D	64-20	56AA42600D	64-32	56AA45440	87-26	56AA50240	78-26	56AA51040	78-6
56AA42100D	64-3	56AA42621	63-34	56AA45450D	87-3	56AA50250	84-11	56AA51050	84-30
56AA42111	65-23	56AA42640	64-10	56AA45460	87-7	56AA50311E	78-19	56AA51060	77-10
56AA42120	63-14	56AA42652	63-26	56AA45470	87-28	56AA50331	78-20	56AA51072	81-4
56AA42160	63-6	56AA42661D	64-27	56AA45480	87-30	56AA50341	78-23	56AA51081	83-17
56AA42170	63-16	56AA42680D	64-26	56AA45490	87-1	56AA50351	78-16	56AA51102	82-5
56AA42241	64-7	56AA42701	64-34	56AA45510	87-2	56AA50362E	78-22	56AA51110	80-28
56AA42260	63-19	56AA44071	60-18	56AA46100	32-15	56AA50381	78-21	56AA51191	84-4
56AA42340	65-7	56AA44082	62-6	56AA46110	33-6	56AA50400	83-28	56AA51200D	78-3
56AA42350	65-12	56AA44101	60-15	56AA46160	32-17	56AA50410	77-12	56AA51210	83-25
56AA42360D	65-17	56AA44150	60-4	56AA46202	32-22	56AA50420	77-17	56AA51220D	83-10
56AA42360D	66-12	56AA44200	60-2	56AA46401	32-7	56AA50430	83-27	56AA51230D	83-24
56AA42360D	69-12	56AA44210D	60-8	56AA46450	33-15	56AA50440	83-21	56AA51250D	83-19
56AA42370	65-16	56AA44231	62-4	56AA46500D	32-18	56AA50450	81-16	56AA51301	79-6
56AA42370	66-11	56AA44240	62-16	56AA46852	32-3	56AA50480	83-16	56AA51311	79-16
56AA42370	69-11	56AA44250	61-8	56AA46881	33-13	56AA50490	84-3	56AA51380	84-7
56AA42380	65-8	56AA44260	61-9	56AA46930	32-24	56AA50510	4-10	56AA51390	77-5
56AA42391	65-10	56AA44321	62-22	56AA48012	89-29	56AA50520	4-5	56AA51430	77-8
56AA42420	65-3	56AA44421	62-2	56AA48032	89-15	56AA50530	4-7	56AA51451	78-7
56AA42430	63-1	56AA44430	61-4	56AA48041	89-16	56AA50541	4-6	56AA51460	83-18
56AA42440	64-6	56AA44430	74-8	56AA48051	89-27	56AA50551	4-9	56AA51470	83-11
56AA42450	64-28	56AA44440	89-28	56AA48091	89-24	56AA50621	84-13	56AA51480	83-26
56AA42450	78-12	56AA44451	61-3	56AA48100	88-22	56AA50630	84-17	56AA51490	83-23
56AA42450	79-9	56AA45053	87-29	56AA48110	89-26	56AA50641	84-15	56AA51500	80-21
56AA42450	82-12	56AA45082	87-17	56AA48130	89-20	56AA50670	84-18	56AA51521	83-12
56AA42450	88-16	56AA45090	87-9	56AA48140	88-7	56AA50680	84-21	56AA51540	83-3
56AA42460	64-11	56AA45101	87-33	56AA48150	88-20	56AA50690D	84-25	56AA51550	78-2
56AA42500	64-23	56AA45112D	87-31	56AA48182	89-12	56AA50700	84-26	56AA51550	83-9
56AA42510	63-33	56AA45170	87-16	56AA48190	89-11	56AA50710	84-27	56AA51572	83-20
56AA42522	64-31	56AA45181	87-35	56AA48200	89-23	56AA50730	84-28	56AA51590	81-11

Parts No.	Page No.	Parts No.	Page No.	Parts No.	Page No.	Parts No.	Page No.	Parts No.	Page No.
56AA51611	84-9	56AA53450	41-11	56AA54080	35-6	56AA54640	42-12	56AA73413F	91-6
56AA51810	80-13	56AA53461	42-16	56AA54080	43-20	56AA54660	40-15	56AA73501	91-4
56AA52211	81-23	56AA53470	37-9	56AA54121	44-21	56AA54660	46-16	56AA73651	3-4
56AA52221	81-14	56AA53470	45-5	56AA54180	43-1	56AA54671	37-11	56AA73660	3-5
56AA52231	81-12	56AA53481	47-21	56AA54190	34-13	56AA54671	45-2	56AA73670	3-10
56AA52260	81-1	56AA53491	47-20	56AA54190	42-14	56AA61022	11-8	56AA73680	12-7
56AA52272	81-13	56AA53500	47-17	56AA54210	46-3	56AA61071	13-7	56AA75040	22-14
56AA52281	81-10	56AA53562	45-11	56AA54220	34-37	56AA61111	11-36	56AA75050	64-22
56AA52290	81-3	56AA53582	44-20	56AA54220	38-26	56AA61151	12-24	56AA75050	82-2
56AA52311	77-2	56AA53590	44-35	56AA54220	40-3	56AA61180	13-4	56AA75061	35-18
56AA52320	77-1	56AA53610	44-23	56AA54220	44-22	56AA61290	11-30	56AA75061	42-11
56AA52361	83-6	56AA53621E	47-16	56AA54220	47-15	56AA61290	14-1	56AA76510	19-15
56AA52370	83-7	56AA53630	44-34	56AA54240	41-10	56AA61330	12-22	56AA76520	19-21
56AA52380	81-22	56AA53650	44-24	56AA54250D	46-20	56AA61372	11-19	56AA76530	16-11
56AA52390D	81-6	56AA53650	47-14	56AA54270	40-23	56AA61400	11-16	56AA76530	17-11
56AA52400	4-2	56AA53660	44-25	56AA54270	46-24	56AA61410	11-18	56AA76590	62-10
56AA52420	81-2	56AA53710	42-8	56AA54292	45-6	56AA61420	11-2	56AA76590	80-15
56AA52431	81-17	56AA53721	42-17	56AA54301	47-13	56AA61431	11-3	56AA76600	80-16
56AA52440	83-29	56AA53733	35-5	56AA54340	46-23	56AA61440	13-6	56AA77020	21-3
56AA52451	81-20	56AA53733	43-9	56AA54350	37-27	56AA61461	11-28	56AA77060	18-13
56AA52460	81-18	56AA53741	35-1	56AA54350	44-6	56AA61470D	11-26	56AA77070	18-11
56AA52470	81-24	56AA53741	43-22	56AA54360	46-13	56AA61481	11-23	56AA77081	24-12
56AA52480	81-9	56AA53751	35-7	56AA54370	46-4	56AA61530	11-10	56AA77090	19-8
56AA52490	81-25	56AA53751	43-18	56AA54380	46-10	56AA61540	11-12	56AA77100	24-23
56AA52780	81-5	56AA53780	42-6	56AA54391	46-21	56AA61561	11-15	56AA77110	24-18
56AA53032	46-14	56AA53802	43-19	56AA54401	46-25	56AA61570	11-39	56AA77120	19-17
56AA53071	42-7	56AA53820	35-27	56AA54410	42-1	56AA61580	12-6	56AA77130	19-26
56AA53121	46-7	56AA53820	43-23	56AA54420	42-3	56AA68121	15-2	56AA77140	17-26
56AA53151	46-6	56AA53830	35-28	56AA54430	42-4	56AA68130D	15-3	56AA77160	63-30
56AA53160	46-12	56AA53830	47-24	56AA54440	42-5	56AA68220D	15-5	56AA77170	63-21
56AA53172	46-28	56AA53840	34-36	56AA54463D	45-13	56AA73090	93-4	56AA77180	63-7
56AA53180	46-22	56AA53840	42-25	56AA54471	42-23	56AA73121	91-5	56AA77190	89-5
56AA53200	40-12	56AA53871	41-4	56AA54480	42-10	56AA73150	3-8	56AA77200	89-14
56AA53200	46-11	56AA53942	41-7	56AA54500	47-28	56AA73160	93-15	56AA77210	34-20
56AA53210	41-9	56AA53951	43-11	56AA54530	45-12	56AA73171	91-7	56AA77210	45-15
56AA53240	40-16	56AA54010D	47-6	56AA54541	42-2	56AA73210	93-10	56AA77220	35-13
56AA53240	46-19	56AA54020	47-1	56AA54550	38-23	56AA73230	93-3	56AA77220	42-24
56AA53370	46-1	56AA54051	47-29	56AA54550	41-3	56AA73271	93-2	56AA77231	35-9
56AA53390	41-8	56AA54061E	47-23	56AA54573	46-15	56AA73282	93-9	56AA77231	42-22
56AA53431	44-12	56AA54071	47-10	56AA54583	46-17	56AA73321	3-13	56AA77240	30-14

Parts No.	Page No.	Parts No.	Page No.	Parts No.	Page No.	Parts No.	Page No.	Parts No.	Page No.
56AA77250	24-17	56AA77930	31-14	56AA90660E	69-15	56AAR72100	52-3	56GA73431	82-8
56AA77260	22-15	56AA77940	31-24	56AA90780E	88-13	56AAR72100	55-3	56GA73431	89-10
56AA77270	31-13	56AA77950	31-21	56AA90810E	89-8	56AAR72100	58-3	56GA76010	48-14
56AA77280	31-16	56AA77960	63-8	56AA90891E	18-7	56AAR72200	48-20	56GA76010	51-14
56AA77290	30-31	56AA77970	26-11	56AA90902E	25-2	56AAR72200	51-20	56GA76010	54-14
56AA77300	30-19	56AA77980	89-2	56AA93630	45-10	56AAR72200	54-20	56GA76010	57-14
56AA77310	30-18	56AA77990	72-4	56AA93701	87-18	56AAR72200	57-20	56GA76010	61-1
56AA77320	30-30	56AA77990	75-5	56AA93711	87-15	56AAR72300	63-9	56GA76010	74-5
56AA77330	30-13	56AA80031	91-2	56AA93721	87-13	56AAR72400	63-4	56GA76010	78-1
56AA77340	37-26	56AA80061	30-35	56AA97140	91-14	56AAR72500	64-1	56GA76010	83-8
56AA77340	44-4	56AA80112	19-13	56AAR70100	84-5	56AAR72900	12-1	56GA76010	89-17
56AA77350	44-18	56AA80112	84-16	56AAR70200	78-18	56AAR73000	1-13	56GA76030	33-1
56AA77380	62-15	56AA80541	9-8	56AAR70300	2-20	56AAR73100	82-7	56QA-0590	78-39
56AA77431	82-10	56AA80541	90-4	56AAR70400	90-33	56AAR73100	89-9	56QA-0820	4-21
56AA77450	80-8	56AA80551	12-25	56AAR70500	2-14	56AE-7420	91-12	56QA-0920	2-12
56AA77460	80-37	56AA80551	81-8	56AAR70500	4-4	56AE32390	31-9	56QA-0930	2-17
56AA77470	80-12	56AA82012	32-23	56AAR70600	22-23	56AE43410	72-3	56QA-1460	91-3
56AA77480	79-13	56AA82012	50-24	56AAR70700	27-9	56AE43410	75-4	56QA-1640	17-15
56AA77490	84-8	56AA82012	53-24	56AAR70800	27-10	56AE53052	44-14	56QA-1720	17-14
56AA77520	19-22	56AA82012	56-24	56AAR70900	27-15	56AE83031	44-37	56QA-1761	19-11
56AA77530	16-24	56AA82012	59-24	56AAR71000	26-22	56AE83041	44-38	56QA-2260	22-7
56AA77550	80-14	56AA82022	22-25	56AAR71100	26-24	56AE83051	47-22	56QA-5750	74-20
56AA77560	80-32	56AA83071	27-4	56AAR71200	28-6	56AE84520	93-5	56QA-7420	91-12
56AA77570	80-1	56AA83071	86-6	56AAR71300	86-16	56AEJG011	101-10	56QA10041	90-40
56AA77590	49-13	56AA84012	93-1	56AAR71400	86-8	56AER70100	72-22	56QA10120	94-11
56AA77590	52-13	56AA84520	93-5	56AAR71500	87-12	56AER70100	75-23	56QA10450	90-2
56AA77590	55-13	56AA85511	11-37	56AAR71600	48-25	56AF83031	44-37	56QA10460	90-5
56AA77590	58-13	56AA85521	33-16	56AAR71600	51-25	56AF83041	44-38	56QA10470	90-1
56AA77700	26-26	56AA85531	12-12	56AAR71600	54-25	56AF83051	47-22	56QA10491	90-3
56AA77711	17-12	56AA85601	65-9	56AAR71600	57-25	56AF84521	93-5	56QA10491	93-19
56AA77750	28-14	56AA85601	67-18	56AAR71700	68-13	56AF84540	92-12	56QA10521	1-33
56AA77810	87-36	56AA85601	70-18	56AAR71700	71-13	56AF90330	92-11	56QA10531	63-12
56AA77831	18-1	56AA88421	92-4	56AAR71800	62-21	56AK83040	44-38	56QA10540	1-34
56AA77840	32-21	56AA90141E	30-20	56AAR71900	60-12	56AS83030	44-37	56QA10550	90-37
56AA77850	89-6	56AA90240	82-6	56AAR71900	61-6	56AS83040	44-38	56QA10560D	90-39
56AA77860	89-4	56AA90420E	11-11	56AAR72000	49-14	56AS83050	47-22	56QA10570	90-38
56AA77890	27-17	56AA90440E	11-6	56AAR72000	52-14	56BA12240	6-4	56QA10670	1-7
56AA77900	27-18	56AA90642E	63-17	56AAR72000	55-14	56GA30700	28-15	56QA10680	2-1
56AA77910	27-16	56AA90651	65-11	56AAR72000	58-14	56GA30710	28-3	56QA10690	3-15
56AA77920	31-15	56AA90660E	66-15	56AAR72100	49-3	56GA47440	33-2	56QA11010	1-30

Parts No.	Page No.	Parts No.	Page No.	Parts No.	Page No.	Parts No.	Page No.	Parts No.	Page No.
56QA11040	2-5	56QA20301	24-15	56QA46620	32-13	56QA54500	42-15	56QA58050D	73-5
56QA11050	2-16	56QA20320	23-24	56QA46910	33-5	56QA54510	38-7	56QA58050D	76-5
56QA11060	2-8	56QA25010	27-1	56QA48061	88-3	56QA54510	43-6	56QA58060D	73-7
56QA11070	1-32	56QA26010	26-27	56QA48070	88-21	56QA54520	47-9	56QA58070	73-2
56QA11080	1-29	56QA40080	48-18	56QA48081	89-25	56QA54530	37-25	56QA58070	76-2
56QA11090	2-6	56QA40080	51-18	56QA48120	88-11	56QA54530	44-5	56QA58081D	73-11
56QA11130E	1-8	56QA40080	54-18	56QA48160	88-15	56QA54540	42-26	56QA58081D	76-11
56QA11140	4-17	56QA40080	57-18	56QA48210	88-12	56QA57021	74-12	56QA58090D	73-3
56QA11150	1-18	56QA40270	48-24	56QA48231	88-2	56QA57030	74-33	56QA58090D	76-3
56QA11160	4-14	56QA40270	51-24	56QA48240	88-1	56QA57040	74-2	56QA58110	72-10
56QA11180	2-23	56QA40270	54-24	56QA48290	88-8	56QA57050	74-32	56QA58120	72-12
56QA11210	3-17	56QA40270	57-24	56QA48300	88-10	56QA57060	74-1	56QA58150	73-1
56QA11220	3-16	56QA40550	48-19	56QA48310	88-9	56QA57070	74-7	56QA58181	72-17
56QA11230	2-11	56QA40550	51-19	56QA50650	78-24	56QA57080	74-16	56QA58181	75-18
56QA11240	2-21	56QA40550	54-19	56QA51030	84-2	56QA57090	74-15	56QA58281E	73-17
56QA11300	4-12	56QA40550	57-19	56QA51120	80-29	56QA57100	74-13	56QA58281E	76-17
56QA11330	4-13	56QA42670	64-30	56QA51240	82-14	56QA57110	74-4	56QA58290	72-14
56QA11340	4-15	56QA42720	64-13	56QA51260	78-10	56QA57130	4-24	56QA58290	75-15
56QA12200	7-7	56QA42740	63-36	56QA51271	78-8	56QA57141E	4-27	56QA58300	72-23
56QA15021	16-7	56QA44180	60-3	56QA51280	78-9	56QA57150D	4-20	56QA58361	72-13
56QA15030	16-21	56QA44190	60-9	56QA51560	83-2	56QA57160D	4-32	56QA58400D	72-2
56QA15050	17-1	56QA44300	62-3	56QA51820	80-4	56QA57170	4-29	56QA58400D	75-3
56QA15060	16-25	56QA44310	62-20	56QA52300	83-22	56QA57200	74-21	56QA58440	72-6
56QA15070	16-23	56QA44400	62-17	56QA52830	77-7	56QA57210	4-22	56QA58440	75-2
56QA15080	17-9	56QA44410	62-18	56QA52920	85-10	56QA57230D	4-31	56QA58470D	73-22
56QA15090	17-2	56QA44550	60-6	56QA52940	85-9	56QA57240	4-28	56QA58490D	73-10
56QA15120	17-5	56QA44560	60-10	56QA53040	47-8	56QA57250D	4-25	56QA58490D	76-10
56QA15130	16-14	56QA44570	62-19	56QA53200	38-5	56QA57260	74-29	56QA58621	72-21
56QA15190	17-19	56QA44580	61-5	56QA53200	43-4	56QA57270	74-31	56QA58621	75-22
56QA15240	18-21	56QA44590	60-19	56QA54330	40-11	56QA57280	74-27	56QA58640	72-1
56QA15250	18-17	56QA45030	86-4	56QA54330	46-9	56QA57290	74-22	56QA58640	75-1
56QA15260	18-9	56QA46011	32-14	56QA54400	37-23	56QA57310	74-10	56QA59060D	76-7
56QA15270	18-26	56QA46030	32-10	56QA54400	44-8	56QA57360	74-28	56QA59110	75-10
56QA20030	18-6	56QA46051	33-7	56QA54410	37-30	56QA57370	74-11	56QA59120	75-11
56QA20040	23-19	56QA46060	33-10	56QA54410	44-10	56QA57380	74-35	56QA59150D	76-1
56QA20080	18-18	56QA46080	32-16	56QA54420	37-29	56QA57390	74-9	56QA59300	75-24
56QA20180	23-3	56QA46090	32-6	56QA54420	44-9	56QA57400	74-14	56QA59361	75-14
56QA20190	24-13	56QA46530	33-3	56QA54430	44-28	56QA57410	74-30	56QA61130	11-32
56QA20230	22-12	56QA46600	32-12	56QA54490	35-8	56QA58041D	73-4	56QA61140	11-31
56QA20290	23-21	56QA46610	32-11	56QA54490	43-16	56QA58041D	76-4	56QA61301	11-5

Parts No.	Page No.	Parts No.	Page No.	Parts No.	Page No.	Parts No.	Page No.	Parts No.	Page No.
56QA61600	12-8	56QA77510	16-10	56UA12700	8-14	57AA-9092H	11-13	57AA20150	22-34
56QA61610	11-14	56QA77520	17-4	56UA73420	90-36	57AA-K010	36-7	57AA20161	22-29
56QA61620	12-11	56QA77530	62-14	56UA73440	90-35	57AA10090	3-1	57AA20171	22-27
56QA61640	11-35	56QA80560	1-36	56UA85510E	33-19	57AA10290	1-17	57AA20181	22-28
56QA61670	14-4	56QA80560	9-7	56UA97300	23-32	57AA10510	1-35	57AA20190	23-25
56QA61680	14-3	56QA80560	86-1	56UA97310	5-13	57AA10620	90-7	57AA20201	24-16
56QA61690	11-33	56QA80570	85-3	56UA97320	5-15	57AA10650	90-6	57AA20211	23-22
56QA68040D	15-4	56QA80570	93-20	57AA-0300	85-11	57AA10660	90-9	57AA20220	22-4
56QA73080	93-11	56QA80570	94-1	57AA-0360	80-6	57AA10720	4-11	57AA20230	24-7
56QA73111	91-10	56QA90210	78-13	57AA-0450	82-9	57AA107300	1-9	57AA20250	22-6
56QA73320	3-12	56QA90260E	81-7	57AA-1501	16-6	57AA11260	2-15	57AA20270	23-11
56QA73330	3-14	56QA90270E	86-2	57AA-1810	18-25	57AA11310	4-18	57AA20280	23-18
56QA73421	92-14	56QA90350	91-8	57AA-1830	18-4	57AA11320	4-16	57AA20290	23-28
56QA73430	94-10	56QA90462	12-10	57AA-1860	20-8	57AA11350	2-13	57AA25010	27-13
56QA73830	3-6	56QA90620	60-17	57AA-1880	20-10	57AA12490	9-27	57AA26340	26-20
56QA73840D	3-7	56QA90630	4-33	57AA-3310	30-33	57AA12600	9-5	57AA26350	26-14
56QA73850	3-2	56QA90700	19-10	57AA-3600	32-1	57AA12610	9-28	57AA30090	28-4
56QA73870	93-17	56QA90710	93-13	57AA-4001	48-1	57AA12620	9-29	57AA30120	28-10
56QA73880	94-8	56QA90720	93-12	57AA-4001	51-1	57AA12640	9-6	57AA30130	28-11
56QA75010	18-15	56QA90730	93-14	57AA-4001	54-1	57AA12670	9-24	57AA30211	28-21
56QA75020	18-20	56QA90740	93-8	57AA-4001	57-1	57AA12790	5-7	57AA30260	28-1
56QA75040	32-9	56QA90750	93-7	57AA-4031	49-1	57AA15080	20-1	57AA32010	30-34
56QA75050	32-20	56QA90760	93-6	57AA-4031	52-1	57AA15110	17-22	57AA32300	29-12
56QA75050	62-5	56QA97300	35-2	57AA-4031	55-1	57AA15120	16-5	57AA32330	30-1
56QA75050	80-9	56QA97300	43-8	57AA-4031	58-1	57AA15190	20-5	57AA40090	50-14
56QA75060	87-21	56QA97770	102-5	57AA-5301	34-1	57AA15260	16-9	57AA40090	53-14
56QA75070	87-24	56QA97840	9-32	57AA-5440	37-7	57AA15310	19-20	57AA40090	56-14
56QA76540	80-34	56QA97850	23-30	57AA-5450	40-1	57AA15420	16-3	57AA40090	59-14
56QA76550	80-33	56QA97860	22-5	57AA-5470	40-22	57AA15600	20-11	57AA40240E	50-19
56QA76580	80-3	56QA97870	22-21	57AA-5550	34-14	57AA15900	18-27	57AA40240E	53-19
56QA77020	16-18	56QA97880	28-7	57AA-5640	35-25	57AA17010	68-3	57AA40240E	56-19
56QA77030	17-23	56QA97990	77-4	57AA-5650	35-17	57AA17010	71-3	57AA40240E	59-19
56QA77040	17-8	56QA98020	24-3	57AA-5660	35-26	57AA17010	72-9	57AA40250	48-11
56QA77050	17-24	56QAR70100	85-8	57AA-5670	35-14	57AA17010	75-9	57AA40250	51-11
56QA77060	17-21	56QAR70200	22-31	57AA-5680	37-19	57AA20030	23-5	57AA40250	54-11
56QA77071F	17-6	56QAR70300	87-10	57AA-5690	40-13	57AA20050	22-24	57AA40250	57-11
56QA77111	18-14	56QAR70400	63-38	57AA-6304H	12-2	57AA20060	23-2	57AA40350	49-6
56QA77210	44-36	56QE88261	92-5	57AA-7190	92-1	57AA20080	23-1	57AA40350	52-6
56QA77390	85-16	56QF84551	92-8	57AA-9021J	92-21	57AA20130	22-36	57AA40350	55-6
56QA77400	85-17	56RE97410	102-8	57AA-9041E	78-33	57AA20140	22-35	57AA40350	58-6

Parts No.	Page No.
57AA40420	48-3
57AA40420	51-3
57AA40420	54-3
57AA40420	57-3
57AA40470	48-6
57AA40470	51-6
57AA40470	54-6
57AA40470	57-6
57AA40610	50-16
57AA40610	53-16
57AA40610	56-16
57AA40610	59-16
57AA40620	50-15
57AA40620	53-15
57AA40620	56-15
57AA40620	59-15
57AA40630	50-22
57AA40630	53-22
57AA40630	56-22
57AA40630	59-22
57AA40630	62-12
57AA41071	66-9
57AA41071	69-9
57AA41250	67-7
57AA41250	70-7
57AA41360	67-1
57AA41360	70-1
57AA41730	2-19
57AA44270	61-10
57AA44600	62-1
57AA44610	62-11
57AA45500	87-37
57AA46020	33-21
57AA46040	33-14
57AA46150	33-20
57AA46300	33-17
57AA48270	89-13
57AA48320	88-5
57AA50060	78-42
57AA50090	78-38

Parts No.	Page No.
57AA50260	80-30
57AA50290	78-43
57AA50300	80-31
57AA50320	78-15
57AA50390	78-32
57AA50760	85-23
57AA50820	85-12
57AA50850	85-14
57AA50860	77-21
57AA50870	77-19
57AA50880	77-20
57AA50900	78-29
57AA50960	77-18
57AA51090	84-1
57AA51130	79-1
57AA51140	82-3
57AA51150	79-3
57AA51160	79-4
57AA51170	80-26
57AA51180	80-27
57AA51290	83-14
57AA51440	83-15
57AA51570	78-4
57AA51590	78-5
57AA51830	79-23
57AA51840	77-14
57AA51930	82-1
57AA52510	83-4
57AA52520D	83-1
57AA52610	78-40
57AA52780	78-31
57AA52790	79-17
57AA52810	85-22
57AA52840	4-8
57AA52850	85-21
57AA52880	79-10
57AA52960	85-2
57AA52970	85-5
57AA52980	85-1
57AA53010	37-18

Parts No.	Page No.
57AA53030	34-10
57AA53070	35-4
57AA53080	38-30
57AA53090E	38-28
57AA53100E	34-25
57AA53110	38-27
57AA53120	34-32
57AA53130	34-29
57AA53141	34-28
57AA53151	34-30
57AA53160	34-26
57AA53170	34-31
57AA53180	34-24
57AA53190	34-5
57AA53200	34-3
57AA53200	47-3
57AA53210E	34-6
57AA53220	34-4
57AA53220	47-4
57AA53230	34-33
57AA53240	34-27
57AA53250	34-11
57AA53260	35-22
57AA53270	40-25
57AA53280	38-1
57AA53290	35-20
57AA53300	38-14
57AA53310	37-8
57AA53320	36-5
57AA53330	36-9
57AA53340	36-4
57AA53350	40-14
57AA53360	38-13
57AA53370	38-10
57AA53380	38-21
57AA53390	38-20
57AA53400	38-15
57AA53440	37-22
57AA53470	36-2
57AA53480	38-25

Parts No.	Page No.
57AA53510E	38-24
57AA53520	36-11
57AA53530	36-12
57AA53540	36-13
57AA53550	40-4
57AA53560	40-21
57AA53570	40-7
57AA53580	40-5
57AA53590	34-35
57AA53600	34-34
57AA53640	40-24
57AA53650	40-20
57AA53660	40-6
57AA53670	40-9
57AA53690	37-6
57AA53710	35-24
57AA53720	35-23
57AA53730	35-29
57AA53740	35-21
57AA53770	37-15
57AA53780	37-10
57AA53800	34-38
57AA53810	38-29
57AA53820	34-9
57AA53820	44-30
57AA53830	37-2
57AA53840	37-3
57AA53850	40-17
57AA53860	37-5
57AA53870	40-26
57AA53880	38-2
57AA53890	38-8
57AA53900	37-4
57AA53910	37-1
57AA53920	39-1
57AA53930	39-2
57AA53940	39-12
57AA53970	38-31
57AA53980	36-1
57AA53990	39-4

Parts No.	Page No.
57AA54010	39-9
57AA54020	39-7
57AA54030	39-8
57AA54040	39-10
57AA54070	40-18
57AA54080	39-13
57AA54090	34-16
57AA54100	34-18
57AA54110	34-7
57AA54130	39-3
57AA54140	39-5
57AA54170	35-11
57AA54170	42-20
57AA54200	34-23
57AA54210	35-19
57AA57010	74-34
57AA58420	72-16
57AA58420	75-17
57AA58450	73-8
57AA58450	76-8
57AA605100	65-22
57AA61240	12-26
57AA61250	12-21
57AA61280	12-3
57AA61520	11-9
57AA61660	12-20
57AA61700	12-23
57AA61760	12-4
57AA61770	11-4
57AA73011E	90-24
57AA73020	92-13
57AA73060	94-9
57AA73070	94-2
57AA73530	94-3
57AA73540	94-4
57AA73550	94-6
57AA73570	91-9
57AA73600	93-25
57AA73780	93-18
57AA73790	93-21



Parts No.	Page No.	Parts No.	Page No.	Parts No.	Page No.	Parts No.	Page No.	Parts No.	Page No.
57AA73810	90-12	57AA77720	53-20	57AA90310	92-3	57AA97821G	23-33	57AE52820	85-4
57AA73860	90-25	57AA77720	56-20	57AA90340	85-19	57AA97831G	39-6	57AE52830	85-6
57AA73890E	93-16	57AA77720	59-20	57AA90360	9-30	57AA97870	67-11	57AE53060	47-19
57AA73910	90-23	57AA77760	28-16	57AA90600	68-10	57AA97870	70-11	57AE54700	45-9
57AA75030	36-6	57AA77770	28-19	57AA90600	71-10	57AA97870	73-9	57AE54710	47-25
57AA75060	48-13	57AA77780	28-17	57AA90610	49-25	57AA97870	76-9	57AE54720	43-14
57AA75060	51-13	57AA77790	28-18	57AA90610	52-25	57AA97950	29-17	57AE54730E	42-13
57AA75060	54-13	57AA77800	28-20	57AA90610	55-25	57AAJG010	101-6	57AE54740	41-12
57AA75060	57-13	57AA77820	18-10	57AA90610	58-25	57AAJG020	101-7	57AE54750	43-10
57AA75060	89-1	57AA82030	16-4	57AA90670	73-15	57AAJG030	101-8	57AE54760	44-31
57AA76590	79-21	57AA82030	17-17	57AA90670	76-15	57AAR70100	85-13	57AE54770	47-26
57AA77010	20-9	57AA82030	48-9	57AA90670	92-20	57AAR70200	9-10	57AE54780	44-15
57AA77020	20-3	57AA82030	51-9	57AA90790	92-19	57AAR70300	23-34	57AE54790	46-26
57AA77030	20-6	57AA82030	54-9	57AA90800	92-18	57AAR71000	22-1	57AE75040	47-18
57AA77050	18-16	57AA82030	57-9	57AA90880	92-18	57AAR71100	24-1	57AE77010	21-9
57AA77060	36-8	57AA82030	79-24	57AA90910	12-18	57AAR71200	23-8	57AE84511	93-22
57AA77070	34-21	57AA82030	80-35	57AA93610	38-22	57AAR71300	23-16	57AE88010	45-8
57AA77080	37-33	57AA83010E	13-11	57AA93630	38-18	57AAR71400	27-25	57AE88040	45-7
57AA77090	37-21	57AA83510	13-9	57AA93660	9-18	57AAR71500	26-29	57AE90031	97-2
57AA77100	37-16	57AA839100	87-38	57AA93680	34-2	57AAR71600	28-23	57AE90081	43-13
57AA77110	37-32	57AA84511	93-22	57AA97120	26-5	57AAR71700	28-8	57AE90340	78-41
57AA77110	44-2	57AA84521E	39-11	57AA97130	5-15	57AAR71800	86-9	57AE93610	41-5
57AA77120	37-31	57AA84531	92-6	57AA97180E	85-7	57AAR72000	50-18	57AE93620	47-12
57AA77120	44-1	57AA84610	36-3	57AA97201E	63-37	57AAR72000	53-18	57AE93680	47-5
57AA77130	37-14	57AA86020	91-13	57AA97211E	32-26	57AAR72000	56-18	57AE97180E	85-7
57AA77130	45-3	57AA88010	38-17	57AA97221E	33-9	57AAR72000	59-18	57AEJG010	101-9
57AA77150	16-2	57AA88021	38-12	57AA97231E	85-24	57AAR72000	37-12	57AER70300	45-1
57AA77170	44-16	57AA88040	38-9	57AA97241E	47-27	57AAR72300	12-27	57AER70400	90-8
57AA77180	44-17	57AA88060	38-16	57AA97251E	40-10	57AAR72500	12-13	57AF-5301	41-1
57AA77210	35-12	57AA88040	38-9	57AA97251E	46-8	57AAR72600	12-13	57AF-7190	92-1
57AA77210	42-21	57AA90020	78-14	57AA97261E	39-14	57AAR72700	12-19	57AF12790	5-11
57AA77220	35-10	57AA90030	95-2	57AA97261E	42-27	57AAR72800	3-3	57AF12800	5-4
57AA77220	42-19	57AA90040	96-1	57AA97271E	35-3	57AAR72900	90-8	57AF73610	5-8
57AA77380	62-13	57AA90060	96-2	57AA97271E	43-7	57AAR73100	33-4	57AF73620	5-10
57AA77410	80-5	57AA90160	90-15	57AA97281E	79-20	57AAR73200	34-22	57AF84512	93-22
57AA77420	80-7	57AA90200	98-1	57AA97291E	89-31	57AE-1880	21-10	57AF84531	92-6
57AA77440	82-16	57AA90220	78-30	57AA97421E	81-26	57AE-5300	41-1	57AF88720	90-29
57AA77480	82-17	57AA90230	33-18	57AA97431F	77-6	57AE-5440	41-2	57AF88730	90-28
57AA77510	79-22	57AA90250	78-28	57AA97760	41-13	57AE-7190	92-1	57AF88730	92-10
57AA77720	50-20	57AA90280	78-34	57AA97780	40-2	57AE10620	90-7	57AF90310	92-9
		57AA90300	92-7	57AA97780	46-2	57AE50820	85-12		

Parts No.	Page No.	Parts No.	Page No.	Parts No.	Page No.	Parts No.	Page No.	Parts No.	Page No.
57AF93611	41-5	A00J192500	10-28	A03U812800	59-2	A0PN160800	6-15	A0PN201000	9-1
57AF97180E	85-7	A00J192601	10-18	A03U812800	62-9	A0PN160900	6-17	A0PN201101	8-9
57AF97740	78-17	A00J192711	10-13	A03U812800	63-27	A0PN161200	7-9	A0PN201200	8-11
57AF97740	93-26	A00J192800	10-3	A03U812800	74-26	A0PN161300	7-10	A0PN201300	8-12
57AFR70300	41-2	A00J192900	10-5	A03U812800	79-15	A0PN161400	7-8	A0PN201400	8-4
57AK-5300	41-1	A00J193002	10-16	A03U812800	80-17	A0PN161500	7-6	A0PN201500	9-3
57AK-7190	92-1	A00J193100	10-15	A03X565611	48-23	A0PN161600	7-2	A0PN405100	29-16
57AK-7420	91-12	A00J943700	102-3	A03X565611	51-23	A0PN161700	7-12	A0PN603000	65-25
57AN-5300	41-1	A00J945500	6-2	A03X565611	54-23	A0PN161800	7-3	A0PN603100	65-5
57AN-5440	41-2	A00JH00E00	8-2	A03X565611	57-23	A0PN161900	7-5	A0PN603201	65-15
57AN88610	91-12	A00V240600	16-8	A0P0989900	100-19	A0PN162000	5-16	A0PN603301	65-18
57AN97180E	85-7	A00V240600	17-18	A0PN100100	1-19	A0PN162100	6-18	A0PN604000	65-4
57AS-5300	41-1	A00V240600	18-8	A0PN100200	1-21	A0PN170401	8-19	A0PN604100	65-6
57AS-5440	41-2	A00V240600	19-4	A0PN100300	1-20	A0PN170502	8-20	A0PN606100	65-21
57AS-7420	91-12	A00V240600	20-2	A0PN100600	1-22	A0PN170600	8-13	A0PN620100	66-10
57AS97180E	85-7	A00V240600	21-2	A0PN100800	94-7	A0PN170900	5-1	A0PN620100	69-10
65AA11300	92-15	A00V240600	63-31	A0PN101200	5-18	A0PN171000	5-12	A0PN624200	68-23
65AA40100	50-7	A00V240600	79-12	A0PN101300	5-9	A0PN172300	6-5	A0PN624200	71-23
65AA40100	53-7	A00V240600	80-2	A0PN102000	94-15	A0PN172900	5-28	A0PN626300	68-4
65AA40100	56-7	A00V240600	85-15	A0PN102100	94-14	A0PN173301	5-17	A0PN626300	71-4
65AA40100	59-7	A02E948100	10-31	A0PN107100	1-1	A0PN173600	5-2	A0PN644800	73-21
7050K0020	101-1	A02E948200	10-31	A0PN130100	90-20	A0PN174501	8-17	A0PN646300	72-20
A00J167700	10-19	A02E948300	10-31	A0PN130201	90-32	A0PN175201	8-18	A0PN646300	75-21
A00J167900	10-20	A02E948400	10-31	A0PN130301	90-11	A0PN175400	102-1	A0PN664800	76-20
A00J168000	10-2	A02E948500	10-31	A0PN130400	90-19	A0PN176800	9-26	A0PN700300	60-20
A00J168202	8-5	A02E948600	10-33	A0PN130500	90-21	A0PN177800	6-3	A0PN700400	60-1
A00J169403	10-29	A02E948700	10-33	A0PN130600	90-13	A0PN178000	5-3	A0PN701400	60-5
A00J191100	10-8	A02E948800	10-33	A0PN130701	90-10	A0PN190201	10-21	A0PN890100	88-25
A00J191200	10-11	A02E948900	10-33	A0PN130800	90-31	A0PN190300	10-10	A0PN890200	88-24
A00J191300	10-7	A02E949000	10-30	A0PN130900	90-27	A0PN190400	4-19	A0PN943100	6-16
A00J191400	10-14	A02E949100	10-30	A0PN131000	90-14	A0PN191100	10-9	A0PN943400	73-20
A00J191502	10-17	A02E949200	10-30	A0PN131100	5-22	A0PN191200	10-22	A0PN943400	75-13
A00J191601	10-4	A02E949300	10-30	A0PN133100	1-10	A0PN200100	8-3	A0PN943700	65-1
A00J191700	10-6	A02E949400	10-34	A0PN160101	6-12	A0PN200200	8-8	A0PN943900	102-2
A00J191800	10-25	A03U263601	1-4	A0PN160200	6-7	A0PN200300	8-7	A0PN944400	7-1
A00J191900	10-12	A03U812800	16-19	A0PN160300	6-9	A0PN200400	8-1	A0PN945201	6-14
A00J192112	10-24	A03U812800	32-8	A0PN160400	6-13	A0PN200500	9-22	A0PNH01004	90-22
A00J192202	10-26	A03U812800	50-2	A0PN160500	6-10	A0PN200600	9-23	A0PNM10100	90-18
A00J192312	10-27	A03U812800	53-2	A0PN160600	6-8	A0PN200700	9-4	A0PNM10200	18-24
A00J192400	10-23	A03U812800	56-2	A0PN160700	6-11	A0PN200800	8-6	A0PNM10200	20-12

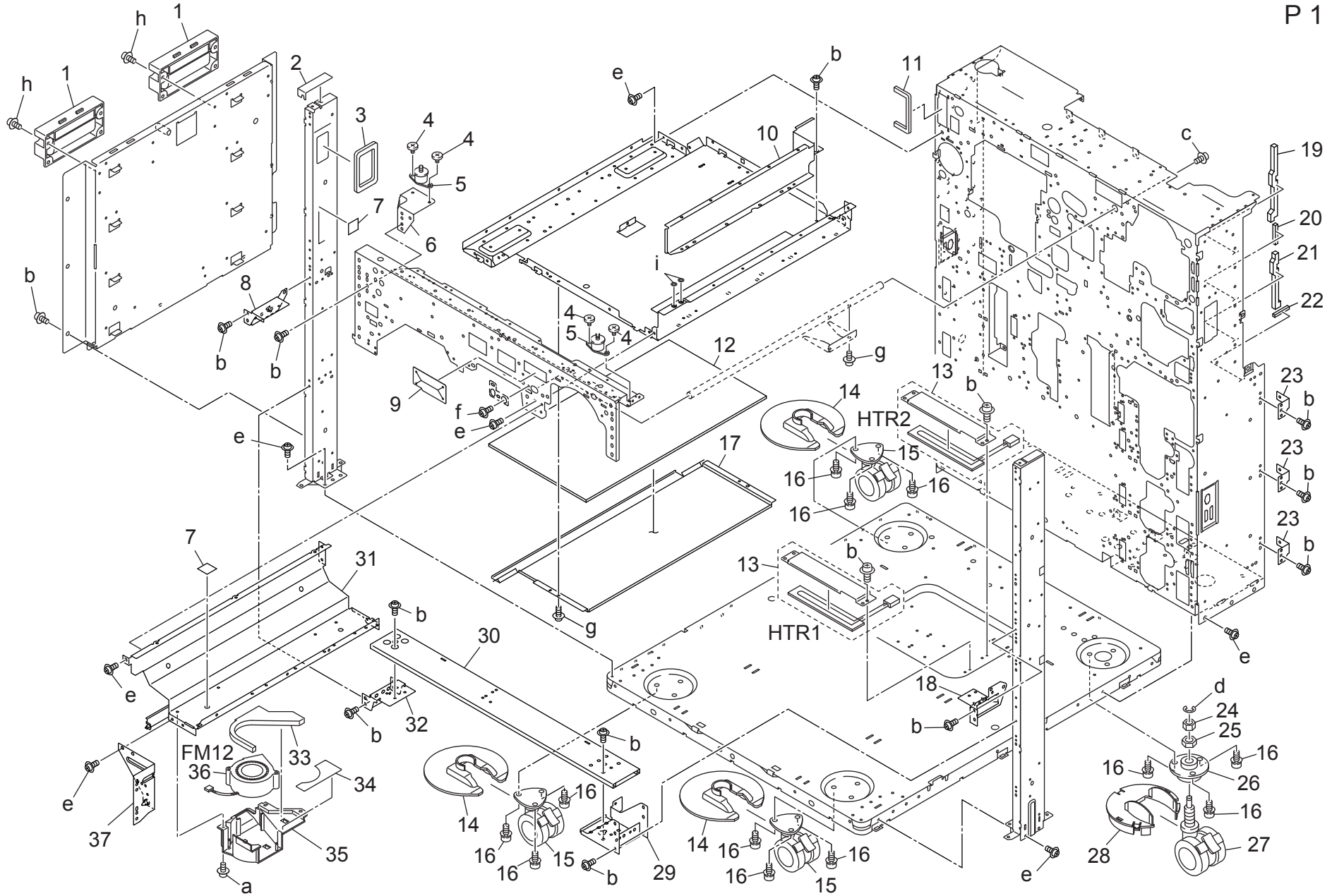
Parts No.	Page No.
A0PNN10200	21-11
A0PNN10200	31-11
A0PNN10200	85-20
A0PNN15001	88-23
A0PNN10000	10-35
A0PNN10100	90-17
A0PNN10501	98-2
A0PNN10600	98-3
A0PNN10700	97-1
A0PNN10800	92-17
A0PNN11001	95-1
A0PNN11100	90-26
A0PNR70000	10-1
A0PNR70100	10-1
A0PNR70200	10-1
A0PNR70311	29-1
A0PNR70411	29-1
A0PNR70511	29-1
A0PNR70600	15-1
A0PNR70700	5-14
A0PNR70800	5-26
A0PNR70900	5-24
A0PNR71000	5-5
A0PNR71100	9-33
A0PNR71200	5-20
A0PNR71300	8-16
A0PNR71400	8-15
A0PNR71500	5-19
A0PNR71600	10-1
A0PNR71700	10-1
A0PNR71800	10-1
A0PNR72000	66-1
A0PNR72000	69-1
A0PNR72100	90-34
A0PNR72111	90-34
A0PNR72200	90-34
A0PNR72211	90-34
A0PNR72300	90-34
A0PNR72311	90-34
A0PNR72400	90-34

Parts No.	Page No.
A0PNR72411	90-34
A0PNR72500	90-34
A0PNR72511	90-34
A0PNR72600	90-34
A0PNR72611	90-34
A0PNR73000	5-25
A0PNR73200	90-41
A0PNR73300	90-41
A0PNR73400	90-41
A0PNR73500	90-41
A0PNR73600	90-41
A0PNR73700	90-41
A0R5H03000	8-10
A0R5M10300	19-12
A0R5M71003	10-32
SP00-0022	44-33
SP00-0201	38-19
V121030803	102-7
V121040603	102-6
V500010003	99-1
V500010005	99-2
V500010006	99-3
V500010007	99-4
V500010012	99-5
V500010013	99-6
V500010015	99-7
V500010016	99-8
V500010017	99-9
V500010020	99-10
V500010022	99-11
V500010024	99-12
V500010026	99-13
V500010027	99-14
V500010029	99-15
V500010030	99-16
V500010034	99-17
V500010037	99-18
V500010038	99-19
V500010039	99-20
V500010042	99-21

Parts No.	Page No.
V500010043	99-22
V500020001	99-23
V500020002	99-24
V500020003	99-25
V500020024	99-26
V500020026	99-27
V500020027	99-28
V500020042	99-29
V500020048	99-30
V500020064	99-31
V501010002	99-32
V501010004	99-33
V501010009	99-34
V501010011	99-35
V501010014	99-36
V501010017	99-37
V502010002	99-38
V502010014	99-39
V502010016	99-40
V502010027	100-1
V502010028	100-2
V502010054	100-3
V570010011	100-4
V570010012	100-5
V570010015	100-6
V570010021	100-7
V570010023	100-8
V570010025	100-9
V570010026	100-10
V570010028	100-11
V570010038	100-12
V570010039	100-13
V570010040	100-14
V570010046	100-15
V651010002	100-16
V651010015	100-18

# MAIN FRAME

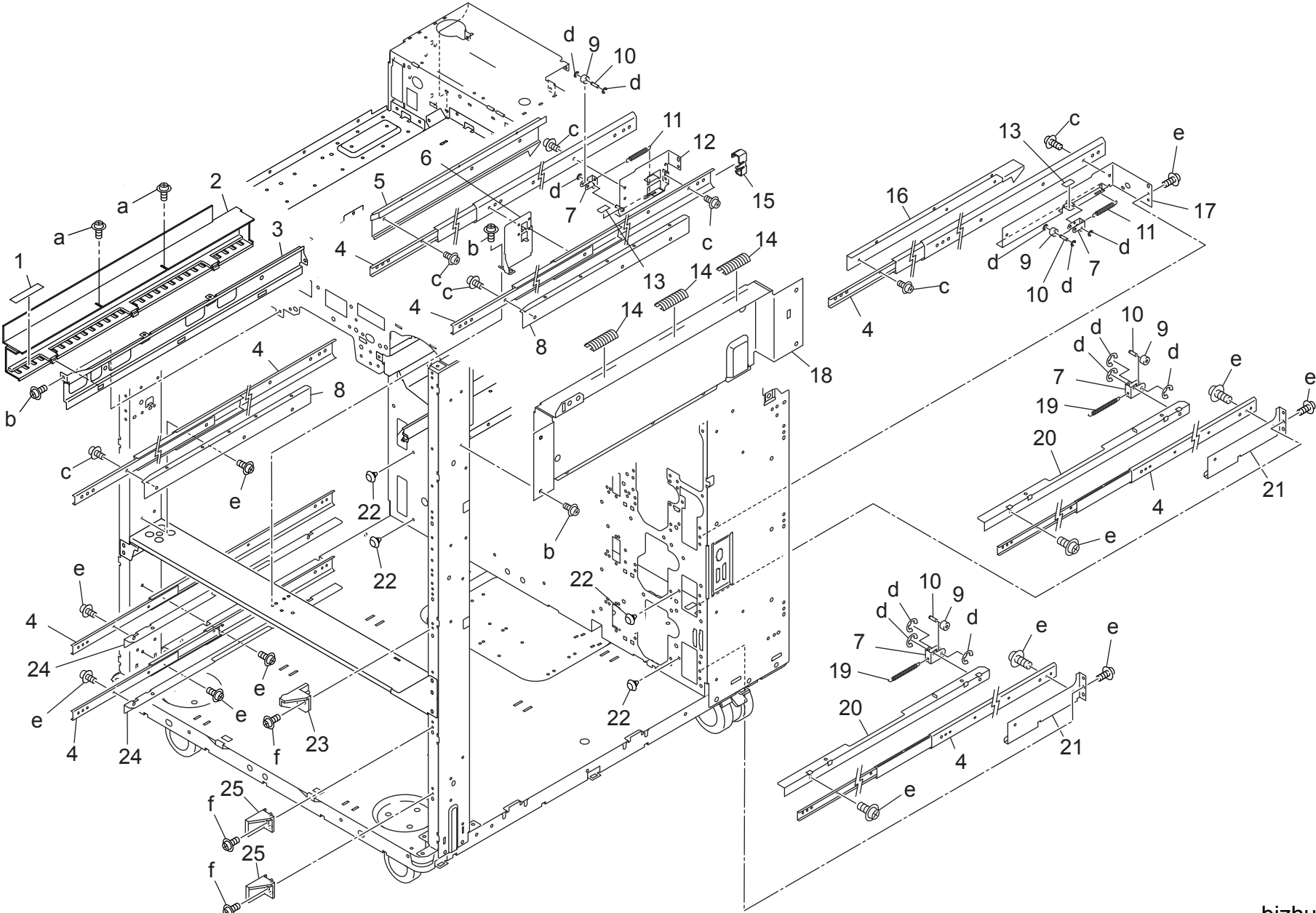
P 1



# MAIN FRAME

Key	Part No.	Description	Destinations	Class	QTY	Standard parts
1	A0PN107100	Lifting Handle		C	2	a-V121030403
2	56AA10560	COOLING SEAL 2		C	1	b-V121040603
3	56AA10550	COOLING SEAL 1		C	1	c-V121060803
4	A03U263601	Optical Screw		C	4	d-V217080050
5	25SA10200	READ SUPPORT RUBBER		D	2	e-V140040803
6	56AA10280	REINFORCE PART /UPPER		D	1	f-V123040803
7	56QA10670	TONER SUPPLY SEALING SHEET		D	2	g-V121030603
8	56QA11130E	Conveyance Support Part /Left		D	1	h-V121040803
9	57AA107300	Protection Sheet		C	1	i-V207060003
10	A0PN133100	Shield Plate		D	1	
11	56AA10480	WRITE COOLING PAD MIDDLE		C	1	
12	56AA10131D	Write Insulating Sheet /1		D	1	
13	56AAR73000	HEATER MOUNTING PLATE ASSY		B	2	
14	56AA10600	BOTTOM PLATE COVER PART		D	3	
15	55WA10300	MAIN BODY SUPPORT ROLLER X		C	3	
16	25SA10431	LOCKING SCREW		C	12	
17	57AA10290	FIXING INSULATING PLATE		D	1	
18	56QA11150	CONVEYANCE SUPPORT PLATE /R		D	1	
19	A0PN100100	Ozone Seal /1		C	1	
20	A0PN100300	Ozone Seal /3		C	1	
21	A0PN100200	Ozone Seal /2		C	1	
22	A0PN100600	Ozone Seal /6		C	1	
23	56AA10101	EXTERNAL SUPPORT PLATE1		D	3	
24	56AA17630	ADJUSTING PART		C	1	
25	56AA17640	ADJUSTING PART 2		C	1	
26	56AA17620	CARRIAGE ADJUSTING PART		C	1	
27	55WA10310	MAIN BODY SUPPORT ROLLER Y		C	1	
28	56AA10610	Bottom Plate Cover Part /Rear		D	1	
29	56QA11080	TRAY SUPPORT PART /RIGHT		D	1	
30	56QA11010	TRAY SUPPORT STAY /LOWER		D	1	
31	56AA10271	TONER SUPPLY GUIDE STAY		D	1	
32	56QA11070	TRAY SUPPORT PART /LEFT		D	1	
33	56QA10521	BY-PASS COOLING PAD /1		D	1	
34	56QA10540	BY-PASS COOLING SHEET /FRONT		D	1	
35	57AA10510	BY-PASS COOLING DUCT /FRONT		D	1	
36	56QA80560	Developing Cooling Fan		C	1	
37	56AA-0990	FRONT SUPPORT PLATE /RIGHT ASS		D	1	

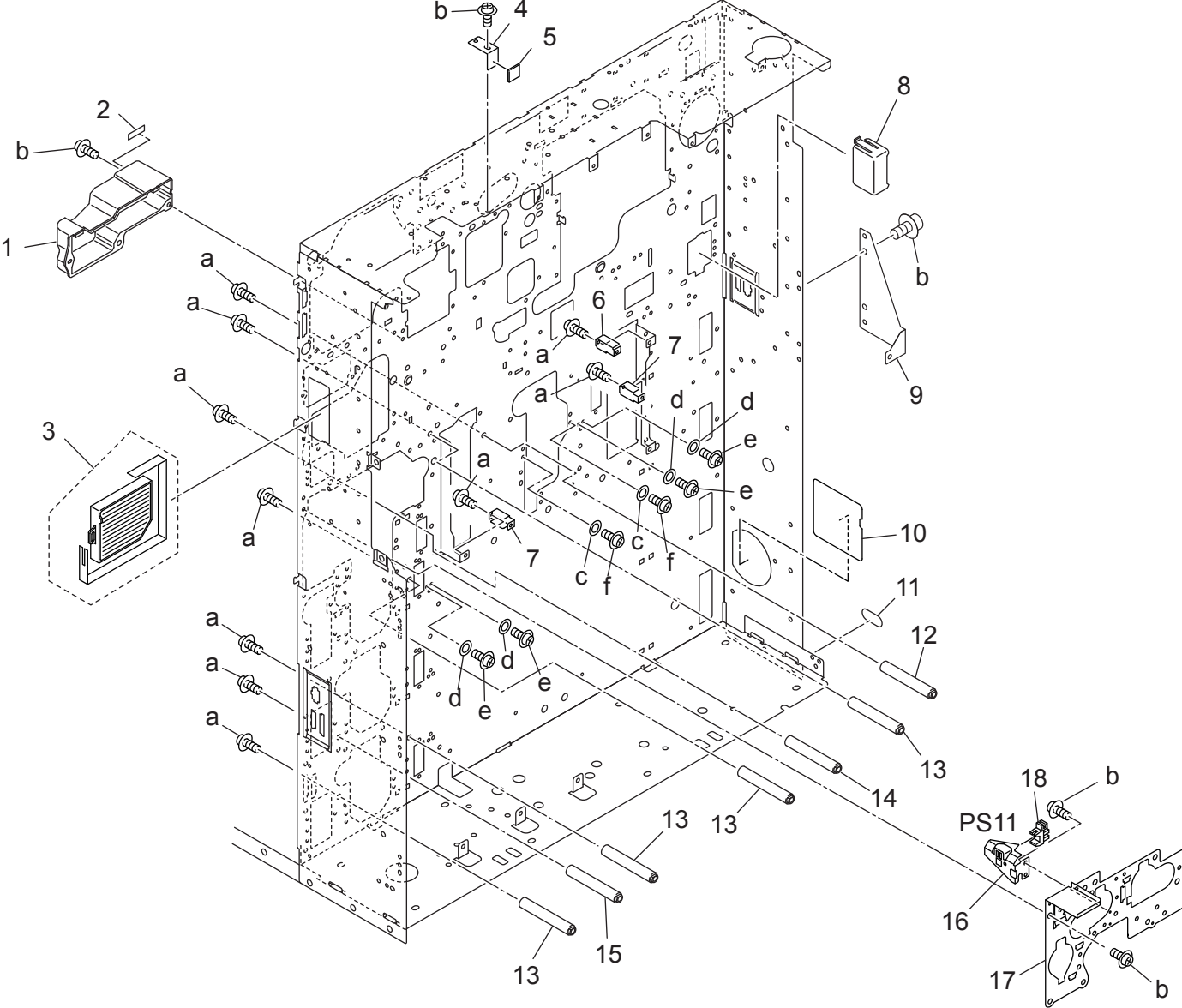
MAIN FRAME



# MAIN FRAME

Key	Part No.	Description	Destinations	Class	QTY	Standard parts
1	56QA10680	CLEANER COOLING SHEET	クリーナー冷却シート	D	1	a-V121030603 b-V121040603 c-V118040403 d-V217030050 e-V118040603 f-V121040604
2	56AA10081	CLEANER COOLING DUCT	クリーナー冷却ダクト	C	1	
3	56AA10061	DRUM RAIL /LEFT	ドラム レール/左	D	1	
4	56AA10300	Slide Rail /A	スライドレール / A	C	8	
5	56QA11040	TRAY MOUNTING PLATE LEFT	トレイ取付板 左	D	1	
6	56QA11090	TRAY SUPPORT PLATE/LEFT	トレイ支持板/左前	D	1	
7	56AA41711	TRAY PRESSING PLATE	トレイ押圧板	D	4	
8	56QA11060	TRAY MOUNTING PLATE	トレイ取り付け板	C	2	
9	56AA41760	TRAY LOCKING ROLLER	トレイロックコロ	C	4	
10	56AA41741	TRAY LOCKING PIN	トレイロックピン	C	4	
11	56QA11230	TRAY POSITIONING SPRING	トレイ位置決めバネ	C	2	
12	56QA-0920	RAIL PLATE CAULKING	レール板カシメ	C	1	
13	57AA11350	TRAY ADJUSTMENT PLATE	トレイ調整板	D	2	
14	56AAR70500	EARTH SPRING ASSY	アースバネ部組	C	3	
15	57AA11260	WIRING PROTECTION COVER	束線保護カバー	C	1	
16	56QA11050	TRAY MOUNTING PLATE RIGHT	トレイ取付板 右	C	1	
17	56QA-0930	RAIL PLATE CAULKING	レール板カシメ	D	1	
18	56AA10031D	Main body Stay /Right	本体 ステア/右	D	1	
19	57AA41730	TRAY POSITIONING SPRING LOWER	トレイ位置決めバネ 下	C	2	
20	56AAR70300	RAIL PLATE CAULKING	レール板カシメ	D	2	
21	56QA11240	TRAY SLIDE HOLDER/REAR	トレイスライド押さえ/奥	D	2	
22	55VA47920	STOPPER RUBBER	ストッパーゴム	C	4	
23	56QA11180	TRAY STOPPER STOPPER	トレイ突き当てストッパ	D	1	
24	56AA41572	TRAY MOUNTING PLATE	トレイ取り付け板	D	2	
25	56AA41560	TRAY STOPPER	トレイ突き当てストッパ	C	2	

MAIN FRAME



←  
FRONT

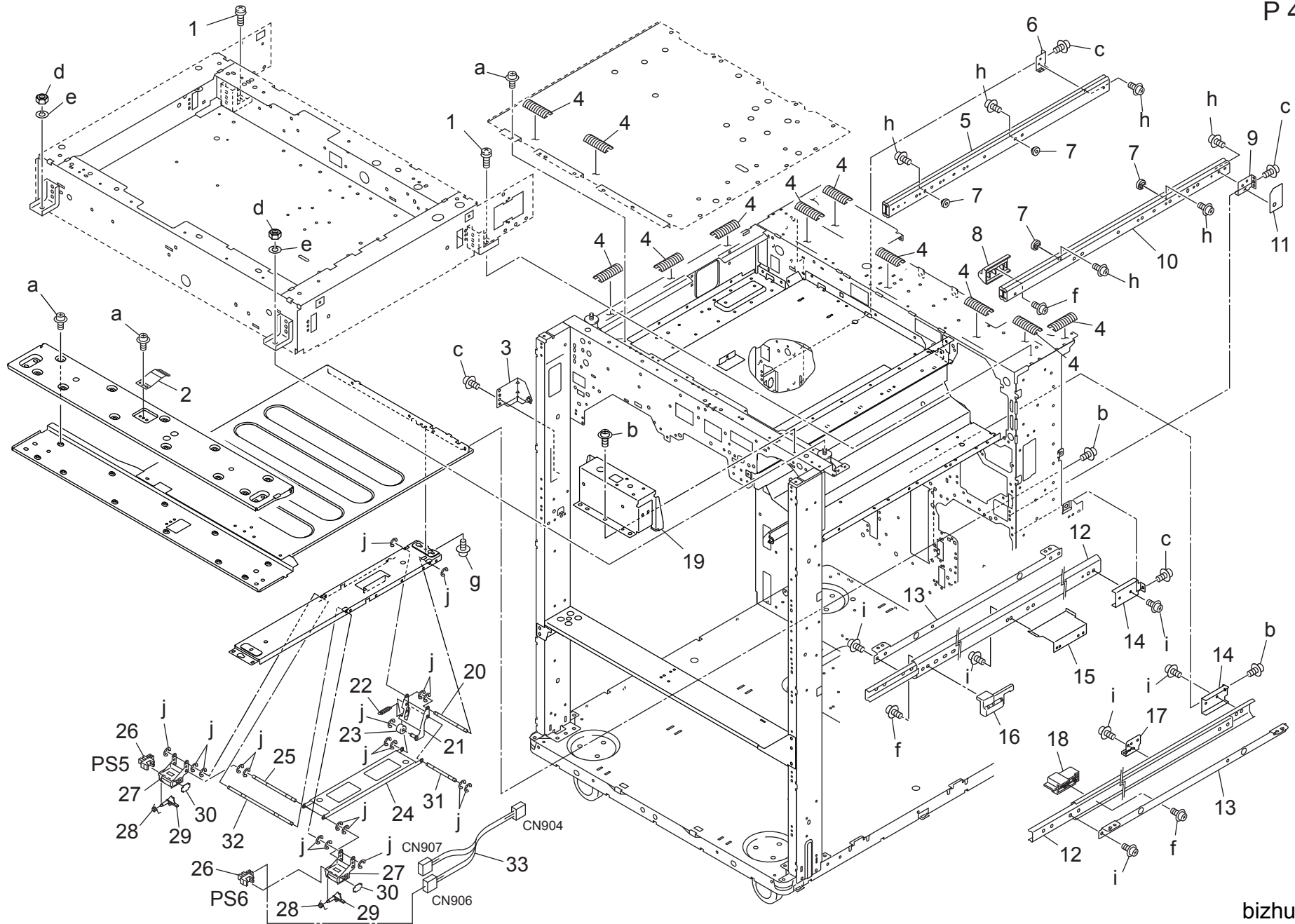


# MAIN FRAME

Key	Part No.	Description	Destinations	Class	QTY	Standard parts
1	57AA10090	DEVELOPING SUCTION DUCT		C	1	a-V121030603 b-V121040603 c-V205040003 d-V205030003 e-V118030603 f-V111040603
2	56QA73850	COVER SHEET /G		C	1	
3	57AAR72800	TONER FILTER ASSY		A	1	
4	56AA73651	BOARD SUPPORT PLATE /UPPER		D	1	
5	56AA73660	EARTH CUSHION /UPPER		D	1	
6	56QA73830	HV MOUNTING PART /UPPER		D	1	
7	56QA73840D	HV Mounting Part /Lower		D	2	
8	56AA73150	WIRING PROTECTION PART		C	1	
9	56AA10112	EXTERNAL SUPPORT PLATE /2		D	1	
10	56AA73670	FAN REGULATING SHEET		D	1	
11	25HE97070	EARTH LABEL		C	1	
12	56QA73320	DRIVE SUPPORT SHAFT		D	1	
13	56AA73321	DRIVE POSITIONING SHAFT		D	4	
14	56QA73330	DRIVE SUPPORT SHAFT /K		D	1	
15	56QA10690	DRIVE POSITIONING SHAFT /K		D	1	
16	56QA11220	CONVEYANCE POSITIONING PLATE		D	1	
17	56QA11210	DRIVE AUXILIARY PLATE		D	1	
18	08AA85512	Photo Sensor		B	1	

# MAIN FRAME

P 4



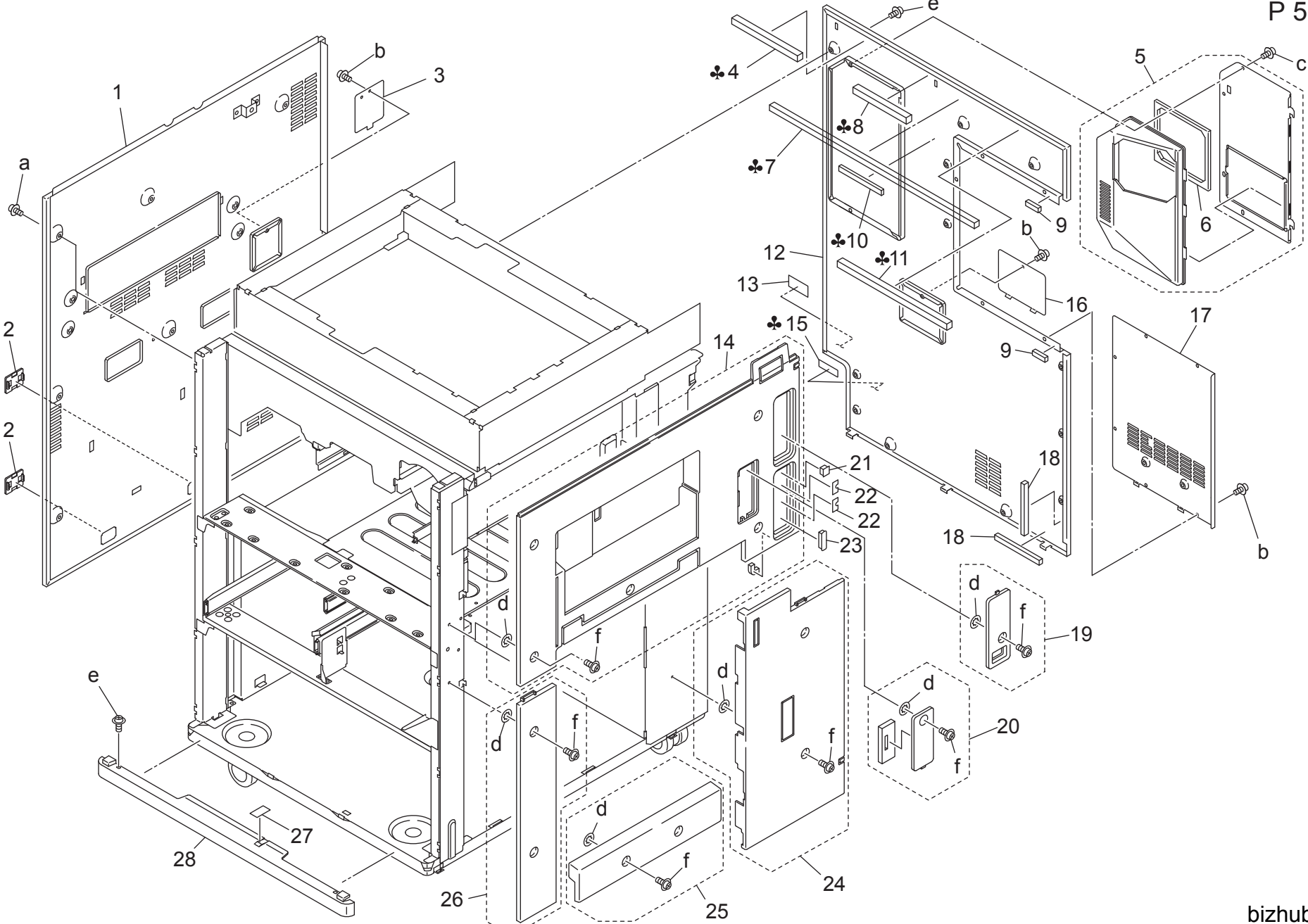
bizhub 751

# MAIN FRAME

Key	Part No.	Description	Destinations	Class	QTY	Standard parts
1	090020410	SPRING HANGER SCREW		C	2	a-V121030403
2	56AA52400	LOCKING SPRING		D	1	b-V121040603
3	56AA-1121	CARRIAGE PS PLATE/L CAULKING		D	1	c-V118040603
4	56AAR70500	EARTH SPRING ASSY		C	11	d-V195060003
5	56AA50520	SLIDE RAIL D		C	1	e-V205060003
6	56AA50541	MOUNTING PLATE /LEFT		D	1	f-V151030803
7	56AA50530	ADU MOUNTING COLLAR		C	4	g-V121030603
8	57AA52840	PROTECTION COVER RIGHT		C	1	h-V118040604
9	56AA50551	MOUNTING PLATE /RIGHT		D	1	i-V118030403
10	56AA50510	SLIDE RAIL C		C	1	j-V217030050
11	57AA10720	WIRING PROTECTION SHEET /RIGHT		D	1	
12	56QA11300	SLIDE RAIL E		D	2	
13	56QA11330	CONVEYANCE SUPPORT STAY		D	2	
14	56QA11160	CONVEYANCE SUPPORT PLATE REAR		D	2	
15	56QA11340	CONVEYANCE HOLDING PLATE		D	1	
16	57AA11320	CONVEYANCE PROTECTION COVER R		C	1	
17	56QA11140	CONVEYANCE SUPPORT PLATE		D	1	
18	57AA11310	CONVEYANCE PROTECTION COVER L		C	1	
19	A0PN190400	Support Plate		D	1	
20	56QA57150D	Support Shaft /Rear		D	1	
21	56QA-0820	ROCKING PANEL/ REAR CAULKING		D	1	
22	56QA57210	SWING SPRING REAR		C	1	
23	56AA41760	TRAY LOCKING ROLLER		C	1	
24	56QA57130	SWING PANEL/LOWER		D	1	
25	56QA57250D	Swing Shaft /Front		D	1	
26	08AA85512	Photo Sensor		B	2	
27	56QA57141E	BLOCK		D	2	
28	56QA57240	PAPER DETECTION ACTUATOR		C	2	
29	56QA57170	PRESSURE SPRING		C	2	
30	4470402401	STOPPER		D	2	
31	56QA57230D	Swing Shaft /Rear		D	1	
32	56QA57160D	Support Shaft /Front		D	1	
33	56QA90630	CONVEYANCE DETECTION WIRING		D	1	

# EXTERNAL PARTS

P 5

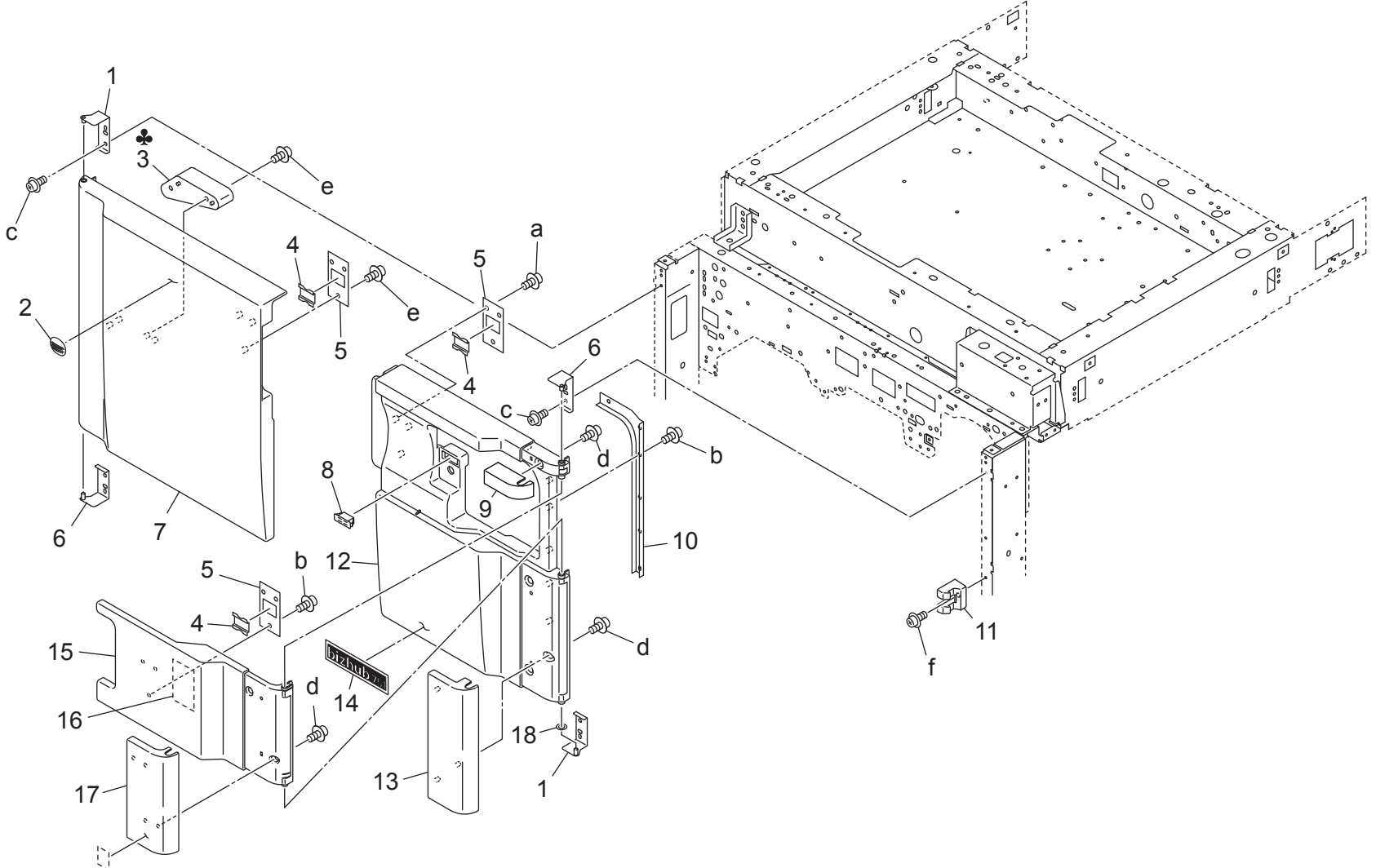


## EXTERNAL PARTS

Key	Part No.	Description	Destinations	Class	QTY	Standard parts
1	A0PN170900	Cover /Left		C	1	a-V114040604 b-V118040604 c-V118030604 d-V211040080 e-V121040604 f-V114040804
2	A0PN173600	Auxiliary Part /Left		C	2	
3	A0PN178000	Cover /Left		C	1	
4	57AF12800	OZONE REGULATING PART 2	オゾン規制部材 2	C,D1,D3,E,F2,G1,H,I,J,K	1	
5	A0PNR71000	OZONE GUIDE DUCT ASSY	オゾン案内ダクト部組	D	1	
6	56AA12340	OZONE SEALING PAD	オゾンシールパッド	C	1	
7	57AA12790	OZONE REGULATING PART 1	オゾン規制部材 1	A,B,F1,G2	1	
8	57AF73610	EXTERNAL EARTH PART UPPER	外装アース部材 上	C,D1,D3,E,F2,G1,H,I,J,K	1	
9	A0PN101300	Ozone Seal /9	オゾンシール/9	C	2	
10	57AF73620	External Earth Part /Lower	外装アース部材/下	C,D1,D3,E,F2,G1,H,I,J,K	1	
11	57AF12790	OZONE REGULATING PART 1	オゾン規制部材 1	C,D1,D3,E,F2,G1,H,I,J,K	1	
12	A0PN171000	Rear Cover	背面 カバー	D	1	
13	56UA97310	LASER INDICATING LABEL	レーザー表示ラベル	D	1	
14	A0PNR70700	SIDE COVER/A ASSY	側面カバー A /部組	C	1	
15	56UA97320	CAUTION LABEL/A	注意ラベル/ A	D	1	
15	57AA97130	Earth Label	アースラベル	A	1	
16	A0PN162000	Cover /Rear	蓋/奥	C	1	
17	A0PN173301	Cover Part /Rear	カバー部材/奥	C	1	
18	A0PN101200	Ozone Seal /8	オゾンシール/8	C	2	
19	A0PNR71500	CONNECTOR COVER ASSY	コネクタカバー部組	C	1	
20	A0PNR71200	EXTERNAL AUXILIARY PART/R ASSY	外装補助部材/右部組	C	1	
21	40LA73840	Contact Protection Cover	接点保護カバー	D	1	
22	A0PN131100	Protection Seal	保護シール	C	2	
23	13RN73120	Terminal Protection Cover /1	端子保護カバー/1	D	1	
24	A0PNR70900	SIDE COVER/D ASSY	側面カバー D /部組	C	1	
25	A0PNR73000	SIDE COVER/C ASSY	側面カバー/ C 部組	C	1	
26	A0PNR70800	SIDE COVER/B ASSY	側面カバー B /部組	C	1	
27	56AA12620	TRAY SLIDE SHEET	トレイスライドシート	C	1	
28	A0PN172900	Cover /Lower	カバー/下	C	1	

# EXTERNAL PARTS

改訂版 REVISED EDITION	日付 DATE
	JUNE 2011

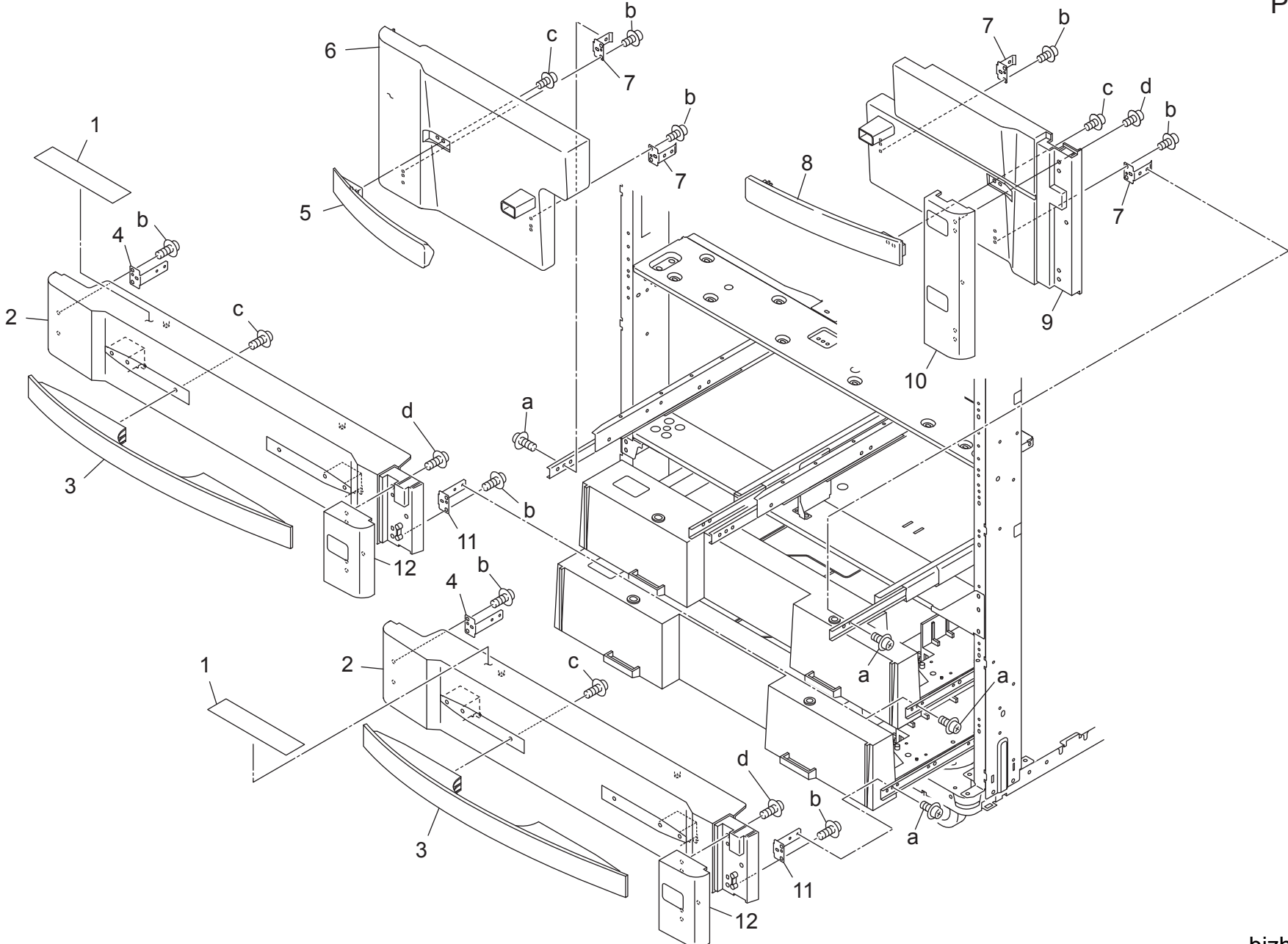


EXTERNAL PARTS

Key	Part No.	Description	Destinations	Class	QTY	Standard parts
1	56AA-1431	External Open/Shut Hinge /D Assy	B,C,D1,D3,E,F1,F2,G 1,G2,H,I,J,K	D	2	a-V151030604 b-V151030804 c-V121040603 d-V151031004 e-V151031204 f-V121040604
2	A00J945500	Logo Mark		C	1	
3	A0PN177800	Detecting Part		C	1	
4	56BA12240	EXTERNAL LOCK PLATE		D	3	
5	A0PN172300	Lock Cover		C	3	
6	56AA-1421	External Open/Shut Hinge /C Assy		D	2	
7	A0PN160200	Door /Left		C	1	
8	A0PN160600	Suction Part		C	1	
9	A0PN160300	Cover Part /Upper		C	1	
10	A0PN160500	Reinforce Plate /Right		D	1	
11	A0PN160700	Stopper Part /Right		C	1	
12	A0PN160101	Door /Right		C	1	
13	A0PN160400	Cover Part /Lower		C	1	
14	A0PN945201	Indicating Label /K		C	1	
15	A0PN160800	Toner supply Cover		C	1	
16	A0PN943100	Toner Supply Label		C	1	
17	A0PN160900	Cover Part /Middle		C	1	
18	A0PN162100	Spacer	D	1		

EXTERNAL PARTS

P 7

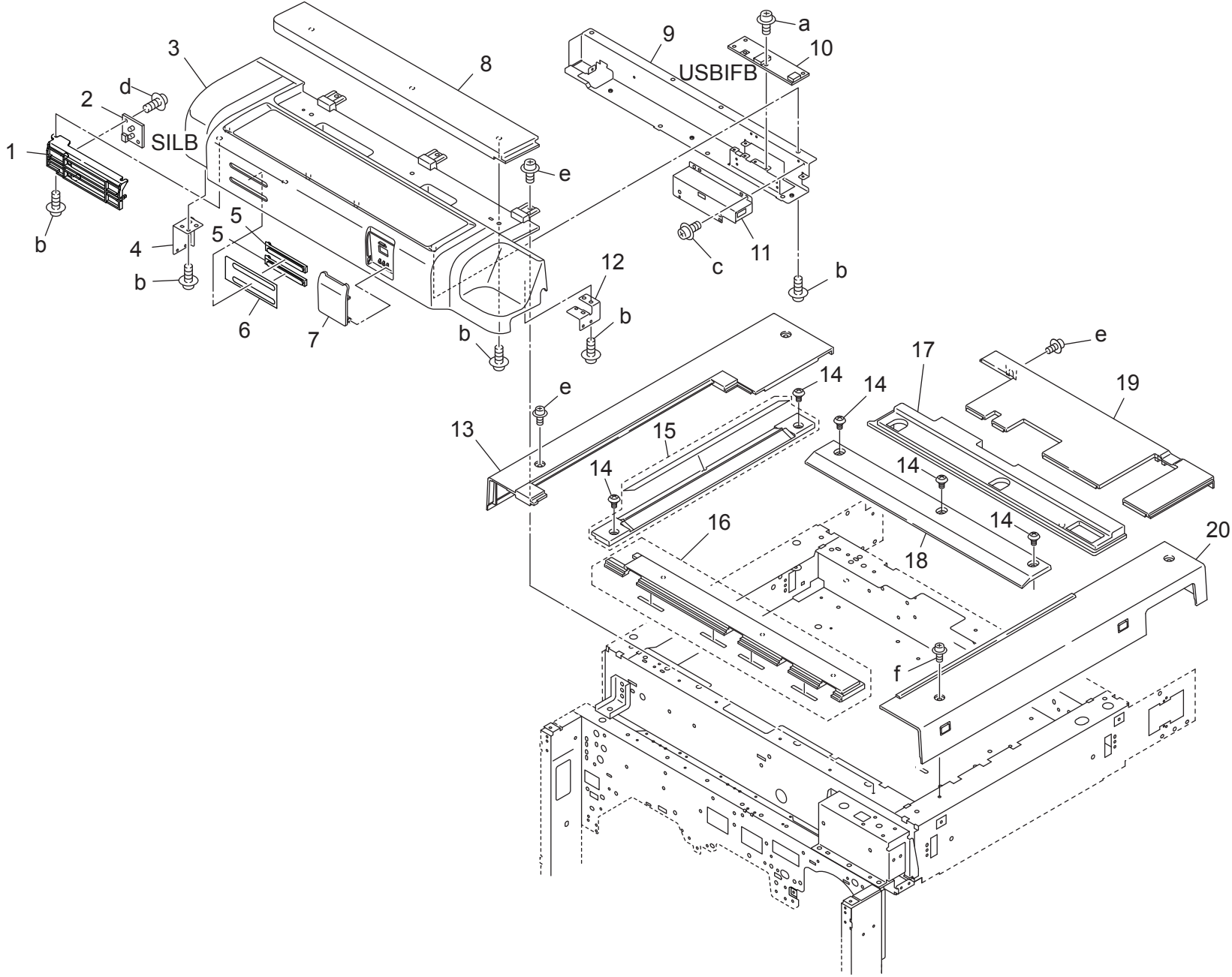




# EXTERNAL PARTS

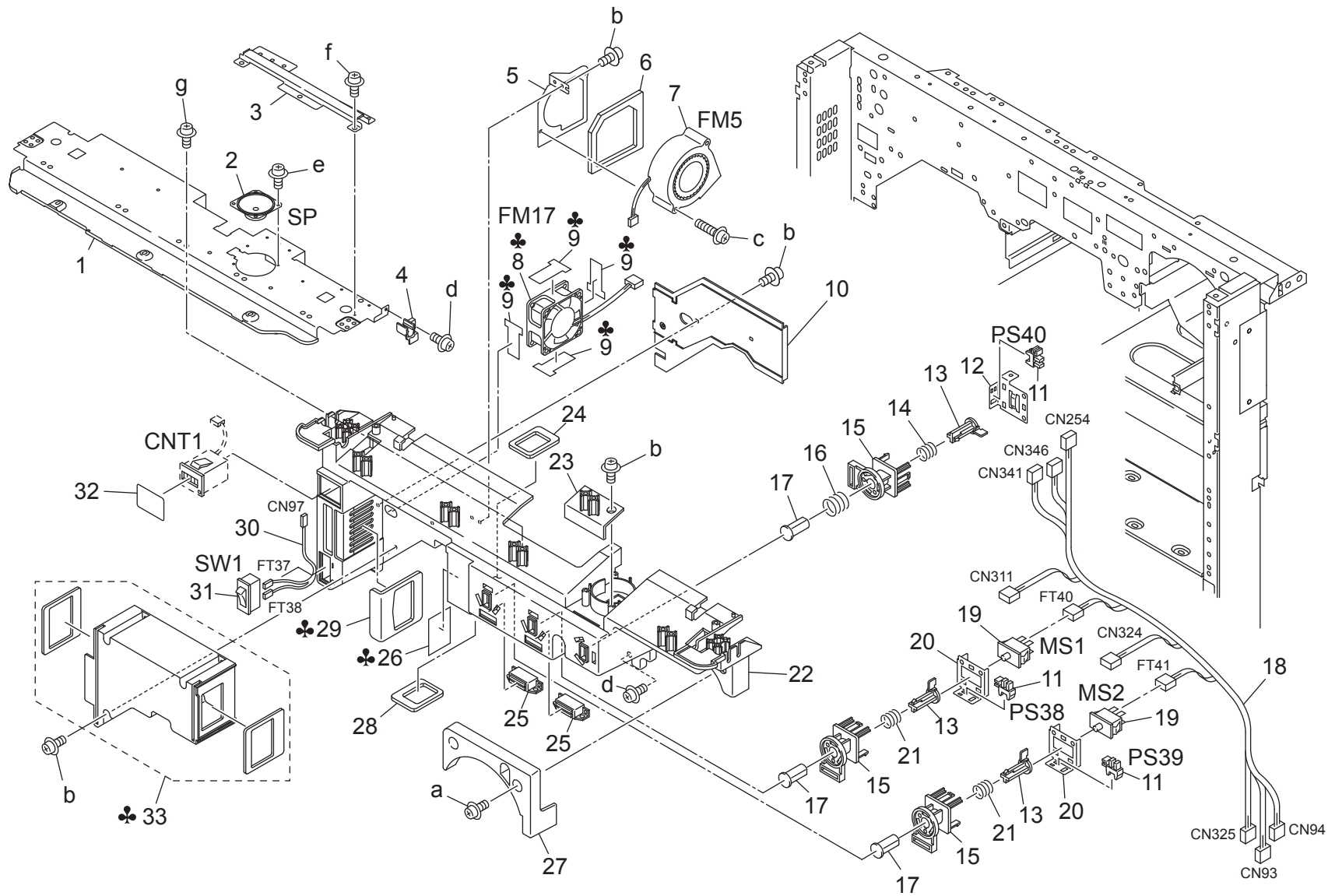
Key	Part No.	Description	Destinations	Class	QTY	Standard parts
1	A0PN944400	Set Label /2		C	2	a-V121030603 b-V151030803 c-V151041203 d-V151031003
2	A0PN161600	Cover		C	2	
3	A0PN161800	Handle		C	2	
4	56AA12761	TRAY COVER ARM /LEFT		D	2	
5	A0PN161900	Handle /Left		C	1	
6	A0PN161500	Cover /Left		C	1	
7	56QA12200	LCT COVER ARM /B		D	4	
8	A0PN161400	Handle /Right		C	1	
9	A0PN161200	Cover /Right		C	1	
10	A0PN161300	Cover /10		C	1	
11	56AA12751	TRAY COVER ARM /RIGHT		D	2	
12	A0PN161700	Cover /S		C	2	

EXTERNAL PARTS



## EXTERNAL PARTS

Key	Part No.	Description	Destinations	Class	QTY	Standard parts
1	A0PN200400	Light blocking Cover		C	1	a-V111020403 b-V151041003 c-V121030603 d-V151030803 e-V114040603 f-V114040604
2	A00JH00E00	PWB Assembly LED2		I	1	
3	A0PN200100	Operation Cover /Upper		C	1	
4	A0PN201400	Fixing Part /Left		D	1	
5	A00J168202	Lens /B		C	2	
6	A0PN200800	Light blocking Plate		C	1	
7	A0PN200300	Operation Cover /Front		C	1	
8	A0PN200200	Operation Cover /Middle		C	1	
9	A0PN201101	Mounting Plate /1		D	1	
10	A0R5H03000	I/F Board /H Assy		C	1	
11	A0PN201200	Protection Cover /1		D	1	
12	A0PN201300	Fixing Part /Right		D	1	
13	A0PN170600	Read Cover /Left		C	1	
14	56UA12700	Fixing Screw		C	5	
15	A0PNR71400	ORIGINAL STOPPER PLATE/LEFT ASSY		C	1	
16	A0PNR71300	READ COVER/FRONT ASSY		C	1	
17	A0PN174501	Read Cover /Middle		C	1	
18	A0PN175201	Original Plate /Rear		C	1	
19	A0PN170401	Read Cover /Rear		C	1	
20	A0PN170502	Read Cover /Right		C	1	



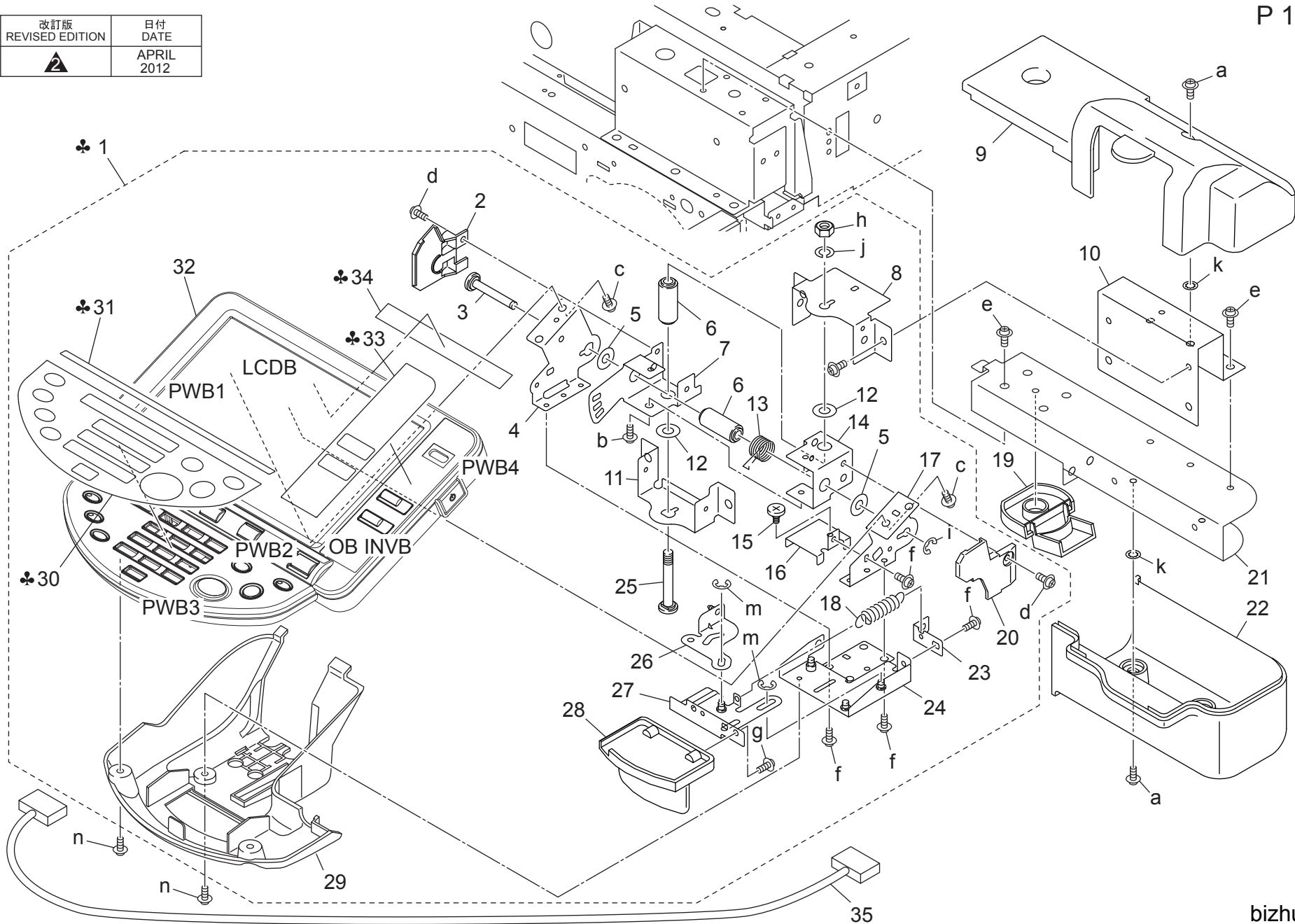
## EXTERNAL PARTS

Key	Part No.	Description	Destinations	Class	QTY	Standard parts
1	A0PN201000	Support Plate /1		D	1	a-V151031003
2	4040M40100	LOUDSPEAKER		D	1	b-V151030803
3	A0PN201500	Ground Cover		D	1	c-V123043503
4	A0PN200700	Fixing Part /1		C	1	d-V121040603
5	57AA12600	EXTERNAL COOLING PLATE		D	1	e-V111030603
6	57AA12640	EXTERNAL COOLING SEAL /4		D	1	f-V121030603
7	56QA80560	Developing Cooling Fan		C	1	
8	56AA80541	FAN MOTOR 1	A	B	1	
9	26NA73732	DUST PROOFSEAL 5	A	C	4	
10	57AAR70200	CLEANER SUCTION COVER ASSY		C	1	
11	08AA85512	Photo Sensor		B	3	
12	56AA12481	SWITCH FIXING PLATE /B		D	1	
13	56AA12150	SWITCH PRESSING ACTUATOR		C	3	
14	56AA12170	CONTACT PRESSING SPRING 2		C	1	
15	56AA12120	Switch Guide Part		C	3	
16	56AA12180	CONTACT PRESSING SPRING 3		C	1	
17	56AA12140	SWITCH CONNECTING ACTUATOR		C	3	
18	57AA93660	DC Interlock Wiring /2		D	1	
19	40AA85011	Door Switch		B	2	
20	56AA12130	SWITCH FIXING PLATE		D	2	
21	56AA12160	CONTACT PRESSING SPRING 1		C	2	
22	A0PN200500	Operation Cover /Lower		C	1	
23	A0PN200600	Support Part /1		C	1	
24	57AA12670	EXTERNAL COOLING SEAL /7		D	1	
25	55FA12101	MAGNET CATCH X		C	2	
26	A0PN176800	Cooling Seal /8	A	C	1	
27	57AA12490	TONER AUXILIARY COVER		C	1	
28	57AA12610	EXTERNAL COOLING SEAL /1		D	1	
29	57AA12620	EXTERNAL COOLING SEAL/2	A	D	1	
30	57AA90360	SYSTEM POWER SOURCE WIRING		D	1	
31	55GA86010	Power Source Switch		B	1	
32	56QA97840	Cover Label		D	1	
33	A0PNR71100	CLEANER DUCT ASSY	B,C,D1,D3,E,F1,F2,G 1,G2,H,I,J,K	C	1	

# OPERATION UNIT

P 10

改訂版 REVISED EDITION	日付 DATE
	APRIL 2012



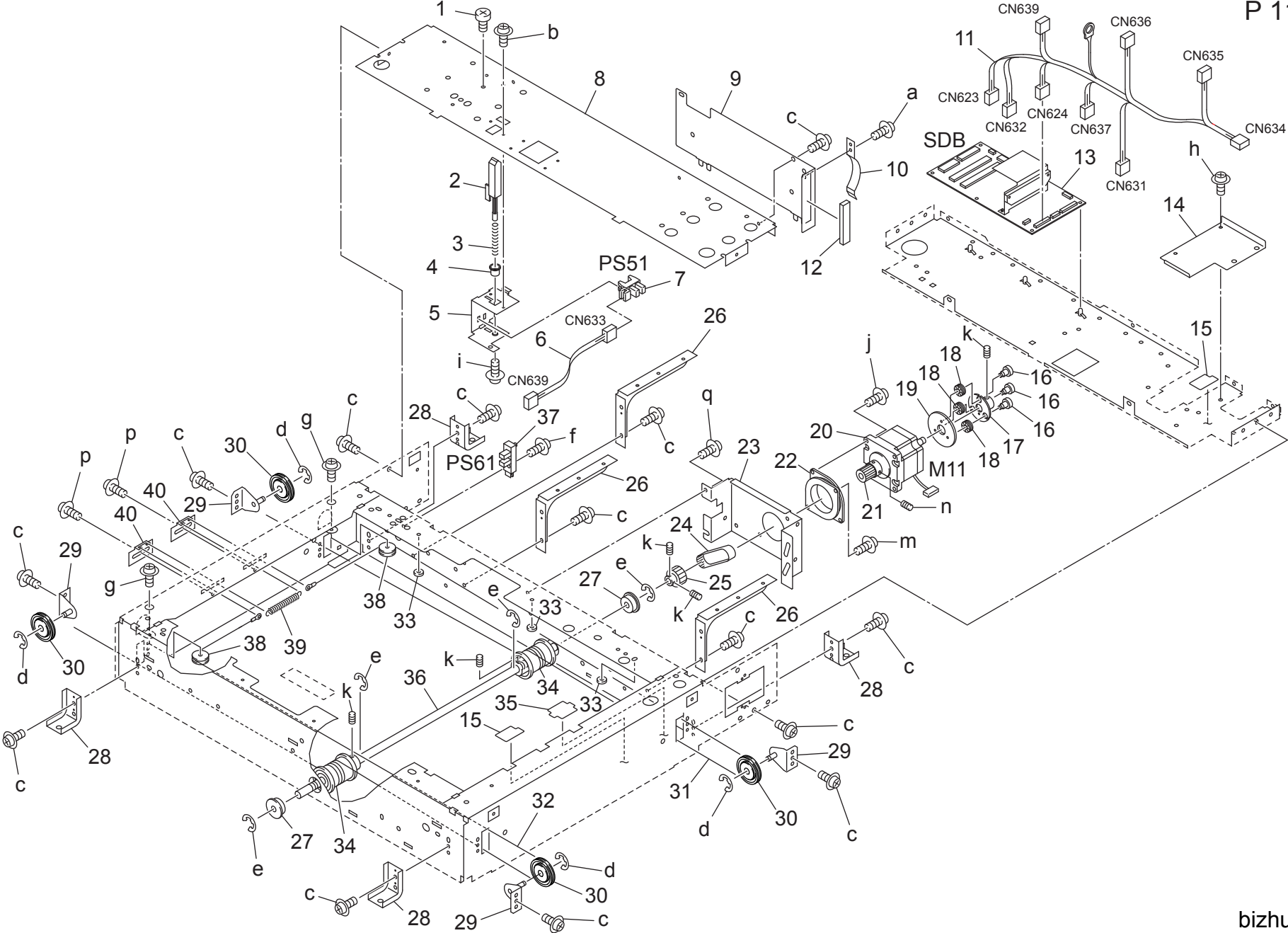
bizhub 751

# OPERATION UNIT

Key	Part No.	Description	Destinations	Class	QTY	Standard parts
1	A0PNR70000	OPERATION UNIT	A	I	1	a-V114041004
1	A0PNR70100	OPERATION UNIT	B,G2	I	1	b-V116030603
1	A0PNR70200	OPERATION UNIT	C	I	1	c-V116030803
1	A0PNR71600	OPERATION UNIT	J	I	1	d-V121030804
1	A0PNR71700	OPERATION UNIT	H	I	1	e-V121040603
1	A0PNR71800	OPERATION UNIT	D1,D3,E,F1,F2,G1,I, K	I	1	f-V137030603
2	A00J168000	Cover		C	1	g-V153030803
3	A00J192800	Support Shaft		D	1	h-V195060003
4	A00J191601	Mounting Plate		D	1	i-V217040001
5	A00J192900	Washer		C	2	j-V205060003
6	A00J191700	Collar		D	2	k-V211040080
7	A00J191300	Arm		C	1	m-V217030001
8	A00J191100	Mounting Plate		D	1	n-V121030803
9	A0PN191100	Support Cover /Upper		C	1	
10	A0PN190300	Mounting Part		D	1	
11	A00J191200	Mounting Plate		D	1	
12	A00J191900	Washer		C	2	
13	A00J192711	Torsion Spring		C	1	
14	A00J191400	Arm		C	1	
15	A00J193100	Shoulder screw		D	1	
16	A00J193002	Reinforce Plate		C	1	
17	A00J191502	Mounting Plate		D	1	
18	A00J192601	Pulling Spring		C	1	
19	A00J167700	Cover		C	1	
20	A00J167900	Cover		C	1	
21	A0PN190201	Mounting Stay		D	1	
22	A0PN191200	Support Cover /Lower		C	1	
23	A00J192400	Mounting Plate		D	1	
24	A00J192112	Mounting Plate		D	1	
25	A00J191800	Support Screw		C	1	
26	A00J192202	Lever		D	1	
27	A00J192312	Lever		C	1	
28	A00J192500	Handle		C	1	
29	A00J169403	Cover Panel Lower		C	1	
30	A02E949000	Panel Sheet		C	1	
30	A02E949100	Panel Sheet	パネルシート (キー・国内)	A	1	
30	A02E949100	Panel Sheet	パネルシート (キー・北米)	B,D1,D3,E,F1,F2,G1, G2,I,K	1	
30	A02E949200	Panel Sheet	パネルシート (キー・中国)	J	1	
30	A02E949300	Panel Sheet	パネルシート (キー・台湾)	H	1	
31	A02E948100	Panel sheet	パネルシート (モード・国内)	A	1	
31	A02E948200	Panel sheet	パネルシート (モード・北米)	B,D1,D3,E,F1,F2,G1, G2,I,K	1	
31	A02E948300	Panel sheet	パネルシート (モード・欧州)	C	1	
31	A02E948400	Panel sheet	パネルシート (モード・中国)	J	1	
31	A02E948500	Panel sheet	パネルシート (モード・台湾)	H	1	
32	A0R5M71003	Panel assembly	操作パネル A S S Y	I	1	
33	A02E948600	Panel sheet	パネルシート (MMUC・国内)	A	1	
33	A02E948700	Panel sheet	パネルシート (MMUC・北米)	B,D1,D3,E,F1,F2,G1, G2,I,K	1	
33	A02E948800	Panel sheet	パネルシート (MMUC・中国)	J	1	
33	A02E948900	Panel sheet	パネルシート (MMUC・台湾)	H	1	
34	A02E949400	Panel sheet	パネルシート (米国水銀法)	B,G2	1	
35	A0PNN10000	Op.e.unit Cable	操作部ケーブル	D	1	

# OPTICS UNIT

P 11

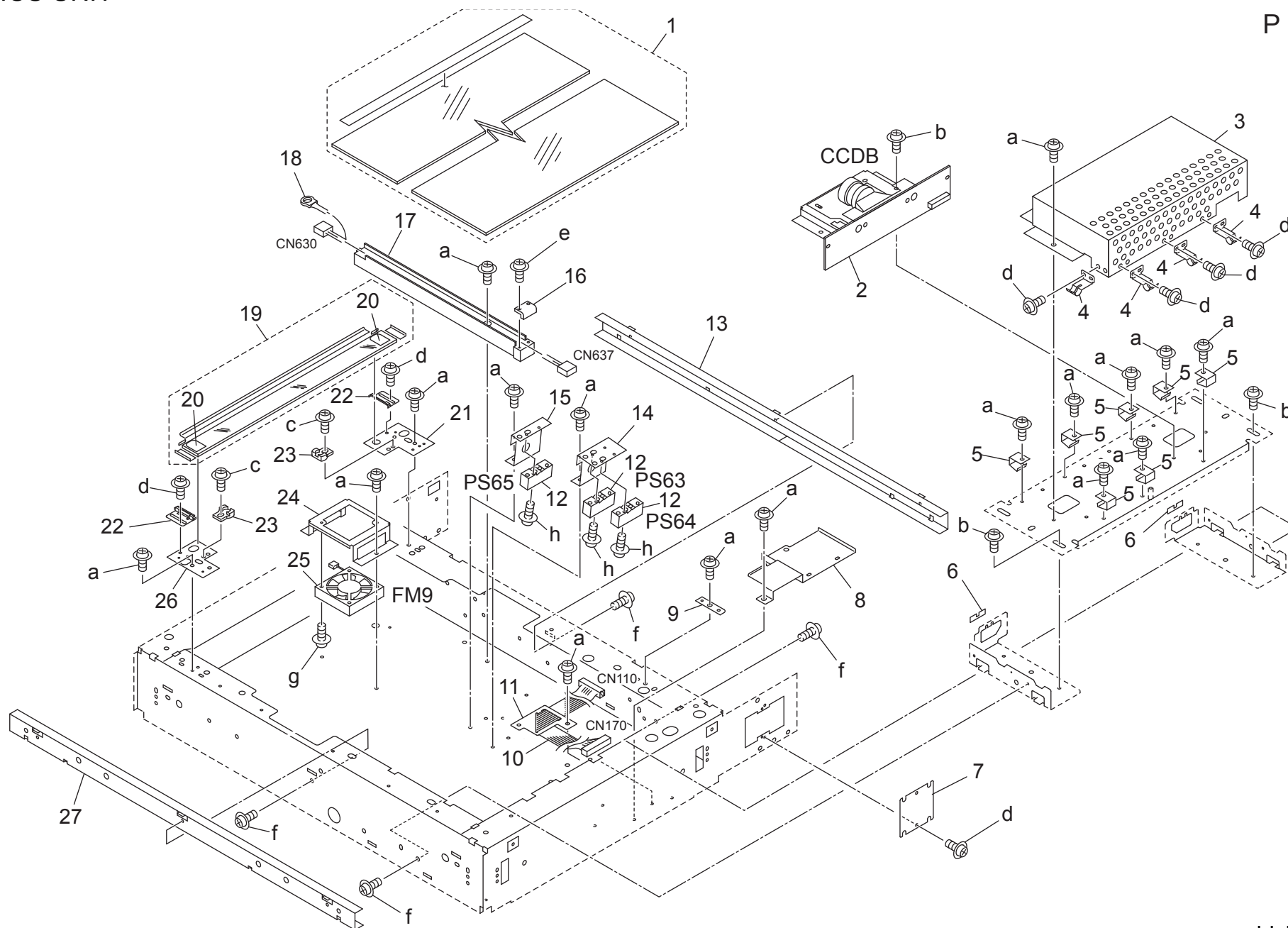




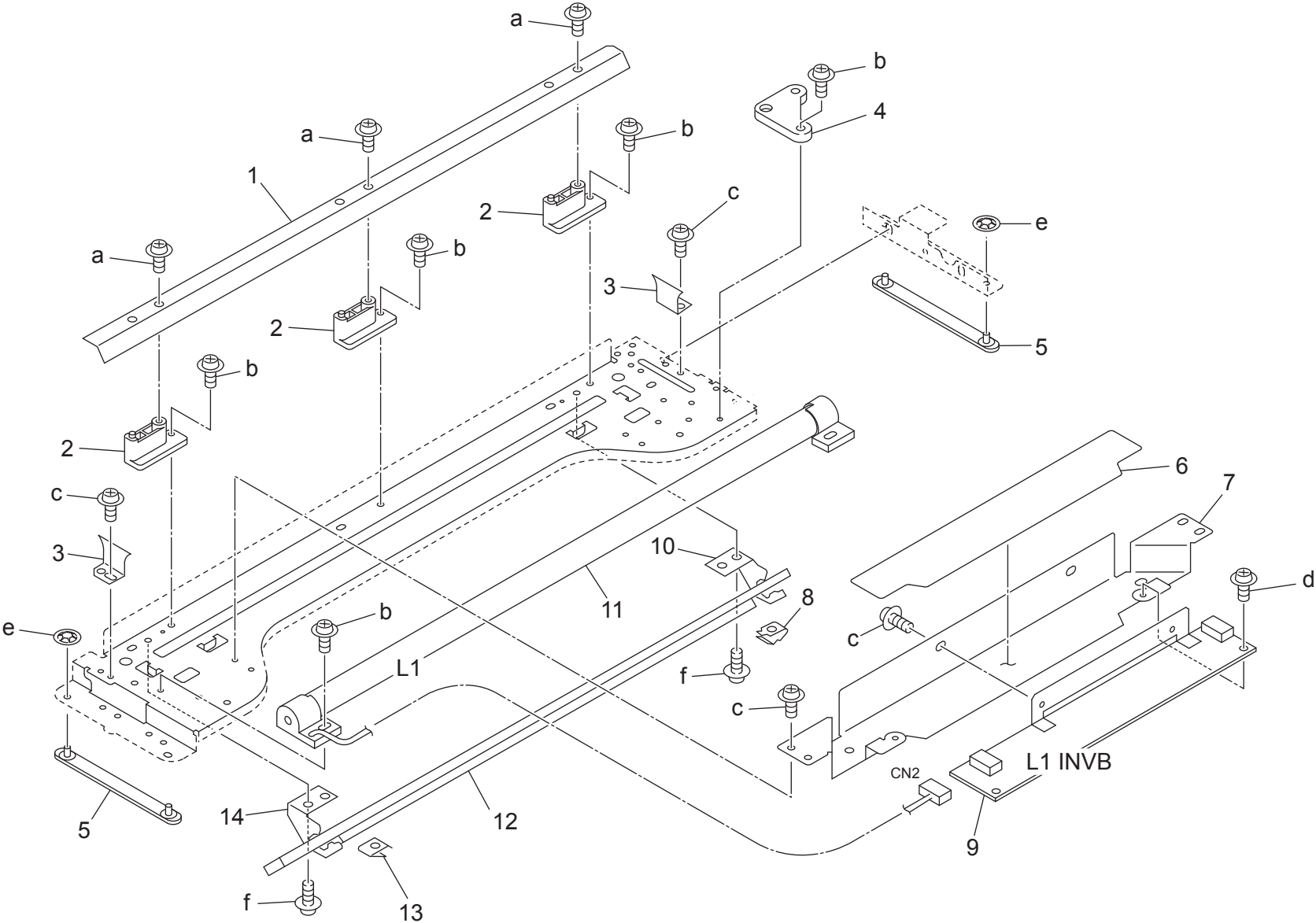
Key	Part No.	Description	Destinations	Class	QTY	Standard parts
1	13QA10170	HINGE HOLDING SCREW	ヒンジ押さえネジ	C	1	a-V121030403
2	56AA61420	ADF DETECTING ACTUATOR	A D F 検知アクチュエタ	C	1	b-V121030603
3	56AA61431	ADF DETECTION SPRING	A D F 検知バネ	C	1	c-V121040603
4	57AA61770	SPRING REGULATING PART	バネ規制部材	D	1	d-V217040050
5	56QA61301	MOUNTING PART	センサ取り付け部材	D	1	e-V217090050
6	56AA90440E	RELAY WIRING /A	センサ中継束線 / A	D	1	f-V118041203
7	08AA85512	Photo Sensor	フォトセンサ	B	1	g-V121040803
8	56AA61022	HINGEMOUNTINGPLATE	ヒンジ取り付け板	D	1	h-V121040403
9	57AA61520	READ EARTH PLATE RIGHT REAR	読み取りアース板 右後ろ	D	1	i-V151030603
10	56AA61530	READ EARTH SPRING RIGHT REAR	読み取りアースバネ 右後	C	1	j-V118041003
11	56AA90420E	APS WIRING /1	A P S 束線 / 1	D	1	k-V193040604
12	56AA61540	READ EARTH PART RIGHT REAR	読み取りアース部材 右後	C	1	m-V121040503
13	57AA-9092H	Scanner Drive Board Assy	スキャナー駆動基板部組	I	1	n-V193040804
14	56QA61610	WIRING COVER /B	束線 カバー / B	D	1	p-V123040803
15	56AA61561	READ DUST-PROOF SHEET /LOWER	読取防塵シート / 下	C	2	q-V123040603
16	56AA61400	MOTOR AUXILIARY SCREW	モータ補助ネジ	C	3	
17	56AA-6421	MOTOR AUX PART CAULKING	モータ補助部材カシメ	D	1	
18	56AA61410	MOTOR AUXILIARY RUBBER	モータ補助ゴム	C	3	
19	56AA61372	MOTOR AUXILIARY PART /1	モータ補助部材 / 1	D	1	
20	55VA80122	Optical Drive Motor	光学駆動モータ	B	1	
21	55VA76700	Read Drive Pulley /1 38T	読取駆動プーリ / 1 38 T	C	1	
22	55VA62020	MOTOR FIXING PART	モータ固定部材	C	1	
23	56AA61481	MOTOR SUPPORT PLATE	モータ支持板	D	1	
24	55VA78110	READING DRIVE BELT 174L	読取駆動ベルト 174 L	C	1	
25	55VA76710	Read Drive Pulley /2 76T	読取駆動プーリ / 2 76 T	B	1	
26	56AA61470D	Read Reinforce Plate	読取補強板	D	3	
27	500075010	BALL BEARING	読み取り駆動軸受	C	2	
28	56AA61461	READ SUPPORT PART	読取支持部材	D	4	
29	25SA-6201	Pulley MT Plate /F Unit	プーリ取付板 / 前部組	D	4	
30	56AA61290	BUSHING	光学アイドラープーリ	C	4	
31	56QA61140	READ DRIVING WIRE REAR	読み取り駆動ワイヤー 奥	C	1	
32	56QA61130	READ DRIVING WIRE FRONT	読み取り駆動ワイヤー 前	C	1	
33	56QA61690	CORD PROTECTION SHEET /UPPER	コード保護シート / 上	D	3	
34	25SA61650	DRIVE PULLEY	駆動プーリ	C	2	
35	56QA61640	WIRING PROTECTION SHEET /2	束線保護シート / 2	D	1	
36	56AA61111	READ DRIVE SHAFT	読取駆動軸	D	1	
37	56AA85511	Photo Sensor	フォトセンサ	B	1	
38	25SA61700	WIRE GUIDE ROLLER	ワイヤーガイドコロ	C	2	
39	56AA61570	WIRE TENSION SPRING	ワイヤーテンションバネ	C	1	
40	25SA61710	SPRING FIXING PLATE	バネ固定板	D	2	

# OPTICS UNIT

P 12

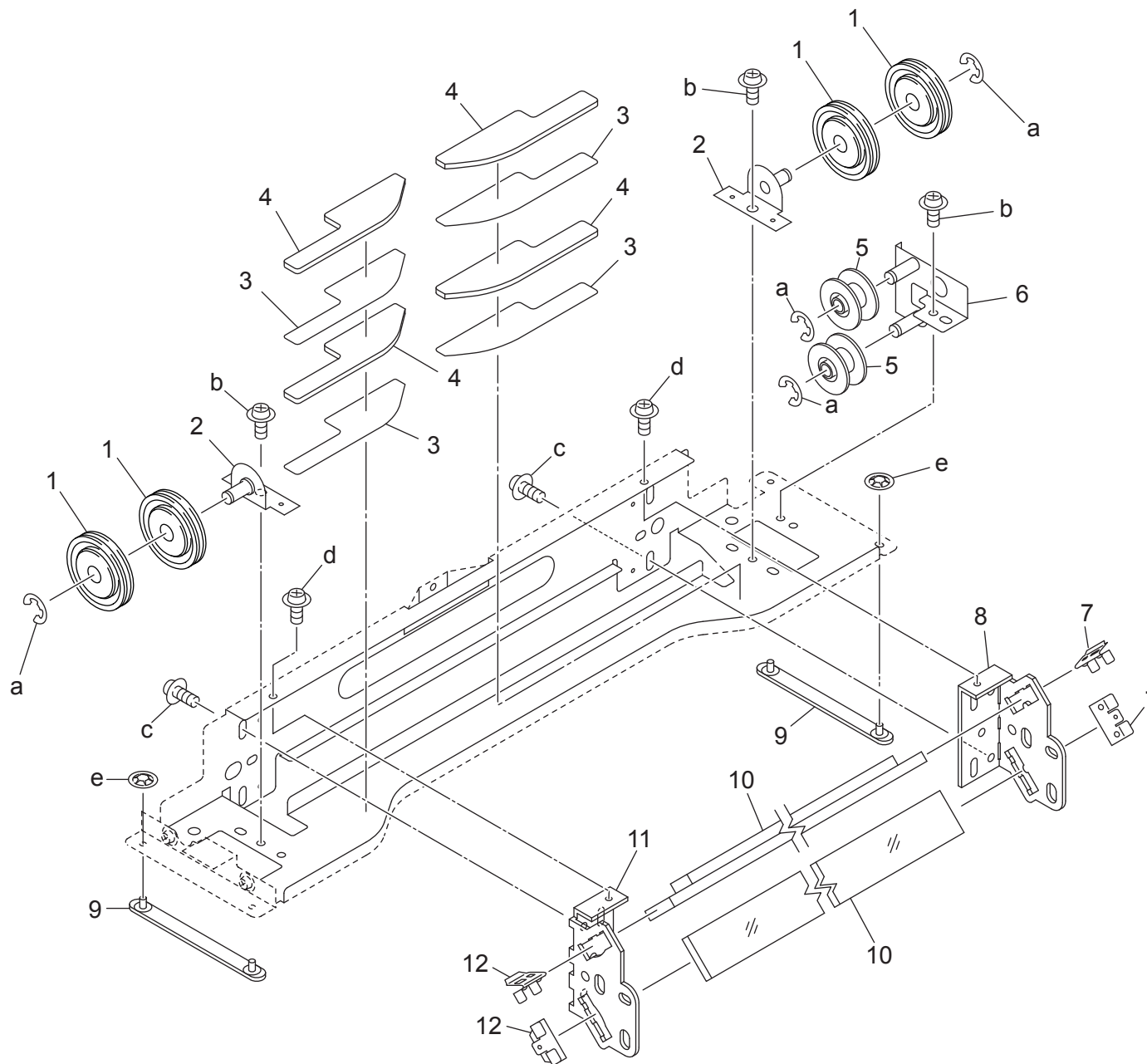


Key	Part No.	Description	Destinations	Class	QTY	Standard parts
1	56AAR72900	ORIGINAL GLASS ASSY		C	1	a-V121040403
2	57AA-6304H	CCD UNIT		I	1	b-V123040803
3	57AA61280	LENS LIGHT BLOCKING COVER		D	1	c-V121030303
4	57AA61760	BOARD EARTH PLATE /B		D	4	d-V121030403
5	55TA61320	LENS EARTH SPRING		C	7	e-V151031003
6	56AA61580	WIRE REGURATION SHEET		C	2	f-V121040603
7	56AA73680	KEY COUNTER INNER COVER		D	1	g-V118031603
8	56QA61600	WIRING COVER /A		D	1	h-V118031803
9	55TA61161	READ POSITIONING PLATE		D	1	
10	56QA90462	AD WIRING		D	1	
11	56QA61620	WIRING FIXING PART		D	1	
12	56AA85531	APS Sensor /2		B	3	
13	57AAR72600	GUIDE RAIL R ASSY		D	1	
14	55TA61151	MOUNTING PLATE		D	1	
15	55VA61931	MOUNTING PLATE		D	1	
16	25SA61881	CORD HOLDER		D	1	
17	25SA61861	CORD GUIDE PART		D	1	
18	57AA90910	LAMP RELAY WIRING		D	1	
19	57AAR72700	ORIGINAL GLASS 1 ASSY		C	1	
20	57AA61660	GLASS PROTECTION SHEET 2		C	2	
21	57AA61250	GLASS STOPPER PLATE /REAR		D	1	
22	56AA61330	GLASS HOLDER		C	2	
23	57AA61700	GLASS STOPPER PART		C	2	
24	56AA61151	FAN SUPPORT PLATE		D	1	
25	56AA80551	Fan Motor /2		B	1	
26	57AA61240	GLASS STOPPER PLATE /FRONT		D	1	
27	57AAR72500	GUIDE RAIL F ASSY		D	1	



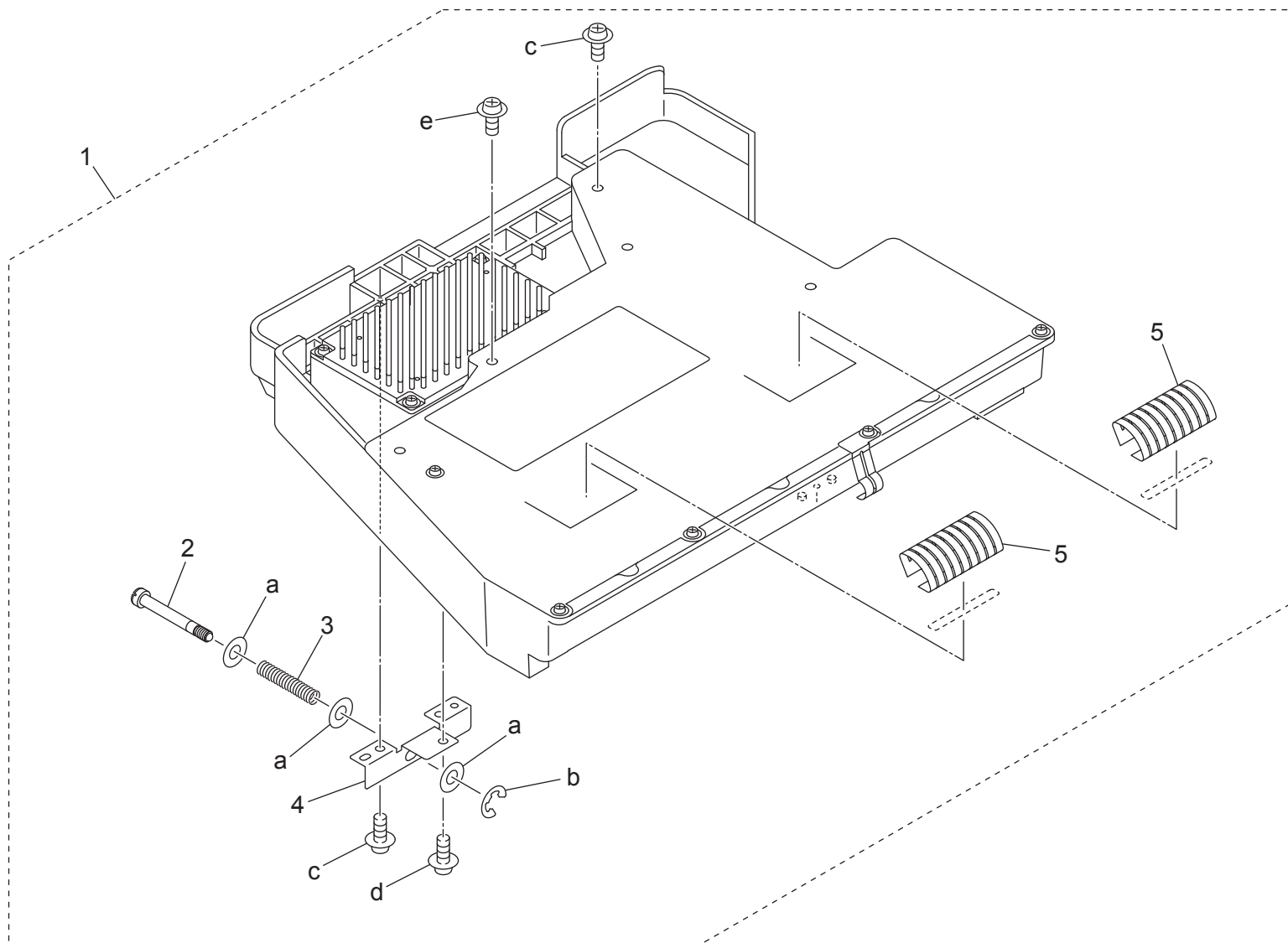
## OPTICS UNIT

Key	Part No.	Description	Destinations	Class	QTY	Standard parts
1	55TA61110	REFLECT MIRROR 1		D	1	a-V151031004
2	55TA61130	MIRROR SUPPORT PART		D	3	b-V121030603
3	55TA61120	REFLECT MIRROR 2		D	2	c-V121030403
4	56AA61180	CORD HOLDER PART B		C	1	d-V123030603
5	25SA61420	OPTICS SLIDE PART		C	2	e-V201030004 f-V121030303
6	56AA61440	POWER SOURCE PROTECTION SHEET		C	1	
7	56AA61071	POWER SOURCE SUPPORT PLATE		D	1	
8	25SA61470	MIRROR HOLDER 2		C	1	
9	57AA83510	Lamp Starter		I	1	
10	25SA62080	MIRROR POSITIONING PLATE 4		D	1	
11	57AA83010E	Exposure Lamp		I	1	
12	55WA61150	READ MIRROR 1		C	1	
13	25SA61460	MIRROR HOLDER 1		D	1	
14	25SA62070	MIRROR POSITIONING PLATE 3		D	1	



Key	Part No.	Description	Destinations	Class	QTY	Standard parts
1	56AA61290	BUSHING	光学アイドラープーリ	C	4	a-V217040050 b-V121040403 c-V123040603 d-V121031203 e-V201030004
2	56AA-6261	Pulley Support Plate /A Caulking	プーリ支持板 / A カシメ	D	2	
3	56QA61680	OPTICAL REINFORCE SEAL /V	光学補強シール / V	D	4	
4	56QA61670	OPTICAL REINFORCE PLATE /V	光学補強板 / V	D	4	
5	25SA62160	CORD GUIDE PULLEY 2	コードガイドプーリ 2	C	2	
6	56AA-6271	Pulley Support Plate /B Caulking	プーリ支持板 / B カシメ	D	1	
7	25SA61550	MIRROR HOLDER 4	ミラー押え 4	C	2	
8	55FA61140	MIRROR POSITION PLATE 2	ミラー位置決め板 2	D	1	
9	25SA61420	OPTICS SLIDE PART	光学スライド部材	C	2	
10	55TA61341	READING MIRROR 2	読取ミラー 2	C	2	
11	55FA61130	MIRROR POSITION PLATE	ミラー位置決め板	D	1	
12	25SA61540	MIRROR HOLDER 3	ミラー押え 3	C	2	

# OPTICS UNIT



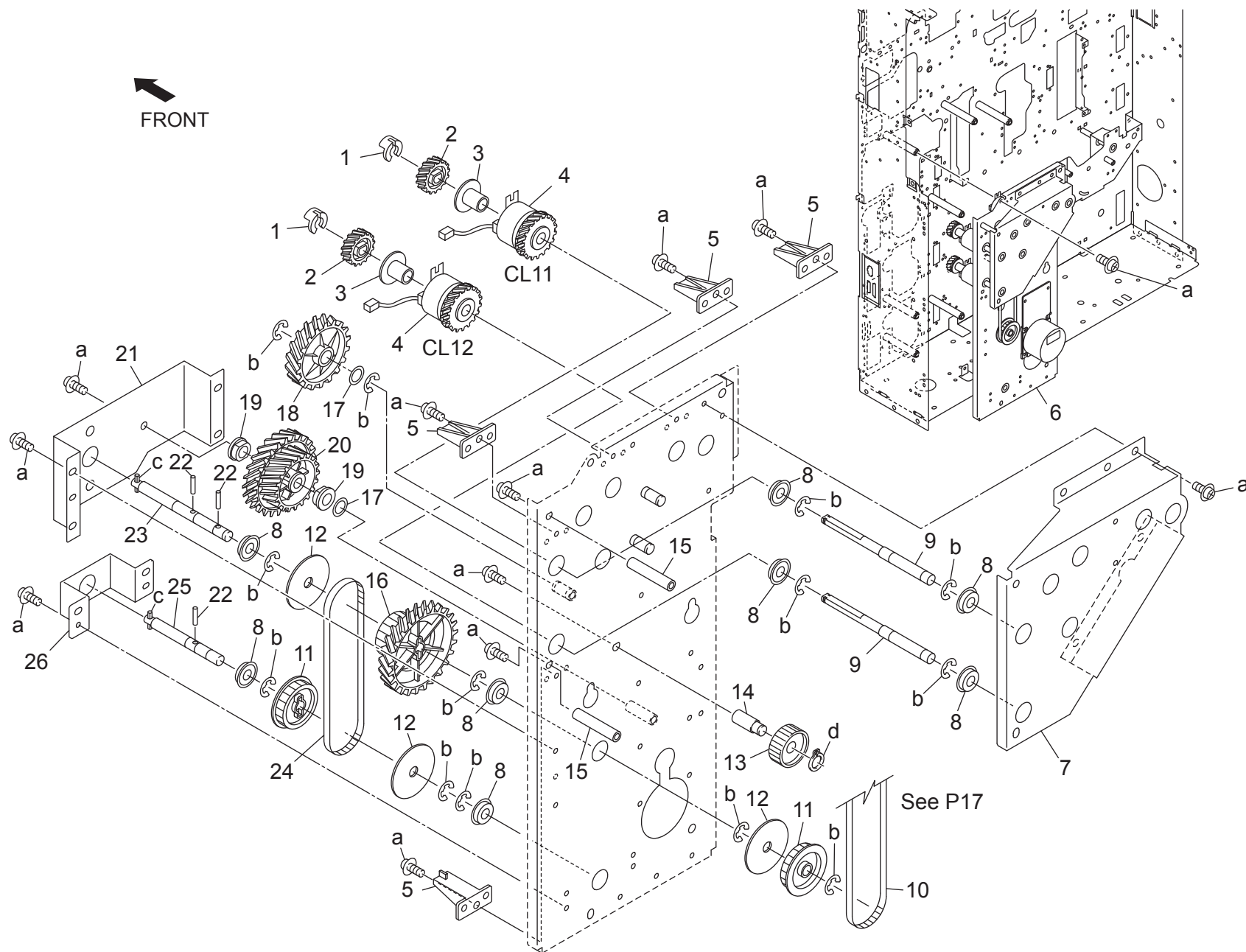


OPTICS UNIT

Key	Part No.	Description	Destinations	Class	QTY	Standard parts
1	A0PNR70600	WRITE UNIT		I	1	a-V207050003 b-V217040050 c-V151030803 d-V147031003 e-V121030404
2	56AA68121	WRITE FIXING SHAFT		D	1	
3	56AA68130D	Write Fixing Spring		C	1	
4	56QA68040D	Write Pressing Plate		D	1	
5	56AA68220D	Ground Spring		D	2	

# DRIVING SECTION

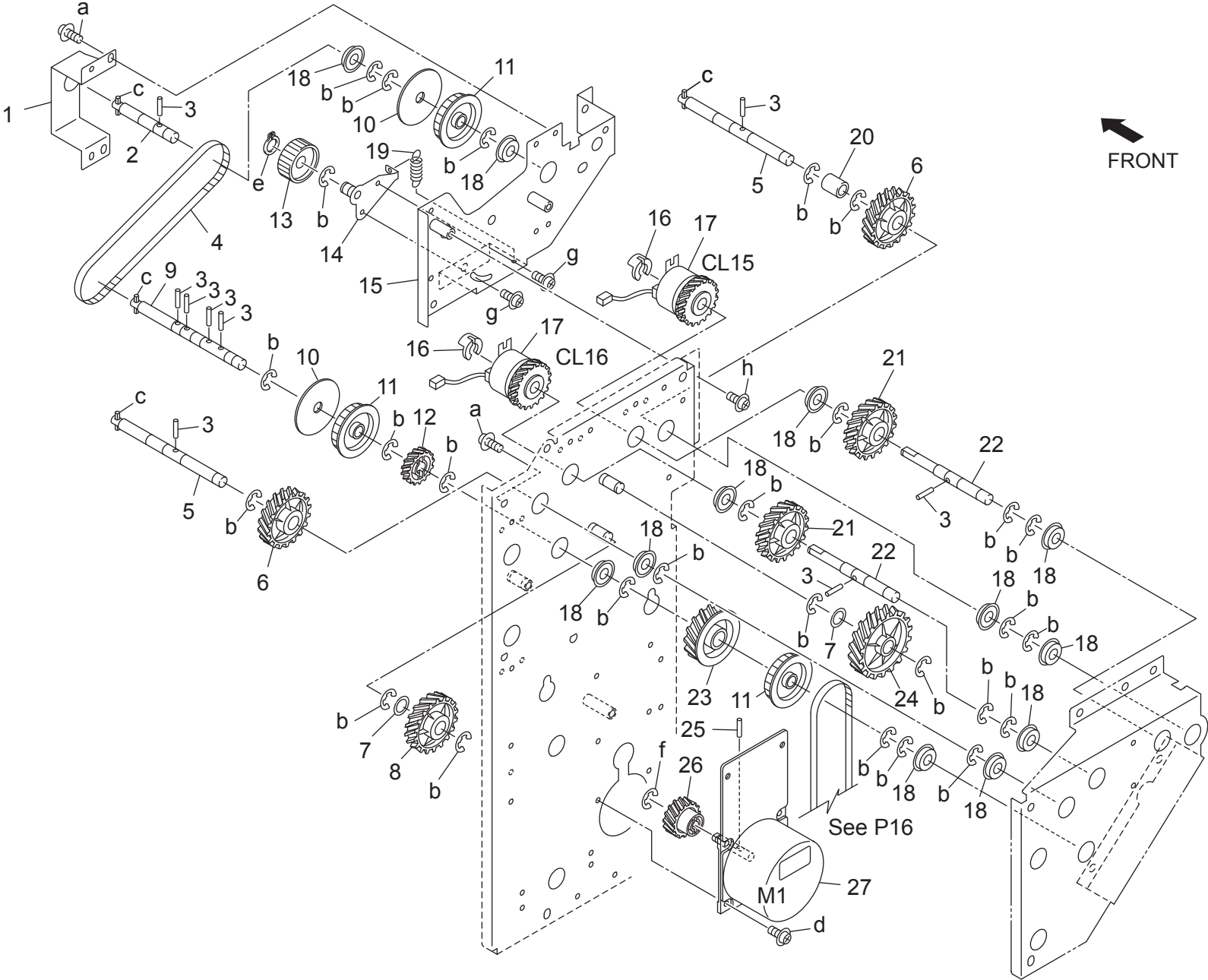
P 16



# DRIVING SECTION

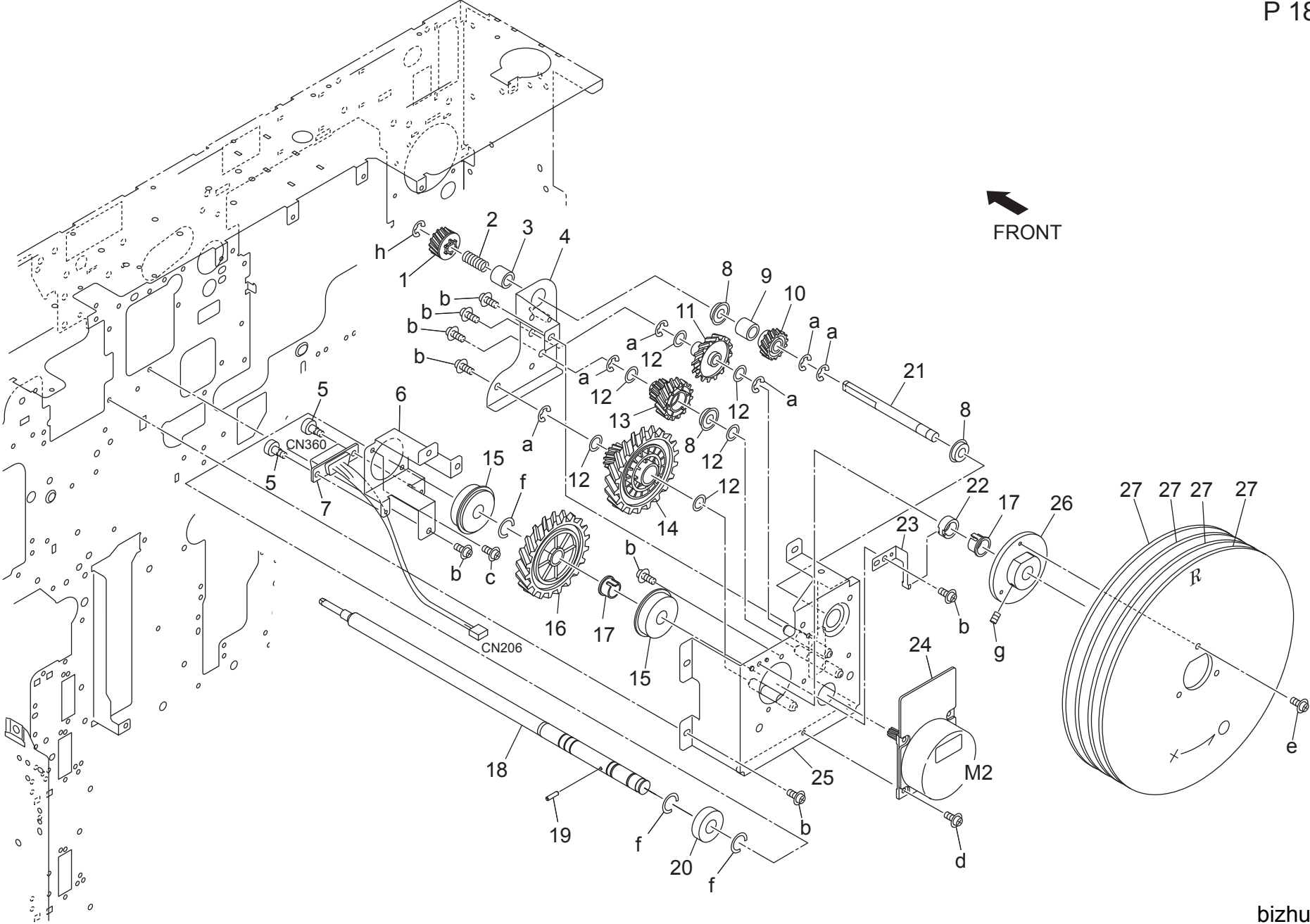
Key	Part No.	Description	Destinations	Class	QTY	Standard parts
1	12QV40660	SHAFT POSITIONING PART		C	2	a-V121040603 b-V217060050 c-V233302050 d-V223080004
2	57AA77150	CONVEYANCE INPUT GEAR 23T	軸位置決め部材 搬送入力ギア 23 T	C	2	
3	57AA15420	PAPER FEED COUPLING COLLAR	給紙カップリングカラー	C	2	
4	57AA82030	CONVEYANCE DRIVE CLUTCH	搬送駆動クラッチ	C	2	
5	57AA15120	CLUTCH REGULATING PART	クラッチ規制部材	C	4	
6	57AA-1501	Paper Feed Drive Assy	給紙駆動部組	D	1	
7	56QA15021	PAPER FEED DRIVE BOARD /UPPER	給紙駆動基板/上	D	1	
8	A00V240600	BALL BEARING	ボールベアリング	C	8	
9	57AA15260	CONVEYANCE DRIVE SHAFT /2	搬送駆動軸/2	D	2	
10	56QA77510	Paper Feed Drive Belt /Upper 447L	給紙駆動ベルト/上 447 L	C	1	
11	56AA76530	Paper Feed Driving Pulley 36T	給紙駆動プーリ 36 T	C	2	
12	55VA15470	BELT GUIDE PLATE	ベルトガイドプレート	C	3	
13	540015162	BELT TENSION ROLLER	ベルトテンションコロ	B	1	
14	56QA15130	BELT TENSION SHAFT /RIGHT	ベルトテンション軸/右	D	1	
15	56AA15271D	Paper feed Support Shaft	給紙支持軸	D	2	
16	55VA77130	PAPER FEED DRIVE GEAR /C 36/63T	給紙駆動歯車/ C 36/63 T	B	1	
17	12QV40650	SPACER	スペーサー	B	2	
18	56QA77020	CONVEYANCE DRIVING GEAR 45T	搬送駆動歯車 45 T	C	1	
19	A03U812800	Slide Shaft Holder	すべり軸受	B	2	
20	55VA77120	PAPER FEED DRIVING GEAR B 58T/40T	給紙駆動歯車 B 58 T / 40 T	C	1	
21	56QA15030	PAPER FEED DRIVE BOARD /MIDDLE	給紙駆動基板/中	D	1	
22	56AA17480	PIN B	ピン B	C	3	
23	56QA15070	PAPER FEED COUPLING SHAFT /3	給紙カップリング軸/3	D	1	
24	56AA77530	Paper Feed Drive Belt /1 336L	給紙駆動ベルト/1 336 L	C	1	
25	56QA15060	PAPER FEED COUPLING SHAFT /4	給紙カップリング軸/4	D	1	
26	56AA15101	PAPER FEED DRIVE BOARD /MIDDLE	給紙駆動基板/中	D	1	

DRIVING SECTION



Key	Part No.	Description	Destinations	Class	QTY	Standard parts
1	56QA15050	PAPER FEED DRIVE BOARD /REAR	給紙駆動基板/奥	D	1	a-V121040603
2	56QA15090	PAPER FEED COUPLING SHAFT /1	給紙カップリング軸/1	D	1	b-V217060050
3	56AA17480	PIN B	ピン B	C	9	c-V233302050
4	56QA77520	Paper Feed Drive Belt /Right 636L	給紙駆動ベルト/右 636 L	C	1	d-V118040603
5	56QA15120	CONVEYANCE COUPLING SHAFT /1	搬送カップリング軸/1	D	2	e-V223080004
6	56QA77071F	Conveyance Drive Gear /5 32T	搬送駆動歯車/5 32 T	C	2	f-V217040050
7	12QV40650	SPACER	スペーサー	B	2	g-V121030603
8	56QA77040	CONVEYANCE DRIVE GEAR 2 31T	搬送駆動歯車 2 31 T	C	1	h-V121040403
9	56QA15080	PAPER FEED COUPLING SHAFT /2	給紙カップリング軸/2	D	1	
10	55VA15470	BELT GUIDE PLATE	ベルトガイドプレート	C	2	
11	56AA76530	Paper Feed Driving Pulley 36T	給紙駆動プーリ 36 T	C	3	
12	56AA77711	CONVEYANCE DRIVING GEAR 1 24T	搬送駆動歯車 1 24 T	C	1	
13	540015162	BELT TENSION ROLLER	ベルトテンションコロ	B	1	
14	56QA-1720	BELT TENSION SHAFT CAULKING	ベルトテンション軸カシメ	D	1	
15	56QA-1640	1500PF DRIVE PLATE CAULKING	1500 給紙駆動基板カシメ	D	1	
16	12QV40660	SHAFT POSITIONING PART	軸位置決め部材	C	2	
17	57AA82030	CONVEYANCE DRIVE CLUTCH	搬送駆動クラッチ	C	2	
18	A00V240600	BALL BEARING	ボールベアリング	C	12	
19	56QA15190	BELT TENSION SPRING	ベルトテンションバネ	C	1	
20	56AA15590	DRUM COUPLING COLLAR	ドラムカップリングカラー	C	1	
21	56QA77060	CONVEYANCE DRIVING GEAR 4 30T	搬送駆動歯車 4 30 T	C	2	
22	57AA15110	CONVEYANCE DRIVE SHAFT	搬送駆動軸	D	2	
23	56QA77030	CONVEYANCE DRIVE GEAR 1 28T	搬送駆動歯車 1 28 T	C	1	
24	56QA77050	CONVEYANCE DRIVE GEAR 3 41T	搬送駆動歯車 3 41 T	C	1	
25	56AA17321	PIN A D2X12	ピン A D 2 X 12	B	1	
26	56AA77140	PAPER FEED DRIVING GEAR 23T	給紙駆動歯車 23 T	C	1	
27	15AA80050	DC Brushless Motor /40	DC ブラシレスモータ/40	B	1	

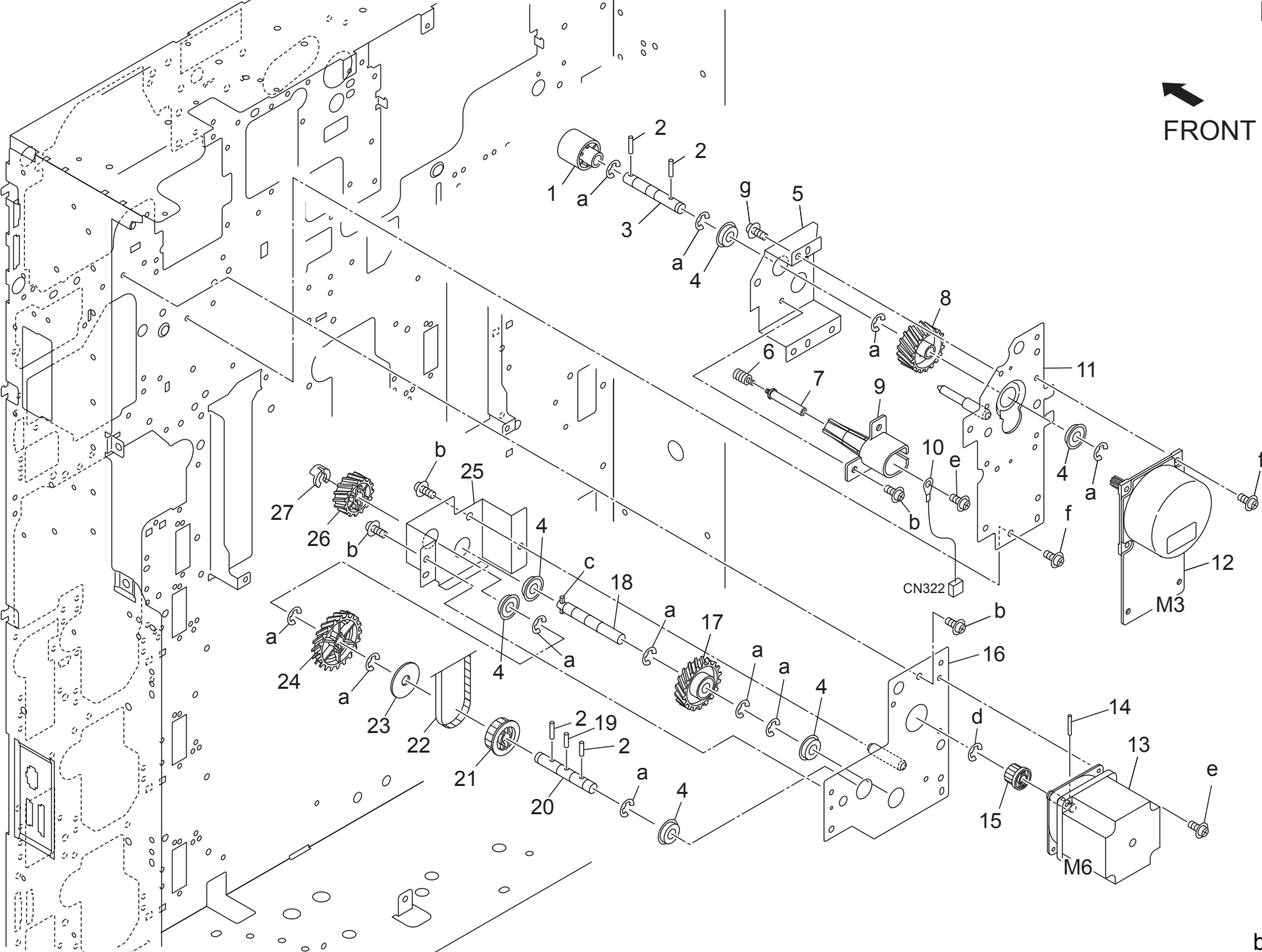
DRIVING SECTION



DRIVING SECTION

Key	Part No.	Description	Destinations	Class	QTY	Standard parts
1	56AA77831	TONER COLLECTING GEAR 4 22T	トナー回収ギア 4 2 2 T	C	1	a-V217060050 b-V121040603 c-V118040403 d-V118040603 e-V123031403 f-V223200004 g-V193040404 h-V217050050
2	56AA17011	FIXING COUPLING SPRING	定着カップリングバネ	C	1	
3	56AA15590	DRUM COUPLING COLLAR	ドラムカップリングカラー	C	1	
4	57AA-1830	DRUM DRIVE BASE PLATE/2 CAULKING	ドラム駆動基板/2 カシメ	D	1	
5	56AA20870	TERMINAL FIXING SCREW	端子固定ネジ	C	2	
6	56QA20030	SHAFT POSITIONING BOARD	軸位置決め基板	D	1	
7	56AA90891E	DRUM WIRING	ドラム 束線	D	1	
8	A00V240600	BALL BEARING	ボールベアリング	C	3	
9	56QA15260	DRUM COUPLING COLLAR	ドラムカップリングカラー	C	1	
10	57AA77820	Toner Collection Gear /3 27T	トナー回収ギア/3 2 7 T	C	1	
11	56AA77070	TONER COLLECTING GEAR 2 46T	トナー回収ギア 2 4 6 T	C	1	
12	12QV40650	SPACER	スペーサー	B	6	
13	56AA77060	TONER COLLECTING GEAR 1 61T 21T	トナー回収ギア 1 6 1 T 2 1 T	C	1	
14	56QA77111	DRUM DRIVING GEAR 1 111 25T	ドラム駆動歯車 1 1 1 1 T 2 5 T	C	1	
15	56QA75010	Drum Rotary Bearing/ 1	ドラム回転軸受/1	C	2	
16	57AA77050	DRUM DRIVE GEAR 2 79T	ドラム駆動歯車 2 7 9 T	C	1	
17	56QA15250	DRUM COLLAR	ドラムカラー	C	2	
18	56QA20080	DRUM ROTATION SHAFT	ドラム回転軸	D	1	
19	25SA15390	DRIVE POSITION PIN D4X33	駆動位置決めピン D 4 X 3 3	C	1	
20	56QA75020	Drum Rotary Bearing/ 2	ドラム回転軸受/2	C	1	
21	56QA15240	TONER COLLECTION SHAFT/2	トナー回収軸/2	D	1	
22	25SA15270	EARTH SHAFT HOLDER	アース軸受	C	1	
23	25SA15280	DRUM EARTH SPRING	ドラムアースバネ	C	1	
24	A0PNM10200	DC Brushless motor /20	DC ブラシレスモータ/2 0	B	1	
25	57AA-1810	DRUM DRIVE BASE PLATE CAULKING	ドラム駆動基板カシメ	D	1	
26	56QA15270	Mounting Part	取り付け部材	C	1	
27	57AA15900	DRUM ROTATION PLATE	ドラム回転プレート	D	4	

DRIVING SECTION





# DRIVING SECTION

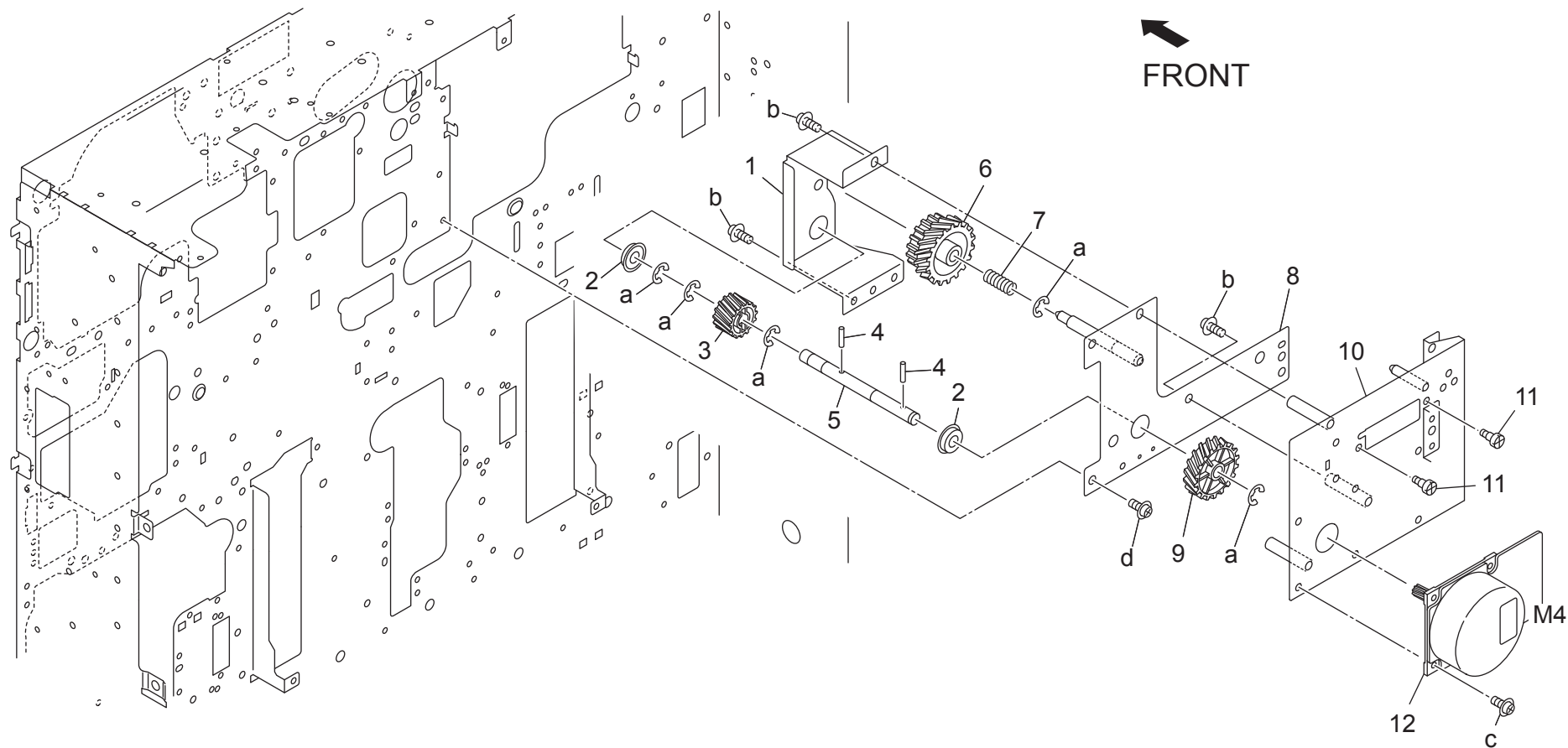
Key	Part No.	Description	Destinations	Class	QTY	Standard parts
1	56AA15411	DEVELOPING COUPLING PART	現像カップリング部材	C	1	a-V217060050
2	56AA17480	PIN B	ピン B	C	4	b-V121040603
3	56AA15281	DEVELOPING DRIVE SHAFT	現像駆動軸	D	1	c-V233302050
4	A00V240600	BALL BEARING	ボールベアリング	C	6	d-V217040050
5	56AA15131	DEVELOPING DRIVE BASE PLATE/2	現像駆動基板/2	D	1	e-V121030603
6	56AA15471	CONTACT SPRING	接点バネ	C	1	f-V118040603
7	56AA15521	CONTACT SHAFT	接点軸	D	1	g-V121040403
8	56AA77090	DEVELOPING DRIVING GEAR 64T	現像駆動歯車 64 T	C	1	
9	56AA15460	HIGH VOLTAGE GUIDE PART	高圧ガイド部材	C	1	
10	56QA90700	High Voltage Lead Wire /1	高圧リード線 1	D	1	
11	56QA-1761	DEVELOPING DRIVE BASE PLATE CAULKING G	現像駆動基板カシメ	D	1	
12	A0R5M10300	DC Brushless motor /30	D C ブラシレスモータ/30	B	1	
13	56AA80112	Paper Exit Drive Motor	排紙駆動モータ	B	1	
14	56AA17531	PIN A D2X10	ピン A D 2 X 10	C	1	
15	56AA76510	BY PASS FEED DRIVING PULLEY 1 15T	手差し駆動プーリ 1 15 T	C	1	
16	56AA-1660	BY-PASS DRIVE BASE PLATE CAULKING	手差し駆動基板カシメ	D	1	
17	56AA77120	BY PASS FEED DRIVING GEAR 1 36T	手差し駆動ギア 1 36 T	C	1	
18	56AA15321	BY-PASS FEED DRIVING SHAFT/2	手差し駆動軸/2	D	1	
19	56AA17471	PIN B 3X12	ピン B 3 X 12	C	1	
20	57AA15310	BY PASS DRIVE SHAFT 1	手差し駆動軸 1	D	1	
21	56AA76520	BY PASS FEED DRIVING PULLEY 2 26T	手差し駆動プーリ 2 26 T	C	1	
22	56AA77520	By-Pass Drive Belt /1 192L	手差し駆動ベルト/1 192 L	C	1	
23	56AA15490	PULLEY GUIDE PLATE	プーリガイド板	C	1	
24	12AJ77031	GEAR 2 42T	歯車 2 42 T	C	1	
25	56AA15152	BY-PASS DRIVE BASE PLATE/2	手差し駆動基板/2	D	1	
26	56AA77130	BY PASS FEED DRIVING GEAR 2 28T	手差し駆動ギア 2 28 T	C	1	
27	55VA42120	SHAFT STOPPER	軸ストッパー	C	1	

# DRIVING SECTION

P 20

JAPAN MODEL ONLY

日本専用



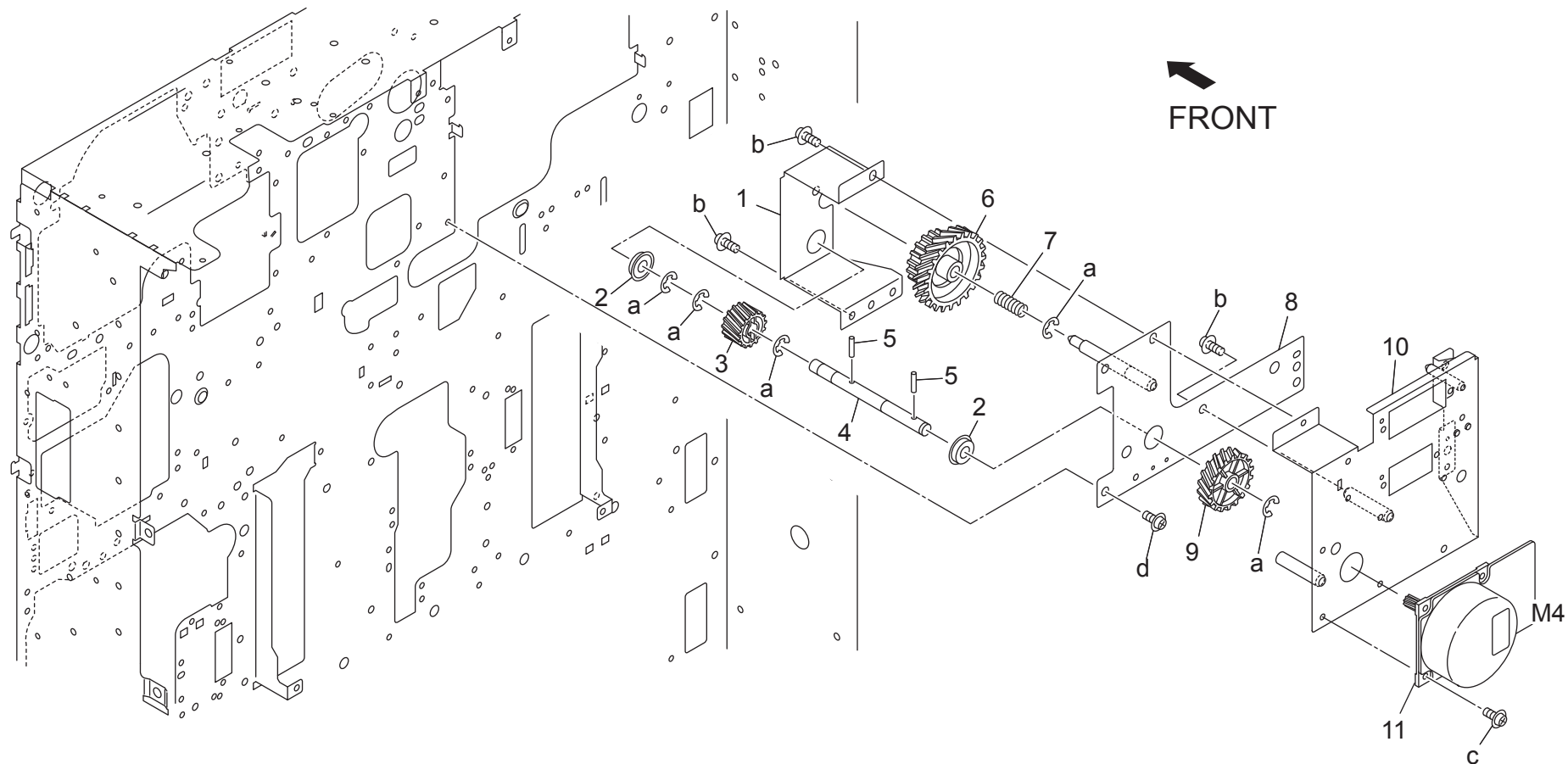
Key	Part No.	Description	Destinations	Class	QTY	Standard parts
1	57AA15080	FIXING DRIVE BASE PLATE/3	定着駆動基板／3	A	1	a-V217060050
2	A00V240600	BALL BEARING	ボールベアリング	A	2	b-V121040603
3	57AA77020	FIXING DRIVE GEAR 2 27T	定着駆動歯車 2 27 T	A	1	c-V118040603
4	56AA17480	PIN B	ピン B	A	2	d-V123040803
5	57AA15190	FIXING DRIVE SHAFT/1	定着駆動軸／1	A	1	
6	57AA77030	FIXING INPUT GEAR 36/39T	定着入力歯車 36／39 T	A	1	
7	56AA17011	FIXING COUPLING SPRING	定着カップリングバネ	A	1	
8	57AA-1860	FIXING DRIVE BASE PLATE/2 CAULKING	定着駆動基板／2 カシメ	A	1	
9	57AA77010	FIXING DRIVE GEAR /1	定着駆動歯車／1	A	1	
10	57AA-1880	FIXING DRIVE BASE PLATE/1 CAULKING	定着駆動基板／1 カシメ	A	1	
11	57AA15600	ELECTRIC MOUNTING SCREW	電装取り付けネジ	A	2	
12	A0PNM10200	DC Brushless motor /20	D C ブラシレスモータ／20	A	1	

# DRIVING SECTION

P 21

EXCEPT JAPAN MODEL

海外専用



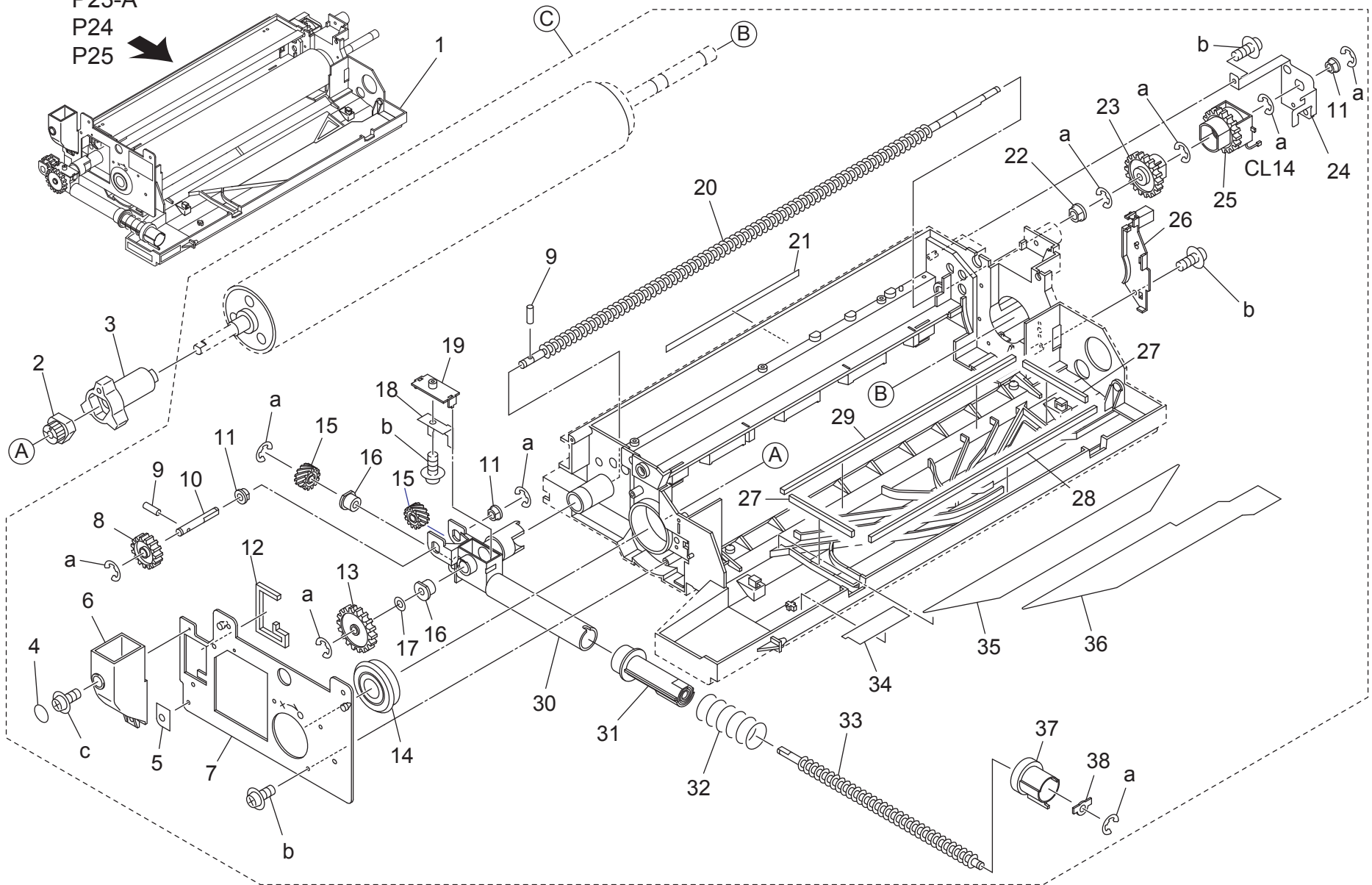
# DRIVING SECTION

Key	Part No.	Description	Destinations	Class	QTY	Standard parts
1	56AA15082	FIXING DRIVE BASE PLATE/3 定着駆動基板／3	B,C,D1,D3,E,F1,F2,G 1,G2,H,I,J,K	D	1	a-V217060050 b-V121040603 c-V118040603 d-V123040803
2	A00V240600	BALL BEARING ボールベアリング	B,C,D1,D3,E,F1,F2,G 1,G2,H,I,J,K	C	2	
3	56AA77020	FIXING DRIVING GEAR 2 22T 定着駆動歯車 2 22 T	B,C,D1,D3,E,F1,F2,G 1,G2,H,I,J,K	C	1	
4	56AA15190D	Fixing Drive Shaft /1 定着駆動軸／1	B,C,D1,D3,E,F1,F2,G 1,G2,H,I,J,K	C	1	
5	56AA17480	PIN B ピン B	B,C,D1,D3,E,F1,F2,G 1,G2,H,I,J,K	C	2	
6	25BA77262	FIXING INPUT GEAR 50T 36T 定着入力歯車 50 T 36 T	B,C,D1,D3,E,F1,F2,G 1,G2,H,I,J,K	B	1	
7	56AA17011	FIXING COUPLING SPRING 定着カップリングバネ	B,C,D1,D3,E,F1,F2,G 1,G2,H,I,J,K	C	1	
8	56AA-1860	FIXING DRIVE BASE PLATE/2 CAULKING 定着駆動基板／2 カシメ	B,C,D1,D3,E,F1,F2,G 1,G2,H,I,J,K	D	1	
9	57AE77010	FIXING DRIVE GEAR 1 70T 定着駆動歯車 1 70 T	B,C,D1,D3,E,F1,F2,G 1,G2,H,I,J,K	B	1	
10	57AE-1880	FIXING DRIVE BASE PLATE/1 CAULKING 定着駆動基板／1 カシメ	B,C,D1,D3,E,F1,F2,G 1,G2,H,I,J,K	D	1	
11	A0PNM10200	DC Brushless motor /20 DC ブラシレスモータ／20	B,C,D1,D3,E,F1,F2,G 1,G2,H,I,J,K	B	1	

# DRUM CARTRIDGE

See. P22-C  
P23-A  
P24  
P25

P 22

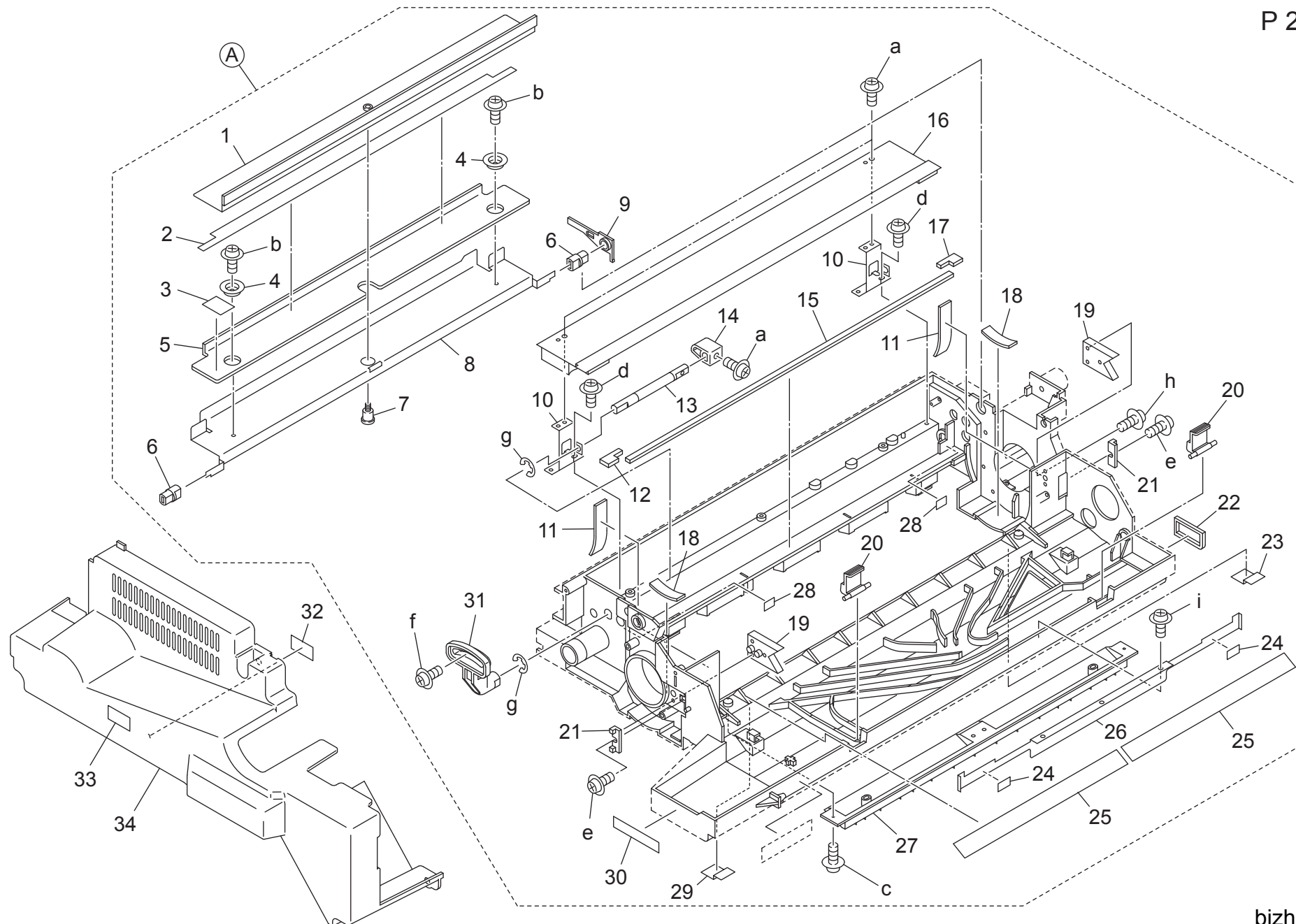


# DRUM CARTRIDGE

Key	Part No.	Description	Destinations	Class	QTY	Standard parts
1	57AAR71000	DRUM CARTRIDGE UNIT	ドラムカートリッジユニット	C	1	a-V217040050 b-V151030803 c-V121030803
2	56AA21071	DRUM FIXING COUPLING 2	ドラム固定カップリング 2	D	1	
3	56AA21061	DRUM FIXING COUPLING	ドラム固定カップリング	D	1	
4	57AA20220	CLEANER COOLING SHEET	クリーナー冷却シート	C	1	
5	56QA97860	GUIDE LABEL 2	ガイドラベル 2	D	1	
6	57AA20250	CLEANER COOLING DUCT	クリーナー冷却ダクト	C	1	
7	56QA-2260	DRUM POSITION BOARD CAULKING	ドラム位置決め基板カシメ	D	1	
8	25SA77180	TONER CONVEYANCE GEAR B 26T	トナー搬送歯車 B 26 T	C	1	
9	56AA17520	PIN A D3X10	ピン A D 3 X 1 0	C	2	
10	56AA20590D	Screw Drive Shaft	スクリュー駆動軸	D	1	
11	08AA76010	DRUM DRIVING SHAFT HOLDER	ドラム駆動軸受	C	3	
12	56QA20230	CLEANER SUCTION SEAL	クリーナーサククションシール	D	1	
13	25SA77170	TONER CONVEYANCE GEAR A 38T	トナー搬送歯車 A 38 T	C	1	
14	56AA75040	Drum Rotary Bearing/ 2	ドラム回転軸受/2	C	1	
15	56AA77260	TONER RECYCLING GEAR 17T	トナーリサイクル歯車 17 T	C	2	
16	55WA30010	DEVELOPING SHAFT HOLDER	現像軸受	C	2	
17	25HA15210	SPACER E	スペーサー E	C	1	
18	56AA20760	TONER AGITATING SHEET	トナー攪拌シート	C	1	
19	25SA20640	TONER COLLECTION BLOCK B	トナー回収ブロック B	C	1	
20	56AA20520	TONER RECYCLING SCREW 1	トナーリサイクルスクリュー 1	D	1	
21	56QA97870	GUIDE LABEL 3	ガイドラベル 3	D	1	
22	392015650	SLIDE BUSHING/C	滑り軸受/ C	C	1	
23	56AAR70600	CLUTCH CONNECTING GEAR ASSY	クラッチ連結歯車部組	C	1	
24	57AA20050	CLUTCH SUPPORT PLATE	クラッチ支持板	D	1	
25	56AA82022	CLEANER CLUTCH	クリーナークラッチ	B	1	
26	56AA20090	WIRING COVER PART	束線カバー部材	D	1	
27	57AA20171	DEVELOPING COOLING SEAL /B	現像冷却シール/ B	D	2	
28	57AA20181	DEVELOPING COOLING SEAL /C	現像冷却シール/ C	D	1	
29	57AA20161	DEVELOPING COOLING SEAL /A	現像冷却シール/ A	D	1	
30	56AA20510	TONER RECYCLING BLOCK	トナーリサイクルブロック	C	1	
31	56QAR70200	TONER COLLECTING PIPE	トナー回収パイプ	C	1	
32	56AA17030	OPEN CLOSE SPRING	開閉バネ	C	1	
33	56AA20810	TONER RECYCLING SCREW 2	トナーリサイクルスクリュー 2	C	1	
34	57AA20150	DEVELOPING SUCTION SHEET /3	現像サククションシート/3	C	1	
35	57AA20140	DEVELOPING SUCTION SHEET /2	現像サククションシート/2	C	1	
36	57AA20130	DEVELOPING SUCTION SHEET /1	現像サククションシート/1	C	1	
37	56AA20560	TONER SLIDE COVER	トナーライドカバー	C	1	
38	25SA20670	TONER CONVEYANCE SHAFT HOLDER	トナー搬送軸受	C	1	

# DRUM CARTRIDGE

P 23



bizhub 751

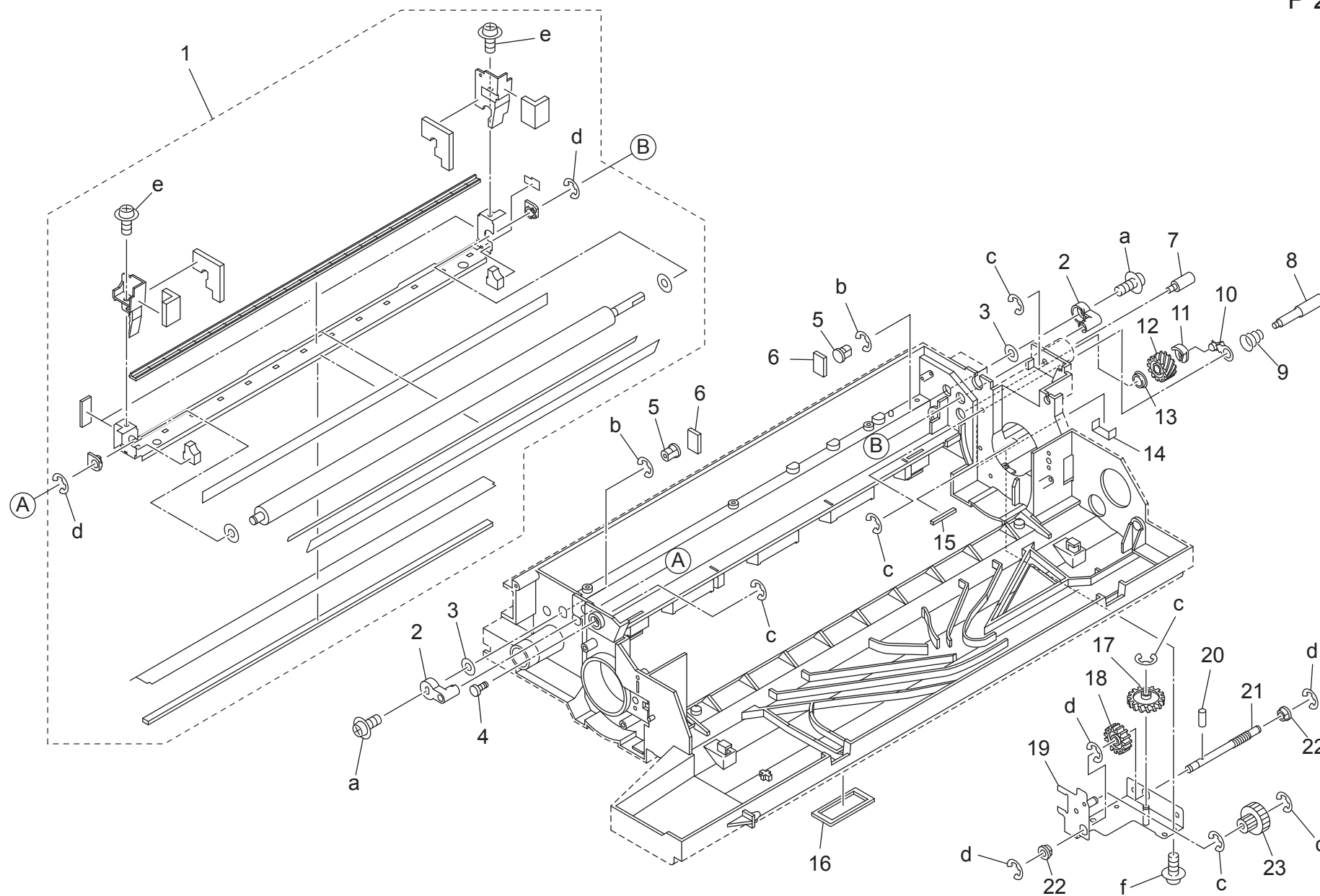


# DRUM CARTRIDGE

Key	Part No.	Description	Destinations	Class	QTY	Standard parts
1	57AA20080	CLEANER BLADE	クリーナーブレード	A	1	a-V121030603
2	57AA20060	CLEANER AUXILIARY SEAL	クリーナー補助シール	C	1	b-V121030403
3	56QA20180	CLEANER AUXILIARY SHEET /2	クリーナー補助シート / 2	D	1	c-V151030803
4	25SA20280	BLADE POSITION BLOCK	ブレード位置決めブロック	C	2	d-V151030604
5	57AA20030	BLADE TENSION PLATE	ブレードテンション板	D	1	e-V118030803
6	56AA21160	HINGE	ヒンジ	C	2	f-V123031003
7	56AA17410	BLADE ROTARY SCREW	ブレード回転ネジ	C	1	g-V217040050
8	57AAR71200	BLADE SUPPORT PLATE CAULKING	ブレード支持基板カシメ	C	1	h-V123030803
9	56AA21150	BLADE FULCRUM SHAFT HOLDER	ブレード支点軸受	C	1	i-V145030803
10	56AA20292D	Cleaner Auxiliary Plate	クリーナー補助板	D	2	
11	57AA20270	DRUM SEAL	ドラムシール	D	2	
12	56AA20920	TONER DUST-PROOF SEAL /B	トナー防塵シール / B	D	1	
13	56AA21141D	Blade Release Shaft	ブレード解除軸	D	1	
14	56AA21130	BLADE RELEASE CAM	ブレード解除カム	C	1	
15	56AA20850	TONER DUST-PROOF SEAL	トナー防塵シール	D	1	
16	57AAR71300	CLEANER COVER ASSY	クリーナー蓋部組	D	1	
17	56AA20930	TONER DUST-PROOF SEAL /C	トナー防塵シール / C	D	1	
18	57AA20280	DRUM SUPPORT PART	ドラム支持部材	D	2	
19	56QA20040	DEVELOPING BASE PART	現像基準部材	C	2	
20	56AA20770	DEVELOPING STOPPER	現像ストッパ	D	2	
21	56QA20290	DEVELOPING BASE PART /2	現像基準部材 / 2	D	2	
22	57AA20211	DEVELOPING SUCTION SEAL	現像サククションシール	D	1	
23	56AA21180	TONER STOPPER SHEET /REAR	トナーストッパシート / 奥	D	1	
24	56QA20320	DEVELOPING PRESSURE SHEET	現像押圧シート	D	2	
25	57AA20190	DEVELOPING AUXILIARY SHEET	現像補助シート	D	2	
26	56AA20780D	Developing Stopper Spring	現像ストッパばね	D	1	
27	56AA20040	PAPER GUIDE PART	紙ガイド部材	D	1	
28	57AA20290	ROLLER PRESSING SPACER	ローラー押圧スペーサー	D	2	
29	56AA21170	TONER STOPPER SHEET /FRONT	トナーストッパシート / 前	D	1	
30	56QA97850	GUIDE LABEL 1	ガイドラベル 1	D	1	
31	56AA21120	BLADE RELEASE LEVER	ブレード解除レバー	C	1	
32	56UA97300	Laser Caution Label /1	レーザー注意ラベル / 1	C	1	
33	57AA97821G	Caution Label /1	注意ラベル / 1	C	1	
34	57AAR70300	DRUM COVER ASSY	ドラムカバー部組	C	1	

# DRUM CARTRIDGE

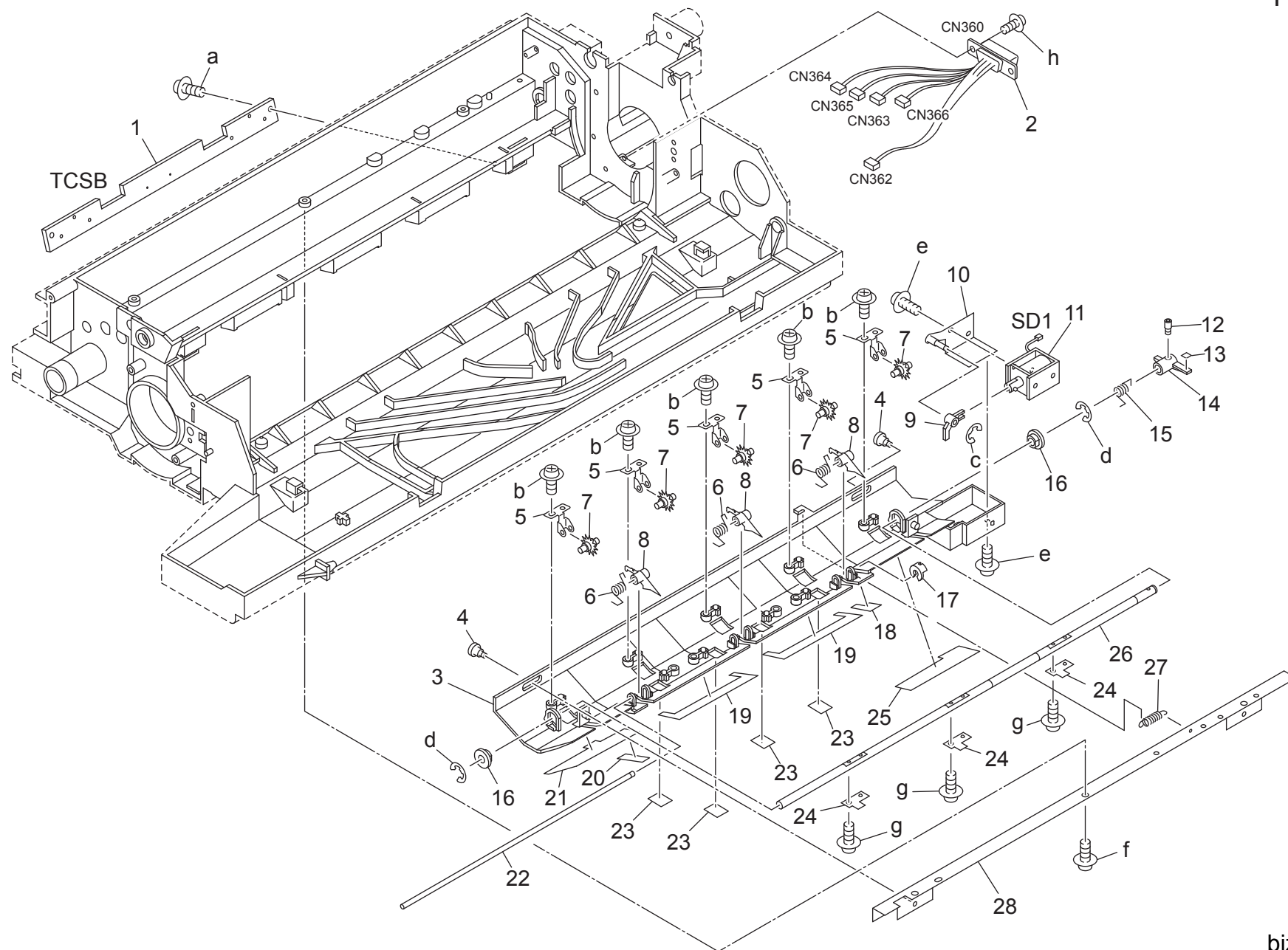
P 24



DRUM CARTRIDGE

Key	Part No.	Description	Destinations	Class	QTY	Standard parts
1	57AAR71100	COLLECTING ROLLER ASSY		A	1	a-V123030603
2	56AA20400	SHAFT POSITIONING PART		C	2	b-V217060050
3	56QA98020	CLEANER FIXING SPACER		D	2	c-V217030050
4	56AA20070D	Charging Power supply Shaft /Front		D	1	d-V217040050
5	56AA20680D	Cleaner Fixing Shaft		D	2	e-V121030603 f-V151030803
6	56AA20940D	Toner Dust-proof Seal /D		D	2	
7	57AA20230	CHARGING POWER SUPPLY SHAFT /R		D	1	
8	56AA20140D	Cleaner Power supply Shaft /Rear		D	1	
9	56AA20170	CONTACT PRESSING SPRING		C	1	
10	56AA-2271	CLEANER POWERING CAULKING		D	1	
11	56AA21250	SHAFT STOPPER 5		C	1	
12	56AA77081	CLEANER IDLING GEAR 21T		C	1	
13	56QA20190	CLEANER SEALING PART		D	1	
14	56AA20990	WIRING PROTECTION SHEET		D	1	
15	56QA20301	CHARGING SCATTER SEAL		D	1	
16	57AA20201	DEVELOPING COOLING SEAL RIGHT		C	1	
17	56AA77250	SEPARATION ROCKING GEAR 41T		C	1	
18	56AA77110	SEPARATION IDLING GEAR 40T		C	1	
19	56AA-2121	SEPARATION DRIVING CAULKING		D	1	
20	56AA17531	PIN A D2X10		C	1	
21	56AA20730	SEPARATION DRIVING SHAFT /2		D	1	
22	56AA20750	SEPARATION FULCRUM SHAFT HOLDER		C	2	
23	56AA77100	SEPARATION DRIVING GEAR 26T 18T		C	1	

# DRUM CARTRIDGE

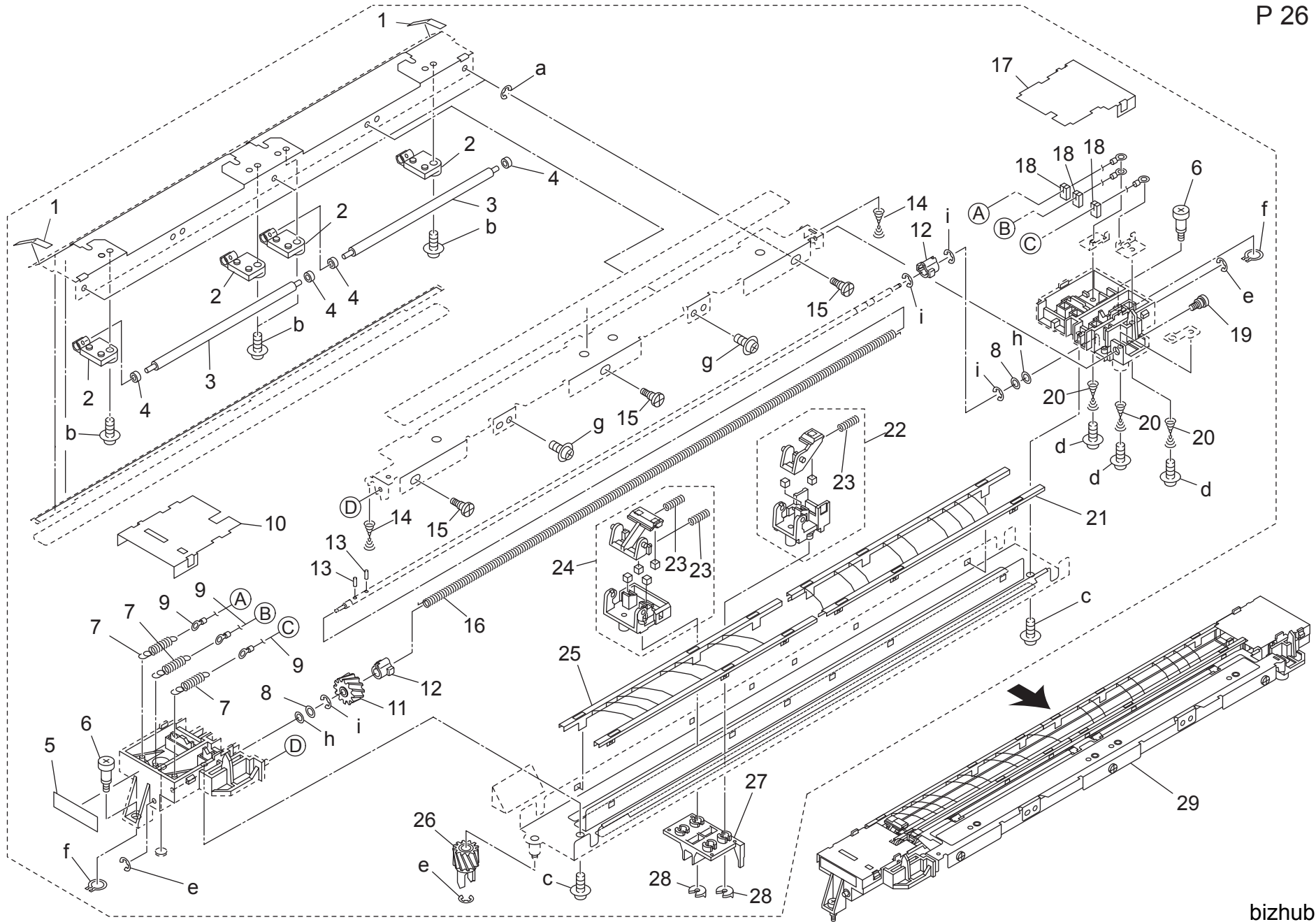


# DRUM CARTRIDGE

Key	Part No.	Description	Destinations	Class	QTY	Standard parts
1	56AA-9102E	TONER CONTROL SENSOR ASSY	トナー制御センサ部組	C	1	a-V145030804 b-V145030603 c-V217020050 d-V217040050 e-V121030403 f-V151030803 g-V111030403 h-V151031004
2	56AA90902E	DRUM WIRING /1	ドラム 束線 / 1	D	1	
3	56AA20030	SEPARATION GUIDE PART	分離ガイド部材	C	1	
4	55VA20680	SEPARATION POSITIONING SCREW	分離位置決めネジ	C	2	
5	56AA21080	FIXING PART	固定部材	C	5	
6	56AA20980	SEPARATION PRESSING SPRING	分離押圧バネ	C	3	
7	07BA54721	PAPER HOLDING CLAW	紙押え爪	C	5	
8	56AA20700	DRUM SEPARATING CLAW	ドラム分離爪	A	3	
9	56AA20430	RELEASE CAM	解除カム	C	1	
10	56AA-2100	SOLENOIDE MT PLATE CAULKING	ソレノイド取付板カシメ	D	1	
11	26NA82513	Paper Feed Solenoid	給紙ソレノイド	B	1	
12	56AA17420	SEPARATE SCREW	分離ネジ	C	1	
13	56AA21260	SPACER	スペーサー	C	1	
14	56AA20441	ROCKING CAM	揺動カム	C	1	
15	56AA20960	SOLENOID RELEASE SPRING	ソレノイド解除バネ	C	1	
16	56AA20750	SEPARATION FULCRUM SHAFT HOLDER	分離支点軸受	C	2	
17	45AA20400	STOPPER PART	ストッパ部材	A	1	
18	56AA21200	SEPARATION GUIDE SEAL 2	分離ガイドシール 2	C	1	
19	56AA21210	SEPARATION GUIDE SEAL 3	分離ガイドシール 3	C	2	
20	56AA21220	SEPARATION GUIDE SEAL 4	分離ガイドシール 4	D	1	
21	56AA21230	SEPARATION GUIDE SEAL 5	分離ガイドシール 5	D	1	
22	56AA17590	Separation Support Shaft	分離支点軸	D	1	
23	56AA21240	SEPARATION GUIDE SEAL 6	分離ガイドシール 6	D	4	
24	56AA20460	RELEASE PLATE	解除板	D	3	
25	56AA21190	SEPARATION GUIDE SEAL 1	分離ガイドシール 1	C	1	
26	56AA20450D	Swing Shaft	揺動軸	D	1	
27	56AA17100	SEPARATION ROCKING SPRING	分離揺動バネ	C	1	
28	56AA20421	SIDE GUIDE PLATE	側面ガイド板	D	1	

# TRANSFER SEPARATOR CORONA UNIT

P 26

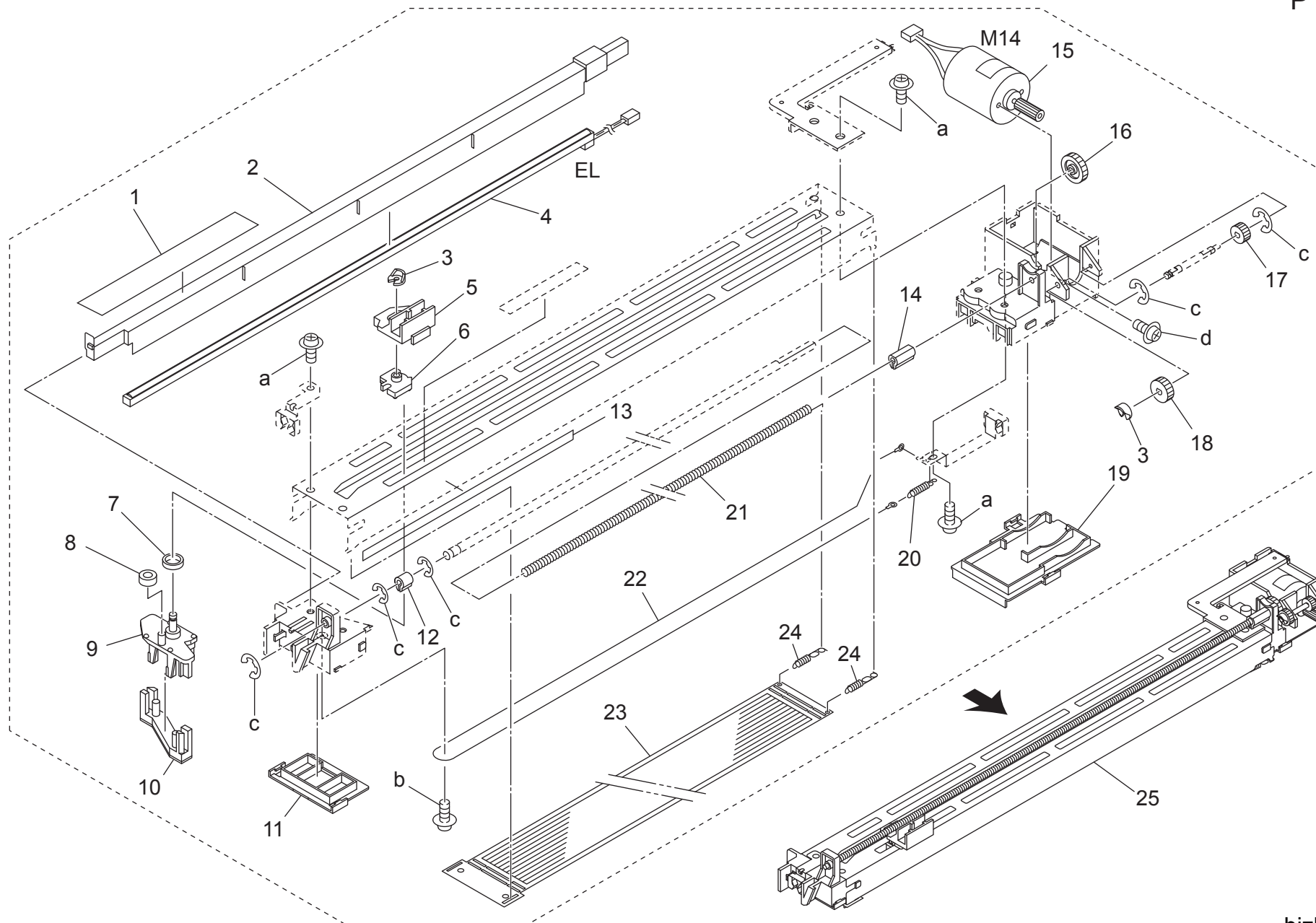


TRANSFER SEPARATOR CORONA UNIT

Key	Part No.	Description	Destinations	Class	QTY	Standard parts
1	56AA17840	DRUM PROTECTION SHEET	ドラム保護シート	C	2	a-V217030050
2	56AA26120	TRANSFER GUIDE SHAFT HOLDER	転写ガイド軸受	C	4	b-V118030603
3	56AA26250	TRANSFER GUIDE ROLLER	転写ガイドコロ	C	2	c-V151030803
4	55GA76550	Transfer Guide Bearing /2	転写ガイド軸受 / 2	C	4	d-V111020603
5	57AA97120	HV Caution Label	高圧注意ラベル	C	1	e-V217020050
6	56AA26280	ELECTRODE FIXING SCREW	電極固定ネジ	C	2	f-V221050050
7	56AA17140	WIRE TENSION SPRING	ワイヤーテンションバネ	C	3	g-V121030603
8	56AA26310	SPACER 5	スペーサー 5	C	2	h-V207050003
9	56AA26090	DISCHARGING WIRE	放電ワイヤー	A	3	i-V217040050
10	56AA26040	SPARK PREVENTING PLATE FRONT	落雷防止板 前	C	1	
11	56AA77970	CLEANING GEAR 2 14T 14T	清掃歯車 2 14 T 14 T	C	1	
12	56AA26180	ELECTRODE CLEANING JOINT	電極清掃ジョイント	C	2	
13	56AA17310	PIN	ピン	C	2	
14	57AA26350	PRESSURE SPRING	圧着バネ	C	2	
15	56AA17580	ADJUSTING SCREW	調整ネジ	C	3	
16	56AA26172	ELECTRODE CLEANING SPRING	電極清掃バネ	C	1	
17	56AA26050	SPARK PREVENTING PLATE REAR	落雷防止板 奥	C	1	
18	56AA17830	TRANSFER HOLDING RUBBER	転写押えゴム	A	3	
19	56AA17390	STANDARD SCREW	基準ネジ	C	1	
20	57AA26340	POWERING SPRING	給電バネ	C	3	
21	56AA26192	SEPARATING BRIDGE REAR	分離ブリッジ 奥	C	1	
22	56AAR71000	TRANSFER CLEANING ASSY	転写清掃部組	A	1	
23	56AA17040	WIRE CLEANING SPRING	ワイヤー清掃バネ	C	3	
24	56AAR71100	SEPARATION CLEANING ASSY	分離清掃部組	A	1	
25	56AA26082	SEPARATING BRIDGE	分離ブリッジ	C	1	
26	56AA77700	CLEANING GEAR 1 14T 14T	清掃歯車 1 14 T 14 T	C	1	
27	56QA26010	SLIDE BLOCK	スライドブロック	C	1	
28	45AA20400	STOPPER PART	ストッパ部材	A	2	
29	57AAR71500	TRANSFER SEPARATION UNIT	転写分離極ユニット	B	1	

# CHARGING UNIT

P 27

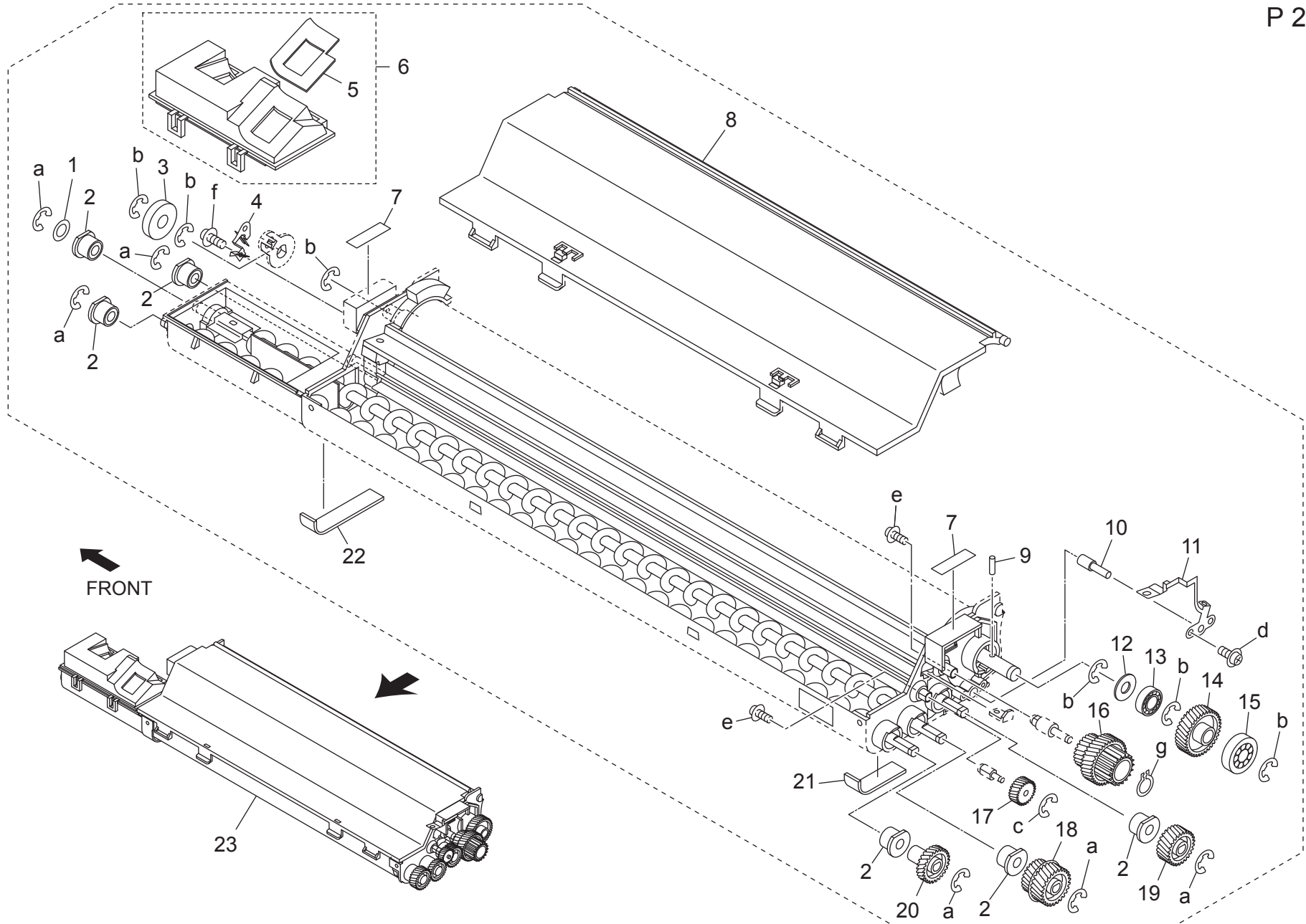




# CHARGING UNIT

Key	Part No.	Description	Destinations	Class	QTY	Standard parts
1	56QA25010	CHARGE SEAL	帯電シール	C	1	a-V151030803 b-V145020503 c-V217020050 d-V111260603
2	56AA25301	PCL COVER	PCL カバー	C	1	
3	45AA20400	STOPPER PART	ストッパ部材	A	2	
4	56AA83071	PCL	PCL	B	1	
5	56AA25380	CHARGE SLIDE PART	帯電スライド部材	A	1	
6	56AA25400	CHARGE CLEANING BASE PLATE	帯電清掃基板	A	1	
7	25SA25180	CHARGING SLIDE COLLAR	帯電スライドカラー	C	1	
8	56AA25450	CHARGE SLIDE COLLAR 2	帯電スライドカラー 2	C	1	
9	56AAR70700	CHARGE CLEANER BLOCK U ASSY	帯電清掃ブロック上部組	A	1	
10	56AAR70800	CHARGE CLEANER BLOCK L ASSY	帯電清掃ブロック下部組	A	1	
11	56AA25330	SPARK PREVENTING PART FRONT	落雷防止部材 前	C	1	
12	56AA25141	ELECTRODE CLEANING JOINT FRONT	電極清掃ジョイント 前	C	1	
13	57AA25010	CHARGING SEAL/1	帯電 シール/1	C	1	
14	56AA25150	ELECTRODE CLEANING JOINT	電極清掃ジョイント	C	1	
15	56AAR70900	CHARGE CLEANING MOTOR ASSY	帯電清掃モータ部組	B	1	
16	56AA77910	CHARGE CLEANING GEAR 4 28T	帯電清掃歯車 4 28 T	C	1	
17	56AA77890	CHARGE CLEANING GEAR 2 15T	帯電清掃歯車 2 15 T	C	1	
18	56AA77900	CHARGE CLEANING GEAR 3 18T	帯電清掃歯車 3 18 T	C	1	
19	56AA25340	SPARK PREVENTING PART REAR	落雷防止部材 奥	C	1	
20	56AA25230	CHARGE TENSION SPRING	帯電テンションバネ	B	1	
21	56AA25170	ELECTRODE CLEANING SPRING	電極清掃バネ	C	1	
22	56AA25090	CHARGE WIRE	帯電ワイヤー	A	1	
23	56AA25030	CHARGE CONTROL PLATE	帯電制御プレート	A	1	
24	56AA17160	CHARGING CONTROL SPRING	帯電制御バネ	C	2	
25	57AAR71400	CHARGING CORONA UNIT	帯電極ユニット	B	1	

# DEVELOPING UNIT

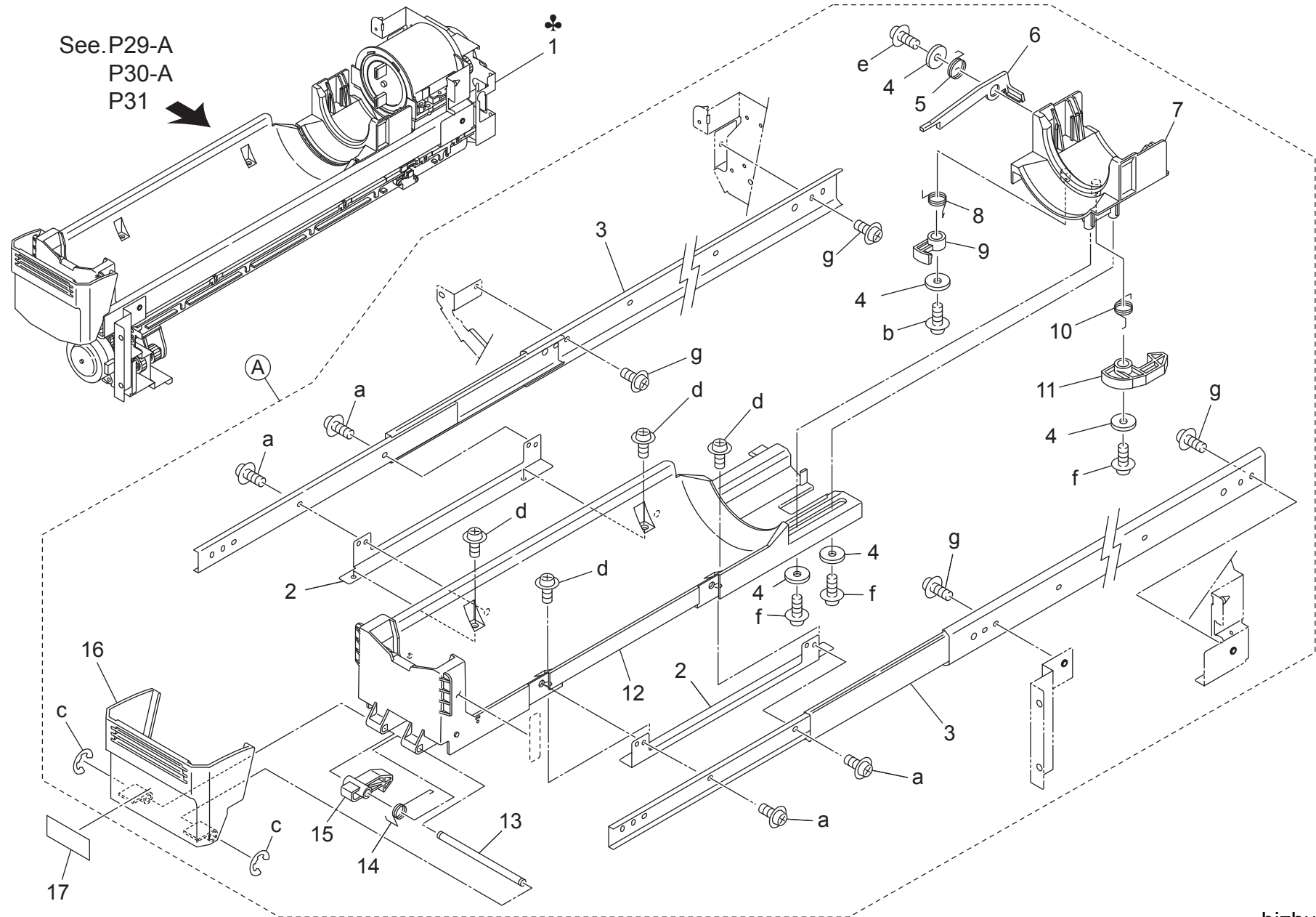


FRONT

Key	Part No.	Description	Destinations	Class	QTY	Standard parts
1	57AA30260	DEVELOPING AGITATING SPACER	現像攪拌スペーサー	C	1	a-V217040050
2	55WA30010	DEVELOPING SHAFT HOLDER	現像軸受	C	6	b-V217060050
3	56GA30710	DEVELOPING STOPPER ROLLER B	現像突き当てコロ B	C	1	c-V217020050
4	57AA30090	DEVELOPING BIAS SPRING	現像バイアスバネ	C	1	d-V151030803
5	56AA30420	SCATTER PREVENTING PAD NO 3	飛散防止パッド 3号	C	1	e-V121030603
6	56AAR71200	DEVELOPING COVER PART ASSY	現像カバー部材部組	C	1	f-V151031003
7	56QA97880	GUIDE LABEL 4	ガイドラベル 4	D	2	g-V221040050
8	57AAR71700	DEVELOPING COVER ASSY	現像蓋部組	C	1	
9	56AA17471	PIN B 3X12	ピン B 3 X 1 2	C	1	
10	57AA30120	DEVELOPING BIAS PIN REAR	現像バイアスピンの奥	C	1	
11	57AA30130	DEVELOPING BIAS SPRING REAR	現像バイアスバネの奥	C	1	
12	540030170	SPEWING PREVENTIVE FELT	飛散防止フェルト	C	1	
13	466078030	BALL BEARING	ボールベアリング	B	1	
14	56AA77750	DEVELOPING DRIVING GEAR 36T	現像駆動歯車 3 6 T	C	1	
15	56GA30700	DEVELOPING STOPPER ROLLER A	現像突き当てコロ A	C	1	
16	57AA77760	DEVELOPING INPUT GEAR 36/23T	現像入力歯車 3 6 / 2 3 T	B	1	
17	57AA77780	DEVELOPING IDLING GEAR 21T	現像アイドル歯車 2 1 T	B	1	
18	57AA77790	SCREW GEAR LEFT 23/26T	スクリュー歯車 左 2 3 / 2 6 T	B	1	
19	57AA77770	DEVELOPING AGITATING GEAR 23T	現像攪拌歯車 2 3 T	B	1	
20	57AA77800	SCREW GEAR RIGHT 26T	スクリュー歯車 右 2 6 T	B	1	
21	57AA30211	SCATTER PREVENTING PAD /A	飛散防止パッド / A	D	1	
22	56AA30150	SCATTER PREVENTING PAD /LOWER	飛散防止パッド / 下	D	1	
23	57AAR71600	DEVELOPING UNIT	現像器	B	1	

# TONER SUPPLY UNIT

P 29

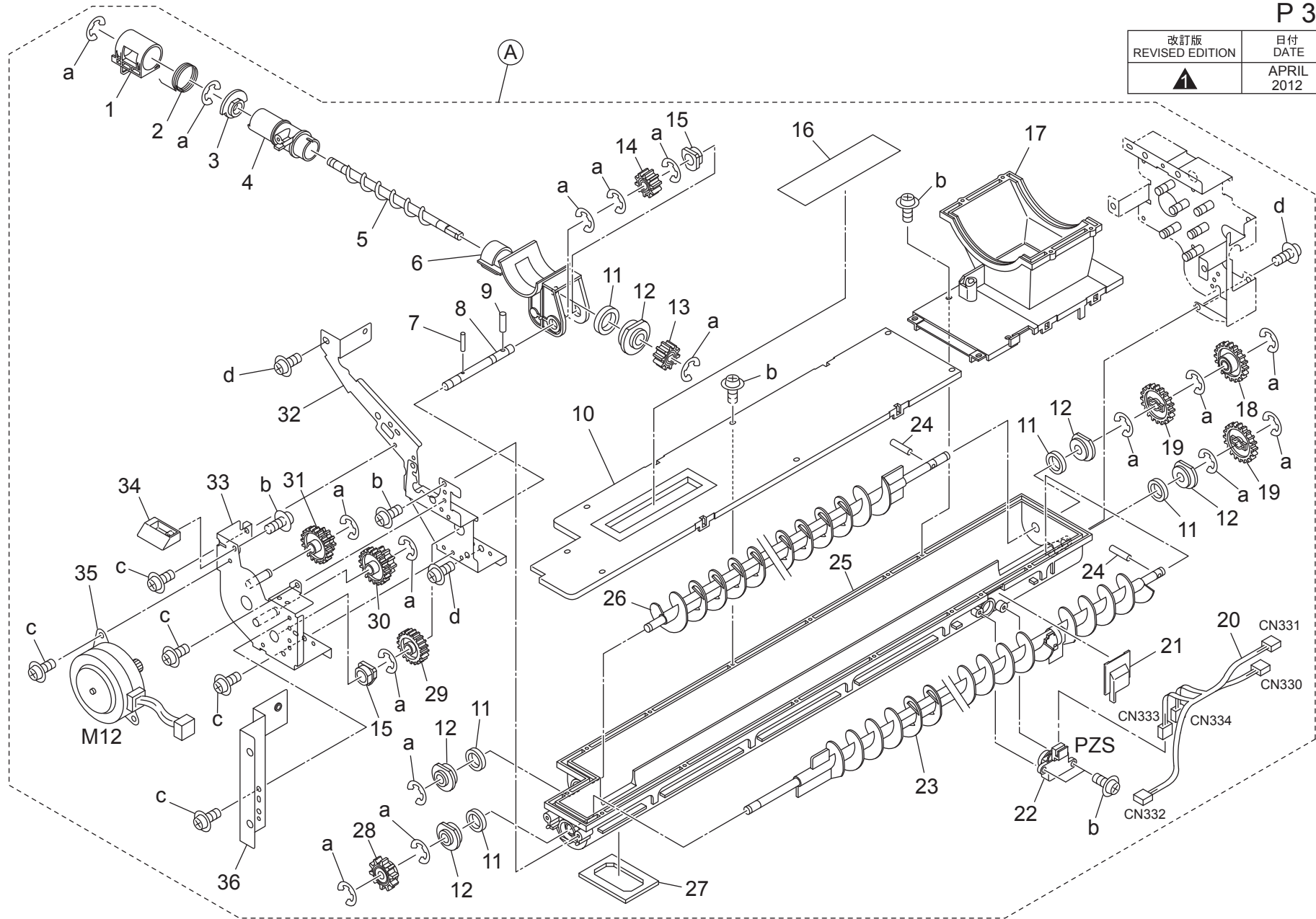


Key	Part No.	Description	Destinations	Class	QTY	Standard parts
1	A0PNR70311	Toner Supply Unit	A	I	1	a-V118040403 b-V151031203 c-V217040050 d-V114040603 e-V145030804 f-V151031003 g-V118040503
1	A0PNR70411	Toner Supply Unit	B,G2	I	1	
1	A0PNR70511	Toner Supply Unit	C,D1,D3,E,F1,F2,G1, H,I,J,K	I	1	
2	56AA32462	AUXILIARY PLATE		D	2	
3	56AA10300	Slide Rail /A		C	2	
4	56AA32710	GUIDE SPACER		C	5	
5	56AA32761	LOCKING SPRING C		C	1	
6	56AA32751	LOCKING PART C		C	1	
7	56AA32432	CARTRIDGE HOLDING PART		C	1	
8	56AA32640	LOCKING SPRING B		C	1	
9	56AA32630	Locking Part /B		C	1	
10	56AA32450	LOCKING SPRING A		C	1	
11	56AA32440	LOCKING PART A		C	1	
12	57AA32300	Cartridge Pressing Part		D	1	
13	56AA32521	LEVER SHAFT		D	1	
14	56AA32620	TONER SUPPLY LOCKING SPRING		C	1	
15	56AA32610	TONER SUPPLY LOCKING PART		C	1	
16	A0PN405100	Lever		C	1	
17	57AA97950	Toner Indicating Label		C	1	

# TONER SUPPLY UNIT

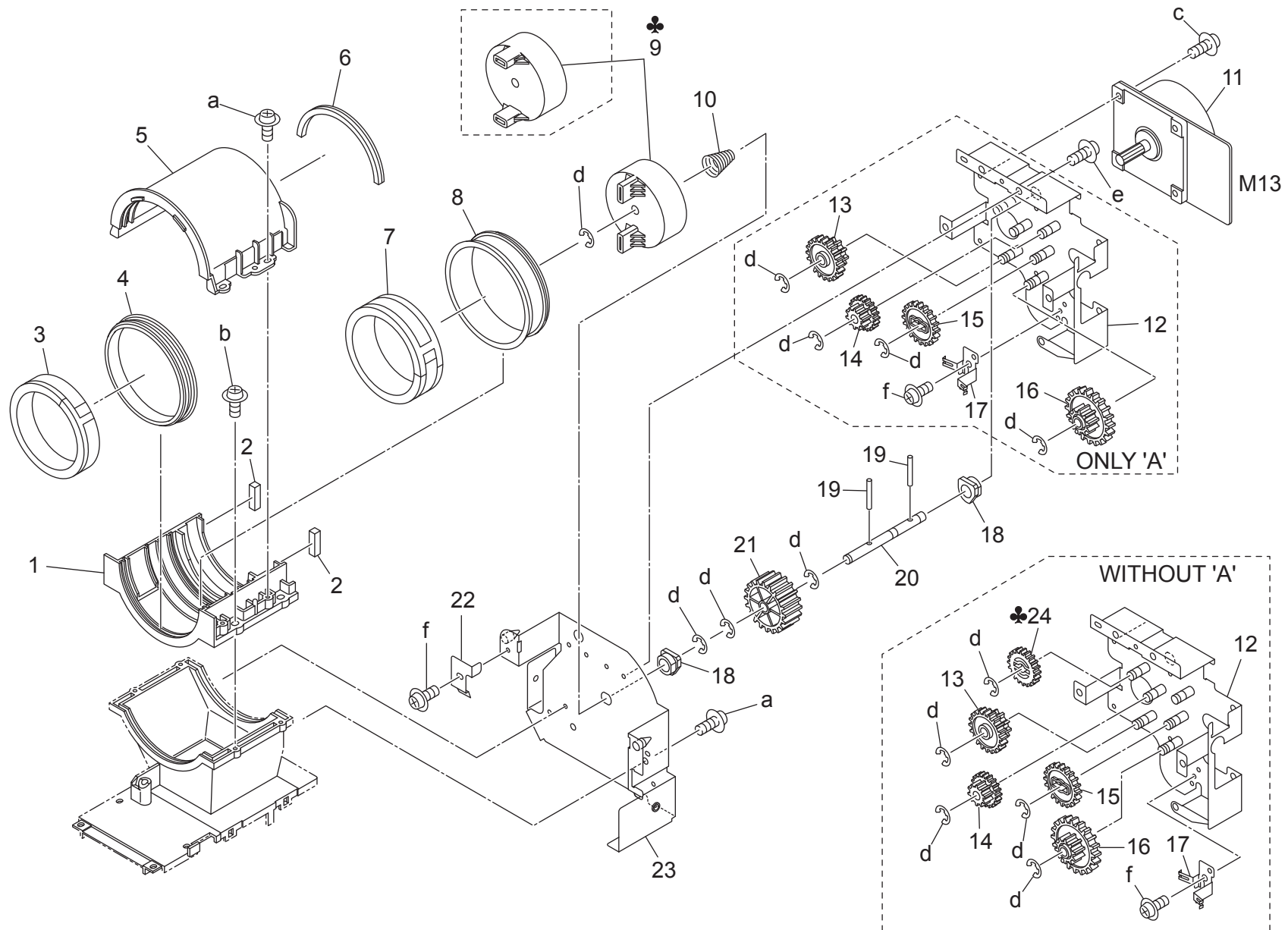
P 30

改訂版 REVISED EDITION	日付 DATE
▲	APRIL 2012



Key	Part No.	Description	Destinations	Class	QTY	Standard parts
1	57AA32330	TONER SUPPLY OPEN CLOSE COVER	トナー補給開閉蓋	C	1	a-V217040050 b-V151030803 c-V121030603 d-V145030804
2	56AA32351	TONER SUPPLY OPEN SHUT SPRING	トナー補給開閉バネ	C	1	
3	56AA32700	SCREW SHAFT HOLDER	スクリュー軸受	C	1	
4	56AA32591	TONER SUPPLY BLOCK B	トナー補給ブロック B	C	1	
5	56AA32090	TONER SUPPLY SCREW	トナー補給スクリュー	D	1	
6	56AA32560	TONER SUPPLY BLOCK A	トナー補給ブロック A	C	1	
7	56AA17321	PIN A D2X12	ピン A D 2 X 1 2	B	1	
8	56AA32280	DRIVE INPUT SHAFT	駆動入力軸	D	1	
9	56AA17520	PIN A D3X10	ピン A D 3 X 1 0	C	1	
10	56AA32130	Main Body Cover /Lower	本体カバー／下	C	1	
11	56AA32660	TONER CONVEYING SEAL	トナー搬送シール	C	5	
12	56AA32650	TONER CONVEYING SHAFT HOLDER	トナー搬送軸受	C	5	
13	56AA77330	SCREW GEAR 15T	スクリュー歯車 1 5 T	C	1	
14	56AA77240	SCREW INPUT GEAR 15T	スクリュー入力歯車 1 5 T	C	1	
15	466076020	PAPER FEED SHAFT HOLDER	給紙送り出し軸受	B	2	
16	56AA32740	TONER SEALING SHEET A	トナーシールシート A	C	1	
17	56AA32011	TONER SUPPLY MAIN BODY	トナー補給本体	C	1	
18	56AA77310	TONER SUPPLY INPUT GEAR 30T	トナー補給入力歯車 3 0 T	C	1	
19	56AA77300	AGITATING GEAR 37T	攪拌歯車 3 7 T	C	2	
20	56AA90141E	Toner Supply Wiring	トナー補給束線	D	1	
21	56AA32770	COVER	カバー	D	1	
22	40AA88031	Level Detection Sensor	残量検知センサ	C	1	
23	56AA-3330	SCREW RIGHT	スクリュー 右	D	1	
24	56AA17471	PIN B 3X12	ピン B 3 X 1 2	C	2	
25	56AA32030	Toner Supply Main Bbody /Lower	トナー補給 本体／下	D	1	
26	56AA32060	Agitating Screw /Left	攪拌スクリュー／左	I	1	
27	56AA32140	TONER SUPPLY SEAL	トナー補給シール	C	1	
28	55GA77680	TONER AGITATOR GEAR A 25T	トナー攪拌歯車 A 2 5 T	B	1	
29	12AA77080	GEAR H 27T	歯車 H 2 7 T	C	1	
30	56AA77320	IDLING GEAR D 47T 20T	アイドル歯車 D 4 7 T 2 0 T	C	1	
31	56AA77290	IDLING GEAR C 51T 15T	アイドル歯車 C 5 1 T 1 5 T	C	1	
32	56AA32312	TONER SUPPLY MOUNTING PLATE/A	トナー補給取り付け板／A	D	1	
33	57AA-3310	SCREW DRIVE BASEPLATE CAULKING	スクリュー駆動板カシメ	D	1	
34	57AA32010	LOCK PART	ロック部材	C	1	
35	56AA80061	TONER SUPPLY MOTOR	トナー補給モータ	B	1	
36	56AA32691	TONER SUPPLY MOUNTING PLATE /B	トナー補給取り付け板／B	D	1	

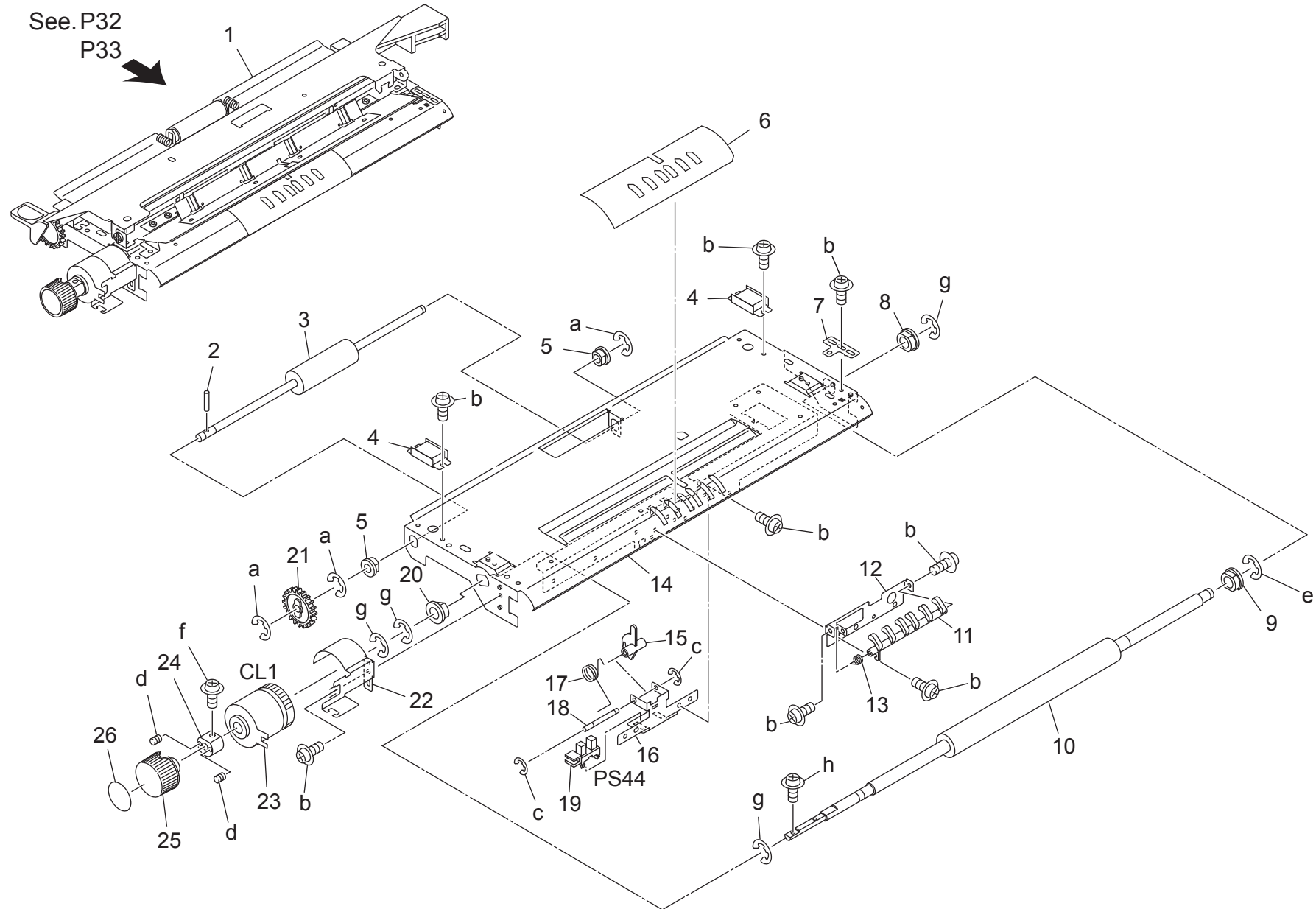
# TONER SUPPLY UNIT





Key	Part No.	Description	Destinations	Class	QTY	Standard parts
1	56AA32020	TONER SUPPLY MAIN BODY UPPER		C	1	a-V145030804 b-V151030803 c-V118030403 d-V217040050 e-V121030603 f-V121030403
2	56AA32680	TONER SEALING PART D		C	2	
3	56AA32151	TONER SEALING PART A		C	1	
4	56AA32400	TONER SUPPLY SLEEVE FRONT		C	1	
5	56AA32420	MAIN BODY COVER UPPER		C	1	
6	56AA32670	TONER SEALING PART C		C	1	
7	56AA32160	TONER SEALING PART B		C	1	
8	56AA32410	TONER SUPPLY SLEEVE REAR		C	1	
9	56AA32390	CARTRIDGE DRIVING PART	A,C,D1,D3,E,F1,F2,G 1,H,I,J,K	C	1	
9	56AE32390	CARTRIDGE DRIVING PART	カートリッジ駆動部材 B,G2	C	1	
10	56AA32270	DRIVE RELEASE SPRING		C	1	
11	A0PNM10200	DC Brushless motor /20		B	1	
12	56AA-3322	TONER SUPPLY BASEPLATE CAULKING		C	2	
13	56AA77270	IDLING GEAR A 53T 14T	アイドル歯車 A 53 T 14 T	C	2	
14	56AA77930	IDLING GEAR F 15T 20T	アイドル歯車 F 15 T 20 T	C	2	
15	56AA77920	IDLING GEAR E 30T	アイドル歯車 E 30 T	C	2	
16	56AA77280	IDLING GEAR B 44T 16T	アイドル歯車 B 44 T 16 T	C	2	
17	56AA32730	SCREW EARTH PLATE	スクリューアース板	C	2	
18	466076020	PAPER FEED SHAFT HOLDER	給紙送り出し軸受	B	2	
19	56AA17500	PIN	ピン	C	2	
20	56AA32260D	Cartridge Drive Shaft	カートリッジ駆動軸	D	1	
21	56AA77950	CARTRIDGE GEAR 33T	カートリッジ歯車 33 T	C	1	
22	56AA32720	EARTH PLATE A	アース板 A	C	1	
23	56AA-3281	REINFORCE PLATE CAULKING	補強板カシメ	D	1	
24	56AA77940	IDLING GEAR G 20T	アイドル歯車 G 20 T	C	1	
			B,C,D1,D3,E,F1,F2,G 1,G2,H,I,J,K			

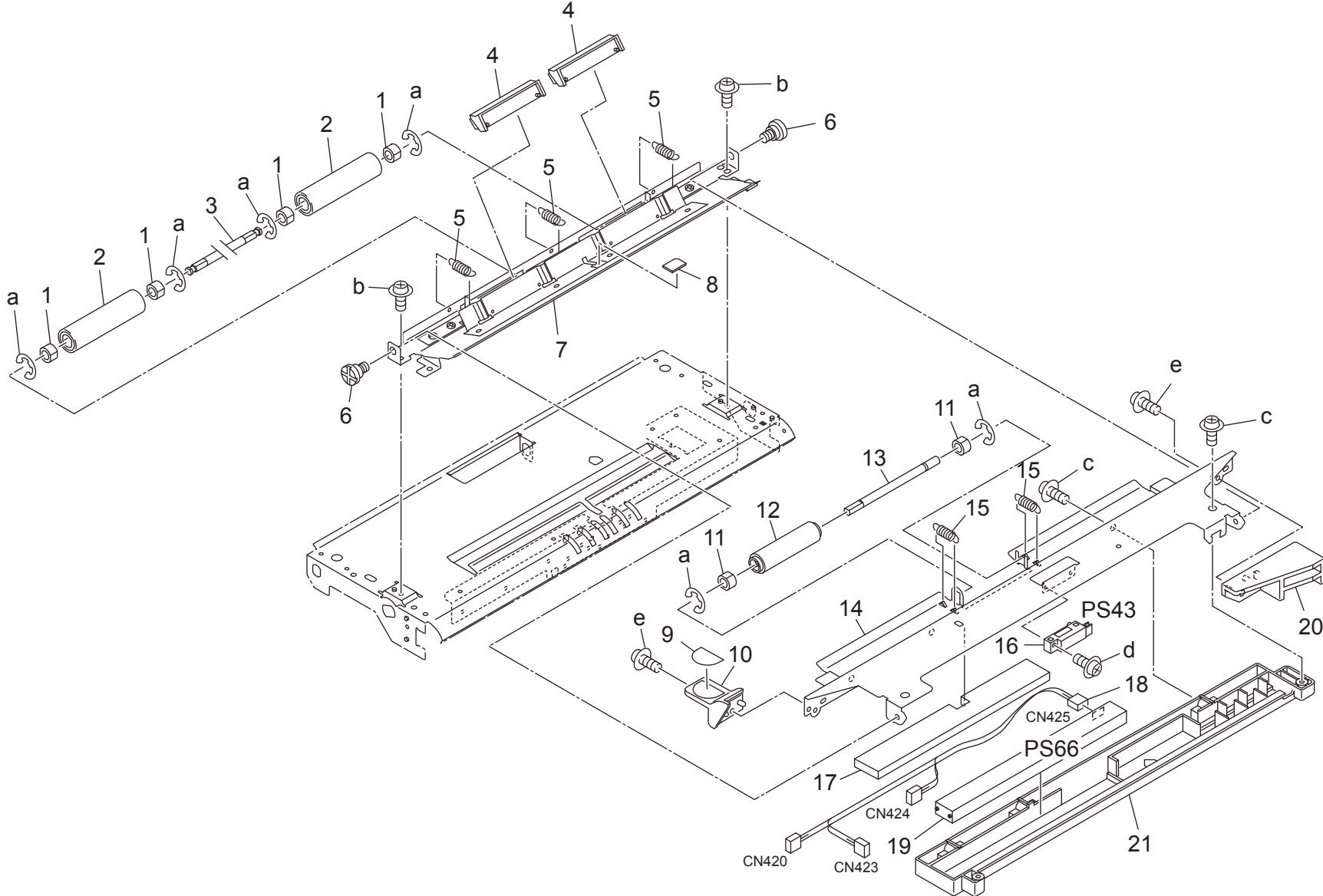
# REGISTRATION UNIT



## REGISTRATION UNIT

Key	Part No.	Description	Destinations	Class	QTY	Standard parts
1	57AA-3600	REGISTRATION ASSY		S	1	a-V217040050
2	56AA17471	PIN B 3X12		C	1	b-V121030403
3	56AA46852	CONVEYANCE DRIVING ROLLER T		C	1	c-V217020050
4	40AA32290	MAGNET CATCH		C	2	d-V193030604
5	08AA76010	DRUM DRIVING SHAFT HOLDER		C	2	e-V217080050
6	56QA46090	REGISTRATION ENTRANCE SHEET		C	1	f-V121030603
7	56AA46401	REGISTRATION POSITIONING PLATE		D	1	g-V217060050
8	A03U812800	Slide Shaft Holder		B	1	h-V118030603
9	56QA75040	Registration Slide Bushing		C	1	
10	56QA46030	REGISTRATION ROLLER		C	1	
11	56QA46610	REGIST ENTRANCE PART		D	1	
12	56QA46600	REGIST ENTRANCE STAY		D	1	
13	56QA46620	REGISTRATION GUIDE SPRING		C	1	
14	56QA46011	REGIST MAIN BODY /LOWER		D	1	
15	56AA46100	REGISTRATION PAPER FEED ACTUATOR		C	1	
16	56QA46080	MOUNTING PLATE		D	1	
17	56AA46160	PRESSING SPRING LOWER		C	1	
18	56AA46500D	Regist Shaft		D	1	
19	08AA85512	Photo Sensor		B	1	
20	56QA75050	Paper Feed Slide Bushing		C	1	
21	56AA77840	DRIVING GEAR 30T		C	1	
22	56AA46202	REGISTRATION DRIVING BASE PLATE		D	1	
23	56AA82012	PAPER FEED DRIVING CLUTCH		B	1	
24	56AA46930	CLUTCH FIXING PART		D	1	
25	14GE45470	Rotation Knob		C	1	
26	57AA97211E	Jam Release Label /2		C	1	

REGISTRATION UNIT



# REGISTRATION UNIT

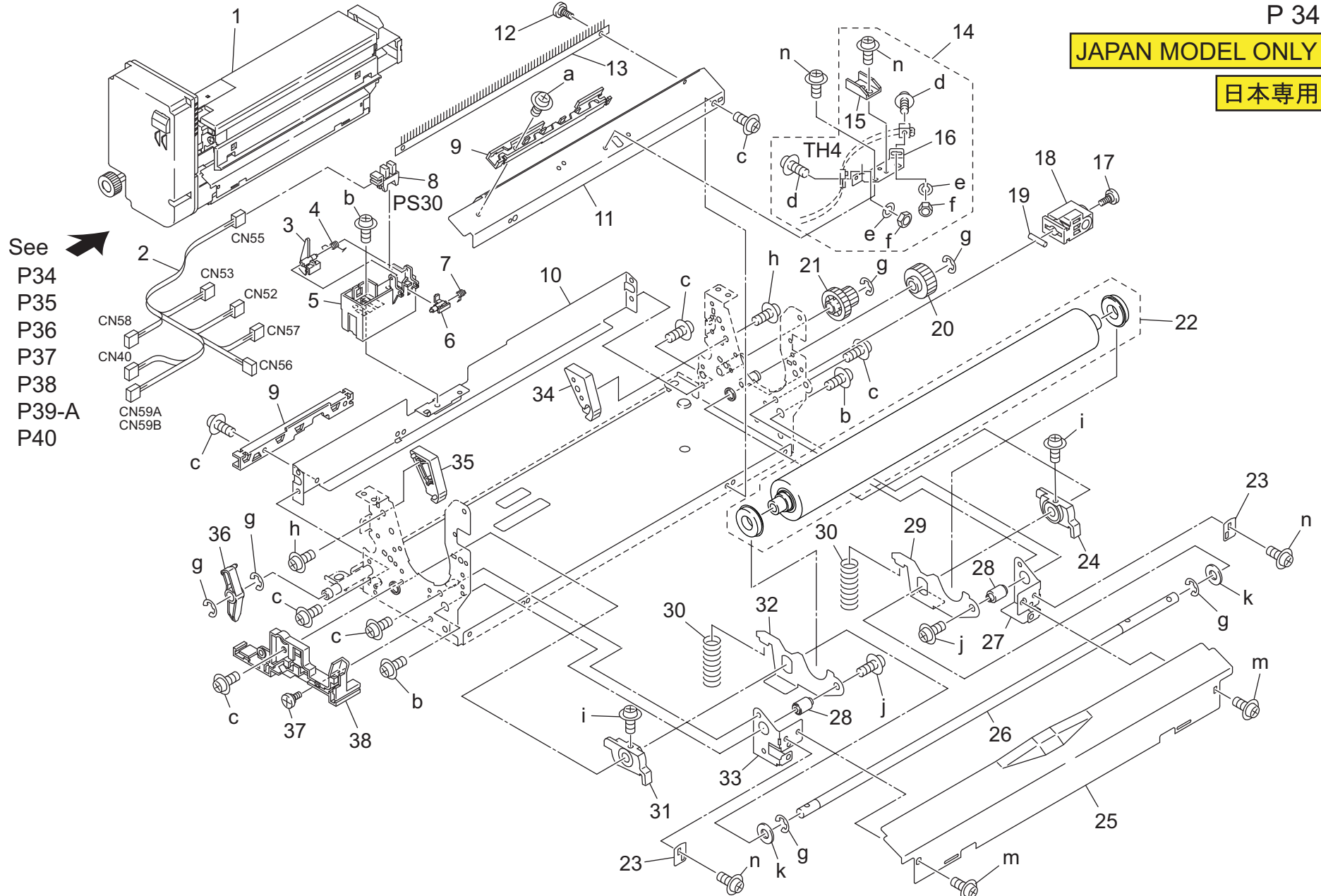
Key	Part No.	Description	Destinations	Class	QTY	Standard parts
1	56GA76030	SLIDE SHAFT HOLDER		C	4	a-V217040050 b-V121030403 c-V151030803 d-V118031003 e-V121030603
2	56GA47440	ADU DRIVEN ROLLER S		B	2	
3	56QA46530	REGIST DRIVEN SHFT		D	1	
4	57AAR73100	REGISTRATION CLEANER ASSY		C	2	
5	56QA46910	REGISTRATION PRESSING SPRING UPPER		C	3	
6	56AA46110	REGISTRATION OPEN SHUT SCREW		C	2	
7	56QA46051	REGISTRATION ENTRANCE PLATE		D	1	
8	56AA17821	PREVENTING RUBBER		C	1	
9	57AA97221E	Jam Release Label /3		C	1	
10	56QA46060	TRANSFER GUIDE HANDLE		C	1	
11	25AA75530	SLIDE SHAFT HOLDER		C	2	
12	55VA46890	Driven Rubber		B	1	
13	56AA46881	REGIST IDLER SHAFT/S		D	1	
14	57AA46040	TRANSFER FEEDING PLATE		D	1	
15	56AA46450	REGISTRATION FEEDING SPRING		C	2	
16	56AA85521	Conveyance Photo Sensor		B	1	
17	57AA46300	HOLDING PAD		D	1	
18	57AA90230	Registration Wiring		D	1	
19	56UA85510E	Paper Compensating Sensor		C	1	
20	57AA46150	REGISTRATION STOPPER PART		C	1	
21	57AA46020	CASING		D	1	

# FIXING UNIT

P 34

JAPAN MODEL ONLY

日本専用



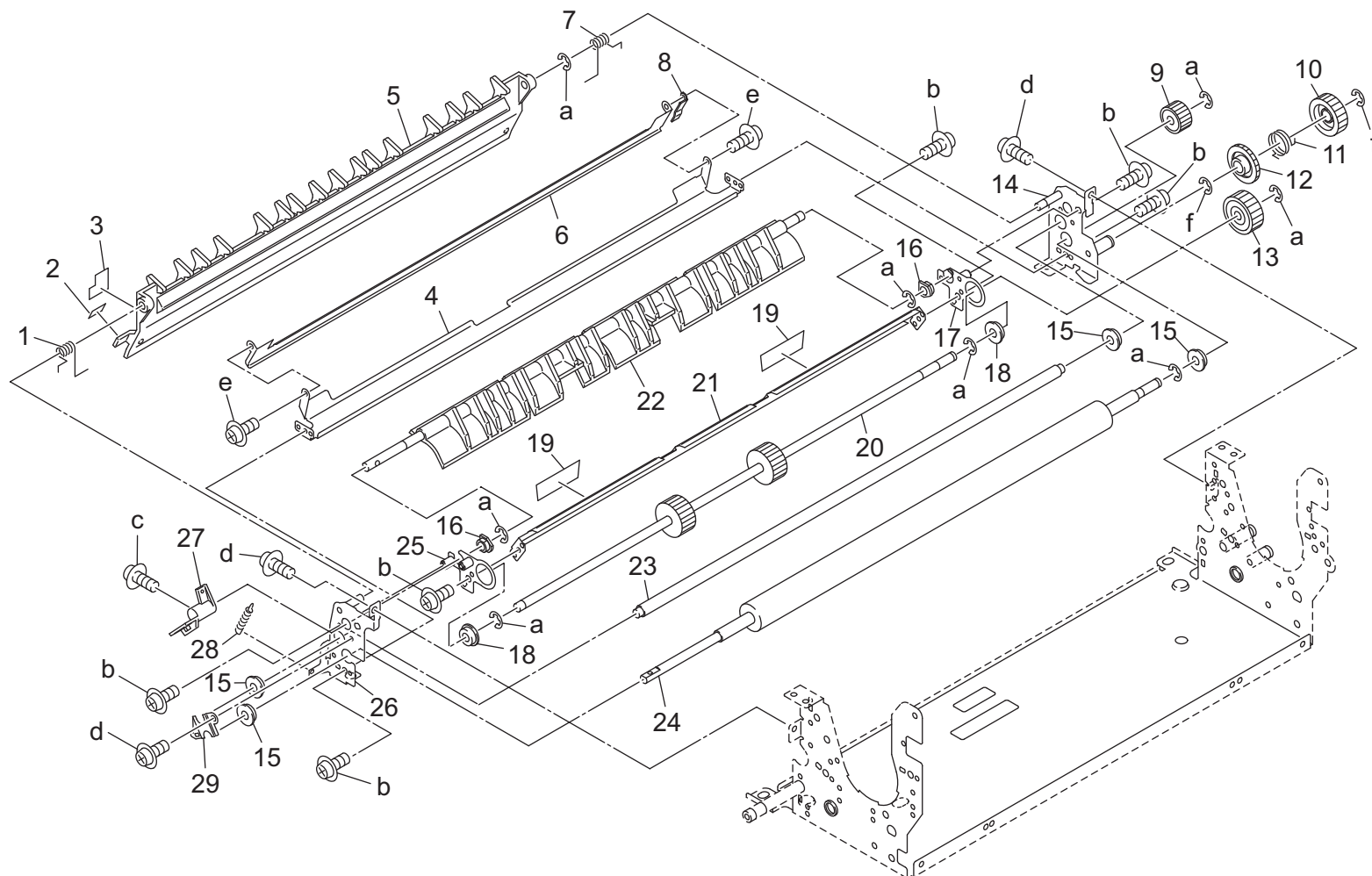
Key	Part No.	Description	Destinations	Class	QTY	Standard parts
1	57AA-5301	FIXING UNIT	定着ユニット	A	1	a-V121030603
2	57AA93680	FIXING CONNECTING WIRING 2	定着連結束線 2	A	1	b-V121040603
3	57AA53200	PAPER EXIT ACTUATOR	排紙アクチュエータ	A	1	c-V121030403
4	57AA53220	PAPER EXIT DETECTION SPRING	排紙検知バネ	A	1	d-V111031003
5	57AA53190	PAPER EXIT BLOCK	排紙センサブロック	A	1	e-V205030003
6	57AA53210E	Paper Detection Cam	紙検知カム	A	1	f-V195030003
7	57AA54110	PAPER DETECTION SPRING	紙検知バネ	A	1	g-V217060050
8	55VA85521	PHOTO SENSOR	フォトセンサ	A	1	h-V151030803
9	57AA53820	WIRING GUIDE PART /LOWER	束線ガイド部材/下	A	2	i-V121041003
10	57AA53030	FIXING REINFORCE STAY/LEFT	定着補強ステー/左	A	1	j-V118040603
11	57AA53250	STAY /LOWER	センサ ステー/下	A	1	k-V207080003
12	26NA54190	FIXING GUIDE SCREW	定着ガイドネジ	A	1	m-V182030603
13	56AA54190	NEUTRALIZING BRUSH	除電ブラシ	A	1	n-V123030603
14	57AA-5550	SENSOR/LOWER ASSY	センサ/下部組	A	1	
15	25SA53691	HOLDER PART	センサ押さえ部材	A	1	
16	57AA54090	SUPPORT PART LOWER	センサ支持部材 下	A	1	
17	26NA45440	REGISTRATION UNIT FIXED SCREW	レジスト固定ネジ	A	1	
18	57AA54100	PRESSURE KNOB	圧着ノブ	A	1	
19	56AA17461	PIN A	ピン A	A	1	
20	56AA77210	PAPER EXIT IDLING GEAR 1 25T	排紙アイドル歯車 1 25 T	A	1	
21	57AA77070	FIXING IDLING GEAR A 24/14 T	定着アイドルギア A 24/14 T	A	1	
22	57AAR73200	ROLLER/LOWER ASSY	ローラ/下部組	A	1	
23	57AA54200	STOPPER PLATE /RIGHT	突当て板/右	A	2	
24	57AA53180	PRESSURE CAM REAR	圧着カム 奥	A	1	
25	57AA53100E	Fixing Entrance Plate /Lower	定着進入板/下	A	1	
26	57AA53160	ROLLER RELEASE SHAFT	ローラ解除軸	A	1	
27	57AA53240	MAIN BODY REINFORCE PANEL /REA	本体補強パネル/奥	A	1	
28	57AA53141	PRESSURE SHAFT	圧着軸	A	2	
29	57AA53130	PRESSURE LEVER REAR	圧着レバー 奥	A	1	
30	57AA53151	PRESSURE SPRING	圧着バネ	A	2	
31	57AA53170	PRESSURE CAM FRONT	圧着カム 前	A	1	
32	57AA53120	PRESSURE LEVER FRONT	圧着レバー 前	A	1	
33	57AA53230	MAIN BODY REINFORCE PANEL /FRO	本体補強パネル/前	A	1	
34	57AA53600	OPEN CLOSE BLOCK REAR	開閉ブロック 奥	A	1	
35	57AA53590	OPEN CLOSE BLOCK FRONT	開閉ブロック 前	A	1	
36	56AA53840	Paper Exit Guide Lever	排紙案内レバー	A	1	
37	56AA54220	FIXING SCREW 2	固定ネジ 2	A	1	
38	57AA53800	WIRING GUIDE PART/FRONT	束線ガイド部材/前	A	1	

# FIXING UNIT

P 35

JAPAN MODEL ONLY

日本専用





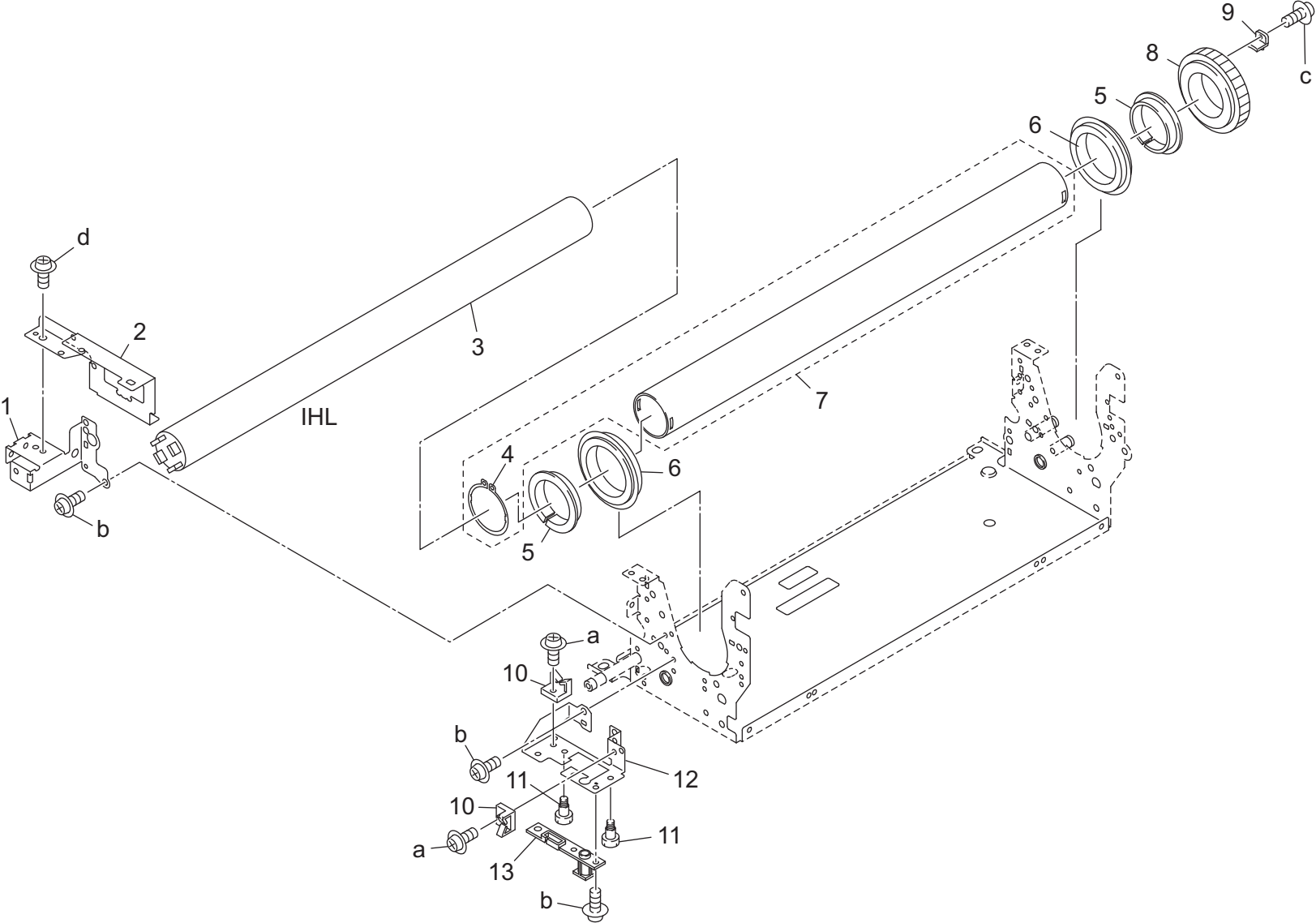
Key	Part No.	Description	Destinations	Class	QTY	Standard parts
1	56AA53741	PAPER EXIT PRESSING SPRING FRONT	排紙押圧バネ 前	A	1	a-V217040050 b-V121030403 c-V121030603 d-V182030603 e-V127030603 f-V217060050
2	56QA97300	Jam Release Label /6	ジャム解除ラベル / 6	A	1	
3	57AA97271E	Jam Release Label /8	ジャム解除ラベル / 8	A	1	
4	57AA53070	FIXING PAPER EXIT MAIN BODY /L	定着排紙本体 / 下	A	1	
5	56AA53733	PAPEREXITENTRANCEPLATE UPP	排紙進入板 / 上	A	1	
6	56AA54080	PAPER EXIT GUIDE PLATE LOWER	排紙ガイド板 下	A	1	
7	56AA53751	PAPER EXIT PRESSING SPRING REAR	排紙押圧バネ 奥	A	1	
8	56QA54490	PAPER EXIT RELEASE HANDLE	排紙解除把手	A	1	
9	56AA77231	PAPER EXIT DRIVING GEAR 2 18T	排紙駆動歯車 2 18 T	B	1	
10	57AA77220	PAPER EXIT IDLING GEAR 2 25T	排紙アイドル歯車 2 25 T	A	1	
11	57AA54170	SPRING REAR	バネ 奥	A	1	
12	57AA77210	PAPER EXIT IDLING GEAR 1 25T	排紙アイドル歯車 1 25 T	A	1	
13	56AA77220	PAPER EXIT DRIVING GEAR 1 24T	排紙駆動歯車 1 24 T	A	1	
14	57AA-5670	PAPER EXIT PANEL/REARCAULKING	排紙パネル / 奥カシメ	A	1	
15	07AA75090	METAL 1	軸受 1	A	4	
16	466076020	PAPER FEED SHAFT HOLDER	給紙送り出し軸受	A	2	
17	57AA-5650	PAPER EXIT MAIN BODY/REARCAUKI	排紙本体 / 奥カシメ	A	1	
18	56AA75061	Fixing Paper Exit Bearing	定着排紙軸受	A	2	
19	57AA54210	PAPER EXIT GUIDE SHEET /1	排紙案内シート / 1	A	2	
20	57AA53290	Fixing Paper Exit Roller	定着排紙ローラ	A	1	
21	57AA53740	PAPER EXIT GUIDE PANEL /LOWER	排紙案内パネル / 下	A	1	
22	57AA53260	PAPER EXIT GUIDE PART	排紙案内部材	A	1	
23	57AA53720	PAPER PRESSING SHAFT	紙押圧軸	A	1	
24	57AA53710	PAPER PRESSING ROLLER	紙押圧ローラ	A	1	
25	57AA-5640	PAPER EXIT MAIN BODY/FRONTCAUL	排紙本体 / 前カシメ	A	1	
26	57AA-5660	PAPER EXIT PANEL/FRONTCAULKING	排紙パネル / 前カシメ	A	1	
27	56AA53820	Positioning Lever	位置決めレバー	A	1	
28	56AA53830	REGULATING SPRING 1	規制バネ 1	A	1	
29	57AA53730	SHAFT MOUNTING PLATE	軸取り付け板	A	1	

FIXING UNIT

P 36

JAPAN MODEL ONLY

日本専用



FIXING UNIT

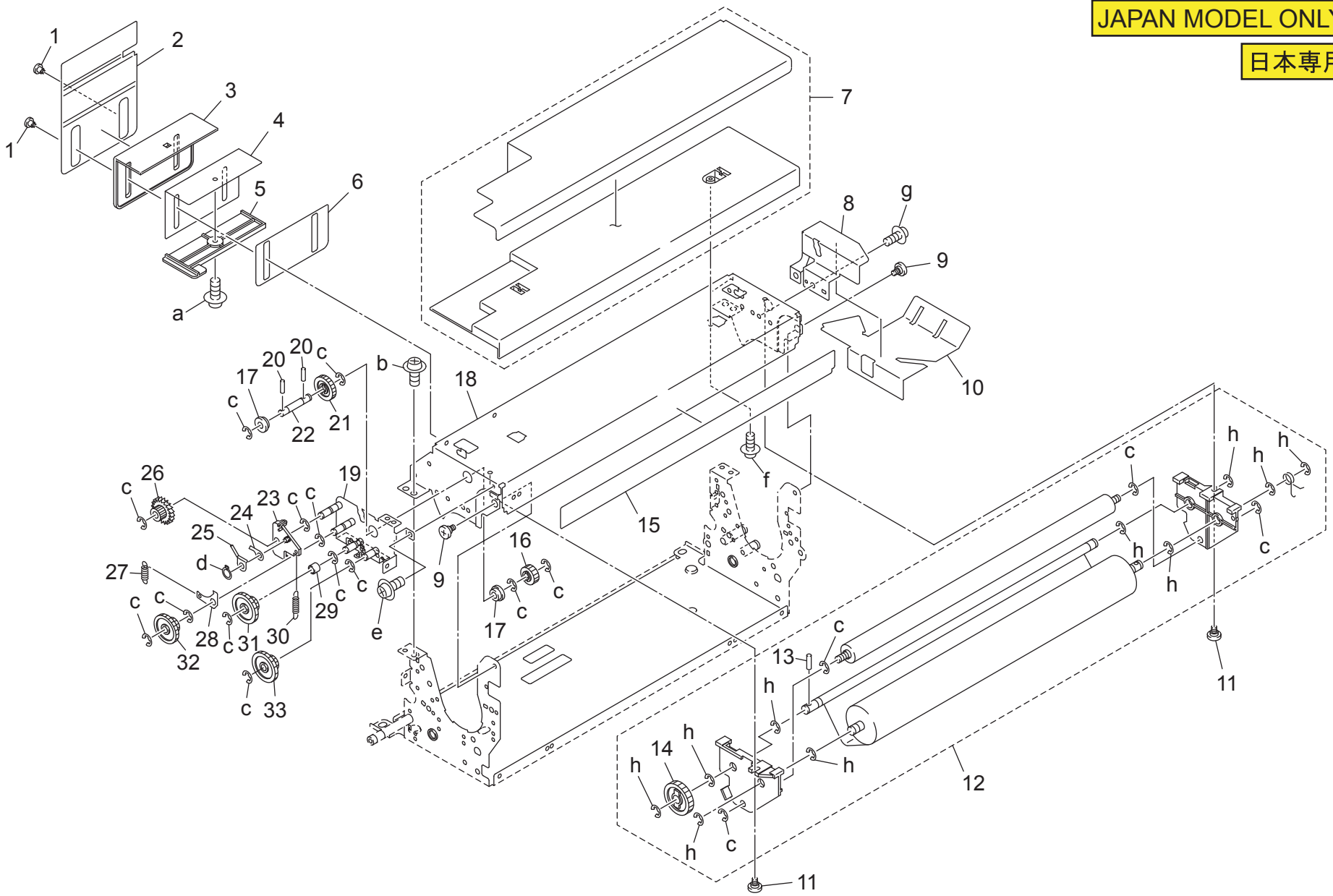
Key	Part No.	Description	Destinations	Class	QTY	Standard parts
1	57AA53980	BOARD SUPPORT PLATE /LEFT	基板支持板/左	A	1	a-V118040603 b-V121030403 c-V123031003 d-V182040603
2	57AA53470	HEATER HOLDING PANEL /FRONT	ヒーターホルダーパネル/前	A	1	
3	57AA84610	FIXING COIL 1	定着コイル 1	A	1	
4	57AA53340	ROLLER FIXING PART	ローラ固定部材	A	1	
5	57AA53320	INSULATING SLEEVE	断熱スリーブ	A	2	
6	57AA75030	FIXING ROLLER BEARING UPPER	定着転がり軸受 上	A	2	
7	57AA-K010	FIXING ROLLER UPPER SET	定着ローラー上セット	A	1	
8	57AA77060	FIXING DRIVE GEAR 60T	定着駆動歯車 60 T	A	1	
9	57AA53330	GEAR FIXING BLOCK	ギア固定ブロック	A	1	
10	55GA53652	WIRING HOLDING PART	束線ホルダー部材	A	2	
11	57AA53520	ELECTRIC MOUNTING SCREW FRONT	電装取り付けネジ 前	A	2	
12	57AA53530	ELECTRIC FIXING PLATE/LOWER	電装固定板/下	A	1	
13	57AA53540	GUIDE BLOCK	ガイドブロック	A	1	

# FIXING UNIT

P 37

JAPAN MODEL ONLY

日本専用



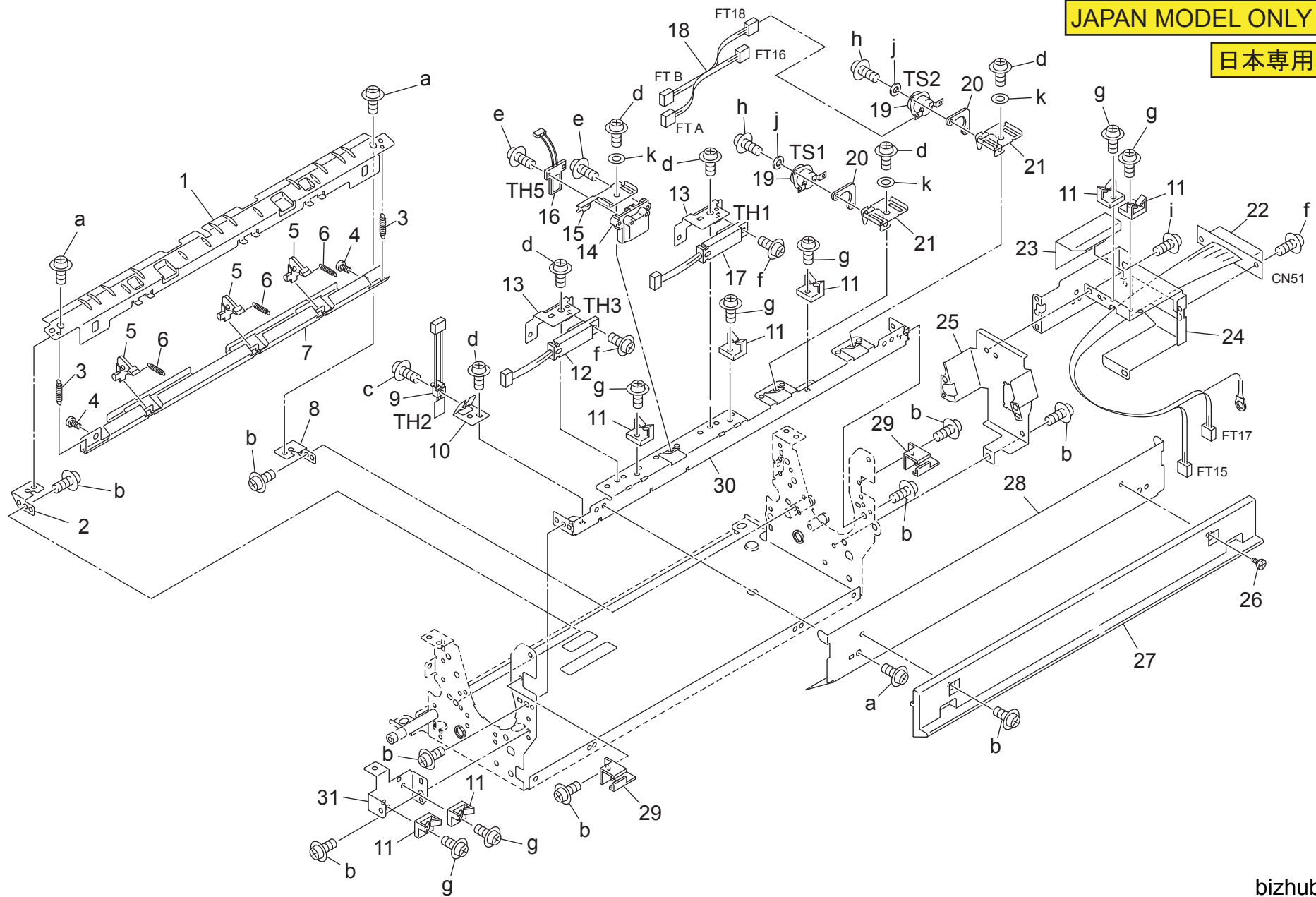
Key	Part No.	Description	Destinations	Class	QTY	Standard parts
1	57AA53910	FIXING LIFTING SCREW	定着持ち上げネジ	A	2	a-V118030403
2	57AA53830	Insulating Sheet /Left	断熱シート／左	A	1	b-V182040603
3	57AA53840	FIXING LIFTING COVER/UPPER	定着持ち上げカバー／上	A	1	c-V217040050
4	57AA53900	FIXING LIFTING PANEL/FRONT	定着持ち上げパネル／前	A	1	d-V221030050
5	57AA53860	FIXING LIFTING COVER LOWER	定着持ち上げカバー 下	A	1	e-V121030403
6	57AA53690	Insulating Sheet /Middle	断熱シート／中	A	1	f-V151031003
7	57AA-5440	UPPER PLATE ASSY	天板部組	A	1	g-V121040603
8	57AA53310	FIXING HANDLE/REAR	定着把手／奥	A	1	h-V217060050
9	56AA53470	FIXING FULCRUM SHAFT	定着支点軸	A	2	
10	57AA53780	Insulating Sheet /Rear	断熱シート／奥	A	1	
11	56AA54671	FIXING CLEANING SCREW	定着清掃ネジ	A	2	
12	57AAR72300	WEB UNIT	ウェブユニット	A	1	
13	56AA17551	PIN A	ピン A	A	1	
14	57AA77130	FIXING CLEANING GEAR F 29T	定着清掃ギア F 29 T	A	1	
15	57AA53770	Insulating Sheet /Right	断熱シート／右	A	1	
16	57AA77100	FIXING CLEANING GEAR C 15T	定着清掃ギア C 15 T	A	1	
17	540076060	FIXING CLEANING SHAFT HOLDER A	定着清掃軸受 A	A	2	
18	57AA53010	FIXING MAIN BODY/UPPER	定着 本体／上	A	1	
19	57AA-5680	SUPPORT PANEL/FRONT CAULKING	支点パネル／前カシメ	A	1	
20	56AA17531	PIN A D2X10	ピン A D 2 X 10	A	2	
21	57AA77090	FIXING CLEANING GEAR B 21T	定着清掃ギア B 21 T	A	1	
22	57AA53440	DRIVE INPUT SHAFT/FRONT	駆動入力軸／前	A	1	
23	56QA54400	ROCKING LEVER	揺動レバー	A	1	
24	540053460	ROCKING CLAW	揺動爪	A	1	
25	56QA54530	HOLDING SPRING	押えバネ	A	1	
26	56AA77340	FIXING CLEANING GEAR 1 18T	定着清掃歯車 1 18 T	A	1	
27	56AA54350	SOLENOID PULLING SPRING	ソレノイド引張りバネ	A	1	
28	540053510	REGULATE CLAW	規制爪	A	1	
29	56QA54420	STOPPER PART	ストップ部品	A	1	
30	56QA54410	SOLENOID PULLING SPRING	ソレノイド引張りバネ	A	1	
31	57AA77120	FIXING CLEANING GEAR E 27/11T	定着清掃ギア E 27 / 11 T	A	1	
32	57AA77110	FIXING CLEANING GEAR D 44/11T	定着清掃ギア D 44 / 11 T	A	1	
33	57AA77080	FIXING CLEANING GEAR A 27/16T	定着清掃ギア A 27 / 16 T	A	1	

# FIXING UNIT

P 38

JAPAN MODEL ONLY

日本専用

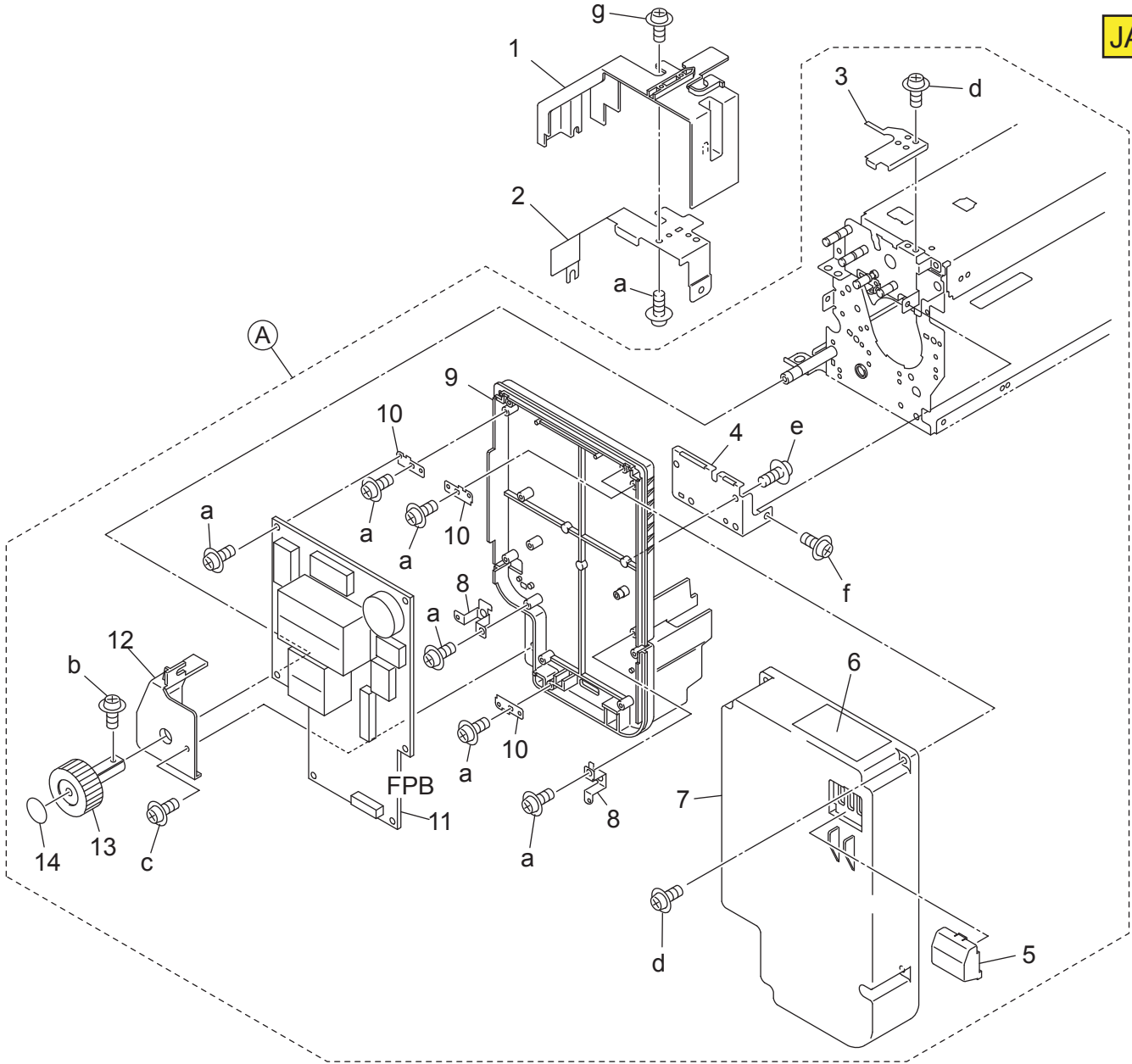


Key	Part No.	Description	Destinations	Class	QTY	Standard parts
1	57AA53280	EXIT GUIDE PANEL /LOWER	出口ガイドパネル/下	A	1	a-V182030603
2	57AA53880	EXIT FIXING PLATE/FRONT	出口固定板/前	A	1	b-V121030403
3	56AA17110	JAM DETECTING SPRING	ジャム検知バネ	A	2	c-V123031003
4	56AA17900	FIXING PAPER EXIT SCREW	定着排紙ネジ	A	2	d-V123030603
5	56QA53200	FIXING CLAW LOWER	定着爪 下	A	3	e-V151030803
6	56AA17130	SEPARATING SPRING LOWER	分離バネ 下	A	3	f-V123030803
7	56QA54510	FIXING PAPER EXIT PLATE UPPER	定着排紙板 上	A	1	g-V118040603
8	57AA53890	EXIT FIXING PLATE /REAR	出口固定板/奥	A	1	h-V118030603
9	57AA88040	TEMPERATURE SENSOR 2	温度センサ 2	A	1	i-V127030603
10	57AA53370	MOUNTING PLATE /FRONT	センサ取り付け板/前	A	1	j-V205030003
11	55GA53652	WIRING HOLDING PART	束線ホルダー部材	A	7	k-V207040003
12	57AA88021	TEMPERATURE SENSOR E	温度センサ E	A	1	
13	57AA53360	MOUNTING PLATE MIDDLE	センサ取り付け板 中	A	2	
14	57AA53300	COVER	センサカバー	A	1	
15	57AA53400	MOUNTING PLATE A	センサ取り付け板 A	A	1	
16	57AA88060	TEMPERATURE SENSOR 5	温度センサ 5	A	1	
17	57AA88010	TEMPERATURE SENSOR C	温度センサ C	A	1	
18	57AA93630	FIXING POWER SUPPLY WIRING 2	定着給電束線 2	A	1	
19	SP00-0201	THERMOSTAT	サーモスタット	A	2	
20	57AA53390	FUSE INSULATING SPACER	ヒューズ断熱スペーサー	A	2	
21	57AA53380	FUSE MOUNTING PLATE	ヒューズ取り付け板	A	2	
22	57AA93610	FIXING POWER SUPPLY WIRING /2	定着給電束線/2	A	1	
23	56AA54550	Protection Seal /1	保護シール/1	A	1	
24	57AA53510E	Electric Mounting Panel /Rear	電装取付パネル/奥	A	1	
25	57AA53480	HEATER HOLDING PANEL /REAR	ヒーターホルダーパネル/奥	A	1	
26	56AA54220	FIXING SCREW 2	固定ネジ 2	A	1	
27	57AA53110	FIXING ENTRANCE COVER /UPPER	定着進入カバー/上	A	1	
28	57AA53090E	Fixing Entrance Plate /Upper	定着進入板/上	A	1	
29	57AA53810	WIRING GUIDE PART /RIGHT	束線ガイド部材/右	A	2	
30	57AA53080	FIXING STAY /UPPER	定着センサステー/上	A	1	
31	57AA53970	BOARD SUPPORT PLATE /RIGHT	基板支持板/右	A	1	

FIXING UNIT

JAPAN MODEL ONLY

日本専用





# FIXING UNIT

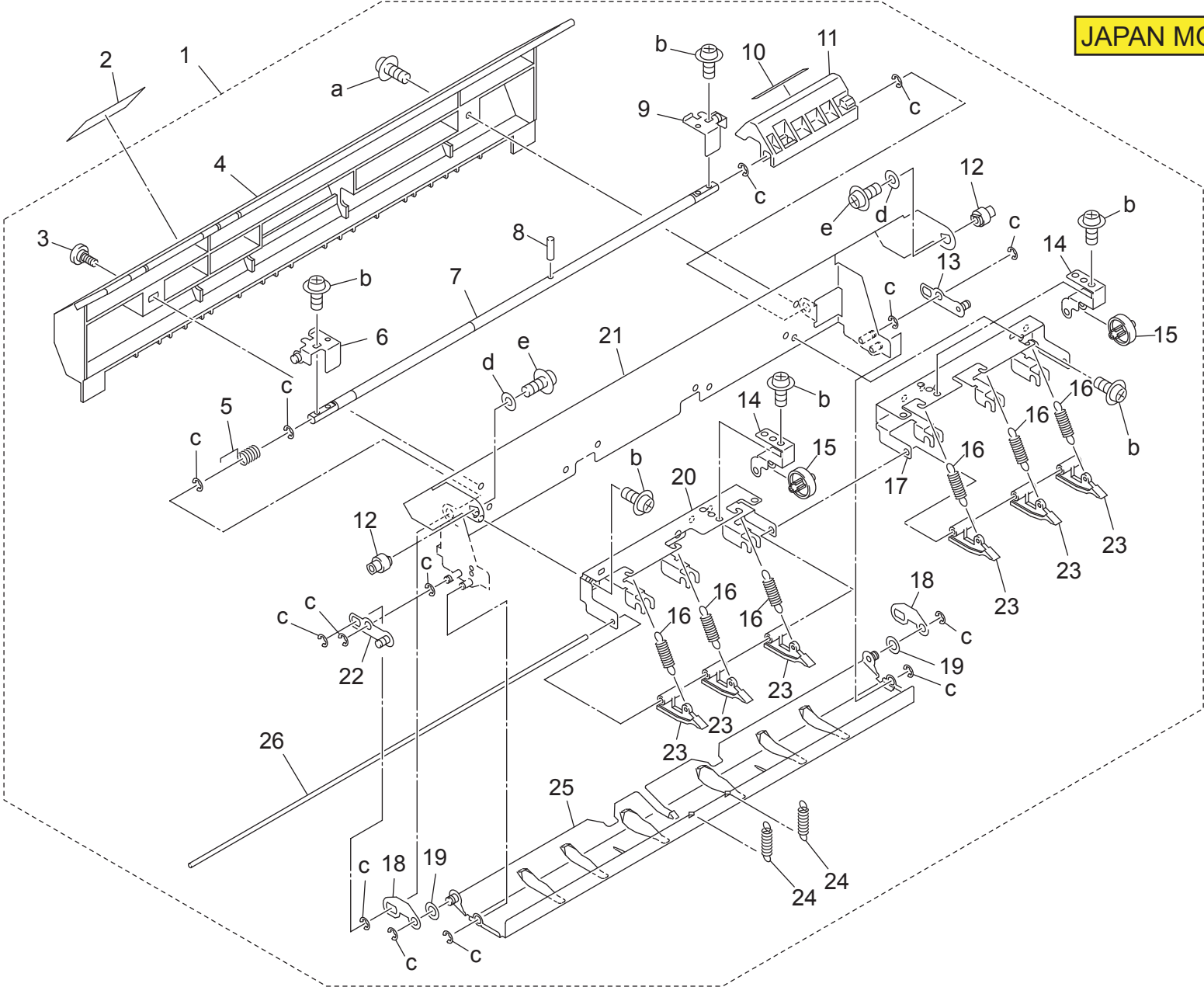
Key	Part No.	Description	Destinations	Class	QTY	Standard parts
1	57AA53920	FIXING COVER COVER FRONT	定着カバー蓋 前	A	1	a-V151030803 b-V121030803 c-V114040803 d-V182030603 e-V151030603 f-V123041003 g-V123030803
2	57AA53930	FIXING COVER PANEL FRONT	定着カバーパネル 前	A	1	
3	57AA54130	HOLDING PLATE	押さえ板	A	1	
4	57AA53990	BOARD SUPPORT PLATE /FRONT	基板支持板/前	A	1	
5	57AA54140	POWER SOURCE DUCT FRONT	電源ダクト 前	A	1	
6	57AA97831G	Caution Label /1	注意ラベル/1	A	1	
7	57AA54020	FIXING POWER SUPPLY COVER FRONT	定着給電カバー 前	A	1	
8	57AA54030	FRONT MOUNTING PLATE A	前面取り付け板 A	A	2	
9	57AA54010	FIXING POWER SUPPLY COVER MIDDLE	定着給電カバー 中	A	1	
10	57AA54040	FRONT MOUNTING PLATE B	前面取り付け板 B	A	3	
11	57AA84521E	Heater Power Source /1	ヒーター 電源/1	A	1	
12	57AA53940	FIXING COVER LEFT	定着カバー 左	A	1	
13	57AA54080	ROTATION KNOB FRONT	回転ノブ 前	A	1	
14	57AA97261E	Jam Release Label /7	ジャム解除ラベル/7	A	1	

FIXING UNIT

P 40

JAPAN MODEL ONLY

日本専用



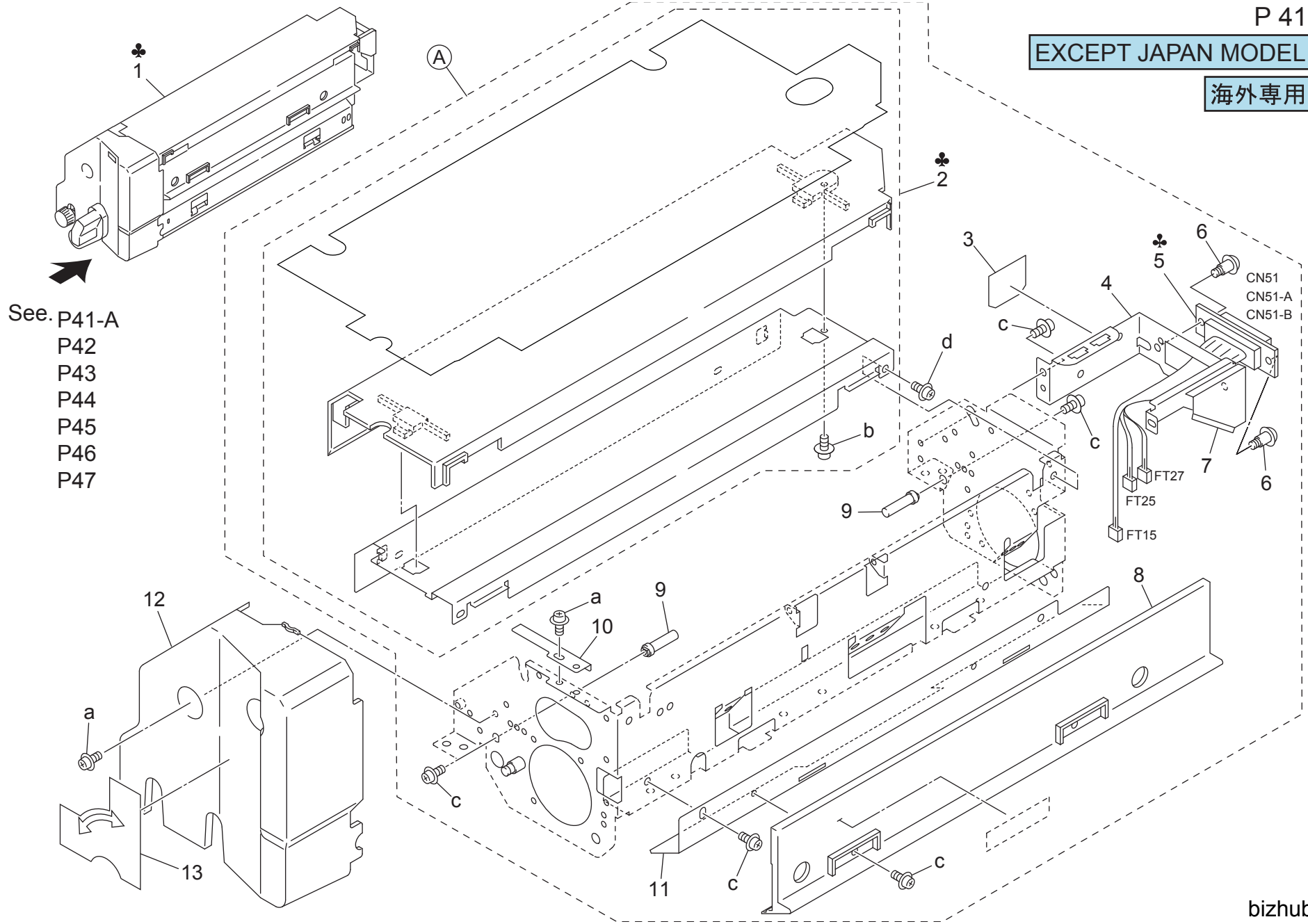
Key	Part No.	Description	Destinations	Class	QTY	Standard parts
1	57AA-5450	UPPER CLAW ASSY UNIT	上爪部組ユニット	A	1	a-V121040603 b-V121030403 c-V217040050 d-V209040003 e-V118040803
2	57AA97780	Fixing Open/Close Label	定着開閉ラベル	A	1	
3	56AA54220	FIXING SCREW 2	固定ネジ 2	A	1	
4	57AA53550	FIXING PAPER EXIT COVER	定着排紙カバー	A	1	
5	57AA53580	LEVER SPRING	レバーバネ	A	1	
6	57AA53660	OPEN-CLOSE PLATE/FRONT	開閉板/前	A	1	
7	57AA53570	LEVER SHAFT	レバー軸	A	1	
8	56AA17321	PIN A D2X12	ピン A D 2 X 1 2	A	1	
9	57AA53670	OPEN-CLOSE PLATE/REAR	開閉板/奥	A	1	
10	57AA97251E	Jam Release Label /6	ジャム解除ラベル/6	A	1	
11	56QA54330	JAM RELEASE LEVER	ジャム解除レバー	A	1	
12	56AA53200	FIXING MOUNTING SHAFT FRONT	定着取り付け軸 前	A	2	
13	57AA-5690	OPEN-CLOSE STAY/REAR CAULKING	開閉ステー/奥カシメ	A	1	
14	57AA53350	PAPER EXIT PRESSING PLATE	排紙押圧板	A	2	
15	56AA54660	PAPER EXIT ROLLER	排紙コロ	A	2	
16	56AA53240	SEPARATING SPRING UPPER	分離バネ 上	A	6	
17	57AA53850	HOLDING PANEL/REAR	ホルダーパネル/奥	A	1	
18	57AA54070	OPEN CLOSE PANEL A	開閉パネル A	A	2	
19	56AA26310	SPACER 5	スペーサー 5	A	2	
20	57AA53650	HOLDING PANEL/FRONT	ホルダーパネル/前	A	1	
21	57AA53560	OPEN CLOSE STAY LEFT	開閉ステー 左	A	1	
22	57AA-5470	OPEN-CLOSE STAY/FRONT CAULKING	開閉ステー/前カシメ	A	1	
23	56AA54270	FIXING CLAW UPPER	定着爪 上	A	6	
24	57AA53640	OPEN CLOSE SPRING	開閉バネ	A	2	
25	57AA53270	EXIT GUIDE PANEL UPPER	出口ガイドパネル 上	A	1	
26	57AA53870	HOLDING SHAFT/UPPER	ホルダー軸/上	A	1	

# FIXING UNIT

P 41

EXCEPT JAPAN MODEL

海外専用



bizhub 751

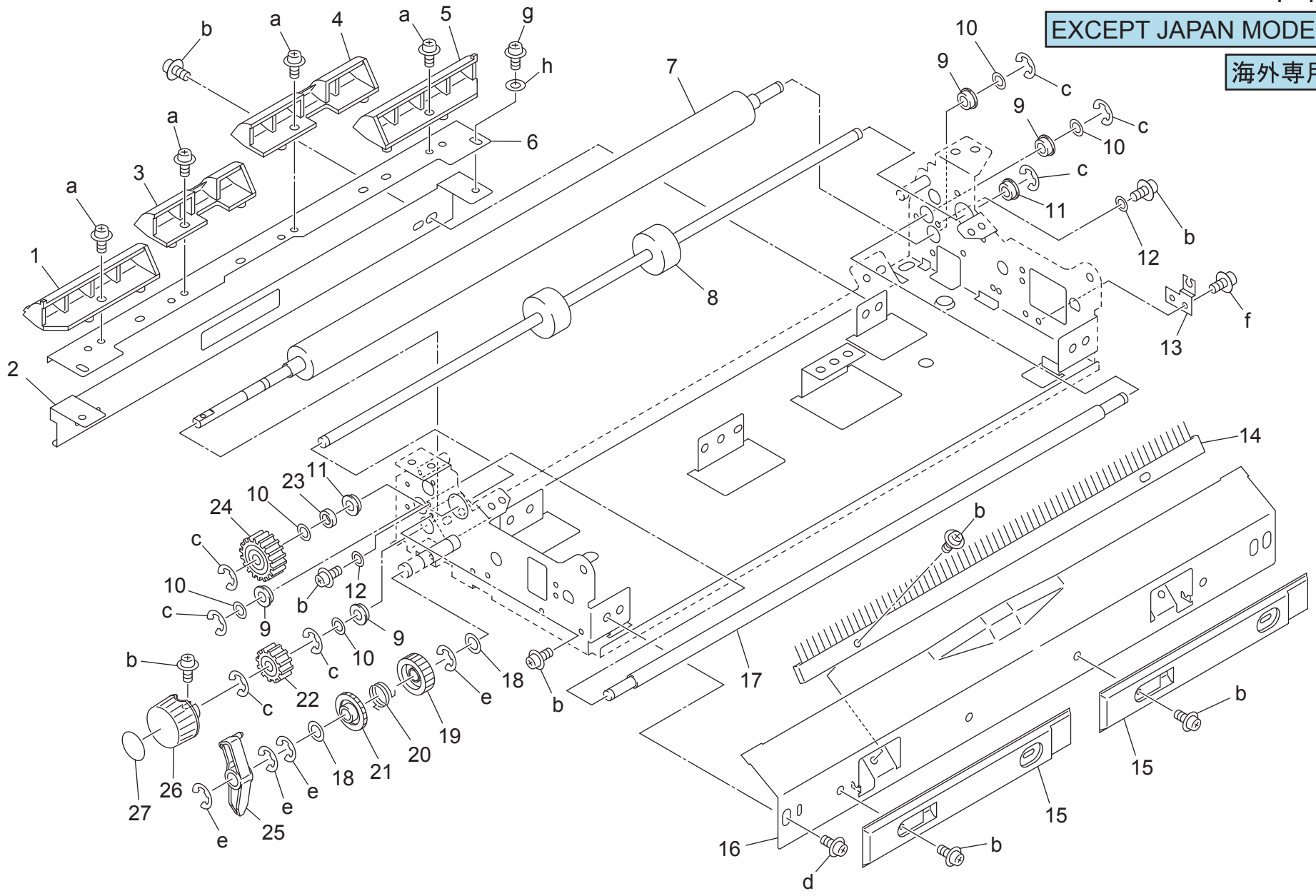
Key	Part No.	Description	Destinations	Class	QTY	Standard parts
1	57AE-5300	FUSING UNIT	B,G2	I	1	a-V140040603 b-V151030804 c-V121030603 d-V121040603
1	57AF-5301	Fusing Unit	C	I	1	
1	57AK-5300	FIXING UNIT	H	I	1	
1	57AN-5300	FIXING UNIT	D1,D3,E,F2,G1,I,J,K	I	1	
1	57AS-5300	FIXING UNIT	F1	I	1	
2	57AE-5440	UPPER PLATE ASSY	B,G2	D	1	
2	57AFR70300	UPPER PLATE ASSY	C	D	1	
2	57AN-5440	UPPER PLATE ASSY	D1,D3,E,F2,G1,I,J,K	D	1	
2	57AS-5440	UPPER PLATE ASSY	F1,H	D	1	
3	56AA54550	Protection Seal /1	B,C,D1,D3,E,F1,F2,G1,G2,H,I,J,K	C	1	
4	56AA53871	POWER SOURCE MOUNTING PLATE /U	B,C,D1,D3,E,F1,F2,G1,G2,H,I,J,K	D	1	
5	57AE93610	FIXING POWERING WIRING 2	B,F1,G2,H	D	1	
5	57AF93611	FIXING POWER SUPPLY WIRING 2	C,D1,D3,E,F2,G1,I,J,K	D	1	
6	26NA54030	MOUNT SCREW	B,C,D1,D3,E,F1,F2,G1,G2,H,I,J,K	C	2	
7	56AA53942	Fixing Heat Insulate Sheet /A	B,C,D1,D3,E,F1,F2,G1,G2,H,I,J,K	C	1	
8	56AA53390	GUIDE PART A	B,C,D1,D3,E,F1,F2,G1,G2,H,I,J,K	C	1	
9	56AA53210	FIXING MOUNTING SHAFT /MIDDLE	B,C,D1,D3,E,F1,F2,G1,G2,H,I,J,K	D	2	
10	56AA54240	FIXING HOLDING PLATE	B,C,D1,D3,E,F1,F2,G1,G2,H,I,J,K	D	1	
11	56AA53450	FIXING ENTRANCE PLATE UPPER	B,C,D1,D3,E,F1,F2,G1,G2,H,I,J,K	D	1	
12	57AE54740	FIXING COVER /FRONT	B,C,D1,D3,E,F1,F2,G1,G2,H,I,J,K	C	1	
13	57AA97760	Fixing Cover Label	B,C,D1,D3,E,F1,F2,G1,G2,H,I,J,K	C	1	

# FIXING UNIT

P 42

EXCEPT JAPAN MODEL

海外専用



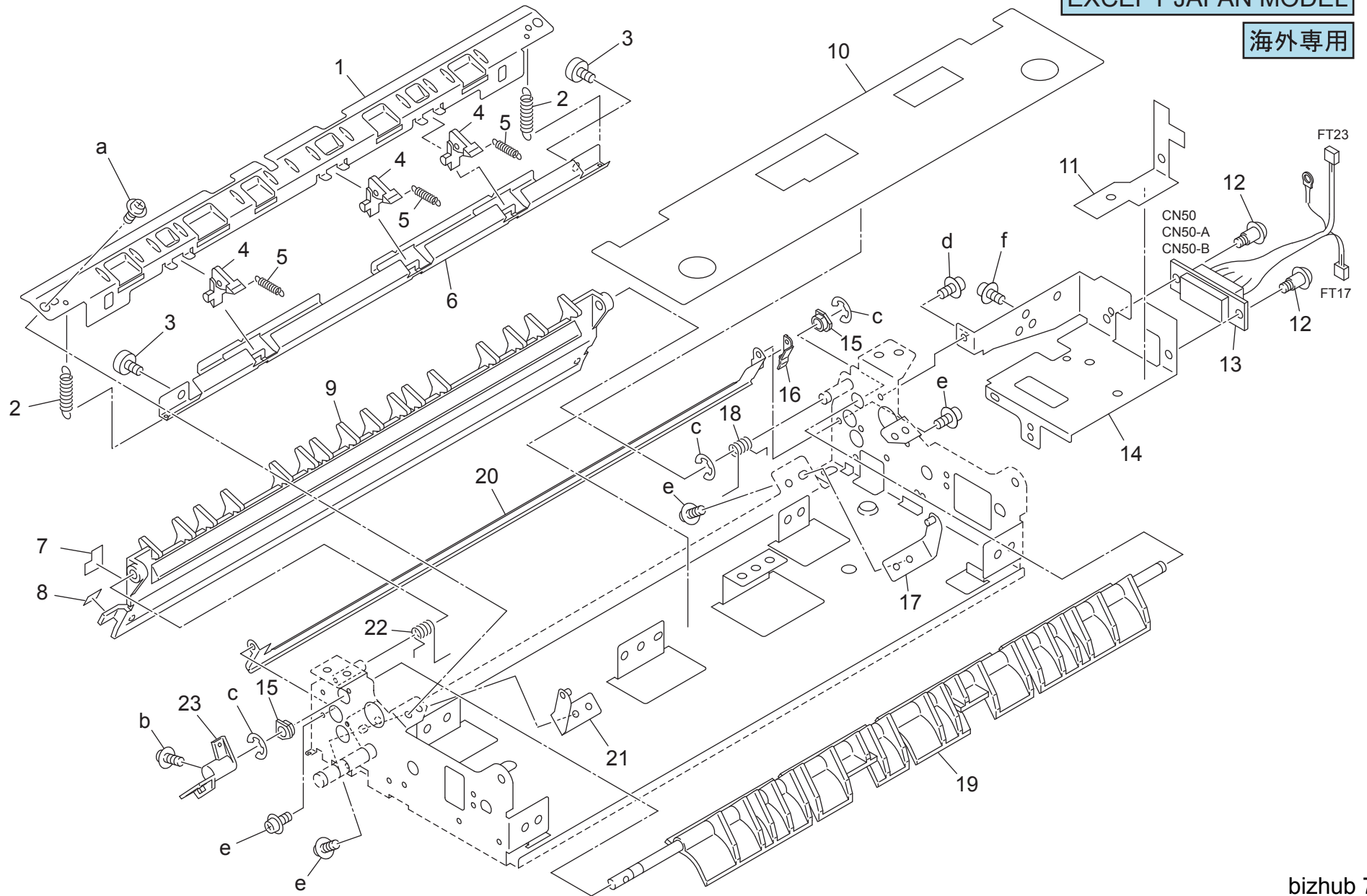
Key	Part No.	Description	Destinations	Class	QTY	Standard parts	
1	56AA54410	PAPER EXIT GUIDE PART 1	排紙ガイド部材 1	B,C,D1,D3,E,F1,F2,G 1,G2,H,I,J,K	C	1	a-V121040603 b-V121030603 c-V217040050 d-V140040603 e-V217060050 f-V182030603 g-V122040803 h-V207040003
2	56AA54541	PAPER EXIT GUIDE PLATE /LOWER	排紙ガイド板/下	B,C,D1,D3,E,F1,F2,G 1,G2,H,I,J,K	D	1	
3	56AA54420	PAPER EXIT GUIDE PART 2	排紙ガイド部材 2	B,C,D1,D3,E,F1,F2,G 1,G2,H,I,J,K	C	1	
4	56AA54430	PAPER EXIT GUIDE PART 3	排紙ガイド部材 3	B,C,D1,D3,E,F1,F2,G 1,G2,H,I,J,K	C	1	
5	56AA54440	PAPER EXIT GUIDE PART 4	排紙ガイド部材 4	B,C,D1,D3,E,F1,F2,G 1,G2,H,I,J,K	C	1	
6	56AA53780	PAPER EXIT GUIDE PLATE	排紙ガイド板	B,C,D1,D3,E,F1,F2,G 1,G2,H,I,J,K	D	1	
7	56AA53071	PAPER EXIT CONVEYING ROLLER UPPER	排紙搬送ローラ 上	B,C,D1,D3,E,F1,F2,G 1,G2,H,I,J,K	A	1	
8	56AA53710	Fixing Paper Exit Roller	定着排紙ローラ	B,C,D1,D3,E,F1,F2,G 1,G2,H,I,J,K	C	1	
9	07AA75090	METAL 1	軸受 1	B,C,D1,D3,E,F1,F2,G 1,G2,H,I,J,K	B	4	
10	56AA54480	Drive Protection Spacer	駆動保護スペーサー	B,C,D1,D3,E,F1,F2,G 1,G2,H,I,J,K	C	5	
11	56AA75061	Fixing Paper Exit Bearing	定着排紙軸受	B,C,D1,D3,E,F1,F2,G 1,G2,H,I,J,K	C	2	
12	56AA54640	SHAFT HOLDER REGULATING PLATE	軸受規制板	B,C,D1,D3,E,F1,F2,G 1,G2,H,I,J,K	D	2	
13	57AE54730E	Lamp Mounting Plate /3	ランプ取付板/3	B,C,D1,D3,E,F1,F2,G 1,G2,H,I,J,K	D	1	
14	56AA54190	NEUTRALIZING BRUSH	除電ブラシ	B,C,D1,D3,E,F1,F2,G 1,G2,H,I,J,K	C	1	
15	56QA54500	Insulating Part	断熱部材	B,C,D1,D3,E,F1,F2,G 1,G2,H,I,J,K	C	2	
16	56AA53461	FIXING ENTRANCE PLATE LOWER	定着進入板 下	B,C,D1,D3,E,F1,F2,G 1,G2,H,I,J,K	D	1	
17	56AA53721	PAPER EXIT DRIVEN ROLLER UPPER	排紙従動ローラ 上	B,C,D1,D3,E,F1,F2,G 1,G2,H,I,J,K	D	1	
18	12QV40650	SPACER	スペーサー	B,C,D1,D3,E,F1,F2,G 1,G2,H,I,J,K	B	2	
19	57AA77220	PAPER EXIT IDLING GEAR 2 25T	排紙アイドル歯車 2 25 T	B,C,D1,D3,E,F1,F2,G 1,G2,H,I,J,K	B	1	
20	57AA54170	SPRING REAR	バネ 奥	B,C,D1,D3,E,F1,F2,G 1,G2,H,I,J,K	C	1	
21	57AA77210	PAPER EXIT IDLING GEAR 1 25T	排紙アイドル歯車 1 25 T	B,C,D1,D3,E,F1,F2,G 1,G2,H,I,J,K	B	1	
22	56AA77231	PAPER EXIT DRIVING GEAR 2 18T	排紙駆動歯車 2 18 T	B,C,D1,D3,E,F1,F2,G 1,G2,H,I,J,K	B	1	
23	56AA54471	DRIVE STOPPER ROLLER	駆動突き当てコロ	B,C,D1,D3,E,F1,F2,G 1,G2,H,I,J,K	C	1	
24	56AA77220	PAPER EXIT DRIVING GEAR 1 24T	排紙駆動歯車 1 24 T	B,C,D1,D3,E,F1,F2,G 1,G2,H,I,J,K	B	1	
25	56AA53840	Paper Exit Guide Lever	排紙案内レバー	B,C,D1,D3,E,F1,F2,G 1,G2,H,I,J,K	C	1	
26	56QA54540	ROTARY KNOB H	回転ノブ H	B,C,D1,D3,E,F1,F2,G 1,G2,H,I,J,K	C	1	
27	57AA97261E	Jam Release Label /7	ジャム解除ラベル/7	B,C,D1,D3,E,F1,F2,G 1,G2,H,I,J,K	C	1	

# FIXING UNIT

P 43

EXCEPT JAPAN MODEL

海外専用





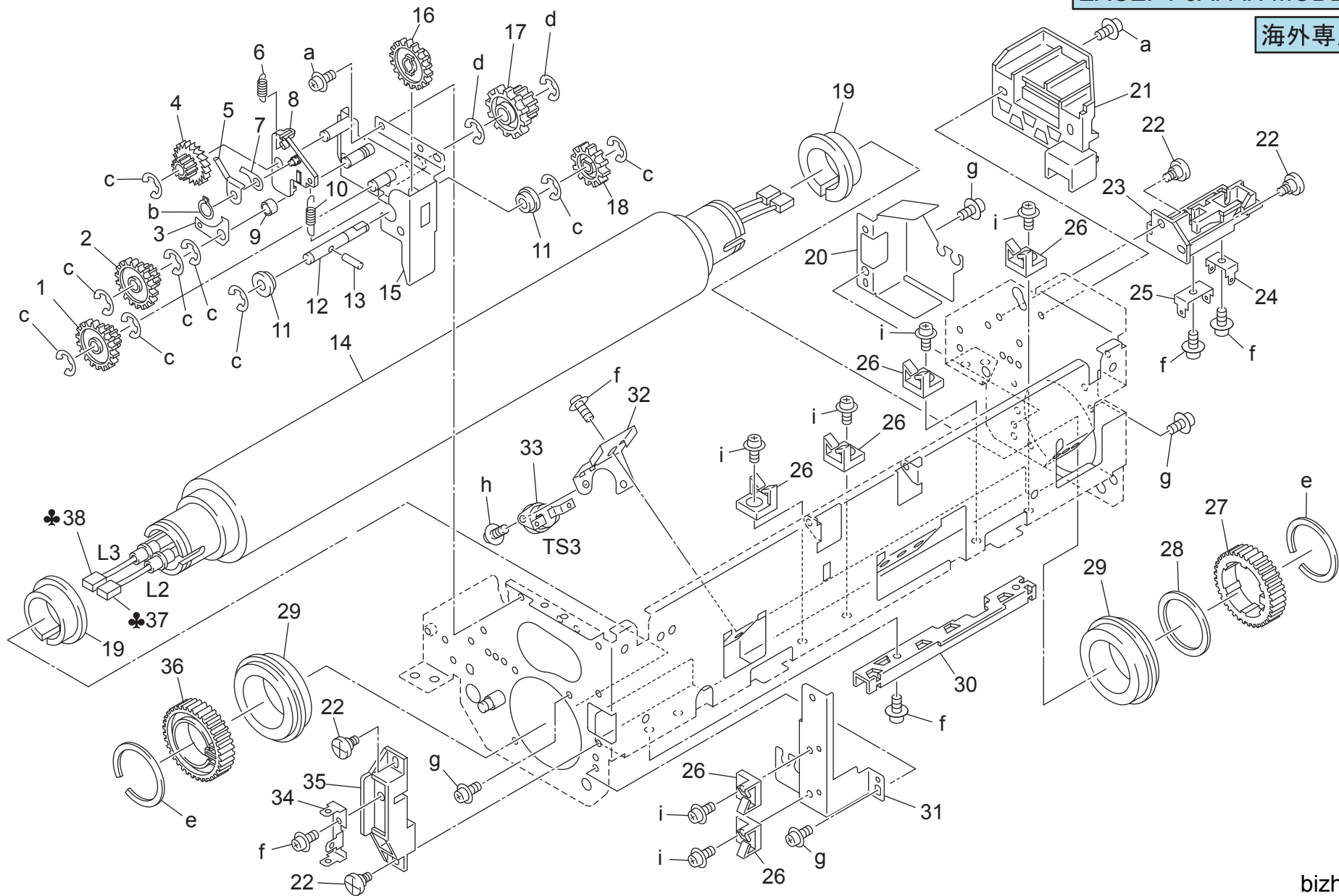
Key	Part No.	Description	Destinations	Class	QTY	Standard parts	
1	56AA54180	FIXING PAPER EXIT PLATE LOWER	定着排紙板 下	B,C,D1,D3,E,F1,F2,G 1,G2,H,I,J,K	D	1	a-V140040603 b-V121030603 c-V217040050 d-V121030403 e-V121040603 f-V123040603
2	56AA17110	JAM DETECTING SPRING	ジャム検知バネ	B,C,D1,D3,E,F1,F2,G 1,G2,H,I,J,K	C	2	
3	56AA17900	FIXING PAPER EXIT SCREW	定着排紙ネジ	B,C,D1,D3,E,F1,F2,G 1,G2,H,I,J,K	C	2	
4	56QA53200	FIXING CLAW LOWER	定着爪 下	B,C,D1,D3,E,F1,F2,G 1,G2,H,I,J,K	A	3	
5	56AA17130	SEPARATING SPRING LOWER	分離バネ 下	B,C,D1,D3,E,F1,F2,G 1,G2,H,I,J,K	C	3	
6	56QA54510	FIXING PAPER EXIT PLATE UPPER	定着排紙板 上	B,C,D1,D3,E,F1,F2,G 1,G2,H,I,J,K	D	1	
7	57AA97271E	Jam Release Label /8	ジャム解除ラベル / 8	B,C,D1,D3,E,F1,F2,G 1,G2,H,I,J,K	C	1	
8	56QA97300	Jam Release Label /6	ジャム解除ラベル / 6	B,C,D1,D3,E,F1,F2,G 1,G2,H,I,J,K	D	1	
9	56AA53733	PAPEREXITENTRANCEPLATE UPP	排紙進入板 / 上	B,C,D1,D3,E,F1,F2,G 1,G2,H,I,J,K	C	1	
10	57AE54750	INSULATING SHEET /1	絶縁シート / 1	B,C,D1,D3,E,F1,F2,G 1,G2,H,I,J,K	D	1	
11	56AA53951	Fixing Heat Insulate Sheet /B	定着断熱シート / B	B,C,D1,D3,E,F1,F2,G 1,G2,H,I,J,K	C	1	
12	26NA54030	MOUNT SCREW	取り付けネジ	B,C,D1,D3,E,F1,F2,G 1,G2,H,I,J,K	C	2	
13	57AE90081	FIXING POWER SUPPLY WIRING 1	定着給電束線 1	B,C,D1,D3,E,F1,F2,G 1,G2,H,I,J,K	D	1	
14	57AE54720	POWER SOURCE MOUNTING PLATE /L	電源取り付け板 / 下	B,C,D1,D3,E,F1,F2,G 1,G2,H,I,J,K	D	1	
15	466076020	PAPER FEED SHAFT HOLDER	給紙送り出し軸受	B,C,D1,D3,E,F1,F2,G 1,G2,H,I,J,K	B	2	
16	56QA54490	PAPER EXIT RELEASE HANDLE	排紙解除把手	B,C,D1,D3,E,F1,F2,G 1,G2,H,I,J,K	C	1	
17	56AA-5651	PAPER EXIT MOUNTING PLATE /2	排紙取り付け板 / 2部組	B,C,D1,D3,E,F1,F2,G 1,G2,H,I,J,K	D	1	
18	56AA53751	PAPER EXIT PRESSING SPRING REAR	排紙押圧バネ 奥	B,C,D1,D3,E,F1,F2,G 1,G2,H,I,J,K	C	1	
19	56AA53802	PAPER EXIT GUIDE PART RIGHT	排紙ガイド部材 右	B,C,D1,D3,E,F1,F2,G 1,G2,H,I,J,K	D	1	
20	56AA54080	PAPER EXIT GUIDE PLATE LOWER	排紙ガイド板 下	B,C,D1,D3,E,F1,F2,G 1,G2,H,I,J,K	D	1	
21	56AA-5640	PAPER EXIT MOUTNG PLATE 1	排紙取り付け板 1部組	B,C,D1,D3,E,F1,F2,G 1,G2,H,I,J,K	D	1	
22	56AA53741	PAPER EXIT PRESSING SPRING FRONT	排紙押圧バネ 前	B,C,D1,D3,E,F1,F2,G 1,G2,H,I,J,K	C	1	
23	56AA53820	Positioning Lever	位置決めレバー	B,C,D1,D3,E,F1,F2,G 1,G2,H,I,J,K	C	1	

# FIXING UNIT

P 44

EXCEPT JAPAN MODEL

海外専用



Key	Part No.	Description	Destinations	Class	QTY	Standard parts	
1	57AA77120	FIXING CLEANING GEAR E 27/11T	定着清掃ギア E 27 / 11 T	B,C,D1,D3,E,F1,F2,G 1,G2,H,I,J,K	B	1	a-V121030603 b-V221030050 c-V217040050 d-V217060050 e-V223300004 f-V123030603 g-V140040603 h-V118030403 i-V118040603
2	57AA77110	FIXING CLEANING GEAR D 44/11T	定着清掃ギア D 44 / 11 T	B,C,D1,D3,E,F1,F2,G 1,G2,H,I,J,K	B	1	
3	540053510	REGULATE CLAW	規制爪	B,C,D1,D3,E,F1,F2,G 1,G2,H,I,J,K	C	1	
4	56AA77340	FIXING CLEANING GEAR 1 18T	定着清掃歯車 1 18 T	B,C,D1,D3,E,F1,F2,G 1,G2,H,I,J,K	B	1	
5	56QA54530	HOLDING SPRING	押えバネ	B,C,D1,D3,E,F1,F2,G 1,G2,H,I,J,K	C	1	
6	56AA54350	SOLENOID PULLING SPRING	ソレノイド引張りバネ	B,C,D1,D3,E,F1,F2,G 1,G2,H,I,J,K	C	1	
7	540053460	ROCKING CLAW	揺動爪	B,C,D1,D3,E,F1,F2,G 1,G2,H,I,J,K	C	1	
8	56QA54400	ROCKING LEVER	揺動レバー	B,C,D1,D3,E,F1,F2,G 1,G2,H,I,J,K	C	1	
9	56QA54420	STOPPER PART	ストッパ部材	B,C,D1,D3,E,F1,F2,G 1,G2,H,I,J,K	D	1	
10	56QA54410	SOLENOID PULLING SPRING	ソレノイド引張りバネ	B,C,D1,D3,E,F1,F2,G 1,G2,H,I,J,K	C	1	
11	540076060	FIXING CLEANING SHAFT HOLDER A	定着清掃軸受 A	B,C,D1,D3,E,F1,F2,G 1,G2,H,I,J,K	C	2	
12	56AA53431	CLEANING SHAFT	清掃軸	B,C,D1,D3,E,F1,F2,G 1,G2,H,I,J,K	D	1	
13	56AA17531	PIN A D2X10	ピン A D 2 X 10	B,C,D1,D3,E,F1,F2,G 1,G2,H,I,J,K	C	1	
14	56AE53052	FIXING ROLLER UPPER	定着ローラ 上	B,C,D1,D3,E,F1,F2,G 1,G2,H,I,J,K	A	1	
15	57AE54780	DRIVE MAIN BODY /A	駆動 本体 / A	B,C,D1,D3,E,F1,F2,G 1,G2,H,I,J,K	D	1	
16	57AA77170	FIXING CLEANING GEAR G 27T	定着清掃ギア G 27 T	B,C,D1,D3,E,F1,F2,G 1,G2,H,I,J,K	B	1	
17	57AA77180	FIXING CLEANING GEAR H 25/15T	定着清掃ギア H 25 / 15 T	B,C,D1,D3,E,F1,F2,G 1,G2,H,I,J,K	B	1	
18	56AA77350	FIXING CLEANING GEAR 2 19T	定着清掃歯車 2 19 T	B,C,D1,D3,E,F1,F2,G 1,G2,H,I,J,K	B	1	
19	454053391	HEAT INSULATE SLEEVE	断熱スリーブ	B,C,D1,D3,E,F1,F2,G 1,G2,H,I,J,K	A	2	
20	56AA53582	LAMP MOUNTING PLATE REAR	ランプ取付板 / 奥	B,C,D1,D3,E,F1,F2,G 1,G2,H,I,J,K	D	1	
21	56AA54121	Fixing Handle	定着把手	B,C,D1,D3,E,F1,F2,G 1,G2,H,I,J,K	C	1	
22	56AA54220	FIXING SCREW 2	固定ネジ 2	B,C,D1,D3,E,F1,F2,G 1,G2,H,I,J,K	C	4	
23	56AA53610	Terminal Pedestal /3	端子台 / 3	B,C,D1,D3,E,F1,F2,G 1,G2,H,I,J,K	C	1	
24	56AA53650	TERMINAL PLATE 3	端子板 3	B,C,D1,D3,E,F1,F2,G 1,G2,H,I,J,K	C	1	
25	56AA53660	TERMINAL PLATE 4	端子板 4	B,C,D1,D3,E,F1,F2,G 1,G2,H,I,J,K	C	1	
26	55GA53652	WIRING HOLDING PART	束線ホルダー部材	B,C,D1,D3,E,F1,F2,G 1,G2,H,I,J,K	C	6	
27	544077201	FIXING DRIVE GEAR B 50T	定着駆動歯車 B 50 T	B,C,D1,D3,E,F1,F2,G 1,G2,H,I,J,K	B	1	

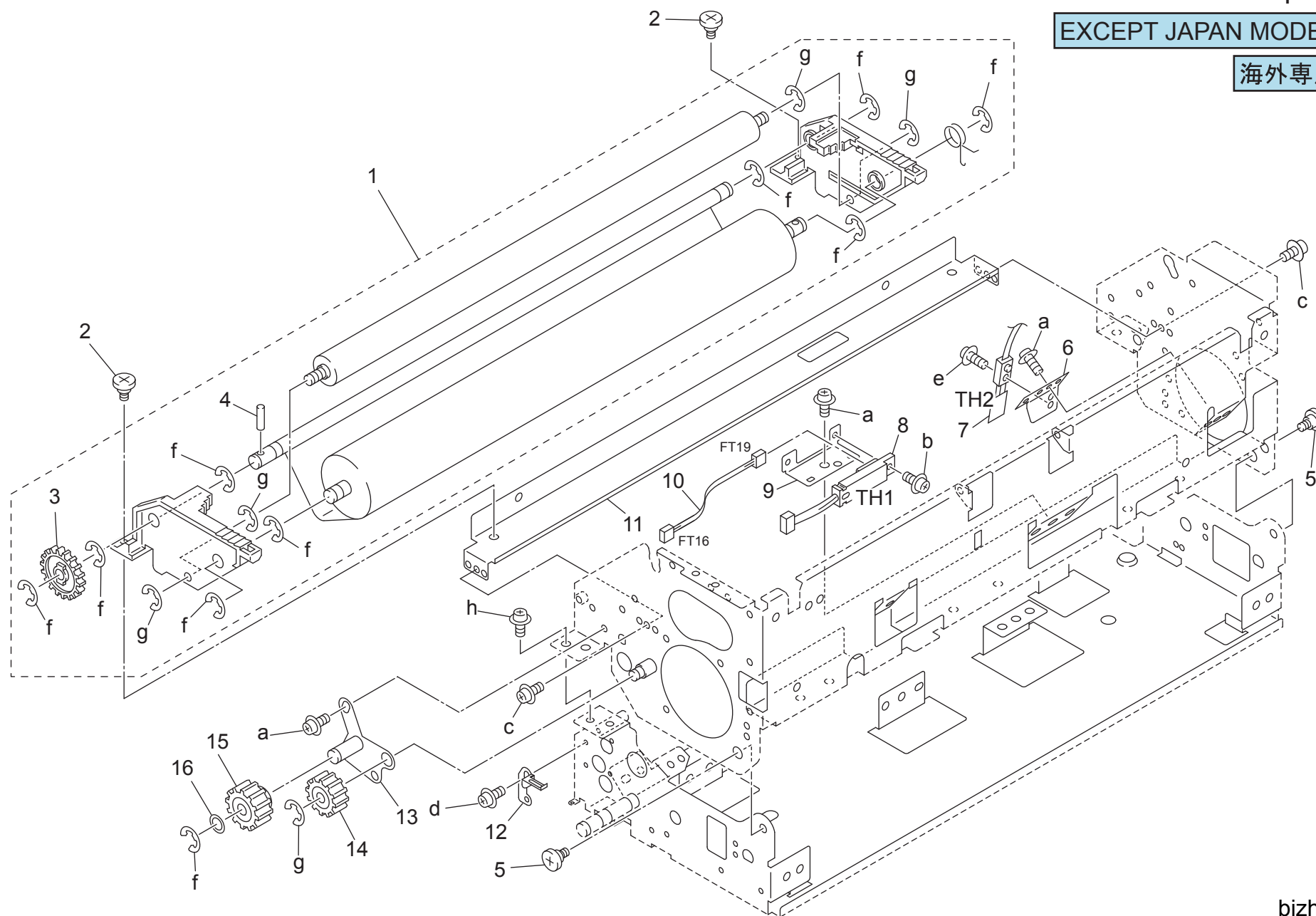
Key	Part No.	Description	Destinations	Class	QTY	Standard parts
28	56QA54430	Fixing Drive Spacer /Rear	定着駆動スペーサー／奥	C	1	
29	454075040	BALL BEARING	ボールベアリング	A	2	
30	57AA53820	WIRING GUIDE PART /LOWER	束線ガイド部材／下	D	1	
31	57AE54760	LAMP MOUNTING PLATE /FRONT	ランプ取り付け板／前	D	1	
32	540053540	FUSE MOUNTING PLATE	ヒューズ取付板	C	1	
33	SP00-0022	THERMOSTAT	サーモスタット	A	1	
34	56AA53630	TERMINAL PLATE 1	端子板 1	C	1	
35	56AA53590	Terminal Pedestal /1	端子台 / 1	C	1	
36	56QA77210	FIXING DRIVING GEAR FRONT 50T	定着駆動歯車 前 50 T	B	1	
37	56AE83031	Fixing Lamp /1	定着ランプ / 1	B	1	
37	56AF83031	Fixing Lamp /1	定着ランプ / 1	B	1	
37	56AS83030	FIXING LAMP 1	定着ランプ 1	B	1	
38	56AE83041	Fixing Lamp /2	定着ランプ / 2	B	1	
38	56AF83041	Fixing Lamp /2	定着ランプ / 2	B	1	
38	56AK83040	Fixing Lamp /2	定着 ランプ / 2	B	1	
38	56AS83040	FIXING LAMP 2	定着ランプ 2	B	1	

# FIXING UNIT

P 45

EXCEPT JAPAN MODEL

海外専用



bizhub 751

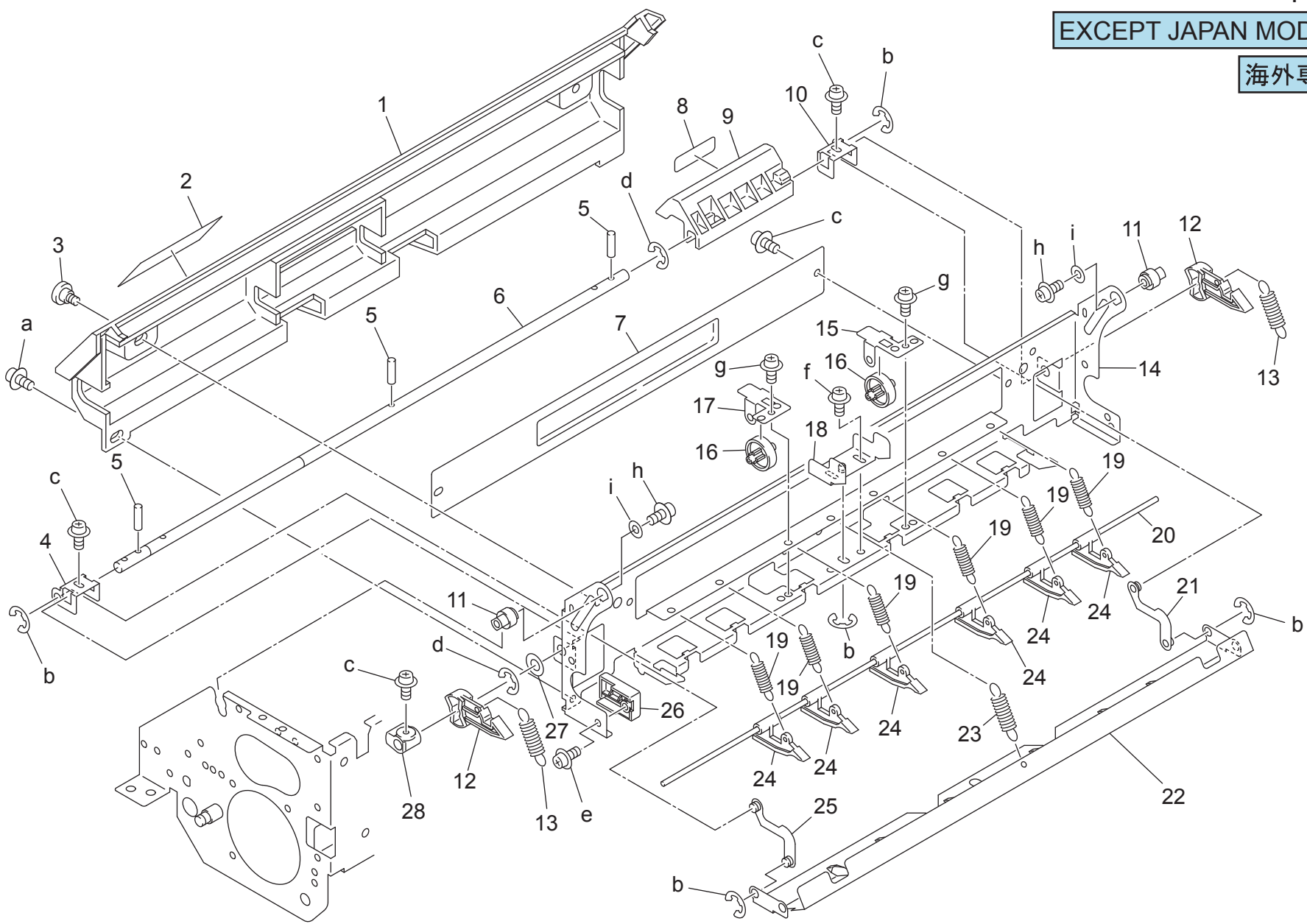
Key	Part No.	Description	Destinations	Class	QTY	Standard parts
1	57AER70300	WEB UNIT	ウェブユニット	A	1	a-V123030603 b-V123030803
2	56AA54671	FIXING CLEANING SCREW	定着清掃ネジ	C	2	c-V121030603 d-V121030403
3	57AA77130	FIXING CLEANING GEAR F 29T	定着清掃ギア F 29 T	B	1	e-V123031003 f-V217060050
4	56AA17551	PIN A	ピン A	C	1	g-V217040050 h-V140040603
5	56AA53470	FIXING FULCRUM SHAFT	定着支点軸	D	2	
6	56AA54292	SUPPORT PART	センサ支持部材	D	1	
7	57AE88040	TEMPERATURE SENSOR 2	温度センサ 2	B	1	
8	57AE88010	TEMPERATURE SENSOR C	温度センサ C	B	1	
9	57AE54700	SUPPORT PART MIDDLE	センサ支持部材 中	D	1	
10	56AA93630	FIXING RELAY WIRING 2	定着中継束線 2	D	1	
11	56AA53562	RELEASE STAY	解除ステー	C	1	
12	56AA54530	FIXING EARTH SPRING	定着アースバネ	C	1	
13	56AA54463D	Drive Stopper Plate	駆動突当て板	D	1	
14	25BA77191	FIXING IDLER GEAR BLACK 19T	定着アイドル歯車 黒 19 T	B	1	
15	56AA77210	PAPER EXIT IDLING GEAR 1 25T	排紙アイドル歯車 1 25 T	B	1	
16	12QV40650	SPACER	スペーサー	B	1	

# FIXING UNIT

P 46

EXCEPT JAPAN MODEL

海外専用



Key	Part No.	Description	Destinations	Class	QTY	Standard parts	
1	56AA53370	Jam Processing Cover	ジャム処理カバー	B,C,D1,D3,E,F1,F2,G 1,G2,H,I,J,K	C	1	a-V140040603 b-V217030050 c-V121030603 d-V217040050 e-V121031803 f-V123030603 g-V121030303 h-V118040803 i-V209040003
2	57AA97780	Fixing Open/Close Label	定着開閉ラベル	B,C,D1,D3,E,F1,F2,G 1,G2,H,I,J,K	C	1	
3	56AA54210	FIXING SCREW 1	固定ネジ 1	B,C,D1,D3,E,F1,F2,G 1,G2,H,I,J,K	C	1	
4	56AA54370	Paper Exit Release Plate /A	排紙解除板 / A	B,C,D1,D3,E,F1,F2,G 1,G2,H,I,J,K	D	1	
5	56AA17321	PIN A D2X12	ピン A D 2 X 1 2	B,C,D1,D3,E,F1,F2,G 1,G2,H,I,J,K	B	3	
6	56AA53151	LOCK SHAFT/1	ロック軸 / 1	B,C,D1,D3,E,F1,F2,G 1,G2,H,I,J,K	D	1	
7	56AA53121	RELEASE PLATE 2	解除板 2	B,C,D1,D3,E,F1,F2,G 1,G2,H,I,J,K	D	1	
8	57AA97251E	Jam Release Label /6	ジャム解除ラベル / 6	B,C,D1,D3,E,F1,F2,G 1,G2,H,I,J,K	C	1	
9	56QA54330	JAM RELEASE LEVER	ジャム解除レバー	B,C,D1,D3,E,F1,F2,G 1,G2,H,I,J,K	C	1	
10	56AA54380	PAPER EXIT RELEASE PLATE B	排紙解除板 B	B,C,D1,D3,E,F1,F2,G 1,G2,H,I,J,K	D	1	
11	56AA53200	FIXING MOUNTING SHAFT FRONT	定着取り付け軸 前	B,C,D1,D3,E,F1,F2,G 1,G2,H,I,J,K	D	2	
12	56AA53160	Locking Claw /Front	ロック爪 / 前	B,C,D1,D3,E,F1,F2,G 1,G2,H,I,J,K	C	2	
13	56AA54360	FIXING LOCKING SPRING	定着ロックバネ	B,C,D1,D3,E,F1,F2,G 1,G2,H,I,J,K	C	2	
14	56AA53032	FIXINGPAPEREXITPLATE RIGHT	定着排紙板 / 右	B,C,D1,D3,E,F1,F2,G 1,G2,H,I,J,K	C	1	
15	56AA54573	PRESSING PLATE 1	押圧板 1	B,C,D1,D3,E,F1,F2,G 1,G2,H,I,J,K	D	1	
16	56AA54660	PAPER EXIT ROLLER	排紙コロ	B,C,D1,D3,E,F1,F2,G 1,G2,H,I,J,K	C	2	
17	56AA54583	PRESSING PLATE 2	押圧板 2	B,C,D1,D3,E,F1,F2,G 1,G2,H,I,J,K	D	1	
18	56AA-5681	PAPER EXIT POSITIONING PLATE	排紙位置決め板 部組	B,C,D1,D3,E,F1,F2,G 1,G2,H,I,J,K	D	1	
19	56AA53240	SEPARATING SPRING UPPER	分離バネ 上	B,C,D1,D3,E,F1,F2,G 1,G2,H,I,J,K	C	6	
20	56AA54250D	Separation Support Shaft /A	分離支点軸 / A	B,C,D1,D3,E,F1,F2,G 1,G2,H,I,J,K	D	1	
21	56AA54391	LEVER RELEASE PLATE/1	レバー解除板 / 1	B,C,D1,D3,E,F1,F2,G 1,G2,H,I,J,K	D	1	
22	56AA53180	FIXING PAPER EXIT PLATE LEFT	定着排紙板 左	B,C,D1,D3,E,F1,F2,G 1,G2,H,I,J,K	D	1	
23	56AA54340	FIXING RELEASE SPRING	定着解除バネ	B,C,D1,D3,E,F1,F2,G 1,G2,H,I,J,K	C	1	
24	56AA54270	FIXING CLAW UPPER	定着爪 上	B,C,D1,D3,E,F1,F2,G 1,G2,H,I,J,K	A	6	
25	56AA54401	LEVER RELEASE PLATE/2	レバー解除板 / 2	B,C,D1,D3,E,F1,F2,G 1,G2,H,I,J,K	D	1	
26	57AE54790	Fixing Insulating Part /2	定着断熱部材 / 2	B,C,D1,D3,E,F1,F2,G 1,G2,H,I,J,K	C	1	
27	26MA74060	SPACER A	スペーサー A	B,C,D1,D3,E,F1,F2,G 1,G2,H,I,J,K	C	1	



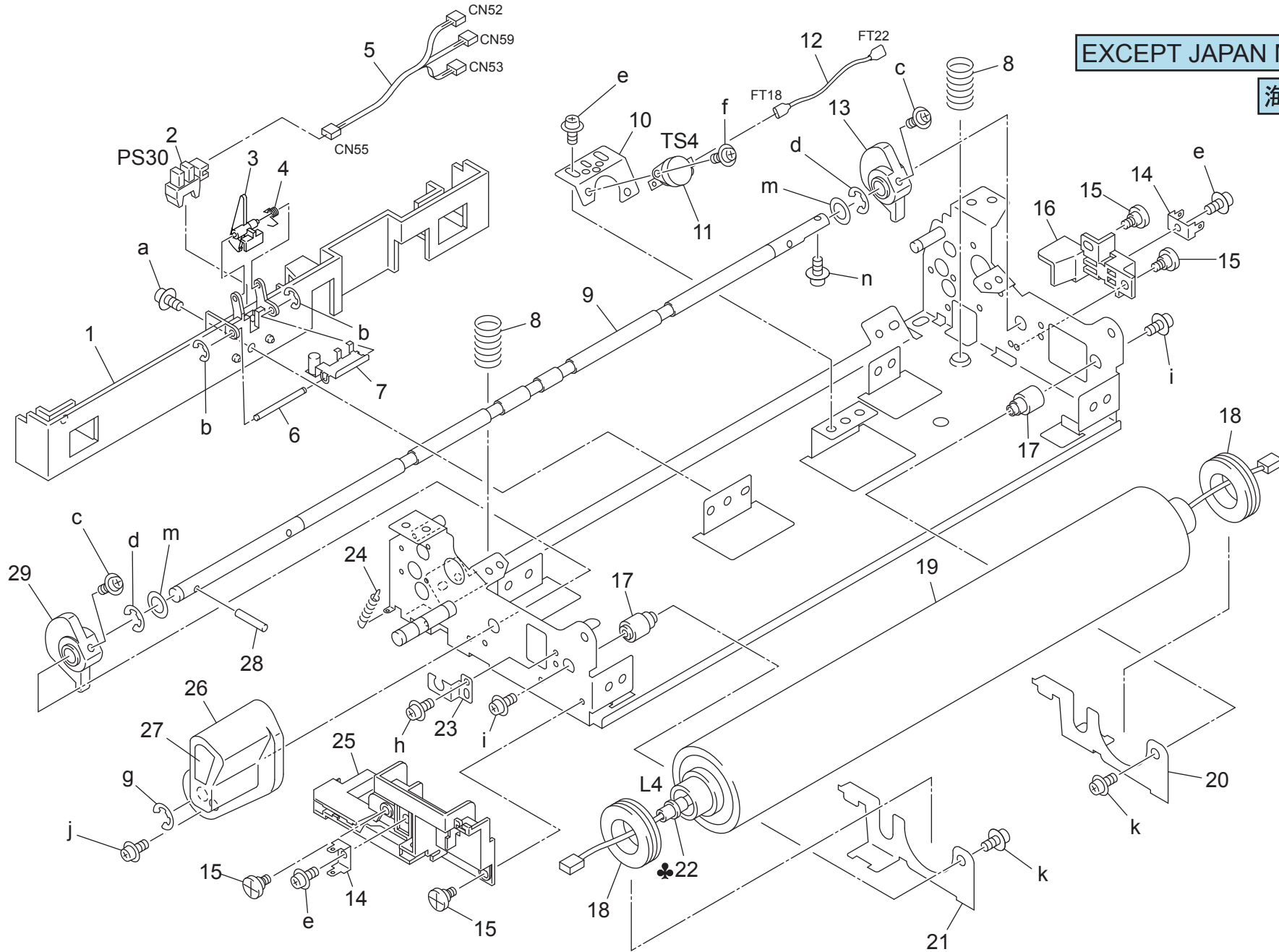
Key	Part No.	Description		Destinations	Class	QTY	Standard parts
28	56AA53172	Fixing Rocking Cam	定着首振りカム	B,C,D1,D3,E,F1,F2,G 1,G2,H,I,J,K	C	1	

# FIXING UNIT

P 47

EXCEPT JAPAN MODEL

海外専用



Key	Part No.	Description	Destinations	Class	QTY	Standard parts
1	56AA54020	Mounting Part	センサ取り付け部材	C	1	a-V121030603
2	55VA85521	PHOTO SENSOR	フォトセンサ	C	1	b-V217020050
3	57AA53200	PAPER EXIT ACTUATOR	排紙アクチュエタ	C	1	c-V121041003
4	57AA53220	PAPER EXIT DETECTION SPRING	排紙検知バネ	C	1	d-V217070050
5	57AE93680	FIXING CONNECTING WIRING 2	定着連結束線 2	D	1	e-V123030603
6	56AA54010D	Support Shaft	支持軸	D	1	f-V118030403
7	56AA-5490	DETECTION PLATE ASSY	検知板部組	D	1	g-V217060050
8	56QA53040	PRESSURE SPRING	圧着バネ	C	2	h-V140040603
9	56QA54520	FIXING RELEASE SHAFT	定着解除軸	D	1	i-V121040803
10	56AA54071	MOUNTING PLATE	センサ取り付け板	D	1	j-V145031003
11	25BA88472E	THERMOSTAT /2	サーモスタット /2	A	1	k-V118040603
12	57AE93620	FIXING RELAY WIRING 1	定着中継束線 1	D	1	m-V207080003
13	56AA54301	PRESSURE CAM REAR	圧着カム 奥	C	1	n-V121042503
14	56AA53650	TERMINAL PLATE 3	端子板 3	C	2	
15	56AA54220	FIXING SCREW 2	固定ネジ 2	C	4	
16	56AA53621E	Terminal Pedestal /4	端子 台 / 4	C	1	
17	56AA53500	LEVER SUPPORT SHAFT /1	レバー支点軸 / 1	D	2	
18	57AE75040	FIXING ROLLER BEARING LOWER	定着転がり軸受 下	A	2	
19	57AE53060	FUSING ROLLER LOWER	定着ローラ 下	A	1	
20	56AA53491	RELEASE LEVER /REAR	解除レバー / 奥	D	1	
21	56AA53481	RELEASE LEVER /FRONT	解除レバー / 前	D	1	
22	56AE83051	Fixing Lamp /3	定着ランプ / 3	B	1	
22	56AF83051	Fixing Lamp /3	定着ランプ / 3	B	1	
22	56AS83050	FIXING LAMP 3	定着ランプ 3	B	1	
23	56AA54061E	Lamp Mounting Plate	ランプ取付板	D	1	
24	56AA53830	REGULATING SPRING 1	規制バネ 1	C	1	
25	57AE54710	Terminal Pedestal /2	端子台 / 2	D	1	
26	57AE54770	FIXING LEVER	定着レバー	C	1	

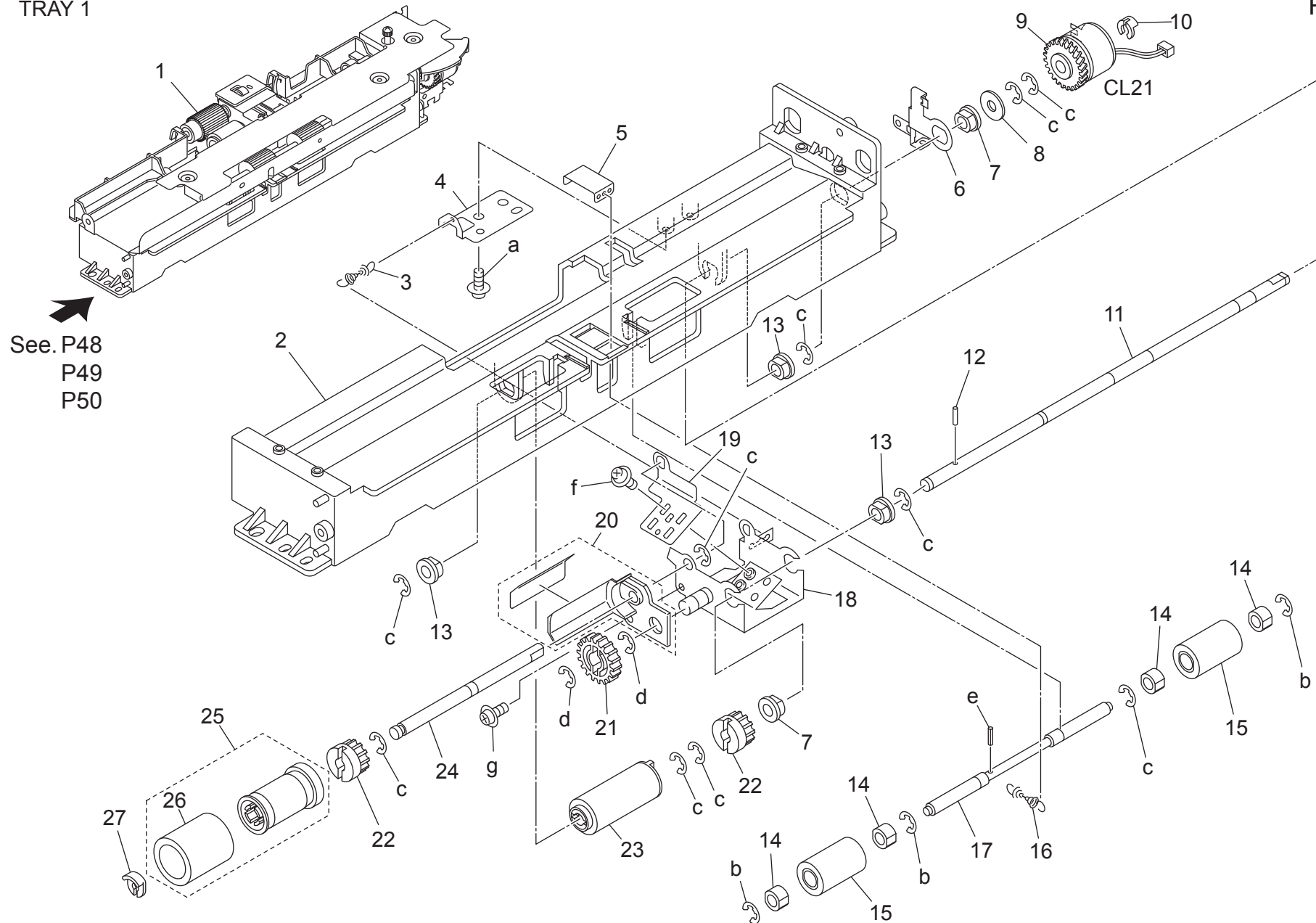
Key	Part No.	Description		Destinations	Class	QTY	Standard parts	
27	57AA97241E	Jam Release Label /5	ジャム解除ラベル/5	B,C,D1,D3,E,F1,F2,G 1,G2,H,I,J,K	C	1		
28	56AA54500	PIN 1	ピン 1	B,C,D1,D3,E,F1,F2,G 1,G2,H,I,J,K	D	1		
29	56AA54051	PRESSURE CAM FRONT	圧着カム 前	B,C,D1,D3,E,F1,F2,G 1,G2,H,I,J,K	C	1		

bizhub 751

# PAPER FEED UNIT

TRAY 1

P 48



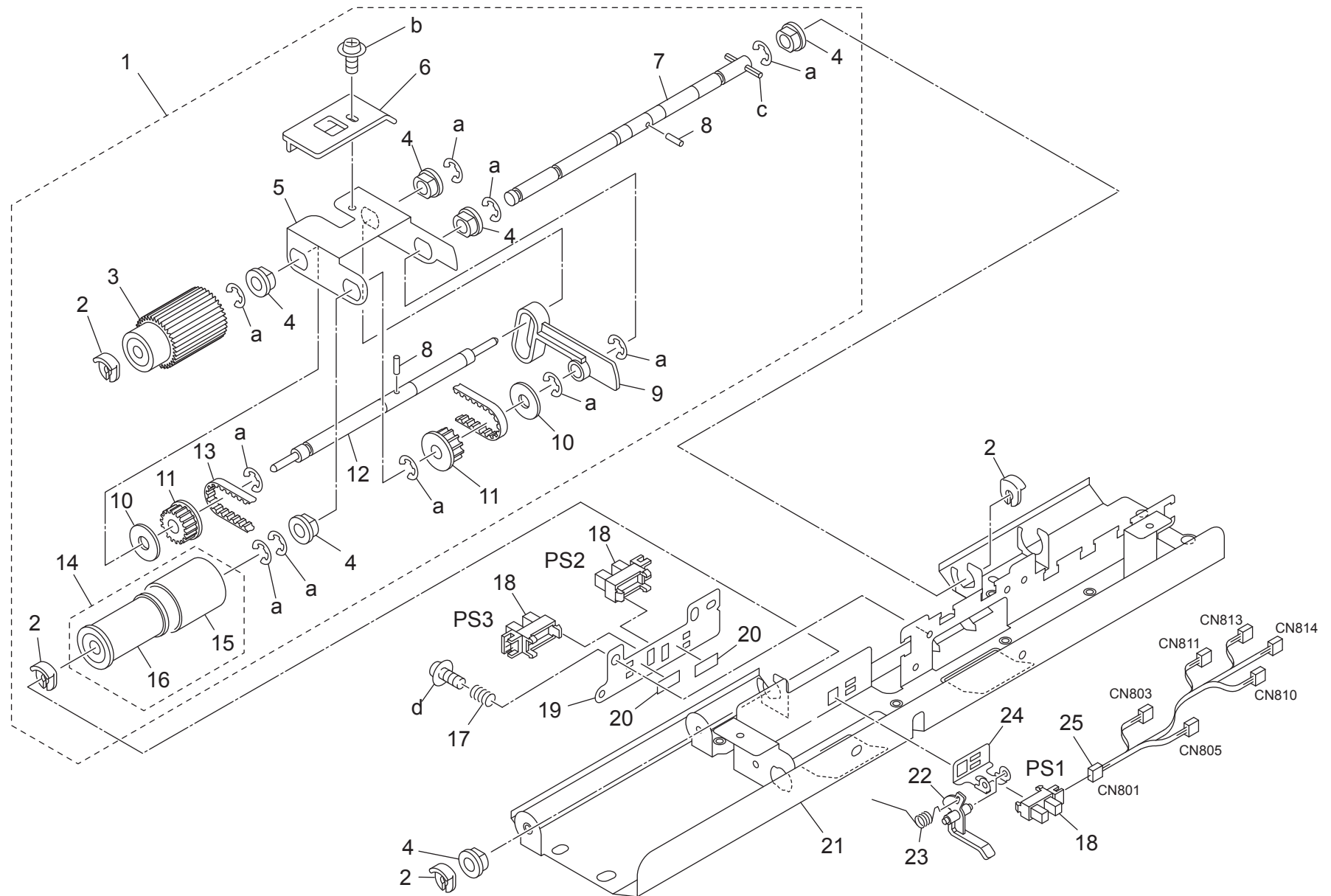
PAPER FEED UNIT

Key	Part No.	Description	Destinations	Class	QTY	Standard parts
1	57AA-4001	PAPER FEED UNIT	給紙ユニット	S	1	a-V151030803
2	56AA40010	Paper Feed Main Body	給紙本体	C	1	b-V217030050
3	57AA40420	MULTI FEED PREVENTING SPRING	重送防止バネ	C	1	c-V217040050
4	56AA40440	SPRING MOUNTING PLATE 2	バネ取り付け板 / 2	D	1	d-V217060050
5	56AA40430	SPRING MOUNTING PLATE 1	バネ取り付け板 / 1	D	1	e-V233161050
6	57AA40470	SCREW EARTH PLATE	ネジアース板	C	1	f-V123030603
7	08AA76010	DRUM DRIVING SHAFT HOLDER	ドラム駆動軸受	C	2	g-V121030603
8	56AA17760	COLLAR	カラー	C	1	
9	57AA82030	CONVEYANCE DRIVE CLUTCH	搬送駆動クラッチ	C	1	
10	12QV40660	SHAFT POSITIONING PART	軸位置決め部材	C	1	
11	57AA40250	MULTI-FEED SUPPORT SHAFT	重送支点軸	D	1	
12	56AA17510	PIN B	ピン B	C	1	
13	57AA75060	PAPER EXIT DRIVE SHAFT HOLDER	排紙駆動軸受	C	3	
14	56GA76010	SLIDE SHAFT HOLDER 2	滑り軸受 2	C	4	
15	26NA42560	BY PASS FEED DRIVEN ROLLER	手差し従動ローラ	C	2	
16	56AA40481	PAPERFEEDPRESSINGSRING	給紙押圧バネ	C	1	
17	56AA40330	PAPER FEED DRIVEN SHAFT	給紙従動軸	D	1	
18	56QA40080	Multi-feed Preventing Plate	重送防止板	C	1	
19	56QA40550	MULTI FEED ADJUSTMENT PLATE	重送調整板	D	1	
20	56AAR72200	ENTRANCE GUIDE ASSY	入りロガイド部組	C	1	
21	26NA42061	BY PASS FEED CONVEYING GEAR 21T	手差し搬送ギア 21 T	B	1	
22	55VA79030	Paper Feed Reversal Gear /C 14T	給紙逆転歯車 / C 14 T	B	2	
23	A03X565611	Torque Limiter /A	トルクリミッタ / A	B	1	
24	56QA40270	MULTI FEED REVERSE SHAFT	重送逆転軸	D	1	
25	56AAR71600	REVERSING ROLLER ASSY	逆転ローラ部組	B	1	
26	25SA40960	DOUBLE FEED PREVENTION RUBBER	重送防止ゴム	A	1	
27	56AA40490	SHAFT STOPPER 4	軸ストッパ 4	C	1	

# PAPER FEED UNIT

## TRAY 1

P 49



PAPER FEED UNIT

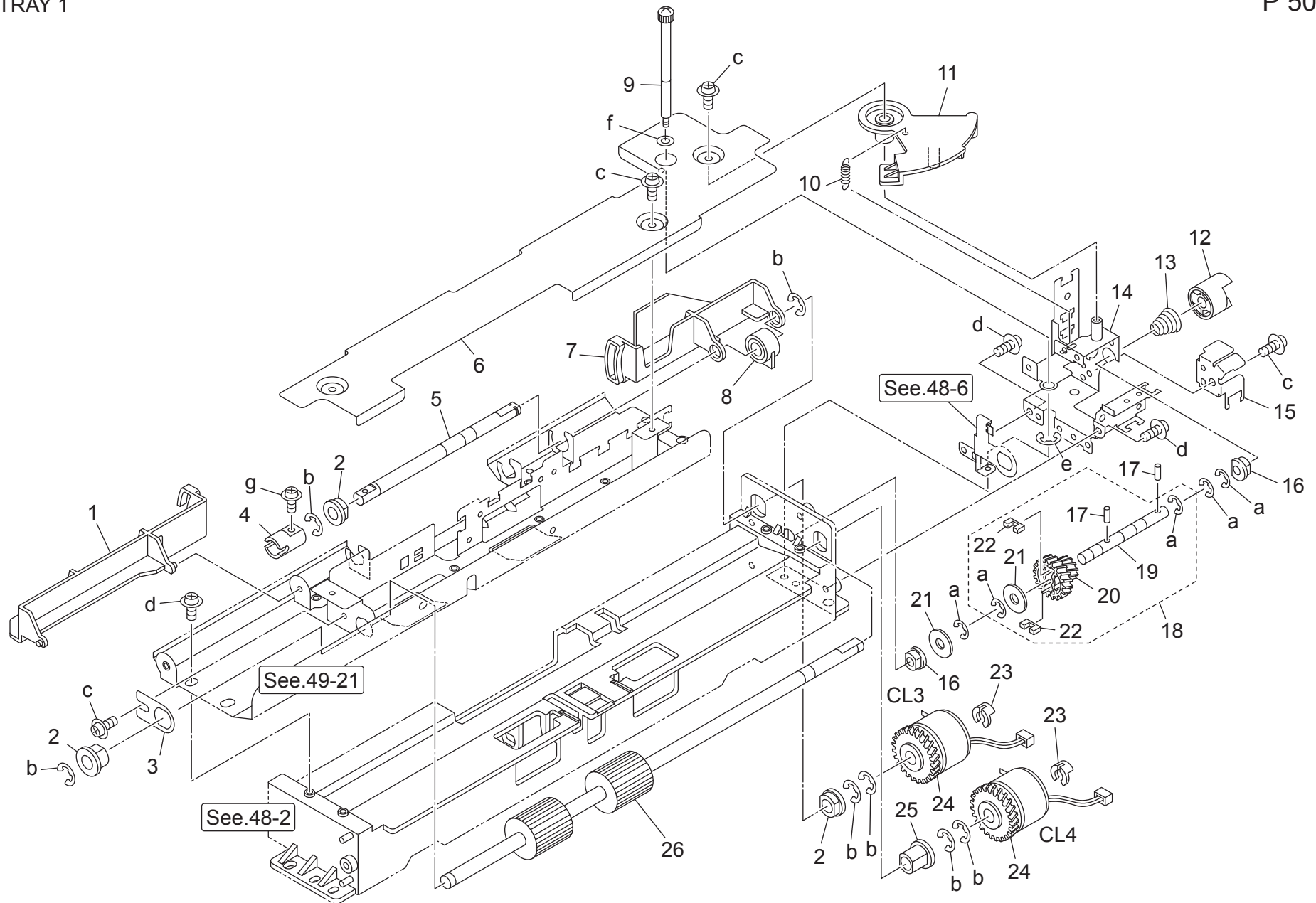
Key	Part No.	Description	Destinations	Class	QTY	Standard parts
1	57AA-4031	FEEDING ASSY	送り出し部組	C	1	a-V217040050 b-V121030603 c-V233201450 d-V121030403
2	56AA40490	SHAFT STOPPER 4	軸ストッパ 4	C	4	
3	56AAR72100	PAPER FEED OCILLATE ROLLER	給紙首振りローラー部組	B	1	
4	08AA76010	DRUM DRIVING SHAFT HOLDER	ドラム駆動軸受	C	6	
5	56AA40070	Paper feed Swing Plate	給紙首振り板	D	1	
6	57AA40350	ROCKING HANDLE	首振り把手	C	1	
7	56AA40281	PAPER FEED FEEDING SHAFT	給紙送り出し軸	C	1	
8	56AA17510	PIN B	ピン B	C	2	
9	56AA40300	PAPER QUANTITY ACTUATOR	紙残検アクチュエタ	C	1	
10	56AA17760	COLLAR	カラー	C	2	
11	059076510	PULLEY 1 15T	プーリー 1 15 T	C	2	
12	56AA40290	PAPER FEED ROCKING SHAFT	給紙首振り軸	D	1	
13	56AA77590	PAPER FEED ROCKING BELT 111L	給紙首振りベルト 1 1 1 L	C	1	
14	56AAR72000	FEED ROLLER UNIT	送り出しローラ部組	A	1	
15	25SA40960	DOUBLE FEED PREVENTION RUBBER	重送防止ゴム	A	1	
16	25AA40100	FEEDING ROLLER B	送り出しローラー B	B	1	
17	56AA40520	EARTH SPRING	センサアースバネ	C	1	
18	08AA85512	Photo Sensor	フォトセンサ	B	3	
19	56AA40460	ADJUSTMENT PLATE	センサ調整板	D	1	
20	4109553001	STOPPER	ストッパ	C	2	
21	56AA40032	PAPER FEED GUIDE PLATE UPPER	給紙ガイド板 上	C	1	
22	56AA40171	PAPER FEED DETECTING ACTUATOR	給紙検知アクチュエタ	C	1	
23	56AA40190	PRESSING SPRING	センサ押圧バネ	C	1	
24	56AA40310	MOUNTING PLATE	センサ取付け板	D	1	
25	57AA90610	PAPER FEED WIRING 2	給紙束線 2	D	1	



# PAPER FEED UNIT

## TRAY 1

P 50



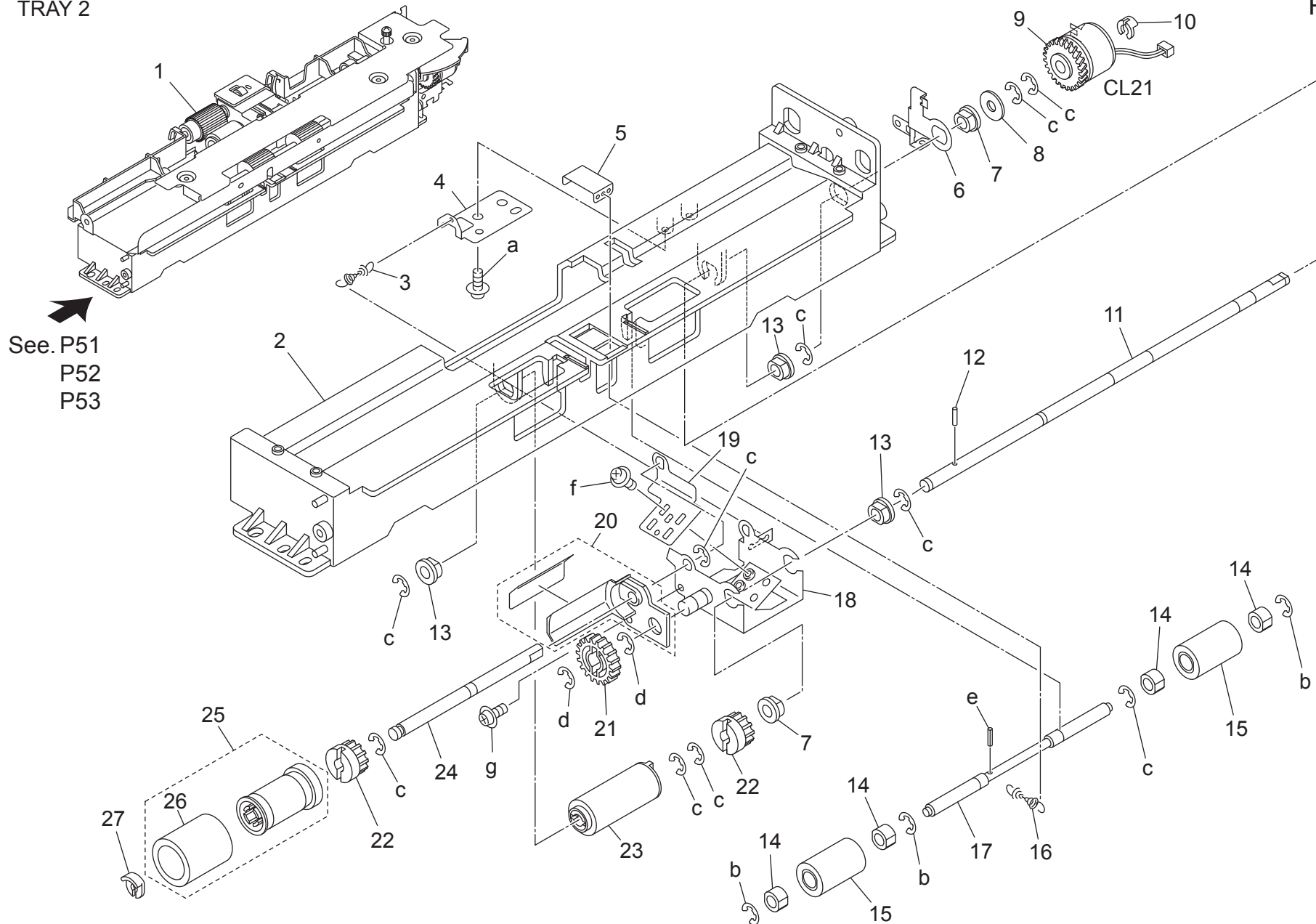
PAPER FEED UNIT

Key	Part No.	Description	Destinations	Class	QTY	Standard parts
1	56AA40210	Entrance Guide Plate /Front	入口ガイド板/前	C	1	a-V217040050
2	A03U812800	Slide Shaft Holder	すべり軸受	B	3	b-V217060050
3	56AA40370	ADJUSTING PLATE	調整板	D	1	c-V121030603
4	55FA40320	COUPLING	カップリング	C	1	d-V151030803
5	56AA40341	PAPER FEED DRIVING SHAFT	給紙駆動軸	C	1	e-V217030050
6	56AA40100E	Wiring Protection Cover	束線保護カバー	D	1	f-V207030003
7	65AA40100	REGULATING PLATE REAR	規制板 奥	D	1	g-V118030603
8	56AA40380	PAPER FEED REGULATING BLOCK	給紙規制ブロック	C	1	
9	56AA40120	PAPER FEED HOLDING SCREW	給紙押えネジ	C	1	
10	56AA17121	SEPARATE SPRING UPPER	分離バネ 上	C	1	
11	56AA40390	CAM PLATE	カム板	C	1	
12	56AA40450	PAPER FEED COUPLING PART	給紙カップリング部材	C	1	
13	56AA40510	PRESSING SPRING	押圧バネ	C	1	
14	57AA40090	DRIVE MOUNTING PLATE /S	駆動取り付け板/S	D	1	
15	57AA40620	CLUTCH HOLDER 2	クラッチ押さえ 2	D	1	
16	57AA40610	SLIDE SHAFT HOLDER	滑り軸受	C	2	
17	56AA17480	PIN B	ピン B	C	2	
18	57AAR72000	PAPER FEED INPUT SHAFT ASSY	給紙入力軸部組	D	1	
19	57AA40240E	Paper feed Input Shaft	給紙入力軸	D	1	
20	57AA77720	PAPER FEED REVERSE GEAR / 1 9/22T	給紙逆転歯車/1 9/22 T	C	1	
21	56AA17760	COLLAR	カラー	C	2	
22	57AA40630	GEAR CUSHION G	ギアクッション G	C	2	
23	55VA42120	SHAFT STOPPER	軸ストッパー	C	2	
24	56AA82012	PAPER FEED DRIVING CLUTCH	給紙駆動クラッチ	B	2	
25	55VA75540	PAPER FEED SHAFT HOLDER B	給紙軸受 B	B	1	
26	56AA40230	PAPER FEED REGISTRATION ROLLER	給紙レジストローラ	C	1	

# PAPER FEED UNIT

TRAY 2

P 51

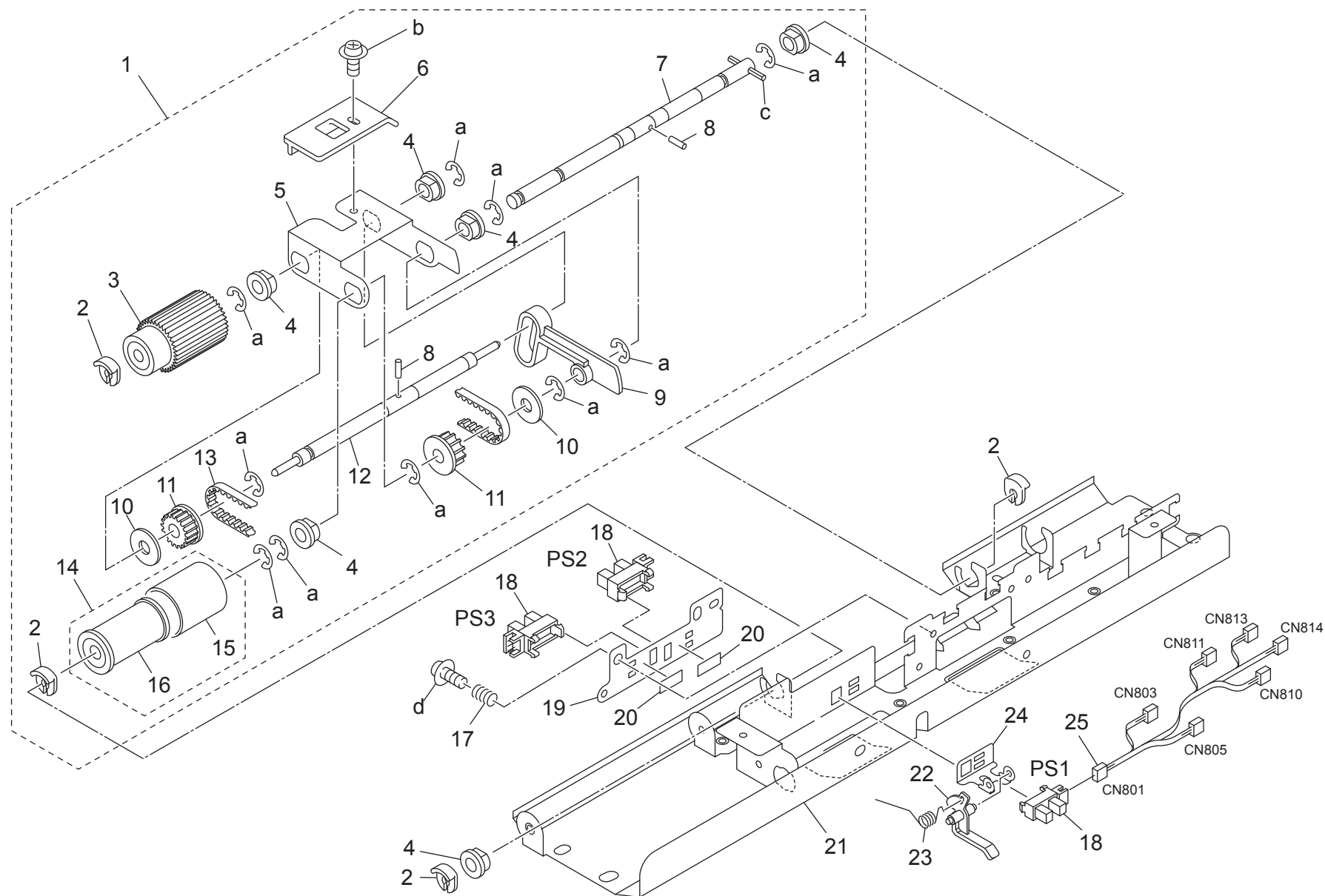


Key	Part No.	Description	Destinations	Class	QTY	Standard parts
1	57AA-4001	PAPER FEED UNIT	給紙ユニット	S	1	a-V151030803
2	56AA40010	Paper Feed Main Body	給紙本体	C	1	b-V217030050
3	57AA40420	MULTI FEED PREVENTING SPRING	重送防止バネ	C	1	c-V217040050
4	56AA40440	SPRING MOUNTING PLATE 2	バネ取り付け板 / 2	D	1	d-V217060050
5	56AA40430	SPRING MOUNTING PLATE 1	バネ取り付け板 / 1	D	1	e-V233161050
6	57AA40470	SCREW EARTH PLATE	ネジアース板	C	1	f-V123030603
7	08AA76010	DRUM DRIVING SHAFT HOLDER	ドラム駆動軸受	C	2	g-V121030603
8	56AA17760	COLLAR	カラー	C	1	
9	57AA82030	CONVEYANCE DRIVE CLUTCH	搬送駆動クラッチ	C	1	
10	12QV40660	SHAFT POSITIONING PART	軸位置決め部材	C	1	
11	57AA40250	MULTI-FEED SUPPORT SHAFT	重送支点軸	D	1	
12	56AA17510	PIN B	ピン B	C	1	
13	57AA75060	PAPER EXIT DRIVE SHAFT HOLDER	排紙駆動軸受	C	3	
14	56GA76010	SLIDE SHAFT HOLDER 2	滑り軸受 2	C	4	
15	26NA42560	BY PASS FEED DRIVEN ROLLER	手差し従動ローラ	C	2	
16	56AA40481	PAPERFEEDPRESSINGSRING	給紙押圧バネ	C	1	
17	56AA40330	PAPER FEED DRIVEN SHAFT	給紙従動軸	D	1	
18	56QA40080	Multi-feed Preventing Plate	重送防止板	C	1	
19	56QA40550	MULTI FEED ADJUSTMENT PLATE	重送調整板	D	1	
20	56AAR72200	ENTRANCE GUIDE ASSY	入りロガイド部組	C	1	
21	26NA42061	BY PASS FEED CONVEYING GEAR 21T	手差し搬送ギア 21 T	B	1	
22	55VA79030	Paper Feed Reversal Gear /C 14T	給紙逆転歯車 / C 14 T	B	2	
23	A03X565611	Torque Limiter /A	トルクリミッタ / A	B	1	
24	56QA40270	MULTI FEED REVERSE SHAFT	重送逆転軸	D	1	
25	56AAR71600	REVERSING ROLLER ASSY	逆転ローラ部組	B	1	
26	25SA40960	DOUBLE FEED PREVENTION RUBBER	重送防止ゴム	A	1	
27	56AA40490	SHAFT STOPPER 4	軸ストッパ 4	C	1	

# PAPER FEED UNIT

## TRAY 2

P 52



# PAPER FEED UNIT

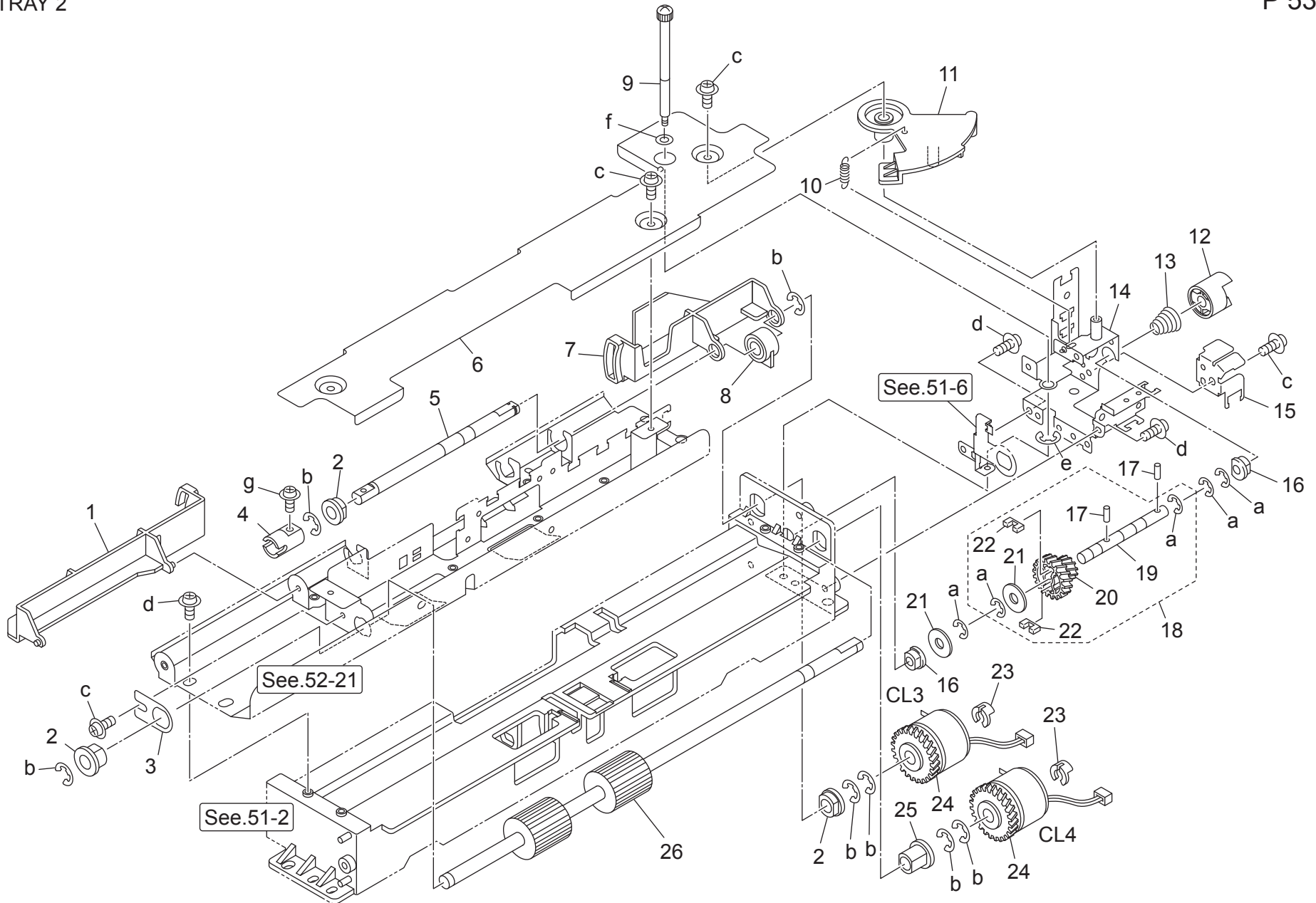
Key	Part No.	Description	Destinations	Class	QTY	Standard parts
1	57AA-4031	FEEDING ASSY	送り出し部組	C	1	a-V217040050 b-V121030603 c-V233201450 d-V121030403
2	56AA40490	SHAFT STOPPER 4	軸ストッパ 4	C	4	
3	56AAR72100	PAPER FEED OCILLATE ROLLER	給紙首振りローラー部組	B	1	
4	08AA76010	DRUM DRIVING SHAFT HOLDER	ドラム駆動軸受	C	6	
5	56AA40070	Paper feed Swing Plate	給紙首振り板	D	1	
6	57AA40350	ROCKING HANDLE	首振り把手	C	1	
7	56AA40281	PAPER FEED FEEDING SHAFT	給紙送り出し軸	C	1	
8	56AA17510	PIN B	ピン B	C	2	
9	56AA40300	PAPER QUANTITY ACTUATOR	紙残検アクチュエタ	C	1	
10	56AA17760	COLLAR	カラー	C	2	
11	059076510	PULLEY 1 15T	プーリー 1 15 T	C	2	
12	56AA40290	PAPER FEED ROCKING SHAFT	給紙首振り軸	D	1	
13	56AA77590	PAPER FEED ROCKING BELT 111L	給紙首振りベルト 1 1 1 L	C	1	
14	56AAR72000	FEED ROLLER UNIT	送り出しローラ部組	A	1	
15	25SA40960	DOUBLE FEED PREVENTION RUBBER	重送防止ゴム	A	1	
16	25AA40100	FEEDING ROLLER B	送り出しローラー B	B	1	
17	56AA40520	EARTH SPRING	センサアースバネ	C	1	
18	08AA85512	Photo Sensor	フォトセンサ	B	3	
19	56AA40460	ADJUSTMENT PLATE	センサ調整板	D	1	
20	4109553001	STOPPER	ストッパ	C	2	
21	56AA40032	PAPER FEED GUIDE PLATE UPPER	給紙ガイド板 上	C	1	
22	56AA40171	PAPER FEED DETECTING ACTUATOR	給紙検知アクチュエタ	C	1	
23	56AA40190	PRESSING SPRING	センサ押圧バネ	C	1	
24	56AA40310	MOUNTING PLATE	センサ取付け板	D	1	
25	57AA90610	PAPER FEED WIRING 2	給紙束線 2	D	1	



# PAPER FEED UNIT

## TRAY 2

P 53



# PAPER FEED UNIT

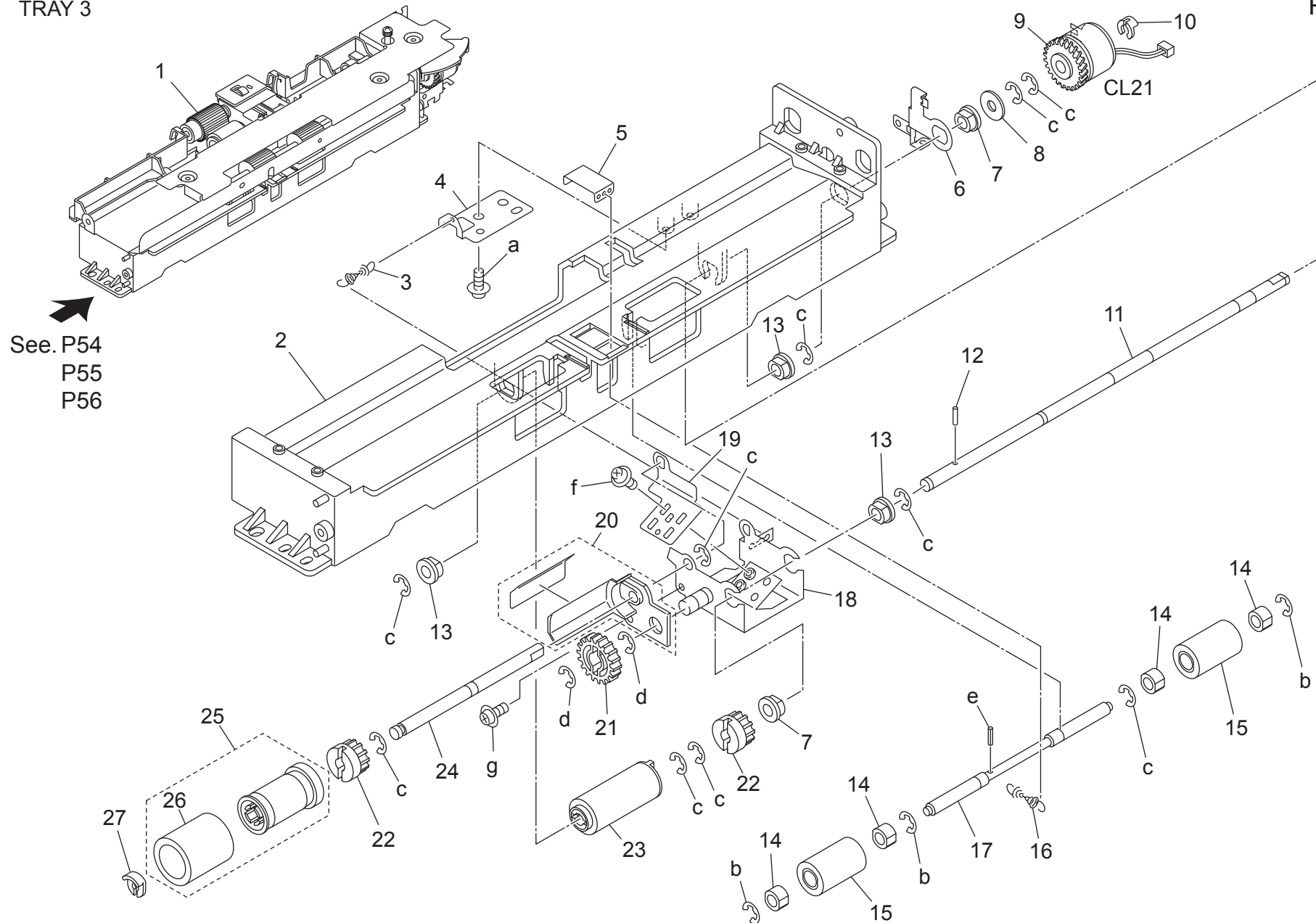
Key	Part No.	Description	Destinations	Class	QTY	Standard parts
1	56AA40210	Entrance Guide Plate /Front	入口ガイド板/前	C	1	a-V217040050 b-V217060050 c-V121030603 d-V151030803 e-V217030050 f-V207030003 g-V118030603
2	A03U812800	Slide Shaft Holder	すべり軸受	B	3	
3	56AA40370	ADJUSTING PLATE	調整板	D	1	
4	55FA40320	COUPLING	カップリング	C	1	
5	56AA40341	PAPER FEED DRIVING SHAFT	給紙駆動軸	C	1	
6	56AA40100E	Wiring Protection Cover	束線保護カバー	D	1	
7	65AA40100	REGULATING PLATE REAR	規制板 奥	D	1	
8	56AA40380	PAPER FEED REGULATING BLOCK	給紙規制ブロック	C	1	
9	56AA40120	PAPER FEED HOLDING SCREW	給紙押えネジ	C	1	
10	56AA17121	SEPARATE SPRING UPPER	分離バネ 上	C	1	
11	56AA40390	CAM PLATE	カム板	C	1	
12	56AA40450	PAPER FEED COUPLING PART	給紙カップリング部材	C	1	
13	56AA40510	PRESSING SPRING	押圧バネ	C	1	
14	57AA40090	DRIVE MOUNTING PLATE /S	駆動取り付け板/S	D	1	
15	57AA40620	CLUTCH HOLDER 2	クラッチ押さえ 2	D	1	
16	57AA40610	SLIDE SHAFT HOLDER	滑り軸受	C	2	
17	56AA17480	PIN B	ピン B	C	2	
18	57AAR72000	PAPER FEED INPUT SHAFT ASSY	給紙入力軸部組	D	1	
19	57AA40240E	Paper feed Input Shaft	給紙入力軸	D	1	
20	57AA77720	PAPER FEED REVERSE GEAR / 1 9/22T	給紙逆転歯車/1 9/22 T	C	1	
21	56AA17760	COLLAR	カラー	C	2	
22	57AA40630	GEAR CUSHION G	ギアクッション G	C	2	
23	55VA42120	SHAFT STOPPER	軸ストッパー	C	2	
24	56AA82012	PAPER FEED DRIVING CLUTCH	給紙駆動クラッチ	B	2	
25	55VA75540	PAPER FEED SHAFT HOLDER B	給紙軸受 B	B	1	
26	56AA40230	PAPER FEED REGISTRATION ROLLER	給紙レジストローラ	C	1	



# PAPER FEED UNIT

TRAY 3

P 54



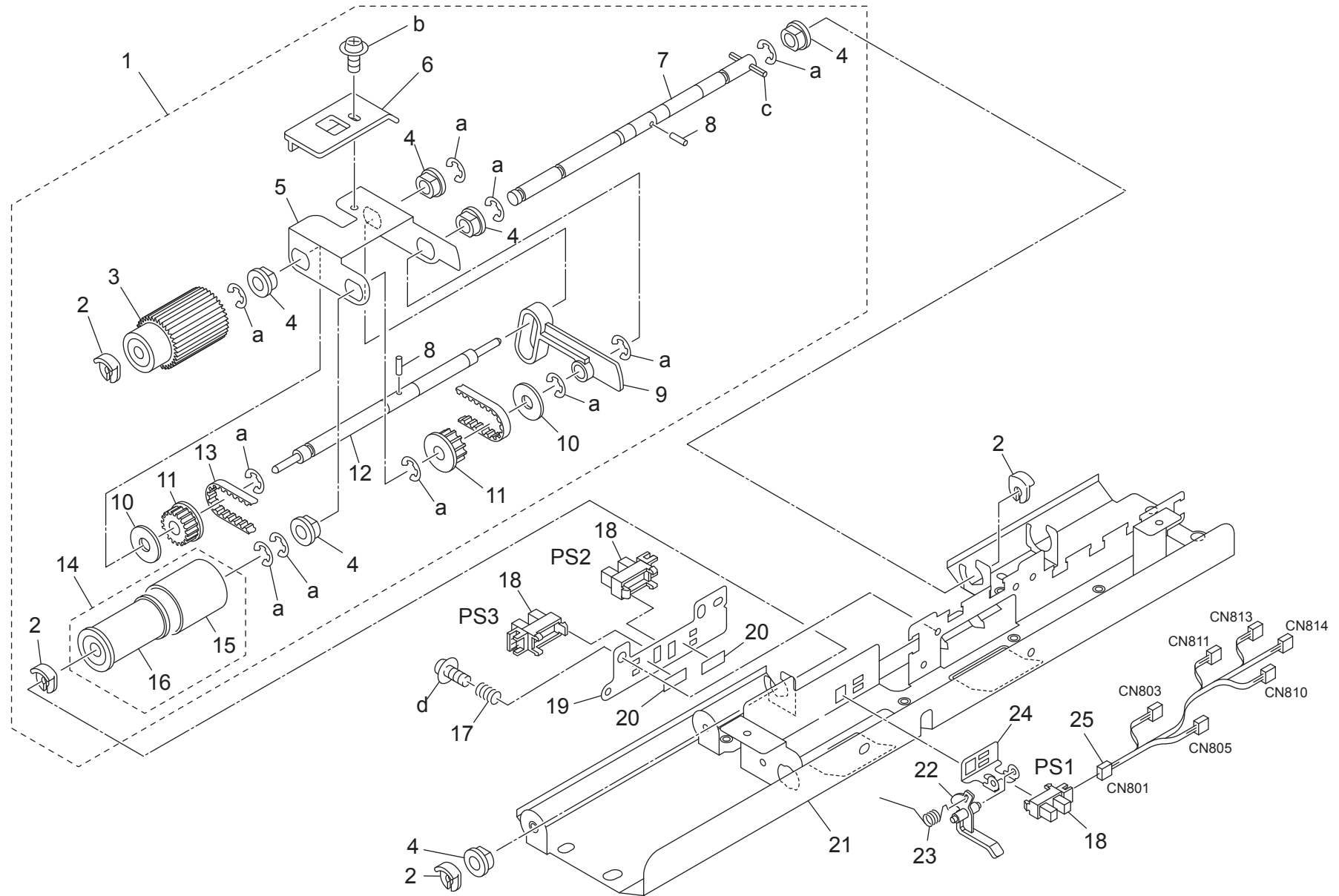
# PAPER FEED UNIT

Key	Part No.	Description	Destinations	Class	QTY	Standard parts
1	57AA-4001	PAPER FEED UNIT	給紙ユニット	S	1	a-V151030803 b-V217030050 c-V217040050 d-V217060050 e-V233161050 f-V123030603 g-V121030603
2	56AA40010	Paper Feed Main Body	給紙本体	C	1	
3	57AA40420	MULTI FEED PREVENTING SPRING	重送防止バネ	C	1	
4	56AA40440	SPRING MOUNTING PLATE 2	バネ取り付け板 / 2	D	1	
5	56AA40430	SPRING MOUNTING PLATE 1	バネ取り付け板 / 1	D	1	
6	57AA40470	SCREW EARTH PLATE	ネジアース板	C	1	
7	08AA76010	DRUM DRIVING SHAFT HOLDER	ドラム駆動軸受	C	2	
8	56AA17760	COLLAR	カラー	C	1	
9	57AA82030	CONVEYANCE DRIVE CLUTCH	搬送駆動クラッチ	C	1	
10	12QV40660	SHAFT POSITIONING PART	軸位置決め部材	C	1	
11	57AA40250	MULTI-FEED SUPPORT SHAFT	重送支点軸	D	1	
12	56AA17510	PIN B	ピン B	C	1	
13	57AA75060	PAPER EXIT DRIVE SHAFT HOLDER	排紙駆動軸受	C	3	
14	56GA76010	SLIDE SHAFT HOLDER 2	滑り軸受 2	C	4	
15	26NA42560	BY PASS FEED DRIVEN ROLLER	手差し従動ローラ	C	2	
16	56AA40481	PAPERFEEDPRESSINGSRING	給紙押圧バネ	C	1	
17	56AA40330	PAPER FEED DRIVEN SHAFT	給紙従動軸	D	1	
18	56QA40080	Multi-feed Preventing Plate	重送防止板	C	1	
19	56QA40550	MULTI FEED ADJUSTMENT PLATE	重送調整板	D	1	
20	56AAR72200	ENTRANCE GUIDE ASSY	入り口ガイド部組	C	1	
21	26NA42061	BY PASS FEED CONVEYING GEAR 21T	手差し搬送ギア 21 T	B	1	
22	55VA79030	Paper Feed Reversal Gear /C 14T	給紙逆転歯車 / C 14 T	B	2	
23	A03X565611	Torque Limiter /A	トルクリミッタ / A	B	1	
24	56QA40270	MULTI FEED REVERSE SHAFT	重送逆転軸	D	1	
25	56AAR71600	REVERSING ROLLER ASSY	逆転ローラ部組	B	1	
26	25SA40960	DOUBLE FEED PREVENTION RUBBER	重送防止ゴム	A	1	
27	56AA40490	SHAFT STOPPER 4	軸ストッパ 4	C	1	

# PAPER FEED UNIT

## TRAY 3

P 55



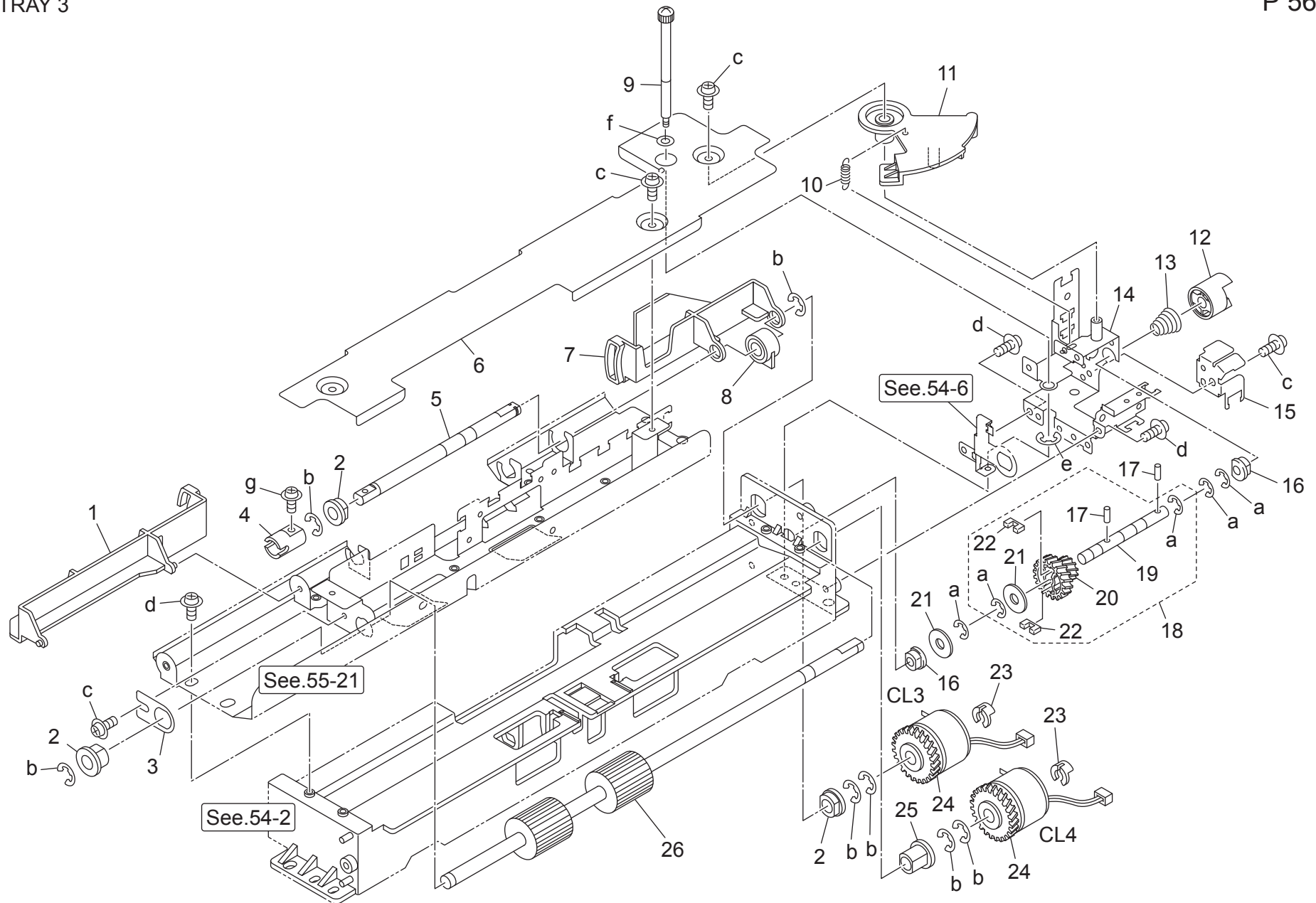
PAPER FEED UNIT

Key	Part No.	Description	Destinations	Class	QTY	Standard parts
1	57AA-4031	FEEDING ASSY	送り出し部組	C	1	a-V217040050 b-V121030603 c-V233201450 d-V121030403
2	56AA40490	SHAFT STOPPER 4	軸ストッパ 4	C	4	
3	56AAR72100	PAPER FEED OCILLATE ROLLER	給紙首振りローラー部組	B	1	
4	08AA76010	DRUM DRIVING SHAFT HOLDER	ドラム駆動軸受	C	6	
5	56AA40070	Paper feed Swing Plate	給紙首振り板	D	1	
6	57AA40350	ROCKING HANDLE	首振り把手	C	1	
7	56AA40281	PAPER FEED FEEDING SHAFT	給紙送り出し軸	C	1	
8	56AA17510	PIN B	ピン B	C	2	
9	56AA40300	PAPER QUANTITY ACTUATOR	紙残検アクチュエタ	C	1	
10	56AA17760	COLLAR	カラー	C	2	
11	059076510	PULLEY 1 15T	プーリー 1 15 T	C	2	
12	56AA40290	PAPER FEED ROCKING SHAFT	給紙首振り軸	D	1	
13	56AA77590	PAPER FEED ROCKING BELT 111L	給紙首振りベルト 1 1 1 L	C	1	
14	56AAR72000	FEED ROLLER UNIT	送り出しローラ部組	A	1	
15	25SA40960	DOUBLE FEED PREVENTION RUBBER	重送防止ゴム	A	1	
16	25AA40100	FEEDING ROLLER B	送り出しローラー B	B	1	
17	56AA40520	EARTH SPRING	センサアースバネ	C	1	
18	08AA85512	Photo Sensor	フォトセンサ	B	3	
19	56AA40460	ADJUSTMENT PLATE	センサ調整板	D	1	
20	4109553001	STOPPER	ストッパ	C	2	
21	56AA40032	PAPER FEED GUIDE PLATE UPPER	給紙ガイド板 上	C	1	
22	56AA40171	PAPER FEED DETECTING ACTUATOR	給紙検知アクチュエタ	C	1	
23	56AA40190	PRESSING SPRING	センサ押圧バネ	C	1	
24	56AA40310	MOUNTING PLATE	センサ取付け板	D	1	
25	57AA90610	PAPER FEED WIRING 2	給紙束線 2	D	1	

# PAPER FEED UNIT

## TRAY 3

P 56



## PAPER FEED UNIT

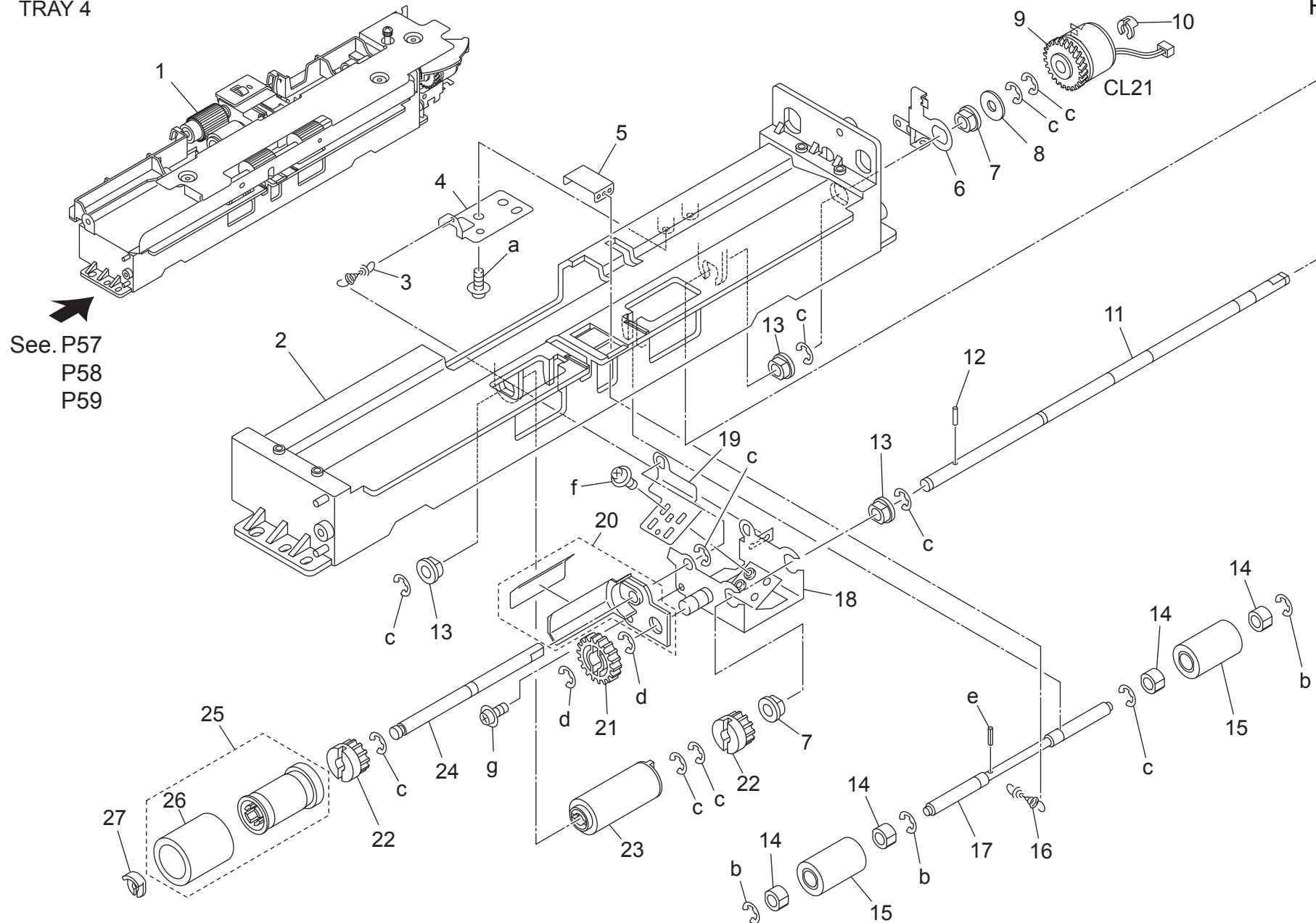
Key	Part No.	Description	Destinations	Class	QTY	Standard parts
1	56AA40210	Entrance Guide Plate /Front	入口ガイド板 /前	C	1	a-V217040050
2	A03U812800	Slide Shaft Holder	すべり軸受	B	3	b-V217060050
3	56AA40370	ADJUSTING PLATE	調整板	D	1	c-V121030603
4	55FA40320	COUPLING	カップリング	C	1	d-V151030803
5	56AA40341	PAPER FEED DRIVING SHAFT	給紙駆動軸	C	1	e-V217030050
6	56AA40100E	Wiring Protection Cover	束線保護カバー	D	1	f-V207030003
7	65AA40100	REGULATING PLATE REAR	規制板 奥	D	1	g-V118030603
8	56AA40380	PAPER FEED REGULATING BLOCK	給紙規制ブロック	C	1	
9	56AA40120	PAPER FEED HOLDING SCREW	給紙押えネジ	C	1	
10	56AA17121	SEPARATE SPRING UPPER	分離バネ 上	C	1	
11	56AA40390	CAM PLATE	カム板	C	1	
12	56AA40450	PAPER FEED COUPLING PART	給紙カップリング部材	C	1	
13	56AA40510	PRESSING SPRING	押圧バネ	C	1	
14	57AA40090	DRIVE MOUNTING PLATE /S	駆動取り付け板 / S	D	1	
15	57AA40620	CLUTCH HOLDER 2	クラッチ押さえ 2	D	1	
16	57AA40610	SLIDE SHAFT HOLDER	滑り軸受	C	2	
17	56AA17480	PIN B	ピン B	C	2	
18	57AAR72000	PAPER FEED INPUT SHAFT ASSY	給紙入力軸部組	D	1	
19	57AA40240E	Paper feed Input Shaft	給紙入力軸	D	1	
20	57AA77720	PAPER FEED REVERSE GEAR / 1 9/22T	給紙逆転歯車 / 1 9 / 2 2 T	C	1	
21	56AA17760	COLLAR	カラー	C	2	
22	57AA40630	GEAR CUSHION G	ギアクッション G	C	2	
23	55VA42120	SHAFT STOPPER	軸ストッパー	C	2	
24	56AA82012	PAPER FEED DRIVING CLUTCH	給紙駆動クラッチ	B	2	
25	55VA75540	PAPER FEED SHAFT HOLDER B	給紙軸受 B	B	1	
26	56AA40230	PAPER FEED REGISTRATION ROLLER	給紙レジストローラ	C	1	



# PAPER FEED UNIT

TRAY 4

P 57



See. P57  
P58  
P59

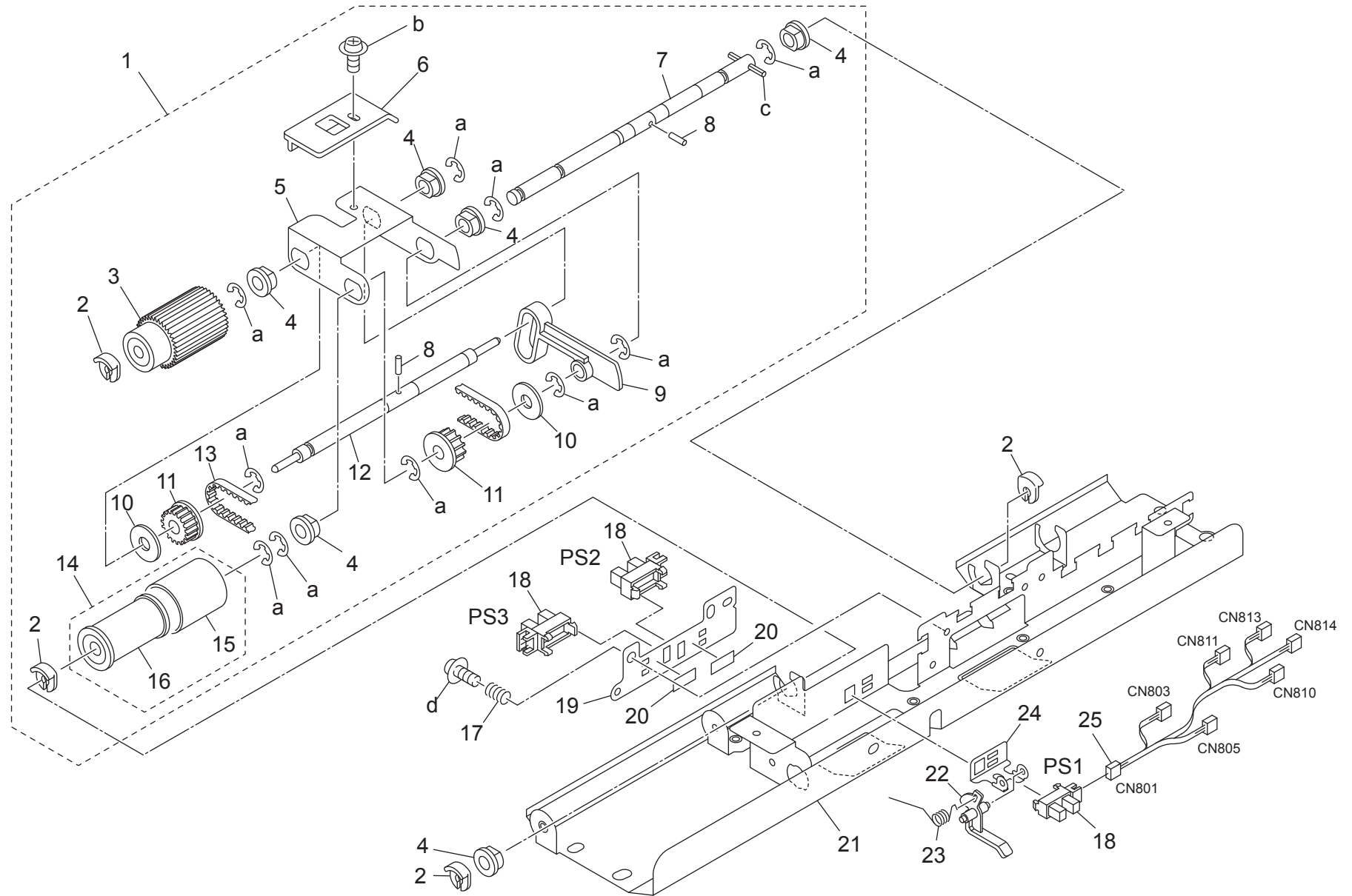
Key	Part No.	Description	Destinations	Class	QTY	Standard parts
1	57AA-4001	PAPER FEED UNIT	給紙ユニット	S	1	a-V151030803 b-V217030050 c-V217040050 d-V217060050 e-V233161050 f-V123030603 g-V121030603
2	56AA40010	Paper Feed Main Body	給紙本体	C	1	
3	57AA40420	MULTI FEED PREVENTING SPRING	重送防止バネ	C	1	
4	56AA40440	SPRING MOUNTING PLATE 2	バネ取り付け板 / 2	D	1	
5	56AA40430	SPRING MOUNTING PLATE 1	バネ取り付け板 / 1	D	1	
6	57AA40470	SCREW EARTH PLATE	ネジアース板	C	1	
7	08AA76010	DRUM DRIVING SHAFT HOLDER	ドラム駆動軸受	C	2	
8	56AA17760	COLLAR	カラー	C	1	
9	57AA82030	CONVEYANCE DRIVE CLUTCH	搬送駆動クラッチ	C	1	
10	12QV40660	SHAFT POSITIONING PART	軸位置決め部材	C	1	
11	57AA40250	MULTI-FEED SUPPORT SHAFT	重送支点軸	D	1	
12	56AA17510	PIN B	ピン B	C	1	
13	57AA75060	PAPER EXIT DRIVE SHAFT HOLDER	排紙駆動軸受	C	3	
14	56GA76010	SLIDE SHAFT HOLDER 2	滑り軸受 2	C	4	
15	26NA42560	BY PASS FEED DRIVEN ROLLER	手差し従動ローラ	C	2	
16	56AA40481	PAPERFEEDPRESSINGSRING	給紙押圧バネ	C	1	
17	56AA40330	PAPER FEED DRIVEN SHAFT	給紙従動軸	D	1	
18	56QA40080	Multi-feed Preventing Plate	重送防止板	C	1	
19	56QA40550	MULTI FEED ADJUSTMENT PLATE	重送調整板	D	1	
20	56AAR72200	ENTRANCE GUIDE ASSY	入り口ガイド部組	C	1	
21	26NA42061	BY PASS FEED CONVEYING GEAR 21T	手差し搬送ギア 21 T	B	1	
22	55VA79030	Paper Feed Reversal Gear /C 14T	給紙逆転歯車 / C 14 T	B	2	
23	A03X565611	Torque Limiter /A	トルクリミッタ / A	B	1	
24	56QA40270	MULTI FEED REVERSE SHAFT	重送逆転軸	D	1	
25	56AAR71600	REVERSING ROLLER ASSY	逆転ローラ部組	B	1	
26	25SA40960	DOUBLE FEED PREVENTION RUBBER	重送防止ゴム	A	1	
27	56AA40490	SHAFT STOPPER 4	軸ストッパ 4	C	1	



# PAPER FEED UNIT

## TRAY 4

P 58



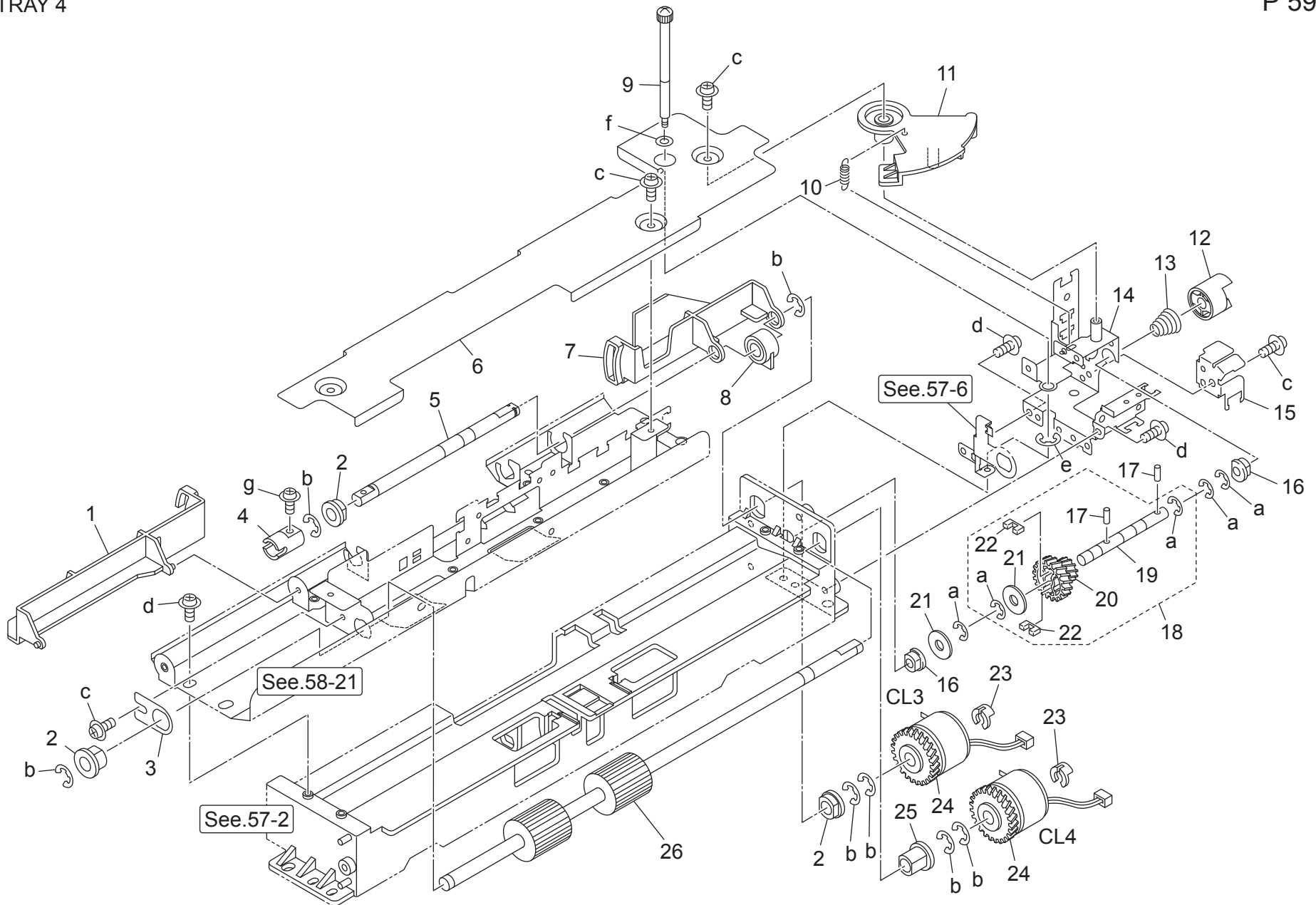
PAPER FEED UNIT

Key	Part No.	Description	Destinations	Class	QTY	Standard parts
1	57AA-4031	FEEDING ASSY	送り出し部組	C	1	a-V217040050 b-V121030603 c-V233201450 d-V121030403
2	56AA40490	SHAFT STOPPER 4	軸ストッパ 4	C	4	
3	56AAR72100	PAPER FEED OCILLATE ROLLER	給紙首振りローラー部組	B	1	
4	08AA76010	DRUM DRIVING SHAFT HOLDER	ドラム駆動軸受	C	6	
5	56AA40070	Paper feed Swing Plate	給紙首振り板	D	1	
6	57AA40350	ROCKING HANDLE	首振り把手	C	1	
7	56AA40281	PAPER FEED FEEDING SHAFT	給紙送り出し軸	C	1	
8	56AA17510	PIN B	ピン B	C	2	
9	56AA40300	PAPER QUANTITY ACTUATOR	紙残検アクチュエタ	C	1	
10	56AA17760	COLLAR	カラー	C	2	
11	059076510	PULLEY 1 15T	プーリー 1 15 T	C	2	
12	56AA40290	PAPER FEED ROCKING SHAFT	給紙首振り軸	D	1	
13	56AA77590	PAPER FEED ROCKING BELT 111L	給紙首振りベルト 1 1 1 L	C	1	
14	56AAR72000	FEED ROLLER UNIT	送り出しローラ部組	A	1	
15	25SA40960	DOUBLE FEED PREVENTION RUBBER	重送防止ゴム	A	1	
16	25AA40100	FEEDING ROLLER B	送り出しローラー B	B	1	
17	56AA40520	EARTH SPRING	センサアースバネ	C	1	
18	08AA85512	Photo Sensor	フォトセンサ	B	3	
19	56AA40460	ADJUSTMENT PLATE	センサ調整板	D	1	
20	4109553001	STOPPER	ストッパ	C	2	
21	56AA40032	PAPER FEED GUIDE PLATE UPPER	給紙ガイド板 上	C	1	
22	56AA40171	PAPER FEED DETECTING ACTUATOR	給紙検知アクチュエタ	C	1	
23	56AA40190	PRESSING SPRING	センサ押圧バネ	C	1	
24	56AA40310	MOUNTING PLATE	センサ取付け板	D	1	
25	57AA90610	PAPER FEED WIRING 2	給紙束線 2	D	1	

# PAPER FEED UNIT

## TRAY 4

P 59

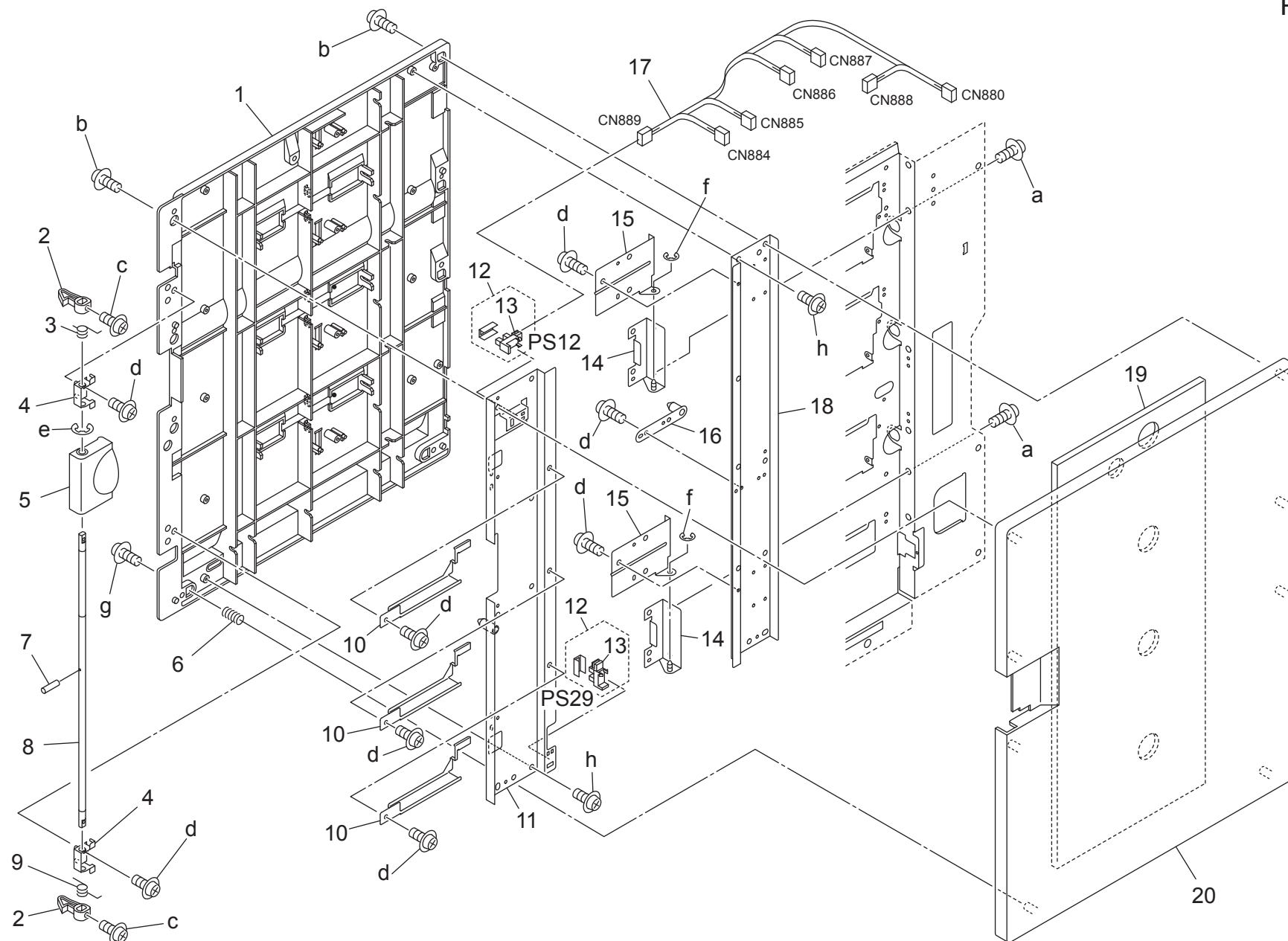


# PAPER FEED UNIT

Key	Part No.	Description	Destinations	Class	QTY	Standard parts
1	56AA40210	Entrance Guide Plate /Front	入口ガイド板/前	C	1	a-V217040050 b-V217060050 c-V121030603 d-V151030803 e-V217030050 f-V207030003 g-V118030603
2	A03U812800	Slide Shaft Holder	すべり軸受	B	3	
3	56AA40370	ADJUSTING PLATE	調整板	D	1	
4	55FA40320	COUPLING	カップリング	C	1	
5	56AA40341	PAPER FEED DRIVING SHAFT	給紙駆動軸	C	1	
6	56AA40100E	Wiring Protection Cover	束線保護カバー	D	1	
7	65AA40100	REGULATING PLATE REAR	規制板 奥	D	1	
8	56AA40380	PAPER FEED REGULATING BLOCK	給紙規制ブロック	C	1	
9	56AA40120	PAPER FEED HOLDING SCREW	給紙押えネジ	C	1	
10	56AA17121	SEPARATE SPRING UPPER	分離バネ 上	C	1	
11	56AA40390	CAM PLATE	カム板	C	1	
12	56AA40450	PAPER FEED COUPLING PART	給紙カップリング部材	C	1	
13	56AA40510	PRESSING SPRING	押圧バネ	C	1	
14	57AA40090	DRIVE MOUNTING PLATE /S	駆動取り付け板/S	D	1	
15	57AA40620	CLUTCH HOLDER 2	クラッチ押さえ 2	D	1	
16	57AA40610	SLIDE SHAFT HOLDER	滑り軸受	C	2	
17	56AA17480	PIN B	ピン B	C	2	
18	57AAR72000	PAPER FEED INPUT SHAFT ASSY	給紙入力軸部組	D	1	
19	57AA40240E	Paper feed Input Shaft	給紙入力軸	D	1	
20	57AA77720	PAPER FEED REVERSE GEAR / 1 9/22T	給紙逆転歯車/1 9/22 T	C	1	
21	56AA17760	COLLAR	カラー	C	2	
22	57AA40630	GEAR CUSHION G	ギアクッション G	C	2	
23	55VA42120	SHAFT STOPPER	軸ストッパー	C	2	
24	56AA82012	PAPER FEED DRIVING CLUTCH	給紙駆動クラッチ	B	2	
25	55VA75540	PAPER FEED SHAFT HOLDER B	給紙軸受 B	B	1	
26	56AA40230	PAPER FEED REGISTRATION ROLLER	給紙レジストローラ	C	1	

# VERTICAL CONVEYANCE UNIT

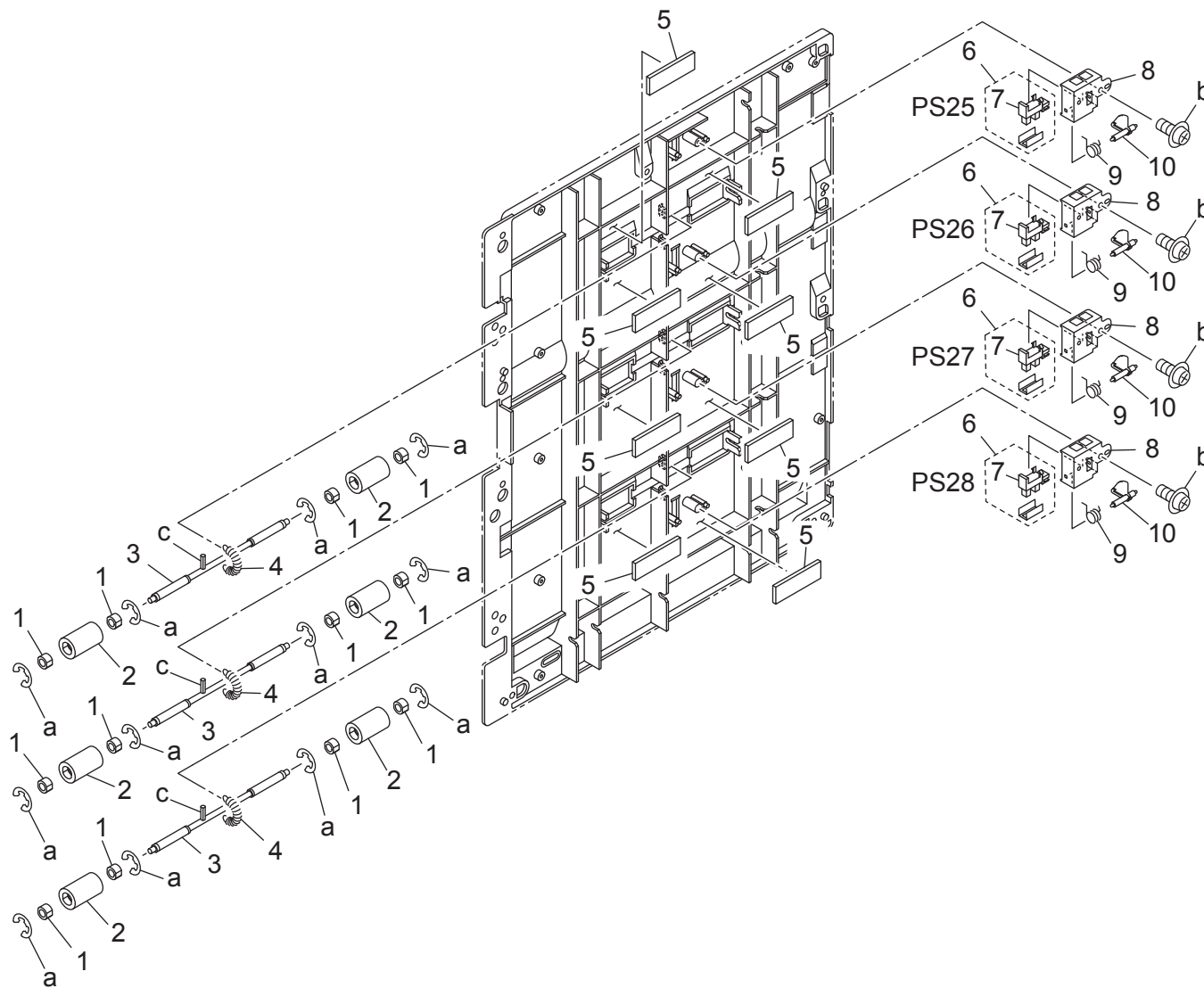
P 60



Key	Part No.	Description	Destinations	Class	QTY	Standard parts
1	A0PN700400	Guide Plate /Right		C	1	a-V121040603
2	56AA44200	LOCKING CLAW		C	2	b-V151030803
3	56QA44180	LOCK SPRING/UPPER		C	1	c-V118030603
4	56AA44150	SHAFT FIXING PART		C	2	d-V121030603
5	A0PN701400	Open/close Lever		C	1	e-V217040050
6	56QA44550	CONVEYANCE EARTH SPRING		C	1	f-V217030050
7	56AA17300	PIN		C	1	g-V151030804
8	56AA44210D	Lock Shaft		D	1	h-V121030604
9	56QA44190	LOCK SPRING LOWER		C	1	
10	56QA44560	CONVEYANCE EARTH PLATE		D	3	
11	56AA-4451	BASE STAY/FRONT CAULKIG		D	1	
12	56AAR71900	SENSOR ASSY		B	2	
13	08AA85512	Photo Sensor		B	2	
14	56AA-4501	HINGE FIXING PLATE CAULKING		D	2	
15	56AA44101	HINGE OPEN/CLOSE PLATE		D	2	
16	56AA-4471	POSITIONING PLATE CAULKIG		D	1	
17	56QA90620	PAPER FEED WIRING 3		D	1	
18	56AA44071	BASE STAY/REAR		D	1	
19	56QA44590	CONVEYANCE PAD/UPPER		D	1	
20	A0PN700300	Conveyance Door		C	1	

# VERTICAL CONVEYANCE UNIT

P 61

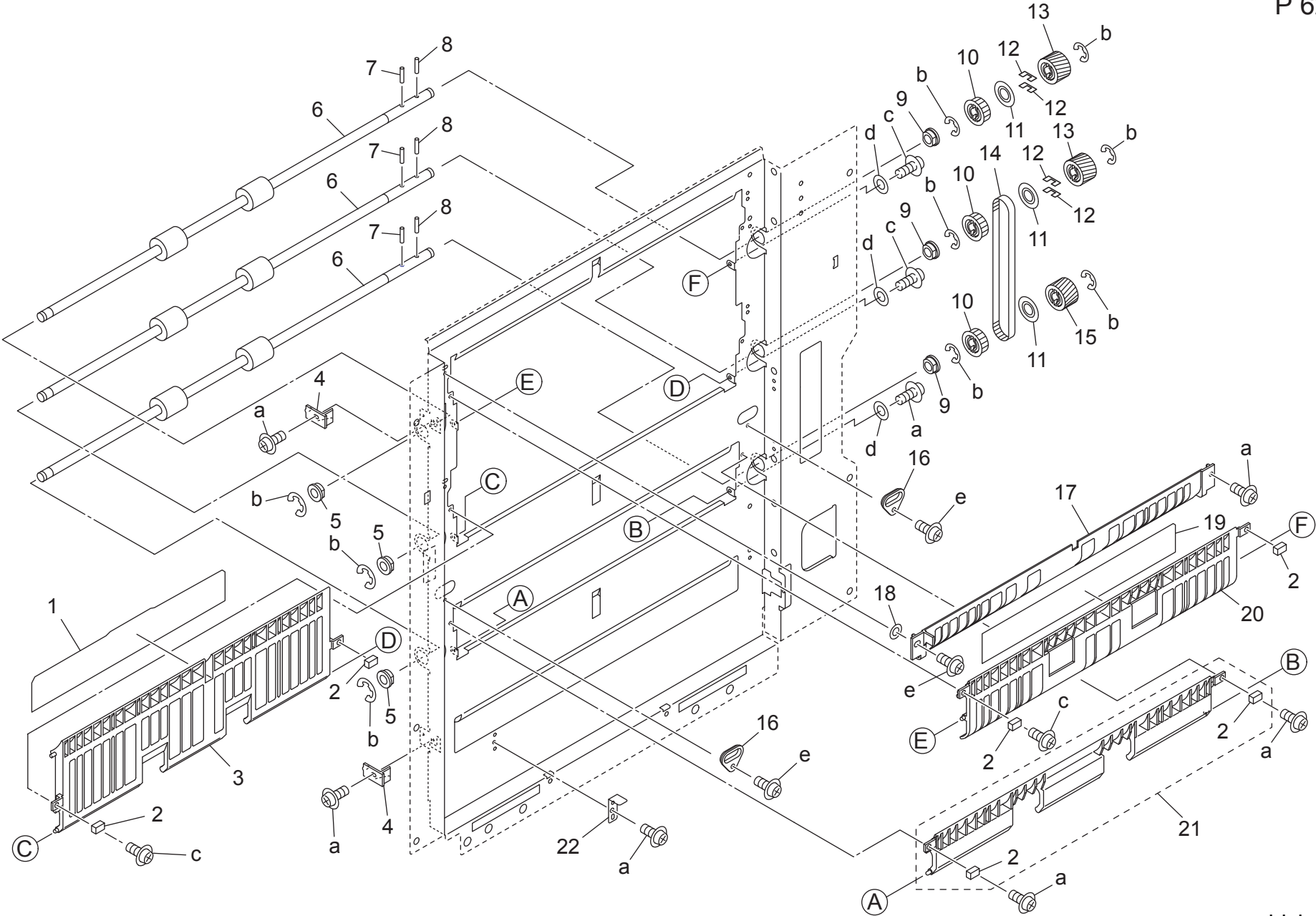


VERTICAL CONVEYANCE UNIT

Key	Part No.	Description	Destinations	Class	QTY	Standard parts
1	56GA76010	SLIDE SHAFT HOLDER 2		C	12	a-V217040050 b-V151030803 c-V233161250
2	26NA42560	BY PASS FEED DRIVEN ROLLER		C	6	
3	56AA44451	CONVEYANCE IDLER SHAFT		D	3	
4	56AA44430	CONVEYANCE PRESSING SPRING 1		C	3	
5	56QA44580	CONVEYANCE PAD/MIDDLE		D	8	
6	56AAR71900	SENSOR ASSY		B	4	
7	08AA85512	Photo Sensor		B	4	
8	56AA44250	MOUNTING PART		C	4	
9	56AA44260	PRESSING SPRING		C	4	
10	57AA44270	PAPER DETECTION ACTUATOR		C	4	



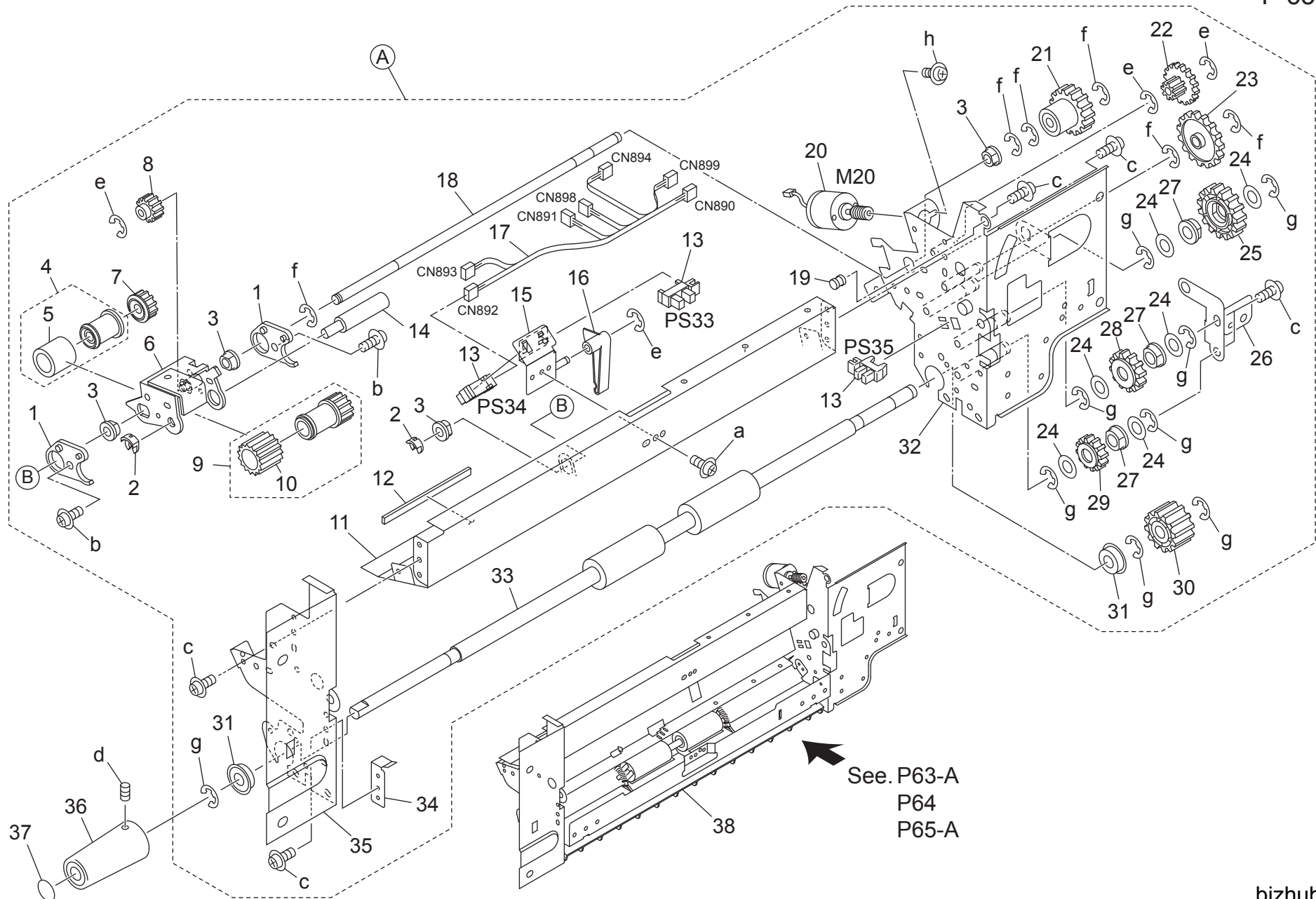
# VERTICAL CONVEYANCE UNIT



Key	Part No.	Description	Destinations	Class	QTY	Standard parts
1	57AA44600	CONVEYANCE GUIDE SHEET/2	搬送ガイドシート／2	C	1	a-V121030603 b-V217060050 c-V121030803 d-V207030003 e-V118030603
2	56AA44421	PAPERFEED PRESSING PART	給紙押圧部材	D	6	
3	56QA44300	PAPER FEED GUIDE PART /1	給紙ガイド部材／1	D	1	
4	56AA44231	DOOR LOCKING PART	ドアロック部材	C	2	
5	56QA75050	Paper Feed Slide Bushing	給紙滑り軸受	C	3	
6	56AA44082	Paper Feed Conveying Roller	給紙搬送ローラ	C	3	
7	56AA17551	PIN A	ピン A	C	3	
8	56AA17480	PIN B	ピン B	C	3	
9	A03U812800	Slide Shaft Holder	すべり軸受	B	3	
10	56AA76590	ADU CONVEYING PULLEY 1 32T	A D U 搬送プーリ 1 3 2 T	C	3	
11	57AA44610	PULLEY HOLDER BLACK	プーリ押さえ クロ	C	3	
12	57AA40630	GEAR CUSHION G	ギアクッション G	C	4	
13	57AA77380	CONVEYANCE GEAR 21T	搬送ギア 2 1 T	C	2	
14	56QA77530	Conveyance Connecting Belt 292L	搬送連結ベルト 2 9 2 L	C	1	
15	56AA77380	CONVEYANCE GEAR 21T	搬送ギア 2 1 T	C	1	
16	56AA44240	DOOR POSITIONING PART	ドア位置決め部材	C	2	
17	56QA44400	PAPER FEED GUIDE PART /3	給紙ガイド部材／3	D	1	
18	56QA44410	SPACER	スペーサー	D	1	
19	56QA44570	CONVEYANCE GUIDE SHEET	搬送ガイドシート	C	1	
20	56QA44310	PAPER FEED GUIDE PART/2	給紙ガイド部材／2	D	1	
21	56AAR71800	PAPER FEED GUIDE PART U ASSY	給紙ガイド部材 上部組	C	1	
22	56AA44321	MOUNTING PLATE /LOWER	センサ取り付け板／下	D	1	

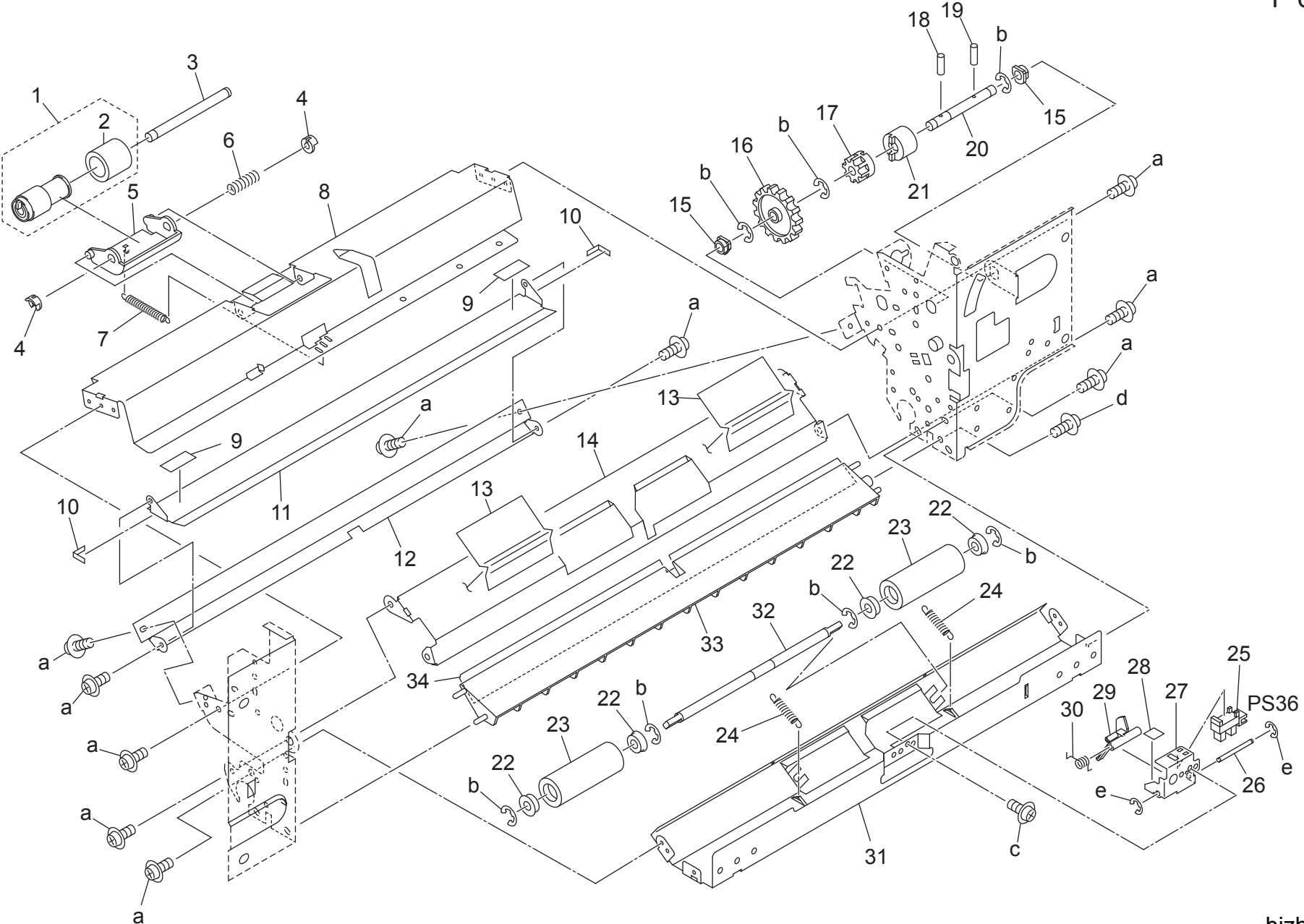
# MANUAL FEED UNIT

P 63



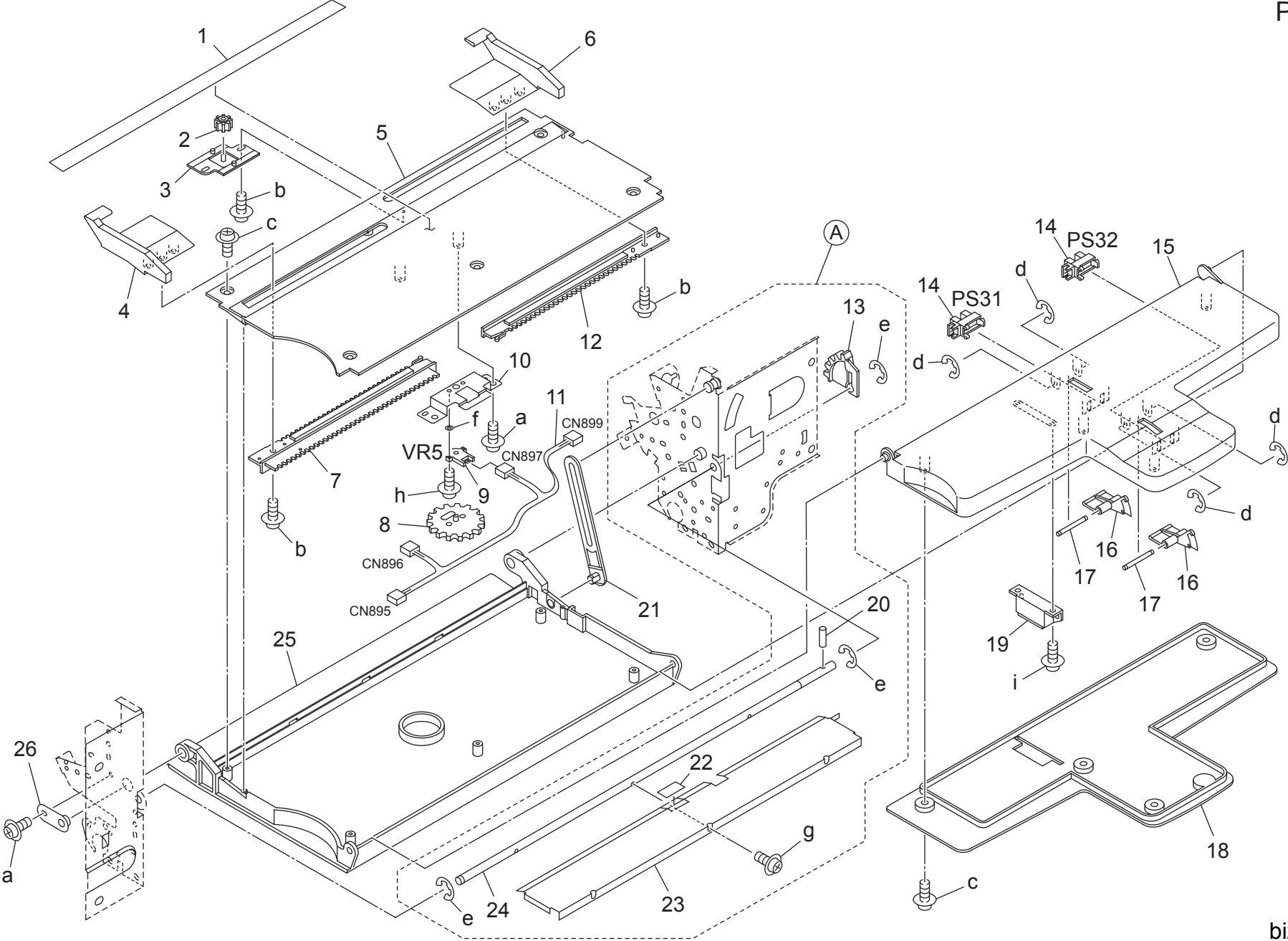
Key	Part No.	Description	Destinations	Class	QTY	Standard parts
1	56AA42430	PAPER GUIDE PART	紙ガイド部材	C	2	a-V118030403
2	396040681	STOPPER RING	止め輪	B	2	b-V121030504
3	08AA76010	DRUM DRIVING SHAFT HOLDER	ドラム駆動軸受	C	4	c-V121030603
4	56AAR72400	PAPER CON ROLLER ASSY	紙搬送ローラー部組	B	1	d-V193040404
5	540040562	PAPER SUPPLY RUBBER	紙補給ゴム	A	1	e-V217030050
6	56AA42160	PAPER FEEDING PLATE	紙送り出し板	D	1	f-V217040050
7	56AA77180	BY PASS FEED CONVEYING GEAR 1 19T	手差し搬送歯車 1 19 T	C	1	g-V217060050
8	56AA77960	BY PASS FEED IDLING GEAR 18T	手差しアイドル歯車 18 T	C	1	h-V111260403
9	56AAR72300	FEEDING ROLLER A ASSY	送り出しローラー A部組	B	1	
10	55FA42330	PAPER DELIVERY RUBBER	紙送り出しゴム	A	1	
11	56AA42031	BY PASS FEED GUIDE PLATE UPPER	手差しガイド板 上	D	1	
12	56QA10531	BY-PASS COOLING PAD /2	手差し冷却パッド/2	D	1	
13	08AA85512	Photo Sensor	フォトセンサ	B	3	
14	56AA42120	BY-PASS FEEDING SHAFT	手差し送り出し軸	D	1	
15	56AA-4721	MOUNT PLATE/UPPER CAULKING	センサー取り付け板/上カシメ	C	1	
16	56AA42170	BY PASS FEED DETECTING PART	手差し検知部材	C	1	
17	56AA90642E	BY-PASS WIRING /1	手差し 束線/1	D	1	
18	56AA42070	BY-PASS DRIVE SHAFT	手差し駆動軸	C	1	
19	56AA42260	PAPER FEED TRAY STOPPER SHAFT	給紙皿ストップバ軸	D	1	
20	56AA-4790	MOTOR ASSY	モーター部組	B	1	
21	56AA77170	BY PASS FEED INPUT GEAR B 28T	手差し入力歯車 B 28 T	C	1	
22	396077240	TONER SUPPLY GEAR A 42T 13T	トナー補給歯車 A 42 T 13 T	C	1	
23	466077220	DOUBLE STEPPED GEAR 34T 17T	2段歯車 34 T 17 T	C	1	
24	12QV40650	SPACER	スペーサー	B	6	
25	25AA49520	PAPER EXIT IDLER GEAR 31T	排紙アイドル歯車 31 T	C	1	
26	56AA42652	BY-PASS REINFORCE PLATE /REAR	手差し補強板/奥	D	1	
27	A03U812800	Slide Shaft Holder	すべり軸受	B	3	
28	25AA77730	CONVEYANCE IDLER RIGHT 24T	搬送アイドル 右 24 T	C	1	
29	25AA77360	CONVEYANCE IDLER	搬送アイドル	C	1	
30	56AA77160	By-Pass Input Gear /A 24T	手差し入力歯車/A 24 T	C	1	
31	A00V240600	BALL BEARING	ボールベアリング	C	2	
32	56AA-4632	BY-PF BASE PANEL/R CAULKIG	手差し基準パネル/奥カシメ	D	1	
33	56AA42510	PAPER STOPPER ROLLER	紙突き当てローラー	C	1	
34	56AA42621	STOPPER PLATE	ストップ板	D	1	
35	56AA42011	BY-PASS BASE PANEL /FRONT	手差し基準パネル/前	D	1	
36	56QA42740	ROLLER KNOB	ローラーつまみ	C	1	
37	57AA97201E	Jam Release Label /1	ジャム解除ラベル/1	C	1	
38	56QAR70400	BY-PASS FEED MAIN BODY	手差し本体	C	1	

# MANUAL FEED UNIT



Key	Part No.	Description	Destinations	Class	QTY	Standard parts
1	56AAR72500	DOUBL FEED PV ROLLER		B	1	a-V121030603 b-V217040050 c-V121030403 d-V151030803 e-V217020050
2	540040562	PAPER SUPPLY RUBBER		A	1	
3	56AA42100D	Multi-feed Regulating Shaft		D	1	
4	396040681	STOPPER RING		B	2	
5	56AA42061	MULTI FEED MOUNTING PLATE		C	1	
6	56AA42440	BY PASS FEED PRESSING SPRING		C	1	
7	56AA42241	MULTI FEED PRESSING SPRING		C	1	
8	56AA42040	BY PASS FEED GUIDE PLATE LOWE		D	1	
9	56AA20910	TONER GUIDE SEAL /F		D	2	
10	56AA42640	STOPPER SHEET		C	2	
11	56AA42460	OPEN SHUT PLATE		D	1	
12	56AA42050	BY PASS FEED AUXILIARY PLATE		D	1	
13	56QA42720	PAPER GUIDE SHEET		C	2	
14	56AA42530	CONVEYANCE GUIDE PLATE LOWER		D	1	
15	466076020	PAPER FEED SHAFT HOLDER		B	2	
16	55VA77740	MANUAL FEED UP DOWN GEAR A 45T		B	1	
17	55VA79030	Paper Feed Reversal Gear /C 14T		B	1	
18	56AA17321	PIN A D2X12		B	1	
19	56AA17310	PIN		C	1	
20	56AA42090D	Clutch Fixing Shaft		D	1	
21	13GQ45511	TORQUE LIMITTER		C	1	
22	56AA75050	CLEANER SHAFT HOLDER		C	4	
23	56AA42500	CONVEYANCE DRIVEN ROLLER LOWE		C	2	
24	56AA42590	CONVEYANCE PRESSING SPRING 1		C	2	
25	08AA85512	Photo Sensor		B	1	
26	56AA42680D	Support Shaft /C		D	1	
27	56AA42661D	Mounting Plate		D	1	
28	56AA42450	PREVENTING RUBBER		C	1	
29	56AA42580	PAPER DETECTING ACTUATOR B		C	1	
30	56QA42670	SPRING B		C	1	
31	56AA42522	CONVEYANCEGUIDEPLATE UPPER		D	1	
32	56AA42600D	Idler Shaft /A		D	1	
33	56AA42541	ENTRANCE GUIDE PART		C	1	
34	56AA42701	PAPER GUIDE SHEET FRONT		C	1	

# MANUAL FEED UNIT



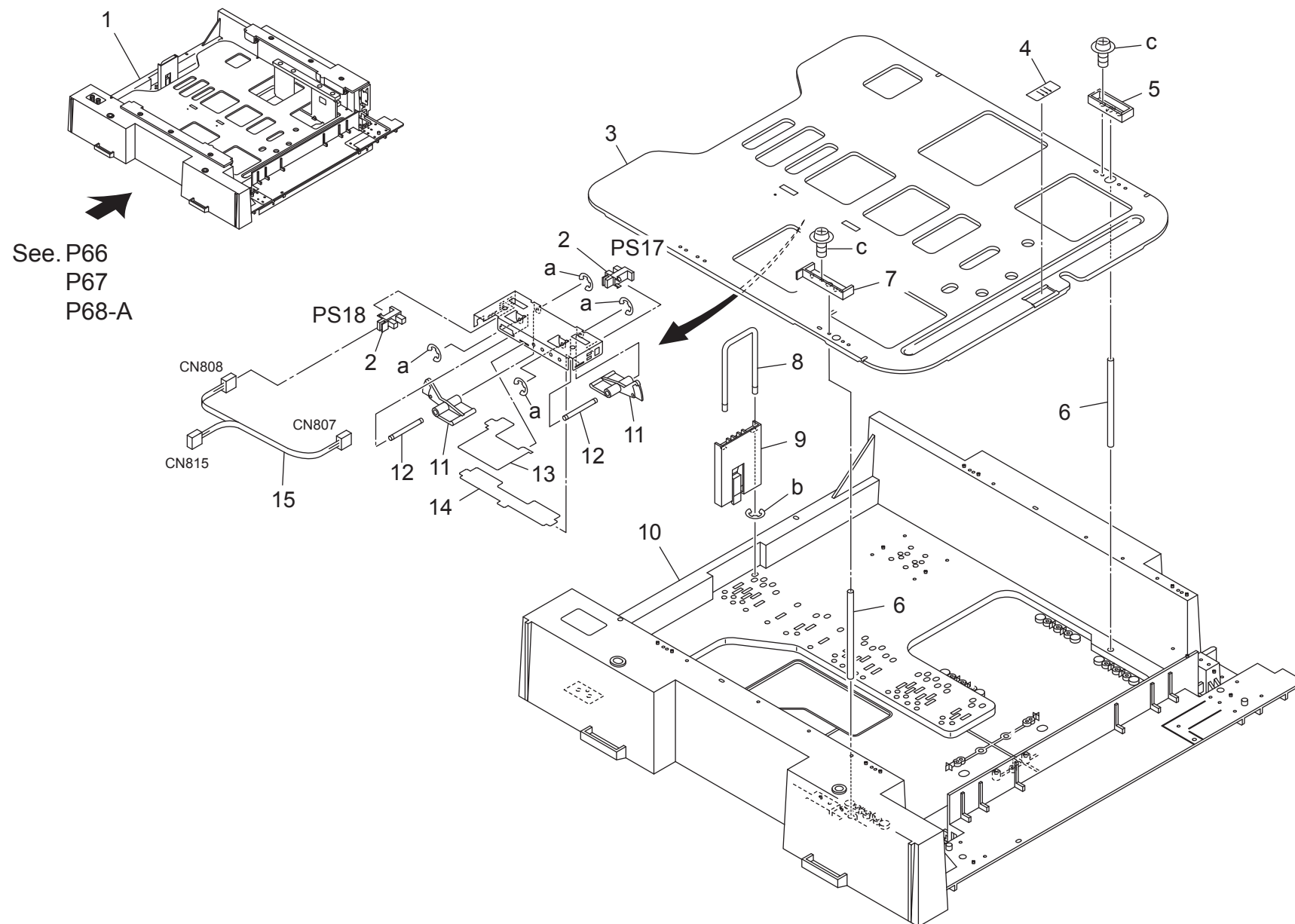
Key	Part No.	Description	Destinations	Class	QTY	Standard parts
1	A0PN943700	Bypass Label /1		C	1	a-V121030603
2	466077130	PINION 14T		C	1	b-V151030803
3	56AA42420	SLIDE HOLDER		C	1	c-V151030804
4	A0PN604000	Regulating Plate /Front		C	1	d-V217020050
5	A0PN603100	Paper feed Tray		C	1	e-V217040050
6	A0PN604100	Regulating Plate /Rear		C	1	f-V207020003
7	56AA42340	RACK FRONT		C	1	g-V118030603
8	56AA42380	PINION		C	1	h-V111170403
9	56AA85601	SIZE DETECTION VR		C	1	i-V145030803
10	56AA42391	PAPER DETECTION BOARD		D	1	
11	56AA90651	BY PASS FEED WIRING 2		D	1	
12	56AA42350	RACK REAR		C	1	
13	540077052	PAPER LIFT UP GEAR A 12T		B	1	
14	08AA85512	Photo Sensor		B	2	
15	A0PN603201	Auxiliary Cover		C	1	
16	56AA42370	PAPER DETECTING ACTUATOR A		C	2	
17	56AA42360D	Support Shaft /B		D	2	
18	A0PN603301	Protection Cover		C	1	
19	07BA12352	MAGNET CATCH		C	1	
20	56AA17461	PIN A		B	1	
21	A0PN606100	Open/close Stopper		C	1	
22	57AA605100	FRICITION PAD		C	1	
23	56AA42111	PAPER LIFTING PLATE		D	1	
24	56AA42080	BY-PASS LIFTING SHAFT		D	1	
25	A0PN603000	Paper Feed Cover		C	1	
26	56AA-4771	TRAY FULCRUM PLATE CAULKIG		D	1	



# 500 SHEET TRAY

TRAY 3

P 66



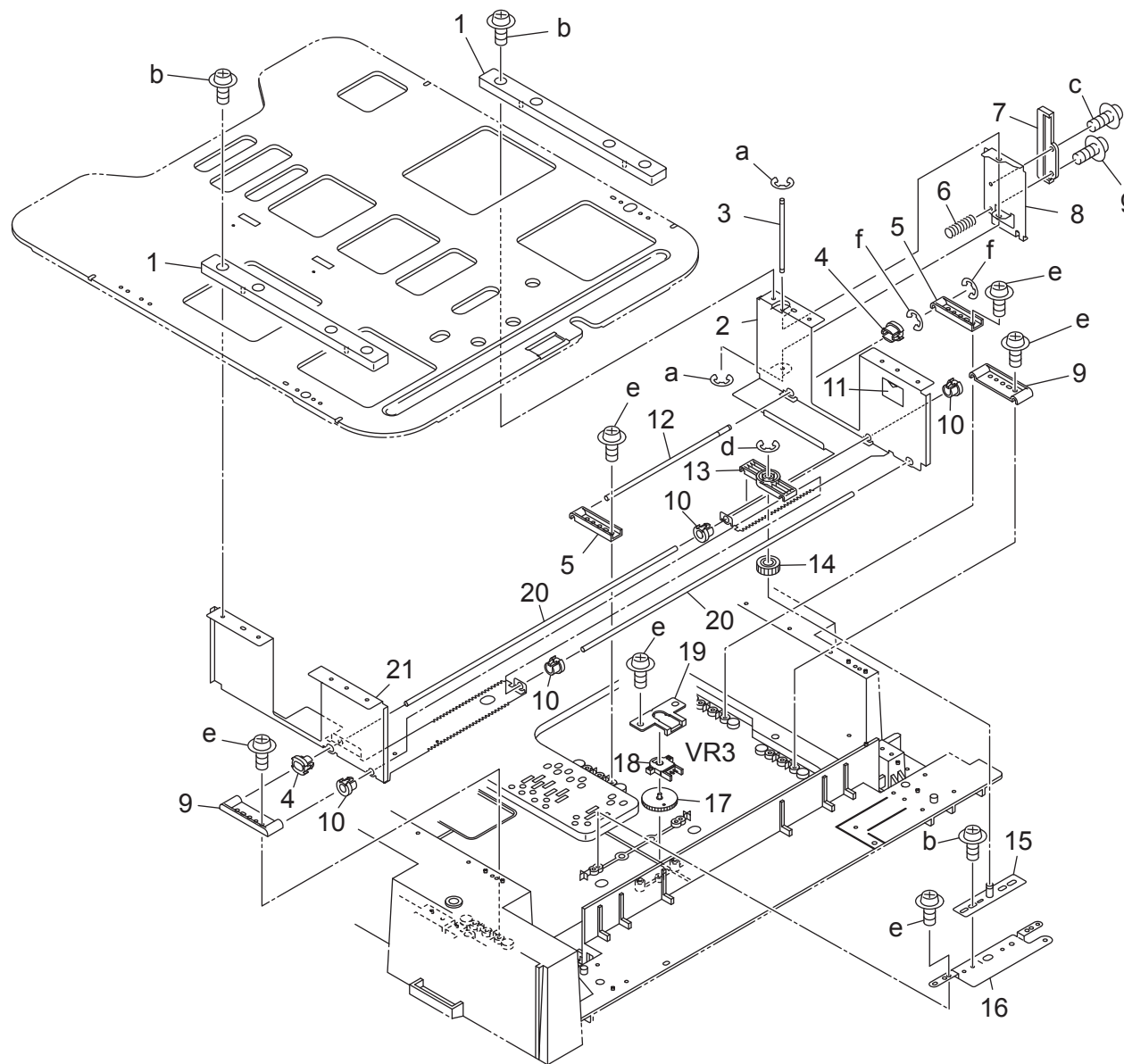
See. P66  
P67  
P68-A

Key	Part No.	Description	Destinations	Class	QTY	Standard parts
1	A0PNR72000	500 SHEET TRAY	500枚トレイ	S	1	a-V217020050 b-V217040050 c-V121030603
2	08AA85512	Photo Sensor	フォトセンサ	B	2	
3	56AA41022D	TRAYUP DOWN BOTTOM PLATE/J	トレイ昇降底板 / J	D	1	
4	55VA40930	DOUBLE FEED PREVENTIVE PLATE	重送防止板	C	1	
5	56AA41610	TRAY SLIDE PART REAR	トレイスライド部材 奥	C	1	
6	56AA41621	TRAY SLIDE SHAFT /UPPER	トレイスライド軸 /上	D	2	
7	56AA41160	TRAY SLIDE PART	トレイスライド部材	C	1	
8	56AA41491	TRAY LOCKING SHAFT LEFT	トレイロック軸 左	D	1	
9	57AA41071	TRAY SLIDE SIDE PLATE LEFT	トレイスライド側板 左	C	1	
10	A0PN620100	Tray /J	トレイ / J	C	1	
11	56AA42370	PAPER DETECTING ACTUATOR A	紙検知アクチュエタ A	C	2	
12	56AA42360D	Support Shaft /B	センサ支点軸 / B	D	2	
13	56AA41680	PROTECTION SHEET 2	センサ保護シート 2	C	1	
14	56AA41660	PROTECTION SHEET	センサ保護シート	C	1	
15	56AA90660E	Paper Feed Relay Wiring /1	給紙中継束線 / 1	D	1	

# 500 SHEET TRAY

## TRAY 3

P 67

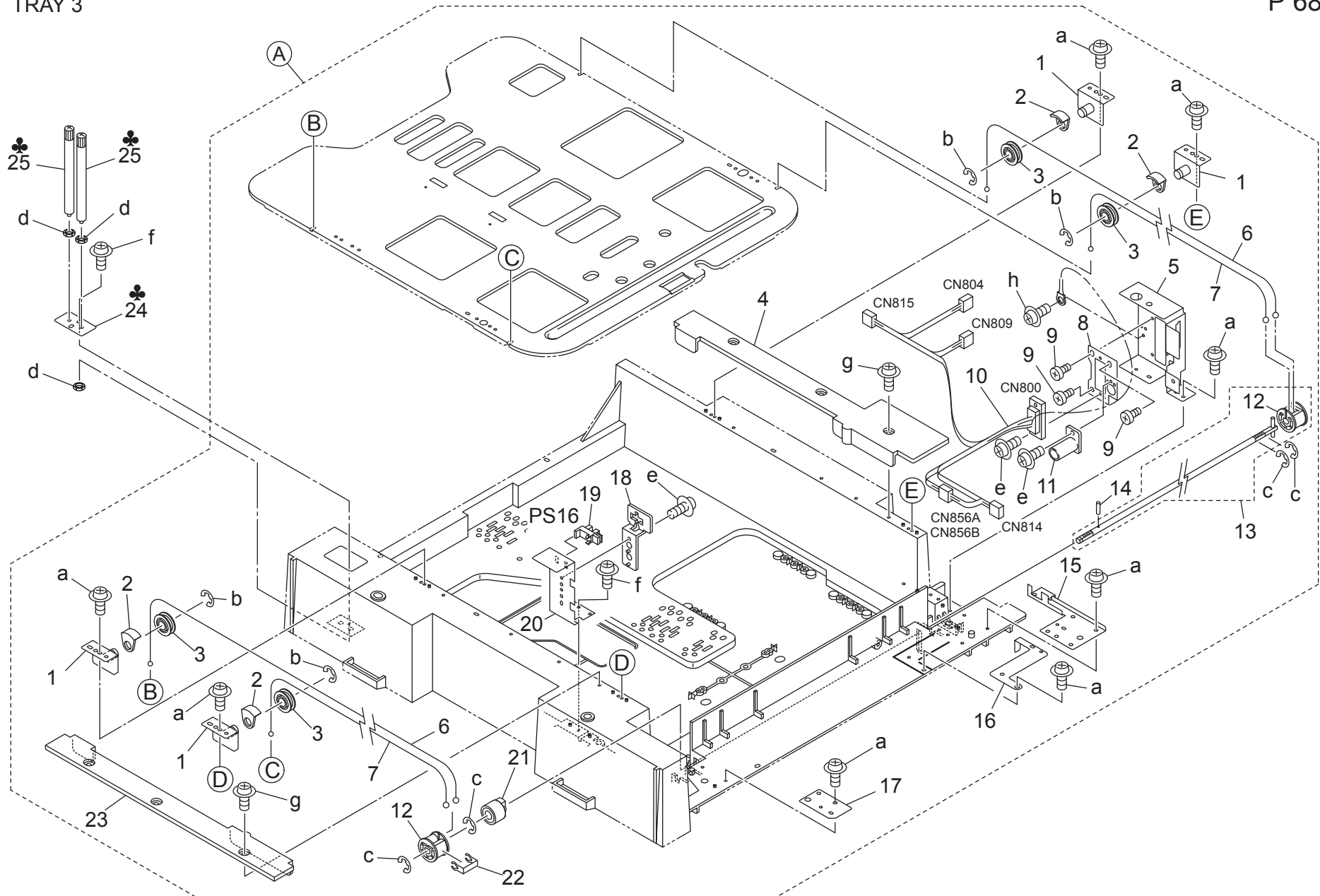


Key	Part No.	Description	Destinations	Class	QTY	Standard parts
1	57AA41360	PROTECTION COVER		C	2	a-V217020050 b-V121030403 c-V121030603 d-V217040050 e-V151030803 f-V217030050 g-V121031003
2	56AA41061	TRAY SLIDE SIDE PLATE /REAR		D	1	
3	56AA41290D	tray Support Shaft		D	1	
4	56AA41200	TRAY GUIDE COLLAR LEFT		C	2	
5	56AA41600	TRAY SLIDE COVER MIDDLE		C	2	
6	56AA17060	SWITCH FIXED SPRING		C	1	
7	57AA41250	SLIDE HANDLE		C	1	
8	56AA41091	TRAY LOCK PLATE		D	1	
9	56AA41460	TRAY SLIDE HOLDER		C	2	
10	56AA41190	TRAY GUIDE COLLAR RIGHT		C	4	
11	57AA97870	PAPER GUIDE LABEL		C	1	
12	56AA41220D	tray Slide Shaft /Middle		D	1	
13	56AA41230	TRAY SLIDE COVER		C	1	
14	55VA79150	CASSETTE PINION 14T		C	1	
15	56AA-4161	ADJUSTING PLATE K CAULKIG		D	1	
16	56AA41330	Adjusting Plate /Lower		D	1	
17	56AA41340	DETECTING GEAR 35T		C	1	
18	56AA85601	SIZE DETECTION VR		C	1	
19	56AA41351E	Detection Board		C	1	
20	56AA41211	TRAY SLIDE SHAFT /FRONT		D	2	
21	56AA41051	TRAY SLIDE SIDE PLATE /FRONT		D	1	

# 500 SHEET TRAY

## TRAY 3

P 68



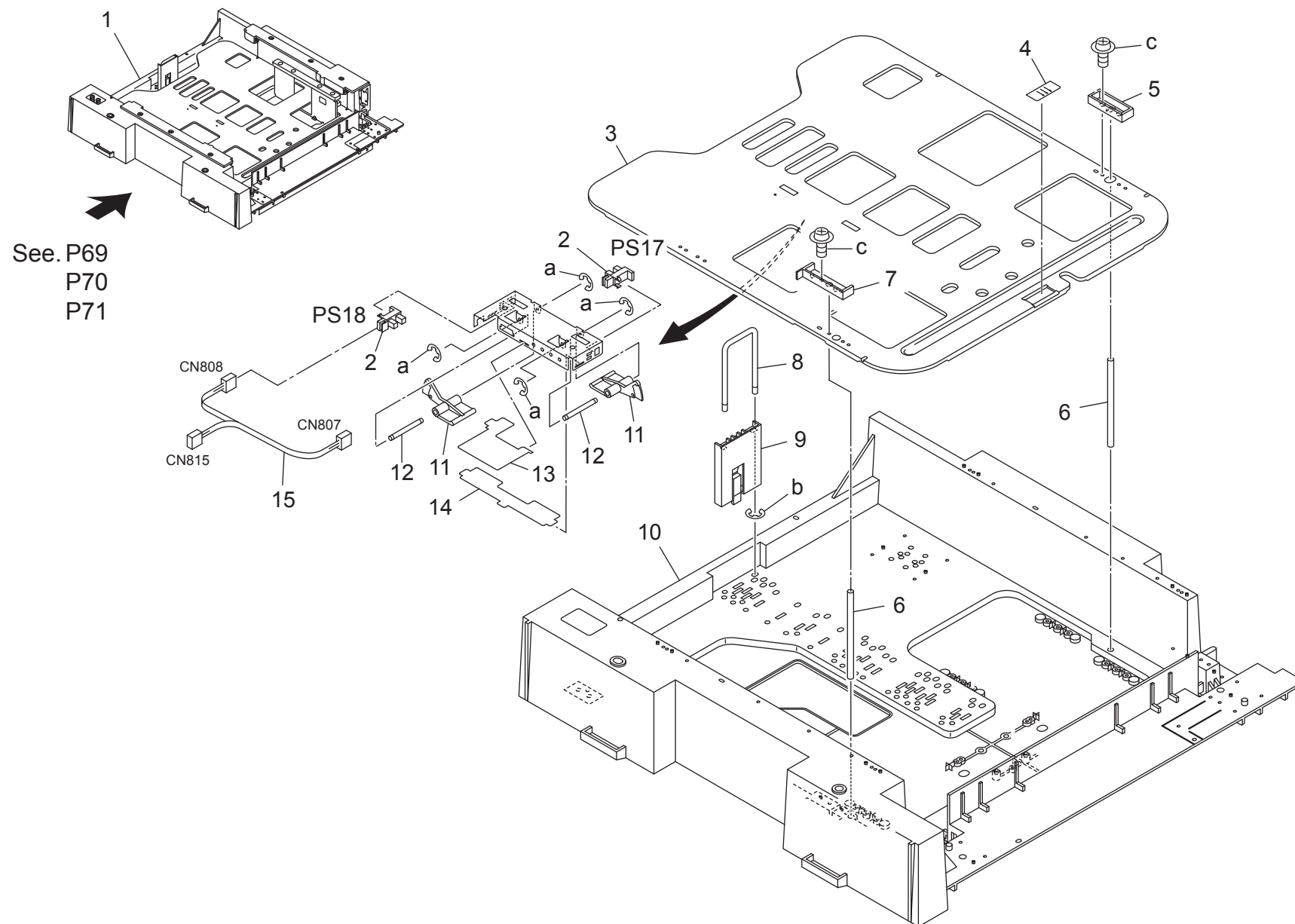
bizhub 751

Key	Part No.	Description	Destinations	Class	QTY	Standard parts
1	56AA-4151	PULLEY SHAFT CAULKING		D	4	a-V151030803
2	55VA40610	WIRE HOLDER A		C	4	b-V217060050
3	57AA17010	WIRE PULLEY		C	4	c-V217040050
4	A0PN626300	Guide Part /Rear		C	1	d-V195030003
5	56AA41082	束線CONNECTING PLATE		D	1	e-V121030603
6	56AA41120	TRAY UP DOWN WIRE B		C	2	f-V151031003
7	56AA41110	TRAY UP DOWN WIRE A		C	2	g-V151031004
8	56AA41471	WIRING GUIDE PLATE		D	1	h-V121030403
9	26NA45440	REGISTRATION UNIT FIXED SCREW		C	3	
10	57AA90600	Paper Feed Wiring /1		D	1	
11	56AA41690	SHAFT GUIDE COVER		D	1	
12	56AA41390	Pulley		C	2	
13	56AAR71700	PAPER UP DOWN SHAFT ASSY		C	1	
14	56AA17310	PIN		C	1	
15	56AA41481	Paper Feed Mounting Plate /Rear		D	1	
16	56AA41450	EARTH SPRING		C	1	
17	56AA41431	Paper Feed Mounting Plate		D	1	
18	56AA41650	PROTECTION COVER		C	1	
19	08AA85512	Photo Sensor		B	1	
20	56AA41371	PAPER LEVEL PLATE		D	1	
21	56AA41440	TRAY UP DOWN LIMITTER		B	1	
22	56AA41671	WIRE COVER		C	1	
23	A0PN624200	Guide Part		C	1	
24	56AA41640	SCREW PLATE	A	D	1	
25	56AA41380	PAPER GUIDE PART	A	D	2	

# 500 SHEET TRAY

TRAY 4

P 69



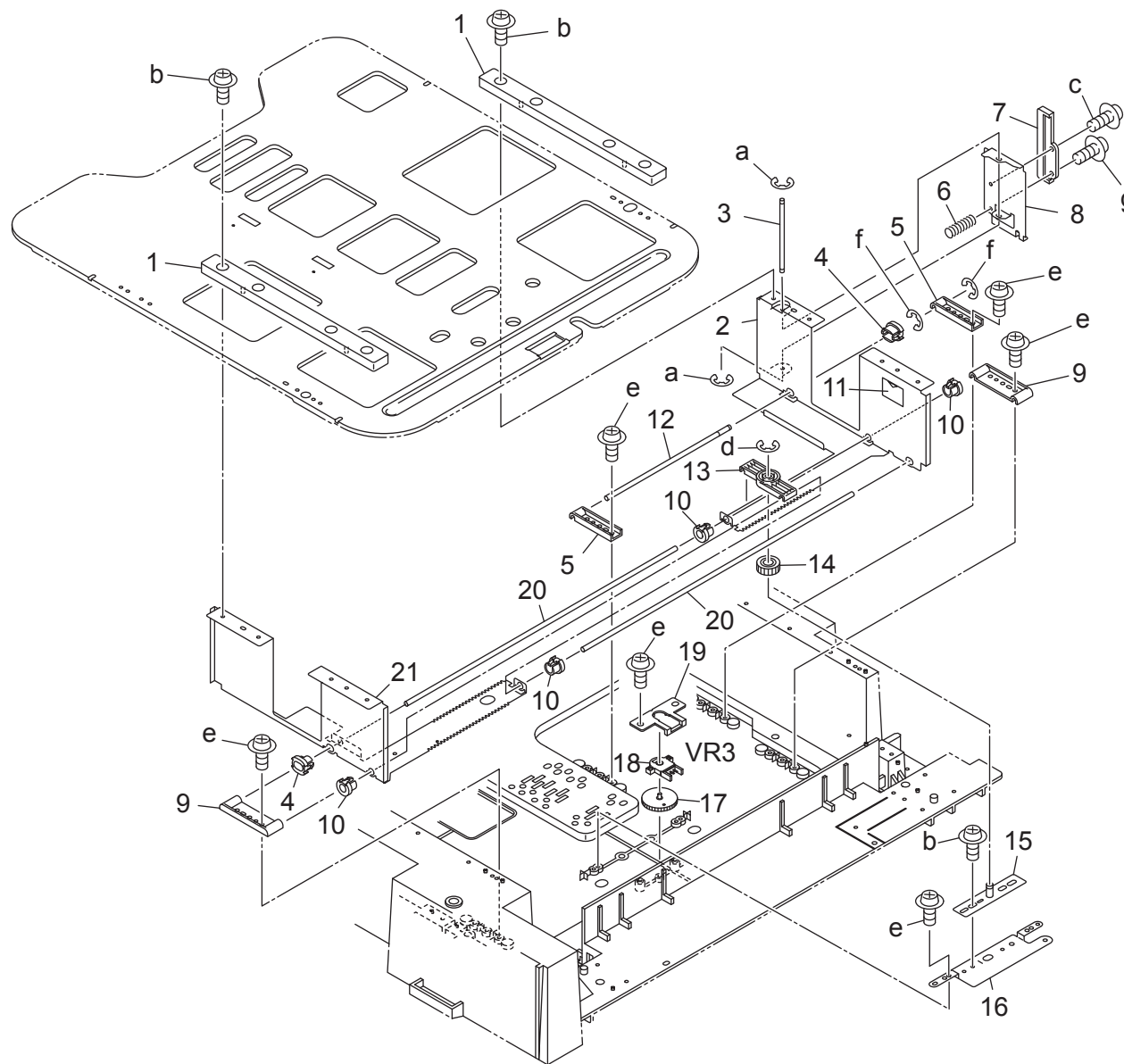
Key	Part No.	Description	Destinations	Class	QTY	Standard parts
1	A0PNR72000	500 SHEET TRAY	500枚トレイ	S	1	a-V217020050 b-V217040050 c-V121030603
2	08AA85512	Photo Sensor	フォトセンサ	B	2	
3	56AA41022D	TRAYUP DOWN BOTTOM PLATE/J	トレイ昇降底板 / J	D	1	
4	55VA40930	DOUBLE FEED PREVENTIVE PLATE	重送防止板	C	1	
5	56AA41610	TRAY SLIDE PART REAR	トレイスライド部材 奥	C	1	
6	56AA41621	TRAY SLIDE SHAFT /UPPER	トレイスライド軸 /上	D	2	
7	56AA41160	TRAY SLIDE PART	トレイスライド部材	C	1	
8	56AA41491	TRAY LOCKING SHAFT LEFT	トレイロック軸 左	D	1	
9	57AA41071	TRAY SLIDE SIDE PLATE LEFT	トレイスライド側板 左	C	1	
10	A0PN620100	Tray /J	トレイ / J	C	1	
11	56AA42370	PAPER DETECTING ACTUATOR A	紙検知アクチュエータ A	C	2	
12	56AA42360D	Support Shaft /B	センサ支点軸 / B	D	2	
13	56AA41680	PROTECTION SHEET 2	センサ保護シート 2	C	1	
14	56AA41660	PROTECTION SHEET	センサ保護シート	C	1	
15	56AA90660E	Paper Feed Relay Wiring /1	給紙中継束線 / 1	D	1	



# 500 SHEET TRAY

## TRAY 4

P 70

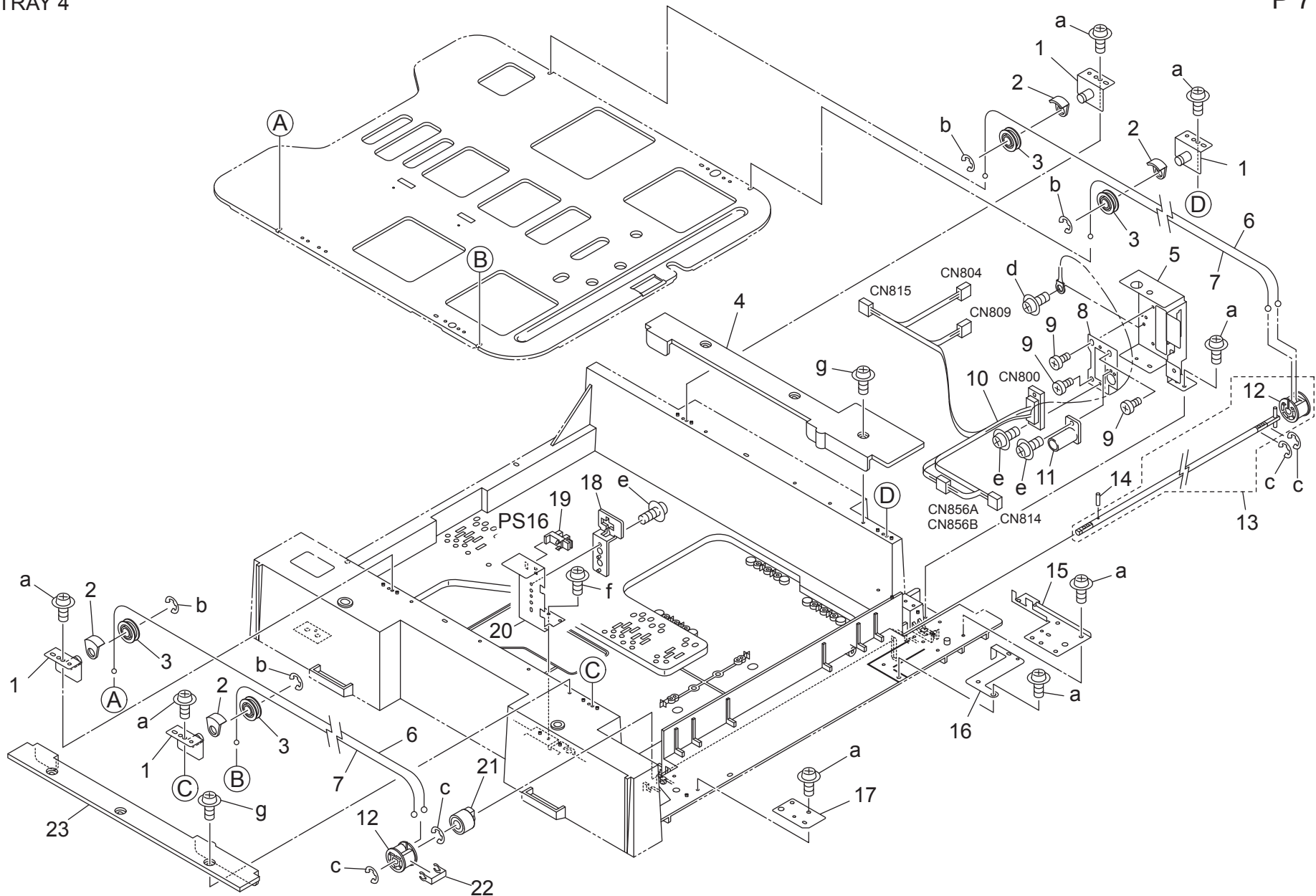


Key	Part No.	Description	Destinations	Class	QTY	Standard parts
1	57AA41360	PROTECTION COVER	保護カバー	C	2	a-V217020050 b-V121030403 c-V121030603 d-V217040050 e-V151030803 f-V217030050 g-V121031003
2	56AA41061	TRAY SLIDE SIDE PLATE /REAR	トレイスライド側板/奥	D	1	
3	56AA41290D	tray Support Shaft	トレイ支点軸	D	1	
4	56AA41200	TRAY GUIDE COLLAR LEFT	トレイガイドカラー 左	C	2	
5	56AA41600	TRAY SLIDE COVER MIDDLE	トレイスライドカバー 中	C	2	
6	56AA17060	SWITCH FIXED SPRING	スイッチ固定バネ	C	1	
7	57AA41250	SLIDE HANDLE	スライド把手	C	1	
8	56AA41091	TRAY LOCK PLATE	トレイロック板	D	1	
9	56AA41460	TRAY SLIDE HOLDER	トレイスライド押さえ	C	2	
10	56AA41190	TRAY GUIDE COLLAR RIGHT	トレイガイドカラー 右	C	4	
11	57AA97870	PAPER GUIDE LABEL	紙案内ラベル	C	1	
12	56AA41220D	tray Slide Shaft /Middle	トレイスライド軸/中	D	1	
13	56AA41230	TRAY SLIDE COVER	トレイスライドカバー	C	1	
14	55VA79150	CASSETTE PINION 14T	カセットピニオン 14 T	C	1	
15	56AA-4161	ADJUSTING PLATE K CAULKIG	調整板 K カシメ	D	1	
16	56AA41330	Adjusting Plate /Lower	調整板/下	D	1	
17	56AA41340	DETECTING GEAR 35T	検知ギア 35 T	C	1	
18	56AA85601	SIZE DETECTION VR	サイズ検知ボリューム	C	1	
19	56AA41351E	Detection Board	検知基板	C	1	
20	56AA41211	TRAY SLIDE SHAFT /FRONT	トレイスライド軸/前	D	2	
21	56AA41051	TRAY SLIDE SIDE PLATE /FRONT	トレイスライド側板/前	D	1	

# 500 SHEET TRAY

## TRAY 4

P 71

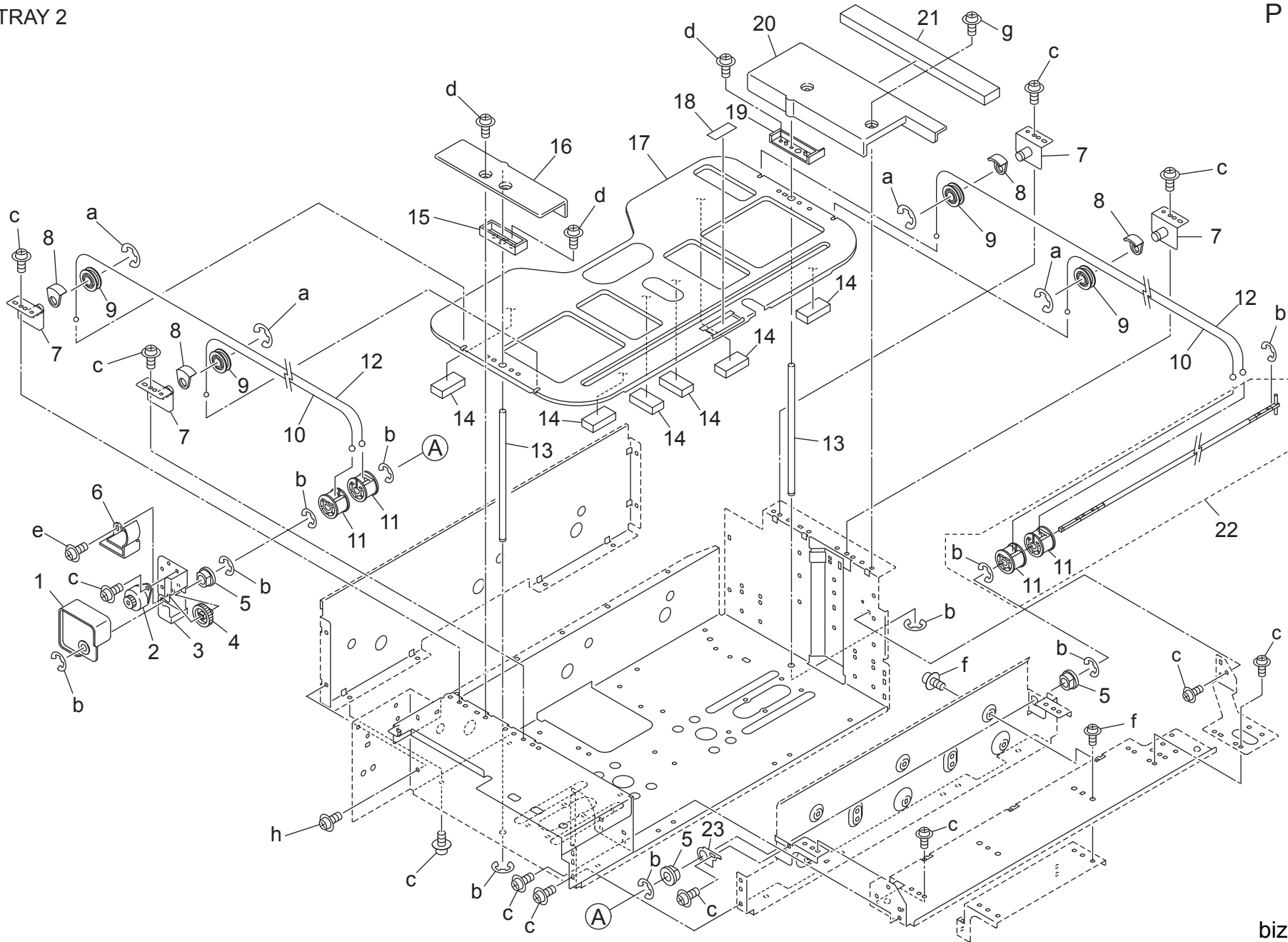


Key	Part No.	Description	Destinations	Class	QTY	Standard parts
1	56AA-4151	PULLEY SHAFT CAULKING		D	4	a-V151030803 b-V217060050 c-V217040050 d-V121030403 e-V121030603 f-V151031003 g-V151031004
2	55VA40610	WIRE HOLDER A		C	4	
3	57AA17010	WIRE PULLEY		C	4	
4	A0PN626300	Guide Part /Rear		C	1	
5	56AA41082	WIRING CONNECTING PLATE		D	1	
6	56AA41120	TRAY UP DOWN WIRE B		C	2	
7	56AA41110	TRAY UP DOWN WIRE A		C	2	
8	56AA41471	WIRING GUIDE PLATE		D	1	
9	26NA45440	REGISTRATION UNIT FIXED SCREW		C	3	
10	57AA90600	Paper Feed Wiring /1		D	1	
11	56AA41690	SHAFT GUIDE COVER		D	1	
12	56AA41390	Pulley		C	2	
13	56AAR71700	PAPER UP DOWN SHAFT ASSY		C	1	
14	56AA17310	PIN		C	1	
15	56AA41481	Paper Feed Mounting Plate /Rear		D	1	
16	56AA41450	EARTH SPRING		C	1	
17	56AA41431	Paper Feed Mounting Plate		D	1	
18	56AA41650	PROTECTION COVER		C	1	
19	08AA85512	Photo Sensor		B	1	
20	56AA41371	PAPER LEVEL PLATE		D	1	
21	56AA41440	TRAY UP DOWN LIMITTER		B	1	
22	56AA41671	WIRE COVER		C	1	
23	A0PN624200	Guide Part		C	1	

# 1000 SHEET TRAY

## TRAY 2

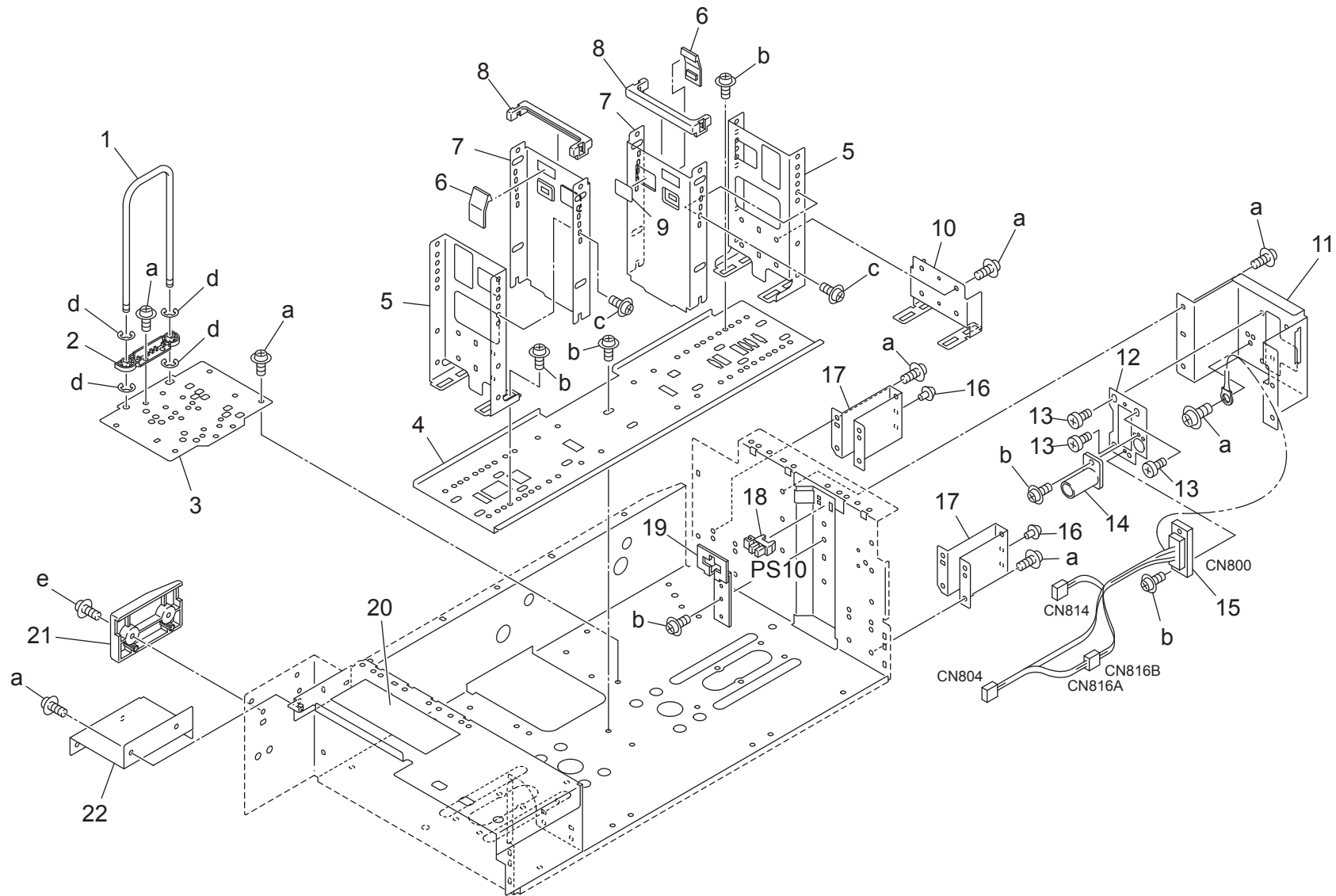
P 72



Key	Part No.	Description	Destinations	Class	QTY	Standard parts
1	56QA58640	GEAR PROTECTION COVER/2	ギア保護カバー／2	D	1	a-V217060050 b-V217040050 c-V121030403 d-V121030603 e-V121031003 f-V118030403 g-V121030604 h-V127030603
2	56QA58400D	LCT Regulating Limiter /3	LCT 規制リミッタ／3	C	1	
3	56AE43410	LCT REGULATING PLATE	LCT 規制板	D	1	
4	56AA77990	LCT REGULATING GEAR 24T	LCT 規制歯車 24 T	C	1	
5	08AA76010	DRUM DRIVING SHAFT HOLDER	ドラム駆動軸受	C	3	
6	56QA58440	GEAR PROTECTION COVER	ギア保護カバー	C	1	
7	56AA-4151	PULLEY SHAFT CAULKING	プーリ軸カシメ	D	4	
8	55VA40610	WIRE HOLDER A	ワイヤー押え A	C	4	
9	57AA17010	WIRE PULLEY	ワイヤープーリ	C	4	
10	56QA58110	LCT UP DOWN WIRE RIGHT FRONT	LCT 昇降ワイヤー 右前	C	2	
11	56AA41390	Pulley	プーリ	C	4	
12	56QA58120	LCT UP DOWN WIRE RIGHT REAR	LCT 昇降ワイヤー 右後	C	2	
13	56QA58361	LCT SLIDE SHAFT /RIGHT	LCT スライド軸／右	D	2	
14	56QA58290	BOTTOM PLATE POSITIONING PAD	底板位置決めパッド	C	6	
15	56AA41610	TRAY SLIDE PART REAR	トレイスライド部材 奥	C	1	
16	57AA58420	PULLEY GUIDE PART	プーリガイド部材	D	1	
17	56QA58181	LCT UP/DOWN PLATE	LCT 昇降板	D	1	
18	55VA40930	DOUBLE FEED PREVENTIVE PLATE	重送防止板	C	1	
19	56AA41160	TRAY SLIDE PART	トレイスライド部材	C	1	
20	A0PN646300	Guide Part /Rear	ガイド部材／奥	D	1	
21	56QA58621	TRAY PROTECTION PAD	トレイ保護パッド	D	1	
22	56AER70100	LCT UP DOWN SHAFT ASSY	LCT 昇降軸部組	C	1	
23	56QA58300	LCT ADJUSTMENT PLATE/RIGHT	LCT 調整板／右	D	1	

# 1000 SHEET TRAY

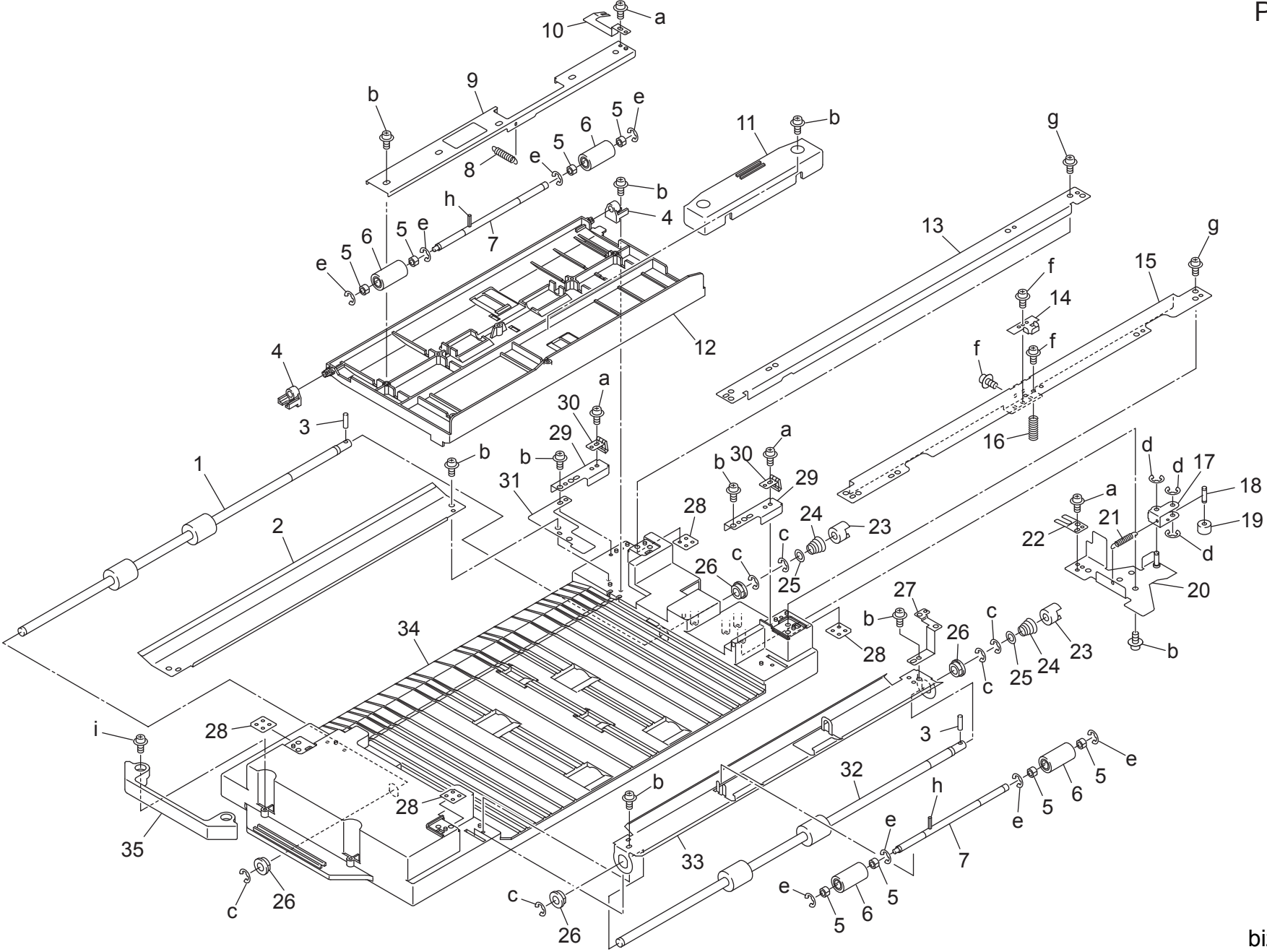
## TRAY 2



Key	Part No.	Description	Destinations	Class	QTY	Standard parts
1	56QA58150	PAPER GUIDE SHAFT RIGHT		D	1	a-V121030403 b-V121030603 c-V127030603 d-V217040050 e-V121030604
2	56QA58070	SHAFT HOLDING PART		D	1	
3	56QA58090D	LCT Adjusting Bottom plate		D	1	
4	56QA58041D	LCT SLIDE BOARD		D	1	
5	56QA58050D	LCT ADJUSTMENT SIDE PLATE		D	2	
6	540047200	PAPER REGULATING CLAW		C	2	
7	56QA58060D	LCT GUIDE PLATE RIGHT		D	2	
8	57AA58450	PROTECTION COVER		C	2	
9	57AA97870	PAPER GUIDE LABEL		C	1	
10	56QA58490D	REAR REINFORCE PLATE		D	1	
11	56QA58081D	Wiring Connecting Plate		D	1	
12	56AA41471	WIRING GUIDE PLATE		D	1	
13	26NA45440	REGISTRATION UNIT FIXED SCREW		C	3	
14	56AA41690	SHAFT GUIDE COVER		D	1	
15	57AA90670	PAPER FEED WIRING L		D	1	
16	55VA47920	STOPPER RUBBER		C	2	
17	56QA58281E	LCT POSITIONING PLATE		D	2	
18	08AA85512	Photo Sensor		B	1	
19	56AA41650	PROTECTION COVER		C	1	
20	A0PN943400	Set Label /1		C	1	
21	A0PN644800	Protection Part /Left		C	1	
22	56QA58470D	EXTERNAL PROTECTION PLATE		D	1	



HORIZONTAL CONVEYANCE



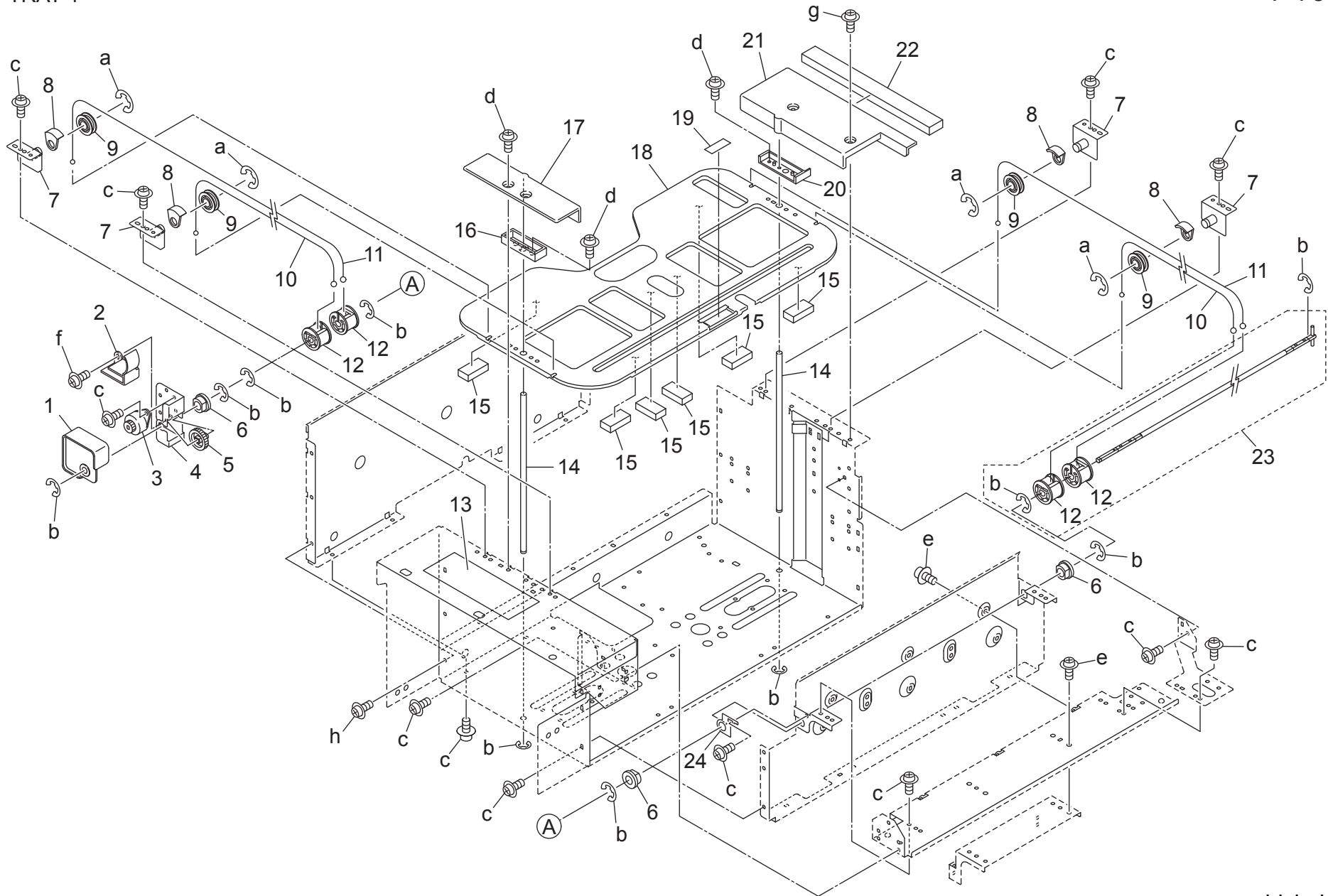
# HORIZONTAL CONVEYANCE

Key	Part No.	Description	Destinations	Class	QTY	Standard parts
1	56QA57060	Conveyance Drive Roller /Left	搬送駆動ローラ/左	C	1	a-V121030403
2	56QA57040	CONVEYANCE ENTRANCE PANEL /UPP	搬送進入パネル/上	D	1	b-V151030803
3	56AA17480	PIN B	ピン B	C	2	c-V217060050
4	56QA57110	SUPPORT BLOCK	支点ブロック	D	2	d-V217030050
5	56GA76010	SLIDE SHAFT HOLDER 2	滑り軸受 2	C	8	e-V217040050
6	26NA42560	BY PASS FEED DRIVEN ROLLER	手差し従動ローラ	C	4	f-V121030803
7	56QA57070	CONVEYANCE IDLER SHAFT	搬送従動軸	D	2	g-V121030603
8	56AA44430	CONVEYANCE PRESSING SPRING 1	搬送押圧バネ 1	C	1	h-V233161450
9	56QA57390	SPRING MOUNTING STAY	バネ取り付けステー	D	1	i-V151031003
10	56QA57310	EARTH PLATE REAR	アース板 奥	D	1	
11	56QA57370	JAM PROCESSING HANDLE	ジャム処理把手	C	1	
12	56QA57021	CONVEYANCE MAIN BODY /UPPER	搬送 本体/上	D	1	
13	56QA57100	Conveyance Mounting Plate /Left	搬送取り付け板/左	D	1	
14	56QA57400	SPRING REGULATING PLATE	バネ規制板	D	1	
15	56QA57090	CONVEYANCE MOUNTING PLATE /RIG	搬送取り付け板/右	D	1	
16	56QA57080	CONVEYANCE PRESSING SPRING RIGHT	搬送押圧バネ 右	C	1	
17	56AA41711	TRAY PRESSING PLATE	トレイ押圧板	D	1	
18	56AA41741	TRAY LOCKING PIN	トレイロックピン	C	1	
19	56AA41760	TRAY LOCKING ROLLER	トレイロックコロ	C	1	
20	56QA-5750	CON FIXING PANEL REAR CAULKING	搬送固定パネル/奥カシメ	D	1	
21	56QA57200	CONVEYANCE GUIDE SPRING REAR	搬送案内バネ 奥	C	1	
22	56QA57290	EARTH PLATE LOWER	アース板 下	D	1	
23	55VA15541	CLEANER COUPLING PART	クリーナーカップリング部材	C	2	
24	56AA17090	PRESSURE SPRING	押圧バネ	C	2	
25	12QV40650	SPACER	スペーサー	B	2	
26	A03U812800	Slide Shaft Holder	すべり軸受	B	4	
27	56QA57280	Earth Plate /Right	アース板/右	D	1	
28	56QA57360	Conveyance Fixing Plate	搬送固定板	D	4	
29	56QA57260	CONVEYANCE POSITIONING PANEL	搬送位置決めパネル/奥	D	2	
30	56QA57410	EARTH PLATE UPPER	アース板 上	D	2	
31	56QA57270	EARTH PLATE LEFT	アース板 左	D	1	
32	56QA57050	CONVEYANCE DRIVE ROLLER RIGHT	搬送駆動ローラ 右	C	1	
33	56QA57030	EXIT GUIDE PANEL /UPPER	出口ガイドパネル/上	D	1	
34	57AA57010	CONVEYANCE MAIN BODY /LOWER	搬送 本体/下	C	1	
35	56QA57380	PAPER FEED CONVEYANCE HANDLE	給紙搬送把手	C	1	

# 1500 SHEET TRAY

## TRAY 1

P 75

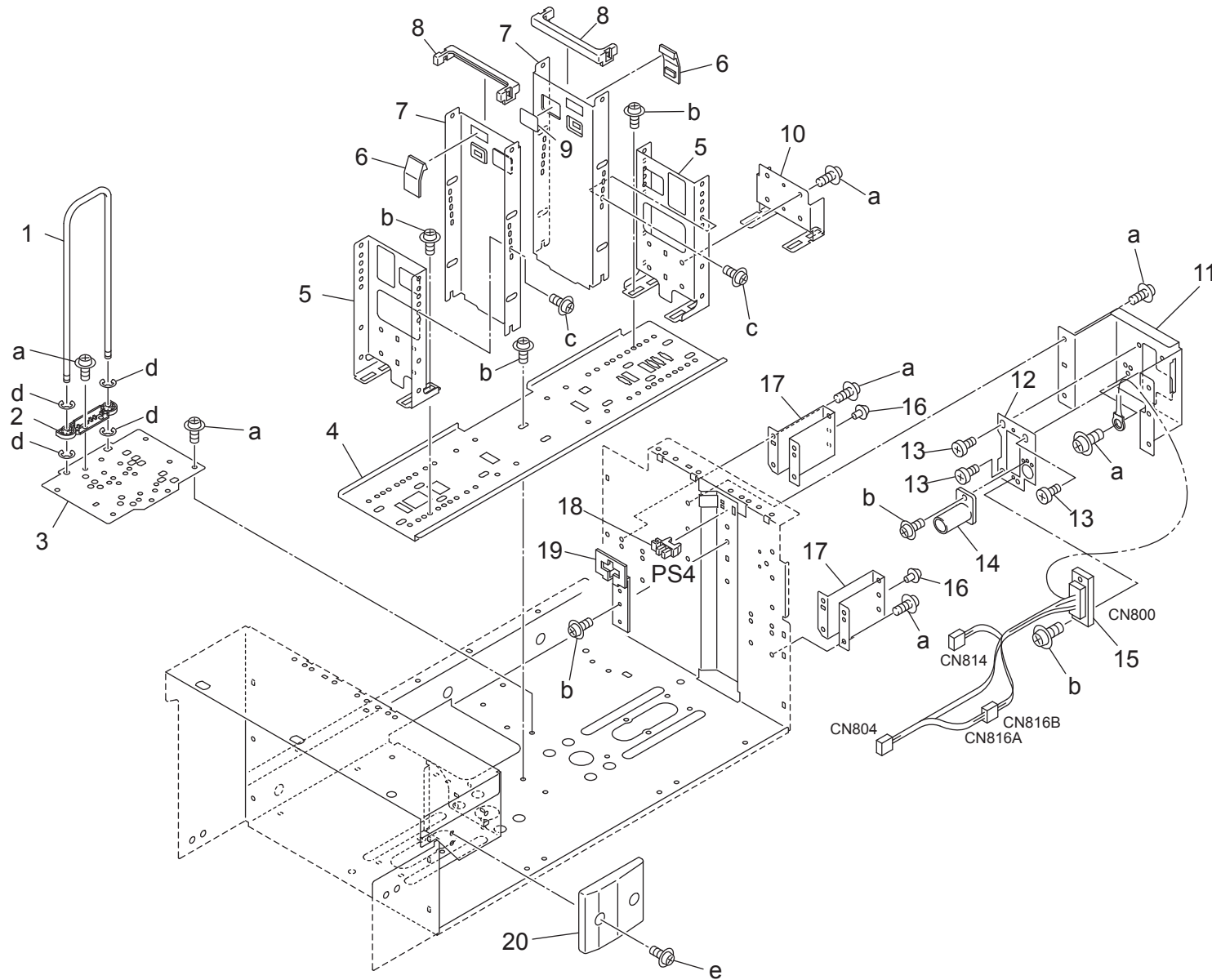


Key	Part No.	Description	Destinations	Class	QTY	Standard parts
1	56QA58640	GEAR PROTECTION COVER/2	ギア保護カバー／2	D	1	a-V217060050
2	56QA58440	GEAR PROTECTION COVER	ギア保護カバー	C	1	b-V217040050
3	56QA58400D	LCT Regulating Limiter /3	LCT 規制リミッタ／3	C	1	c-V121030403
4	56AE43410	LCT REGULATING PLATE	LCT 規制板	D	1	d-V121030603
5	56AA77990	LCT REGULATING GEAR 24T	LCT 規制歯車 24T	C	1	e-V118030403
6	08AA76010	DRUM DRIVING SHAFT HOLDER	ドラム駆動軸受	C	3	f-V121031003
7	56AA-4151	PULLEY SHAFT CAULKING	プーリー軸カシメ	D	4	g-V121030604
8	55VA40610	WIRE HOLDER A	ワイヤー押え A	C	4	h-V127030603
9	57AA17010	WIRE PULLEY	ワイヤープーリー	C	4	
10	56QA59110	LCT UP DOWN WIRE LEFT FRONT	LCT 昇降ワイヤー 左前	C	2	
11	56QA59120	LCT UP DOWN WIRE LEFT REAR	LCT 昇降ワイヤー 左後	C	2	
12	56AA41390	Pulley	プーリー	C	4	
13	A0PN943400	Set Label /1	セットラベル／1 (1000枚トレイ用)	C	1	
14	56QA59361	LCT SLIDE SHAFT /LEFT	LCT スライド軸／左	D	2	
15	56QA58290	BOTTOM PLATE POSITIONING PAD	底板位置決めパッド	C	6	
16	56AA41610	TRAY SLIDE PART REAR	トレイスライド部材 奥	C	1	
17	57AA58420	PULLEY GUIDE PART	プーリーガイド部材	D	1	
18	56QA58181	LCT UP/DOWN PLATE	LCT 昇降板	D	1	
19	55VA40930	DOUBLE FEED PREVENTIVE PLATE	重送防止板	C	1	
20	56AA41160	TRAY SLIDE PART	トレイスライド部材	C	1	
21	A0PN646300	Guide Part /Rear	ガイド部材／奥	D	1	
22	56QA58621	TRAY PROTECTION PAD	トレイ保護パッド	D	1	
23	56AER70100	LCT UP DOWN SHAFT ASSY	LCT 昇降軸部組	C	1	
24	56QA59300	LCT ADJUSTMENT PLATE/LEFT	LCT 調整板／左	D	1	

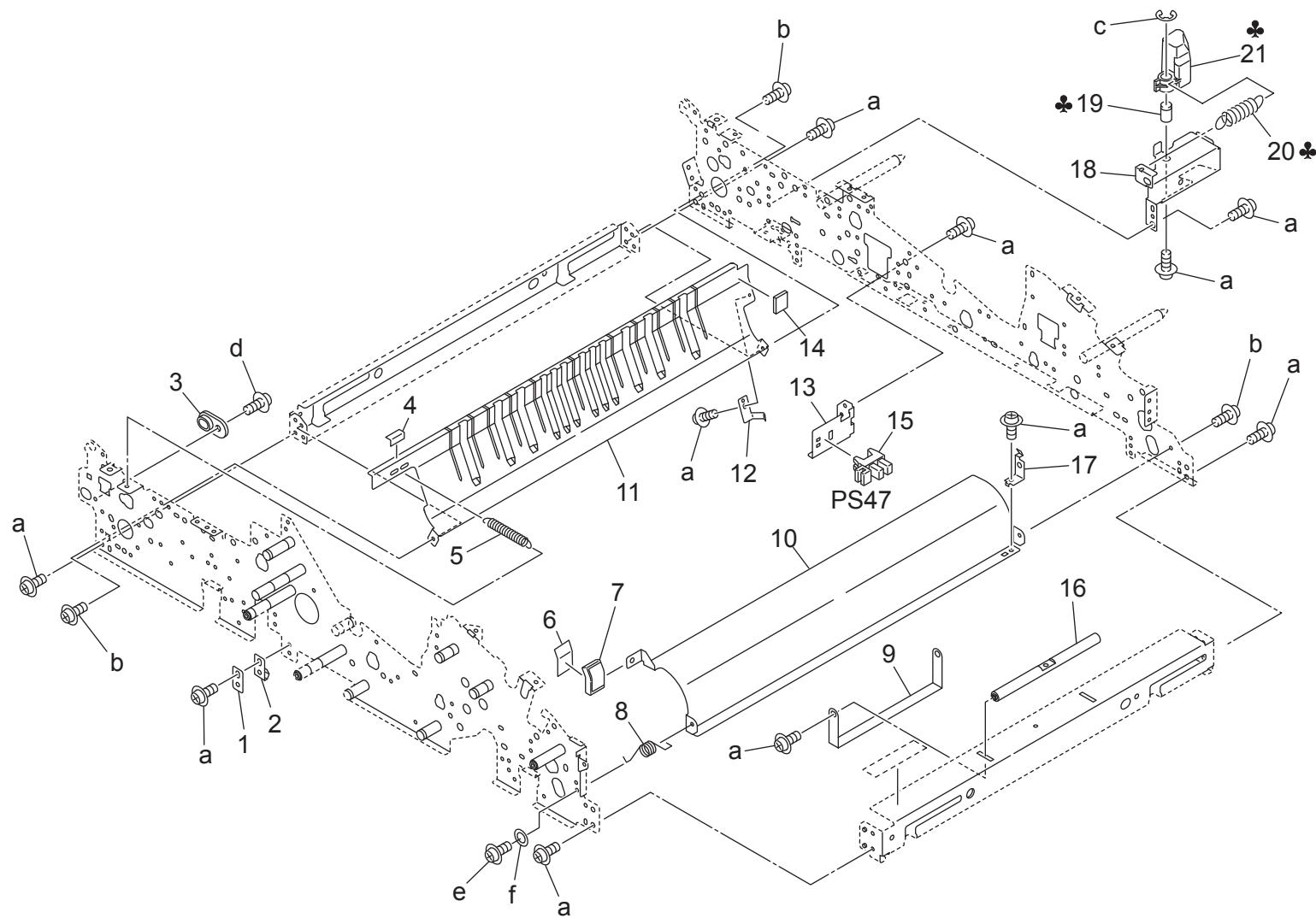
# 1500 SHEET TRAY

## TRAY 1

P 76



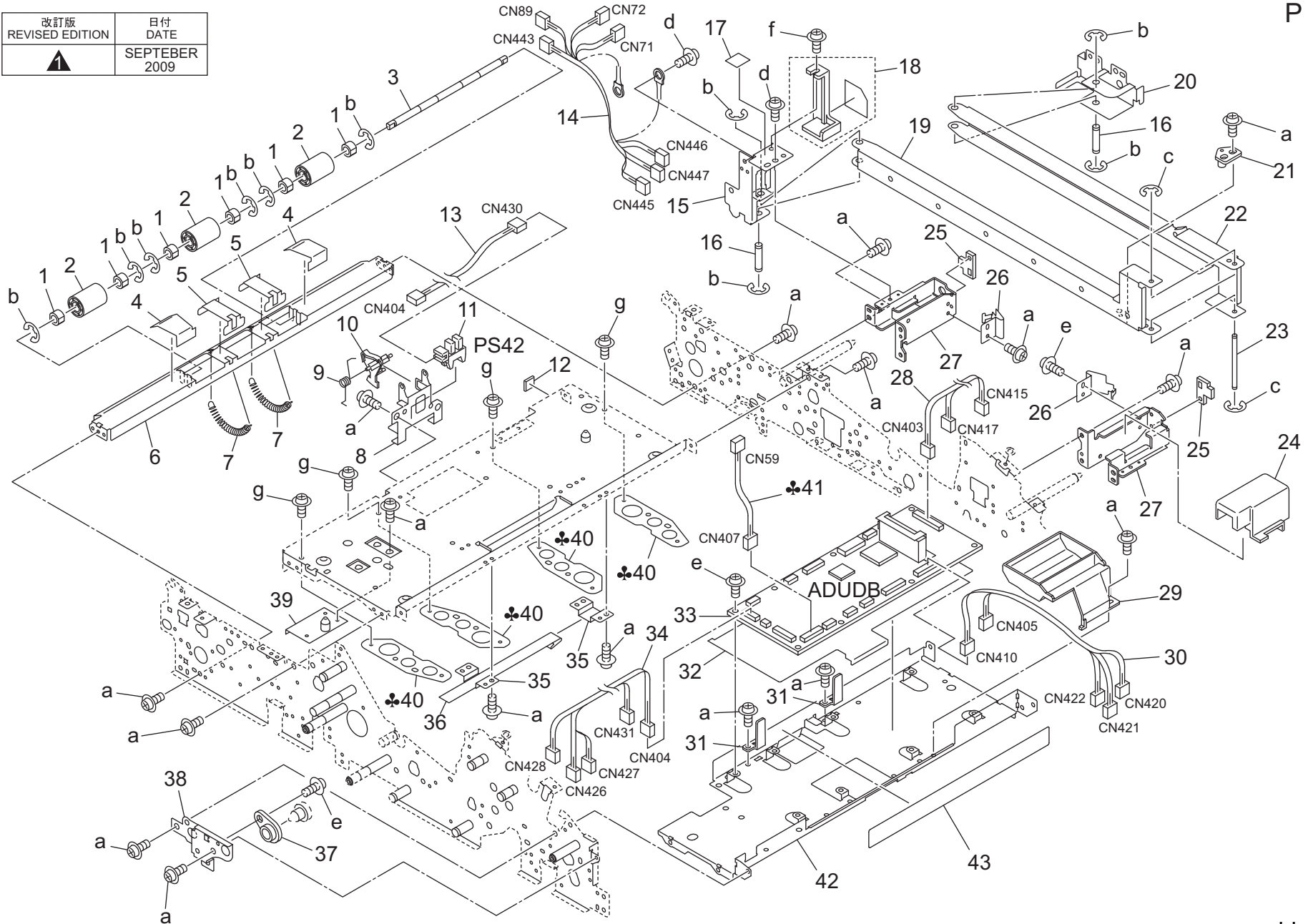
Key	Part No.	Description	Destinations	Class	QTY	Standard parts
1	56QA59150D	PAPER GUIDE SHAFT LEFT		C	1	a-V121030403 b-V121030603 c-V127030603 d-V217040050 e-V121030604
2	56QA58070	SHAFT HOLDING PART		D	1	
3	56QA58090D	LCT Adjusting Bottom plate		D	1	
4	56QA58041D	LCT SLIDE BOARD		D	1	
5	56QA58050D	LCT ADJUSTMENT SIDE PLATE		D	2	
6	540047200	PAPER REGULATING CLAW		C	2	
7	56QA59060D	LCT GUIDE PLATE LEFT		D	2	
8	57AA58450	PROTECTION COVER		C	2	
9	57AA97870	PAPER GUIDE LABEL		C	1	
10	56QA58490D	REAR REINFORCE PLATE		D	1	
11	56QA58081D	Wiring Connecting Plate		D	1	
12	56AA41471	WIRING GUIDE PLATE		D	1	
13	26NA45440	REGISTRATION UNIT FIXED SCREW		C	3	
14	56AA41690	SHAFT GUIDE COVER		D	1	
15	57AA90670	PAPER FEED WIRING L		D	1	
16	55VA47920	STOPPER RUBBER		C	2	
17	56QA58281E	LCT POSITIONING PLATE		D	2	
18	08AA85512	Photo Sensor		B	1	
19	56AA41650	PROTECTION COVER		C	1	
20	A0PN664800	Protection Part /Left		C	1	



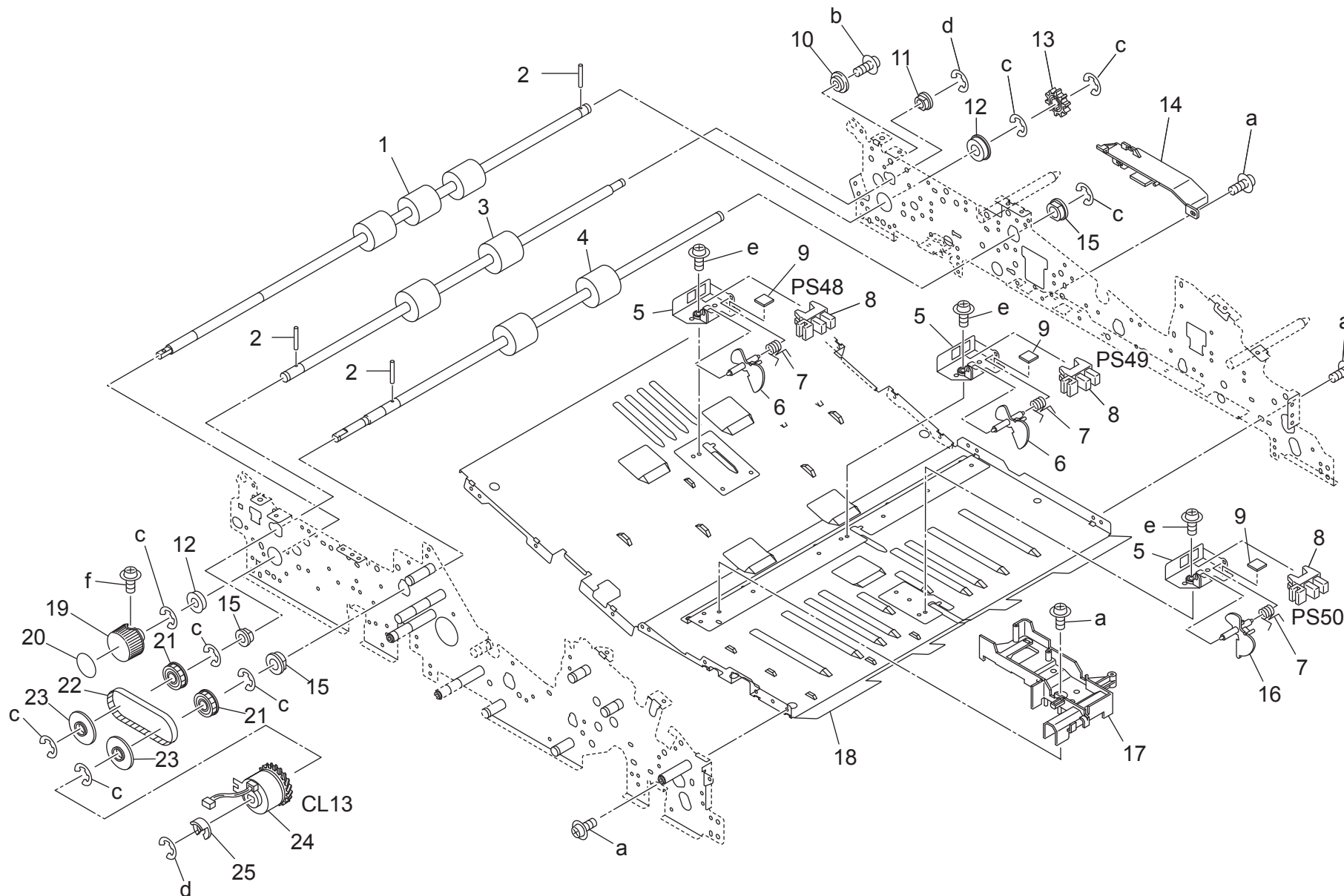
Key	Part No.	Description	Destinations	Class	QTY	Standard parts
1	56AA52320	HOLDING PLATE	押え板	D	1	a-V121030403
2	56AA52311	BOTTOM PLATE CLICK PLATE LEFT	底板クリック板 左	D	1	b-V121030803
3	129X48360	GUIDE SHAFT HOLDER B	ガイド軸受 B	C	1	c-V217060050
4	56QA97990	JAM PROCESSING LABEL	ジャム処理ラベル	D	1	d-V121030603
5	56AA51390	ENTRANCE OPEN SHUT SPRING FRONT	入り口開閉バネ 前	C	1	e-V121031203
6	57AA97431F	Jam Release Label /C	ジャム解除ラベル / C	C	1	f-V207030003
7	56QA52830	JAM PROCESSING HANDLE	ジャム処理把手	C	1	
8	56AA51430	EXIT OPEN SHUT SPRING FRONT	出口開閉バネ 前	C	1	
9	56AA50210	SHAFT REGULATING PLATE	軸規制板	D	1	
10	56AA51060	ADU PAPER EXIT PLATE RIGHT	ADU 排紙板 右	D	1	
11	56AA51020	ADU ENTRANCE PLATE LEFT	ADU 進入板 左	D	1	
12	56AA50410	EARTH SPRING 1	アースバネ 1	D	1	
13	56AA50771	MOUNTING PLATE /REAR	センサ取り付け板 /奥	D	1	
14	57AA51840	STOPPER CUSHION A	ストッパクッション A	C	1	
15	08AA85512	Photo Sensor	フォトセンサ	B	1	
16	56AA50201	ADU LIFTING SHAFT/RIGHT	ADU 持ち上げ軸 /右	D	1	
17	56AA50420	EARTH SPRING 2	アースバネ 2	D	1	
18	57AA50960	MOTOR COVER PLATE	モータカバー板	D	1	
19	57AA50870	CAM REGULATING SHAFT	カム規制軸	D	1	
20	57AA50880	CAM REGULATING SPRING	カム規制バネ	A	1	
21	57AA50860	CAM REGULATING PART	カム規制部材	A	1	



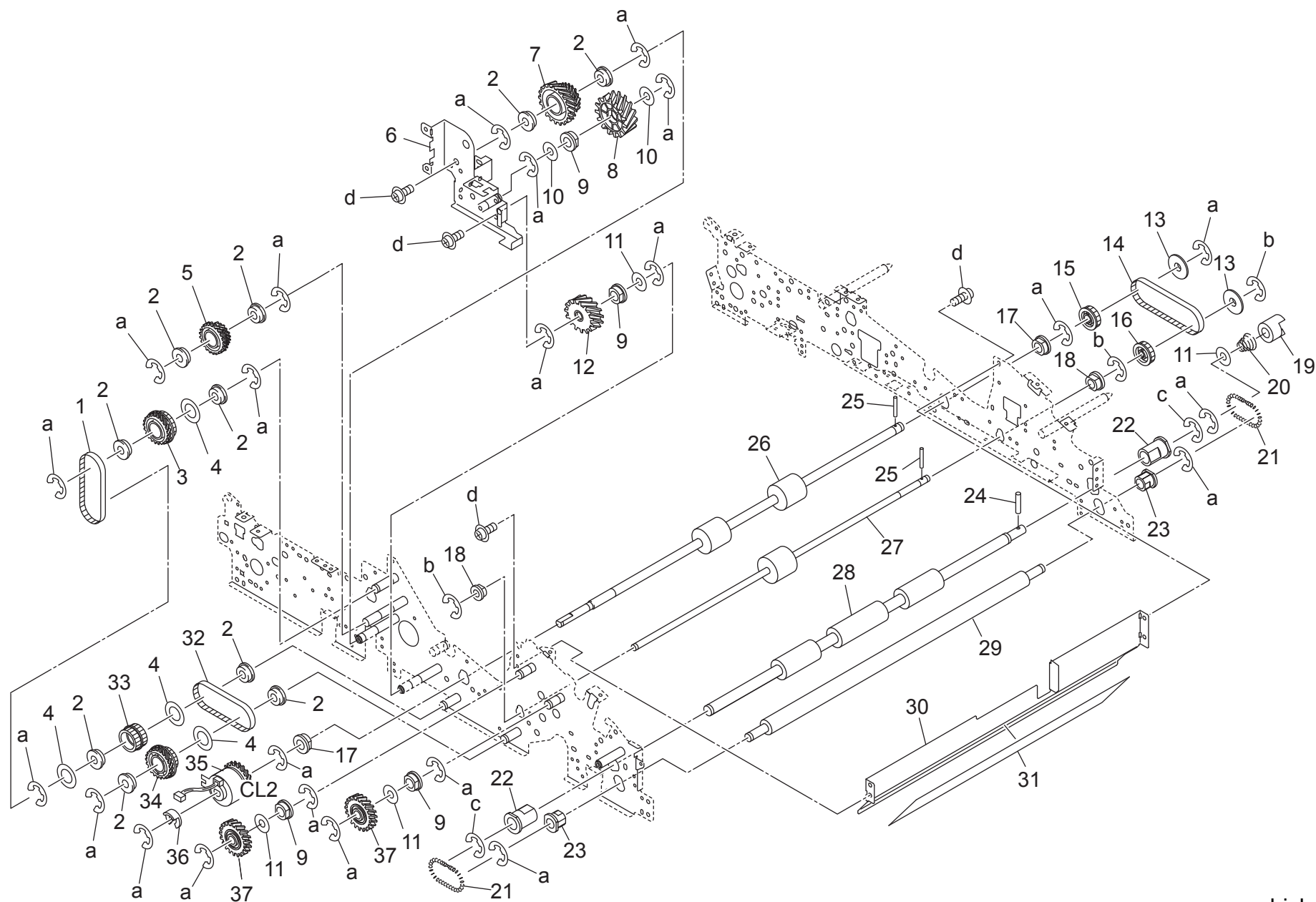
改訂版 REVISED EDITION	日付 DATE
	SEPTEMBER 2009



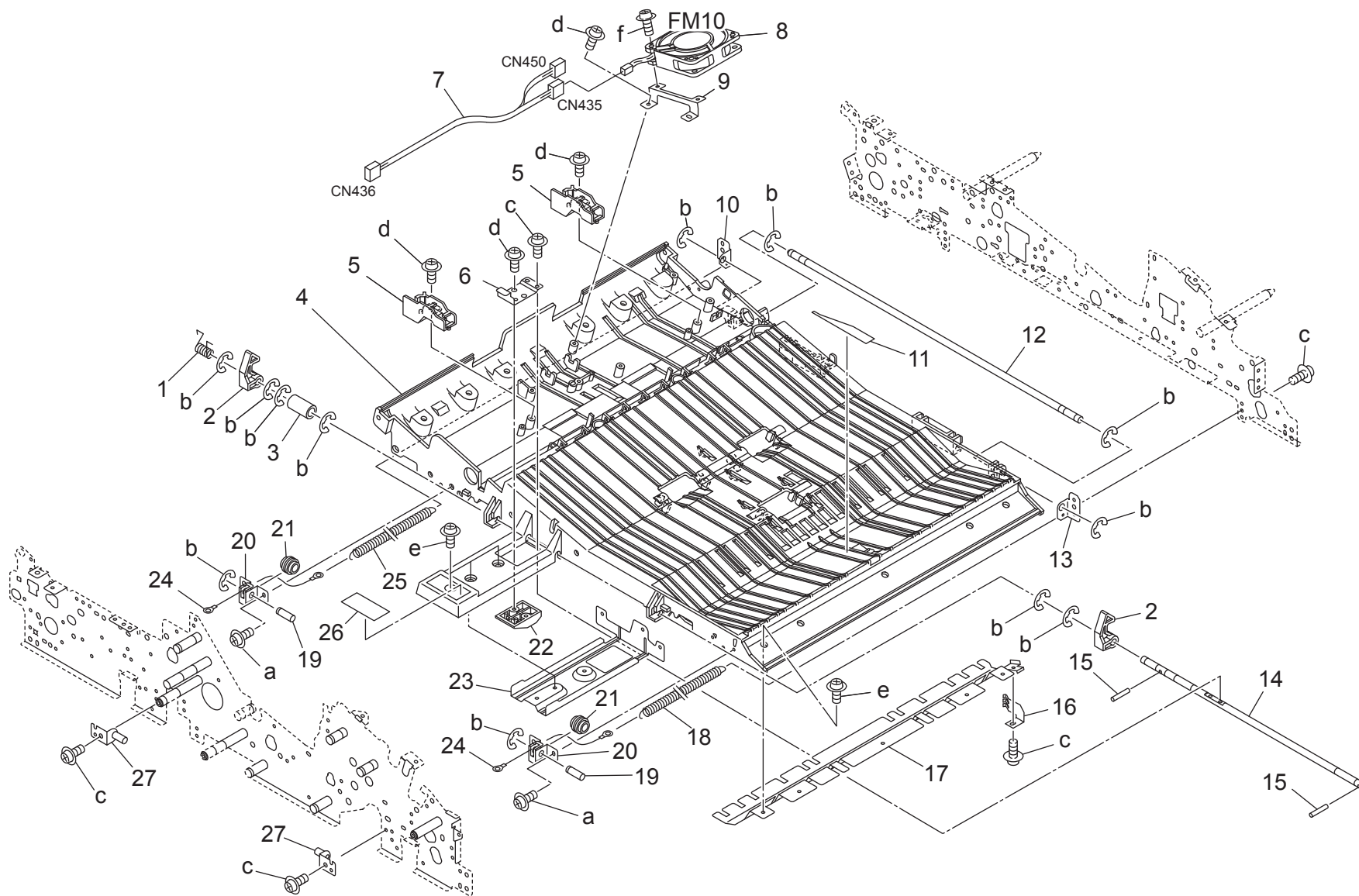
Key	Part No.	Description	Destinations	Class	QTY	Standard parts
1	56GA76010	SLIDE SHAFT HOLDER 2		C	6	a-V121030403
2	56AA51550	ADU DRIVEN ROLLER	ADU 従動コロ	C	3	b-V217040050
3	56AA51200D	Entrance Idler Shaft	入口従動軸	D	1	c-V217030050
4	57AA51570	ADU GUIDE SHEET/4	ADU ガイドシート / 4	C	2	d-V123040603
5	57AA51590	ADU GUIDE SHEET/6	ADU ガイドシート / 6	C	2	e-V121030603
6	56AA51040	ADU ENTRANCE PLATE LOWER	ADU 進入板 下	D	1	f-V121030803
7	56AA51451	ENTRANCE PRESSING SPRING	入り口押圧バネ	C	2	
8	56QA51271	MOUNTING PART 2	センサ取付部材 2	D	1	
9	56QA51280	PRESSING SPRING 4	センサ押圧バネ 4	C	1	
10	56QA51260	PAPER EXIT REVERSE ACTUATOR	排紙逆転アクチュエータ	C	1	
11	08AA85512	Photo Sensor	フォトセンサ	B	1	
12	56AA42450	PREVENTING RUBBER	防止ゴム	C	1	
13	56QA90210	PAPER EXIT CONTROL WIRING	排紙制御束線	D	1	
14	57AA90020	ADU CONNECTING WIRING	ADU 連結束線	D	1	
15	57AA50320	WIRING GUIDE PLATE L	束線案内板 L	D	1	
16	56AA50351	HINGE SUPPORT SHAFT /2	ヒンジ支点軸 / 2	D	2	
17	57AF97740	EARTH LABEL F	アースラベル F	D	1	
18	56AAR70200	WIRING COVER ASSY	束線カバー部組	D	1	
19	56AA50311E	Wiring Guide Plate /Front	束線案内板 / 前	D	1	
20	56AA50331	WIRING FIXING PLATE /REAR	束線固定板 / 奥	D	1	
21	56AA50381	HINGE LIFTING BLOCK	ヒンジ持ち上げブロック	C	1	
22	56AA50362E	Wiring Guide Plate /Rear	束線案内板 / 奥	D	1	
23	56AA50341	HINGE SUPPORT SHAFT /1	ヒンジ支点軸 / 1	D	1	
24	56QA50650	CARRIAGE PROTECTION COVER	架台保護カバー	C	1	
25	56AA50140	ADU STOPPER CUSHON 2	ADU 突き当てクッション 2	C	2	
26	56AA50240	ADU EARTH PLATE A	ADU アース板 A	D	2	
27	56AA50221	CARRIAGE POSITIONING PLATE /RE	架台位置決め板 / 奥	D	2	
28	57AA90250	CONVEYANCE DRIVE WIRING	搬送駆動束線	D	1	
29	57AA50900	BOARD PROTECTION PART	基板保護部材	C	1	
30	57AA90220	CONVEYANCE UNIT CONTROL WIRING	搬送部制御束線	D	1	
31	57AA52780	WIRING GUIDE PART /L	束線ガイド部材 / L	D	2	
32	57AA50390	BOARD INSULATING COVER /RIGHT	基板絶縁カバー / 右	D	1	
33	57AA-9041E	ADU Driver Board Assy	ADU 駆動基板部組	I	1	
34	57AA90280	ADU SIGNAL WIRING	ADU 信号束線	D	1	
35	56AA50191	BELT GUIDE PLATE	ベルト案内板	D	2	
36	56AA50160	ADU LIFTING BELT LEFT 520L	ADU 持ち上げベルト 左 520L	C	1	
37	129X48350	GUIDE SHAFT HOLDER A	ガイド軸受 A	C	1	
38	57AA50090	CARRIAGE POSITIONING PLATE /RI	架台位置決め板 / 右	D	1	
39	56QA-0590	FIXING ADJ PLATE CAULKING	定着調整板カシメ	D	1	
40	57AA52610	LIFTING SPACER /UPPER	持ち上げスペーサー / 上	D	4	
41	57AE90340	FIXING CONNECTING WIRING 1	定着連結束線 1	D	1	B,C,D1,D3,E,F1,F2,G 1,G2,H,I,J,K
42	57AA50060	Board Mounting Stay /Right	基板取り付ケステー / 右	D	1	
43	57AA50290	WIRING PROTECTION SHEET	束線保護シート	D	1	



Key	Part No.	Description	Destinations	Class	QTY	Standard parts
1	57AA51130	ADU REVERSE ROLLER LEFT	ADU 逆転ローラ 左	C	1	a-V121030403 b-V121030603 c-V217060050 d-V217040050 e-V118030403 f-V118030603
2	56AA17551	PIN A	ピン A	C	3	
3	57AA51150	ADU CONVEYANCE ROLLER 1	ADU 搬送ローラ 1	C	1	
4	57AA51160	ADU Conveyance Roller /2	ADU 搬送ローラ / 2	C	1	
5	56AA42550	MOUNTING PART	センサ取り付け部材	C	3	
6	56AA51301	ADU PAPER EXIT ACTUATOR	ADU 排紙アクチュエタ	C	2	
7	56AA42570	PAPER CONVEYING SPRING 1	紙搬送バネ 1	C	3	
8	08AA85512	Photo Sensor	フォトセンサ	B	3	
9	56AA42450	PREVENTING RUBBER	防止ゴム	C	3	
10	57AA52880	SHAFT HOLDER HOLDING PART	軸受押さえ部材	C	1	
11	08AA76010	DRUM DRIVING SHAFT HOLDER	ドラム駆動軸受	C	1	
12	A00V240600	BALL BEARING	ボールベアリング	C	2	
13	56AA77480	PAPER EXIT REVERSING GEAR 1 19T	排紙逆転歯車 1 19 T	C	1	
14	56AA50951	WIRING COVER PART /REAR	束線カバー部材 / 奥	D	1	
15	A03U812800	Slide Shaft Holder	すべり軸受	B	3	
16	56AA51311	ADU PAPER EXIT ACTUATOR 2	ADU 排紙アクチュエタ 2	C	1	
17	57AA52790	WIRING PROTECTION PART L	束線保護部材 L	D	1	
18	56AA51010	ADU GUIDE PLATE UPPER	ADU ガイド板 上	D	1	
19	14GE45470	Rotation Knob	回転ノブ	C	1	
20	57AA97281E	Jam Release Label /9	ジャム解除ラベル / 9	C	1	
21	57AA76590	ADU CONVEYANCE PULLEY 3 20T	ADU 搬送プーリ 3 20 T	C	2	
22	57AA77510	ADU Conveyance Belt /3 322L	ADU 搬送ベルト / 3 322 L	C	1	
23	57AA51830	BELT HOLDING COLLAR 3	ベルト押さえカラー 3	C	2	
24	57AA82030	CONVEYANCE DRIVE CLUTCH	搬送駆動クラッチ	C	1	
25	12QV40660	SHAFT POSITIONING PART	軸位置決め部材	C	1	

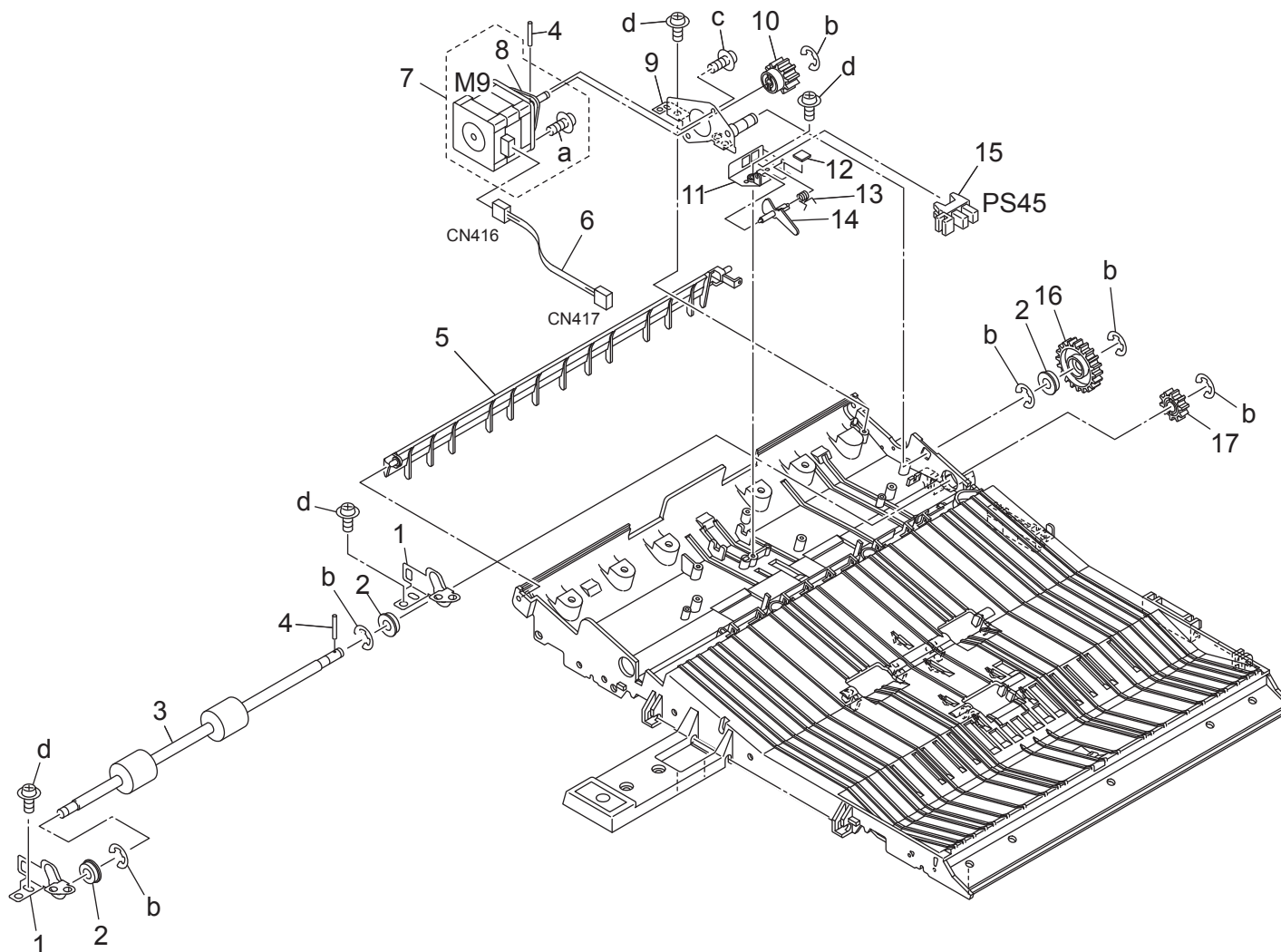


Key	Part No.	Description	Destinations	Class	QTY	Standard parts
1	56AA77570	Conveyance Drive Belt /2 315L	搬送駆動ベルト/2 315 L	C	1	a-V217060050 b-V217040050 c-V217080050 d-V121030403
2	A00V240600	BALL BEARING	ボールベアリング	C	10	
3	56QA76580	CONVEYANCE DRIVING PULLEY 3 23T 22T	搬送駆動プーリ 3 23 T 22 T	C	1	
4	56QA51820	BELT HOLDING COLLAR 2	ベルト押えカラー 2	C	4	
5	57AA77410	ADU DRIVE GEAR C 23/35T	ADU 駆動歯車 C 23/35 T	C	1	
6	57AA-0360	CLUTCH PLATE CAULKING	クラッチ板カシメ	D	1	
7	57AA77420	ADU DRIVE GEAR D 23/36T	ADU 駆動歯車 D 23/36 T	C	1	
8	56AA77450	ADU CONVEYING GEAR 3 34T	ADU 搬送歯車 3 34 T	C	1	
9	56QA75050	Paper Feed Slide Bushing	給紙滑り軸受	C	4	
10	13QA40610	GEAR SPACER	ギアスペーサー	C	2	
11	12QV40650	SPACER	スペーサー	B	4	
12	56AA77470	ADU CONVEYING GEAR 4 34T	ADU 搬送歯車 4 34 T	C	1	
13	56AA51810	BELT HOLDING COLLAR	ベルト押えカラー	C	2	
14	56AA77550	ADU Conveyance Belt /1 210L	ADU 搬送ベルト/1 210 L	C	1	
15	56AA76590	ADU CONVEYING PULLEY 1 32T	ADU 搬送プーリ 1 32 T	C	1	
16	56AA76600	ADU CONVEYING PULLEY 2 32T	ADU 搬送プーリ 2 32 T	C	1	
17	A03U812800	Slide Shaft Holder	すべり軸受	B	2	
18	08AA76010	DRUM DRIVING SHAFT HOLDER	ドラム駆動軸受	C	2	
19	55VA15541	CLEANER COUPLING PART	クリーナーカップリング部材	C	1	
20	56AA17090	PRESSURE SPRING	押圧バネ	C	1	
21	56AA51500	ADU REGISTRATION SPRING	ADU レジストバネ	C	2	
22	55GA75510	REGISTRATION SHAFT HOLDER LOWER	レジスト軸受 下	B	2	
23	55GA75520	REGISTRATION SHAFT HOLDER UPPER	レジスト軸受 上	B	2	
24	56AA17480	PIN B	ピン B	C	1	
25	56AA17551	PIN A	ピン A	C	2	
26	57AA51170	ADU Conveyance Roller /3	ADU 搬送ローラ/3	C	1	
27	57AA51180	ADU Conveyance Roller /4	ADU 搬送ローラ/4	C	1	
28	56AA51110	ADU REGISTRATION ROLLER UPPER	ADU レジストローラ 上	C	1	
29	56QA51120	ADU REGISTRATION ROLLER LOWER	ADU レジストローラ 下	C	1	
30	57AA50260	REGIST AUXILIARY PLATE	レジスト補助板	D	1	
31	57AA50300	BOARD PROTECTION COVER	基板保護カバー	C	1	
32	56AA77560	Conveyance Drive Belt /1 225L	搬送駆動ベルト/1 225 L	C	1	
33	56QA76550	CONVEYANCE DRIVING PULLEY 2 23T	搬送駆動プーリ 2 23 T	C	1	
34	56QA76540	CONVEYANCE DRIVING PULLEY 1 23T 29T	搬送駆動プーリ 1 23 T 29 T	C	1	
35	57AA82030	CONVEYANCE DRIVE CLUTCH	搬送駆動クラッチ	C	1	
36	12QV40660	SHAFT POSITIONING PART	軸位置決め部材	C	1	
37	56AA77460	REGISTRATION DRIVING GEAR 2 27T	レジスト駆動歯車 2 27 T	C	2	

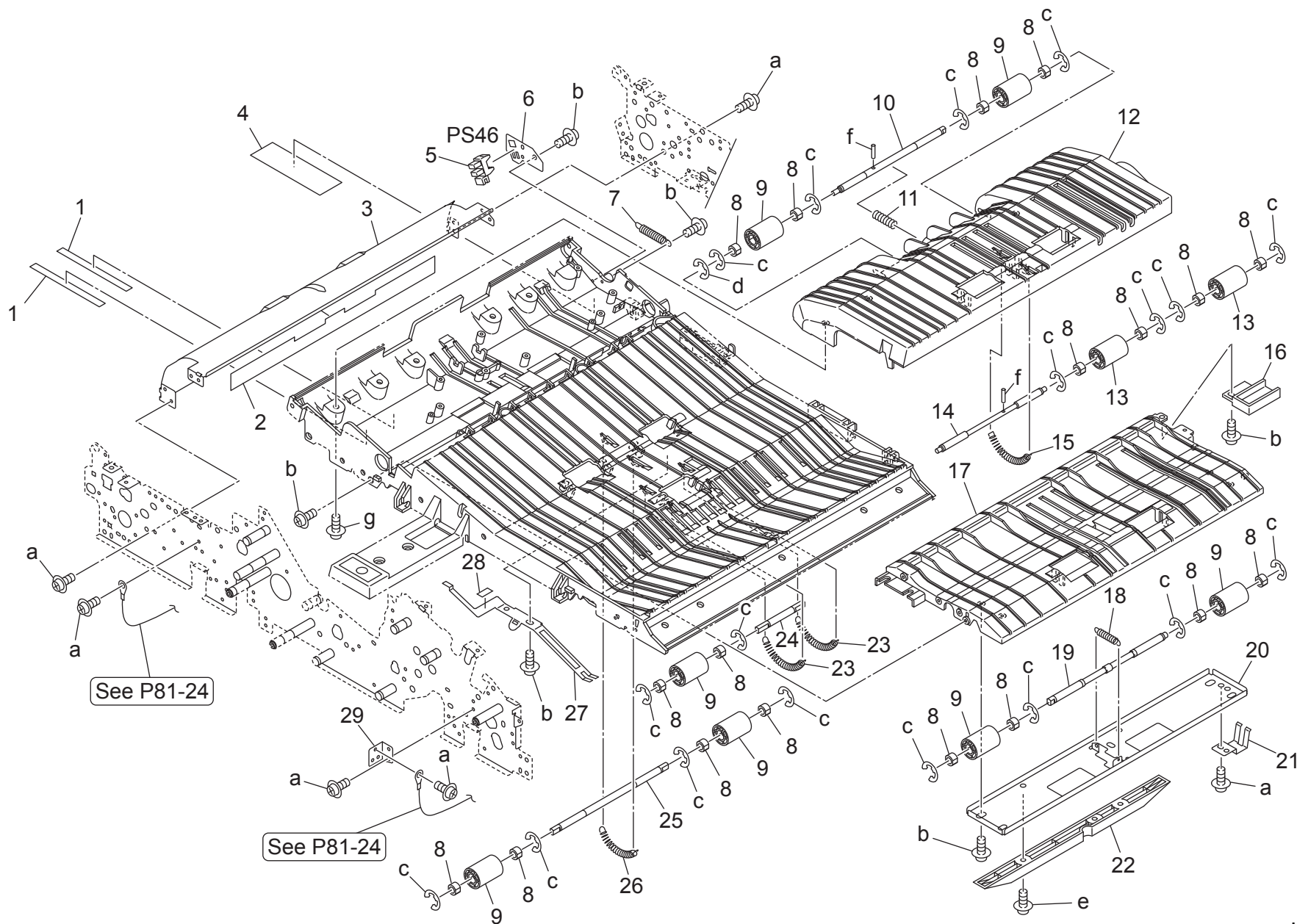


Key	Part No.	Description	Destinations	Class	QTY	Standard parts
1	56AA52260	BOTTOM PLATE LOCKING SPRING	底板ロックバネ	C	1	a-V151031003
2	56AA52420	BOTTOM PLATE LOCKING CLAW	底板ロック爪	C	2	b-V217040050
3	56AA52290	BOTTOM PLATE OPEN SHUT COLLAR	底板開閉カラー	C	1	c-V121030403
4	56AA51072	ADU GUIDE PART MIDDLE	A D U ガイド部材 中	D	1	d-V151030803
5	56AA52780	WIRING GUIDE PART	束線ガイド部材	C	2	e-V121030603
6	56AA52390D	Lock Plate /A	ロック板 / A	D	1	f-V121031803
7	56QA90260E	RELAY WIRING /S	センサ中継束線 / S	D	1	
8	56AA80551	Fan Motor /2	ファンモーター / 2	B	1	
9	56AA52480	FAN MOUNTING PLATE	ファン取り付け板	C	1	
10	56AA52281	BOTTOM PLATE SUPPORT PLATE /RI	底板支点板 / 右	D	1	
11	56AA51590	ADU GUIDE SHEET 2	A D U ガイドシート 2	C	1	
12	56AA52231	BOTTOM PLATE SUPPORT SHAFT	底板支点軸	D	1	
13	56AA52272	BOTTOM PLATE SUPPORT PLATE /LE	底板支点板 / 左	D	1	
14	56AA52221	BOTTOM PLATE OPEN/CLOSE SHAFT	底板開閉軸	D	1	
15	56AA17471	PIN B 3X12	ピン B 3 X 1 2	C	2	
16	56AA50450	EARTH SPRING 5	アースバネ 5	D	1	
17	56AA52431	BOTTOM PLATE GUIDE PLATE	底板ガイド板	C	1	
18	56AA52460	OPEN SHUT SPRING	開閉バネ	C	1	
19	56AA17361	WIRE ROTARY SHAFT	ワイヤー回転軸	C	2	
20	56AA52451	PULLEY MOUNTING PLATE	プーリー取り付け板	D	2	
21	25AA50080	WIRE PULLEY	ワイヤープーリー	C	2	
22	56AA52380	LOCKING PART A	ロック部材 A	C	1	
23	56AA52211	BOTTOM PLATE OPEN/CLOSE HANDLE	底板開閉把手	D	1	
24	56AA52470	OPEN SHUT WIRE	開閉ワイヤー	C	2	
25	56AA52490	OPEN SHUT SPRING RIGHT	開閉バネ 右	C	1	
26	57AA97421E	Jam Release Label /B	ジャム解除ラベル / B	D	1	
27	56AA-0190	BOTTOM PLATE LOCK CAULKING	底板ロックカシメ	D	2	

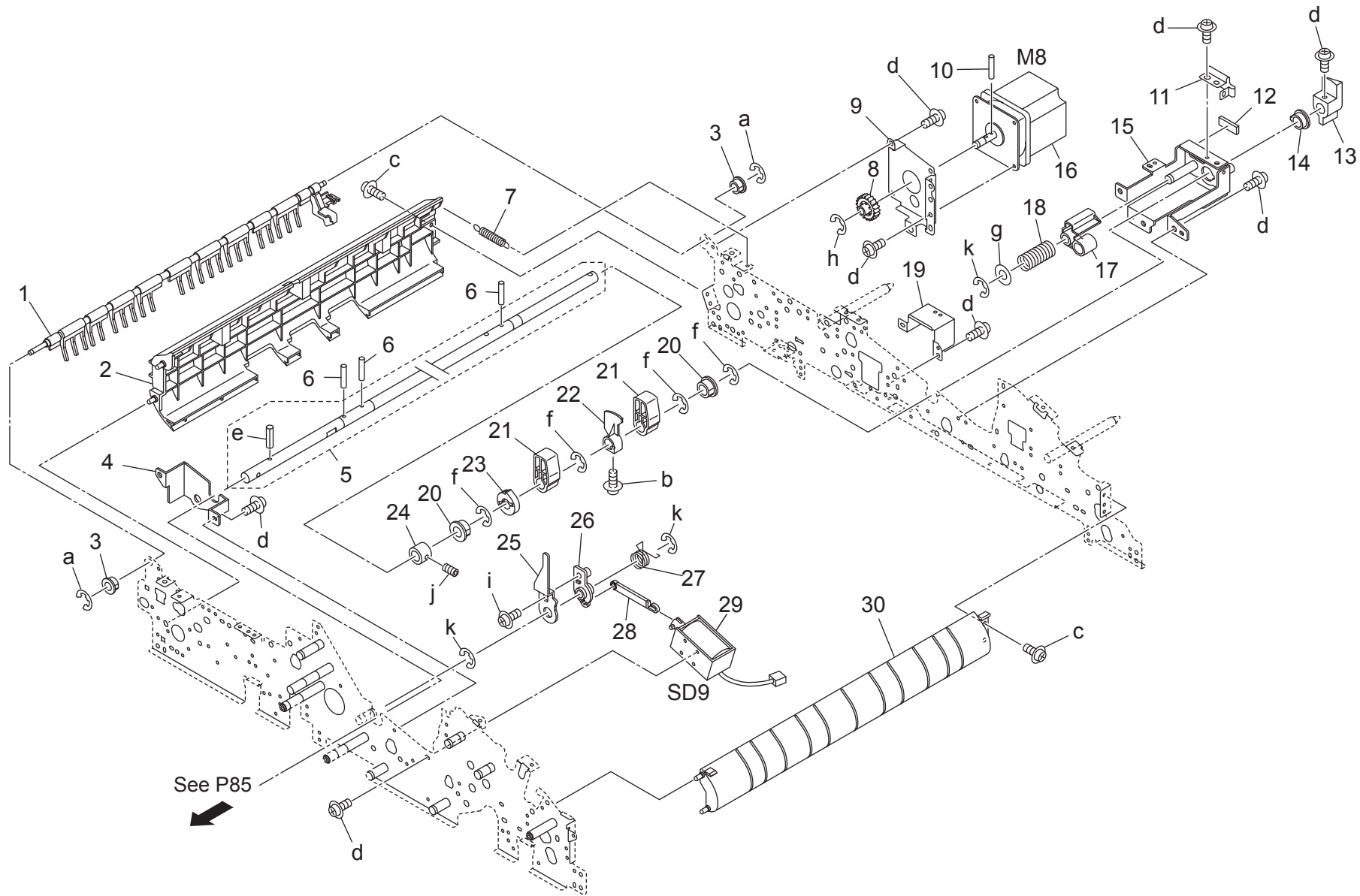




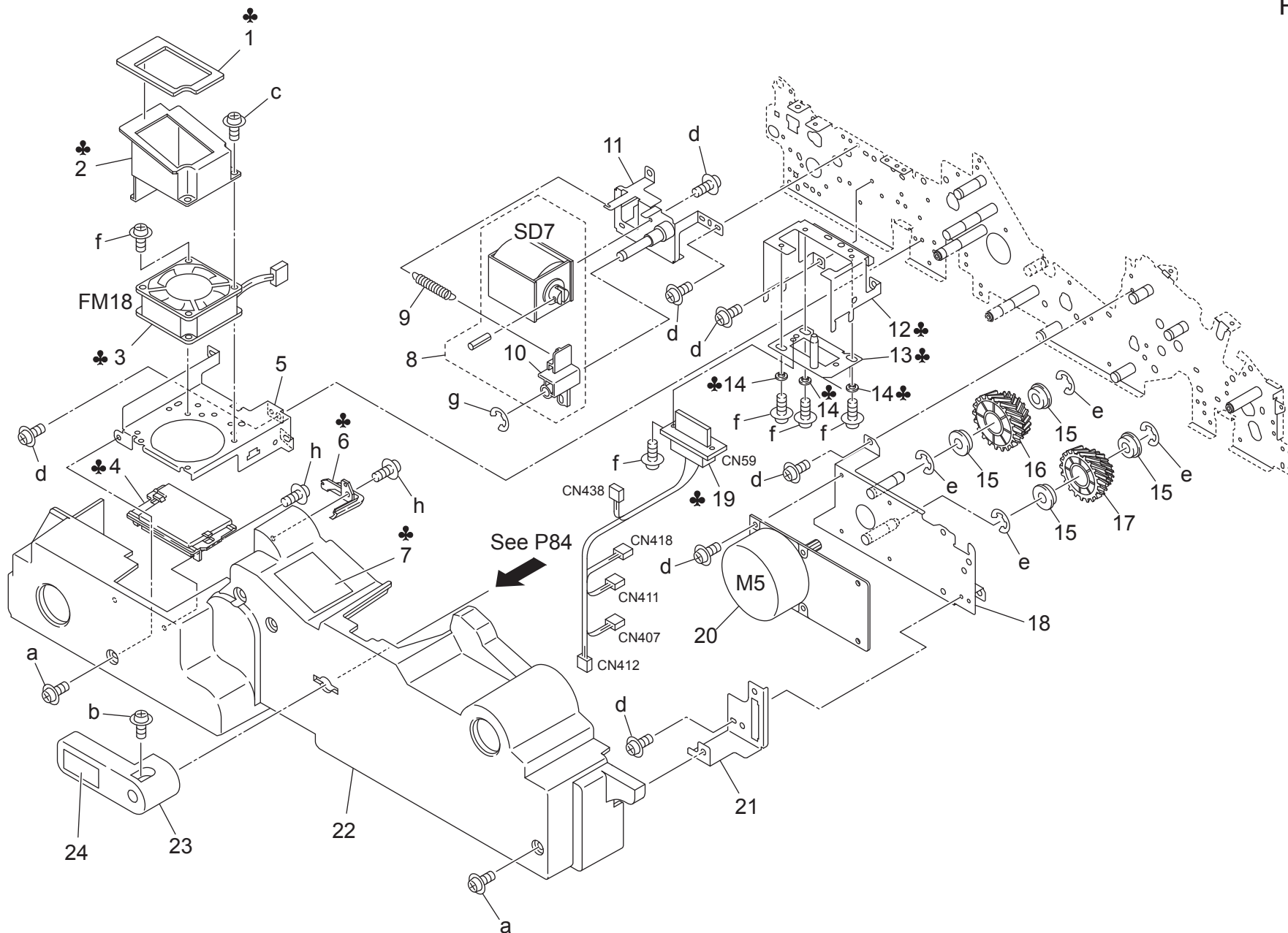
Key	Part No.	Description	Destinations	Class	QTY	Standard parts
1	57AA51930	ROLLER MOUNTING PLATE	ローラ取り付け板	D	2	a-V111030503 b-V217040050 c-V121030403 d-V151030803
2	56AA75050	CLEANER SHAFT HOLDER	クリーナー軸受	C	3	
3	57AA51140	ADU REVERSE ROLLER RIGHT	ADU 逆転ローラ 右	C	1	
4	56AA17551	PIN A	ピン A	C	2	
5	56AA51102	ADU OPEN SHUT PART	ADU 開閉部材	C	1	
6	56AA90240	ADU DRIVING WIRING	ADU 駆動束線	D	1	
7	56AAR73100	ADU DRIVE ASSY	ADU 駆動部組	B	1	
8	56GA73431	MOTOR FIXING PART /1	モータ固定部材 / 1	C	1	
9	57AA-0450	MOTOR FIXING PLATE/M CAULKING	モータ固定板 / 中カシメ	D	1	
10	56AA77431	ADU REVERSING GEAR 1 19T	ADU 逆転歯車 1 19 T	C	1	
11	56AA42550	MOUNTING PART	センサ取り付け部材	C	1	
12	56AA42450	PREVENTING RUBBER	防止ゴム	C	1	
13	56AA42570	PAPER CONVEYING SPRING 1	紙搬送バネ 1	C	1	
14	56QA51240	ADU REVERSING ACTUATOR	ADU 逆転アクチュエータ	C	1	
15	08AA85512	Photo Sensor	フォトセンサ	B	1	
16	57AA77440	ADU REVERSE GEAR 3 35T	ADU 逆転歯車 3 35 T	C	1	
17	57AA77480	ADU REVERSE GEAR 4 19T	ADU 逆転歯車 4 19 T	C	1	



Key	Part No.	Description	Destinations	Class	QTY	Standard parts
1	57AA52520D	ADU Guide Sheet /7	ADU ガイドシート /7	D	2	a-V121030403 b-V151030803 c-V217040050 d-V217030050 e-V121030603 f-V233161450 g-V151031003
2	56QA51560	ADU GUIDE SHEET 3	ADU ガイドシート 3	C	1	
3	56AA51540	ADU GUIDE PLATE LEFT	ADU ガイド板 左	D	1	
4	57AA52510	ADU GUIDE SHEET /6	ADU ガイドシート /6	D	1	
5	08AA85512	Photo Sensor	フォトセンサ	B	1	
6	56AA52361	MOUNTING PLATE /4	センサ取り付け板 /4	D	1	
7	56AA52370	ADU SPRING	ADU センサバネ	C	1	
8	56GA76010	SLIDE SHAFT HOLDER 2	滑り軸受 2	C	18	
9	56AA51550	ADU DRIVEN ROLLER	ADU 従動コロ	C	7	
10	56AA51220D	ADU Idler Shaft /2	ADU 従動軸 /2	D	1	
11	56AA51470	ADU CONVEYING SPRING 1	ADU 搬送バネ 1	C	1	
12	56AA51521	ADU Guide Cover	ADU ガイドカバー	C	1	
13	26NA42560	BY PASS FEED DRIVEN ROLLER	手差し従動ローラ	C	2	
14	57AA51290	ADU IDLER SHAFT /5	ADU 従動軸 /5	D	1	
15	57AA51440	ADU CONVEYANCE SPRING 4	ADU 搬送バネ 4	C	1	
16	56AA50480	COVER PART	センサカバー部材	D	1	
17	56AA51081	ADU GUIDE PART LOWER	ADU ガイド部材 下	C	1	
18	56AA51460	ADU REVERSING SPRING	ADU 逆転バネ	C	1	
19	56AA51250D	ADU Idler Shaft /4	ADU 従動軸 /4	D	1	
20	56AA51572	SPRING MOUNTING STAY	バネ取付ステー	D	1	
21	56AA50440	EARTH SPRING 4	アースバネ 4	D	1	
22	56QA52300	BOTTOM PLATE LIFTING BLOCK LOWER	底板持ち上げブロック 下	D	1	
23	56AA51490	ADU CONVEYING SPRING 3	ADU 搬送バネ 3	C	2	
24	56AA51230D	ADU Idler Shaft /3	ADU 従動軸 /3	D	1	
25	56AA51210	ADU IDLER SHAFT /1	ADU 従動軸 /1	D	1	
26	56AA51480	ADU CONVEYING SPRING 2	ADU 搬送バネ 2	C	1	
27	56AA50430	EARTH SPRING 3	アースバネ 3	D	1	
28	56AA50400	SPRING STICKING SEAL	バネ貼りシール	C	1	
29	56AA52440	WIRE MOUNTING PLATE	ワイヤー取り付け板	D	1	



Key	Part No.	Description	Destinations	Class	QTY	Standard parts
1	57AA51090	PAPER EXIT OPEN CLOSE PART L	排紙開閉部材 L	C	1	a-V217030050
2	56QA51030	ADU ENTRANCE PART RIGHT	ADU 進入部材 右	C	1	b-V121040603
3	56AA50490	PAPER EXIT FULCRUM SHAFT HOLDER	排紙支点軸受	C	2	c-V121030603
4	56AA51191	SHAFT REINFORCE PLATE	軸補強板	D	1	d-V121030403
5	56AAR70100	CARRIAGE PULLING SHAFT ASSY	架台引張り軸部組	C	1	e-V233301650
6	56AA17461	PIN A	ピン A	B	3	f-V217080050
7	56AA51380	PAPER EXIT OPEN SHUT SPRING	排紙開閉バネ	C	1	g-V207080003
8	56AA77490	PAPER EXIT REVERSING GEAR 2 19 T	排紙逆転歯車 2 19 T	C	1	h-V217040050
9	56AA51611	ADU DRIVE BOARD	ADU 駆動基板	D	1	i-V151040803
10	56AA17551	PIN A	ピン A	C	1	j-V193040404
11	56AA50250	ADU EARTH PLATE B	ADU アース板 B	D	1	k-V217060050
12	56AA50130	ADU STOPPER CUSHION 1	ADU 突き当てクッション 1	C	1	
13	56AA50621	CARRIAGE POSITIONING PART	架台位置決め部材	C	1	
14	56AA50800	LEVER SUPPORT SHAFT HOLDER	レバー支持軸受	C	1	
15	56AA50641	CARRIAGE POSITIONING PLATE/FRONT	架台位置決め板/前	D	1	
16	56AA80112	Paper Exit Drive Motor	排紙駆動モータ	B	1	
17	56AA50630	CAM STOPPER PART	カムストッパ部材	C	1	
18	56AA50670	CAM STOPPER SPRING	カムストッパバネ	C	1	
19	56AA50940	HIGH VOLTAGE COVER PLATE	高圧カバー板	D	1	
20	462076010	DRIVING SLIDE SHAFT HOLDER A	駆動滑り軸受 A	C	2	
21	56AA50680	TRANSFER LIFTING LEVER	転写持ち上げレバー	C	2	
22	56AA50791	LEVER DETECTING ACTUATOR	レバー検知アクチュエータ	C	1	
23	25AA47500	CARRIAGE LOCK CLAW B	架台ロック爪 B	C	1	
24	56AA17350	SHAFT POSITIONING PART	軸位置決め部材	C	1	
25	56AA50690D	Lever Lock Plate	レバーロック板	D	1	
26	56AA50700	LEVER LOCKING PART	レバーロック部材	C	1	
27	56AA50710	LEVER LOCKING SPRING	レバーロックバネ	C	1	
28	56AA50730	SOLENOID PULLING LEVER	ソレノイド引張りレバー	C	1	
29	56AA-0400	ADU CONNECTING SOLENOID ASSY	ADU 連結ソレノイド部組	B	1	
30	56AA51050	ADU PAPER EXIT PART LEFT	ADU 排紙部材 左	C	1	



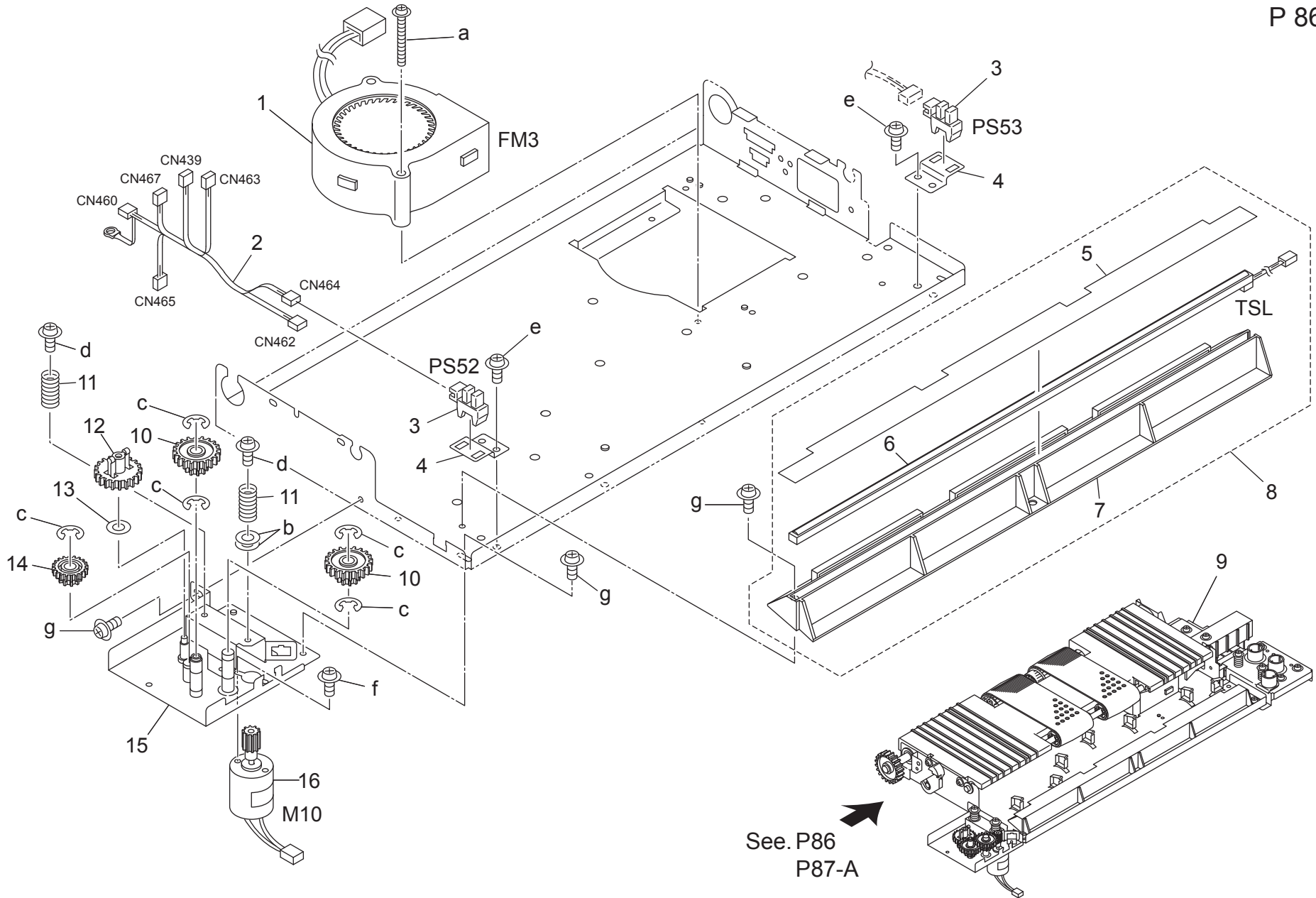
See P84

Key	Part No.	Description	Destinations	Class	QTY	Standard parts
1	57AA52980	BOARD COOLING PAD	基板冷却パッド	A	1	a-V114040603
2	57AA52960	BOARD COOLING DUCT LEFT	基板冷却ダクト 左	A	1	b-V121041003
3	56QA80570	INTERNAL COOLING FAN	機内冷却ファン	A	1	c-V121033003
4	57AE52820	ADU AUX COVER LEFT	A D U 補助カバー 左	B,C,D1,D3,E,F1,F2,G 1,G2,H,I,J,K	1	d-V121030403 e-V217060050 f-V121030603 g-V217030050 h-V151030803
5	57AA52970	FAN MOUNTING PLATE /LEFT	ファン取り付け板/左		1	
6	57AE52830	ADU AUX COVER RIGHT	A D U 補助カバー 右	B,C,D1,D3,E,F1,F2,G 1,G2,H,I,J,K	1	
7	57AA97180E	Operation Caution Label /Rear	取扱い注意ラベル/奥	A	1	
7	57AE97180E	Operation Caution Label /Rear	取扱い注意ラベル/奥	B,G2	1	
7	57AF97180E	Operation Caution Label /Rear	取扱い注意ラベル/奥	C	1	
7	57AN97180E	Operation Caution Label /Rear	取扱い注意ラベル/奥	D1,D3,E,F2,G1,I,J,K	1	
7	57AS97180E	Operation Caution Label /Rear	取扱い注意ラベル/奥	F1,H	1	
8	56QAR70100	EXIT SOLENOID ASSY	排紙ソレノイド部組		1	
9	56QA52940	SOLENOID PULLING SPRING	ソレノイド引張りバネ		1	
10	56QA52920	SOLENOID PRESSING LEVER	ソレノイド押圧レバー		1	
11	57AA-0300	REVERS GATE SOLENOID CAULKING	反転ゲートソレノイドカシメ		1	
12	57AA50820	WIRING MOUNTING PLATE /A	束線取り付け板/A	A	1	
12	57AE50820	WIRING MOUNTING PLATE /C	束線取り付け板/C	B,C,D1,D3,E,F1,F2,G 1,G2,H,I,J,K	1	
13	57AAR70100	WIRING MOUNTING PLATE CAULKING	束線取付板 カシメ	A	1	
14	57AA50850	WIRING SLIDE SPACER	束線スライドスペーサー	A	3	
15	A00V240600	BALL BEARING	ボールベアリング		4	
16	56QA77390	REGISTRATION DRIVING GEAR 1 29T 77T	レジスト駆動歯車 1 29 T 77 T		1	
17	56QA77400	CONVEYANCE DRIVING GEAR 1 24T 67T	搬送駆動歯車 1 24 T 67 T		1	
18	56AA-0371	REGIST DRIVE BASE PLATE ASSY	レジスト駆動基板カシメ		1	
19	57AA90340	FIXING CONNECTING WIRING 1	定着連結束線 1	A	1	
20	A0PNM10200	DC Brushless motor /20	D C ブラシレスモータ/20		1	
21	57AA52850	EXTERNAL MOUNTING PLATE /RIGHT	外装取り付け板/右		1	
22	57AA52810	ADU COVER FRONT	A D U カバー 前		1	
23	57AA50760	CARRIAGE PULLING LEVER	架台引っ張りレバー		1	
24	57AA97231E	Jam Release Label /4	ジャム解除ラベル/4		1	



# CONVEYANCE UNIT

P 86

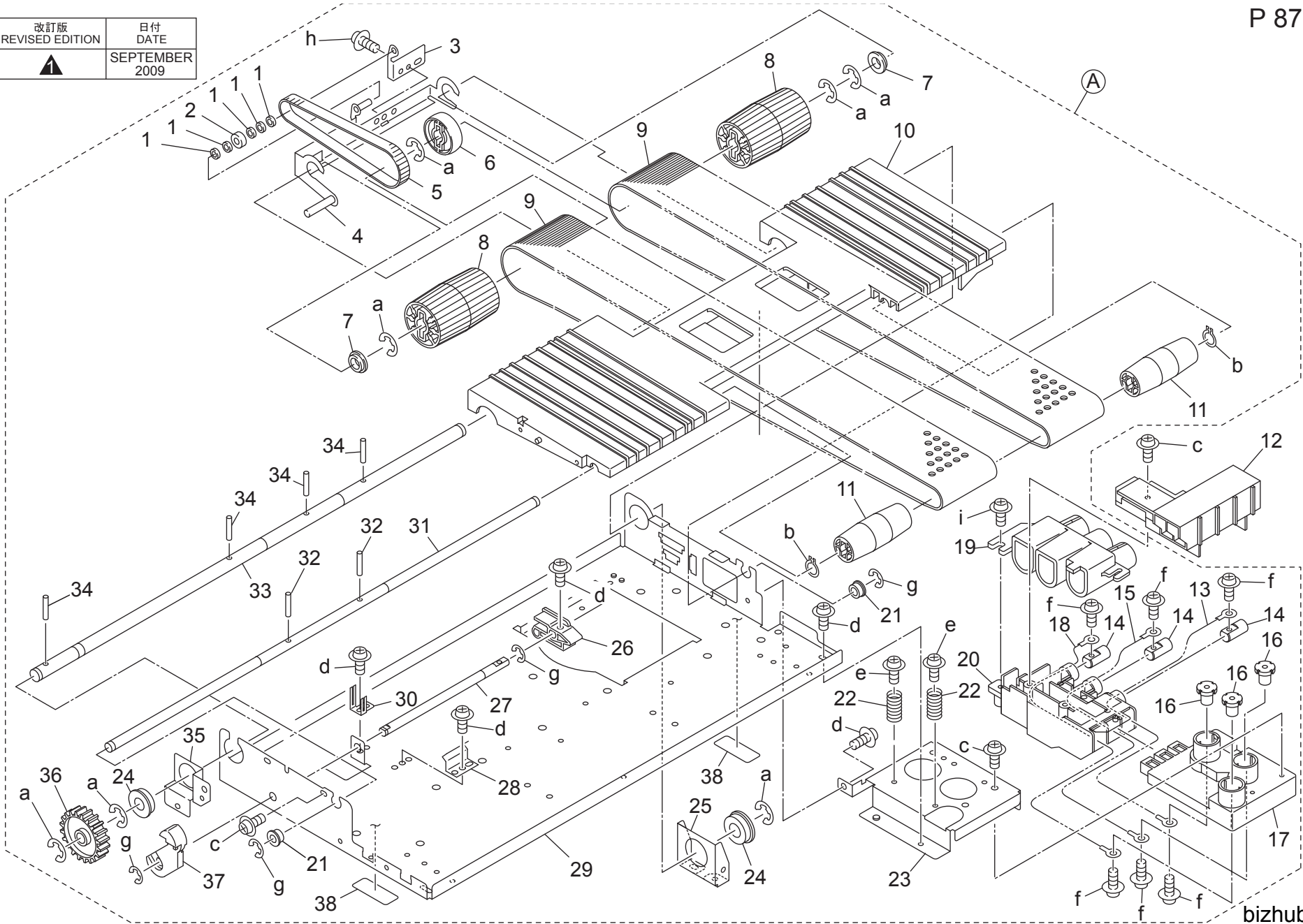


# CONVEYANCE UNIT

Key	Part No.	Description	Destinations	Class	QTY	Standard parts
1	56QA80560	Developing Cooling Fan	現像冷却ファン	C	1	a-V121033503 b-V207040003 c-V217040050 d-V118030603 e-V121030403 f-V111260403 g-V121030603
2	56QA90270E	CONVEYANCE RELAY WIRING	搬送中継束線	D	1	
3	08AA85512	Photo Sensor	フォトセンサ	B	2	
4	56QA45030	SUPPORT PLATE /B	センサ支持板 / B	D	2	
5	56AA45300	PROTECTION SHEET	保護シート	C	1	
6	56AA83071	PCL	PCL	B	1	
7	56AA45210	PTL COVER	PTL カバー	C	1	
8	56AAR71400	TSL COVER ASSY	TSL カバー部組	C	1	
9	57AAR71800	CONVEYANCE UNIT	搬送ユニット	S	1	
10	55VA77440	CLEANING GEAR 5 46T 20T	清掃歯車 5 46 T 20 T	B	2	
11	56AA17071	ELECTRODE LIFT UP SPRING	電極持ち上げバネ	C	2	
12	55VA77420	CLEANING GEAR 3 38T	清掃歯車 3 38 T	B	1	
13	56AA17700	SPACER B	スペーサー B	C	1	
14	55VA77430	CLEANING GEAR 4 33T 17T	清掃歯車 4 33 T 17 T	B	1	
15	56AA-3821	CLEANING DRIVE/FRONT CAULKING	清掃駆動/前カシメ	D	1	
16	56AAR71300	CLEANING MOTOR ASSY	清掃モータ部組	B	1	

# CONVEYANCE UNIT

改訂版 REVISED EDITION	日付 DATE
	SEPTEMBER 2009

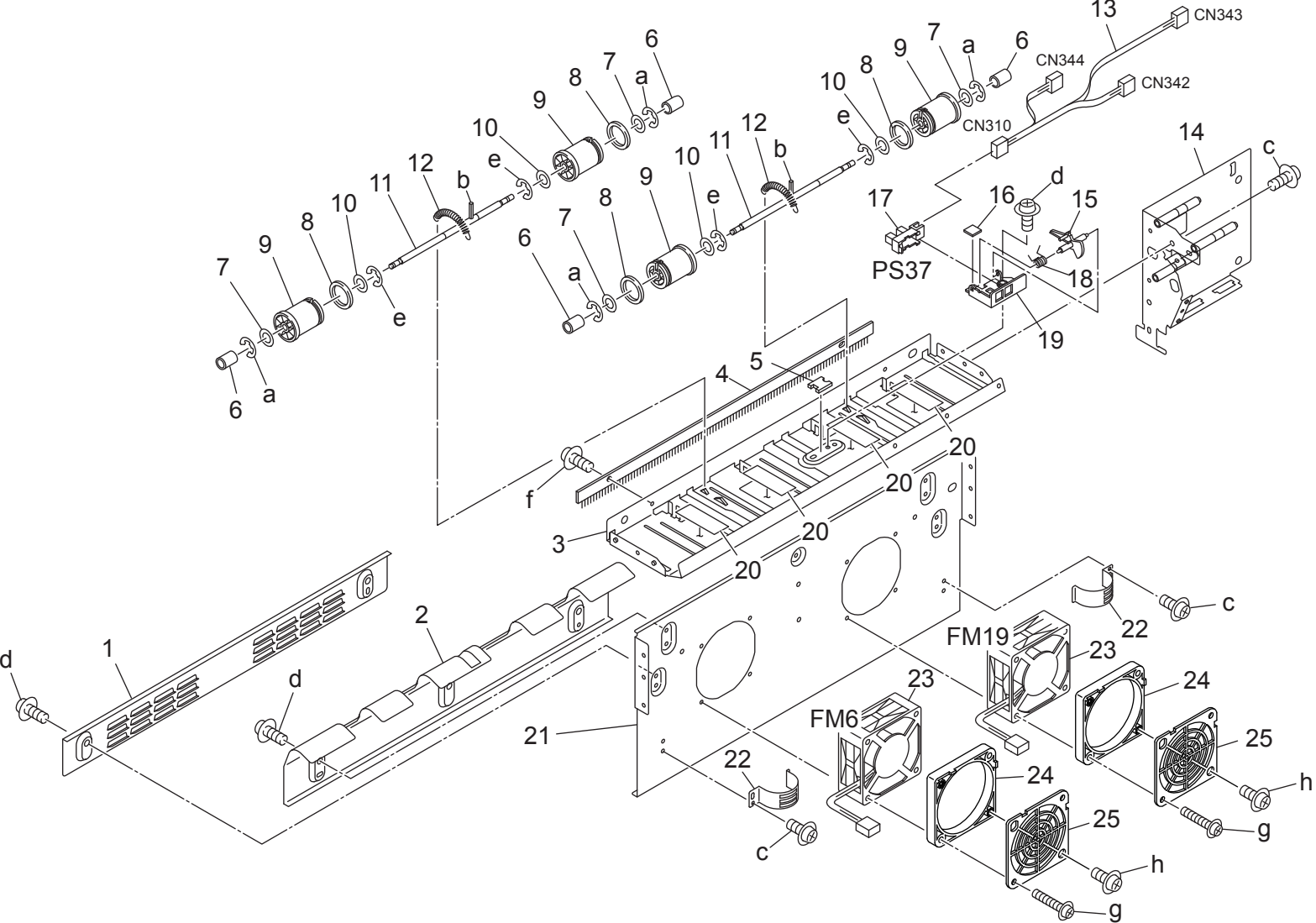


bizhub 751

# CONVEYANCE UNIT

Key	Part No.	Description	Destinations	Class	QTY	Standard parts
1	56AA45490	CONVEYANCE AUXILIARY COLLAR	搬送補助カラー	C	5	a-V217060050
2	56AA45510	Conveyance Idler Bearing	搬送従動軸受	C	1	b-V221060050
3	56AA45450D	Conveyance Auxiliary Panel /B	搬送補助パネル / B	D	1	c-V151030803
4	56AA45420D	Conveyance Auxiliary Panel /A	搬送補助パネル / A	D	1	d-V121030603
5	56AA45410	CONVEYANCE AUXILIARY BELT 95L	搬送補助ベルト 95 L	C	1	e-V118030603
6	56AA45400	DRIVING PULLEY MIDDLE	駆動プーリ 中	C	1	f-V123030603
7	56AA45460	CONVEYANCE AUXILIARY SHAFT HOLDER	搬送補助軸受	C	2	g-V217040050
8	56AA45320	CONVEYANCE DRIVING ROLLER	搬送駆動ローラ	C	2	h-V121030403
9	56AA45090	CONVEYANCE BELT 239L	搬送ベルト 239 L	B	2	i-V151031003
10	56QAR70300	CONVEYANCE MAIN BODY U ASSY	搬送本体 上部組	D	1	
11	56AA45330	CONVEYANCE DRIVEN ROLLER	搬送従動ローラ	C	2	
12	56AAR71500	CONVEYANCE DUCT REAR ASSY	搬送ダクト 奥部組	C	1	
13	56AA93721	High Voltage Lead Wire /C	高圧リード線 / C	D	1	
14	56AA50930	HIGH VOLTAGE POWERING SHAFT	高圧給電軸	D	3	
15	56AA93711	High Voltage Lead Wire /B	高圧リード線 / B	D	1	
16	56AA45170	POWERING SHAFT	給電軸	D	3	
17	56AA45082	POWERING BLOCK	給電ブロック	C	1	
18	56AA93701	High Voltage Lead Wire /A	高圧リード線 / A	D	1	
19	56AA50920	HIGH VOLTAGE POWERING PART 2	高圧給電部材 2	C	1	
20	56AA50910	HV POWER SUPPLY PART /1	高圧給電部材 / 1	D	1	
21	56QA75060	Drive Bearing /6	駆動軸受 / 6	C	2	
22	56AA17071	ELECTRODE LIFT UP SPRING	電極持ち上げバネ	C	2	
23	56AA45191	CONVEYANCE MAIN BODY/REAR	搬送本体 / 奥	D	1	
24	56QA75070	BEARING/8	駆動軸受 8	C	2	
25	56AA45222	CONNECTING PLATE /REAR	連結板 / 奥	D	1	
26	56AA45440	CONVEYANCE AUXILIARY CAM	搬送補助カム	C	1	
27	56AA45430D	Lever Shaft	レバー 軸	D	1	
28	56AA45470	CONVEYANCE ROCKING SPRING	搬送首振りバネ	D	1	
29	56AA45053	CONVEYANCE MAINBODY/LOWER	搬送本体 / 下	D	1	
30	56AA45480	CONVEYANCE EARTH PLATE MIDDLE	搬送アース板 中	D	1	
31	56AA45112D	Conveyance Idler Shaft	搬送従動軸	D	1	
32	56AA17471	PIN B 3X12	ピン B 3 X 1 2	C	2	
33	56AA45101	CONVEYANCE DRIVE SHAFT	搬送駆動軸	D	1	
34	56AA17461	PIN A	ピン A	B	4	
35	56AA45181	CONNECTING PLATE /FRONT	連結板 / 前	D	1	
36	56AA77810	CONVEYANCE DRIVING GEAR 31T	搬送駆動歯車 31 T	C	1	
37	57AA45500	CONVEYANCE AUXILIARY LEVER	搬送補助レバー	C	1	
38	57AA839100	Slide Sheet	スライドシート	D	2	

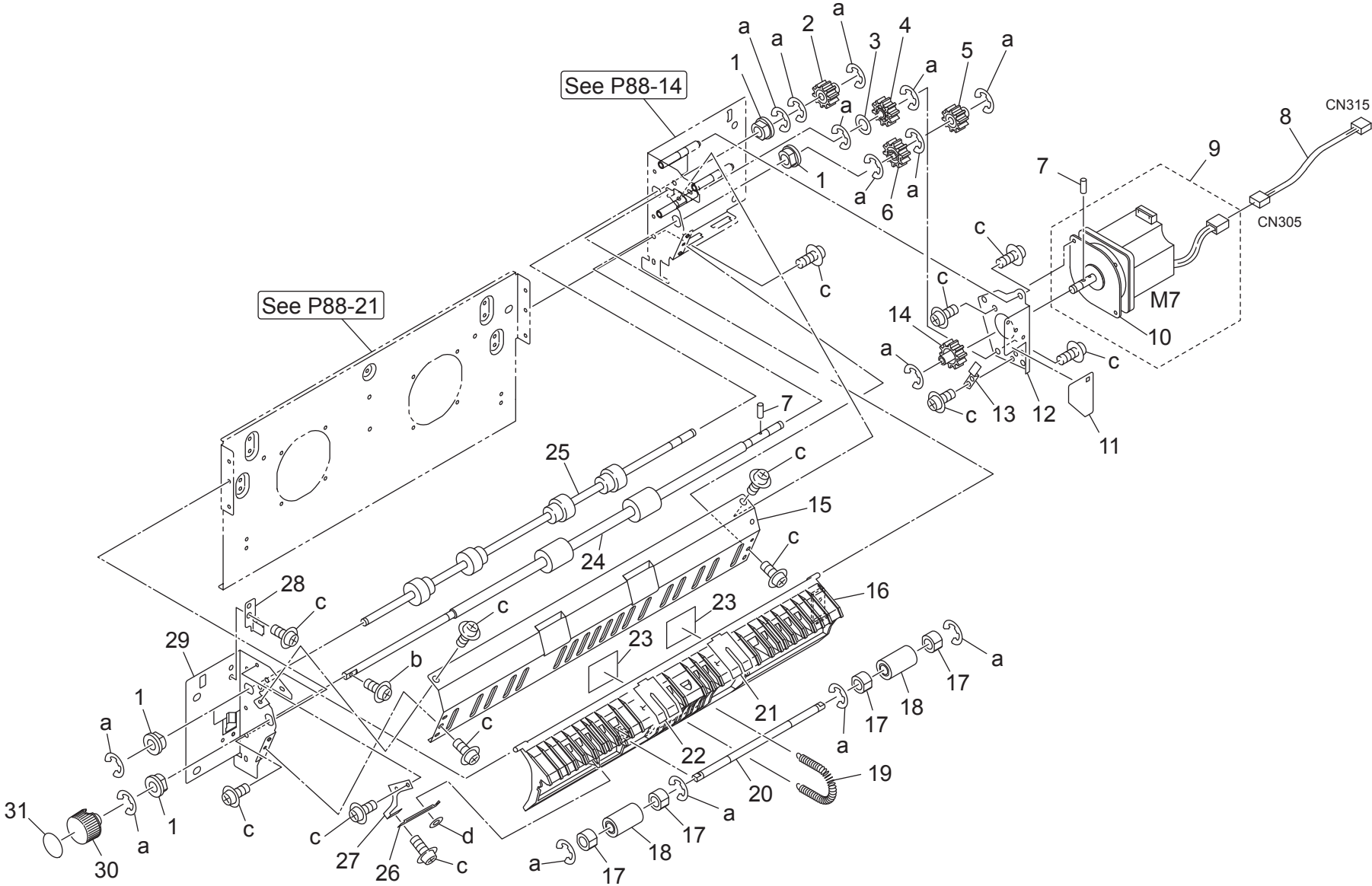
PAPER EXIT UNIT



Key	Part No.	Description	Destinations	Class	QTY	Standard parts
1	56QA48240	PAPER EXIT GUIDE PLATE LOWER	排紙ガイド板 下	D	1	a-V217020050 b-V233161250 c-V121030403 d-V118030403 e-V217030050 f-V121031603 g-V118033003 h-V151030603
2	56QA48231	PAPER EXIT GUIDE PLATE	排紙ガイド板	D	1	
3	56QA48061	PAPEREXITGUIDEPLATE UPPER	排紙ガイド板/上	D	1	
4	048644480	NEUTRALIZING BRUSH	除電ブラシ	B	1	
5	57AA48320	PAPER EXIT UPPER CUSHION	排紙 上クッション	C	1	
6	552012250	ROLLER B	コロ B	C	4	
7	56AA48140	PAPER EXIT SPACER UPPER	排紙スペーサー 上	C	4	
8	56QA48290	PAPER EXIT REGULATING RUBBER	排紙規制ゴム	C	4	
9	56QA48310	PAPER EXIT IDLER ROLLER	排紙従動コロ	C	4	
10	56QA48300	SLIDE SPACER	スライドスペーサー	C	4	
11	56QA48120	PAPER EXIT IDLER SHAFT /UPPER	排紙従動軸/上	D	2	
12	56QA48210	PAPER EXIT DRIVEN SPRING UPPER	排紙従動バネ 上	C	2	
13	56AA90780E	Paper Exit Wiring /1	排紙 束線/1	D	1	
14	56AA-5011	EXIT BASE PANEL/R CAULKING	排紙基準パネル/奥カシメ	D	1	
15	56QA48160	PAPER DETECTING ACTUATOR UPPER	紙検知アクチュエタ 上	C	1	
16	56AA42450	PREVENTING RUBBER	防止ゴム	C	1	
17	08AA85512	Photo Sensor	フォトセンサ	B	1	
18	56AA42570	PAPER CONVEYING SPRING 1	紙搬送バネ 1	C	1	
19	56AA42550	MOUNTING PART	センサ取り付け部材	C	1	
20	56AA48150	PAPER EXIT GUIDE SHEET UPPER	排紙ガイドシート 上	C	4	
21	56QA48070	PAPER EXIT REINFORCE STAY	排紙補強ステー	D	1	
22	56AA48100	PAPER EXIT EARTH PLATE LOWER	排紙アース板 下	C	2	
23	A0PNM15001	Fan motor	ファンモータ	C	2	
24	A0PN890200	Protection Part	保護部材	C	2	
25	A0PN890100	Protection Plate	保護板	D	2	



PAPER EXIT UNIT



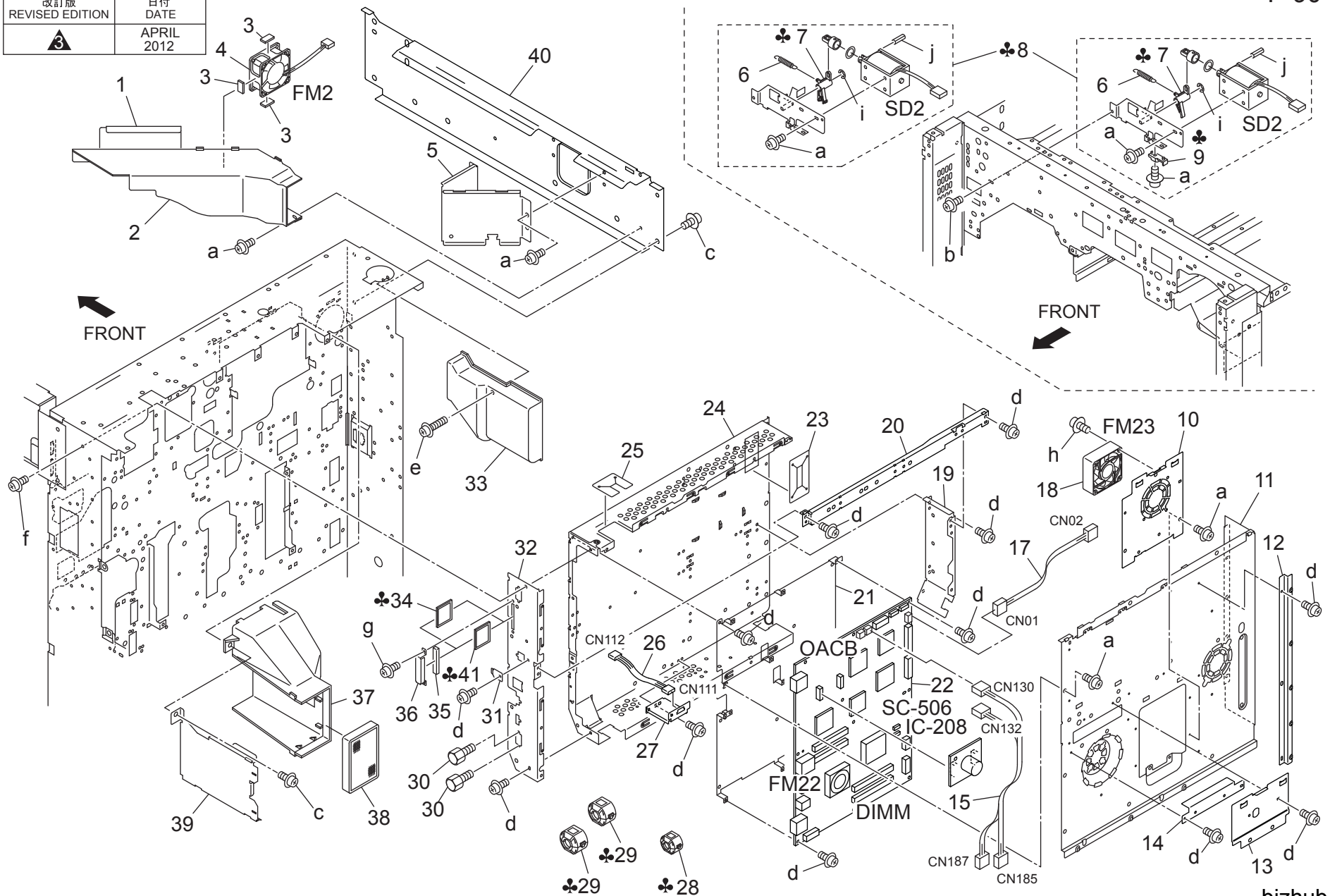
PAPER EXIT UNIT

Key	Part No.	Description	Destinations	Class	QTY	Standard parts
1	57AA75060	PAPER EXIT DRIVE SHAFT HOLDER	排紙駆動軸受	C	4	a-V217040050 b-V118030603 c-V121030403 d-V226030050
2	56AA77980	PAPER EXIT DRIVING GEAR UPPER 24T	排紙駆動歯車 上 24 T	C	1	
3	40AA30270	DEVELOPING SPACER	現像スペーサー	C	1	
4	56AA77860	PAPER EXIT IDLING GEAR 24T	排紙アイドル歯車 24 T	C	1	
5	56AA77190	PAPER EXIT DRIVING GEAR 24T	排紙駆動歯車 24 T	C	1	
6	56AA77850	PAPER EXIT INPUT GEAR 24T	排紙入力歯車 24 T	C	1	
7	56AA17321	PIN A D2X12	ピン A D 2 X 1 2	B	2	
8	56AA90810E	PAPER EXIT WIRING /3	排紙 束線 /3	D	1	
9	56AAR73100	ADU DRIVE ASSY	A D U 駆動部組	B	1	
10	56GA73431	MOTOR FIXING PART /1	モータ固定部材 /1	C	1	
11	56AA48190	PAPER EXIT DRIVING SHEET	排紙駆動シート	C	1	
12	56AA48182	MOTOR MOUNTING PLATE	モータ取り付け板	D	1	
13	57AA48270	PAPER EXIT EARTH PLATE 1	排紙アース板 1	C	1	
14	56AA77200	PAPER EXIT GEAR 22T	排紙歯車 22 T	C	1	
15	56AA48032	PAPER EXIT ENTRANCE PLATE LEFT	排紙進入板	D	1	
16	56AA48041	PAPEREXITENTRANCEPLATE RIG	排紙進入板 /右	C	1	
17	56GA76010	SLIDE SHAFT HOLDER 2	滑り軸受 2	C	4	
18	26NA42560	BY PASS FEED DRIVEN ROLLER	手差し従動ローラ	C	2	
19	56AA48220	PAPER EXIT DRIVEN SPRING LOWER	排紙従動バネ 下	C	1	
20	56AA48130	PAPER EXIT IDLER SHAFT /LOWER	排紙従動軸 /下	D	1	
21	56AA48260	PAPER EXIT GUIDE SHEET 2	排紙案内シート 2	C	1	
22	56AA48250	PAPER EXIT GUIDE SHEET 1	排紙案内シート 1	C	1	
23	56AA48200	PAPER EXIT GUIDE SHEET LOWER	排紙ガイドシート 下	C	2	
24	56AA48091	Paper Exit Drive Roller /Front	排紙駆動ローラ /前	C	1	
25	56QA48081	Paper Exit Drive Roller	排紙駆動ローラ	C	1	
26	56AA48110	PAPER EXIT EARTH PLATE	排紙アース板	D	1	
27	56AA48051	PAPER EXIT EARTH STAY	排紙アースステー	D	1	
28	56AA44440	SHAFT EARTH PLATE	支持アース板	C	1	
29	56AA48012	PAPER EXIT BASE PANEL /FRONT	排紙基準パネル /前	D	1	
30	14GE45470	Rotation Knob	回転ノブ	C	1	
31	57AA97291E	Jam Release Label /A	ジャム解除ラベル / A	C	1	



# ELECTRIC PARTS

改訂版 REVISED EDITION	日付 DATE
	APRIL 2012

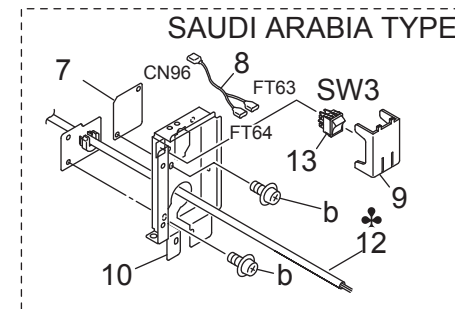
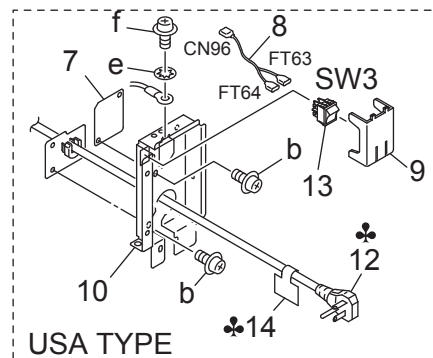
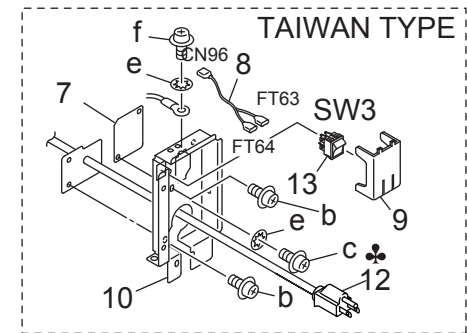
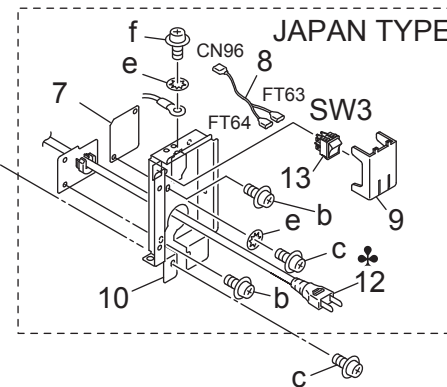
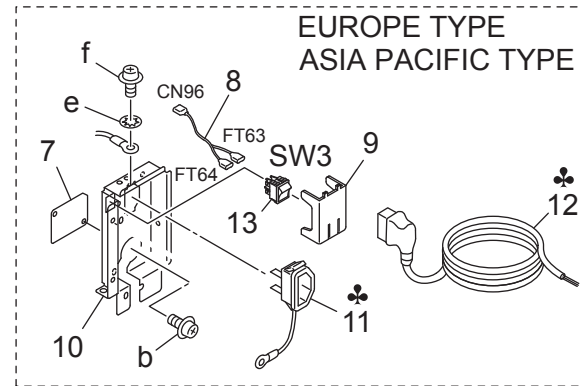
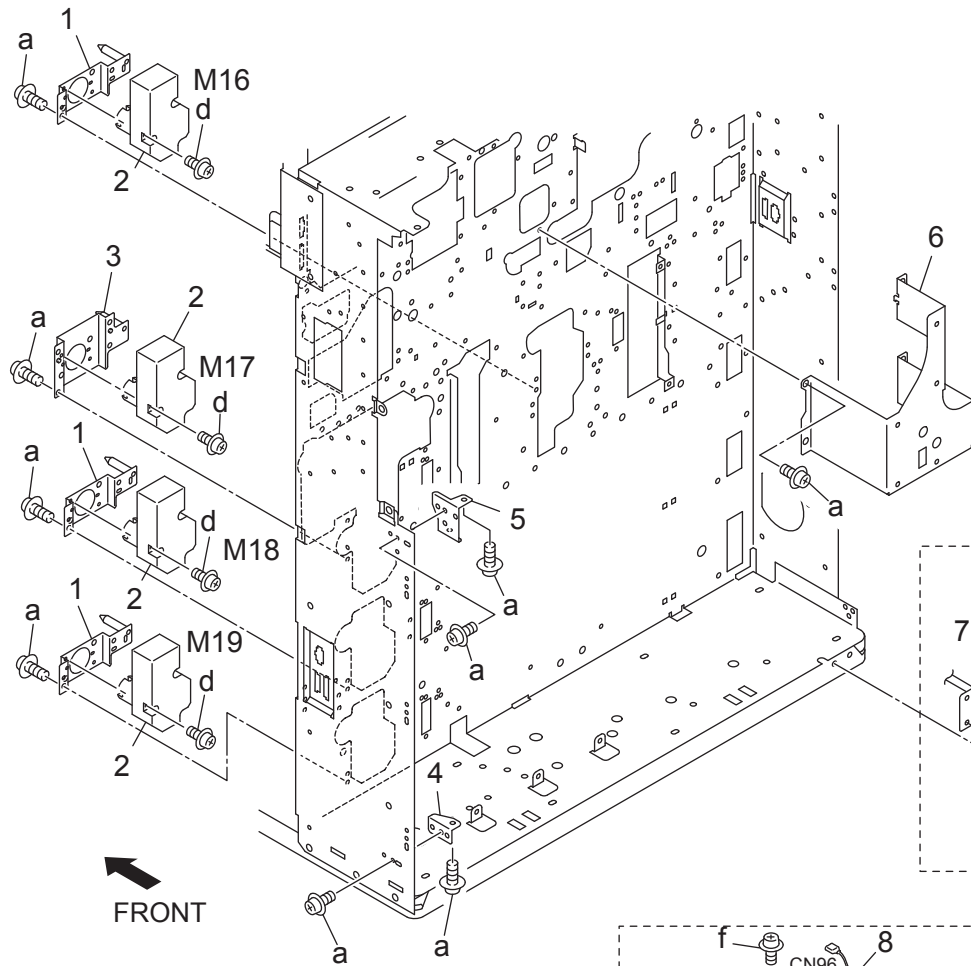


bizhub 751

Key	Part No.	Description	Destinations	Class	QTY	Standard parts
1	56QA10470	WRITE COOLING SHEET MIDDLE		D	1	a-V121030603
2	56QA10450	Write Cooling Duct /Middle		D	1	b-V123030603
3	56QA10491	FAN HOLDING PAD		D	3	c-V121040603
4	56AA80541	FAN MOTOR 1		B	1	d-V121030403
5	56QA10460	WRITE COOLING PLATE /MIDDLE		D	1	e-V151041003
6	57AA10650	SOLENOID CONNECTING SPRING		C	2	f-V118040803
7	57AA10620	SOLENOID CONNECTING PART	A	C	1	g-V118030403
7	57AE10620	SOLENOID CONNECTION MATERIAL	B,C,D1,D3,E,F1,F2,G 1,G2,H,I,J,K	C	1	h-V123043003
8	57AAR72900	SOLENOID MOUNTING PLATE ASSY	A	C	1	i-V217040050
8	57AER70400	SOLENOID MOUNTING PLATE ASSY	B,C,D1,D3,E,F1,F2,G 1,G2,H,I,J,K	C	1	j-V233301250
9	57AA10660	SOLENOID POSITIONING PART	A	C	1	
10	A0PN130701	Protection Cover /2		D	1	
11	A0PN130301	Protection Cover		D	1	
12	57AA73810	BOARD EARTH PLATE /2		D	1	
13	A0PN130600	Protection Cover /1		D	1	
14	A0PN131000	Auxiliary Plate		D	1	
15	57AA90160	LASER CONTROL WIRING		D	1	
17	A0PNN10100	I/O Relay harness		D	1	
18	A0PNM10100	Fan motor /S		C	1	
19	A0PN130400	Protection Plate		D	1	
20	A0PN130100	Positioning Plate /1		D	1	
21	A0PN130500	Support Plate		D	1	
22	A0PNH01004	Control Board Assy		I	1	
23	57AA73910	WIRING PROTECTION SHEET /MIDDL		D	1	
24	57AA73011E	Board Mounting Box		D	1	
25	57AA73860	WIRING PROTECTION SHEET /UPPER		D	1	
26	A0PNN11100	Relay Wiring /S		D	1	
27	A0PN130900	Mounting Plate /Lower		D	1	
28	57AF88730	FERRITE CORE 3	C,D1,D3,E,F2,G1,H,I J,K	D	1	
29	57AF88720	FERRITE CORE 2	C,D1,D3,E,F2,G1,H,I J,K	D	2	
30	26NA73570	Contact Fixing Screw /A		C	2	
31	A0PN130800	Protection Cover /3		D	1	
32	A0PN130201	Fixing Plate		D	1	
33	56AAR70400	WRITE COOLING DUCT REAR ASSY		D	1	
34	A0PNR72100Old	CF ASSY(JP)	A	C	1	
34	A0PNR72111	CF ASSY(JP)	A	C	1	
34	A0PNR72200Old	CF ASSY(US)	B,G2	C	1	
34	A0PNR72211	CF ASSY(US)	B,G2	C	1	
34	A0PNR72300Old	CF ASSY(EU)	C,F1	C	1	
34	A0PNR72311	CF ASSY(EU)	C,F1	C	1	
34	A0PNR72400Old	CF ASSY(CHINA)	J	C	1	
34	A0PNR72411	CF ASSY(CHINA)	J	C	1	
34	A0PNR72500Old	CF ASSY(TAIWAN)	H	C	1	
34	A0PNR72511	CF ASSY(TAIWAN)	H	C	1	
34	A0PNR72600Old	CF ASSY(AP)	D1,D3,E,F2,G1,I,K	C	1	
34	A0PNR72611	CF ASSY(AP)	D1,D3,E,F2,G1,I,K	C	1	
35	56UA73440	Cushion /B		D	1	
36	56UA73420	BOARD FIXING COVER		D	1	
37	56QA10550	Paper Exit Cooling Duct /Rear		D	1	
38	56QA10570	OZONE FILTER S		A	1	
39	56QA10560D	Paper exit Cooling Plate		D	1	

Key	Part No.	Description	Destinations	Class	QTY	Standard parts
40	56QA10041	FAN MOUNTING PLATE /LEFT		D	1	
41	A0PNR73200	CF ASSY (JP)	ファン取り付け板ノ左 CF ASSY (国内)	A	1	
41	A0PNR73300	CF ASSY (US)	CF ASSY (北米)	B,G2	1	
41	A0PNR73400	CF ASSY (EU)	CF ASSY (欧州)	C,F1	1	
41	A0PNR73500	CF ASSY (CHINA)	CF ASSY (中国)	J	1	
41	A0PNR73600	CF ASSY (TAIWAN)	CF ASSY (台湾)	H	1	
41	A0PNR73700	CF ASSY (AP)	CF ASSY (A P)	D1,D3,E,F2,G1,I,K	1	

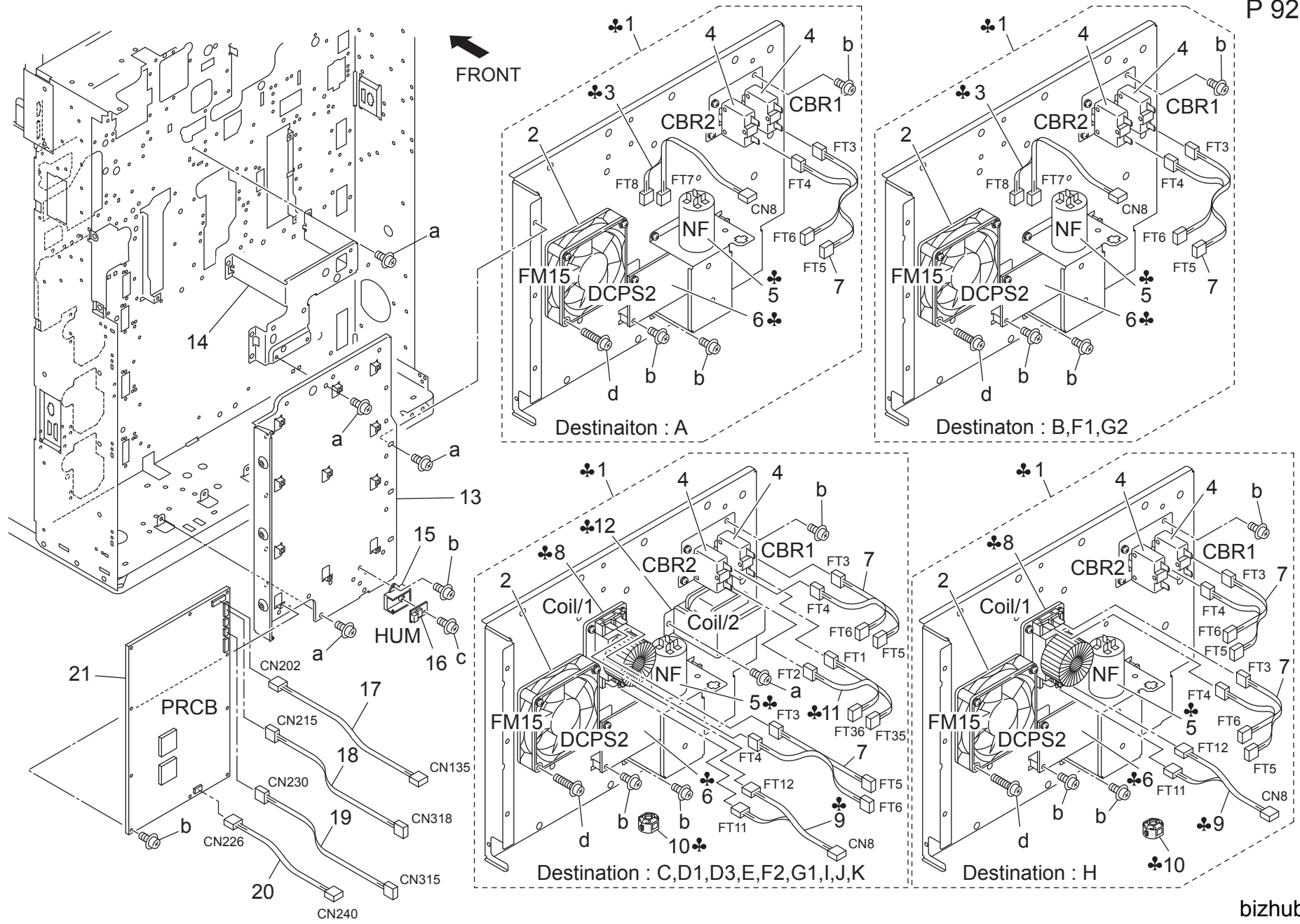
# ELECTRIC PARTS



改訂版 REVISED EDITION	日付 DATE
▲	JUNE 2009

Key	Part No.	Description	Destinations	Class	QTY	Standard parts
1	56AA-1462	MOTOR PLATE CAULKING	モーター板カシメ	D	3	a-V121040603
2	56AA80031	CASSETTE DRIVE MOTOR	カセット駆動モータ	B	4	b-V121030603
3	56QA-1460	MOTOR PLATE CAULKING	モーター板カシメ	D	1	c-V123040803
4	56AA73501	BOARD MOUNTING HINGE /LOWER	基板取り付けヒンジ/下	D	1	d-V121032003
5	56AA73121	BOARD MOUNTING HINGE	基板取り付けヒンジ	D	1	e-V208040050
6	56AA73413F	Board Support Plate /Upper	基板支持板/上	D	1	f-V116040803
7	56AA73171	CORD COVER PLATE	コードカバー板	D	5	
8	56QA90350	HEATER RELAY WIRING	ヒータ中継束線	D	5	
9	57AA73570	SWITCH COVER PART	スイッチカバー部材	C	3	
10	56QA73111	CORD MOUNTING PLATE	コード取り付け板	D	5	
11	26NAR70100	POWER SOCKET ASSY	電源ソケット部組	D	1	C,D1,D3,E,F2,G1,I,J,K
12	26NG88611	Power Source Cord	電源コード	J	1	
12	26NR88612	Power Source Cord	電源コード	D1,D3,E,F2,G1,I,K	1	
12	56AE-7420	CORD FIXING PLATE ASSY	コード固定板部組	B,G2	1	
12	56QA-7420	CORD FIXING PLATE ASSY	コード固定板部組	A	1	
12	57AK-7420	CORD FIXING PLATE ASSY	コード固定板部組 台湾	H	1	
12	57AN88610	Power Source Cord	電源コード	D1,D3,E,F2,G1,I,K	1	
12	57AS-7420	CORD FIXING PLATE ASSY	コード固定板部組	F1	1	
13	57AA86020	HEATER SWITCH	ヒータースイッチ	D	5	
14	56AA97140	CORD LABEL	コードラベル	B,G2	1	

# ELECTRIC PARTS



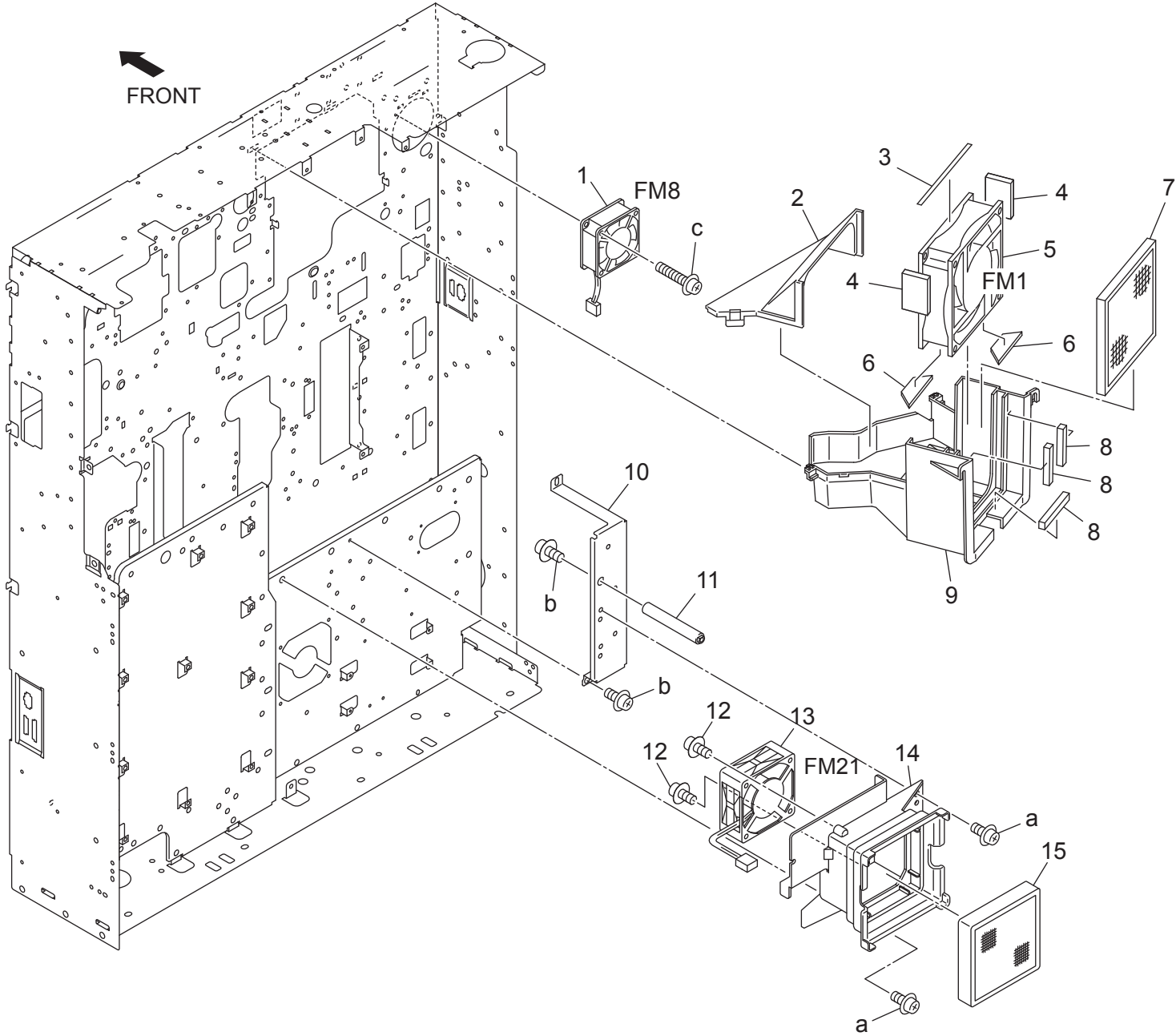
Key	Part No.	Description	Destinations	Class	QTY	Standard parts
1	57AA-7190	AC POWER SOURCE ASSY	A C 電源部組	I	1	a-V121040603 b-V121030603 c-V151030803 d-V121033003
1	57AE-7190	AC POWER SOURCE ASSY	A C 電源部組	I	1	
1	57AF-7190	AC POWER SOURCE ASSY	A C 電源部組	I	1	
1	57AK-7190	AC POWER SOURCE ASSY	A C 電源部組 台湾	I	1	
2	13NT80511	FAN MOTOR 1	ファンモーター 1	C	4	
3	57AA90310	AC RELAY WIRING	A C 中継束線	D	2	
4	56AA88421	CIRCUIT BREAKER	サーキットブレーカー A 0701HC20	B	8	
5	323584531	Noise filter	ノイズフィルター	C	1	
5	55TA84561	Noise Filter	ノイズフィルター	A	1	
5	56QE88261	NOISE FILTER	ノイズフィルター	B,F1,G2,H	2	
6	57AA84531	DC POWER SOURCE 2	D C 電源 2	I	3	
6	57AF84531	DC Power Source /2	D C 電源 /2	I	1	
7	57AA90300	AC POWER SOURCE WIRING	A C 電源束線	D	4	
8	56QF84551	Coil /2	コイル /2	D	2	
9	57AF90310	AC RELAY WIRING	A C 中継束線	D	2	
10	57AF88730	FERRITE CORE 3	フェライトコア 3	D	1	
11	56AF90330	AS RELAY WIRING 3	A C 中継束線 3	D	1	
12	56AF84540	Coil	コイル	C	1	
13	57AA73020	BOARD MOUNTING PLATE	基板取り付け板	D	1	
14	56QA73421	BOARD SUPPORT PLATE /LOWER	基板支持板 /下	D	1	
15	65AA11300	SUPPORT PART	センサ支持部材	D	1	
16	27LA88031	Process Sensor	プロセス センサ	B	1	
17	A0PNN10800	Printer Control harness	プリンタ制御束線	D	1	
18	57AA90880	MOTOR DRIVE WIRING Y	モータ駆動束線 Y	D	1	
19	57AA90800	Motor Drive Wiring /X	モータ駆動束線 / X	D	1	
20	57AA90790	PROCESS DETECTION WIRING	プロセス検知束線	D	1	
21	57AA-9021J	Printer Control Unit	プリンタ制御ユニット	I	1	





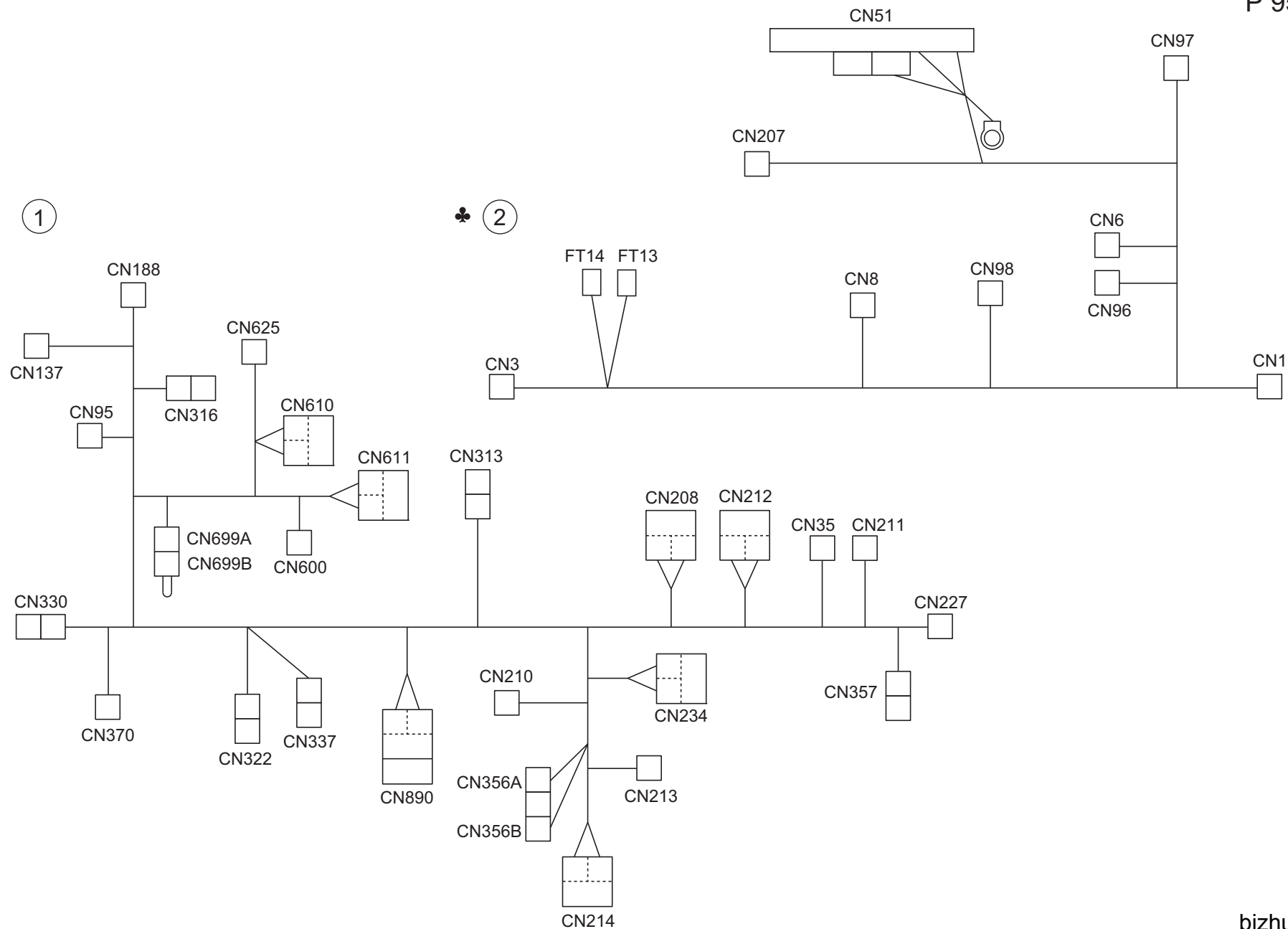
Key	Part No.	Description	Destinations	Class	QTY	Standard parts
1	56AA84012	High Voltage Power Source	高压電源	I	1	a-V121030603 b-V121040603
2	56AA73271	CONTACT SPRING /1	接点バネ / 1	C	5	
3	56AA73230	CONTACT SHAFT A	接点軸 A	D	5	
4	56AA73090	HIGH VOLTAGE GUIDE PART LOWER	高压ガイド部材 下	C	1	
5	56AA84520	Power Source Transformer	電源トランス	C	1	
5	56AE84520	Power Source Transformer	電源トランス	C	1	
5	56AF84521	Power Source Transformer	電源トランス	C	1	
6	56QA90760	High Voltage Lead Wire /7	高压リード線 / 7	D	1	
7	56QA90750	High Voltage Lead Wire /6	高压リード線 6	D	1	
8	56QA90740	High Voltage Lead Wire /5	高压リード線 5	D	1	
9	56AA73282	CONTACTSPRING 2	接点 バネ / 2	C	1	
10	56AA73210	CONTACT SHAFT	接点軸	D	1	
11	56QA73080	HIGH VOLTAGE GUIDE PART UPPER	高压ガイド部材 上	C	1	
12	56QA90720	High Voltage Lead Wire /3	高压リード線 3	D	1	
13	56QA90710	High Voltage Lead Wire /2	高压リード線 2	D	1	
14	56QA90730	High Voltage Lead Wire /4	高压リード線 4	D	1	
15	56AA73160	HIGH VOLTAGE GUIDE COVER	高压ガイドカバー	C	1	
16	57AA73890E	Wiring Protection Sheet	束線保護シート	D	1	
17	56QA73870	DEVELOPING SUCTION SHEET	現像サクシオンシート	C	2	
18	57AA73780	DEVELOPING SUCTION COVER	現像サクシオンカバー	C	1	
19	56QA10491	FAN HOLDING PAD	ファン押さえパッド	D	2	
20	56QA80570	INTERNAL COOLING FAN	機内冷却ファン	C	1	
21	57AA73790	DEVELOPING SUCTION COVER	現像サクシオン蓋	C	1	
22	57AA84511	DC Power Source /1	D C 電源 / 1	I	1	
22	57AE84511	DC Power Source /1	D C 電源 / 1	I	1	
22	57AF84512	DC Power Source /1	D C 電源 / 1	I	1	
23	56AA17330	SLIDE SHAFT	スライド軸	C	8	
24	56AA17080	TERMINAL ROCKING SPRING	端子揺動バネ	C	8	
25	57AA73600	POWER SOURCE COOLING SHEET	電源冷却シート	D	1	
26	57AF97740	EARTH LABEL F	アースラベル F	D	1	

ELECTRIC PARTS



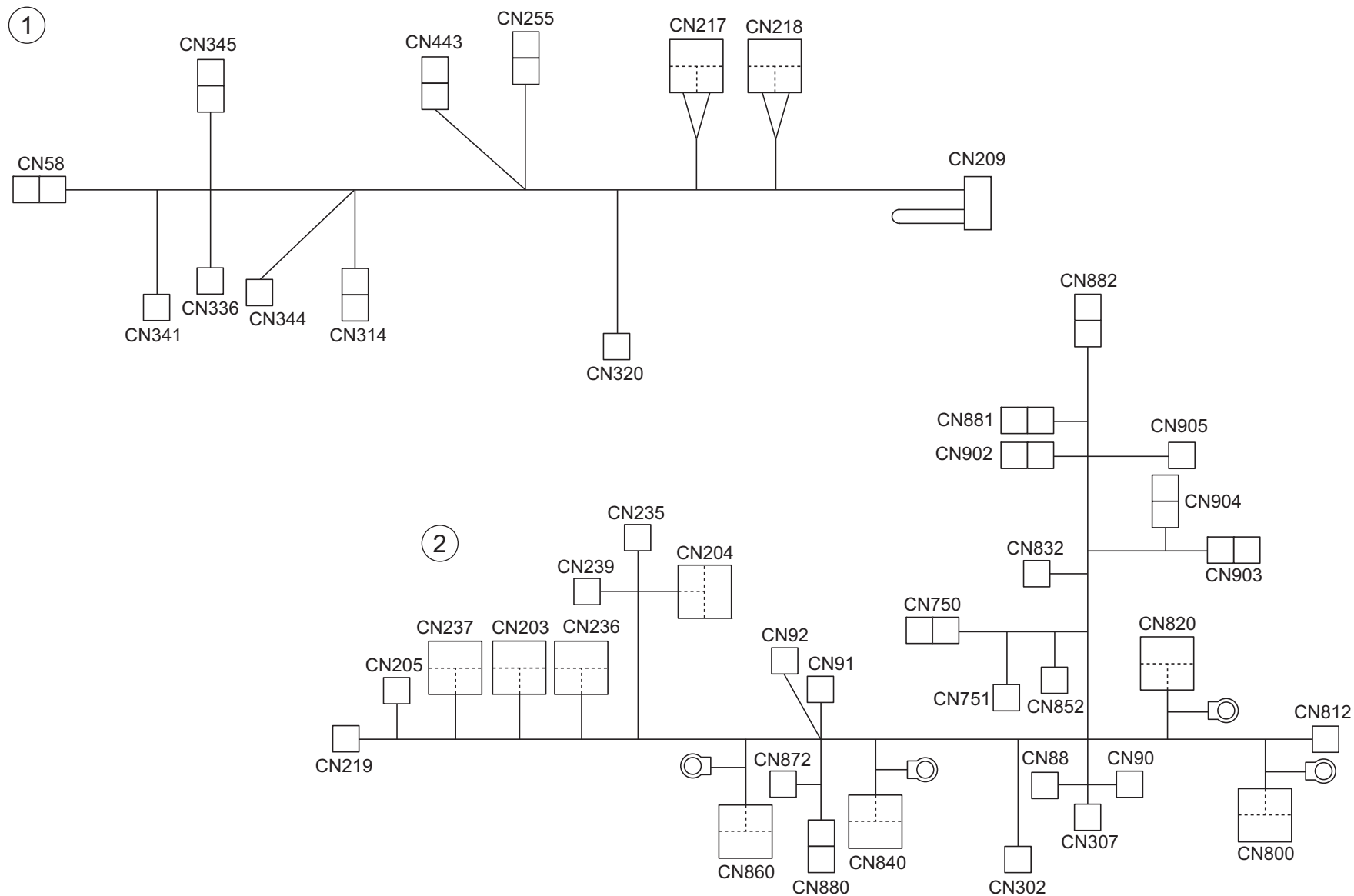
Key	Part No.	Description	Destinations	Class	QTY	Standard parts
1	56QA80570	INTERNAL COOLING FAN		C	1	a-V121040803 b-V121040603 c-V121043003
2	57AA73070	Fan Mounting Cover		C	1	
3	57AA73530	FAN SEALING PART/UPPER		C	1	
4	57AA73540	FAN SEALING PART/MIDDLE		C	2	
5	55FA80521	Main Fan Motor		B	1	
6	57AA73550	FAN SEALING PART/LOWER		C	2	
7	A0PN100800	Ozone Filter /M		A	1	
8	56QA73880	OZONE REGULATING PART 2		D	3	
9	57AA73060	Fan Mounting Duct		D	1	
10	56QA73430	WIRING SUPPORT PLATE		D	1	
11	56QA10120	External Support Shaft		D	1	
12	4036596601	SCREW		C	2	
13	27LA80511	Main Body Fan Motor		A	1	
14	A0PN102100	Ozone Duct /Lower		D	1	
15	A0PN102000	Ozone Filter /Lower		A	1	





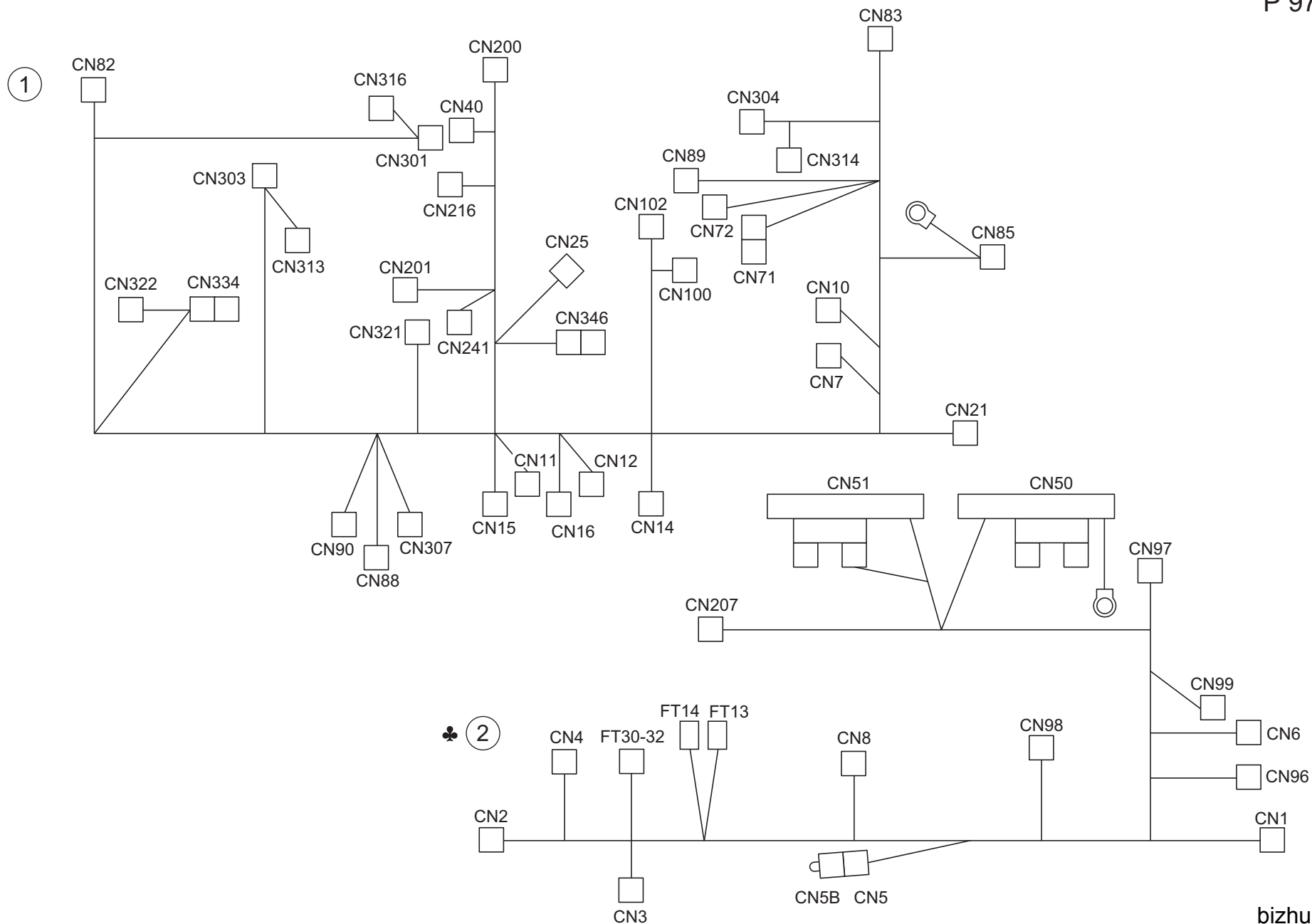
# WIRING

Key	Part No.	Description	Destinations	Class	QTY	Standard parts
1	A0PNN11001	Main Body Wiring		D	1	
2	57AA90030	Power Source Wiring	A	D	1	



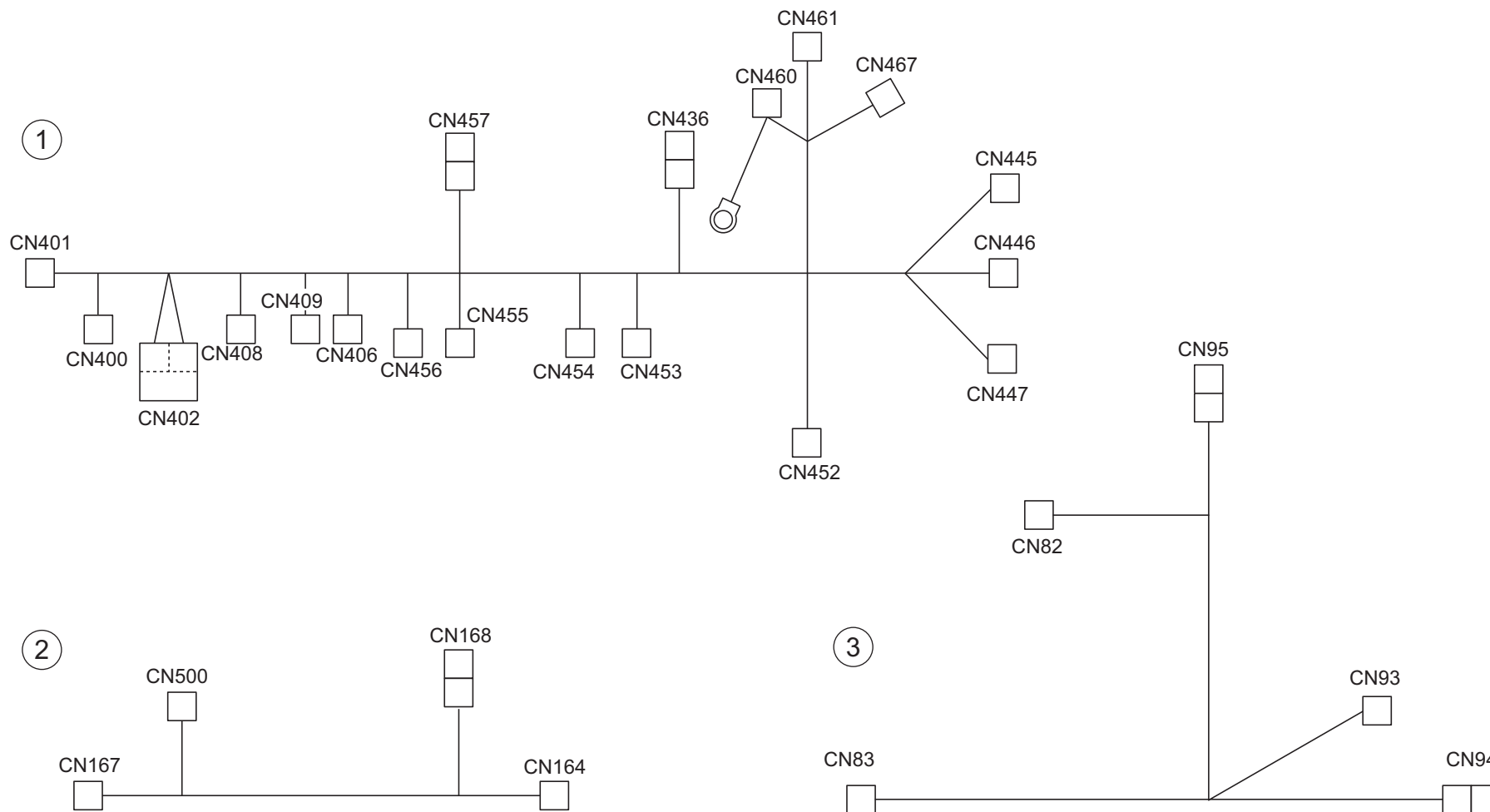
# WIRING

Key	Part No.	Description	Destinations	Class	QTY	Standard parts
1	57AA90040	MAIN BODY WIRING A		D	1	
2	57AA90060	Paper Feed Control Wiring		C	1	





Key	Part No.	Description		Destinations	Class	QTY	Standard parts	
1	A0PNN10700	DC Power Source Harness /1	D C 電源束線 / 1	B,C,D1,D3,E,F1,F2,G 1,G2,H,I,J,K	D	1		
2	57AE90031	Power Source Wiring	電源 束線		D	1		

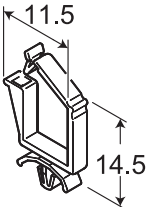
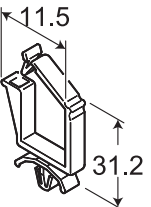
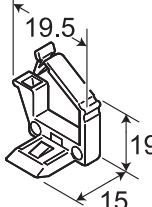
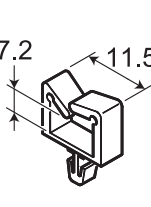
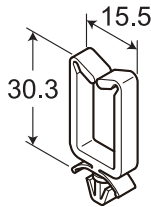
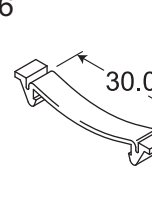
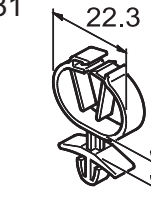
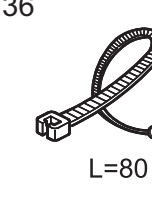
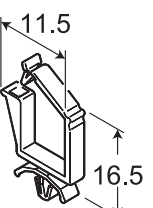
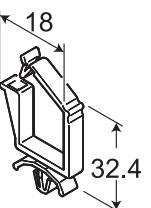
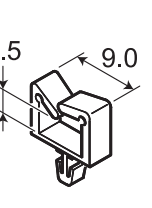
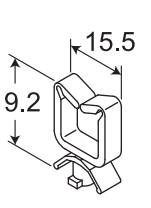
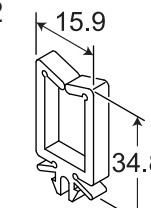
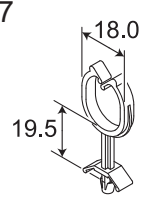
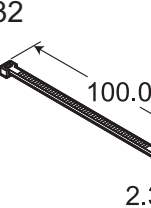
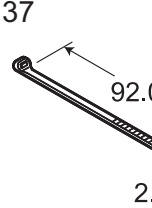
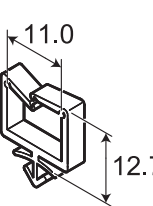
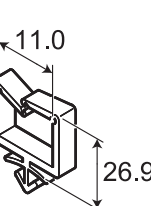
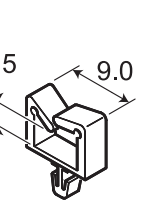
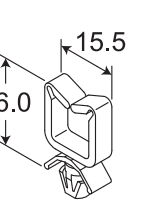
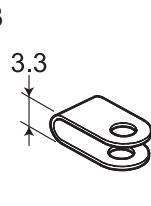

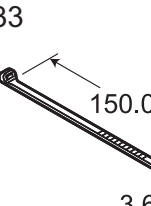
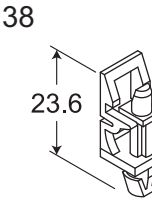
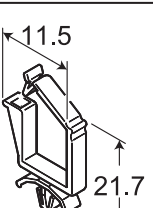
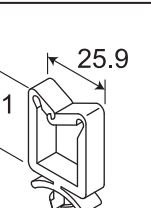
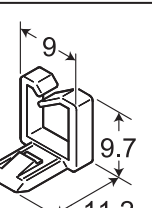
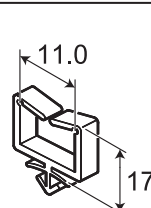
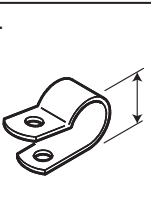
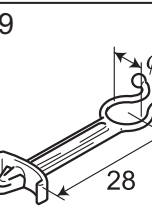
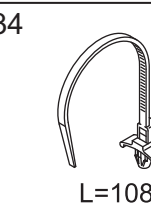

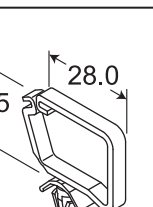
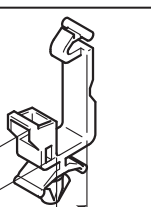
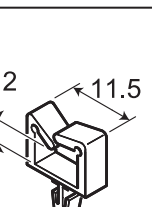
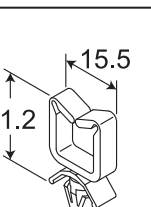
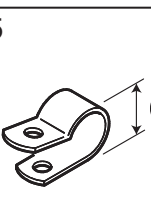
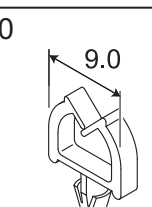
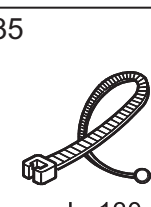



# WIRING

Key	Part No.	Description	Destinations	Class	QTY	Standard parts
1	57AA90200	ADU CONTROL WIRING		D	1	
2	A0PNN10501	I/F Wiring		D	1	
3	A0PNN10600	Interlock Wiring		D	1	

# WIRING ACCESSORY

P 99

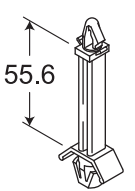
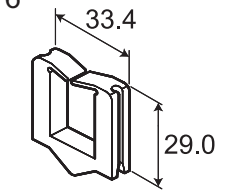
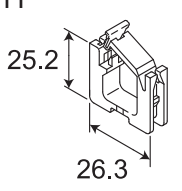
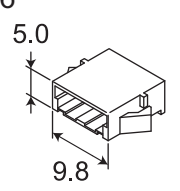
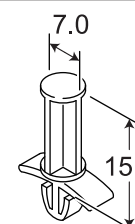
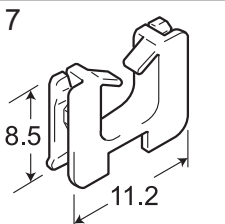
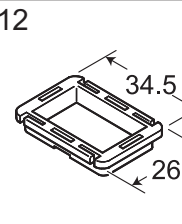
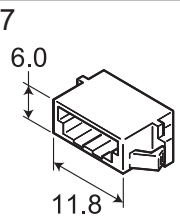
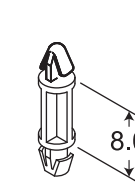
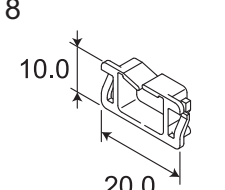
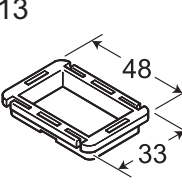
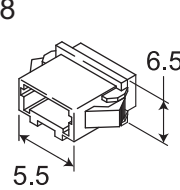
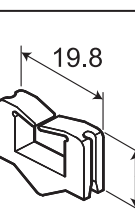
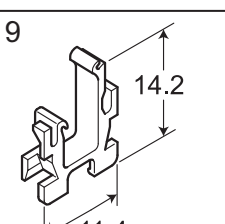
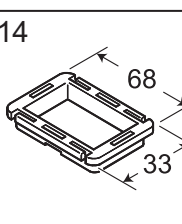
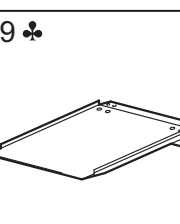
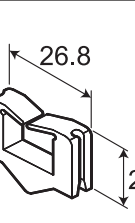
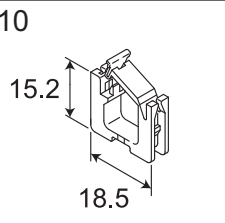
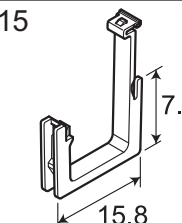
1  11.5 14.5	6  11.5 31.2	11  19.5 19 15	16  7.2 11.5	21  15.5 30.3	26  30.0	31  22.3 10.0	36  L=80
2  11.5 16.5	7  18 32.4	12  4.5 9.0	17  15.5 19.2	22  15.9 34.8	27  18.0 19.5	32  100.0 2.3	37  92.0 2.4
3  11.0 12.7	8  11.0 26.9	13  4.5 9.0	18  15.5 16.0	23  3.3	28  29.5	33  150.0 3.6	38  23.6
4  11.5 21.7	9  25.9 35.1	14  9 9.7 11.2	19  11.0 17.9	24  5.3	29  11.5 28	34  L=108	39  4.8
5  23.5 28.0	10  7.3 4.8	15  5.2 11.5	20  15.5 21.2	25  6.8	30  9.0	35  L=130	40  9.5

bizhub 751

Key	Part No.	Description	Destinations	Class	QTY	Standard parts
1	V500010003	Saddle	ロッキングワイヤーサドル	D		
2	V500010005	saddle	ロッキングワイヤーサドル	D		
3	V500010006	saddle	ロッキングワイヤーサドル	D		
4	V500010007	saddle	ロッキングワイヤーサドル	D		
5	V500010012	saddle	ロッキングワイヤーサドル	D		
6	V500010013	saddle	ロッキングワイヤーサドル	D		
7	V500010015	saddle	ロッキングワイヤーサドル	D		
8	V500010016	saddle	ロッキングワイヤーサドル	D		
9	V500010017	saddle	ロッキングワイヤーサドル	D		
10	V500010020	Saddle	ミニロッキングワイヤーサドル	D		
11	V500010022	saddle	ロッキングワイヤーサドル	D		
12	V500010024	saddle	ミニサドル	D		
13	V500010026	saddle	ミニサドル	D		
14	V500010027	saddle	ミニサドル	D		
15	V500010029	saddle	ミニサドル	D		
16	V500010030	saddle	ミニサドル	D		
17	V500010034	saddle	リユースワイヤーサドル	D		
18	V500010037	saddle	ワイヤーサドル	D		
19	V500010038	saddle	ワイヤーサドル	D		
20	V500010039	saddle	ワイヤーサドル	D		
21	V500010042	saddle	ワイヤーサドル	D		
22	V500010043	saddle	ワイヤーサドル	D		
23	V500020001	clamp	ナイロンクランプ	D		
24	V500020002	clamp	ナイロンクランプ	D		
25	V500020003	clamp	ナイロンクランプ	D		
26	V500020024	clamp	フラットクランプ	D		
27	V500020026	lifter	ハーネスリフター	D		
28	V500020027	lifter	ハーネスリフター	D		
29	V500020042	locker	ニップロッカー	D		
30	V500020048	clamp	ミニクランプ	D		
31	V500020064	clip	スペースクリップ	D		
32	V501010002	band	結束バンド	D		
33	V501010004	band	結束バンド	D		
34	V501010009	band	結束バンド	D		
35	V501010011	binder	S K バインダー	D		
36	V501010014	binder	S K バインダー	D		
37	V501010017	band	結束バンド	D		
38	V502010002	spacer	カードスペーサー	D		
39	V502010014	support	ロッキングサーキットボードサポート	D		
40	V502010016	support	ロッキングサーキットボードサポート	D		

# WIRING ACCESSORY

P 100

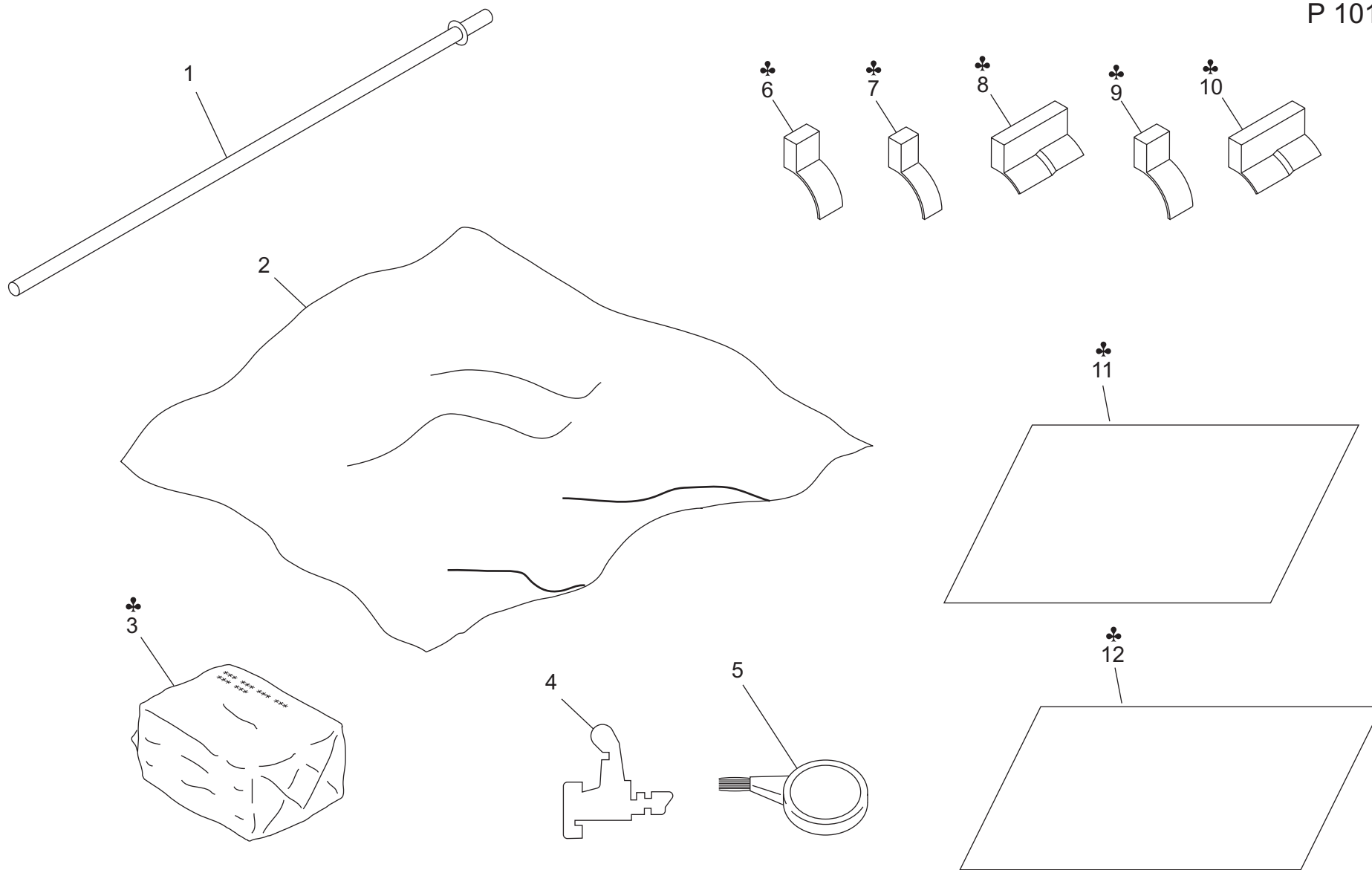
1 	6 	11 	16 	21	26	31	36
2 	7 	12 	17 	22	27	32	37
3 	8 	13 	18 	23	28	33	38
4 	9 	14 	19 ♣ 	24	29	34	39
5 	10 	15 	20	25	30	35	40

bizhub 751

Key	Part No.	Description	Destinations	Class	QTY	Standard parts
1	V502010027	support	P C B サポート	D		
2	V502010028	spacer	サポートスペーサー	D		
3	V502010054	mini double board post	ダブルミニキバンポスト	D		
4	V570010011	saddle	エッジサドル	D		
5	V570010012	saddle	エッジサドル	D		
6	V570010015	saddle	エッジサドル	D		
7	V570010021	Saddle	エッジサドル	D		
8	V570010023	saddle	エッジサドル	D		
9	V570010025	saddle	ロッキングエッジサドル	D		
10	V570010026	saddle	ロッキングエッジサドル	D		
11	V570010028	saddle	ロッキングエッジサドル	D		
12	V570010038	bushing	スクウェアブッシュ	D		
13	V570010039	bushing	スクウェアブッシュ	D		
14	V570010040	bushing	スクウェアブッシュ	D		
15	V570010046	SADDLE	ロッキングエッジサドル	D		
16	V651010002	connector	W t o W コネクタ	D		
17	00Z930003	CT Panel Mount	C T 中継パネル	V		
18	V651010015	connector	W t o W コネクタ	D		
19	A0P0989900	Packing Parts	治具スロープ	S	1	

# JIGS

P 101

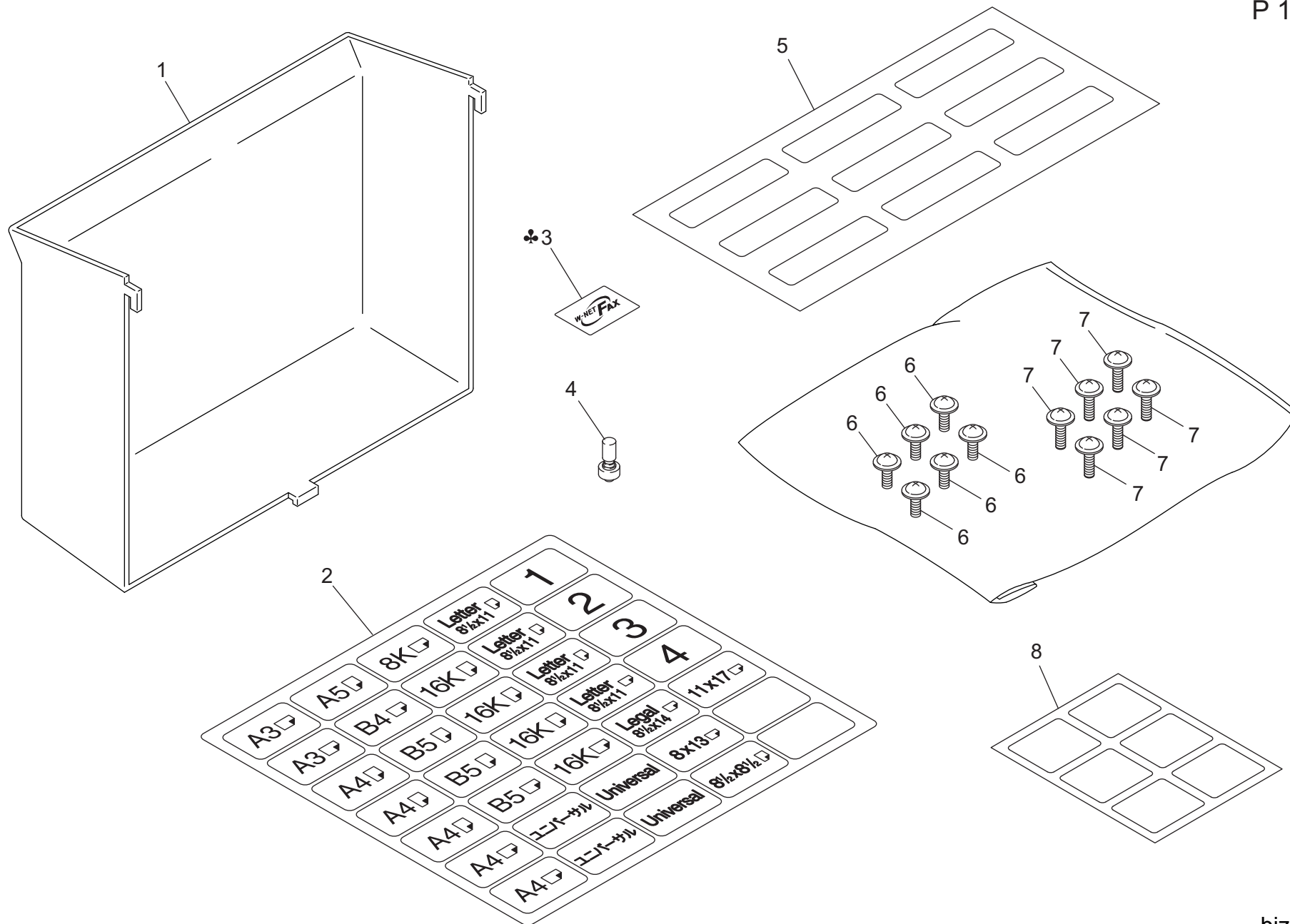






# ACCESSORY PARTS

P 102



# ACCESSORY PARTS

Key	Part No.	Description	Destinations	Class	QTY	Standard parts
1	A0PN175400	Holding Case		C	1	
2	A0PN943900	Label Outside		C	1	
3	A00J943700	Label	A	D	1	
4	14GA46970	SOLENOID SET PART A		C	1	
5	56QA97770	CONVEYANCE INDEX LABEL		C	1	
6	V121040603	screw		V	6	
7	V121030803	SCREW		V	6	
8	56RE97410	GLASS CLEANING LABEL		C	1	

# MAINTENANCE LIST

● The items with no Page/Key numbers are not handled as spare parts.

No.	Section	PM Parts Description	Maintenance Cycle (K=1,000)		Parts No.	Destinations	Page/Key	Note
			QTY	Replace				
1	External section	Ozone filter /M	1	250K	A0PN100800		P94-7	
2		Ozone filter /S	1	250K	56QA10570		P90-38	
3		Ozone filter /Lw	1	250K	A0PN102000		P94-15	
4		Developing suction filter	1	250K	57AAR72800		P3-3	
5	Photo conductor section	Toner guide roller	1	250K	57AAR71100		P24-1	
6		Cleaning blade	1	250K	57AA20080		P23-1	
7		Developer	1	250K	-			
8		Drum claw	3	500K	56AA20700		P25-8	
9		Drum	1	500K	-			
10		Drum claw solenoid	1	2000K	26NA82513		P25-11	
11		Toner control sensor board	1	2500K	56AA-9102E		P25-1	
12		Toner collection gear /3	1	5000K	57AA77820		P18-10	
13	Charge section	Charge control plate	1	250K	56AA25030		P27-23	
14		Charge wire	1	250K	56AA25090		P27-22	
15		Charge cleaning board	1	250K	56AA25400		P27-6	
16		Charge slide member	1	250K	56AA25380		P27-5	
17		Charge cleaning block /Up	1	250K	56AAR70700		P27-9	
18		C-clip	1	250K	45AA20400		P27-3	
19		Charge cleaning block /Lw	1	250K	56AAR70800		P27-10	
20		Charge unit	1	2500K	57AAR71400		P27-25	
21	Developing section	Developing unit	1	2500K	57AAR71600		P28-23	
22	Paper feed section	Feed rubber	1	125K	25SA40960		P48-26	
22		Feed rubber	1	125K	25SA40960		P51-26	
22		Feed rubber	1	125K	25SA40960		P54-26	
22		Feed rubber	1	125K	25SA40960		P57-26	
23		Separation rubber	1	125K	25SA40960		P49-15	
23		Separation rubber	1	125K	25SA40960		P52-15	
23		Separation rubber	1	125K	25SA40960		P55-15	
23		Separation rubber	1	125K	25SA40960		P58-15	
24		Pick-up roller	1	800K	56AAR72100		P49-3	
24		Pick-up roller	1	800K	56AAR72100		P52-3	
24		Pick-up roller	1	800K	56AAR72100		P55-3	
24		Pick-up roller	1	800K	56AAR72100		P58-3	
25		Paper feed regulating block	1	5000K	56AA40380		P50-8	
25		Paper feed regulating block	1	5000K	56AA40380		P53-8	
25		Paper feed regulating block	1	5000K	56AA40380		P56-8	
25		Paper feed regulating block	1	5000K	56AA40380		P59-8	
26	Feed roller	1	5000K	25AA40100		P49-16		
26	Feed roller	1	5000K	25AA40100		P52-16		
26	Feed roller	1	5000K	25AA40100		P55-16		
26	Feed roller	1	5000K	25AA40100		P58-16		
27	Bypass tray section	Loop roller	1	5000K	56AA42510		P63-33	
28		Gear /A	1	5000K	56AA77160		P63-30	
29		Gear /B	1	5000K	56AA77170		P63-21	
30		Gear /C	1	5000K	56AA77120		P19-17	
31		Feed rubber	1	70K	540040562		P63-5	
32		Separation rubber	1	70K	540040562		P64-2	
33		Pick-up rubber	1	140K	55FA42330		P63-10	

No.	Section	PM Parts Description	Maintenance Cycle (K=1,000)		Parts No.	Destinations	Page/Key	Note
			QTY	Replace				
34	Transfer/ separation charging	Transfer/separation wire	3	500K	56AA26090		P26-9	
35		Transfer cleaning assembly	1	500K	56AAR71000		P26-22	
36		Separation cleaning assembly	1	500K	56AAR71100		P26-24	
37		C-clip	2	500K	45AA20400		P26-28	
38		Transfer presser rubber	3	500K	56AA17830		P26-18	
39		Transfer/separation charge unit	1	2000K	57AAR71500		P26-29	
40	Registration section	Registration clutch	1	2000K	56AA82012		P50-24	
41		Registration bearing /Rr	1	2500K	A03U812800		P32-8	
42		Registration roller	1	2500K	56QA46030		P32-10	
43	ADU	Registration bearing /2	2	2500K	55GA75520		P80-23	
44		Registration bearing /1	2	2500K	55GA75510		P80-22	
45		ADU Registration roller /Up	1	2500K	56AA51110		P80-28	
46		ADU Registration roller /Lw	1	2500K	56QA51120		P80-29	
47		Transfer exposure lamp unit	1	2500K	56AAR71400		P86-8	
48	Fusing section	Cleaning web	1	250K	57AER70300	B,C,D1,D3,E,F1,F2,G	P45-1	
49		Fusing claw /Up	6	250K	56AA54270	B,C,D1,D3,E,F1,F2,G	P46-24	
50		Fusing roller /Up	1	500K	56AE53052	B,C,D1,D3,E,F1,F2,G	P44-14	
51		Heat insulating sleeve	2	500K	454053391	B,C,D1,D3,E,F1,F2,G	P44-19	
52		Bearing /Up	2	500K	454075040	B,C,D1,D3,E,F1,F2,G	P44-29	
53		Fusing roller /Lw	1	500K	57AE53060	B,C,D1,D3,E,F1,F2,G	P47-19	
54		Fusing claw /Lw	3	500K	56QA53200	B,C,D1,D3,E,F1,F2,G	P43-4	
55		Decurler roller	1	500K	56AA53071	B,C,D1,D3,E,F1,F2,G	P42-7	
56		Decurler bearing	4	1000K	07AA75090	B,C,D1,D3,E,F1,F2,G	P42-9	
57		Fusing input gear	1	1000K	25BA77262	B,C,D1,D3,E,F1,F2,G	P21-6	
58		Fusing heater lamp /1	1	1000K	56AE83031	B,G2,H	P44-37	
58		Fusing heater lamp /1	1	1000K	56AF83031	C,D1,D3,E,F2,G1,,J,K	P44-37	
59		Fusing heater lamp /2	1	1000K	56AE83041	B,G2	P44-38	
59		Fusing heater lamp /2	1	1000K	56AF83041	C,D1,D3,E,F2,G1,,J,K	P44-38	
60		Fusing heater lamp /3	1	1000K	56AE83051	B,G2,H	P47-22	
60		Fusing heater lamp /3	1	1000K	56AF83051	C,D1,D3,E,F2,G1,,J,K	P47-22	
61		Thermistor /2	1	2500K	57AE88040	B,C,D1,D3,E,F1,F2,G	P45-7	
62	Fusing paper exit gear /1	1	5000K	56AA77220	B,C,D1,D3,E,F1,F2,G	P42-24		
63	Fusing paper exit gear /2	1	5000K	56AA77231	B,C,D1,D3,E,F1,F2,G	P42-22		
64	Fusing gear	1	2000K	56QA77210	B,C,D1,D3,E,F1,F2,G	P44-36		
65	Bearing /Lw	2	500K	57AE75040	B,C,D1,D3,E,F1,F2,G	P47-18		
66	Paper exit section	Paper exit gear /1	1	5000K	56AA77190		P89-5	
67		Paper exit gear /2	1	5000K	56AA77980		P89-2	

# メンテナンスリスト

● ページ / キーナンバーのないものは、アフターサービス部品ではありません。

No.	区分	PM 部品名称	サイクル (K=1,000)		部品番号	仕向地	頁 / キー	備考
			員数	交換				
1	外装部	オゾンフィルター /M	1	250K	A0PN100800		P94-7	
2		オゾンフィルター /S	1	250K	56QA10570		P90-38	
3		オゾンフィルター /Lw	1	250K	A0PN102000		P94-15	
4		現像サクシジョンフィルター	1	250K	57AAR72800		P3-3	
5	感光体部	トナーガイドローラー	1	250K	57AAR71100		P24-1	
6		クリーニングブレード	1	250K	57AA20080		P23-1	
7		現像剤	1	250K	-			
8		ドラム爪	3	500K	56AA20700		P25-8	
9		ドラム	1	500K	-			
10		ドラム爪ソレノイド	1	2000K	26NA82513		P25-11	
11		トナーコントロールセンサー基板	1	2500K	56AA-9102E		P25-1	
12		トナー回収ギア /3	1	5000K	57AA77820		P18-10	
13	帯電極部	帯電制御プレート	1	250K	56AA25030		P27-23	
14		帯電ワイヤー	1	250K	56AA25090		P27-22	
15		帯電清掃基板	1	250K	56AA25400		P27-6	
16		帯電スライド部材	1	250K	56AA25380		P27-5	
17		帯電清掃ブロック /Up	1	250K	56AAR70700		P27-9	
18		Cクリップ	1	250K	45AA20400		P27-3	
19		帯電清掃ブロック /Lw	1	250K	56AAR70800		P27-10	
20	帯電極ユニット	1	2500K	57AAR71400		P27-25		
21	現像部	現像ユニット	1	2500K	57AAR71600		P28-23	
22	給紙部	給紙ゴム	1	125K	25SA40960		P48-26	
22		給紙ゴム	1	125K	25SA40960		P51-26	
22		給紙ゴム	1	125K	25SA40960		P54-26	
22		給紙ゴム	1	125K	25SA40960		P57-26	
23		分離ゴム	1	125K	25SA40960		P49-15	
23		分離ゴム	1	125K	25SA40960		P52-15	
23		分離ゴム	1	125K	25SA40960		P55-15	
23		分離ゴム	1	125K	25SA40960		P58-15	
24		ピックアップローラー	1	800K	56AAR72100		P49-3	
24		ピックアップローラー	1	800K	56AAR72100		P52-3	
24		ピックアップローラー	1	800K	56AAR72100		P55-3	
24		ピックアップローラー	1	800K	56AAR72100		P58-3	
25		給紙規制ブロック	1	5000K	56AA40380		P50-8	
25		給紙規制ブロック	1	5000K	56AA40380		P53-8	
25		給紙規制ブロック	1	5000K	56AA40380		P56-8	
25		給紙規制ブロック	1	5000K	56AA40380		P59-8	
26	給紙ローラー	1	5000K	25AA40100		P49-16		
26	給紙ローラー	1	5000K	25AA40100		P52-16		
26	給紙ローラー	1	5000K	25AA40100		P55-16		
26	給紙ローラー	1	5000K	25AA40100		P58-16		
27	手差しトレイ部	ループロローラー	1	5000K	56AA42510		P63-33	
28		ギア /A	1	5000K	56AA77160		P63-30	
29		ギア /B	1	5000K	56AA77170		P63-21	
30		ギア /C	1	5000K	56AA77120		P19-17	
31		給紙ゴム	1	70K	540040562		P63-5	
32		分離ゴム	1	70K	540040562		P64-2	
33		ピックアップローラー	1	140K	55FA42330		P63-10	

No.	区分	PM 部品名称	サイクル (K=1,000)		部品番号	仕向地	頁/キー	備考
			員数	交換				
34	転写/分離極部	転写/分離ワイヤー	3	500K	56AA26090		P26-9	
35		転写清掃部組	1	500K	56AAR71000		P26-22	
36		分離清掃部組	1	500K	56AAR71100		P26-24	
37		Cクリップ	2	500K	45AA20400		P26-28	
38		転写押さえゴム	3	500K	56AA17830		P26-18	
39		転写/分離極ユニット	1	2000K	57AAR71500		P26-29	
40	レジスト部	レジストクラッチ	1	2000K	56AA82012		P50-24	
41		レジスト軸受/Rr	1	2500K	A03U812800		P32-8	
42		レジストローラー	1	2500K	56QA46030		P32-10	
43	ADU部	レジスト軸受/2	2	2500K	55GA75520		P80-23	
44		レジスト軸受/1	2	2500K	55GA75510		P80-22	
45		ADU レジストローラー /Up	1	2500K	56AA51110		P80-28	
46		ADU レジストローラー /Lw	1	2500K	56QA51120		P80-29	
47		転写露光ランプユニット	1	2500K	56AAR71400		P86-8	
48	定着部	クリーニングウェブ	1	250K	57AAR72300	A	P37-12	
49		定着爪 /Up	6	250K	56AA54270	A	P40-23	
50		定着ローラー /Up セット * 1	1	500K	57AA-K010	A	P36-7	
51		断熱スリーブ	2	500K	57AA53320	A	P36-5	
52		軸受	2	500K	57AA75030	A	P36-6	
53		定着ローラー /Lw	1	500K	57AAR73200	A	P34-22	
54		定着爪 /Lw	3	500K	56QA53200	A	P38-5	
55		デカーラーローラー	1	500K	57AA53710	A	P35-24	
56		デカーラー軸受	4	1000K	07AA75090	A	P35-15	
57		定着ギア	1	1000K	57AA77060	A	P36-8	
58		サーミスター /2	1	2500K	57AA88040	A	P38-9	
59		定着排紙ギア /1	1	5000K	56AA77220	A	P35-13	
60		定着排紙ギア /2	1	5000K	56AA77231	A	P35-9	
61		定着入力ギア	1	1000K	57AA77030	A	P20-6	
62	排紙部	排紙ギア /1	1	5000K	56AA77190		P89-5	
63		排紙ギア /2	1	5000K	56AA77980		P89-2	

## DESTINATION

Destination No.		Destinations		V	Hz	Model No.
A	A1	JAPAN		100	50	A0PN001
	A2	JAPAN		100	60	A0PN001
B		USA, CANADA		120	60	A0PN011/ A0PN012
C		EUROPEAN TYPE		220-240	50/60	A0PN021
D	D1	S.E ASIA TYPE	THAILAND, SRI LANKA, SINGAPORE, MALAYSIA, HONG KONG, PAKISTAN, INDIA, BANGLADESH, INDONESIA	220-240	50/60	A0PN041
	D3	OCEANIA TYPE	AUSTRALIA, NEW ZEALAND	220-240	50/60	A0PN041
E		PHILIPPINES		220-240	50/60	A0PN041
F	F1	SAUDI ARABIA		127	60	A0PN0M1
	F2	SAUDI ARABIA		220-240	50/60	A0PN041
G	G1	C.S AMERICA		220-240	50/60	A0PN041
	G2	C.S AMERICA		120	60	A0PN011
H		TAIWAN		110	60	A0PN071
I		JORDAN, LEBANON, SYRIA, SOUTH AFRICA, IRAQ, IRAN, N.YEMEN, CAMEROON, UAE, BAHRAIN, OMAN, QATAR, KUWAIT, KENYA, TUNISIA, IVORY COAST, MOROCCO		220-240	50/60	A0PN041
J		CHINA		220-240	50/60	A0PN081
K		KOREA		220-240	50/60	A0PN041

bizhub 751