

KONICA MINOLTA

# *PARTS GUIDE MANUAL*

---

OCTOBER 2022

*bizhub C227i*  
*ACM2*

## INFORMATION FOR PARTS GUIDE MANUAL

To find correct Parts No., refer to the "HOW TO MAKE THE BEST USE OF THIS MANUAL" in the following page.

### HOW TO MAKE THE BEST USE OF THIS MANUAL

- 1 When you order, please check the proper figures beforehand that are on Our Parts Guide Manual, and order with the appropriate figures.
- 2 For screws, Nuts, Washers, retaining rings and Pins which are used in this model, one letter is shown on the Standard parts column of Parts list and exploded diagrams.
- 3 In order to maintain safety of the product, some specific parts composed of this product are set up as "essential safety parts".
- 4 The assigned parts number for the "essential safety parts" is indicated as "SP00-\*\*\*\*".  
When replacing these parts, follow precautions for disassembling and installing which are listed in the Service Manual.  
Do not use any parts that are not set up as
- 5 ♣ means that there are exclusive parts for each destination.  
Please check the appropriate destination when you order.
- 6 Revision Mark  
Marked as ▲ on the illustration shows that the revision has been made.
- 7 All rights reserved. (any reprints or quotations are prohibited.)  
Use of this parts guide manual should be strictly supervised to avoid disclosure of confidential information.

## パーツガイドマニュアルのご案内

サービス部品をご発注の際には、下記に示す“パーツガイドマニュアルの活用にあたって”をご参照の上、正しい部品番号にてお願い致します。

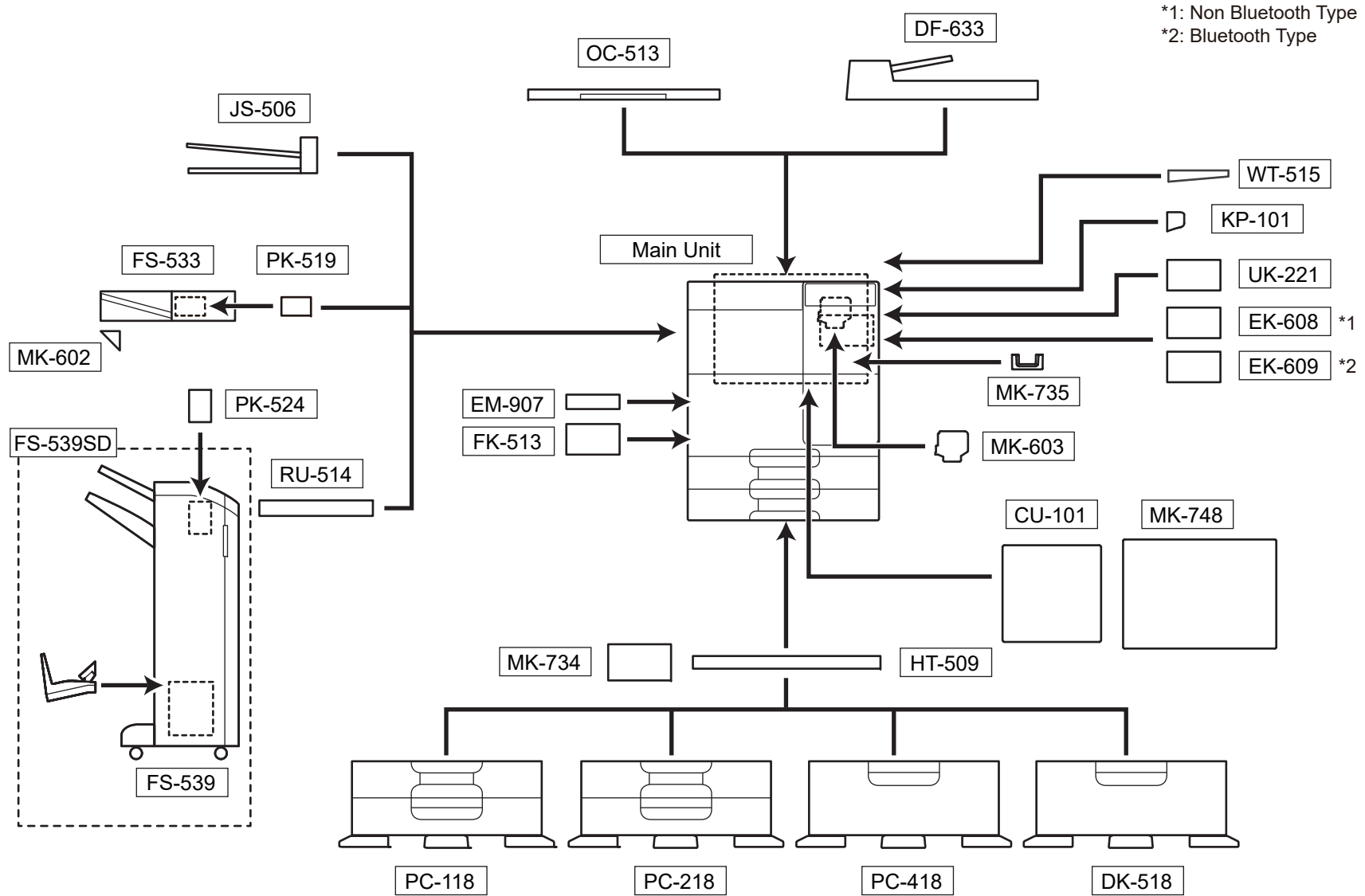
### パーツガイドマニュアルの活用にあたって

- 1 部品発注の際には、掲載されている部品番号の桁数を確認し、掲載されている桁数で発注願います。
- 2 この製品に使用されているネジ、ナット、ワッシャー、止め輪、ピンなどは、リストの右側の Standard parts 欄に a,b,c,……で表示し、イラストにも a,b,c,……表示してあります。
- 3 製品の安全性を維持する為に、製品に使用される特定の部品を「重要保安部品」として設定しています。
- 4 重要保安部品の部品番号は、“SP00-\*\*\*\*”と記載されていますので、部品交換時は、サービスマニュアル記載の分解・組み立ての注意事項に従って作業をして下さい。  
また、指定以外の部品は一切使用しないで下さい。
- 5 本文に ♣ が表示されている部品は、仕向け地毎に専用部品がある事を意味しています。  
オーダーされる時は、仕向け地を確認して下さい。
- 6 改訂記号について  
イラスト上に▲印が表示されている部分は、改訂された事を表します。
- 7 著作権所有（無断転載及び無断引用の禁止）  
本パーツガイドマニュアルについては、機密保持等その扱いには十分注意して下さい。万一取り扱いを誤った場合には、法律で処罰されることがあります。

08/31/2020



# System Configuration



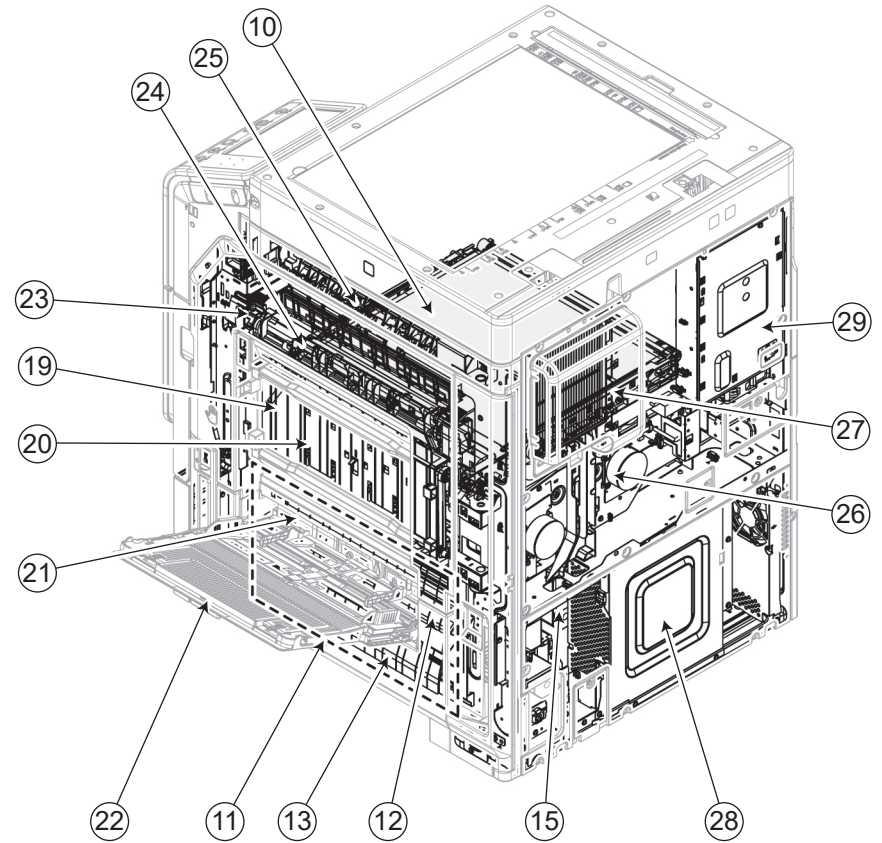
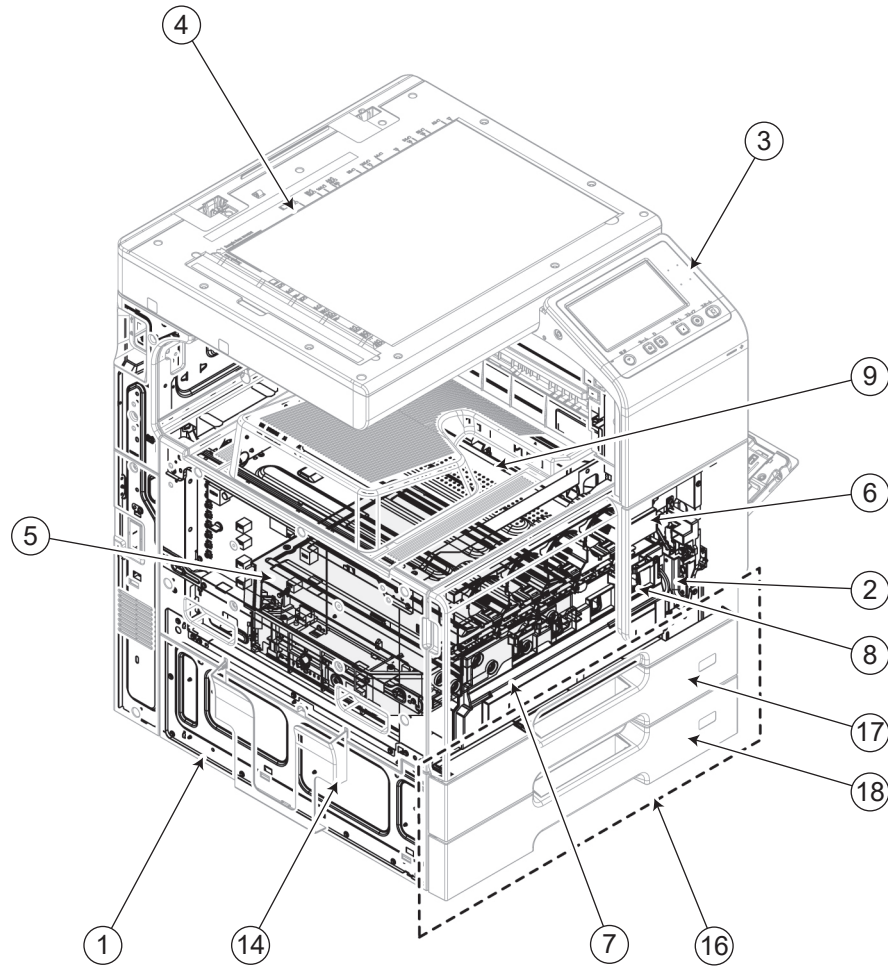
# GENERAL CONTENTS

No.	Description	Model
1	Digital MFP Color	bizhub C227i
2	Finisher/Sorter	FS-533
3	Job Separator	JS-506
4	Punch Unit	PK-519
5	Heater	HT-509
6	Mount Kit	MK-734
7	Mount Kit	MK-735
8	Other Option	KP-101
9	Original Cover	OC-513
10	Mount Kit	MK-602
11	Relay Unit	RU-514
12	Fax Kit	FK-513
13	Local IF Kit	EK-609
14	Other Option	CU-101
15	Local IF Kit	EK-608
16	Mount Kit	MK-603
17	Mount Kit	MK-748
18	Working Table	WT-515
19	Document Feeder	DF-633
20	Finisher/Sorter	FS-539
21	Finisher/Sorter	FS-539 SD
22	Punch Unit	PK-524

bizhub C227i

No.	Description	Model
23	Other Option	UK-221
24	Memory Kit	EM-907
25	Paper Feeder	PC-118
26	Paper Feeder	PC-218
27	Paper Feeder	PC-418
28	Desk	DK-518

# Section Configuration



# CONTENTS

No.	DESCRIPTION	名称	PAGE No.
1	External Parts	外装部	P1 P2
2	Inner Cover Section	2次カバー部	P3
3	Operation Panel Section	オペレーションパネル部	P4
4	Scanner Section	スキャナー部	P5 P6 P7
5	Ph Unit/High Voltage Section	PH / 高圧電源部	P8
6	Toner Supply Section	トナー補給部	P9 P10 P11 P12
7	Waste Toner Box Section	廃トナーボックス部	P13
8	Dv Lock Lever Section	DV ロックレバー部	P14
9	Erase Lamp Section	イレーサーランプ部	P15
10	Transfer Section	転写部	P16
11	Paper Feed Section	給紙部	P17
12	Paper Feed Section (Tray1)	給紙部 (トレイ1)	P18 P19
13	Paper Feed Section (Tray2)	給紙部 (トレイ2)	P20 P21
14	Cassette Rail Section	カセットレール部	P22
15	Paper Size Detection Section	カセット サイズ検出部	P23
16	Cassette Section	カセット部	P24
17	Cassette Section (Tray1)	カセット部 (トレイ1)	P25 P26
18	Cassette Section (Tray2)	カセット部 (トレイ2)	P27 P28
19	Vertical Conveyance Section	縦搬送部	P29 P30 P31
20	Conveyance Section	搬送部	P32 P33
21	Vertical Conveyance Door Section	縦搬送扉部	P34
22	Manual Bypass Tray Section	手差しトレイ部	P35 P36 P37
23	Reversal Section	反転部	P38 P39
24	Fusing Section	定着部	P40
25	Paper Exit Section	排紙部	P41 P42
26	Drive Section	駆動部	P43 P44 P45
27	Ozone Duct Section	オゾン排気部	P46
28	Main Power Supply Section	低圧電源部	P47
29	Electrical Components	電装部	P48 P49
30	Wiring	束線	P50
31	Wiring Accessories And Jigs	配線部品・治具	P51
32	Accessory Parts	同梱部品	P52

# INDEX

Parts No.	Page No.
07BA12352	4-1
07BA12352	9-1
0978381113	37-1
0996305501	22-1
1134304301	36-1
1154467001	48-1
1164202801	41-1
1164420204	30-1
4004590301	42-1
4011585202	30-2
4030320601	26-1
4030320601	28-1
4030340301	37-2
4030347501	37-3
4030581101	39-1
4036534801	12-1
4038101401	1-1
4038258001	45-1
4038353701	33-1
4038541202	44-1
4109553001	18-1
4109553001	20-1
4136N30000	52-10
4163510201	11-1
4163529301	8-1
4163529301	16-1
4163529301	26-2
4163529301	28-2
4163529301	31-1
4333501201	11-2
4576536301	11-3
4658015106	37-4
56AA40490	19-1
56AA40490	21-1
56AA40490	42-2
9J06M10300	23-1
9J06M60100	3-1
A00F623201	36-2
A00J106202	1-2
A00J945500	1-3

Parts No.	Page No.
A02E117300	46-1
A02E561100	18-2
A02E561100	20-2
A02E596300	33-2
A02E596300	36-3
A02E597600	37-5
A02E712902	33-3
A02E813100	31-2
A02E815200	19-2
A02E815200	21-2
A02E815200	31-3
A02E815200	36-4
A02E815200	38-1
A02EN12513	49-7
A034M20100	36-5
A0ED110900	16-2
A0ED111000	16-3
A0ED111500	16-4
A0ED112000	16-5
A0ED135700	49-10
A0ED245000	13-1
A0ED257500	45-2
A0ED259700	45-3
A0ED401000	12-2
A0ED551000	30-3
A0ED551100	30-4
A0ED563900	19-3
A0ED563900	21-3
A0ED700300	33-4
A0ED700600	33-5
A0ED703800	30-5
A0ED712100	34-1
A0ED811900	31-4
A0ED891100	42-3
A0ED897700	42-4
A0ED940600	10-1
A0ED940700	1-4
A0EDM60001	14-1
A0P0M73100	3-2
A0VDM50200	3-3

Parts No.	Page No.
A161105400	8-2
A161110300	16-6
A161110500	16-7
A161112200	40-1
A161112500	16-8
A161112600	40-2
A161116202	14-2
A161119500	14-3
A161137100	3-4
A161137600	48-2
A161138500	15-1
A161151200	3-5
A161151300	3-6
A161163900	2-1
A161165300	3-7
A161165700	13-2
A161210200	33-6
A161232501	45-4
A161240701	44-2
A161245100	13-3
A161245400	13-4
A161258800	45-5
A161259400	45-6
A161362000	52-6
A161400100	11-4
A161400401	12-3
A161400601	12-4
A161400800	12-5
A161402502	10-2
A161403000	11-5
A161403101	11-6
A161403901	10-3
A161404001	10-4
A161404200	12-6
A161404300	12-7
A161550700	30-6
A161551500	30-7
A161591000	37-6
A161591100	37-7
A161591600	37-8

Parts No.	Page No.
A161592200	37-9
A161592600	37-10
A161593300	36-6
A161593800	37-11
A161594201	37-12
A161594300	37-13
A161594400	36-7
A161594700	36-8
A161595100	37-14
A161595300	37-15
A161595600	37-16
A161620701	26-3
A161620701	28-3
A161623400	25-1
A161623400	27-1
A161624100	26-4
A161624100	28-4
A161626602	25-2
A161626602	27-2
A161626800	25-3
A161626800	27-3
A161701100	33-7
A161701301	33-8
A161702101	20-3
A161702101	33-9
A161702200	33-10
A161702200	45-7
A161712401	30-8
A161712700	30-9
A161713100	31-5
A161714600	31-6
A161813801	38-2
A161815300	34-2
A161819200	39-2
A161825700	18-3
A161825700	31-7
A161825700	39-3
A161943000	3-8
A161943000	26-5
A161943000	28-5

Parts No.	Page No.
A161943000	37-17
A161M10300	44-3
A161M50300	32-1
A161M50400	37-18
A161R71433	29-3
A1UDN30200	52-10
A2UPN30100	52-10
A2UPN30300	52-10
A2UPN31200	52-10
A2X0901100	42-5
A3EWM90300	4-2
A55D941100	5-1
A5C1112800	16-9
A5C1404600	12-8
A5C1701400	33-11
A5C1711000	30-10
A5C1891100	42-6
A5C1F42000	12-9
A5C1M50100	3-9
A5C1M50100	6-1
A5C1M50100	11-7
A5C1M50100	18-4
A5C1M50100	19-4
A5C1M50100	20-4
A5C1M50100	21-4
A5C1M50100	30-11
A5C1M50100	31-8
A5C1M50100	33-12
A5C1M50100	37-19
A5C1M50100	42-7
A5C1M50100	48-3
A5C1N30000	52-10
A5C1R71600	1-5
A64J564101	18-5
A64J564101	20-5
A64J564201	18-6
A64J564201	20-6
A64J815500	34-3
A64J891200	42-8
A6U9PP1Q00	7-1

Parts No.	Page No.	Parts No.	Page No.	Parts No.	Page No.	Parts No.	Page No.	Parts No.	Page No.
A6U9PP1R01	7-2	A797108100	34-4	A797151102	8-5	A797241002	44-7	A797560701	19-5
A6U9PP1S00	6-2	A797108200	34-5	A797151201	8-6	A797241100	44-8	A797560701	21-5
A6U9PP1T00	6-3	A797108300	29-1	A797151400	8-7	A797245300	13-5	A797563700	20-8
A6U9PP1Y00	7-3	A797110101	16-11	A797151500	8-8	A797245500	13-6	A797563900	19-6
A6U9PP2100	6-4	A797110200	16-12	A797152000	52-1	A797253100	43-5	A797563900	21-6
A6U9PP2300	7-4	A797110400	40-3	A797160500	2-3	A797253200	43-6	A797565211	18-10
A6U9PP2700	7-5	A797110500	45-8	A797160600	1-6	A797253500	43-7	A797565300	20-9
A6U9PP2900	6-5	A797111700	16-13	A797160701	1-7	A797253600	43-8	A797566012	18-11
A6U9PP6400	7-6	A797112100	16-14	A797161300	2-4	A797254000	43-9	A797568300	17-1
A795565500	26-6	A797112300	16-15	A797161600	4-4	A797255600	45-19	A797568400	17-2
A795565500	28-6	A797112900	16-16	A797161801	1-8	A797255700	45-20	A797568500	17-3
A795565700	26-7	A797115400	14-4	A797162000	1-9	A797258601	13-7	A797568800	17-4
A795565700	28-7	A797132100	49-8	A797162500	1-10	A797258700	45-21	A797568900	17-5
A795565800	26-8	A797132200	49-1	A797163000	2-5	A797259100	45-22	A797569100	21-7
A795565800	28-8	A797132302	3-10	A797163301	2-6	A797259800	43-10	A797578100	20-10
A795565900	26-9	A797132400	49-2	A797163400	52-2	A797400001	11-8	A797578200	20-11
A795565900	28-9	A797132500	49-3	A797164200	1-11	A797400700	11-9	A797578401	17-6
A795566000	26-10	A797132600	49-4	A797164700	2-7	A797400900	11-10	A797578600	20-12
A795566000	28-10	A797132701	49-5	A797165113	3-14	A797401000	11-11	A797578800	20-13
A795620800	26-11	A797132900	49-6	A797166104	2-8	A797401100	11-12	A797579000	17-7
A795620800	28-11	A797134000	8-3	A797166201	2-9	A797401200	11-13	A797579100	20-14
A795621301	26-12	A797134501	4-3	A797166300	47-1	A797401300	11-14	A797579300	20-15
A795621301	28-12	A797134600	3-11	A797166400	2-10	A797401400	11-15	A797579600	18-12
A795622500	26-13	A797134701	15-4	A797220100	43-1	A797401500	11-16	A797579600	20-16
A795622500	28-13	A797134800	3-12	A797220700	43-2	A797401600	11-17	A797600202	37-20
A795622600	26-14	A797135001	48-5	A797221000	43-3	A797401700	11-18	A797600500	36-9
A795622600	28-14	A797135200	48-6	A797221100	43-4	A797401800	11-19	A797600600	37-21
A795622700	26-15	A797137400	48-7	A797228000	45-9	A797402000	11-20	A797600700	34-6
A795622700	28-15	A797137500	48-8	A797228100	45-10	A797402100	11-21	A797600800	36-10
A797101600	22-2	A797137800	48-9	A797228300	45-11	A797402200	11-22	A797601200	37-22
A797101700	22-3	A797137900	48-10	A797228700	45-12	A797402300	11-23	A797601300	37-23
A797101800	22-4	A797138100	8-4	A797230500	45-13	A797402503	10-5	A797603000	36-11
A797101900	22-5	A797138500	2-2	A797230600	45-14	A797402700	10-6	A797603200	37-24
A797102400	32-2	A797138700	48-28	A797230700	45-15	A797402800	10-7	A797603301	37-25
A797102600	48-4	A797150100	46-2	A797230800	45-16	A797403300	10-8	A797603401	37-26
A797102701	16-10	A797150300	46-3	A797231800	45-17	A797404000	10-9	A797603701	37-27
A797102901	22-6	A797150400	46-4	A797232300	45-18	A797560101	18-7	A797604100	36-12
A797103001	22-7	A797150500	46-5	A797240101	44-4	A797560201	18-8	A797604200	37-28
A797105600	15-2	A797150600	46-6	A797240300	44-5	A797560500	18-9	A797605101	36-13
A797105700	15-3	A797151000	3-13	A797240500	44-6	A797560600	20-7	A797606200	37-29

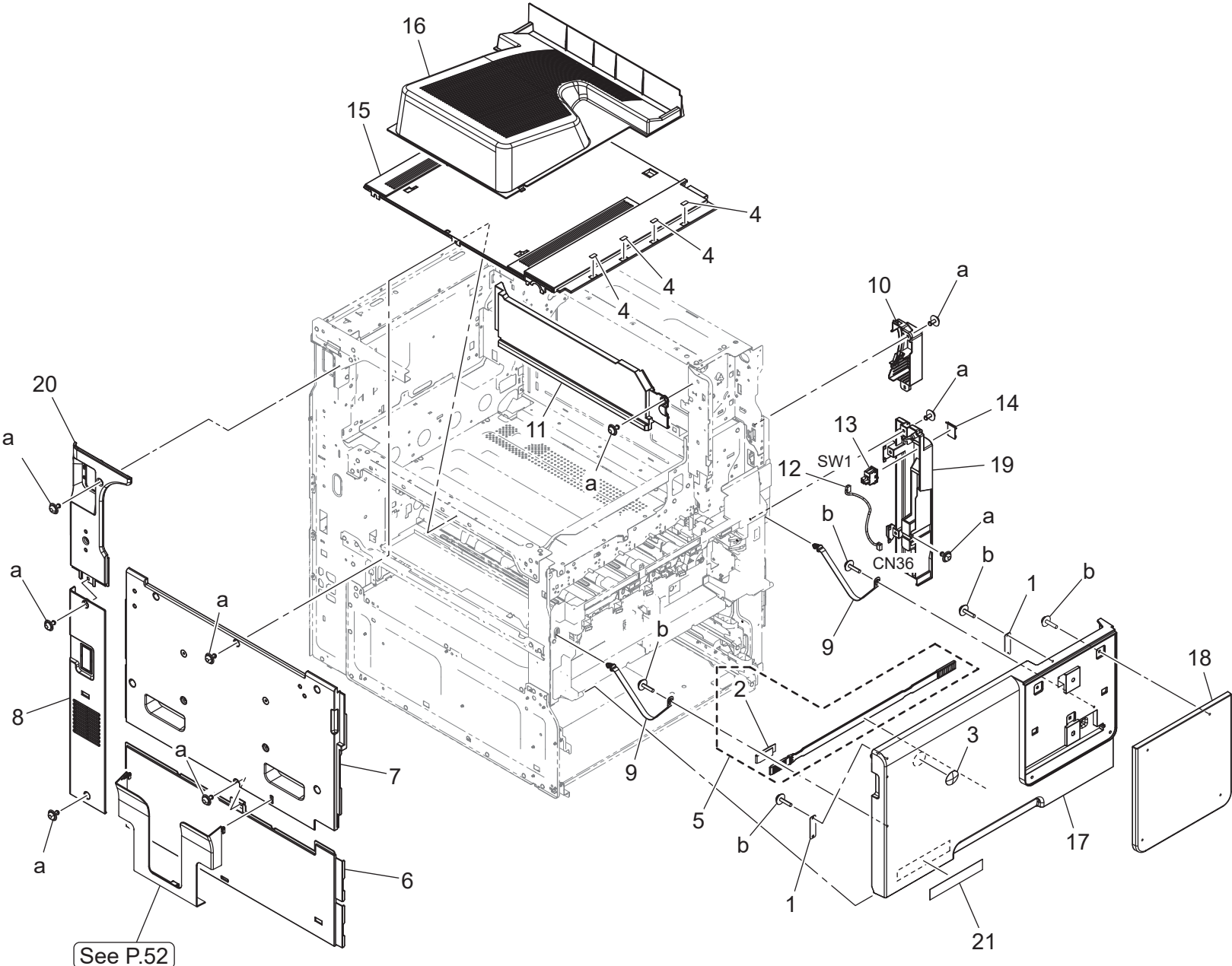
Parts No.	Page No.	Parts No.	Page No.	Parts No.	Page No.	Parts No.	Page No.	Parts No.	Page No.
A797700200	33-13	A797810300	38-8	A797890300	42-12	A797N10K00	31-25	A7AH562900	20-24
A797700502	33-14	A797810401	34-7	A797890500	42-13	A797N10M01	38-21	A7AH563101	19-9
A797700601	33-15	A797811000	34-8	A797890600	42-14	A797N10P01	18-13	A7AH563101	21-10
A797700700	33-16	A797811100	34-9	A797891000	42-15	A797N10Q02	20-17	A7AH563400	18-21
A797700801	33-17	A797811300	34-10	A797891101	42-16	A797N10R01	37-30	A7AH563400	20-25
A797701000	33-18	A797811400	34-11	A797891200	42-17	A797N10S00	37-31	A7AH564112	19-10
A797701200	32-3	A797811500	34-12	A797891300	42-18	A797N10V00	16-17	A7AH564112	21-11
A797701500	33-19	A797811600	34-13	A797891400	42-19	A797N10W00	16-18	A7AH564401	19-11
A797701601	33-20	A797811700	38-9	A797891500	41-2	A797N10Y00	11-25	A7AH564401	21-12
A797701700	33-21	A797811801	38-10	A797891800	42-20	A797N11100	42-35	A7AH565000	19-12
A797702000	33-22	A797811901	38-11	A797891900	42-21	A797N11300	48-13	A7AH565000	21-13
A797702500	33-23	A797812102	39-4	A797892000	42-22	A797N11500	15-5	A7AH565702	18-22
A797702600	33-24	A797812202	39-5	A797892100	42-23	A797N11600	14-6	A7AH565702	20-26
A797702701	33-25	A797812300	39-6	A797892200	41-3	A797N12001	8-10	A7AH568900	17-8
A797703001	33-26	A797812402	39-7	A797892300	42-24	A797N12100	8-11	A7AH569400	17-9
A797709100	31-9	A797812500	39-8	A797892400	42-25	A797N15611	4-5	A7AH600300	36-14
A797710100	30-12	A797812600	39-9	A797892500	42-26	A797R70411	15-6	A7AH601100	36-15
A797710201	31-10	A797812700	39-10	A797892601	42-27	A797R70511	15-7	A7AH601400	37-32
A797710300	31-11	A797812800	39-11	A797892700	42-28	A797R71011	3-16	A7AH602200	36-16
A797710500	31-12	A797813000	39-12	A797892900	42-29	A797R74000	35-2	A7AH602701	36-17
A797710900	30-13	A797813101	38-12	A797893000	42-30	A7AH120102	22-8	A7AH603000	36-18
A797711100	30-14	A797813901	38-13	A797893100	42-31	A7AH121301	22-9	A7AH603100	36-19
A797711200	31-13	A797814001	45-23	A797893200	42-32	A7AH131301	48-14	A7AH603200	36-20
A797712000	31-14	A797814201	38-14	A797893300	42-33	A7AH134600	4-6	A7AH603300	37-33
A797712500	30-15	A797814400	38-15	A797893400	42-34	A7AH166700	52-3	A7AH603400	37-34
A797712900	31-15	A797814600	39-13	A797942500	3-15	A7AH560800	19-7	A7AH604300	36-21
A797715300	31-16	A797815100	38-16	A797944101	35-1	A7AH560800	21-8	A7AH604401	37-35
A797715400	31-17	A797815300	38-17	A797946501	39-18	A7AH561601	18-14	A7AH604501	37-36
A797715700	31-18	A797815400	34-14	A797F22007	45-24	A7AH561601	20-18	A7AH604700	36-22
A797715800	31-19	A797815500	39-14	A797F24001	13-9	A7AH562100	18-15	A7AH604900	36-23
A797716000	31-20	A797815600	39-15	A797F25000	43-11	A7AH562100	20-19	A7AH606100	37-37
A797716100	31-21	A797815700	39-16	A797F36500	13-8	A7AH562300	18-16	A7AH606400	37-38
A797716200	31-22	A797815800	39-17	A797F71003	29-2	A7AH562300	20-20	A7AH606600	37-39
A797716300	31-23	A797815901	34-15	A797F83005	39-19	A7AH562400	18-17	A7AH606700	37-40
A797717100	38-3	A797816000	38-18	A797M10300	41-4	A7AH562400	20-21	A7AH620200	25-5
A797717200	38-4	A797816100	38-19	A797M40601	8-9	A7AH562600	18-18	A7AH620400	26-16
A797717300	38-5	A797816200	38-20	A797M60100	23-2	A7AH562600	20-22	A7AH620400	28-16
A797719000	31-24	A797890001	42-9	A797N10400	40-4	A7AH562801	18-19	A7AH620500	26-17
A797810102	38-6	A797890100	42-10	A797N10E00	11-24	A7AH562801	20-23	A7AH620500	28-17
A797810200	38-7	A797890201	42-11	A797N10F00	14-5	A7AH562900	18-20	A7AH620913	26-18



Parts No.	Page No.	Parts No.	Page No.	Parts No.	Page No.	Parts No.	Page No.	Parts No.	Page No.
A7AH620913	28-18	A7AH629901	27-9	A7PU407100	11-27	AAJ0134800	48-22	ACM1PP2500	25-14
A7AH621000	26-19	A7AH630200	27-10	A7PU593500	37-42	AAJ0942600	52-8	ACM1PP2500	27-13
A7AH621000	28-19	A7AH635000	26-34	A7PU663200	18-24	AAJRM71000	48-26	ACM1PP2600	25-15
A7AH621200	26-20	A7AH635000	28-34	A7PU663200	20-29	ACM1102200	8-15	ACM1PP2600	27-14
A7AH621200	28-20	A7AH635100	26-35	A7PU701100	32-5	ACM1105300	8-16	ACM1PP2700	27-15
A7AH621401	26-21	A7AH635100	28-35	A7PU701200	32-6	ACM1160100	1-15	ACM1PP3000	25-4
A7AH621401	28-21	A7AH635200	26-36	A7PUF60001	37-44	ACM1161000	1-16	ACM1PP3000	27-4
A7AH621801	26-22	A7AH635200	28-36	A7PUM10000	45-27	ACM1240900	44-9	ACM1PP3200	3-18
A7AH621801	28-22	A7AH635300	26-37	A7PUM10100	43-12	ACM1405100	9-2	ACM1PP3500	3-20
A7AH622100	26-23	A7AH635300	28-37	A7PUM10400	38-23	ACM1405300	9-2	ACM1PP4000	5-2
A7AH622100	28-23	A7AH635400	26-38	A7PUM10700	11-28	ACM1944500	37-43	ACM1PP4100	5-3
A7AH622201	26-24	A7AH635400	28-38	A8JEN30200	52-10	ACM1H02001	48-11	ACM1PP4200	48-17
A7AH622201	28-24	A7AH941101	25-11	A8JJ0Y1	52-5	ACM1H02M06	48-12	ACM1PP4300	38-24
A7AH622401	26-25	A7AH941201	27-11	A8JJWY1	52-5	ACM1M70100	4-8	ACM1PP4600	49-9
A7AH622401	28-25	A7AH941300	26-39	A8WVR70000	8-12	ACM1M70400	4-8	ACM1PP4700	49-9
A7AH622600	26-26	A7AH941300	28-39	A90G138200	8-13	ACM1PP0100	48-24	ACM1PP4800	23-3
A7AH622600	28-26	A7AH942001	52-7	A90G169900	52-9	ACM1PP0200	48-25	ACM1PP4900	48-20
A7AH622700	26-27	A7AH942101	52-7	A90G403200	12-10	ACM1PP0300	1-17	ACM1PP5000	50-1
A7AH622700	28-27	A7AH943001	38-22	A90G700100	33-28	ACM1PP0400	1-18	ACM1PP5100	41-5
A7AH622901	25-6	A7AH943401	26-40	A90GN15300	4-7	ACM1PP0500	1-19	ACM1PP5400	48-27
A7AH622901	27-5	A7AH943401	28-40	A90GPP0700	7-8	ACM1PP0600	1-20	ACM1PP5500	3-19
A7AH623201	25-7	A7AH943501	26-41	A90GPP3200	33-29	ACM1PP0700	2-12	ACM1PP5600	10-10
A7AH623201	27-6	A7AH943501	28-41	A92T108400	34-16	ACM1PP0800	2-13	ACM1PP5700	43-13
A7AH623400	25-8	A7AH943602	28-42	A92T108500	34-17	ACM1PP0900	2-14	ACM1PP6100	48-23
A7AH623400	27-7	A7AH943701	37-41	A92T176101	3-17	ACM1PP1000	4-9	ACM1PP6200	1-12
A7AH623700	26-28	A7AHM20401	20-27	A93EM10000	8-14	ACM1PP1100	4-10	ACM1PP6300	7-10
A7AH623700	28-28	A7AHM20401	33-27	A93EM10000	47-2	ACM1PP1200	4-11	ACM1PP6301	7-10
A7AH624100	25-9	A7AHM20401	36-24	A93EM10600	46-8	ACM1PP1300	4-12	ACM1PP6400	6-6
A7AH624200	27-8	A7AHM20401	45-25	A93EM60000	1-13	ACM1PP1400	2-15	ACM1PP6500	5-4
A7AH624500	26-29	A7AHM20501	18-23	AA2J135101	48-16	ACM1PP1500	4-13	ACM1PP6600	16-19
A7AH624500	28-29	A7AHM20501	20-28	AA2J160511	1-14	ACM1PP1600	4-14	ACM1PP6800	47-3
A7AH624600	26-30	A7AHM50400	32-4	AA2J560000	19-13	ACM1PP1800	4-15	ACM1PP6800	47-3
A7AH624600	28-30	A7AHM90000	7-7	AA2J560000	21-14	ACM1PP1900	44-10	ACM1PP6900	47-3
A7AH627000	26-31	A7AHN15A00	48-15	AA2J943701	26-42	ACM1PP2000	44-11	ACM1PP7000	43-14
A7AH627000	28-31	A7AHN30000	52-10	AA2J943701	28-43	ACM1PP2100	44-12	ACM1PP7100	43-15
A7AH628200	26-32	A7AHR72711	36-25	AA2J946400	31-26	ACM1PP2200	26-43	ACM1PP7200	7-9
A7AH628200	28-32	A7PU135700	49-10	AA2JH00C00	48-18	ACM1PP2200	28-44	ACM1PP7201	7-9
A7AH629600	26-33	A7PU143300	46-7	AA2JH02T00	48-19	ACM1PP2300	25-12	ACM1PP7400	5-5
A7AH629600	28-33	A7PU254800	45-26	AA7N945700	2-11	ACM1PP2300	27-12	ACM1PP7500	9-3
A7AH629901	25-10	A7PU407001	11-26	AAJ0132000	48-21	ACM1PP2400	25-13	ACM1PP7601	17-10

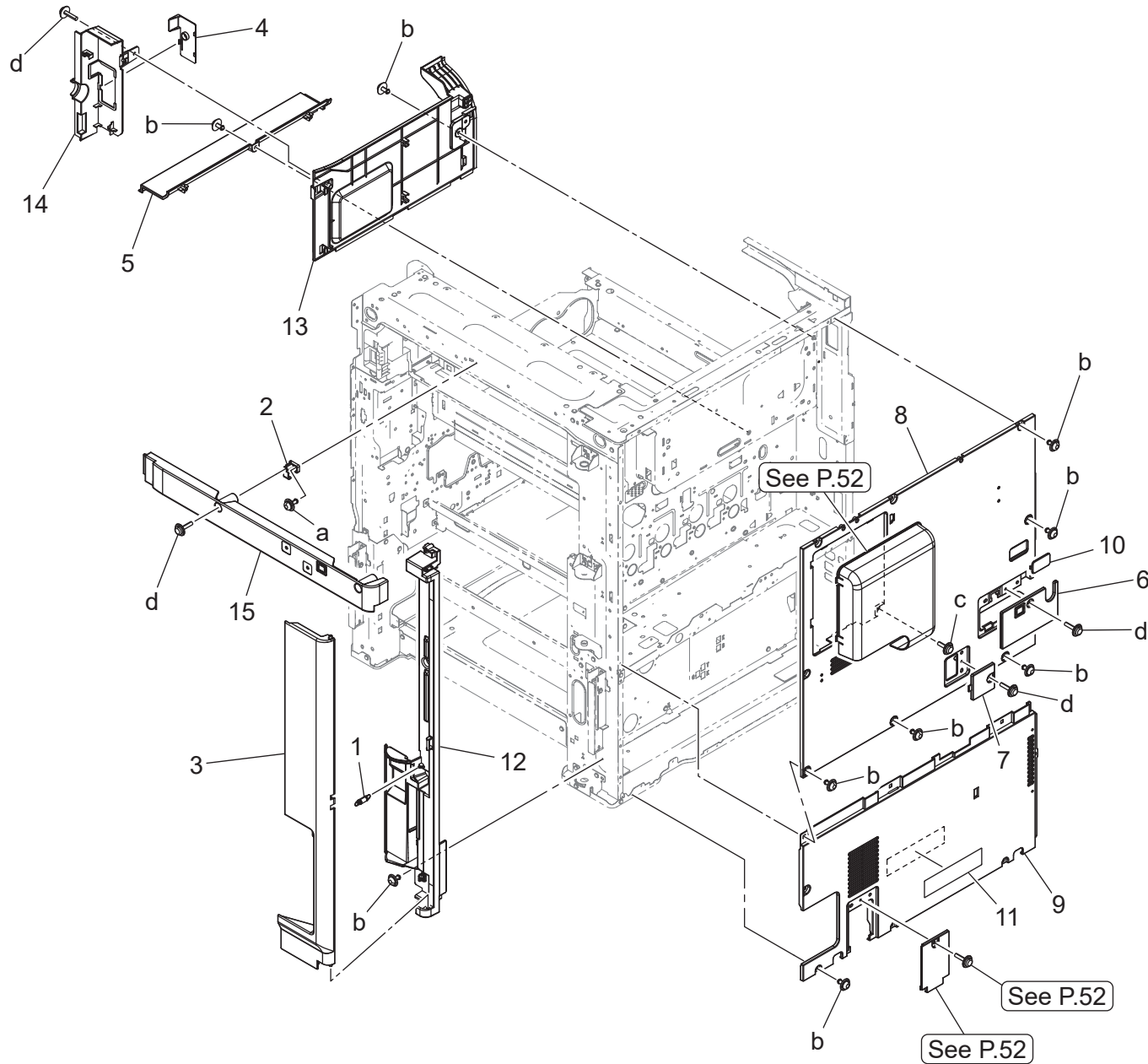
Parts No.	Page No.
ACM1PP7800	24-1
ACM1PP8100	24-2
ACM1PP8400	40-5
ACM1PP8500	40-5
ACM1PP9100	40-5
ACM1PP9900	19-8
ACM1PP9900	21-9
ACM2PP0100	1-21
V153031004	52-4
V500010081	51-1
V500010084	51-2
V500020073	51-10
V500020082	51-3
V500020098	51-4
V500020099	51-5
V500020100	51-6
V570010057	51-7
V570010059	51-8
V570010060	51-9
V651010002	8-17
V800500300	30-16

External Parts



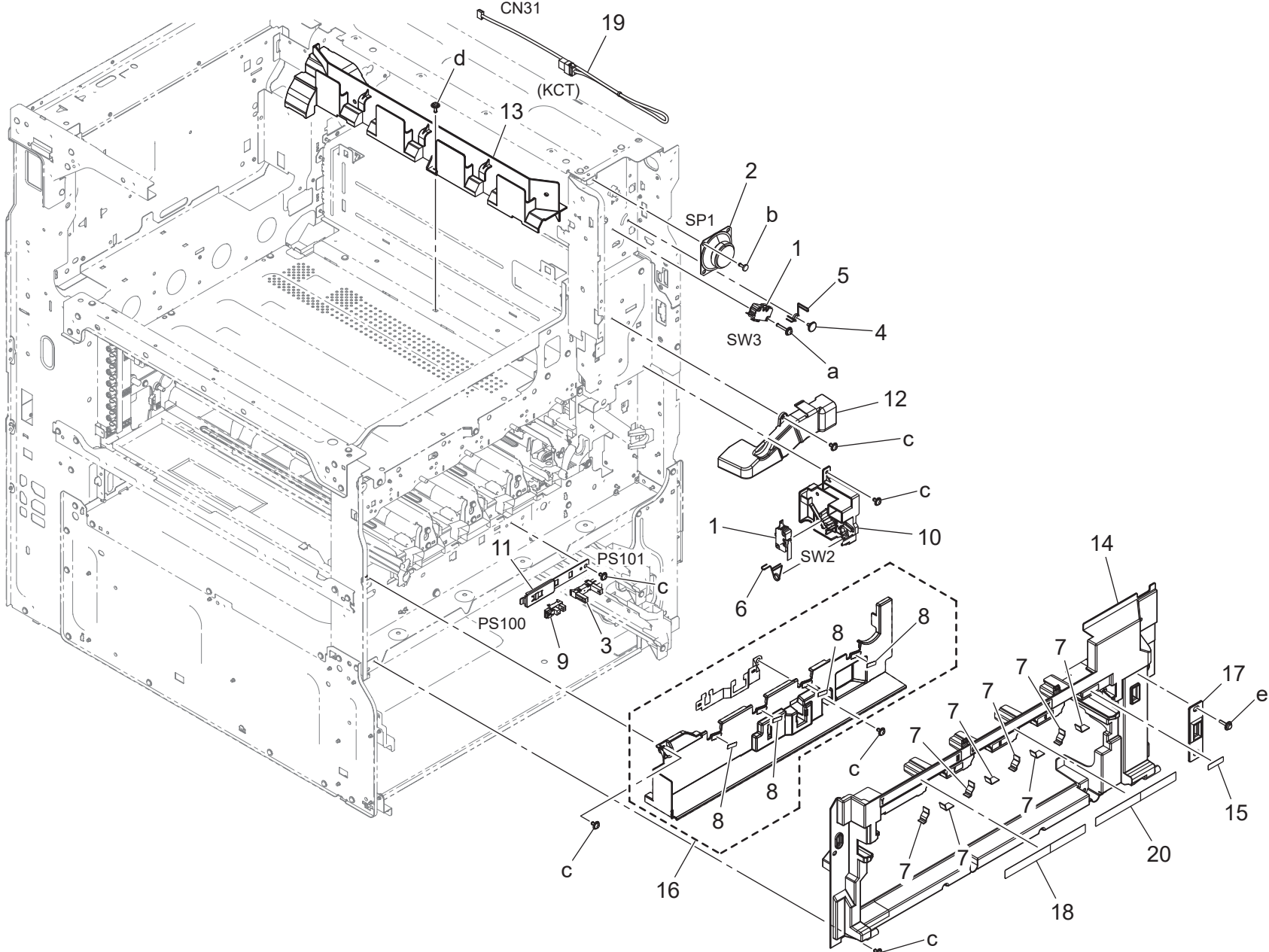
Key	Part No.	Description	Destinations	Class	QTY	Standard parts
1	4038101401	SUCTION PLATE		D	2	a-V127030604 b-V153031004
2	A00J106202	Cleaning Pad		C	1	
3	A00J945500	Logo Mark		C	1	
4	A0ED940700	Label Toner 2		D	4	
5	A5C1R71600	Cleaning Material		C	1	
6	A797160600	Cover /Left		C	1	
7	A797160701	Cover /Left front		C	1	
8	A797161801	Cover /Left rear		C	1	
9	A797162000	Band		D	2	
10	A797162500	Cover		C	1	
11	A797164200	Paper exit Cover		C	1	
12	ACM1PP6200	DC Switch Relay Wiring		D	1	
13	A93EM60000	Rocker switch		C	1	
14	AA2J160511	Cover		D	1	
15	ACM1160100	Cover /Upper		D	1	
16	ACM1161000	Paper exit Tray		D	1	
17	ACM1PP0300	Cover/ Front		D	1	
18	ACM1PP0400	Cover/ Front		D	1	
19	ACM1PP0500	Cover		D	1	
20	ACM1PP0600	Cover		D	1	
21	ACM2PP0100	Label bizhub C227i		D	1	

# External Parts



Key	Part No.	Description	Destinations	Class	QTY	Standard parts
1	A161163900	Pulling Coil spring		C	1	a-V125030803 b-V127030604 c-V153030803 d-V153031004
2	A797138500	Mounting Plate		D	1	
3	A797160500	Cover /Right rear		C	1	
4	A797161300	Cover		C	1	
5	A797163000	Cover		C	1	
6	A797163301	Cover		C	1	
7	A797164700	Cover /Rear		C	1	
8	A797166104	Cover /Rear		C	1	
9	A797166201	Cover /Rear		C	1	
10	A797166400	Cover		C	1	
11	AA7N945700	Label		D	1	
12	ACM1PP0700	Cover		D	1	
13	ACM1PP0800	Cover		D	1	
14	ACM1PP0900	Cover		D	1	
15	ACM1PP1400	Cover		D	1	

Inner Cover Section



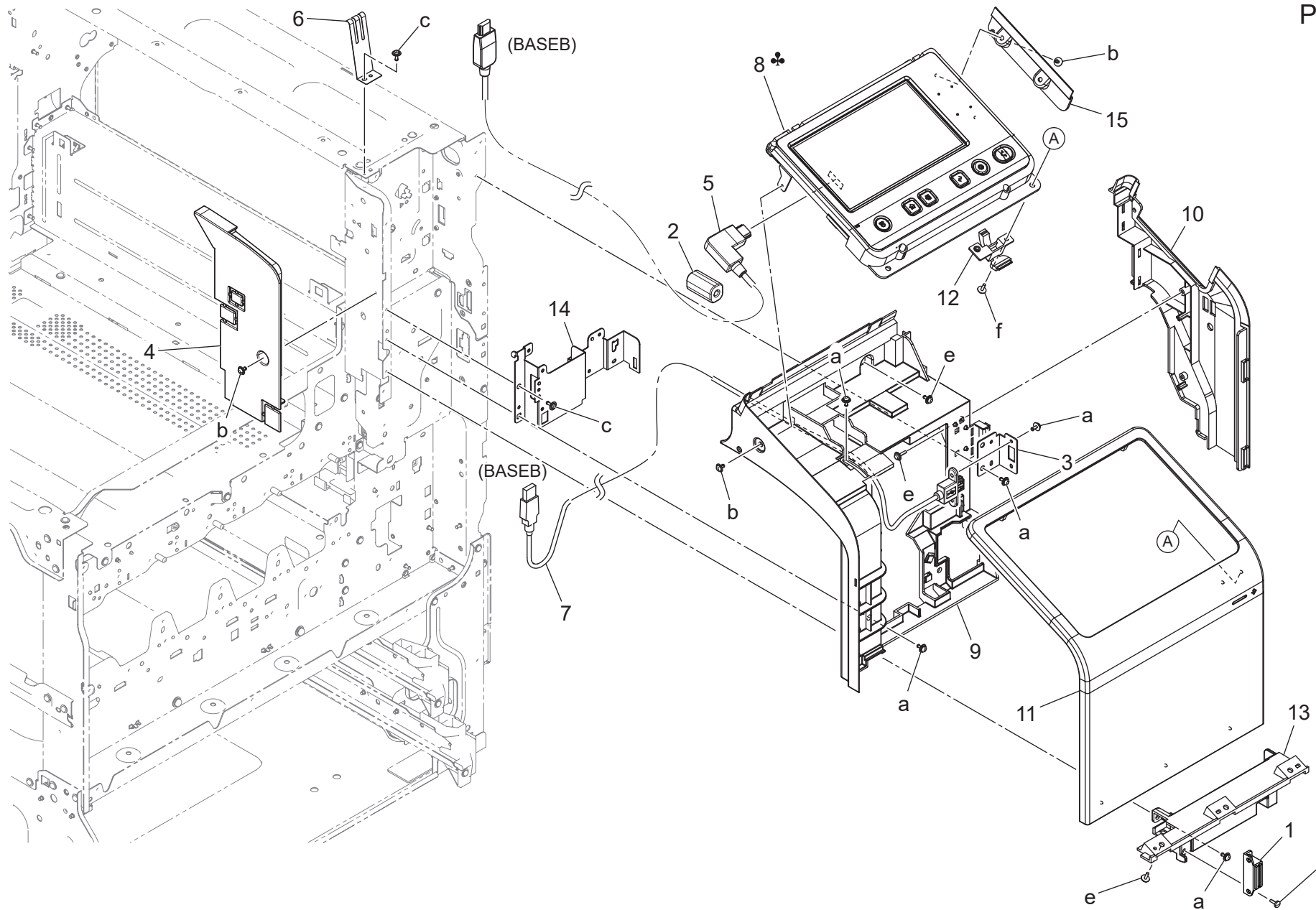
Inner Cover Section

Key	Part No.	Description	Destinations	Class	QTY	Standard parts
1	9J06M60100	Micro Switch		C	2	a-V116031603 b-V126030803 c-V127030604 d-V144030803 e-V153030804
2	A0P0M73100	Speaker		D	1	
3	A0VDM50200	Photointerrupter		I	1	
4	A161137100	Shoulder screw		D	1	
5	A161151200	Torsion Coil spring		D	1	
6	A161151300	Torsion Coil spring		D	1	
7	A161165300	Protection Part		C	8	
8	A161943000	Label		C	4	
9	A5C1M50100	Photointerrupter		B	1	
10	A797132302	Holder		D	1	
11	A797134600	Mounting Plate		D	1	
12	A797134800	Cover		D	1	
13	A797151000	Duct		D	1	
14	A797165113	Cover /Front		C	1	
15	A797942500	Label/ K		D	1	
16	A797R71011	2nd Front Cover/ Lower Assy		C	1	
17	A92T176101	Cover /Front		D	1	
18	ACM1PP3200	Label		D	1	
19	ACM1PP5500	Relay Wiring/ Key Counter		D	1	
20	ACM1PP3500	Label		D	1	





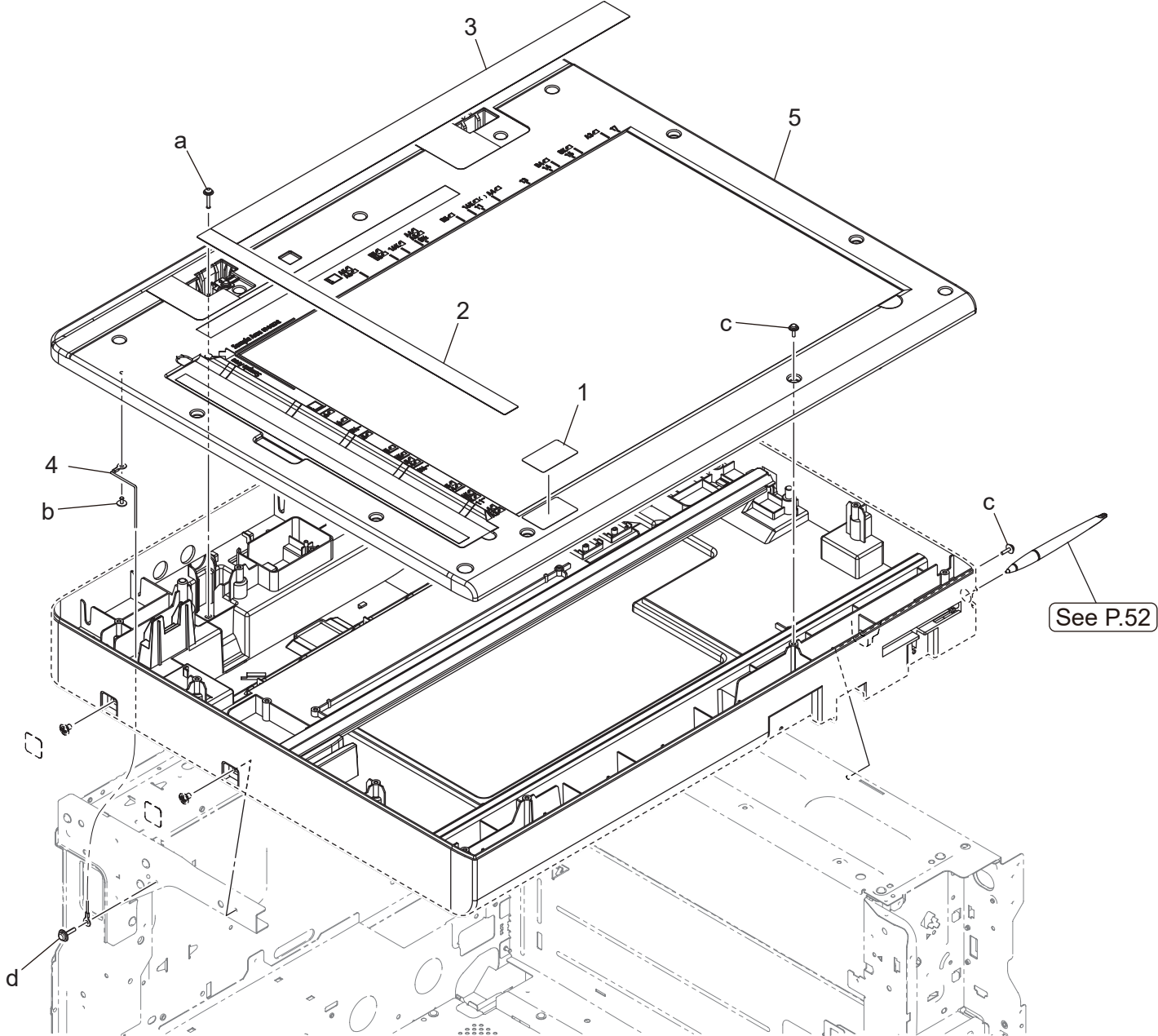
# Operation Panel Section



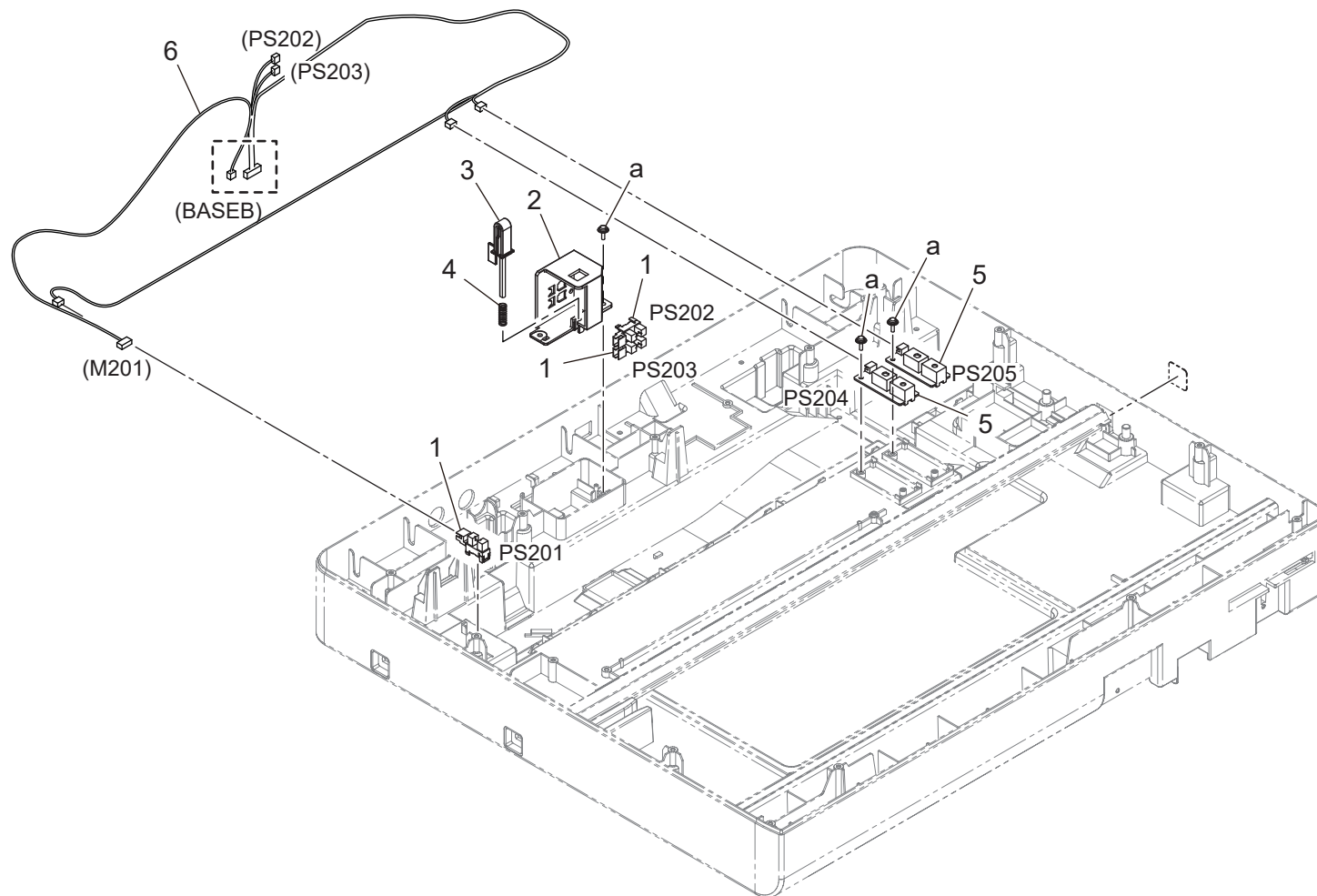
bizhub C227i

Key	Part No.	Description	Destinations	Class	QTY	Standard parts
1	07BA12352	Magnet Catch		C	1	a-V125030803 b-V127030604 c-V144030803 d-V149030803 e-V153030803 f-V153031003
2	A3EWM90300	Ferritecore		D	1	
3	A797134501	Mounting Plate		D	1	
4	A797161600	Cover /Left		C	1	
5	A797N15611	Interface Cable		C	1	
6	A7AH134600	Ground Plate		D	1	
7	A90GN15300	Interface Cable		D	1	
8	ACM1M70100	Panel Assy	D1,D3,E,F2,G1,G2,I	I	1	
8	ACM1M70400	Panel Assy	H	I	1	
9	ACM1PP1000	Cover		D	1	
10	ACM1PP1100	Cover		D	1	
11	ACM1PP1200	Cover		D	1	
12	ACM1PP1300	Indicating Part		D	1	
13	ACM1PP1500	Holder		D	1	
14	ACM1PP1600	Mounting Plate		D	1	
15	ACM1PP1800	Mounting Plate		D	1	

Scanner Section



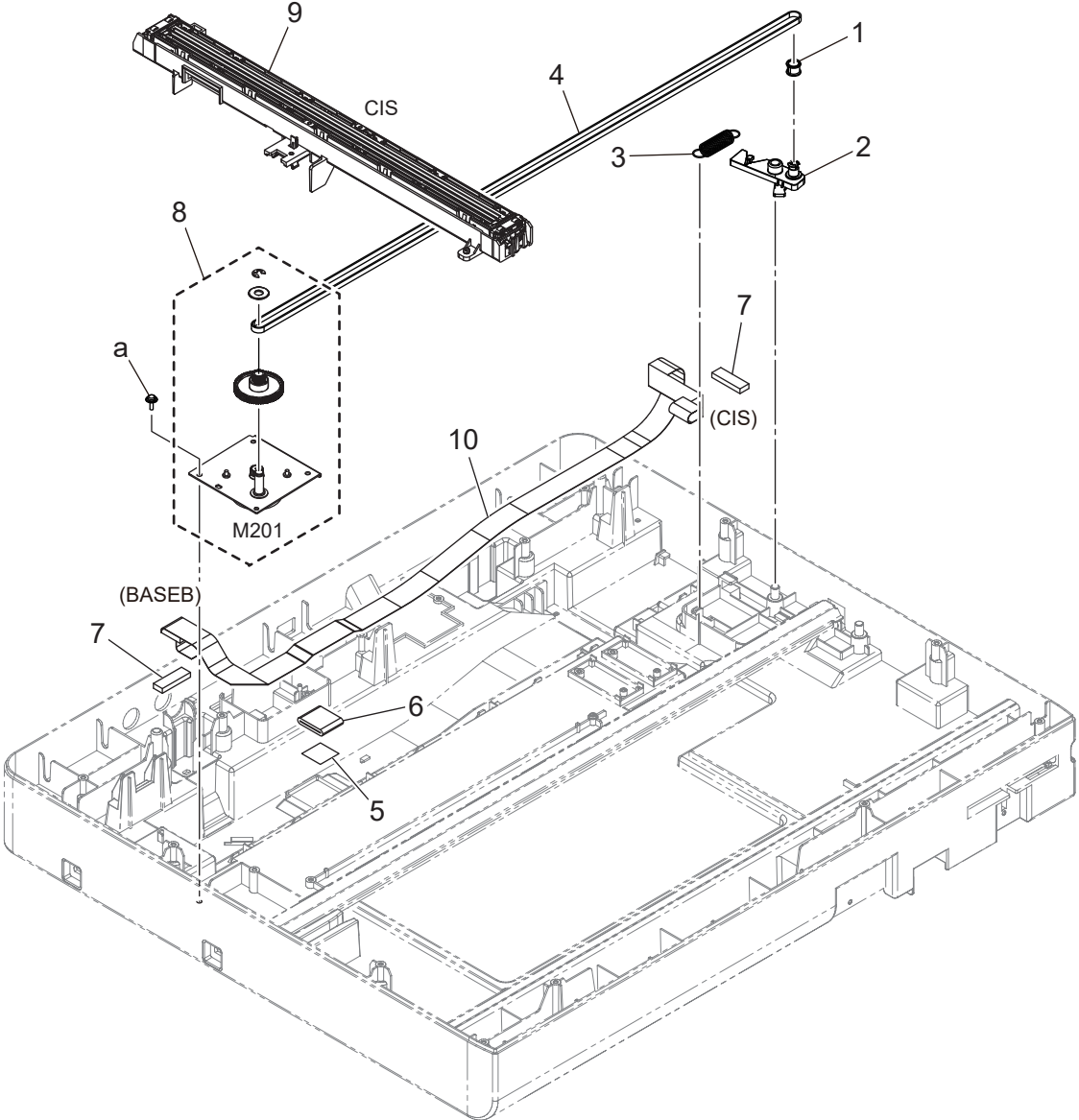
Key	Part No.	Description	Destinations	Class	QTY	Standard parts
1	A55D941100	Caution Label		D	1	a-V116031003 b-V144030603 c-V153031003 d-V125030803
2	ACM1PP4000	Label Scale FD		D	1	
3	ACM1PP4100	Label Scale CD		D	1	
4	ACM1PP6500	Ground Wiring		D	1	
5	ACM1PP7400	IR Cover /Upper Assy		C	1	



Scanner Section

Key	Part No.	Description	Destinations	Class	QTY	Standard parts
1	A5C1M50100	Photointerrupter		B	3	a-V153031003
2	A6U9PP1S00	Holder		D	1	
3	A6U9PP1T00	Lever		C	1	
4	A6U9PP2100	Pressure Coil Spring		C	1	
5	A6U9PP2900	APS Photorelector		C	2	
6	ACM1PP6400	Scanner Wiring		D	1	

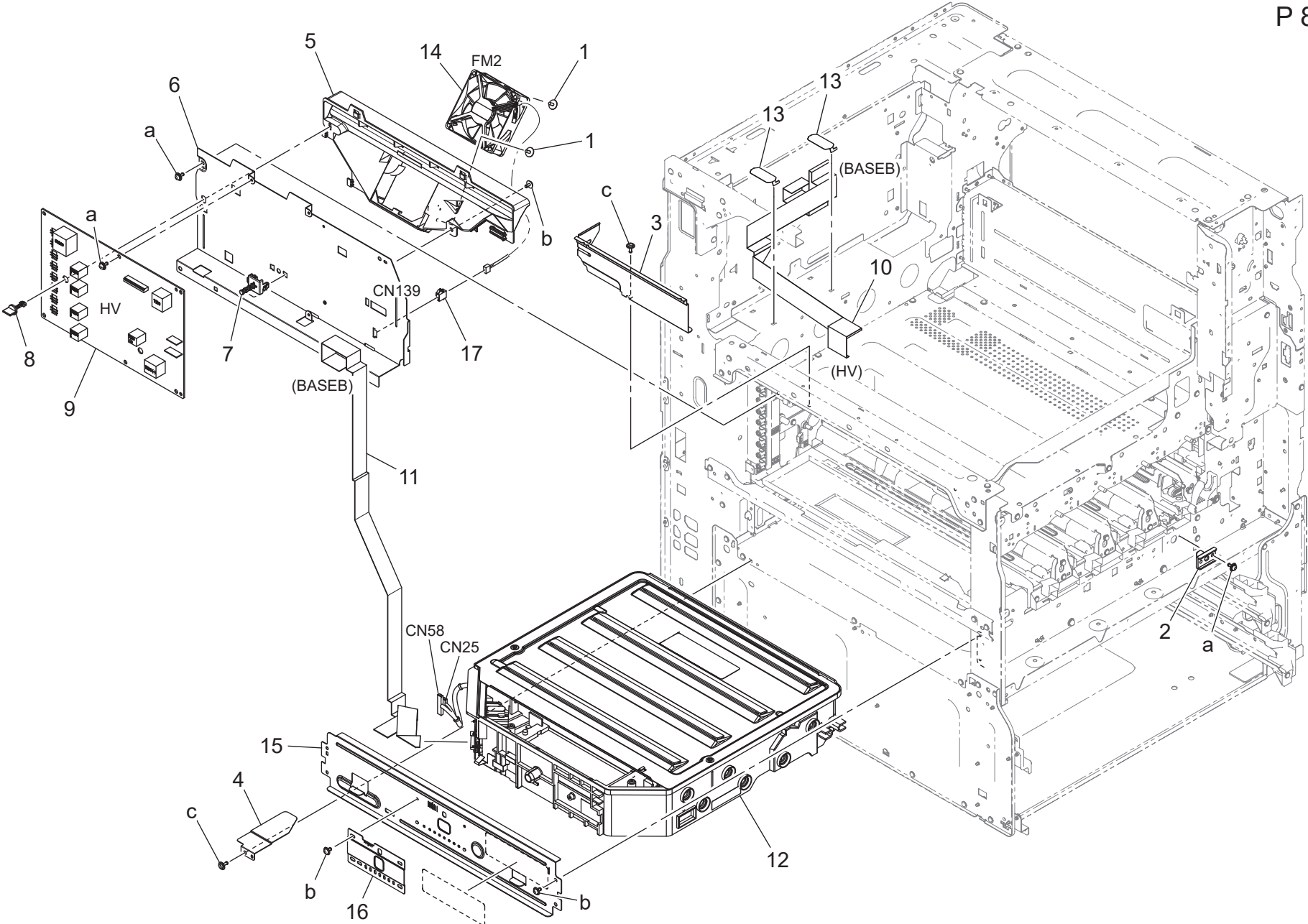
Scanner Section



Key	Part No.	Description	Destinations	Class	QTY	Standard parts
1	A6U9PP1Q00	Collar		C	1	a-V153031003
2	A6U9PP1R01	Holder		D	1	
3	A6U9PP1Y00	Pulling Coil spring		C	1	
4	A6U9PP2300	Timing Belt 1072L		C	1	
5	A6U9PP2700	Seal		D	1	
6	A6U9PP6400	Ferrite core		D	1	
7	A7AHM90000	Connector		D	2	
8	A90GPP0700	Motor Assy		C	1	
9	ACM1PP7200Old	CIS ASSY		I	1	
9	ACM1PP7201	CIS ASSY		I	1	
10	ACM1PP6300Old	Flatcable/ CIS		D	1	
10	ACM1PP6301	Flatcable/ CIS		D	1	

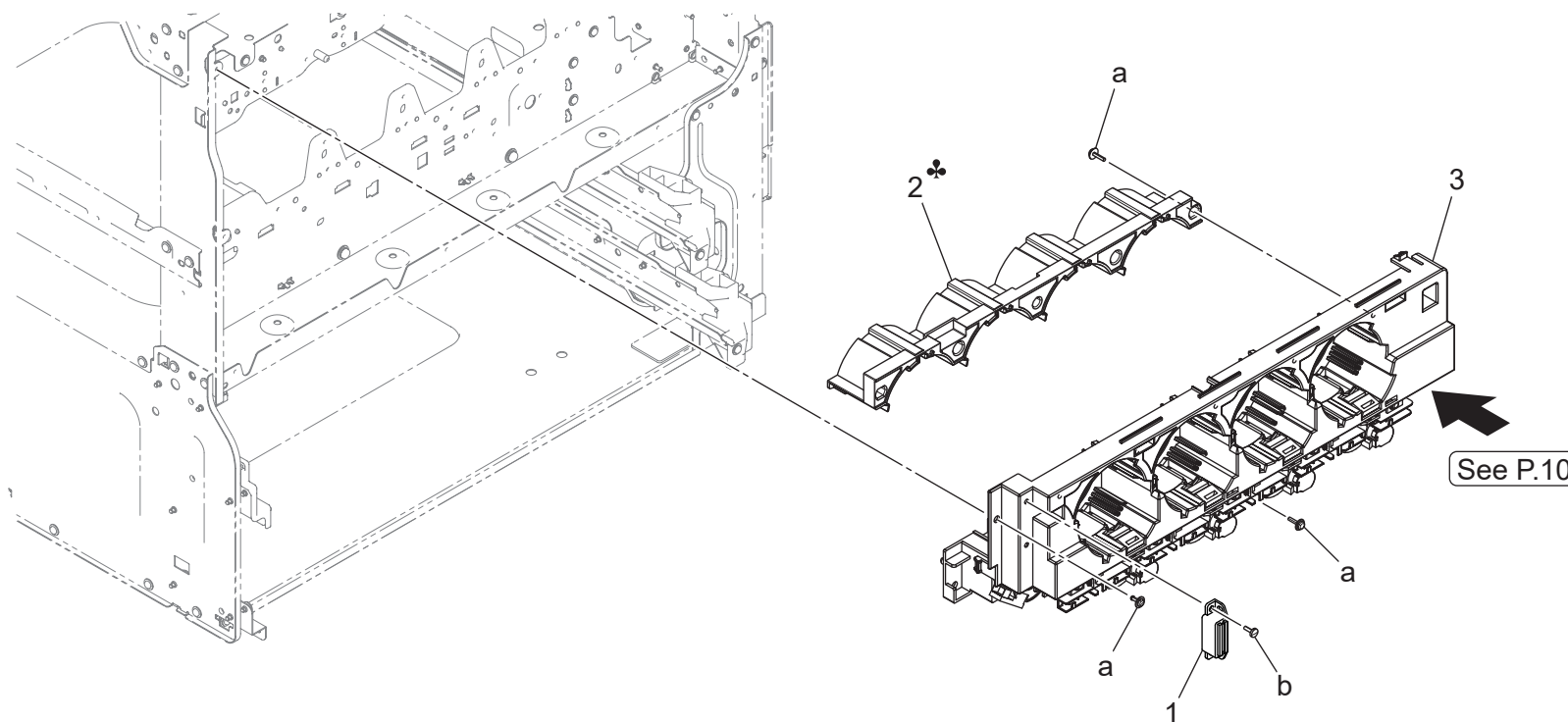


# Ph Unit/High Voltage Section

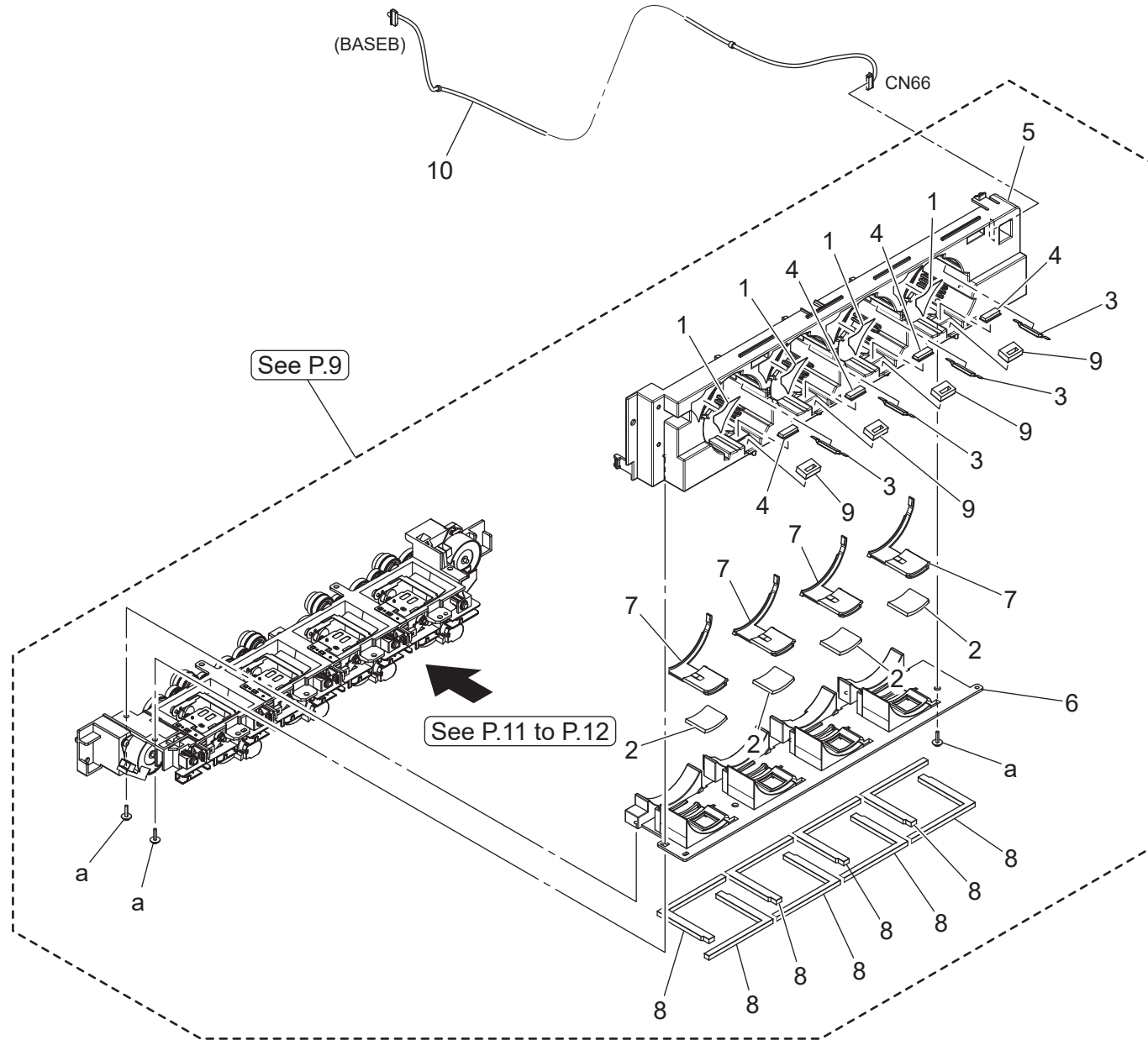


## Ph Unit/High Voltage Section

Key	Part No.	Description	Destinations	Class	QTY	Standard parts
1	4163529301	SCREW		C	2	a-V125030803 b-V127030604 c-V144030803
2	A161105400	Positioning Plate		D	1	
3	A797134000	Protection Cover		D	1	
4	A797138100	Holder		D	1	
5	A797151102	Duct		D	1	
6	A797151201	Mounting Plate		D	1	
7	A797151400	Cover Post		C	1	
8	A797151500	Stopper Shaft		C	1	
9	A797M40601	High voltage unit		I	1	
10	A797N12001	Flatcable		D	1	
11	A797N12100	Flatcable		C	1	
12	A8WVR70000	Print Head Assy		I	1	
13	A90G138200	Fixing Plate		D	2	
14	A93EM10000	Fan motor		C	1	
15	ACM1102200	Mounting Plate		D	1	
16	ACM1105300	Adjusting Plate		D	1	
17	V651010002	connector		D	1	



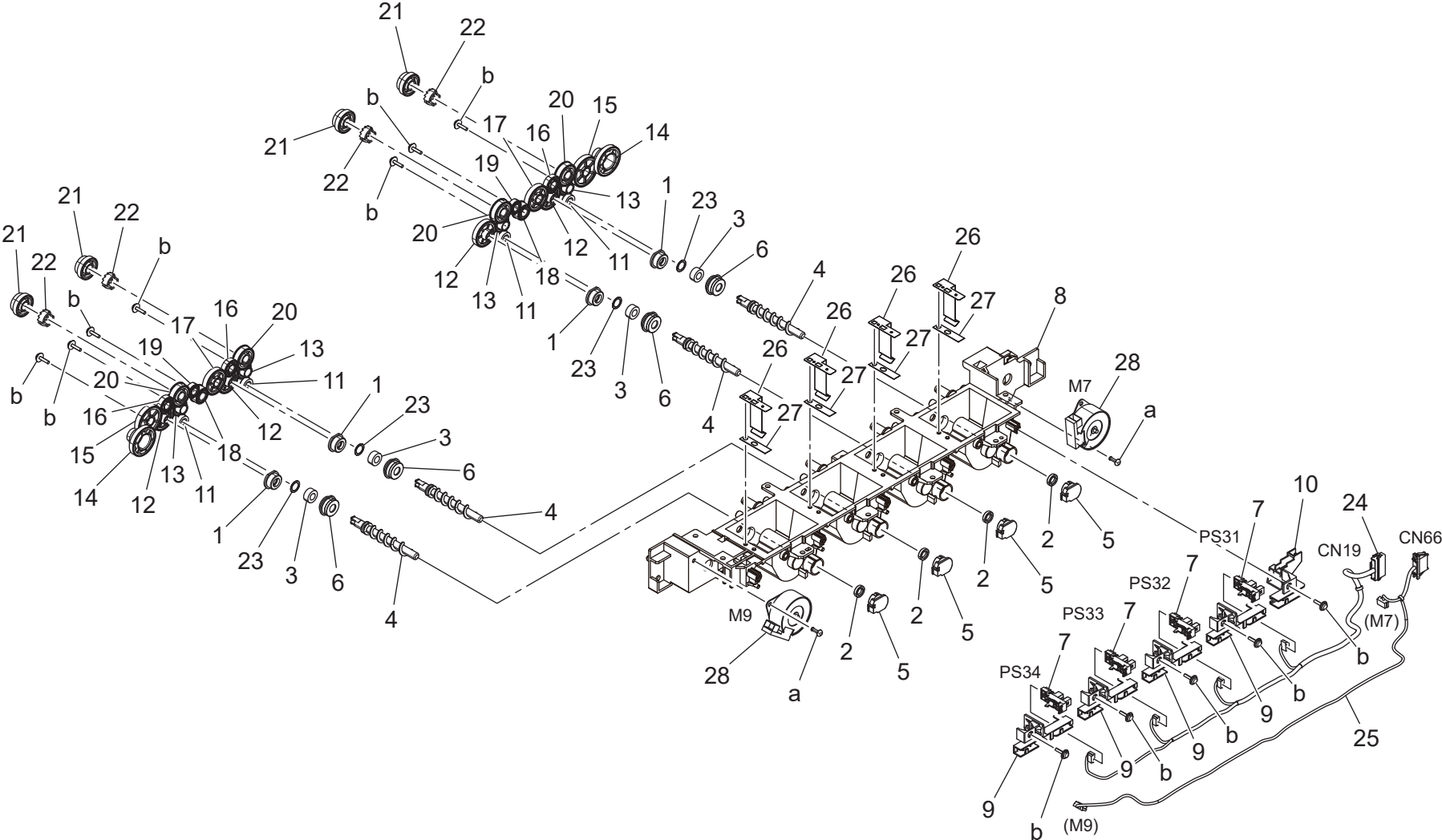
Key	Part No.	Description	Destinations	Class	QTY	Standard parts
1	07BA12352	Magnet Catch		C	1	a-V144030803 b-V149030803
2	ACM1405300	Cover	D1,D3,E,F2,G1,H,I	D	1	
2	ACM1405100	Cover		D	1	
3	ACM1PP7500	Sub Hopper ASSY	G2	S	1	



# Toner Supply Section

Key	Part No.	Description	Destinations	Class	QTY	Standard parts
1	A0ED940600	Label Toner 1		D	4	a-V153031004
2	A161402502	Seal		D	4	
3	A161403901	Spacer		D	4	
4	A161404001	Seal /1		D	4	
5	A797402503	Cover		D	1	
6	A797402700	Cover		D	1	
7	A797402800	Shutter		D	4	
8	A797403300	Seal		C	8	
9	A797404000	Seal		C	4	
10	ACM1PP5600	Toner Drive Wiring		D	1	

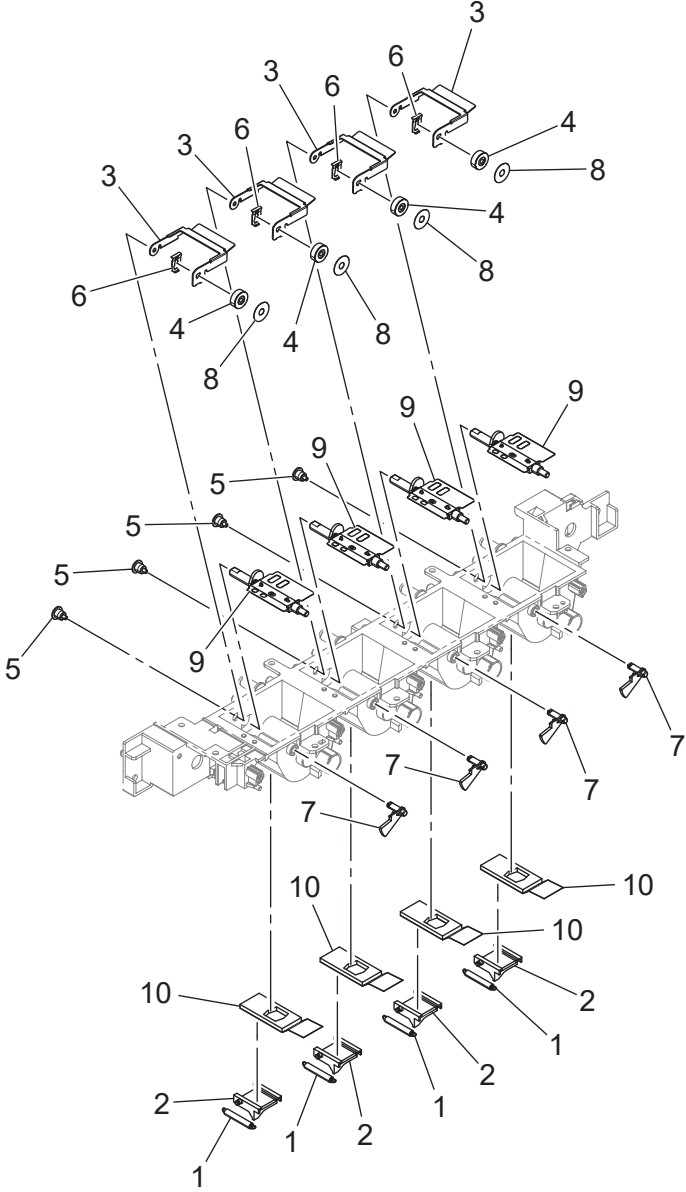
Toner Supply Section



Key	Part No.	Description	Destinations	Class	QTY	Standard parts
1	4163510201	BUSHING		C	4	a-V145030803 b-V153031004
2	4333501201	SEAL		D	4	
3	4576536301	SEAL		D	4	
4	A161400100	Screw		C	4	
5	A161403000	Bushing		D	4	
6	A161403101	Holder		C	4	
7	A5C1M50100	Photointerrupter		B	4	
8	A797400001	Casing		D	1	
9	A797400700	Mounting Plate		D	4	
10	A797400900	Holder		D	1	
11	A797401000	Gear 18T		C	4	
12	A797401100	Gear 36T		C	4	
13	A797401200	Gear 24T		C	4	
14	A797401300	Gear 17/65T		C	2	
15	A797401400	Gear 44T		C	2	
16	A797401500	Gear 24T		C	3	
17	A797401600	Gear 37T		C	2	
18	A797401700	Gear 22T		C	2	
19	A797401800	Gear 19T		C	2	
20	A797402000	Gear 31T		C	4	
21	A797402100	Gear 30T		C	4	
22	A797402200	Coupling		C	4	
23	A797402300	Spacer		D	4	
24	A797N10E00	Toner Detection harness		D	1	
25	A797N10Y00	Toner Drive harness /2		D	1	
26	A7PU407001	Agitating Part		D	4	
27	A7PU407100	Duplex Tape		C	4	
28	A7PUM10700	Stepping motor		C	2	



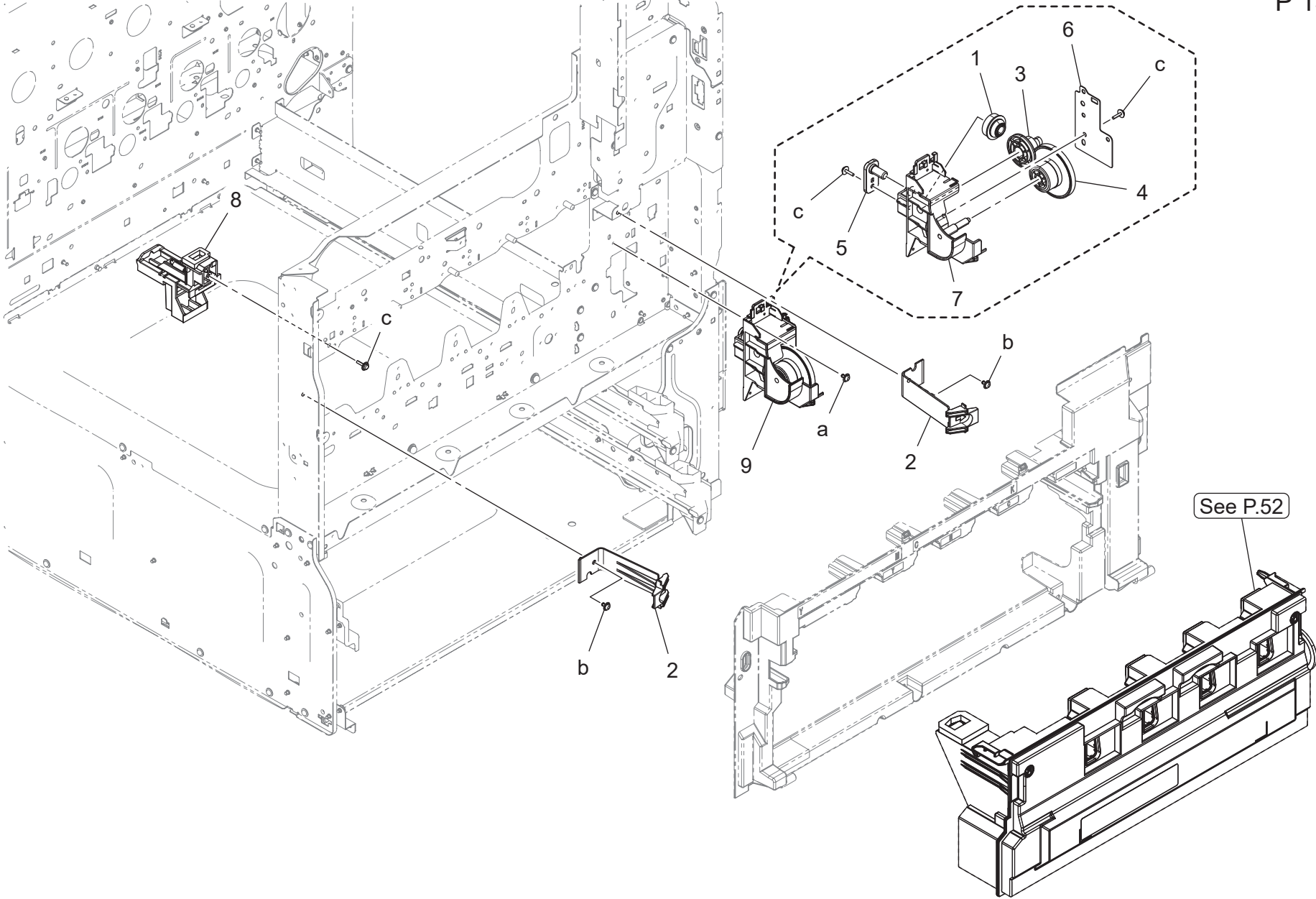
Toner Supply Section



# Toner Supply Section

Key	Part No.	Description	Destinations	Class	QTY	Standard parts
1	4036534801	TENSION SPRING		C	4	
2	A0ED401000	Shutter		D	4	
3	A161400401	Detecting Plate		D	4	
4	A161400601	Detecting Seal		D	4	
5	A161400800	Pin		D	4	
6	A161404200	Fixing Plate		D	4	
7	A161404300	Detecting Actuator		D	4	
8	A5C1404600	Washer		D	4	
9	A5C1F42000	Agitating Shaft		D	4	
10	A90G403200	Seal		D	4	

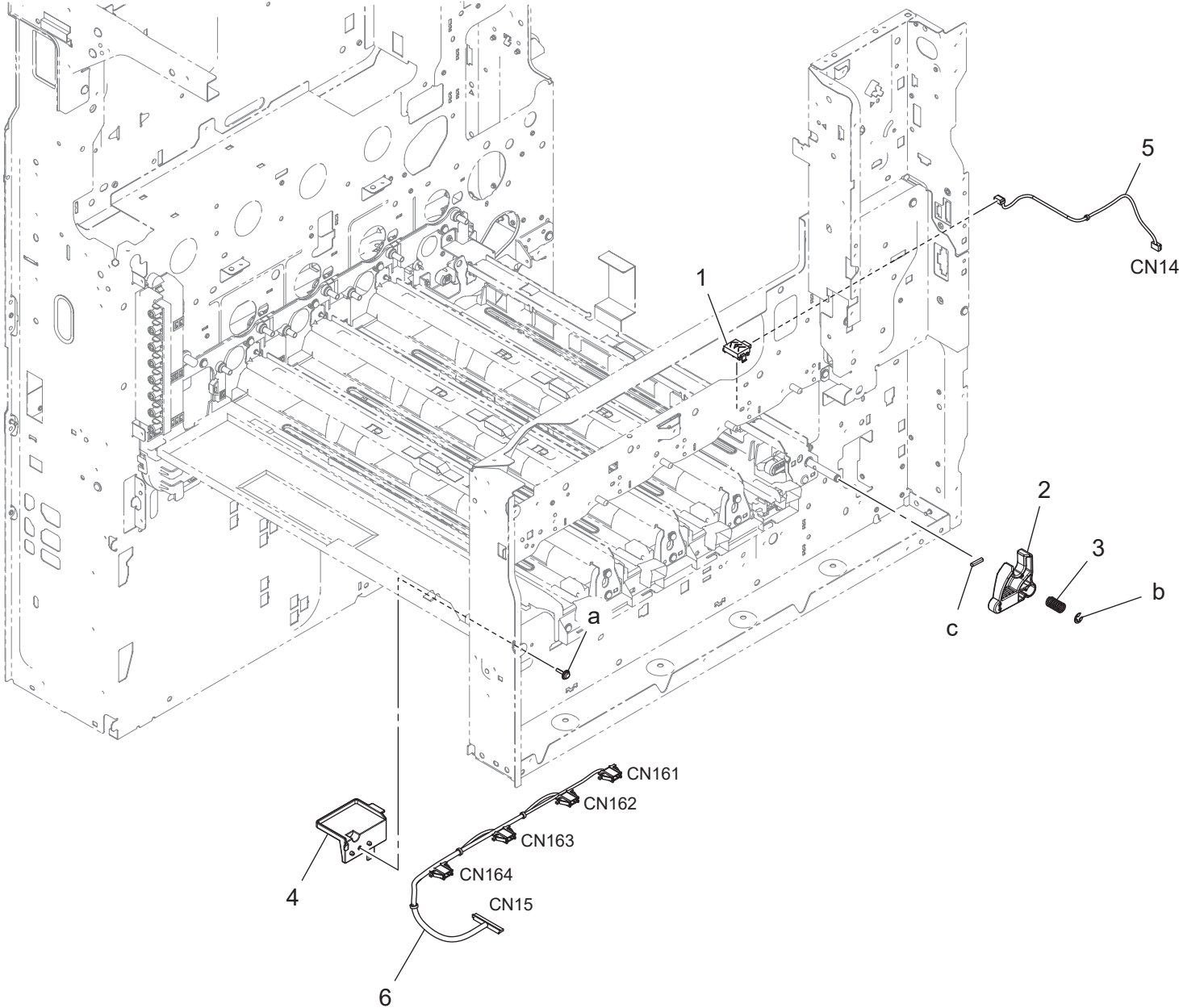
# Waste Toner Box Section



# Waste Toner Box Section

Key	Part No.	Description	Destinations	Class	QTY	Standard parts
1	A0ED245000	Gear 20/20T		D	1	a-V127030604 b-V144030603 c-V153031004
2	A161165700	Fixing Claw		D	2	
3	A161245100	Gear 16/40T		D	1	
4	A161245400	Gear 16/51T		D	1	
5	A797245300	Shaft		D	1	
6	A797245500	Hold Plate		D	1	
7	A797258601	Holder		D	1	
8	A797F36500	Waste Toner Pipe Assy		C	1	
9	A797F24001	Waste Toner Drive Assy		S	1	

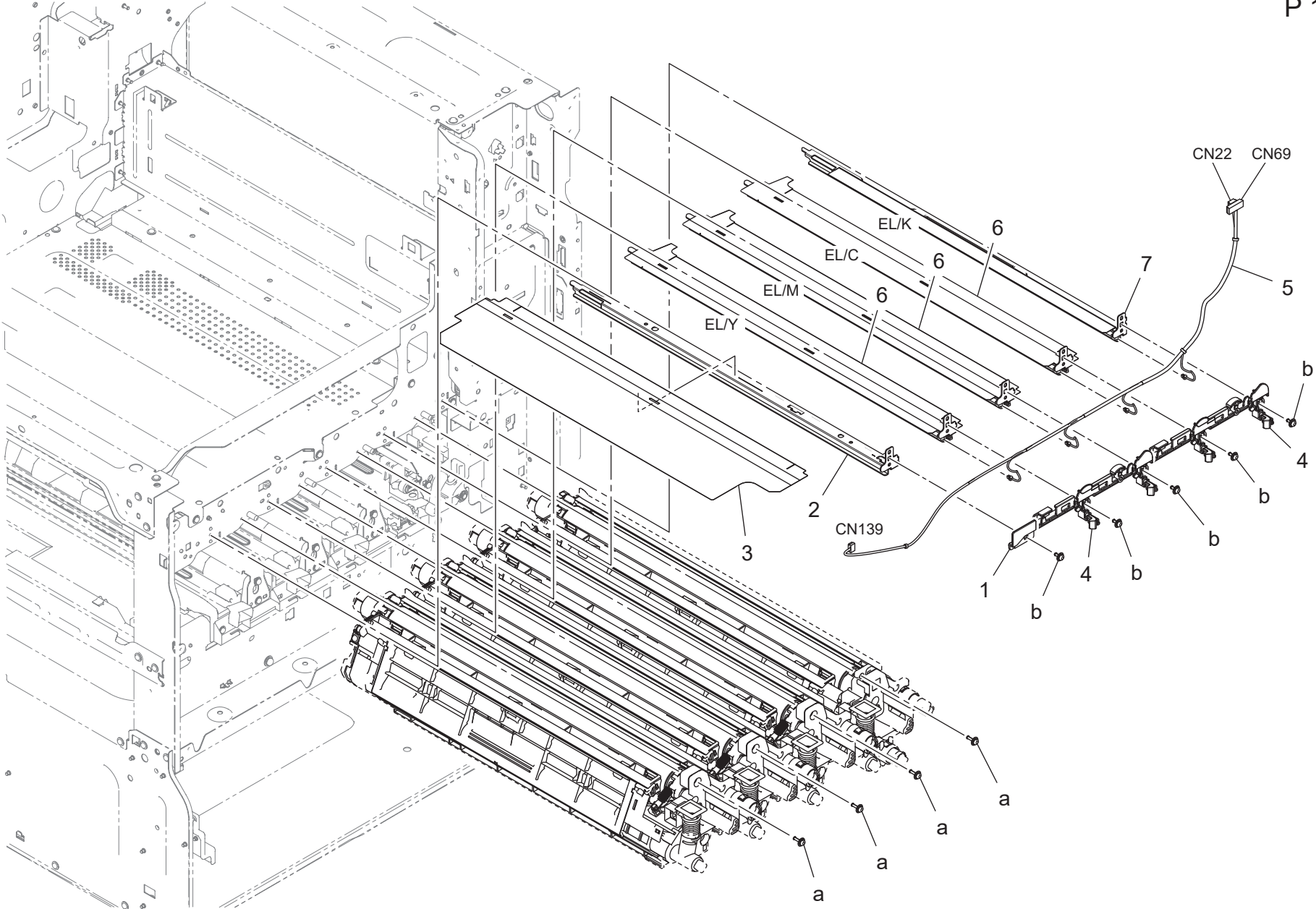
Dv Lock Lever Section



# Dv Lock Lever Section

Key	Part No.	Description	Destinations	Class	QTY	Standard parts
1	A0EDM60001	Relay Connector		D	1	a-V153031004 b-V217040003 c-V234301250
2	A161116202	Release Lever		D	1	
3	A161119500	Compressing Coil spring		D	1	
4	A797115400	Holder		D	1	
5	A797N10F00	Photoconductor Detection harness /K		D	1	
6	A797N11600	Developing Relay harness		D	1	

Erase Lamp Section



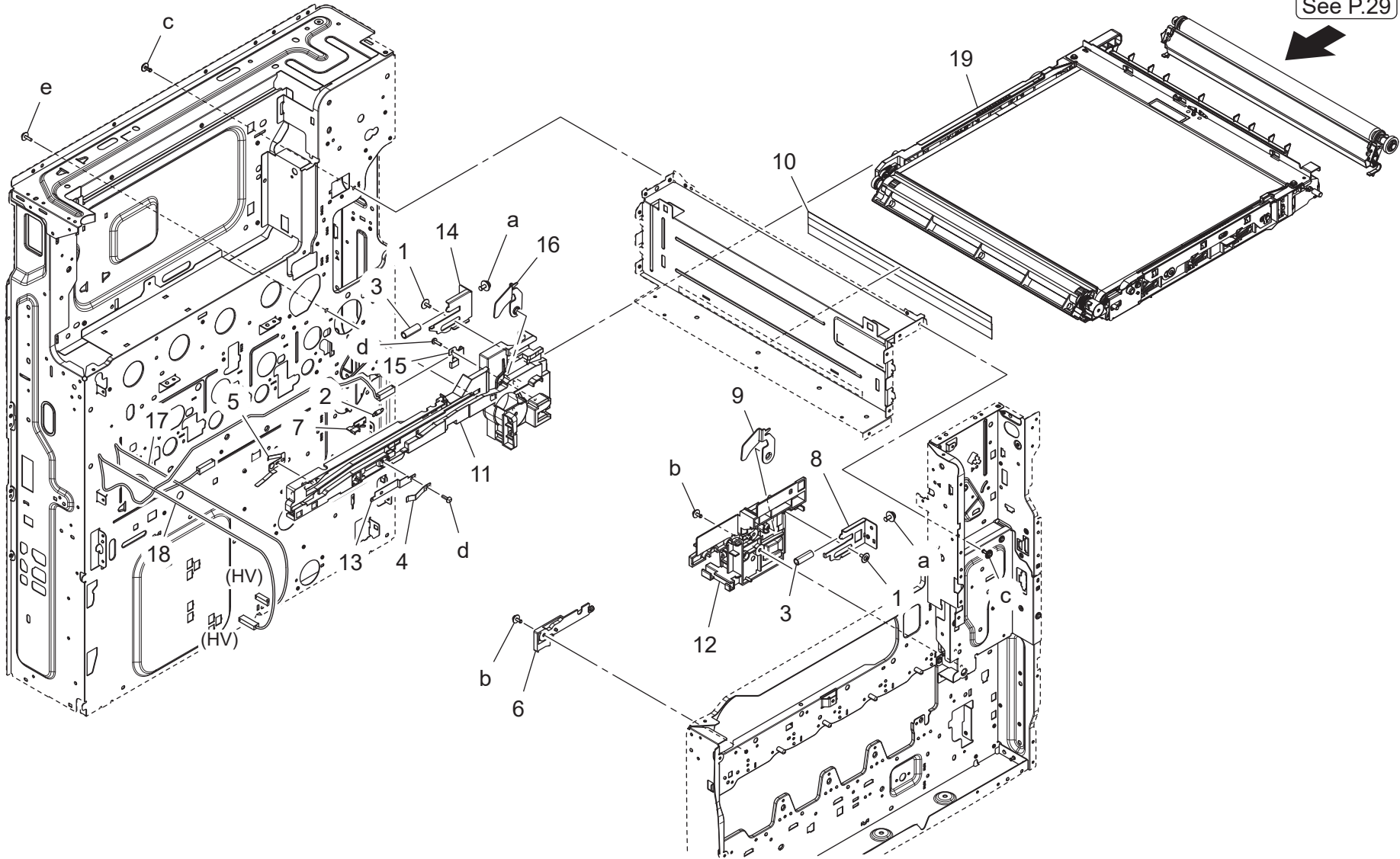
# Erase Lamp Section

Key	Part No.	Description	Destinations	Class	QTY	Standard parts
1	A161138500	Guide		D	1	a-V116031003 b-V125030803
2	A797105600	Rail		D	1	
3	A797105700	Seal		C	1	
4	A797134701	Holder		D	2	
5	A797N11500	Relay Wiring /2		D	1	
6	A797R70411	Erase/ YMC Assy		C	3	
7	A797R70511	Erase/ K Assy		C	1	



Transfer Section

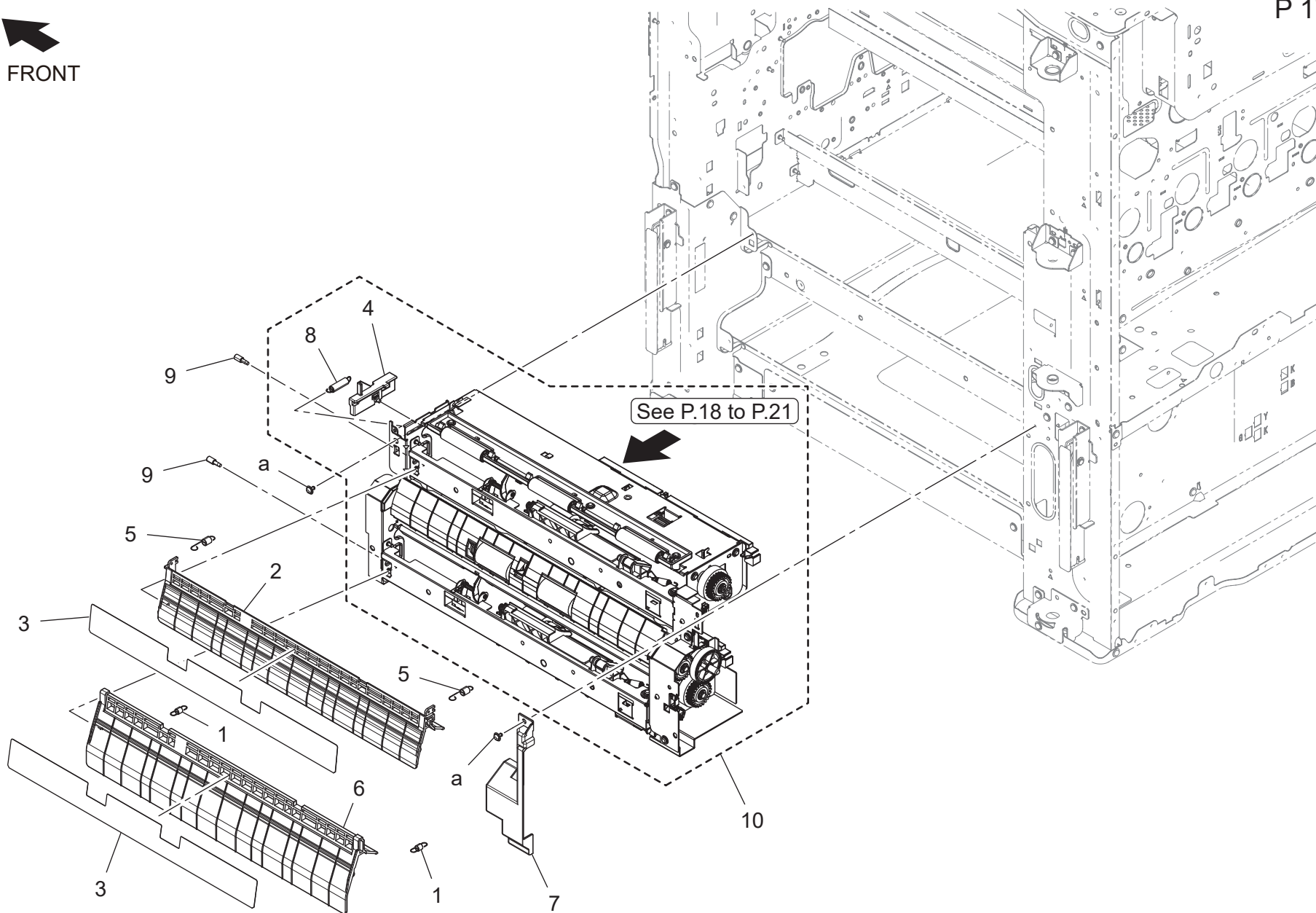
See P.29



Key	Part No.	Description	Destinations	Class	QTY	Standard parts
1	4163529301	SCREW		C	2	a-V116040803 b-V125030803 c-V144030803 d-V145030803 e-V153031004
2	A0ED110900	Pulling Coil spring		C	1	
3	A0ED111000	Compressing Coil spring		D	2	
4	A0ED111500	Contact /Color		D	1	
5	A0ED112000	Contact		D	1	
6	A161110300	Rail		D	1	
7	A161110500	Detecting Plate		D	1	
8	A161112500	Lever /Front		D	1	
9	A5C1112800	Arm /Front		D	1	
10	A797102701	Seal		C	1	
11	A797110101	Rail		D	1	
12	A797110200	Rail		D	1	
13	A797111700	Contact		D	1	
14	A797112100	Lever /Rear		D	1	
15	A797112300	Contact		D	1	
16	A797112900	Arm /Rear		D	1	
17	A797N10V00	Transfer Wiring /1		D	1	
18	A797N10W00	Transfer Wiring /2		D	1	
19	ACM1PP6600	Image Transfer Belt Unit		A	1	

# Paper Feed Section

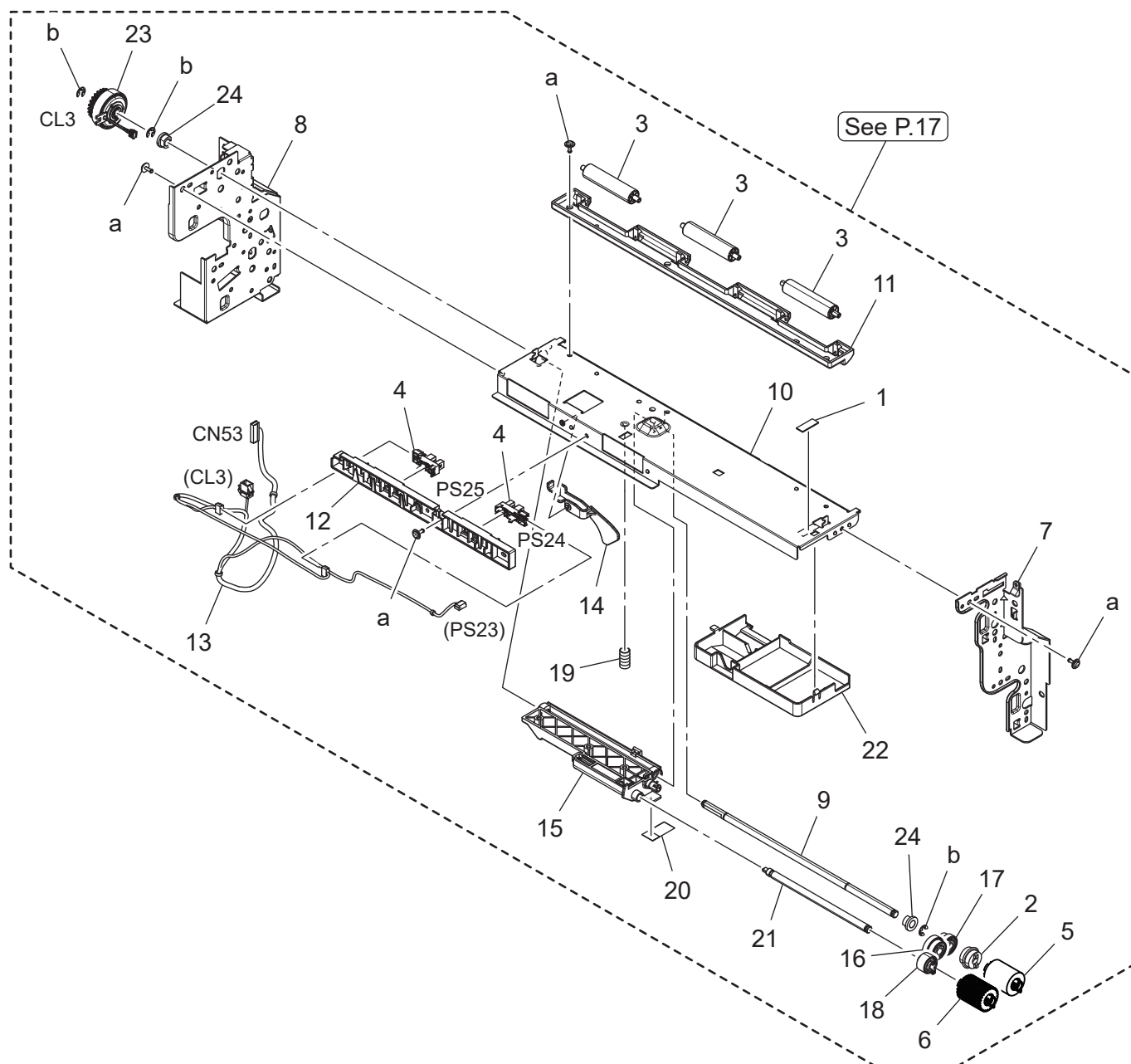
P 17



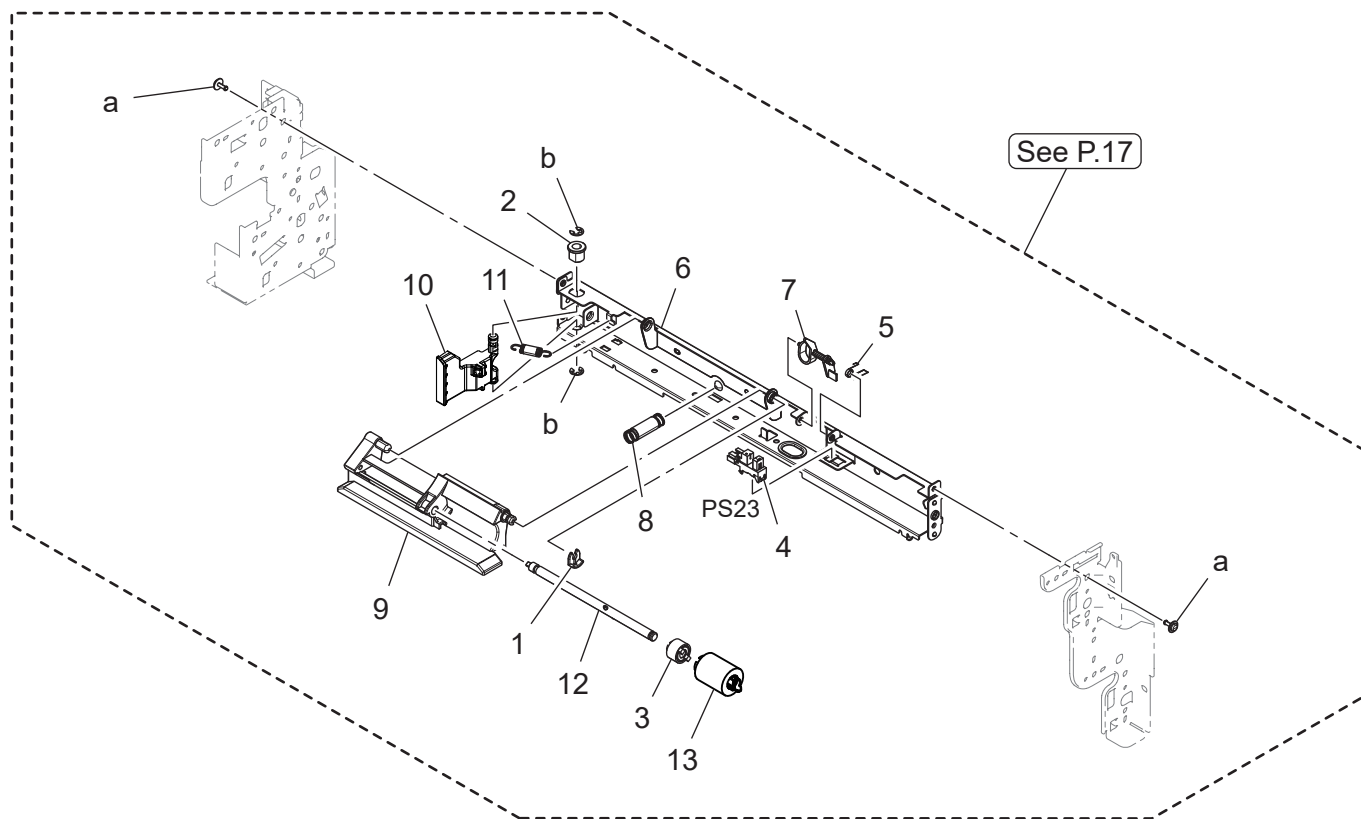
# Paper Feed Section

Key	Part No.	Description	Destinations	Class	QTY	Standard parts
1	A797568300	Pulling Coil spring		C	2	a-V127030604
2	A797568400	Paper feed Guide/ 1st		C	1	
3	A797568500	Guide		C	2	
4	A797568800	Open/close Lever		D	1	
5	A797568900	Pulling Coil spring		C	2	
6	A797578401	Paper feed Guide/ 2nd		C	1	
7	A797579000	Cover		D	1	
8	A7AH568900	Pulling Coil spring		C	1	
9	A7AH569400	Shoulder screw		C	2	
10	ACM1PP7601	Paper Feed ASSY		S	1	

# Paper Feed Section (Tray1)



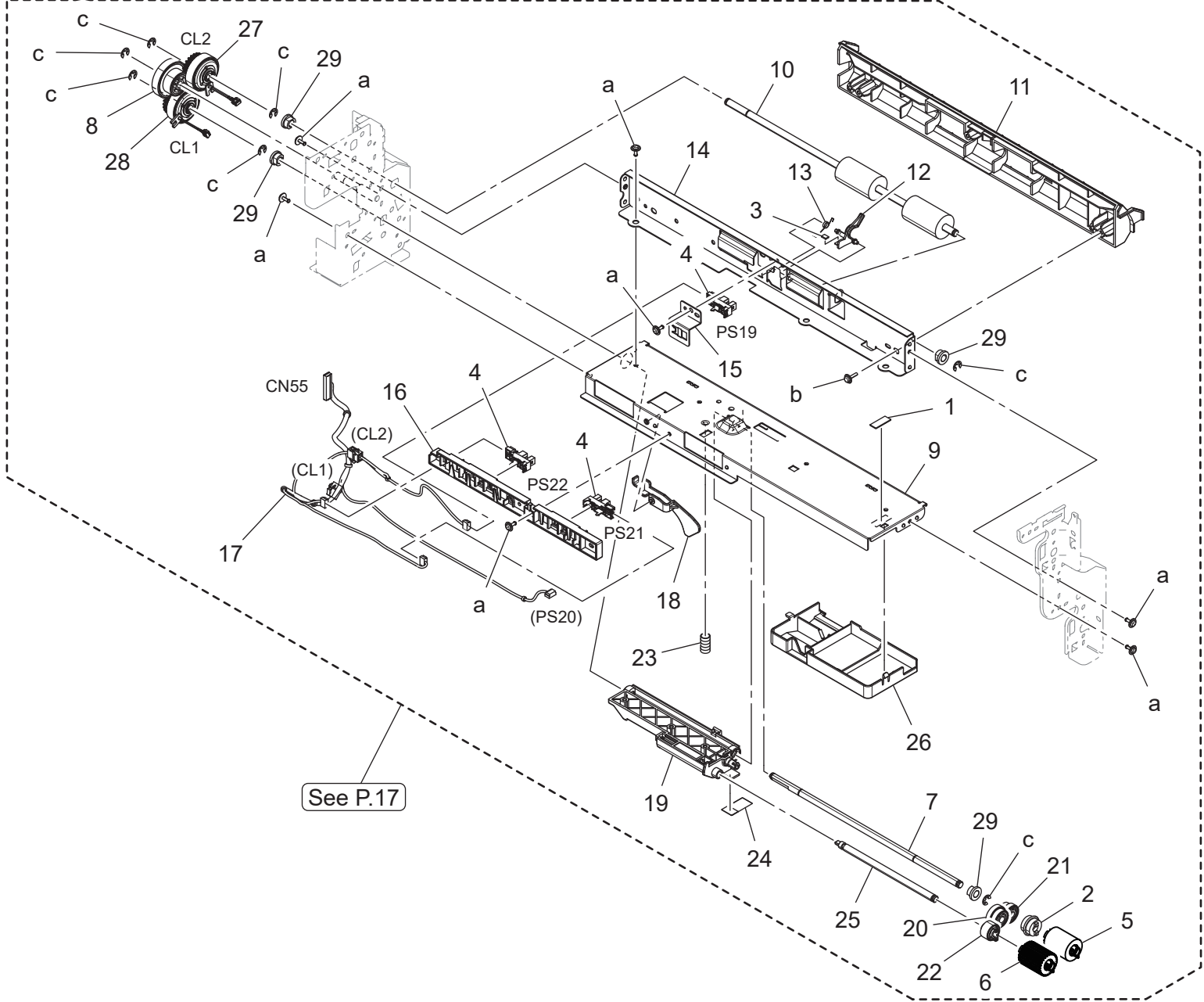
Key	Part No.	Description	Destinations	Class	QTY	Standard parts
1	4109553001	Stopper		C	1	a-V144030803 b-V217040003
2	A02E561100	Clutch		C	1	
3	A161825700	Idler Roller /A		D	3	
4	A5C1M50100	Photointerrupter		B	2	
5	A64J564101	Paper feed Roller		A	1	
6	A64J564201	Paper feed Roller		A	1	
7	A797560101	Frame /Front		D	1	
8	A797560201	Frame /Rear		D	1	
9	A797560500	Paper feed Shaft		D	1	
10	A797565211	Paper feed Frame		D	1	
11	A797566012	Mounting Plate		D	1	
12	A797579600	Guide		D	1	
13	A797N10P01	Paperfeed Detection harness		D	1	
14	A7AH561601	Detecting Lever		C	1	
15	A7AH562100	Conveyance Guide /4		D	1	
16	A7AH562300	Idling Gear		C	1	
17	A7AH562400	Paper feed Gear		C	1	
18	A7AH562600	Conveyance Gear 28T		C	1	
19	A7AH562801	Compressing Coil spring		C	1	
20	A7AH562900	Protection Sheet		C	1	
21	A7AH563400	Support Shaft		D	1	
22	A7AH565702	Conveyance Guide		D	1	
23	A7AHM20501	Clutch		C	1	
24	A7PU663200	Bushing		C	2	



Key	Part No.	Description	Destinations	Class	QTY	Standard parts
1	56AA40490	Shaft Stopper /4		C	1	a-V144030803 b-V217040003
2	A02E815200	Bushing		C	1	
3	A0ED563900	Torque limiter		C	1	
4	A5C1M50100	Photointerrupter		B	1	
5	A797560701	Torsion Coil spring		C	1	
6	A797563900	Frame		D	1	
7	A7AH560800	Actuator		C	1	
8	ACM1PP9900	Compressing Coil spring		C	1	
9	A7AH563101	Holder		D	1	
10	A7AH564112	Release Lever		C	1	
11	A7AH564401	Pulling Coil spring		C	1	
12	A7AH565000	Support Shaft		D	1	
13	AA2J560000	Paper feed Roller		A	1	

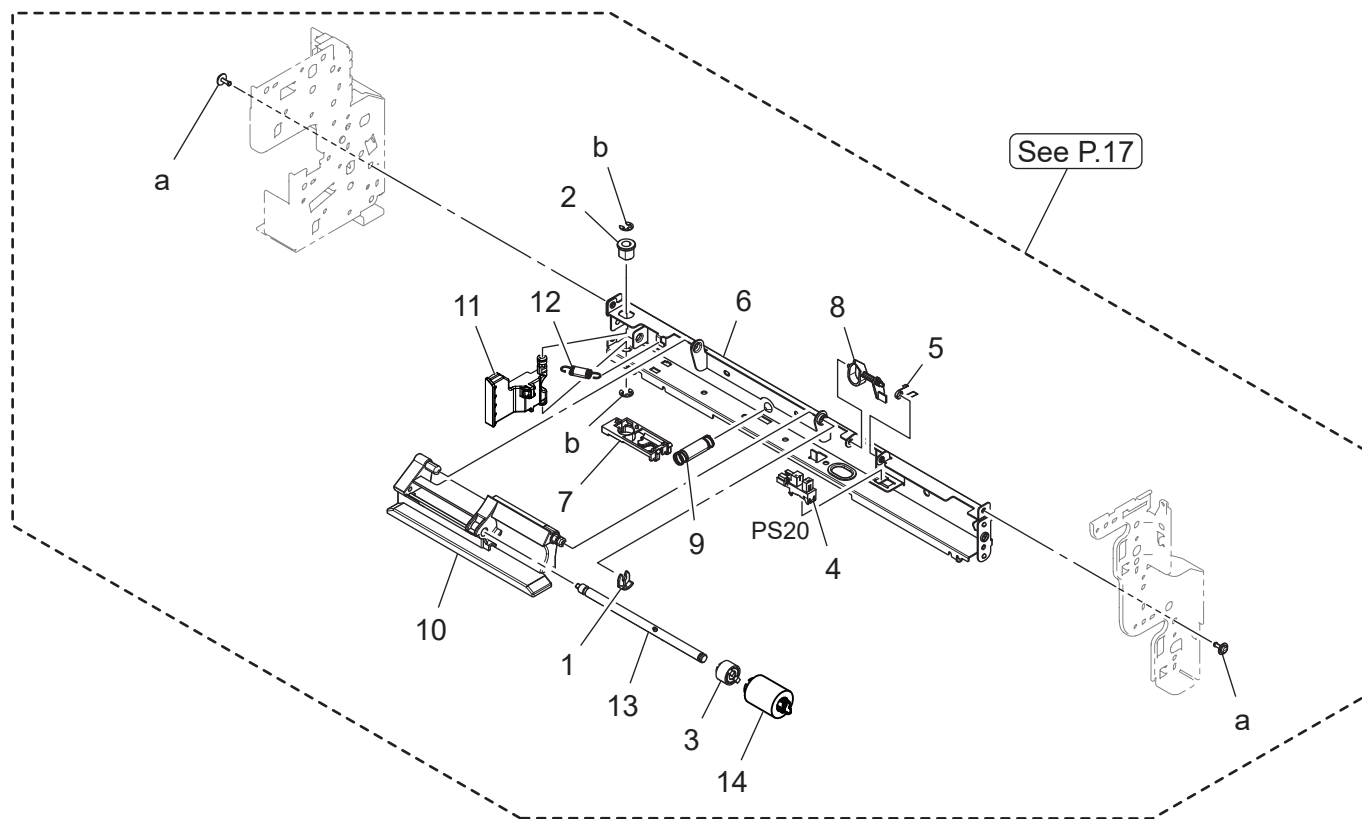


# Paper Feed Section (Tray2)



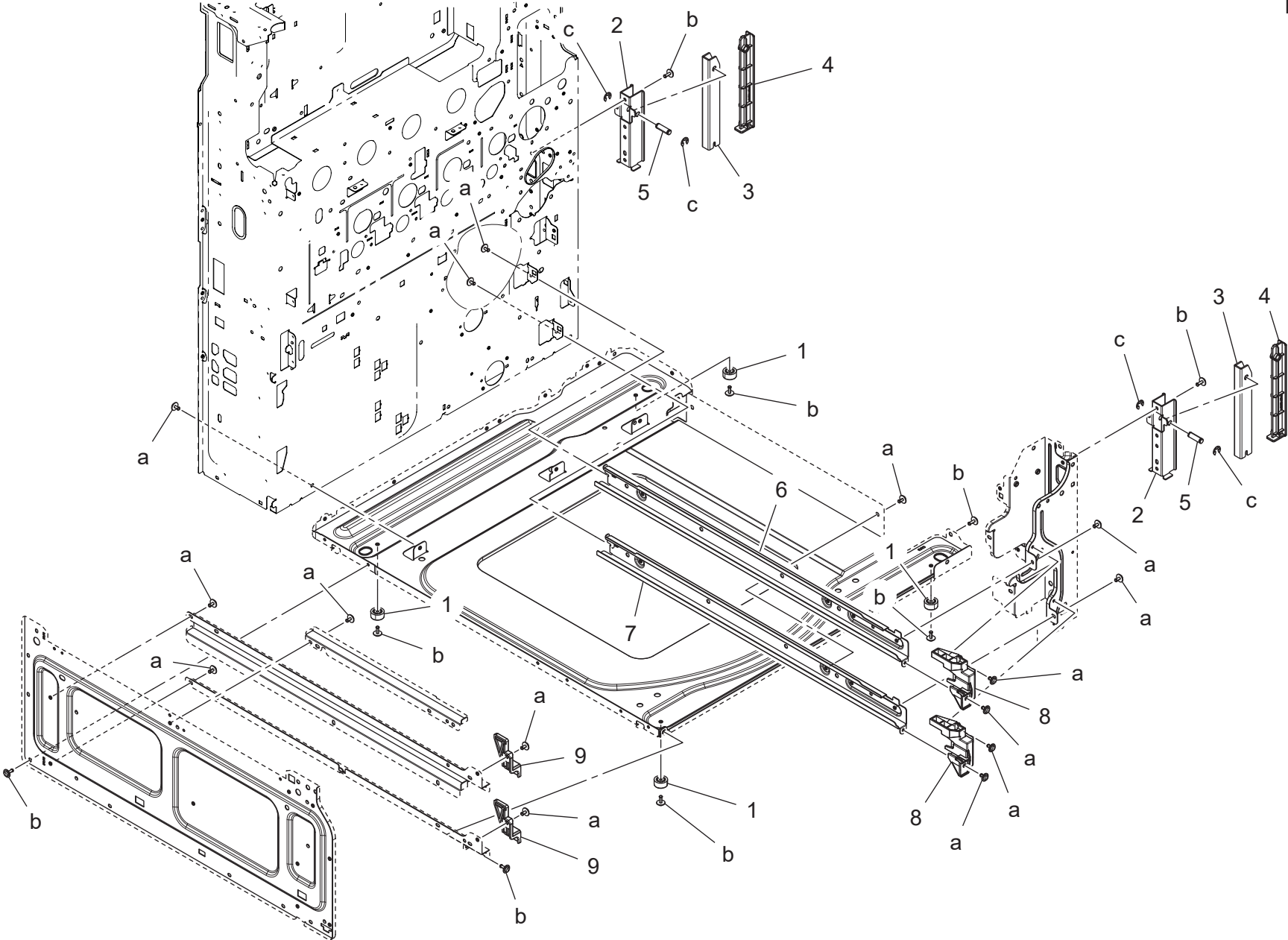
See P.17

Key	Part No.	Description	Destinations	Class	QTY	Standard parts
1	4109553001	Stopper		C	1	a-V144030803 b-V153031004 c-V217040003
2	A02E561100	Clutch		C	1	
3	A161702101	Cushion /C		C	1	
4	A5C1M50100	Photointerrupter		B	3	
5	A64J564101	Paper feed Roller		A	1	
6	A64J564201	Paper feed Roller		A	1	
7	A797560600	Paper feed Shaft		D	1	
8	A797563700	Gear 20/32T		C	1	
9	A797565300	Paper feed Frame		D	1	
10	A797578100	Drive Roller		C	1	
11	A797578200	Conveyance Guide		C	1	
12	A797578600	Actuator		C	1	
13	A797578800	Torsion Coil spring		C	1	
14	A797579100	Mounting Plate		D	1	
15	A797579300	Mounting Plate		D	1	
16	A797579600	Guide		D	1	
17	A797N10Q02	Paperfeed Detection harness		D	1	
18	A7AH561601	Detecting Lever		C	1	
19	A7AH562100	Conveyance Guide /4		D	1	
20	A7AH562300	Idling Gear		C	1	
21	A7AH562400	Paper feed Gear		C	1	
22	A7AH562600	Conveyance Gear 28T		C	1	
23	A7AH562801	Compressing Coil spring		C	1	
24	A7AH562900	Protection Sheet		C	1	
25	A7AH563400	Support Shaft		D	1	
26	A7AH565702	Conveyance Guide		D	1	
27	A7AHM20401	Clutch		C	1	
28	A7AHM20501	Clutch		C	1	
29	A7PU663200	Bushing		C	4	



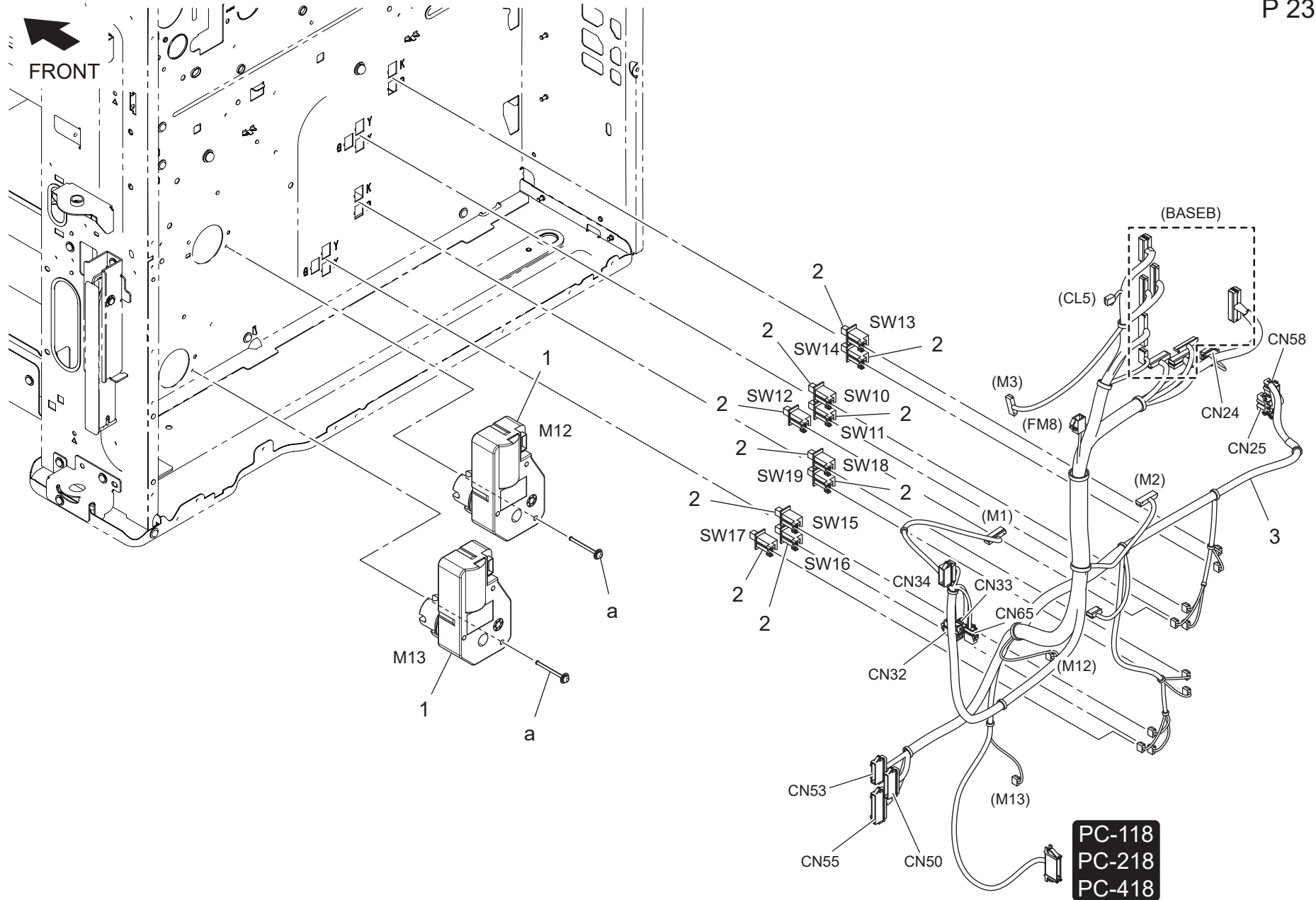
Key	Part No.	Description	Destinations	Class	QTY	Standard parts
1	56AA40490	Shaft Stopper /4		C	1	a-V144030803 b-V217040003
2	A02E815200	Bushing		C	1	
3	A0ED563900	Torque limiter		C	1	
4	A5C1M50100	Photointerrupter		B	1	
5	A797560701	Torsion Coil spring		C	1	
6	A797563900	Frame		D	1	
7	A797569100	Guide		D	1	
8	A7AH560800	Actuator		C	1	
9	ACM1PP9900	Compressing Coil spring		C	1	
10	A7AH563101	Holder		D	1	
11	A7AH564112	Release Lever		C	1	
12	A7AH564401	Pulling Coil spring		C	1	
13	A7AH565000	Support Shaft		D	1	
14	AA2J560000	Paper feed Roller		A	1	

Cassette Rail Section



Key	Part No.	Description	Destinations	Class	QTY	Standard parts
1	0996305501	RUBBER FOOT		C	4	a-V144030603 b-V144030803 c-V217040003
2	A797101600	Mounting Plate ゴム ムアシ		D	2	
3	A797101700	Lever 取付板		D	2	
4	A797101800	Cover レバー		D	2	
5	A797101900	Shaft カバー		D	2	
6	A797102901	Rail 軸		D	1	
7	A797103001	Rail レール		D	1	
8	A7AH120102	Stopper ストップパ		C	2	
9	A7AH121301	Stopper ストップパ		C	2	

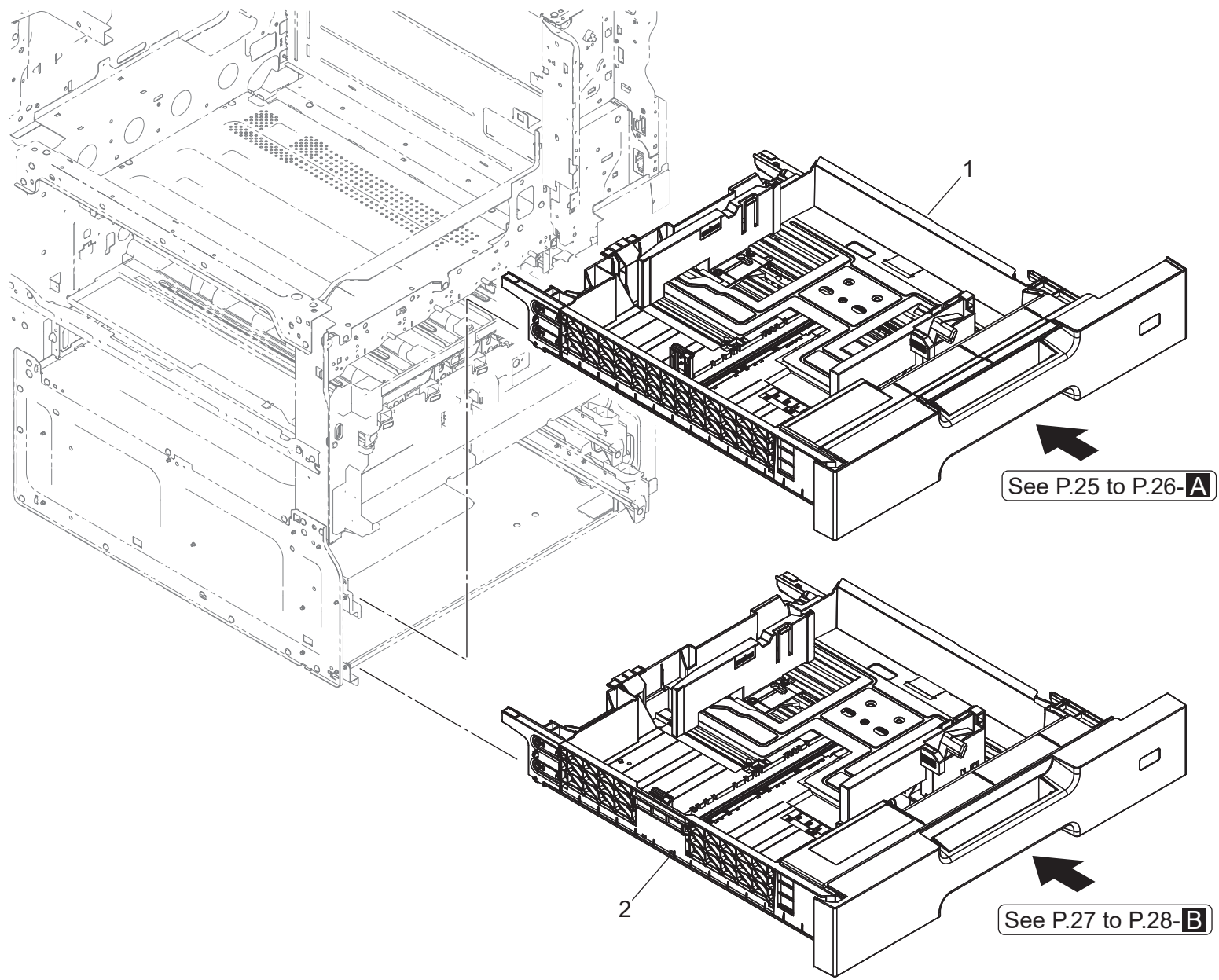
# Paper Size Detection Section



Key	Part No.	Description	Destinations	Class	QTY	Standard parts
1	9J06M10300	MOTOR		B	2	a-V116033003
2	A797M60100	Switch		C	10	
3	ACM1PP4800	Main body Wiring/ Lower		D	1	



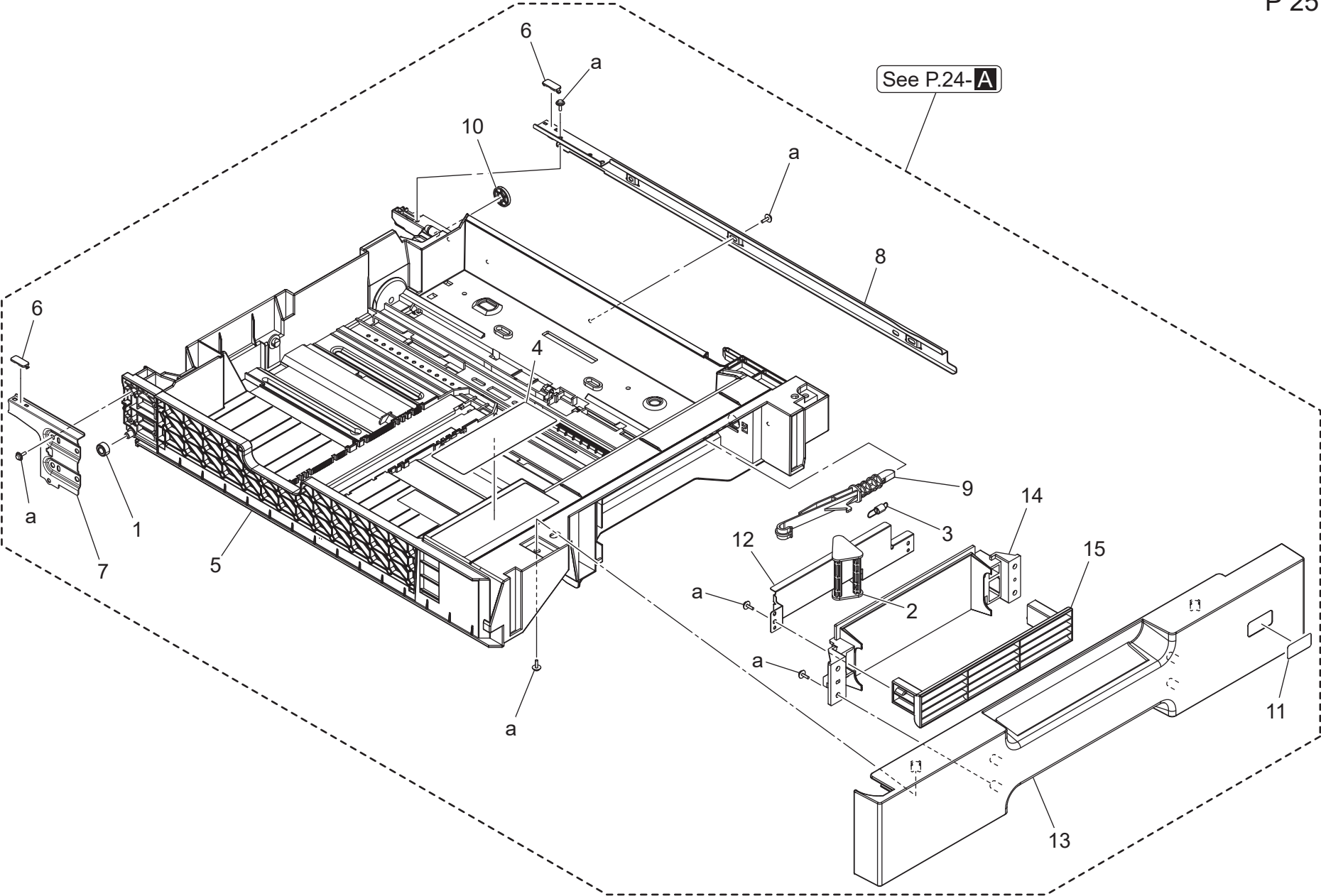
# Cassette Section



# Cassette Section

Key	Part No.	Description	Destinations	Class	QTY	Standard parts
1	ACM1PP7800	1st Cassette ASSY (W)		S	1	
2	ACM1PP8100	2nd Cassette ASSY (W)		S	1	

Cassette Section (Tray1)

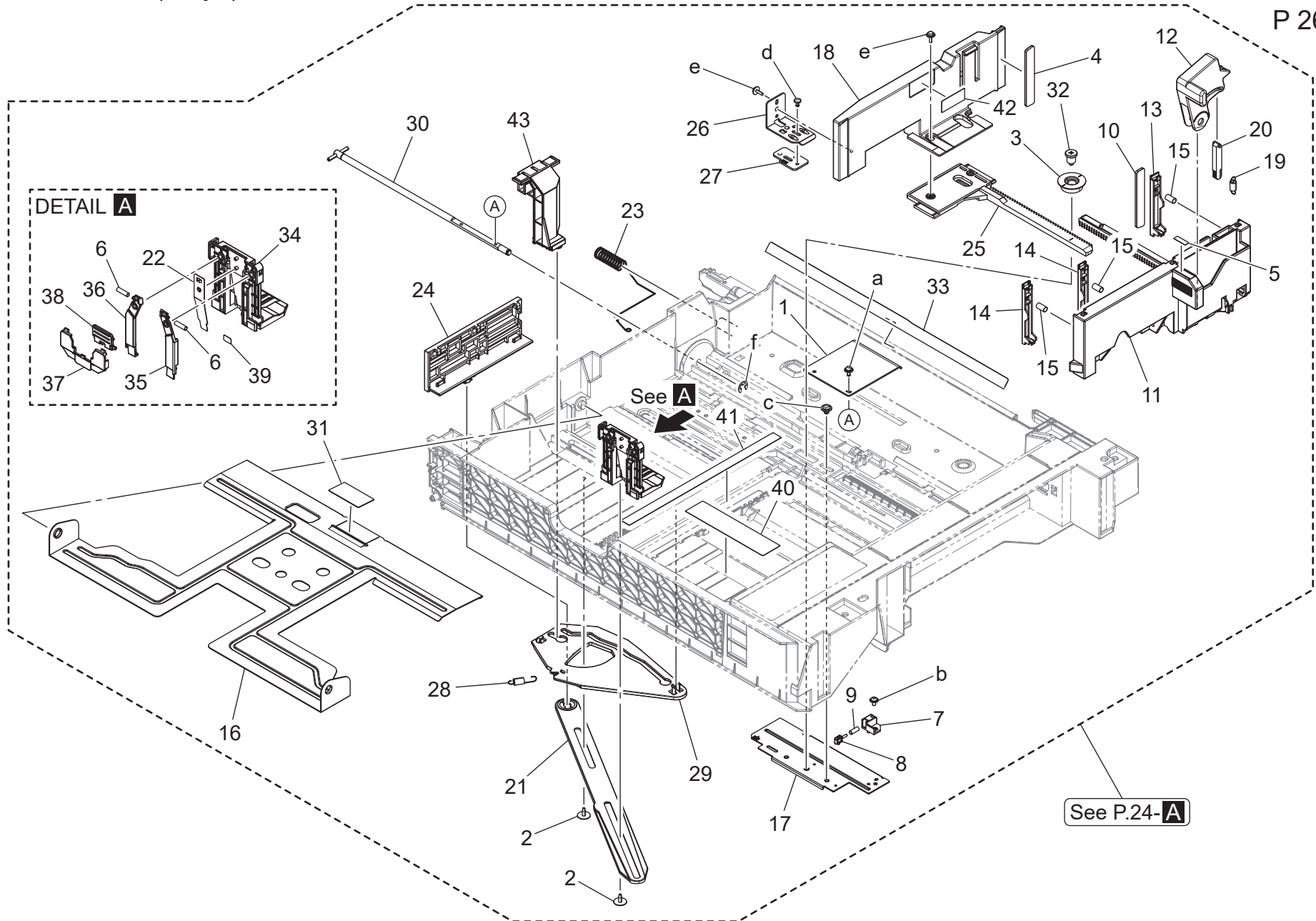


# Cassette Section (Tray1)

Key	Part No.	Description	Destinations	Class	QTY	Standard parts
1	A161623400	Roll		D	1	a-V153030803
2	A161626602	Lever		C	1	
3	A161626800	Pulling Coil spring		C	1	
4	ACM1PP3000	Label		D	1	
5	A7AH620200	CASSETTE : 1st : PAPER FEED		D	1	
6	A7AH622901	Slide Part		D	2	
7	A7AH623201	Rail /Left		D	1	
8	A7AH623400	Rail		D	1	
9	A7AH624100	Lever		C	1	
10	A7AH629901	Roll		C	1	
11	A7AH941101	Label 1		C	1	
12	ACM1PP2300	Holder		D	1	
13	ACM1PP2400	Cover/ Upper		D	1	
14	ACM1PP2500	Handle		D	1	
15	ACM1PP2600	Handle		D	1	

# Cassette Section (Tray1)

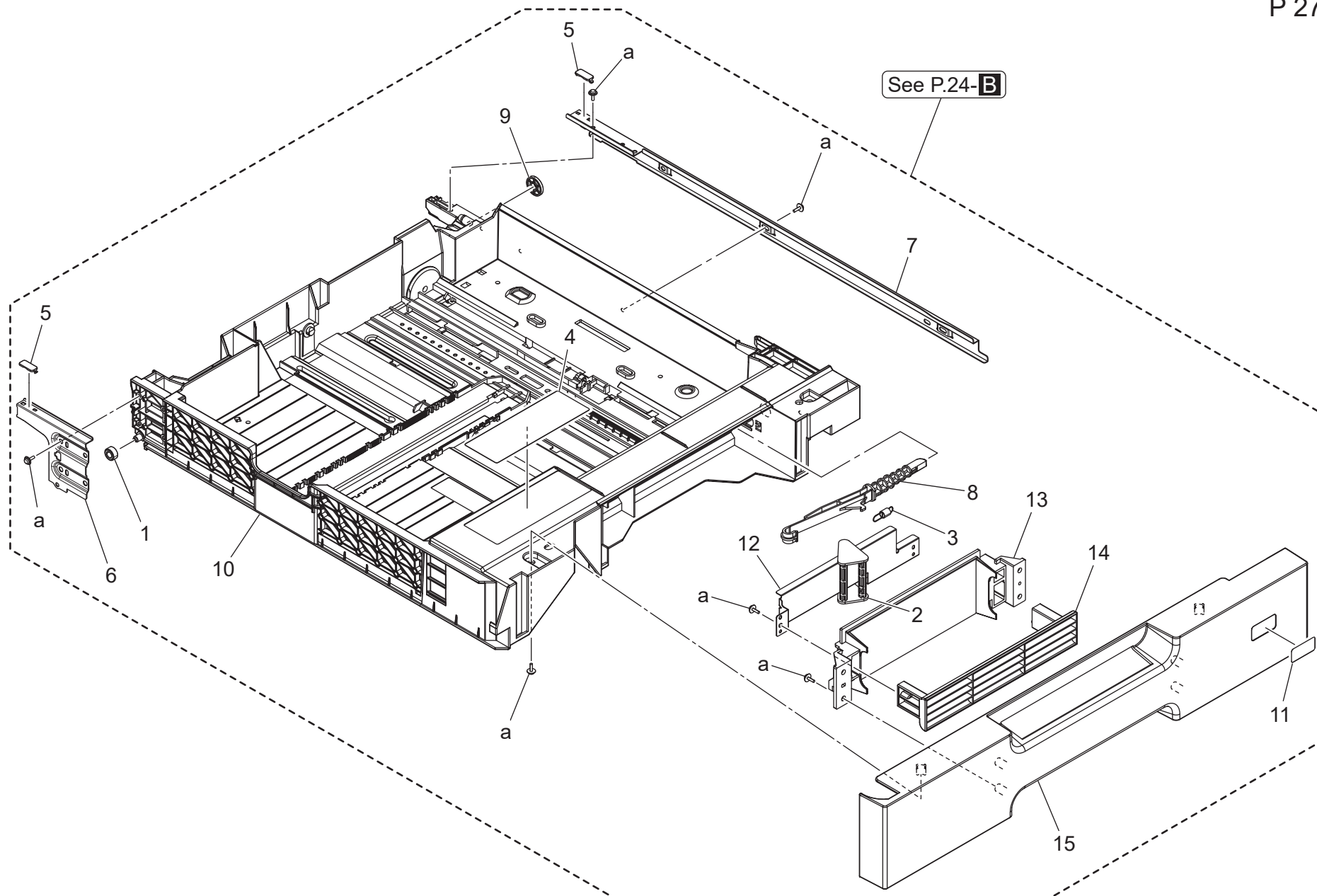
P 26



bizhub C227i

Key	Part No.	Description	Destinations	Class	QTY	Standard parts
1	4030320601	LEVER		D	1	a-V125030803
2	4163529301	SCREW		C	2	b-V127030604
3	A161620701	Gear		D	1	c-V127040603
4	A161624100	Cushion		C	1	d-V143030603
5	A161943000	Label		C	1	e-V153030803
6	A795565500	Compressing Spring		C	2	f-V217040003
7	A795565700	Holder		C	1	
8	A795565800	Lever		C	1	
9	A795565900	Compressing Spring		C	1	
10	A795566000	Cushion		C	1	
11	A795620800	Regulating Plate		C	1	
12	A795621301	Operation Lever		C	1	
13	A795622500	Auxiliary Guide /1		C	1	
14	A795622600	Auxiliary Guide /2		C	2	
15	A795622700	Compressing Spring		C	3	
16	A7AH620400	Lifting Plate		D	1	
17	A7AH620500	ADJUSTING PLATE : SIDE FENCE : CASS ETTE		D	1	
18	A7AH620913	Regulating Plate /Rear		C	1	
19	A7AH621000	Pulling Coil spring		C	1	
20	A7AH621200	Lock Lever		D	1	
21	A7AH621401	Lever		D	1	
22	A7AH621801	Plate spring		D	1	
23	A7AH622100	Ground Spring		C	1	
24	A7AH622201	Detecting Plate		D	1	
25	A7AH622401	Regulating Plate /Rear		C	1	
26	A7AH622600	Mounting Plate		D	1	
27	A7AH622700	Adjusting Plate		D	1	
28	A7AH623700	Pulling Coil spring		C	1	
29	A7AH624500	LEVER : PAPER SIZE : CD dir : CASSE TTE		D	1	
30	A7AH624600	SHAFT :LIFTING :BOTTOM PLATE :ASSY		D	1	
31	A7AH627000	Separating Sheet		C	1	
32	A7AH628200	Shoulder screw		C	1	
33	A7AH629600	Guide		C	1	
34	A7AH635000	BASE : END FENCE : CASSETTE		D	1	
35	A7AH635100	STOPPER : END FENCE : FRONT		D	1	
36	A7AH635200	STOPPER : END FENCE : REAR		D	1	
37	A7AH635300	COVER : END FENCE : CASSETTE		D	1	
38	A7AH635400	LEVER : END FENCE : CASSETTE		D	1	
39	A7AH941300	Label Position		C	1	
40	A7AH943401	Label		C	1	
41	A7AH943501	Label		C	1	
42	AA2J943701	Label		D	1	
43	ACM1PP2200	Lever		C	1	

# Cassette Section (Tray2)



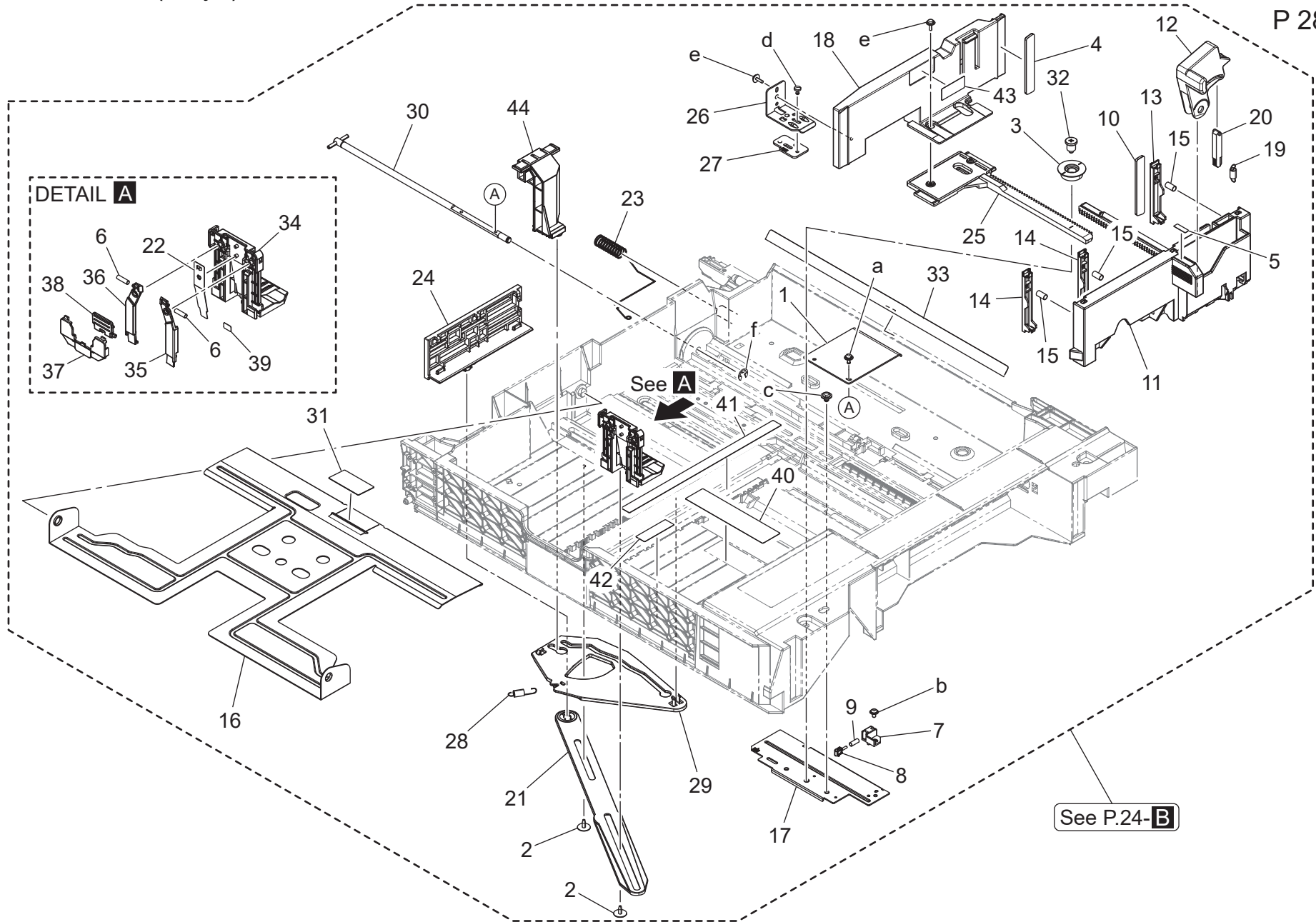
Cassette Section (Tray2)

Key	Part No.	Description	Destinations	Class	QTY	Standard parts
1	A161623400	Roll		D	1	a-V153030803
2	A161626602	Lever		C	1	
3	A161626800	Pulling Coil spring		C	1	
4	ACM1PP3000	Label		D	1	
5	A7AH622901	Slide Part		D	2	
6	A7AH623201	Rail /Left		D	1	
7	A7AH623400	Rail		D	1	
8	A7AH624200	Lever		C	1	
9	A7AH629901	Roll		C	1	
10	A7AH630200	CASSETTE : 2nd : PAPER FEED		D	1	
11	A7AH941201	Label 2		C	1	
12	ACM1PP2300	Holder		D	1	
13	ACM1PP2500	Handle		D	1	
14	ACM1PP2600	Handle		D	1	
15	ACM1PP2700	Cover/ Lower		D	1	



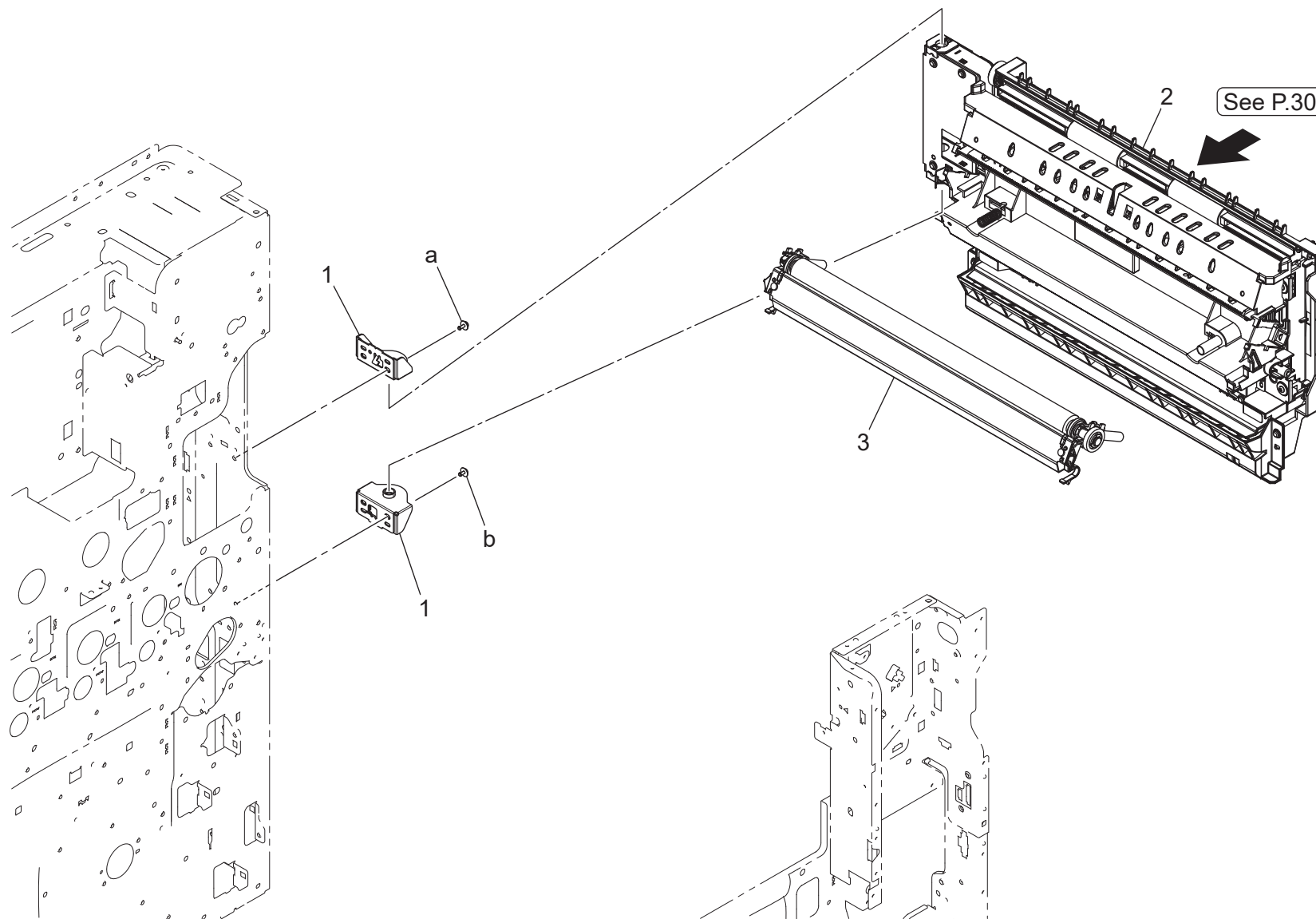
# Cassette Section (Tray2)

P 28



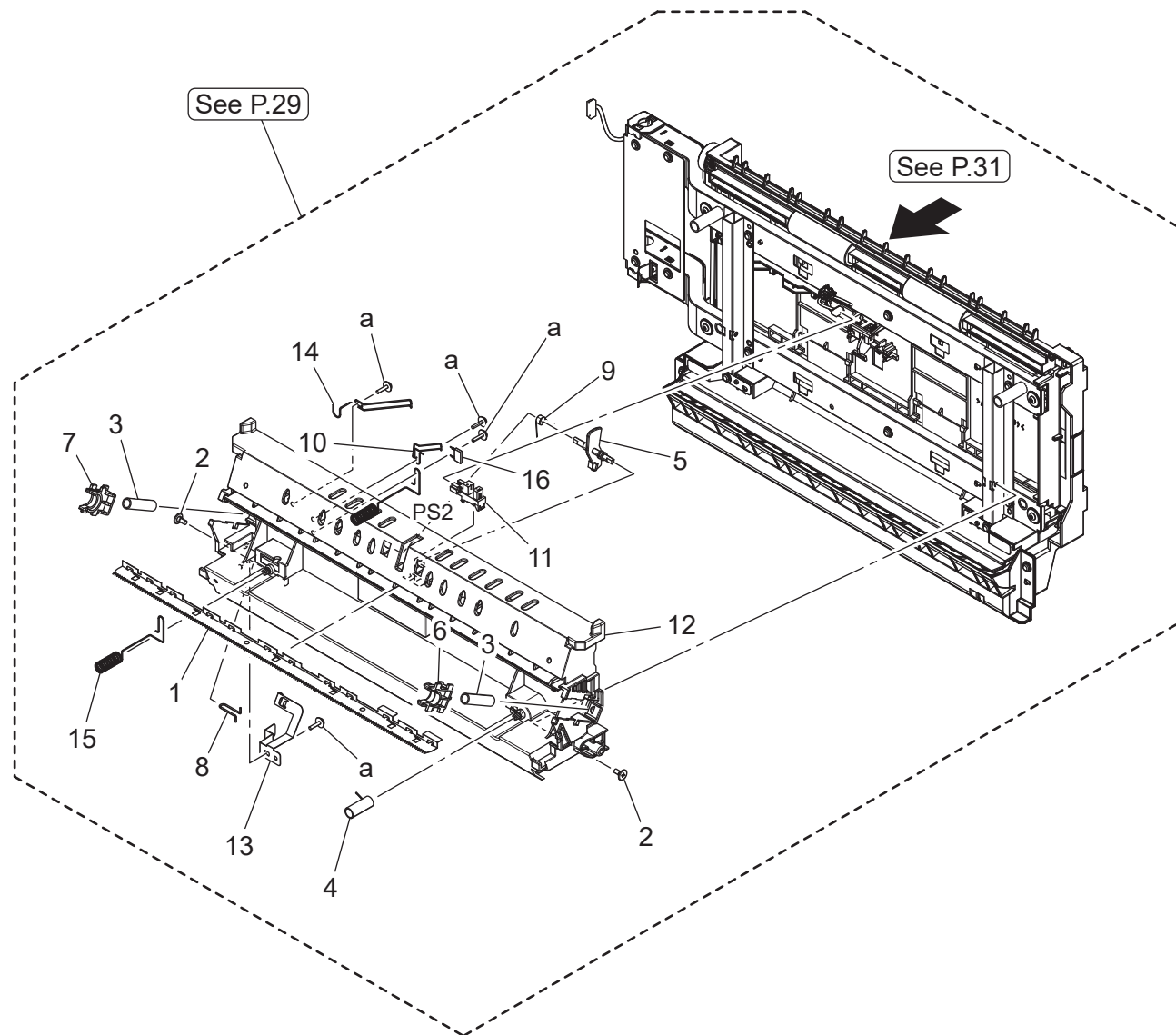
Key	Part No.	Description	Destinations	Class	QTY	Standard parts
1	4030320601	LEVER		D	1	a-V125030803
2	4163529301	SCREW		C	2	b-V127030604
3	A161620701	Gear		D	1	c-V127040603
4	A161624100	Cushion		C	1	d-V143030603
5	A161943000	Label		C	1	e-V153030803
6	A795565500	Compressing Spring		C	2	f-V217040003
7	A795565700	Holder		C	1	
8	A795565800	Lever		C	1	
9	A795565900	Compressing Spring		C	1	
10	A795566000	Cushion		C	1	
11	A795620800	Regulating Plate		C	1	
12	A795621301	Operation Lever		C	1	
13	A795622500	Auxiliary Guide /1		C	1	
14	A795622600	Auxiliary Guide /2		C	2	
15	A795622700	Compressing Spring		C	3	
16	A7AH620400	Lifting Plate		D	1	
17	A7AH620500	ADJUSTING PLATE : SIDE FENCE : CASS ETTE		D	1	
18	A7AH620913	Regulating Plate /Rear		C	1	
19	A7AH621000	Pulling Coil spring		C	1	
20	A7AH621200	Lock Lever		D	1	
21	A7AH621401	Lever		D	1	
22	A7AH621801	Plate spring		D	1	
23	A7AH622100	Ground Spring		C	1	
24	A7AH622201	Detecting Plate		D	1	
25	A7AH622401	Regulating Plate /Rear		C	1	
26	A7AH622600	Mounting Plate		D	1	
27	A7AH622700	Adjusting Plate		D	1	
28	A7AH623700	Pulling Coil spring		C	1	
29	A7AH624500	LEVER : PAPER SIZE : CD dir : CASSE TTE		D	1	
30	A7AH624600	SHAFT :LIFTING :BOTTOM PLATE :ASSY		D	1	
31	A7AH627000	Separating Sheet		C	1	
32	A7AH628200	Shoulder screw		C	1	
33	A7AH629600	Guide		C	1	
34	A7AH635000	BASE : END FENCE : CASSETTE		D	1	
35	A7AH635100	STOPPER : END FENCE : FRONT		D	1	
36	A7AH635200	STOPPER : END FENCE : REAR		D	1	
37	A7AH635300	COVER : END FENCE : CASSETTE		D	1	
38	A7AH635400	LEVER : END FENCE : CASSETTE		D	1	
39	A7AH941300	Label Position		C	1	
40	A7AH943401	Label		C	1	
41	A7AH943501	Label		C	1	
42	A7AH943602	Label		C	1	
43	AA2J943701	Label		D	1	
44	ACM1PP2200	Lever		C	1	

# Vertical Conveyance Section



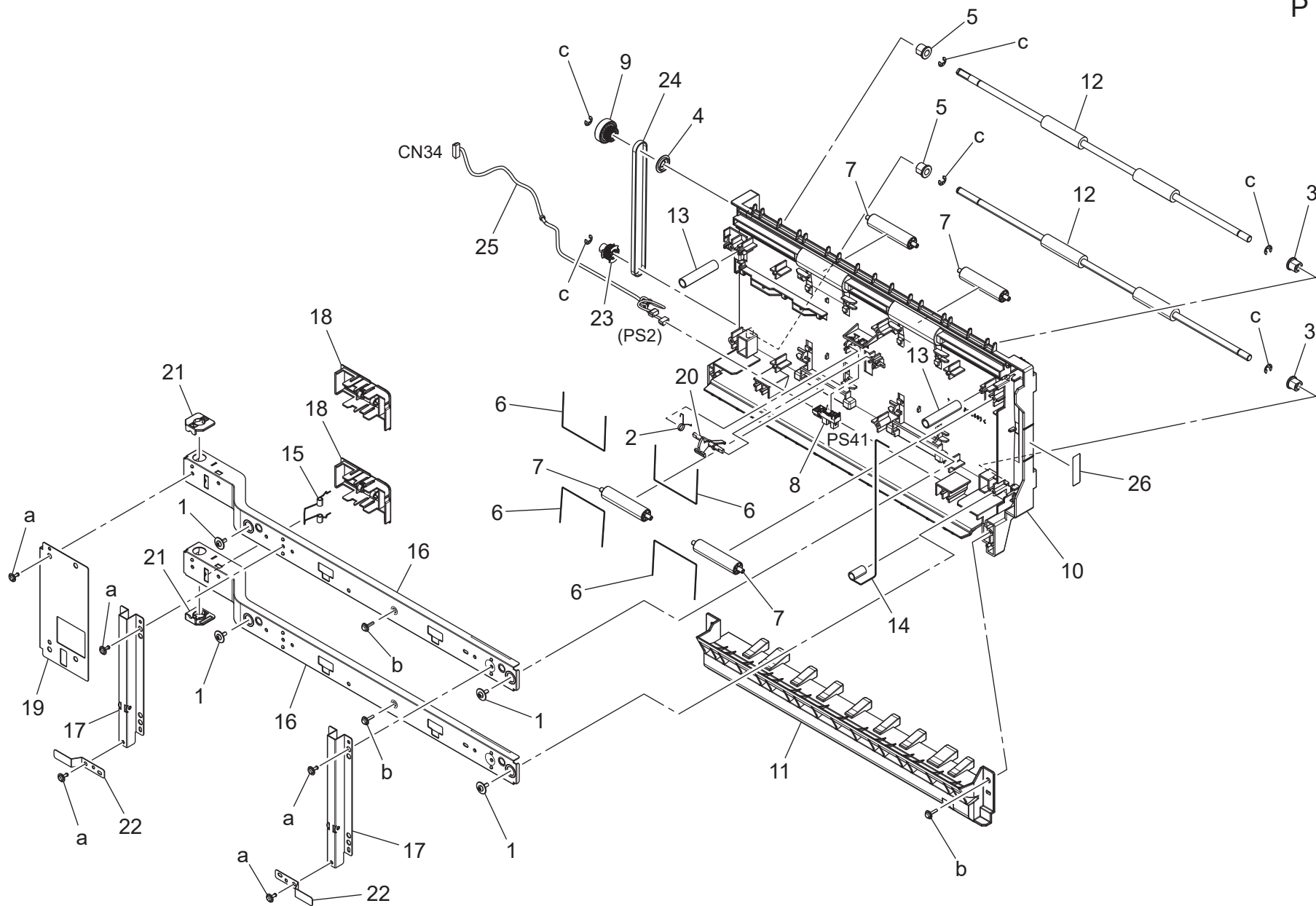
# Vertical Conveyance Section

Key	Part No.	Description	Destinations	Class	QTY	Standard parts
1	A797108300	Adjusting Plate		D	2	a-V125030803 b-V127030604
2	A797F71003	Vertical Transport Assy		S	1	
3	A161R71433	2nd Image Transfer Rollor Assy		A	1	



Key	Part No.	Description	Destinations	Class	QTY	Standard parts
1	1164420204	NEUTRALIZING NEEDLE		D	1	a-V153031004
2	4011585202	SHOULDER SCREW		C	2	
3	A0ED551000	Compressing Coil spring /2		C	2	
4	A0ED551100	Compressing Coil spring		D	1	
5	A0ED703800	Actuator		D	1	
6	A161550700	Transfer Holder /2		C	1	
7	A161551500	Transfer Holder /2		C	1	
8	A161712401	Ground Spring /A		D	1	
9	A161712700	Spring /C		D	1	
10	A5C1711000	Ground Spring /B		D	1	
11	A5C1M50100	Photointerrupter		B	1	
12	A797710100	Holder /A		D	1	
13	A797710900	Ground Plate /A		D	1	
14	A797711100	Ground Contact /C		C	1	
15	A797712500	Ground Spring /C		C	1	
16	V800500300	FIXED POWER RESISTORS		D	1	

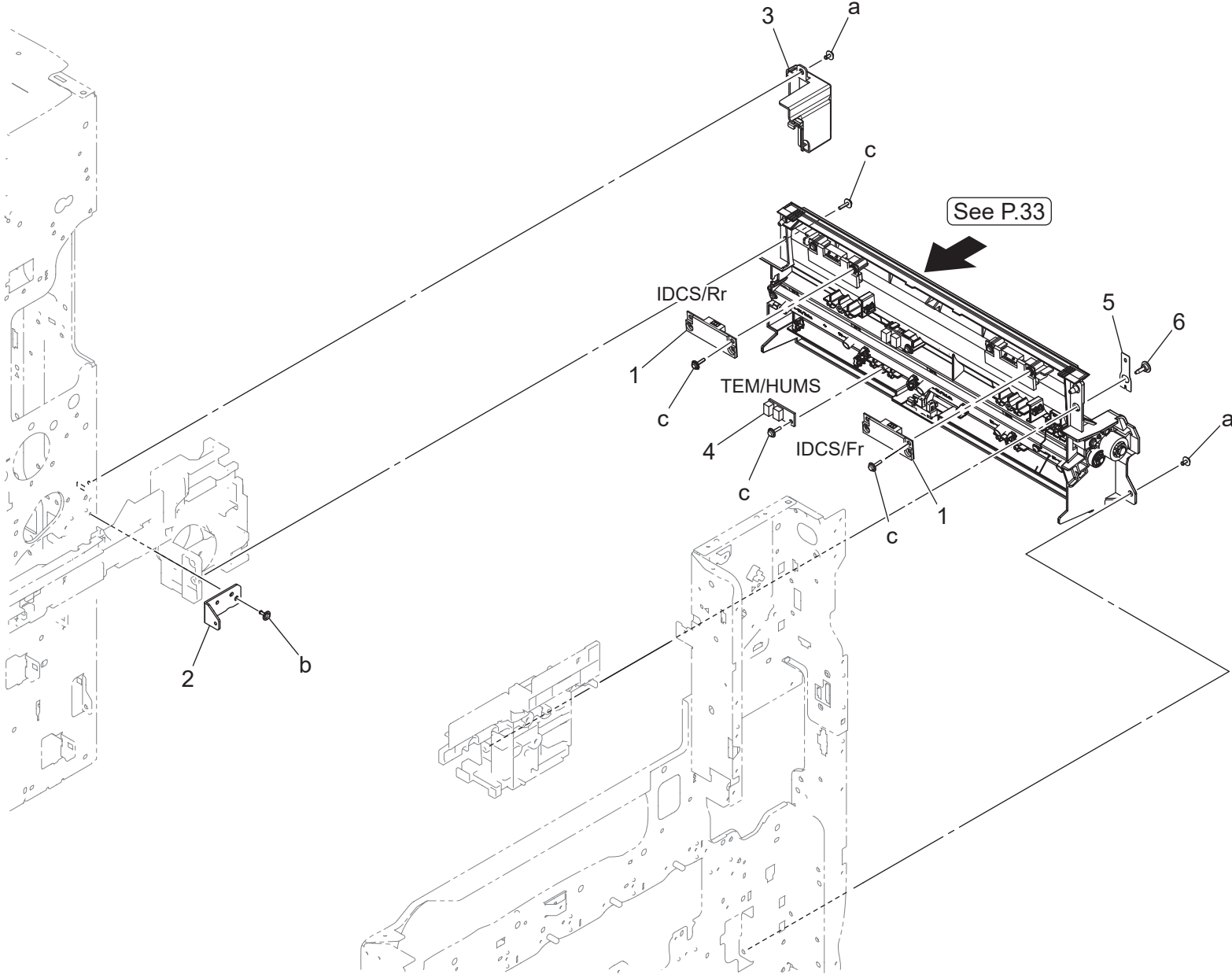
# Vertical Conveyance Section



Key	Part No.	Description	Destinations	Class	QTY	Standard parts
1	4163529301	SCREW		C	4	a-V144030803 b-V153031004 c-V217040003
2	A02E813100	Torsion spring		D	1	
3	A02E815200	Bushing		C	2	
4	A0ED811900	Collar		D	1	
5	A161713100	Bushing /1		D	2	
6	A161714600	Conveyance Spring /B		D	4	
7	A161825700	Idler Roller /A		D	4	
8	A5C1M50100	Photointerrupter		B	1	
9	A797709100	Gear 20T		C	1	
10	A797710201	Guide Plate /A		D	1	
11	A797710300	Guide Plate /B		D	1	
12	A797710500	Roller /A		C	2	
13	A797711200	Pressing Spring		C	2	
14	A797712000	Ground Plate /D		D	1	
15	A797712900	Ground Spring /D		C	1	
16	A797715300	Hold Plate		D	2	
17	A797715400	Mounting Plate /Front		D	2	
18	A797715700	Cover		D	2	
19	A797715800	Mounting Plate		D	1	
20	A797716000	Actuator		C	1	
21	A797716100	Collar		D	2	
22	A797716200	Plate spring		D	2	
23	A797716300	Pulley 22T		C	1	
24	A797719000	Drive Belt /A		C	1	
25	A797N10K00	Conveyance Wiring /2		D	1	
26	AA2J946400	Label		C	1	

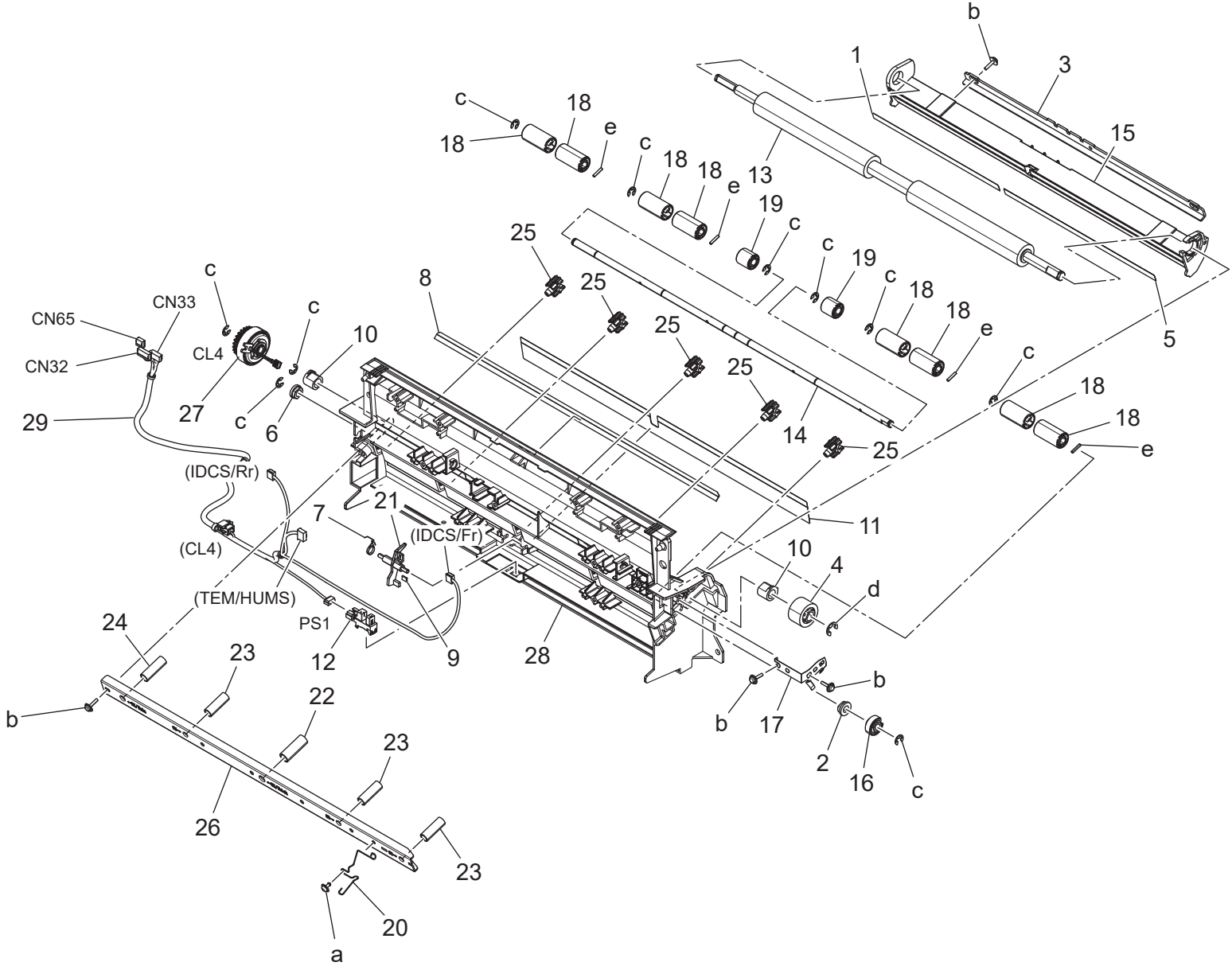


Conveyance Section



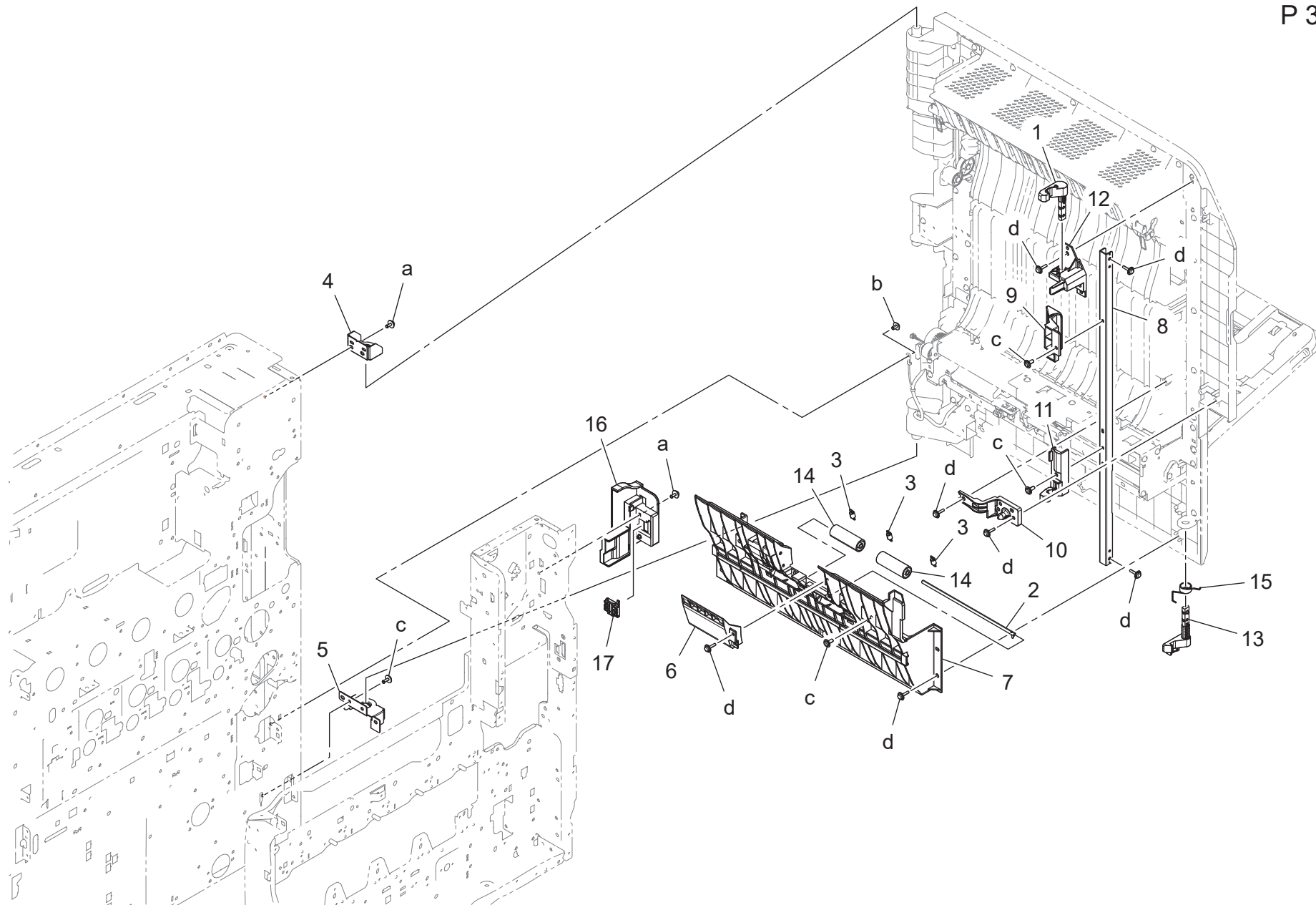
# Conveyance Section

Key	Part No.	Description	Destinations	Class	QTY	Standard parts
1	A161M50300	Photo sensing		I	2	a-V127030604 b-V144030803 c-V153031004
2	A797102400	Mounting Plate		D	1	
3	A797701200	Cover		D	1	
4	A7AHM50400	Humidity sensor		I	1	
5	A7PU701100	Plate spring		D	1	
6	A7PU701200	Shoulder screw		C	1	

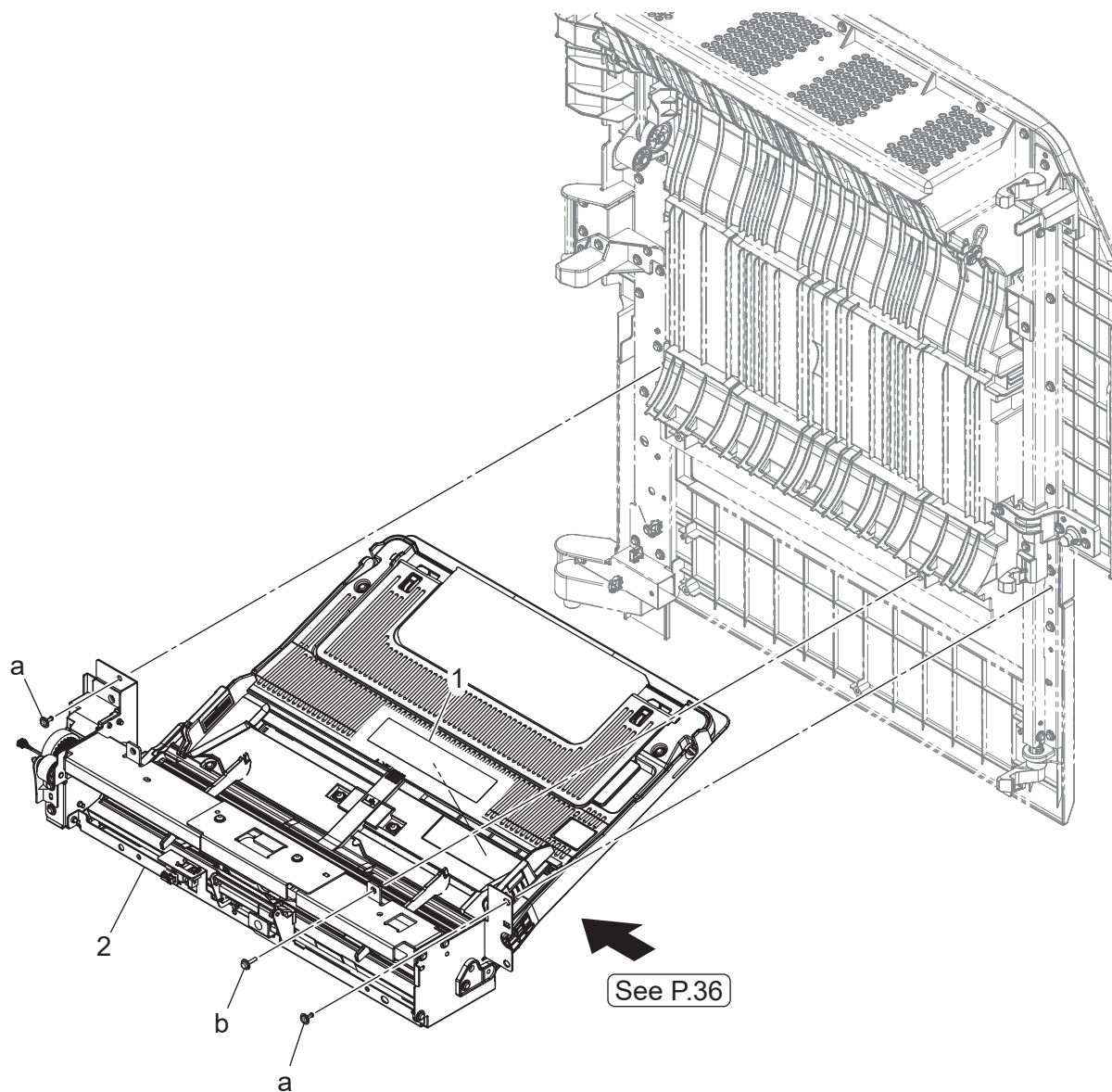


Key	Part No.	Description	Destinations	Class	QTY	Standard parts
1	4038353701	GUIDE		C	1	a-V127030604 b-V153031004 c-V217040003 d-V217060003 e-V234201050
2	A02E596300	Bushing		C	1	
3	A02E712902	Reinforce Plate		D	1	
4	A0ED700300	Gear 20T		D	1	
5	A0ED700600	Guide Sheet		D	1	
6	A161210200	Bushing		D	1	
7	A161701100	Spring /A		C	1	
8	A161701301	Guide Sheet /A		C	1	
9	A161702101	Cushion /C		C	1	
10	A161702200	Bushing		C	2	
11	A5C1701400	Guide Sheet /B		D	1	
12	A5C1M50100	Photointerrupter		B	1	
13	A797700200	Roller		C	1	
14	A797700502	Shaft		D	1	
15	A797700601	Guide Plate /Middle		D	1	
16	A797700700	Gear 14T		C	1	
17	A797700801	Ground Spring /D		D	1	
18	A797701000	Roll		C	8	
19	A797701500	Roll		C	2	
20	A797701601	Torsion Coil spring		D	1	
21	A797701700	Actuator /T		C	1	
22	A797702000	Pressing Spring /A		C	1	
23	A797702500	Pressing Spring /B		C	3	
24	A797702600	Pressing Spring /C		C	1	
25	A797702701	Bushing		C	5	
26	A797703001	Mounting Plate		D	1	
27	A7AHM20401	Clutch		C	1	
28	A90G700100	Guide Plate /Inside		D	1	
29	A90GPP3200	Harness /Conveyance 1		D	1	

# Vertical Conveyance Door Section

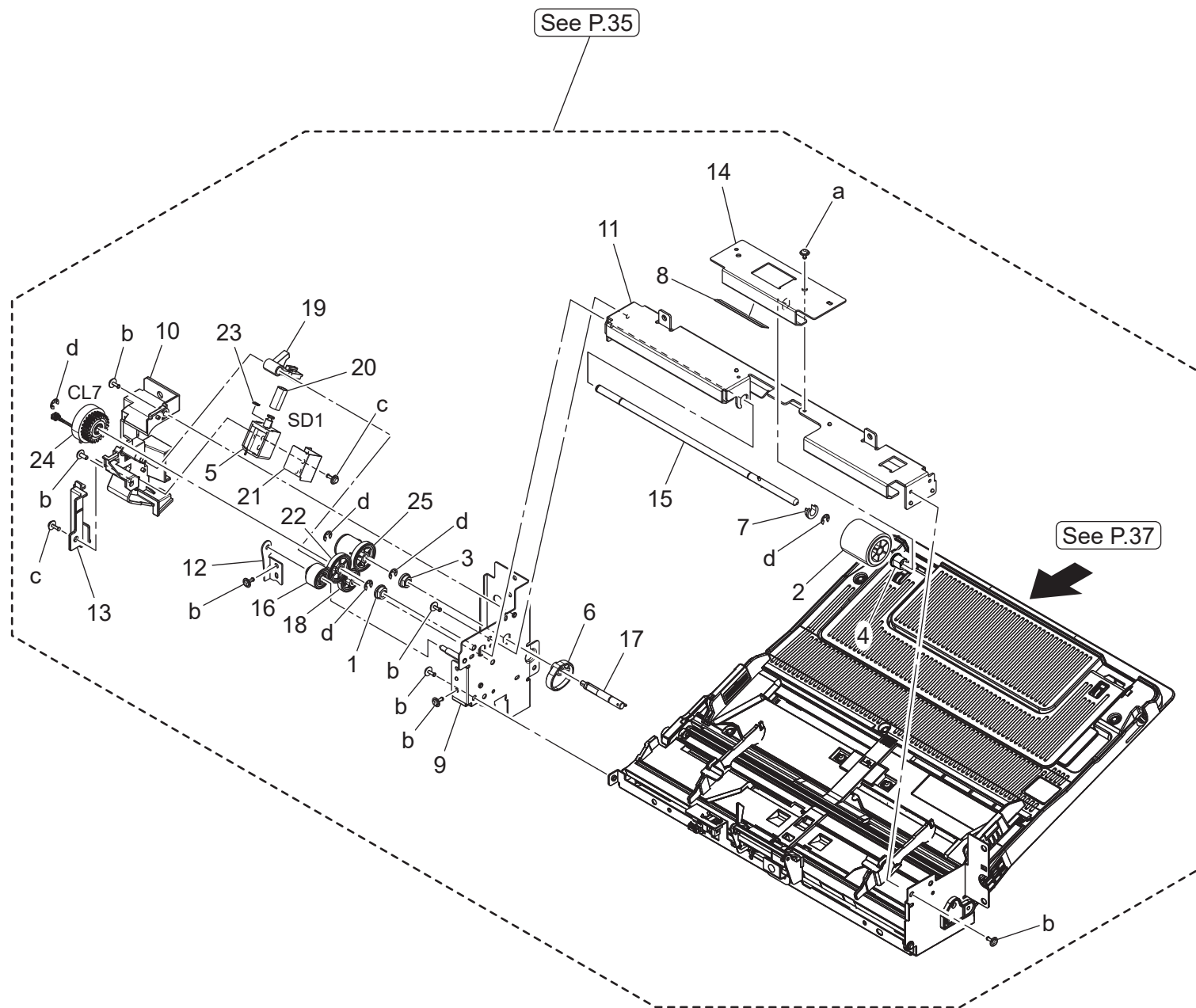


Key	Part No.	Description	Destinations	Class	QTY	Standard parts
1	A0ED712100	Lock Claw		C	1	a-V125030803 b-V127030604 c-V144030803 d-V153031004
2	A161815300	Shaft		D	1	
3	A64J815500	Pulling Spring		C	3	
4	A797108100	Adjusting Plate		D	1	
5	A797108200	Adjusting Plate		D	1	
6	A797600700	Paper feed Guide		D	1	
7	A797810401	Paper feed Guide		D	1	
8	A797811000	Lock Plate		D	1	
9	A797811100	Open/close Handle		C	1	
10	A797811300	Lock Part /Lower		D	1	
11	A797811400	Lock /Middle		C	1	
12	A797811500	Support Part /Upper		D	1	
13	A797811600	Lock Claw /Lower		C	1	
14	A797815400	Roll		C	2	
15	A797815901	Torsion Coil spring		C	1	
16	A92T108400	Holder		D	1	
17	A92T108500	Collar		D	1	



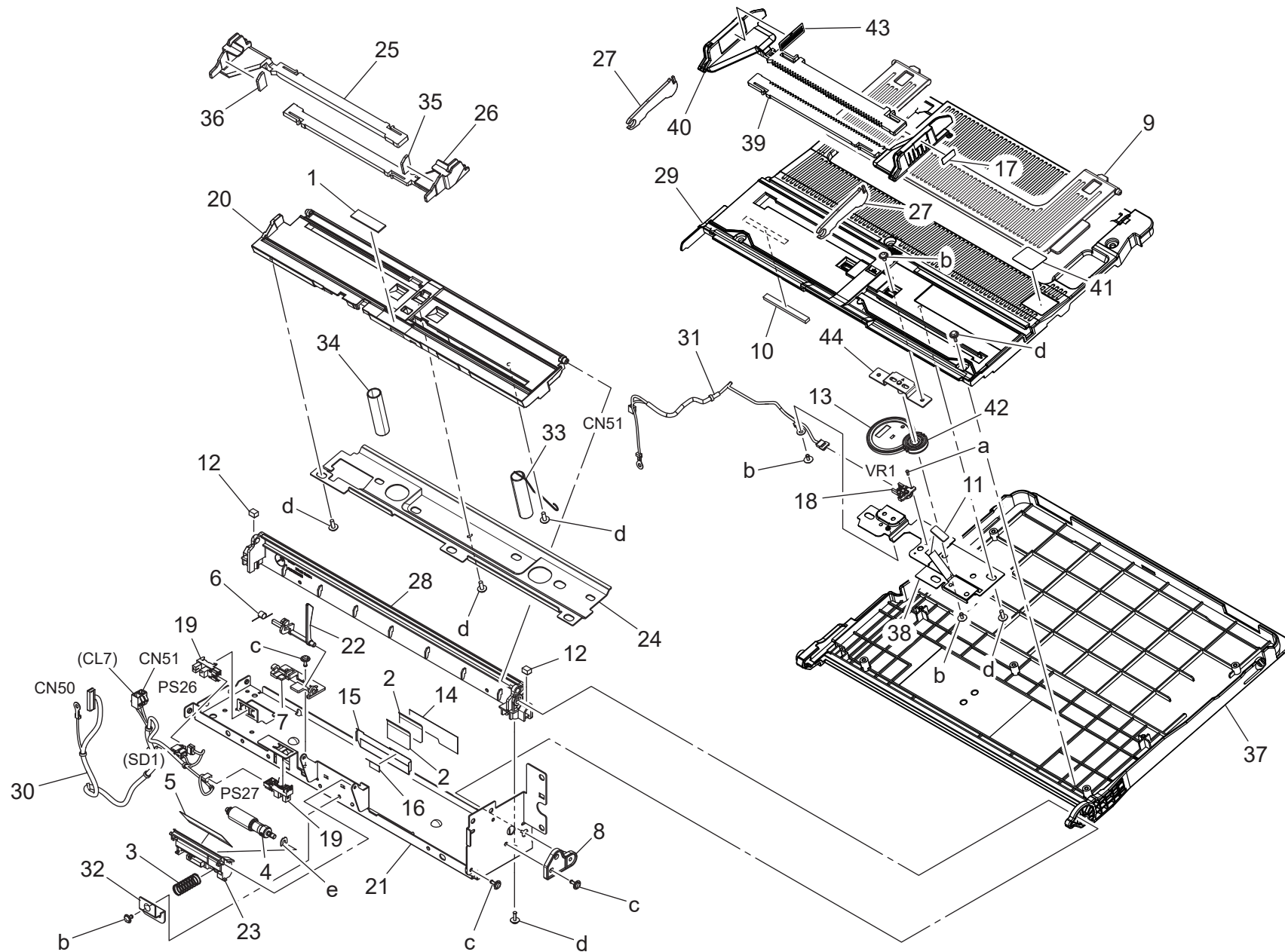
Key	Part No.	Description	Destinations	Class	QTY	Standard parts
1	A797944101	Label Metric		C	1	a-V144030803
2	A797R74000	Bypass ASSY-R		S	1	b-V153031004





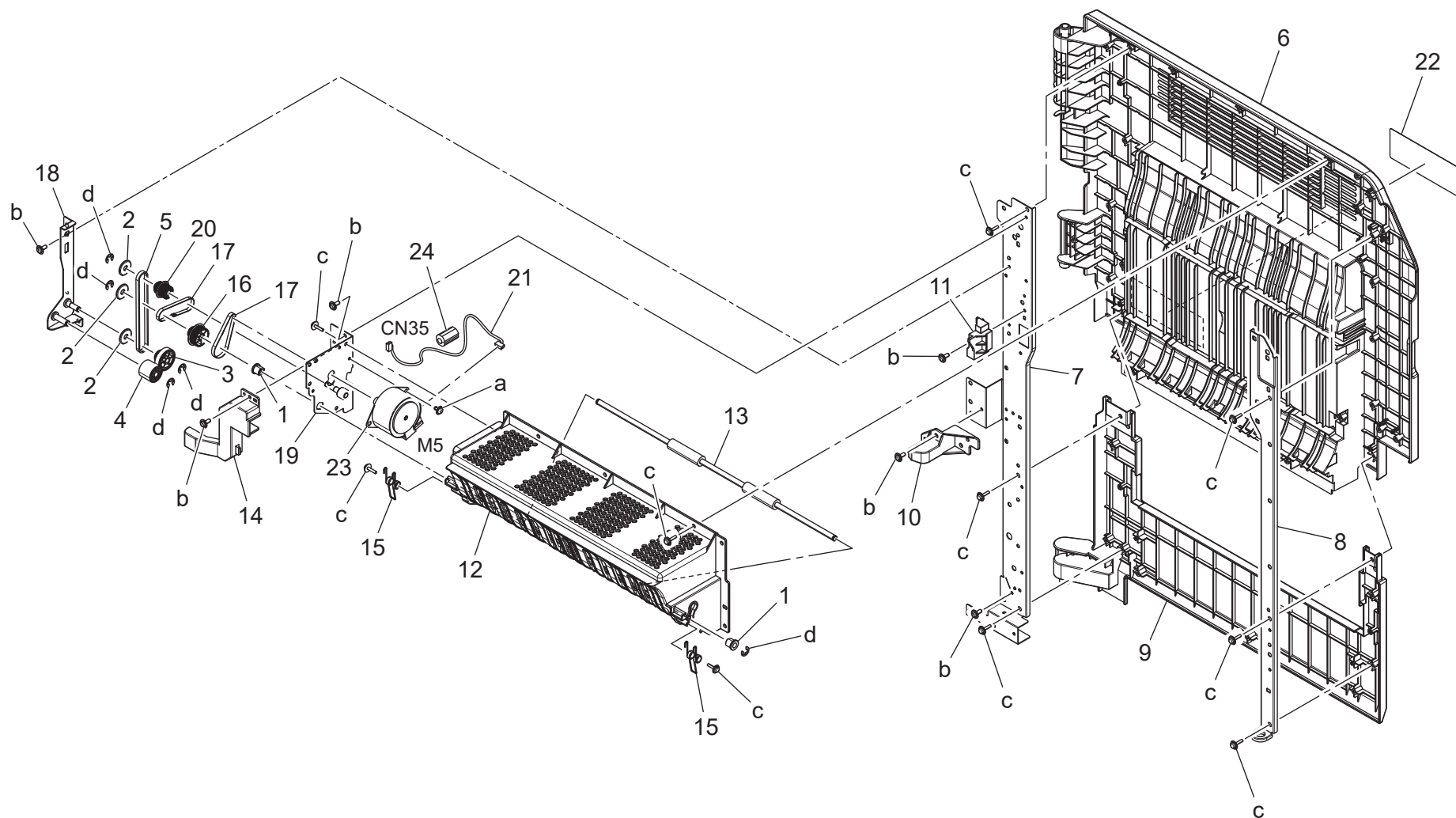
Key	Part No.	Description	Destinations	Class	QTY	Standard parts
1	1134304301	BUSHING		C	1	a-V127030604 b-V144030803 c-V153030803 d-V217040003
2	A00F623201	Roller		B	1	
3	A02E596300	Bushing		C	1	
4	A02E815200	Bushing		C	1	
5	A034M20100	Conveyance Solenoid		C	1	
6	A161593300	Paper feed Cam		C	1	
7	A161594400	Slide Stopper		C	1	
8	A161594700	Guide Sheet		C	1	
9	A797600500	Drive Frame		D	1	
10	A797600800	Drive Cover		D	1	
11	A797603000	Mounting Plate		D	1	
12	A797604100	Reinforce Plate		D	1	
13	A797605101	Bypass Cover		D	1	
14	A7AH600300	Holder		D	1	
15	A7AH601100	Paper feed Shaft		D	1	
16	A7AH602200	Bypass Gear		C	1	
17	A7AH602701	Shaft		D	1	
18	A7AH603000	Gear 20T		C	1	
19	A7AH603100	Lever		C	1	
20	A7AH603200	Compressing Coil spring		C	1	
21	A7AH604300	Cover		D	1	
22	A7AH604700	Gear 24T		C	1	
23	A7AH604900	Seal		C	1	
24	A7AHM20401	Clutch		C	1	
25	A7AHR72711	Clutch Assy		C	1	

# Manual Bypass Tray Section



Key	Part No.	Description	Destinations	Class	QTY	Standard parts
1	0978381113	FRICITION SHEET		C	1	a-V111170403 b-V127030604 c-V144030803 d-V153030803 e-V218030086
2	4030340301	GUIDE		C	2	
3	4030347501	PRESSURE SPRING		C	1	
4	4658015106	Roller Assy		A	1	
5	A02E597600	Guide		C	1	
6	A161591000	Torsion Spring		C	1	
7	A161591100	Sensor Holder		D	1	
8	A161591600	Hold Plate		C	1	
9	A161592200	Auxiliary Tray		C	1	
10	A161592600	Holding Cover /2		D	1	
11	A161593800	Friction Plate		C	1	
12	A161594201	Cushion		D	2	
13	A161594300	Regulating Gear 41T		C	1	
14	A161595100	Seal		C	1	
15	A161595300	Separating Plate		C	1	
16	A161595600	Slide Guide		C	1	
17	A161943000	Label		C	1	
18	A161M50400	Volume		D	1	
19	A5C1M50100	Photointerrupter		B	2	
20	A797600202	Lifting Plate		D	1	
21	A797600600	Frame		D	1	
22	A797601200	Actuator		C	1	
23	A797601300	Paper feed Holder		D	1	
24	A797603200	Mounting Plate		D	1	
25	A797603301	Regulating Plate /R		C	1	
26	A797603401	Regulating Plate /L		C	1	
27	A797603701	Lever		C	2	
28	A797604200	Support Holder		C	1	
29	A797606200	Bypass Tray /Upper		C	1	
30	A797N10R01	Paperfeed Drive harness		D	1	
31	A797N10S00	Paperfeed Detection harness /3		D	1	
32	A7AH601400	Hold Plate		D	1	
33	A7AH603300	Compressing Coil spring		C	1	
34	A7AH603400	Compressing Coil spring		C	1	
35	A7AH604401	Brake Part /F		C	1	
36	A7AH604501	Brake Part		C	1	
37	A7AH606100	COVER : TRAY : MPT		C	1	
38	A7AH606400	BKT : SENSOR : TRAY : MPT : ASSY		D	1	
39	A7AH606600	FRONT FENCE : TRAY : MPT		D	1	
40	A7AH606700	REAR FENCE : TRAY : MPT		D	1	
41	A7AH943701	Label		C	1	
42	A7PU593500	Gear		C	1	
43	ACM1944500	Label		D	1	
44	A7PUF60001	Mounting Plate		D	1	

# Reversal Section

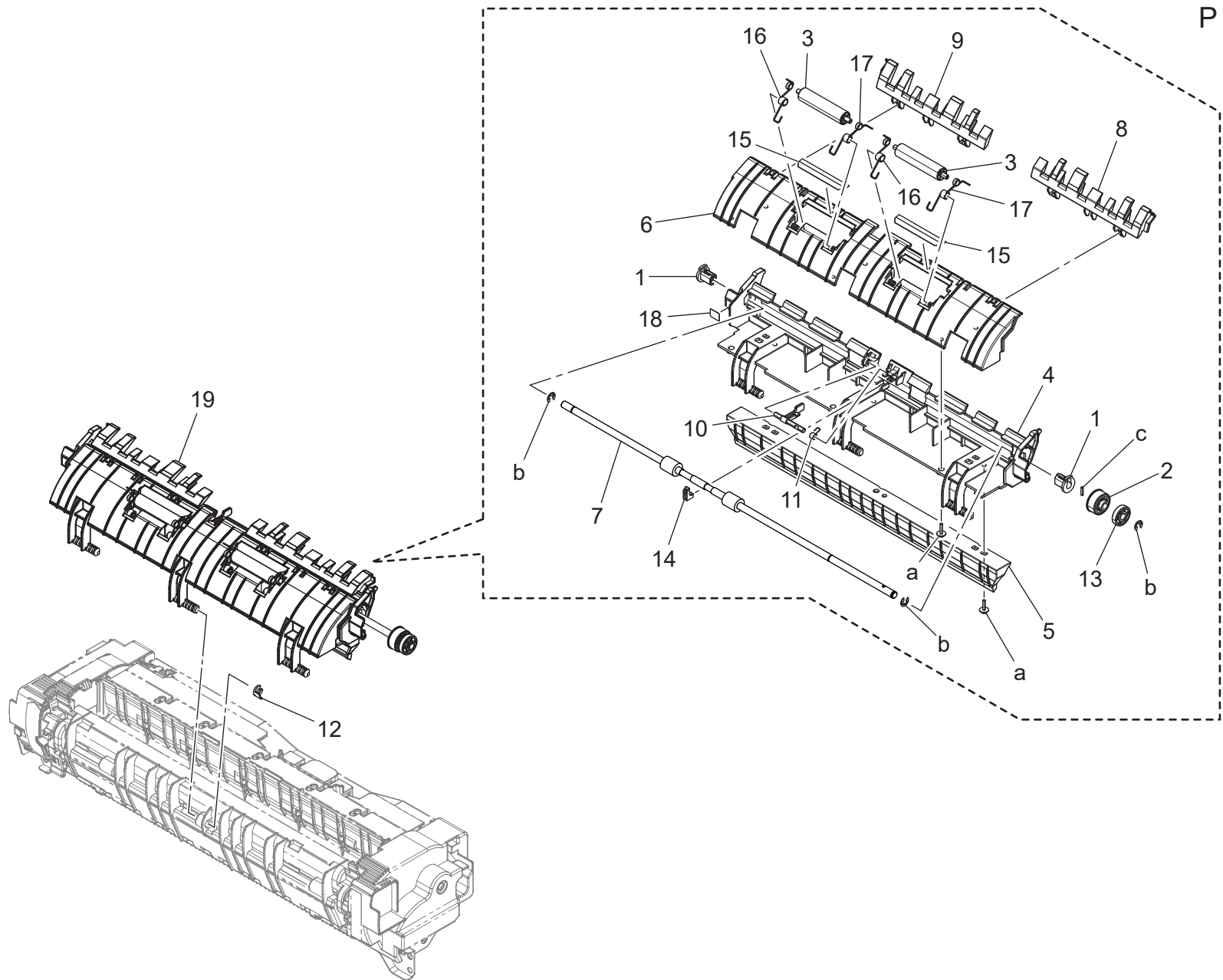


Key	Part No.	Description	Destinations	Class	QTY	Standard parts
1	A02E815200	Bushing		C	2	a-V127030604 b-V144030803 c-V153031004 d-V217040003
2	A161813801	Collar /A		C	3	
3	A797717100	Gear 24T		C	1	
4	A797717200	Gear 18T		C	1	
5	A797717300	Drive Belt /B		C	1	
6	A797810102	Guide Door /Right		C	1	
7	A797810200	Reinforce Plate /Rear		D	1	
8	A797810300	Reinforce Plate /Front		D	1	
9	A797811700	Guide Door /Lower		C	1	
10	A797811801	Support Part		D	1	
11	A797811901	Guide		D	1	
12	A797813101	Guide Plate /4		D	1	
13	A797813901	Roller /B		C	1	
14	A797814201	Cover /B		D	1	
15	A797814400	Pressing Spring /A		C	2	
16	A797815100	Pulley 20/35T		C	1	
17	A797815300	Timing belt 126L		C	2	
18	A797816000	Mounting Plate		D	1	
19	A797816100	Panel /Rear		D	1	
20	A797816200	Pulley		D	1	
21	A797N10M01	ADU Drive harness		D	1	
22	A7AH943001	Label Paper supply		C	1	
23	A7PUM10400	Stepping motor		C	1	
24	ACM1PP4300	Ferritecore		D	1	

# Reversal Section



P 39

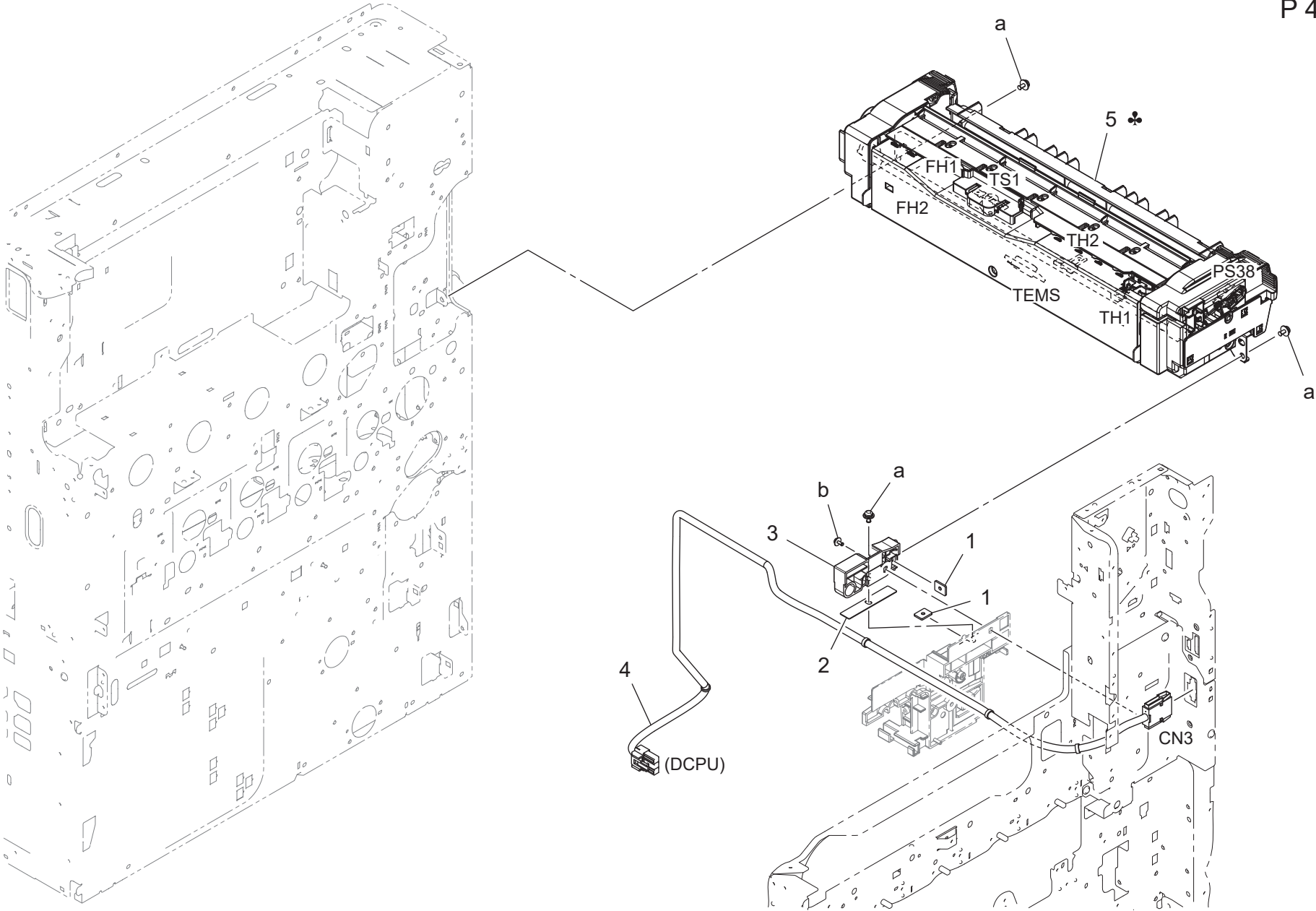


# Reversal Section

Key	Part No.	Description	Destinations	Class	QTY	Standard parts
1	4030581101	BUSHING		C	2	a-V153031004 b-V217040003 c-V234200850
2	A161819200	Gear 18T		C	1	
3	A161825700	Idler Roller /A		D	2	
4	A797812102	Guide Plate /1		D	1	
5	A797812202	Guide Plate /2		D	1	
6	A797812300	Guide Plate /3		D	1	
7	A797812402	Roller /1		C	1	
8	A797812500	Guide Plate		D	1	
9	A797812600	Guide Plate		D	1	
10	A797812700	Actuator		C	1	
11	A797812800	Torsion Coil spring		C	1	
12	A797813000	Ring		C	1	
13	A797814600	Spacer		C	1	
14	A797815500	Bushing		C	1	
15	A797815600	Guide		C	2	
16	A797815700	Torsion Coil spring /Front		C	2	
17	A797815800	Torsion Coil spring /Rear		C	2	
18	A797946501	Label M2		C	1	
19	A797F83005	Paper Exit Front ASSY		D	1	



Fusing Section

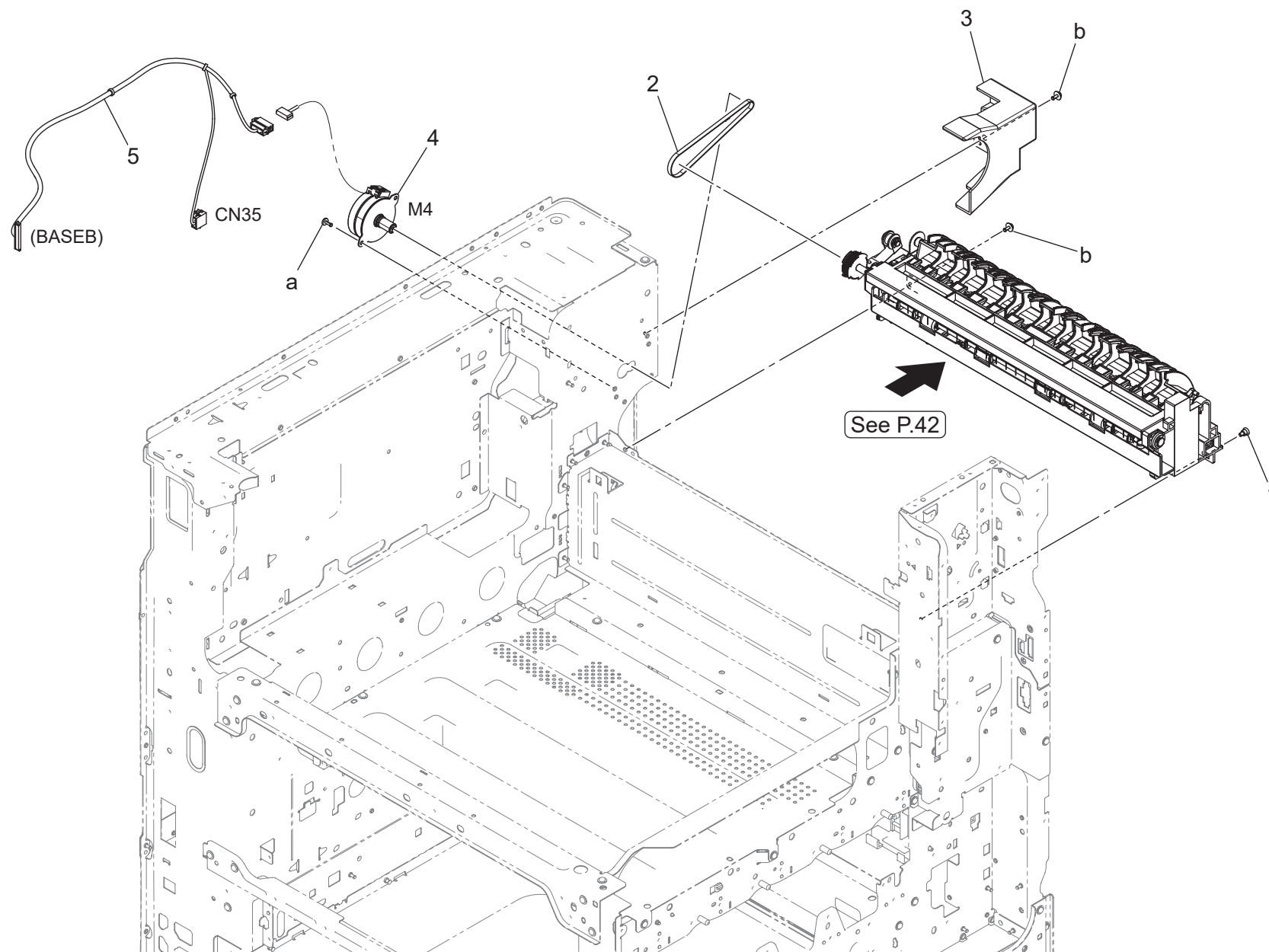


# Fusing Section

Key	Part No.	Description	Destinations	Class	QTY	Standard parts
1	A161112200	Mounting Plate		D	2	a-V116040803 b-V125030803
2	A161112600	Adjusting Plate		D	1	
3	A797110400	Fusing Rail /Front		D	1	
4	A797N10400	Heater Relay harness		D	1	
5	ACM1PP8500	Fusing Unit ASSY (230V)		B	1	
5	ACM1PP9100	Fusing Unit ASSY (110V)	D1,D3,E,F2,G1,I	H	1	
5	ACM1PP8400	Fusing Unit ASSY (120V)	G2	B	1	

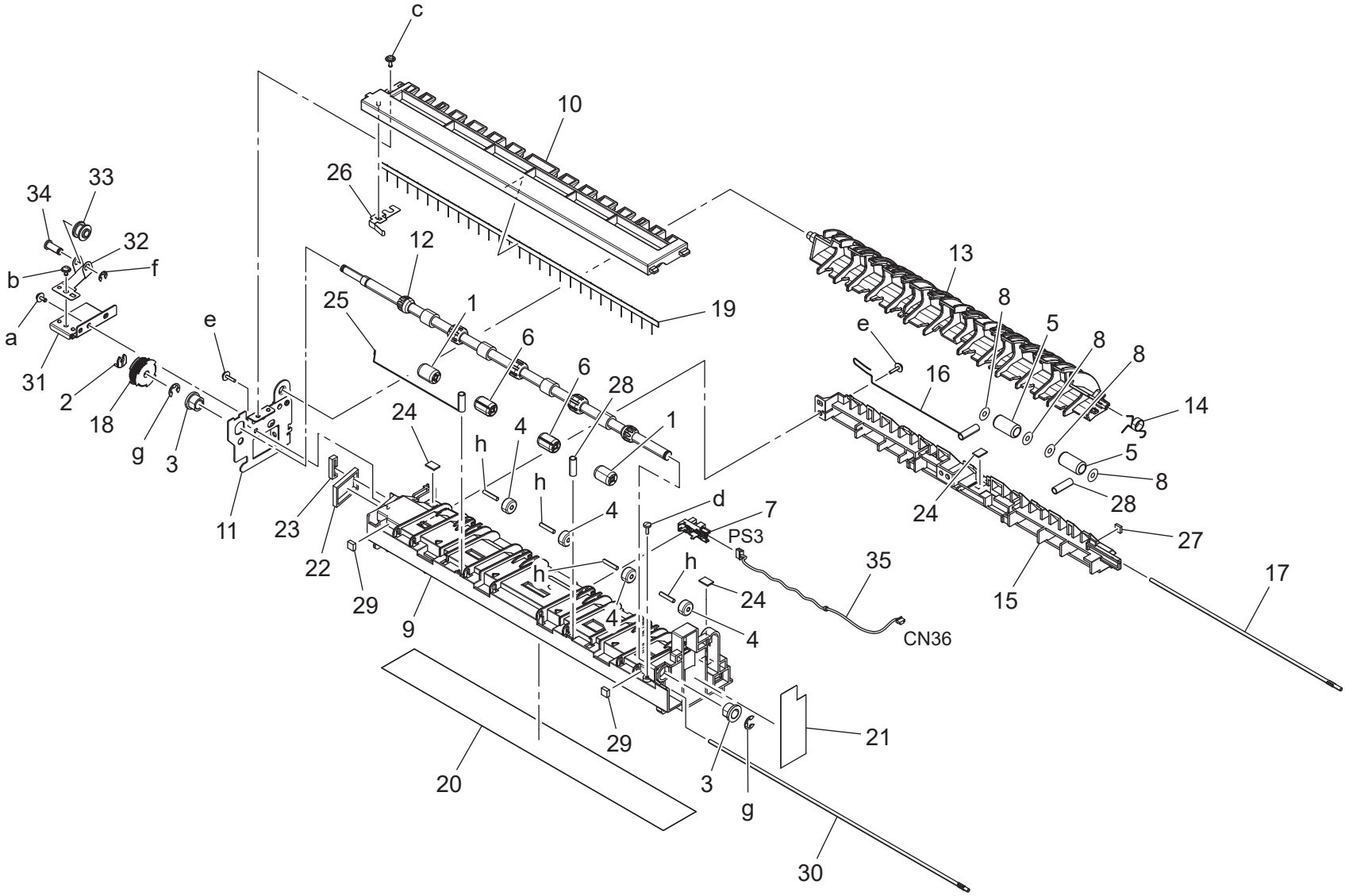
# Paper Exit Section

P 41

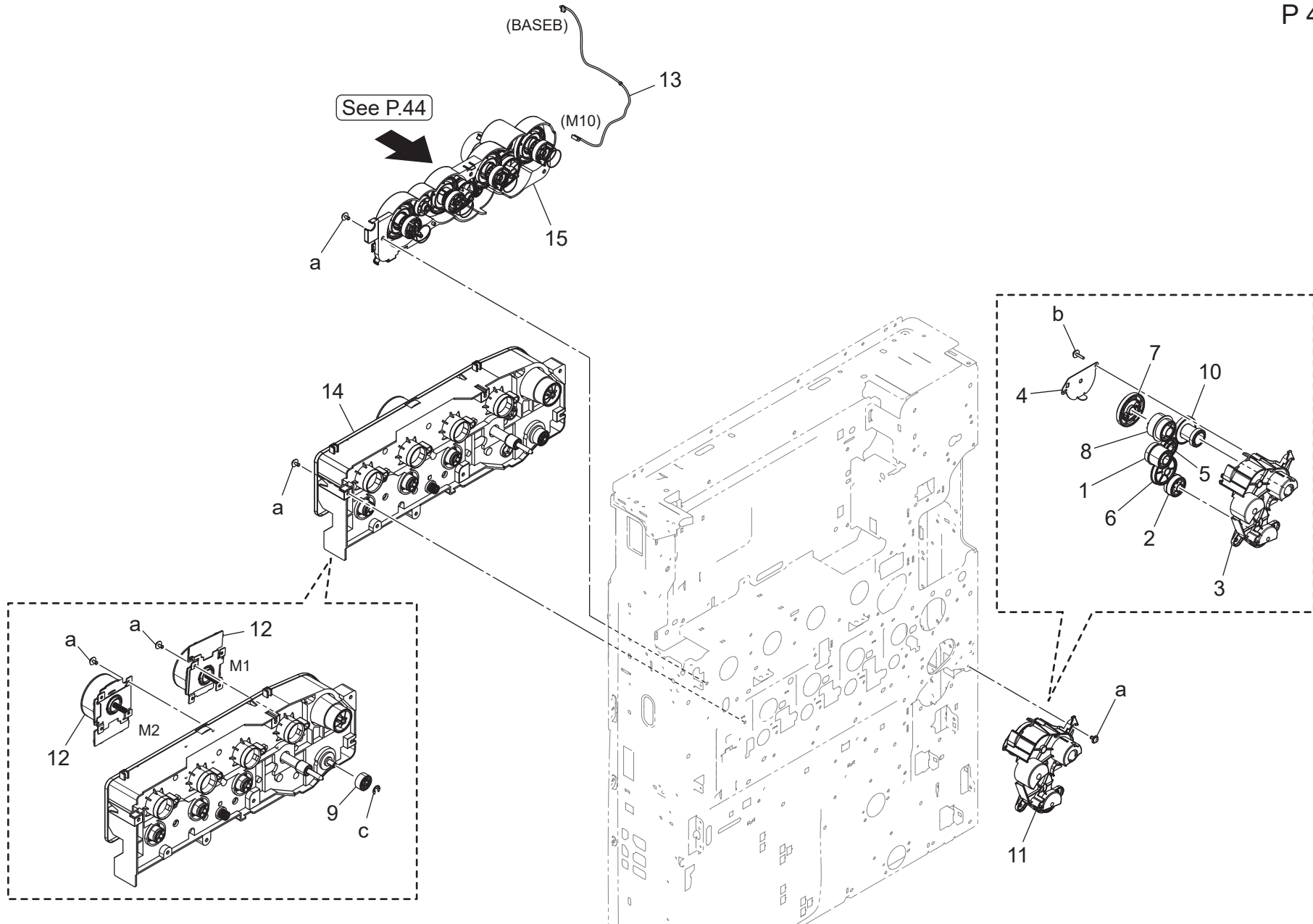


Key	Part No.	Description	Destinations	Class	QTY	Standard parts
1	1164202801	SHOULDER SCREW		D	1	a-V126030803 b-V125030803
2	A797891500	Timing belt 226L		C	1	
3	A797892200	Cover		D	1	
4	A797M10300	PM Stepping motor		C	1	
5	ACM1PP5100	Drive Wiring		D	1	

Paper Exit Section

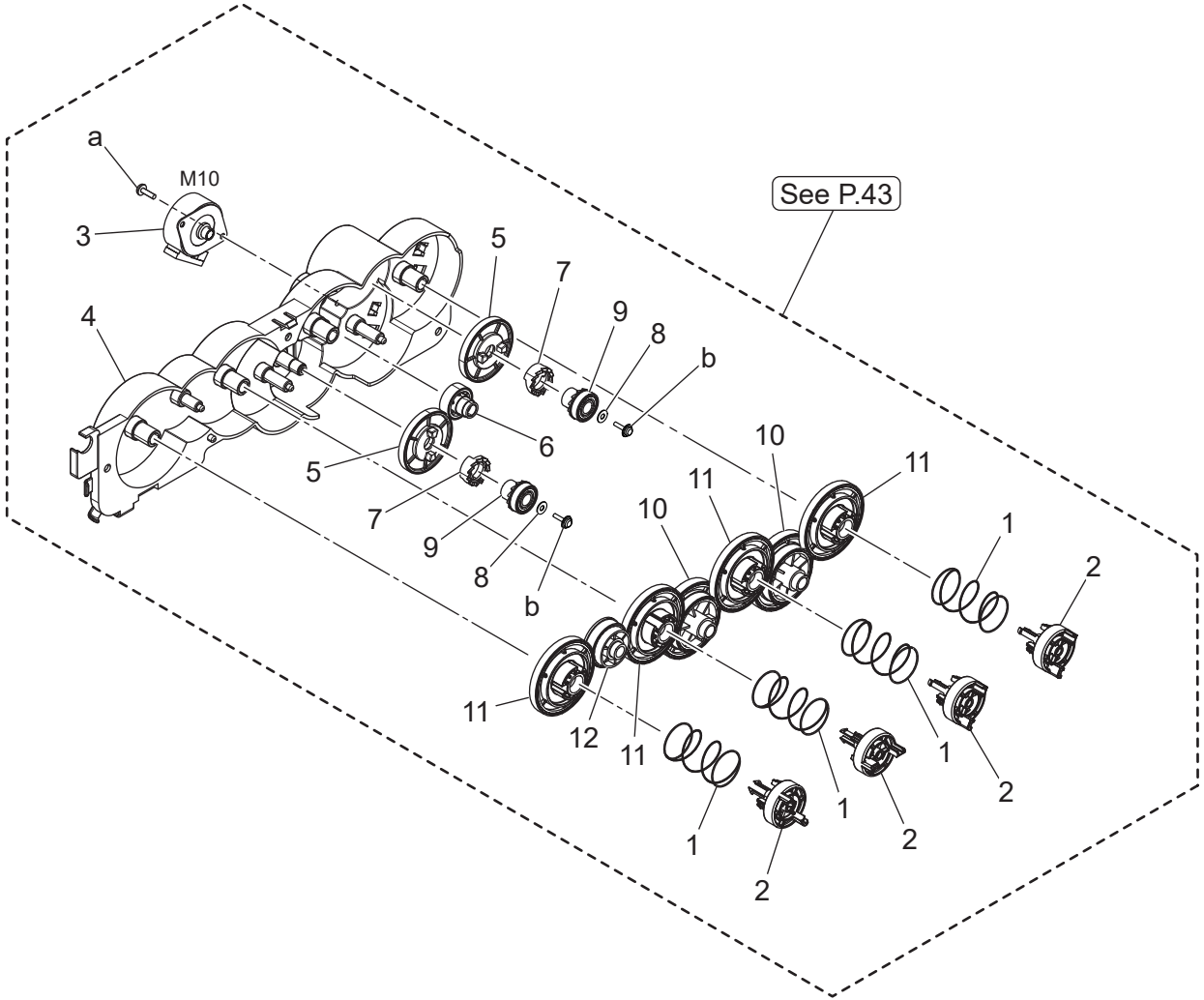


Key	Part No.	Description	Destinations	Class	QTY	Standard parts
1	4004590301	ROLL	ころ	C	2	a-V125030803
2	56AA40490	Shaft Stopper /4	軸 ストップバノ4	C	1	b-V127030604
3	A0ED891100	Bushing	すべり軸受	D	2	c-V144030803
4	A0ED897700	Collar	カラー (排紙)	C	4	d-V149030803
5	A2X0901100	Roll	ころ	C	2	e-V153031004
6	A5C1891100	Roll	ころ	D	2	f-V217040003
7	A5C1M50100	Photointerrupter	透過型センサ	B	1	g-V217060003
8	A64J891200	Washer	ワッシャ	D	4	h-V234301650
9	A797890001	Guide /Lower	ガイドノ下	D	1	
10	A797890100	Guide /Upper	ガイドノ上	D	1	
11	A797890201	Mounting Plate /Rear	取付板ノ後	D	1	
12	A797890300	Roller	ローラ	C	1	
13	A797890500	Guide Lever	ガイドレバー	C	1	
14	A797890600	Torsion Coil spring	ねじりコイルばね	C	1	
15	A797891000	Guide	ガイド	D	1	
16	A797891101	Ground Spring	アースばね	D	1	
17	A797891200	Shaft	軸	D	1	
18	A797891300	Pulley 36T	プーリ 36 T	C	1	
19	A797891400	Neutralizing Brush	除電ブラシ	C	1	
20	A797891800	Seal	シール	C	1	
21	A797891900	Seal	シール	C	1	
22	A797892000	Seal	シール	C	1	
23	A797892100	Seal	シール	C	1	
24	A797892300	Cushion /B	クッションノB	C	3	
25	A797892400	Ground Spring	アースばね	D	1	
26	A797892500	Ground Contact /Lower	アース接点ノ下	D	1	
27	A797892601	Cushion /A	クッションノA	C	1	
28	A797892700	Spring	ばね	C	2	
29	A797892900	Cushion /C	クッションノC	C	2	
30	A797893000	Shaft	軸	D	1	
31	A797893100	Mounting Plate	取付板	D	1	
32	A797893200	Plate spring	板ばね	C	1	
33	A797893300	Roll	ころ	C	1	
34	A797893400	Shaft	従動軸	D	1	
35	A797N11100	Conveyance Detection harness /Lower	搬送検知束線ノ下	D	1	

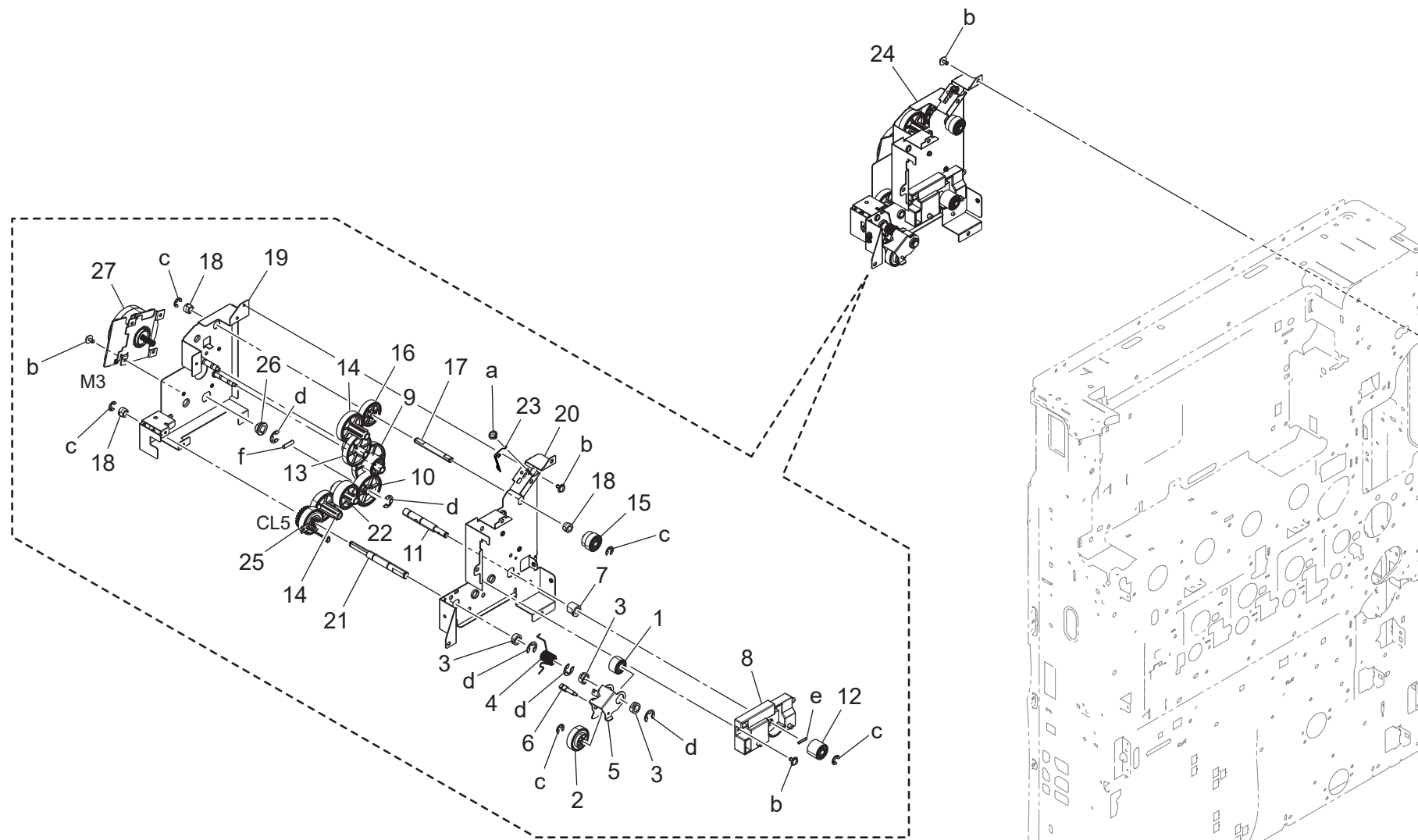


Key	Part No.	Description	Destinations	Class	QTY	Standard parts
1	A797220100	Gear 23/29T		C	1	a-V127030604 b-V153031004 c-V217040003
2	A797220700	Gear 24/29T		C	1	
3	A797221000	Holding		D	1	
4	A797221100	Hold Plate		D	1	
5	A797253100	Gear 32T		C	1	
6	A797253200	Gear 44T		C	1	
7	A797253500	Gear 66T		C	1	
8	A797253600	Gear 31T		C	1	
9	A797254000	Gear 18T		C	1	
10	A797259800	Gear 21/41T		C	1	
11	A797F25000	Paper Feed Drive ASSY		S	1	
12	A7PUM10100	Brushless motor /30		I	2	
13	ACM1PP5700	Toner Drive Wiring/ Bottom		D	1	
14	ACM1PP7000	Main Drive ASSY		C	1	
15	ACM1PP7100	TB Drive ASSY		S	1	



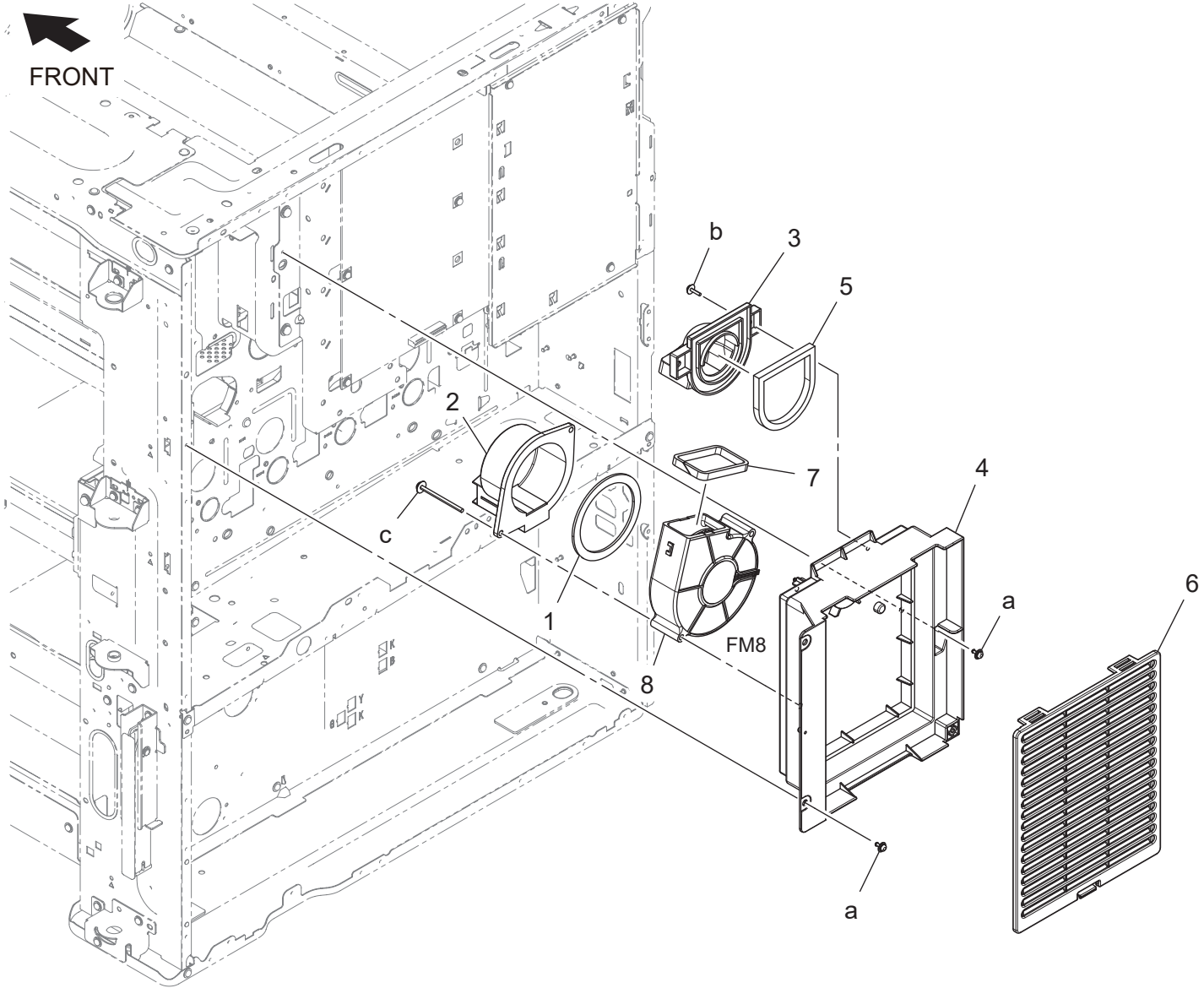


Key	Part No.	Description	Destinations	Class	QTY	Standard parts
1	4038541202	PRESSURE SPRING		C	4	a-V145030803 b-V153031004
2	A161240701	Joint		C	4	
3	A161M10300	Stepping motor		C	1	
4	A797240101	Holder		D	1	
5	A797240300	Gear 100T		C	2	
6	A797240500	Gear 50T		C	1	
7	A797241002	Coupling		C	2	
8	A797241100	Washer		C	2	
9	ACM1240900	Gear		C	2	
10	ACM1PP1900	Gear 44/61T		C	2	
11	ACM1PP2000	Gear 60T		C	4	
12	ACM1PP2100	Gear 34T		C	1	



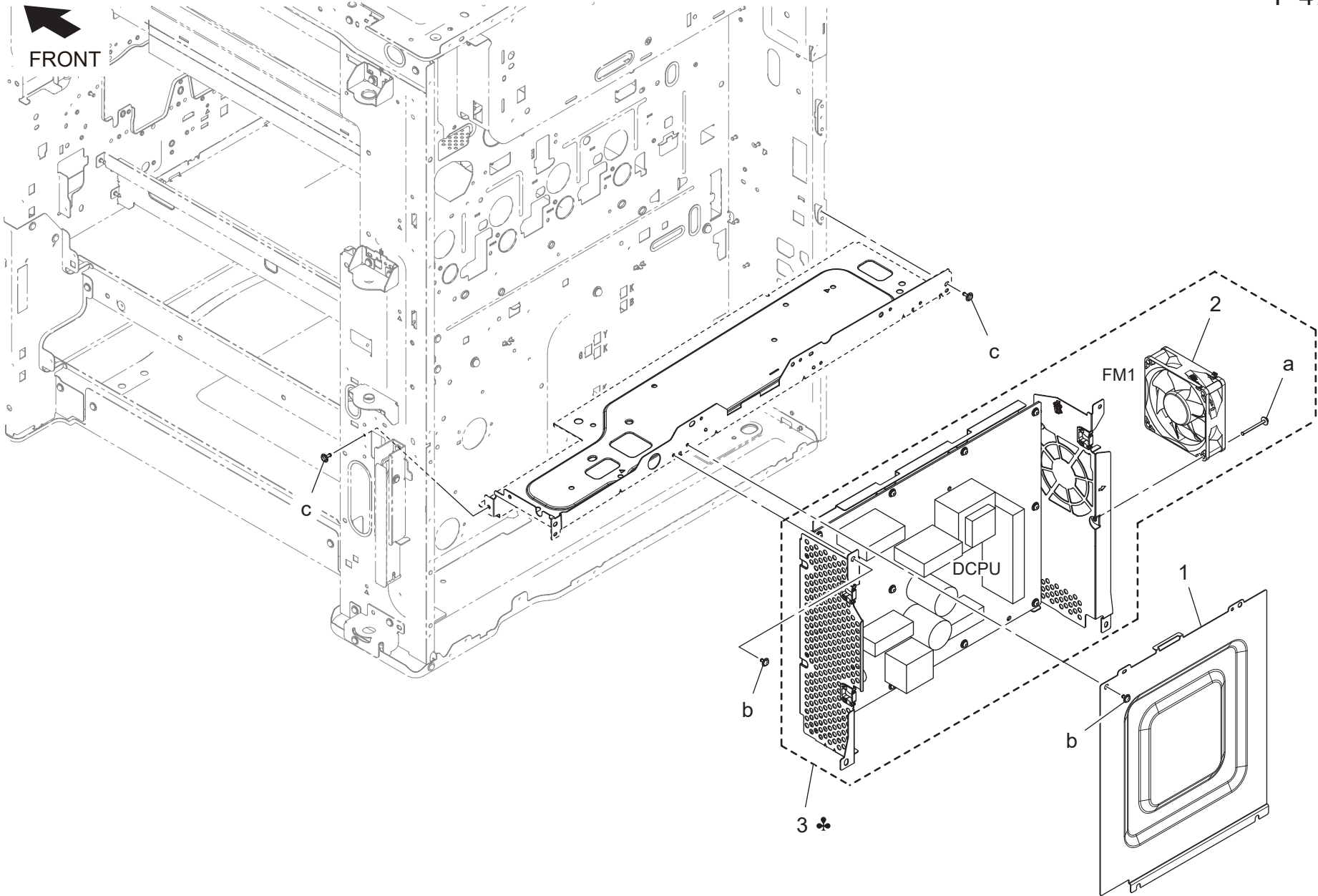
Key	Part No.	Description	Destinations	Class	QTY	Standard parts
1	4038258001	GEAR 16T		C	1	a-V116030603 b-V127030604 c-V217040003 d-V217060003 e-V234201050 f-V234301250
2	A0ED257500	Gear 26T	ギア (一次離間アイドル) 26 T	C	1	
3	A0ED259700	Bushing	すべり軸受 (Φ 8小判)	C	3	
4	A161232501	Torsion Coil spring	ねじりコイルばね (一次離間)	D	1	
5	A161258800	Mounting Plate	取付板 (一次離間)	D	1	
6	A161259400	Shaft	軸 (一次離間2)	D	1	
7	A161702200	Bushing	すべり軸受	C	1	
8	A797110500	Fusing Rail /Rear	定着レール/後	D	1	
9	A797228000	Gear 21/87T	ギア 21 / 87 T	C	1	
10	A797228100	Gear 37T	ギア 37 T	C	1	
11	A797228300	Shaft	軸	D	1	
12	A797228700	Gear 16T	ギア 16 T	C	1	
13	A797230500	Gear 20/72T	ギア 20 / 72 T	C	1	
14	A797230600	Gear 34T	ギア 34 T	C	2	
15	A797230700	Gear 18T	ギア 18 T	C	1	
16	A797230800	Gear 28T	ギア 28 T	C	1	
17	A797231800	Shaft	軸	D	1	
18	A797232300	Bushing	すべり軸受	C	3	
19	A797255600	Mounting Plate	取付板	D	1	
20	A797255700	Mounting Plate	取付板	D	1	
21	A797258700	Shaft	軸	D	1	
22	A797259100	Gear 20/29T	ギア 20 / 29 T	C	1	
23	A797814001	Contact	接点	C	1	
24	A797F22007	Fusing Drive ASSY	定着駆動 Assy	S	1	
25	A7AHM20401	Clutch	クラッチ (Z = 24)	C	1	
26	A7PU254800	Slide Bearing	すべり軸受	B	1	
27	A7PUM10000	Brushless motor /20	ブラシレスモータ /20	I	1	

Ozone Duct Section



Key	Part No.	Description	Destinations	Class	QTY	Standard parts
1	A02E117300	Seal		C	1	a-V125030803 b-V153031004 c-V153044503
2	A797150100	Duct /1		D	1	
3	A797150300	Duct /2		D	1	
4	A797150400	Duct /3		D	1	
5	A797150500	Sealing Part		C	1	
6	A797150600	Cover		C	1	
7	A7PU143300	Seal		C	1	
8	A93EM10600	Fan motor		C	1	

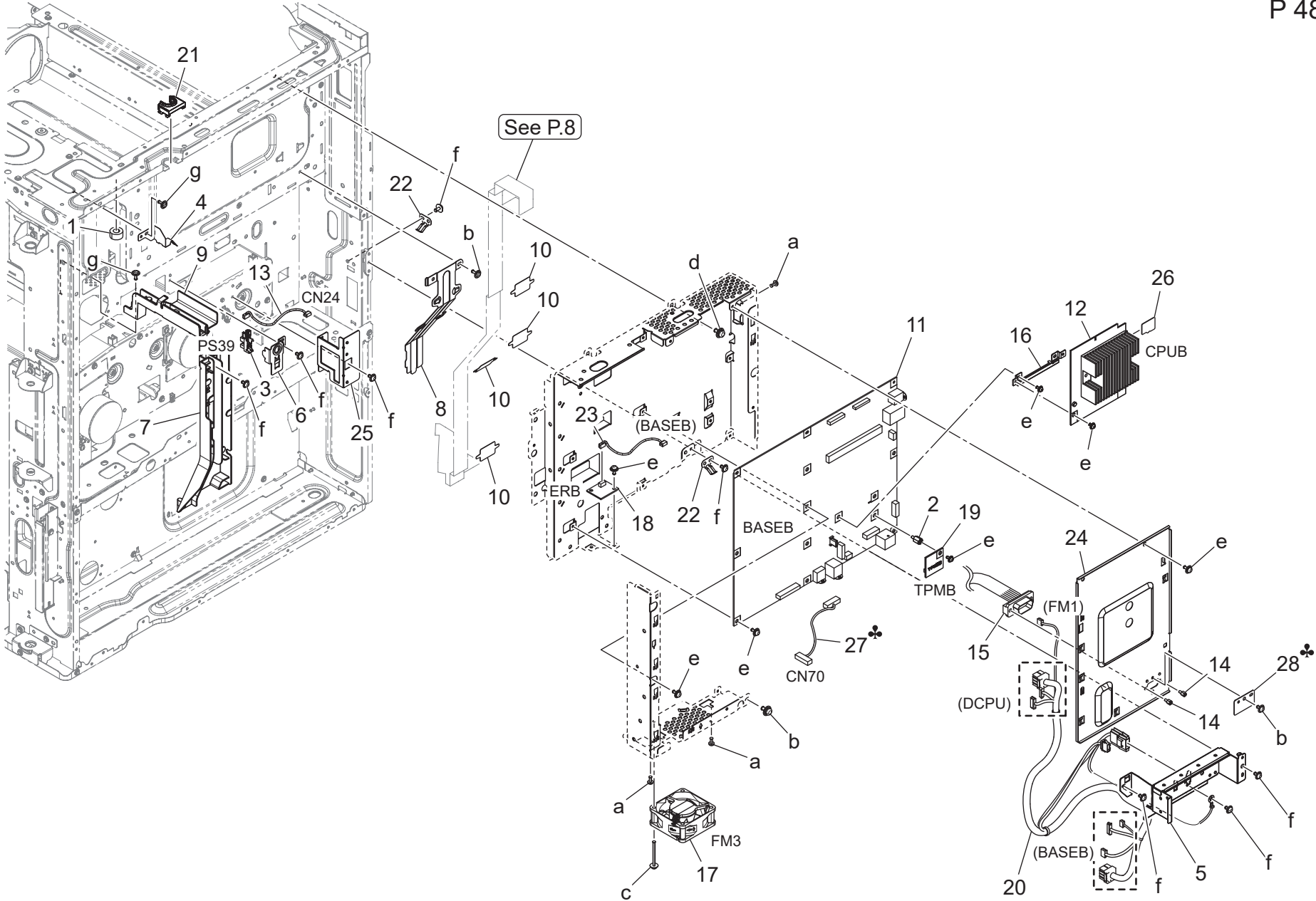
# Main Power Supply Section



# Main Power Supply Section

Key	Part No.	Description	Destinations	Class	QTY	Standard parts
1	A797166300	Mounting Plate		D	1	a-V116033003 b-V127030604 c-V144030803
2	A93EM10000	Fan motor		C	1	
3	ACM1PP6900	Power Source Unit (230V)	D1,D3,E,F2,G1,I	I	1	
3	ACM1PP6800	Power Source Unit (100V)	H	I	1	
3	ACM1PP6800	Power Source Unit (100V)	G2	I	1	

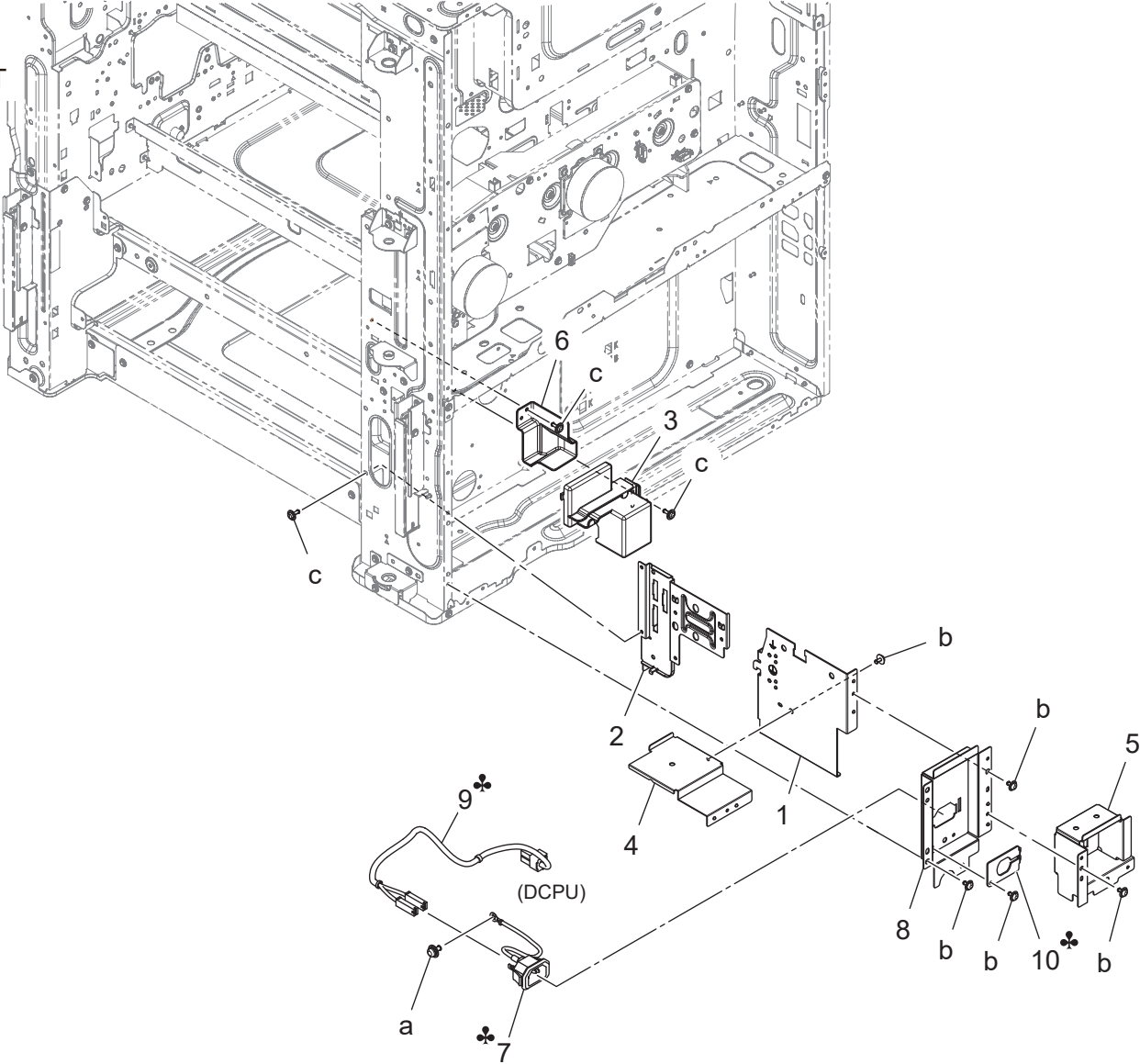




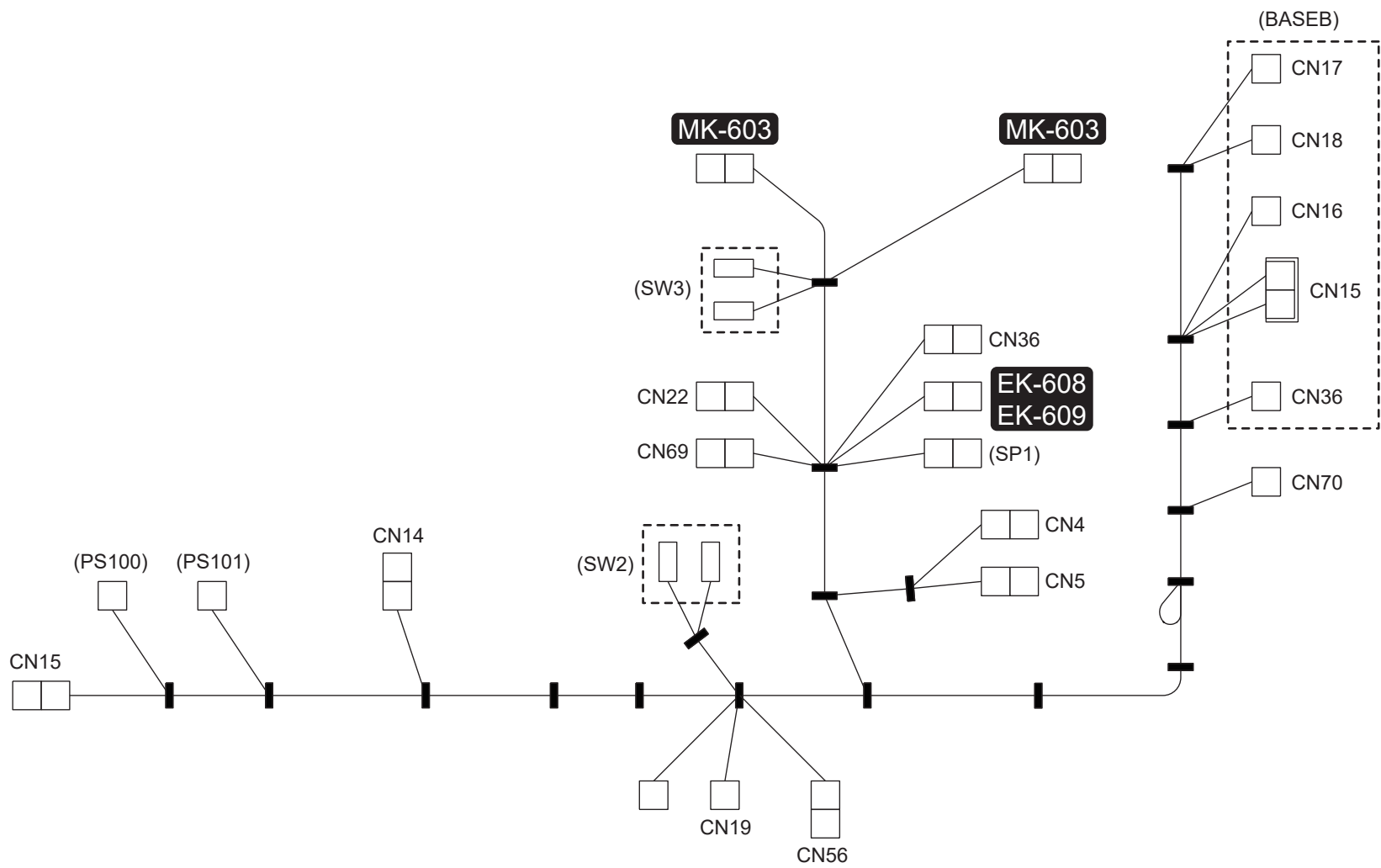
Key	Part No.	Description	Destinations	Class	QTY	Standard parts
1	1154467001	PROTECTION		C	1	a-V111030603 b-V116030603 c-V116033003 d-V116040803 e-V125030803 f-V127030604 g-V144030803
2	A161137600	Shoulder screw		D	1	
3	A5C1M50100	Photointerrupter		B	1	
4	A797102600	Ground Plate		D	1	
5	A797135001	Mounting Plate		D	1	
6	A797135200	Mounting Plate		D	1	
7	A797137400	Guide		D	1	
8	A797137500	Mounting Plate		D	1	
9	A797137800	Guide		D	1	
10	A797137900	Seal		C	4	
11	ACM1H02001	Base Board Assembly		I	1	
12	ACM1H02M06	CPU Board Assembly		I	1	
13	A797N11300	Connecting Detection harness		D	1	
14	A7AH131301	Screw		C	2	
15	A7AHN15A00	Harness /Control		D	1	
16	AA2J135101	Mounting Plate		D	1	
17	ACM1PP4200	Fan Motor		D	1	
18	AA2JH00C00	ERB ASSY		C	1	
19	AA2JH02T00	PWB Assembly(PWB-TPM)		C	1	
20	ACM1PP4900	Power source Wiring		D	1	
21	AAJ0132000	Wiring Cover		D	1	
22	AAJ0134800	Stable Plate		D	2	
23	ACM1PP6100	EEPROM Wiring		D	1	
24	ACM1PP0100	Cover		D	1	
25	ACM1PP0200	Mounting Plate		D	1	
26	AAJRM71000	Memory		I	1	
27	ACM1PP5400	Detection Realy Wiring	G2	D	1	
28	A797138700	Cover	G2	D	1	

# Electrical Components

FRONT



Key	Part No.	Description	Destinations	Class	QTY	Standard parts
1	A797132200	Guide Plate		D	1	a-V116040803 b-V127030604 c-V144030803
2	A797132400	Mounting Plate		D	1	
3	A797132500	Cover		D	1	
4	A797132600	Mounting Plate		D	1	
5	A797132701	Mounting Plate		D	1	
6	A797132900	Wiring Cover		D	1	
7	A02EN12513	Power supply Wiring	D1,D3,E,F2,G1,H,I	D	1	
8	A797132100	Mounting Plate		D	1	
9	ACM1PP4600	AC Wiring/ 230V	D1,D3,E,F2,G1,H,I	D	1	
9	ACM1PP4700	AC Wiring/ 120V	G2	D	1	
10	A7PU135700	Mounting Plate	H	D	1	
10	A0ED135700	Mounting Plate	G2	D	1	



Key	Part No.	Description	Destinations	Class	QTY	Standard parts
1	ACM1PP5000	Main body Wiring/ Front 本体束線 /前		D	1	

# Wiring Accessories And Jigs

P 51

<p>1</p> <p>White</p> <p>5.2 11.5</p>	<p>6</p> <p>White</p> <p>5.3 11</p>	11	16	21	26	31	36
<p>2</p> <p>13.7 16</p>	<p>7</p> <p>8.1 16.3</p>	12	17	22	27	32	37
<p>3</p> <p>33</p>	<p>8</p> <p>26.2 28</p>	13	18	23	28	33	38
<p>4</p> <p>5.8 7.9</p>	<p>9</p> <p>15.9 20.1</p>	14	19	24	29	34	39
<p>5</p> <p>White</p> <p>3.1 6.2</p>	<p>10 ♣</p> <p>14.0</p>	15	20	25	30	35	40

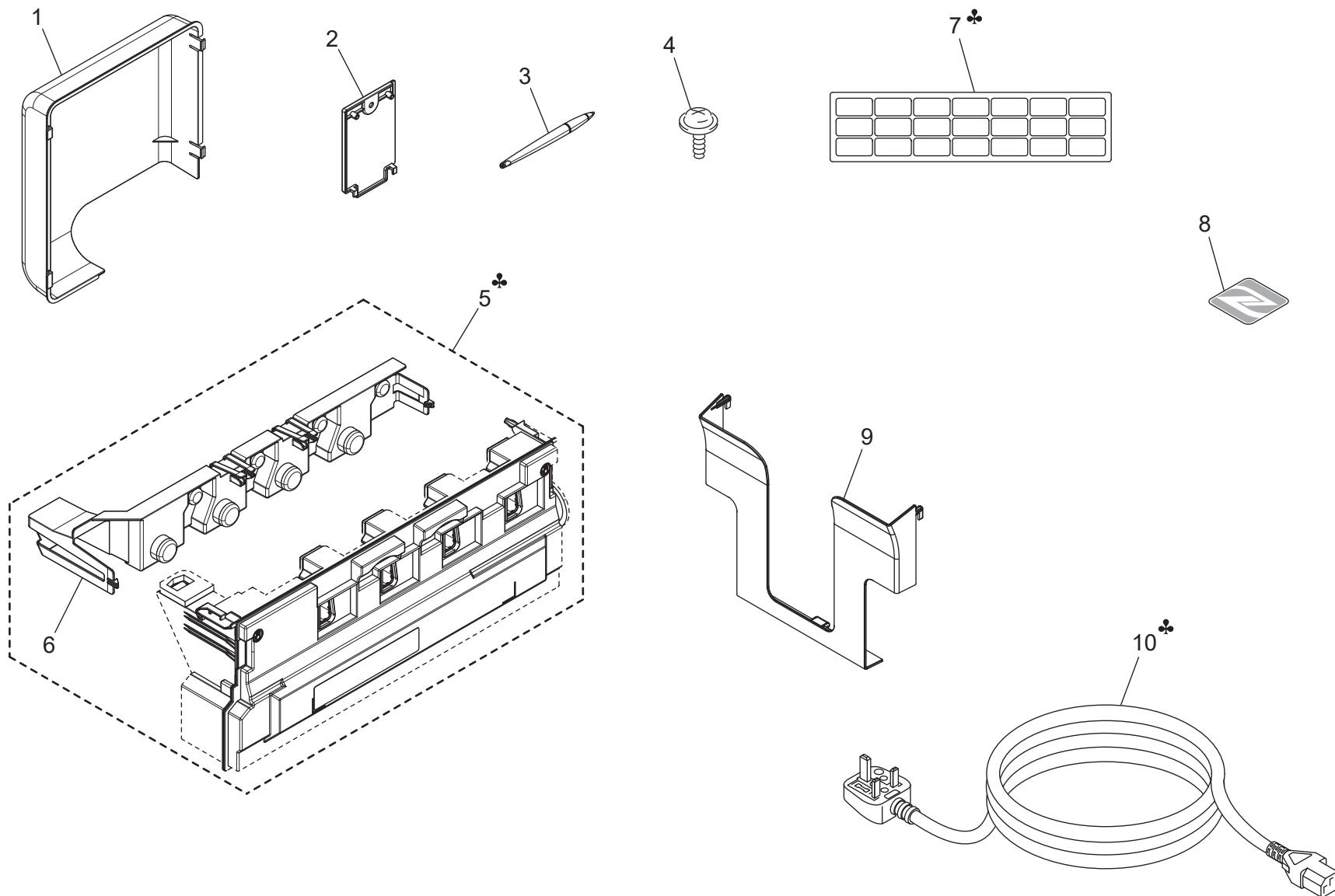
bizhub C227i

Key	Part No.	Description	Destinations	Class	QTY	Standard parts
1	V500010081	Locking Wire Saddle		D		
2	V500010084	Locking Wire Saddle		D		
3	V500020082	Clamping for FFC		D		
4	V500020098	Mini Locking wire saddle		D		
5	V500020099	Mini Locking wire saddle		D		
6	V500020100	Mini Locking wire saddle		D		
7	V570010057	Wing Edge Saddle		D		
8	V570010059	Wing Edge Saddle		D		
9	V570010060	Wing Edge Saddle		D		
10	V500020073	bushing	H	D		



# Accessory Parts

P 52



Key	Part No.	Description	Destinations	Class	QTY	Standard parts
1	A797152000	Duct		C	1	
2	A797163400	Cover		C	1	
3	A7AH166700	Operation Shaft		C	1	
4	V153031004	screw		V	1	
5	A8JJWY1	WASTE TONER BOX	D1,D3,E,F2,G1,H,I	A	1	
5	A8JJ0Y1	WASTE TONER BOX	G2	A	1	
6	A161362000	Cover		C	1	
7	A7AH942001	Label Metric	D1,D3,E,F2,G1,H,I	C	1	
7	A7AH942101	Label Inch	G2	C	1	
8	AAJ0942600	Label		D	1	
9	A90G169900	Holder		C	1	
10	A2UPN31200	Power Code /230V	(New Zealand)	D	1	
10	A7AHN30000	Power code /230V	(India)	D	1	
10	A2UPN30300	Power code (220-240V)	(Peru)	D	1	
10	4136N30000	POWER CODE	(Bolivia,Chile,Urug uay,Nepal,Maldives)	D	1	
10	A2UPN30100	Power code (220-240V)	(Hong Kong,Mongolia ,Saudi Arabia,Kuwait, UAE,Bahrain,Qatar ,Oman,Yemen)	D	1	
10	A1UDN30200	Power cord /230V	(Argentina)	C	1	
10	A8JEN30200	Power code	H	C	1	
10	A5C1N30000	Power code /120V	G2	C	1	

# MAINTENANCE LIST

● The items with no Page/Key numbers are not handled as spare parts.

No.	Section	PM Parts Description	Maintenance Cycle (K=1,000)		Parts No.	Destinations	Page/Key	Note
			QTY	Replace				
1	Paper feed section	Tray 1 pick-up roller	1	300K	A64J564201		P18-6	*2, *4
2		Tray 1 feed roller	1	300K	A64J564101		P18-5	*2, *4
3		Tray 1 separation roller	1	300K	AA2J560000		P19-13	*2, *4
4		Tray 2 pick-up roller	1	300K	A64J564201		P20-6	*2, *4
5		Tray 2 feed roller	1	300K	A64J564101		P20-5	*2, *4
6		Tray 2 separation roller	1	300K	AA2J560000		P21-14	*2, *4
7		Manual bypass tray feed roller	1	200K	A00F623201		P36-2	*2, *4
8		Manual bypass tray separation roller assy	1	200K	4658015106		P37-4	*2, *4
9	Processing section	Toner cartridge/Y,M,C	1	24K	-			*1, *3
10		Toner cartridge/K	1	24K	-			*1, *3
11		Drum unit/K	1	80K	-			*1, *3
12		Developing unit/K	1	600K	-			*3
13		Imaging unit/Y,M,C	1	70K	-			*3
14	Waste toner box	1	24K	A8JJWY1		P52-5	*1, *3, *5	
15	Image transfer section	Transfer belt unit	1	300K	ACM1PP6600		P16-19	*3
16		Transfer roller unit	1	300K	A161R71433		P29-3	*3
17	Fusing section	Fusing unit	1	500K	ACM1PP8500	D1,D3,E,F2,G1,G2,I	P40-5	*3
18		Fusing unit	1	500K	ACM1PP8400	G2	P40-5	*3
19		Fusing unit	1	500K	ACM1PP9100	H	P40-5	*3

\*1: The parts can be replaced either by user or service engineer.

\*2: Actual durable cycle (life counter value)

\*3: Field standard yield

\*4: Replace those three parts at the same time.

\*5: A waste toner full condition is detected with detecting the actual waste toner emissions.

\* The part names used on this page follow the ones used in the Service Manual and they are occasionally different from those written in other pages.

## メンテナンスリスト

● ページ / キーナンバーのないものは、アフターサービス部品ではありません。

No.	区分	P M部品名称	サイクル (K=1,000)		部品番号	仕向地	頁 / キー	備考
			員数	交換				
1	給紙部	トレイ1ピックアップローラー	1	300K	A64J564201		P18-6	*2, *4
2		トレイ1給紙ローラー	1	300K	A64J564101		P18-5	*2, *4
3		トレイ1分離ローラー	1	300K	AA2J560000		P19-13	*2, *4
4		トレイ2ピックアップローラー	1	300K	A64J564201		P20-6	*2, *4
5		トレイ2給紙ローラー	1	300K	A64J564101		P20-5	*2, *4
6		トレイ2分離ローラー	1	300K	AA2J560000		P21-14	*2, *4
7		手差しトレイ給紙ローラー	1	200K	A00F623201		P36-2	*2, *4
8		手差しトレイ分離ローラー Assy	1	200K	4658015106		P37-4	*2, *4
9	プロセス部	トナーカートリッジ / Y,M,C	1	24K	-			*1, *3
10		トナーカートリッジ / K	1	24K	-			*1, *3
11		ドラムユニット / K	1	80K	-			*1, *3
12		現像ユニット / K	1	600K	-			*3
13		イメージングユニット / Y,M,C	1	70K	-			*3
14		廃棄トナーボックス	1	24K	A8JJWY1		P52-5	*1, *3, *5
15	転写部	転写ベルトユニット	1	300K	ACM1PP6600		P16-19	*3
16		転写ローラーユニット	1	300K	A161R71433		P29-3	*3
17	定着部	定着ユニット	1	500K	ACM1PP8500	D1,D3,E,F2,G1,G2,I	P40-5	*3
18		定着ユニット	1	500K	ACM1PP8400	G2	P40-5	*3
19		定着ユニット	1	500K	ACM1PP9100	H	P40-5	*3

\*1: ユーザー / サービス交換の選択が可能。

\*2: ライフカウンター値

\*3: 市場標準印刷枚数値

\*4: 同時交換のこと

\*5: 廃棄トナーフル検知は、実際の廃棄トナー充填量を検知して行う。

\* ここに記載されている部品名称はサービスマニュアルで使用されている部品名称であり、他のページに記載されている部品名称とは異なる場合があります。

## DESTINATION

Destination No.		Destinations		V	Hz	Model No.
A	A1	JAPAN				
	A2	JAPAN				
B		USA, CANADA				
C		EUROPEAN TYPE				
D	D1	S.E ASIA TYPE	THAILAND, SRI LANKA, SINGAPORE, MALAYSIA, HONG KONG, PAKISTAN, INDIA, BANGLADESH, INDONESIA	220-240	50/60	ACM2041
	D3	OCEANIA TYPE	AUSTRALIA, NEW ZEALAND	220-240	50/60	ACM2041
E		PHILIPPINES		220-240	50/60	ACM2041
F	F1	SAUDI ARABIA				
	F2	SAUDI ARABIA		220-240	50/60	ACM2041
G	G1	C.S AMERICA		220-240	50/60	ACM2041
	G2	C.S AMERICA		120-127	60	ACM2011
H		TAIWAN		110	60	ACM2071
I		JORDAN, LEBANON, SYRIA, SOUTH AFRICA, IRAQ, IRAN, N.YEMEN, CAMEROON, UAE, BAHRAIN, OMAN, QATAR, KUWAIT, KENYA, TUNISIA, IVORY COAST, MOROCCO		220-240	50/60	ACM2041
J		CHINA				
K		KOREA				

bizhub C227i