



KONICA MINOLTA

# Parts Catalog

The essentials of imaging

# **bizhub C350/CF2203/8022**

**4036**

## PREFACE

1. The part numbers listed in Parts Catalog are those which were assigned to the parts making up the machine at the time machine was originally introduced onto the market.
2. Parts whose INDEX numbers are shown white against a black background in the illustration are those to be used in only certain market areas. These part numbers are given in the lower half part of the list section. Check the SFIX No. listed in SFIX CHART on page II to find which part number is applicable to your own area.
3. Parts whose INDEX numbers are shown black against a white background in the illustration are those to be used in all market areas. These parts are listed on the upper half part of the list section.
4. If "NS" follows a part number given in the list section, it indicates that we do not keep a stock of the part. The part is not required for ordinary service jobs, either.
5. If "RP" is shown in the REC column of the list section, it indicates that the part is functionally important.
6. In the exploded views in this Parts Catalog the parts (Screws & Washes, etc...) which are indicated with a "four-digit" numbers are listed in numerical order in the section "SCREWS AND WASHERS". Please check these "four-digit" numbers with the part numbers ("ten-digit" numbers) which should be used for ordering the part.
7. All part numbers consist of "ten-digit" which should all be quoted when ordering a part. The price of parts can be obtained by referring to the "Parts Price List" which is separately issued.
8. All information contained in this Parts Catalog is subject to change.

SFIX CHART

SFIX No.	COUNTRY	VOLTAGE	FREQUENCY (Hz)	PAPER SIZE	SFIX No.	COUNTRY	VOLTAGE	FREQUENCY (Hz)	PAPER SIZE
011	bizhub C350(KONICA-MINOLTA) JAPAN	100V	50/60HZ	METRIC	311	bizhub C350(KONICA-MINOLTA) USA/CANADA/S.M.AMERICA(B)	120-127V	60HZ	INCH
211	bizhub C350(KONICA-MINOLTA) EUROPE	220-240V	50/60HZ	METRIC	312	CF2203(MINOLTA) TAIWAN	110V	60HZ	METRIC
212	CF2203(MINOLTA) OCEANIA/SAUDIARABIA(A)/S.AFRICA/ S.M.AMERICA(A)/ KOREA/HONG KONG/ ARGENTINA	220-240V	50/60HZ	METRIC	313	8022(KONICA) TAIWAN	110V	60HZ	METRIC
213	8022(KONICA) OCEANIA/SAUDIARABIA(A)/S.AFRICA/ S.M.AMERICA(A)/ KOREA/HONG KONG/ ARGENTINA	220-240V	50/60HZ	METRIC	314	CF3102(MINOLTA) SAUDIARABIA(B)/BRAZIL	120-127V	60HZ	METRIC
215	bizhub C350(KONICA-MINOLTA) OCEANIA/SAUDIARABIA(A)/S.AFRICA/ S.M.AMERICA(A)/ KOREA/HONG KONG/ ARGENTINA /CHINA	220-240V	50/60HZ	METRIC	315	8022(KONICA) SAUDIARABIA(B)/BRAZIL	120-127V	60HZ	METRIC

CONTENTS

1. EXTERNAL PARTS ..... 1

2. CONTROL PANEL ..... 3

3. IR COVER ..... 5

4. SCANNER DRIVE SECTION(A) ..... 7

5. SCANNER DRIVE SECTION(B) ..... 9

6. OPTICAL SECTION .....11

7. IR FRAME .....13

8. MAIN FRAME .....15

9. ELECTRICAL COMPONENTS(A) .....17

10. LEFT SIDE DOOR .....19

11. MAIN SWITCH SECTION .....21

12. PAPER SELECT SWITCH & LED LOCK .....23

13. HOPPER SECTION(A) .....25

14. HOPPER SECTION(B) .....27

15. OZONE FAN SECTION .....29

16. PC DRIVE SECTION .....31

17. DRIVE SECTION(A) .....33

18. YMC DRIVE SECTION .....35

19. FUSING DRIVE SECTION(A) .....37

20. FUSING DRIVE SECTION(B) .....39

21. MULTI MANUAL FEED SECTION(A) .....41

22. MULTI MANUAL FEED SECTION(B) .....43

23. MULTI MANUAL FEED SECTION(C) .....45

24. PAPER TAKE-UP SECTION(A) .....47

25. PAPER TAKE-UP SECTION(B) .....49

26. PAPER TAKE-UP SECTION(C) .....51

27. CASSETTE FRAME .....53

28. DRIVE SECTION(B) .....55

29. FUSING SECTION .....57

30. PAPER DETECT SECTION(A) .....59

31. PAPER DETECT SECTION(B) .....61

32. TRANSFER SECTION .....63

33. TRANSFER FRAME .....65

FEBRUARY 2004



CONTENTS

34. TRANSFER BELT UNIT .....67

35. LED UNIT(A) .....69

36. LED UNIT(B) .....71

37. LED UNIT(C) .....73

38. FUSING COOL SECTION .....75

39. PAPER EXIT DRIVE SECTION .....77

40. PAPER TRANSPORT SECTION(A) .....79

41. PAPER TRANSPORT SECTION(B) .....81

42. PAPER TRANSPORT SECTION(C) .....83

43. PAPER TRANSPORT SECTION(D) .....85

44. PAPER TRANSPORT SECTION(E) .....87

45. PAPER TRANSPORT SECTION(F) .....89

46. ELECTRICAL COMPONENTS(B) .....91

47. MULTIPURPOSE CASSETTE(A) .....93

48. MULTIPURPOSE CASSETTE(B) .....95

49. UNIVERSAL CASSETTE(A) .....97

50. UNIVERSAL CASSETTE(B) .....99

51. ACCESSORY PARTS .....101

52. WIRE HARNESS SECTION(A) .....103

53. WIRE HARNESS SECTION(B) .....105

54. WIRE HARNESS SECTION(C) .....107

55. WIRE HARNESS SECTION(D) .....109

56. WIRE HARNESS SECTION(E) .....111

57. WIRE HARNESS SECTION(F) .....113

58. WIRE HARNESS SECTION(G) .....115

59. WIRE HARNESS SECTION(H) .....117

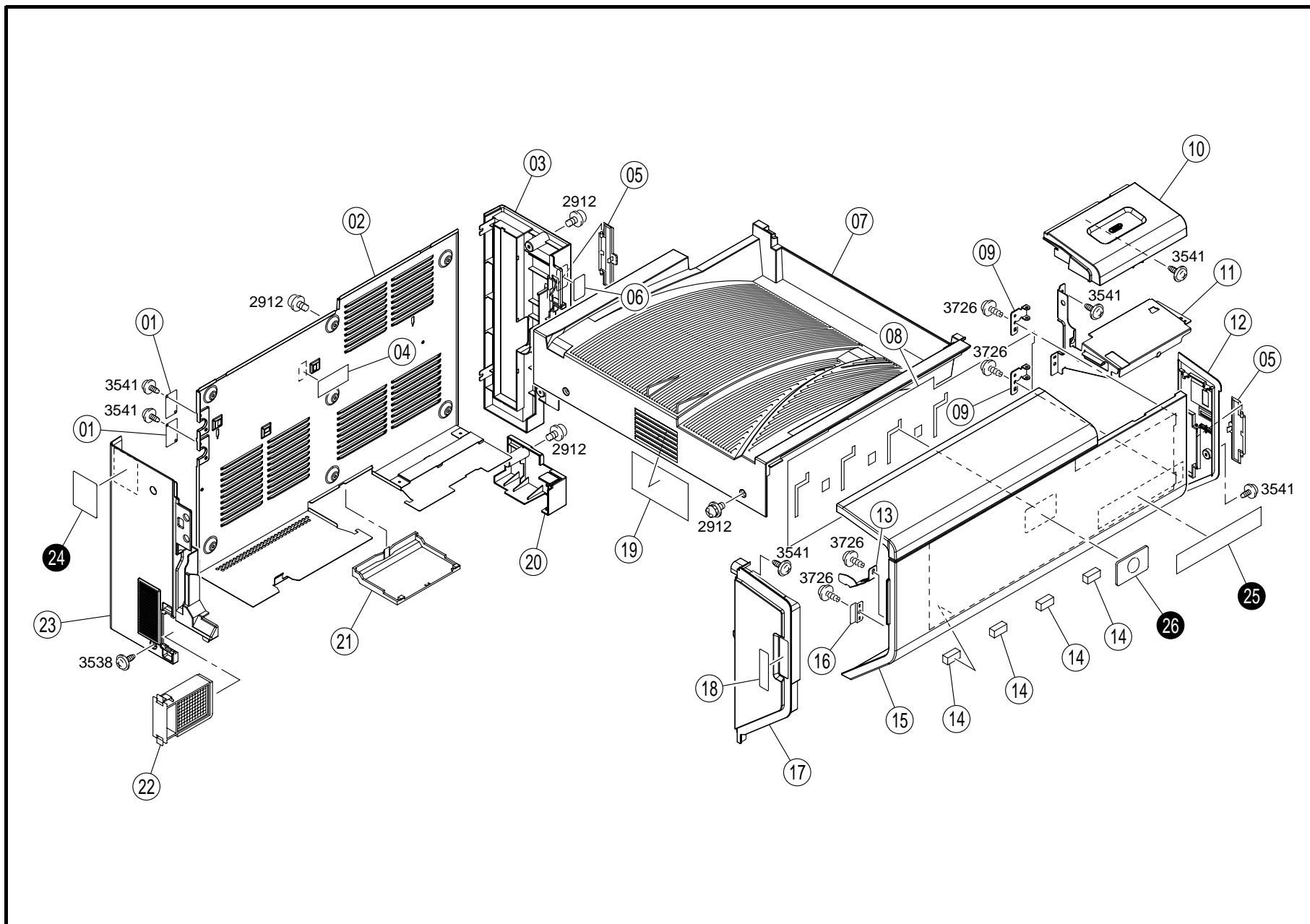
60. WIRE HARNESS SECTION(I) .....119

61. WIRING ACCESSORIES AND JIGS .....121

62. SCREWS AND WASHERS .....123

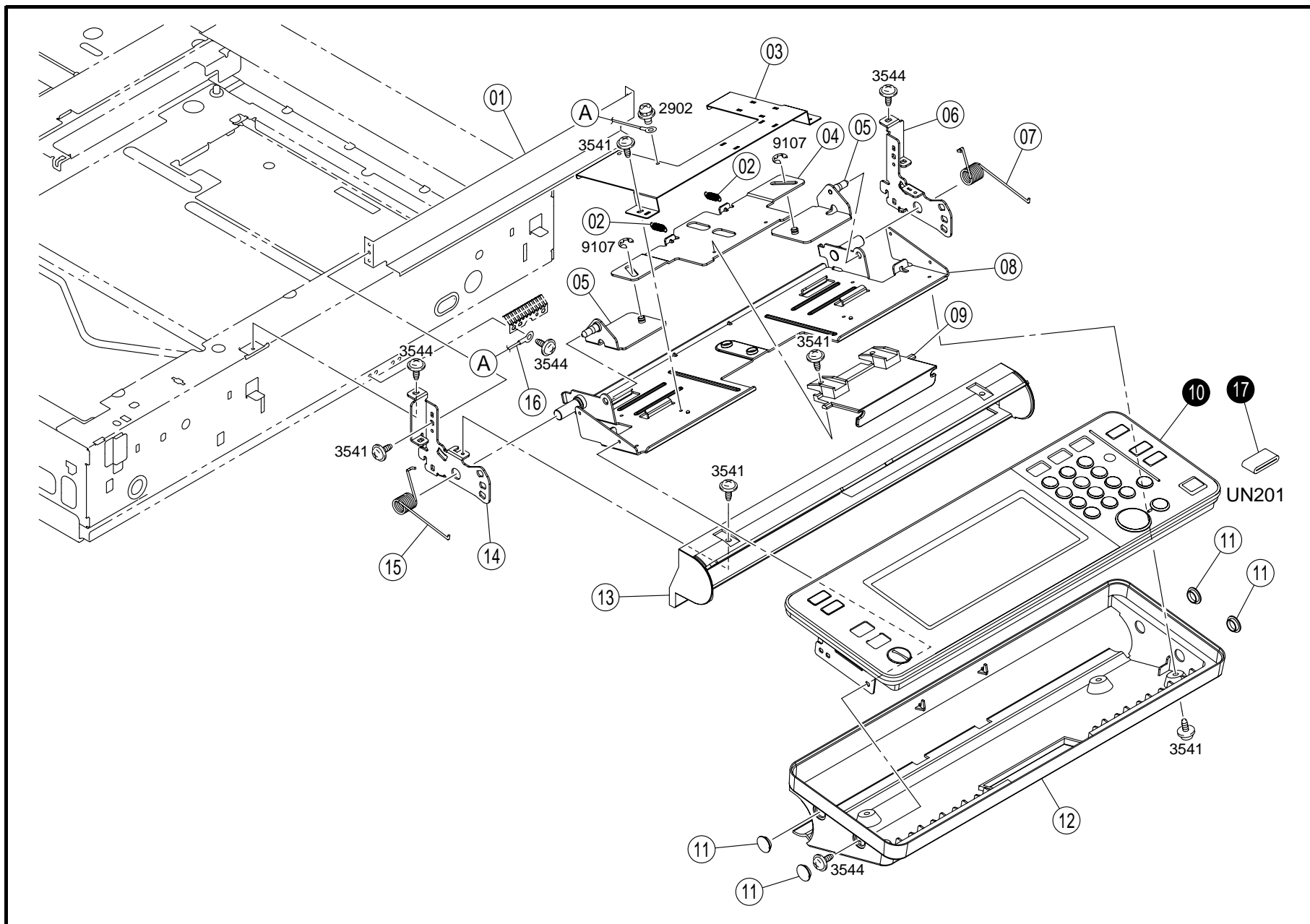
63. NUMERICAL INDEX .....124

FEBRUARY 2004



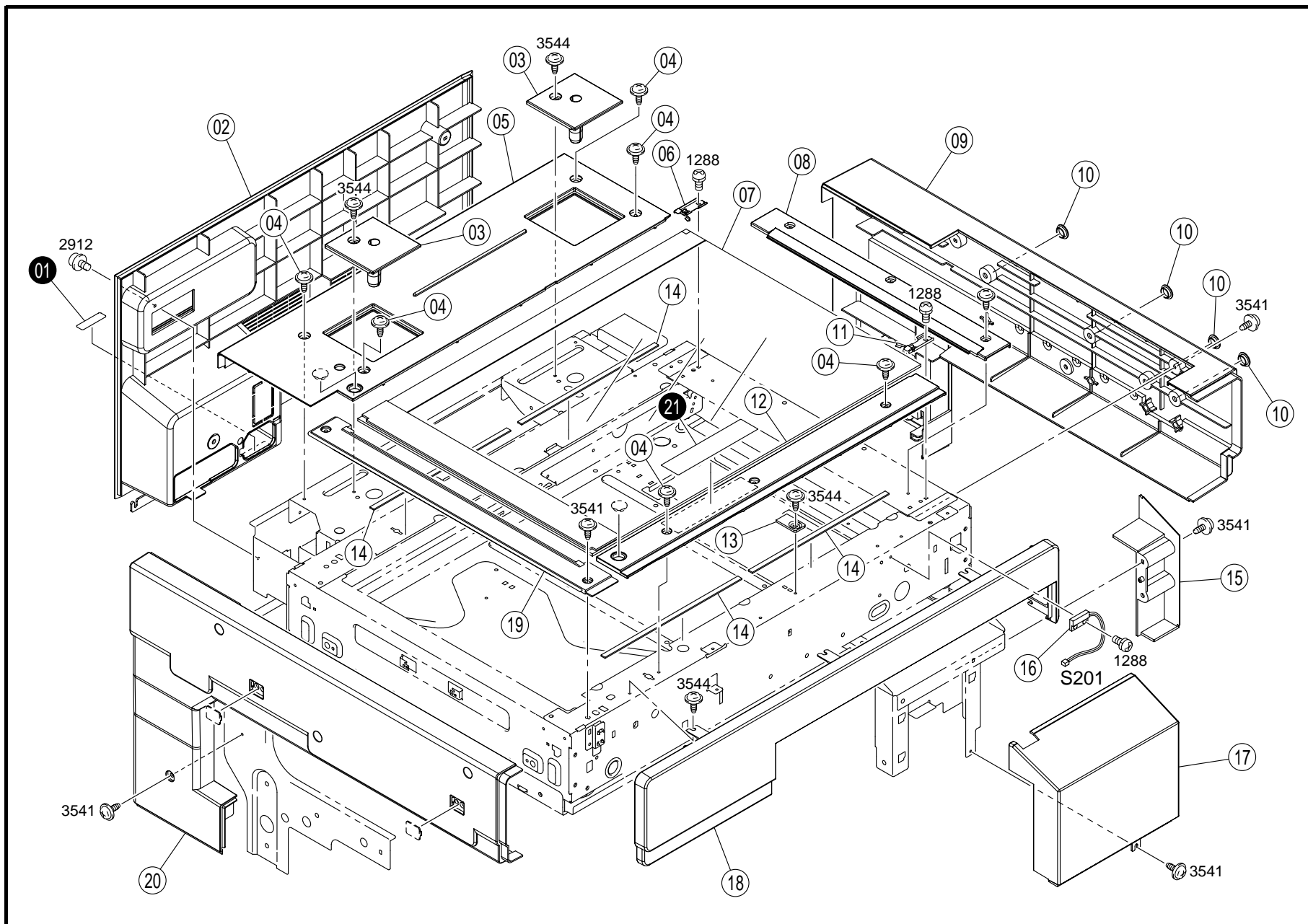
INDEX	PART NO.	PART NAME	REC	QTY	INDEX	PART NO.	PART NAME	REC	QTY
01	4036-1048-01	COVER		2	19	4025-2285-02	FILTER		2
02	4036-1009-01	COVER		1	20	4036-1033-01	COVER		1
03	4036-1008-02	COVER		1	21	4036-1038-02	COVER		1
04	4025-1011-01	NS FILM		1	22	4036-0447-01	OZONE FILTER		1
05	4036-1035-01	LID		2	23	4036-1007-02	COVER		1
06	4036-7330-01	LABEL		1					
07	4036-1028-03	COVER		1					
08	4036-7302-01	LABEL		1					
09	4036-1024-02	HINGE		2					
10	4036-1003-03	COVER		1					
11	4036-1034-01	NS BRACKET		1					
12	4036-1004-02	COVER		1					
13	4004-1031-03	GUIDE PLATE		1					
14	4025-1018-01	SEAL		4					
15	4036-1001-02	FRONT COVER		1					
16	4036-1026-01	SUCTION PLATE		1					
17	4036-1027-02	COVER		1					
18	4036-7340-02	LABEL		1					

INDEX	PART NO.	PART NAME	REC	QTY	SFIX
24	4034-7406-01	LABEL		1	211, 212, 213, 215
25	4036-7301-01	LABEL		1	212
25	4036-7321-01	LABEL		1	011, 211, 215, 311
26	4025-7510-01	LABEL		1	011, 211, 215, 311
26	4028-7400-01	LABEL		1	212

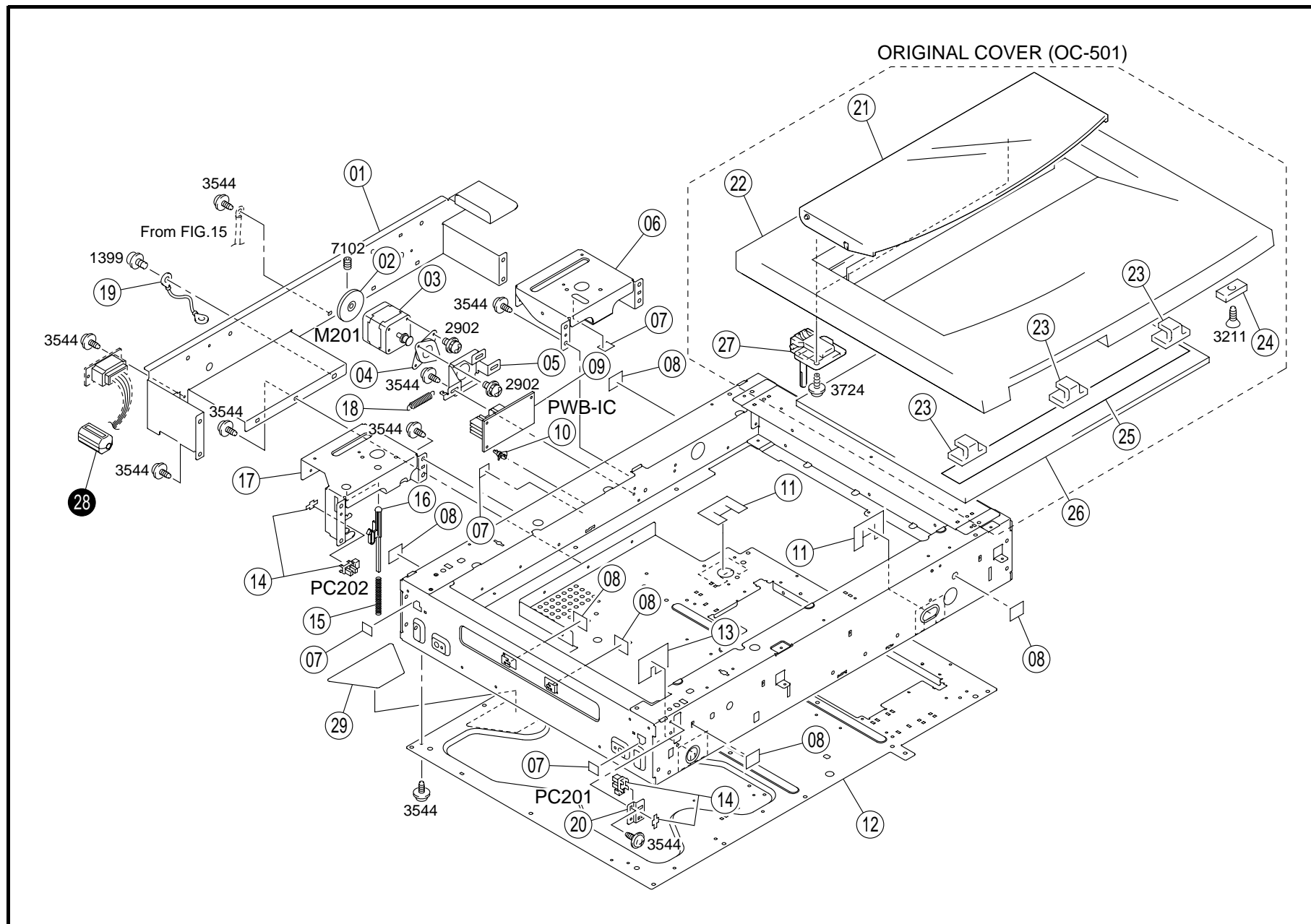


INDEX	PART NO.	PART NAME	REC	QTY	INDEX	PART NO.	PART NAME	REC	QTY
01	4036-1388-01	NS BRACKET		1					
02	4581-1389-01	NS TENSION SPRING		2					
03	4036-1387-02	NS BRACKET		1					
04	4036-1383-02	NS COUPLING		1					
05	4036-1390-01	POSITIONING PLATE		2					
06	4036-1386-02	NS HOLD PLATE		1					
07	4581-1382-01	TORSION SPRING		1					
08	4036-1385-01	NS BRACKET		1					
09	4036-1381-03	LEVER		1					
11	1171-1321-01	CAP		4					
12	4036-1398-03	FRONT COVER		1					
13	4036-1399-03	COVER		1					
14	4036-1380-02	NS HOLD PLATE		1					
15	4581-1379-01	TORSION SPRING		1					
16	4036-6862-01	NS WIRE HARNESS ASSY		1					

INDEX	PART NO.	PART NAME	REC	QTY	SFIX
10	4036-6051-02	CONTROL PANEL ASSY CONTROL (UN201)		1	011
10	4036-6052-02	CONTROL PANEL ASSY CONTROL (UN201)		1	212, 213, 215, 311, 312, 313, 314, 315
10	4036-6053-02	CONTROL PANEL ASSY CONTROL (UN201)		1	211
17	9326-1001-11	FERRITE CORE		1	211, 212, 213, 215, 312, 313

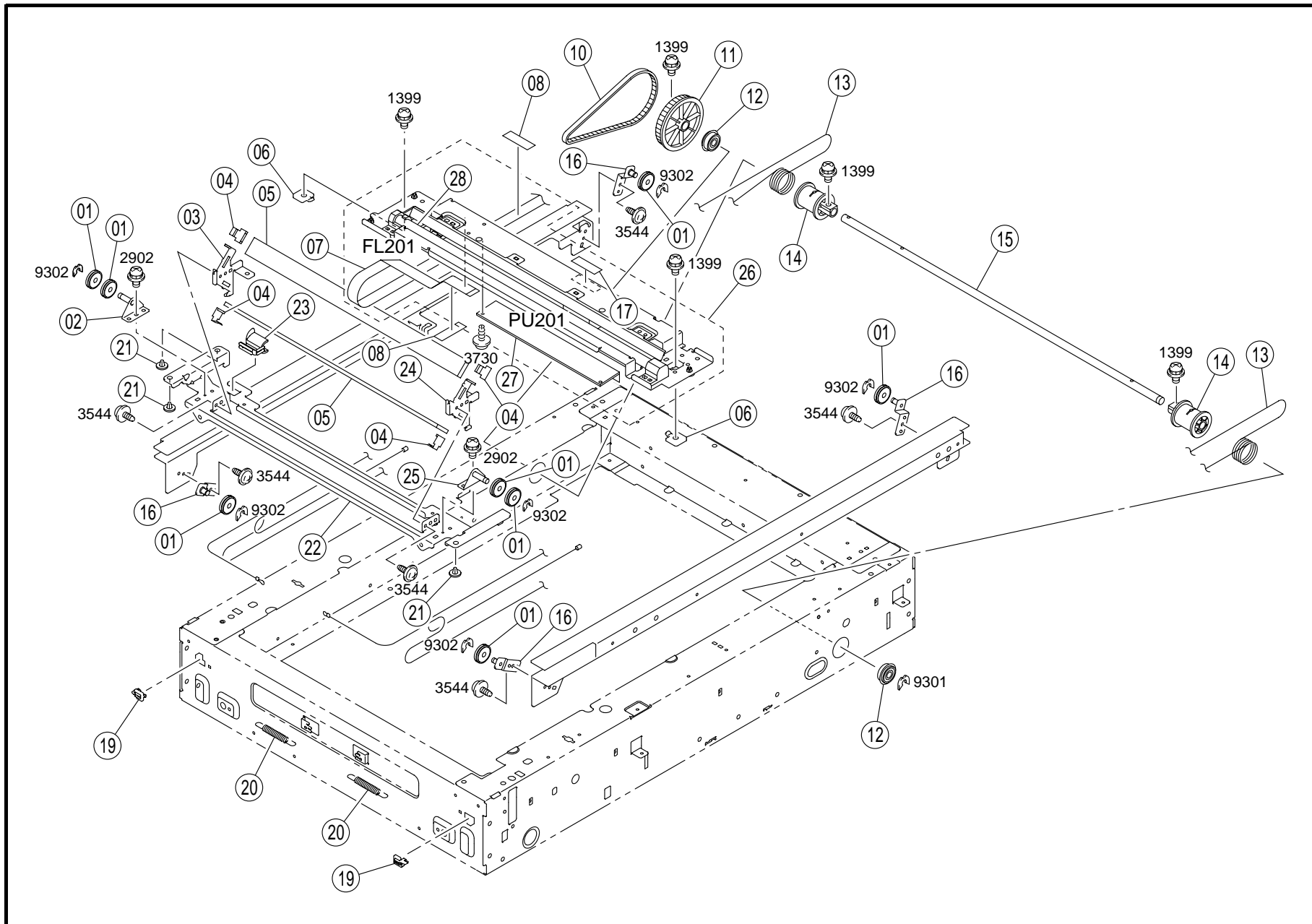


INDEX	PART NO.	PART NAME		REC	QTY	INDEX	PART NO.	PART NAME		REC	QTY
02	4036-1405-04	COVER	IR-RR LOWER		1	20	4036-1396-03	COVER	IR-LT		1
03	4036-1397-01	COVER			2						
04	4036-1410-01	SHOULDER SCREW			6						
05	4036-1394-02	COVER	IR-RR UPPER		1						
06	4581-1610-01	SET PLATE			1						
07	4036-0901-01	ORIGINAL GLASS ASSY			1						
08	4036-1611-01	GUIDE			1						
09	4036-1395-05	COVER	IR-RT		1						
10	4030-1041-01	CAP			4						
11	4581-1605-03	SET PLATE			1						
12	4036-1392-02	COVER	IR-UPPER		1						
13	4581-1318-01	REGULATING PLATE			1						
14	4036-1620-01	SEAL			4						
15	4036-1402-02	COVER			1						
16	9334-2610-11	REED SWITCH	0 DETECT (S201)		1						
17	4036-1393-02	COVER	IR-FNT SET		1						
18	4036-1391-03	COVER	IR-FNT		1						
19	4036-1404-03	COVER			1						
INDEX	PART NO.	PART NAME		REC	QTY	SFIX					
01	4036-7403-01	LABEL	OUTLET		1	011, 311, 312, 313, 314, 315					
01	4036-7407-01	LABEL	OUTLET		1	211, 212, 213, 215					
21	4036-7342-01	LABEL	RESTRICTION		1	011					
21	4036-7343-01	LABEL	RESTRICTION		1	311					



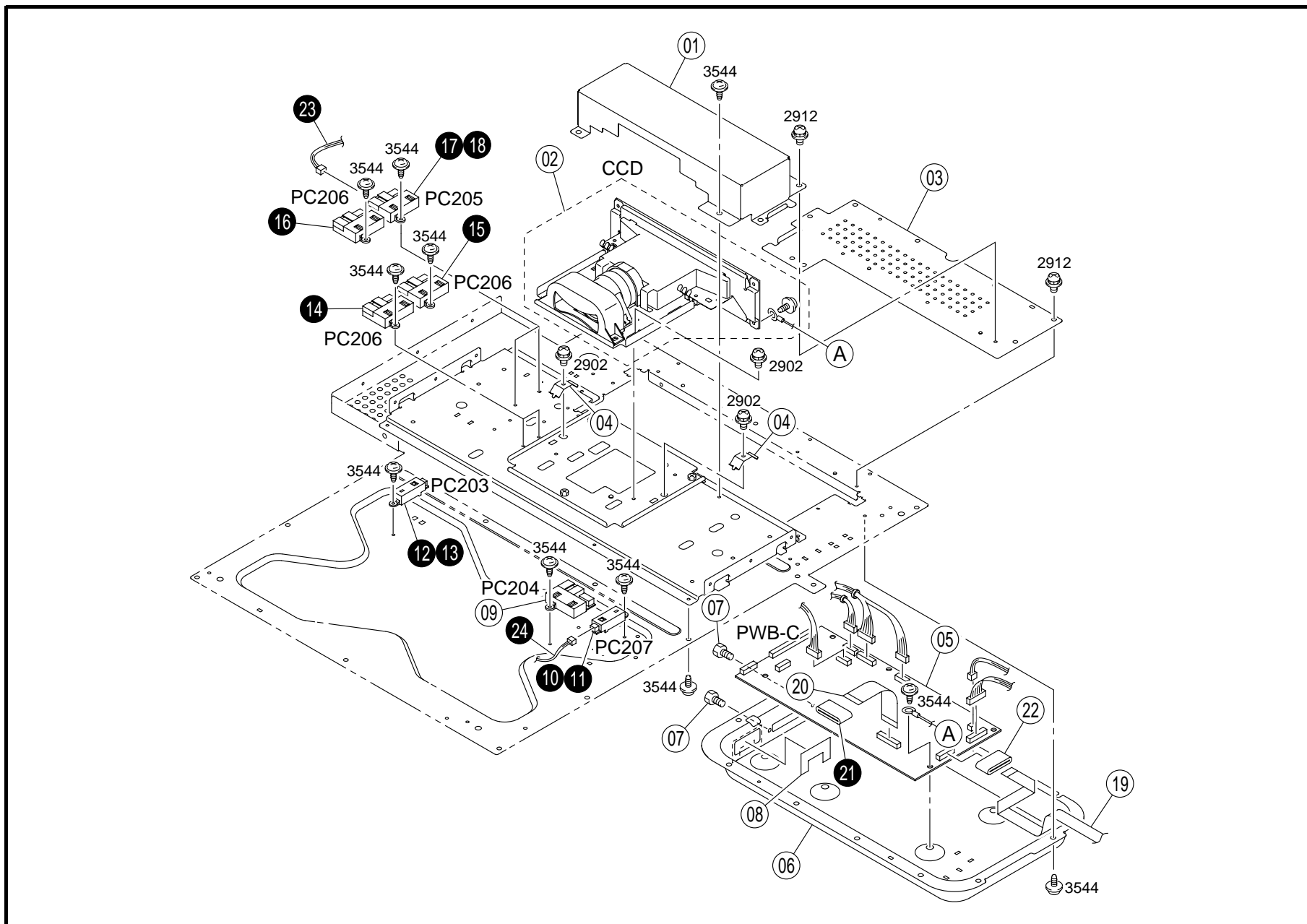


INDEX	PART NO.	PART NAME	REC	QTY	INDEX	PART NO.	PART NAME	REC	QTY
01	4036-1371-02 NS	REINFORCE PLATE		1	19	4036-6860-01 NS	WIRE HARNESS ASSY		1
02	4581-1320-01 NS	DUMPER		1	20	4036-1328-01 NS	BRACKET		1
03	9314-1100-81	MOTOR SCANNER (M201)		1	21	1171-1126-01	ORIGINAL HOLDER		1
04	1156-1371-01	RETAINING RING		1	22	1171-1125-02	COVER		1
05	4581-1457-01 NS	BRACKET		1	23	1139-1703-02	SLIDER		3
06	4036-1369-01 NS	FRAME		1	24	9326-2820-11	MAGNET		1
07	4581-1627-01 NS	SEAL		4	25	1139-1706-01	SEAL		1
08	4581-1625-01 NS	SEAL		6	26	1139-1704-14	PAD		1
09	4036-0115-01	PWB ASSY SCAN. DR. (PWB-IC)	RP	1	27	1139-1705-01	HINGE		2
10	9384-1900-57	PWB SUPPORT 9.53H		4	29	4036-1630-01	SEAL		1
11	4036-1632-02	SEAL		2					
12	4036-1301-03 NS	FRAME		1					
13	4036-1631-01	SEAL		1					
14	4002-0902-01	PHOTO INTERRUPTER HOME (PC201.202)		2					
15	4036-1720-01	PRESSURE SPRING		1					
16	4036-1721-01	LEVER		1					
17	4036-1370-01 NS	FRAME		1					
18	4002-1458-01	TENSION SPRING		1					
INDEX	PART NO.	PART NAME	REC	QTY	SFIX				
28	9326-1810-21	FERRITE CORE		1	211, 212, 213, 215, 312, 313				



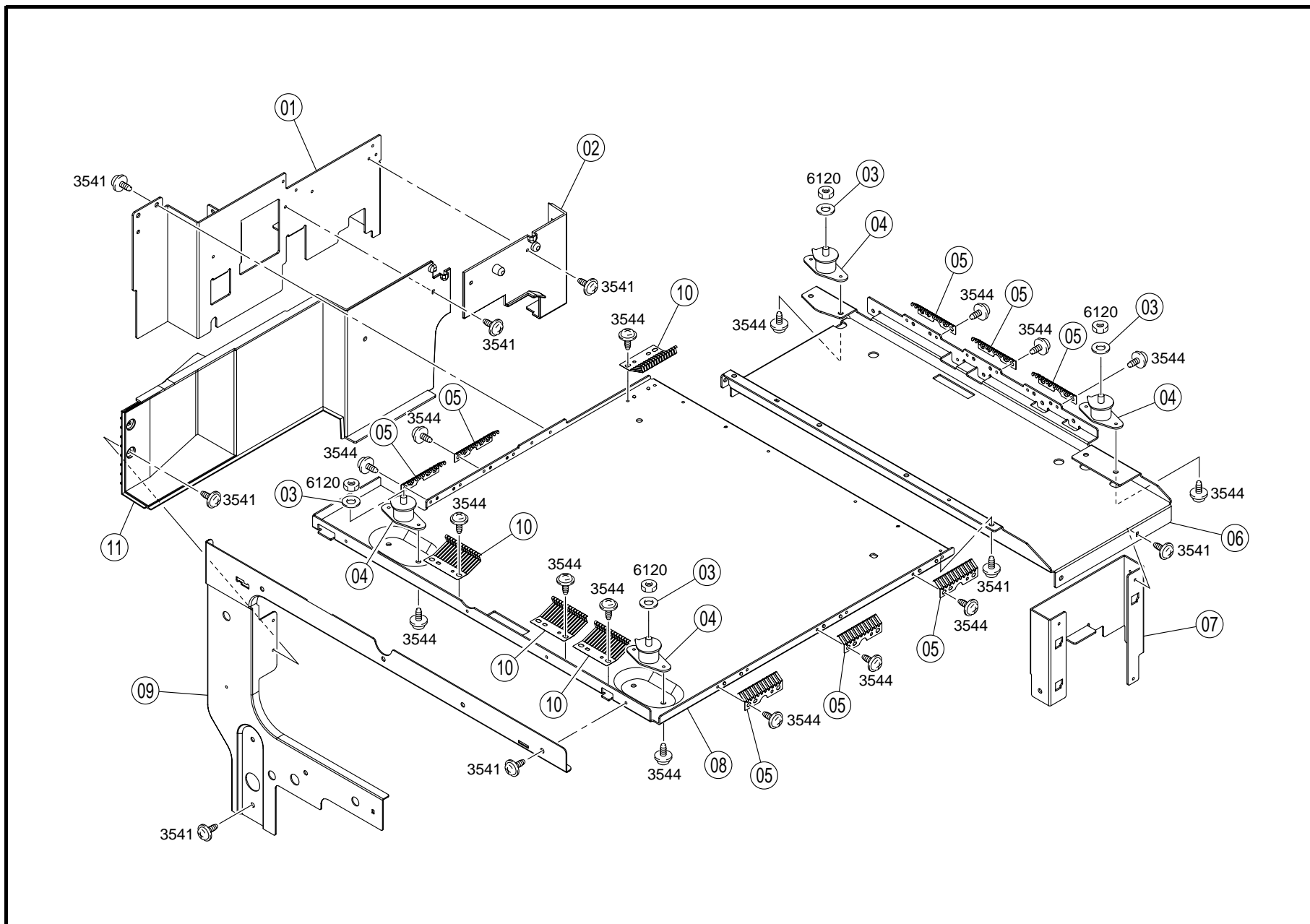
INDEX	PART NO.	PART NAME	REC	QTY	INDEX	PART NO.	PART NAME	REC	QTY
01	4005-1464-01	PULLEY		8	21	4002-1480-01	BUSHING		3
02	4005-0203-01	BRACKET ASSY		1	22	4581-1421-01 NS	FRAME		1
03	4581-1428-01 NS	HOLD PLATE		1	23	4581-1429-01	GUIDE		1
04	4002-1423-01	HOLDER		4	24	4581-1427-01 NS	HOLD PLATE		1
05	4002-1422-02	MIRROR		2	25	4036-1425-01	BRACKET		1
06	4581-3806-01	SET PLATE		2	26	4036-0902-01	FIRST SLIDER ASSY	RP	1
07	4036-6859-01 NS	WIRE HARNESS ASSY		1	27	9325-4300-12	INVERTOR	INVERTER (PU201)	1
08	4036-3075-01	TAPE		2	28	9351-3300-11	FLUORESCENT LAMP	EXPOSURE (FL201)	1
10	4036-1454-01	TIMING BELT		1					
11	4036-1453-01	PULLEY		1					
12	4002-1456-01	BALL BEARING		2					
13	4036-1451-02	WIRE		2					
14	4581-1452-01	PULLEY		2					
15	4581-1455-01 NS	SHAFT		1					
16	4005-0201-01	BRACKET ASSY		4					
17	1129-7303-01	LABEL		1			HI-VOL CAUTION		
19	1139-1612-01	GUIDE		2					
20	4581-1640-02	SPRING		2					

INDEX	PART NO.	PART NAME	REC	QTY	SFIX



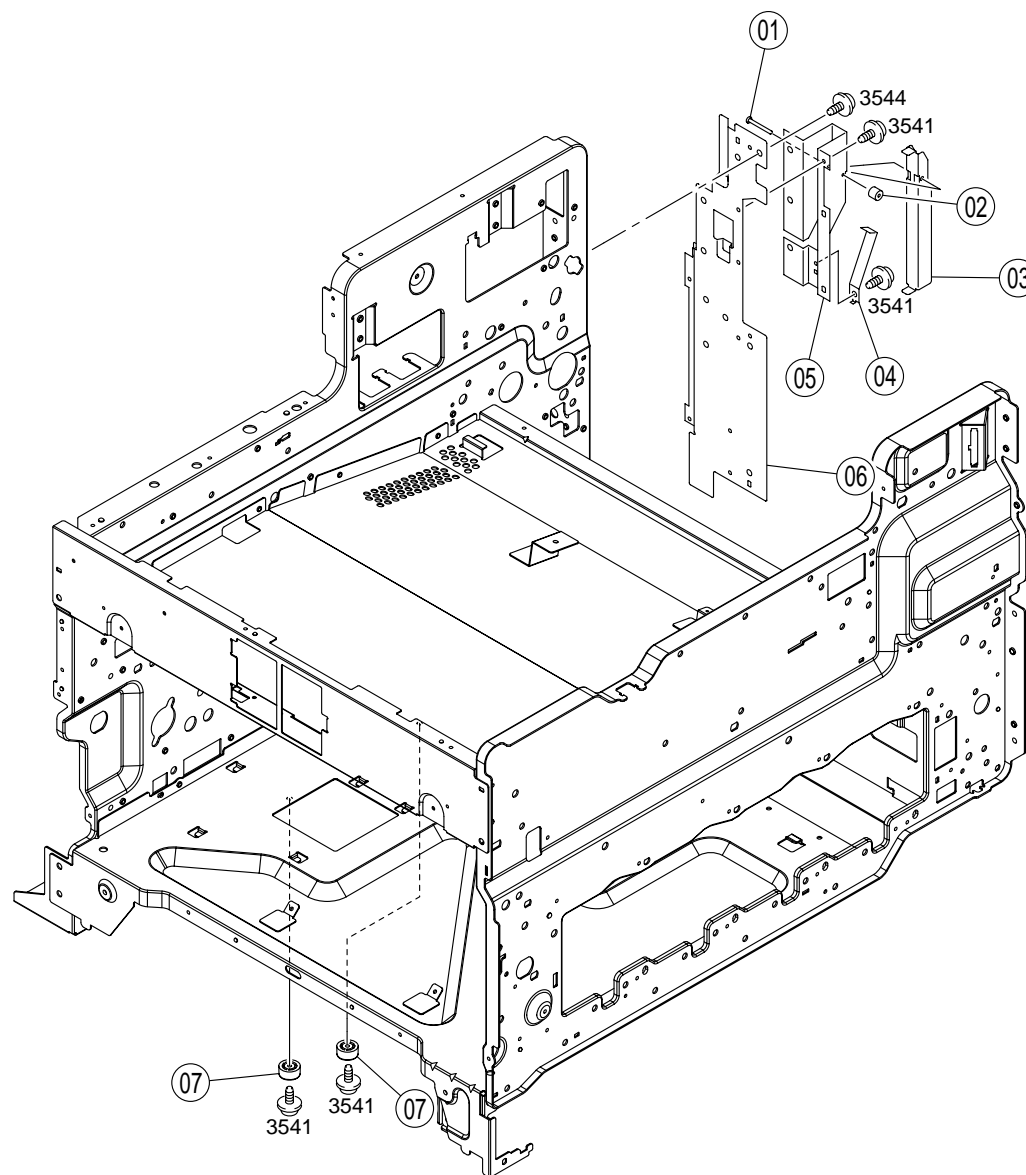
INDEX	PART NO.	PART NAME	REC	QTY	INDEX	PART NO.	PART NAME	REC	QTY
01	4036-1582-01	NS COVER		1					
02	4036-0903-01	CCD UNIT		1					
03	4036-1366-01	NS COVER		1					
04	4581-1579-01	NS PLATE SPRING		2					
05	4036-0113-03	PWB ASSY	IMAGE (PWB-C)	RP	1				
06	4036-1374-02	NS PLATE		1					
07	4581-2269-02	SHOULDER SCREW		2					
08	4036-1633-01	SEAL		1					
09	9335-1300-41	SOLID STATE SWITCH	FD2 (PC204)		1				
19	4036-6858-01	WIRE HARNESS ASSY			1				
20	4036-6857-01	WIRE HARNESS ASSY			1				
22	9326-1001-11	FERRITE CORE			1				

INDEX	PART NO.	PART NAME	REC	QTY	SFIX
10	9335-1300-31	SOLID STATE SWITCH CD2 (PC207)		1	212, 213, 215, 314, 315
11	9335-1300-31	SOLID STATE SWITCH OP CD2 (PC207)		1	011, 211, 311, 312, 313
12	9335-1300-31	SOLID STATE SWITCH FD1 (PC203)		1	011, 211, 212, 213, 215, 312, 313, 314, 315
13	9335-1300-31	SOLID STATE SWITCH OP FD1 (PC203)		1	311
14	9335-1300-41	SOLID STATE SWITCH CD1 (PC206)		1	011, 312, 313
15	9335-1300-41	SOLID STATE SWITCH CD1 (PC206)		1	211, 311, 314, 315
16	9335-1300-41	SOLID STATE SWITCH CD1 (PC206)		1	212, 213, 215
17	9335-1300-41	SOLID STATE SWITCH FD3 (PC205)		1	212, 213, 215, 314, 315
18	9335-1300-41	SOLID STATE SWITCH OP FD3 (PC205)		1	011, 211, 311, 312, 313
21	9326-1001-11	FERRITE CORE		1	211, 212, 213, 215, 312, 313
23	4036-6855-01	WIRE HARNESS ASSY OP FD3 FOR PC205		1	011, 211, 311, 312, 313
24	4036-6856-02	WIRE HARNESS ASSY OP CD2 FOR PC207		1	011, 211, 311, 312, 313



INDEX	PART NO.	PART NAME	REC	QTY	INDEX	PART NO.	PART NAME	REC	QTY
01	4036-1501-02	NS HOLD PLATE		1					
02	4036-1403-01	COVER		1					
03	4036-1506-01	SPACER		4					
04	4036-1505-02	CUSHION		4					
05	4036-1509-01	NS PLATE SPRING		8					
06	4036-1503-02	NS HOLD PLATE		1					
07	4036-1500-01	NS HOLD PLATE		1					
08	4036-1504-02	NS HOLD PLATE		1					
09	4036-1502-01	NS HOLD PLATE		1					
10	4002-1591-01	NS EARTH GROUND		4					
11	4036-1406-02	COVER		1					

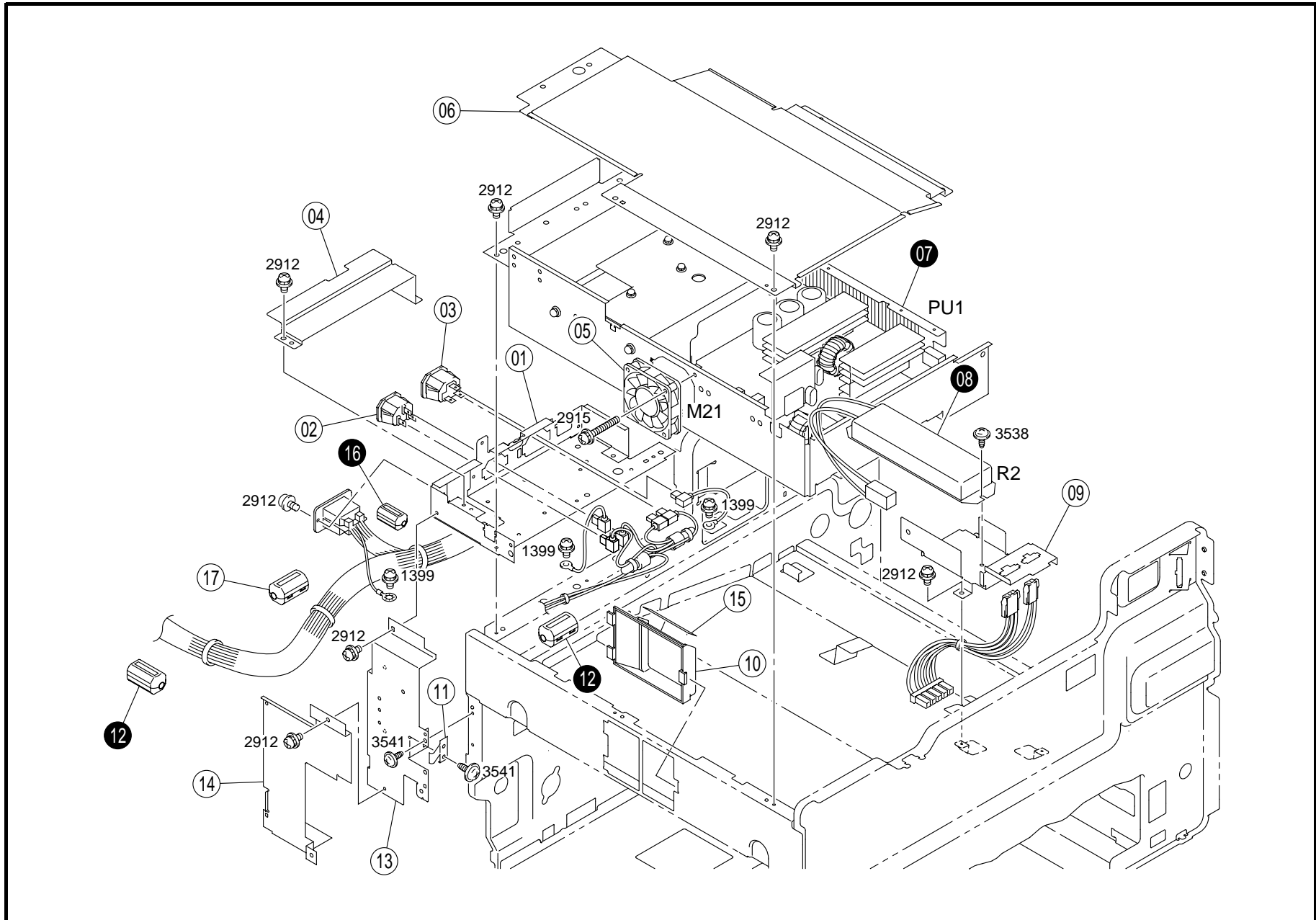
INDEX	PART NO.	PART NAME	REC	QTY	SFIX



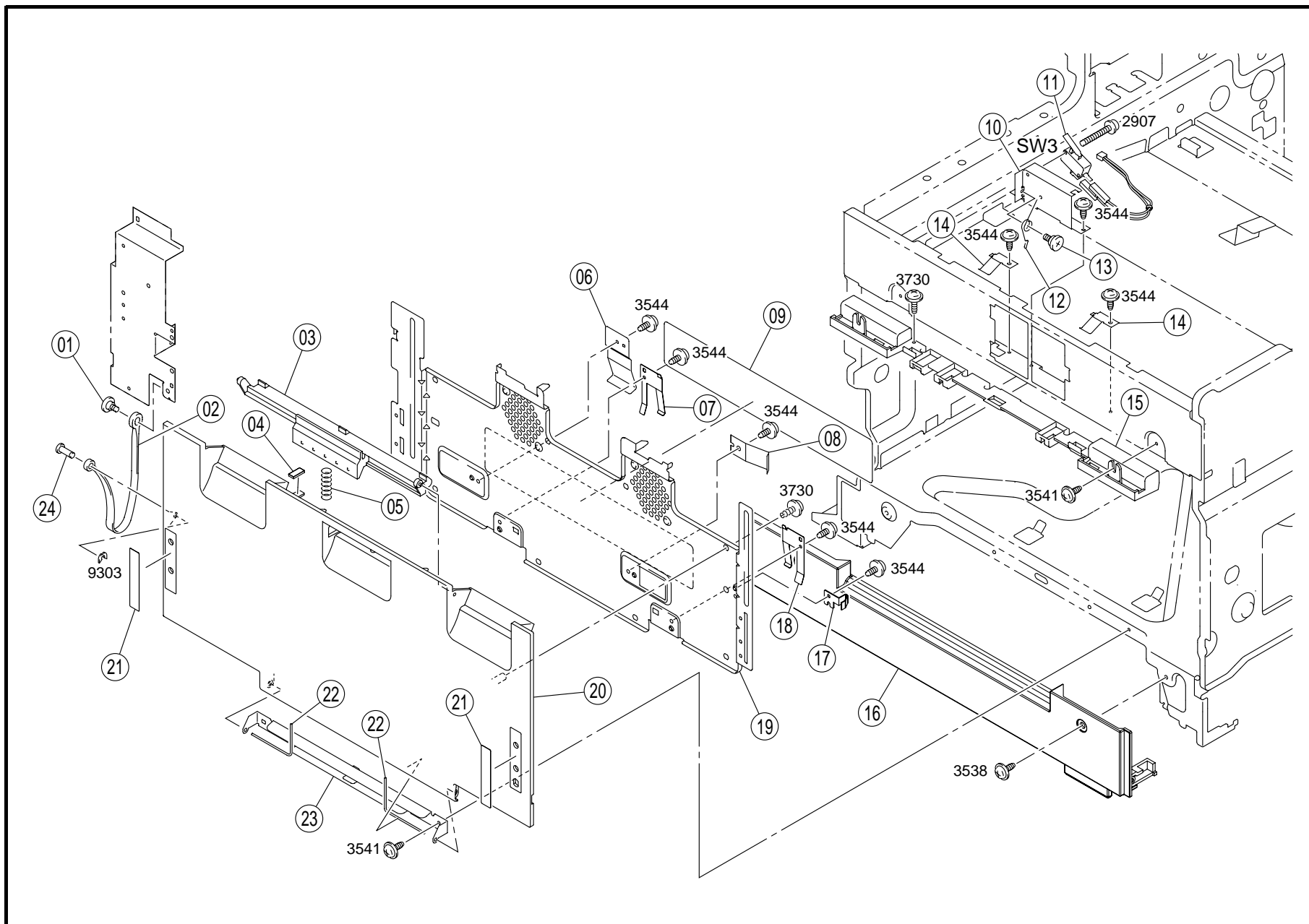


INDEX	PART NO.	PART NAME	REC	QTY	INDEX	PART NO.	PART NAME	REC	QTY
01	1200-5211-05	SHAFT		1					
02	1200-2105-05	COLLAR		1					
03	4004-2025-01 NS	HANDLE		1					
04	4004-2026-01 NS	PLATE SPRING		1					
05	4036-2023-01 NS	BRACKET		1					
06	4036-2204-02 NS	BRACKET		1					
07	0996-3055-01	RUBBER FOOT		2					

INDEX	PART NO.	PART NAME	REC	QTY	SFIX

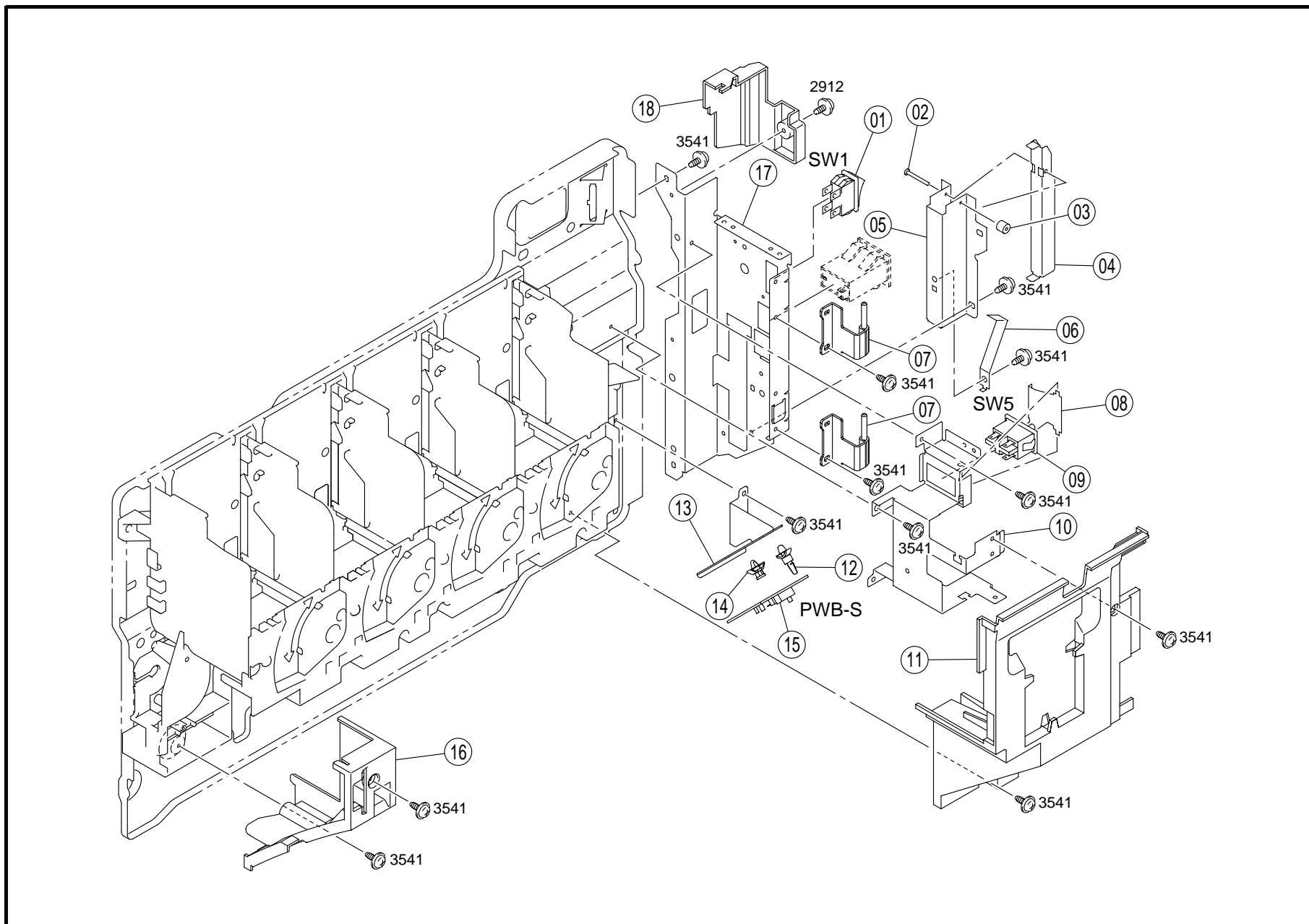


INDEX	PART NO.	PART NAME	REC	QTY	INDEX	PART NO.	PART NAME	REC	QTY
01	4036-2231-01	NS BRACKET		1					
02	9383-2510-21	HOLDER AC-INLET		1					
03	9383-5000-11	JACK OUTLET		1					
04	4036-2208-01	NS SHIELD		1					
05	9313-1000-61	FAN MOTOR PU COOL (M21)		1					
06	4036-2211-01	NS SHIELD		1					
09	4036-2216-02	NS BRACKET		1					
10	4004-2257-01	NS DUCT		1					
11	4004-1069-02	NS PLATE SPRING		1					
13	4036-2205-01	NS BRACKET		1					
14	4036-2256-02	NS SHIELD		1					
15	4004-2258-01	NS SEAL		1					
17	9326-1810-21	FERRITE CORE		1					
INDEX	PART NO.	PART NAME	REC	QTY	SFIX				
07	4036-6203-02	POWER SUPPLY DC P.S. (PU1)		1	011, 311, 312, 313, 314, 315				
07	4036-6204-02	POWER SUPPLY DC P.S. (PU1)		1	211, 212, 213, 215				
08	9450-1806-01	RESISTOR FLICKER (R2)		1	211				
12	9326-1810-21	FERRITE CORE		2	211, 212, 213, 215, 312, 313				
16	9326-1200-61	FERRITE CORE		1	211, 212, 213, 215, 312, 313				



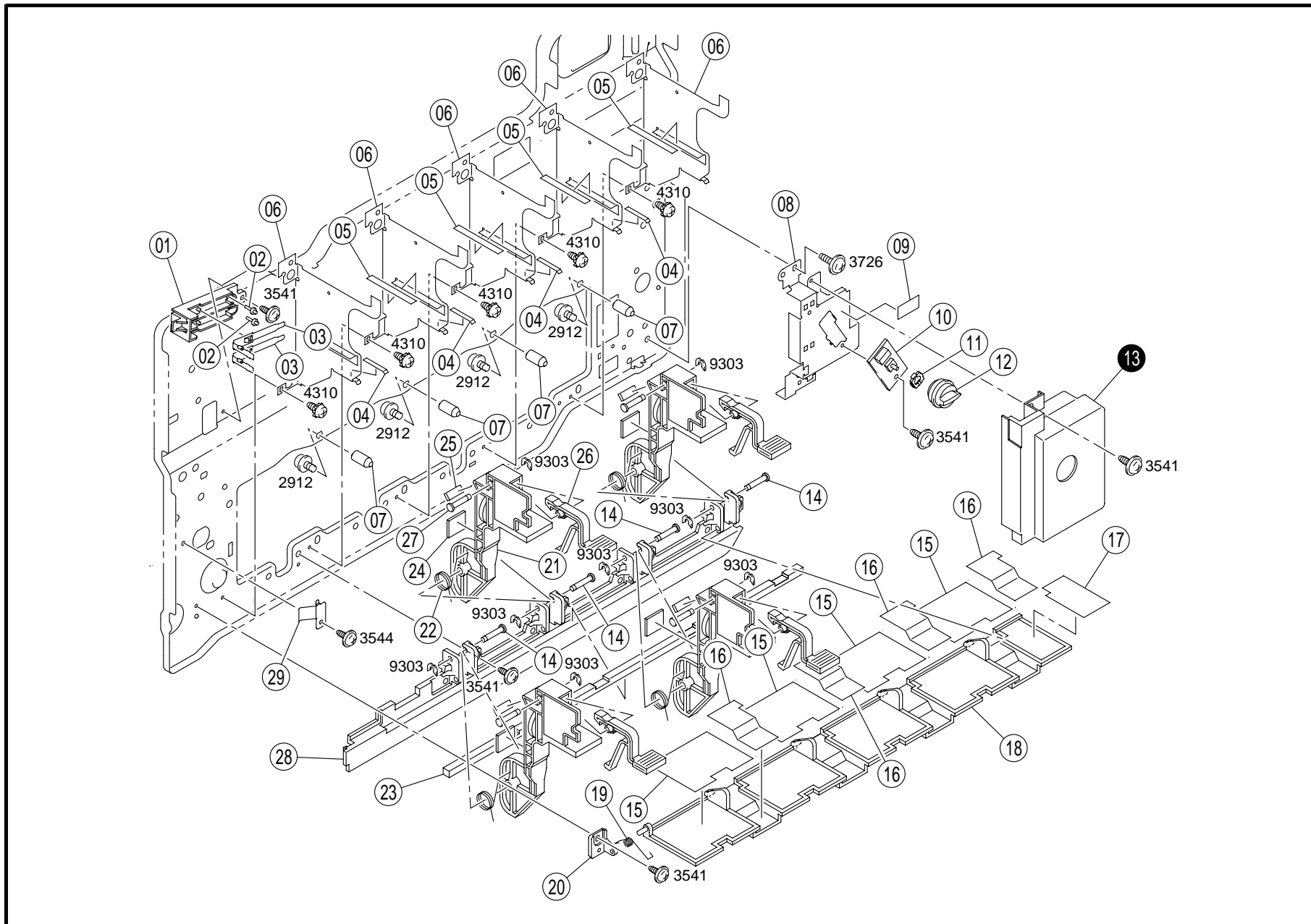
INDEX	PART NO.	PART NAME	REC	QTY	INDEX	PART NO.	PART NAME	REC	QTY
01	4134-3579-03	SHOULDER SCREW		1	19	4036-1010-02 NS	REINFORCE PLATE		1
02	4036-1039-01	STOPPER		1	20	4036-1005-03	COVER		1
03	4036-1013-01	HANDLE		1	21	4036-1011-01	LABEL MASK		2
04	4025-1019-01 NS	CUSHION		1	22	4036-1042-01	PIN		2
05	4004-1014-01	PRESSURE SPRING		1	23	4036-1015-01 NS	BRACKET		1
06	4025-1012-01 NS	PLATE SPRING		1	24	4036-1040-01	PIN		1
07	4004-1066-03 NS	PLATE SPRING		1					
08	4004-1012-02 NS	PLATE SPRING		1					
09	4036-7303-01	LABEL TONER B. REPLACE		1					
10	4004-2255-02	BRACKET		1					
11	9331-2200-21	MICRO-SWITCH LFT-DOOR (SW3)		1					
12	4004-2239-03	TORSION SPRING		1					
13	4036-2257-01	SHOULDER SCREW		1					
14	4004-2254-01 NS	PLATE SPRING		2					
15	4036-2024-01	HANDLE		1					
16	4036-2101-02 NS	RAIL LFT		1					
17	4004-1072-01 NS	BRACKET		1					
18	4004-1067-02 NS	PLATE SPRING		1					

INDEX	PART NO.	PART NAME	REC	QTY	SFIX



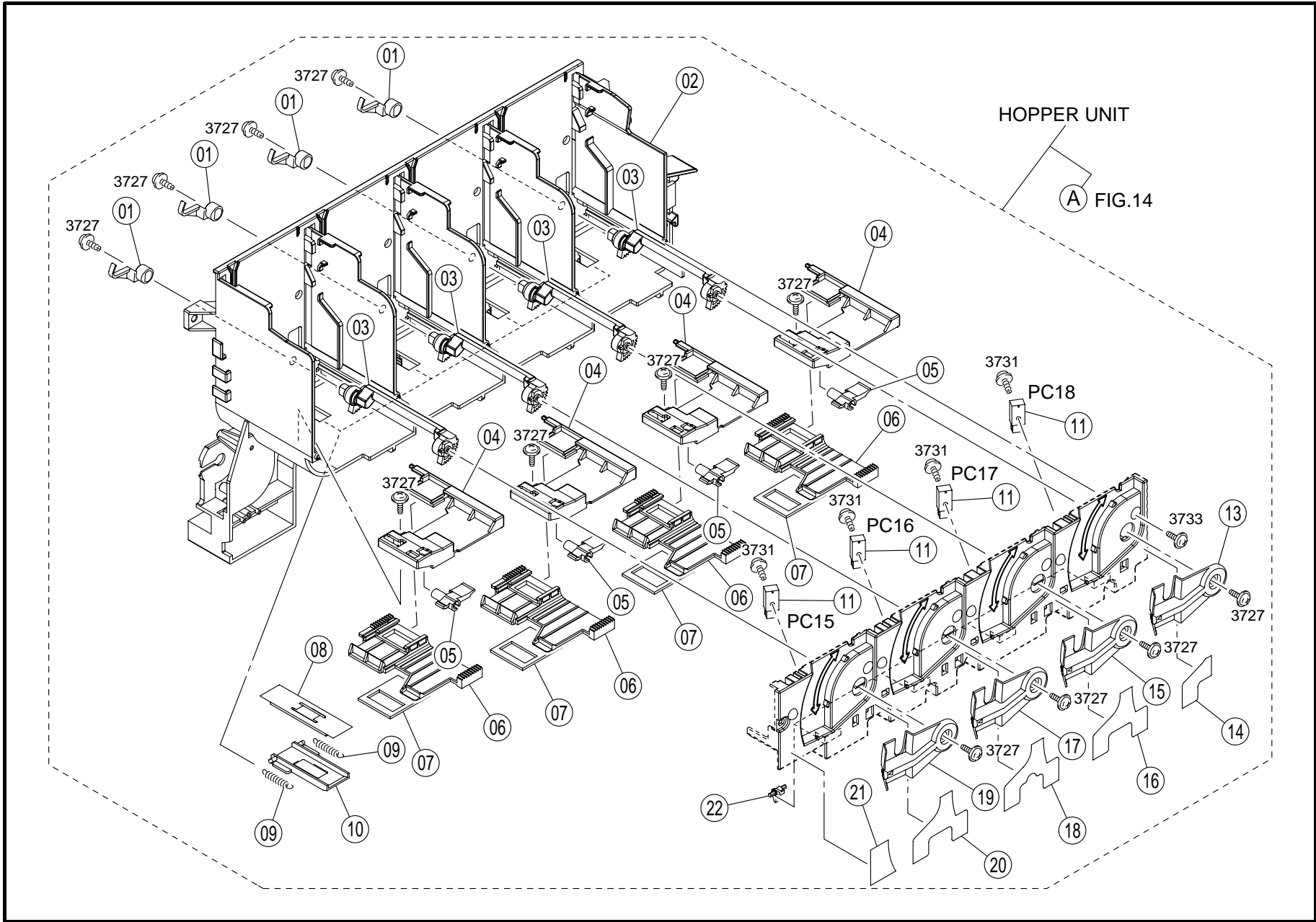
INDEX	PART NO.	PART NAME	REC	QTY	INDEX	PART NO.	PART NAME	REC	QTY
01	0990-6304-02	SWITCH MAIN (SW1)		1					
02	1200-5211-05	SHAFT		1					
03	1200-2105-05	COLLAR		1					
04	4004-2025-01 NS	HANDLE		1					
05	4004-2021-03 NS	BRACKET		1					
06	4004-2026-01 NS	PLATE SPRING		1					
07	4036-1025-02	HINGE		2					
08	4036-2245-01 NS	LEVER		1					
09	9332-1710-41	SWITCH FUSING DOO (SW5)		1					
10	4036-2214-01 NS	BRACKET		1					
11	4036-1051-01	COVER		1					
12	9384-1900-56	PWB SUPPORT 6.35H		2					
13	4025-2276-01 NS	BRACKET		1					
14	9384-1621-21	PWB SUPPORT 6.4H		2					
15	1155-0117-01	PW BOARD-S TECH.REPA (PWB-S)		1					
16	4036-1054-01	COVER		1					
17	4036-2212-01 NS	BRACKET		1					
18	4036-1052-03	COVER		1					

INDEX	PART NO.	PART NAME	REC	QTY	SFIX



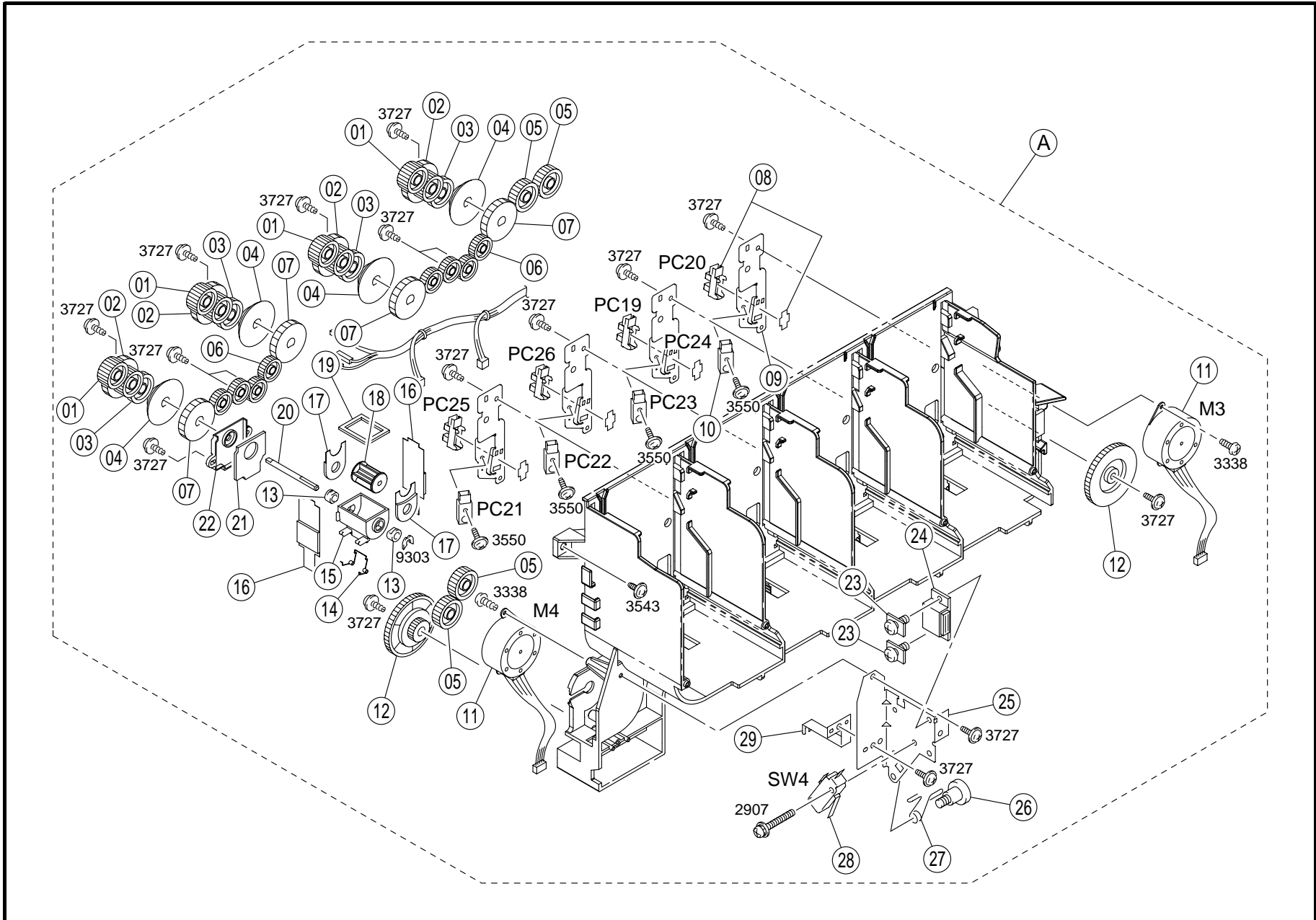


INDEX	PART NO.	PART NAME	REC	QTY	INDEX	PART NO.	PART NAME	REC	QTY
01	4036-4901-01	GUIDE		1	20	4004-1823-01	HOLDER		1
02	4036-2311-01	PIN		2	21	4036-1821-01	LEVER		4
03	4036-4551-01	CONTACT		2	22	4004-1838-02	TORSION SPRING		4
04	4036-1847-02	LABEL IU RAIL LFT		4	23	4004-1836-02	SEAL		1
05	4036-1846-01	LABEL IU RAIL RT		4	24	4004-1842-01	CUSHION		4
06	4036-1845-02 NS	GUIDE PLATE		5	25	4004-1829-02	CUSHION		4
07	4036-2007-01	PIN		4	26	4004-1826-03	PAWL		4
08	4036-3071-01 NS	BRACKET		1	27	4004-1805-01 NS	SHAFT		4
09	4036-3075-01	TAPE		1	28	4036-1837-01	COVER		1
10	4128-0105-01	PWB ASSY P.DETECT (PWB-S)		1	29	4004-1071-01 NS	PLATE SPRING		1
11	4108-3079-01	HOLDER		1					
12	4004-3073-02	KNOB		1					
14	4004-1822-01 NS	SHAFT		4					
15	4004-1834-02	SEAL		4					
16	4004-1833-03	SEAL		4					
17	4004-1835-02	SEAL		1					
18	4004-1831-01	PLATE		1					
19	4004-1832-01	TORSION SPRING		1					
INDEX	PART NO.	PART NAME	REC	QTY	SFIX				
13	4036-3072-02	COVER		1	211, 212, 213, 215, 311, 312, 313, 314, 315				
13	4036-3074-02	COVER		1	011				



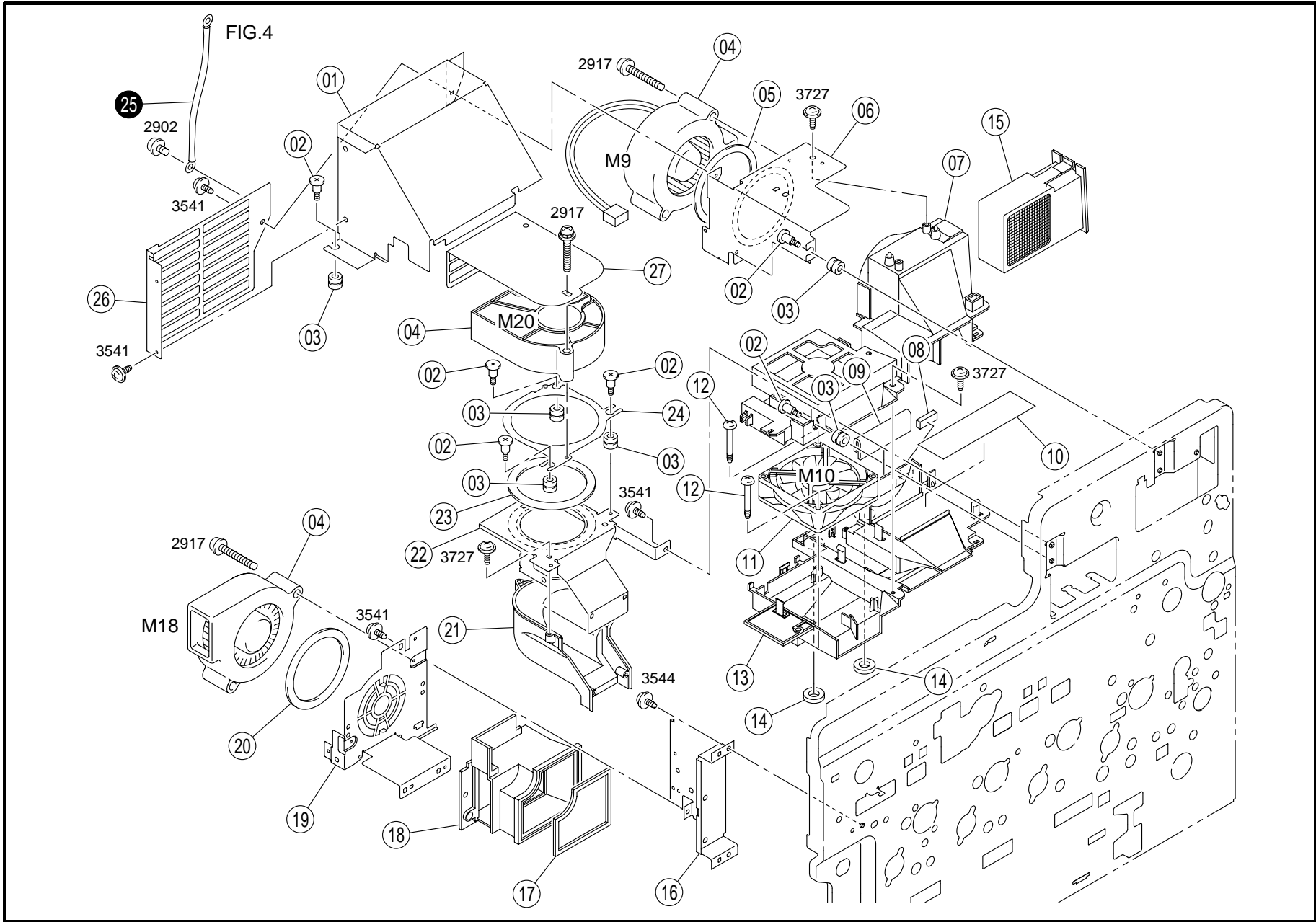
INDEX	PART NO.	PART NAME	REC	QTY	INDEX	PART NO.	PART NAME	REC	QTY
01	4025-5442-02 NS	LEVER		4	20	4036-7316-01	LABEL LOCK RELEASE Y		1
02	4036-5301-03	HOUSING		1	21	4036-7315-01	LABEL LOCK RELEASE		1
03	4036-5414-01	SHAFT		4	22	4036-5325-02	PAWL		4
04	4036-5413-01	GUIDE		4					
05	4036-5419-01	LEVER		4					
06	4036-5411-01	SHUTTER		4					
07	4025-5412-01 NS	SEAL		4					
08	4036-5349-02	SEAL		4					
09	4036-5348-01	TENSION SPRING		8					
10	4036-5347-01	SHUTTER		4					
11	9335-1100-51	SOLID STATE SWITCH		4			NEAR EMP(PC15-18)		
13	4025-5422-01	LEVER		1					
14	4036-7319-01	LABEL		1			LOCK RELEASE K		
15	4025-5421-01	LEVER		1					
16	4036-7318-01	LABEL		1			LOCK RELEASE C		
17	4025-5420-01	LEVER		1					
18	4036-7317-02	LABEL		1			LOCK RELEASE M		
19	4025-5417-01	LEVER		1					

INDEX	PART NO.	PART NAME	REC	QTY	SFIX

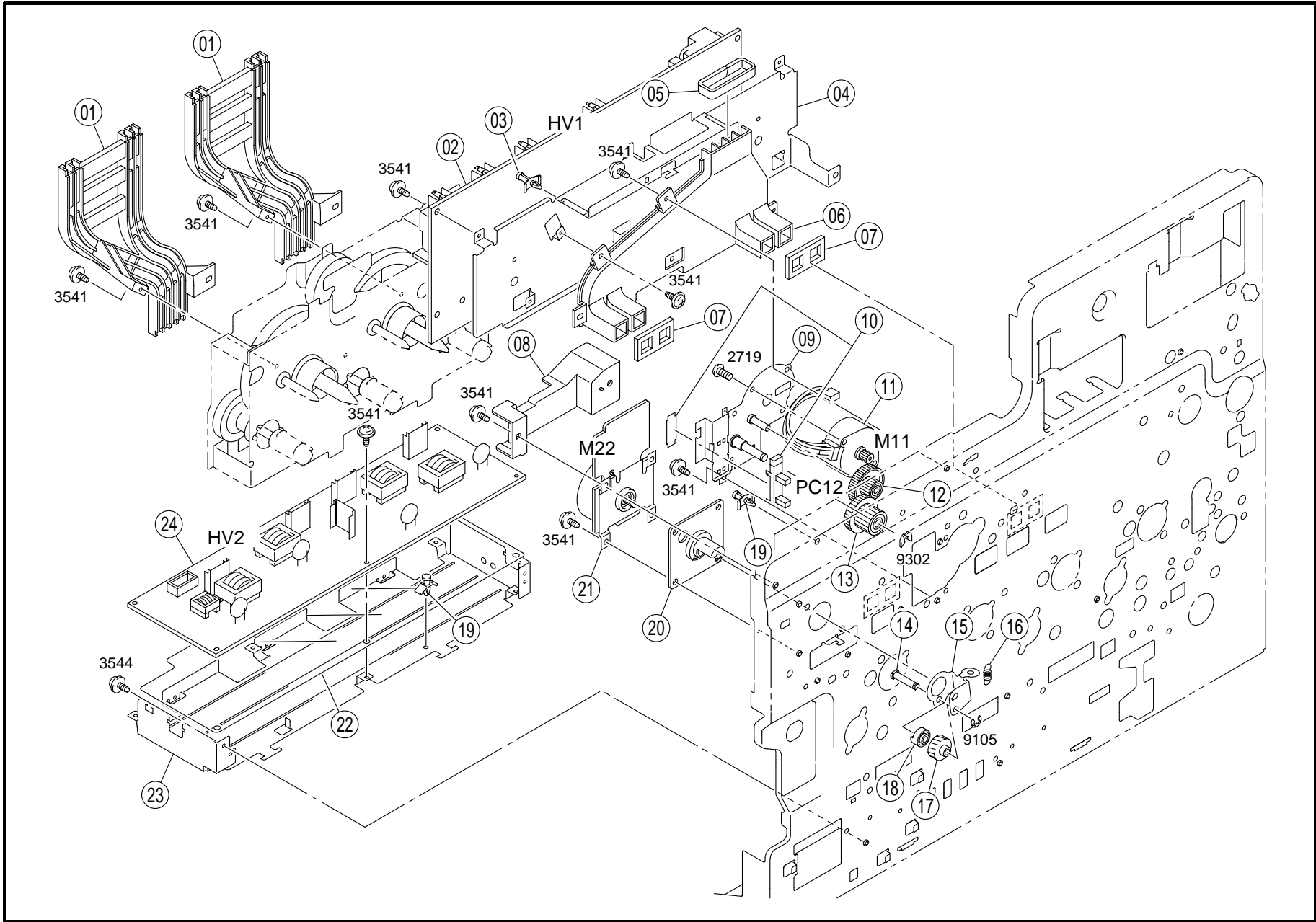


INDEX	PART NO.	PART NAME		REC	QTY	INDEX	PART NO.	PART NAME		REC	QTY
01	4025-5363-01	NS	GEAR		4	19	4004-5337-01	NS	SEAL		4
02	4025-5365-01	NS	GEAR		4	20	4025-5333-01	NS	SHAFT		4
03	4025-5362-01	NS	GEAR		4	21	4025-5307-01	NS	SEAL		4
04	4004-5354-01	NS	GEAR		4	22	4036-5302-01		COVER		4
05	4025-5352-01	NS	GEAR		4	23	4036-1032-01		SCREW		2
06	4004-5356-01	NS	GEAR		8	24	1500-2640-04		MAGNET CATCH		1
07	4004-5353-02	NS	GEAR		4	25	4004-1017-01	NS	BRACKET		1
08	4002-0902-01		PHOTO INTERRUPTER		4	26	4036-2257-01		SHOULDER SCREW		1
09	4025-5441-02	NS	BRACKET		4	27	4004-1041-01		TORSION SPRING		1
10	9335-1100-41		SOLID STATE SWITCH		4	28	9331-2200-21		MICRO-SWITCH	FNT-DOOR (SW4)	1
11	9314-1300-21		MOTOR		2	29	4004-1030-01	NS	CONTACT		1
12	4025-5351-01		GEAR		2						
13	4004-5339-01	NS	BUSHING		8						
14	4025-5332-01	NS	TORSION SPRING		4						
15	4025-5331-01	NS	HOLDER		4						
16	4025-5335-01	NS	SEAL		8						
17	1144-5336-02		SPONGE		8						
18	4004-5338-01	NS	ROLLER		4						

INDEX	PART NO.	PART NAME		REC	QTY	SFIX						



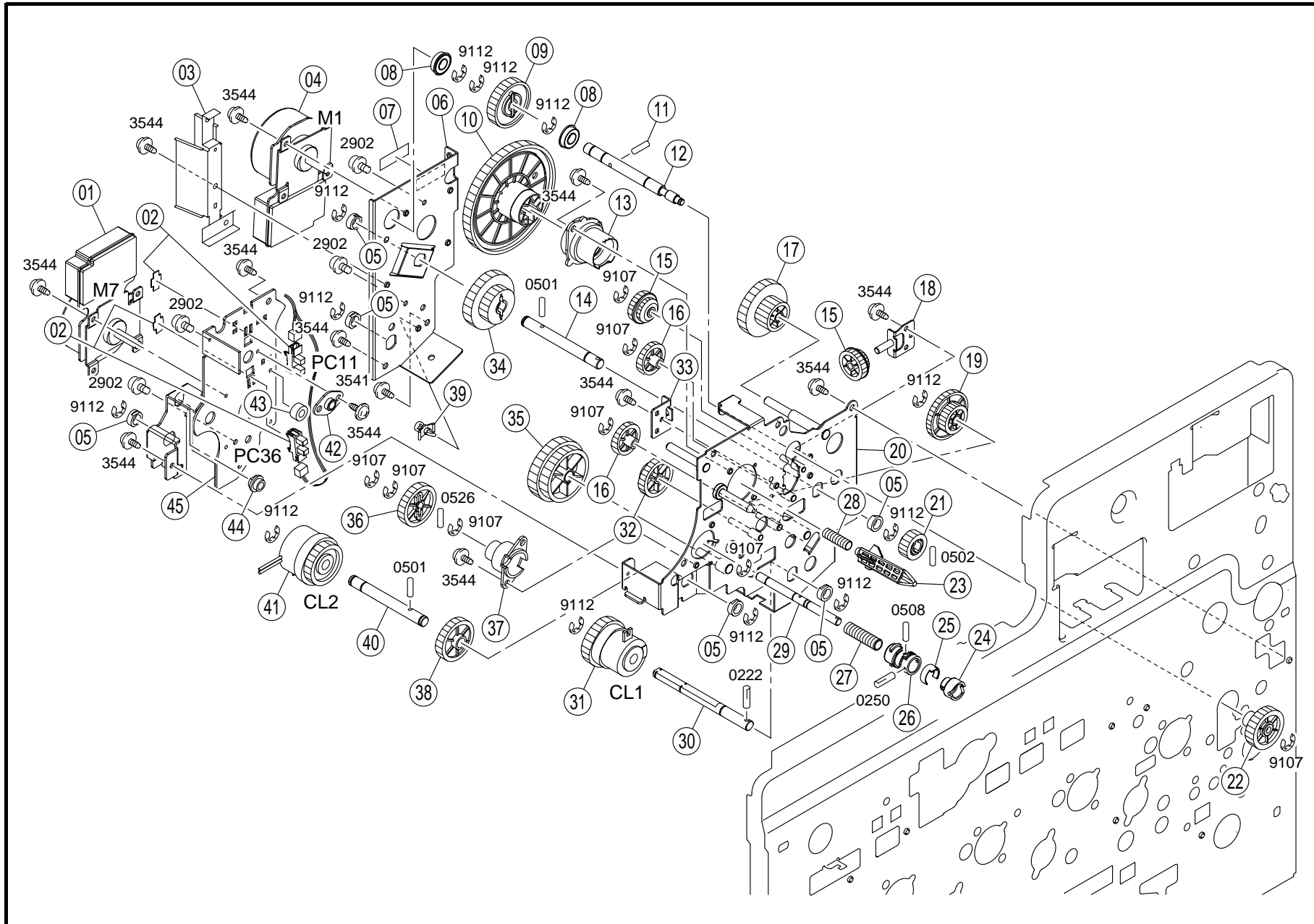
INDEX	PART NO.		PART NAME	REC	QTY	INDEX	PART NO.		PART NAME	REC	QTY
01	4036-2463-02	NS	BRACKET		1	19	4036-2146-02	NS	BRACKET		1
02	4036-2487-01		SHOULDER SCREW		6	20	4004-2148-01		SEAL		1
03	4025-2294-01	NS	BUSHING		6	21	4036-2483-01		DUCT		1
04	9313-1000-72		FAN MOTOR		3	22	4036-2484-01	NS	BRACKET		1
05	4025-2465-01		SEAL		1	23	4036-2485-01		SEAL		1
06	4036-2459-01	NS	BRACKET		1	24	4036-2486-01	NS	BRACKET		1
07	4025-2452-03	NS	DUCT		1	26	4036-2489-01	NS	REINFORCE PLATE		1
08	4036-2490-01		CUSHION		1	27	4036-2488-01	NS	COVER		1
09	4025-2466-01		SEAL		1						
10	4025-2458-01		SEAL		1						
11	9313-1300-12		FAN MOTOR		1						
12	4120-4614-01		SCREW		2						
13	4025-2453-04	NS	DUCT		1						
14	4025-2468-01		SEAL		2						
15	4053-0151-01		HOLDER ASSY		1						
16	4004-2230-03	NS	BRACKET	RP	1						
17	4004-2142-01		SEAL		1						
18	4004-2141-01	NS	DUCT		1						
INDEX	PART NO.		PART NAME	REC	QTY	SFIX					
25	9381-2400-31	NS	SHIELD WIRE		1	211, 212, 213, 215, 312, 313					





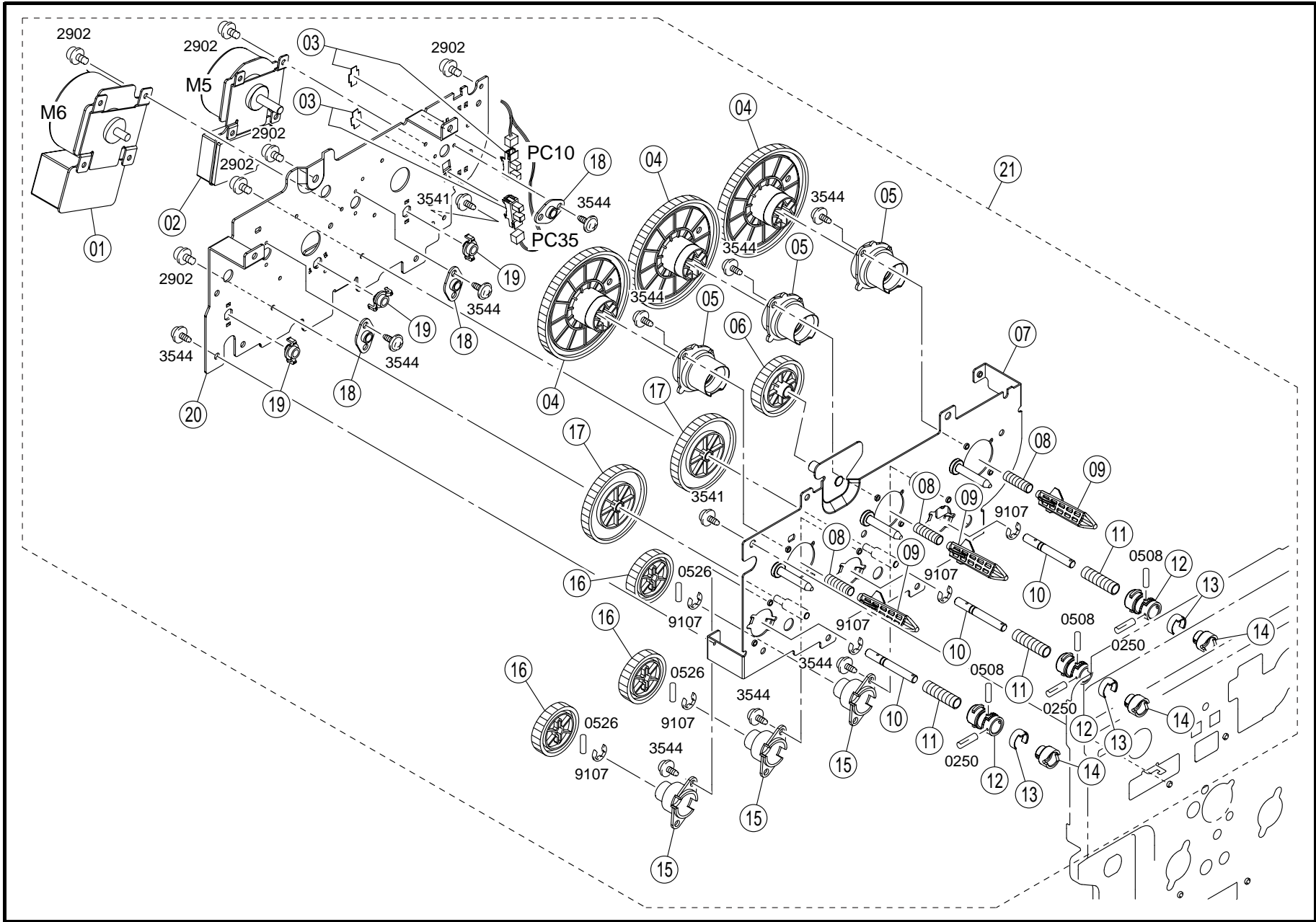
INDEX	PART NO.	PART NAME	REC	QTY	INDEX	PART NO.	PART NAME	REC	QTY
01	4036-2238-01	GUIDE		2	19	9384-1621-21	PWB SUPPORT 6.4H		2
02	4036-6201-02	HV TRANSFORMER IMAGE. DRUM (HV1)		1	20	4036-2595-01	HOLDER		1
03	9384-1900-55	PWB SUPPORT 9.53H		1	21	9314-2300-31	MOTOR CLEAN BRUSH (M22)		1
04	4036-2210-01 NS	BRACKET		1	22	4004-2253-02 NS	INSULATING MEMBER		1
05	4036-2482-01	SEAL		1	23	4004-2209-05 NS	BRACKET		1
06	4036-2481-01	DUCT		1	24	4036-6202-02	HV TRANSFORMER DEVELOP (HV2)		1
07	4036-2480-01	SEAL		2					
08	4036-2215-01	GUIDE		1					
09	4004-0207-01 NS	BRACKET ASSY		1					
10	4004-0903-01	PHOTO INTERRUPTER 1ST IMAGE (PC12)		1					
11	9314-1100-71	MOTOR 1ST IMAGE (M11)		1					
12	4004-4533-01	GEAR Z=18/62		1					
13	4004-4532-01	GEAR Z=18/38		1					
14	4036-2599-01	PIN		1					
15	4036-2596-01 NS	BRACKET		1					
16	4004-2582-01	TENSION SPRING		1					
17	4036-2597-01	GEAR Z=32		1					
18	4036-2598-01	RING		1					

INDEX	PART NO.	PART NAME	REC	QTY	SFIX

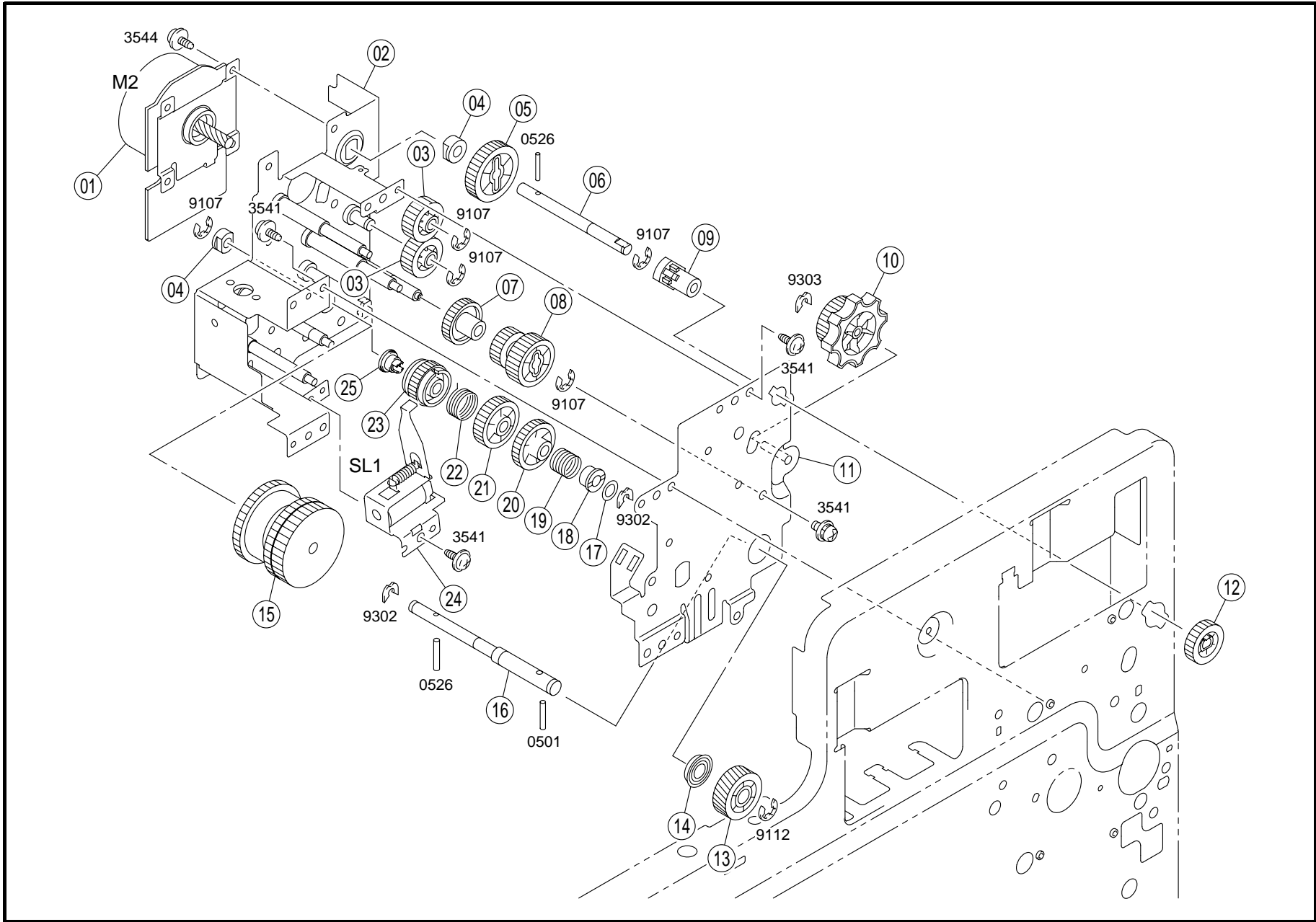


INDEX	PART NO.	PART NAME		REC	QTY	INDEX	PART NO.	PART NAME		REC	QTY
01	9314-2300-21	MOTOR	PC BLACK (M7)		1	24	4004-2509-01	JOINT			1
02	4002-0902-01	PHOTO INTERRUPTER	PC DRIVE (PC11.36)		2	25	4036-2775-01	CAP			1
03	4036-2237-01	NS GUIDE			1	26	4036-2774-01	JOINT			1
04	9314-2300-31	MOTOR	MAIN (M1)		1	27	4004-2503-01	PRESSURE SPRING			1
05	1200-3131-08	BUSHING			6	28	4036-2769-01	PRESSURE SPRING			1
06	4036-2511-01	NS FRAME			1	29	4036-2520-01	NS SHAFT			1
07	1129-7303-01	LABEL			1	30	4036-2531-01	NS SHAFT			1
08	1300-4342-07	BALL BEARING			2	31	9322-1300-31	CLUTCH	P.TAKE-UP (CL1)		1
09	4004-2540-01	GEAR	Z=88		1	32	4036-2544-01	GEAR	Z=36		1
10	4036-2754-02	GEAR	Z=208		1	33	4036-2537-01	NS BRACKET			1
11	4004-2547-01	PIN			1	34	4036-2513-01	GEAR	Z=53		1
12	4036-2541-01	NS SHAFT			1	35	4036-2517-01	GEAR	Z=52		1
13	4036-2767-01	BUSHING			1	36	4036-2519-01	GEAR	Z=40		1
14	4036-2512-01	NS SHAFT			1	37	4036-2752-01	HOLDER			1
15	4004-2545-01	GEAR	Z=18/30		2	38	4036-2521-01	GEAR	Z=40		1
16	4036-2543-01	GEAR	Z=32		2	39	9384-1621-21	PWB SUPPORT 6.4H			1
17	4036-2538-01	GEAR	Z=80		1	40	4036-2764-01	NS SHAFT			1
18	4004-2546-01	NS BRACKET			1	41	9322-1300-41	CLUTCH	DEV.BLACK (CL2)		1
19	4036-2515-01	GEAR	Z=91		1	42	4036-2768-01	BUSHING			1
20	4036-0208-01	NS BRACKET ASSY			1	43	1154-4670-01	CUSHION			1
21	4036-2514-01	GEAR	Z=19		1	44	4036-2762-01	BUSHING			1
22	4036-2542-01	GEAR	Z=13/39		1	45	4036-2772-01	NS BRACKET			1
23	4036-2766-02	JOINT			1						

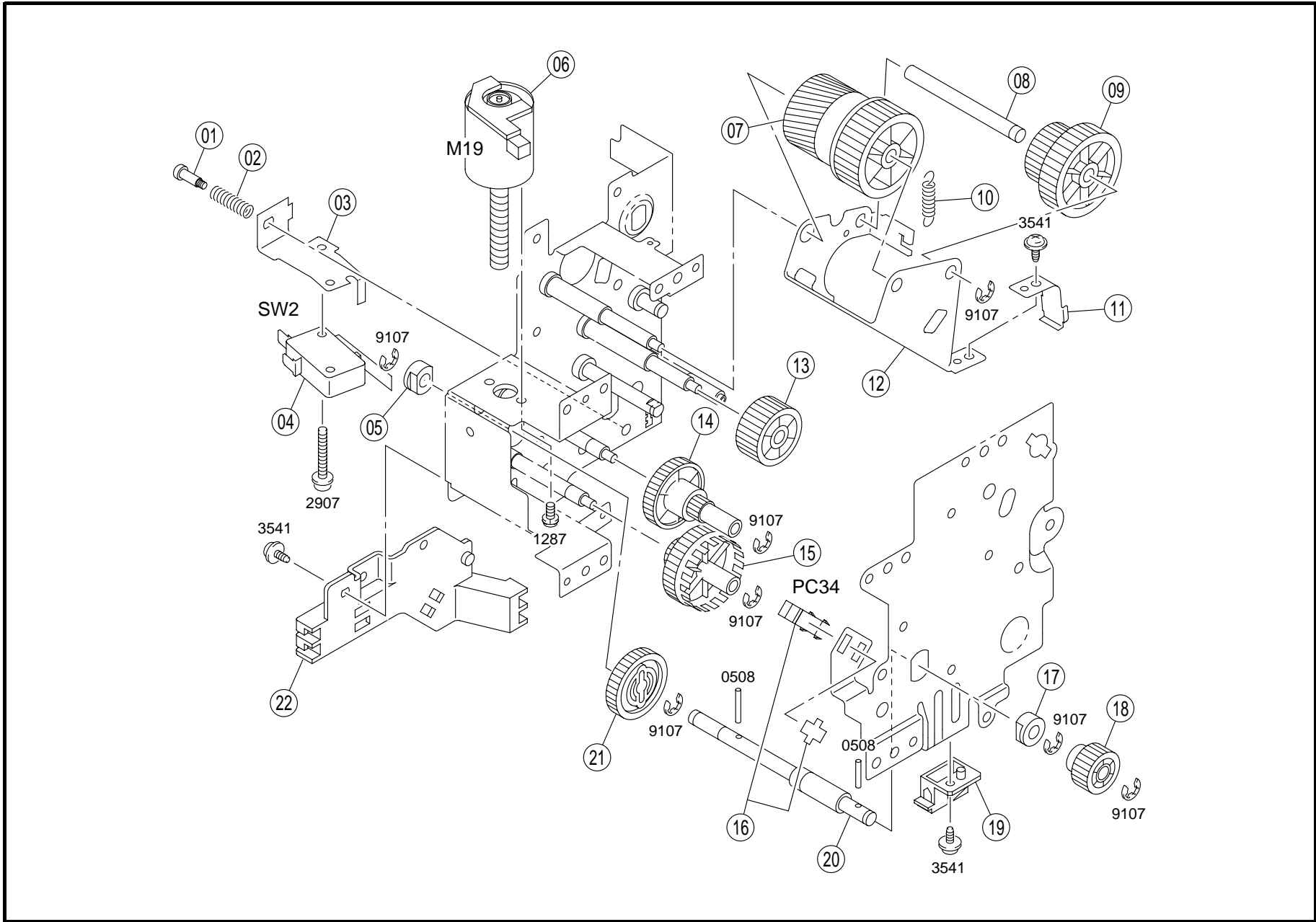
INDEX	PART NO.	PART NAME	REC	QTY	SFIX



INDEX	PART NO.	PART NAME		REC	QTY	INDEX	PART NO.	PART NAME		REC	QTY
01	9314-2300-41	MOTOR	COLOR DEV. (M6)		1	19	4036-2753-01	BUSHING			3
02	9314-2300-21	MOTOR	PC YMC (M5)		1	20	4036-2757-01 NS	FRAME			1
03	4002-0902-01	PHOTO INTERRUPTER	YMC DRIV (PC10.35)		2	21	4036-0315-02	YMC DRIVE ASSY	YMC		1
04	4036-2754-02	GEAR	Z=208		3						
05	4036-2767-01	BUSHING			3						
06	4036-2758-01	GEAR	Z=106		1						
07	4036-0207-01 NS	BRACKET ASSY			1						
08	4036-2769-01	PRESSURE SPRING			3						
09	4036-2766-02	JOINT			3						
10	4036-2751-01 NS	SHAFT			3						
11	4004-2503-01	PRESSURE SPRING			3						
12	4036-2774-01	JOINT			3						
13	4036-2775-01	CAP			3						
14	4004-2509-01	JOINT			3						
15	4036-2752-01	HOLDER			3						
16	4036-2761-01	GEAR	Z=75		3						
17	4036-2760-01	GEAR	Z=113		2						
18	4036-2768-01	BUSHING			3						
INDEX	PART NO.	PART NAME		REC	QTY	SFIX					



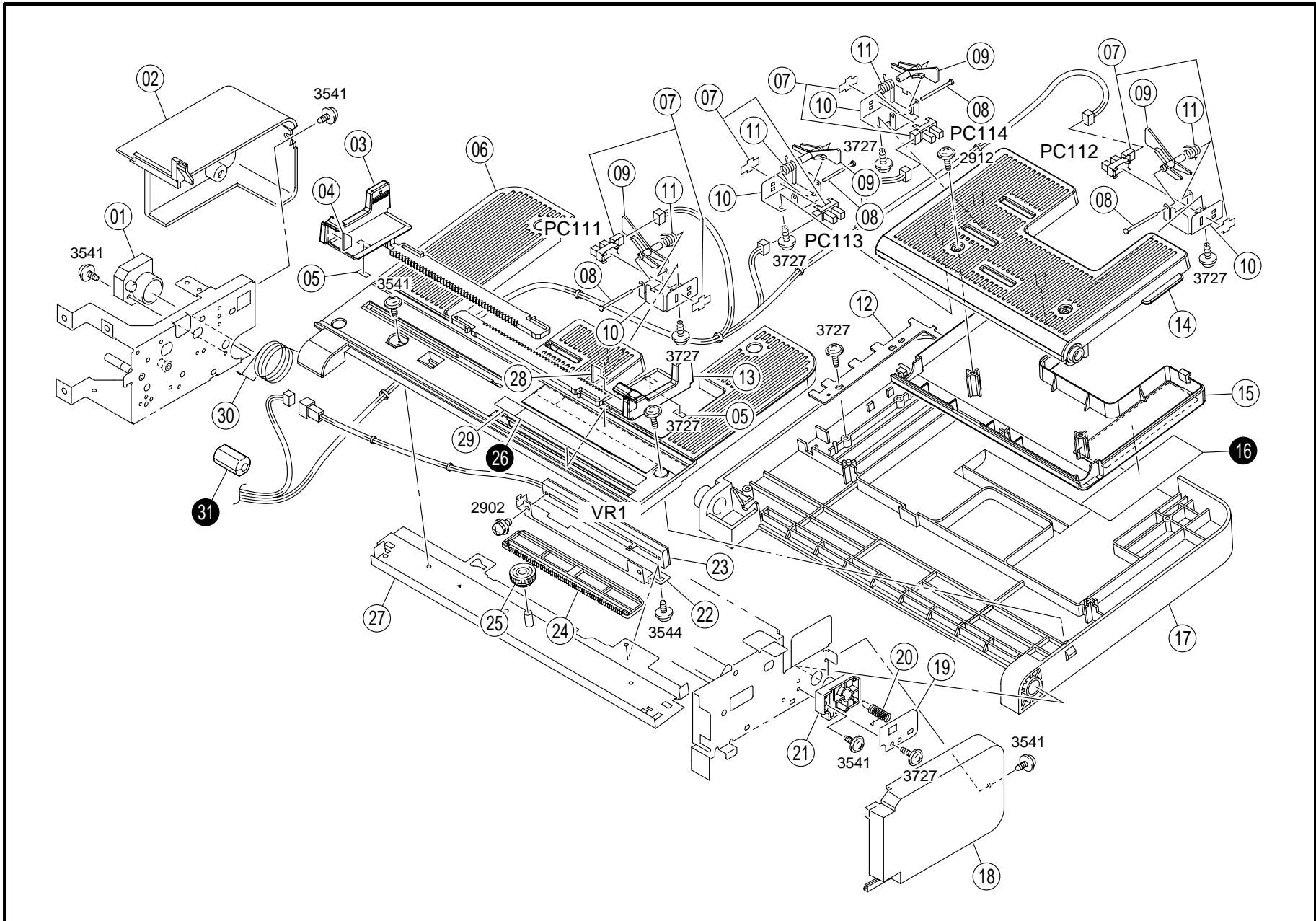






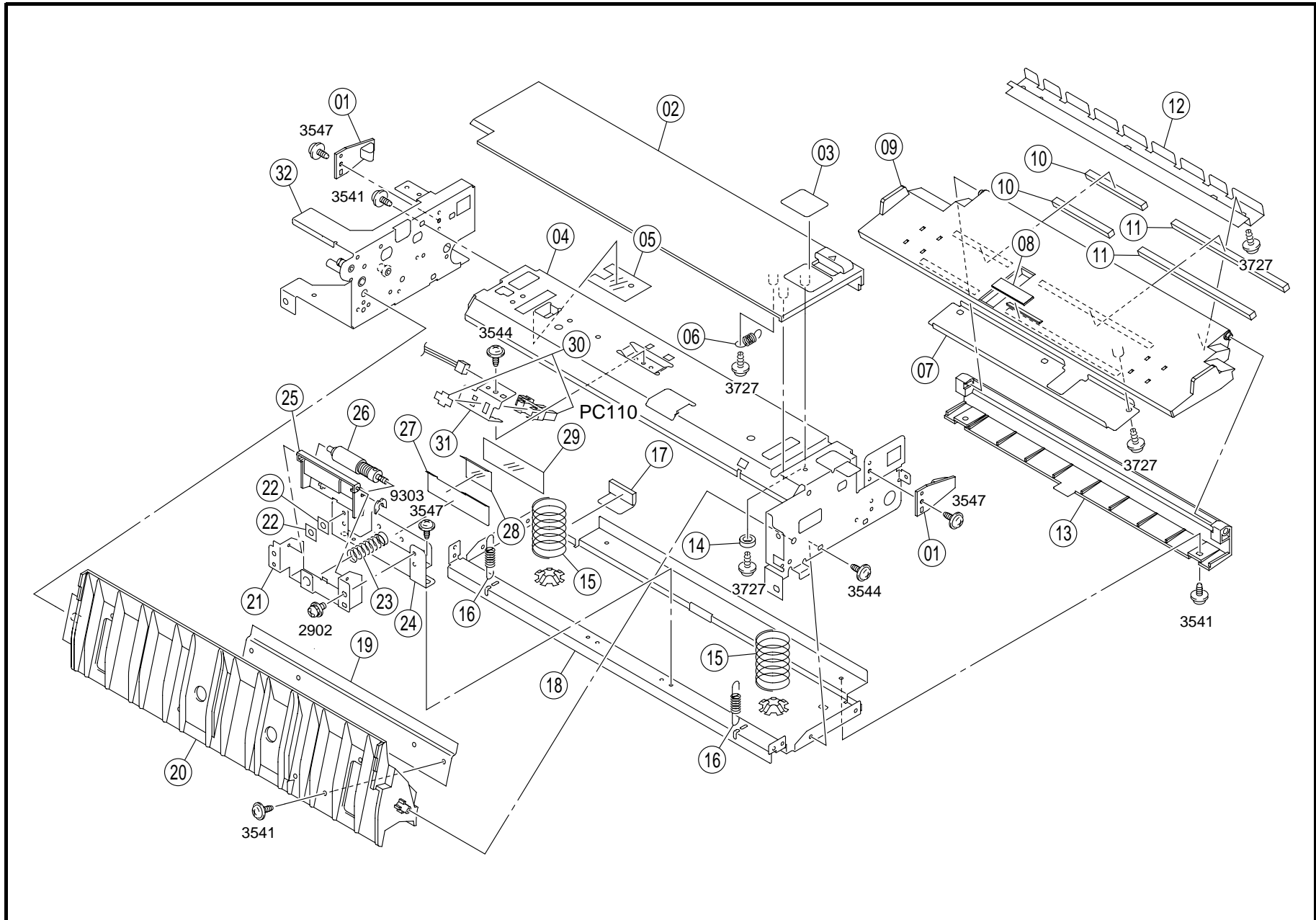
INDEX	PART NO.	PART NAME	REC	QTY	INDEX	PART NO.	PART NAME	REC	QTY
01	4036-2258-01	SHOULDER SCREW		1	19	4036-3517-01 NS	GUIDE		1
02	4004-2248-02	PRESSURE SPRING		1	20	4036-2574-01 NS	SHAFT		1
03	4036-2241-01 NS	BRACKET		1	21	4004-2571-12	GEAR Z=40		1
04	9331-2200-21	MICRO-SWITCH RT-DOOR (SW2)		1	22	4036-2252-01	GUIDE		1
05	1200-3120-03	BUSHING		1					
06	4025-0495-01	MOTOR ASSY FUSING PRES (M19)		1					
07	4036-2552-01	GEAR Z=54		1					
08	4036-2557-01 NS	SHAFT		1					
09	4036-2553-01	GEAR Z=34		1					
10	4004-2582-01	TENSION SPRING		1					
11	4036-2583-01 NS	PLATE SPRING		1					
12	4036-2581-01 NS	BRACKET		1					
13	4036-2586-01	GEAR Z=23		1					
14	4004-2569-01	GEAR Z=75/18		1					
15	4004-2570-02	DETECTING PLATE		1					
16	4002-0902-01	PHOTO INTERRUPTER ENCODER (PC34)		1					
17	1200-3131-08	BUSHING		1					
18	4036-2577-01	GEAR Z=13		1					

INDEX	PART NO.	PART NAME	REC	QTY	SFIX



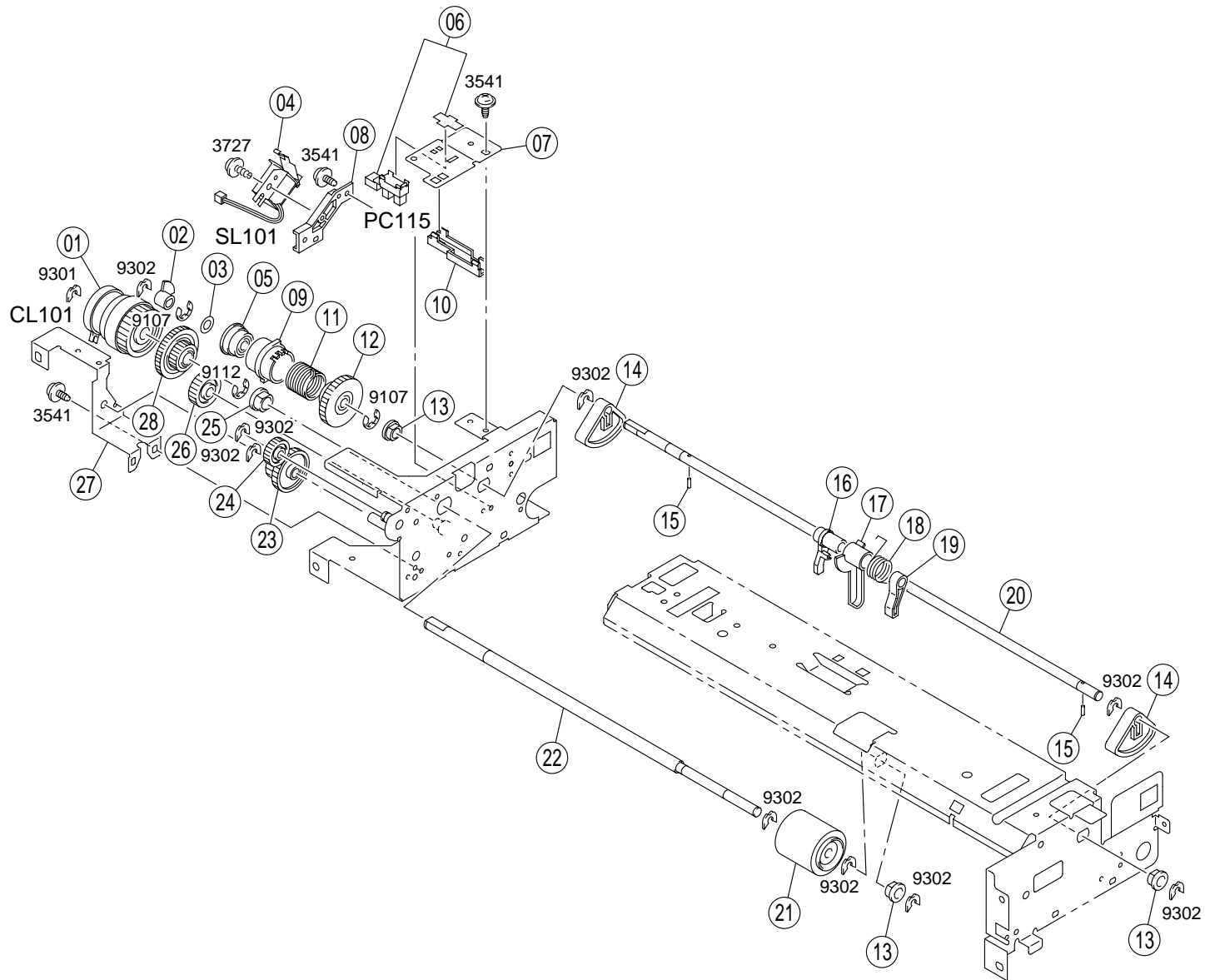
INDEX	PART NO.	PART NAME	REC	QTY	INDEX	PART NO.	PART NAME	REC	QTY
01	4030-3472-01	HOLDER		1	20	4030-3435-01	TORSION SPRING		1
02	4036-3856-02	COVER RR		1	21	4030-3473-02	HOLDER		1
03	4030-3411-03	REGULATING PLATE		1	22	4030-3455-02 NS	BRACKET		1
04	4030-3487-01	BRAKE		1	23	1075-0130-02	RESISTOR SIZE (VR1)		1
05	4131-4623-03	CLEANING PAD		2	24	4030-3460-02	RACK		1
06	4030-3466-02	COVER		1	25	4030-3412-01	GEAR Z=13/18		1
07	4131-0902-01	PHOTO INTERRUPTER FD1-4SI (PC111-114)		4	27	4030-0216-03 NS	BRACKET ASSY		1
08	1134-3042-01 NS	PIN		4	28	4030-3486-01	BRAKE		1
09	4030-3415-01	ACTUATOR		4	29	4036-7341-01	LABEL MANUAL FEED		1
10	4030-3414-01 NS	BRACKET		4	30	4030-3436-01	TORSION SPRING		1
11	4030-3446-01	TORSION SPRING		4					
12	4030-3461-01 NS	MEMBER		1					
13	4030-3410-03	REGULATING PLATE		1					
14	4030-3423-03	TRAY		1					
15	4030-3459-02	COVER		1					
17	4030-3408-03	TRAY		1					
18	4036-3860-02	COVER FNT		1					
19	4030-3437-01 NS	BRACKET		1					

INDEX	PART NO.	PART NAME	REC	QTY	SFIX
16	4030-7305-01	LABEL CAUTION		1	011
16	4030-7309-02	LABEL CAUTION		1	211, 212, 213, 215, 311, 312, 313, 314, 315
26	4036-7311-01	SCALE		1	311
26	4036-7312-01	SCALE		1	011, 211, 212, 213, 215, 312, 313, 314, 315
31	9326-1200-61	FERRITE CORE		1	211, 212, 213, 215, 312, 313



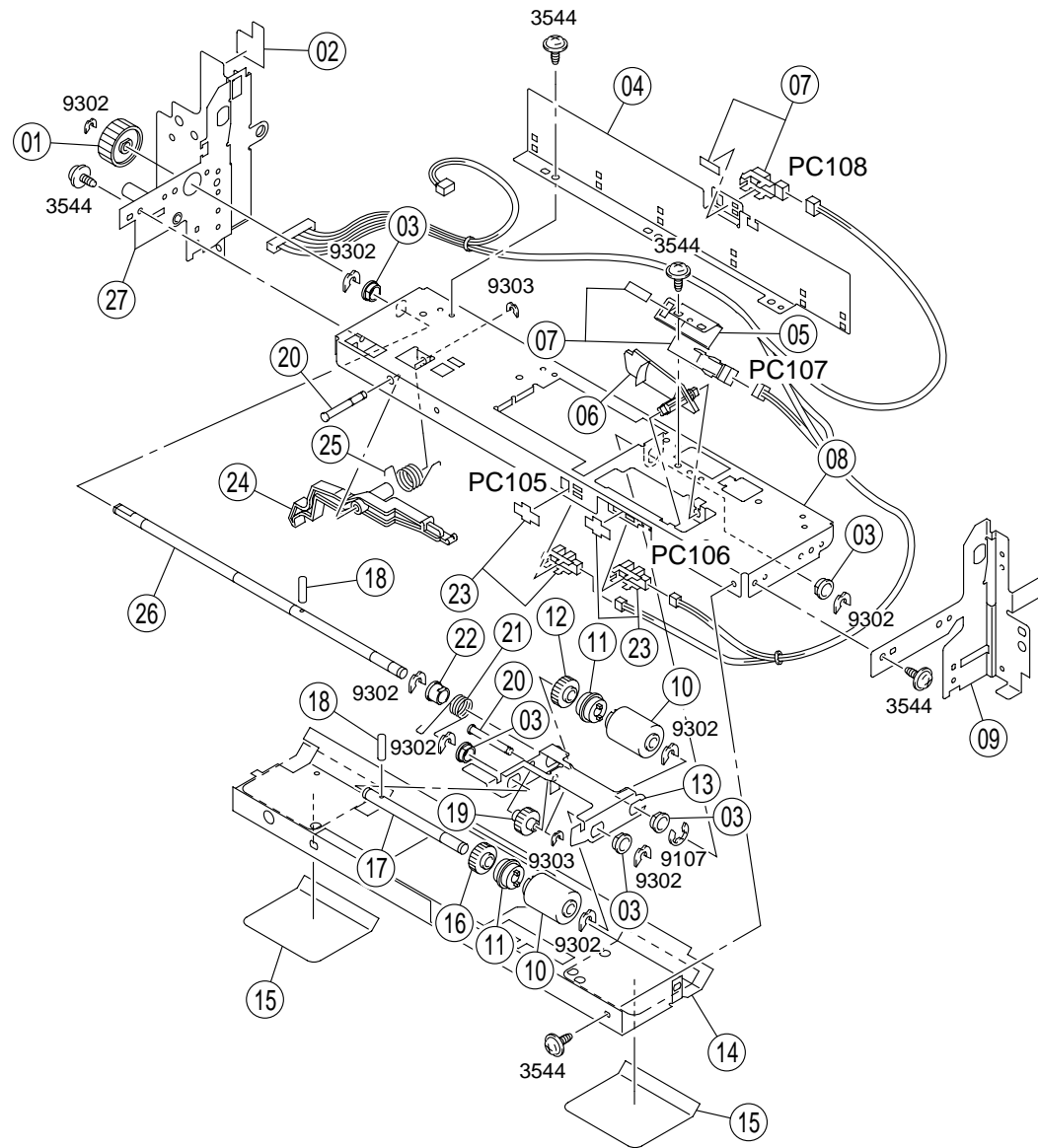
INDEX	PART NO.	PART NAME	REC	QTY	INDEX	PART NO.	PART NAME	REC	QTY
01	4030-3430-01	LEVER		2	19	4030-3427-01 NS	REINFORCE PLATE		1
02	4036-3857-01	COVER		1	20	4030-3401-13	HOLDER		1
03	4030-3754-01	LABEL		1	21	4030-3404-01 NS	BRACKET		1
04	4030-3432-04 NS	BRACKET		1	22	4030-3492-01	SPACER		2
05	4030-3447-01	GUIDE		1	23	4030-3475-01	PRESSURE SPRING		1
06	4030-3438-01	TENSION SPRING		1	24	4030-3474-01 NS	BRACKET		1
07	4030-3456-01 NS	REINFORCE PLATE		1	25	4131-3053-02	HOLDER		1
08	4687-3281-01	FRICTION SHEET		1	26	4658-0151-01	ROLLER ASSY M.FEED SEPARATO	RP	1
09	4030-3409-14	LIFTING PLATE		1	27	4030-3402-01	GUIDE PLATE		1
10	4030-3476-01	SEAL		2	28	4030-3403-01	GUIDE		1
11	4030-3477-01	SEAL		2	29	4030-3489-01	SEAL		1
12	4030-3484-01 NS	WEIGHT		1	30	4131-0902-01	PHOTO INTERRUPTER P.EMPTY (PC110)		1
13	4030-3425-01	HOLDER		1	31	4030-3443-02 NS	BRACKET		1
14	4030-3481-01	COLLAR		2	32	4036-0240-01 NS	FRAME ASSY		1
15	4030-3457-03	PRESSURE SPRING		2					
16	4030-3428-01	TENSION SPRING		2					
17	4030-3448-01	CUSHION		1					
18	4030-3424-01 NS	BRACKET		1					

INDEX	PART NO.	PART NAME	REC	QTY	SFIX



INDEX	PART NO.	PART NAME	REC	QTY	INDEX	PART NO.	PART NAME	REC	QTY
01	9322-1200-31	CLUTCH MANUAL FE (CL101)		1	19	4030-3465-01	HOLDER		1
02	4030-3478-01	SHIELD PLATE		1	20	4030-3416-01 NS	SHAFT		1
03	4131-4128-01	WASHER		1	21	4131-3001-01	ROLLER TAKE-UP	RP	1
04	9321-2100-41	SOLENOID PICK-UP (SL101)		1	22	4030-3434-01	SHAFT		1
05	4131-3007-02	DRUM		1	23	4036-3855-01	GEAR Z=18		1
06	4131-0902-01	PHOTO INTERRUPTER LIFT-UP (PC115)		1	24	4348-3032-01	GEAR Z=20		1
07	4030-3479-01 NS	BRACKET		1	25	4658-3517-01	BUSHING		1
08	4030-3422-01	HOLDER		1	26	1300-3322-17	GEAR 20T Z=20		1
09	4030-3420-02	RATCHET		1	27	4036-3853-01 NS	BRACKET		1
10	4030-3429-02	MEMBER		1	28	4030-3467-01	GEAR Z=16/30		1
11	4030-3419-01	TORSION SPRING	RP	1					
12	4131-3004-02	GEAR Z=30		1					
13	1274-2611-01	BUSHING		3					
14	4030-3417-01	CAM		2					
15	1067-2502-01	PIN		2					
16	4030-3464-01	HOLDER		1					
17	4030-3444-01	ACTUATOR		1					
18	4030-3445-01	TORSION SPRING		1					

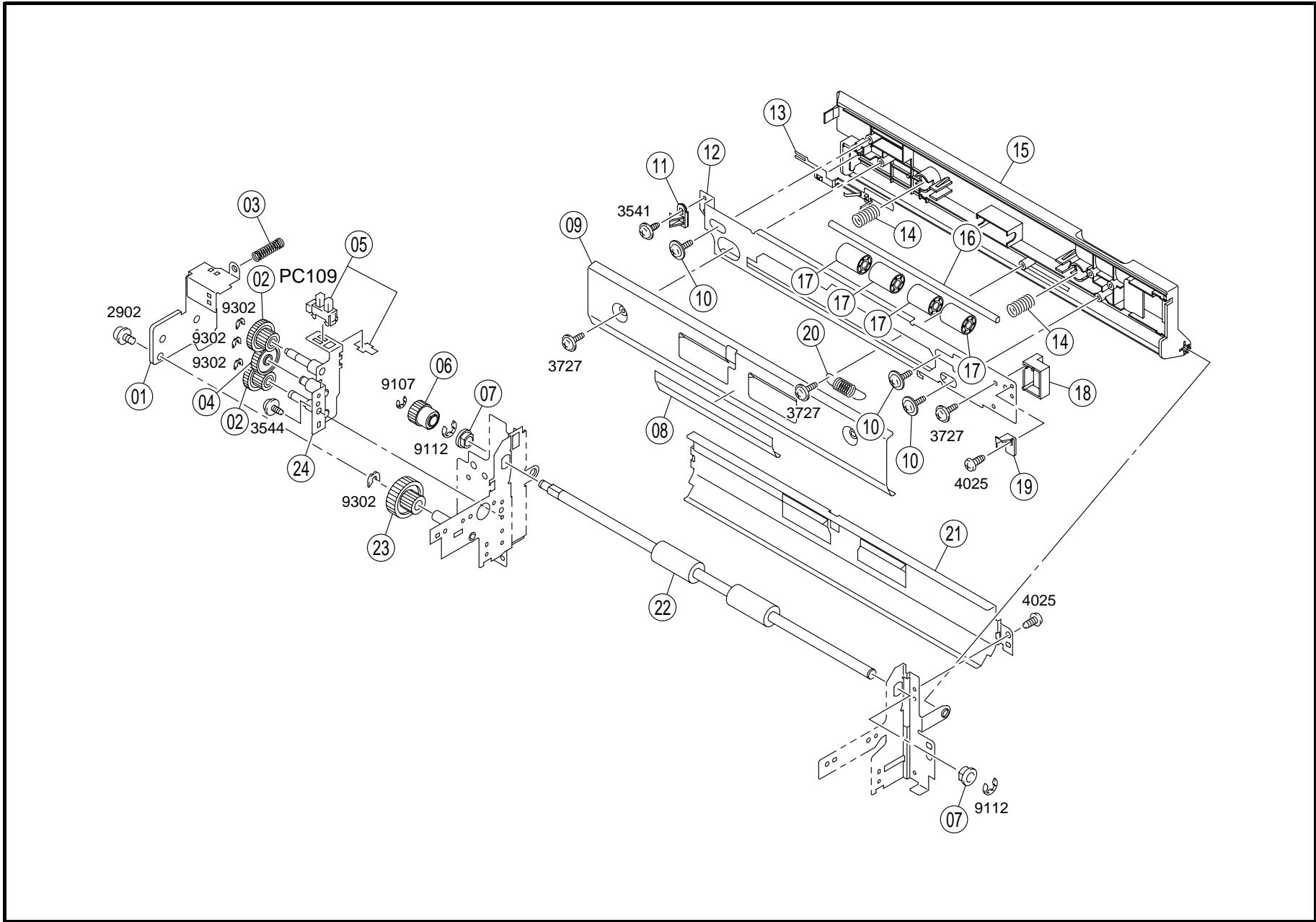
INDEX	PART NO.	PART NAME	REC	QTY	SFIX





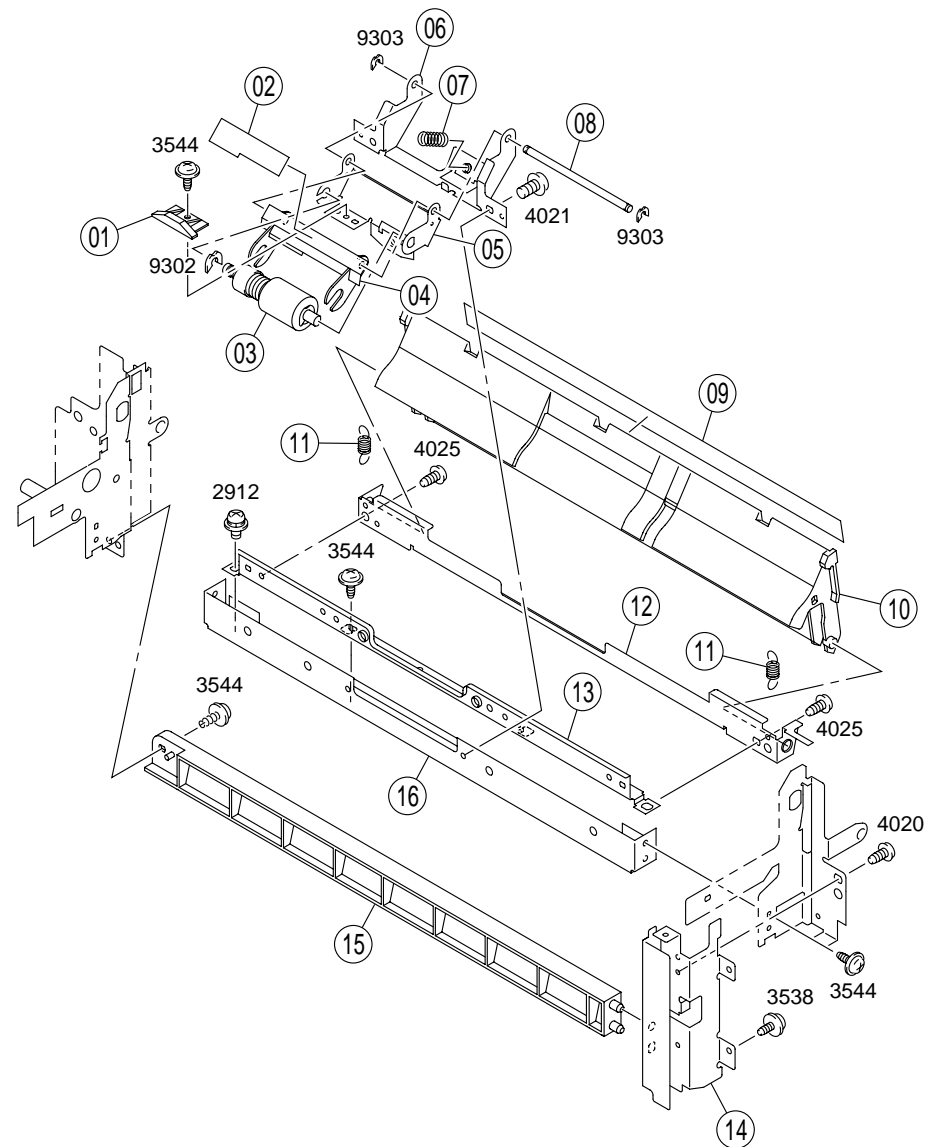
INDEX	PART NO.	PART NAME	REC	QTY	INDEX	PART NO.	PART NAME	REC	QTY
01	4348-3029-01	GEAR Z=32		1	19	4030-3008-01	GEAR Z=29		1
02	4036-3835-01	SHIELD PLATE		1	20	4030-3020-01 NS	SHAFT		2
03	4131-3003-01	BUSHING		5	21	4030-3030-01	TORSION SPRING		1
04	4036-3830-01 NS	BRACKET		1	22	1065-3086-01	BUSHING		1
05	4348-3049-01 NS	BRACKET		1	23	4131-0902-01	PHOTO INTERRUPTER LIFT.EM (PC105.106)		2
06	4030-3016-12	ACTUATOR		1	24	4030-3011-01	LEVER		1
07	4349-0902-01	SOLID STATE SWITCH TRANSF (PC107.108)		2	25	4030-3012-01	TORSION SPRING		1
08	4030-3010-01 NS	FRAME		1	26	4348-3047-01 NS	SHAFT		1
09	4036-3816-01 NS	FRAME		1	27	4036-0238-01 NS	FRAME ASSY		1
10	4030-3005-01	ROLLER TAKE-UP	RP	2					
11	4030-3034-01	CLUTCH		2					
12	4425-3013-01	GEAR Z=30		1					
13	4030-3002-02 NS	HOLDER		1					
14	4030-3023-03 NS	GUIDE PLATE		1					
15	4030-3036-01	GUIDE		2					
16	4425-3016-01	GEAR Z=32		1					
17	4030-3003-01	SHAFT		1					
18	1067-2501-01	PIN		2					

INDEX	PART NO.	PART NAME	REC	QTY	SFIX



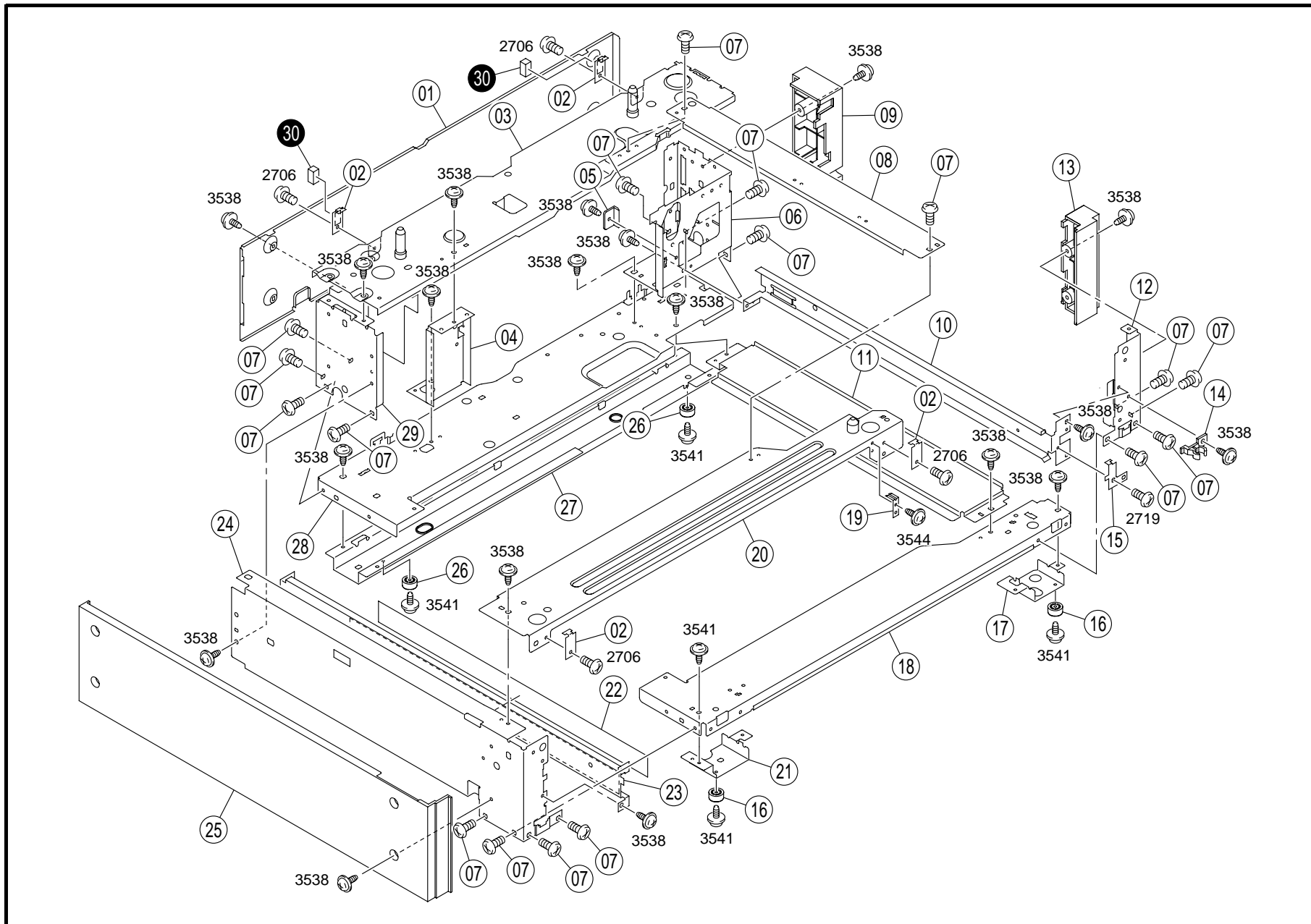
INDEX	PART NO.	PART NAME	REC	QTY	INDEX	PART NO.	PART NAME	REC	QTY
01	4036-3841-02 NS	BRACKET		1	19	4036-3823-01	LEVER		1
02	4348-3031-01	GEAR Z=19/32		2	20	4030-3116-01	TENSION SPRING		1
03	4036-3831-01	PRESSURE SPRING		1	21	4036-3819-01 NS	GUIDE PLATE		1
04	4036-3839-01	GEAR Z=31		1	22	4348-3011-03	ROLLER TRANSPORT	RP	1
05	4131-0902-01	PHOTO INTERRUPTER DOOR (PC109)		1	23	4348-3048-01	GEAR Z=19/40		1
06	4348-3028-01	GEAR Z=22		1	24	4036-0239-01 NS	BRACKET ASSY		1
07	4131-3532-02	BUSHING		2					
08	4036-3837-01	GUIDE		1					
09	4036-3834-01 NS	GUIDE PLATE		1					
10	4163-5293-01	SCREW		3					
11	4030-3115-01	LEVER		1					
12	4036-3832-01 NS	BRACKET		1					
13	4036-3825-01 NS	EARTH GROUND		1					
14	4036-3827-01	PRESSURE SPRING		2					
15	4036-3822-01	DOOR		1					
16	4348-3071-01 NS	SHAFT		1					
17	4030-3122-01	ROLL		4					
18	4036-3833-01	HANDLE		1					

INDEX	PART NO.	PART NAME	REC	QTY	SFIX

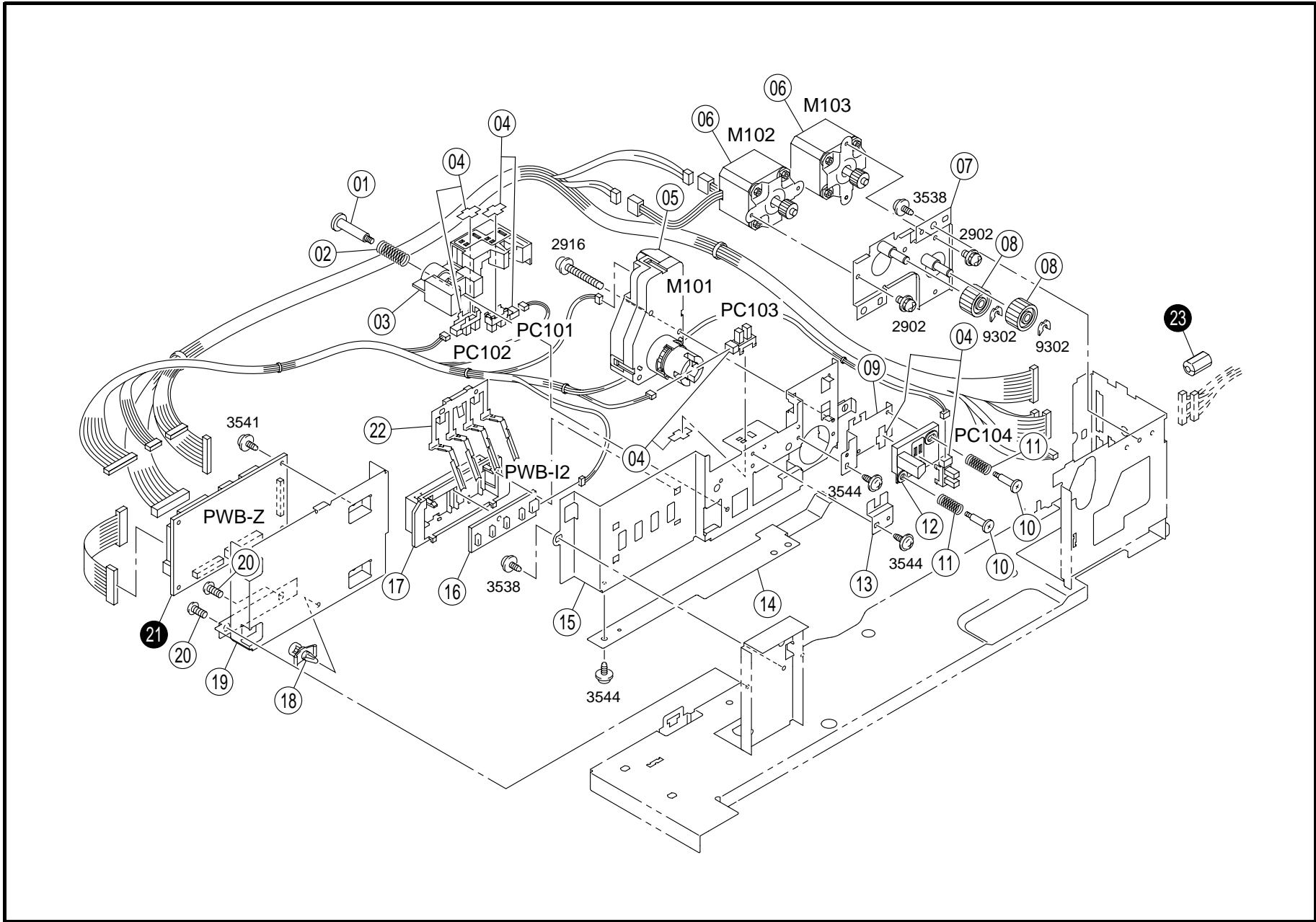


INDEX	PART NO.	PART NAME	REC	QTY	INDEX	PART NO.	PART NAME	REC	QTY
01	4030-3078-01	LEVER		1					
02	4030-3079-01	GUIDE		1					
03	4030-0151-01	ROLLER ASSY	RP	1			SEPARATER		
04	4030-3077-01	GUIDE		1					
05	4030-3013-01	NS HOLDER		1					
06	4030-3014-01	NS BRACKET		1					
07	4030-3017-02	PRESSURE SPRING		1					
08	4030-3039-01	SHAFT		1					
09	4036-3821-01	GUIDE		1					
10	4036-3820-01	GUIDE		1					
11	4030-3125-01	TENSION SPRING		2					
12	4030-3129-03	NS BRACKET		1					
13	4030-3037-01	NS REINFORCE PLATE		1					
14	4036-3846-01	NS STAY		1					
15	4036-3838-01	GUIDE PLATE		1					
16	4030-3025-02	NS BRACKET		1					

INDEX	PART NO.	PART NAME	REC	QTY	SFIX

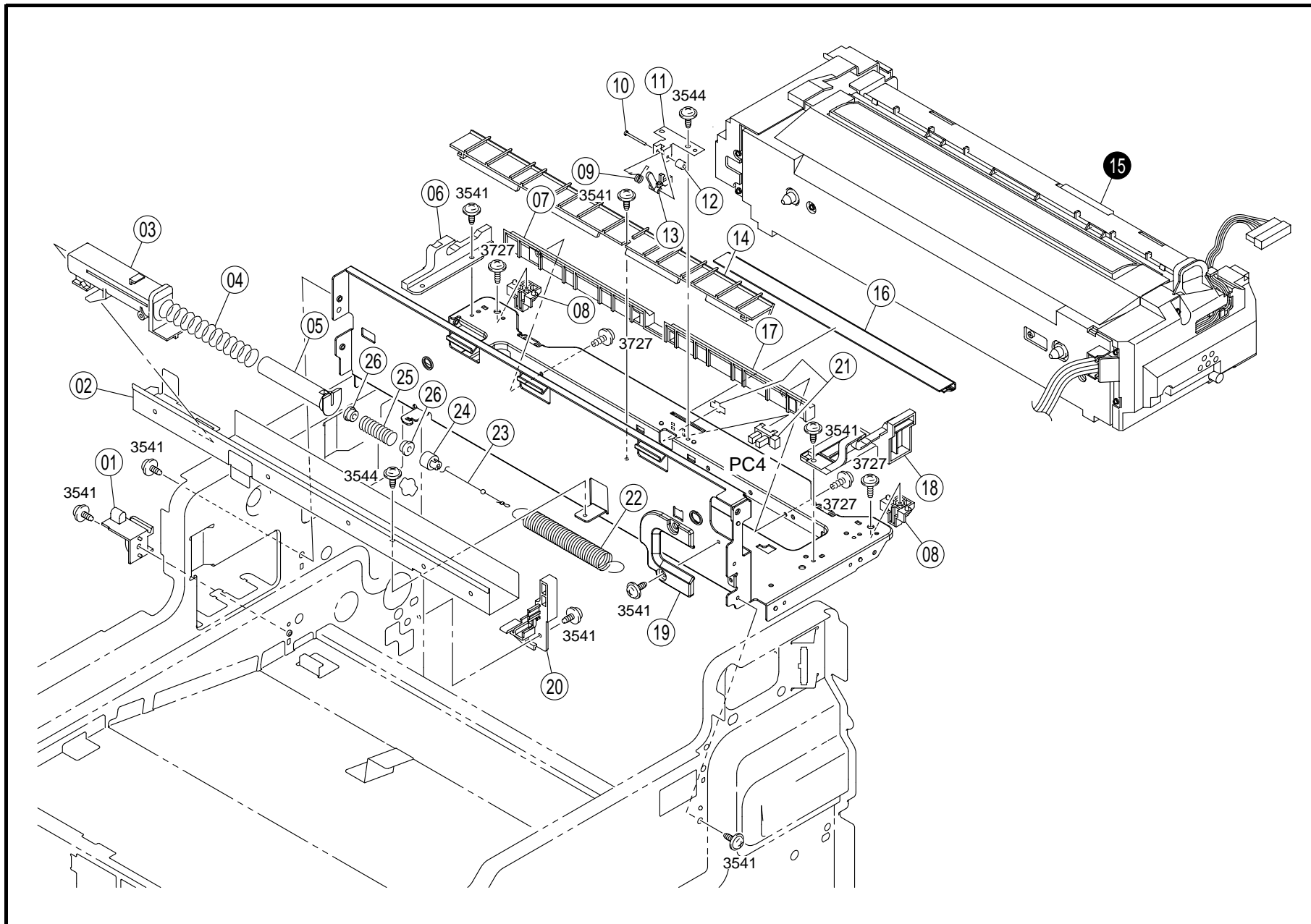


INDEX	PART NO.	PART NAME	REC	QTY	INDEX	PART NO.	PART NAME	REC	QTY
01	4036-3801-01	COVER		1	19	4348-2021-01	PLATE SPRING		1
02	4658-3140-02	STOP PLATE		4	20	4036-0235-01 NS	PLATE ASSY		1
03	4036-0236-01 NS	PLATE ASSY		1	21	4036-3828-01 NS	BRACKET		1
04	4036-3811-01 NS	BRACKET		1	22	4348-2044-01	GUIDE		1
05	4348-2040-01	SPACER		1	23	4348-2041-02 NS	BRACKET		1
06	4036-3810-01 NS	STAY		1	24	4036-3807-01 NS	STAY		1
07	4002-2581-01	SCREW		17	25	4036-3805-02	COVER		1
08	4348-2016-01 NS	REINFORCE PLATE		1	26	4030-2080-01	RUBBER FOOT		2
09	4036-3803-02	COVER		1	27	4036-3845-01 NS	BRACKET		1
10	4348-2042-01 NS	BRACKET		1	28	4036-3806-01 NS	BASE FRAME		1
11	4036-3849-01 NS	REINFORCE PLATE		1	29	4036-3809-01 NS	STAY		1
12	4036-3808-01 NS	STAY		1					
13	4036-3802-01	COVER		1					
14	4348-2037-02	HOLDER		1					
15	4348-2038-02 NS	BRACKET		1					
16	0996-3055-01	RUBBER FOOT		2					
17	4036-3843-01 NS	BRACKET		1					
18	4036-3814-01 NS	BASE FRAME		1					
INDEX	PART NO.	PART NAME	REC	QTY	SFIX				
30	4036-6751-01	ELECTRICALLY CONDUCTIVE		2	211, 212, 213, 215, 312, 313				



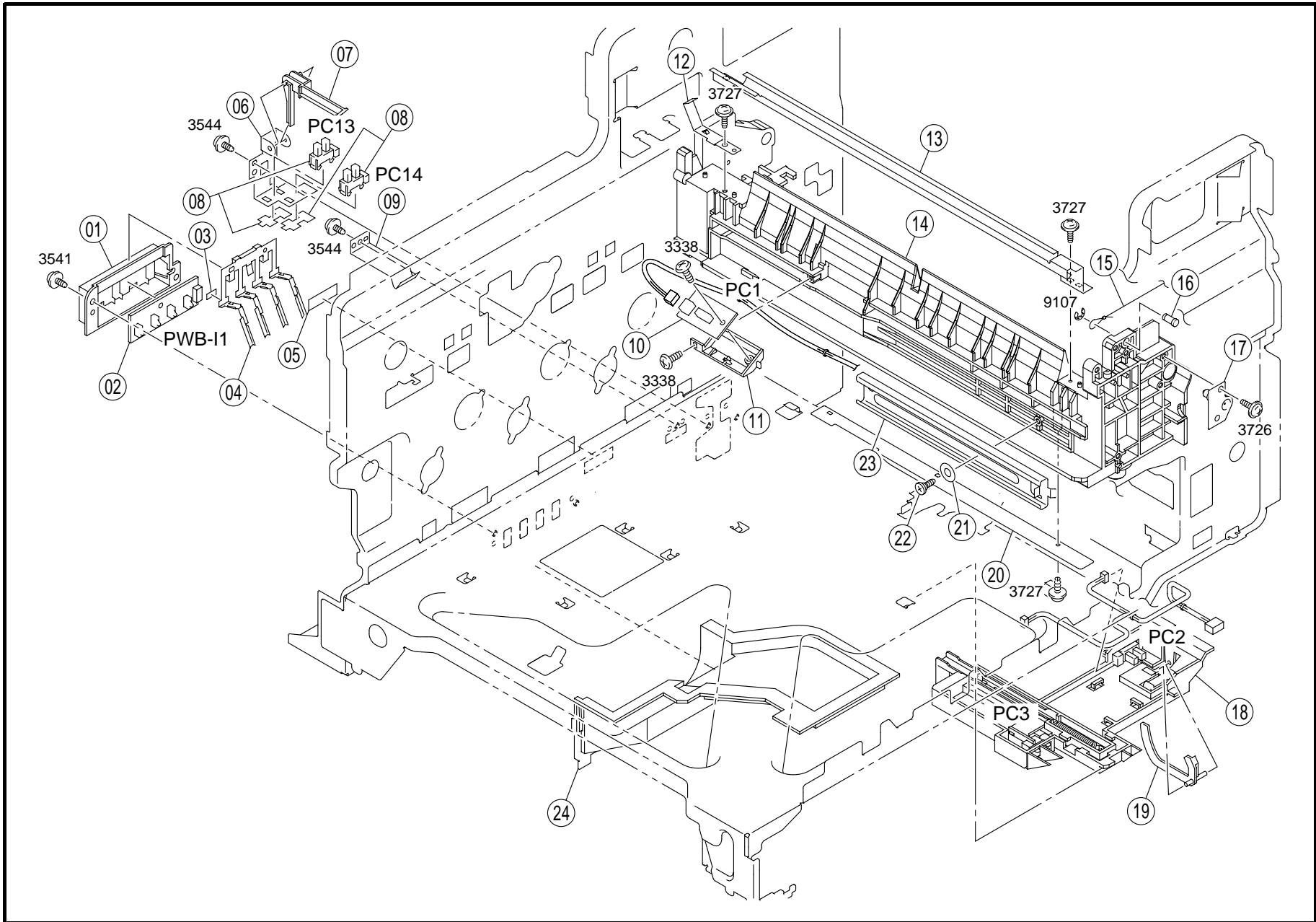


INDEX	PART NO.	PART NAME	REC	QTY	INDEX	PART NO.	PART NAME	REC	QTY
01	4002-3131-01	SHOULDER SCREW		1	19	4036-3815-01 NS	BRACKET		1
02	4002-3110-01	PRESSURE SPRING		1	20	4002-2581-01	SCREW		2
03	4030-3047-02	HOLDER		1	22	4030-3091-01	LEVER		1
04	4131-0902-01	PHOTO INTERRUPTER (PC101-104)		4					
05	9312-1200-31	MOTOR LIFT-UP (M101)		1					
06	9314-1201-41	MOTOR (M102.103)		2					
07	4348-0202-01 NS	FRAME ASSY		1					
08	4348-3030-01	GEAR Z=27		2					
09	4030-3208-02 NS	BRACKET		1					
10	4030-3224-01	SHOULDER SCREW		2					
11	4030-3081-01	PRESSURE SPRING		2					
12	4030-3083-01	HOLDER		1					
13	4030-3048-02 NS	BRACKET		1					
14	4030-3049-01 NS	BRACKET		1					
15	4030-3046-03 NS	BRACKET		1					
16	4011-0111-01	PWB ASSY TRAY2 SIZ (PWB-I2)	RP	1					
17	4011-3012-01	HOLDER		1					
18	9384-1621-21	PWB SUPPORT 6.4H		1					
INDEX	PART NO.	PART NAME	REC	QTY	SFIX				
21	4036-0131-03	PWB ASSY TRAY2 (PWB-Z)	RP	1	011, 311, 314, 315				
21	4036-0132-02	PWB ASSY TRAY2 (PWB-Z)	RP	1	211, 212, 213, 215, 312, 313				
23	9326-1200-61	FERRITE CORE		1	211, 212, 213, 215, 312, 313				



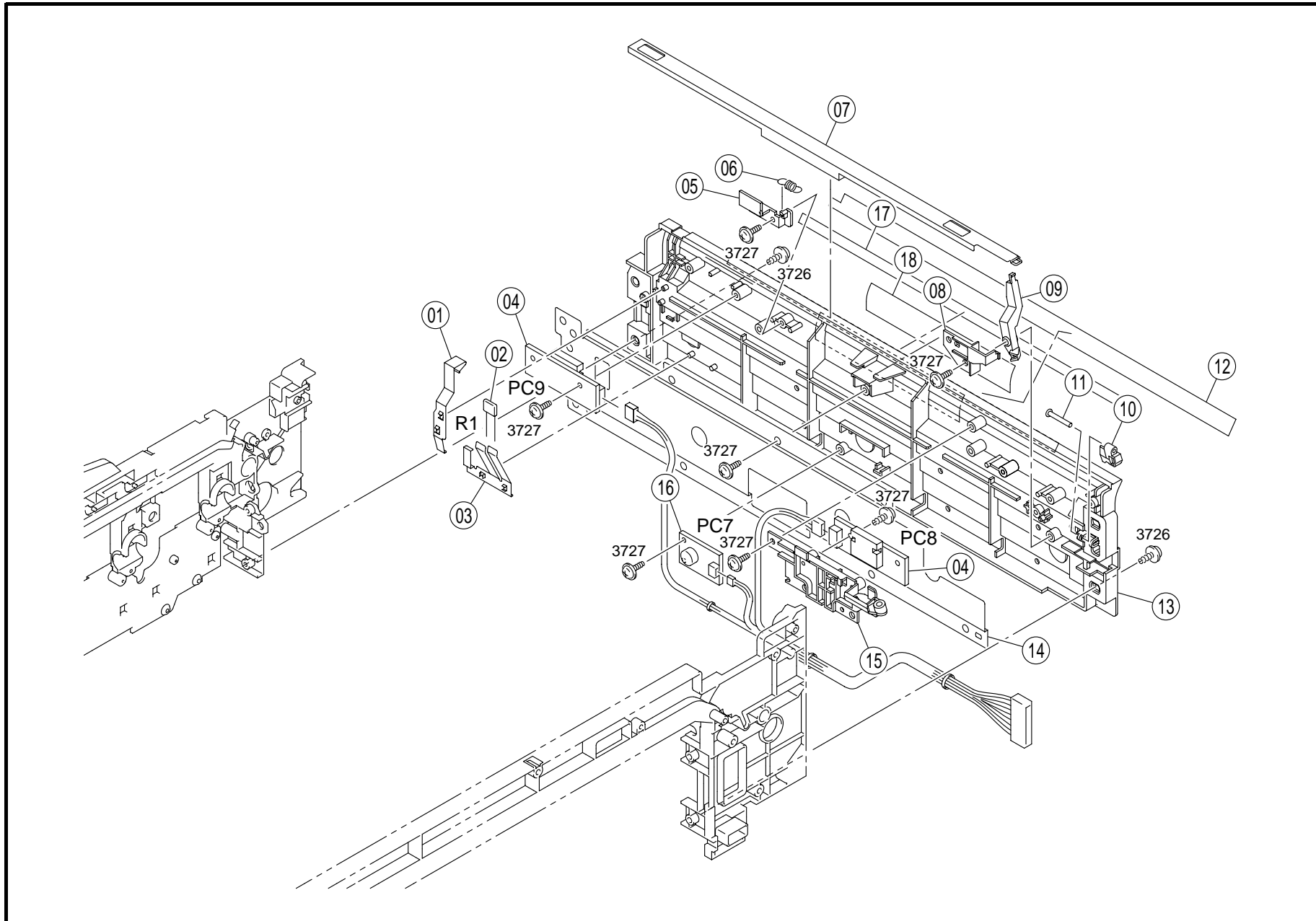
INDEX	PART NO.	PART NAME	REC	QTY	INDEX	PART NO.	PART NAME	REC	QTY
01	4004-3516-02	GUIDE		1	20	4036-3518-02	GUIDE		1
02	4036-3530-02	NS BRACKET		1	21	4002-0902-01	PHOTO INTERRUPTER F.LOOP (PC4)		1
03	1164-2047-03	FLANGE		1	22	4036-3583-01	TENSION SPRING		1
04	4036-3658-01	PRESSURE SPRING		1	23	4036-3511-01	WIRE		1
05	1164-2046-01	FLANGE		1	24	4004-3512-02	FLANGE		1
06	4036-2071-01	GUIDE		1	25	4036-3682-01	PRESSURE SPRING		1
07	4036-3663-02	GUIDE		1	26	4036-3681-01	COLLAR		2
08	4036-3656-01	PAWL		2					
09	4036-3664-01	TORSION SPRING		1					
10	1200-5211-08	PIN		1					
11	4036-3662-02	HOLDER		1					
12	1200-2105-07	COLLAR		1					
13	4036-3661-02	ACTUATOR		1					
14	4036-3668-01	GUIDE		1					
16	4036-2009-01	SEAL		1					
17	4036-3667-02	GUIDE		1					
18	4036-2070-01	GUIDE		1					
19	4036-2008-01	GUIDE		1					

INDEX	PART NO.	PART NAME	REC	QTY	SFIX
15	4049-511	FUSING UNIT	RP	1	011
15	4049-512	FUSING UNIT	RP	1	211, 212, 213, 215
15	4049-513	FUSING UNIT	RP	1	311, 312, 313, 314, 315



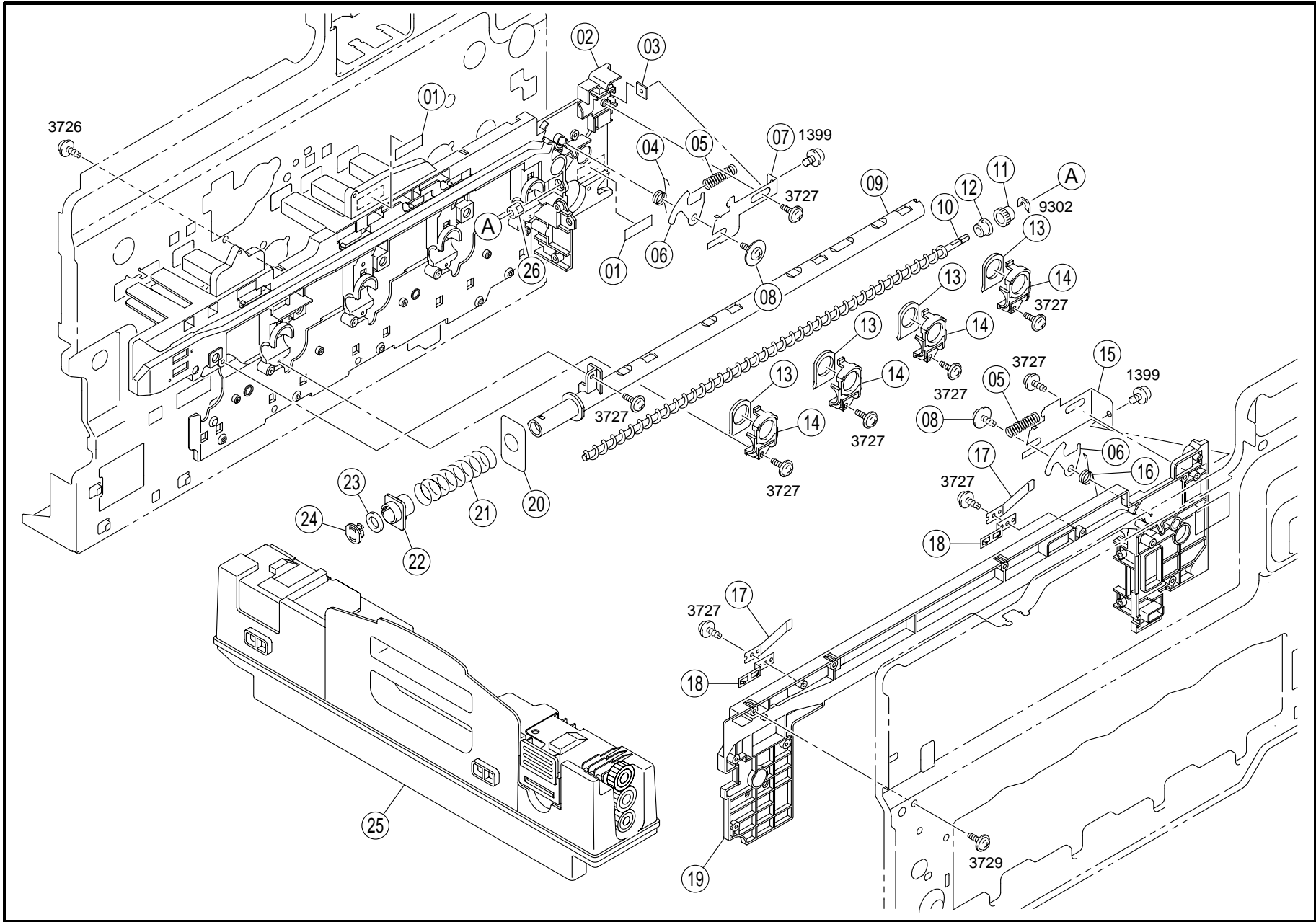
INDEX	PART NO.	PART NAME	REC	QTY	INDEX	PART NO.	PART NAME	REC	QTY
01	1164-3022-02	HOLDER		1	19	1164-3027-01	ACTUATOR		1
02	4011-0111-01	PWB ASSY MPC SIZE (PWB-I1)	RP	1	20	4036-3016-01 NS	COVER		1
03	4004-3052-01 NS	SPACER		1	21	1164-3057-01 NS	WASHER		1
04	1164-3020-03	LEVER		1	22	1164-3053-12	SHOULDER SCREW		1
05	1129-7303-01	LABEL		1	23	4004-3029-01	RAIL RT SUB		1
06	4004-3011-01 NS	BRACKET		1	24	4004-2143-01 NS	DUCT		1
07	4004-3012-01	LEVER		1					
08	4004-0904-01	PHOTO INTERRUPTER (PC13.14)		2					
09	1164-3054-01	PLATE SPRING		1					
10	1164-0108-02	PW BOARD-H DOUBLE FEED (PC1)		1					
11	1164-2080-01	HOLDER		1					
12	4036-3576-01	CONTACT		1					
13	4025-3577-02	GUIDE		1					
14	4036-2102-02 NS	RAIL RT		1					
15	4036-3654-02	WIRE		1					
16	4036-3655-01 NS	SHAFT		1					
17	4036-0215-01 NS	BRACKET ASSY		1					
18	4004-0755-01	HOLDER ASSY EMPTY/SIZE (PC2.3)		1					

INDEX	PART NO.	PART NAME	REC	QTY	SFIX



INDEX	PART NO.	PART NAME			REC	QTY	INDEX	PART NO.	PART NAME			REC	QTY
01	4025-3642-01	CONTACT				1							
02	9454-4076-02	NS	RESISTOR	PRE-TRANSFER (R1)		1							
03	4036-3641-02	CONTACT				1							
04	9372-1300-12		PHOTO SENSING ELEMENT	AIDC (PC8.9)	RP	2							
05	4036-3557-01	STOPPER				1							
06	4025-3556-01	TENSION SPRING				1							
07	4036-3555-01	NS	SHUTTER			1							
08	4025-3674-02	HOLD PLATE				1							
09	4025-3558-01	LEVER				1							
10	4036-3673-01	LEVER				1							
11	4025-3676-01	PIN				1							
12	4025-3533-02	SEAL				1							
13	4036-3507-02	GUIDE				1							
14	4036-3587-01	NS	SHIELD			1							
15	4036-3540-01	COVER				1							
16	9372-5100-12		HUMIDITY CONVERSION EL.	TEMP.&HUMI. (PC7)		1							
17	4036-3643-01	SEAL				1							
18	4036-3531-01	SEAL				1							

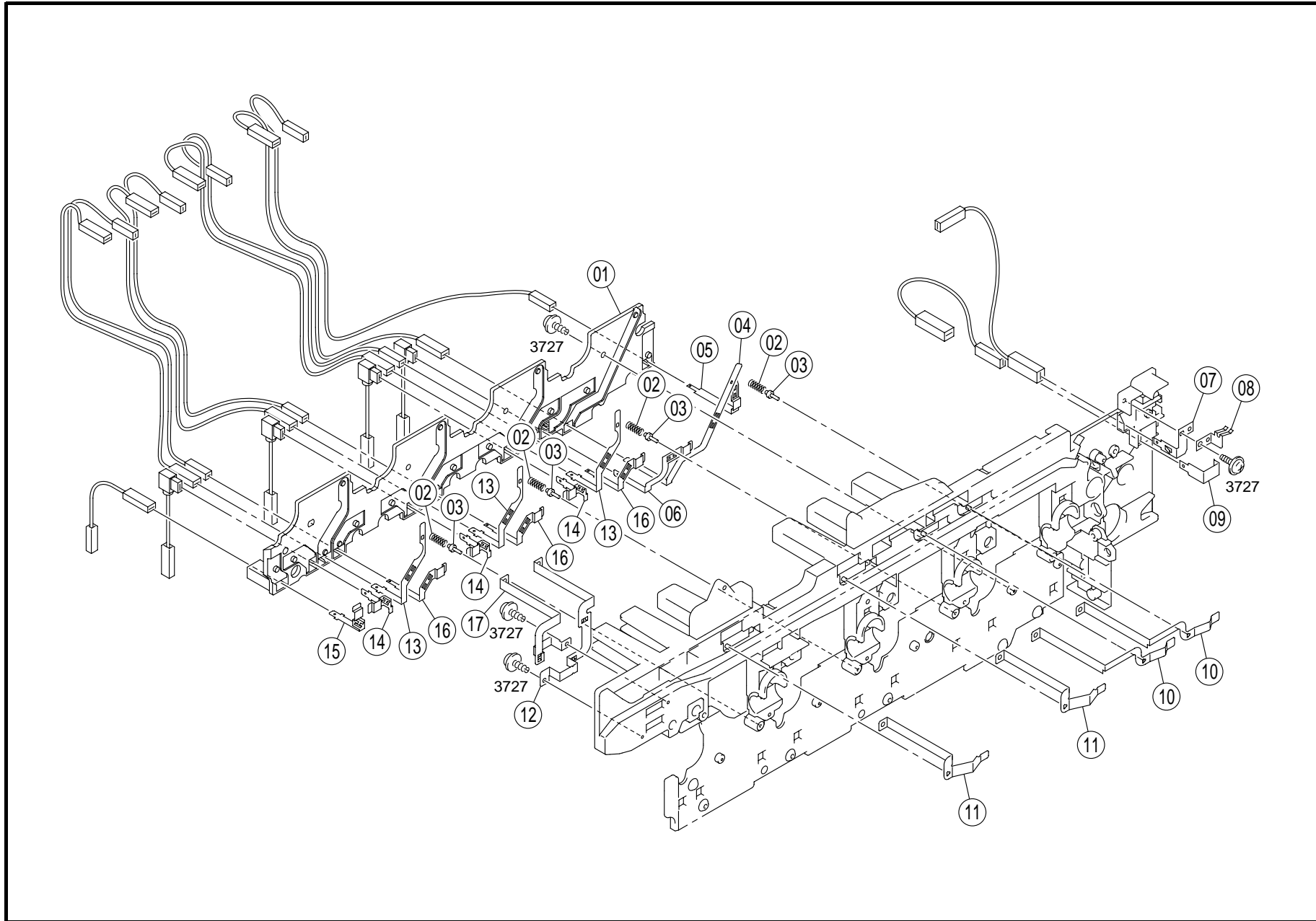
INDEX	PART NO.	PART NAME			REC	QTY	SFIX					





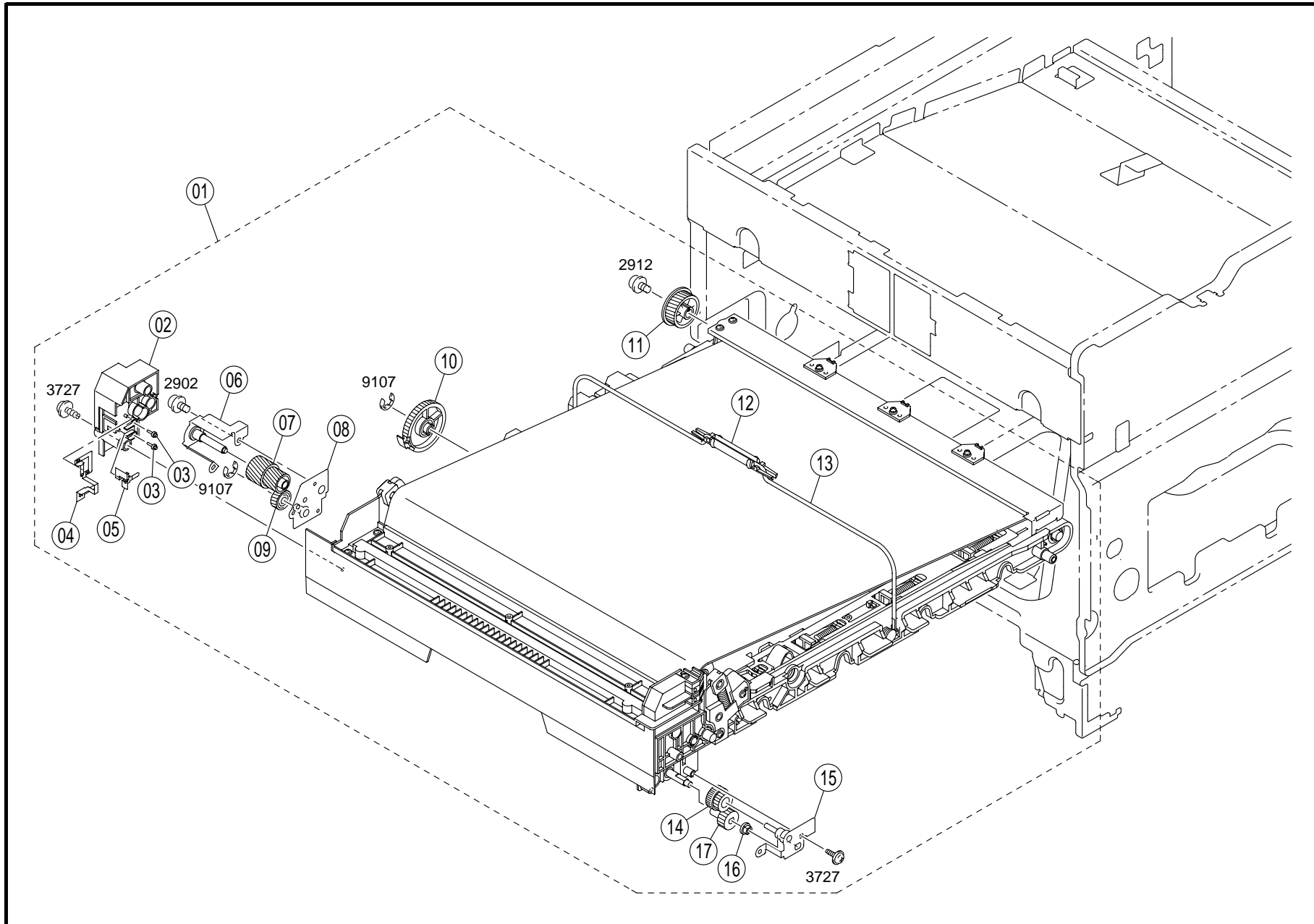
INDEX	PART NO.	PART NAME	REC	QTY	INDEX	PART NO.	PART NAME	REC	QTY
01	1129-7303-01	LABEL		2	19	4036-4541-01 NS	RAIL FNT		1
02	4036-4542-01 NS	RAIL RR		1	20	4025-5614-01	SEAL		1
03	4036-4909-01	PLATE NUT		1	21	4004-5610-01	PRESSURE SPRING		1
04	4004-4555-02	TORSION SPRING		1	22	4004-5609-01	SHUTTER		1
05	4004-4546-02	PRESSURE SPRING		2	23	4004-5613-01	SEAL		1
06	4036-4543-01	LEVER		2	24	4004-5611-01	LID		1
07	4036-4545-01 NS	BRACKET		1	25	4049-111	WASTE TONER BOTTLE	RP	1
08	4036-5966-01	SCREW		2	26	4036-5615-01	BUSHING		1
09	4004-5601-02	PIPE		1					
10	4036-5606-01 NS	SCREW		1					
11	4036-5612-01	GEAR Z=18		1					
12	4004-5607-02	BUSHING		1					
13	4004-5605-01	SEAL		4					
14	4004-5604-01	JOINT		4					
15	4036-4904-01 NS	BRACKET		1					
16	4004-4544-02	TORSION SPRING		1					
17	4004-4553-01 NS	PLATE SPRING		2					
18	4036-4550-01	CONTACT		2					

INDEX	PART NO.	PART NAME	REC	QTY	SFIX



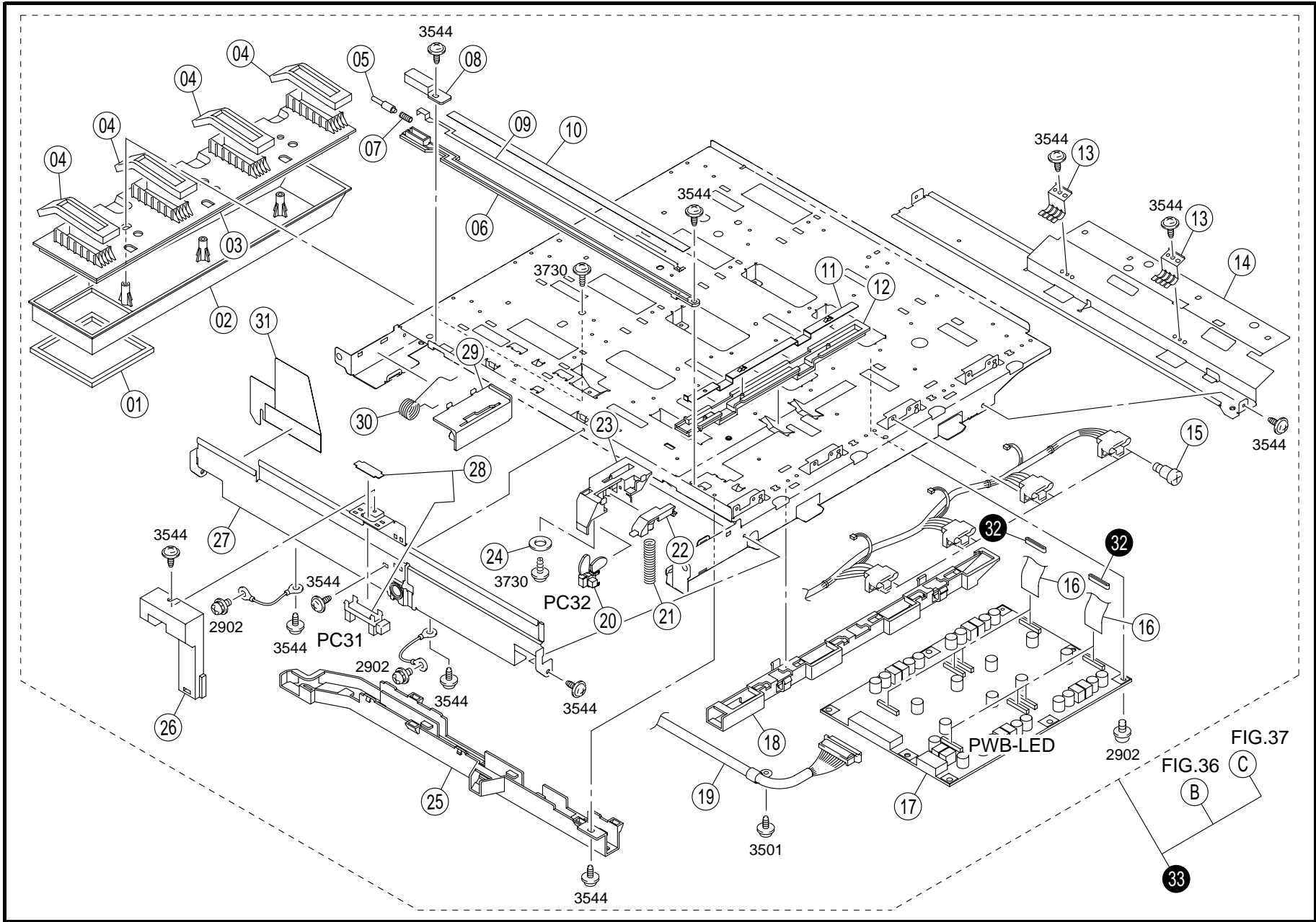
INDEX	PART NO.	PART NAME	REC	QTY	INDEX	PART NO.	PART NAME	REC	QTY
01	4036-2301-02	GUIDE		1					
02	4004-2317-01	PRESSURE SPRING		4					
03	4036-2311-01	PIN		4					
04	4036-2304-01	CONTACT		1					
05	4036-2303-01	CONTACT		1					
06	4036-2305-01	CONTACT		1					
07	4036-3526-01	CONTACT		1					
08	4004-3538-01	CONTACT		1					
09	4004-3525-01	NS CONTACT		1					
10	4036-4549-01	CONTACT		2					
11	4036-4560-01	CONTACT		2					
12	4036-4902-01	CONTACT		1					
13	4036-2307-01	CONTACT		3					
14	4036-2308-01	CONTACT		3					
15	4036-2309-01	CONTACT		1					
16	4036-2306-01	CONTACT		3					
17	4036-4903-01	CONTACT		1					

INDEX	PART NO.	PART NAME	REC	QTY	SFIX



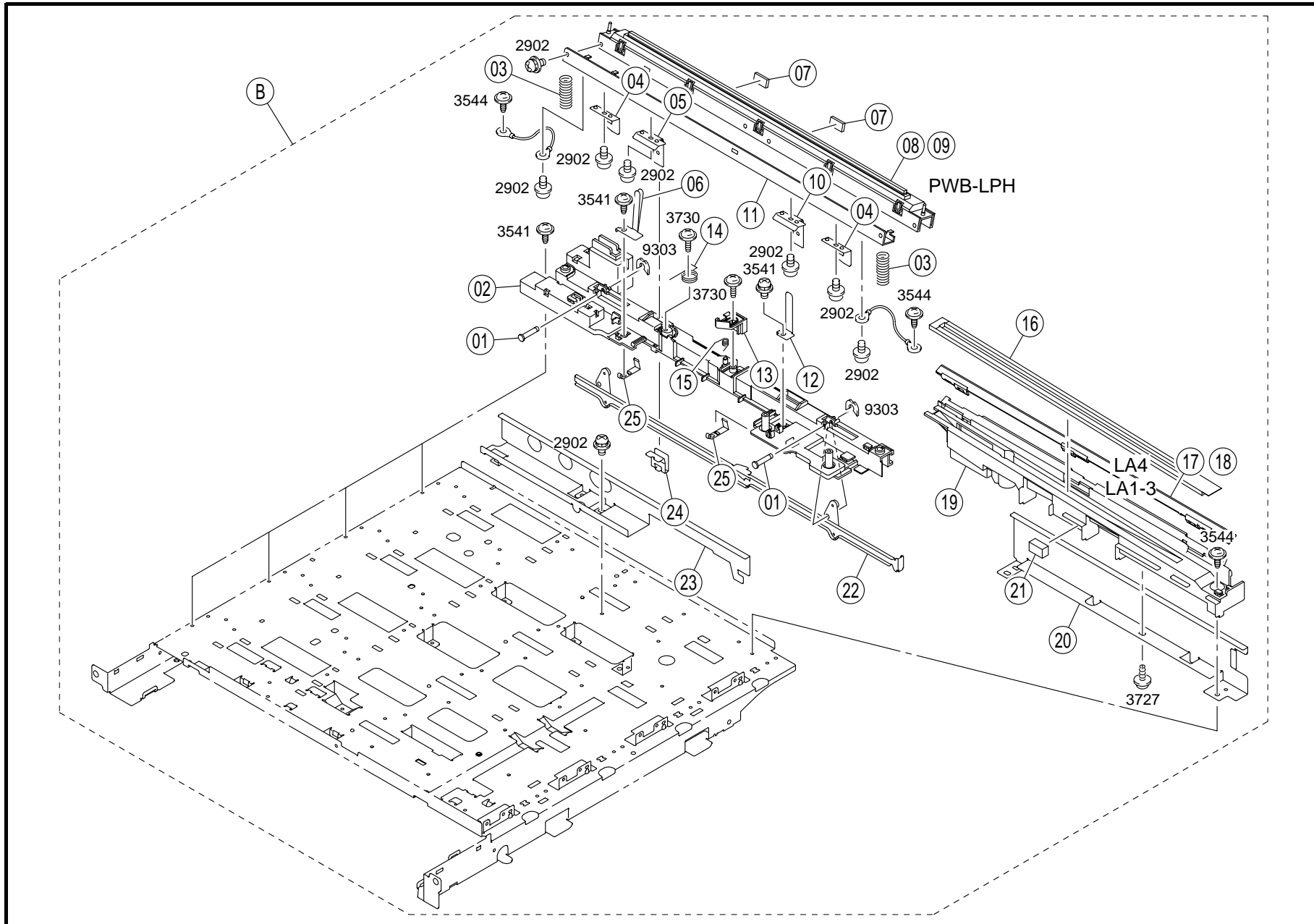
INDEX	PART NO.	PART NAME	REC	QTY	INDEX	PART NO.	PART NAME	REC	QTY
01	4049-211	TRANSFER BELT UNIT	RP	1					
02	4036-4680-03	FRAME		1					
03	4036-2311-01	PIN		2					
04	4036-4618-02	CONTACT		1					
05	4036-4617-03	CONTACT		1					
06	4036-0212-01	NS BRACKET ASSY		1					
07	4036-4846-01	GEAR		1			Z=26/40		
08	4036-0213-01	NS BRACKET ASSY		1					
09	4036-4847-01	GEAR		1			Z=26		
10	4004-4527-02	GEAR		1			Z=42		
11	4036-4510-01	GEAR		1			Z=15/39		
12	1154-5158-01	HANDLE		1					
13	4036-4515-01	NS HANDLE		1					
14	4036-4622-01	GEAR		1			Z=15/30		
15	4036-4626-01	NS BRACKET		1					
16	4036-4636-01	BUSHING		1					
17	4036-4692-01	GEAR		1			Z=15		

INDEX	PART NO.	PART NAME	REC	QTY	SFIX



INDEX	PART NO.	PART NAME	REC	QTY	INDEX	PART NO.	PART NAME	REC	QTY
01	4004-2144-01 NS	SEAL		1	19	4036-6823-01 NS	WIRE HARNESS ASSY LED-MSC		1
02	4025-2147-01 NS	DUCT		1	20	9332-1910-21	PUSHBUTTON SWITCH BOTTLE SET (PC32)		1
03	4025-2150-01 NS	DUCT		1	21	4025-2273-01	PRESSURE SPRING		1
04	4025-1812-01	SEAL		4	22	4025-2272-01 NS	LIFTING PLATE		1
05	4036-2425-01 NS	PIN		1	23	4025-2221-01	COVER		1
06	4036-5291-01 NS	HOLDER		1	24	4004-2222-01 NS	WASHER		1
07	4004-2317-01	PRESSURE SPRING		1	25	4025-1841-01 NS	GUIDE		1
08	4036-2426-01 NS	HOLDER		1	26	4004-2227-03 NS	COVER		1
09	4036-5288-01 NS	CONTACT		1	27	4036-2226-01 NS	BRACKET		1
10	4004-2155-01 NS	SEAL		1	28	4004-0903-01	PHOTO INTERRUPTER TONER FULL (PC31)		1
11	4025-5290-01 NS	CONTACT		1	29	4025-2228-01 NS	COVER		1
12	4025-5294-01 NS	HOLDER		1	30	4025-2274-01 NS	TORSION SPRING		1
13	4004-2234-01 NS	EARTH GROUND		2	31	4025-2250-01 NS	SEAL		1
14	4036-2224-02 NS	BASE FRAME		1					
15	1079-2219-01	SHOULDER SCREW		8					
16	4036-6835-01 NS	WIRE HARNESS ASSY		8					
17	4036-0105-02	PWB ASSY LED DRI (PWB-LED)	RP	1					
18	4025-1840-01 NS	GUIDE		1					

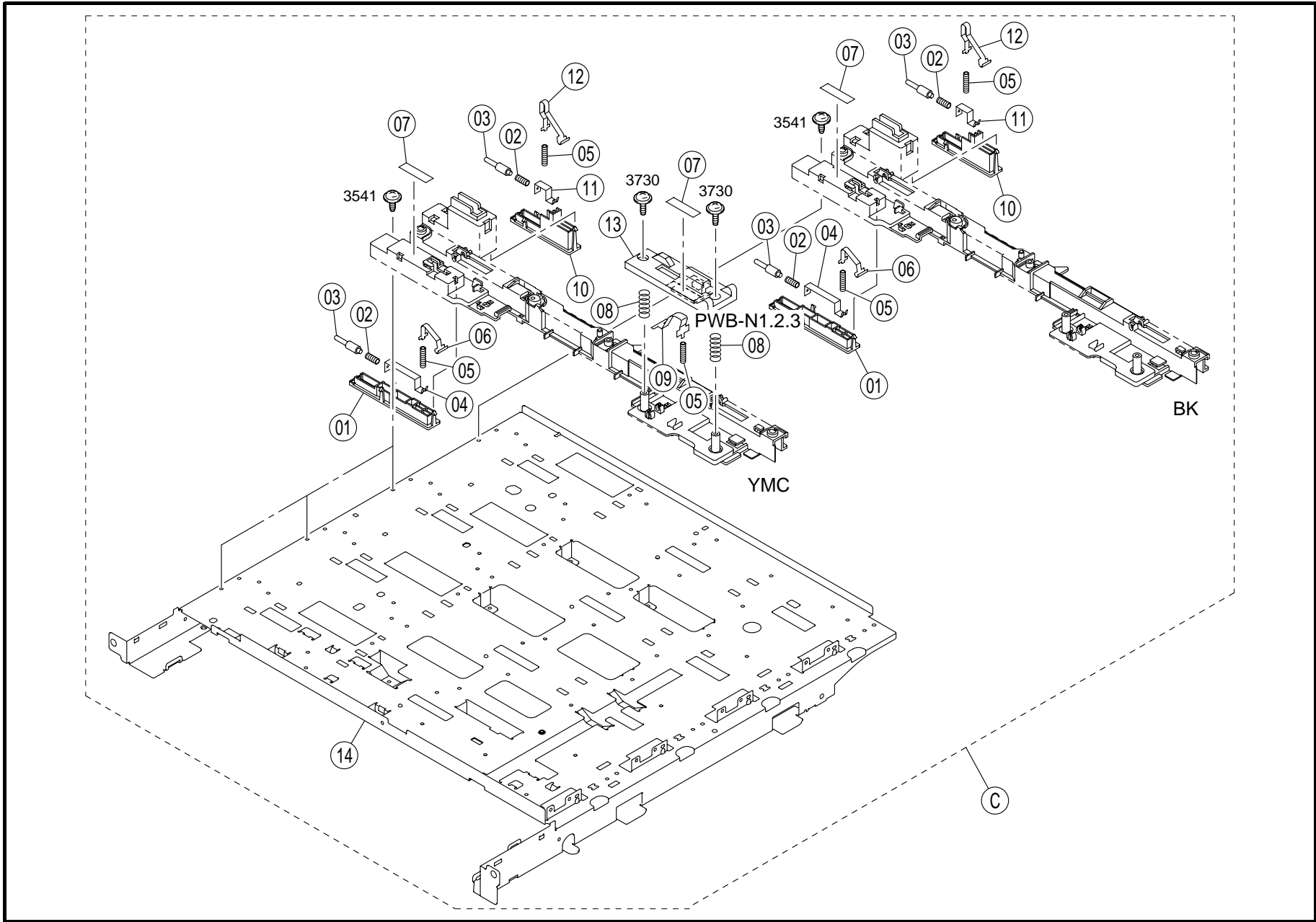
INDEX	PART NO.	PART NAME	REC	QTY	SFIX
32	9326-1200-21	FERRITE CORE		8	211, 212, 213, 215, 312, 313
33	4036-0558-03	LED UNIT		1	011, 311, 314, 315
33	4036-0559-02	LED UNIT		1	211, 212, 213, 215, 312, 313





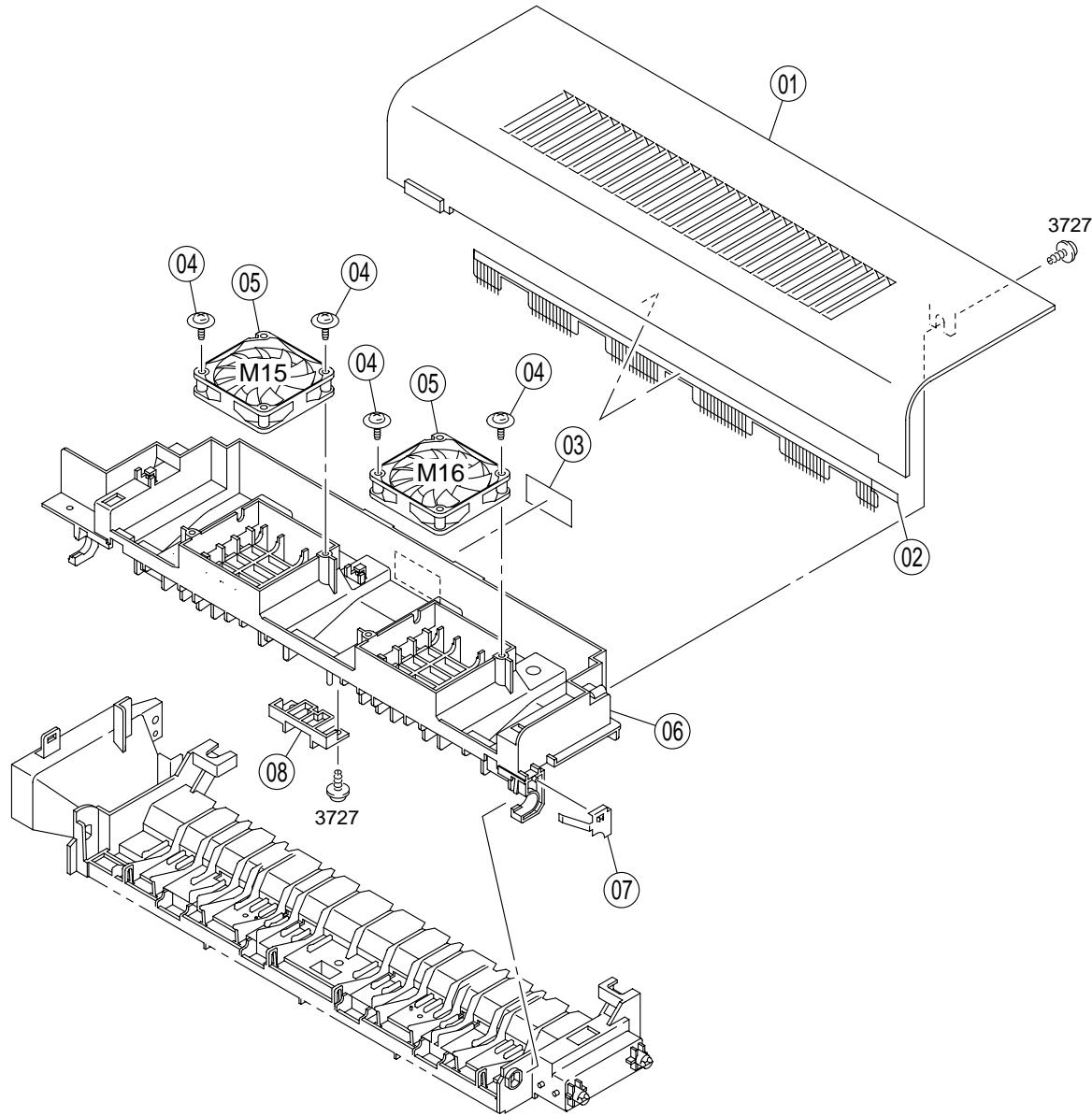
INDEX	PART NO.	PART NAME		REC	QTY	INDEX	PART NO.	PART NAME		REC	QTY
01	4004-1805-01	NS	SHAFT		8	19	4025-2171-01	NS	DUCT		4
02	4036-1701-01	NS	FRAME		4	20	4025-2151-01	NS	GUIDE		4
03	4004-1807-01		PRESSURE SPRING		8	21	4036-2176-01		CUSHION		4
04	4036-1704-01	NS	BRACKET		8	22	4025-1702-03	NS	ARM		4
05	4036-1814-01	NS	GUIDE		4	23	4025-2152-01	NS	GUIDE		4
06	4025-1720-02	NS	PLATE SPRING		8	24	4004-1712-01	NS	GUIDE		4
07	4025-2175-01	NS	CUSHION		8	25	4004-1719-01	NS	PLATE SPRING		8
08	4036-0563-01		LPH-BLACK ASSY	LPH BK (PWB-LPH)	RP	1					
09	4036-0564-01		LPH-YMC ASSY	LPH YMC (PWB-LPH)	RP	3					
10	4036-1815-01	NS	GUIDE		4						
11	4036-1705-01	NS	BRACKET		4						
12	4025-1716-01	NS	PLATE SPRING		4						
13	4025-1813-02	NS	LEVER		4						
14	4025-1703-01	NS	TORSION SPRING		4						
15	4004-1819-02	NS	TORSION SPRING		4						
16	4025-2172-02	NS	SEAL		4						
17	4036-6062-01		ERASE ASSY	BLACK (LA4)	RP	1					
18	4036-6061-01		ERASE ASSY	Y.M.C. (LA1-3)	RP	3					

INDEX	PART NO.	PART NAME		REC	QTY	SFIX						



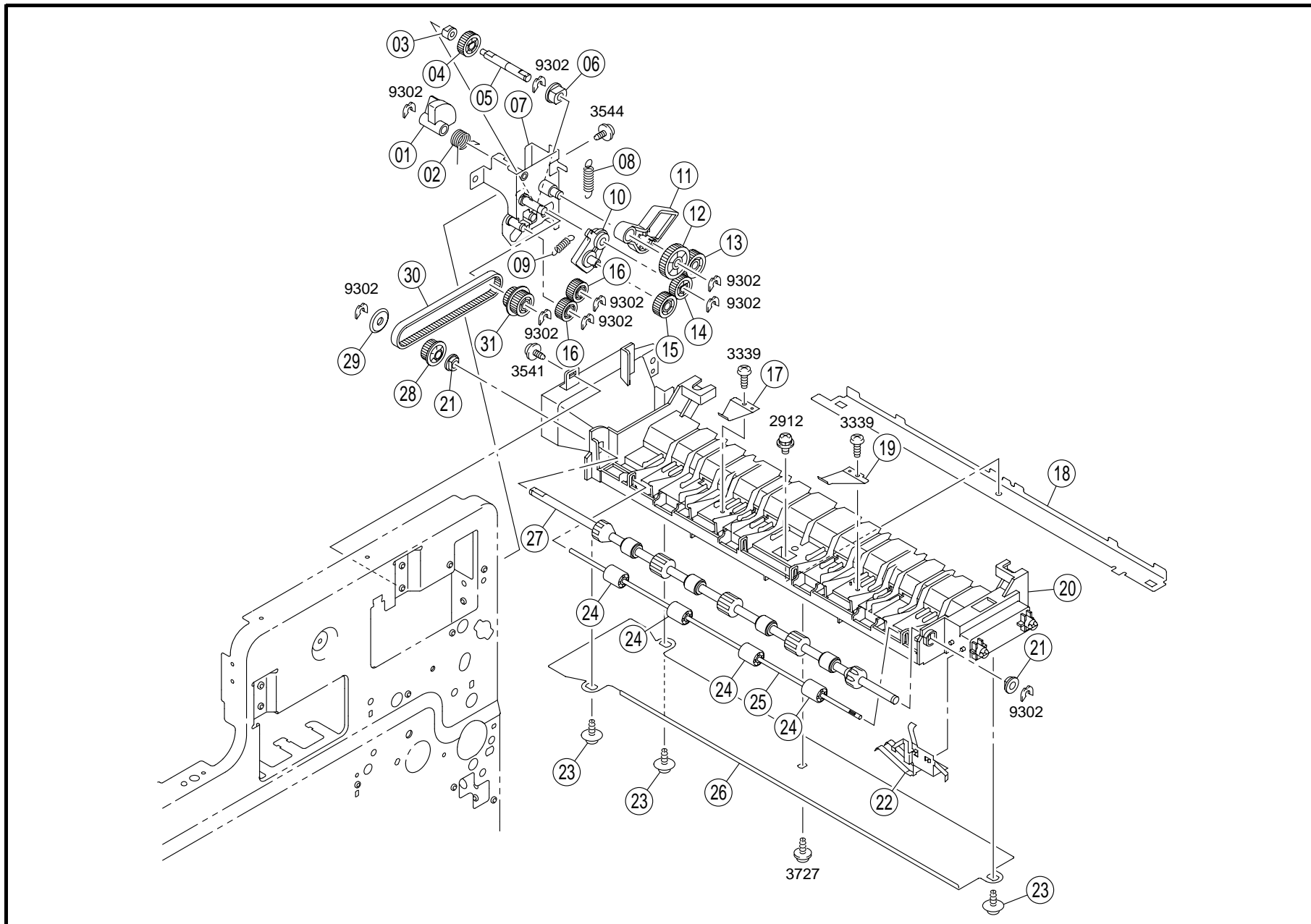
INDEX	PART NO.	PART NAME	REC	QTY	INDEX	PART NO.	PART NAME	REC	QTY
01	4036-2405-01	NS HOLDER		4					
02	4004-2317-01	PRESSURE SPRING		8					
03	4036-2425-01	NS PIN		8					
04	4036-2404-01	NS CONTACT		4					
05	4004-5283-01	PRESSURE SPRING		11					
06	4004-2401-01	CONTACT		4					
07	1129-7303-01	LABEL		7					
08	4004-5282-01	PRESSURE SPRING		6					
09	4004-5287-01	CONTACT		3					
10	4036-2406-01	NS HOLDER		4					
11	4036-2424-01	NS CONTACT		4					
12	4025-2422-01	CONTACT		4					
13	4004-0105-05	PWB ASSY		3			ATDC (PWB-N1.2.3)		
14	4036-2223-01	NS BASE FRAME		1					

INDEX	PART NO.	PART NAME	REC	QTY	SFIX



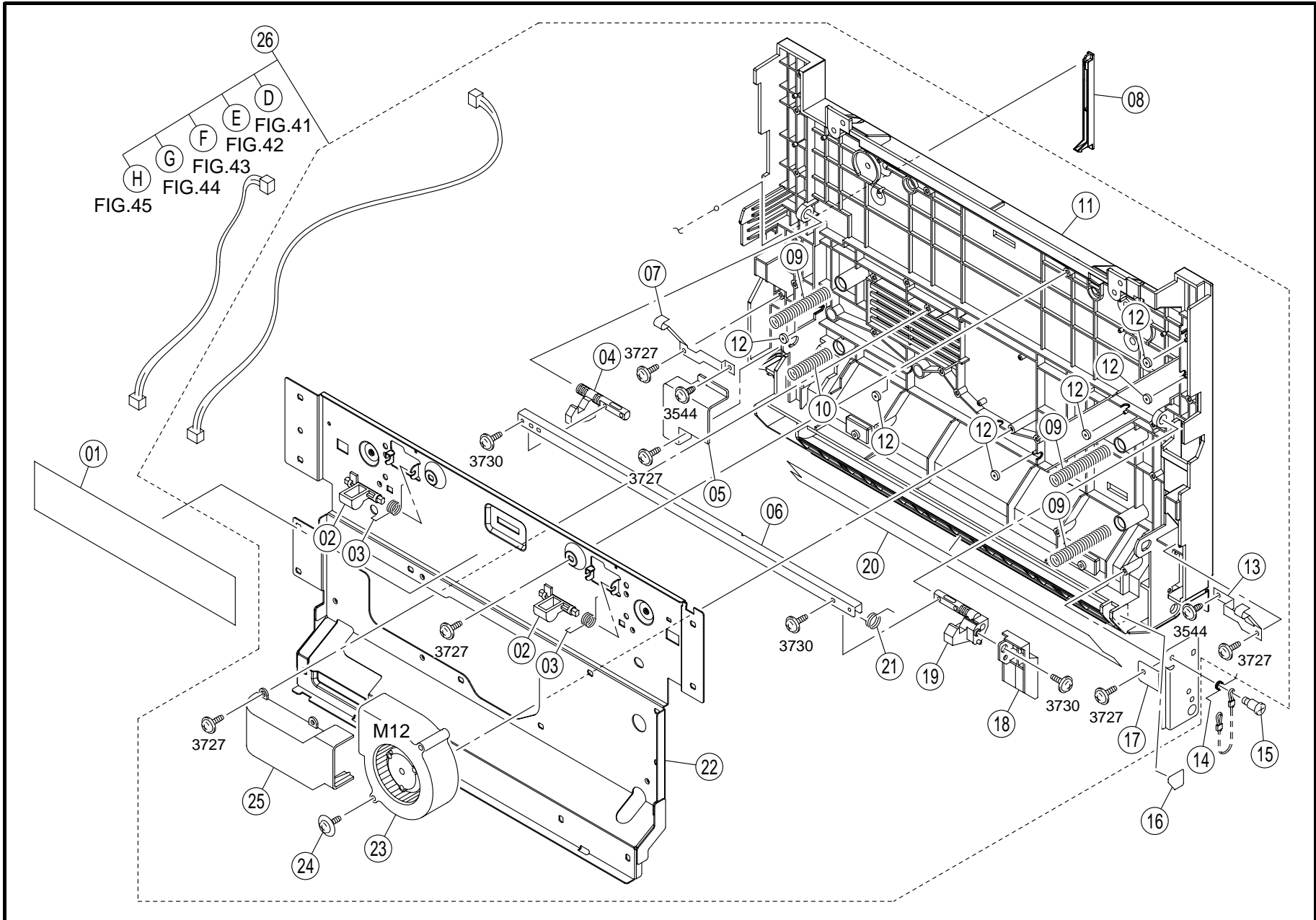
INDEX	PART NO.	PART NAME	REC	QTY	INDEX	PART NO.	PART NAME	REC	QTY
01	4036-5943-02	COVER		1					
02	4036-5916-01	NEUTRALIZING BRUSH		1					
03	4036-7331-01	LABEL M4		1					
04	4036-5966-01	SCREW		4					
05	9313-1300-41	FAN MOTOR FUSING CO (M15.16)		2					
06	4036-5902-02	GUIDE		1					
07	4036-5972-01 NS	EARTH GROUND		1					
08	4004-5979-01	BUSHING		1					

INDEX	PART NO.	PART NAME	REC	QTY	SFIX



INDEX	PART NO.	PART NAME	REC	QTY	INDEX	PART NO.	PART NAME	REC	QTY
01	4036-5958-01	CAM		1	19	4004-5918-02 NS	PLATE SPRING		1
02	4036-5959-01	TORSION SPRING		1	20	4036-5917-03	GUIDE		1
03	4004-5339-01 NS	BUSHING		1	21	1274-2611-01	BUSHING		2
04	4004-5948-01	GEAR Z=21		1	22	4036-5995-02 NS	EARTH GROUND		1
05	4036-5927-01 NS	SHAFT		1	23	4036-5966-01	SCREW		3
06	1200-3221-04	BUSHING		1	24	4004-5903-01	ROLL		4
07	4036-5925-01 NS	BRACKET		1	25	4025-5984-01 NS	SHAFT		1
08	4036-5931-01	TENSION SPRING		1	26	4036-5942-01 NS	BRACKET		1
09	4036-5961-01	TENSION SPRING		1	27	4025-5901-01	ROLLER		1
10	4036-5920-01	LEVER		1	28	4025-5939-01	PULLEY Z=24		1
11	4036-5932-02	LEVER		1	29	1200-1646-03	WASHER		1
12	4036-5929-01	GEAR Z=25		1	30	4025-5962-01	TIMING BELT L=230		1
13	4004-5975-01	GEAR Z=18		1	31	4004-5935-01	GEAR Z=15		1
14	4036-5926-01	GEAR Z=16		1					
15	4036-5921-01	GEAR Z=16		1					
16	4004-5933-01	GEAR Z=19		2					
17	4004-5992-02 NS	PLATE SPRING		1					
18	4025-5940-01 NS	REINFORCE PLATE		1					

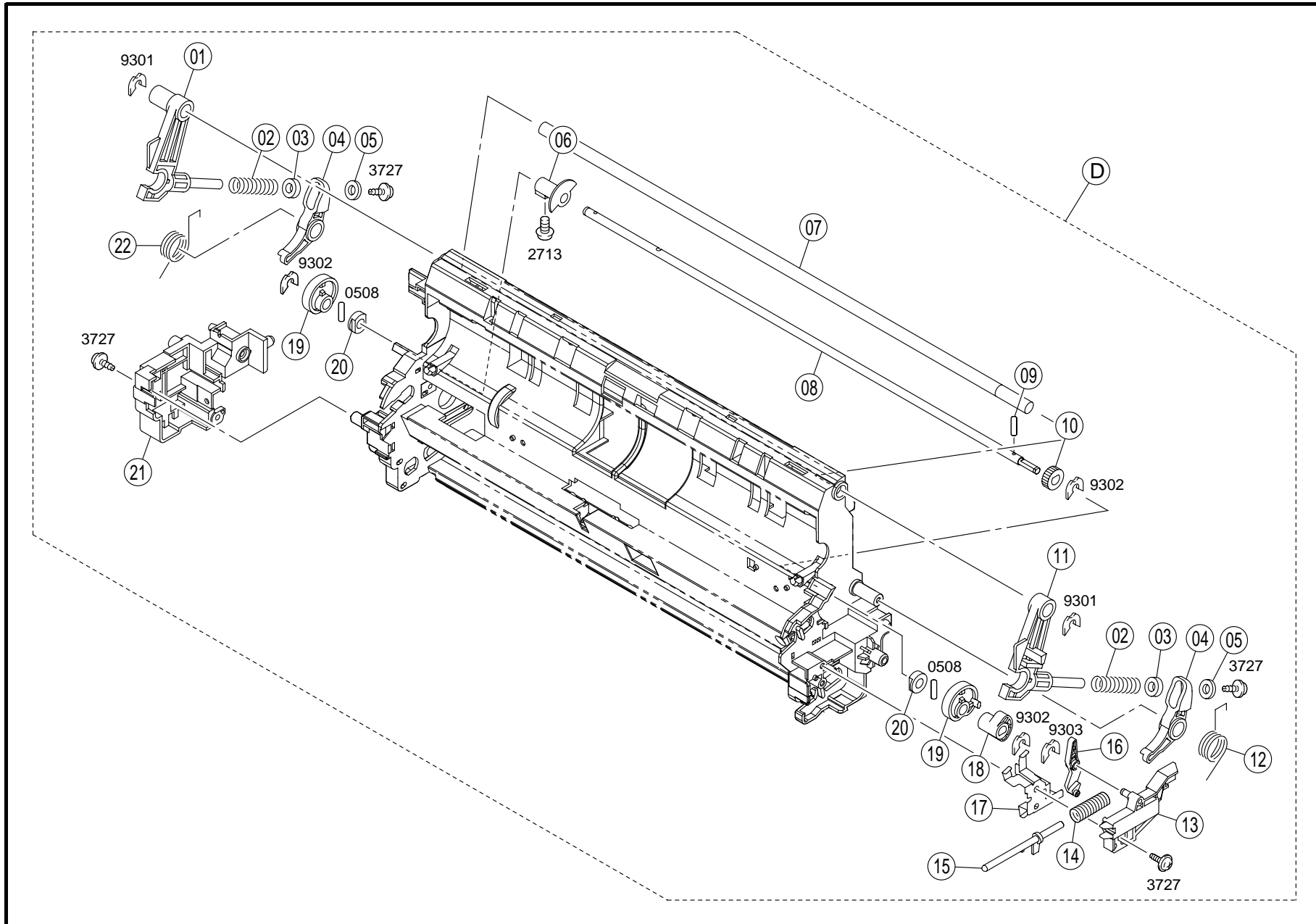
INDEX	PART NO.	PART NAME	REC	QTY	SFIX





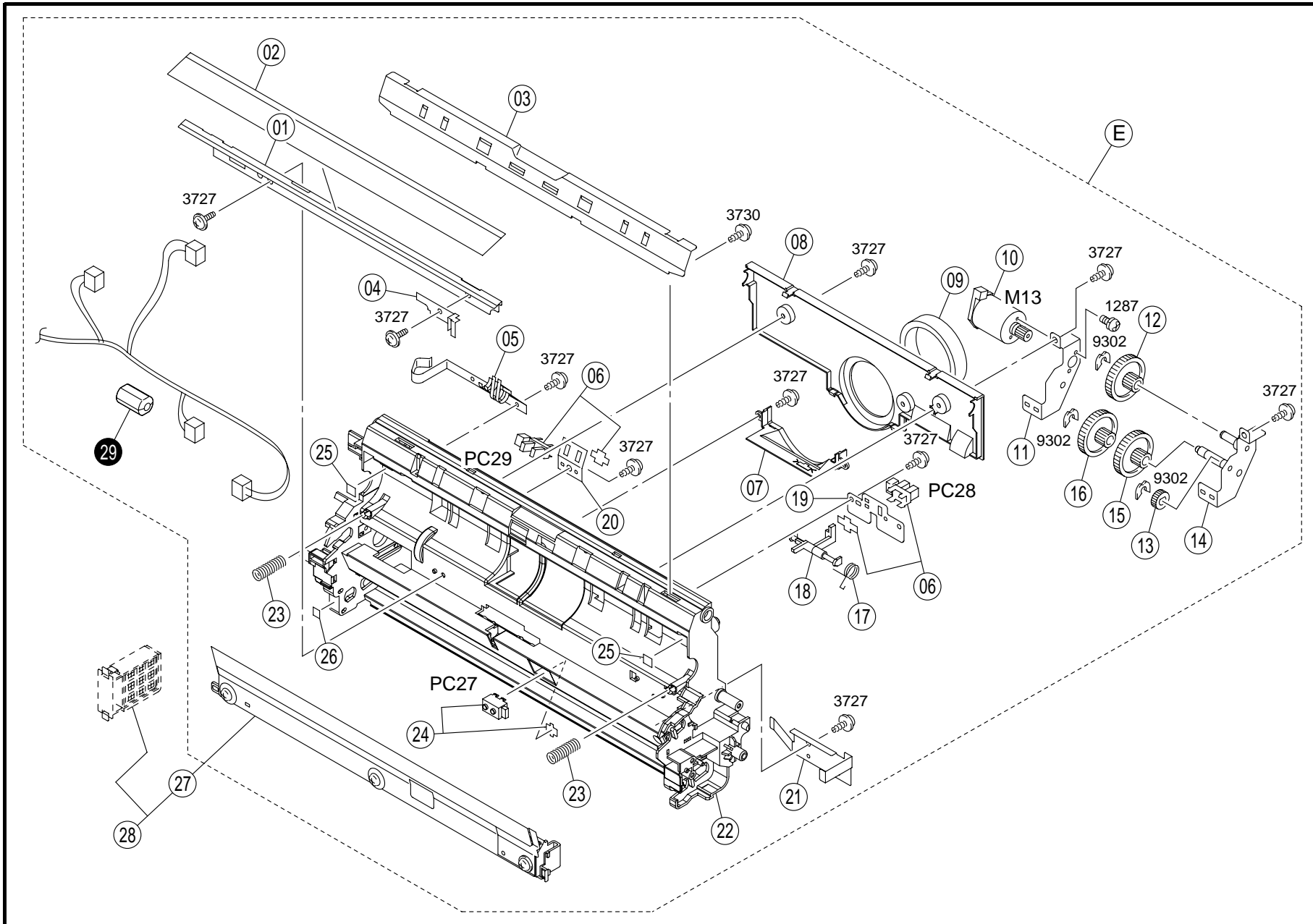
INDEX	PART NO.	PART NAME	REC	QTY	INDEX	PART NO.	PART NAME	REC	QTY
01	4036-7305-01	LABEL JAM		1	19	4036-3519-01	LEVER		1
02	4036-3665-01	LEVER		2	20	4025-3616-01 NS	GUIDE		1
03	4036-3666-01	TORSION SPRING		2	21	4036-3590-02	TORSION SPRING		1
04	4036-3520-01	LEVER		1	22	4036-3528-01 NS	BRACKET		1
05	4036-3550-01	COVER		1	23	9313-1910-61	FAN MOTOR SUCTION (M12)		1
06	4004-3521-02 NS	BRACKET		1	24	4036-5785-01	SCREW		1
07	4004-3582-01 NS	CONTACT		1	25	4004-3547-01 NS	DUCT		1
08	4036-3597-01	HOLDER		1	26	4036-0466-02	TRANSPORT UNIT		1
09	4025-3534-01 NS	PRESSURE SPRING		3					
10	4025-3610-01 NS	PRESSURE SPRING		1					
11	4036-3505-03	COVER RIGHT SIDE		1					
12	4036-3659-01	COLLAR		6					
13	4004-3581-01 NS	CONTACT		1					
14	4036-3683-01	TORSION SPRING		1					
15	4643-4605-01	SHOULDER SCREW		1					
16	4036-7304-01	LABEL M1		1					
17	4036-3653-01 NS	REINFORCE PLATE		1					
18	4036-3542-01	LEVER		1					

INDEX	PART NO.	PART NAME	REC	QTY	SFIX



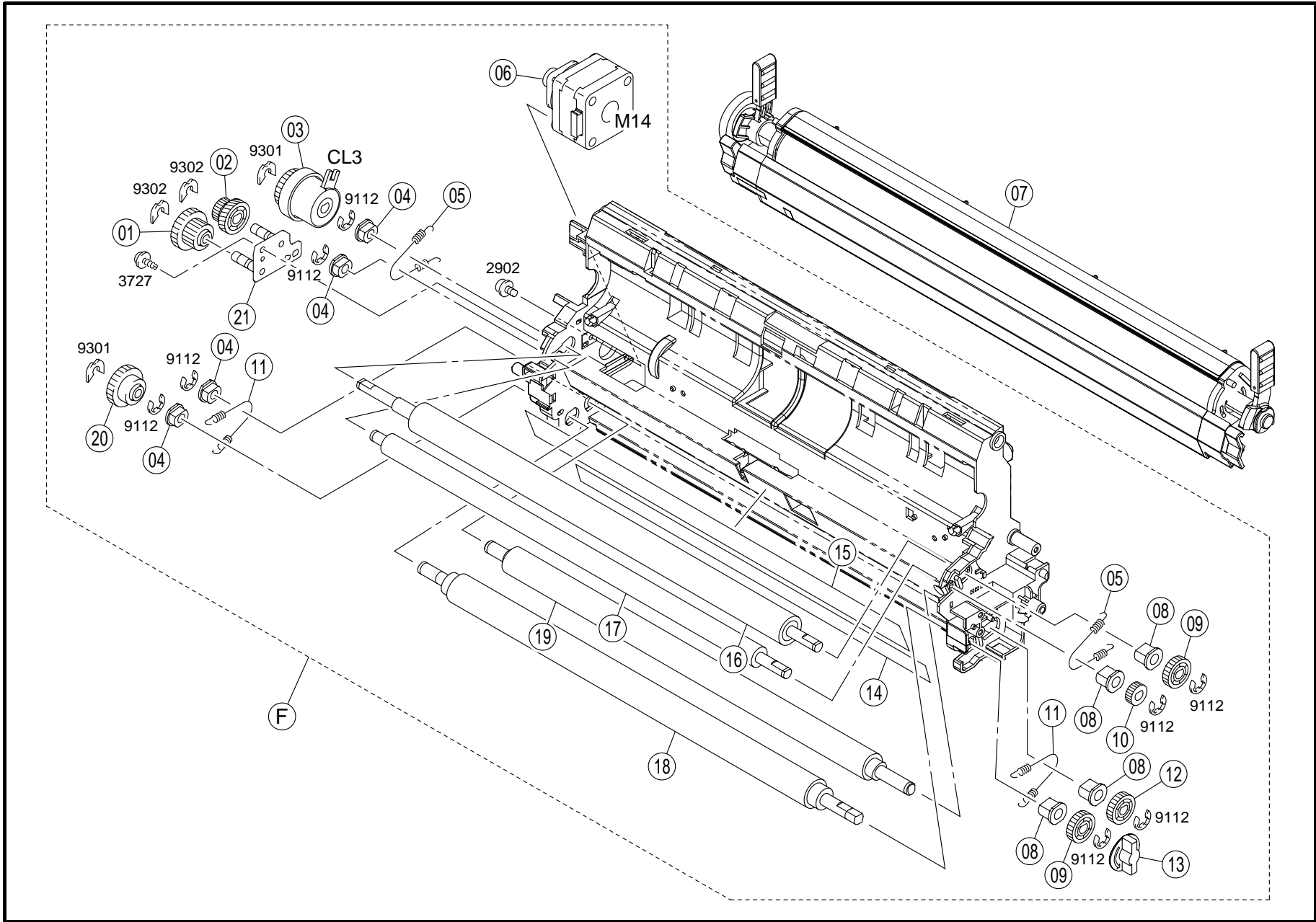
INDEX	PART NO.	PART NAME	REC	QTY	INDEX	PART NO.	PART NAME	REC	QTY
01	4004-4711-02	ARM		1	19	4004-4710-02 NS	CAM		2
02	4025-4717-02 NS	PRESSURE SPRING		2	20	1200-3121-09	BUSHING		2
03	4004-4722-02 NS	WASHER		2	21	4036-3630-01 NS	HOLDER		1
04	4036-4712-01	ARM		2	22	4025-4719-02 NS	TORSION SPRING		1
05	4004-4723-01 NS	WASHER		2					
06	4025-4720-01 NS	DETECTING PLATE		1					
07	4025-4714-01 NS	SHAFT		1					
08	4025-4709-02 NS	SHAFT		1					
09	4036-4911-01	PIN		1					
10	4025-4909-01	GEAR	Z=15	1					
11	4004-4724-02	ARM		1					
12	4025-4725-01 NS	TORSION SPRING		1					
13	4025-3679-01	HOLD PLATE		1					
14	4025-3680-01 NS	PRESSURE SPRING		1					
15	4036-3675-01	LEVER		1					
16	4025-3677-01	LEVER		1					
17	4025-3522-02 NS	EARTH GROUND		1					
18	4025-3678-02 NS	CAM		1					

INDEX	PART NO.	PART NAME	REC	QTY	SFIX



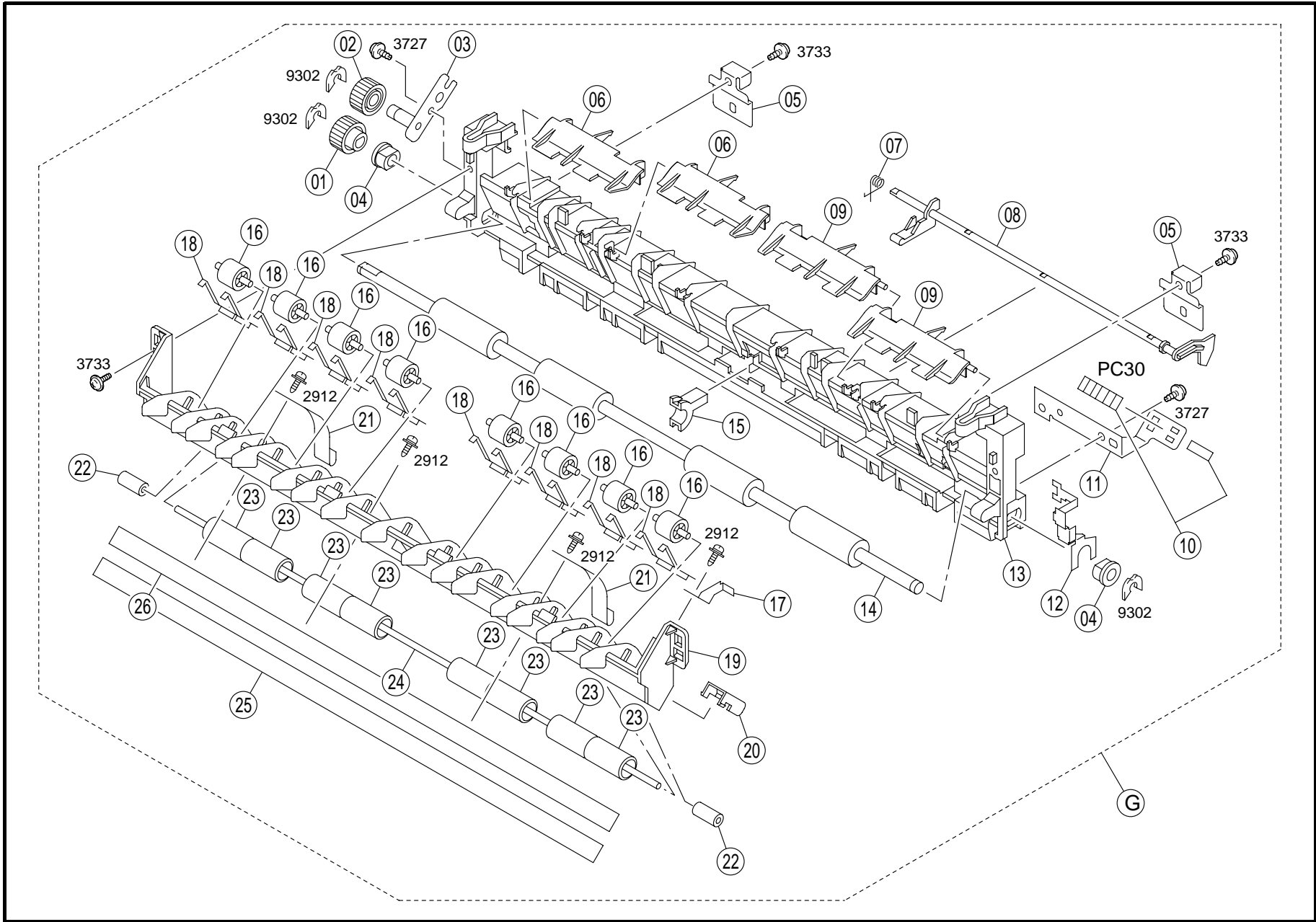
INDEX	PART NO.	PART NAME	REC	QTY	INDEX	PART NO.	PART NAME	REC	QTY
01	4025-3567-01	NS GUIDE		1	19	4036-3684-01	NS BRACKET		1
02	4025-3568-01	NETURALIZING MEMBER		1	20	4025-4721-01	NS BRACKET		1
03	4036-3570-03	NS GUIDE		1	21	4025-3523-01	NS EARTH GROUND		1
04	4025-3575-01	NS CONTACT		1	22	4036-3506-01	NS HOLDER		1
05	4004-3524-04	NS CONTACT		1	23	4025-3612-01	NS PRESSURE SPRING		2
06	4004-0902-01	PHOTO INTERRUPTER (PC28.29)		2	24	4025-0901-01	SOLID STATE SWITCH OHP DETECT (PC27)		1
07	4004-3549-03	NS LID		1	25	4025-7320-01	NS LABEL INDICATION		2
08	4025-3548-01	NS DUCT		1	26	4025-7323-01	NS LABEL INDICATION		1
09	4025-3551-01	NS SEAL		1	27	4036-0499-01	OHP SENSOR GUIDE P.DUST REMOVER		1
10	4025-0490-01	MOTOR ASSY 2ND IMAGE (M13)		1	28	4049-611	CLEANER AND OZONE FILTE	RP	1
11	4025-4900-01	NS BRACKET		1					
12	4025-4907-01	GEAR Z=16/40		1					
13	4025-4908-01	GEAR Z=15		1					
14	4025-0225-01	NS DRIVING ASSY		1					
15	4025-4910-01	GEAR Z=12/40		1					
16	4025-4906-01	GEAR Z=16/64		1					
17	1164-3527-02	TORSION SPRING		1					
18	1164-3504-03	ACTUATOR		1					

INDEX	PART NO.	PART NAME	REC	QTY	SFIX
29	9326-1410-31	FERRITE CORE		1	211, 212, 213, 215, 312, 313



INDEX	PART NO.	PART NAME	REC	QTY	INDEX	PART NO.	PART NAME	REC	QTY
01	4025-3627-01 NS	GEAR Z=16/38		1	19	4025-3622-01	ROLLER TRANSFER SUB		1
02	4025-3626-01 NS	GEAR Z=18/26		1	20	4025-3625-01 NS	GEAR Z=28		1
03	9322-1300-21	CLUTCH SYNCHRO (CL3)		1	21	4025-0221-01 NS	BRACKET ASSY		1
04	1164-3509-01	BUSHING		4					
05	4025-3527-01 NS	TENSION SPRING		2					
06	9314-1300-31	MOTOR TRANSPORT (M14)		1					
07	4049-411	TRANSFER ROLLER UNIT	RP	1					
08	4025-3572-01 NS	BUSHING		4					
09	4004-3503-02 NS	GEAR Z=20		2					
10	4004-3504-02 NS	GEAR Z=14		1					
11	4025-3623-01 NS	TENSION SPRING		2					
12	1164-3508-01	GEAR Z=18		1					
13	4025-3631-02	KNOB		1					
14	4036-3608-01	SEAL		1					
15	4025-3609-01	SEAL		1					
16	4036-3501-01	ROLLER TIMING DRIVE		1					
17	4025-3502-01	ROLLER TIMING PRESS		1					
18	4025-3621-01	ROLLER TRANSFER DRIVE		1					

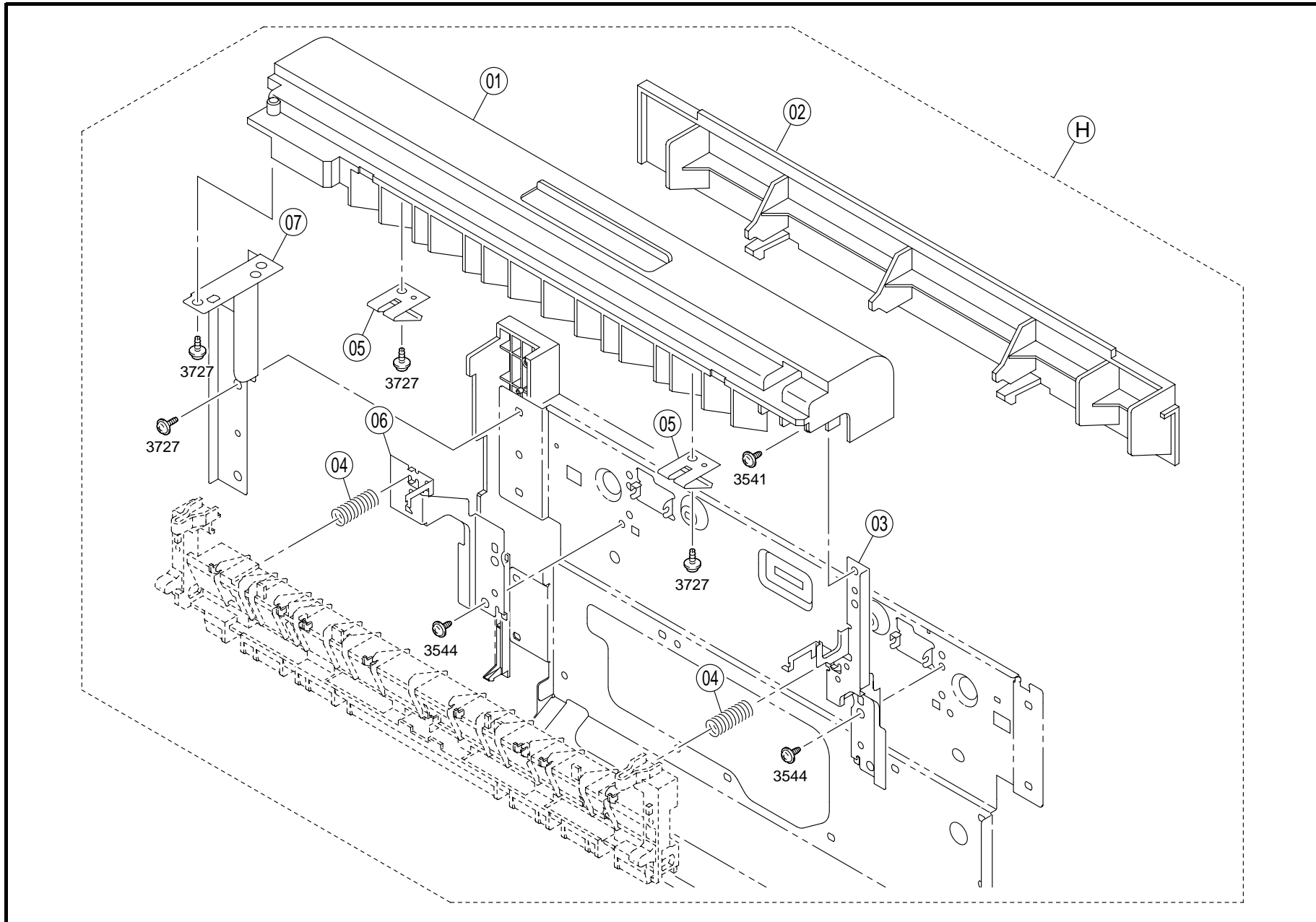
INDEX	PART NO.	PART NAME	REC	QTY	SFIX





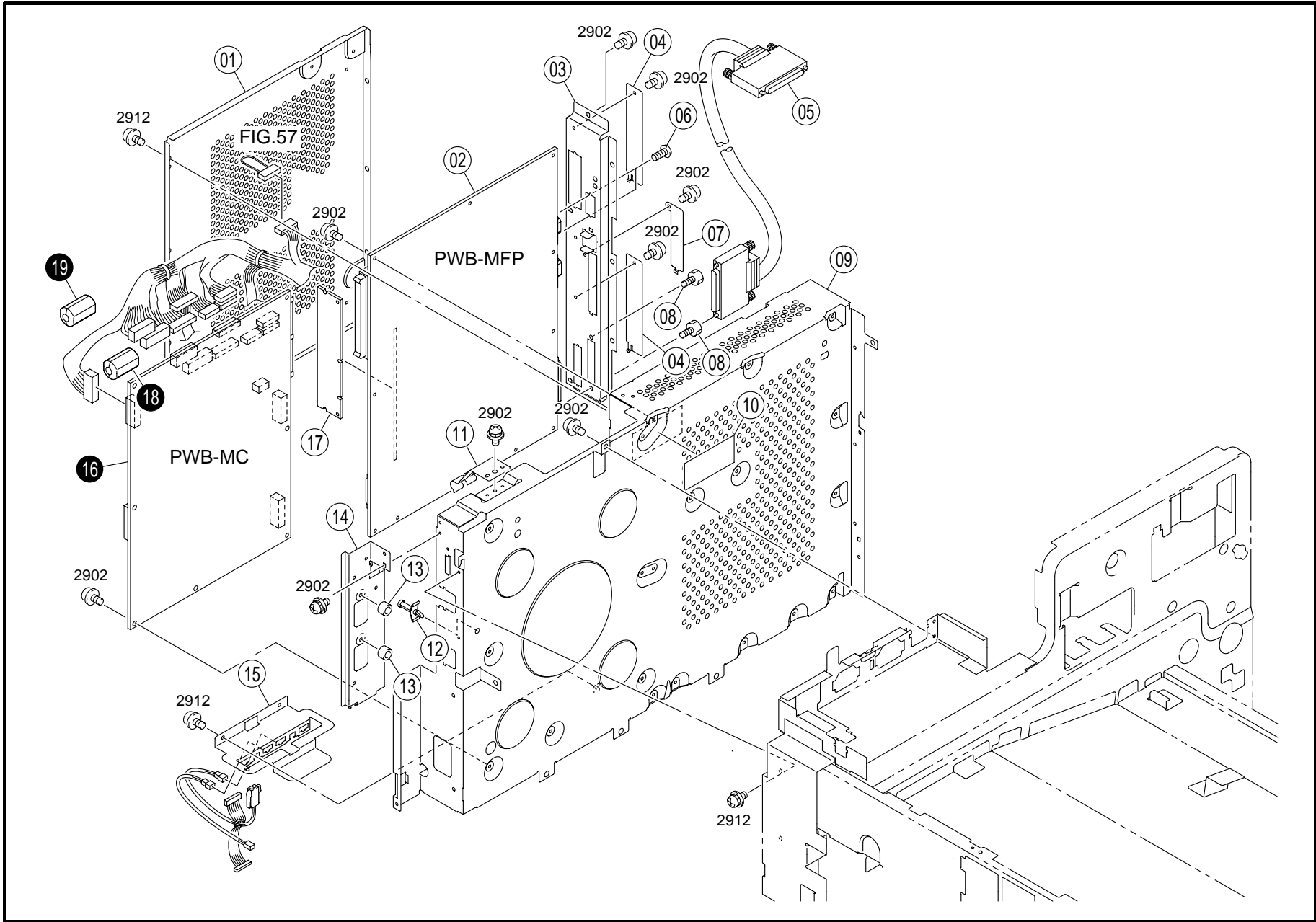
INDEX	PART NO.	PART NAME	REC	QTY	INDEX	PART NO.	PART NAME	REC	QTY
01	4004-5928-12	GEAR Z=15		1	19	4036-5906-02	GUIDE		1
02	4036-5937-01	GEAR Z=15		1	20	4036-5976-01	COVER		1
03	4036-0218-01 NS	BRACKET ASSY		1	21	4004-5905-02 NS	PLATE SPRING		2
04	1274-2611-01	BUSHING		2	22	4004-5911-02	COLLAR		2
05	4036-5907-01 NS	BRACKET		2	23	4004-5974-02	ROLL		8
06	4036-5968-02	GUIDE		2	24	4025-5904-01 NS	SHAFT		1
07	4036-5913-01	TORSION SPRING		1	25	4036-5990-01	PROTECTION		1
08	4036-5912-01	ACTUATOR		1	26	4036-5910-01 NS	REINFORCE PLATE		1
09	4036-5969-02	GUIDE		2					
10	4122-0901-01	PHOTO INTERRUPTER PAPER EXIT (PC30)		1					
11	4036-5914-01 NS	BRACKET		1					
12	4036-5971-01 NS	EARTH GROUND		1					
13	4036-5900-02 NS	GUIDE		1					
14	4025-5915-01	ROLLER PAPER EXIT		1					
15	4004-5987-01	BUSHING		1					
16	4004-5950-01	ROLL		8					
17	4036-5945-01 NS	EARTH GROUND		1					
18	4004-5909-02 NS	HOLDER		8					

INDEX	PART NO.	PART NAME	REC	QTY	SFIX

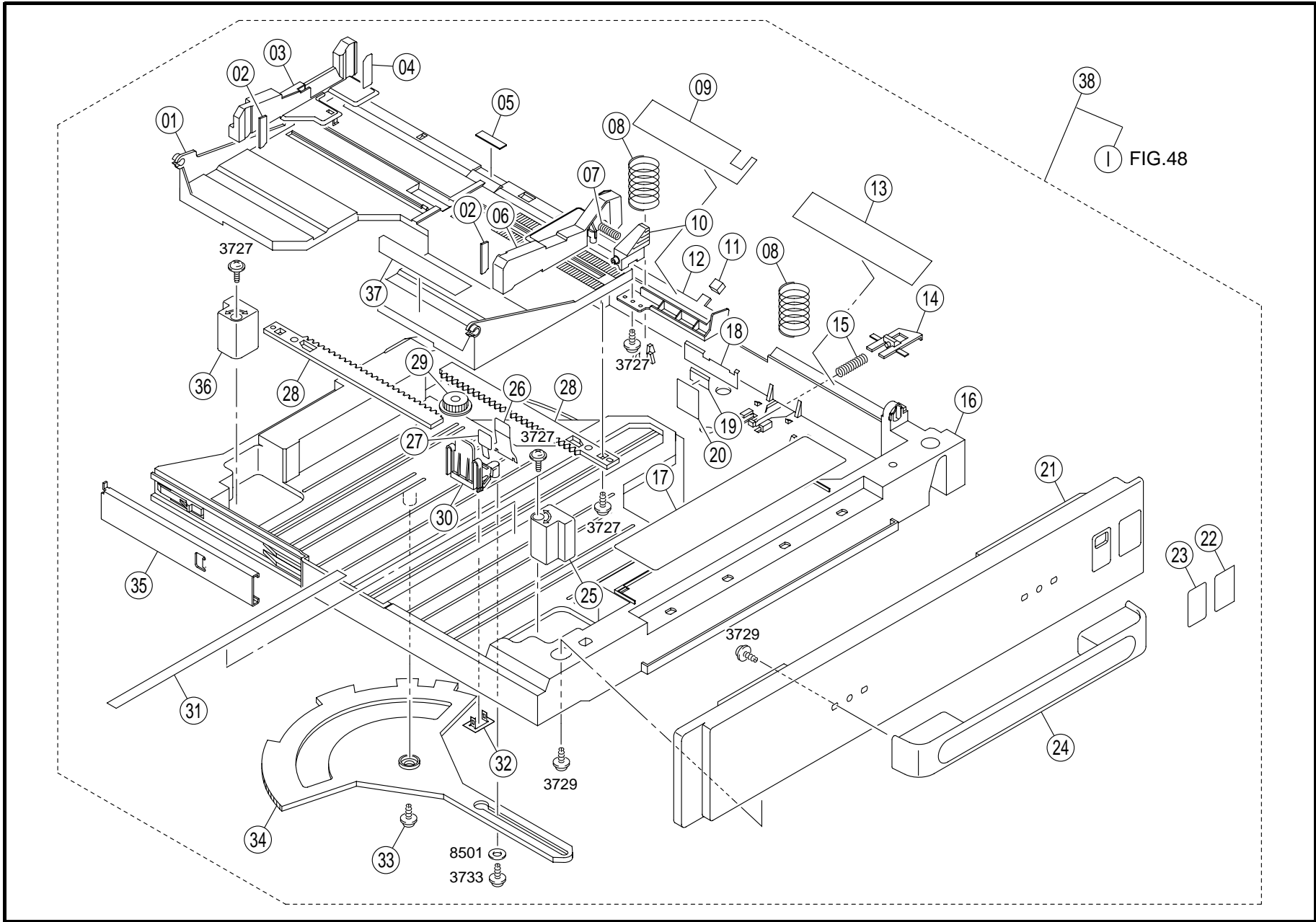


INDEX	PART NO.	PART NAME	REC	QTY	INDEX	PART NO.	PART NAME	REC	QTY
01	4036-5944-02	COVER		1					
02	4036-5947-03	COVER		1					
03	4036-5988-01 NS	BRACKET		1					
04	4036-5908-01	PRESSURE SPRING		2					
05	4036-5973-01 NS	PLATE SPRING		2					
06	4036-5987-01 NS	BRACKET		1					
07	4036-5985-01 NS	BRACKET		1					

INDEX	PART NO.	PART NAME	REC	QTY	SFIX

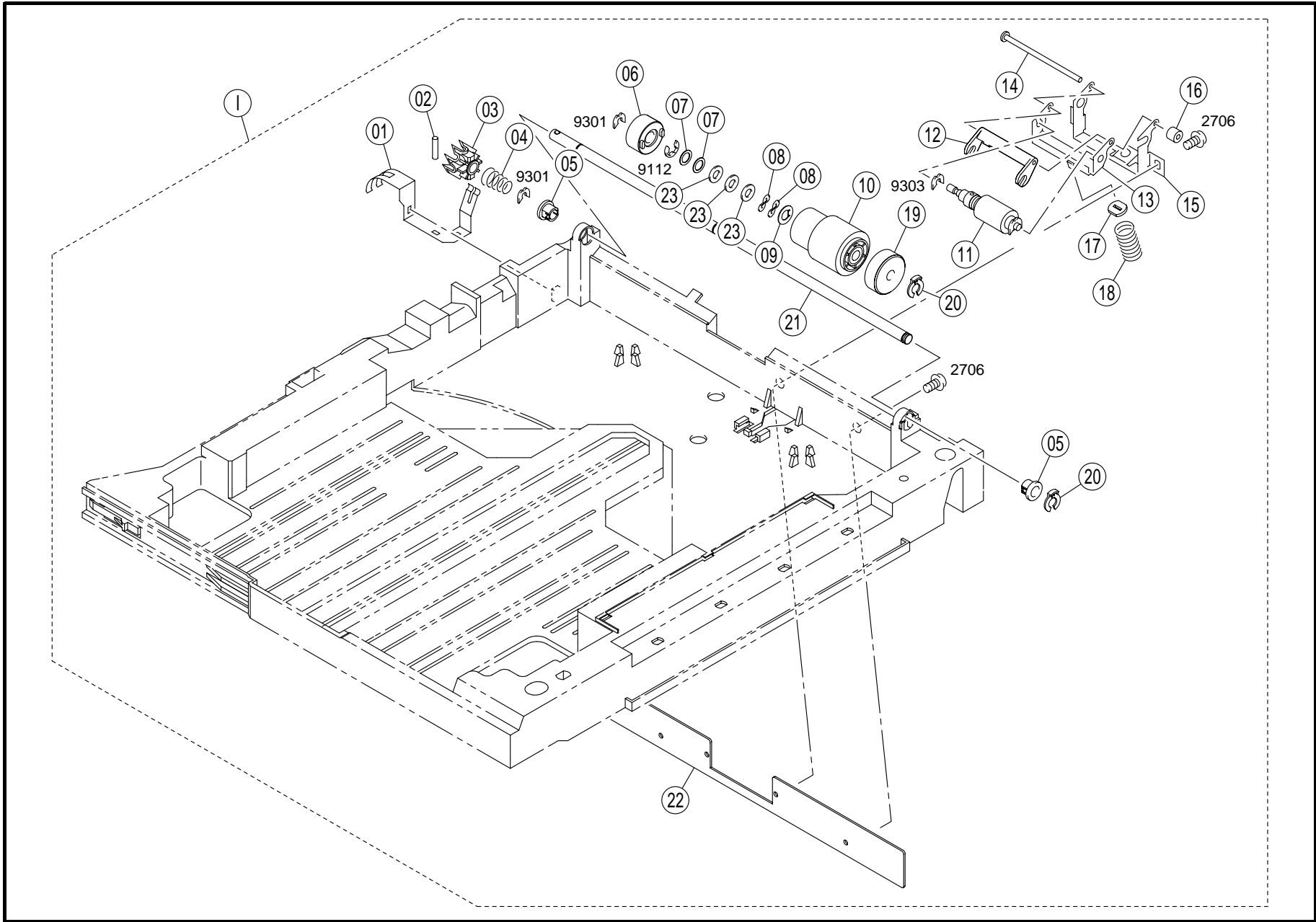


INDEX	PART NO.	PART NAME	REC	QTY	INDEX	PART NO.	PART NAME	REC	QTY
01	4036-2202-02	NS SHIELD BOX		1					
02	4036-7803-01	PWB ASSY MFP (PWB-MFP)	RP	1					
03	4036-2260-02	NS BRACKET		1					
04	4036-2279-01	NS COVER		2					
05	4036-6861-01	WIRE HARNESS ASSY IF		1					
06	4025-2287-01	SCREW		2					
07	4025-2278-01	NS COVER		1					
08	4581-2269-02	SHOULDER SCREW		2					
09	4036-2201-02	NS SHIELD BOX		1					
10	4030-3108-01	GUIDE		1					
11	4036-2235-01	NS PLATE SPRING		1					
12	9384-1621-81	PWB SUPPORT 22.2H		1					
13	1154-4670-01	CUSHION		2					
14	4036-2246-01	NS BRACKET		1					
15	4004-2249-06	NS BRACKET		1					
17	4036-6055-02	PWB ASSY MEMORY 256MB		1					
INDEX	PART NO.	PART NAME	REC	QTY	SFIX				
16	4036-7811-01	PWB ASSY CONTROL (PWB-MC)	RP	1	211, 212, 213, 215, 312, 313				
16	4036-7812-01	PWB ASSY CONTROL (PWB-MC)	RP	1	011, 311, 314, 315				
18	9326-1810-21	FERRITE CORE		1	211, 212, 213, 215, 312, 313				
19	9326-1410-31	FERRITE CORE		1	211, 212, 213, 215, 312, 313				



INDEX	PART NO.	PART NAME	REC	QTY	INDEX	PART NO.	PART NAME	REC	QTY
01	4036-3022-01	LIFTING PLATE		1	20	4004-3008-01	SEAL		1
02	4036-3086-01	BRAKE		2	21	4036-3020-02	COVER		1
03	4036-3028-01	REGULATING PLATE		1	22	4036-7307-01	LABEL INDICATION1		1
04	4004-7324-01	LABEL MPC		1	23	4030-7301-02	LABEL NEAR EMPTY		1
05	1164-3064-01	FRICTION SHEET		1	24	4036-3025-01	HANDLE		1
06	4036-3008-01	REGULATING PLATE		1	25	4004-3026-03 NS	SPACER		1
07	4011-3011-01	PRESSURE SPRING		1	26	4004-3042-01	GUIDE		1
08	1164-3047-02	PRESSURE SPRING		2	27	4021-3036-01	GUIDE		1
09	4004-3040-02	GUIDE		1	28	4004-3032-01	RACK		2
10	4011-3010-02	LEVER		1	29	1164-3045-01	GEAR Z=20		1
11	1164-3009-01	CLANING MATERIAL	RP	1	30	4004-3023-01	REGULATING PLATE		1
12	4036-3019-01	LEVER		1	31	4036-7313-01	LABEL FD		1
13	4004-3024-01	GUIDE		1	32	4004-3031-01	BRACKET		1
14	1164-3061-01	LEVER		1	33	4163-5293-01	SCREW		1
15	1164-3062-01	PRESSURE SPRING		1	34	4004-3051-02	LEVER		1
16	4036-3021-02 NS	CASSETTE		1	35	4004-3030-01	RAIL LFT SUB		1
17	4036-7306-01	LABEL PAPERÀ@SUPPLY		1	36	4004-3027-03 NS	SPACER		1
18	4004-3033-01 NS	GUIDE PLATE		1	37	4036-7314-01	LABEL CD		1
19	4004-3038-01	GUIDE		1	38	4036-0403-02	MULPIPURPOSE CASSETTE		1

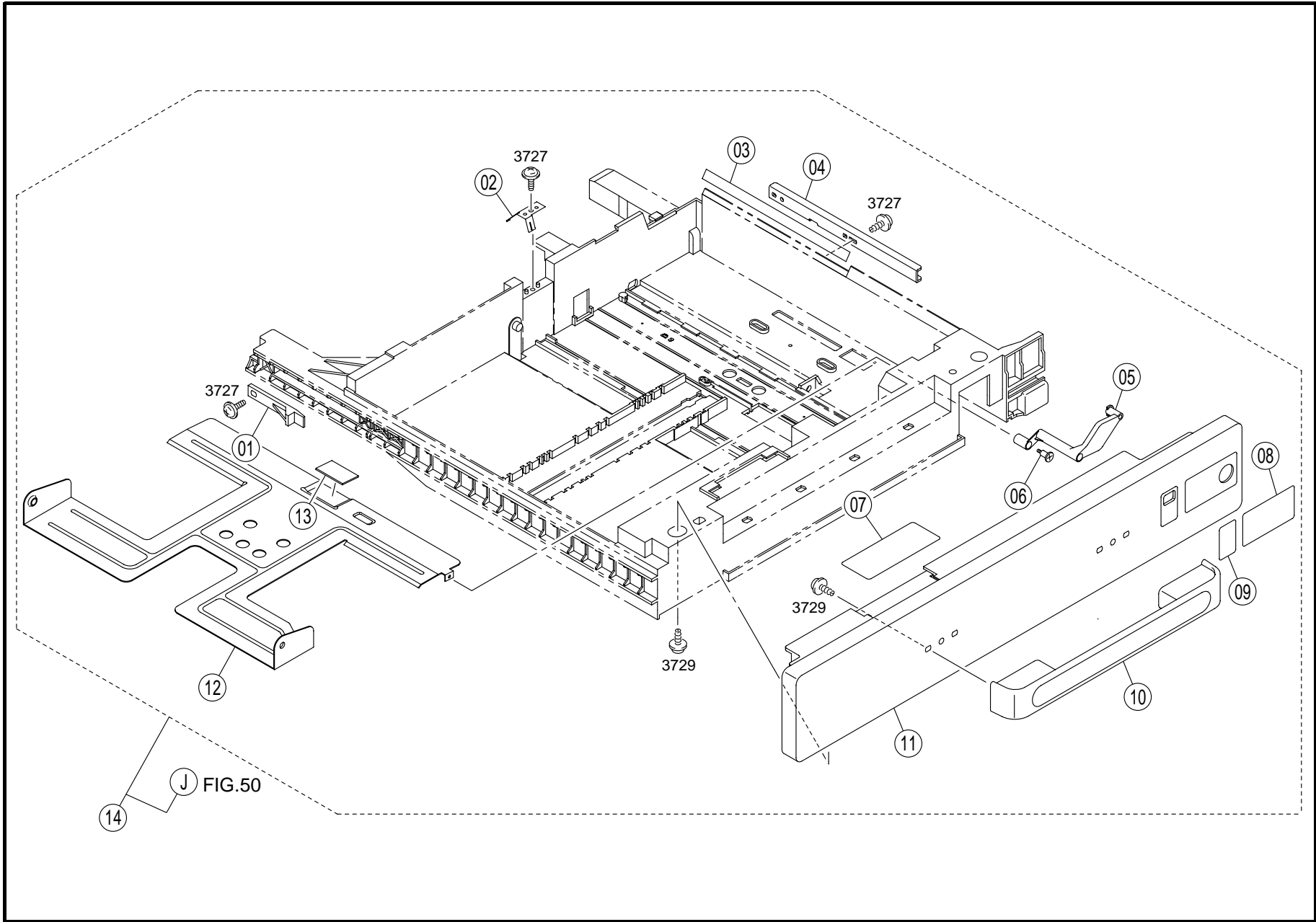
INDEX	PART NO.	PART NAME	REC	QTY	SFIX





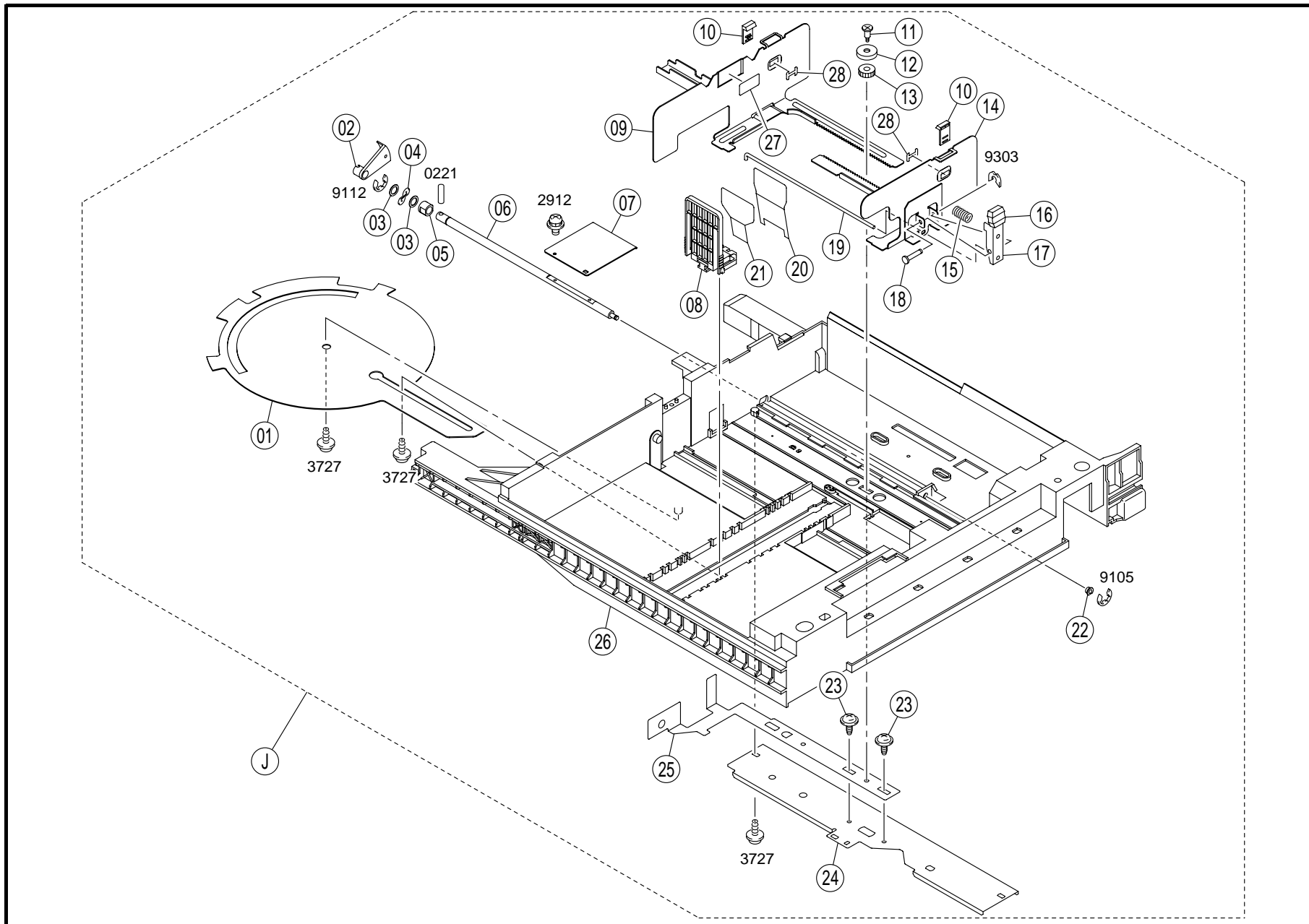
INDEX	PART NO.	PART NAME	REC	QTY	INDEX	PART NO.	PART NAME	REC	QTY
01	4036-3018-01	EARTH GROUND		1	19	4004-3005-01	COLLAR		1
02	4036-3014-01	PIN		1	20	1164-3065-01	STOPPER RING		2
03	1164-3004-03	PAWL		1	21	4004-3001-02	SHAFT		1
04	1164-3005-02	PRESSURE SPRING		1	22	4036-3040-01 NS	REINFORCE PLATE		1
05	1164-3003-01	BUSHING		2	23	1200-1462-03	WASHER		3
06	4036-3063-01	WEIGHT		1					
07	1200-1462-01	WASHER		2					
08	1500-2660-13	WAVE WASHER		2					
09	1164-3066-01	WASHER		1					
10	4021-3012-01	ROLLER TAKE-UP	RP	1					
11	4658-0151-01	ROLLER ASSY MPC SEPARATOR	RP	1					
12	4658-3035-02	GUIDE		1					
13	4004-3003-02	HOLDER		1					
14	4658-3040-01 NS	SHAFT		1					
15	4004-3004-01	BRACKET		1					
16	1200-2105-06	RETAINING RING		1					
17	1144-3097-01	HOLDER		1					
18	4004-3006-03	PRESSURE SPRING		1					

INDEX	PART NO.	PART NAME	REC	QTY	SFIX



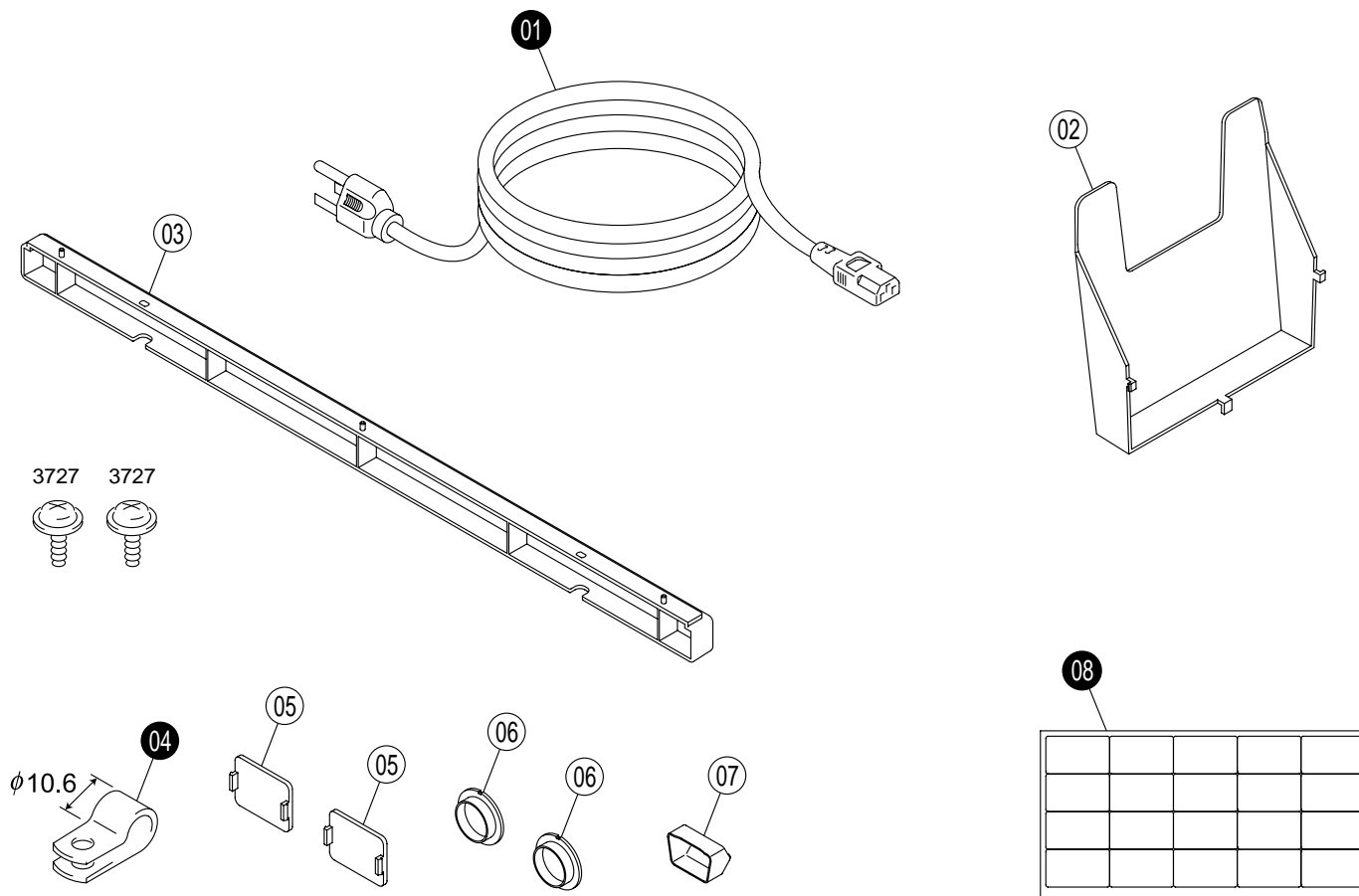
INDEX	PART NO.	PART NAME	REC	QTY	INDEX	PART NO.	PART NAME	REC	QTY
01	4498-3469-01	STOPPER		1					
02	4030-3223-02	EARTH GROUND		1					
03	4030-3222-01	GUIDE		1					
04	4030-3229-02	NS REINFORCE PLATE		1					
05	4030-3221-01	LEVER		1					
06	4030-3224-01	SHOULDER SCREW		1					
07	4030-7304-02	LABEL		1			PAPERÀ@SUPPLY		
08	4030-7303-02	LABEL		1			INDICATION2		
09	4030-7301-02	LABEL		1			NEAR EMPTY		
10	4036-3025-01	HANDLE		1					
11	4030-3202-02	COVER		1					
12	4030-3203-01	NS LIFTING PLATE		1					
13	4030-3226-01	FRICTION SHEET		1					
14	4030-0155-05	CASSETTE ASSY		1					

INDEX	PART NO.	PART NAME	REC	QTY	SFIX



INDEX	PART NO.	PART NAME	REC	QTY	INDEX	PART NO.	PART NAME	REC	QTY
01	4002-3108-01 NS	LEVER		1	19	4030-3217-01 NS	SHAFT		1
02	4030-3207-01	ACTUATOR		1	20	4030-3228-01	GUIDE		1
03	4011-3021-01	WASHER		2	21	4030-3227-01	GUIDE		1
04	4011-3020-01	WASHER		1	22	0992-3014-01	BUSHING		1
05	1274-3603-01	BUSHING		1	23	4498-3834-01	SCREW		2
06	4030-3205-01 NS	SHAFT		1	24	4030-3218-01 NS	BRACKET		1
07	4030-3206-01 NS	LEVER		1	25	4030-3216-01 NS	BRACKET		1
08	4030-3213-01	REGULATING PLATE		1	26	4030-3201-03 NS	CASSETTE		1
09	4030-3212-01 NS	REGULATING PLATE		1	27	4002-7306-01	LABEL CASSETTE		1
10	4658-3048-01	GUIDE		2	28	4658-3049-01	STOPPER		2
11	4030-3214-01	SHOULDER SCREW		1					
12	4030-3215-01	GUIDE		1					
13	4658-3012-01	GEAR Z=14		1					
14	4030-3211-02 NS	REGULATING PLATE		1					
15	4498-3825-01	PRESSURE SPRING		1					
16	4498-3804-01	KNOB		1					
17	4128-3823-01	LEVER		1					
18	4498-3826-01	SHAFT		1					

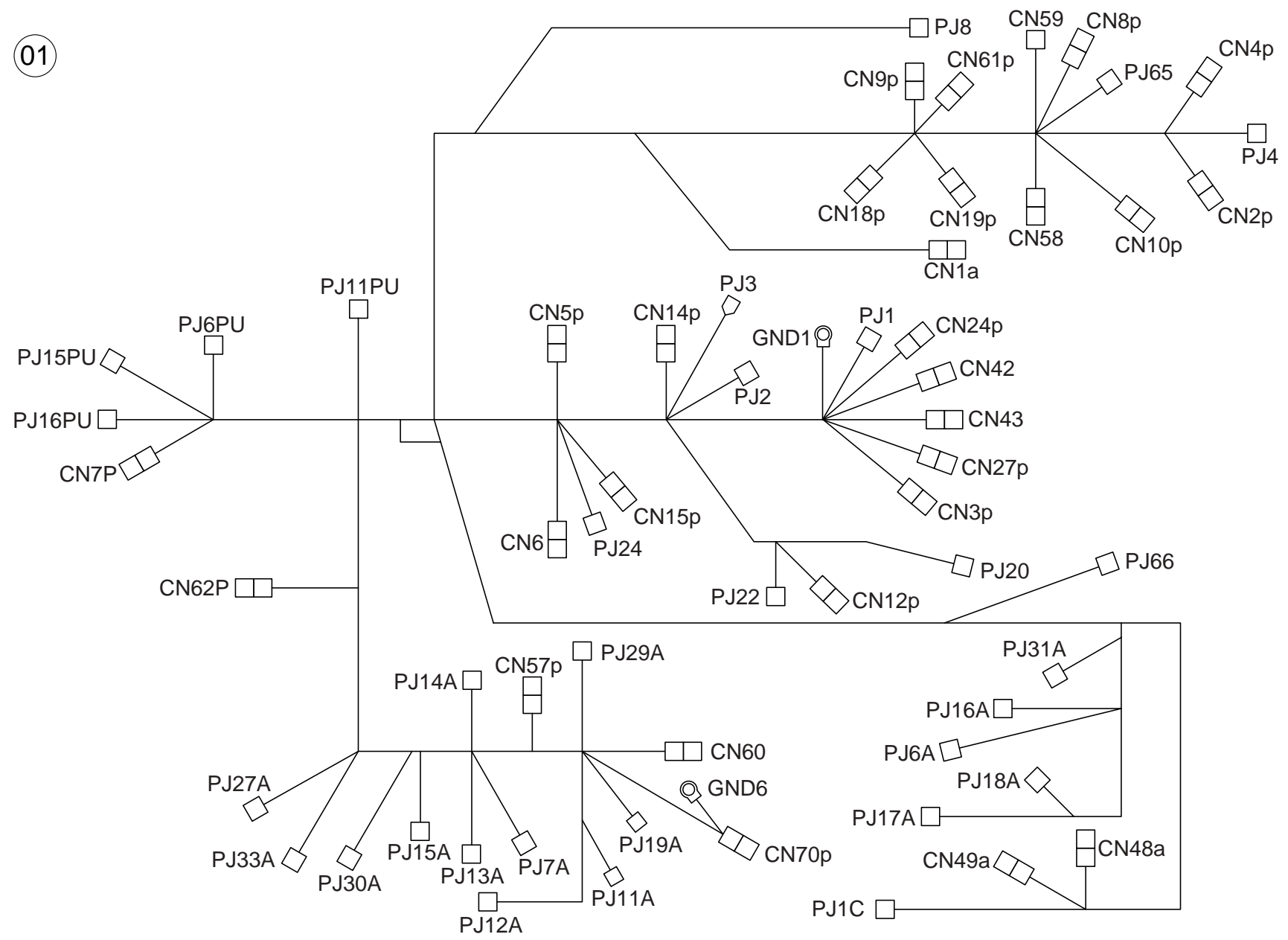
INDEX	PART NO.	PART NAME	REC	QTY	SFIX



INDEX	PART NO.	PART NAME	REC	QTY	INDEX	PART NO.	PART NAME	REC	QTY
02	1156-7501-01	HOLDER		1					
03	4030-1034-02	COVER		1					
05	4036-1408-01	CAP		2					
06	4030-1041-01	CAP		2					
07	9384-2200-31	CN COVER		1					

INDEX	PART NO.	PART NAME	REC	QTY	SFIX
01	9381-4101-22	POWER CORD		1	011
01	9381-4101-31	POWER CORD		1	311, 312, 313
01	9381-4300-41 NS	POWER CORD		1	212, 213, 215
04	9384-1700-24	P-CLIP		1	011, 311, 312, 313, 314, 315
08	4030-7310-01	LABEL METRIC		1	011, 211, 212, 213, 215, 312, 313, 314, 315
08	4030-7312-01	LABEL INCH		1	311

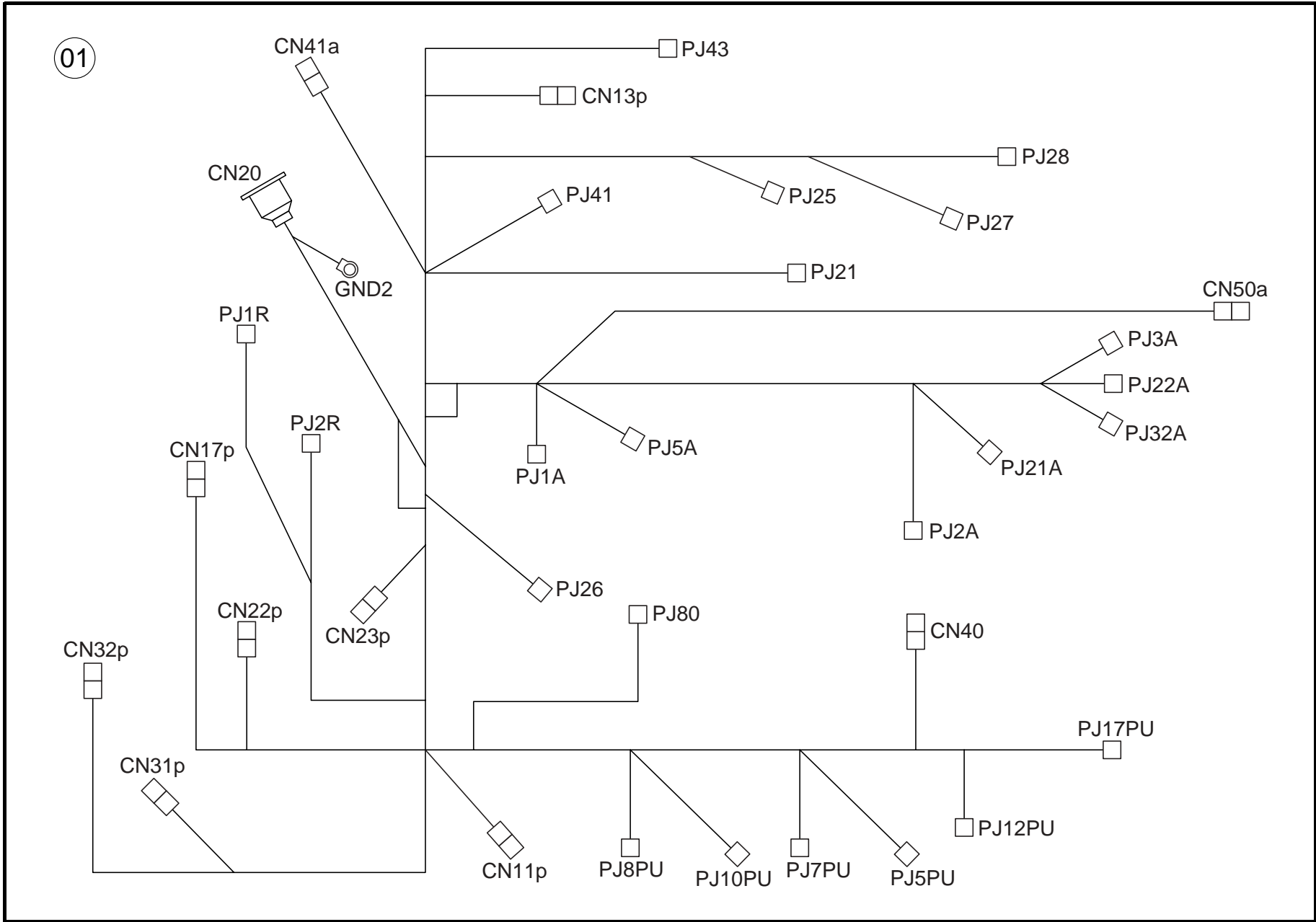
01





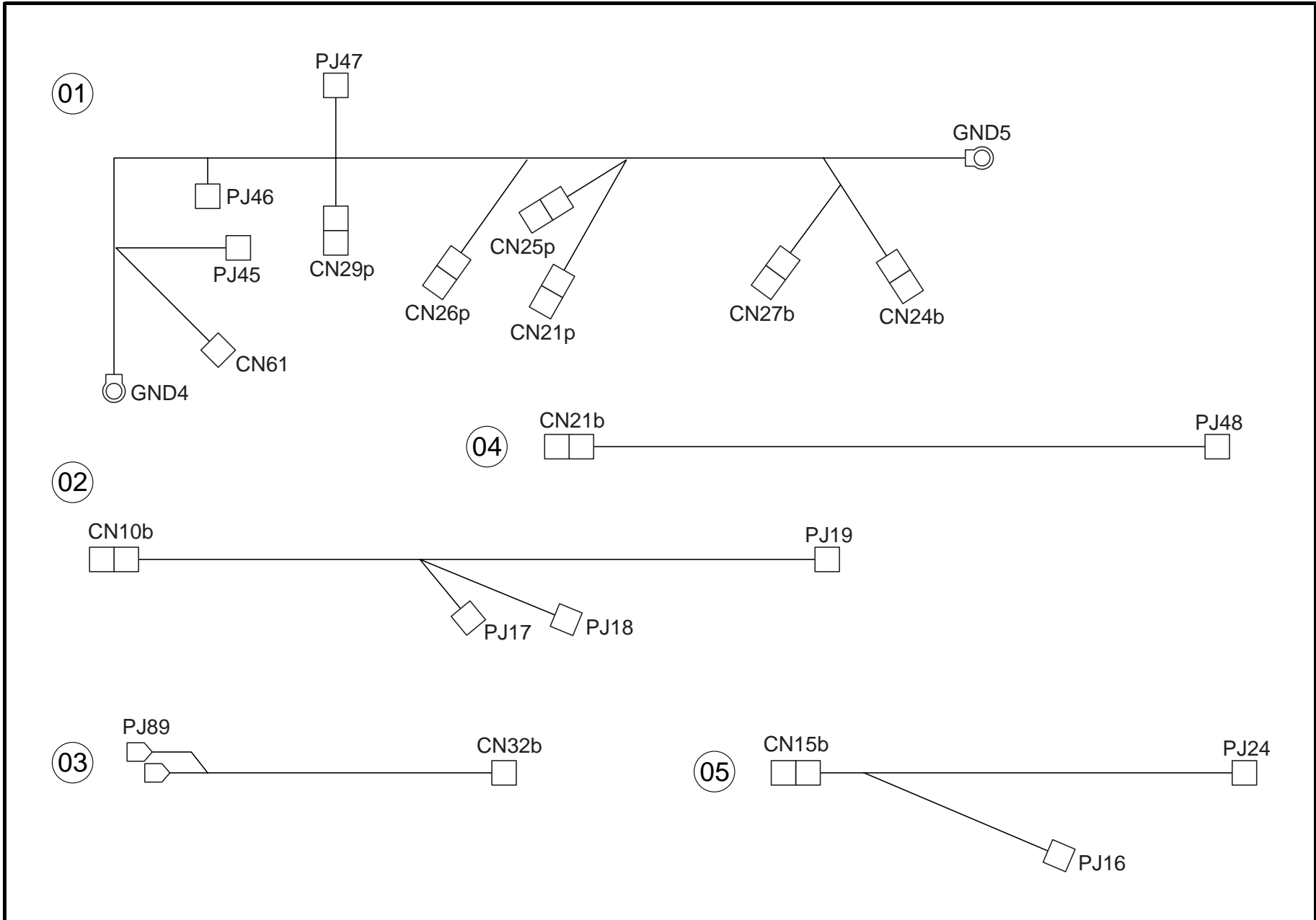
INDEX	PART NO.	PART NAME	REC	QTY	INDEX	PART NO.	PART NAME	REC	QTY
01	4036-6801-03 NS	WIRE HARNESS ASSY		1					

INDEX	PART NO.	PART NAME	REC	QTY	SFIX



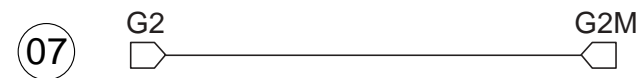
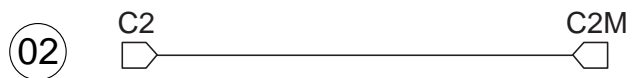
INDEX	PART NO.	PART NAME	REC	QTY	INDEX	PART NO.	PART NAME	REC	QTY
01	4036-6802-02 NS	WIRE HARNESS ASSY		1					

INDEX	PART NO.	PART NAME	REC	QTY	SFIX



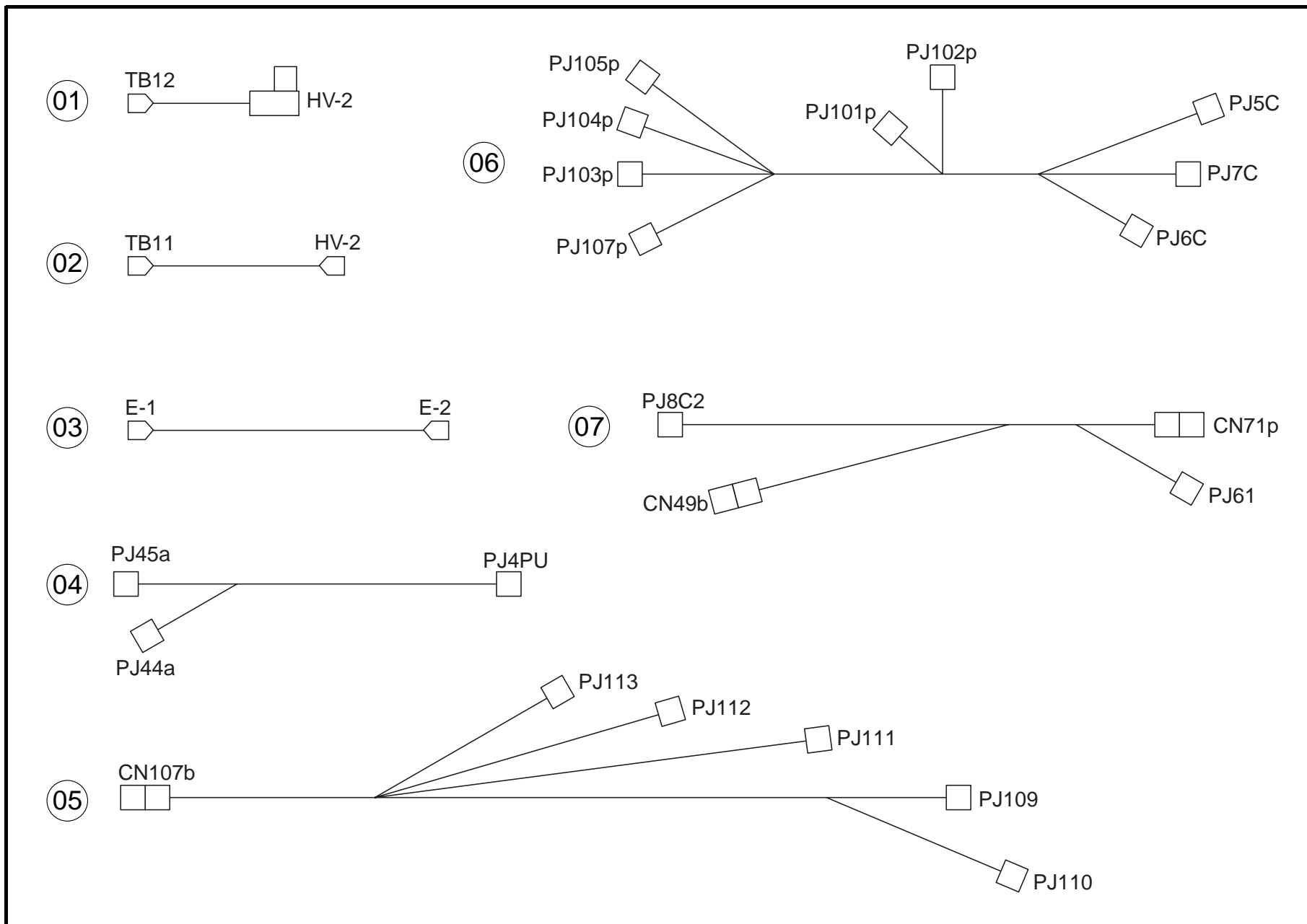
INDEX	PART NO.	PART NAME	REC	QTY	INDEX	PART NO.	PART NAME	REC	QTY
01	4036-6805-03 NS	WIRE HARNESS ASSY		1					
02	4036-6807-01 NS	WIRE HARNESS ASSY		1					
03	4025-6814-01 NS	WIRE HARNESS ASSY		1					
04	4036-6809-02 NS	WIRE HARNESS ASSY		1					
05	4036-6810-02 NS	WIRE HARNESS ASSY		2					

INDEX	PART NO.	PART NAME	REC	QTY	SFIX



INDEX	PART NO.	PART NAME	REC	QTY	INDEX	PART NO.	PART NAME	REC	QTY
01	4036-6811-01	NS WIRE HARNESS ASSY		1					
02	4036-6812-01	NS WIRE HARNESS ASSY		1					
03	4036-6813-01	NS WIRE HARNESS ASSY		1					
04	4036-6814-01	NS WIRE HARNESS ASSY		1					
05	4036-6819-01	NS WIRE HARNESS ASSY		1					
06	4036-6815-02	NS WIRE HARNESS ASSY		2					
07	4036-6816-02	NS WIRE HARNESS ASSY		1					
08	4036-6818-01	NS WIRE HARNESS ASSY		1					
09	4036-6820-01	NS WIRE HARNESS ASSY		1					
10	4025-6805-01	NS WIRE HARNESS ASSY		2					

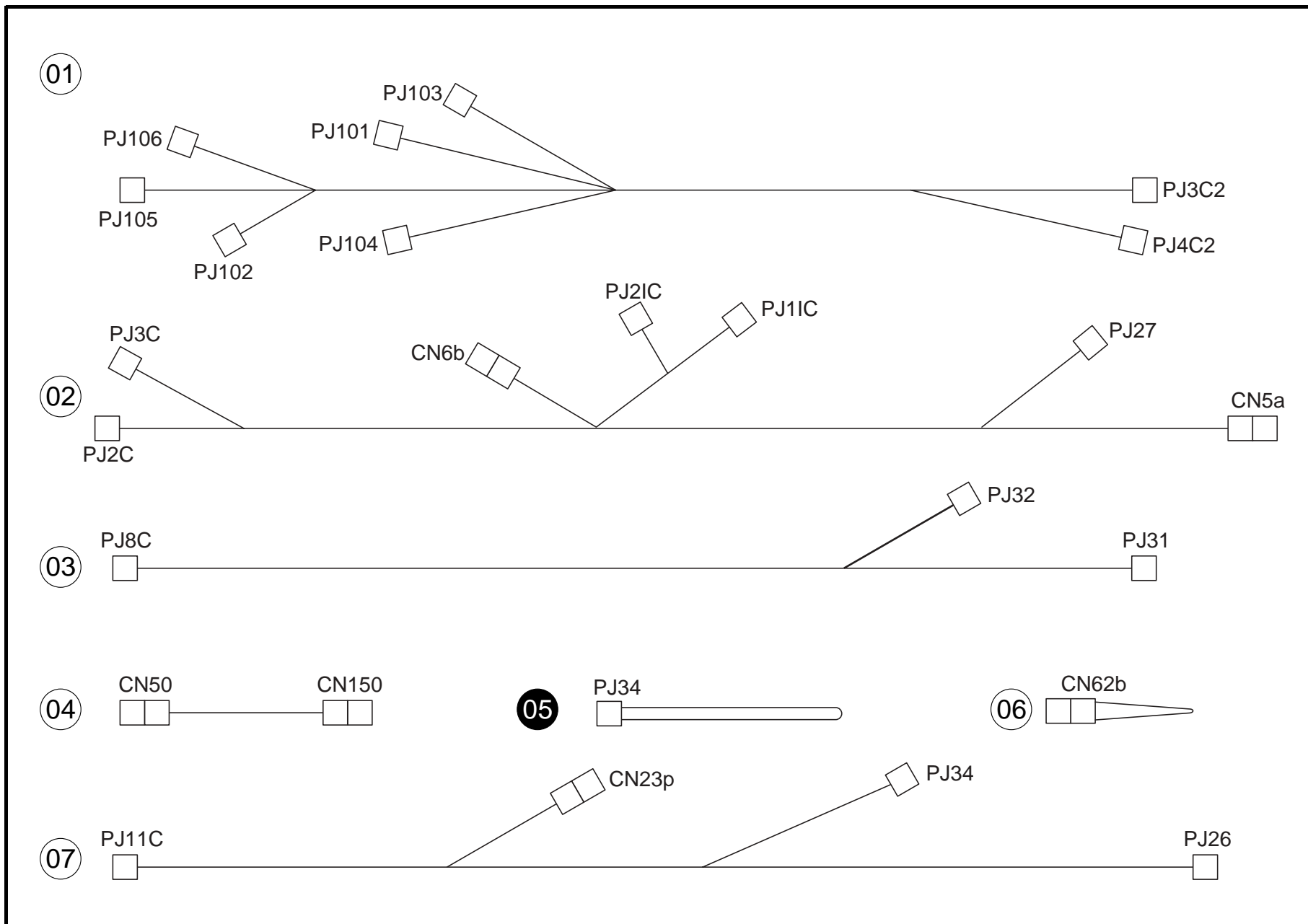
INDEX	PART NO.	PART NAME	REC	QTY	SFIX



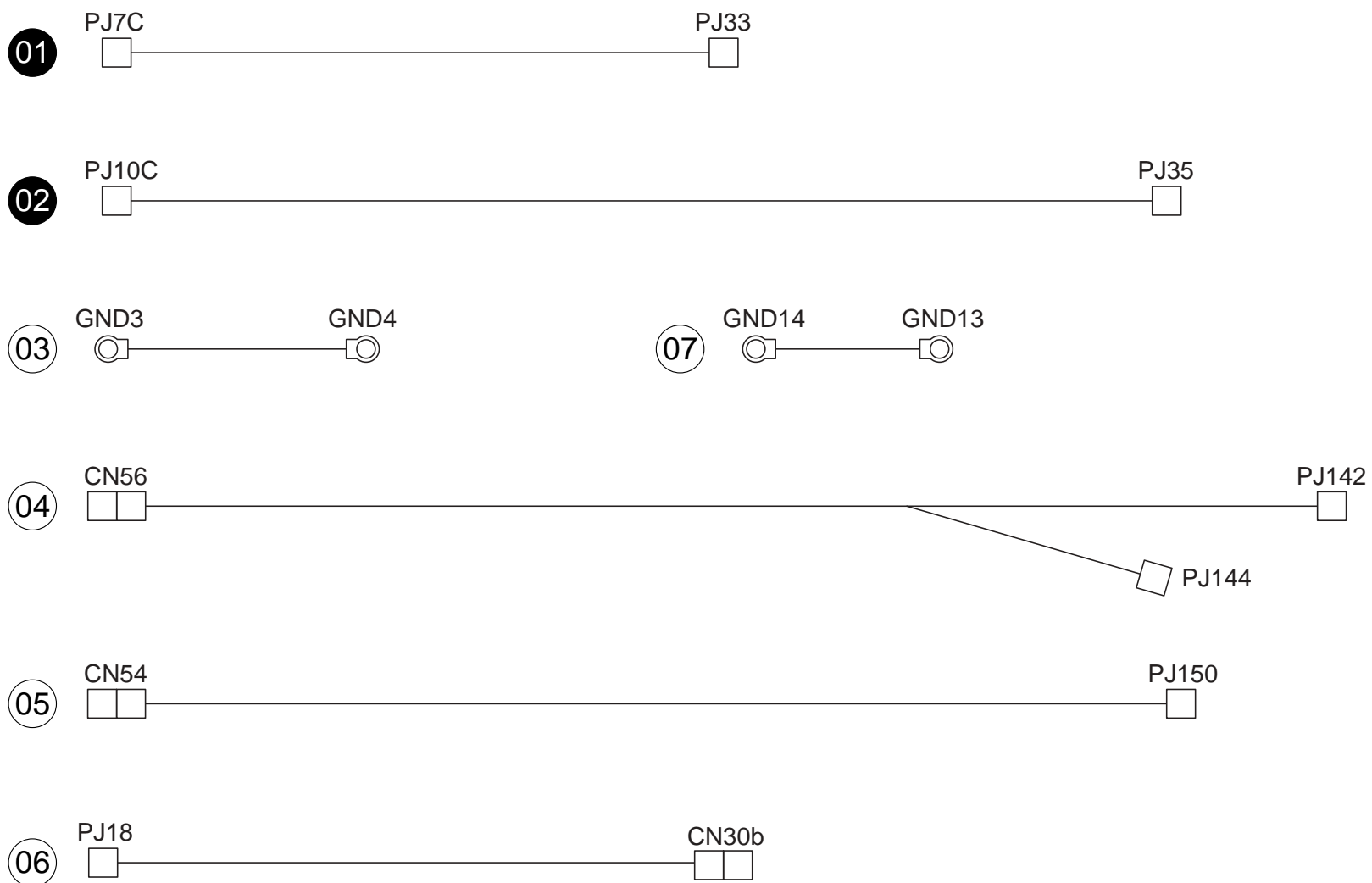


INDEX	PART NO.	PART NAME	REC	QTY	INDEX	PART NO.	PART NAME	REC	QTY
01	4036-6821-01	NS WIRE HARNESS ASSY		4					
02	4036-6822-01	NS WIRE HARNESS ASSY		1					
03	4036-6828-01	NS WIRE HARNESS ASSY		1					
04	4036-6827-02	NS WIRE HARNESS ASSY		1					
05	4036-6824-02	NS WIRE HARNESS ASSY		1					
06	4036-6825-02	NS WIRE HARNESS ASSY		1					
07	4036-6826-01	NS WIRE HARNESS ASSY		1					

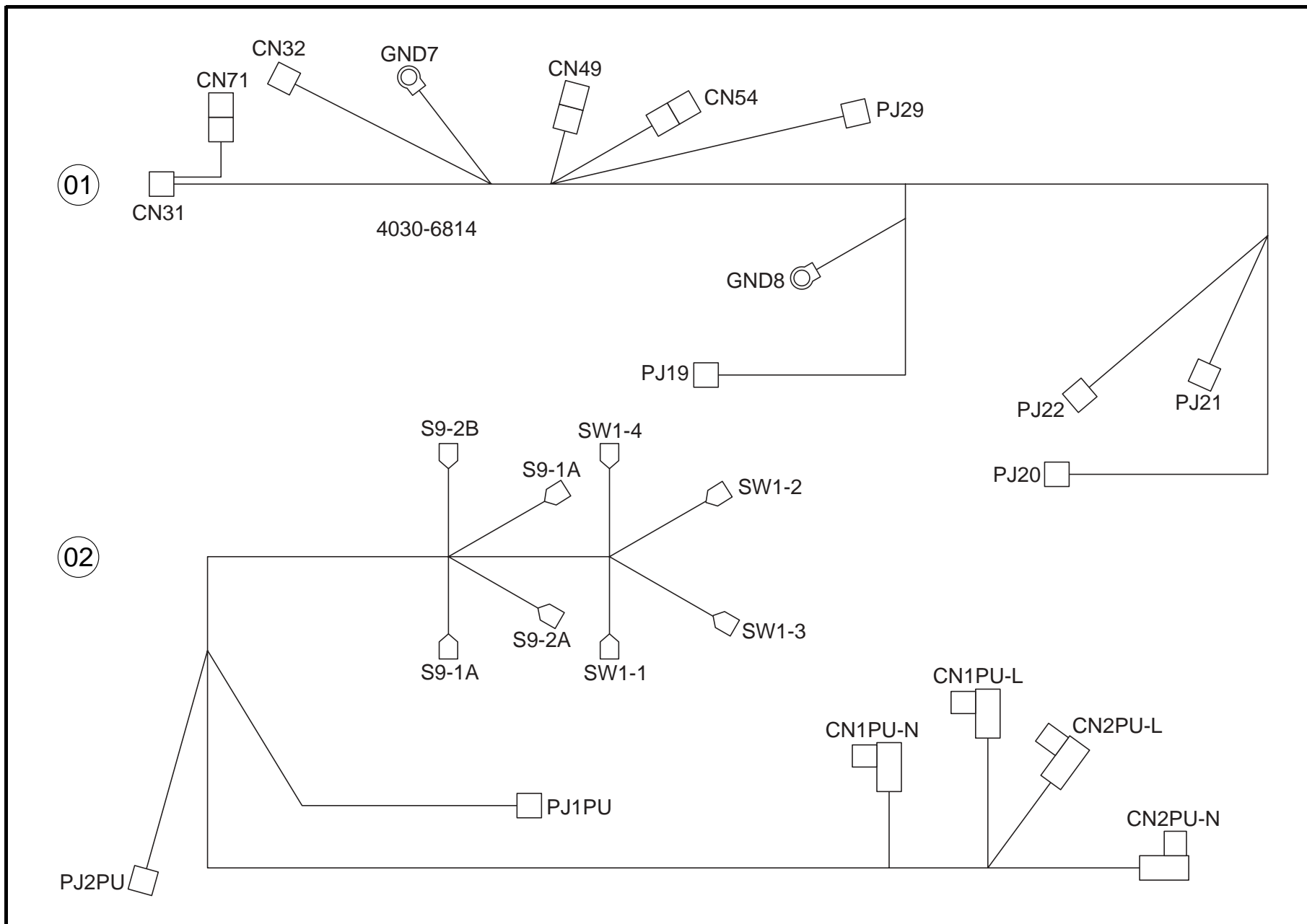
INDEX	PART NO.	PART NAME	REC	QTY	SFIX



INDEX	PART NO.	PART NAME	REC	QTY	INDEX	PART NO.	PART NAME	REC	QTY
01	4036-6829-01	NS WIRE HARNESS ASSY		1					
02	4036-6852-02	WIRE HARNESS ASSY		1					
03	4036-6854-01	WIRE HARNESS ASSY		1					
04	4036-6830-01	NS WIRE HARNESS ASSY		1					
06	4036-6832-01	NS WIRE HARNESS ASSY		1					
07	4036-6853-01	WIRE HARNESS ASSY		1					
INDEX	PART NO.	PART NAME	REC	QTY	SFIX				
05	4036-6831-01	NS WIRE HARNESS ASSY		1	011, 212, 213, 215, 311, 312, 313, 314, 315				

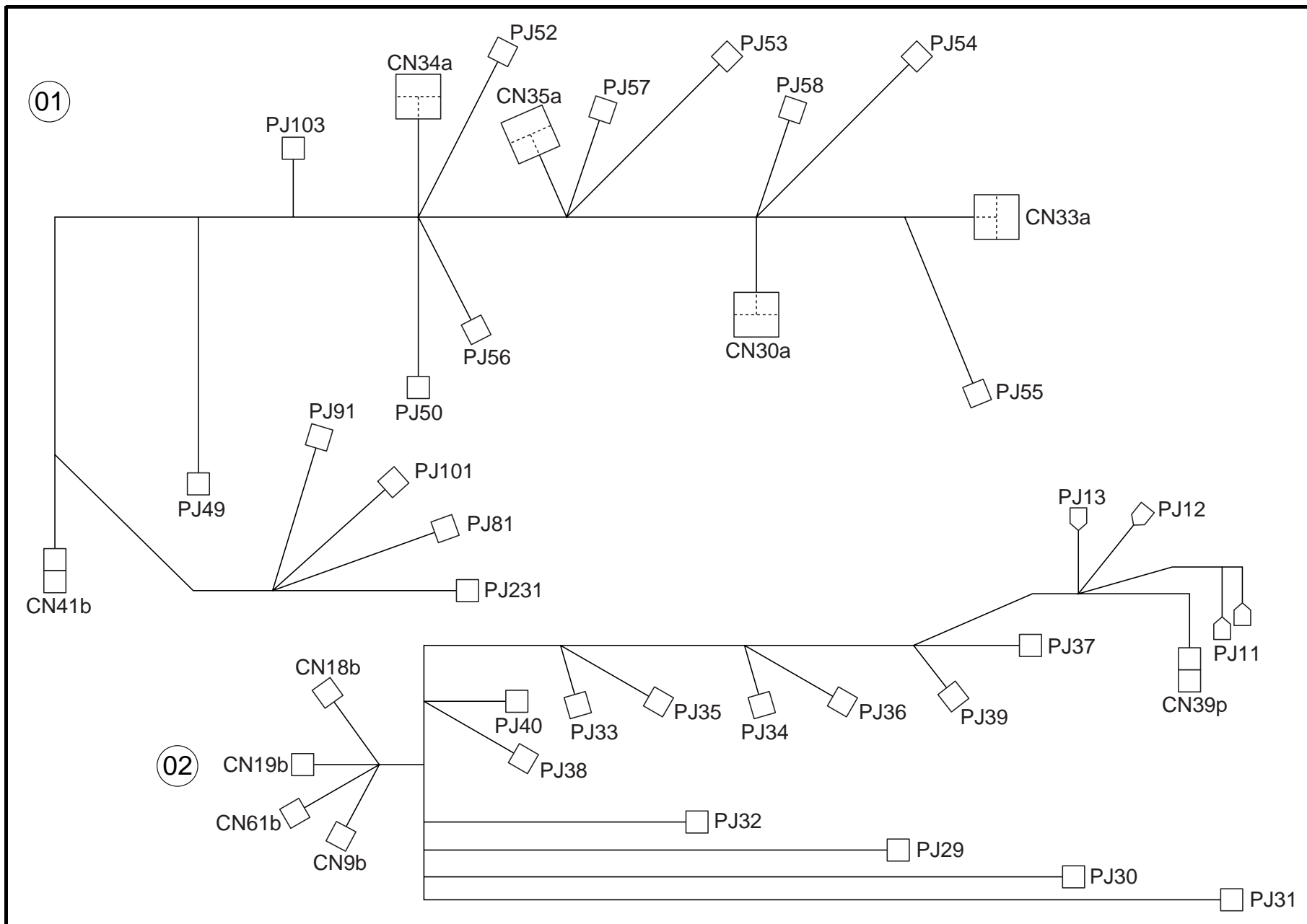


INDEX	PART NO.	PART NAME	REC	QTY	INDEX	PART NO.	PART NAME	REC	QTY
03	4036-6862-01	NS WIRE HARNESS ASSY		1					
04	4004-6831-01	NS WIRE HARNESS ASSY		1					
05	4004-6832-01	NS WIRE HARNESS ASSY		1					
06	4030-6818-01	NS WIRE HARNESS ASSY		1					
07	4004-6854-01	NS WIRE HARNESS ASSY		10					
INDEX	PART NO.	PART NAME	REC	QTY	SFIX				
01	4036-6855-01	WIRE HARNESS ASSY FD3 FOR PC205		1	212, 213, 215, 314, 315				
02	4036-6856-02	WIRE HARNESS ASSY CD2 FOR PC207		1	212, 213, 215, 314, 315				



INDEX	PART NO.	PART NAME	REC	QTY	INDEX	PART NO.	PART NAME	REC	QTY
01	4030-6814-03 NS	WIRE HARNESS ASSY		1					
02	4036-6803-02 NS	WIRE HARNESS ASSY		1					

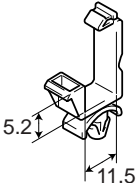
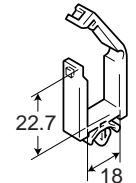
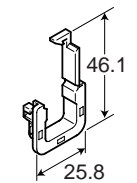
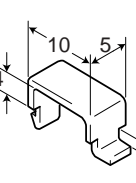
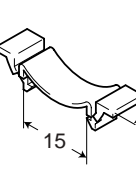
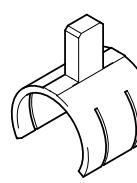
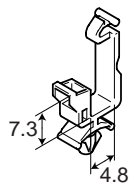
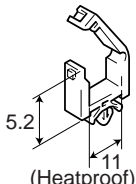
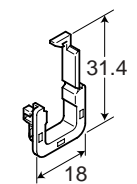
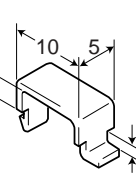
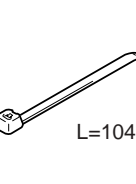
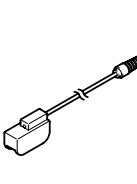
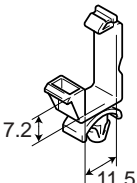
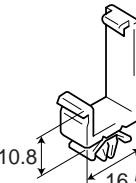
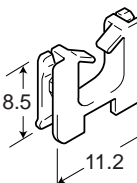
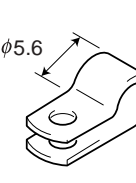
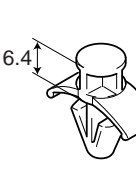
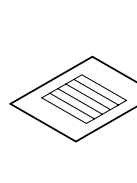
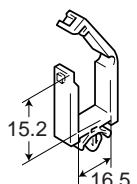
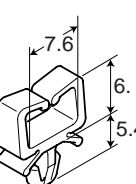
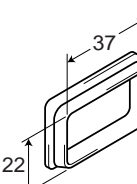

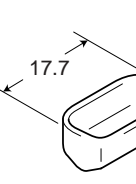
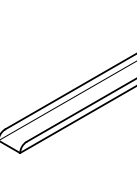
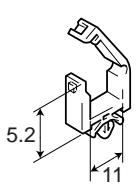
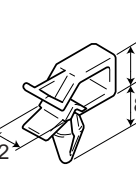
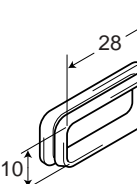
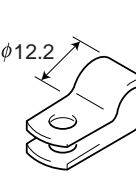
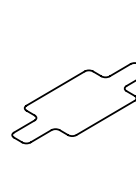
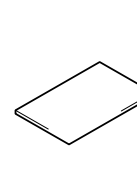
INDEX	PART NO.	PART NAME	REC	QTY	SFIX






















INDEX	PART NO.	PART NAME	REC	QTY	INDEX	PART NO.	PART NAME	REC	QTY
01	4036-6804-01 NS	WIRE HARNESS ASSY		1					
02	4036-6806-02 NS	WIRE HARNESS ASSY		1					

INDEX	PART NO.	PART NAME	REC	QTY	SFIX

<p>01</p> 	<p>06</p> 	<p>11</p> 	<p>16</p> 	<p>21</p> 	<p>26</p> 		
<p>02</p> 	<p>07</p> 	<p>12</p> 	<p>17</p> 	<p>22</p> 	<p>27</p> 		
<p>03</p> 	<p>08</p> 	<p>13</p> 	<p>18</p> 	<p>23</p> 	<p>28</p> 		
<p>04</p> 	<p>09</p> 	<p>14</p> 	<p>19</p> 	<p>24</p> 	<p>29</p> 		
<p>05</p> 	<p>10</p> 	<p>15</p> 	<p>20</p> 	<p>25</p> 	<p>30-31</p> 		

INDEX	PART NO.	PART NAME	REC	QTY	INDEX	PART NO.	PART NAME	REC	QTY	
01	9384-1000-51	WIRING SADDLE		6	19	9384-1811-01	CORD CLAMP		1	
02	9384-1100-91	WIRING SADDLE		64	20	9384-1300-51	CORD CLAMP		1	
03	9384-1921-11	WIRING SADDLE 9.2H		8	21	9384-1100-21	WIRWG SADDLE 16H		3	
04	9384-1211-01	WIRING SADDLE 19.2H		26	22	9384-1311-11	CABLE TIE 104L		10	
05	9384-1310-11	WIRING SADDLE 5.2H		33	23	9384-1621-21	PWB SUPPORT 6.4H		1	
06	9384-1110-61	WIRING SADDLE 21.5H		4	24	9384-2200-31	CN COVER		1	
07	9384-1300-71	WIRING SADDLE		1	25	4581-1316-01	SEAL		8	
08	9384-1311-01	WIRING SADDLE 27H		11	26	4581-7901-02	JIG	WIRE CRIP	RP	2
09	9384-1310-81	WIRING SADDLE 6.4H		10	27	4004-7502-01	CLANING MATERIAL	JIG LED CLEANING	RP	1
10	9384-1820-31	WIRING SADDLE 8.0H		1	28	4004-7503-12	CLEANING PAD	JIG LED CLEANING	RP	1
11	9384-2910-21	EDGE COVER		6	29	4025-7901-01	JIG	LPH SETTING	RP	1
12	9384-2910-31	EDGE COVER		12						
13	9384-2010-21	EDGE COVER 8.5H		29						
14	1052-4301-01	GROMMET		1						
15	1050-4805-01	INSULATING MEMBER		1						
16	1065-5872-02	CORD CLAMP		8						
17	1053-4812-01	CORD CLAMP		7						
18	9384-1300-61	CORD CLAMP		1						

INDEX	PART NO.	PART NAME	REC	QTY	SFIX
30	4036-0751-01	JIG MEMORY CARD	RP	1	011
31	4036-0752-01	JIG MEMORY CARD	RP	1	211, 212, 213, 215, 311, 312, 313, 314, 315

INDEX	PART NO.	PART NAME	ILLUST	INDEX	PART NO.	PART NAME	ILLUST	INDEX	PART NO.	PART NAME	ILLUST		
0221	9754-3025-08	SPRING ROLL PIN		3724	9739-0412-14	TAPPING SCREW							
0222	9754-3022-08				3726			9739-0408-14					
0250	9754-2016-08				3727			9739-0308-14					
0501	9752-3016-50	PIN		3729	9739-0410-14								
0502	9752-3012-50				3730			9739-0306-14					
0508	9752-2010-50				3731			9739-0314-14					
0526	9752-2016-50				3733			9739-0310-14					
1287	9644-2605-14	SCREW		4020	9743-0408-14	TAPPING SCREW							
1288	9644-0306-14				4021			9743-0308-14					
				4025	9743-0306-14								
1399	9646-0408-14	SCREW		4310	9770-0308-14	TAPPING SCREW							
2706	9654-0408-14	SCREW		6120	9660-0600-14	NUT							
2713	9654-0306-14					7101	9684-0303-08	SET SCREW					
2719	9654-0308-14					7102	9684-0304-08						
				7107	9684-0406-08								
2902	9646-0306-14	SCREW		8501	9716-0300-01	WASHER							
2907	9646-0316-14							RETAINING RING					
2912	9646-0308-14					9105	9721-0300-01						
2913	9646-0310-14					9107	9721-0400-01						
2915	9646-0320-14					9112	9721-0600-01						
2916	9646-0330-14							RETAINING RING					
2917	9646-0440-14					9301	1066-1151-01						
3211	9657-0314-07	TAPPING SCREW		9302	4425-3001-01	RETAINING RING							
				9303	4425-3002-01								
3538	9735-0408-14	TAPPING SCREW											
3541	9735-0308-14												
3543	9735-0310-14												
3544	9735-0306-14												
3547	4154-3804-01												
3550	9735-0312-14												

PART NO.	FIG.	INDEX	QTY	PART NO.	FIG.	INDEX	QTY	PART NO.	FIG.	INDEX	QTY	PART NO.	FIG.	INDEX	QTY
0990-6304-02	11	01	1	1200-3131-08	17	05	6	4004-2025-01	08	03	1	4004-3538-01	33	08	1
0992-3014-01	50	22	1	1200-3131-08	20	17	1	4004-2025-01	11	04	1	4004-3547-01	40	25	1
0996-3055-01	08	07	2	1200-3221-04	39	06	1	4004-2026-01	08	04	1	4004-3549-03	42	07	1
0996-3055-01	27	16	2	1200-5211-05	08	01	1	4004-2026-01	11	06	1	4004-3581-01	40	13	1
1050-4805-01	61	15	1	1200-5211-05	11	02	1	4004-2141-01	15	18	1	4004-3582-01	40	07	1
1052-4301-01	61	14	1	1200-5211-08	29	10	1	4004-2142-01	15	17	1	4004-4527-02	34	10	1
1053-4812-01	61	17	7	1274-2611-01	23	13	3	4004-2143-01	30	24	1	4004-4532-01	16	13	1
1065-3086-01	24	22	1	1274-2611-01	39	21	2	4004-2144-01	35	01	1	4004-4533-01	16	12	1
1065-5872-02	61	16	8	1274-2611-01	44	04	2	4004-2148-01	15	20	1	4004-4544-02	32	16	1
1067-2501-01	24	18	2	1274-3603-01	50	05	1	4004-2155-01	35	10	1	4004-4546-02	32	05	2
1067-2502-01	23	15	2	1300-3322-17	23	26	1	4004-2209-05	16	23	1	4004-4553-01	32	17	2
1075-0130-02	21	23	1	1300-4342-07	17	08	2	4004-2222-01	35	24	1	4004-4555-02	32	04	1
1079-2219-01	35	15	8	1300-4342-07	19	14	1	4004-2227-03	35	26	1	4004-4710-02	41	19	2
1129-7303-01	05	17	1	1500-2640-04	14	24	1	4004-2230-03	15	16	1	4004-4711-02	41	01	1
1129-7303-01	17	07	1	1500-2660-13	48	08	2	4004-2234-01	35	13	2	4004-4722-02	41	03	2
1129-7303-01	30	05	1	4002-0902-01	04	14	2	4004-2239-03	10	12	1	4004-4723-01	41	05	2
1129-7303-01	32	01	2	4002-0902-01	14	08	4	4004-2248-02	20	02	1	4004-4724-02	41	11	1
1129-7303-01	37	07	7	4002-0902-01	17	02	2	4004-2249-06	46	15	1	4004-5282-01	37	08	6
1134-3042-01	21	08	4	4002-0902-01	18	03	2	4004-2253-02	16	22	1	4004-5283-01	37	05	11
1139-1612-01	05	19	2	4002-0902-01	20	16	1	4004-2254-01	10	14	2	4004-5287-01	37	09	3
1139-1703-02	04	23	3	4002-0902-01	29	21	1	4004-2255-02	10	10	1	4004-5337-01	14	19	4
1139-1704-14	04	26	1	4002-1422-02	05	05	2	4004-2257-01	09	10	1	4004-5338-01	14	18	4
1139-1705-01	04	27	2	4002-1423-01	05	04	4	4004-2258-01	09	15	1	4004-5339-01	14	13	8
1139-1706-01	04	25	1	4002-1456-01	05	12	2	4004-2317-01	33	02	4	4004-5339-01	39	03	1
1144-3097-01	48	17	1	4002-1458-01	04	18	1	4004-2317-01	35	07	1	4004-5353-02	14	07	4
1144-5336-02	14	17	8	4002-1480-01	05	21	3	4004-2317-01	37	02	8	4004-5354-01	14	04	4
1154-4670-01	17	43	1	4002-1591-01	07	10	4	4004-2401-01	37	06	4	4004-5356-01	14	06	8
1154-4670-01	46	13	2	4002-2581-01	27	07	17	4004-2503-01	17	27	1	4004-5601-02	32	09	1
1154-5158-01	34	12	1	4002-2581-01	28	20	2	4004-2503-01	18	11	3	4004-5604-01	32	14	4
1155-0117-01	11	15	1	4002-3108-01	50	01	1	4004-2509-01	17	24	1	4004-5605-01	32	13	4
1156-1371-01	04	04	1	4002-3110-01	28	02	1	4004-2509-01	18	14	3	4004-5607-02	32	12	1
1156-7501-01	51	02	1	4002-3131-01	28	01	1	4004-2540-01	17	09	1	4004-5609-01	32	22	1
1164-0108-02	30	10	1	4002-7306-01	50	27	1	4004-2545-01	17	15	2	4004-5610-01	32	21	1
1164-2046-01	29	05	1	4004-0105-05	37	13	3	4004-2546-01	17	18	1	4004-5611-01	32	24	1
1164-2047-03	29	03	1	4004-0207-01	16	09	1	4004-2547-01	17	11	1	4004-5613-01	32	23	1
1164-2080-01	30	11	1	4004-0755-01	30	18	1	4004-2569-01	20	14	1	4004-5903-01	39	24	4
1164-3003-01	48	05	2	4004-0902-01	42	06	2	4004-2570-02	20	15	1	4004-5905-02	44	21	2
1164-3004-03	48	03	1	4004-0903-01	16	10	1	4004-2571-12	20	21	1	4004-5909-02	44	18	8
1164-3005-02	48	04	1	4004-0903-01	35	28	1	4004-2582-01	16	16	1	4004-5911-02	44	22	2
1164-3009-01	47	11	1	4004-0904-01	30	08	2	4004-2582-01	20	10	1	4004-5918-02	39	19	1
1164-3020-03	30	04	1	4004-1012-02	10	08	1	4004-3001-02	48	21	1	4004-5928-12	44	01	1
1164-3022-02	30	01	1	4004-1014-01	10	05	1	4004-3003-02	48	13	1	4004-5933-01	39	16	2
1164-3027-01	30	19	1	4004-1017-01	14	25	1	4004-3004-01	48	15	1	4004-5935-01	39	31	1
1164-3045-01	47	29	1	4004-1030-01	14	29	1	4004-3005-01	48	19	1	4004-5948-01	39	04	1
1164-3047-02	47	08	2	4004-1031-03	01	13	1	4004-3006-03	48	18	1	4004-5950-01	44	16	8
1164-3053-12	30	22	1	4004-1041-01	14	27	1	4004-3008-01	47	20	1	4004-5974-02	44	23	8
1164-3054-01	30	09	1	4004-1066-03	10	07	1	4004-3011-01	30	06	1	4004-5975-01	39	13	1
1164-3057-01	30	21	1	4004-1067-02	10	18	1	4004-3012-01	30	07	1	4004-5979-01	38	08	1
1164-3061-01	47	14	1	4004-1069-02	09	11	1	4004-3023-01	47	30	1	4004-5987-01	44	15	1
1164-3062-01	47	15	1	4004-1071-01	12	29	1	4004-3024-01	47	13	1	4004-5992-02	39	17	1
1164-3064-01	47	05	1	4004-1072-01	10	17	1	4004-3026-03	47	25	1	4004-6831-01	58	04	1
1164-3065-01	48	20	2	4004-1712-01	36	24	4	4004-3027-03	47	36	1	4004-6832-01	58	05	1
1164-3066-01	48	09	1	4004-1719-01	36	25	8	4004-3029-01	30	23	1	4004-6854-01	58	07	10
1164-3504-03	42	18	1	4004-1805-01	12	27	4	4004-3030-01	47	35	1	4004-7324-01	47	04	1
1164-3508-01	43	12	1	4004-1805-01	36	01	8	4004-3031-01	47	32	1	4004-7502-01	61	27	1
1164-3509-01	43	04	4	4004-1807-01	36	03	8	4004-3032-01	47	28	2	4004-7503-12	61	28	1
1164-3527-02	42	17	1	4004-1819-02	36	15	4	4004-3033-01	47	18	1	4005-0201-01	05	16	4
1171-1125-02	04	22	1	4004-1822-01	12	14	4	4004-3038-01	47	19	1	4005-0203-01	05	02	1
1171-1126-01	04	21	1	4004-1823-01	12	20	1	4004-3040-02	47	09	1	4005-1464-01	05	01	8
1171-1321-01	02	11	4	4004-1826-03	12	26	4	4004-3042-01	47	26	1	4011-0111-01	28	16	1
1200-1462-01	48	07	2	4004-1829-02	12	25	4	4004-3051-02	47	34	1	4011-0111-01	30	02	1
1200-1462-03	48	23	3	4004-1831-01	12	18	1	4004-3052-01	30	03	1	4011-3010-02	47	10	1
1200-1646-03	39	29	1	4004-1832-01	12	19	1	4004-3073-02	12	12	1	4011-3011-01	47	07	1
1200-2105-05	08	02	1	4004-1833-03	12	16	4	4004-3503-02	43	09	2	4011-3012-01	28	17	1
1200-2105-05	11	03	1	4004-1834-02	12	15	4	4004-3504-02	43	10	1	4011-3020-01	50	04	1
1200-2105-06	48	16	1	4004-1835-02	12	17	1	4004-3512-02	29	24	1	4011-3021-01	50	03	2
1200-2105-07	29	12	1	4004-1836-02	12	23	1	4004-3516-02	29	01	1	4021-3012-01	48	10	1
1200-3120-03	19	04	2	4004-1838-02	12	22	4	4004-3521-02	40	06	1	4021-3036-01	47	27	1
1200-3120-03	20	05	1	4004-1842-01	12	24	4	4004-3524-04	42	05	1	4025-0221-01	43	21	1
1200-3120-03	20	05	1	4004-2021-03	11	05	1	4004-3525-01	33	09	1	4025-0225-01	42	14	1

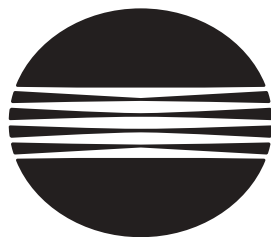
PART NO.	FIG.	INDEX	QTY	PART NO.	FIG.	INDEX	QTY	PART NO.	FIG.	INDEX	QTY	PART NO.	FIG.	INDEX	QTY
4025-0490-01	42	10	1	4025-3678-02	41	18	1	4030-3025-02	26	16	1	4030-3434-01	23	22	1
4025-0495-01	20	06	1	4025-3679-01	41	13	1	4030-3030-01	24	21	1	4030-3435-01	21	20	1
4025-0901-01	42	24	1	4025-3680-01	41	14	1	4030-3034-01	24	11	2	4030-3436-01	21	30	1
4025-1011-01	01	04	1	4025-4709-02	41	08	1	4030-3036-01	24	15	2	4030-3437-01	21	19	1
4025-1012-01	10	06	1	4025-4714-01	41	07	1	4030-3037-01	26	13	1	4030-3438-01	22	06	1
4025-1018-01	01	14	4	4025-4717-02	41	02	2	4030-3039-01	26	08	1	4030-3443-02	22	31	1
4025-1019-01	10	04	1	4025-4719-02	41	22	1	4030-3046-03	28	15	1	4030-3444-01	23	17	1
4025-1702-03	36	22	4	4025-4720-01	41	06	1	4030-3047-02	28	03	1	4030-3445-01	23	18	1
4025-1703-01	36	14	4	4025-4721-01	42	20	1	4030-3048-02	28	13	1	4030-3446-01	21	11	4
4025-1716-01	36	12	4	4025-4725-01	41	12	1	4030-3049-01	28	14	1	4030-3447-01	22	05	1
4025-1720-02	36	06	8	4025-4900-01	42	11	1	4030-3077-01	26	04	1	4030-3448-01	22	17	1
4025-1812-01	35	04	4	4025-4906-01	42	16	1	4030-3078-01	26	01	1	4030-3455-02	21	22	1
4025-1813-02	36	13	4	4025-4907-01	42	12	1	4030-3079-01	26	02	1	4030-3456-01	22	07	1
4025-1840-01	35	18	1	4025-4908-01	42	13	1	4030-3081-01	28	11	2	4030-3457-03	22	15	2
4025-1841-01	35	25	1	4025-4909-01	41	10	1	4030-3083-01	28	12	1	4030-3459-02	21	15	1
4025-2147-01	35	02	1	4025-4910-01	42	15	1	4030-3091-01	28	22	1	4030-3460-02	21	24	1
4025-2150-01	35	03	1	4025-5290-01	35	11	1	4030-3108-01	46	10	1	4030-3461-01	21	12	1
4025-2151-01	36	20	4	4025-5294-01	35	12	1	4030-3115-01	25	11	1	4030-3464-01	23	16	1
4025-2152-01	36	23	4	4025-5307-01	14	21	4	4030-3116-01	25	20	1	4030-3465-01	23	19	1
4025-2171-01	36	19	4	4025-5331-01	14	15	4	4030-3122-01	25	17	4	4030-3466-02	21	06	1
4025-2172-02	36	16	4	4025-5332-01	14	14	4	4030-3125-01	26	11	2	4030-3467-01	23	28	1
4025-2175-01	36	07	8	4025-5333-01	14	20	4	4030-3129-03	26	12	1	4030-3472-01	21	01	1
4025-2221-01	35	23	1	4025-5335-01	14	16	8	4030-3201-03	50	26	1	4030-3473-02	21	21	1
4025-2228-01	35	29	1	4025-5351-01	14	12	2	4030-3202-02	49	11	1	4030-3474-01	22	24	1
4025-2250-01	35	31	1	4025-5352-01	14	05	4	4030-3203-01	49	12	1	4030-3475-01	22	23	1
4025-2272-01	35	22	1	4025-5362-01	14	03	4	4030-3205-01	50	06	1	4030-3476-01	22	10	2
4025-2273-01	35	21	1	4025-5363-01	14	01	4	4030-3206-01	50	07	1	4030-3477-01	22	11	2
4025-2274-01	35	30	1	4025-5365-01	14	02	4	4030-3207-01	50	02	1	4030-3478-01	23	02	1
4025-2276-01	11	13	1	4025-5412-01	13	07	4	4030-3208-02	28	09	1	4030-3479-01	23	07	1
4025-2278-01	46	07	1	4025-5417-01	13	19	1	4030-3211-02	50	14	1	4030-3481-01	22	14	2
4025-2285-02	01	19	2	4025-5420-01	13	17	1	4030-3212-01	50	09	1	4030-3484-01	22	12	1
4025-2287-01	46	06	2	4025-5421-01	13	15	1	4030-3213-01	50	08	1	4030-3486-01	21	28	1
4025-2294-01	15	03	6	4025-5422-01	13	13	1	4030-3214-01	50	11	1	4030-3487-01	21	04	1
4025-2422-01	37	12	4	4025-5441-02	14	09	4	4030-3215-01	50	12	1	4030-3489-01	22	29	1
4025-2452-03	15	07	1	4025-5442-02	13	01	4	4030-3216-01	50	25	1	4030-3492-01	22	22	2
4025-2453-04	15	13	1	4025-5614-01	32	20	1	4030-3217-01	50	19	1	4030-3754-01	22	03	1
4025-2458-01	15	10	1	4025-5901-01	39	27	1	4030-3218-01	50	24	1	4030-6814-03	59	01	1
4025-2465-01	15	05	1	4025-5904-01	44	24	1	4030-3221-01	49	05	1	4030-6818-01	58	06	1
4025-2466-01	15	09	1	4025-5915-01	44	14	1	4030-3222-01	49	03	1	4030-7301-02	47	23	1
4025-2468-01	15	14	2	4025-5939-01	39	28	1	4030-3223-02	49	02	1	4030-7301-02	49	09	1
4025-3502-01	43	17	1	4025-5940-01	39	18	1	4030-3224-01	28	10	2	4030-7303-02	49	08	1
4025-3522-02	41	17	1	4025-5962-01	39	30	1	4030-3224-01	49	06	1	4030-7304-02	49	07	1
4025-3523-01	42	21	1	4025-5984-01	39	25	1	4030-3226-01	49	13	1	4030-7305-01	21	16	1
4025-3527-01	43	05	2	4025-6805-01	55	10	2	4030-3227-01	50	21	1	4030-7309-02	21	16	1
4025-3533-02	31	12	1	4025-6814-01	54	03	1	4030-3228-01	50	20	1	4030-7310-01	51	08	1
4025-3534-01	40	09	3	4025-7320-01	42	25	2	4030-3229-02	49	04	1	4030-7312-01	51	08	1
4025-3548-01	42	08	1	4025-7323-01	42	26	1	4030-3401-13	22	20	1	4034-7406-01	01	24	1
4025-3551-01	42	09	1	4025-7510-01	01	26	1	4030-3402-01	22	27	1	4036-0105-02	35	17	1
4025-3556-01	31	06	1	4025-7901-01	61	29	1	4030-3403-01	22	28	1	4036-0113-03	06	05	1
4025-3558-01	31	09	1	4028-7400-01	01	26	1	4030-3404-01	22	21	1	4036-0115-01	04	09	1
4025-3567-01	42	01	1	4030-0151-01	26	03	1	4030-3408-03	21	17	1	4036-0131-03	28	21	1
4025-3568-01	42	02	1	4030-0155-05	49	14	1	4030-3409-14	22	09	1	4036-0132-02	28	21	1
4025-3572-01	43	08	4	4030-0216-03	21	27	1	4030-3410-03	21	13	1	4036-0153-01	19	15	1
4025-3575-01	42	04	1	4030-1034-02	51	03	1	4030-3411-03	21	03	1	4036-0207-01	18	07	1
4025-3577-02	30	13	1	4030-1041-01	03	10	4	4030-3412-01	21	25	1	4036-0208-01	17	20	1
4025-3609-01	43	15	1	4030-1041-01	51	06	2	4030-3414-01	21	10	4	4036-0209-01	19	02	1
4025-3610-01	40	10	1	4030-2080-01	27	26	2	4030-3415-01	21	09	4	4036-0212-01	34	06	1
4025-3612-01	42	23	2	4030-3002-02	24	13	1	4030-3416-01	23	20	1	4036-0213-01	34	08	1
4025-3616-01	40	20	1	4030-3003-01	24	17	1	4030-3417-01	23	14	2	4036-0215-01	30	17	1
4025-3621-01	43	18	1	4030-3005-01	24	10	2	4030-3419-01	23	11	1	4036-0217-01	19	11	1
4025-3622-01	43	19	1	4030-3008-01	24	19	1	4030-3420-02	23	09	1	4036-0218-01	44	03	1
4025-3623-01	43	11	2	4030-3010-01	24	08	1	4030-3422-01	23	08	1	4036-0235-01	27	20	1
4025-3625-01	43	20	1	4030-3011-01	24	24	1	4030-3423-03	21	14	1	4036-0236-01	27	03	1
4025-3626-01	43	02	1	4030-3012-01	24	25	1	4030-3424-01	22	18	1	4036-0238-01	24	27	1
4025-3627-01	43	01	1	4030-3013-01	26	05	1	4030-3425-01	22	13	1	4036-0239-01	25	24	1
4025-3631-02	43	13	1	4030-3014-01	26	06	1	4030-3427-01	22	19	1	4036-0240-01	22	32	1
4025-3642-01	31	01	1	4030-3016-12	24	06	1	4030-3428-01	22	16	2	4036-0315-02	18	21	1
4025-3674-02	31	08	1	4030-3017-02	26	07	1	4030-3429-02	23	10	1	4036-0403-02	47	38	1
4025-3676-01	31	11	1	4030-3020-01	24	20	2	4030-3430-01	22	01	2	4036-0447-01	01	22	1
4025-3677-01	41	16	1	4030-3023-03	24	14	1	4030-3432-04	22	04	1	4036-0466-02	40	26	1

PART NO.	FIG.	INDEX	QTY	PART NO.	FIG.	INDEX	QTY	PART NO.	FIG.	INDEX	QTY	PART NO.	FIG.	INDEX	QTY
4036-0499-01	42	27	1	4036-1451-02	05	13	2	4036-2303-01	33	05	1	4036-2752-01	18	15	3
4036-0558-03	35	33	1	4036-1453-01	05	11	1	4036-2304-01	33	04	1	4036-2753-01	18	19	3
4036-0559-02	35	33	1	4036-1454-01	05	10	1	4036-2305-01	33	06	1	4036-2754-02	17	10	1
4036-0563-01	36	08	1	4036-1500-01	07	07	1	4036-2306-01	33	16	3	4036-2754-02	18	04	3
4036-0564-01	36	09	3	4036-1501-02	07	01	1	4036-2307-01	33	13	3	4036-2757-01	18	20	1
4036-0751-01	61	30	1	4036-1502-01	07	09	1	4036-2308-01	33	14	3	4036-2758-01	18	06	1
4036-0752-01	61	31	1	4036-1503-02	07	06	1	4036-2309-01	33	15	1	4036-2760-01	18	17	2
4036-0901-01	03	07	1	4036-1504-02	07	08	1	4036-2311-01	12	02	2	4036-2761-01	18	16	3
4036-0902-01	05	26	1	4036-1505-02	07	04	4	4036-2311-01	33	03	4	4036-2762-01	17	44	1
4036-0903-01	06	02	1	4036-1506-01	07	03	4	4036-2311-01	34	03	2	4036-2764-01	17	40	1
4036-1001-02	01	15	1	4036-1509-01	07	05	8	4036-2404-01	37	04	4	4036-2766-02	17	23	1
4036-1003-03	01	10	1	4036-1582-01	06	01	1	4036-2405-01	37	01	4	4036-2766-02	18	09	3
4036-1004-02	01	12	1	4036-1611-01	03	08	1	4036-2406-01	37	10	4	4036-2767-01	17	13	1
4036-1005-03	10	20	1	4036-1620-01	03	14	4	4036-2424-01	37	11	4	4036-2767-01	18	05	3
4036-1007-02	01	23	1	4036-1630-01	04	29	1	4036-2425-01	35	05	1	4036-2768-01	17	42	1
4036-1008-02	01	03	1	4036-1631-01	04	13	1	4036-2425-01	37	03	8	4036-2768-01	18	18	3
4036-1009-01	01	02	1	4036-1632-02	04	11	2	4036-2426-01	35	08	1	4036-2769-01	17	28	1
4036-1010-02	10	19	1	4036-1633-01	06	08	1	4036-2459-01	15	06	1	4036-2769-01	18	08	3
4036-1011-01	10	21	2	4036-1701-01	36	02	4	4036-2463-02	15	01	1	4036-2772-01	17	45	1
4036-1013-01	10	03	1	4036-1704-01	36	04	8	4036-2480-01	16	07	2	4036-2774-01	17	26	1
4036-1015-01	10	23	1	4036-1705-01	36	11	4	4036-2481-01	16	06	1	4036-2774-01	18	12	3
4036-1024-02	01	09	2	4036-1720-01	04	15	1	4036-2482-01	16	05	1	4036-2775-01	17	25	1
4036-1025-02	11	07	2	4036-1721-01	04	16	1	4036-2483-01	15	21	1	4036-2775-01	18	13	3
4036-1026-01	01	16	1	4036-1814-01	36	05	4	4036-2484-01	15	22	1	4036-3008-01	47	06	1
4036-1027-02	01	17	1	4036-1815-01	36	10	4	4036-2485-01	15	23	1	4036-3014-01	48	02	1
4036-1028-03	01	07	1	4036-1821-01	12	21	4	4036-2486-01	15	24	1	4036-3016-01	30	20	1
4036-1032-01	14	23	2	4036-1837-01	12	28	1	4036-2487-01	15	02	6	4036-3018-01	48	01	1
4036-1033-01	01	20	1	4036-1845-02	12	06	5	4036-2488-01	15	27	1	4036-3019-01	47	12	1
4036-1034-01	01	11	1	4036-1846-01	12	05	4	4036-2489-01	15	26	1	4036-3020-02	47	21	1
4036-1035-01	01	05	2	4036-1847-02	12	04	4	4036-2490-01	15	08	1	4036-3021-02	47	16	1
4036-1038-02	01	21	1	4036-2007-01	12	07	4	4036-2511-01	17	06	1	4036-3022-01	47	01	1
4036-1039-01	10	02	1	4036-2008-01	29	19	1	4036-2512-01	17	14	1	4036-3025-01	47	24	1
4036-1040-01	10	24	1	4036-2009-01	29	16	1	4036-2513-01	17	34	1	4036-3025-01	49	10	1
4036-1042-01	10	22	2	4036-2023-01	08	05	1	4036-2514-01	17	21	1	4036-3028-01	47	03	1
4036-1048-01	01	01	2	4036-2024-01	10	15	1	4036-2515-01	17	19	1	4036-3040-01	48	22	1
4036-1051-01	11	11	1	4036-2070-01	29	18	1	4036-2517-01	17	35	1	4036-3063-01	48	06	1
4036-1052-03	11	18	1	4036-2071-01	29	06	1	4036-2519-01	17	36	1	4036-3071-01	12	08	1
4036-1054-01	11	16	1	4036-2101-02	10	16	1	4036-2520-01	17	29	1	4036-3072-02	12	13	1
4036-1301-03	04	12	1	4036-2102-02	30	14	1	4036-2521-01	17	38	1	4036-3074-02	12	13	1
4036-1328-01	04	20	1	4036-2146-02	15	19	1	4036-2531-01	17	30	1	4036-3075-01	05	08	2
4036-1366-01	06	03	1	4036-2176-01	36	21	4	4036-2537-01	17	33	1	4036-3075-01	12	09	1
4036-1369-01	04	06	1	4036-2201-02	46	09	1	4036-2538-01	17	17	1	4036-3086-01	47	02	2
4036-1370-01	04	17	1	4036-2202-02	46	01	1	4036-2541-01	17	12	1	4036-3501-01	43	16	1
4036-1371-02	04	01	1	4036-2204-02	08	06	1	4036-2542-01	17	22	1	4036-3505-03	40	11	1
4036-1374-02	06	06	1	4036-2205-01	09	13	1	4036-2543-01	17	16	2	4036-3506-01	42	22	1
4036-1380-02	02	14	1	4036-2208-01	09	04	1	4036-2544-01	17	32	1	4036-3507-02	31	13	1
4036-1381-03	02	09	1	4036-2210-01	16	04	1	4036-2552-01	20	07	1	4036-3511-01	29	23	1
4036-1383-02	02	04	1	4036-2211-01	09	06	1	4036-2553-01	20	09	1	4036-3517-01	20	19	1
4036-1385-01	02	08	1	4036-2212-01	11	17	1	4036-2555-01	19	13	1	4036-3518-02	29	20	1
4036-1386-02	02	06	1	4036-2214-01	11	10	1	4036-2557-01	20	08	1	4036-3519-01	40	19	1
4036-1387-02	02	03	1	4036-2215-01	16	08	1	4036-2559-01	19	16	1	4036-3520-01	40	04	1
4036-1388-01	02	01	1	4036-2216-02	09	09	1	4036-2560-01	19	07	1	4036-3526-01	33	07	1
4036-1390-01	02	05	2	4036-2223-01	37	14	1	4036-2561-01	19	05	1	4036-3528-01	40	22	1
4036-1391-03	03	18	1	4036-2224-02	35	14	1	4036-2563-01	19	06	1	4036-3530-02	29	02	1
4036-1392-02	03	12	1	4036-2226-01	35	27	1	4036-2564-01	19	12	1	4036-3531-01	31	18	1
4036-1393-02	03	17	1	4036-2231-01	09	01	1	4036-2565-01	19	09	1	4036-3540-01	31	15	1
4036-1394-02	03	05	1	4036-2235-01	46	11	1	4036-2567-01	19	03	2	4036-3542-01	40	18	1
4036-1395-05	03	09	1	4036-2237-01	17	03	1	4036-2574-01	20	20	1	4036-3550-01	40	05	1
4036-1396-03	03	20	1	4036-2238-01	16	01	2	4036-2577-01	20	18	1	4036-3555-01	31	07	1
4036-1397-01	03	03	2	4036-2241-01	20	03	1	4036-2581-01	20	12	1	4036-3557-01	31	05	1
4036-1398-03	02	12	1	4036-2245-01	11	08	1	4036-2583-01	20	11	1	4036-3570-03	42	03	1
4036-1399-03	02	13	1	4036-2246-01	46	14	1	4036-2585-01	19	10	1	4036-3576-01	30	12	1
4036-1402-02	03	15	1	4036-2252-01	20	22	1	4036-2586-01	20	13	1	4036-3583-01	29	22	1
4036-1403-01	07	02	1	4036-2256-02	09	14	1	4036-2595-01	16	20	1	4036-3587-01	31	14	1
4036-1404-03	03	19	1	4036-2257-01	10	13	1	4036-2596-01	16	15	1	4036-3590-02	40	21	1
4036-1405-04	03	02	1	4036-2257-01	14	26	1	4036-2597-01	16	17	1	4036-3597-01	40	08	1
4036-1406-02	07	11	1	4036-2258-01	20	01	1	4036-2598-01	16	18	1	4036-3608-01	43	14	1
4036-1408-02	51	05	2	4036-2260-02	46	03	1	4036-2599-01	16	14	1	4036-3630-01	41	21	1
4036-1410-01	03	04	6	4036-2279-01	46	04	2	4036-2751-01	18	10	3	4036-3641-02	31	03	1
4036-1496-046-0426	03	25	1	4036-2301-02	33	01	1	4036-2752-01	17	37	1	4036-3643-01	31	17	1

PART NO.	FIG.	INDEX	QTY	PART NO.	FIG.	INDEX	QTY	PART NO.	FIG.	INDEX	QTY	PART NO.	FIG.	INDEX	QTY
4036-3653-01	40	17	1	4036-4617-03	34	05	1	4036-5987-01	45	06	1	4036-7314-01	47	37	1
4036-3654-02	30	15	1	4036-4618-02	34	04	1	4036-5988-01	45	03	1	4036-7315-01	13	21	1
4036-3655-01	30	16	1	4036-4622-01	34	14	1	4036-5990-01	44	25	1	4036-7316-01	13	20	1
4036-3656-01	29	08	2	4036-4626-01	34	15	1	4036-5995-02	39	22	1	4036-7317-02	13	18	1
4036-3658-01	29	04	1	4036-4636-01	34	16	1	4036-6051-02	02	10	1	4036-7318-01	13	16	1
4036-3659-01	40	12	6	4036-4680-03	34	02	1	4036-6052-02	02	10	1	4036-7319-01	13	14	1
4036-3661-02	29	13	1	4036-4692-01	34	17	1	4036-6053-02	02	10	1	4036-7321-01	01	25	1
4036-3662-02	29	11	1	4036-4712-01	41	04	2	4036-6055-02	46	17	1	4036-7330-01	01	06	1
4036-3663-02	29	07	1	4036-4846-01	34	07	1	4036-6061-01	36	18	3	4036-7331-01	38	03	1
4036-3664-01	29	09	1	4036-4847-01	34	09	1	4036-6062-01	36	17	1	4036-7340-02	01	18	1
4036-3665-01	40	02	2	4036-4901-01	12	01	1	4036-6201-02	16	02	1	4036-7341-01	21	29	1
4036-3666-01	40	03	2	4036-4902-01	33	12	1	4036-6202-02	16	24	1	4036-7342-01	03	21	1
4036-3667-02	29	17	1	4036-4903-01	33	17	1	4036-6203-02	09	07	1	4036-7343-01	03	21	1
4036-3668-01	29	14	1	4036-4904-01	32	15	1	4036-6204-02	09	07	1	4036-7403-01	03	01	1
4036-3673-01	31	10	1	4036-4909-01	32	03	1	4036-6751-01	27	30	2	4036-7407-01	03	01	1
4036-3675-01	41	15	1	4036-4911-01	41	09	1	4036-6801-03	52	01	1	4036-7803-01	46	02	1
4036-3681-01	29	26	2	4036-5288-01	35	09	1	4036-6802-02	53	01	1	4036-7811-01	46	16	1
4036-3682-01	29	25	1	4036-5291-01	35	06	1	4036-6803-02	59	02	1	4036-7812-01	46	16	1
4036-3683-01	40	14	1	4036-5301-03	13	02	1	4036-6804-01	60	01	1	4049-111	32	25	1
4036-3684-01	42	19	1	4036-5302-01	14	22	4	4036-6805-03	54	01	1	4049-211	34	01	1
4036-3801-01	27	01	1	4036-5325-02	13	22	4	4036-6806-02	60	02	1	4049-411	43	07	1
4036-3802-01	27	13	1	4036-5347-01	13	10	4	4036-6807-01	54	02	1	4049-511	29	15	1
4036-3803-02	27	09	1	4036-5348-01	13	09	8	4036-6809-02	54	04	1	4049-512	29	15	1
4036-3805-02	27	25	1	4036-5349-02	13	08	4	4036-6810-02	54	05	2	4049-513	29	15	1
4036-3806-01	27	28	1	4036-5411-01	13	06	4	4036-6811-01	55	01	1	4049-611	42	28	1
4036-3807-01	27	24	1	4036-5413-01	13	04	4	4036-6812-01	55	02	1	4053-0151-01	15	15	1
4036-3808-01	27	12	1	4036-5414-01	13	03	4	4036-6813-01	55	03	1	4108-3079-01	12	11	1
4036-3809-01	27	29	1	4036-5419-01	13	05	4	4036-6814-01	55	04	1	4120-4614-01	15	12	2
4036-3810-01	27	06	1	4036-5606-01	32	10	1	4036-6815-02	55	06	2	4122-0901-01	44	10	1
4036-3811-01	27	04	1	4036-5612-01	32	11	1	4036-6816-02	55	07	1	4128-0105-01	12	10	1
4036-3814-01	27	18	1	4036-5615-01	32	26	1	4036-6818-01	55	08	1	4128-3823-01	50	17	1
4036-3815-01	28	19	1	4036-5785-01	40	24	1	4036-6819-01	55	05	1	4131-0902-01	21	07	4
4036-3816-01	24	09	1	4036-5900-02	44	13	1	4036-6820-01	55	09	1	4131-0902-01	22	30	1
4036-3819-01	25	21	1	4036-5902-02	38	06	1	4036-6821-01	56	01	4	4131-0902-01	23	06	1
4036-3820-01	26	10	1	4036-5906-02	44	19	1	4036-6822-01	56	02	1	4131-0902-01	24	23	2
4036-3821-01	26	09	1	4036-5907-01	44	05	2	4036-6823-01	35	19	1	4131-0902-01	25	05	1
4036-3822-01	25	15	1	4036-5908-01	45	04	2	4036-6824-02	56	05	1	4131-0902-01	28	04	4
4036-3823-01	25	19	1	4036-5910-01	44	26	1	4036-6825-02	56	06	1	4131-2571-01	19	08	1
4036-3825-01	25	13	1	4036-5912-01	44	08	1	4036-6826-01	56	07	1	4131-2575-01	19	25	1
4036-3827-01	25	14	2	4036-5913-01	44	07	1	4036-6827-02	56	04	1	4131-2576-01	19	21	1
4036-3828-01	27	21	1	4036-5914-01	44	11	1	4036-6828-01	56	03	1	4131-2577-01	19	20	1
4036-3830-01	24	04	1	4036-5916-01	38	02	1	4036-6829-01	57	01	1	4131-2578-01	19	23	1
4036-3831-01	25	03	1	4036-5917-03	39	20	1	4036-6830-01	57	04	1	4131-2579-03	19	22	1
4036-3832-01	25	12	1	4036-5920-01	39	10	1	4036-6831-01	57	05	1	4131-2590-01	19	18	1
4036-3833-01	25	18	1	4036-5921-01	39	15	1	4036-6832-01	57	06	1	4131-2591-01	19	19	1
4036-3834-01	25	09	1	4036-5925-01	39	07	1	4036-6835-01	35	16	8	4131-3001-01	23	21	1
4036-3835-01	24	02	1	4036-5926-01	39	14	1	4036-6852-02	57	02	1	4131-3003-01	24	03	5
4036-3837-01	25	08	1	4036-5927-01	39	05	1	4036-6853-01	57	07	1	4131-3004-02	23	12	1
4036-3838-01	26	15	1	4036-5929-01	39	12	1	4036-6854-01	57	03	1	4131-3007-02	23	05	1
4036-3839-01	25	04	1	4036-5931-01	39	08	1	4036-6855-01	06	23	1	4131-3053-02	22	25	1
4036-3841-02	25	01	1	4036-5932-02	39	11	1	4036-6855-01	58	01	1	4131-3532-02	25	07	2
4036-3843-01	27	17	1	4036-5937-01	44	02	1	4036-6856-02	06	24	1	4131-4128-01	19	17	1
4036-3845-01	27	27	1	4036-5942-01	39	26	1	4036-6856-02	58	02	1	4131-4128-01	23	03	1
4036-3846-01	26	14	1	4036-5943-02	38	01	1	4036-6857-01	06	20	1	4131-4623-03	21	05	2
4036-3849-01	27	11	1	4036-5944-02	45	01	1	4036-6858-01	06	19	1	4134-3579-03	10	01	1
4036-3853-01	23	27	1	4036-5945-01	44	17	1	4036-6859-01	05	07	1	4163-5293-01	25	10	3
4036-3855-01	23	23	1	4036-5947-03	45	02	1	4036-6860-01	04	19	1	4163-5293-01	47	33	1
4036-3856-02	21	02	1	4036-5958-01	39	01	1	4036-6861-01	46	05	1	4348-0202-01	28	07	1
4036-3857-01	22	02	1	4036-5959-01	39	02	1	4036-6862-01	02	16	1	4348-2016-01	27	08	1
4036-3860-02	21	18	1	4036-5961-01	39	09	1	4036-6862-01	58	03	1	4348-2021-01	27	19	1
4036-4510-01	34	11	1	4036-5966-01	32	08	2	4036-7301-01	01	25	1	4348-2037-02	27	14	1
4036-4515-01	34	13	1	4036-5966-01	38	04	4	4036-7302-01	01	08	1	4348-2038-02	27	15	1
4036-4541-01	32	19	1	4036-5966-01	39	23	3	4036-7303-01	10	09	1	4348-2040-01	27	05	1
4036-4542-01	32	02	1	4036-5968-02	44	06	2	4036-7304-01	40	16	1	4348-2041-02	27	23	1
4036-4543-01	32	06	2	4036-5969-02	44	09	2	4036-7305-01	40	01	1	4348-2042-01	27	10	1
4036-4545-01	32	07	1	4036-5971-01	44	12	1	4036-7306-01	47	17	1	4348-2044-01	27	22	1
4036-4549-01	33	10	2	4036-5972-01	38	07	1	4036-7307-01	47	22	1	4348-3011-03	25	22	1
4036-4550-01	32	18	2	4036-5973-01	45	05	2	4036-7311-01	21	26	1	4348-3028-01	25	06	1
4036-4551-01	12	03	2	4036-5976-01	44	20	1	4036-7312-01	21	26	1	4348-3029-01	24	01	1
4036-4560-01	33	11	2	4036-5985-01	45	07	1	4036-7313-01	47	31	1	4348-3030-01	28	08	2



PART NO.	FIG.	INDEX	QTY		PART NO.	FIG.	INDEX	QTY		PART NO.	FIG.	INDEX	QTY		PART NO.	FIG.	INDEX	QTY	
4348-3031-01	25	02	2		9322-1300-41	17	41	1		9384-2200-31	61	24	1						
4348-3032-01	23	24	1		9325-4300-12	05	27	1		9384-2910-21	61	11	6						
4348-3047-01	24	26	1		9326-1001-11	02	17	1		9384-2910-31	61	12	12						
4348-3048-01	25	23	1		9326-1001-11	06	21	1		9450-1806-01	09	08	1						
4348-3049-01	24	05	1		9326-1001-11	06	22	1		9454-4076-02	31	02	1						
4348-3071-01	25	16	1		9326-1200-21	35	32	8											
4349-0902-01	24	07	2		9326-1200-61	09	16	1											
4425-3013-01	24	12	1		9326-1200-61	21	31	1											
4425-3016-01	24	16	1		9326-1200-61	28	23	1											
4498-3469-01	49	01	1		9326-1410-31	42	29	1											
4498-3804-01	50	16	1		9326-1410-31	46	19	1											
4498-3825-01	50	15	1		9326-1810-21	04	28	1											
4498-3826-01	50	18	1		9326-1810-21	09	12	2											
4498-3834-01	50	23	2		9326-1810-21	09	17	1											
4581-1316-01	61	25	8		9326-1810-21	46	18	1											
4581-1318-01	03	13	1		9326-2820-11	04	24	1											
4581-1320-01	04	02	1		9331-2200-21	10	11	1											
4581-1379-01	02	15	1		9331-2200-21	14	28	1											
4581-1382-01	02	07	1		9331-2200-21	20	04	1											
4581-1389-01	02	02	2		9332-1710-41	11	09	1											
4581-1421-01	05	22	1		9332-1910-21	35	20	1											
4581-1427-01	05	24	1		9334-2610-11	03	16	1											
4581-1428-01	05	03	1		9335-1100-41	14	10	4											
4581-1429-01	05	23	1		9335-1100-51	13	11	4											
4581-1452-01	05	14	2		9335-1300-31	06	10	1											
4581-1455-01	05	15	1		9335-1300-31	06	11	1											
4581-1457-01	04	05	1		9335-1300-31	06	12	1											
4581-1579-01	06	04	2		9335-1300-31	06	13	1											
4581-1605-03	03	11	1		9335-1300-41	06	09	1											
4581-1610-01	03	06	1		9335-1300-41	06	14	1											
4581-1625-01	04	08	6		9335-1300-41	06	15	1											
4581-1627-01	04	07	4		9335-1300-41	06	16	1											
4581-1640-02	05	20	2		9335-1300-41	06	17	1											
4581-2269-02	06	07	2		9335-1300-41	06	18	1											
4581-2269-02	46	08	2		9351-3300-11	05	28	1											
4581-3806-01	05	06	2		9372-1300-12	31	04	2											
4581-7901-02	61	26	2		9372-5100-12	31	16	1											
4643-4605-01	40	15	1		9381-2400-31	15	25	1											
4658-0151-01	22	26	1		9381-4101-22	51	01	1											
4658-0151-01	48	11	1		9381-4101-31	51	01	1											
4658-3012-01	50	13	1		9381-4300-41	51	01	1											
4658-3035-02	48	12	1		9383-2510-21	09	02	1											
4658-3040-01	48	14	1		9383-5000-11	09	03	1											
4658-3048-01	50	10	2		9384-1000-51	61	01	6											
4658-3049-01	50	28	2		9384-1100-21	61	21	3											
4658-3140-02	27	02	4		9384-1100-91	61	02	64											
4658-3517-01	23	25	1		9384-1110-61	61	06	4											
4687-3281-01	22	08	1		9384-1211-01	61	04	26											
9312-1200-31	28	05	1		9384-1300-51	61	20	1											
9313-1000-61	09	05	1		9384-1300-61	61	18	1											
9313-1000-72	15	04	3		9384-1300-71	61	07	1											
9313-1300-12	15	11	1		9384-1310-11	61	05	33											
9313-1300-41	38	05	2		9384-1310-81	61	09	10											
9313-1910-61	40	23	1		9384-1311-01	61	08	11											
9314-1100-71	16	11	1		9384-1311-11	61	22	10											
9314-1100-81	04	03	1		9384-1621-21	11	14	2											
9314-1201-41	28	06	2		9384-1621-21	16	19	2											
9314-1300-21	14	11	2		9384-1621-21	17	39	1											
9314-1300-31	43	06	1		9384-1621-21	28	18	1											
9314-2300-21	17	01	1		9384-1621-21	61	23	1											
9314-2300-21	18	02	1		9384-1621-81	46	12	1											
9314-2300-31	16	21	1		9384-1700-24	51	04	1											
9314-2300-31	17	04	1		9384-1811-01	61	19	1											
9314-2300-31	19	01	1		9384-1820-31	61	10	1											
9314-2300-41	18	01	1		9384-1900-55	16	03	1											
9321-2100-41	23	04	1		9384-1900-56	11	12	2											
9321-2100-61	19	24	1		9384-1900-57	04	10	4											
9322-1300-12	23	01	1		9384-1921-11	61	03	8											
9322-1300-21	43	03	1		9384-2010-21	61	13	29											
9322-1300-31	31	1	1		9384-2200-31	51	07	1											



**KONICA MINOLTA**

**Copyright**

**2004 KONICA MINOLTA BUSINESS TECHNOLOGIES, INC.**

**Printed in Japan**

**Use of this catalog should be strictly supervised to avoid disclosure  
of confidential information.**