

KONICA MINOLTA

PARTS GUIDE MANUAL

JANUARY 2020

bizhub C4050i
AAJN

INFORMATION FOR PARTS GUIDE MANUAL

To find correct Parts No., refer to the "HOW TO MAKE THE BEST USE OF THIS MANUAL" in the following page.

HOW TO MAKE THE BEST USE OF THIS MANUAL

- 1 When you order, please check the proper figures beforehand that are on Our Parts Guide Manual, and order with the appropriate figures.
- 2 For screws, Nuts, Washers, retaining rings and Pins which are used in this model, one letter is shown on the Standard parts column of Parts list and exploded diagrams.
- 3 In order to maintain safety of the product, some specific parts composed of this product are set up as "essential safety parts".
- 4 The assigned parts number for the "essential safety parts" is indicated as "SP00-****".
When replacing these parts, follow precautions for disassembling and installing which are listed in the Service Manual.
Do not use any parts that are not set up as
- 5 ♣ means that there are exclusive parts for each destination.
Please check the appropriate destination when you order.
- 6 All rights reserved. (any reprints or quotations are prohibited.)
Use of this parts guide manual should be strictly supervised to avoid disclosure of confidential information.

パーツガイドマニュアルのご案内

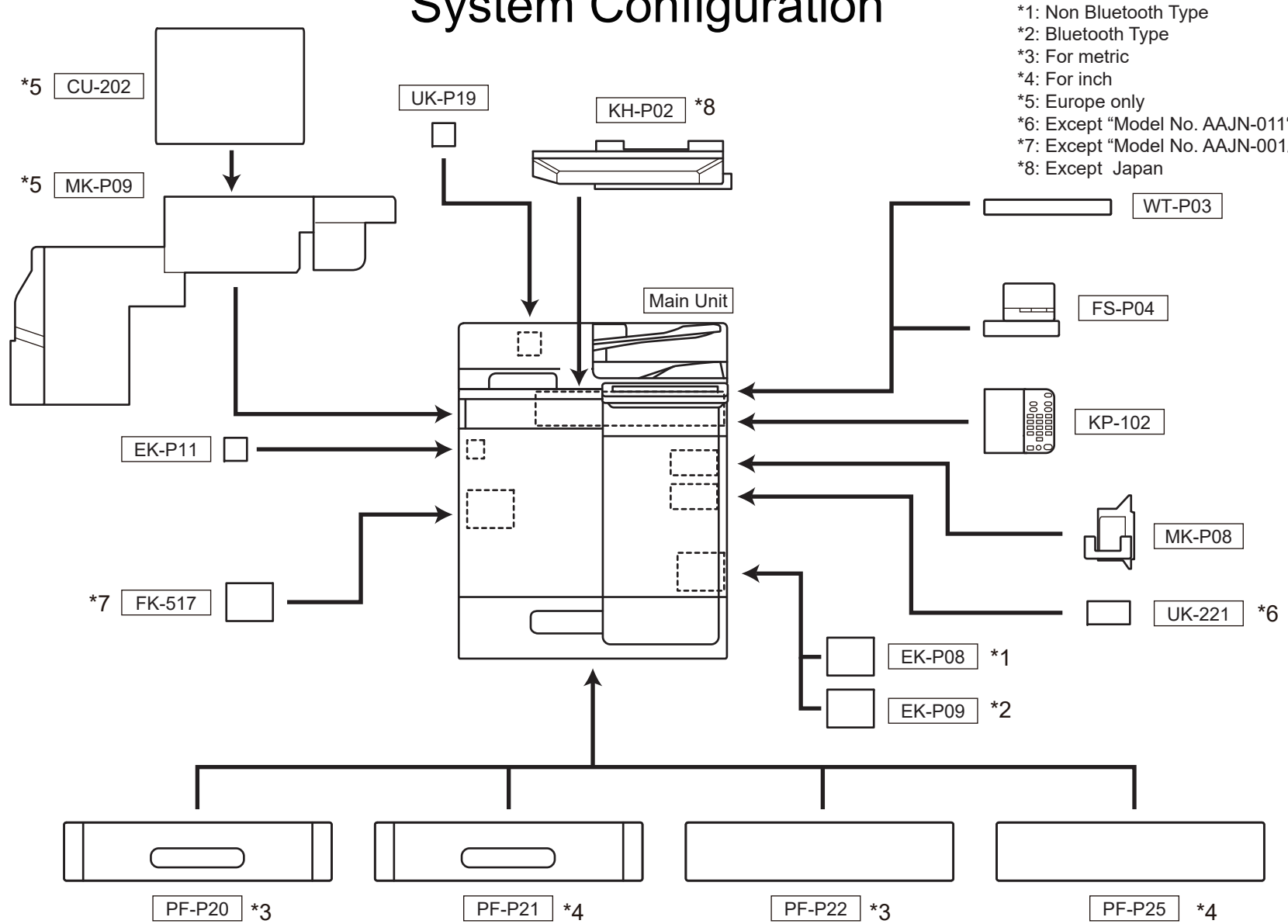
サービス部品をご発注の際には、下記に示す“パーツガイドマニュアルの活用にあたって”をご参照の上、正しい部品番号にてお願い致します。

パーツガイドマニュアルの活用にあたって

- 1 部品発注の際には、掲載されている部品番号の桁数を確認し、掲載されている桁数で発注願います。
- 2 この製品に使用されているネジ、ナット、ワッシャー、止め輪、ピンなどは、リストの右側の Standard parts 欄に a,b,c,…… で表示し、イラストにも a,b,c,…… 表示してあります。
- 3 製品の安全性を維持する為に、製品に使用される特定の部品を「重要保安部品」として設定しています。
- 4 重要保安部品の部品番号は、“SP00-****”と記載されていますので、部品交換時は、サービスマニュアル記載の分解・組み立ての注意事項に従って作業をして下さい。
また、指定以外の部品は一切使用しないで下さい。
- 5 本文に ♣ が表示されている部品は、仕向け地毎に専用部品がある事を意味しています。
オーダーされる時は、仕向け地を確認して下さい。
- 6 著作権所有（無断転載及び無断引用の禁止）
本パーツガイドマニュアルについては、機密保持等その扱いには十分注意して下さい。万一取り扱いを誤った場合には、法律で処罰される場合があります。

04/08/2019

System Configuration



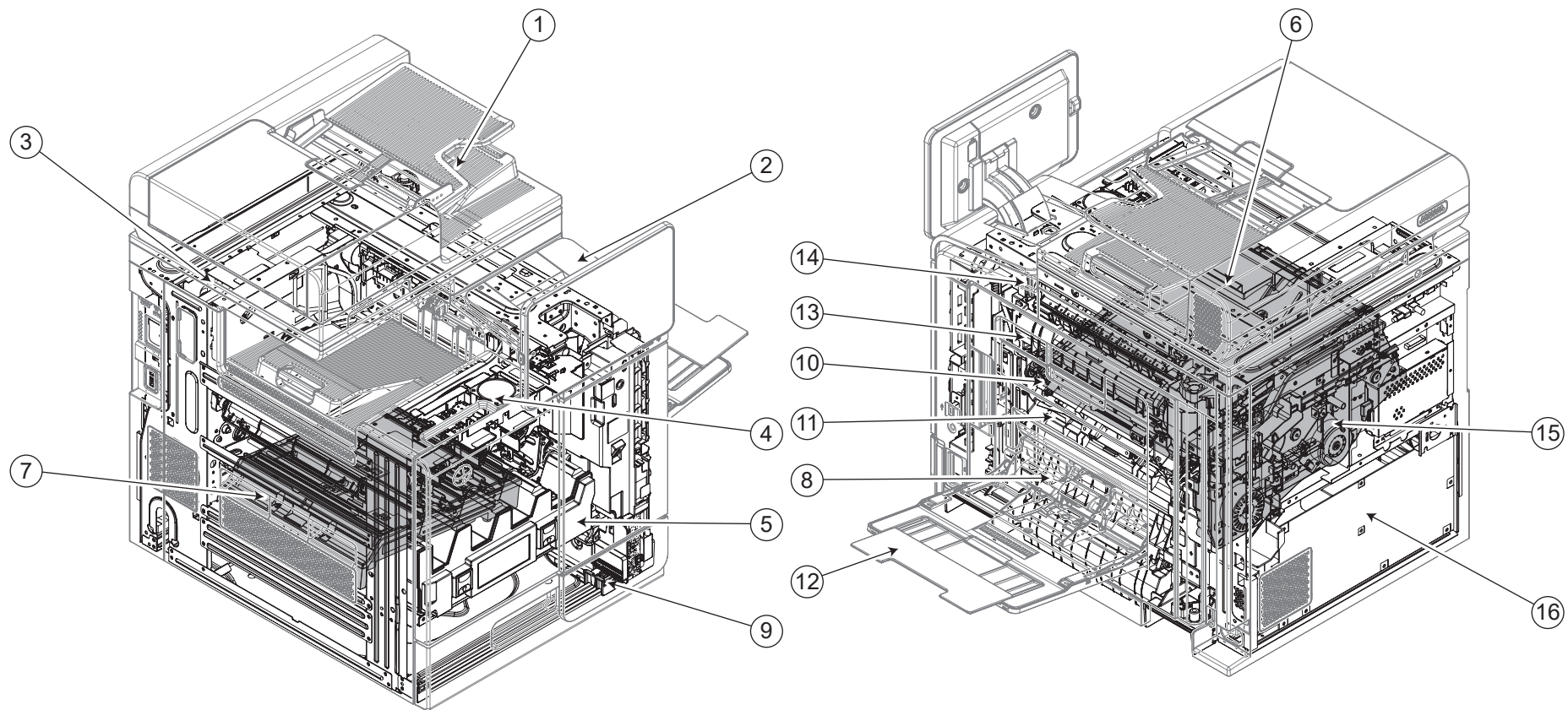
- *1: Non Bluetooth Type
- *2: Bluetooth Type
- *3: For metric
- *4: For inch
- *5: Europe only
- *6: Except "Model No. AAJN-011"
- *7: Except "Model No. AAJN-001/011/021"
- *8: Except Japan

GENERAL CONTENTS

No.	Description	Model
1	Printer Color	bizhub C4050i
2	Other Option	CU-202
3	Other Option	EK-P08
4	Other Option	EK-P09
5	Other Option	EK-P11
6	Finisher/Sorter	FS-P04
7	Other Option	KH-P02
8	Other Option	KP-102
9	Mount Kit	MK-P08
10	Mount Kit	MK-P09
11	Paper Feeder	PF-P20
12	Paper Feeder	PF-P21
13	Paper Feeder	PF-P22
14	Paper Feeder	PF-P25
15	Other Option	UK-P19
16	Other Option	UK-221
17	Other Option	WT-P03
18	Fax Kit	FK-517

bizhub C4050i

Section Configuration



CONTENTS

No.	DESCRIPTION	名称	PAGE No.
1	External Parts	外装部	P1 P2
2	Operation Panel Section	操作部	P3
3	Colling Section	冷却部	P4
4	Toner Supply Section	トナー補給部	P5 P6
5	Toner Collection Section	トナー回収部	P7 P8
6	1st Transfer Section	1次転写部	P9
7	Write Section	書き込み部	P10
8	Paper Feed Section	給紙部	P11 P12 P13
9	Tray Section	トレイ部	P14 P15 P16
10	2nd Transfer Section	2次転写部	P17
11	Vertical Conveyance Section	垂直搬送部	P18 P19
12	Bypass Tray Section	手差しトレイ部	P20 P21 P22
13	Fusing Section	定着部	P23
14	Paper Exit Section	排紙部	P24
15	Drive Section	駆動部	P25 P26
16	Electrical Parts	電装部	P27 P28 P29
17	Scanner Section	スキャナー部	P30
18	Auto document feeder section	自動原稿送り部	P31 P32 P33 P34 P35 P36 P37 P38 P39
19	Wiring	束線	P40 P41 P42
20	Wiring Accessories	配線部品	P43
21	Service Tool	サービスツール	P44
22	Accessory Parts	同梱部品	P45

INDEX

Parts No.	Page No.
0996305501	14-7
1134304301	12-12
1134304301	13-7
1134304301	19-13
1134304301	21-8
4131253701	35-26
4131300301	25-3
4134588202	21-8
4136N30000	45-2
4163529301	27-27
4532341001	11-5
4538373201	19-19
56AA40490	21-38
65AA-9920	44-2
9335140051	8-11
9335140071	37-22
9381420021	45-2
9J04534301	15-11
9J06M10000	33-10
9J06M10300	25-8
9J06M60100	27-4
9J08890700	16-23
A00J169200	24-4
A00J563600	15-6
A00J663200	38-21
A00J663200	39-23
A00J945500	1-10
A02E167700	3-1
A02E561100	13-9
A02E815200	13-20
A02E940300	1-18
A02E940300	7-3
A034N30000	45-2
A07H570500	35-6
A0ED563900	15-5
A0EDM50100	13-1
A0EDM60001	6-4
A0EDN30101	45-2
A0HFN12200	45-5
A0HR211900	19-30

Parts No.	Page No.
A0P0M73100	5-2
A0VD562300	22-14
A0VD700302	18-3
A0VD703700	19-8
A0VDN30000	45-2
A108M50000	36-14
A161137600	29-21
A161151300	27-9
A161620701	16-4
A161M50300	11-7
A1UDN30200	45-2
A2UPN30100	45-2
A2UPN30300	45-2
A2UPN30501	45-2
A3EWM90300	40-2
A3GN134500	29-3
A3GN401000	6-2
A3GN701800	18-8
A3GNM93100	30-19
A3GNM93100	33-25
A5AWP00100	44-1
A5C1562200	21-34
A5C1M50100	8-12
A5C1M50100	12-18
A5C1M50100	13-3
A5C1M50100	18-20
A5C1M50100	19-22
A5C1M50100	21-15
A5C1M50100	24-23
A5C1M50100	27-2
A5C1M50100	30-17
A64J564101	13-10
A64J564201	13-11
A795565500	16-15
A795622700	16-2
A797151500	28-5
A797162000	1-5
A797M60100	9-7
A797M60100	14-10
A79J401800	30-27

Parts No.	Page No.
A7AH267201	3-17
A7AH562300	13-13
A7AH562400	13-8
A7AH562600	13-12
A7AH562900	13-5
A7AH604401	22-11
A7AH604501	22-2
A7AHM20401	21-21
A7AHM20401	25-10
A7AHM20501	12-24
A7AHM20501	13-19
A7AHM20501	19-34
A7AHM20501	26-5
A7AHM50400	12-20
A7AHM90000	30-1
A7AHM90000	37-19
A7AHN30000	45-2
A7PU168500	2-10
A7PU168600	2-9
A7PU941701	2-11
A7PUM10700	6-1
A85CM55600	37-26
A85CM55600	39-24
A879130300	29-23
A879H01A03	29-24
A879H01W03	29-24
A92E135400	29-16
A92E137100	29-26
A92E137200	29-25
A92E158100	4-2
A92EN12300	29-19
A92EN12800	29-18
A92FN30000	45-2
A93E100300	10-1
A93E101702	2-3
A93E101803	2-4
A93E103001	14-5
A93E103200	14-6
A93E103300	14-4
A93E105100	27-3

Parts No.	Page No.
A93E108101	2-12
A93E110100	9-6
A93E110300	7-12
A93E110400	9-1
A93E110500	9-5
A93E110600	9-3
A93E110801	25-9
A93E121301	14-9
A93E132001	27-18
A93E132103	27-21
A93E132200	27-20
A93E133201	23-2
A93E133300	11-10
A93E133600	25-5
A93E134200	28-4
A93E134300	27-7
A93E134400	27-15
A93E134700	27-24
A93E134801	27-10
A93E135000	27-1
A93E135200	27-5
A93E135211	27-5
A93E135401	27-8
A93E135900	27-13
A93E136900	27-6
A93E136911	27-6
A93E137100	29-10
A93E137200	29-7
A93E137300	29-1
A93E137400	29-5
A93E137600	29-2
A93E137700	29-8
A93E137800	29-9
A93E150600	4-11
A93E150800	4-12
A93E151500	4-18
A93E151700	1-3
A93E151800	4-19
A93E151900	23-1
A93E152400	4-7

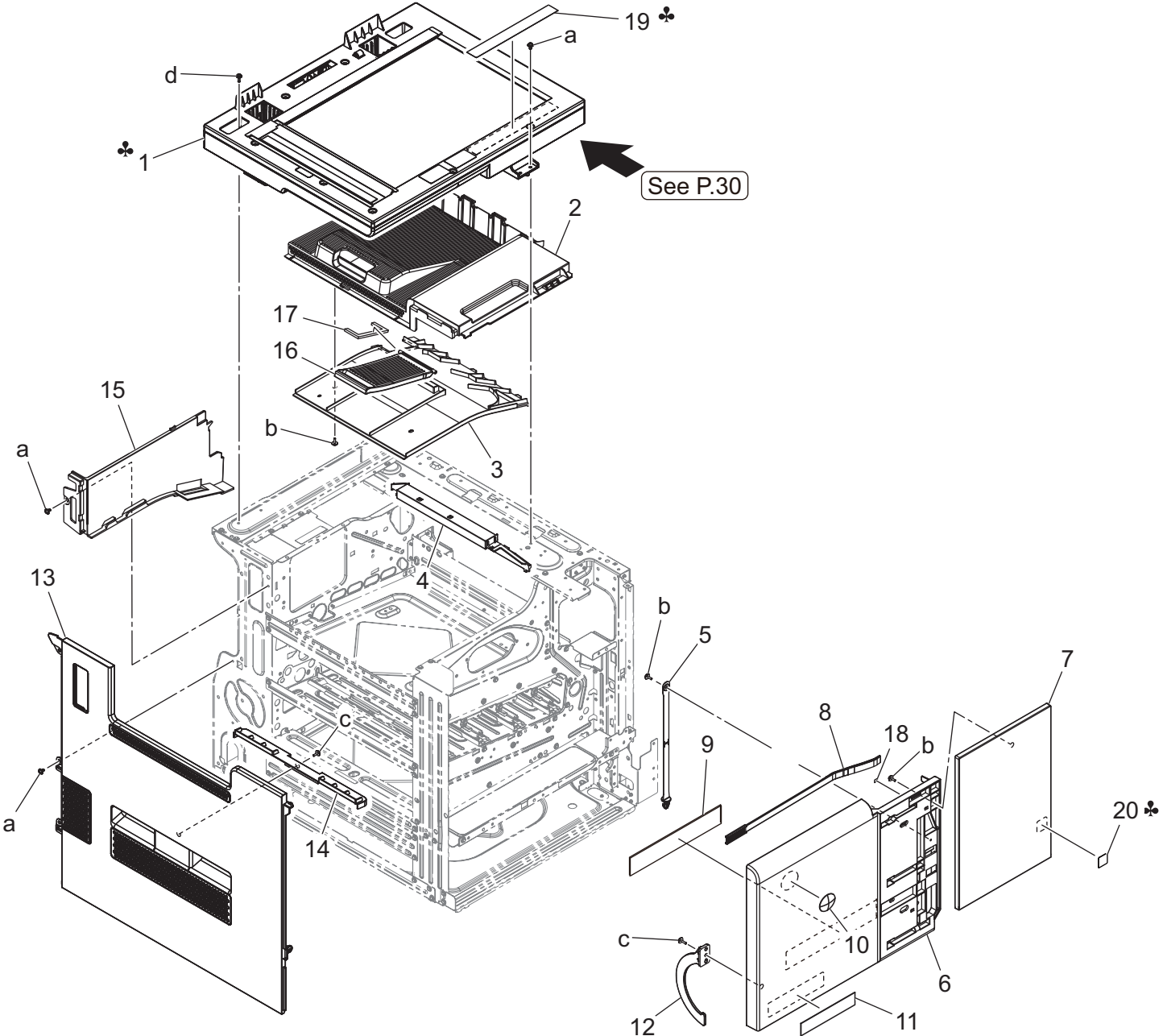
Parts No.	Page No.
A93E152600	9-4
A93E152701	4-6
A93E152801	4-4
A93E153200	4-21
A93E153300	4-22
A93E153400	4-20
A93E153500	1-17
A93E154000	4-23
A93E155001	4-3
A93E155100	4-5
A93E156900	4-9
A93E157000	4-17
A93E157200	2-8
A93E157300	4-10
A93E160103	1-2
A93E160203	1-6
A93E160214	1-6
A93E160302	1-7
A93E160603	1-13
A93E160700	1-14
A93E161002	3-24
A93E161102	3-13
A93E161201	3-25
A93E161301	2-6
A93E161400	3-10
A93E161902	2-5
A93E162001	2-7
A93E162701	1-15
A93E162801	1-4
A93E163000	8-7
A93E163011	8-7
A93E163100	8-9
A93E163111	8-9
A93E164000	1-16
A93E164502	7-2
A93E165102	8-1
A93E165113	8-1
A93E165200	8-14
A93E165301	8-2
A93E166103	2-1

Parts No.	Page No.	Parts No.	Page No.	Parts No.	Page No.	Parts No.	Page No.	Parts No.	Page No.
A93E166200	2-2	A93E260300	30-16	A93E267601	33-20	A93E273401	36-12	A93E278501	35-20
A93E168000	8-8	A93E260400	30-14	A93E267701	33-18	A93E273501	36-10	A93E278600	36-3
A93E168100	1-12	A93E260500	30-15	A93E267800	33-23	A93E273601	36-2	A93E278701	33-13
A93E168300	8-10	A93E260600	30-21	A93E267900	33-24	A93E273701	32-2	A93E278800	35-30
A93E190202	3-16	A93E260700	30-11	A93E268000	33-22	A93E273801	32-5	A93E278900	35-31
A93E190300	3-6	A93E260800	30-8	A93E268100	33-21	A93E273901	32-3	A93E279000	34-21
A93E190900	3-21	A93E260900	30-9	A93E268200	32-8	A93E274000	32-13	A93E279200	35-29
A93E191000	3-4	A93E261000	30-7	A93E268301	32-1	A93E274100	32-7	A93E279300	31-3
A93E191302	3-23	A93E261200	30-20	A93E268401	32-1	A93E274300	35-8	A93E279400	35-28
A93E191601	3-3	A93E261300	30-23	A93E268501	32-12	A93E274500	36-11	A93E280101	39-5
A93E191701	3-19	A93E261400	30-24	A93E268602	32-11	A93E274800	35-14	A93E280201	39-18
A93E192401	3-22	A93E261500	30-13	A93E268702	32-11	A93E274900	36-18	A93E280300	39-17
A93E192501	3-28	A93E262802	30-6	A93E269000	39-12	A93E275102	34-9	A93E280400	39-16
A93E192700	3-20	A93E262901	30-25	A93E269100	39-10	A93E275200	34-14	A93E280500	39-7
A93E194501	3-29	A93E263200	30-5	A93E269200	33-16	A93E275300	34-10	A93E280601	39-14
A93E215000	25-4	A93E263500	30-20	A93E270000	33-8	A93E275400	34-12	A93E280700	38-15
A93E215500	25-1	A93E263600	30-21	A93E270101	36-6	A93E275500	34-11	A93E280800	38-8
A93E220102	26-16	A93E264000	30-26	A93E270200	35-5	A93E275600	34-13	A93E280900	39-19
A93E220201	26-9	A93E264200	30-12	A93E270400	35-13	A93E275700	34-16	A93E281000	38-7
A93E220300	26-12	A93E265000	33-9	A93E270500	35-12	A93E276000	36-9	A93E281100	38-17
A93E220401	26-11	A93E265100	32-9	A93E270701	34-18	A93E276100	33-11	A93E281200	39-21
A93E221100	26-15	A93E265200	32-9	A93E270803	34-3	A93E276402	35-27	A93E281301	39-9
A93E221200	26-14	A93E265300	38-12	A93E270900	34-4	A93E276501	35-25	A93E281401	39-2
A93E221300	26-13	A93E265400	38-13	A93E270900	38-4	A93E276600	35-9	A93E281500	39-3
A93E222100	26-10	A93E265500	38-11	A93E271000	34-1	A93E276702	35-19	A93E281600	39-15
A93E222300	26-4	A93E265600	38-10	A93E271200	35-3	A93E276800	34-8	A93E281700	38-18
A93E222500	26-1	A93E265701	38-1	A93E271302	35-16	A93E276900	34-7	A93E281800	38-6
A93E222600	26-2	A93E265800	37-23	A93E271401	35-4	A93E277000	33-3	A93E281900	38-9
A93E222700	26-3	A93E265900	38-22	A93E271501	35-2	A93E277101	35-7	A93E282000	38-14
A93E222800	26-6	A93E266000	37-2	A93E271801	35-15	A93E277201	35-10	A93E282100	38-5
A93E223100	26-18	A93E266100	32-10	A93E272101	35-1	A93E277300	34-15	A93E282200	38-3
A93E230300	12-25	A93E266100	37-18	A93E272300	35-17	A93E277500	35-11	A93E282200	39-6
A93E230400	12-22	A93E266800	32-6	A93E272600	36-20	A93E277602	35-24	A93E282400	39-8
A93E230500	12-21	A93E266900	33-19	A93E272700	36-8	A93E277700	34-5	A93E282500	38-20
A93E230600	12-2	A93E267000	33-14	A93E272802	36-1	A93E277802	34-6	A93E282600	38-19
A93E230700	12-23	A93E267100	33-17	A93E272900	36-16	A93E277901	35-23	A93E282700	39-13
A93E240000	8-3	A93E267200	33-2	A93E273000	36-19	A93E278001	35-21	A93E282800	39-4
A93E240100	8-4	A93E267300	33-7	A93E273100	36-17	A93E278200	35-22	A93E285600	37-17
A93E240500	8-5	A93E267400	33-15	A93E273200	36-5	A93E278301	34-2	A93E285700	38-2
A93E240600	8-6	A93E267500	33-12	A93E273301	36-13	A93E278400	36-4	A93E285900	37-5

Parts No.	Page No.	Parts No.	Page No.	Parts No.	Page No.	Parts No.	Page No.	Parts No.	Page No.
A93E286002	37-7	A93E402601	27-11	A93E594100	21-10	A93E623200	4-13	A93E703600	18-12
A93E286100	37-12	A93E405102	6-14	A93E594200	19-26	A93E623301	14-8	A93E703700	18-26
A93E286200	37-13	A93E510902	18-18	A93E594300	21-17	A93E623301	15-15	A93E703800	18-25
A93E286300	37-11	A93E511102	18-21	A93E594312	21-17	A93E623400	15-17	A93E703900	18-9
A93E286500	37-3	A93E560501	13-6	A93E594400	21-12	A93E623602	7-5	A93E704100	18-6
A93E286700	37-8	A93E562100	13-15	A93E594600	22-5	A93E624000	16-11	A93E704200	18-23
A93E286800	37-9	A93E562200	13-2	A93E594700	21-14	A93E625000	16-14	A93E704301	18-7
A93E286901	37-16	A93E562400	13-4	A93E595600	21-11	A93E625100	16-13	A93E704600	18-24
A93E287000	37-14	A93E562800	13-21	A93E595700	21-13	A93E625202	16-10	A93E704700	18-16
A93E287100	37-10	A93E563400	13-14	A93E596201	21-30	A93E625300	16-19	A93E704800	12-7
A93E287200	37-6	A93E565800	13-22	A93E596300	21-2	A93E625800	16-18	A93E704900	18-17
A93E287400	37-4	A93E566100	13-16	A93E597100	21-23	A93E625900	16-17	A93E705000	12-1
A93E288000	37-20	A93E566200	13-17	A93E597200	22-3	A93E626000	4-16	A93E705200	11-8
A93E288200	37-15	A93E566400	13-18	A93E597300	22-13	A93E626100	15-7	A93E705301	12-8
A93E288800	35-32	A93E590100	22-12	A93E597500	21-39	A93E626201	15-8	A93E705401	12-5
A93E362201	7-10	A93E590203	21-22	A93E597600	21-18	A93E626300	15-4	A93E706100	12-11
A93E362301	7-7	A93E590302	21-1	A93E597800	21-9	A93E626501	15-20	A93E706200	18-13
A93E362401	7-8	A93E590402	21-16	A93E597900	21-25	A93E626600	4-14	A93E707000	18-5
A93E362501	7-11	A93E590500	21-20	A93E598000	21-26	A93E626702	16-12	A93E707100	18-10
A93E363701	7-6	A93E590600	21-19	A93E598200	22-6	A93E700103	12-19	A93E707200	18-14
A93E363802	7-9	A93E590800	21-29	A93E598400	21-45	A93E700401	11-6	A93E707300	12-9
A93E363900	7-13	A93E591002	22-8	A93E598600	21-46	A93E700600	12-3	A93E707700	11-12
A93E364100	7-14	A93E591300	21-32	A93E598800	21-43	A93E700800	12-6	A93E707800	11-11
A93E400002	6-14	A93E591600	21-5	A93E620104	15-14	A93E700902	12-10	A93E708300	18-15
A93E400200	6-17	A93E591700	21-31	A93E620203	15-1	A93E701101	12-4	A93E810107	19-35
A93E400300	6-18	A93E591800	21-7	A93E620301	15-19	A93E701200	12-17	A93E810118	19-35
A93E400400	6-15	A93E591900	21-3	A93E620401	15-16	A93E701300	12-15	A93E810200	19-20
A93E400500	6-12	A93E592002	22-7	A93E620500	15-2	A93E701500	12-16	A93E810211	19-20
A93E400800	6-9	A93E592102	22-10	A93E620601	15-12	A93E701600	12-13	A93E810502	19-36
A93E400900	6-8	A93E592201	22-1	A93E620701	15-9	A93E701700	12-14	A93E810600	19-4
A93E401000	6-16	A93E592300	21-6	A93E620801	15-18	A93E701902	11-2	A93E810701	19-3
A93E401100	6-11	A93E592500	21-42	A93E620901	15-13	A93E702102	18-1	A93E810800	19-2
A93E401200	27-12	A93E592800	21-27	A93E621000	15-3	A93E702114	18-1	A93E810900	19-39
A93E401400	6-3	A93E592900	21-41	A93E621100	15-10	A93E702400	18-4	A93E811400	19-17
A93E401500	6-13	A93E593100	21-33	A93E622103	16-5	A93E702500	18-11	A93E812000	19-33
A93E401700	6-10	A93E593200	21-40	A93E622203	16-1	A93E702600	18-19	A93E812100	19-21
A93E402000	6-19	A93E593300	21-36	A93E622501	16-9	A93E703102	11-3	A93E813101	19-1
A93E402300	6-5	A93E593400	21-35	A93E622601	16-3	A93E703200	11-4	A93E813201	19-28
A93E402400	6-6	A93E593800	21-28	A93E622700	16-8	A93E703300	18-22	A93E813302	19-27
A93E402500	6-7	A93E593900	21-37	A93E623100	4-15	A93E703400	18-2	A93E813501	19-31

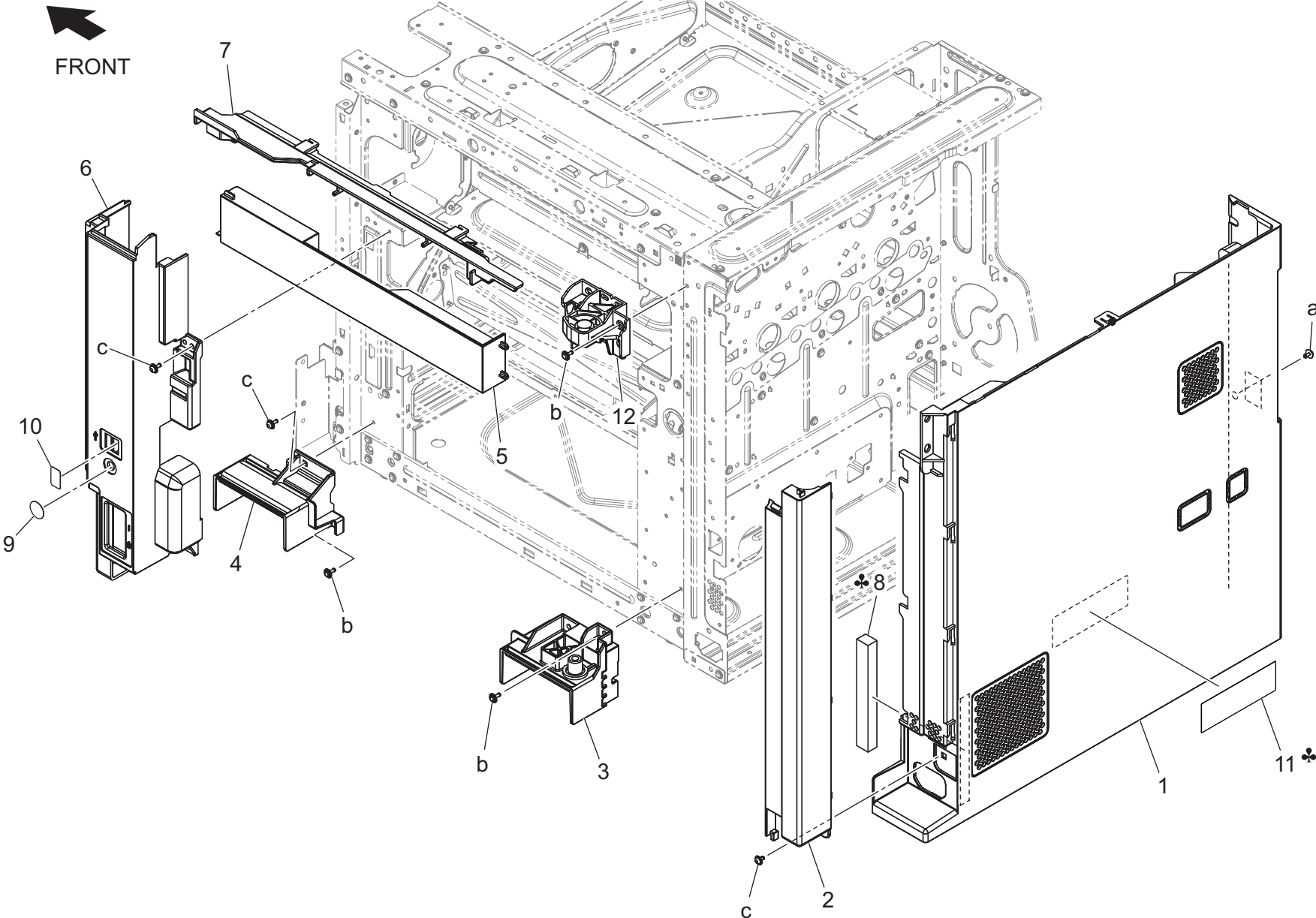
Parts No.	Page No.	Parts No.	Page No.	Parts No.	Page No.	Parts No.	Page No.	Parts No.	Page No.
A93E813700	19-32	A93E940600	7-4	A93EN10900	41-1	AA2J193000	3-14	AAJRR70700	29-13
A93E813800	19-24	A93E940701	14-3	A93EN10A00	13-23	AA2J193100	3-18	AAJRR71000	25-2
A93E814001	19-16	A93E941101	1-9	A93EN10B00	19-37	AA2J195000	3-12	AAJRR71100	28-2
A93E814100	19-18	A93E941112	1-9	A93EN10E00	28-3	AA2J621000	16-6	AAJRR71200	29-14
A93E814202	19-23	A93E942100	19-7	A93EN10G00	27-17	AA2J621200	16-7	AAJRR71300	26-19
A93E814300	19-10	A93E943200	45-1	A93EN10J00	11-9	AA2J629000	16-20	AAJRR71400	11-1
A93E814401	19-12	A93E943800	22-9	A93EN10K00	24-25	AA2J629200	16-16	AAJRR71500	17-1
A93E814500	19-11	A93E944100	20-2	A93EN10M00	21-24	AA2J943700	16-21	AAJRR71600	20-1
A93E814702	19-9	A93E944200	20-2	A93EN10N00	18-30	AA2J944500	22-4	AAJRR71900	1-8
A93E814800	19-40	A93E944300	19-6	A93EN11000	30-22	AA2J948600	1-20	AAJRR72000	10-2
A93E815100	19-15	A93E944400	19-5	A93EN11100	30-18	AA2J948600	45-3	AAJRR72100	26-17
A93E815200	19-14	A93E944500	19-5	A93EN11200	30-18	AA2JH00C00	29-15	AAJRR72200	21-4
A93E815302	19-29	A93E944600	19-6	A93EN11300	30-3	AA2JH02T00	29-20	ACDN002	7-1
A93E815400	19-38	A93E945400	1-19	A93EN11501	37-25	AA2JM11000	25-7	ACDN0Y1	7-1
A93E816101	24-1	A93E945600	34-19	A93EN11600	36-15	AA2JM11000	26-7	ACDNWY1	7-1
A93E816200	24-17	A93E945700	31-2	A93EN11700	33-4	AA2JM11100	25-6	V500010082	43-1
A93E816301	24-15	A93E945900	32-4	A93EN11800	33-5	AA2JM70600	27-25	V500010083	43-2
A93E816402	24-14	A93E946100	31-2	A93EN11900	33-6	AA2JM72700	29-27	V500020098	43-3
A93E816501	24-11	A93EF62008	14-1	A93EN11B01	37-24	AA2JM72F01	27-23	V500020099	43-4
A93E816700	24-13	A93EH00901	33-1	A93EN11C00	39-22	AAJN940100	1-11	V500020100	43-5
A93E816802	24-12	A93EH01006	29-6	A93EN11D01	34-17	AAJNN10100	29-11	V570010021	43-9
A93E890101	24-16	A93EH02009	29-4	A93EN11G00	37-21	AAJNR70155	31-1	V570010050	43-10
A93E890201	24-3	A93EM10000	4-8	A93EN11H00	37-21	AAJNR70222	31-1	V570010056	43-6
A93E890300	24-19	A93EM10600	4-1	A93EN11K00	33-4	AAJNR70300	1-1	V570010057	43-7
A93E890601	24-20	A93EM10K00	30-10	A93EN11M00	33-5	AAJNR70400	1-1	V570010060	43-8
A93E890703	24-10	A93EM10M00	39-1	A93EN12000	27-14	AAJNR70500	5-1	V651010001	26-8
A93E890800	24-8	A93EM21000	39-20	A93EN12100	27-22	AAJNR70600	5-1	V800500300	18-29
A93E890900	24-5	A93EM21100	38-16	A93EN12300	3-27	AAJNR70711	34-20		
A93E891000	24-24	A93EM40300	28-1	A93EN12400	3-31	AAJNR70800	36-7		
A93E891200	24-9	A93EM60000	27-19	A93EN12500	27-26	AAJNR70900	37-1		
A93E891300	24-22	A93EM70002	3-11	AA1KN10000	45-4	AAJNR71000	30-2		
A93E891500	24-2	A93EM72001	3-2	AA2J135101	29-12	AAJNR71100	30-2		
A93E891600	24-6	A93EM72100	3-30	AA2J139800	29-22	AAJNR71200	30-4		
A93E892300	24-18	A93EN10000	29-17	AA2J191201	3-8	AAJRR70100	9-2		
A93E892500	24-26	A93EN10201	27-16	AA2J191300	3-5	AAJRR70200	23-3		
A93E893100	24-27	A93EN10300	23-4	AA2J191600	3-26	AAJRR70311	23-3		
A93E895100	24-21	A93EN10500	8-13	AA2J191800	3-7	AAJRR70411	23-3		
A93E895500	24-7	A93EN10600	6-20	AA2J192100	3-9	AAJRR70411	23-3		
A93E940201	14-3	A93EN10700	42-1	AA2J192200	3-15	AAJRR70500	17-2		
A93E940301	14-2	A93EN10800	40-1	AA2J192801	3-32	AAJRR70600	29-13		

External Parts



Key	Part No.	Description	Destinations	Class	QTY	Standard parts
1	AAJNR70300	OPTICAL UNIT	光学ユニット (センチ)	S	1	a-V127030604 b-V153030803 c-V153031004 d-V116031003
1	AAJNR70400	OPTICAL UNIT	光学ユニット (インチ)	S	1	
2	A93E160103	Paper exit Cover	排紙カバー	D	1	
3	A93E151700	Duct	ダクト (HV上)	D	1	
4	A93E162801	Paper exit Cover	排紙カバー (上)	D	1	
5	A797162000	Band	バンド	D	1	
6	A93E160203Old	Open/close Cover /Front	開閉カバー/前	D	1	
6	A93E160214	Open/close Cover /Front	開閉カバー/前	D	1	
7	A93E160302	Open/close Cover /Front	開閉カバー/前 (右)	D	1	
8	AAJRR71900	Cleaning Material	清掃部材	C	1	
9	A93E941101Old	Sheet	シート	D	1	
9	A93E941112	Sheet	シート	D	1	
10	A00J945500	Logo Mark	ロゴマーク	C	1	
11	AAJN940100	Label bizhub C4050i	ラベル bizhub C 4 0 5 0 i	D	1	
12	A93E168100	Support Arm	支持アーム	C	1	
13	A93E160603	Cover	カバー (左)	D	1	
14	A93E160700	Cover	カバー (左/2)	D	1	
15	A93E162701	Paper exit Cover	排紙カバー (奥)	D	1	
16	A93E164000	Paper exit Tray /2	排紙トレイ/2	D	1	
17	A93E153500	Seal	シール (トレイ連結)	D	1	
18	A02E940300	Label	ラベル	C	1	
19	A93E945400	Label	ラベル (複製禁止事項)	D	1	
20	AA2J948600	Label	ラベル (NFC)	A	1	

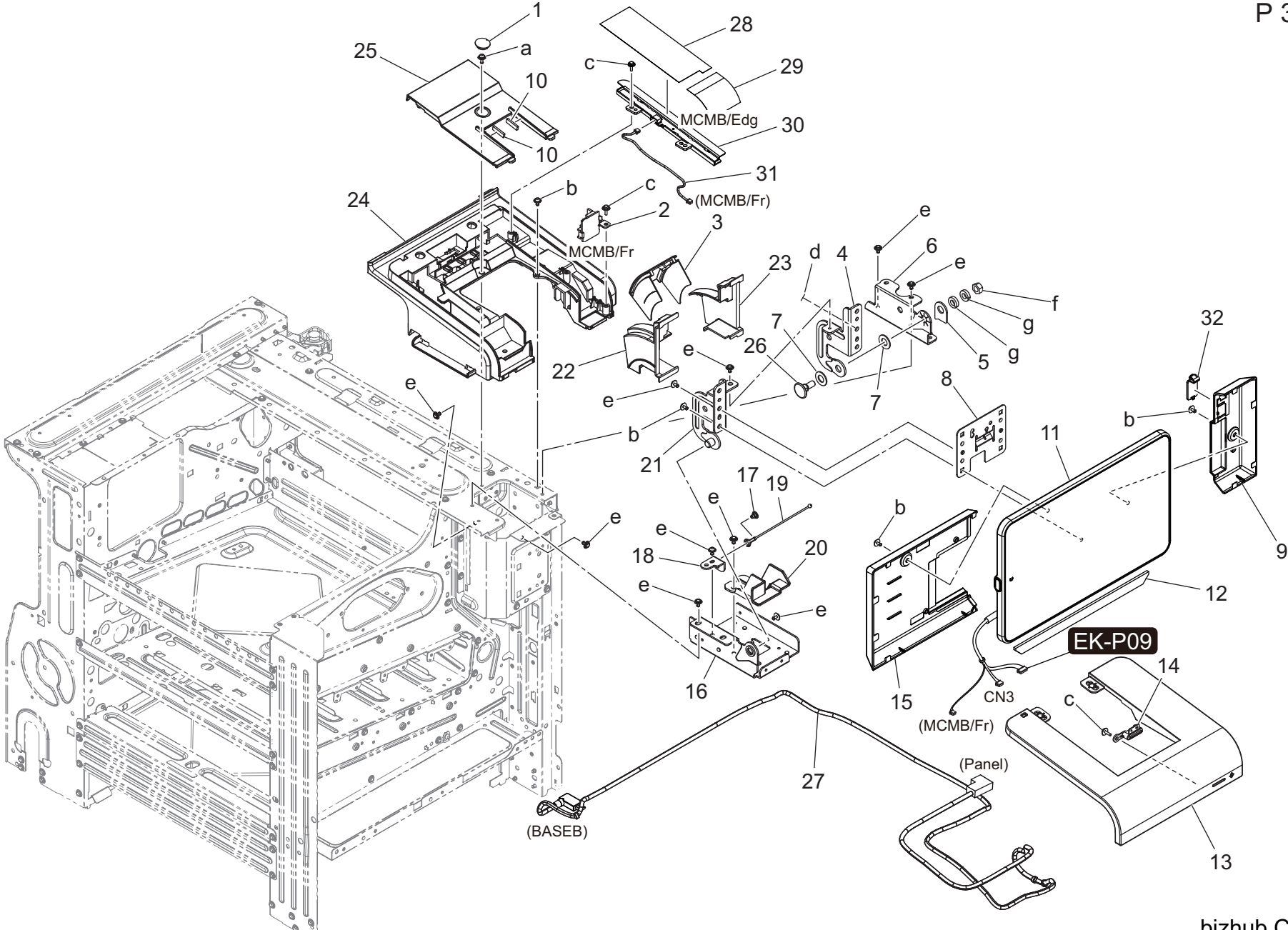
External Parts



External Parts

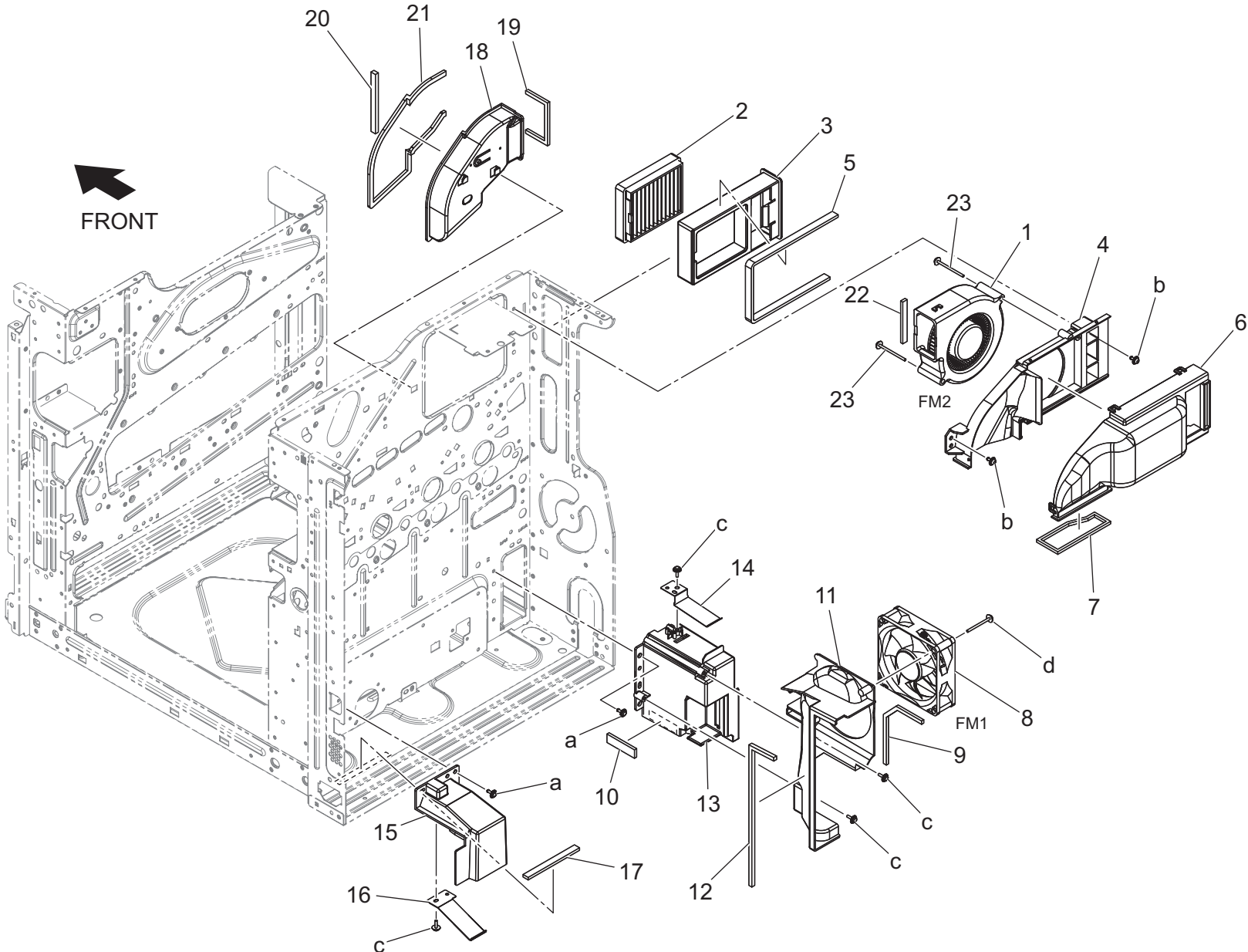
Key	Part No.	Description	Destinations	Class	QTY	Standard parts
1	A93E166103	Cover		D	1	a-V127030604 b-V144030803 c-V116030804
2	A93E166200	Cover		D	1	
3	A93E101702	Handle		D	1	
4	A93E101803	Handle		D	1	
5	A93E161902	Cover		D	1	
6	A93E161301	Cover /Right front		D	1	
7	A93E162001	Cover		D	1	
8	A93E157200	Seal	C,D1,D3,E,F2,G1,K	D	1	
9	A7PU168600	Seal		C	1	
10	A7PU168500	Seal		C	1	
11	A7PU941701	Label Caution	C,I(South Africa)	C	1	
12	A93E108101	Adjusting Plate		D	1	

Operation Panel Section



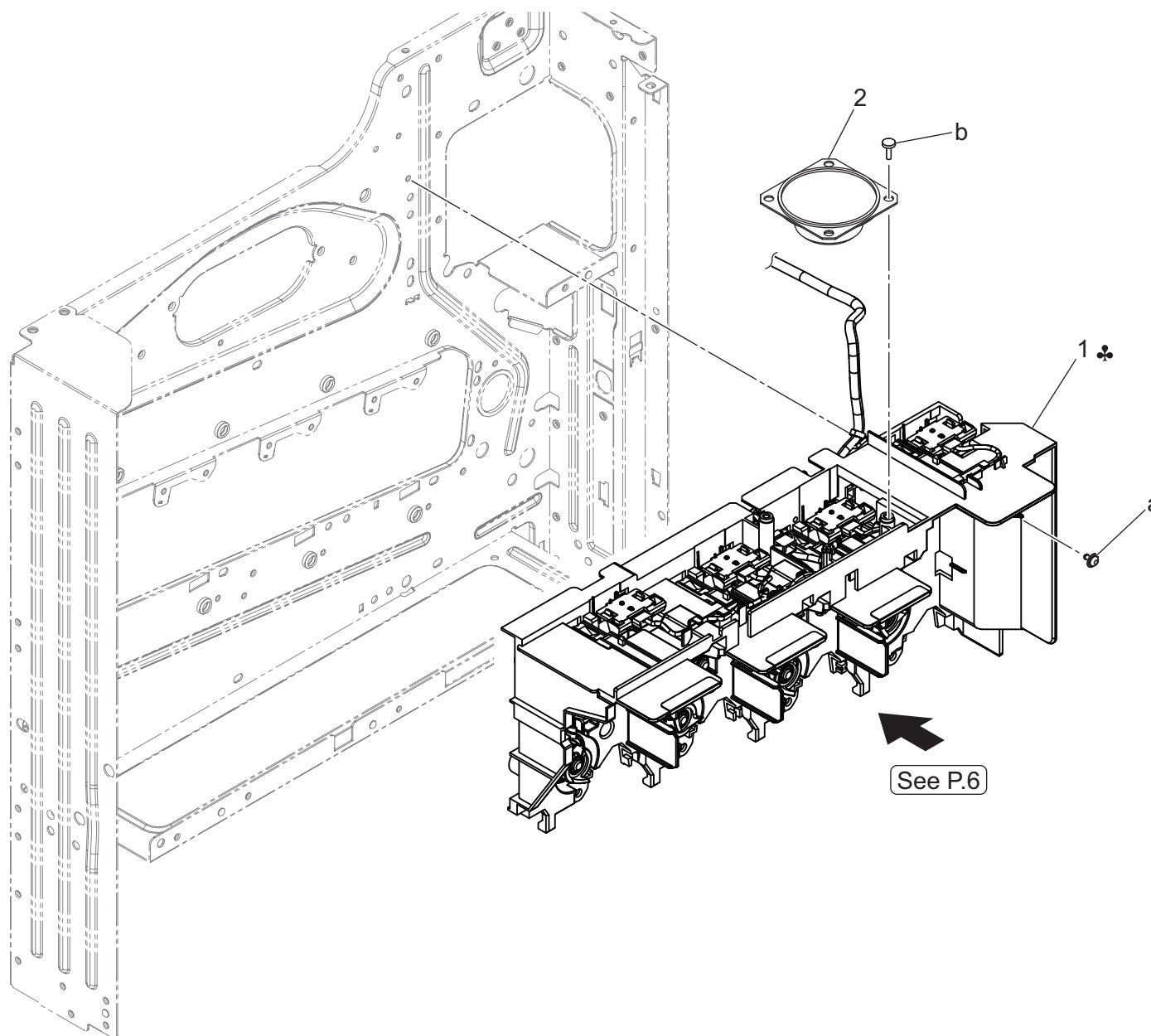
Key	Part No.	Description	Destinations	Class	QTY	Standard parts
1	A02E167700	Cover		C	1	a-V116030804 b-V127030604 c-V153030803 d-V144030803 e-V144030603 f-V195060003 g-V205060003
2	A93EM72001	Indicating Unit	表示ユニット (フロント LED ユニット)	C	1	
3	A93E191601	Cover	カバー (可動)	D	1	
4	A93E191000	Hinge	ヒンジ (右)	D	1	
5	AA2J191300	Spacer	スペーサ	D	1	
6	A93E190300	Mounting Plate /Right	取付板/右 (操作パネル)	D	1	
7	AA2J191800	Slide Spacer	すべりスペーサ	D	2	
8	AA2J191201	Mounting Plate	取付板 (パネル)	D	1	
9	AA2J192100	Cover /Right rear	カバー/右後 (パネル)	D	1	
10	A93E161400	Brake Part	ブレーキ材	D	2	
11	A93EM70002	Panel Assy	操作パネル A s s y	I	1	
12	AA2J195000	Cushion	クッション (パネル)	D	1	
13	A93E161102	Panel	パネル (下、白)	D	1	
14	AA2J193000	Indicating Part	表示部材	D	1	
15	AA2J192200	Cover /Left rear	カバー/左後 (パネル)	D	1	
16	A93E190202	Mounting Plate	取付板 (操作パネル)	D	1	
17	A7AH267201	Shoulder screw	段ねじ	C	1	
18	AA2J193100	Mounting Plate	取付板	D	1	
19	A93E191701	Wire	ワイヤ	D	1	
20	A93E192700	Guide Part	ガイド部材	D	1	
21	A93E190900	Hinge /ASSY	ヒンジ/ A S S Y	D	1	
22	A93E192401	Cover	カバー (左後・中)	D	1	
23	A93E191302	Cover	カバー (右後・中)	D	1	
24	A93E161002	Panel	パネル (下)	D	1	
25	A93E161201	Panel	パネル (下、白分割)	D	1	
26	AA2J191600	Shaft	軸 (ヒンジ)	D	1	
27	A93EN12300	Interface Cable	インターフェースケーブル (10パネル)	D	1	
28	A93E192501	Reflecting Sheet /A	反射シート/A	D	1	
29	A93E194501	Reflecting Sheet /B	反射シート/B	D	1	
30	A93EM72100	Indicating Unit	表示ユニット (サイド LED ユニット)	C	1	
31	A93EN12400	Harness	束線 (フロント LED-サイド LED)	D	1	
32	AA2J192801	Cover	カバー (キー蓋 (パネル))	D	1	

Colling Section



Key	Part No.	Description	Destinations	Class	QTY	Standard parts
1	A93EM10600	Fan motor		C	1	a-V144030803 b-V125030803 c-V153030803 d-V153033503
2	A92E158100	Dust-proof Filter		B	1	
3	A93E155001	Filter Holder		D	1	
4	A93E152801	Duct		D	1	
5	A93E155100	Seal		D	1	
6	A93E152701	Duct		D	1	
7	A93E152400	Seal		D	1	
8	A93EM10000	Fan motor		C	1	
9	A93E156900	Seal		D	1	
10	A93E157300	Seal		D	1	
11	A93E150600	Duct		D	1	
12	A93E150800	Seal		D	1	
13	A93E623200	Cover		D	1	
14	A93E626600	Plate spring		D	1	
15	A93E623100	Cover		D	1	
16	A93E626000	Plate spring		D	1	
17	A93E157000	Seal		D	1	
18	A93E151500	Duct		D	1	
19	A93E151800	Seal		D	1	
20	A93E153400	Seal		D	1	
21	A93E153200	Seal		D	1	
22	A93E153300	Seal		D	1	
23	A93E154000	Screw /B		D	2	

Toner Supply Section



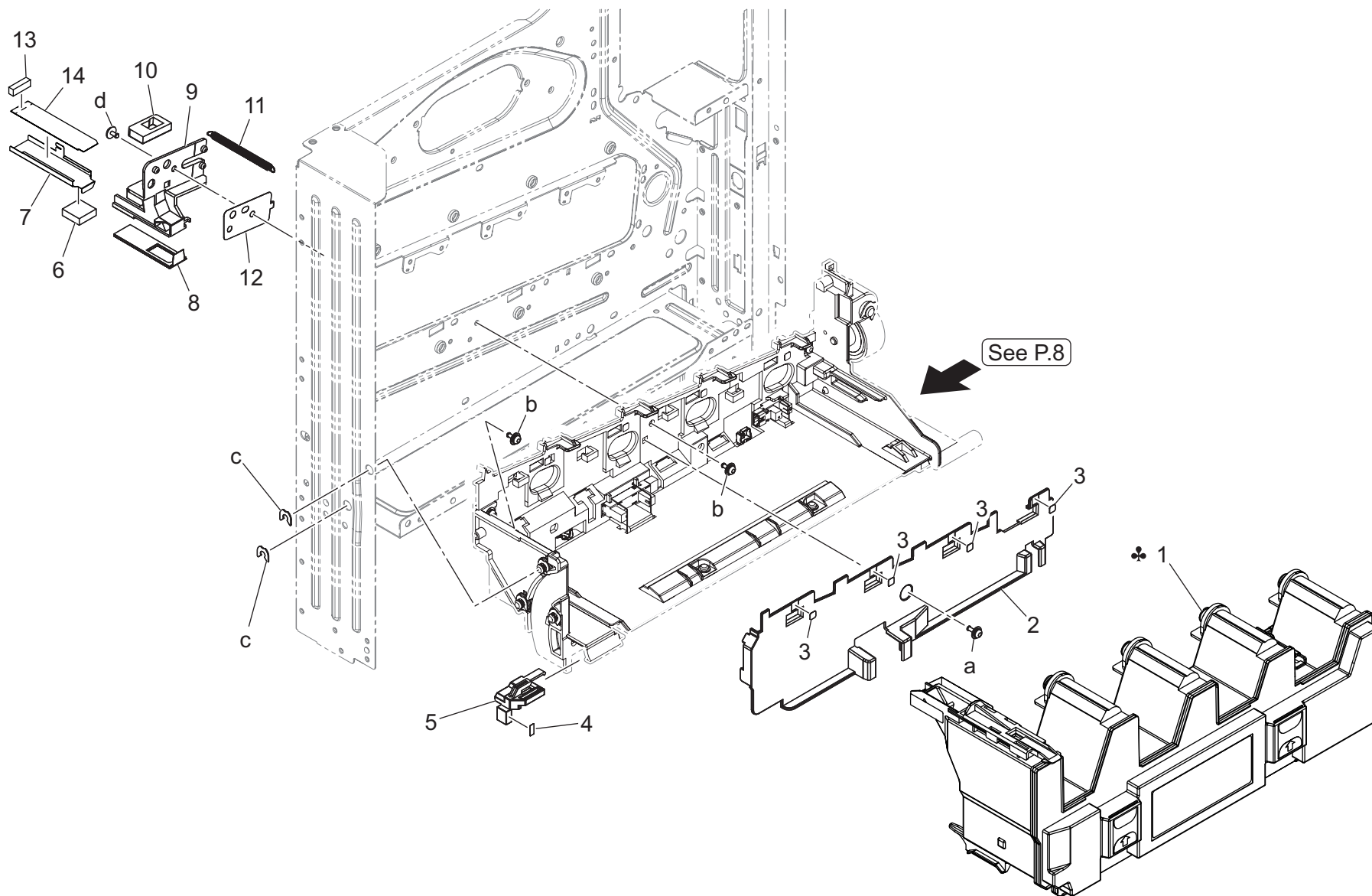
Toner Supply Section

Key	Part No.	Description		Destinations	Class	QTY	Standard parts
1	AAJNR70500	TB Drive ASSY	T B 駆動 A s s y (M F P 日本)	A,D1,D3,E,F2,G1,I(E xcept South Africa)	S	1	a-V127030604 b-V149030803
1	AAJNR70600	TB Drive ASSY	T B 駆動 A s s y (M F P 北米/欧州)	B,C,G2,H,I(South Af rica)	S	1	
2	A0P0M73100	Speaker	スピーカ		D	1	



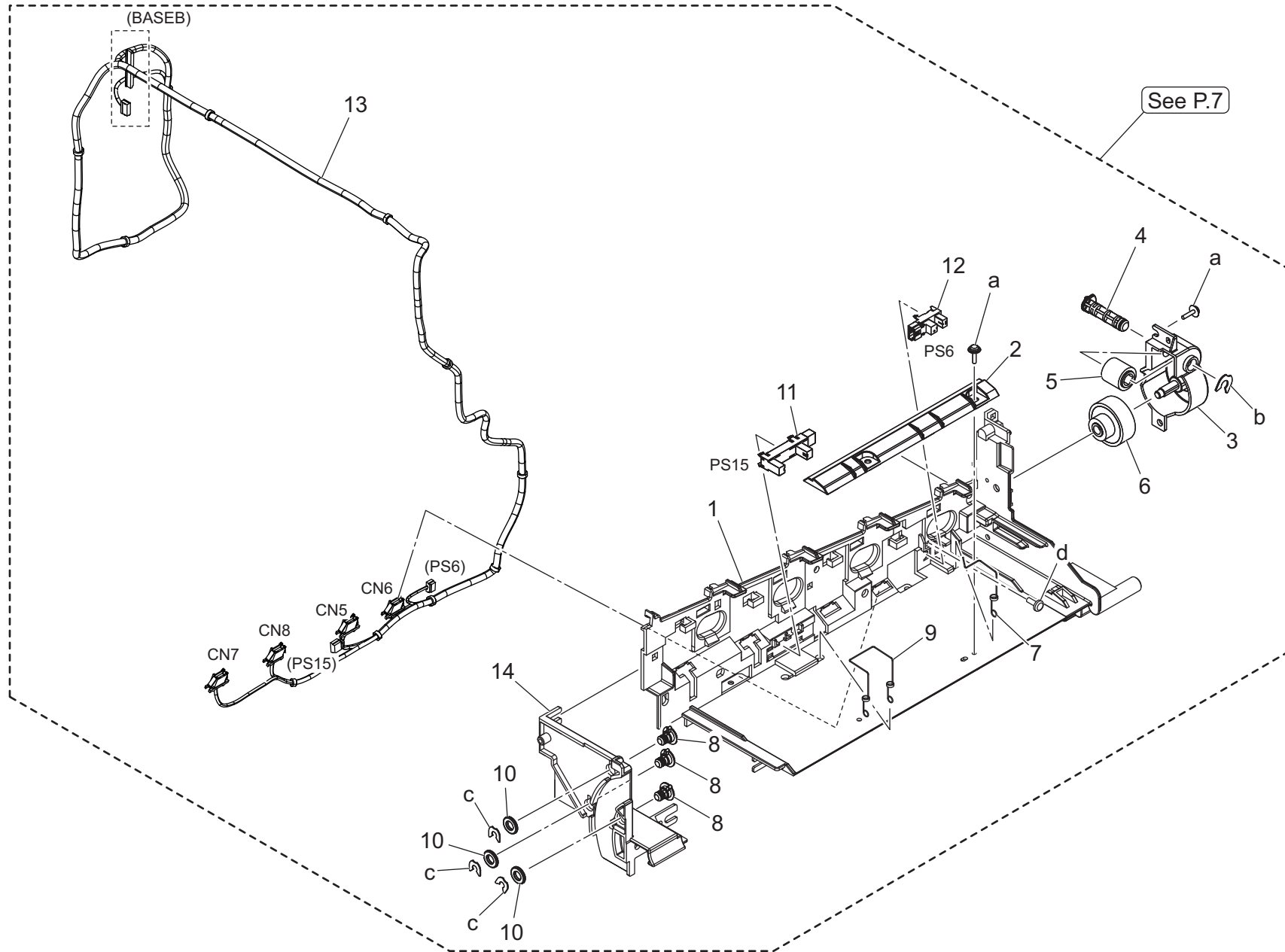
Key	Part No.	Description	Destinations	Class	QTY	Standard parts
1	A7PUM10700	Stepping motor		C	2	a-V145030803 b-V153031004 c-V153030803
2	A3GN401000	Torsion Coil spring		C	4	
3	A93E401400	Mounting Plate		D	4	
4	A0EDM60001	Relay Connector		D	4	
5	A93E402300	Label /Y		D	1	
6	A93E402400	Label /M		D	1	
7	A93E402500	Label /C		D	1	
8	A93E400900	Coupling		C	4	
9	A93E400800	Coupling		C	4	
10	A93E401700	Washer		D	4	
11	A93E401100	Spring		C	4	
12	A93E400500	Gear 30T		C	4	
13	A93E401500	Lock Part		D	4	
14	A93E405102	Holder		D	1	
14	A93E400002	Holder	A,D1,D3,E,F2,G1,I,(E xcept South Africa) B,C,G2,H,I(South Af rica)	D	1	
15	A93E400400	Gear 25T		C	5	
16	A93E401000	Gear 33T		C	1	
17	A93E400200	Gear 20/107T		C	2	
18	A93E400300	Gear 49/86T		C	2	
19	A93E402000	Holding Part		D	2	
20	A93EN10600	Toner Control harness		D	1	

Toner Collection Section



Key	Part No.	Description	Destinations	Class	QTY	Standard parts
1	ACDN002	Waste Toner Bottle	廃トナーボトル	A	1	a-V116030804 b-V125030803 c-V218040086 d-V144030603
1	ACDNWY1	Waste Toner Bottle	廃トナーボトル	A	1	
1	ACDN0Y1	Waste Toner Bottle	廃トナーボトル	A	1	
2	A93E164502	Cover	カバー (DVハーネス)	D	1	
3	A02E940300	Label	ラベル	C	4	
4	A93E940600	Label	ラベル (カセットストッパ)	D	1	
5	A93E623602	Stopper	ストッパ	D	1	
6	A93E363701	Seal	シール (シャッター外)	D	1	
7	A93E362301	Shutter	シャッター (中継)	D	1	
8	A93E362401	Seal	シール (中継)	D	1	
9	A93E363802	Holder	ホルダ (中継中継シャッター)	D	1	
10	A93E362201	Seal	シール (転写ジョイント)	D	1	
11	A93E362501	Pulling Coil spring	引張りコイルばね	C	1	
12	A93E110300	Ground Spring	アースばね	D	1	
13	A93E363900	Seal	シール (シャッター内)	D	1	
14	A93E364100	Seal	シール (シャッター)	D	1	

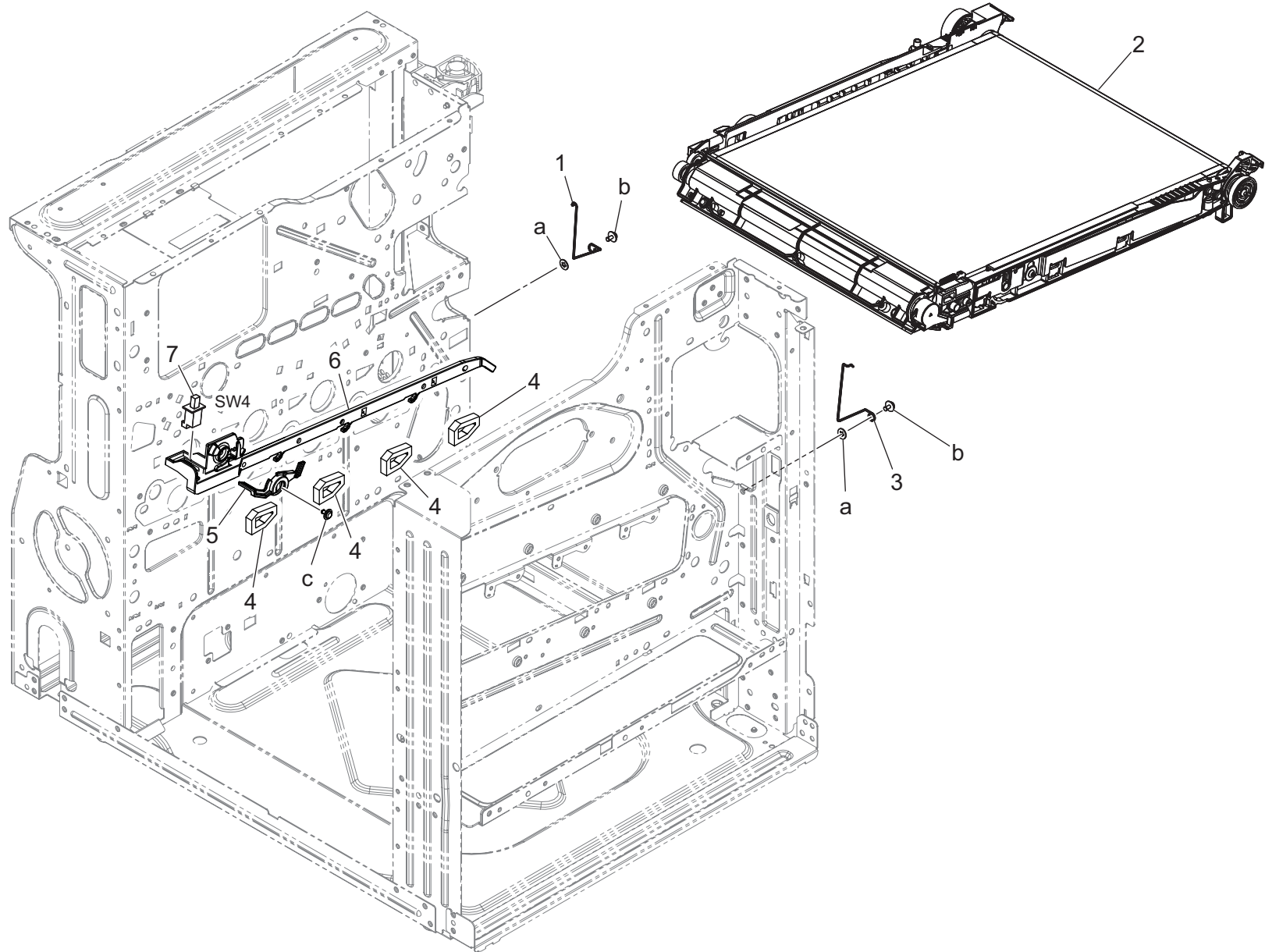
Toner Collection Section



Key	Part No.	Description	Destinations	Class	QTY	Standard parts
1	A93E165102Old	Cover		D	1	a-V153031004 b-V218060086 c-V218040086 d-V162020404
1	A93E165113	Cover		D	1	
2	A93E165301	Lock Claw		D	1	
3	A93E240000	Drive Holder		D	1	
4	A93E240100	Connecting Shaft		D	1	
5	A93E240500	Gear 10T		C	1	
6	A93E240600	Gear 13/20T		C	1	
7	A93E163000Old	Pulling Coil spring		C	1	
7	A93E163011	Pulling Coil spring		C	1	
8	A93E168000	Shaft		D	3	
9	A93E163100Old	Pulling Coil spring		C	2	
9	A93E163111	Pulling Coil spring		C	1	
10	A93E168300	Roll		D	3	
11	9335140051	SOLID STATE SWITCH		B	1	
12	A5C1M50100	Photointerrupter		B	1	
13	A93EN10500	Photoconductor Wiring		D	1	
14	A93E165200	Cover /B		D	1	

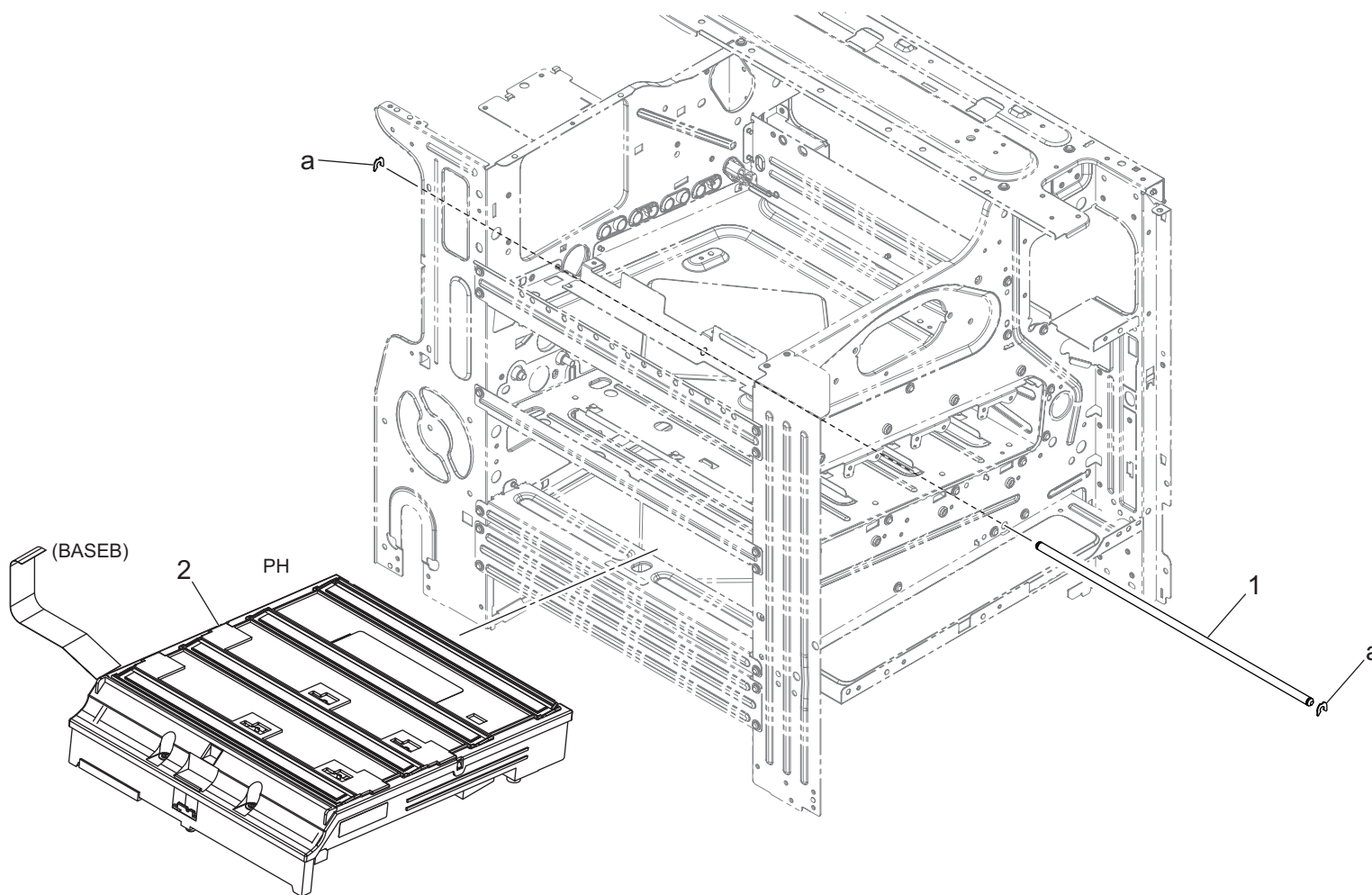
1st Transfer Section

P 9



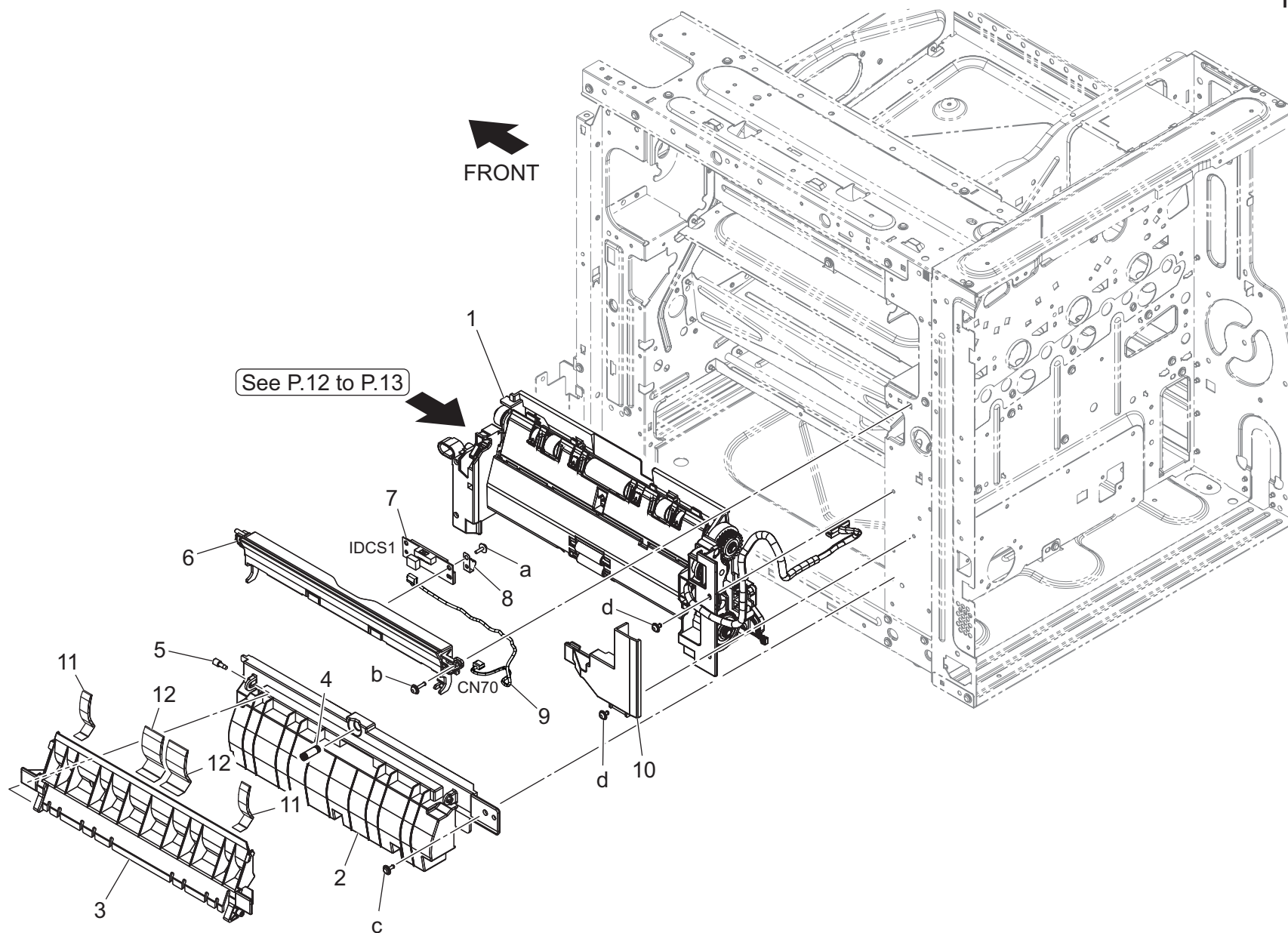
1st Transfer Section

Key	Part No.	Description	Destinations	Class	QTY	Standard parts
1	A93E110400	Fixing Spring		D	1	a-V211030080 b-V116030603 c-V144030603
2	AAJRR70100	Transfer Unit		B	1	
3	A93E110600	Fixing Spring		D	1	
4	A93E152600	Seal		D	4	
5	A93E110500	Lever		D	1	
6	A93E110100	Rail /Rear		D	1	
7	A797M60100	Switch		C	1	

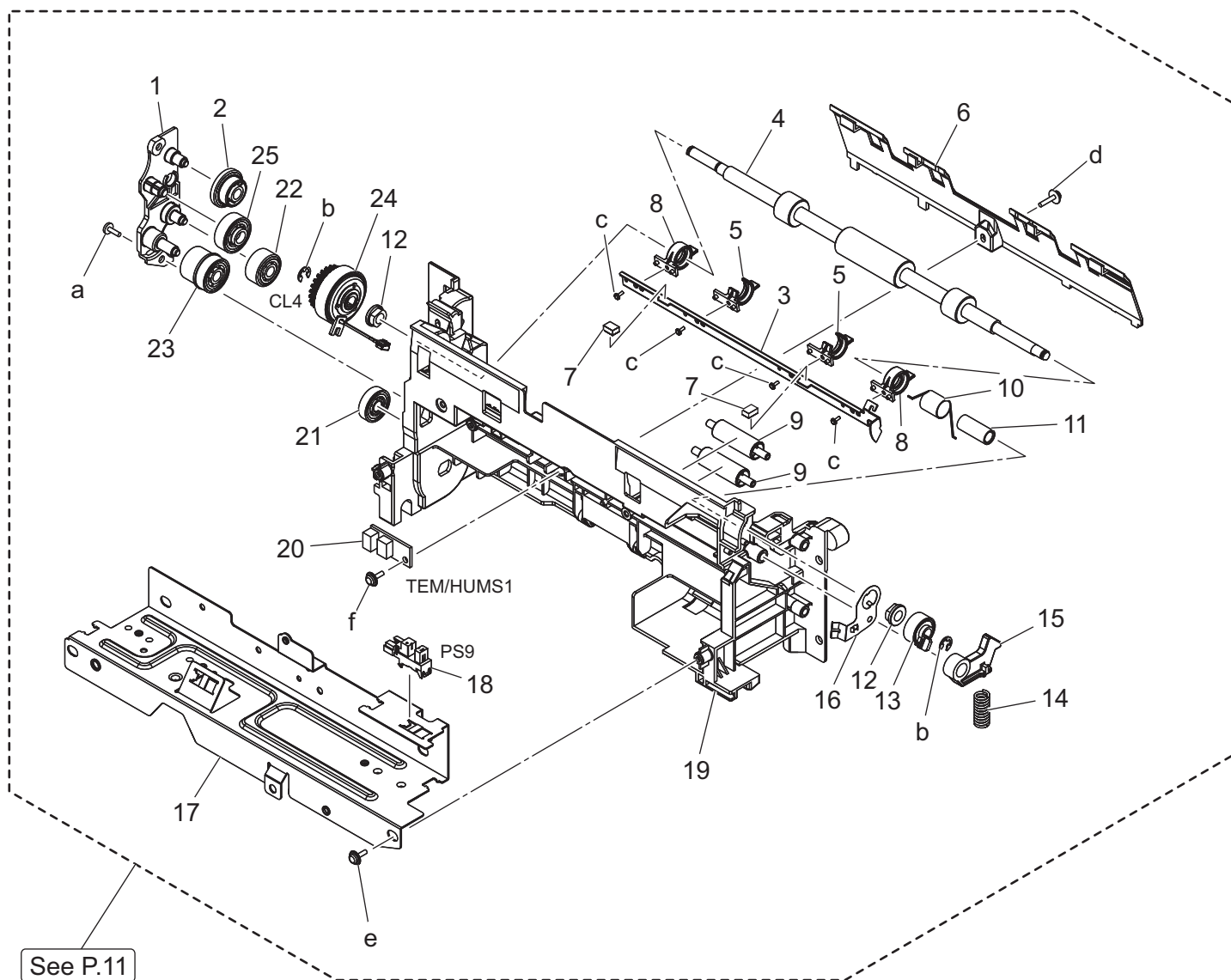


Write Section

Key	Part No.	Description	Destinations	Class	QTY	Standard parts
1	A93E100300	Shaft		D	1	a-V218040086
2	AAJRR72000	Print Head Assy		I	1	
		軸 (PH・右)				
		PH Assy (Sparrow1)				

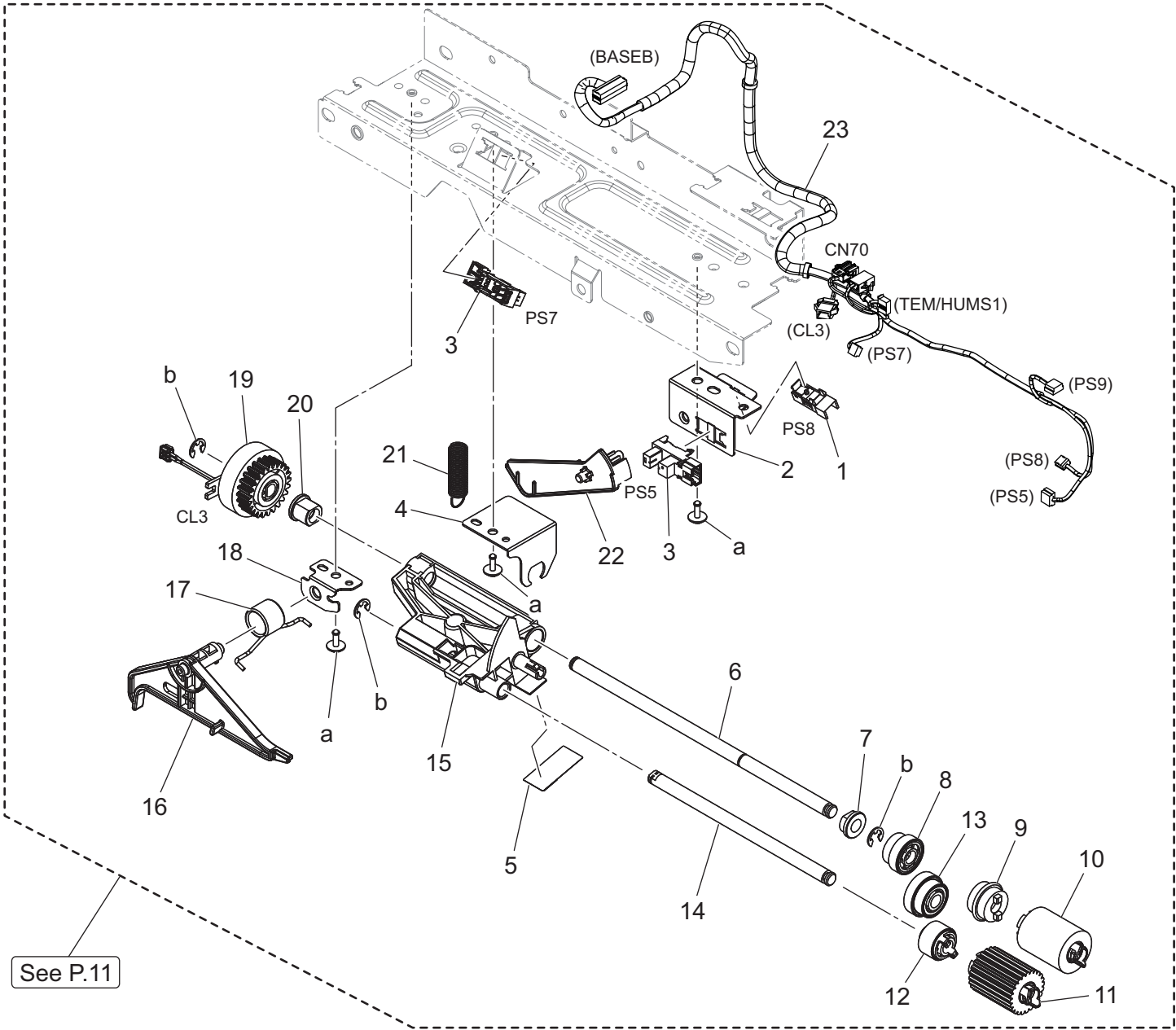


Key	Part No.	Description	Destinations	Class	QTY	Standard parts
1	AAJRR71400	Conveyance/ Paper Feed Assy		S	1	a-V153030803 b-V116031203 c-V144030803 d-V127030604
2	A93E701902	Guide		D	1	
3	A93E703102	Open/close Guide		D	1	
4	A93E703200	Compressing Coil spring		C	1	
5	4532341001	SHOULDER SCREW		D	1	
6	A93E700401	Conveyance Guide		D	1	
7	A161M50300	Photo sensing		I	1	
8	A93E705200	Ground Plate		D	1	
9	A93EN10J00	Relay harness /2		D	1	
10	A93E133300	Cover		D	1	
11	A93E707800	Sheet		D	2	
12	A93E707700	Sheet		D	2	



See P.11

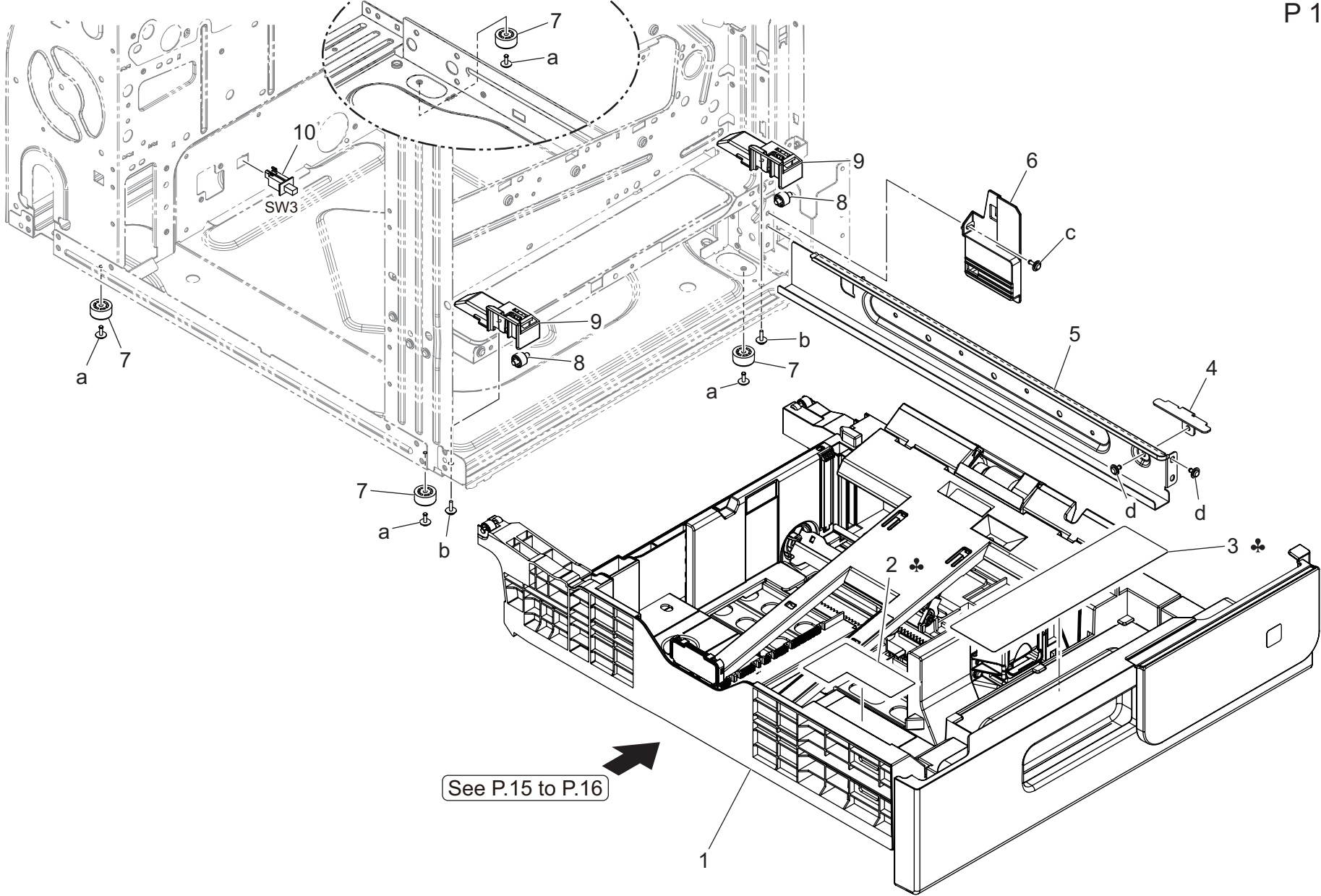
Key	Part No.	Description	Destinations	Class	QTY	Standard parts
1	A93E705000	Holder		D	1	a-V149030803 b-V217040003 c-V162020404 d-V116031203 e-V153030803 f-V153031004
2	A93E230600	Gear 20T	ホルダ (給紙駆動) ギア 20 T	C	1	
3	A93E700600	Mounting Plate	取付板	D	1	
4	A93E701101	Roller	ローラ (ゲート搬送)	C	1	
5	A93E705401	Stopper Part	突当て部材 (半円)	D	2	
6	A93E700800	Guide	ガイド (RR 前)	D	1	
7	A93E704800	Cushion	クッション	D	2	
8	A93E705301	Stopper Part	突当て部材 (円筒)	D	2	
9	A93E707300	Roll	ころ	C	2	
10	A93E700902	Torsion Coil spring	ねじりコイルばね	C	1	
11	A93E706100	Bushing	すべり軸受 (ねじりコイルばね)	D	1	
12	1134304301	BUSHING	軸受	C	2	
13	A93E701600	Gear 20T	ギア 20 T	C	1	
14	A93E701700	Compressing Coil spring	圧縮コイルばね (30)	C	1	
15	A93E701300	Lever	レバー	C	1	
16	A93E701500	Ground Plate	アース板	D	1	
17	A93E701200	Reinforce Plate	補強板	D	1	
18	A5C1M50100	Photointerrupter	透過型センサ	B	1	
19	A93E700103	Conveyance Guide	搬送ガイド (内)	D	1	
20	A7AHM50400	Humidity sensor	温湿度センサ	I	1	
21	A93E230500	Gear 17T	ギア 17 T	C	1	
22	A93E230400	Gear 17T	ギア 17 T	C	1	
23	A93E230700	Gear 17/18T	ギア 17 / 18 T	C	1	
24	A7AHM20501	Clutch	クラッチ (Z = 24)	C	1	
25	A93E230300	Gear 19T	ギア 19 T	C	1	



See P.11

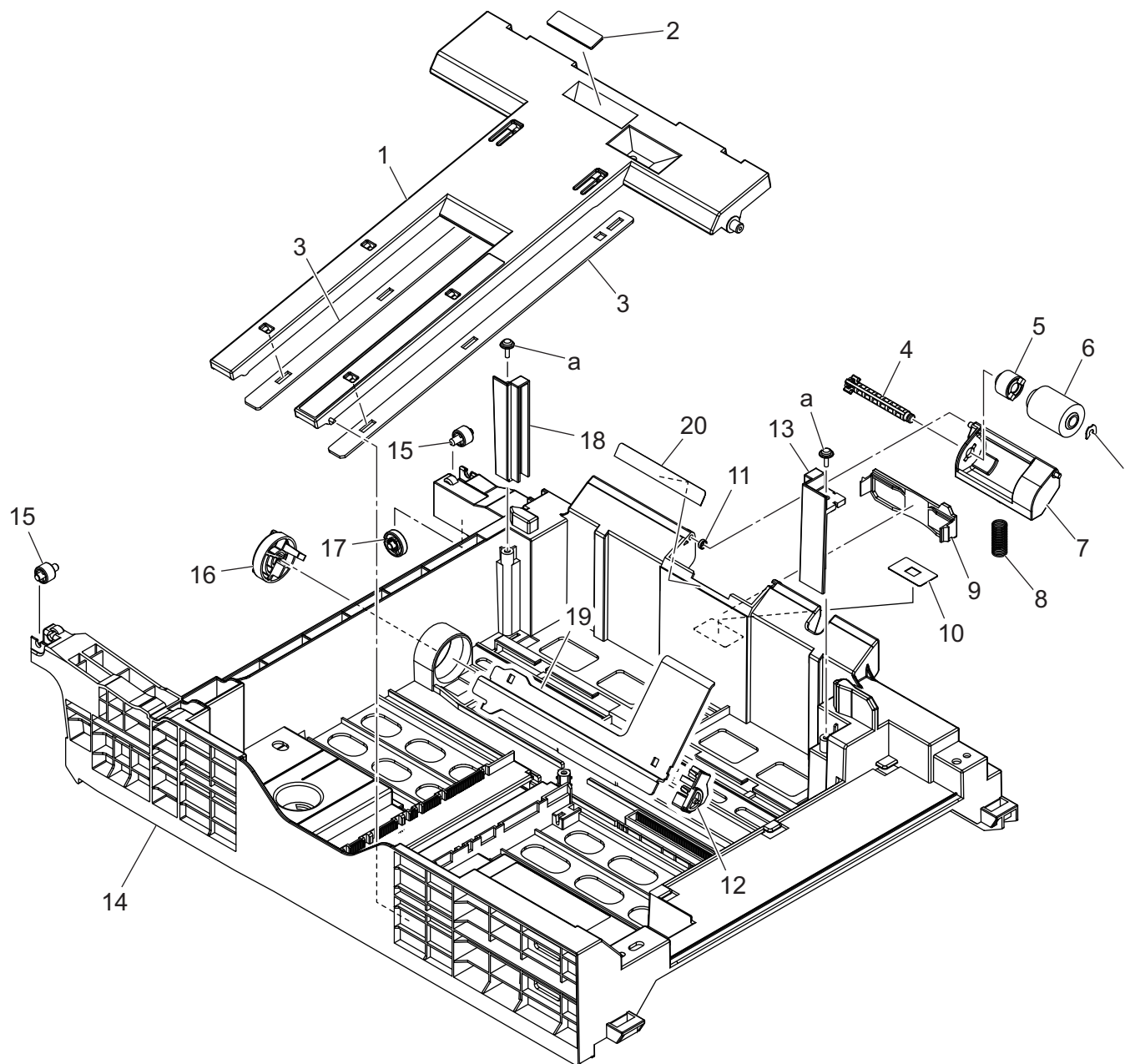
Key	Part No.	Description	Destinations	Class	QTY	Standard parts
1	A0EDM50100	Photoreflector		I	1	a-V144030803 b-V217040003
2	A93E562200	Mounting Plate		D	1	
3	A5C1M50100	Photointerrupter		B	2	
4	A93E562400	Mounting Plate		D	1	
5	A7AH562900	Protection Sheet		C	1	
6	A93E560501	Paper feed Shaft		D	1	
7	1134304301	BUSHING		C	1	
8	A7AH562400	Paper feed Gear		C	1	
9	A02E561100	Clutch		C	1	
10	A64J564101	Paper feed Roller		A	1	
11	A64J564201	Paper feed Roller		A	1	
12	A7AH562600	Conveyance Gear 28T		C	1	
13	A7AH562300	Idling Gear		C	1	
14	A93E563400	Shaft		D	1	
15	A93E562100	Pressing Lever		D	1	
16	A93E566100	Release Lever		D	1	
17	A93E566200	Torsion Spring		C	1	
18	A93E566400	Mounting Plate		D	1	
19	A7AHM20501	Clutch		C	1	
20	A02E815200	BUSHING		C	1	
21	A93E562800	Compressing Coil spring		C	1	
22	A93E565800	Actuator		D	1	
23	A93EN10A00	Main body Wiring /3		D	1	

Tray Section



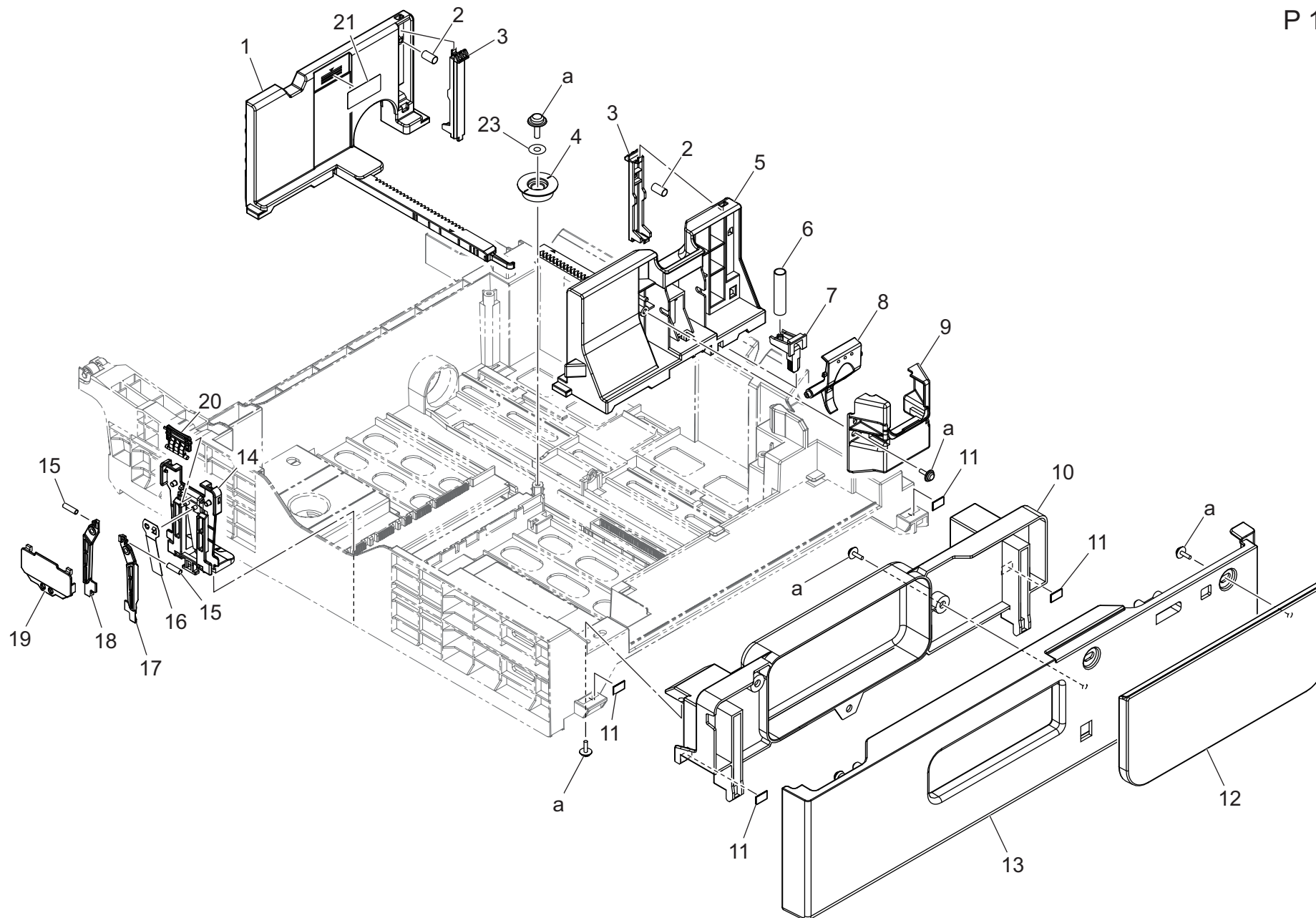
Key	Part No.	Description	Destinations	Class	QTY	Standard parts
1	A93EF62008	Cassette ASSY		S	1	a-V125030803 b-V153030803 c-V144030803 d-V144030603
2	A93E940301	Label	A	D	1	
3	A93E940201	Label	A	D	1	
3	A93E940701	Label	B,C,D1,D3,E,F2,G1,G 2,H,I,K	D	1	
4	A93E103300	Reinforce Plate		D	1	
5	A93E103001	Rail		D	1	
6	A93E103200	Cover		D	1	
7	0996305501	RUBBER FOOT		C	4	
8	A93E623301	Roll		D	2	
9	A93E121301	Guide		D	2	
10	A797M60100	Switch		C	1	

Tray Section



Key	Part No.	Description	Destinations	Class	QTY	Standard parts
1	A93E620203	Lifting Plate		D	1	a-V153030804 b-V218030086
2	A93E620500	Separating Sheet		C	1	
3	A93E621000	Reinforce Plate		D	2	
4	A93E626300	Shaft		D	1	
5	A0ED563900	Torque limiter		C	1	
6	A00J563600	Roller		A	1	
7	A93E626100	Holder		D	1	
8	A93E626201	Compressing Coil spring		C	1	
9	A93E620701	Cover		D	1	
10	A93E621100	Hold Part		D	1	
11	9J04534301	Collar		D	1	
12	A93E620601	Support Shaft		D	1	
13	A93E620901	Guide Stopper /Front		D	1	
14	A93E620104	Paper feed Cassette		D	1	
15	A93E623301	Roll		D	2	
16	A93E620401	Lifting Coupling		C	1	
17	A93E623400	Roll		C	1	
18	A93E620801	Guide Stopper /Rear		D	1	
19	A93E620301	Lifting Lever		D	1	
20	A93E626501	Guide		C	1	

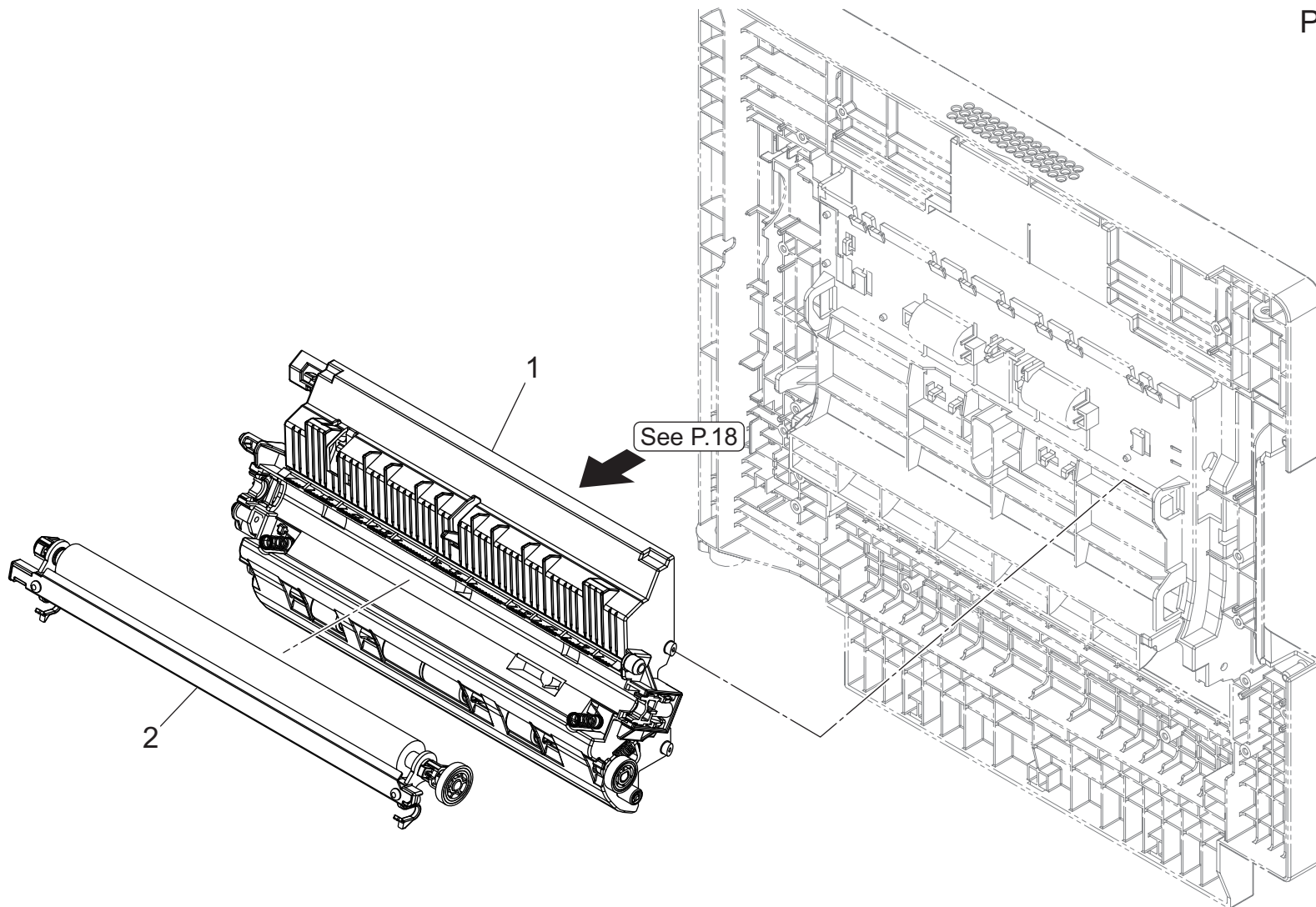
Tray Section



Key	Part No.	Description	Destinations	Class	QTY	Standard parts
1	A93E622203	Regulating Plate		C	1	a-V153030804
2	A795622700	Compressing Spring		C	2	
3	A93E622601	Auxiliary Guide		D	2	
4	A161620701	Gear		D	1	
5	A93E622103	Regulating Plate		C	1	
6	AA2J621000	Compressing Spring		C	1	
7	AA2J621200	Lock Lever /2		D	1	
8	A93E622700	Lock Lever		C	1	
9	A93E622501	Holder		D	1	
10	A93E625202	Cover		D	1	
11	A93E624000	Spacer		D	4	
12	A93E626702	Cover		D	1	
13	A93E625100	Cover		D	1	
14	A93E625000	Regulating Plate		C	1	
15	A795565500	Compressing Spring		C	2	
16	AA2J629200	Plate spring		D	1	
17	A93E625900	Lock Lever		C	1	
18	A93E625800	Lock Lever		C	1	
19	A93E625300	Cover		D	1	
20	AA2J629000	Operation Lever		D	1	
21	AA2J943700	Label		D	1	
23	9J08890700	WASHER		C	1	

2nd Transfer Section

P 17

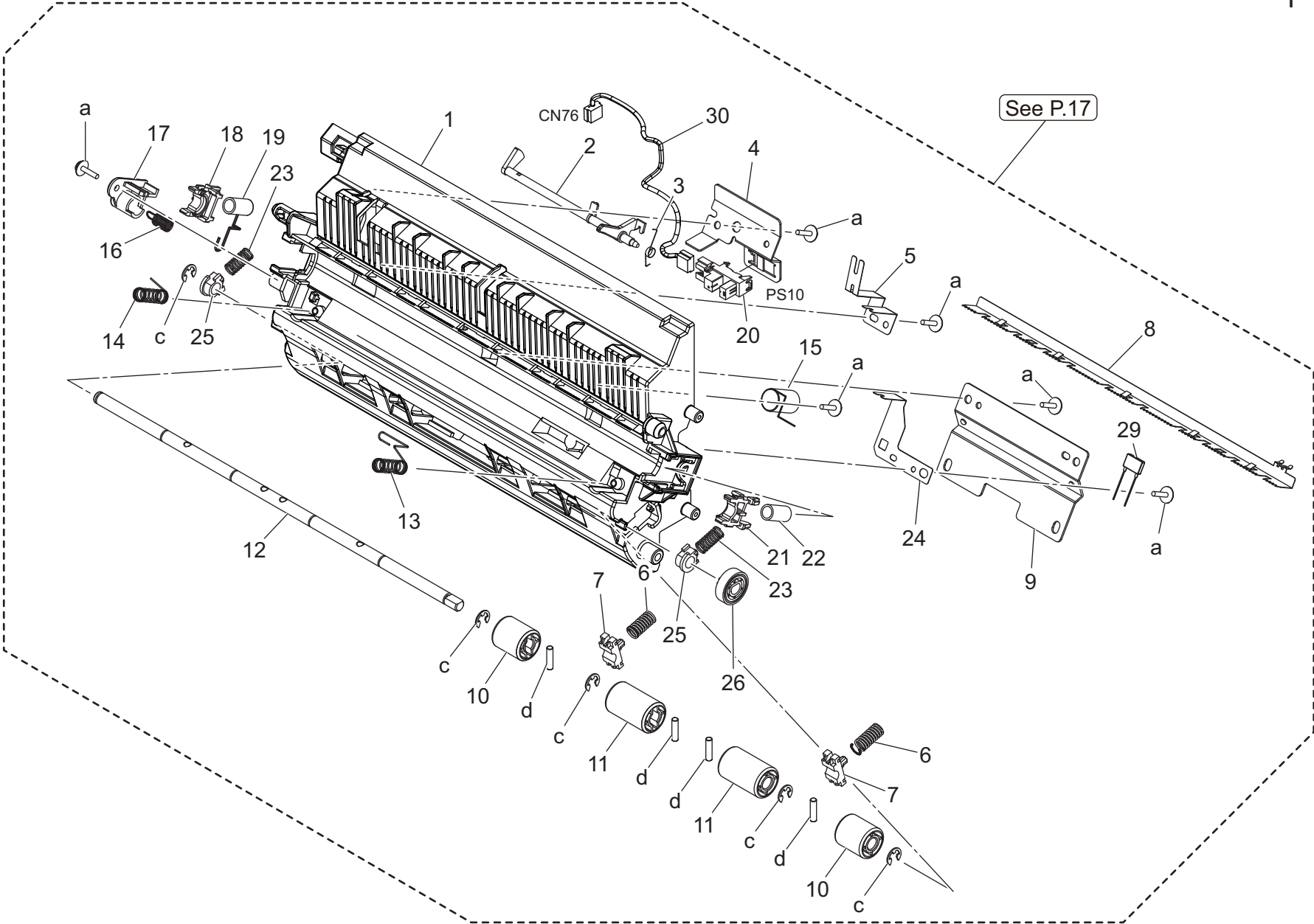


2nd Transfer Section

Key	Part No.	Description	Destinations	Class	QTY	Standard parts
1	AAJRR71500	Conveyance Assy		S	1	
2	AAJRR70500	2nd Transfer Roller Unit		B	1	

bizhub C4050i

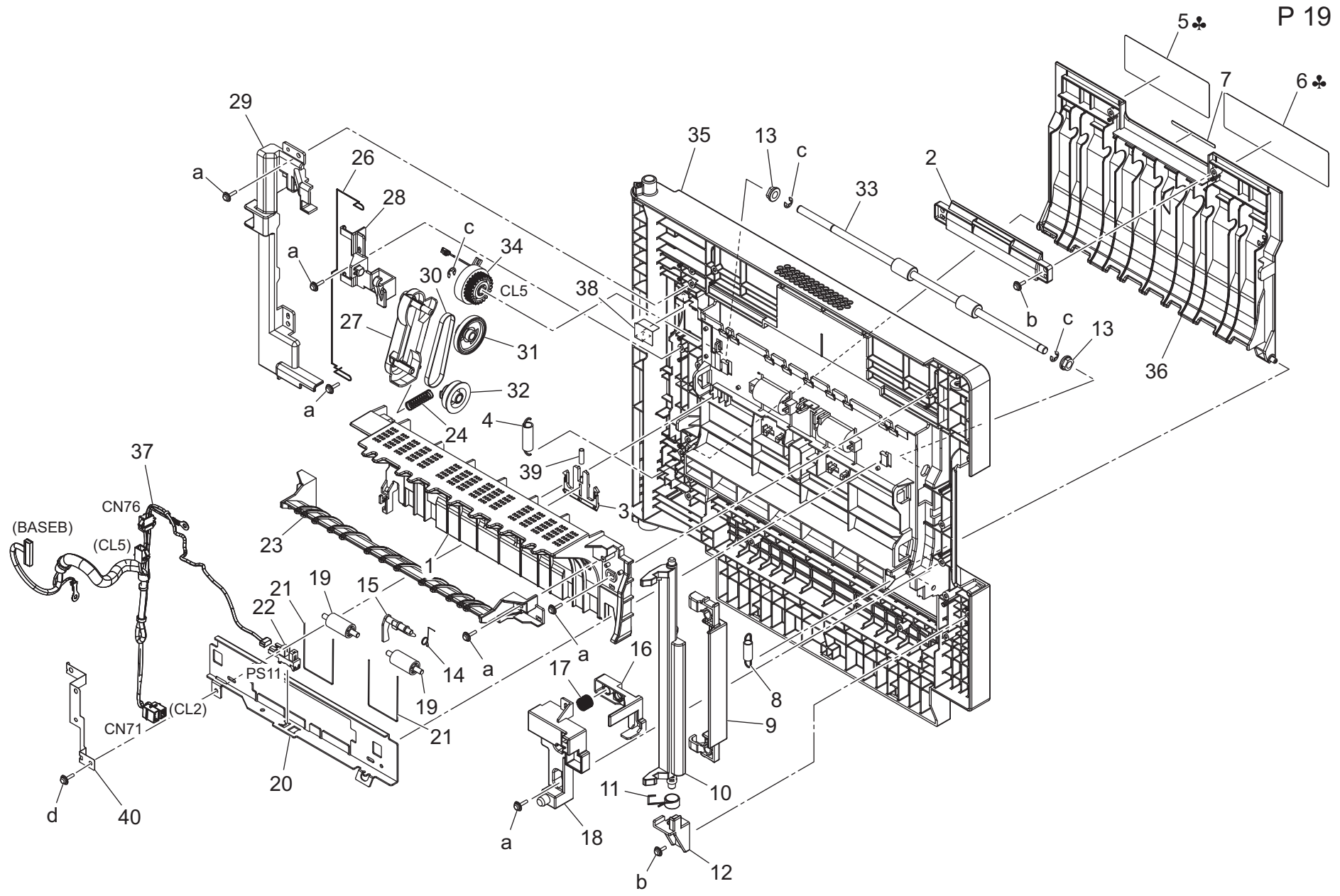
Vertical Conveyance Section



Key	Part No.	Description	Destinations	Class	QTY	Standard parts
1	A93E702102Old	Conveyance Guide		D	1	a-V153031004 c-V217040003 d-V234301250
1	A93E702114	Conveyance Guide		D	1	
2	A93E703400	Actuator		C	1	
3	A0VD700302	Torsion Coil spring		C	1	
4	A93E702400	Mounting Plate		D	1	
5	A93E707000	Ground Plate		D	1	
6	A93E704100	Compressing Coil spring		C	2	
7	A93E704301	Bushing		D	2	
8	A3GN701800	Neutralizing Part		D	1	
9	A93E703900	Mounting Plate		D	1	
10	A93E707100	Roll Outside		C	2	
11	A93E702500	Roll		C	2	
12	A93E703600	Shaft		D	1	
13	A93E706200	Compressing Spring		C	1	
14	A93E707200	Compressing Spring		C	1	
15	A93E708300	Compressing Coil spring		C	1	
16	A93E704700	Compressing Coil spring		C	1	
17	A93E704900	Cover		D	1	
18	A93E510902	Receiving Part /Rear		D	1	
19	A93E702600	Compressing Coil spring		C	1	
20	A5C1M50100	Photointerrupter		B	1	
21	A93E511102	Receiving Part /Front		D	1	
22	A93E703300	Compressing Coil spring		C	1	
23	A93E704200	Compressing Coil spring		C	2	
24	A93E704600	Ground Plate		D	1	
25	A93E703800	Bushing		D	2	
26	A93E703700	Gear 20T		C	1	
29	V800500300	FIXED POWER RESISTORS		D	1	
30	A93EN10N00	Relay harness /5		D	1	

Vertical Conveyance Section

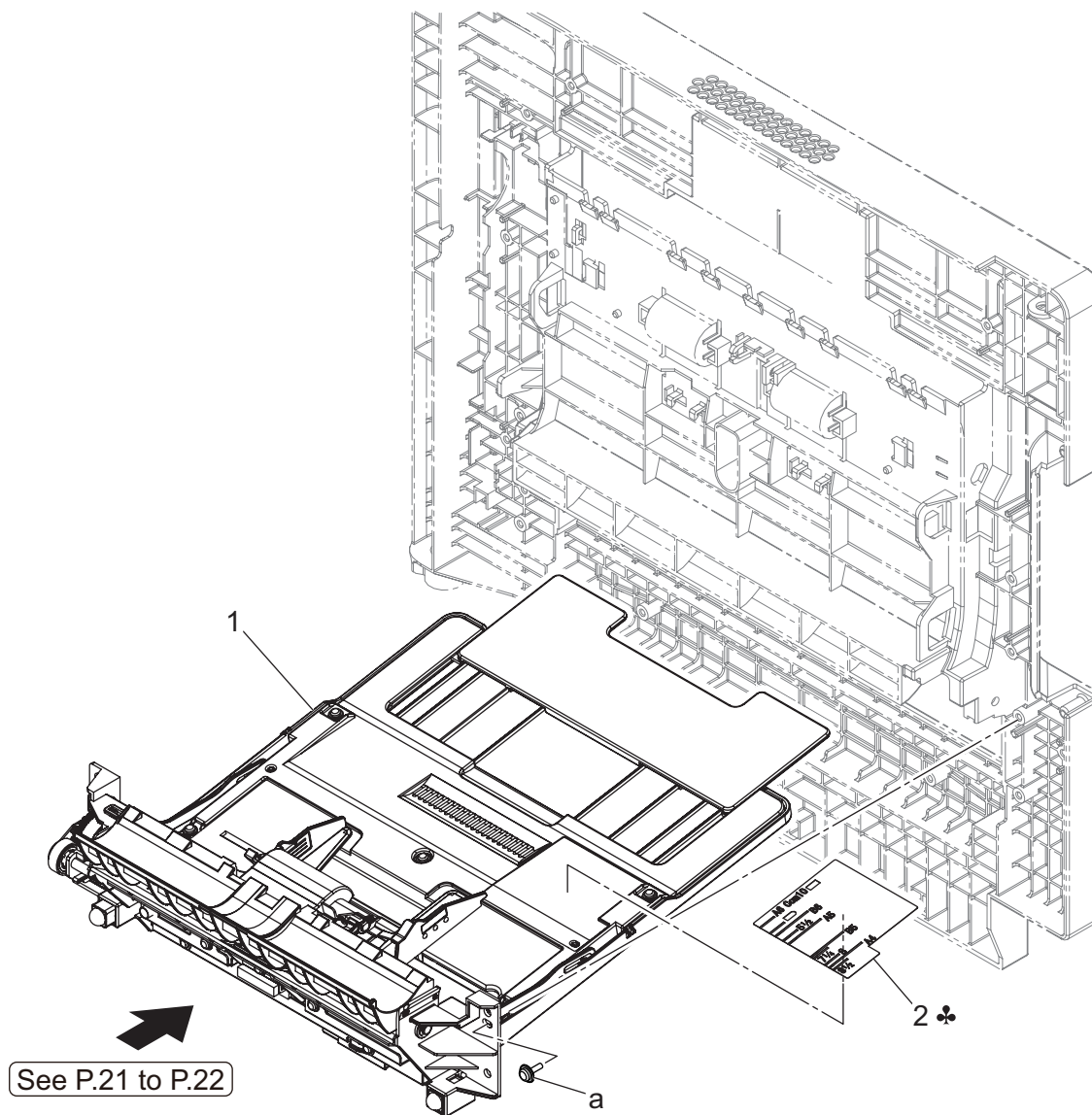
P 19



bizhub C4050i

Key	Part No.	Description	Destinations	Class	QTY	Standard parts
1	A93E813101	Guide /Upper		D	1	a-V153031004 b-V153030803 c-V217040003 d-V144030603
2	A93E810800	Handle		D	1	
3	A93E810701	Lock Part		D	1	
4	A93E810600	Pulling Coil spring		C	1	
5	A93E944400	Label	A	D	1	
5	A93E944500	Label	B,C,D1,D3,E,F2,G1,G 2,H,I,K	D	1	
6	A93E944300	Operation Label	A	D	1	
6	A93E944600	Operation Label	B,C,D1,D3,E,F2,G1,G 2,H,I,K	D	1	
7	A93E942100	Label		D	1	
8	A0VD703700	Pulling Coil spring		D	1	
9	A93E814702	Handle		D	1	
10	A93E814300	Lock Lever		C	1	
11	A93E814500	Torsion Coil spring		C	1	
12	A93E814401	Holder		D	1	
13	1134304301	BUSHING		C	2	
14	A93E815200	Torsion Coil spring		C	1	
15	A93E815100	Actuator		C	1	
16	A93E814001	Lever		D	1	
17	A93E811400	Compressing Coil spring		D	1	
18	A93E814100	Cover		D	1	
19	4538373201	ROLL		D	2	
20	A93E810200Old	Reinforce Plate		D	1	
20	A93E810211	Reinforce Plate		D	1	
21	A93E812100	Spring		C	2	
22	A5C1M50100	Photointerrupter		B	1	
23	A93E814202	Guide		D	1	
24	A93E813800	Compressing Coil spring		C	1	
26	A93E594200	Ground Contact		D	1	
27	A93E813302	Swing Housing		D	1	
28	A93E813201	Positioning Shaft		D	1	
29	A93E815302	Cover		D	1	
30	A0HR211900	Drive Belt /5		C	1	
31	A93E813501	Gear 31T		C	1	
32	A93E813700	Gear 23T		C	1	
33	A93E812000	Roller		C	1	
34	A7AHM20501	Clutch		C	1	
35	A93E810107Old	Door		D	1	
35	A93E810118	Door		D	1	
36	A93E810502	Open/close Guide		D	1	
37	A93EN10B00	Conveyance Wiring /1		D	1	
38	A93E815400	Wiring Cover		D	1	
39	A93E810900	Compressing Coil spring		C	1	
40	A93E814800	Ground Plate		D	1	

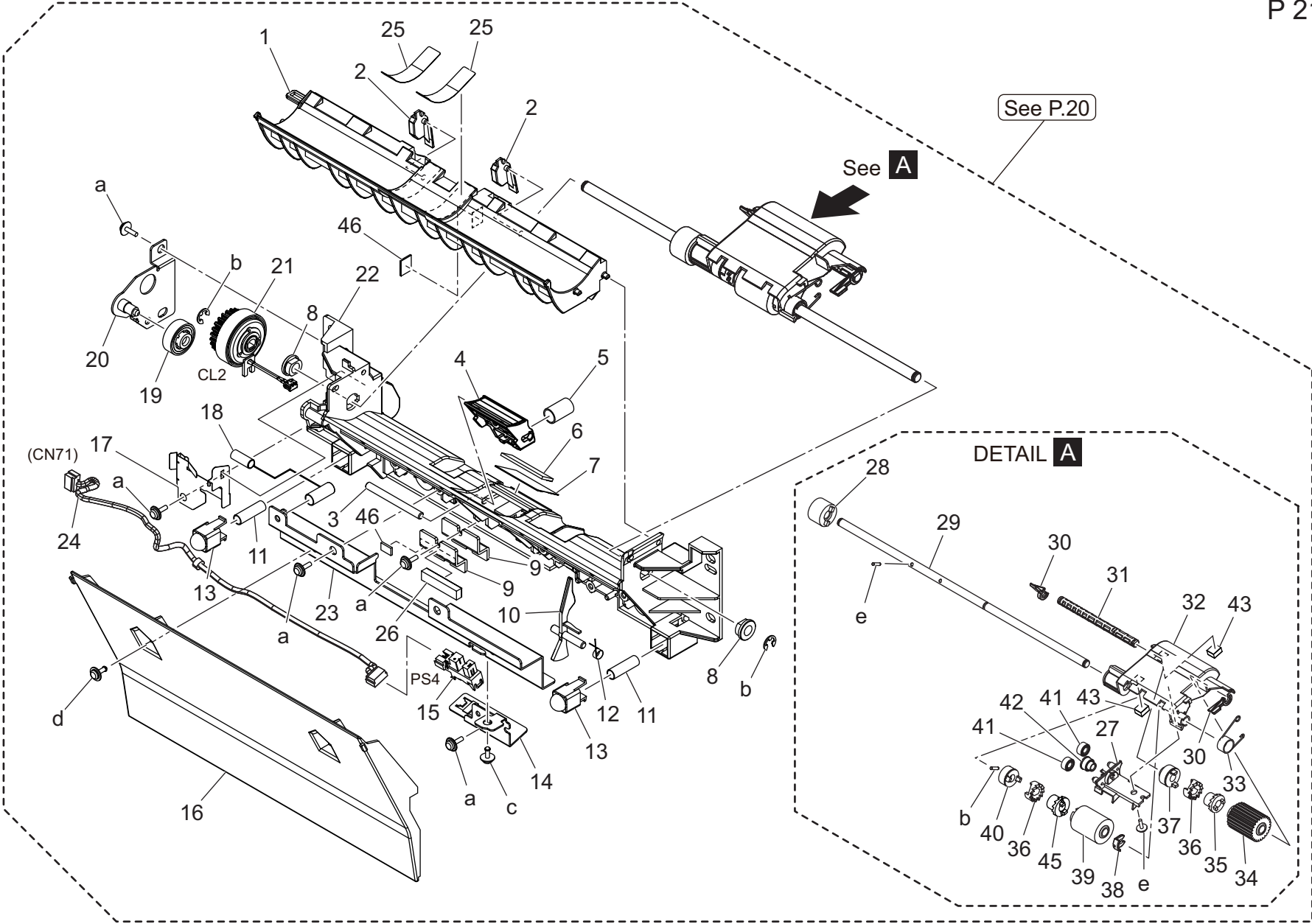
Bypass Tray Section



Bypass Tray Section

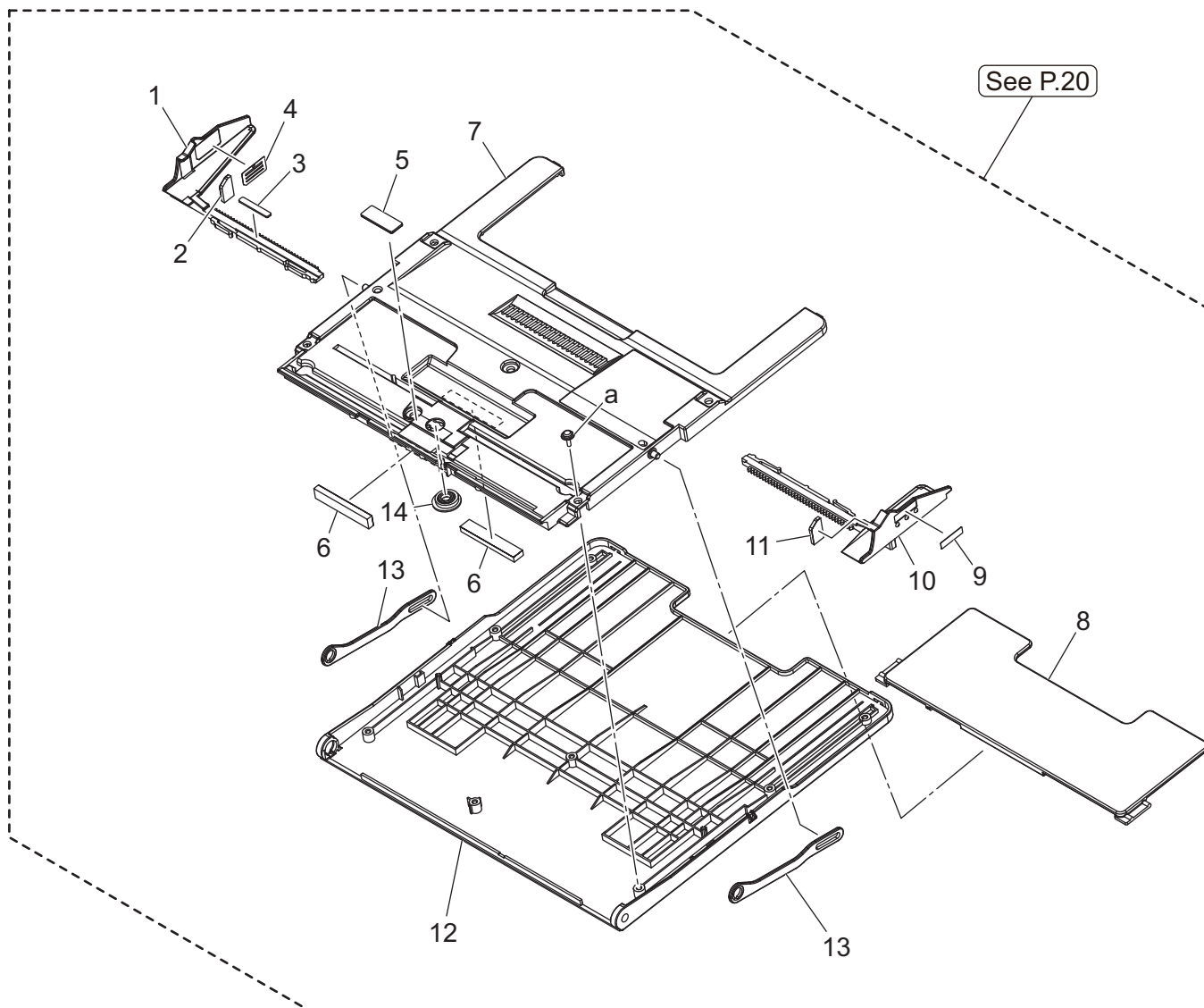
Key	Part No.	Description	Destinations	Class	QTY	Standard parts
1	AAJRR71600	Manual Bypass Assy		S	1	a-V153030804
2	A93E944100	Label	A	D	1	
2	A93E944200	Label	B,C,D1,D3,E,F2,G1,G 2,H,I,K	D	1	

Bypass Tray Section



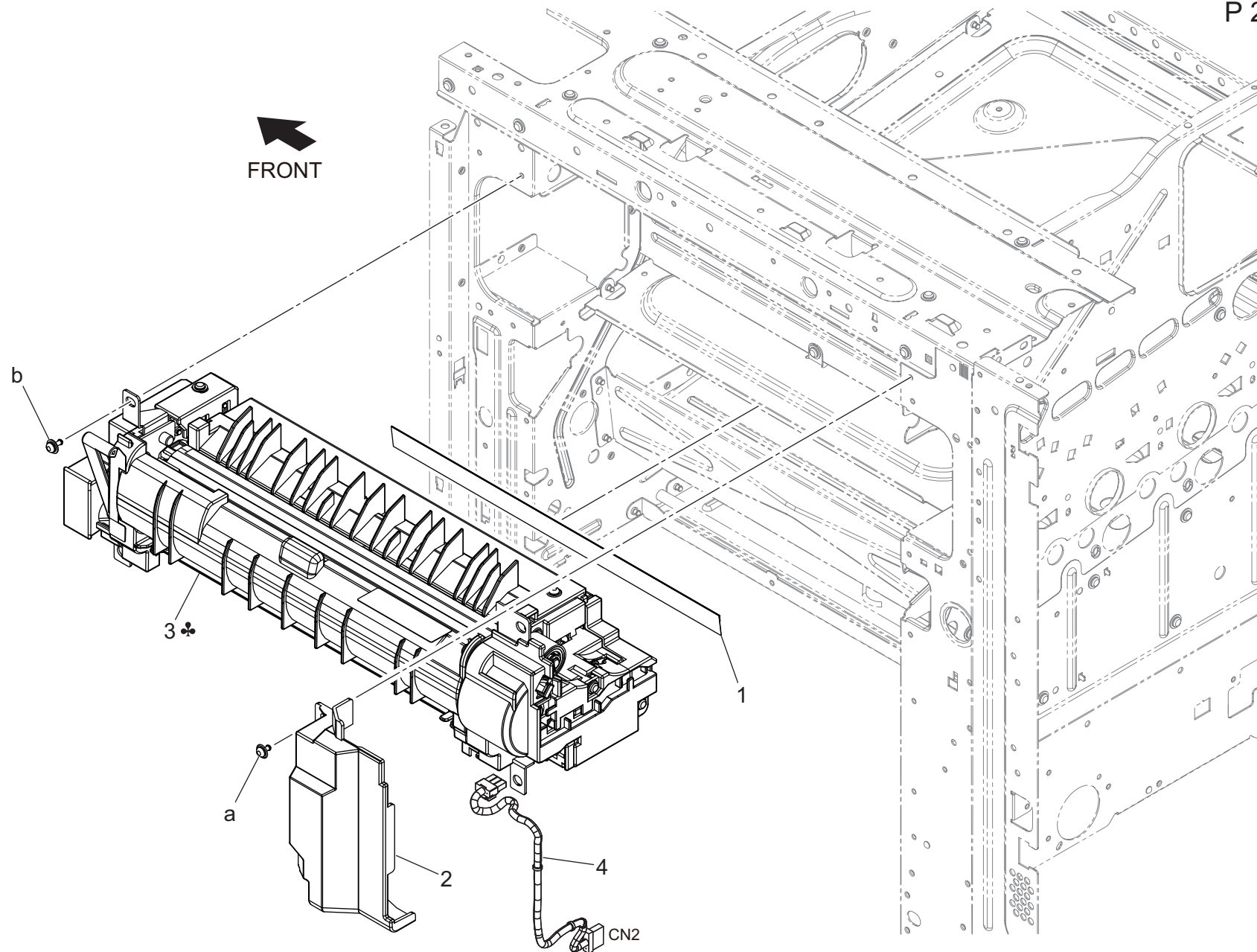
Key	Part No.	Description	Destinations	Class	QTY	Standard parts
1	A93E590302	Guide	ガイド (両面)	D	1	a-V153030804 b-V217040003 c-V125030803 d-V144030803 e-V231200850
2	A93E596300	Shutter	シャッター	C	2	
3	A93E591900	Support Shaft	支点軸 (さばきホルダ)	D	1	
4	AAJRR72200	Friction Sheet Assy	摩擦板 Assy	B	1	
5	A93E591600	Compressing Coil spring	圧縮コイルばね	C	1	
6	A93E592300	Separating Pad	分離パッド (前さばき)	C	1	
7	A93E591800	Cover Sheet	カバーシート (さばき)	C	1	
8	4134588202Old	BUSHING	軸受	D	2	
8	1134304301	BUSHING	軸受	C	2	
9	A93E597800	Vibrationproof Part	防振材	D	2	
10	A93E594100	Actuator	アクチュエータ (エンブティ)	C	1	
11	A93E595600	Compressing Coil spring	圧縮コイルばね (可動ガイド)	C	2	
12	A93E594400	Torsion Spring	ねじりばね (PE)	C	1	
13	A93E595700	Holding Cap	押さえキャップ	D	2	
14	A93E594700	Mounting Plate	取付板 (フォトセンサ)	D	1	
15	A5C1M50100	Photointerrupter	透過型センサ	B	1	
16	A93E590402	Guide	ガイド (増設)	D	1	
17	A93E594300Old	Ground Plate	アース板	D		
17	A93E594312	Ground Plate	アース板	D	1	
18	A93E597600	Ground Part	アース材 (PE 取付板)	D	1	
19	A93E590600	Bypass Gear 17T	ギア 17 T	C	1	
20	A93E590500	Mounting Plate	取付板	D	1	
21	A7AHM20401	Clutch	クラッチ (Z = 2 4)	C	1	
22	A93E590203	Paper feed Frame	給紙フレーム	D	1	
23	A93E597100	Reinforce Part	補強部材	D	1	
24	A93EN10M00	Relay harness /4	中継束線 / 4	D	1	
25	A93E597900	Sheet	シート (摺動)	D	2	
26	A93E598000	Cushion	クッション	D	1	
27	A93E592800	Holder	ホルダ (アイドルギア)	D	1	
28	A93E593800	Torque limiter	トルクリミッタ (市販品)	C	1	
29	A93E590800	Shaft	軸 (給紙 R)	D	1	
30	A93E596201	Lock Lever	ロックレバー	C	2	
31	A93E591700	Shaft	軸 (ピック R)	D	1	
32	A93E591300	Holder	ホルダ (ローラ)	D	1	
33	A93E593100	Torsion Coil spring	ねじりコイルばね	C	1	
34	A5C1562200	Roller	ローラ (ピック)	A	1	
35	A93E593400	Drive Coupling /2	駆動カップリング / 2	C	1	
36	A93E593300	Drive Coupling /1	駆動カップリング / 1	C	2	
37	A93E593900	Gear 28T	ギア 28 T	C	1	
38	56AA40490	SHAFT STOPPER 4	軸ストッパ 4	C	1	
39	A93E597500	Roller	ローラ (給紙)	B	1	
40	A93E593200	Gear 26T	ギア 26 T	C	1	
41	A93E592900	Gear 17T	ギア 17 T	C	2	
42	A93E592500	Gear 17T	ギア 17 T	C	1	
43	A93E598800	Cushion /1	クッション / 1	D	2	
45	A93E598400	Drive Coupling	駆動カップリング (導電)	D	1	
46	A93E598600	Neutralizing Sheet /2	除電シート / 2	C	2	

Bypass Tray Section



Key	Part No.	Description	Destinations	Class	QTY	Standard parts
1	A93E592201	Regulating Plate /R		C	1	a-V153030804
2	A7AH604501	Brake Part		C	1	
3	A93E597200	Friction Part		D	1	
4	AA2J944500	Label		C	1	
5	A93E594600	Separating Sheet		C	1	
6	A93E598200	Cushion		D	2	
7	A93E592002	Holder		C	1	
8	A93E591002	Tray		C	1	
9	A93E943800	Label		D	1	
10	A93E592102	Regulating Plate /F		C	1	
11	A7AH604401	Brake Part /F		C	1	
12	A93E590100	Tray		C	1	
13	A93E597300	Stopper Part		C	2	
14	A0VD562300	Gear 16T		D	1	

Fusing Section



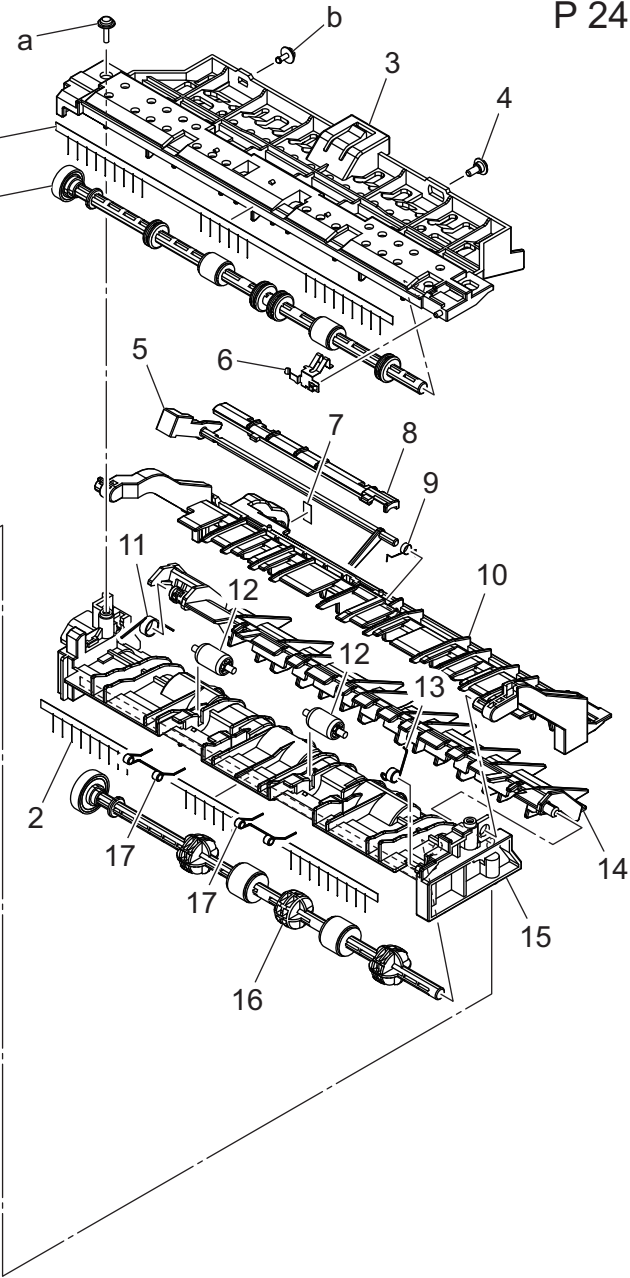
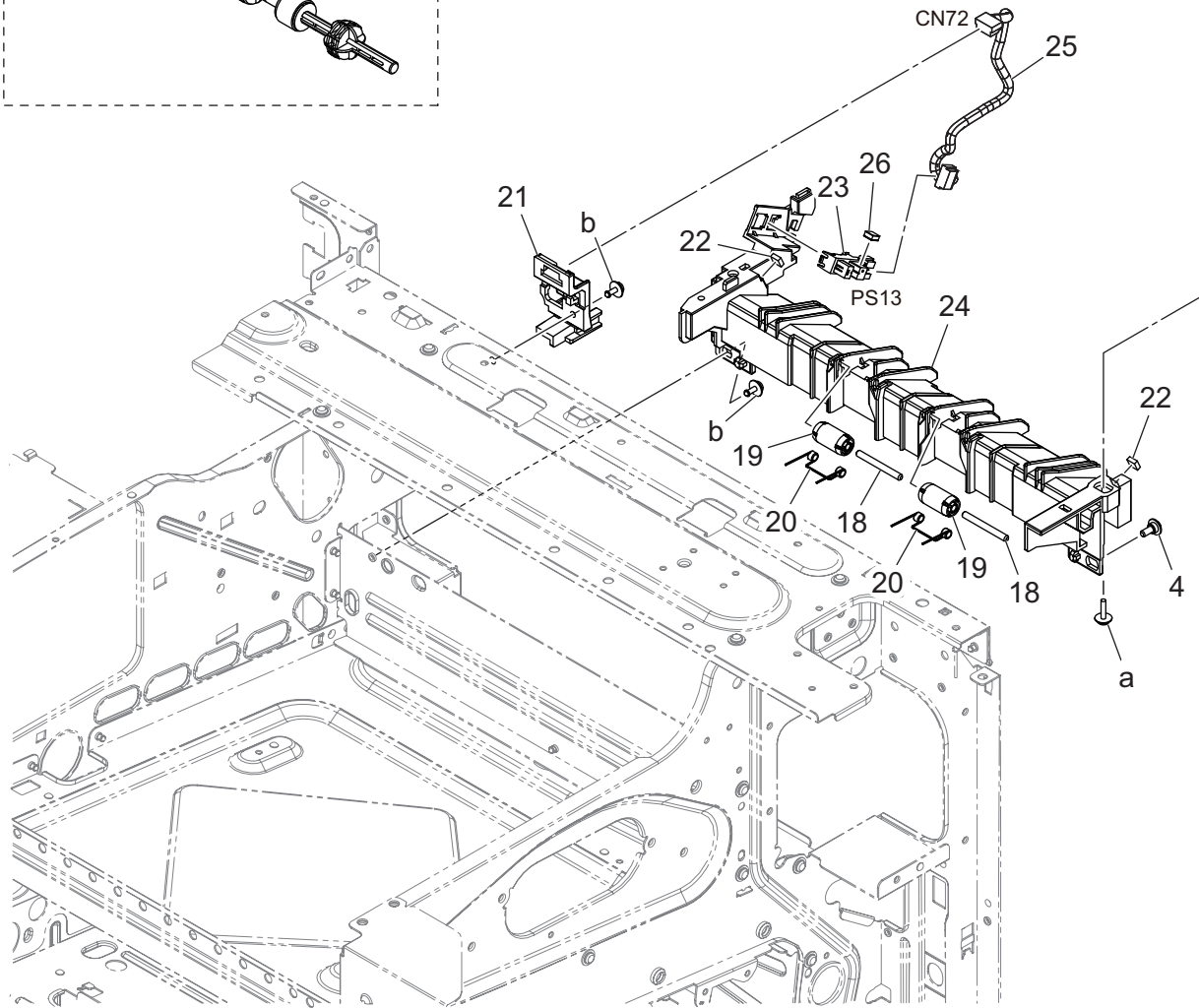
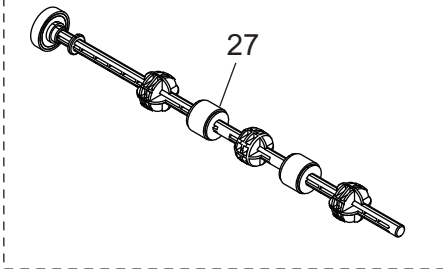
Fusing Section

Key	Part No.	Description	Destinations	Class	QTY	Standard parts
1	A93E151900	Shield Sheet		D	1	a-V127030604 b-V125030803
2	A93E133201	Cover		D	1	
3	AAJRR70200	Fusing Unit (100V)		I	1	
3	AAJRR70411	Fusing Unit (230V)	A	I	1	
3	AAJRR70311	Fusing Unit (120V)	C	I	1	
			B,G2,H	I	1	
3	AAJRR70411	Fusing Unit (230V)	D1,D3,E,F2,G1,I,K	I	1	
4	A93EN10300	Fixing Relay harness /1		D	1	

Paper Exit Section

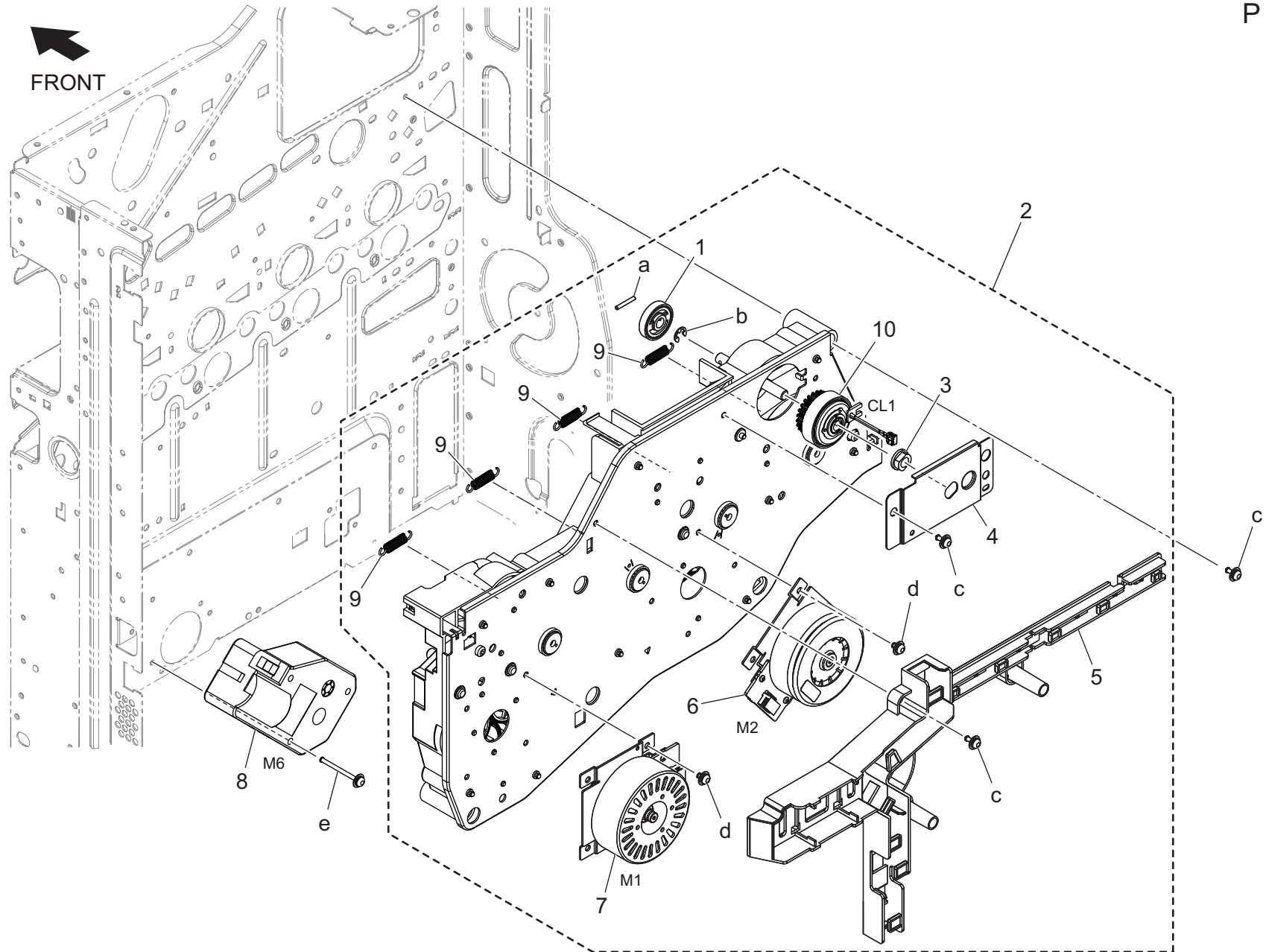
P 24

Service Part Only



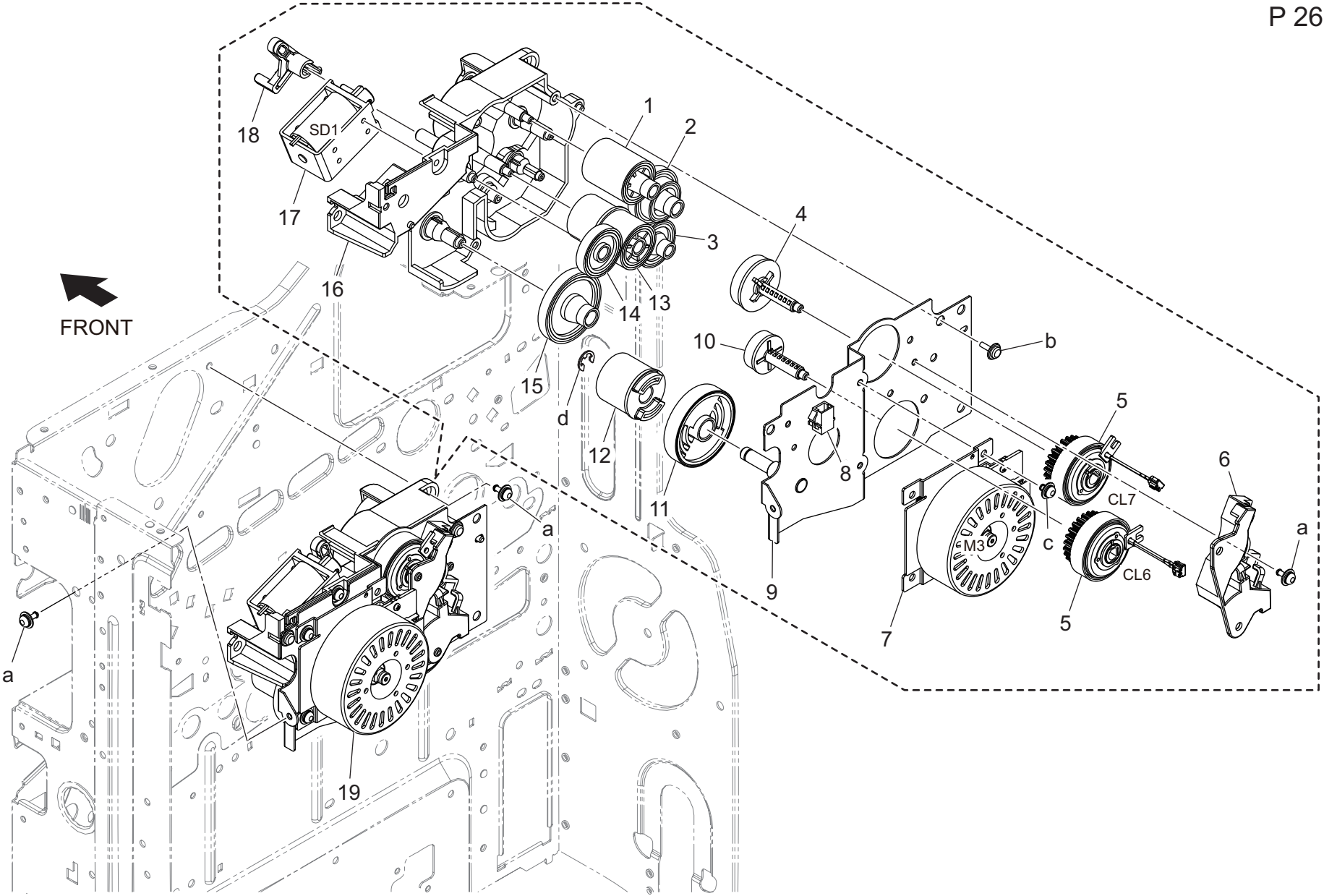
Key	Part No.	Description	Destinations	Class	QTY	Standard parts
1	A93E816101	Reverse/Exit Roller		C	1	a-V153031004 b-V125030803
2	A93E891500	Neutralizing Brush		D	2	
3	A93E890201	Paper exit Guide /Upper		D	1	
4	A00J169200	Shoulder screw		C	2	
5	A93E890900	Actuator		C	1	
6	A93E891600	Contact		D	1	
7	A93E895500	Label		D	1	
8	A93E890800	Guide		D	1	
9	A93E891200	Torsion Coil spring		C	1	
10	A93E890703	Separating Guide		D	1	
11	A93E816501	Torsion Coil spring		C	1	
12	A93E816802	Roll		C	2	
13	A93E816700	Torsion Coil spring		C	1	
14	A93E816402	Guide		D	1	
15	A93E816301	Guide		D	1	
16	A93E890101	Paper exit Roller		C	1	
17	A93E816200	Spring		C	2	
18	A93E892300	Shaft		D	2	
19	A93E890300	Roll		C	2	
20	A93E890601	Spring		C	2	
21	A93E895100	Hold Plate		D	1	
22	A93E891300	Cushion		D	2	
23	A5C1M50100	Photointerrupter		B	1	
24	A93E891000	Paper exit Holder		D	1	
25	A93EN10K00	Relay harness /3		D	1	
26	A93E892500	Cushion		D	1	
27	A93E893100	Paper exit Roller		D	1	

Drive Section



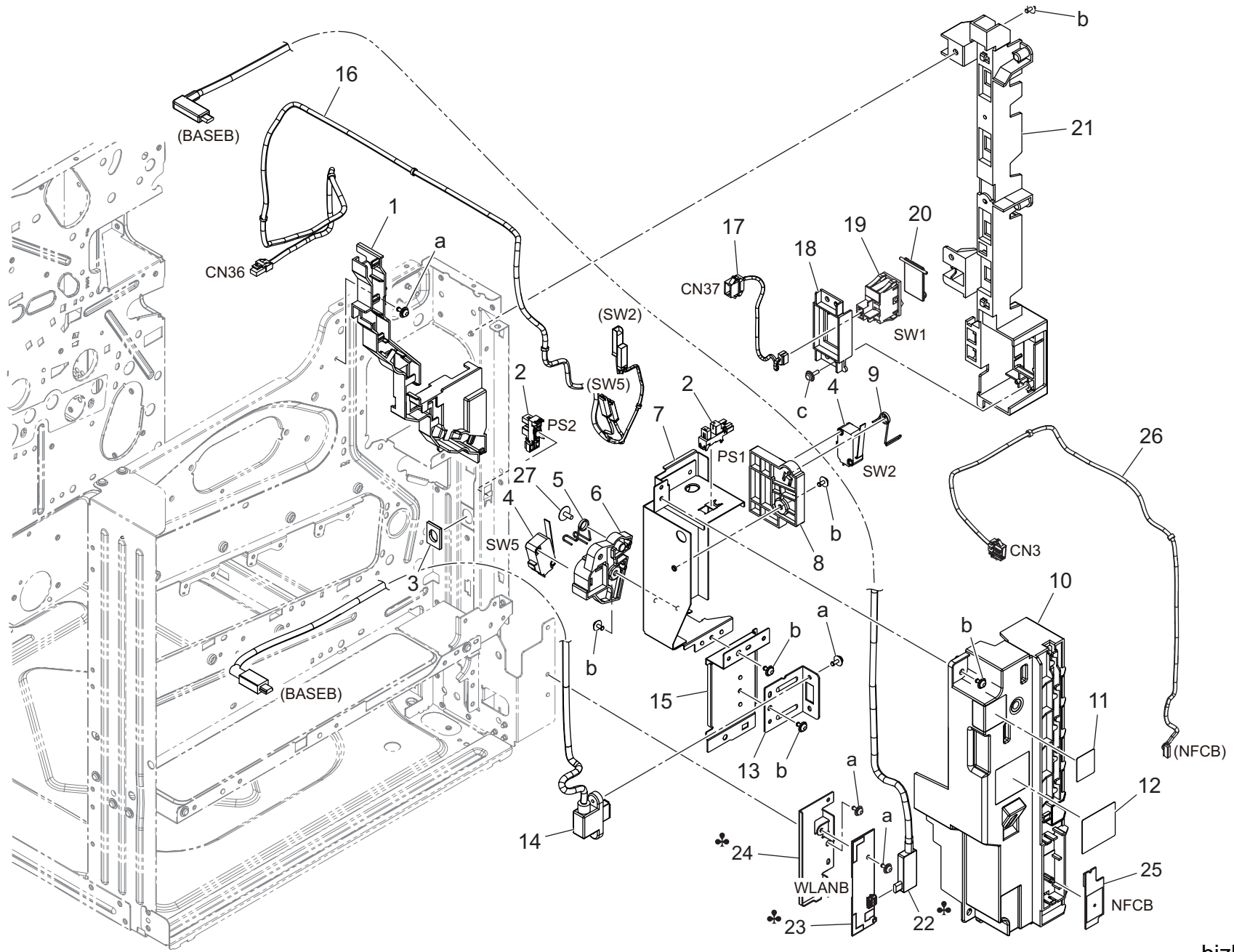
Key	Part No.	Description	Destinations	Class	QTY	Standard parts
1	A93E215500	Gear 20T		C	1	a-V234201450 b-V217040003 c-V125030803 d-V116030504 e-V116033003
2	AAJRR71000	Main Drive Assy		C	1	
3	4131300301	BUSHING		C	1	
4	A93E215000	Hold Plate		D	1	
5	A93E133600	Holder		D	1	
6	AA2JM11100	Brushless motor /40		C	1	
7	AA2JM11000	Brushless motor /30		C	1	
8	9J06M10300	MOTOR		B	1	
9	A93E110801	Pulling Coil spring		C	4	
10	A7AHM20401	Clutch		C	1	

Drive Section

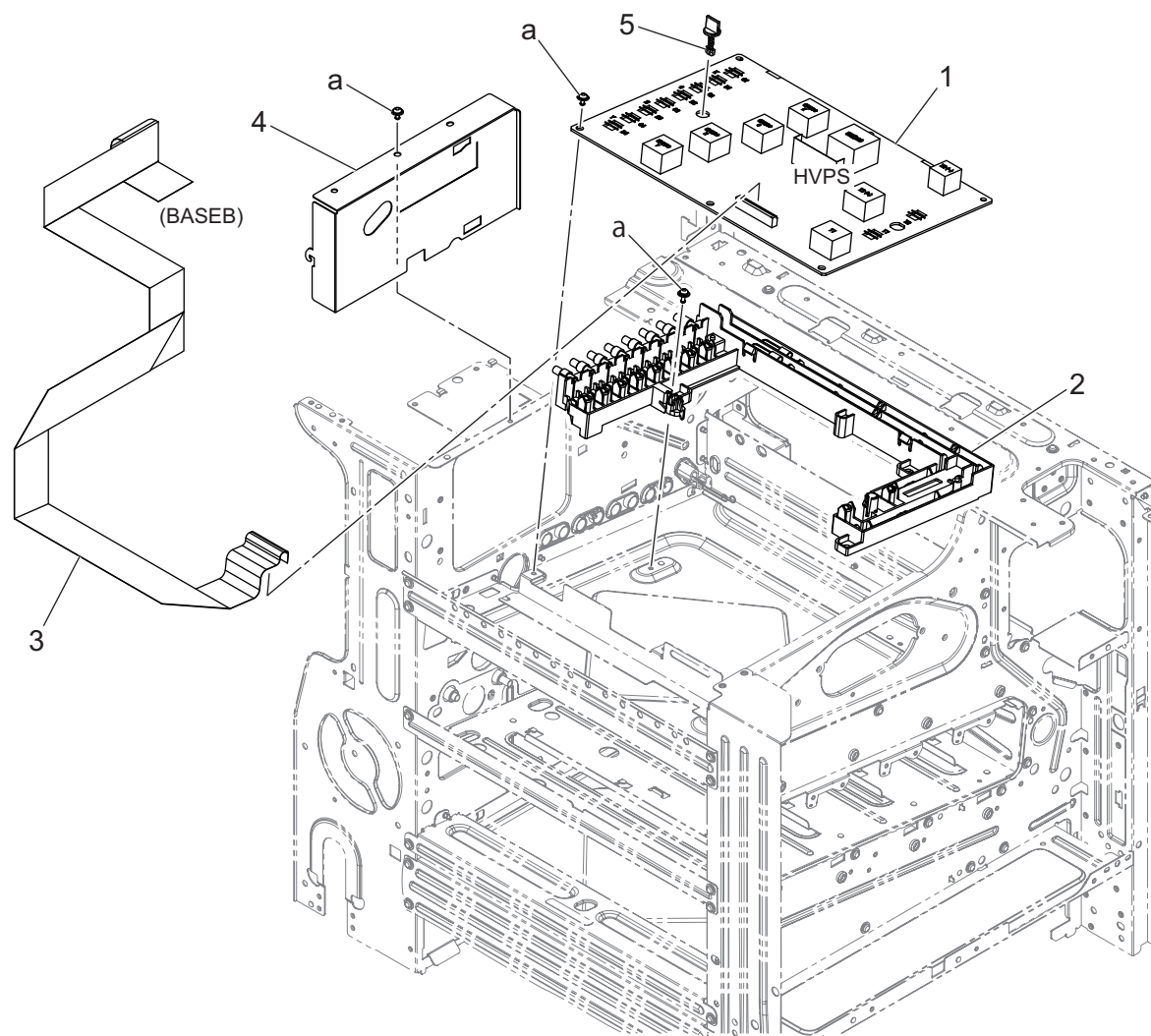


Key	Part No.	Description	Destinations	Class	QTY	Standard parts
1	A93E222500	Gear 20T		C	1	a-V125030803 b-V153030803 c-V116030504 d-V217050003
2	A93E222600	Gear 24/26T		C	1	
3	A93E222700	Gear 28T		C	1	
4	A93E222300	Gear 23T		C	1	
5	A7AHM20501	Clutch		C	2	
6	A93E222800	Holder		D	1	
7	AA2JM11000	Brushless motor /30		C	1	
8	V651010001	connector		D	1	
9	A93E220201	Drive Side plate		D	1	
10	A93E222100	Gear 21T		C	1	
11	A93E220401	Gear 71T		C	1	
12	A93E220300	Gear 22T		C	1	
13	A93E221300	Gear 20/21T		C	1	
14	A93E221200	Gear 23T		C	1	
15	A93E221100	Gear 34T		C	1	
16	A93E220102	Drive Holder		D	1	
17	AAJRR72100	Solenoid Assy		C	1	
18	A93E223100	Lever		C	1	
19	AAJRR71300	Fusing Drive Assy		S	1	

Electrical Parts




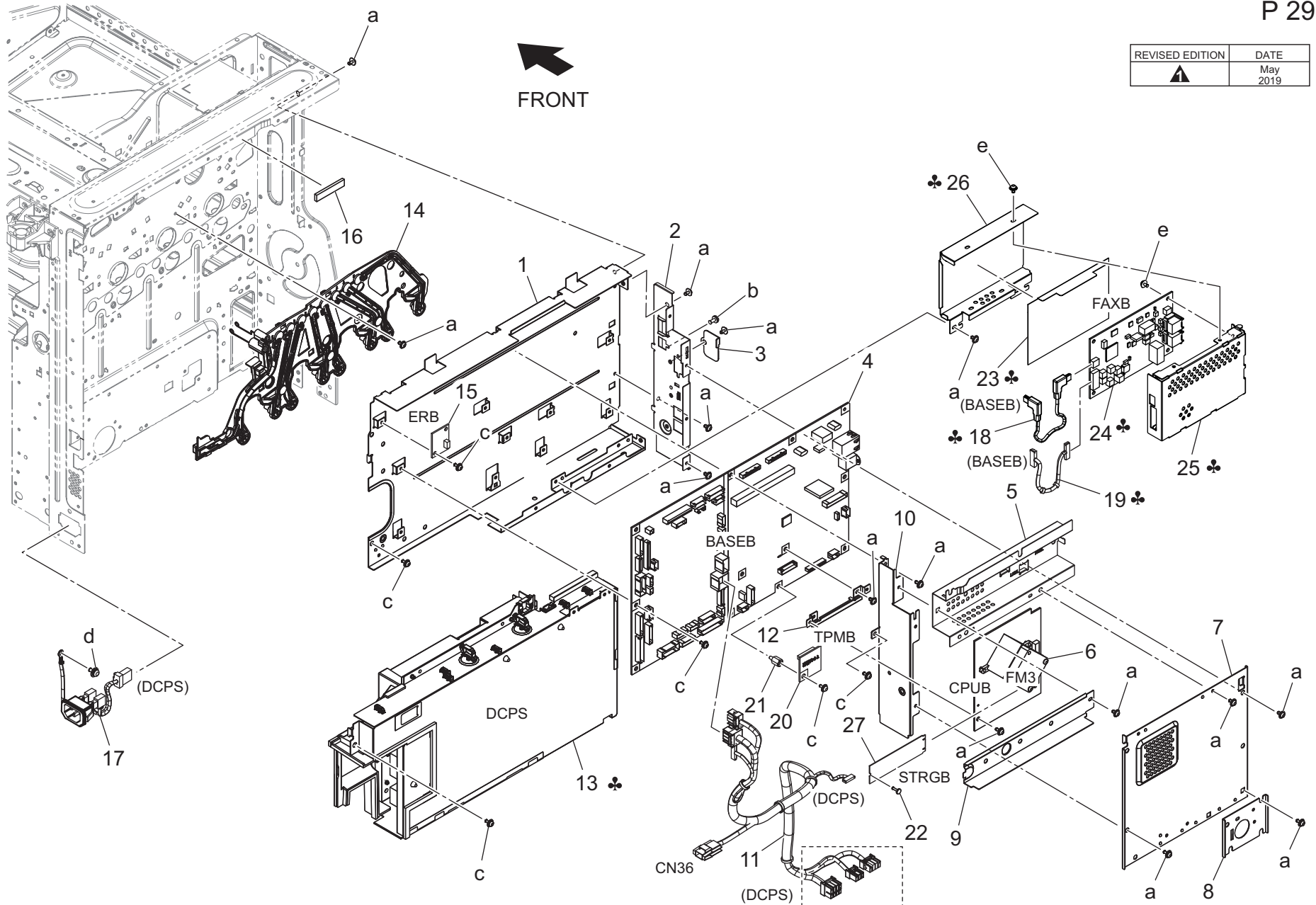
Key	Part No.	Description	Destinations	Class	QTY	Standard parts
1	A93E135000	Wiring Guide		D	1	a-V125030803 b-V127030604 c-V153030803
2	A5C1M50100	Photointerrupter		B	2	
3	A93E105100	Seal		D	1	
4	9J06M60100	MICRO SWITCH		C	2	
5	A93E135200Old	Torsion Coil spring		C	1	
5	A93E135211	Torsion Coil spring		C	1	
6	A93E136900Old	Holder		D	1	
6	A93E136911	Holder		D	1	
7	A93E134300	Mounting Plate		D	1	
8	A93E135401	Holder		D	1	
9	A161151300	Torsion Coil spring		D	1	
10	A93E134801	Cover		D	1	
11	A93E402601	Label /K		D	1	
12	A93E401200	Label		D	1	
13	A93E135900	Mounting Plate		D	1	
14	A93EN12000	I/F Cable	I / F ケーブル (Front USB)	D	1	
15	A93E134400	Mounting Plate		D	1	
16	A93EN10201	Interlock Wiring		D	1	
17	A93EN10G00	Relay harness /1		D	1	
18	A93E132001	Mounting Plate		D	1	
19	A93EM60000	Rocker switch		C	1	
20	A93E132200	Cover		D	1	
21	A93E132103	Cover		D	1	
22	A93EN12100	I/F Cable	I / F ケーブル (WLAN USB)	C	1	
23	AA2JM72F01	Interface Board	インターフェース基板 (WiFi)	D	1	
24	A93E134700	Mounting Plate		D	1	
25	AA2JM70600	Interface Unit	インターフェースユニット (NFC ユニット)	C	1	
26	A93EN12500	Wiring		D	1	
27	4163529301	SCREW		C	1	



Key	Part No.	Description	Destinations	Class	QTY	Standard parts
1	A93EM40300	High voltage unit		D	1	a-V127030604
2	AAJRR71100	HV Contact Assy		D	1	
3	A93EN10E00	HV Flatcable		D	1	
4	A93E134200	Mounting Plate		D	1	
5	A797151500	Stopper Shaft		C	1	

Electrical Parts

REVISED EDITION	DATE
	May 2019

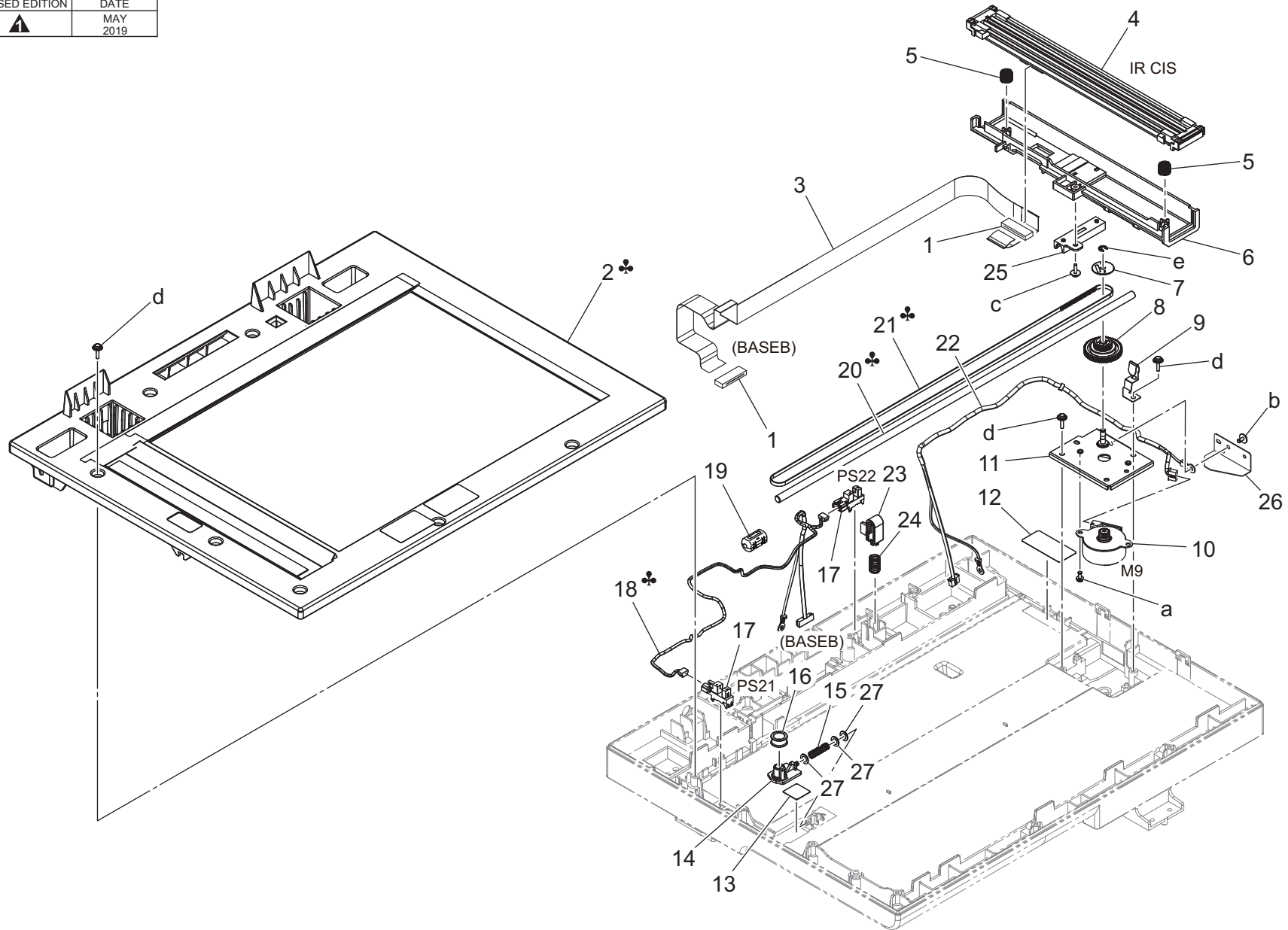


bizhub C4050i

Key	Part No.	Description	Destinations	Class	QTY	Standard parts
1	A93E137300	Mounting Plate		D	1	a-V127030604 b-V122030603 c-V125030803 d-V116040803 e-V116030603
2	A93E137600	Mounting Plate		D	1	
3	A3GN134500	Shield Plate		D	1	
4	A93EH02009	PWB Assembly(BASEB)		I	1	
5	A93E137400	Shield Plate /2		D	1	
6	A93EH01006	PWB Assembly(CPUB)		I	1	
7	A93E137200	Shield Plate /1		D	1	
8	A93E137700	Mounting Plate		D	1	
9	A93E137800	Mounting Plate		D	1	
10	A93E137100	Mounting Plate		D	1	
11	AAJNN10100	Power supply Wiring		D	1	C,D1,D3,E,F2,G1,I,K A,B,G2,H
12	AA2J135101	Mounting Plate		D	1	
13	AAJRR70700	Power supply Assy (230V)		I	1	
13	AAJRR70600	Power supply Assy (100V)		I	1	
14	AAJRR71200	HV Contact Assy		D	1	A,B,C,G2,H,I(South Africa) A,B,C,G2,H,I(South Africa)
15	AA2JH00C00	ERB ASSY		C	1	
16	A92E135400	Insulating Part /2		D	1	
17	A93EN10000	AC Wiring		D	1	
18	A92EN12800	I/F Cable /F		D	1	
19	A92EN12300	Power source Cable /F		D	1	A,B,C,G2,H,I(South Africa) A,B,C,G2,H,I(South Africa)
20	AA2JH02T00	PWB Assembly(PWB-TPM)		C	1	
21	A161137600	Shoulder screw		D	1	
22	AA2J139800	Screw		D	1	
23	A879130300	Insulating Part		D	1	
24	A879H01A03	FAX Assembly		I	1	
24	A879H01W03	FAX Assembly		I	1	
25	A92E137200	Cover		D	1	A,B,C,G2,H,I(South Africa) A,B,C,G2,H,I(South Africa)
26	A92E137100	Mounting Plate		D	1	
27	AA2JM72700	Storage Board		C	1	

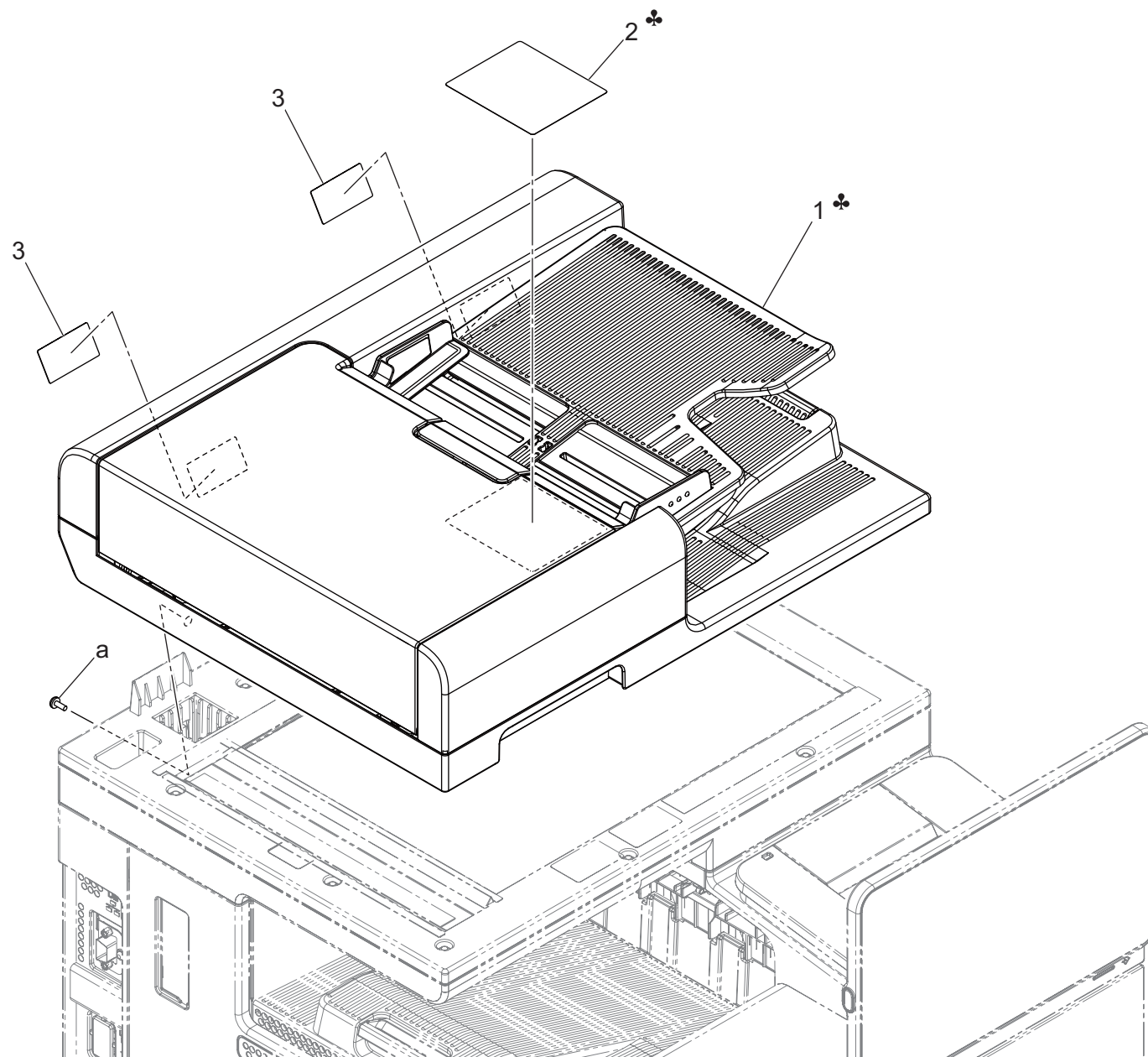
Scanner Section

改訂版 REVISED EDITION	日付 DATE
	MAY 2019

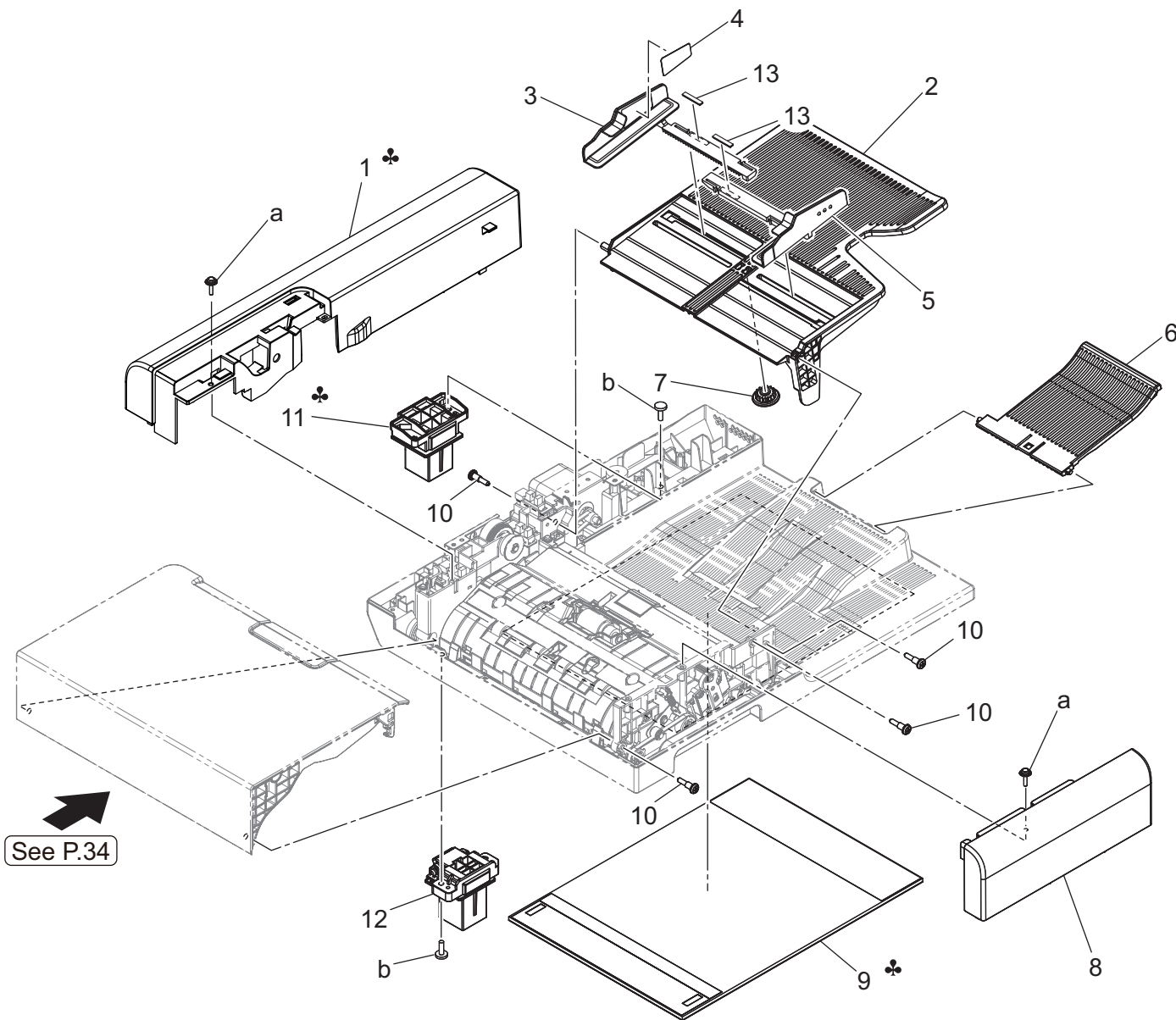


Key	Part No.	Description	Destinations	Class	QTY	Standard parts
1	A7AHM90000	Connector	コネクタ	D	2	a-V122030603 b-V144030603 c-V153030803 d-V153031004 e-V217030003
2	AAJNR71000	Upper Cover Assy (IR/A4)	上カバー A s s y (I R / A 4)	C	1	
2	AAJNR71100	Upper Cover Assy (IR/LGL)	上カバー A s s y (I R / L G L)	C	1	
3	A93EN11300	Scanner Flat Cable	スキャナーフラットケーブル	C	1	
4	AAJNR71200	CIS unit/ IR	C I S ユニット / I R	I	1	
5	A93E263200	Compressing Coil spring	圧縮コイルばね (C I S)	C	2	
6	A93E262802	Frame	フレーム (C I S)	D	1	
7	A93E261000	Cap	キャップ	D	1	
8	A93E260800	Gear 24/60T	ギア 2 4 / 6 0 T	C	1	
9	A93E260900	Ground Plate	アース板	D	1	
10	A93EM10K00	Stepping Motor	ステッピングモーター	C	1	
11	A93E260700	Mounting Plate /ASSY	取付板 / A S S Y	D	1	
12	A93E264200	Sheet	シート (ハーネス)	D	1	
13	A93E261500	Sheet	シート (ばね下)	D	1	
14	A93E260400	Holder	ホルダ (プーリ)	D	1	
15	A93E260500	Compressing Coil spring	圧縮コイルばね (I R 駆動)	C	1	
16	A93E260300	Pulley	プーリ (I R 駆動)	C	1	
17	A5C1M50100	Photointerrupter	透過型センサ	B	2	
18	A93EN11100	Scanner Detection Harness /1	スキャナー検知束線 / 1 (A 4)	D	1	
18	A93EN11200	Scanner Detection Harness /2	スキャナー検知束線 / 2 (L E G A L)	D	1	
19	A3GNM93100	Ferrite core	フェライトコア	D	1	
20	A93E261200	Guide Shaft	ガイド軸 (A 4)	D	1	
20	A93E263500	Guide Shaft	ガイド軸 (L G)	D	1	
21	A93E260600	Timing belt 788L	タイミングベルト 7 8 8 L	C	1	
21	A93E263600	Timing belt 894L	タイミングベルト 8 9 4 L	C	1	
22	A93EN11000	Scanner Drive Harness	スキャナー駆動束線	D	1	
23	A93E261300	Lever	レバー (A D F)	D	1	
24	A93E261400	Compressing Coil spring	圧縮コイルばね (A D F 開閉)	C	1	
25	A93E262901	Guide	ガイド (C I S)	D	1	
26	A93E264000	Shield Plate	シールド板 (モータ)	D	1	
27	A79J401800	Washer	ワッシャ	C	3	

Auto document feeder section

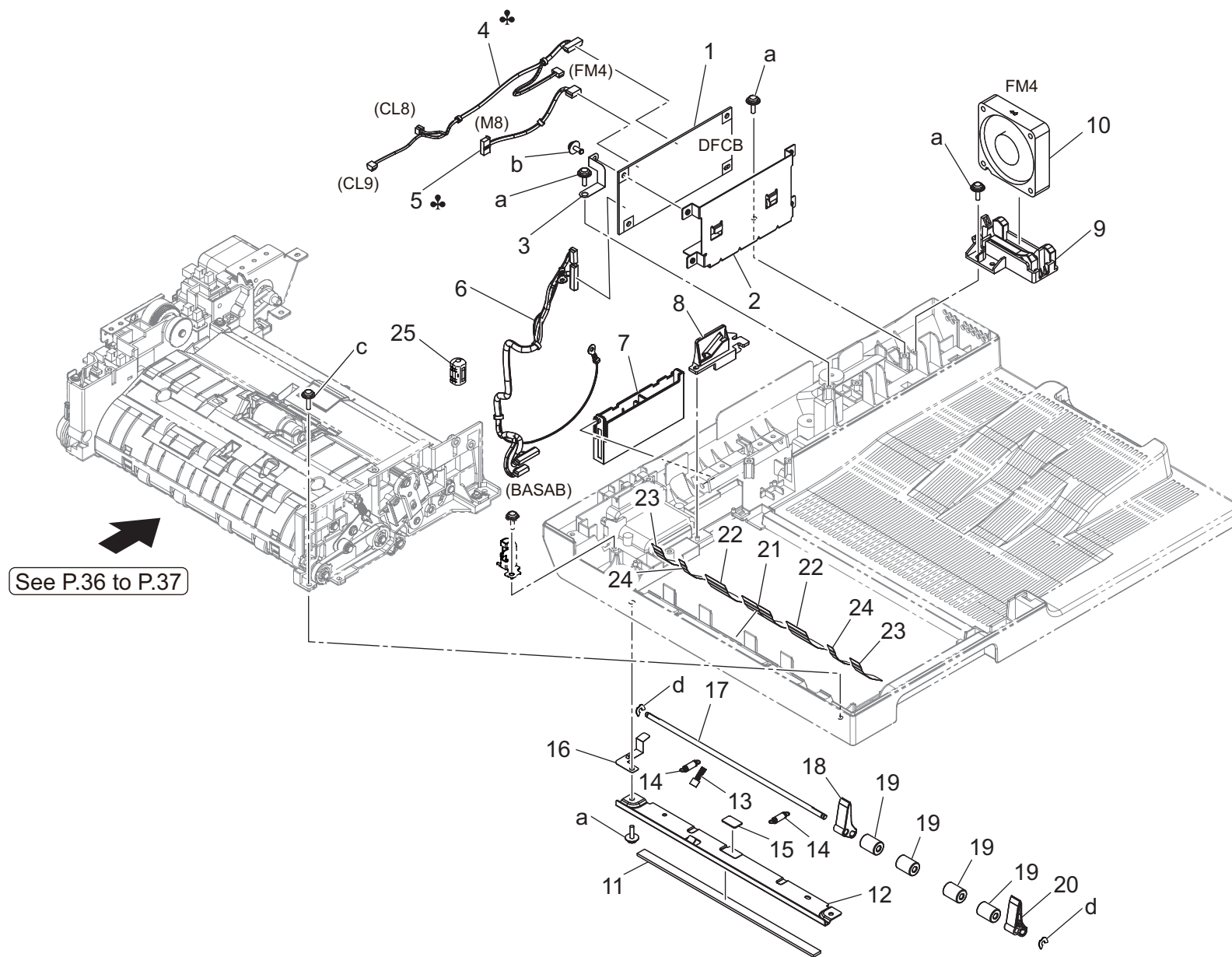


Key	Part No.	Description	Destinations	Class	QTY	Standard parts
1	AAJNR70155	Auto Document Feeder 搬送ユニット (センチ)	A,C,D1,D3,E,F2,G1,I,K	S	1	a-V145040803
1	AAJNR70222	Auto Document Feeder 搬送ユニット (インチ)	B,G2,H	S	1	
2	A93E945700	Label ラベル (禁止原稿 / J P 以外)	B,C,D1,D3,E,F2,G1,G 2,H,I,K	D	1	
2	A93E946100	Label ラベル (禁止原稿 / J P)	A	D	1	
3	A93E279300	Cover カバー		D	2	



Key	Part No.	Description	Destinations	Class	QTY	Standard parts
1	A93E268301	Cover /Rear カバー／後 (DF-A 4)	A,C,D1,D3,E,F2,G1,I,K	D	1	a-V153031004 b-V153041003
1	A93E268401	Cover /Rear カバー／後 (DF-LG)	B,G2,H	D	1	
2	A93E273701	Tray トレイ (原稿)		C	1	
3	A93E273901	Rack ラック (サイド規制 (奥))		C	1	
4	A93E945900	Label ラベル (原稿積載 Max 表示)		D	1	
5	A93E273801	Rack ラック (サイド規制 (前))		C	1	
6	A93E266800	Paper exit Tray 排紙トレイ (延長)		C	1	
7	A93E274100	Regulating Gear 規制ギア		C	1	
8	A93E268200	Cover /Front カバー／前 (DF)		D	1	
9	A93E265100	Original Mat 原稿マット (A 4)	A,C,D1,D3,E,F2,G1,I,K	C	1	
9	A93E265200	Original Mat 原稿マット (LGL)	B,G2,H	C	1	
10	A93E266100	Hold Shaft 保持軸		D	4	
11	A93E268602	Hinge /Right ヒンジ／右 (A 4)	A,C,D1,D3,E,F2,G1,I,K	C	1	
11	A93E268702	Hinge /Right ヒンジ／右 (LGL)	B,G2,H	C	1	
12	A93E268501	Hinge /Left ヒンジ／左		C	1	
13	A93E274000	Pad パッド (サイド規制)		D	2	

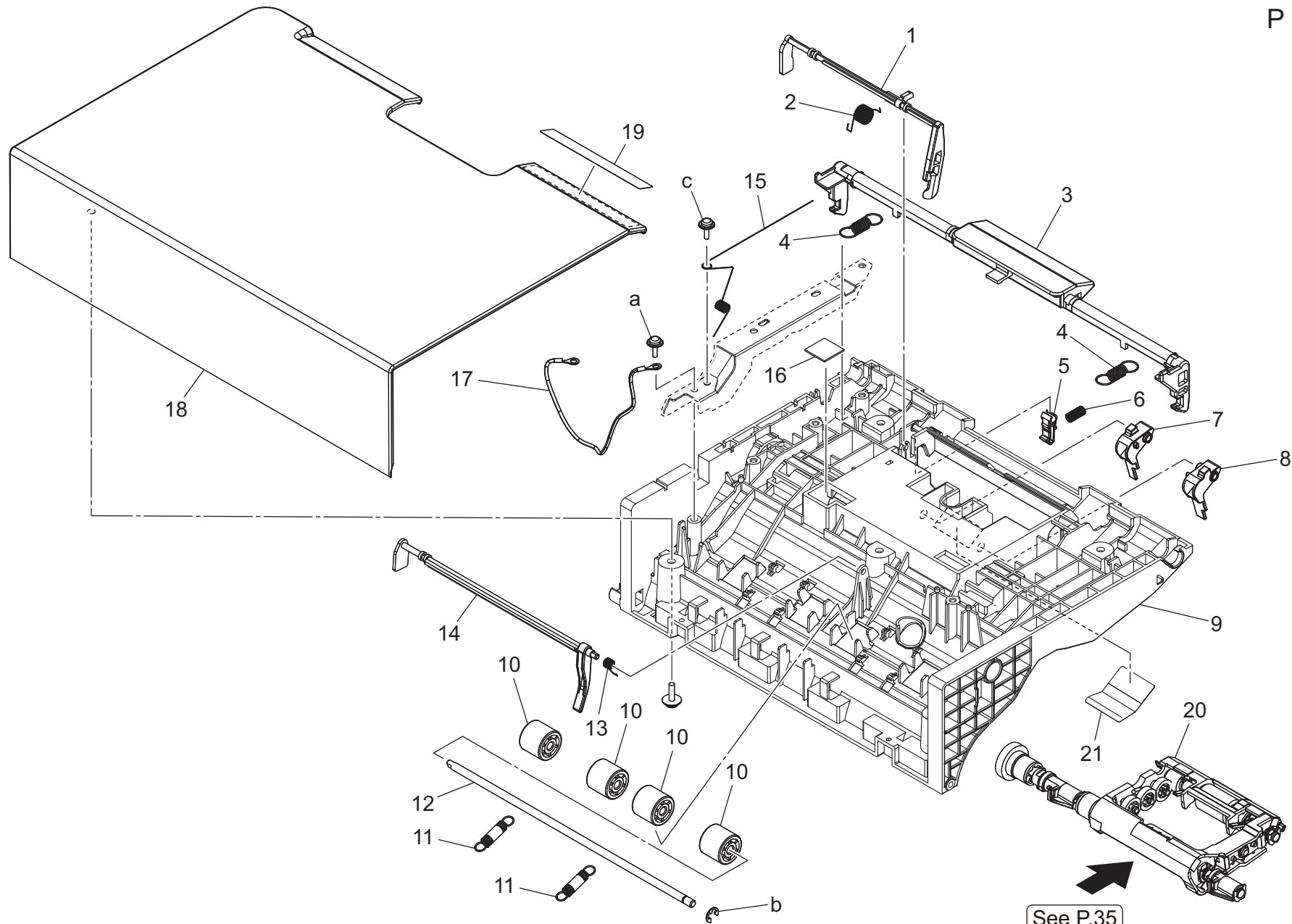
bizhub C4050i



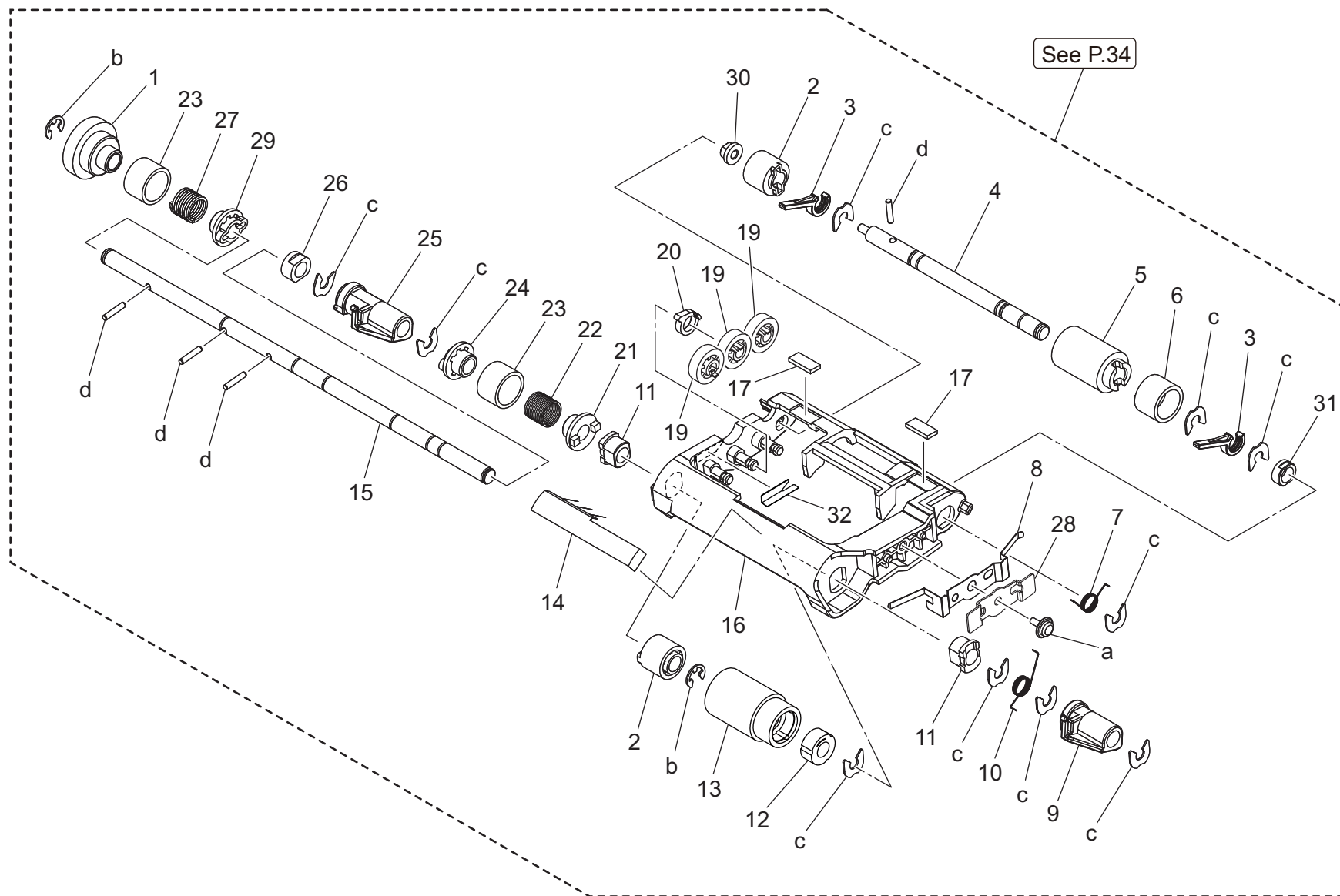
See P.36 to P.37

Key	Part No.	Description	Destinations	Class	QTY	Standard parts
1	A93EH00901	ADF Control Board Assy	ADF 制御基板 A S S Y	I	1	a-V153030803 b-V125030803 c-V153031203 d-V218030086
2	A93E267200	Mounting Plate	取付板 (基板)	D	1	
3	A93E277000	BKT EARTH BOARD	アース板 (基板)	D	1	
4	A93EN11700	Conveyance Harness /1	搬送束線 / 1	D	1	
4	A93EN11K00	Conveyance Harness /2	搬送束線 / 2 (L E G A L)	D	1	
5	A93EN11800	ADF Drive Harness /1	ADF 駆動束線 / 1	D	1	
5	A93EN11M00	ADF Drive Harness /2	ADF 駆動束線 / 2 (L E G A L)	D	1	
6	A93EN11900	ADF Control Harness	ADF 制御束線	D	1	
7	A93E267300	Wiring Guide	配線ガイド	D	1	
8	A93E270000	Holder	ホルダ	D	1	
9	A93E265000	Holder	ホルダ	D	1	
10	9J06M10000	Fan motor	ファンモーター	C	1	
11	A93E276100	Cushion	クッション (R 1 下)	D	1	
12	A93E267500	Reinforce Plate	補強板 (R 1)	D	1	
13	A93E278701	Neutralizing Brush	除電ブラシ	C	1	
14	A93E267000	Pulling Coil spring	引張りコイルばね (R 1)	C	2	
15	A93E267400	Reflecting Pad	反射パッド	D	1	
16	A93E269200	Ground Plate	アース板 (R 1)	D	1	
17	A93E267100	Shaft	軸 (R 1)	D	1	
18	A93E267701	Lever /Rear	レバー / 後	C	1	
19	A93E266900	Roll	ころ (R 1)	D	4	
20	A93E267601	Lever /Front	レバー / 前	C	1	
21	A93E268100	Guide Film /4	ガイドフィルム / 4	D	1	
22	A93E268000	Guide Film /3	ガイドフィルム / 3	D	2	
23	A93E267800	Guide Film /1	ガイドフィルム / 1	D	2	
24	A93E267900	Guide Film /2	ガイドフィルム / 2	D	2	
25	A3GNM93100	Ferrite core	フェライトコア	D	1	

Auto document feeder section

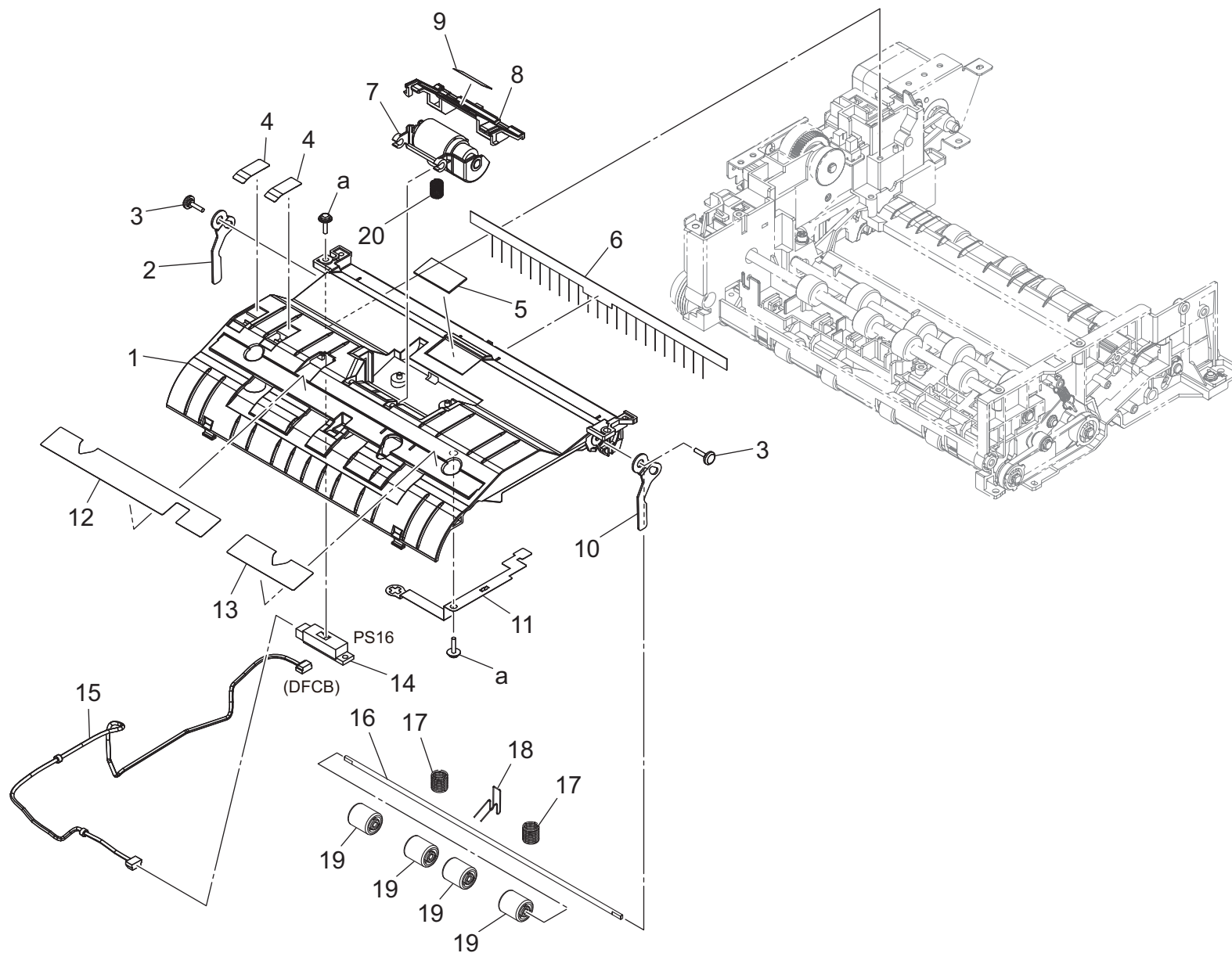


Key	Part No.	Description	Destinations	Class	QTY	Standard parts
1	A93E271000	Actuator		C	1	a-V153030803 b-V217030003 c-V123030603
2	A93E278301	Torsion Spring		C	1	
3	A93E270803	Lock Lever		C	1	
4	A93E270900	Pulling Coil spring		C	2	
5	A93E277700	Lever		D	1	
6	A93E277802	Compressing Coil spring		C	1	
7	A93E276900	Stopper /2		D	1	
8	A93E276800	Stopper /1		D	1	
9	A93E275102	Guide /Upper		C	1	
10	A93E275300	Idler Roll		D	4	
11	A93E275500	Pulling Coil spring		C	2	
12	A93E275400	Shaft		D	1	
13	A93E275600	Torsion Coil spring		C	1	
14	A93E275200	Actuator		C	1	
15	A93E277300	Ground Spring		D	1	
16	A93E275700	Light blocking Part		D	1	
17	A93EN11D01	Ground Harness /3		D	1	
18	A93E270701	Cover /Upper		D	1	
19	A93E945600	Label		D	1	
20	AAJNR70711	Feed Roller Assy		S	1	
21	A93E279000	Guide		D	1	



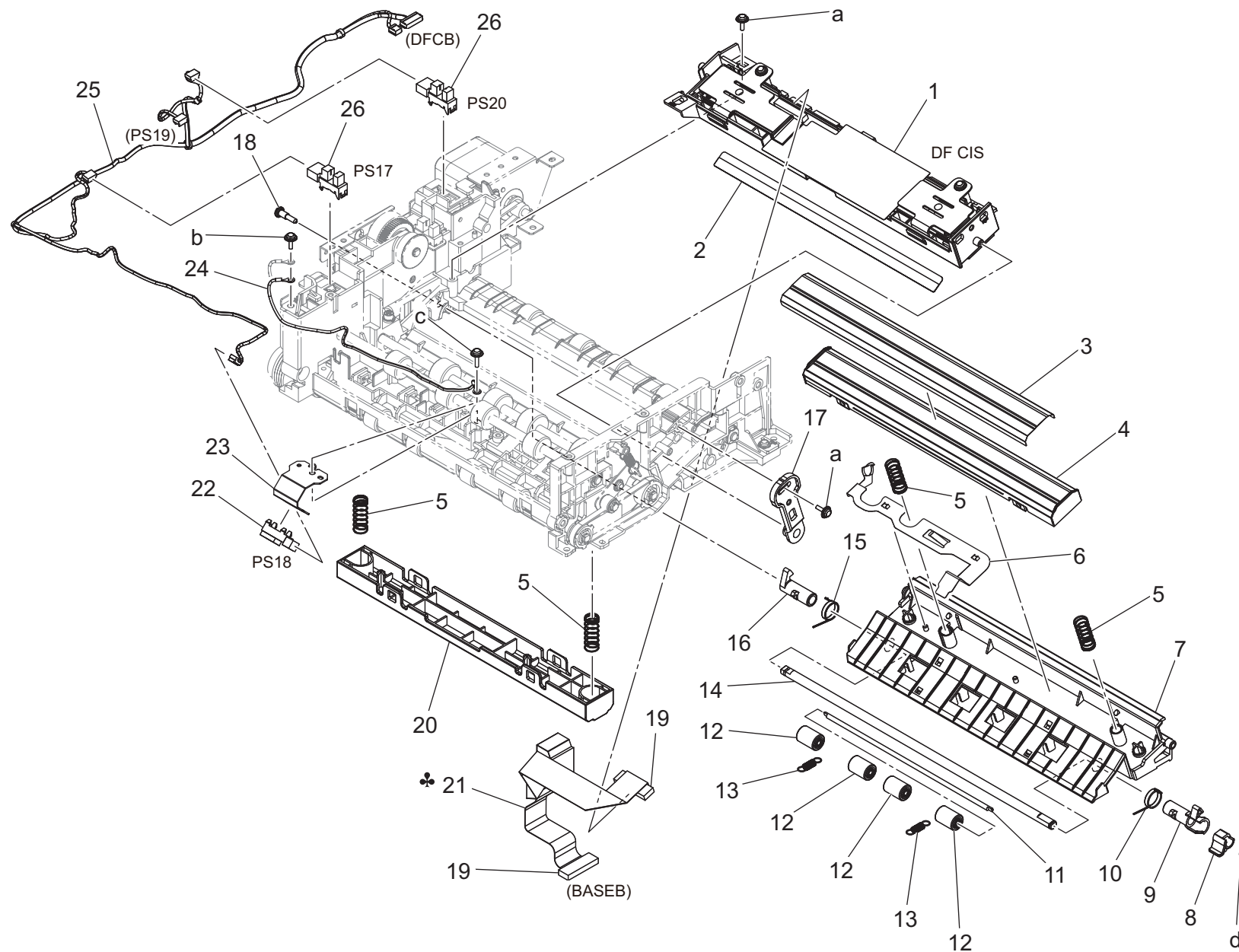
Key	Part No.	Description	Destinations	Class	QTY	Standard parts
1	A93E272101	Paper feed Gear 20T		C	1	a-V149030803 b-V217040003 c-V218040086 d-V231201050
2	A93E271501	Gear 20T		C	2	
3	A93E271200	Stopper Lever		C	2	
4	A93E271401	Shaft		D	1	
5	A93E270200	Roller /ASSY		C	1	
6	A07H570500	Clutch		C	1	
7	A93E277101	Ground Spring /1		C	1	
8	A93E274300	Ground Plate		D	1	
9	A93E276600	Bushing /2		D	1	
10	A93E277201	Ground Spring /2		C	1	
11	A93E277500	Bushing		D	2	
12	A93E270500	Clutch		D	1	
13	A93E270400	Roller /ASSY		C	1	
14	A93E274800	Neutralizing Brush		D	1	
15	A93E271801	Paper feed Shaft		D	1	
16	A93E271302	Holder		D	1	
17	A93E272300	Cushion		D	2	
19	A93E276702	Idling Gear 21T		C	3	
20	A93E278501	Cam		D	1	
21	A93E278001	Holder /2		D	1	
22	A93E278200	Spring /2		C	1	
23	A93E277901	Cover		D	2	
24	A93E277602	Holder		D	1	
25	A93E276501	Bushing /1		D	1	
26	4131253701	BUSHING		C	1	
27	A93E276402	Spring		C	1	
28	A93E279400	Reinforce Plate		D	1	
29	A93E279200	Holder		D	1	
30	A93E278800	Bushing /1		D	1	
31	A93E278900	Bushing /2		D	1	
32	A93E288800	Guide Film		D	1	

Auto document feeder section



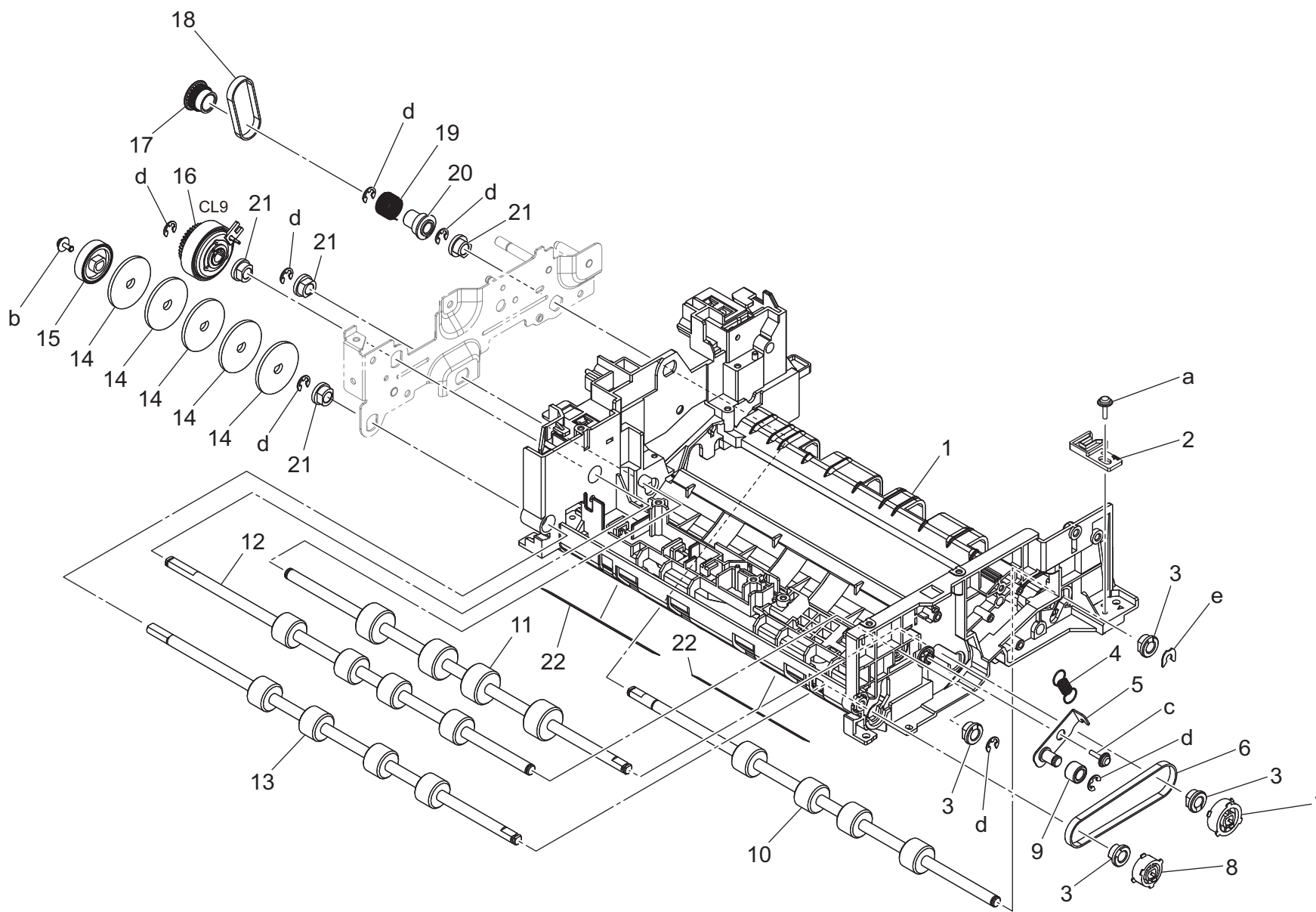
Key	Part No.	Description	Destinations	Class	QTY	Standard parts
1	A93E272802	Paper feed Guide		D	1	a-V153031004
2	A93E273601	Lever		D	1	
3	A93E278600	Shoulder screw		D	2	
4	A93E278400	Cover		D	2	
5	A93E273200	Pad		C	1	
6	A93E270101	Neutralizing Brush		D	1	
7	AAJNR70800	Separation Roller Assy		C	1	
8	A93E272700	Holder		D	1	
9	A93E276000	Guide Film		C	1	
10	A93E273501	Lever		D	1	
11	A93E274500	Ground Plate		D	1	
12	A93E273401	Guide /Rear		D	1	
13	A93E273301	Guide /Front		D	1	
14	A108M50000	Photoreflector		B	1	
15	A93EN11600	ADF Detection Harness /2		D	1	
16	A93E272900	Shaft		D	1	
17	A93E273100	Compressing Coil spring		C	2	
18	A93E274900	Ground Spring		D	1	
19	A93E273000	Roll		D	4	
20	A93E272600	Compressing Coil spring		C	1	

Auto document feeder section

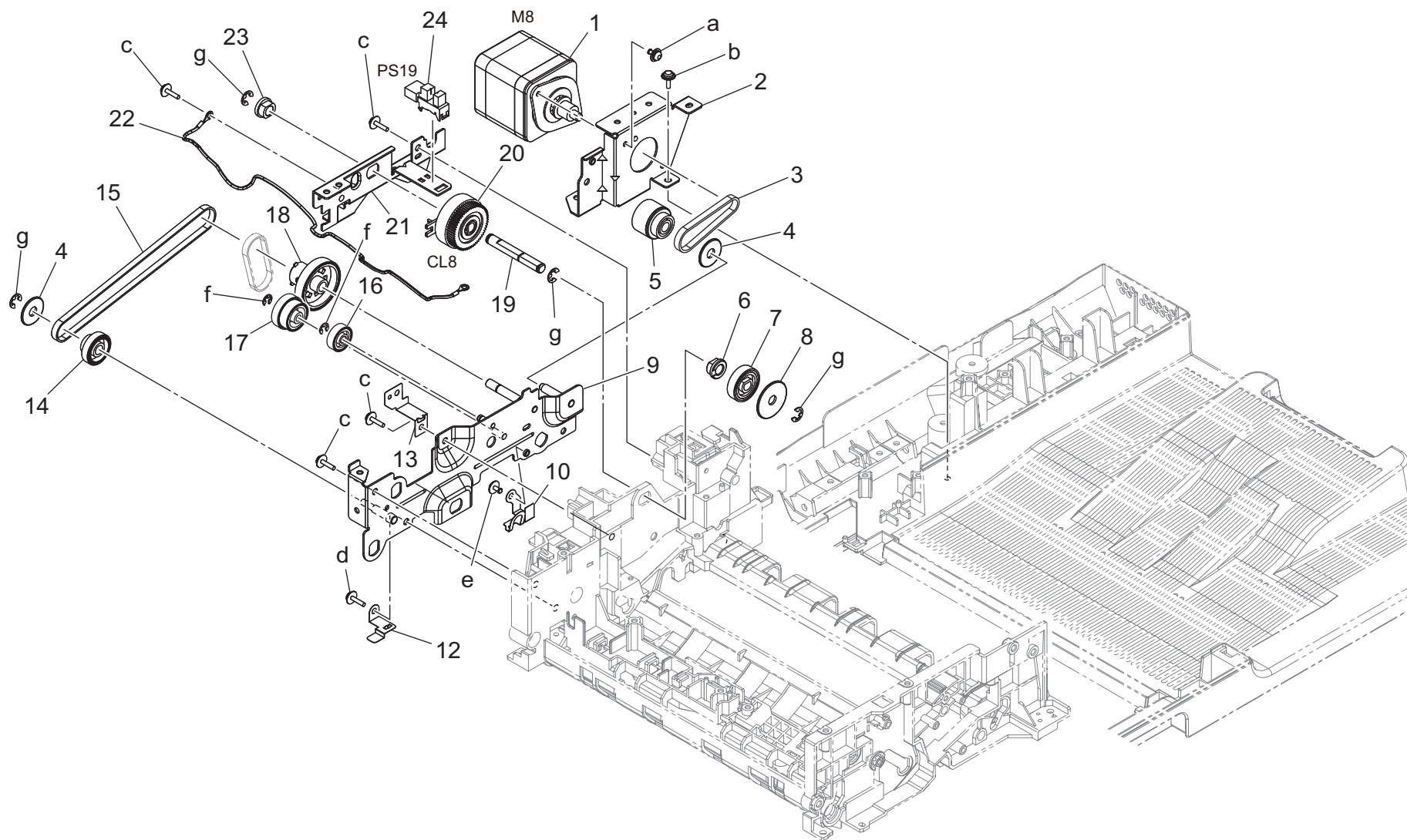


Key	Part No.	Description	Destinations	Class	QTY	Standard parts
1	AAJNR70900	CIS unit/ ADF	C I S ユニット / ADF	I	1	a-V153030803 b-V144030603 c-V153031003 d-V217040003
2	A93E266000	Guide Film	ガイドフィルム	D	1	
3	A93E286500	Read Sheet	読取シート (読取り_白)	D	1	
4	A93E287400	Guide Part	ガイド部材 (読取り_裏)	D	1	
5	A93E285900	Spring	ばね (GUIDE SCAN SIDE 1)	C	4	
6	A93E287200	Ground Plate	アース板 (R 2_読取り)	D	1	
7	A93E286002	Conveyance Holder	搬送ホルダ	D	1	
8	A93E286700	Lock Lever	ロックレバー (R 2_前_1)	C	1	
9	A93E286800	Lock Hook	ロックフック (前)	C	1	
10	A93E287100	Spring	ばね (LOWER GUIDE HOOK)	C	1	
11	A93E286300	Shaft	軸 (R 2)	D	1	
12	A93E286100	Idler Roller	従動ローラ (R 2)	D	4	
13	A93E286200	Spring	ばね (IDEL ROLLER R 2)	C	2	
14	A93E287000	Lock Shaft	ロック軸 (R 2_開閉)	D	1	
15	A93E288200	Spring	ばね (LOWER GUIDO HOOK)	C	1	
16	A93E286901	Lock Hook	ロックフック (後)	C	1	
17	A93E285600	Support Frame	支持フレーム (C I S _ F I X)	D	1	
18	A93E266100	Hold Shaft	保持軸	D	1	
19	A7AHM90000	Connector	コネクタ	D	2	
20	A93E288000	Guide	ガイド (読み取り)	D	1	
21	A93EN11G00	ADF Flat Cable	ADF フラットケーブル (A 4)	A,C,D1,D3,E,F2,G1,I,K	1	
21	A93EN11H00	ADF Flat Cable	ADF フラットケーブル (Legal)	B,G2,H	1	
22	9335140071	Solid State Switch	反射型フォトスイッチ	B	1	
23	A93E265800	Mounting Plate	取付板 (第1センサ)	D	1	
24	A93EN11B01	Ground Harness /1	アース束線 / 1 (1 s t S C A N)	D	1	
25	A93EN11501	ADF Detection Harness /1	ADF 検知束線 / 1	D	1	
26	A85CM55600	Photo Sensor	フォトセンサ	C	2	

Auto document feeder section

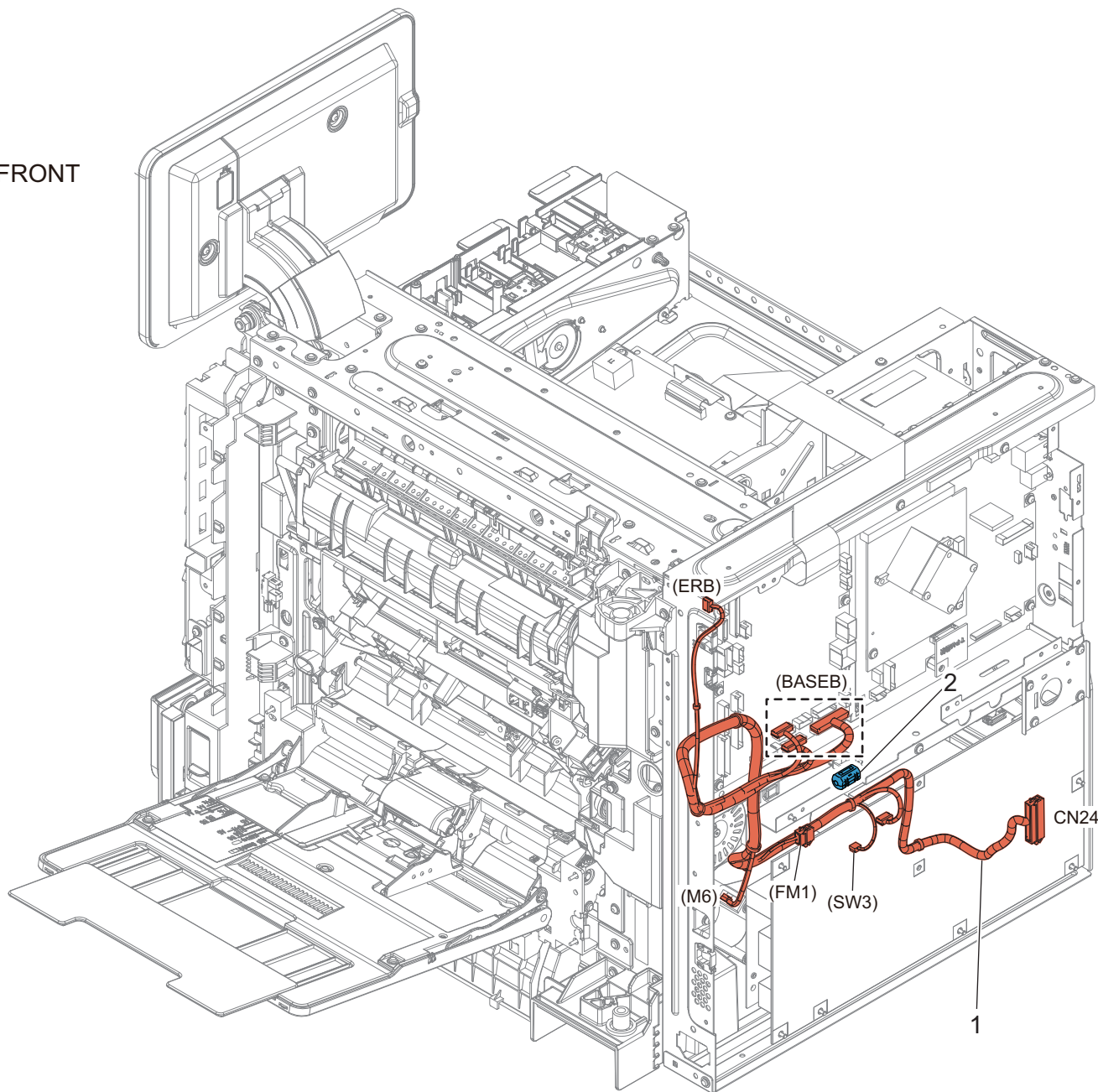


Key	Part No.	Description	Destinations	Class	QTY	Standard parts
1	A93E265701	Frame		D	1	a-V153031003 b-V125030803 c-V153031004 d-V217040003 e-V218040086
2	A93E285700	Support Holder		D	1	
3	A93E282200	Bushing		D	4	
4	A93E270900	Pulling Coil spring		C	1	
5	A93E282100	Tension Plate /ASSY		D	1	
6	A93E281800	Timing belt 178L		C	1	
7	A93E281000	Pulley 30T		C	1	
8	A93E280800	Pulley 25T		C	1	
9	A93E281900	Idling Pulley		D	1	
10	A93E265600	Roller		C	1	
11	A93E265500	Roller		C	1	
12	A93E265300	Roller		C	1	
13	A93E265400	Roller		C	1	
14	A93E282000	Fly wheel		D	5	
15	A93E280700	Gear 36T		C	1	
16	A93EM21100	Clutch		C	1	
17	A93E281100	Pulley 23T		C	1	
18	A93E281700	Timing belt 96L		C	1	
19	A93E282600	Torsion Coil spring		C	1	
20	A93E282500	Drum		D	1	
21	A00J663200	Bushing		B	4	
22	A93E265900	Guide Film		D	2	

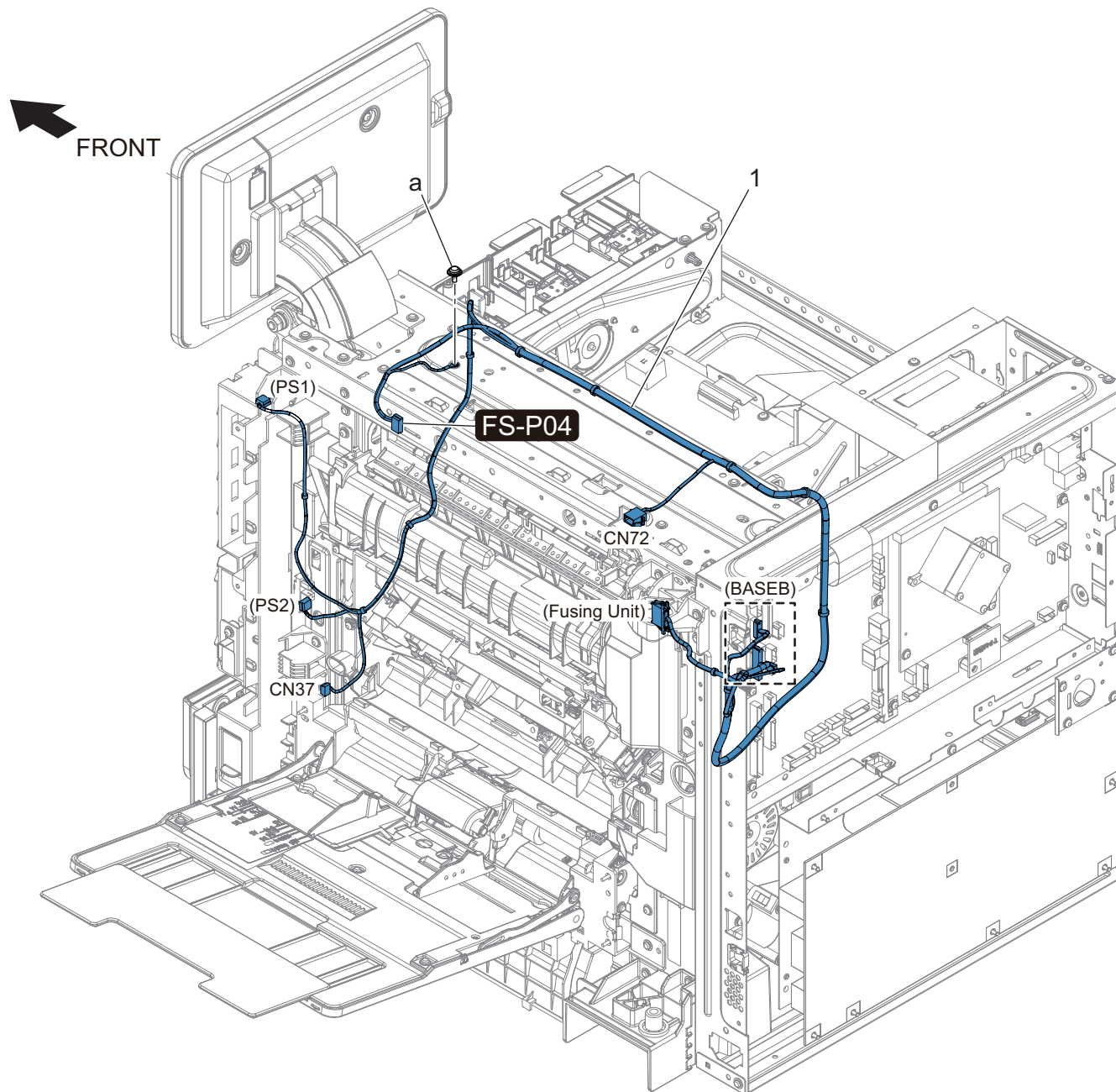


Key	Part No.	Description	Destinations	Class	QTY	Standard parts
1	A93EM10M00	Stepping Motor		C	1	a-V116030603
2	A93E281401	Mounting Plate		D	1	b-V153030803
3	A93E281500	Timing belt 114L		C	1	c-V153031004
4	A93E282800	Flange		D	2	d-V153031003
5	A93E280101	Gear 24/31T		C	1	e-V144030603
6	A93E282200	Bushing		D	1	f-V217030003
7	A93E280500	Gear 19T		C	1	g-V217040003
8	A93E282400	Ring		D	1	
9	A93E281301	Drive Frame /ASSY		D	1	
10	A93E269100	Ground Plate		D	1	
12	A93E269000	Ground Plate		D	1	
13	A93E282700	Ground Plate		D	1	
14	A93E280601	Gear 19/30T		C	1	
15	A93E281600	Timing belt 278L		C	1	
16	A93E280400	Gear 30T		C	1	
17	A93E280300	Gear 32/34T		C	1	
18	A93E280201	Gear 22/50T		C	1	
19	A93E280900	Shaft		D	1	
20	A93EM21000	Clutch		C	1	
21	A93E281200	Auxiliary Frame		D	1	
22	A93EN11C00	Ground Harness /2		D	1	
23	A00J663200	Bushing		B	1	
24	A85CM55600	Photo Sensor		C	1	

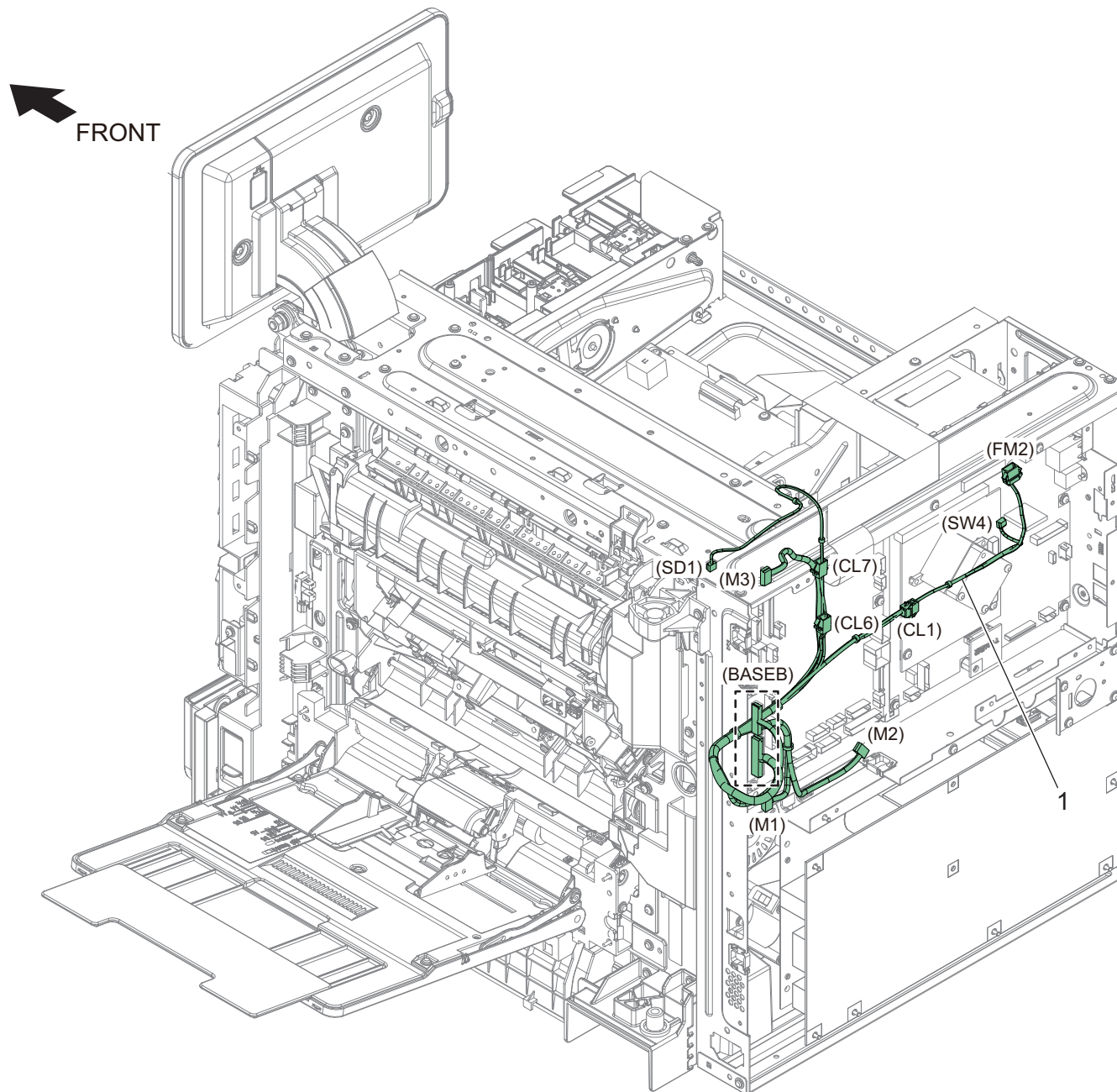
FRONT



Key	Part No.	Description	Destinations	Class	QTY	Standard parts
1	A93EN10800	Main body Wiring /1		D	1	
2	A3EWM90300	Ferritecore		D	1	



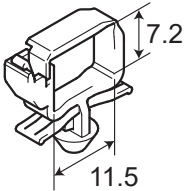
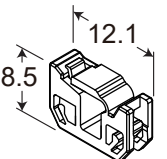
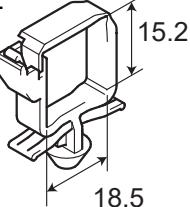
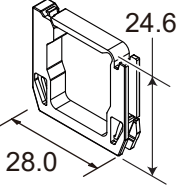
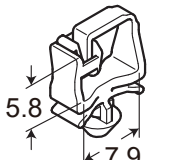
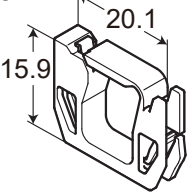
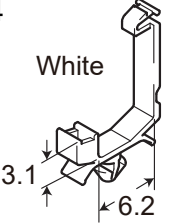
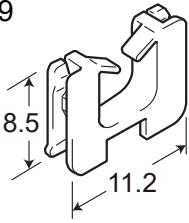
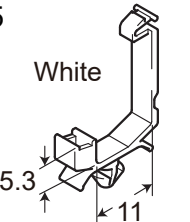
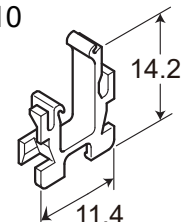
Key	Part No.	Description	Destinations	Class	QTY	Standard parts
1	A93EN10900	Main body Wiring /2 本体束線 / 2		D	1	a-V125030803



Key	Part No.	Description	Destinations	Class	QTY	Standard parts
1	A93EN10700	Main body Drive harness 本体駆動束線		D	1	

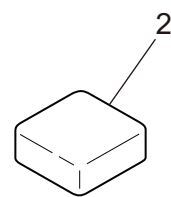
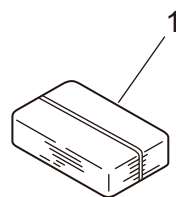
Wiring Accessories

P 43

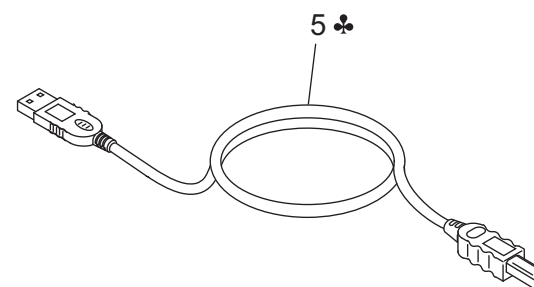
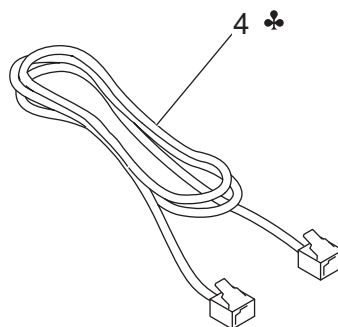
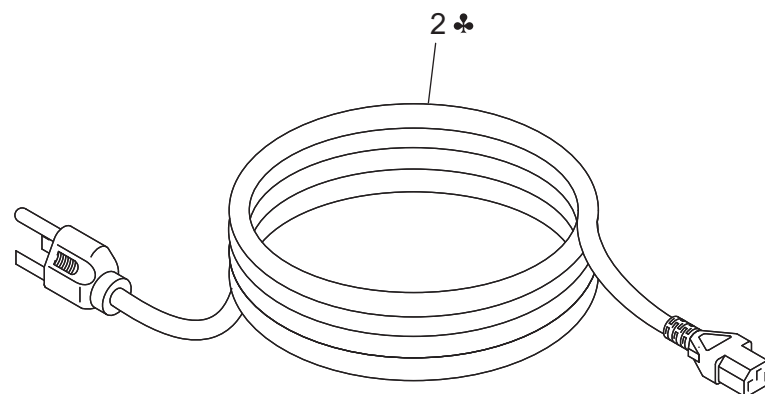
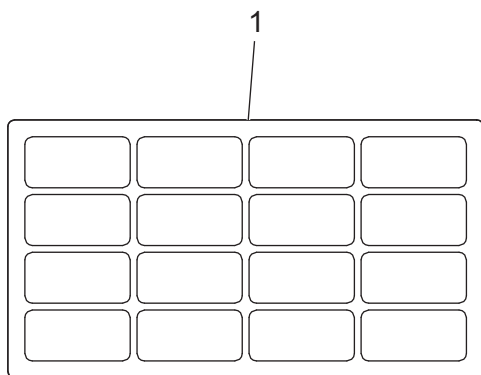
1 	6 	11	16	21	26	31	36
2 	7 	12	17	22	27	32	37
3 	8 	13	18	23	28	33	38
4 White 	9 	14	19	24	29	34	39
5 White 	10 	15	20	25	30	35	40

bizhub C4050i

Key	Part No.	Description	Destinations	Class	QTY	Standard parts
1	V500010082	Locking Wire Saddle		D		
2	V500010083	Locking Wire Saddle		D		
3	V500020098	Mini Locking wire saddle		D		
4	V500020099	Mini Locking wire saddle		D		
5	V500020100	Mini Locking wire saddle		D		
6	V570010056	Locking Edge Saddle		D		
7	V570010057	Wing Edge Saddle		D		
8	V570010060	Wing Edge Saddle		D		
9	V570010021	Saddle		D		
10	V570010050	Locking Edge Saddle		D		



Key	Part No.	Description	Destinations	Class	QTY	Standard parts
1	A5AWP00100	Cleaning Pad		S	1	
2	65AA-9920	HYDROWIPE		S	1	



Accessory Parts

Key	Part No.	Description	Destinations	Class	QTY	Standard parts
1	A93E943200	Label		D	1	
2	4136N30000	POWER CODE	プラグ電源コード	D	1	
2	9381420021	POWER CORD	プラグ付電源コード	D	1	
2	A034N30000	Power source Cord	電源コード (国内)	D	1	
2	A0VDN30000	Power code	電源コード (欧州)	C	1	
2	A1UDN30200	Power cord /230V	電源コード / 230 V (アルゼンチン)	C	1	
2	A2UPN30100	Power code (220-240V)	電源コード (220-240 V)	D	1	
2	A2UPN30300	Power code (220-240V)	電源コード (220-240 V)	D	1	
2	A2UPN30501	Power code /230V	電源コード / 230 V (ブラジル)	D	1	
2	A7AHN30000	Power code /230V	電源コード / 230 V (インド)	D	1	
2	A92FN30000	Power code /110V	電源コード / 110 V (台湾)	D	1	
2	A0EDN30101	Power source Cord /120V	電源コード / 120 V	D	1	
3	AA2J948600	Label	ラベル (NFC)	D	1	
4	AA1KN10000	Cable	ケーブル (モジュラーケーブル)	D	1	
5	A0HFN12200	Cable	ケーブル (USB ケーブル 1.5 m)	D	1	

MAINTENANCE LIST

● The items with no Page/Key numbers are not handled as spare parts.

No.	Section	PM Parts Description	Maintenance Cycle (K=1,000)		Parts No.	Destinations	Page/Key	Note
			QTY	Replace				
1	Paper feed section	Tray 1 feed roller	1	200K	A64J564101		P13-10	*2 *4
2		Tray 1 pick-up roller	1	200K	A64J564201		P13-11	*2 *4
3		Tray 1 separation roller	1	200K	A00J563600		P15-6	*2 *4
4		Manual bypass tray feed roller	1	200K	A93E597500		P21-39	*2 *4
5		Manual bypass tray pick-up roller	1	200K	A5C1562200		P21-34	*2 *4
6		Manual bypass tray separation pad	1	200K	AAJRR72200		P21-4	*2 *4
7	Processing section	Toner cartridge/Y,M,C	1	9K	-			*1 *3
8		Toner cartridge/K	1	13K	-			*1 *3
9		Imaging unit/Y,M,C	1	50K	-			*1 *3
10		Imaging unit/K	1	146K(JP)	-			*1 *3
11		Imaging unit/K	1	138K(US)	-			*1 *3
12		Imaging unit/K	1	146K(EU)	-			*1 *3
13		Toner filter	1	200K	A92E158100		P4-2	*2
14		Waster toner bottle	1	29.5K(JP)	ACDN002	A	P7-1	*1 *3 *5
16		Waster toner bottle	1	26.8K(EU)	ACDNWY1	C,D1,D3,E,F2,G1,I,K	P7-1	*1 *3 *5
17		Image transfer section	Transfer belt unit	1	146K(JP)	AAJRR70100		P9-2
18	Transfer belt unit		1	138K(US)	AAJRR70100		P9-2	*3
19	Transfer belt unit		1	146K(EU)	AAJRR70100		P9-2	*3
20	Transfer roller		1	146K(JP)	AAJRR70500		P17-2	*3
21	Transfer roller		1	138K(US)	AAJRR70500		P17-2	*3
22	Transfer roller		1	146K(EU)	AAJRR70500		P17-2	*3
23	Fusing section	Fusing unit	1	400K	AAJRR70200	(100V)	P23-3	*3
25		Fusing unit	1	400K	AAJRR70411	(220-240V)	P23-3	*3

*1: The parts can be replaced either by user or service engineer.

*2: Life counter value

*3: Field standard yield

*4: Replace these parts at the same time.

*5: A waste toner full condition is detected with detecting the actual waste toner emissions.

*: The part names used on this page follow the ones used in the Service Manual and they are occasionally different from those written in other pages.

メンテナンスリスト

● ページ / キーナンバーのないものは、アフターサービス部品ではありません。

No.	区分	PM 部品名称	サイクル (K=1,000)		部品番号	仕向地	頁 / キー	備考
			員数	交換				
1	給紙部	トレイ1 給紙ローラー	1	200K	A64J564101		P13-10	*2 *4
2		トレイ1 ビックアップローラー	1	200K	A64J564201		P13-11	*2 *4
3		トレイ1 分離ローラー	1	200K	A00J563600		P15-6	*2 *4
4		手差しトレイ給紙ローラー	1	200K	A93E597500		P21-39	*2 *4
5		手差しトレイビックアップローラー	1	200K	A5C1562200		P21-34	*2 *4
6		手差しトレイ分離パッド	1	200K	AAJRR72200		P21-4	*2 *4
7	プロセス部	トナーカートリッジ /Y,M,C	1	9K	-			*1 *3
8		トナーカートリッジ /K	1	13K	-			*1 *3
9		イメージングユニット /Y,M,C	1	50K	-			*1 *3
10		イメージングユニット /K	1	146K(JP)	-			*1 *3
11		イメージングユニット /K	1	138K(US)	-			*1 *3
12		イメージングユニット /K	1	146K(EU)	-			*1 *3
13		トナーフィルター	1	200K	A92E158100		P4-2	*2
14		廃トナーボトル	1	29.5K(JP)	ACDN002	A	P7-1	*1 *3 *5
16	廃トナーボトル	1	26.8K(EU)	ACDNWY1	C,D1,D3,E,F2,G1,I,K	P7-1	*1 *3 *5	
17	転写部	転写ベルトユニット	1	146K(JP)	AAJRR70100		P9-2	*3
18		転写ベルトユニット	1	138K(US)	AAJRR70100		P9-2	*3
19		転写ベルトユニット	1	146K(EU)	AAJRR70100		P9-2	*3
20		転写ローラー	1	146K(JP)	AAJRR70500		P17-2	*3
21		転写ローラー	1	138K(US)	AAJRR70500		P17-2	*3
22		転写ローラー	1	146K(EU)	AAJRR70500		P17-2	*3
23	定着部	定着ユニット	1	400K	AAJRR70200	(100V)	P23-3	*3
25		定着ユニット	1	400K	AAJRR70411	(220-240V)	P23-3	*3

*1: ユーザー / サービス交換の選択が可能。

*2: ライフカウンター値

*3: 市場標準印刷枚数値

*4: 同時交換のこと。

*5: 廃棄トナーフル検知は、実際の廃棄トナー充填量を検知して行う。

*: ここに記載されている部品名称はサービスマニュアルで使用されている部品名称であり、他のページに記載されている部品名称とは異なる場合があります。

DESTINATION

Destination No.		Destinations		V	Hz	Model No.
A	A1	JAPAN		100	50/60	AAJN001
	A2	JAPAN				
B		USA, CANADA		120	60	AAJN011
C		EUROPEAN TYPE		220-240	50/60	AAJN021
D	D1	S.E ASIA TYPE	THAILAND, SRI LANKA, SINGAPORE, MALAYSIA, HONG KONG, PAKISTAN, INDIA, BANGLADESH, INDONESIA	220-240	50/60	AAJN041
	D3	OCEANIA TYPE	AUSTRALIA, NEW ZEALAND	220-240	50/60	AAJN041
E		PHILIPPINES		220-240	50/60	AAJN041
F	F1	SAUDI ARABIA				
	F2	SAUDI ARABIA		220-240	50/60	AAJN041
G	G1	C.S AMERICA		220-240	50/60	AAJN041
	G2	C.S AMERICA		120	60	AAJN011
H		TAIWAN		110	60	AAJN011
I		JORDAN, LEBANON, SYRIA, SOUTH AFRICA, IRAQ, IRAN, N.YEMEN, CAMEROON, UAE, BAHRAIN, OMAN, QATAR, KUWAIT, KENYA, TUNISIA, IVORY COAST, MOROCCO		220-240	50/60	AAJN021/ AAJN041
J		CHINA				
K		KOREA		220-240	50/60	AAJN041

bizhub C4050i