

KONICA MINOLTA

# *PARTS GUIDE MANUAL*

---

*JULY 2007*

*bizhub PRO C5500*  
*A0E7*

## INFORMATION FOR PARTS GUIDE MANUAL

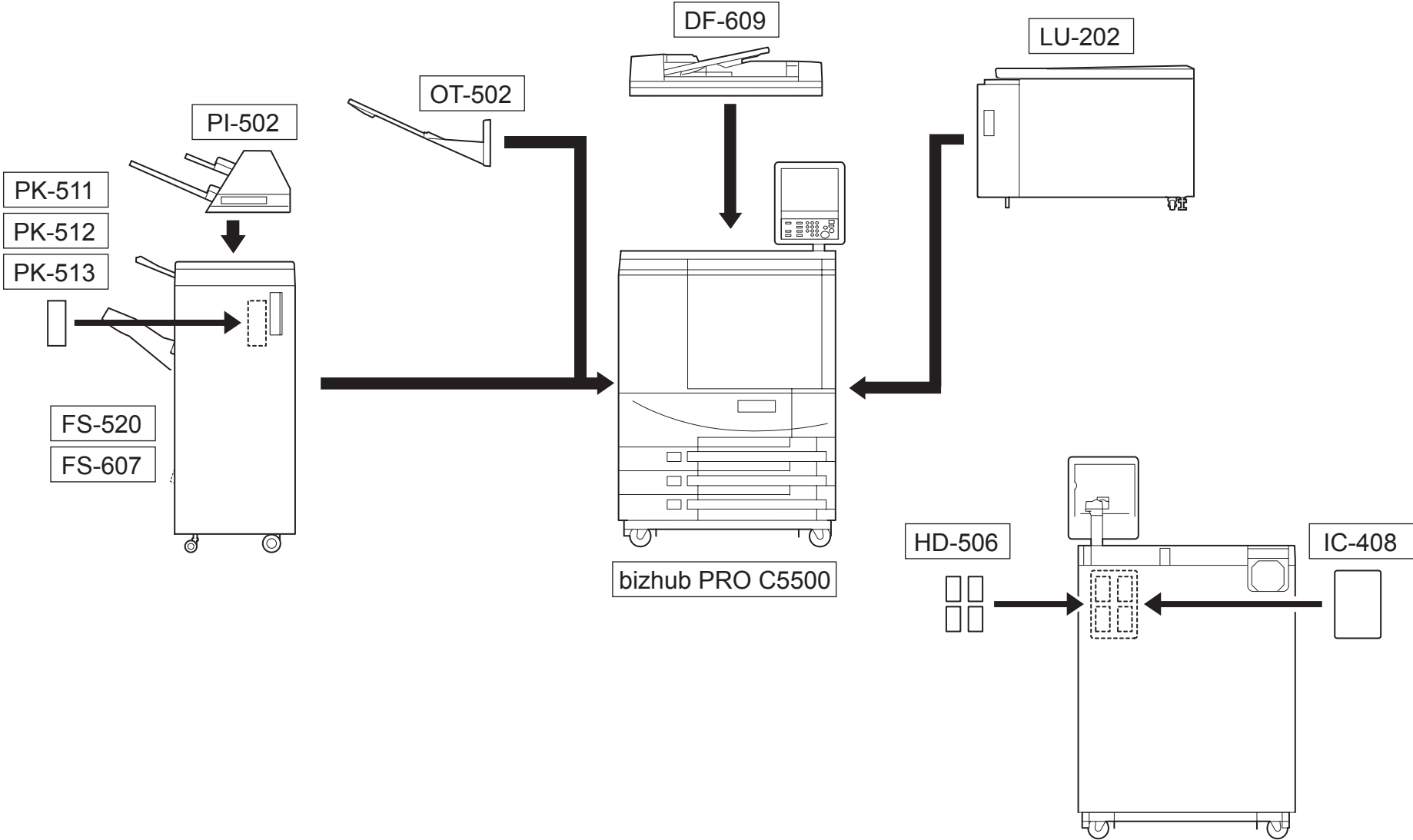
To find correct Parts No., refer to the "HOW TO MAKE THE BEST USE OF THIS MANUAL" in the following page.

### HOW TO MAKE THE BEST USE OF THIS MANUAL

- 1 When you order, please check the proper figures beforehand that are on Our Parts Guide Manual, and order with the appropriate figures.
- 2 For screws, Nuts, Washers, retaining rings and Pins which are used in this model, one letter is shown on the Standard parts column of Parts list and exploded diagrams.
- 3 In order to maintain safety of the product, some specific parts composed of this product are set up as "essential safety parts".
- 4 The assigned parts number for the "essential safety parts" is indicated as "SP00-\*\*\*\*".  
When replacing these parts, follow precautions for disassembling and installing which are listed in the Service Manual.  
Do not use any parts that are not set up as
- 5 ♣ means that there are exclusive parts for each destination.  
Please check the appropriate destination when you order.
- 6 Revision Mark  
Marked as ▲ on the illustration shows that the revision has been made.
- 7 All rights reserved. (any reprints or quotations are prohibited.)  
Use of this parts guide manual should be strictly supervised to avoid disclosure of confidential information.

07/04/2007

# SYSTEM OUTLINE

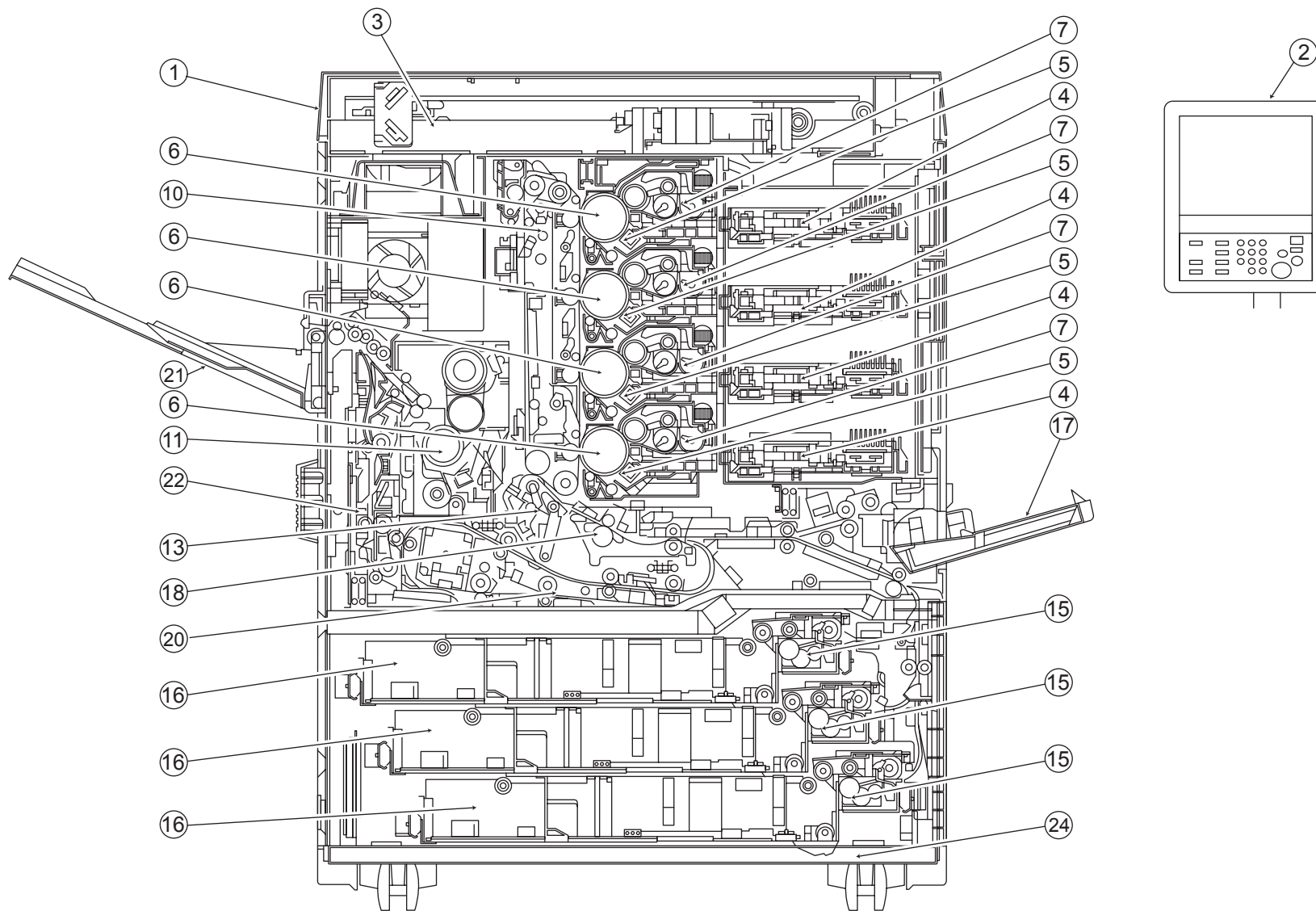


bizhub PRO C5500

# GENERAL CONTENTS

No.	Description	Model
1	DIGITAL MFP COLOR	bizhub PRO C5500
2	DOCUMENT FEEDER	DF-609
3	PAPER FEEDER	LU-202
4	SORTER/FINISHER	FS-607
5	SORTER/FINISHER	FS-520
6	PUNCH UNIT	PK-511
7	PUNCH UNIT	PK-512
8	PUNCH UNIT	PK-513
9	OTHER OPTION	PI-502
10	OTHER OPTION	OT-502
11	OTHER OPTION	HD-506
12	PRINT CONTROLLER	IC-408

# DIAGRAMS OF MAIN PARTS SECTION



# CONTENTS

No.	DESCRIPTION	PAGE No.
1	EXTERNAL PARTS	P1 P2 P3 P4 P5 P6
2	OPERATION SECTION	P7 P8 P9
3	OPTICAL SECTION	P10 P11 P12 P13
4	WRITE SECTION	P14 P15 P16
5	CHARGE CORONA SECTION	P17
6	PHOTO CONDUCTOR SECTION	P18
7	DEVELOPING SECTION	P19
8	TONER SUPPLY SECTION	P20 P21 P22 P23 P24 P25
9	TONER COLLECTING SECTION	P26
10	INTERMEDIATE TRANSFER SECTION	P27 P28 P29 P30 P31 P32
11	FUSING SECTION	P33 P34 P35 P36 P37 P38
12	PROCESS CARRIAGE SECTION	P39 P40 P41 P42 P43
13	SECONDARY TRANSFER SECTION	P44
14	PAPER FEED DRIVING SECTION	P45
15	PAPER FEED SECTION	P46 P47
16	CASSETTE	P48 P49 P50 P51
17	BYPASS SECTION	P52 P53 P54 P55
18	REGISTRATION SECTION	P56
19	VERTICAL CONVEYANCE SECTION	P57 P58
20	DUPLEX SECTION	P59 P60 P61 P62 P63 P64 P65 P66 P67 P68
21	PAPER EXIT SECTION	P69 P70
22	PAPER EXIT GUIDE SECTION	P71 P72 P73
23	DRIVE SECTION	P74 P75 P76 P77 P78
24	MAIN FRAME	P79 P80 P81 P82 P83
25	ELECTRICAL COMPONENTS	P84 P85 P86
26	WIRING	P87 P88 P89 P90 P91 P92 P93 P94 P95 P96 P97 P98 P99 P100 P101 P102 P103 P104 P105 P106
27	WIRING ACCESSORIES AND JIGS	P107 P108
28	ACCESSORY PARTS	P109

# INDEX

1/10

Parts No.	Page No.
000V -18- 1	108-22
000V -18- 2	108-22
000V 1001 0	108-23
000V 1002 0	108-24
000V 1003 0	108-25
000V 1004 0	108-26
000V 1005 0	108-27
00Z9 2001 3	107-1
00Z9 2001 4	107-2
00Z9 2001 6	107-3
00Z9 2001 7	107-4
00Z9 2001 9	107-5
00Z9 2002 0	107-6
00Z9 2002 1	107-7
00Z9 2002 2	107-8
00Z9 2002 3	107-9
00Z9 2002 4	107-10
00Z9 2002 5	107-11
00Z9 2002 6	107-12
00Z9 2004 5	107-13
00Z9 2004 6	107-14
00Z9 2005 3	107-15
00Z9 2005 4	107-16
00Z9 2006 1	107-17
00Z9 2006 2	107-18
00Z9 2007 1	107-19
00Z9 2007 2	107-20
00Z9 2008 3	107-21
00Z9 2009 1	107-22
00Z9 2009 3	107-23
00Z9 2009 4	107-24
00Z9 2009 5	107-25
00Z9 2009 6	107-26
00Z9 2009 8	43-15
00Z9 2009 8	107-27
00Z9 2010 3	107-28
00Z9 2010 4	107-29
00Z9 2011 1	107-30
00Z9 2011 7	107-31
00Z9 2012 0	107-32

Parts No.	Page No.
00Z9 2100 3	107-33
00Z9 2110 2	107-34
00Z9 2116 2	107-35
00Z9 2116 3	107-36
00Z9 2130 2	107-37
00Z9 2137 0	107-38
00Z9 2137 2	107-39
00Z9 2191 1	107-40
00Z9 2191 2	108-1
00Z9 2193 0	108-2
00Z9 2193 1	108-3
00Z9 2194 1	108-4
00Z9 2194 2	108-5
00Z9 2194 3	108-6
00Z9 2231 0	108-7
00Z9 2232 0	108-8
00Z9 2241 0	108-9
00Z9 2241 5	108-10
00Z9 2244 0	108-11
00Z9 2247 0	108-12
00Z9 2451 2	108-13
00Z9 2510 3	25-12
00Z9 2510 3	35-39
00Z9 2510 3	75-38
00Z9 2510 3	78-14
00Z9 2510 3	108-14
00Z9 2510 4	84-10
00Z9 2510 4	108-15
00Z9 2511 4	84-9
00Z9 2511 8	10-25
00Z9 2625 1	108-16
00Z9 2625 2	108-17
00Z9 2625 7	108-18
00Z9 2626 4	108-19
00Z9 3000 3	108-20
00Z9 3000 5	108-21
0590 7651 0	47-25
0650 7502 0	68-8
0676 4258 1	51-4
07AA 7506 2	28-24

Parts No.	Page No.
07AA 7506 2	69-22
07AA 7730 2	45-12
07BA 1587 1	32-6
07BA 7519 0	75-16
08AA 4523 0	29-15
08AA 7601 0	46-10
08AA 7601 0	47-5
08AA 7736 0	24-15
08AA 8003 0	75-11
08AA 8551 2	5-8
08AA 8551 2	10-6
08AA 8551 2	11-13
08AA 8551 2	21-5
08AA 8551 2	26-33
08AA 8551 2	33-17
08AA 8551 2	47-16
08AA 8551 2	49-13
08AA 8551 2	50-4
08AA 8551 2	53-1
08AA 8551 2	55-14
08AA 8551 2	57-11
08AA 8551 2	63-10
08AA 8551 2	65-2
08AA 8551 2	69-17
08AA 8551 2	70-7
08AA 8551 2	72-3
08AA 8551 2	75-4
08AA 8551 2	79-13
0900 7553 0	45-9
1139 1703 02	1-17
1139 1704 14	1-15
1139 1706 01	1-14
1171 1127 03	1-18
129X 4835 0	79-25
129X 4836 0	59-1
12AJ 4585 0	60-6
12EJ 1113 0	54-12
12QR 8601 1	20-15
12QV 7503 0	62-6
12VG 7703 0	25-10

Parts No.	Page No.
12VR 7551 0	67-22
12VR 7551 0	73-6
13GG 7703 0	33-16
13GG 7703 0	35-1
13HA 4733 0	54-19
13HA 8002 1	52-6
13NG 4520 0	63-19
13NT 8051 1	70-8
13NT 8051 1	80-10
13NT 8051 1	82-12
13NT 8051 1	85-14
13QA 1033 0	55-33
13QA 4061 0	72-6
13QA 4061 0	76-14
13QA 4061 0	77-14
13QA 7704 0	53-18
13QA 8551 1	66-20
13QA 8551 1	67-24
13QA 8551 1	68-25
13QA 8551 1	71-10
13RN 7321 1	25-1
14GE 4547 0	67-8
14GE 4547 0	68-5
14GE 4547 0	73-19
15AA R736 00	63-20
25AA 1342 0	55-32
25AA 4750 0	63-13
25AA 5008 0	60-4
25AA 7327 0	84-2
25AA 7509 0	35-14
25AA 7509 0	72-4
25AA 7509 0	73-16
25AA 7772 0	62-33
25AA 7773 0	58-10
25AA 7773 0	62-31
25AA 7789 0	24-10
25AE 7327 0	84-2
25BA 7717 1	24-7
25BA 8554 1	26-37
25HA 3033 0	78-6

Parts No.	Page No.
25SA -620 1	10-8
25SA 1020 0	79-14
25SA 1020 0	80-4
25SA 1020 0	82-1
25SA 1043 1	79-23
25SA 1043 1	82-10
25SA 3016 0	19-19
25SA 4096 0	46-7
25SA 4096 0	53-17
25SA 6107 0	10-11
25SA 6154 0	13-4
25SA 6155 0	13-1
25SA 6165 0	11-7
25SA 6170 0	10-24
25SA 6171 0	10-4
25SA 7504 0	18-3
25SA 7504 0	64-7
25SA 7504 0	66-10
25SA 7504 0	68-18
25SA 7504 0	69-3
25SA 7504 0	73-7
25SA 7504 0	74-2
25SA 7504 0	75-8
25SA 7742 0	45-13
26MA 7404 0	18-7
26MA 7410 0	75-14
26NA 1558 0	53-10
26NA 1728 0	28-8
26NA 1728 0	32-7
26NA 1728 0	36-22
26NA 1728 0	78-9
26NA 1758 0	74-1
26NA 3065 0	68-15
26NA 3266 0	24-2
26NA 3287 0	21-13
26NA 4082 0	52-3
26NA 4082 0	58-3
26NA 4206 1	46-12
26NA 4256 0	46-3
26NA 4256 0	57-9

Parts No.	Page No.	Parts No.	Page No.	Parts No.	Page No.	Parts No.	Page No.	Parts No.	Page No.
26NA 4256 0	60-15	40AA 8501 1	5-7	55VA 4023 0	53-20	56AA 1215 0	5-6	56AA 1748 0	61-7
26NA 4256 0	62-22	40AA 8803 1	22-11	55VA 4060 0	49-11	56AA 1216 0	5-5	56AA 1748 0	62-11
26NA 4256 0	66-14	40AA 8803 1	23-12	55VA 4093 0	50-8	56AA 1227 0	1-8	56AA 1748 0	68-10
26NA 4256 0	71-3	40LA 3285 0	21-14	55VA 4099 1	53-21	56AA 1256 0	3-5	56AA 1749 0	76-2
26NA 4707 0	48-3	4500 5339 1	34-13	55VA 4211 1	53-38	56AA 1709 0	52-4	56AA 1749 0	77-2
26NA 5371 2	37-7	4540 7803 0	35-23	55VA 4212 0	28-16	56AA 1709 0	62-16	56AA 1751 0	47-24
26NA 5378 0	38-23	4540 7805 0	18-13	55VA 4212 0	44-4	56AA 1712 1	47-29	56AA 1753 1	29-14
26NA 5423 0	38-21	4540 7805 0	78-3	55VA 4212 0	47-32	56AA 1730 0	57-5	56AA 1753 1	35-28
26NA 6141 0	12-4	4543 -846 3	84-1	55VA 4212 0	56-12	56AA 1730 0	67-16	56AA 1753 1	36-28
26NA 6194 0	10-3	4581 1603 01	1-12	55VA 4212 0	58-12	56AA 1730 0	75-15	56AA 1755 1	69-20
26NA 6216 0	10-7	4620 7601 0	63-12	55VA 4212 0	61-3	56AA 1731 0	46-15	56AA 1755 1	73-37
26NA 7357 0	85-13	4660 7602 0	66-3	55VA 4212 0	65-9	56AA 1731 0	53-11	56AA 1762 0	79-19
26NA 7601 0	53-6	5000 7501 0	11-8	55VA 4222 0	53-5	56AA 1731 0	69-7	56AA 1763 0	79-17
26NA 7601 0	54-1	5000 7501 0	35-13	55VA 4331 0	53-24	56AA 1732 1	24-14	56AA 1764 0	79-18
26NA 8251 3	42-6	5380 8826 1	84-5	55VA 5375 0	21-1	56AA 1732 1	28-22	56AA 1776 0	47-23
26TA 3296 0	21-7	5400 7605 0	28-17	55VA 5385 0	20-14	56AA 1732 1	36-30	56AA 2070 0	27-6
26TA 3297 0	21-8	5400 7605 0	32-5	55VA 5397 0	34-3	56AA 1732 1	53-23	56AA 2087 0	37-17
26TA 3298 0	21-11	5400 7605 0	33-11	55VA 5397 0	37-21	56AA 1732 1	54-14	56AA 4001 0	46-5
26TA 3299 0	21-9	5400 7605 0	35-2	55VA 5397 0	38-13	56AA 1732 1	62-34	56AA 4003 2	47-12
27LA 8001 2E	75-23	5400 7605 0	45-1	55VA 7554 0	47-10	56AA 1732 1	64-13	56AA 4007 0	47-26
27LA 8003 2E	25-3	5400 7605 0	56-5	55VA 7713 0	45-5	56AA 1732 1	69-21	56AA 4009 0	47-43
27LA 8003 2E	35-12	5400 7605 0	61-5	55VA 7787 0	35-3	56AA 1732 1	72-5	56AA 4010 0E	47-1
27LA 8003 2E	78-10	5400 7605 0	62-12	55VA 7903 0	46-9	56AA 1732 1	73-35	56AA 4012 0	47-33
27LA 8051 1	11-17	5400 7605 0	67-9	55VA 7903 0	53-13	56AA 1732 1	75-27	56AA 4017 1	47-15
3040 7807 0	35-16	5400 7605 0	68-7	55VA 7930 0	24-11	56AA 1746 1	24-12	56AA 4019 0	47-17
3220 7601 0	24-3	5400 7605 0	73-33	55VA 8552 1	34-12	56AA 1746 1	45-15	56AA 4023 0	47-34
35EA 7715 1	24-8	5400 7605 0	75-21	55VA 8552 1	36-29	56AA 1746 1	63-23	56AA 4024 0	47-44
35EA 7722 0	25-7	5400 7605 0	78-5	55VA 9084 0	106-12	56AA 1746 1	73-36	56AA 4030 0	47-28
3920 5336 0	35-4	55FA 1210 1	3-11	55VG -822 0	84-1	56AA 1747 1	24-13	56AA 4031 0	47-14
3960 4068 1	3-17	55FA 1210 1	5-4	55VN -822 1	84-1	56AA 1747 1	33-21	56AA 4033 0	46-16
3960 4068 1	25-4	55FA 4032 0	47-11	55WA 1030 0	79-27	56AA 1747 1	35-27	56AA 4037 0	47-13
3960 4068 1	53-14	55GA 7503 1	36-15	55WA 1030 0	82-8	56AA 1747 1	45-16	56AA 4038 0	47-8
40AA 3232 0	19-4	55GA 8601 0	79-10	55WA 1031 0	79-22	56AA 1747 1	61-14	56AA 4038 0	53-8
40AA 3232 0	22-10	55TA 6132 0	10-23	55WA 3001 0	18-8	56AA 1747 1	66-21	56AA 4039 0	47-30
40AA 3232 0	23-5	55TA 8456 1	84-5	56AA -040 0	63-9	56AA 1747 1	72-17	56AA 4041 1	46-11
40AA 3232 0	29-4	55VA 1247 0	84-8	56AA -642 1	10-21	56AA 1747 1	78-11	56AA 4041 1	53-12
40AA 4626 1	73-8	55VA 1554 1	52-5	56AA 1030 0	80-1	56AA 1748 0	35-11	56AA 4042 0	46-14
40AA 4634 2	73-15	55VA 1554 1	62-17	56AA 1212 0	5-3	56AA 1748 0	45-3	56AA 4043 0	46-17
40AA 7755 0	63-21	55VA 2068 0	20-2	56AA 1213 0	5-12	56AA 1748 0	47-36	56AA 4044 0	46-18
40AA 7766 0	24-1	55VA 3253 0	64-12	56AA 1214 0	5-2	56AA 1748 0	56-6	56AA 4045 0	47-41



Parts No.	Page No.	Parts No.	Page No.	Parts No.	Page No.	Parts No.	Page No.	Parts No.	Page No.
56AA 4046 0	47-7	56AA 8201 2	47-31	56UA 7507 0	38-19	65AA 1023 0D	81-21	65AA 1150 0	79-3
56AA 4047 0	47-39	56AA 8201 2	58-9	56UA 8352 1	7-27	65AA 1026 0	79-15	65AA 1153 0	82-7
56AA 4048 1	46-4	56AA 8201 2	61-9	56UA 8551 0E	67-20	65AA 1043 0	81-14	65AA 1159 0	81-22
56AA 4049 0	28-14	56AA 8552 1	56-1	56UA 8755 0	7-7	65AA 1044 0	81-13	65AA 1228 0	3-31
56AA 4049 0	30-4	56AA 8552 1	60-9	56UA 9079 0	102-4	65AA 1047 0	80-17	65AA 1261 0	3-30
56AA 4049 0	46-6	56AA 8552 1	62-27	56UA 9080 1	104-5	65AA 1048 0	81-4	65AA 1263 0	3-15
56AA 4049 0	47-19	56AA 8553 1	10-18	56UA 9081 0	102-3	65AA 1049 0	83-5	65AA 1264 0	3-16
56AA 4050 0	47-35	56AA 8560 1	48-12	56UA 9092 0	102-2	65AA 1055 0	80-12	65AA 1272 0	4-11
56AA 4051 0	47-40	56AA 8560 1	55-9	56UA 9726 0	36-27	65AA 1064 0	81-11	65AA 1273 0	4-10
56AA 4052 0	47-6	56AA 8842 1	84-6	56UA 9730 0	15-6	65AA 1065 0	81-12	65AA 1277 0	4-9
56AA 4053 0	46-19	56AA 9061 0E	102-5	56UA 9730 0	16-6	65AA 1066 0	79-16	65AA 1280 0	3-2
56AA 4054 0	46-20	56AA R705 00	80-15	56UA 9792 0	39-9	65AA 1069 0	79-24	65AA 1503 0	77-1
56AA 4269 0	35-8	56AA R716 00	46-8	56UF 9726 0	36-27	65AA 1070 0	79-21	65AA 1504 0	76-1
56AA 4269 0	72-8	56AA R720 00	47-22	57AA 5076 0	63-5	65AA 1071 0	79-26	65AA 1520 0	76-5
56AA 4415 0	57-3	56AA R721 00	47-20	57AS -822 0	84-1	65AA 1076 0	15-8	65AA 1520 0	77-5
56AA 4420 0	57-1	56AF 8871 0	84-7	57GA 1210 0	63-27	65AA 1081 0	80-13	65AA 1521 0	76-15
56AA 4420 0	62-14	56GA 7601 0	60-17	65AA -075 0	79-2	65AA 1084 0	81-3	65AA 1521 0	77-15
56AA 5038 1	59-7	56GK -801 1E	84-1	65AA -078 0	63-28	65AA 1087 0	15-4	65AA 1523 0	76-6
56AA 5053 0	81-1	56QA 4008 0	46-13	65AA -172 0	75-31	65AA 1087 0	16-4	65AA 1523 0	77-6
56AA 5070 0	63-6	56QA 4025 0	46-21	65AA -181 0	74-7	65AA 1090 0	79-7	65AA 1524 0	76-11
56AA 5073 0	63-8	56QA 4027 0	46-22	65AA -182 0	74-8	65AA 1096 0	81-18	65AA 1524 0	77-11
56AA 5270 0	73-43	56QA 4055 0	46-23	65AA -226 0	43-11	65AA 1097 0	81-2	65AA 1608 0	78-1
56AA 5347 0	37-19	56QA 8057 0	68-9	65AA -227 0	43-10	65AA 1102 0	82-16	65AA 1703 0	75-36
56AA 6129 0	10-9	56UA -704 0	7-8	65AA -232 0	42-8	65AA 1108 0	82-15	65AA 1706 0	75-29
56AA 6129 0	13-2	56UA -904 1F	7-19	65AA -233 0	42-9	65AA 1114 0	15-2	65AA 1709 0	75-33
56AA 6140 0	10-16	56UA -905 1E	7-26	65AA -248 0	26-34	65AA 1114 0	16-2	65AA 1710 0	75-28
56AA 6141 0	10-15	56UA 1265 0	4-2	65AA -273 0	32-21	65AA 1114 0	82-6	65AA 1713 0	75-2
56AA 6142 0	11-11	56UA 1270 0	11-2	65AA -284 0	27-10	65AA 1114 0	86-4	65AA 1714 0	75-1
56AA 6143 1	11-12	56UA 1277 0	109-2	65AA -475 0	48-31	65AA 1117 0	81-8	65AA 1718 0	75-3
56AA 7356 0	86-3	56UA 7031 0	7-14	65AA -481 0	48-32	65AA 1118 0	82-14	65AA 1720 0	75-34
56AA 7368 0	82-20	56UA 7032 1	7-25	65AA -481 0	49-20	65AA 1119 0E	81-19	65AA 1721 0	75-30
56AA 7733 0	22-2	56UA 7033 0	7-18	65AA -482 0	49-15	65AA 1120 0	79-4	65AA 1722 0	75-7
56AA 7733 0	23-2	56UA 7034 0	7-23	65AA -623 0	10-20	65AA 1130 0	80-6	65AA 1723 0	75-12
56AA 7733 0	24-5	56UA 7035 0	7-15	65AA -628 0	13-8	65AA 1131 0	79-20	65AA 1724 0	75-35
56AA 7759 0	47-27	56UA 7036 0	7-20	65AA -906 1E	25-2	65AA 1132 0	79-6	65AA 1801 0	74-9
56AA 7772 0	47-38	56UA 7037 0	7-16	65AA -907 1E	10-17	65AA 1135 0	82-9	65AA 1804 0	74-10
56AA 7773 0	47-37	56UA 7038 0	7-17	65AA -909 1E	75-25	65AA 1138 0	80-5	65AA 1806 0	74-6
56AA 8003 1	51-5	56UA 7039 0	7-21	65AA -909 1E	76-7	65AA 1139 0	82-13	65AA 1807 0	74-3
56AA 8054 1	80-11	56UA 7040 0	7-22	65AA -909 1E	77-7	65AA 1141 0	80-14	65AA 1809 0	74-11
56AA 8055 1	63-24	56UA 7042 0	7-24	65AA 1019 0	81-7	65AA 1143 0	79-5	65AA 2004 0	18-19

Parts No.	Page No.
65AA 2006 0	18-10
65AA 2006 0	29-13
65AA 2010 0	18-1
65AA 2030 0	18-14
65AA 2030 0	29-12
65AA 2045 0	18-18
65AA 2051 0	18-5
65AA 2052 0	18-11
65AA 2210 0	43-12
65AA 2213 0	43-4
65AA 2214 0	43-1
65AA 2226 0	43-13
65AA 2229 0	43-3
65AA 2235 0E	43-2
65AA 2236 0	43-6
65AA 2237 0E	42-2
65AA 2241 0E	40-4
65AA 2241 0E	41-1
65AA 2246 0	39-4
65AA 2252 1	43-14
65AA 2259 0	42-5
65AA 2265 0	41-2
65AA 2268 0	39-1
65AA 2275 0	42-4
65AA 2276 0	42-1
65AA 2280 0	43-8
65AA 2281 0	43-5
65AA 2282 0	42-10
65AA 2403 0	26-21
65AA 2404 0	26-16
65AA 2406 0	26-8
65AA 2407 0	26-19
65AA 2408 0	26-24
65AA 2412 0	26-11
65AA 2413 0	26-9
65AA 2414 0	26-31
65AA 2417 1	45-21
65AA 2420 0	26-4
65AA 2421 0	26-1
65AA 2422 0	26-14

Parts No.	Page No.
65AA 2424 0	26-27
65AA 2425 0	26-28
65AA 2430 0	45-17
65AA 2431 0	26-10
65AA 2433 0	26-5
65AA 2434 0	26-22
65AA 2436 0	26-30
65AA 2437 0D	26-38
65AA 2438 0	26-32
65AA 2440 0	26-2
65AA 2441 0	26-17
65AA 2442 0	26-20
65AA 2443 0	26-40
65AA 2444 0	26-3
65AA 2610 0	32-9
65AA 2611 1	28-9
65AA 2613 1F	32-12
65AA 2614 1F	28-5
65AA 2619 0	28-21
65AA 2625 0E	32-19
65AA 2627 0E	32-17
65AA 2634 0	27-4
65AA 2640 0	29-11
65AA 2653 0	32-2
65AA 2657 0	31-3
65AA 2658 0	31-7
65AA 2660 0	27-8
65AA 2663 0	29-10
65AA 2674 0	28-2
65AA 2675 0	28-3
65AA 2676 0	28-25
65AA 2684 0	29-8
65AA 2687 0	28-12
65AA 2692 0	28-15
65AA 2711 0	31-6
65AA 2718 0	32-22
65AA 2724 0	28-18
65AA 2724 0	32-4
65AA 2727 0	27-5
65AA 2728 0	29-16

Parts No.	Page No.
65AA 2730 0	31-2
65AA 2732 0	29-17
65AA 2736 0	31-5
65AA 2746 0	32-20
65AA 2747 0	32-18
65AA 3069 0	20-20
65AA 3070 1	20-19
65AA 3091 0	20-21
65AA 3202 0	22-17
65AA 3202 0	23-21
65AA 3203 0	22-16
65AA 3203 0	23-20
65AA 3204 0	22-20
65AA 3204 0	23-18
65AA 3216 0D	21-17
65AA 3227 0	25-11
65AA 3231 0	22-13
65AA 3232 0	22-14
65AA 3238 0	23-14
65AA 3242 0	21-12
65AA 3243 0	22-15
65AA 3243 0	23-19
65AA 3246 1	22-1
65AA 3246 1	23-1
65AA 3250 1	22-4
65AA 3250 1	23-4
65AA 3263 1	21-16
65AA 3271 0	21-3
65AA 3277 0	23-15
65AA 3280 0	22-19
65AA 3280 0	23-17
65AA 3285 1	22-7
65AA 3285 1	23-9
65AA 3289 0	21-2
65AA 3294 0	22-8
65AA 3294 0	23-10
65AA 3297 0	22-12
65AA 3297 0	23-13
65AA 3304 0	20-4
65AA 3305 0	20-5

Parts No.	Page No.
65AA 3329 0	23-6
65AA 3332 0	22-18
65AA 3332 0	23-16
65AA 4001 0	47-2
65AA 4002 0	47-45
65AA 4006 0	47-4
65AA 4010 0	47-9
65AA 4103 0	45-18
65AA 4104 0	45-19
65AA 4105 0	45-20
65AA 4202 0	53-34
65AA 4204 0	53-2
65AA 4205 0	53-3
65AA 4206 0	53-25
65AA 4207 0	53-19
65AA 4208 0D	53-37
65AA 4209 0	53-32
65AA 4212 1F	53-30
65AA 4213 0	53-31
65AA 4214 1F	53-29
65AA 4215 1F	53-33
65AA 4217 0	53-15
65AA 4223 0D	54-18
65AA 4226 0	55-12
65AA 4228 0	52-7
65AA 4231 0	54-15
65AA 4232 0	54-11
65AA 4233 0	54-2
65AA 4234 0	52-2
65AA 4235 0	54-16
65AA 4237 0	54-5
65AA 4238 0	54-6
65AA 4239 0	53-26
65AA 4243 0	55-16
65AA 4244 0	55-15
65AA 4245 0	55-18
65AA 4247 0	55-27
65AA 4248 0	52-8
65AA 4252 0	54-9
65AA 4253 0	54-13

Parts No.	Page No.
65AA 4254 0	55-28
65AA 4255 0	55-29
65AA 4256 0	54-3
65AA 4258 0	54-4
65AA 4259 0	54-7
65AA 4261 0	48-13
65AA 4261 0	55-11
65AA 4262 0	55-10
65AA 4263 0	55-6
65AA 4264 0	55-30
65AA 4265 0	55-31
65AA 4266 0F	55-13
65AA 4267 0	55-8
65AA 4268 0	55-7
65AA 4269 0	55-17
65AA 4276 1	55-2
65AA 4277 0	55-3
65AA 4279 0	54-10
65AA 4280 0	53-27
65AA 4281 0	53-7
65AA 4283 0	54-8
65AA 4285 0	53-28
65AA 4286 0	54-17
65AA 4287 0	55-22
65AA 4403 0	58-13
65AA 4405 0	58-14
65AA 4406 0	58-21
65AA 4410 0	57-13
65AA 4413 0	58-5
65AA 4415 0	57-20
65AA 4417 0E	57-18
65AA 4420 0	58-2
65AA 4422 0	58-4
65AA 4423 0	57-2
65AA 4424 0	57-7
65AA 4425 0	57-10
65AA 4427 0	57-14
65AA 4428 0	58-15
65AA 4429 0	58-16
65AA 4430 0	58-1

Parts No.	Page No.	Parts No.	Page No.	Parts No.	Page No.	Parts No.	Page No.	Parts No.	Page No.
65AA 4432 0	58-17	65AA 4736 0	51-8	65AA 4919 0	72-11	65AA 5044 0D	59-23	65AA 5399 1	36-12
65AA 4433 0	58-8	65AA 4737 0	51-9	65AA 4920 0	73-27	65AA 5046 0	81-20	65AA 5407 0	33-23
65AA 4434 0	58-18	65AA 4738 0	51-6	65AA 4921 0	73-38	65AA 5047 0E	62-39	65AA 6112 0	13-6
65AA 4435 0	58-11	65AA 4739 0	51-2	65AA 4926 0	73-20	65AA 5048 0	62-40	65AA 6118 0	11-6
65AA 4438 0	57-16	65AA 4742 0	48-10	65AA 4927 0	73-12	65AA 5049 0	62-41	65AA 6120 0	12-3
65AA 4439 0	57-21	65AA 4748 0	50-2	65AA 4928 0	73-39	65AA 5057 0	59-9	65AA 6120 0	13-3
65AA 4441 0	57-19	65AA 4749 0E	48-27	65AA 4929 0	73-2	65AA 5058 0	59-10	65AA 6121 0	11-14
65AA 4442 0	58-19	65AA 4752 0	50-9	65AA 4930 0E	73-41	65AA 5059 0	59-11	65AA 6125 0	10-5
65AA 4443 0	58-20	65AA 4753 0	50-10	65AA 4932 0	73-14	65AA 5060 0	59-13	65AA 6130 0E	11-18
65AA 4444 0	58-6	65AA 4755 0	48-16	65AA 4941 0	62-18	65AA 5061 0	59-5	65AA 6135 0	11-15
65AA 4446 0	57-4	65AA 4755 0	49-4	65AA 4941 0	73-10	65AA 5062 0	59-12	65AA 6137 0	10-22
65AA 4447 0	57-22	65AA 4758 0	50-7	65AA 4945 0	71-6	65AA 5063 0	59-6	65AA 6137 0	12-6
65AA 4501 1	44-10	65AA 4759 0	48-18	65AA 4947 0	71-19	65AA 5064 0	60-16	65AA 6140 0	10-2
65AA 4504 0	44-15	65AA 4760 0	48-15	65AA 4950 0	55-21	65AA 5064 0	62-24	65AA 6141 0	13-7
65AA 4507 0	44-7	65AA 4762 0	49-2	65AA 4950 0	68-14	65AA 5068 0D	81-23	65AA 6143 0	13-5
65AA 4512 0	44-5	65AA 4763 0	48-17	65AA 4951 0F	65-4	65AA 5074 0	59-17	65AA 6144 0E	10-1
65AA 4522 0	64-4	65AA 4763 0	49-3	65AA 4951 0F	67-7	65AA 5081 0	63-7	65AA 6151 0	12-2
65AA 4523 0	64-3	65AA 4765 0	50-1	65AA 4951 0F	73-1	65AA 5084 0	63-33	65AA 7315 0	79-11
65AA 4524 1	64-14	65AA 4766 0	50-12	65AA 4952 0	67-21	65AA 5086 0	63-34	65AA 7316 0	79-12
65AA 4602 0	56-9	65AA 4768 0	48-19	65AA 4952 0	73-5	65AA 5118 0	62-25	65AA 7326 0	85-12
65AA 4603 0	56-11	65AA 4771 0	51-10	65AA 4953 0	73-26	65AA 5128 0	61-15	65AA 7341 0	85-2
65AA 4608 0	56-4	65AA 4774 0	48-28	65AA 5006 0	60-7	65AA 5131 1	72-10	65AA 7501 0E	9-9
65AA 4612 0	56-18	65AA 4774 0	49-19	65AA 5008 0E	60-20	65AA 5140 0	60-13	65AA 7505 1	76-8
65AA 4706 0E	48-26	65AA 4775 0	50-5	65AA 5009 0	60-12	65AA 5140 0	62-23	65AA 7505 1	77-8
65AA 4711 1	49-16	65AA 4778 0	48-2	65AA 5011 0	62-38	65AA 5147 0	65-8	65AA 7506 0	26-26
65AA 4713 0	49-14	65AA 4780 0	49-9	65AA 5012 0	62-15	65AA 5148 0	72-18	65AA 7507 0	26-7
65AA 4714 0	48-29	65AA 4782 0	49-5	65AA 5013 0	62-20	65AA 5150 0	72-9	65AA 7508 1	43-7
65AA 4714 0	49-18	65AA 4783 1	48-5	65AA 5015 0	60-11	65AA 5151 0	60-21	65AA 7509 0	32-3
65AA 4716 0	48-24	65AA 4786 0	50-3	65AA 5016 0	60-8	65AA 5152 0	60-22	65AA 7651 0	10-14
65AA 4717 0	48-23	65AA 4790 0	49-17	65AA 5017 0	62-26	65AA 5153 0	60-23	65AA 7652 0	11-16
65AA 4718 0	48-21	65AA 4795 0	49-6	65AA 5018 0	59-15	65AA 5173 0	65-3	65AA 7701 0	53-16
65AA 4719 0	48-22	65AA 4797 0	51-3	65AA 5019 0	59-16	65AA 5323 0	37-22	65AA 7731 0	18-6
65AA 4721 0	48-25	65AA 4836 0	70-5	65AA 5025 0	59-14	65AA 5337 1	36-41	65AA 7732 0	18-2
65AA 4722 0	51-1	65AA 4844 0	70-6	65AA 5031 0	63-30	65AA 5338 0	36-38	65AA 7738 0	25-8
65AA 4722 0	83-4	65AA 4846 0	70-4	65AA 5032 0	63-15	65AA 5342 0	36-39	65AA 7739 0	24-4
65AA 4724 0	48-7	65AA 4911 0	71-20	65AA 5035 0	63-14	65AA 5352 0	36-26	65AA 7741 0	24-6
65AA 4727 0	48-11	65AA 4914 1	71-4	65AA 5038 0	63-31	65AA 5356 0	36-40	65AA 7747 0	35-25
65AA 4729 0	51-7	65AA 4915 0	73-40	65AA 5040 0	63-32	65AA 5365 1	35-26	65AA 7748 0	35-24
65AA 4732 0	50-6	65AA 4916 0E	73-42	65AA 5042 0	63-16	65AA 5395 0	34-17	65AA 7751 0	56-8
65AA 4734 0	48-30	65AA 4918 0	71-18	65AA 5043 0	59-8	65AA 5398 0	36-5	65AA 7752 0	61-8

Parts No.	Page No.	Parts No.	Page No.	Parts No.	Page No.	Parts No.	Page No.	Parts No.	Page No.
65AA 7753 0	45-2	65AA 8802 0	37-23	65AA 9102 0	106-9	65AA R755 00	29-9	A03U 1181 00	82-11
65AA 7754 0	45-8	65AA 8808 0	80-7	65AA 9106 0E	105-9	65AA R756 00	30-3	A03U 1188 00	82-17
65AA 7754 0	62-10	65AA 9001 0	104-6	65AA 9107 0E	106-10	65AA R757 00	30-2	A03U 1189 00	82-18
65AA 7771 0	64-10	65AA 9015 0E	104-2	65AA 9108 0E	101-5	65AA R759 00	31-4	A03U 1190 00	82-5
65AA 7772 0	62-32	65AA 9016 0	104-1	65AA 9109 0	105-4	65AA R760 00	22-9	A03U 1191 00	82-3
65AA 7773 0	62-30	65AA 9017 0E	93-1	65AA 9110 0	20-17	65AA R761 00	23-11	A03U 1192 00	82-4
65AA 7779 0	75-19	65AA 9019 0	106-1	65AA 9111 0	106-11	65AA R762 00	22-3	A03U 1193 00	80-9
65AA 7780 0	75-18	65AA 9020 0	106-2	65AA 9734 0	26-41	65AA R762 00	23-3	A03U 1194 00	80-8
65AA 7781 0	75-22	65AA 9021 0	106-3	65AA 9744 0	39-5	65AA R763 00	22-6	A03U 1317 00	85-5
65AA 7783 0	75-17	65AA 9025 0	106-4	65AA 9745 0	39-6	65AA R763 00	23-8	A03U 1318 00	85-4
65AA 7784 0	26-6	65AA 9026 0	106-5	65AA 9746 0	39-7	65AA R764 00	22-5	A03U 1328 00	85-15
65AA 7784 0	75-13	65AA 9029 1	106-6	65AA 9747 0	39-8	65AA R764 00	23-7	A03U 1329 00	85-16
65AA 7785 0	26-25	65AA 9031 0	103-5	65AA R701 00	63-29	65AA R766 00	20-22	A03U 1336 00	85-17
65AA 7785 0	45-11	65AA 9032 0E	102-1	65AA R704 00	73-4	65AA R767 00	20-7	A03U 1350 00	85-20
65AA 7786 0	45-4	65AA 9043 0	103-1	65AA R706 00	81-5	65AA R768 00	20-6	A03U 1357 00	85-19
65AA 7787 0	56-7	65AA 9044 0E	101-1	65AA R707 00	15-1	65AA R771 00	47-3	A03U 1358 00	85-18
65AA 7788 0	75-5	65AA 9045 0E	103-2	65AA R707 00	16-1	65AA R776 00	57-12	A03U 1365 00	85-10
65AA 7789 0	75-6	65AA 9058 0	102-6	65AA R708 00	15-5	65AA R778 00	44-3	A03U 1366 00	85-8
65AA 7790 0	75-10	65AA 9063 0	96-4	65AA R708 00	16-5	65AA R779 00	44-2	A03U 1367 00	85-11
65AA 7791 0	75-9	65AA 9065 0	105-6	65AA R718 00	4-7	65AA R780 00	56-2	A03U 1601 00	5-1
65AA 7796 0	26-13	65AA 9067 0	101-8	65AA R723 00	76-10	65AA R781 00	48-6	A03U 1605 02	3-18
65AA 7797 0	26-12	65AA 9068 0E	103-6	65AA R723 00	77-10	65AA R789 00	53-22	A03U 1606 01	3-1
65AA 7798 0	45-6	65AA 9069 1E	101-2	65AA R725 00	76-3	65AA R790 00	53-4	A03U 1607 00	4-8
65AA 7799 0	45-7	65AA 9071 0	103-3	65AA R725 00	77-3	65AA R799 00	12-5	A03U 1610 00	1-10
65AA 7801 0	78-2	65AA 9072 0E	101-3	65AA R726 00	75-24	65AA R7A0 00	11-3	A03U 1613 02	2-2
65AA 7802 0	74-5	65AA 9073 0E	104-3	65AA R727 00	83-3	65GE 4709 0	48-4	A03U 1614 02	2-10
65AA 7803 0	74-4	65AA 9074 0	105-5	65AA R732 00	40-6	65GE 9740 0	47-18	A03U 1615 00	2-9
65AA 7804 0	24-9	65AA 9079 0E	105-7	65AA R732 00	41-4	65GE 9749 0	49-21	A03U 1616 00	2-5
65AA 7805 0E	45-10	65AA 9081 0	103-4	65AA R734 00	26-29	65LA 4853 0	70-17	A03U 1617 00	11-5
65AA 8002 1	45-14	65AA 9083 0E	102-7	65AA R735 00	26-23	65LA R704 00	29-2	A03U 1619 00	2-7
65AA 8011 2	67-25	65AA 9084 0	101-6	65AA R738 00	20-1	65LA R705 00	21-10	A03U 1620 01	3-27
65AA 8011 2	68-26	65AA 9085 0	101-7	65AA R740 00	26-18	65LA R707 00	56-17	A03U 1622 00	4-3
65AA 8013 1	10-19	65AA 9086 0E	101-4	65AA R741 00	26-15	9326 2820 11	1-16	A03U 1623 01	4-1
65AA 8059 0	20-9	65AA 9087 0	106-7	65AA R743 00	27-3	A03U 1063 00	81-9	A03U 1624 00	2-8
65AA 8059 0	81-6	65AA 9088 0	106-8	65AA R744 00	27-2	A03U 1064 00	81-10	A03U 1625 00	1-5
65AA 8202 0	25-5	65AA 9089 0E	105-8	65AA R746 00	28-20	A03U 1075 00	15-7	A03U 1625 00	4-4
65AA 8307 0	40-7	65AA 9092 0E	97-4	65AA R746 00	62-13	A03U 1088 00	79-9	A03U 1626 00	1-7
65AA 8307 0	41-3	65AA 9093 0E	105-2	65AA R747 00	28-19	A03U 1122 00	82-19	A03U 1627 03	1-4
65AA 8501 0	10-12	65AA 9098 0E	105-1	65AA R752 00	20-18	A03U 1179 00	81-16	A03U 1628 02	1-3
65AA 8801 0	38-28	65AA 9101 0	104-4	65AA R753 00	27-7	A03U 1180 00	81-17	A03U 1630 00	5-11

Parts No.	Page No.	Parts No.	Page No.	Parts No.	Page No.	Parts No.	Page No.	Parts No.	Page No.
A03U 1642 00	11-10	A03U 1916 00	8-14	A03U 2298 00	78-8	A03U 3896 00	19-14	A03U 5594 00	29-7
A03U 1645 00	4-5	A03U 1917 00	8-5	A03U 2299 00	78-7	A03U 3897 01	19-15	A03U 5595 00	29-6
A03U 1646 00	11-9	A03U 1918 00	8-4	A03U 2596 00	76-13	A03U 3898 00	19-17	A03U 5601 00	47-46
A03U 1647 00	82-2	A03U 1919 00	8-7	A03U 2596 00	77-13	A03U 3899 00	19-11	A03U 5602 00	47-47
A03U 1650 00	2-1	A03U 1920 00	8-13	A03U 2597 00	75-20	A03U 4021 00	20-16	A03U 5603 00	47-42
A03U 1654 01	3-9	A03U 1921 00	8-15	A03U 2599 00	76-12	A03U 4033 00	21-4	A03U 6000 01	55-5
A03U 1655 02	3-14	A03U 1922 00	8-18	A03U 2599 00	77-12	A03U 4039 00	21-6	A03U 6010 00	55-19
A03U 1658 01	3-3	A03U 1923 00	9-5	A03U 2602 00	10-13	A03U 4067 00	21-15	A03U 6011 00	55-4
A03U 1660 00	3-19	A03U 1926 00	7-2	A03U 2636 01	79-28	A03U 4599 00	25-9	A03U 6012 00	55-1
A03U 1662 00	1-2	A03U 1927 00	7-4	A03U 2636 01	80-16	A03U 5004 00	28-10	A03U 6013 00	55-24
A03U 1668 00	2-6	A03U 1928 00	7-5	A03U 2636 01	82-21	A03U 5009 00	28-13	A03U 6014 00	55-23
A03U 1669 00	79-1	A03U 1929 00	7-6	A03U 3303 00	18-15	A03U 5012 00	32-13	A03U 6015 00	55-25
A03U 1671 01	2-3	A03U 1930 00	7-3	A03U 3312 00	18-9	A03U 5042 00	28-1	A03U 6020 00	53-35
A03U 1673 00	2-4	A03U 1931 00	9-2	A03U 3325 01	18-4	A03U 5071 00	32-16	A03U 6021 00	53-36
A03U 1684 00	4-6	A03U 1932 00	9-3	A03U 3346 00	18-17	A03U 5097 00	28-23	A03U 6204 00	48-14
A03U 1685 00	3-24	A03U 1933 00	8-2	A03U 3399 00	18-16	A03U 5102 00	28-6	A03U 6206 00	6-12
A03U 1686 00	3-28	A03U 1934 00	8-10	A03U 3432 00	40-1	A03U 5112 00	28-4	A03U 6210 00	48-1
A03U 1693 00	3-29	A03U 1935 00	8-11	A03U 3442 00	39-3	A03U 5120 00	32-23	A03U 6211 00	48-8
A03U 1694 01	3-8	A03U 1936 00	8-9	A03U 3443 00	39-2	A03U 5121 00	32-24	A03U 6212 00	49-12
A03U 1695 00	3-6	A03U 1937 00	8-8	A03U 3473 00	42-3	A03U 5122 00	32-25	A03U 6213 00	49-7
A03U 1696 00	3-7	A03U 1938 00	8-1	A03U 3474 00	42-7	A03U 5123 00	32-15	A03U 6214 00	49-10
A03U 1698 00	3-13	A03U 1939 00	9-1	A03U 3489 00	39-11	A03U 5202 01	44-16	A03U 7001 00	57-15
A03U 1699 00	3-4	A03U 1940 00	8-3	A03U 3494 00	40-3	A03U 5203 01	44-17	A03U 7002 01	57-6
A03U 1707 00	75-37	A03U 1941 00	8-6	A03U 3495 00	39-10	A03U 5206 00	44-18	A03U 7004 00	58-7
A03U 1708 00	75-32	A03U 1942 00	9-4	A03U 3498 00	40-2	A03U 5216 00	44-19	A03U 7106 00	56-10
A03U 1740 00	6-1	A03U 1943 00	9-6	A03U 3498 00	41-5	A03U 5217 00	44-12	A03U 7107 00	56-16
A03U 1787 00	6-9	A03U 1945 00	8-12	A03U 3499 00	40-5	A03U 5218 00	44-8	A03U 7116 00	56-19
A03U 1788 00	6-7	A03U 1946 00	7-10	A03U 3718 00	19-3	A03U 5219 00	44-20	A03U 7117 00	56-14
A03U 1791 00	6-10	A03U 1947 00	7-11	A03U 3719 00	19-2	A03U 5220 01	64-15	A03U 7121 00	56-3
A03U 1796 00	6-11	A03U 1950 00	7-12	A03U 3725 00	19-8	A03U 5221 00	64-11	A03U 7201 00	38-7
A03U 1798 01	6-4	A03U 1953 02	9-12	A03U 3727 01	19-10	A03U 5234 00	44-21	A03U 7202 01	38-8
A03U 1903 00	7-13	A03U 1954 00	9-7	A03U 3758 00	19-20	A03U 5235 01	44-13	A03U 7203 00	37-9
A03U 1907 00	9-15	A03U 1955 00	9-8	A03U 3759 01	19-21	A03U 5236 00	44-22	A03U 7204 01	33-5
A03U 1908 01	9-13	A03U 2050 00	7-12	A03U 3760 00	19-6	A03U 5237 00	44-9	A03U 7205 01	38-9
A03U 1909 00	8-16	A03U 2051 00	7-12	A03U 3890 00	19-7	A03U 5238 01	44-23	A03U 7208 00	36-37
A03U 1911 00	9-10	A03U 2052 00	7-12	A03U 3891 00	19-5	A03U 5239 00	44-14	A03U 7209 00	36-20
A03U 1912 01	9-11	A03U 2121 01	75-26	A03U 3892 00	19-12	A03U 5529 00	29-5	A03U 7210 00	34-7
A03U 1913 00	9-14	A03U 2203 00	78-12	A03U 3893 01	19-16	A03U 5530 00	30-5	A03U 7211 01	34-5
A03U 1914 00	8-17	A03U 2204 00	78-13	A03U 3894 00	19-9	A03U 5554 00	30-6	A03U 7212 01	37-49
A03U 1915 00	8-19	A03U 2297 00	78-4	A03U 3895 00	19-13	A03U 5593 00	32-10	A03U 7213 00	38-2

Parts No.	Page No.	Parts No.	Page No.	Parts No.	Page No.	Parts No.	Page No.	Parts No.	Page No.
A03U 7214 00	34-22	A03U 7275 00	37-1	A03U 7324 00	35-32	A03U 8081 00	37-6	A03U 8138 00	62-37
A03U 7217 00	37-5	A03U 7276 00	36-4	A03U 7327 00	37-15	A03U 8082 00	37-12	A03U 8139 00	62-5
A03U 7222 00	37-35	A03U 7277 00	34-6	A03U 7328 00	37-18	A03U 8083 00	36-23	A03U 8140 00	64-6
A03U 7223 00	35-37	A03U 7278 00	33-6	A03U 7329 00	37-16	A03U 8084 00	36-21	A03U 8141 00	64-16
A03U 7224 00	35-22	A03U 7279 00	38-20	A03U 7330 00	33-12	A03U 8085 00	36-25	A03U 8142 00	64-8
A03U 7225 00	36-6	A03U 7280 00	36-42	A03U 7331 00	37-2	A03U 8086 00	38-16	A03U 8143 00	64-9
A03U 7227 00	37-8	A03U 7281 00	36-9	A03U 7332 00	34-4	A03U 8087 00	35-10	A03U 8144 00	64-5
A03U 7228 00	34-20	A03U 7282 00	33-7	A03U 7333 00	33-3	A03U 8088 11	35-9	A03U 8145 01	64-17
A03U 7229 01	38-30	A03U 7283 00	63-1	A03U 7334 00	33-9	A03U 8089 00	35-15	A03U 8148 00	61-16
A03U 7232 00	38-32	A03U 7286 00	37-24	A03U 7335 00	35-35	A03U 8090 00	35-18	A03U 8149 02	63-11
A03U 7233 00	36-13	A03U 7287 00	37-25	A03U 7336 00	33-13	A03U 8091 00	35-17	A03U 8150 02	63-26
A03U 7234 00	37-32	A03U 7288 00	37-4	A03U 7337 00	33-14	A03U 8093 00	35-7	A03U 8157 00	60-19
A03U 7236 00	37-50	A03U 7289 00	35-38	A03U 7338 00	33-4	A03U 8094 00	35-19	A03U 8158 00	64-18
A03U 7237 00	37-31	A03U 7290 01	38-11	A03U 7339 00	33-18	A03U 8095 00	38-18	A03U 8159 00	65-20
A03U 7238 00	37-27	A03U 7291 01	38-25	A03U 7340 01	33-20	A03U 8096 00	36-14	A03U 8160 00	63-25
A03U 7239 00	36-24	A03U 7295 00	38-14	A03U 7341 00	33-8	A03U 8097 00	35-6	A03U 8389 00	61-13
A03U 7241 01	37-48	A03U 7298 00	38-22	A03U 7342 00	36-17	A03U 8109 00	63-18	A03U 8390 00	60-18
A03U 7242 00	34-19	A03U 7299 01	36-10	A03U 7343 00	36-18	A03U 8110 02	63-2	A03U 8391 00	62-8
A03U 7243 00	38-17	A03U 7301 00	37-39	A03U 7344 00	36-19	A03U 8111 01	59-18	A03U 8392 00	62-4
A03U 7244 00	35-21	A03U 7302 00	37-52	A03U 7345 00	34-2	A03U 8112 00	59-19	A03U 8393 00	62-3
A03U 7245 00	34-10	A03U 7303 00	38-4	A03U 7345 00	36-16	A03U 8113 00	59-22	A03U 8394 00	62-2
A03U 7247 00	37-41	A03U 7304 00	38-5	A03U 7345 00	37-3	A03U 8114 01	59-4	A03U 8395 01	62-9
A03U 7248 00	34-24	A03U 7305 00	33-15	A03U 7345 00	38-12	A03U 8115 00	59-20	A03U 8396 01	62-1
A03U 7249 01	37-36	A03U 7306 00	37-33	A03U 7346 01	37-13	A03U 8116 00	65-10	A03U 8397 00	62-7
A03U 7250 00	38-6	A03U 7307 01	37-11	A03U 7347 01	37-14	A03U 8118 00	62-35	A03U 8401 01	65-1
A03U 7251 00	38-24	A03U 7308 00	34-1	A03U 7348 00	36-1	A03U 8121 00	62-36	A03U 8402 01	65-5
A03U 7253 00	34-21	A03U 7309 00	34-23	A03U 7349 00	36-2	A03U 8122 00	61-11	A03U 8403 00	65-6
A03U 7255 00	36-8	A03U 7310 00	37-40	A03U 7350 00	36-3	A03U 8128 00	44-6	A03U 8404 00	65-7
A03U 7256 00	35-33	A03U 7311 00	34-16	A03U 7351 00	36-35	A03U 8128 00	47-21	A03U 8407 00	67-10
A03U 7257 00	33-25	A03U 7312 00	35-31	A03U 7352 00	36-34	A03U 8128 00	49-8	A03U 8408 00	67-13
A03U 7258 00	35-29	A03U 7313 00	37-37	A03U 7353 00	36-31	A03U 8128 00	53-9	A03U 8409 01	67-14
A03U 7261 00	35-30	A03U 7314 00	37-38	A03U 7354 00	36-32	A03U 8128 00	61-10	A03U 8410 00	67-4
A03U 7265 00	33-26	A03U 7315 00	37-42	A03U 7355 00	36-33	A03U 8128 00	62-29	A03U 8411 01	67-3
A03U 7266 00	33-22	A03U 7317 00	34-8	A03U 7356 00	36-7	A03U 8128 00	63-17	A03U 8412 00	66-7
A03U 7267 00	36-36	A03U 7317 00	38-3	A03U 7357 00	37-54	A03U 8130 01	59-21	A03U 8413 02	66-12
A03U 7269 00	34-18	A03U 7318 00	37-30	A03U 7360 00	63-22	A03U 8133 00	60-24	A03U 8414 00	66-16
A03U 7270 00	38-1	A03U 7319 00	37-47	A03U 8077 00	37-28	A03U 8134 00	60-25	A03U 8415 00	67-2
A03U 7272 00	34-11	A03U 7320 00	37-44	A03U 8078 00	38-15	A03U 8135 00	60-1	A03U 8416 00	67-1
A03U 7273 00	34-9	A03U 7322 00	37-45	A03U 8079 00	37-51	A03U 8136 01	60-3	A03U 8417 00	65-14
A03U 7274 00	33-24	A03U 7323 00	35-5	A03U 8080 00	35-20	A03U 8137 02	59-3	A03U 8418 00	65-15

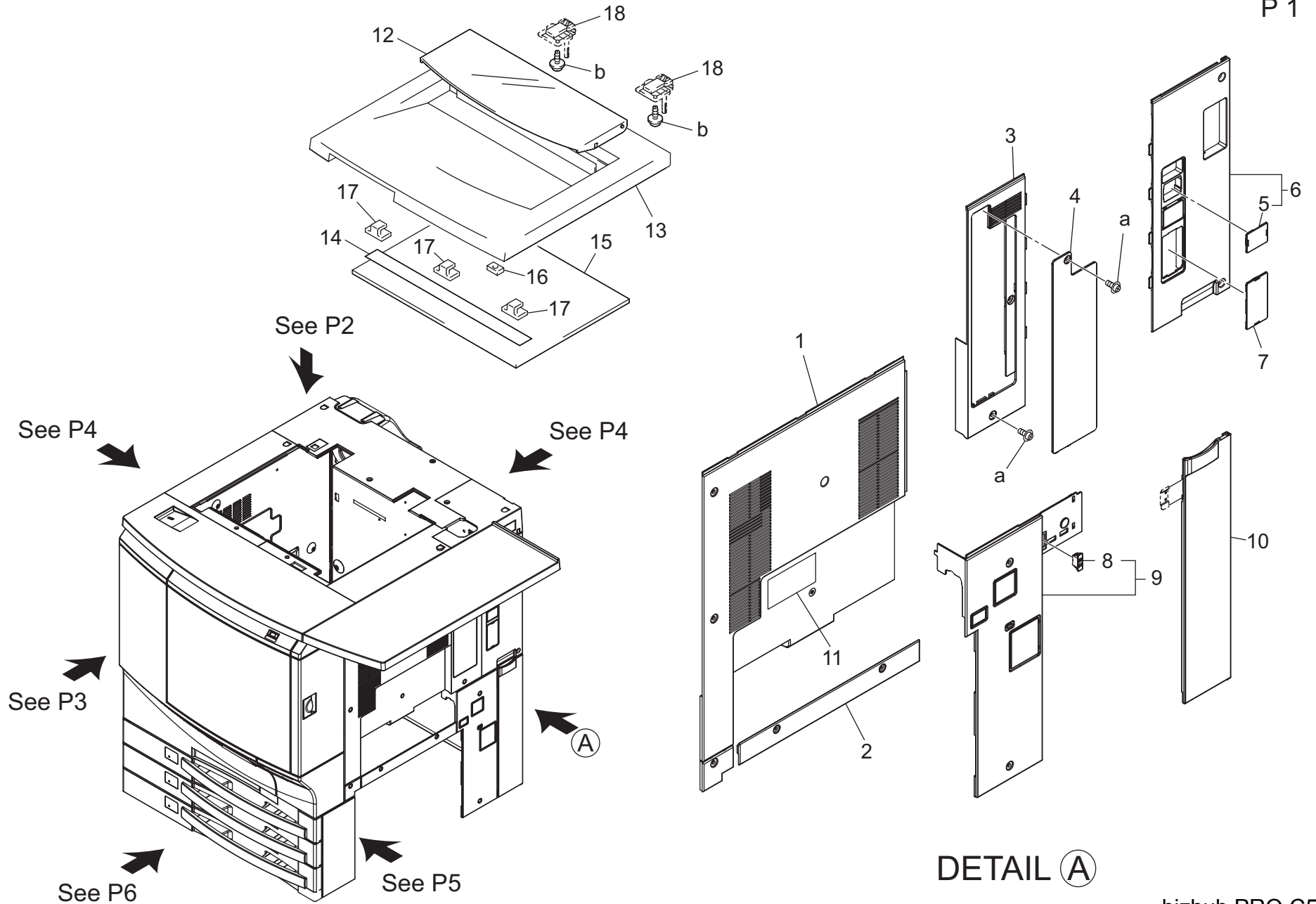
Parts No.	Page No.	Parts No.	Page No.	Parts No.	Page No.	Parts No.	Page No.	Parts No.	Page No.
A03U 8419 00	68-21	A03U 8470 00	67-29	A03U 8613 00	71-11	A03U 8922 00	70-1	A03U 9447 00	20-12
A03U 8420 00	67-15	A03U 8471 00	67-30	A03U 8615 00	71-12	A03U 8923 00	70-3	A03U 9448 00	20-13
A03U 8421 00	61-1	A03U 8472 00	68-28	A03U 8616 00	71-1	A03U 8924 00	70-2	A03U 9449 00	3-20
A03U 8422 00	61-2	A03U 8473 00	68-17	A03U 8617 01	73-17	A03U 8925 00	69-23	A03U 9450 00	3-21
A03U 8423 01	65-16	A03U 8480 00	67-11	A03U 8618 00	72-15	A03U 8926 00	69-4	A03U 9451 00	3-22
A03U 8423 01	68-31	A03U 8481 00	67-12	A03U 8619 00	71-13	A03U 8927 01	69-5	A03U 9452 00	50-11
A03U 8424 00	68-29	A03U 8483 00	66-27	A03U 8620 00	71-9	A03U 8928 00	69-8	A03U 9453 00	48-9
A03U 8425 00	68-23	A03U 8486 01	68-32	A03U 8621 00	71-14	A03U 8929 01	69-24	A03U 9454 01	6-6
A03U 8426 00	66-9	A03U 8487 01	68-33	A03U 8623 00	73-22	A03U 8930 00	69-15	A03U 9455 01	6-8
A03U 8427 00	68-3	A03U 8488 00	68-13	A03U 8625 00	73-21	A03U 8931 01	69-14	A03U 9456 01	6-3
A03U 8428 00	68-20	A03U 8489 01	68-16	A03U 8627 00	72-2	A03U 8932 00	69-13	A03U 9459 00	1-11
A03U 8429 00	66-15	A03U 8496 01	68-6	A03U 8629 00	73-45	A03U 8933 01	69-1	A03U 9460 00	55-26
A03U 8430 00	66-19	A03U 8497 01	60-5	A03U 8630 00	73-34	A03U 8934 00	69-2	A03U 9461 00	55-20
A03U 8435 00	65-11	A03U 8498 01	60-2	A03U 8631 00	73-30	A03U 8935 02	69-6	A03U 9463 01	3-23
A03U 8438 01	65-17	A03U 8501 01	46-2	A03U 8632 00	73-46	A03U 9095 02	69-16	A03U A778 10	34-15
A03U 8439 00	65-18	A03U 8501 01	57-8	A03U 8633 00	73-47	A03U 9096 00	69-12	A03U A778 10	35-36
A03U 8440 00	65-12	A03U 8501 01	60-14	A03U 8634 00	73-31	A03U 9097 01	69-11	A03U A778 10	37-53
A03U 8441 00	65-13	A03U 8501 01	62-21	A03U 8638 01	71-8	A03U 9098 00	69-10	A03U H010 5A	85-3
A03U 8442 00	66-22	A03U 8501 01	66-13	A03U 8639 00	73-3	A03U 9099 00	69-18	A03U H020 15	85-9
A03U 8443 00	66-23	A03U 8501 01	68-1	A03U 8640 01	71-7	A03U 9422 01	3-25	A03U H040 13	85-6
A03U 8444 00	66-24	A03U 8501 01	71-2	A03U 8641 00	73-24	A03U 9426 00	26-36	A03U H050 04	59-2
A03U 8445 00	66-2	A03U 8502 00	66-28	A03U 8642 00	71-15	A03U 9427 00	62-28	A03U H100 01	85-7
A03U 8446 00	66-4	A03U 8504 00	61-12	A03U 8643 00	71-16	A03U 9429 00	63-3	A03U H110 00	7-9
A03U 8447 00	66-1	A03U 8506 00	67-31	A03U 8895 00	72-16	A03U 9430 00	2-11	A03U H520 01	84-4
A03U 8448 02	66-25	A03U 8594 00	67-17	A03U 8896 00	72-13	A03U 9431 00	63-4	A03U J31A 00	84-1
A03U 8449 01	66-6	A03U 8595 00	67-18	A03U 8897 00	73-32	A03U 9432 00	60-10	A03U J31E 00	84-1
A03U 8450 01	68-34	A03U 8596 00	68-11	A03U 8898 00	73-29	A03U 9433 00	62-19	A03U M104 00	25-6
A03U 8451 00	66-26	A03U 8597 00	68-22	A03U 8899 00	64-2	A03U 9434 00	33-2	A03U M111 00	61-6
A03U 8452 00	66-8	A03U 8598 00	68-12	A03U 8899 00	72-7	A03U 9435 00	73-9	A03U M111 00	64-1
A03U 8453 01	66-11	A03U 8599 00	67-19	A03U 8902 00	69-9	A03U 9436 00	36-11	A03U M111 00	69-19
A03U 8454 00	68-27	A03U 8601 02	71-5	A03U 8908 00	69-26	A03U 9437 00	73-18	A03U M111 00	73-28
A03U 8456 01	68-2	A03U 8602 01	72-1	A03U 8909 00	69-25	A03U 9438 00	66-5	A03U M152 00	80-2
A03U 8457 00	68-35	A03U 8605 00	73-25	A03U 8914 00	70-15	A03U 9439 00	67-5	A03U M153 00	33-10
A03U 8459 01	68-19	A03U 8606 00	73-44	A03U 8915 00	70-11	A03U 9440 00	68-24	A03U M201 00	61-4
A03U 8461 00	66-18	A03U 8607 00	73-13	A03U 8916 00	70-14	A03U 9441 00	67-23	A03U M301 01	12-1
A03U 8462 00	66-17	A03U 8608 00	72-19	A03U 8917 00	70-13	A03U 9442 00	5-9	A03U M31A 00	38-10
A03U 8466 00	67-28	A03U 8609 00	72-12	A03U 8918 00	70-12	A03U 9443 00	5-10	A03U M31E 00	38-10
A03U 8467 00	68-30	A03U 8610 02	73-11	A03U 8919 00	70-10	A03U 9444 00	6-2	A03U M31F 00	38-10
A03U 8468 00	68-36	A03U 8611 00	72-14	A03U 8920 00	70-16	A03U 9445 00	20-10	A03U M32A 00	37-10
A03U 8469 00	68-4	A03U 8612 00	73-23	A03U 8921 00	70-9	A03U 9446 00	20-11	A03U M32E 00	37-10

Parts No.	Page No.	Parts No.	Page No.	Parts No.	Page No.	Parts No.	Page No.
A03U M32F 00	37-10	A03U N178 01	99-2	A03U R713 00	20-8	A03U R759 00	86-2
A03U M401 00	86-5	A03U N180 00	99-1	A03U R714 00	20-8	A03U R761 00	7-1
A03U M402 01	86-6	A03U N194 01	88-1	A03U R715 00	20-8	A03U R762 00	7-1
A03U M403 00	85-1	A03U N195 01	98-3	A03U R722 00	84-3	A03U R767 00	67-26
A03U M404 00	86-1	A03U N203 00	89-5	A03U R723 00	46-1	A03U R768 00	71-17
A03U M405 00	10-10	A03U N213 02	99-5	A03U R724 00	48-20	A03U R769 00	37-29
A03U M505 00	56-15	A03U N216 00	99-3	A03U R725 00	11-1	A03U R770 00	37-34
A03U M508 01	19-18	A03U N217 01	97-5	A03U R726 00	11-4	A03U R771 00	37-43
A03U N102 01	89-1	A03U N218 00	97-6	A03U R727 00	1-1	A03U R772 00	37-46
A03U N104 00	89-2	A03U N220 02	100-1	A03U R728 00	1-6	A03U R773 00	38-29
A03U N105 00	90-4	A03U N221 00	100-3	A03U R729 00	1-9	A03U R774 00	38-31
A03U N106 01	90-5	A03U N224 00	100-2	A03U R730 00	109-1	A03U R775 00	38-33
A03U N107 00	89-3	A03U N226 00	93-3	A03U R731 00	79-8	A03U R776 00	69-27
A03U N108 00	89-4	A03U N227 00	97-1	A03U R732 00	18-12	A03U R777 00	3-26
A03U N109 01	87-1	A03U N228 00	100-4	A03U R733 00	32-1	A03U R778 00	65-19
A03U N110 01	90-1	A03U N230 00	97-7	A03U R734 00	37-20	A03U R779 00	66-29
A03U N111 02	91-1	A03U N231 01	97-2	A03U R735 00	38-27	A03U R780 00	67-27
A03U N112 00	90-3	A03U N232 00	97-8	A03U R736 00	43-9	A03U R781 00	68-37
A03U N118 01	92-1	A03U N233 00	97-9	A03U R737 00	67-6	A03U R782 00	68-38
A03U N130 00	92-2	A03U N236 00	105-3	A03U R738 00	3-10	A03U R783 00	66-30
A03U N134 00	89-6	A03U P461 00	18-20	A03U R738 00	97-3	A03U R784 00	66-31
A03U N136 01	93-5	A03U P462 00	18-21	A03U R739 00	83-1	A03U R785 00	60-26
A03U N139 02	94-2	A03U PJG1 00	108-28	A03U R740 00	83-2	A03U R786 00	9-16
A03U N147 00	93-4	A03U PJG2 00	108-29	A03U R741 00	80-3	A03U R787 00	7-1
A03U N148 01	93-2	A03U PJG3 00	108-30	A03U R742 00	20-3	A03U R790 00	33-1
A03U N149 01	94-1	A03U R701 00	81-15	A03U R744 00	28-11	A03U R791 00	33-1
A03U N14F 00	90-2	A03U R702 00	26-35	A03U R745 00	28-7	A03U R792 00	33-1
A03U N150 00	95-4	A03U R703 00	17-1	A03U R746 00	32-8	A03U R795 00	35-34
A03U N151 00	95-1	A03U R704 00	44-1	A03U R747 00	32-11	A03U R798 00	31-1
A03U N152 00	95-2	A03U R705 00	76-9	A03U R748 00	29-1	A03U R799 00	26-39
A03U N153 02	95-5	A03U R705 00	77-9	A03U R748 00	30-1	A03U R7A1 00	27-9
A03U N154 01	96-1	A03U R706 00	19-1	A03U R749 00	44-11	A03U R7A2 00	32-14
A03U N155 00	96-2	A03U R707 00	19-1	A03U R750 00	52-1	A03U R7A3 00	27-1
A03U N15A 00	95-3	A03U R708 00	7-1	A03U R751 00	57-17	A03X 1702 01	6-5
A03U N160 00	96-5	A03U R709 00	7-1	A03U R753 00	33-19	A03X 6220 00	56-13
A03U N166 01	96-3	A03U R710 00	7-1	A03U R754 00	29-3	A042 1801 01	1-13
A03U N16F 00	98-1	A03U R711 00	14-2	A03U R755 00	34-14	A0E7 1604 00	3-12
A03U N175 00	98-2	A03U R711 00	16-3	A03U R756 00	49-1	A0E7 N113 00	91-2
A03U N176 01	98-4	A03U R712 00	14-1	A03U R757 00	76-4	SP00 -003 2	38-26
A03U N177 00	99-4	A03U R712 00	15-3	A03U R758 00	77-4	SP00 -018 1	37-26



# EXTERNAL PARTS

P 1

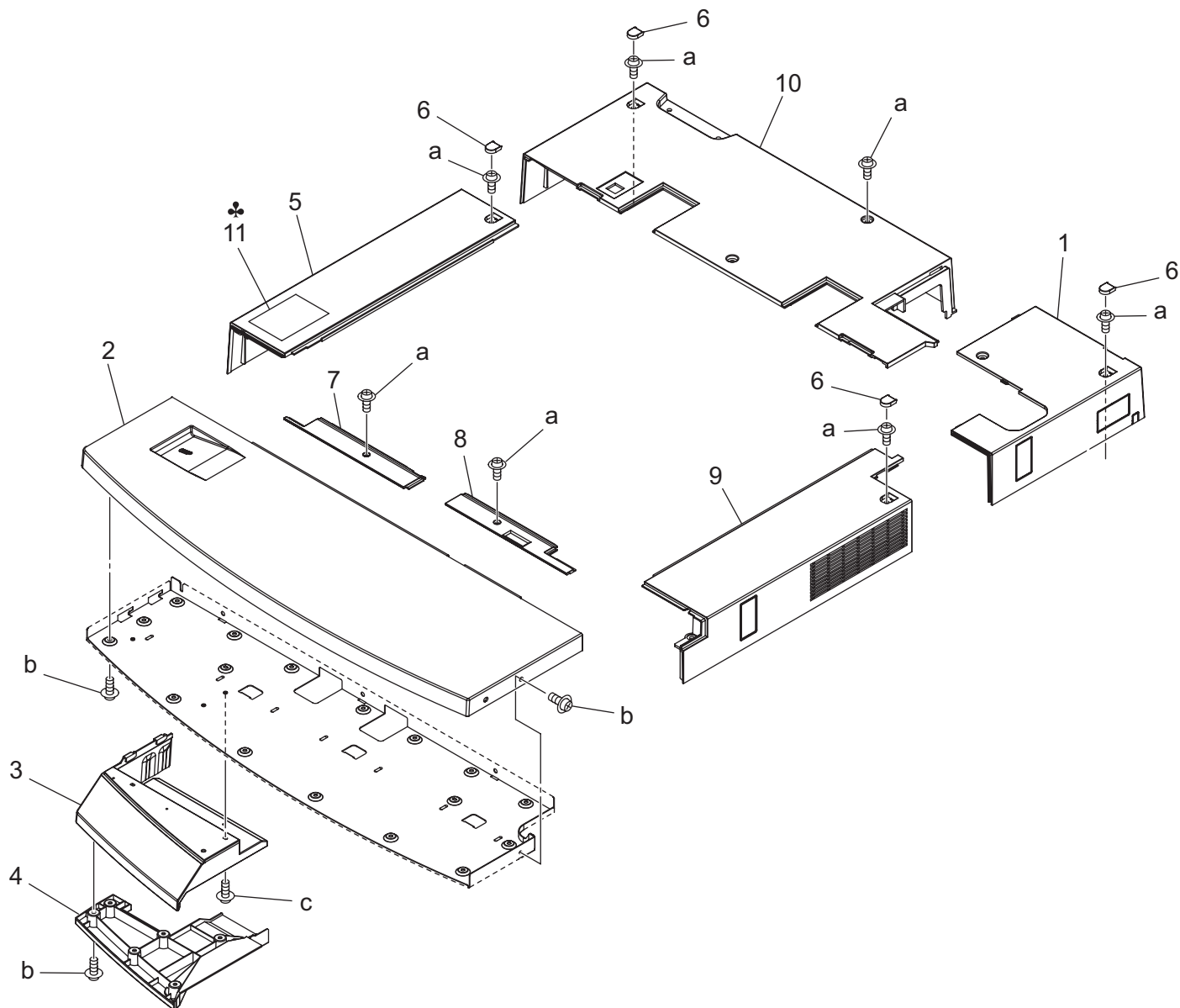


DETAIL A

bizhub PRO C550

# EXTERNAL PARTS

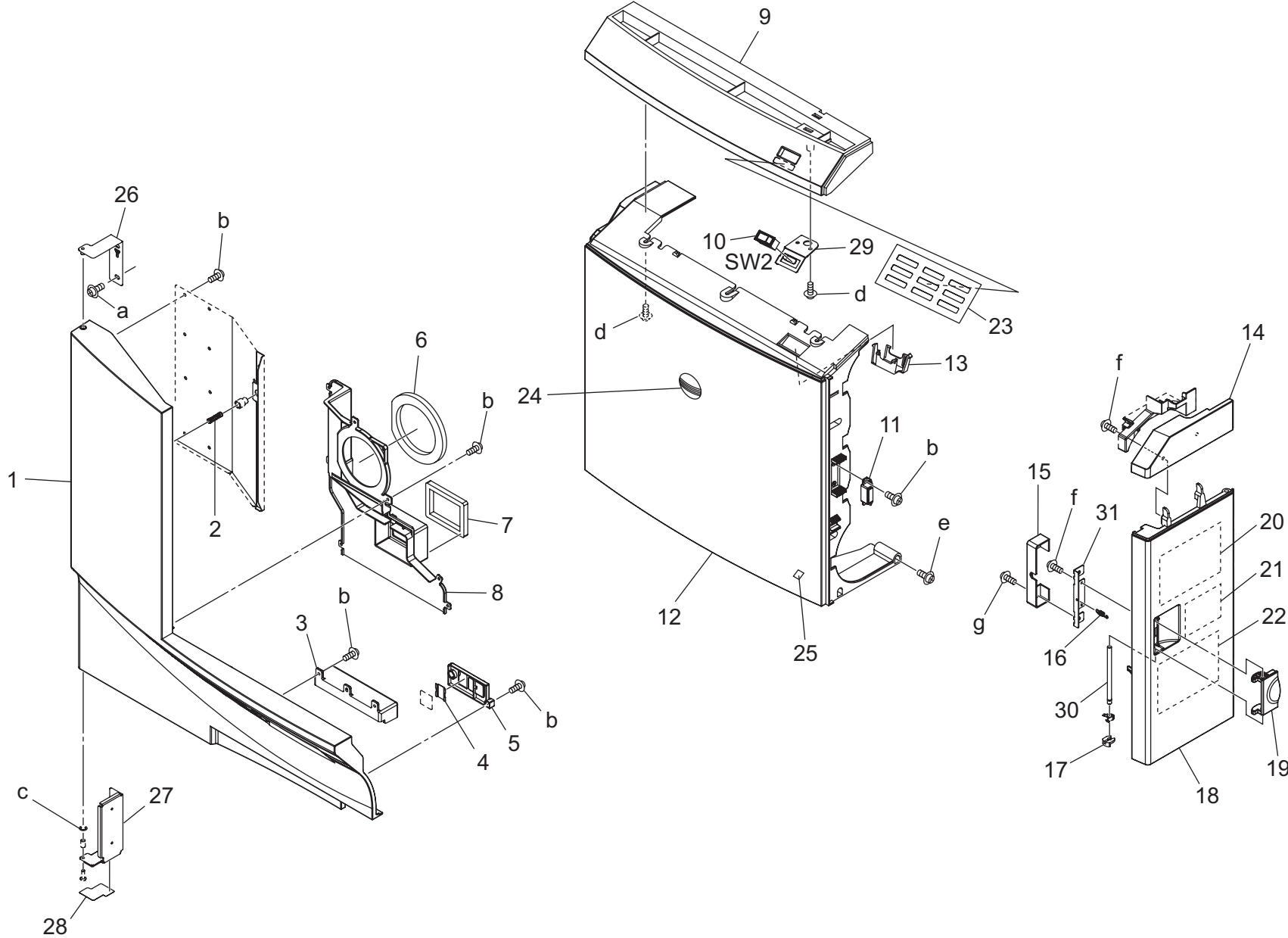
Key	Part No.	Description	Destinations	Class	QTY	Standard parts
1	A03U R727 00	SIDE COVER 1 ASSY		C	1	a-00Z1 4406 3 b-9739 0412 14
2	A03U 1662 00	LCT Entrance Cover		C	1	
3	A03U 1628 02	OZONE COVER /2		C	1	
4	A03U 1627 03	OZONE COVER /1		C	1	
5	A03U 1625 00	Cover /A		C	1	
6	A03U R728 00	SIDE COVER 2 ASSY		C	1	
7	A03U 1626 00	Protection Cover /Right		C	1	
8	56AA 1227 0	EXTERNAL LOCKING PART		C	1	
9	A03U R729 00	SIDE COVER 3 ASSY		C	1	
10	A03U 1610 00	Collection Door		C	1	
11	A03U 9459 00	Guide Label /3		C	1	
12	4581 1603 01	HOLDER		D	1	
13	A042 1801 01	ORIGINAL COVER		C	1	
14	1139 1706 01	SEAL		C	1	
15	1139 1704 14	PAD		C	1	
16	9326 2820 11	MAGNET		D	1	
17	1139 1703 02	SLIDER		C	3	
18	1171 1127 03	HINGE		C	2	



# EXTERNAL PARTS

Key	Part No.	Description	Destinations	Class	QTY	Standard parts
1	A03U 1650 00	Read Cover /Right rear		C	1	a-00Z1 4406 3 b-00Z3 5308 3 c-00Z1 9406 1
2	A03U 1613 02	READ COVER /FRONT		C	1	
3	A03U 1671 01	FRONT COVER /UPPER		C	1	
4	A03U 1673 00	Front Cover /Lower		C	1	
5	A03U 1616 00	Read Cover /Left		C	1	
6	A03U 1668 00	Click Cover		C	4	
7	A03U 1619 00	Read Cover /Left front		C	1	
8	A03U 1624 00	Read Cover /Right front		C	1	
9	A03U 1615 00	Read Cover /Right		C	1	
10	A03U 1614 02	READ COVER /REAR		C	1	
11	A03U 9430 00	Caution Label /6	A	C	1	

EXTERNAL PARTS

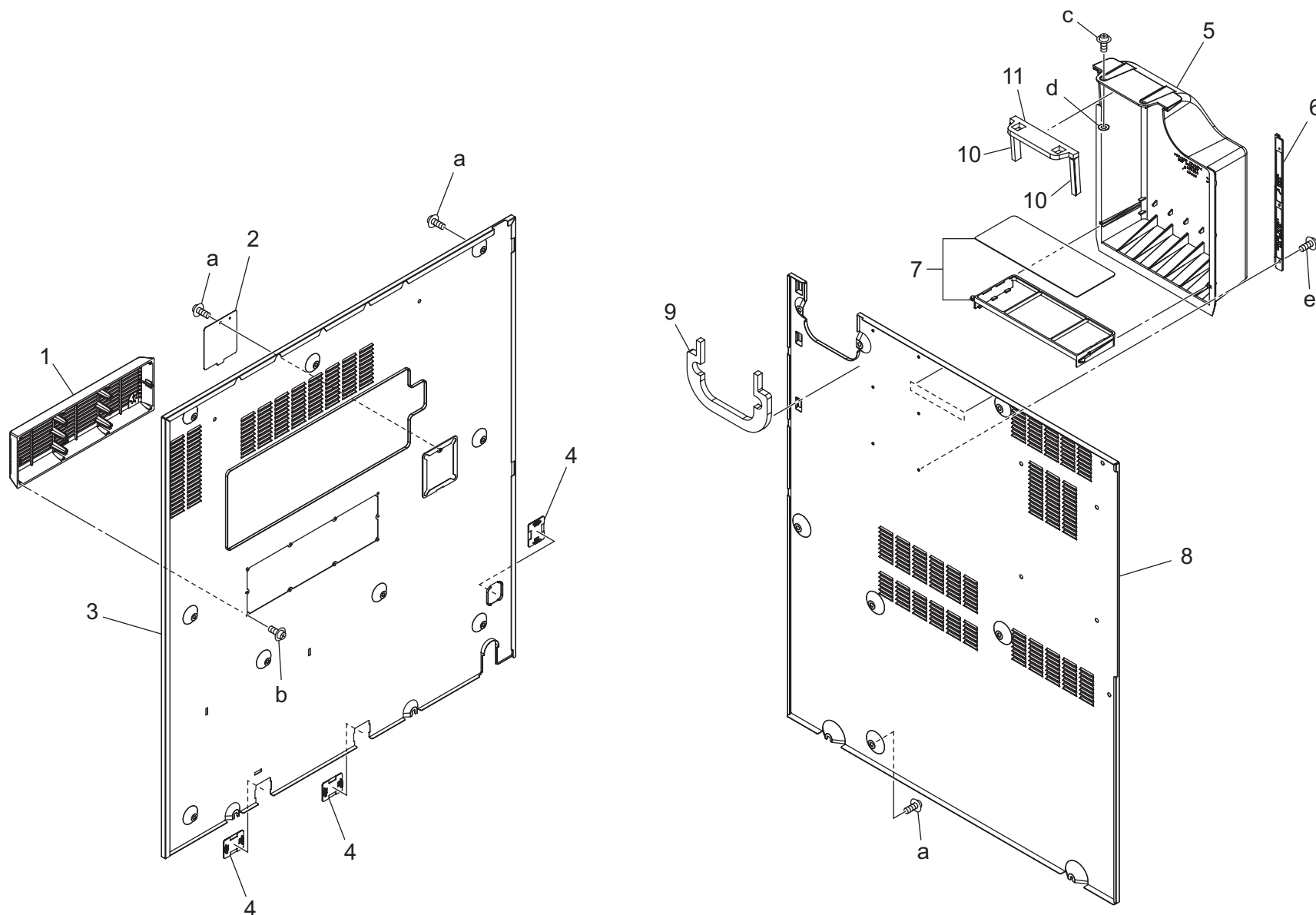


EXTERNAL PARTS

Key	Part No.	Description	Destinations	Class	QTY	Standard parts
1	A03U 1606 01	FRONT COVER /LEFT		C	1	a-00Z1 9406 1
2	65AA 1280 0	SHAFT PRESSING SPRING		C	1	b-00Z3 5308 3
3	A03U 1658 01	FRONT DOOR AUXILIARY COVER		C	1	c-00Z6 7040 6
4	A03U 1699 00	LOCK PLATE		D	1	d-00Z2 5408 3
5	56AA 1256 0	EXTERNAL LOCKING COVER C		C	1	e-00Z1 9306 1
6	A03U 1695 00	Fixing Cooling Pad		C	1	f-00Z3 5308 2
7	A03U 1696 00	ADU Cooling Pad		C	1	g-00Z1 9306 2
8	A03U 1694 01	FRONT DOOR COOLING DUCT		D	1	
9	A03U 1654 01	Front Cover /2		C	1	
10	A03U R738 00	SWITCH S ASSY		C	1	
11	55FA 1210 1	MAGNET CATCH X		C	1	
12	A0E7 1604 00	Front Cover /Right		C	1	
13	A03U 1698 00	Protection Cover		C	1	
14	A03U 1655 02	TONER SUPPLY COVER /2		C	1	
15	65AA 1263 0	FULCRUM COVER		C	1	
16	65AA 1264 0	OPEN SHUT SPRING		C	1	
17	3960 4068 1	STOPPER RING		B	1	
18	A03U 1605 02	TONER SUPPLY COVER		C	1	
19	A03U 1660 00	Toner supply Handle		C	1	
20	A03U 9449 00	Toner supply Label /1		C	1	
21	A03U 9450 00	Toner supply Label /2		C	1	
22	A03U 9451 00	Toner supply Label /3		C	1	
23	A03U 9463 01	INPUT LABEL		C	1	
24	A03U 1685 00	Indicating Plate		C	1	
25	A03U 9422 01	INDICATING LABEL /RIGHT		C	1	
26	A03U R777 00	MAINBODY HINGE 2CAULKING		D	1	
27	A03U 1620 01	Main body Cover Hinge /1		D	1	
28	A03U 1686 00	Cassette Protection Sheet		C	1	
29	A03U 1693 00	Power supply Plate		D	1	
30	65AA 1261 0	FULCRUM SHAFT		D	1	
31	65AA 1228 0	MAGNET STOPPER PLATE A		D	1	

# EXTERNAL PARTS

P 4

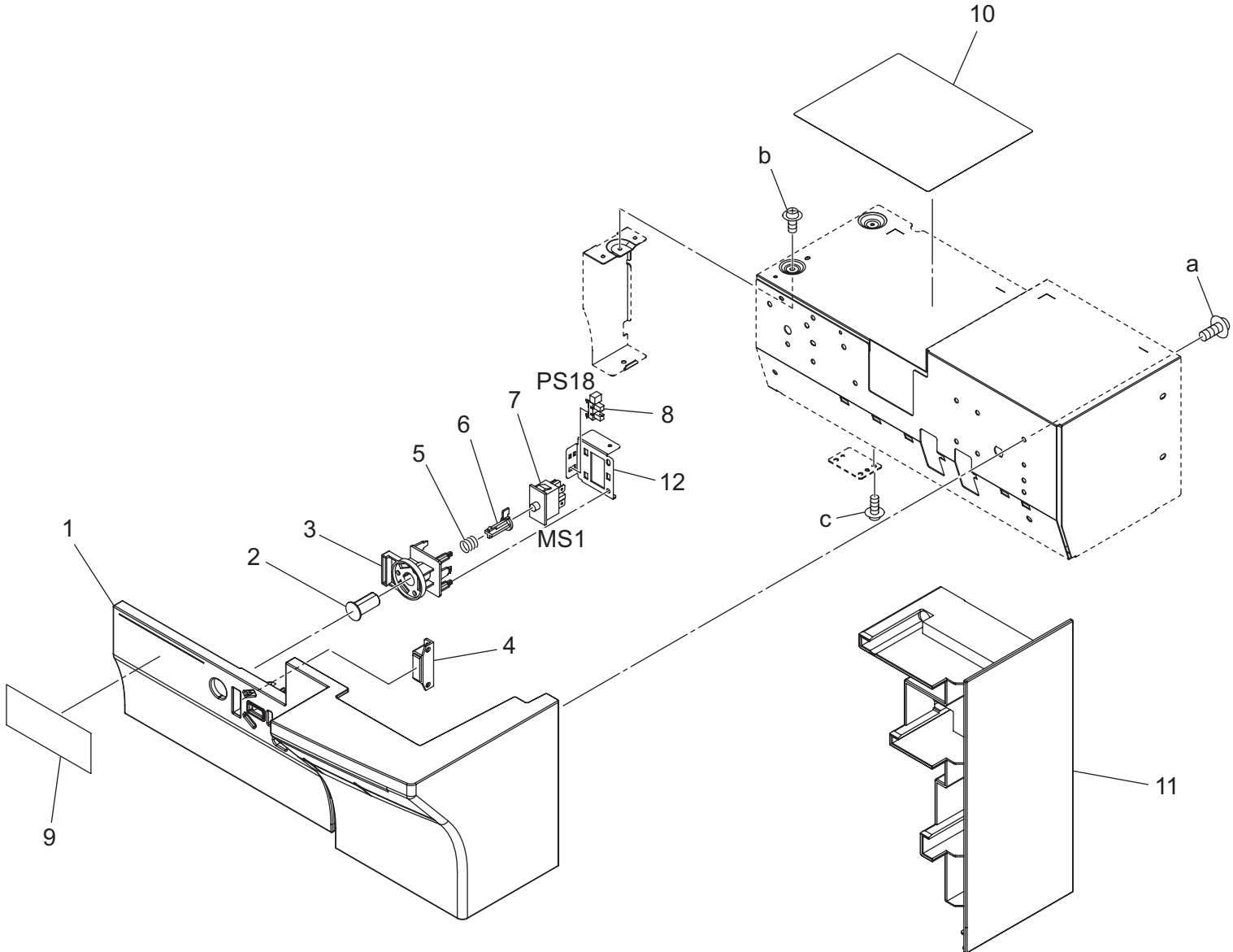


EXTERNAL PARTS

Key	Part No.	Description	Destinations	Class	QTY	Standard parts
1	A03U 1623 01	PAPER EXIT COVER /2		C	1	a-00Z1 4406 3 b-00Z3 5308 3 c-00Z1 4414 2 d-00ZA B000 1 e-00Z1 9306 3
2	56UA 1265 0	SIDE COVER		D	1	
3	A03U 1622 00	Paper exit Cover /Left		C	1	
4	A03U 1625 00	Cover /A		C	3	
5	A03U 1645 00	Rear Cover /2		C	1	
6	A03U 1684 00	duct Mounting Stay		D	1	
7	65AA R718 00	DUST PROOF FILTER 2 ASSY		A	1	
8	A03U 1607 00	Rear Cover		D	1	
9	65AA 1277 0	REAR SUCTION SEAL		C	1	
10	65AA 1273 0	REAR COVER SEAL 2		C	2	
11	65AA 1272 0	REAR COVER SEAL 1		C	1	

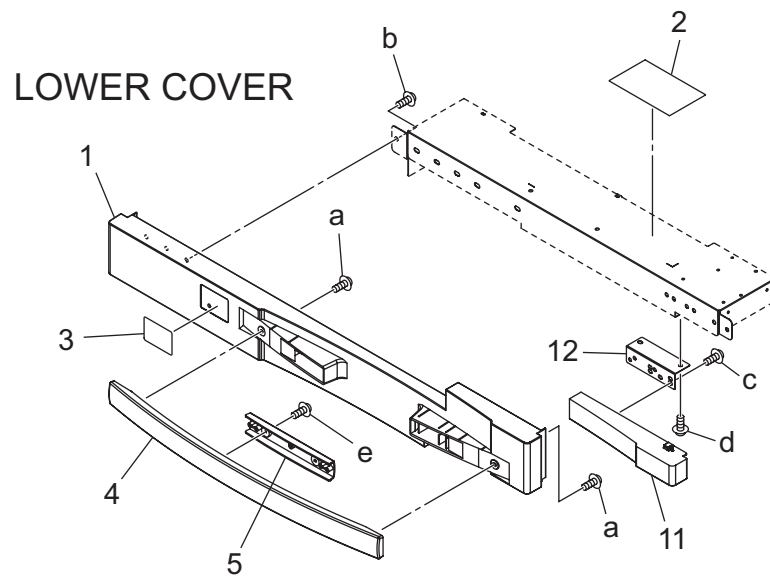
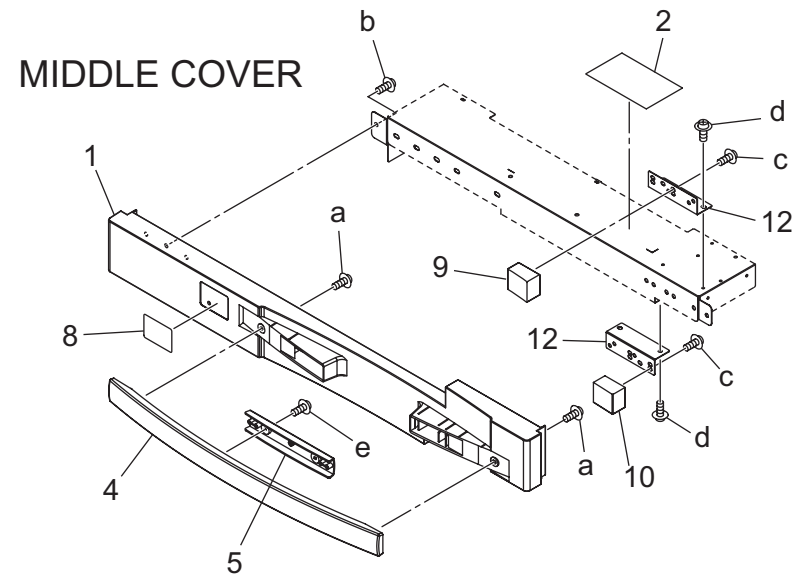
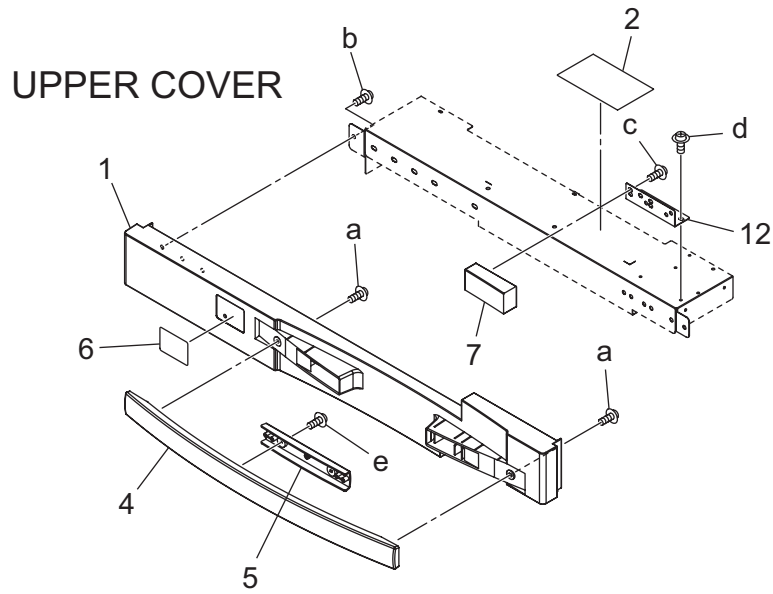


EXTERNAL PARTS



EXTERNAL PARTS

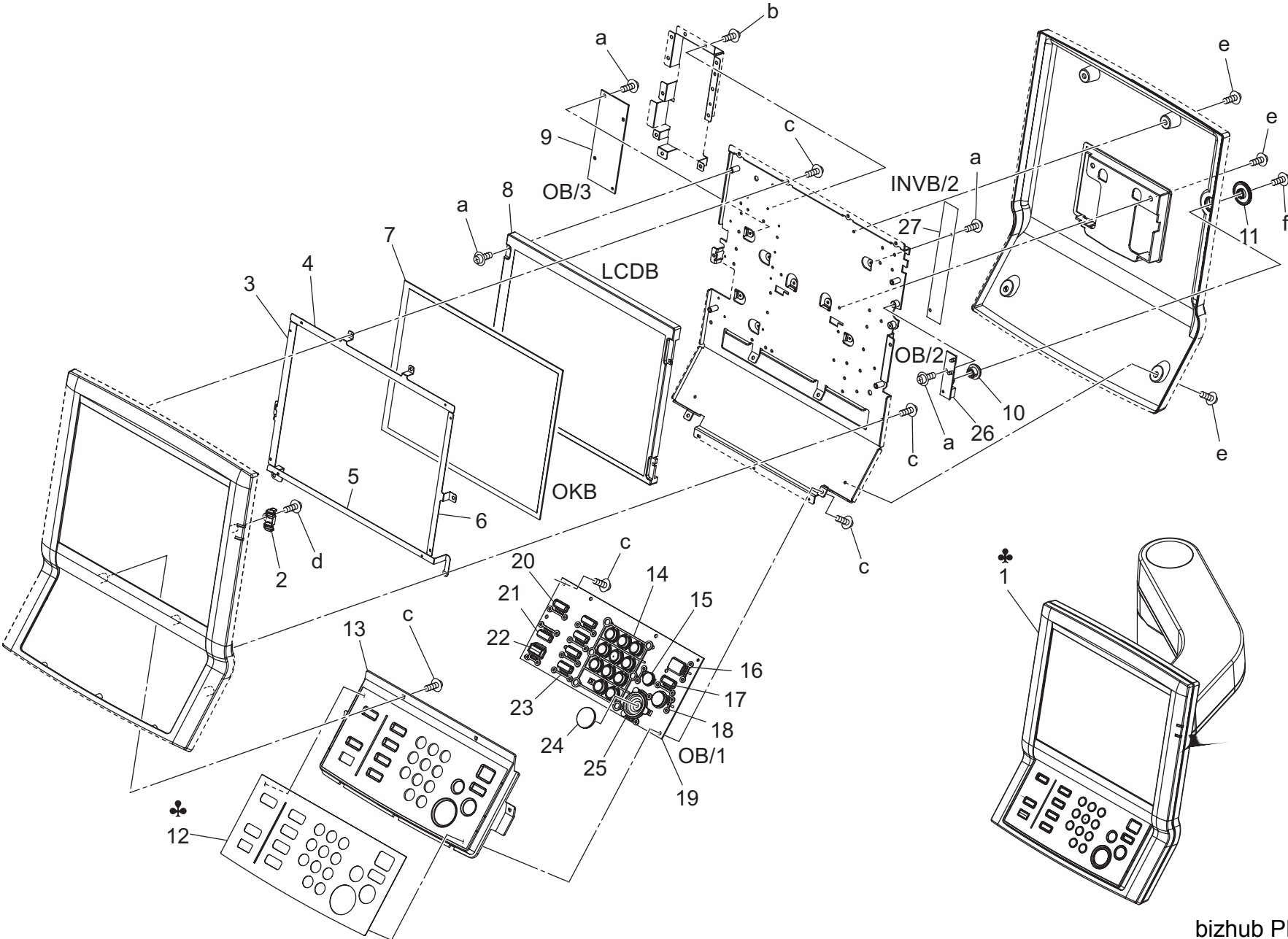
Key	Part No.	Description	Destinations	Class	QTY	Standard parts
1	A03U 1601 00	ADU Cover /Right		C	1	a-00Z3 5308 1 b-00Z1 9306 3 c-00Z1 9304 1
2	56AA 1214 0	SWITCH CONNECTING ACTUATOR		C	1	
3	56AA 1212 0	SWITCH GUIDE PART		C	1	
4	55FA 1210 1	MAGNET CATCH X		C	1	
5	56AA 1216 0	CONTACT PRESSING SPRING 1		C	1	
6	56AA 1215 0	SWITCH PRESSING ACTUATOR		C	1	
7	40AA 8501 1	DOOR SWITCH		B	1	
8	08AA 8551 2	PHOTO SENSOR		B	1	
9	A03U 9442 00	Processing Label /1		C	1	
10	A03U 9443 00	Processing Label /2		C	1	
11	A03U 1630 00	Paper feed Cover /Right		C	1	
12	56AA 1213 0	SWITCH FIXING PLATE		D	1	



EXTERNAL PARTS

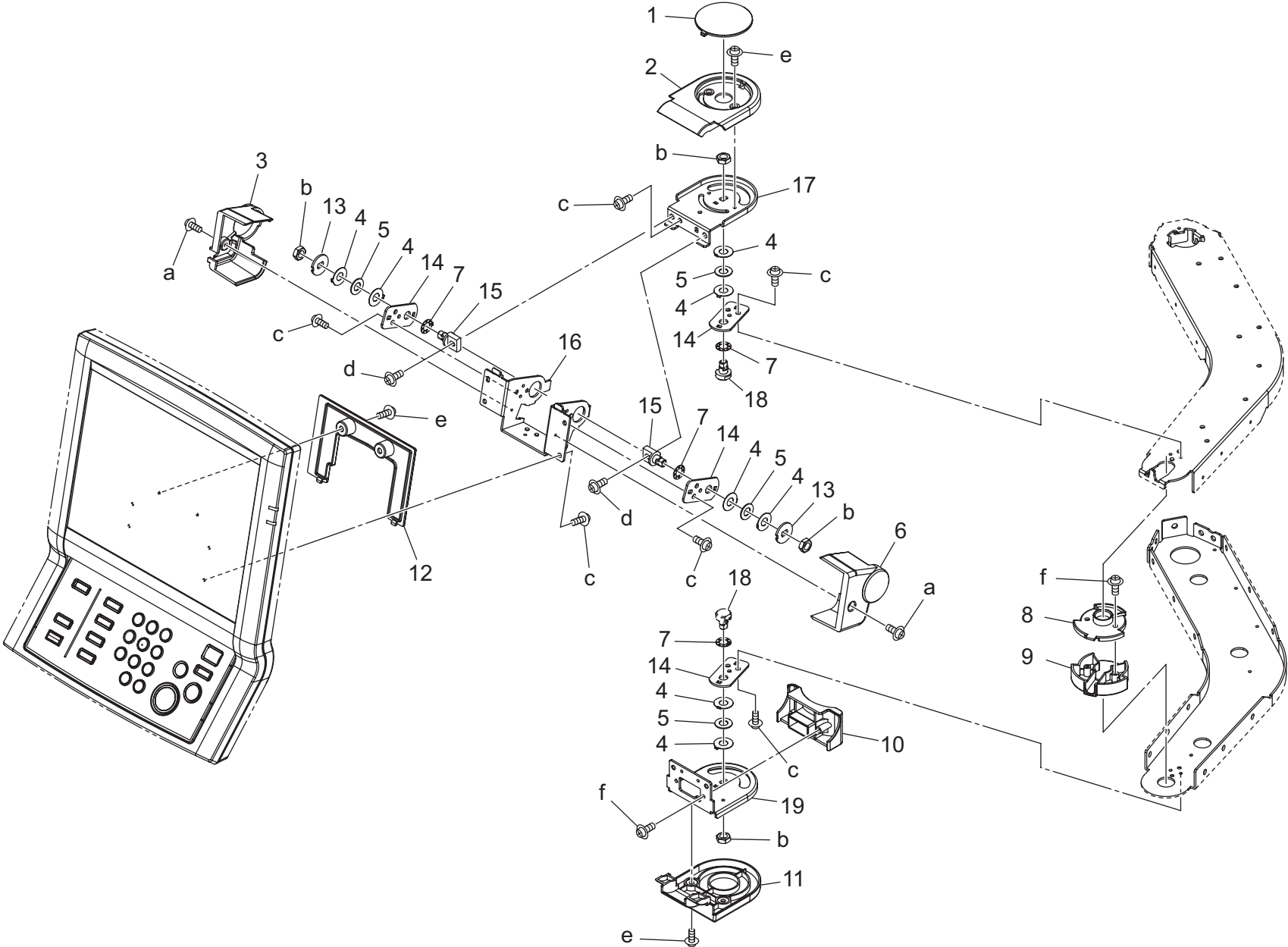
Key	Part No.	Description	Destinations	Class	QTY	Standard parts
1	A03U 1740 00	Paper feed Cover		C	3	a-00Z3 5310 1 b-00Z3 5410 1 c-00Z2 5408 1 d-00Z1 9306 2 e-00Z2 5412 1
2	A03U 9444 00	Operation Label /2		C	3	
3	A03U 9456 01	Indicating Label /3		C	1	
4	A03U 1798 01	PAPER FEED HANDLE		C	3	
5	A03X 1702 01	PAPER FEED HANDLE /2		C	3	
6	A03U 9454 01	Indicating Label /1		C	1	
7	A03U 1788 00	Paper feed Cover /B		C	1	
8	A03U 9455 01	Indicating Label /2		C	1	
9	A03U 1787 00	Paper feed Cover /A		C	1	
10	A03U 1791 00	Paper feed Cover /C		C	1	
11	A03U 1796 00	Paper feed Cover /D		C	1	
12	A03U 6206 00	Mounting Plate		D	4	

OPERATION SECTION



OPERATION SECTION

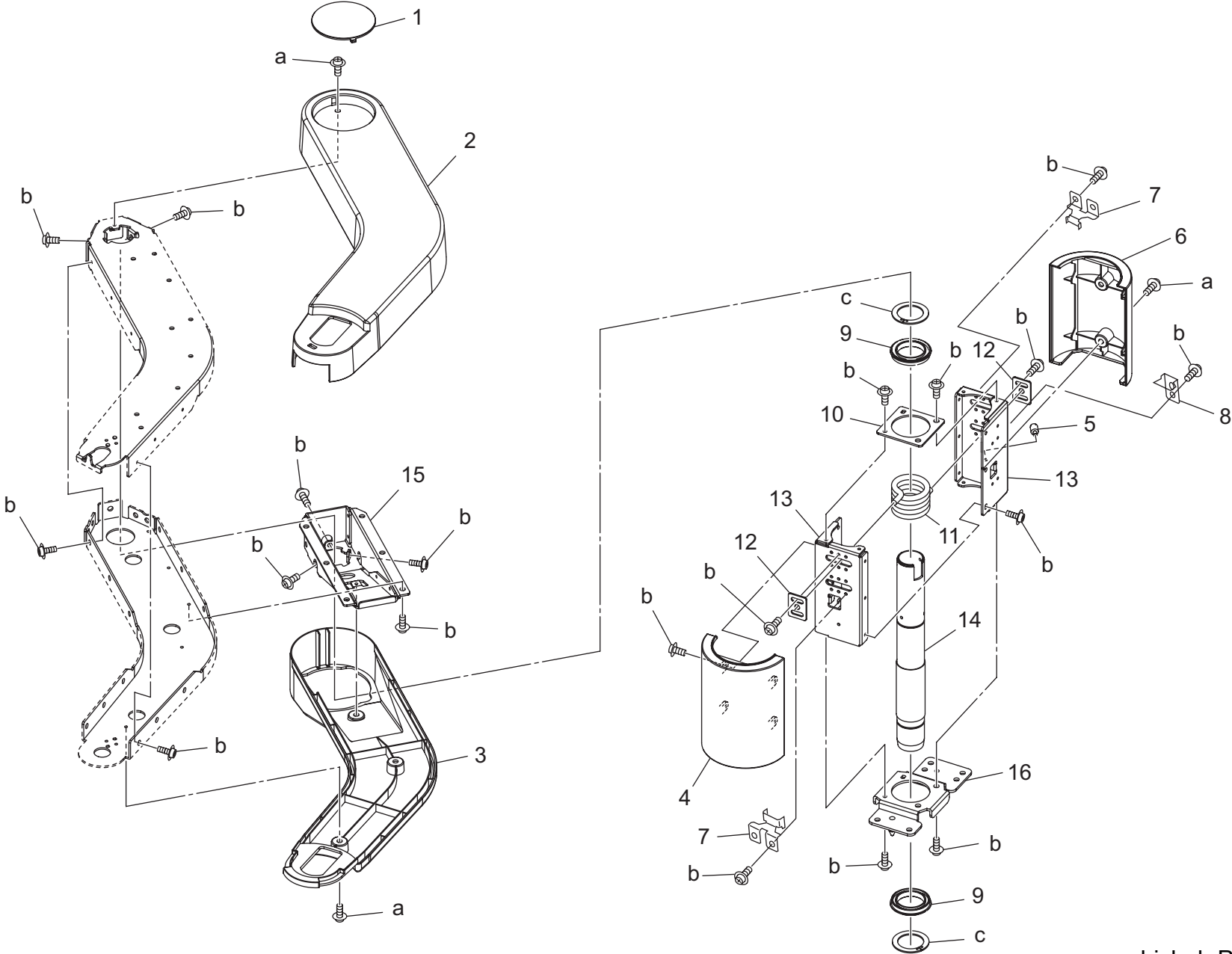
Key	Part No.	Description	Destinations	Class	QTY	Standard parts
1	A03U R708 00	OPERATION PANEL ASSY	A	I	1	a-00Z1 8306 1
1	A03U R709 00	OPERATION PANEL ASSY US	B,G1	I	1	b-00Z1 9304 1
1	A03U R710 00	OPERATION PANEL ASSY EU	C,I	I	1	c-00Z2 5308 1
1	A03U R762 00	OPERATION PANEL ASSY TAIWAN	H	I	1	d-00Z2 5306 1
1	A03U R761 00	OPERATION PANEL ASSY CHINA	J	I	1	e-00Z1 4406 3
1	A03U R787 00	OPERATION PANEL ASSY (AP)	D1,D3,E,F2,K	I	1	f-00Z2 4306 3
2	A03U 1926 00	Indicating Part		D	1	
3	A03U 1930 00	Ground Plate /Left		D	1	
4	A03U 1927 00	Ground Plate /Upper		D	1	
5	A03U 1928 00	Ground Plate /Lower		D	1	
6	A03U 1929 00	Ground Plate /Right		D	1	
7	56UA 8755 0	TOUCH KEY BOARD		I	1	
8	56UA -704 0	LCD ASSY		I	1	
9	A03U H110 00	OPERATING BOARD ASSY		C	1	
10	A03U 1946 00	Connecting Knob		D	1	
11	A03U 1947 00	Adjusting Knob /A		D	1	
12	A03U 1950 00	Operation Sheet	A	C	1	
12	A03U 2050 00	Operation Sheet	B,D1,D3,E,F2,G1,K	C	1	
12	A03U 2052 00	OPERATION SHEET	H	C	1	
12	A03U 2051 00	OPERATION SHEET	J	C	1	
13	A03U 1903 00	Positioning Cover /S		C	1	
14	56UA 7031 0	OPERATION UNIT BUTTON T		C	1	
15	56UA 7035 0	OPERATION UNIT BUTTON P		C	1	
16	56UA 7037 0	OPERATION UNIT BUTTON R		C	1	
17	56UA 7038 0	OPERATION UNIT BUTTON I		C	1	
18	56UA 7033 0	OPERATION UNIT BUTTON S		C	1	
19	56UA -904 1F	OPERATION BOARD /1 ASSY		I	1	
20	56UA 7036 0	OPERATION UNIT BUTTON E		C	1	
21	56UA 7039 0	OPERATION UNIT BUTTON H		C	1	
22	56UA 7040 0	OPERATION UNIT BUTTON U		C	1	
23	56UA 7034 0	OPERATION UNIT BUTTON J		C	1	
24	56UA 7042 0	OPERATION UNIT BUTTON D		C	1	
25	56UA 7032 1	OPE UNIT BUTTON C		C	1	
26	56UA -905 1E	OPERATION BOARD /2 ASSY		I	1	
27	56UA 8352 1	INDICATING STARTER		I	1	



# OPERATION SECTION

Key	Part No.	Description	Destinations	Class	QTY	Standard parts
1	A03U 1938 00	Operation Cover /I		D	1	a-00Z1 9306 1 b-00Z5 2080 1 c-00Z1 9406 1 d-00Z4 6516 3 e-00Z1 4406 3 f-00Z2 5308 1
2	A03U 1933 00	Operation Cover /C		D	1	
3	A03U 1940 00	Operation Cover /F		D	1	
4	A03U 1918 00	Rotation Spacer /1		D	8	
5	A03U 1917 00	Rotation Spring /T		D	4	
6	A03U 1941 00	Operation Cover /G		D	1	
7	A03U 1919 00	Rotation Spacer /2		D	4	
8	A03U 1937 00	Swing Cover /Upper		D	1	
9	A03U 1936 00	Swing Cover /Lower		D	1	
10	A03U 1934 00	Operation Cover /E		D	1	
11	A03U 1935 00	Operation Cover /D		D	1	
12	A03U 1945 00	Operation Cover /H		D	1	
13	A03U 1920 00	Fixing Part /T		D	2	
14	A03U 1916 00	Mounting Plate /T		D	4	
15	A03U 1921 00	Fixing Shaft /U		D	2	
16	A03U 1909 00	Ope. unit Mounting Stay /1		D	1	
17	A03U 1914 00	Support Plate /Upper		D	1	
18	A03U 1922 00	Rotation Shaft /T		D	2	
19	A03U 1915 00	Support Plate /Lower		D	1	

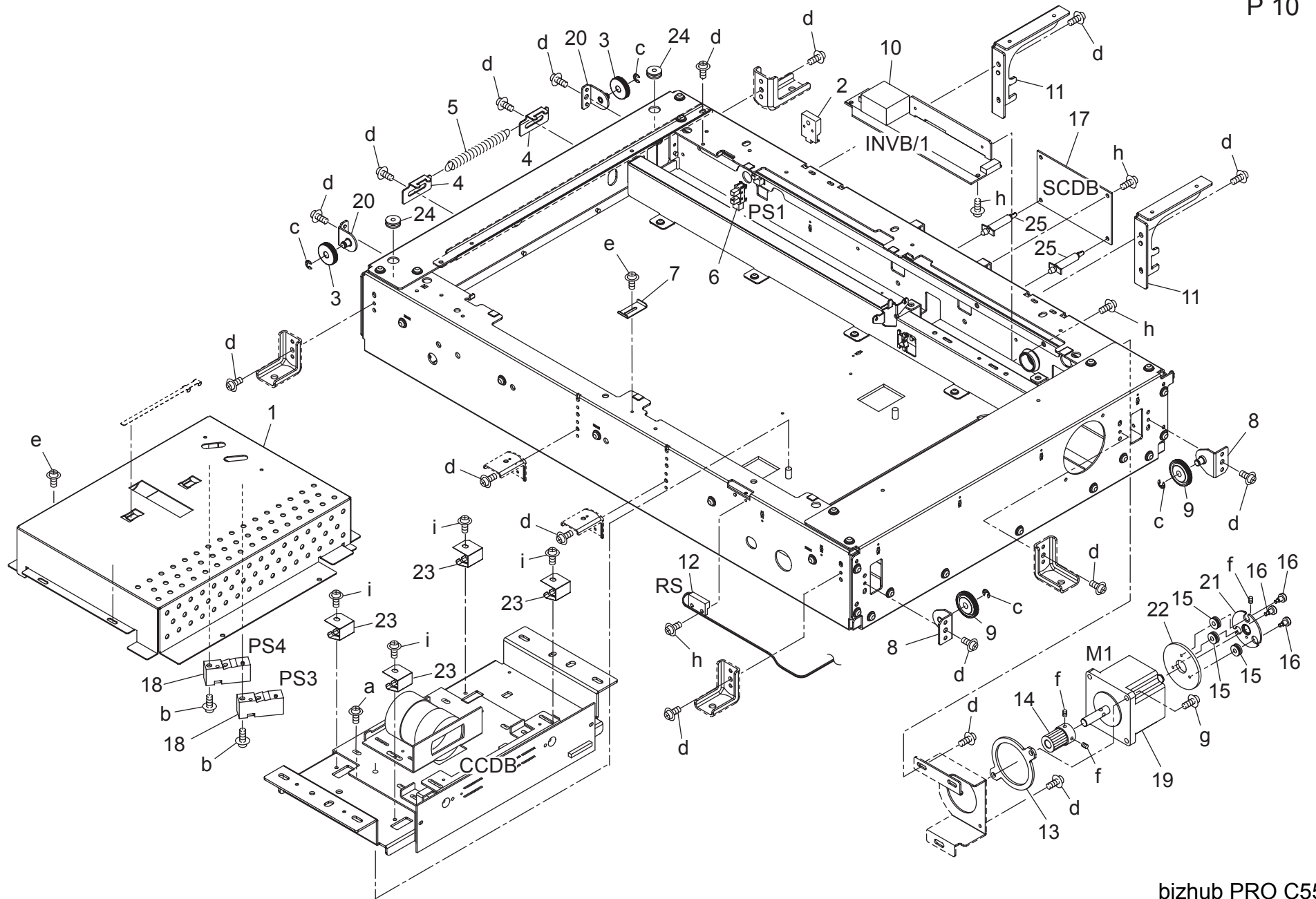




# OPERATION SECTION

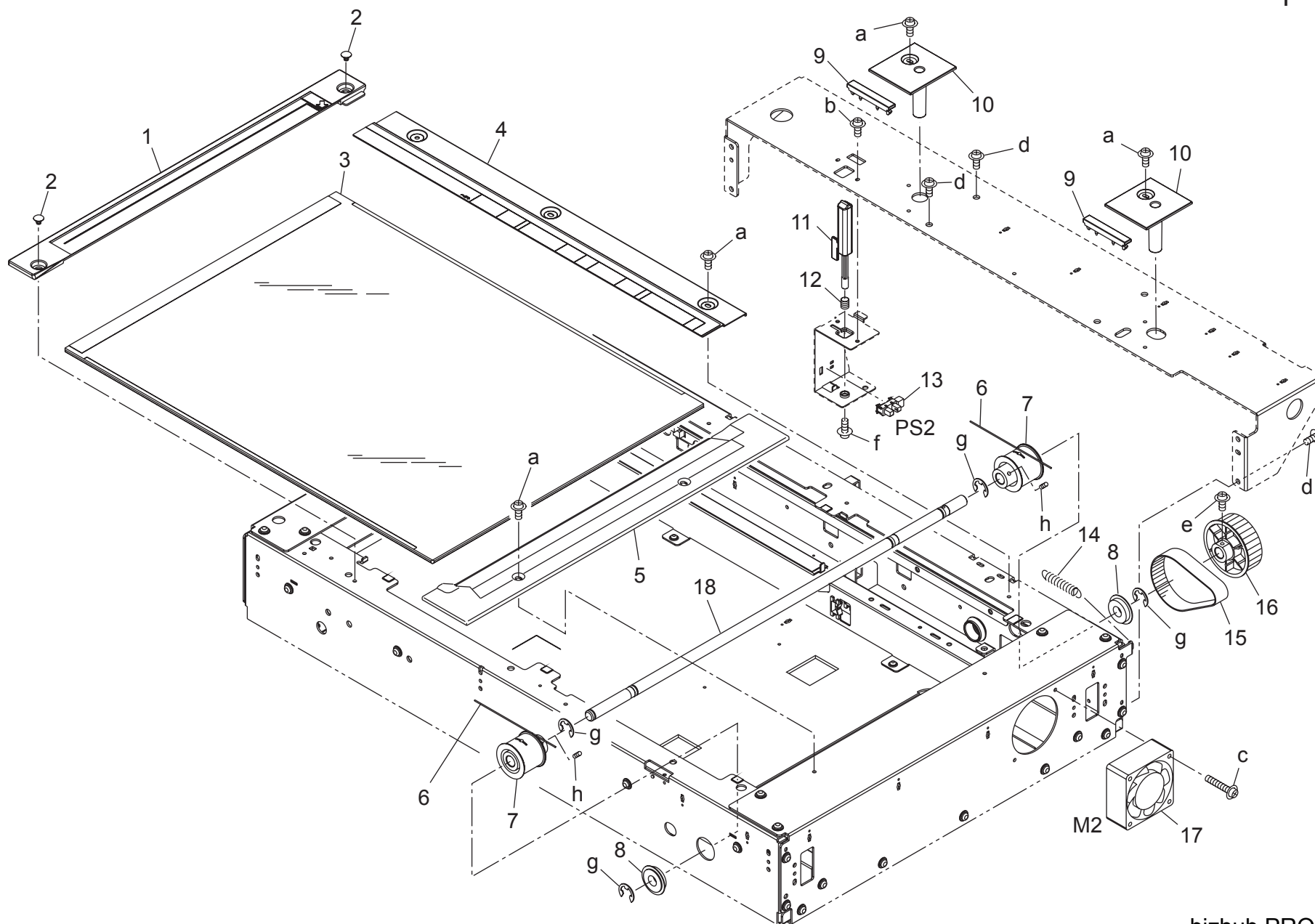
Key	Part No.	Description	Destinations	Class	QTY	Standard parts
1	A03U 1939 00	Operation Cover /J		D	1	a-00Z1 4406 3 b-00Z1 9406 1 c-00Z6 8300 3
2	A03U 1931 00	Operation Cover /Upper		D	1	
3	A03U 1932 00	Operation Cover /Lower		D	1	
4	A03U 1942 00	Operation Cover /A		D	1	
5	A03U 1923 00	Stopper Screw /A		C	1	
6	A03U 1943 00	Operation Cover /B		D	1	
7	A03U 1954 00	Regulating Part		D	2	
8	A03U 1955 00	Rotation Stopper		D	1	
9	65AA 7501 0E	DRUM SUPPORT BEARING		D	2	
10	A03U 1911 00	Support Plate /3		D	1	
11	A03U 1912 01	Support Spring		D	1	
12	A03U 1953 02	REGULATING PLATE		D	2	
13	A03U 1908 01	Support Plate /2		D	2	
14	A03U 1913 00	Ope. unit Support Pipe		D	1	
15	A03U 1907 00	Support Plate /1		D	1	
16	A03U R786 00	MAIN BODY ATTACHMENT CAULKING		D	1	

# OPTICAL SECTION

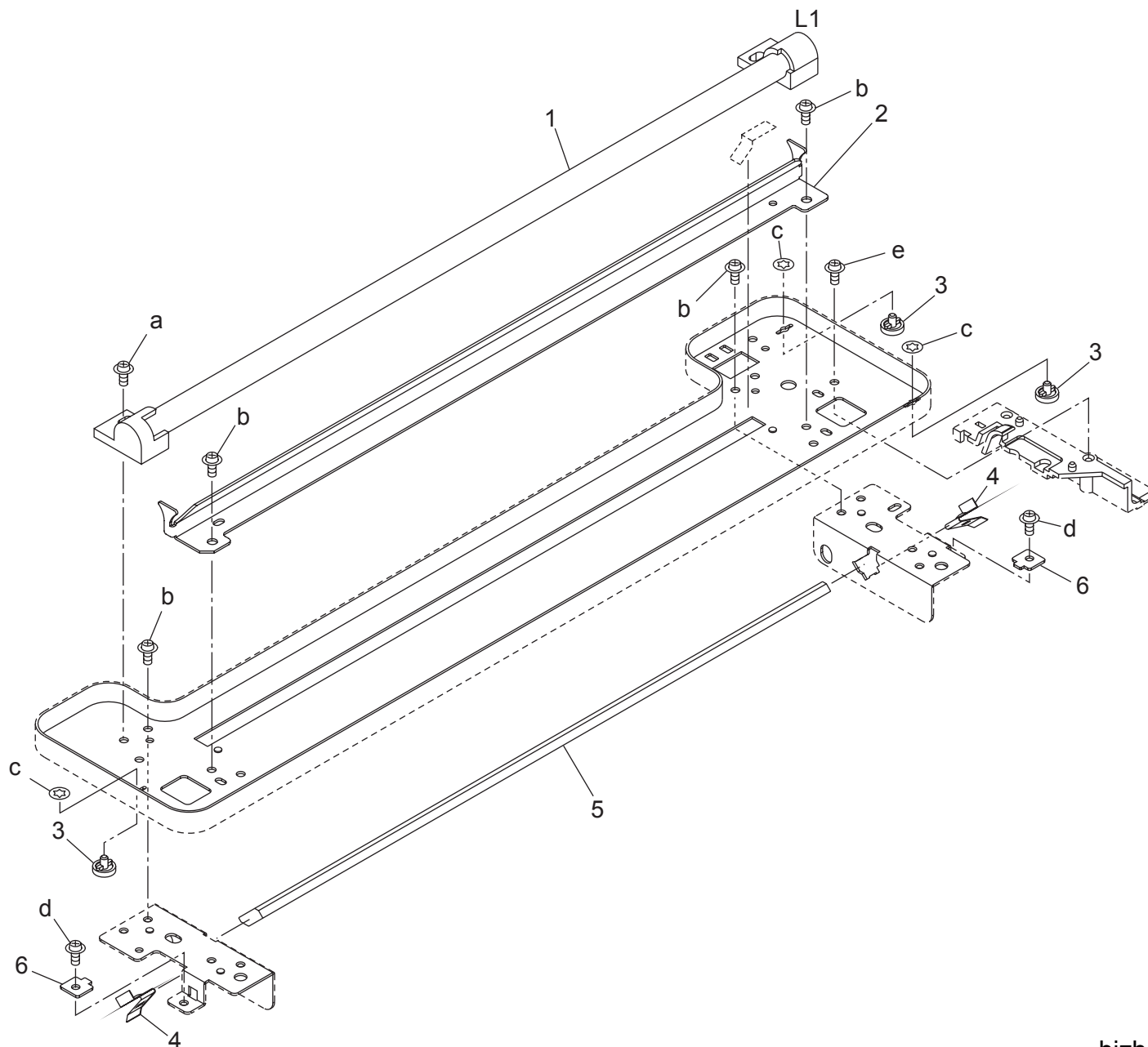


Key	Part No.	Description	Destinations	Class	QTY	Standard parts
1	65AA 6144 0E	LENS LIGHT SHIELD COVER		D	1	a-00Z1 6408 1
2	65AA 6140 0	CORD HOLDER		D	1	b-00Z1 1320 1
3	26NA 6194 0	BEARING		C	2	c-00Z6 7040 6
4	25SA 6171 0	SPRING FIXING PLATE		D	2	d-00Z1 9406 1
5	65AA 6125 0	WIRE TENSION SPRING		D	1	e-00Z1 9304 1
6	08AA 8551 2	PHOTO SENSOR		B	1	f-00Z4 7406 3
7	26NA 6216 0	GLASS HOLDING PLATE		C	1	g-00Z1 1410 1
8	25SA -620 1	PULLEY MT PLATE UNIT/FRONT		D	2	h-00Z1 9306 1
9	56AA 6129 0	BEARING		C	2	i-00Z1 9404 1
10	A03U M405 00	Lamp Starter		I	1	
11	25SA 6107 0	REINFORCE PLATE		D	2	
12	65AA 8501 0	ADF DETECTING SENSOR		B	1	
13	A03U 2602 00	Vibrationproof Rubber /M		D	1	
14	65AA 7651 0	READ DRIVING PULLEY		C	1	
15	56AA 6141 0	MOTOR AUXILIARY RUBBER		C	3	
16	56AA 6140 0	MOTOR AUXILIARY SCREW		C	3	
17	65AA -907 1E	SCANNER DRIVE BOAD ASSY		B	1	
18	56AA 8553 1	APS SENSOR 2		B	2	
19	65AA 8013 1	OPTICAL DRIVE MOTOR		C	1	
20	65AA -623 0	PRLLEY FIXING PLATE CAULKING		D	2	
21	56AA -642 1	MOTOR AUX PART CAULKING		D	1	
22	65AA 6137 0	WIRE FIXING PLATE		D	1	
23	55TA 6132 0	LENS EARTH SPRING		C	4	
24	25SA 6170 0	WIRE GUIDE ROLLER		C	2	
25	00Z9 2511 8	LOCKING CIRCUIT BOARD SUPPORT		C	2	

# OPTICAL SECTION



Key	Part No.	Description	Destinations	Class	QTY	Standard parts
1	A03U R725 00	ORIGINAL POSITION PLATE LEFT ASSY		C	1	a-00Z1 4406 3 b-00Z1 9304 1 c-00Z1 8430 1 d-00Z1 9406 1 e-00Z1 6310 1 f-00Z2 5308 1 g-00Z6 7090 6 h-00Z4 7406 3
2	56UA 1270 0	FIXING SCREW		C	2	
3	65AA R7A0 00	ORIGINAL GLASS ASSY		C	1	
4	A03U R726 00	ORIJINAL POSITION PLATE REAR ASSY		C	1	
5	A03U 1617 00	Read Cover /Middle		C	1	
6	65AA 6118 0	OPTICS WIRE		C	2	
7	25SA 6165 0	DRIVE PULLEY		C	2	
8	5000 7501 0	BALL BEARING		C	2	
9	A03U 1646 00	Read Auxiliary Cover		C	2	
10	A03U 1642 00	Original cover Support Part		C	2	
11	56AA 6142 0	ADF DETECTING ACTUATOR		C	1	
12	56AA 6143 1	ADF DETECTION SPRING		C	1	
13	08AA 8551 2	PHOTO SENSOR		B	1	
14	65AA 6121 0	BELT TENSION SPRING		C	1	
15	65AA 6135 0	READ DRIVING BELT 204L		C	1	
16	65AA 7652 0	READ DRIVEN PULLEY 108T		C	1	
17	27LA 8051 1	MAIN BODY FAN MOTOR		B	1	
18	65AA 6130 0E	Driving Shaft		D	1	

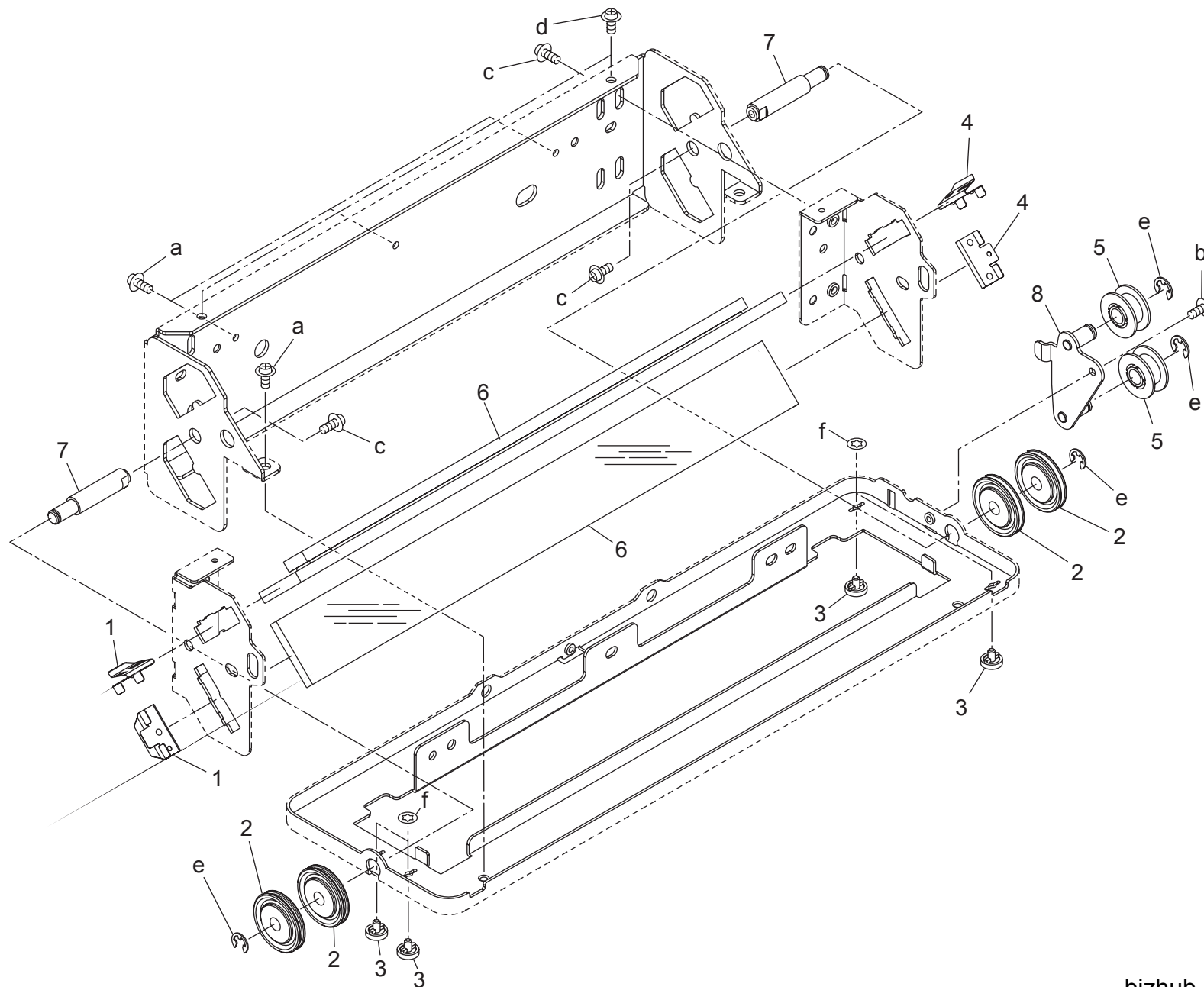


OPTICAL SECTION

Key	Part No.	Description	Destinations	Class	QTY	Standard parts
1	A03U M301 01	Exposure Lamp		I	1	a-00Z1 9308 1 b-00Z1 9306 1 c-00Z6 6030 6 d-00Z1 6306 1 e-00Z2 5308 1
2	65AA 6151 0	REFLECTING MIRROR		C	1	
3	65AA 6120 0	OPTICS SLIDE PART		C	3	
4	26NA 6141 0	MIRROR PRESSURE SPRING		B	2	
5	65AA R799 00	FIRST-MIRROR ASSY		C	1	
6	65AA 6137 0	WIRE FIXING PLATE		D	2	

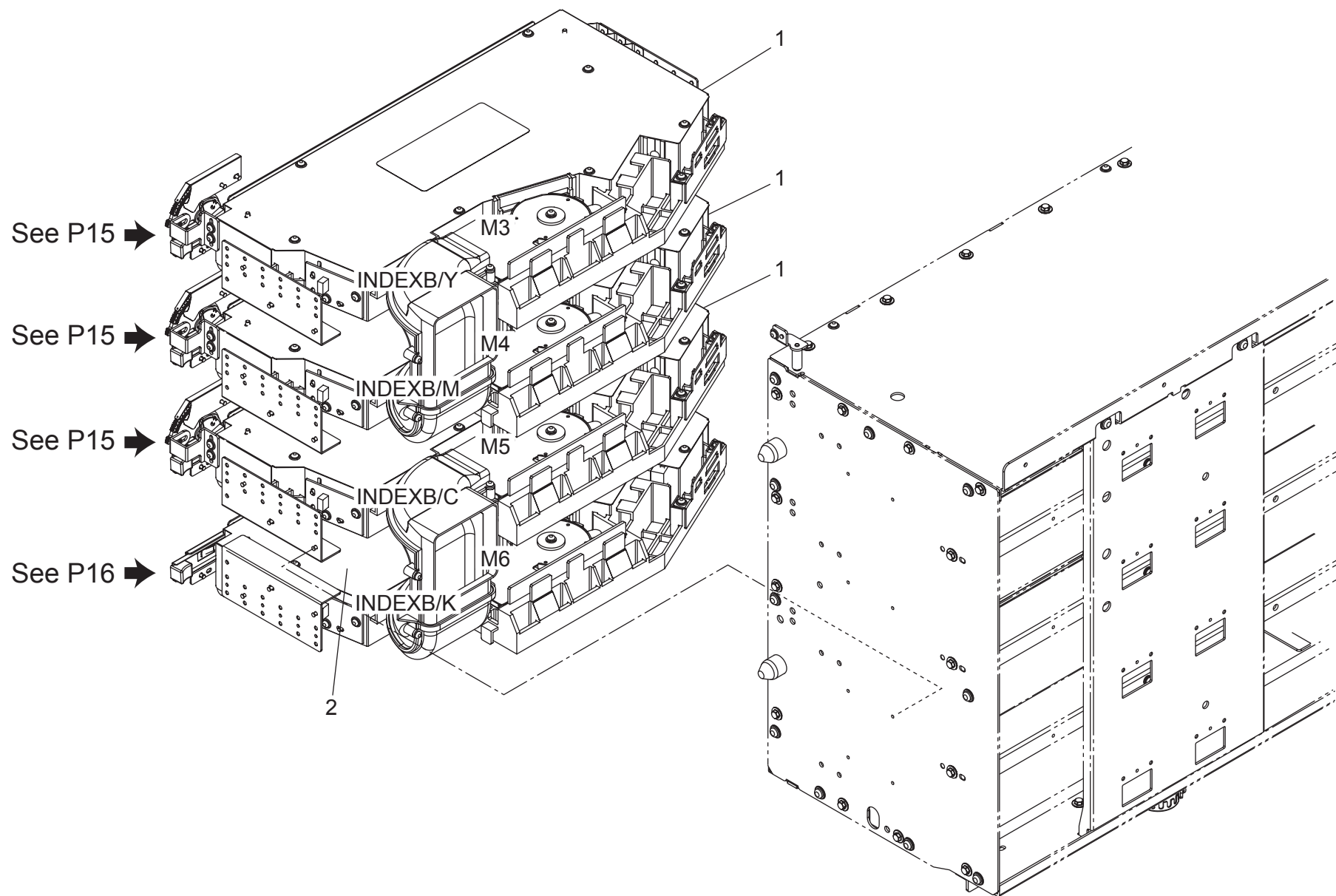


# OPTICAL SECTION



OPTICAL SECTION

Key	Part No.	Description	Destinations	Class	QTY	Standard parts
1	25SA 6155 0	MIRROR HOLDER 4		C	2	a-00Z1 9406 1 b-00Z1 9304 1 c-00Z1 6408 1 d-00Z1 8310 1 e-00Z6 7040 6 f-00Z6 6030 6
2	56AA 6129 0	BEARING		C	4	
3	65AA 6120 0	OPTICS SLIDE PART		C	4	
4	25SA 6154 0	MIRROR HOLDER 3		C	2	
5	65AA 6143 0	CORD GUIDE PULLEY		C	2	
6	65AA 6112 0	READ MIRRER 2		C	2	
7	65AA 6141 0	PULLEY SHAFT 2		D	2	
8	65AA -628 0	CORD GUIDE PULLEY CAULKING		D	1	



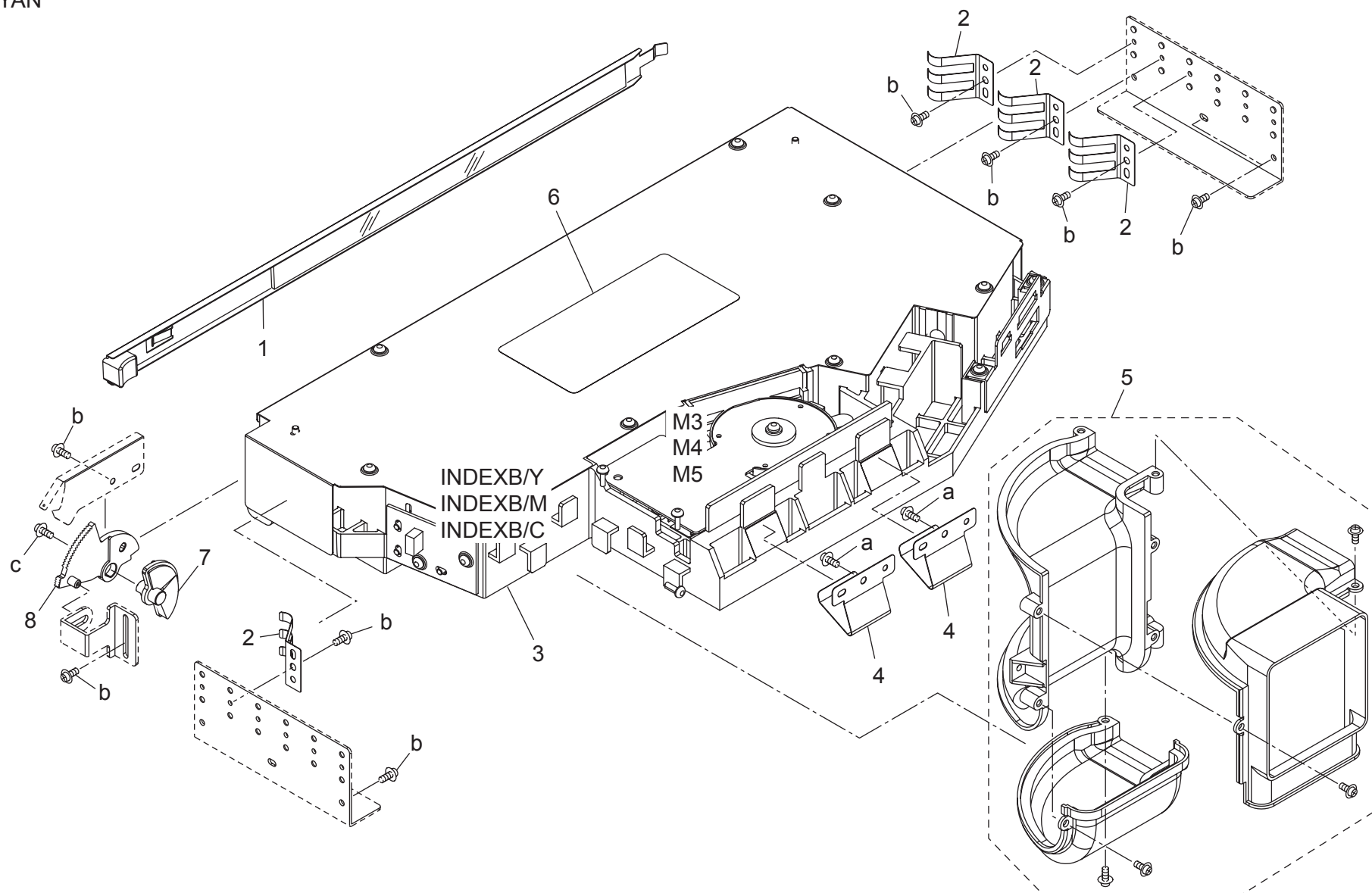
WRITE SECTION

Key	Part No.	Description	Destinations	Class	QTY	Standard parts
1	A03U R712 00	WRITING UNIT C		I	3	
2	A03U R711 00	WRITING UNIT K		I	1	

# WRITE SECTION

YELLOW  
MAGENTA  
CYAN

P 15



bizhub PRO C5500

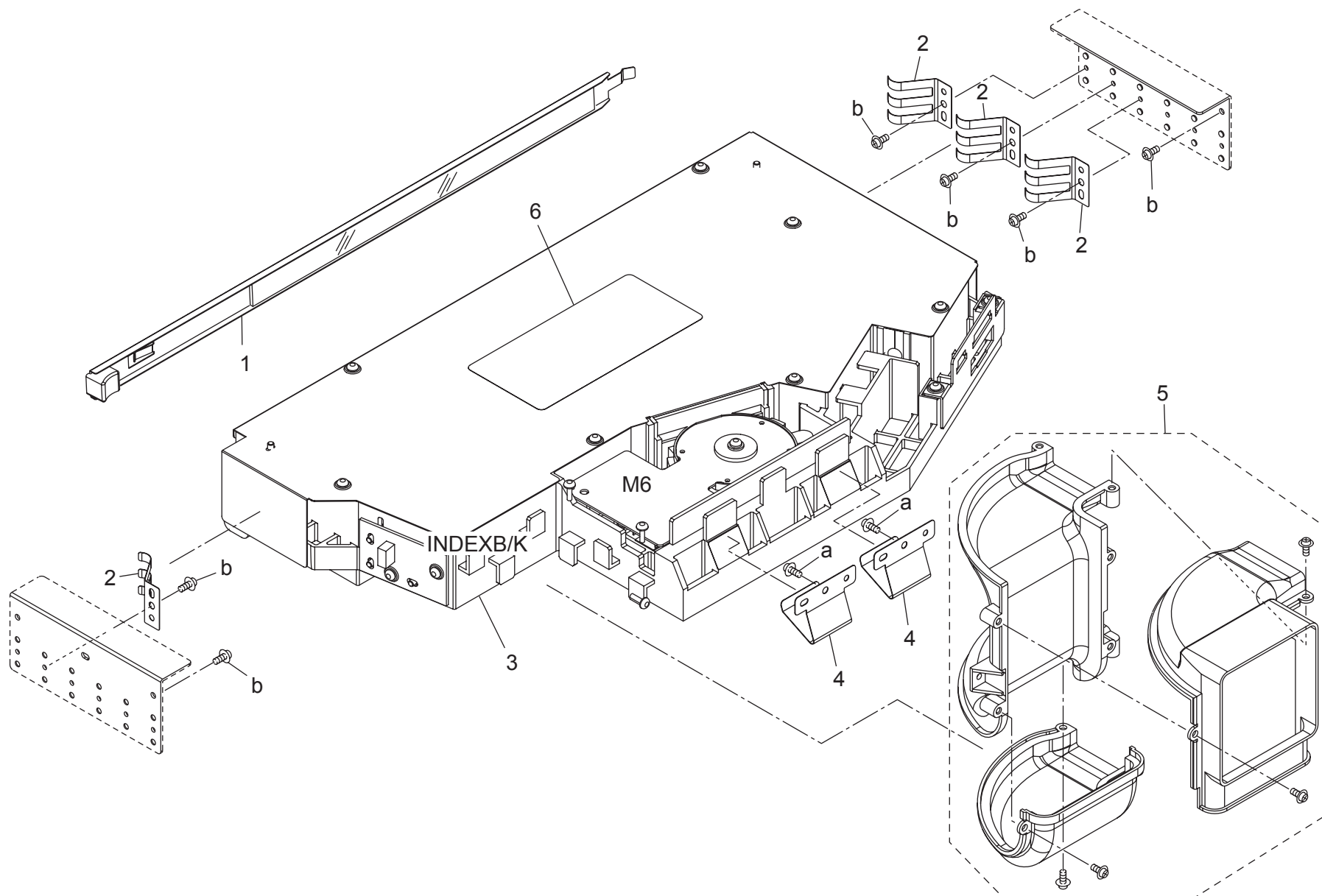
WRITE SECTION

Key	Part No.	Description	Destinations	Class	QTY	Standard parts
1	65AA R707 00	GLASS CASE ASSY		C	1	a-00Z1 9304 1 b-00Z1 9306 1 c-00Z3 5308 1
2	65AA 1114 0	EARTH PLATE		D	4	
3	A03U R712 00	WRITING UNIT C		I	1	
4	65AA 1087 0	WRITE PRESSING SPRING		D	2	
5	65AA R708 00	WRITING COOLING DUCT ASSY		D	1	
6	56UA 9730 0	LESER CAUTION LABEL 1		C	1	
7	A03U 1075 00	Write Adjusting Cam		D	1	
8	65AA 1076 0	WRITE ADJUSTING LEVER		D	1	

# WRITE SECTION

BLACK

P 16



bizhub PRO C5500

**WRITE SECTION**

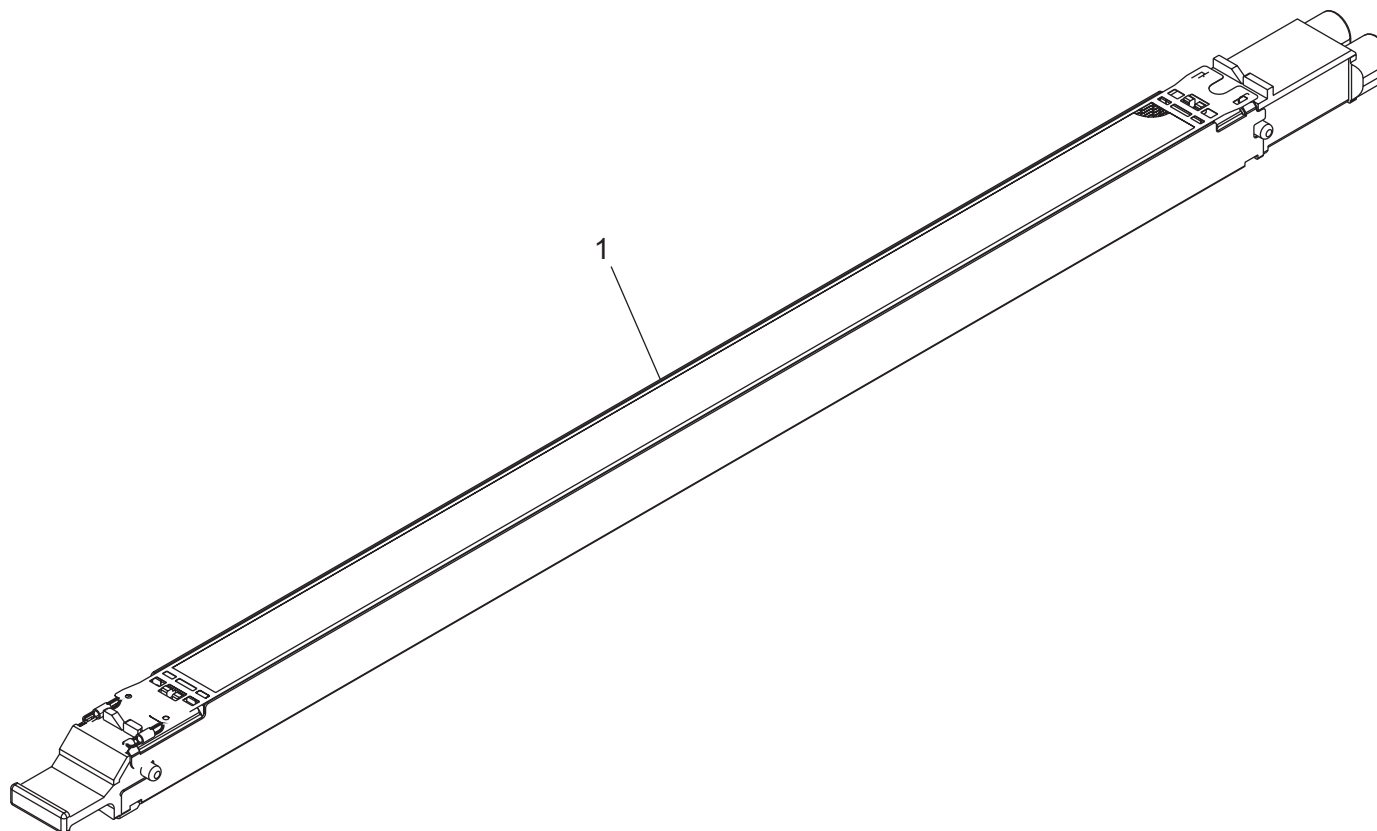
Key	Part No.	Description	Destinations	Class	QTY	Standard parts
1	65AA R707 00	GLASS CASE ASSY		C	1	a-00Z1 9304 1 b-00Z1 9306 1
2	65AA 1114 0	EARTH PLATE		D	4	
3	A03U R711 00	WRITING UNIT K		I	1	
4	65AA 1087 0	WRITE PRESSING SPRING		D	2	
5	65AA R708 00	WRITING COOLING DUCT ASSY		D	1	
6	56UA 9730 0	LESER CAUTION LABEL 1		C	1	



## CHARGE CORONA SECTION

YELLOW  
MAGENTA  
CYAN  
BLACK

P 17



# CHARGE CORONA SECTION

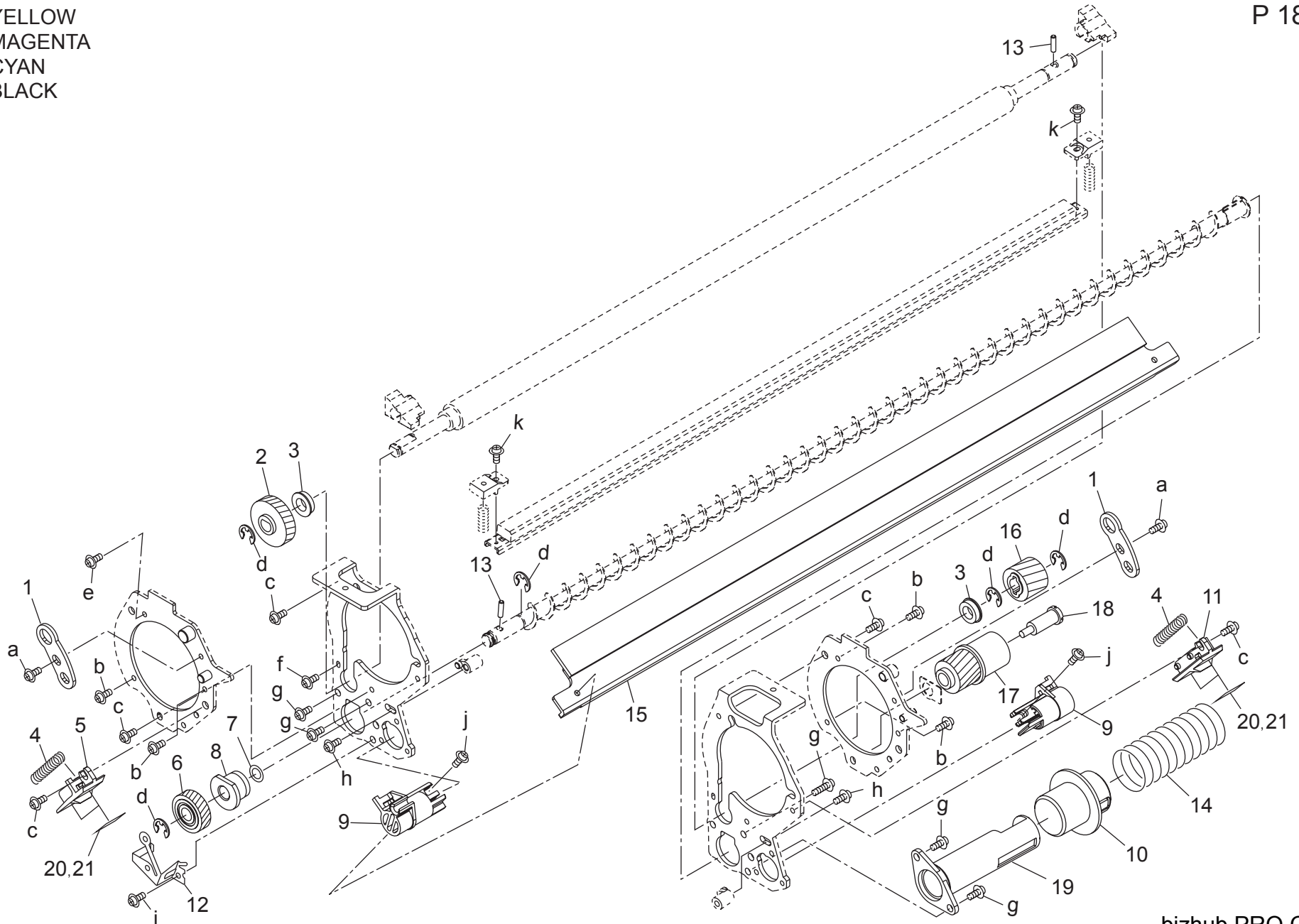
Key	Part No.	Description	Destinations	Class	QTY	Standard parts
1	A03U R703 00	CHARGING UNIT		A	1	



# PHOTO CONDUCTOR SECTION

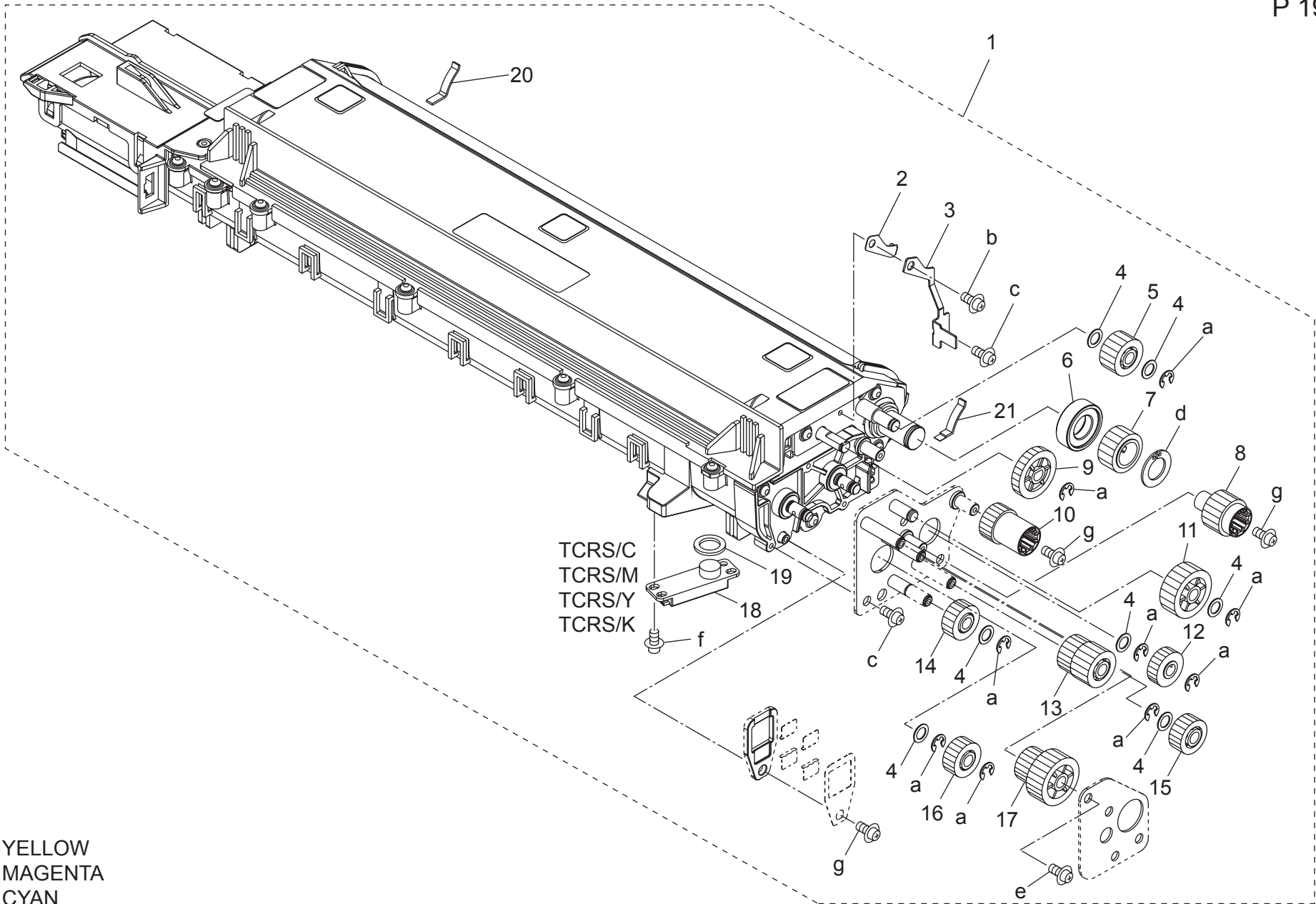
YELLOW  
MAGENTA  
CYAN  
BLACK

P 18



# PHOTO CONDUCTOR SECTION

Key	Part No.	Description	Destinations	Class	QTY	Standard parts
1	65AA 2010 0	ADJUSTING PLATE FRONT		D	2	a-00Z1 6306 1 b-00Z1 8304 3 c-00Z1 8306 1 d-00Z6 7040 6 e-00Z1 8304 1 f-00Z2 5206 1 g-00Z2 4310 1 h-00Z2 4306 1 i-00Z2 5310 1 j-00Z1 9304 1 k-00Z1 8204 1
2	65AA 7732 0	SCREW IDLING GEAR 32T		C	1	
3	25SA 7504 0	BEARING		C	2	
4	A03U 3325 01	Blade Pressing Spring		C	2	
5	65AA 2051 0	CHARGE INSULATING PART FRONT		C	1	
6	65AA 7731 0	SCREW DRIVING GEAR 26T		C	1	
7	26MA 7404 0	WASHER		C	1	
8	55WA 3001 0	DEVELOPING SHAFT HOLDER		C	1	
9	A03U 3312 00	Support Bearing		C	2	
10	65AA 2006 0	COLLECTING COVER		C	1	
11	65AA 2052 0	CHARGE INSULATING PART REAR		C	1	
12	A03U R732 00	DRUM EARTH ASSY		C	1	
13	4540 7805 0	PIN CLEANER A		C	2	
14	65AA 2030 0	TONER COLLECTING SPRING		C	1	
15	A03U 3303 00	Drum Cleaning Blade		C	1	
16	A03U 3399 00	CLEANER DRIVING GEAR 21T		C	1	
17	A03U 3346 00	Coupling /A		C	1	
18	65AA 2045 0	COUPLING SHAFT A		D	1	
19	65AA 2004 0	COLLECTING PIPE		D	1	
20	A03U P461 00	Adjusting Film /1		D	2	
21	A03U P462 00	Adjusting Film /2		D	2	



TCRS/C  
 TCRS/M  
 TCRS/Y  
 TCRS/K

YELLOW  
 MAGENTA  
 CYAN  
 BLACK

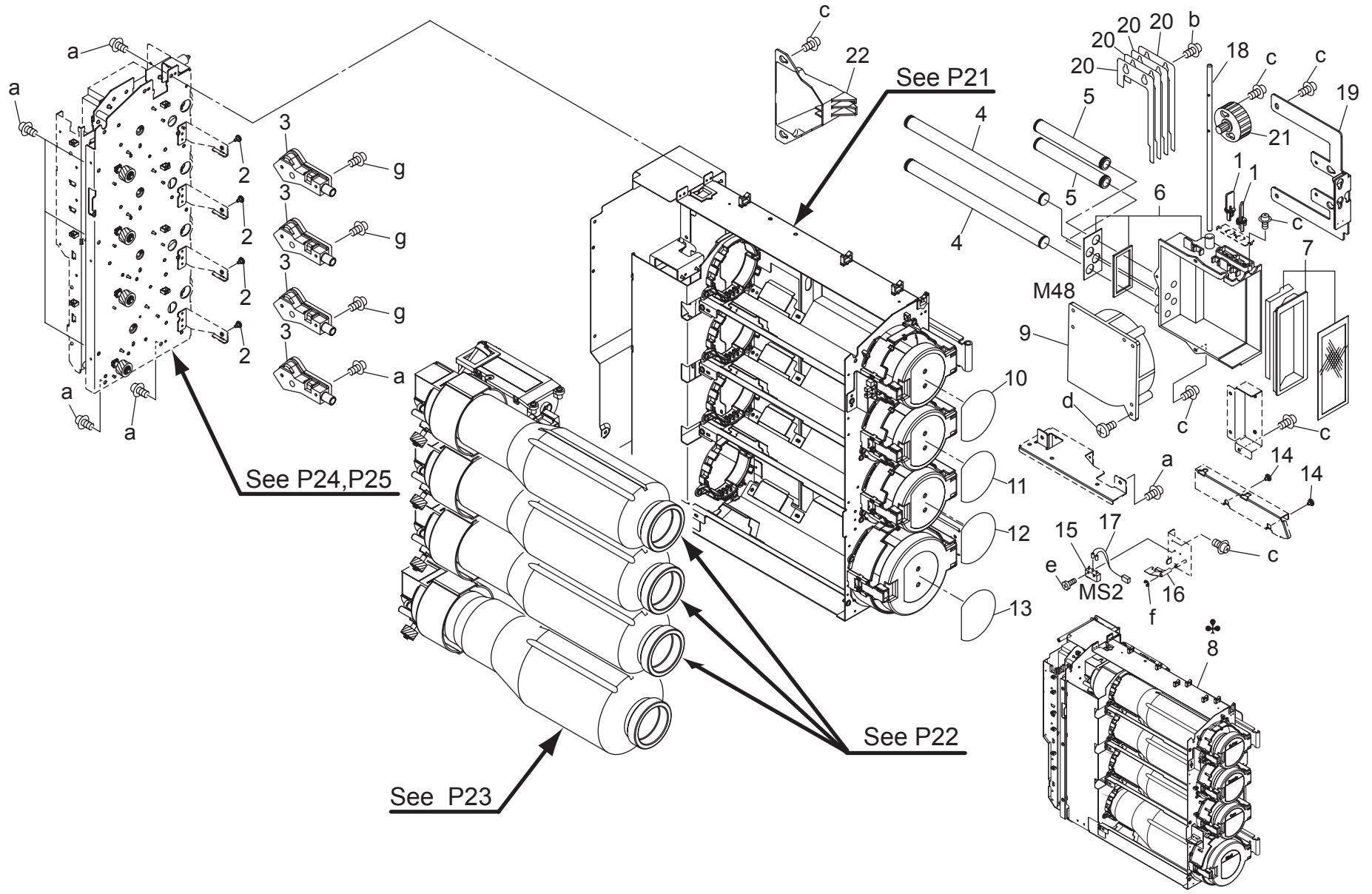
Order here  
 8 (495) 646-0426  
 ПЯТЫЙ ПАРТНЕР www.km-shop.ru

DEVELOPING SECTION

Key	Part No.	Description	Destinations	Class	QTY	Standard parts
1	A03U R706 00	DEVELOPING UNIT C	(YMC)	B	1	a-00Z6 7040 6 b-00Z1 6306 1 c-00Z3 5308 1 d-00Z6 8120 3 e-00Z1 9306 1 f-00Z2 4306 1 g-00Z2 4308 1
1	A03U R707 00	DEVELOPING UNIT K	(BLACK)	B	1	
2	A03U 3719 00	Developing Power supply Plate /B		C	1	
3	A03U 3718 00	Developing Power supply Plate		C	1	
4	40AA 3232 0	TONER SUPPLY SPACER		C	7	
5	A03U 3891 00	DEVELOPING GEAR /2 19T		B	1	
6	A03U 3760 00	BEARING		C	1	
7	A03U 3890 00	DEVELOPING GEAR /1 22T		B	1	
8	A03U 3725 00	Developing Coupling /Right 17T		C	1	
9	A03U 3894 00	DEVELOPING GEAR /3 23T		B	1	
10	A03U 3727 01	Developing Coupling /Left 19T		C	1	
11	A03U 3899 00	SCREW IDLING GEAR /5 23T		B	1	
12	A03U 3892 00	SCREW DRIVE GEAR /LEFT 16T		B	1	
13	A03U 3895 00	SCREW IDLING GEAR /1 17T 16T		B	1	
14	A03U 3896 00	SCREW IDLING GEAR /2 16T		B	1	
15	A03U 3897 01	SCREW IDLING GEAR /3 17T		B	1	
16	A03U 3893 01	SCREW DRIVE GEAR /RIGHT 16T		B	1	
17	A03U 3898 00	SCREW IDLING GEAR /4 23T 15T		B	1	
18	A03U M508 01	Toner density Sensor		C	1	
19	25SA 3016 0	DEVELOPING DETECT SEAL		C	1	
20	A03U 3758 00	Scatter Preventing Pad /Front		C	1	
21	A03U 3759 01	SCATTER PREVENTING PAD /REAR		C	1	

# TONER SUPPLY SECTION

P 20

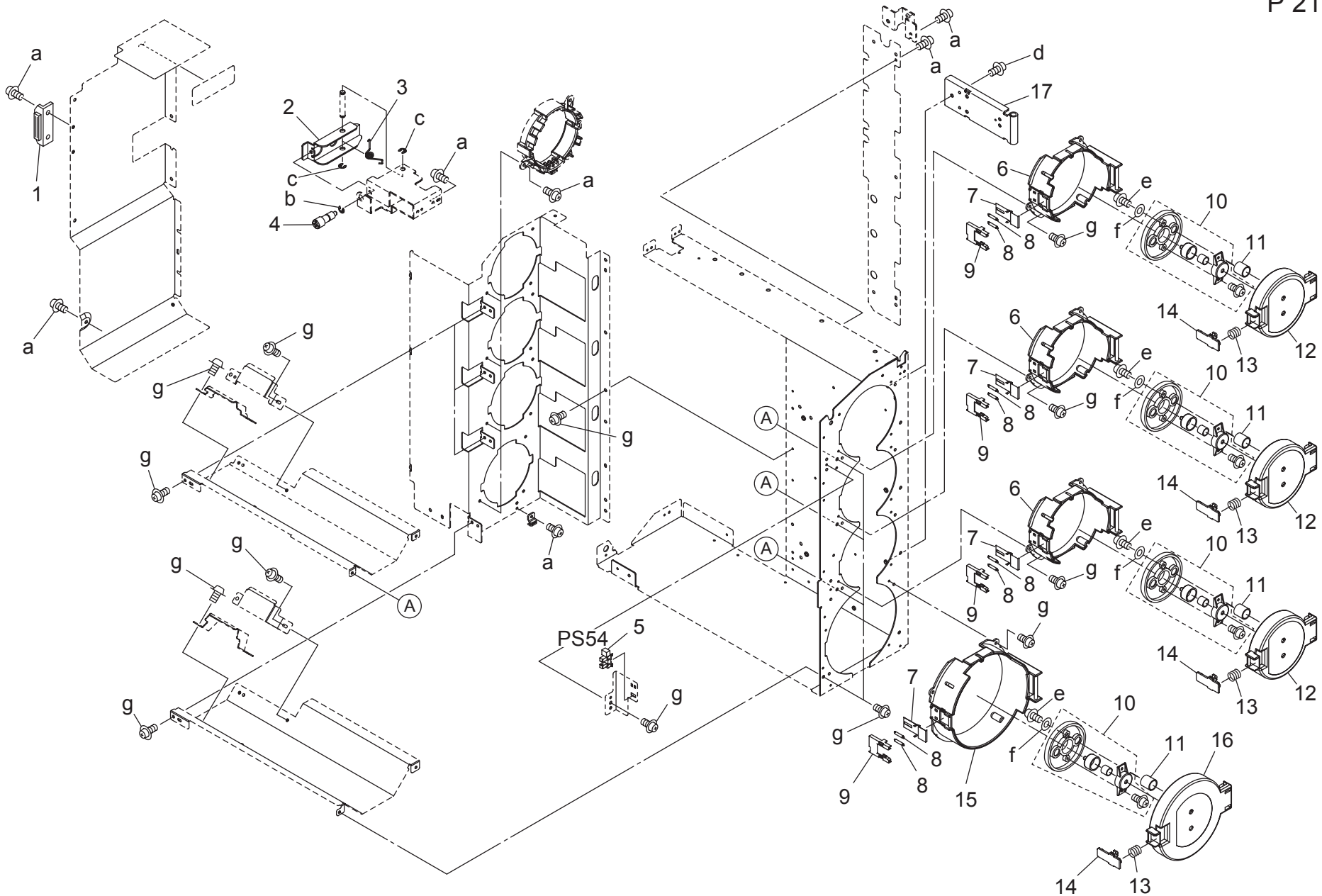


# TONER SUPPLY SECTION

Key	Part No.	Description	Destinations	Class	QTY	Standard parts
1	65AA R738 00	CHARGING CLEANING PART ASSY		B	2	a-00Z1 9306 1
2	55VA 2068 0	SEPARATION POSITIONING SCREW		C	4	b-00Z3 8312 1
3	A03U R742 00	CHARGE SUCTION ASSY		C	4	c-00Z3 8306 1
4	65AA 3304 0	CHARGE SUCTION PIPE L		D	2	d-00Z1 8410 1
5	65AA 3305 0	CHARGE SUCTION PIPE S		D	2	e-00Z1 1208 1
6	65AA R768 00	CHARGING SUCTION COVER ASSY		D	1	f-00Z6 7020 6
7	65AA R767 00	FILTER PRESSING ASSY		A	1	g-00Z3 5308 1
8	A03U R713 00	TONER SUPPLY UNIT	A	I	1	
8	A03U R714 00	TONER SUPPLY UNIT US	B,G1	I	1	
8	A03U R715 00	TONER SUPPLY UNIT EU	C,D1,D3,E,F2,H,I,J,K	I	1	
9	65AA 8059 0	MAIN BODY FAN		C	1	
10	A03U 9445 00	Toner supply Label /Y		D	1	
11	A03U 9446 00	Toner supply Label /M		D	1	
12	A03U 9447 00	Toner supply Label /C		D	1	
13	A03U 9448 00	Toner supply Label /B		D	1	
14	55VA 5385 0	ENTRANCE GUIDE SCREW		C	2	
15	12QR 8601 1	INTER LOCK SWITCH		B	1	
16	A03U 4021 00	SWITCH PLATE		D	1	
17	65AA 9110 0	INTER LOCK WIRING		D	1	
18	65AA R752 00	SUPPORTING ROD		D	1	
19	65AA 3070 1	CARTRIDGE SUPPORT RAIL		D	1	
20	65AA 3069 0	DEVELOPING SUPPORT FOOT		D	4	
21	65AA 3091 0	DEVELOPING ROTARY JIG		D	1	
22	65AA R766 00	DEVELOPER CHARGING PLATE		D	1	



# TONER SUPPLY SECTION



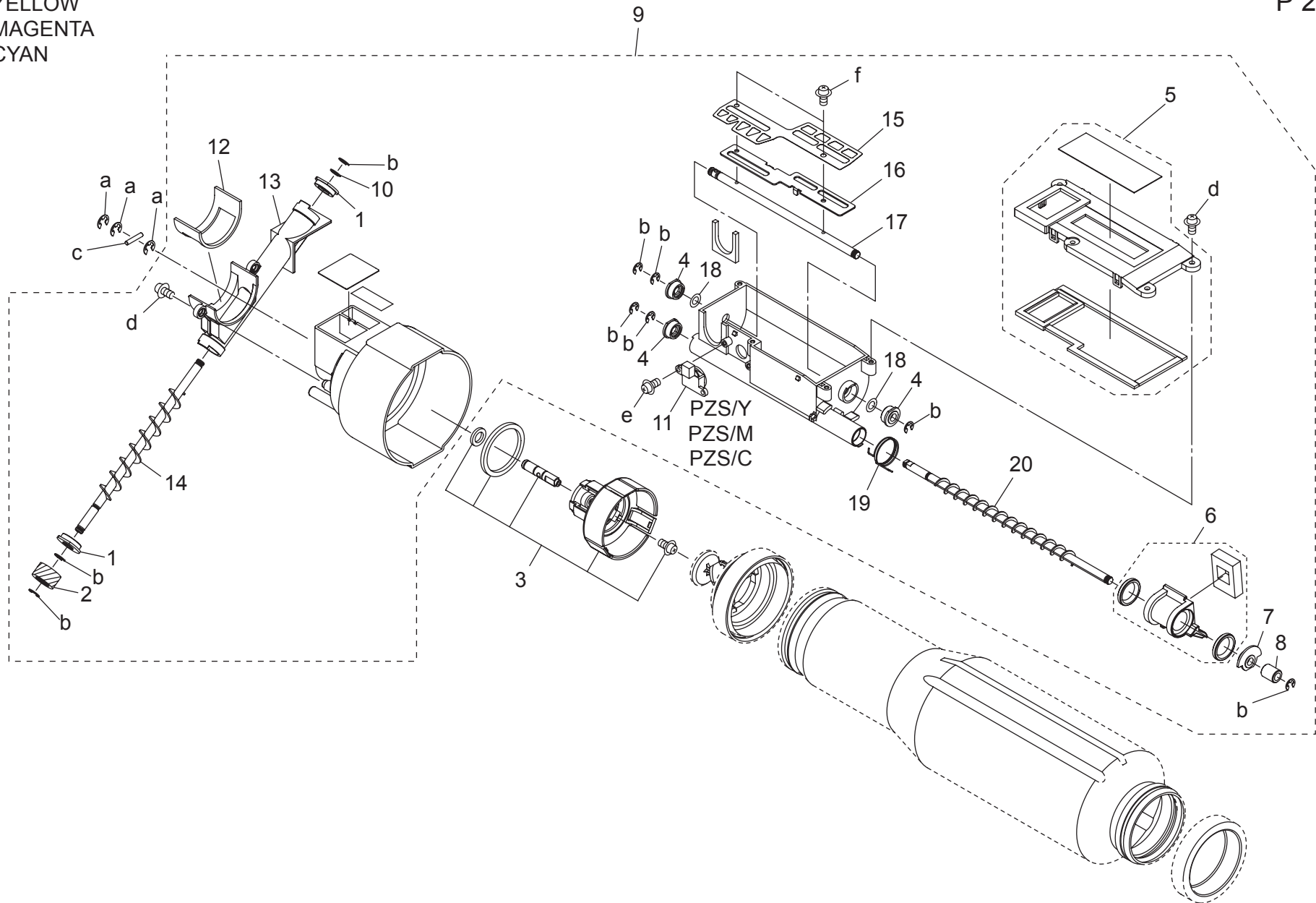
# TONER SUPPLY SECTION

Key	Part No.	Description	Destinations	Class	QTY	Standard parts
1	55VA 5375 0	MAGNET CATCH		C	1	a-00Z1 9306 1
2	65AA 3289 0	LOCKING PLATE /B		C	1	b-00Z6 7060 6
3	65AA 3271 0	TONER SUPPLY LOCK SPRING		C	1	c-00Z6 7040 6
4	A03U 4033 00	Fixing Screw		C	1	d-00Z3 8408 1
5	08AA 8551 2	PHOTO SENSOR		B	1	e-00Z2 5406 1
6	A03U 4039 00	Guide Part /B		D	3	f-00Z6 1060 1
7	26TA 3296 0	CARTRIDGE REGULATING PLATE		C	4	g-00Z3 8306 1
8	26TA 3297 0	CARTRIDGE REGULATING SPRING		C	8	
9	26TA 3299 0	COVER PART		C	4	
10	65LA R705 00	PRESSING PART ASSY		D	4	
11	26TA 3298 0	CARTRIDGE PRESSING SPRING 3		C	4	
12	65AA 3242 0	CARTRIDGE PRESSING PEDESTAL A		C	3	
13	26NA 3287 0	CARTRIDGE PRESSING SPRING 2		C	4	
14	40LA 3285 0	CARTRIDGEPRESSINGHANDLE		C	4	
15	A03U 4067 00	Guide Part /D		D	1	
16	65AA 3263 1	CATRIDGE PRESSING PEDESTAL B		C	1	
17	65AA 3216 0D	Toner supply Hinge		D	1	

bizhub PRO C5500

# TONER SUPPLY SECTION

YELLOW  
MAGENTA  
CYAN



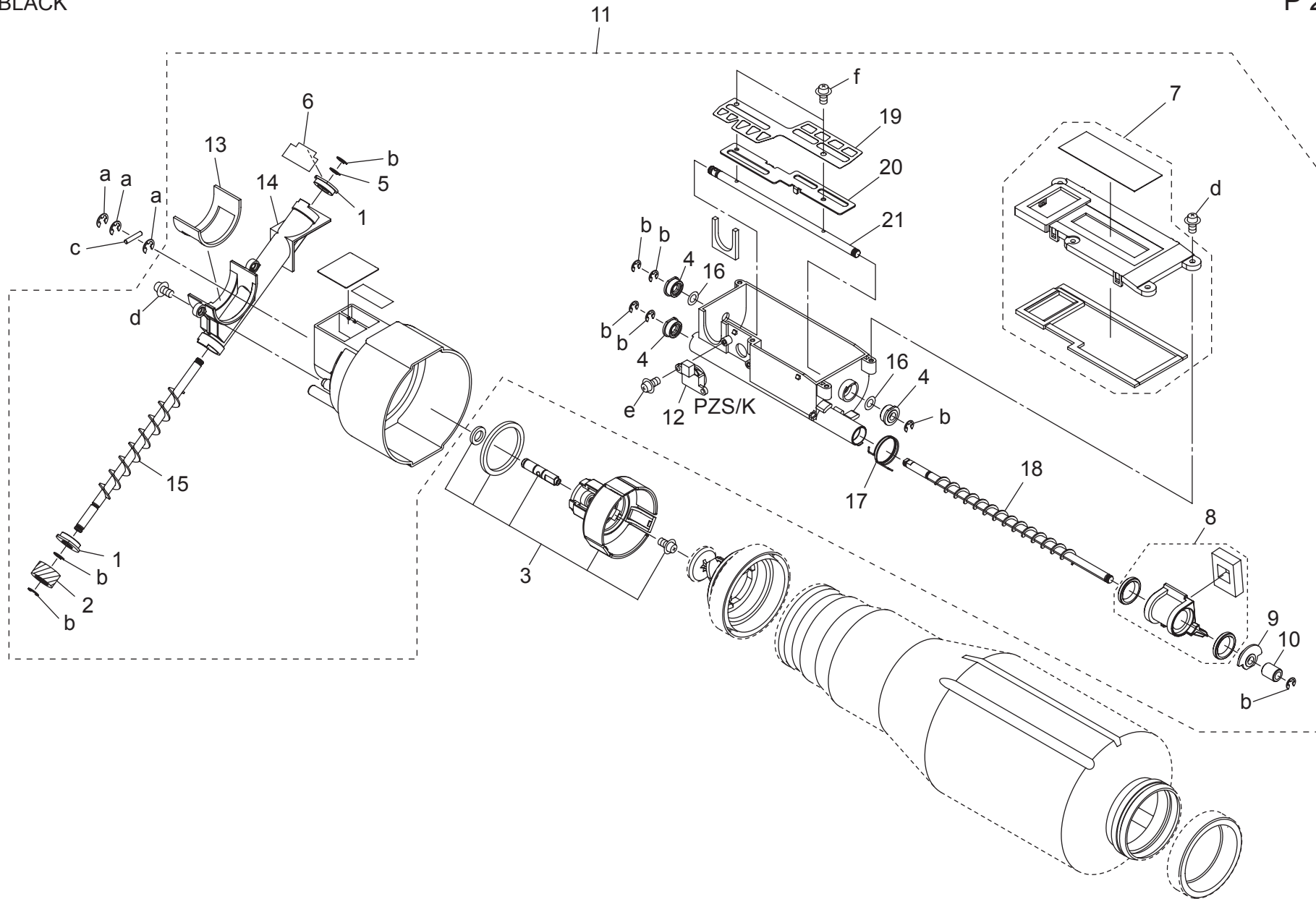
# TONER SUPPLY SECTION

Key	Part No.	Description	Destinations	Class	QTY	Standard parts
1	65AA 3246 1	SCREW BEARING A		C	2	a-00Z6 7050 6 b-00Z6 7040 6 c-00Z7 4316 6 d-00Z3 5308 1 e-00Z3 5306 1 f-00Z1 5308 1
2	56AA 7733 0	SCREW GEAR 15T		C	1	
3	65AA R762 00	HOLDING MAIN BODY ASSY		C	1	
4	65AA 3250 1	SCREW BEARING B		C	3	
5	65AA R764 00	TONER SUPPLY COVER ASSY		C	1	
6	65AA R763 00	TONER SUPPLY ROTARY ASSY		C	1	
7	65AA 3285 1	SCREW BEARING D		C	1	
8	65AA 3294 0	SCREW BEARING E		C	1	
9	65AA R760 00	TONER SUPPLY A ASSY		C	1	
10	40AA 3232 0	TONER SUPPLY SPACER		C	1	
11	40AA 8803 1	LEVEL DETECTION SENSOR		C	1	
12	65AA 3297 0	CONVEYING SEAL		C	1	
13	65AA 3231 0	TONER CONVEYING MAIN BODY A		C	1	
14	65AA 3232 0	TONER CONVEYING SCREW A		C	1	
15	65AA 3243 0	TONER AGITATING SHEET		C	1	
16	65AA 3203 0	TONER AGITATING PLATE		C	1	
17	65AA 3202 0	TONER AGITATING SHAFT		D	1	
18	65AA 3332 0	SCATTER PREVENTING PART 1		C	2	
19	65AA 3280 0	TONER SUPPLY OPEN SHUT SPRING		C	1	
20	65AA 3204 0	TONER SUPPLY SCREW		C	1	

# TONER SUPPLY SECTION

BLACK

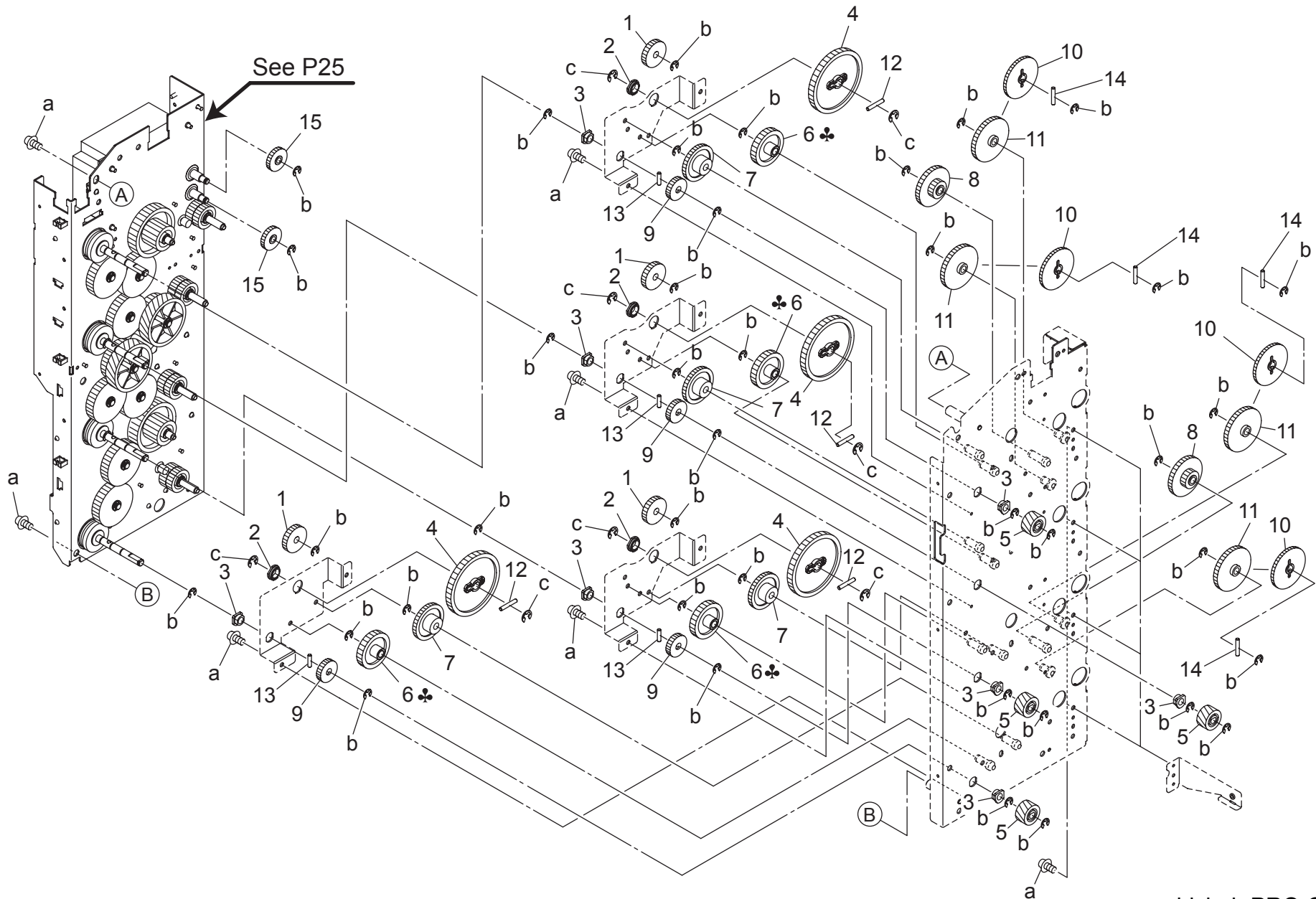
P 23



# TONER SUPPLY SECTION

Key	Part No.	Description	Destinations	Class	QTY	Standard parts
1	65AA 3246 1	SCREW BEARING A		C	2	a-00Z6 7050 6 b-00Z6 7040 6 c-00Z7 4316 6 d-00Z3 5308 1 e-00Z3 5306 1 f-00Z1 5308 1
2	56AA 7733 0	SCREW GEAR 15T		C	1	
3	65AA R762 00	HOLDING MAIN BODY ASSY		C	1	
4	65AA 3250 1	SCREW BEARING B		C	3	
5	40AA 3232 0	TONER SUPPLY SPACER		C	1	
6	65AA 3329 0	TONER SUPPLY SEAL PART		C	1	
7	65AA R764 00	TONER SUPPLY COVER ASSY		C	1	
8	65AA R763 00	TONER SUPPLY ROTARY ASSY		C	1	
9	65AA 3285 1	SCREW BEARING D		C	1	
10	65AA 3294 0	SCREW BEARING E		C	1	
11	65AA R761 00	TONER SUPPLY B ASSY		C	1	
12	40AA 8803 1	LEVEL DETECTION SENSOR		C	1	
13	65AA 3297 0	CONVEYING SEAL		C	1	
14	65AA 3238 0	TONER CONVEYING MAIN BODY B		C	1	
15	65AA 3277 0	TONER CONVEYING SCREW B		C	1	
16	65AA 3332 0	SCATTER PREVENTING PART 1		C	2	
17	65AA 3280 0	TONER SUPPLY OPEN SHUT SPRING		C	1	
18	65AA 3204 0	TONER SUPPLY SCREW		C	1	
19	65AA 3243 0	TONER AGITATING SHEET		C	1	
20	65AA 3203 0	TONER AGITATING PLATE		C	1	
21	65AA 3202 0	TONER AGITATING SHAFT		D	1	

# TONER SUPPLY SECTION

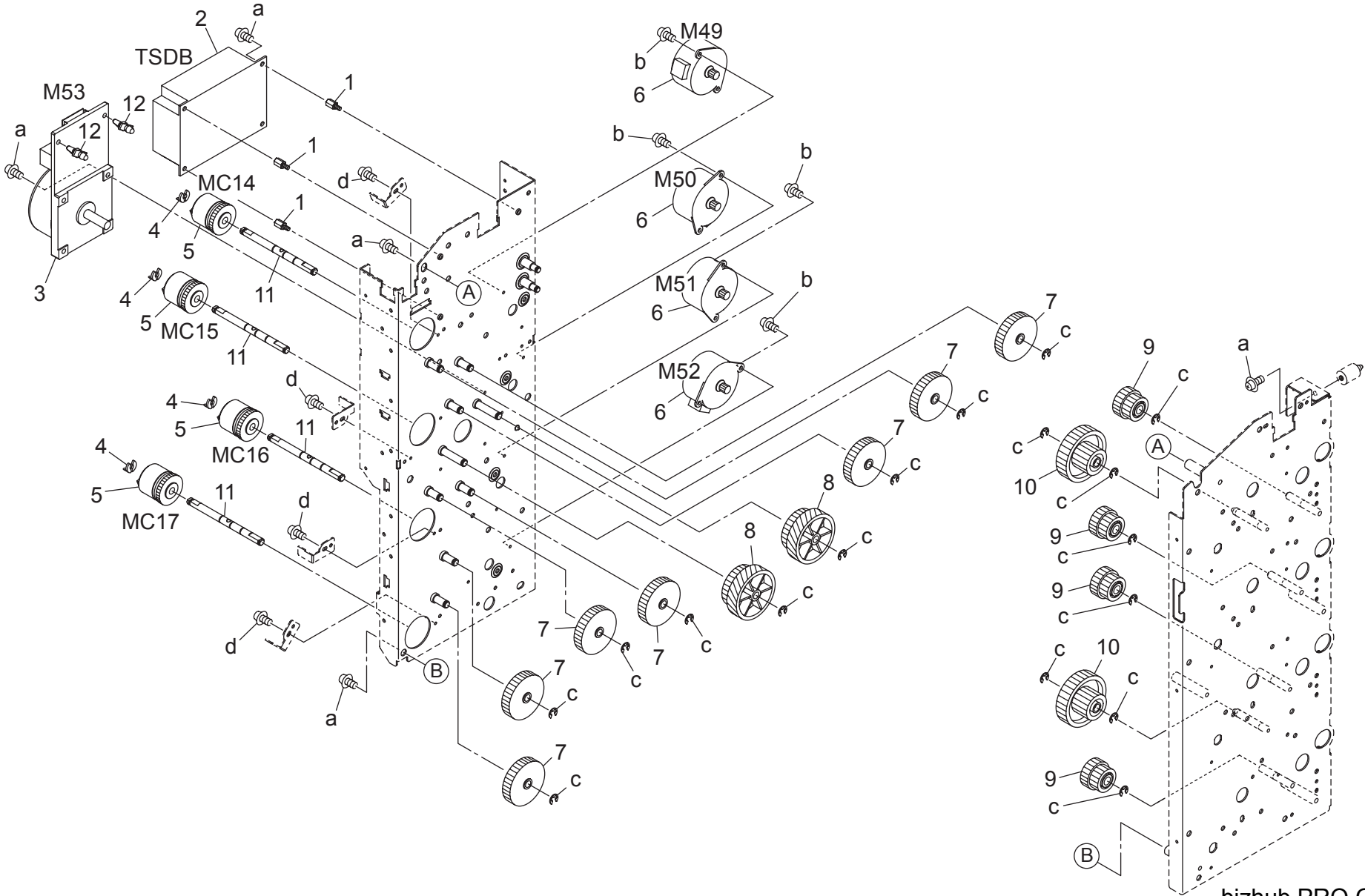


# TONER SUPPLY SECTION

Key	Part No.	Description	Destinations	Class	QTY	Standard parts
1	40AA 7766 0	TONER SUPPLY GEAR F 28T		C	4	a-00Z1 9306 1 b-00Z6 7040 6 c-00Z6 7050 6
2	26NA 3266 0	TONER SUPPLY SHAFT HOLDER		C	4	
3	3220 7601 0	PAPER LIFT UP LEVER SHAFT HOLDER		B	8	
4	65AA 7739 0	TONER SUPPLY GEAR B 56T		C	4	
5	56AA 7733 0	SCREW GEAR 15T		C	4	
6	65AA 7741 0	TONER SUPPLY GEAR D 31T	A	C	4	
7	25BA 7717 1	TONER SUPPLY GEAR 2 13T 31T		C	4	
8	35EA 7715 1	GEAR MANUAL FEED IDLER 34T 14T		C	2	
9	65AA 7804 0	AGITATING GEAR A 18T		C	4	
10	25AA 7789 0	REGULATION GEAR 36T		C	4	
11	55VA 7930 0	IDLER GEAR L 38T		C	4	
12	56AA 1746 1	PIN A		C	4	
13	56AA 1747 1	PIN B 3X12		C	4	
14	56AA 1732 1	PIN A D2X12		C	4	
15	08AA 7736 0	TONER SUPPLY GEAR F 24T		D	2	



TONER SUPPLY SECTION

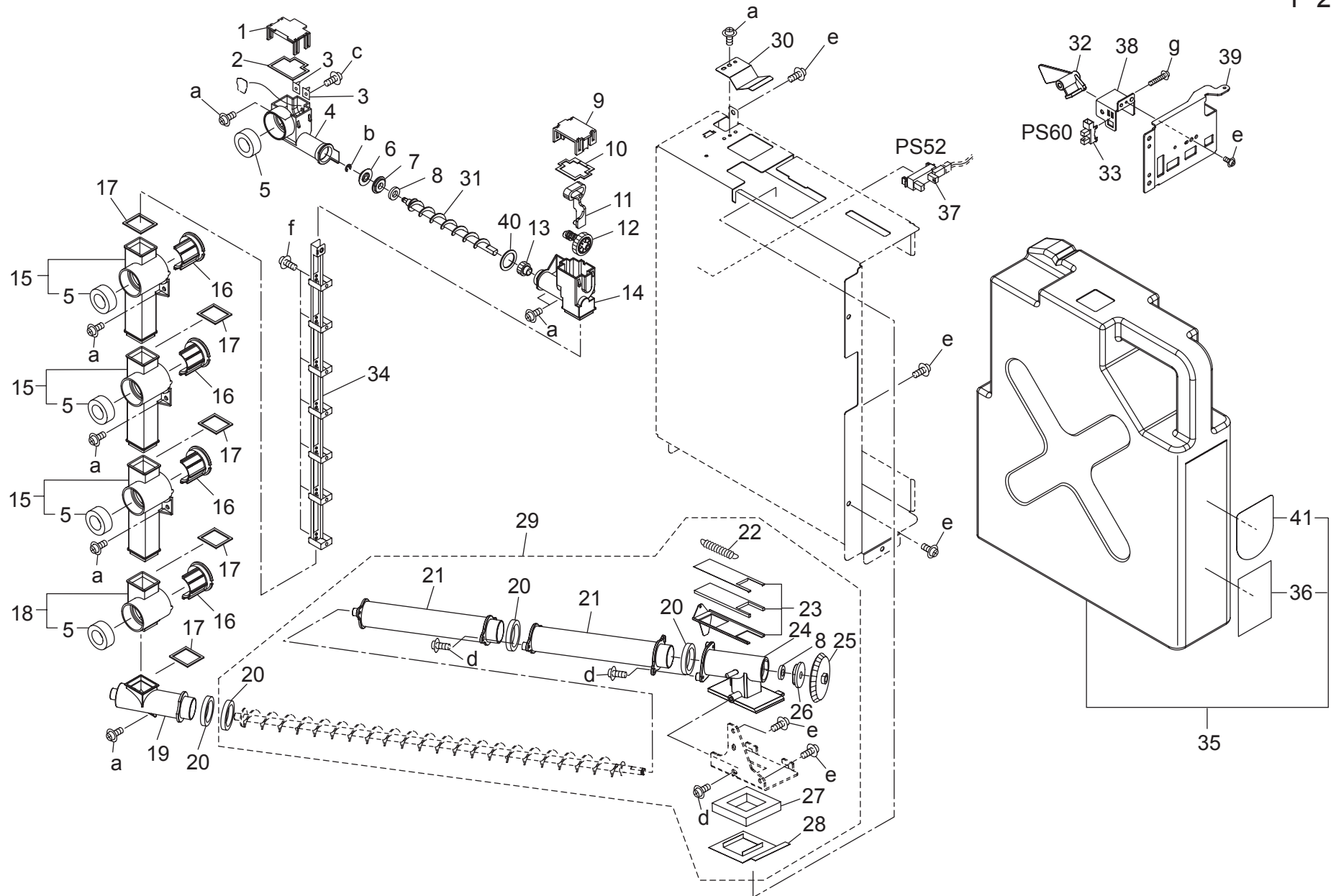


bizhub PRO C5500

# TONER SUPPLY SECTION

Key	Part No.	Description	Destinations	Class	QTY	Standard parts
1	13RN 7321 1	BASE PLATE FIXING SCREW B		D	3	a-00Z1 9306 1 b-00Z1 8306 1 c-00Z6 7040 6 d-00Z1 9304 1
2	65AA -906 1E	TONER DRIVING BOARD ASSY		B	1	
3	27LA 8003 2E	DC BRUSHLESS MOTOR/30		C	1	
4	3960 4068 1	STOPPER RING		B	4	
5	65AA 8202 0	TONER SUPPLY CLUTCH		B	4	
6	A03U M104 00	PM Stepping motor /1		C	4	
7	35EA 7722 0	GEAR W 38T		C	7	
8	65AA 7738 0	TONER SUPPLY GEAR A 82T/34T		C	2	
9	A03U 4599 00	TONER SUPPLY GEAR /C 33T 24T		C	4	
10	12VG 7703 0	IDLING GEAR B 44T 21T		C	2	
11	65AA 3227 0	TONER CONVEYING SCREW B		D	4	
12	00Z9 2510 3	LOCKING CIRCUIT BOARD SUPPORT		C	2	

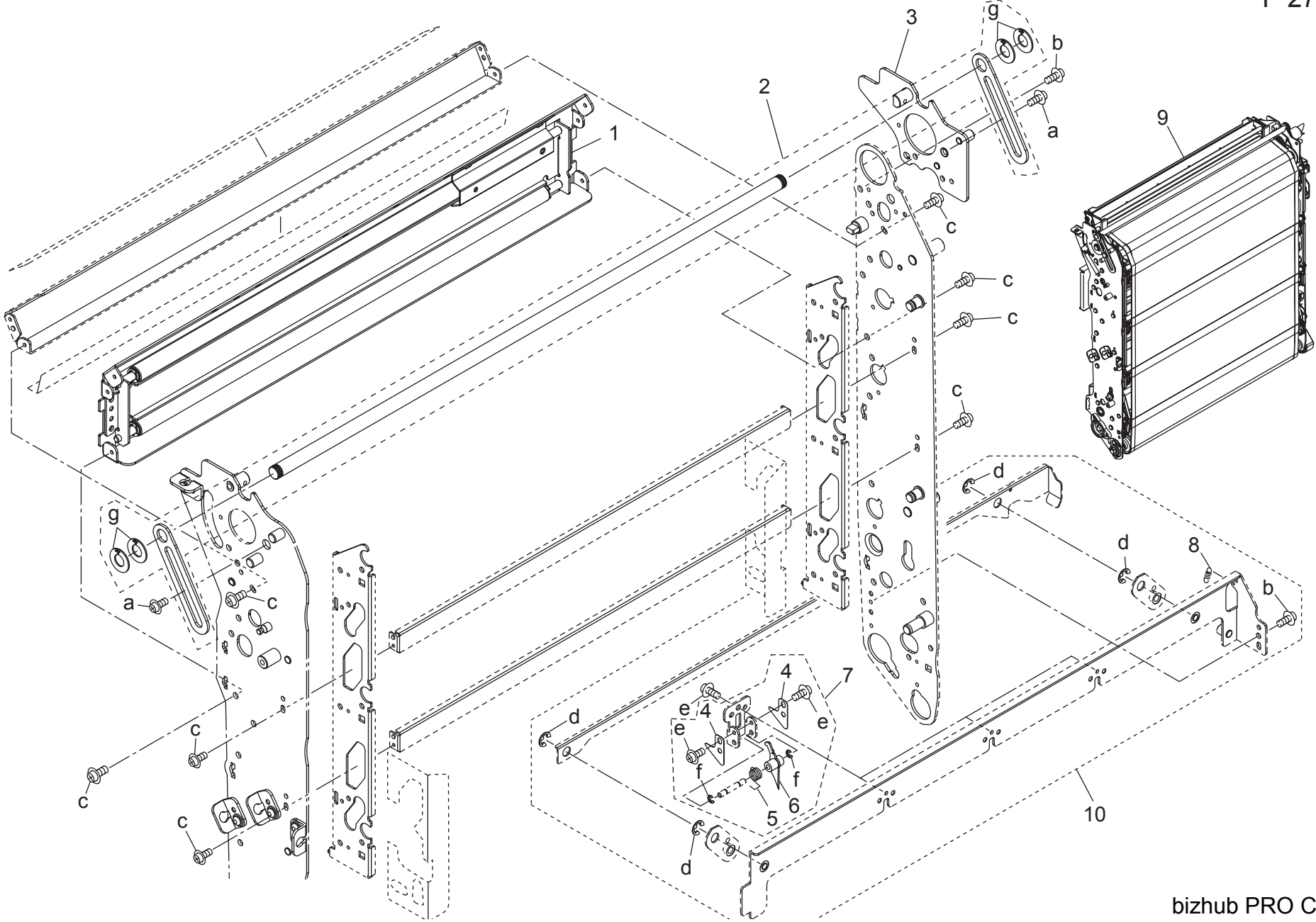
# TONER COLLECTING SECTION



# TONER COLLECTING SECTION

Key	Part No.	Description	Destinations	Class	QTY	Standard parts
1	65AA 2421 0	COLLECTING PIPE 7		C	1	a-00Z1 9304 1 b-00Z6 7030 6 c-00Z2 4204 1 d-00Z3 5308 1 e-00Z1 9306 1 f-00Z1 8203 1 g-00Z1 6430 1
2	65AA 2440 0	TONER COLLECTING SEAL 4		C	1	
3	65AA 2444 0	TONER DRIVING PART 2		C	2	
4	65AA 2420 0	COLLECTING PIPE 6		C	1	
5	65AA 2433 0	TONER COLLECTING SEAL 3		C	5	
6	65AA 7784 0	TONER COLLECTING GEAR 2 14T		C	1	
7	65AA 7507 0	TONER COLLECTING BUSHING/2		C	1	
8	65AA 2406 0	TONER COLLECTING SEAL 1		C	2	
9	65AA 2413 0	CONNECTING COVER		C	1	
10	65AA 2431 0	TONER COLLECTING SEAL 2		C	1	
11	65AA 2412 0	ROCKING CAM		C	1	
12	65AA 7797 0	TONER COLLECTING GEAR 5 24T		C	1	
13	65AA 7796 0	TONER COLLECTING GEAR 4 13T		C	1	
14	65AA 2422 0	COLLECTING PIPE 8		C	1	
15	65AA R741 00	COLLECTING PIPE 3 ASSY		C	3	
16	65AA 2404 0	COLLECTING PIPE 2		C	4	
17	65AA 2441 0	TONER COLLECTING SEAL 5		C	5	
18	65AA R740 00	COLLECTING PIPE ASSY		C	1	
19	65AA 2407 0	COLLECTING PIPE 4		C	1	
20	65AA 2442 0	TONER COLLECTING SEAL 6		C	4	
21	65AA 2403 0	COLLECTING PIPE 1		C	2	
22	65AA 2434 0	TONER COLLECTING SPRING		C	1	
23	65AA R735 00	OPEN SHUT PART 6 ASSY		C	1	
24	65AA 2408 0	COLLECTING PIPE 5		C	1	
25	65AA 7785 0	TONER COLLECTING GEAR 3 27T		C	1	
26	65AA 7506 0	TONER COLLECTING BEARING 1		C	1	
27	65AA 2424 0	OPEN SHUT PART 3		C	1	
28	65AA 2425 0	OPEN SHUT PART 4		C	1	
29	65AA R734 00	TONER COLLECTING UNIT		C	1	
30	65AA 2436 0	TONER COLLECTING SPRING 2		D	1	
31	65AA 2414 0	TONER COLLECTING SCREW 1		C	1	
32	65AA 2438 0	DOOR DETECTING PART 2		C	1	
33	08AA 8551 2	PHOTO SENSOR		B	1	
34	65AA -248 0	TONER ROCKING PLATE ASSY		C	1	
35	A03U R702 00	TONER COLLECTING BOX ASSY		A	1	
36	A03U 9426 00	Caution Label /2		D	1	
37	25BA 8554 1	PHOTO SENSOR 1		C	1	
38	65AA 2437 0D	Door Detecting Part /1		C	1	
39	A03U R799 00	TONER COLLECTING HINGE PLATE		D	1	
40	65AA 2443 0	TONER COLLECTING SEAL 7		C	1	
41	65AA 9734 0	TONER COLLECTING LABEL /1		D	1	

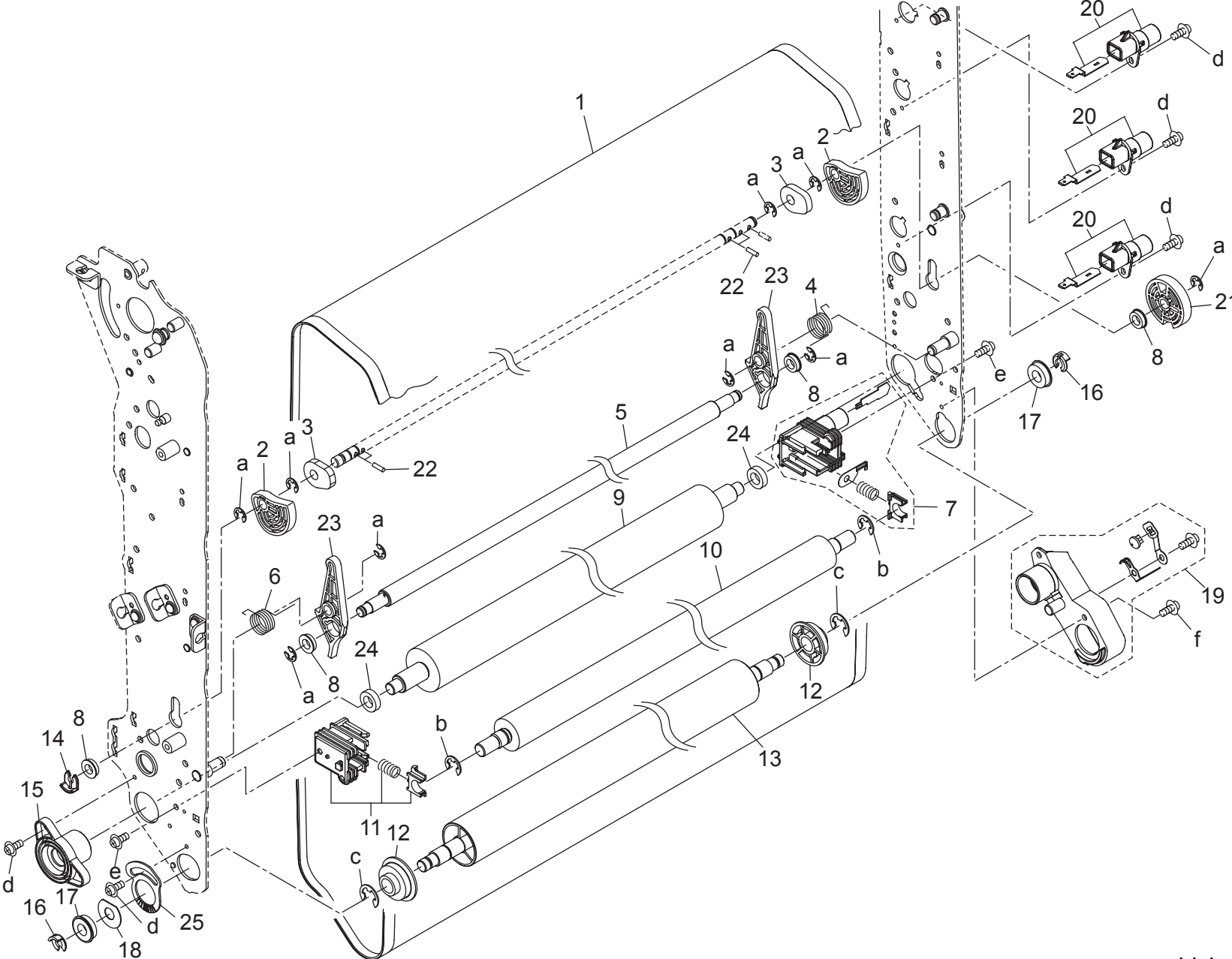
INTERMEDIATE TRANSFER SECTION



# INTERMEDIATE TRANSFER SECTION

Key	Part No.	Description	Destinations	Class	QTY	Standard parts
1	A03U R7A3 00	Mounting Plate Assy		C	1	a-00Z1 9404 1 b-00Z1 9306 1 c-00Z1 9304 1 d-00Z6 7040 6 e-00Z1 8304 1 f-00Z6 7020 6 g-00Z6 8080 3
2	65AA R744 00	HANDLE ASSY		D	1	
3	65AA R743 00	CLEANING FIXING PLATE CAULKING		C	1	
4	65AA 2634 0	GUIDE PLATE		C	2	
5	65AA 2727 0	SEPARATION PRESSING SPRING		D	1	
6	56AA 2070 0	DRUM SEPARATING CLAW		A	1	
7	65AA R753 00	SEPARATION CLAW ASSY		B	1	
8	65AA 2660 0	SLIDE SPRING		C	1	
9	A03U R7A1 00	INTERMEDIATE TRANSFER ASSY		S	1	
10	65AA -284 0	SEPARATION CLAW UNIT		C	1	

INTERMEDIATE TRANSFER SECTION

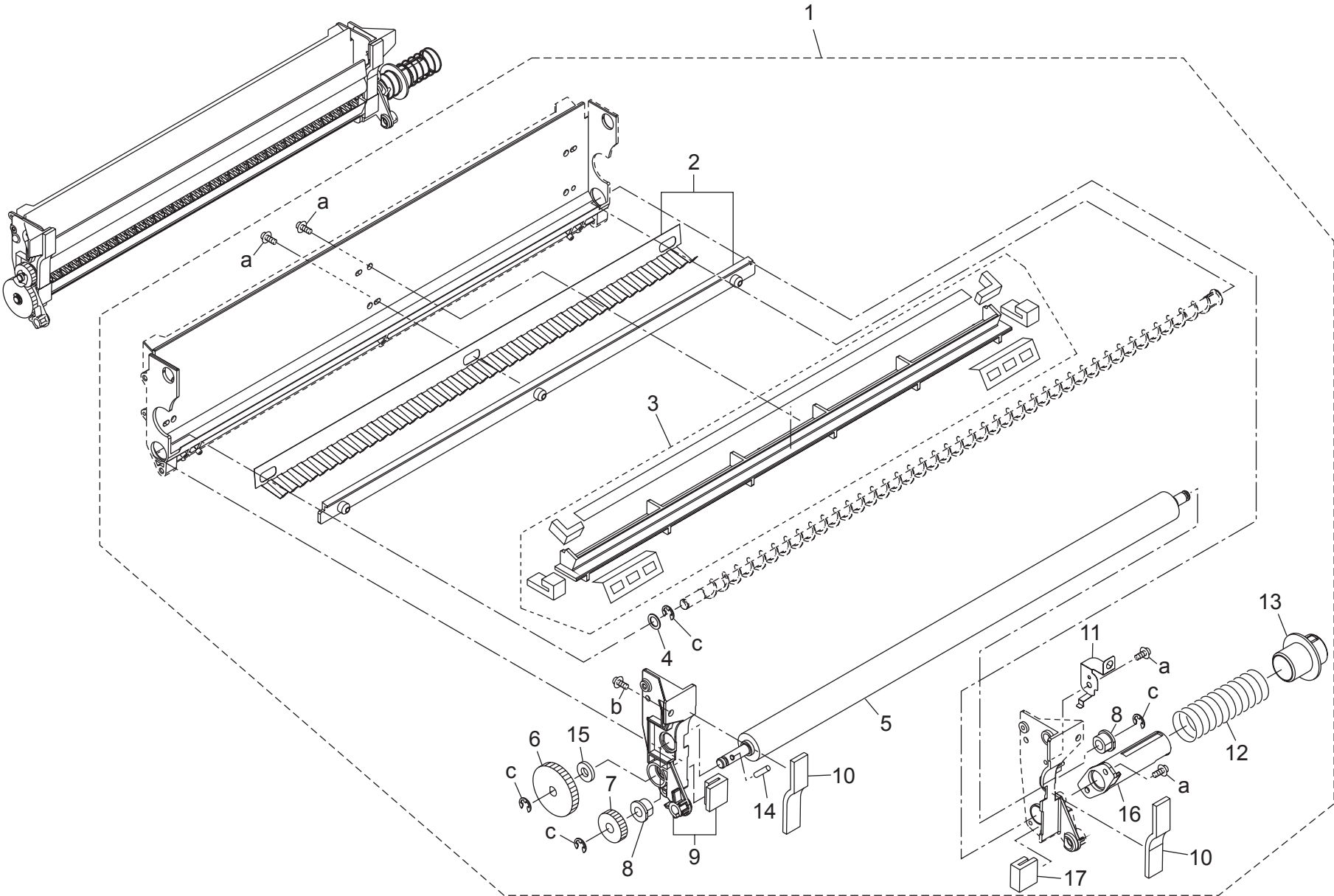


# INTERMEDIATE TRANSFER SECTION

Key	Part No.	Description	Destinations	Class	QTY	Standard parts
1	A03U 5042 00	Belt 861L		A	1	a-00Z6 7040 6
2	65AA 2674 0	TRANSFER RELEASE CAM C		C	2	b-00Z6 7060 6
3	65AA 2675 0	TRANSFER RELEASE CAM K		C	2	c-00Z6 7080 6
4	A03U 5112 00	Pressing Spring /Rear		C	1	d-00Z1 9304 1
5	65AA 2614 1F	Transfer Pressure Roller /K		C	1	e-00Z3 5308 1
6	A03U 5102 00	Pressing Spring /Front		C	1	f-00Z1 9306 1
7	A03U R745 00	POWER SUPPLY BLOCK D ASSY		C	1	
8	26NA 1728 0	BALL BEARING		C	4	
9	65AA 2611 1	TRANSFER ROLLER LOWER		A	1	
10	A03U 5004 00	Transfer Roller /K		A	1	
11	A03U R744 00	POWER SUPPLY BLOCK B ASSY		C	1	
12	65AA 2687 0	REGULATING COLLAR		C	2	
13	A03U 5009 00	IDLER ROLLER /2		C	1	
14	56AA 4049 0	SHAFT STOPPER 4		C	1	
15	65AA 2692 0	HIGH VOLTAGE POWERING COLLAR FRONT		C	1	
16	55VA 4212 0	SHAFT STOPPER		C	2	
17	5400 7605 0	BALL BEARING		B	2	
18	65AA 2724 0	SPACER A		C	1	
19	65AA R747 00	HIGH V POWERING REAR ASSY		C	1	
20	65AA R746 00	POWERING BLOCK A ASSY		C	3	
21	65AA 2619 0	TRANSFER DRIVING COUPLING FRONT		C	1	
22	56AA 1732 1	PIN A D2X12		C	2	
23	A03U 5097 00	Release Arm		C	2	
24	07AA 7506 2	BEARING		C	2	
25	65AA 2676 0	SHAFT HOLDER ADJUSTING PLATE		C	1	



INTERMEDIATE TRANSFER SECTION

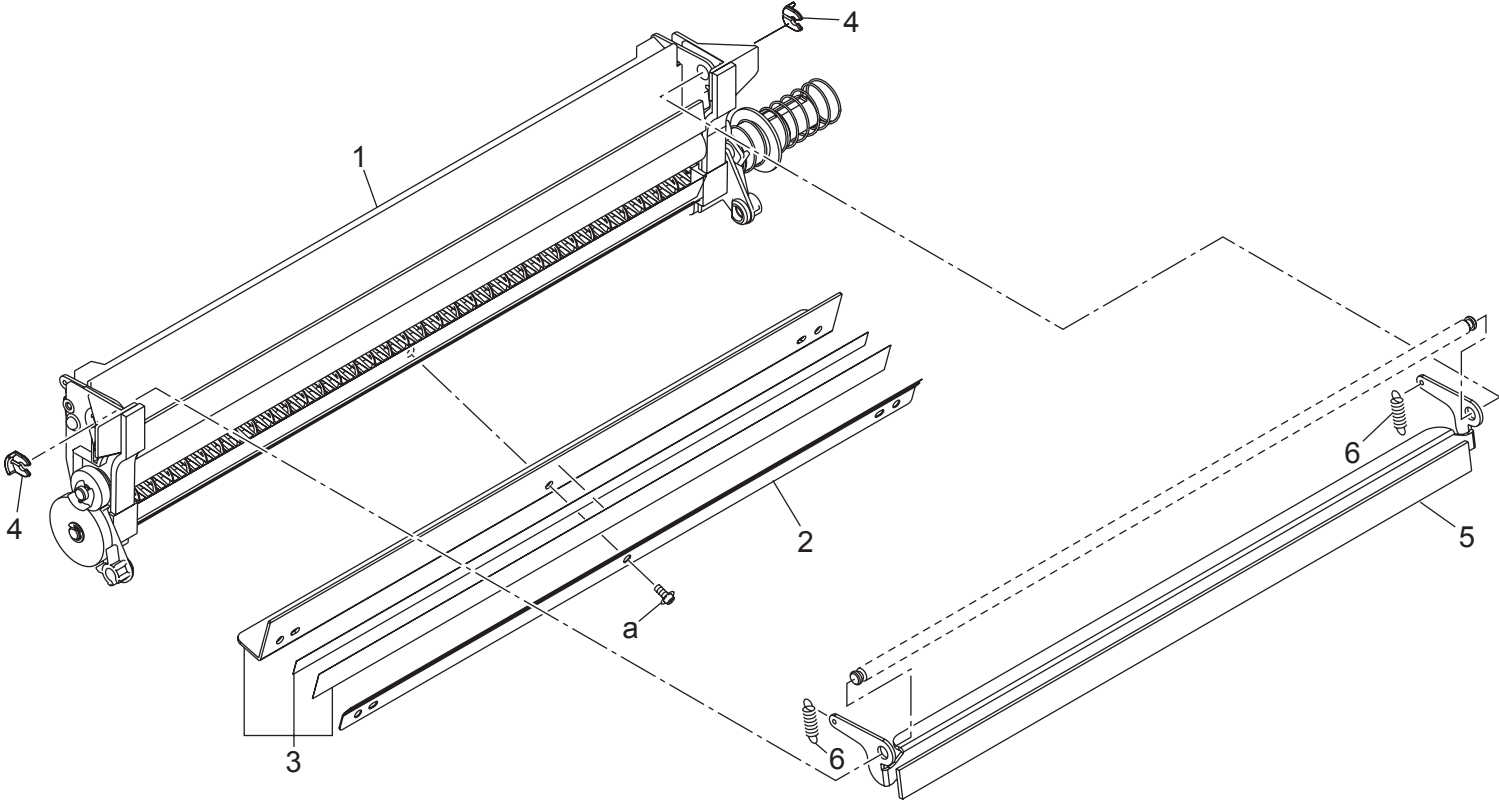


bizhub PRO C5500

INTERMEDIATE TRANSFER SECTION

Key	Part No.	Description	Destinations	Class	QTY	Standard parts
1	A03U R748 00	BELT CLEANER UNIT		B	1	a-00Z3 5308 1 b-00Z1 9306 1 c-00Z6 7040 6
2	65LA R704 00	SUPPORT PLATE ASSY		C	1	
3	A03U R754 00	STOPPER PLATE ASSY		D	1	
4	40AA 3232 0	TONER SUPPLY SPACER		C	1	
5	A03U 5529 00	Auxiliary Roller		C	1	
6	A03U 5595 00	COLLECTION GEAR /LOWER 38T		C	1	
7	A03U 5594 00	COLLECTION GEAR /MIDDLE 20T		C	1	
8	65AA 2684 0	CLEANER BEARING FRONT		C	2	
9	65AA R755 00	CLEANING FRONT PLATE ASSY		B	1	
10	65AA 2663 0	SCATTER PREVENTING PAD 3		C	2	
11	65AA 2640 0	CLEANER POWERING PLATE		C	1	
12	65AA 2030 0	TONER COLLECTING SPRING		C	1	
13	65AA 2006 0	COLLECTING COVER		C	1	
14	56AA 1753 1	PIN A D2X10		C	1	
15	08AA 4523 0	COLLECTING SEAL		C	1	
16	65AA 2728 0	TONER COLLECTING PIPE A		C	1	
17	65AA 2732 0	SCATTER PREVENTING PAD 4		C	1	

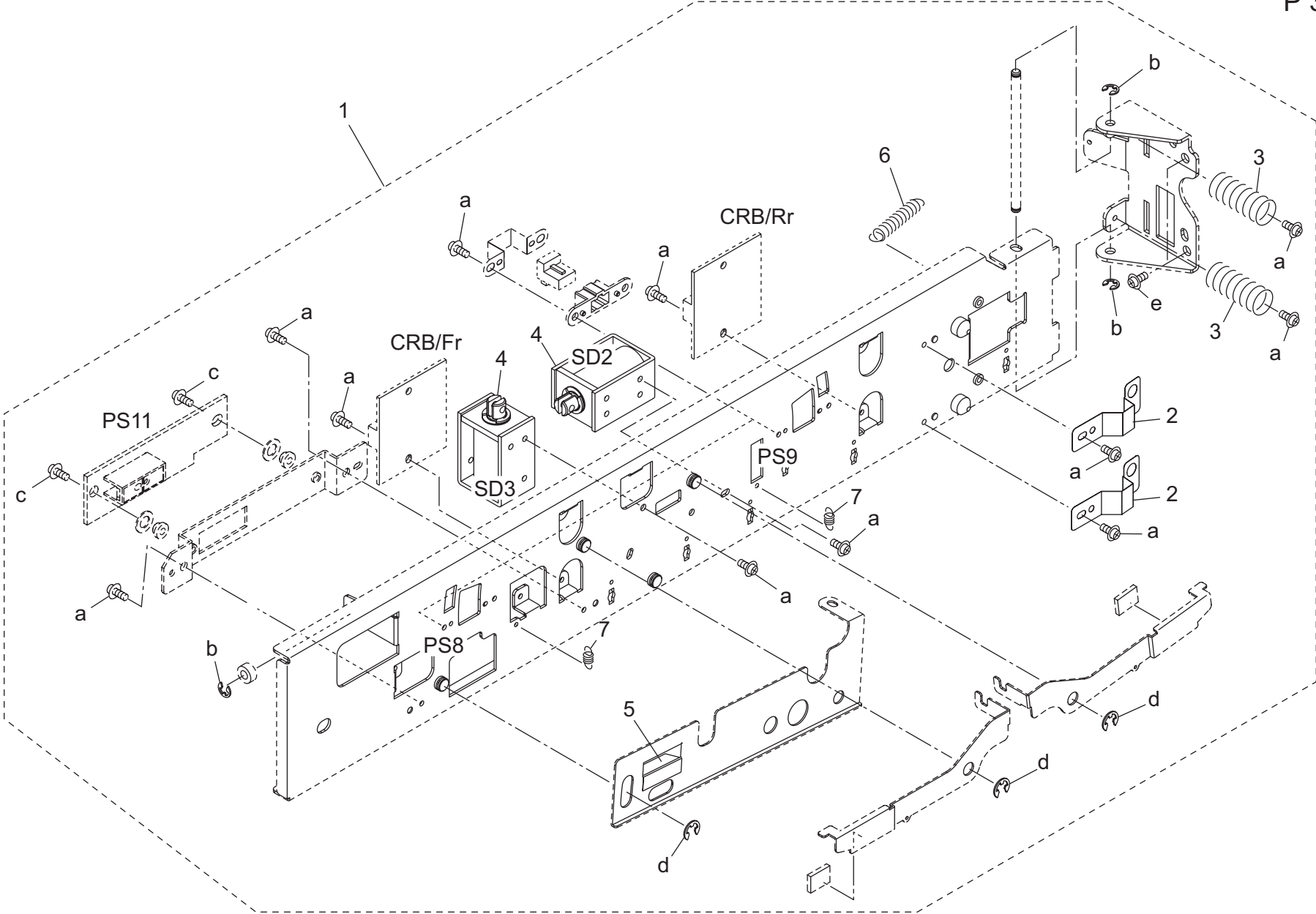
INTERMEDIATE TRANSFER SECTION



# INTERMEDIATE TRANSFER SECTION

Key	Part No.	Description	Destinations	Class	QTY	Standard parts
1	A03U R748 00	BELT CLEANER UNIT		B	1	a-00Z3 5308 1
2	65AA R757 00	SHEET 2 ASSY		C	1	
3	65AA R756 00	SHEET 1 ASSY		A	1	
4	56AA 4049 0	SHAFT STOPPER 4		C	2	
5	A03U 5530 00	Cleaning Blade		A	1	
6	A03U 5554 00	Cleaning Spring		C	2	

INTERMEDIATE TRANSFER SECTION

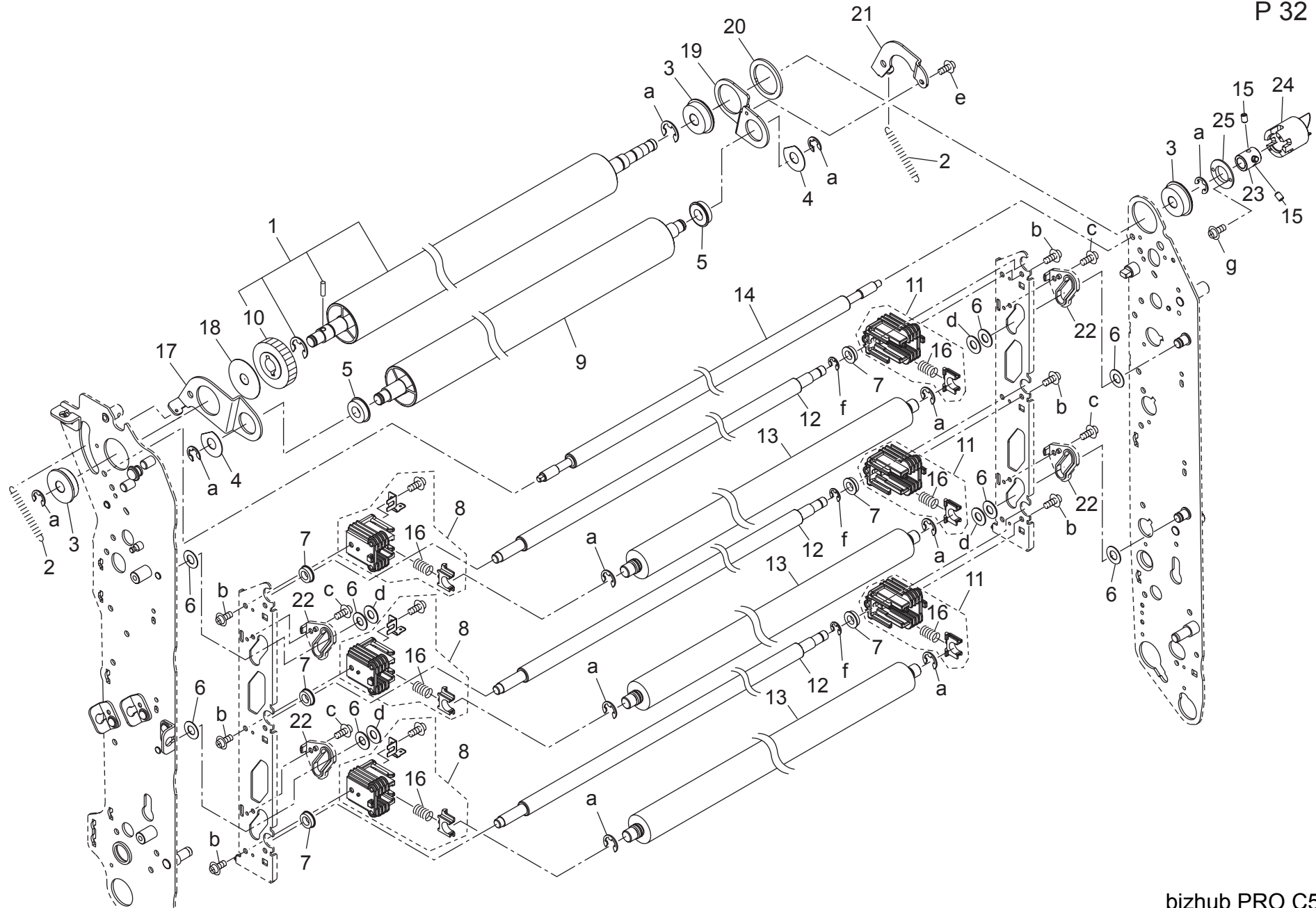


# INTERMEDIATE TRANSFER SECTION

Key	Part No.	Description	Destinations	Class	QTY	Standard parts
1	A03U R798 00	COLOR REGIST ASSY		C	1	a-00Z1 9304 1 b-00Z6 7030 6 c-00Z1 9310 1 d-00Z6 7040 6 e-00Z1 9306 1
2	65AA 2730 0	GUIDE PLATE		D	2	
3	65AA 2657 0	REGISTRATION PRESSING SPRING		C	2	
4	65AA R759 00	SOLENOID ASSY		C	2	
5	65AA 2736 0	COVER SHEET		D	1	
6	65AA 2711 0	REGISTRATION RELEASE SPRING		C	1	
7	65AA 2658 0	REGISTRATION OPEN SHUT SPRING		C	2	

# INTERMEDIATE TRANSFER SECTION

P 32

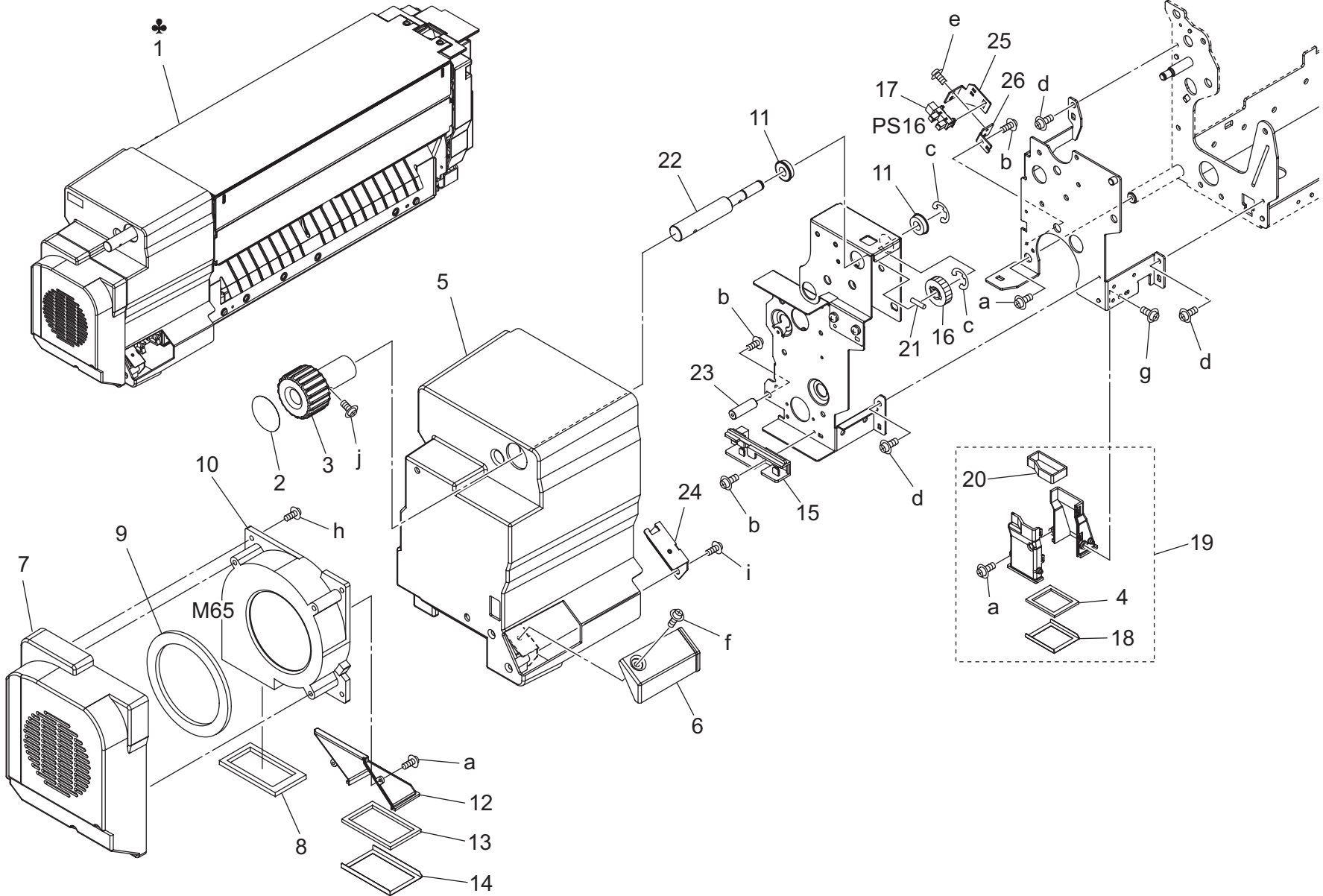


INTERMEDIATE TRANSFER SECTION

Key	Part No.	Description	Destinations	Class	QTY	Standard parts
1	A03U R733 00	DRIVING ROLLER ASSY		C	1	a-00Z6 7060 6 b-00Z3 5308 1 c-00Z1 9304 1 d-00Z6 8060 3 e-00Z1 9306 1 f-00Z6 7040 6 g-00Z1 8204 1
2	65AA 2653 0	TENSION SPRING		C	2	
3	65AA 7509 0	BELT DRIVING BEARING		C	3	
4	65AA 2724 0	SPACER A		C	2	
5	5400 7605 0	BALL BEARING		B	2	
6	07BA 1587 1	SPACER A		C	8	
7	26NA 1728 0	BALL BEARING		C	6	
8	A03U R746 00	POWERSUPPLY BLOCK FRONT ASSY		D	3	
9	65AA 2610 0	TENSION ROLLER		C	1	
10	A03U 5593 00	COLLECTION GEAR /UPPER 42T		C	1	
11	A03U R747 00	POWER SUPPLY BLOCK REAR ASSY		D	3	
12	65AA 2613 1F	Transfer Pressure Roller /Y		C	3	
13	A03U 5012 00	Transfer Roller /C		A	3	
14	A03U R7A2 00	Roller/Upper Assy		C	1	
15	A03U 5123 00	FIXING SCREW		D	2	
16	A03U 5071 00	Power supply Spring		C	6	
17	65AA 2627 0E	Tension Plate /Front		D	1	
18	65AA 2747 0	SPACER C		C	1	
19	65AA 2625 0E	Plate /Rear		D	1	
20	65AA 2746 0	SPACER B		C	1	
21	65AA -273 0	TENSION PLATE REAR CAULKING		D	1	
22	65AA 2718 0	TRANSFER SLIDE BEARING		C	4	
23	A03U 5120 00	DRIVE COUPLING /A		D	1	
24	A03U 5121 00	DRIVE COUPLING /B		D	1	
25	A03U 5122 00	DRIVE COUPLING /C		D	1	



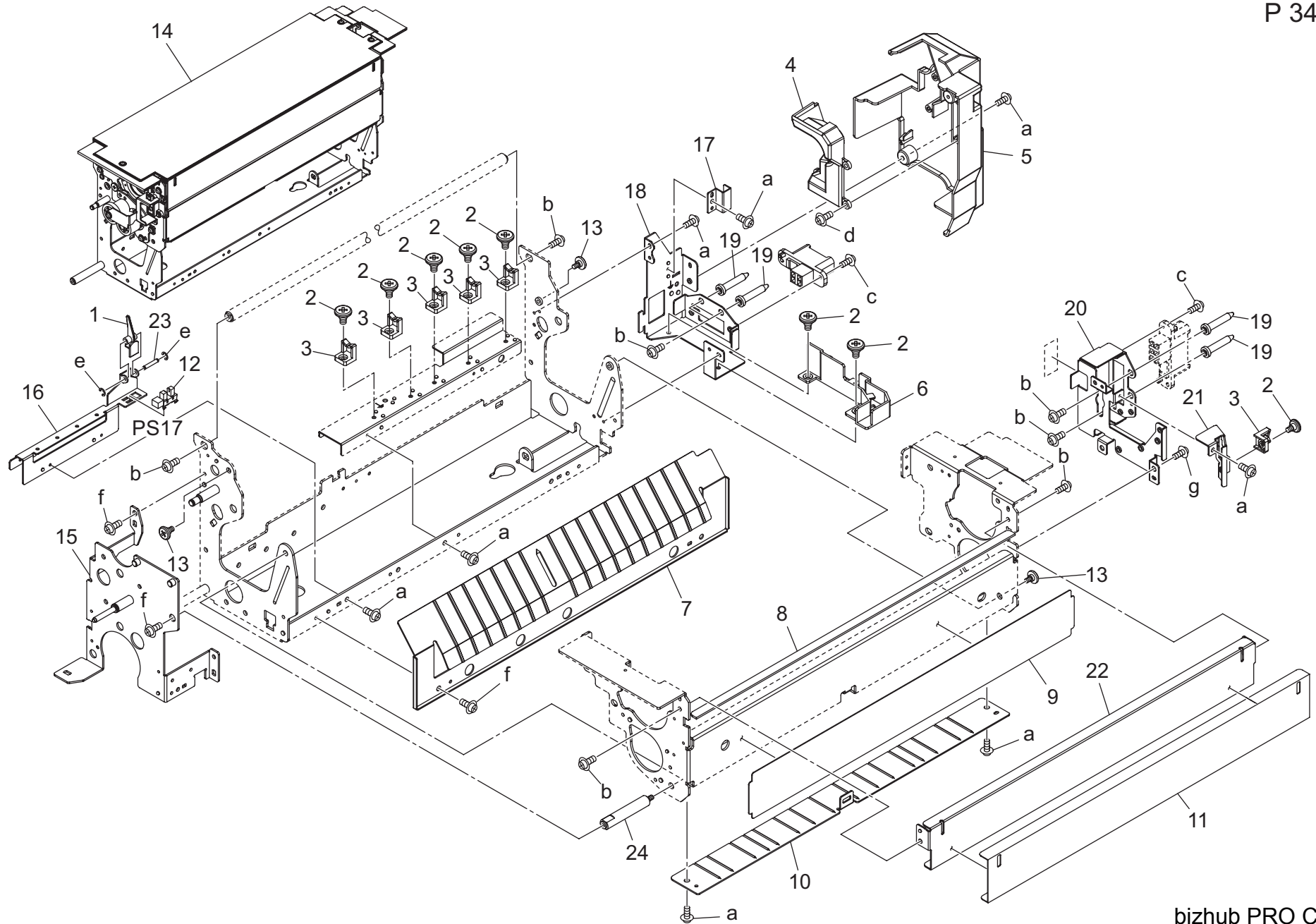
FUSING SECTION



# FUSING SECTION

Key	Part No.	Description	Destinations	Class	QTY	Standard parts
1	A03U R790 00	FIXING UNIT	A	I	1	a-00Z2 5205 1
1	A03U R791 00	FIXING UNIT US	B,G1	I	1	b-00Z1 9306 1
1	A03U R792 00	FIXING UNIT EU	C,D1,D3,E,F2,H,I,J,K	I	1	c-00Z6 7060 6
2	A03U 9434 00	Release Label /4		C	1	d-00ZA A001 6
3	A03U 7333 00	Fixing Paper exit Knob		C	1	e-00ZA A001 5
4	A03U 7338 00	Seal /2		C	1	f-00Z1 9306 3
5	A03U 7204 01	FUSING COVER /FRONT		C	1	g-00Z2 5308 1
6	A03U 7278 00	Auxiliary Cover /E		C	1	h-00Z2 5310 1
7	A03U 7282 00	Suction Cover /1		C	1	i-00Z3 5308 1
8	A03U 7341 00	Seal /4		C	1	j-00Z1 9406 1
9	A03U 7334 00	Seal /5		C	1	
10	A03U M153 00	Fixing Cooling Fan		C	1	
11	5400 7605 0	BALL BEARING		B	2	
12	A03U 7330 00	Fan Cover Cover		C	1	
13	A03U 7336 00	Seal /1		C	1	
14	A03U 7337 00	Sealing Plate /1		C	1	
15	A03U 7305 00	Wiring Guide Plate /Front		D	1	
16	13GG 7703 0	MOTOR DRIVING GEAR 22T		B	1	
17	08AA 8551 2	PHOTO SENSOR		B	1	
18	A03U 7339 00	Sealing Plate /2		C	1	
19	A03U R753 00	FIXING DUCT 2 ASSY		B	1	
20	A03U 7340 01	SEAL /3		C	1	
21	56AA 1747 1	PIN B 3X12		C	1	
22	A03U 7266 00	Processing Shaft /A		D	1	
23	65AA 5407 0	STAY B		D	1	
24	A03U 7274 00	Mounting Plate /E		D	1	
25	A03U 7257 00	POSITIONING PLATE /A		D	1	
26	A03U 7265 00	SUPPORT PLATE /A		D	1	

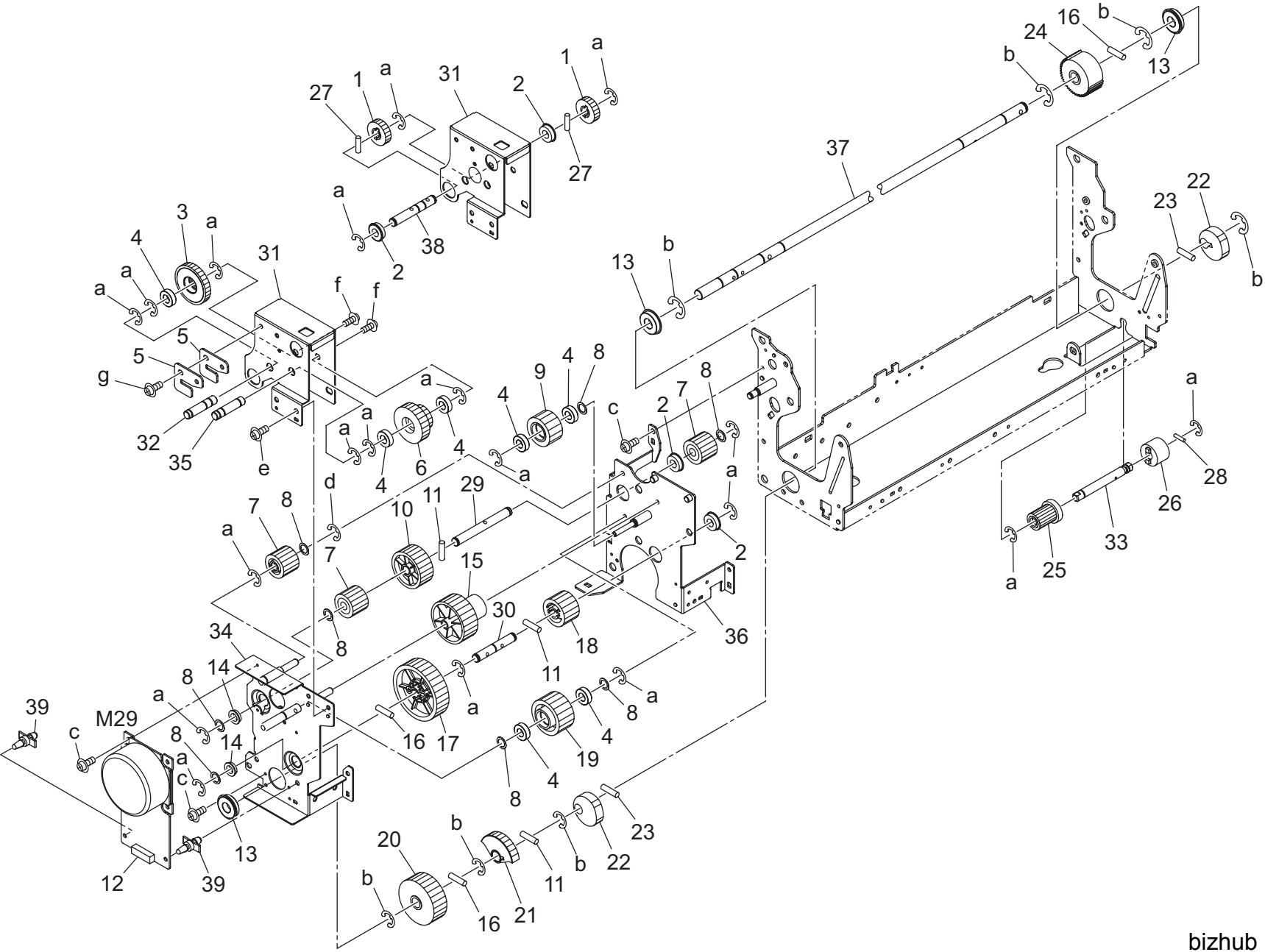
# FUSING SECTION



# FUSING SECTION

Key	Part No.	Description	Destinations	Class	QTY	Standard parts
1	A03U 7308 00	Entrance Actuator /A		C	1	a-00Z1 9306 1 b-00Z1 9406 1 c-00Z1 9308 1 d-00Z3 5308 1 e-00Z6 7020 6 f-00ZA A001 6 g-00ZA A001 5
2	A03U 7345 00	Support Screw /A		C	8	
3	55VA 5397 0	WIRING HOLDER PART		D	6	
4	A03U 7332 00	Cover Duct		D	1	
5	A03U 7211 01	Fusing Cover /Rear		D	1	
6	A03U 7277 00	Guide Part		D	1	
7	A03U 7210 00	Fixing Entrance Plate /Lower		C	1	
8	A03U 7317 00	Fusing Seal		C	1	
9	A03U 7273 00	Insulating Sheet /C		C	1	
10	A03U 7245 00	Entrance Plate /Upper		C	1	
11	A03U 7272 00	Insulating Sheet /B		C	1	
12	55VA 8552 1	PHOTO SENSOR		C	1	
13	4500 5339 1	EXITGUIDEPLATEMTSCREW		C	3	
14	A03U R755 00	FIXING UPPER UNIT		S	1	
15	A03U A778 10	FIXING DRIVE PANEL A CAULKING		D	1	
16	A03U 7311 00	SUPPORT PLATE /B		D	1	
17	65AA 5395 0	WIRING FIXING PLATE		D	1	
18	A03U 7269 00	Power supply Plate /Lower		D	1	
19	A03U 7242 00	Positioning Shaft		D	4	
20	A03U 7228 00	Power supply Plate /Upper		D	1	
21	A03U 7253 00	Terminal Fixing Plate		D	1	
22	A03U 7214 00	Fusing Stay /Right		D	1	
23	A03U 7309 00	SHAFT		D	1	
24	A03U 7248 00	FIXING ROTATION SHAFT		D	1	

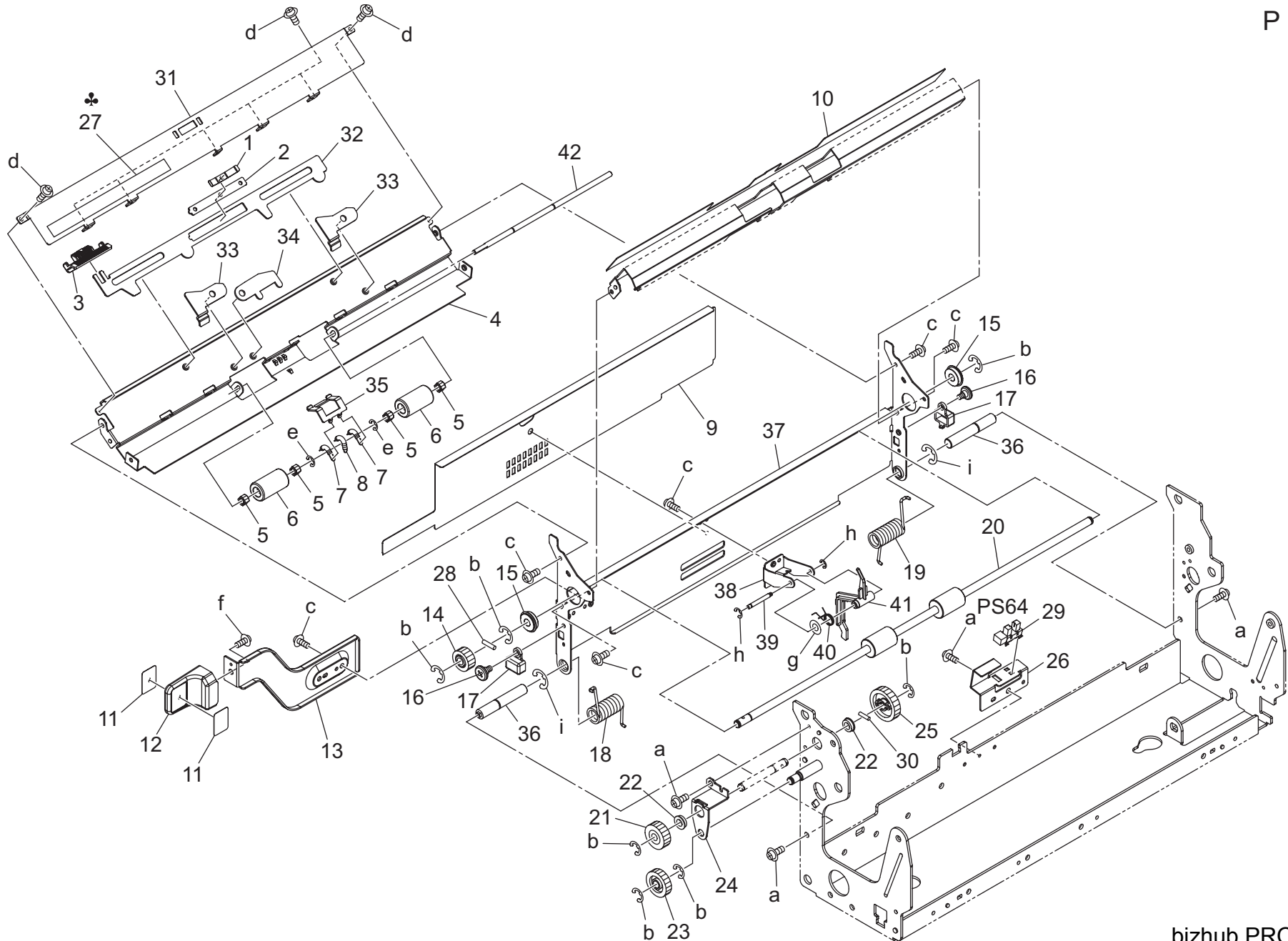
FUSING SECTION



# FUSING SECTION

Key	Part No.	Description	Destinations	Class	QTY	Standard parts
1	13GG 7703 0	MOTOR DRIVING GEAR 22T		B	2	a-00Z6 7060 6 b-00Z6 7080 6 c-00Z1 9306 1 d-00Z6 7040 6 e-00ZA A001 6 f-00Z1 9406 1 g-00ZA A000 7
2	5400 7605 0	BALL BEARING		B	4	
3	55VA 7787 0	FIXING IDLER GEAR 4 38T		B	1	
4	3920 5336 0	ROLLER BEARING		B	7	
5	A03U 7323 00	Fusing Jig		D	2	
6	A03U 8097 00	JAM PROCESSING GEAR /A 22T 35T		B	1	
7	A03U 8093 00	FIXING DRIVE GEAR /M 22T		B	3	
8	56AA 4269 0	BY PASS FEED SPACER		C	8	
9	A03U 8088 11	FIXING DRIVE GEAR /H 35T		B	1	
10	A03U 8087 00	FIXING DRIVE GEAR /G 45T		B	1	
11	56AA 1748 0	PIN B		C	3	
12	27LA 8003 2E	DC BRUSHLESS MOTOR/30		C	1	
13	5000 7501 0	BALL BEARING		C	3	
14	25AA 7509 0	BALL BEARING		C	2	
15	A03U 8089 00	FIXING DRIVE GEAR /I 26T 79T		B	1	
16	3040 7807 0	PIN C		C	3	
17	A03U 8091 00	FIXING DRIVE GEAR /K 55T		B	1	
18	A03U 8090 00	FIXING DRIVE GEAR /J 26T		B	1	
19	A03U 8094 00	FIXING DRIVE GEAR /N 34T		B	1	
20	A03U 8080 00	FIXING RELEASE GEAR /A 44T		B	1	
21	A03U 7244 00	Release Actuator /A		C	1	
22	A03U 7224 00	Pressure Cam		C	2	
23	4540 7803 0	PARALLEL PIN		C	2	
24	65AA 7748 0	FIXING REGULATING GEAR B 47T		C	1	
25	65AA 7747 0	FIXING REGULATING GEAR A 19T		B	1	
26	65AA 5365 1	FIXING LIMITTER		B	1	
27	56AA 1747 1	PIN B 3X12		C	2	
28	56AA 1753 1	PIN A D2X10		C	1	
29	A03U 7258 00	FIXING DRIVE SHAFT /A		D	1	
30	A03U 7261 00	FIXING DRIVING SHAFT /D		D	1	
31	A03U 7312 00	Processing Panel		D	2	
32	A03U 7324 00	Processing Shaft /C		D	1	
33	A03U 7256 00	Fixing Regulating Shaft /A		D	1	
34	A03U R795 00	FIXING DRIVE PANEL B CAULKING		D	1	
35	A03U 7335 00	Processing Shaft /D		D	1	
36	A03U A778 10	FIXING DRIVE PANEL A CAULKING		D	1	
37	A03U 7223 00	Release Shaft		D	1	
38	A03U 7289 00	PROCESSING SHAFT /B		D	1	
39	00Z9 2510 3	LOCKING CIRCUIT BOARD SUPPORT		C	2	

# FUSING SECTION

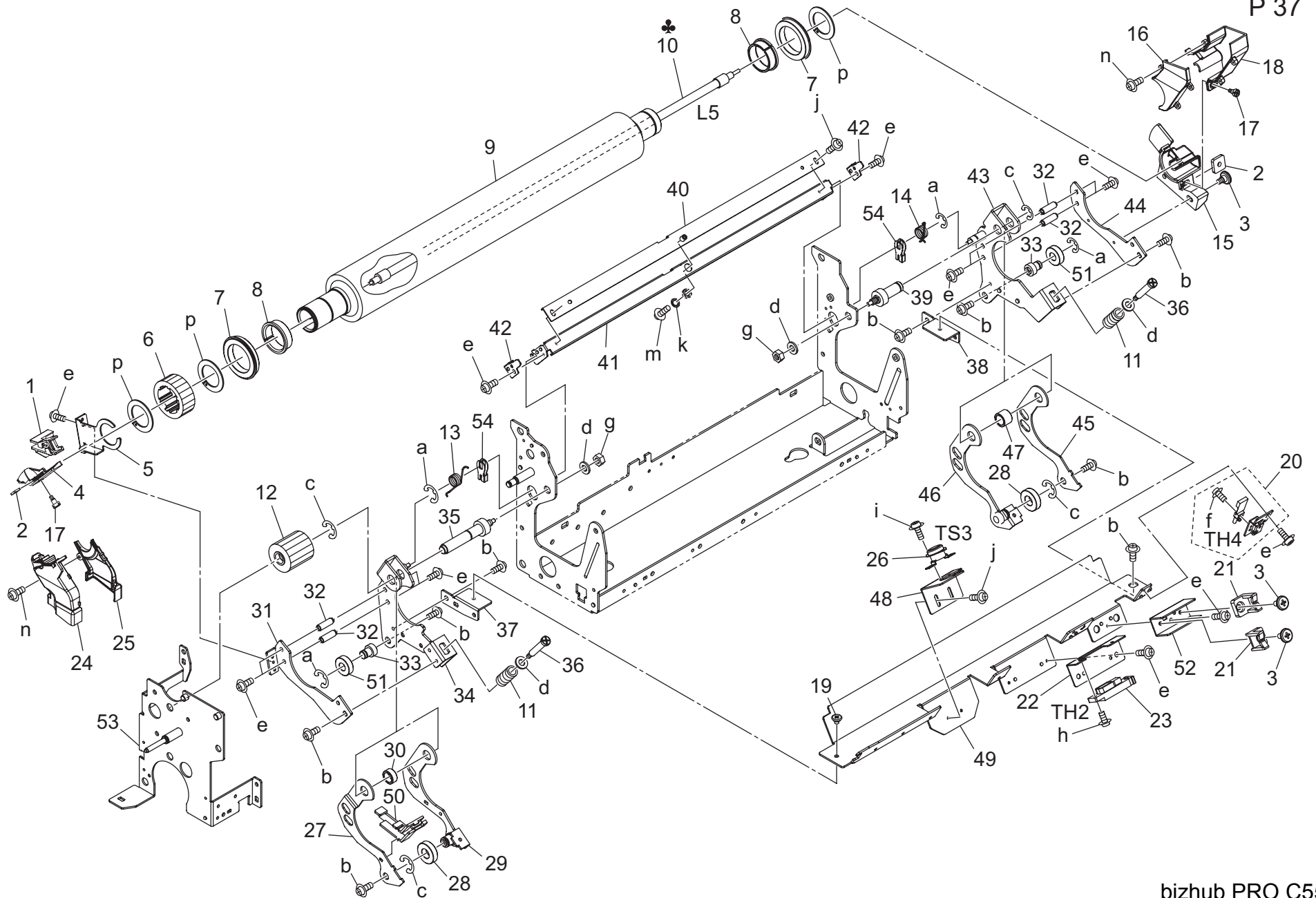


# FUSING SECTION

Key	Part No.	Description	Destinations	Class	QTY	Standard parts
1	A03U 7348 00	Positioning Plate spring /1		C	1	a-00Z1 9306 1
2	A03U 7349 00	Positioning Plate		D	1	b-00Z6 7040 6
3	A03U 7350 00	Slide Knob		C	1	c-00Z3 8306 1
4	A03U 7276 00	Fixing Paper exit Plate /Upper		C	1	d-00Z1 8203 1
5	65AA 5398 0	FIXING PAPER EXIT BEARING		C	4	e-00Z6 7030 6
6	A03U 7225 00	Fixing Paper exit Roller		A	2	f-00Z2 5408 1
7	A03U 7356 00	Paper exit Spring /2		C	2	g-00Z6 6060 6
8	A03U 7255 00	Paper exit Spring /1		C	1	h-00Z6 7020 6
9	A03U 7281 00	Insulating Sheet /D		D	1	i-00Z6 7060 6
10	A03U 7299 01	INSULATING SHEET /E		D	1	
11	A03U 9436 00	Release Label /6		C	2	
12	65AA 5399 1	FIXING PAPER EXIT LEVER		C	1	
13	A03U 7233 00	Open/close Lever		D	1	
14	A03U 8096 00	FIXING DRIVE GEAR /P 20T		B	1	
15	55GA 7503 1	BOLL BEARING		A	2	
16	A03U 7345 00	Support Screw /A		C	2	
17	A03U 7342 00	Spring Cover		C	2	
18	A03U 7343 00	Paper exit Open/shut Spring /A		C	1	
19	A03U 7344 00	Paper exit Open/shut Spring /B		C	1	
20	A03U 7209 00	Fixing Paper exit Roller		C	1	
21	A03U 8084 00	FIXING DRIVE GEAR /D 19T		B	1	
22	26NA 1728 0	BALL BEARING		C	2	
23	A03U 8083 00	FIXING DRIVE GEAR /C 20T		B	1	
24	A03U 7239 00	Paper exit Drive Plate		D	1	
25	A03U 8085 00	FIXING DRIVE GEAR /E 32T		B	1	
26	65AA 5352 0	PAPER EXIT DETECTING PLATE		D	1	
27	56UA 9726 0	HIGH TEMP CAUTION LABEL2	A,B,G1,H,J	D	1	
27	56UF 9726 0	HIGH TEMP CAUTION LABEL2	C,D1,D3,E,F2,I,K	D	1	
28	56AA 1753 1	PIN A D2X10		C	1	
29	55VA 8552 1	PHOTO SENSOR		C	1	
30	56AA 1732 1	PIN A D2X12		C	1	
31	A03U 7353 00	Holding Plate		D	1	
32	A03U 7354 00	Slide Plate		D	1	
33	A03U 7355 00	Release Lever		C	2	
34	A03U 7352 00	Pressing Cam /2		C	1	
35	A03U 7351 00	Pressing Cam /1		C	1	
36	A03U 7267 00	Paper exit Fulcrum Shaft		D	2	
37	A03U 7208 00	Fixing Paper exit Stay		D	1	
38	65AA 5338 0	SUPPORT PLATE		D	1	
39	65AA 5342 0	PAPER EXIT DETECTING SHAFT		D	1	
40	65AA 5356 0	PAPER EXIT DETECTING SPRING		C	1	
41	65AA 5337 1	PAPER EXIT ACTUATOR		C	1	
42	A03U 7280 00	PAPER EXIT SHAFT		D	1	



# FUSING SECTION



bizhub PRO C550

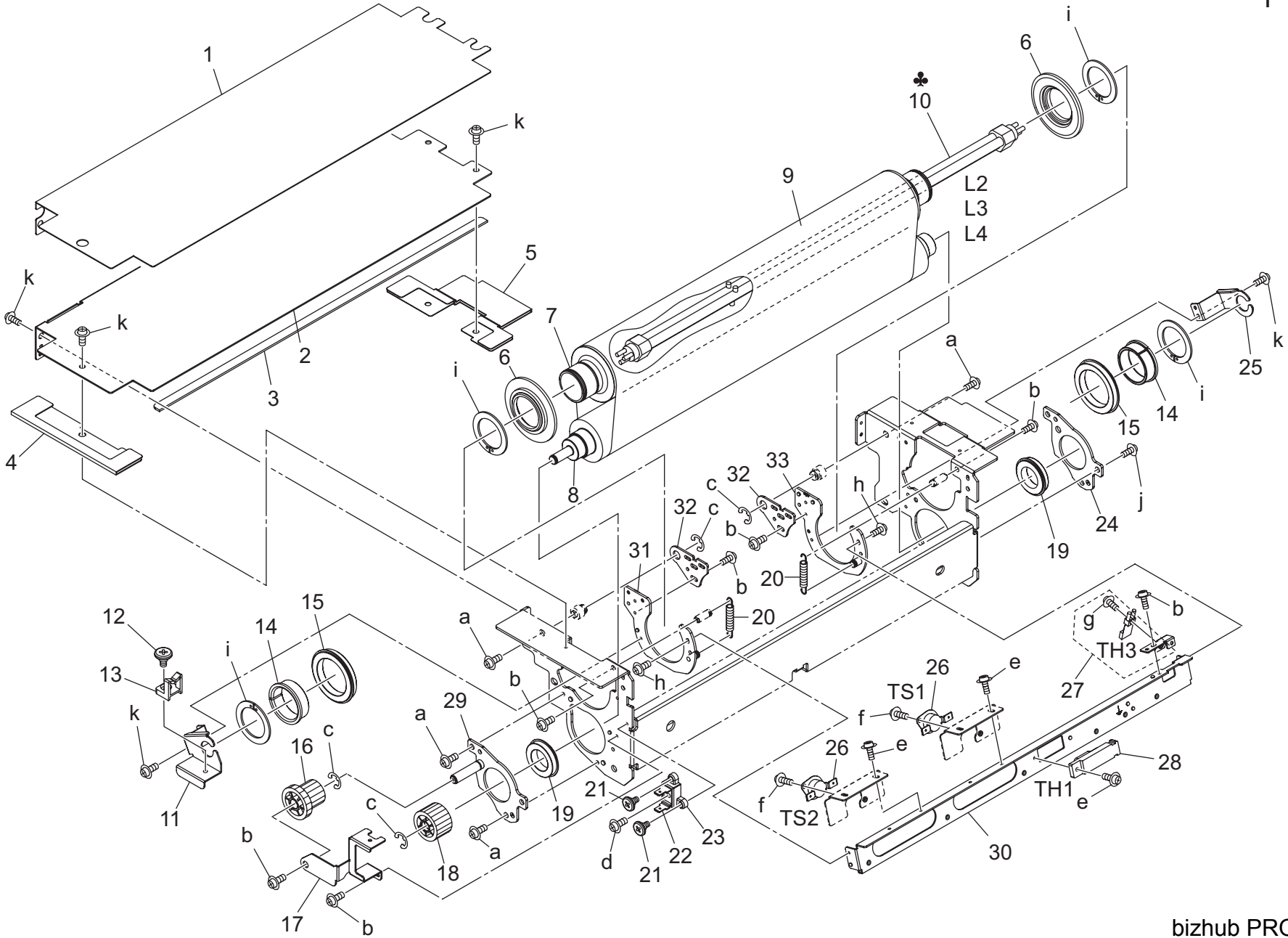
# FUSING SECTION

Key	Part No.	Description	Destinations	Class	QTY	Standard parts
1	A03U 7275 00	Wiring Part /1		D	1	a-00Z6 7060 6
2	A03U 7331 00	Mounting Nut		C	2	b-00Z1 9406 1
3	A03U 7345 00	Support Screw /A		C	3	c-00Z6 7080 6
4	A03U 7288 00	Fusing Duct /4		C	1	d-00Z6 1060 1
5	A03U 7217 00	Hold Plate /1		C	1	e-00Z1 9306 1
6	A03U 8081 00	FIXING DRIVE GEAR /A 38T		B	1	f-00Z1 6310 1
7	26NA 5371 2	BALL BEARING		A	2	g-00Z5 1060 1
8	A03U 7227 00	Insulating Sleeve /Lower		B	2	h-00Z1 6308 1
9	A03U 7203 00	Fusing Roller /Lower		A	1	i-00Z1 8304 1
10	A03U M32A 00	Fixing Lamp /Lower	A	I	1	j-00Z1 6306 1
10	A03U M32E 00	Fixing Lamp /Lower	B,G1	I	1	k-00Z6 1030 1
10	A03U M32F 00	Fixing Lamp /Lower	C,D1,D3,E,F2,H,I,J,K	I	1	m-00Z1 9304 1
11	A03U 7307 01	Pressure Spring		C	2	n-00Z2 5205 1
12	A03U 8082 00	FIXING DRIVE GEAR /B 28T		A	1	p-00Z6 8260 3
13	A03U 7346 01	SEPARATING SPRING /FRONT		C	1	
14	A03U 7347 01	SEPARATING SPRING /REAR		C	1	
15	A03U 7327 00	Hold Block /Rear		C	1	
16	A03U 7329 00	Cover /5		C	1	
17	56AA 2087 0	TERMINAL FIXING SCREW		C	2	
18	A03U 7328 00	Fixing duct /5		C	1	
19	56AA 5347 0	FIXING FULCRUM SHAFT		D	1	
20	A03U R734 00	MOUNTING PLATE A ASSY		C	1	
21	55VA 5397 0	WIRING HOLDER PART		D	2	
22	65AA 5323 0	MOUNTING PLATE		D	1	
23	65AA 8802 0	TEMPERATURE SENSOR 2		B	1	
24	A03U 7286 00	Fusing Duct /3		C	1	
25	A03U 7287 00	Cover /3		C	1	
26	SP00 -018 1	THERMOSTAT		A	1	
27	A03U 7238 00	Fixing Pressure Plate /B		D	1	
28	A03U 8077 00	Pressure Bearing		C	2	
29	A03U R769 00	FIXING PRESSURE PLATE A CAULKING		D	1	
30	A03U 7318 00	Regulating Shaft /Front		D	1	
31	A03U 7237 00	Support Arm /Front		D	1	
32	A03U 7234 00	Fixing Support Shaft /A		D	4	
33	A03U 7306 00	Shaft holder Shaft		D	2	
34	A03U R770 00	ARM FRONT CAULKING		D	1	
35	A03U 7222 00	Fixing Support Shaft /Front		D	1	
36	A03U 7249 01	Pressure Shaft		D	2	
37	A03U 7313 00	Auxiliary Plate /Front		D	1	
38	A03U 7314 00	Auxiliary Plate /Rear		D	1	
39	A03U 7301 00	Fixing Support Shaft /Rear		D	1	
40	A03U 7310 00	Separating Plate /Lower		C	1	
41	A03U 7247 00	Fixing Paper exit Plate /B		D	1	
42	A03U 7315 00	Paper exit Regulating Plate		D	2	
43	A03U R771 00	ARM REAR CAULKING		D	1	
44	A03U 7320 00	Support Arm /Rear		D	1	
45	A03U 7322 00	Fixing Pressure Plate /D		D	1	
46	A03U R772 00	FIXING PRESSURE PLATE C CAULKING		D	1	
47	A03U 7319 00	Regulating Shaft /Rear		D	1	
48	A03U 7241 01	Fuse Mounting Plate /Lower		D	1	
49	A03U 7212 01	Fixing Support Stay /Lower		D	1	
50	A03U 7236 00	Wiring Mounting Plate /Front		D	1	
51	A03U 8079 00	Fixing Pressing Bearing		C	2	
52	A03U 7302 00	GUIDE PLATE /REAR		D	1	
53	A03U A778 10	FIXING DRIVE PANEL A CAULKING		D	1	

Key	Part No.	Description	Destinations	Class	QTY	Standard parts
54	A03U 7357 00	HOLDING SIDE PLATE		D	2	

bizhub PRO C5500

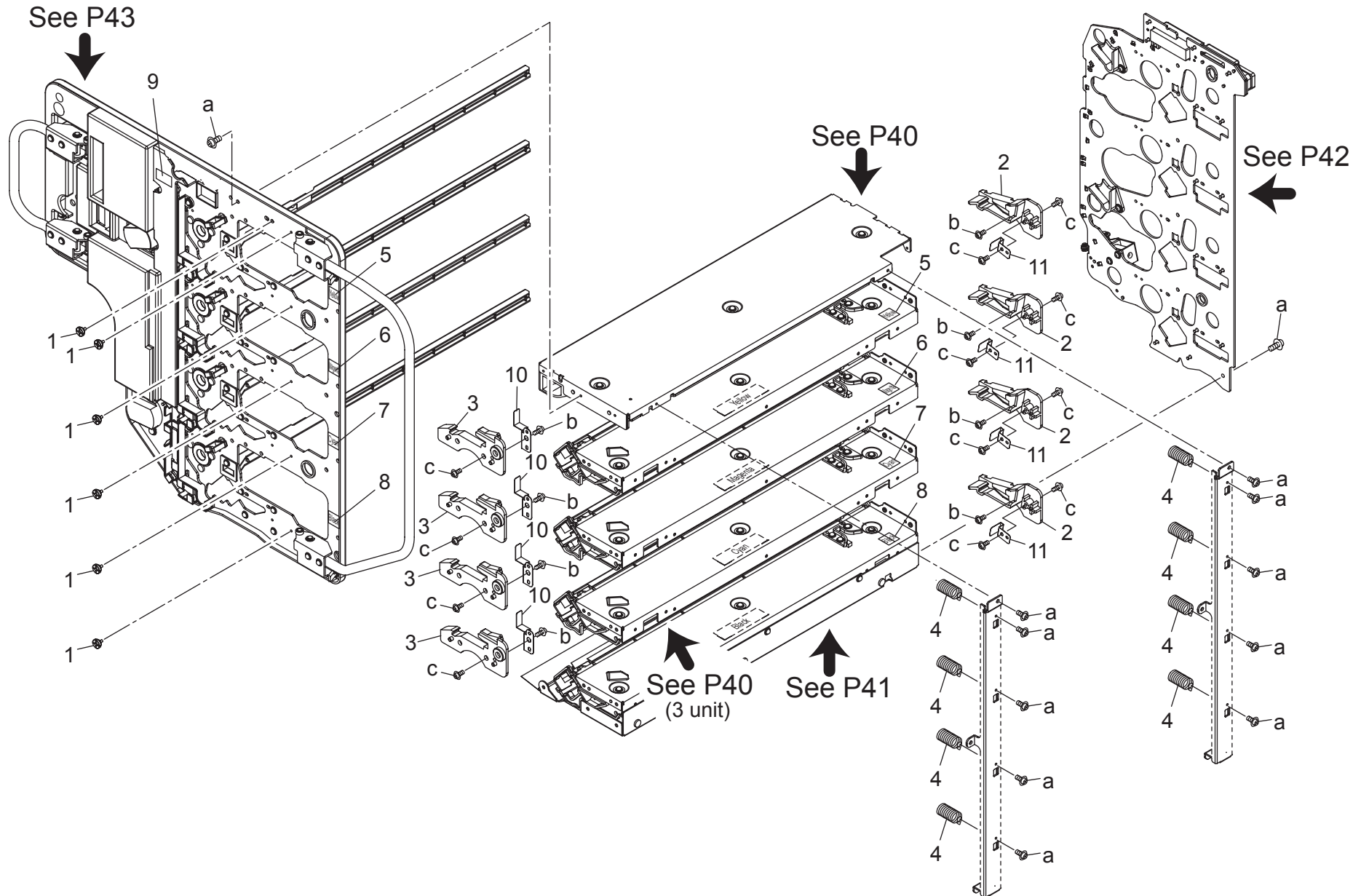
FUSING SECTION



# FUSING SECTION

Key	Part No.	Description	Destinations	Class	QTY	Standard parts
1	A03U 7270 00	Insulating Sheet /A		C	1	a-00Z1 9406 1
2	A03U 7213 00	Fixing Top plate		D	1	b-00Z1 9306 1
3	A03U 7317 00	Fusing Seal		C	1	c-00Z6 7060 6
4	A03U 7303 00	Insulating Sheet /F		C	1	d-00Z1 5304 1
5	A03U 7304 00	Insulating Sheet /G		C	1	e-00Z1 6308 1
6	A03U 7250 00	Belt Regulating Sleeve		A	2	f-00Z1 8304 1
7	A03U 7201 00	FUSING ROLLER /1		A	1	g-00Z1 6310 1
8	A03U 7202 01	Fusing Roller /2		A	1	h-00Z1 9304 1
9	A03U 7205 01	FUSING BELT 251L		A	1	i-00Z6 8300 3
10	A03U M31A 00	Fixing Lamp /Upper	A	I	1	j-00ZA A001 6
10	A03U M31E 00	Fixing Lamp /Upper	B,G1	I	1	k-00ZA A001 5
10	A03U M31F 00	Fixing Lamp /Upper	C,D1,D3,E,F2,H,I,J,K	I	1	
11	A03U 7290 01	Heater Support Plate /Front		D	1	
12	A03U 7345 00	Support Screw /A		C	1	
13	55VA 5397 0	WIRING HOLDER PART		D	1	
14	A03U 7295 00	INSULATING SLEEVE /UPPER		A	2	
15	A03U 8078 00	FUSING BEARING /UPPER		A	2	
16	A03U 8086 00	FIXING DRIVE GEAR /F 20T 28T		B	1	
17	A03U 7243 00	Cover Plate		D	1	
18	A03U 8095 00	FIXING DRIVE GEAR /O 26T		A	1	
19	56UA 7507 0	FIXING BEARING		A	2	
20	A03U 7279 00	Belt Tension Spring		C	2	
21	26NA 5423 0	TERMINAL FIXING SCREW		C	2	
22	A03U 7298 00	Terminal Plate		C	1	
23	26NA 5378 0	TERMINAL PEDESTAL B		C	1	
24	A03U 7251 00	Roller Mounting Plate		D	1	
25	A03U 7291 01	HEATER SUPPORT PLATE /REAR		D	1	
26	SP00 -003 2	THERMOSTAT		A	2	
27	A03U R735 00	STAY B ASSY		C	1	
28	65AA 8801 0	TEMPERATURE SENSOR 1		B	1	
29	A03U R773 00	ROLLER MOUNTING PLATE CAULKING		D	1	
30	A03U 7229 01	Stay		D	1	
31	A03U R774 00	SUPPORT ARM FRONT CAULKING		D	1	
32	A03U 7232 00	Support Plate		D	2	
33	A03U R775 00	SUPPORT ARM REAR CAULKING		D	1	

# PROCESS CARRIAGE SECTION

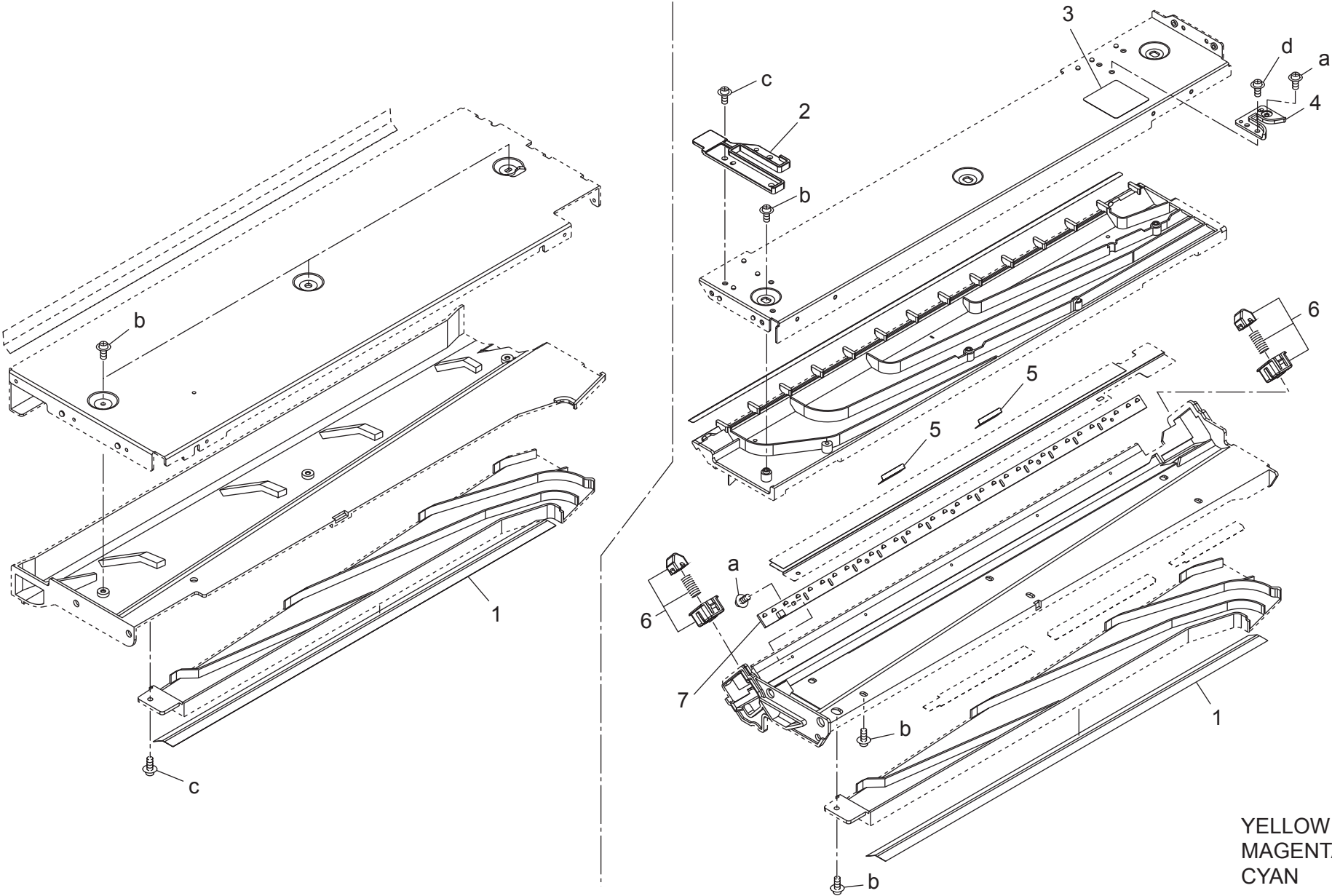


PROCESS CARRIAGE SECTION

Key	Part No.	Description	Destinations	Class	QTY	Standard parts
1	65AA 2268 0	CARTRIDGE SUPPORT SCREW		D	6	a-00Z1 9306 1 b-00Z1 9304 1 c-00Z3 5308 1
2	A03U 3443 00	Drum Mounting Block /Rear		D	4	
3	A03U 3442 00	Drum Mounting Block /Front		D	4	
4	65AA 2246 0	DEVELOPING PRESSING SPRING		D	8	
5	65AA 9744 0	DEVELOPING CHANGE LABEL Y		D	2	
6	65AA 9745 0	DEVELOPING CHANGE LABEL M		D	2	
7	65AA 9746 0	DEVELOPING CHANGE LABEL C		D	2	
8	65AA 9747 0	DEVELOPING CHANGE LABEL K		D	2	
9	56UA 9792 0	HIGE VOLTAGE CAUTION LABEL		D	1	
10	A03U 3495 00	Plate /1		D	4	
11	A03U 3489 00	Drum Holding Plate /Rear		D	4	

# PROCESS CARRIAGE SECTION

P 40



YELLOW  
MAGENTA  
CYAN  
bizhub PRO C5500



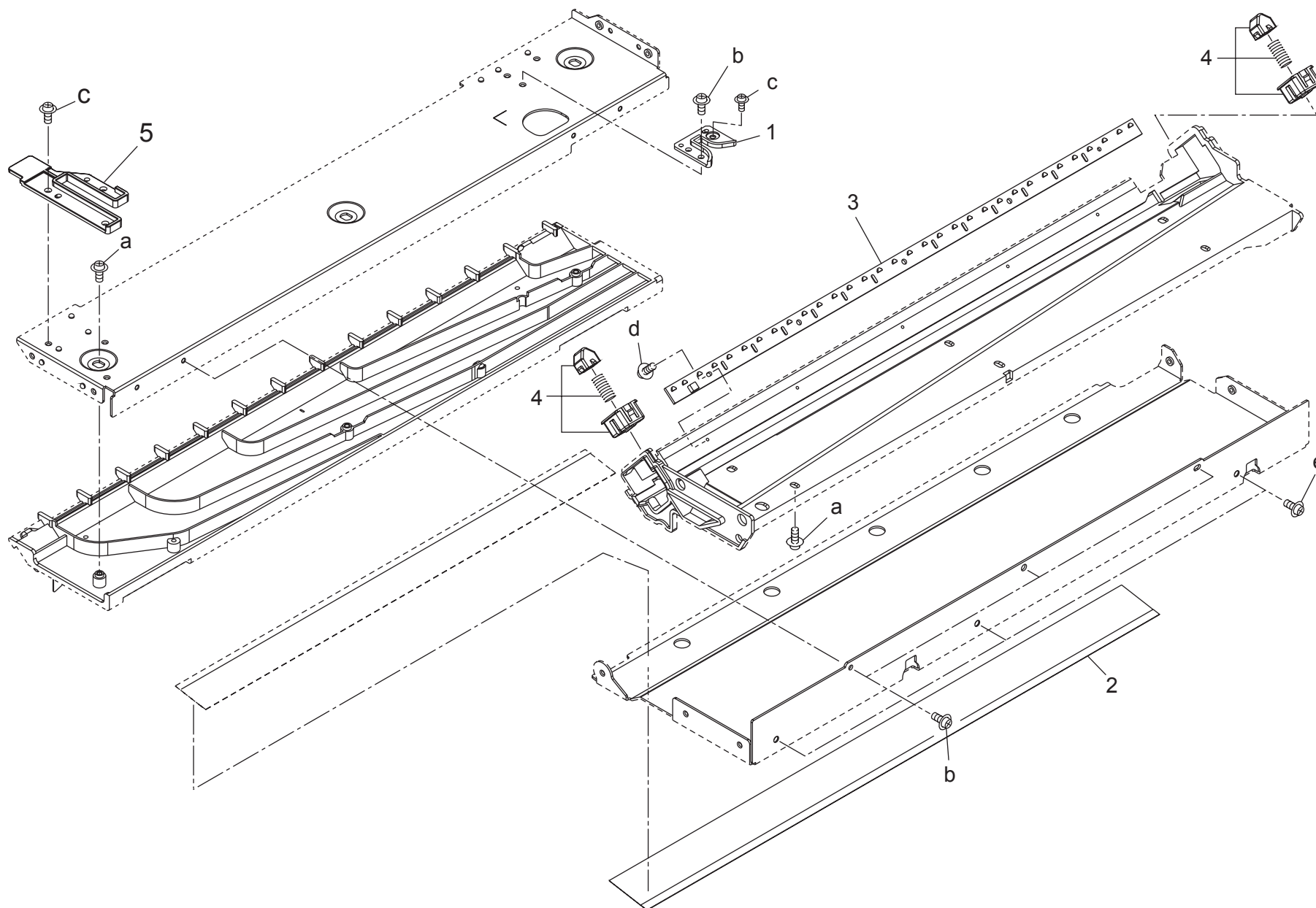
PROCESS CARRIAGE SECTION

Key	Part No.	Description	Destinations	Class	QTY	Standard parts
1	A03U 3432 00	Scatter Preventing Sheet		C	2	a-00Z2 5206 1 b-00Z3 5308 1 c-00Z1 9306 1 d-00Z1 1306 0
2	A03U 3498 00	Guide Block		C	1	
3	A03U 3494 00	Carriage Suction Seal		C	1	
4	65AA 2241 0E	DEVELOPING MOUNTING RAIL		C	1	
5	A03U 3499 00	Dust-proof Seal		C	2	
6	65AA R732 00	CHARGE PRESSING ASSY		C	2	
7	65AA 8307 0	PCL		B	1	

# PROCESS CARRIAGE SECTION

BLACK

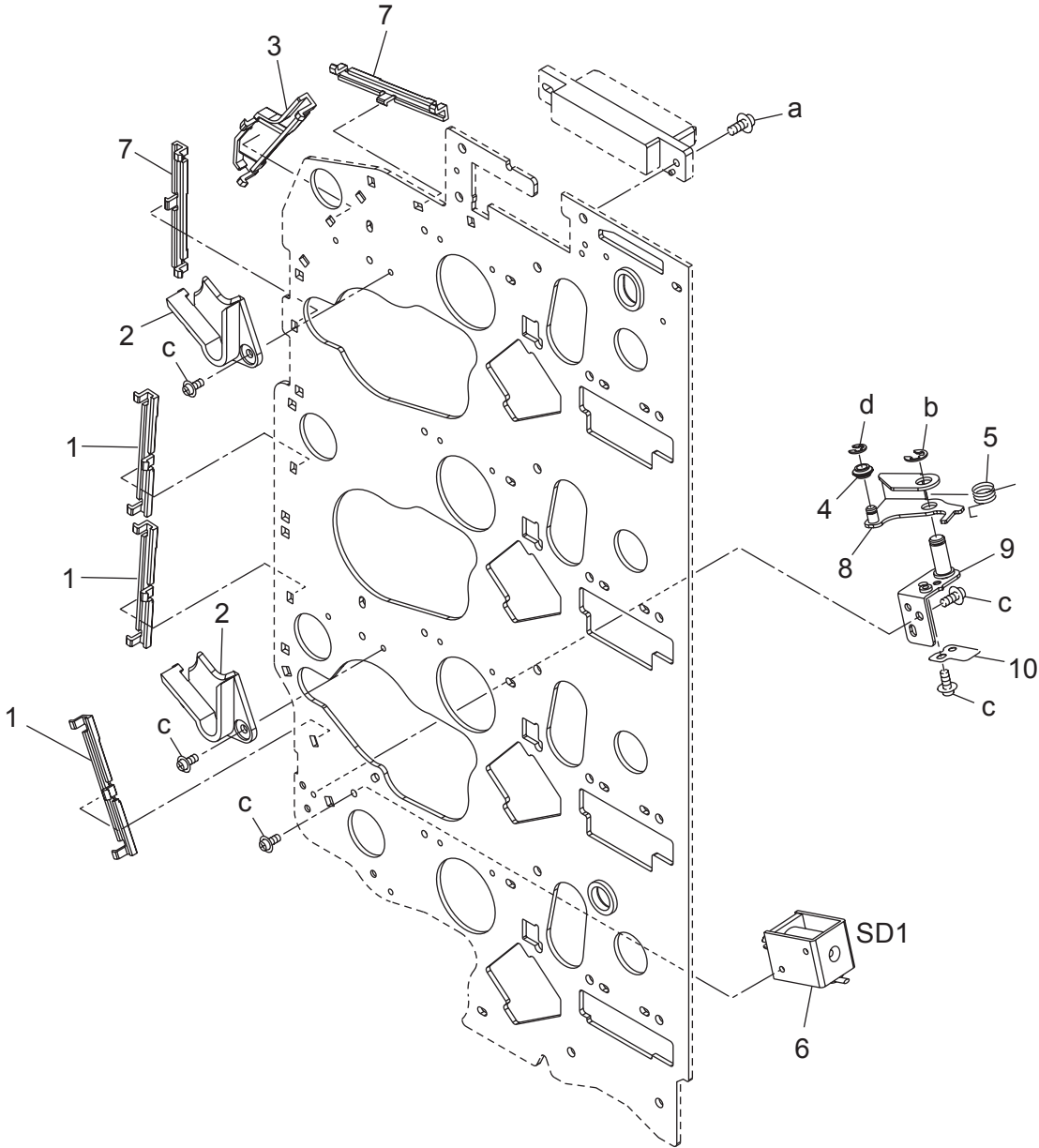
P 41



# PROCESS CARRIAGE SECTION

Key	Part No.	Description	Destinations	Class	QTY	Standard parts
1	65AA 2241 0E	DEVELOPING MOUNTING RAIL		C	1	a-00Z3 5308 1
2	65AA 2265 0	CARRIAGE SHEET LOWER		C	1	b-00Z1 9306 1
3	65AA 8307 0	PCL		B	1	c-00Z1 1306 0
4	65AA R732 00	CHARGE PRESSING ASSY		C	2	d-00Z2 5206 1
5	A03U 3498 00	Guide Block		C	1	e-00Z1 8406 1

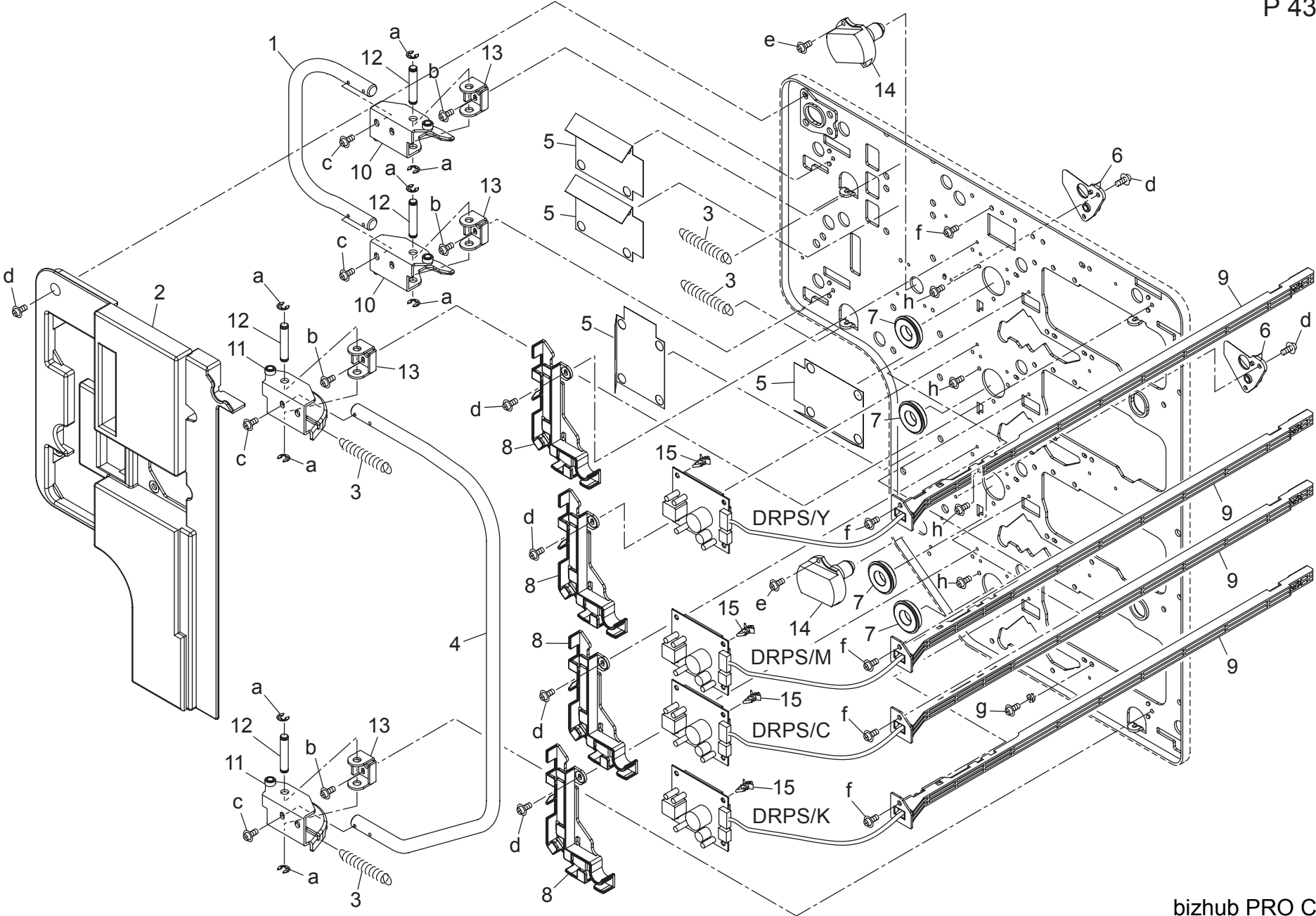
PROCESS CARRIAGE SECTION



PROCESS CARRIAGE SECTION

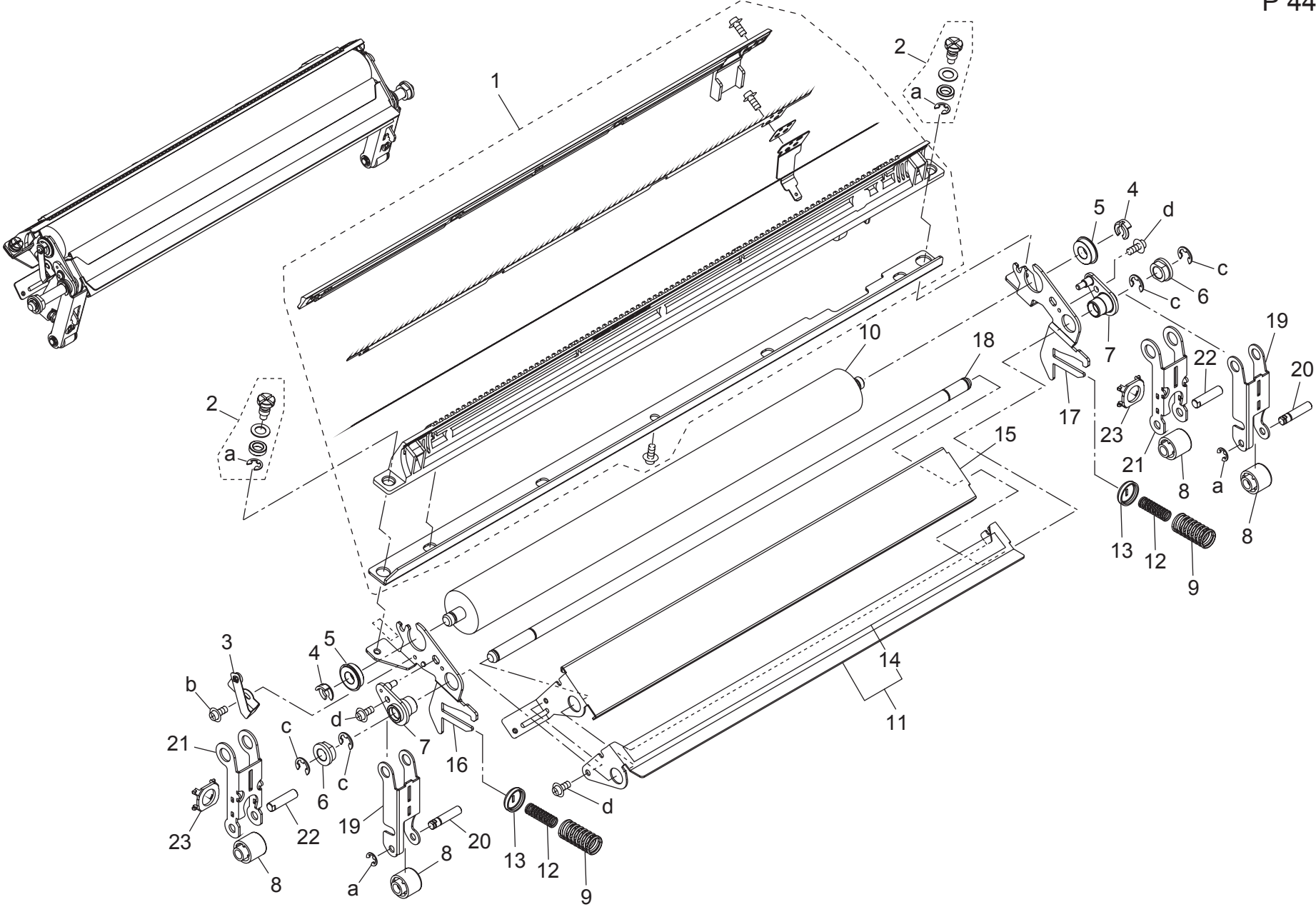
Key	Part No.	Description	Destinations	Class	QTY	Standard parts
1	65AA 2276 0	WIRING COVER		D	3	a-00Z1 9308 1 b-00Z6 7040 6 c-00Z1 9304 1 d-00Z6 7030 6
2	65AA 2237 0E	TRANSFER SUPPORT BLOCK /REAR		C	2	
3	A03U 3473 00	Wiring Cover		D	1	
4	65AA 2275 0	SEPARATION PRESSURE ROLLER		C	1	
5	65AA 2259 0	SOLENOID RELEASE SPRING		C	1	
6	26NA 8251 3	PAPER FEED SOLENOID		C	1	
7	A03U 3474 00	Wiring Cover		D	2	
8	65AA -232 0	CAM PLATE CAULKING		D	1	
9	65AA -233 0	CAM FIXING PLATE CAULKING		D	1	
10	65AA 2282 0	SOLENOID SUPPORT PLATE		D	1	

# PROCESS CARRIAGE SECTION



Key	Part No.	Description	Destinations	Class	QTY	Standard parts
1	65AA 2214 0	CARRIAGE HANDLE LEFT		D	1	a-00Z6 7040 6
2	65AA 2235 0E	FRONT COVER /LEFT		D	1	b-00Z1 9404 1
3	65AA 2229 0	LEVER OPEN SHUT SPRING		C	4	c-00Z1 9312 1
4	65AA 2213 0	CARRIAGE HANDLE RIGHT		D	1	d-00Z1 9304 1
5	65AA 2281 0	BASE PLATE COVER		D	4	e-00Z1 9406 1
6	65AA 2236 0	TRANSFER SUPPORT BLOCK FRONT		D	2	f-00Z1 9306 1
7	65AA 7508 1	DRUM SUPPORT BEARING /2		C	4	g-00Z1 8310 1
8	65AA 2280 0	WIRING GUIDE COVER		D	4	h-00Z1 8404 1
9	A03U R736 00	HV DETECTING SENSOR ASSY		C	4	
10	65AA -227 0	CARRIGE LOCK LEFT CAULKING		D	2	
11	65AA -226 0	CARRIGE LOCK RIGHT CAULKING		D	2	
12	65AA 2210 0	CARRIGE LOCKING SHAFT UPPER		D	4	
13	65AA 2226 0	HINGE PLATE A		D	4	
14	65AA 2252 1	BELT POSITIONING SHAFT		D	2	
15	00Z9 2009 8	LOCKING CAP SPACER LCS-5S		D	16	

# SECONDARY TRANSFER SECTION

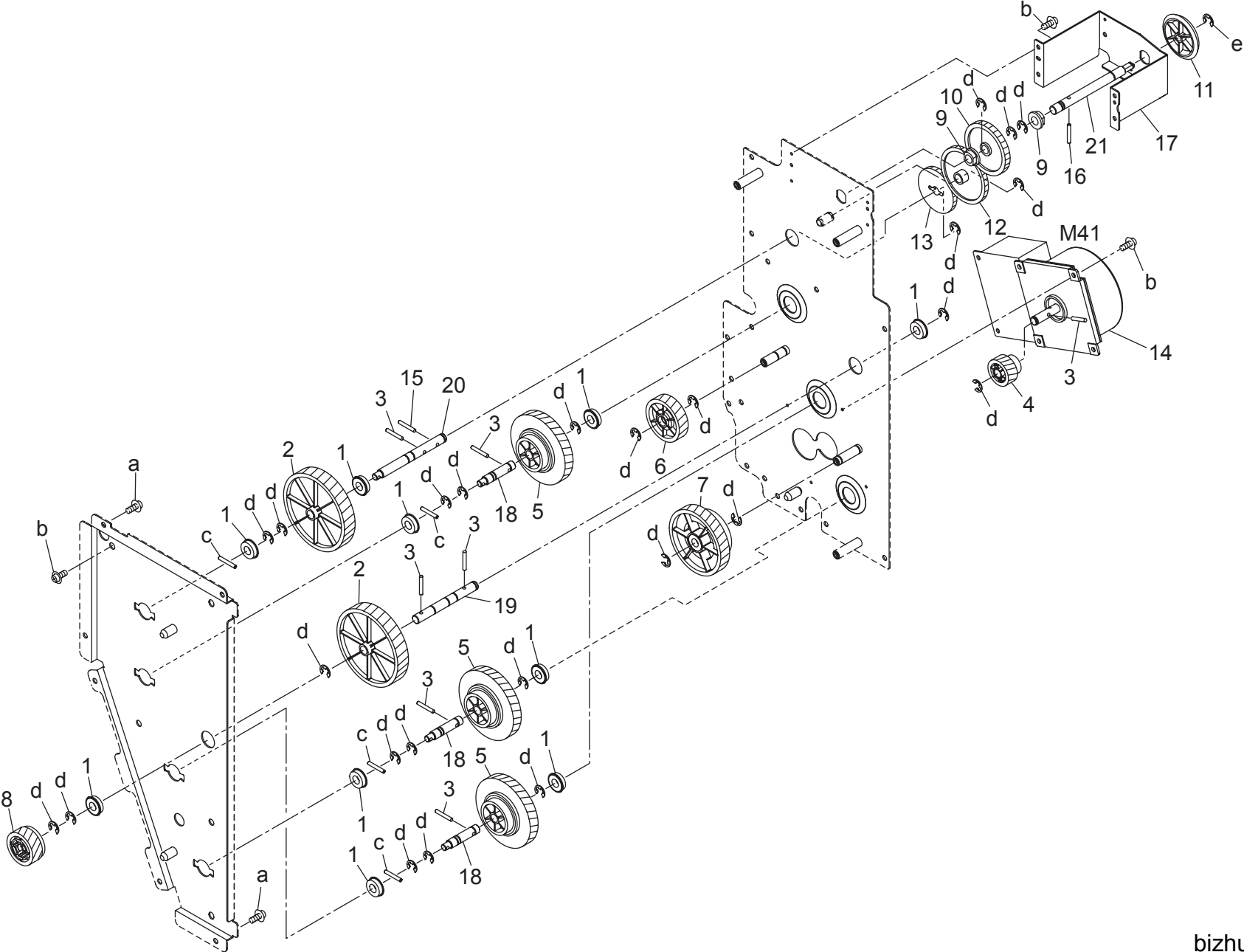




# SECONDARY TRANSFER SECTION

Key	Part No.	Description	Destinations	Class	QTY	Standard parts
1	A03U R704 00	SEPARATING NEUTRALIZING ASSY		A	1	a-00Z6 7040 6 b-00Z1 9304 1 c-00Z6 7060 6 d-00Z1 9306 1
2	65AA R779 00	SEPARATING MT SCREW		C	2	
3	65AA R778 00	TRANSFER EARTH PLATE ASSY		C	1	
4	55VA 4212 0	SHAFT STOPPER		C	2	
5	65AA 4512 0	TRANSFER BEARING		B	2	
6	A03U 8128 00	Slide Shaft Holder		C	2	
7	65AA 4507 0	TRANSFER FULCRUM SHAFT HOLDER		D	2	
8	A03U 5218 00	Pressure Roll		C	4	
9	A03U 5237 00	Transfer Spring /2		C	2	
10	65AA 4501 1	TRANSFER ROLLER		A	1	
11	A03U R749 00	GUIDE PLATE UPPER ASSY		C	1	
12	A03U 5217 00	Transfer Spring /1		C	2	
13	A03U 5235 01	Guide Part /1		C	2	
14	A03U 5239 00	HOLDING SHEET		C	1	
15	65AA 4504 0	TRANSFER GUIDE PLATE		C	1	
16	A03U 5202 01	Transfer Side plate /Front		D	1	
17	A03U 5203 01	Transfer Side plate /Rear		D	1	
18	A03U 5206 00	Transfer Shaft		D	1	
19	A03U 5216 00	Pressure Lever /1		D	2	
20	A03U 5219 00	Rotation Shaft /1		D	2	
21	A03U 5234 00	PRESSURE LEVER /2		D	2	
22	A03U 5236 00	ROTATION SHAFT /2		D	2	
23	A03U 5238 01	GUIDE PART /2		D	2	

PAPER FEED DRIVING SECTION



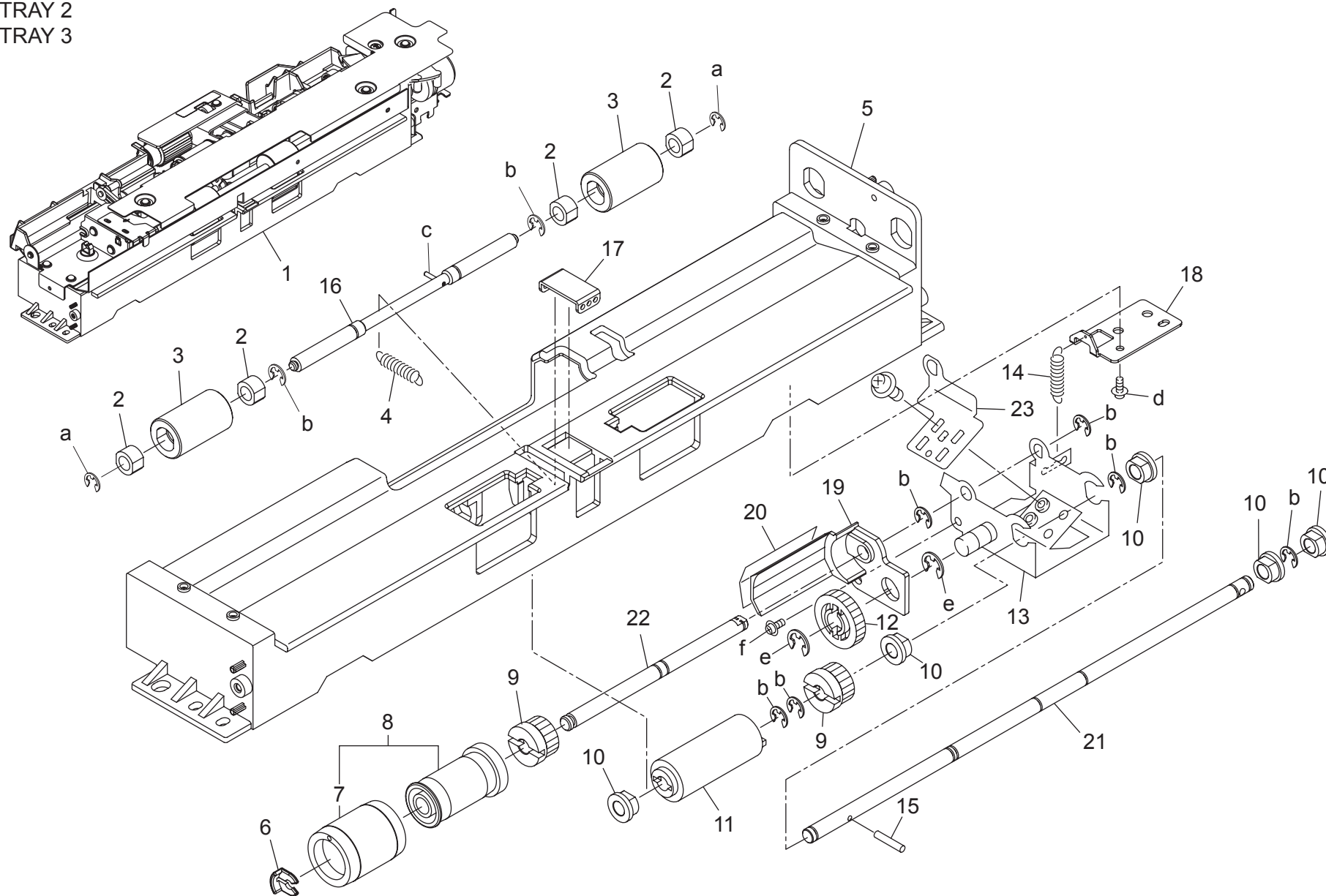
# PAPER FEED DRIVING SECTION

Key	Part No.	Description	Destinations	Class	QTY	Standard parts
1	5400 7605 0	BALL BEARING		B	10	a-00Z1 9406 1 b-00Z1 9306 1 c-00Z7 1320 6 d-00Z6 7060 6 e-00Z6 7040 6
2	65AA 7753 0	PAPER FEED GEAR 1 69T		C	2	
3	56AA 1748 0	PIN B		C	7	
4	65AA 7786 0	PAPER FEED GEAR 3 23T		C	1	
5	55VA 7713 0	PAPER FEED DRIVING GEAR C 63T 36T		B	3	
6	65AA 7798 0	PAPER FEED GEAR 4 37T		C	1	
7	65AA 7799 0	PAPER FEED GEAR 5 58T/40T		C	1	
8	65AA 7754 0	PAPER FEED GEAR 2 29T		C	1	
9	0900 7553 0	BUSHING		B	2	
10	65AA 7805 0E	IDLING GEAR /H 48T		C	1	
11	65AA 7785 0	TONER COLLECTING GEAR 3 27T		C	1	
12	07AA 7730 2	SIDE GEAR E 52T		B	1	
13	25SA 7742 0	DOUBLE FEED DRIVE GEAR 41T 24T		C	1	
14	65AA 8002 1	DC BRUSHLESS MOTOR 50		B	1	
15	56AA 1746 1	PIN A		C	1	
16	56AA 1747 1	PIN B 3X12		C	1	
17	65AA 2430 0	TONER COLLECTING PANEL 1		C	1	
18	65AA 4103 0	PAPER FEED DRIVING SHAFT 1		D	3	
19	65AA 4104 0	PAPER FEED DRIVING SHAFT 2		D	1	
20	65AA 4105 0	PAPER FEED DRIVING SHAFT 3		D	1	
21	65AA 2417 1	TONER COLLECTING SHAFT		C	1	

# PAPER FEED SECTION

TRAY 1  
TRAY 2  
TRAY 3

P 46



bizhub PRO C5500

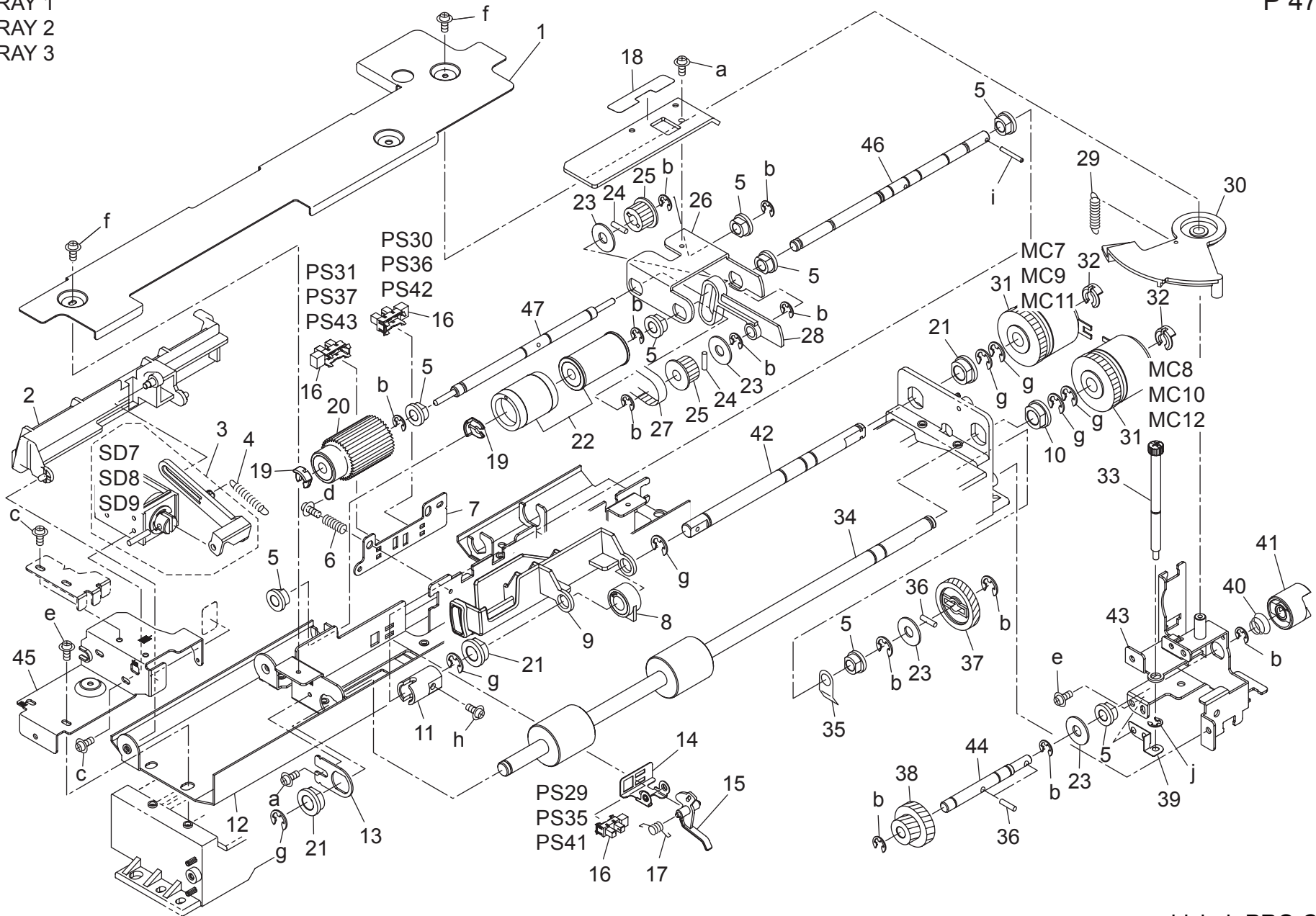
PAPER FEED SECTION

Key	Part No.	Description	Destinations	Class	QTY	Standard parts
1	A03U R723 00	PEPER FEED UNIT		S	1	a-00Z6 7030 6 b-00Z6 7040 6 c-00Z7 1110 6 d-00Z2 5308 1 e-00Z6 7060 6 f-00Z1 9306 1
2	A03U 8501 01	Slide Bearing		C	4	
3	26NA 4256 0	BY PASS FEED DRIVEN ROLLER		C	2	
4	56AA 4048 1	PAPERFEEDPRESSINGSRING		C	1	
5	56AA 4001 0	PAPER FEED MAIN BODY		C	1	
6	56AA 4049 0	SHAFT STOPPER 4		C	1	
7	25SA 4096 0	DOUBLE FEED PREVENTION RUBBER		A	1	
8	56AA R716 00	REVERSING ROLLER ASSY		B	1	
9	55VA 7903 0	PAPER FEED REVERSAL GEAR C 14T		B	2	
10	08AA 7601 0	DRUM DRIVING SHAFT HOLDER		C	5	
11	56AA 4041 1	TORQUE LIMITTER		B	1	
12	26NA 4206 1	BY PASS FEED CONVEYING GEAR 21T		B	1	
13	56QA 4008 0	MULTI FEED PREVENTING PLATE		C	1	
14	56AA 4042 0	MULTI FEED PREVENTING SPRING		C	1	
15	56AA 1731 0	PIN		C	1	
16	56AA 4033 0	PAPER FEED DRIVEN SHAFT		D	1	
17	56AA 4043 0	SPRING MOUNTING PLATE 1		D	1	
18	56AA 4044 0	SPRING MOUNTING PLATE 2		D	1	
19	56AA 4053 0	ENTRANCE GUIDE PART		D	1	
20	56AA 4054 0	ENTRANCE GUIDE SHEET		C	1	
21	56QA 4025 0	MULTI FEED SUPPORT SHAFT		D	1	
22	56QA 4027 0	MULTI FEED REVERSE SHAFT		D	1	
23	56QA 4055 0	MULTI FEED ADJUSTMENT PLATE		D	1	

# PAPER FEED SECTION

TRAY 1  
TRAY 2  
TRAY 3

P 47



bizhub PRO C5500

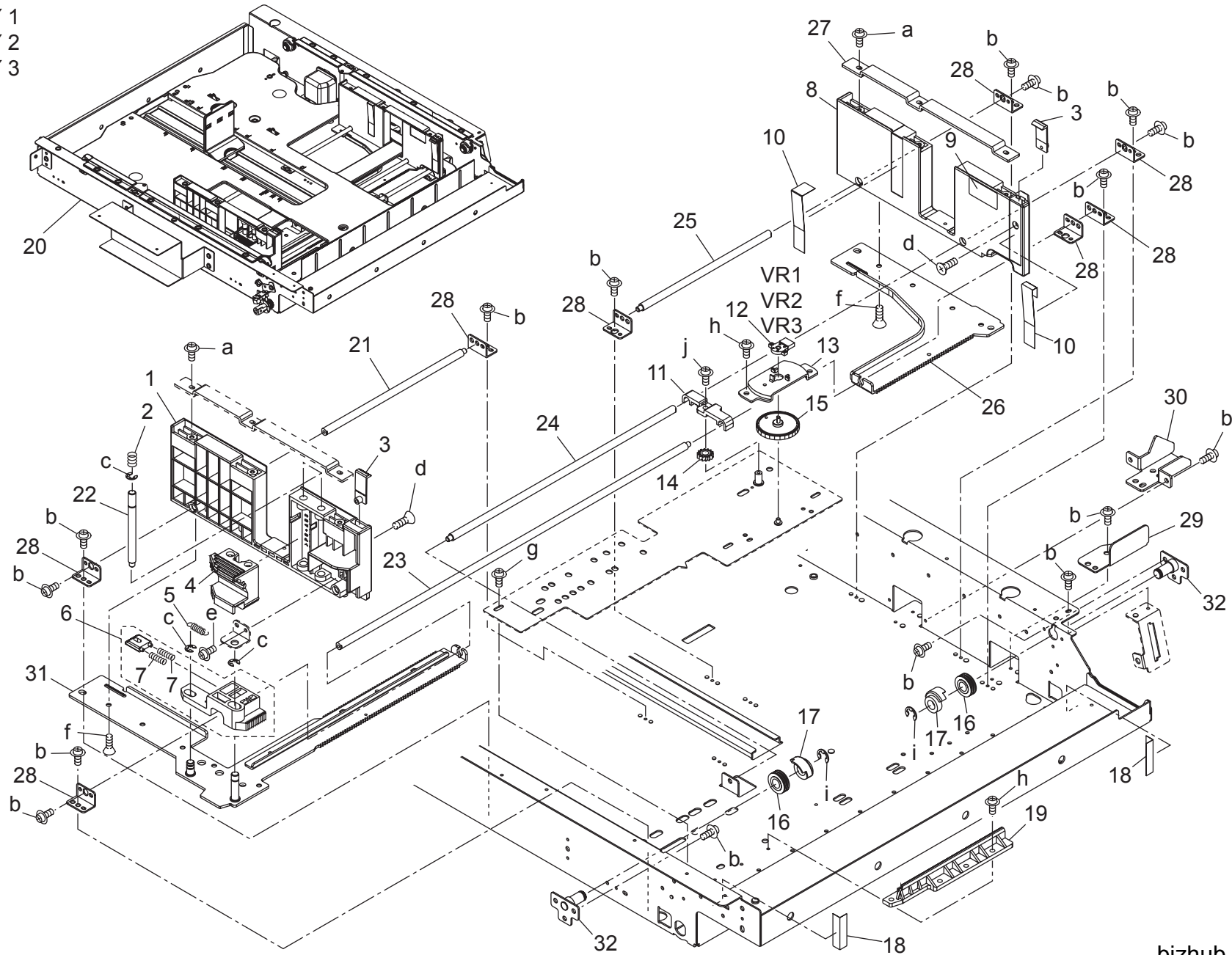
# PAPER FEED SECTION

Key	Part No.	Description	Destinations	Class	QTY	Standard parts
1	56AA 4010 0E	WIRING PROTECTION COVER		D	1	a-00Z1 9306 1
2	65AA 4001 0	REGULATING PLATE		D	1	b-00Z6 7040 6
3	65AA R771 00	SOLENOID ASSY		C	1	c-00Z1 6306 1
4	65AA 4006 0	RELEASE SPRING		C	1	d-00Z1 9304 1
5	08AA 7601 0	DRUM DRIVING SHAFT HOLDER		C	8	e-00Z2 5308 1
6	56AA 4052 0	EARTH SPRING		C	1	f-00Z1 9306 2
7	56AA 4046 0	ADJUSTMENT PLATE		D	1	g-00Z6 7060 6
8	56AA 4038 0	PAPER FEED REGULATING BLOC		C	1	h-00Z1 8306 1
9	65AA 4010 0	REGULATING PLATE REAR		D	1	i-00Z7 1214 6
10	55VA 7554 0	PAPER FEED SHAFT HOLDER B		B	1	j-00Z6 7030 6
11	55FA 4032 0	COUPLING		C	1	
12	56AA 4003 2	PAPER FEED GUIDE PLATE UPPER		C	1	
13	56AA 4037 0	ADJUSTING PLATE		D	1	
14	56AA 4031 0	MOUNTING PLATE		D	1	
15	56AA 4017 1	PAPER FEED DETECTING ACTUATOR		C	1	
16	08AA 8551 2	PHOTO SENSOR		B	3	
17	56AA 4019 0	PRESSING SPRING		C	1	
18	65GE 9740 0	GUIDE LABEL /1		C	1	
19	56AA 4049 0	SHAFT STOPPER 4		C	2	
20	56AA R721 00	PAPER FEED OCILLATE ROLLER		B	1	
21	A03U 8128 00	Slide Shaft Holder		C	3	
22	56AA R720 00	FEED ROLLER UNIT		A	1	
23	56AA 1776 0	COLLAR		C	4	
24	56AA 1751 0	PIN B		C	2	
25	0590 7651 0	PULLEY 1 15T		C	2	
26	56AA 4007 0	PAPER FEED ROCKING PLATE		D	1	
27	56AA 7759 0	PAPER FEED ROCKING BELT 111L		C	1	
28	56AA 4030 0	PAPER QUANTITY ACTUATOR		C	1	
29	56AA 1712 1	SEPARATE SPRING UPPER		C	1	
30	56AA 4039 0	CAM PLATE		C	1	
31	56AA 8201 2	PAPER FEED DRIVING CLUTCH		B	2	
32	55VA 4212 0	SHAFT STOPPER		C	2	
33	56AA 4012 0	PAPER FEED HOLDING SCREW		C	1	
34	56AA 4023 0	PAPER FEED REGISTRATION ROLLER		C	1	
35	56AA 4050 0	SHAFT HOLDER EARTH PLATE		C	1	
36	56AA 1748 0	PIN B		C	2	
37	56AA 7773 0	PAPER FEED REVERSING GEAR 2 33T		C	1	
38	56AA 7772 0	PAPER FEED REVERSING GEAR 1 16T 22T		C	1	
39	56AA 4047 0	SCREW EARTH PLATE		C	1	
40	56AA 4051 0	PRESSING SPRING		C	1	
41	56AA 4045 0	PAPER FEED COUPLING PART		C	1	
42	A03U 5603 00	DRIVE SHAFT		D	1	
43	56AA 4009 0	DRIVE MOUNTING PLATE		D	1	
44	56AA 4024 0	PAPER FEED INPUT SHAFT		D	1	
45	65AA 4002 0	SOLENOID MOUNTING PLATE		D	1	
46	A03U 5601 00	Feeding Shaft		D	1	
47	A03U 5602 00	Swing Shaft		D	1	

# CASSETTE

TRAY 1  
TRAY 2  
TRAY 3

P 48

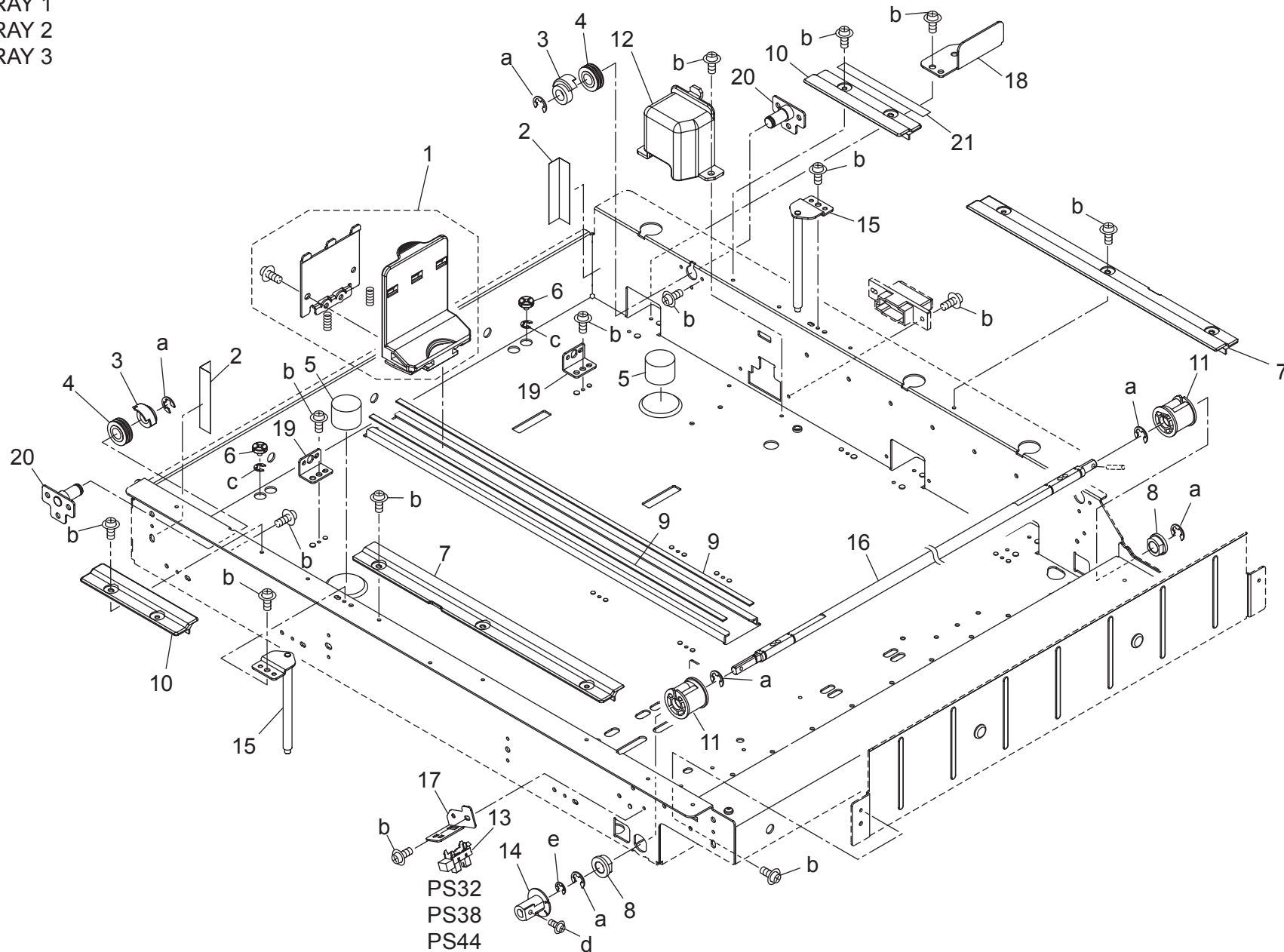




Key	Part No.	Description	Destinations	Class	QTY	Standard parts
1	A03U 6210 00	GUIDE PLATE /FRONT		C	1	a-00Z3 5310 1
2	65AA 4778 0	GUIDE SPRING 2		D	1	b-00Z1 9304 1
3	26NA 4707 0	PAPER REGULATING CLAW		D	2	c-00Z6 7040 6
4	65GE 4709 0	SIDE LOCKING PLATE		D	1	d-00Z2 6308 1
5	65AA 4783 1	GUIDE SPRING 4		D	1	e-00Z3 5308 1
6	65AA R781 00	ROCK PART 2ASSY		D	1	f-00Z2 6310 1
7	65AA 4724 0	LOCKING SPRING		D	2	g-00Z1 6305 1
8	A03U 6211 00	GUIDE PLATE /REAR		C	1	h-00Z1 9306 1
9	A03U 9453 00	Regulating Label /1		D	1	i-00Z6 7060 6
10	65AA 4742 0	PAPER REGULATING SHEET		D	2	j-00Z1 6306 1
11	65AA 4727 0	SHAFT SUPPORT PLATE		D	1	
12	56AA 8560 1	SIZE DETECTING VR		C	1	
13	65AA 4261 0	MOUNTING PLATE		D	1	
14	A03U 6204 00	PINION 14T		D	1	
15	65AA 4760 0	DETECTING GEAR 45T		C	1	
16	65AA 4755 0	WIRE ROLLER		C	2	
17	65AA 4763 0	WIRE GUIDE PART		C	2	
18	65AA 4759 0	PROTECTION SEAL 1		D	2	
19	65AA 4768 0	LOCKING PART		D	1	
20	A03U R724 00	CASSETTE		S	1	
21	65AA 4718 0	POSITIONING SHAFT 3		D	1	
22	65AA 4719 0	PAPER POSITIONING PIN		D	1	
23	65AA 4717 0	POSITIONING SHAFT 2		D	1	
24	65AA 4716 0	POSITIONING SHAFT 1		D	1	
25	65AA 4721 0	POSITIONING SHAFT 4		D	1	
26	65AA 4706 0E	Guide Rack /Rear		D	1	
27	65AA 4749 0E	Side Supply Plate		D	1	
28	65AA 4774 0	SHAFT MOUNTING PLATE		D	8	
29	65AA 4714 0	CASSETTE POSITIONING PLATE 1		D	1	
30	65AA 4734 0	FIXING CAM		D	1	
31	65AA -475 0	SIDE GUIDE RACK F CAULKING		D	1	
32	65AA -481 0	PULLEY FULCRUM PLATE CAULKING		D	2	

# CASSETTE

TRAY 1  
TRAY 2  
TRAY 3



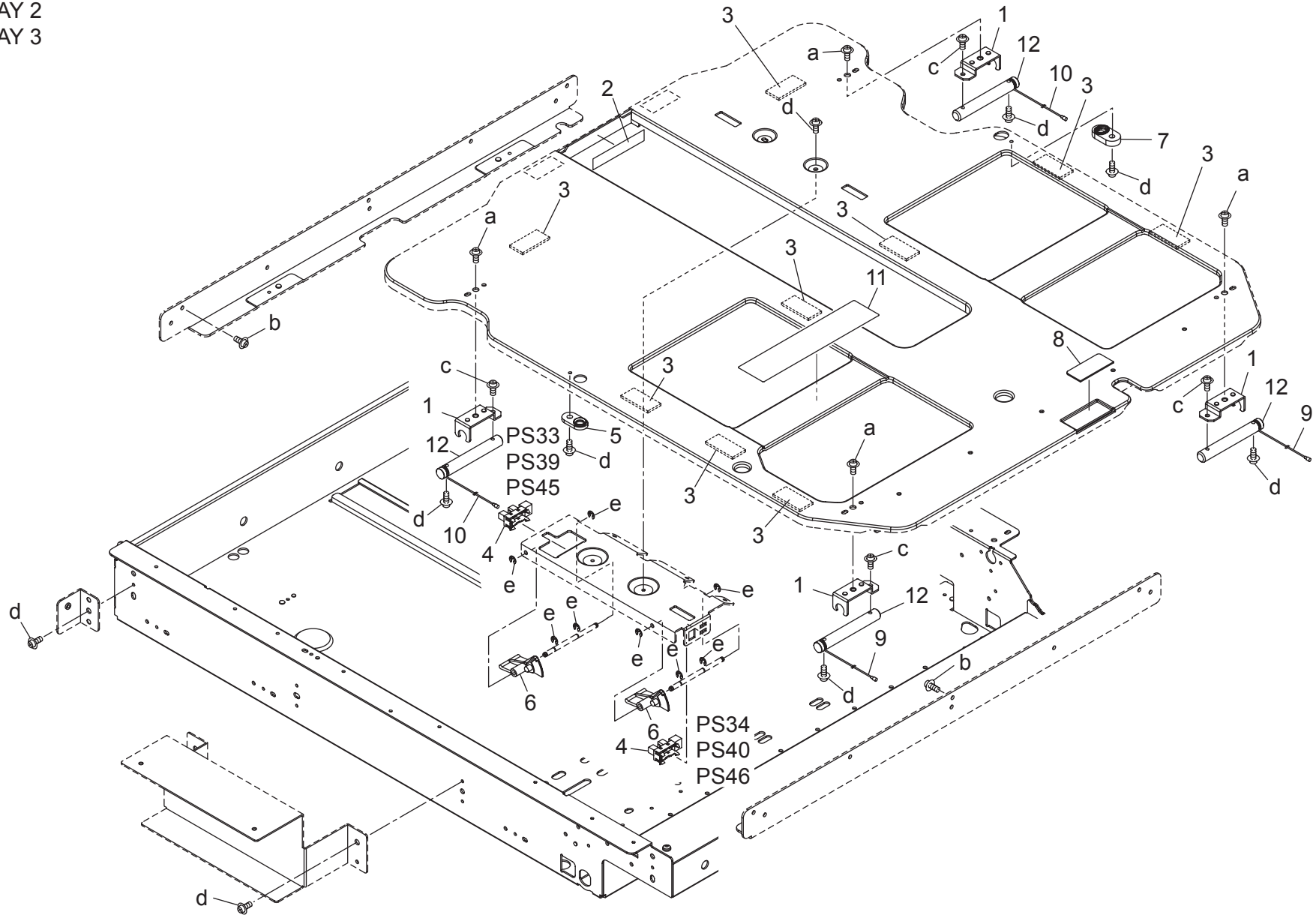
# CASSETTE

Key	Part No.	Description	Destinations	Class	QTY	Standard parts
1	A03U R756 00	PAPER REGULATING PLATE LEFT ASSY		C	1	a-00Z6 7060 6 b-00Z1 9304 1 c-00Z6 7020 6 d-00Z1 9306 1 e-00Z6 7040 6
2	65AA 4762 0	PROTECTION SEAL 2		C	2	
3	65AA 4763 0	WIRE GUIDE PART		C	2	
4	65AA 4755 0	WIRE ROLLER		C	2	
5	65AA 4782 0	REGULATING PART		C	2	
6	65AA 4795 0	CASSETTE REGULATING SCREW		C	2	
7	A03U 6213 00	AUXILIARY COVER /L		D	2	
8	A03U 8128 00	Slide Shaft Holder		C	2	
9	65AA 4780 0	GUIDE SHEET		C	2	
10	A03U 6214 00	AUXILIARY COVER /S		C	2	
11	55VA 4060 0	DRIVING UP DOWN PULLEY		B	2	
12	A03U 6212 00	GUIDE COVER		C	1	
13	08AA 8551 2	PHOTO SENSOR		B	1	
14	65AA 4713 0	PAPER DETECTING ACTUATOR		C	1	
15	65AA -482 0	SHAFT FULCRUM PLATE CAULKING		D	2	
16	65AA 4711 1	LIFTING SHAFT		D	1	
17	65AA 4790 0	MOUNTING PLATE 2		D	1	
18	65AA 4714 0	CASSETTE POSITIONING PLATE 1		D	1	
19	65AA 4774 0	SHAFT MOUNTING PLATE		D	2	
20	65AA -481 0	PULLEY FULCRUM PLATE CAULKING		D	2	
21	65GE 9749 0	CASSETTE GUIDE LABEL		D	1	

# CASSETTE

TRAY 1  
TRAY 2  
TRAY 3

P 50

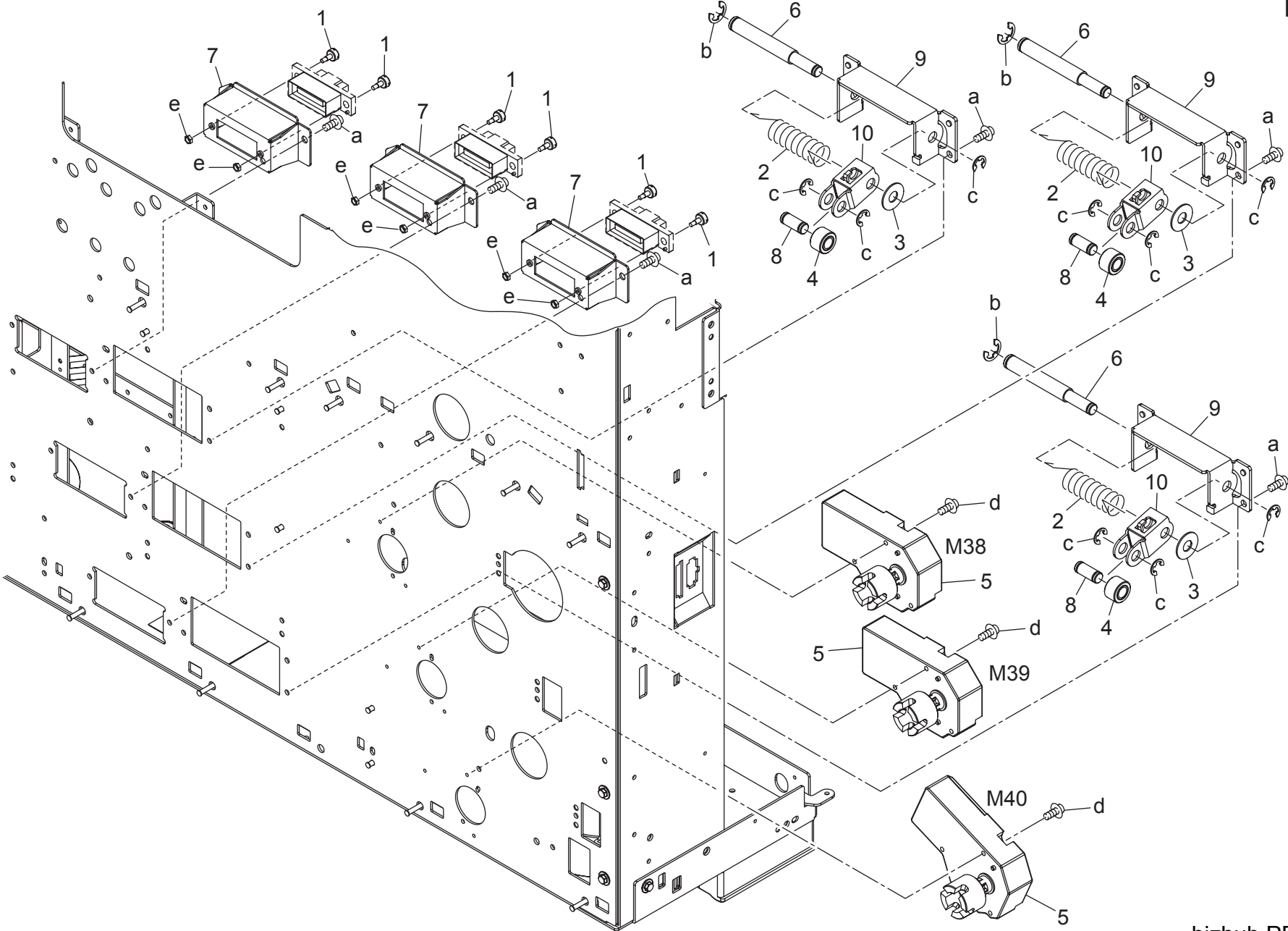


bizhub PRO C5500

# CASSETTE

Key	Part No.	Description	Destinations	Class	QTY	Standard parts
1	65AA 4765 0	WIRE FULCRUM PLATE		D	4	a-00Z1 9406 2 b-00Z1 8404 1 c-00Z1 9306 1 d-00Z1 9304 1 e-00Z6 7025 6
2	65AA 4748 0	PROTECTION SHEET UPPER		C	1	
3	65AA 4786 0	AUXILIARY SHEET		C	9	
4	08AA 8551 2	PHOTO SENSOR		B	2	
5	65AA 4775 0	GUIDE BEARING		C	1	
6	65AA 4732 0	PAPER DETECTING ACTUATOR		D	2	
7	65AA 4758 0	GUIDE BEARING 2		C	1	
8	55VA 4093 0	DOUBLE FEED PREVENTIVE PLATE		C	1	
9	65AA 4752 0	UP DOWN WIRE 1		C	2	
10	65AA 4753 0	UP DOWN WIRE 2		C	2	
11	A03U 9452 00	Paper feed Label /1		C	1	
12	65AA 4766 0	WIRE FULCRUM SHAFT		D	4	

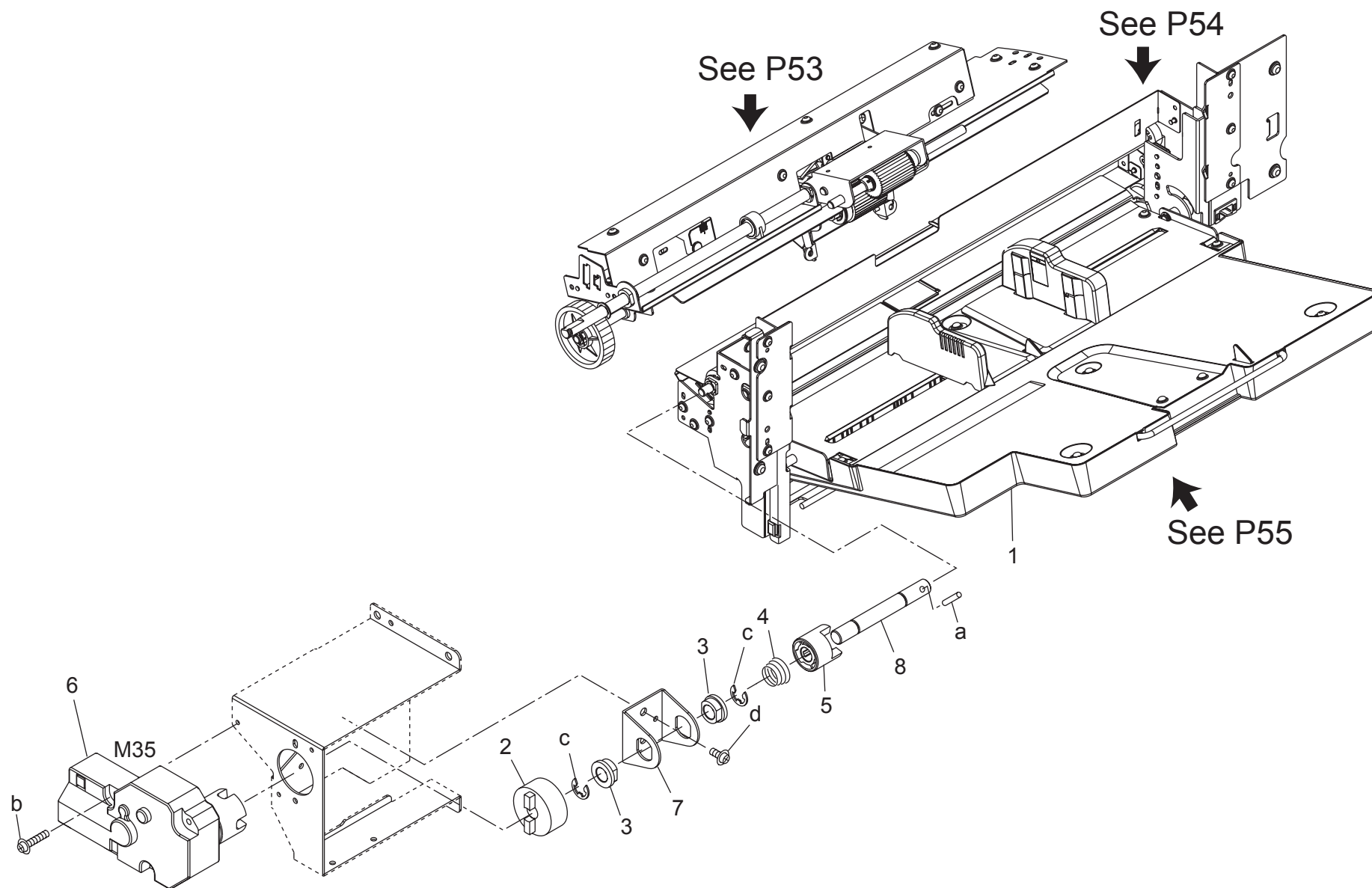
CASSETTE



# CASSETTE

Key	Part No.	Description	Destinations	Class	QTY	Standard parts
1	65AA 4722 0	MOUNTING SCREW		C	6	a-00ZA A000 7 b-00Z6 7080 6 c-00Z6 7060 6 d-00Z1 9320 1 e-00Z5 1026 1
2	65AA 4739 0	GUIDE SPRING		C	3	
3	65AA 4797 0	SPACER		C	3	
4	0676 4258 1	TRAY LOCK PULLEY		C	3	
5	56AA 8003 1	CASSETTE DRIVE MOTOR		B	3	
6	65AA 4738 0	FULCRUM SHAFT		D	3	
7	65AA 4729 0	WIRING MOUNTING PLATE		D	3	
8	65AA 4736 0	CASSETTE LOCKING SHAFT		D	3	
9	65AA 4737 0	FULCRUM PLATE		D	3	
10	65AA 4771 0	LOCKING PLATE		D	3	

# BYPASS SECTION

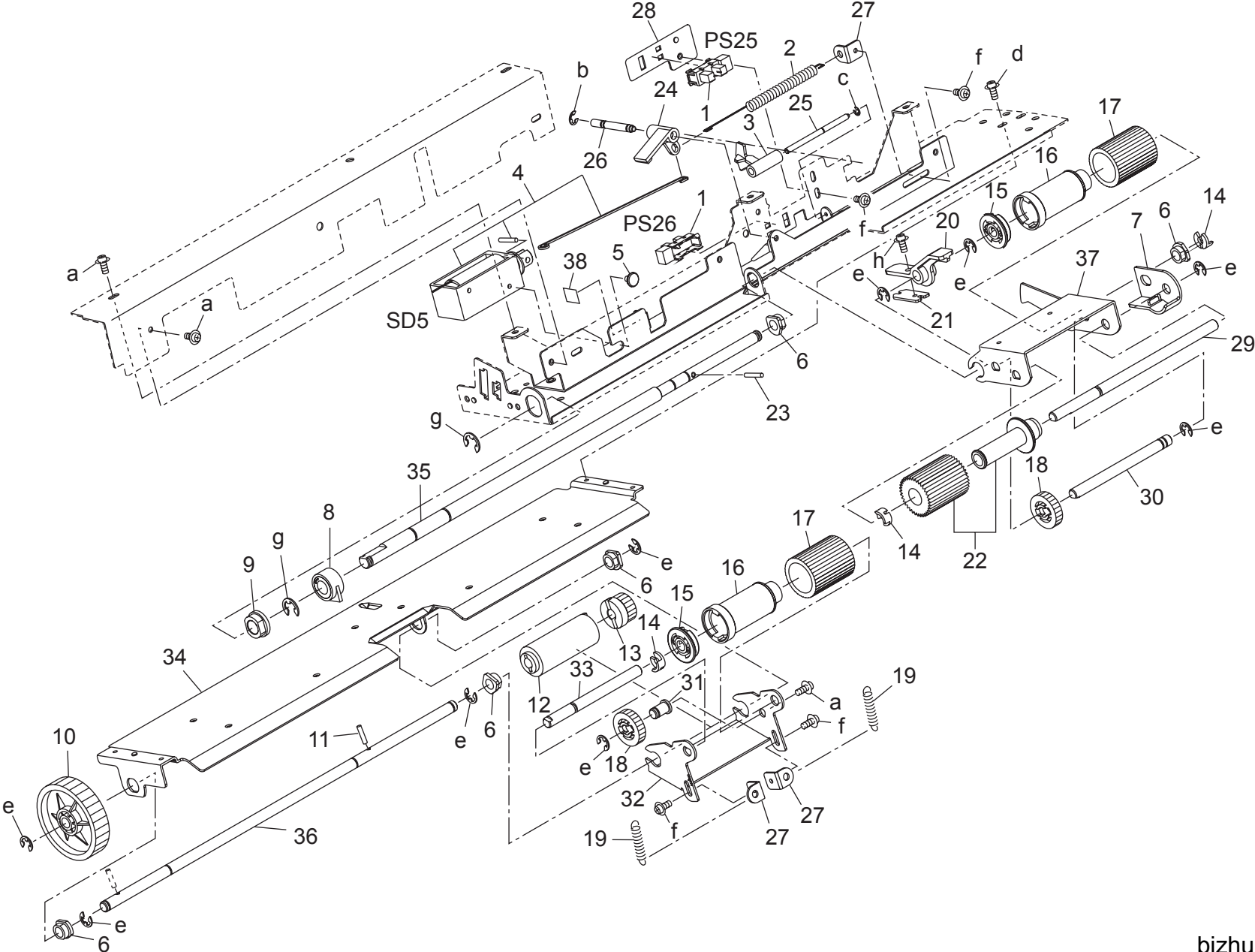




**BYPASS SECTION**

Key	Part No.	Description	Destinations	Class	QTY	Standard parts
1	A03U R750 00	BY PASS FEED UNIT		D	1	a-00Z7 1312 6 b-00Z1 9320 1 c-00Z6 7060 6 d-00Z1 9306 1
2	65AA 4234 0	PAPER FEED TRAY LIFTING CLUTCH		B	1	
3	26NA 4082 0	PAPER FEED SLIDE BUSHING		C	2	
4	56AA 1709 0	PRESSURE SPRING		C	1	
5	55VA 1554 1	CLEANER COUPLING PART		C	1	
6	13HA 8002 1	LCT DRIVE MOTOR		B	1	
7	65AA 4228 0	SHAFT SUPPORT PLATE		D	1	
8	65AA 4248 0	CONNECTING SHAFT		D	1	

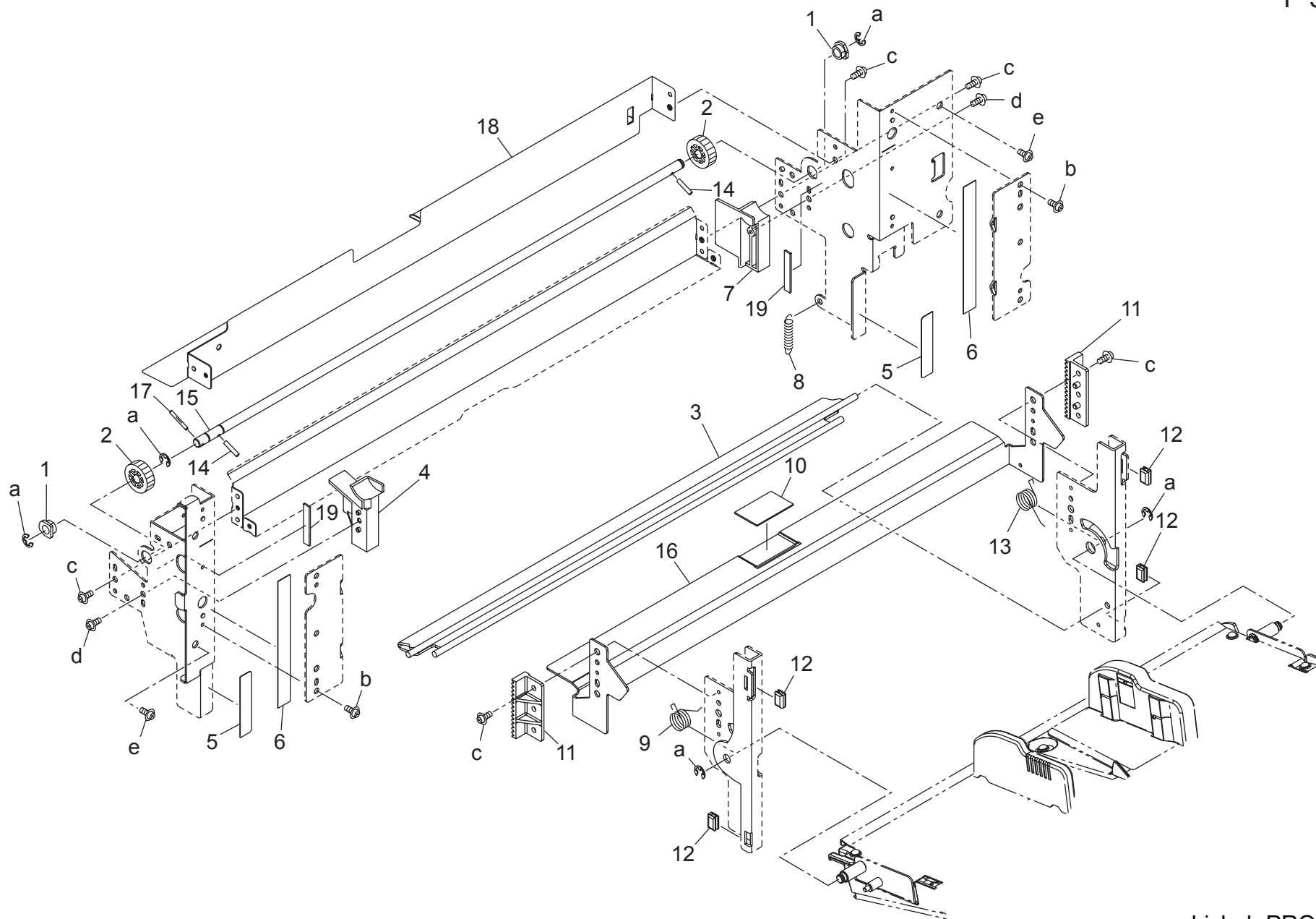
BYPASS SECTION



# BYPASS SECTION

Key	Part No.	Description	Destinations	Class	QTY	Standard parts
1	08AA 8551 2	PHOTO SENSOR		B	2	a-00Z1 9306 1
2	65AA 4204 0	PAPER FEED LIFTING SPRING		C	1	b-00Z6 7030 6
3	65AA 4205 0	PAPER FEED DETECTING ACTUATOR		C	1	c-00Z6 7020 6
4	65AA R790 00	BY-PASS FEED SOLENOID ASSY		C	1	d-00Z3 8306 1
5	55VA 4222 0	POSITIONING SCREW		C	1	e-00Z6 7040 6
6	26NA 7601 0	PAPER FEED SHAFT HOLDER		C	5	f-00Z1 6306 1
7	65AA 4281 0	DRIVE PROTECTION COVER		D	1	g-00Z6 7060 6
8	56AA 4038 0	PAPER FEED REGULATING BLOCK		C	1	h-00Z1 8304 1
9	A03U 8128 00	Slide Shaft Holder		C	1	
10	26NA 1558 0	GEAR H 55T		C	1	
11	56AA 1731 0	PIN		C	1	
12	56AA 4041 1	TORQUE LIMITTER		B	1	
13	55VA 7903 0	PAPER FEED REVERSAL GEAR C 14T		B	1	
14	3960 4068 1	STOPPER RING		B	3	
15	65AA 4217 0	MULTI FEED PREVENTING ROLLER		C	2	
16	65AA 7701 0	MULTI FEED PREVENTING GEAR 14T		C	2	
17	25SA 4096 0	DOUBLE FEED PREVENTION RUBBER		A	2	
18	13QA 7704 0	DRIVE GEAR 1 18T		C	2	
19	65AA 4207 0	MULTI FEED PRESSURE SPRING		C	2	
20	55VA 4023 0	PAPER FEED LIFT UP LEVER		C	1	
21	55VA 4099 1	LEVER AUXILIARY PLATE		C	1	
22	65AA R789 00	FEEDING GEAR ASSY		C	1	
23	56AA 1732 1	PIN A D2X12		C	1	
24	55VA 4331 0	LIFTING LEVER		C	1	
25	65AA 4206 0	PIN 1		D	1	
26	65AA 4239 0	PAPER FEED LIFTING SHAFT		D	1	
27	65AA 4280 0	SPRING MOUNTING PLATE		D	3	
28	65AA 4285 0	MOUNTING PLATE		D	1	
29	65AA 4214 1F	Feeding Shaft		D	1	
30	65AA 4212 1F	By-pass feed Idling Shaft /1		D	1	
31	65AA 4213 0	BY PASS FEED IDLING SHAFT 2		D	1	
32	65AA 4209 0	MULTI FEED PREVENTING CASING		D	1	
33	65AA 4215 1F	Multi-feed Preventing Shaft		D	1	
34	65AA 4202 0	PAPER GUIDE PLATE LOWER		D	1	
35	A03U 6020 00	By-pass feed Driving Shaft /Upper		D	1	
36	A03U 6021 00	By-pass feed Driving Shaft /Lower		D	1	
37	65AA 4208 0D	Feeding Casing		D	1	
38	55VA 4211 1	SOLENOID STOPPER SHEET		D	1	

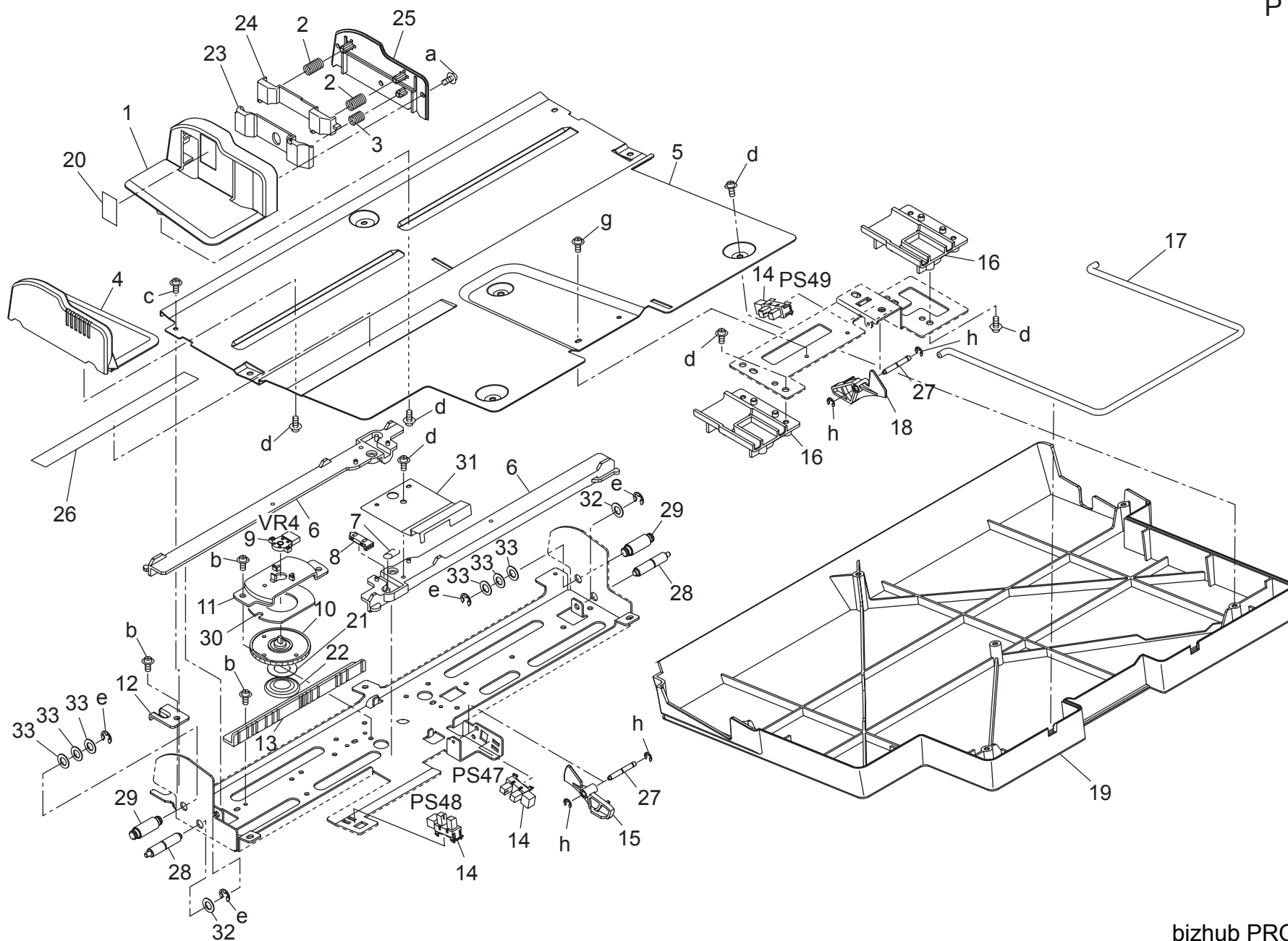
# BYPASS SECTION



BYPASS SECTION

Key	Part No.	Description	Destinations	Class	QTY	Standard parts
1	26NA 7601 0	PAPER FEED SHAFT HOLDER		C	2	a-00Z6 7040 6 b-00Z1 9304 1 c-00Z1 9306 1 d-00Z3 5308 1 e-00Z1 9406 1
2	65AA 4233 0	BY PASS FEED UP DOWN PINION		C	2	
3	65AA 4256 0	BY PASS FEED UP DOWN COVER		D	1	
4	65AA 4258 0	GEAR COVER FRONT		D	1	
5	65AA 4237 0	SLIDE PART 1		D	2	
6	65AA 4238 0	SLIDE PART 2		D	2	
7	65AA 4259 0	GEAR COVER REAR		D	1	
8	65AA 4283 0	PAPER FEED TRAY EARTH SPRING		C	1	
9	65AA 4252 0	PAPER FEED TRAY OPEN SHUT SPRING FRONT		C	1	
10	65AA 4279 0	MULTI FEED PREVENTING PLATE		C	1	
11	65AA 4232 0	BY PASS FEED UP DOWN RACK		C	2	
12	12EJ 1113 0	SLIDE MATERIAL		C	4	
13	65AA 4253 0	PAPER FEED TRAY OPEN SHUT SPRING REAR		C	1	
14	56AA 1732 1	PIN A D2X12		C	2	
15	65AA 4231 0	BY PASS FEED UP DOWN SHAFT		D	1	
16	65AA 4235 0	BY PASS FEED UP DOWN TRAY		D	1	
17	65AA 4286 0	BY PASS UP DOWN PIN		D	1	
18	65AA 4223 0D	Conveyance Cover Plate		D	1	
19	13HA 4733 0	SLIDE SHEET		D	2	

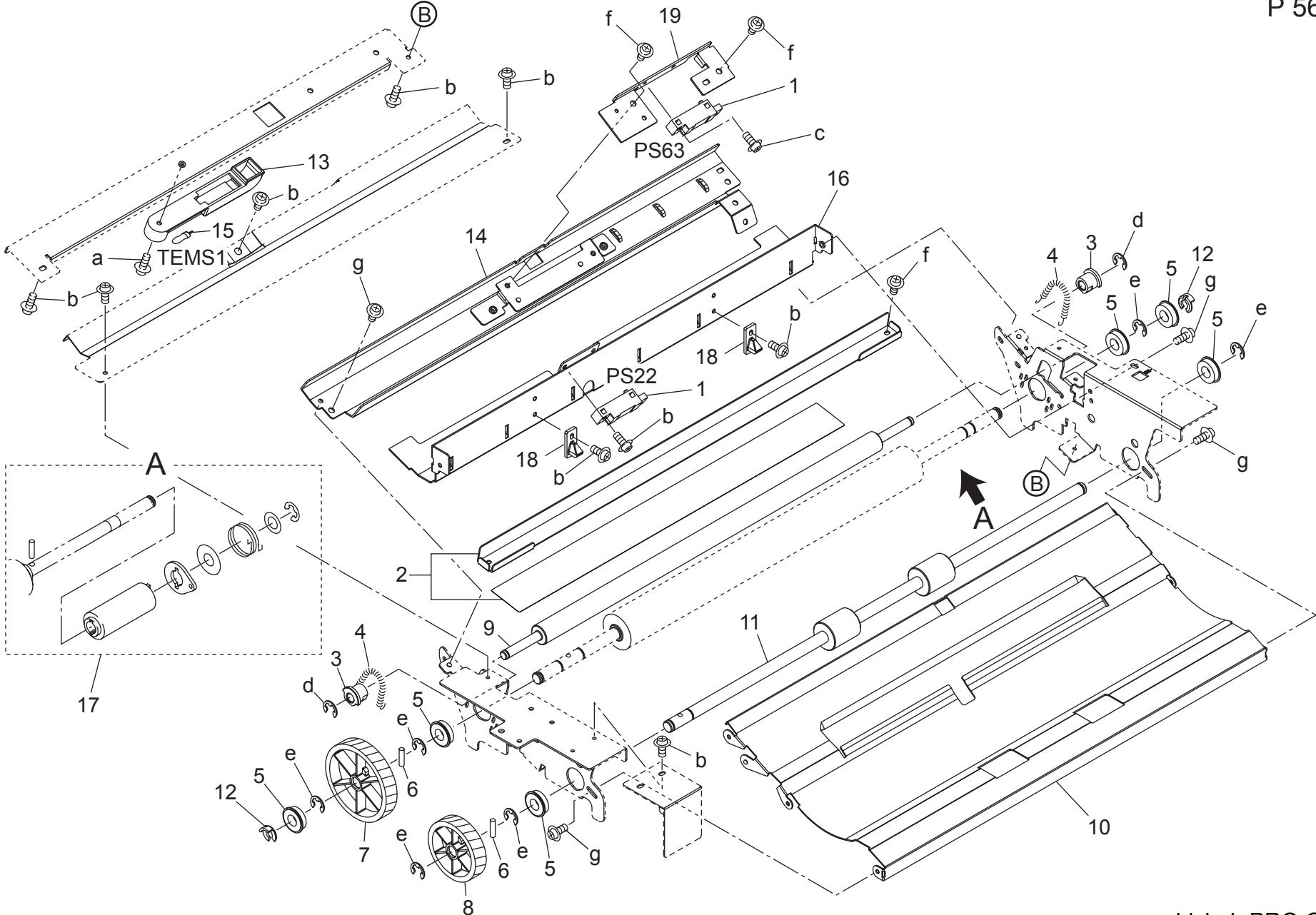
# BYPASS SECTION



BYPASS SECTION

Key	Part No.	Description	Destinations	Class	QTY	Standard parts
1	A03U 6012 00	Side Guide Plate /Rear		C	1	a-00Z2 7308 2
2	65AA 4276 1	PAPER PRESSING SPRING UPPER		C	2	b-00Z1 9306 1
3	65AA 4277 0	PAPER PRESSING SPRING LOWER		C	1	c-00Z1 9306 2
4	A03U 6011 00	Side Guide Plate /Front		C	1	d-00Z3 5308 1
5	A03U 6000 01	BY-PASS FEED PAPER FEED TRAY /A		D	1	e-00Z6 7040 6
6	65AA 4263 0	SIDE GUIDE RACK		D	2	g-00Z3 5308 3
7	65AA 4268 0	PRESSING SPRING		C	1	h-00Z6 7020 6
8	65AA 4267 0	PAPER FEED POSITIONING PART		D	1	
9	56AA 8560 1	SIZE DETECTING VR		C	1	
10	65AA 4262 0	SIDE GUIDE PINION		C	1	
11	65AA 4261 0	MOUNTING PLATE		D	1	
12	65AA 4226 0	PAPER FEED TRAY POSITIONING PART		C	1	
13	65AA 4266 0F	PAPER FEED POSITIONING PLATE		D	1	
14	08AA 8551 2	PHOTO SENSOR		B	3	
15	65AA 4244 0	PAPER DETECTING ACTUATOR		C	1	
16	65AA 4243 0	BY PASS FEED COVER B		C	2	
17	65AA 4269 0	TRAY AUXILIARY PART		D	1	
18	65AA 4245 0	REAR DETECTING ACTUATOR		C	1	
19	A03U 6010 00	By-pass feed Cover /A		C	1	
20	A03U 9461 00	Regulating Label /2		C	1	
21	65AA 4950 0	PAPER EXIT SPACER 1		C	1	
22	65AA 4287 0	GEAR PRESSING SCREW		C	1	
23	A03U 6014 00	Paper Pressing Part /Lower		C	1	
24	A03U 6013 00	Paper Pressing Part /Upper		C	1	
25	A03U 6015 00	Spring Mounting Part		C	1	
26	A03U 9460 00	Paper feed Label /2		C	1	
27	65AA 4247 0	PIN 3		D	2	
28	65AA 4254 0	PAPER FEED TRAY STOPPER SHAFT		D	2	
29	65AA 4255 0	PAPER FEED TRAY FULCRUM SHAFT		D	2	
30	65AA 4264 0	GEAR REGULATING PAD		C	1	
31	65AA 4265 0	COVER PLATE		C	1	
32	25AA 1342 0	CONVEYANCE SPACER		D	2	
33	13QA 1033 0	SHAFT SPACER		C	6	

REGISTRATION SECTION

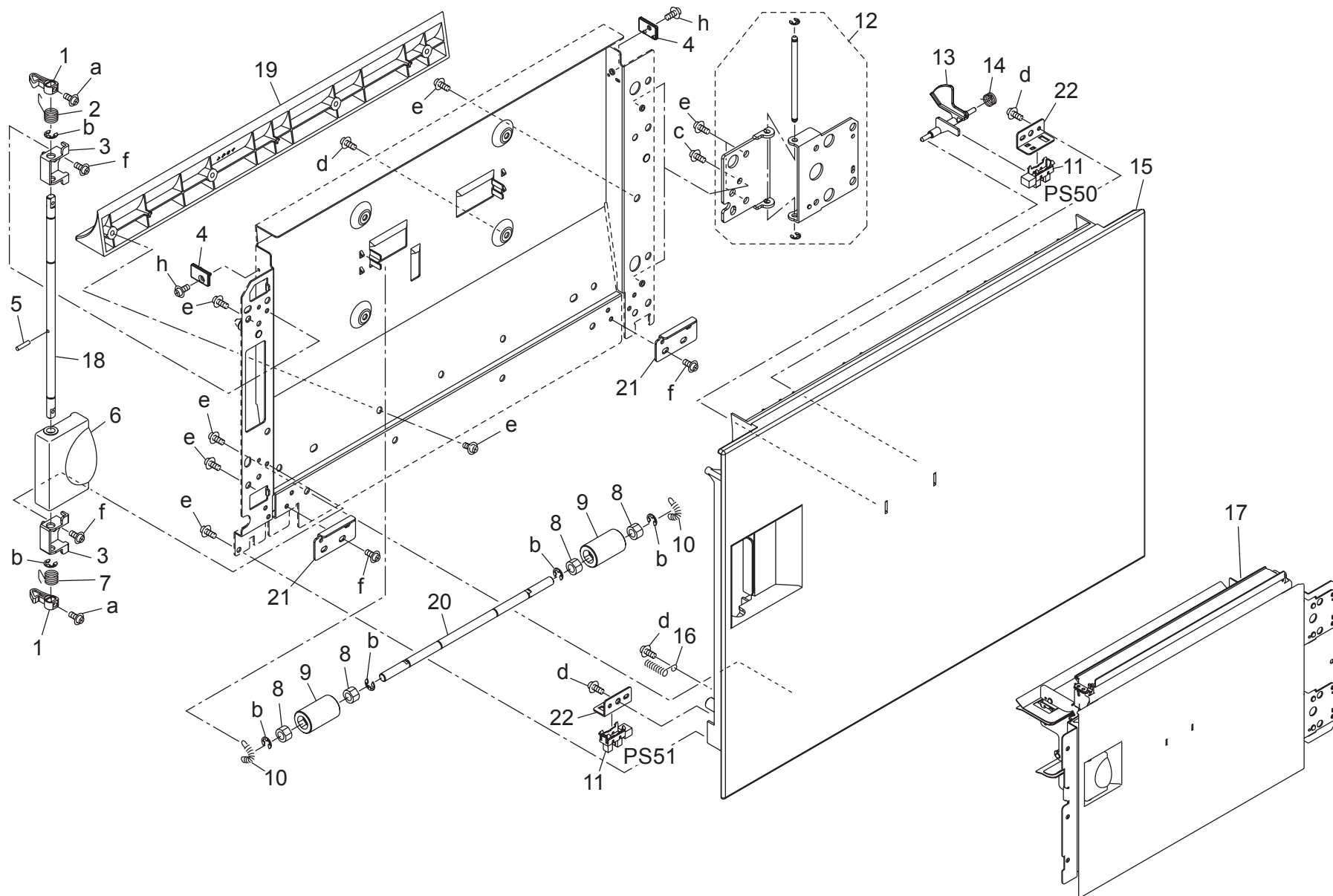




# REGISTRATION SECTION

Key	Part No.	Description	Destinations	Class	QTY	Standard parts
1	56AA 8552 1	CONVEYANCE PHOTO SENSOR		B	2	a-00Z3 8406 1
2	65AA R780 00	CLEANING STAY ASSY		B	1	b-00Z1 9306 1
3	A03U 7121 00	Registration Bearing		C	2	c-00Z1 8310 1
4	65AA 4608 0	REGISTRATION PRESSURE SPRING		C	2	d-00Z6 7040 6
5	5400 7605 0	BALL BEARING		B	6	e-00Z6 7060 6
6	56AA 1748 0	PIN B		C	2	f-00Z1 9304 1
7	65AA 7787 0	REGISTRATION GEAR 52T		C	1	g-00Z3 8306 1
8	65AA 7751 0	CONVEYANCE GEAR 40T		C	1	
9	65AA 4602 0	REGISTRATION DRIVEN ROLLER		C	1	
10	A03U 7106 00	Regist Guide Plate /Lower		C	1	
11	65AA 4603 0	CONVEYANCE ROLLER		C	1	
12	55VA 4212 0	SHAFT STOPPER		C	2	
13	A03X 6220 00	Detecting Cover		C	1	
14	A03U 7117 00	Guide Plate /2		D	1	
15	A03U M505 00	Temperature Sensor /5		C	1	
16	A03U 7107 00	Guide Plate /Upper		D	1	
17	65LA R707 00	REGISTRATION ROLLER ASSY		C	1	
18	65AA 4612 0	LOCKING PART		C	2	
19	A03U 7116 00	Mounting Plate /Middle		D	1	

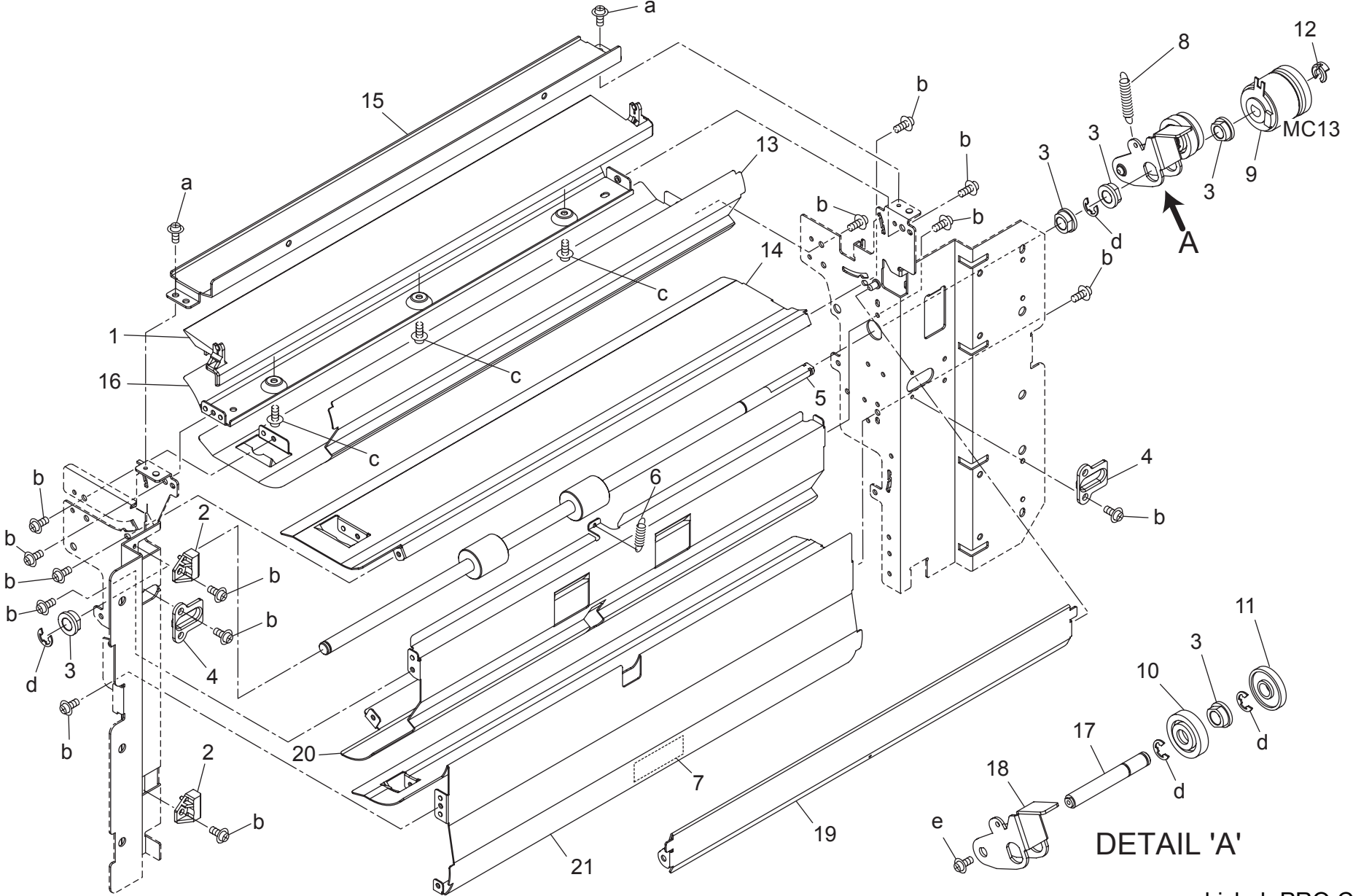
# VERTICAL CONVEYANCE SECTION



# VERTICAL CONVEYANCE SECTION

Key	Part No.	Description	Destinations	Class	QTY	Standard parts
1	56AA 4420 0	LOCKING CLAW		C	2	a-00Z1 8306 1 b-00Z6 7040 6 c-00Z1 9306 1 d-00Z3 5308 1 e-00Z2 5410 1 f-00Z1 9304 1 h-00Z1 2306 1
2	65AA 4423 0	LOCKING SPRING UPPER		C	1	
3	56AA 4415 0	SHAFT FIXING PART		C	2	
4	65AA 4446 0	REGULATING PLATE		C	2	
5	56AA 1730 0	PIN		C	1	
6	A03U 7002 01	Conveyance Handle		C	1	
7	65AA 4424 0	LOCKING SPRING LOWER		C	1	
8	A03U 8501 01	Slide Bearing		C	4	
9	26NA 4256 0	BY PASS FEED DRIVEN ROLLER		C	2	
10	65AA 4425 0	DRIVEN SPRING		C	2	
11	08AA 8551 2	PHOTO SENSOR		B	2	
12	65AA R776 00	OPEN SHUT HINGE ASSY		C	1	
13	65AA 4410 0	PAPER DETECTING ACTUATOR 1		C	1	
14	65AA 4427 0	CONVEYANCE SPRING		C	1	
15	A03U 7001 00	Conveyance Guide Door		C	1	
16	65AA 4438 0	POSITIONING SPRING		C	1	
17	A03U R751 00	VERTIAL CONVEYING		D	1	
18	65AA 4417 0E	LOCKING SHAFT		D	1	
19	65AA 4441 0	PAPER ENTRANCE PLATE		C	1	
20	65AA 4415 0	CONVEYANCE DRIVEN SHAFT		D	1	
21	65AA 4439 0	FIXING PLATE		D	2	
22	65AA 4447 0	MOUNTING PLATE		D	2	

# VERTICAL CONVEYANCE SECTION



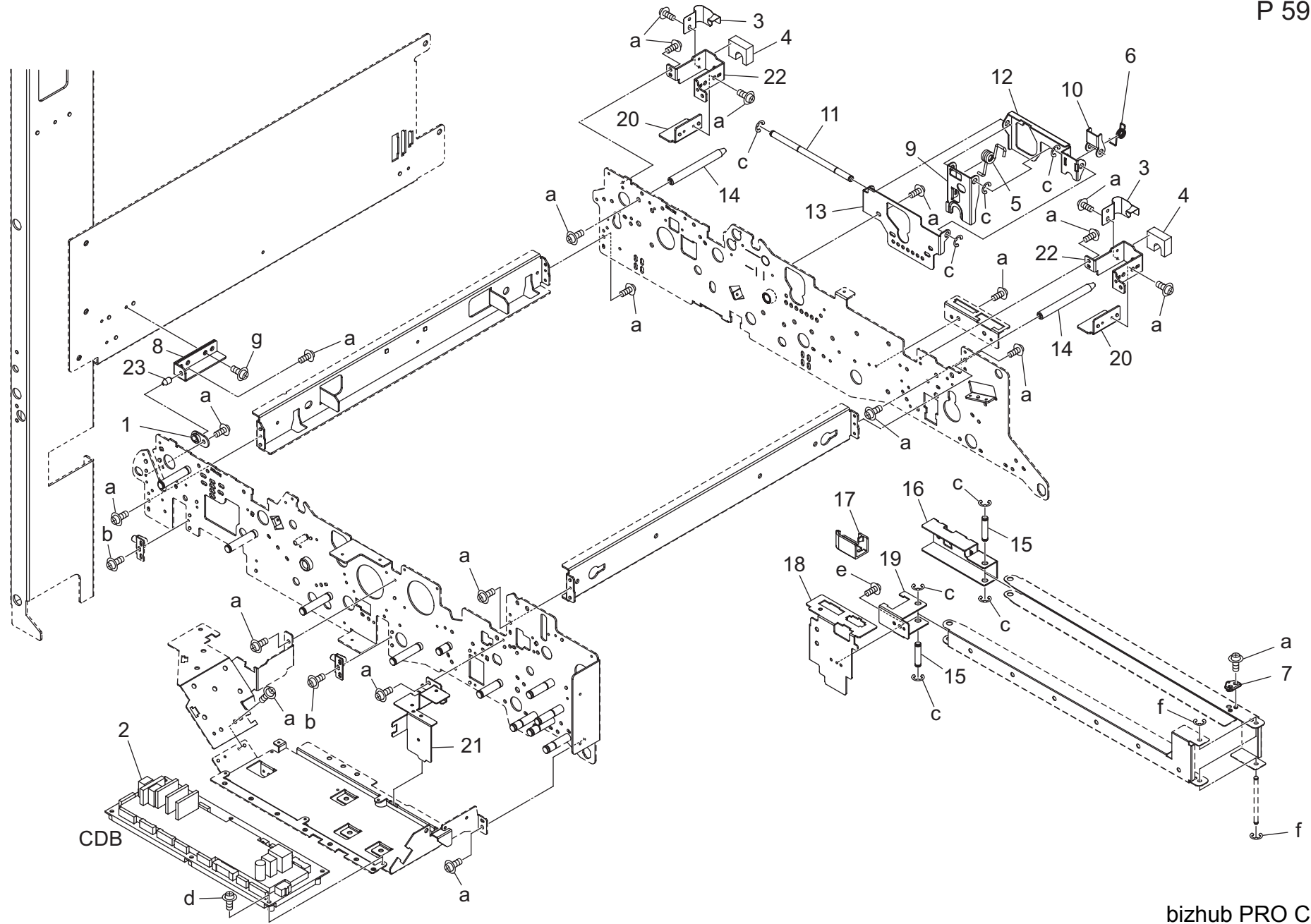
DETAIL 'A'

bizhub PRO C5500

# VERTICAL CONVEYANCE SECTION

Key	Part No.	Description	Destinations	Class	QTY	Standard parts
1	65AA 4430 0	PAPER GUIDE PLATE T		D	1	a-00Z1 9304 1 b-00Z1 9306 1 c-00Z3 5308 1 d-00Z6 7060 6 e-00Z1 9406 1
2	65AA 4420 0	LOCKING PLATE		C	2	
3	26NA 4082 0	PAPER FEED SLIDE BUSHING		C	5	
4	65AA 4422 0	POSITIONING COLLAR		C	2	
5	65AA 4413 0	CONVEYING ROLLER 1		C	1	
6	65AA 4444 0	OPEN SHUT SPRING		C	1	
7	A03U 7004 00	PAPER GUIDE SHEET		C	1	
8	65AA 4433 0	CONNECTING SPRING		C	1	
9	56AA 8201 2	PAPER FEED DRIVING CLUTCH		B	1	
10	25AA 7773 0	CONVEYANCE IDLER RIGHT 24T		C	1	
11	65AA 4435 0	STOPPER ROLLER		C	1	
12	55VA 4212 0	SHAFT STOPPER		C	1	
13	65AA 4403 0	PAPER GUIDE PLATE 1		D	1	
14	65AA 4405 0	PAPER GUIDE PLATE 3		D	1	
15	65AA 4428 0	PAPER GUIDE PLATE L		D	1	
16	65AA 4429 0	PAPER GUIDE PLATE C		D	1	
17	65AA 4432 0	CONNECTING SHAFT		D	1	
18	65AA 4434 0	CONNECTING PLATE		D	1	
19	65AA 4442 0	OPEN SHUT PLATE		D	1	
20	65AA 4443 0	PAPER GUIDE PLATE MIDDLE		D	1	
21	65AA 4406 0	PAPER GUIDE PLATE 4		D	1	

# DUPLEX SECTION

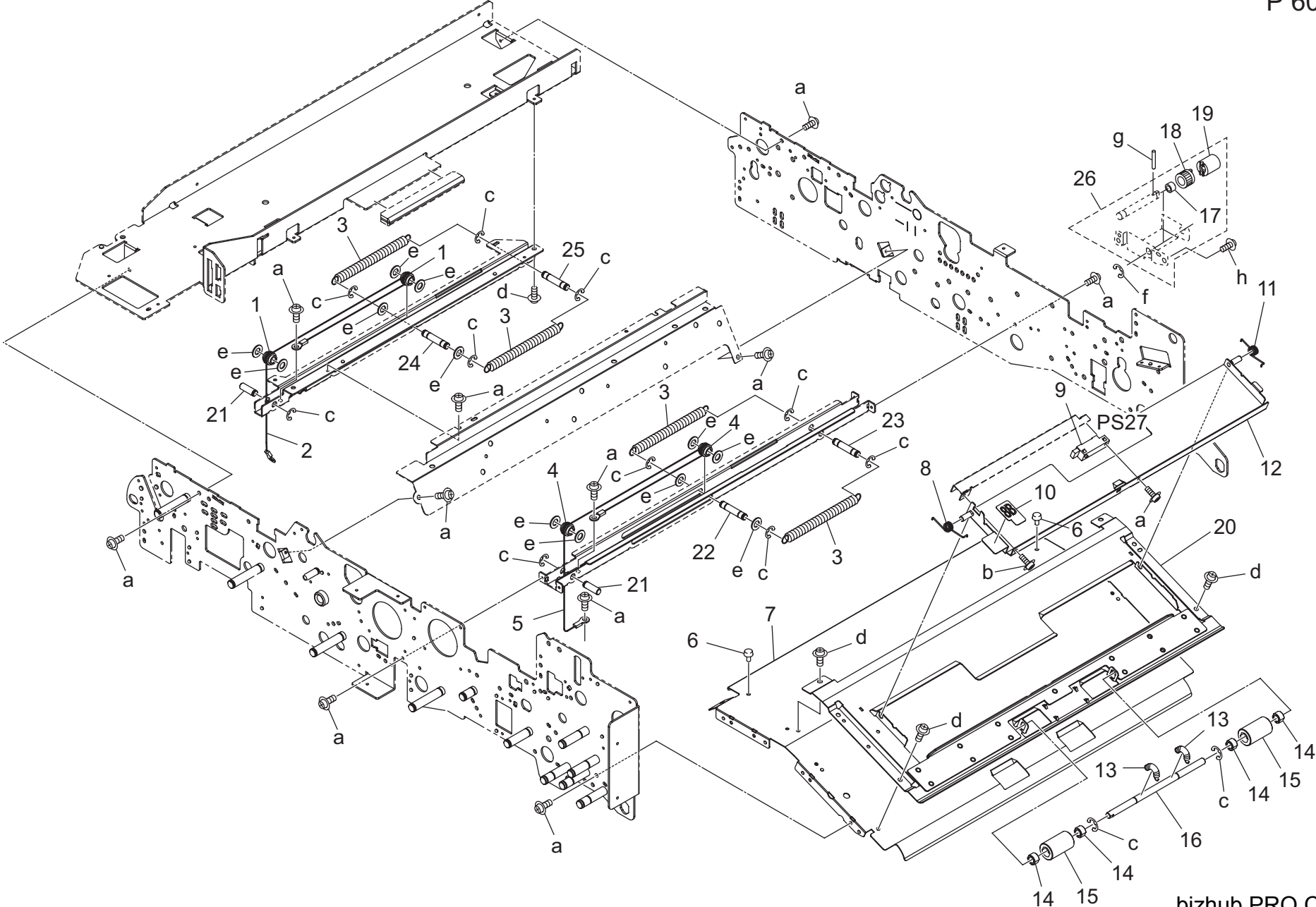


bizhub PRO C5500

# DUPLEX SECTION

Key	Part No.	Description	Destinations	Class	QTY	Standard parts
1	129X 4836 0	GUIDE SHAFT HOLDER B		C	1	a-00Z3 8306 1 b-00Z1 6308 1 c-00Z6 7040 6 d-00Z1 9304 1 e-00ZA A001 4 f-00Z6 7030 6 g-00Z1 9406 1
2	A03U H050 04	CONVEYANCE DRIVE BOARD ASSY.		I	1	
3	A03U 8137 02	Ground Plate		D	2	
4	A03U 8114 01	Protection Cushion		D	2	
5	65AA 5061 0	CAM STOPPER SPRING 1		C	1	
6	65AA 5063 0	CAM STOPPER SPRING 2		C	1	
7	56AA 5038 1	HINGE LIFTING BLOCK		C	1	
8	65AA 5043 0	SHAFT MOUNTING PLATE LEFT		D	1	
9	65AA 5057 0	TRANSFER RELEASE CAM 1		C	1	
10	65AA 5058 0	TRANSFER RELEASE CAM 2		C	1	
11	65AA 5059 0	TRANSFER RELEASE SHAFT 2		D	1	
12	65AA 5062 0	CAM CONNECTING PLATE		C	1	
13	65AA 5060 0	CAM MOUNTING PLATE		D	1	
14	65AA 5025 0	CARRIGE GUIDE PIN REAR		D	2	
15	65AA 5018 0	HINGE FULCRUM SHAFT 1		D	2	
16	65AA 5019 0	FULCRUM PLATE REAR		D	1	
17	65AA 5074 0	WIRING COVER 1		C	1	
18	A03U 8111 01	Carrige Fulcrum Plate /Front		D	1	
19	A03U 8112 00	Carriage Support Plate /2		D	1	
20	A03U 8115 00	Guide Holder /1		D	2	
21	A03U 8130 01	Wiring Guide Plate		D	1	
22	A03U 8113 00	GUIDE HOLDER /REAR		D	2	
23	65AA 5044 0D	Carriage Guide Pin /Left		C	1	

DUPLEX SECTION

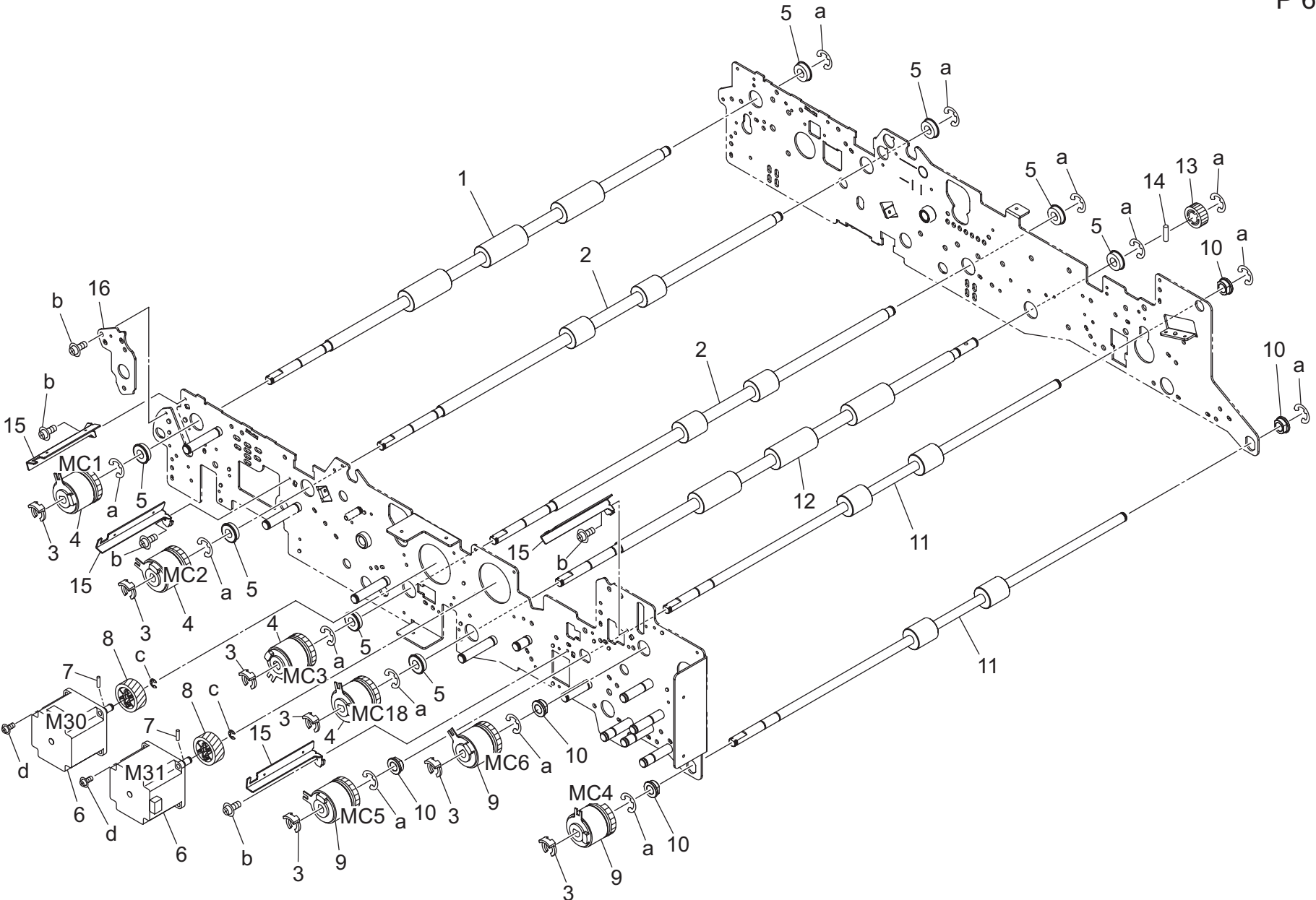




DUPLEX SECTION

Key	Part No.	Description	Destinations	Class	QTY	Standard parts
1	A03U 8135 00	Wire Pulley		C	2	a-00Z3 8306 1 b-00Z1 8310 1 c-00Z6 7040 6 d-00Z1 9304 1 e-00Z6 1060 1 f-00Z6 7040 1 g-00Z7 1210 1 h-00Z1 9306 1
2	A03U 8498 01	Wire /Left		C	1	
3	A03U 8136 01	ADU Open/shut Spring /Upper		C	4	
4	25AA 5008 0	WIRE PULLEY		C	2	
5	A03U 8497 01	Wire /Right		C	1	
6	12AJ 4585 0	STOPPER RUBBER		C	2	
7	65AA 5006 0	CONVEYANCE GUIDE PLATE LOWER		D	1	
8	65AA 5016 0	PRESSING SPRING LEFT		C	1	
9	56AA 8552 1	CONVEYANCE PHOTO SENSOR		B	1	
10	A03U 9432 00	Release Label /2		C	1	
11	65AA 5015 0	PRESSING SPRING RIGHT		C	1	
12	65AA 5009 0	CONVEYANCE GUIDE PLATE MIDDLE		D	1	
13	65AA 5140 0	ADU SPRING A		C	2	
14	A03U 8501 01	Slide Bearing		C	4	
15	26NA 4256 0	BY PASS FEED DRIVEN ROLLER		C	2	
16	65AA 5064 0	CONVEYANCE DRIVEN SHAFT 2		D	1	
17	56GA 7601 0	SLIDE SHAFT HOLDER 2		C	1	
18	A03U 8390 00	BRAKE GEAR /1 21T		C	1	
19	A03U 8157 00	TORQUE LIMITER		C	1	
20	65AA 5008 0E	CONVEYANCE GUIDE PLATE /RIGHT		C	1	
21	65AA 5151 0	ADU OPEN SHUT SHAFT 3		D	2	
22	65AA 5152 0	ADU OPEN SHUT SHAFT 1		D	1	
23	65AA 5153 0	ADU OPEN SHUT SHAFT 2		D	1	
24	A03U 8133 00	ADU Open/shut Shaft /1		D	1	
25	A03U 8134 00	ADU Open/shut Shaft /2		D	1	
26	A03U R785 00	BRAKE ASSY		C	1	

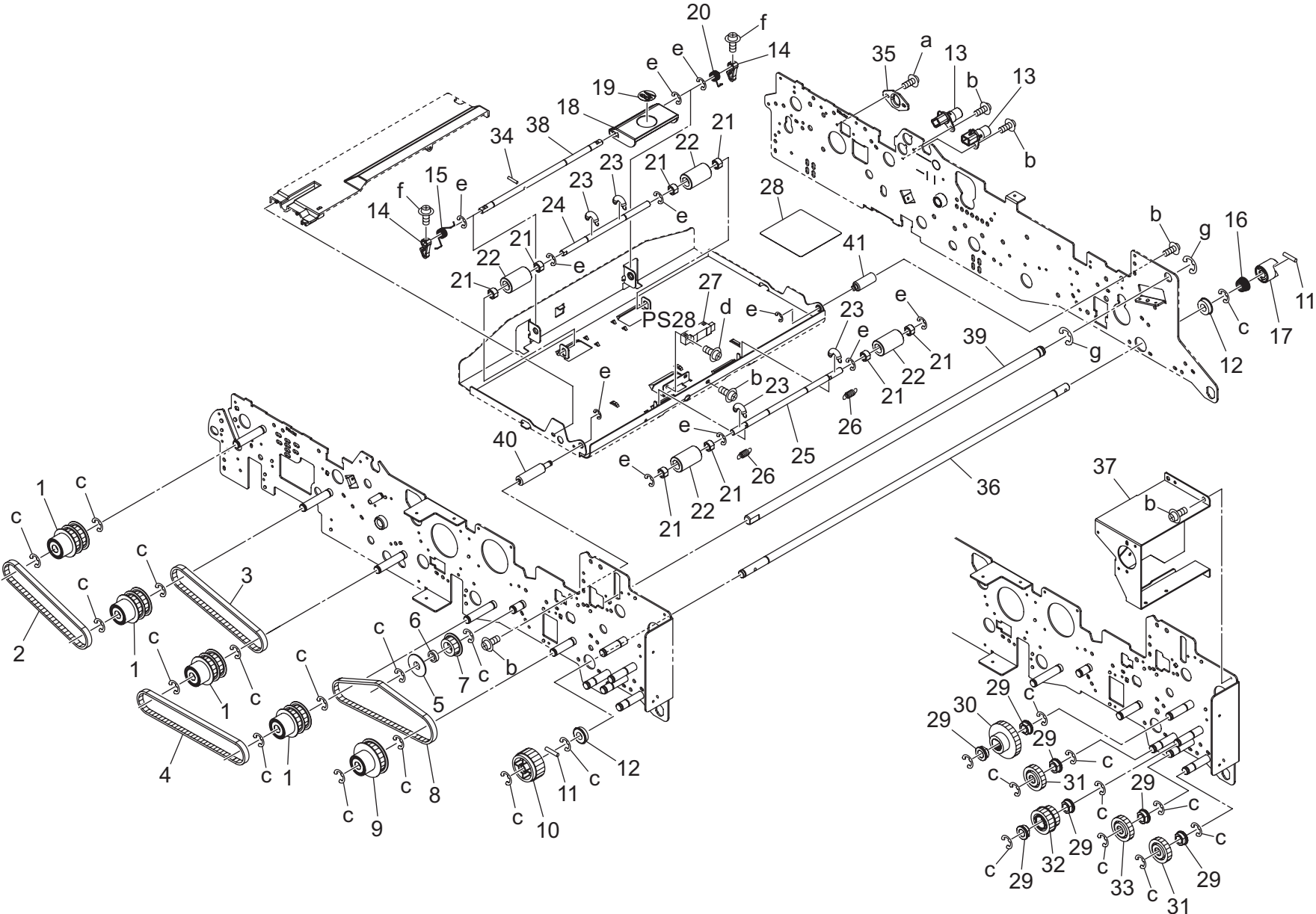
DUPLEX SECTION



DUPLEX SECTION

Key	Part No.	Description	Destinations	Class	QTY	Standard parts
1	A03U 8421 00	Roller /3		C	1	a-00Z6 7060 6 b-00Z3 8306 1 c-00Z6 7040 6 d-00Z1 9308 1
2	A03U 8422 00	Roller /4		C	2	
3	55VA 4212 0	SHAFT STOPPER		C	7	
4	A03U M201 00	Clutch /1		C	4	
5	5400 7605 0	BALL BEARING		B	8	
6	A03U M111 00	HB Motor /50		C	2	
7	56AA 1748 0	PIN B		C	2	
8	65AA 7752 0	REGISTRATION DRIVING GEAR 28T		C	2	
9	56AA 8201 2	PAPER FEED DRIVING CLUTCH		B	3	
10	A03U 8128 00	Slide Shaft Holder		C	5	
11	A03U 8122 00	ADU Conveying Roller /Right		C	2	
12	A03U 8504 00	ROLLER /4		C	1	
13	A03U 8389 00	BRAKE GEAR /2 24T		C	1	
14	56AA 1747 1	PIN B 3X12		C	1	
15	65AA 5128 0	ADU LOCKING PLATE		D	4	
16	A03U 8148 00	Carrige Connecting Plate		D	1	

DUPLEX SECTION

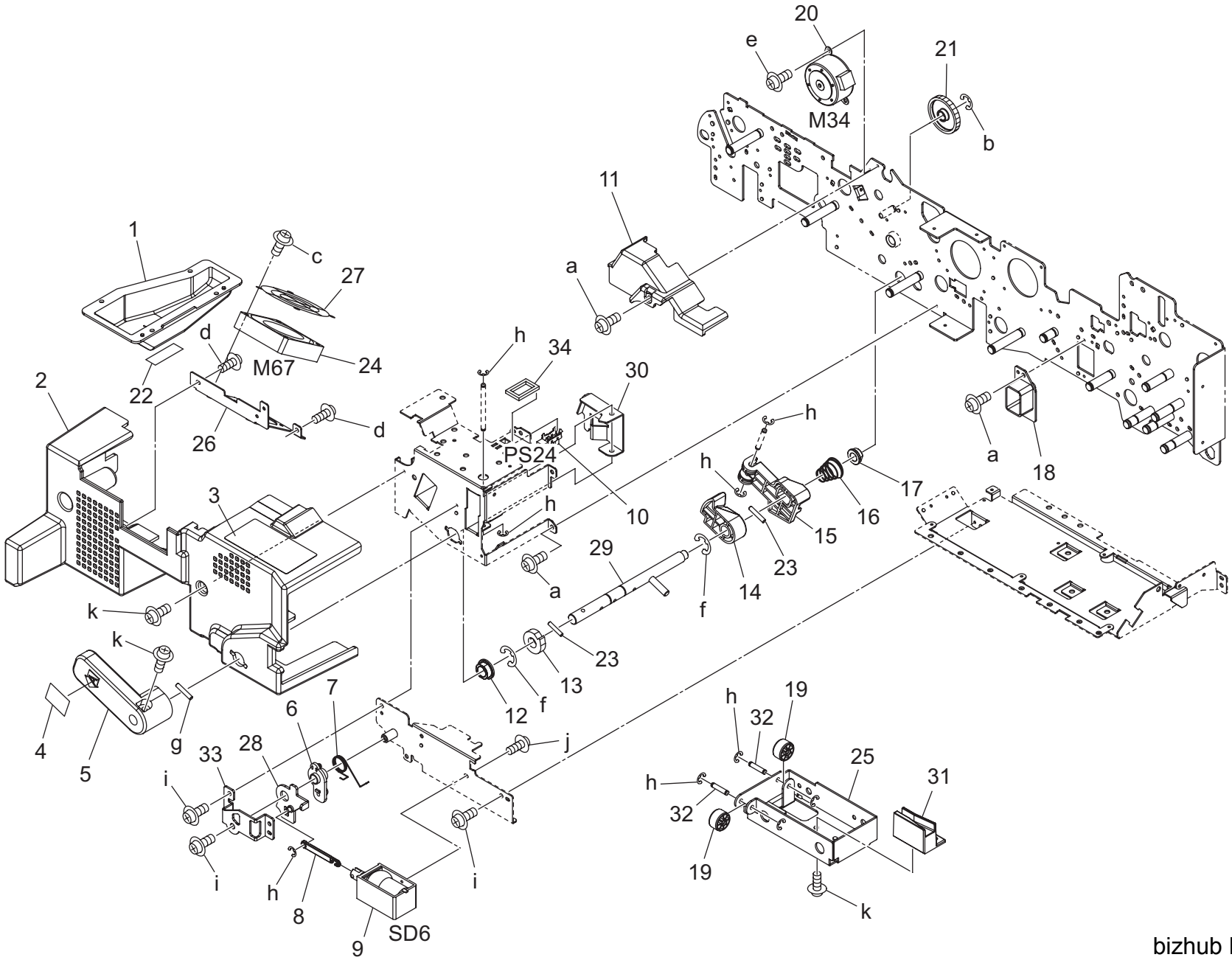


bizhub PRO C5500

DUPLEX SECTION

Key	Part No.	Description	Destinations	Class	QTY	Standard parts
1	A03U 8396 01	DRIVE PULLEY /2 24T 26T		C	4	a-00Z1 6308 1 b-00Z3 8306 1 c-00Z6 7060 6 d-00Z1 8310 1 e-00Z6 7040 6 f-00Z1 8306 1 g-00Z6 7080 6
2	A03U 8394 00	BELT /4 282L		C	1	
3	A03U 8393 00	BELT /3 300L		C	1	
4	A03U 8392 00	BELT /2 339L		C	1	
5	A03U 8139 00	Regulating Plate		C	1	
6	12QV 7503 0	SHAFT HOLDER C		C	1	
7	A03U 8397 00	IDLING PULLEY 21T		C	1	
8	A03U 8391 00	BELT /1 327L		C	1	
9	A03U 8395 01	DRIVE PULLEY /1 24T/34T		C	1	
10	65AA 7754 0	PAPER FEED GEAR 2 29T		C	1	
11	56AA 1748 0	PIN B		C	2	
12	5400 7605 0	BALL BEARING		B	2	
13	65AA R746 00	POWERING BLOCK A ASSY		C	2	
14	56AA 4420 0	LOCKING CLAW		C	2	
15	65AA 5012 0	LOCKING SPRING RIGHT		C	1	
16	56AA 1709 0	PRESSURE SPRING		C	1	
17	55VA 1554 1	CLEANER COUPLING PART		C	1	
18	65AA 4941 0	PAPER EXIT HANDLE		C	1	
19	A03U 9433 00	Release Label /3		C	1	
20	65AA 5013 0	LOCKING SPRING LEFT		C	1	
21	A03U 8501 01	Slide Bearing		C	8	
22	26NA 4256 0	BY PASS FEED DRIVEN ROLLER		C	4	
23	65AA 5140 0	ADU SPRING A		C	4	
24	65AA 5064 0	CONVEYANCE DRIVEN SHAFT 2		D	1	
25	65AA 5118 0	ADU DRIVEN SHAFT 1		D	1	
26	65AA 5017 0	CONVEYANCE SPRING		C	2	
27	56AA 8552 1	CONVEYANCE PHOTO SENSOR		B	1	
28	A03U 9427 00	Caution Label /3		C	1	
29	A03U 8128 00	Slide Shaft Holder		C	7	
30	65AA 7773 0	BY PASS FEED DRIVING GEAR 2		C	1	
31	25AA 7773 0	CONVEYANCE IDLER RIGHT 24T		C	2	
32	65AA 7772 0	BY PASS FEED DRIVING GEAR 1 20T/24T		C	1	
33	25AA 7772 0	CONVEYANCE IDLER LEFT 24T		C	1	
34	56AA 1732 1	PIN A D2X12		C	1	
35	A03U 8118 00	ADU Positioning Plate /2		C	1	
36	A03U 8121 00	Drive Input Shaft		D	1	
37	A03U 8138 00	Motor Mounting Plate		D	1	
38	65AA 5011 0	LOCKING SHAFT		D	1	
39	65AA 5047 0E	Carrige Handle /Right		D	1	
40	65AA 5048 0	CONVEYANCE FULCRUM SHAFT FRONT		D	1	
41	65AA 5049 0	CONVEYANCE FULCRUM SHAFT REAR		D	1	

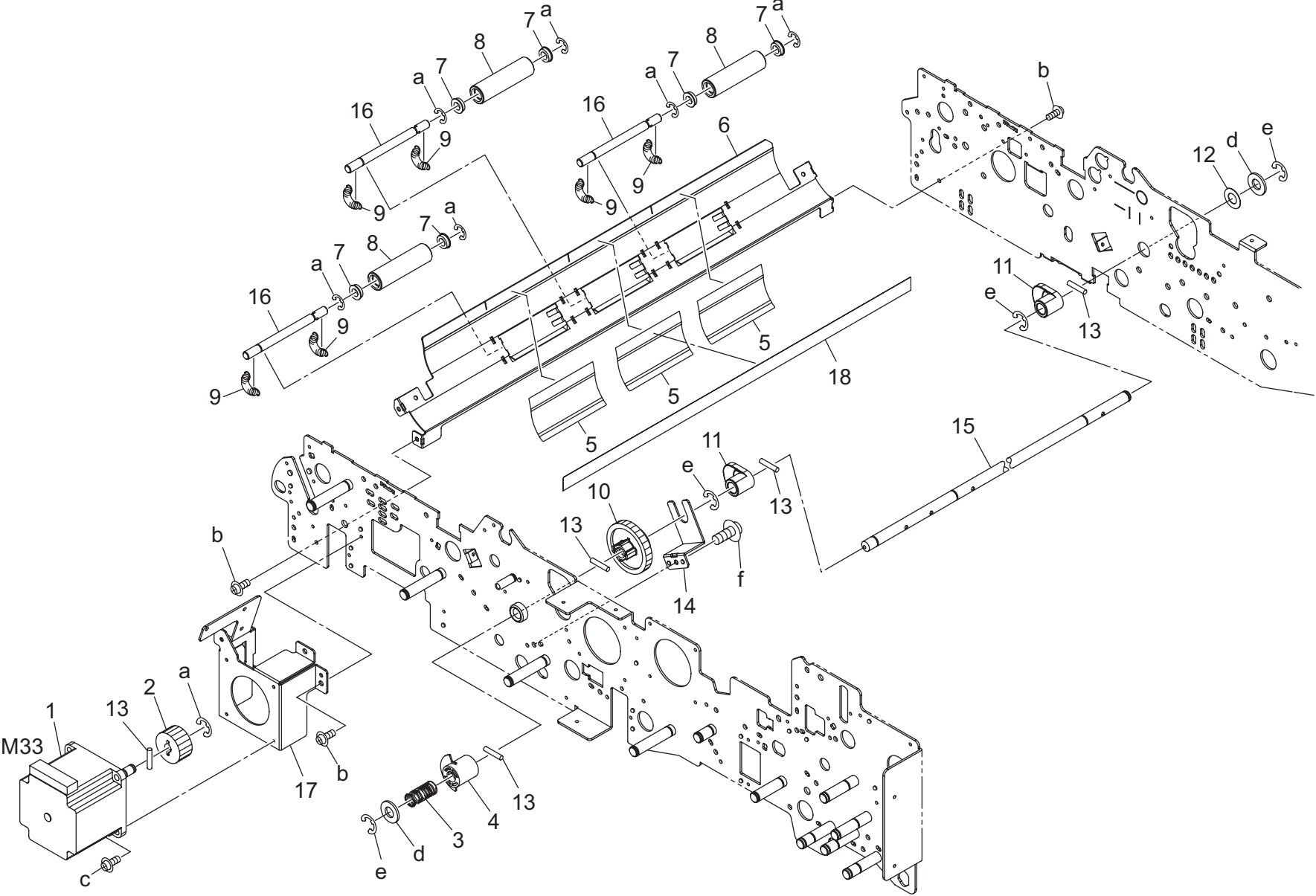
DUPLEX SECTION



DUPLEX SECTION

Key	Part No.	Description	Destinations	Class	QTY	Standard parts
1	A03U 7283 00	Fusing Duct /1		C	1	a-00Z3 5306 1
2	A03U 8110 02	ADU COVER /LEFT		C	1	b-00Z6 7040 6
3	A03U 9429 00	Caution Label /5		C	1	c-00Z1 9320 1
4	A03U 9431 00	Release Label /1		C	1	d-00Z2 5308 1
5	57AA 5076 0	CARRIAGE PULLING LEVER		C	1	e-00Z1 8304 1
6	56AA 5070 0	LEVER LOCKING PART		C	1	f-00Z6 7080 6
7	65AA 5081 0	LOCKING SPRING RIGHT		C	1	g-00Z7 1316 6
8	56AA 5073 0	SOLENOID PULLING LEVER		C	1	h-00Z6 7030 6
9	56AA -040 0	ADU CONNECTING SOLENOID ASSY		B	1	i-00Z3 8306 1
10	08AA 8551 2	PHOTO SENSOR		B	1	j-00Z1 9304 1
11	A03U 8149 02	TRANSFER RELEASE COVER		C	1	k-00Z1 9306 1
12	4620 7601 0	DRIVING SLIDE SHAFT HOLDER A		C	1	
13	25AA 4750 0	CARRIAGE LOCK CLAW B		C	1	
14	65AA 5035 0	RELEASE CAM		C	1	
15	65AA 5032 0	LOCKING CAM		C	1	
16	65AA 5042 0	CAM HOLDING SPRING		D	1	
17	A03U 8128 00	Slide Shaft Holder		C	1	
18	A03U 8109 00	Wiring Guide Part		C	1	
19	13NG 4520 0	CONVEYANCE DRIVEN ROLLER		C	2	
20	15AA R736 00	MOTOR 2 ASSY		C	1	
21	40AA 7755 0	MIRROR DRIVING GEAR 2 70T 14T		C	1	
22	A03U 7360 00	Auxiliary Seal /A		C	1	
23	56AA 1746 1	PIN A		C	2	
24	56AA 8055 1	FAN MOTOR 2		B	1	
25	A03U 8160 00	FIXING PLATE /FRONT		D	1	
26	A03U 8150 02	Mounting Plate		D	1	
27	57GA 1210 0	FAN COVER 2		C	1	
28	65AA -078 0	LEVER LOCK PLATE ASSY		D	1	
29	65AA R701 00	LOCK PIN ASSY		D	1	
30	65AA 5031 0	TRANSFER RELEASE PLATE		D	1	
31	65AA 5038 0	GUIDE BLOCK		C	1	
32	65AA 5040 0	GUIDE SHAFT		D	2	
33	65AA 5084 0	SHAFT HOLDING PLATE		D	1	
34	65AA 5086 0	COVER		C	1	

DUPLEX SECTION

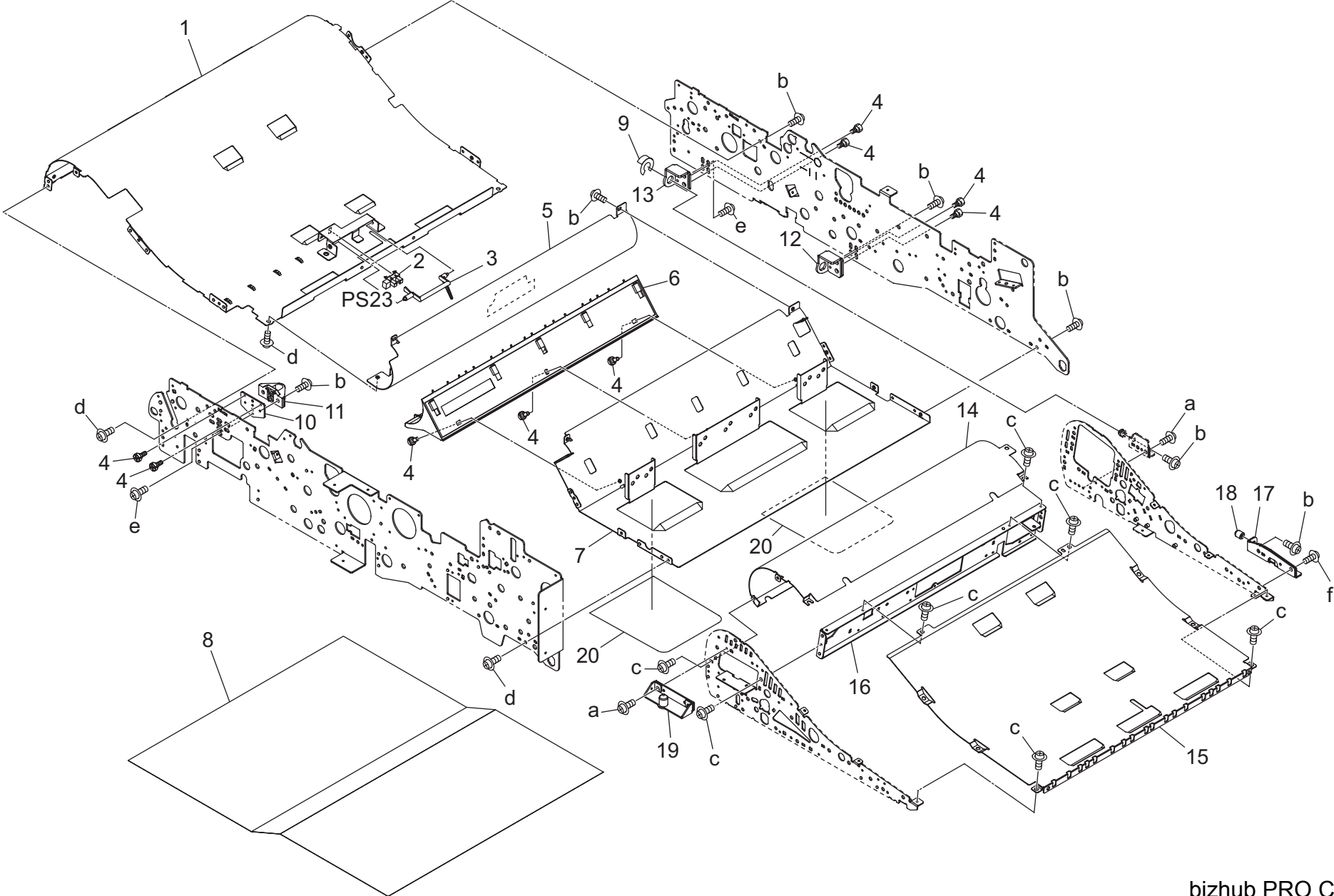




DUPLEX SECTION

Key	Part No.	Description	Destinations	Class	QTY	Standard parts
1	A03U M111 00	HB Motor /50		C	1	a-00Z6 7040 6 b-00Z3 8306 1 c-00Z1 9308 1 d-00Z6 1080 1 e-00Z6 7060 6 f-00Z3 5306 1
2	A03U 8899 00	RIVERSE/EXIT GEAR /1 22T		C	1	
3	65AA 4523 0	CAM PULLING SPRING		C	1	
4	65AA 4522 0	TRANSFER PRESSURE ACTUATOR		C	1	
5	A03U 8144 00	Guide Sheet		C	3	
6	A03U 8140 00	Guide Plate /Lower		D	1	
7	25SA 7504 0	BEARING		C	6	
8	A03U 8142 00	Idler Roll		C	3	
9	A03U 8143 00	Conveyance Spring		C	6	
10	65AA 7771 0	TRANSFER RELEASE GEAR 1 38T		C	1	
11	A03U 5221 00	Pressure Cam		C	2	
12	55VA 3253 0	SPACER		C	1	
13	56AA 1732 1	PIN A D2X12		C	5	
14	65AA 4524 1	GEAR REGULATING PLATE		D	1	
15	A03U 5220 01	Release Shaft		D	1	
16	A03U 8141 00	Idler Shaft /Lower		D	3	
17	A03U 8145 01	Positioning Plate /Lower		D	1	
18	A03U 8158 00	GUIDE SHEET /A		C	1	

DUPLEX SECTION

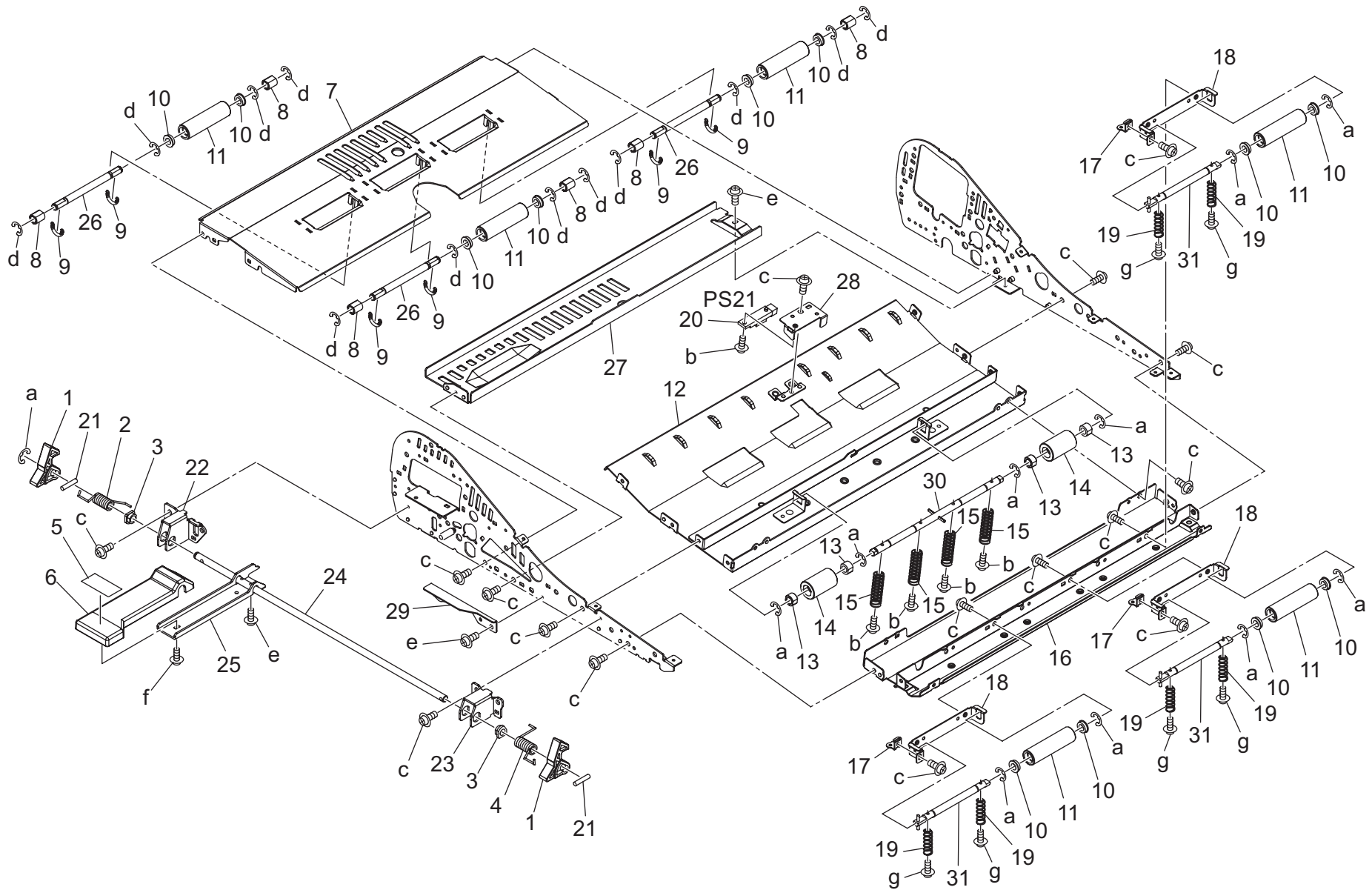


DUPLEX SECTION

Key	Part No.	Description	Destinations	Class	QTY	Standard parts
1	A03U 8401 01	Guide Plate /1		D	1	a-00Z1 9306 1 b-00Z3 8306 1 c-00Z1 8304 1 d-00Z1 9304 1 e-00Z1 6308 1 f-00Z1 9308 1
2	08AA 8551 2	PHOTO SENSOR		B	1	
3	65AA 5173 0	ADU SENSOR 2		C	1	
4	65AA 4951 0F	FIXING SCREW /1		C	9	
5	A03U 8402 01	GUIDE PLATE /2		D	1	
6	A03U 8403 00	Guide Plate /3		D	1	
7	A03U 8404 00	Guide Plate /4		D	1	
8	65AA 5147 0	ADU GUIDE PLATE P		D	1	
9	55VA 4212 0	SHAFT STOPPER		C	1	
10	A03U 8116 00	ADU Positioning Plate /1		D	1	
11	A03U 8435 00	Positioning Part		D	1	
12	A03U 8440 00	Support Plate /A		D	1	
13	A03U 8441 00	Support Plate /B		D	1	
14	A03U 8417 00	Guide Plate /L		D	1	
15	A03U 8418 00	Guide Plate /M		D	1	
16	A03U 8423 01	Support Plate /1		D	1	
17	A03U 8438 01	Support Plate /Right		D	1	
18	A03U 8439 00	Support Shaft /Right		D	1	
19	A03U R778 00	MOUNTING PLATE 1CAULKING		D	1	
20	A03U 8159 00	GUIDE SHEET		D	2	

# DUPLEX SECTION

P 66

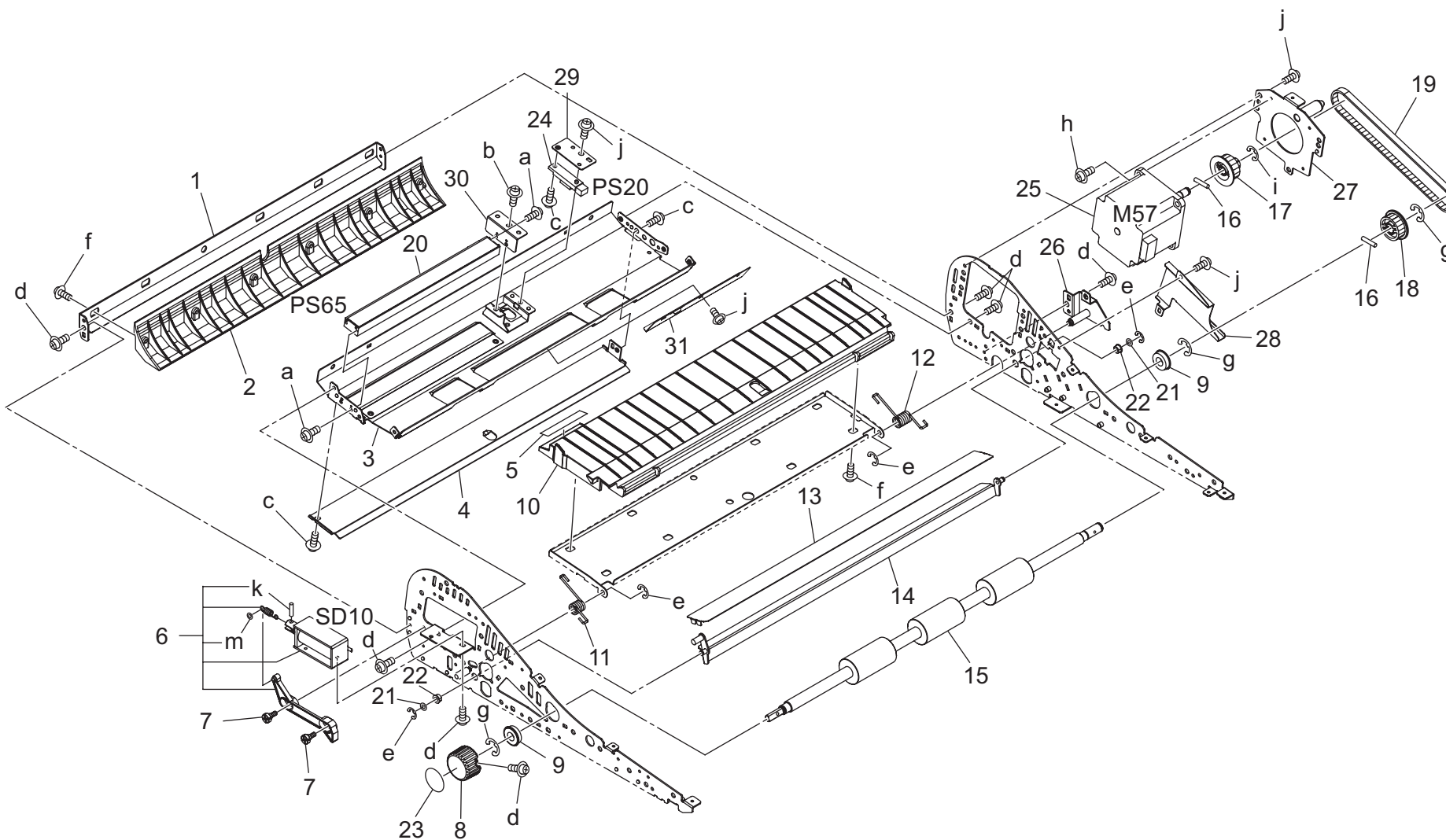


DUPLEX SECTION

Key	Part No.	Description	Destinations	Class	QTY	Standard parts
1	A03U 8447 00	Lock Claw		C	2	a-00Z6 7040 6 b-00Z1 8306 1 c-00Z1 9304 1 d-00Z6 7030 6 e-00Z1 9306 1 f-00Z2 5308 1 g-00Z1 8304 1
2	A03U 8445 00	Open/close Spring /1		C	1	
3	4660 7602 0	PAPER FEED SHAFT HOLDER		B	2	
4	A03U 8446 00	Open/close Spring /2		C	1	
5	A03U 9438 00	Release Label /8		C	1	
6	A03U 8449 01	Open/close Lever		C	1	
7	A03U 8412 00	Guide Plate /F		D	1	
8	A03U 8452 00	Collar /1		C	6	
9	A03U 8426 00	Conveyance Spring /2		C	6	
10	25SA 7504 0	BEARING		C	12	
11	A03U 8453 01	Idler Roller /1		C	6	
12	A03U 8413 02	GUIDE PLATE /G		D	1	
13	A03U 8501 01	Slide Bearing		C	4	
14	26NA 4256 0	BY PASS FEED DRIVEN ROLLER		C	2	
15	A03U 8429 00	Conveyance Spring /5		C	4	
16	A03U 8414 00	Guide Plate /H		D	1	
17	A03U 8462 00	Mounting Plate /6		D	3	
18	A03U 8461 00	Mounting Plate /5		D	3	
19	A03U 8430 00	Conveyance Spring /6		C	6	
20	13QA 8551 1	SENSOR 1		B	1	
21	56AA 1747 1	PIN B 3X12		C	2	
22	A03U 8442 00	Mounting Plate /Left		D	1	
23	A03U 8443 00	Mounting Plate /Right		D	1	
24	A03U 8444 00	Lock Shaft		D	1	
25	A03U 8448 02	Open/close Plate		D	1	
26	A03U 8451 00	Idler Shaft /B		D	3	
27	A03U 8483 00	Reinforce Plate /B		D	1	
28	A03U 8502 00	Mounting Plate /F		D	1	
29	A03U R779 00	MOUNTING PLATE B CAULKING		D	1	
30	A03U R783 00	IDLER SHAFT E ASSY		D	1	
31	A03U R784 00	IDLER SHAFT F ASSY		D	3	

# DUPLEX SECTION

P 67

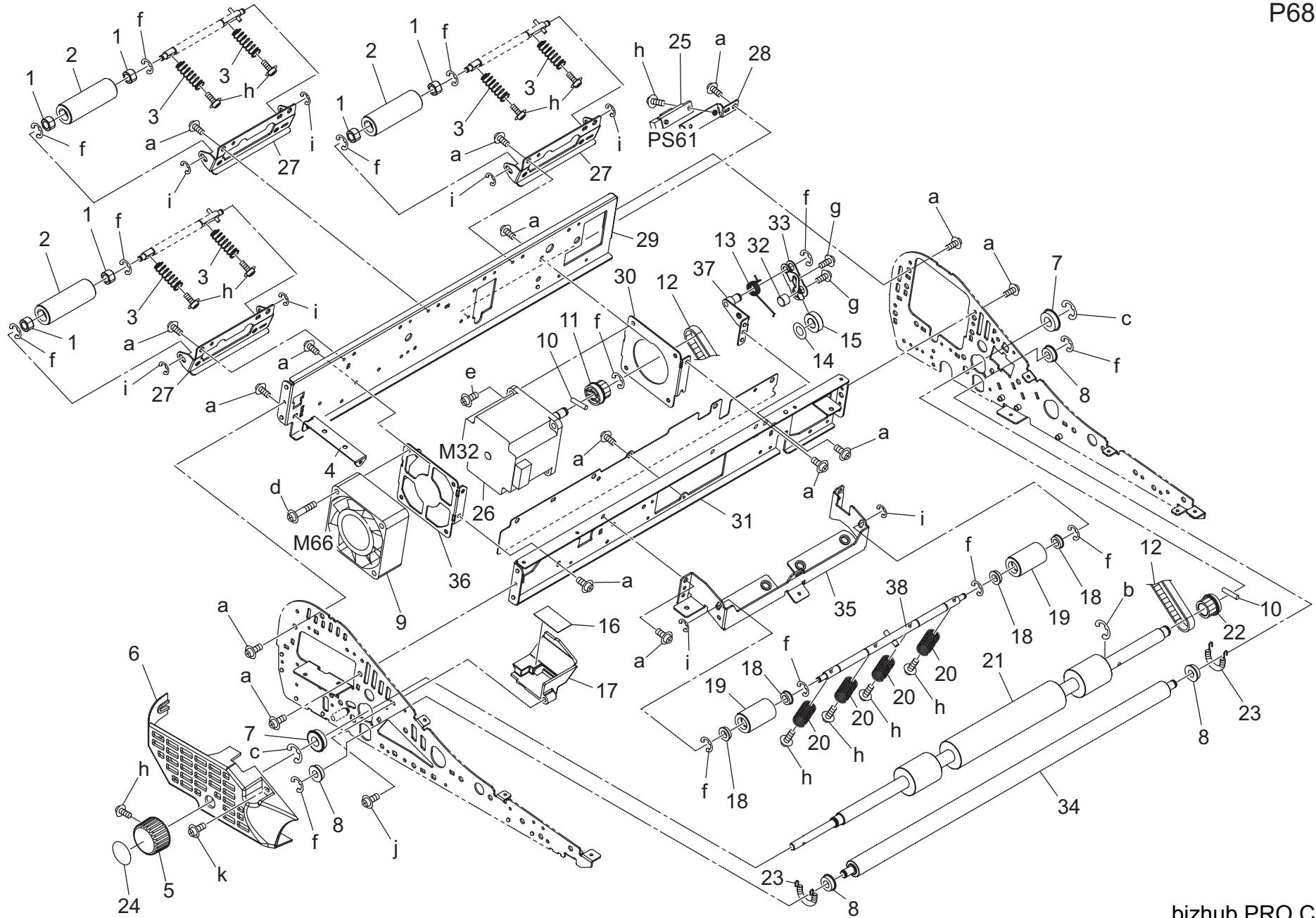


DUPLEX SECTION

Key	Part No.	Description	Destinations	Class	QTY	Standard parts
1	A03U 8416 00	Guide Plate /K		D	1	a-00Z2 4B05 1
2	A03U 8415 00	Guide Plate /J		C	1	b-00Z3 8306 1
3	A03U 8411 01	GUIDE PLATE /E		D	1	c-00Z1 8306 1
4	A03U 8410 00	Guide Plate /D		C	1	d-00Z1 9304 1
5	A03U 9439 00	Release Label /9		C	1	e-00Z6 7030 6 f-00Z2 4306 1
6	A03U R737 00	ADU SOLENOID ASSY		C	1	g-00Z6 7060 6
7	65AA 4951 0F	FIXING SCREW /1		C	2	h-00Z1 9308 1
8	14GE 4547 0	ROTARY KNOB		C	1	i-00Z6 7040 6
9	5400 7605 0	BALL BEARING		B	2	j-00Z1 9306 1
10	A03U 8407 00	Guide Plate /A		C	1	k-00Z7 1312 6 m-00Z6 6020 6
11	A03U 8480 00	Open/close Spring /3		C	1	
12	A03U 8481 00	Open/close Spring /4		C	1	
13	A03U 8408 00	Guide Plate /B		C	1	
14	A03U 8409 01	Guide Plate /C		D	1	
15	A03U 8420 00	Roller /2		C	1	
16	56AA 1730 0	PIN		C	2	
17	A03U 8594 00	PULLEY /1 24T		C	1	
18	A03U 8595 00	PULLEY /2 24T		C	1	
19	A03U 8599 00	BELT /2 330L		C	1	
20	56UA 8551 0E	Paper Compensating Sensor		C	1	
21	65AA 4952 0	PAPER EXIT MOUNTING SPACER		C	2	
22	12VR 7551 0	DOUBLE FEED PV SHAFT HOLDER		C	2	
23	A03U 9441 00	Release Label /B		C	1	
24	13QA 8551 1	SENSOR 1		B	1	
25	65AA 8011 2	HB MOTOR 50		B	1	
26	A03U R767 00	SUPPORT PLATE C CAULKING		D	1	
27	A03U R780 00	MOUNTING PLATE 2 CAULKING		D	1	
28	A03U 8466 00	Cover Plate		D	1	
29	A03U 8470 00	Mounting Plate /8		D	1	
30	A03U 8471 00	Mounting Plate /9		D	1	
31	A03U 8506 00	GUIDE PLATE /S		D	1	

# DUPLEX SECTION

P68

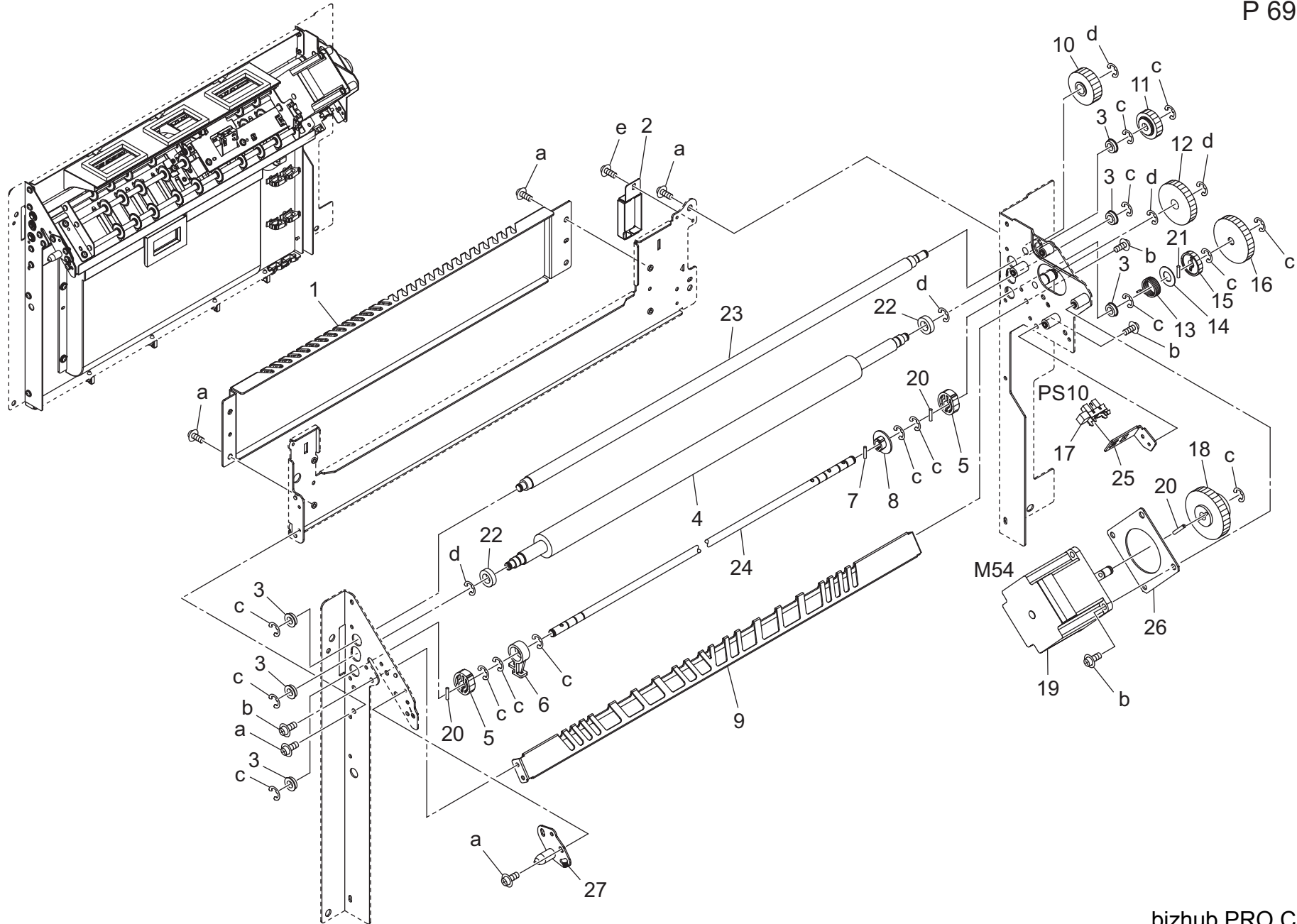




Key	Part No.	Description	Destinations	Class	QTY	Standard parts
1	A03U 8501 01	Slide Bearing		C	6	a-00Z1 9304 1
2	A03U 8456 01	Idler Roller /2		C	3	b-00Z6 7080 6
3	A03U 8427 00	Conveyance Spring /3		C	6	c-00Z6 7060 6
4	A03U 8469 00	Mounting Plate /7		D	1	d-00Z1 9330 1
5	14GE 4547 0	ROTARY KNOB		C	1	e-00Z1 9308 1
6	A03U 8496 01	Cover /Front		C	1	f-00Z6 7040 6
7	5400 7605 0	BALL BEARING		B	2	g-00Z1 9306 1
8	0650 7502 0	BEARING B		C	4	h-00Z1 8306 1
9	56QA 8057 0	INTERNAL COOLING FAN		C	1	i-00Z6 7030 6
10	56AA 1748 0	PIN B		C	2	j-00Z2 5308 1
11	A03U 8596 00	PULLEY /3 16T		C	1	k-00ZA A001 4
12	A03U 8598 00	BELT /1 159L		C	2	
13	A03U 8488 00	Tension Spring		C	1	
14	65AA 4950 0	PAPER EXIT SPACER 1		C	1	
15	26NA 3065 0	DEVELOPING SHAFT HOLDER REAR		C	1	
16	A03U 8489 01	Sheet /1		C	1	
17	A03U 8473 00	Duct /A		D	1	
18	25SA 7504 0	BEARING		C	4	
19	A03U 8459 01	Idler Roller /3		C	2	
20	A03U 8428 00	Conveyance Spring /4		C	4	
21	A03U 8419 00	Roller /1		C	1	
22	A03U 8597 00	PULLEY /4 16T		C	1	
23	A03U 8425 00	Conveyance Spring /1		C	2	
24	A03U 9440 00	Release Label /A		C	1	
25	13QA 8551 1	SENSOR 1		B	1	
26	65AA 8011 2	HB MOTOR 50		B	1	
27	A03U 8454 00	Mounting Plate /3		D	3	
28	A03U 8472 00	Mounting Plate /A		D	1	
29	A03U 8424 00	Support Plate /2		D	1	
30	A03U 8467 00	Slide Plate /A		D	1	
31	A03U 8423 01	Support Plate /1		D	1	
32	A03U 8486 01	Tension Shaft		C	1	
33	A03U 8487 01	Support Plate /E		C	1	
34	A03U 8450 01	Idler Shaft /A		C	1	
35	A03U 8457 00	Mounting Plate /4		D	1	
36	A03U 8468 00	Slide Plate /B		D	1	
37	A03U R781 00	SUPPORT SHAFT D CAULKING		D	1	
38	A03U R782 00	IDLER SHAFT D ASSY		D	1	

# PAPER EXIT SECTION

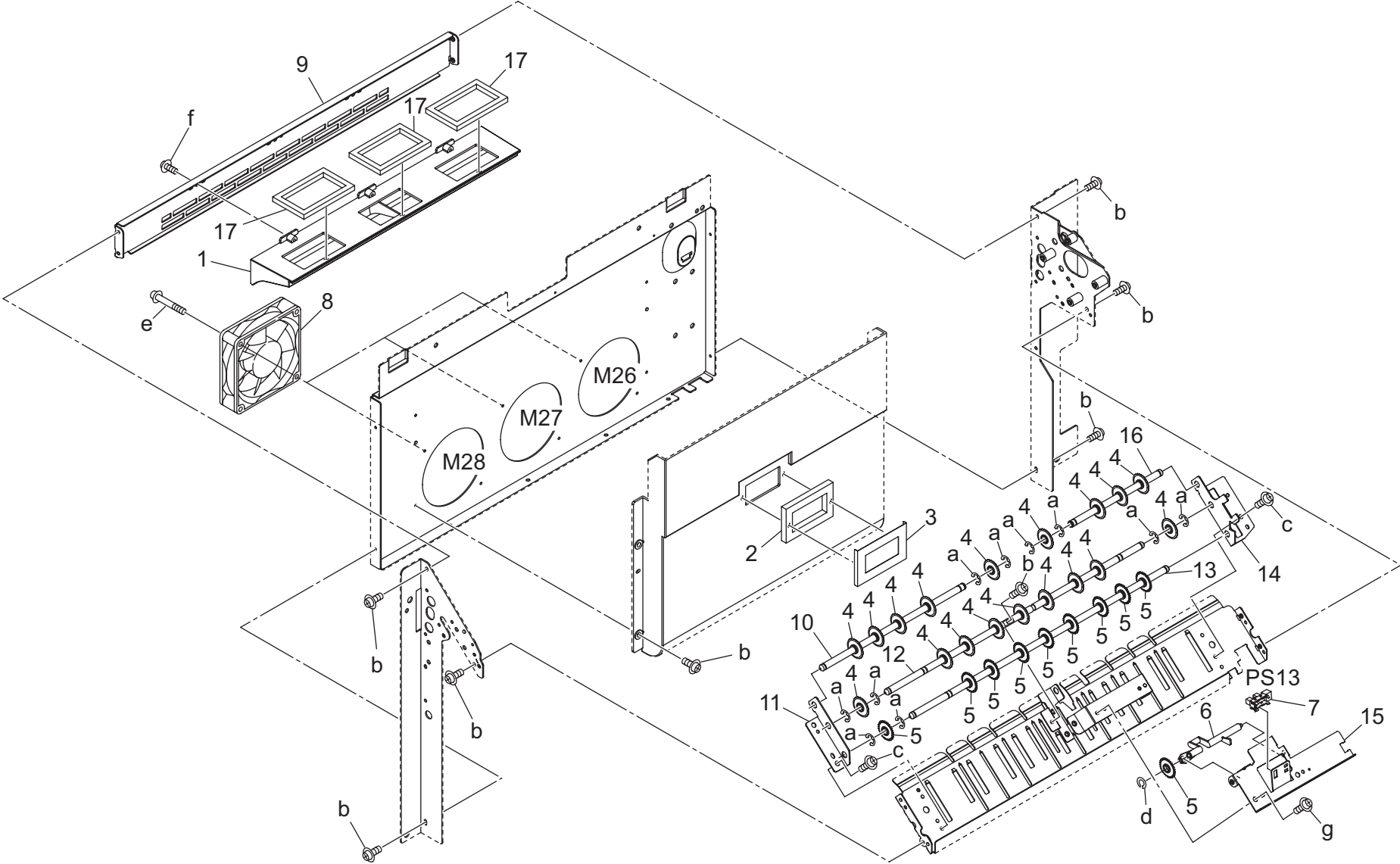
P 69



PAPER EXIT SECTION

Key	Part No.	Description	Destinations	Class	QTY	Standard parts
1	A03U 8933 01	GUIDE PLATE /Z		C	1	a-00Z1 9306 1 b-00Z1 9308 1 c-00Z6 7040 6 d-00Z6 7060 6 e-00Z1 9304 1
2	A03U 8934 00	Drive Cover		D	1	
3	25SA 7504 0	BEARING		C	6	
4	A03U 8926 00	PAPER EXIT ROLLER /B		B	1	
5	A03U 8927 01	Positioning Cam		C	2	
6	A03U 8935 02	Regulating Cam		C	1	
7	56AA 1731 0	PIN		C	1	
8	A03U 8928 00	Positioning Roll		C	1	
9	A03U 8902 00	Guide Plate /Lower		C	1	
10	A03U 9098 00	PAPER EXIT GEAR /2 29T		C	1	
11	A03U 9097 01	PAPER EXIT GEAR /3 23T		C	1	
12	A03U 9096 00	PAPER EXIT GEAR /4 37T		C	1	
13	A03U 8932 00	Stopper Spring		C	1	
14	A03U 8931 01	Spacer /Rear		C	1	
15	A03U 8930 00	Slide Plate		C	1	
16	A03U 9095 02	PAPER EXIT GEAR /5 40T		C	1	
17	08AA 8551 2	PHOTO SENSOR		B	1	
18	A03U 9099 00	PAPER EXIT GEAR /1 22T 44T		C	1	
19	A03U M111 00	HB Motor /50		C	1	
20	56AA 1755 1	PIN A		C	3	
21	56AA 1732 1	PIN A D2X12		C	1	
22	07AA 7506 2	BEARING		C	2	
23	A03U 8925 00	Paper exit Shaft		D	1	
24	A03U 8929 01	Regulating Shaft		D	1	
25	A03U 8909 00	PLATE /REAR		D	1	
26	A03U 8908 00	Positioning Plate /Rear		D	1	
27	A03U R776 00	POSITIONING SHAFT CAULKING		D	1	

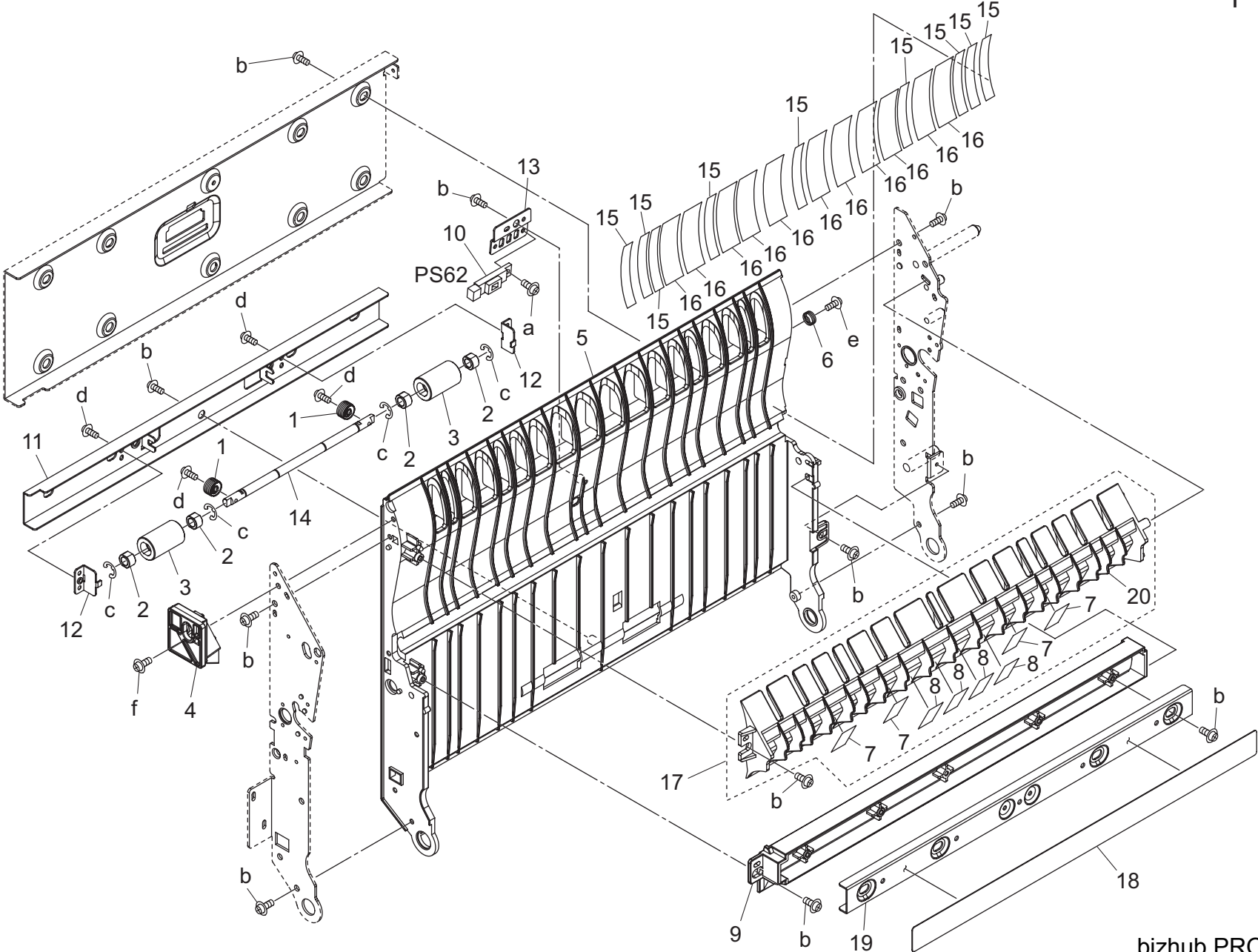
PAPER EXIT SECTION



PAPER EXIT SECTION

Key	Part No.	Description	Destinations	Class	QTY	Standard parts
1	A03U 8922 00	Cooling Duct /2		D	1	a-00Z6 7040 6 b-00Z1 9306 1 c-00Z1 9406 1 d-00Z6 6030 6 e-00Z1 9330 1 f-00Z3 5308 1 g-00Z1 9304 1
2	A03U 8924 00	Seal		C	1	
3	A03U 8923 00	Sheet		C	1	
4	65AA 4846 0	PAPER HOLDING PART 2		C	18	
5	65AA 4836 0	PAPER HOLDING PART 1		C	10	
6	65AA 4844 0	PAPER EXIT SENSOR 3		C	1	
7	08AA 8551 2	PHOTO SENSOR		B	1	
8	13NT 8051 1	FAN MOTOR 1		C	1	
9	A03U 8921 00	Guide Plate /Left		D	1	
10	A03U 8919 00	Fixing Shaft /5		D	1	
11	A03U 8915 00	Support Side plate /Front		D	1	
12	A03U 8918 00	Fixing Shaft /2		D	1	
13	A03U 8917 00	Fixing Shaft /1		D	1	
14	A03U 8916 00	Support Side plate /Rear		D	1	
15	A03U 8914 00	Support Plate /A		D	1	
16	A03U 8920 00	Fixing Shaft /6		D	1	
17	65LA 4853 0	DUCT SEAL 1		D	3	

PAPER EXIT GUIDE SECTION

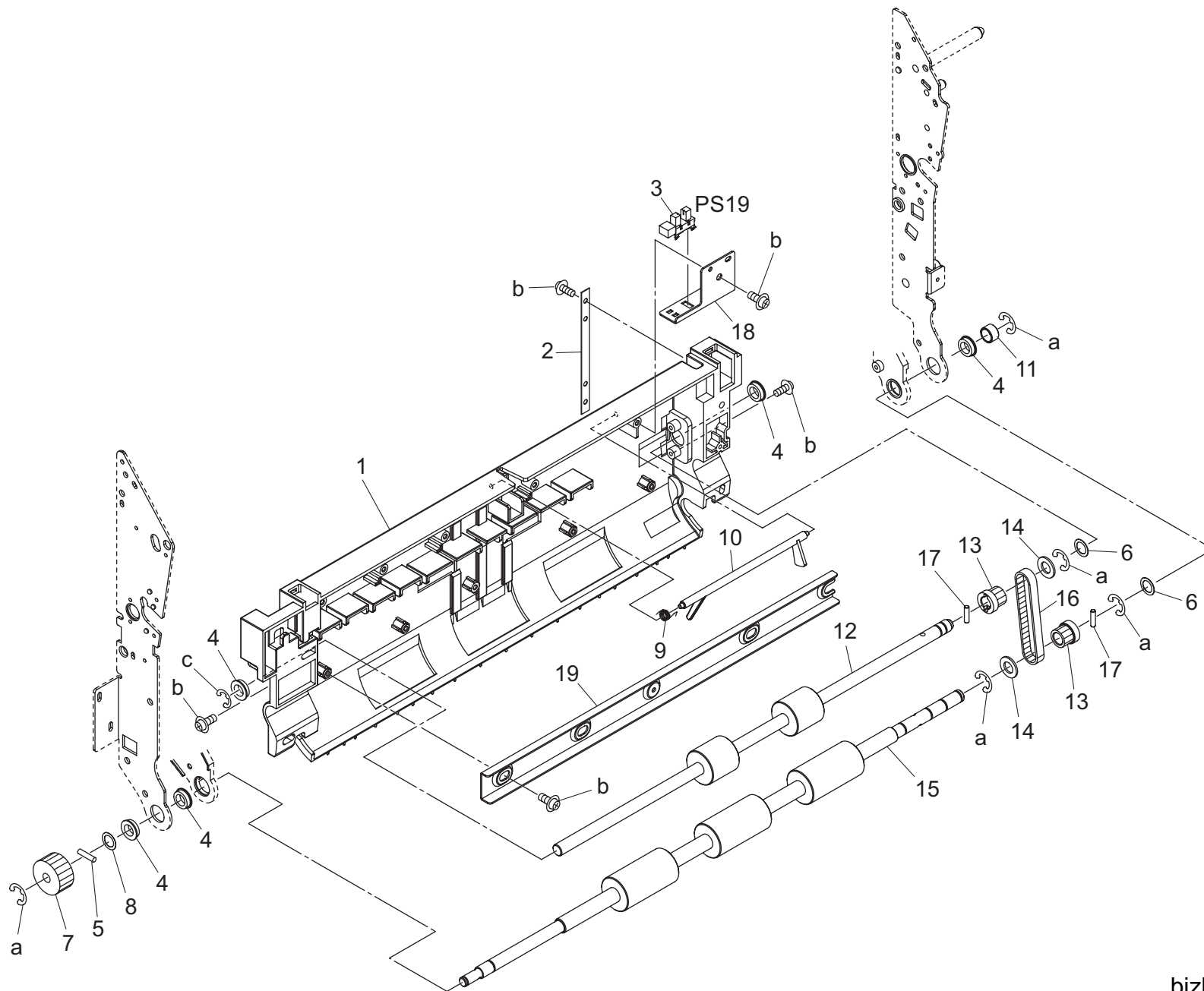


PAPER EXIT GUIDE SECTION

Key	Part No.	Description	Destinations	Class	QTY	Standard parts
1	A03U 8616 00	Pressing Spring /A		C	2	a-00Z1 8305 1 b-00Z3 5308 1 c-00Z6 7040 6 d-00Z1 9304 1 e-00Z1 9306 1 f-00Z3 5318 1
2	A03U 8501 01	Slide Bearing		C	4	
3	26NA 4256 0	BY PASS FEED DRIVEN ROLLER		C	2	
4	65AA 4914 1	PAPER EXIT POSITIONING PART		C	1	
5	A03U 8601 02	GUIDE PLATE /A		D	1	
6	65AA 4945 0	NEUTRALIZING SPRING		D	1	
7	A03U 8640 01	Slide Sheet /4		C	4	
8	A03U 8638 01	Slide Sheet /3		C	4	
9	A03U 8620 00	Guide Plate /6		C	1	
10	13QA 8551 1	SENSOR 1		B	1	
11	A03U 8613 00	Positioning Plate /Lower		D	1	
12	A03U 8615 00	Stopper Plate		D	2	
13	A03U 8619 00	Fixing Plate		D	1	
14	A03U 8621 00	Idler Shaft /A		D	1	
15	A03U 8642 00	Guide Sheet /1		C	9	
16	A03U 8643 00	Guide Sheet /2		C	11	
17	A03U R768 00	PAPER EXIT GUIDE PLATE 5 ASSY		D	1	
18	65AA 4918 0	HEAT INSULAT SHEET 2		C	1	
19	65AA 4947 0	PAPER EXIT REINFORCE PLATE 5		D	1	
20	65AA 4911 0	PAPER EXIT GUIDE PLATE 5		D	1	

# PAPER EXIT GUIDE SECTION

P 72



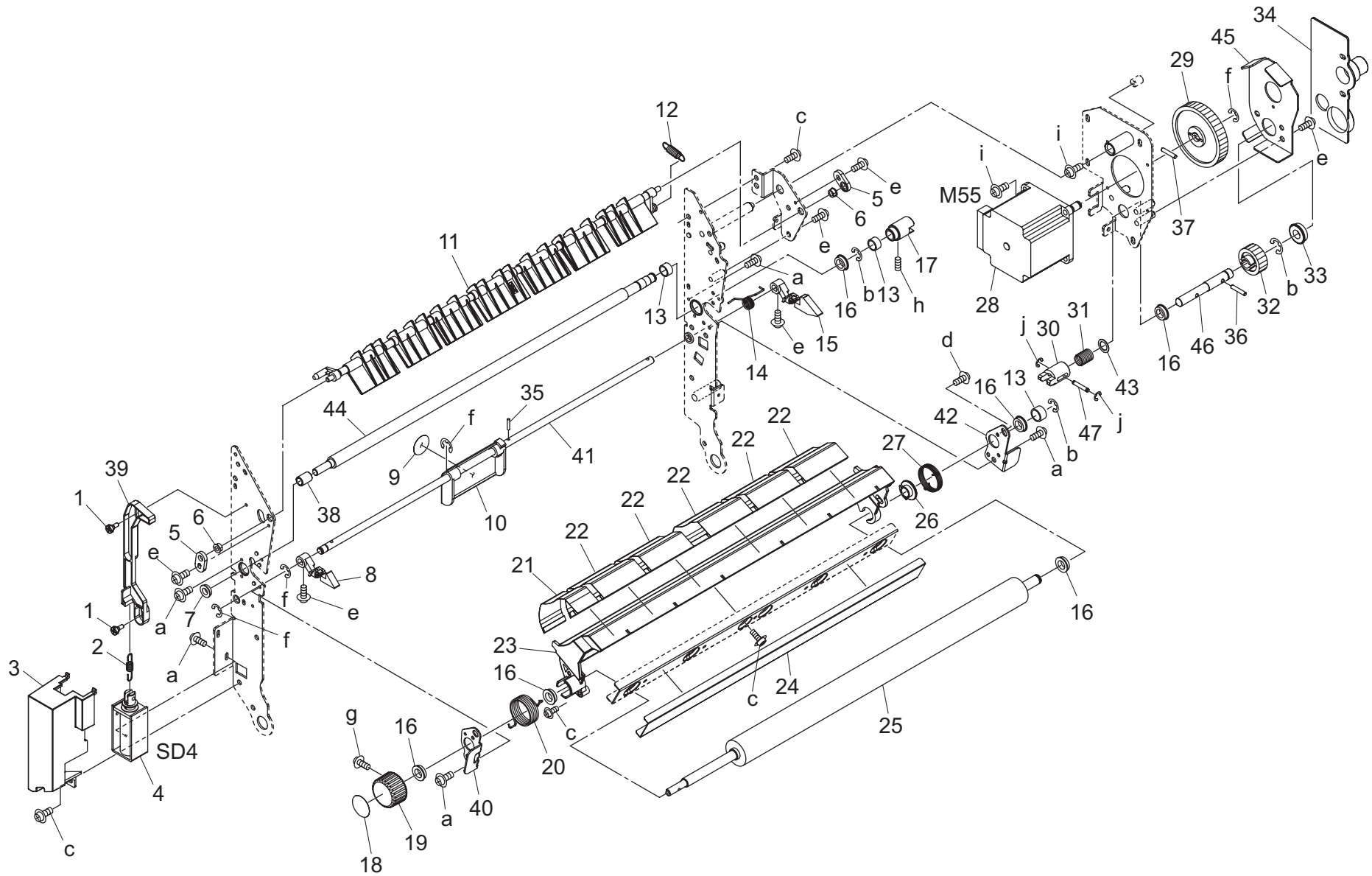


PAPER EXIT GUIDE SECTION

Key	Part No.	Description	Destinations	Class	QTY	Standard parts
1	A03U 8602 01	Guide Plate /B		C	1	a-00Z6 7060 6 b-00Z3 5308 1 c-00Z6 7040 6
2	A03U 8627 00	Stopper Belt		C	1	
3	08AA 8551 2	PHOTO SENSOR		B	1	
4	25AA 7509 0	BALL BEARING		C	5	
5	56AA 1732 1	PIN A D2X12		C	1	
6	13QA 4061 0	GEAR SPACER		C	2	
7	A03U 8899 00	RIVERSE/EXIT GEAR /1 22T		C	1	
8	56AA 4269 0	BY PASS FEED SPACER		C	1	
9	65AA 5150 0	SPRING		C	1	
10	65AA 5131 1	ADU SENSOR		C	1	
11	65AA 4919 0	COLLAR 1		C	1	
12	A03U 8609 00	Riverse/exit Roller /Middle		C	1	
13	A03U 8896 00	CONVEYANCE PULLEY 20T		C	2	
14	A03U 8611 00	Collar /A		C	2	
15	A03U 8618 00	Riverse/exit Roller /Lower		C	1	
16	A03U 8895 00	BELT /3 148L		C	1	
17	56AA 1747 1	PIN B 3X12		C	2	
18	65AA 5148 0	FIXING PLATE 1		D	1	
19	A03U 8608 00	Reinforce Plate /Lower		D	1	

# PAPER EXIT GUIDE SECTION

P 73

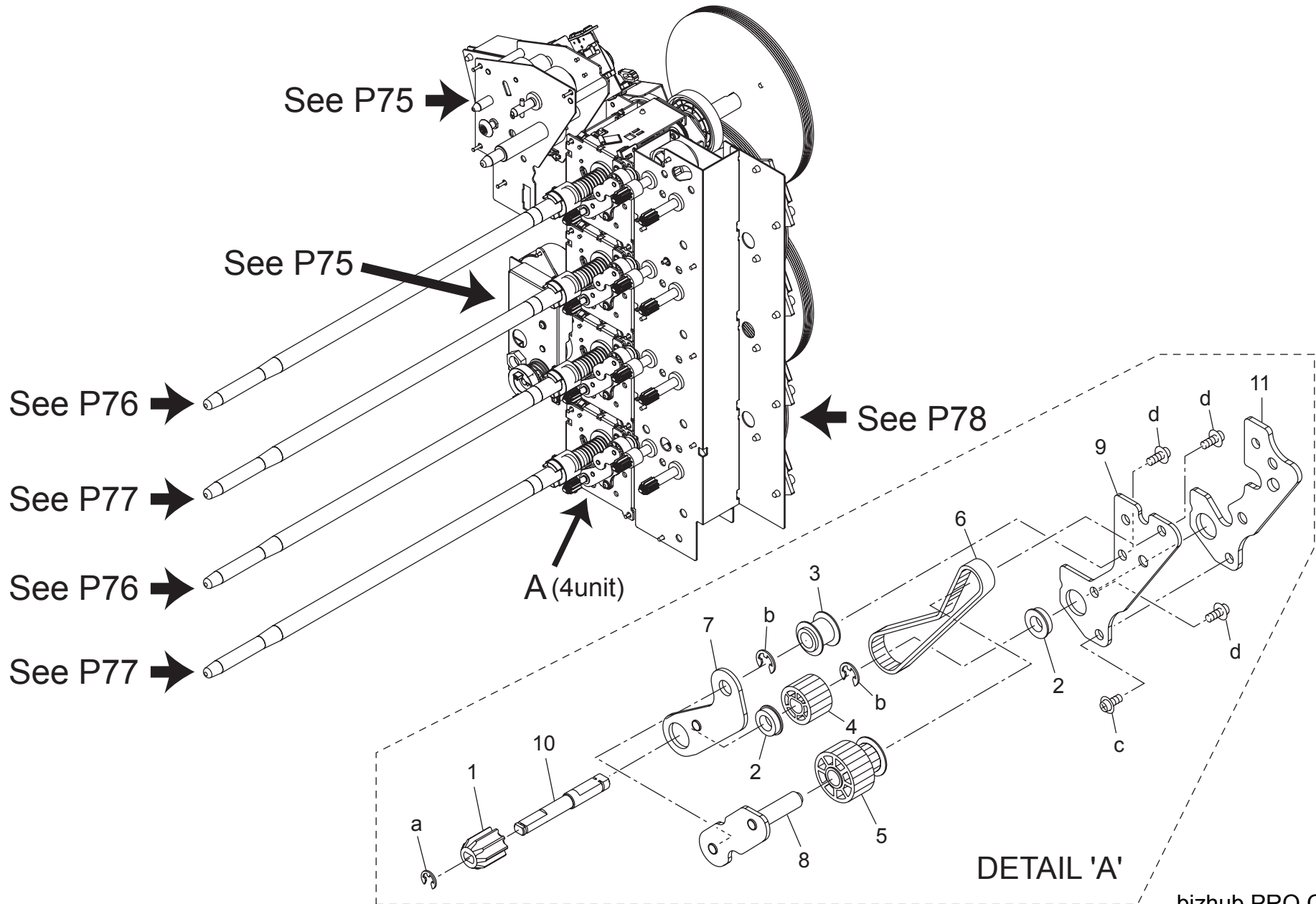


PAPER EXIT GUIDE SECTION

Key	Part No.	Description	Destinations	Class	QTY	Standard parts
1	65AA 4951 0F	FIXING SCREW /1		C	2	a-00Z1 9304 1
2	65AA 4929 0	PAPER EXIT ROCKING SPRING		C	1	b-00Z6 7060 6
3	A03U 8639 00	Protection Cover		D	1	c-00Z3 5308 1
4	65AA R704 00	SOLENOID ASSY		C	1	d-00Z1 9308 1
5	65AA 4952 0	PAPER EXIT MOUNTING SPACER		C	2	e-00Z1 9306 1
6	12VR 7551 0	DOUBLE FEED PV SHAFT HOLDER		C	2	f-00Z6 7040 6
7	25SA 7504 0	BEARING		C	1	g-00Z1 8306 1
8	40AA 4626 1	LOCK CLAW F		B	1	h-00Z4 7404 3
9	A03U 9435 00	Release Label /5		C	1	i-00Z1 8308 1
10	65AA 4941 0	PAPER EXIT HANDLE		C	1	j-00Z6 7020 6
11	A03U 8610 02	SWING PART		C	1	
12	65AA 4927 0	PAPER EXIT OPEN SHUT SPRING 2		C	1	
13	A03U 8607 00	Collar /3		C	3	
14	65AA 4932 0	PAPER EXIT OPEN SHUT SPRING 3		C	1	
15	40AA 4634 2	LOCK CLAW REAR		B	1	
16	25AA 7509 0	BALL BEARING		C	6	
17	A03U 8617 01	COUPLING /1		C	1	
18	A03U 9437 00	Release Label /7		C	1	
19	14GE 4547 0	ROTARY KNOB		C	1	
20	65AA 4926 0	PAPER EXIT OPEN SHUT SPRING		C	1	
21	A03U 8625 00	Slide Sheet /2		C	1	
22	A03U 8623 00	Slide Sheet /1		C	5	
23	A03U 8612 00	Guide Plate /4		D	1	
24	A03U 8641 00	Insulating Sheet /3		D	1	
25	A03U 8605 00	Paper exit Roller /Middle		A	1	
26	65AA 4953 0	COLLOR 4		C	1	
27	65AA 4920 0	PAPER EXIT OPEN SHUT SPRING REAR		C	1	
28	A03U M111 00	HB Motor /50		C	1	
29	A03U 8898 00	RIVERSE/EXIT GEAR /2 60T		C	1	
30	A03U 8631 00	Coupling /B		C	1	
31	A03U 8634 00	Pressing Spring /Rear		C	1	
32	A03U 8897 00	RIVERSE/EXIT GEAR /3 25T		C	1	
33	5400 7605 0	BALL BEARING		B	1	
34	A03U 8630 00	Cover		D	1	
35	56AA 1732 1	PIN A D2X12		C	1	
36	56AA 1746 1	PIN A		C	1	
37	56AA 1755 1	PIN A		C	1	
38	65AA 4921 0	COLLAR 2		C	1	
39	65AA 4928 0	PAPER EXIT PULLING PART		C	1	
40	65AA 4915 0	PAPER EXIT MOUNTING PLATE FRO		D	1	
41	65AA 4930 0E	PAPER EXIT LOCKING SHAFT		D	1	
42	65AA 4916 0E	PAPER EXIT MOUNTING PLATE /REAR		D	1	
43	56AA 5270 0	ADU COUPLING SPACER		C	1	
44	A03U 8606 00	Riverse/exit Shaft		D	1	
45	A03U 8629 00	Fixing Plate		D	1	
46	A03U 8632 00	Drive Shaft /2		D	1	
47	A03U 8633 00	Regulating Shaft		D	1	

DRIVE SECTION

P 74



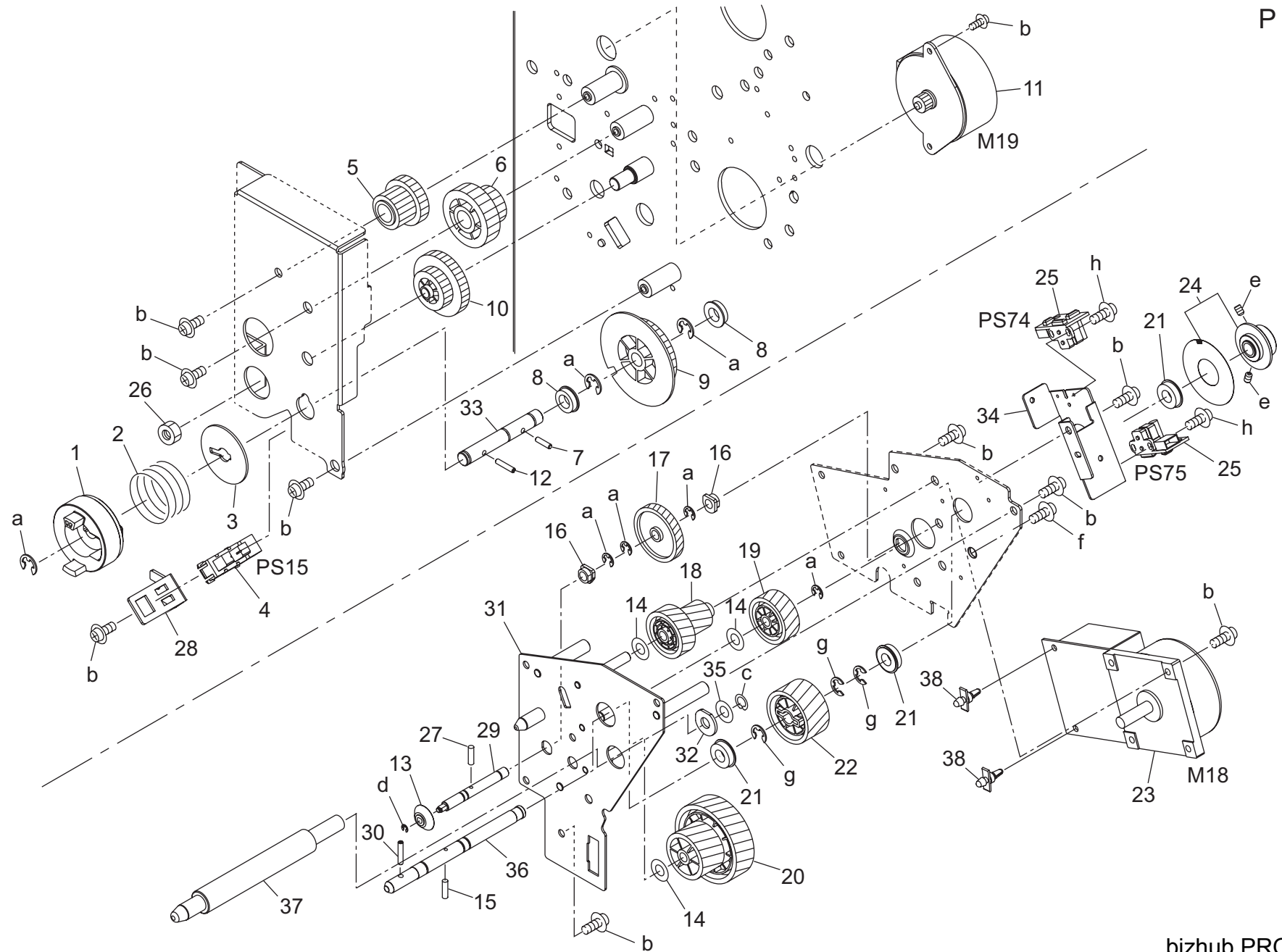
bizhub PRO C5500

# DRIVE SECTION

Key	Part No.	Description	Destinations	Class	QTY	Standard parts
1	26NA 1758 0	AGITATING COUPLING B		C	1	a-00Z6 7030 6 b-00Z6 7040 6 c-00Z1 9306 1 d-00Z1 8306 1
2	25SA 7504 0	BEARING		C	2	
3	65AA 1807 0	IDLING PULLEY		C	1	
4	65AA 7803 0	ROLLER DRIVING PULLEY 2 24T		C	1	
5	65AA 7802 0	ROLLER DRIVING PULLEY 1 27T/18T		C	1	
6	65AA 1806 0	ROLLER DRIVING BELT 180L		C	1	
7	65AA -181 0	ROLLER DRIVE PANEL 2 CAULKING		D	1	
8	65AA -182 0	ROLLER DRIVE PANEL 4 CAULKING		D	1	
9	65AA 1801 0	ROLLER DRIVING PANEL 1		D	1	
10	65AA 1804 0	ROLLER DRIVING SHAFT 2		D	1	
11	65AA 1809 0	ROLLER DRIVING PANEL 3		D	1	

# DRIVE SECTION

P 75



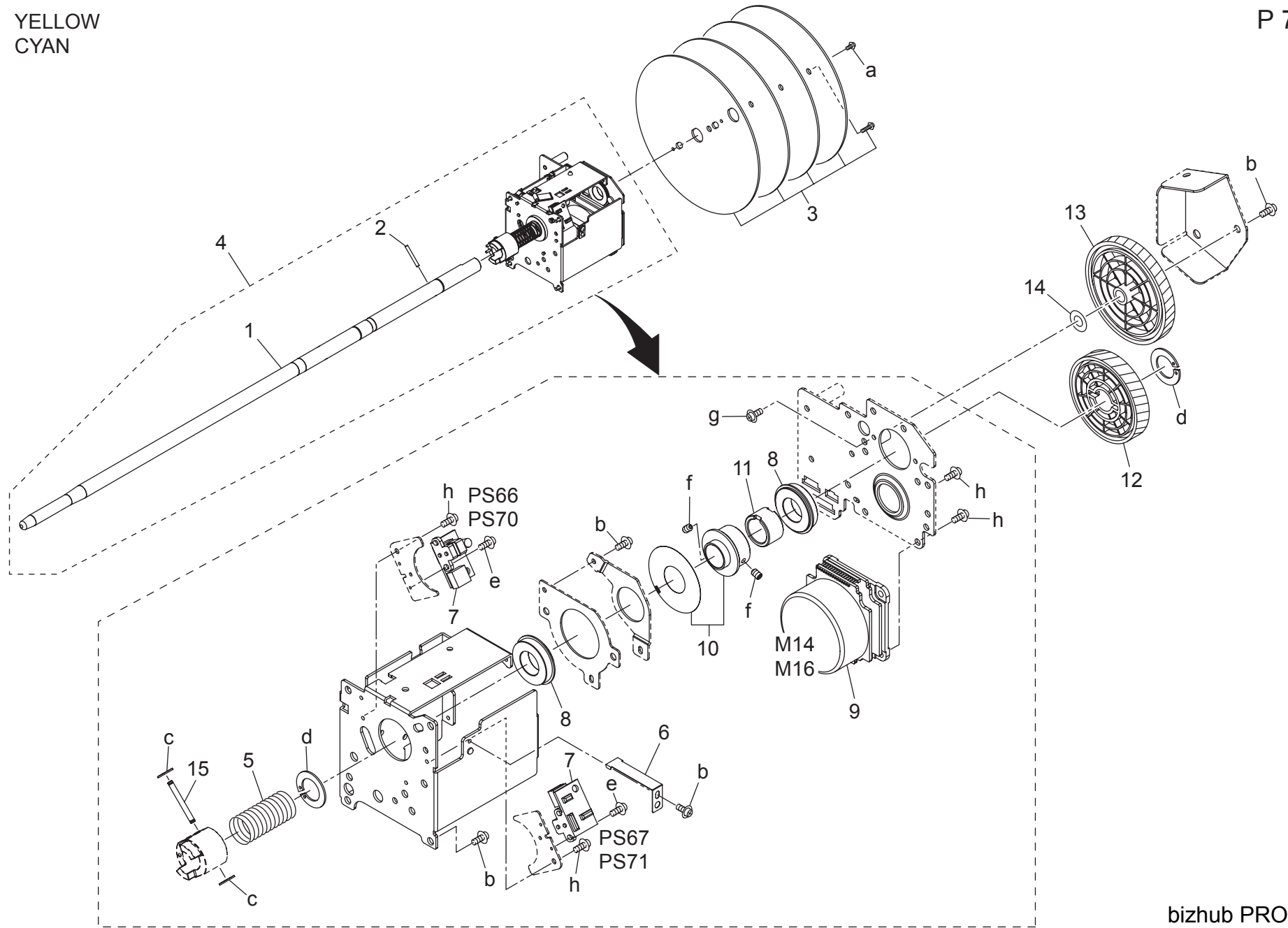
DRIVE SECTION

Key	Part No.	Description	Destinations	Class	QTY	Standard parts
1	65AA 1714 0	TRANSFER COUPLING		C	1	a-00Z6 7040 6
2	65AA 1713 0	PRESSING SPRING		C	1	b-00Z1 9306 1
3	65AA 1718 0	SPACER		C	1	c-00Z6 8120 3
4	08AA 8551 2	PHOTO SENSOR		B	1	d-00Z6 7020 6
5	65AA 7788 0	TRANSFER CONTROL GEAR 1 35T/17T		C	1	e-00Z4 7406 3
6	65AA 7789 0	TRANSFER CONTROL GEAR 2 30T/18T		C	1	f-00Z1 9406 1
7	65AA 1722 0	TRANSFER DRIVE PIN 1		D	1	g-00Z6 7060 6
8	25SA 7504 0	BEARING		C	2	h-00Z1 8204 1
9	65AA 7791 0	TRANSFER CONTROL GEAR 4 28T		C	1	
10	65AA 7790 0	TRANSFER CONTROL GEAR 3 45T/22T		C	1	
11	08AA 8003 0	PAPER FEED MOTOR		B	1	
12	65AA 1723 0	TRANSFER DRIVE PIN 2		C	1	
13	65AA 7784 0	TONER COLLECTING GEAR 2 14T		C	1	
14	26MA 7410 0	SPECIAL WASHER		C	3	
15	56AA 1730 0	PIN		C	1	
16	07BA 7519 0	SLIDE SHAFT HOLDER G		B	2	
17	65AA 7783 0	TONER COLLECTING GEAR 1 66T		C	1	
18	65AA 7780 0	BELT DRIVING GEAR 3 56T/32T		C	1	
19	65AA 7779 0	BELT DRIVING GEAR 2 56T		C	1	
20	A03U 2597 00	DRIVE GEAR /1 72T 56T		C	1	
21	5400 7605 0	BALL BEARING		B	3	
22	65AA 7781 0	BELT DRIVING GEAR 4 64T		C	1	
23	27LA 8001 2E	DC BRUSHLESS MOTOR /20		C	1	
24	65AA R726 00	ENCORDER ASSY		C	1	
25	65AA -909 1E	SENSOR BOARD ASSY		B	2	
26	A03U 2121 01	Fixing Nut		D	1	
27	56AA 1732 1	PIN A D2X12		C	1	
28	65AA 1710 0	FIXING PLATE B		D	1	
29	65AA 1706 0	TONER COLLECTING SHAFT 3		D	1	
30	65AA 1721 0	BELT COUPLING PIN		C	1	
31	65AA -172 0	BELT DRIVING PANEL2		D	1	
32	A03U 1708 00	Reinforce Spacer		D	1	
33	65AA 1709 0	TRANSFER DRIVING SHAFT 2		D	1	
34	65AA 1720 0	DRIVE CONTROL PART 5		D	1	
35	65AA 1724 0	PRESSING SPACER A		D	1	
36	65AA 1703 0	BELT DRIVING SHAFT 1		D	1	
37	A03U 1707 00	Positioning Shaft /Upper		D	1	
38	00Z9 2510 3	LOCKING CIRCUIT BOARD SUPPORT		C	2	

# DRIVE SECTION

YELLOW  
CYAN

P 76





DRIVE SECTION

Key	Part No.	Description	Destinations	Class	QTY	Standard parts
1	65AA 1504 0	DRUM SHAFT 2		D	1	a-00ZA A001 0 b-00Z1 9306 1 c-00Z6 7020 6 d-00Z6 8150 3 e-00Z1 8204 1 f-00Z4 7406 3 g-00Z1 8404 1 h-00Z1 6306 1
2	56AA 1749 0	PIN		C	1	
3	65AA R725 00	FLYWHEEL ASSY		D	1	
4	A03U R757 00	DRUM DRIVING 2 UNIT		C	1	
5	65AA 1520 0	PRESSING SPRING		C	1	
6	65AA 1523 0	DRUM EARTH SPRING		D	1	
7	65AA -909 1E	SENSOR BOARD ASSY		B	2	
8	65AA 7505 1	BEARING		C	2	
9	A03U R705 00	DRUM DRIVING MOTOR ASSY		B	1	
10	65AA R723 00	ENCORDER ASSY		D	1	
11	65AA 1524 0	EARTH BEARING		C	1	
12	A03U 2599 00	DRIVE GEAR 92T		C	1	
13	A03U 2596 00	IDLING GEAR 132T 46T		C	1	
14	13QA 4061 0	GEAR SPACER		C	1	
15	65AA 1521 0	COUPLING PIN		D	1	

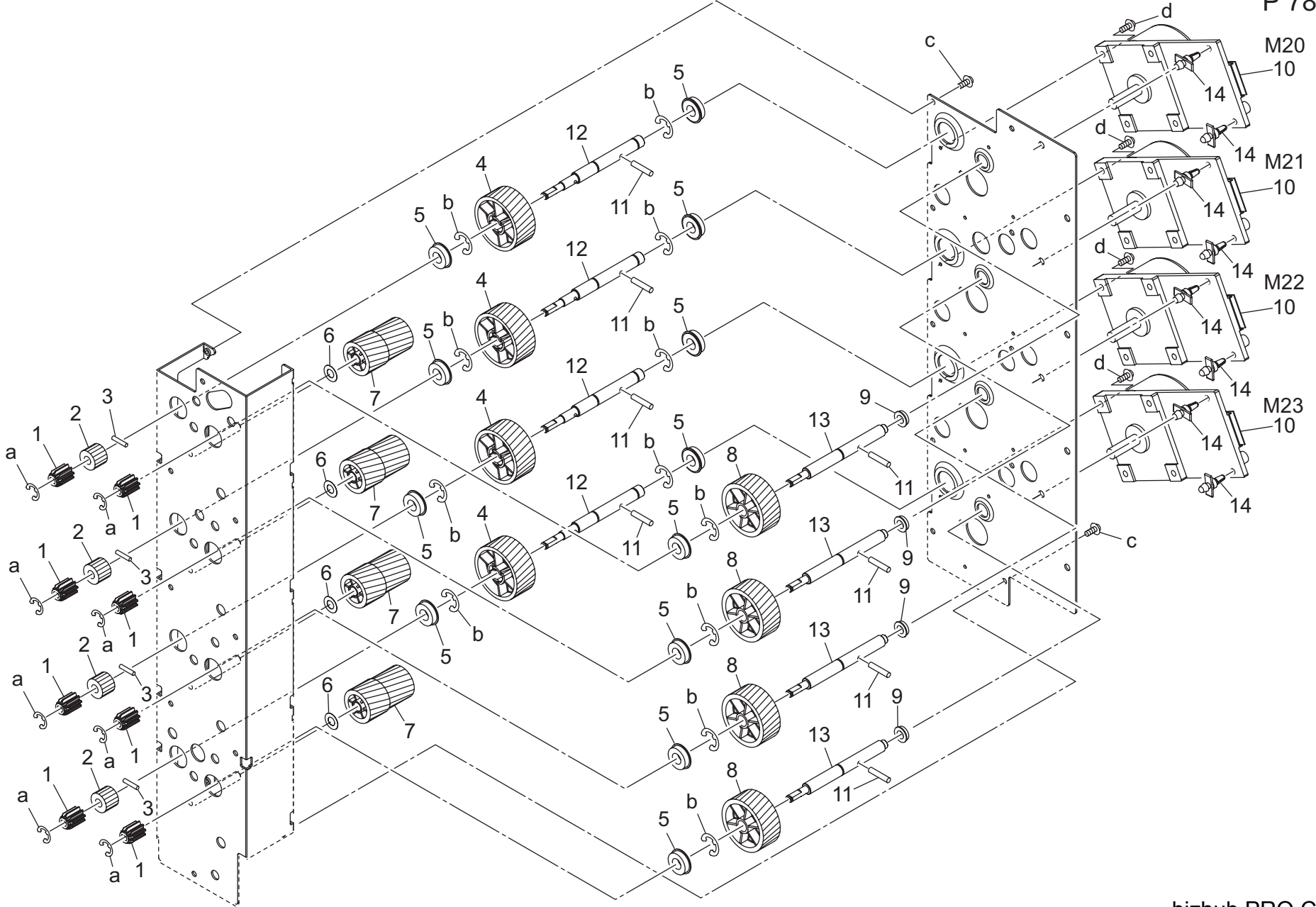


DRIVE SECTION

Key	Part No.	Description	Destinations	Class	QTY	Standard parts
1	65AA 1503 0	DRUM SHAFT 1		D	1	a-00ZA A001 0 b-00Z1 9306 1 c-00Z6 7020 6 d-00Z6 8150 3 e-00Z1 8204 1 f-00Z4 7406 3 g-00Z1 8404 1 h-00Z1 6306 1
2	56AA 1749 0	PIN		C	1	
3	65AA R725 00	FLYWHEEL ASSY		D	1	
4	A03U R758 00	DRUM DRIVING 1 UNIT		C	1	
5	65AA 1520 0	PRESSING SPRING		C	1	
6	65AA 1523 0	DRUM EARTH SPRING		D	1	
7	65AA -909 1E	SENSOR BOARD ASSY		B	2	
8	65AA 7505 1	BEARING		C	2	
9	A03U R705 00	DRUM DRIVING MOTOR ASSY		B	1	
10	65AA R723 00	ENCORDER ASSY		D	1	
11	65AA 1524 0	EARTH BEARING		C	1	
12	A03U 2599 00	DRIVE GEAR 92T		C	1	
13	A03U 2596 00	IDLING GEAR 132T 46T		C	1	
14	13QA 4061 0	GEAR SPACER		C	1	
15	65AA 1521 0	COUPLING PIN		D	1	

DRIVE SECTION

P 78

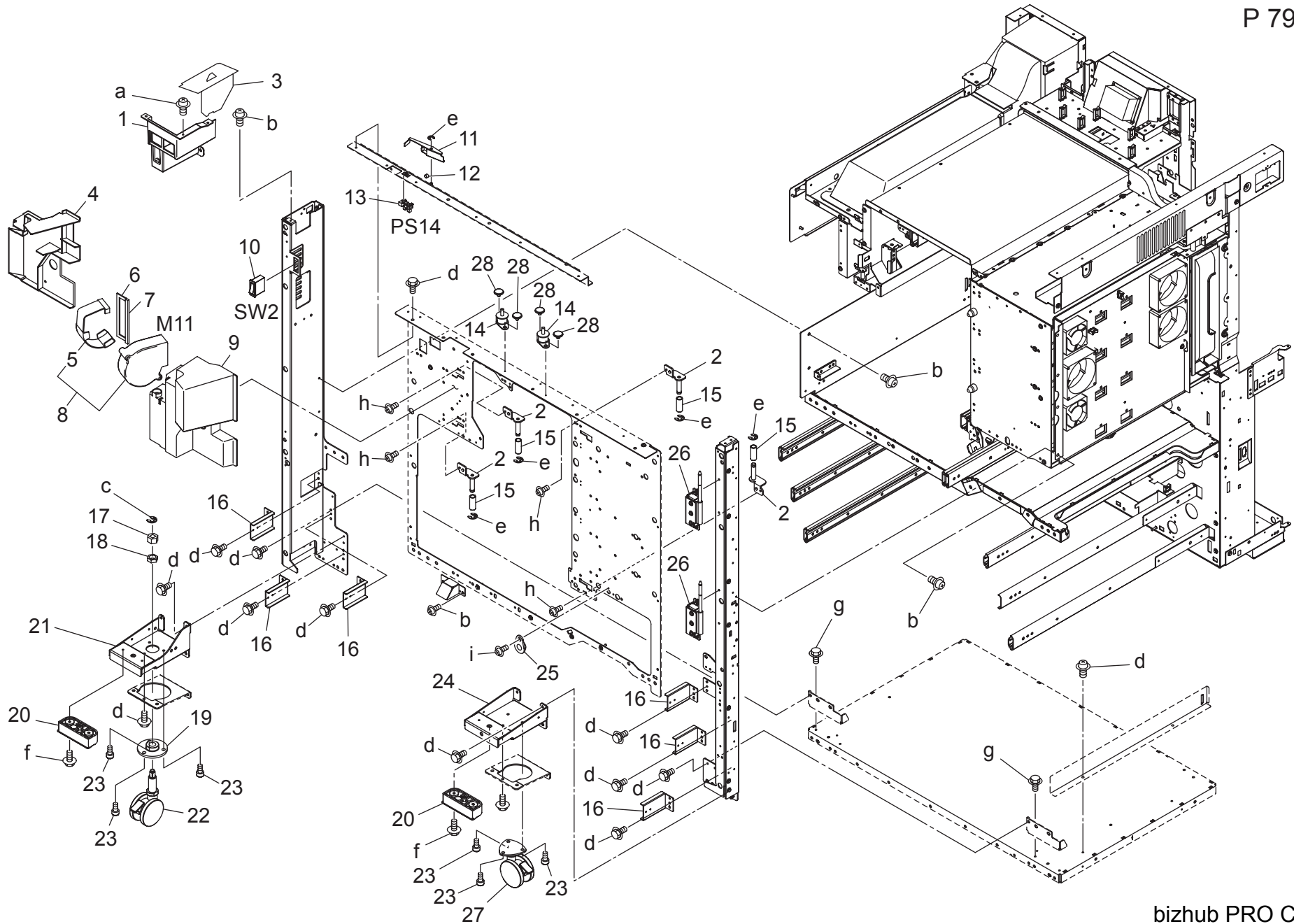


DRIVE SECTION

Key	Part No.	Description	Destinations	Class	QTY	Standard parts
1	65AA 1608 0	DEVELOPING COUPLING		C	8	a-00Z6 7030 6 b-00Z6 7060 6 c-00Z1 9308 1 d-00Z1 9306 1
2	65AA 7801 0	TONER COLLECTING GEAR 6 16T		C	4	
3	4540 7805 0	PIN CLEANER A		C	4	
4	A03U 2297 00	DEVELOPING DRIVING GEAR 73T		B	4	
5	5400 7605 0	BALL BEARING		B	12	
6	25HA 3033 0	DEVELOPING REGULATING SPACER		C	4	
7	A03U 2299 00	DEVELOPING GEAR /MIDDLE 42T 27T		B	4	
8	A03U 2298 00	DEVELOPING AGITATING GEAR 44T		B	4	
9	26NA 1728 0	BALL BEARING		C	4	
10	27LA 8003 2E	DC BRUSHLESS MOTOR/30		C	4	
11	56AA 1747 1	PIN B 3X12		C	8	
12	A03U 2203 00	Developing Driving Shaft /1		D	4	
13	A03U 2204 00	Developing Driving Shaft /2		D	4	
14	00Z9 2510 3	LOCKING CIRCUIT BOARD SUPPORT		C	8	

# MAIN FRAME

P 79

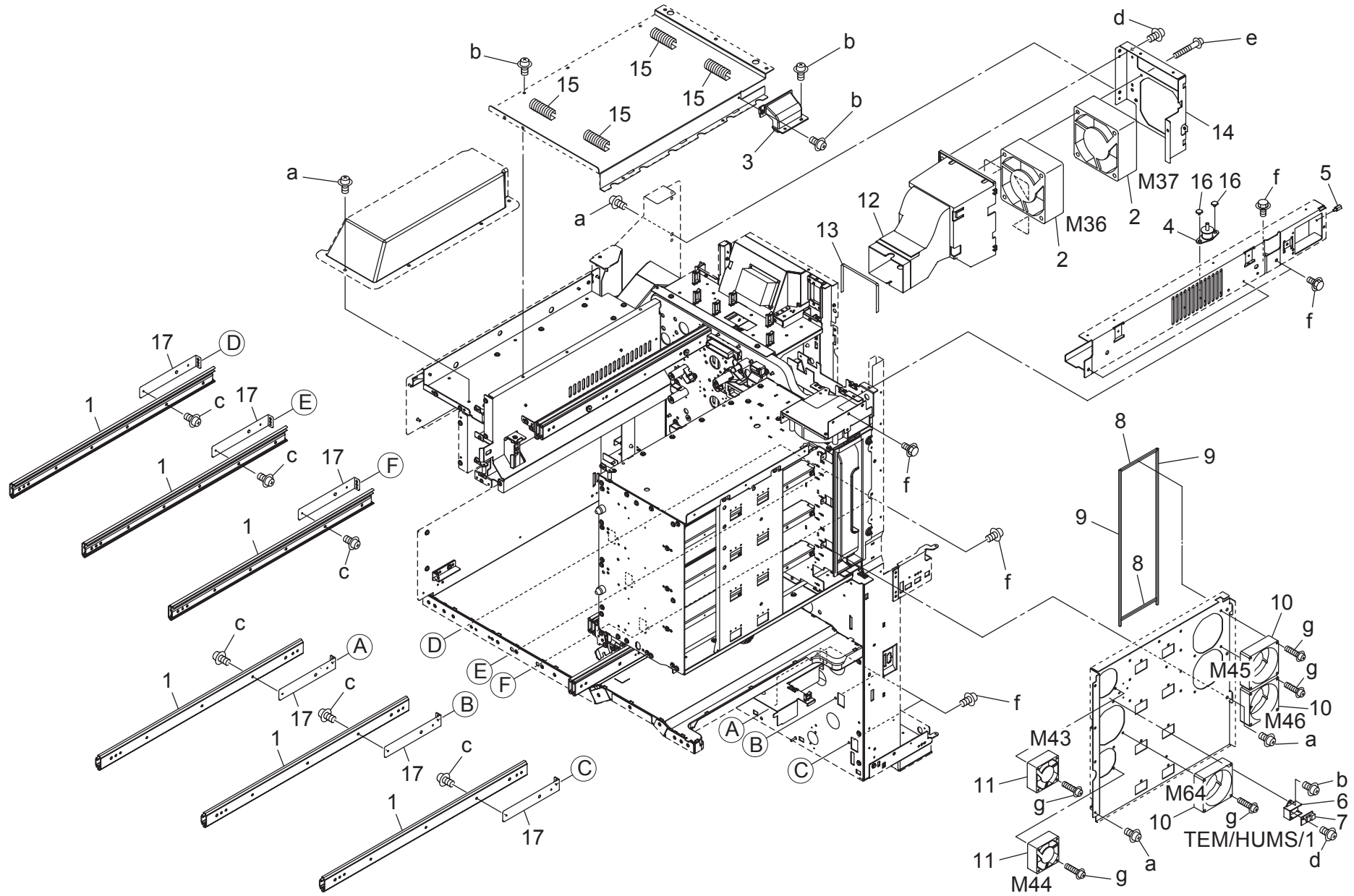


bizhub PRO C5500

# MAIN FRAME

Key	Part No.	Description	Destinations	Class	QTY	Standard parts
1	A03U 1669 00	Cover /Inside		D	1	a-00Z3 5308 1
2	65AA -075 0	LOCKING SHAFT CAULKING		C	4	b-00Z1 9406 1
3	65AA 1150 0	INSULATING COVER		D	1	c-00Z6 7080 6
4	65AA 1120 0	CLEANER COOLING DUCT		C	1	d-00ZA A000 7
5	65AA 1143 0	FAN SEALING PART 3		D	1	e-00Z6 7040 6
6	65AA 1132 0	DUCT SEALING PART 5		C	1	f-00ZA A001 3
7	65AA 1090 0	DUCT SEALING PART 3		C	1	g-00ZA A001 1
8	A03U R731 00	COOLING FAN ASSY		C	1	h-00Z1 9304 1
9	A03U 1088 00	Front Cover		C	1	i-00Z1 9306 1
10	55GA 8601 0	POWER SOURCE SWITCH		B	1	
11	65AA 7315 0	DETECTING PLATE		D	1	
12	65AA 7316 0	DETECTING SPRING		D	1	
13	08AA 8551 2	PHOTO SENSOR		B	1	
14	25SA 1020 0	READ SUPPORT RUBBER		D	2	
15	65AA 1026 0	LOCKING ROLLER		D	4	
16	65AA 1066 0	MOUNTING PLATE 5		D	6	
17	56AA 1763 0	ADJUSTING PART		C	1	
18	56AA 1764 0	ADJUSTING PART 2		C	1	
19	56AA 1762 0	CARRIAGE ADJUSTING PART		C	1	
20	65AA 1131 0	MAIN BODY LIFTING HANDLE		D	2	
21	65AA 1070 0	MAIN BODY SUPPORT PART LEFT		D	1	
22	55WA 1031 0	MAIN BODY SUPPORT ROLLER Y		C	1	
23	25SA 1043 1	LOCKING SCREW		C	6	
24	65AA 1069 0	MAIN BODY SUPPORT PART RIGHT		D	1	
25	129X 4835 0	GUIDE SHAFT HOLDER A		C	1	
26	65AA 1071 0	TONER SUPPLY OPEN SHUT HINGE LOWER		C	2	
27	55WA 1030 0	MAIN BODY SUPPORT ROLLER X		C	1	
28	A03U 2636 01	Optical Screw		D	4	

# MAIN FRAME



bizhub PRO C5500

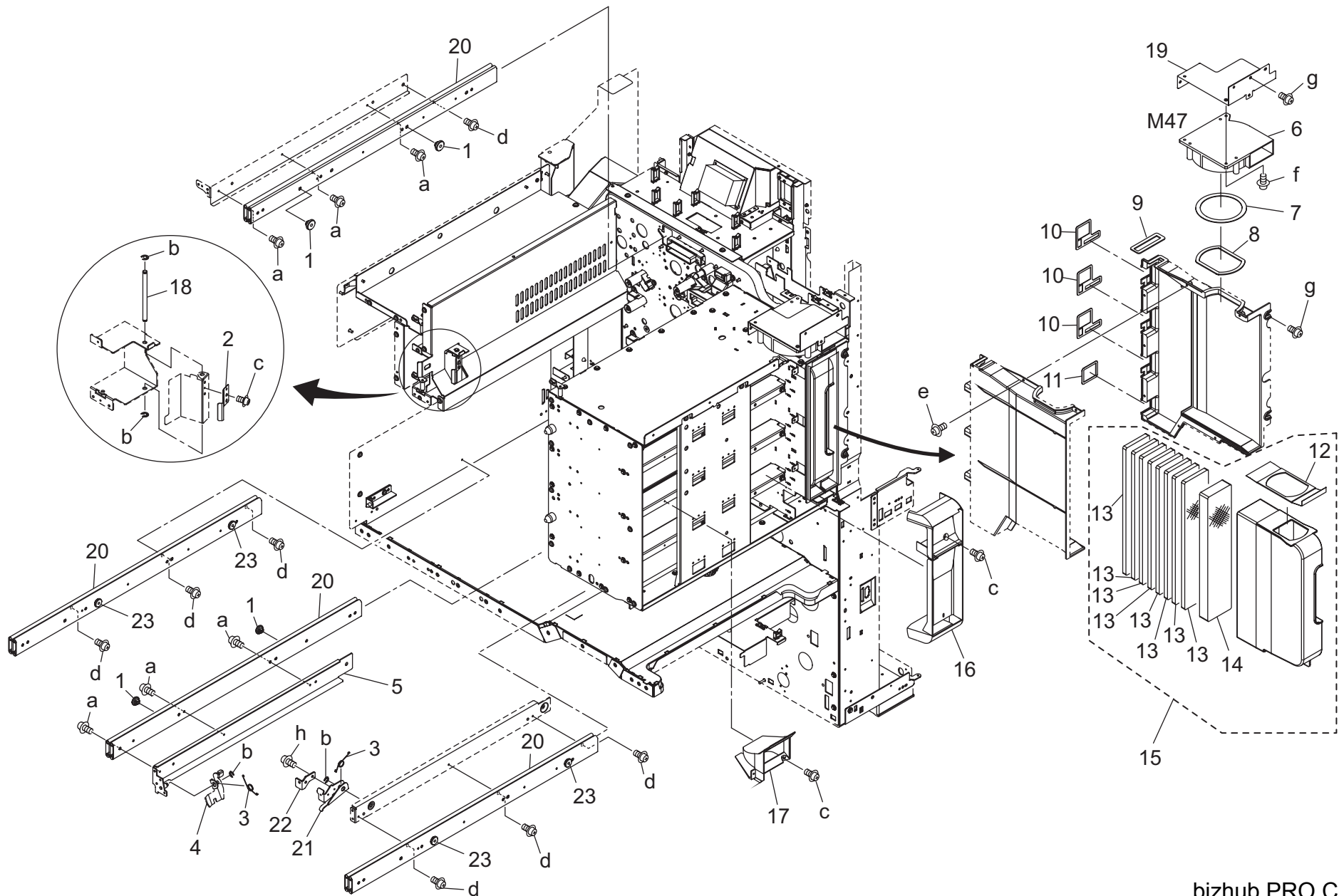


MAIN FRAME

Key	Part No.	Description	Destinations	Class	QTY	Standard parts
1	56AA 1030 0	SLIDE RAIL A		D	6	a-00Z1 9406 1 b-00Z1 9306 1 c-00Z1 8406 1 d-00Z3 5308 1 e-00Z1 8412 1 f-00ZA A000 7 g-00Z1 8430 1
2	A03U M152 00	Main body Fan motor		B	2	
3	A03U R741 00	CONNECTING DUCT Y ASSY		D	1	
4	25SA 1020 0	READ SUPPORT RUBBER		D	1	
5	65AA 1138 0	EXTERNAL MOUNTING STAY		D	1	
6	65AA 1130 0	SUPPORT PART		D	1	
7	65AA 8808 0	PROCESS SENSOR		C	1	
8	A03U 1194 00	Developing Cooling Seal /2		C	2	
9	A03U 1193 00	Developing Cooling Seal /1		C	2	
10	13NT 8051 1	FAN MOTOR 1		C	3	
11	56AA 8054 1	FAN MOTOR 1		B	2	
12	65AA 1055 0	FAN MOUNTING DUCT		D	1	
13	65AA 1081 0	DUCT SEALING PART 1		C	1	
14	65AA 1141 0	FAN MOUNTING PLATE D		D	1	
15	56AA R705 00	EARTH SPRING ASSY		C	4	
16	A03U 2636 01	Optical Screw		D	2	
17	65AA 1047 0	MOUNTING PLATE 4		D	6	

# MAIN FRAME

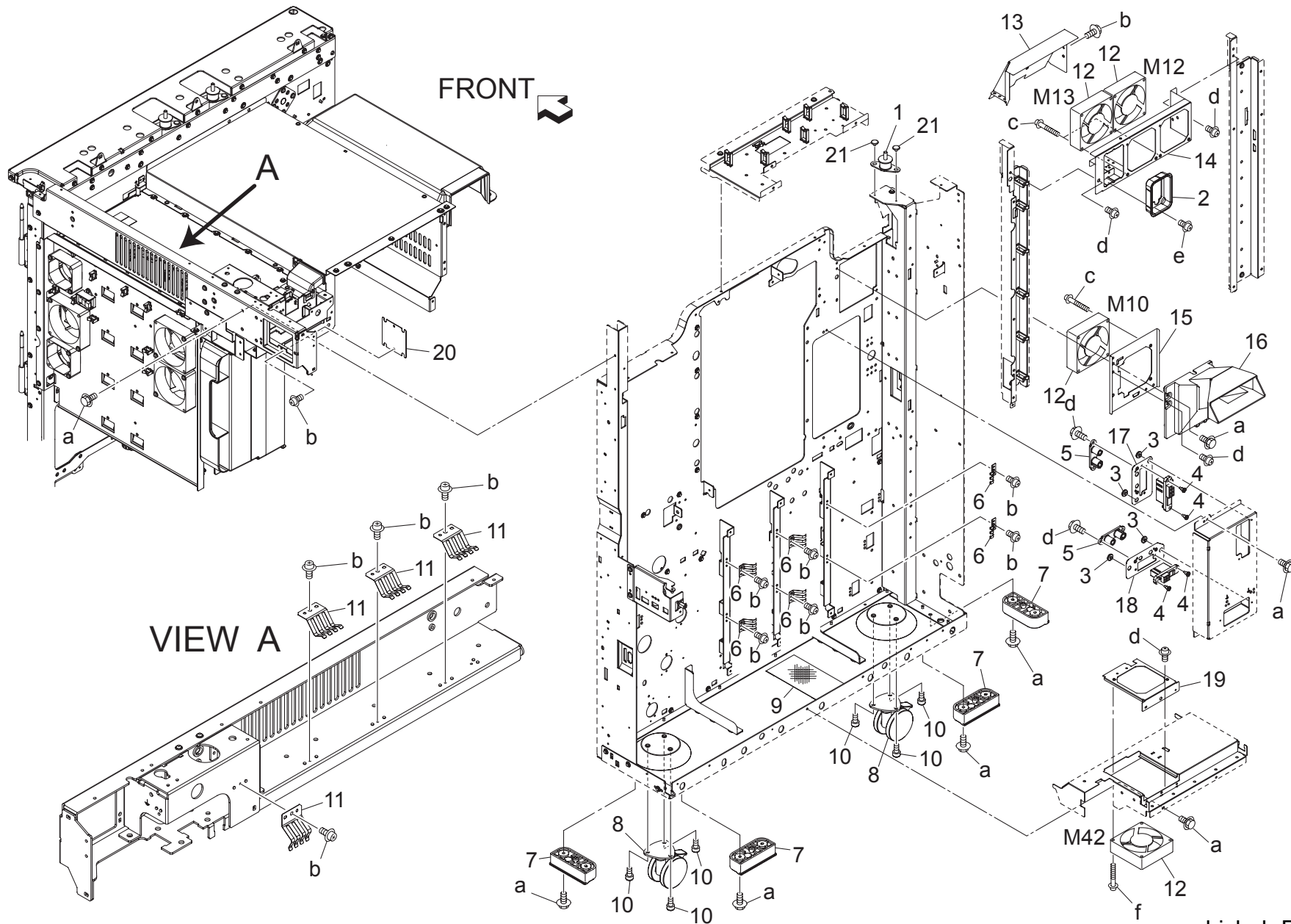
P 81



MAIN FRAME

Key	Part No.	Description	Destinations	Class	QTY	Standard parts
1	65AA 5053 0	ADU MOUNTING COLLAR		C	4	a-00Z1 8406 3 b-00Z6 7040 6 c-00Z1 9306 1 d-00Z1 8406 1 e-00Z3 5308 1 f-00Z1 9408 1 g-00Z1 9406 1 h-00Z1 8304 1
2	65AA 1097 0	PRESSING SPRING		D	1	
3	65AA 1084 0	CARRIAGE LOCKING SPRING		C	2	
4	65AA 1048 0	LOCKING LEVER 2		D	1	
5	65AA R706 00	LEVER ROTARY SHAFT CAULKING		D	1	
6	65AA 8059 0	MAIN BODY FAN		C	1	
7	65AA 1019 0	FAN SEALING PART 1		C	1	
8	65AA 1117 0	DUCT SEALING PART 4		C	1	
9	A03U 1063 00	duct Seal /H		C	1	
10	A03U 1064 00	duct Seal /G		C	3	
11	65AA 1064 0	OZONE SEAL 3		D	1	
12	65AA 1065 0	FAN SEALING PART 2		D	1	
13	65AA 1044 0	DUST PROOF FILTER		A	8	
14	65AA 1043 0	OZONE FILTER 1		A	1	
15	A03U R701 00	FILTER EXCHANGING ASSY		A	1	
16	A03U 1179 00	Developing Cooling duct /Rear		D	1	
17	A03U 1180 00	Developing Cooling duct /Front		D	1	
18	65AA 1096 0	PRESSING SHAFT		D	1	
19	65AA 1119 0E	Fan Mounting Plate /B		D	1	
20	65AA 5046 0	CARRIGE SLIDE RAIL		D	4	
21	65AA 1023 0D	LOCKING LEVER /1		C	1	
22	65AA 1159 0	LEVER REINFORCE PLATE		D	1	
23	65AA 5068 0D	ADU Mounting Collar		C	4	

# MAIN FRAME

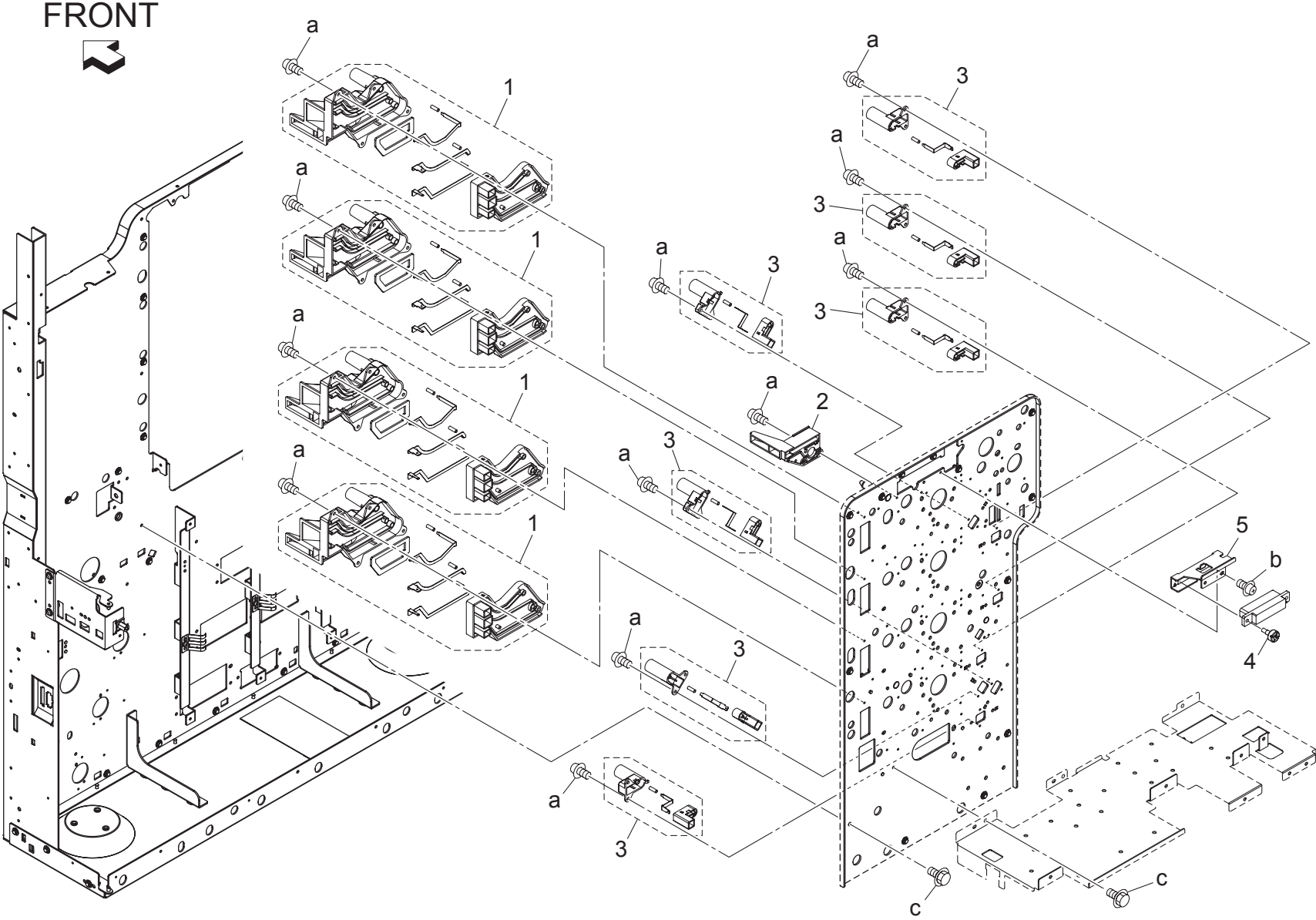


bizhub PRO C5500

# MAIN FRAME

Key	Part No.	Description	Destinations	Class	QTY	Standard parts
1	25SA 1020 0	READ SUPPORT RUBBER		D	1	a-00ZA A000 7 b-00Z1 9306 1 c-00Z1 8430 1 d-00Z1 9406 1 e-00Z1 8406 2 f-00Z1 8420 1
2	A03U 1647 00	Cord Cover /B		D	1	
3	A03U 1191 00	Guide Screw		C	4	
4	A03U 1192 00	Fixing Screw		C	4	
5	A03U 1190 00	Positioning Sleeve		C	2	
6	65AA 1114 0	EARTH PLATE		D	6	
7	65AA 1153 0	MAIN BODY LIFTING HANDLE 2		C	4	
8	55WA 1030 0	MAIN BODY SUPPORT ROLLER X		C	2	
9	65AA 1135 0	DUST PROOF FILTER 4		D	1	
10	25SA 1043 1	LOCKING SCREW		C	6	
11	A03U 1181 00	Ground Plate /A		D	4	
12	13NT 8051 1	FAN MOTOR 1		C	4	
13	65AA 1139 0	MOTOR COOLING DUCT		D	1	
14	65AA 1118 0	FAN MOUNTING PLATE A		D	1	
15	65AA 1108 0	DUCT MOUNTING PLATE REAR		D	1	
16	65AA 1102 0	FIXING CONNECTING DUCT		D	1	
17	A03U 1188 00	Idler Plate /Upper		D	1	
18	A03U 1189 00	Idler Plate /Lower		D	1	
19	A03U 1122 00	Mounting Plate /F		D	1	
20	56AA 7368 0	KEY COUNTER INNER COVER		D	1	
21	A03U 2636 01	Optical Screw		D	2	

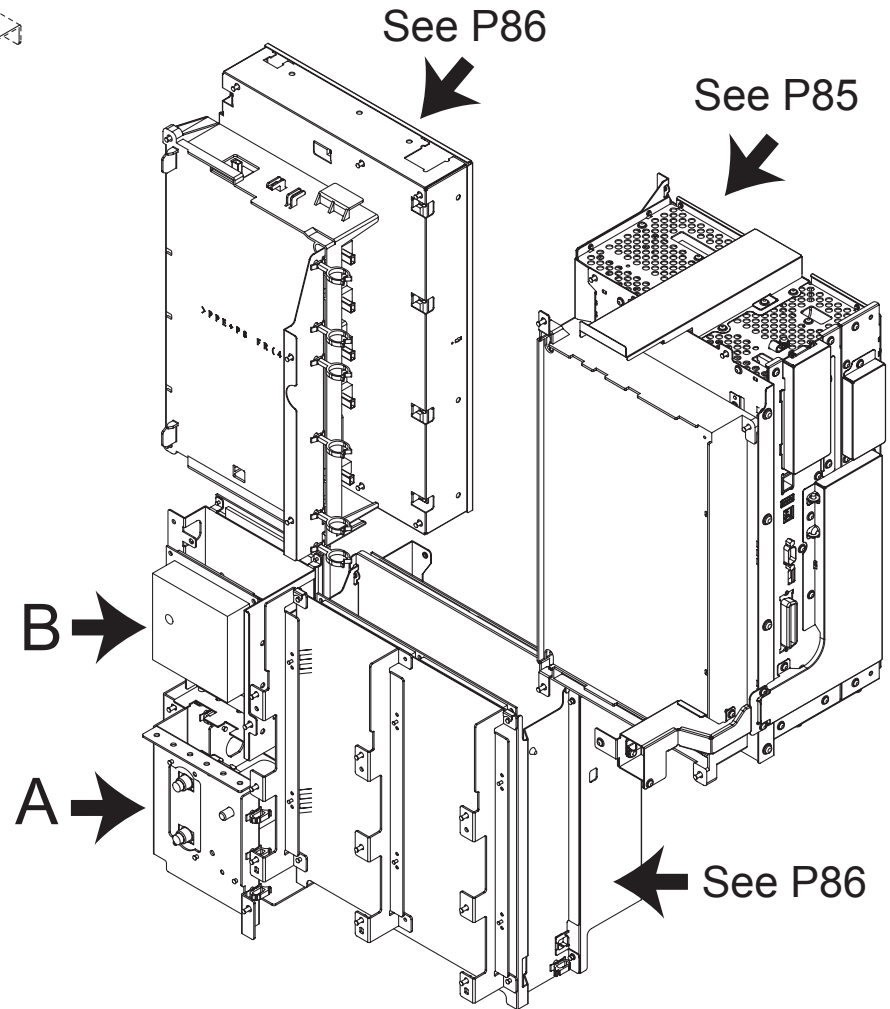
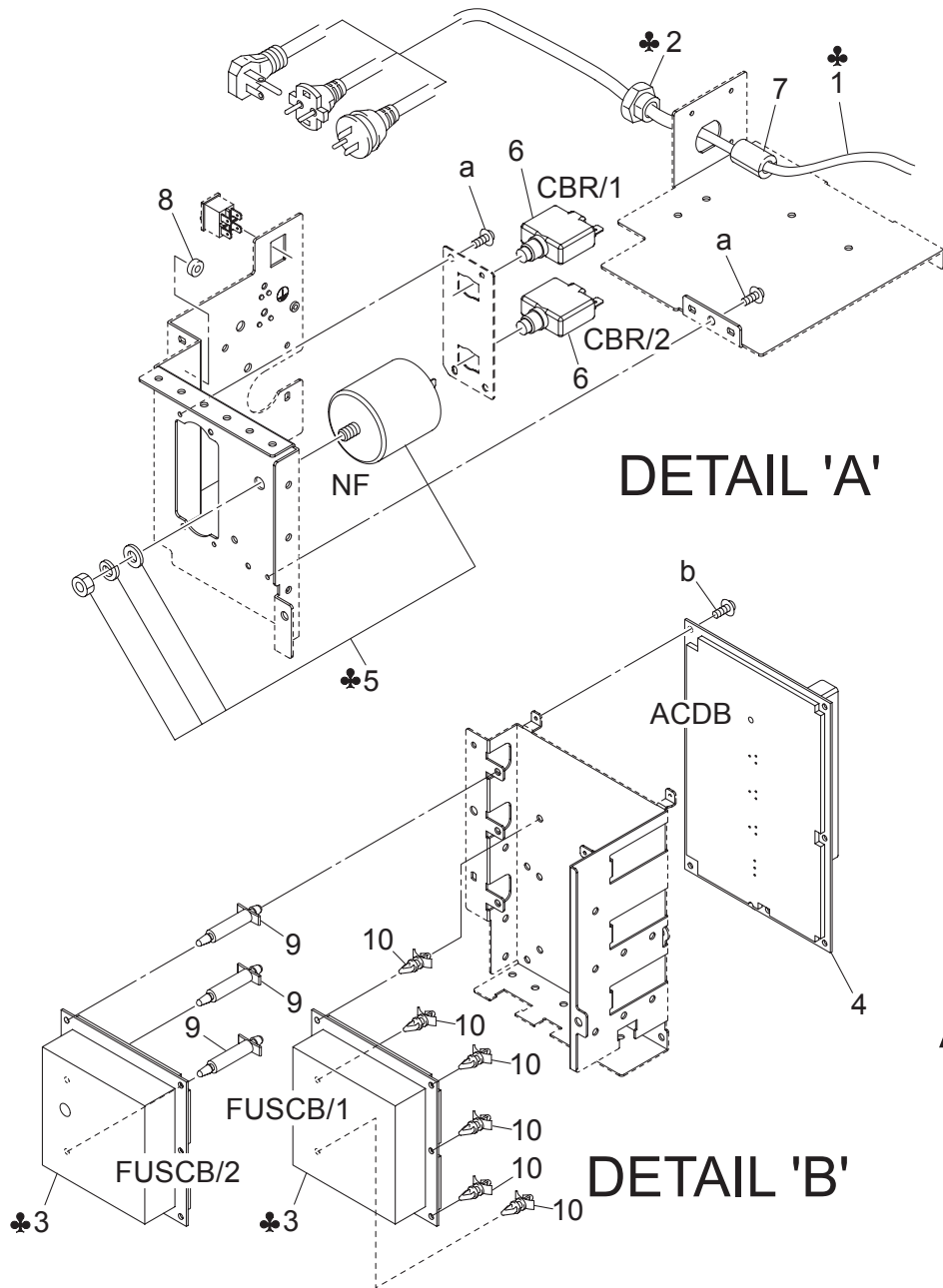
MAIN FRAME



# MAIN FRAME

Key	Part No.	Description	Destinations	Class	QTY	Standard parts
1	A03U R739 00	HIGH VOLTAGE COVER ASSY		C	4	a-00Z1 9306 1 b-00Z1 9406 1 c-00ZA A000 7
2	A03U R740 00	DEVELOPING CUCT Y ASSY		D	1	
3	65AA R727 00	POWERING BLOCK 1 ASSY		C	7	
4	65AA 4722 0	MOUNTING SCREW		C	1	
5	65AA 1049 0	ELECTRIC MOUTING PLATE		D	1	

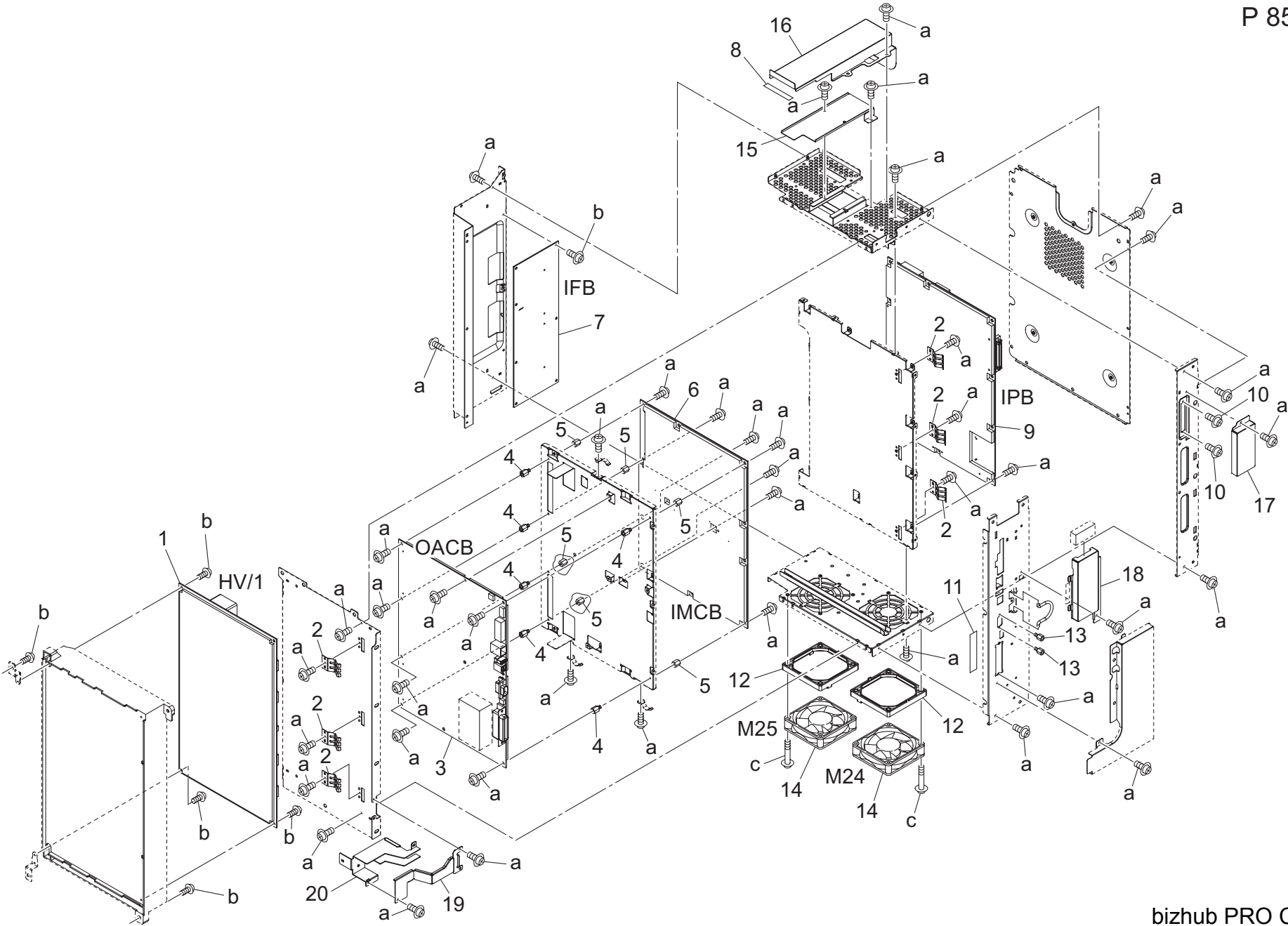
# ELECTRICAL COMPONENTS





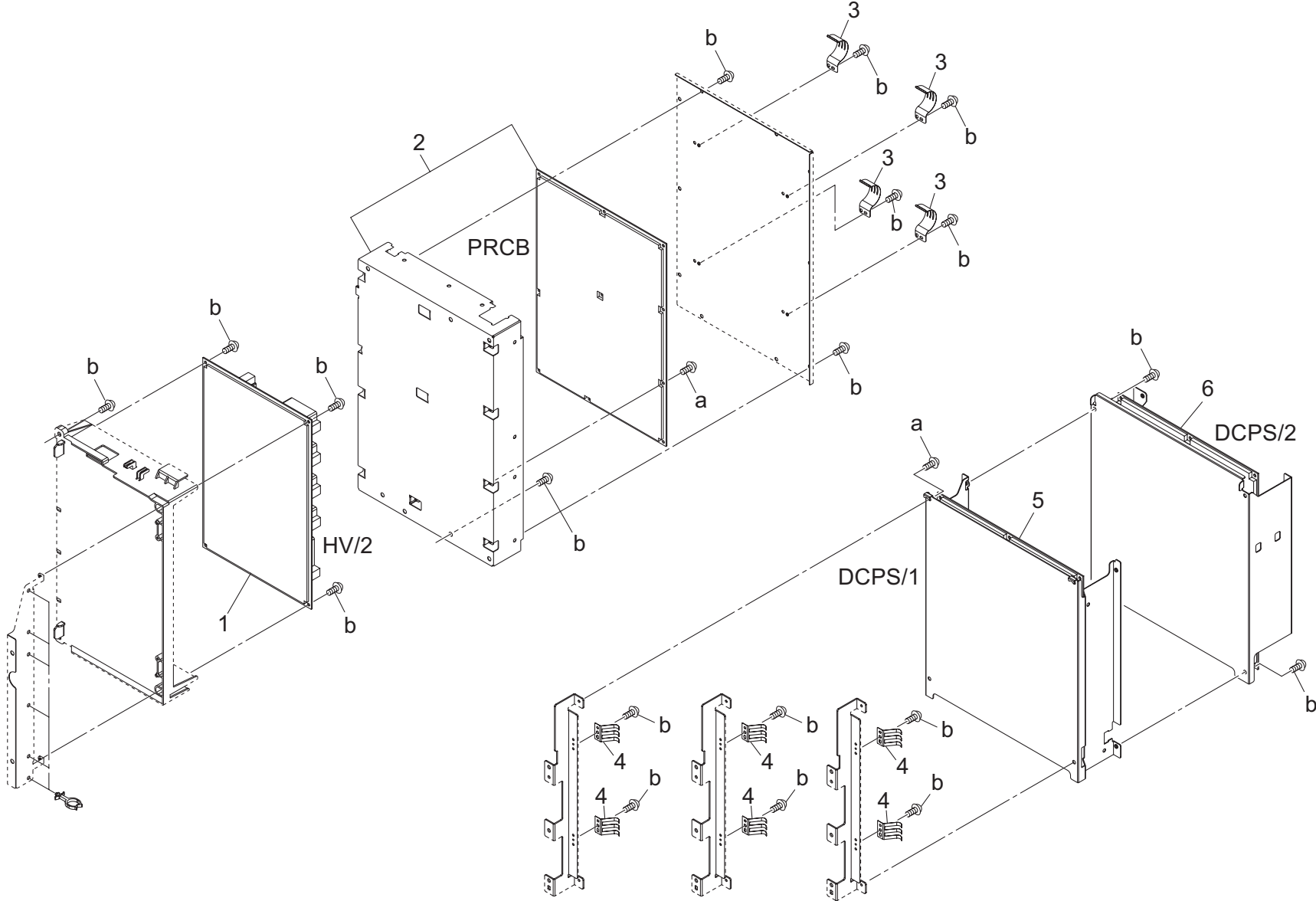


ELECTRICAL COMPONENTS



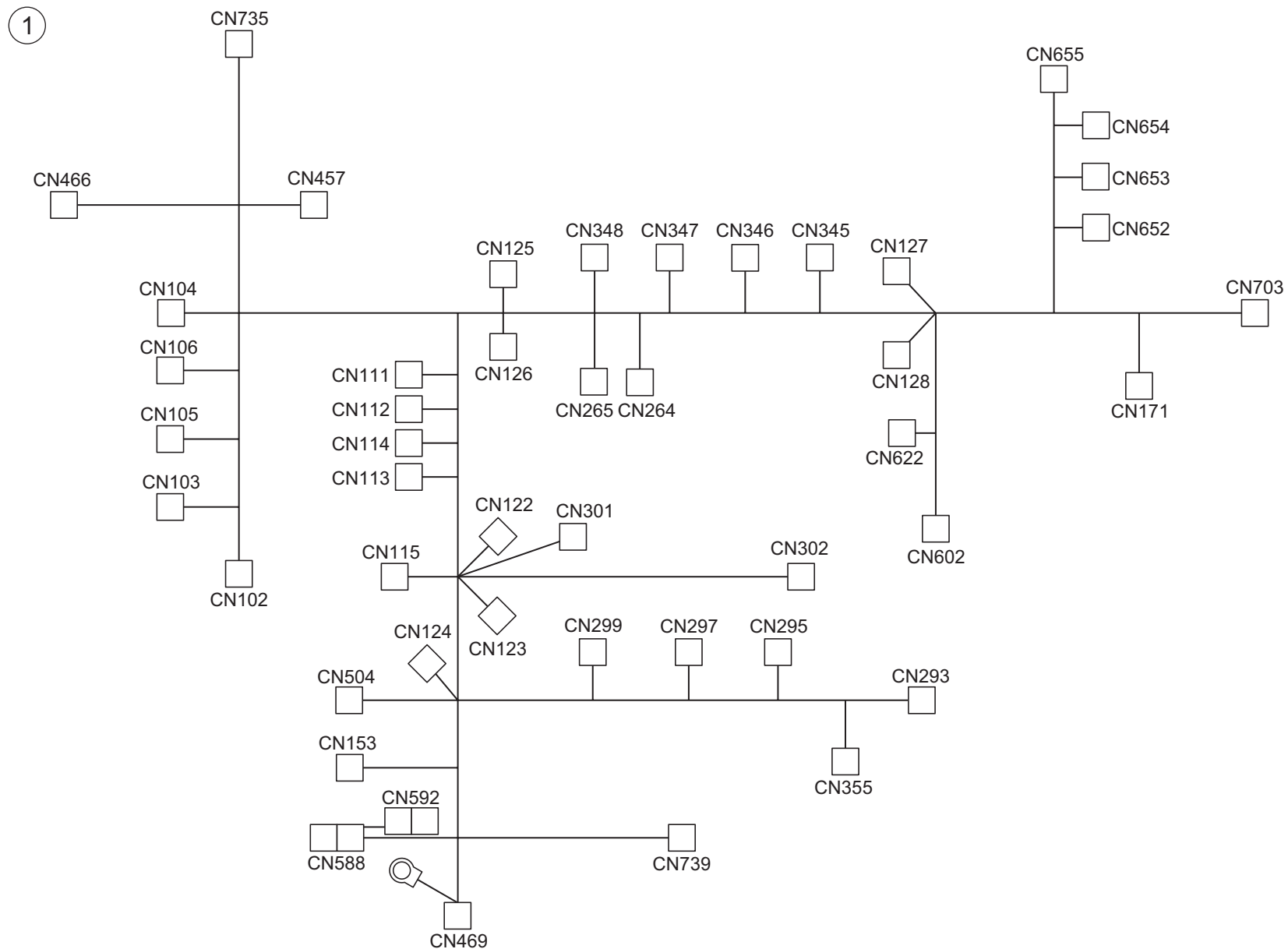
# ELECTRICAL COMPONENTS

Key	Part No.	Description	Destinations	Class	QTY	Standard parts
1	A03U M403 00	HV Power source /1		I	1	a-00Z1 9304 1 b-00Z1 9306 1 c-00Z1 8435 1
2	65AA 7341 0	EARTH SPRING 1		D	6	
3	A03U H010 5A	System control board assy.		I	1	
4	A03U 1318 00	Base plate Mounting Screw /2		C	6	
5	A03U 1317 00	Base plate Mounting Screw /1		C	6	
6	A03U H040 13	MEMORY CONTROL BOARD ASSEMBLY		I	1	
7	A03U H100 01	INTERFACE BOARD ASSY		I	1	
8	A03U 1366 00	Ground Part /1		D	1	
9	A03U H020 15	Image Processing Board Assy		I	1	
10	A03U 1365 00	Set Screw /A		C	2	
11	A03U 1367 00	Ground Part /2		D	1	
12	65AA 7326 0	FAN MOUNTING PEDESTAL		D	2	
13	26NA 7357 0	CONTACT FIXING SCREW A		C	2	
14	13NT 8051 1	FAN MOTOR 1		C	2	
15	A03U 1328 00	WIRING SEALING PLATE /1		D	1	
16	A03U 1329 00	WIRING SEALING PLATE /2		D	1	
17	A03U 1336 00	WIRING SEALING PLATE /3		D	1	
18	A03U 1358 00	SEALING PLATE /6		D	1	
19	A03U 1357 00	SEALING PLATE /5		D	1	
20	A03U 1350 00	WIRING GUIDE PLATE /1		D	1	



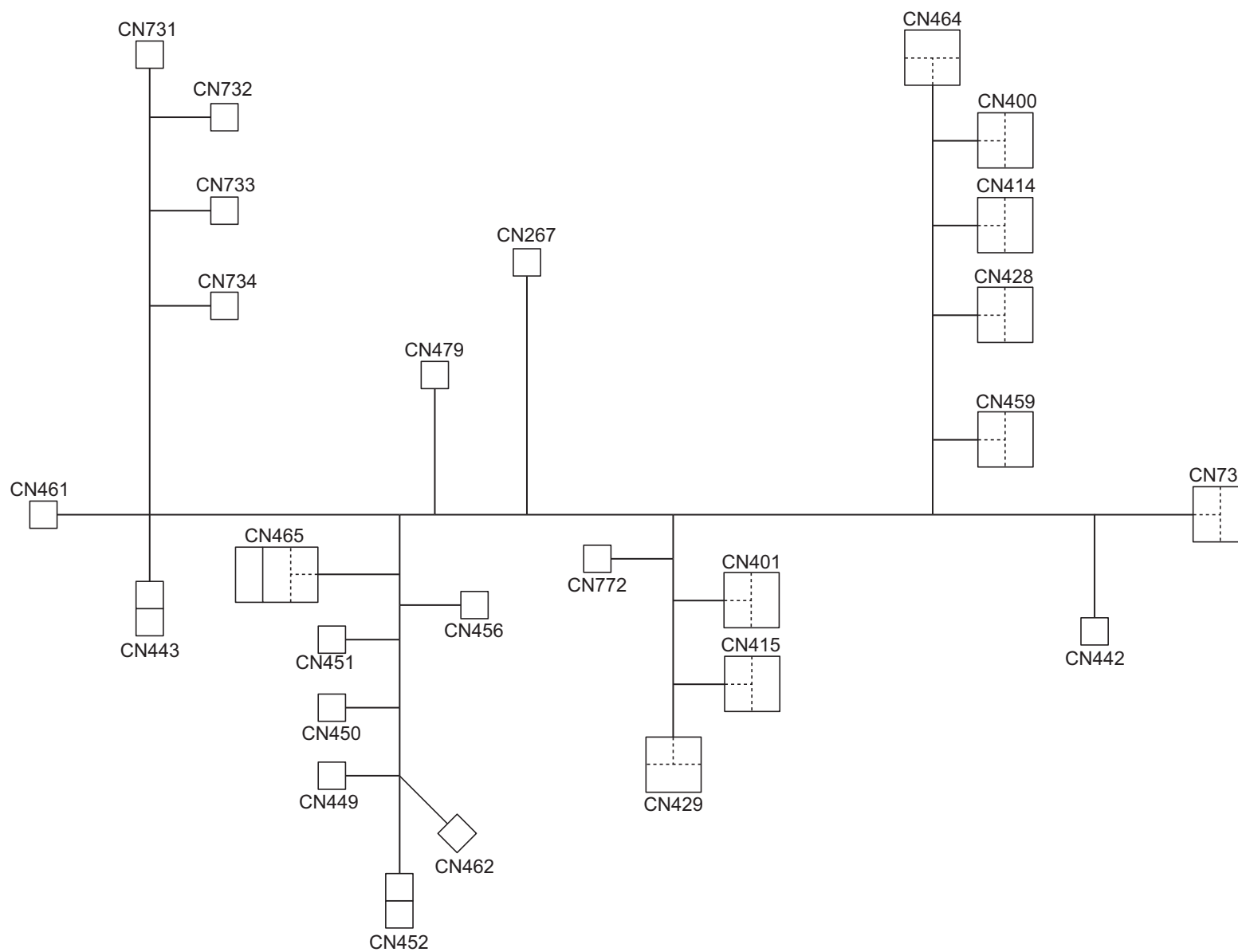
# ELECTRICAL COMPONENTS

Key	Part No.	Description	Destinations	Class	QTY	Standard parts
1	A03U M404 00	HV Power source /2		I	1	a-00Z1 9304 1 b-00Z1 9306 1
2	A03U R759 00	PRINTER CONTROL UNIT		I	1	
3	56AA 7356 0	EARTH PLATE UPPER		C	4	
4	65AA 1114 0	EARTH PLATE		D	6	
5	A03U M401 00	DC Power source /1		I	1	
6	A03U M402 01	DC POWER SOURCE /2		I	1	



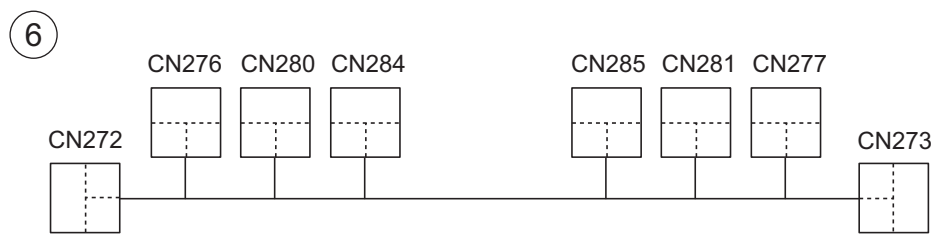
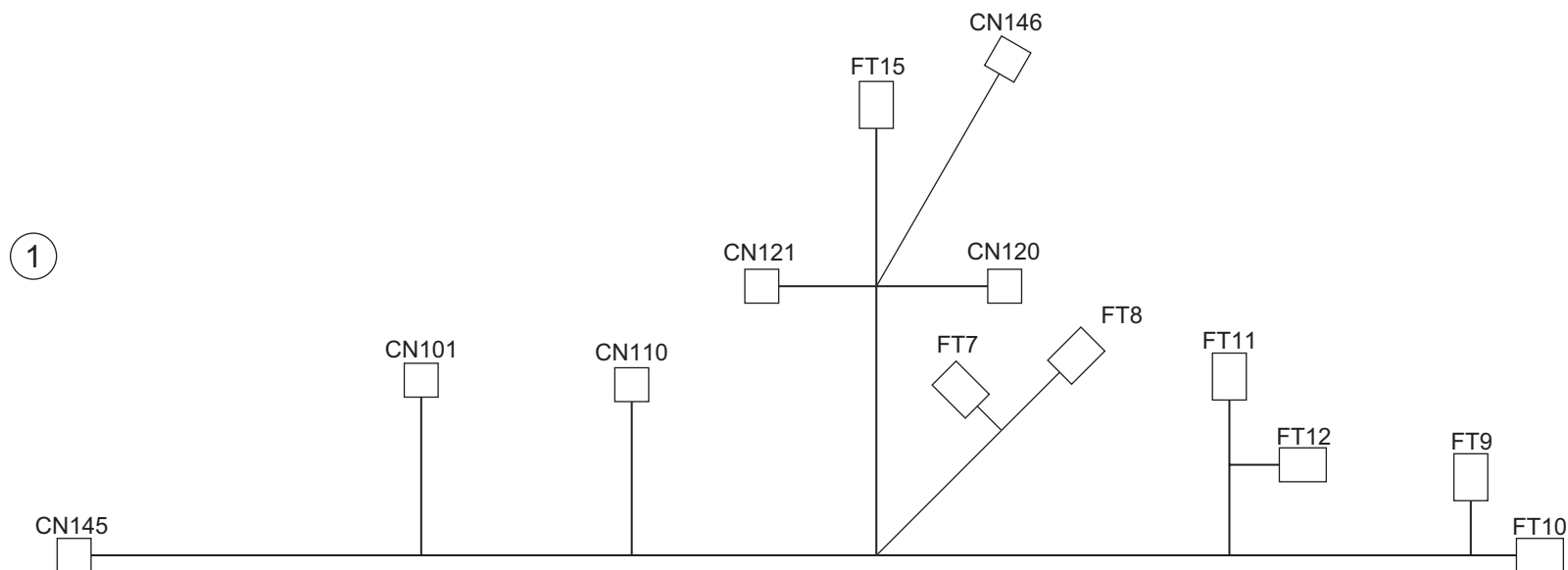


1









# WIRING

Key	Part No.	Description	Destinations	Class	QTY	Standard parts
1	A03U N102 01	AC Power source Wiring /1		D	1	
2	A03U N104 00	Fixing Power supply Wiring /Middle		D	1	
3	A03U N107 00	Fixing Power supply Wiring /Upper		D	1	
4	A03U N108 00	Fixing Power supply Wiring /Lower		D	1	
5	A03U N203 00	Bias Wire /2		D	1	
6	A03U N134 00	LD Relay Wiring /1		D	1	

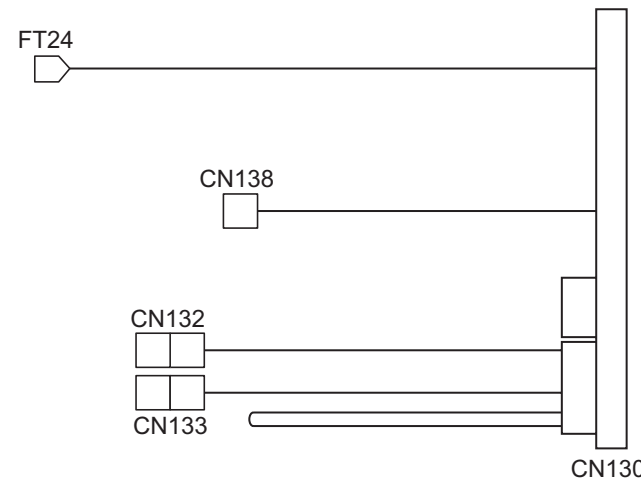
# WIRING

P 90

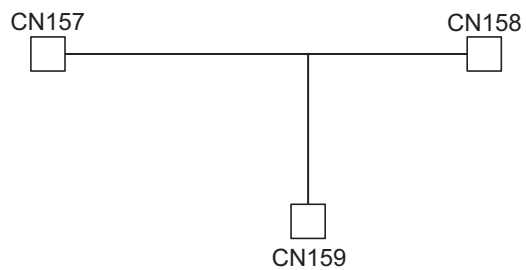
①



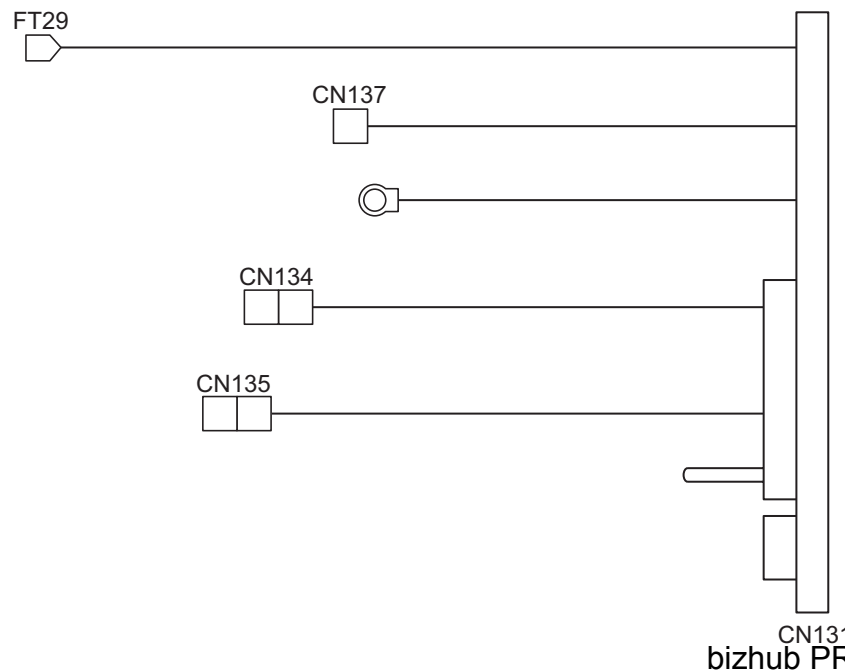
④



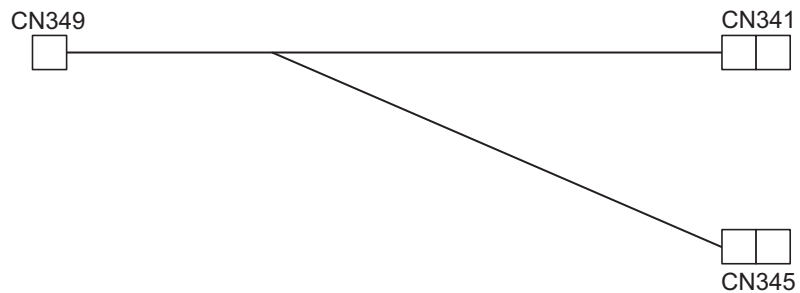
②



⑤



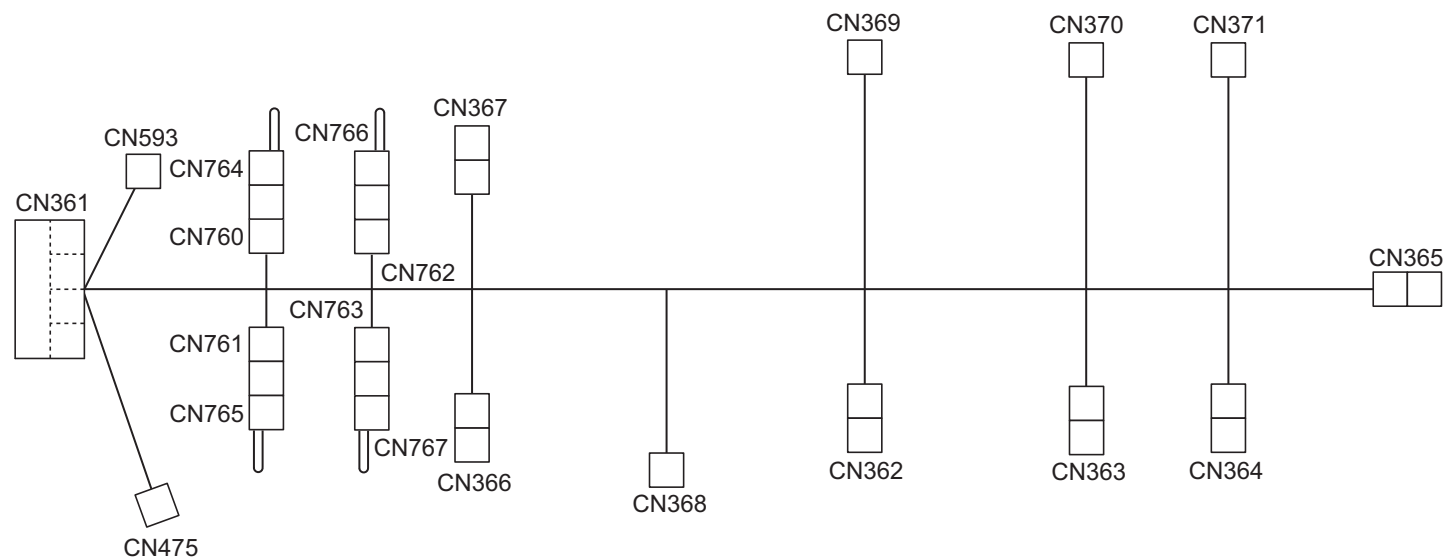
③



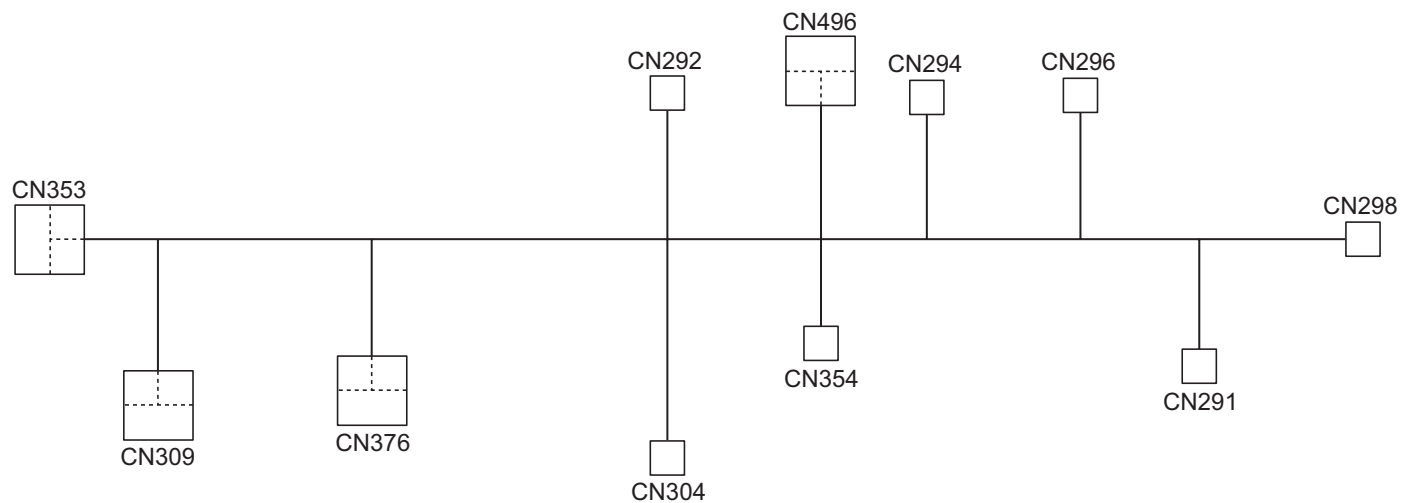
WIRING

Key	Part No.	Description	Destinations	Class	QTY	Standard parts
1	A03U N110 01	PROCESS DETECTION WIRING /1	C,D1,D3,E,F2,H,I,J,K	D	1	
2	A03U N14F 00	Fixing Control Wiring		D	1	
3	A03U N112 00	Developing Drive Wiring		D	5	
4	A03U N105 00	Fixing Power supply Wiring /1		D	1	
5	A03U N106 01	Fixing Power supply Wiring /2		D	1	

1



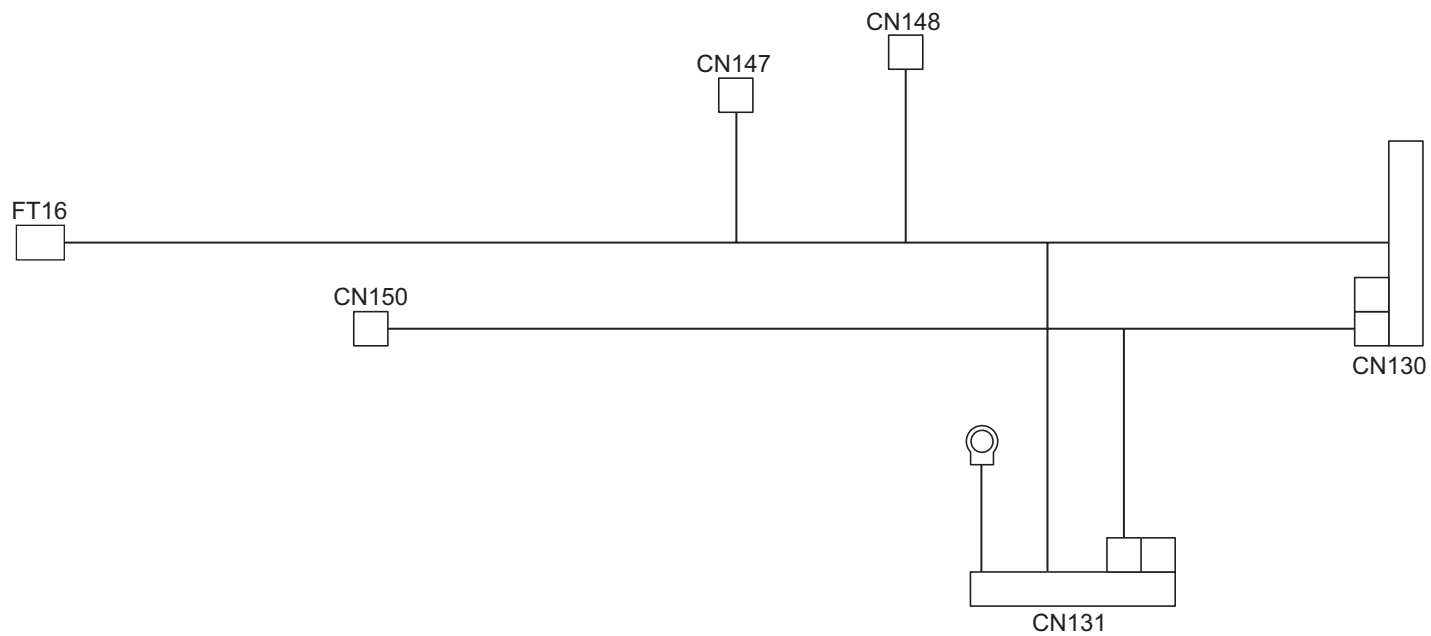
2



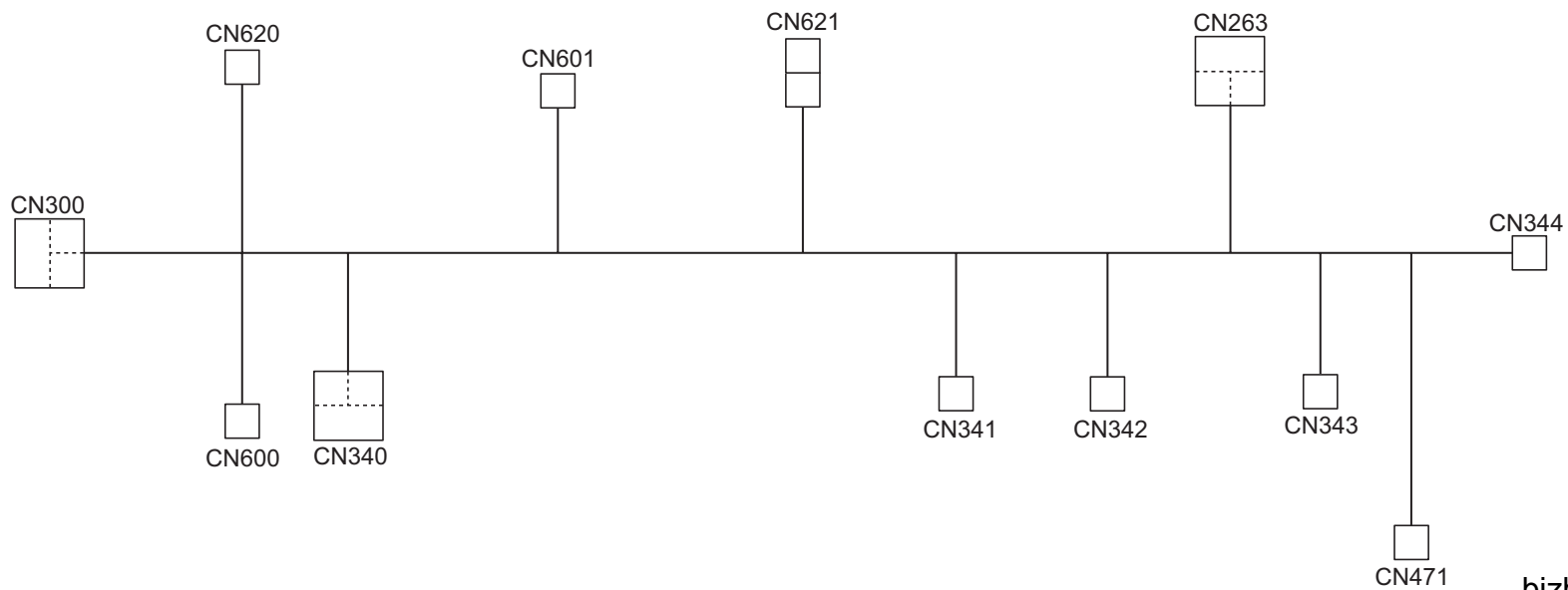
# WIRING

Key	Part No.	Description	Destinations	Class	QTY	Standard parts
1	A03U N111 02	Process Detection Wiring /2		D	1	
2	A0E7 N113 00	Drum Drive Wiring /1		D	1	

1



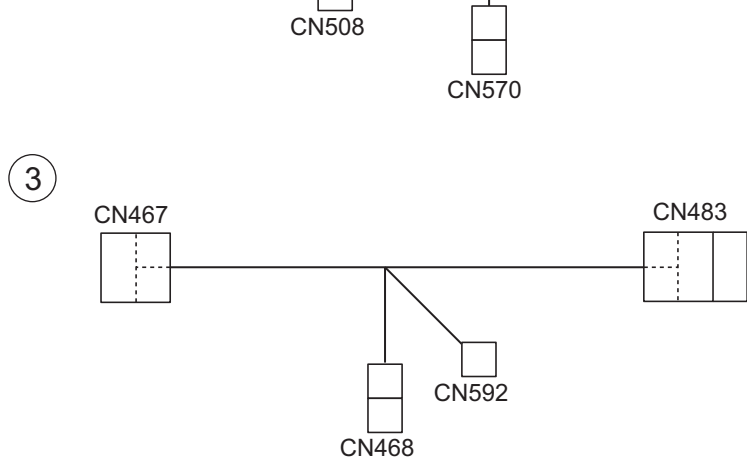
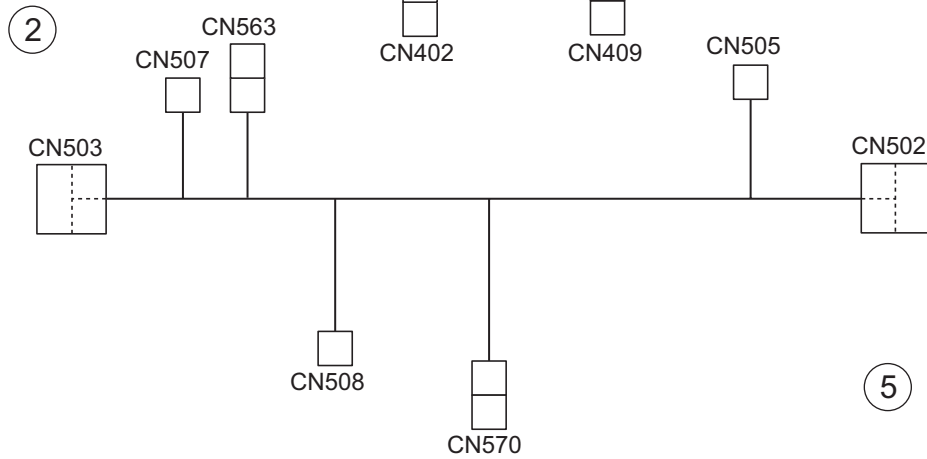
2





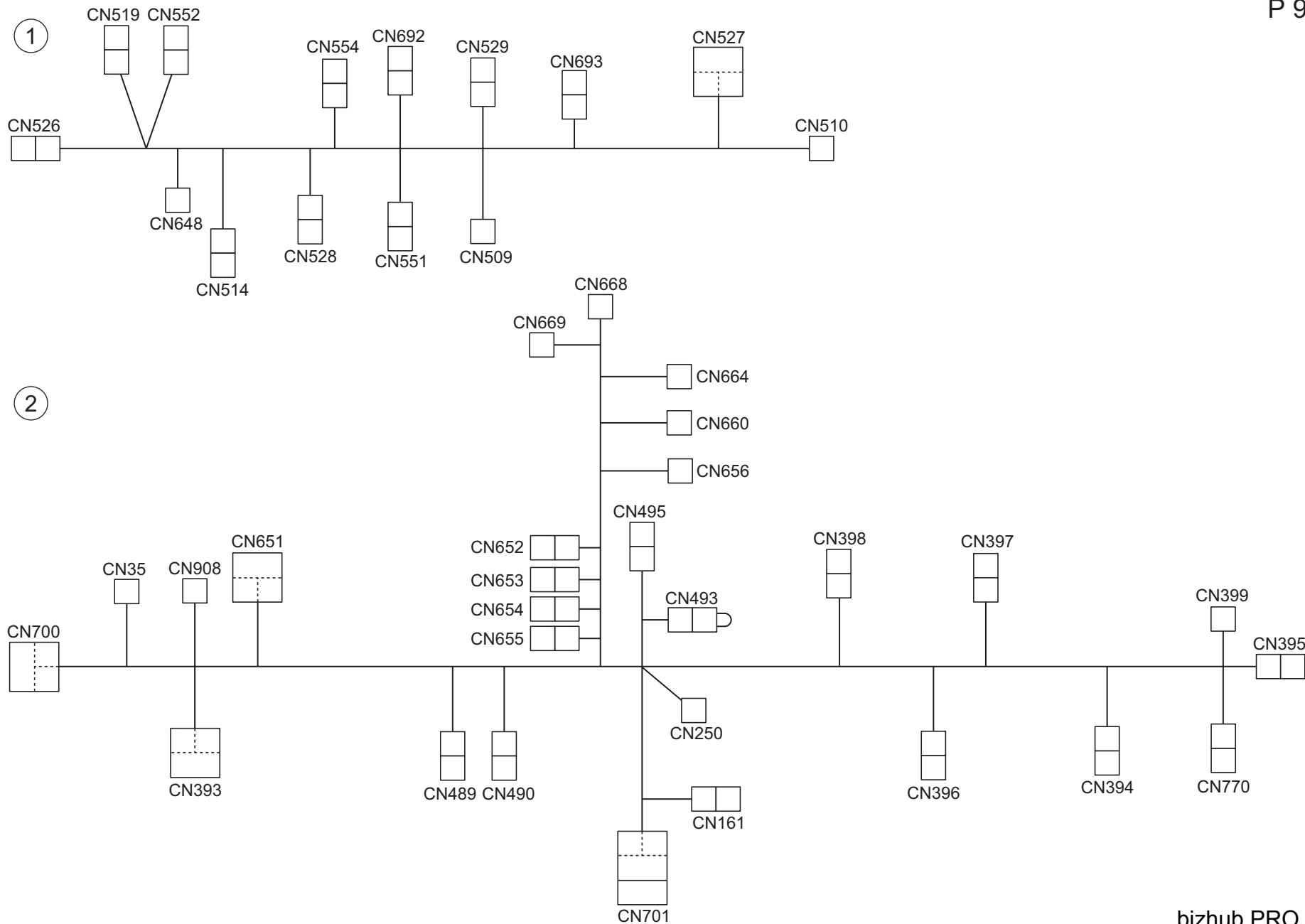
# WIRING

Key	Part No.	Description	Destinations	Class	QTY	Standard parts
1	A03U N118 01	AC DRIVE WIRING		D	1	
2	A03U N130 00	Scanner Control Wiring		D	1	



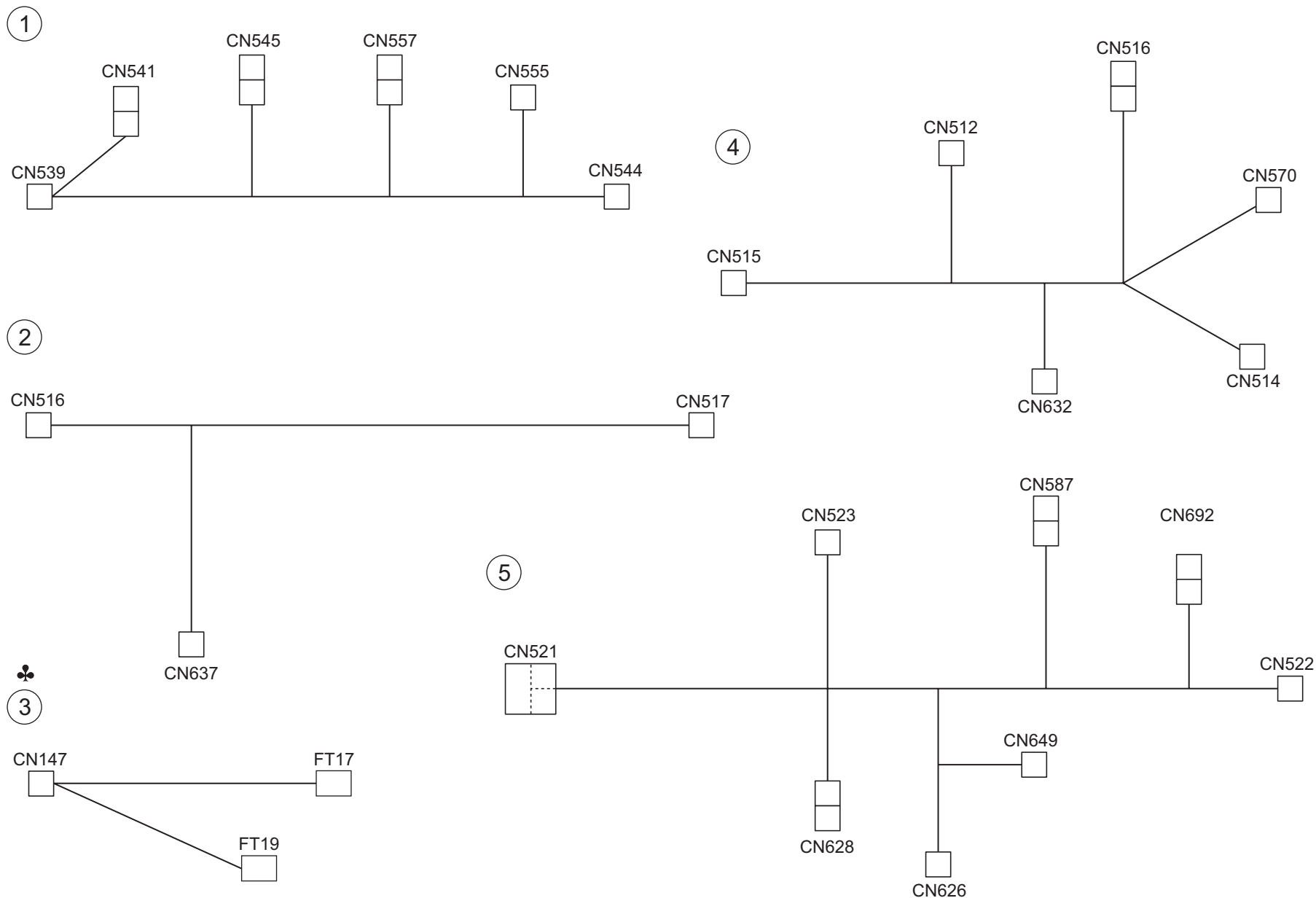
Key	Part No.	Description	Destinations	Class	QTY	Standard parts
1	65AA 9017 0E	CASSETTE SIGNAL WIRING		C	1	
2	A03U N148 01	Conv. unit Relay Wiring /2		D	1	
3	A03U N226 00	Paper exit Relay Wiring /2		D	1	
4	A03U N147 00	Conv. unit Relay Wiring /1		D	1	
5	A03U N136 01	OPE. UNIT SIGNAL WIRING		D	1	

# WIRING



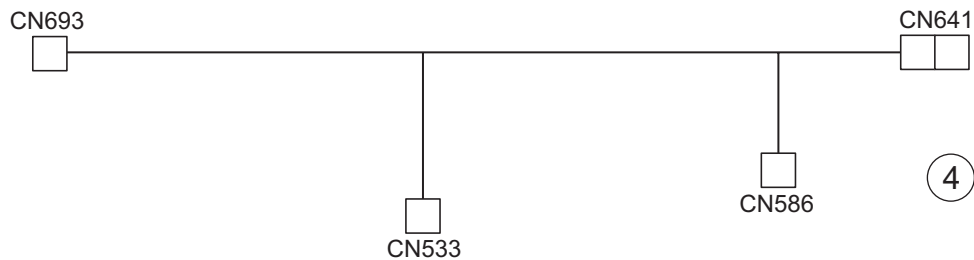
Key	Part No.	Description	Destinations	Class	QTY	Standard parts
1	A03U N149 01	Fixing Drive Wiring /1		D	1	
2	A03U N139 02	TONER RELAY WIRING /1		D	1	

# WIRING

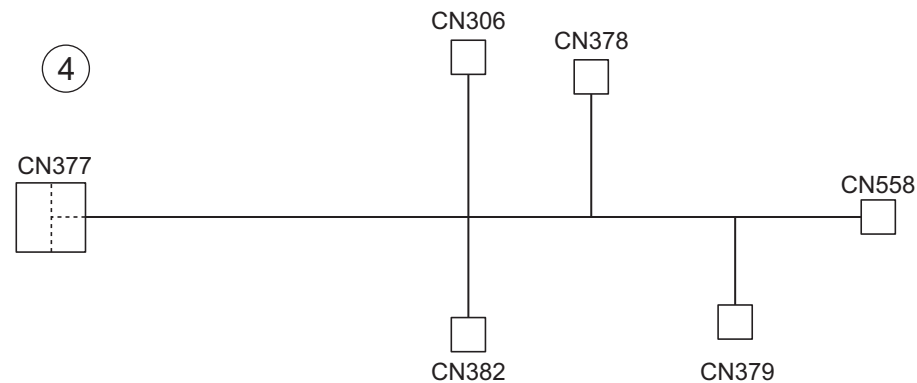




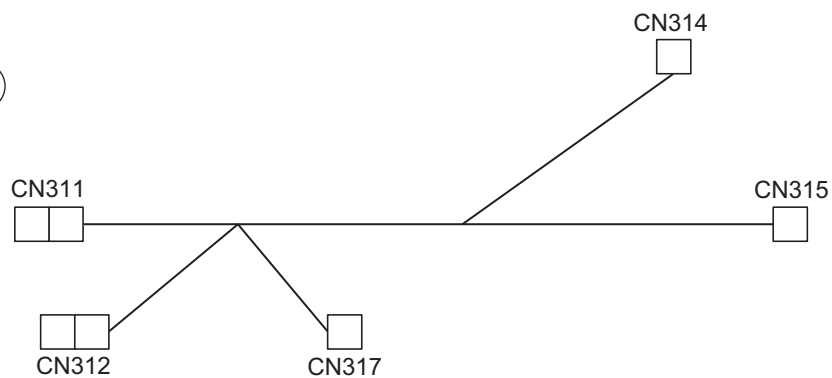
1



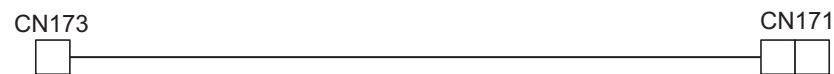
4



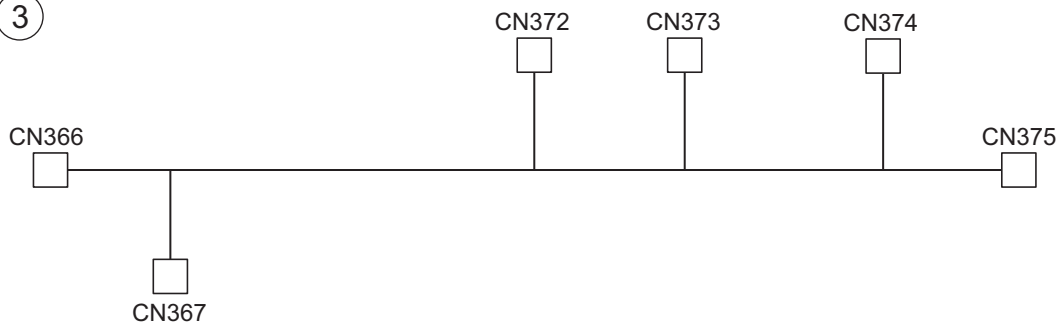
2



5

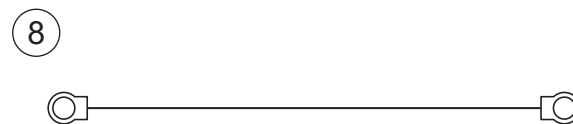
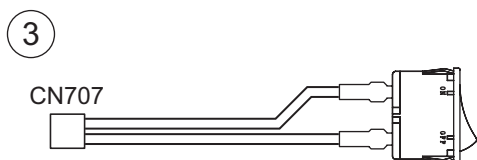


3



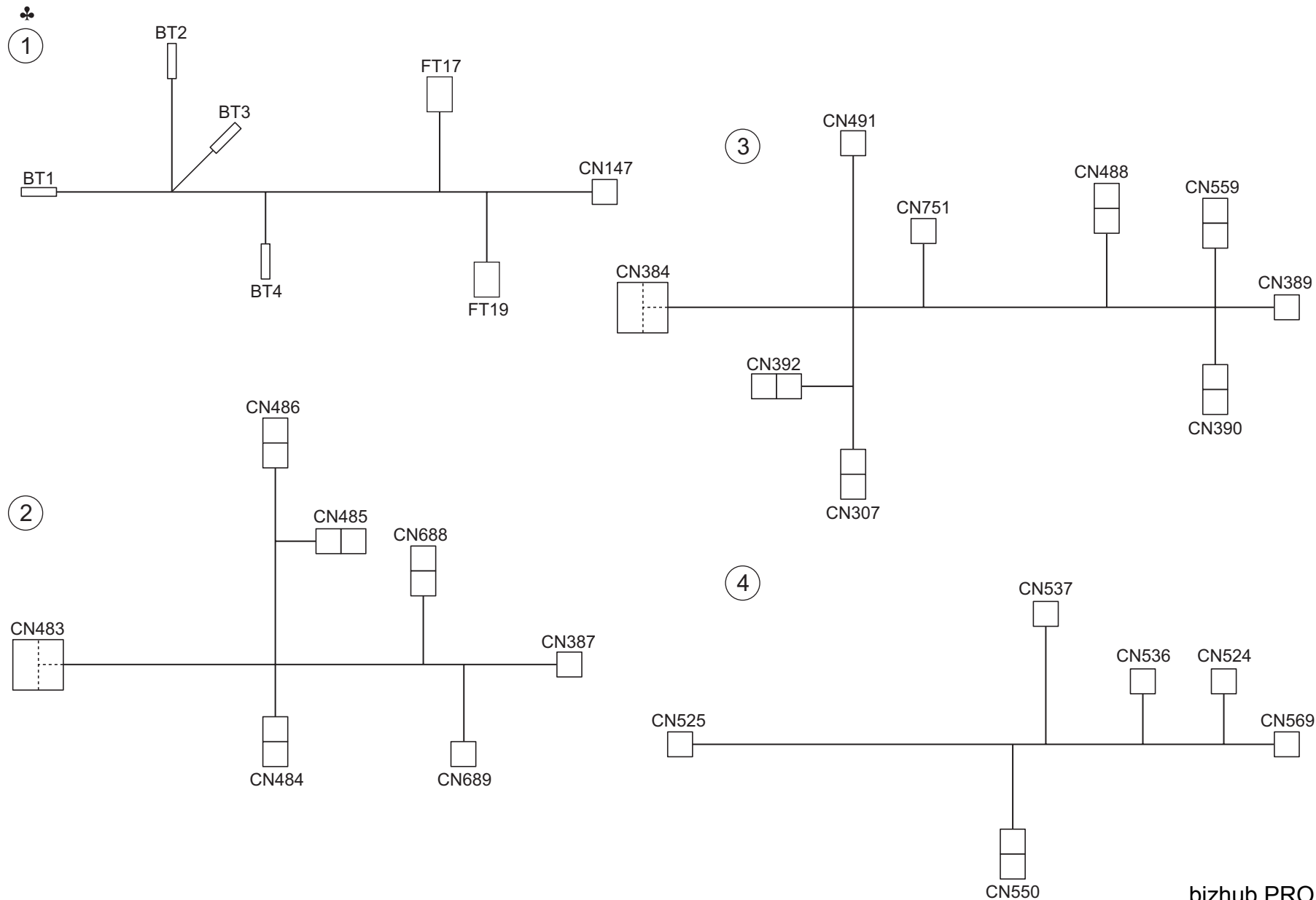


Key	Part No.	Description	Destinations	Class	QTY	Standard parts
1	A03U N154 01	Registration Relay Wiring		D	1	
2	A03U N155 00	Drum Detection Wiring		D	4	
3	A03U N166 01	Process Relay Wiring /2		D	1	
4	65AA 9063 0	PROCESS RELAY WIRING		D	1	
5	A03U N160 00	Ope. unit Power source Wiring		D	1	



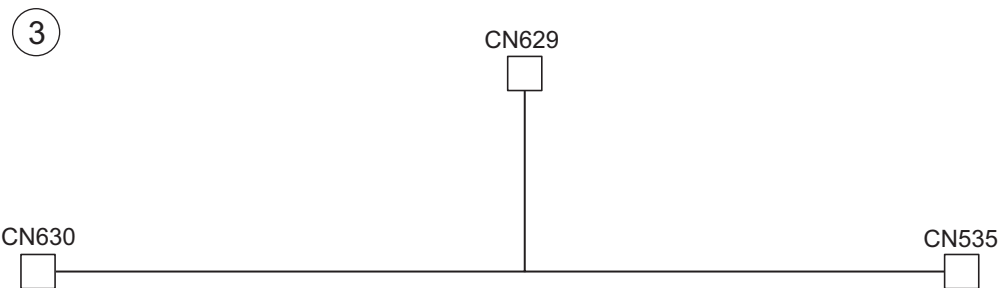
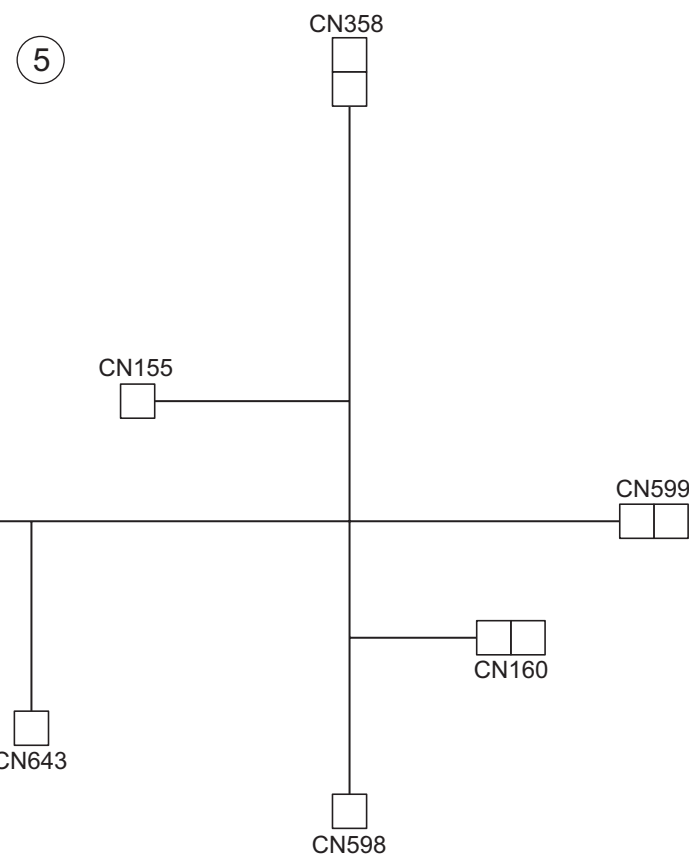
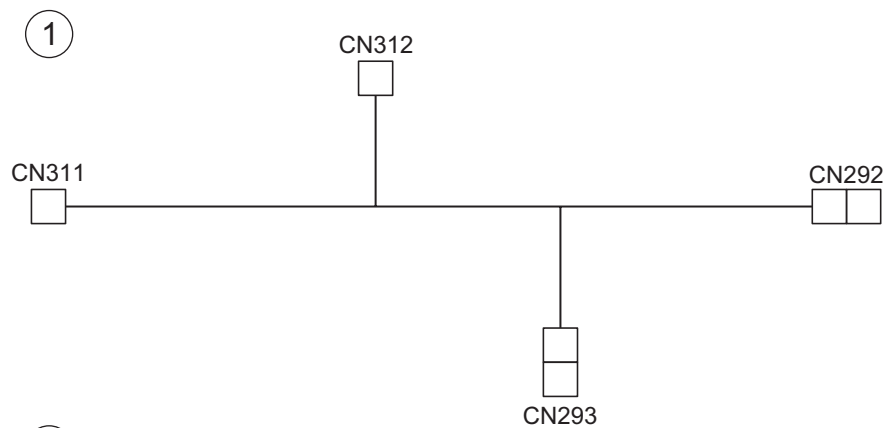
# WIRING

Key	Part No.	Description	Destinations	Class	QTY	Standard parts
1	A03U N227 00	Main body Wiring /4		D	1	
2	A03U N231 01	Relay harness /1		D	1	
3	A03U R738 00	SWITCH S ASSY		C	1	
4	65AA 9092 0E	TONER DETECTION WIRING /2		D	1	
5	A03U N217 01	Paper exit Drive Wiring /2		D	1	
6	A03U N218 00	Motor Relay Wiring /1		D	1	
7	A03U N230 00	ADU Relay Wiring /5		D	1	
8	A03U N232 00	Grounding Wiring /F		D	2	
9	A03U N233 00	Main body Grounding Wire		D	1	



Key	Part No.	Description	Destinations	Class	QTY	Standard parts
1	A03U N16F 00	FIXING POWER SUPPLY WIRING /F	C,D1,D3,E,H,I,J,K	D	1	
2	A03U N175 00	Paper exit Relay Wiring		D	1	
3	A03U N195 01	Main body Wiring /2		D	1	
4	A03U N176 01	Motor Drive Wiring		D	1	

# WIRING

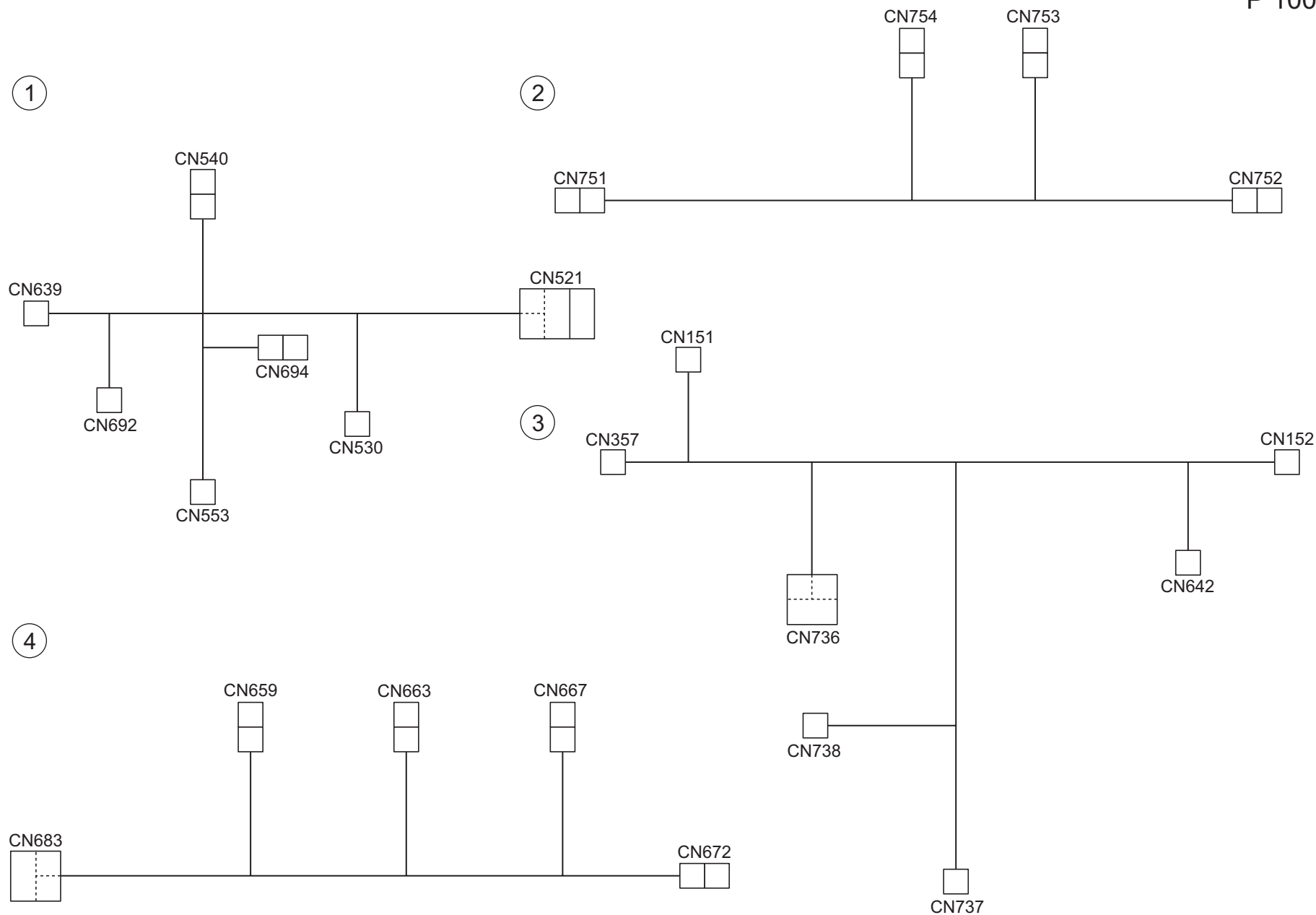


# WIRING

Key	Part No.	Description	Destinations	Class	QTY	Standard parts
1	A03U N180 00	Drum Relay Wiring		D	4	
2	A03U N178 01	ADU DRIVE HARNESS /1		D	1	
3	A03U N216 00	ADU Relay Wiring /4		D	1	
4	A03U N177 00	Conveyance Drive harness /1		D	1	
5	A03U N213 02	Paper exit Drive Wiring /1		D	1	

# WIRING

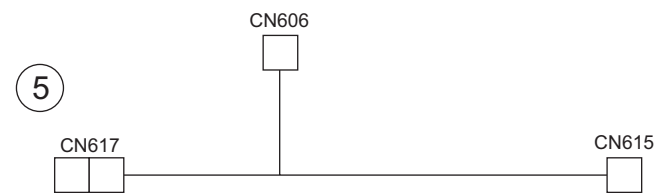
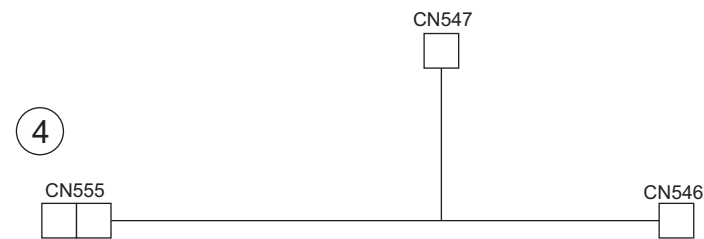
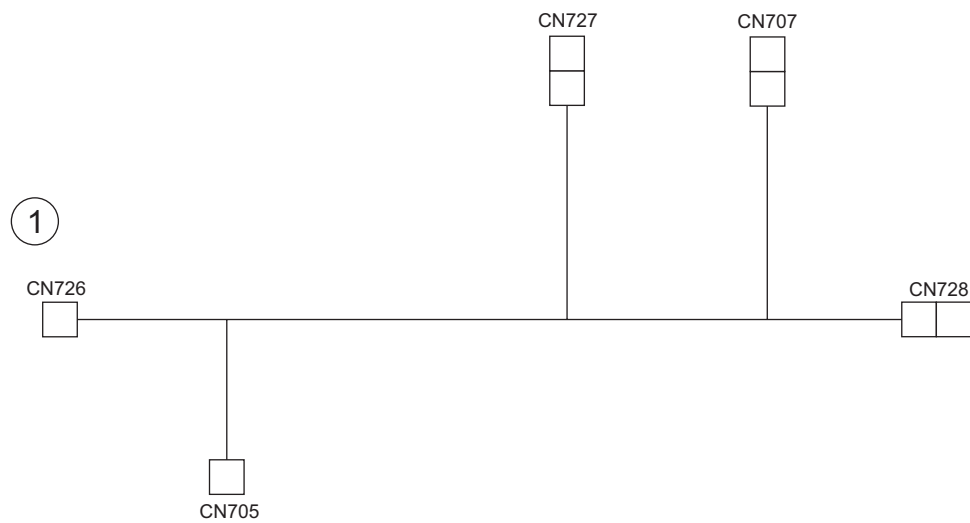
P 100





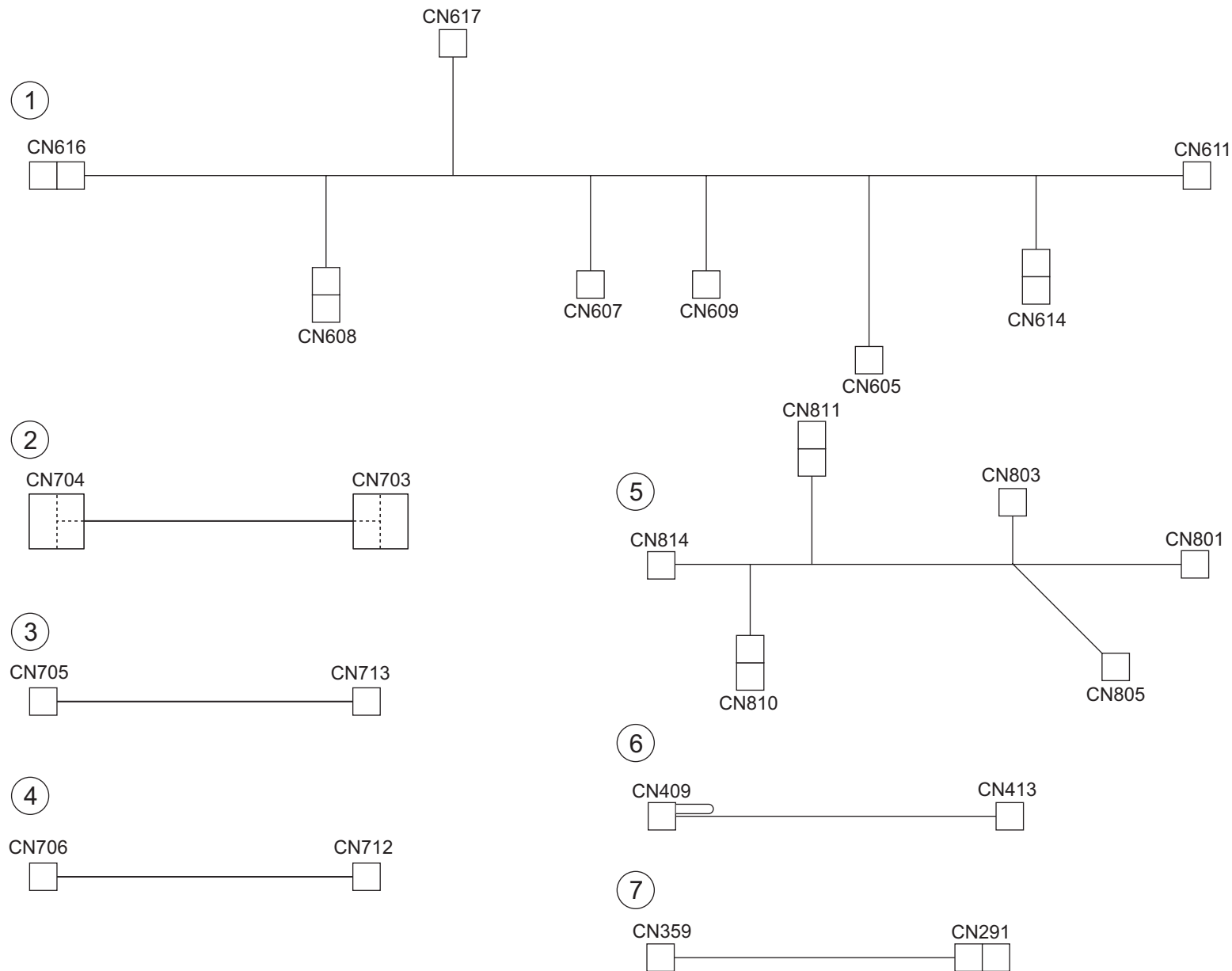
# WIRING

Key	Part No.	Description	Destinations	Class	QTY	Standard parts
1	A03U N220 02	ADU SIGNAL WIRING		D	1	
2	A03U N224 00	Paper exit Cooling Wiring		D	1	
3	A03U N221 00	AC Drive Wiring /2		D	1	
4	A03U N228 00	Main body Wiring /5		D	1	

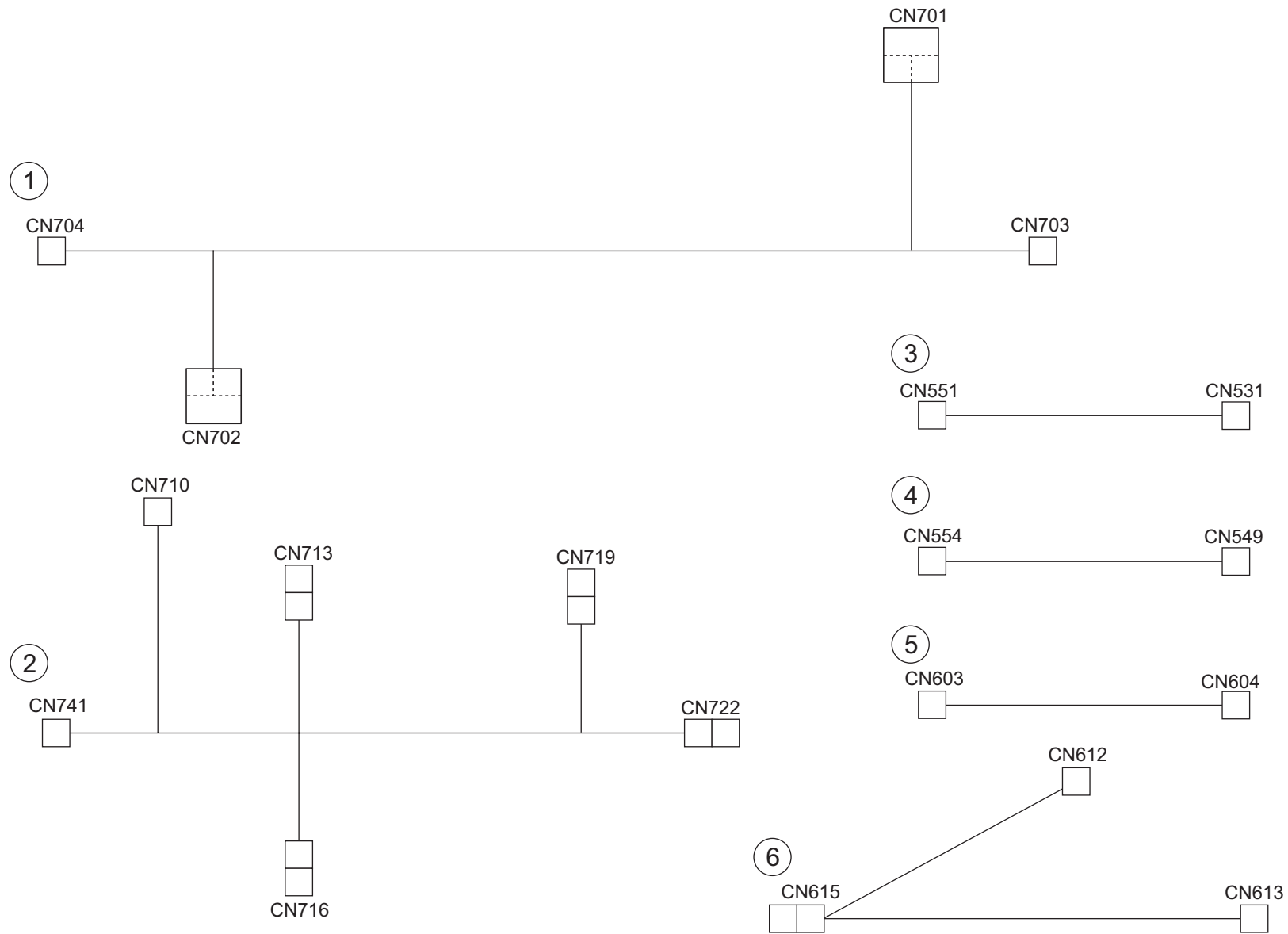


# WIRING

Key	Part No.	Description	Destinations	Class	QTY	Standard parts
1	65AA 9044 0E	TONER SUPPLY WIRING		D	1	
2	65AA 9069 1E	INTERLOCK WIRING		D	1	
3	65AA 9072 0E	ADU RELAY WIRING /3		D	1	
4	65AA 9086 0E	BY-PASS RELAY WIRING		D	1	
5	65AA 9108 0E	SCANNER DRIVE WIRING /2		D	1	
6	65AA 9084 0	CONVEYANCE DETECTING WIRING 1		D	1	
7	65AA 9085 0	CONVEYANCE DETECTION WIRING 2		D	1	
8	65AA 9067 0	SCANNER RELAY WIRING		D	1	



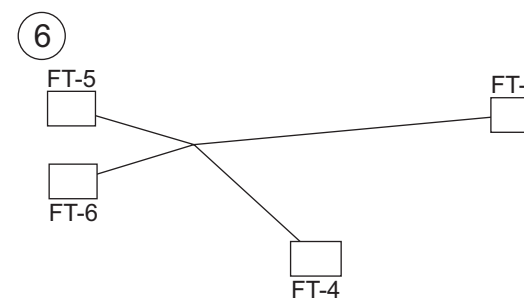
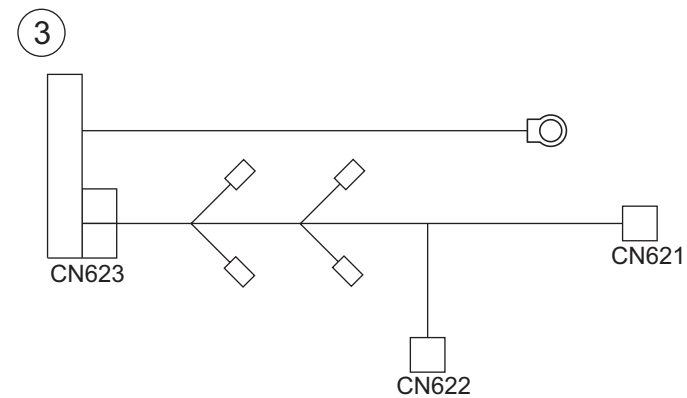
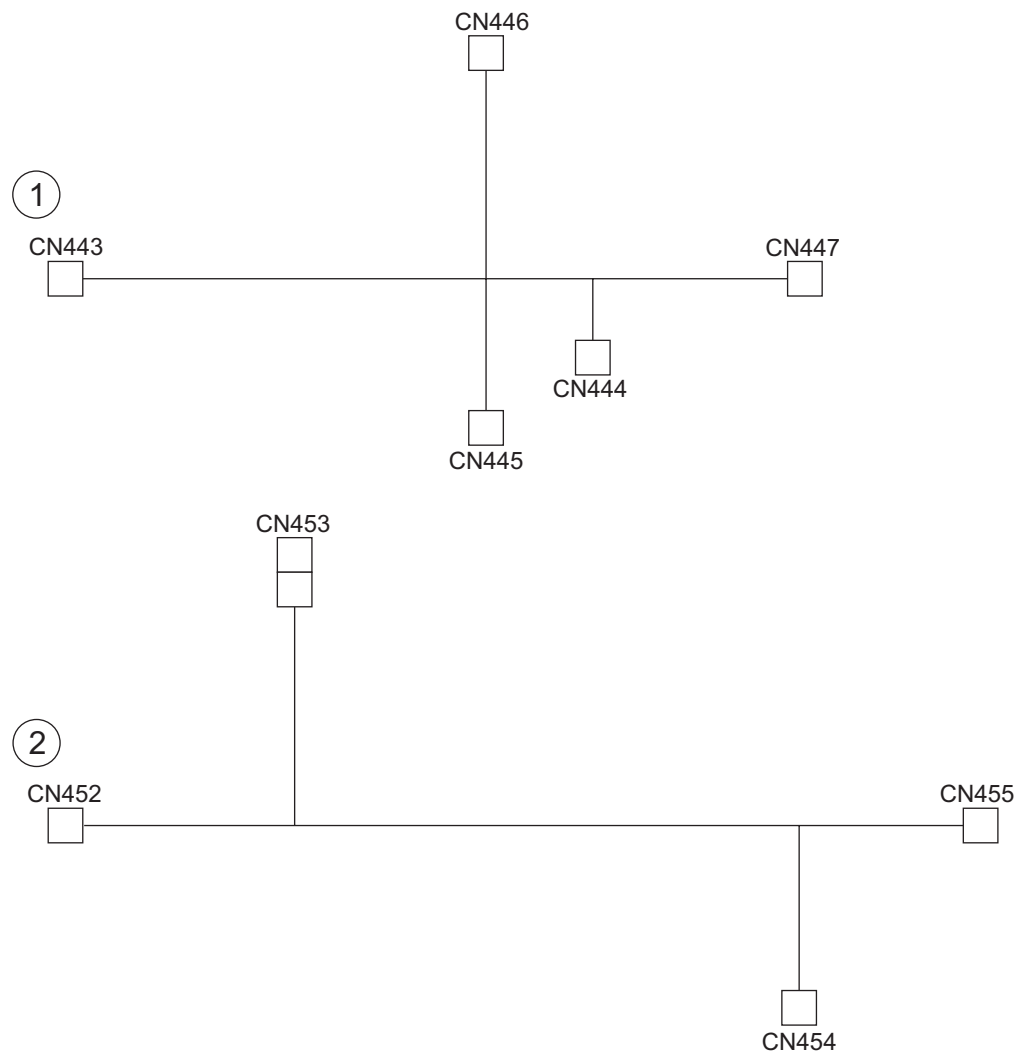
Key	Part No.	Description	Destinations	Class	QTY	Standard parts
1	65AA 9032 0E	SCANNER DRIVE WIRING		D	1	
2	56UA 9092 0	OPERATION UNIT WIRING 4		D	1	
3	56UA 9081 0	OPERATION UNIT WIRING 3		D	1	
4	56UA 9079 0	OPERATION UNIT WIRING 1		D	1	
5	56AA 9061 0E	PAPER FEED WIRING /2		D	1	
6	65AA 9058 0	SIZE RELAY WIRING		D	1	
7	65AA 9083 0E	RELAY WIRING /2		D	1	



# WIRING

Key	Part No.	Description	Destinations	Class	QTY	Standard parts
1	65AA 9043 0	TONER RELAY WIRING 2		D	1	
2	65AA 9045 0E	TONER DETECTION WIRING		D	1	
3	65AA 9071 0	ADU RELAY WIRING 2		D	1	
4	65AA 9081 0	RELAY WIRING 1		D	1	
5	65AA 9031 0	OPTICS DRIVING WIRING		D	1	
6	65AA 9068 0E	PLATEN APS WIRING		D	1	

# WIRING

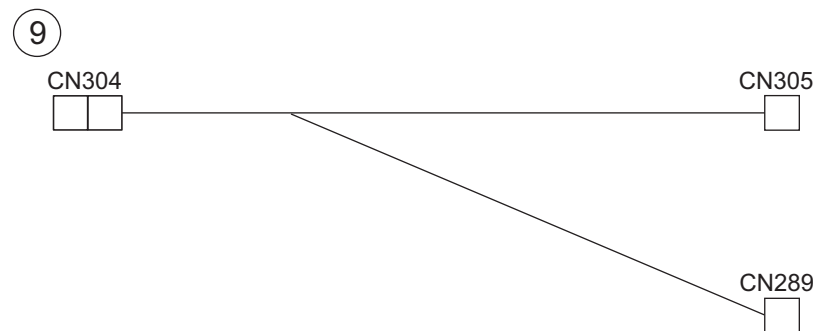
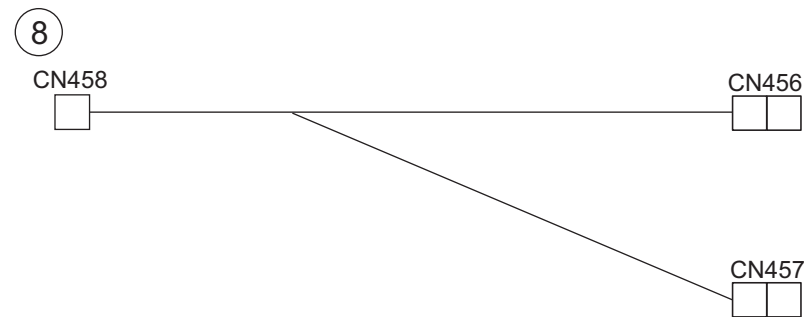
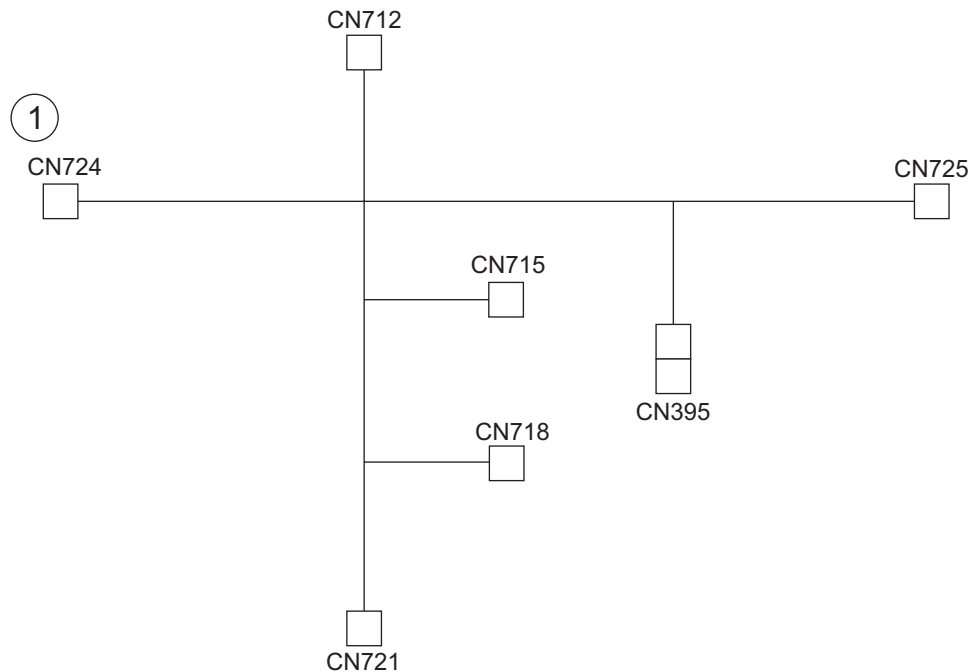




Key	Part No.	Description	Destinations	Class	QTY	Standard parts
1	65AA 9016 0	BY PASS DETECTION WIRING		D	1	
2	65AA 9015 0E	P. F. UNIT DETECTION WIRING		D	1	
3	65AA 9073 0E	ADF RELAY WIRING /1		D	1	
4	65AA 9101 0	CASSETTE RELAY WIRING		D	1	
5	56UA 9080 1	OPERATION UNIT WIRING 2		D	1	
6	65AA 9001 0	AC POWERING WIRING		D	1	

# WIRING

P 105

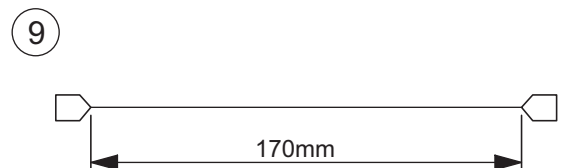
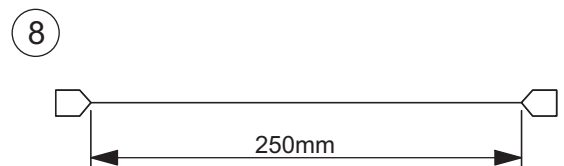
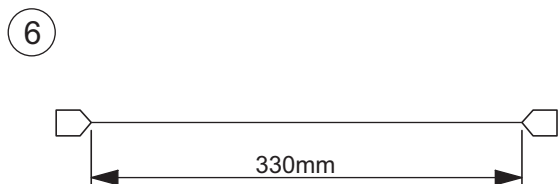
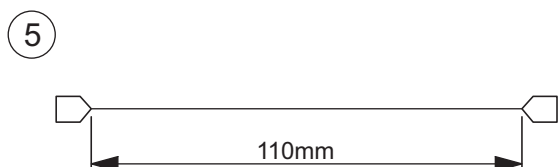
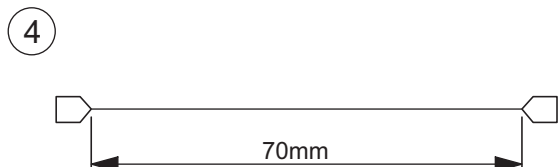
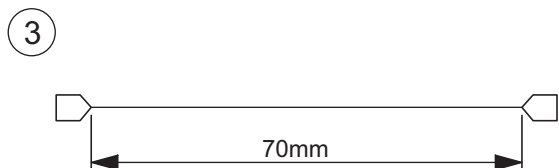
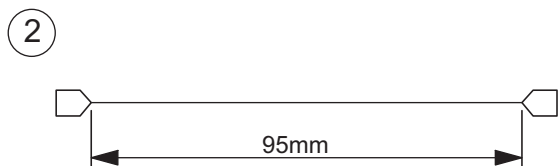
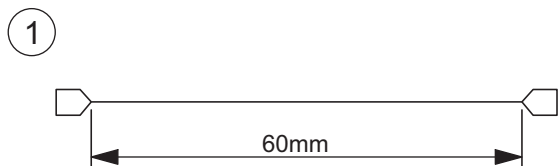


bizhub PRO C5500

# WIRING

Key	Part No.	Description	Destinations	Class	QTY	Standard parts
1	65AA 9098 0E	TONER RELAY WIRING /3		D	1	
2	65AA 9093 0E	CONTROLLER COOLING WIRING		D	1	
3	A03U N236 00	Heater Relay harness		D	1	
4	65AA 9109 0	COLOR COMPENSATING WIRING 2		D	1	
5	65AA 9074 0	TONER SUPPLY WIRING 2		D	1	
6	65AA 9065 0	COLOR COMPENSATING WIRING		D	1	
7	65AA 9079 0E	PROCESS RELAY WIRING /3		D	1	
8	65AA 9089 0E	PAPER FEED RELAY WIRING		D	1	
9	65AA 9106 0E	RELAY WIRING /3		D	1	

# WIRING





# WIRING ACCESSORIES AND JIGS

P 107

1 	6 	11 	16 	21 	26 	31 	36 
2 	7 	12 	17 	22 	27 	32 	37 
3 	8 	13 	18 	23 	28 	33 	38 
4 	9 	14 	19 	24 	29 	34 	39 
5 	10 	15 	20 	25 	30 	35 	40 

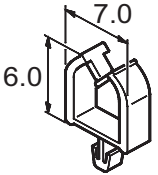
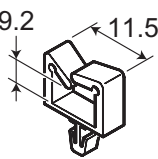
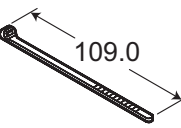
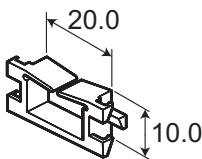
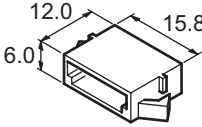
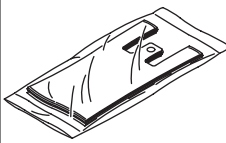
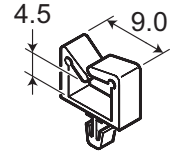
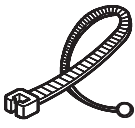
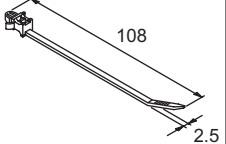
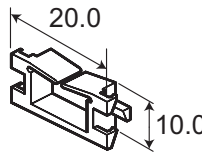

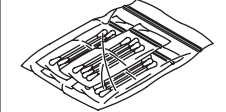
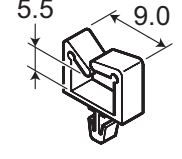
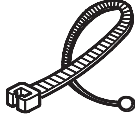
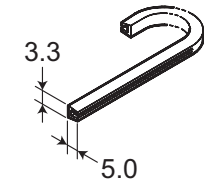
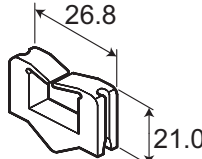
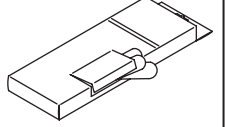
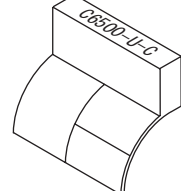
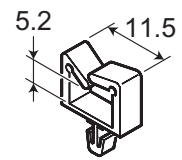
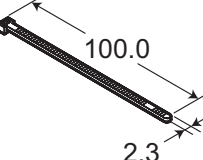
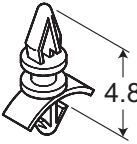
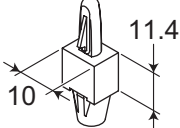
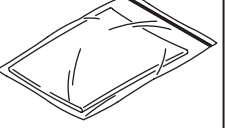
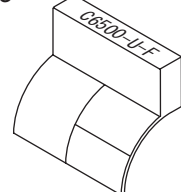
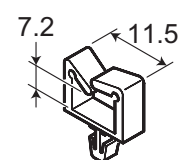
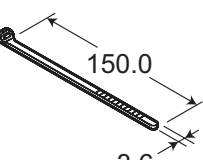
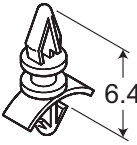
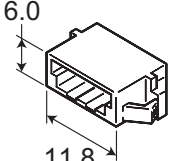
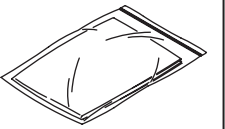
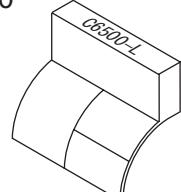
bizhub PRO C5500

# WIRING ACCESSORIES AND JIGS

Key	Part No.	Description	Destinations	Class	QTY	Standard parts
1	00Z9 2001 3	SUPER SADDLE MSS-2 10/1		D		
2	00Z9 2001 4	SUPER SADDLE MSS-2S 10/1		D		
3	00Z9 2001 6	WIRE SADDLE LWSS-2N 10/1		D		
4	00Z9 2001 7	WIRE SADDLE LWS-2218D 10/1		D		
5	00Z9 2001 9	WIRE SADDLE LWS-1316Z 10/1		D		
6	00Z9 2002 0	WIRE SADDLE LWS-1211Z 10/1		D		
7	00Z9 2002 1	WIRE SADDLE LWS-0711 10/1		D		
8	00Z9 2002 2	WIRE SADDLE LWS-0511 10/1		D		
9	00Z9 2002 3	STAND OFF TUIST ROCK		D		
10	00Z9 2002 4	BUSHING		D		
11	00Z9 2002 5	BUSHING SB-4025		D		
12	00Z9 2002 6	BUSHING SB-2718		C		
13	00Z9 2004 5	LOCKING WIRE SADDLE LWS-0711D		D		
14	00Z9 2004 6	LOCKING WIRE SADDLE		D		
15	00Z9 2005 3	FLAT CABLE CLAMP		D		
16	00Z9 2005 4	FLAT CABLE CLAMP FCR 30 VO		D		
17	00Z9 2006 1	SK-BINDER SKB-100PRD 10/1SET		D		
18	00Z9 2006 2	SADDLE MSBS-1207		C		
19	00Z9 2007 1	EDDGE SADDLE		D		
20	00Z9 2007 2	ROCKING EDDGE SADDLE		D		
21	00Z9 2008 3	NYLON CLAMP 10 PCS/1SET		D		
22	00Z9 2009 1	EDDGE SADDLE		D		
23	00Z9 2009 3	RE CLAMP RLWS-1T V0		D		
24	00Z9 2009 4	ROCKING EDDGE SADDLE		D		
25	00Z9 2009 5	ROCKING EDDGE SADDLE		D		
26	00Z9 2009 6	LOCKING EDDGE SADDLE		D		
27	00Z9 2009 8	LOCKING CAP SPACER LCS-5S		D		
28	00Z9 2010 3	KS CLAMP		D		
29	00Z9 2010 4	LOCKING CIRCUIT BOARD		D		
30	00Z9 2011 1	MINI LOCKING WIRE SADDLE		D		
31	00Z9 2011 7	ELECTRIC CONDUCTION CLAMP		D		
32	00Z9 2012 0	MINI SADDLE		D		
33	00Z9 2100 3	CORD KEEP K-103G		C		
34	00Z9 2110 2	NYLON CLAMP		C		
35	00Z9 2116 2	KCA CLAMP		D		
36	00Z9 2116 3	KCA CLAMP		D		
37	00Z9 2130 2	WIRE SADDLE		C		
38	00Z9 2137 0	EDGE SADDLE 10/1SET		C		
39	00Z9 2137 2	SUPER SADDLE D820-S 10/1SET		C		
40	00Z9 2191 1	MINI CLAMP UAMS-02-0		C		

# WIRING ACCESSORIES AND JIGS

P 108

1 	6 	11 	16 	21 	26 	31	36
2 	7  L=130	12 	17 	22 ♣ 	27 ♣ 	32	37
3 	8  L=80	13 	18 	23 	28 	33	38
4 	9 	14 	19 	24 	29 	34	39
5 	10 	15 	20 	25 	30 	35	40

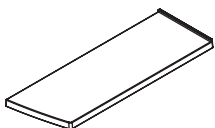
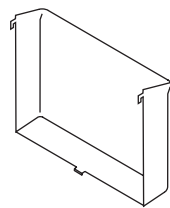
bizhub PRO C5500





# ACCESSORY PARTS

P 109

1 	6	11	16	21	26	31	36
2 	7	12	17	22	27	32	37
3	8	13	18	23	28	33	38
4	9	14	19	24	29	34	39
5	10	15	20	25	30	35	40

bizhub PRO C5500

# ACCESSORY PARTS

Key	Part No.	Description	Destinations	Class	QTY	Standard parts
1	A03U R730 00	WORKING TABLE		C	1	
2	56UA 1277 0	ACCESSARIES HOLDING PANEL		C	1	

# MAINTENANCE LIST

● The items with no Page/Key numbers are not handled as spare parts.

No.	Section	PM Parts Description	Maintenance Cycle (K=1,000)		Parts No.	Destinations	Page/Key	Note
			QTY	Replace				
1	TONER COLLECTING SEC-	Toner collection box	1	50K	A03UR70200		P26-35	
2	MAIN FRAME	Dust-proof filter/1(Right side)	1	150K	A03UR70100		P81-15	
3	EXTERNAL PARTS	Dust-proof filter/2(Rear side)	1	150K	65AAR71800		P4-7	
4	TONER SUPPLY SECTION	Charging dust proof filter	1	450K	65AAR76700		P20-7	
5	CHARGE CORONA SECTION	Charging corona/Y(Page)	1	75K	A03UR70300		P17-1	
6		Charging corona/M(Page)	1	75K	A03UR70300		P17-1	
7		Charging corona/C(Page)	1	75K	A03UR70300		P17-1	
8		Charging corona/K(Page)	1	75K	A03UR70300		P17-1	
9	DEVELOPING SECTION	Developing unit/Y	1	600K	A03UR70600		P19-1	
10		Developing unit/M	1	600K	A03UR70600		P19-1	
11		Developing unit/C	1	600K	A03UR70600		P19-1	
12		Developing unit/K	1	600K	A03UR70700		P19-1	
13	INTERMEDIATE TRANSFER	Transfer belt	1	150K	A03U504200		P28-1	
14		Transfer belt cleaning unit	1	600K	A03UR74800		P29-1/P30-1	
15		Toner collection sheet/1	1	150K	65AAR75600		P30-3	
16		Belt cleaning blade(Page)	1	150K	A03U553000		P30-5	
17		1st transfer roller/Y	1	150K	A03U501200		P32-13	
18		1st transfer roller/M	1	150K	A03U501200		P32-13	
19		1st transfer roller/C	1	150K	A03U501200		P32-13	
20		1st transfer roller/K	1	150K	A03U500400		P28-10	
21		2nd transfer roller/U	1	150K	65AA26111		P28-9	
22		Transfer belt separation claw	3	600K	65AAR75300		P27-7	
23	PROCESS CARRIAGE SEC-	Separation claw solenoid	1	1350K	26NA82513		P42-6	
24	SECONDARY TRANSFER	2nd transfer roller/L	1	150K	65AA45011		P44-10	
25		Separation discharging unit	1	150K	A03UR70400		P44-1	
26		Transfer earth plate unit	1	1000K	65AAR77800		P44-3	
27	FUSING SECTION	Fixing roller/2	1	300K	A03U720201		P38-8	
28		Fixing roller/L	1	150K	A03U720300		P37-9	
29		Fixing belt	1	300K	A03U720501		P38-9	
30		Belt regulating sleeve	2	300K	A03U725000		P38-6	
31		Paper exit roller/Up	2	150K	A03U722500		P36-6	
32		Fixing limiter	1	600K	65AA53651		P35-26	
33		Insulating sleeve/U	2	300K	A03U729500		P38-14	
34		Fixing bearing/L	2	450K	26NA53712		P37-7	
35		Insulating sleeve/L	2	450K	A03U722700		P37-8	
36		Fixing roller/1	1	300K	A03U720100		P38-7	
37		Fixing drive gear/B	1	300K	A03U808200		P37-12	
38		Fixing bearing/1	2	300K	A03U807800		P38-15	
39		Fixing drive gear/O	1	300K	A03U809500		P38-18	
40		Fixing regulating gear	1	600K	65AA77470		P35-25	
41		Fixing duct assy	1	600K	A03UR75300		P33-19	
42		Fixing bearing/2	2	300K	56UA75070		P38-19	
43		Fixing drive gear/M	1	1000K	A03U809300		P35-7	
44		Fixing lamp/U	1	2400K	A03UM31A00	A	P38-10	
45		Fixing lamp/U	1	2400K	A03UM31E00	B,G1	P38-10	
46		Fixing lamp/U	1	2400K	A03UM31F00	C,D1,D3,E,F2,H,I,J,K	P38-10	
47		Fixing lamp/L	1	2400K	A03UM32A00	A	P37-10	
48		Fixing lamp/L	1	2400K	A03UM32E00	B,G1	P37-10	
49		Fixing lamp/L	1	2400K	A03UM32F00	C,D1,D3,E,F2,H,I,J,K	P37-10	
50		Fixing temp sensor assy/U	1	2400K	A03UR73500		P38-27	
51	Fixing temp sensor assy/L	1	2400K	A03UR73400		P37-20		

No.	Section	PM Parts Description	Maintenance Cycle (K=1,000)		Parts No.	Destinations	Page/Key	Note
			QTY	Replace				
52	PAPER FEED SECTION	reverse rubber(Tray-1)	1	300K	25SA40960		P46-7	
53		reverse rubber(Tray-2)	1	300K	25SA40960		P46-7	
54		reverse rubber(Tray-3)	1	300K	25SA40960		P46-7	
55		Paper feed roller (Tray-1)	1	2400K	56AAR72100		P47-20	
56		Paper feed roller (Tray-2)	1	2400K	56AAR72100		P47-20	
57		Paper feed roller (Tray-3)	1	2400K	56AAR72100		P47-20	
58		Paper feed clutch(Tray-1)	1	4000K	56AA82012		P47-31	
59		Paper feed clutch(Tray-2)	1	4000K	56AA82012		P47-31	
60		Paper feed clutch(Tray-3)	1	4000K	56AA82012		P47-31	
61	Pre-regist. clutch(Tray-1)	Pre-regist. clutch(Tray-1)	1	4000K	56AA82012		P47-31	
62		Pre-regist. clutch(Tray-2)	1	4000K	56AA82012		P47-31	
63		Pre-regist. clutch(Tray-3)	1	4000K	56AA82012		P47-31	
64	BYPASS SECTION	reverse rubber(By-pass)	2	1350K	25SA40960		P53-17	
65		Paper feed roller(By-pass)	1	4000K	65AAR78900		P53-22	
66	VERTICAL CONVEYANCE	Intermediate convey. clutch/1	1	2000K	56AA82012		P58-9	
67	DUPLEX SECTION	Intermediate convey. clutch/2	3	2000K	56AA82012		P61-9	
68	REGISTRATION SECTION	Registration cleaning sheet	1	600K	65AAR78000		P56-2	
69		Registration roller	1	1350K	65LAR70700		P56-17	
70	PAPER EXIT GUIDE SECTION	Decurler roller	1	300K	A03U860500		P73-25	
71	PAPER EXIT SECTION	Paper exit decurler roller	1	1000K	A03U892600		P69-4	

## DESTINATION

Destination No.		Destinations		V	Hz	Model No.
A	A1	JAPAN		200	50	A0E7001
	A2	JAPAN		200	60	A0E7001
B		USA, CANADA		208-240	60	A0E7010
C		EUROPEAN TYPE		220-240	50	A0E7020
D	D1	S.E ASIA TYPE	THAILAND, SRI LANKA, SINGAPORE, MALAYSIA, HONG KONG, PAKISTAN, INDIA, BANGLADESH, INDONESIA	220-240	50	A0E7040
	D3	OCEANIA TYPE	AUSTRALIA, NEW ZEALAND	220-240	50	A0E7040
E		PHILIPPINES		220-240	50	A0E7040
F	F1	SAUDI ARABIA				
	F2	SAUDI ARABIA		220-240	60	A0E70J0
G	G1	C.S AMERICA		208-240	60	A0E7010
	G2	C.S AMERICA				
H		TAIWAN		220	60	A0E7070
I		JORDAN, LEBANON, SYRIA, SOUTH AFRICA, IRAQ, IRAN, N.YEMEN, CAMEROON, UAE, BAHRAIN, OMAN, QATAR, KUWAIT, KENYA, TUNISIA, IVORY COAST, MOROCCO		220-240	50	A0E7020
J		CHINA		220	50	A0E7080
K		KOREA		220-240	50	A0E7040

bizhub PRO C5500