

KONICA MINOLTA

PARTS GUIDE MANUAL

OCTOBER 2012

*bizhub C17/bizhub C18/magicolor
1680MF/magicolor 1690MF
A0HF001*

INFORMATION FOR PARTS GUIDE MANUAL

To find correct Parts No., refer to the "HOW TO MAKE THE BEST USE OF THIS MANUAL" in the following page.

HOW TO MAKE THE BEST USE OF THIS MANUAL

- 1 When you order, please check the proper figures beforehand that are on Our Parts Guide Manual, and order with the appropriate figures.
- 2 For screws, Nuts, Washers, retaining rings and Pins which are used in this model, one letter is shown on the Standard parts column of Parts list and exploded diagrams.
- 3 In order to maintain safety of the product, some specific parts composed of this product are set up as "essential safety parts".
- 4 The assigned parts number for the "essential safety parts" is indicated as "SP00-****".
When replacing these parts, follow precautions for disassembling and installing which are listed in the Service Manual.
Do not use any parts that are not set up as
- 5 ♣ means that there are exclusive parts for each destination.
Please check the appropriate destination when you order.
- 6 Revision Mark
Marked as ▲ on the illustration shows that the revision has been made.
- 7 All rights reserved. (any reprints or quotations are prohibited.)
Use of this parts guide manual should be strictly supervised to avoid disclosure of confidential information.

パーツガイドマニュアルのご案内

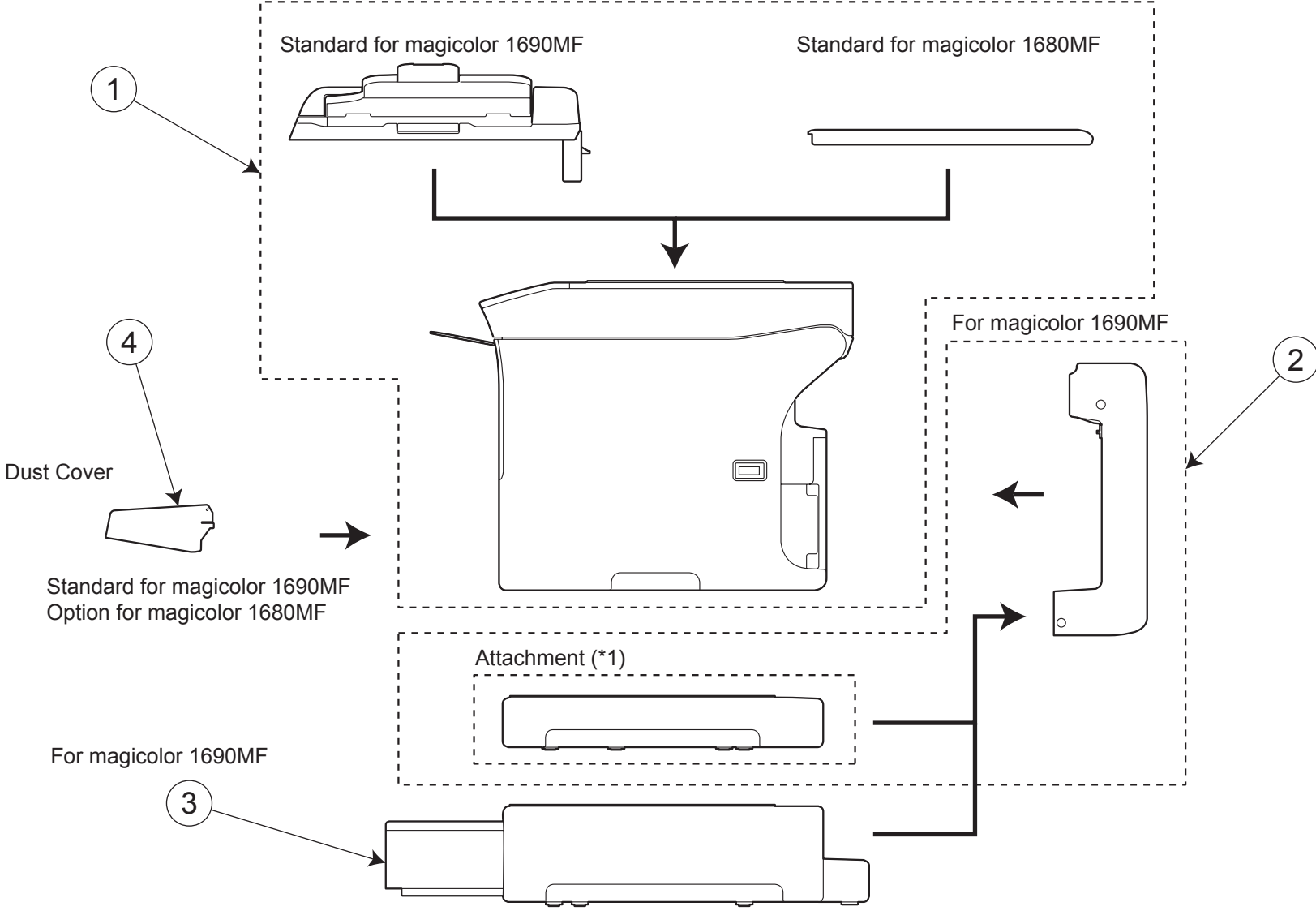
サービス部品をご発注の際には、下記に示す“パーツガイドマニュアルの活用にあたって”をご参照の上、正しい部品番号にてお願い致します。

パーツガイドマニュアルの活用にあたって

- 1 部品発注の際には、掲載されている部品番号の桁数を確認し、掲載されている桁数で発注願います。
- 2 この製品に使用されているネジ、ナット、ワッシャー、止め輪、ピンなどは、リストの右側の Standard parts 欄に a,b,c,……で表示し、イラストにも a,b,c,……表示してあります。
- 3 製品の安全性を維持する為に、製品に使用される特定の部品を「重要保安部品」として設定しています。
- 4 重要保安部品の部品番号は、“SP00-****”と記載されていますので、部品交換時は、サービスマニュアル記載の分解・組み立ての注意事項に従って作業をして下さい。
また、指定以外の部品は一切使用しないで下さい。
- 5 本文に ♣ が表示されている部品は、仕向け地毎に専用部品がある事を意味しています。
オーダーされる時は、仕向け地を確認して下さい。
- 6 改訂記号について
イラスト上に▲印が表示されている部分は、改訂された事を表します。
- 7 著作権所有（無断転載及び無断引用の禁止）
本パーツガイドマニュアルについては、機密保持等その扱いには十分注意して下さい。万一取り扱いを誤った場合には、法律で処罰されることがあります。

06/07/2012

SYSTEM OUTLINE



(*1) If Lower Feeder Unit is installed, It is not necessary to install the attachment.

bizhub C17/bizhub C18/magicolor 1680MF/magicolor 1690MF

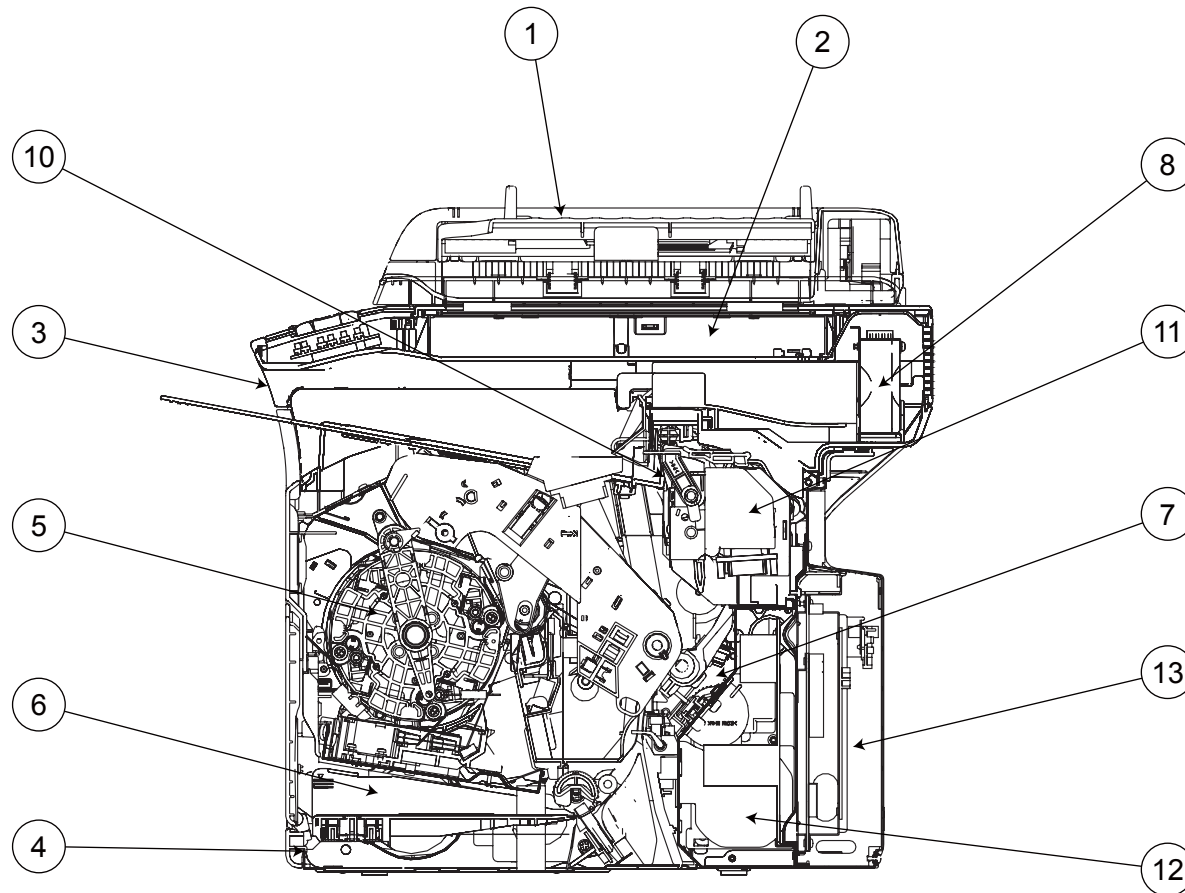
GENERAL CONTENTS

No.	Description	Model
1	PRINTER COLOR	bizhub C17/bizhub C18/magicolor 1680MF/magicolor 1690MF
2	DUPLEX	Duplex Option
3	PAPER FEEDER	Lower Feeder Unit
4	DUST COVER	Dust Cover

bizhub C17/bizhub C18/magicolor 1680MF/magicolor 1690MF

DIAGRAMS OF MAIN PARTS SECTION

LEFT SIDE 9



bizhub C17/bizhub C18/magicolor 1680MF/magicolor 1690MF

CONTENTS

No.	DESCRIPTION	名称	PAGE No.
1	ADF UNIT	A D F U N I T	P1 P2
2	IR SECTION	光学部	P3
3	EXTERNAL PARTS	外装部	P4
4	MAIN FRAME SECTION	メインフレーム部	P5
5	RACK/RACK DRIVE SECTION	ラック部 / ラック駆動部	P6 P7
6	PAPER TAKE-UP SECTION	給紙部	P8
7	TRANSFER SECTION	転写部	P9 P10
8	PAPER EXIT SECTION	排紙部	P11
9	DRIVE SECTION	駆動部	P12 P13
10	RIGHT GUIDE SECTION	右ガイド部	P14
11	FUSING SECTION	定着部	P15
12	COOLING SECTION	冷却部	P16
13	ELECTRICAL COMPONENTS	電装部	P17
14	WIRING ACCESSORIES AND JIGS	配線部品・治具	P18

bizhub C17/bizhub C18/magicolor 1680MF/magicolor 1690MF

INDEX

Parts No.	Page No.
4040 M401 00	17-5
4127 3104 01	8-12
4128 2019 01	5-6
4136 0151 02	8-7
4136 3022 01	8-5
4136 3047 01	8-6
4136 3048 01	8-32
4136 N300 00	17-34
4139 3027 01	8-11
4139 3062 01	8-1
4139 3910 01	15-6
4139 4004 01	9-5
4139 4009 01	9-9
4139 4021 02	9-12
4139 9451 00	4-10
4139 9452 00	4-8
4139 9453 00	4-10
4139 9454 00	4-8
4139 M100 00	16-11
4556 9404 00	3-2
4556 9405 00	3-2
4556 M100 00	10-20
4556 M100 00	11-22
4628 6801 01	4-18
9326 1810 51	17-37
9335 1300 61	5-9
9335 1300 61	7-16
9335 1300 61	10-3
9335 1300 61	11-19
9381 4200 21	17-34
9381 4300 31	17-34
9384 2500 11	18-5
9455 1076 01	9-17
9J06 M601 00	16-2
A00F 9420 00	4-7
A00V 5700 00	8-3
A034 1004 02	5-7
A034 1011 01	16-5
A034 1012 01	16-6
A034 1030 01	5-13

Parts No.	Page No.
A034 1063 00	5-1
A034 1064 00	5-12
A034 1204 01	6-2
A034 1206 01	6-3
A034 1207 02	6-7
A034 1208 00	7-5
A034 1218 01	7-7
A034 1219 00	7-6
A034 1223 00	6-13
A034 1224 00	6-4
A034 1225 01	6-12
A034 1226 00	6-11
A034 1239 01	16-10
A034 1301 01	14-9
A034 1310 01	17-22
A034 1311 01	16-3
A034 1312 00	16-4
A034 1313 02	16-1
A034 1321 00	14-10
A034 1322 00	14-11
A034 1341 01	17-11
A034 1351 00	5-4
A034 1352 00	5-3
A034 1356 01	17-12
A034 1361 01	5-10
A034 1366 00	17-1
A034 1367 00	17-33
A034 1371 00	5-10
A034 1381 00	4-13
A034 1399 00	17-14
A034 1414 01	17-31
A034 1416 00	17-7
A034 1420 01	14-12
A034 1501 03	16-13
A034 1503 01	10-8
A034 1504 00	10-6
A034 1507 00	10-7
A034 1508 00	16-12
A034 1521 00	17-36
A034 1604 02	4-11

Parts No.	Page No.
A034 1610 04	4-5
A034 1613 00	4-6
A034 1618 02	4-15
A034 1622 01	4-19
A034 1623 01	4-15
A034 1625 00	4-16
A034 1682 00	4-11
A034 2102 00	12-12
A034 2103 00	12-14
A034 2104 00	12-7
A034 2105 00	12-15
A034 2134 00	8-21
A034 2134 00	10-12
A034 2134 00	13-21
A034 2135 00	12-8
A034 2147 00	12-10
A034 2150 02	5-8
A034 2201 00	8-20
A034 2201 00	10-13
A034 2201 00	12-11
A034 2201 00	13-22
A034 2301 00	7-11
A034 2302 00	7-13
A034 2304 00	7-12
A034 2307 01	7-10
A034 2310 01	6-14
A034 2311 00	6-9
A034 2312 00	6-1
A034 2313 00	6-8
A034 2320 00	7-15
A034 2322 00	6-6
A034 2324 01	7-4
A034 2328 00	6-10
A034 2330 00	16-9
A034 2331 00	16-8
A034 2333 00	16-7
A034 2338 00	7-14
A034 4602 00	9-6
A034 4605 00	9-7
A034 4606 01	9-14

Parts No.	Page No.
A034 4608 02	9-3
A034 4610 00	9-8
A034 4611 01	9-11
A034 4615 00	9-4
A034 4616 00	9-13
A034 4622 00	9-16
A034 4623 00	9-1
A034 4624 00	9-15
A034 4701 00	10-19
A034 4702 00	10-16
A034 4703 00	10-17
A034 4705 01	10-2
A034 4706 00	10-15
A034 4708 00	10-1
A034 4709 01	10-14
A034 5044 01	16-14
A034 5605 00	8-14
A034 5606 01	4-9
A034 5608 00	8-9
A034 5609 00	8-8
A034 5611 01	8-2
A034 5612 00	8-34
A034 5613 00	8-33
A034 5614 00	8-31
A034 5615 00	8-25
A034 5616 00	8-24
A034 5617 00	8-22
A034 5624 00	8-28
A034 5625 00	8-26
A034 5627 00	8-18
A034 5627 00	10-11
A034 5627 00	13-23
A034 5628 00	8-27
A034 5629 00	8-30
A034 5630 00	8-29
A034 5634 00	8-4
A034 5635 00	8-16
A034 5637 00	8-17
A034 5638 00	8-23
A034 5638 00	10-18

Parts No.	Page No.
A034 5642 00	8-10
A034 5650 00	8-13
A034 5682 00	4-9
A034 7002 00	10-4
A034 7003 00	10-5
A034 7213 00	15-11
A034 7214 02	15-13
A034 7241 01	15-12
A034 7281 00	15-18
A034 8902 01	15-5
A034 8906 00	15-7
A034 8910 00	15-8
A034 8911 00	15-10
A034 8912 02	15-3
A034 8913 00	15-4
A034 8915 00	15-2
A034 8916 00	15-1
A034 9401 00	16-17
A034 9405 01	4-2
A034 9412 00	3-3
A034 9413 00	3-3
A034 9414 00	3-3
A034 9415 00	3-3
A034 9416 00	3-3
A034 9550 00	4-20
A034 H009 0E	17-20
A034 H00C 00	17-20
A034 M100 00	12-6
A034 M102 01	7-9
A034 M200 00	8-19
A034 M200 00	10-10
A034 M200 00	13-24
A034 M201 00	12-9
A034 M403 02	17-17
A034 M404 01	17-6
A034 M412 00	17-17
A034 M500 00	10-9
A034 M602 00	17-2
A034 M603 00	17-2
A034 M721 00	4-14

bizhub C17/bizhub C18/magicolor 1680MF/magicolor 1690MF

Parts No.	Page No.
A034 M721 00	17-35
A034 N100 05	5-11
A034 N101 03	17-32
A034 N102 02	16-15
A034 N103 01	17-16
A034 N108 01	17-13
A034 N109 01	12-16
A034 N115 02	5-5
A034 N116 00	9-2
A034 N117 00	17-23
A034 N118 01	8-15
A034 N300 00	17-34
A034 N301 00	17-34
A034 N302 00	17-34
A034 R700 00	9-19
A034 R701 11	8-36
A034 R702 00	8-35
A034 R704 00	17-4
A034 R707 00	5-2
A034 R708 00	10-22
A034 R710 00	10-21
A034 R711 11	9-10
A034 R721 00	16-16
A034 R762 00	8-35
A034 R7A0 00	12-13
A034 R7A3 00	6-5
A034 R900 00	15-14
A0HF 1112 00	11-11
A0HF 1117 00	3-9
A0HF 1121 00	11-1
A0HF 1123 00	11-5
A0HF 1124 00	11-18
A0HF 1125 01	11-3
A0HF 1126 01	11-4
A0HF 1135 00	11-9
A0HF 1136 00	11-17
A0HF 1137 00	11-10
A0HF 1142 00	11-6
A0HF 1143 00	11-8
A0HF 1144 00	11-7

Parts No.	Page No.
A0HF 1162 01	11-21
A0HF 1164 01	17-18
A0HF 1404 01	17-28
A0HF 1405 01	4-17
A0HF 1410 02	17-19
A0HF 1412 01	17-21
A0HF 1413 00	11-14
A0HF 1418 00	17-9
A0HF 1419 02	17-10
A0HF 1422 00	17-27
A0HF 1440 00	4-17
A0HF 1511 02	17-28
A0HF 1512 01	17-24
A0HF 1702 02	4-1
A0HF 1703 01	4-12
A0HF 1704 00	11-15
A0HF 1706 00	11-13
A0HF 1707 00	11-16
A0HF 1715 03	4-3
A0HF 1725 00	11-12
A0HF 1730 02	4-1
A0HF 1940 00	4-3
A0HF 1941 00	4-1
A0HF 1942 00	4-1
A0HF 1943 00	11-12
A0HF 1944 00	11-15
A0HF 1945 00	4-12
A0HF 2603 00	3-1
A0HF 7331 04	15-15
A0HF 9005 01	15-16
A0HF 9009 01	15-9
A0HF 9051 00	11-2
A0HF 9433 00	4-4
A0HF 9434 00	4-4
A0HF 9522 00	4-4
A0HF 9523 00	4-4
A0HF 9527 00	3-2
A0HF 9591 00	3-4
A0HF 9592 00	3-4
A0HF 9593 00	3-4

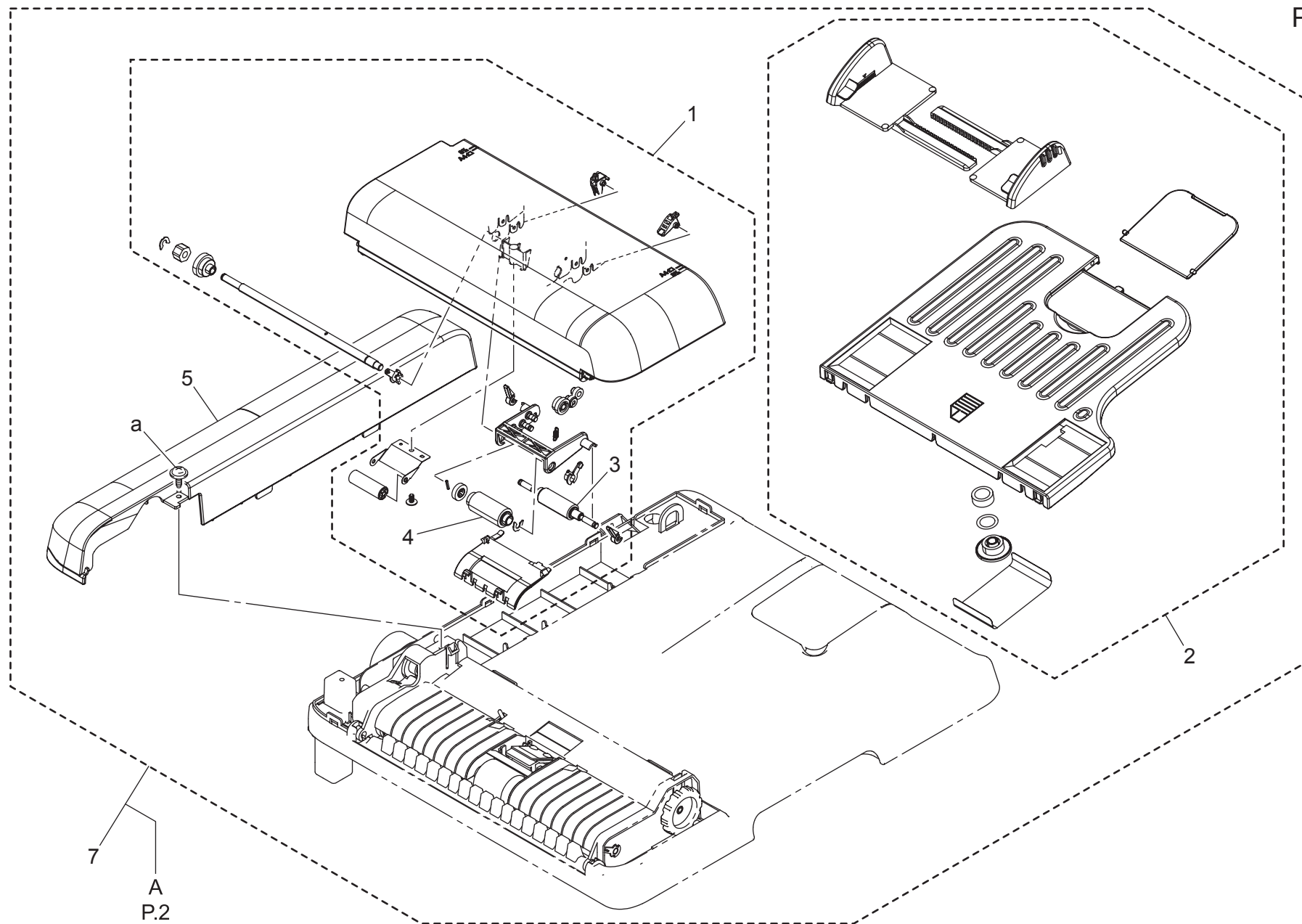
Parts No.	Page No.
A0HF 9594 00	3-4
A0HF 9595 00	3-4
A0HF 9596 00	3-4
A0HF 9621 00	3-4
A0HF 9622 00	3-4
A0HF 9623 00	3-4
A0HF 9624 00	3-4
A0HF 9625 00	3-4
A0HF 9626 00	3-4
A0HF M730 00	17-25
A0HF M731 00	17-26
A0HF N100 01	17-15
A0HF N101 01	11-20
A0HF N120 02	17-3
A0HF N121 01	17-8
A0HF PP00 00	1-7
A0HF PP01 00	3-21
A0HF PP06 00	3-21
A0HF PP0A 00	3-21
A0HF PP0B 00	3-5
A0HF PPOC 00	3-5
A0HF PP10 00	2-8
A0HF PP11 00	2-2
A0HF PP12 00	1-1
A0HF PP13 01	1-2
A0HF PP14 00	1-5
A0HF PP15 00	2-9
A0HF PP17 00	2-3
A0HF PP19 00	2-11
A0HF PP20 00	2-12
A0HF PP21 00	3-7
A0HF PP22 00	3-16
A0HF PP23 00	3-11
A0HF PP24 00	3-18
A0HF PP25 00	3-20
A0HF PP26 00	3-14
A0HF PP30 00	3-15
A0HF PP31 02	3-10
A0HF PP32 00	3-8
A0HF PP33 00	3-6

Parts No.	Page No.
A0HF PP34 00	3-7
A0HF PP39 00	1-4
A0HF PP40 00	1-3
A0HF PP41 00	2-6
A0HF PP42 00	2-7
A0HF PP43 02	2-1
A0HF PP44 00	2-5
A0HF PP45 00	3-5
A0HF PP46 00	3-5
A0HF PP47 00	2-4
A0HF PP81 00	3-5
A0HF PP83 00	3-4
A0HF PP84 00	3-4
A0HF PP85 00	3-4
A0HF PP86 00	3-4
A0HF PP88 00	3-4
A0HF PP99 00	3-21
A0HF R700 22	17-30
A0HF R701 22	17-30
A0HF R703 11	17-29
A0HF R706 11	11-23
A0HF R713 00	11-23
A0HF R714 00	17-29
A0HF R715 00	17-30
A12J 002	15-17
A12J 012	15-17
A12J 022	15-17
V500 0100 09	18-2
V500 0200 19	18-4
V500 0200 20	18-3
V501 0100 01	18-1
V800 5003 00	9-18

bizhub C17/bizhub C18/magicolor 1680MF/magicolor 1690MF

ADF UNIT

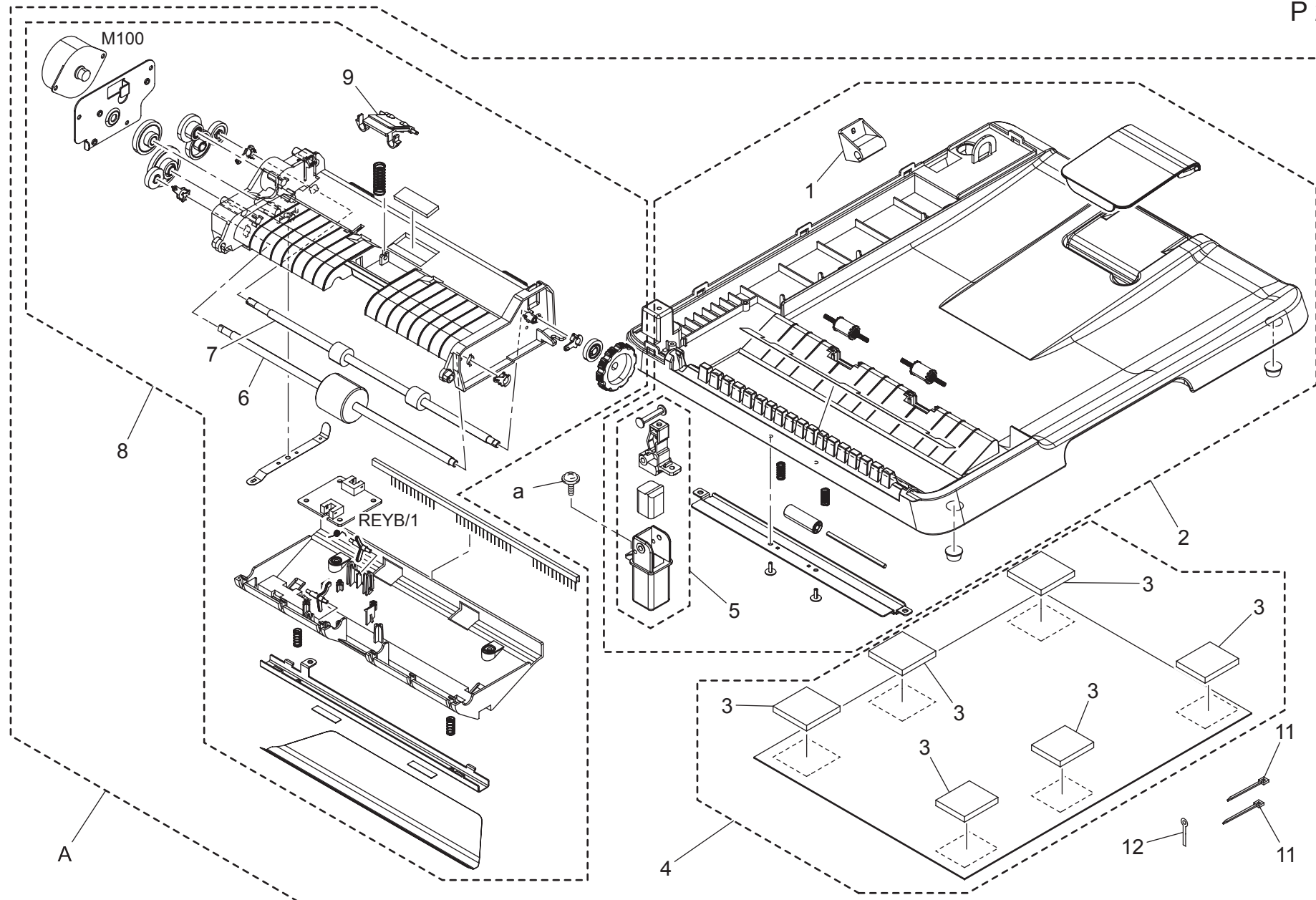
P 1



bizhub C17/bizhub C18/magicolor 1680MF/magicolor 1690MF

ADF UNIT

P 2



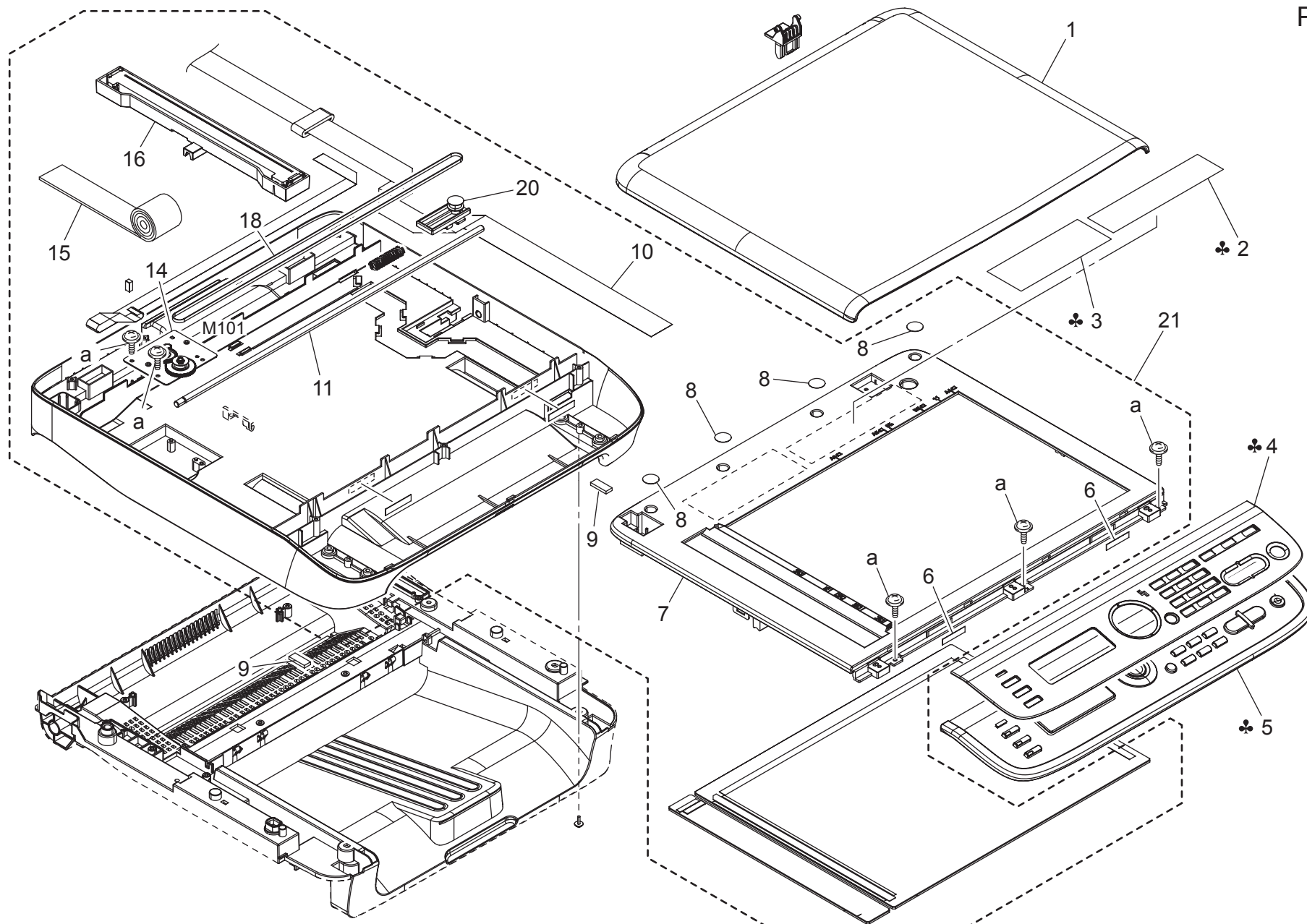
bizhub C17/bizhub C18/magicolor 1680MF/magicolor 1690MF

Key	Part No.	Description	Destinations	Class	QTY	Standard parts
1	A0HF PP43 02	Hinge		C	1	a-V153 0310 03
2	A0HF PP11 00	Cover Assy		D	1	
3	A0HF PP17 00	Sponge		C	6	
4	A0HF PP47 00	Pad		C	1	
5	A0HF PP44 00	Hinge		C	1	
6	A0HF PP41 00	Roller		C	1	
7	A0HF PP42 00	Roller		C	1	
8	A0HF PP10 00	Paper Take-up Assy		S	1	
9	A0HF PP15 00	Pad Assy		C	1	
11	A0HF PP19 00	Cable Tie		D	2	
12	A0HF PP20 00	Clamp		D	1	

bizhub C17/bizhub C18/magicolor 1680MF/magicolor 1690MF

IR SECTION

P 3



bizhub C17/bizhub C18/magicolor 1680MF/magicolor 1690MF

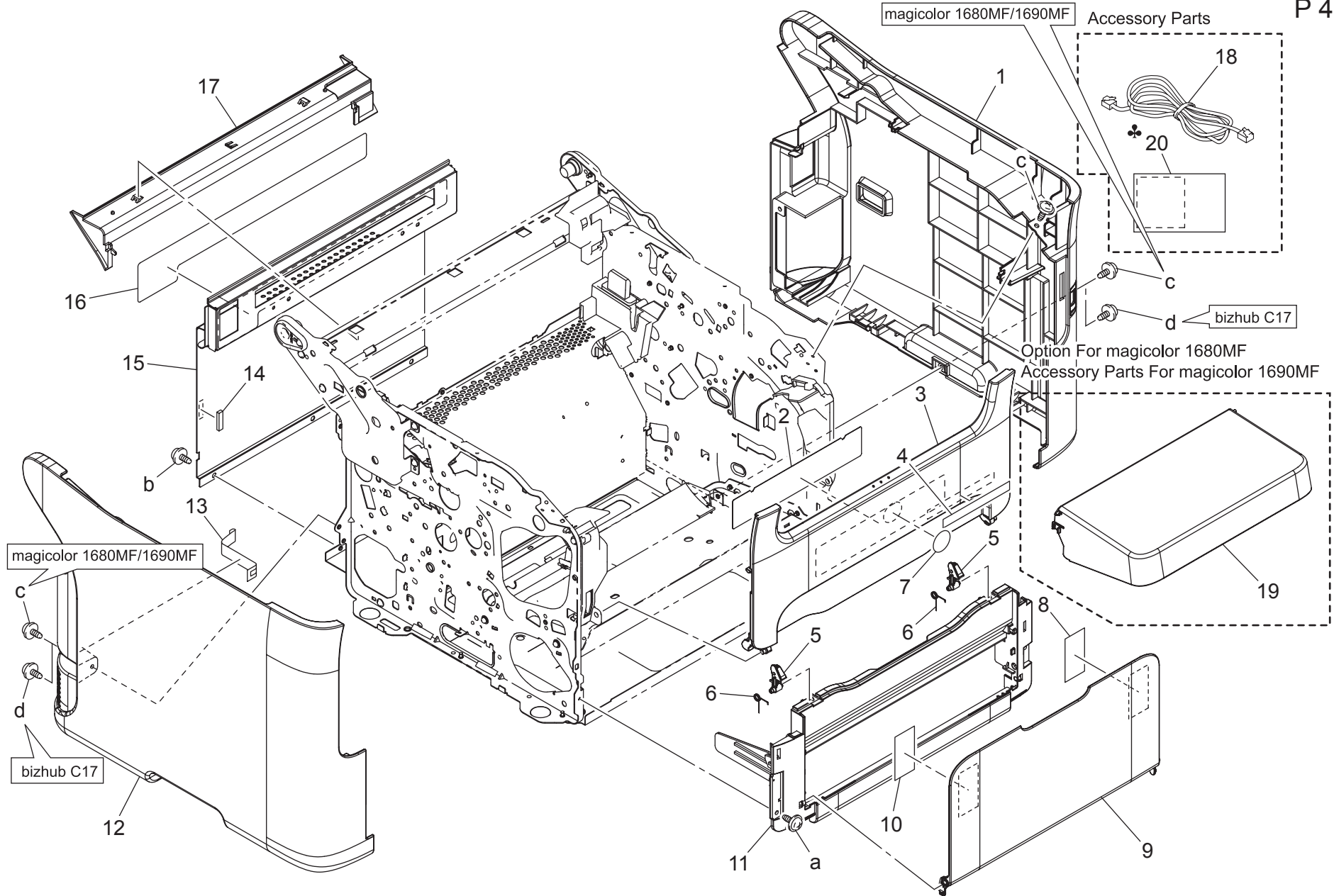
Key	Part No.	Description	Destinations	Class	QTY	Standard parts
1	A0HF 2603 00	Cover (Original)	{mc 1680MF/bh C17}	C	1	a-V153 0310 03
2	4556 9404 00	LABEL	A,A1	C	1	
2	4556 9405 00	LABEL COPY PROHIBITION	{mc 1680MF/1690MF}B	C	1	
2	A0HF 9527 00	Label	.C,D1,D3,E,J,K	C	1	
3	A034 9412 00	Label Reorder JP	{bh C17/bh C18}	C	1	
3	A034 9413 00	Label Reorder AM	A,A1	C	1	
3	A034 9414 00	Label Reorder EU	B	C	1	
3	A034 9415 00	Label Reorder AP	C	C	1	
3	A034 9416 00	Label Reorder GC	D1,D3,E,K	C	1	
4	A0HF 9591 00	Panel Overlay Sheet 4in1 (English)	J	C	1	
4	A0HF 9592 00	Panel Overlay Sheet 4in1 (French)	{mc 1690MF}J	C	1	
4	A0HF 9593 00	Panel Overlay Sheet 4in1 (Portuguese)	{mc 1690MF}B	C	1	
4	A0HF 9594 00	Panel Overlay Sheet 4in1 (Spanish)	{mc 1690MF}B	C	1	
4	A0HF 9595 00	Panel Overlay Sheet 4in1 (Chinese Trad)	{mc 1690MF}B,J	C	1	
4	A0HF 9596 00	Panel Overly Sheet 4in1 (Korean)	{mc 1690MF}D1,D3,E,K	C	1	
4	A0HF 9621 00	Panel Overlay Sheet 3in1 (English)	{mc 1680MF}J	C	1	
4	A0HF 9622 00	Panel Overlay Sheet 3in1 (French)	{mc 1680MF}B	C	1	
4	A0HF 9623 00	Panel Overlay Sheet 3in1 (Portuguese)	{mc 1680MF}B	C	1	
4	A0HF 9624 00	Panel Overlay Sheet 3in1 (Spanish)	{mc 1680MF}B	C	1	
4	A0HF 9625 00	Panel Overlay Sheet 3in1 (Chinese Trad)	{mc 1680MF}B,J	C	1	
4	A0HF 9626 00	Panel Overlay Sheet 3in1 (Korean)	{mc 1680MF}D1,D3,E,K	C	1	
4	A0HF PP88 00	Panel Overlay Sheet 3in1(CN)	{mc 1680MF}J	I	1	
4	A0HF PP86 00	Panel Overlay Sheet 3in1(WW)	{mc 1680MF}B,C,D1,D3,E,K	I	1	
4	A0HF PP85 00	Panel Overlay Sheet 4in1(CN)	{mc 1690MF}J	I	1	
4	A0HF PP84 00	Panel Overlay Sheet 4in1(JP)	{mc 1690MF}A,A1	I	1	
4	A0HF PP83 00	Panel Overlay Sheet 4in1(WW)	{mc 1690MF}B,C,D1,D3,E,K	I	1	
5	A0HF PP45 00	Operation Panel(4in1 WW)	{mc 1690MF}B,C,D1,D3,E,J,K	I	1	
5	A0HF PP46 00	Operation Panel(3in1 WW)	{mc 1680MF}B,C,D1,D3,E,J,K	I	1	
5	A0HF PP81 00	Operation Panel (4in1 JP)	{mc 1690MF}A,A1	I	1	
5	A0HF PP0B 00	Operation Panel (3in1 CN_bh C17)	{bh C17}	I	1	
5	A0HF PP0C 00	Operation Panel (4in1 CN_bh C18)	{bh C18}	I	1	
6	A0HF PP33 00	Sheet		C	2	
7	A0HF PP21 00	Cover Assy	{mc 1690MF}	C	1	
7	A0HF PP34 00	Cover Assy	{mc 1680MF}	C	1	
8	A0HF PP32 00	Sheet		C	4	
9	A0HF 1117 00	Vibrationproof Part		C	2	
10	A0HF PP31 02	FLAT CABLE		D	1	
11	A0HF PP23 00	Shaft		D	1	
14	A0HF PP26 00	Driving Assy		S	1	
15	A0HF PP30 00	Tape		C	1	
16	A0HF PP22 00	CIS Assy		I	1	
18	A0HF PP24 00	Timing Belt		C	1	
20	A0HF PP25 00	Pulley Assy		C	1	

bizhub C17/bizhub C18/magicolor 1680MF/magicolor 1690MF

Key	Part No.	Description	Destinations	Class	QTY	Standard parts
21	A0HF PP01 00	Scanner Unit 4in1	{mc 1690MF}	S	1	
21	A0HF PP06 00	Scanner Unit 3in1	{mc 1680MF}	S	1	
21	A0HF PP99 00	Scanner Unit 3in1 (CN)	{bh C17}	S	1	
21	A0HF PP0A 00	Scanner Unit 4in1 (CN)	{bh C18}	S	1	

bizhub C17/bizhub C18/magicolor 1680MF/magicolor 1690MF

EXTERNAL PARTS



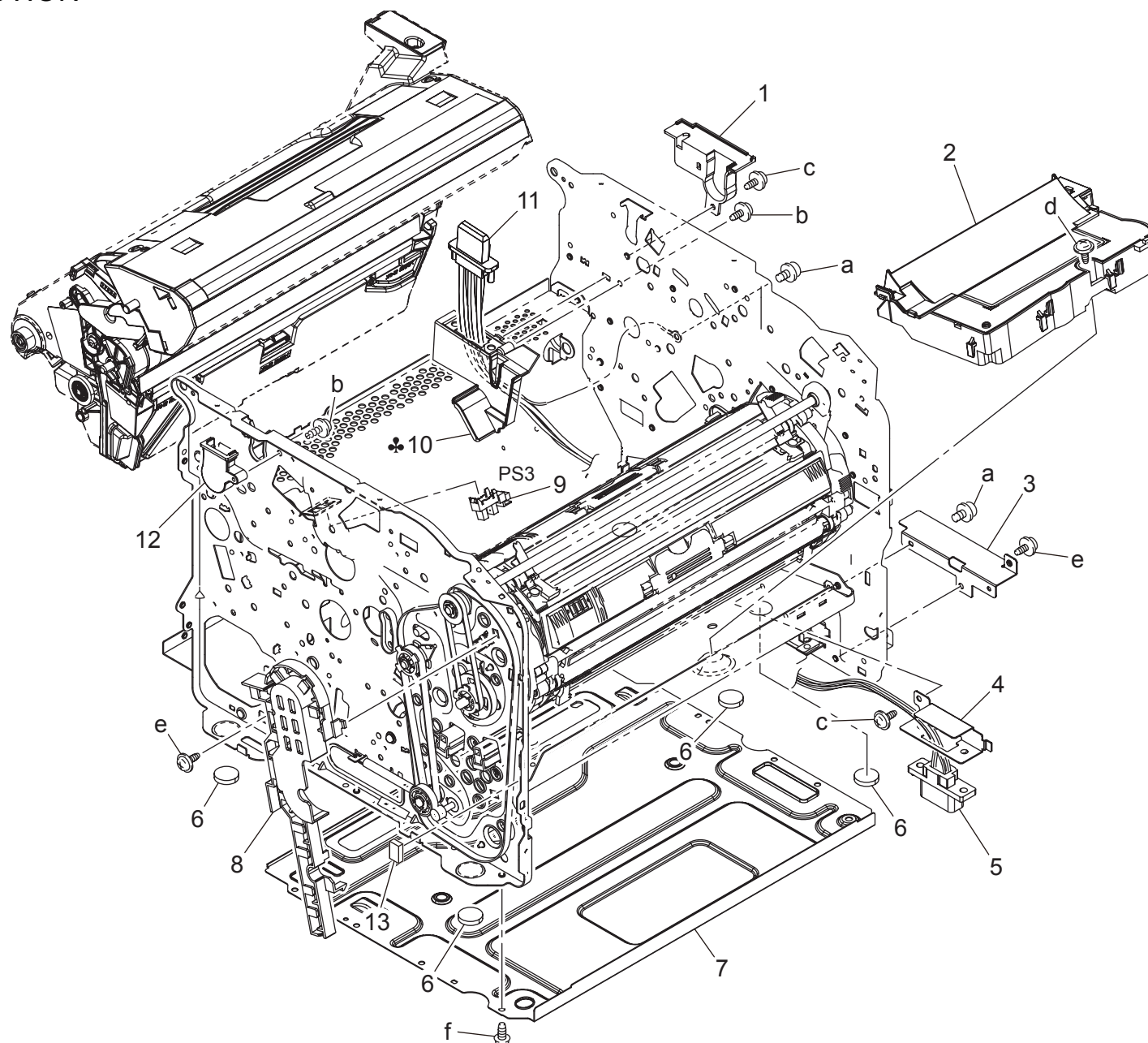
bizhub C17/bizhub C18/magicolor 1680MF/magicolor 1690MF

Key	Part No.	Description	Destinations	Class	QTY	Standard parts
1	A0HF 1702 02	Cover Right	{mc 1690MF}	C	1	a-V137 0308 03
1	A0HF 1730 02	Cover Right	{mc 1680MF}	C	1	b-V144 0306 03
1	A0HF 1942 00	Cover /Right	{bh C17}	C	1	c-V137 0306 03
1	A0HF 1941 00	Cover /Right	{bh C18}	C	1	d-V137 0306 04
2	A034 9405 01	Sheet		D	1	
3	A0HF 1715 03	Cover Front Upper	{mc 1680MF/1690MF}	C	1	
3	A0HF 1940 00	Cover	{bh C17/bh C18}	C	1	
4	A0HF 9433 00	Label magicolor 1680MF	{mc 1680MF}	C	1	
4	A0HF 9434 00	Label magicolor 1690MF	{mc 1690MF}	C	1	
4	A0HF 9522 00	Label	{bh C17}	C	1	
4	A0HF 9523 00	Label	{bh C18}	C	1	
5	A034 1610 04	Lever		C	2	
6	A034 1613 00	Torsion Coil spring		D	2	
7	A00F 9420 00	Label Logo Mark		C	1	
8	4139 9454 00	LABEL	{mc 1680MF/1690MF}	D	1	
8	4139 9452 00	LABEL		D	1	
9	A034 5606 01	Tray	{mc 1680MF/1690MF}	C	1	
9	A034 5682 00	Tray	{bh C17/bh C18}	C	1	
10	4139 9453 00	LABEL	{mc 1680MF/1690MF}	D	1	
10	4139 9451 00	LABEL	{bh C17/bh C18}	D	1	
11	A034 1604 02	Cover /Front	{mc 1680MF/1690MF}	D	1	
11	A034 1682 00	Cover	{bh C17/bh C18}	C	1	
12	A0HF 1703 01	Cover Left	{mc 1680MF/1690MF}	C	1	
12	A0HF 1945 00	Cover /Left	{bh C17/bh C18}	C	1	
13	A034 1381 00	Conductive Tape		D	1	
14	A034 M721 00	Gasket		D	1	
15	A034 1618 02	Cover Rear	{mc 1690MF/bh C18}	C	1	
15	A034 1623 01	Cover Rear	{mc 1680MF/bh C17}	D	1	
16	A034 1625 00	Seal	{mc 1690MF/bh C18}	C	1	
17	A0HF 1405 01	Cover /Rear	{mc 1680MF/1690MF}	C	1	
17	A0HF 1440 00	Cover	{bh C17/bh C18}	C	1	
18	4628 6801 01	WIRE HARNESS ASSY	{mc 1690MF/bh C18}	D	1	
19	A034 1622 01	Cover Dust Cover	{mc 1690MF/bh C18}	C	1	
20	A034 9550 00	Label	A,A1	C	1	

bizhub C17/bizhub C18/magicolor 1680MF/magicolor 1690MF

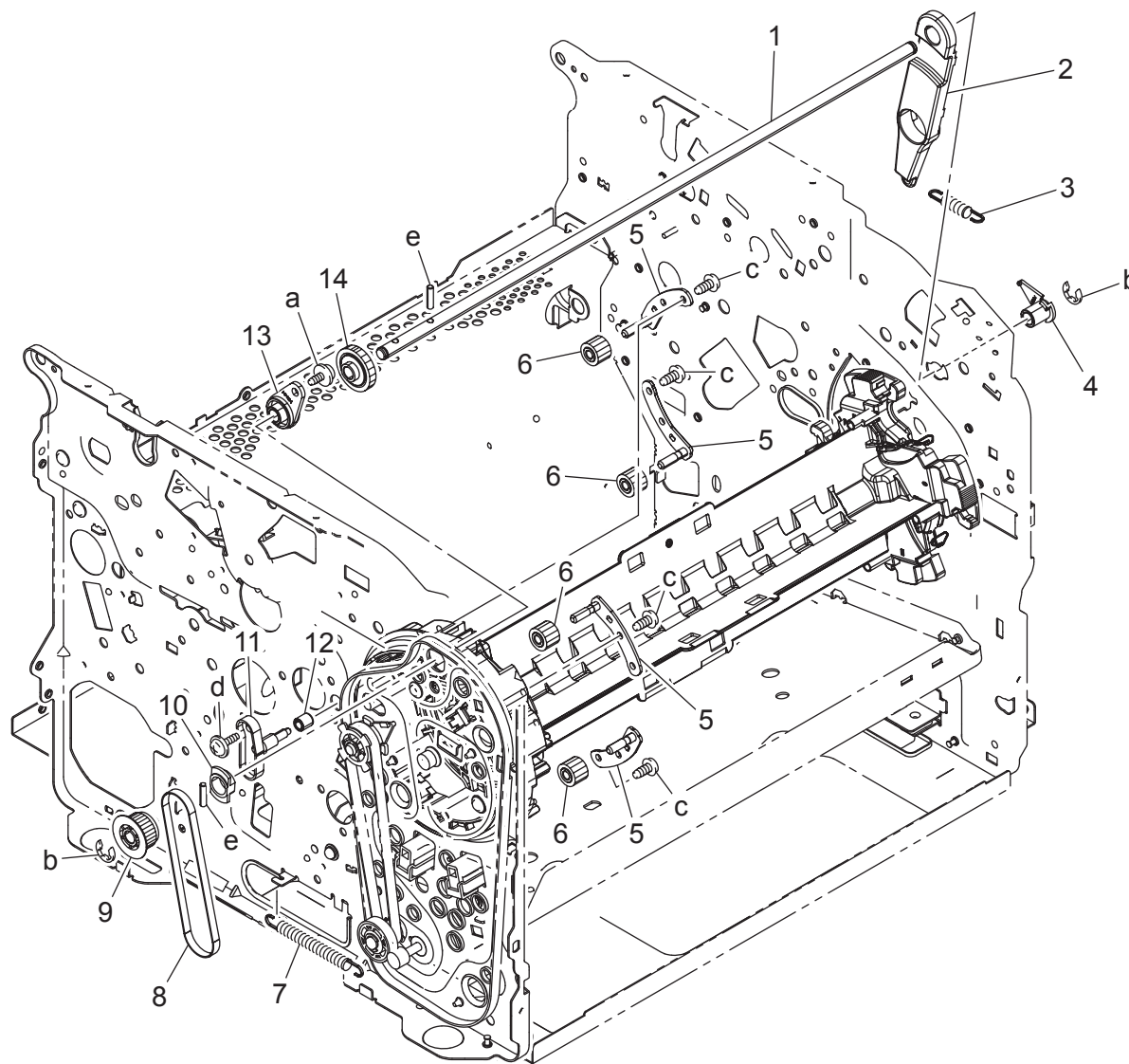
MAIN FRAME SECTION

P 5



bizhub C17/bizhub C18/magicolor 1680MF/magicolor 1690MF

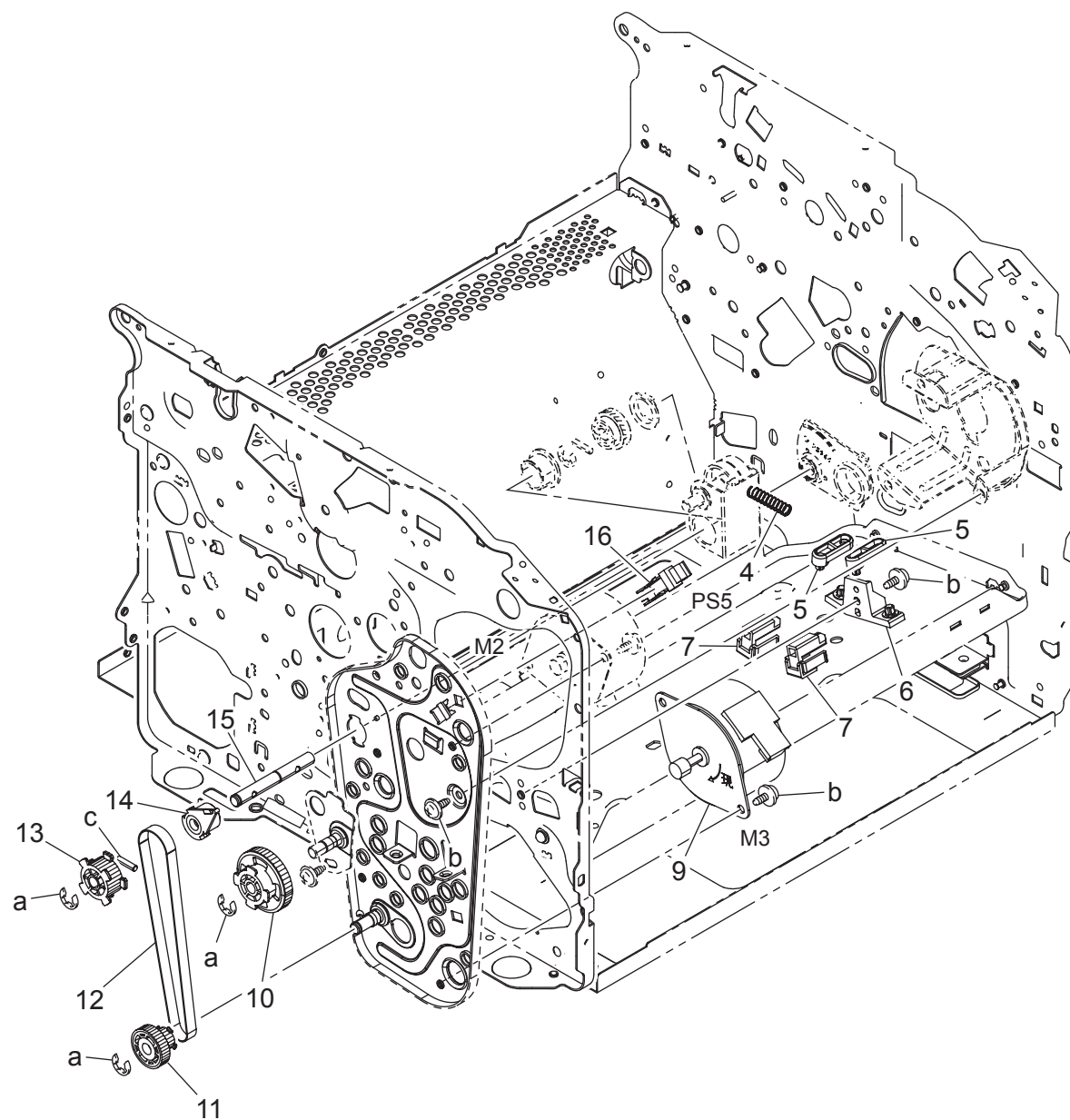
RACK/RACK DRIVE SECTION



bizhub C17/bizhub C18/magicolor 1680MF/magicolor 1690MF

RACK/RACK DRIVE SECTION

P 7



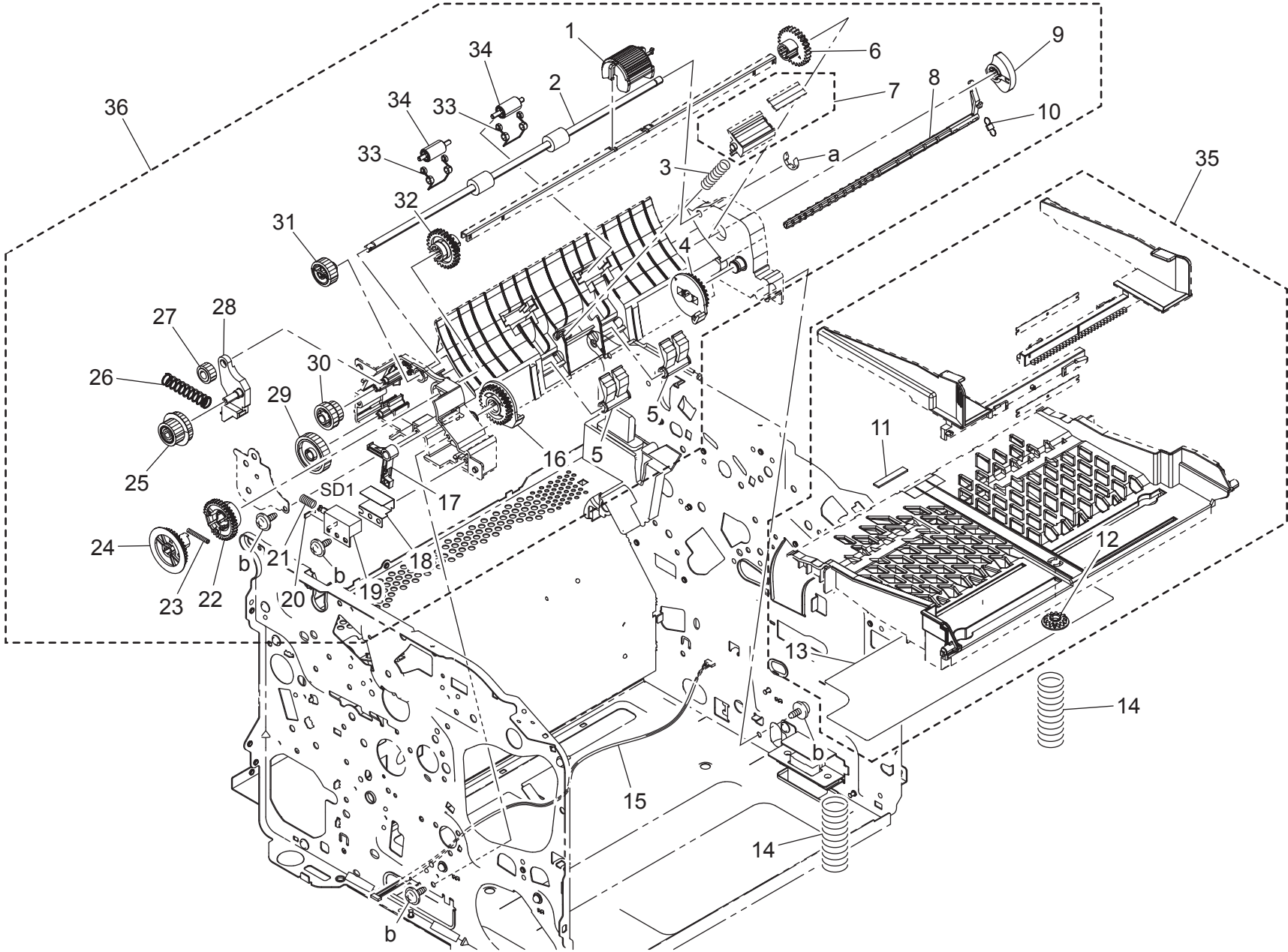
bizhub C17/bizhub C18/magicolor 1680MF/magicolor 1690MF

RACK/RACK DRIVE SECTION

Key	Part No.	Description	Destinations	Class	QTY	Standard parts	
4	A034 2324 01	Torsion Coil spring		D	1	a-V217 0400 01 b-V137 0306 03 c-V231 3012 50	
5	A034 1208 00	Guide		D	2		
6	A034 1219 00	Guide		D	1		
7	A034 1218 01	Spacer		D	2		
9	A034 M102 01	Developing Motor		C	1		
10	A034 2307 01	Gear 63T		D	1		
11	A034 2301 00	Gear 40/18T		D	1		
12	A034 2304 00	Timing belt 250L		D	1		
13	A034 2302 00	Pulley 30T		D	1		
14	A034 2338 00	Bushing /1		D	1		
15	A034 2320 00	Shaft		D	1		
16	9335 1300 61	PHOTO INTERRUPTER		B	1		

bizhub C17/bizhub C18/magicolor 1680MF/magicolor 1690MF

PAPER TAKE-UP SECTION

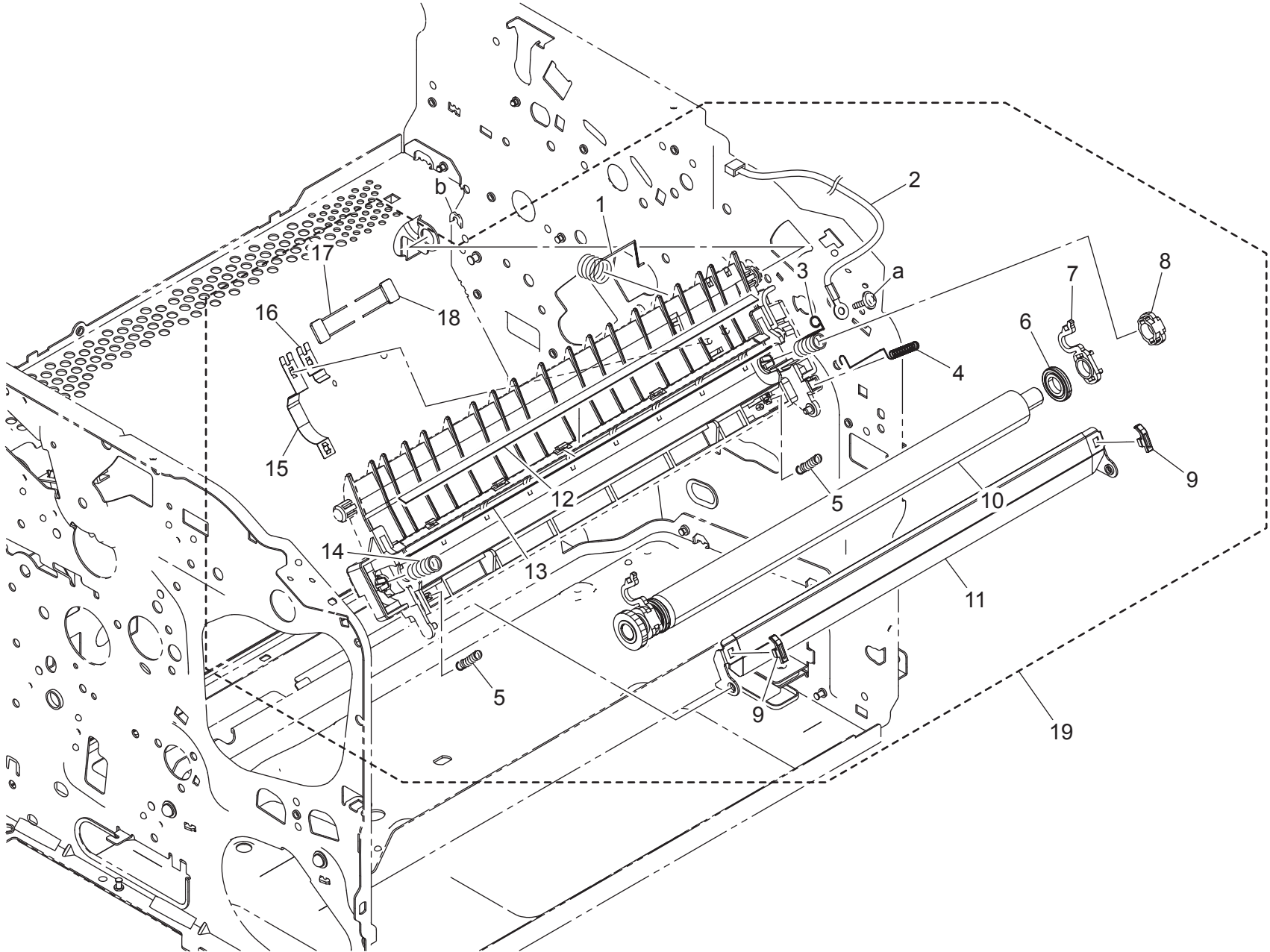


bizhub C17/bizhub C18/magicolor 1680MF/magicolor 1690MF

Key	Part No.	Description	Destinations	Class	QTY	Standard parts
1	4139 3062 01	ROLLER		C	1	a-V217 0400 01 b-V153 0308 03
2	A034 5611 01	Roller		D	1	
3	A00V 5700 00	PRESSURE SPRING		C	1	
4	A034 5634 00	Cam		C	1	
5	4136 3022 01	STOPPER		C	2	
6	4136 3047 01	GEAR 27T		C	1	
7	4136 0151 02	FRICITION SHEET ASSY		C	1	
8	A034 5609 00	Lever		D	1	
9	A034 5608 00	Cam		D	1	
10	A034 5642 00	Pulling Coil spring		D	1	
11	4139 3027 01	FRICITION SHEET		C	1	
12	4127 3104 01	GEAR 14T		C	1	
13	A034 5650 00	Seal		C	1	
14	A034 5605 00	Compressing Spring		D	2	
15	A034 N118 01	Wiring		D	1	
16	A034 5635 00	Cam		C	1	
17	A034 5637 00	Lever		D	1	
18	A034 5627 00	Protection Part		D	1	
19	A034 M200 00	Paperfeed Solenoid		C	1	
20	A034 2201 00	Seal		D	1	
21	A034 2134 00	Compressing Spring		D	1	
22	A034 5617 00	Gear 36T		C	1	
23	A034 5638 00	Compressing Spring		D	1	
24	A034 5616 00	Gear 36T		D	1	
25	A034 5615 00	Gear 26/20T		D	1	
26	A034 5625 00	Compressing Coil spring		D	1	
27	A034 5628 00	Gear 15T		D	1	
28	A034 5624 00	Lever		C	1	
29	A034 5630 00	Gear 27T		D	1	
30	A034 5629 00	Gear 17/17T		D	1	
31	A034 5614 00	Gear 22T		D	1	
32	4136 3048 01	GEAR 27T		C	1	
33	A034 5613 00	Conveyance Spring		D	2	
34	A034 5612 00	Conveyance Roll		C	2	
35	A034 R702 00	Lifting Plate Assy		C	1	
35	A034 R762 00	Lifting Plate Assy (CN)	{mc 1680MF/1690MF}	C	1	
36	A034 R701 11	Paper Feed Assy	{bh C17/bh C18}	I	1	

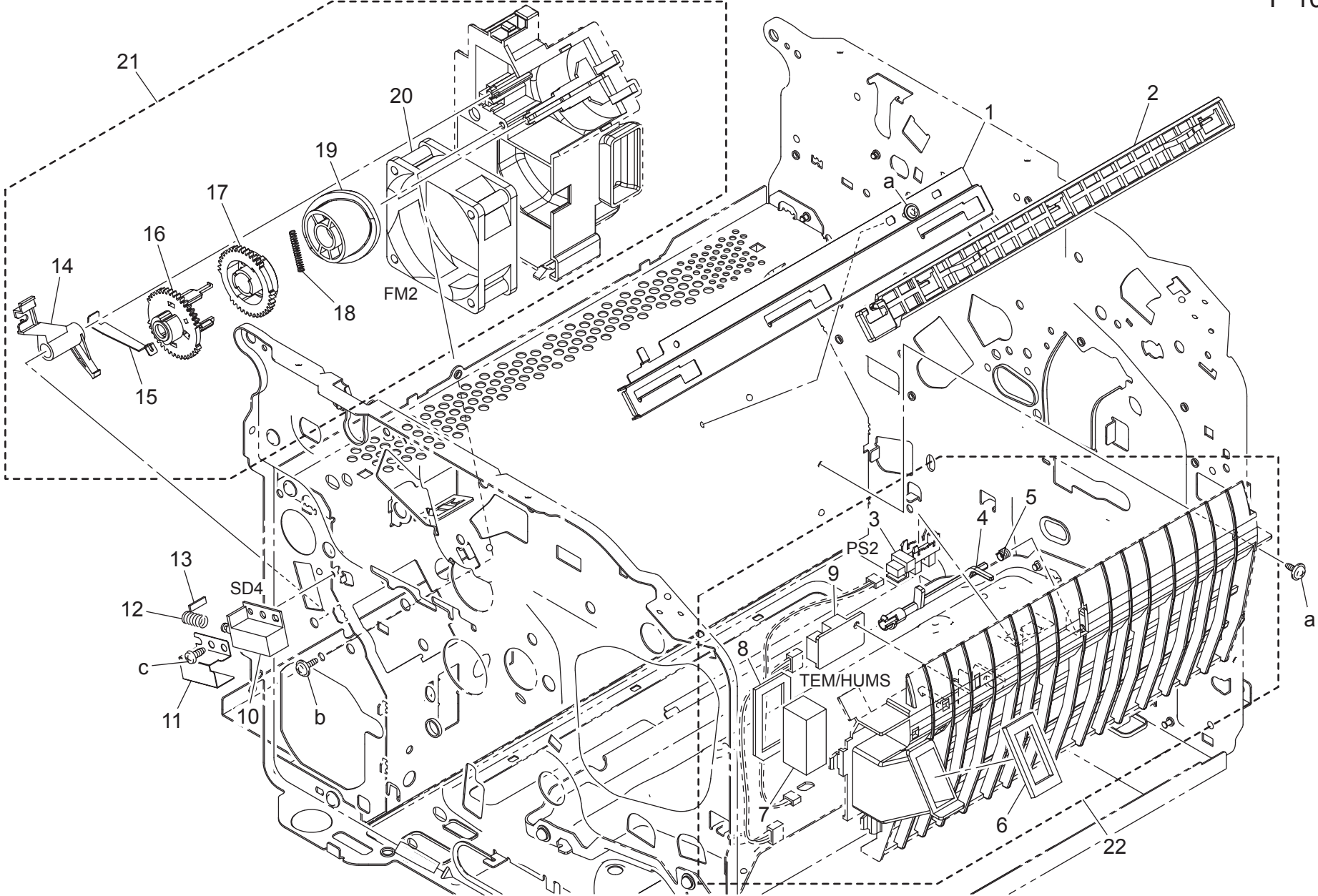
bizhub C17/bizhub C18/magicolor 1680MF/magicolor 1690MF

TRANSFER SECTION



bizhub C17/bizhub C18/magicolor 1680MF/magicolor 1690MF

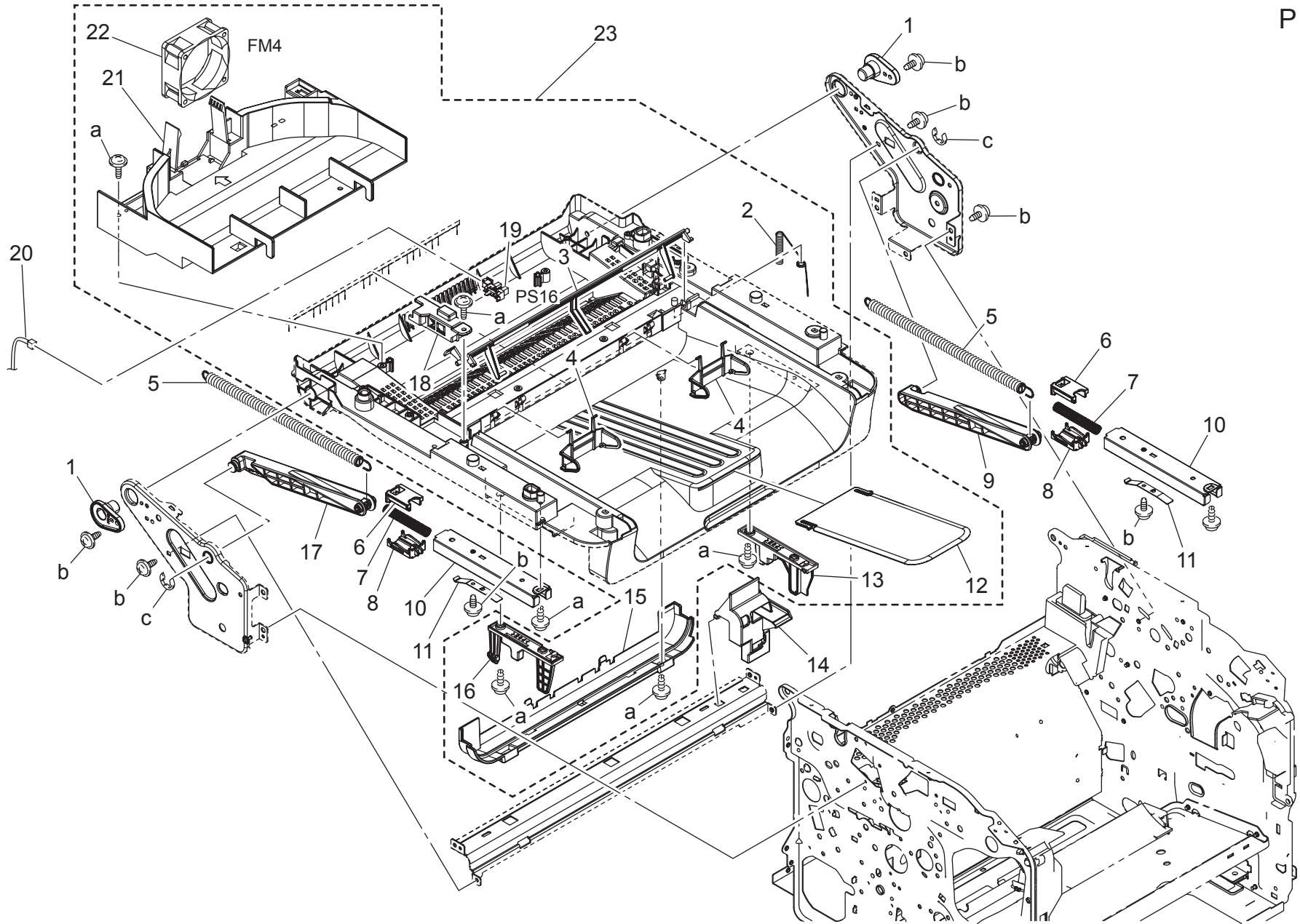
TRANSFER SECTION



bizhub C17/bizhub C18/magicolor 1680MF/magicolor 1690MF



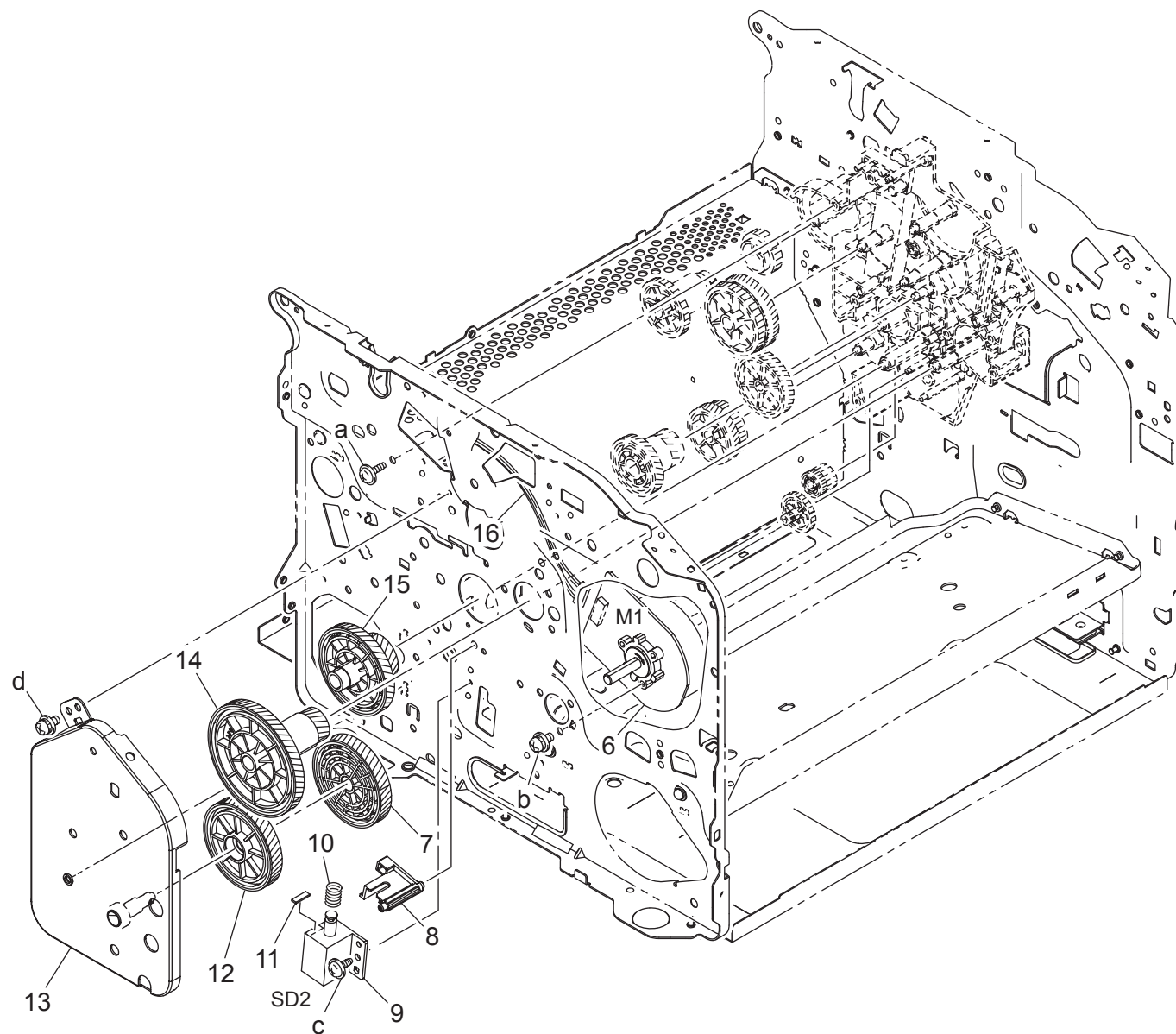
PAPER EXIT SECTION



bizhub C17/bizhub C18/magicolor 1680MF/magicolor 1690MF

Key	Part No.	Description	Destinations	Class	QTY	Standard parts
1	A0HF 1121 00	Bushing /Right		D	2	a-V153 0308 03 b-V137 0306 03 c-V217 0800 50
2	A0HF 9051 00	Ground Spring		D	1	
3	A0HF 1125 01	Actuator		C	1	
4	A0HF 1126 01	Holding Guide		C	2	
5	A0HF 1123 00	Pulling Coil spring		C	2	
6	A0HF 1142 00	Holder		D	2	
7	A0HF 1144 00	Compressing Coil spring		C	2	
8	A0HF 1143 00	Holder		D	2	
9	A0HF 1135 00	Balancer /Right		C	1	
10	A0HF 1137 00	Rail		D	2	
11	A0HF 1112 00	Plate spring		D	2	
12	A0HF 1725 00	Paper exit Tray	{mc 1680MF/1690MF}	C	1	
12	A0HF 1943 00	Paper exit Tray	{bh C17/bh C18}	C	1	
13	A0HF 1706 00	Lever /Right		C	1	
14	A0HF 1413 00	Guide		D	1	
15	A0HF 1704 00	Cover	{mc 1680MF/1690MF}	D	1	
15	A0HF 1944 00	Cover	{bh C17/bh C18}	C	1	
16	A0HF 1707 00	Lever /Left		C	1	
17	A0HF 1136 00	Balancer /Left		C	1	
18	A0HF 1124 00	Cover		D	1	
19	9335 1300 61	PHOTO INTERRUPTER		B	1	
20	A0HF N101 01	Wiring		D	1	
21	A0HF 1162 01	Duct		D	1	
22	4556 M100 00	FAN MOTOR		B	1	
23	A0HF R706 11	Upper Cover Assy(AIO)	{mc 1680MF/1690MF}	C	1	
23	A0HF R713 00	Upper Cover (AIO/CN)	{bh C17/bh C18}	C	1	

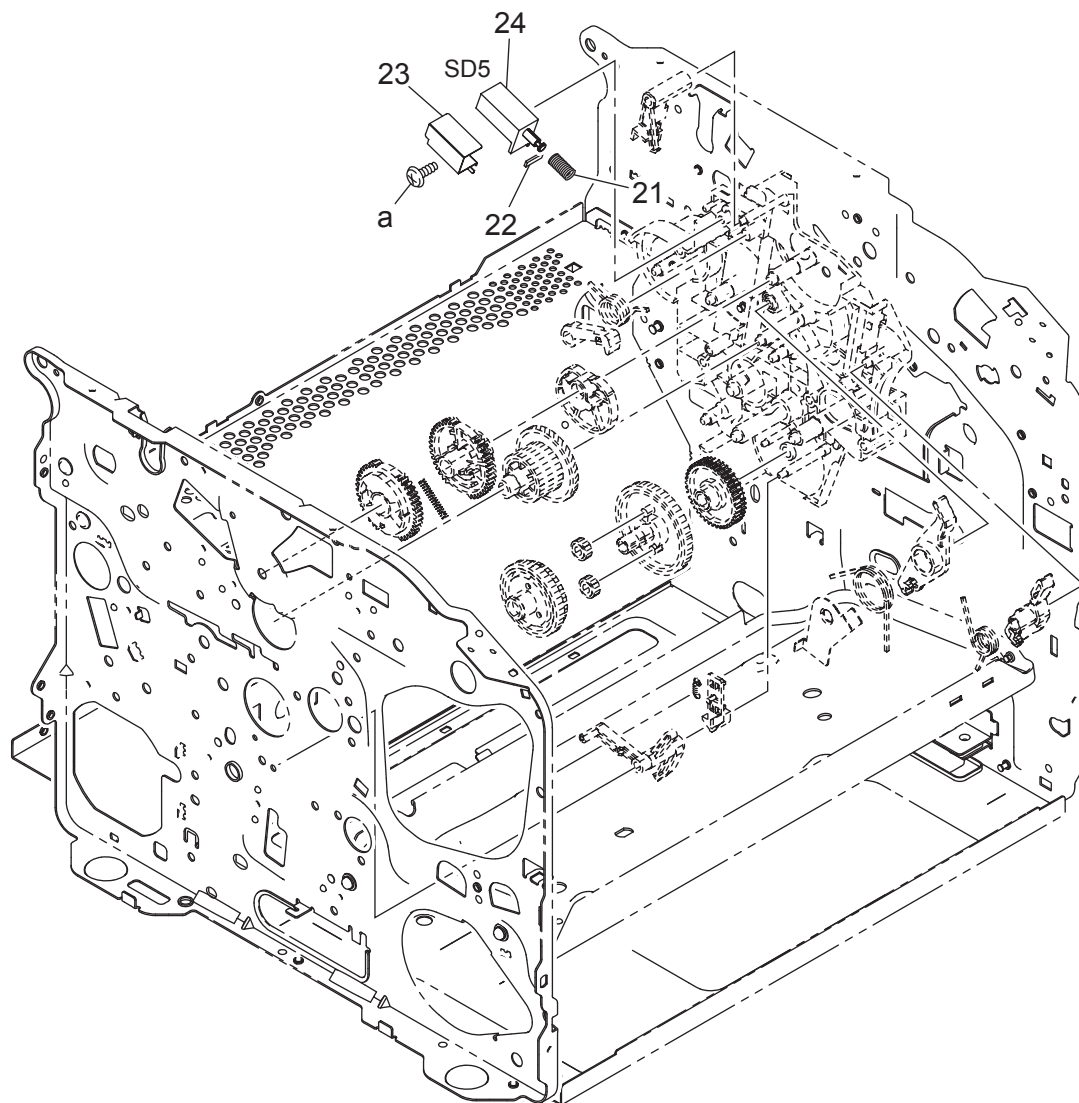
bizhub C17/bizhub C18/magicolor 1680MF/magicolor 1690MF



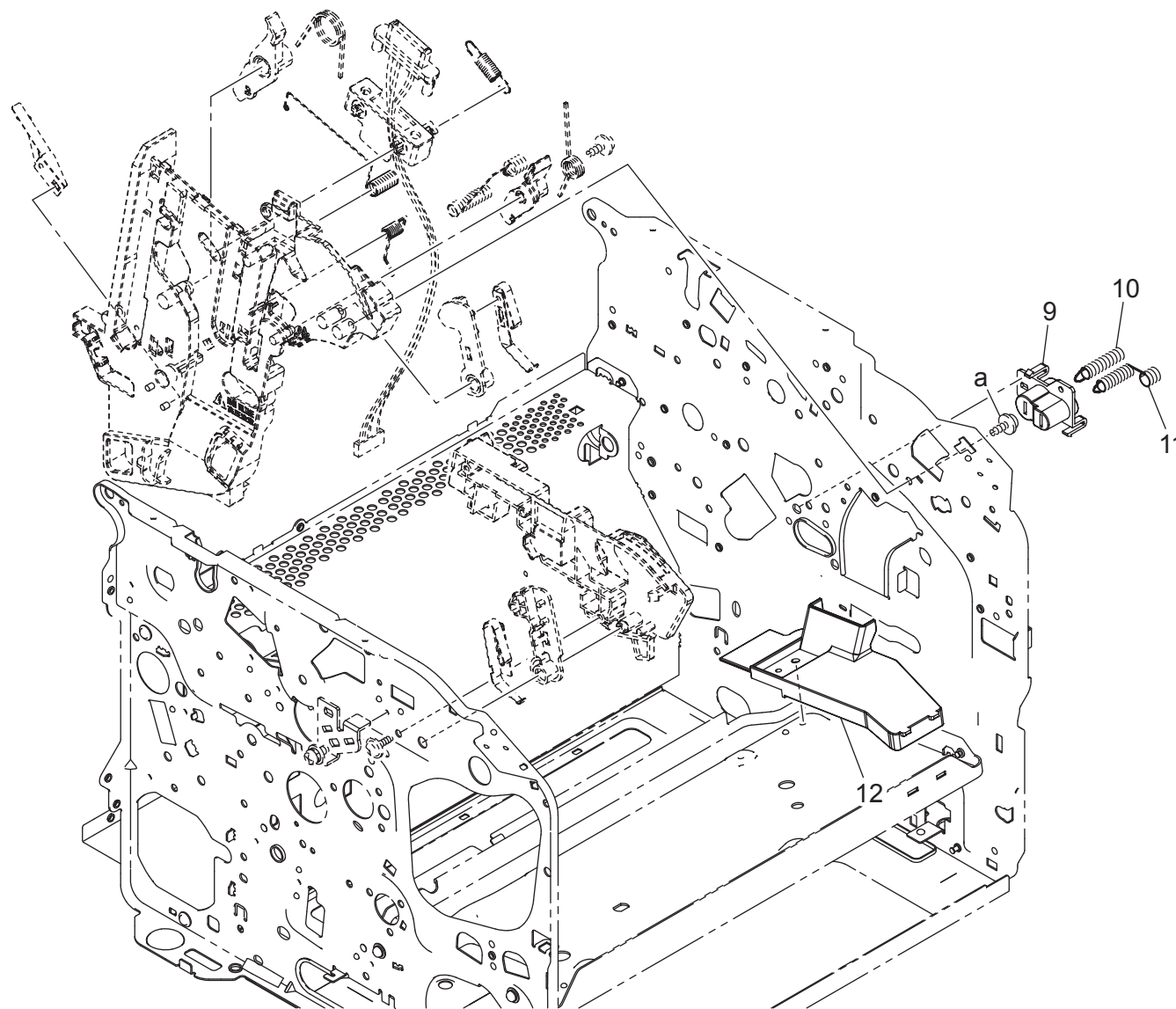
bizhub C17/bizhub C18/magicolor 1680MF/magicolor 1690MF

Key	Part No.	Description	Destinations	Class	QTY	Standard parts
6	A034 M100 00	Motor		C	1	a-V153 0308 03 b-V116 0305 03 c-V137 0306 03 d-V116 0306 03
7	A034 2104 00	Gear 91T		C	1	
8	A034 2135 00	Lever		D	1	
9	A034 M201 00	Conveyance Solenoid		C	1	
10	A034 2147 00	Compressing Coil spring		D	1	
11	A034 2201 00	Seal		D	1	
12	A034 2102 00	Gear 91T		C	1	
13	A034 R7A0 00	Mounting Plate Assy		D	1	
14	A034 2103 00	Gear 20/117T		C	1	
15	A034 2105 00	Gear 28/91T		C	1	
16	A034 N109 01	Wiring		D	1	

bizhub C17/bizhub C18/magicolor 1680MF/magicolor 1690MF

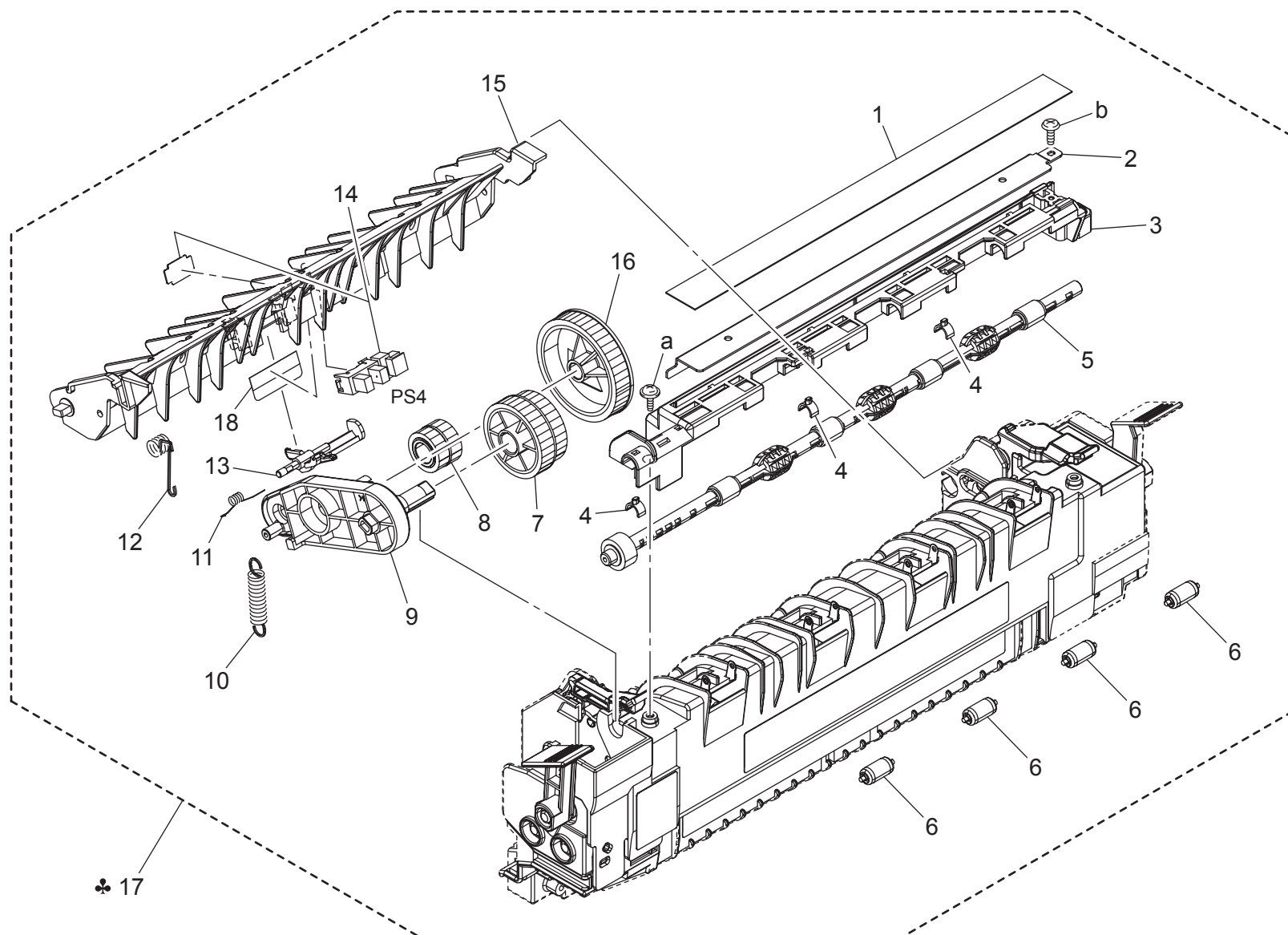


bizhub C17/bizhub C18/magicolor 1680MF/magicolor 1690MF



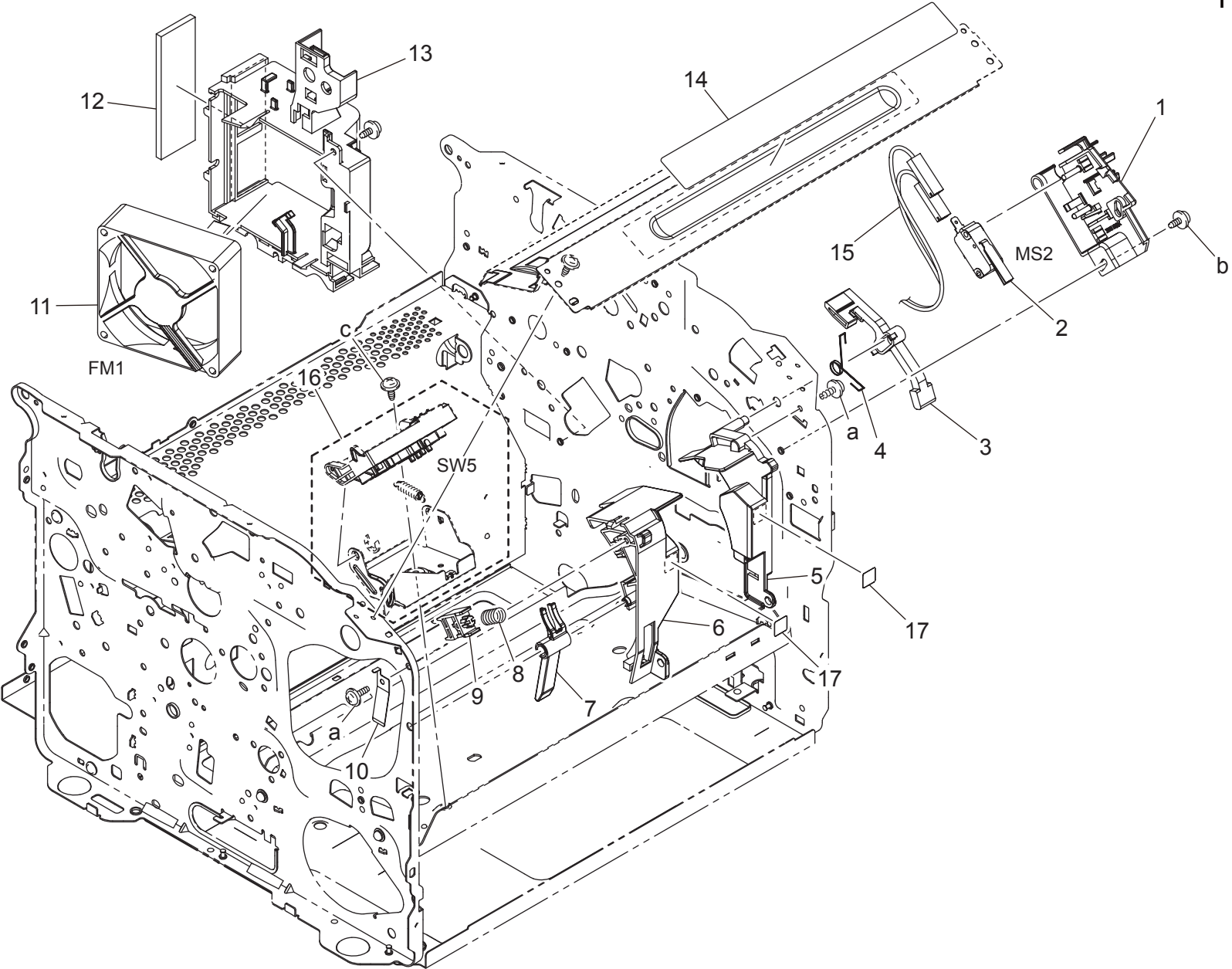
bizhub C17/bizhub C18/magicolor 1680MF/magicolor 1690MF

FUSING SECTION



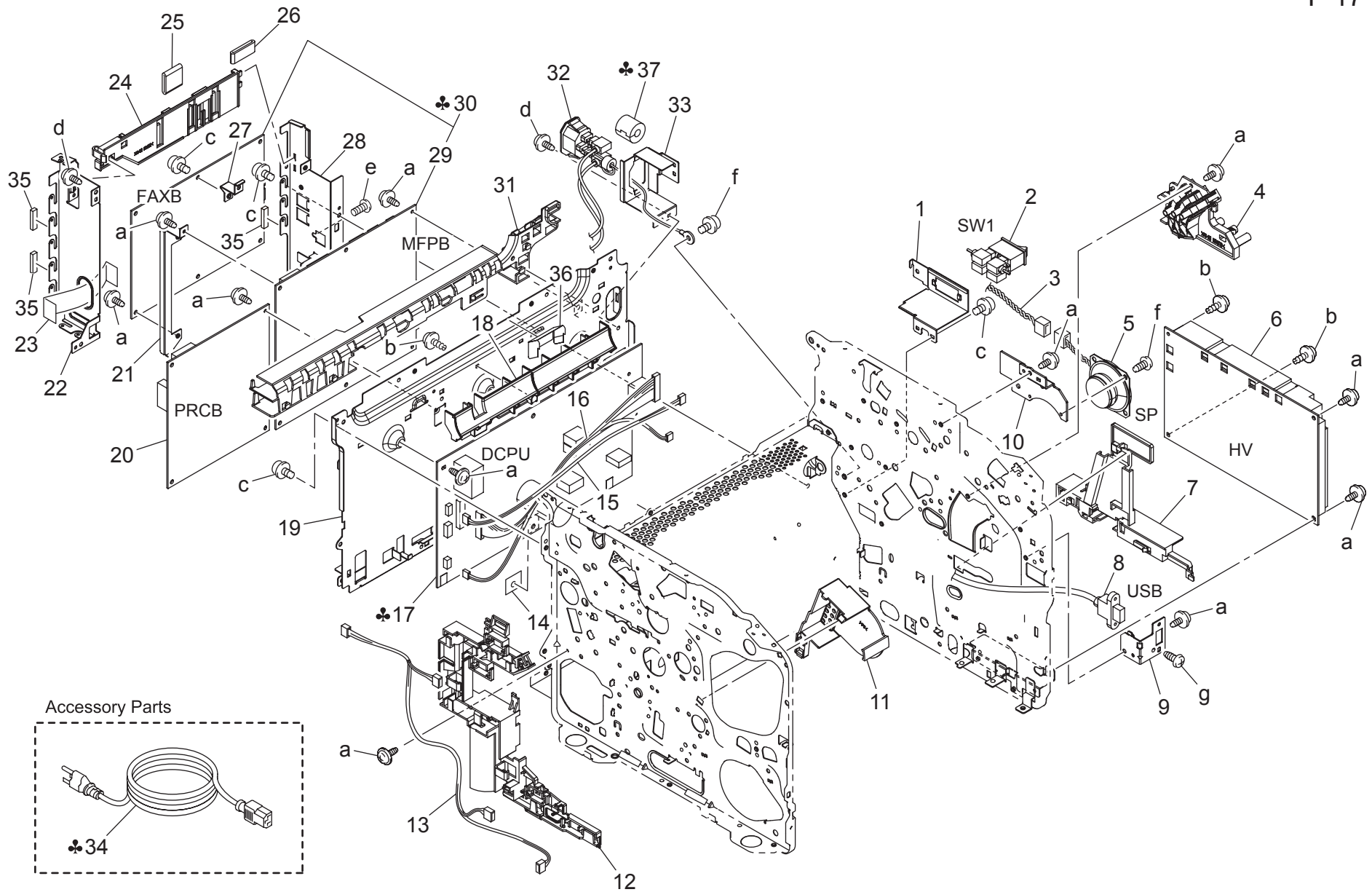
bizhub C17/bizhub C18/magicolor 1680MF/magicolor 1690MF

COOLING SECTION

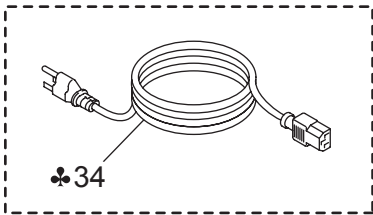


bizhub C17/bizhub C18/magicolor 1680MF/magicolor 1690MF

ELECTRICAL COMPONENTS



Accessory Parts



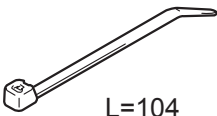
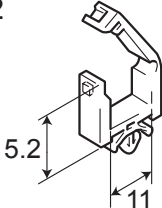
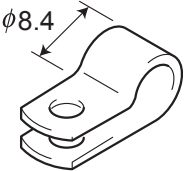
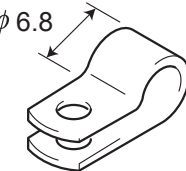
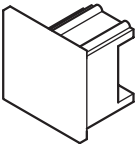
bizhub C17/bizhub C18/magicolor 1680MF/magicolor 1690MF

Key	Part No.	Description	Destinations	Class	QTY	Standard parts
1	A034 1366 00	Mounting Plate		D	1	a-V137 0306 03
2	A034 M602 00	Rocker switch	{mc 1680MF/1690MF}	C	1	b-V153 0308 03
2	A034 M603 00	Rocker switch	{bh C17/bh C18}	C	1	c-V116 0306 03
3	A0HF N120 02	Relay harness	{mc 1690MF/bh C18}	D	1	d-V144 0306 03
4	A034 R704 00	Rack Contact Assy		C	1	e-V111 0306 03
5	4040 M401 00	LOUDSPEAKER		D	1	f-V116 0408 03
6	A034 M404 01	High voltage unit	{mc 1690MF/bh C18}	I	1	g-V136 0306 03
7	A034 1416 00	Guide		D	1	
8	A0HF N121 01	Relay harness	{mc 1690MF/bh C18}	D	1	
9	A0HF 1418 00	Mounting Plate	{mc 1690MF/bh C18}	D	1	
10	A0HF 1419 02	Mounting Plate	{mc 1690MF/bh C18}	D	1	
11	A034 1341 01	Cover		D	1	
12	A034 1356 01	Guide		D	1	
13	A034 N108 01	Wiring		D	1	
14	A034 1399 00	Insulating Seal		D	1	
15	A0HF N100 01	Wiring		D	1	
16	A034 N103 01	Wiring		D	1	
17	A034 M412 00	Power supply	A,A1,B	I	1	
17	A034 M403 02	Power supply	C,D1,D3,E,K,J	I	1	
18	A0HF 1164 01	Duct		D	1	
19	A0HF 1410 02	Mounting Plate		D	1	
20	A034 H009 0E	PWB Assembly(PWB-A Assy)		I	1	
20	A034 H00C 00	PWB Assembly(PWB-A Assy)	A,A1,B,C,D1,D3,E,K, J(Model No.A0HF081/ 082) {bh C17/bh C18} J(M odel No.A0HF083/084)	I	1	
21	A0HF 1412 01	Mounting Plate		D	1	
22	A034 1310 01	Shield Plate	{mc 1690MF/bh C18}	D	1	
23	A034 N117 00	Wiring		C	1	
24	A0HF 1512 01	Guide		D	1	
25	A0HF M730 00	Ferritecore		C	1	
26	A0HF M731 00	Ferritecore		C	1	
27	A0HF 1422 00	Mounting Plate		D	1	
28	A0HF 1404 01	Mounting Plate		D	1	
28	A0HF 1511 02	Mounting Plate	{mc 1690MF/bh C18}	D	1	
29	A0HF R703 11	Controller	{mc 1680MF}	I	1	
29	A0HF R714 00	Controller Assy	{bh C17}	I	1	
30	A0HF R700 22	Controller assy	{mc 1690MF}B,C,D1,D 3,E,J,K	I	1	
30	A0HF R701 22	Controller assy	{mc 1690MF}A,A1	I	1	
30	A0HF R715 00	Controller Assy	{bh C18}	I	1	
31	A034 1414 01	Guide Plate		D	1	
32	A034 N101 03	Wiring		D	1	
33	A034 1367 00	Mounting Plate		D	1	
34	9381 4200 21	POWER CORD		D	1	
34	9381 4300 31	POWER CORD	D1,D3,E,K	D	1	
34	4136 N300 00	POWER CODE	J	D	1	
34	A034 N300 00	Power source Cord	D1,D3,E,K	D	1	
34	A034 N301 00	Power Source Cord	A,A1	D	1	
34	A034 N302 00	Power source Cord	B	D	1	
35	A034 M721 00	Gasket		D	3	
36	A034 1521 00	Duct		D	1	
37	9326 1810 51	FERRITE CORE	C,D1,D3,E,J,K	D	1	

bizhub C17/bizhub C18/magicolor 1680MF/magicolor 1690MF

WIRING ACCESSORIES AND JIGS

P 18

1 	6	11	16	21	26	31	36
2 	7	12	17	22	27	32	37
3 	8	13	18	23	28	33	38
4 	9	14	19	24	29	34	39
5 ♣ 	10	15	20	25	30	35	40

bizhub C17/bizhub C18/magicolor 1680MF/magicolor 1690MF

DESTINATION

Destination No.		Destinations		V	Hz	Model No.
A	A1	JAPAN		100	50/60	A0HF002
	A2	JAPAN		200	50/60	
B		USA, CANADA		120	60	A0HF011/ A0HF012
C		EUROPEAN TYPE		220-240	50/60	A0HF021/ A0HF022
D	D1	S.E ASIA TYPE	THAILAND, SRI LANKA, SINGAPORE, MALAYSIA, HONG KONG, PAKISTAN, INDIA, BANGLADESH, INDONESIA	220-240	50/60	A0HF041/ A0HF042
	D3	OCEANIA TYPE	AUSTRALIA, NEW ZEALAND	220-240	50/60	A0HF041/ A0HF042
E		PHILIPPINES		220-240	50/60	A0HF041/ A0HF042
F	F1	SAUDI ARABIA		127	60	
	F2	SAUDI ARABIA		220-240	50/60	
G	G1	C.S AMERICA		220-240	50/60	
	G2	C.S AMERICA		120	60	
H		TAIWAN		110	60	
I		JORDAN, LEBANON, SYRIA, SOUTH AFRICA, IRAQ, IRAN, N.YEMEN, CAMEROON, UAE, BAHRAIN, OMAN, QATAR, KUWAIT, KENYA, TUNISIA, IVORY COAST, MOROCCO		220-240	50/60	

bizhub C17/bizhub C18/magicolor 1680MF/magicolor 1690MF

Destination No.	Destinations	V	Hz	Model No.
J	CHINA	220-240	50/60	A0HF081/ A0HF082/ A0HF083/ A0HF084/ A0HF085/ A0HF086
K	KOREA	220-240	50/60	A0HF041/ A0HF042