



KONICA MINOLTA

PARTS GUIDE MANUAL

SEPTEMBER 2006

*PagePro 1350E/
PagePro 1350EN
4136221*

INFORMATION FOR PARTS GUIDE MANUAL

To find correct Parts No., refer to the "HOW TO MAKE THE BEST USE OF THIS MANUAL" in the following page.

HOW TO MAKE THE BEST USE OF THIS MANUAL

- 1 When you order, please check the proper figures beforehand that are on Our Parts Guide Manual, and order with the appropriate figures.
- 2 For screws, Nuts, Washers, retaining rings and Pins which are used in this model, one letter is shown on the Standard parts column of Parts list and exploded diagrams.
- 3 In order to maintain safety of the product, some specific parts composed of this product are set up as "essential safety parts".
- 4 The assigned parts number for the "essential safety parts" is indicated as "SP00-****".
When replacing these parts, follow precautions for disassembling and installing which are listed in the Service Manual.
Do not use any parts that are not set up as
- 5 ♣ means that there are exclusive parts for each destination.
Please check the appropriate destination when you order.
- 6 Revision Mark
Marked as ▲ on the illustration shows that the revision has been made.
- 7 All rights reserved. (any reprints or quotations are prohibited.)
Use of this parts guide manual should be strictly supervised to avoid disclosure of confidential information.

パーツガイドマニュアルのご案内

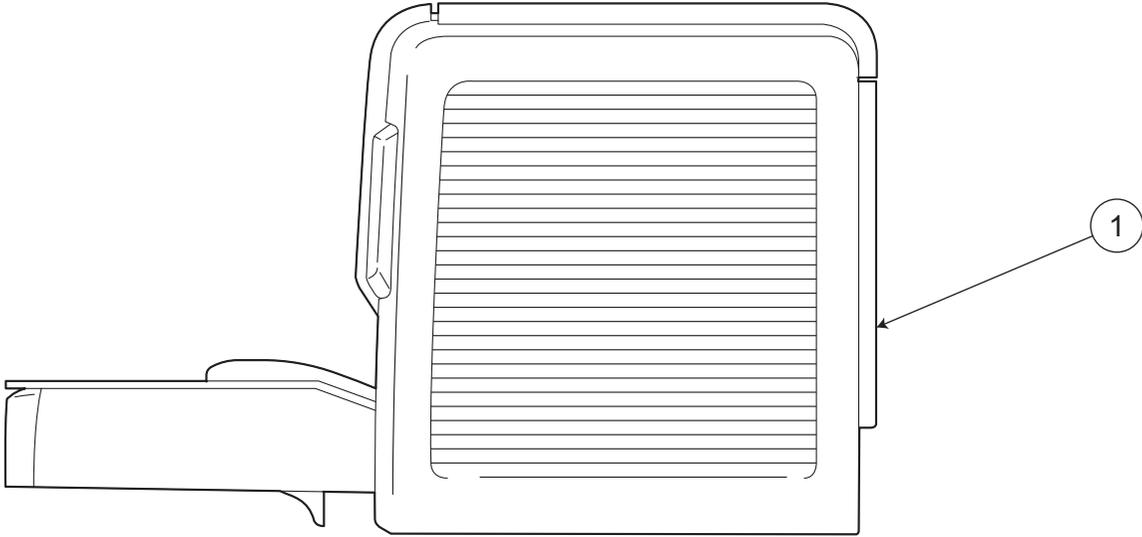
サービス部品をご発注の際には、下記に示す“パーツガイドマニュアルの活用にあたって”をご参照の上、正しい部品番号にてお願い致します。

パーツガイドマニュアルの活用にあたって

- 1 部品発注の際には、掲載されている部品番号の桁数を確認し、掲載されている桁数で発注願います。
- 2 この製品に使用されているネジ、ナット、ワッシャー、止め輪、ピンなどは、リストの右側の Standard parts 欄に a,b,c,……で表示し、イラストにも a,b,c,……表示してあります。
- 3 製品の安全性を維持する為に、製品に使用される特定の部品を「重要保安部品」として設定しています。
- 4 重要保安部品の部品番号は、“SP00-****”と記載されていますので、部品交換時は、サービスマニュアル記載の分解・組み立ての注意事項に従って作業をして下さい。
また、指定以外の部品は一切使用しないで下さい。
- 5 本文に ♣ が表示されている部品は、仕向け地毎に専用部品がある事を意味しています。
オーダーされる時は、仕向け地を確認して下さい。
- 6 改訂記号について
イラスト上に ▲ 印が表示されている部分は、改訂された事を表します。
- 7 著作権所有（無断転載及び無断引用の禁止）
本パーツガイドマニュアルについては、機密保持等その扱いには十分注意して下さい。万一取り扱いを誤った場合には、法律で処罰されることがあります。

04/19/2005

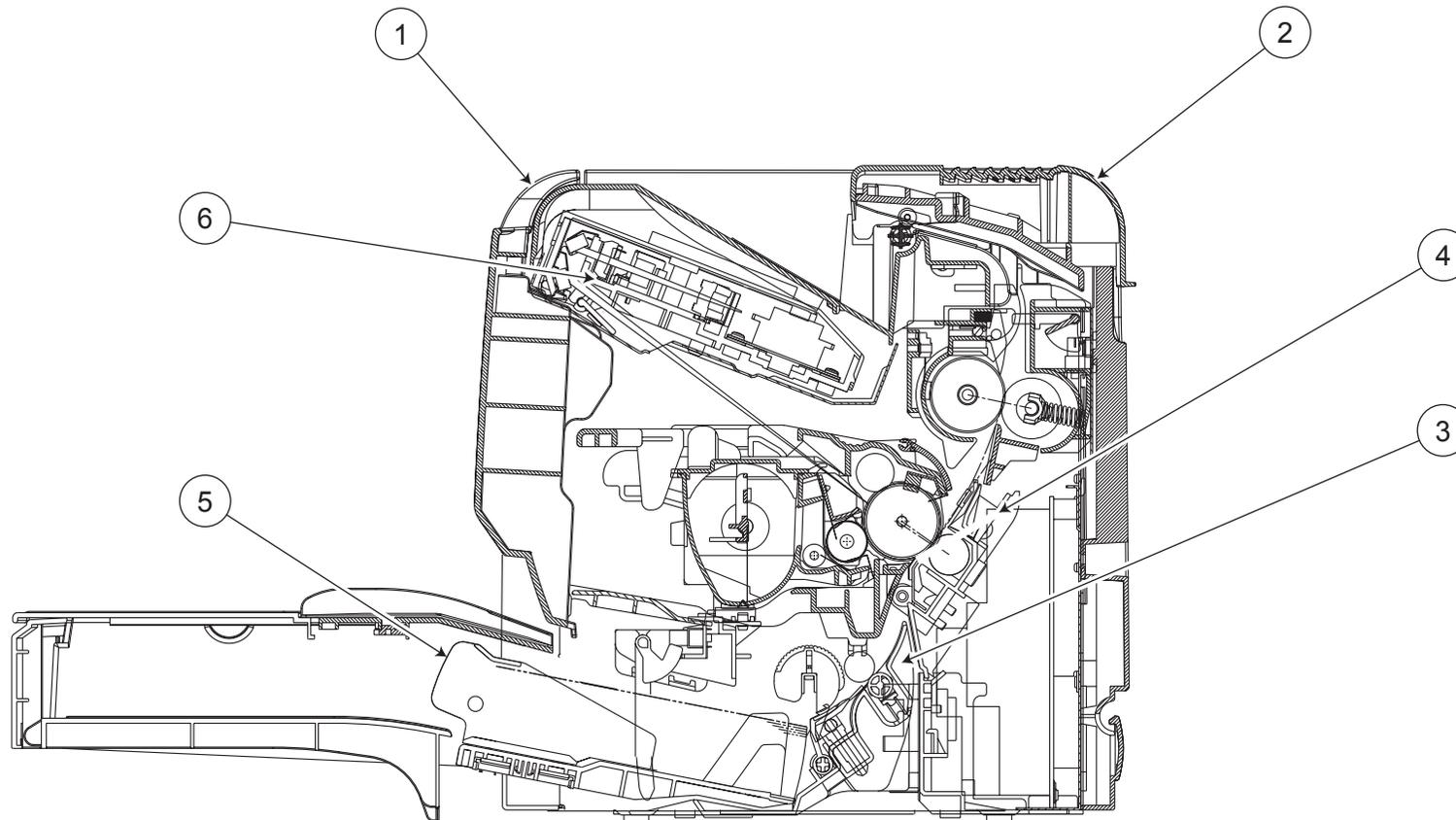
SYSTEM OUTLINE



GENERAL CONTENTS

No.	Description	Model
1	PRINTER B/W	PagePro 1350E/PagePro 1350EN

DIAGRAMS OF MAIN PARTS SECTION



CONTENTS

No.	DESCRIPTION	名称	PAGE No.
1	EXTERNAL PARTS	外装	P1
2	FUSING/PAPER EXIT SECTION	定着 / 排紙部	P2
3	PAPER TAKE-UP SECTION	給紙部	P3
4	PAPER TRANSPORT SECTION	搬送部	P4
5	DRIVE SECTION	駆動部	P5
6	ELECTRICAL COMPONENTS	電装部	P6
7	WIRING	束線	P7

INDEX

Parts No.	Page No.
4109 2003 01	3-21
4111 2531 01	2-19
4127 3041 02	3-26
4127 3104 01	1-13
4127 3104 01	5-9
4127 3707 01	2-5
4127 4106 01	4-6
4127 4107 01	4-23
4127 4108 01	4-3
4127 4109 01	4-7
4127 4111 01	4-25
4127 4135 01	4-22
4127 5571 01	2-13
4136 0151 02	3-5
4136 0702 00	2-24
4136 1004 05	2-3
4136 1006 01	1-12
4136 1008 03	1-14
4136 1018 02	1-6
4136 1020 03	1-15
4136 1021 02	1-22
4136 1023 01	1-5
4136 1024 03	1-7
4136 1025 02	1-2
4136 1071 01	1-21
4136 1092 03	1-20
4136 1106 02	2-1
4136 1312 02	1-1
4136 1330 01	1-19
4136 1333 01	1-18
4136 2001 02	6-3
4136 2005 18	5-20
4136 2006 03	5-33
4136 2007 02	5-31
4136 2008 04	5-34
4136 2009 03	5-30
4136 2010 03	5-29
4136 2011 04	5-35
4136 2012 02	5-36
4136 2013 01	5-32

Parts No.	Page No.
4136 2015 01	5-3
4136 2018 02	5-5
4136 2019 03	5-19
4136 2024 15	5-4
4136 2032 04	6-6
4136 2033 02	6-7
4136 2055 04	6-10
4136 2302 03	6-11
4136 2305 02	6-1
4136 2306 01	1-4
4136 2308 01	6-8
4136 2310 02	5-23
4136 2311 01	6-2
4136 2501 01	5-24
4136 2502 01	5-14
4136 2503 01	5-15
4136 2504 01	5-13
4136 2505 01	5-16
4136 2506 01	5-17
4136 2507 01	5-25
4136 2508 01	5-26
4136 2509 01	5-27
4136 2524 02	5-18
4136 2526 03	5-28
4136 3001 01	3-14
4136 3002 02	3-1
4136 3005 04	5-11
4136 3006 01	3-2
4136 3009 02	3-3
4136 3013 01	5-10
4136 3014 02	3-27
4136 3016 02	4-13
4136 3018 01	3-4
4136 3020 02	4-15
4136 3021 01	4-14
4136 3022 01	3-16
4136 3025 01	3-10
4136 3026 01	3-6
4136 3027 01	3-9
4136 3035 01	3-22

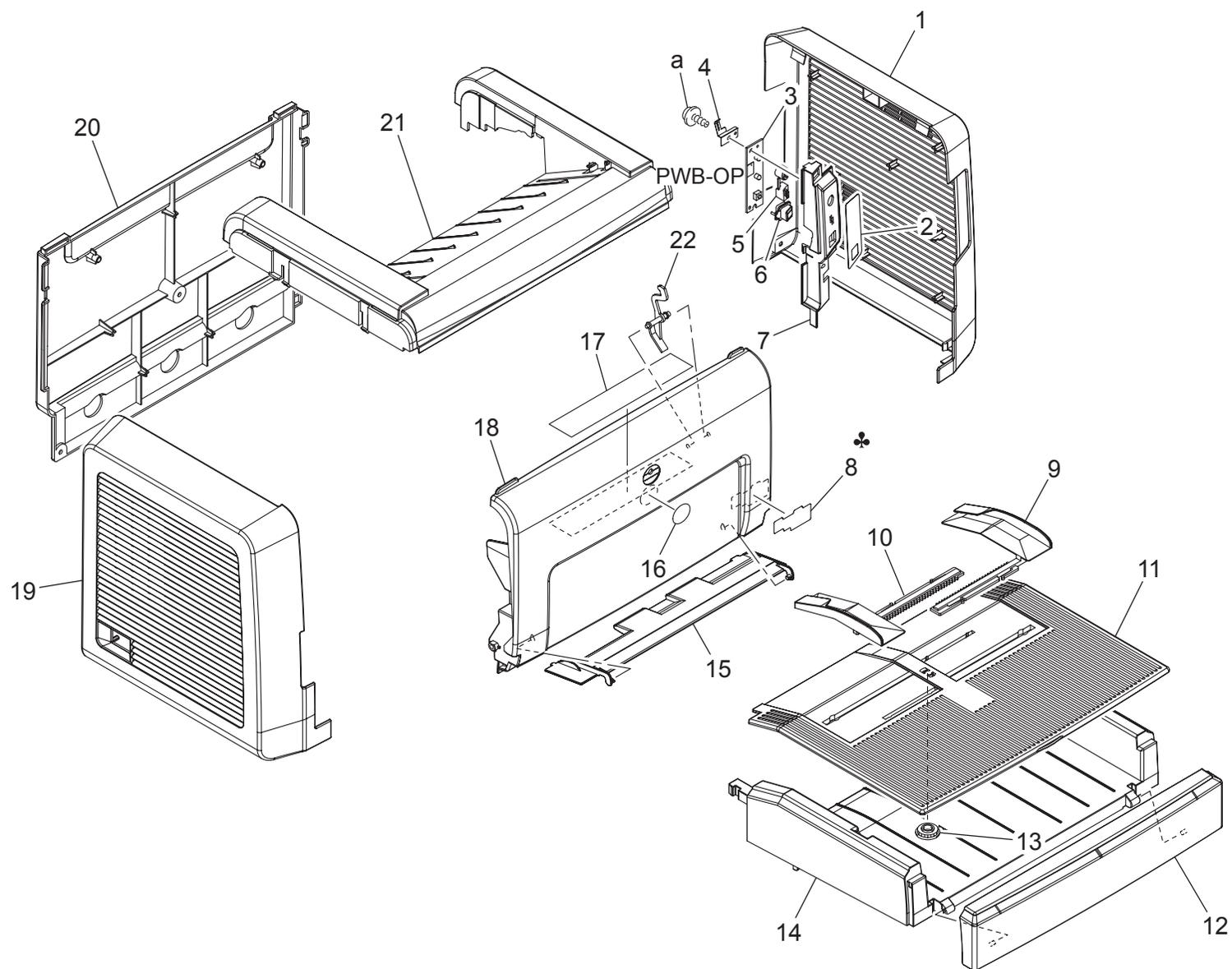
Parts No.	Page No.
4136 3037 01	3-24
4136 3038 01	3-23
4136 3039 12	3-15
4136 3043 01	3-12
4136 3044 01	3-17
4136 3045 01	3-7
4136 3046 01	3-13
4136 3047 01	3-11
4136 3048 01	3-18
4136 3049 01	3-8
4136 3101 01	5-8
4136 3201 01	4-16
4136 3501 04	3-19
4136 3709 02	2-4
4136 3714 01	2-20
4136 3716 01	2-10
4136 3717 01	2-2
4136 3731 04	2-23
4136 4102 04	4-2
4136 4103 02	4-21
4136 4104 01	4-24
4136 4105 01	4-5
4136 4106 01	4-8
4136 4109 06	4-11
4136 4111 01	4-19
4136 4113 02	4-1
4136 4114 02	4-4
4136 4132 01	4-20
4136 4133 01	4-9
4136 5502 02	2-14
4136 5503 03	2-15
4136 5505 05	2-11
4136 5517 02	2-12
4136 5518 02	2-9
4136 5531 01	2-16
4136 5598 01	2-26
4136 5599 01	2-27
4136 6004 02	1-3
4136 6202 05	6-9
4136 6205 07	6-12

Parts No.	Page No.
4136 6301 02	4-12
4136 6702 01	2-17
4136 6751 01	4-18
4136 6802 01	7-3
4136 6803 02	7-4
4136 6804 01	6-4
4136 6805 03	7-1
4136 6807 01	7-5
4136 6808 02	4-10
4136 6809 01	7-6
4136 6810 03	7-2
4136 6812 03	6-5
4136 6818 01	7-7
4136 7321 01	2-21
4136 7324 01	2-22
4136 7325 02	2-7
4136 7326 02	2-6
4136 7343 03	1-17
4136 7364 01	1-8
4136 7500 01	1-16
4136 9402 00	1-8
4136 R701 00	4-26
4136 R702 00	3-28
4136 R711 00	2-25
4136 R718 00	5-39
4136 R719 00	5-38
4136 R721 00	5-12
4136 R723 00	6-13
4137 1005 02	2-18
4137 1009 01	1-11
4137 3102 02	5-6
4137 3103 01	5-7
4137 3202 01	1-9
4137 3203 01	1-10
4139 3018 03	3-25
9314 1201 32	5-21
9321 2300 12	3-20
9331 2200 31	5-37
9335 1300 61	4-17
9381 4101 01	6-14

Parts No.	Page No.
9384 1100 91	6-15
9J03 0901 01	2-8
9J03 M100 00	5-22

EXTERNAL PARTS

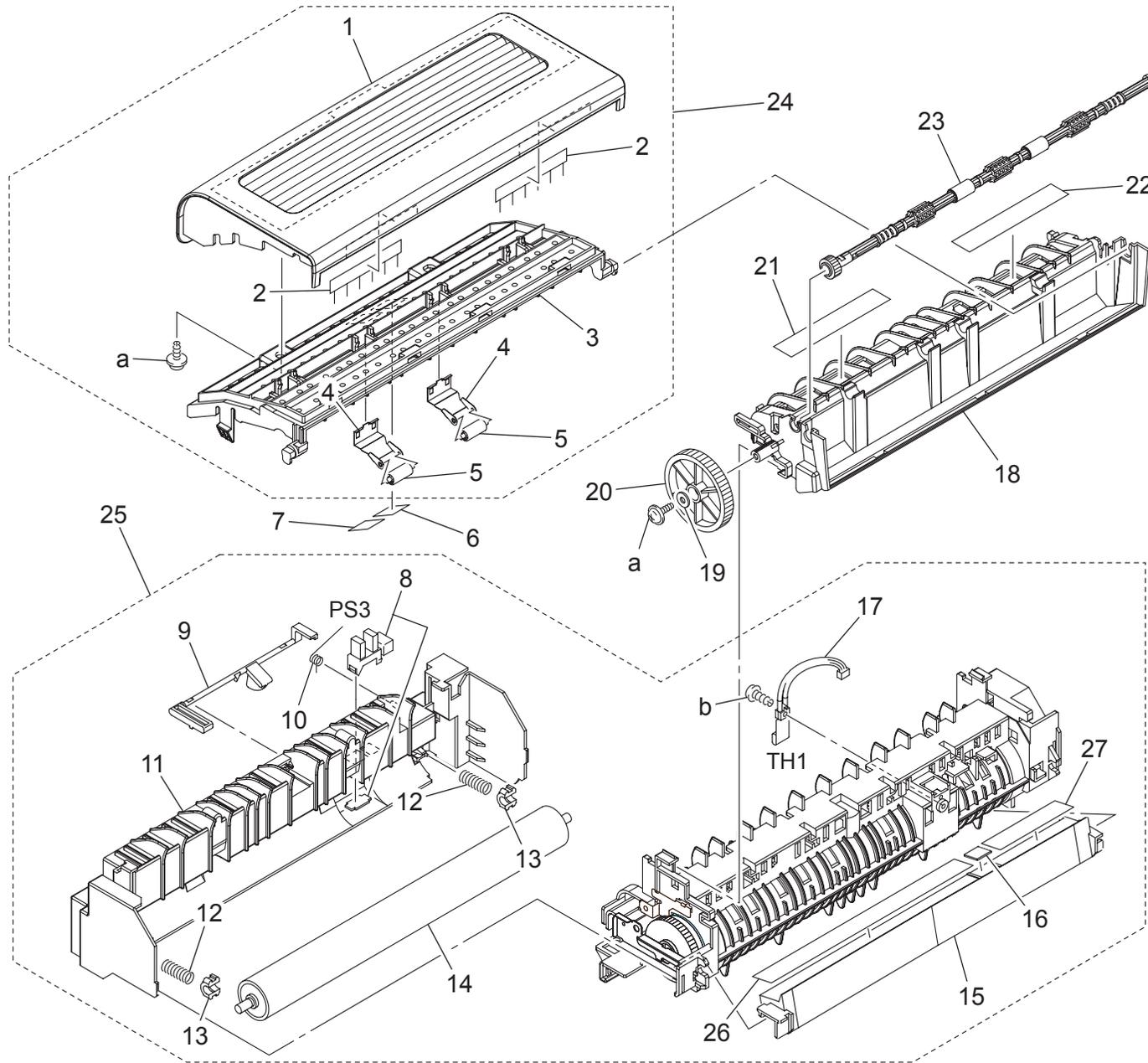
P 1



PagePro 1350E/PagePro 1350EN

FUSING/PAPER EXIT SECTION

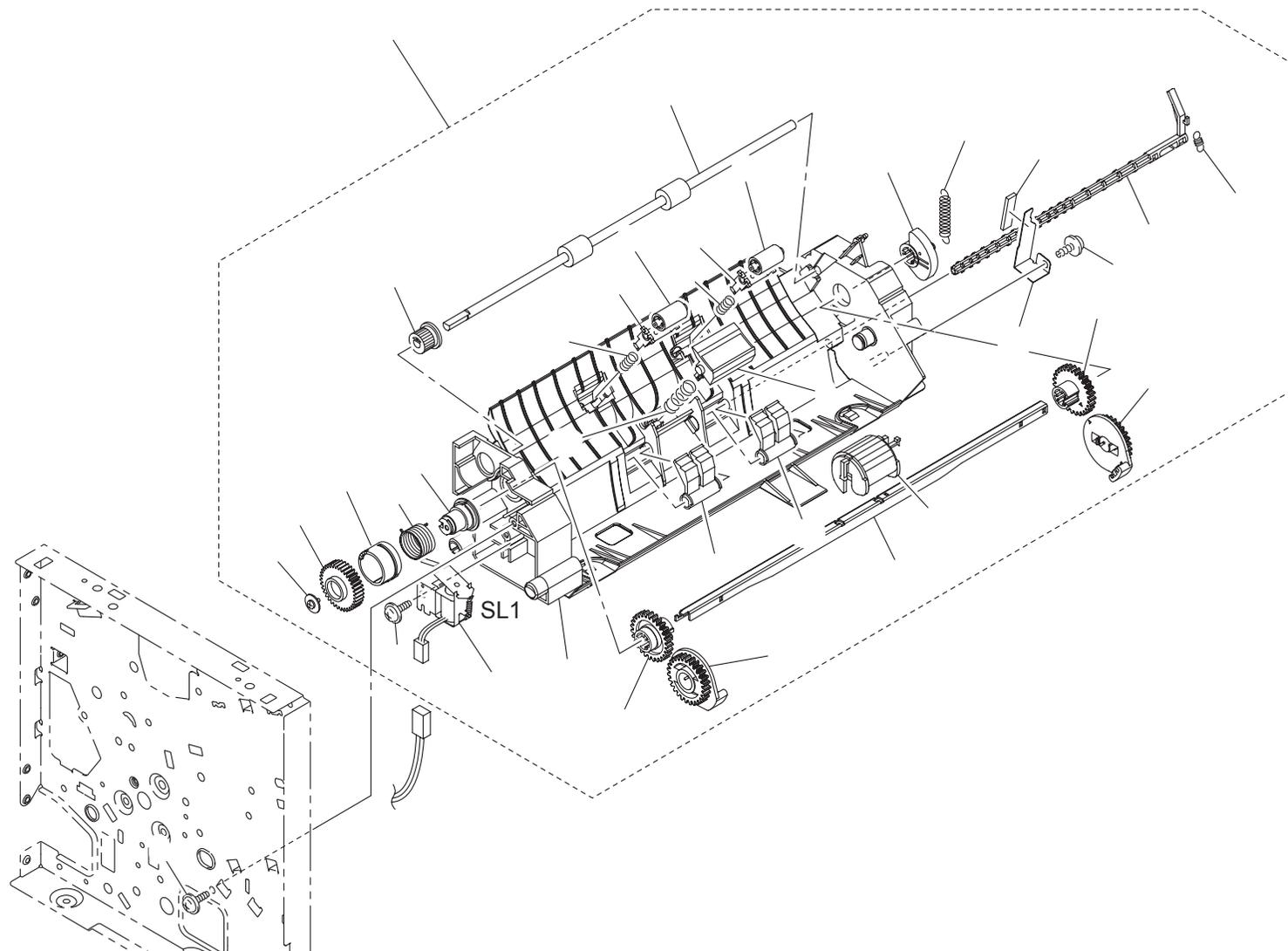
P 2



FUSING/PAPER EXIT SECTION

Key	Part No.	Description	Destinations	Class	QTY	Standard parts
1	4136 1106 02	COVER UPPER		C	1	a-9739 0308 14 b-9732 0310 14
2	4136 3717 01	NEUTRALIZING BRUSH		C	2	
3	4136 1004 05	GUIDE		D	1	
4	4136 3709 02	SPRING		D	2	
5	4127 3707 01	ROLL		C	2	
6	4136 7326 02	LABEL CAUTION		C	1	
7	4136 7325 02	LABEL HOT		C	1	
8	9J03 0901 01	PHOTO INTERRUPTER		I	1	
9	4136 5518 02	ACTUATOR		C	1	
10	4136 3716 01	TORSION SPRING		C	1	
11	4136 5505 05	HOUSING		D	1	
12	4136 5517 02	PRESSURE SPRING		C	2	
13	4127 5571 01	BUSHING		C	2	
14	4136 5502 02	ROLLER		C	1	
15	4136 5503 03	GUIDE		D	1	
16	4136 5531 01	BRUSH		D	1	
17	4136 6702 01	THERMISTOR		C	1	
18	4137 1005 02	GUIDE		D	1	
19	4111 2531 01	WASHER		C	1	
20	4136 3714 01	GEAR 61T		C	1	
21	4136 7321 01	LABEL CAUTION		C	1	
22	4136 7324 01	LABEL CAUTION		C	1	
23	4136 3731 04	ROLLER		C	1	
24	4136 0702 00	TOP COVER ASSY		S	1	
25	4136 R711 00	FUSING UNIT		A	1	
26	4136 5598 01	SEAL		C	1	
27	4136 5599 01	SEAL		C	1	

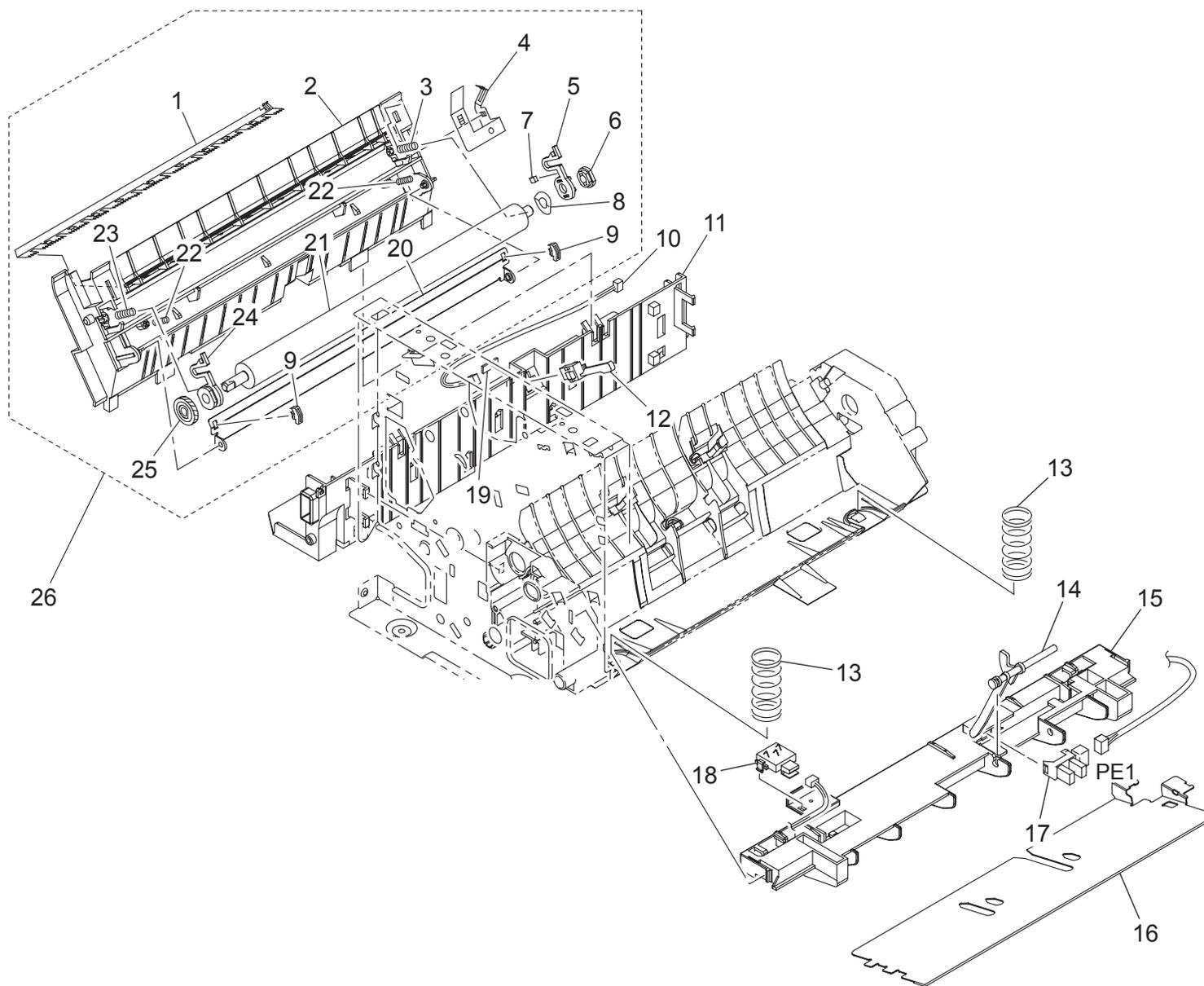
PAPER TAKE-UP SECTION



PAPER TAKE-UP SECTION

Key	Part No.	Description	Destinations	Class	QTY	Standard parts
1	4136 3002 02	ROLLER	ローラ	C	1	a-9739 0308 14
2	4136 3006 01	ROLL	ころ	C	2	
3	4136 3009 02	HOLDER	ホルダ	C	2	
4	4136 3018 01	PRESSURE SPRING	圧縮コイルばね	C	2	
5	4136 0151 02	FRICITION SHEET ASSY	摩擦板 ASSY	C	1	
6	4136 3026 01	CAM	カム	C	1	
7	4136 3045 01	TENSION SPRING	引張コイルばね	C	1	
8	4136 3049 01	FRICITION SHEET	摩擦板	C	1	
9	4136 3027 01	TENSION SPRING	引張コイルばね	C	1	
10	4136 3025 01	LEVER	レバー	C	1	
11	4136 3047 01	GEAR 27T	ギヤ 27 T	C	1	
12	4136 3043 01	CAM	カム	C	1	
13	4136 3046 01	PLATE SPRING	板ばね	D	1	
14	4136 3001 01	ROLLER	ローラ	B	1	
15	4136 3039 12	SHAFT	シャフト	D	1	
16	4136 3022 01	STOPPER	ストッパ	C	2	
17	4136 3044 01	CAM	カム	C	1	
18	4136 3048 01	GEAR 27T	ギヤ 27 T	C	1	
19	4136 3501 04	GUIDE	ガイド	D	1	
20	9321 2300 12	SOLENOID	フラッパーソレノイド	C	1	
21	4109 2003 01	SHOULDER SCREW	段ねじ	C	1	
22	4136 3035 01	GEAR 35T	ギヤ 35 T	C	1	
23	4136 3038 01	RATCHET	ラチェット	C	1	
24	4136 3037 01	TORSION SPRING	ねじりコイルばね	C	1	
25	4139 3018 03	DRUM	ドラム	C	1	
26	4127 3041 02	PRESSURE SPRING	圧縮コイルばね	C	1	
27	4136 3014 02	GEAR 14T	ギヤ 14 T	C	1	
28	4136 R702 00	PAPER TAKE UP ASSY	給紙 ASSY	S	1	

PAPER TRANSPORT SECTION

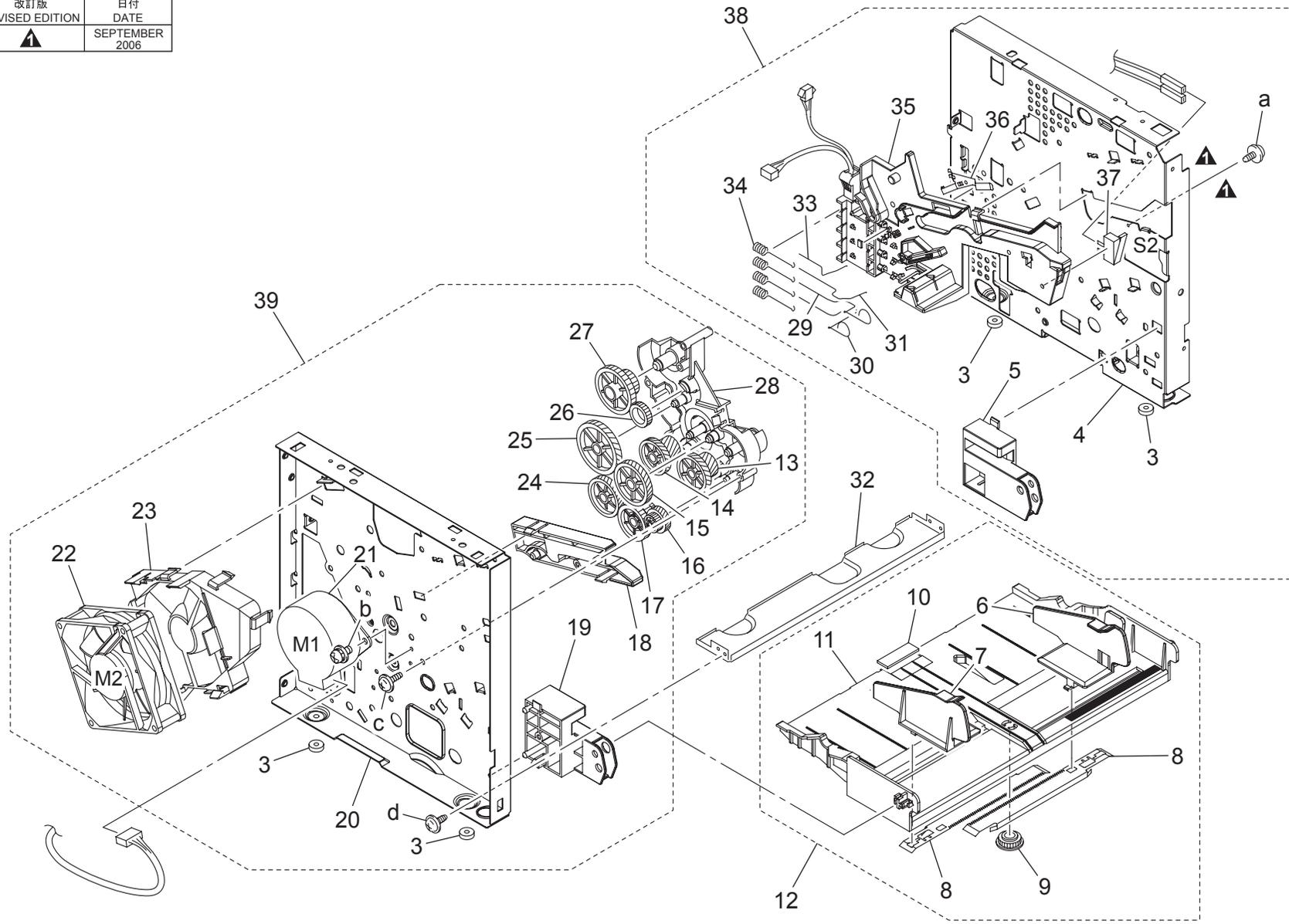


PAPER TRANSPORT SECTION

Key	Part No.	Description	Destinations	Class	QTY	Standard parts
1	4136 4113 02	NEUTRALIZING NEEDLE		D	1	
2	4136 4102 04	HOLDER		D	1	
3	4127 4108 01	PRESSURE SPRING		C	1	
4	4136 4114 02	CONTACT		C	1	
5	4136 4105 01	BUSHING		C	1	
6	4127 4106 01	CONDUCTIVE MEMBER		C	1	
7	4127 4109 01	CUSHION		C	1	
8	4136 4106 01	SPACER		C	1	
9	4136 4133 01	SPACER		C	2	
10	4136 6808 02	WIRE HARNESS ASSY		D	1	
11	4136 4109 06	GUIDE		D	1	
12	4136 6301 02	MICRO-SWITCH		I	1	
13	4136 3016 02	PRESSURE SPRING		C	2	
14	4136 3021 01	ACTUATOR		C	1	
15	4136 3020 02	HOLDER		D	1	
16	4136 3201 01	TRAY		D	1	
17	9335 1300 61	PHOTO INTERRUPTER		B	1	
18	4136 6751 01	CONNECTOR PIN		D	1	
19	4136 4111 01	SPACER		C	1	
20	4136 4132 01	GUIDE PLATE		D	1	
21	4136 4103 02	TRANSFER ROLLER		A	1	
22	4127 4135 01	PRESSURE SPRING		C	2	
23	4127 4107 01	PRESSURE SPRING		C	1	
24	4136 4104 01	BUSHING		C	1	
25	4127 4111 01	GEAR 21T		C	1	
26	4136 R701 00	TRANSFER UNIT		S	1	

DRIVE SECTION

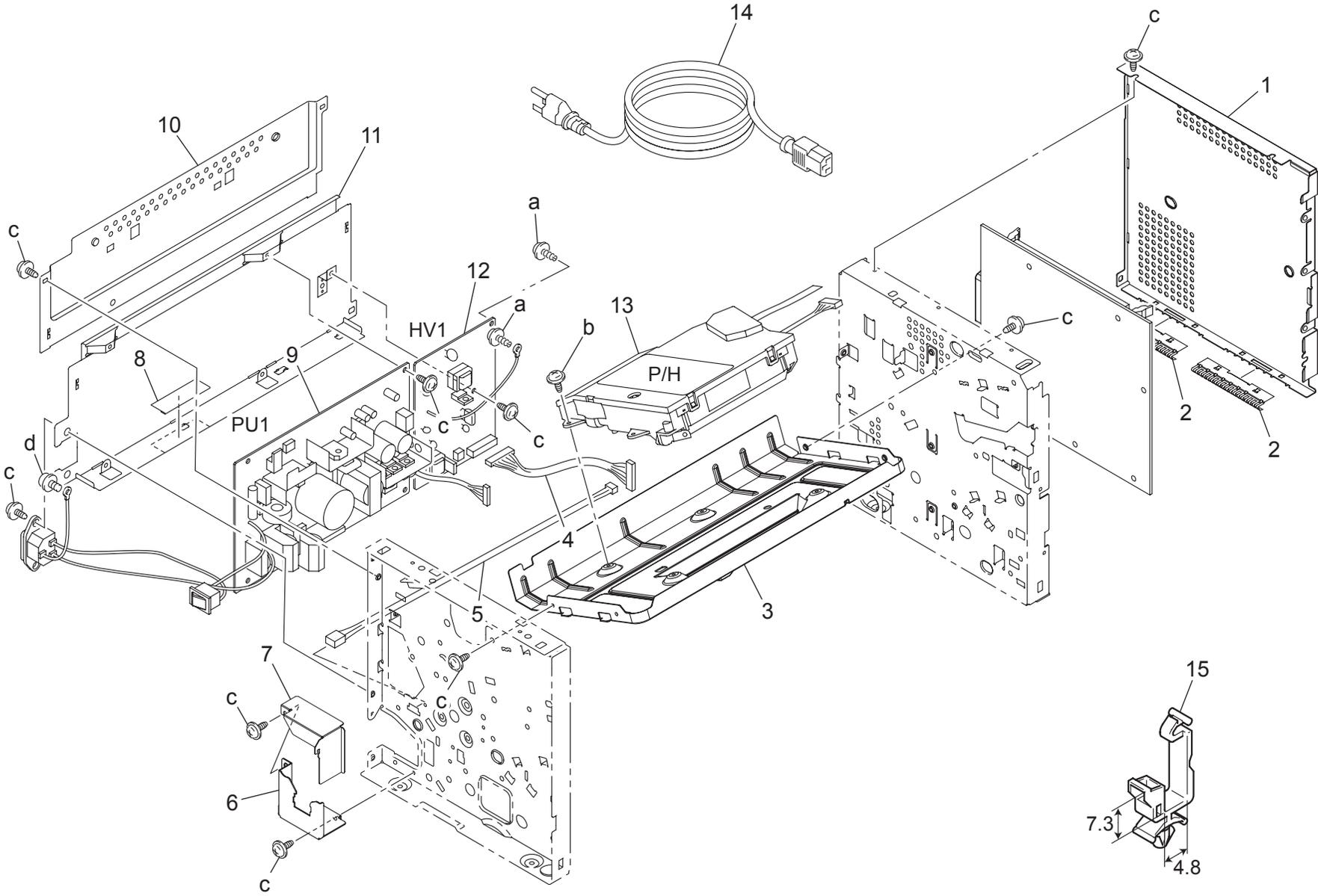
改訂版 REVISED EDITION	日付 DATE
	SEPTEMBER 2006



DRIVE SECTION

Key	Part No.	Description	Destinations	Class	QTY	Standard parts	
3	4136 2015 01	RUBBER FOOT		D	4	a-9735 0306 14 b-9646 0306 14 c-9739 0308 14 d-9735 0308 14	
4	4136 2024 15	FRAME		D	1		
5	4136 2018 02	HOLDER		D	1		
6	4137 3102 02	REGULATING PLATE		C	1		
7	4137 3103 01	REGULATING PLATE		C	1		
8	4136 3101 01	RACK		C	2		
9	4127 3104 01	GEAR 14T		C	1		
10	4136 3013 01	FRICTION SHEET		C	1		
11	4136 3005 04	LIFTING PLATE		C	1		
12	4136 R721 00	REGULATING PLATE ASSY		S	1		
13	4136 2504 01	GEAR 21/51T		C	1		
14	4136 2502 01	GEAR 19/48T		C	1		
15	4136 2503 01	GEAR 24/59T		C	1		
16	4136 2505 01	GEAR 32/18T		C	1		
17	4136 2506 01	GEAR 21/25/35T		C	1		
18	4136 2524 02	GUIDE		D	1		
19	4136 2019 03	HOLDER		D	1		
20	4136 2005 18	FRAME		D	1		
21	9314 1201 32	MOTOR		B	1		
22	9J03 M100 00	FAN MOTOR		B	1		
23	4136 2310 02	DUCT		D	1		
24	4136 2501 01	GEAR 21/53T		C	1		
25	4136 2507 01	GEAR 28/70T		C	1		
26	4136 2508 01	GEAR 24T		C	1		
27	4136 2509 01	GEAR 23/48T		C	1		
28	4136 2526 03	HOLDER		D	1		
29	4136 2010 03	CONTACT		C	1		
30	4136 2009 03	CONTACT		C	1		
31	4136 2007 02	CONTACT		C	1		
32	4136 2013 01	REINFORCE PLATE		D	1		
33	4136 2006 03	CONTACT		C	1		
34	4136 2008 04	CONTACT		D	4		
35	4136 2011 04	GUIDE		D	1		
36	4136 2012 02	EARTH GROUND		D	1		
37	9331 2200 31	MICRO-SWITCH		C	1		
38	4136 R719 00	RIGHT FRAME ASSY		S	1		
39	4136 R718 00	LEFT FRAME ASSY		I	1		

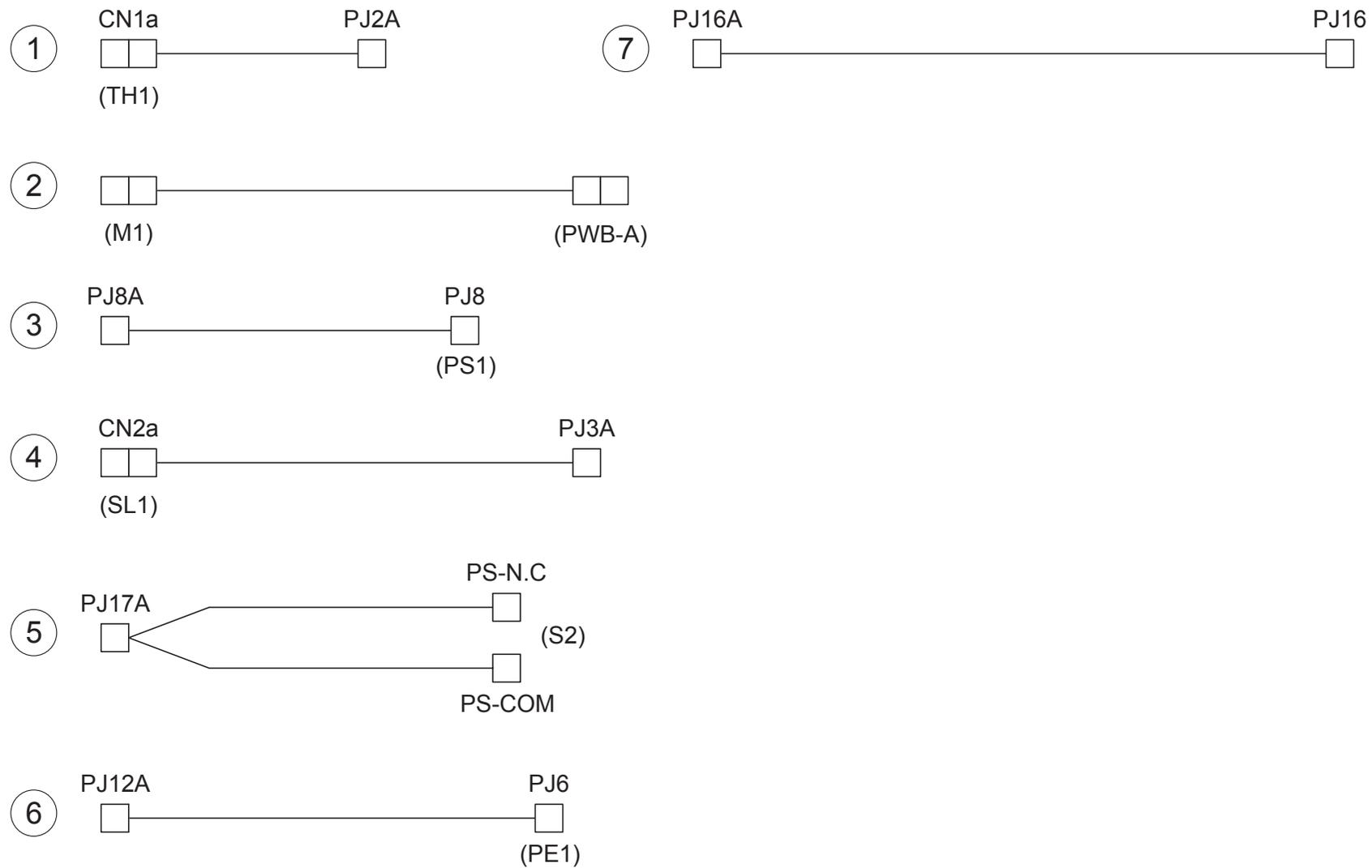
ELECTRICAL COMPONENTS



ELECTRICAL COMPONENTS

Key	Part No.	Description	Destinations	Class	QTY	Standard parts
1	4136 2305 02	SHIELD	シールド	D	1	a-9739 0308 14 b-4154 3804 01 c-9735 0308 14 d-9646 0408 14
2	4136 2311 01	EARTH GROUND	アース	D	2	
3	4136 2001 02	BASE FRAME	台板	D	1	
4	4136 6804 01	WIRE HARNESS ASSY	ハーネス A S S Y	D	1	
5	4136 6812 03	WIRE HARNESS ASSY	ハーネス A S S Y	D	1	
6	4136 2032 04	BRACKET	取付板	D	1	
7	4136 2033 02	COVER	カバー	D	1	
8	4136 2308 01	INSULATING MEMBER	絶縁材	D	1	
9	4136 6202 05	POWER SUPPLY	直流安定化電源	I	1	
10	4136 2055 04	FRAME	フレーム	D	1	
11	4136 2302 03	FRAME	フレーム	D	1	
12	4136 6205 07	HV1	HV 1	I	1	
13	4136 R723 00	PRINT HEAD ASSY	P / H	I	1	
14	9381 4101 01	POWER CORD	プラグ付電源コード	D	1	
15	9384 1100 91	WIRING SADDLE	ワイヤーサドル	D	1	

WIRING



WIRING

Key	Part No.	Description	Destinations	Class	QTY	Standard parts
1	4136 6805 03	WIRE HARNESS ASSY		D	1	
2	4136 6810 03	WIRE HARNESS ASSY		D	1	
3	4136 6802 01	WIRE HARNESS ASSY		D	1	
4	4136 6803 02	WIRE HARNESS ASSY		D	1	
5	4136 6807 01	WIRE HARNESS ASSY		D	1	
6	4136 6809 01	WIRE HARNESS ASSY		D	1	
7	4136 6818 01	WIRE HARNESS ASSY		D	1	

MAINTENANCE LIST

● The items with no Page/Key numbers are not handled as spare parts.

No.	Section	PM Parts Description	Maintenance Cycle (K=1,000)		Parts No.	Destinations	Page/Key	Note
			QTY	Replace				
1	Image Transfer section	Image Transfer Roller	1	50K	4136410302		P4-21	
2	Fusing section	Fusing Unit	1	50K	4136R71100		P2-25	

DESTINATION

Destination No.		Destinations		V	Hz	Model No.
A	A1	JAPAN		100	50/60	
	A2	JAPAN				
B		USA, CANADA		120	60	
C		EUROPEAN TYPE		220-240	50/60	4136-221/ 4136-222
D	D1	S.E ASIA TYPE	THAILAND, SRI LANKA, SINGAPORE, MALAYSIA, HONG KONG, PAKISTAN, INDIA, BANGLADESH, INDONESIA	220-240	50/60	
	D3	OCEANIA TYPE	AUSTRALIA, NEW ZEALAND	220-240	50/60	
E		PHILIPPINES		120	60	
F	F1	SAUDI ARABIA		127	60	
	F2	SAUDI ARABIA		220-240	50/60	
G	G1	C.S AMERICA		220-240	50/60	
	G2	C.S AMERICA		120	60	
H		TAIWAN		110	60	
I		JORDAN, LEBANON, SYRIA, SOUTH AFRICA, IRAQ, IRAN, N.YEMEN, CAMEROON, UAE, BAHRAIN, OMAN, QATAR, KUWAIT, KENYA, TUNISIA, IVORY COAST, MOROCCO		220-240	50/60	
J		CHINA		220-240	50/60	
K		KOREA		220-240	50/60	