

KONICA MINOLTA

# *PARTS GUIDE MANUAL*

---

*OCTOBER 2007*

# *pagepro 5650EN*

## INFORMATION FOR PARTS GUIDE MANUAL

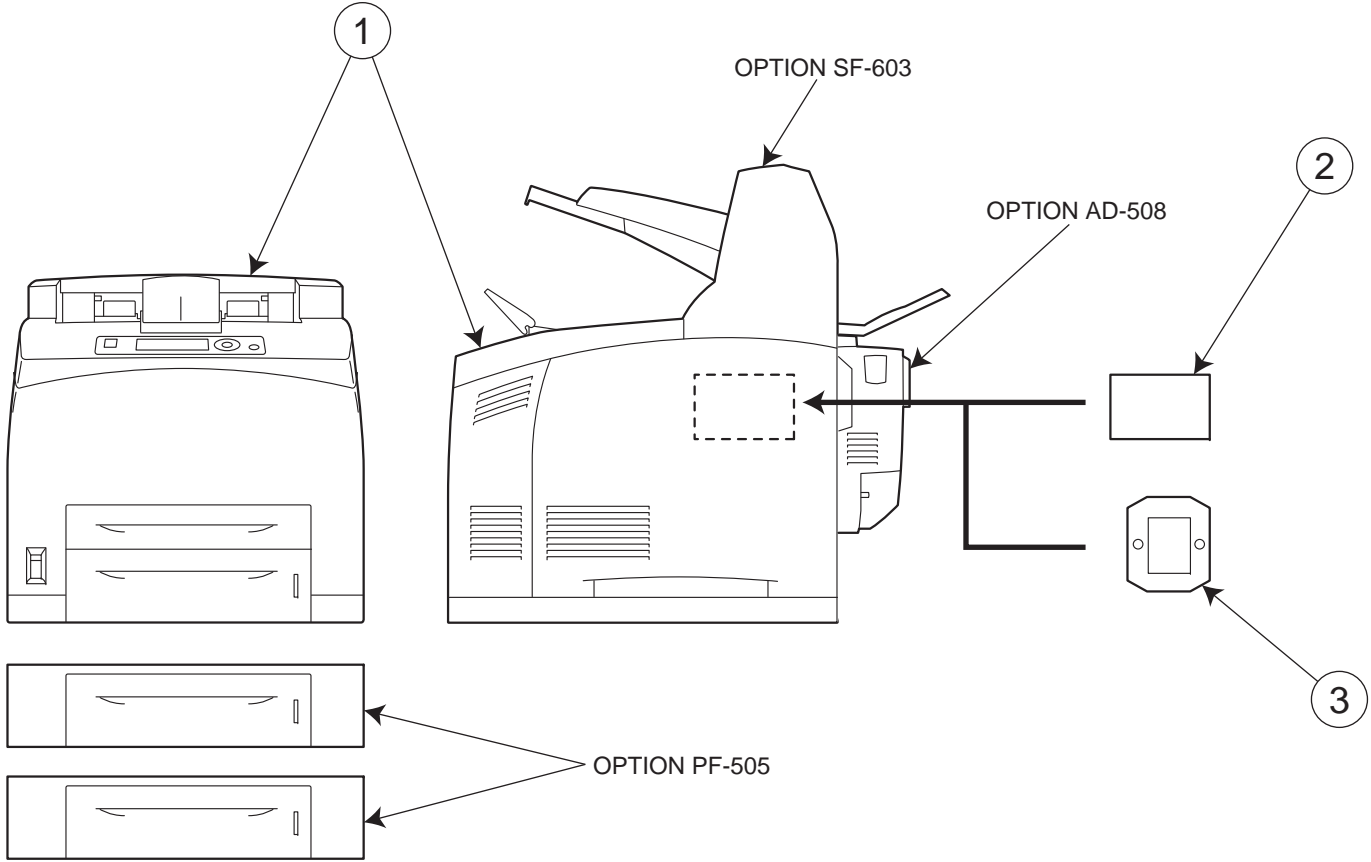
To find correct Parts No., refer to the "HOW TO MAKE THE BEST USE OF THIS MANUAL" in the following page.

### HOW TO MAKE THE BEST USE OF THIS MANUAL

- 1 When you order, please check the proper figures beforehand that are on Our Parts Guide Manual, and order with the appropriate figures.
- 2 For screws, Nuts, Washers, retaining rings and Pins which are used in this model, one letter is shown on the Standard parts column of Parts list and exploded diagrams.
- 3 In order to maintain safety of the product, some specific parts composed of this product are set up as "essential safety parts".
- 4 The assigned parts number for the "essential safety parts" is indicated as "SP00-\*\*\*\*".  
When replacing these parts, follow precautions for disassembling and installing which are listed in the Service Manual.  
Do not use any parts that are not set up as
- 5 ♣ means that there are exclusive parts for each destination.  
Please check the appropriate destination when you order.
- 6 Revision Mark  
Marked as ▲ on the illustration shows that the revision has been made.
- 7 All rights reserved. (any reprints or quotations are prohibited.)  
Use of this parts guide manual should be strictly supervised to avoid disclosure of confidential information.

10/23/2007

# SYSTEM OUTLINE



Parts Guide Manual "pagepro 4650EN" includes PF-505, AD-508 and SF-603.

**NOTE: Parts not listed with a part number are not available as spare part.**

# GENERAL CONTENTS

No.	Description	Model
1	PRINTER B/W	pagepro 5650EN
2	OTHER OPTION	HD-512
3	OTHER OPTION	MK-717

**NOTE: Parts not listed with a part number are not available as spare part.**

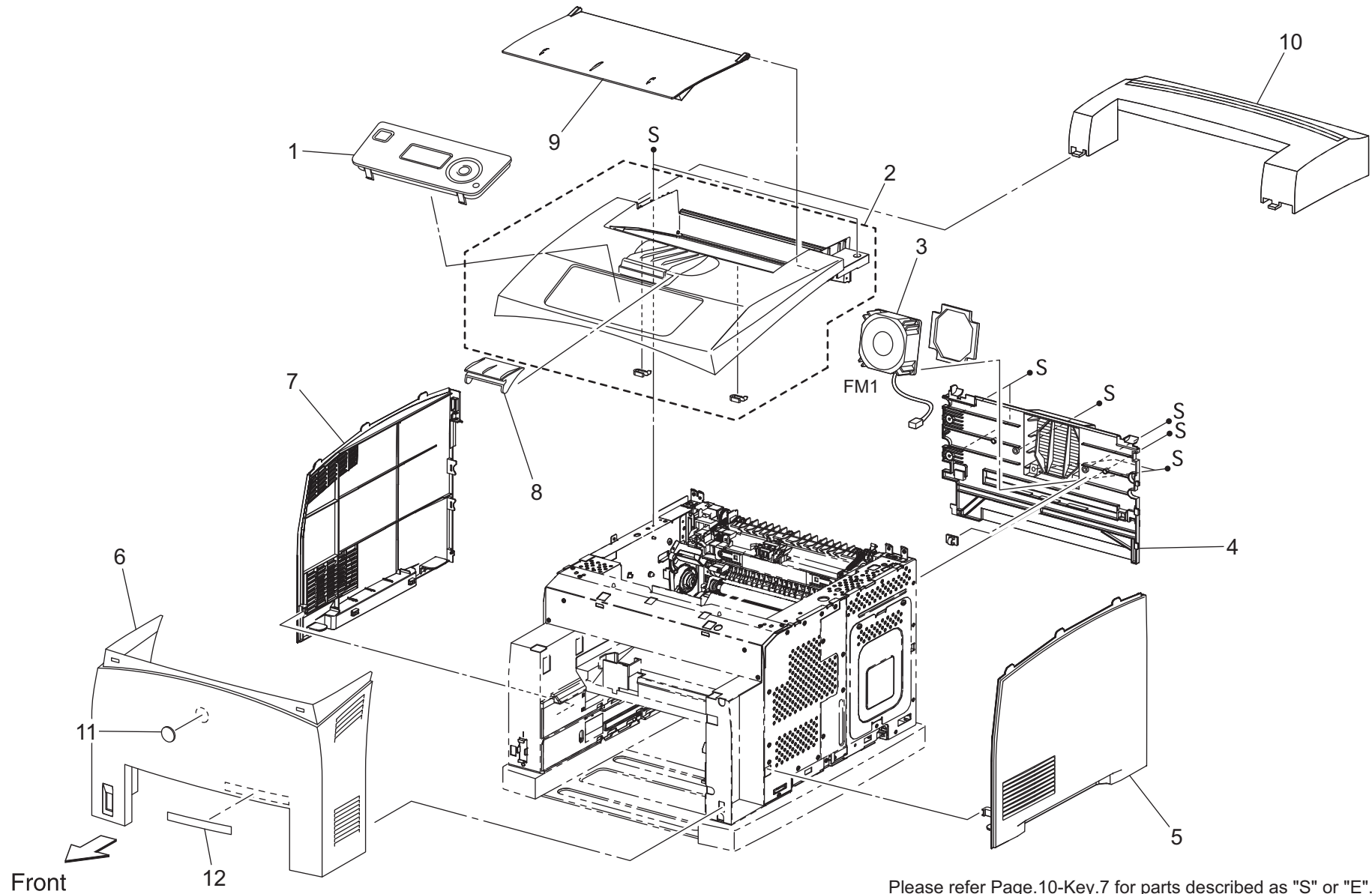
# CONTENTS

No.	DESCRIPTION	PAGE No.
1	EXTERNAL PARTS	P1
2	150 PAPER CASSETTE	P2
3	550 PAPER CASSETTE	P3
4	PAPER FEED SECTION	P4 P5
5	P/H FUSING SECTION	P6
6	PAPER EXIT SECTION	P7 P8
7	DRIVE SECTION	P9
8	ELECTRICAL COMPONENTS	P10
9	PF-505	P11 P12 P13
10	AD-508	P14
11	SF-603	P15

**NOTE: Parts not listed with a part number are not available as spare part.**

# EXTERNAL PARTS

P 1



Please refer Page.10-Key.7 for parts described as "S" or "E".

pagepro 5650EN

# EXTERNAL PARTS

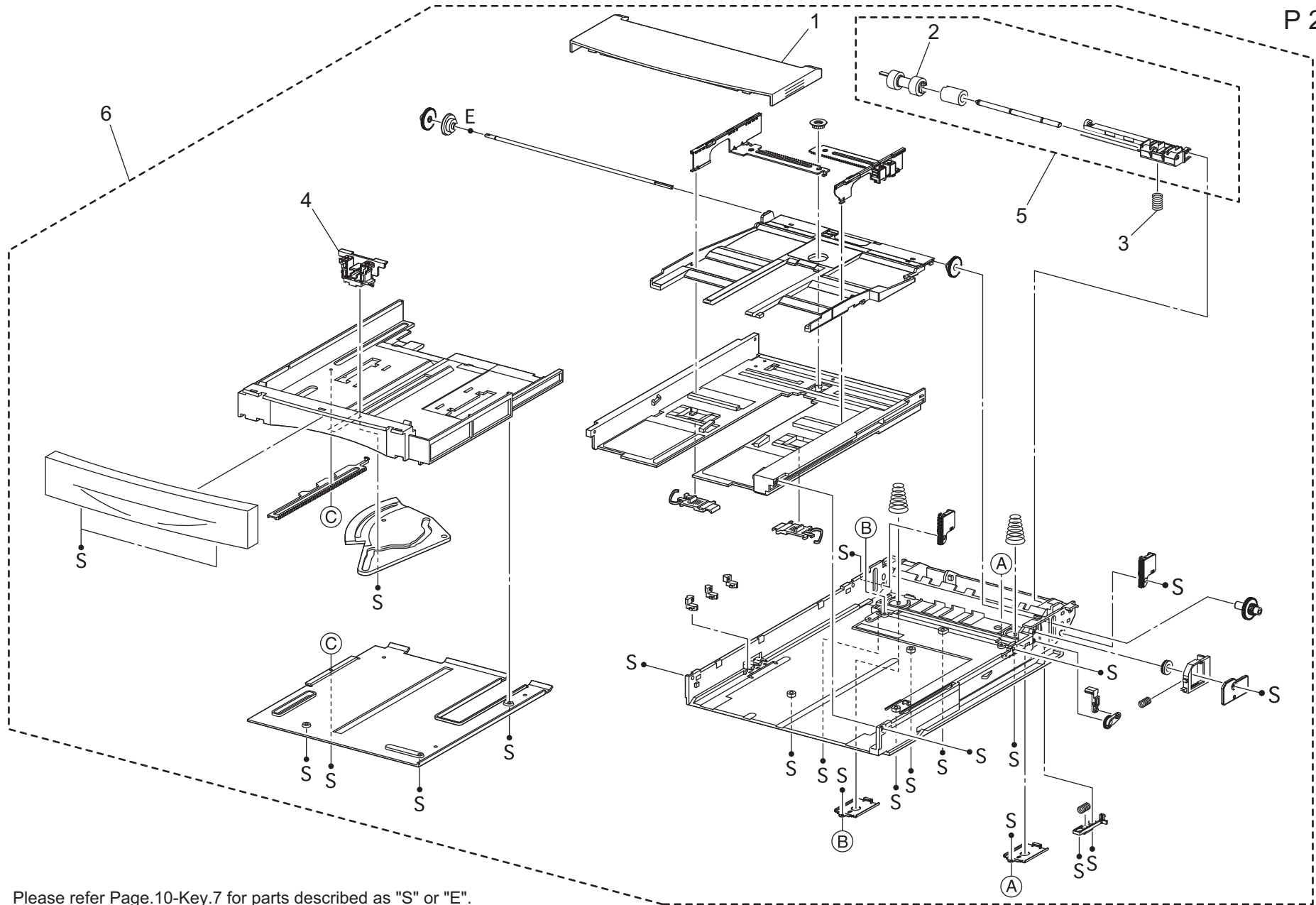
Key	Part No.	Description	Destinations	Class	QTY	Standard parts
1	A0DX M71A 01	OPERATION PANEL 34PPM		I	1	
2	A0DX PP2X 01	KIT TOP COVER		C	1	
9	A0DX PP21 00	COVER OPEN		C	1	

**NOTE: Parts not listed with a part number are not available as spare part.**



# 150 PAPER CASSETTE

P 2



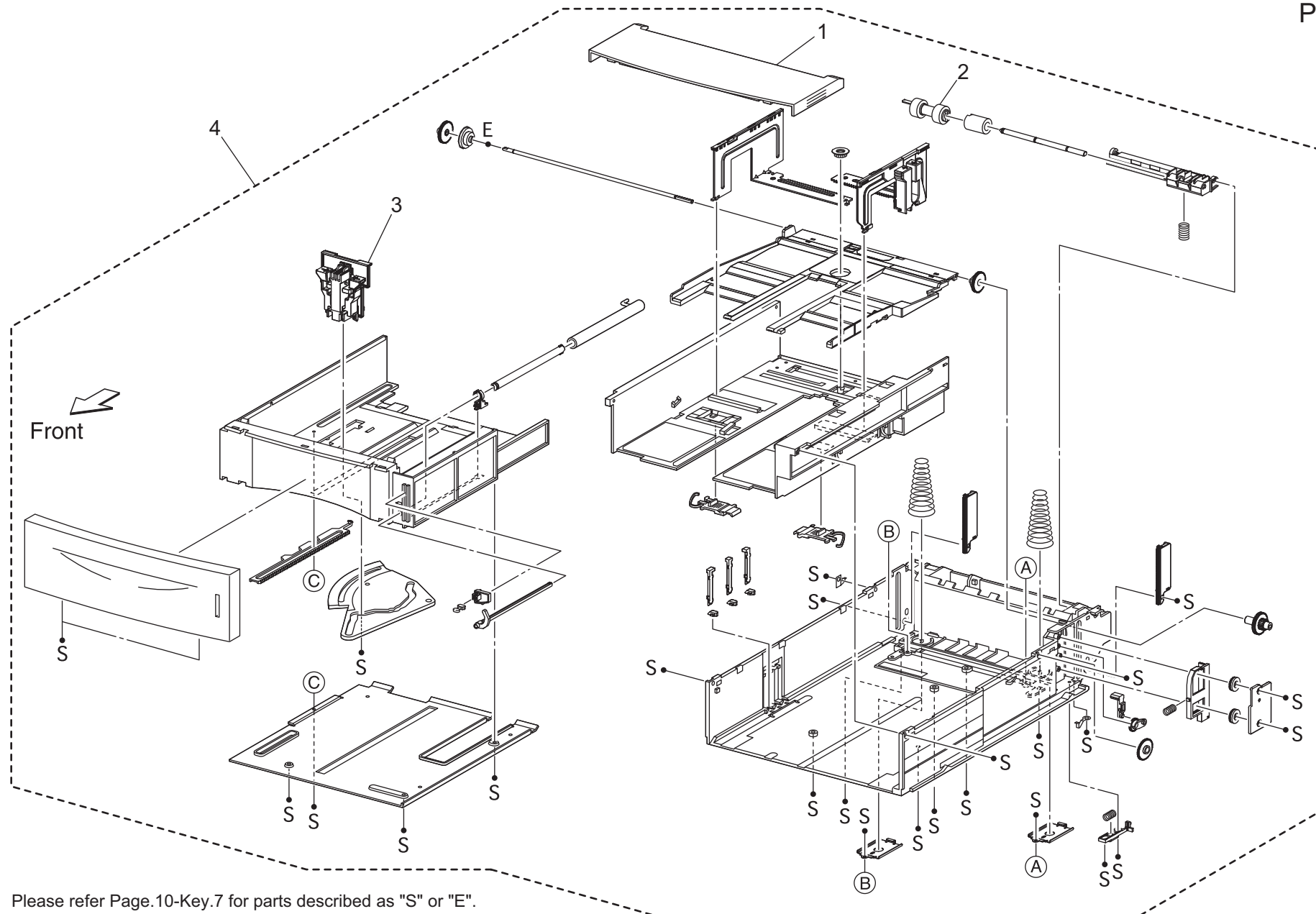
Please refer Page.10-Key.7 for parts described as "S" or "E".

pagepro 5650EN





# 550 PAPER CASSETTE



Please refer Page.10-Key.7 for parts described as "S" or "E".

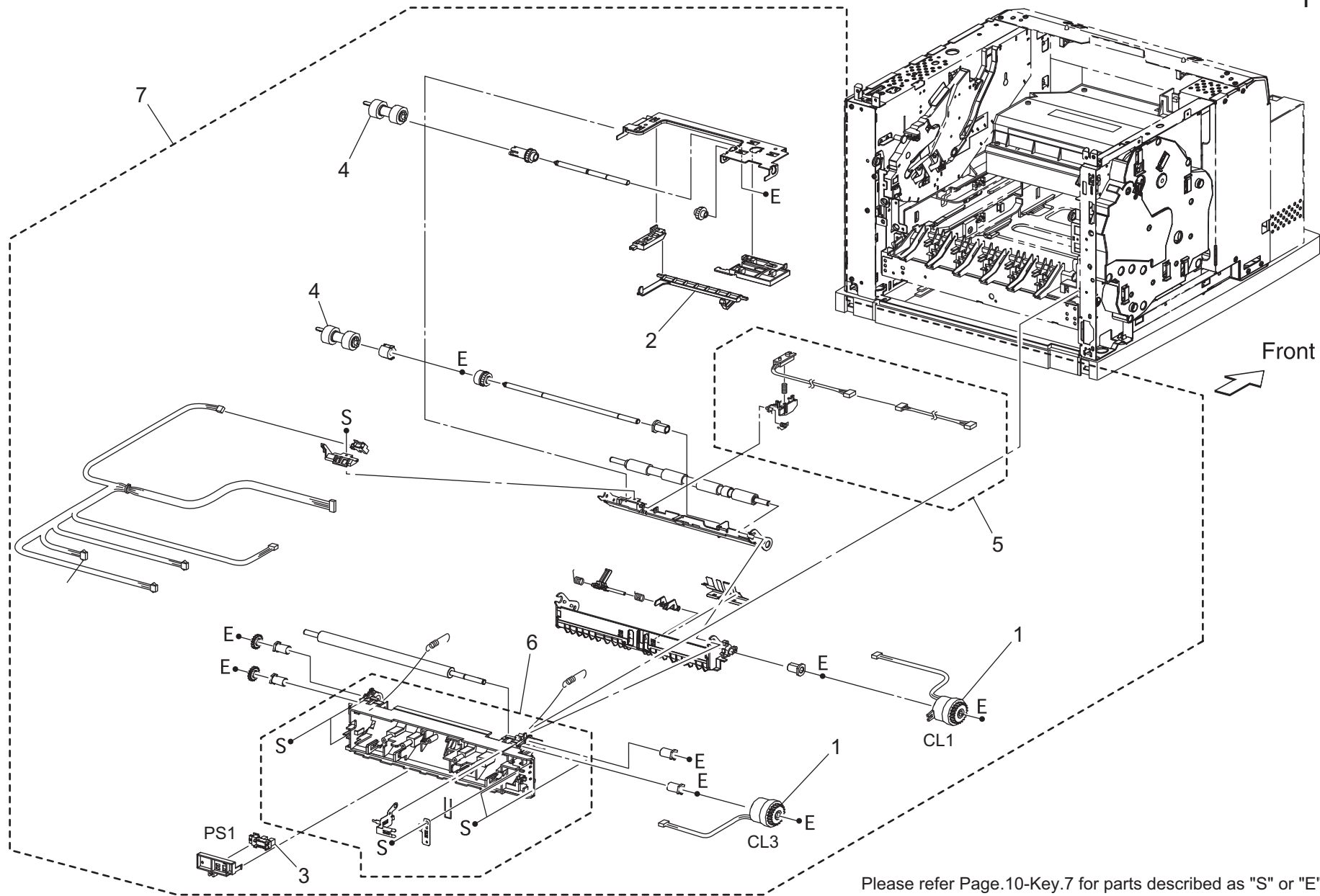
# 550 PAPER CASSETTE

Key	Part No.	Description	Destinations	Class	QTY	Standard parts
1	A0DX PP20 00	COVER CST		C	1	
2	A0DX PP1R 00	ROLL ASSY RETARD		C	1	
4	A0DX PP0D 00	550 PAPER CASSETTE		C	1	

**NOTE: Parts not listed with a part number are not available as spare part.**

# PAPER FEED SECTION

P 4



Please refer Page.10-Key.7 for parts described as "S" or "E".

pagepro 5650EN

# PAPER FEED SECTION

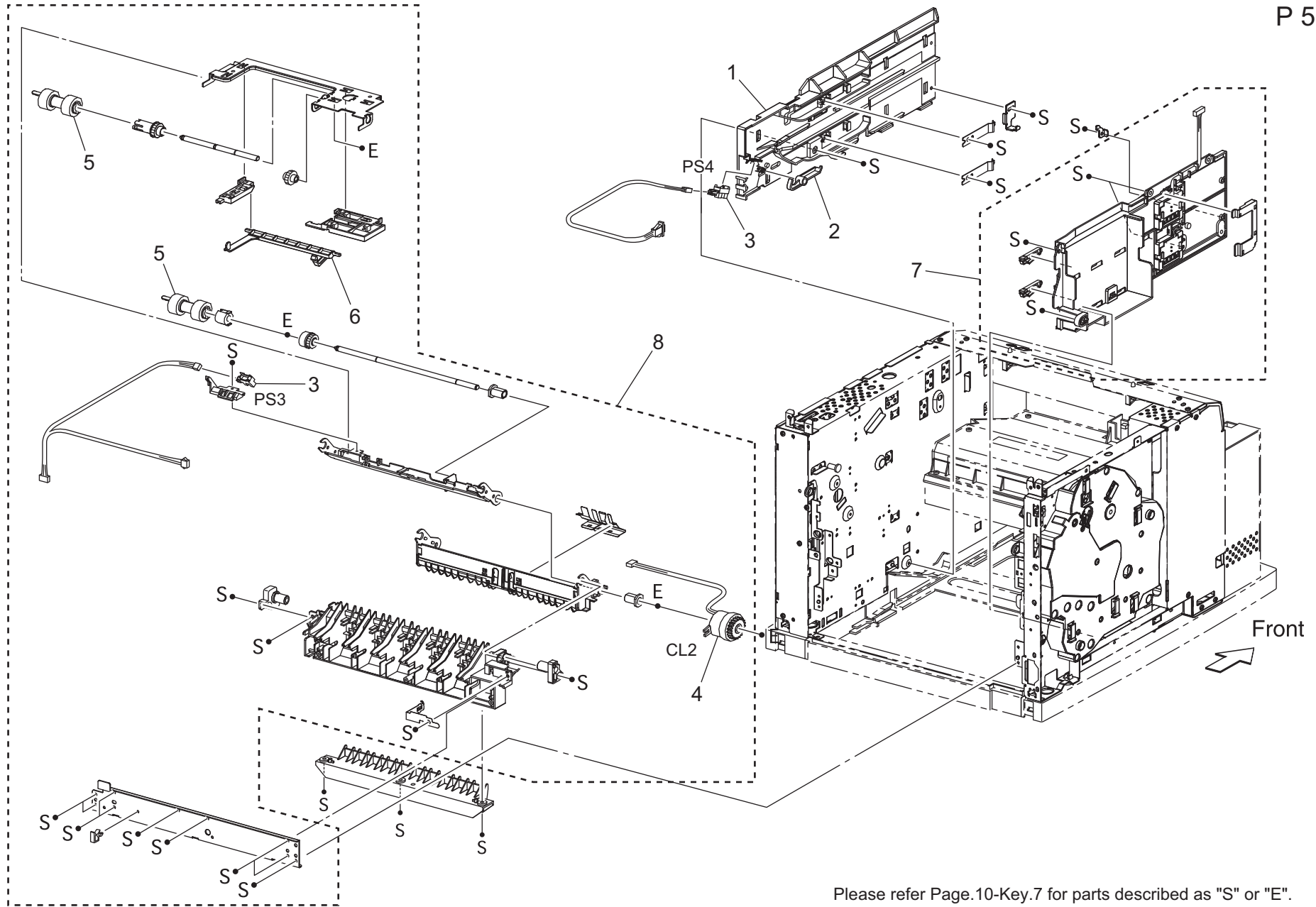
Key	Part No.	Description	Destinations	Class	QTY	Standard parts
1	A0DX PP11 00	CLUTCH ASSY PH		C	2	
3	A0DX PP2H 00	SENSOR OCT		I	1	
4	A0DX PP1R 00	ROLL ASSY RETARD		C	2	
7	A0DX PP1V 00	150-45 FEEDER ASSY		C	1	

**NOTE: Parts not listed with a part number are not available as spare part.**



# PAPER FEED SECTION

P 5



Please refer Page.10-Key.7 for parts described as "S" or "E".

pagepro 5650EN

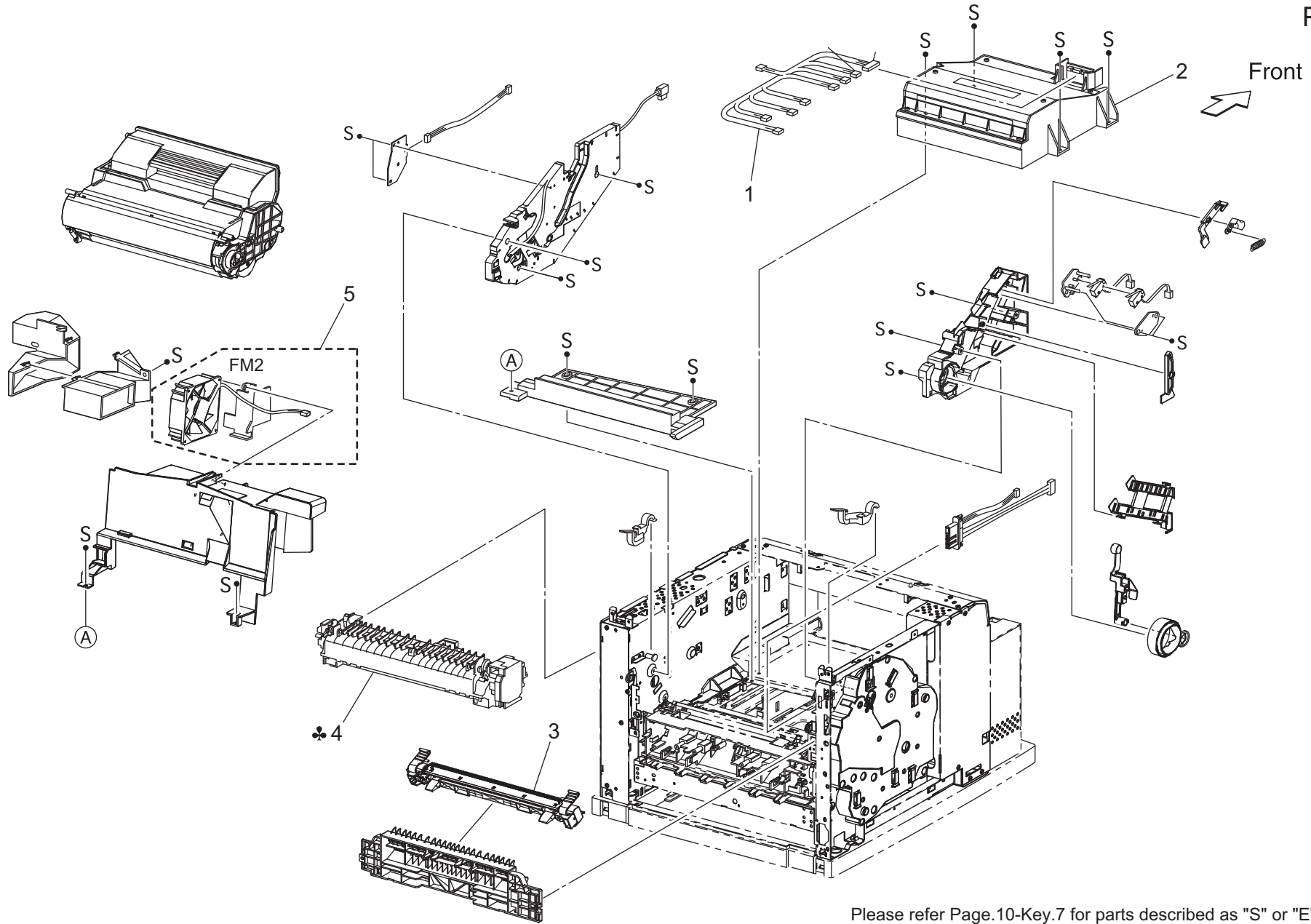
PAPER FEED SECTION

Key	Part No.	Description	Destinations	Class	QTY	Standard parts
3	A0DX PP2H 00	SENSOR OCT		I	2	
4	A0DX PP11 00	CLUTCH ASSY PH		C	1	
5	A0DX PP1R 00	ROLL ASSY RETARD		C	2	
8	A0DX PP04 00	FEEDER2 ASSY 250		C	1	

**NOTE: Parts not listed with a part number are not available as spare part.**

# P/H FUSING SECTION

P 6



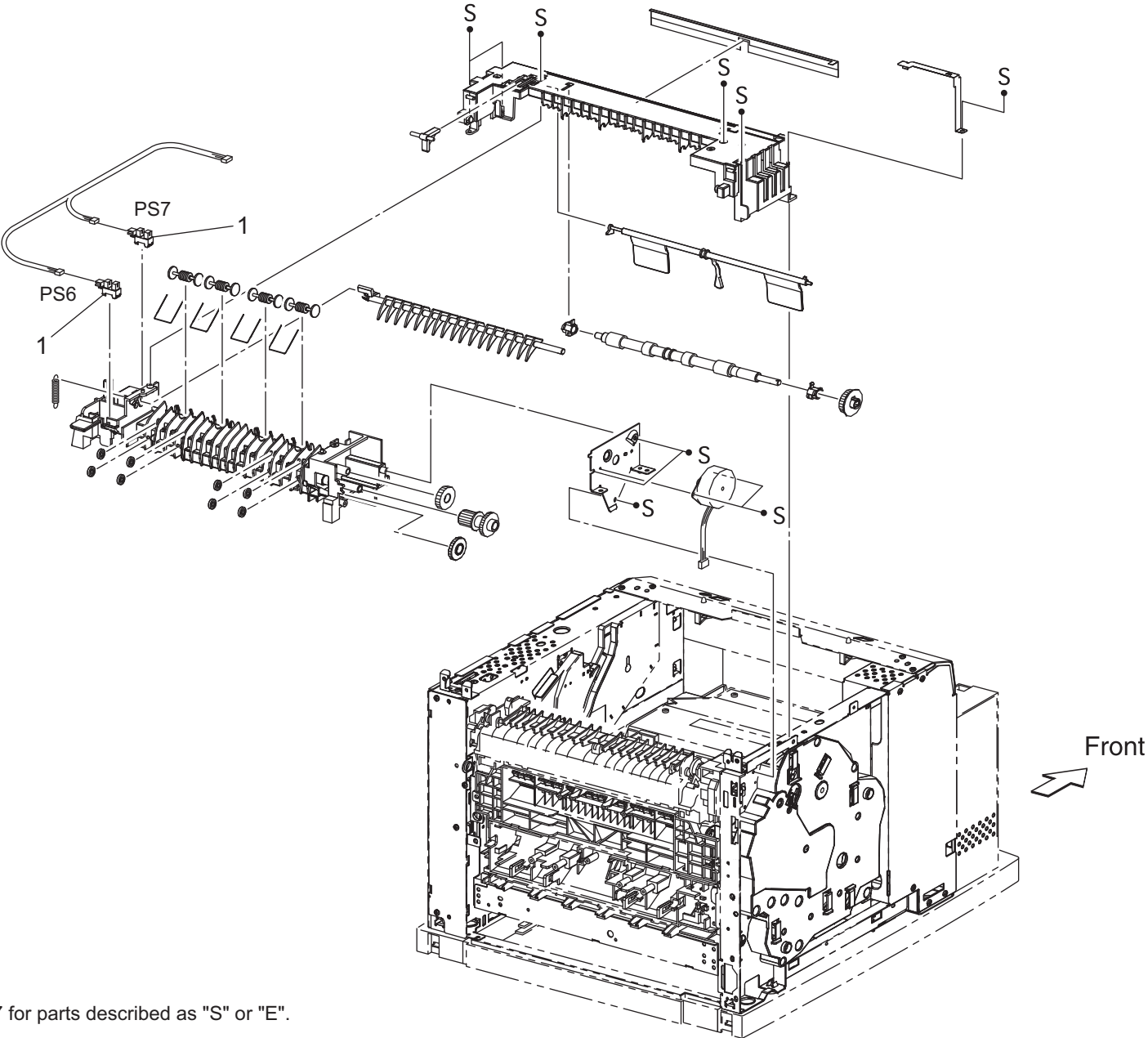
Please refer Page.10-Key.7 for parts described as "S" or "E".

pagepro 5650EN





# PAPER EXIT SECTION



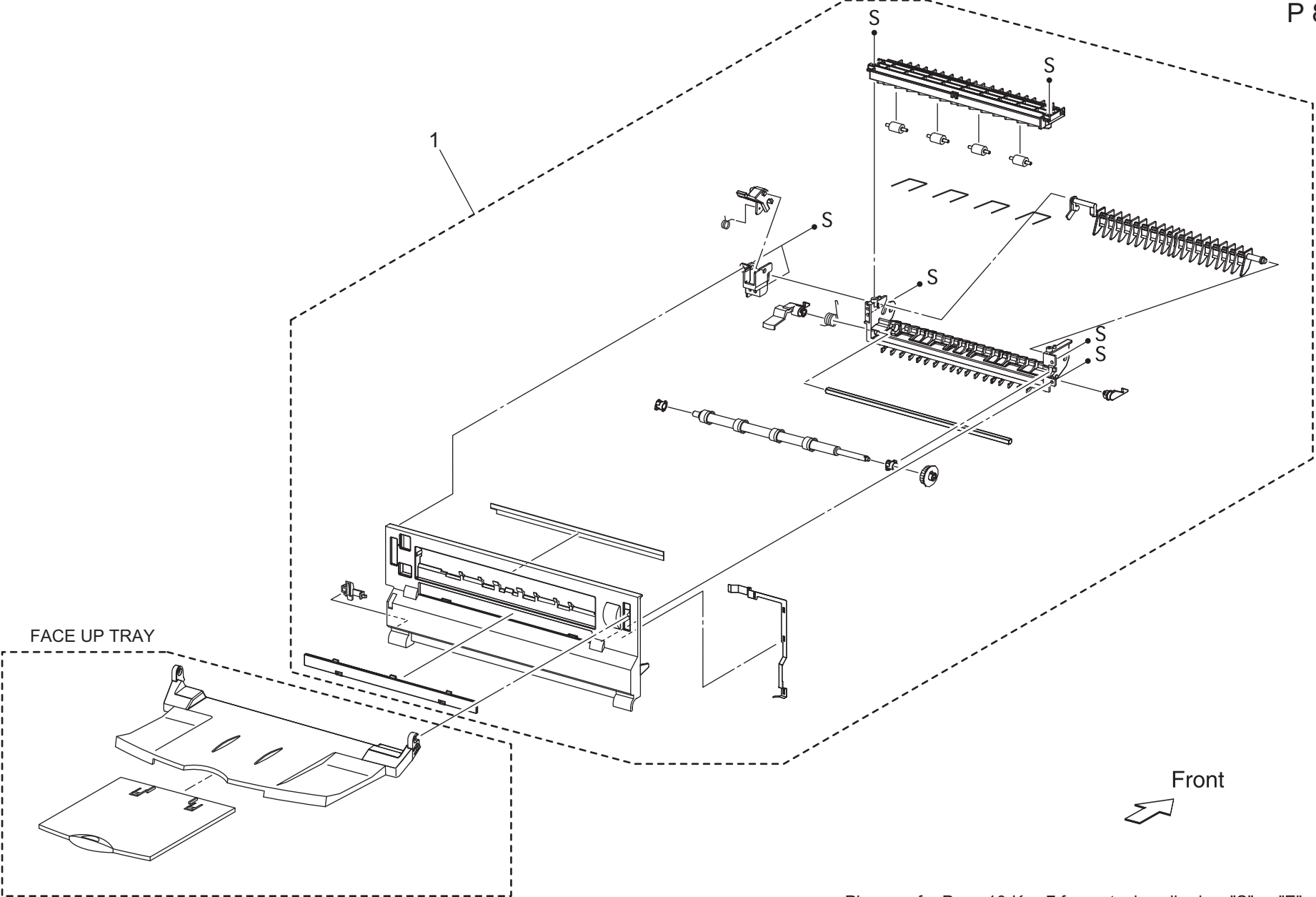
Please refer Page.10-Key.7 for parts described as "S" or "E".

Key	Part No.	Description	Destinations	Class	QTY	Standard parts
1	A0DX PP2H 00	SENSOR OCT PS7		I	2	

**NOTE: Parts not listed with a part number are not available as spare part.**

pagepro 5650EN

# PAPER EXIT SECTION



Please refer Page.10-Key.7 for parts described as "S" or "E".

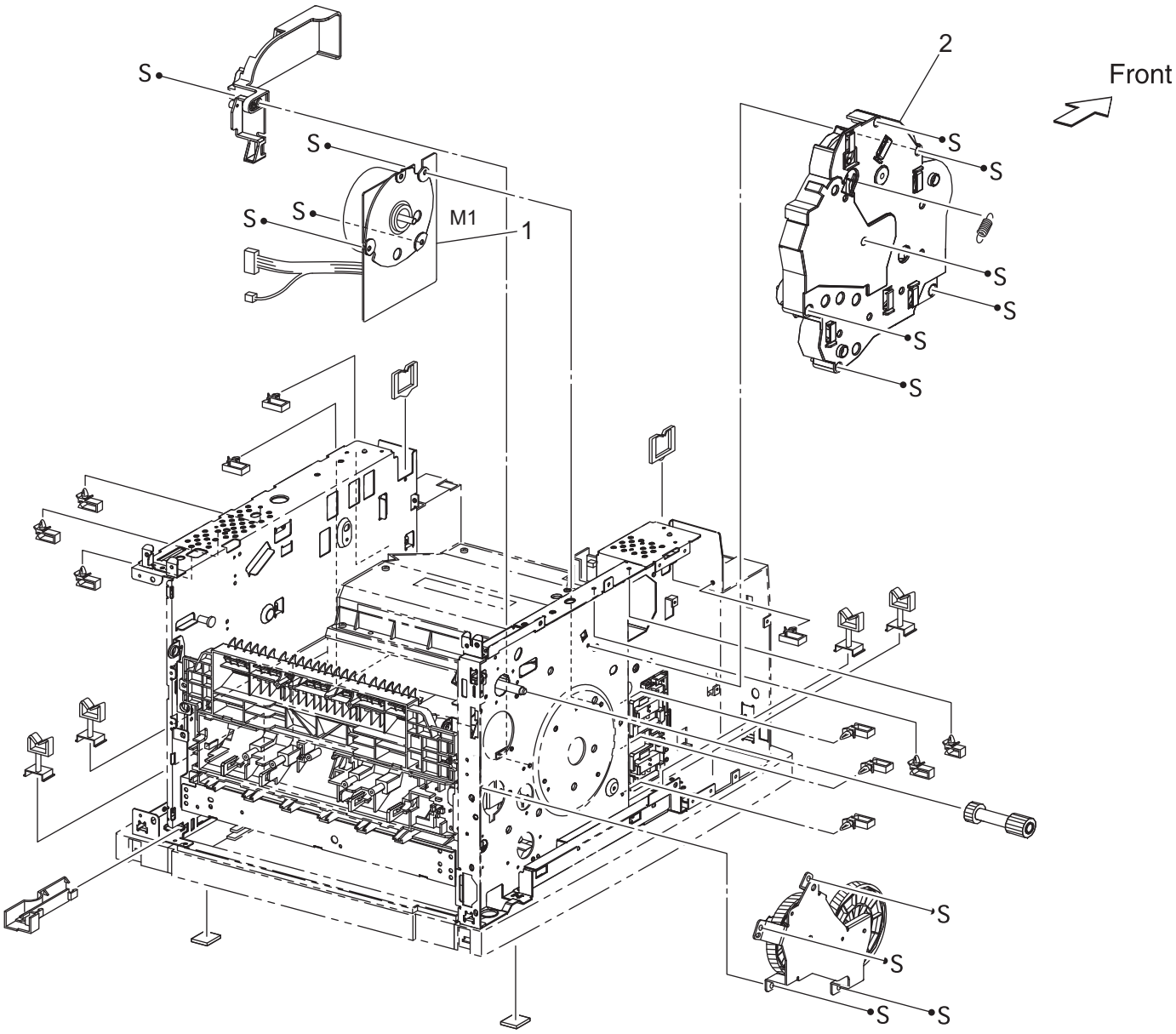
pagepro 5650EN

PAPER EXIT SECTION

Key	Part No.	Description	Destinations	Class	QTY	Standard parts

**NOTE: Parts not listed with a part number are not available as spare part.**

DRIVE SECTION



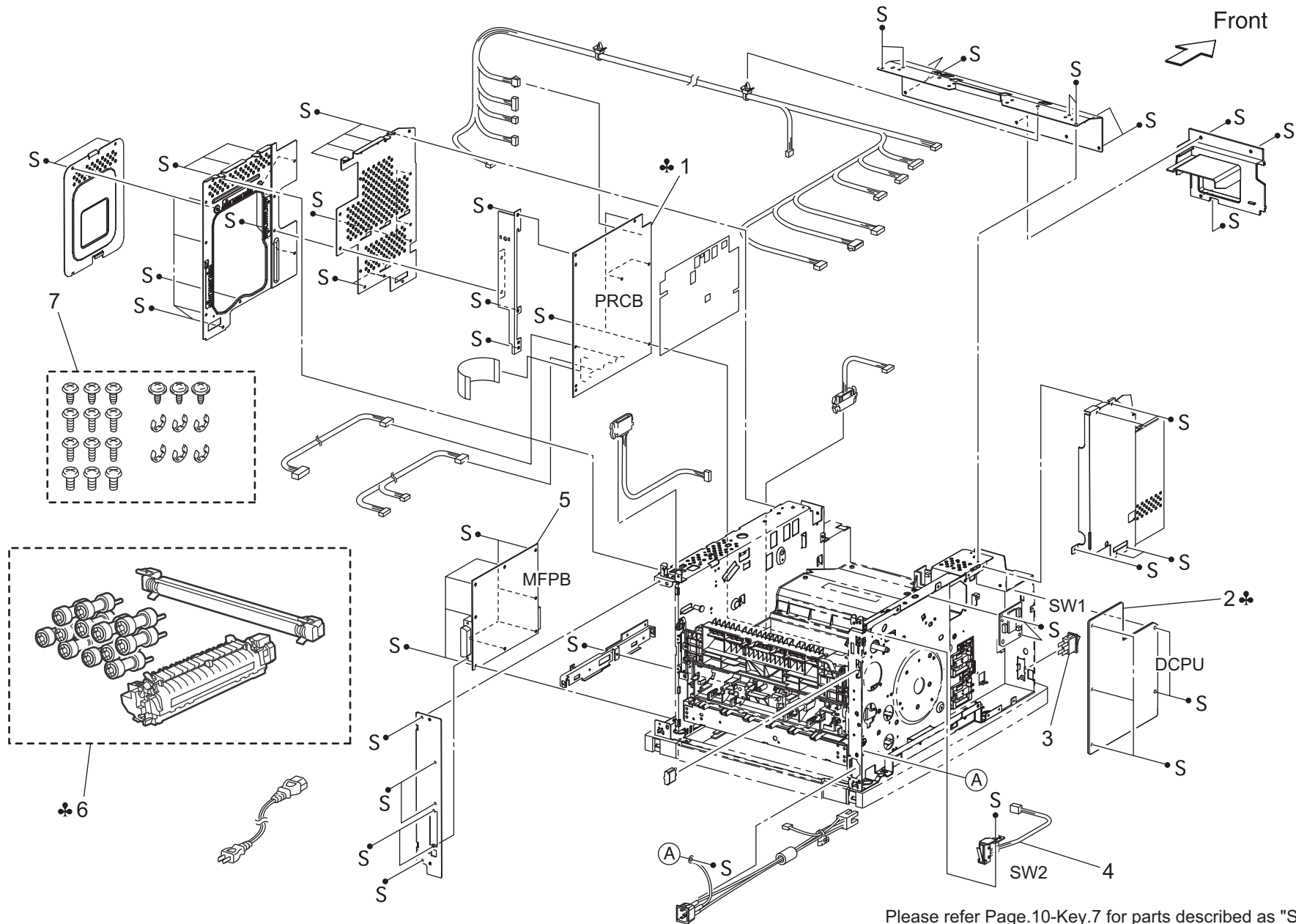
Please refer Page.10-Key.7 for parts described as "S" or "E".

# DRIVE SECTION

Key	Part No.	Description	Destinations	Class	QTY	Standard parts
1	A0DX PP1D 00	MAIN MOTOR		C	1	
2	A0DX PP1Y 00	GEAR ASSY HOUSING		C	1	

**NOTE: Parts not listed with a part number are not available as spare part.**

# ELECTRICAL COMPONENTS



Please refer Page.10-Key.7 for parts described as "S" or "E".

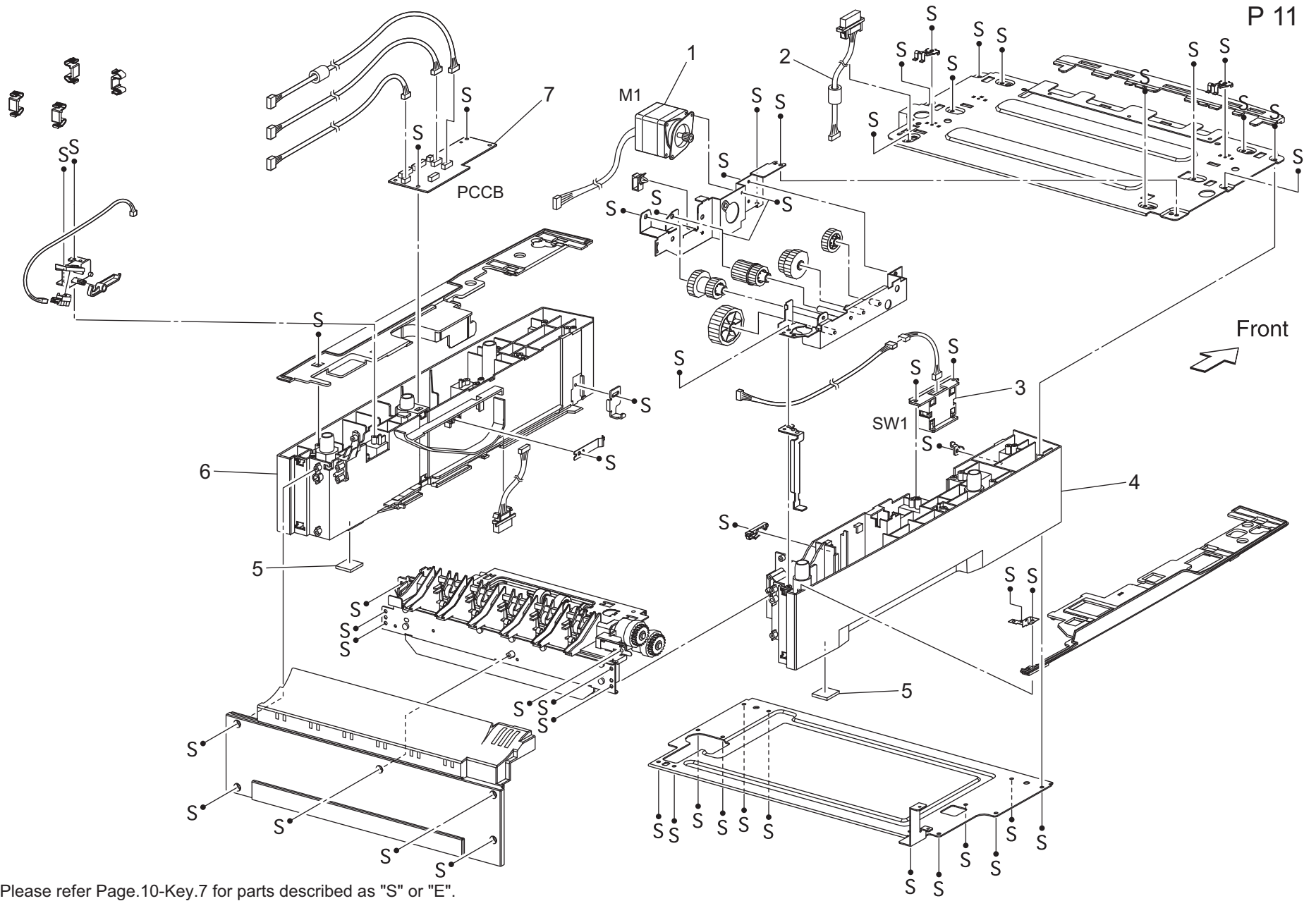


# ELECTRICAL COMPONENTS

Key	Part No.	Description	Destinations	Class	QTY	Standard parts
1	A0DX PP39 01	PWB ESS 45PPM	C,D,D1,D3,K	I	1	
2	A0DX PP0R 00	LVPS 220V	C,D,D1,D3,K	I	1	
5	A0DX M711 05	Controller PWB assembly		I	1	
6	A0FM 0Y2	Maintenance Kit 220V	C,D,D1,D3,K	B	1	

**NOTE: Parts not listed with a part number are not available as spare part.**

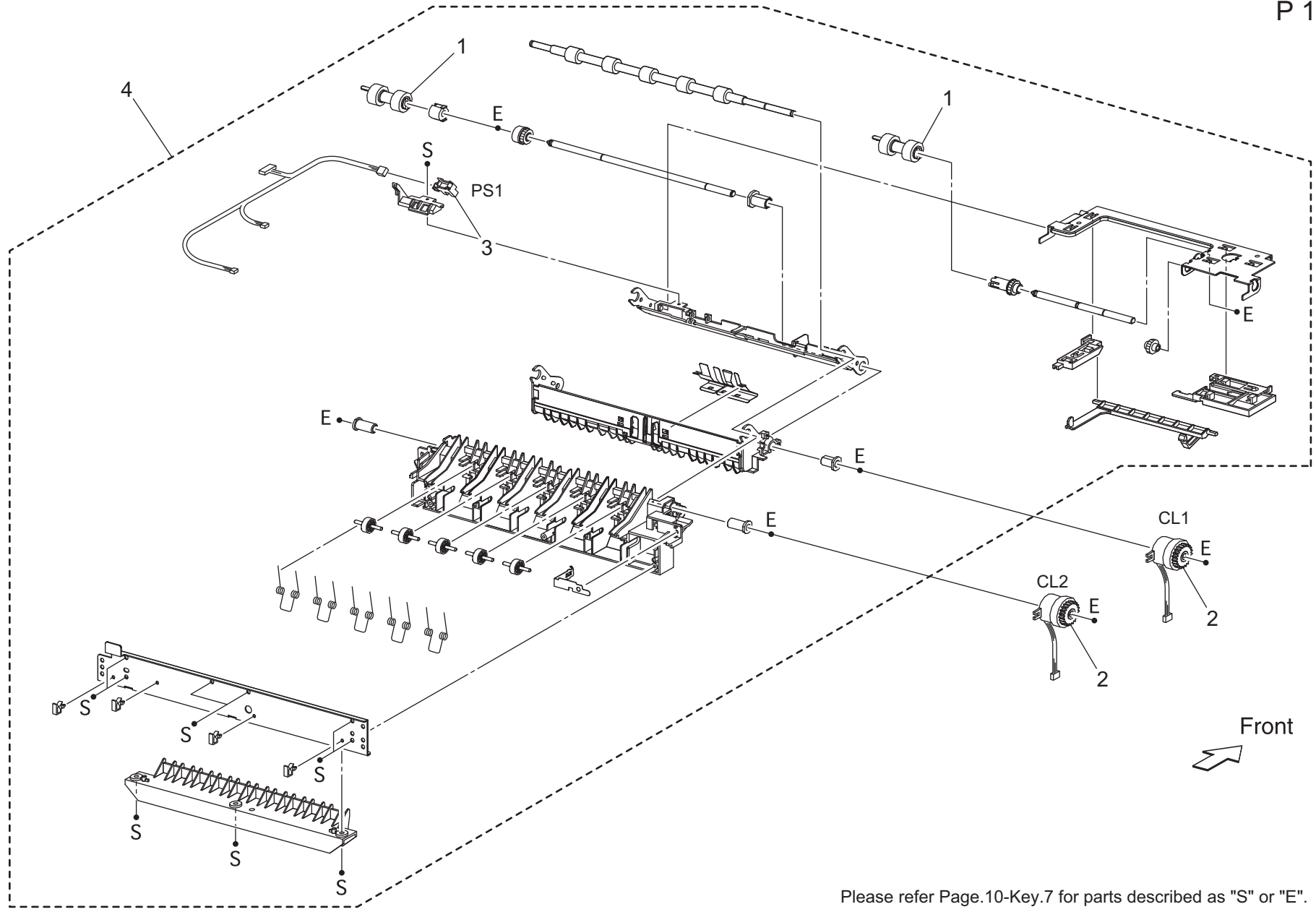
pagepro 5650EN



Please refer Page.10-Key.7 for parts described as "S" or "E".

Key	Part No.	Description	Destinations	Class	QTY	Standard parts

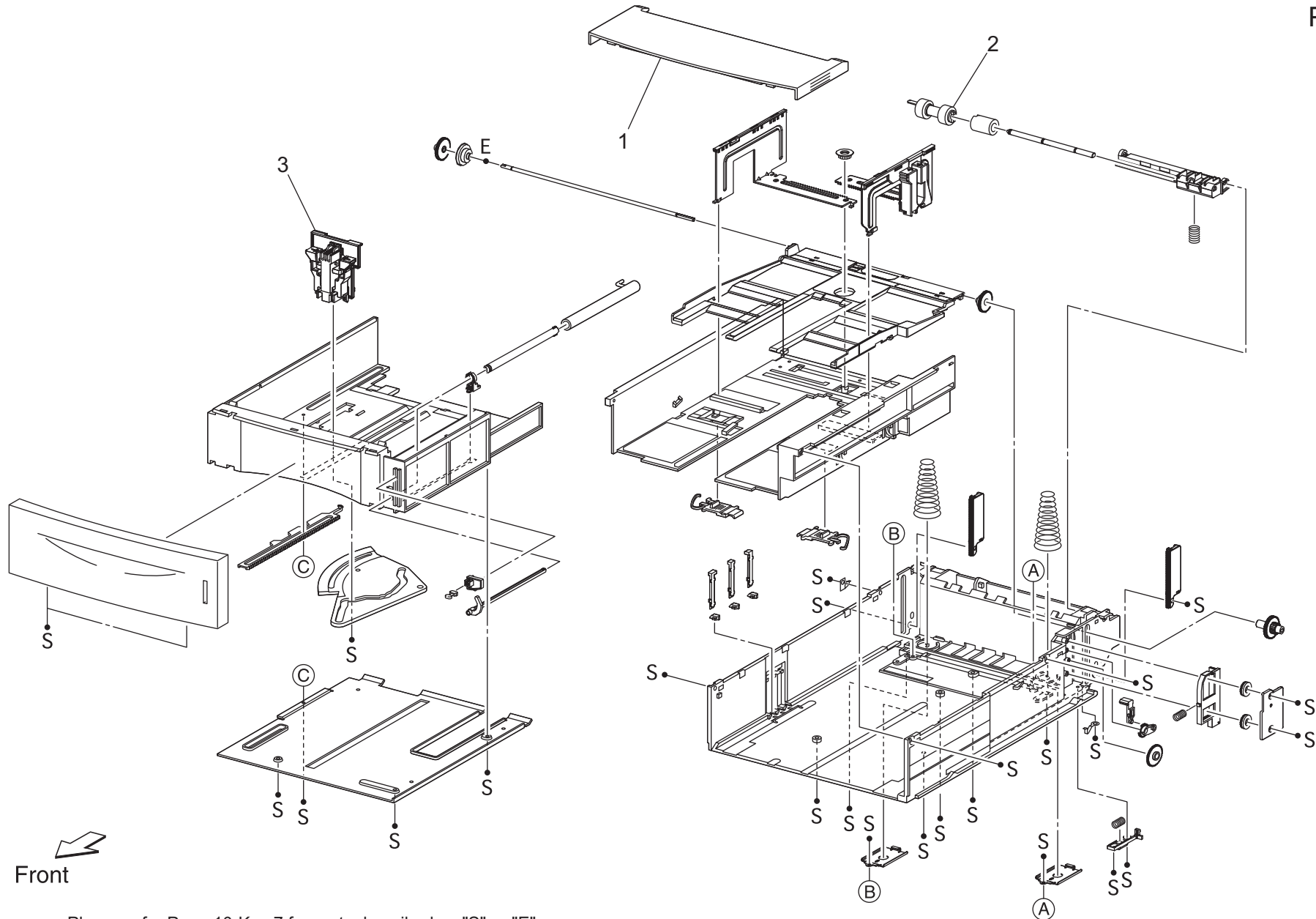
*NOTE: Parts not listed with a part number are not available as spare part.*



Please refer Page.10-Key.7 for parts described as "S" or "E".

Key	Part No.	Description	Destinations	Class	QTY	Standard parts
1	A0DX PP1R 00	ROLL ASSY RETARD		C	2	
2	A0DX PP11 00	CLUTCH ASSY PH		C	2	
3	A0DX PP2H 00	SENSOR OCT		I	1	

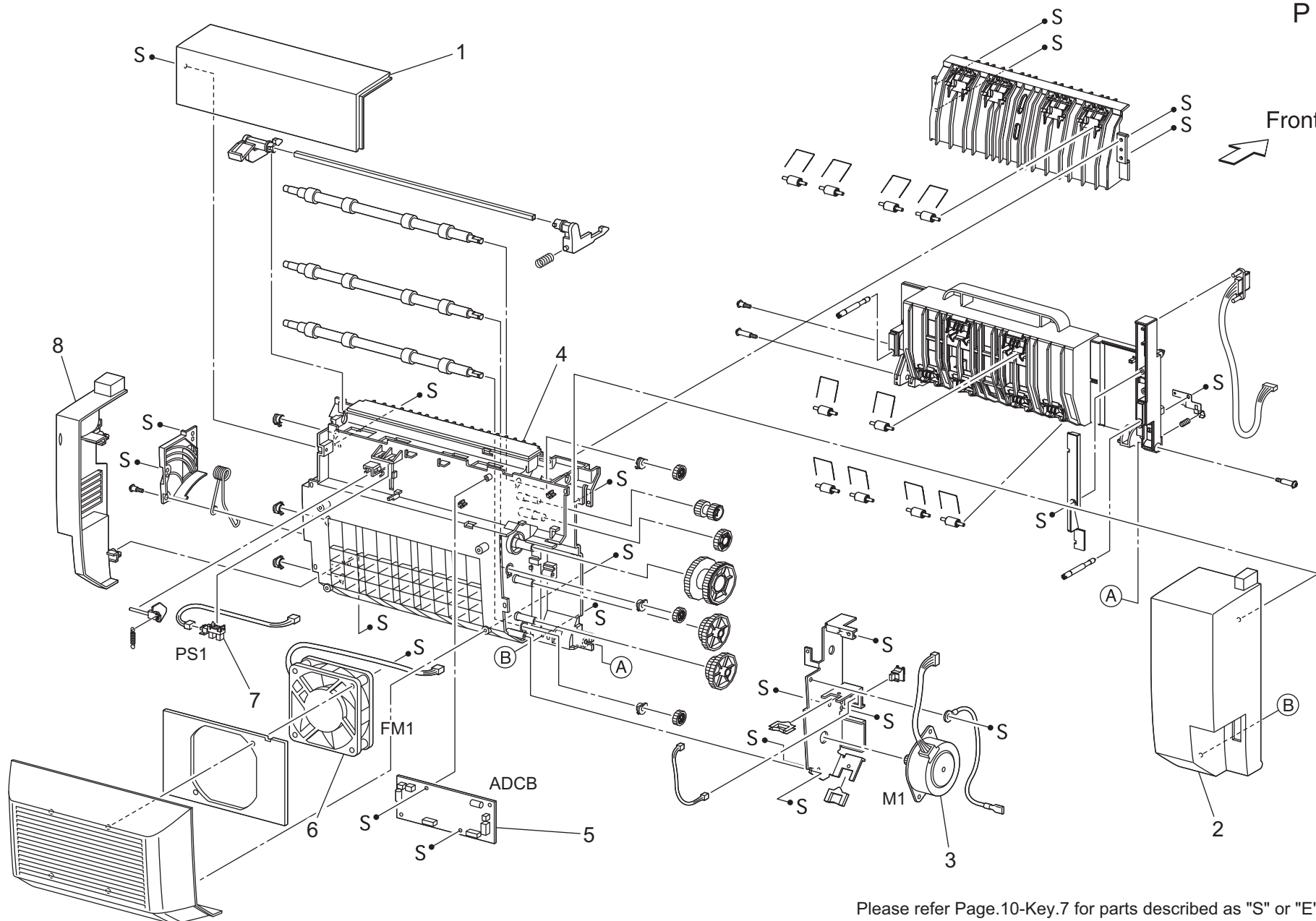
**NOTE: Parts not listed with a part number are not available as spare part.**



Please refer Page.10-Key.7 for parts described as "S" or "E".

Key	Part No.	Description	Destinations	Class	QTY	Standard parts
1	A0DX PP20 00	COVER CST		C	1	
2	A0DX PP1R 00	ROLL ASSY RETARD		C	1	

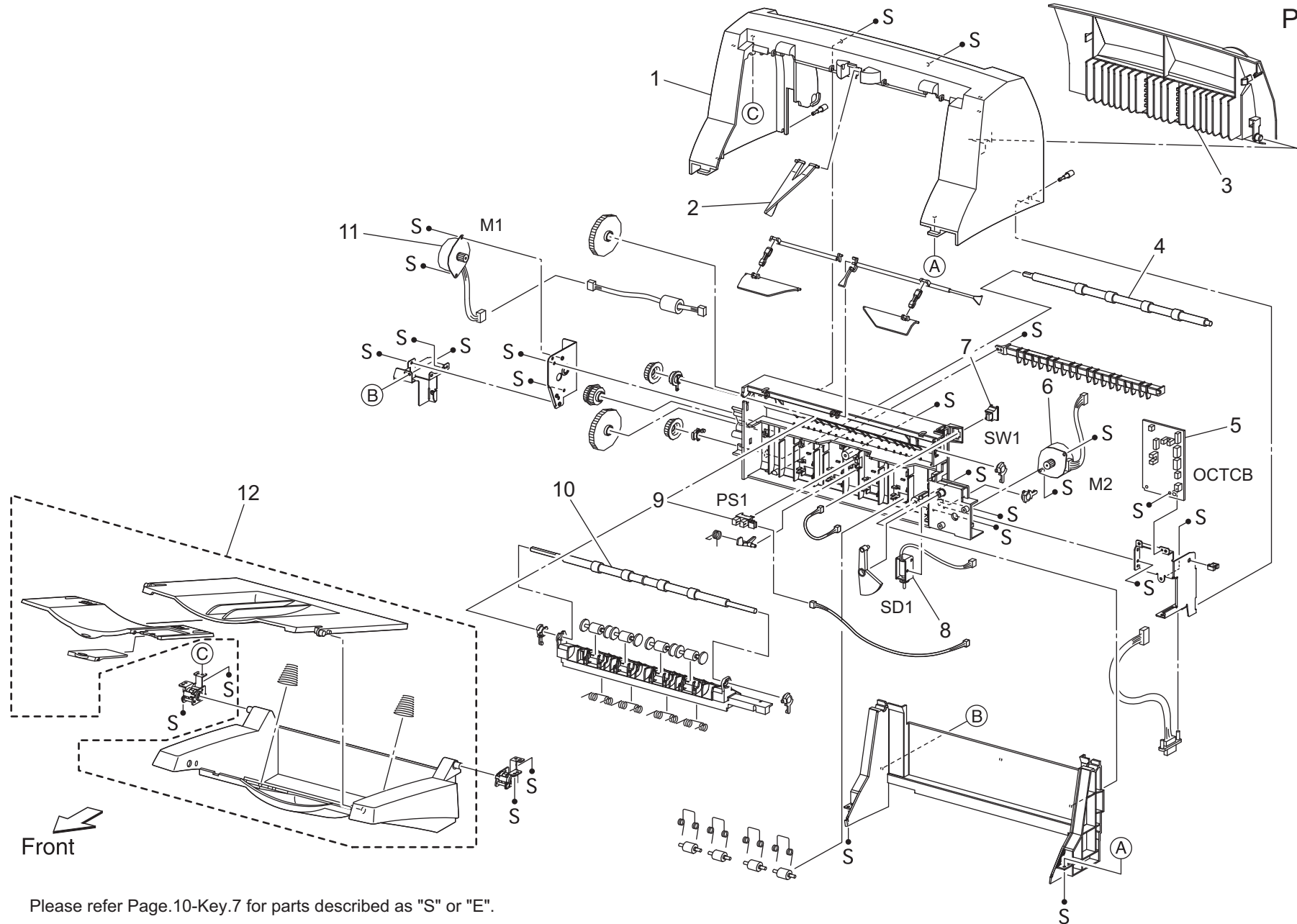
**NOTE: Parts not listed with a part number are not available as spare part.**



Please refer Page.10-Key.7 for parts described as "S" or "E".







Please refer Page.10-Key.7 for parts described as "S" or "E".

Key	Part No.	Description	Destinations	Class	QTY	Standard parts
2	A0DX PP08 00	WEIGHT		D	1	
9	A0DX PP2H 00	SENSOR OCT		I	1	
12	A0DX PP0B 01	TRAY ASST OCT		C	1	

**NOTE: Parts not listed with a part number are not available as spare part.**

# MAINTENANCE LIST

● The items with no Page/Key numbers are not handled as spare parts.

No.	Section	PM Parts Description	Maintenance Cycle (K=1,000)		Parts No.	Destinations	Page/Key	Note
			QTY	Replace				
1		Maintenance Kit 220V *3	1	200K *1	A0FM0Y2	for 5650EN, 220 V	P10-6	*2

\*1: Continuous printing, B/W ratio: 5 %

\*2: For details about maintenance procedure of lower feeder unit, see the optional lower feeder unit service manual.

\*3: The Maintenance kit includes Rollers(for feed roller, pick-up roller and separation roller),Transfer roller and Fuser unit.

**NOTE: Parts not listed with a part number are not available as spare part.**

## DESTINATION

Destination No.		Destinations		V	Hz	Model No.
A	A1	JAPAN		100	50/60	
	A2	JAPAN		200	50/60	
B		USA, CANADA		120	60	A0DX-012
C		EUROPEAN TYPE		220-240	50/60	A0DX-022
D	D1	S.E ASIA TYPE	THAILAND, SRI LANKA, SINGAPORE, MALAYSIA, HONG KONG, PAKISTAN, INDIA, BANGLADESH, INDONESIA	220-240	50/60	A0DX-042
	D3	OCEANIA TYPE	AUSTRALIA, NEW ZEALAND	220-240	50/60	A0DX-042
E		PHILIPPINES		220-240	50/60	
F	F1	SAUDI ARABIA		127	60	
	F2	SAUDI ARABIA		220-240	50/60	
G	G1	C.S AMERICA		220-240	50/60	
	G2	C.S AMERICA		120	60	
H		TAIWAN		110	60	A0DX-012
I		JORDAN, LEBANON, SYRIA, SOUTH AFRICA, IRAQ, IRAN, N.YEMEN, CAMEROON, UAE, BAHRAIN, OMAN, QATAR, KUWAIT, KENYA, TUNISIA, IVORY COAST, MOROCCO		220-240	50/60	
J		CHINA		220-240	50/60	
K		KOREA		220-240	50/60	A0DX-042

**NOTE: Parts not listed with a part number are not available as spare part.**

pagepro 5650EN