

KONICA MINOLTA

PARTS GUIDE MANUAL

OCTOBER 2022

AccurioPress 6136
A9JT

INFORMATION FOR PARTS GUIDE MANUAL

To find correct Parts No., refer to the "HOW TO MAKE THE BEST USE OF THIS MANUAL" in the following page.

HOW TO MAKE THE BEST USE OF THIS MANUAL

- 1 When you order, please check the proper figures beforehand that are on Our Parts Guide Manual, and order with the appropriate figures.
- 2 For screws, Nuts, Washers, retaining rings and Pins which are used in this model, one letter is shown on the Standard parts column of Parts list and exploded diagrams.
- 3 In order to maintain safety of the product, some specific parts composed of this product are set up as "essential safety parts".
- 4 The assigned parts number for the "essential safety parts" is indicated as "SP00-****".
When replacing these parts, follow precautions for disassembling and installing which are listed in the Service Manual.
Do not use any parts that are not set up as
- 5 ♣ means that there are exclusive parts for each destination.
Please check the appropriate destination when you order.
- 6 Revision Mark
Marked as ▲ on the illustration shows that the revision has been made.
- 7 All rights reserved. (any reprints or quotations are prohibited.)
Use of this parts guide manual should be strictly supervised to avoid disclosure of confidential information.

パーツガイドマニュアルのご案内

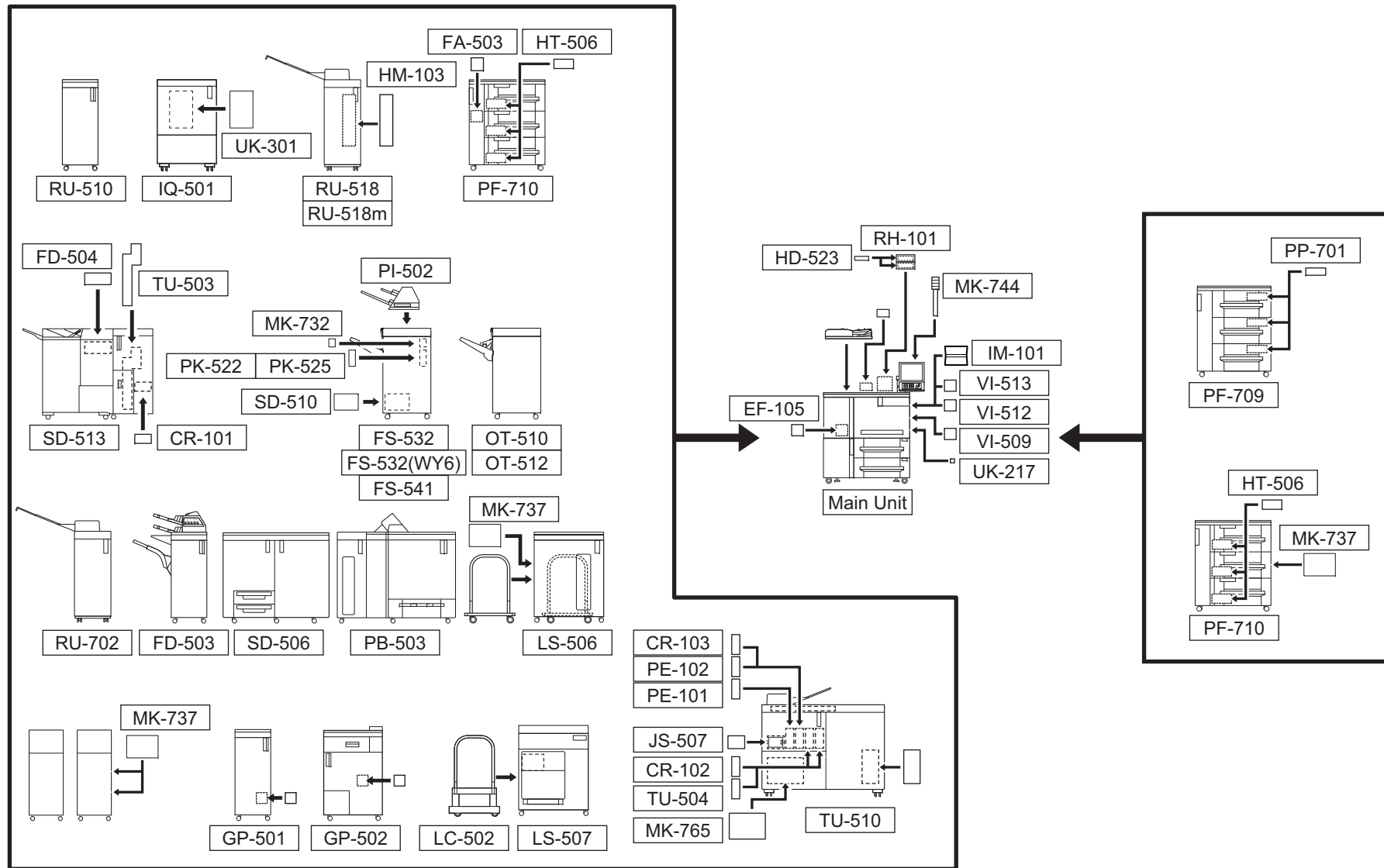
サービス部品をご発注の際には、下記に示す“パーツガイドマニュアルの活用にあたって”をご参照の上、正しい部品番号にてお願い致します。

パーツガイドマニュアルの活用にあたって

- 1 部品発注の際には、掲載されている部品番号の桁数を確認し、掲載されている桁数で発注願います。
- 2 この製品に使用されているネジ、ナット、ワッシャー、止め輪、ピンなどは、リストの右側の Standard parts 欄に a,b,c,……で表示し、イラストにも a,b,c,……表示してあります。
- 3 製品の安全性を維持する為に、製品に使用される特定の部品を「重要保安部品」として設定しています。
- 4 重要保安部品の部品番号は、“SP00-****”と記載されていますので、部品交換時は、サービスマニュアル記載の分解・組み立ての注意事項に従って作業をして下さい。
また、指定以外の部品は一切使用しないで下さい。
- 5 本文に ♣ が表示されている部品は、仕向け地毎に専用部品がある事を意味しています。
オーダーされる時は、仕向け地を確認して下さい。
- 6 改訂記号について
イラスト上に▲印が表示されている部分は、改訂された事を表します。
- 7 著作権所有（無断転載及び無断引用の禁止）
本パーツガイドマニュアルについては、機密保持等その扱いには十分注意して下さい。万一取り扱いを誤った場合には、法律で処罰されることがあります。

10/20/2017

System Configuration



GENERAL CONTENTS

No.	Description	Model
1	Relay Unit	RU-510
2	Digital MFP B/W	AccurioPress 6136
3	Saddle Unit	FD-504
4	Saddle Unit	SD-513
5	Folding Unit	FD-503
6	Saddle Unit	SD-506
7	Perfect Binder	PB-503
8	Punch Unit	GP-501
9	Ring Binder	GP-502
10	Large Capacity Stacker	LS-506
11	Other Option	MK-737
12	Saddle Unit	CR-101
13	Saddle Unit	SD-510
14	Punch Unit	PK-522
15	Mount Kit	MK-732
16	Post Inserter	PI-502
17	Finisher/Sorter	FS-532/FS-532 PK/SD
18	Output Tray	OT-510
19	Trimmer Unit	TU-503
20	Intelligent Quality Optimizer	IQ-501
21	Relay Unit	RU-518
22	Humidifier	HM-103

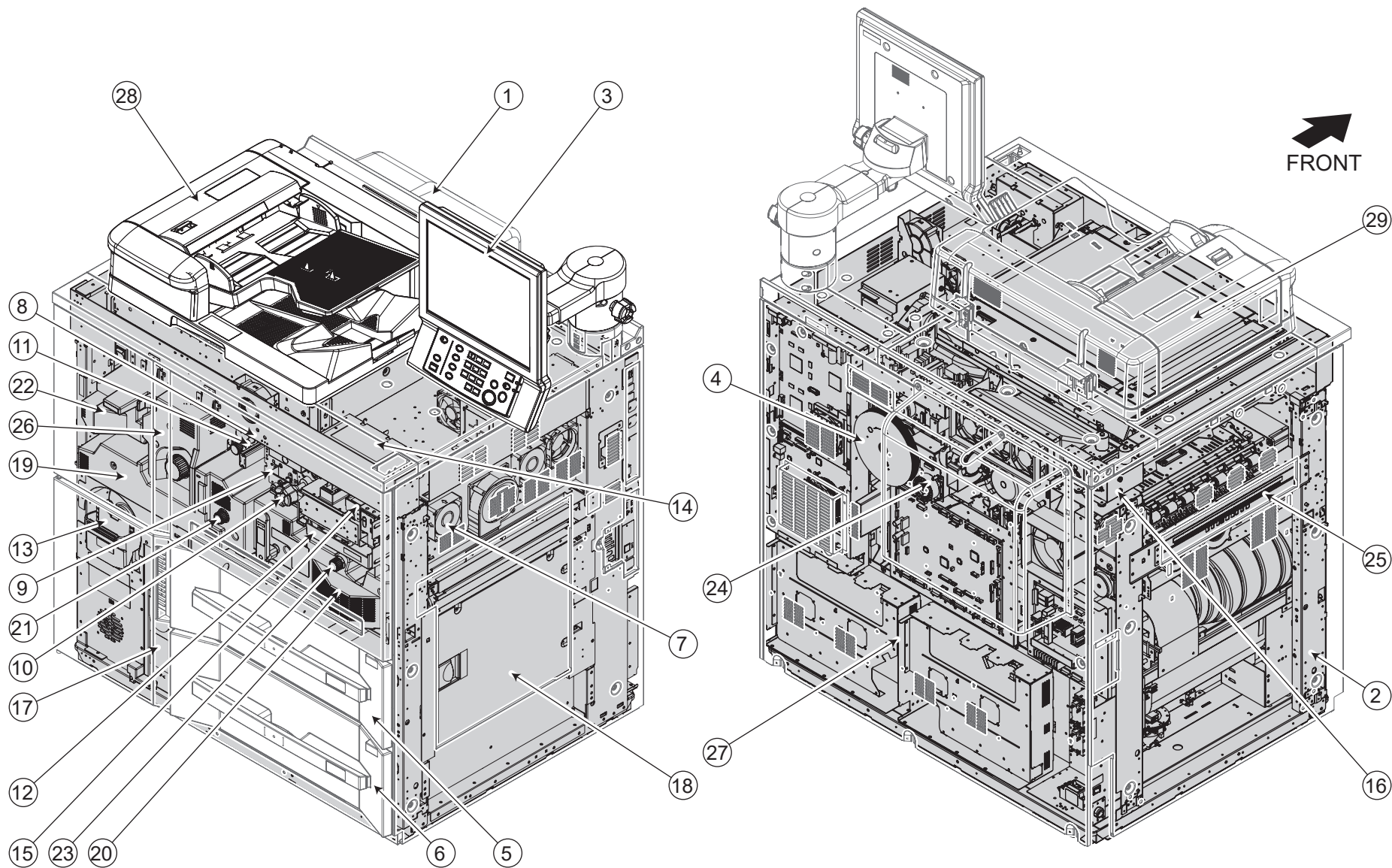
AccurioPress 6136

No.	Description	Model
23	Paper Feeder	PF-710
24	Paper Feeder	FA-503
25	Heater	HT-506
26	Relay Unit	RU-702
27	Other Option	UK-301
28	Envelop Fusing Unit	EF-105
29	HDD	HD-523
30	HDD	RH-101
31	Mount Kit	MK-744
32	Paper Feeder	PP-701
33	Paper Feeder	PF-709
34	Video IF Kit	VI-512
35	Video IF Kit	VI-513
36	Video IF Kit	VI-509
37	Other Option	UK-217
38	Large Capacity Stacker	LS-507
39	Other Option	LC-502
40	Output Tray	OT-512
41	Relay Unit	RU-518m
42	Punch Unit	PK-525
43	Finisher/Sorter	FS-541
44	Other Option	PE-101
45	Other Option	JS-507

AccurioPress 6136

No.	Description	Model
46	Other Option	PE-102
47	Other Option	CR-103
48	Other Option	CR-102
49	Trimmer Unit	TU-504
50	Other Option	MK-765
51	Trimmer Unit	TU-510
52	Other Option	IM-101
53	Finisher/Sorter	FS-532(WY6)

Section Configuration



AccurioPress 6136

CONTENTS

No.	DESCRIPTION	名称	PAGE No.
1	External Parts Section	外装部	P1 P2 P3
2	Main Frame Section	骨格部	P4 P5 P6 P7 P8 P9 P10
3	Operation Panel Section	操作部	P11 P12 P13
4	Driving Section	駆動部	P14 P15 P16 P17 P18 P19
5	Tray 1 Section	トレイ1	P20 P21 P22 P23 P24 P25 P26 P27 P28
6	Tray 2 Section	トレイ2	P29 P30 P31 P32 P33 P34 P35 P36 P37
7	Developing Section	現像サクシオン部	P38
8	Charge Unit Section	帯電極ユニット部	P39 P40
9	Write Section	書き込み部 (LPH)	P41
10	Drum Cartridge Section	ドラムカートリッジ部	P42 P43 P44 P45 P46 P47
11	Drum Cleaning Unit Section	ドラムクリーニングユニット部	P48 P49 P50 P51
12	Developing Section	現像部	P52 P53
13	Toner Supply Protection Unit	トナー補給ユニット	P54 P55 P56 P57
14	Toner Supply Main Body Upper Unit	トナー補給本体上ユニット	P58 P59
15	Toner Conveyance Main Body Unit	トナー搬送本体ユニット	P60
16	Toner Pump Unit	トナーポンプ部組	P61
17	Toner Collection Section	トナー回収部	P62 P63
18	Vertical Conveyance Unit	垂直搬送ユニット	P64 P65 P66 P67 P68
19	ADU	ADU	P69 P70 P71 P72 P73 P74 P75 P76 P77 P78 P79 P80
20	ADU Transfer Pressure Unit	ADU 転写圧着ユニット	P81 P82
21	ADU Belt Cleaner Unit	ADU ベルト クリーナーユニット	P83 P84
22	ADU Decurler Unit	ADU デカーラユニット	P85 P86 P87 P88 P89 P90
23	ADU Regist Unit	ADU レジスト ユニット	P91 P92
24	Transfer Belt Unit	転写ベルト ユニット	P93 P94
25	Main Body Paper Exit Unit	本体排紙ユニット	P95
26	Fusing Section	定着部	P96 P97 P98 P99 P100 P101 P102
27	Electric Parts	電装	P103 P104 P105
28	DF	D F	P106 P107 P108 P109 P110 P111 P112 P113 P114 P115 P116 P117 P118 P119
29	Scanner Section	スキャナー部	P120 P121 P122 P123
30	Wiring	束線	P124 P125 P126
31	Service Tool	サービスツール	P127
32	Accessory Parts	同梱部品	P128 P129

INDEX

Parts No.	Page No.
000V-19-0	127-1
00GR00020	127-5
00GR00220	127-6
00GR00260	127-4
00VC-2-00	127-16
00VD-1000	127-17
029420640	52-1
048610110	8-1
048645260	87-1
059076510	28-1
059076510	37-1
066079020	17-1
066079020	82-1
07BA12352	87-2
07BA15871	45-1
08AA76060	78-1
090020510	43-1
090020510	49-1
090020510	51-1
090076040	50-1
090076040	62-1
113620270	47-1
120A97110	127-23
129X48350	22-1
129X48350	23-1
129X48350	31-1
129X48350	32-1
129X48360	22-2
129X48360	23-2
129X48360	31-2
129X48360	32-2
12AJ45850	68-1
12AJ45850	73-1
12AJ45850	75-2
12AJ45850	79-1
12AJ45850	80-3
12AJ45850	91-1
12ER40350	74-1
12QV40650	27-1
12QV40650	36-1

Parts No.	Page No.
12QV40650	65-1
12QV40650	66-1
12QV40650	67-1
12QV40650	81-1
12QV40650	86-1
12QV40650	87-3
12QV40650	88-1
12QV40650	89-1
12QV40650	93-1
13GL46720	101-1
13GQ77550	77-1
13NT80511	4-1
13NT80511	9-1
13NT80511	54-1
13NT80511	90-1
13QA10330	20-1
13QA10330	29-1
13QA10330	63-1
13QA10330	91-2
13QA17730	86-2
13QA17730	87-4
13QA40610	14-1
13QA40610	16-1
13QA40610	17-2
13QA40610	18-1
13QA40610	19-1
13QA40610	49-2
13QA85511	24-1
13QA85511	26-1
13QA85511	33-1
13QA85511	35-1
13QA85511	65-2
13QA85511	66-2
13QA85511	67-2
13QA85511	68-2
13QA85511	73-2
13QA85511	74-2
13QA85511	75-1
13QA85511	76-1
13QA85511	79-2

Parts No.	Page No.
13QA85511	90-2
13QA85511	91-3
13QA85511	92-1
13QA85511	95-1
13RJ10390	129-1
13RN73120	103-1
14GE45470	77-2
14GE45470	91-4
15AG57620	88-2
15AG77020	16-2
15BA10310	129-2
15BY561200	106-1
15BY700400	66-3
15BY700400	67-3
173030270	6-1
173030270	27-2
173030270	36-2
25AA20321	47-2
25AA29770	47-3
25AA40120	27-3
25AA40120	36-3
25AA40460	28-2
25AA40460	37-2
25AA40870	24-2
25AA40870	33-2
25AA44180	73-3
25AA44180	80-1
25AA47500	77-3
25AA47551	22-3
25AA47551	31-3
25AA50080	80-2
25AA53290	102-1
25AA55360	48-1
25AA55390	48-2
25AA55420	48-3
25AA55720	50-2
25AA77890	55-1
25AA85020	104-1
25BA32251	60-1
25HA15210	49-3

Parts No.	Page No.
25SA15270	16-3
25SA15280	16-4
25SA15390	16-5
25SA43310	76-2
25SA43310	80-4
25SA43310	91-5
25SA66420	75-3
25SA77180	58-1
26AA53150	100-1
26MA74100	84-1
26TA30770	51-2
27LA80511	73-4
27LA80511	80-5
392010231	9-2
392010231	65-3
392010231	104-2
392010231	129-3
392014041	70-1
392015650	53-1
396040681	49-4
396040681	50-3
396040681	66-4
396040681	67-4
396040681	84-2
396076050	64-1
4004457301	62-2
4025228301	103-2
4036252401	81-2
4036307501	121-1
4040078001	128-1
4040M10000	10-1
4040M10000	71-1
40AA32290	44-1
40AA32290	45-2
40AA32290	85-1
40AA53151	101-2
40AA88031	55-2
40AA88031	60-2
40BA75520	20-2
40BA75520	29-2

Parts No.	Page No.
4120550302	98-2
4131253701	111-1
4131253701	114-1
4131253701	119-1
4136N30000	104-9
4136N30000	128-1
4139M10001	4-2
4139M10001	5-1
4139M10001	9-3
4139M10001	10-2
4139M10001	74-3
4163529301	110-1
4163529301	118-1
4470402401	5-2
4470402401	16-6
4470402401	24-3
4470402401	25-1
4470402401	33-3
4470402401	34-1
4470402401	48-4
4470402401	59-1
4470402401	62-3
4470402401	71-2
4470402401	82-2
4470402401	86-3
4470402401	111-2
4470402401	113-1
4470402401	114-2
4470402401	116-1
4470402401	117-1
4470402401	118-2
4470402401	119-2
450053391	97-1
4556M10000	108-1
4581162501	122-1
45AA20400	39-1
45AA20400	40-1
45AA20400	47-4
45AA20400	94-1
462076010	77-4

Parts No.	Page No.	Parts No.	Page No.	Parts No.	Page No.	Parts No.	Page No.	Parts No.	Page No.
466076020	51-3	55VA29140	47-9	55VA42400	25-3	55VA53360	100-2	564A116300	5-5
466076020	63-2	55VA29150	47-10	55VA42400	34-3	55VA53450	100-3	56AA15460	105-2
466076020	64-2	55VA30390D	53-2	55VA42420	24-8	55VA53770	102-2	56AA15471	105-3
466076020	68-3	55VA30970	53-3	55VA42420	33-8	55VA53970	99-1	56AA15521	105-4
466076020	80-6	55VA30981	52-2	55VA44120	65-4	55VA55130	50-4	56AA17080	105-5
504097340	129-4	55VA32080	56-1	55VA44150	68-4	55VA55351	48-5	56AA17090	14-4
50BA40220	27-4	55VA32150	56-2	55VA44171G	68-5	55VA55361	48-6	56AA17090	16-12
50BA40220	36-4	55VA32430	56-3	55VA44171G	80-7	55VA55442E	59-2	56AA17090	19-2
540015162	17-3	55VA32530	5-3	55VA46451	65-5	55VA55490	48-7	56AA17090	79-3
540076090	55-3	55VA40130	28-3	55VA46451	68-6	55VA55641	51-4	56AA17090	87-5
554010550	16-7	55VA40130	37-3	55VA46451	80-8	55VA55670	50-5	56AA17140	40-4
554010550	17-4	55VA40260	28-4	55VA46451	90-3	55VA55680	49-5	56AA17140	42-2
55GA32220	60-3	55VA40260	37-4	55VA46490	76-3	55VA55680	50-6	56AA17300	68-7
55TA75020	16-8	55VA40380	24-4	55VA46490	91-7	55VA70110D	4-3	56AA17330	105-6
55VA12460	2-1	55VA40380	33-4	55VA47360	80-9	55VA70110D	5-4	56AA17350	77-9
55VA15080	16-9	55VA40460	24-5	55VA47371	80-10	55VA73310	104-3	56AA17361	80-20
55VA15080	18-2	55VA40460	33-5	55VA47390	80-11	55VA76521E	77-8	56AA17510	28-6
55VA15190	14-2	55VA40610	26-2	55VA47450	73-5	55VA76530E	67-7	56AA17510	37-6
55VA15190	98-3	55VA40610	35-2	55VA47450	74-4	55VA77040	17-6	56AA17510	48-8
55VA15541	16-10	55VA40910	21-1	55VA47701	80-12	55VA77300E	53-4	56AA17700	15-1
55VA15570	14-3	55VA40910	30-1	55VA47710	80-13	55VA77570	47-11	56AA17700	16-13
55VA15570	17-5	55VA40920D	21-2	55VA47762E	80-14	55VA77652	26-3	56AA17760	28-7
55VA15570	82-3	55VA40920D	30-2	55VA47770	80-15	55VA77652	35-3	56AA17760	37-7
55VA15580	16-11	55VA42111	24-6	55VA47801E	80-16	55VA77850	97-2	56AA25150	39-3
55VA15610	64-3	55VA42111	33-6	55VA47830	72-1	55VA77890	59-3	56AA32440	57-1
55VA20310	6-2	55VA42120	27-5	55VA47830	77-5	55VA77940	58-2	56AA32450	57-2
55VA20520	43-2	55VA42120	28-5	55VA47840	78-2	55VA77960	58-3	56AA32521	57-3
55VA20520	45-3	55VA42120	36-5	55VA47850	67-6	55VA77960	59-4	56AA32620	57-4
55VA20520	81-3	55VA42120	37-5	55VA47850	78-3	55VA79030	27-6	56AA32630	57-5
55VA20590	47-5	55VA42120	66-5	55VA47891	76-4	55VA79030	36-6	56AA32640	57-6
55VA20630D	44-2	55VA42120	67-5	55VA47910	80-17	55VA79050	27-7	56AA32650	55-4
55VA20680	47-6	55VA42120	91-6	55VA47970	80-18	55VA79050	36-7	56AA32650	58-4
55VA20830	46-1	55VA42220	24-7	55VA47980	80-19	55VA79140	27-8	56AA32710	57-7
55VA20850D	46-2	55VA42220	33-7	55VA47991F	76-5	55VA79140	36-8	56AA32751	57-8
55VA25140	39-2	55VA42330D	21-3	55VA49050E	72-2	55VA79210	65-6	56AA32761	57-9
55VA25240	40-2	55VA42330D	30-3	55VA49080	77-6	55VAJG021	127-8	56AA40490	27-9
55VA25270	40-3	55VA42340	21-4	55VA49131	77-7	55VAJG031	127-9	56AA40490	28-8
55VA25270	42-1	55VA42340	30-4	55VA49240	76-6	55VAJG041	127-10	56AA40490	36-9
55VA29040	47-7	55VA42390	25-2	55VA49260	76-7	55VB83042	100-4	56AA40490	37-8
55VA29050	47-8	55VA42390	34-2	55VA49440	75-4	55VE32080	56-1	56AA41340	21-5

Parts No.	Page No.	Parts No.	Page No.	Parts No.	Page No.	Parts No.	Page No.	Parts No.	Page No.
56AA41340	24-9	56UA15320	19-3	56UA34180	55-26	56UA40320	6-4	56UA40610	36-12
56AA41340	30-5	56UA15420	14-6	56UA34190	55-25	56UA40330	6-5	56UA40620	27-13
56AA41340	33-9	56UA15510	19-4	56UA34230E	57-12	56UA40351	20-3	56UA40620	36-13
56AA41351E	24-10	56UA15510	79-4	56UA34240E	57-13	56UA40351	29-3	56UA40660	28-20
56AA41351E	33-10	56UA15510	87-6	56UA34290	55-9	56UA40360	20-4	56UA40660	37-20
56AA42690	75-5	56UA15540	8-4	56UA34300	55-10	56UA40360	29-4	56UA40670	24-17
56AA51810	14-5	56UA15610E	14-7	56UA34452	56-6	56UA40371	21-7	56UA40670	33-17
56AA52700	91-8	56UA20160	6-3	56UA34460	56-7	56UA40371	30-7	56UA40680	22-4
56AA54220	99-2	56UA20720	43-3	56UA34610	56-8	56UA40400	28-13	56UA40680	31-4
56AA97140	104-25	56UA20730	43-4	56UA34710	55-11	56UA40400	37-13	56UA40690	28-21
56AE43090	24-11	56UA20740	43-5	56UA34730	55-12	56UA40420	21-8	56UA40690	37-21
56AE43090	33-11	56UA20750	43-6	56UA34800	55-13	56UA40420	30-8	56UA40700	129-5
56GA30290	55-5	56UA25090	40-5	56UA375200	53-6	56UA40450E	7-2	56UA40760	21-10
56GA76600E	16-14	56UA25110	39-4	56UA40011E	21-6	56UA40460	26-4	56UA40760	30-10
56GA76600E	17-7	56UA25280	39-5	56UA40011E	30-6	56UA40460	35-4	56UA408200	59-6
56HA12980	25-4	56UA29230	47-12	56UA40020E	25-6	56UA40470	24-15	56UA41011E	26-6
56HA12980	34-4	56UA30251	53-5	56UA40020E	34-6	56UA40470	33-15	56UA41011E	35-6
56NE32510	57-10	56UA31030	38-1	56UA40051G	24-12	56UA40480	24-16	56UA41020	23-3
56QA46060	92-2	56UA31060	38-2	56UA40051G	33-12	56UA40480	33-16	56UA41020	32-3
56QA80570	72-3	56UA32260	60-4	56UA40070	24-13	56UA40490	27-11	56UA41030	22-5
56QE88261E	104-4	56UA32270	60-5	56UA40070	33-13	56UA40490	28-14	56UA41030	31-5
56UA-1930	8-5	56UA32330	61-1	56UA40130E	27-10	56UA40490	36-11	56UA41040	23-4
56UA-4080	24-18	56UA32380	58-5	56UA40130E	36-10	56UA40490	37-14	56UA41040	32-4
56UA-4080	33-18	56UA32520	58-6	56UA40140	25-7	56UA40500	28-15	56UA41060	23-5
56UA-4321E	20-6	56UA32620	58-7	56UA40140	34-7	56UA40500	37-15	56UA41060	32-5
56UA-4321E	29-6	56UA32650	59-5	56UA40160	25-8	56UA40511E	21-9	56UA41070	22-6
56UA-4640	64-6	56UA32690	55-6	56UA40160	34-8	56UA40511E	30-9	56UA41070	31-6
56UA-7660	54-3	56UA32700	58-8	56UA40170	28-10	56UA40520	28-16	56UA41090	22-7
56UA-7680F	54-4	56UA32740	58-9	56UA40170	37-10	56UA40520	37-16	56UA41090	31-7
56UA10420E	9-4	56UA32800	58-10	56UA40240	24-14	56UA40530	28-17	56UA41110	21-11
56UA10520	8-3	56UA32830	58-11	56UA40240	33-14	56UA40530	37-17	56UA41110	30-11
56UA12200	4-4	56UA32850	60-6	56UA40250	28-11	56UA40540	28-18	56UA41120E	21-12
56UA12210E	4-5	56UA33210	61-2	56UA40250	37-11	56UA40540	37-18	56UA41120E	30-12
56UA12280	4-6	56UA33280	61-3	56UA40260	25-9	56UA40570	26-5	56UA41130	26-7
56UA12370	4-7	56UA34020	54-2	56UA40260	34-9	56UA40570	35-5	56UA41130	35-7
56UA12370	5-6	56UA34060	56-4	56UA40270	25-10	56UA40580E	25-11	56UA41140	26-8
56UA12530	28-9	56UA34071	57-11	56UA40270	34-10	56UA40580E	34-11	56UA41140	35-8
56UA12530	37-9	56UA34100	55-7	56UA40280	28-12	56UA40600	28-19	56UA41150	26-9
56UA12560	25-5	56UA34121E	56-5	56UA40280	37-12	56UA40600	37-19	56UA41150	35-9
56UA12560	34-5	56UA34160	55-8	56UA40310	7-1	56UA40610	27-12	56UA41160	26-10

Parts No.	Page No.	Parts No.	Page No.	Parts No.	Page No.	Parts No.	Page No.	Parts No.	Page No.
56UA41160	35-10	56UA41580	22-14	56UA44301F	64-5	56UA47190	79-6	56UA70820	11-1
56UA41220	21-13	56UA41580	23-11	56UA44310	67-11	56UA47240	80-23	56UA75020	8-6
56UA41220	30-13	56UA41580	31-14	56UA44320	68-13	56UA47250E	80-24	56UA75030	28-22
56UA41240	22-9	56UA41580	32-11	56UA44330	68-14	56UA47260	80-25	56UA75030	37-22
56UA41240	31-9	56UA41620	22-15	56UA44340	68-15	56UA47270	80-26	56UA75050	72-6
56UA41250	23-7	56UA41620	23-12	56UA44410E	65-12	56UA47310	76-10	56UA75050	77-12
56UA41250	32-7	56UA41620	31-15	56UA44500	65-13	56UA47320	76-11	56UA75050	78-4
56UA41260	21-14	56UA41620	32-12	56UA44500	67-12	56UA47330	76-12	56UA75070	100-8
56UA41260	30-14	56UA41640	26-16	56UA44500	68-16	56UA47350	73-7	56UA76030	66-8
56UA41270	26-12	56UA41640	35-16	56UA44660	65-14	56UA47380E	77-10	56UA76030	67-16
56UA41270	35-12	56UA41661	22-16	56UA44660	67-13	56UA47390	73-8	56UA76060	55-14
56UA41281E	26-13	56UA41661	23-13	56UA44660	68-17	56UA47390	77-11	56UA760900	96-3
56UA41281E	35-13	56UA41661	31-16	56UA44680	65-15	56UA47890	76-13	56UA760900	97-3
56UA41300	22-10	56UA41661	32-13	56UA44680	67-14	56UA53070	100-5	56UA77040E	14-8
56UA41300	31-10	56UA41670	22-17	56UA44680	68-18	56UA53320	100-6	56UA77061E	95-6
56UA41310	22-11	56UA41670	31-17	56UA44680	92-3	56UA53530	96-1	56UA77070F	18-3
56UA41310	23-8	56UA41670	90-4	56UA44700	67-15	56UA53750	99-3	56UA77070F	65-16
56UA41310	31-11	56UA41690	21-19	56UA44740E	68-19	56UA54160E	100-7	56UA77160	65-17
56UA41310	32-8	56UA41690	30-19	56UA45571E	95-2	56UA54430	96-2	56UA77170E	65-18
56UA41340	26-14	56UA41710	23-14	56UA45600	95-3	56UA54530	102-3	56UA77180E	66-9
56UA41340	35-14	56UA41710	32-14	56UA45910	72-4	56UA54540	102-4	56UA77270	18-4
56UA41400	26-15	56UA41750	23-15	56UA45960	47-13	56UA54550F	102-5	56UA77290	47-14
56UA41400	35-15	56UA41750	32-15	56UA45960	95-5	56UA54570	102-6	56UA77400	63-3
56UA41470	21-15	56UA41810	22-18	56UA45970	80-21	56UA54580	102-7	56UA77430	58-12
56UA41470	30-15	56UA41810	23-16	56UA46030G	91-10	56UA54590	102-8	56UA77450	59-7
56UA41470	91-9	56UA41810	31-18	56UA46110E	92-4	56UA54600	102-9	56UA77480	20-7
56UA41490	22-12	56UA41810	32-16	56UA46140	73-6	56UA54610	102-10	56UA77480	29-7
56UA41490	23-9	56UA42570	20-5	56UA46140	90-5	56UA55550	51-5	56UA77530	21-20
56UA41490	31-12	56UA42570	29-5	56UA46170	91-11	56UA70330	13-2	56UA77530	30-20
56UA41490	32-9	56UA44030	68-8	56UA46190	92-5	56UA70540	5-7	56UA77600	26-17
56UA41500	21-16	56UA44040F	67-8	56UA46430D	70-2	56UA70560	12-1	56UA77600	35-17
56UA41500	30-16	56UA44050E	66-6	56UA46480	74-5	56UA70570	12-2	56UA77620	26-18
56UA41520	21-17	56UA44070	65-7	56UA46480	76-8	56UA70590	12-3	56UA77620	35-18
56UA41520	30-17	56UA44080	65-8	56UA46480	80-22	56UA70600	12-4	56UA77640F	20-8
56UA41530	21-18	56UA44100	66-7	56UA46610E	79-5	56UA70610E	12-5	56UA77640F	29-8
56UA41530	30-18	56UA44100	67-9	56UA46631F	74-6	56UA70620E	12-6	56UA77650E	20-9
56UA41540	22-13	56UA44150	68-9	56UA46740	72-5	56UA70650	12-7	56UA77650E	29-9
56UA41540	31-13	56UA44250	65-11	56UA46770E	74-7	56UA70670	12-8	56UA77660	20-10
56UA41550	23-10	56UA44260	64-4	56UA46921	69-1	56UA70750	12-9	56UA77660	29-10
56UA41550	32-10	56UA44280	68-12	56UA47121	76-9	56UA70800	12-10	56UA77700	54-5

Parts No.	Page No.
56UA77700	56-9
56UA77710	54-6
56UA77720	54-7
56UA77730	54-8
56UA77740	54-9
56UA77750	55-15
56UA77760	54-10
56UA77760	55-16
56UA77770	54-11
56UA77800	98-4
56UA78030	14-9
56UA78060	73-9
56UA78080	72-7
56UA78090	67-18
56UA85010	4-8
56UA85010	67-19
56UA886100	80-27
56UA886200	80-28
56UA90250E	68-20
56UA90340	26-19
56UA90340	35-19
56UA90350	24-19
56UA90350	33-19
56UA90360	22-19
56UA90360	31-19
56UA90370	23-17
56UA90370	32-17
56UA90620	91-12
56UA90650	73-10
56UA90650	74-8
56UA90650	75-6
56UA90650	76-14
56UA90700	72-8
56UA90700	77-13
56UA90710	73-11
56UA90830	66-10
56UA90840	67-20
56UA90880	74-9
56UA90880	92-6
56UA90890	95-7

Parts No.	Page No.
56UAR70500	9-5
56UAR77100	59-8
56UAR79500	24-20
56UAR79500	25-12
56UAR79500	33-20
56UAR79500	34-12
56UAR79600	25-13
56UAR79600	34-13
56UAR79700	24-21
56UAR79700	33-21
56UAR7A100	68-21
56UAR7A200	68-22
56VA70550	11-2
57AA30260	1-1
57AA30260	25-14
57AA30260	34-14
57AA30260	53-7
57AA97211E	91-13
57AA97221E	92-7
57GA47640	93-2
57GA61560	7-3
57GA61560	73-12
57GA61560	82-4
57GA79430	67-21
57GA79440	67-22
57GA82010	27-14
57GA82010	28-23
57GA82010	36-14
57GA82010	37-23
65AA-9920	127-3
65AA11140	14-10
65AA11300	4-9
65AA11300	54-12
65AA26890	84-3
65AA49190	14-11
65AA53991	94-2
65AA53991	102-11
65AA80112	78-5
65AA88080	82-5
65AA99500	127-15

Parts No.	Page No.
9313100072	5-8
9313100072	22-20
9313100072	23-18
9313100072	31-20
9313100072	32-18
9313100072	72-9
9313100072	73-13
9313110033	9-6
9335140051	62-4
9335140071	112-1
9335140071	115-1
9J06PJP100	127-20
9J06PJP100	127-11
9J06PJP200	127-12
9J07160200	106-2
9J07210802	106-3
9J07210901	106-4
9J07300801	110-2
9J07330102	111-3
9J07330801	111-4
9J07331901	111-5
9J07340901	113-2
9J07341102	110-3
A00J169100	129-14
A00J265300	120-1
A00J563600	111-6
A00J617800	20-11
A00J617800	29-11
A00J617800	48-9
A00J617800	62-5
A00J617800	63-4
A00J617800	64-7
A00J617800	65-21
A00J617800	91-14
A00J617900	15-2
A00J617900	27-15
A00J617900	36-15
A00J617900	65-22
A00J617900	66-11
A00J617900	67-23

Parts No.	Page No.
A00J617900	88-3
A00J617900	89-2
A00J617900	91-15
A00J663200	28-24
A00J663200	37-24
A00J663200	59-9
A00JM14100	72-10
A00V240600	14-12
A00V240600	16-15
A00V240600	17-8
A00V240600	18-6
A00V240600	19-5
A00V240600	27-16
A00V240600	36-16
A00V240600	53-8
A00V240600	72-11
A00V240600	77-14
A00V240600	78-6
A00V240600	87-7
A00V240600	91-16
A00V240600	95-8
A00V240600	113-3
A00V240600	116-2
A00V240600	118-3
A03TM50000	86-4
A03U729500	98-5
A03U734500	96-4
A03U734500	99-4
A03U734500	100-9
A03U812800	28-25
A03U812800	37-25
A03U815700	66-12
A03U815700	67-24
A03UM15201	10-3
A03UM15802	9-7
A03UM15802	10-4
A03UM50500	78-22
A03UR70200	62-11
A03X565611	27-17
A03X565611	36-17

Parts No.	Page No.
A04J709800	88-4
A04J719200	88-5
A04J719800	88-6
A04P560002	127-24
A07H570500	111-7
A07TM60100	104-5
A0ED271200	123-1
A0ED271300	123-2
A0ED273600	122-2
A0ED273600	123-3
A0ED274200	123-4
A0ED274300	123-5
A0ED274400	123-6
A0ED276301	122-3
A0G6101701	5-9
A0G6102500	8-7
A0G6112400	8-8
A0G6113500	4-10
A0G6115600	4-11
A0G6131300	11-3
A0G6136400	12-11
A0G6137000	103-4
A0G6161600	11-4
A0G6162100	1-2
A0G6162200	1-3
A0G6163602	2-2
A0G6163700	2-3
A0G6163911	2-4
A0G6164101	4-12
A0G6165200	25-15
A0G6165200	34-15
A0G6165900	129-6
A0G6168101	5-10
A0G6168500	3-1
A0G6168600	1-4
A0G6168700	3-2
A0G6191600	13-3
A0G6192400	13-4
A0G6192500	13-5
A0G6192700	13-6

Parts No.	Page No.	Parts No.	Page No.	Parts No.	Page No.	Parts No.	Page No.	Parts No.	Page No.
A0G6192900	13-7	A0G6251400	15-10	A0G6346300	45-9	A0G6460600	40-6	A0G6506700	81-9
A0G6193100	13-8	A0G6330401	46-3	A0G6346400	44-4	A0G6461301	39-6	A0G6507100	81-10
A0G6193200	13-9	A0G6330900	42-3	A0G6346500	45-10	A0G6463200	39-7	A0G6507400	81-11
A0G6193400	13-10	A0G6331101	46-4	A0G6346600	46-7	A0G6463500	40-7	A0G6507512	81-12
A0G6193500	13-28	A0G6331204	45-4	A0G6346901	44-5	A0G6470800	42-6	A0G6507600	81-13
A0G6193700	13-29	A0G6331301	45-5	A0G6347100	45-11	A0G6500211	94-3	A0G6507800	81-14
A0G6193800	13-11	A0G6331903	47-15	A0G6352500	62-6	A0G6500300	93-3	A0G6507900	81-15
A0G6193900	13-12	A0G6332000	47-16	A0G6358700	62-7	A0G6500801	93-4	A0G6508202	82-9
A0G6194000	13-13	A0G6332600	43-7	A0G6365700	62-8	A0G6500901	93-5	A0G6508500	81-16
A0G6195000	13-27	A0G6333000	45-6	A0G6365900	62-9	A0G6501000	94-4	A0G6508600	77-15
A0G6205000	13-27	A0G6333100	46-5	A0G6367000	63-6	A0G6501100	94-5	A0G6509001	82-10
A0G6205100	13-27	A0G6333500	43-8	A0G6367400	63-7	A0G6501200	94-6	A0G6509101	82-11
A0G6205200	13-27	A0G6333600	43-9	A0G6367500	63-8	A0G6501300	93-6	A0G6509201	82-12
A0G6205300	13-27	A0G6333700	42-4	A0G6367900	63-9	A0G6501400	93-7	A0G6509301	82-13
A0G6210400	16-16	A0G6333901	43-10	A0G6369500	16-24	A0G6501500	93-8	A0G6509400	81-17
A0G6215200	16-17	A0G6338113	47-17	A0G6373500	53-9	A0G6501600	93-9	A0G6509600	82-14
A0G6215300	16-18	A0G6338201	47-18	A0G6374900	52-3	A0G6501700	94-7	A0G6510700	84-4
A0G6215400	16-19	A0G6338411	47-19	A0G6375211	53-6	A0G6501800	94-8	A0G6511312	84-5
A0G6217200	16-20	A0G6338612	47-20	A0G6375400	52-4	A0G6501900	94-9	A0G6511401	83-1
A0G6217500	16-21	A0G6338911	47-21	A0G6376300	52-5	A0G6502200	93-10	A0G6511901	83-2
A0G6217500	63-5	A0G6339000	47-22	A0G6376400	52-6	A0G6502300	93-11	A0G6512012	83-3
A0G6217600	16-22	A0G6339400	47-23	A0G6377300	53-10	A0G6502600	93-12	A0G6512200	83-4
A0G6217700	16-23	A0G6339500	47-24	A0G6377400	53-11	A0G6503200	94-10	A0G6512300	83-5
A0G6221100	17-9	A0G6339600	47-25	A0G6378100	53-12	A0G6503300	94-11	A0G6512400	83-6
A0G6227300	17-10	A0G6339812	47-26	A0G6378700	52-7	A0G6503401	93-13	A0G6512800	83-7
A0G6227400	17-11	A0G6342200	44-3	A0G6378800	52-8	A0G6503500	94-12	A0G6513211	84-6
A0G6237201	19-6	A0G6343000	45-7	A0G6379400	53-13	A0G6503600	94-13	A0G6513300	83-8
A0G6237300	19-7	A0G6343200	43-11	A0G6379700	52-9	A0G6503900	94-14	A0G6513701	84-7
A0G6240800	18-7	A0G6343300	43-12	A0G6379900	52-10	A0G6504000	72-12	A0G6513801	83-9
A0G6240900	18-8	A0G6343401	43-13	A0G6390800	38-5	A0G6504100	72-13	A0G6514000	83-10
A0G6247100	18-9	A0G6344200	43-14	A0G6394400	38-3	A0G6504200	72-14	A0G6514100	83-11
A0G6247200	18-10	A0G6344501	42-5	A0G6400502	5-11	A0G6504300	72-15	A0G6514200	70-3
A0G6247500	18-11	A0G6344801	46-6	A0G6402300	58-13	A0G6504700	82-6	A0G6514800	75-7
A0G6250500	15-3	A0G6345111	47-27	A0G6405400	59-10	A0G6504900	82-7	A0G6514900	83-12
A0G6250601	15-4	A0G6345200	47-28	A0G6410611	56-10	A0G6505300	81-4	A0G6515100	83-13
A0G6250700	15-5	A0G6345311	47-29	A0G6411200	4-13	A0G6505800	81-5	A0G6515900	83-14
A0G6250800	15-6	A0G6345600	47-30	A0G6411200	62-10	A0G6506000	81-6	A0G6518600	83-15
A0G6250900	15-7	A0G6345700	47-31	A0G6414000	56-11	A0G6506300	82-8	A0G6520500	75-8
A0G6251200	15-8	A0G6345800	47-32	A0G6415000	56-12	A0G6506500	81-7	A0G6520900	84-8
A0G6251301	15-9	A0G6346101	45-8	A0G6416100	57-14	A0G6506600	81-8	A0G6521000	84-9

Parts No.	Page No.	Parts No.	Page No.	Parts No.	Page No.	Parts No.	Page No.	Parts No.	Page No.
A0G6521100	84-10	A0G6570500	27-20	A0G6615200	21-30	A0G6732000	99-6	A0G6748711	100-17
A0G6521202	75-9	A0G6570500	36-20	A0G6615200	30-30	A0G6732100	96-5	A0G6748811	100-18
A0G6521400	83-16	A0G6570600	24-25	A0G6620300	26-20	A0G6732200	96-6	A0G6748900	100-19
A0G6521500	75-10	A0G6570600	33-25	A0G6620300	35-20	A0G6732701	96-7	A0G6749100	101-8
A0G6521600	75-11	A0G6570700	24-26	A0G6620400	26-21	A0G6734100	96-8	A0G6749200	101-9
A0G6521900	83-17	A0G6570700	33-26	A0G6620400	35-21	A0G6734200	97-6	A0G6749300	101-10
A0G6521900	84-11	A0G6570800	27-21	A0G6620400	90-6	A0G6734300	96-9	A0G6749600	101-11
A0G6523103	75-12	A0G6570800	36-21	A0G6620500	23-19	A0G6734500	96-10	A0G6749600	102-18
A0G6523300	84-12	A0G6571600	27-22	A0G6620500	32-19	A0G6736800	97-7	A0G6749700	102-19
A0G6525600	48-10	A0G6571600	36-22	A0G6620600	22-21	A0G6736900	97-8	A0G6749800	97-14
A0G6525600	83-18	A0G6571900	27-23	A0G6620600	31-21	A0G6737200	97-9	A0G6751800	99-13
A0G6530300	51-6	A0G6571900	36-23	A0G6620600	67-25	A0G6737900	97-10	A0G6751901	99-14
A0G6530500	49-6	A0G6572000	27-24	A0G6700300	67-26	A0G6738000	97-11	A0G6810800	76-15
A0G6530701	49-7	A0G6572000	36-24	A0G6700700	67-26	A0G6738800	99-7	A0G6811700	74-10
A0G6531300	48-11	A0G6572100	27-25	A0G6710502	92-8	A0G6739300	19-8	A0G6812200	6-6
A0G6531401	51-7	A0G6572100	36-25	A0G6711500	92-9	A0G6739600	97-12	A0G6812400	72-16
A0G6531500	49-8	A0G6600700	21-21	A0G6712100	91-17	A0G6739800	97-13	A0G6812700	75-13
A0G6531500	50-7	A0G6600700	30-21	A0G6712200	92-10	A0G6741012	99-8	A0G6812800	73-14
A0G6531800	51-8	A0G6600800	21-22	A0G6712301	92-11	A0G6741112	99-9	A0G6812900	74-11
A0G6532101	48-13	A0G6600800	30-22	A0G6712400	92-12	A0G6741200	99-10	A0G6813100	78-7
A0G6532202	49-9	A0G6600900	21-23	A0G6712701	92-13	A0G6741300	99-11	A0G6813200	78-8
A0G6532300	49-10	A0G6600900	30-23	A0G6712800	91-18	A0G6743100	96-11	A0G6813300	78-9
A0G6532700	49-11	A0G6601000	21-24	A0G6712900	91-19	A0G6744300	98-7	A0G6813600	77-16
A0G6532900	49-12	A0G6601000	30-24	A0G6713600	92-14	A0G6744600	101-3	A0G6813700	72-17
A0G6533000	48-14	A0G6601000	30-24	A0G6714100	91-20	A0G6744700	101-4	A0G6814000	72-18
A0G6533100	48-15	A0G6601300	21-25	A0G6714200	92-15	A0G6744900	101-5	A0G6814200	78-10
A0G6534200	51-9	A0G6601300	30-25	A0G6714300	91-21	A0G6745000	98-8	A0G6814300	76-16
A0G6535900	49-13	A0G6601500	21-26	A0G6714600	92-16	A0G6745100	98-9	A0G6814400	76-17
A0G6561000	27-18	A0G6601500	30-26	A0G6714700	92-17	A0G6745202	102-14	A0G6815600	79-7
A0G6561000	28-26	A0G6601700	21-28	A0G6717100	92-18	A0G6745300	101-6	A0G6815900	77-17
A0G6561000	36-18	A0G6601700	30-28	A0G6725501	102-12	A0G6745500	102-15	A0G6816200	8-9
A0G6561000	37-26	A0G6601900	20-12	A0G6726000	98-6	A0G6745700	101-7	A0G6816400	70-4
A0G6561200	24-22	A0G6601900	29-12	A0G6727201	100-10	A0G6745800	99-12	A0G6816500	70-5
A0G6561200	33-22	A0G6602101	27-26	A0G6727301	100-11	A0G6746200	102-16	A0G6816900	72-19
A0G6561300	24-23	A0G6602101	36-26	A0G6727500	100-12	A0G6746300	102-17	A0G6817301	80-29
A0G6561300	33-23	A0G6602300	27-27	A0G6727600	100-13	A0G6747001	98-10	A0G6818200	72-20
A0G6570101	24-24	A0G6602300	36-27	A0G6727700	99-5	A0G6747903	96-12	A0G6818200	77-18
A0G6570101	33-24	A0G6606500	20-13	A0G6728000	102-13	A0G6748100	98-11	A0G6818300	71-3
A0G6570200	27-19	A0G6606500	29-13	A0G6730311	100-14	A0G6748500	100-15	A0G6818300	72-21
A0G6570200	36-19	A0G6615100	21-29	A0G6731000	97-4	A0G6748600	100-16	A0G6818300	73-15
		A0G6615100	30-29	A0G6731900	97-5				

Parts No.	Page No.	Parts No.	Page No.	Parts No.	Page No.	Parts No.	Page No.	Parts No.	Page No.
A0G6818300	77-19	A0G6845500	85-5	A0G6M50801	52-12	A0Y5601600	27-28	A161276000	122-12
A0G6818600	79-8	A0G6845600	85-6	A0G6M60300	5-12	A0Y5601600	36-28	A161276500	122-13
A0G6818800	72-22	A0G6845700	87-11	A0G6M93100	12-12	A0Y5M10400	59-11	A161278600	120-4
A0G6818900	78-11	A0G6845700	90-13	A0G6N13801	54-13	A0Y5M15101	4-15	A161278900	120-5
A0G6819200	78-12	A0G6845900	87-12	A0G6N17200	71-4	A0Y5M55100	92-20	A161280211	121-5
A0G6819300	78-13	A0G6845900	89-8	A0G6N18400	13-16	A0Y5M90101	59-12	A161280300	121-6
A0G6819700	8-10	A0G6846100	88-7	A0G6N19200	75-14	A108260700	111-8	A161281100	122-14
A0G6830101	69-2	A0G6846300	89-9	A0G6N19300	75-15	A108266300	118-4	A161281300	122-15
A0G6830201	70-6	A0G6846500	89-10	A0G6N19400	75-16	A108561500	110-4	A161281600	121-7
A0G6835100	72-23	A0G6846600	89-11	A0G6N20500	71-5	A108703100	112-2	A161940602	120-6
A0G6835200	72-24	A0G6846800	89-12	A0G6N20600	81-18	A108703100	115-3	A161M50A00	122-16
A0G6835300	69-3	A0G6848400	70-7	A0G6N22202	77-21	A108890500	110-5	A161M50A00	122-23
A0G6835500	9-8	A0G6848500	86-10	A0G6N22500	45-14	A108891300	110-6	A161N14000	123-18
A0G6835500	45-12	A0G6848600	86-11	A0G6R7G800	50-14	A108M50000	109-1	A161N14201	122-17
A0G6835500	69-4	A0G6848700	88-8	A0GC700800	92-19	A108M50000	112-3	A1DUPJG100	127-18
A0G6836102	72-25	A0G6943101	104-6	A0GY738300	95-9	A161210200	108-2	A1DUR70W00	62-11
A0G6836200	72-26	A0G6945100	91-22	A0H0702100	89-13	A161210200	109-2	A1RF115001	105-9
A0G6836400	69-5	A0G6945400	69-6	A0HT561202	113-4	A161261902	121-3	A1RF115101	105-10
A0G6840900	90-7	A0G6945500	94-15	A0HU250500	116-3	A161262002	121-4	A1RF115301	105-11
A0G6841300	87-8	A0G6945601	99-15	A0P0742300	117-25	A161262200	122-4	A1RF529100	83-19
A0G6841401	86-5	A0G6945700	90-14	A0P0M50300	115-2	A161263000	122-5	A1RF529100	84-13
A0G6841501	86-6	A0G6945800	70-8	A0P0M50400	4-14	A161268200	120-2	A1RF529300	78-14
A0G6841700	87-9	A0G6945900	102-20	A0P0M50400	54-14	A161268300	120-3	A1RF529300	79-9
A0G6841901	90-8	A0G6946000	80-30	A0P0M73100	13-1	A161270102	123-7	A1RF529300	93-14
A0G6842323	90-9	A0G6946100	77-20	A0TK397501	81-19	A161270600	123-8	A1RF710900	16-25
A0G6842800	86-7	A0G6946200	73-16	A0U0945401	20-14	A161271000	123-9	A1RF819100	62-12
A0G6842900	86-8	A0G6947300	69-7	A0U0945501	29-14	A161271100	123-10	A1RF826100	105-8
A0G6843000	86-9	A0G6950401	52-11	A0U4109000	8-11	A161273113	123-11	A1RF851600	87-13
A0G6843501	85-2	A0G6950501	41-1	A0Y5134700	105-7	A161273401	123-12	A1RF945101	45-16
A0G6843601	90-10	A0G6950501	44-6	A0Y5196300	12-13	A161273500	123-13	A1RFM10600	14-13
A0G6843800	87-10	A0G6950501	45-13	A0Y5196400	12-14	A161273701	123-14	A1RFM10600	19-10
A0G6843800	90-11	A0G6950501	49-14	A0Y5227500	17-12	A161273800	123-15	A1RFM15100	103-5
A0G6843901	90-12	A0G6950601	43-15	A0Y5227500	19-9	A161274500	123-16	A1RFM51000	101-12
A0G6844413	89-3	A0G6950701	38-4	A0Y5227600	17-13	A161274600	123-17	A1RFM51000	102-21
A0G6844500	89-4	A0G6950701	43-16	A0Y5344900	44-7	A161275113	122-6	A1RFN28300	13-17
A0G6844611	89-5	A0G6951001	94-16	A0Y5344900	45-15	A161275213	122-7	A1RG101600	8-12
A0G6844700	85-3	A0G6951101	40-8	A0Y5351500	47-33	A161275300	122-8	A1TT211400	78-15
A0G6844800	85-4	A0G6H06000	13-14	A0Y5373601	53-6	A161275400	122-9	A1TT214301	19-11
A0G6845100	89-6	A0G6H32000	11-5	A0Y5378600	53-14	A161275500	122-10	A1TVM10100	15-11
A0G6845200	89-7	A0G6J34000	46-8	A0Y5406400	56-13	A161275600	122-11	A1TVM10311	60-7

Parts No.	Page No.	Parts No.	Page No.	Parts No.	Page No.	Parts No.	Page No.	Parts No.	Page No.
A1UDM50100	21-31	A4EU230900	19-13	A4EU413900	55-18	A4EU602300	31-8	A4EU705700	68-26
A1UDM50100	24-27	A4EU231000	19-14	A4EU414700	56-14	A4EU602300	32-6	A4EU710600	92-21
A1UDM50100	30-31	A4EU235000	19-15	A4EU415100	55-19	A4EU603100	20-15	A4EU713500	91-23
A1UDM50100	33-27	A4EU235200	19-16	A4EU464200	39-8	A4EU603100	29-15	A4EU713700	92-22
A1UDM50100	109-3	A4EU235400	19-17	A4EU465000	40-9	A4EU603200	20-16	A4EU714400	91-24
A1UDM50200	122-18	A4EU235500	19-18	A4EU500400	93-15	A4EU603200	29-16	A4EU715000	70-9
A2X0M10300	111-9	A4EU235700	19-19	A4EU500600	94-17	A4EU603300	20-17	A4EU715400	92-23
A3CK272001	114-3	A4EU238100	19-20	A4EU505500	81-20	A4EU603300	29-17	A4EU715500	66-14
A3CK272200	114-4	A4EU238200	19-21	A4EU505600	81-21	A4EU603400	20-18	A4EU715500	67-27
A3CK272600	114-5	A4EU239100	14-14	A4EU506800	81-22	A4EU603400	29-18	A4EU715500	87-14
A3CK300102	117-2	A4EU239200	14-15	A4EU508800	81-23	A4EU603500	20-19	A4EU715500	90-15
A3CK300200	116-4	A4EU247600	18-5	A4EU508900	81-24	A4EU603500	29-19	A4EU715500	95-10
A3CK300200	117-3	A4EU251000	15-12	A4EU509700	82-15	A4EU603600	20-20	A4EU725400	101-13
A3CK565100	113-5	A4EU252000	15-13	A4EU510600	84-14	A4EU603600	29-20	A4EU727900	100-20
A3CK568300	113-6	A4EU265000	26-22	A4EU510900	83-20	A4EU606100	20-21	A4EU731500	96-13
A3CK940000	118-5	A4EU265000	35-22	A4EU512100	83-21	A4EU606100	29-21	A4EU732602	96-14
A3CKH00400	115-4	A4EU265000	77-22	A4EU515200	83-22	A4EU620100	22-22	A4EU735012	97-15
A3CKM10300	119-3	A4EU332200	46-9	A4EU519200	82-16	A4EU620100	23-20	A4EU739412	97-16
A3CKM20000	111-10	A4EU332900	45-17	A4EU519300	81-25	A4EU620100	31-22	A4EU742800	97-17
A3EWM90300	109-4	A4EU334300	46-10	A4EU531000	48-16	A4EU620100	32-20	A4EU746124	102-22
A4EU104000	6-7	A4EU334400	46-11	A4EU531900	48-12	A4EU620200	26-23	A4EU746401	101-14
A4EU105100	8-13	A4EU334500	46-12	A4EU537000	48-17	A4EU620200	35-23	A4EU746501	101-15
A4EU107000	6-8	A4EU341100	43-17	A4EU537400	49-15	A4EU621100	26-24	A4EU747100	98-12
A4EU110200	10-5	A4EU346800	44-8	A4EU537700	48-18	A4EU621100	35-24	A4EU747200	101-16
A4EU111900	10-6	A4EU362200	63-10	A4EU537800	48-19	A4EU700600	65-23	A4EU747300	101-17
A4EU112000	10-7	A4EU365000	63-11	A4EU537900	48-20	A4EU700900	65-24	A4EU747400	102-23
A4EU118300	10-8	A4EU375100	53-6	A4EU538000	48-21	A4EU701200	65-25	A4EU747500	102-24
A4EU131100	105-1	A4EU375200	53-6	A4EU538200	48-22	A4EU701300	66-13	A4EU747600	98-13
A4EU138000	61-4	A4EU377000	53-15	A4EU538300	48-23	A4EU701500	65-10	A4EU748401	101-18
A4EU138000	105-12	A4EU377100	53-16	A4EU538400	48-24	A4EU701600	65-9	A4EU755600	102-25
A4EU162800	1-5	A4EU377200	53-17	A4EU538400	49-16	A4EU701600	67-10	A4EU810300	73-17
A4EU162900	1-6	A4EU378200	53-18	A4EU538700	48-25	A4EU701600	68-10	A4EU810400	73-18
A4EU164000	68-23	A4EU380300	53-19	A4EU560000	8-14	A4EU701900	65-19	A4EU810900	79-10
A4EU190413	13-18	A4EU391311	38-6	A4EU560200	8-15	A4EU702000	65-20	A4EU811000	75-17
A4EU194200	13-19	A4EU392600	38-7	A4EU565600	28-27	A4EU702300	67-17	A4EU811300	79-11
A4EU211300	16-26	A4EU394600	38-8	A4EU565600	37-27	A4EU702700	68-11	A4EU811900	76-18
A4EU218000	16-27	A4EU394700	38-9	A4EU602100	26-11	A4EU703800	68-24	A4EU812000	75-18
A4EU218100	16-28	A4EU400800	57-15	A4EU602100	35-11	A4EU704200	65-26	A4EU812200	74-12
A4EU222000	17-14	A4EU401900	46-13	A4EU602300	22-8	A4EU704300	65-27	A4EU812501	74-13
A4EU230800	19-12	A4EU413300	55-17	A4EU602300	23-6	A4EU705400	68-25	A4EU813000	73-19

Parts No.	Page No.	Parts No.	Page No.	Parts No.	Page No.	Parts No.	Page No.	Parts No.	Page No.
A4EU813400	74-14	A4EU943200	23-21	A4EUR70600	60-9	A4EUR72600	58-16	A4EUR73200	102-26
A4EU814600	74-15	A4EU943200	32-21	A4EUR70B00	93-16	A4EUR72700	58-17	A4EUR73300	96-16
A4EU814701	71-6	A4EU943300	55-20	A4EUR70C00	94-18	A4EUR72800	94-19	A4EUR73400	96-17
A4EU814800	73-20	A4EU943400	59-13	A4EUR70D44	83-24	A4EUR72900	94-20	A4EUR73500	96-18
A4EU814900	73-21	A4EU943500	59-14	A4EUR70F00	49-19	A4EUR72A00	9-9	A4EUR73600	100-22
A4EU815100	79-12	A4EU943600	55-21	A4EUR70G11	50-8	A4EUR72B00	103-6	A4EUR73800	101-19
A4EU817200	77-23	A4EU947001	91-26	A4EUR70H11	50-9	A4EUR72C00	14-16	A4EUR73900	101-20
A4EU817400	77-24	A4EU947900	54-15	A4EUR70J00	48-26	A4EUR72D00	56-17	A4EUR73B00	81-26
A4EU817500	78-16	A4EUF33301	44-9	A4EUR70K00	50-10	A4EUR72E00	55-22	A4EUR73C00	81-27
A4EU817600	77-25	A4EUF60701	25-16	A4EUR70N00	64-8	A4EUR72F00	55-23	A4EUR73D00	83-25
A4EU817700	72-27	A4EUF60701	34-16	A4EUR70P00	98-14	A4EUR72G00	57-16	A4EUR73E00	83-26
A4EU817700	78-17	A4EUH88000	91-27	A4EUR70T00	96-15	A4EUR72H11	27-30	A4EUR73F00	83-27
A4EU817800	80-31	A4EUH89000	91-28	A4EUR70U00	100-21	A4EUR72H11	36-30	A4EUR73G00	84-15
A4EU817900	76-19	A4EUM10100	19-22	A4EUR70V00	99-16	A4EUR72J11	27-31	A4EUR73H00	84-16
A4EU818000	73-22	A4EUM60000	5-13	A4EUR70W00	56-15	A4EUR72J11	36-31	A4EUR73J00	84-17
A4EU818000	74-16	A4EUM60401	104-7	A4EUR70X00	56-16	A4EUR72K11	27-32	A4EUR73K00	84-18
A4EU818000	80-32	A4EUM77000	103-18	A4EUR71100	49-20	A4EUR72K11	36-32	A4EUR73M00	84-19
A4EU818000	91-25	A4EUM92800	11-6	A4EUR71200	49-21	A4EUR72M11	25-17	A4EUR73Q00	71-7
A4EU820400	73-23	A4EUN14304	40-10	A4EUR71300	51-10	A4EUR72M11	34-17	A4EUR73Q00	73-27
A4EU821100	73-24	A4EUN14800	46-14	A4EUR71411	27-29	A4EUR72N11	24-28	A4EUR73Q00	74-18
A4EU821200	73-25	A4EUN16300	92-24	A4EUR71411	28-28	A4EUR72N11	33-28	A4EUR73Q00	77-28
A4EU821400	78-18	A4EUN16400	82-17	A4EUR71411	36-29	A4EUR72Q11	20-22	A4EUR73R11	77-29
A4EU823100	65-28	A4EUN16800	75-19	A4EUR71411	37-28	A4EUR72Q11	29-22	A4EUR73T00	78-19
A4EU823100	73-26	A4EUN18800	74-17	A4EUR71511	28-29	A4EUR72R11	23-22	A4EUR73V00	76-20
A4EU824100	77-26	A4EUN19700	72-29	A4EUR71511	37-29	A4EUR72R11	32-22	A4EUR73X00	72-30
A4EU835600	72-28	A4EUN19800	70-10	A4EUR71600	64-9	A4EUR72S11	22-23	A4EUR74300	75-20
A4EU840700	87-15	A4EUN20100	77-27	A4EUR71800	4-16	A4EUR72S11	31-23	A4EUR74400	80-34
A4EU840800	85-7	A4EUN20900	90-16	A4EUR71900	6-9	A4EUR72T23	24-29	A4EUR74500	92-25
A4EU846100	88-9	A4EUN21000	86-14	A4EUR71A11	7-4	A4EUR72T23	33-29	A4EUR74600	92-26
A4EU847000	87-16	A4EUN21600	80-33	A4EUR71B00	6-10	A4EUR72U11	21-33	A4EUR74700	91-29
A4EU847200	87-17	A4EUN21700	79-13	A4EUR71F00	63-12	A4EUR72U11	30-33	A4EUR74900	85-9
A4EU848600	86-12	A4EUN25200	65-29	A4EUR71J00	5-14	A4EUR72V11	21-34	A4EUR74J00	12-15
A4EU848800	88-10	A4EUN25300	49-17	A4EUR71M00	7-5	A4EUR72V11	30-34	A4EUR74K00	16-29
A4EU848900	86-13	A4EUN25500	49-18	A4EUR71N00	104-8	A4EUR72W11	22-24	A4EUR74V00	61-5
A4EU849300	66-15	A4EUN28500	13-21	A4EUR71S00	17-15	A4EUR72W11	31-24	A4EUR74W00	61-6
A4EU849300	67-28	A4EUPP0000	127-7	A4EUR71T11	19-23	A4EUR72X11	22-25	A4EUR74X00	61-7
A4EU849300	85-8	A4EUR70000	83-23	A4EUR71U00	19-24	A4EUR72X11	31-25	A4EUR74Y00	61-8
A4EU896100	95-4	A4EUR70200	46-15	A4EUR71V00	19-25	A4EUR72Y00	67-29	A4EUR75800	46-16
A4EU943000	21-32	A4EUR70411	38-10	A4EUR72400	58-14	A4EUR73000	64-10	A4EUR75E00	46-17
A4EU943000	30-32	A4EUR70500	60-8	A4EUR72500	58-15	A4EUR73100	65-30	A4EUR75F00	52-13

Parts No.	Page No.	Parts No.	Page No.	Parts No.	Page No.	Parts No.	Page No.	Parts No.	Page No.
A4EUR75G00	53-20	A5C1M50100	111-11	A782111100	107-5	A782211700	111-18	A782264000	117-7
A4EUR75H00	52-14	A5C1M50100	112-4	A782111200	107-6	A782211800	111-19	A782264101	117-8
A4EUR75J00	40-11	A5C1M50100	113-7	A782112305	106-8	A782211900	111-20	A782264202	117-9
A4EUR75P00	49-22	A5C1M50100	114-6	A782113702	106-9	A782212000	111-21	A782264300	116-28
A4EUR75Q00	50-11	A5C1M50100	116-5	A782113801	106-10	A782212300	116-11	A782264300	117-10
A4EUR75R00	49-23	A5C1M50100	117-4	A782113901	106-11	A782212500	119-11	A782264400	117-11
A4EUR75S00	51-11	A5C1M50100	118-6	A782114001	106-12	A782212600	113-10	A782264501	116-29
A4EUR75U11	42-7	A5C1M50100	119-4	A782114100	106-13	A782212702	111-22	A782264600	117-12
A4EUR75X00	129-7	A5C1M50100	121-9	A782115600	118-8	A782213000	113-11	A782264700	117-13
A4EUR75Y00	104-9	A5C1M50100	122-20	A782115700	113-8	A782213100	116-12	A782264800	117-14
A4EUR76000	104-9	A5C1N14300	122-21	A782115700	116-7	A782213300	116-13	A782264900	107-11
A4EUR76100	104-9	A61FM31100	123-19	A782115700	118-9	A782213400	114-18	A782265102	118-15
A4EUR76B00	98-15	A61FM90200	115-5	A782115800	119-8	A782213500	118-13	A782265201	117-15
A4EUR76C00	98-16	A61FM90200	120-8	A782116201	115-6	A782214300	111-23	A782265300	117-16
A4EUR76D00	101-21	A61FM90200	121-10	A782116301	115-7	A782214400	113-12	A782265600	118-16
A4EUR76E00	101-22	A782100001	114-7	A782116801	114-17	A782215100	113-13	A782265700	118-17
A4EUR76F00	95-11	A782100102	114-8	A782117000	107-7	A782215700	116-14	A782265800	118-18
A4EUR76G11	63-13	A782100200	114-9	A782117100	107-8	A782215800	111-24	A782266000	118-19
A4EUR76N00	104-9	A782100301	114-10	A782117500	106-14	A782230700	116-15	A782266100	118-20
A4EUR76P00	47-34	A782100400	114-11	A782117600	106-15	A782230900	118-14	A782266200	118-21
A4EUR77211	102-27	A782100501	114-12	A782117700	118-10	A782231000	116-16	A782266300	118-22
A4EUR77300	81-28	A782100600	114-13	A782117800	118-11	A782260200	114-19	A782266401	118-23
A4EW789601	101-23	A782100701	114-14	A782117900	113-9	A782260400	114-20	A782266502	118-24
A4EW845900	90-17	A782100802	114-15	A782117900	116-8	A782260501	114-21	A782266601	118-25
A4F3905000	20-23	A782101000	111-12	A782117900	118-12	A782260600	114-22	A782266700	118-26
A4F3905000	29-23	A782101600	111-13	A782118000	116-9	A782260700	114-23	A782266800	118-27
A50U854800	90-18	A782101700	107-1	A782118300	116-10	A782262101	116-17	A782266900	118-28
A55C601600	21-27	A782101900	119-5	A782119300	106-16	A782262200	116-18	A782267000	118-29
A55C601600	30-27	A782102900	116-6	A782130001	106-17	A782262300	116-19	A782267100	118-30
A55CR70400	7-6	A782103200	119-6	A782130301	107-9	A782262501	116-20	A782267200	118-31
A55D941100	120-7	A782103600	118-7	A782130500	108-3	A782262700	116-21	A782268001	118-32
A5AW162000	1-29	A782104301	117-5	A782130600	106-18	A782262800	107-10	A782268201	118-33
A5AW745200	98-17	A782104500	119-7	A782160200	106-19	A782262800	116-22	A782268301	117-17
A5AWM60200	5-15	A782104700	114-16	A782160300	106-20	A782262900	116-23	A782268500	117-18
A5AWN23600	62-13	A782105001	107-2	A782210200	119-9	A782263000	116-24	A782268900	116-30
A5AWP00100	127-2	A782105101	107-3	A782210800	119-10	A782263201	117-6	A782269200	116-31
A5C1280101	121-8	A782110009	106-5	A782211300	111-14	A782263212	117-6	A782269200	117-19
A5C1M10A00	122-19	A782110100	106-6	A782211400	111-15	A782263300	116-25	A782269300	117-20
A5C1M50100	109-5	A782110600	106-7	A782211500	111-16	A782263700	116-26	A782269500	117-21
A5C1M50100	110-7	A782111000	107-4	A782211600	111-17	A782263801	116-27	A782269800	116-32

Parts No.	Page No.
A782272200	114-24
A782272301	114-25
A782272401	114-26
A782272800	114-27
A782561000	109-8
A782561115	109-9
A782561126	109-9
A782561703	109-10
A782561801	110-8
A782561900	110-9
A782562001	109-11
A782562101	111-25
A782562101	117-22
A782562400	109-12
A782562400	112-5
A782562600	109-13
A782563800	118-34
A782565011	110-10
A782565301	112-6
A782566000	108-4
A782566800	109-14
A782566900	109-15
A782568200	113-14
A782568500	109-16
A782568600	113-15
A782568701	113-16
A782568901	111-26
A782569000	111-27
A782569200	111-28
A782569300	111-29
A782569801	111-30
A782569900	111-31
A782570400	112-7
A782570602	112-8
A782570800	108-5
A782570900	110-11
A782571100	108-6
A782571201	108-7
A782571300	108-8
A782571400	108-9

Parts No.	Page No.
A782571500	108-10
A782571600	108-11
A782571800	110-12
A782571900	110-13
A782572000	108-12
A782572101	110-14
A782572101	112-9
A782572900	108-13
A782573401	108-14
A782573501	111-32
A782573601	109-17
A782573612	109-17
A782573800	108-15
A782573901	110-17
A782576000	113-17
A782576100	111-33
A782600101	109-18
A782600900	109-19
A782601500	109-20
A782700400	112-10
A782700801	112-11
A782700900	112-12
A782701000	112-13
A782701100	112-14
A782701200	112-15
A782701400	112-16
A782701501	112-17
A782701900	112-39
A782702600	112-18
A782702700	112-19
A782702801	112-20
A782703001	112-21
A782703401	112-22
A782703900	112-23
A782704101	112-24
A782704200	112-25
A782704200	113-18
A782704301	111-34
A782704400	112-26
A782704501	112-27

Parts No.	Page No.
A782704700	112-28
A782704800	112-29
A782704901	112-30
A782705600	112-31
A782707201	111-35
A782707400	111-36
A782710000	113-19
A782710100	113-20
A782710201	113-21
A782710806	113-22
A782711000	113-23
A782711901	113-24
A782712300	113-25
A782714100	113-26
A782714200	113-27
A782890000	119-12
A782890111	119-13
A782890200	119-14
A782890600	119-15
A782890711	119-16
A782891500	119-17
A782891600	119-18
A782891700	119-19
A782891800	109-21
A782891901	109-22
A782940100	106-21
A782940300	118-35
A782940400	112-32
A782945003	127-21
A782H00201	106-22
A782M10000	113-28
A782M10000	116-33
A782M10100	108-16
A782M10200	116-34
A782M10400	117-23
A782M50100	115-8
A782M50200	112-33
A782N10100	113-29
A782N10200	111-37
A782N10300	109-23

Parts No.	Page No.
A782N10400	109-24
A782N10501	116-35
A782N10700	118-36
A782N10900	115-9
A782N11100	112-34
A782N11200	106-23
A782N11800	107-12
A782N11800	118-37
A782N12100	114-28
A782N12200	115-10
A782N12300	115-11
A782N12400	117-24
A782N12600	116-36
A782N12700	113-30
A782N20000	115-12
A782N20100	112-35
A782N20201	115-13
A782N20300	111-38
A782N20400	113-31
A782N21100	106-24
A782N21311	115-14
A782P18000	109-26
A782R70100	114-29
A782R70311	109-25
A782R70611	112-36
A782R70800	111-40
A782R71022	106-27
A782R71100	109-28
A782R71200	109-27
A782R71300	115-15
A795167800	120-9
A795273900	123-20
A795275700	122-22
A799110500	5-16
A799113700	5-17
A799117800	7-7
A799160202	2-5
A799161401	11-7
A799161501	11-8
A799161700	2-6

Parts No.	Page No.
A799164501	129-15
A799164800	2-7
A799165100	25-18
A799165100	34-18
A799165300	25-19
A799165300	34-19
A799165400	25-20
A799165400	34-20
A799167700	128-3
A799168000	5-18
A799168300	9-10
A799169600	3-3
A799169701	2-8
A799169801	3-4
A799169901	2-9
A799190100	13-22
A799190200	13-23
A799190301	13-24
A799190500	12-16
A799190600	11-9
A799190601	11-9
A799190700	11-10
A799190701	11-10
A799190801	11-11
A799190801	12-17
A799190900	12-18
A799191000	129-8
A799194101	13-25
A799197100	12-19
A799258300	63-14
A799301001	41-2
A799301100	41-3
A799301200	41-4
A799332100	43-18
A799341700	46-18
A799345000	43-19
A799361200	63-15
A799362900	63-16
A799363000	63-17
A799403300	60-10

Parts No.	Page No.	Parts No.	Page No.	Parts No.	Page No.	Parts No.	Page No.	Parts No.	Page No.
A799409600	2-25	A79JPJP000	127-13	A9JT118900	6-12	A9JT164901	1-19	A9JT411100	57-17
A799409600	60-11	A79JPJP100	127-14	A9JT130600	105-14	A9JT165100	2-17	A9JT417000	54-18
A799463500	40-12	A7PUR71133	120-10	A9JT130700	105-15	A9JT165301	2-18	A9JT417100	54-19
A799622100	28-30	A85C130700	103-8	A9JT130901	105-16	A9JT165500	1-20	A9JT420000	55-24
A799622100	37-30	A85CM55500	25-21	A9JT131200	5-20	A9JT165600	1-21	A9JT420100	59-16
A799623400	28-31	A85CM55500	34-21	A9JT132500	105-17	A9JT165700	1-22	A9JT460100	40-14
A799623400	37-31	A85CM55500	40-13	A9JT132600	105-18	A9JT165900	1-23	A9JT460200	40-15
A799732500	96-19	A85CM55500	48-27	A9JT133600	103-9	A9JT166000	3-8	A9JT460300	40-16
A799741500	101-24	A85CM55500	61-9	A9JT133701	103-20	A9JT166100	1-24	A9JT460400	40-17
A799778600	97-18	A85CM55600	5-19	A9JT134400	103-10	A9JT166300	3-9	A9JT460800	39-9
A799815200	77-30	A85CM55600	16-30	A9JT135000	105-19	A9JT166400	2-19	A9JT461000	40-18
A799816100	8-16	A85CM55600	24-30	A9JT136000	105-20	A9JT167000	2-3	A9JT461100	40-19
A799840600	87-18	A85CM55600	33-30	A9JT136100	105-21	A9JT167200	2-20	A9JT461700	39-10
A799846400	88-11	A85CM55600	59-15	A9JT136200	105-22	A9JT167301	2-21	A9JT462100	39-11
A799944502	129-9	A85CM55600	62-15	A9JT138100	103-11	A9JT167401	1-25	A9JT463100	40-20
A799H04001	13-26	A85CM55600	71-8	A9JT139200	104-14	A9JT167500	1-26	A9JT464000	39-12
A799H31001	41-5	A85CM55600	82-18	A9JT160102	1-8	A9JT170601	120-12	A9JT500100	93-17
A799M45103	104-10	A85CM91100	121-12	A9JT160300	1-9	A9JT195500	11-2	A9JT502700	94-21
A799M45202	104-11	A85CN27800	121-13	A9JT160400	2-10	A9JT215100	16-31	A9JT502800	94-22
A799M45300	104-12	A8WC700500	112-37	A9JT160500	2-26	A9JT215500	16-32	A9JT503100	94-23
A799M72000	105-13	A8WC707100	127-19	A9JT160600	2-11	A9JT217100	16-33	A9JT503800	94-24
A799N14400	46-19	A8WC710500	113-32	A9JT160700	1-10	A9JT217400	16-34	A9JT504100	94-25
A799N14700	60-12	A8WCH00100	106-25	A9JT160800	1-11	A9JT237100	14-17	A9JT504201	94-26
A799N14901	60-13	A8WCH00200	113-33	A9JT160900	2-12	A9JT239000	14-18	A9JT514500	81-29
A799N15100	41-6	A8WCH00300	112-38	A9JT161000	1-12	A9JT239301	14-19	A9JT514600	81-30
A799N22100	4-17	A8WCN10000	106-26	A9JT161100	3-5	A9JT257100	15-14	A9JT517700	81-31
A799N22100	54-16	A8WCN10100	113-34	A9JT161200	3-6	A9JT333800	42-8	A9JT518000	81-32
A799N25600	103-7	A92WM60100	104-13	A9JT161300	3-11	A9JT341600	44-10	A9JT519600	82-19
A799R70D11	41-8	A9JT100400	8-2	A9JT161600	1-13	A9JT345400	47-35	A9JT532700	49-24
A799R70G00	62-14	A9JT105001	9-11	A9JT162000	1-14	A9JT347500	42-9	A9JT533000	48-14
A799R70S11	28-32	A9JT109500	6-11	A9JT162300	3-7	A9JT363100	62-16	A9JT533100	48-15
A799R70S11	37-32	A9JT112200	9-12	A9JT162700	1-15	A9JT363200	62-17	A9JT534800	51-12
A799R71100	45-18	A9JT112300	128-4	A9JT162900	4-21	A9JT363300	62-18	A9JT534900	51-13
A799R71200	4-18	A9JT113400	9-13	A9JT163100	2-13	A9JT363400	62-19	A9JT535300	51-14
A799R71300	4-19	A9JT113500	9-14	A9JT163200	1-16	A9JT363500	62-20	A9JT536500	49-25
A799R71400	4-20	A9JT113600	9-15	A9JT163300	1-17	A9JT363600	62-21	A9JT536600	51-15
A799R71P00	46-21	A9JT114300	9-16	A9JT163401	2-14	A9JT363700	62-22	A9JT539700	50-12
A799R71Q00	46-22	A9JT117300	9-17	A9JT163502	2-15	A9JT363800	62-23	A9JT601500	25-22
A79JM90A00	111-39	A9JT117400	9-18	A9JT163600	1-18	A9JT400201	60-14	A9JT601500	34-22
A79JPJG000	127-22	A9JT117500	9-19	A9JT163800	2-16	A9JT410500	54-17	A9JT601900	25-23

Parts No.	Page No.
A9JT601900	34-23
A9JT602000	24-31
A9JT602000	33-31
A9JT700100	66-16
A9JT700100	67-30
A9JT700200	67-31
A9JT700700	66-17
A9JT700700	67-32
A9JT700800	66-18
A9JT700800	67-33
A9JT703700	67-34
A9JT704400	65-31
A9JT710100	91-38
A9JT710800	91-30
A9JT710900	91-31
A9JT713100	91-32
A9JT713200	91-33
A9JT713500	92-27
A9JT713800	92-28
A9JT714000	92-29
A9JT714100	91-34
A9JT714200	91-35
A9JT714600	69-8
A9JT716100	70-11
A9JT718300	92-30
A9JT723101	99-17
A9JT725000	99-18
A9JT725300	99-19
A9JT725600	97-19
A9JT725701	96-20
A9JT725800	97-20
A9JT725900	97-21
A9JT727400	100-23
A9JT728100	96-21
A9JT728200	96-22
A9JT728300	96-23
A9JT728400	96-24
A9JT729200	96-25
A9JT729300	96-26
A9JT729400	96-27

Parts No.	Page No.
A9JT730400	98-23
A9JT731301	96-28
A9JT731400	96-29
A9JT732300	96-30
A9JT732400	96-31
A9JT732800	99-20
A9JT733000	99-21
A9JT736300	101-25
A9JT738500	101-26
A9JT738600	100-24
A9JT738700	100-25
A9JT739100	101-27
A9JT741400	100-26
A9JT742200	97-22
A9JT743800	98-18
A9JT745901	98-21
A9JT746001	98-22
A9JT748300	100-27
A9JT749400	98-19
A9JT810400	73-28
A9JT810500	75-21
A9JT810700	76-21
A9JT811500	71-9
A9JT811600	74-19
A9JT812100	73-29
A9JT812300	71-10
A9JT812600	78-20
A9JT813200	74-20
A9JT813400	74-21
A9JT813600	77-31
A9JT813700	72-31
A9JT813800	74-22
A9JT813900	71-11
A9JT814000	76-22
A9JT814100	73-30
A9JT814100	75-22
A9JT814200	77-32
A9JT814300	73-31
A9JT814400	76-23
A9JT814500	75-23

Parts No.	Page No.
A9JT814600	74-23
A9JT814800	73-32
A9JT815100	72-32
A9JT815200	73-33
A9JT815300	73-34
A9JT815400	80-35
A9JT815600	73-35
A9JT818000	80-36
A9JT819000	8-17
A9JT819100	8-18
A9JT819200	8-19
A9JT819300	8-20
A9JT819400	77-33
A9JT819500	71-12
A9JT819600	8-21
A9JT819700	8-22
A9JT830300	69-9
A9JT842100	86-15
A9JT842200	87-19
A9JT843400	85-10
A9JT843700	86-16
A9JT844200	87-20
A9JT844900	87-21
A9JT860400	87-22
A9JT860500	85-11
A9JT860600	90-19
A9JT861000	85-12
A9JT861100	85-13
A9JT861800	90-20
A9JT861900	86-17
A9JT869900	86-18
A9JT942401	3-10
A9JT942601	75-24
A9JT944100	1-27
A9JT944200	1-28
A9JT947600	57-18
A9JT947800	25-24
A9JT947800	34-24
A9JT951200	41-9
A9JTF33900	45-19

Parts No.	Page No.
A9JTH01102	103-12
A9JTH01A00	121-11
A9JTH02001	103-13
A9JTH05000	104-15
A9JTH07001	71-13
A9JTH08000	79-14
A9JTH51001	103-14
A9JTM10200	15-15
A9JTM10200	16-35
A9JTM10200	18-12
A9JTM10200	54-20
A9JTM10200	63-18
A9JTM10200	86-19
A9JTM10300	16-36
A9JTM10300	17-16
A9JTM10300	75-25
A9JTM10400	17-17
A9JTM20000	66-19
A9JTM20000	67-35
A9JTM30800	40-21
A9JTM33001	98-20
A9JTM40100	105-23
A9JTM40200	75-26
A9JTM40300	105-24
A9JTM50100	99-22
A9JTM50200	99-23
A9JTM50300	99-24
A9JTM50400	100-28
A9JTM60300	5-12
A9JTM90100	103-15
A9JTM90200	103-16
A9JTM90300	2-22
A9JTM90400	2-23
A9JTM90511	2-24
A9JTN10100	104-16
A9JTN10200	104-17
A9JTN10300	105-25
A9JTN10400	104-18
A9JTN10500	104-19
A9JTN10600	100-29

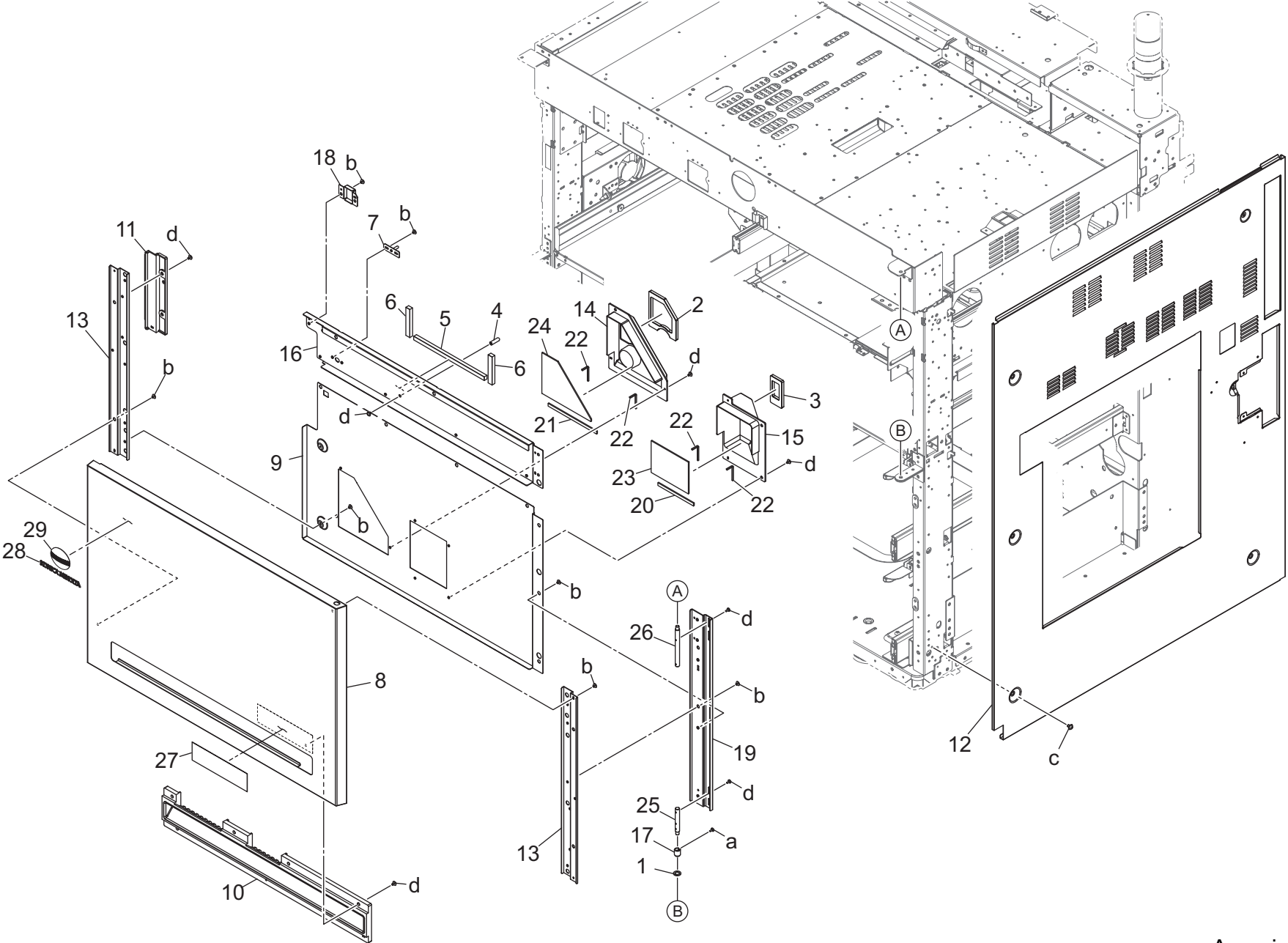
Parts No.	Page No.
A9JTN10700	104-20
A9JTN10800	99-25
A9JTN10901	100-30
A9JTN11001	124-1
A9JTN11100	104-21
A9JTN11200	105-26
A9JTN11300	105-27
A9JTN11400	7-8
A9JTN11501	125-1
A9JTN11700	15-16
A9JTN11800	59-17
A9JTN11900	105-28
A9JTN12000	104-22
A9JTN12100	8-23
A9JTN12311	5-21
A9JTN12400	16-37
A9JTN12500	16-38
A9JTN12600	124-2
A9JTN12800	126-1
A9JTN12900	15-17
A9JTN13000	105-29
A9JTN13100	6-13
A9JTN13301	25-25
A9JTN13301	34-25
A9JTN13A01	56-18
A9JTN13E01	56-18
A9JTN14100	45-20
A9JTN14200	46-20
A9JTN14601	6-14
A9JTN15200	41-7
A9JTN15401	11-12
A9JTN16000	73-36
A9JTN16100	76-24
A9JTN16200	77-34
A9JTN16500	73-37
A9JTN16600	74-24
A9JTN16700	75-27
A9JTN16900	72-33
A9JTN18200	12-20
A9JTN18300	12-21

Parts No.	Page No.
A9JTN18900	71-14
A9JTN19600	75-28
A9JTN19900	79-15
A9JTN20700	85-14
A9JTN21100	90-21
A9JTN21200	71-15
A9JTN21300	71-16
A9JTN21400	82-20
A9JTN21500	72-34
A9JTN22601	105-30
A9JTN22701	105-31
A9JTN22800	105-32
A9JTN22900	105-33
A9JTN23100	105-34
A9JTN25700	91-36
A9JTN29812	105-35
A9JTN29911	105-36
A9JTP40000	127-25
A9JTP40100	127-26
A9JTP72000	127-27
A9JTR70100	39-13
A9JTR70200	52-15
A9JTR70300	97-23
A9JTR70400	85-15
A9JTR70500	54-21
A9JTR70600	54-21
A9JTR70700	54-21
A9JTR70822	93-18
A9JTR70822	93-18
A9JTR70822	93-18
A9JTR70911	96-32
A9JTR71000	91-37
A9JTR71200	85-16
A9JTR71300	42-10
A9JTR71400	42-11
A9JTR71500	50-13
A9JTR71622	48-28
A9JTR71622	48-28
A9JTR71700	72-35
A9JTR71800	16-39

Parts No.	Page No.
A9JTR71900	17-18
A9JTR71A00	14-20
A9JTR71B00	18-13
A9JTR71C00	45-21
A9JTR71D00	63-19
A9JTR71E00	62-24
A9JTR71F00	60-15
A9JTR71G00	39-14
A9JTR71H00	64-11
A9JTR71J00	78-21
A9JTR71M00	128-5
A9JTR71N00	11-13
A9JTR71P00	15-18
A9JTR71Q00	41-10
A9JTR71R00	58-18
A9JTR71S00	81-33
A9JTR71T00	49-26
A9JTR71U00	66-20
A9JTR71U00	67-36
A9JTR71W00	80-37
A9JTR71Y11	105-37
A9JTR72100	45-22
A9JTR72200	61-10
A9JTR72300	61-11
A9JTR72500	6-15
A9JTR72600	1-7
A9JTR72700	5-22
A9JTR72800	51-16
A9JTR72900	82-21
A9JTR73000	120-14
A9JTR73100	45-23
A9JTR73200	45-24
A9JTR73300	50-8
A9JTR73400	50-9
A9JTR73500	49-20
A9JTR73600	62-11
A9JTR73700	54-21
A9JTR73800	51-17
A9JTR73900	51-18
A9JX214100	15-19

Parts No.	Page No.
A9VEM75500	13-15
A9VER72500	120-11
AAJV370500	98-1
AAAMP273000	117-26
ADF2M75800	13-20
ADF2N14600	120-13
SP00-0022	99-26
SP00-0043	100-31
V121030603	129-10
V121030803	129-11
V127030604	129-12
V502010007	79-16
V502010021	71-17
V502010032	104-23
V502010033	103-17
V502010033	104-24
V502010033	105-38
V865300109	103-19

External Parts Section

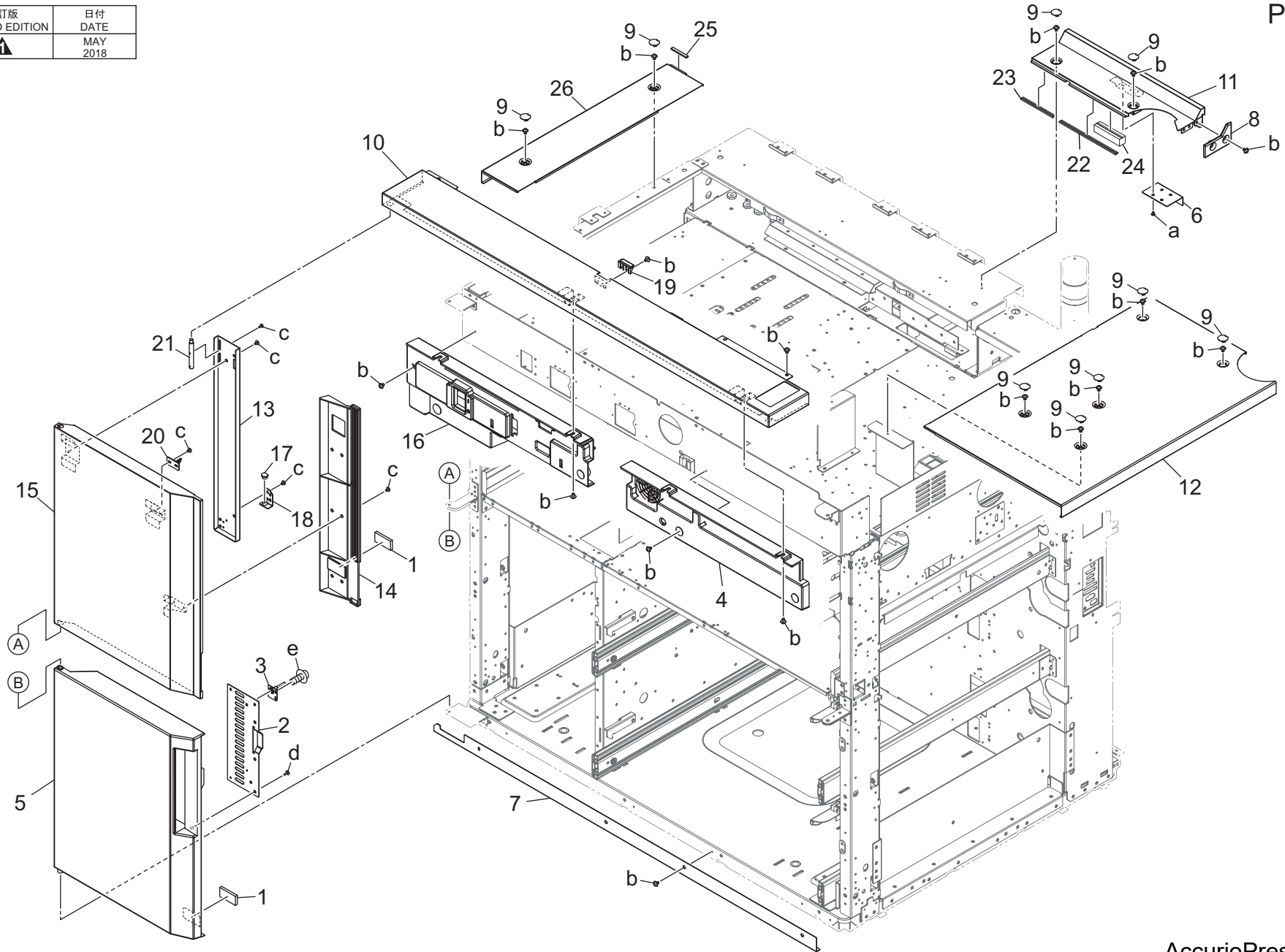


Key	Part No.	Description	Destinations	Class	QTY	Standard parts
1	57AA30260	Developing Agitating Spacer		C	1	a-V118030604 b-V121030403 c-V121040604 d-V127030604
2	A0G6162100	Sealing Cushion /Left		C	1	
3	A0G6162200	Sealing Cushion /Right		C	1	
4	A0G6168600	Ground Shaft		D	1	
5	A4EU162800	Sealing Part /A		D	1	
6	A4EU162900	Sealing Part /B		D	2	
7	A9JTR72600	Adjusting Plate/Right Caulking		D	1	
8	A9JT160102	Door /Right		D	1	
9	A9JT160300	Mounting Plate /Right		D	1	
10	A9JT160700	Cooling Duct /Front		D	1	
11	A9JT160800	Cover Handle /Right		D	1	
12	A9JT161000	Cover /Right		D	1	
13	A9JT161600	Reinforce Stay /Right		D	2	
14	A9JT162000	Cooling Duct /2		D	1	
15	A9JT162700	Cooling Duct /1		D	1	
16	A9JT163200	Reinforce Plate /Upper		D	1	
17	A9JT163300	Support Bushing /Right		C	1	
18	A9JT163600	Suction Base Frame		D	1	
19	A9JT164901	Reinforce Plate /Right		D	1	
20	A9JT165500	Cooling Seal /1		D	1	
21	A9JT165600	Cooling Seal /2		D	1	
22	A9JT165700	Cooling Seal /3		D	4	
23	A9JT165900	Cooling Seal /4		D	1	
24	A9JT166100	Cooling Seal /5		D	1	
25	A9JT167401	Mounting Shaft /Lower		D	1	
26	A9JT167500	Mounting Shaft /Upper		D	1	
27	A9JT944100	Label /H (Accurio Press 6136)		D	1	
28	A9JT944200	Label /KONICA MINOLTA		D	1	
29	A5AW162000	Indicating Plate		C	1	

External Parts Section

改訂版 REVISED EDITION	日付 DATE
	MAY 2018

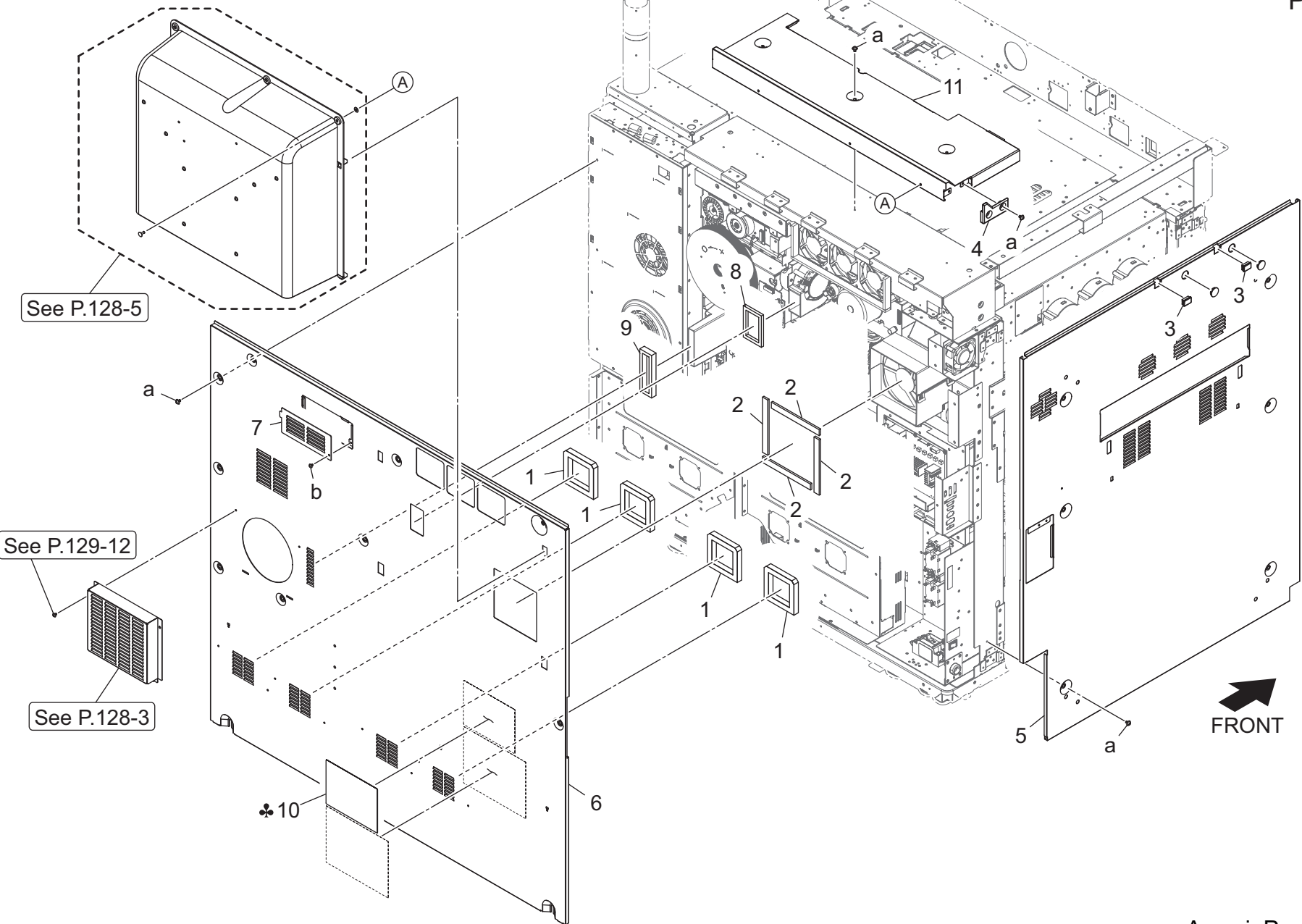
P 2



AccurioPress 6136

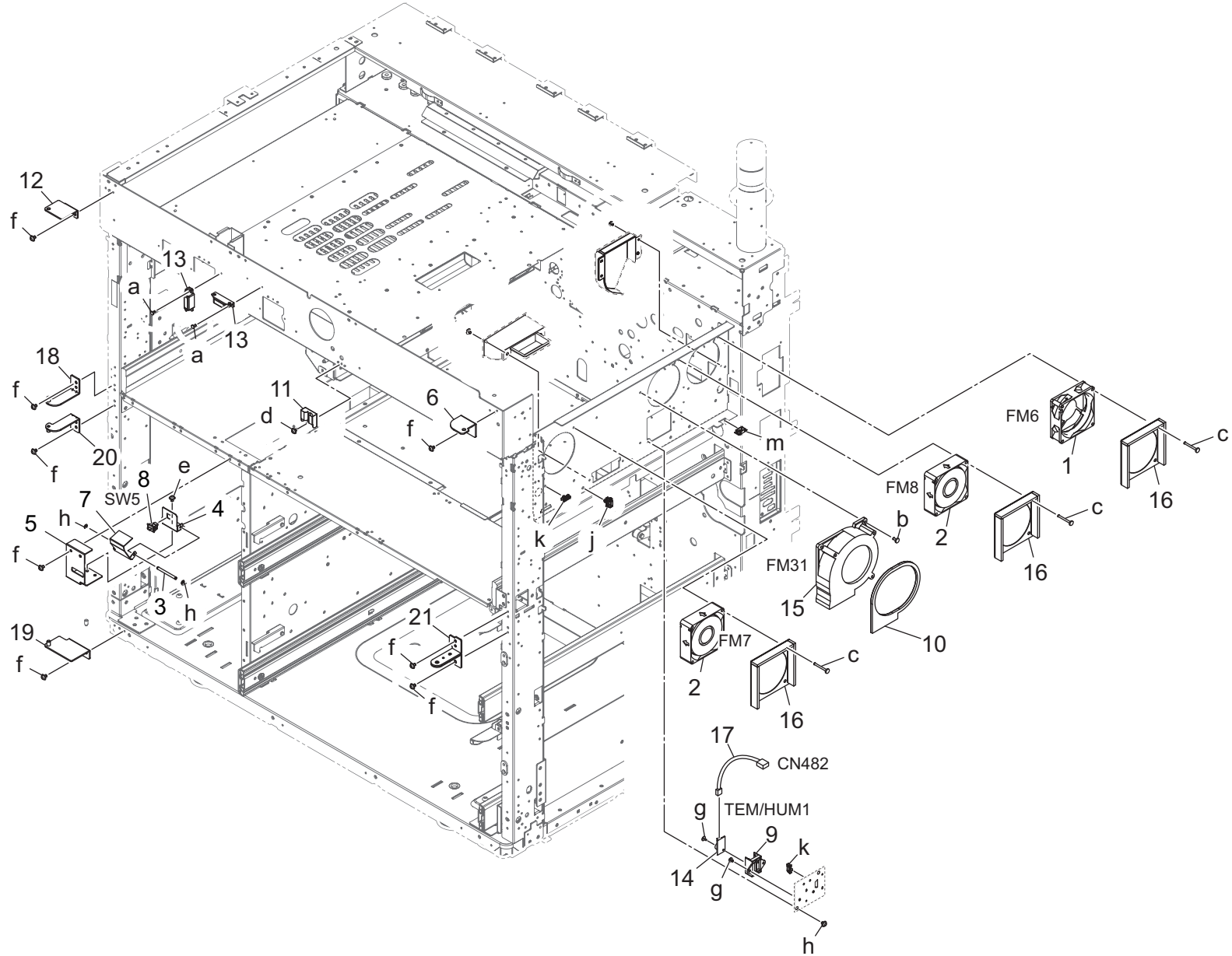
Key	Part No.	Description	Destinations	Class	QTY	Standard parts
1	55VA12460	Front Door Stopper Rubber		D	2	a-V118030403 b-V121040604 c-V127030604 d-V151030804 e-V125030803
2	A0G6163602	Auxiliary Cover		D	1	
3	A0G6163700Old	Open/Close Actuator		C	1	
3	A9JT167000	Adjusting Plate /Left		C	1	
4	A0G6163911	Cover /Right		C	1	
5	A799160202	Collection Door		D	1	
6	A799161700	Cover		D	1	
7	A799164800	Cover /Lower		D	1	
8	A799169701	Protection Cover /Right		D	1	
9	A799169901	Cover		D	9	
10	A9JT160400	Cover		D	1	
11	A9JT160600	Cover /Rear		D	1	
12	A9JT160900	Read Cover /Right		D	1	
13	A9JT163100	Reinforce Plate /Left		D	1	
14	A9JT163401	Cover Handle /Left		D	1	
15	A9JT163502	Door /Left		D	1	
16	A9JT163800	Cover /Left		D	1	
17	A9JT165100	Support Bushing /Left		C	1	
18	A9JT165301	Support Plate		D	1	
19	A9JT166400	Auxiliary Cover /Front		D	1	
20	A9JT167200	Lock Claw /Left		D	1	
21	A9JT167301	Mounting Shaft /Upper		D	1	
22	A9JTM90300	Gasket /3		D	1	
23	A9JTM90400	Gasket /4		D	1	
24	A9JTM90511	Gasket /5		D	1	
25	A799409600	Toner supply Seal /H		D	1	
26	A9JT160500	Read Cover /Left		D	1	

External Parts Section



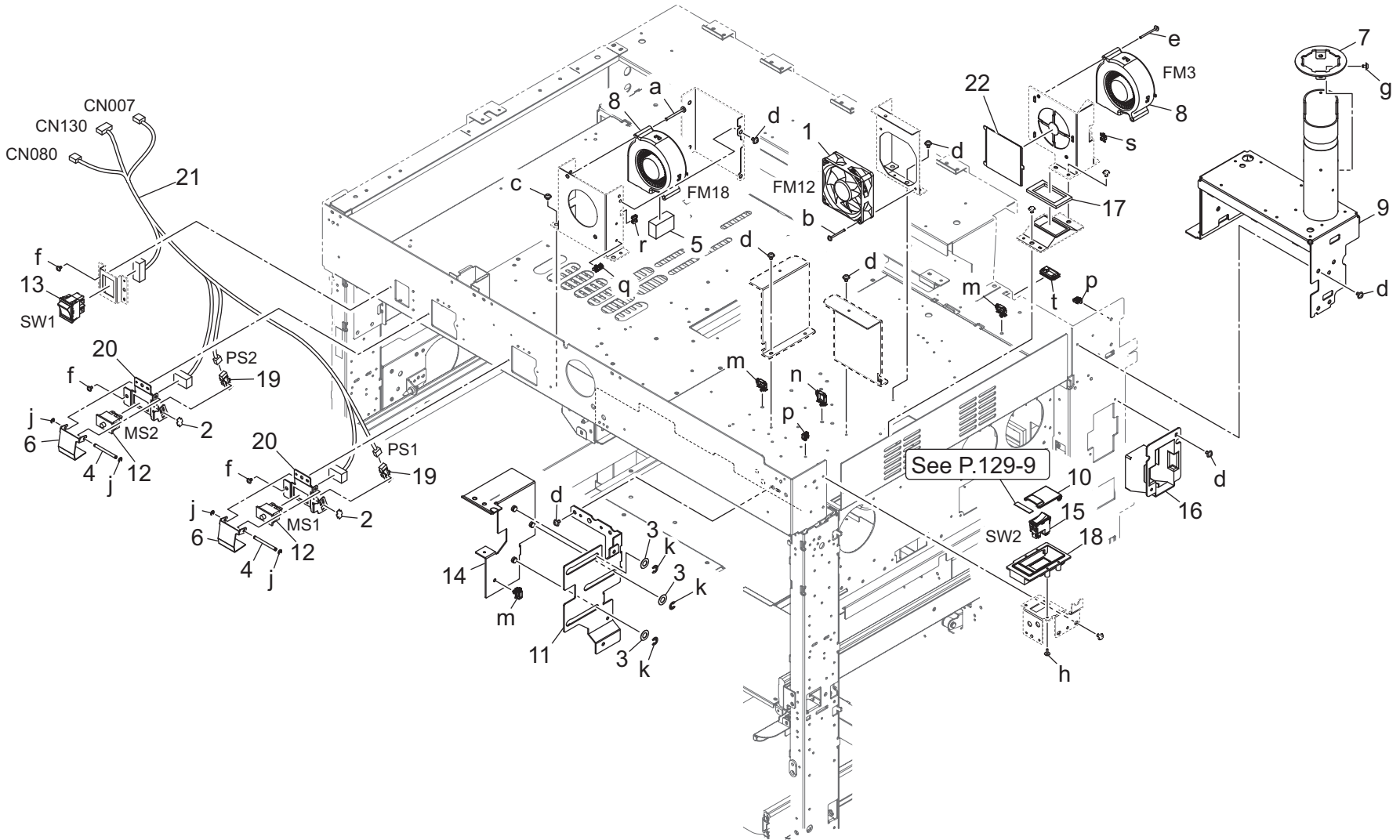
Key	Part No.	Description	Destinations	Class	QTY	Standard parts
1	A0G6168500	Seal /6		C	4	a-V121040604 b-V127030604
2	A0G6168700	Seal /12		C	4	
3	A799169600	Cover Part		C	2	
4	A799169801	Protection Cover /Left		D	1	
5	A9JT161100	Cover /Left		D	1	
6	A9JT161200	Cover /Rear		D	1	
7	A9JT162300	Protection Plate		D	1	
8	A9JT166000	Cooling Seal /1		D	1	
9	A9JT166300	Cooling Seal /2		D	1	
10	A9JT942401	Caution Label	C,I(SOUTH AFRICA)	D	1	
11	A9JT161300	Read Cover /Rear		D	1	

Main Frame Section



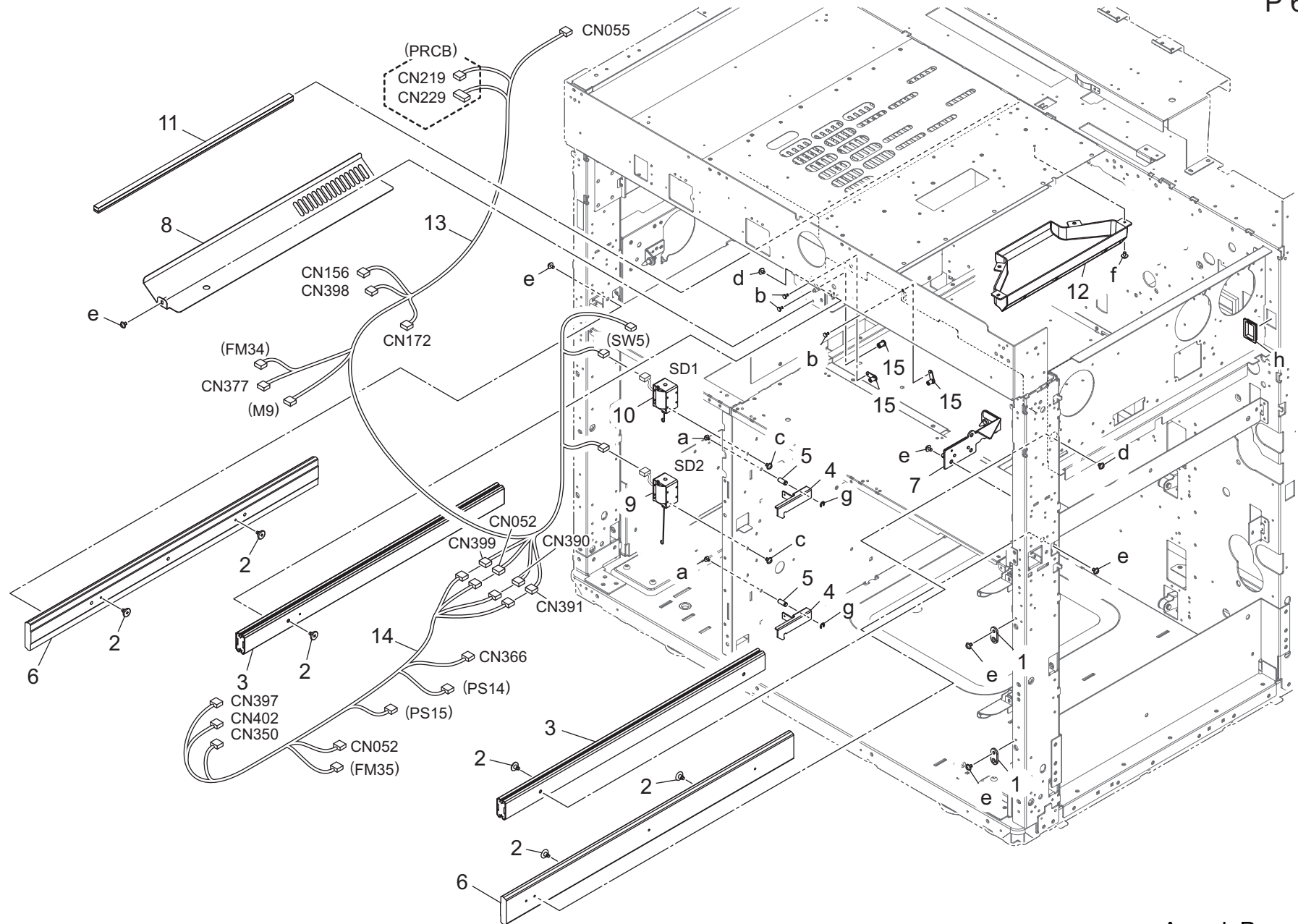
Key	Part No.	Description	Destinations	Class	QTY	Standard parts
1	13NT80511	Fan Motor /1		C	1	a-V118030603
2	4139M10001	Fan motor		B	2	b-V118040803
3	55VA70110D	Door Detection Shaft		D	1	c-V118043003
4	56UA12200	SWITCH FIXING PLATE		D	1	d-V121040403
5	56UA12210E	Switch Mounting Plate /2		D	1	e-V121040603
6	56UA12280	FRONT DOOR HINGE 2		D	1	f-V121040604
7	56UA12370	Door Detection Actuator		D	1	g-V149030803
8	56UA85010	Switch		C	1	h-V217030003
9	65AA11300	Support Part		D	1	j-V500010082
10	A0G6113500	Cooling Seal /Middle		C	1	k-V500020100
11	A0G6115600	Ground Plate /2		D	1	m-V570010063
12	A0G6164101	Holding Hinge /Upper		C	1	
13	A0G6411200	Magnet /X		D	2	
14	A0P0M50400	Humidity sensor		C	1	
15	A0Y5M15101	Suction Fan motor		C	1	
16	A4EUR71800	Fan Sealing Part/2 Assy		C	3	
17	A799N22100	Temperature Detection harness		D	1	
18	A799R71200	Support Hinge /3 Caulking		D	1	
19	A799R71300	Support Hinge /4 Caulking		D	1	
20	A799R71400	Support Hinge /5 Caulking		D	1	
21	A9JT162900	Support Hinge		D	1	

Main Frame Section

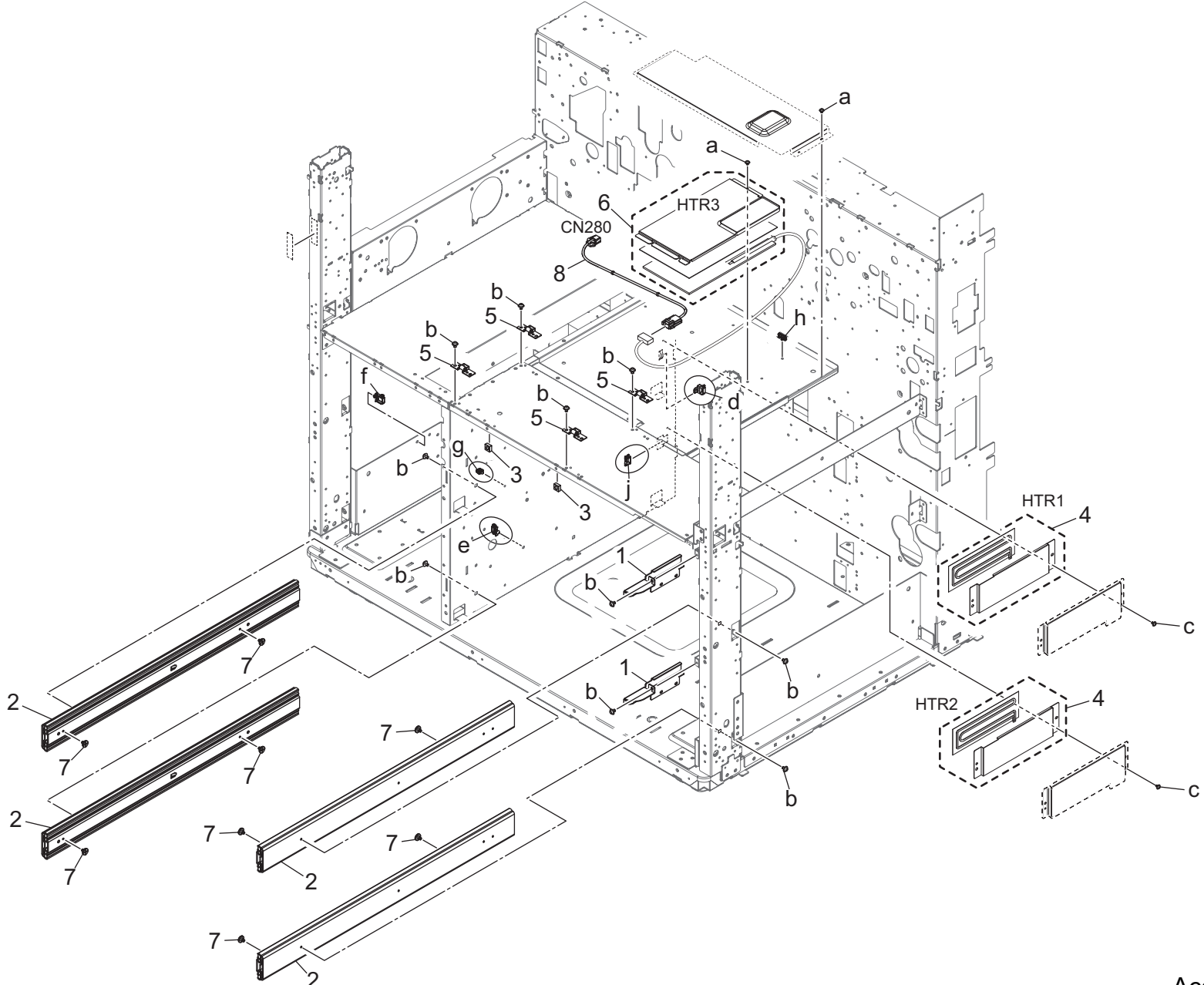


Key	Part No.	Description	Destinations	Class	QTY	Standard parts
1	4139M10001	Fan motor		B	1	a-V118043503
2	4470402401	Stopper	ファンモータ	D	2	b-V121033003
3	55VA32530	Spacer	ストッパー	C	3	c-V121040403
4	55VA70110D	Door Detection Shaft	スペーサー	D	2	d-V121040603
5	564A116300	SEALING PART /1	ドア検知軸	C	1	e-V125033503
6	56UA12370	Door Detection Actuator	シール部材 /1	D	2	f-V127030604
7	56UA70540	Ope Unit Positioning Plate /L	ドア検知アクチュエータ	D	1	g-V127040603
8	9313100072	FAN MOTOR	操作部位置決め板 /下	C	2	h-V151030803
9	A0G6101701	Mounting Pedestal	ファンモータ	D	1	j-V217030003
10	A0G6168101	Protection Cover	取付台	C	1	k-V217060003
11	A0G6400502	Fixing Hinge	保護カバー	C	1	m-V500010082
12	A0G6M60300Old	Interlock Switch	固定ヒンジ	C	2	n-V500010083
12	A9JTM60300	Interlock Switch	インターロックスイッチ	C	2	p-V500020098
13	A4EUM60000	Power source Switch	インターロックスイッチ	C	1	q-V500020100
14	A4EUR71J00	Slide Hinge Caulking	電源スイッチ	D	1	r-V570010021
15	A5AWM60200	Power Source Switch	スライドヒンジカシメ	C	1	s-V570010050
16	A799110500	Suction Duct /1	電源スイッチ	D	1	t-V570010059
17	A799113700	Cooling Seal /1	サクシヨンドクト /1	D	1	
18	A799168000	Operation Casing	冷却シール /1	D	1	
19	A85CM55600	Photo Sensor	操作ケーシング	C	2	
20	A9JT131200	Hold Plate	フォトセンサ	D	2	
21	A9JTN12311	Interlock Detection Harness	保持板	D	1	
22	A9JTR72700	Charging Filter	インターロック検知束線 帯電フィルター	B	1	

Main Frame Section

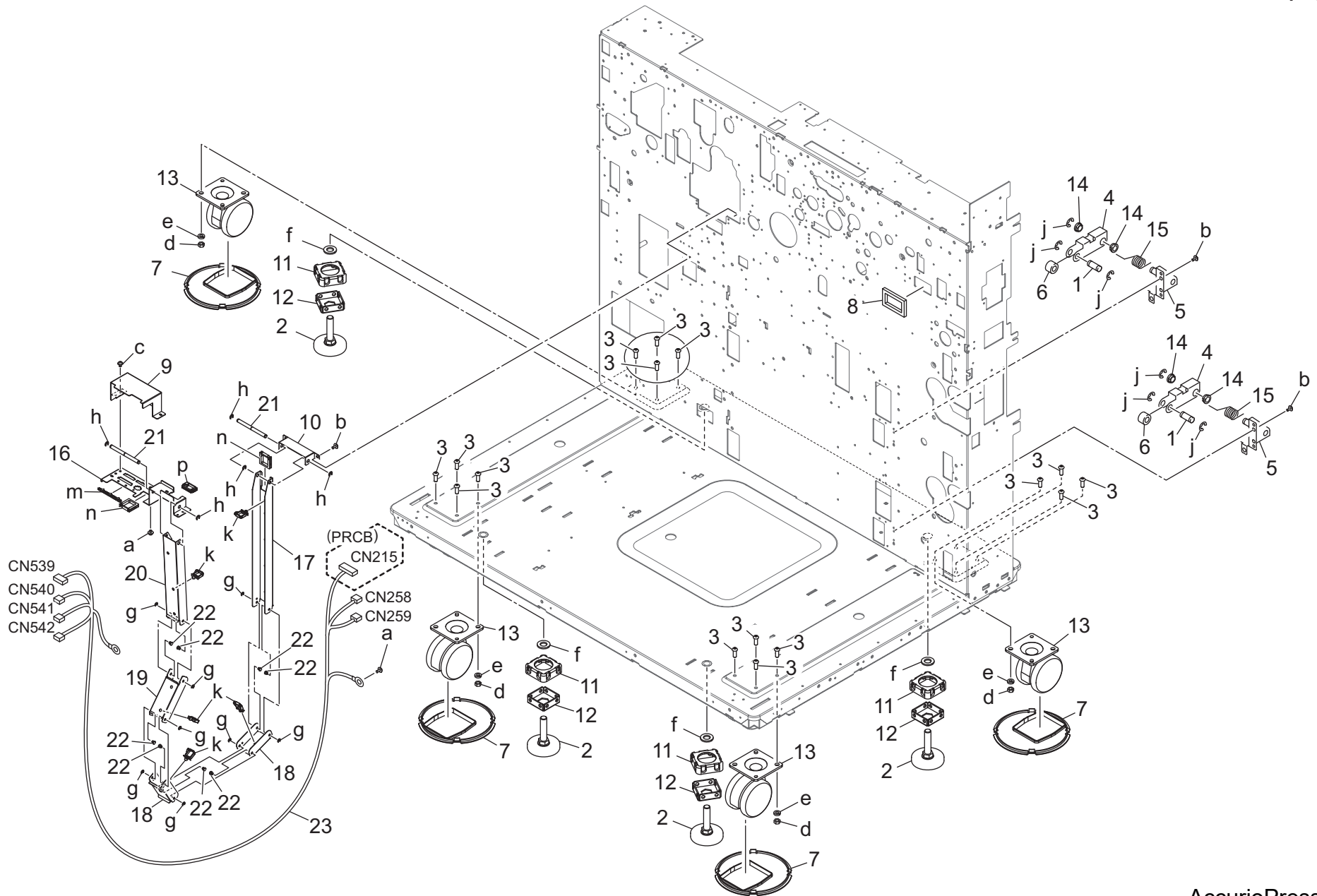


Main Frame Section



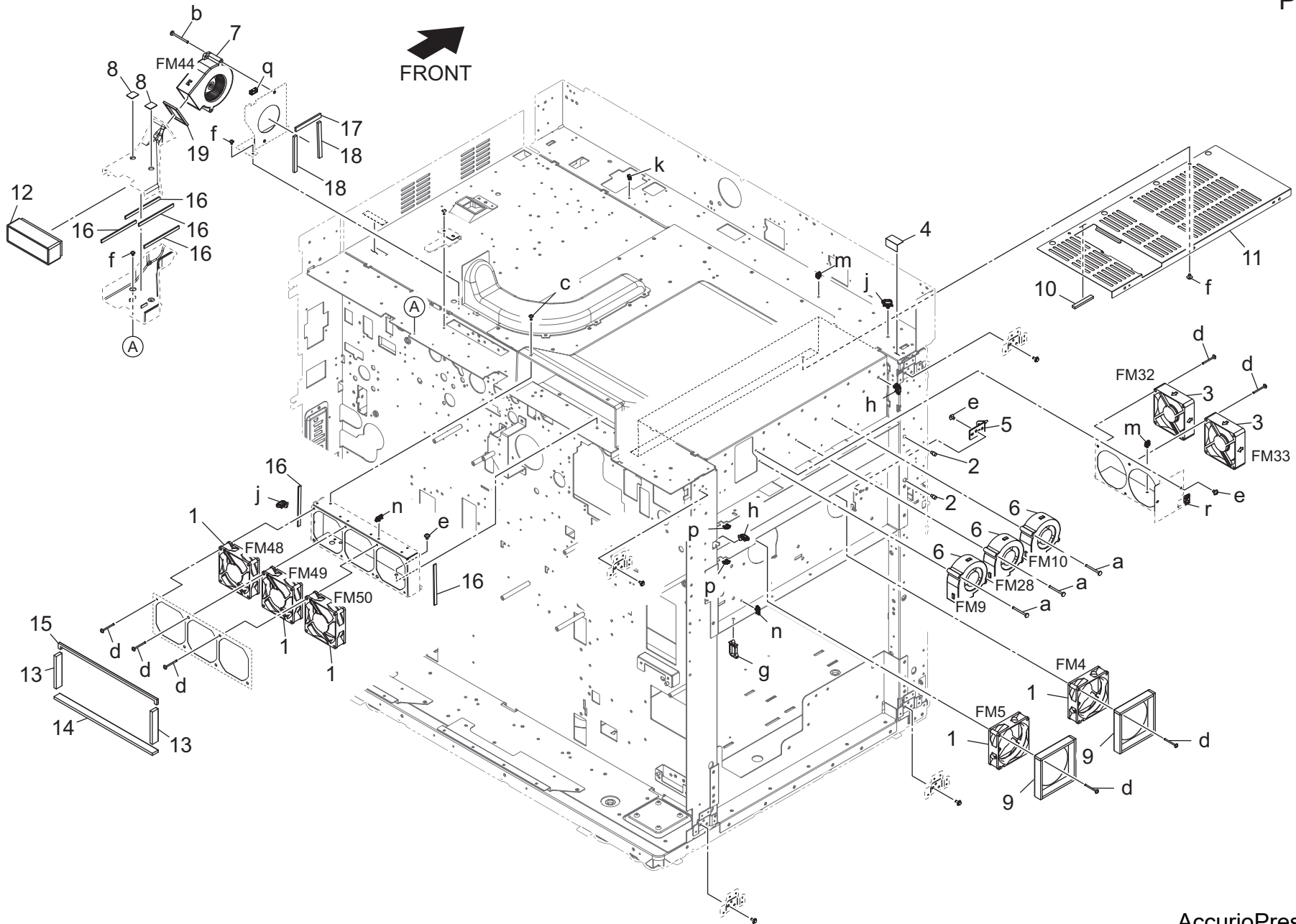
Main Frame Section

Key	Part No.	Description	Destinations	Class	QTY	Standard parts
1	56UA40310	Release Plate		D	2	a-V121030403
2	56UA40450E	Tray Slide Rail		D	4	b-V121040603
3	57GA61560	SCREW PROTECTION CUSHION/1		C	2	c-V127030604
4	A4EUR71A11	Heater Mounting Plate Assy		D	2	d-V500010021
5	A4EUR71M00	Bottom Plate Lifting Part Assy		D	4	e-V500010081
6	A55CR70400	Internal Heater Assy		D	1	f-V500010083
7	A799117800	Positioning Screw		D	8	g-V500020098
8	A9JTN11400	Heater Relay Harness /2		D	1	h-V500020100
						j-V570010063



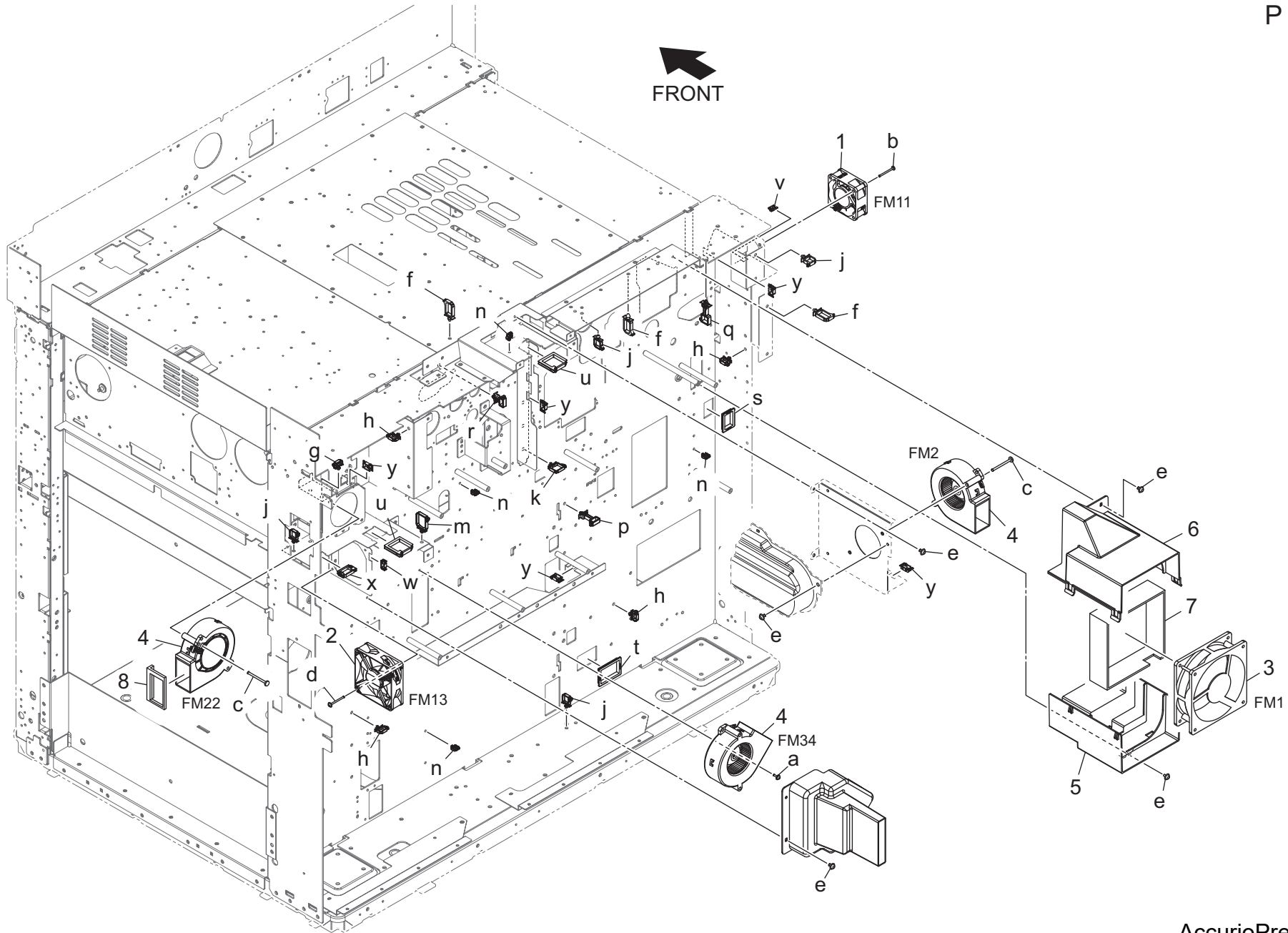
Key	Part No.	Description	Destinations	Class	QTY	Standard parts
1	048610110	Lock Shaft /A		D	2	a-V116040603
2	A9JT100400	Fixing Leg		C	4	b-V121040603
3	56UA10520	ROLLER MOUNTING SCREW		C	16	c-V127030604
4	56UA15540	Lock Plate		D	2	d-V195060003
5	56UA-1930	Paper Feed Lock Panel Assy		D	2	e-V205060003
6	56UA75020	TRAY LOCK BUSHING		C	2	f-V207120003
7	A0G6102500	Protection Cover		D	4	g-V217030003
8	A0G6112400	Suction Seal /1		C	1	h-V217040003
9	A0G6816200	Power Supply Cover		D	1	j-V217060003
10	A0G6819700	Power Supply Stay /M		D	1	k-V500010083
11	A0U4109000	Guide Part		D	4	m-V500030002
12	A1RG101600	Adjusting Plate		D	4	n-V570010028
13	A4EU105100	Castor		D	4	p-V570010059
14	A4EU560000	Drive Bushing		C	4	
15	A4EU560200	Lock Spring		D	2	
16	A799816100	Power Supply Stay /A		D	1	
17	A9JT819000	Power Supply Arm /1		D	1	
18	A9JT819100	Power Supply Arm /2		D	2	
19	A9JT819200	Power Supply Arm /3		D	1	
20	A9JT819300	Power Supply Arm /4		D	1	
21	A9JT819600	Support Shaft /1		D	2	
22	A9JT819700	Support Shaft /2		D	8	
23	A9JTN12100	ADU Relay Harness /5		D	1	

Main Frame Section

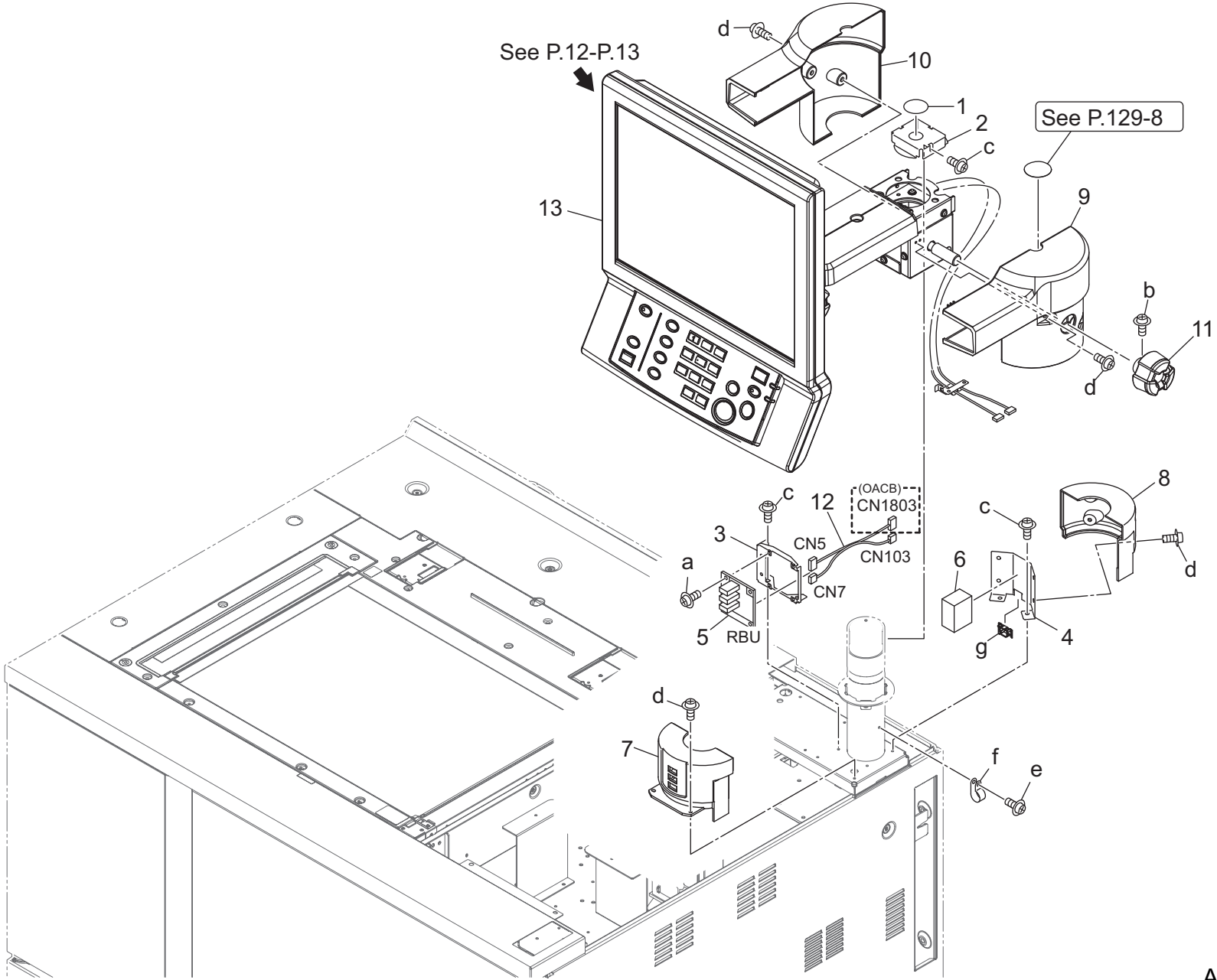


Key	Part No.	Description	Destinations	Class	QTY	Standard parts
1	13NT80511	Fan Motor /1		C	5	a-V118043503
2	392010231	STOPPER PIN		C	2	b-V118044003
3	4139M10001	Fan motor		B	2	c-V121030803
4	56UA10420E	WIRING PROTECTION SHEET /1		C	1	d-V121033003
5	56UAR70500	ADU POSITIONING PLATE LEFT		D	1	e-V121040603
6	9313110033	FAN MOTOR		C	3	f-V127030604
7	A03UM15802	Main body Cooling Fan		C	1	g-V500010013
8	A0G6835500	Seal /W		C	2	h-V500010081
9	A4EUR72A00	Fan Sealing Part/1 Assy		D	2	j-V500010082
10	A799168300	Auxiliary Seal /1		D	1	k-V500020077
11	A9JT105001	Heat blocking Partition /Left		D	1	m-V500020098
12	A9JT112200	Ozone Filter/2		B	1	n-V500020100
13	A9JT113400	Heat Blocking Seal /1		D	2	p-V570010050
14	A9JT113500	Heat Blocking Seal /2		D	1	q-V570010057
15	A9JT113600	Heat Blocking Seal /3		D	1	r-V570010063
16	A9JT114300	Charging Seal /A		D	6	
17	A9JT117300	Charging Seal /A		D	1	
18	A9JT117400	Charging Seal /B		D	2	
19	A9JT117500	Charging Seal /C		D	1	

Main Frame Section

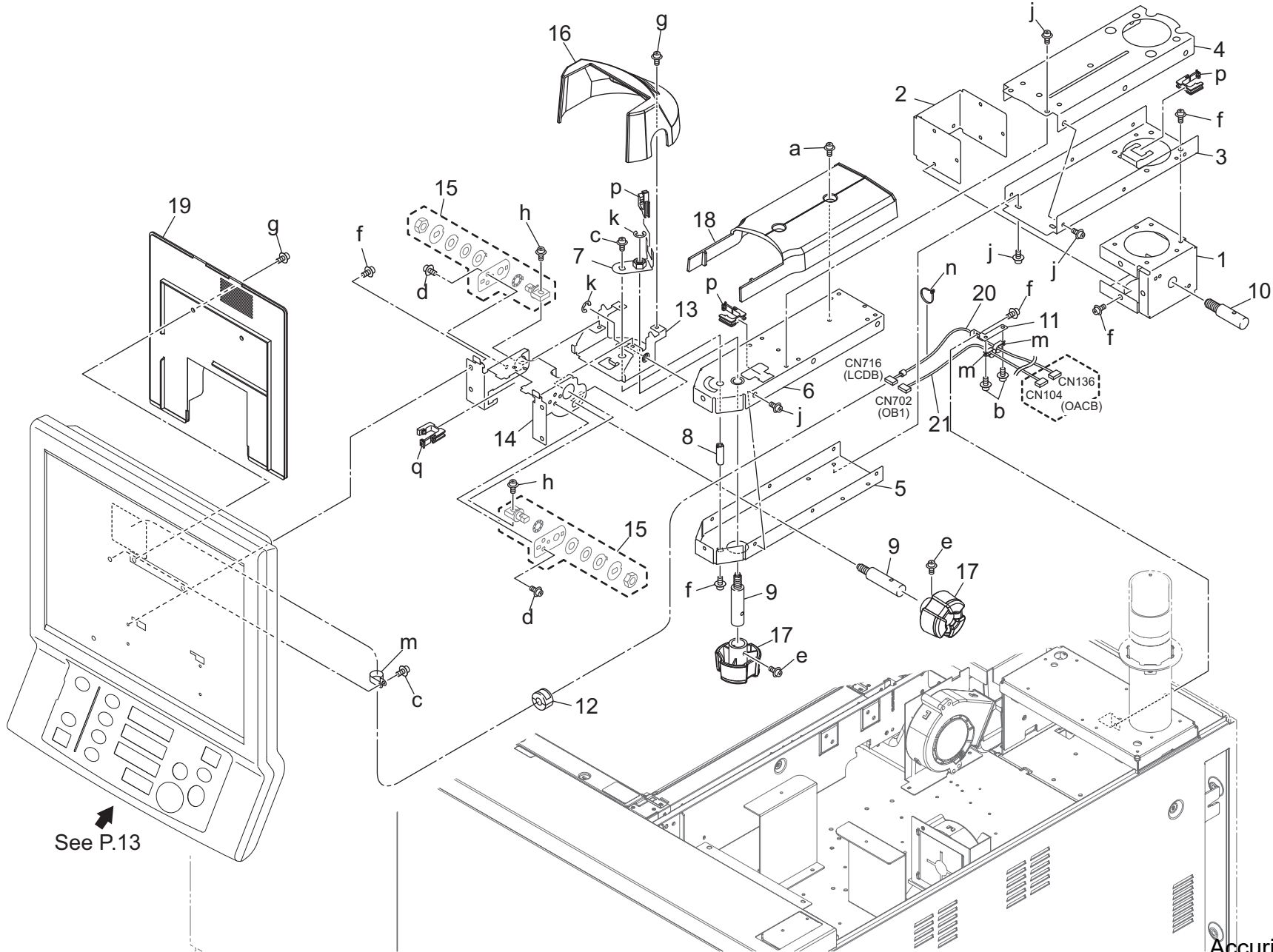


Key	Part No.	Description	Destinations	Class	QTY	Standard parts
1	4040M10000	FAN MOTOR		C	1	a-V116031003
2	4139M10001	Fan motor		B	1	b-V118033003
3	A03UM15201	Main body Fan motor		B	1	c-V118044003
4	A03UM15802	Main body Cooling Fan		C	3	d-V121033003
5	A4EU110200	Heat sink Duct Outside		D	1	e-V121040603
6	A4EU111900	Heat sink Duct /Upper		D	1	f-V500010013
7	A4EU112000	Heat sink Seal		D	1	g-V500010081
8	A4EU118300	Charging Seal /3		C	1	h-V500010082
						j-V500010083
						k-V500010084
						m-V500010085
						n-V500020098
						p-V500020101
						q-V500020104
						r-V500020108
						s-V570010038
						t-V570010039
						u-V570010048
						v-V570010050
						w-V570010057
						x-V570010059
						y-V570010063



Key	Part No.	Description	Destinations	Class	QTY	Standard parts
1	56UA70820	OPERATION UNIT SEAL 操作部シール		C	1	a-V118030603
2	56VA70550Old	OPE UNIT POSITIONING PLATE /U 操作部位置決め板 /上		D	1	b-V118040804
2	A9JT195500	Positioning Plate /Upper 位置決め板 /上 (操作部)		D	1	c-V121040603
3	A0G6131300	Mounting Plate /U 取付板 /U		D	1	d-V121040604
4	A0G6161600	Fixing Plate 固定板		D	1	e-V127040603
5	A0G6H32000	Relay Board /U Assy 中継基板 /U ASSY		C	1	f-V500020020
6	A4EUM92800	Gasket ガスケット (/2 8)		D	1	g-V570010063
7	A799161401	Cover /Front カバー /前		D	1	
8	A799161501	Cover /Rear カバー /奥		D	1	
9	A799190600Old	Support Cover /Right 支点カバー /右 (操作部)		D	1	
9	A799190601	Support Cover /Right 支点カバー /右 (操作部)		D	1	
10	A799190700Old	Support Cover /Left 支点カバー /左 (操作部)		D	1	
10	A799190701	Support Cover /Left 支点カバー /左 (操作部)		D	1	
11	A799190801	Fixing Knob 固定ノブ (操作部)		D	1	
12	A9JTN15401	Relay Wiring /U 中継束線 /U		D	1	
13	A9JTR71N00	Ope. Unit 操作部ユニット		I	1	

Operation Panel Section



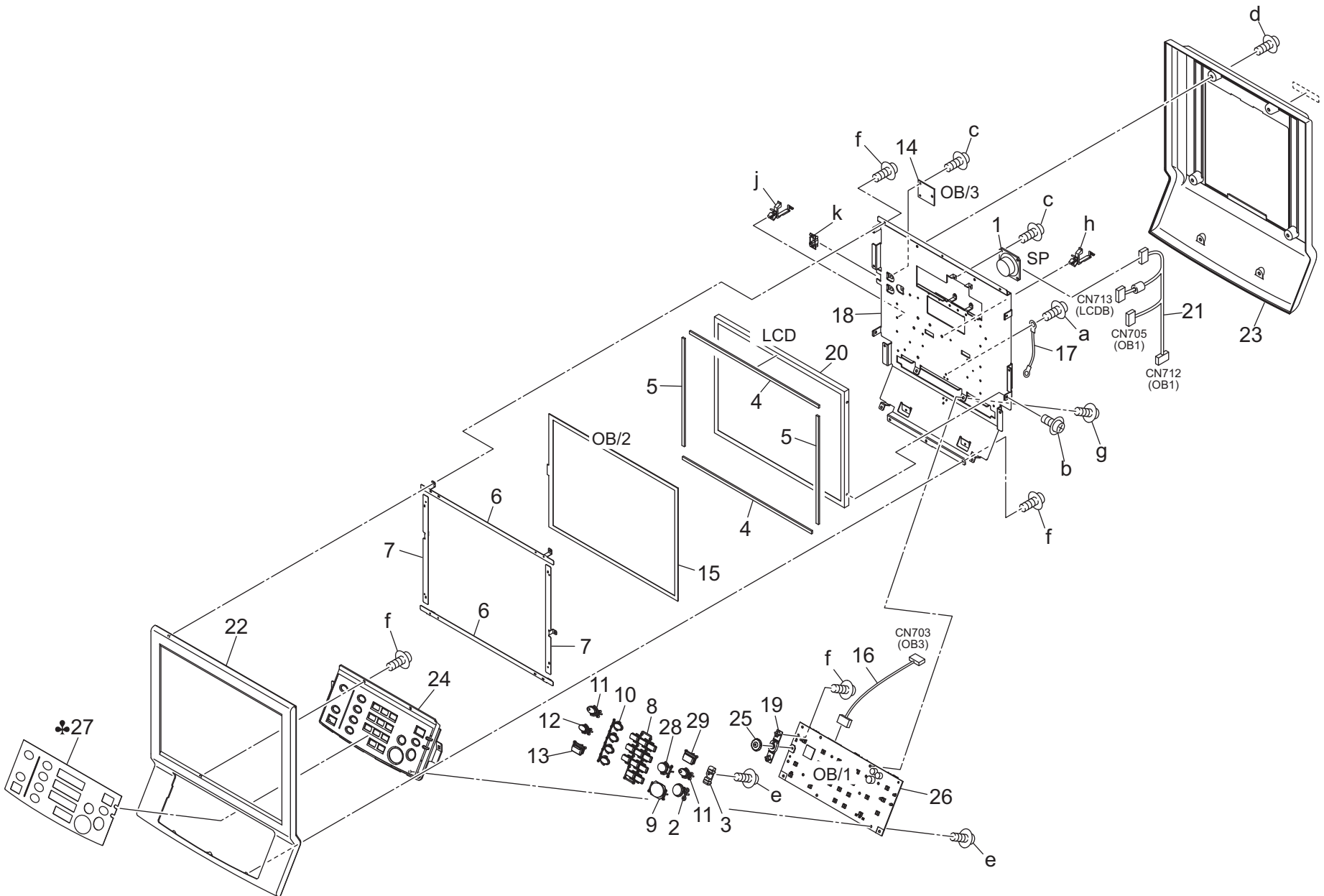
See P.13

Operation Panel Section

Key	Part No.	Description	Destinations	Class	QTY	Standard parts
1	56UA70560	OPE UNIT ROTATION PLATE /1		D	1	a-V114040804
2	56UA70570	Ope Unit Rotation Plate /2		D	1	b-V116030603
3	56UA70590	Ope Unit Support Arm /Lower		D	1	c-V116040803
4	56UA70600	Ope Unit Support Arm /Upper		D	1	d-V118040603
5	56UA70610E	Ope. unit Slide Arm /Lower		D	1	e-V118040804
6	56UA70620E	Ope. unit Slide Arm /Upper		D	1	f-V121040603
7	56UA70650	Operation Unit Fixing Plate		D	1	g-V121040604
8	56UA70670	Ope Unit Rotation Shaft		D	1	h-V121041003
9	56UA70750	OPERATION UNIT FIXING SCREW		D	2	j-V127040603
10	56UA70800	OPERATION UNIT FIXING SCREW 2		D	1	k-V217040003
11	A0G6136400	Ope.Unit Ground Plate		D	1	m-V500020069
12	A0G6M93100	Ferritecore		D	1	n-V501010002
13	A0Y5196300	Operation Stay /Lower		D	1	p-V570010026
14	A0Y5196400	Fixing Stay /1		D	1	q-V570010027
15	A4EUR74J00	Vertical Rotary Torque Hinge		D	2	
16	A799190500	Rotation Cover		D	1	
17	A799190801	Fixing Knob		D	2	
18	A799190900	Cover /A		D	1	
19	A799197100	Swing Cover		D	1	
20	A9JTN18200	Ope.Unit Control Harness /1		D	1	
21	A9JTN18300	Ope.Unit Control Harness /2		D	1	

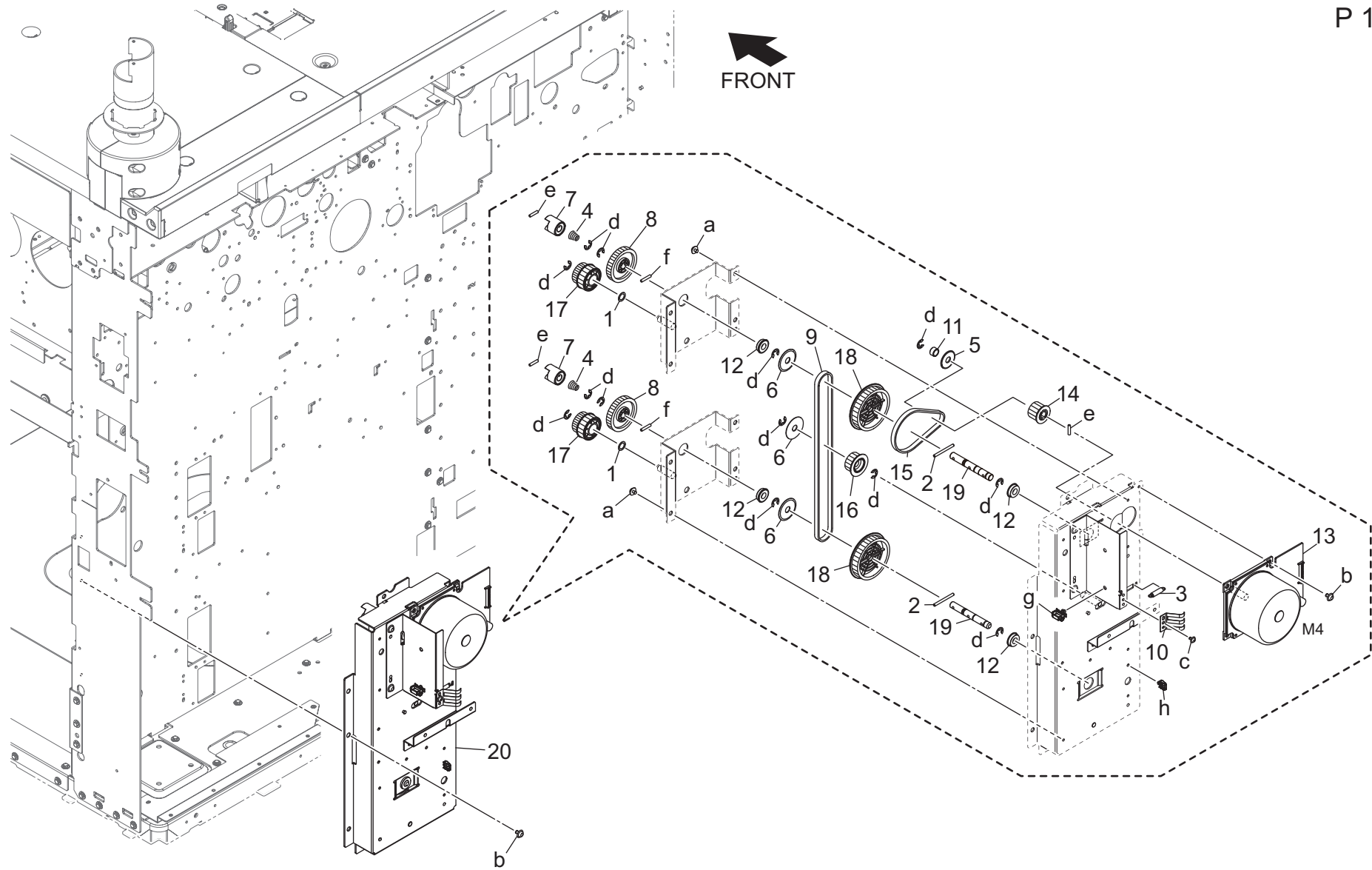
Operation Panel Section

P 13



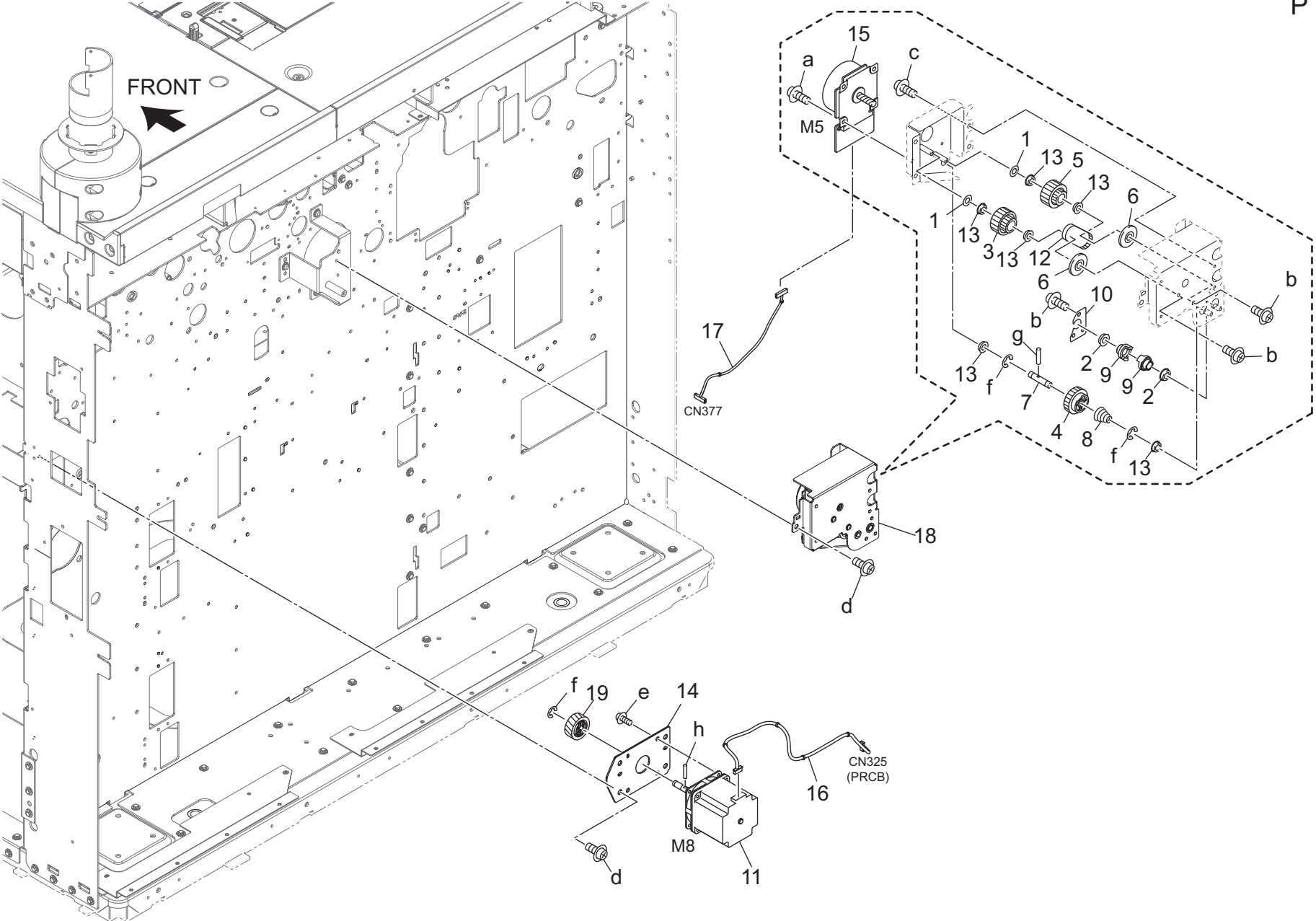
Key	Part No.	Description	Destinations	Class	QTY	Standard parts
1	A0P0M73100	Speaker		D	1	a-V116040603
2	56UA70330	Ope. Unit Button /S		C	1	b-V118030404
3	A0G6191600	Indicating Part /1		D	1	c-V118030603
4	A0G6192400	Holding Cushion /Upper		C	2	d-V121040604
5	A0G6192500	Holding Cushion /Right		C	2	e-V151030603
6	A0G6192700	Ground Plate /1		D	2	f-V151030803
7	A0G6192900	Ground Plate /2		D	2	g-V151031003
8	A0G6193100	Operation Button /1		C	1	h-V500010082
9	A0G6193200	Operation Button /2		C	1	j-V500020099
10	A0G6193400	Operation Button /4		C	1	k-V570010063
11	A0G6193800	Operation Button /10		C	2	
12	A0G6193900	Operation Button /8		C	1	
13	A0G6194000	Operation Button /9		C	1	
14	A0G6H06000	Operation Board /3 Assy		C	1	
15	A9VEM75500	Ope. Unit Touch Panel		C	1	
16	A0G6N18400	Ope. Unit Control Harness /3		D	1	
17	A1RFN28300	Ope. unit Wiring /1		D	1	
18	A4EU190413	Operation Plate		D	1	
19	A4EU194200	Fixing Holder		D	1	
20	ADF2M75800	Ope. Unit LCD		C	1	
21	A4EUN28500	Ope. unit Wiring /4		D	1	
22	A799190100	Operation Cover /Front		D	1	
23	A799190200	Operation Cover /Rear		D	1	
24	A799190301	Operation Casing /1		D	1	
25	A799194101	Operation Knob /1		D	1	
26	A799H04001	Operation Board /1 ASSY		I	1	
27	A0G6195000	Operation Sheet	A	C	1	
27	A0G6205000	Operation Sheet	B,D1,D3,E,F2,G1,G2, I	C	1	
27	A0G6205300	Operation Sheet	K	C	1	
27	A0G6205200	Operation Sheet	H	C	1	
27	A0G6205100	Operation Sheet	J	C	1	
28	A0G6193500	Operation Button /5		C	1	
29	A0G6193700	Operation Button /7		C	1	

Driving Section



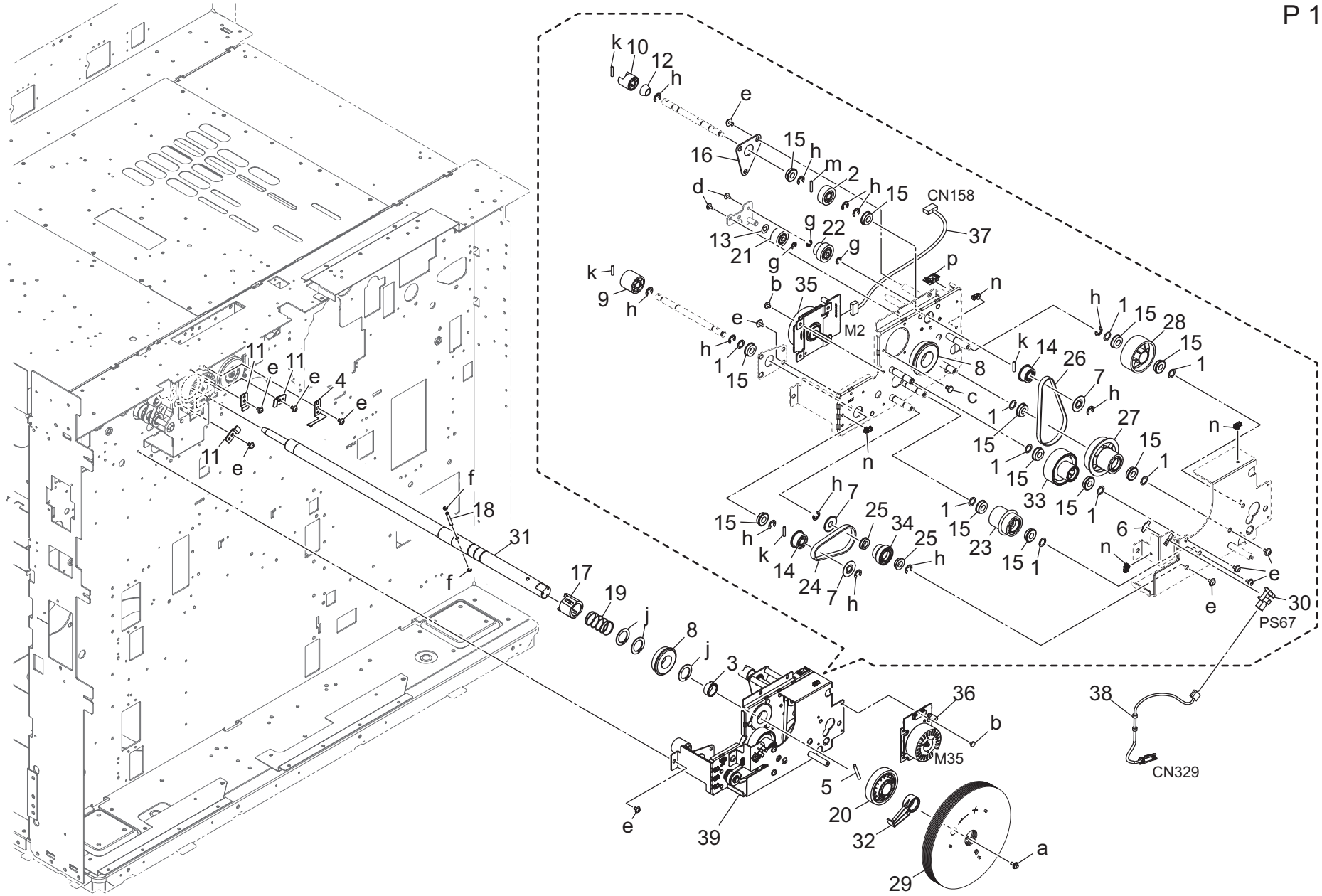
Key	Part No.	Description	Destinations	Class	QTY	Standard parts
1	13QA40610	Gear Spacer		C	2	a-V121040403
2	55VA15190	Fixing Drive Pin		B	2	b-V121040603
3	55VA15570	PAPER EXIT TENSION SPRING		B	1	c-V127030604
4	56AA17090	Pressing Spring		C	2	d-V217060003
5	56AA51810	BELT HOLDING COLLAR		C	1	e-V234301450
6	56UA15420	Belt Collar		C	3	f-V234301650
7	56UA15610E	PAPER FEED DRIVE COUPLING		C	2	g-V500010082
8	56UA77040E	Paper feed Input Gear 40T		C	2	h-V500020098
9	56UA78030	PAPER FEED DRIVE BELT 534L		C	1	
10	65AA11140	Earth Plate		D	1	
11	65AA49190	COLLAR 1		C	1	
12	A00V240600	Ball Bearing		B	4	
13	A1RFM10600	DC Brushless motor /8		B	1	
14	A4EU239100	Drive Pulley		B	1	
15	A4EU239200	Drive Belt 228L		C	1	
16	A4EUR72C00	Paper Feed Tension Pulley Assy		C	1	
17	A9JT237100	Idling Gear 27/25T		C	2	
18	A9JT239000	Paper Feed Pulley /M 26/60T		C	2	
19	A9JT239301	Drive Shaft		D	2	
20	A9JTR71A00	Paper Feed Driving Unit		S	1	

Driving Section



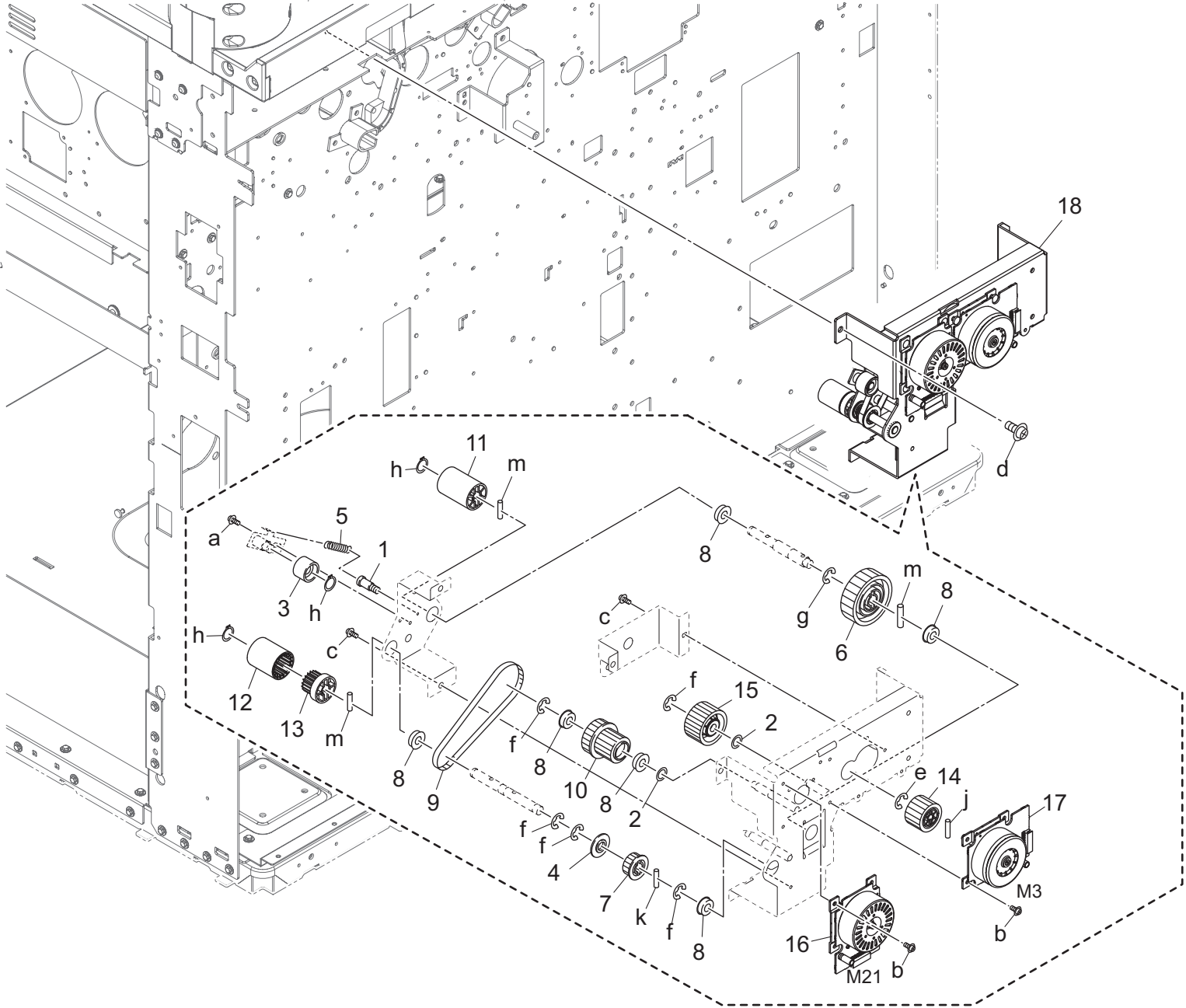
Key	Part No.	Description	Destinations	Class	QTY	Standard parts
1	56AA17700	Spacer /B		C	2	a-V118040603 b-V121030403 c-V121040403 d-V121040603 e-V127030604 f-V217040003 g-V234201650 h-V234302050
2	A00J617900	Ball Bearing		B	2	
3	A0G6250500	Idling Pulley /1		C	1	
4	A0G6250601	Slide Gear 24T		B	1	
5	A0G6250700	Idling Pulley /2		C	1	
6	A0G6250800	Collar		C	2	
7	A0G6250900	Input Shaft		D	1	
8	A0G6251200	Pressing Spring		C	1	
9	A0G6251301	Rotation Part		C	2	
10	A0G6251400	Positioning Plate		D	1	
11	A1TVM10100	Stepping motor /50		B	1	
12	A4EU251000	Cleaning Belt /1 120L		C	1	
13	A4EU252000	Drive Ball bearing /6		B	6	
14	A9JT257100	Drive Panel		D	1	
15	A9JTM10200	Drum Motor		B	1	
16	A9JTN11700	Conveyance Drive Harness /M		D	1	
17	A9JTN12900	Toner Relay Harness /1		D	1	
18	A9JTR71P00	Belt Cleaning Driving Assy		S	1	
19	A9JX214100	Drive Gear 25T		B	1	

Driving Section



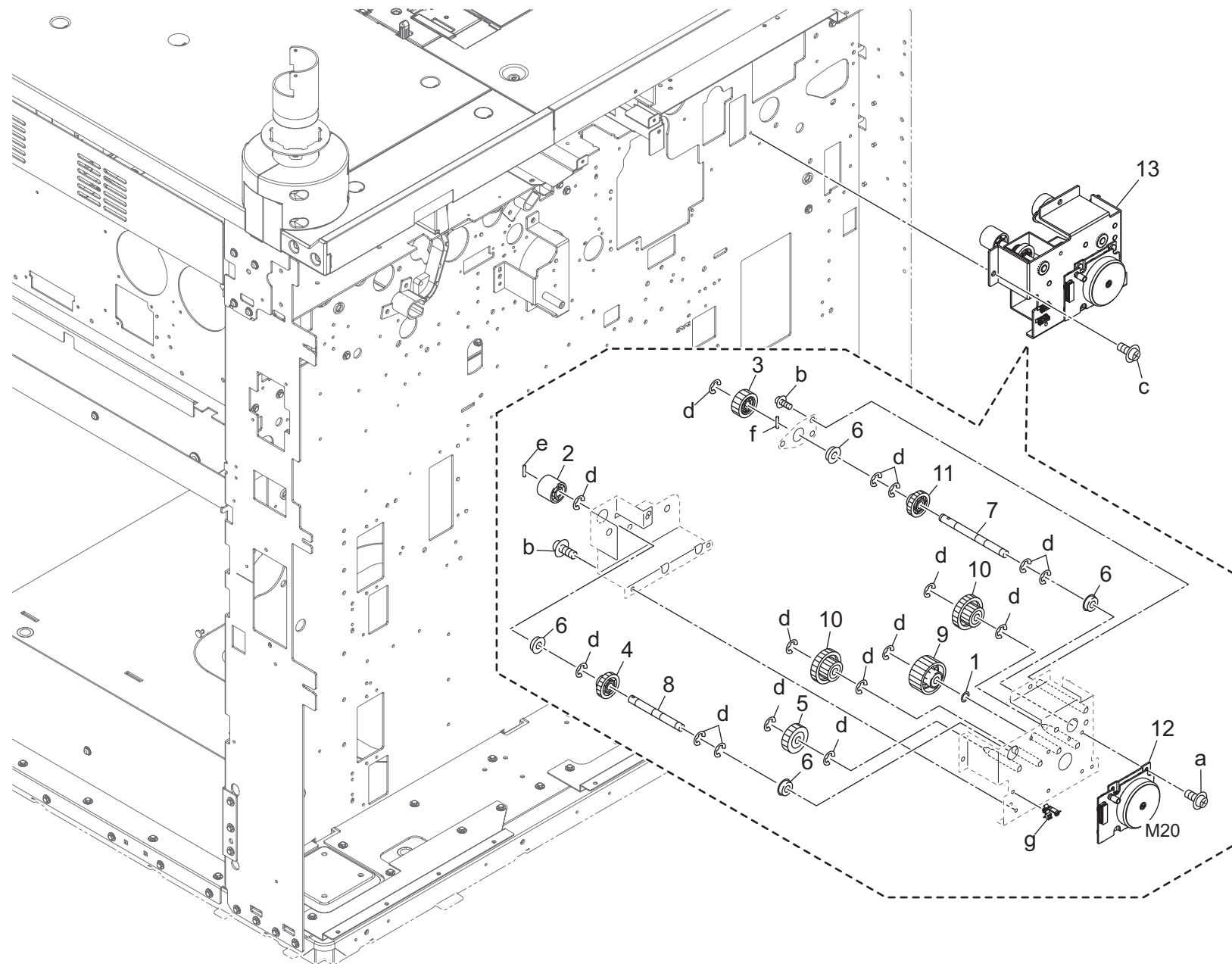
Key	Part No.	Description	Destinations	Class	QTY	Standard parts
1	13QA40610	Gear Spacer		C	9	a-V116041003
2	15AG77020	Drive Connecting Gear/ 1 22T		C	1	b-V118040403
3	25SA15270	EARTH SHAFT HOLDER		C	1	c-V118040603
4	25SA15280	DRUM EARTH SPRING		C	1	d-V121030603
5	25SA15390	Drive Position Pin D4X33		C	1	e-V121040603
6	4470402401	Stopper		D	1	f-V217030003
7	554010550	Collar		C	3	g-V217040003
8	55TA75020	Bearing		B	2	h-V217060003
9	55VA15080	Developing Coupling Part		C	1	j-V223200017
10	55VA15541	CLEANER COUPLING PART		C	1	k-V234301450
11	55VA15580	Shaft Holder Holding Plate		D	3	m-V234301650
12	56AA17090	Pressing Spring		C	1	n-V500020099
13	56AA17700	Spacer /B		C	1	p-V570010063
14	56GA76600E	Cleaner Driving Pulley 21T		C	2	
15	A00V240600	Ball Bearing		B	12	
16	A0G6210400	Support Plate		D	1	
17	A0G6215200	Coupling Part		C	1	
18	A0G6215300	Coupling Pin		C	1	
19	A0G6215400	Compressing Spring		C	1	
20	A0G6217200	Drive Gear 67T		C	1	
21	A0G6217500	Drive Gear /7 20T		C	1	
22	A0G6217600	Drive Gear /8 15/22T		C	1	
23	A0G6217700	Idling Pulley /1		C	1	
24	A0G6369500	Swing Belt 186L		C	1	
25	A1RF710900	Ball bearing /1		C	2	
26	A4EU211300	Drive Belt /A 255L		C	1	
27	A4EU218000	Idling Pulley /1		C	1	
28	A4EU218100	Idling Gear 83T		C	1	
29	A4EUR74K00	Flywheel Assy		D	1	
30	A85CM55600	Photo Sensor		C	1	
31	A9JT215100	Rotation Shaft /D		D	1	
32	A9JT215500	Actuator		C	1	
33	A9JT217100	Idling Gear /1 24/83T		C	1	
34	A9JT217400	Idling Pulley /2 21T		C	1	
35	A9JTM10200	Drum Motor		B	1	
36	A9JTM10300	Developing Screw Motor		B	1	
37	A9JTN12400	Photoconductor Drive Harness		D	1	
38	A9JTN12500	Photoconductor Relay Harness /5		D	1	
39	A9JTR71800	Drum Driving Unit		S	1	

Driving Section



Key	Part No.	Description	Destinations	Class	QTY	Standard parts
1	066079020	DRAWER SCREW M3X10		C	1	a-V116040603
2	13QA40610	Gear Spacer		C	2	b-V118040403
3	540015162	BELT TENSION ROLLER		B	1	c-V121040403
4	554010550	Collar		C	1	d-V121040603
5	55VA15570	PAPER EXIT TENSION SPRING		B	1	e-V217040003
6	55VA77040	Developing Drive Gear /B 46T		C	1	f-V217060003
7	56GA76600E	Cleaner Driving Pulley 21T		C	1	g-V217080003
8	A00V240600	Ball Bearing		B	6	h-V223080050
9	A0G6221100	Drive Belt 210L		C	1	j-V234201850
10	A0G6227300	Idling Pulley /3		C	1	k-V234301450
11	A0G6227400	Coupling Part /1		D	1	m-V234302050
12	A0Y5227500	Coupling Part		D	1	
13	A0Y5227600	Input Coupling		D	1	
14	A4EU222000	Drive Gear /12 26T		C	1	
15	A4EUR71S00	Developing Idling Gear Assy		C	1	
16	A9JTM10300	Developing Screw Motor		B	1	
17	A9JTM10400	Developing Motor		B	1	
18	A9JTR71900	Developing Driving Unit		S	1	

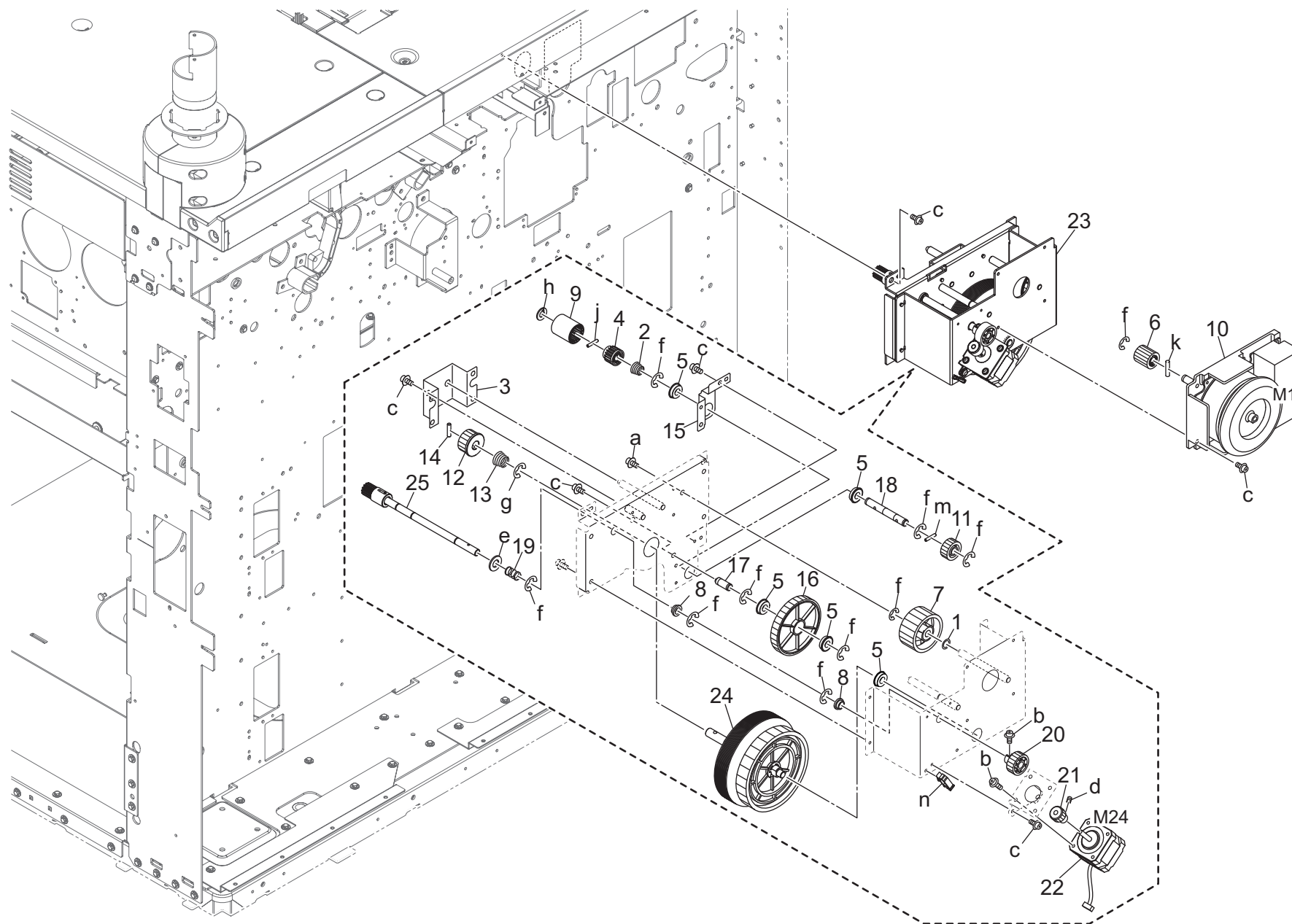
Driving Section



Driving Section

Key	Part No.	Description	Destinations	Class	QTY	Standard parts
1	13QA40610	Gear Spacer		C	1	a-V118040403 b-V121040403 c-V121040603 d-V217060003 e-V234301450 f-V234301650 g-V500020100
2	55VA15080	Developing Coupling Part		C	1	
3	56UA77070F	Paper Exit Input Gear 25T		B	1	
4	56UA77270	PAPER EXIT DRIVE GEAR C 25T		C	1	
5	A4EU247600	Idling Gear /2 27T		C	1	
6	A00V240600	Ball Bearing		B	4	
7	A0G6240800	Paper Exit Shaft		D	1	
8	A0G6240900	Conveyance Shaft		D	1	
9	A0G6247100	Idling Gear /1 68T		C	1	
10	A0G6247200	Idling Gear /2 34/40T		C	2	
11	A0G6247500	Paper Exit Gear /C 25T		C	1	
12	A9JTM10200	Drum Motor		B	1	
13	A9JTR71B00	Paper Exit Driving Unit		S	1	

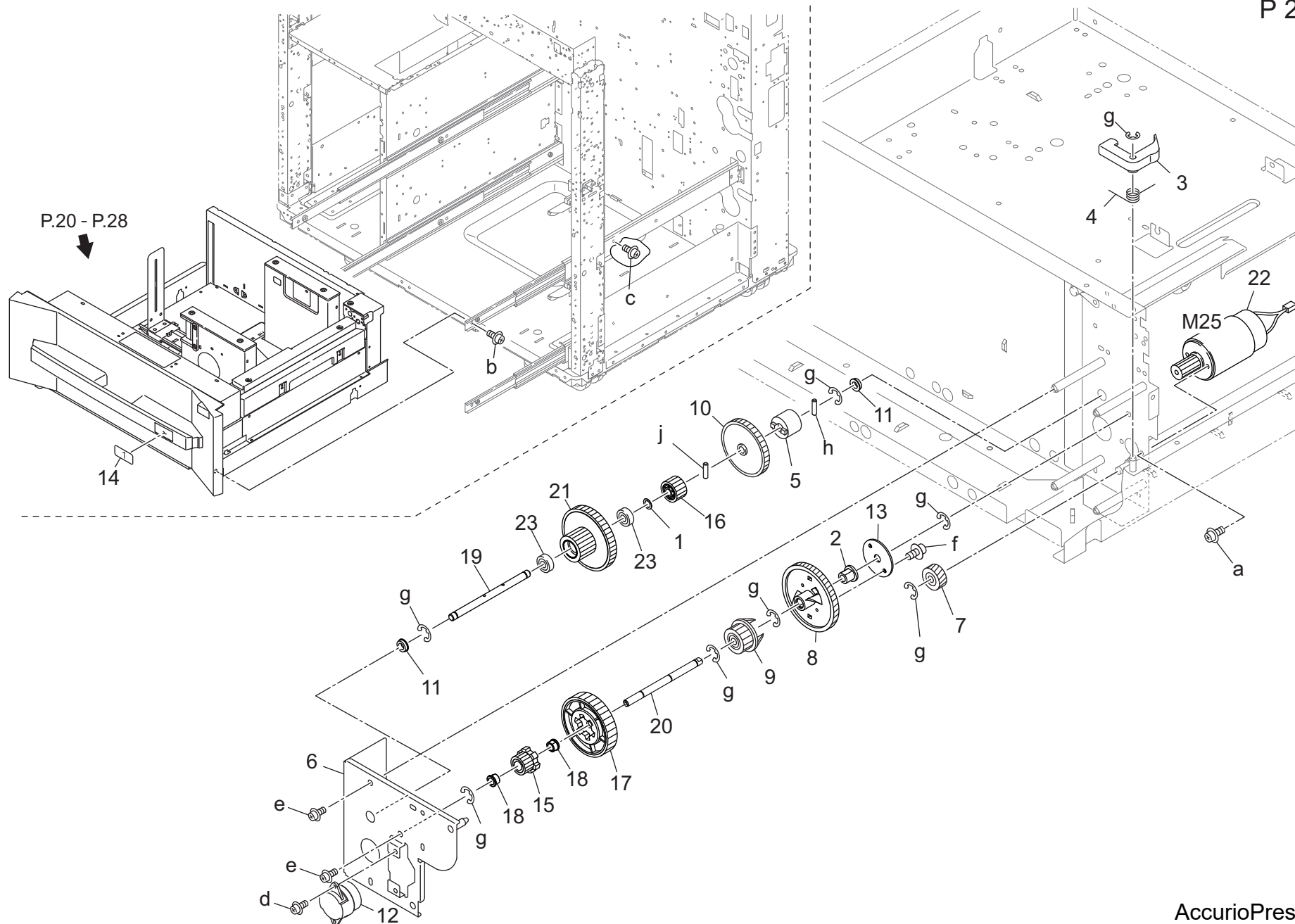
Driving Section



Key	Part No.	Description	Destinations	Class	QTY	Standard parts
1	13QA40610	Gear Spacer	ギアスペーサー	C	1	a-V118040603
2	56AA17090	Pressing Spring	押圧バネ	C	1	b-V121030603
3	56UA15320	Fixing Reinforce Plate	定着補強板	D	1	c-V121040603
4	56UA15510	Conveyance Coupling Part	搬送カップリング部材	B	1	d-V193030304
5	A00V240600	Ball Bearing	ボールベアリング	B	5	e-V207080003
6	A0G6237201	Gear 17T	ギア 17 T	B	1	f-V217080003
7	A0G6237300	Idling Gear 42T	アイドルギア 42 T	C	1	h-V223080050
8	A0G6739300	Operation Bushing /Front	操作軸受 /前	C	2	j-V234301250
9	A0Y5227500	Coupling Part	カップリング部材	D	1	k-V234301450
10	A1RFM10600	DC Brushless motor /8	DC ブラシレスモータ /8	B	1	m-V234301650
11	A1TT214301	Drive Gear /30 21T	駆動ギア /30 21 T	C	1	n-V500020100
12	A4EU230800	Fusing Gear /1 24T	定着ギア /1 (入力) 24 T	C	1	
13	A4EU230900	Pressing Spring	押圧ばね	D	1	
14	A4EU231000	Pin /A	ピン /A	D	1	
15	A4EU235000	Drive Side plate /2	駆動側板 /2 (デカーラ)	D	1	
16	A4EU235200	Fusing Gear /3 68T	定着ギア /3 (デカーラ) 68 T	C	1	
17	A4EU235400	Drive Shaft /2	駆動軸 /2 (デカーラ)	D	1	
18	A4EU235500	Drive Shaft /3	駆動軸 /3 (デカーラ)	D	1	
19	A4EU235700	Compressing Spring	圧縮ばね (定着ウェブ駆動)	D	1	
20	A4EU238100	Drive Gear /2 40T	駆動ギア /2 (定着駆動) 40 T	C	1	
21	A4EU238200	Drive Worm /1	駆動ウォーム /1 (定着駆動)	C	1	
22	A4EUM10100	HB Motor /40	HB モータ /40	B	1	
23	A4EUR71T11	Fixing Driving Assy	定着駆動ユニット	D	1	
24	A4EUR71U00	Fixing Drive Shaft Assy	定着駆動軸部組	D	1	
25	A4EUR71V00	Fixing Drive Idol Shaft Assy	定着駆動アイドル軸ピン打ち	D	1	

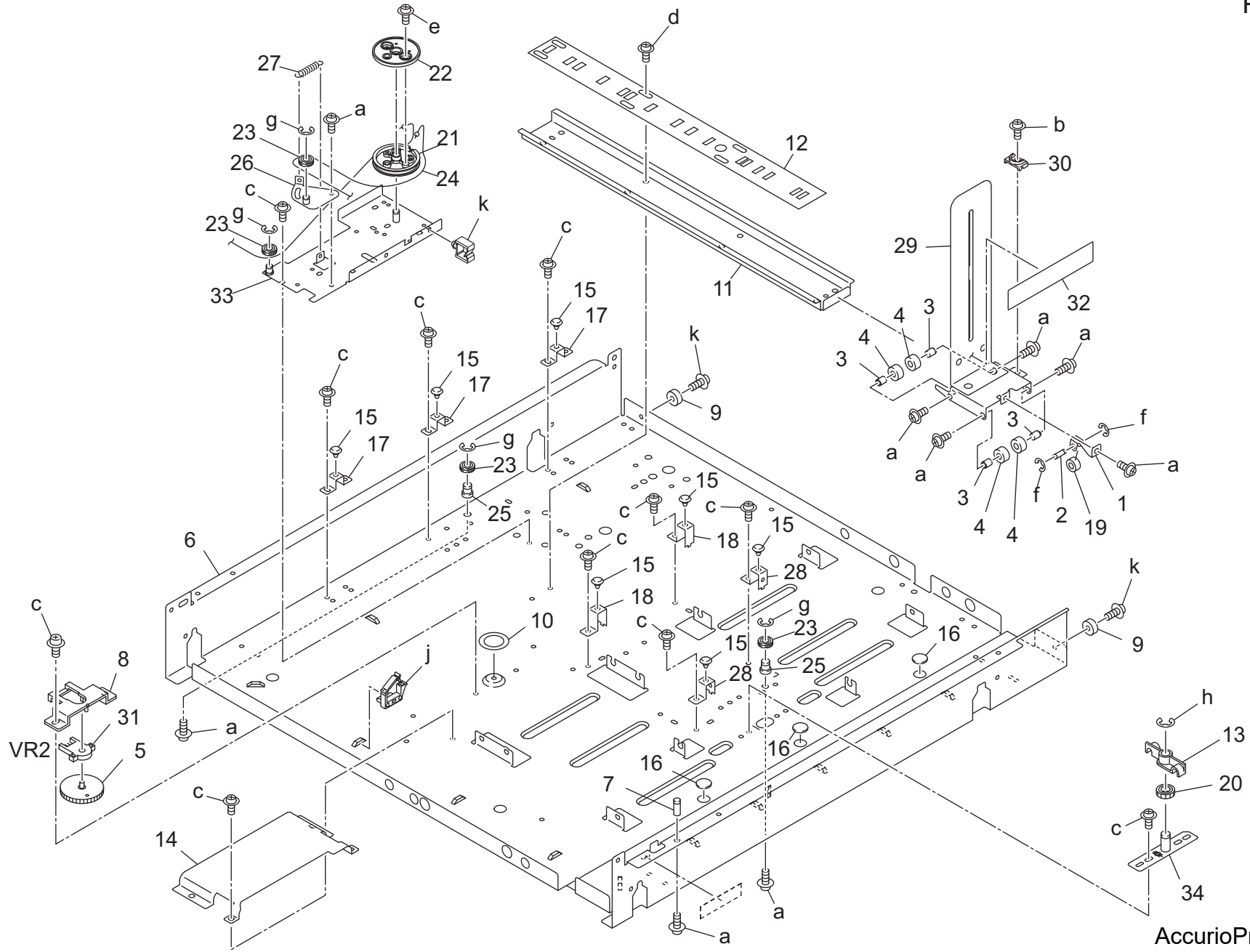
Tray 1 Section

P 20



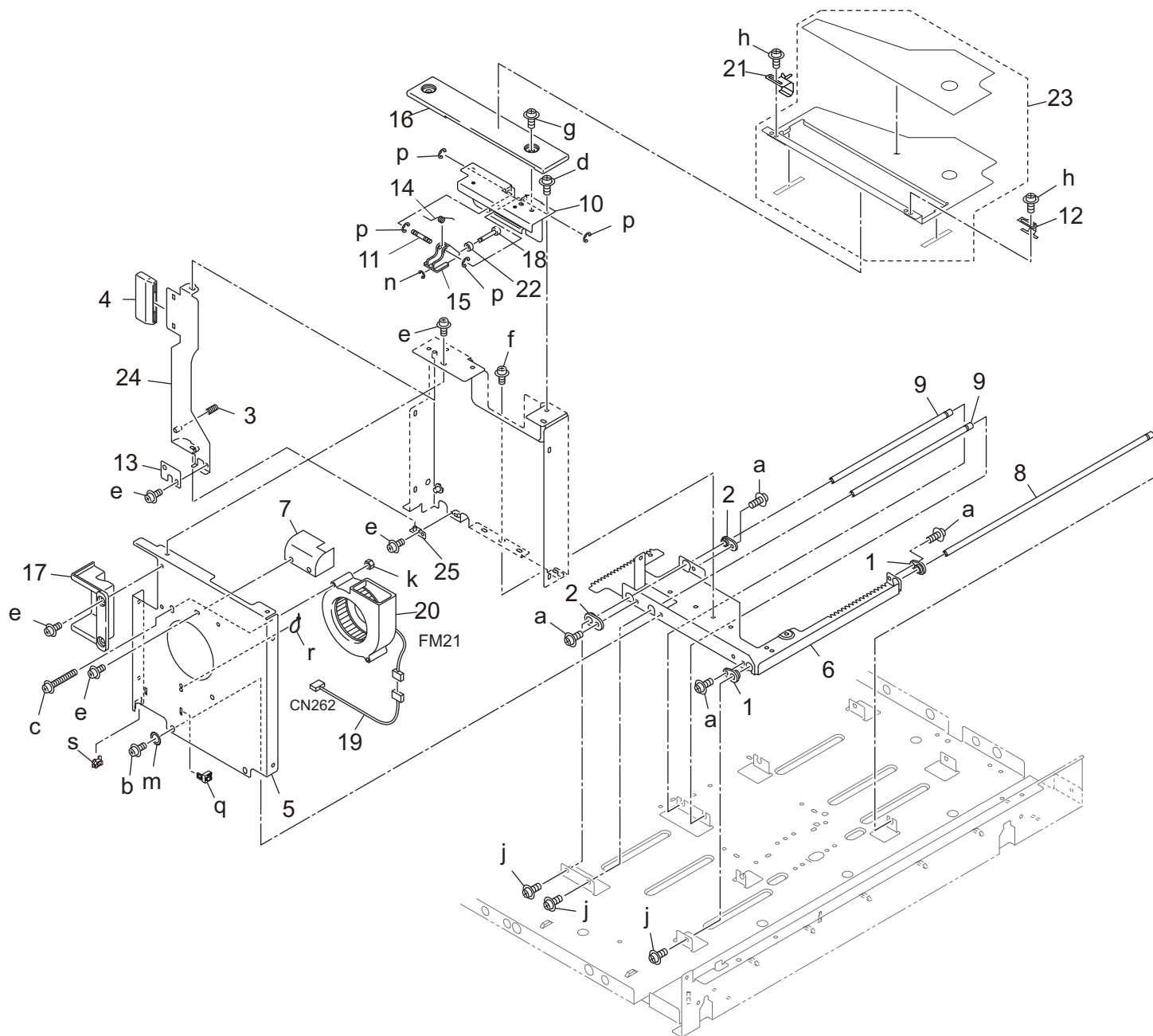
Key	Part No.	Description	Destinations	Class	QTY	Standard parts
1	13QA10330	SHAFT SPACER		C	1	a-V118030403
2	40BA75520	Paper Exit Bearing		C	1	b-V118040603
3	56UA40351	GUIDE LEVER		D	1	c-V118040803
4	56UA40360	Lever Spring /1		C	1	d-V121030403
5	56UA42570	TORQUE LIMITER B		C	1	e-V127030516
6	56UA-4321E	DRIVE UP/DOWN BOARD		D	1	f-V147030603
7	56UA77480	Lock Idler		C	1	g-V217040003
8	56UA77640F	Drive Connecting Gear/A 70T		C	1	h-V234200850
9	56UA77650E	Control Gear 21T		C	1	j-V234201250
10	56UA77660	Drive Regulating Gear /A 49T		C	1	
11	A00J617800	Ball Bearing		A	2	
12	A0G6601900	Up/Down Dumper		C	1	
13	A0G6606500	Holding Part		C	1	
14	A0U0945401	Indicating Label /1		C	1	
15	A4EU603100	Gear 15T		C	1	
16	A4EU603200	Gear 17T		C	1	
17	A4EU603300	Gear 53T		C	1	
18	A4EU603400	Bushing		C	2	
19	A4EU603500	Idling Shaft /A		D	1	
20	A4EU603600	Idling Shaft /B		D	1	
21	A4EU606100	Up/down Gear /B 14/55T		C	1	
22	A4EUR72Q11	Updown Motor		C	1	
23	A4F3905000	Ball Bearing		D	2	

Tray 1 Section



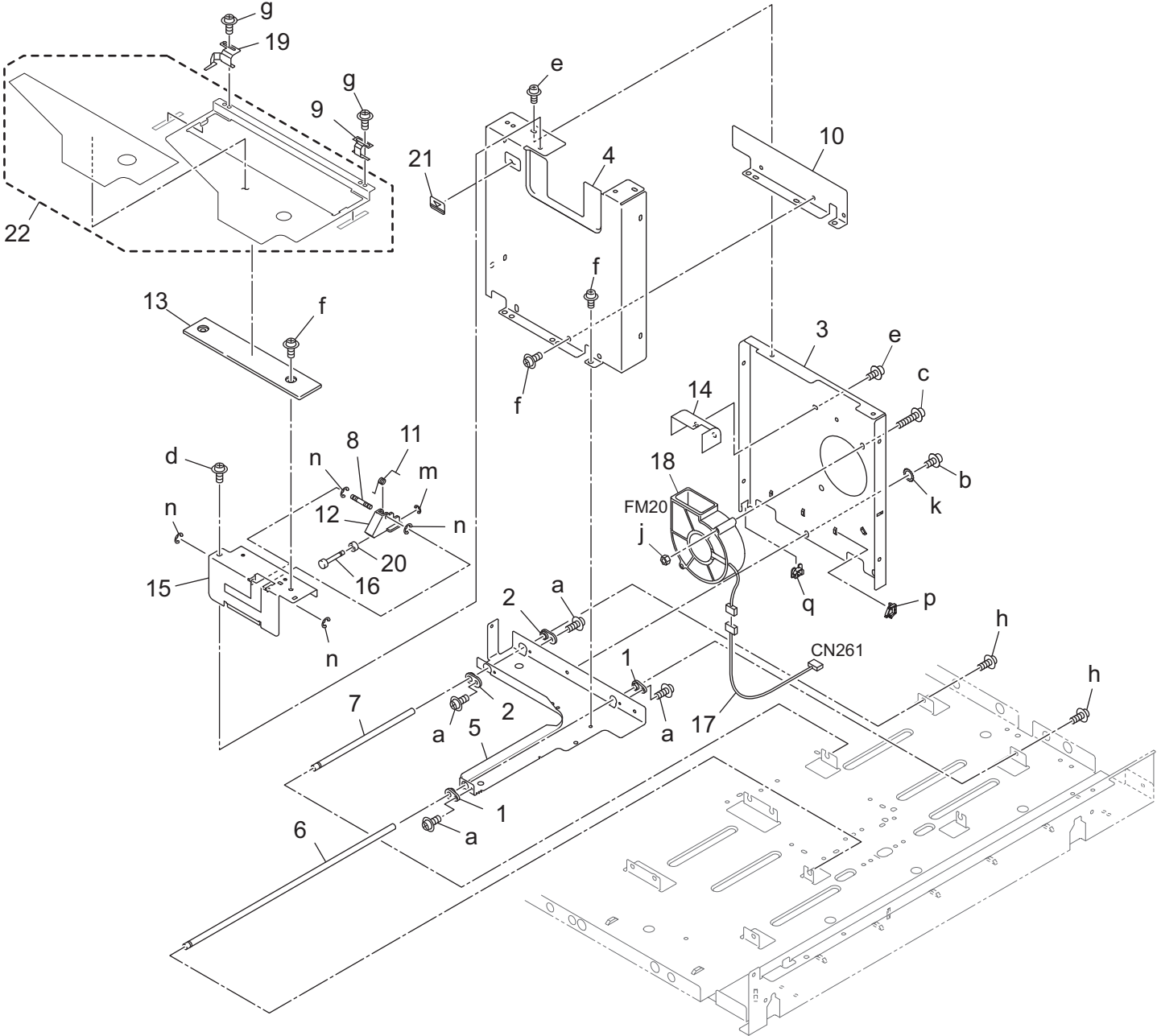
Key	Part No.	Description	Destinations	Class	QTY	Standard parts
1	55VA40910	PRESSURE PLATE A		D	1	a-V116030603
2	55VA40920D	Support Shaft		D	1	b-V116040803
3	55VA42330D	GUIDE SHAFT /E		D	4	c-V127030516
4	55VA42340	Guide Roller		C	4	d-V127030604
5	56AA41340	Detecting Gear 35T		C	1	e-V151030603
6	56UA40011E	Tray Bottom Plate		D	1	f-V217030003
7	56UA40371	Lever Support Shaft /A		D	1	g-V217040003
8	56UA40420	DETECTION BOARD		D	1	h-V217060003
9	56UA40511E	Stopper Rubber /C		C	2	j-V500010021
10	56UA40760	Gear Spacer		C	1	k-V500010028
11	56UA41110	GUIDE RAIL		D	1	
12	56UA41120E	Guide Stopper		D	1	
13	56UA41220	SHAFT POSITIONING PART		D	1	
14	56UA41260	BOARD PROTECTION COVER		D	1	
15	56UA41470	Stopper Rubber		C	7	
16	56UA41500	Stopper Rubber /B		C	3	
17	56UA41520	Paper Feed Tray Support Pedestal /A		D	3	
18	56UA41530	Paper Feed Tray Support Pedestal /B		D	2	
19	56UA41690	Tray Lock Roller		C	1	
20	56UA77530	CASSETTE PINION		C	1	
21	A0G6600700	Pulley		C	1	
22	A0G6600800	Detecting Gear 90T		C	1	
23	A0G6600900	Idling Pulley /A		C	4	
24	A0G6601000	Detection Wire		C	1	
25	A0G6601300	Idling Shaft /2		D	2	
26	A0G6601500	Tension Arm		D	1	
27	A55C601600	Tension Spring		D	1	
28	A0G6601700	Support Pedestal		D	2	
29	A0G6615100	Guide Part /Rear		D	1	
30	A0G6615200	Holding Part		D	1	
31	A1UDM50100	Volume		D	1	
32	A4EU943000	Operation Label /H		D	1	
33	A4EUR72U11	Detecting Board Caulking		D	1	
34	A4EUR72V11	Adjusting Plate Caulking		D	1	

Tray 1 Section



Key	Part No.	Description	Destinations	Class	QTY	Standard parts
1	129X48350	Guide Bearing /A		C	2	a-V116030603
2	129X48360	Guide Bearing /B		C	2	b-V116040803
3	25AA47551	LIFT UP SPRING REAR		C	1	c-V117043503
4	56UA40680	Lever Cover		C	1	d-V118030403
5	56UA41030	Paper Guide Board /Front		D	1	e-V121030403
6	56UA41070	Paper Guide Rack /Front		D	1	f-V121040404
7	56UA41090	Paper Feed Guide Duct /Front		D	1	g-V121040603
8	A4EU602300	Guide Shaft /L		D	1	h-V127030516
9	56UA41240	GUIDE SHAFT M		C	2	j-V127030604
10	56UA41300	FAN AUXILIARY PLATE FRONT		C	1	k-V195040003
11	56UA41310	Lever Support Shaft		D	1	m-V209040003
12	56UA41490	PAPER FEED TRAY HOLDING COVER B		C	1	n-V217020003
13	56UA41540	Lock Plate		C	1	p-V217030003
14	56UA41580	PAPER HOLDING SPRING		C	1	q-V500010027
15	56UA41620	PAPER HOLDING LEVER		C	1	r-V501010002
16	56UA41661	PAPER GUIDE COVER		D	1	s-V570010021
17	56UA41670	Lever Protection Cover		D	1	
18	56UA41810	Lever Shaft		D	1	
19	56UA90360	PAPER FEED SUCTION WIRING FRONT		D	1	
20	9313100072	FAN MOTOR		C	1	
21	A0G6620600	Holding Plate Spring /B		D	1	
22	A4EU620100	Bushing /A		C	1	
23	A4EUR72S11	Paper Feed Tray Cover /B Unit		D	1	
24	A4EUR72W11	Locking Lever Caulking		D	1	
25	A4EUR72X11	Rocking Board Caulking		D	1	

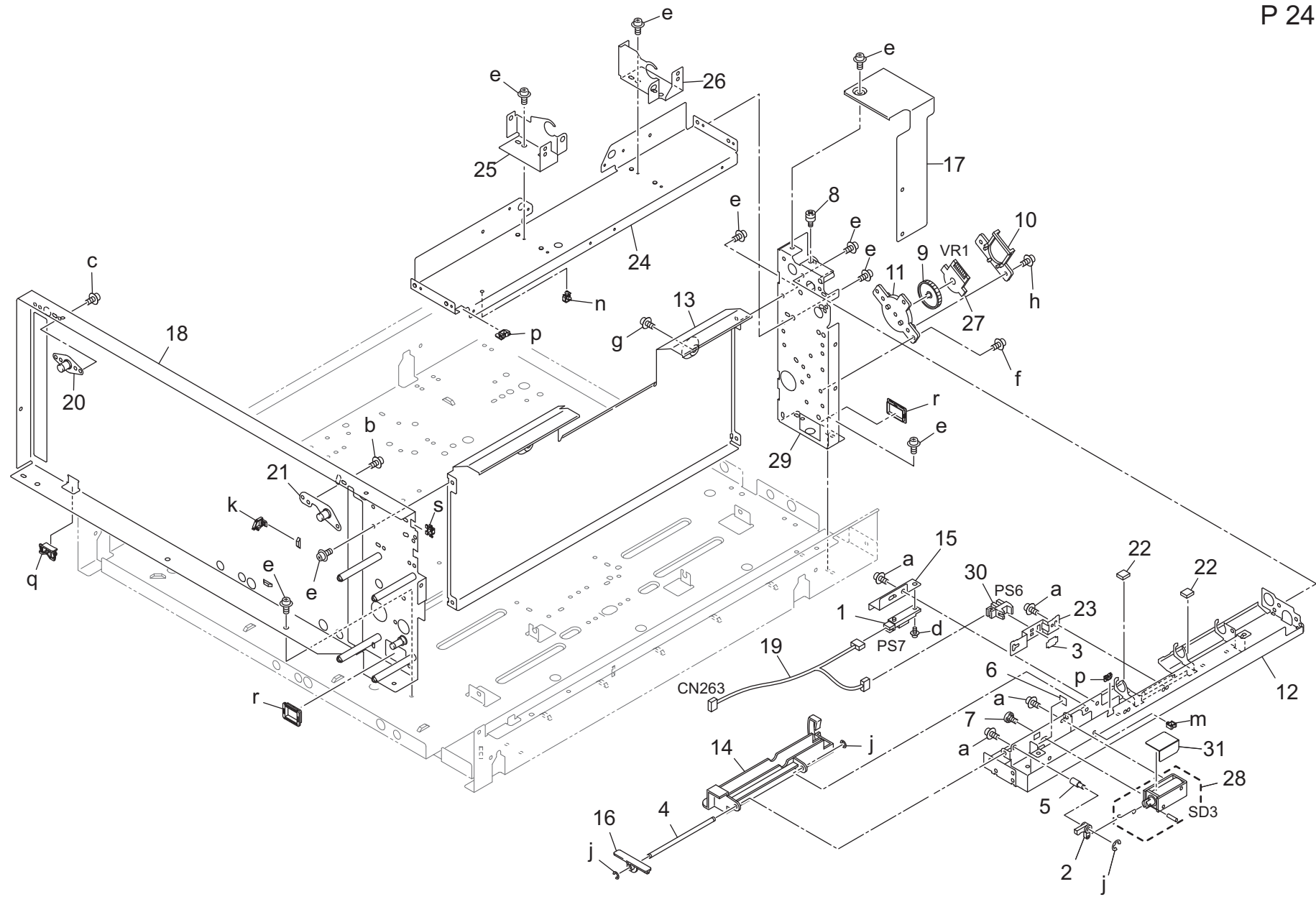
Tray 1 Section



Tray 1 Section

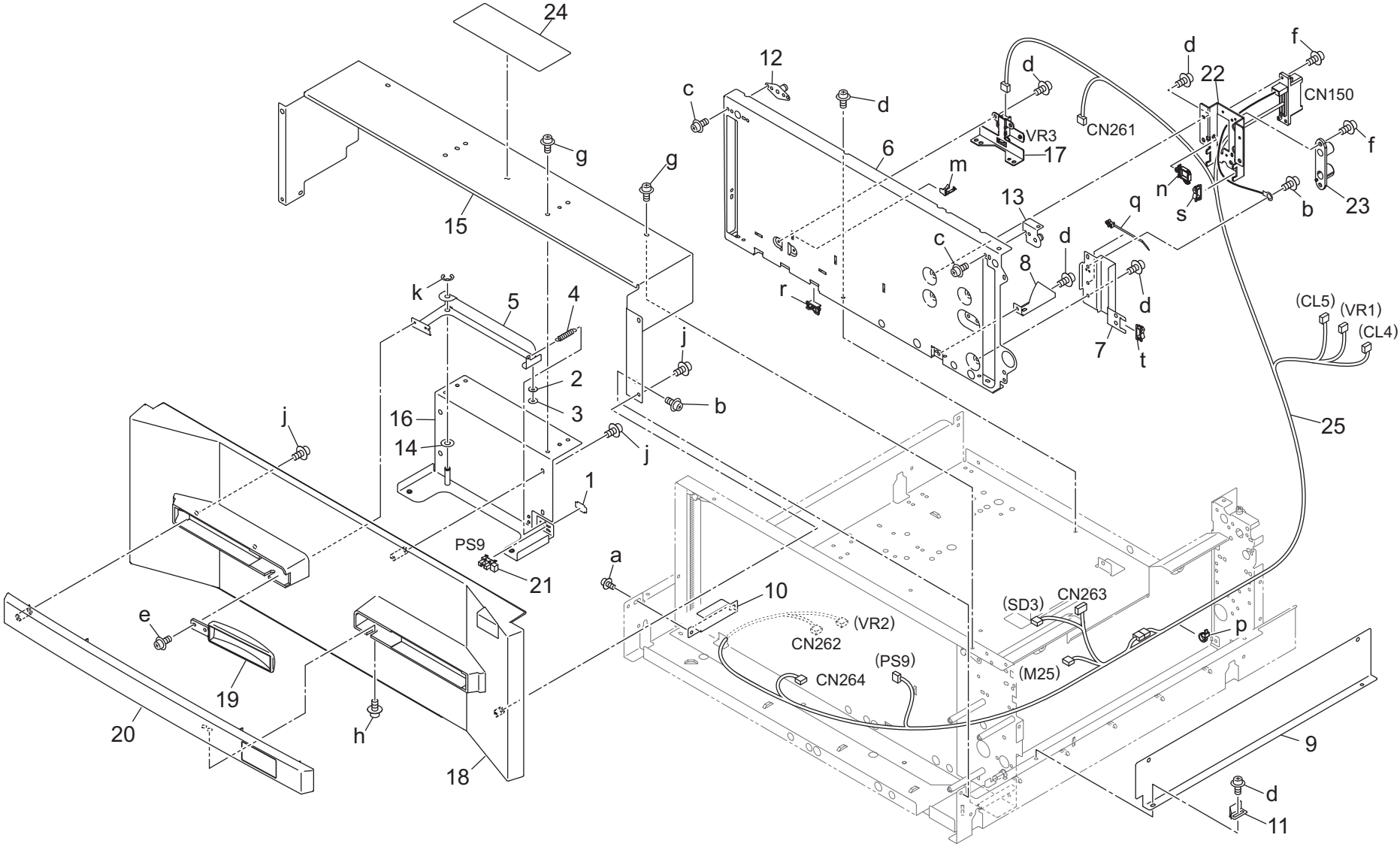
Key	Part No.	Description	Destinations	Class	QTY	Standard parts
1	129X48350	Guide Bearing /A		C	2	a-V116030603
2	129X48360	Guide Bearing /B		C	2	b-V116040803
3	56UA41020	PAPER GUIDE BOARD /REAR		D	1	c-V117043503
4	56UA41040	Paper Guide Side Plate /Rear		D	1	d-V118030403
5	56UA41060	Paper Guide Rack /Rear		D	1	e-V121030403
6	A4EU602300	Guide Shaft /L		D	1	f-V121040603
7	56UA41250	Guide Shaft /S		D	1	g-V127030516
8	56UA41310	Lever Support Shaft		D	1	h-V127030604
9	56UA41490	PAPER FEED TRAY HOLDING COVER B		C	1	j-V195040003
10	56UA41550	REINFORCE PLATE /B		D	1	k-V209040003
11	56UA41580	PAPER HOLDING SPRING		C	1	m-V217020003
12	56UA41620	PAPER HOLDING LEVER		C	1	n-V217030003
13	56UA41661	PAPER GUIDE COVER		D	1	p-V500010027
14	56UA41710	Paper Feed Guide Duct /Rear		D	1	q-V570010021
15	56UA41750	Fan Auxiliary Plate /R		D	1	
16	56UA41810	Lever Shaft		D	1	
17	56UA90370	PAPER FEED SUCTION WIRING REAR		D	1	
18	9313100072	FAN MOTOR		C	1	
19	A0G6620500	Holding Plate Spring /A		D	1	
20	A4EU620100	Bushing /A		C	1	
21	A4EU943200	Guide Label		D	1	
22	A4EUR72R11	Paper Feed Tray Cover /A Unit		D	1	

Tray 1 Section



Key	Part No.	Description	Destinations	Class	QTY	Standard parts
1	13QA85511	Sensor /1		B	1	a-V116030503
2	25AA40870	SWITCH LEVER 1		C	1	b-V116030603
3	4470402401	Stopper		D	1	c-V121030403
4	55VA40380	SUPPORT SHAFT A		D	1	d-V126030603
5	55VA40460	FULCRUM SHAFT C		D	1	e-V127030516
6	55VA42111	SOLENOID STOPPER SHEET		C	1	f-V127030604
7	55VA42220	POSITIONING SCREW		C	1	g-V127040603
8	55VA42420	Lever Support Screw		C	1	h-V151030803
9	56AA41340	Detecting Gear 35T		C	1	j-V217030003
10	56AA41351E	Detection Board		C	1	k-V500010021
11	56AE43090	Board Mounting Part		C	1	m-V500010029
12	56UA40051G	Paper Feed Guide Plate /Upper		D	1	n-V500020098
13	56UA40070	PAPER STOPPER PLATE		D	1	p-V570010021
14	56UA40240	Entrance Guide Plate /Front		C	1	q-V570010023
15	56UA40470	Mounting Plate /S		D	1	r-V570010038
16	56UA40480	PAPER FEED LIFTING LEVER		D	1	s-V570010050
17	56UA40670	CLUTCH COVER		D	1	
18	56UA-4080	SIDE GUIDE /FRONT		D	1	
19	56UA90350	PAPER FEED CONTROL WIRING UPPER		D	1	
20	56UAR79500	WIRE SUPPORT PLATE A		D	1	
21	56UAR79700	WIRE SUPPORT PLATE C		C	1	
22	A0G6561200	Stopper Rubber		C	2	
23	A0G6561300	Adjusting Plate		D	1	
24	A0G6570101	Paper feed Stay		D	1	
25	A0G6570600	Support Plate /A		D	1	
26	A0G6570700	Support Plate /B		D	1	
27	A1UDM50100	Volume		D	1	
28	A4EUR72N11	Pick Up Solenoid Pin Assy		C	1	
29	A4EUR72T23	Tray Driveside Guide Caulking		D	1	
30	A85CM55600	Photo Sensor		C	1	
31	A9JT602000	Protection Cover /S		D	1	

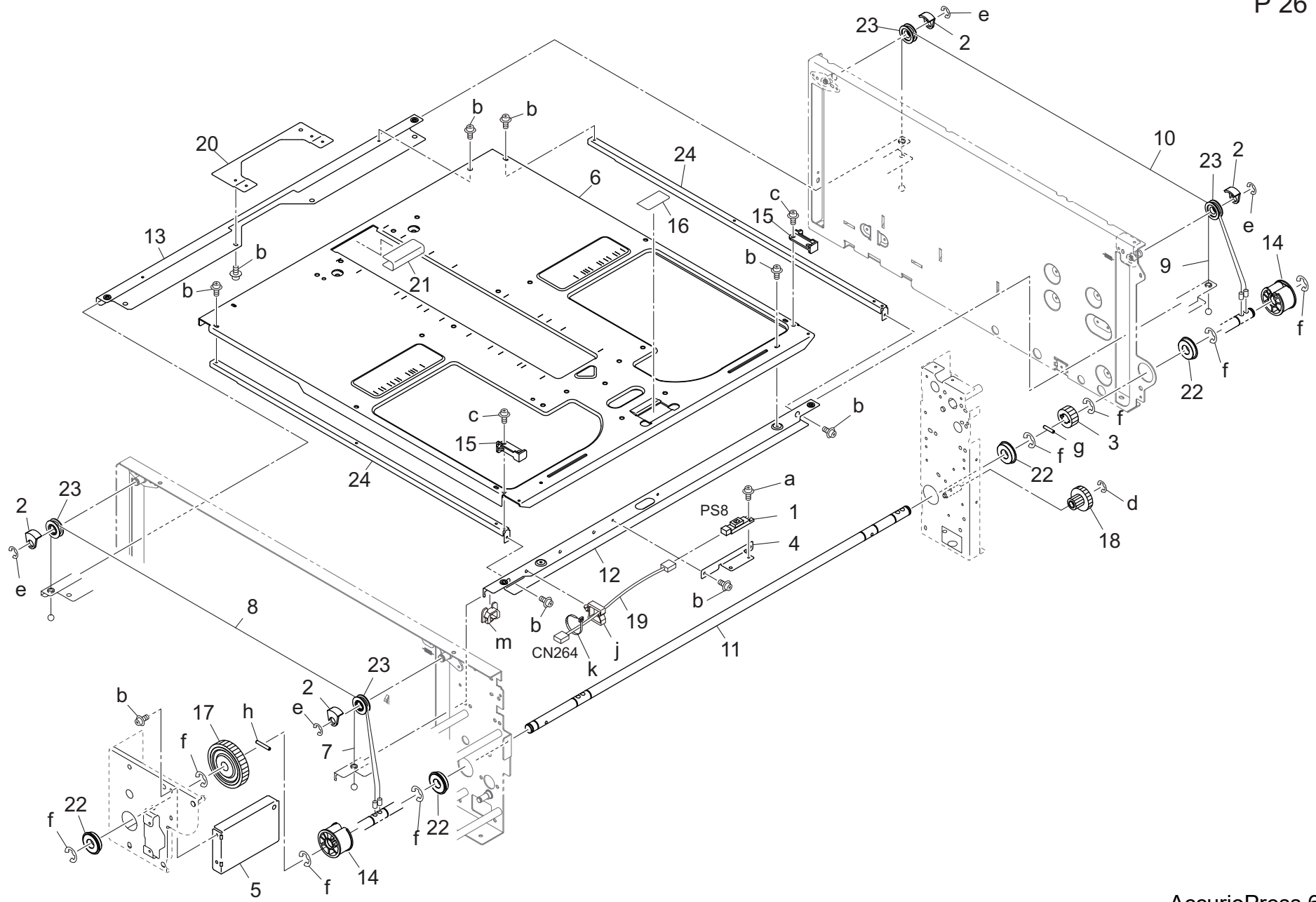
Tray 1 Section



Tray 1 Section

Key	Part No.	Description	Destinations	Class	QTY	Standard parts
1	4470402401	Stopper		D	1	a-V116030603
2	55VA42390	Attaching Sheet		C	1	b-V116040603
3	55VA42400	Cam Spacer		D	1	c-V121030403
4	56HA12980	Lever Spring		C	1	d-V127030516
5	56UA12560	Tray Lever		C	1	e-V127030604
6	56UA40020E	Side plate /Rear		D	1	f-V127030803
7	56UA40140	Wiring Guide Plate		D	1	g-V127040603
8	56UA40160	Main Body Lock Plate /A		D	1	h-V127040803
9	56UA40260	TRAY COVER RIGHT		D	1	j-V151041003
10	56UA40270	TRAY POSITIONING PLATE /LEFT		D	1	k-V217040003
11	56UA40580E	LEVER HOLDING PART		D	1	m-V500010021
12	56UAR79500	WIRE SUPPORT PLATE A		D	1	n-V500010083
13	56UAR79600	WIRE SUPPORT PLATE B		C	1	p-V501010002
14	57AA30260	Developing Agitating Spacer		C	1	q-V501010003
15	A0G6165200	Auxiliary Cover		D	1	r-V570010023
16	A4EUF60701	LEVER MOUNTING PLATE CAULKING		D	1	s-V570010057
17	A4EUR72M11	Sensor Board		C	1	t-V570010063
18	A799165100	Paper feed Cover		D	1	
19	A799165300	Handle		D	1	
20	A799165400	Paper feed Handle		D	1	
21	A85CM55500	Photo Sensor		C	1	
22	A9JT601500	Power Supply Holder /M		D	1	
23	A9JT601900	Positioning Sleeve		D	1	
24	A9JT947800	Operation Label /E		D	1	
25	A9JTN13301	Paperfeed Wiring /2		D	1	

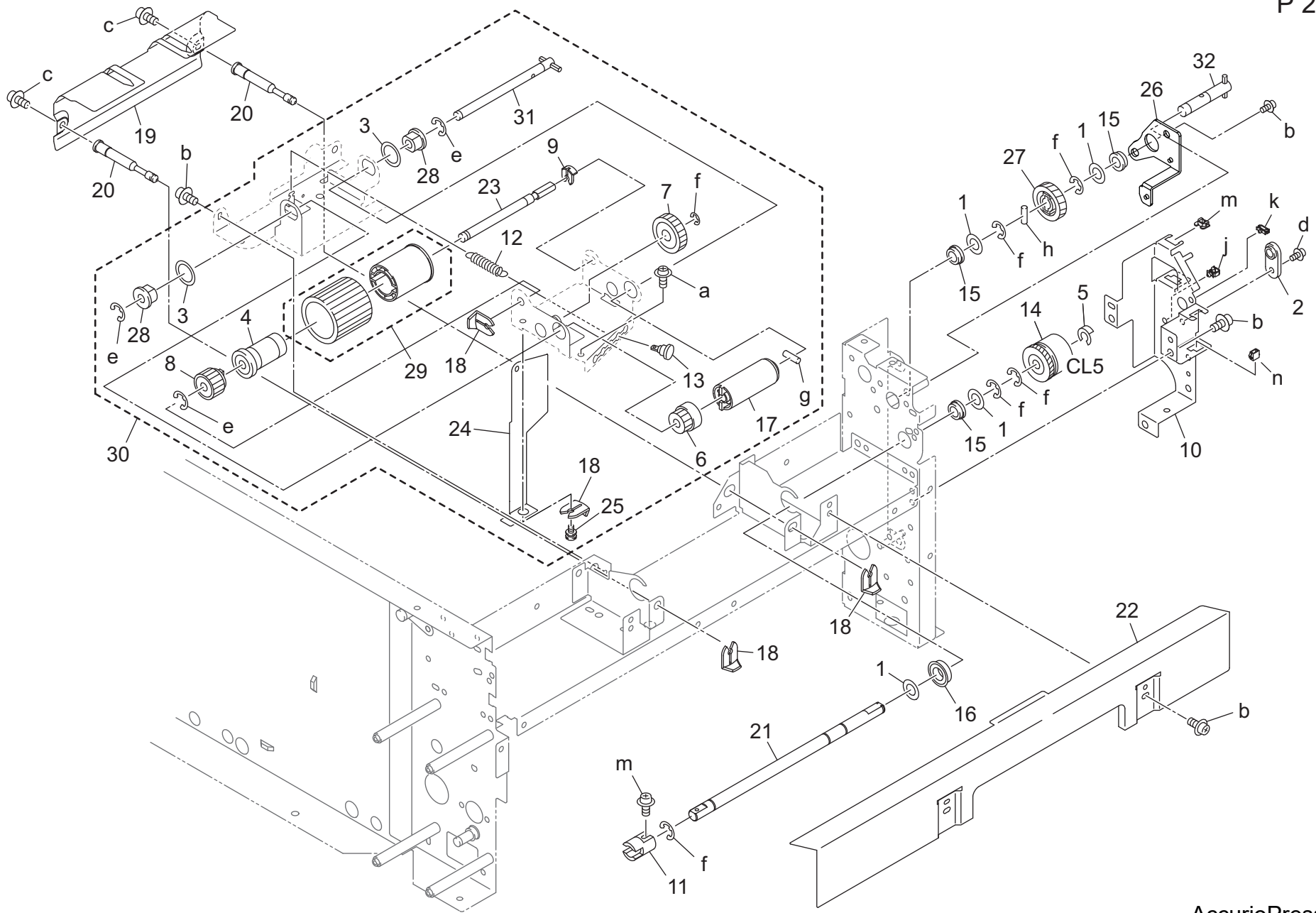
Tray 1 Section



Tray 1 Section

Key	Part No.	Description	Destinations	Class	QTY	Standard parts
1	13QA85511	Sensor /1	センサ /1	B	1	a-V126030603
2	55VA40610	Wire Holder /A	ワイヤー 押さえ /A	C	4	b-V127030516
3	55VA77652	ADU CONVEYANCE GEAR 2 19T	ADU 搬送歯車 2 19 T	B	1	c-V127030604
4	56UA40460	Mounting Plate /O	センサ取付け板 /O	D	1	d-V217040003
5	56UA40570	DRIVE UP DOWN COVER RIGHT	駆動昇降カバー 右	D	1	e-V217060003
6	56UA41011E	Paper feed Up/down Plate /M	給紙昇降板 /M	D	1	f-V217080003
7	56UA41130	Up Down Wire /A	昇降ワイヤー /A	C	1	g-V234301450
8	56UA41140	Up Down Wire /B	昇降ワイヤー /B	C	1	h-V234302050
9	56UA41150	Up Down Wire /C	昇降ワイヤー /C	C	1	j-V500010029
10	56UA41160	Up Down Wire /D	昇降ワイヤー /D	C	1	k-V501010002
11	A4EU602100	Drive Shaft	駆動軸	D	1	m-V570010021
12	56UA41270	Up/Down Stay/A	昇降ステー /A	D	1	
13	56UA41281E	Up/down Stay /B	昇降ステー /B	D	1	
14	56UA41340	DRIVE UP DOWN PULLEY	駆動昇降プーリ	C	2	
15	56UA41400	PAPER FEED TRAY SLIDE PART	給紙皿スライド部材	D	2	
16	56UA41640	Multi Feed Preventing Plate	重送防止板	C	1	
17	56UA77600	Up Down Gear /A 32T	昇降歯車 /A 32 T	C	1	
18	56UA77620	TRAY UP DOWN IDLER	トレイ昇降アイドル	C	1	
19	56UA90340	PAPER FEED DETECTION WIRING	給紙検知束線	D	1	
20	A0G6620300	Reinforce Plate /C	補強板 /C	D	1	
21	A0G6620400	Protection Sheet	保護シート	C	1	
22	A4EU265000	Ball bearing	ボールベアリング (読取駆動)	B	4	
23	A4EU620200	Roller Pulley Ball bearing Assy	ころがりプーリ /ボールベアリング Assy	C	4	
24	A4EU621100	Reinforce Shaft /L	補強軸 /L	D	2	

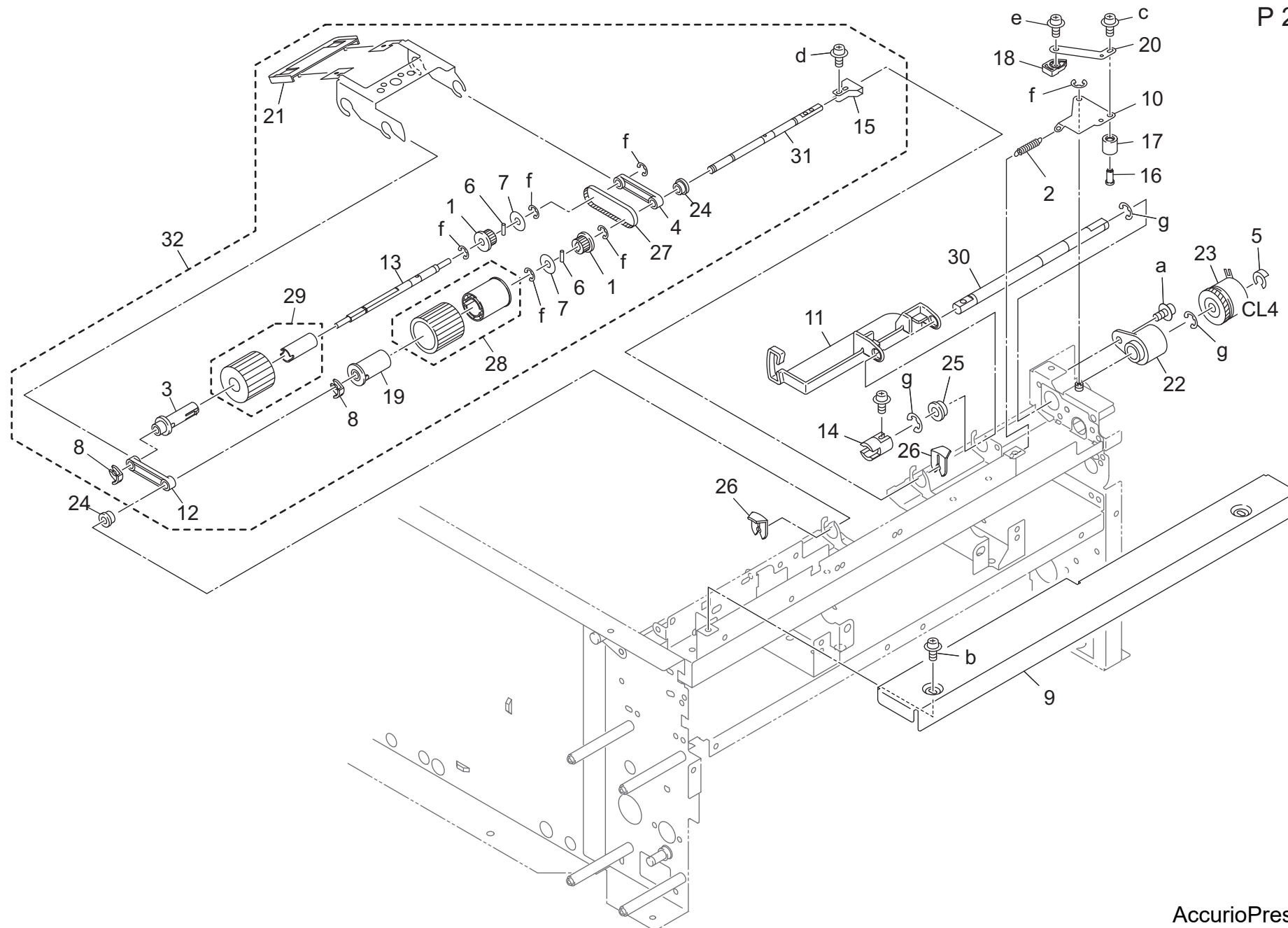
Tray 1 Section



Key	Part No.	Description	Destinations	Class	QTY	Standard parts
1	12QV40650	Spacer		B	4	a-V116030603
2	173030270	Pin Holder A		C	1	b-V127030516
3	25AA40120	SPACER		C	2	c-V127030604
4	50BA40220	REVERSE ROLLER		C	1	d-V127040603
5	55VA42120	Shaft Stopper		C	1	e-V217040003
6	55VA79030	Paper Feed Reversal Gear /C 14T	給紙逆転歯車 /C 14 T	B	1	f-V217060003
7	55VA79050	Idler Gear /B 24T	アイドル歯車 /B 24 T	C	1	g-V234200850
8	55VA79140	Paper Feed Reversal Gear /D 19T	給紙逆転歯車 /D 19 T	B	1	h-V234301450
9	56AA40490	Shaft Stopper /4	軸 ストップ /4	C	1	j-V500020098
10	56UA40130E	Positioning Plate /Rear	位置決め板 /奥	D	1	k-V500020100
11	56UA40490	COUPLING F	カップリング F	C	1	m-V570010021
12	56UA40610	REVERSE SPRING B	逆転バネ B	C	1	n-V651010001
13	56UA40620	SPRING ADJUSTMENT LEVER	バネ調整レバー	D	1	
14	57GA82010	Clutch /1	クラッチ /1	B	1	
15	A00J617900	Ball Bearing	ボールベアリング	B	3	
16	A00V240600	Ball Bearing	ボールベアリング	B	1	
17	A03X565611	Torque Limiter /A	トルクリミッタ /A	B	1	
18	A0G6561000	Stopper /E	ストップ /E	C	4	
19	A0G6570200	Guide Plate	案内板	C	1	
20	A0G6570500	Positioning Shaft /B	位置決め軸 /B	D	2	
21	A0G6570800	Reverse Shaft	逆転軸	B	1	
22	A0G6571600	Guide Plate /Lower	ガイド板 /下	C	1	
23	A0G6571900	Reverse Shaft /2	逆転軸 /2	D	1	
24	A0G6572000	Protection Cover	保護カバー	B	1	
25	A0G6572100	Guide Screw	案内ねじ	C	1	
26	A0G6602101	Idling Panel	アイドルパネル	D	1	
27	A0G6602300	Input Gear 25T	入力ギア 25 T	B	1	
28	A0Y5601600	Bushing/6	すべり軸受 /6	C	2	
29	A4EUR71411	Feeding Roller Unit/B	送り出しローラー部組 /B	A	1	
30	A4EUR72H11	Separating Unit	捌きユニット	C	1	
31	A4EUR72J11	Revers Shaft/B	逆転軸 /B ピン打ち	D	1	
32	A4EUR72K11	Paper Feed Input Shaft	給紙入力軸ピン打ち	B	1	

Tray 1 Section

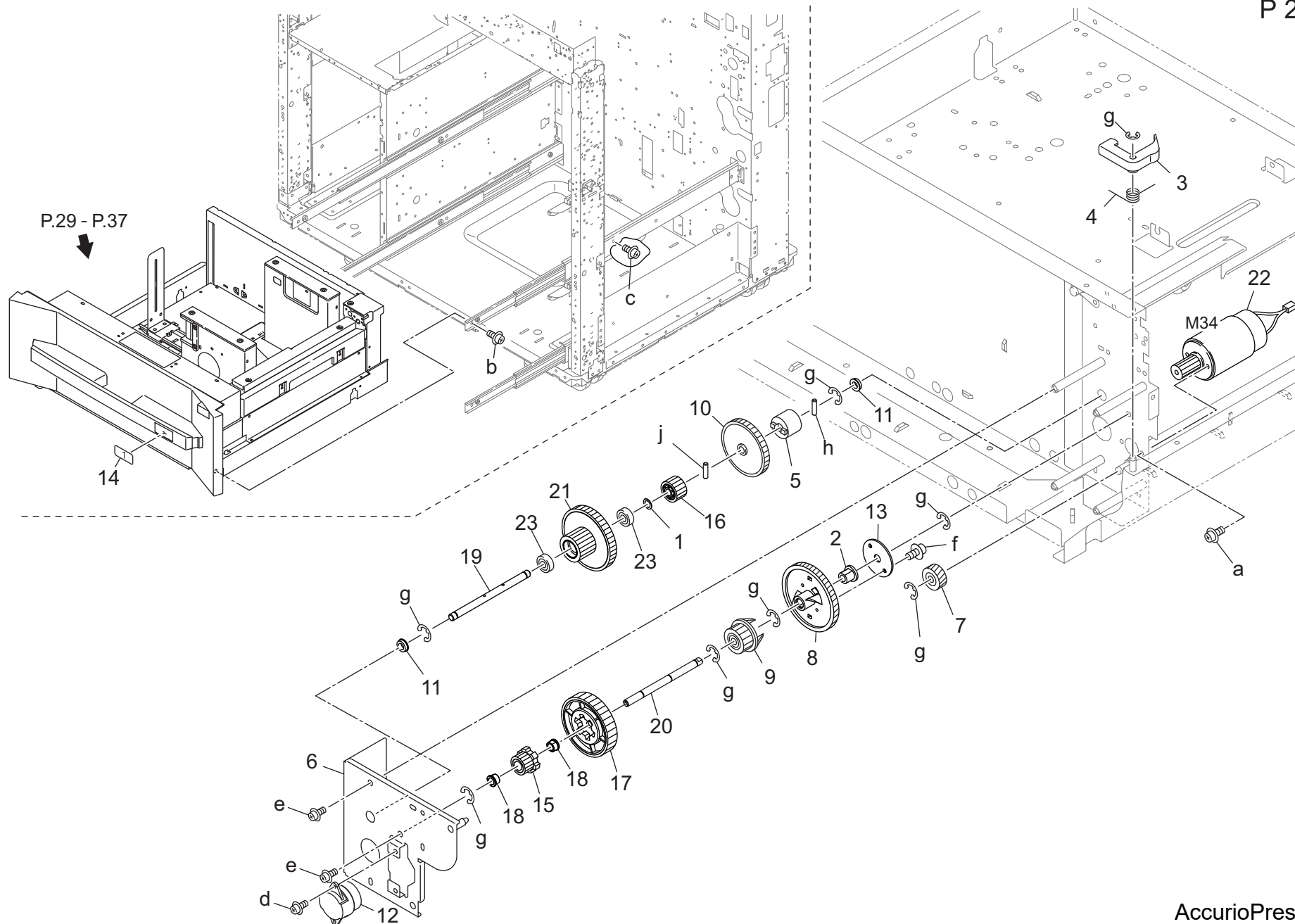
P 28



Key	Part No.	Description	Destinations	Class	QTY	Standard parts
1	059076510	PULLEY 1 15 T		C	2	a-V116030603
2	25AA40460	LOCK SPRING 2		C	1	b-V118030403
3	55VA40130	Feeding Roller /A		C	1	c-V127030516
4	55VA40260	Paper Feeding Shaft Holder		C	1	d-V127030604
5	55VA42120	Shaft Stopper		C	1	e-V151040603
6	56AA17510	Pin /B		C	2	f-V217040003
7	56AA17760	COLLAR		C	2	g-V217060003
8	56AA40490	Shaft Stopper /4		C	2	
9	56UA12530	FEEDING COVER		D	1	
10	56UA40170	Lock Lever /A		D	1	
11	56UA40250	ENTRANCE GUIDE PLATE REAR		C	1	
12	56UA40280	Paper Feed Feeding Bushing		C	1	
13	56UA40400	PAPER FEED SHAFT X		D	1	
14	56UA40490	COUPLING F		C	1	
15	56UA40500	COUPLING LEVER F		D	1	
16	56UA40520	Lock Shaft /B		D	1	
17	56UA40530	Release Roller		C	1	
18	56UA40540	Lever Auxiliary Part		D	1	
19	56UA40600	Multi-Feed Feeding Roller		C	1	
20	56UA40660	LEVER AUXILIARY SPRING		D	1	
21	56UA40690	Side Protection Cover /B		D	1	
22	56UA75030	Lock Bushing /A		C	1	
23	57GA82010	Clutch /1		B	1	
24	A00J663200	Bushing		B	2	
25	A03U812800	Slide Shaft Holder		B	1	
26	A0G6561000	Stopper /E		C	2	
27	A4EU565600	Drive Belt 126L		C	1	
28	A4EUR71411	Feeding Roller Unit/B		A	1	
29	A4EUR71511	Feeding Roller Unit/A		A	1	
30	A799622100	Supply Shaft /Upper		D	1	
31	A799623400	Paper feed Shaft /Upper		D	1	
32	A799R70S11	Pickup Unit		C	1	

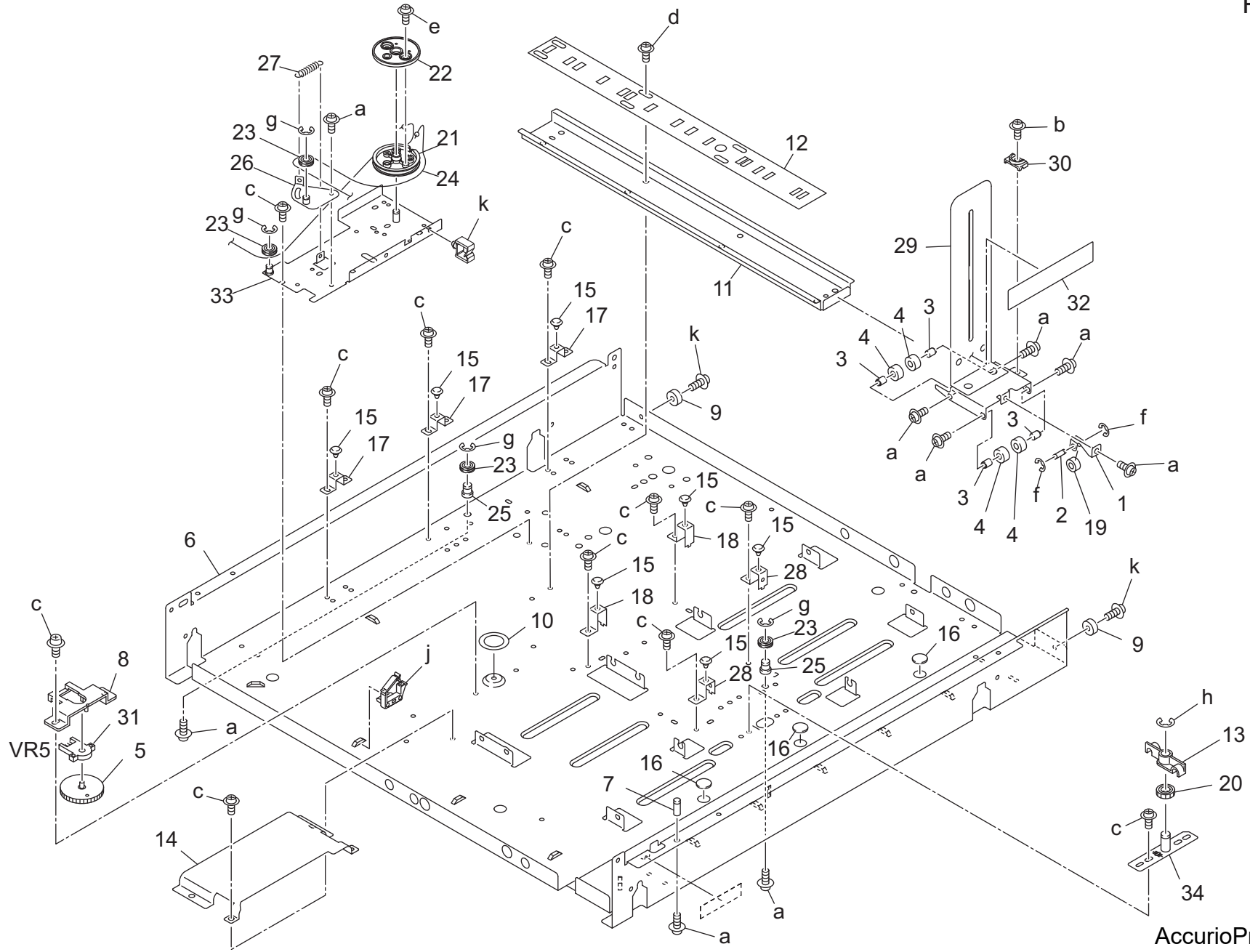
Tray 2 Section

P 29



Key	Part No.	Description	Destinations	Class	QTY	Standard parts
1	13QA10330	SHAFT SPACER		C	1	a-V118030403
2	40BA75520	Paper Exit Bearing		C	1	b-V118040603
3	56UA40351	GUIDE LEVER		D	1	c-V118040803
4	56UA40360	Lever Spring /1		C	1	d-V121030403
5	56UA42570	TORQUE LIMITER B		C	1	e-V127030516
6	56UA-4321E	DRIVE UP/DOWN BOARD		D	1	f-V147030603
7	56UA77480	Lock Idler		C	1	g-V217040003
8	56UA77640F	Drive Connecting Gear/A 70T		C	1	h-V234200850
9	56UA77650E	Control Gear 21T		C	1	j-V234201250
10	56UA77660	Drive Regulating Gear /A 49T		C	1	
11	A00J617800	Ball Bearing		A	2	
12	A0G6601900	Up/Down Dumper		C	1	
13	A0G6606500	Holding Part		C	1	
14	A0U0945501	Indicating Label /2		C	1	
15	A4EU603100	Gear 15T		C	1	
16	A4EU603200	Gear 17T		C	1	
17	A4EU603300	Gear 53T		C	1	
18	A4EU603400	Bushing		C	2	
19	A4EU603500	Idling Shaft /A		D	1	
20	A4EU603600	Idling Shaft /B		D	1	
21	A4EU606100	Up/down Gear /B 14/55T		C	1	
22	A4EUR72Q11	Updown Motor		C	1	
23	A4F3905000	Ball Bearing		D	2	

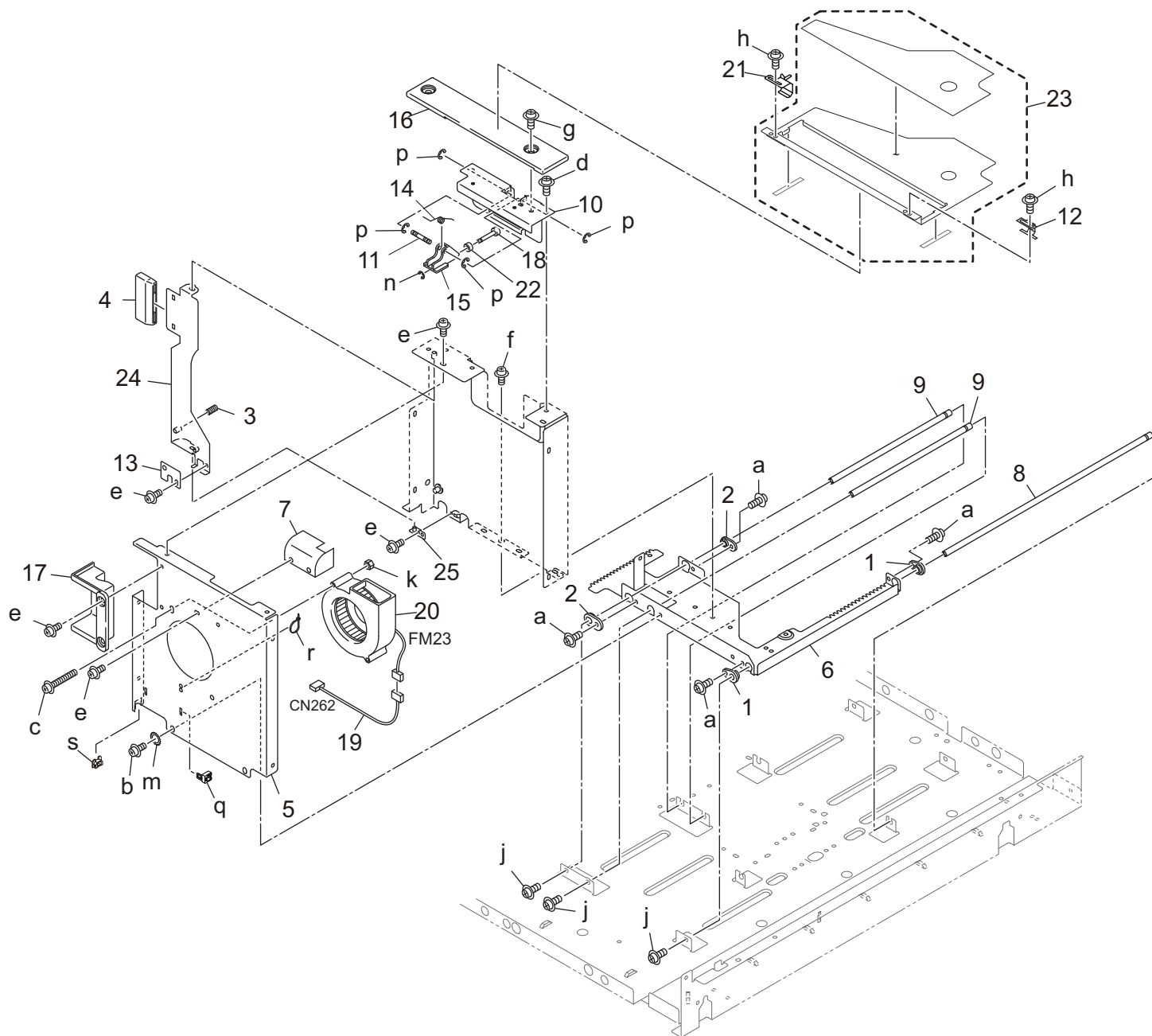
Tray 2 Section



AccurioPress 6136

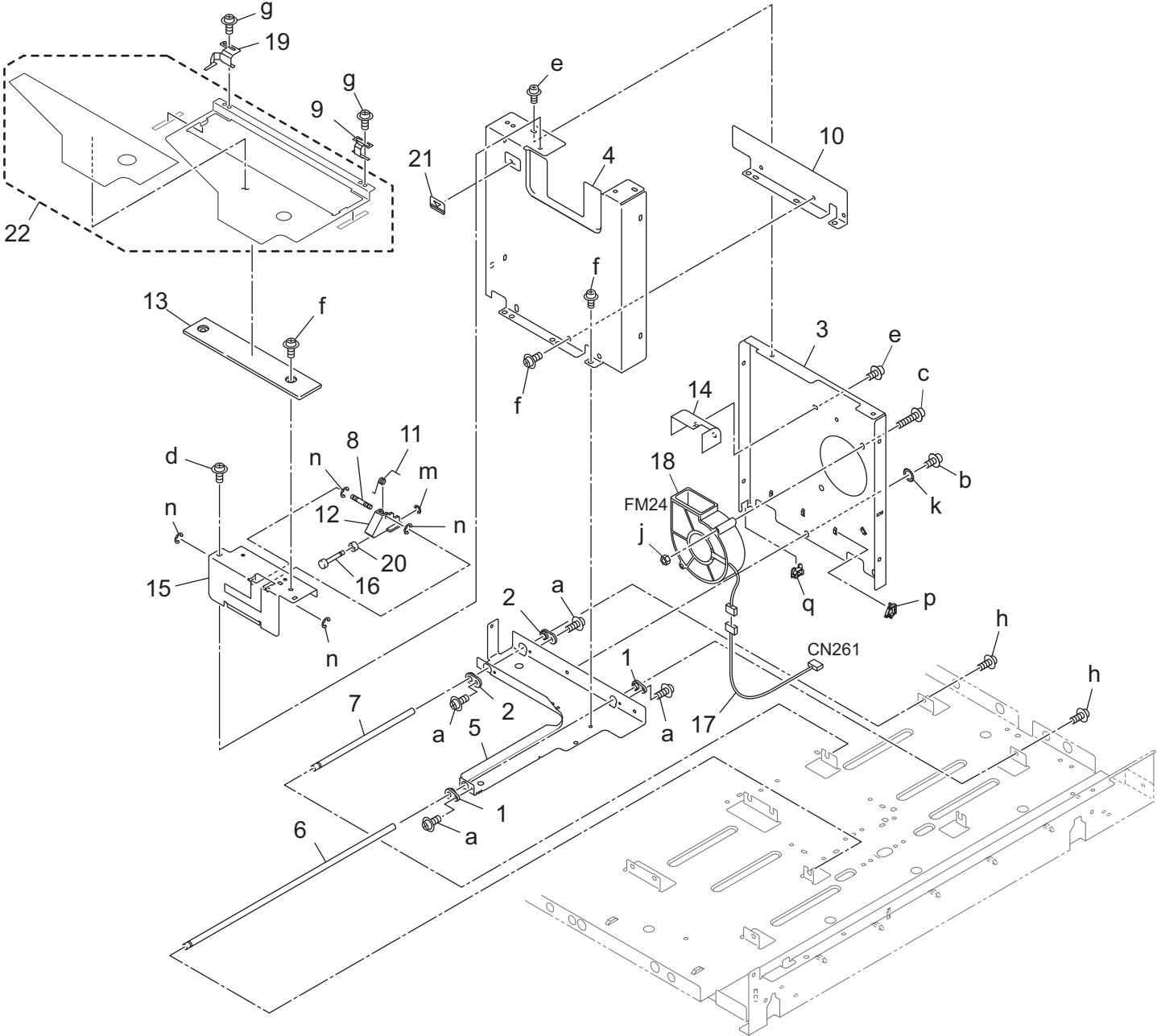
Key	Part No.	Description	Destinations	Class	QTY	Standard parts
1	55VA40910	PRESSURE PLATE A		D	1	a-V116030603
2	55VA40920D	Support Shaft		D	1	b-V116040803
3	55VA42330D	GUIDE SHAFT /E		D	4	c-V127030516
4	55VA42340	Guide Roller		C	4	d-V127030604
5	56AA41340	Detecting Gear 35T		C	1	e-V151030603
6	56UA40011E	Tray Bottom Plate		D	1	f-V217030003
7	56UA40371	Lever Support Shaft /A		D	1	g-V217040003
8	56UA40420	DETECTION BOARD		D	1	h-V217060003
9	56UA40511E	Stopper Rubber /C		C	2	j-V500010021
10	56UA40760	Gear Spacer		C	1	k-V500010028
11	56UA41110	GUIDE RAIL		D	1	
12	56UA41120E	Guide Stopper		D	1	
13	56UA41220	SHAFT POSITIONING PART		D	1	
14	56UA41260	BOARD PROTECTION COVER		D	1	
15	56UA41470	Stopper Rubber		C	7	
16	56UA41500	Stopper Rubber /B		C	3	
17	56UA41520	Paper Feed Tray Support Pedestal /A		D	3	
18	56UA41530	Paper Feed Tray Support Pedestal /B		D	2	
19	56UA41690	Tray Lock Roller		C	1	
20	56UA77530	CASSETTE PINION		C	1	
21	A0G6600700	Pulley		C	1	
22	A0G6600800	Detecting Gear 90T		C	1	
23	A0G6600900	Idling Pulley /A		C	4	
24	A0G6601000	Detection Wire		C	1	
25	A0G6601300	Idling Shaft /2		D	2	
26	A0G6601500	Tension Arm		D	1	
27	A55C601600	Tension Spring		D	1	
28	A0G6601700	Support Pedestal		D	2	
29	A0G6615100	Guide Part /Rear		D	1	
30	A0G6615200	Holding Part		D	1	
31	A1UDM50100	Volume		D	1	
32	A4EU943000	Operation Label /H		D	1	
33	A4EUR72U11	Detecting Board Caulking		D	1	
34	A4EUR72V11	Adjusting Plate Caulking		D	1	

Tray 2 Section



Key	Part No.	Description	Destinations	Class	QTY	Standard parts
1	129X48350	Guide Bearing /A		C	2	a-V116030603
2	129X48360	Guide Bearing /B		C	2	b-V116040803
3	25AA47551	LIFT UP SPRING REAR		C	1	c-V117043503
4	56UA40680	Lever Cover		C	1	d-V118030403
5	56UA41030	Paper Guide Board /Front		D	1	e-V121030403
6	56UA41070	Paper Guide Rack /Front		D	1	f-V121040404
7	56UA41090	Paper Feed Guide Duct /Front		D	1	g-V121040603
8	A4EU602300	Guide Shaft /L		D	1	h-V127030516
9	56UA41240	GUIDE SHAFT M		C	2	j-V127030604
10	56UA41300	FAN AUXILIARY PLATE FRONT		C	1	k-V195040003
11	56UA41310	Lever Support Shaft		D	1	m-V209040003
12	56UA41490	PAPER FEED TRAY HOLDING COVER B		C	1	n-V217020003
13	56UA41540	Lock Plate		C	1	p-V217030003
14	56UA41580	PAPER HOLDING SPRING		C	1	q-V500010027
15	56UA41620	PAPER HOLDING LEVER		C	1	r-V501010002
16	56UA41661	PAPER GUIDE COVER		D	1	s-V570010021
17	56UA41670	Lever Protection Cover		D	1	
18	56UA41810	Lever Shaft		D	1	
19	56UA90360	PAPER FEED SUCTION WIRING FRONT		D	1	
20	9313100072	FAN MOTOR		C	1	
21	A0G6620600	Holding Plate Spring /B		D	1	
22	A4EU620100	Bushing /A		C	1	
23	A4EUR72S11	Paper Feed Tray Cover /B Unit		D	1	
24	A4EUR72W11	Locking Lever Caulking		D	1	
25	A4EUR72X11	Rocking Board Caulking		D	1	

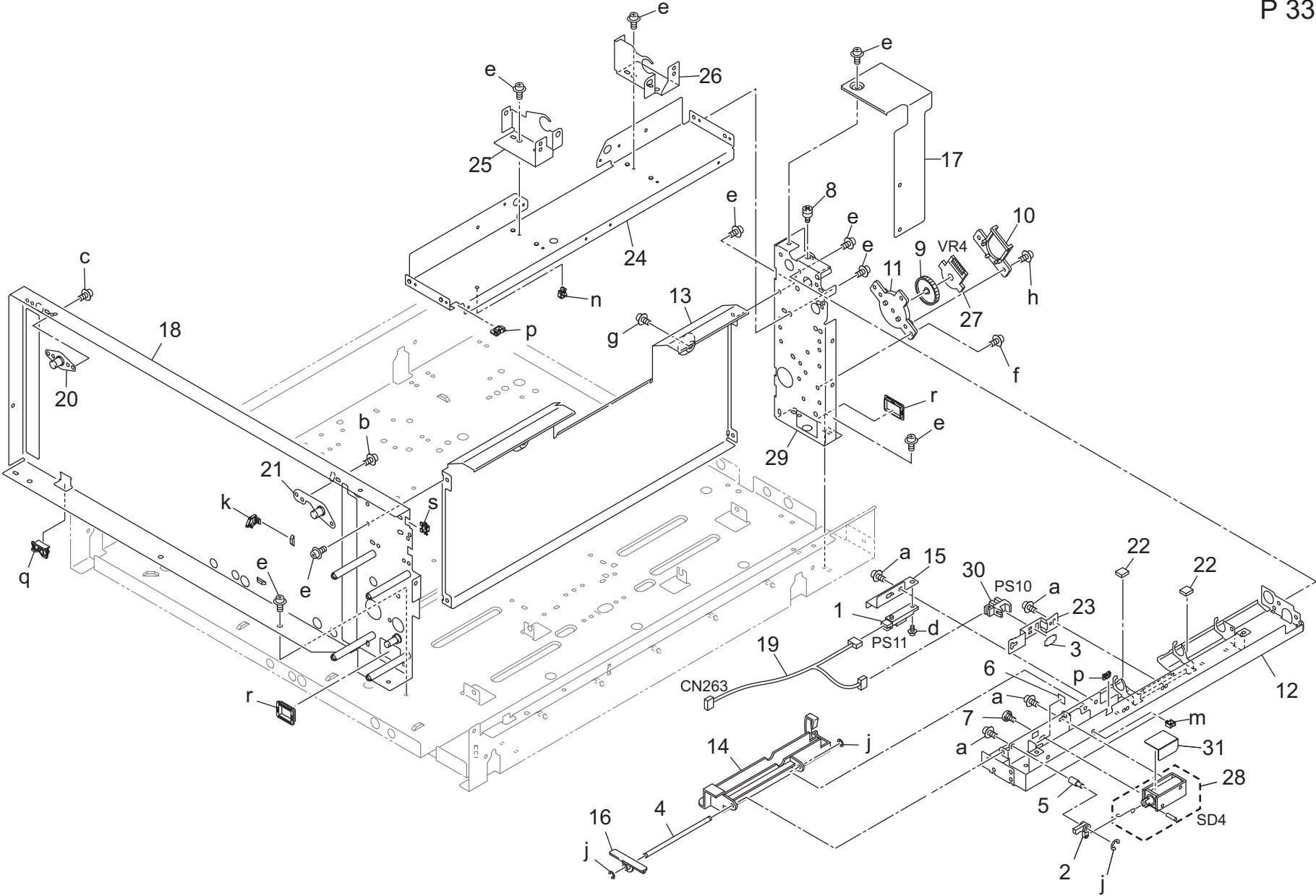
Tray 2 Section



Tray 2 Section

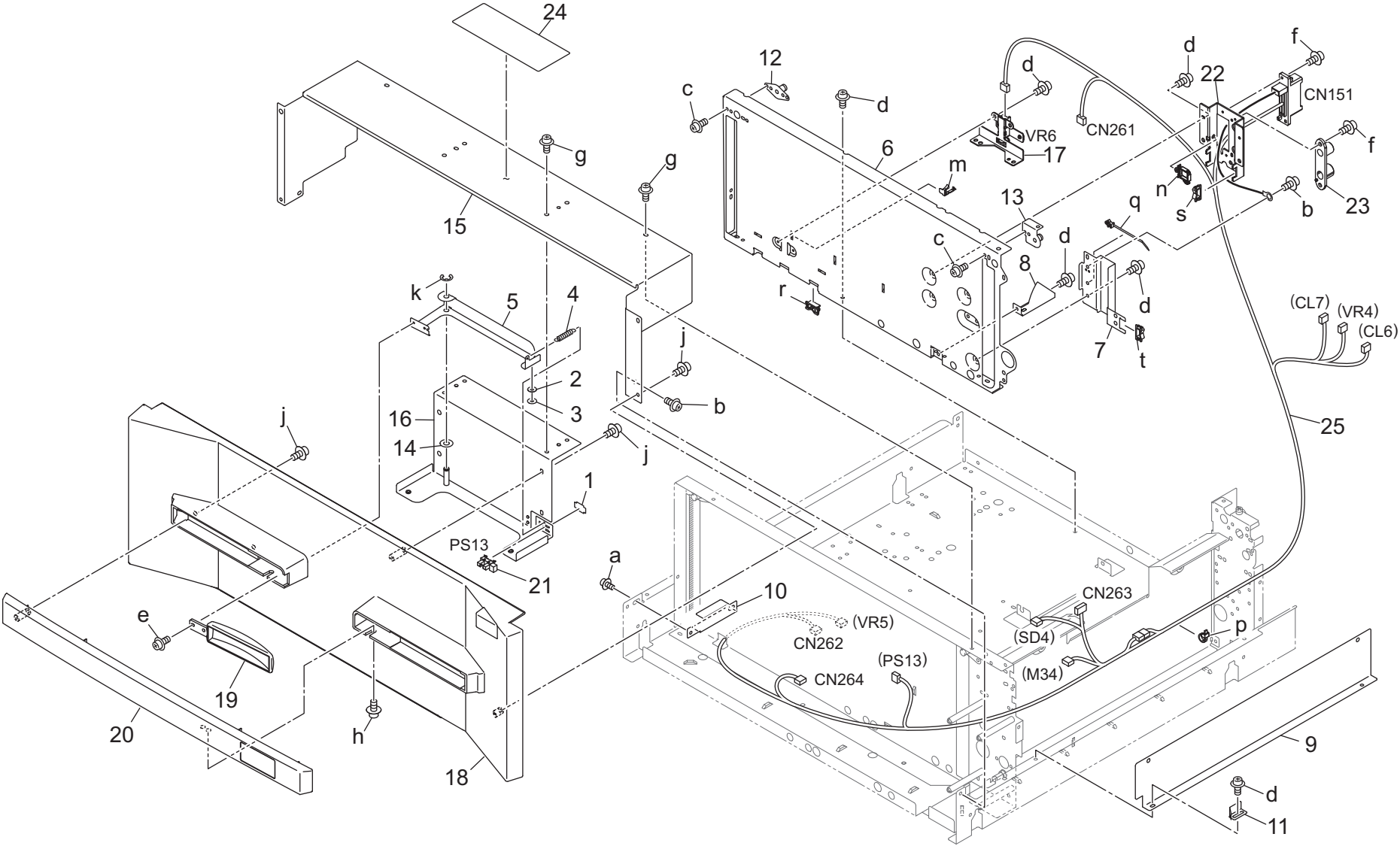
Key	Part No.	Description	Destinations	Class	QTY	Standard parts
1	129X48350	Guide Bearing /A		C	2	a-V116030603
2	129X48360	Guide Bearing /B		C	2	b-V116040803
3	56UA41020	PAPER GUIDE BOARD /REAR		D	1	c-V117043503
4	56UA41040	Paper Guide Side Plate /Rear		D	1	d-V118030403
5	56UA41060	Paper Guide Rack /Rear		D	1	e-V121030403
6	A4EU602300	Guide Shaft /L		D	1	f-V121040603
7	56UA41250	Guide Shaft /S		D	1	g-V127030516
8	56UA41310	Lever Support Shaft		D	1	h-V127030604
9	56UA41490	PAPER FEED TRAY HOLDING COVER B		C	1	j-V195040003
10	56UA41550	REINFORCE PLATE /B		D	1	k-V209040003
11	56UA41580	PAPER HOLDING SPRING		C	1	m-V217020003
12	56UA41620	PAPER HOLDING LEVER		C	1	n-V217030003
13	56UA41661	PAPER GUIDE COVER		D	1	p-V500010027
14	56UA41710	Paper Feed Guide Duct /Rear		D	1	q-V570010021
15	56UA41750	Fan Auxiliary Plate /R		D	1	
16	56UA41810	Lever Shaft		D	1	
17	56UA90370	PAPER FEED SUCTION WIRING REAR		D	1	
18	9313100072	FAN MOTOR		C	1	
19	A0G6620500	Holding Plate Spring /A		D	1	
20	A4EU620100	Bushing /A		C	1	
21	A4EU943200	Guide Label		D	1	
22	A4EUR72R11	Paper Feed Tray Cover /A Unit		D	1	

Tray 2 Section



Key	Part No.	Description	Destinations	Class	QTY	Standard parts
1	13QA85511	Sensor /1		B	1	a-V116030503
2	25AA40870	SWITCH LEVER 1		C	1	b-V116030603
3	4470402401	Stopper		D	1	c-V121030403
4	55VA40380	SUPPORT SHAFT A		D	1	d-V126030603
5	55VA40460	FULCRUM SHAFT C		D	1	e-V127030516
6	55VA42111	SOLENOID STOPPER SHEET		C	1	f-V127030604
7	55VA42220	POSITIONING SCREW		C	1	g-V127040603
8	55VA42420	Lever Support Screw		C	1	h-V151030803
9	56AA41340	Detecting Gear 35T		C	1	j-V217030003
10	56AA41351E	Detection Board		C	1	k-V500010021
11	56AE43090	Board Mounting Part		C	1	m-V500010029
12	56UA40051G	Paper Feed Guide Plate /Upper		D	1	n-V500020098
13	56UA40070	PAPER STOPPER PLATE		D	1	p-V570010021
14	56UA40240	Entrance Guide Plate /Front		C	1	q-V570010023
15	56UA40470	Mounting Plate /S		D	1	r-V570010038
16	56UA40480	PAPER FEED LIFTING LEVER		D	1	s-V570010050
17	56UA40670	CLUTCH COVER		D	1	
18	56UA-4080	SIDE GUIDE/FRONT		D	1	
19	56UA90350	PAPER FEED CONTROL WIRING UPPER		D	1	
20	56UAR79500	WIRE SUPPORT PLATE A		D	1	
21	56UAR79700	WIRE SUPPORT PLATE C		C	1	
22	A0G6561200	Stopper Rubber		C	2	
23	A0G6561300	Adjusting Plate		D	1	
24	A0G6570101	Paper feed Stay		D	1	
25	A0G6570600	Support Plate /A		D	1	
26	A0G6570700	Support Plate /B		D	1	
27	A1UDM50100	Volume		D	1	
28	A4EUR72N11	Pick Up Solenoid Pin Assy		C	1	
29	A4EUR72T23	Tray Driveside Guide Caulking		D	1	
30	A85CM55600	Photo Sensor		C	1	
31	A9JT602000	Protection Cover /S		D	1	

Tray 2 Section

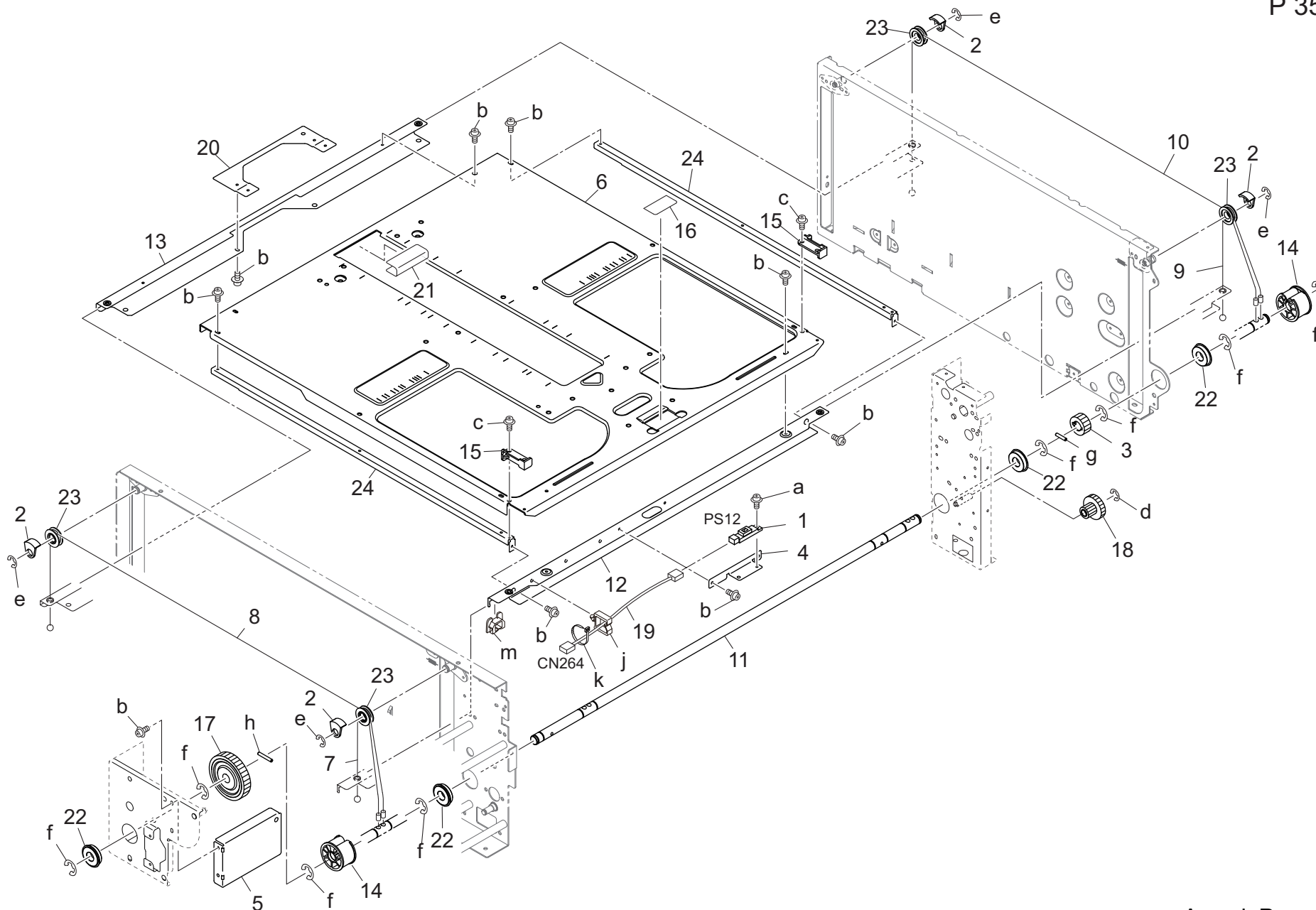


Tray 2 Section

Key	Part No.	Description	Destinations	Class	QTY	Standard parts
1	4470402401	Stopper		D	1	a-V116030603
2	55VA42390	Attaching Sheet		C	1	b-V116040603
3	55VA42400	Cam Spacer		D	1	c-V121030403
4	56HA12980	Lever Spring		C	1	d-V127030516
5	56UA12560	Tray Lever		C	1	e-V127030604
6	56UA40020E	Side plate /Rear		D	1	f-V127030803
7	56UA40140	Wiring Guide Plate		D	1	g-V127040603
8	56UA40160	Main Body Lock Plate /A		D	1	h-V127040803
9	56UA40260	TRAY COVER RIGHT		D	1	j-V151041003
10	56UA40270	TRAY POSITIONING PLATE /LEFT		D	1	k-V217040003
11	56UA40580E	LEVER HOLDING PART		D	1	m-V500010021
12	56UAR79500	WIRE SUPPORT PLATE A		D	1	n-V500010083
13	56UAR79600	WIRE SUPPORT PLATE B		C	1	p-V501010002
14	57AA30260	Developing Agitating Spacer		C	1	q-V501010003
15	A0G6165200	Auxiliary Cover		D	1	r-V570010023
16	A4EUF60701	LEVER MOUNTING PLATE CAULKING		D	1	s-V570010057
17	A4EUR72M11	Sensor Board		C	1	t-V570010063
18	A799165100	Paper feed Cover		D	1	
19	A799165300	Handle		D	1	
20	A799165400	Paper feed Handle		D	1	
21	A85CM55500	Photo Sensor		C	1	
22	A9JT601500	Power Supply Holder /M		D	1	
23	A9JT601900	Positioning Sleeve		D	1	
24	A9JT947800	Operation Label /E		D	1	
25	A9JTN13301	Paperfeed Wiring /2		D	1	

Tray 2 Section

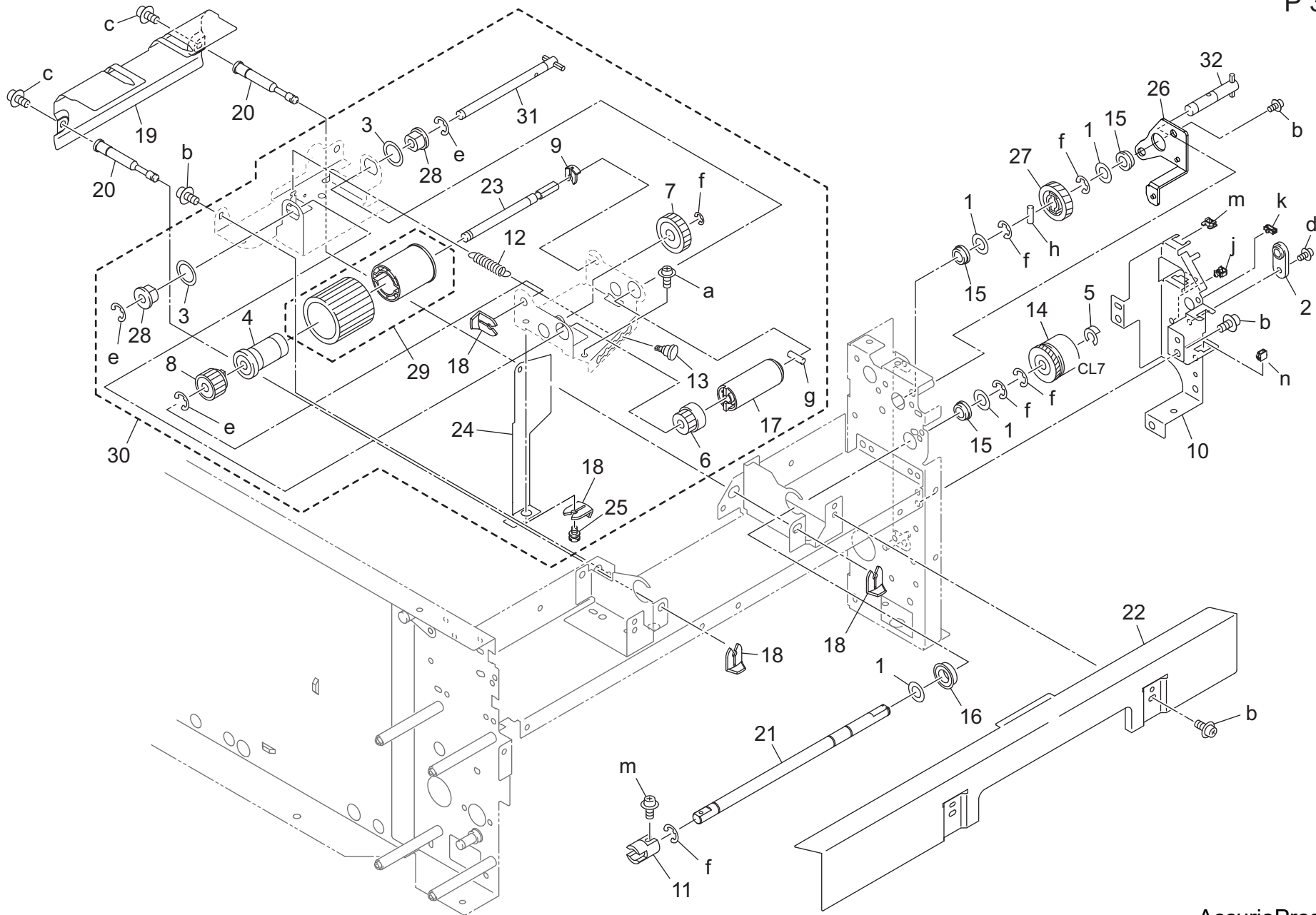
P 35



Key	Part No.	Description	Destinations	Class	QTY	Standard parts
1	13QA85511	Sensor /1	センサ /1	B	1	a-V126030603
2	55VA40610	Wire Holder /A	ワイヤー 押さえ /A	C	4	b-V127030516
3	55VA77652	ADU CONVEYANCE GEAR 2 19T	ADU 搬送歯車 2 19 T	B	1	c-V127030604
4	56UA40460	Mounting Plate /O	センサ取付け板 /O	D	1	d-V217040003
5	56UA40570	DRIVE UP DOWN COVER RIGHT	駆動昇降カバー 右	D	1	e-V217060003
6	56UA41011E	Paper feed Up/down Plate /M	給紙昇降板 /M	D	1	f-V217080003
7	56UA41130	Up Down Wire /A	昇降ワイヤー /A	C	1	g-V234301450
8	56UA41140	Up Down Wire /B	昇降ワイヤー /B	C	1	h-V234302050
9	56UA41150	Up Down Wire /C	昇降ワイヤー /C	C	1	j-V500010029
10	56UA41160	Up Down Wire /D	昇降ワイヤー /D	C	1	k-V501010002
11	A4EU602100	Drive Shaft	駆動軸	D	1	m-V570010021
12	56UA41270	Up/Down Stay/A	昇降ステー /A	D	1	
13	56UA41281E	Up/down Stay /B	昇降ステー /B	D	1	
14	56UA41340	DRIVE UP DOWN PULLEY	駆動昇降プーリ	C	2	
15	56UA41400	PAPER FEED TRAY SLIDE PART	給紙皿スライド部材	D	2	
16	56UA41640	Multi Feed Preventing Plate	重送防止板	C	1	
17	56UA77600	Up Down Gear /A 32T	昇降歯車 /A 32 T	C	1	
18	56UA77620	TRAY UP DOWN IDLER	トレイ昇降アイドル	C	1	
19	56UA90340	PAPER FEED DETECTION WIRING	給紙検知束線	D	1	
20	A0G6620300	Reinforce Plate /C	補強板 /C	D	1	
21	A0G6620400	Protection Sheet	保護シート	C	1	
22	A4EU265000	Ball bearing	ボールベアリング (読取駆動)	B	4	
23	A4EU620200	Roller Pulley Ball bearing Assy	ころがりプーリ /ボールベアリング Assy	C	4	
24	A4EU621100	Reinforce Shaft /L	補強軸 /L	D	2	

Tray 2 Section

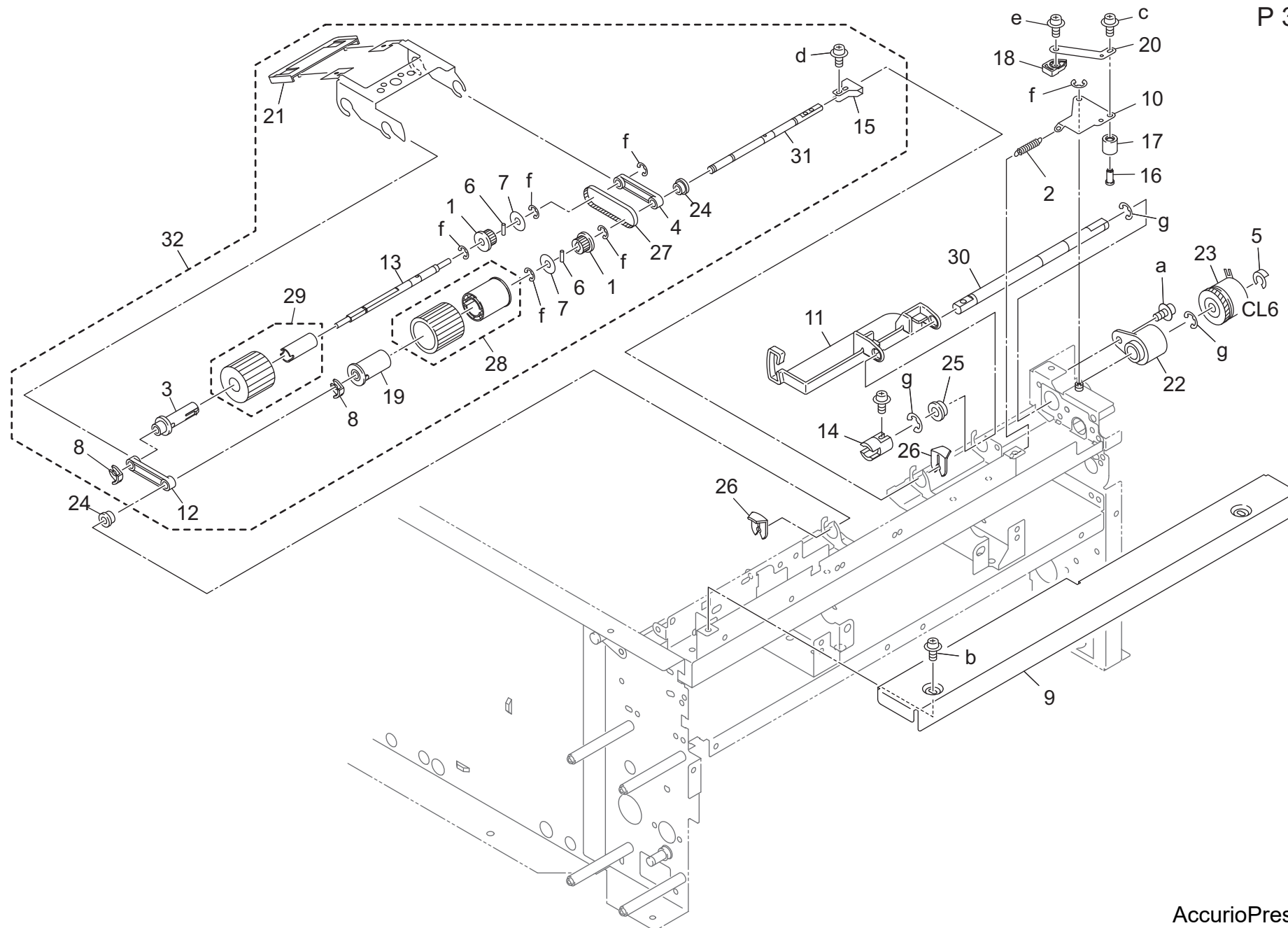
P 36



Key	Part No.	Description	Destinations	Class	QTY	Standard parts
1	12QV40650	Spacer		B	4	a-V116030603
2	173030270	Pin Holder A		C	1	b-V127030516
3	25AA40120	SPACER		C	2	c-V127030604
4	50BA40220	REVERSE ROLLER		C	1	d-V127040603
5	55VA42120	Shaft Stopper		C	1	e-V217040003
6	55VA79030	Paper Feed Reversal Gear /C 14T	給紙逆転歯車 /C 14 T	B	1	f-V217060003
7	55VA79050	Idler Gear /B 24T	アイドル歯車 /B 24 T	C	1	g-V234200850
8	55VA79140	Paper Feed Reversal Gear /D 19T	給紙逆転歯車 /D 19 T	B	1	h-V234301450
9	56AA40490	Shaft Stopper /4	軸 ストップパ /4	C	1	j-V500020098
10	56UA40130E	Positioning Plate /Rear	位置決め板 /奥	D	1	k-V500020100
11	56UA40490	COUPLING F	カップリング F	C	1	m-V570010021
12	56UA40610	REVERSE SPRING B	逆転バネ B	C	1	n-V651010001
13	56UA40620	SPRING ADJUSTMENT LEVER	バネ調整レバー	D	1	
14	57GA82010	Clutch /1	クラッチ /1	B	1	
15	A00J617900	Ball Bearing	ボールベアリング	B	3	
16	A00V240600	Ball Bearing	ボールベアリング	B	1	
17	A03X565611	Torque Limiter /A	トルクリミッタ /A	B	1	
18	A0G6561000	Stopper /E	ストップパ /E	C	4	
19	A0G6570200	Guide Plate	案内板	C	1	
20	A0G6570500	Positioning Shaft /B	位置決め軸 /B	D	2	
21	A0G6570800	Reverse Shaft	逆転軸	B	1	
22	A0G6571600	Guide Plate /Lower	ガイド板 /下	C	1	
23	A0G6571900	Reverse Shaft /2	逆転軸 /2	D	1	
24	A0G6572000	Protection Cover	保護カバー	B	1	
25	A0G6572100	Guide Screw	案内ねじ	C	1	
26	A0G6602101	Idling Panel	アイドルパネル	D	1	
27	A0G6602300	Input Gear 25T	入力ギア 25 T	B	1	
28	A0Y5601600	Bushing/6	すべり軸受 /6	C	2	
29	A4EUR71411	Feeding Roller Unit/B	送り出しローラー部組 /B	A	1	
30	A4EUR72H11	Separating Unit	捌きユニット	C	1	
31	A4EUR72J11	Revers Shaft/B	逆転軸 /B ピン打ち	D	1	
32	A4EUR72K11	Paper Feed Input Shaft	給紙入力軸ピン打ち	B	1	

Tray 2 Section

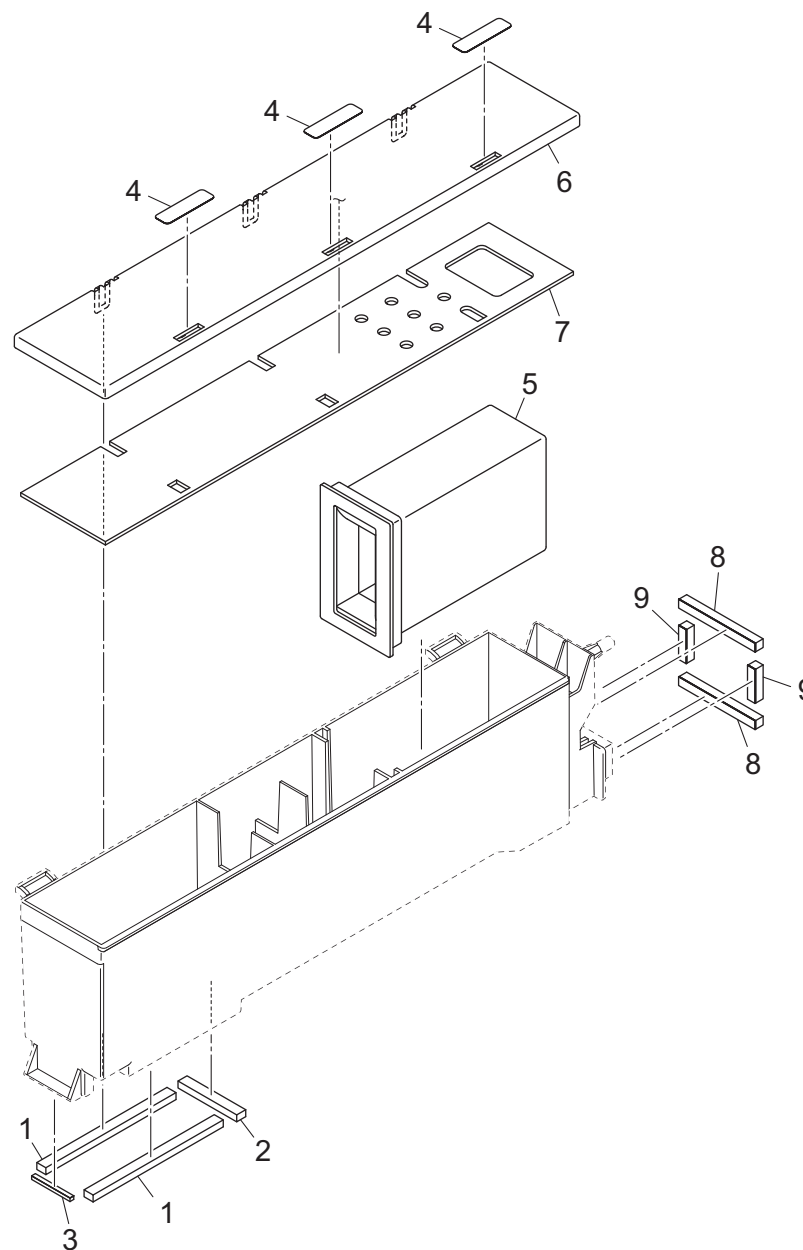
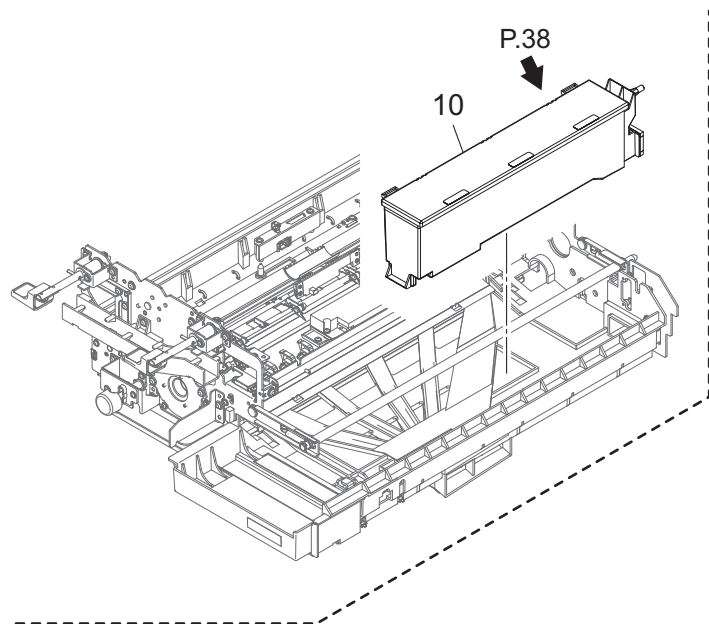
P 37



Key	Part No.	Description	Destinations	Class	QTY	Standard parts
1	059076510	PULLEY 1 15 T		C	2	a-V116030603 b-V118030403 c-V127030516 d-V127030604 e-V151040603 f-V217040003 g-V217060003
2	25AA40460	LOCK SPRING 2		C	1	
3	55VA40130	Feeding Roller /A		C	1	
4	55VA40260	Paper Feeding Shaft Holder		C	1	
5	55VA42120	Shaft Stopper		C	1	
6	56AA17510	Pin /B		C	2	
7	56AA17760	COLLAR		C	2	
8	56AA40490	Shaft Stopper /4		C	2	
9	56UA12530	FEEDING COVER		D	1	
10	56UA40170	Lock Lever /A		D	1	
11	56UA40250	ENTRANCE GUIDE PLATE REAR		C	1	
12	56UA40280	Paper Feed Feeding Bushing		C	1	
13	56UA40400	PAPER FEED SHAFT X		D	1	
14	56UA40490	COUPLING F		C	1	
15	56UA40500	COUPLING LEVER F		D	1	
16	56UA40520	Lock Shaft /B		D	1	
17	56UA40530	Release Roller		C	1	
18	56UA40540	Lever Auxiliary Part		D	1	
19	56UA40600	Multi-Feed Feeding Roller		C	1	
20	56UA40660	LEVER AUXILIARY SPRING		D	1	
21	56UA40690	Side Protection Cover /B		D	1	
22	56UA75030	Lock Bushing /A		C	1	
23	57GA82010	Clutch /1		B	1	
24	A00J663200	Bushing		B	2	
25	A03U812800	Slide Shaft Holder		B	1	
26	A0G6561000	Stopper /E		C	2	
27	A4EU565600	Drive Belt 126L		C	1	
28	A4EUR71411	Feeding Roller Unit/B		A	1	
29	A4EUR71511	Feeding Roller Unit/A		A	1	
30	A799622100	Supply Shaft /Upper		D	1	
31	A799623400	Paper feed Shaft /Upper		D	1	
32	A799R70S11	Pickup Unit		C	1	

Developing Section

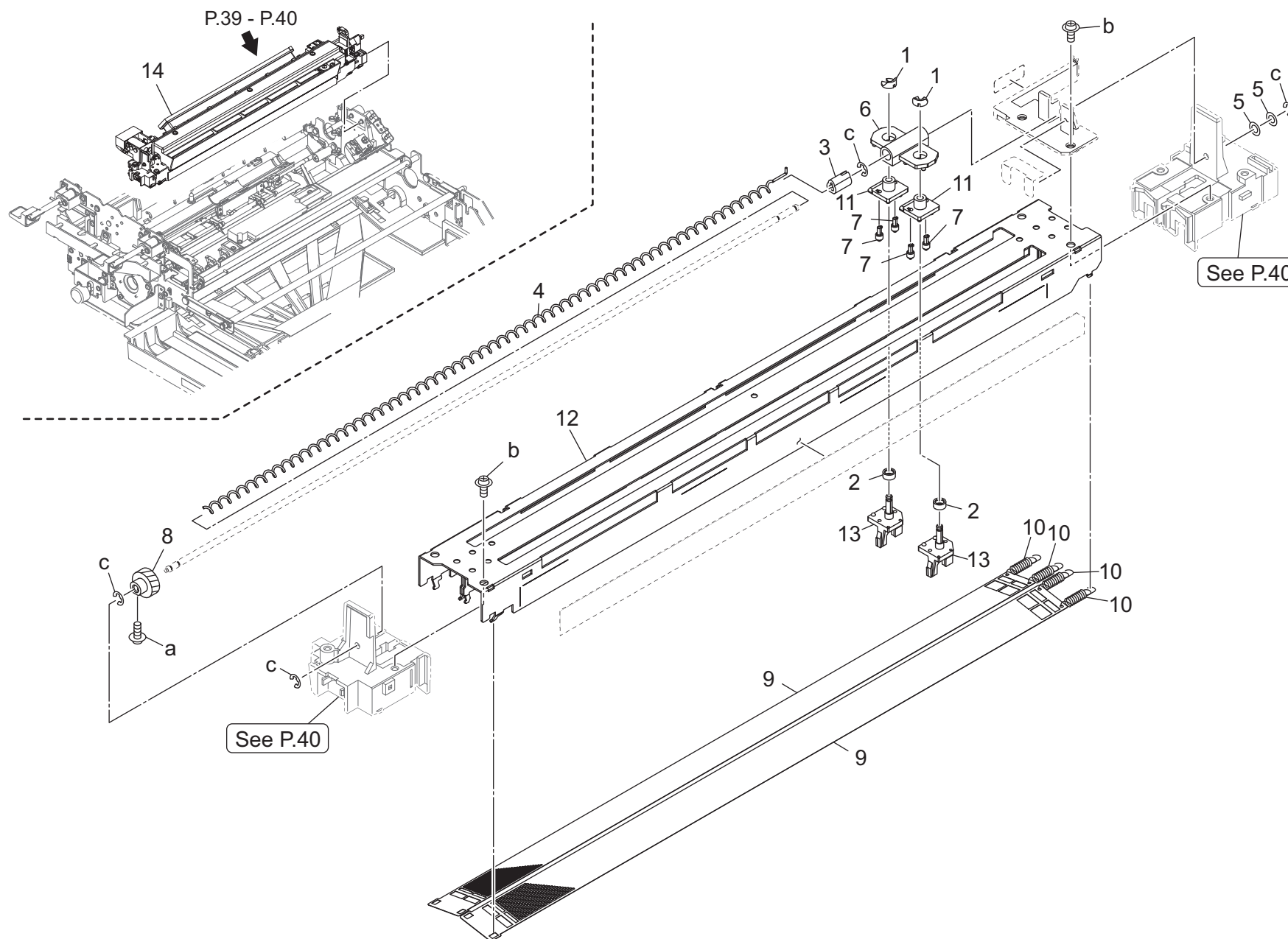
P 38



Key	Part No.	Description	Destinations	Class	QTY	Standard parts
1	56UA31030	Developing Suction Seal /2		B	2	
2	56UA31060	Developing Suction Seal /5		B	1	
3	A0G6394400	Suction Pad /H		B	1	
4	A0G6950701	Set Label /7		D	3	
5	A0G6390800	Suction Filter /Lower		A	1	
6	A4EU391311	Suction Cover /1		D	1	
7	A4EU392600	Suction Pad		D	1	
8	A4EU394600	Stopper Pad /1		B	2	
9	A4EU394700	Stopper Pad /2		B	2	
10	A4EUR70411	Developing Suction Assy		B	1	

Charge Unit Section

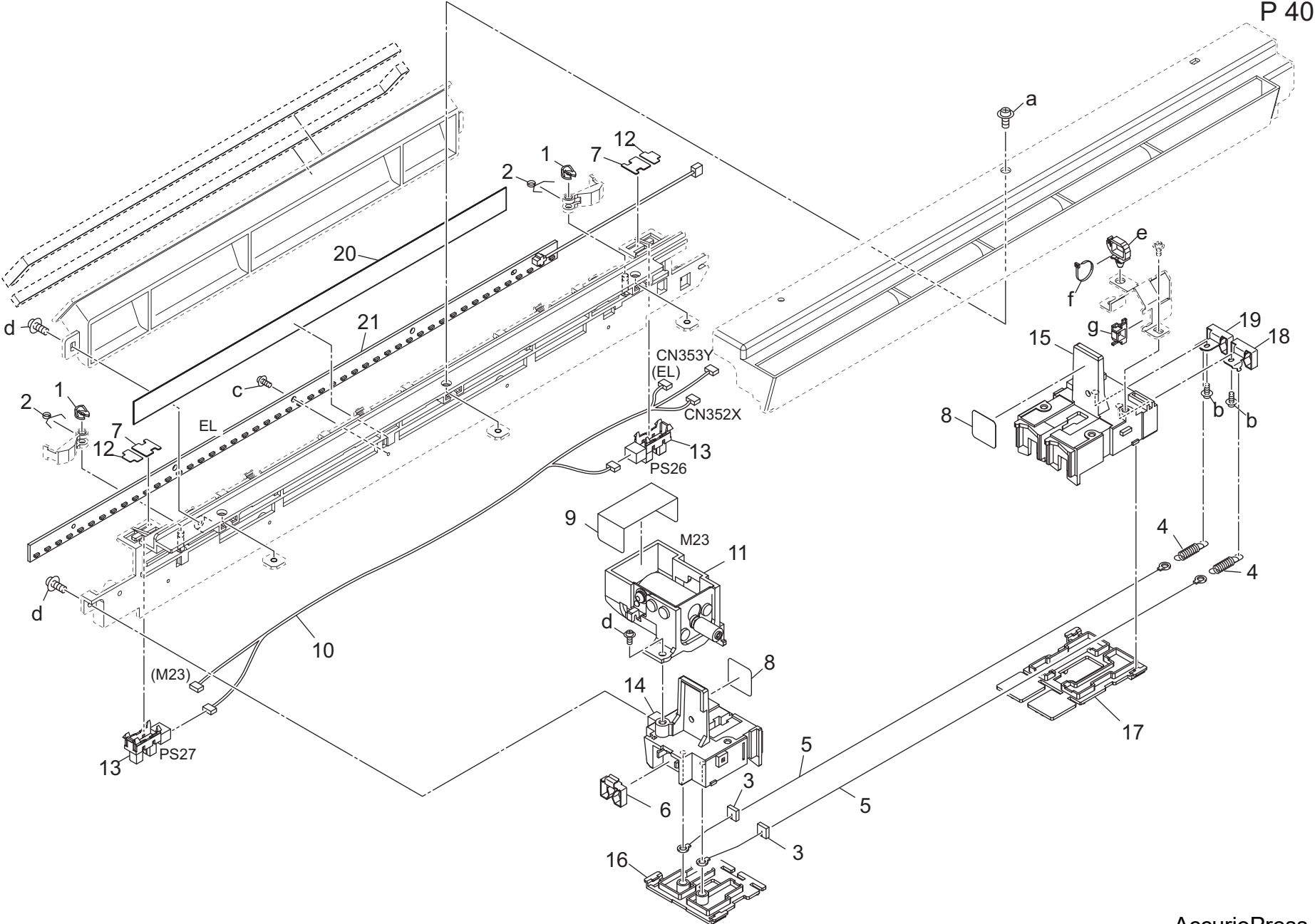
P 39



Charge Unit Section

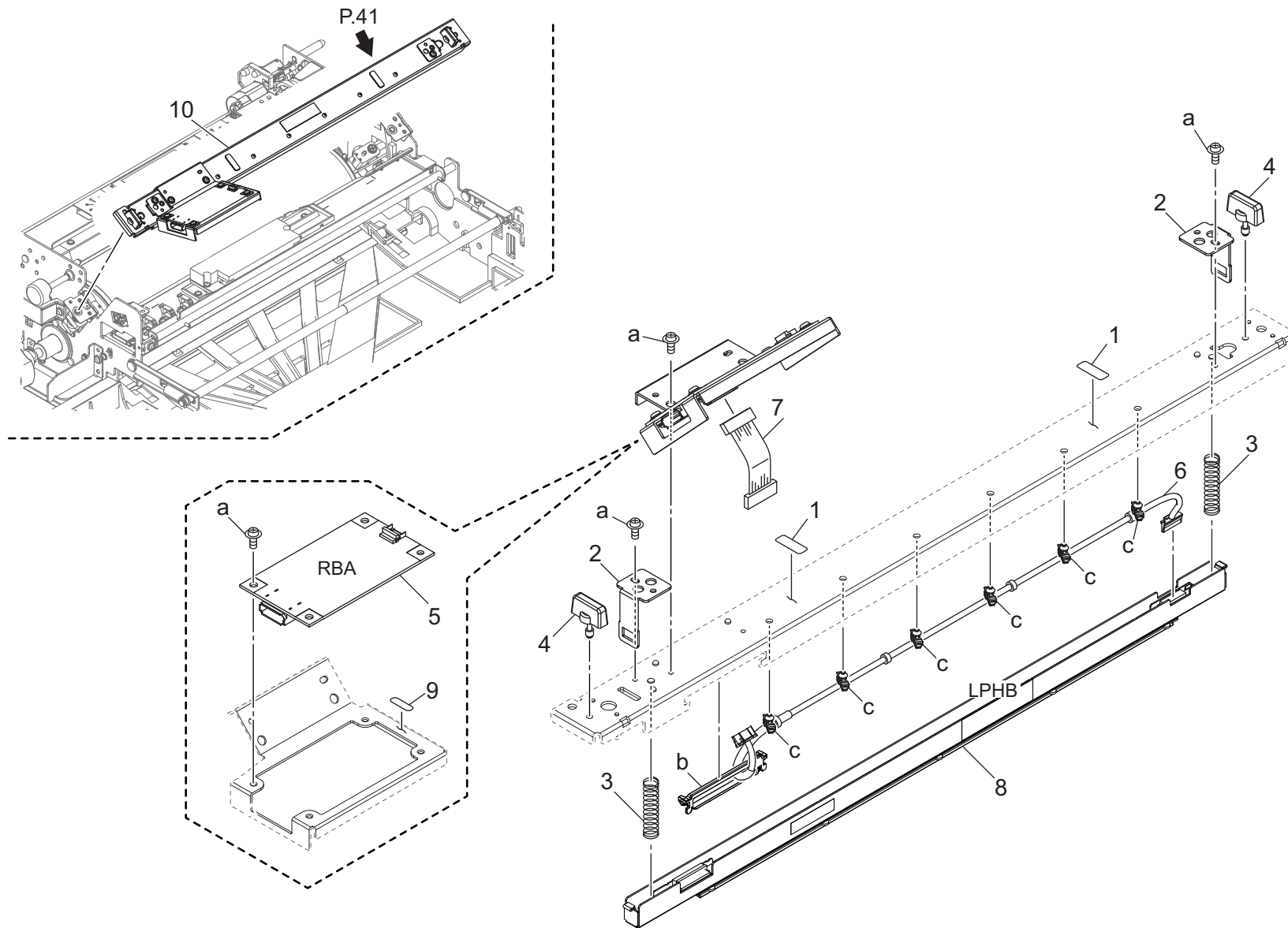
Key	Part No.	Description	Destinations	Class	QTY	Standard parts
1	45AA20400	STOPPER PART		A	2	a-V145020403 b-V151030803 c-V217020003
2	55VA25140	Charging Slide Collar		B	2	
3	56AA25150	ELECTRODE CLEANING JOINT		C	1	
4	56UA25110	Charging Cleaning Spring		C	1	
5	56UA25280	Charge Cleaning Spacer		C	2	
6	A0G6461301	Slide Part		D	1	
7	A0G6463200	Guide Roll		C	4	
8	A4EU464200	Charging Gear 33T		C	1	
9	A9JT460800	Charging Control Plate		A	2	
10	A9JT461700	Fixing Spring		C	4	
11	A9JT462100	Cleaning Guide		D	2	
12	A9JT464000	Discharge Plate		D	1	
13	A9JTR70100	Charging Cleaning Assy		A	2	
14	A9JTR71G00	Charging Pole Unit		B	1	

Charge Unit Section



P 40

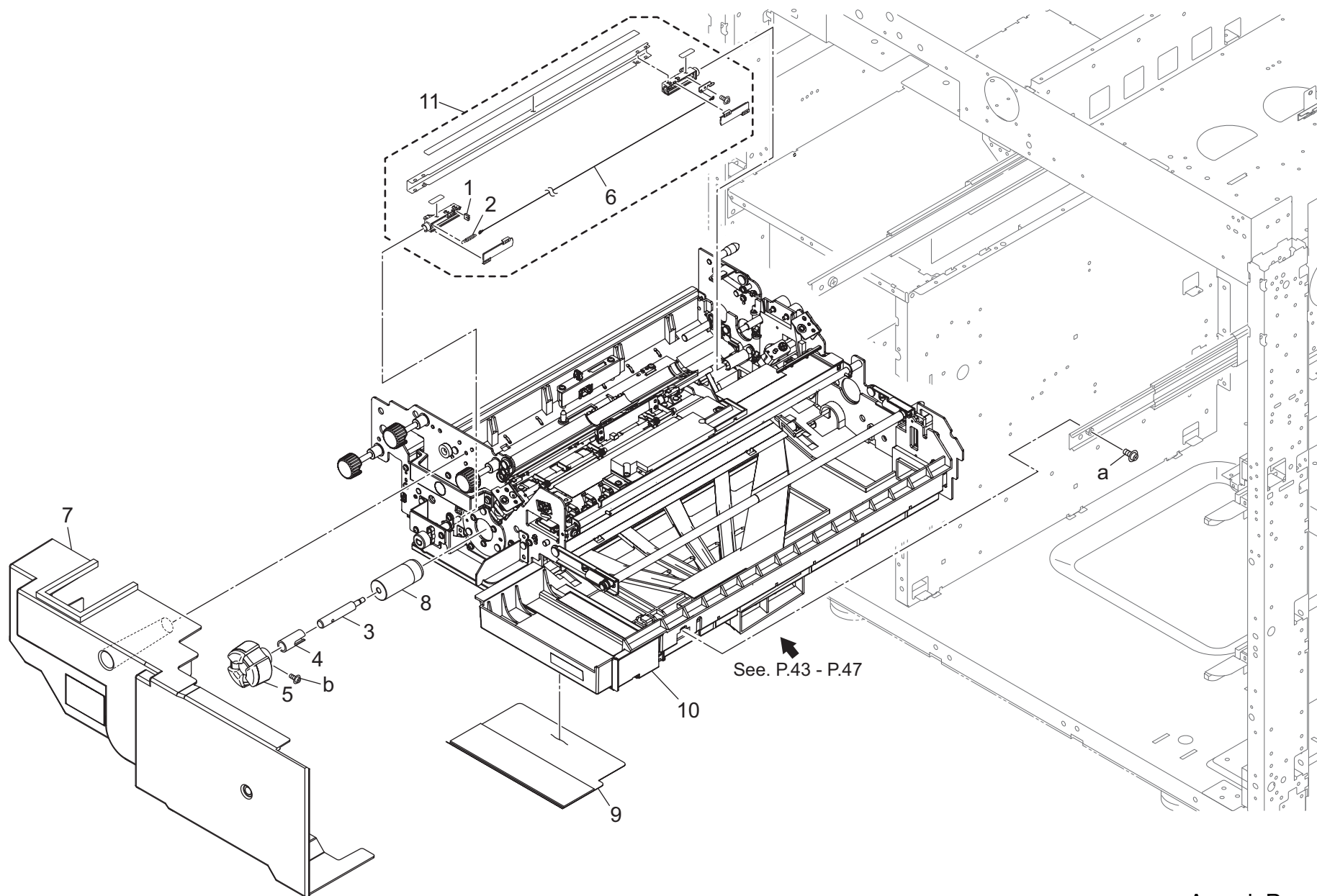
Key	Part No.	Description	Destinations	Class	QTY	Standard parts
1	45AA20400	STOPPER PART		A	2	a-V127030803
2	55VA25240	CHARGING DETECT SPRING		B	2	b-V145020403
3	55VA25270	Electrode Vibrating Rubber		A	2	c-V145020603
4	56AA17140	WIRE TENSION SPRING		C	2	d-V151030803
5	56UA25090	CHARGING WIRE		A	2	e-V500010067
6	A0G6460600	Fixing Spring /Front		D	1	f-V501010002
7	A0G6463500	Fixing Sheet		C	2	g-V570010050
8	A0G6951101	Set Label /11		C	2	
9	A4EU465000	Drive Sheet		D	1	
10	A4EUN14304	Chaging Relay harness		D	1	
11	A4EUR75J00	Charge Clener Motor Assy		C	1	
12	A799463500	Fixing Sheet		D	2	
13	A85CM55500	Photo Sensor		C	2	
14	A9JT460100	Charging Block /Front		D	1	
15	A9JT460200	Charging Block /Rear		D	1	
16	A9JT460300	Insulating Cover /Front		D	1	
17	A9JT460400	Insulating Cover /Rear		D	1	
18	A9JT461000	Fixing Spring /Right		C	1	
19	A9JT461100	Fixing Spring /Left		C	1	
20	A9JT463100	Regulating Seal		D	1	
21	A9JTM30800	PCL		C	1	



Key	Part No.	Description	Destinations	Class	QTY	Standard parts
1	A0G6950501	Set Label /5		D	2	a-V127030604 b-V500010080 c-V500020099
2	A799301001	Hold Plate		D	2	
3	A799301100	Pressing Spring		C	2	
4	A799301200	Lock Screw		D	2	
5	A799H31001	Relay Board /A ASSY		C	1	
6	A799N15100	Power source Wiring /L		D	1	
7	A9JTN15200	Control Harness /L		D	1	
8	A799R70D11	LPH Assy		C	1	
9	A9JT951200	Set Label /12		D	1	
10	A9JTR71Q00	LPH Support Stay		S	1	

Drum Cartridge Section

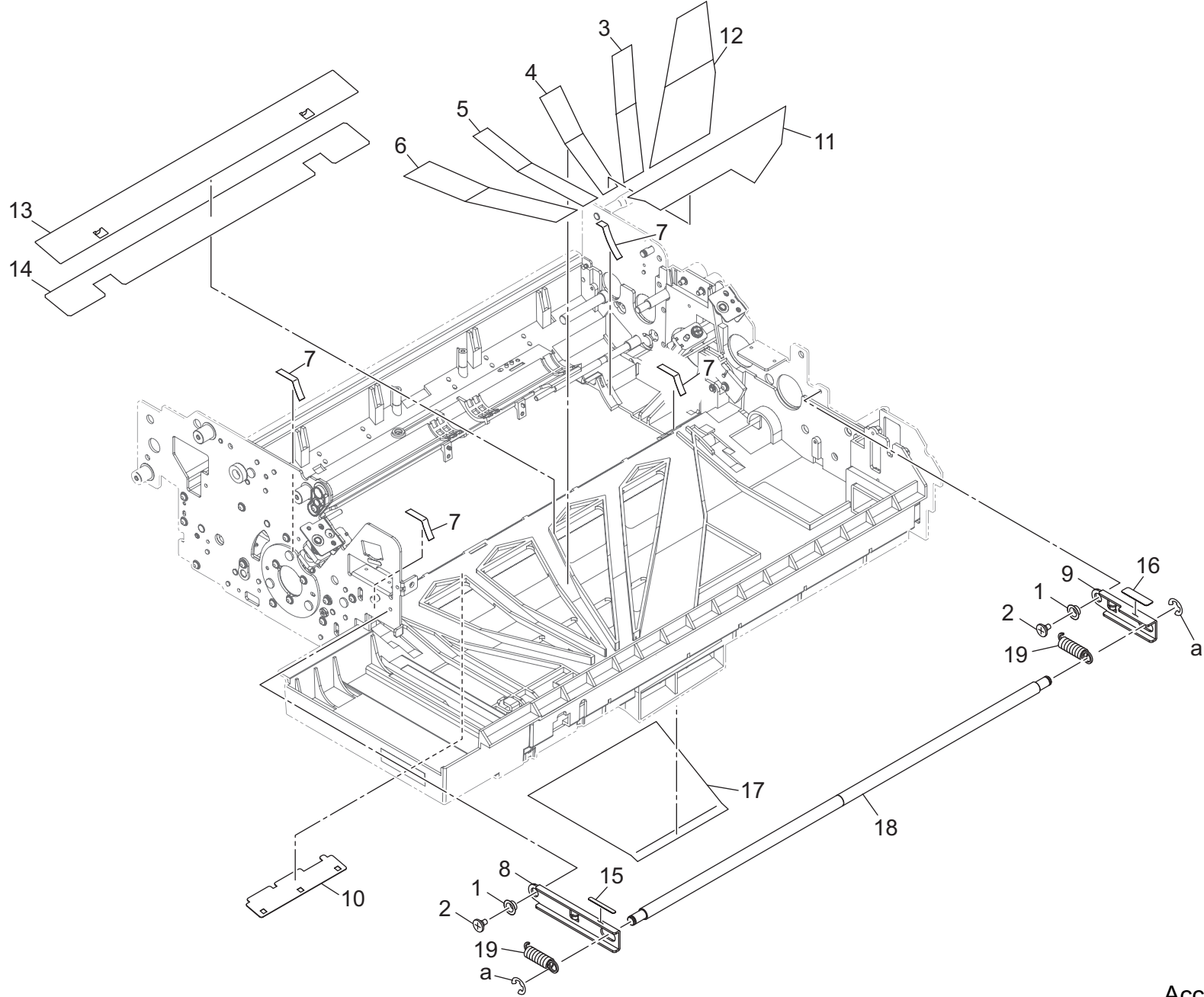
P 42



Drum Cartridge Section

Key	Part No.	Description	Destinations	Class	QTY	Standard parts
1	55VA25270	Electrode Vibrating Rubber		A	1	a-V118030803 b-V121040803
2	56AA17140	WIRE TENSION SPRING		C	1	
3	A0G6330900	Fixing Shaft		D	1	
4	A0G6333700	Regulating Collar		C	1	
5	A0G6344501	Fixing Knob		C	1	
6	A0G6470800	Discharge Wire		A	1	
7	A4EUR75U11	Drum Protect Cover Assy		D	1	
8	A9JT333800	Fixing Coupling		D	1	
9	A9JT347500	Scatteringprevention Sheet		D	1	
10	A9JTR71300	Drum Stand		B	1	
11	A9JTR71400	Discharging Unit		B	1	

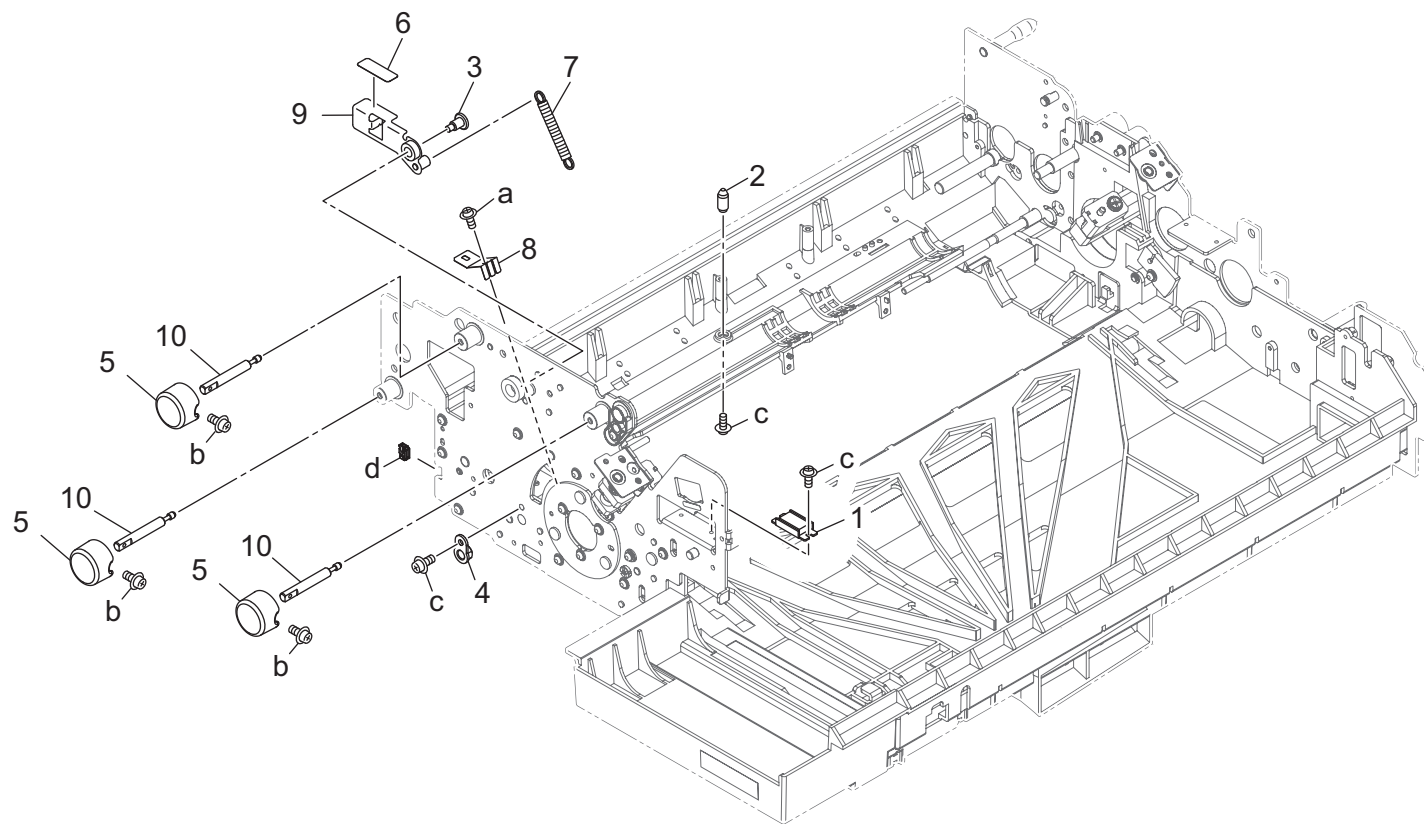
Drum Cartridge Section



Drum Cartridge Section

Key	Part No.	Description	Destinations	Class	QTY	Standard parts
1	090020510	CLEANER MOUNT LEVER COLLAR		C	2	a-V217060003
2	55VA20520	Cleaner Locking Screw		C	2	
3	56UA20720	Developing Suction Cover /3		D	1	
4	56UA20730	Developing Suction Cover /4		D	1	
5	56UA20740	Developing Suction Cover /5		D	1	
6	56UA20750	Developing Suction Cover /6		C	1	
7	A0G6332600	Protection Seal /2		C	4	
8	A0G6333500	Developing Lever /Front		C	1	
9	A0G6333600	Developing Lever /Rear		C	1	
10	A0G6333901	Cover Plate		D	1	
11	A0G6343200	Suction Cover		C	1	
12	A0G6343300	Suction Cover /2		C	1	
13	A0G6343401	Suction Plate		D	1	
14	A0G6344200	Sealing Part /G		C	1	
15	A0G6950601	Set Label /6		D	1	
16	A0G6950701	Set Label /7		D	1	
17	A4EU341100	Suction Cover /7		D	1	
18	A799332100	Pressing Shaft		D	1	
19	A799345000	Pressing Spring		C	2	

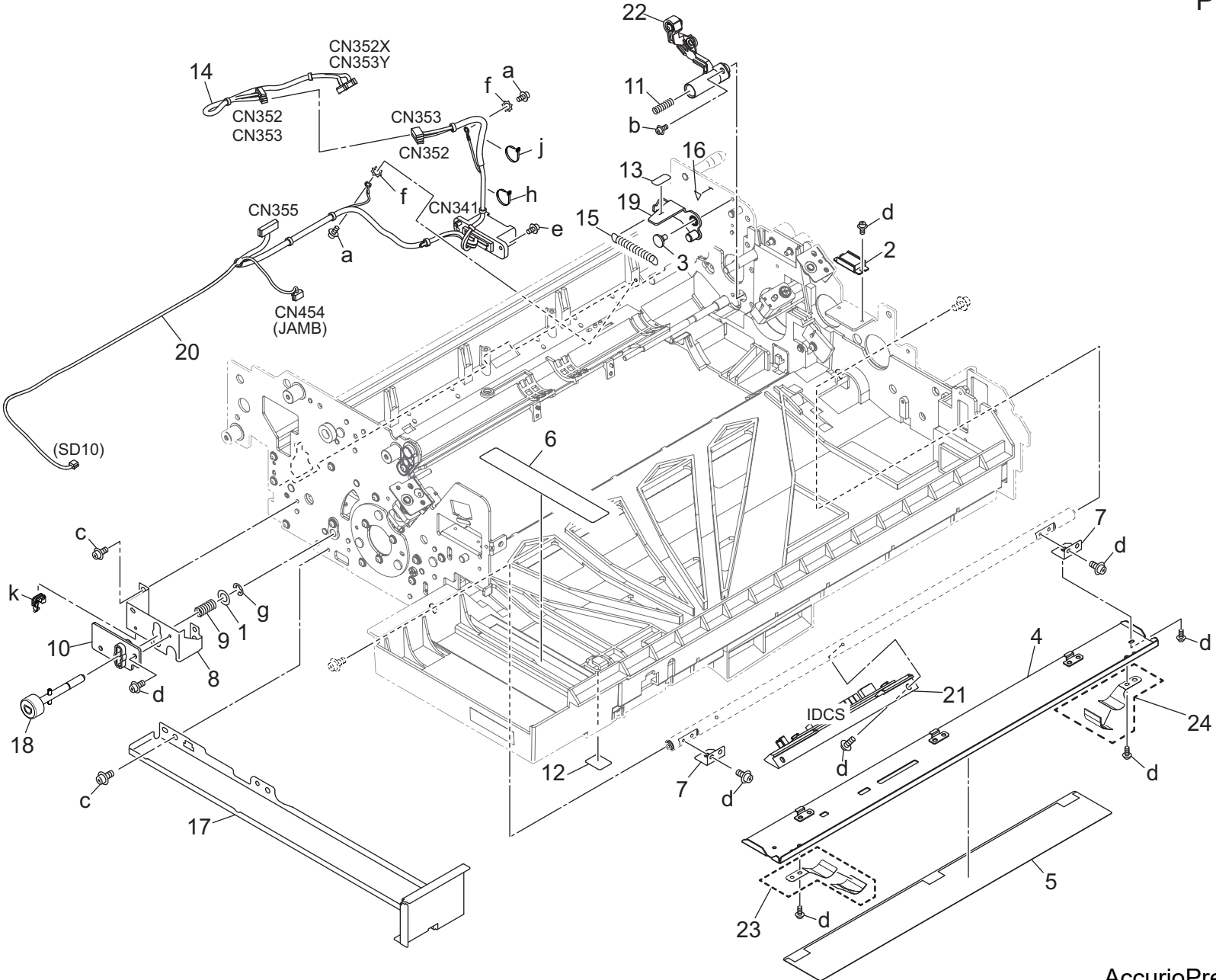
Drum Cartridge Section



Drum Cartridge Section

Key	Part No.	Description	Destinations	Class	QTY	Standard parts
1	40AA32290	MAGNET CATCH		C	1	a-V116030603 b-V118030403 c-V127030604 d-V570010056
2	55VA20630D	Cleaner Base Shaft		D	1	
3	A0G6342200	Lock Screw		C	1	
4	A0G6346400	Slide Collar		C	1	
5	A0G6346901	Rotation Knob		D	3	
6	A0G6950501	Set Label /5		D	1	
7	A0Y5344900	Lock Spring		C	1	
8	A4EU346800	Contact		D	1	
9	A4EUF33301	CLENER LEVER/F CAULKING		D	1	
10	A9JT341600	Fixing Screw		D	3	

Drum Cartridge Section

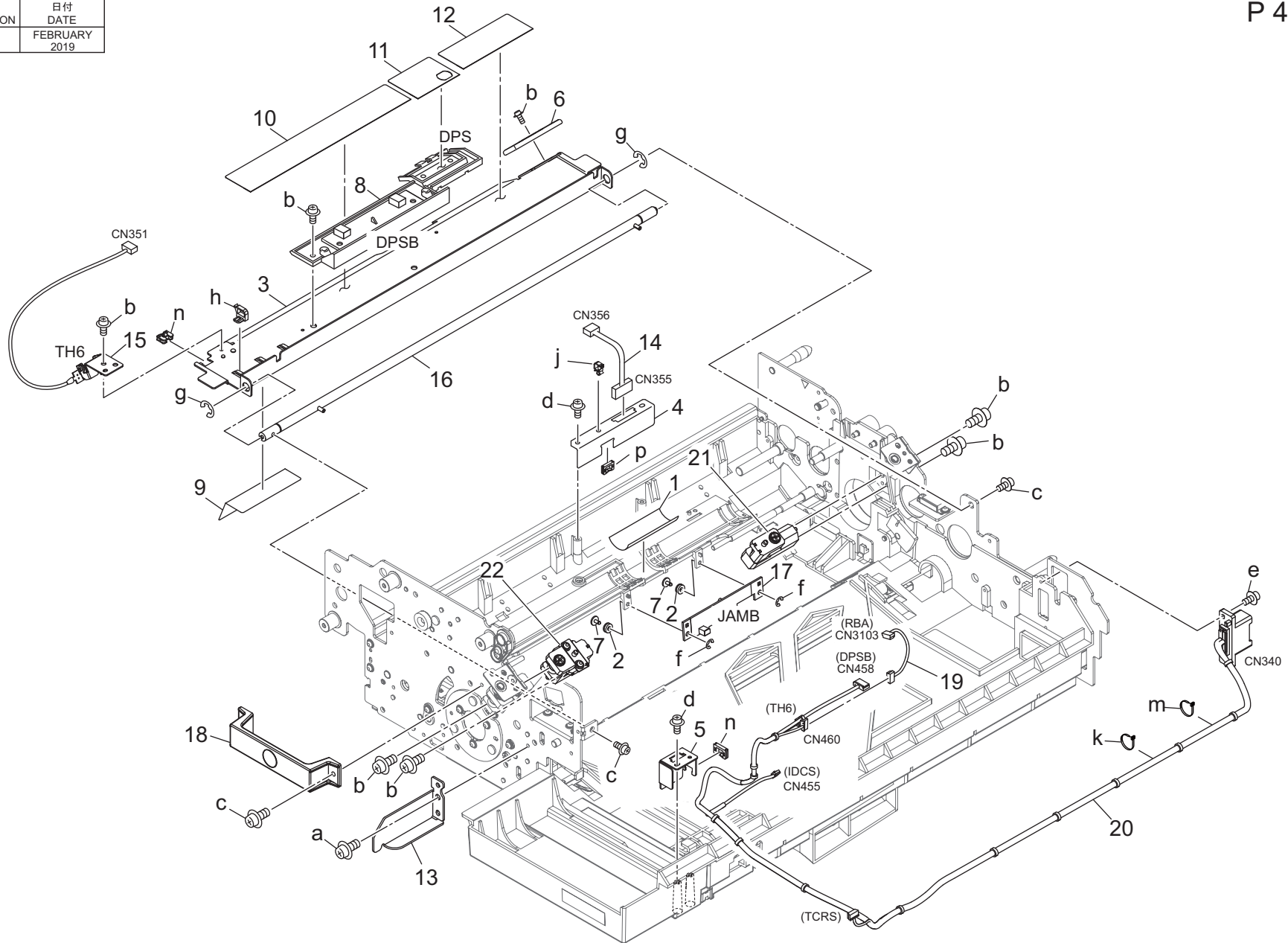


Drum Cartridge Section

Key	Part No.	Description	Destinations	Class	QTY	Standard parts
1	07BA15871	Spacer /A		C	1	a-V116030603
2	40AA32290	MAGNET CATCH		C	1	b-V118040604
3	55VA20520	Cleaner Locking Screw		C	1	c-V126040603
4	A0G6331204	Guide Part /T		D	1	d-V127030604
5	A0G6331301	Guide Sheet		C	1	e-V151031004
6	A0G6333000	Protection Cover		C	1	f-V209030003
7	A0G6343000	Support Part /T		D	2	g-V217040003
8	A0G6346101	Lock Plate		D	1	h-V501010002
9	A0G6346300	Lock Spring		C	1	j-V501010003
10	A0G6346500	Guide Block /2		D	1	k-V570010056
11	A0G6347100	Power Supply Spring		C	1	
12	A0G6835500	Seal /W		C	1	
13	A0G6950501	Set Label /5		D	1	
14	A0G6N22500	Photoconductor Relay Harness /4		D	1	
15	A0Y5344900	Lock Spring		C	1	
16	A1RF945101	Replacement Label /1		D	1	
17	A4EU332900	Reinforce Stay /Front		D	1	
18	A799R71100	Lock Axis Assy		D	1	
19	A9JTF33900	Cleaner Rock Rever /R Caulking		D	1	
20	A9JTN14100	Photoconductor Wiring /1		D	1	
21	A9JTR71C00	Toner Control Board Assy		C	1	
22	A9JTR72100	Power Supply Block Assy		C	1	
23	A9JTR73100	Presser Leaf Spring/Fr		B	1	
24	A9JTR73200	Presser Leaf Spring/Rr		B	1	

Drum Cartridge Section

改訂版 REVISED EDITION	日付 DATE
	FEBRUARY 2019



Drum Cartridge Section

Page. 46

Key	Part No.	Description	Destinations	Class	QTY	Standard parts
1	55VA20830	WIRING GUIDE SHEET		C	1	a-V126040603
2	55VA20850D	Fixing Part		D	2	b-V127030604
3	A0G6330401	Mounting Stay		D	1	c-V127040803
4	A0G6331101	Power supply Plate		D	1	d-V151030803
5	A0G6333100	Power Supply Plate /D		D	1	e-V151031004
6	A0G6344801	Fixing Knob		C	1	f-V217020003
7	A0G6346600	Pin		D	2	g-V217060003
8	A0G6J34000	High Voltage Detection Assy		D	1	h-V500010021
9	A4EU332200	Light blocking Sheet		D	1	j-V500020098
10	A4EU334300	Seal /Front		D	1	k-V501010002
11	A4EU334400	Seal /Middle		D	1	m-V501010003
12	A4EU334500	Seal /Rear		D	1	n-V570010050
13	A4EU401900	Positioning Panel /Middle		D	1	p-V570010063
14	A4EUN14800	Photoconductor Relay harness /3		D	1	
15	A4EUR70200	Drum Temperature Sensor Assy		B	1	
16	A4EUR75800	Support Shaft/D Assy		D	1	
17	A4EUR75E00	Detecting Board Adjust Assy		C	1	
18	A799341700	Handle		D	1	
19	A799N14400	Exposure Relay harness		D	1	
20	A9JTN14200	Photoconductor Wiring /2		D	1	
21	A799R71P00	Fixing Part /Rear ASSY	(Service Part Only)	C	1	
22	A799R71Q00	Fixing Part /Front ASSY	(Service Part Only)	C	1	

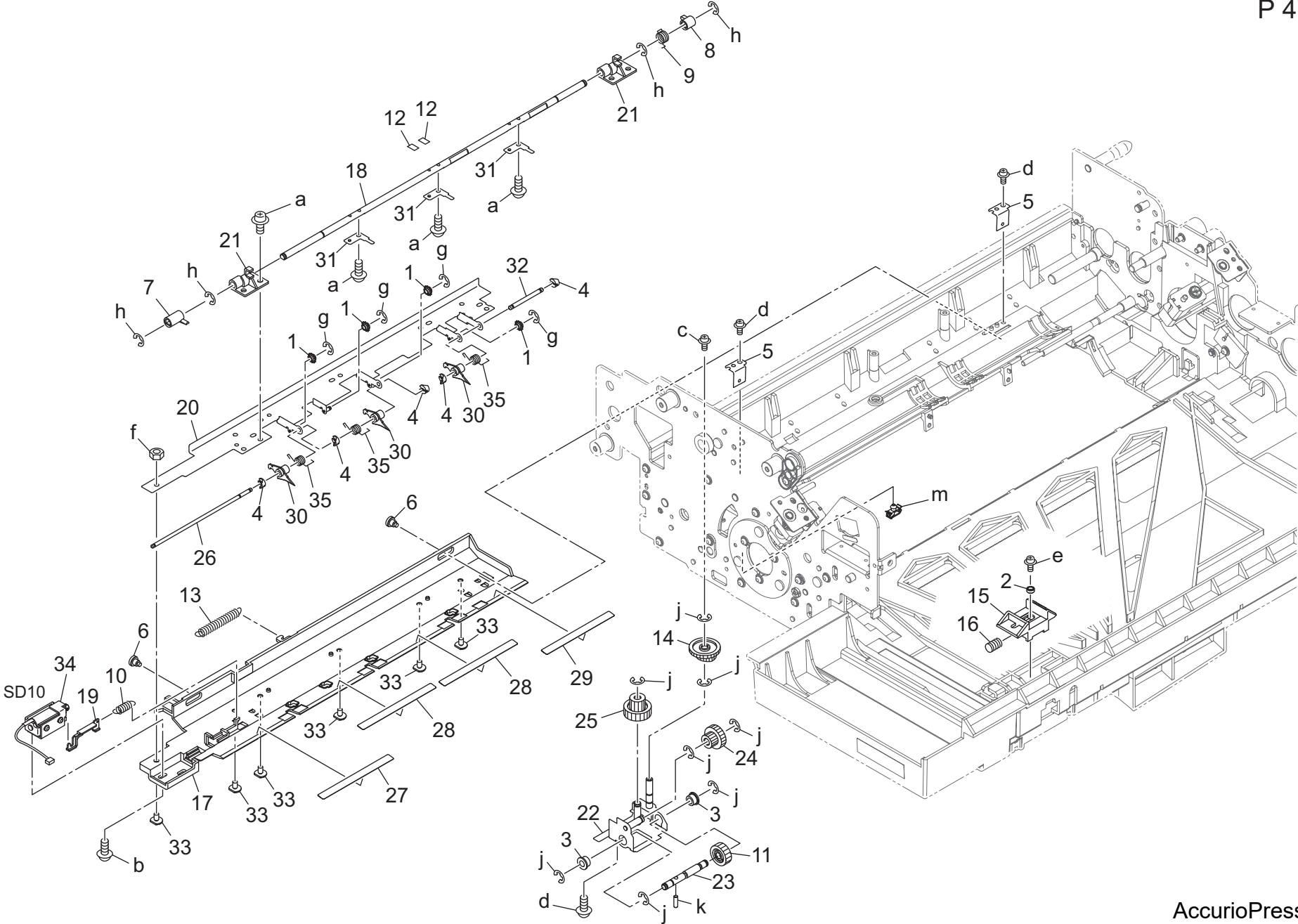
AccurioPress 6136



Order here
 8 (495) 646-0426
 www.km-shop.ru

ПЯТЫЙ ПАРТНЕР

Drum Cartridge Section

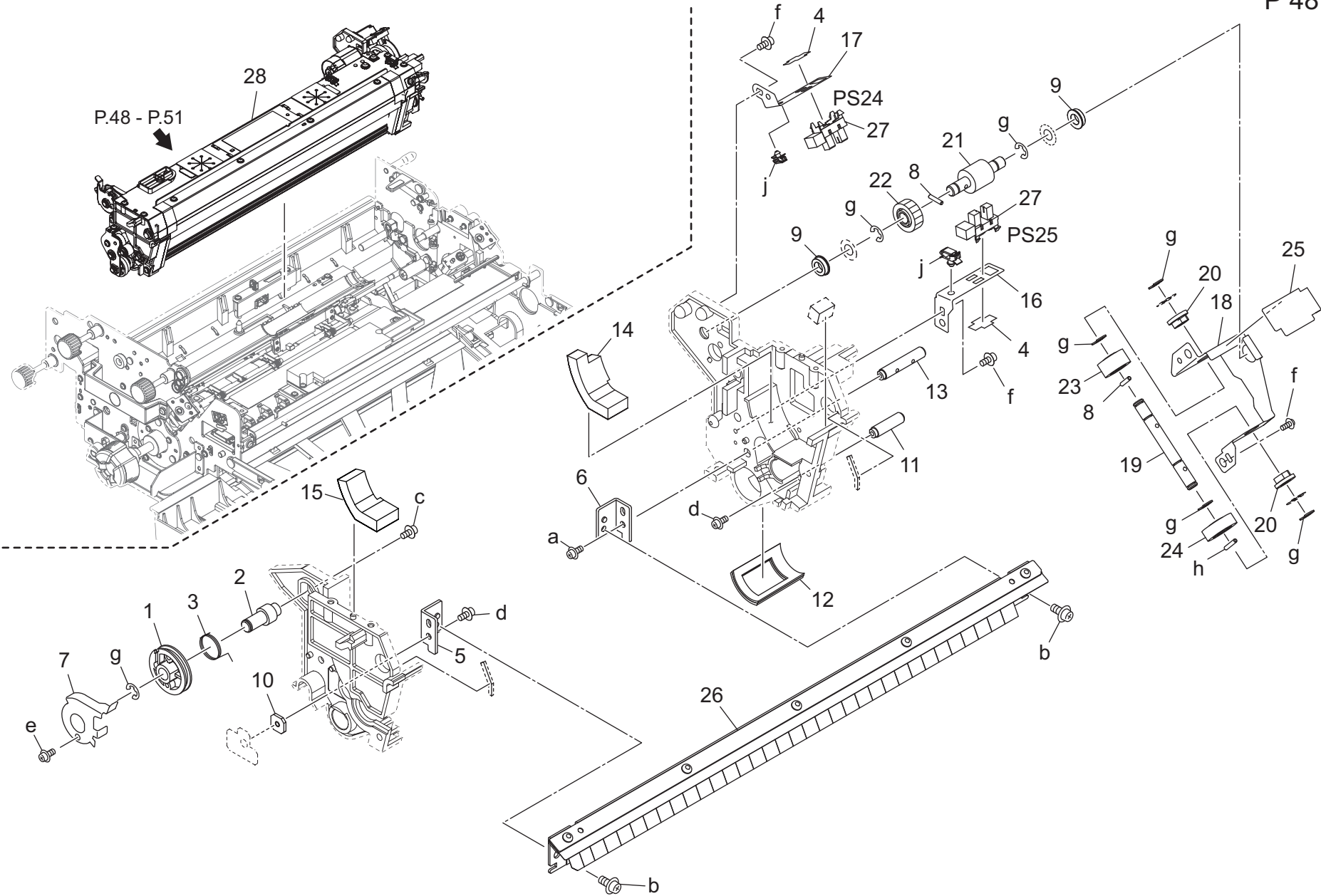


Drum Cartridge Section

Key	Part No.	Description	Destinations	Class	QTY	Standard parts
1	113620270	CLAW WHEEL	爪車	C	4	a-V118030403
2	25AA20321	PTL SUPPORT SPACER	P T L 支持スペーサー	C	1	b-V121030403
3	25AA29770	SEPARATE FULCRUM SHAFT HOLDER	分離支点軸受	C	2	c-V127030604
4	45AA20400	STOPPER PART	ストップ部品	A	5	d-V151030803
5	55VA20590	SEPARATION FIXING PLATE	分離固定板	D	2	e-V151041003
6	55VA20680	SEPARATION POSITIONING SCREW	分離位置決めネジ	C	2	f-V195030003
7	55VA29040	Separating Release Part /B	分離解除部材 / B	C	1	g-V217020003
8	55VA29050	Separating Release Part /C	分離解除部材 / C	C	1	h-V217030003
9	55VA29140	SOLENOID RELEASE SPRING	ソレノイド解除バネ	B	1	j-V217040003
10	55VA29150	RELEASE SPRING	解除バネ	B	1	k-V234301050
11	55VA77570	SEPARATE ROCKING GEAR B 32T	分離駆動歯車 B 32 T	C	1	m-V500020099
12	56UA29230	Separation Auxiliary Sheet	分離補助シート	C	2	
13	56UA45960	Paper Exit Pressing Spring	排紙押圧バネ	C	1	
14	56UA77290	SEPARATION SWING GEAR 40T	分離揺動歯車 40 T	C	1	
15	A0G6331903	Slide Stopper	スライドストップ	C	1	
16	A0G6332000	Tension Spring	テンションばね	C	1	
17	A0G6338113	Separating Guide	分離ガイド	D	1	
18	A0G6338201	Release Shaft	解除軸	D	1	
19	A0G6338411	Release Part /A	解除部材 / A	D	1	
20	A0G6338612	Separating Plate	分離板	D	1	
21	A0G6338911	Support Block	支持ブロック	D	2	
22	A0G6339000	Swing Board	揺動基板	D	1	
23	A0G6339400	Swing Shaft /W	揺動軸 /W	D	1	
24	A0G6339500	Swing Gear /A 20/35T	揺動歯車 / A 20 / 35 T	C	1	
25	A0G6339600	Swing Gear /B 18/33T	揺動歯車 / B 18 / 33 T	C	1	
26	A0G6339812	Separating Shaft	分離軸	D	1	
27	A0G6345111	Cover Sheet /F	カバーシート /F	C	1	
28	A0G6345200	Cover Sheet /C	カバーシート /C	C	2	
29	A0G6345311	Cover Sheet /R	カバーシート /R	C	1	
30	A0G6345600	Separating Claw /D	分離爪 /D	A	3	
31	A0G6345700	Release Plate	解除板	D	3	
32	A0G6345800	Separating Shaft /2	分離軸 /2	D	1	
33	A0Y5351500	Fixing Screw	固定ねじ	C	6	
34	A4EUR76P00	Claw Separating Solenoid Assy	爪分離ソレノイド部組	D	1	
35	A9JT345400	Separating Spring	分離ばね	C	3	

Drum Cleaning Unit Section

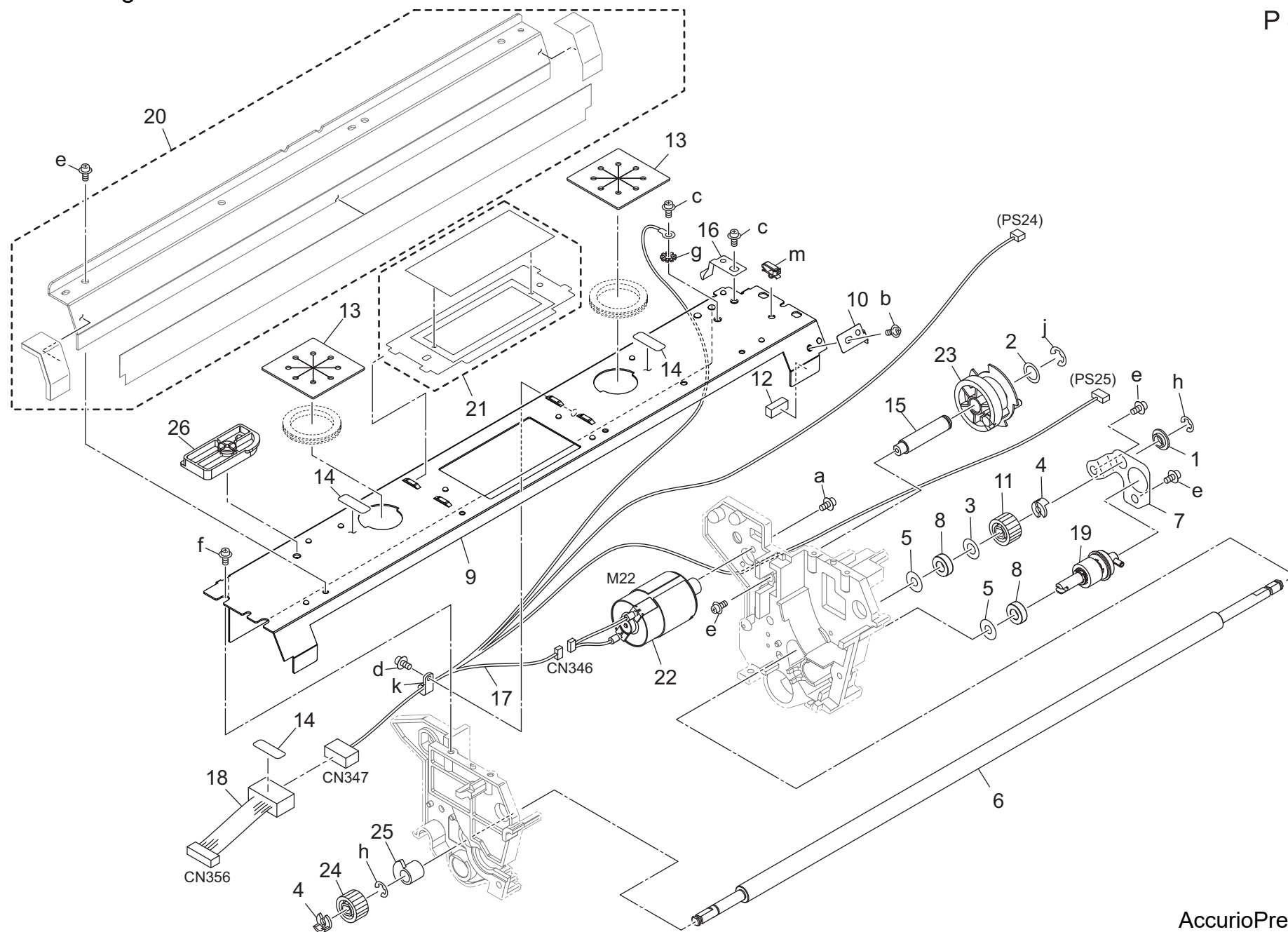
P 48



Drum Cleaning Unit Section

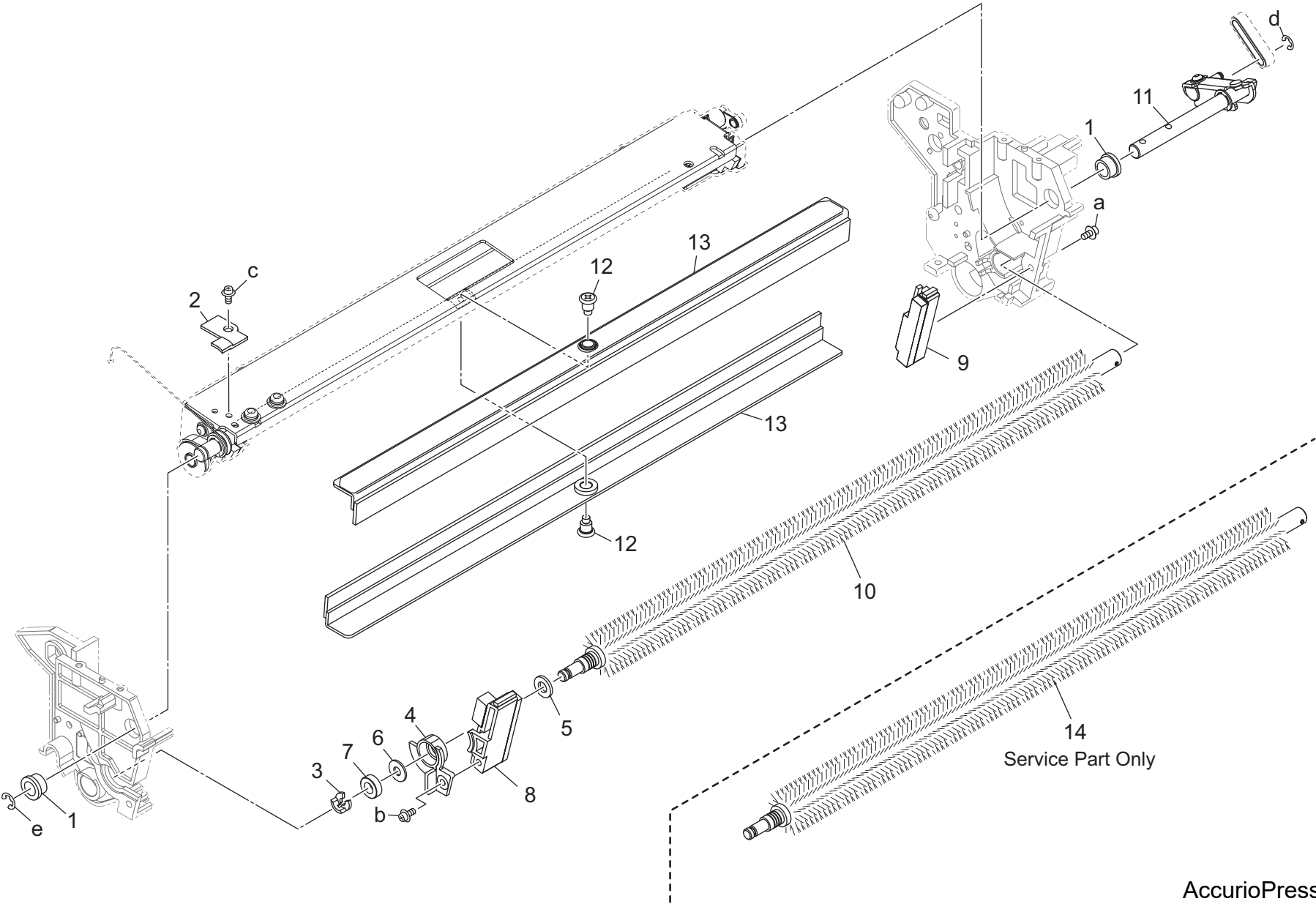
Key	Part No.	Description	Destinations	Class	QTY	Standard parts
1	25AA55360	Blade Pulley /C		C	1	a-V121030803
2	25AA55390	Wire Rotary Shaft		D	1	b-V121040403
3	25AA55420	WIRE TENSION SPRING		C	1	c-V121040603
4	4470402401	Stopper		D	2	d-V127030604
5	55VA55351	Mouting Plate /F		D	1	e-V145030603
6	55VA55361	Mouting Plate /R		D	1	f-V151030803
7	55VA55490	BLADE CHANGE LEVER		D	1	g-V217040003
8	56AA17510	Pin /B		C	2	h-V234201250
9	A00J617800	Ball Bearing		A	2	j-V500020099
10	A0G6525600	Mounting Plate		D	1	
11	A0G6531300	Positioning Shaft /R		D	1	
12	A4EU531900	Cleaning Seal /1		C	1	
13	A0G6532101	Idling Shaft /2		D	1	
14	A0G6533000Old	Cleaning Seal /3		C	1	
14	A9JT533000	Scatteringprevention Part /Rear		D	1	
15	A0G6533100Old	Cleaning Seal /4		C	1	
15	A9JT533100	Scatteringprevention Part /Front		D	1	
16	A4EU531000	Mounting Plate /B		D	1	
17	A4EU537000	Mounting Plate /A		D	1	
18	A4EU537700	Drive Plate		D	1	
19	A4EU537800	Drive Shaft		D	1	
20	A4EU537900	Bushing		C	2	
21	A4EU538000	Swing Shaft		D	1	
22	A4EU538200	Release Gear /2 26T		C	1	
23	A4EU538300	Release Gear /3 18T		C	1	
24	A4EU538400	Release Gear /4 15T		C	1	
25	A4EU538700	Scatteringprevention Filter		D	1	
26	A4EUR70J00	Guide Plate Assy		A	1	
27	A85CM55500	Photo Sensor		C	2	
28	A9JTR71622	Drum Cleaning Unit		S	1	
28	A9JTR71622	Drum Cleaning Unit	A,D1,D3,E,F2,G1,G2, H,I,J,K	S	1	
28	A9JTR71622	Drum Cleaning Unit	B,C	S	1	

Drum Cleaning Unit Section



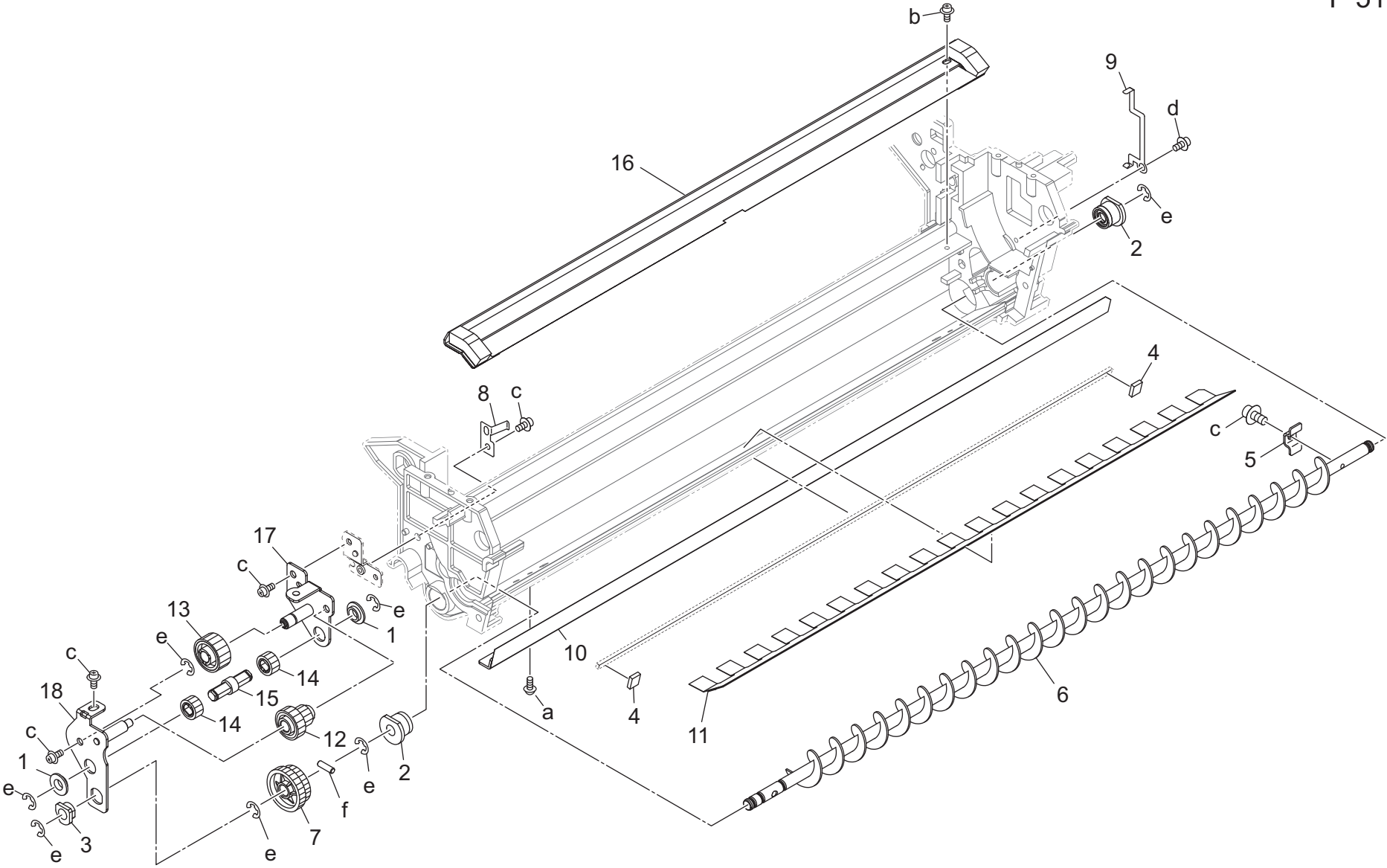
Key	Part No.	Description	Destinations	Class	QTY	Standard parts
1	090020510	CLEANER MOUNT LEVER COLLAR		C	1	a-V118260601
2	13QA40610	Gear Spacer		C	1	b-V121030403
3	25HA15210	SPACER E		C	1	c-V121040403
4	396040681	STOPPER RING		B	2	d-V121040603
5	55VA55680	SPEWING PREVENTIVE FELT		A	2	e-V127030604
6	A0G6530500	Guide Shaft		B	1	f-V151030803
7	A0G6530701	Reinforce Plate /R		D	1	g-V209040050
8	A0G6531500	Cleaning Bearing		C	2	h-V217040003
9	A0G6532202	Cleaning Cover		D	1	j-V217060003
10	A0G6532300	Ground Plate /A		D	1	k-V500020038
11	A0G6532700	Cleaning Gear/3 29T		B	1	m-V500020100
12	A0G6532900	Cleaning Seal /2		C	1	
13	A0G6535900	Cover Rubber		C	2	
14	A0G6950501	Set Label /5		D	3	
15	A4EU537400	Mounting Shaft		D	1	
16	A4EU538600	Ground Plate /B		D	1	
17	A4EUN25300	Relay harness /B		D	1	
18	A4EUN25500	Wiring /B		D	1	
19	A4EUR70F00	Cleaning Gear/2 Assy		B	1	
20	A4EUR71100Old	Drum Scraper Assy		A	1	
20	A9JTR73500	Photoconductor Seal Assy		A	1	
21	A4EUR71200	Scatteringprevention Filter Assy		A	1	
22	A4EUR75P00	Blade Motor Assy		C	1	
23	A4EUR75R00	Caum Gear Assy		D	1	
24	A9JT532700	Drive Gear /F 24T		C	1	
25	A9JT536500	Cleaning Bushing		C	1	
26	A9JTR71T00	Release Jig Assy		D	1	

Drum Cleaning Unit Section



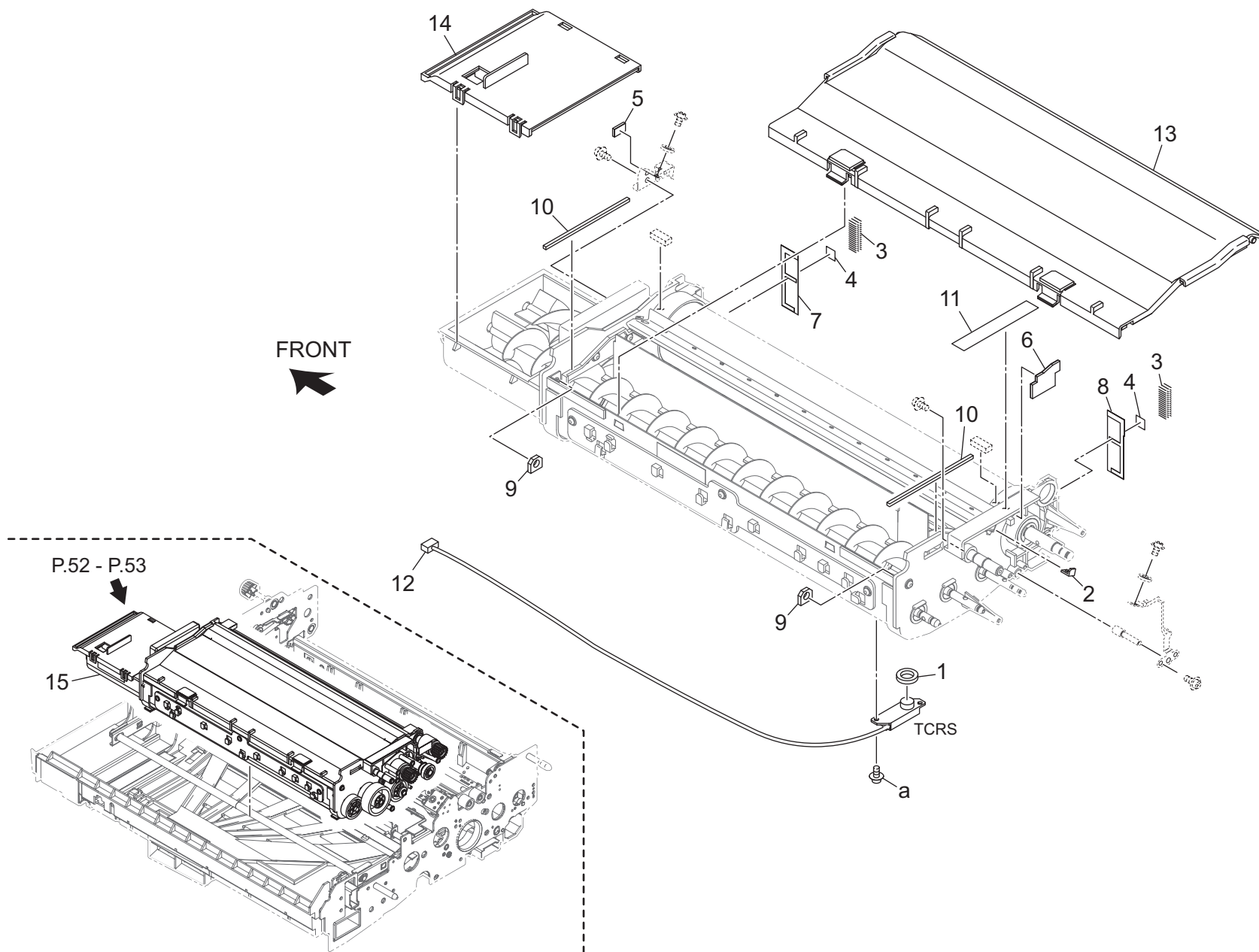
Key	Part No.	Description	Destinations	Class	QTY	Standard parts
1	090076040	SHAFT HOLDER		C	2	a-V121031203 b-V121031803 c-V121040403 d-V217030003 e-V217060003
2	25AA55720	Wire Cover /Upper		C	1	
3	396040681	STOPPER RING		B	1	
4	55VA55130	Shaft Holder Fixed Part		C	1	
5	55VA55670	Toner Preventive Collar		C	1	
6	55VA55680	SPEWING PREVENTIVE FELT		A	1	
7	A0G6531500	Cleaning Bearing		C	1	
8	A4EUR70G11Old	Sealing Plate/F Assy		A	1	
8	A9JTR73300	Sealing Plate/F Assy		B	1	
9	A4EUR70H11Old	Sealing Plate/R Assy		A	1	
9	A9JTR73400	Sealing Plate/R Assy		B	1	
10	A4EUR70K00	Toner Guide Brushe Assy		A	1	
11	A4EUR75Q00	Blade Release Arm Assy		D	1	
12	A9JT539700	Support Shoulder Screw		D	2	
13	A9JTR71500	Drum Cleaning Blade		A	2	
14	A0G6R7G800	Toner Guide Brush Assy	(Service Part Only)	A	1	

Drum Cleaning Unit Section

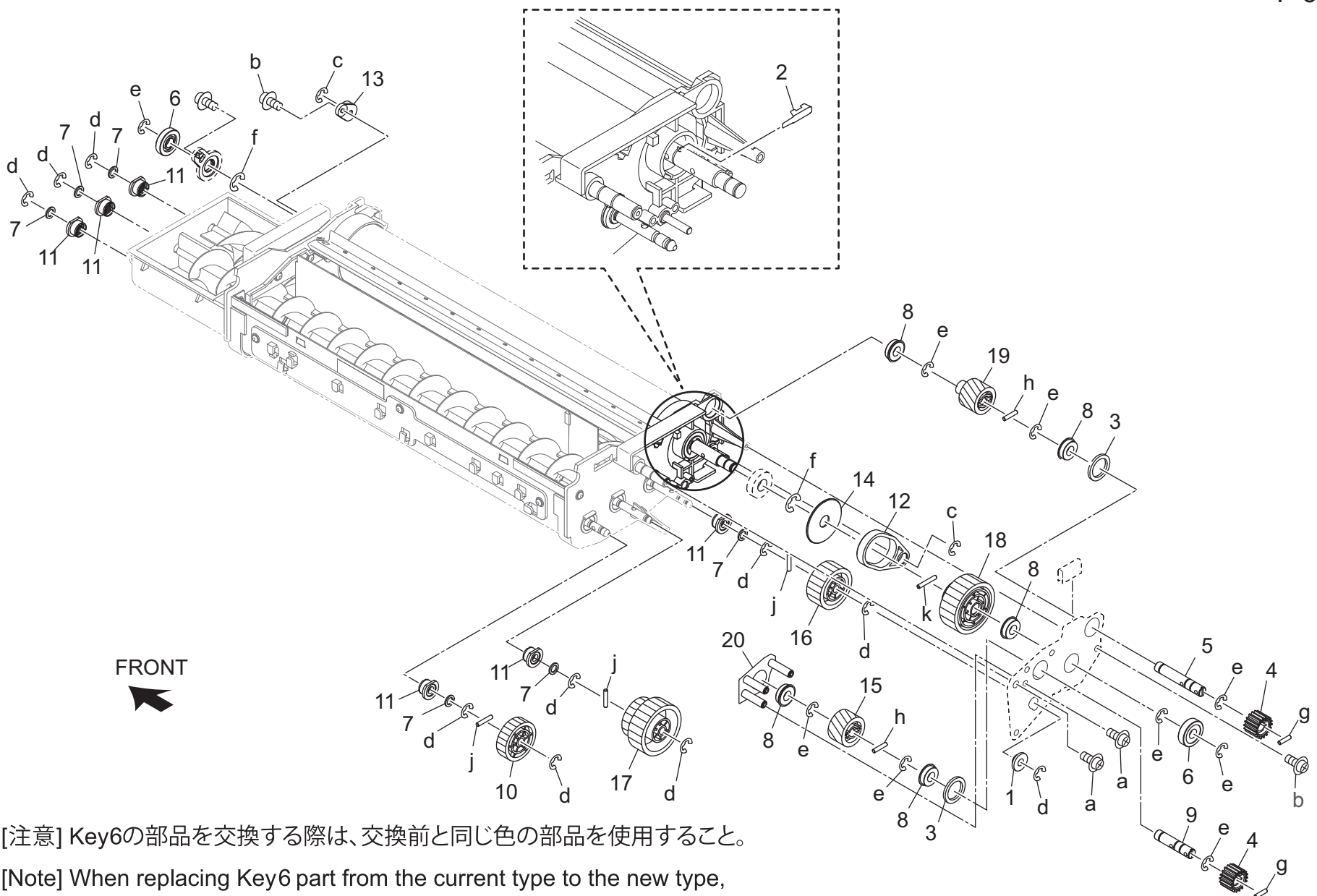


Drum Cleaning Unit Section

Key	Part No.	Description	Destinations	Class	QTY	Standard parts
1	090020510	CLEANER MOUNT LEVER COLLAR		C	2	a-V118030403 b-V121030403 c-V127030604 d-V145030603 e-V217040003 f-V234301050
2	26TA30770	DEVELOPING SHAFT HOLDER A		C	2	
3	466076020	Paper Feed Feeding Bearing		B	1	
4	55VA55641	SEALING PART/1		C	2	
5	56UA55550	Toner Agitating Plate		D	1	
6	A0G6530300	Cleaning Screw		C	1	
7	A0G6531401	Cleaning Gear /1 41/47T		C	1	
8	A0G6531800	Ground Plate		D	1	
9	A0G6534200	Ground Plate /B		D	1	
10	A4EUR71300	Toner Sealing Plate Assy		B	1	
11	A4EUR75S00	Sealing Assy		D	1	
12	A9JT534800	Drive Gear /2 20/31T		C	1	
13	A9JT534900	Drive Gear /3 35T		C	1	
14	A9JT535300	Drive Gear /4 20T		C	2	
15	A9JT536600	Drive Shaft /4		D	1	
16	A9JTR72800	Blade Seal /A Assy		D	1	
17	A9JTR73800	Drive Plate /R Caulking		D	1	
18	A9JTR73900	Drive Plate /F Caulking		D	1	



Key	Part No.	Description	Destinations	Class	QTY	Standard parts
1	029420640	L DETECTING SEAL		C	1	a-V145030603
2	55VA30981	Toner Brush Connecting Plate		D	1	
3	A0G6374900	Dust-Proof Packing /E		C	2	
4	A0G6375400	Stopper Spacer		C	2	
5	A0G6376300	Scatteringprevention Pad /8		C	1	
6	A0G6376400	Scatteringprevention Pad /9		C	1	
7	A0G6378700	Scatteringprevention Sheet /Front		C	1	
8	A0G6378800	Scatteringprevention Sheet /Rear		C	1	
9	A0G6379700	Developing Cushion		C	2	
10	A0G6379900	Scatteringprevention Seal /Upper		C	2	
11	A0G6950401	Set Label /4		D	1	
12	A0G6M50801	Toner Sensor		C	1	
13	A4EUR75F00	Developing Cover Assy		D	1	
14	A4EUR75H00	Developing Cover Assy		D	1	
15	A9JTR70200	Developing Unit		B	1	



[注意] Key6の部品を交換する際は、交換前と同じ色の部品を使用すること。

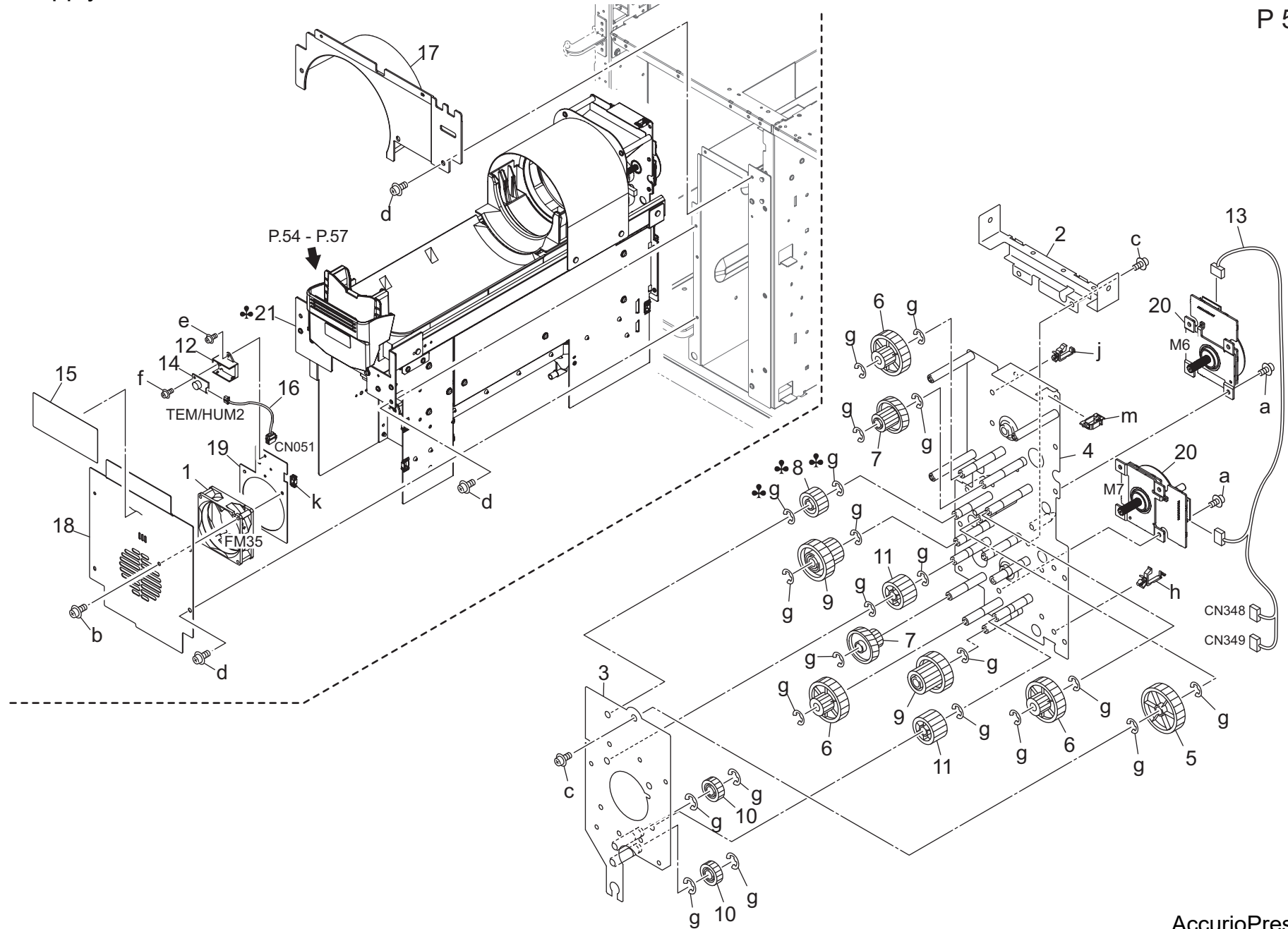
[Note] When replacing Key6 part from the current type to the new type, be sure to replace with same color used for current type.

AccurioPress 6136

Key	Part No.	Description	Destinations	Class	QTY	Standard parts
1	392015650	SLIDE BUSHING/C		C	1	a-V121030603
2	55VA30390D	Bias Pin /A		D	1	b-V151030803
3	55VA30970	Collar /A		C	2	c-V217030003
4	55VA77300E	Developing Input Coupling		B	2	d-V217040003
5	56UA30251	Developing Input Shaft		D	1	e-V217060003
6	56UA375200	Stopper Roll /Rear	(D21.90mm Black)	C	2	f-V217080003
6	A0G6375211	Stopper Roll /Rear	(D21.98mm Green)	C	2	g-V234301250
6	A0Y5373601	Stopper Roll /Rear	(D22.06mm Yellow)	C	2	h-V234301450
6	A4EU375100	Stopper Roll	(D22.02mm White)	C	2	j-V234301650
6	A4EU375200	Stopper Roll	(D21.94mm Blue)	C	2	k-V234302050
7	57AA30260	Developing Agitating Spacer		C	6	
8	A00V240600	Ball Bearing		B	5	
9	A0G6373500	Input Shaft /2		D	1	
10	A0G6377300	Agitating Gear 30T		C	1	
11	A0G6377400	Sealing Ball Bearing		C	6	
12	A0G6378100	Swing Holder		C	1	
13	A0G6379400	Swing Holder /2		C	1	
14	A0Y5378600	Rotation Collar		C	1	
15	A4EU377000	Input Gear /2 22T		C	1	
16	A4EU377100	Conveyance Gear /1 31T		C	1	
17	A4EU377200	Conveyance Gear /2 30T/39T		C	1	
18	A4EU378200	Drive Gear /No.2 67T		C	1	
19	A4EU380300	Input Gear /2 33T		C	1	
20	A4EUR75G00	Drive Plate /2 Caulking		D	1	

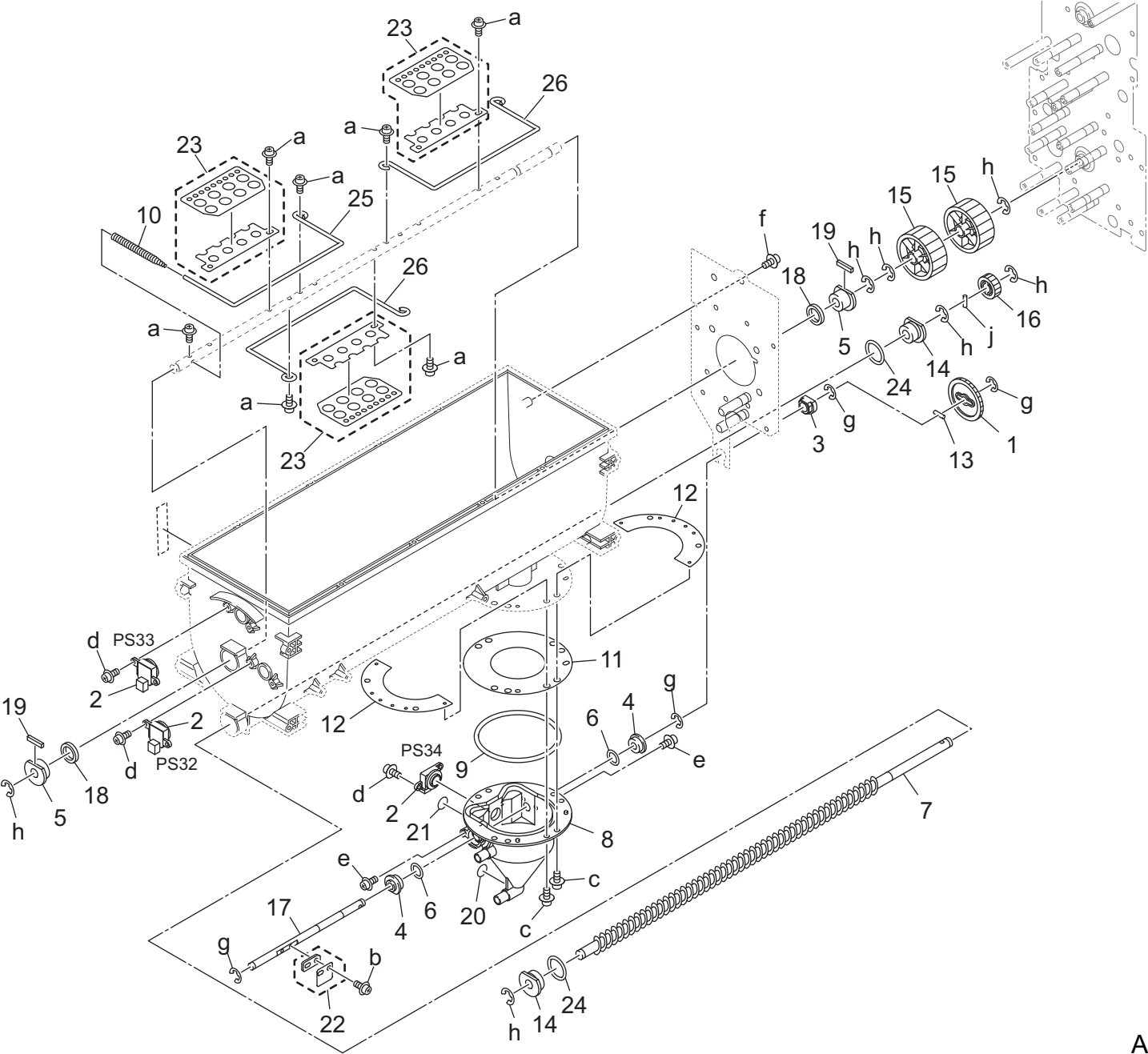
Toner Supply Protection Unit

P 54



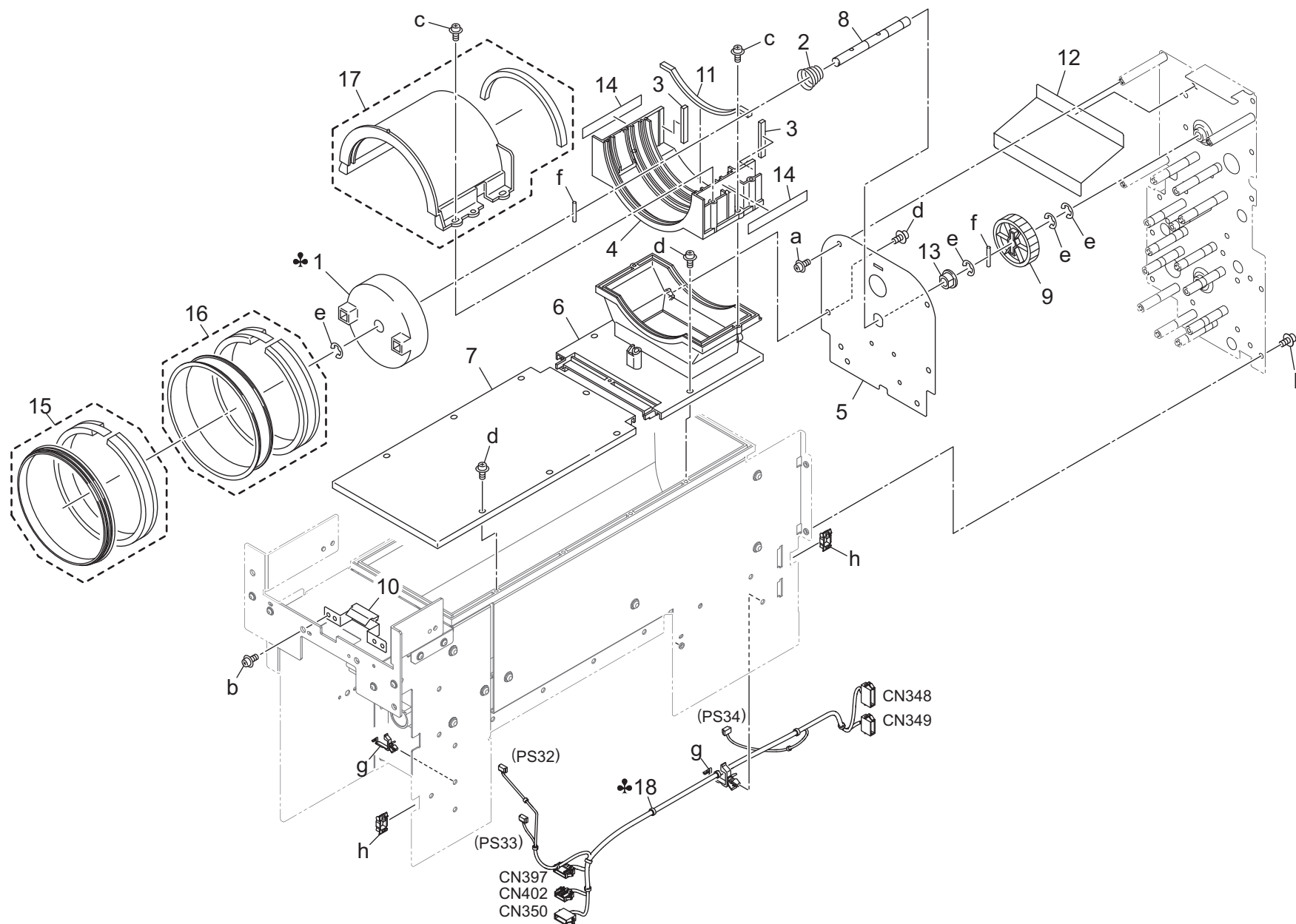
Key	Part No.	Description	Destinations	Class	QTY	Standard parts
1	13NT80511	Fan Motor /1		C	1	a-V118040403
2	56UA34020	Toner Supply Fixing Panel /Rear		D	1	b-V118043003
3	56UA-7660	DRIVE PLATE/C ASSY		D	1	c-V121040603
4	56UA-7680F	DRIVE PLATE/B ASSY		D	1	d-V121040604
5	56UA77700	Toner Supply Drive Gear /A 45T		C	1	e-V127030604
6	56UA77710	Toner Supply Drive Gear /B 16/40T		C	3	f-V149030803
7	56UA77720	TONER SUPPLY DRIVE GEAR /C 16/62T		C	2	g-V217060003
8	56UA77730	Toner Supply Drive Gear /D 23T	B,C,D1,D3,E,F2,G1,G 2,H,I,K	C	1	h-V500010082
9	56UA77740	Toner Supply Drive Gear /E 22/36T		C	2	j-V500020098
10	56UA77760	Toner Supply Drive Gear /G 18T		C	2	k-V570010057
11	56UA77770	Toner Supply Drive Gear /H 26T		C	2	m-V570010063
12	65AA11300	Support Part		D	1	
13	A0G6N13801	Toner Wiring /3		D	1	
14	A0P0M50400	Humidity sensor		C	1	
15	A4EU947900	Operation Label /F		D	1	
16	A799N22100	Temperature Detection harness		D	1	
17	A9JT410500	Toner Supply Cover /Upper		D	1	
18	A9JT417000	Toner Supply Panel /Lower		D	1	
19	A9JT417100	Fixing Plate /F		D	1	
20	A9JTM10200	Drum Motor		B	2	
21	A9JTR70500	Toner Supply Unit	A	I	1	
21	A9JTR70600	Toner Supply Unit	B,G2	I	1	
21	A9JTR70700	Toner Supply Unit	C,I(SOUTH AFRICA)	I	1	
21	A9JTR73700	Toner Supply Unit	D1,D3,E,F2,G1,H,I,(E xcept SOUTH AFRICA) J,K	I	1	

Toner Supply Protection Unit



Key	Part No.	Description	Destinations	Class	QTY	Standard parts
1	25AA77890	REGULATION GEAR 36T		C	1	a-V111030603
2	40AA88031	Level Detection Sensor		C	3	b-V118030603
3	540076090	FIXING CLEANER SHAFT HOLDER C		B	1	c-V121030803
4	56AA32650	TONER CONVEYING SHAFT HOLDER		C	2	d-V145030803
5	56GA30290	Developing Shaft Holder /B		C	2	e-V151030603
6	56UA32690	Toner Supply Sealing Rubber/B		C	2	f-V151040803
7	56UA34100	Toner Conveyance Screw		D	1	g-V217040003
8	56UA34160	Toner Feeding Case		D	1	h-V217060003
9	56UA34290	Scatter Preventing Rubber		C	1	j-V234301250
10	56UA34300	Auxiliary Spring		C	1	
11	56UA34710	TONER SEAL		D	1	
12	56UA34730	Toner Supply Fixing Plate		D	2	
13	56UA34800	Pin		D	1	
14	56UA76060	Bushing		C	2	
15	56UA77750	Toner Supply Drive Gear /F 40T		C	2	
16	56UA77760	Toner Supply Drive Gear /G 18T		C	1	
17	A4EU413300	Agitating Shaft /Lower		D	1	
18	A4EU413900	Seal		D	2	
19	A4EU415100	Toner supply Seal /Upper		D	2	
20	A4EU943300	Toner supply Label /1		D	1	
21	A4EU943600	Toner supply Label /4		D	1	
22	A4EUR72E00	Agitating/Lower Assy		D	1	
23	A4EUR72F00	Agitating Assy		C	3	
24	A9JT420000	Toner Supply Rubber		D	2	
25	56UA34190	Toner Agitating Arm		D	1	
26	56UA34180	Toner Agitating Arm /2		C	2	

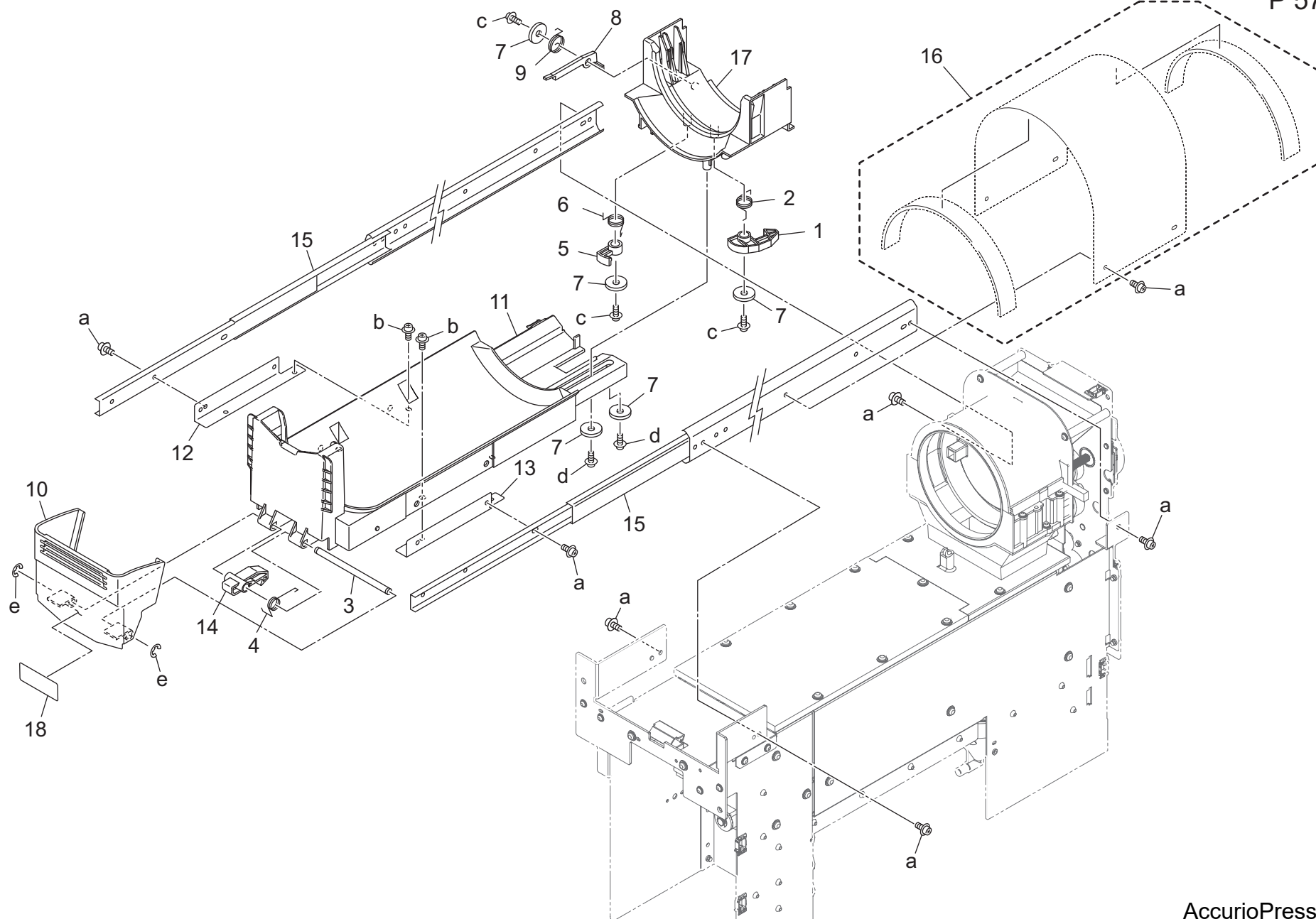
Toner Supply Protection Unit



Key	Part No.	Description	Destinations	Class	QTY	Standard parts
1	55VA32080	Cartridge Driving Part カートリッジ駆動部材	B,D1,D3,E,F2,G1,G2, H,I,J,K	C	1	a-V121030603
1	55VE32080	Cartridge Driving Part カートリッジ駆動部材	A,C,I(SOUTH AFRICA)	C	1	b-V121040604
2	55VA32150	Driving Release Spring 駆動解除バネ		B	1	c-V151030803
3	55VA32430	Toner Sealing Part/3 トナーシール部材 /3		D	2	d-V151040803
4	56UA34060	Toner Supply Cover /B トナー補給カバー /B		C	1	e-V217060003
5	56UA34121E	Cartridge Drive Plate /A カートリッジ駆動プレート /A		D	1	f-V234302250
6	56UA34452	Toner Supply Cover /1 トナー補給 蓋 /1		D	1	g-V500010082
7	56UA34460	Toner Supply Cover /2 トナー補給 蓋 /2		D	1	h-V570010063
8	56UA34610	Cartridge Drive Shaft カートリッジ駆動軸		D	1	
9	56UA77700	Toner Supply Drive Gear /A 45T トナー補給駆動歯車 /A 4 5 T		C	1	
10	A0G6410611	Toner Supply Lock トナー補給ロック		D	1	
11	A0G6414000	Sealing Part /R シール部材 /R		D	1	
12	A0G6415000	Toner supply Sheet トナー補給シート		D	1	
13	A0Y5406400	Slide Bushing/8 すべり軸受 /8		C	1	
14	A4EU414700	Seal シール (トナー補給)		D	2	
15	A4EUR70W00	Sleeve/1 スリーブ /1		B	1	
16	A4EUR70X00	Sleeve/2 スリーブ /2		B	1	
17	A4EUR72D00	Cover /Upper Assy カバー /上 部組		D	1	
18	A9JTN13A01	Toner Wiring /1 トナー束線 /1 (J)	A,D1,D3,E,F2,G1,H,I (Except SOUTH AFRIC A),J,K	D	1	
18	A9JTN13E01	Toner Wiring /1 トナー束線 /1 (E)	B,C,G2,I(SOUTH AFRI CA)	D	1	

Toner Supply Protection Unit

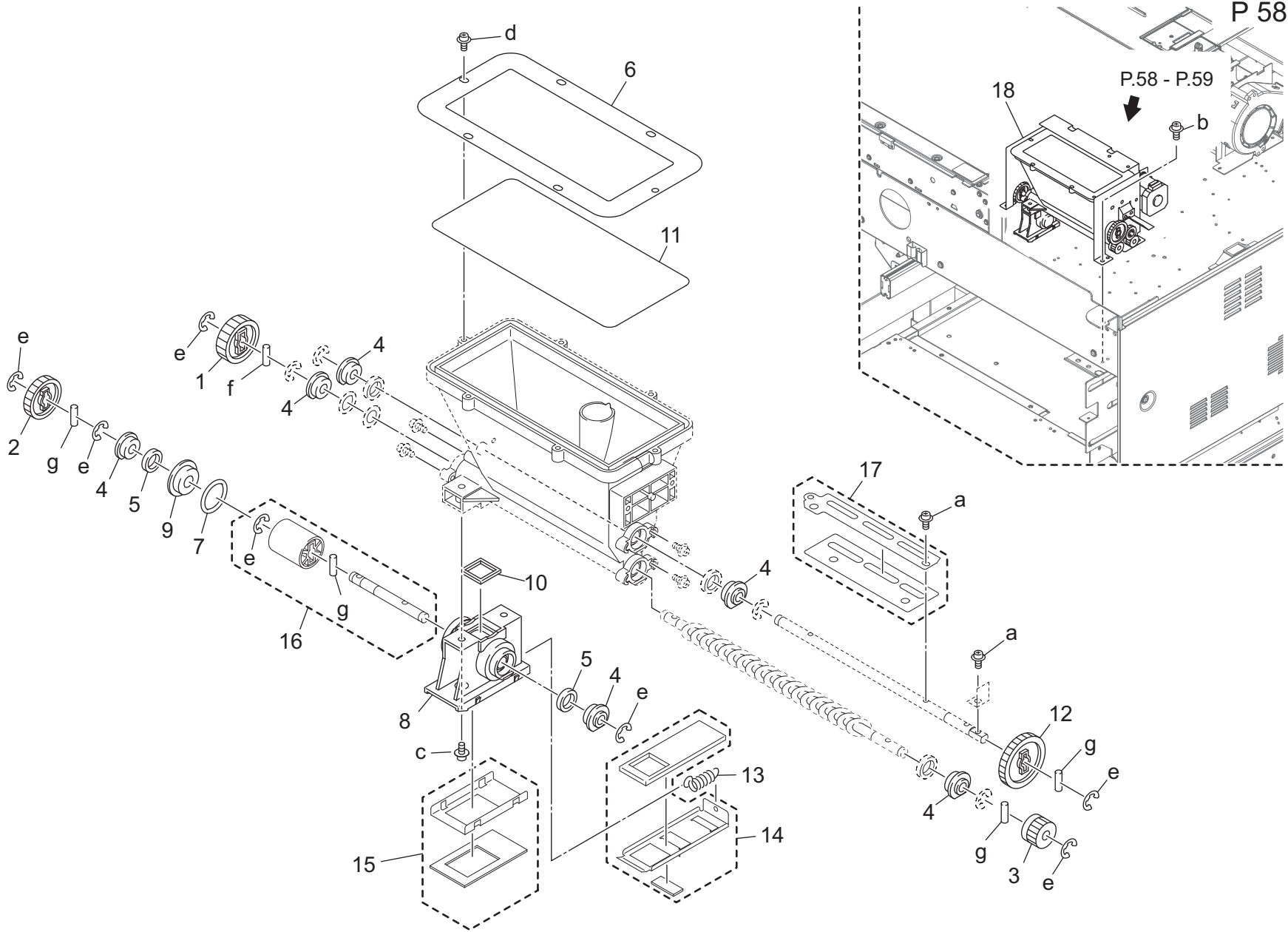
P 57



Toner Supply Protection Unit

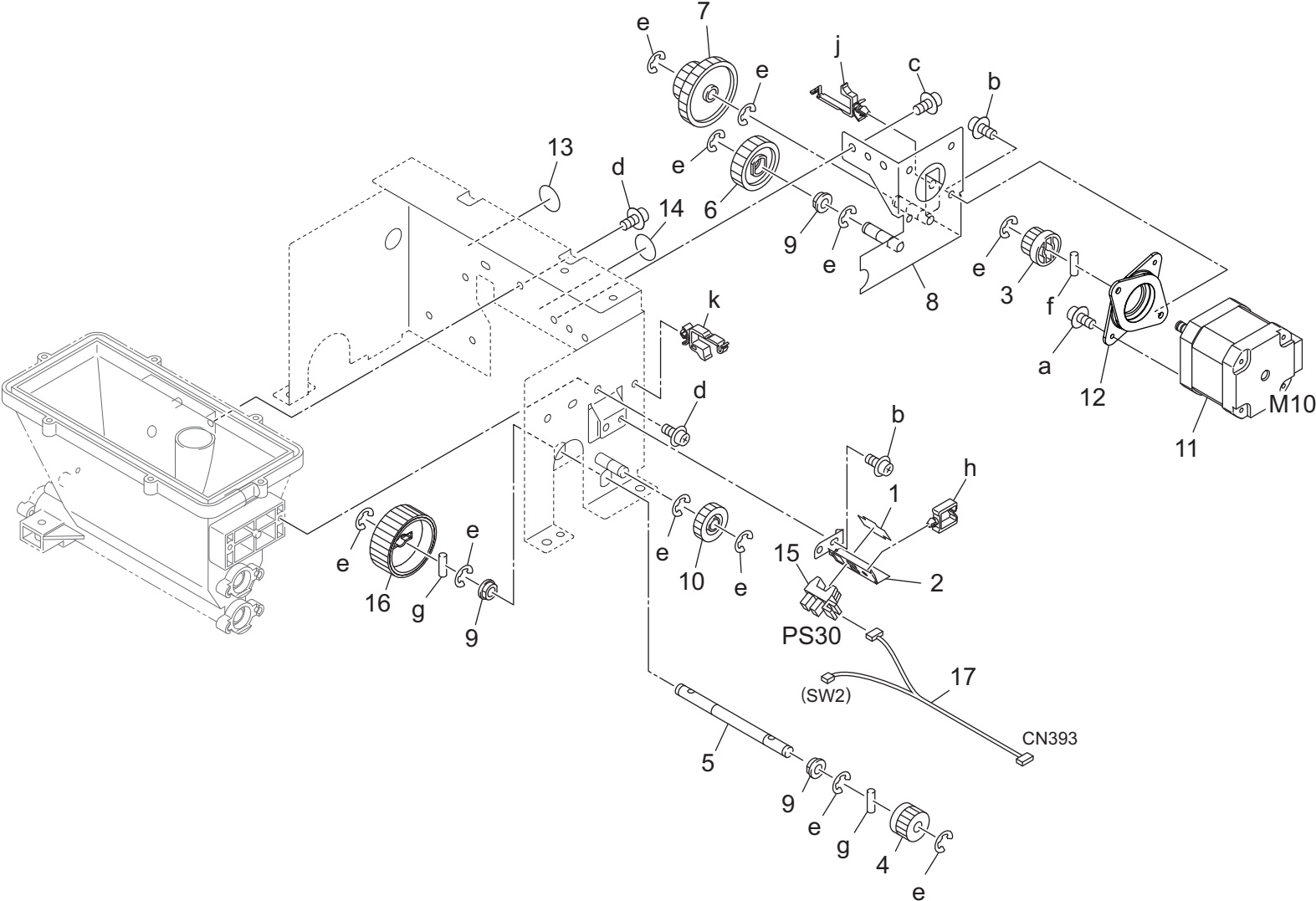
Key	Part No.	Description	Destinations	Class	QTY	Standard parts
1	56AA32440	Locking Part /A		C	1	a-V118040403 b-V127040603 c-V145030803 d-V151030803 e-V217040003
2	56AA32450	Locking Spring /A		C	1	
3	56AA32521	Lever Shaft		D	1	
4	56AA32620	Toner Supply Locking Spring		C	1	
5	56AA32630	Locking Part /B		C	1	
6	56AA32640	Locking Spring /B		C	1	
7	56AA32710	Guide Spacer		C	5	
8	56AA32751	Locking Part /C		C	1	
9	56AA32761	Locking Spring /C		C	1	
10	56NE32510	Lever		C	1	
11	56UA34071	Cartridge Pressing Part		D	1	
12	56UA34230E	Cartridge Support Plate /Left		D	1	
13	56UA34240E	Cartridge Support Plate /Right		D	1	
14	A0G6416100	Toner Supply Part		C	1	
15	A4EU400800	Slide Rail		D	2	
16	A4EUR72G00	Toner Supply Plate Assy		D	1	
17	A9JT411100	Toner Supply Cover /A		D	1	
18	A9JT947600	Toner Supply Label		D	1	

Toner Supply Main Body Upper Unit



Key	Part No.	Description	Destinations	Class	QTY	Standard parts
1	25SA77180	TONER CONVEYANCE GEAR B 26T		C	1	a-V121030603
2	55VA77940	AGITATE GEAR A 23T		B	1	b-V121040403
3	55VA77960	SCREW GEAR 14T		B	1	c-V151030803
4	56AA32650	TONER CONVEYING SHAFT HOLDER		C	6	d-V151030804
5	56UA32380	Toner Agitating Seal		C	2	e-V217040003
6	56UA32520	Toner Supply Cover /Upper		D	1	f-V234301050
7	56UA32620	Toner Supply Sealing Rubber /A		C	1	g-V234301250
8	56UA32700	Toner Supply Control Main Body /Upper		D	1	
9	56UA32740	Toner Supply Control Side Plate		C	1	
10	56UA32800	Toner Separating Seal /C		C	1	
11	56UA32830	TONER SEPARATING SEAL D		C	1	
12	56UA77430	Toner Agitating Gear 32T		C	1	
13	A0G6402300	Toner Supply Spring /Upper		C	1	
14	A4EUR72400	Toner Supply Open/Close Plate		D	1	
15	A4EUR72500	Toner Supply Open/Close Cover Assy		D	1	
16	A4EUR72600	Toner Control Shaft Assy		D	1	
17	A4EUR72700	Agitating Plate /A 3 Assy		D	1	
18	A9JTR71R00	Toner Supply Main Body /Upper Assy		S	1	

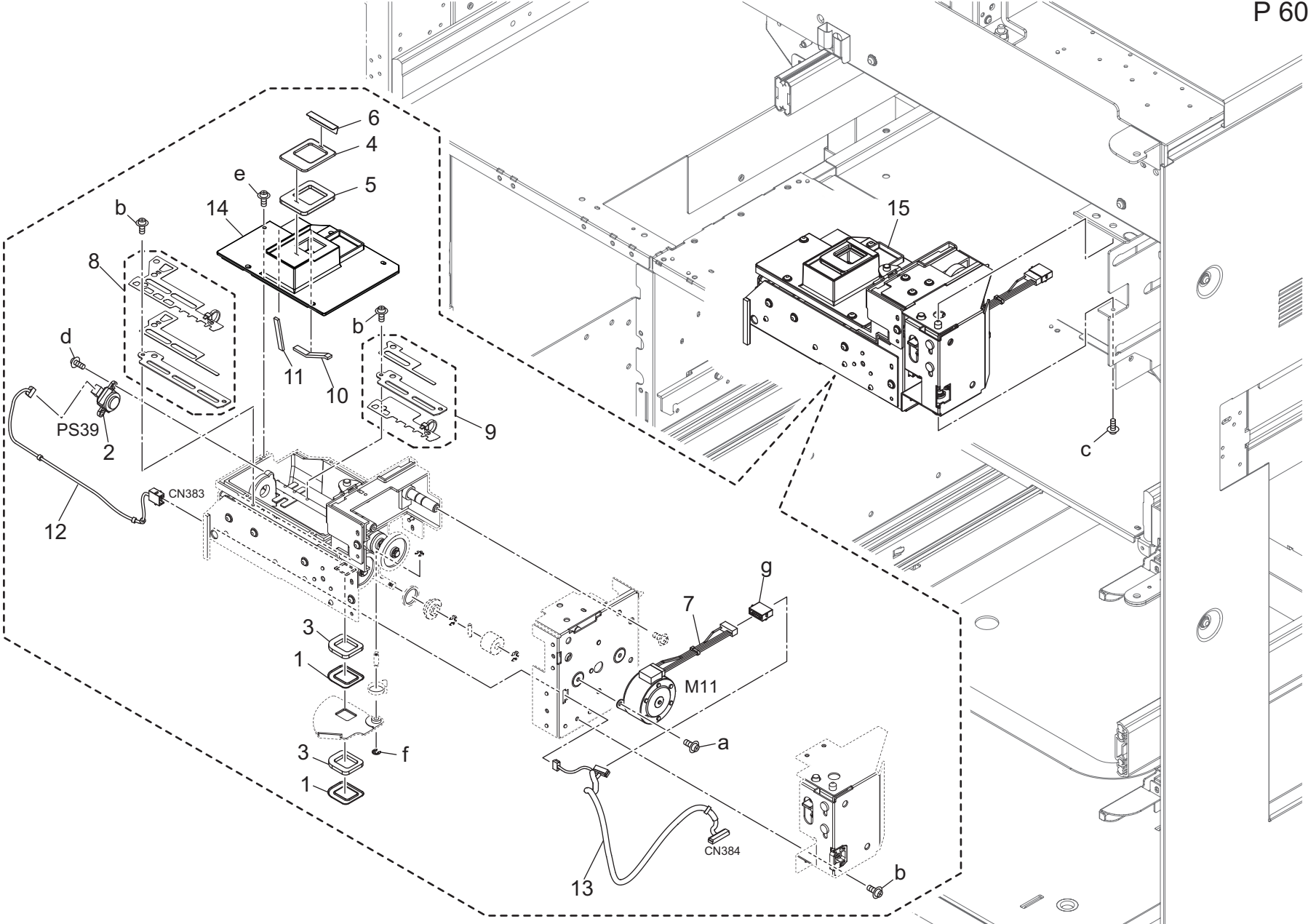
Toner Supply Main Body Upper Unit



Toner Supply Main Body Upper Unit

Key	Part No.	Description	Destinations	Class	QTY	Standard parts
1	4470402401	Stopper		D	1	a-V111030603
2	55VA55442E	Mounting Plate /B		D	1	b-V121030603
3	55VA77890	Motor Gear 20T		B	1	c-V121040603
4	55VA77960	SCREW GEAR 14T		B	1	d-V151030803
5	56UA32650	Idling Shaft /E		D	1	e-V217040003
6	56UA408200	Idling Gear /A 26T		C	1	f-V234201250
7	56UA77450	Idling Gear /B 20T /61T		C	1	g-V234301250
8	56UAR77100	MOTOR MOUNTING PLATE UPPER		D	1	h-V500010026
9	A00J663200	Bushing		B	3	j-V500010083
10	A0G6405400	Toner Supply Gear /1 20T		C	1	k-V500020098
11	A0Y5M10400	HB Motor /40		B	1	
12	A0Y5M90101	HB Damper /40		D	1	
13	A4EU943400	Toner supply Label /2		D	1	
14	A4EU943500	Toner supply Label /3		D	1	
15	A85CM55600	Photo Sensor		C	1	
16	A9JT420100	Toner supply Gear /Upper 34T		C	1	
17	A9JTN11800	Power Source Detection Harness		D	1	

Toner Conveyance Main Body Unit



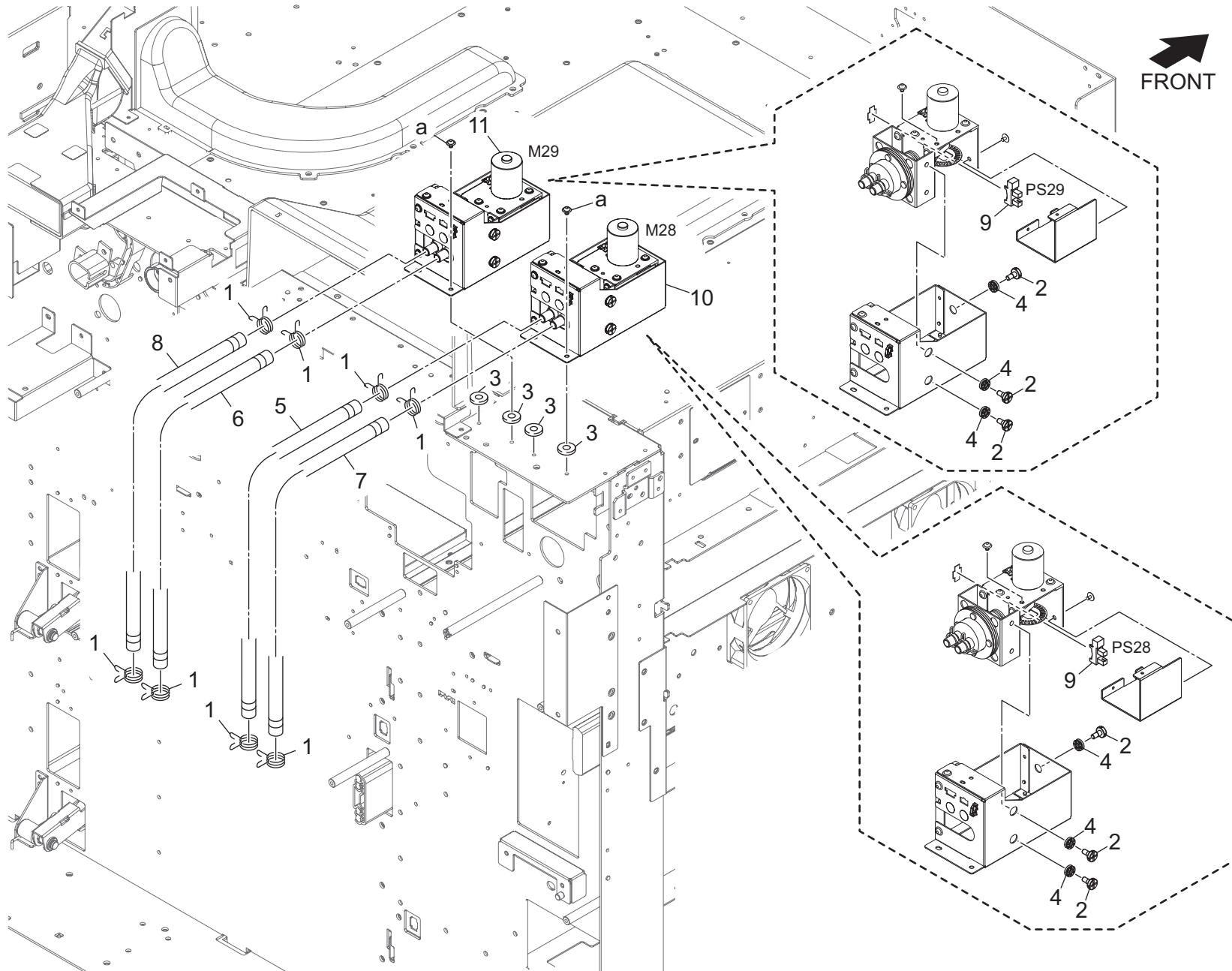
Toner Conveyance Main Body Unit

Key	Part No.	Description	Destinations	Class	QTY	Standard parts
1	25BA32251	COVER SEAL		C	2	a-V118030603
2	40AA88031	Level Detection Sensor		C	1	b-V121030603
3	55GA32220	OPEN CLOSE CUSHION		C	2	c-V121040603
4	56UA32260	Cover Seal		C	1	d-V145030803
5	56UA32270	Open/Close Cushion		C	1	e-V158030803
6	56UA32850	Toner Separating Seal /F		C	1	f-V217030003
7	A1TVM10311	Stepping Motor /40		B	1	g-V651010038
8	A4EUR70500	Agitating Plate /A 1 Assy		A	1	
9	A4EUR70600	Agitating Plate /A 2 Assy		A	1	
10	A799403300	Toner supply Seal /H		D	1	
11	A799409600	Toner supply Seal /H		D	1	
12	A799N14700	Toner Relay harness /3		D	1	
13	A799N14901	Toner Relay harness /4		D	1	
14	A9JT400201	Toner supply Cover /Middle		D	1	
15	A9JTR71F00	Toner Conveyance Main Body Unit		S	1	



Toner Pump Unit

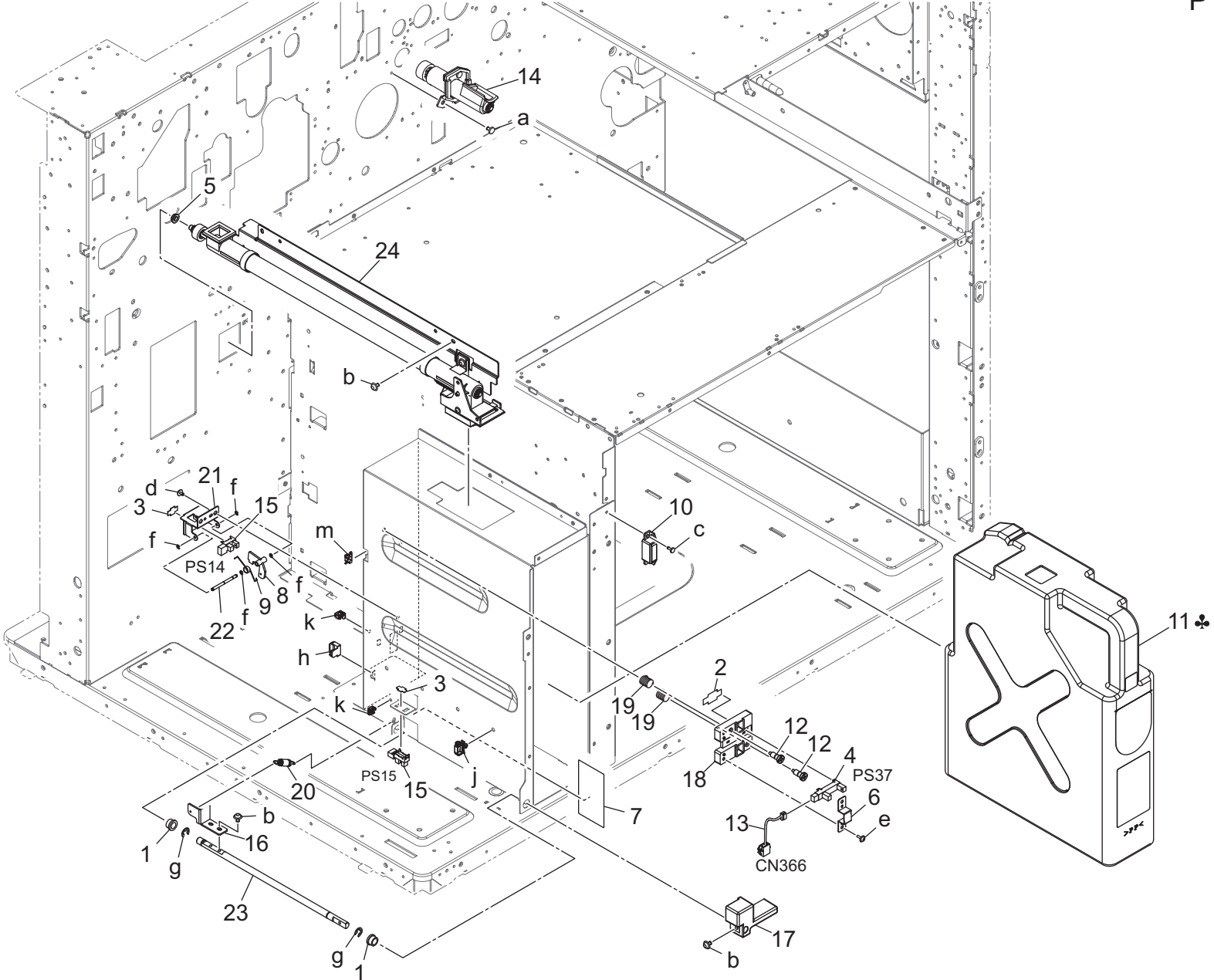
P 61



Toner Pump Unit

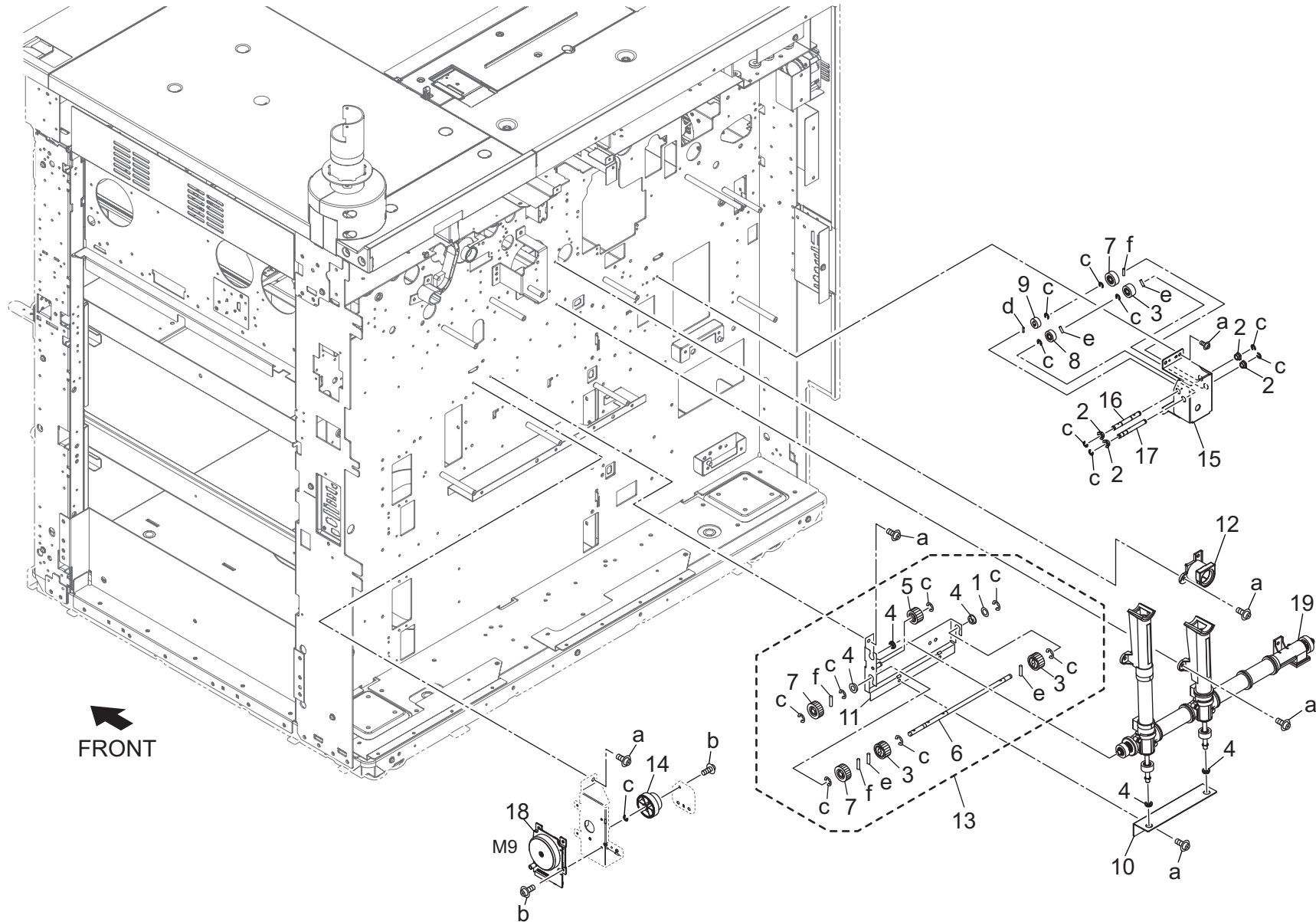
Key	Part No.	Description	Destinations	Class	QTY	Standard parts
1	56UA32330	Toner Supply Dust Proof Spring		C	8	a-V121040803
2	56UA33210	Board Fixing Screw		C	6	
3	56UA33280	TONER SUPPLY HOLDING PLATE		D	4	
4	A4EU138000	Support Rubber		D	6	
5	A4EUR74V00	Toner Pipe Assy/2		D	1	
6	A4EUR74W00	Toner Pipe Assy/3		D	1	
7	A4EUR74X00	Toner Pipe Assy/1		D	1	
8	A4EUR74Y00	Toner Pipe Assy/4		D	1	
9	A85CM55500	Photo Sensor		C	2	
10	A9JTR72200	Toner Pump Assy		B	1	
11	A9JTR72300	Toner Pump Assy /2		B	1	

Toner Collection Section



Key	Part No.	Description	Destinations	Class	QTY	Standard parts
1	090076040	SHAFT HOLDER		C	2	a-V118040603
2	4004457301	Stopper		D	1	b-V121040603
3	4470402401	Stopper		D	2	c-V126030803
4	9335140051	Solid State Switch		B	1	d-V127030604
5	A00J617800	Ball Bearing		A	1	e-V151030803
6	A0G6352500	Electrostatic Proof Cover /1		D	1	f-V217020003
7	A0G6358700	Regulating Sheet /1		C	1	h-V500010021
8	A0G6365700	Set Actuator		C	1	j-V500010082
9	A0G6365900	Set Spring		C	1	k-V500020098
10	A0G6411200	Magnet /X		D	1	m-V570010025
11	A9JTR73600	Toner Collecting Box Assy	A	A	1	
11	A03UR70200	TONER COLLECTING BOX ASSY	B,C	A	1	
11	A1DUR70W00	Toner Collecting Box Assy	D1,D3,E,F2,G1,G2,H,I,J,K	A	1	
12	A1RF819100	Mounting Shoulder screw		D	2	
13	A5AWN23600	Relay harness /4		D	1	
14	A799R70G00	Connecting Pipe /5 Assy		C	1	
15	A85CM55600	Photo Sensor		C	2	
16	A9JT363100	Lock Plate		D	1	
17	A9JT363200	Lock Handle		D	1	
18	A9JT363300	Sensor Board		C	1	
19	A9JT363400	Pressing Spring		C	2	
20	A9JT363500	Release Spring		C	1	
21	A9JT363600	Sensor Plate /2		D	1	
22	A9JT363700	Support Shaft		D	1	
23	A9JT363800	Lock Shaft		D	1	
24	A9JTR71E00	Horizontal Conveyance /2 Assy		S	1	

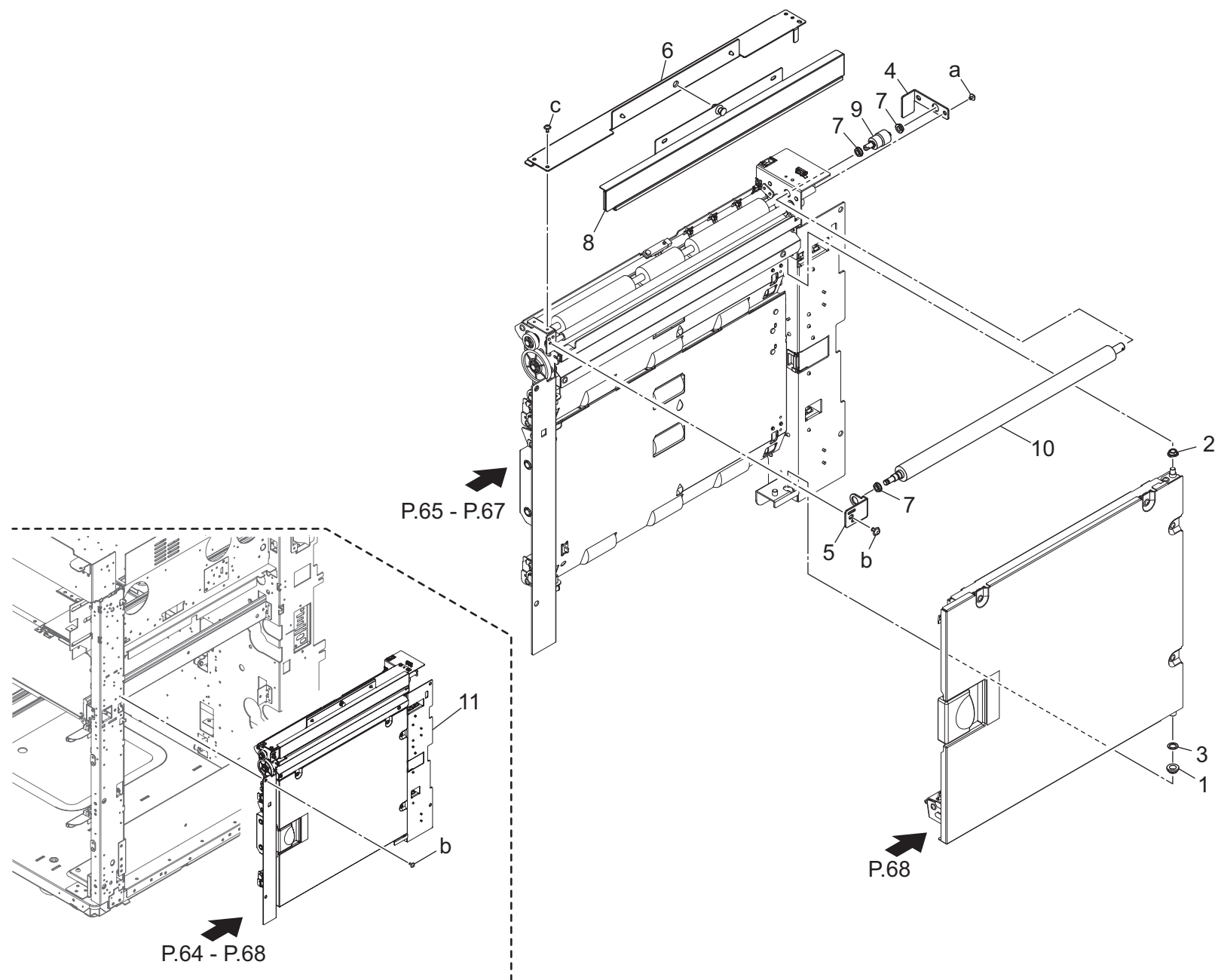
Toner Collection Section



Key	Part No.	Description	Destinations	Class	QTY	Standard parts
1	13QA10330	SHAFT SPACER		C	1	a-V121040603 b-V127030604 c-V217040003 d-V234200850 e-V234301050 f-V234301250
2	466076020	Paper Feed Feeding Bearing		B	4	
3	56UA77400	Toner Conveyance Gear /C 15T		C	3	
4	A00J617800	Ball Bearing		A	5	
5	A0G6217500	Drive Gear /7 20T		C	1	
6	A0G6367000	Drive Shaft /3		D	1	
7	A0G6367400	Drive Gear /4 19T		C	3	
8	A0G6367500	Drive Gear /5 18T		C	1	
9	A0G6367900	Drive Gear /9 16T		C	1	
10	A4EU362200	Positioning Base Frame		D	1	
11	A4EU365000	Drive Board /1		D	1	
12	A4EUR71F00	Connecting Block/C Assy		D	1	
13	A4EUR76G11	Drive Board/1 Assy		D	1	
14	A799258300	Toner Supply Gear /2 25/68T		C	1	
15	A799361200	Drive Cover		D	1	
16	A799362900	Drive Shaft /1		D	1	
17	A799363000	Drive Shaft /2		D	1	
18	A9JTM10200	Drum Motor		B	1	
19	A9JTR71D00	Vertical Conveyance /1 Assy		C	1	

Vertical Conveyance Unit

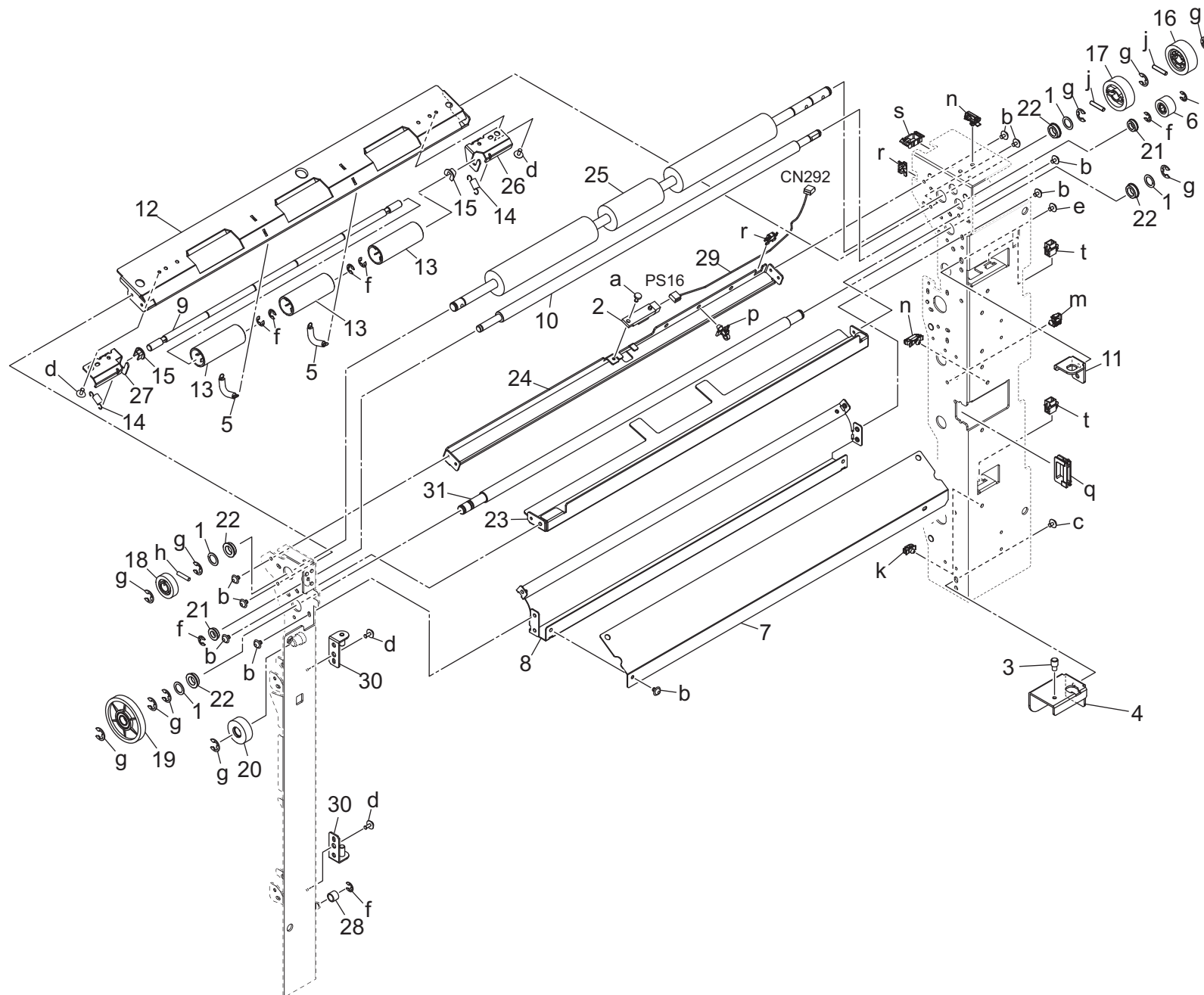
P 64



Key	Part No.	Description	Destinations	Class	QTY	Standard parts
1	396076050	PAPER FEED SHAFT HOLDER		B	1	a-V121030403 b-V121040603 c-V138030603
2	466076020	Paper Feed Feeding Bearing		B	1	
3	55VA15610	Driving Spacer		C	1	
4	56UA44260	Shaft Support Plate		D	1	
5	56UA44301F	CLEANER SUPPORT PLATE /FRONT		D	1	
6	56UA-4640	PAPER CLEANING BOARD		D	1	
7	A00J617800	Ball Bearing		A	3	
8	A4EUR70N00	Cleaning Cause Assy		B	1	
9	A4EUR71600	Cleaner Drive Assy		B	1	
10	A4EUR73000	Toner Guide Brush		A	1	
11	A9JTR71H00	Vertical Conveyance Unit		S	1	

Vertical Conveyance Unit

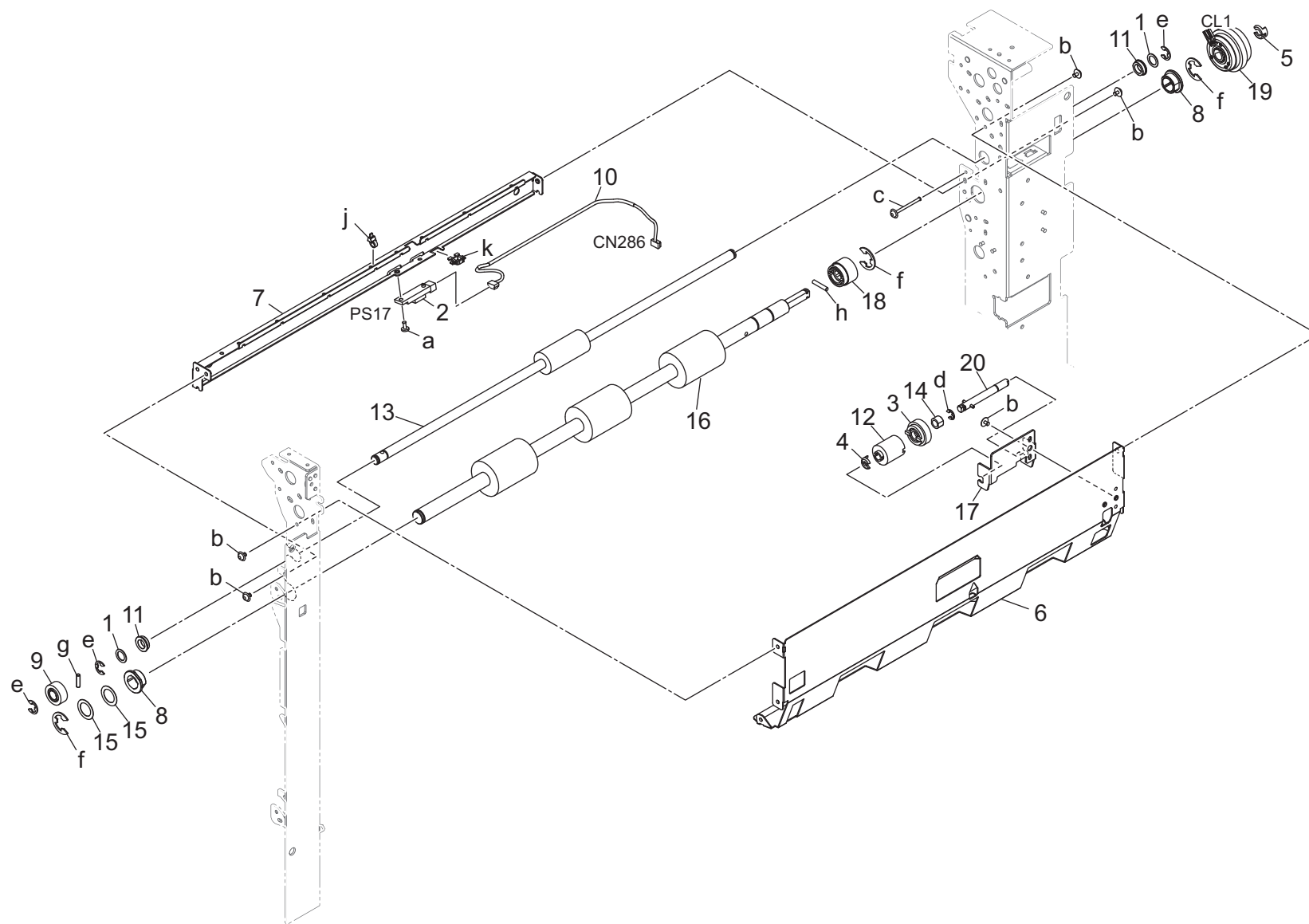
P 65



Key	Part No.	Description	Destinations	Class	QTY	Standard parts
1	12QV40650	Spacer		B	4	a-V118030603
2	13QA85511	Sensor /1		B	1	b-V121030403
3	392010231	STOPPER PIN		C	1	c-V121040403
4	55VA44120	Hinge Support Plate /Lower		D	1	d-V138030603
5	55VA46451	REGISTRATION FEEDING SPRING		B	2	e-V138040603
6	55VA79210	Cleaner Driving Gear /B 18T		B	1	f-V217040003
7	56UA44070	PFU Guide Plate /Lower		D	1	g-V217060003
8	56UA44080	Side Guide Plate /Upper		D	1	h-V234301450
9	A4EU701600	Idler Shaft /L		D	1	j-V234301650
10	A4EU701500	Scraper Shaft		B	1	k-V500020077
11	56UA44250	HINGE SUPPORT PLATE UPPER		D	1	m-V500020098
12	56UA44410E	EXIT GUIDE PLATE /LOWER		D	1	n-V500020100
13	56UA44500	Conveyance Idler Roller		C	3	p-V501010010
14	56UA44660	Registration Pressing Spring		C	2	q-V570010013
15	56UA44680	Idler Bushing		C	2	r-V570010050
16	56UA77070F	Paper Exit Input Gear 25T		B	1	s-V570010063
17	56UA77160	Paper Feed Cleaning Gear/B 26T		B	1	t-V651010001
18	56UA77170E	Conveyance Drive Gear/A 24T		B	1	
19	A4EU701900	Idling Gear /A 50T		C	1	
20	A4EU702000	Idling Gear /B 25T		C	1	
21	A00J617800	Ball Bearing		A	2	
22	A00J617900	Ball Bearing		B	4	
23	A4EU700600	Guide Plate /Upper		D	1	
24	A4EU700900	Guide Plate /Upper		D	1	
25	A4EU701200	Conveyance Roller /Upper		B	1	
26	A4EU704200	Support Plate /Rear		D	1	
27	A4EU704300	Support Plate /Front		D	1	
28	A4EU823100	Positioning Roll		D	1	
29	A4EUN25200	Conveyance Relay harness /3		D	1	
30	A4EUR73100	Door Stopper Caulking		D	2	
31	A9JT704400	Guide Shaft /M		D	1	

Vertical Conveyance Unit

P 66

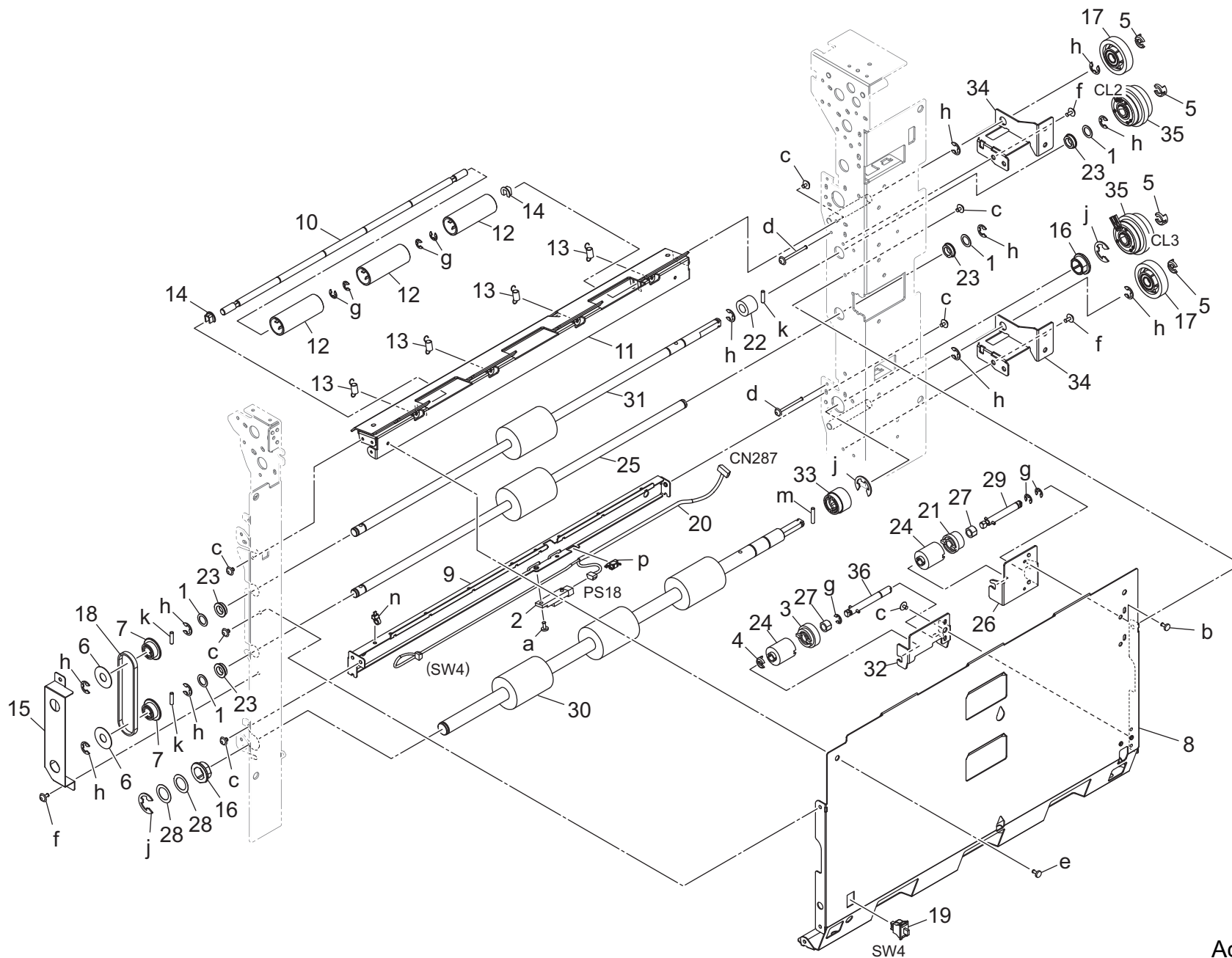


Vertical Conveyance Unit

Key	Part No.	Description	Destinations	Class	QTY	Standard parts
1	12QV40650	Spacer		B	2	a-V118030603 b-V121030403 c-V121033003 d-V217040003 e-V217060003 f-V217100050 g-V234301250 h-V234301650 j-V501010002 k-V570010050
2	13QA85511	Sensor /1		B	1	
3	15BY700400	Brake Gear /2 25T		C	1	
4	396040681	STOPPER RING		B	1	
5	55VA42120	Shaft Stopper		C	1	
6	56UA44050E	PAPER FEED CONVEYANCE PLATE UPPER		D	1	
7	56UA44100	ENTRANCE GUIDE STAY		D	1	
8	56UA76030	Registration Bushing /B		B	2	
9	56UA77180E	Conveyance Drive Gear/B 20T		B	1	
10	56UA90830	CONVEYANCE RELAY WIRING 1		D	1	
11	A00J617900	Ball Bearing		B	2	
12	A03U815700	Torque Limiter		B	1	
13	A4EU701300	Conveyance Roller /Middle		B	1	
14	A4EU715500	Bushing /No.1		D	1	
15	A4EU849300	Spacer /12		D	2	
16	A9JT700100	Pre-Registration Roller /1		B	1	
17	A9JT700700	Brake Holder /P		D	1	
18	A9JT700800	Brake Gear /P 24T		B	1	
19	A9JTM20000	Pre-registration Clutch/1		B	1	
20	A9JTR71U00	Brake Shaft /Pin Assy		D	1	

Vertical Conveyance Unit

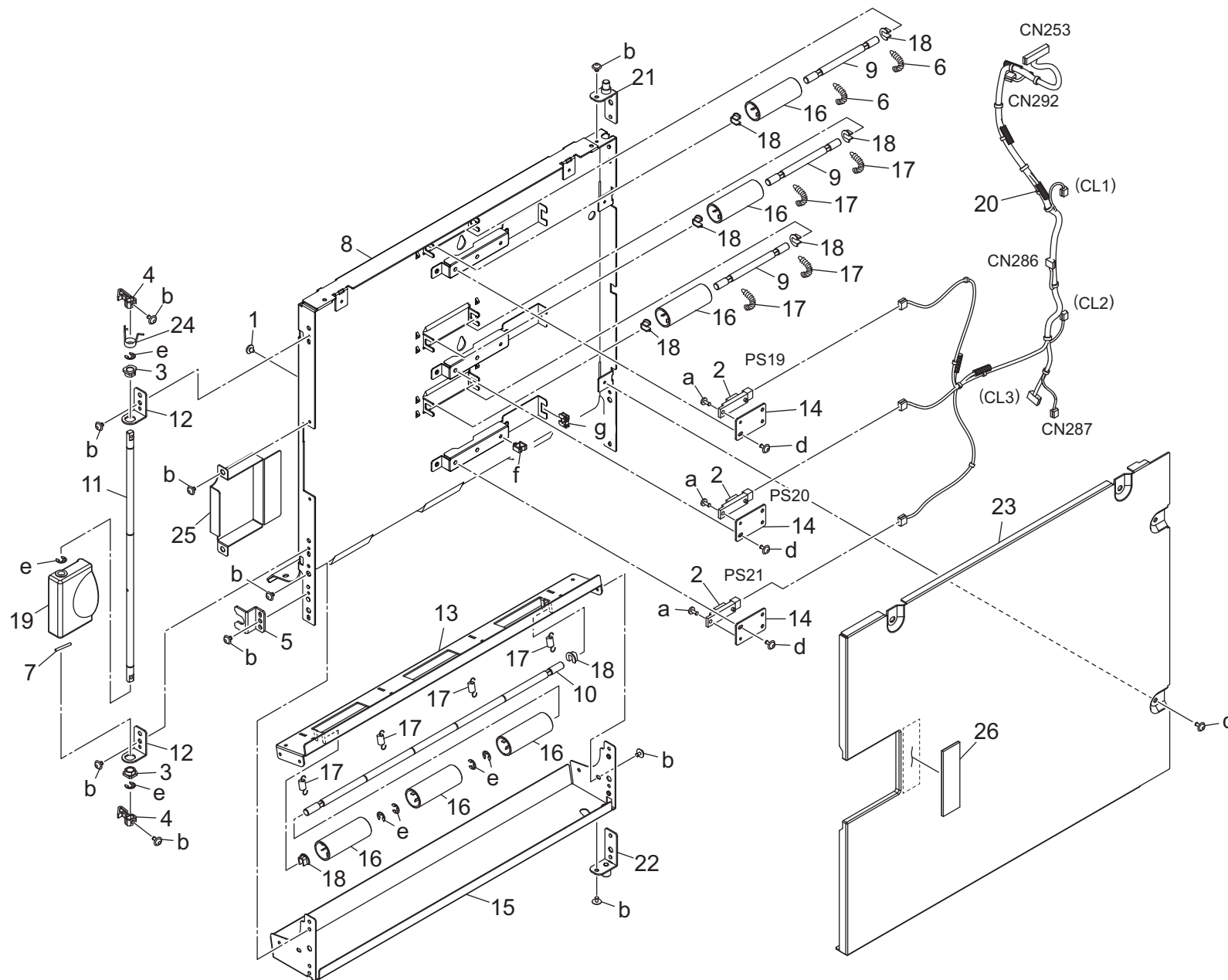
P 67



Key	Part No.	Description	Destinations	Class	QTY	Standard parts
1	12QV40650	Spacer		B	4	a-V118030603
2	13QA85511	Sensor /1		B	1	b-V118030604
3	15BY700400	Brake Gear /2 25T		C	1	c-V121030403
4	396040681	STOPPER RING		B	1	d-V121033003
5	55VA42120	Shaft Stopper		C	4	e-V133030603
6	55VA47850	Belt Holding Part /2		D	2	f-V138030603
7	55VA76530E	ADU Conveyance Pulley /3 19T		B	2	g-V217040003
8	56UA44040F	Paper feed Conveyance Plate /Lower		D	1	h-V217060003
9	56UA44100	ENTRANCE GUIDE STAY		D	1	j-V217100050
10	A4EU701600	Idler Shaft /L		D	1	k-V234301250
11	56UA44310	ROLLER MOUNTING PLATE UPPER		D	1	m-V234301650
12	56UA44500	Conveyance Idler Roller		C	3	n-V501010002
13	56UA44660	Registration Pressing Spring		C	4	p-V570010050
14	56UA44680	Idler Bushing		C	2	
15	56UA44700	PULLEY COVER		D	1	
16	56UA76030	Registration Bushing /B		B	2	
17	A4EU702300	Drive Gear /F 32T		C	2	
18	56UA78090	CONVEYANCE BELT/A 192L		B	1	
19	56UA85010	Switch		C	1	
20	56UA90840	CONVEYANCE RELAY WIRING 2		D	1	
21	57GA79430	Torque Gear /1 18T		C	1	
22	57GA79440	TORQUE GEAR/2 17T		C	1	
23	A00J617900	Ball Bearing		B	4	
24	A03U815700	Torque Limiter		B	2	
25	A0G6700300	Conveyance Roller /A		B	1	
26	A0G6700700	Brake Plate		D	1	
27	A4EU715500	Bushing /No.1		D	2	
28	A4EU849300	Spacer /12		D	2	
29	A4EUR72Y00	Brake Shaft		D	1	
30	A9JT700100	Pre-Registration Roller /1		B	1	
31	A9JT700200	Vertical Conveyance Roller		B	1	
32	A9JT700700	Brake Holder /P		D	1	
33	A9JT700800	Brake Gear /P 24T		B	1	
34	A9JT703700	Reinforce Plate		D	2	
35	A9JTM20000	Pre-registration Clutch/1		B	2	
36	A9JTR71U00	Brake Shaft /Pin Assy		D	1	

Vertical Conveyance Unit

P 68

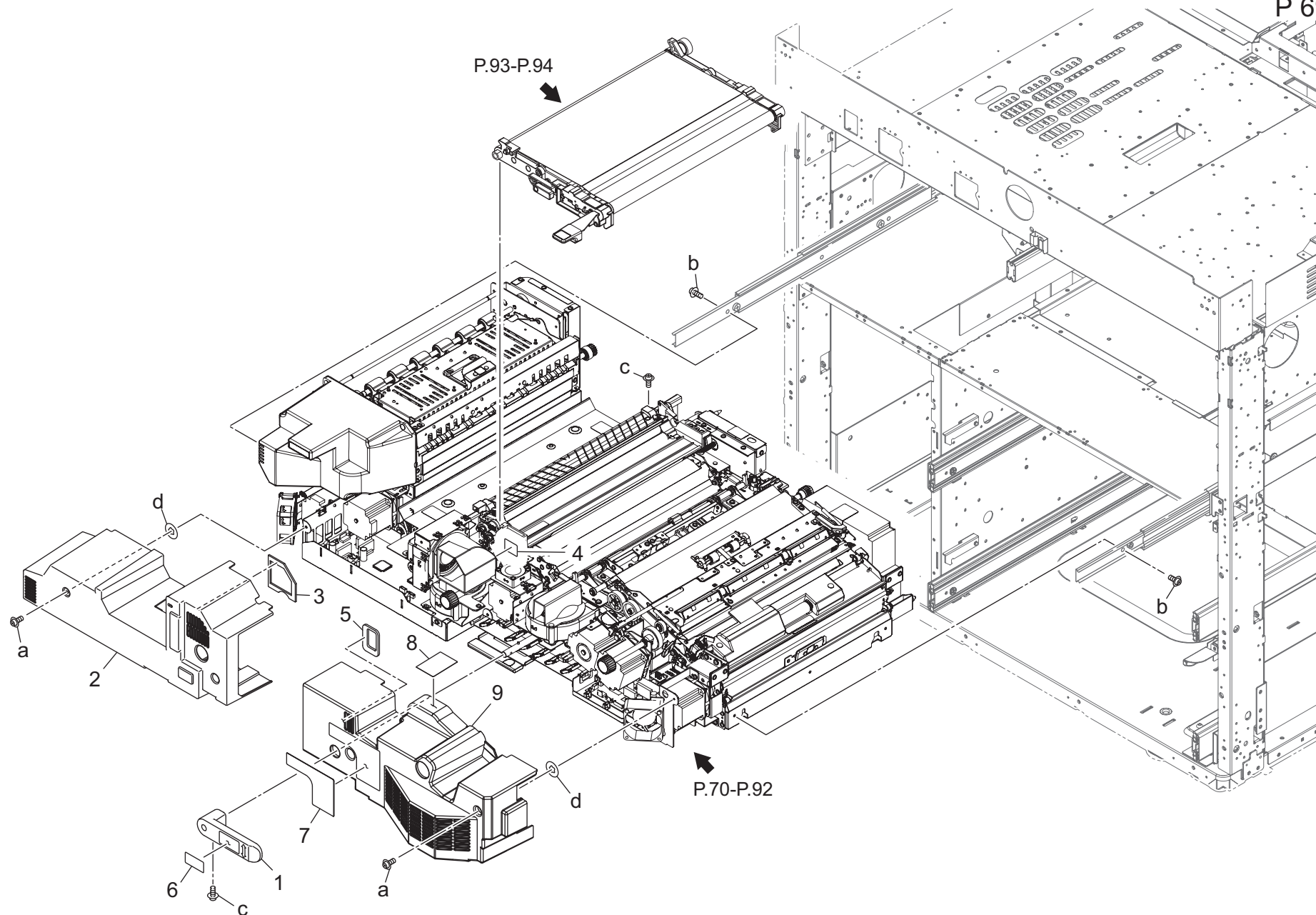


Vertical Conveyance Unit

Key	Part No.	Description	Destinations	Class	QTY	Standard parts
1	12AJ45850	Stopper Rubber	ストッパーゴム	C	1	a-V118030603
2	13QA85511	Sensor /1	センサ /1	B	3	b-V121030603
3	466076020	Paper Feed Feeding Bearing	給紙送り出し軸受	B	2	c-V127030604
4	55VA44150	Door Lock Claw	ドアロック爪	C	2	d-V138030603
5	55VA44171G	DOOR POSITIONING PLATE	ドア位置決め板	D	1	e-V217040003
6	55VA46451	REGISTRATION FEEDING SPRING	レジスト 送り出しバネ	B	2	f-V500010024
7	56AA17300	PIN	ピン	C	1	g-V570010050
8	56UA44030	PAPER FEED CONVEYANCE DOOR	給紙搬送扉	D	1	
9	56UA44150	Conveyance Idler Shaft /S	搬送従動軸 /S	D	3	
10	A4EU701600	Idler Shaft /L	従動軸 /L	D	1	
11	A4EU702700	Lock Shaft	ロック軸	D	1	
12	56UA44280	Shaft Holder Support Plate	軸受支持板	D	2	
13	56UA44320	Roller Mounting Plate /Lower	ローラ取付け板 /下	D	1	
14	56UA44330	Mounting Plate	センサ取付け板	D	3	
15	56UA44340	DOOR BOTTOM PLATE	ドア 底板	D	1	
16	56UA44500	Conveyance Idler Roller	搬送従動ローラ	C	6	
17	56UA44660	Registration Pressing Spring	レジスト 押圧バネ	C	8	
18	56UA44680	Idler Bushing	従動軸受	C	8	
19	56UA44740E	Door Open/Close Lever	ドア開閉レバー	C	1	
20	56UA90250E	Conveyance Wiring	搬送束線	D	1	
21	56UAR7A100	HINGE UPPER	ヒンジ上カシメ	D	1	
22	56UAR7A200	HINGE LOWER	ヒンジ下カシメ	D	1	
23	A4EU164000	Open/close Cover	開閉カバー (搬送)	D	1	
24	A4EU703800	Lock Spring /Upper	ロックばね /上	D	1	
25	A4EU705400	Conveyance Cover	搬送蓋	C	1	
26	A4EU705700	Vibrationproof Seal /2	防振シール /2	D	1	

ADU

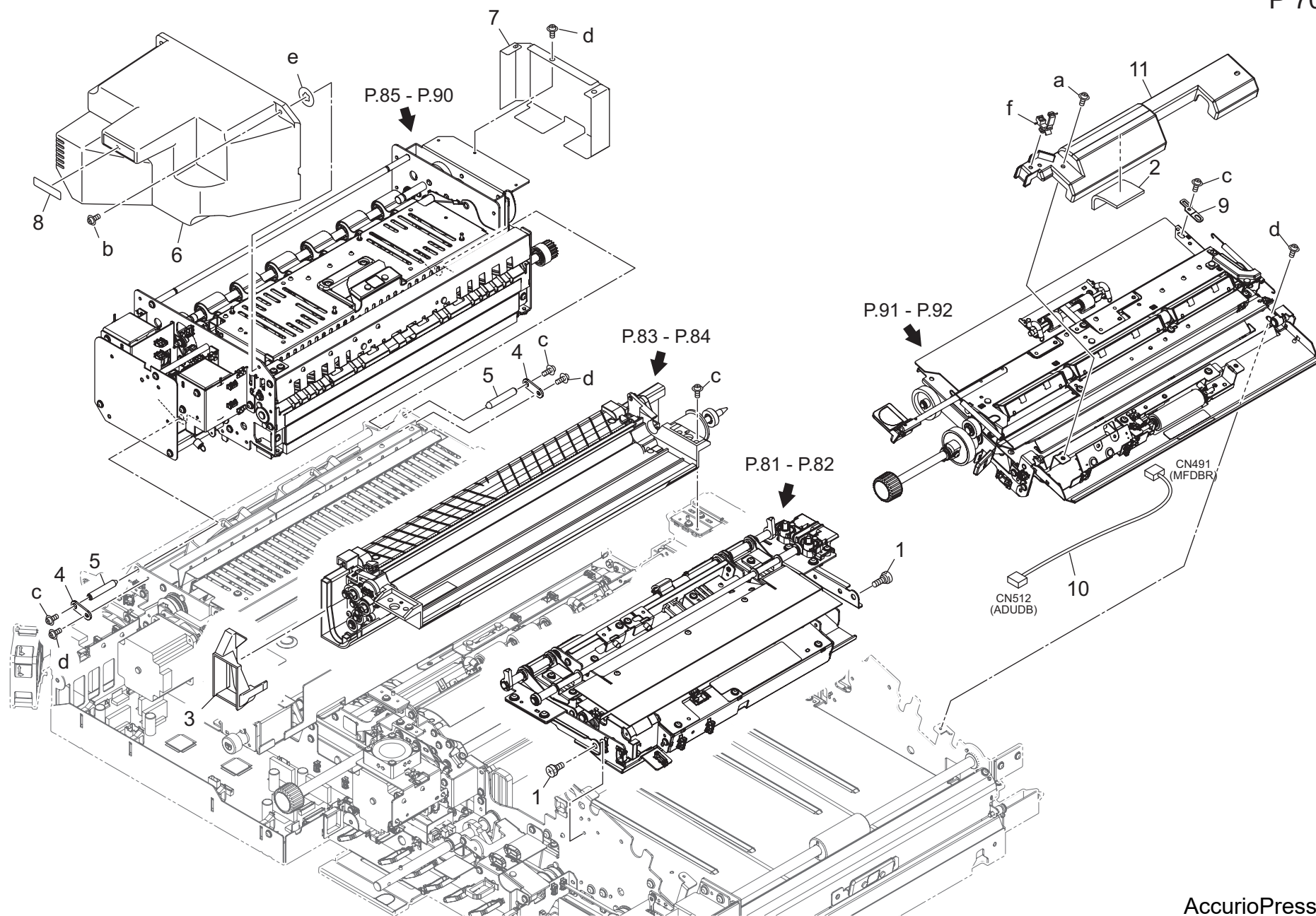
P 69



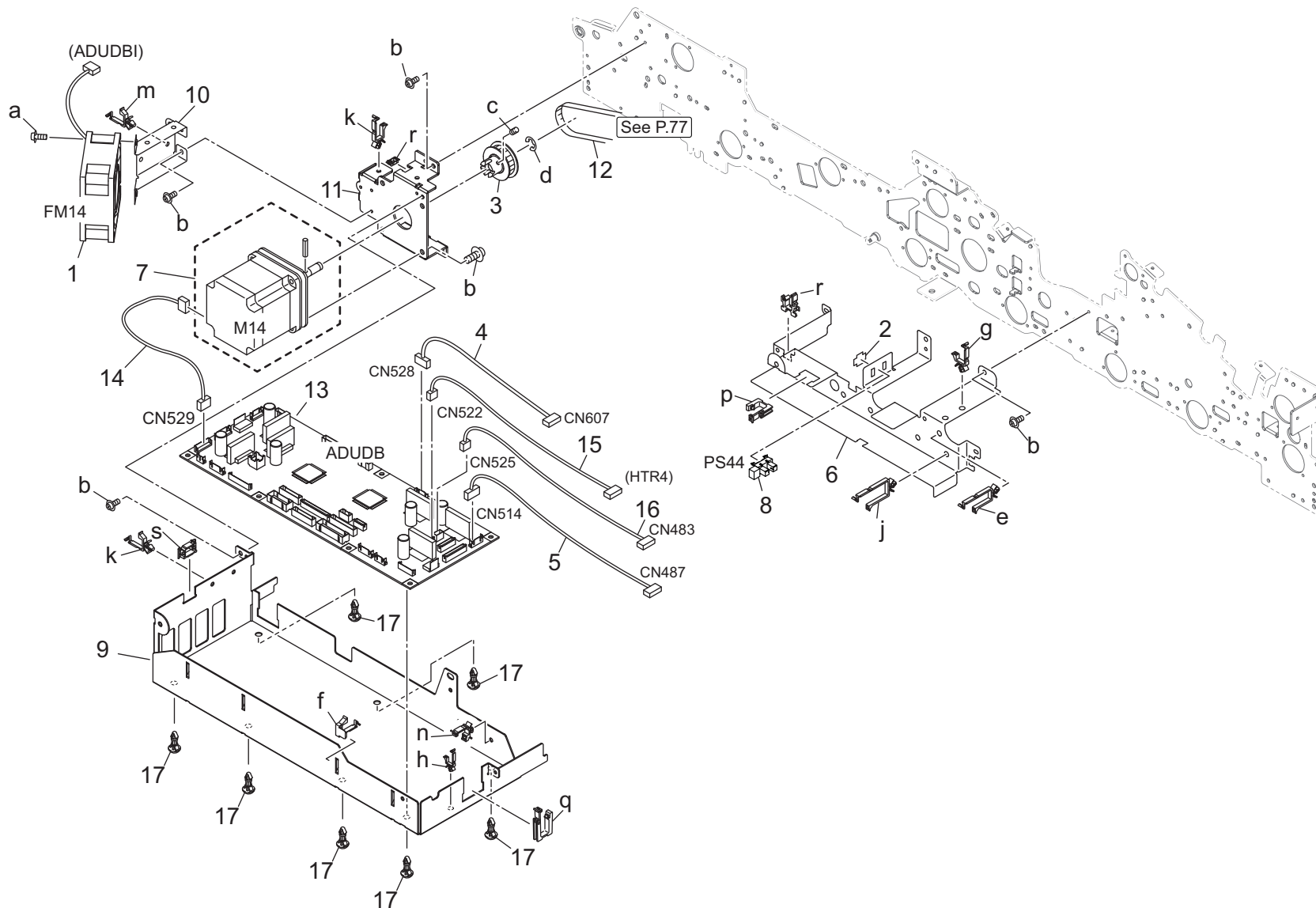
AccurioPress 6136

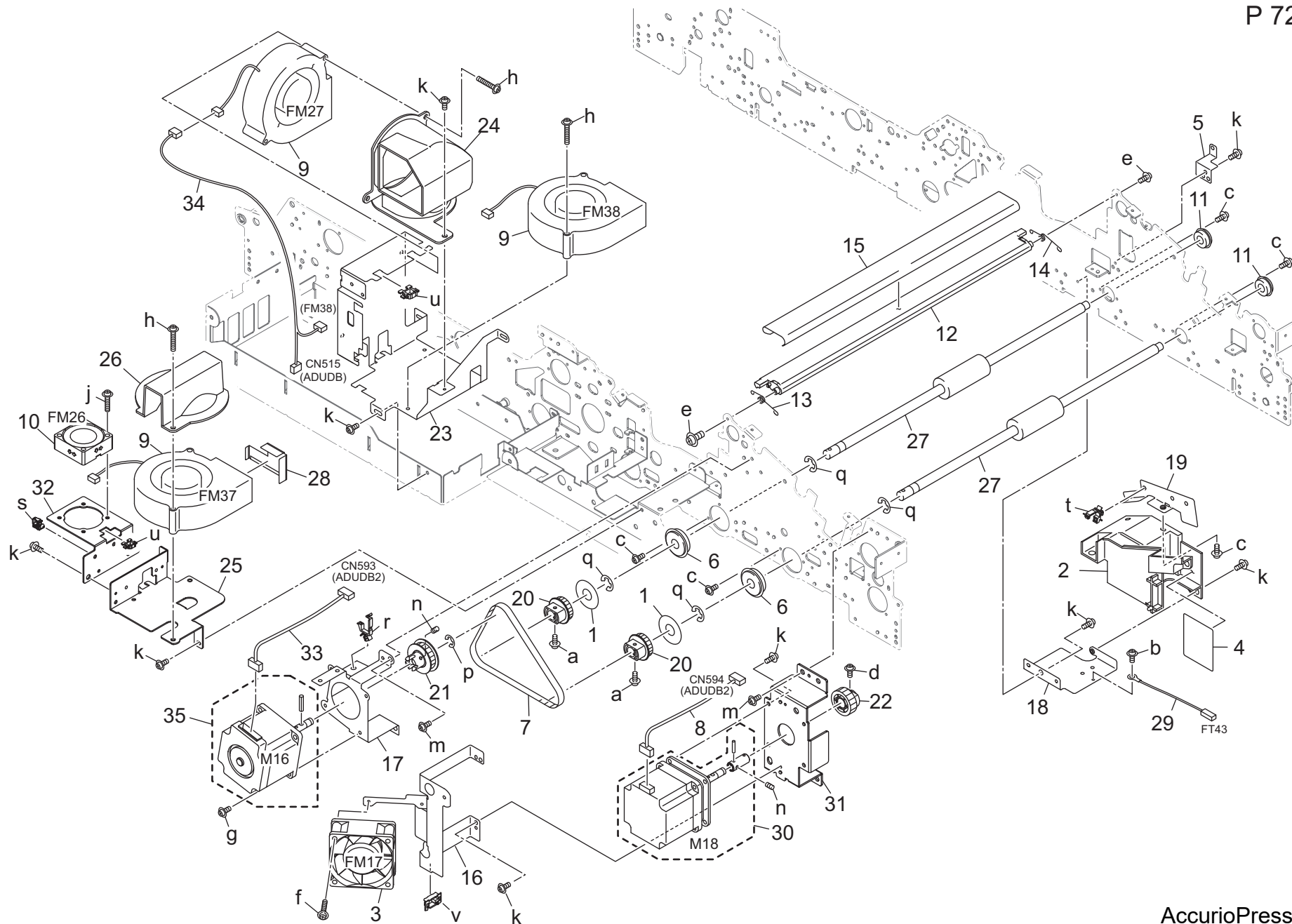
ADU

P 70

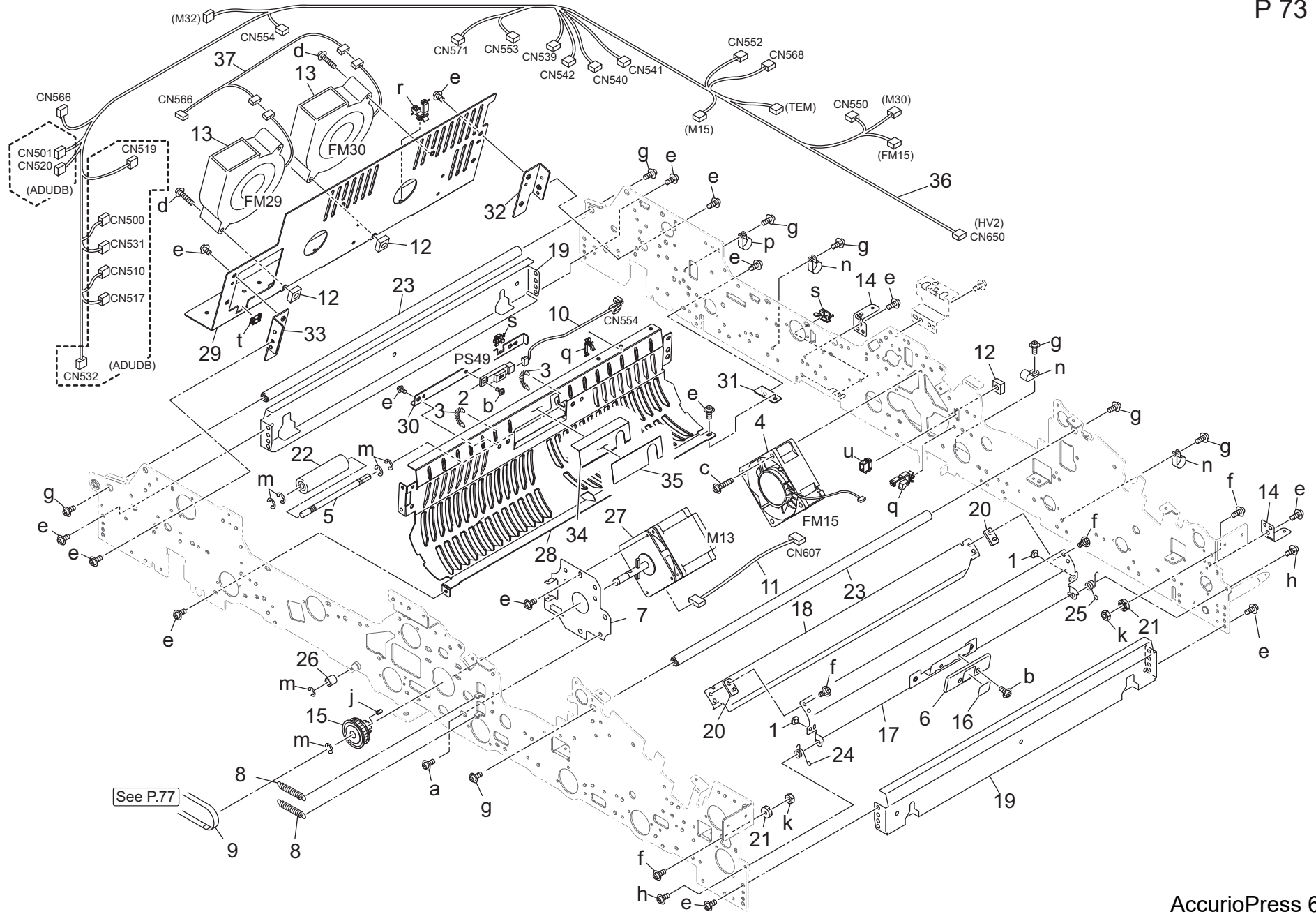


Key	Part No.	Description	Destinations	Class	QTY	Standard parts
1	392014041	PLATEN COVER MOUNT SCREW		C	2	a-V114040604 b-V114041004 c-V116030603 d-V127030604 e-V211040080 f-V500020100
2	56UA46430D	Multi-Feed Cover Seal		D	1	
3	A0G6514200	Cooling Duct /Middle		D	1	
4	A0G6816400	Support Plate		D	2	
5	A0G6816500	Support Shaft		D	2	
6	A0G6830201	Reverse/Exit Cover		C	1	
7	A0G6848400	Cover /M		D	1	
8	A0G6945800	Label /8		C	1	
9	A4EU715000	Positioning Spacer /R		D	1	
10	A4EUN19800	Paperfeed Detection harness		D	1	
11	A9JT716100	Registration Cover /Upper		D	1	

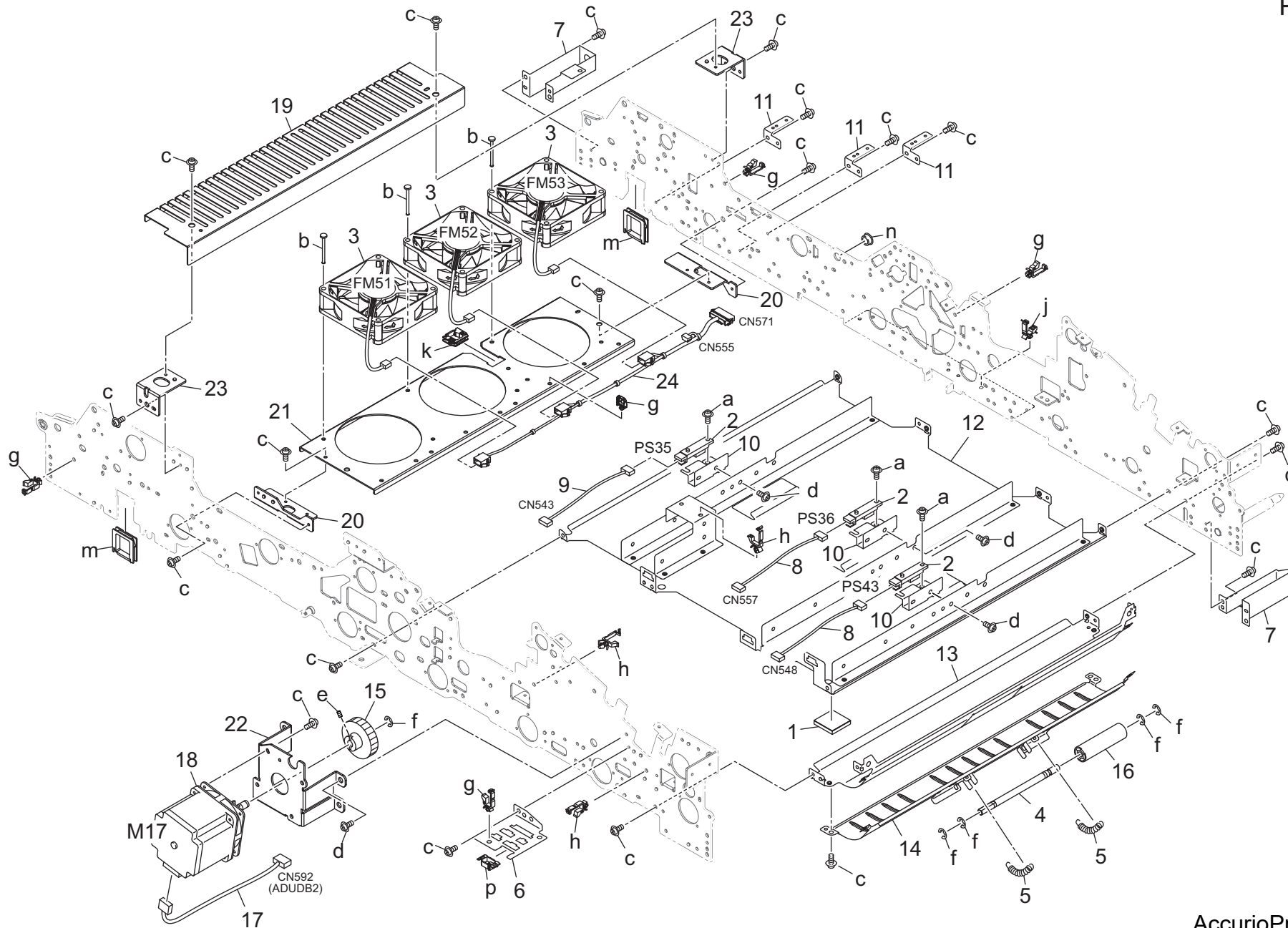




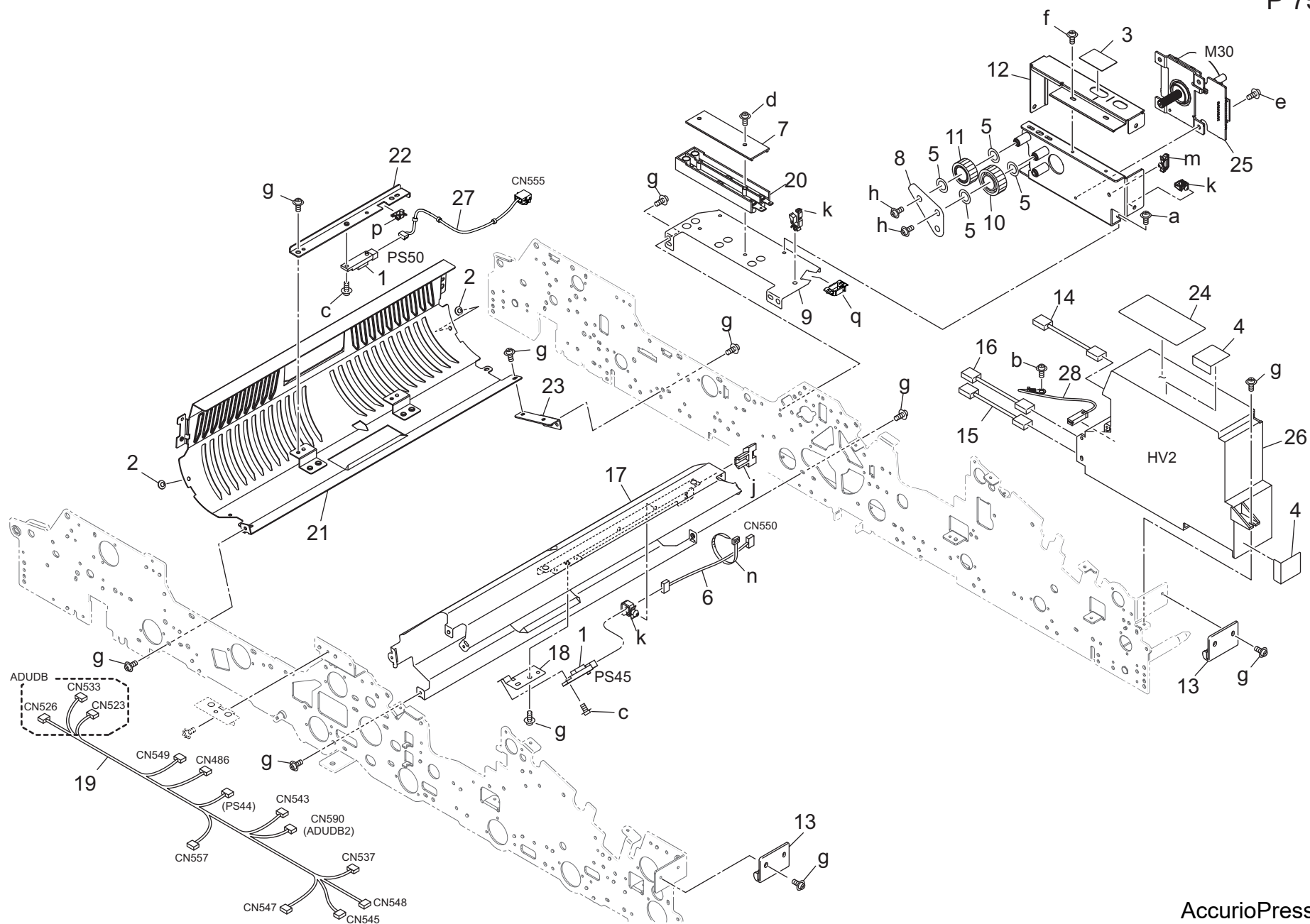
Key	Part No.	Description	Destinations	Class	QTY	Standard parts
1	55VA47830	Belt Hold Part		B	2	a-V116030603
2	55VA49050E	Wiring Protection Cover		D	1	b-V116040603
3	56QA80570	Internal Cooling Fan		C	1	c-V118030403
4	56UA45910	Wiring Protection Sheet		C	1	d-V118030603
5	56UA46740	Wiring Protection Plate		D	1	e-V118030803
6	56UA75050	ADU Roller Bearing		C	2	f-V118033003
7	56UA78080	ADU DRIVE BELT/C 318L		B	1	g-V118040803
8	56UA90700	REGISTRATION DRIVE WIRING 2		D	1	h-V118043503
9	9313100072	FAN MOTOR		C	3	j-V121031803
10	A00JM14100	Fan motor		C	1	k-V127030604
11	A00V240600	Ball Bearing		B	2	m-V127040603
12	A0G6504000	Entrance Plate		C	1	n-V193030404
13	A0G6504100	Rotation Spring /Front		C	1	p-V217040003
14	A0G6504200	Rotation Spring /Rear		C	1	q-V217080003
15	A0G6504300	Suction Sheet		C	1	r-V500010082
16	A0G6812400	Cooling Plate /Right		D	1	s-V500020098
17	A0G6813700	Mounting Plate /4		D	1	t-V500020100
18	A0G6814000	Mounting Plate /D		D	1	u-V570010050
19	A0G6816900	Wiring Plate /Rear		D	1	v-V570010063
20	A0G6818200	Conveyance Pulley		B	2	
21	A0G6818300	Drive Pulley		C	1	
22	A0G6818800	Drive Gear /L 23T		C	1	
23	A0G6835100	Cooling Plate /W		D	1	
24	A0G6835200	Duct /W		D	1	
25	A0G6836102	Cooling Plate /S		D	1	
26	A0G6836200	Duct /S		D	1	
27	A4EU817700	Conveyance Roller /7		B	2	
28	A4EU835600	Cover Film /S		D	1	
29	A4EUN19700	Grounding Wire /T		D	1	
30	A4EUR73X00	Motor /2 Pin Assy		B	1	
31	A9JT813700	Mounting Plate /D		D	1	
32	A9JT815100	Mounting Plate /5		D	1	
33	A9JTN16900	ADU Drive Harness /R		D	1	
34	A9JTN21500	ADU Drive Harness /9		D	1	
35	A9JTR71700	ADU Belt/2_Mtr/2		B	1	



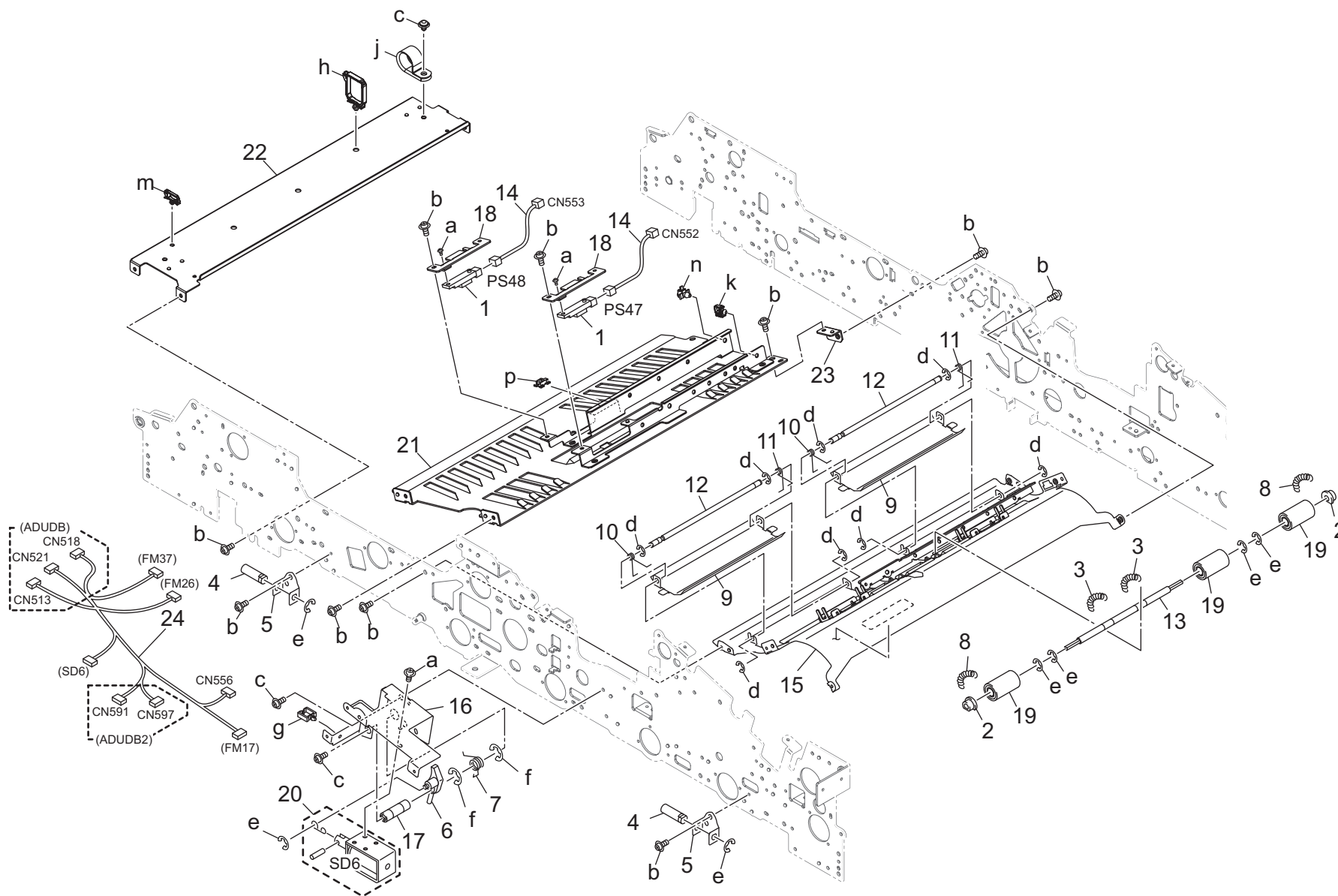
Key	Part No.	Description	Destinations	Class	QTY	Standard parts
1	12AJ45850	Stopper Rubber	ストッパーゴム	C	2	a-V116040803
2	13QA85511	Sensor /1	センサ /1	B	1	b-V118030403
3	25AA44180	CONVEYANCE PRESSURE SPRING	搬送圧着バネ	C	2	c-V118033003
4	27LA80511	Main Body Fan Motor	本体 ファンモータ	A	1	d-V118043503
5	55VA47450	ADU DRIVEN SHAFT /S	ADU 従動軸 /S	D	1	e-V127030604
6	56UA46140	TRANSFER FEEDING HANDLE	転写送り出し把手	C	1	f-V127030803
7	56UA47350	Motor Mounting Plate /2	モータ取り付け板 /2	D	1	g-V127040603
8	56UA47390	Motor Slide Spring	モータスライドバネ	C	2	h-V146041804
9	56UA78060	ADU CONVEYANCE BELT/2 417L	ADU 搬送ベルト /2 417 L	B	1	j-V193030404
10	56UA90650	RELAY WIRING	センサ中継束線	D	1	k-V195030003
11	56UA90710	ADU DRIVE WIRING 3	ADU 駆動束線 3	D	1	m-V217040003
12	57GA61560	SCREW PROTECTION CUSHION/1	ネジ保護クッション /1	C	3	n-V500020005
13	9313100072	FAN MOTOR	ファンモータ	C	2	p-V500020007
14	A0G6812800	Mounting Plate /H	取付板 /H	D	2	q-V500020098
15	A0G6818300	Drive Pulley	駆動プーリ	C	1	r-V500020100
16	A0G6946200	Label /12	ラベル /12 (JAMラベル /12)	C	1	s-V570010050
17	A4EU810300	Open/close Guide Outside	開閉ガイド /外	D	1	t-V570010063
18	A4EU810400	Open/close Guide /Inside	開閉ガイド /内	D	1	u-V651010002
19	A4EU813000	Fixing Stay /A	固定ステー /A	D	2	
20	A4EU814800	Guide Spacer /8	ガイドスペーサ /8	D	2	
21	A4EU814900	Guide Stopper /8	ガイドストッパ /8	D	2	
22	A4EU818000	Idler Rubber /U	従動ゴム /U	B	1	
23	A4EU820400	Lifting Stay /A	持ち上げステー /A	D	2	
24	A4EU821100	Open/close Spring /Front	開閉ばね /前	D	1	
25	A4EU821200	Open/close Spring /Rear	開閉ばね /奥	D	1	
26	A4EU823100	Positioning Roll	位置決めころ	D	1	
27	A4EUR73Q00	Motor /1 Pin Assy	モータ部組 /1 ピン打ち	B	1	
28	A9JT810400	Fixing Plate /1	固定板 /1	D	1	
29	A9JT812100	Cooling Stay	冷却ステー	D	1	
30	A9JT814100	Sensor Plate /2	センサ板 /2	D	1	
31	A9JT814300	Mounting Plate /3	取付板 /3	D	1	
32	A9JT814800	Mounting Plate /1	取付板 /1	D	1	
33	A9JT815200	Mounting Plate /2	取付板 /2	D	1	
34	A9JT815300	Hold Plate /Upper	保持板 /上	D	1	
35	A9JT815600	Guide Sheet /Upper	ガイドシート /上	D	1	
36	A9JTN16000	ADU Control Harness	ADU 制御束線	D	1	
37	A9JTN16500	ADU Drive Harness /2	ADU 駆動束線 /2	D	1	



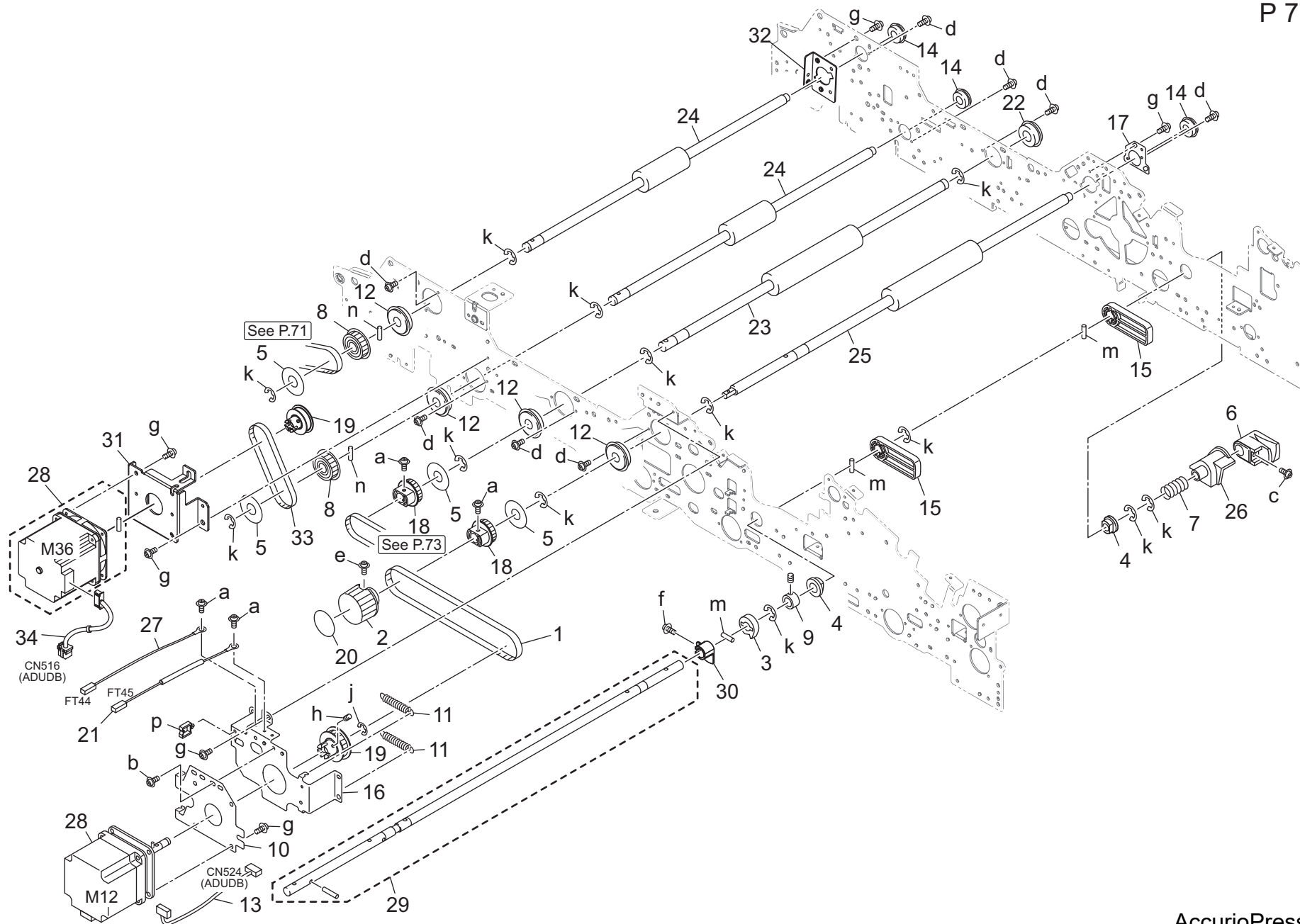
Key	Part No.	Description	Destinations	Class	QTY	Standard parts
1	12ER40350	Sticking Part		C	1	a-V118030403
2	13QA85511	Sensor /1	貼り部材 センサ /1	B	3	b-V118033003
3	4139M10001	Fan motor	ファンモータ	B	3	c-V127030604
4	55VA47450	ADU DRIVEN SHAFT /S	ADU 従動軸 /S	D	1	d-V127040603
5	56UA46480	REGIST PRESSING SPRING	レジスト 押圧バネ	C	2	e-V193030404
6	56UA46631F	Wiring Connecting Plate	束線連結板	D	1	f-V217040003
7	56UA46770E	ADU Positioning Plate /Rear	ADU 位置決め板 /奥	D	2	g-V500020098
8	56UA90650	RELAY WIRING	センサ中継束線	D	2	h-V500020099
9	56UA90880	RELAY WIRING 3	センサ中継束線 3	D	1	j-V500020100
10	A0G6811700	Plate	センサ板	D	3	k-V570010026
11	A0G6812900	Mounting Plate /A	取付板 /A	D	3	m-V570010028
12	A4EU812200	Conveyance Plate /A	搬送板 /A	D	1	n-V570010055
13	A4EU812501	Fixing Plate /8	固定板 /8	D	1	p-V570010063
14	A4EU813400	Fixing Plate /9	固定板 /9	D	1	
15	A4EU814600	Registration Gear /A 35T	レジストギア /A 35 T	B	1	
16	A4EU818000	Idler Rubber /U	従動ゴム /U	B	1	
17	A4EUN18800	ADU Relay harness /2	ADU 中継束線 /2	D	1	
18	A4EUR73Q00	Motor /1 Pin Assy	モータ部組 /1ピン打ち	B	1	
19	A9JT811600	Protection Plate /S	保護板 /S	D	1	
20	A9JT813200	Mounting Plate /3	取付板 /3	D	2	
21	A9JT813400	Mounting Plate /4	取付板 /4	D	1	
22	A9JT813800	Mounting Plate /C	取付板 /C	D	1	
23	A9JT814600	Mounting Plate /1	取付板 /1	D	2	
24	A9JTN16600	ADU Drive Harness /3	ADU 駆動束線 /3	D	1	



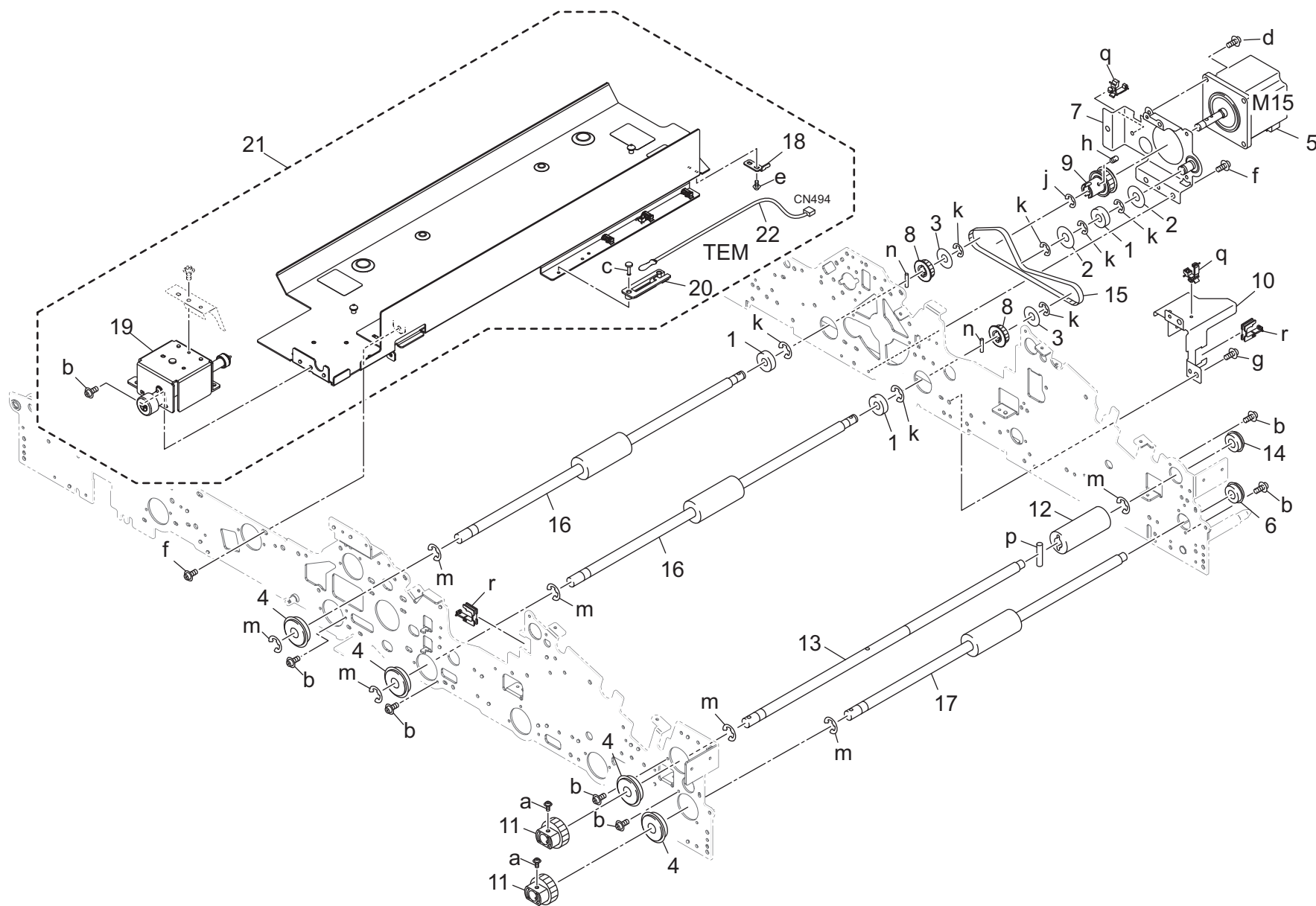
Key	Part No.	Description	Destinations	Class	QTY	Standard parts
1	13QA85511	Sensor /1		B	2	a-V116030603
2	12AJ45850	Stopper Rubber		C	2	b-V116040603
3	25SA66420	WRITE LIGHT SHIELD SHEET		C	1	c-V118030403
4	55VA49440	Power Source Cover Sheet		D	2	d-V118031603
5	56AA42690	By-Pass Spacer		C	4	e-V121030404
6	56UA90650	RELAY WIRING		D	1	f-V127030516
7	A0G6514800	Power Supply Cover /Lower		D	1	g-V127030604
8	A0G6520500	Drive Holder		D	1	h-V127040603
9	A0G6521202	Drive Base frame		D	1	j-V500020068
10	A0G6521500	Idling Gear /1 48T		C	1	k-V500020098
11	A0G6521600	Idling Gear /2 42T		C	1	m-V500020100
12	A0G6523103	Protection Cover /Rear		D	1	n-V501010002
13	A0G6812700	Lifting Handle		C	2	p-V570010050
14	A0G6N19200	HV Wire /T		D	1	q-V570010063
15	A0G6N19300	HV Wire /A		D	1	
16	A0G6N19400	HV Wire /B		D	1	
17	A4EU811000	Fixing Plate /7		D	1	
18	A4EU812000	Plate /7		D	1	
19	A4EUN16800	ADU Relay harness /6		D	1	
20	A4EUR74300	Power Block Assy		D	1	
21	A9JT810500	Fixing Plate /2		D	1	
22	A9JT814100	Sensor Plate /2		D	1	
23	A9JT814500	Mounting Plate /5		D	1	
24	A9JT942601	Caution Label /B		D	1	
25	A9JTM10300	Developing Screw Motor		B	1	
26	A9JTM40200	HV Power source /2		C	1	
27	A9JTN16700	Sensor Relay Harness /10		D	1	
28	A9JTN19600	Grounding Wire /H		D	1	



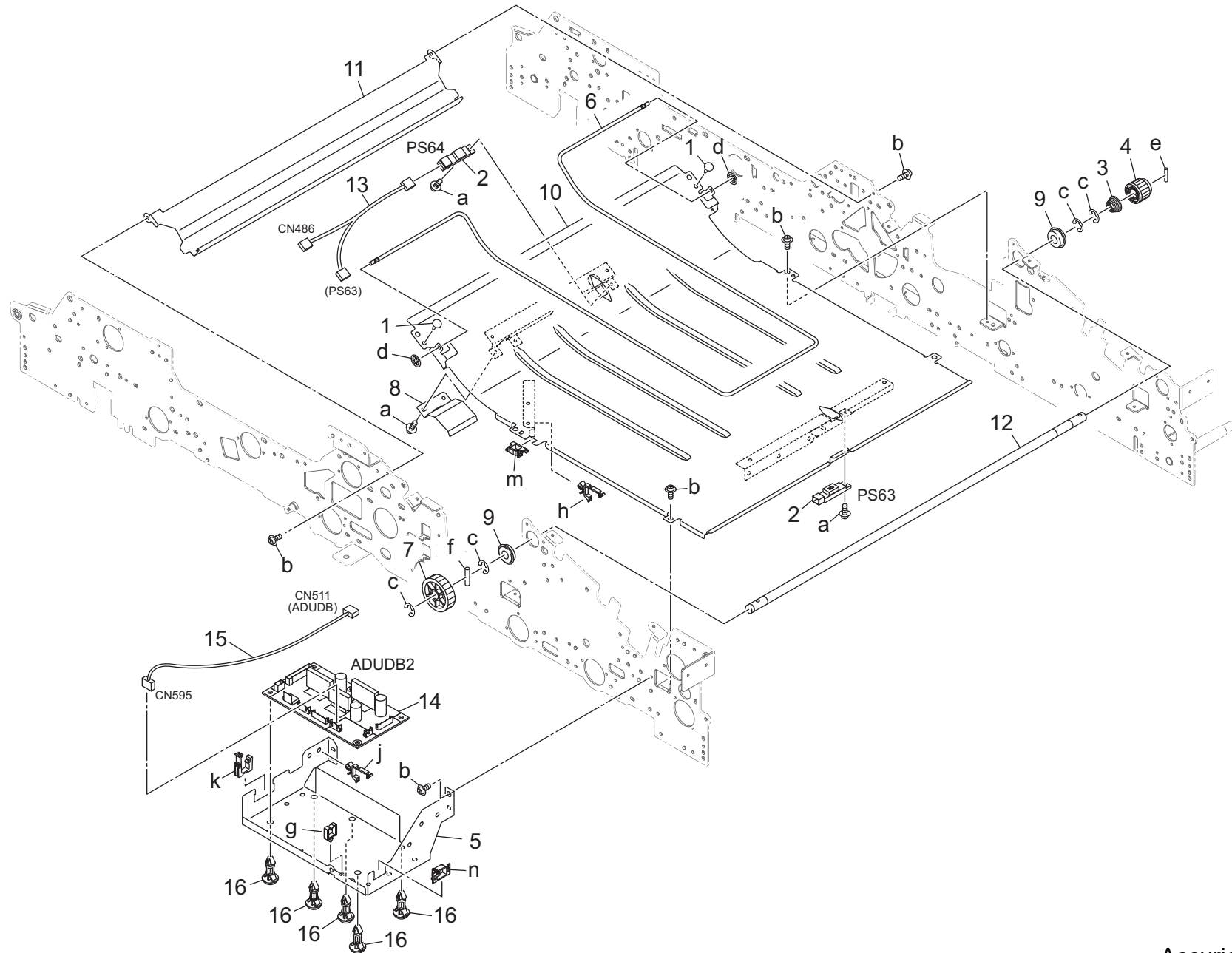
Key	Part No.	Description	Destinations	Class	QTY	Standard parts
1	13QA85511	Sensor /1		B	2	a-V118030403
2	25SA43310	DRIVEN SHAFT HOLDER		B	2	b-V127030604
3	55VA46490	Registration Pressure Spring		B	2	c-V127040603
4	55VA47891	Bottom Plate Locking Shaft		D	2	d-V217030003
5	55VA47991F	Bottom Plate Locking Plate		D	2	e-V217040003
6	55VA49240	Lever Lock Claw		C	1	f-V217080003
7	55VA49260	SOLENOID RELEASE SPRING		B	1	g-V500010026
8	56UA46480	REGIST PRESSING SPRING		C	2	h-V500010084
9	56UA47121	ADU Regulating Plate		C	2	j-V500020035
10	56UA47310	Swing Spring /Front		C	2	k-V500020099
11	56UA47320	Swing Spring /Rear		C	2	m-V500020100
12	56UA47330	Swing Shaft		D	2	n-V501010009
13	56UA47890	ADU Idler Shaft /L		D	1	p-V570010050
14	56UA90650	RELAY WIRING		D	2	
15	A0G6810800	Fixing Plate /5		D	1	
16	A0G6814300	Guide Plate /S		D	1	
17	A0G6814400	Guide Shaft /S		D	1	
18	A4EU811900	Plate /4		D	2	
19	A4EU817900	Idler Rubber /S		D	3	
20	A4EUR73V00	Lever Locking Solenoid Pin Assy		C	1	
21	A9JT810700	Fixing Plate /4		D	1	
22	A9JT814000	Mounting Plate		D	1	
23	A9JT814400	Mounting Plate /4		D	1	
24	A9JTN16100	ADU Drive Harness		D	1	



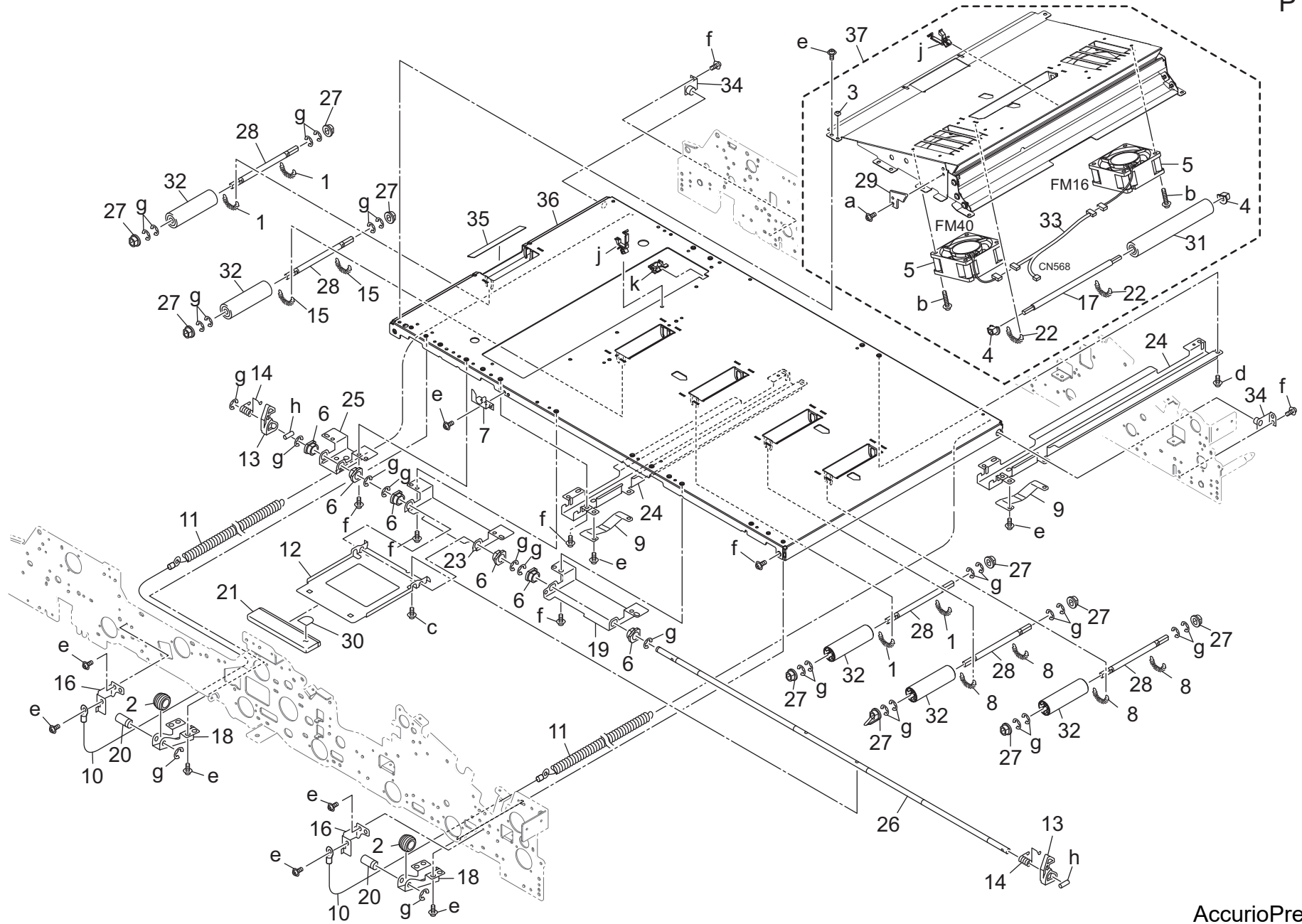
Key	Part No.	Description	Destinations	Class	QTY	Standard parts
1	13GQ77550	Drive Belt /E 195L	駆動ベルト /E 195 L	B	1	a-V116030603
2	14GE45470	Rotation Knob	回転ノブ	C	1	b-V116040803
3	25AA47500	Carriage Lock Claw /B	架台ロック爪 /B	C	1	c-V116041803
4	462076010	Driving Slide Shaft Holder A	駆動滑り軸受 A	C	2	d-V118030403
5	55VA47830	Belt Hold Part	ベルト 押さえ部材	B	4	e-V118030603
6	55VA49080	Positioning Cam	位置決めカム	C	1	f-V121030803
7	55VA49131	Positioning Spring	位置決めバネ	B	1	g-V127030604
8	55VA76521E	ADU Conveying Pulley /2 25T	ADU 搬送プーリー /2 25 T	C	2	h-V193030404
9	56AA17350	SHAFT POSITIONING PART	軸位置決め部材	C	1	j-V217040003
10	56UA47380E	Motor Slide Plate	モータスライド板	D	1	k-V217080003
11	56UA47390	Motor Slide Spring	モータスライドバネ	C	2	m-V234301650
12	56UA75050	ADU Roller Bearing	ADU 転がり軸受	C	4	n-V234301850
13	56UA90700	REGISTRATION DRIVE WIRING 2	レジスト 駆動束線 2	D	1	p-V500010026
14	A00V240600	Ball Bearing	ボールベアリング	B	3	
15	A0G6508600	Pressing Cam	押圧カム	C	2	
16	A0G6813600	Mounting Plate /3	取付板 /3	D	1	
17	A0G6815900	Adjusting Plate	調整板	D	1	
18	A0G6818200	Conveyance Pulley	搬送プーリー	B	2	
19	A0G6818300	Drive Pulley	駆動プーリー	C	2	
20	A0G6946100	Label /11	ラベル /11 (JAMラベル /11)	C	1	
21	A0G6N22202	Grounding High-Volt. Resistor	アース高圧抵抗	D	1	
22	A4EU265000	Ball bearing	ボールベアリング (読取駆動)	B	1	
23	A4EU817200	Conveyance Roller /2	搬送ローラ /2	B	1	
24	A4EU817400	Conveyance Roller /4	搬送ローラ /4	B	2	
25	A4EU817600	Conveyance Roller /6	搬送ローラ /6	B	1	
26	A4EU824100	Holding Part /A	押さえ部材 /A	C	1	
27	A4EUN20100	Grounding Wire /C	アース線 /C	D	1	
28	A4EUR73Q00	Motor /1 Pin Assy	モータ部組 /1ピン打ち	B	2	
29	A4EUR73R11	Caurrige Shaft Pin Assy	架台引張り軸部組ピン打ち	D	1	
30	A799815200	Lock Actuator	ロックアクチュエーター	D	1	
31	A9JT813600	Mounting Plate /A	取付板 /A	D	1	
32	A9JT814200	Mounting Plate /2	取付板 /2	D	1	
33	A9JT819400	Accel Belt/2 180L	加速ベルト /2 180 L	B	1	
34	A9JTN16200	ADU Drive Harness /7	ADU 駆動束線 /7	D	1	



Key	Part No.	Description	Destinations	Class	QTY	Standard parts
1	08AA76060	Fixing Bearing /Lower		B	3	a-V116030603
2	55VA47840	Belt Hold Part /3		D	2	b-V118030403
3	55VA47850	Belt Holding Part /2		D	2	c-V118031003
4	56UA75050	ADU Roller Bearing		C	4	d-V118040803
5	65AA80112	HB Motor /50		B	1	e-V121030303
6	A00V240600	Ball Bearing		B	1	f-V127030604
7	A0G6813100	Mounting Plate /2		D	1	g-V127040603
8	A0G6813200	Conveyance Pulley /2		C	2	h-V193030404
9	A0G6813300	Drive Pulley /2		C	1	j-V217040003
10	A0G6814200	Holding Plate /C		D	1	k-V217060003
11	A0G6818900	Conveyance Gear /L 23T		C	2	m-V217080003
12	A0G6819200	Feeding Roller /L		C	1	n-V234301250
13	A0G6819300	Feeding Shaft /L		D	1	p-V234301650
14	A1RF529300	Ball bearing		C	1	q-V500020100
15	A1TT211400	Drive Belt /1 309L		B	1	r-V570010026
16	A4EU817500	Conveyance Roller /5		B	2	
17	A4EU817700	Conveyance Roller /7		B	1	
18	A4EU821400	Positioning Spacer /12		D	1	
19	A4EUR73T00	Pressure Set Assy		D	1	
20	A9JT812600	Detection Holder		D	1	
21	A9JTR71J00	Fixing Guide Rail Assy		D	1	
22	A03UM50500	Temperature Sensor /5		C	1	



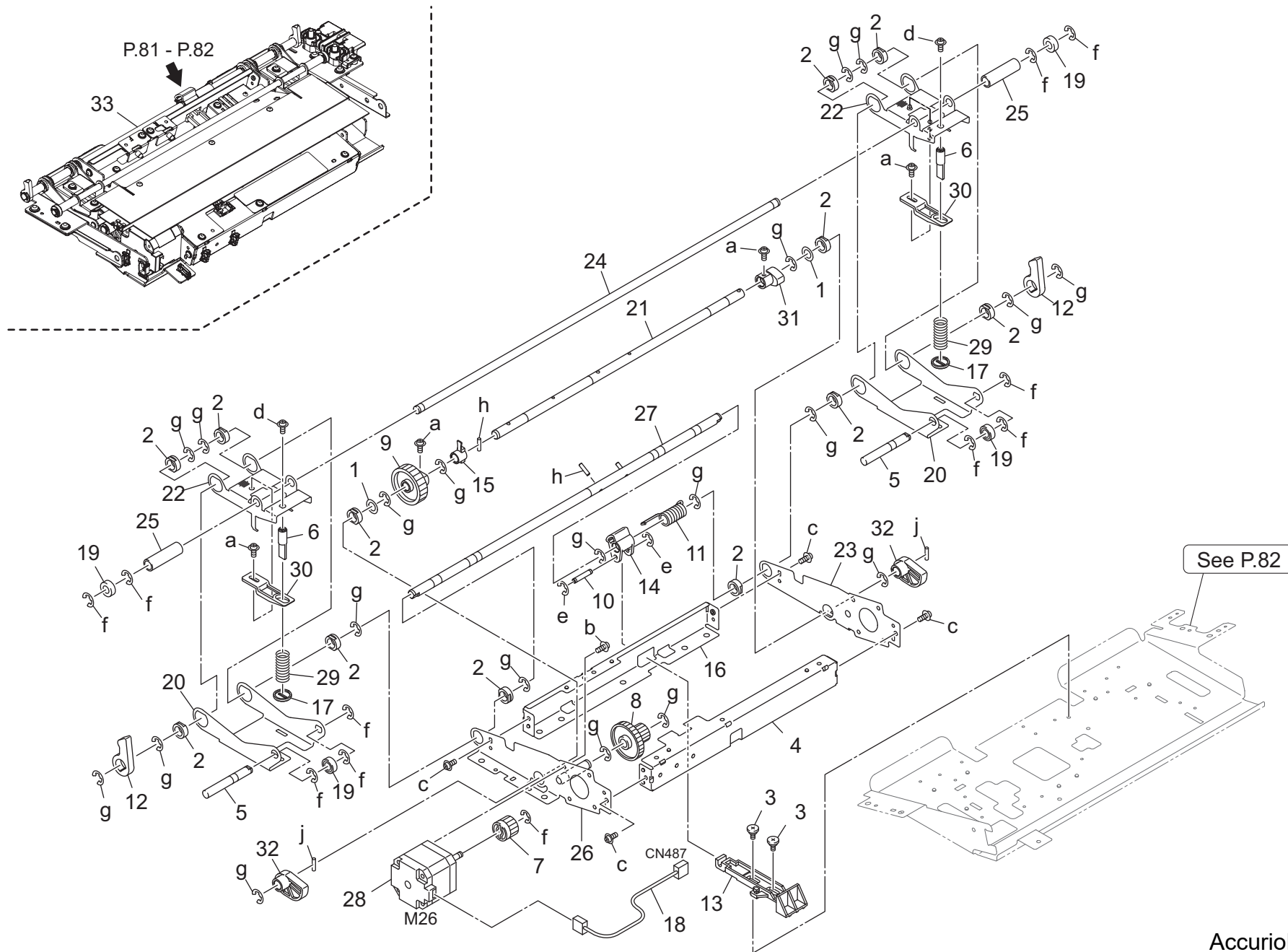
Key	Part No.	Description	Destinations	Class	QTY	Standard parts
1	12AJ45850	Stopper Rubber		C	2	a-V118030403
2	13QA85511	Sensor /1		B	2	b-V127030604
3	56AA17090	Pressing Spring		C	1	c-V217060003
4	56UA15510	Conveyance Coupling Part		B	1	d-V226030050
5	56UA46610E	Board Mounting Plate /R		D	1	e-V234301250
6	56UA47190	Paper Guide Shaft		D	1	f-V234301650
7	A0G6815600	Connecting Gear /T 31T		C	1	g-V500010031
8	A0G6818600	Holding Plate		D	1	h-V500020098
9	A1RF529300	Ball bearing		D	1	j-V500020099
10	A4EU810900	Fixing Plate /6		C	2	k-V570010027
11	A4EU811300	Open/close Plate /2		D	1	m-V570010050
12	A4EU815100	Connecting Shaft /T		D	1	n-V570010063
13	A4EUN21700	Relay harness /7		C	1	
14	A9JTH08000	ADU Drive Board/2 Assy		D	1	
15	A9JTN19900	Paperfeed Detection Harness /2		D	1	
16	V502010007	spacer		D	5	



Key	Part No.	Description	Destinations	Class	QTY	Standard parts
1	25AA44180	CONVEYANCE PRESSURE SPRING		C	4	a-V118030403
2	25AA50080	Wire Pulley		C	2	b-V118033003
3	12AJ45850	Stopper Rubber		C	1	c-V121030803
4	25SA43310	DRIVEN SHAFT HOLDER		B	2	d-V121040404
5	27LA80511	Main Body Fan Motor		A	2	e-V127030604
6	466076020	Paper Feed Feeding Bearing		B	6	f-V127040603
7	55VA44171G	DOOR POSITIONING PLATE		D	1	g-V217040003
8	55VA46451	REGISTRATION FEEDING SPRING		B	4	h-V234301250
9	55VA47360	BOTTOM PLATE LOCK SPRING		C	2	j-V500020099
10	55VA47371	BOTTOM PLATE LIFT UP WIRE		C	2	k-V570010050
11	55VA47390	BOTTOM PLATE LIFT UP SPRING		B	2	
12	55VA47701	Bottom Plate Open Shut Handle		D	1	
13	55VA47710	Bottom Plate Locking Claw		C	2	
14	55VA47762E	Bottom plate Open/close Spring		B	2	
15	55VA47770	ADU PRESSURE SPRING		C	2	
16	55VA47801E	Wire Mounting Plate /Left		D	2	
17	55VA47910	ADU DRIVEN SHAFT /L		D	1	
18	55VA47970	WIRE FULCRUM PLATE		D	2	
19	55VA47980	BOTTOM OPEN CLOSE PART RIGHT		D	1	
20	56AA17361	WIRE ROTARY SHAFT		C	2	
21	56UA45970	Lever Cover		C	1	
22	56UA46480	REGIST PRESSING SPRING		C	2	
23	56UA47240	Bottom Plate Open Close Part /Middle		D	1	
24	56UA47250E	Bottom plate Lifting Stay		D	2	
25	56UA47260	BOTTOM PLATE OPEN CLOSE PART LEFT		D	1	
26	56UA47270	Bottom Plate Open/Close Shaft		D	1	
27	56UA886100	Idler Bushing /2		C	10	
28	56UA886200	Idler Shaft /2		D	5	
29	A0G6817301	Conveyance Cover		D	1	
30	A0G6946000	Label /10		C	1	
31	A4EU817800	Idler Rubber /L		D	1	
32	A4EU818000	Idler Rubber /U		B	5	
33	A4EUN21600	ADU Drive harness /10		D	1	
34	A4EUR74400	Support Panel Caulking		D	2	
35	A9JT815400	Guide Sheet /Lower		D	1	
36	A9JT818000	Open/Close Plate /1		D	1	
37	A9JTR71W00	Bottom Plate Guide Plate Assy		D	1	

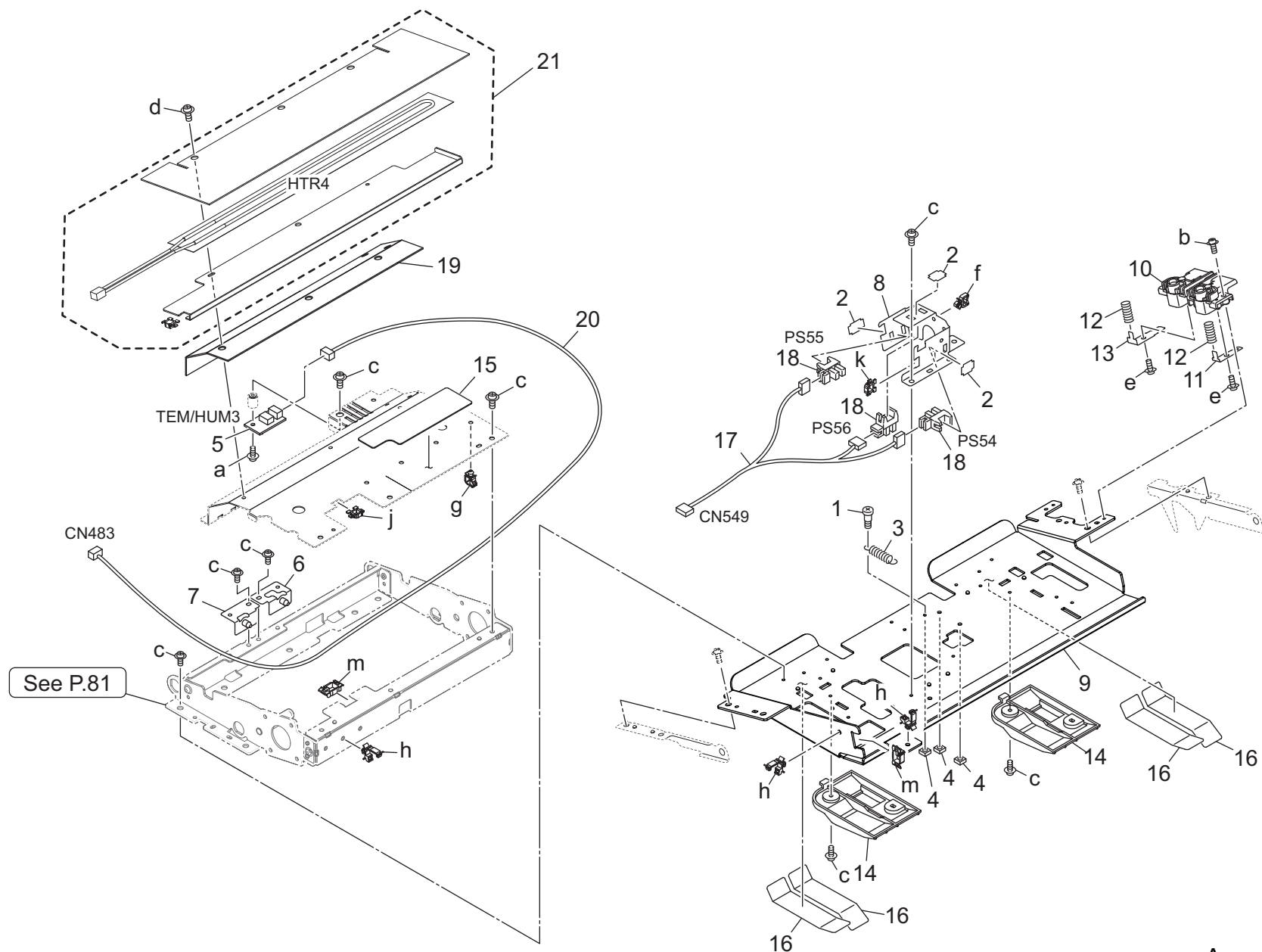
ADU Transfer Pressure Unit

P 81



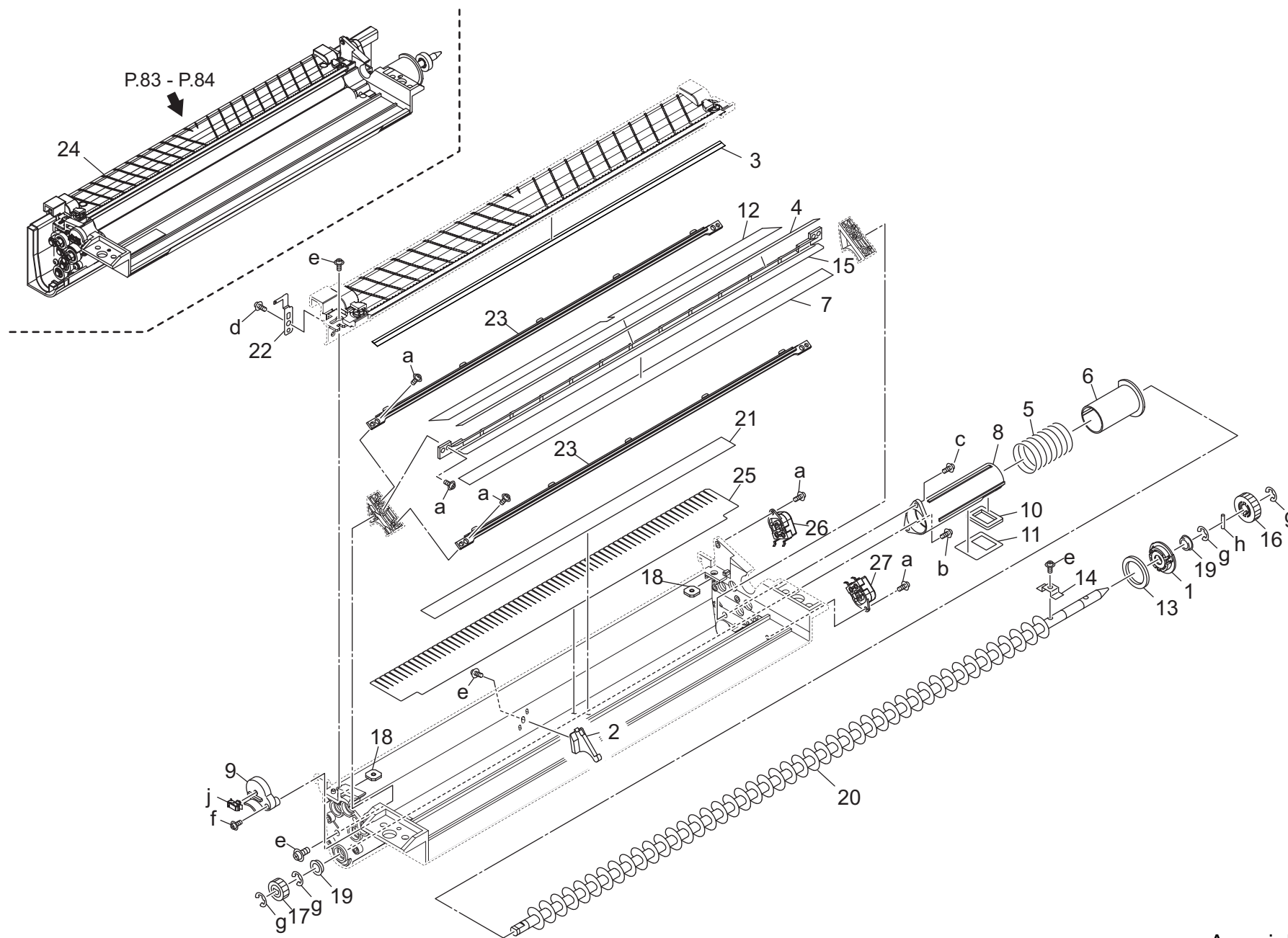
See P.82

Key	Part No.	Description	Destinations	Class	QTY	Standard parts
1	12QV40650	Spacer		B	2	a-V116030603 b-V121030603 c-V127030516 d-V127030604 e-V217030003 f-V217040003 g-V217060003 h-V234301250 j-V234301650
2	4036252401	BUSHING		C	12	
3	55VA20520	Cleaner Locking Screw		C	2	
4	A0G6505300	Support Stay		D	1	
5	A0G6505800	Pressure Shaft /2		D	2	
6	A0G6506000	Guide Shaft		D	2	
7	A0G6506500	Drive Gear 29T		C	1	
8	A0G6506600	Idling Gear 19/73T		C	1	
9	A0G6506700	Pressure Gear 45T		C	1	
10	A0G6507100	Support Pin		C	1	
11	A0G6507400	Spring		C	1	
12	A0G6507512	Release Lever		C	2	
13	A0G6507600	Slide Part		D	1	
14	A0G6507800	Connecting Part		D	1	
15	A0G6507900	Part		D	1	
16	A0G6508500	Support Stay /2		D	1	
17	A0G6509400	Slide Part		D	2	
18	A0G6N20600	ADU Drive Harness /6		D	1	
19	A0TK397501	Ball bearing		C	4	
20	A4EU505500	Lifting Plate		D	2	
21	A4EU505600	Pressure Shaft		D	1	
22	A4EU506800	Pressing Plate		D	2	
23	A4EU508800	Pressure Side plate /Rear		D	1	
24	A4EU508900	Pressure Shaft		D	1	
25	A4EU519300	Sleeve		D	2	
26	A4EUR73B00	Driving Panel Caulking		D	1	
27	A4EUR73C00	Support Shaft Assy /P		D	1	
28	A4EUR77300	Transfer Belt Pressure Release Motor		B	1	
29	A9JT514500	Compressing Spring		C	2	
30	A9JT514600	Adjusting Part		D	2	
31	A9JT517700	Release Cam		C	1	
32	A9JT518000	Pressure Cam		C	2	
33	A9JTR71S00	Transfer Pressure Assy		D	1	



Key	Part No.	Description	Destinations	Class	QTY	Standard parts
1	066079020	DRAWER SCREW M3X10	ドロワーネジ M 3 X 1 0	C	1	a-V118030603
2	4470402401	Stopper	ストッパー	D	3	b-V121031003
3	55VA15570	PAPER EXIT TENSION SPRING	排紙テンションバネ	B	1	c-V127030516
4	57GA61560	SCREW PROTECTION CUSHION/1	ネジ保護クッション /1	C	3	d-V127030604
5	65AA88080	Process Sensor	プロセスセンサ	C	1	e-V151030603
6	A0G6504700	Positioning Jig /Rear	位置決め治具 /奥	D	1	f-V500010050
7	A0G6504900	Positioning Jig /Front	位置決め治具 /前	D	1	g-V500010074
8	A0G6506300	Mounting Plate	取付板	D	1	h-V500020100
9	A0G6508202	Pressure Bottom plate	圧着底板	D	1	j-V570010025
10	A0G6509001	Power supply Part	給電部材	D	1	k-V570010050
11	A0G6509101	Power supply Terminal	給電端子	D	1	m-V570010063
12	A0G6509201	Power Supply Spring	給電ばね	C	2	
13	A0G6509301	Power supply Terminal	給電端子	D	1	
14	A0G6509600	Guide Part	ガイド部材	C	2	
15	A4EU509700	Light blocking Sheet	遮光シート	D	1	
16	A4EU519200	Protection Film /Lower	保護フィルム /下	D	4	
17	A4EUN16400	Transfer Drive harness	転写駆動束線	D	1	
18	A85CM55600	Photo Sensor	フォトセンサ	C	3	
19	A9JT519600	Insulating Cover /2	断熱カバー /2	D	1	
20	A9JTN21400	Sensor Relay Harness /9	センサ中継束線 /9	D	1	
21	A9JTR72900	DC Heater Assy	DCヒーター A s s y	D	1	

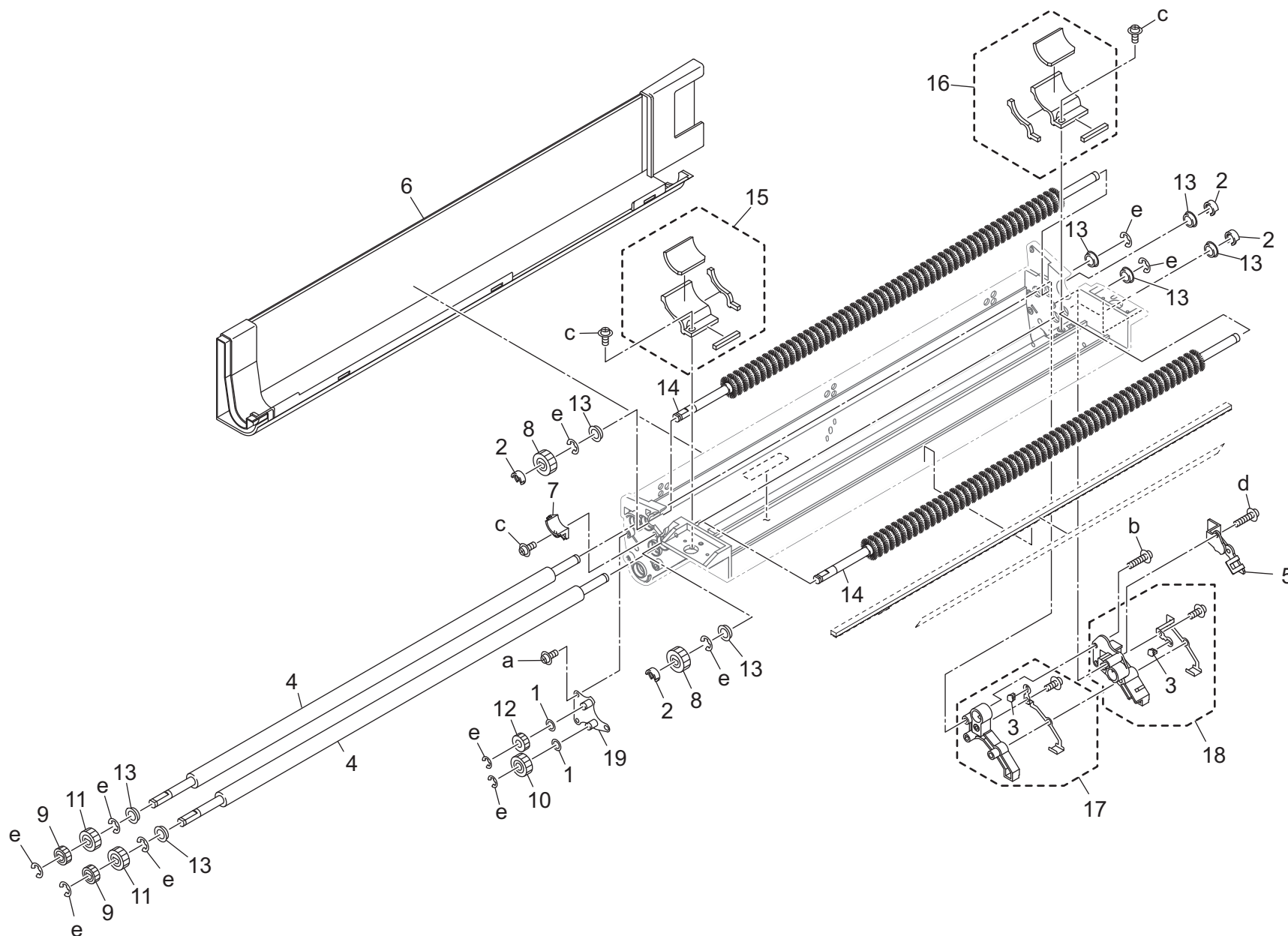
ADU Belt Cleaner Unit



Key	Part No.	Description	Destinations	Class	QTY	Standard parts
1	A0G6511401	Cleaning Bushing		C	1	a-V111030604
2	A0G6511901	Reinforce Block		D	1	b-V118030604
3	A0G6512012	Scatteringprevention Sheet /Upper		C	1	c-V118031003
4	A0G6512200	Scatteringprevention Sheet /1		C	1	d-V121030303
5	A0G6512300	Compressing Spring		C	1	e-V121030603
6	A0G6512400	Slide Cover		D	1	f-V121031203
7	A0G6512800	Scatteringprevention Sheet /2		C	1	g-V217040003
8	A0G6513300	Cleaning Duct		D	1	h-V234201050
9	A0G6513801	Fixing Cover		D	1	j-V500020099
10	A0G6514000	Entrance Seal		C	1	
11	A0G6514100	Entrance Sheet		C	1	
12	A0G6514900	Cleaning Sheet /Lower		C	1	
13	A0G6515100	Toner Guide Seal		C	1	
14	A0G6515900	Toner Agitating Plate		D	1	
15	A0G6518600	Scatteringprevention Plate		C	1	
16	A0G6521400	Collection Gear /A 16T		C	1	
17	A0G6521900	Drive Gear 28T		C	1	
18	A0G6525600	Mounting Plate		D	2	
19	A1RF529100	Drive Ball bearing		C	2	
20	A4EU510900	Recycle Screw		D	1	
21	A4EU512100	Scatteringprevention Sheet Outside		D	1	
22	A4EU515200	Ground Plate /Front		D	1	
23	A4EUR70000	Regurating Plate Assy		A	2	
24	A4EUR70D44	Belt Cleaner Assy		B	1	
25	A4EUR73D00	Cleaning Seet Assy		D	1	
26	A4EUR73E00	Power Bridge /Upper Assy		D	1	
27	A4EUR73F00	Power Bridge /Lower Assy		D	1	

ADU Belt Cleaner Unit

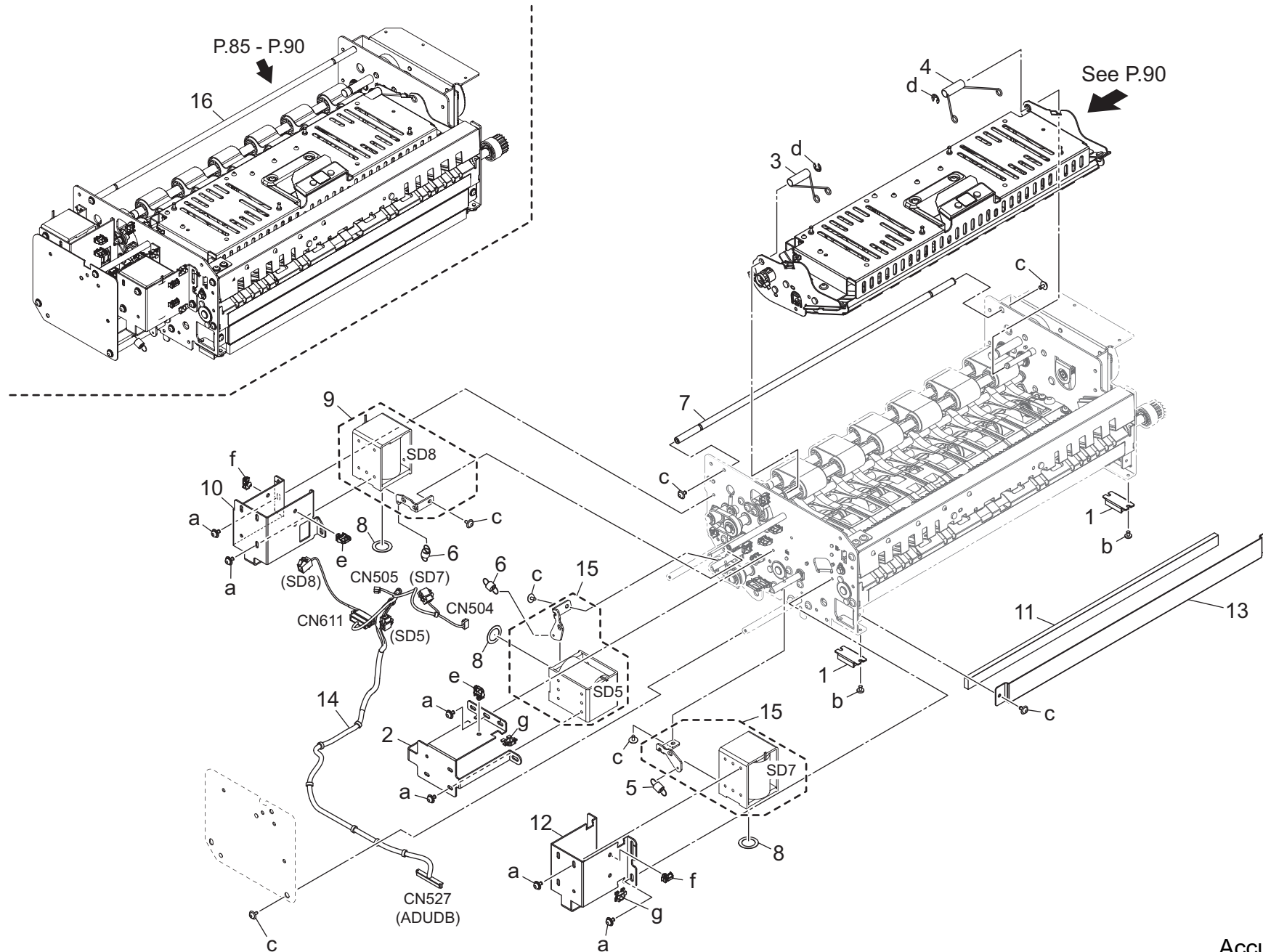
P 84



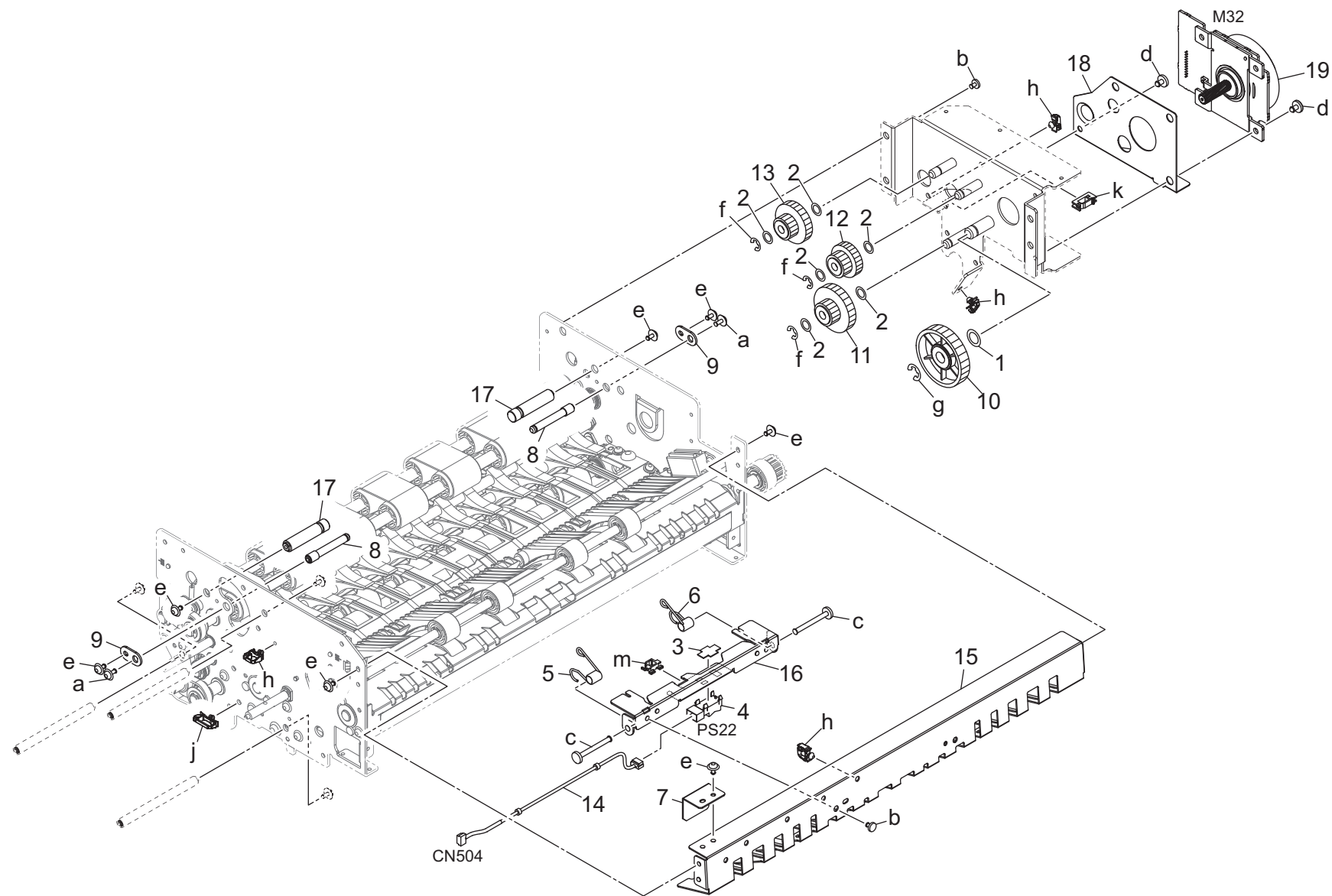
Key	Part No.	Description	Destinations	Class	QTY	Standard parts
1	26MA74100	SPECIAL WASHER		C	2	a-V111030404 b-V111031603 c-V118030604 d-V118031803 e-V217040003
2	396040681	STOPPER RING		B	4	
3	65AA26890	POWERING PART		B	2	
4	A0G6510700	Cleaning Shaft		B	2	
5	A0G6511312	Power Supply Cover		D	1	
6	A0G6513211	Cooling Duct /Middle		D	1	
7	A0G6513701	Fixing Part		D	1	
8	A0G6520900	Drive Gear /A 30T		C	2	
9	A0G6521000	Drive Gear /B 18T		C	2	
10	A0G6521100	Idling Gear /L 30T		C	1	
11	A0G6521900	Drive Gear 28T		C	2	
12	A0G6523300	Idling Gear /S 20T		C	1	
13	A1RF529100	Drive Ball bearing		C	8	
14	A4EU510600	Cleaning Brush		B	2	
15	A4EUR73G00	Scattering Prevention Block /Rear Assy		C	1	
16	A4EUR73H00	Scattering Prevention Block /Front Assy		C	1	
17	A4EUR73J00	Power Block /Lower Assy		D	1	
18	A4EUR73K00	Power Block /Upper Assy		B	1	
19	A4EUR73M00	Reinforce Plate Caulking		D	1	

ADU Decurler Unit

P 85



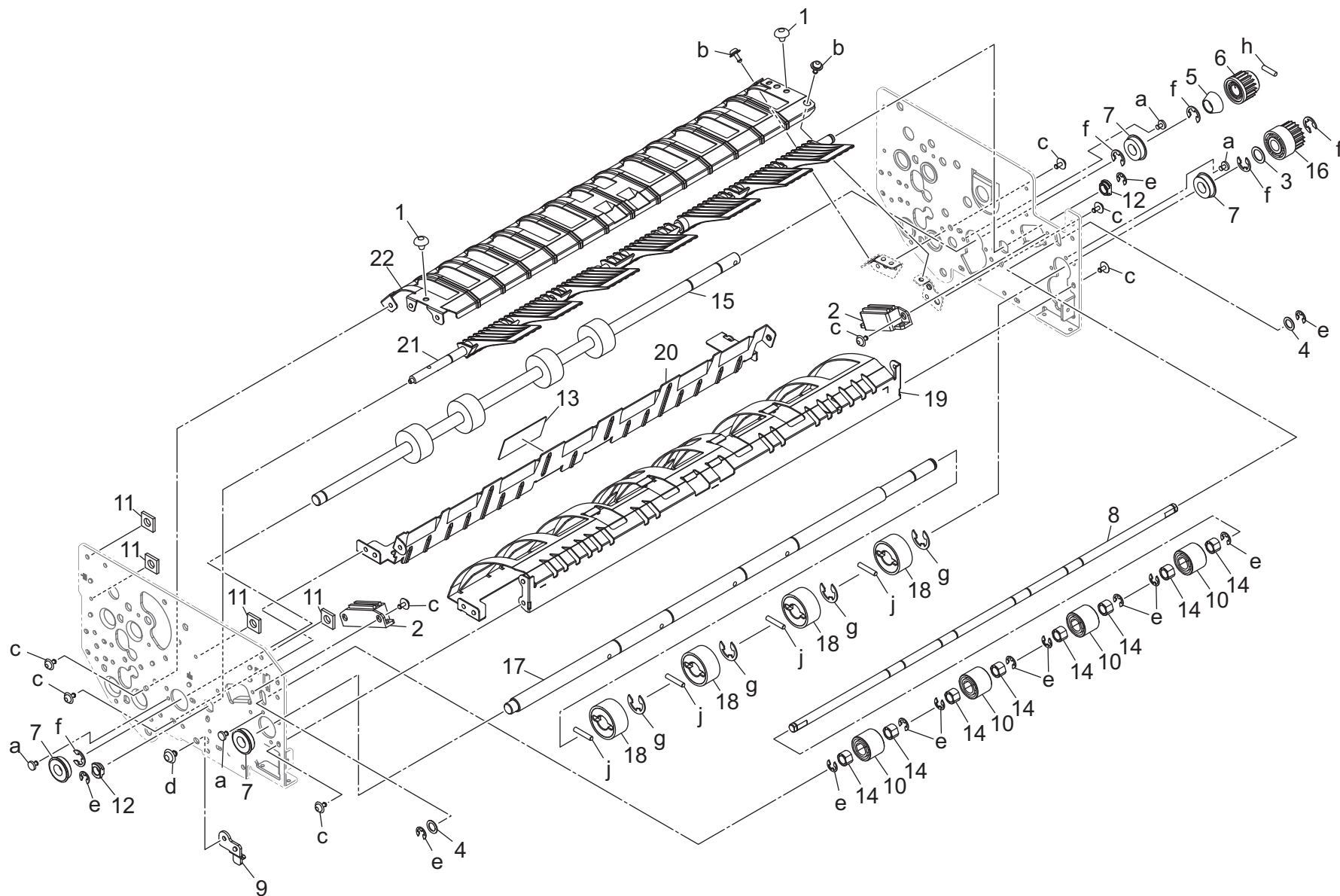
Key	Part No.	Description	Destinations	Class	QTY	Standard parts
1	40AA32290	MAGNET CATCH		C	2	a-V116030603
2	A0G6843501	Mounting Plate /Lower		D	1	b-V118030403
3	A0G6844700	Open/Close Spring /Front		C	1	c-V127030604
4	A0G6844800	Open/Close Spring /Rear		C	1	d-V217040003
5	A0G6845500	Guide Spring /G		C	1	e-V500020098
6	A0G6845600	Guide Spring /Middle		C	2	f-V500020099
7	A4EU840800	Support Stay /D		D	1	g-V570010050
8	A4EU849300	Spacer /12		D	3	
9	A4EUR74900	Solenoid /Upper Pin Assy		B	1	
10	A9JT843400	Mounting Plate /Upper		D	1	
11	A9JT860500	Sealing Part /D		D	1	
12	A9JT861000	Mounting Plate /G		D	1	
13	A9JT861100	Mounting Plate		D	1	
14	A9JTN20700	ADU Relay Harness /4		D	1	
15	A9JTR70400	Paper Exit Gate Solenoid		B	2	
16	A9JTR71200	De-Curler Unit		S	1	



Key	Part No.	Description	Destinations	Class	QTY	Standard parts
1	12QV40650	Spacer		B	1	a-V116030603
2	13QA17730	COLLAR 6		C	6	b-V118030403
3	4470402401	Stopper		D	1	c-V118043003
4	A03TM50000	Photoreflector		I	1	d-V126040603
5	A0G6841401	Paper Exit Spring /Front		C	1	e-V127030604
6	A0G6841501	Paper Exit Spring /Rear		C	1	f-V217040003
7	A0G6842800	Protection Plate /D		D	1	g-V217060003
8	A0G6842900	Guide Shaft		D	2	h-V500020098
9	A0G6843000	Fixing Plate		D	2	j-V500020100
10	A0G6848500	Idling Gear /1 78T		C	1	k-V570010046
11	A0G6848600	Idling Gear /2 30/30T		C	1	m-V570010050
12	A4EU848600	Idling Gear /2 26/26T		C	1	
13	A4EU848900	Idling Gear /4 32T		C	1	
14	A4EUN21000	Relay harness /5		D	1	
15	A9JT842100	Guide Plate /A		D	1	
16	A9JT843700	Sensor Plate /F		D	1	
17	A9JT861900	Fixing Shaft		D	2	
18	A9JT869900	Protection Spacer /M		D	1	
19	A9JTM10200	Drum Motor		B	1	

ADU Decurler Unit

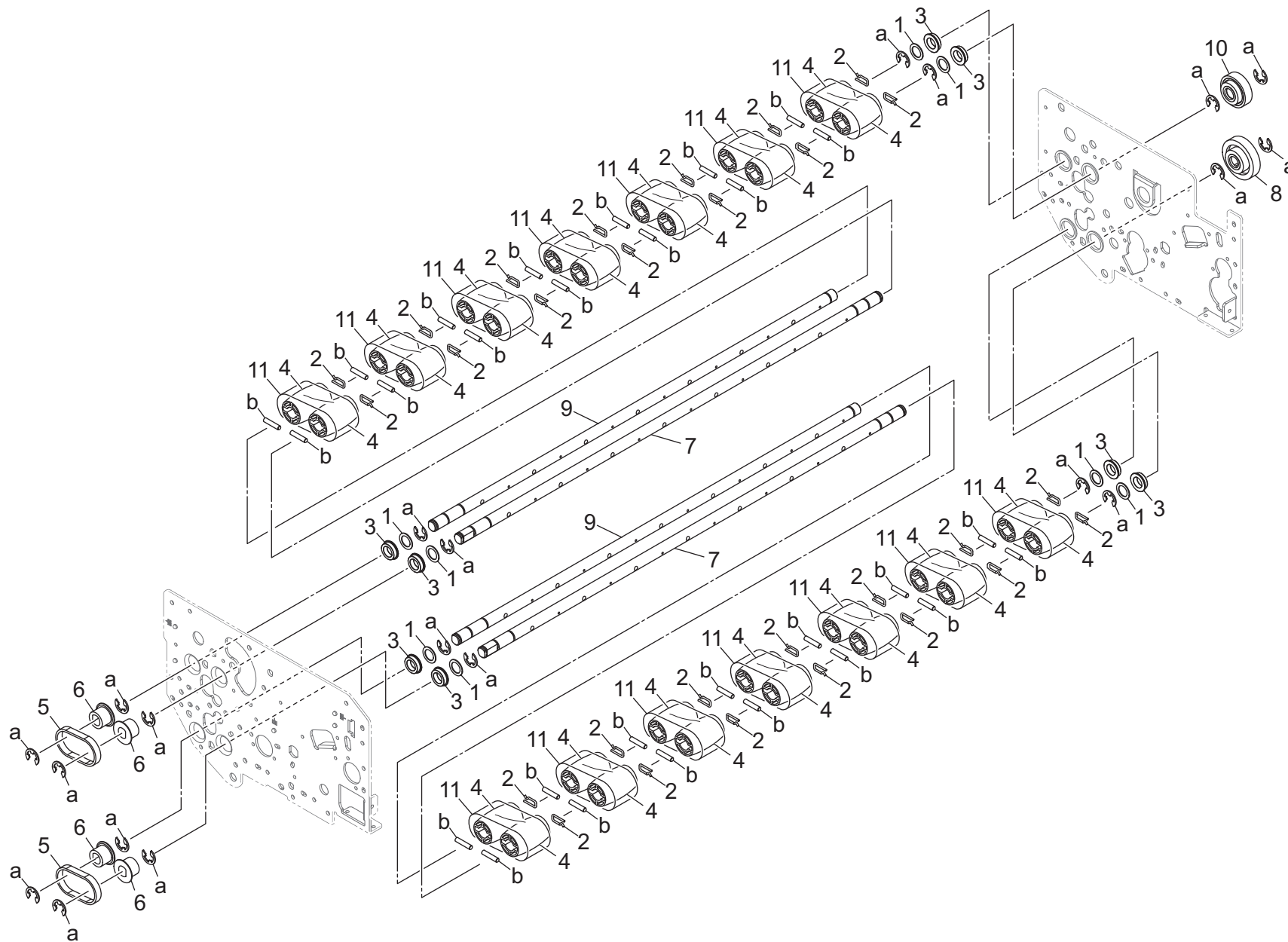
P 87



Key	Part No.	Description	Destinations	Class	QTY	Standard parts
1	048645260	Stopper Rubber		B	2	a-V118030403 b-V125030803 c-V127030604 d-V127040603 e-V217040003 f-V217060003 g-V217080003 h-V234301250 j-V234301650
2	07BA12352	Magnet Catch		C	2	
3	12QV40650	Spacer		B	1	
4	13QA17730	COLLAR 6		C	2	
5	56AA17090	Pressing Spring		C	1	
6	56UA15510	Conveyance Coupling Part		B	1	
7	A00V240600	Ball Bearing		B	4	
8	A0G6841300	Idler Shaft /F		D	1	
9	A0G6841700	Stopper Plate		D	1	
10	A0G6843800	Idler Roll /D		C	4	
11	A0G6845700	Protection Pad /2		C	4	
12	A0G6845900	Bushing /G		C	2	
13	A1RF851600	Auxiliary Sheet		D	1	
14	A4EU715500	Bushing /No.1		D	8	
15	A4EU840700	Entrance Roller /D		B	1	
16	A4EU847000	Coupling Part		B	1	
17	A4EU847200	Drive Shaft /F		D	1	
18	A799840600	Paper exit Roller /1		B	4	
19	A9JT842200	Guide Plate /B		D	1	
20	A9JT844200	Guide Plate /F		D	1	
21	A9JT844900	Paper Exit Gate		B	1	
22	A9JT860400	Guide Plate /G		D	1	

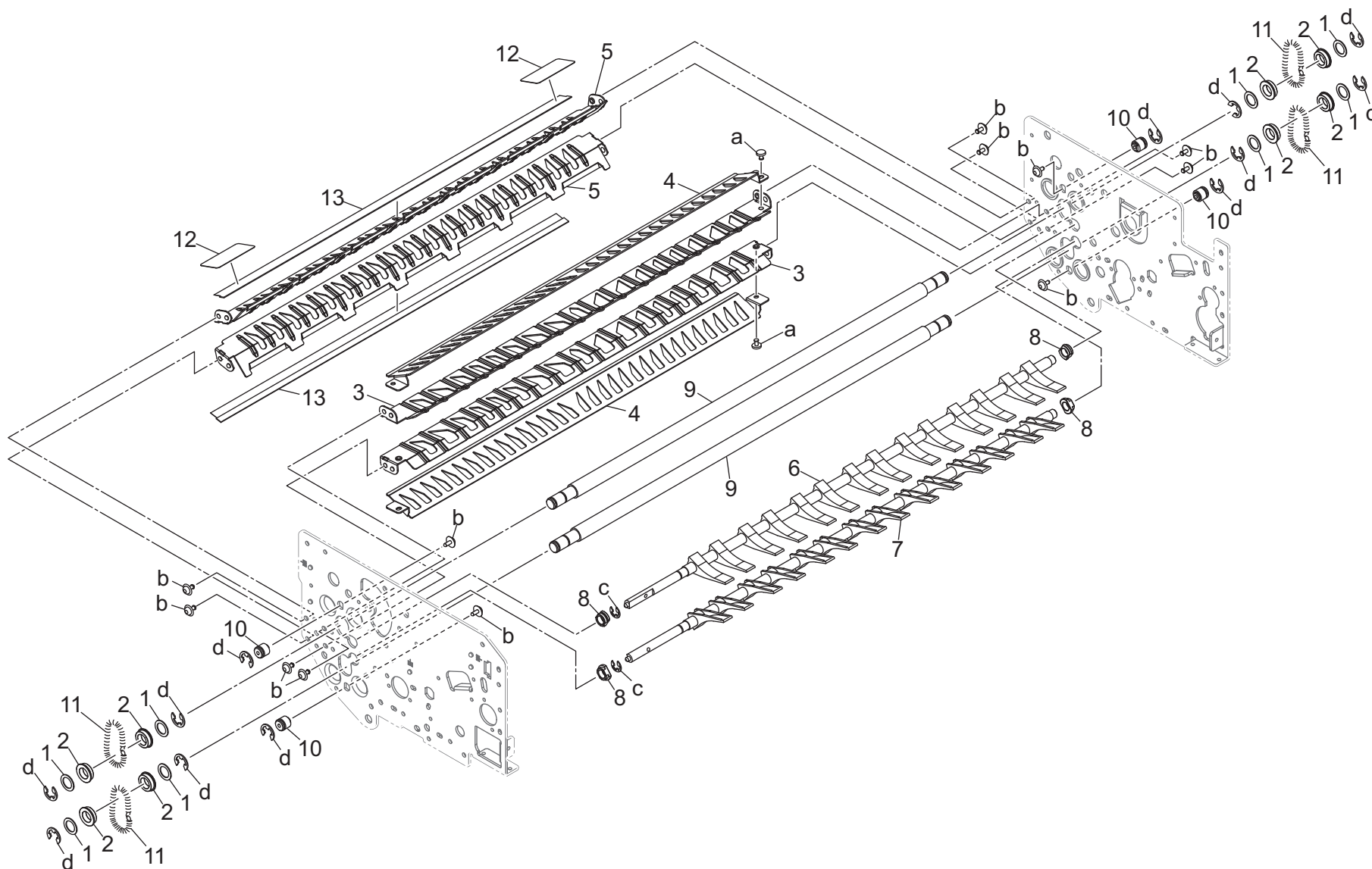
ADU Decurler Unit

P 88



ADU Decurler Unit

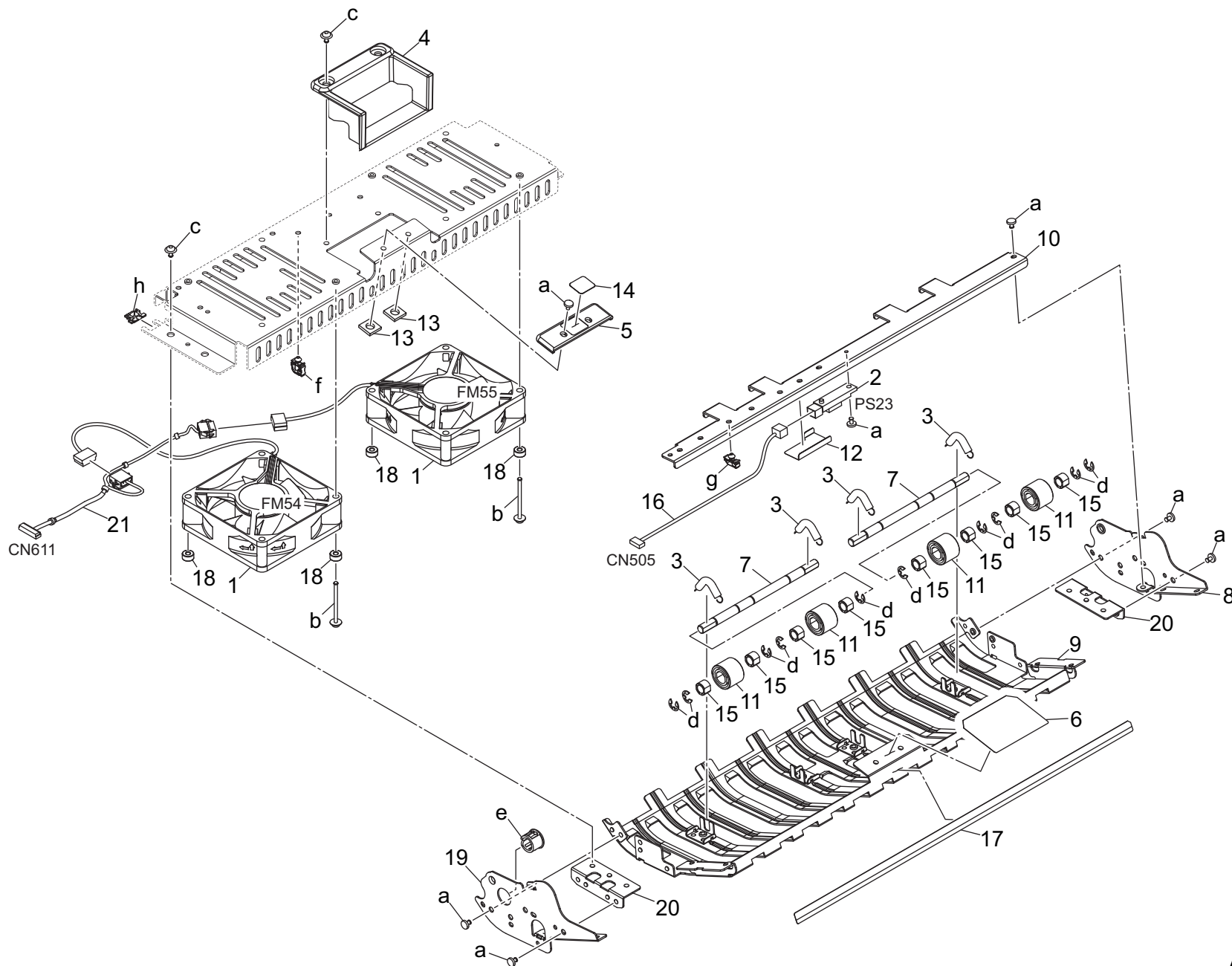
P 89



Key	Part No.	Description	Destinations	Class	QTY	Standard parts
1	12QV40650	Spacer		B	8	a-V118030403 b-V127030604 c-V217040003 d-V217060003
2	A00J617900	Ball Bearing		B	8	
3	A0G6844413	Guide Plate /H		C	2	
4	A0G6844500	Guide Plate /I		C	2	
5	A0G6844611	Guide Plate /J		C	2	
6	A0G6845100	Guide Part /Upper		B	1	
7	A0G6845200	Guide Part /Lower		B	1	
8	A0G6845900	Bushing /G		C	4	
9	A0G6846300	Regulating Shaft		D	2	
10	A0G6846500	Mounting Shaft		D	4	
11	A0G6846600	Pressing Spring /H		C	4	
12	A0G6846800	Holding Sheet		C	2	
13	A0H0702100	Neutralizing Brush		D	2	

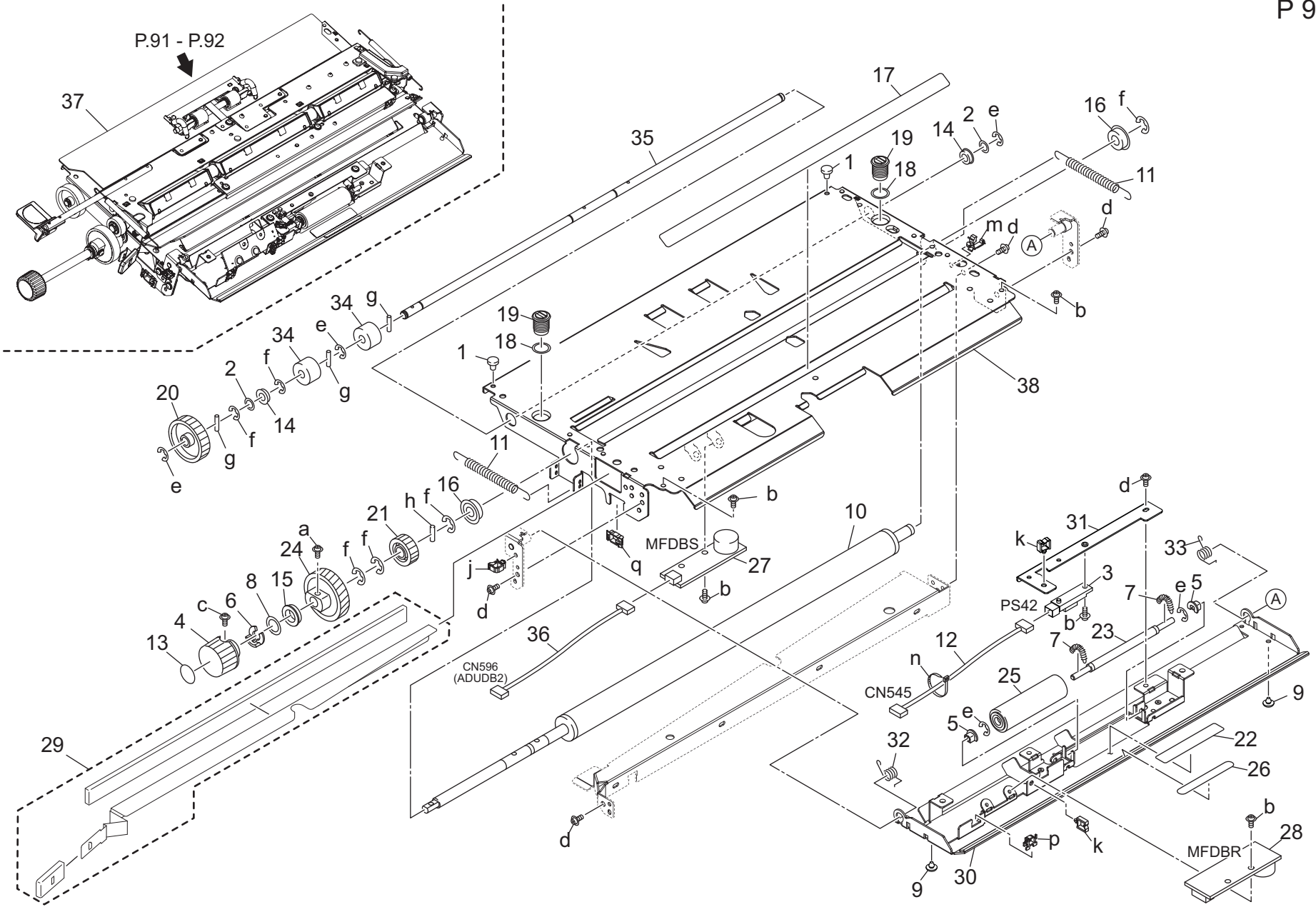
ADU Decurler Unit

P 90

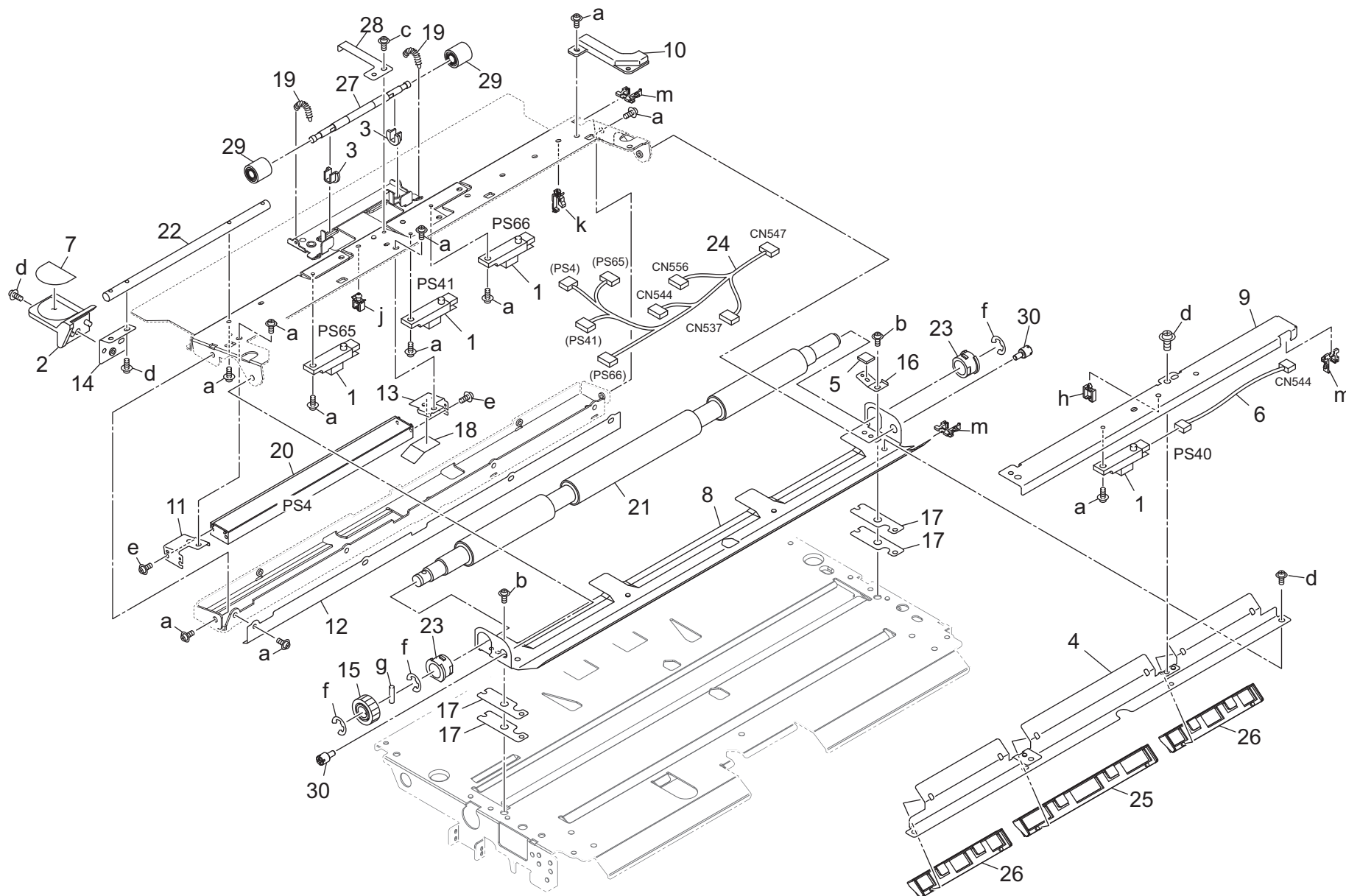


Key	Part No.	Description	Destinations	Class	QTY	Standard parts
1	13NT80511	Fan Motor /1		C	2	a-V118030403 b-V125033503 c-V127030604 d-V217040003 e-V500020044 f-V500020098 g-V500020099 h-V570010050
2	13QA85511	Sensor /1		B	1	
3	55VA46451	REGISTRATION FEEDING SPRING		B	4	
4	56UA41670	Lever Protection Cover		D	1	
5	56UA46140	TRANSFER FEEDING HANDLE		C	1	
6	A0G6620400	Protection Sheet		C	1	
7	A0G6840900	Idler Shaft /D		D	2	
8	A0G6841901	Guide Side Plate /Rear		D	1	
9	A0G6842323	Guide Plate /C		C	1	
10	A0G6843601	Plate /D		D	1	
11	A0G6843800	Idler Roll /D		C	4	
12	A0G6843901	Protection Sheet		C	1	
13	A0G6845700	Protection Pad /2		C	2	
14	A0G6945700	Label /7		C	1	
15	A4EU715500	Bushing /No.1		D	8	
16	A4EUN20900	Relay harness /6		D	1	
17	A4EW845900	Suction Sheet /D		D	1	
18	A50U854800	Conveyance Roll		D	4	
19	A9JT860600	Guide Side Plate /Front		D	1	
20	A9JT861800	Cooling Holder /D		D	2	
21	A9JTN21100	Cooling Wiring /D		D	1	

ADU Regist Unit



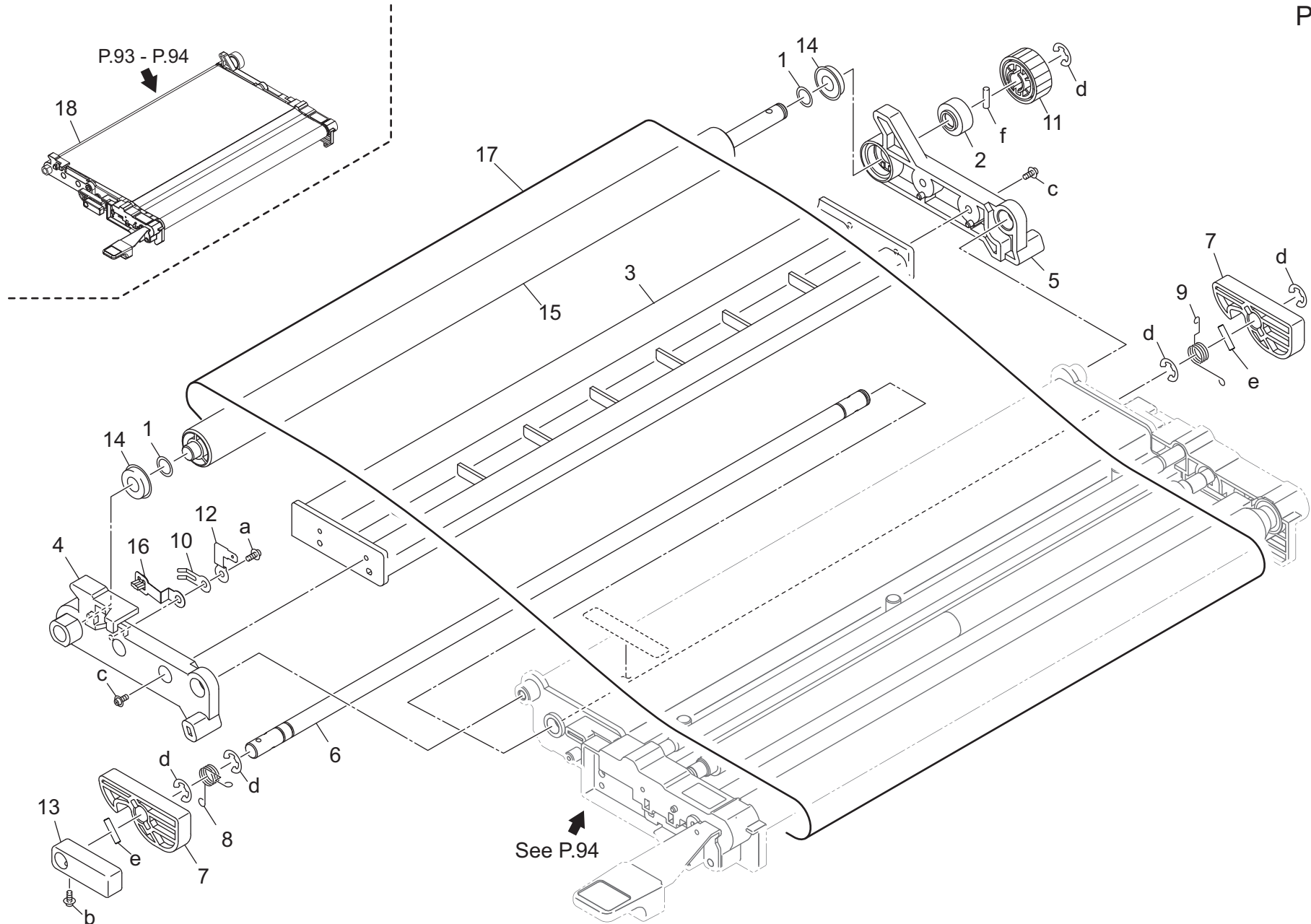
Key	Part No.	Description	Destinations	Class	QTY	Standard parts
1	12AJ45850	Stopper Rubber	ストップパーゴム	C	2	a-V116030603
2	13QA10330	SHAFT SPACER	軸スぺーサー	C	2	b-V118030403
3	13QA85511	Sensor /1	センサノ1	B	1	c-V118030603
4	14GE45470	Rotation Knob	回転ノブ	C	1	d-V127030604
5	25SA43310	DRIVEN SHAFT HOLDER	従動軸受	B	2	e-V217040003
6	55VA42120	Shaft Stopper	軸ストッパー	C	1	f-V217060003
7	55VA46490	Registration Pressure Spring	レジスト 押圧バネ	B	2	g-V234201450
8	56AA52700	ADU COUPLING SPACER	ADUカップリングスぺーサー	C	1	h-V234301250
9	56UA41470	Stopper Rubber	ストップバゴム	C	2	j-V500020098
10	56UA46030G	Registration Roller /Lower	レジスト ローラノ下	B	1	k-V500020099
11	56UA46170	Registration Pressing Spring	レジスト 押圧バネ	C	2	m-V500020100
12	56UA90620	REGISTRATION WIRING 2	レジスト 束線 2	D	1	n-V501010002
13	57AA97211E	Jam Release Label /2	ジャム解除ラベルノ2	C	1	p-V570010050
14	A00J617800	Ball Bearing	ボールベアリング	A	2	q-V570010063
15	A00J617900	Ball Bearing	ボールベアリング	B	1	
16	A00V240600	Ball Bearing	ボールベアリング	B	2	
17	A0G6712100	Lifting Sheet	持ち上げシート	B	1	
18	A0G6712800	Suction Spacer	吸着スぺーサー	C	2	
19	A0G6712900	Suction Catch /Black	吸着キャッチノ黒	C	2	
20	A0G6714100	Drive Gear /T 31T	駆動ギアノT 31T	C	1	
21	A0G6714300	Registration Gear/Lower 20T	レジストギアノ下 20T	B	1	
22	A0G6945100	Label /1	ラベルノ1 (JAMラベルノ1)	C	1	
23	A4EU713500	Idler Shaft /L	従動軸ノL	D	1	
24	A4EU714400	Registration Gear /R 35T	レジストギアノR 35T	B	1	
25	A4EU818000	Idler Rubber /U	従動ゴムノU	B	1	
26	A4EU947001	Release Label /F	解除ラベルノF	D	1	
27	A4EUH88000	Paperfeed Detection Board/S Assy	給紙検知基板ノS ASSY	I	1	
28	A4EUH89000	Paperfeed Detection Board/R Assy	給紙検知基板ノR ASSY	I	1	
29	A4EUR74700	Regist Clener Assy/Lower	レジスト 清掃部組ノ下	D	1	
30	A9JT710800	Entrance Guide /Upper	入り口ガイドノ上	D	1	
31	A9JT710900	Mounting Plate	取付板	D	1	
32	A9JT713100	Open/Close Spring /Front	開閉ばねノ前	C	1	
33	A9JT713200	Open/Close Spring /Rear	開閉ばねノ奥	C	1	
34	A9JT714100	Drive Roller /T	駆動ローラノT	C	2	
35	A9JT714200	Drive Shaft /T	駆動軸ノT	D	1	
36	A9JTN25700	Paperfeed Detection Harness /3	給紙検知束線ノ3	D	1	
37	A9JTR71000	Regist Unit	レジスト ユニット	S	1	
38	A9JT710100	Registration Main body	レジスト 本体	D	1	



Key	Part No.	Description	Destinations	Class	QTY	Standard parts
1	13QA85511	Sensor /1		B	4	a-V118030403
2	56QA46060	Transfer Guide Handle	転写ガイド把手	C	1	b-V121030603
3	56UA44680	Idler Bushing	従動軸受	C	2	c-V127030516
4	56UA46110E	Guide Part	ガイド部材	D	1	d-V127030604
5	56UA46190	Roller Conductive Pad	ローラ導電性パッド	C	1	e-V145260503
6	56UA90880	RELAY WIRING 3	センサ中継束線 3	D	1	f-V217060003
7	57AA97221E	Jam Release Label /3	ジャム解除ラベル/3	C	1	g-V234301250
8	A0G6710502	Registration Plate /Upper	レジスト板 /上	D	1	h-V500010024
9	A0G6711500	Holding Part /R	ホルダ部材 /R	D	1	j-V500010050
10	A0G6712200	Holding Holder	押さえホルダ	C	1	k-V500020098
11	A0G6712301	Plate /Front	センサ板 /前	D	1	m-V570010050
12	A0G6712400	Guide Plate /R	ガイド板 /R	C	1	
13	A0G6712701	Plate /Rear	センサ板 /奥	D	1	
14	A0G6713600	Open/Close Plate /Front	開閉板 /前	D	1	
15	A0G6714200	Registration Gear/Upper 18T	レジストギア /上 18 T	B	1	
16	A0G6714600	Ground Plate Spring /R	アース板ばね /R	C	1	
17	A0G6714700	Registration Spacer	レジストスペーサ	D	4	
18	A0G6717100	Protection Seal /Upper	保護シール /上	D	1	
19	A0GC700800	Conveyance Spring	搬送ばね	C	2	
20	A0Y5M55100	Compensating Sensor	補正センサ	C	1	
21	A4EU710600	Registration Roller /Upper	レジストローラ /上	B	1	
22	A4EU713700	Open/close Shaft /Front	開閉軸 /前	D	1	
23	A4EU715400	Registration Bushing /Upper	レジストすべり軸受 /上	B	2	
24	A4EUN16300	Relay harness /4	センサ中継束線 /4	D	1	
25	A4EUR74500	Cleaning Brush /1 Assy	清掃ブラシ /1 部組	C	1	
26	A4EUR74600	Cleaning Brush /2 Assy	清掃ブラシ /2 部組	C	2	
27	A9JT713500	Idler Shaft /T	従動軸 /T	C	1	
28	A9JT713800	Holding Plate /T	押さえ板 /T	D	1	
29	A9JT714000	Idler Roller /T	従動ローラー /T	B	2	
30	A9JT718300	Base Screw	基準ねじ	D	2	

Transfer Belt Unit

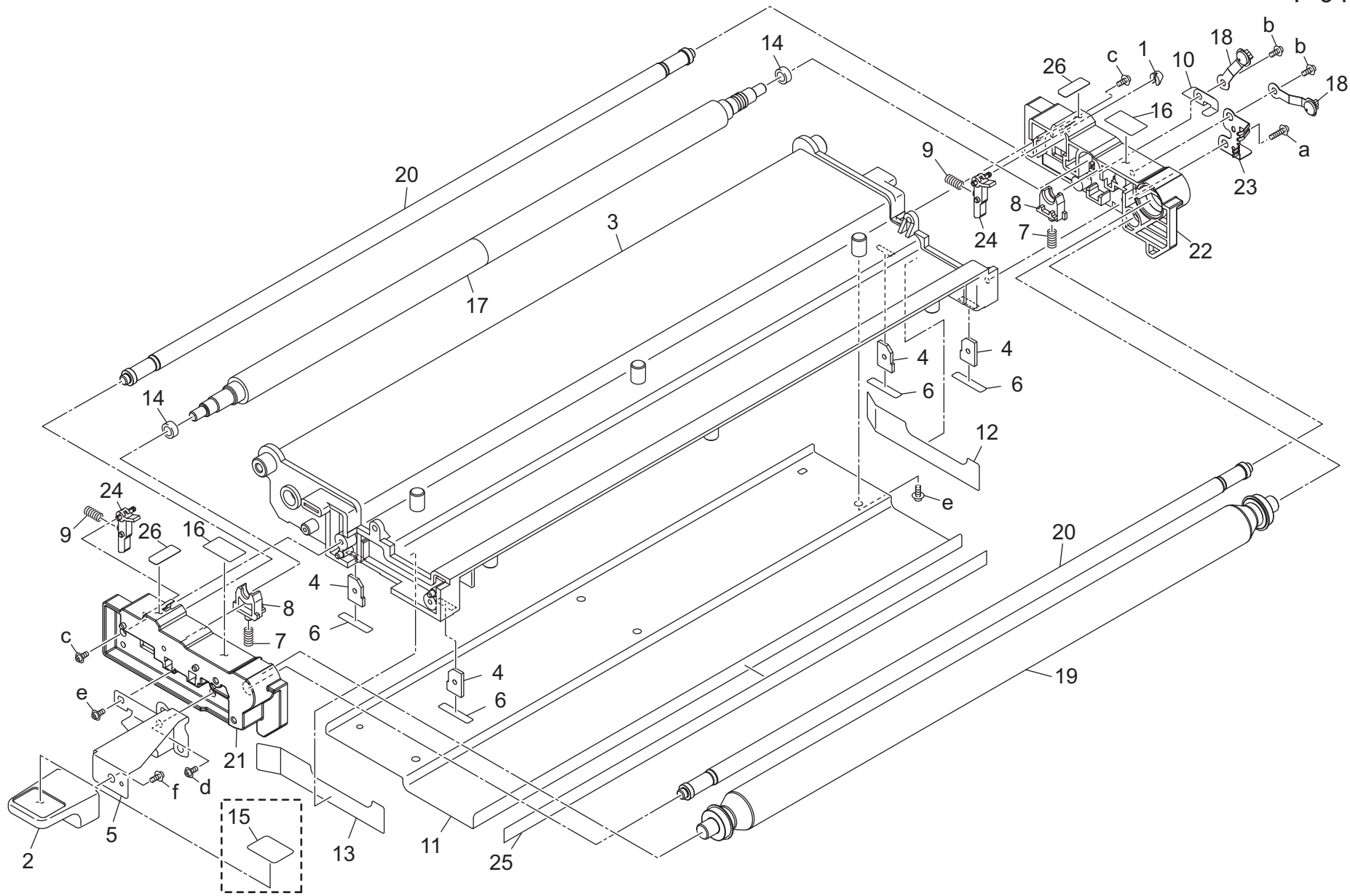
P 93



Key	Part No.	Description	Destinations	Class	QTY	Standard parts
1	12QV40650	Spacer		B	2	a-V121030403 b-V121030603 c-V121030803 d-V217060003 e-V234301450 f-V234301650
2	57GA47640	Belt Tension Roller		C	1	
3	A0G6500300	Transfer Bottom Plate /2		D	1	
4	A0G6500801	Hold Side plate /Front		D	1	
5	A0G6500901	Hold Side plate /Rear		D	1	
6	A0G6501300	Rotation Shaft		D	1	
7	A0G6501400	Release Cam		C	2	
8	A0G6501500	Lock Spring /Front		C	1	
9	A0G6501600	Lock Spring /Rear		C	1	
10	A0G6502200	Ground Plate /2		D	1	
11	A0G6502300	Drive Gear 48T		C	1	
12	A0G6502600	Ground Plate /3		D	1	
13	A0G6503401	Release Lever		C	1	
14	A1RF529300	Ball bearing		C	2	
15	A4EU500400	Drive Roller		C	1	
16	A4EUR70B00	Earth Electrode Assy		B	1	
17	A9JT500100	Transfer Belt 502L		B	1	
18	A9JTR70822	Transfer Unit	D1,D3,E,F2,G1,G2,H, I,J,K	S	1	
18	A9JTR70822	Transfer Unit	A,C	S	1	
18	A9JTR70822	Transfer Unit	B	S	1	

Transfer Belt Unit

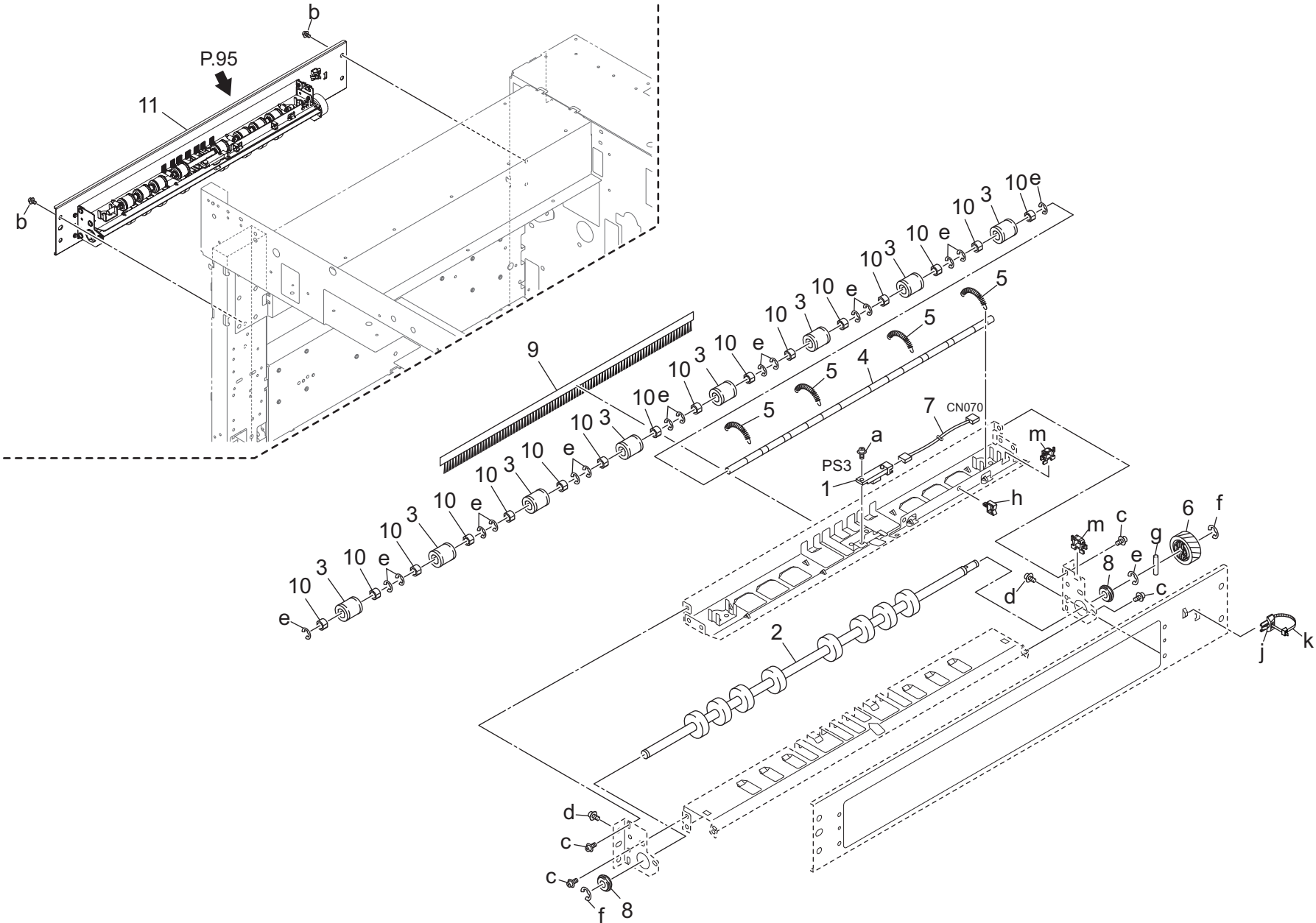
P 94



Accessory Part For Transfer Unit

Key	Part No.	Description	Destinations	Class	QTY	Standard parts
1	45AA20400	STOPPER PART		A	1	a-V116031603 b-V121030403 c-V121031203 d-V121031603 e-V151030803 f-V151040803
2	65AA53991	Fixing Papaer Exit Lever		C	1	
3	A0G6500211	Transfer Bottom Plate /1		D	1	
4	A0G6501000	Receiving Plate /1		D	4	
5	A0G6501100	Open/Close Lever		C	1	
6	A0G6501200	Holding Film		D	4	
7	A0G6501700	Pressure Spring		C	2	
8	A0G6501800	Receiving Part		D	2	
9	A0G6501900	Pressure Spring		C	2	
10	A0G6503200	Power Supply Plate		D	1	
11	A0G6503300	Reinforce Plate /Lower		D	1	
12	A0G6503500	Protection Sheet /Rear		C	1	
13	A0G6503600	Protection Sheet /Front		C	1	
14	A0G6503900	Power supply Ball bearing		B	2	
15	A0G6945500	Label /5		C	1	
16	A0G6951001	Set Label /10		D	2	
17	A4EU500600	Transfer Roller		B	1	
18	A4EUR70C00	Transfer Electrode Assy		B	2	
19	A4EUR72800	Idler Roller Assy		C	1	
20	A4EUR72900	Nip Roller Assy		B	2	
21	A9JT502700	Fixing Part /Front		D	1	
22	A9JT502800	Fixing Part /Rear		D	1	
23	A9JT503100	Ground Plate		D	1	
24	A9JT503800	Release Part		D	2	
25	A9JT504100	Insulating Sheet /1		D	1	
26	A9JT504201	Insulating Sheet /2		D	2	

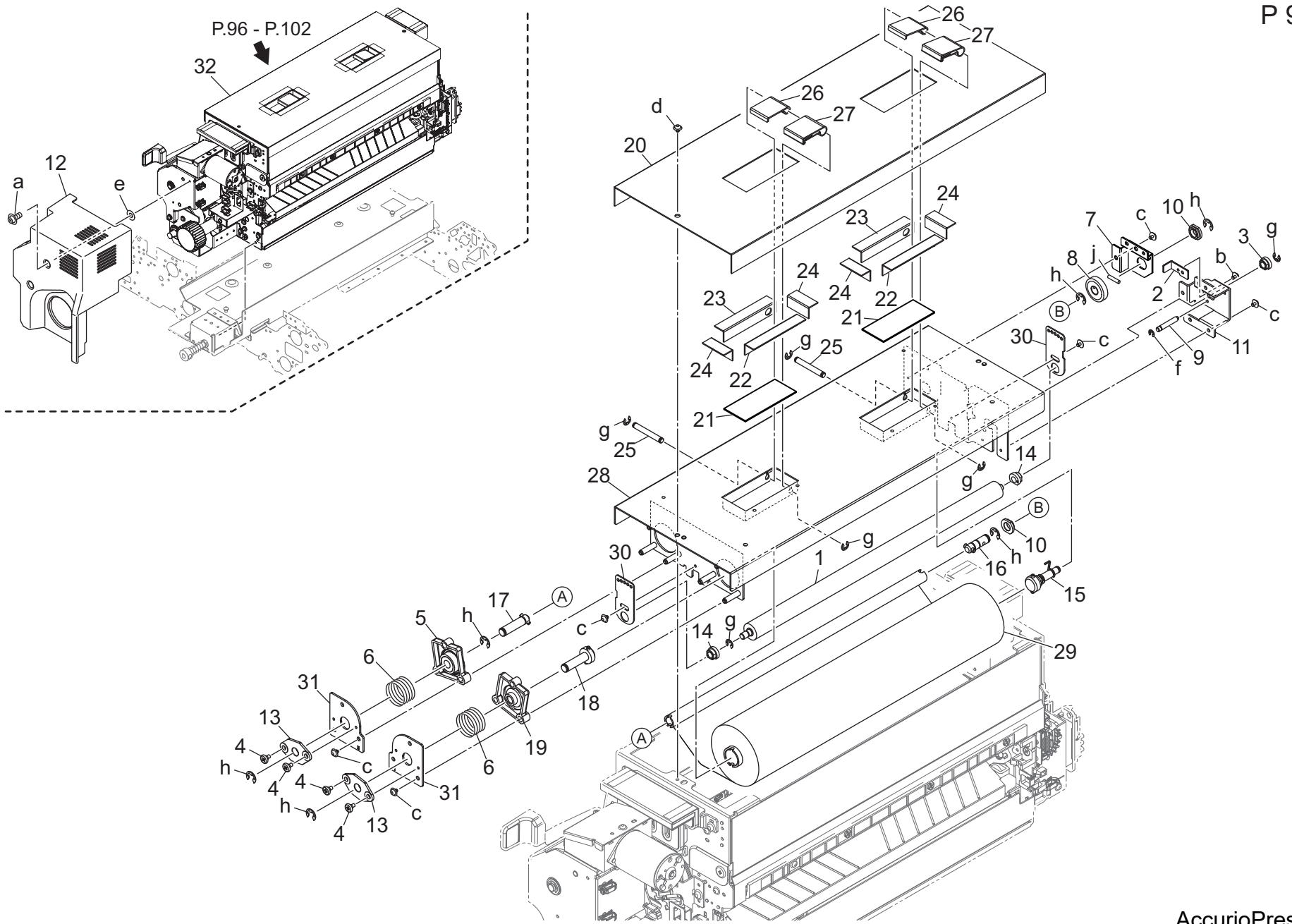
Main Body Paper Exit Unit



Main Body Paper Exit Unit

Key	Part No.	Description	Destinations	Class	QTY	Standard parts
1	13QA85511	Sensor /1		B	1	a-V118030403
2	56UA45571E	Paper exit Roller /2		B	1	b-V121040603
3	56UA45600	Paper Exit Idler Roller /2		C	8	c-V127030604
4	A4EU896100	Idler Shaft /2		D	1	d-V127040603
5	56UA45960	Paper Exit Pressing Spring		C	4	e-V217040003
6	56UA77061E	Paper Exit Drive Gear 25T		B	1	f-V217060003
7	56UA90890	PAPER EXIT RELAY WIRING		D	1	g-V234301850
8	A00V240600	Ball Bearing		B	2	h-V500010026
9	A0GY738300	Neutralizing Brush /C		D	1	j-V500020068
10	A4EU715500	Bushing /No.1		D	16	k-V501010002
11	A4EUR76F00	Main Body Paper Exit Assy		D	1	m-V570010050

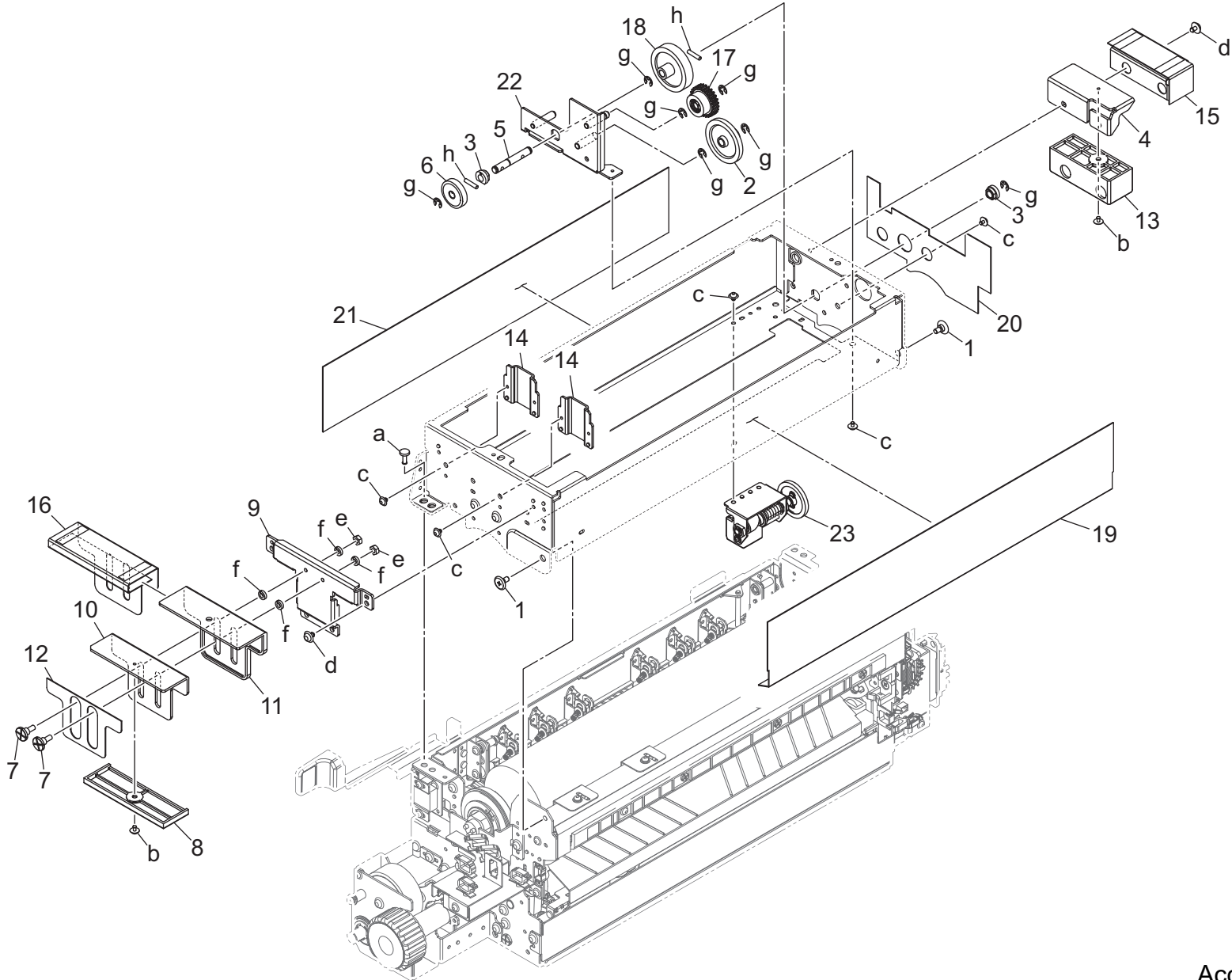
Fusing Section



Fusing Section

Key	Part No.	Description	Destinations	Class	QTY	Standard parts
1	56UA53530	FIXING CLEANING ROLLER		B	1	a-V114040804
2	56UA54430	ADJUSTMENT PLATE REAR		D	1	b-V116030603
3	56UA760900	Fixing Cleaning Bushing /C		B	1	c-V127030516
4	A03U734500	Support Screw /A		C	4	d-V182040603
5	A0G6732100	Holding Part /Left		D	1	e-V211040080
6	A0G6732200	Pressing Spring /Front		C	2	f-V217030003
7	A0G6732701	Cleaning Plate /1		D	1	g-V217040003
8	A0G6734100	Cleaning Gear /1 22T		C	1	h-V217060003
9	A0G6734300	Drive Stopper /1		C	1	j-V234301450
10	A0G6734500	Cleaning Bushing /5		C	2	
11	A0G6743100	Drive Plate /3		D	1	
12	A0G6747903	Fusing Cover		C	1	
13	A4EU731500	Stopper Bushing /5		C	2	
14	A4EU732602	Bushing		B	2	
15	A4EUR70T00	Regulating Part Assy		B	1	
16	A4EUR73300	Cleaning Drive Assy		D	1	
17	A4EUR73400	Holding Shaft / Left Assy		D	1	
18	A4EUR73500	Holding Shaft / Right Assy		D	1	
19	A799732500	Holding Part /Right		D	1	
20	A9JT725701	Insulating Cover /F		D	1	
21	A9JT728100	Insulating Cover /1		D	2	
22	A9JT728200	Insulating Cover /2		D	2	
23	A9JT728300	Insulating Cover /3		D	2	
24	A9JT728400	Insulating Cover /4		D	4	
25	A9JT729200	Support Shaft /T		D	2	
26	A9JT729300	Operation Handle /W		D	2	
27	A9JT729400	Insulating Cover /W		D	2	
28	A9JT731301	Fusing Top Plate		D	1	
29	A9JT731400	Fusing Cleaning Web		A	1	
30	A9JT732300	Adjusting Plate		D	2	
31	A9JT732400	Holding Plate		D	2	
32	A9JTR70911	Fusing Unit		I	1	

Fusing Section

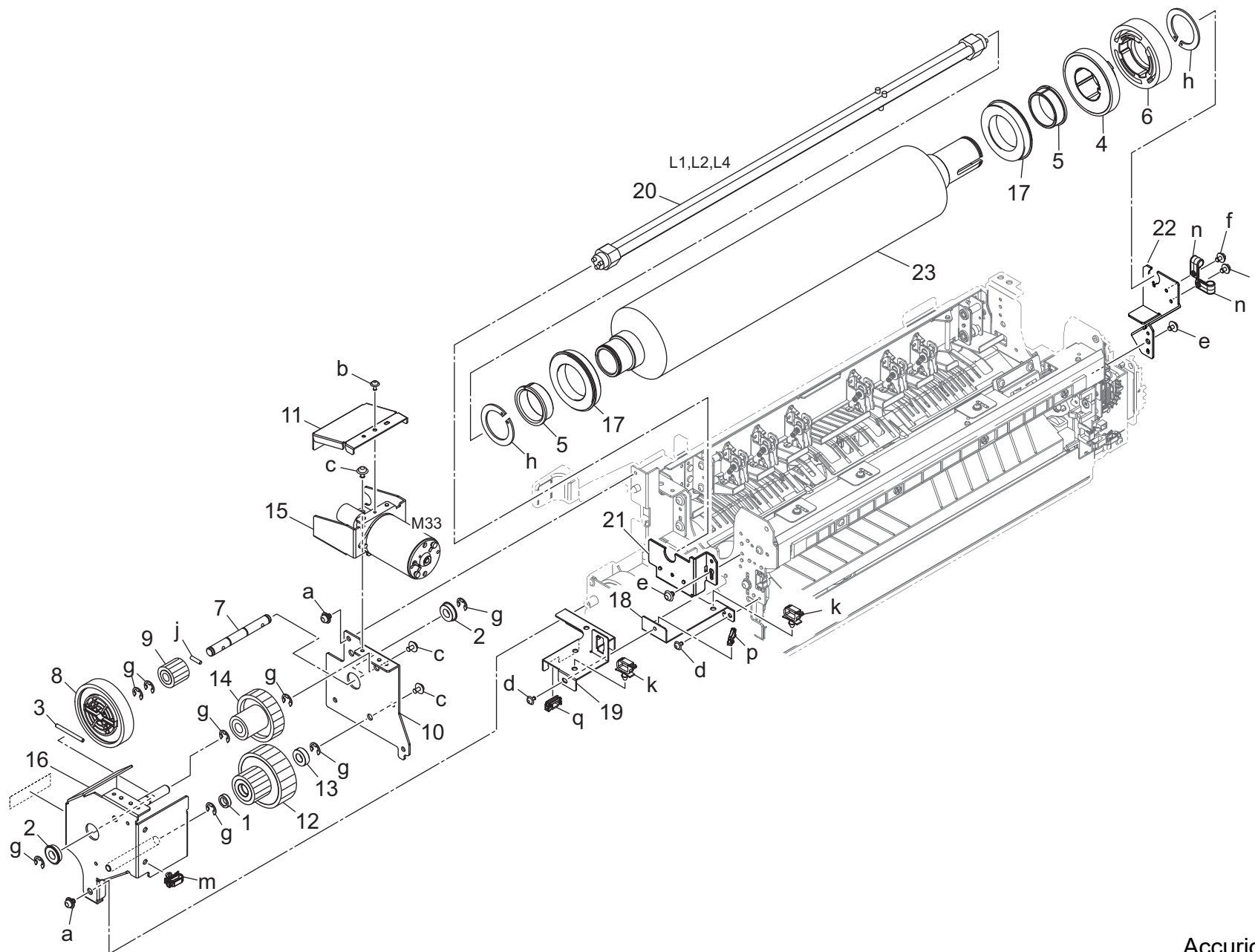


Fusing Section

Key	Part No.	Description	Destinations	Class	QTY	Standard parts
1	450053391	EXIT GUIDEPLATE MOUNTING SCREW		C	2	a-V118041003
2	55VA77850	Fixing Cleaner Gear /2 38T/13T		B	1	b-V121030403
3	56UA760900	Fixing Cleaning Bushing /C		B	2	c-V127030516
4	A0G6731000	Fusing Handle /Rear		D	1	d-V127040603
5	A0G6731900	Drive Shaft /4		D	1	e-V195040003
6	A0G6734200	Cleaning Gear /2 23T		C	1	f-V205040003
7	A0G6736800	Lifting Screw /1		C	2	g-V217040003
8	A0G6736900	Fusing Handle /4		C	1	h-V234301450
9	A0G6737200	Fusing Handle /5		D	1	
10	A0G6737900	Fusing Handle /1		D	1	
11	A0G6738000	Fusing Handle /2		C	1	
12	A0G6739600	Insulating Cover /6		C	1	
13	A0G6739800	Fusing Handle /B		C	1	
14	A0G6749800	Reinforce Plate /A		D	2	
15	A4EU735012	Insulating Cover /D		D	1	
16	A4EU739412	Insulating Cover /4		D	1	
17	A4EU742800	Cleaning Gear Outside 18/26T		C	1	
18	A799778600	Connecting Gear 39T		C	1	
19	A9JT725600	Insulating Cover /A		D	1	
20	A9JT725800	Insulating Cover /Rear		D	1	
21	A9JT725900	Insulating Cover /H		D	1	
22	A9JT742200	Drive Plate		D	1	
23	A9JTR70300	Fusing Oscillation Cam Assy		B	1	

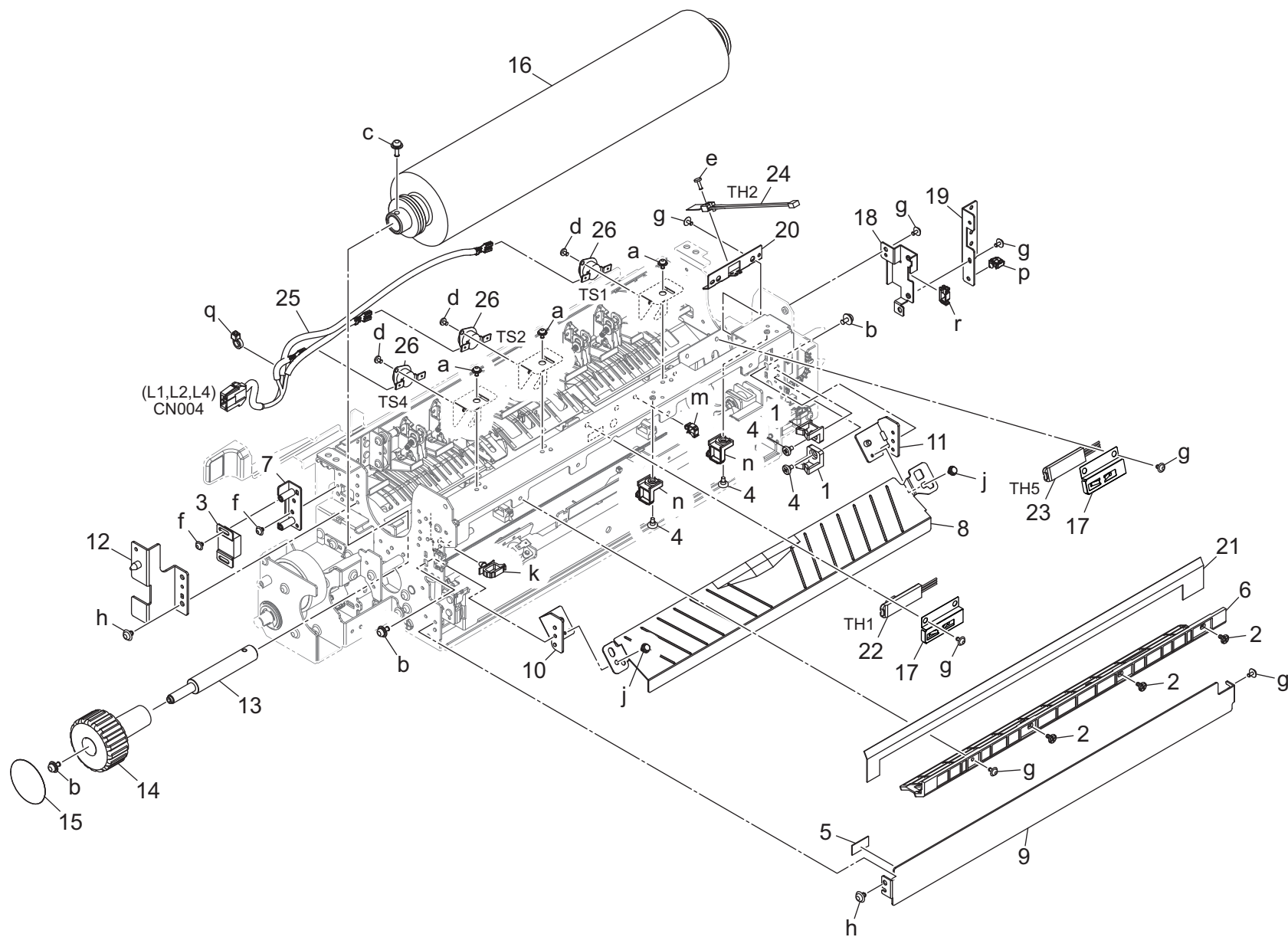
Fusing Section

P 98



Key	Part No.	Description	Destinations	Class	QTY	Standard parts
1	AAJV370500	Ball bearing		C	1	a-V116040603
2	4120550302	Ball Bearing		A	2	b-V121030603
3	55VA15190	Fixing Drive Pin		B	1	c-V121040603
4	56UA77800	FIXING DRIVING GEAR 60T		B	1	d-V127030604
5	A03U729500	INSULATING SLEEVE /UPPER		B	2	e-V127040603
6	A0G6726000	Fusing Gear/2 60T		B	1	f-V182040603
7	A0G6744300	Pressure Shaft /B		D	1	g-V217060003
8	A0G6745000	Gear 60T		C	1	h-V223300017
9	A0G6745100	Pressure Gear 19T		C	1	j-V234301250
10	A0G6747001	Pressure Panel /4		D	1	k-V500010073
11	A0G6748100	Pressure Cover /Upper		D	1	m-V500010081
12	A4EU747100	Release Gear /A 17T/ 52T		C	1	n-V500020030
13	A4EU747600	Ball bearing		C	1	p-V500020100
14	A4EUR70P00	Pressure Wheel Assy		B	1	q-V570010057
15	A4EUR76B00	Pressure Worm Assy		B	1	
16	A4EUR76C00	Pressure Panel / 5 Caulking		D	1	
17	A5AW745200	Fusing Bearing/2		B	2	
18	A9JT743800	Wiring Plate /Lower		D	1	
19	A9JT749400	Wiring Plate /Upper		D	1	
20	A9JTM33001	Fusing Heater Lamp Assy/Up		B	1	
21	A9JT745901	Hold Heater /Front		D	1	
22	A9JT746001	Hold Heater /Rear		D	1	
23	A9JT730400	Fusing Roller /Upper		A	1	

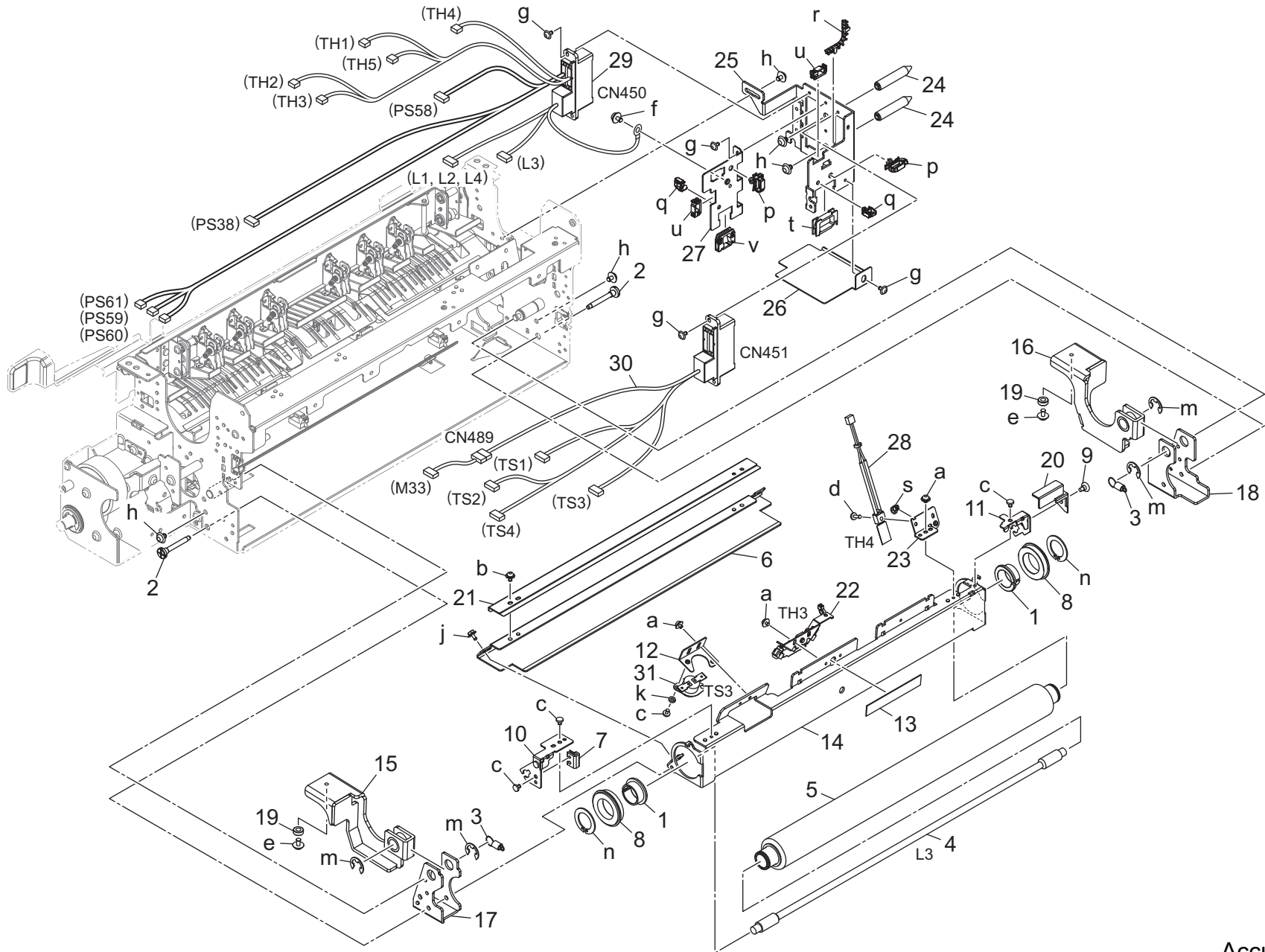




Key	Part No.	Description	Destinations	Class	QTY	Standard parts
1	55VA53970	Wiring Holder Part		D	2	a-V116030603
2	56AA54220	FIXING SCREW 2		C	3	b-V116040803
3	56UA53750	MAGNET CATCH		D	1	c-V116041203
4	A03U734500	Support Screw /A		C	4	d-V118030403
5	A0G6727700	Protection Sheet /Rear		D	1	e-V118030803
6	A0G6732000	Guide Plate Outside		C	1	f-V127030516
7	A0G6738800	Suction Plate /1		D	1	g-V127030604
8	A0G6741012	Guide Plate /Lower		C	1	h-V127040603
9	A0G6741112	Fusing Stay /1		D	1	j-V182030603
10	A0G6741200	Entrance Bin /Front		C	1	k-V500010073
11	A0G6741300	Entrance Pin /Rear		C	1	m-V500010074
12	A0G6745800	Pressure Part		D	1	n-V500010086
13	A0G6751800	Operation Shaft		D	1	p-V500020098
14	A0G6751901	Operation Knob		D	1	q-V501010014
15	A0G6945601	Label /6		D	1	r-V570010057
16	A4EUR70V00	Lower Roller Assy		A	1	
17	A9JT723101	Sensor Casing		D	2	
18	A9JT725000	Wiring Plate /Rear		D	1	
19	A9JT725300	Support Plate		D	1	
20	A9JT732800	Sensor Plate		D	1	
21	A9JT733000	Insulating Cover /C		D	1	
22	A9JTM50100	Temperature Sensor /1		C	1	
23	A9JTM50200	Temperature Sensor /5		C	1	
24	A9JTM50300	Fusing Temperature Sensor/2		B	1	
25	A9JTN10800	Fixing Wiring /2		D	1	
26	SP00-0022	THERMOSTAT		A	3	

Fusing Section

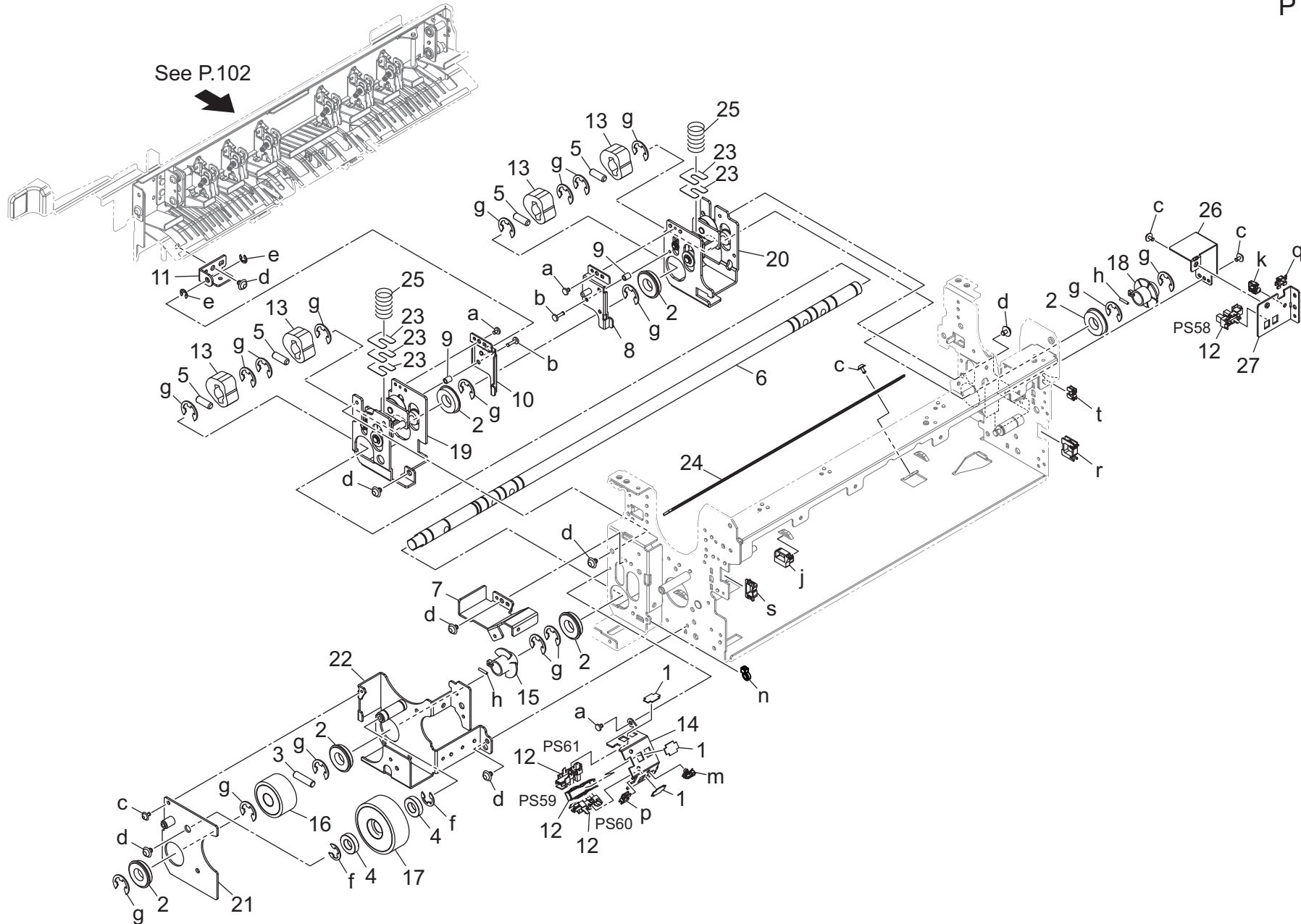
P 100



Key	Part No.	Description	Destinations	Class	QTY	Standard parts
1	26AA53150	HEAT INSULATING SLEEVE FRONT	断熱スリーブ 前	B	2	a-V116030403
2	55VA53360	Fulcrum Screw	支点ネジ	C	2	b-V116030603
3	55VA53450	PRESSURE SPRING	押圧バネ	B	2	c-V118030403
4	55VB83042	Fixing Heater /3	定着 ヒーター /3	A	1	d-V118030803
5	56UA53070	FIXING AUXILIARY ROLLER	定着補助ローラ	B	1	e-V121040603
6	56UA53320	FIXING CLEANING PLATE /1	定着清掃板 /1	D	1	f-V125040803
7	56UA54160E	Neutralizing Brush /B	除電ブラシ /B	B	1	g-V127030604
8	56UA75070	Fixing Bearing	定着軸受	A	2	h-V127040603
9	A03U734500	Support Screw /A	支持ネジ /A	C	1	j-V182030603
10	A0G6727201	Heater Side Plate /Front	ヒータ側板 /前	D	1	k-V205030003
11	A0G6727301	Heater Side Plate /Rear	ヒータ側板 /奥	D	1	m-V217080003
12	A0G6727500	Mounting Plate /Front	取付板 /前	D	1	n-V223170017
13	A0G6727600	Protection Sheet /Lower	保護シート /下	C	1	p-V500010081
14	A0G6730311	Auxiliary Stay /1	補助ステー /1	D	1	q-V500020098
15	A0G6748500	Pressure Lever /Front	圧着レバー /前	C	1	r-V500030002
16	A0G6748600	Pressure Lever /Rear	圧着レバー /奥	C	1	s-V501010014
17	A0G6748711	Support Plate /Front	支点板 /前	D	1	t-V570010027
18	A0G6748811	Support Plate /Rear	支点板 /奥	D	1	u-V570010057
19	A0G6748900	Stable Roll	安定ころ	C	2	v-V570010060
20	A4EU727900	Protection Cover /1	保護カバー /1	D	1	
21	A4EUR70U00	Fixing Cleaning Sheet Assy	定着清掃シート 部組	A	1	
22	A4EUR73600	Roller Temperature Control Sensor Assy	補助ローラ温度制御センサ部組	C	1	
23	A9JT727400	Mounting Plate /Rear	取付板 /奥	D	1	
24	A9JT738600	Guide Shaft	ガイド軸	D	2	
25	A9JT738700	Fixing Connector /Rear	固定コネクタ /奥	D	1	
26	A9JT741400	Wiring Cover /Lower	配線カバー /下	D	1	
27	A9JT748300	Wiring Partition	配線仕切	D	1	
28	A9JTM50400	Fusing Temperature Sensor/4	定着温度センサー /4	B	1	
29	A9JTN10600	Fixing Wiring /1	定着束線 /1	D	1	
30	A9JTN10901	Fixing Wiring /3	定着束線 /3	D	1	
31	SP00-0043	THERMOSTAT 3	サーモスタット 3	A	1	

Fusing Section

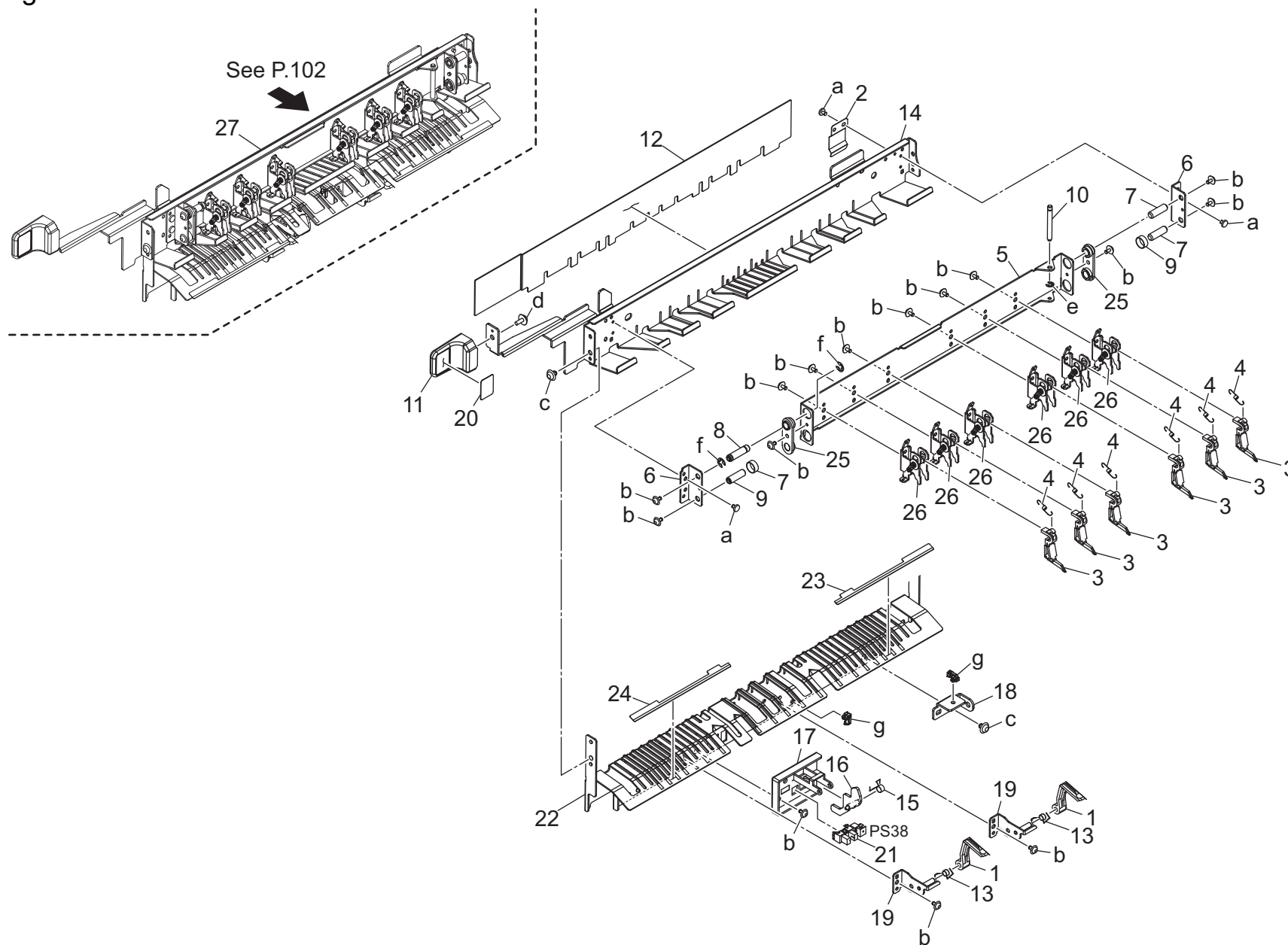
P 101



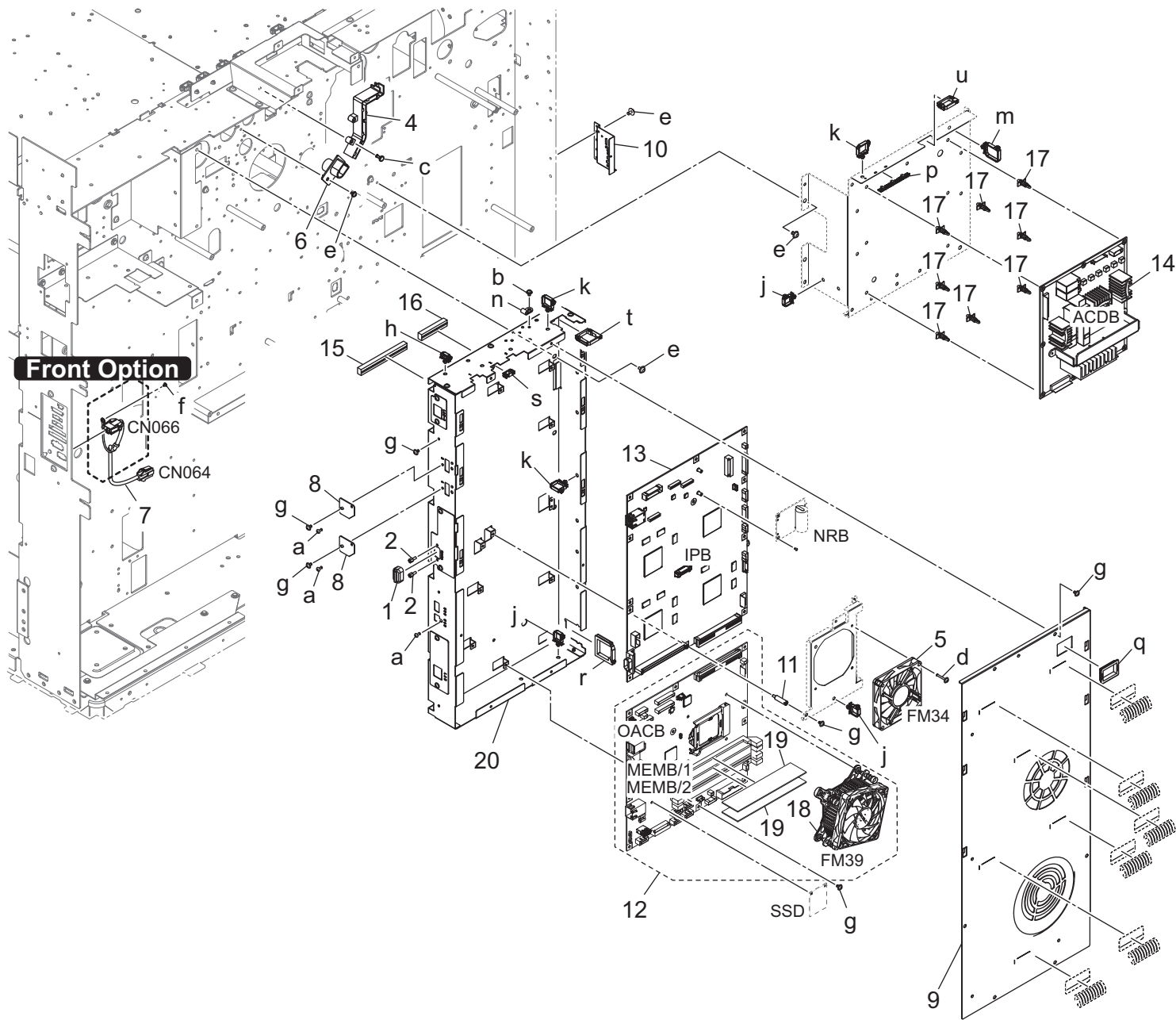
Key	Part No.	Description	Destinations	Class	QTY	Standard parts
1	13GL46720	Fixing Plate	センサ固定板	C	3	a-V118030403
2	40AA53151	Fixing Roller Bearing /Lower	定着ころがり軸受 /下	B	6	b-V118031003
3	A0G6744600	Drive Pin /A	駆動ピン / A	C	1	c-V127030604
4	A0G6744700	Drive Ball Bearing /H	駆動ボールベアリング /H	C	2	d-V127040603
5	A0G6744900	Rotation Pin /1	回転ピン /1	C	4	e-V217040003
6	A0G6745300	Pressure Shaft /A	圧着軸 / A	D	1	f-V217080003
7	A0G6745700	Support Plate /S	支持板 / S	D	1	g-V217100050
8	A0G6749100	Paper Exit Stopper /Rear	排紙ストップ /奥	D	1	h-V234201050
9	A0G6749200	Support Shaft /Lower	支持軸 /下	D	2	j-V500010021
10	A0G6749300	Paper Exit Stopper /Front	排紙ストップ /前	D	1	k-V500020098
11	A0G6749600	Positioning Plate	位置決め板	D	1	m-V500020099
12	A1RFM51000	Photointerrupter /H	透過型センサ /H	D	1	n-V501010014
13	A4EU725400	Pressure Cam	圧着カム	D	4	p-V570010021
14	A4EU746401	Plate /1	センサ板 /1	C	4	q-V570010050
15	A4EU746501	Pressure Actuator /Front	圧着アクチュエータ /前	D	1	r-V570010053
16	A4EU747200	Release Gear /B 22T	解除歯車 /B 22 T	C	1	s-V570010064
17	A4EU747300	Release Gear /C 32T	解除歯車 /C 32 T	C	1	t-V570010065
18	A4EU748401	Pressure Actuator /Rear	圧着アクチュエータ /奥	C	1	
19	A4EUR73800	Stable Holder / Front Assy	安定ホルダ /前部組	D	1	
20	A4EUR73900	Stable Holder / Rear Assy	安定ホルダ /奥部組	D	1	
21	A4EUR76D00	Pressure Panel / 3 Caulking	圧着パネル /3 カシメ	D	1	
22	A4EUR76E00	Pressure Panel Caulking	圧着パネルカシメ	D	1	
23	A4EW789601	Adjusting Spacer	調整スペーサ	D	5	
24	A799741500	Neutralizing Brush	除電ブラシ	C	1	
25	A9JT736300	Fusing Spring	定着ばね	C	2	
26	A9JT738500	Cover Sensor /Rear	カバーセンサ /奥	D	1	
27	A9JT739100	Fixing Sensor /H	固定センサ /H	D	1	

Fusing Section

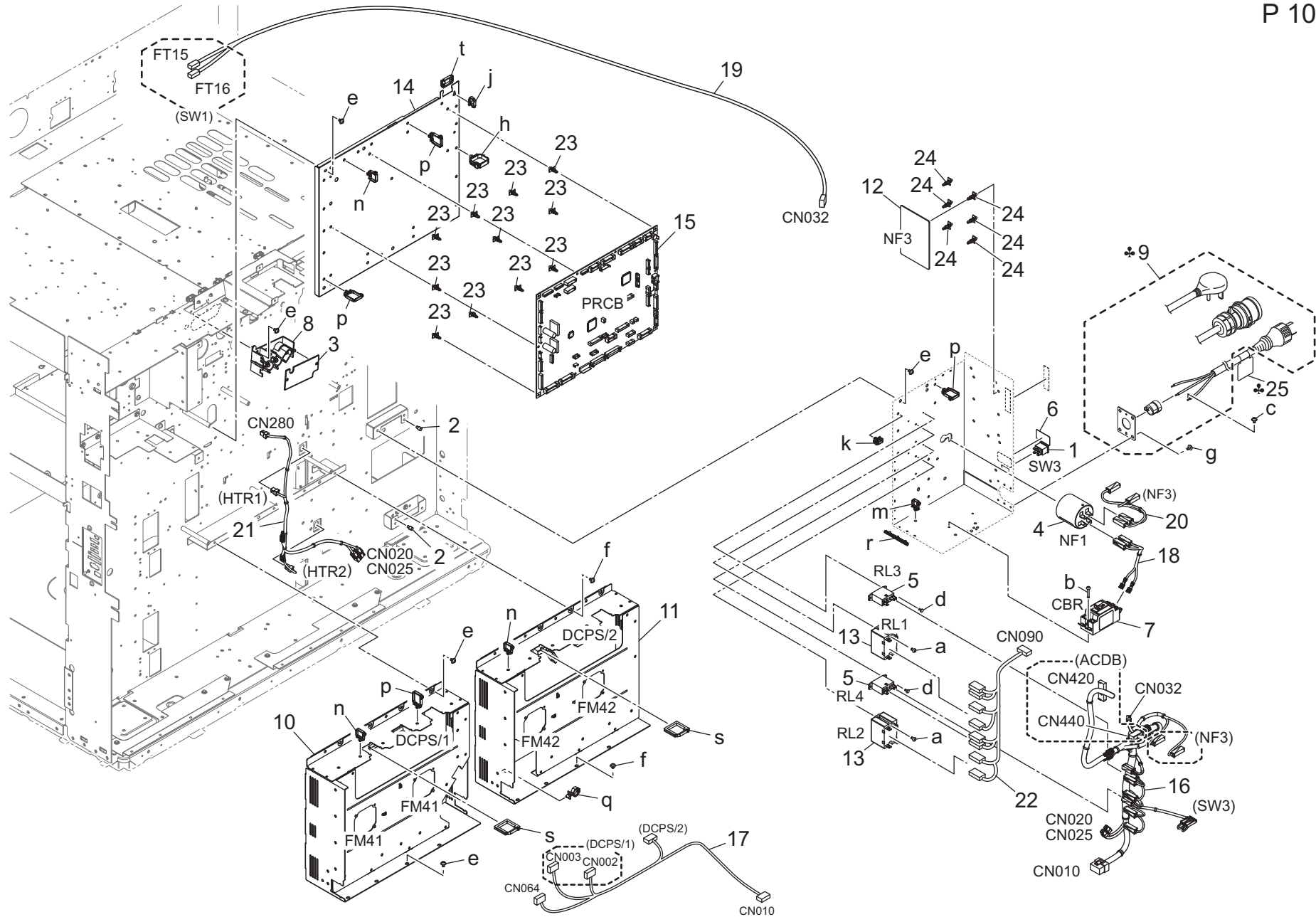
P 102



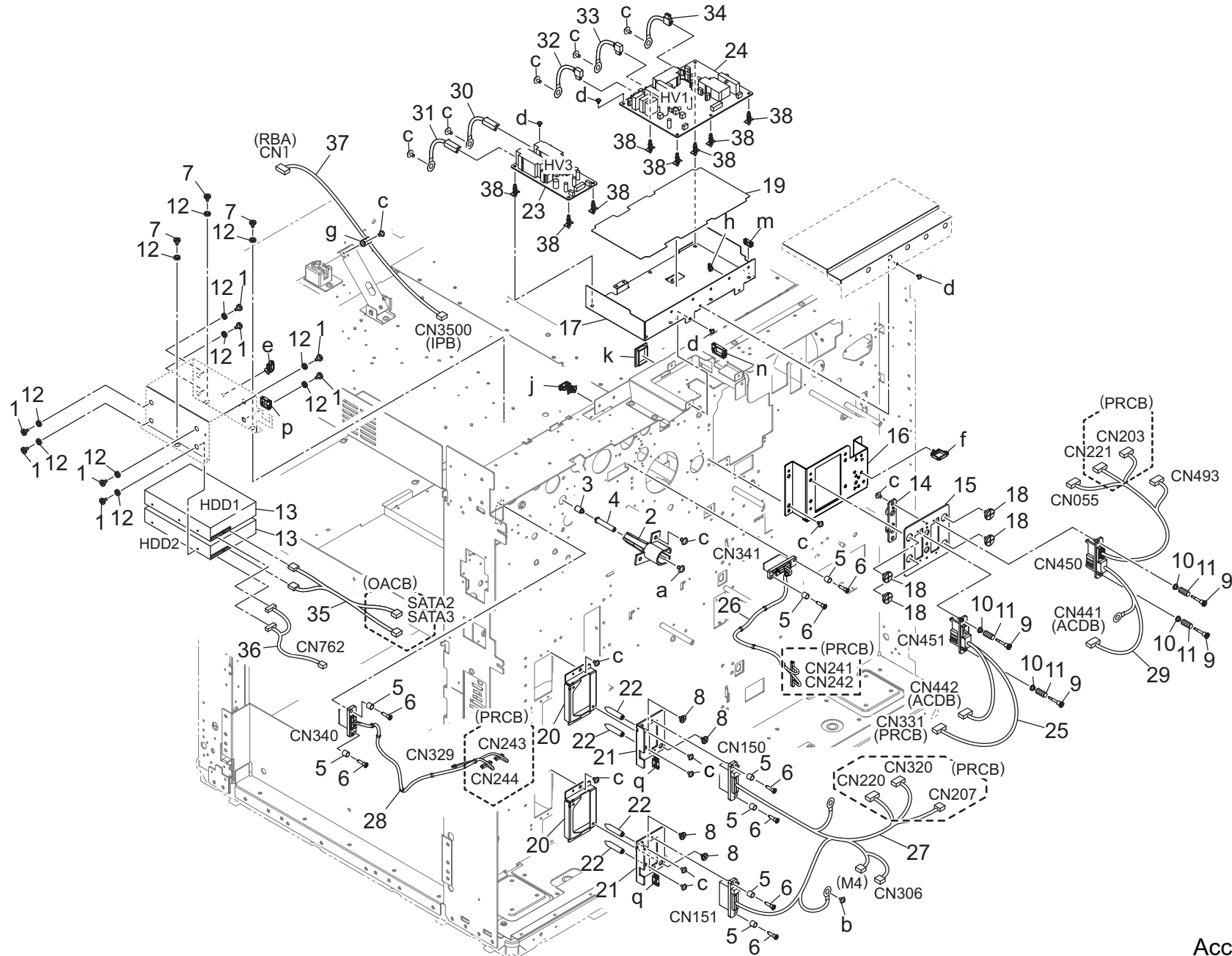
Key	Part No.	Description	Destinations	Class	QTY	Standard parts
1	25AA53290	FIXING CLAW LOWER		A	2	a-V118030403 b-V127030604 c-V127040603 d-V151040803 e-V217030003 f-V217040003 g-V500020099
2	55VA53770	PAPER EXIT PRESSURE PLATE		C	1	
3	56UA54530	FIXING CLAW UPPER		A	6	
4	56UA54540	HOLDING SPRING		C	6	
5	56UA54550F	Swing Plate		D	1	
6	56UA54570	Swing Stopper		D	2	
7	56UA54580	SWING SHAFT/3		D	3	
8	56UA54590	SWING SHAFT/6		D	1	
9	56UA54600	SWING SPRING 1		C	2	
10	56UA54610	SWING SHAFT/4		D	1	
11	65AA53991	Fixing Paper Exit Lever		C	1	
12	A0G6725501	Insulating Cover /B		C	1	
13	A0G6728000	Spring		C	2	
14	A0G6745202	Guide Plate /Upper		C	1	
15	A0G6745500	Holding Spring		C	1	
16	A0G6746200	Paper Exit Actuator		C	1	
17	A0G6746300	Plate /Middle		D	1	
18	A0G6749600	Positioning Plate		D	1	
19	A0G6749700	Separating Holder /Lower		D	2	
20	A0G6945900	Label /9		C	1	
21	A1RFM51000	Photointerrupter /H		C	1	
22	A4EU746124	Guide Plate /Lower		D	1	
23	A4EU747400	Separating Guide /R		D	1	
24	A4EU747500	Separating Guide /F		D	1	
25	A4EU755600	Swing Bushing		C	2	
26	A4EUR73200	Exit Plate Assy		B	6	
27	A4EUR77211	Exit Guide Assy		D	1	



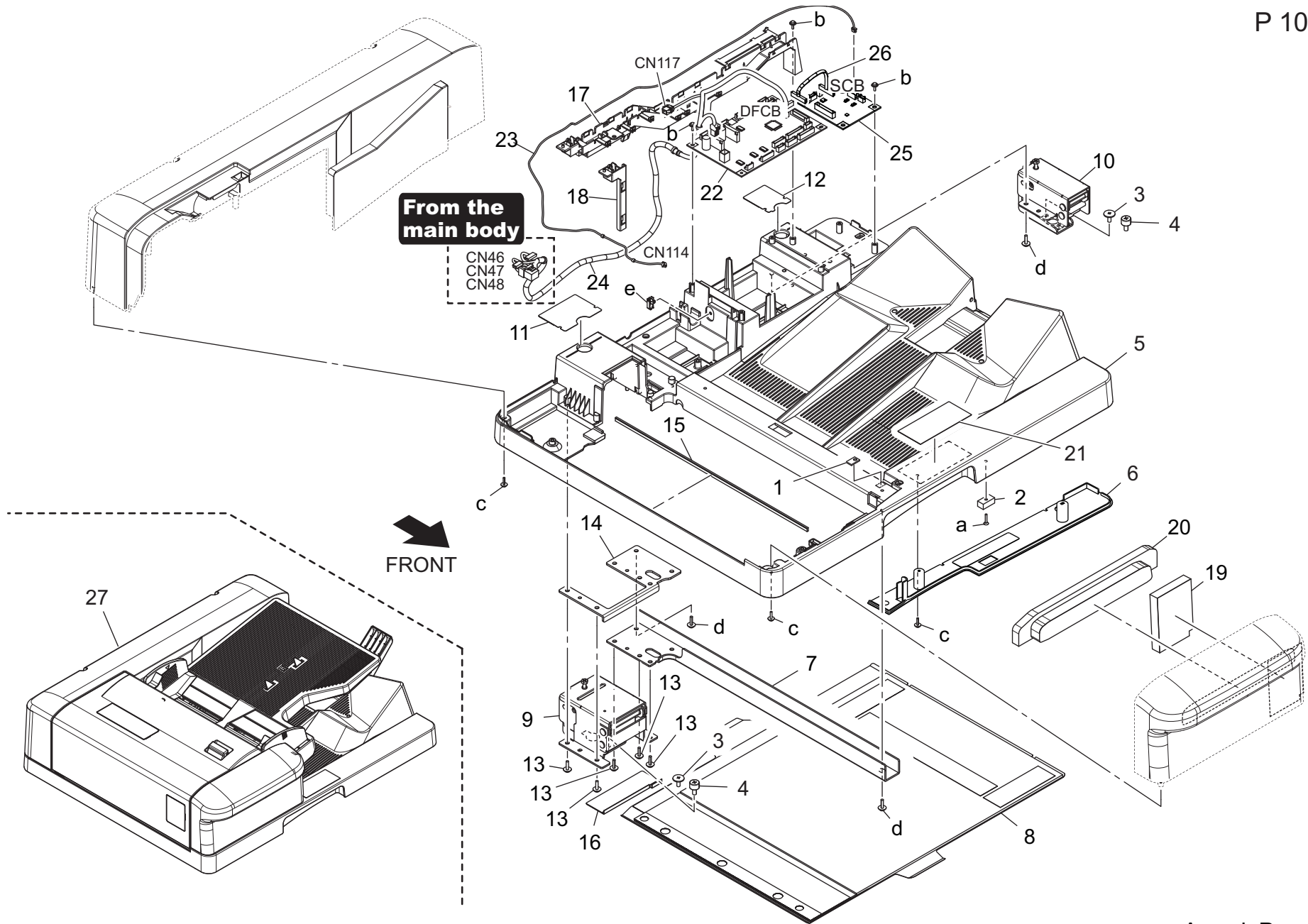
Key	Part No.	Description	Destinations	Class	QTY	Standard parts
1	13RN73120	Terminal Protection Cover /1		D	1	a-V111030603
2	4025228301	Screw		D	2	b-V116030603
4	A0G6137000	Power Supply Rail /Rear		D	1	c-V118041003
5	A1RFM15100	Fan motor /1		C	1	d-V121031803
6	A4EUR72B00	Chageg Powering Block		D	1	e-V121040603
7	A799N25600	Heater Relay Harness /2		D	1	f-V125040803
8	A85C130700	Cover /1		D	2	g-V127030604
9	A9JT133600	Cover /A		D	1	h-V500010081
10	A9JT134400	Mounting Plate		D	1	j-V500010083
11	A9JT138100	Hold Leg /1		D	1	k-V500010084
12	A9JTH01102	Main Body Control Board assy		I	1	m-V500010085
13	A9JTH02001	Image Processing Board Assy		I	1	n-V500020069
14	A9JTH51001	AC Drive board ASSY		I	1	p-V500030002
15	A9JTM90100	Gasket /1		D	1	q-V570010038
16	A9JTM90200	Gasket /2		D	1	r-V570010048
17	V502010033	Circuit Board Spacer		D	8	s-V570010057
18	A4EUM77000	Radiator /1		D	1	t-V570010058
19	V865300109	Memory Modules		C	2	u-V570010059
20	A9JT133701	Mounting Plate		D	1	



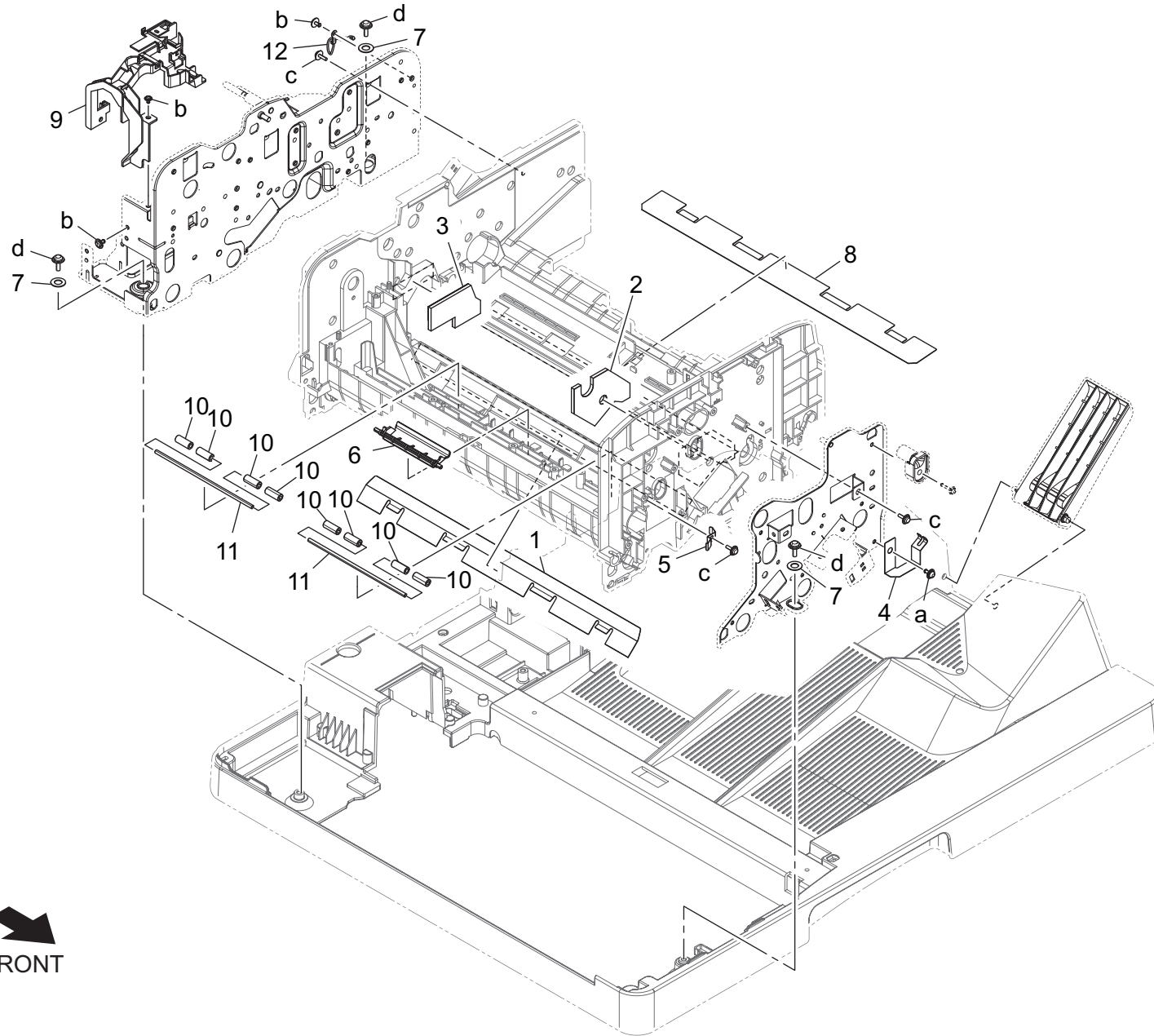
Key	Part No.	Description	Destinations	Class	QTY	Standard parts
1	25AA85020	Heater Switch		C	1	a-V111040603
2	392010231	STOPPER PIN		C	2	b-V111042003
3	55VA73310	Terminal Protect Cover		D	1	c-V116050803
4	56QE88261E	Noise filter		D	1	d-V118030603
5	A07TM60100	Power source Relay		C	2	e-V121040603
6	A0G6943101	Label		C	1	f-V127040603
7	A4EUM60401	Breaker		D	1	g-V127040803
8	A4EUR71N00	Chageg Powering Block		D	1	h-V500010063
9	A4EUR75Y00	Power Supply Code Assy(JP)	A	D	1	j-V500010071
9	A4EUR76000	Power Supply Code Assy(USA)	B,G2	D	1	k-V500010082
9	A4EUR76100	Power Supply Code Assy(EU)	C,D1,E,F2,G1,H,I,J	D	1	m-V500010083
9	A4EUR76N00	Power Supply Code Assy(AUS)	D3	D	1	n-V500010084
9	4136N30000	POWER CODE	K	D	1	p-V500010085
10	A799M45103	DC Power source /1		I	1	q-V500020064
11	A799M45202	DC Power source /2		I	1	r-V500030002
12	A799M45300	Noise filter		D	1	s-V570010048
13	A92WM60100	Relay		D	2	t-V570010059
14	A9JT139200	Mounting Panel /Middle		D	1	
15	A9JTH05000	Printer Control Board Assy		I	1	
16	A9JTN10100	AC Wiring /1		D	1	
17	A9JTN10200	AC Power Source Harness		D	1	
18	A9JTN10400	AC Wiring /2		D	1	
19	A9JTN10500	AC Wiring /4		D	1	
20	A9JTN10700	AC Wiring /3		D	1	
21	A9JTN11100	Heater Relay Harness		D	1	
22	A9JTN12000	Circuit Relay Harness		D	1	
23	V502010032	Circuit Board Spacer		D	11	
24	V502010033	Circuit Board Spacer		D	6	
25	56AA97140	CORD LABEL	B,G2	D	1	



Key	Part No.	Description	Destinations	Class	QTY	Standard parts
1	A4EU131100	Fixing Screw		D	8	a-V116030603
2	56AA15460	HIGH VOLTAGE GUIDE PART		C	1	b-V116040603
3	56AA15471	CONTACT SPRING		C	1	c-V121040603
4	56AA15521	CONTACT SHAFT		D	1	d-V127030604
5	56AA17080	TERMINAL ROCKING SPRING		C	8	e-V500010082
6	56AA17330	Slide Shaft		C	8	f-V500010084
7	A0Y5134700	Board Fixing Screw		C	3	g-V500020002
8	A1RF826100	Guide Screw		D	4	h-V500020099
9	A1RF115001	Fixing Screw		D	4	j-V500020108
10	A1RF115101	Slide Spacer		D	4	k-V570010038
11	A1RF115301	Pressing Spring /D		D	4	m-V570010057
12	A4EU138000	Support Rubber		D	11	n-V570010059
13	A799M72000	HDD		I	2	p-V570010060
14	A9JT130600	Positioning Sleeve		D	1	q-V570010063
15	A9JT130700	Fixing Plate		D	1	
16	A9JT130901	Hold Plate		D	1	
17	A9JT132500	Protection Box		D	1	
18	A9JT132600	Fixing Shoulder Screw /2		D	4	
19	A9JT135000	Insulating Sheet		D	1	
20	A9JT136000	Power Supply Holder /1		D	2	
21	A9JT136100	Power Supply Holder /2		D	2	
22	A9JT136200	Guide Shaft		D	4	
23	A9JTM40100	HV Power Source /1		I	1	
24	A9JTM40300	HV Power Source /3		I	1	
25	A9JTN10300	Fixing Power Source Harness		D	1	
26	A9JTN11200	Photoconductor Relay Harness /1		D	1	
27	A9JTN11300	Paperfeed Wiring /1		D	1	
28	A9JTN11900	Photoconductor Relay Harness /2		D	1	
29	A9JTN13000	Fixing Power Source Harness /2		D	1	
30	A9JTN22601	HV Wiring /T		D	1	
31	A9JTN22701	HV Wiring /D		D	1	
32	A9JTN22800	HV Wiring /G		D	1	
33	A9JTN22900	HV Wiring /B		D	1	
34	A9JTN23100	HV Wiring /P		D	1	
35	A9JTN29812	Signal Cable /H		D	1	
36	A9JTN29911	Power Source Cable /H		D	1	
37	A9JTR71Y11	LPH Signal Cable		C	1	
38	V502010033	Circuit Board Spacer		D	8	

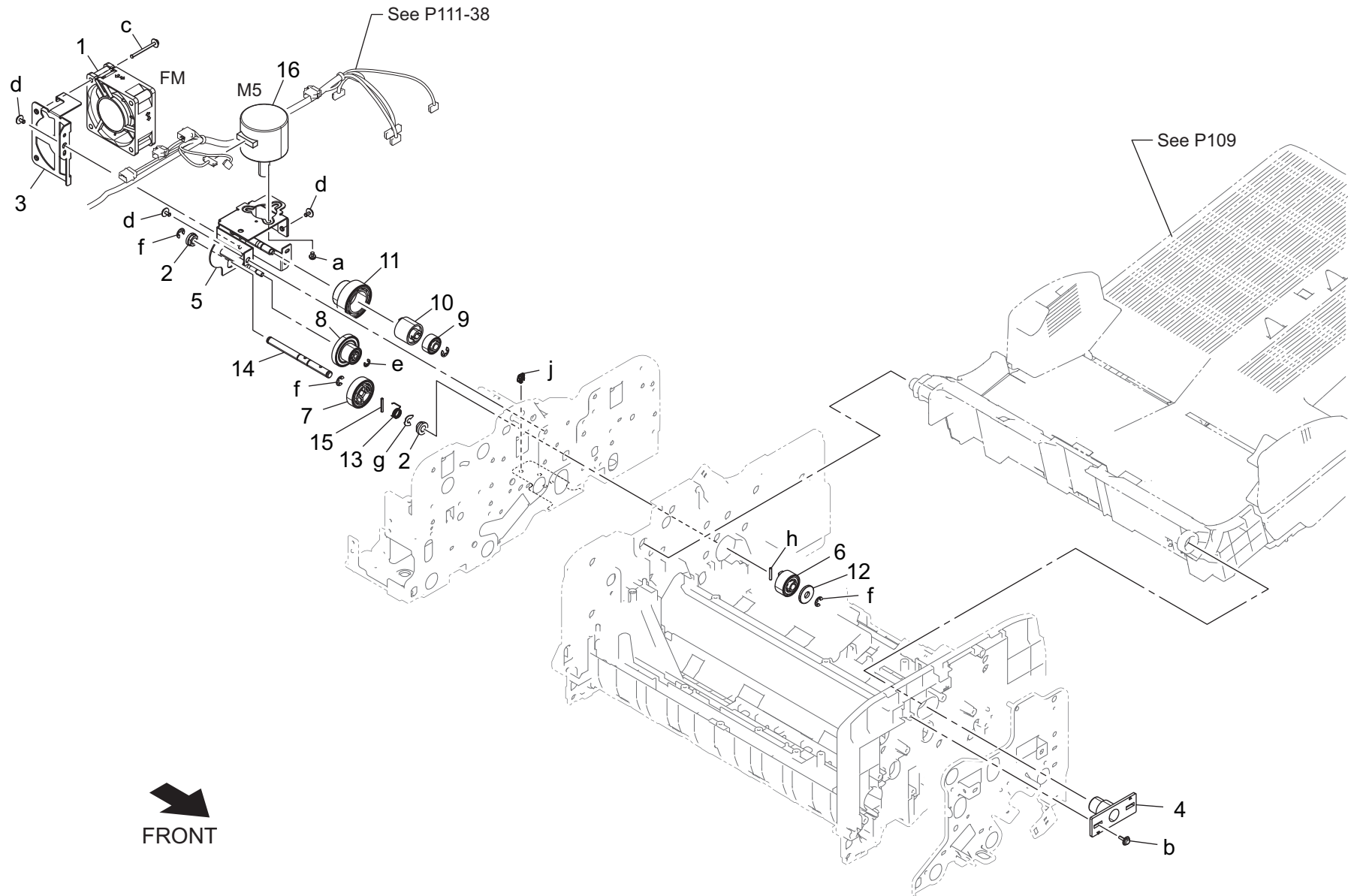


Key	Part No.	Description	Destinations	Class	QTY	Standard parts
1	15BY561200	Cover Spacer		D	1	a-V147031403 b-V153030803 c-V153031004 d-V153041203 e-V500010061
2	9J07160200	MAGNET		D	1	
3	9J07210802	Shoulder Screw		C	2	
4	9J07210901	Shoulder Screw		C	2	
5	A782110009	Base frame		D	1	
6	A782110100	Cover /Lower		D	1	
7	A782110600	Reinforce Plate /1		D	1	
8	A782112305	Holding Mat /1		C	1	
9	A782113702	Hinge /Left		D	1	
10	A782113801	Hinge /Right		D	1	
11	A782113901	Sheet /Left		C	1	
12	A782114001	Sheet /Right		C	1	
13	A782114100	Screw		C	5	
14	A782117500	Reinforce Plate /2		D	1	
15	A782117600	Cushion		C	1	
16	A782119300	Seal /Rear		C	1	
17	A782130001	Wiring Guide /1		D	1	
18	A782130600	Wiring Guide /3		D	1	
19	A782160200	Sound shield Cushion /1		C	1	
20	A782160300	Sound shield Cushion /2		C	1	
21	A782940100	Label /1		C	1	
22	A782H00201	DFCB ASSY		I	1	
23	A782N11200	ADF Wiring /13		D	1	
24	A782N21100	ADF Wiring /1		D	1	
25	A8WCH00100	Sensor Control board Assembly		I	1	
26	A8WCN10000	ADF Wiring /A		D	1	
27	A782R71022	ADF Assy		S	1	



FRONT

Key	Part No.	Description	Destinations	Class	QTY	Standard parts
1	A782101700	Guide Sheet		D	1	a-V116030803 b-V144030603 c-V153030803 d-V153041003
2	A782105001	Cushion		C	1	
3	A782105101	Cushion		C	1	
4	A782111000	Ground Plate spring /1		D	1	
5	A782111100	Ground Plate spring /2		D	1	
6	A782111200	Guide		D	1	
7	A782117000	Washer		C	3	
8	A782117100	Guide Film		C	1	
9	A782130301	Wiring Guide /2		D	1	
10	A782262800	Roll		C	8	
11	A782264900	Shaft		D	2	
12	A782N11800	ADF Wiring /19		D	1	

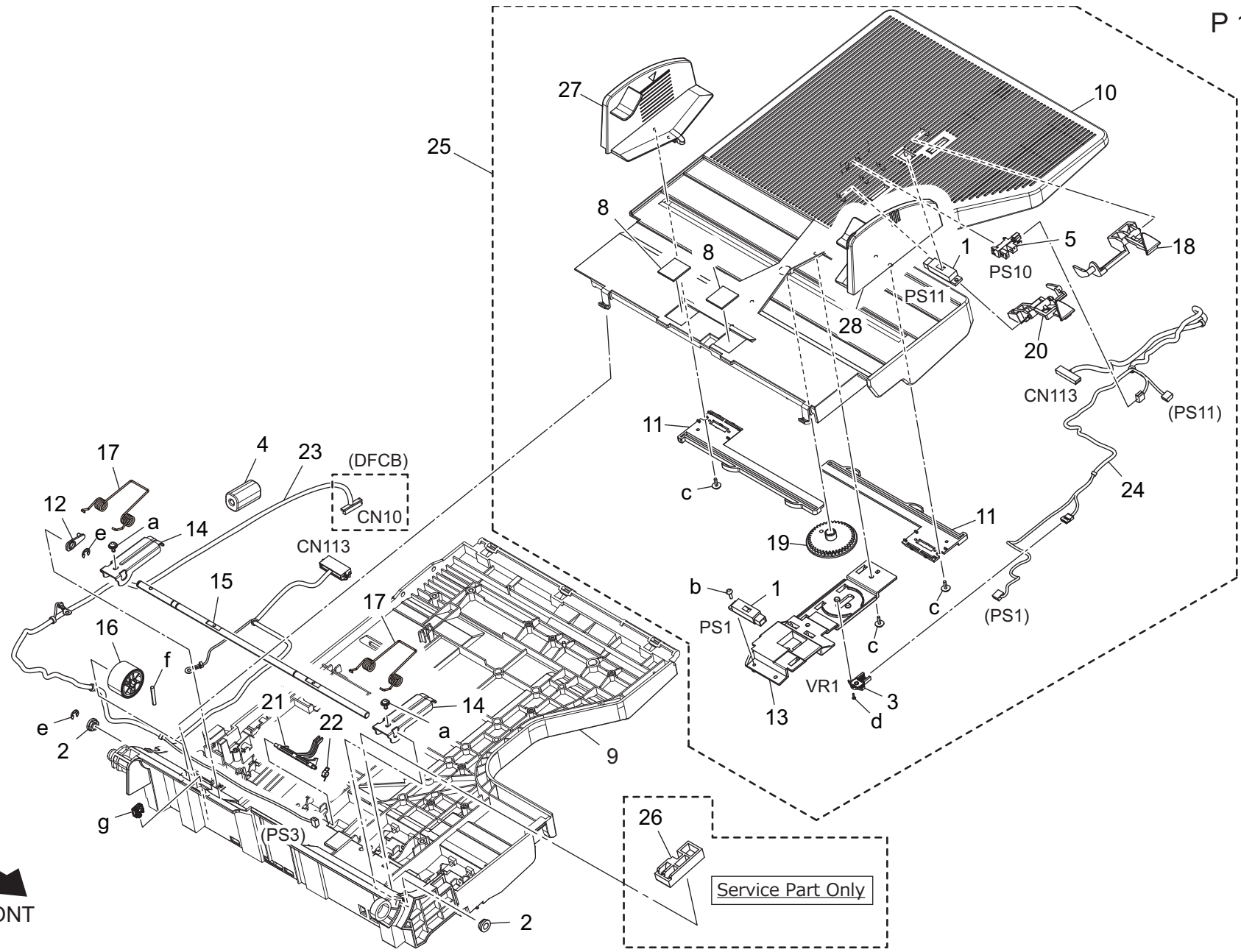


Key	Part No.	Description	Destinations	Class	QTY	Standard parts
1	4556M10000	Fan Motor		B	1	a-V115030403
2	A161210200	Bushing		D	2	b-V115030803
3	A782130500	Mounting Plate		D	1	c-V116033003
4	A782566000	Mounting Plate		D	1	d-V144030603
5	A782570800	Mounting Plate		D	1	e-V217030003
6	A782571100	Gear /5 18T		C	1	f-V217040003
7	A782571201	Gear /4 32T		C	1	g-V218040086
8	A782571300	Gear /3 47T/18T		C	1	h-V234201250
9	A782571400	Gear /7 25T		C	1	j-V500020098
10	A782571500	Torque limiter		C	1	
11	A782571600	Gear /8 39T		C	1	
12	A782572000	Flange		C	1	
13	A782572900	Torsion Coil spring /5		C	1	
14	A782573401	Shaft		D	1	
15	A782573800	Pin		D	1	
16	A782M10100	Brushless motor		C	1	

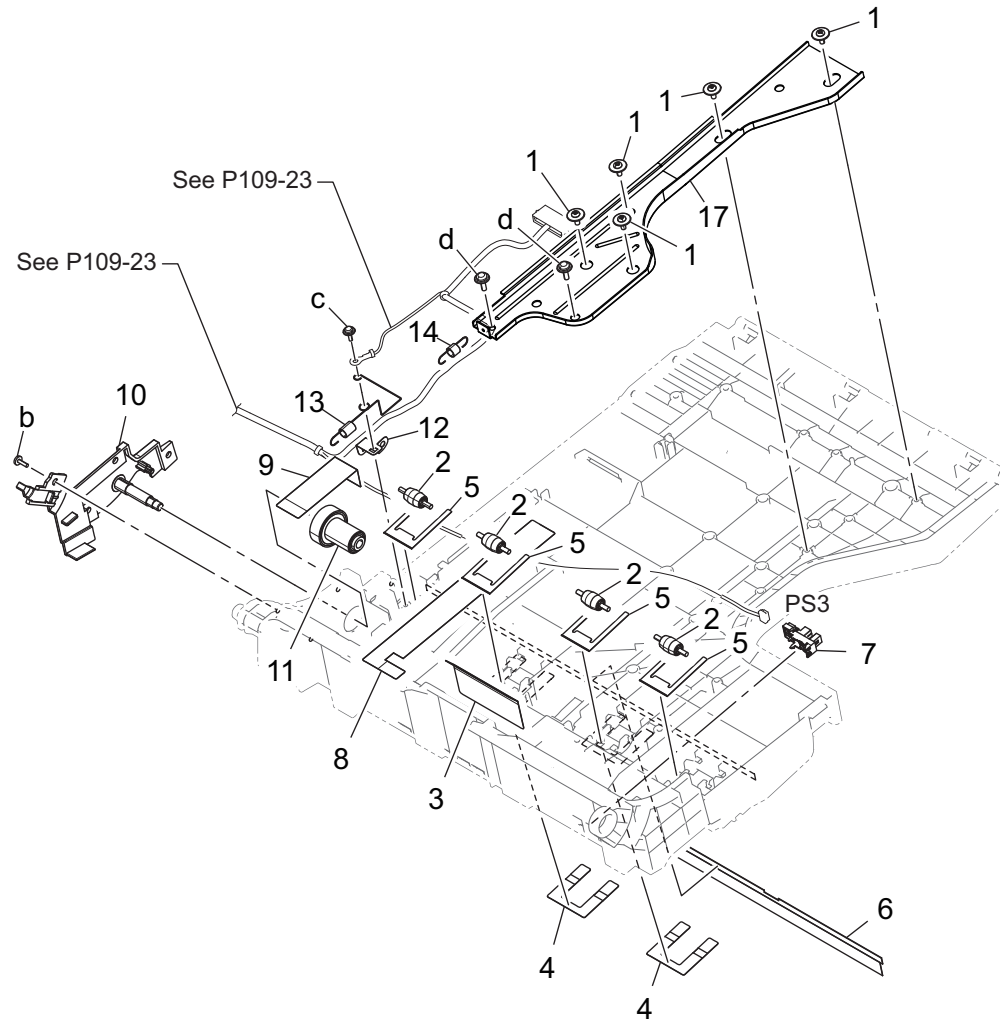




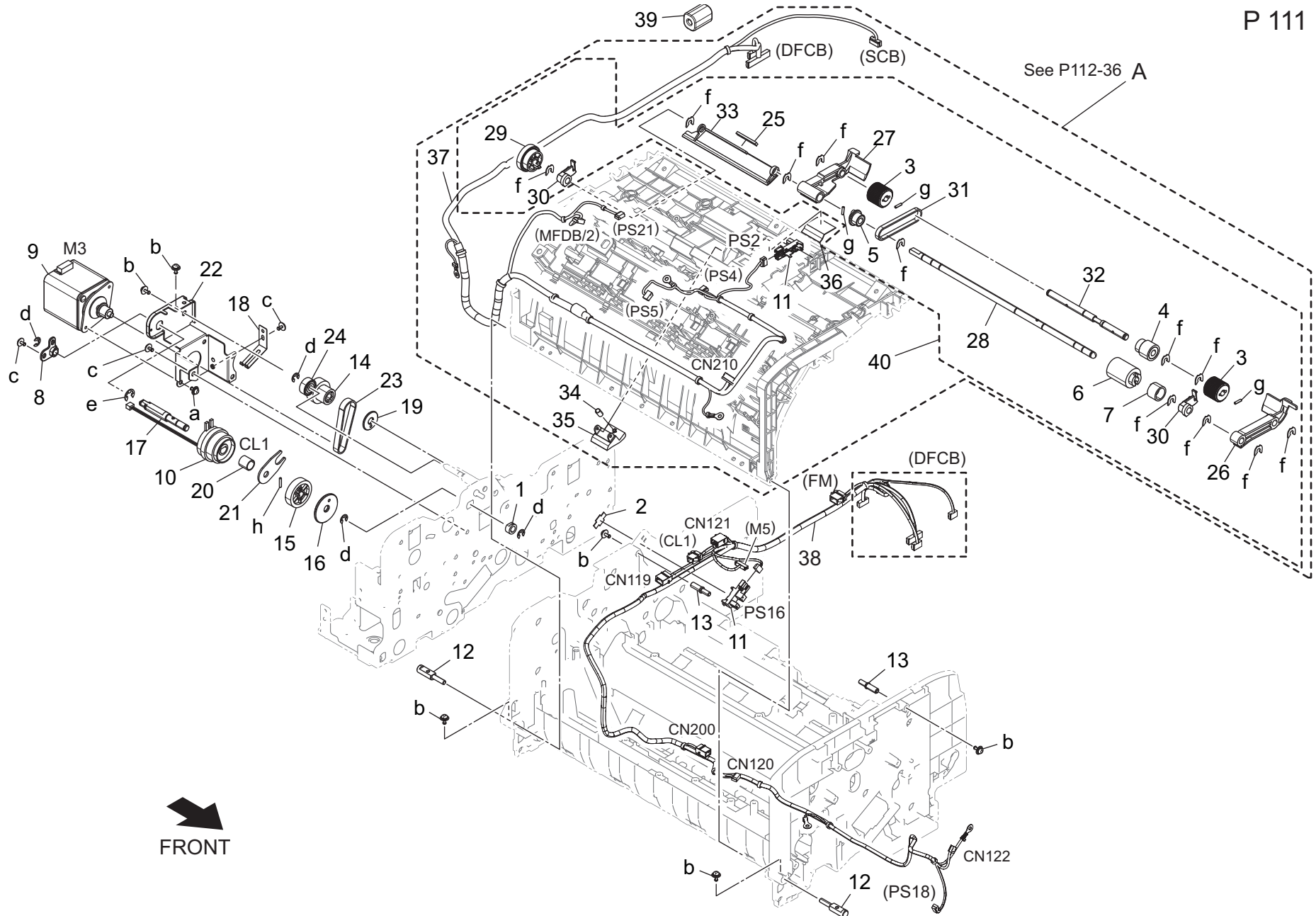
FRONT



Key	Part No.	Description	Destinations	Class	QTY	Standard parts
1	A108M50000	Photorelector		B	2	a-V116030803
2	A161210200	Bushing		D	2	b-V145030803
3	A1UDM50100	Volume		D	1	c-V153030803
4	A3EWM90300	Ferritecore		D	1	d-V166170504
5	A5C1M50100	Photointerrupter		B	1	e-V217040003
8	A782561000	Friction Plate		C	2	f-V234302050
9	A782561115Old	Tray		D	1	g-V500020098
9	A782561126	Tray		D	1	
10	A782561703	Lifting Plate		C	1	
11	A782562001	Rack		C	2	
12	A782562400	Washer		C	1	
13	A782562600	Mounting Plate		D	1	
14	A782566800	Lever		D	2	
15	A782566900	Shaft		D	1	
16	A782568500	Gear /7 34T		C	1	
17	A782573601Old	Torsion Coil spring /A		C	2	
17	A782573612	Torsion Coil spring /A		C	2	
18	A782600101	Arm /1		C	1	
19	A782600900	Gear 40T		C	1	
20	A782601500	Arm /2		C	1	
21	A782891800	Actuator		C	1	
22	A782891901	Paper exit Spring /6		C	1	
23	A782N10300	ADF Wiring /4		C	1	
24	A782N10400	ADF Wiring /5		C	1	
25	A782R70311	Lifting Plate ASSY		D	1	
26	A782P18000	Reinforce Part		D	1	
27	A782R71200	Regulating Plate Assy /Rear		D	1	
28	A782R71100	Regulating Plate Assy /Front		D	1	

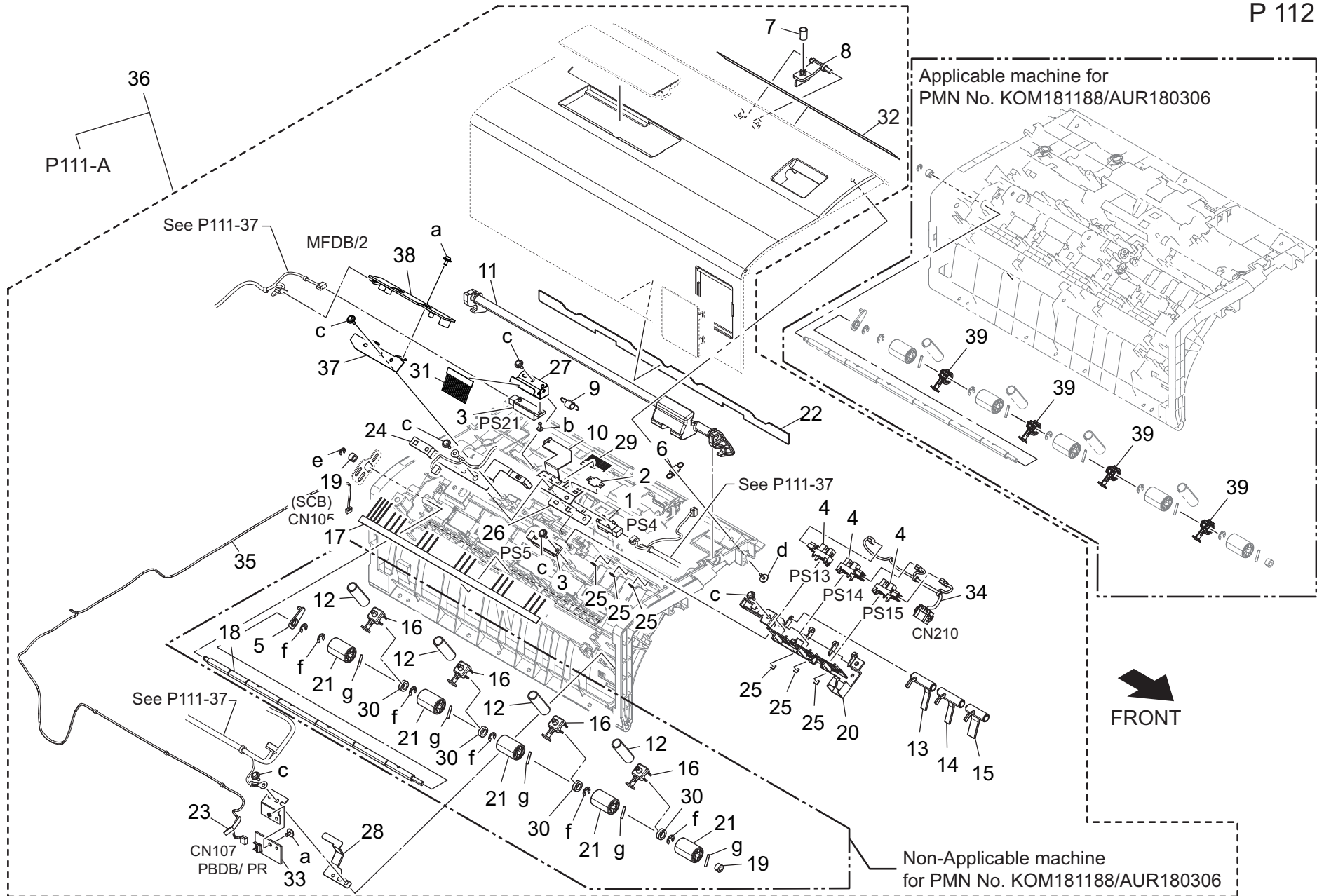


Key	Part No.	Description	Destinations	Class	QTY	Standard parts	
1	4163529301	SCREW		C	5	b-V149030803 c-V153030803 d-V153041003	
2	9J07300801	ROLL		C	4		
3	9J07341102	GUIDE		D	1		
4	A108561500	Guide		D	2		
5	A108890500	Plate spring		D	4		
6	A108891300	Neutralizing Brush		C	1		
7	A5C1M50100	Photointerrupter		B	1		
8	A782561801	Protection Seal /1		D	1		
9	A782561900	Protection Seal /2		D	1		
10	A782565011	Cover		D	1		
11	A782570900	Gear /6 23T		C	1		
12	A782571800	Ground Plate		C	1		
13	A782571900	Pulling Coil spring		C	1		
14	A782572101	Pulling Coil spring		C	1		
17	A782573901	Reinforce Plate /1		D	1		

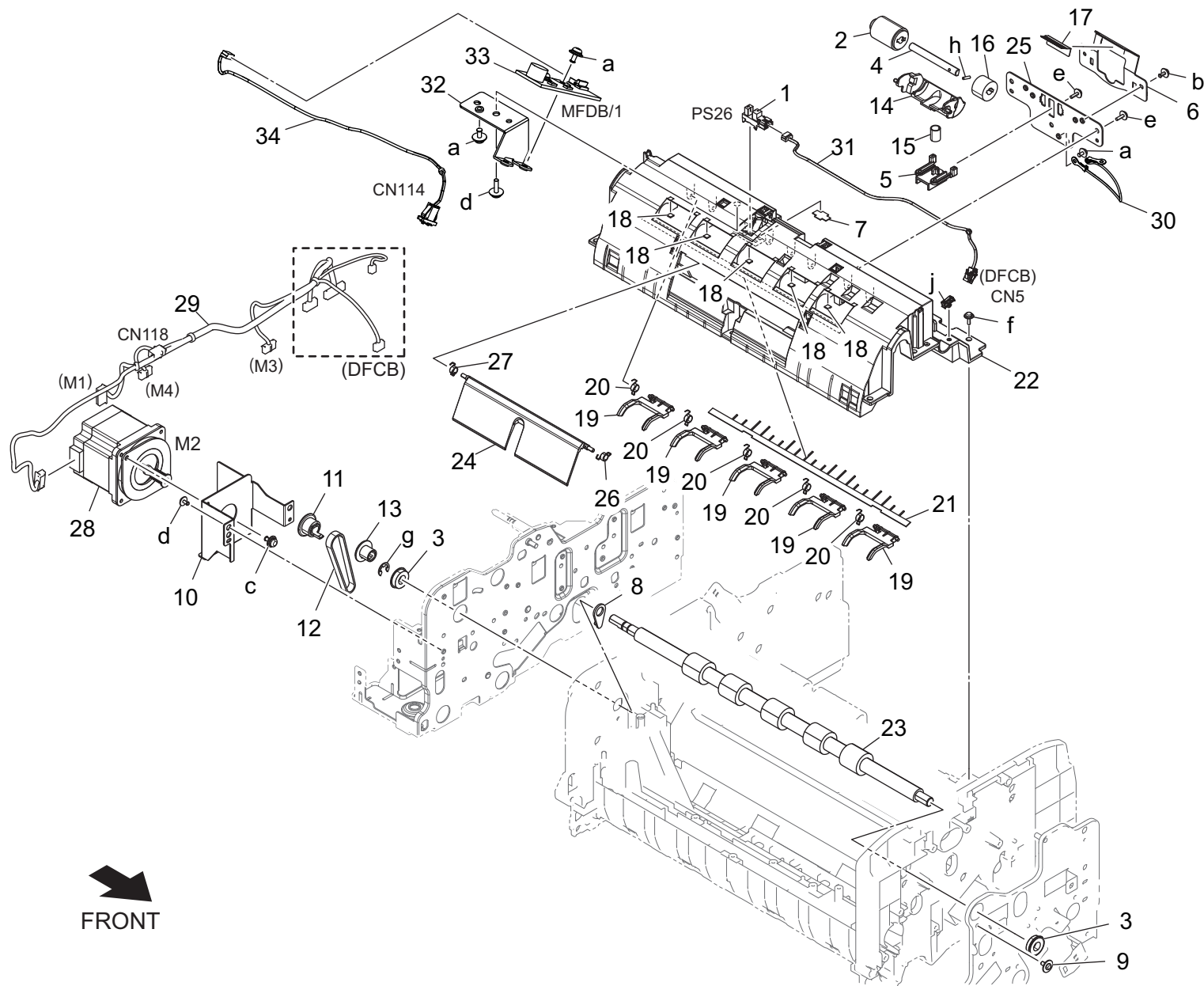


FRONT

Key	Part No.	Description	Destinations	Class	QTY	Standard parts
1	4131253701	BUSHING		C	1	a-V116030603 b-V116030803 c-V144030603 d-V217040003 e-V217060003 f-V218040086 g-V234200850 h-V234201050
2	4470402401	Stopper		D	1	
3	9J07330102	Roller		A	2	
4	9J07330801	Pulley 21T		C	1	
5	9J07331901	Pulley 19T		C	1	
6	A00J563600	Roller		A	1	
7	A07H570500	Clutch		C	1	
8	A108260700	Bushing		D	1	
9	A2X0M10300	Stepping motor		C	1	
10	A3CKM20000	Clutch		C	1	
11	A5C1M50100	Photointerrupter		B	2	
12	A782101000	Shaft		C	2	
13	A782101600	Positioning Shaft /1		C	2	
14	A782211300	Pulley 27T		C	1	
15	A782211400	Gear 27T		C	1	
16	A782211500	Ring		D	1	
17	A782211600	Shaft		D	1	
18	A782211700	Ground Plate		C	1	
19	A782211800	Flange		C	1	
20	A782211900	Compressing Spring		C	1	
21	A782212000	Holder		D	1	
22	A782212702	Mounting Plate		D	1	
23	A782214300	Timing belt 124L		C	1	
24	A782215800	Gear		D	1	
25	A782562101	Cushion		C	1	
26	A782568901	Arm /Front		C	1	
27	A782569000	Arm /Front		C	1	
28	A782569200	Paper feed Shaft		D	1	
29	A782569300	Gear /2 25T		C	1	
30	A782569801	Lever /2		C	2	
31	A782569900	Timing belt 128L		C	1	
32	A782573501	Shaft		D	1	
33	A782576100	Guide Plate		D	1	
34	A782704301	Spring		C	1	
35	A782707201	Guide /J		D	1	
36	A782707400	Light blocking Part		D	1	
37	A782N10200	ADF Wiring /3		D	1	
38	A782N20300	ADF Wiring		D	1	
39	A79JM90A00	Ferritecore		D	1	
40	A782R70800	Pick Up ASSY		C	1	

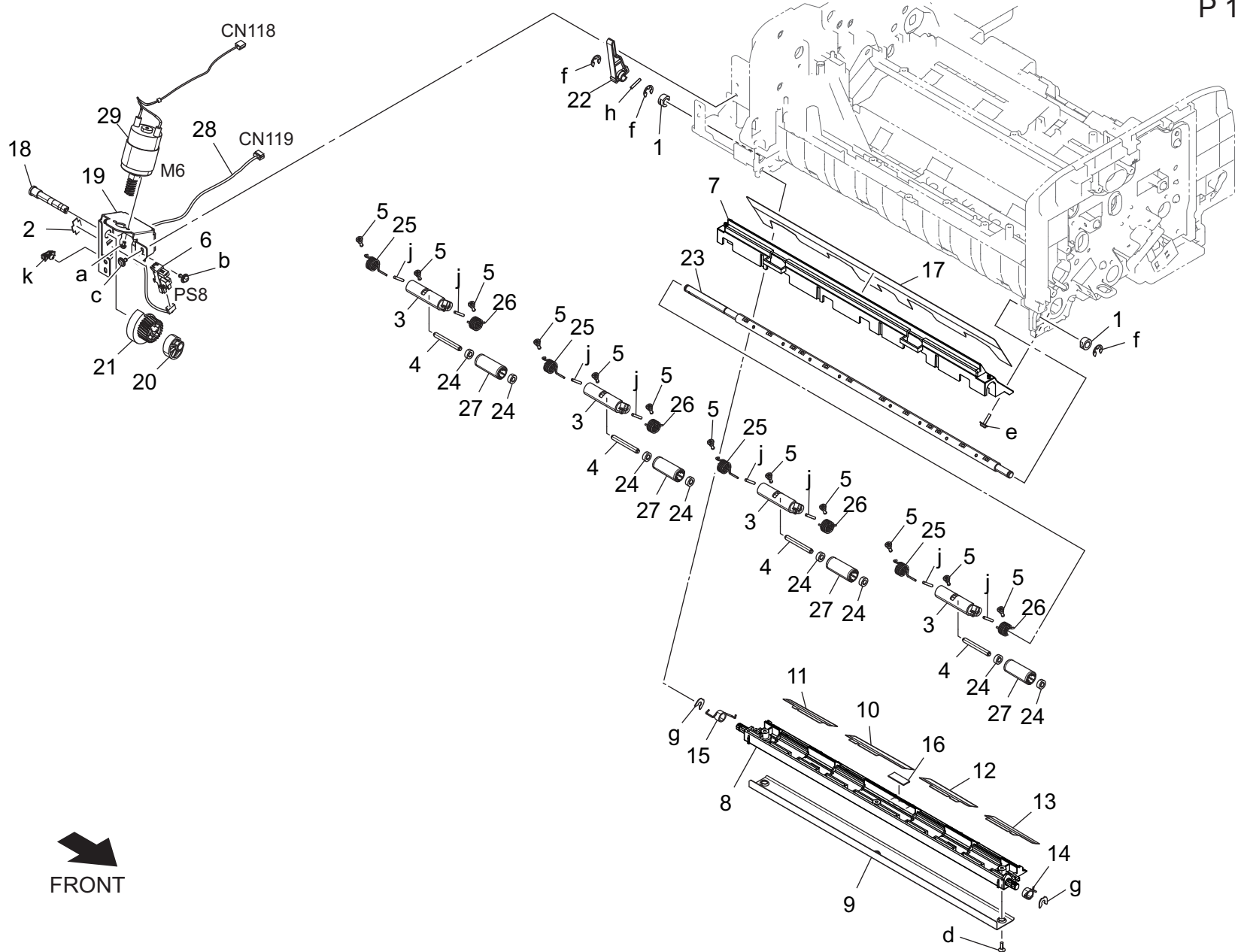


Key	Part No.	Description	Destinations	Class	QTY	Standard parts
1	9335140071	Solid State Switch		B	1	a-V116030603
2	A108703100	Stopper	ストッパ (センサー)	D	1	b-V135030603
3	A108M50000	Photoreflector	反射型センサ	B	2	c-V153030803
4	A5C1M50100	Photointerrupter	透過型センサ	B	3	d-V153030804
5	A782562400	Washer	ワッシャ	C	1	e-V217030001
6	A782565301	Pulling Coil spring	引張りコイルばね	C	1	f-V217040001
7	A782570400	Spring	ばね	C	1	g-V234201250
8	A782570602	Lever /1	レバー /1	D	1	
9	A782572101	Pulling Coil spring	引張りコイルばね	C	1	
10	A782700400	Mounting Plate	取付板	D	1	
11	A782700801	Open/close Lever	開閉レバー	D	1	
12	A782700900	Compressing Spring	圧縮ばね	C	4	
13	A782701000	Actuator /1	アクチュエータ /1	C	1	
14	A782701100	Actuator /2	アクチュエータ /2	C	1	
15	A782701200	Actuator /3	アクチュエータ /3	C	1	
16	A782701400	Rotation Pedestal	回転台	D	4	
17	A782701501	Neutralizing Brush	除電ブラシ	C	1	
18	A782702600	Rotation Shaft	回転軸	D	1	
19	A782702700	Bushing	すべり軸受	C	2	
20	A782702801	Mounting Plate	取付板	D	1	
21	A782703001	Idler Roll	従動ころ	D	5	
22	A782703401	Sealing Rubber	シールゴム	C	1	
23	A782703900	Wiring Cover	配線カバー	D	1	
24	A782704101	Ground Plate	アース板	C	1	
25	A782704200	Adjusting Cushion	調整クッション	C	6	
26	A782704400	Scatteringprevention Plate	飛散防止板	D	1	
27	A782704501	Mounting Plate	取付板	D	1	
28	A782704700	Ground Plate /Lower	アース板 /下	D	1	
29	A782704800	Neutralizing Brush	除電ブラシ	C	1	
30	A782704901	Ball bearing	ボールベアリング	C	4	
31	A782705600	Neutralizing Brush /1	除電ブラシ /1	D	1	
32	A782940400	Label	ラベル (原稿サイズ)	C	1	
33	A782M50200	Photointerrupter /R	透過型センサ /R	C	1	
34	A782N11100	ADF Wiring /12	ADF 東線 /1 2	D	1	
35	A782N20100	ADF Wiring	ADF 東線	D	1	
36	A782R70611	Top Cover Assy	Top カバー Assy	D	1	
37	A8WC700500	Mounting Plate /Upper	取付板 /上	D	1	
38	A8WCH00300	Paperfeed Detection board/R Assembly	給紙検知基板 /R ASSY	I	1	
39	A782701900	Bushing	すべり軸受 (レジスト)	C	4	



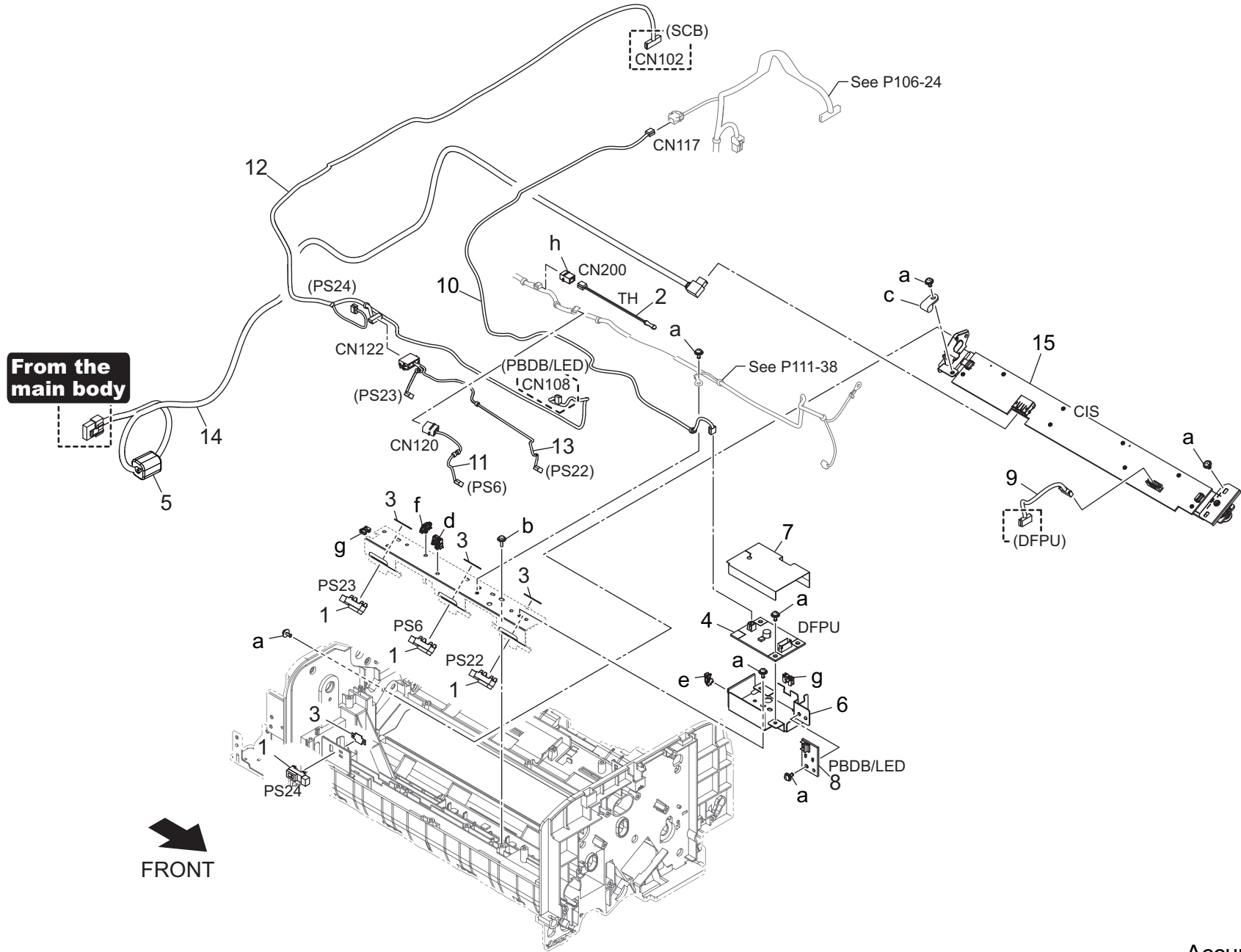
FRONT

Key	Part No.	Description	Destinations	Class	QTY	Standard parts
1	4470402401	Stopper		D	1	a-V116030603
2	9J07340901	ROLLER		A	1	b-V116030803
3	A00V240600	Ball Bearing		B	2	c-V116040803
4	A0HT561202	Shaft		C	1	d-V144030603
5	A3CK565100	Holder		D	1	e-V153030803
6	A3CK568300	Guide		D	1	f-V153031004
7	A5C1M50100	Photointerrupter		B	1	g-V217060001
8	A782115700	Washer /1		C	1	h-V234200850
9	A782117900	Shoulder screw		C	1	j-V500020099
10	A782212600	Mounting Plate /B		D	1	
11	A782213000	Gear 23T		C	1	
12	A782214400	Timing belt 150L		C	1	
13	A782215100	Collar		C	1	
14	A782568200	Holder		C	1	
15	A782568600	Spring		C	1	
16	A782568701	Torque limiter		A	1	
17	A782576000	Neutralizing Brush		C	1	
18	A782704200	Adjusting Cushion		C	5	
19	A782710000	Lever /Upper		C	5	
20	A782710100	Spring /1		C	5	
21	A782710201	Neutralizing Brush		C	1	
22	A782710806	Guide		D	1	
23	A782711000	Conveyance Roller		C	1	
24	A782711901	Lever /1		C	1	
25	A782712300	Mounting Plate /2		D	1	
26	A782714100	Spring /Lower		C	1	
27	A782714200	Spring /Lower		C	1	
28	A782M10000	Stepping motor		C	1	
29	A782N10100	ADF Wiring /2		D	1	
30	A782N12700	ADF Wiring /B		D	1	
31	A782N20400	ADF Wiring		D	1	
32	A8WC710500	Mounting Plate /Lower		D	1	
33	A8WCH00200	Paperfeed Detection board/S Assembly		I	1	
34	A8WCN10100	ADF Wiring /B		D	1	



FRONT

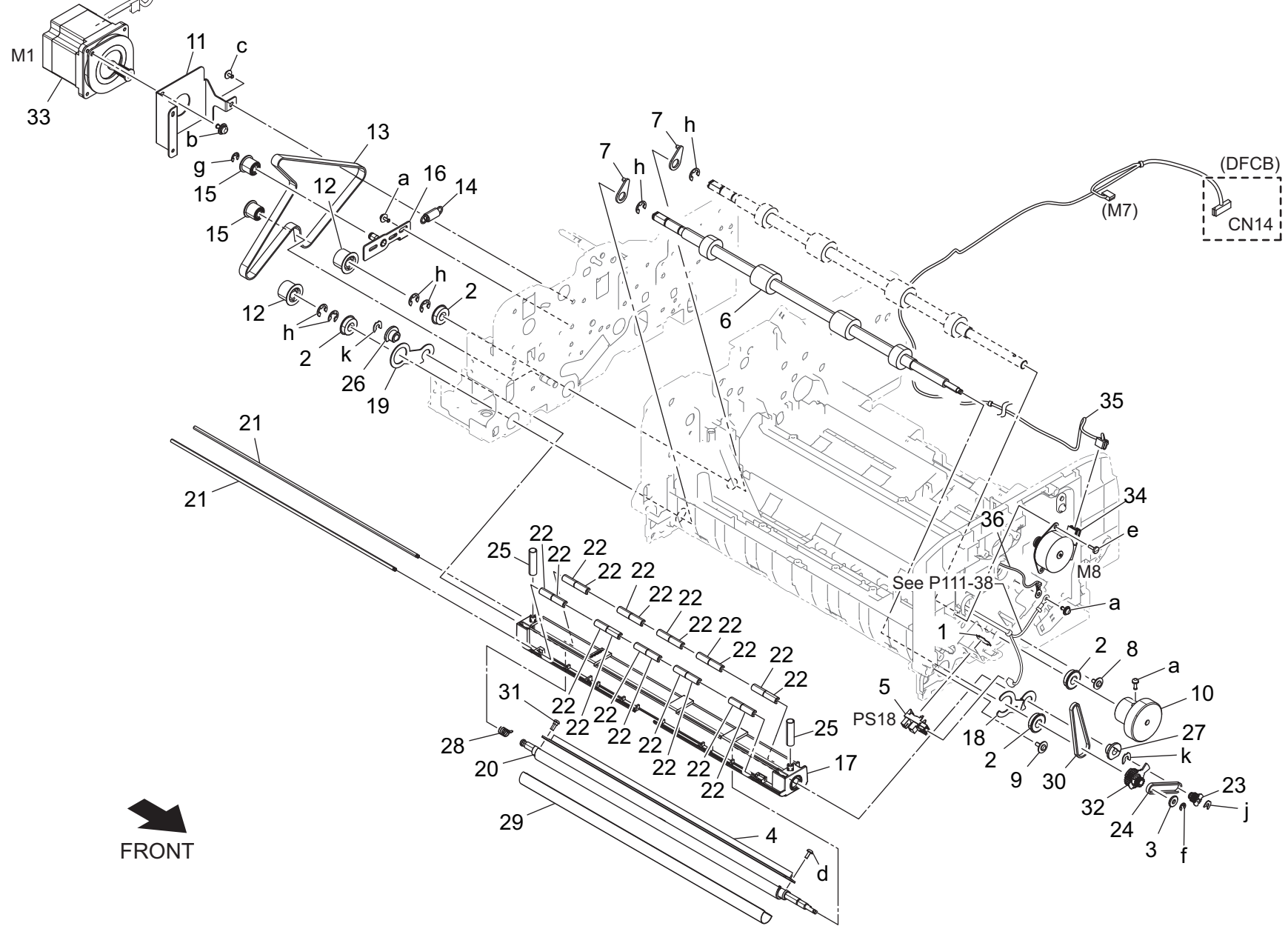
Key	Part No.	Description	Destinations	Class	QTY	Standard parts
1	4131253701	BUSHING		C	2	a-V115260403
2	4470402401	Stopper		D	1	b-V116030803
3	A3CK272001	Lever		C	4	c-V144030603
4	A3CK272200	Shaft		D	4	d-V147030803
5	A3CK272600	Shoulder screw		C	12	e-V153031003
6	A5C1M50100	Photointerrupter		B	1	f-V217050001
7	A782100001	Guide		D	1	g-V218040086
8	A782100102	Guide		C	1	h-V234201250
9	A782100200	Reinforce Plate		D	1	j-V234201450
10	A782100301	Guide /1		C	1	k-V500020099
11	A782100400	Guide /2		C	1	
12	A782100501	Guide /3		C	1	
13	A782100600	Guide /4		C	1	
14	A782100701	Torsion Coil spring		C	1	
15	A782100802	Torsion Coil spring		C	1	
16	A782104700	Cushion		C	1	
17	A782116801	Guide		C	1	
18	A782213400	Shaft		D	1	
19	A782260200	Fixing Plate		D	1	
20	A782260400	Cam		C	1	
21	A782260501	Gear 26T		C	1	
22	A782260600	Lever		C	1	
23	A782260700	Support Shaft		D	1	
24	A782272200	Ball bearing /1		C	8	
25	A782272301	Torsion Coil spring /1		C	4	
26	A782272401	Torsion Coil spring /2		C	4	
27	A782272800	Roll		C	4	
28	A782N12100	ADF Wiring /30		D	1	
29	A782R70100	Breakaway Motor ASSY		C	1	



Key	Part No.	Description	Destinations	Class	QTY	Standard parts
1	9335140071	Solid State Switch		B	4	a-V116030803
2	A0P0M50300	Thermistor		C	1	b-V153030803
3	A108703100	Stopper		D	4	c-V500020018
4	A3CKH00400	PWB Assembly(PWB-DC Assy)		I	1	d-V500020098
5	A61FM90200	Ferritecore		D	1	e-V500020099
6	A782116201	Plate		D	1	f-V500020100
7	A782116301	Wiring Cover		C	1	g-V570010021
8	A782M50100	Photointerrupter /E		C	1	h-V651010034
9	A782N10900	ADF Wiring /10		D	1	
10	A782N12200	ADF Wiring /40		D	1	
11	A782N12300	ADF Wiring /50		D	1	
12	A782N20000	ADF Wiring		D	1	
13	A782N20201	ADF Relay Harness		D	1	
14	A782N21311	ADF Cable		D	1	
15	A782R71300	CIS Assy		I	1	

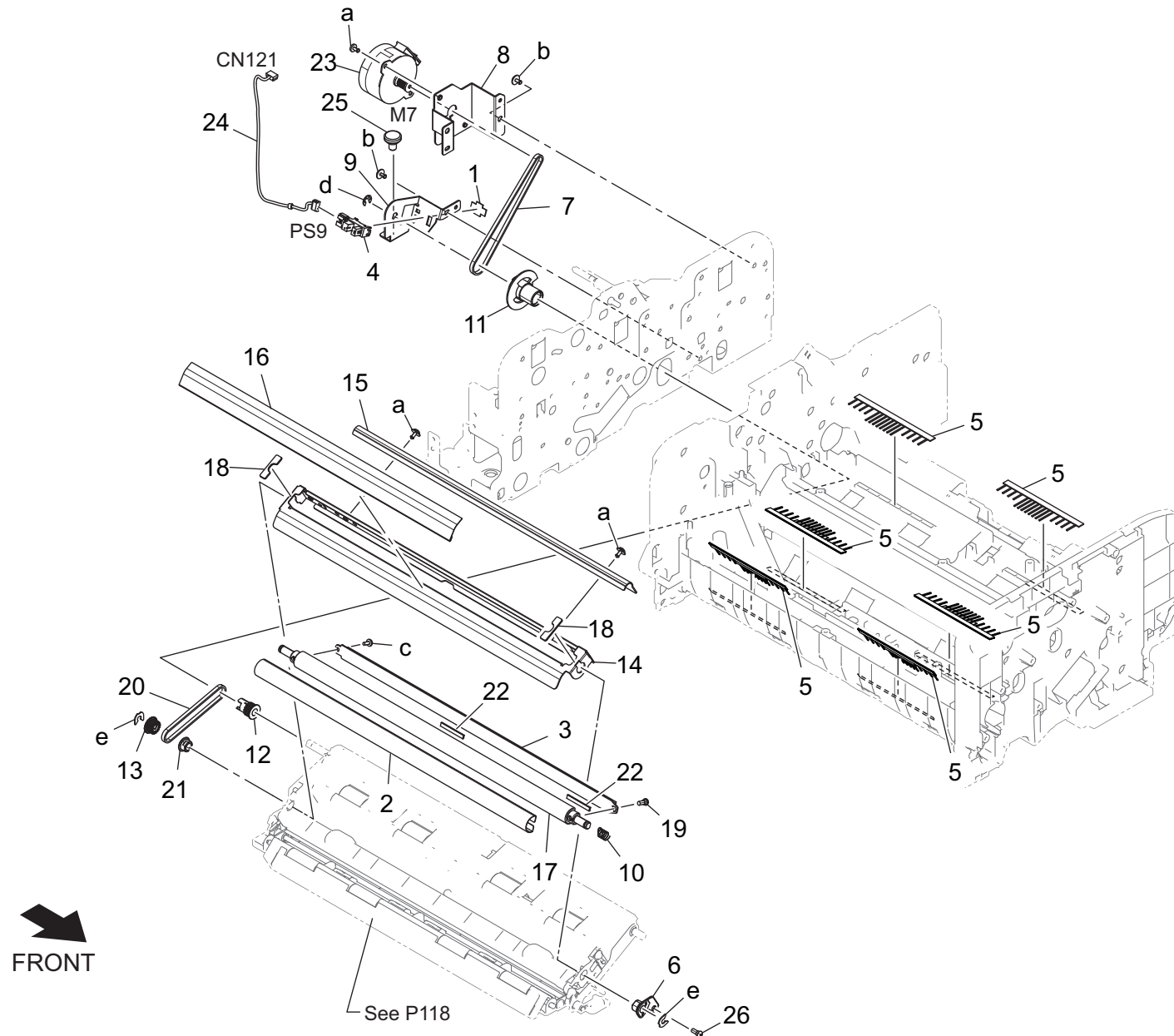


See P113-29

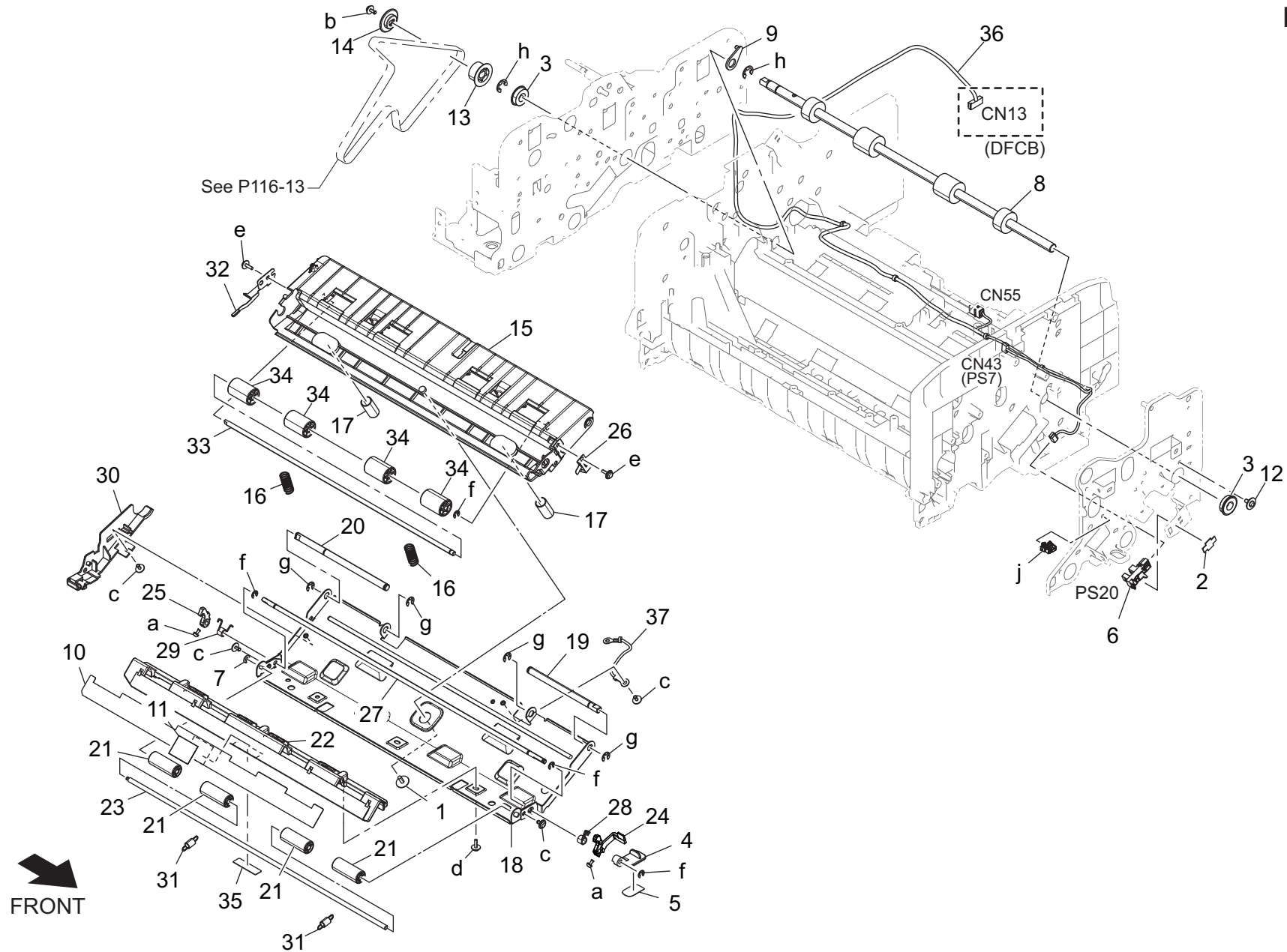


FRONT

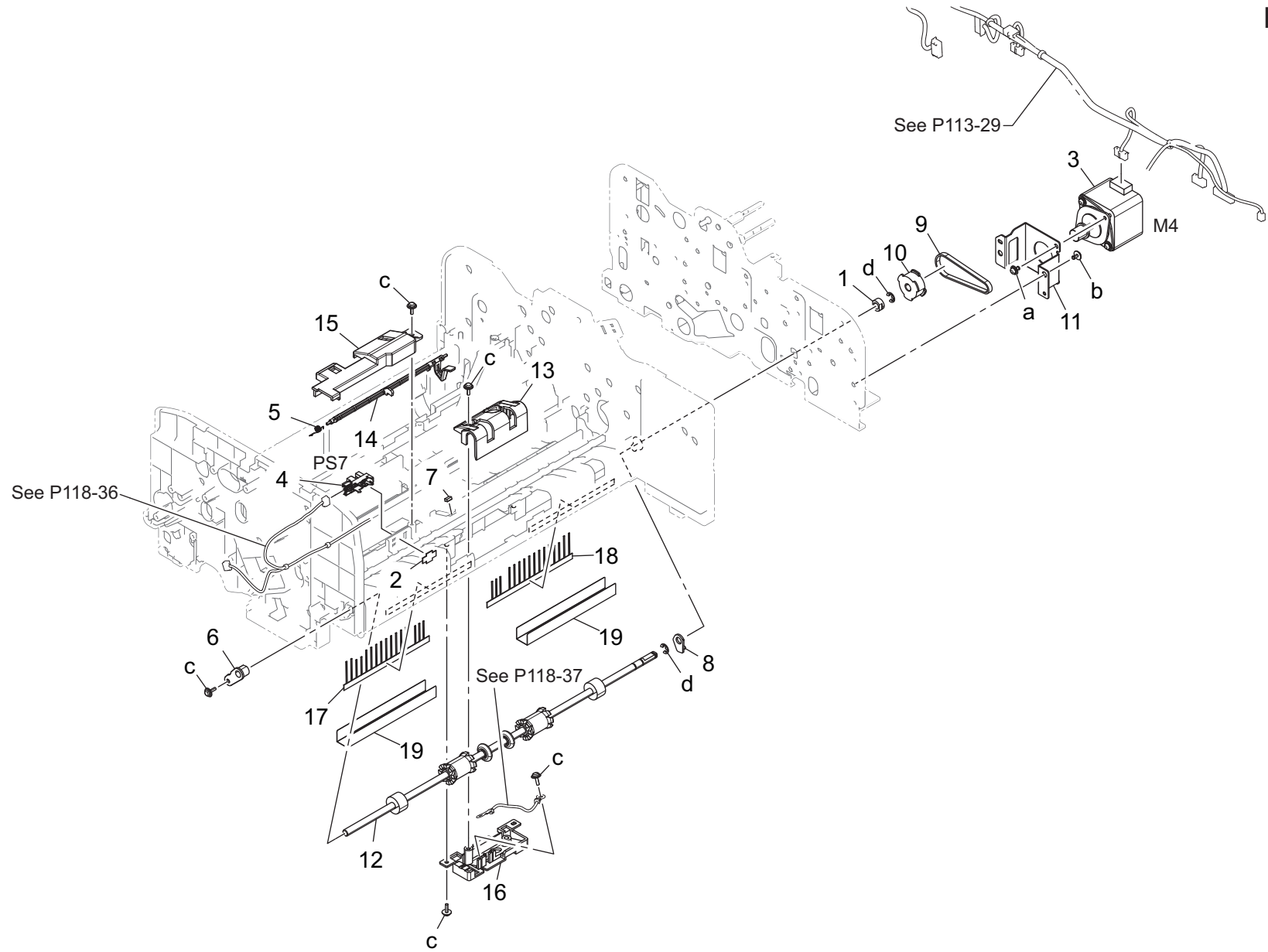
Key	Part No.	Description	Destinations	Class	QTY	Standard parts
1	4470402401	Stopper		D	1	a-V115030803
2	A00V240600	Ball Bearing		B	4	b-V116040803
3	A0HU250500	Flange		D	1	c-V144030603
4	A3CK300200	Brush		C	1	d-V145030603
5	A5C1M50100	Photointerrupter		B	1	e-V149030803
6	A782102900	Roller		D	1	f-V217030001
7	A782115700	Washer /1		C	2	g-V217040001
8	A782117900	Shoulder screw		C	1	h-V217060001
9	A782118000	Shoulder screw		C	1	j-V218030086
10	A782118300	Weight		D	1	k-V218040086
11	A782212300	Mounting Plate		D	1	
12	A782213100	Pulley /2 27T		C	2	
13	A782213300	Timing belt 468L		C	1	
14	A782215700	Pulling Coil spring		D	1	
15	A782230700	Pulley		C	2	
16	A782231000	Tension Plate		D	1	
17	A782262101	Guide		C	1	
18	A782262200	Arm		D	1	
19	A782262300	Arm		D	1	
20	A782262501	Shaft		D	1	
21	A782262700	Shaft		D	2	
22	A782262800	Roll		C	20	
23	A782262900	Pulley 14T		C	1	
24	A782263000	Belt 100L		C	1	
25	A782263300	Compressing Coil spring		C	2	
26	A782263700	Bushing		C	1	
27	A782263801	Bushing		C	1	
28	A782264300	Spring		D	1	
29	A782264501	Sheet		C	1	
30	A782268900	Belt 140L		C	1	
31	A782269200	Shoulder screw		C	1	
32	A782269800	Pulley T25		C	1	
33	A782M10000	Stepping motor		C	1	
34	A782M10200	Stepping motor		C	1	
35	A782N10501	ADF Wiring /6		D	1	
36	A782N12600	ADF Wiring /A		D	1	



Key	Part No.	Description	Destinations	Class	QTY	Standard parts
1	4470402401	Stopper		D	1	a-V143030603 b-V144030603 c-V145030603 d-V217040001 e-V218040086
2	A3CK300102	Sheet (清掃軸)		C	1	
3	A3CK300200	Brush		C	1	
4	A5C1M50100	Photointerrupter		B	1	
5	A782104301	Neutralizing Brush		D	6	
6	A782263201Old	Bushing		C	1	
6	A782263212	Bushing		C	1	
7	A782264000	Belt 230L		C	1	
8	A782264101	Mounting Plate		D	1	
9	A782264202	Mounting Plate		D	1	
10	A782264300	Spring		D	1	
11	A782264400	Pulley T25		C	1	
12	A782264600	Pulley T18		C	1	
13	A782264700	Pulley /2 T18		C	1	
14	A782264800	Housing		D	1	
15	A782265201	Mounting Plate		D	1	
16	A782265300	Sheet /1		D	1	
17	A782268301	Shaft		D	1	
18	A782268500	Spacer		D	2	
19	A782269200	Shoulder screw		C	1	
20	A782269300	Belt 154L		C	1	
21	A782269500	Bushing		C	1	
22	A782562101	Cushion		C	2	
23	A782M10400	Stepping motor		C	1	
24	A782N12400	ADF Wiring /60		D	1	
25	A0P0742300	Shoulder screw		C	1	
26	AAMP273000	Shoulder screw		C	1	



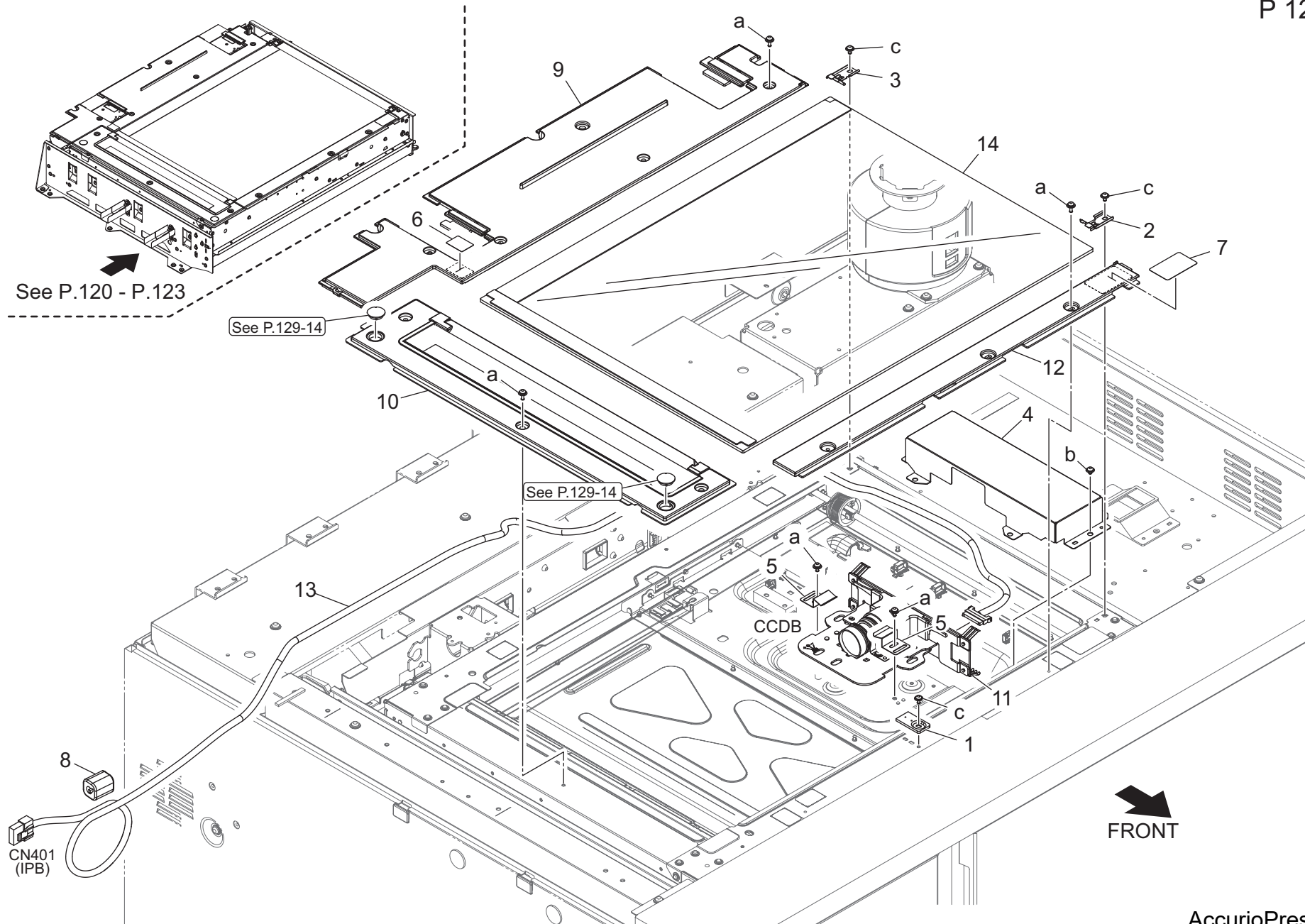
Key	Part No.	Description	Destinations	Class	QTY	Standard parts
1	4163529301	SCREW		C	1	a-V115260503
2	4470402401	Stopper		D	1	b-V116030803
3	A00V240600	Ball Bearing		B	2	c-V144030603
4	A108266300	Lock Lever		C	1	d-V149030803
5	A3CK940000	Label		C	1	e-V153030803
6	A5C1M50100	Photointerrupter		B	1	f-V217040003
7	A782103600	Slide Stopper		C	1	g-V217040003
8	A782115600	Roller		D	1	h-V217060001
9	A782115700	Washer /1		C	1	j-V500020098
10	A782117700	Conveyance Guide		D	1	
11	A782117800	Guide /Middle		D	1	
12	A782117900	Shoulder screw		C	1	
13	A782213500	Pulley 27T		C	1	
14	A782230900	Flange		C	1	
15	A782265102	Conveyance Guide		D	1	
16	A782265600	Compressing Coil		C	2	
17	A782265700	Compressing Coil spring		C	2	
18	A782265800	Cover /1		D	1	
19	A782266000	Open/close Shaft /Front		D	1	
20	A782266100	Shaft		D	1	
21	A782266200	Roll		C	4	
22	A782266300	Guide		D	1	
23	A782266401	Shaft		D	1	
24	A782266502	Lock Part /Front		D	1	
25	A782266601	Lock Part /Rear		D	1	
26	A782266700	Ground Plate spring		D	1	
27	A782266800	Open/close Shaft		D	1	
28	A782266900	Open/close Spring /Left		D	1	
29	A782267000	Open/close Spring /Right		D	1	
30	A782267100	Cover		D	1	
31	A782267200	Pulling Coil spring /3		C	2	
32	A782268001	Plate spring		D	1	
33	A782268201	Shaft		D	1	
34	A782563800	Idling Roller		C	4	
35	A782940300	Cover Film		C	1	
36	A782N10700	ADF Wiring /8		D	1	
37	A782N11800	ADF Wiring /19		D	1	



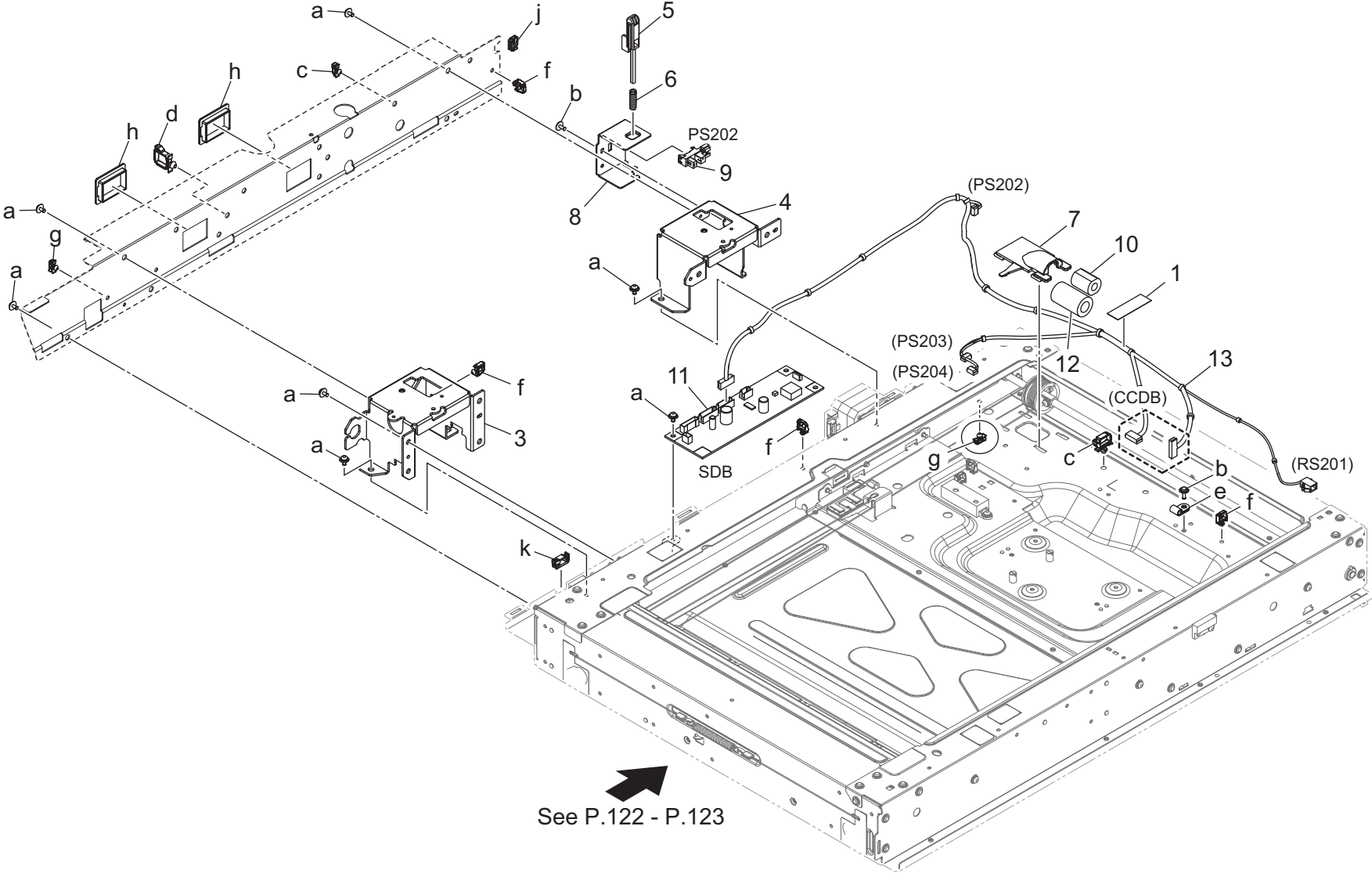
Key	Part No.	Description	Destinations	Class	QTY	Standard parts
1	4131253701	BUSHING		C	1	a-V116030603 b-V144030603 c-V153030803 d-V217040001
2	4470402401	Stopper		D	1	
3	A3CKM10300	Stepping motor		C	1	
4	A5C1M50100	Photointerrupter		B	1	
5	A782101900	Paper exit Spring		C	1	
6	A782103200	Bushing		C	1	
7	A782104500	Cushion		C	1	
8	A782115800	Paper exit Washer		C	1	
9	A782210200	Paper exit Timing belt 148L		C	1	
10	A782210800	Pulley 34T		C	1	
11	A782212500	Mounting Plate		D	1	
12	A782890000	Paper exit Roller		C	1	
13	A782890111	Paper exit Cover		D	1	
14	A782890200	Paper exit Actuator		C	1	
15	A782890600	Sensor Cover		D	1	
16	A782890711	Mounting Pedestal		D	1	
17	A782891500	Neutralizing Brush /1		C	1	
18	A782891600	Neutralizing Brush /2		C	1	
19	A782891700	Wiring Cover		D	2	

Scanner Section

P 120

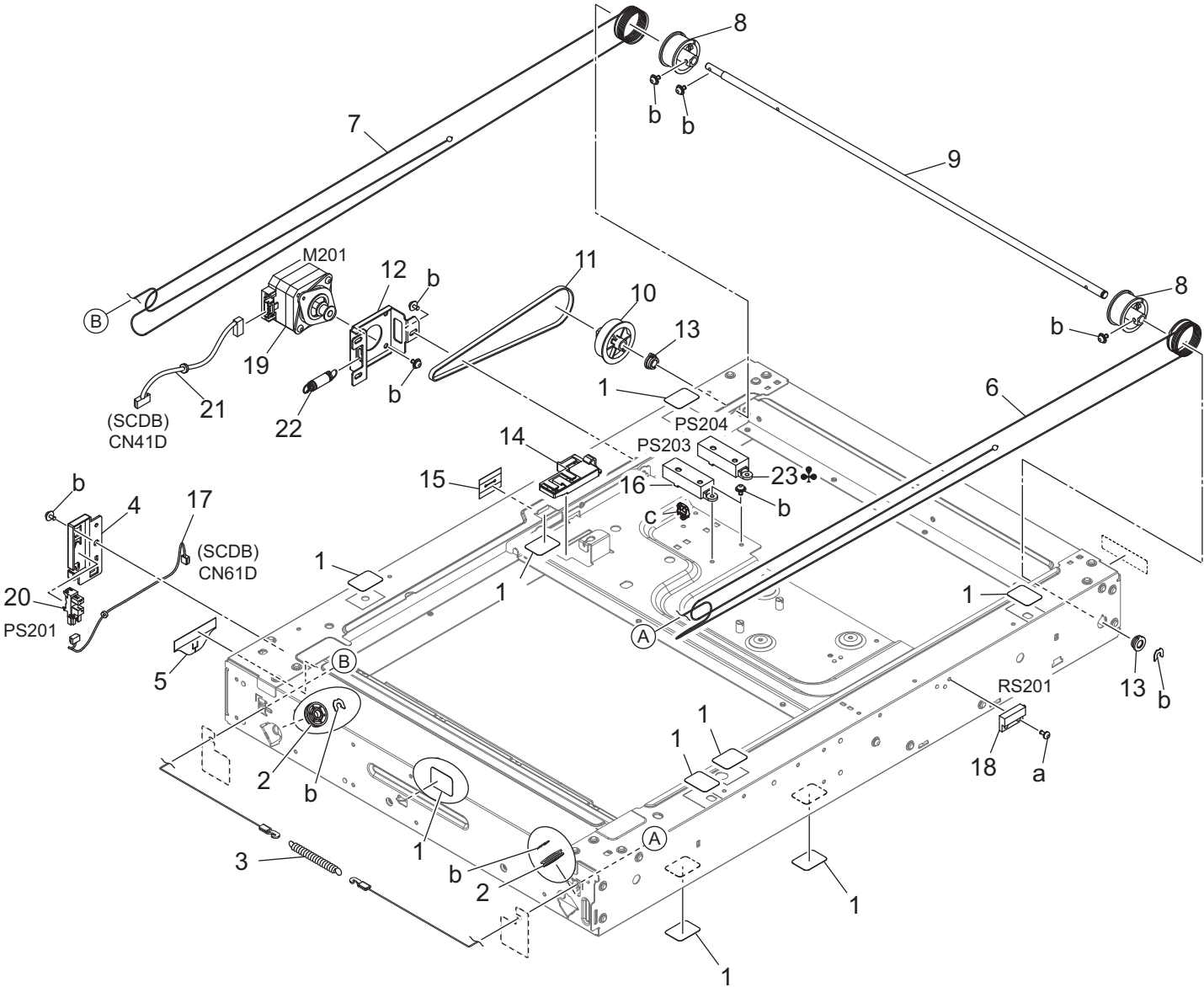


Key	Part No.	Description	Destinations	Class	QTY	Standard parts
1	A00J265300	Regulating Plate		C	1	a-V116030804 b-V127030516 c-V127030604
2	A161268200	Holding Plate		D	1	
3	A161268300	Holding Plate		D	1	
4	A161278600	Cover		D	1	
5	A161278900	Plate spring		D	2	
6	A161940602	Label		D	1	
7	A55D941100	Caution Label		D	1	
8	A61FM90200	Ferritecore		D	1	
9	A795167800	Read Cover /Upper		C	1	
10	A7PUR71133	Slit Glass Assy		C	1	
11	A9VER72500	CCD Assy		I	1	
12	A9JT170601	Read Cover		D	1	
13	ADF2N14600	CCD Cable		D	1	
14	A9JTR73000	Original Glass Assy		C	1	



See P.122 - P.123

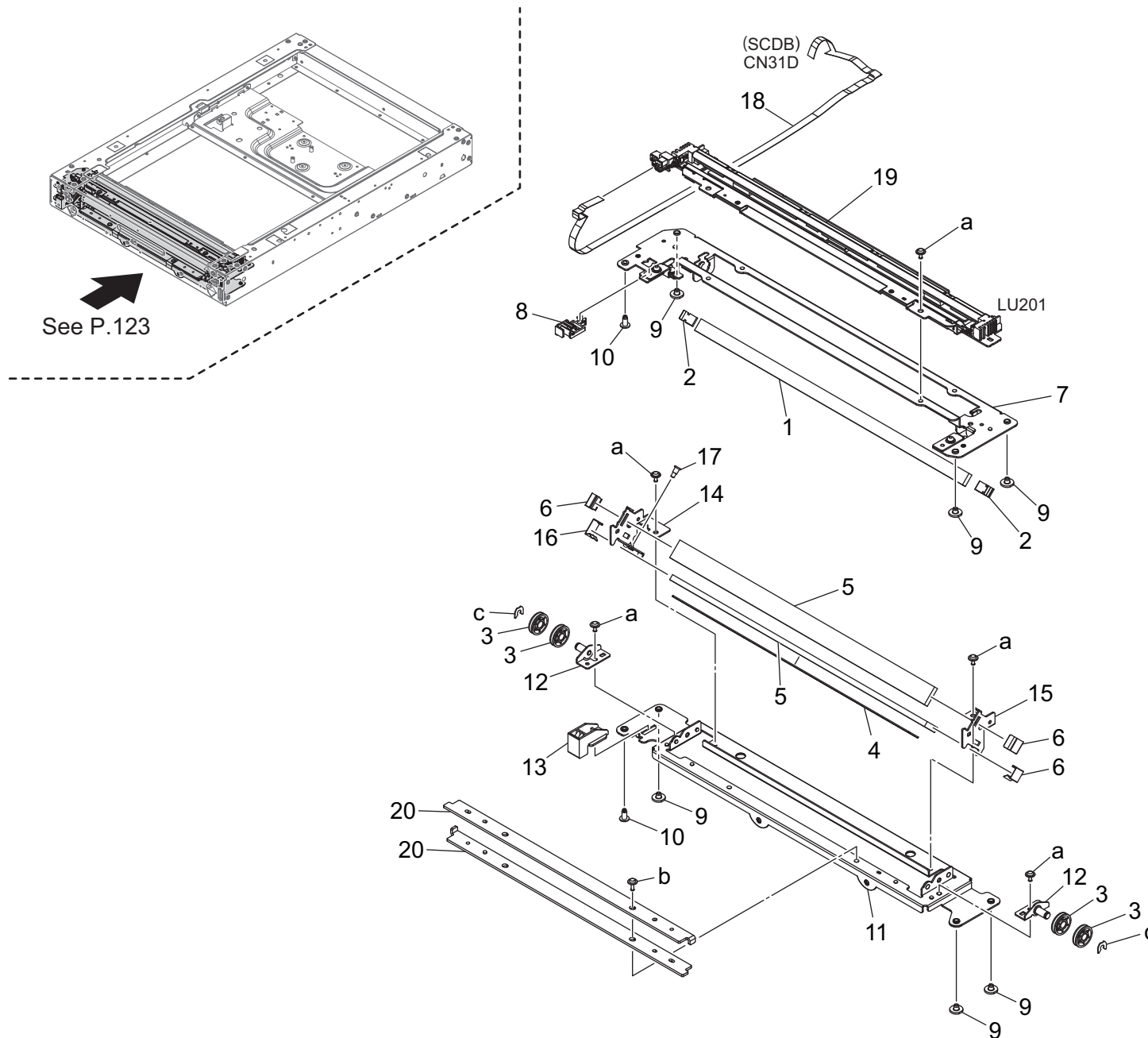
Key	Part No.	Description	Destinations	Class	QTY	Standard parts
1	4036307501	Tape		D	1	a-V127030604
3	A161261902	Frame		D	1	b-V137030804
4	A161262002	Frame		D	1	c-V500010082
5	A161280211	Lever		D	1	d-V500010083
6	A161280300	Compressing Coil spring		C	1	e-V500020069
7	A161281600	Guide		D	1	f-V500020098
8	A5C1280101	Mounting Plate		D	1	g-V500020099
9	A5C1M50100	Photointerrupter		B	1	h-V570010038
10	A61FM90200	Ferritecore		D	1	j-V570010056
11	A9JTH01A00	Scanner drive board Assembly		I	1	k-V570010057
12	A85CM91100	Ferritecore /2		D	1	
13	A85CN27800	Scanner Wiring /1		D	1	



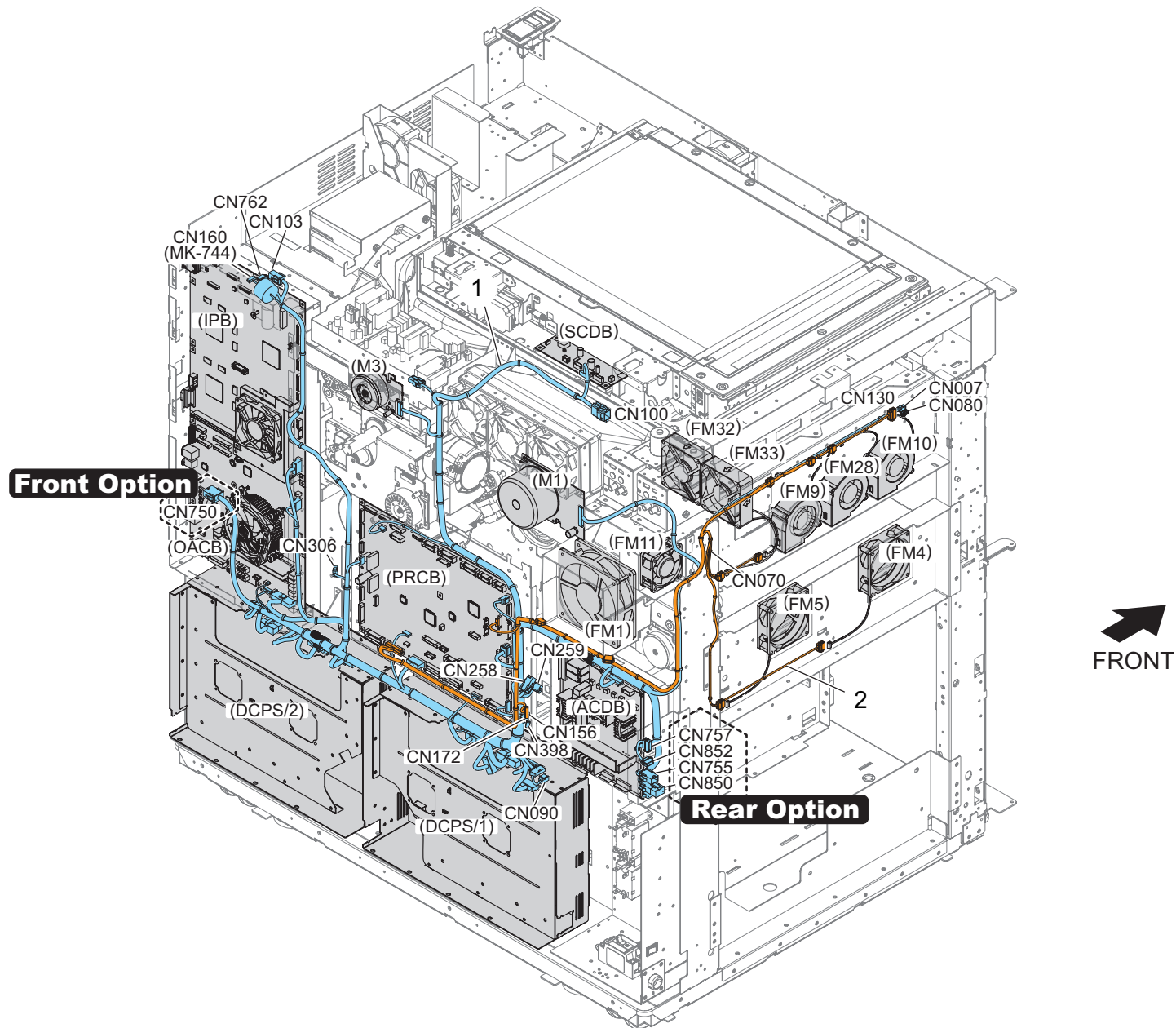
Key	Part No.	Description	Destinations	Class	QTY	Standard parts
1	4581162501	SEAL		C	9	a-V115030603 b-V218040086 c-V500020098
2	A0ED273600	Pulley		C	2	
3	A0ED276301	Pulling Spring		D	1	
4	A161262200	Cover		D	1	
5	A161263000	Seal		D	1	
6	A161275113	Wire /Front		C	1	
7	A161275213	Wire /Rear		C	1	
8	A161275300	Pulley		D	2	
9	A161275400	Shaft		D	1	
10	A161275500	Pulley 103T		D	1	
11	A161275600	Timing belt 335L		D	1	
12	A161276000	Mounting Plate		D	1	
13	A161276500	Bearing		D	2	
14	A161281100	Guide		D	1	
15	A161281300	Seal		D	1	
16	A161M50A00	APS Photoreflector		C	1	
17	A161N14201	Scanner Wiring /2		D	1	
18	A1UDM50200	Lead Switch		C	1	
19	A5C1M10A00	Stepping motor		C	1	
20	A5C1M50100	Photointerrupter		B	1	
21	A5C1N14300	Scanner Wiring		D	1	
22	A795275700	Pulling Spring		D	1	
23	A161M50A00	APS Photoreflector	D1,E,F2,G1,H,I(Except SOUTH AFRICA),K	C	1	



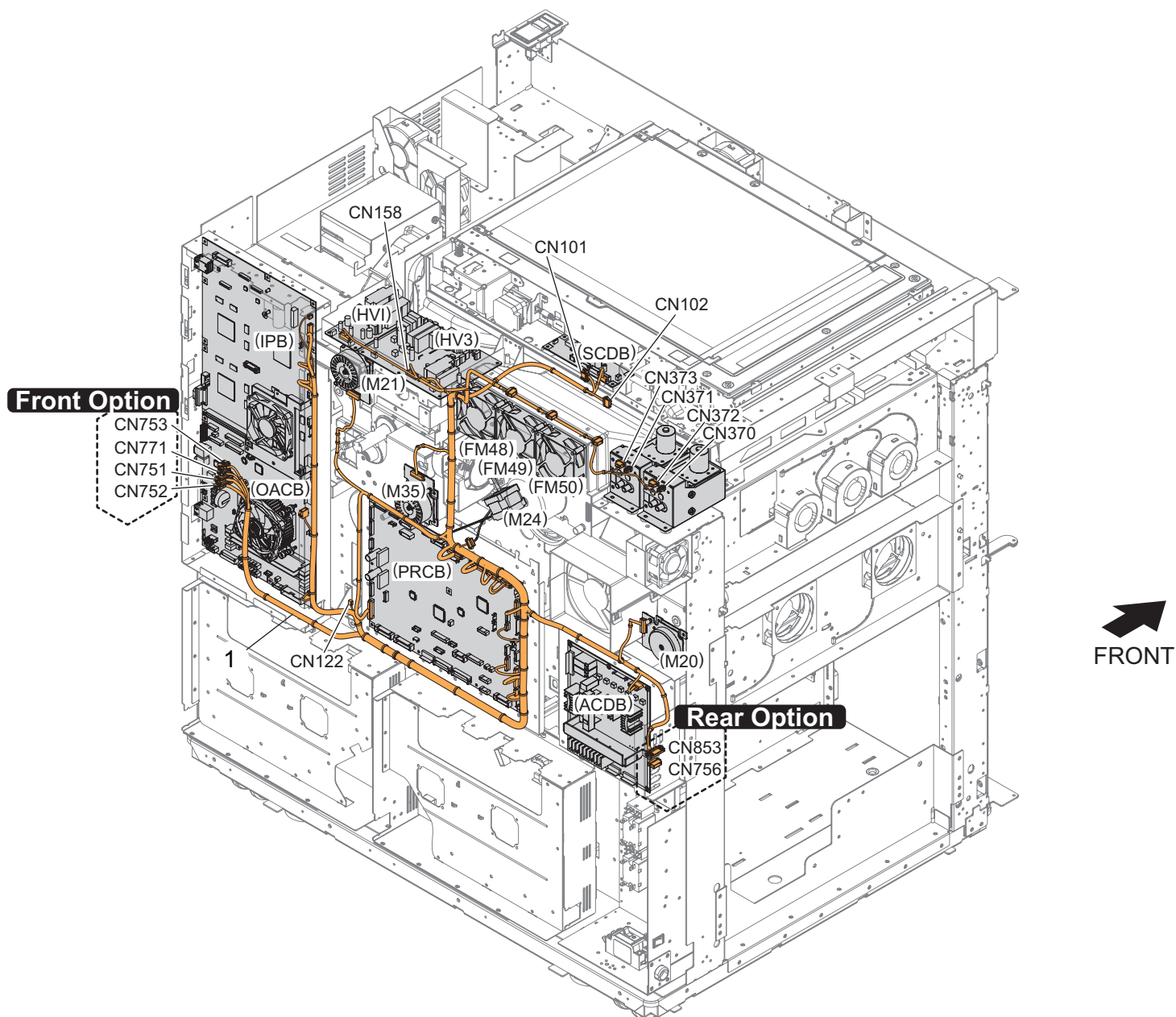
Scanner Section



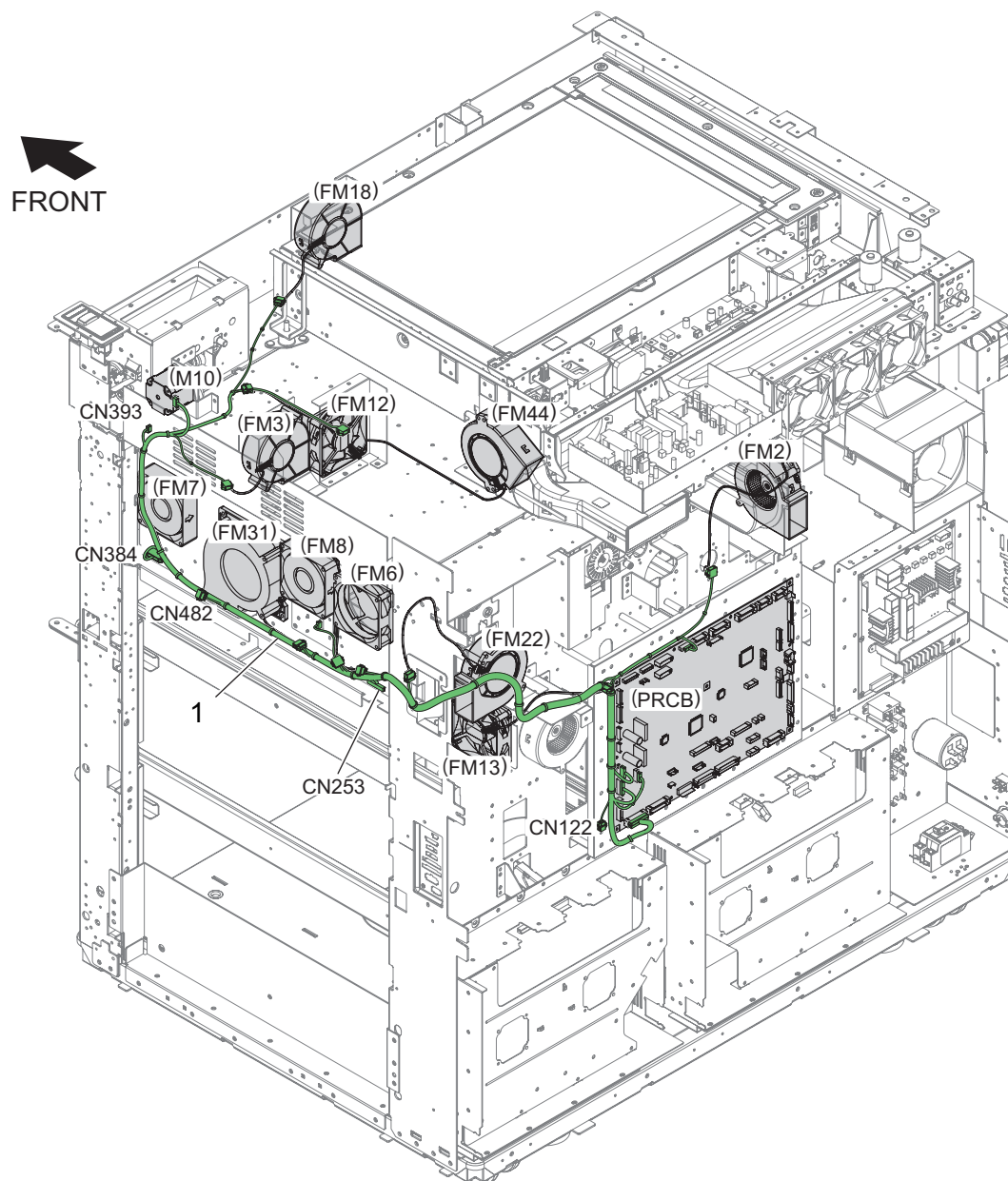
Key	Part No.	Description	Destinations	Class	QTY	Standard parts
1	A0ED271200	Mirror		D	1	a-V137030603 b-V137030803 c-V218040086
2	A0ED271300	Plate spring		D	2	
3	A0ED273600	Pulley		C	4	
4	A0ED274200	Vibrationproof Plate		D	1	
5	A0ED274300	Mirror		D	2	
6	A0ED274400	Plate spring		D	3	
7	A161270102	Frame		D	1	
8	A161270600	Guide		D	1	
9	A161271000	Bushing		D	6	
10	A161271100	Bushing		D	2	
11	A161273113	Frame		D	1	
12	A161273401	Mounting Plate		D	2	
13	A161273500	Guide Part		D	1	
14	A161273701	Mounting Plate		D	1	
15	A161273800	Mounting Plate		D	1	
16	A161274500	Plate spring /1		D	1	
17	A161274600	Adjusting Screw		C	1	
18	A161N14000	Scanner Wiring /4		D	1	
19	A61FM31100	Lamp		D	1	
20	A795273900	Vibrationproof Plate		D	2	



Key	Part No.	Description	Destinations	Class	QTY	Standard parts
1	A9JTN11001	DC Power Source Harness		D	1	
2	A9JTN12600	Cooling Wiring /2		D	1	

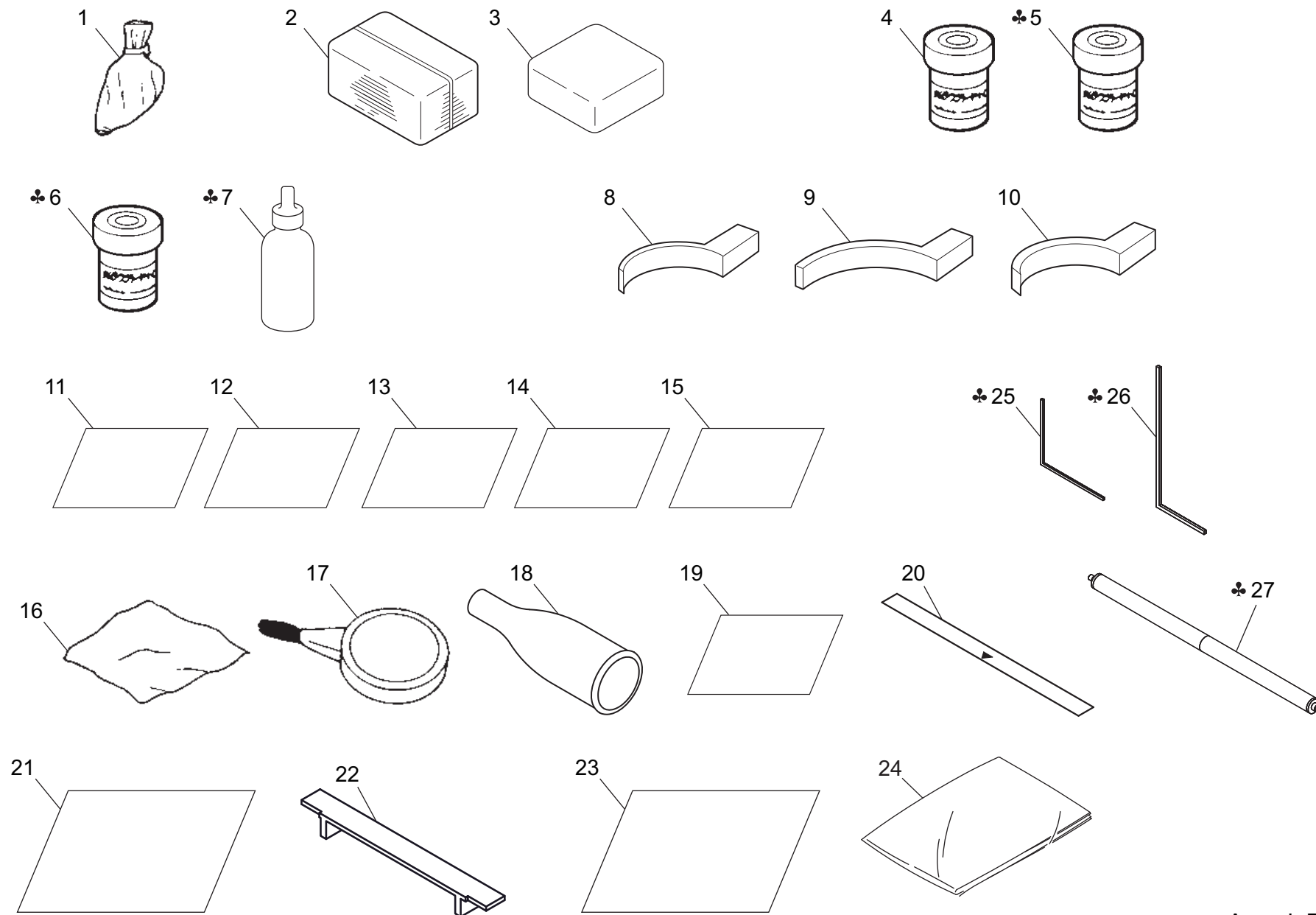


Key	Part No.	Description	Destinations	Class	QTY	Standard parts
1	A9JTN11501	Main Body Wiring /1	本体束線 /1	D	1	



Service Tool

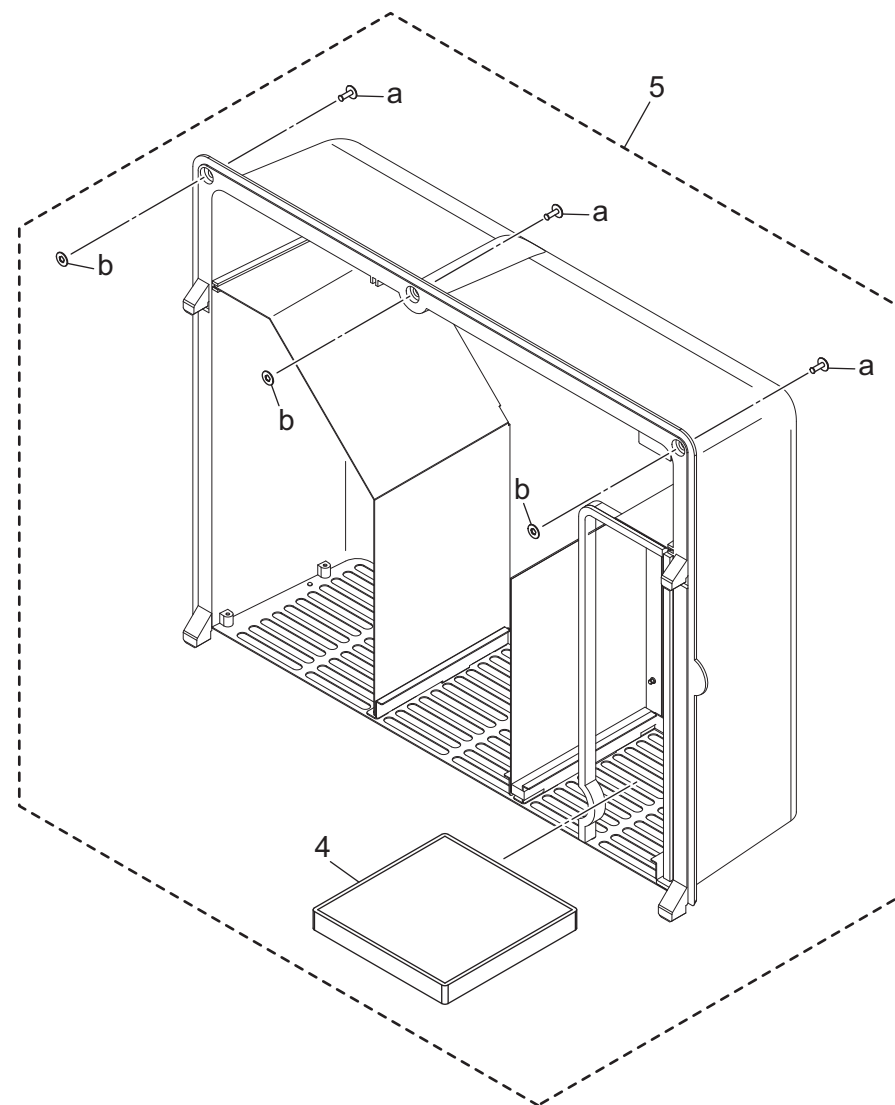
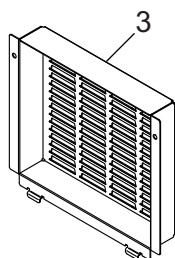
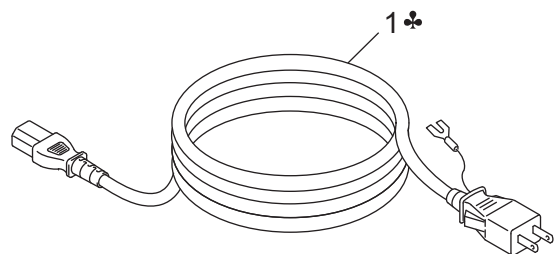
P 127



Key	Part No.	Description	Destinations	Class	QTY	Standard parts
1	000V-19-0	Setting Powder		S	1	
2	A5AWP00100	Cleaning Pad		S	1	
3	65AA-9920	Hydrowipe		S	1	
4	00GR00260	Grease(Multemp FF-RM)		S	1	
5	00GR00020	Grease(Plas Guard No.1)		S	1	
6	00GR00220	Grease(Molykote EM-30L Grease)		S	1	
7	A4EUPP0000	MHSURF FT-240	A,C,D1,D3(only NEW ZEALAND),F2,G1,G2,H,I,J	S	1	
8	55VAJG021	Temperature sensor positioning jig/B		S	1	
9	55VAJG031	Thermostat positioning jig/A		S	1	
10	55VAJG041	Thermostat positioning jig/B		S	1	
11	9J06PJP100	Color chart/A3 size		S	1	
12	9J06PJP200	Color chart/11x17size		S	1	
13	A79JPJP000	Test chart/A3 size		S	1	
14	A79JPJP100	Test chart/11x17 size		S	1	
15	65AA99500	Ajust Paper For Fixing Unit(16Sheets)		S	1	
16	00VC-2-00	Drum Cover		S	1	
17	00VD-1000	Blower Brush		S	1	
18	A1DUPJG100	Cleaning Jig		S	1	
19	A8WC707100	Adjusting Sheet		S	1	
20	9J06PJG100	DF reading chart		S	1	
21	A782945003	Adjusting Sheet		S	1	
22	A79JPJG000	Jig		S	1	
23	120A97110	Adjustment chart/For DF		S	1	
24	A04P560002	Developer Collection Sheet		S	1	
25	A9JTP40000	Scatteringprevention Seal /1	A(Service Part Only)	D	1	
26	A9JTP40100	Scatteringprevention Seal /2	A(Service Part Only)	D	1	
27	A9JTP72000	Cleaning Roller	A(Service Part Only)	D	1	

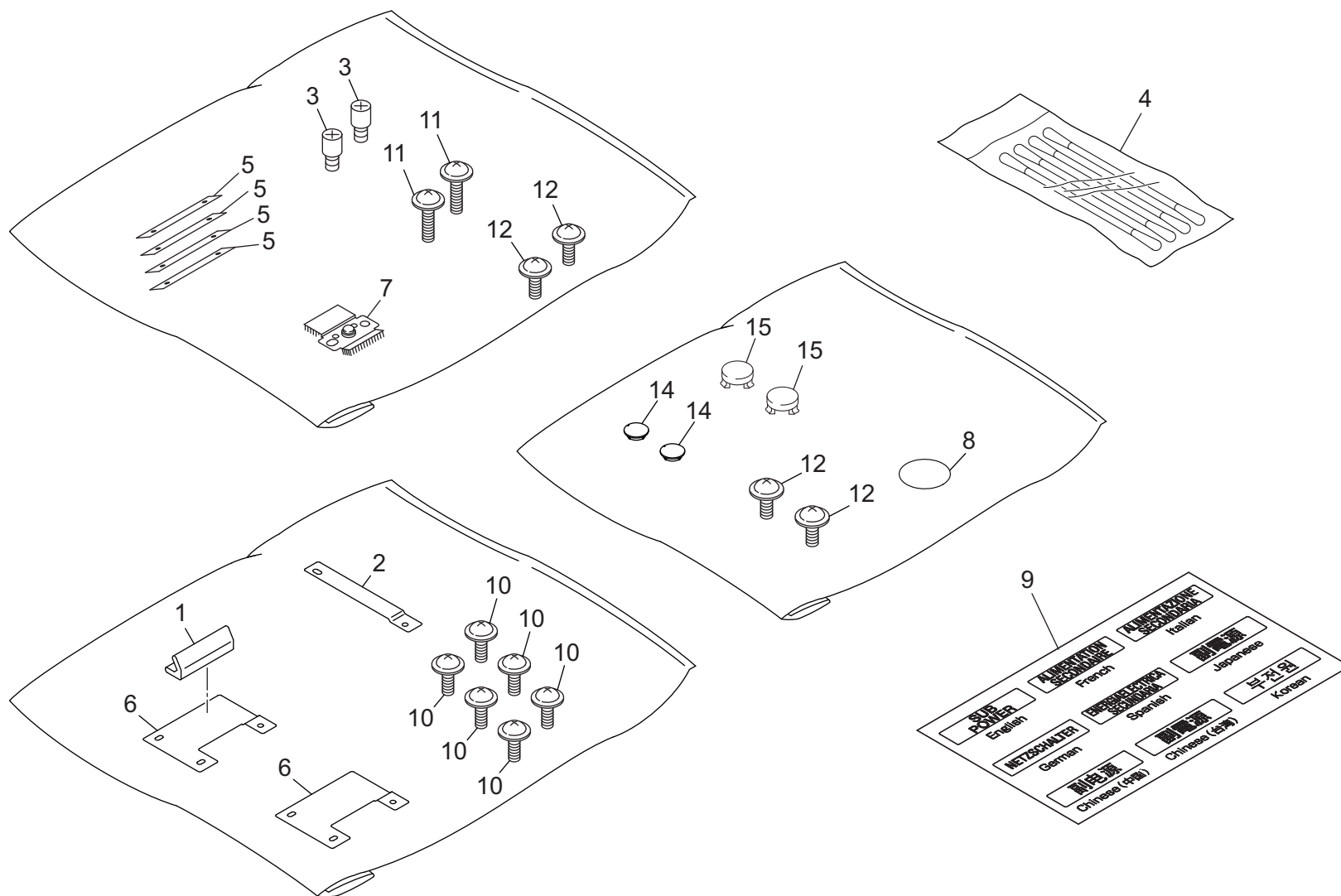
Accessory Parts

P 128



Accessory Parts

Key	Part No.	Description	Destinations	Class	QTY	Standard parts
1	4040078001	Power Cord		C	1	a-V114041004 b-V211040080
1	4136N30000	POWER CODE	A	D	1	
3	A799167700	Cooling Cover	K	C	1	
4	A9JT112300	Ozone Filter/1		B	1	
5	A9JTR71M00	Wind Exit Cover Assy		D	1	



Key	Part No.	Description	Destinations	Class	QTY	Standard parts
1	13RJ10390	EXTERNAL EARTH CUSHON		D	1	
2	15BA10310	Earth Plate		D	1	
3	392010231	STOPPER PIN		C	2	
4	504097340	CLEANING MATERIAL		D	1	
5	56UA40700	ADJUSTMENT PLATE P		C	4	
6	A0G6165900	Ground Plate /B		D	2	
7	A4EUR75X00	Paper Feed Brush		C	1	
8	A799191000	Seal		C	1	
9	A799944502	Indicating Label /2		D	1	
10	V121030603	Screw		V	6	
11	V121030803	Screw		V	2	
12	V127030604	Screw		V	4	
14	A00J169100	Cover		D	2	
15	A799164501	Auxiliary Cover /2		D	2	

MAINTENANCE LIST

● The items with no Page/Key numbers are not handled as spare parts.

No.	Section	PM Parts Description	Maintenance Cycle (K=1,000)		Parts No.	Destinations	Page/Key	Note
			QTY	Replace				
1	Photo conductor section	Drum	1	1,200K				*1
2		Drum separation claws	3	1,200K	A0G6345600		P47-30	
3	Photo conductor section	Charging wire	2	1,200K	56UA25090		P40-5	
4		Charging control plate	2	1,200K	A9JT460800		P39-9	
5		Charger cleaning assy	2	1,200K	A9JTR70100		P39-13	
6		Vibration proof rubber	2	1,200K	55VA25270		P40-3	
7		C-clip	2	1,200K	45AA20400		P39-1	
8	Developing section	Developer DV017	1	1,200K				*1
9	Cleaning section	Drum cleaning blade (page)	2	1,200K	A9JTR71500		P50-13	
10		Vibration proof rubber	1	1,200K	55VA25270		P42-1	
11		Drum scraper assy	1	1,200K	A9JTR73500		P49-20	
12		Discharging wire	1	1,200K	A0G6470800		P42-6	
13	Fusing section	Fusing cleaning web	1	1,200K	A9JT731400		P96-29	
14	Developing section	Developing suction filter	1	2,400K	A0G6390800		P38-5	
15	Toner supply section	Agitator plate assy/1	1	2,400K	A4EUR70500		P60-8	
16		Agitator plate assy/2	1	2,400K	A4EUR70600		P60-9	
17	Cleaning section	Drum cleaning brush	1	2,400K	A4EUR70K00		P50-10	
18		Side plate assy/Rr	1	2,400K	A9JTR73400		P50-9	*2
19		Side plate assy/Fr	1	2,400K	A9JTR73300		P50-8	*2
20		Scattering prevention felt	1	2,400K	55VA55680		P50-6	
21	Photo conductor section	Pressure spring/Fr	1	3,600K	A9JTR73100		P45-23	*3
22		Pressure spring/Rr	1	3,600K	A9JTR73200		P45-24	*3
23		Drum temperature sensor	1	4,800K	A4EUR70200		P46-15	
24	Toner supply section	Toner supply sleeve/1	1	4,800K	A4EUR70W00		P56-15	
25		Toner supply sleeve/2	1	4,800K	A4EUR70X00		P56-16	
26	Cleaning section	Drum cleaning shaft scraper assy	1	4,800K	A4EUR70J00		P48-26	*2
27		Cleaning guide	1	4,800K	A4EUR71300		P51-10	
28	Transfer/Separation section	Regulation plate assy	2	4,800K	A4EUR70000		P83-23	
29		Transfer belt	1	4,800K	A9JT500100		P93-17	
30		Transfer roller	1	4,800K	A4EU500600		P94-17	
31		Transfer belt cleaning brush	2	4,800K	A4EU510600		P84-14	
32		Transfer roller bearing	2	4,800K	A0G6503900		P94-14	
33		Transfer electrode plate	2	4,800K	A4EUR70C00		P94-18	
34		Transfer ground plate	1	4,800K	A4EUR70B00		P93-16	
35		Cleaning shaft electrode plate	2	4,800K	65AA26890		P84-3	
36		Main body	Charging filter	1	4,800K	A9JTR72700		P5-22
37	Paper feed section	Input gear/1,2	2	6,000K	A0G6602300		P27-27/P36-27	
38		Torque limiter/1,2	2	6,000K	A03X565611		P27-17/P36-17	
39		Cover/1,2	2	6,000K	A0G6572000		P27-24/P36-24	
40	Vertical conveyance section	Vertical conveyance roller/2	1	6,000K	A9JT700200		P67-31	
41		Vertical conveyance roller/3	1	6,000K	A0G6700300		P67-25	
42		Pre-registration roller/1,2	2	6,000K	A9JT700100		P66-16/P67-30	
43		Brake gear/1,2	2	6,000K	A9JT700800		P66-18/P67-33	
44		Pre-registration bearing/1,2	4	6,000K	56UA76030		P66-8/P67-16	
45		Vertical conveyance torque limiter/1,2,3	3	6,000K	A03U815700		P66-12/P67-24	
46	De-curler section	De-curler belt/Lw,/Up	14	6,000K	A799846400		P88-11	
47	Main body	Ozone filter/1	1	6,000K	A9JT112300		P128-4	
48		Ozone filter/2	1	6,000K	A9JT112200		P9-12	
49	Vertical conveyance section	Pre-registration clutch/1,2	2	7,200K	A9JTM20000		P66-19/P67-35	
50		Vertical conveyance clutch	1	7,200K	A9JTM20000		P66-19/P67-35	
51	Photo conductor section	Charging corona unit	1	8,400K	A9JTR71G00		P39-14	

No.	Section	PM Parts Description	Maintenance Cycle (K=1,000)		Parts No.	Destinations	Page/Key	Note
			QTY	Replace				
52	Developing section	Developing unit	1	8,400K	A9JTR70200		P52-15	
53		Developing suction seal/2	2	9,600K	56UA31030		P38-1	
54		Developing suction seal/5	1	9,600K	56UA31060		P38-2	
55		Stopper pad/1	2	9,600K	A4EU394600		P38-8	
56		Suction pad/H	1	9,600K	A0G6394400		P38-3	
57		Stopper pad/2	2	9,600K	A4EU394700		P38-9	
58	Cleaning section	Drum cleaning shaft scraper assy	1	9,600K	A4EUR70J00		P48-26	*4
59		Drum cleaning shaft	1	9,600K	A0G6530500		P49-6	*4
60		Drum cleaning gear assy/Rr	1	9,600K	A4EUR70F00		P49-19	
61		Discharging unit	1	9,600K	A9JTR71400		P42-11	
62	Transfer/Separation section	Transfer belt cleaning shaft	2	9,600K	A0G6510700		P84-4	
63	Cleaning section	Side plate assy/Rr	1	12,000K	A9JTR73400		P50-9	*4
64		Side plate assy/Fr	1	12,000K	A9JTR73300		P50-8	*4
65	Vertical conveyance section	Vertical conveyance exit roller	1	12,000K	A4EU701200		P65-25	
66		Vertical conveyance roller/1	1	12,000K	A4EU701300		P66-13	
67		Paper dust removing brush shaft assy	1	12,000K	A4EUR71600		P64-9	
68	De-curler section	De-curler entrance roller	1	12,000K	A4EU840700		P87-15	
69		Paper exit gate	1	12,000K	A9JT844900		P87-21	
70	Fusing section	Fusing cleaning sheet assy	1	12,000K	A4EUR70U00		P100-21	*4
71	Toner supply section	Pump unit/Lt	1	14,400K	A9JTR72300		P61-11	
72		Pump unit/Rt	1	14,400K	A9JTR72200		P61-10	
73	Fusing section	Heat insulating sleeve/Lw	2	15,600K	26AA53150		P100-1	*4
74		Heat roller bearing	2	15,600K	56UA75070		P100-8	*4
75	Cleaning section	Drum cleaning shaft	1	19,200K	A0G6530500		P49-6	*4
76	Photo conductor section	Drum stand	1	20,400K	A9JTR71300		P42-10	
77	Cleaning section	Scattering prevention filter assy	1	24,000K	A4EUR71200		P49-21	
78	Paper feed section	Bearing/D1,/D2	4	24,000K	A00J617900		P27-15/P36-15	
79		Bearing/C1,/C2	2	24,000K	A00V240600		P27-16/P36-16	
80		Reverse rotation shaft/1,/2	2	24,000K	A0G6570800		P27-21/P36-21	
81		Paper feed input shaft/1,/2	2	24,000K	A4EUR72K11		P27-32/P36-32	
82	Vertical conveyance section	Paper dust removing brush holder	1	24,000K	A4EUR70N00		P64-8	
83		Conveyance pulley	2	24,000K	55VA76530E		P67-7	
84		Conveyance belt/A	1	24,000K	56UA78090		P67-18	
85		Bearing/E	5	24,000K	A00J617800		P64-7/P65-21	
86		Cleaning gear/B	1	24,000K	55VA79210		P65-6	
87		Scraper shaft	1	24,000K	A4EU701500		P65-10	
88	Registration section	Paper lift sheet	1	24,000K	A0G6712100		P91-17	
89		Loop driven roller	1	24,000K	A4EU818000		P91-25	
90		Pre-transfer driven roller assy	2	24,000K	A9JT714000		P92-29	
91	Fusing section	Web regulating spring assy	1	24,000K	A4EUR70T00		P96-15	
92		Fusing oscillation cam assy	1	24,000K	A9JTR70300		P97-23	
93		Fusing claws installation assy	6	24,000K	A4EUR73200		P102-26	
94		Bearing/G	1	24,000K	56UA760900		P96-3	
95	Main body rear side	Drum cleaner motor (M35)	1	36,000K	A9JTM10300		P16-36	
96	Cleaning section	Drum cleaning gear/3	1	38,400K	A0G6532700		P49-11	
97	Paper feed section	Pick-up roller/1,/2	2	500K	A4EUR71511		P28-29/P37-29	*5
98		Paper feed roller/1,/2	2	500K	A4EUR71411		P27-29/P36-29	*5
99		Separation roller/1,/2	2	500K	A4EUR71411		P28-28/P37-28	*5
100	Toner collection section	Waste toner box	1	713K	A9JTR73600	A	P62-11	*5
101		Waste toner box	1	713K	A03UR70200	B,C	P62-11	*5
102		Waste toner box	1	713K	A1DUR70W00	D1,D3,E,F2,G1,G2,H,I	P62-11	*5
103	Fusing section	Fusing separating claw/Lw	2	2,000K	25AA53290		P102-1	*5
104		Fusing separating claw/Up	6	2,000K	56UA54530		P102-3	*5
105		Fusing cleaning sheet assy	1	2,000K	A4EUR70U00		P100-21	*2,*5
106		Fusing roller/Up	1	2,000K	A9JT730400		P98-23	*5
107		Fusing roller assy/Lw	1	2,000K	A4EUR70V00		P99-16	*5
108		Heat insulating sleeve/Up	2	2,000K	A03U729500		P98-5	*5
109		Fusing bearing/Up	2	2,000K	A5AW745200		P98-17	*5

No.	Section	PM Parts Description	Maintenance Cycle (K=1,000)		Parts No.	Destinations	Page/Key	Note
			QTY	Replace				
110	Paper feed section	Paper feed clutch/1,/2	2	3,000K	57GA82010		P27-14/P36-14	*5
111		Separation clutch/1,/2	1	3,000K	57GA82010		P28-23/P37-23	*5
112	Vertical conveyance section	Paper fur brush	1	4,000K	A4EUR73000		P64-10	*5
113	Fusing section	Fusing temperature sensor/2	1	4,000K	A9JTM50300		P99-24	*5
114		Fusing temperature sensor/4	1	4,000K	A9JTM50400		P100-28	*5
115	Registration section	Registration roller/Up	1	8,000K	A4EU710600		P92-21	*5
116		Registration gear/Up	1	8,000K	A0G6714200		P92-15	*5
117		Registration gear/Lw	1	8,000K	A0G6714300		P91-21	*5
118		Registration bearing	2	8,000K	A4EU715400		P92-23	*5
119	De-curler section	Fusing exit roller	4	8,000K	A799840600		P87-18	*5
120		Guide/Up	1	8,000K	A0G6845100		P89-6	*5
121		Guide/Lw	1	8,000K	A0G6845200		P89-7	*5
122	Fusing section	Fusing heating roller	1	8,000K	56UA53070		P100-5	*2,*5
123		Heat insulating sleeve/Lw	2	8,000K	26AA53150		P100-1	*2,*5
124		Heat roller bearing	2	8,000K	56UA75070		P100-8	*2,*5
125		Fusing gear/2	1	8,000K	A0G6726000		P98-6	*5
126	Paper exit section	Paper exit roller	1	8,000K	56UA45571E		P95-2	*5
127	Fusing section	Fusing heater lamp/3	1	10,000K	55VB83042		P100-4	*2,*5
128		Fusing cleaning roller	1	14,000K	56UA53530		P96-1	*5
129		Fusing cleaning roller bearing	2	14,000K	A4EU732602		P96-14	*5
130		Fusing heater lamp assy/Up	1	14,000K	A9JTM33001		P98-20	*2,*5
131	Duplex section	ADU accelerator roller/1,/2	3	16,000K	A4EU817400		P77-24	*5
132		ADU accelerator roller/3	1	16,000K	A4EU817200		P77-23	*5
133		ADU reverse roller	1	16,000K	A4EU817600		P77-25	*5
134		ADU conveyance roller/1,/2	2	16,000K	A4EU817500		P78-16	*5
135		ADU conveyance roller/3,/4,/5	3	16,000K	A4EU817700		P72-27/P78-17	*5
136	De-curler section	Coupling	1	16,000K	A4EU847000		P87-16	*5
137		De-curler entrance roller	1	16,000K	A4EU840700		P87-15	*5
138	Fusing section	Fusing heater lamp assy/Up	1	16,000K	A9JTM33001		P98-20	*4,*5
139		Fusing heating roller	1	16,000K	56UA53070		P100-5	*4,*5
140		Fusing heater lamp/3	1	16,000K	55VB83042		P100-4	*4,*5
141	Toner supply section	Air separation motor	1	40,000K	A0Y5M10400		P59-11	*5
142		Intermediate hopper motor (M11)	1	40,000K	A1TVM10311		P60-7	*5
143		Toner bottle motor (M6)	1	40,000K	A9JTM10200		P54-20	*5
144		Toner hopper motor (M7)	1	40,000K	A9JTM10200		P54-20	*5
145	Vertical conveyance section	Paper feed cleaning gear/B	1	40,000K	56UA77160		P65-17	*5
146		Paper feed gear/A	1	40,000K	56UA77170E		P65-18	*5
147		Paper feed gear/B	1	40,000K	56UA77180E		P66-9	*5
148		Paper exit input gear	1	40,000K	56UA77070F		P65-16	*5
149	Registration section	Registration roller gear	1	40,000K	A4EU714400		P91-24	*5
150		Registration motor (M17)	1	40,000K	A1TVM10100		P15-11	*5
151		Registration gear	1	40,000K	A4EU814600		P74-15	*5
152		Roller gear/Rt	1	40,000K	A4EU714400		P91-24	*5
153	Duplex section	ADU conveyance belt/2ADU conveyance motor/2	1	40,000K	A9JTR71700		P72-35	*5
154		ADU reverse belt	1	40,000K	13GQ77550		P77-1	*5
155		Transfer belt pressure release motor (M26)	1	40,000K	A4EUR77300		P81-28	*5
156		ADU accelerate belt/3	1	40,000K	56UA78060		P73-9	*5
157		ADU accelerate motor/3 (M13)	1	40,000K	A4EUR73Q00		P73-27	*5
158		ADU accelerate belt/1	1	40,000K	A9JT819500		P71-12	*5
159		ADU accelerate motor/1 (M14)	1	40,000K	A4EUR73Q00		P71-7	*5
160		ADU accelerate belt/2	1	40,000K	A9JT819400		P77-33	*5
161		ADU accelerate motor/2 (M36)	1	40,000K	A4EUR73Q00		P77-28	*5
162		Loop motor (M18)	1	40,000K	A4EUR73X00		P72-30	*5
163		Transfer belt motor (M30)	1	40,000K	A9JTM10300		P75-25	*5
164		ADU conveyance beltADU conveyance motor/1 (M15)	1	40,000K	65AA80112		P78-5	*5

No.	Section	PM Parts Description	Maintenance Cycle (K=1,000)		Parts No.	Destinations	Page/Key	Note
			QTY	Replace				
165	De-curler section	De-curler motor (M32)	1	40,000K	A9JTM10200		P86-19	*5
166		Paper exit gate solenoid (SD7)	1	40,000K	A9JTR70400		P85-15	*5
167		De-curler solenoid/Up (SD8)	1	40,000K	A4EUR74900		P85-9	*5
168		De-curler solenoid/Lw (SD5)	1	40,000K	A9JTR70400		P85-15	*5
169	Fusing section	Pressure worm assy	1	40,000K	A4EUR76B00		P98-15	*5
170		Pressure wheel assy	1	40,000K	A4EUR70P00		P98-14	*5
171	Main body rear side	Paper feed gear	1	40,000K	A4EU239100		P14-14	*5
172		Paper feed motor (M4)	1	40,000K	A1RFM10600		P14-13	*5
173		Vertical conveyance motor (M8)	1	40,000K	A1TVM10100		P15-11	*5
174		Vertical conveyance gear	1	40,000K	A9JX214100		P15-19	*5
175		Developing screw motor (M21)	1	40,000K	A9JTM10300		P17-16	*5
176		Drum motor (M2)	1	40,000K	A9JTM10200		P16-35	*5
177		Fusing gear	1	40,000K	A0G6237201		P19-6	*5
178		Fusing motor (M1)	1	40,000K	A1RFM10600		P19-10	*5
179		Cleaning gear	1	40,000K	A0G6250601		P15-4	*5
180		Cleaning motor (M5)	1	40,000K	A9JTM10200		P15-15	*5
181		Waste toner motor (M9)	1	40,000K	A9JTM10200		P63-18	*5
182		Paper exit motor (M20)	1	40,000K	A9JTM10200		P18-12	*5
183		Developing motor (M3)	1	40,000K	A9JTM10400		P17-17	*5
184		ADU reverse motor (M12)	1	40,000K	A4EUR73Q00		P77-28	*5
185	DF-708	Pick-up roller	2	200K	9J07330102		P111-3	*5,*6
186		Paper feed roller	1	200K	A00J563600		P111-6	*5,*6
187		Separation roller	1	200K	9J07340901		P113-2	*5,*6

*1: Actual replacement: 100% (special parts counter) (See Service Manual F-3 LIFE VALUE.)

*2: For DIPSW 55-3=0

*3: Replace the parts referring to the values of the PM counters.

*4: For DIPSW 55-3=1

*5: Spotted replacement parts

*6: Replace those three parts at the same time.

*: The part names used in this page follow the part name of Service Manual and they are occasionally different from part names written in other pages.

メンテナンスリスト

● ページ / キーナンバーのないものは、アフターサービス部品ではありません。

No.	区分	P M 部品名称	サイクル (K=1,000)		部品番号	仕向地	頁 / キー	備考	
			員数	交換					
1	感光体部	ドラム	1	1,200K				*1	
2		ドラム分離爪	3	1,200K	A0G6345600		P47-30		
3		帯電極	帯電ワイヤー	2	1,200K	56UA25090		P40-5	
4			帯電制御プレート	2	1,200K	A9JT460800		P39-9	
5			帯電清掃 Assy	2	1,200K	A9JTR70100		P39-13	
6			防振ゴム	2	1,200K	55VA25270		P40-3	
7			Cクリップ	2	1,200K	45AA20400		P39-1	
8	現像部	現像剤	1	1,200K				*1	
9	クリーニング部	ドラムクリーニングブレード (枚数)	2	1,200K	A9JTR71500		P50-13		
10		防振ゴム	1	1,200K	55VA25270		P42-1		
11		ドラムスクレーパー Assy	1	1,200K	A9JTR73500		P49-20		
12		放電ワイヤー	1	1,200K	A0G6470800		P42-6		
13	定着部	定着クリーニングウェブ	1	1,200K	A9JT731400		P96-29		
14	現像部	現像サクションフィルター	1	2,400K	A0G6390800		P38-5		
15	トナー補給部	攪拌板 Assy/1	1	2,400K	A4EUR70500		P60-8		
16		攪拌板 Assy/2	1	2,400K	A4EUR70600		P60-9		
17	クリーニング部	ドラムクリーニングブラシ	1	2,400K	A4EUR70K00		P50-10		
18		サイドプレート Assy/Rr	1	2,400K	A9JTR73400		P50-9	*2	
19		サイドプレート Assy/Fr	1	2,400K	A9JTR73300		P50-8	*2	
20		飛散防止フェルト	1	2,400K	55VA55680		P50-6		
21	感光体部	押圧バネ /Fr	1	3,600K	A9JTR73100		P45-23	*3	
22		押圧バネ /Rr	1	3,600K	A9JTR73200		P45-24	*3	
23		ドラム温度センサー	1	4,800K	A4EUR70200		P46-15		
24	トナー補給部	トナー補給スリーブ /1	1	4,800K	A4EUR70W00		P56-15		
25		トナー補給スリーブ /2	1	4,800K	A4EUR70X00		P56-16		
26	クリーニング部	ドラムクリーニング軸スクレーパー Assy	1	4,800K	A4EUR70J00		P48-26	*2	
27		クリーニングガイド	1	4,800K	A4EUR71300		P51-10		
28	転写 / 分離部	規制板 Assy	2	4,800K	A4EUR70000		P83-23		
29		転写ベルト	1	4,800K	A9JT500100		P93-17		
30		転写ローラー	1	4,800K	A4EU500600		P94-17		
31		転写ベルトクリーニングブラシ	2	4,800K	A4EU510600		P84-14		
32		転写ローラー軸受	2	4,800K	A0G6503900		P94-14		
33		転写電極板	2	4,800K	A4EUR70C00		P94-18		
34		転写アース板	1	4,800K	A4EUR70B00		P93-16		
35		クリーニング軸電極板	2	4,800K	65AA26890		P84-3		
36		本体	帯電フィルター	1	4,800K	A9JTR72700		P5-22	
37	給紙部	入力ギア /1、/2	2	6,000K	A0G6602300		P27-27/P36-27		
38		トルクリミッター /1、/2	2	6,000K	A03X565611		P27-17/P36-17		
39		カバー /1、/2	2	6,000K	A0G6572000		P27-24/P36-24		
40	垂直搬送部	垂直搬送ローラー /2	1	6,000K	A9JT700200		P67-31		
41		垂直搬送ローラー /3	1	6,000K	A0G6700300		P67-25		
42		プレレジストローラー /1、/2	2	6,000K	A9JT700100		P66-16/P67-30		
43		プレーキギア /1、/2	2	6,000K	A9JT700800		P66-18/P67-33		
44		プレレジスト軸受 /1、/2	4	6,000K	56UA76030		P66-8/P67-16		
45		垂直搬送トルクリミッター /1、/2、/3	3	6,000K	A03U815700		P66-12/P67-24		
46	デカーラー部	デカーラーベルト /Lw、/Up	14	6,000K	A799846400		P88-11		
47	本体	オゾンフィルター /1	1	6,000K	A9JT112300		P128-4		
48		オゾンフィルター /2	1	6,000K	A9JT112200		P9-12		
49	垂直搬送部	プレレジストクラッチ /1、/2	2	7,200K	A9JTM20000		P66-19/P67-35		
50		垂直搬送クラッチ	1	7,200K	A9JTM20000		P66-19/P67-35		
51	帯電極	帯電極ユニット	1	8,400K	A9JTR71G00		P39-14		

No.	区分	P M 部品名称	サイクル (K=1,000)		部品番号	仕向地	頁/キー	備考
			員数	交換				
52	現像部	現像ユニット	1	8,400K	A9JTR70200		P52-15	
53		現像サクシオンシール/2	2	9,600K	56UA31030		P38-1	
54		現像サクシオンシール/5	1	9,600K	56UA31060		P38-2	
55		突き当てパッド /1	2	9,600K	A4EU394600		P38-8	
56		サクシオンパッド /H	1	9,600K	A0G6394400		P38-3	
57		突き当てパッド /2	2	9,600K	A4EU394700		P38-9	
58	クリーニング部	ドラムクリーニング軸スクレーパー Assy	1	9,600K	A4EUR70J00		P48-26	*4
59		ドラムクリーニング軸	1	9,600K	A0G6530500		P49-6	*4
60		ドラムクリーニングギア Assy/Rr	1	9,600K	A4EUR70F00		P49-19	
61		放電ユニット	1	9,600K	A9JTR71400		P42-11	
62	転写 / 分離部	転写ベルト クリーニング軸	2	9,600K	A0G6510700		P84-4	
63	クリーニング部	サイドプレート Assy/Rr	1	12,000K	A9JTR73400		P50-9	*4
64		サイドプレート Assy/Fr	1	12,000K	A9JTR73300		P50-8	*4
65	垂直搬送部	垂直搬送出口ローラー	1	12,000K	A4EU701200		P65-25	
66		垂直搬送ローラー /1	1	12,000K	A4EU701300		P66-13	
67		紙粉取りブラシ軸 Assy	1	12,000K	A4EUR71600		P64-9	
68	デカーラー部	デカーラー入口ローラー	1	12,000K	A4EU840700		P87-15	
69		排紙ゲート	1	12,000K	A9JT844900		P87-21	
70	定着部	定着清掃シート Assy	1	12,000K	A4EUR70U00		P100-21	*4
71	トナー補給部	ポンプユニット /Lt	1	14,400K	A9JTR72300		P61-11	
72		ポンプユニット /Rt	1	14,400K	A9JTR72200		P61-10	
73	定着部	断熱スリーブ /Lw	2	15,600K	26AA53150		P100-1	*4
74		加熱ローラー軸受	2	15,600K	56UA75070		P100-8	*4
75	クリーニング部	ドラムクリーニング軸	1	19,200K	A0G6530500		P49-6	*4
76	感光体部	ドラム架台	1	20,400K	A9JTR71300		P42-10	
77	クリーニング部	飛散防止フィルター Assy	1	24,000K	A4EUR71200		P49-21	
78	給紙部	軸受 /D1、/D2	4	24,000K	A00J617900		P27-15/P36-15	
79		軸受 /C1、/C2	2	24,000K	A00V240600		P27-16/P36-16	
80		逆転軸 /1、/2	2	24,000K	A0G6570800		P27-21/P36-21	
81		給紙入力軸 /1、/2	2	24,000K	A4EUR72K11		P27-32/P36-32	
82	垂直搬送部	紙粉取りブラシホルダー	1	24,000K	A4EUR70N00		P64-8	
83		搬送ブリー	2	24,000K	55VA76530E		P67-7	
84		搬送ベルト /A	1	24,000K	56UA78090		P67-18	
85		軸受 /E	5	24,000K	A00J617800		P64-7/P65-21	
86		クリーニングギア /B	1	24,000K	55VA79210		P65-6	
87		スクレーパー軸	1	24,000K	A4EU701500		P65-10	
88	レジスト部	用紙持ち上げシート	1	24,000K	A0G6712100		P91-17	
89		ループ従動ローラー	1	24,000K	A4EU818000		P91-25	
90		転写前従動ローラー ASSY	2	24,000K	A9JT714000		P92-29	
91	定着部	ウェブ規制パネ Assy	1	24,000K	A4EUR70T00		P96-15	
92		定着揺動カム Assy	1	24,000K	A9JTR70300		P97-23	
93		定着爪取り付け Assy	6	24,000K	A4EUR73200		P102-26	
94		軸受 /G	1	24,000K	56UA760900		P96-3	
95	本体背面	ドラムクリーナーモーター (M35)	1	36,000K	A9JTM10300		P16-36	
96	クリーニング部	ドラムクリーニングギア /3	1	38,400K	A0G6532700		P49-11	
97	給紙部	ピックアップローラー /1	2	500K	A4EUR71511		P28-29/P37-29	*5
98		給紙ローラー /1、/2	2	500K	A4EUR71411		P27-29/P36-29	*5
99		分離ローラー /1、/2	2	500K	A4EUR71411		P28-28/P37-28	*5
100	トナー回収部	廃棄トナーボックス	1	713K	A9JTR73600	A	P62-11	*5
101		廃棄トナーボックス	1	713K	A03UR70200	B,C	P62-11	*5
102		廃棄トナーボックス	1	713K	A1DUR70W00	D1,D3,E,F2,G1,G2,H,I,J,K	P62-11	*5
103	定着部	定着分離爪 /Lw	2	2,000K	25AA53290		P102-1	*5
104		定着分離爪 /Up	6	2,000K	56UA54530		P102-3	*5
105		定着清掃シート Assy	1	2,000K	A4EUR70U00		P100-21	*2、*5
106		定着ローラー /Up	1	2,000K	A9JT730400		P98-23	*5
107		定着ローラー Assy/Lw	1	2,000K	A4EUR70V00		P99-16	*5
108		断熱スリーブ /Up	2	2,000K	A03U729500		P98-5	*5
109		定着軸受 /Up	2	2,000K	A5AW745200		P98-17	*5

No.	区分	P M 部品名称	サイクル (K=1,000)		部品番号	仕向地	頁/キー	備考
			員数	交換				
110	給紙部	給紙クランチ /1、/2	2	3,000K	57GA82010		P27-14/P36-14	*5
111		分離クランチ /1、/2	1	3,000K	57GA82010		P28-23/P37-23	*5
112	垂直搬送部	紙粉取りブラシ	1	4,000K	A4EUR73000		P64-10	*5
113	定着部	定着温度センサー /2	1	4,000K	A9JTM50300		P99-24	*5
114		定着温度センサー /4	1	4,000K	A9JTM50400		P100-28	*5
115	レジスト部	レジストローラー /Up	1	8,000K	A4EU710600		P92-21	*5
116		レジストギア /Up	1	8,000K	A0G6714200		P92-15	*5
117		レジストギア /Lw	1	8,000K	A0G6714300		P91-21	*5
118		レジスト軸受け	2	8,000K	A4EU715400		P92-23	*5
119	デカーラー部	定着出口ローラー	4	8,000K	A799840600		P87-18	*5
120		ガイド /Up	1	8,000K	A0G6845100		P89-6	*5
121		ガイド /Lw	1	8,000K	A0G6845200		P89-7	*5
122	定着部	定着加熱ローラー	1	8,000K	56UA53070		P100-5	*2、*5
123		断熱スリーブ /Lw	2	8,000K	26AA53150		P100-1	*2、*5
124		加熱ローラー軸受	2	8,000K	56UA75070		P100-8	*2、*5
125		定着ギア /2	1	8,000K	A0G6726000		P98-6	*5
126	排紙部	排紙ローラー	1	8,000K	56UA45571E		P95-2	*5
127	定着部	定着ヒーターランプ /3	1	10,000K	55VB83042		P100-4	*2、*5
128		定着清掃ローラー	1	14,000K	56UA53530		P96-1	*5
129		定着清掃ローラー軸受	2	14,000K	A4EU732602		P96-14	*5
130		定着ヒーターランプ Assy/Up	1	14,000K	A9JTM33001		P98-20	*2、*5
131	両面部	ADU 加速ローラー /1、/2	3	16,000K	A4EU817400		P77-24	*5
132		ADU 加速ローラー /3	1	16,000K	A4EU817200		P77-23	*5
133		ADU 反転ローラー	1	16,000K	A4EU817600		P77-25	*5
134		ADU 搬送ローラー /1、/2	2	16,000K	A4EU817500		P78-16	*5
135		ADU 搬送ローラー /3、/4、/5	3	16,000K	A4EU817700		P72-27/P78-17	*5
136	デカーラー部	カップリング	1	16,000K	A4EU847000		P87-16	*5
137		デカーラー入口ローラー	1	16,000K	A4EU840700		P87-15	*5
138	定着部	定着ヒーターランプ Assy/Up	1	16,000K	A9JTM33001		P98-20	*4、*5
139		定着加熱ローラー	1	16,000K	56UA53070		P100-5	*4、*5
140		定着ヒーターランプ /3	1	16,000K	55VB83042		P100-4	*4、*5
141	トナー補給部	エア分離モーター	1	40,000K	A0Y5M10400		P59-11	*5
142		中間ホッパーモーター (M11)	1	40,000K	A1TVM10311		P60-7	*5
143		トナーポトルモーター (M6)	1	40,000K	A9JTM10200		P54-20	*5
144		トナーホッパーモーター (M7)	1	40,000K	A9JTM10200		P54-20	*5
145	垂直搬送部	給紙清掃ギア /B	1	40,000K	56UA77160		P65-17	*5
146		給紙ギア /A	1	40,000K	56UA77170E		P65-18	*5
147		給紙ギア /B	1	40,000K	56UA77180E		P66-9	*5
148		排紙入力ギア	1	40,000K	56UA77070F		P65-16	*5
149	レジスト部	レジストローラーギア	1	40,000K	A4EU714400		P91-24	*5
150		レジストモーター (M17)	1	40,000K	A1TVM10100		P15-11	*5
151		レジストギア	1	40,000K	A4EU814600		P74-15	*5
152		ローラーギア /Rt	1	40,000K	A4EU714400		P91-24	*5
153	両面部	ADU 搬送ベルト /2	1	40,000K	A9JTR71700		P72-35	*5
154		ADU 反転ベルト	1	40,000K	13GQ77550		P77-1	*5
155		転写ベルト 圧着解除モーター (M26)	1	40,000K	A4EUR77300		P81-28	*5
156		ADU 加速ベルト /3	1	40,000K	56UA78060		P73-9	*5
157		ADU 加速モーター /3 (M13)	1	40,000K	A4EUR73Q00		P73-27	*5
158		ADU 加速ベルト /1	1	40,000K	A9JT819500		P71-12	*5
159		ADU 加速モーター /1 (M14)	1	40,000K	A4EUR73Q00		P71-7	*5
160		ADU 加速ベルト /2	1	40,000K	A9JT819400		P77-33	*5
161		ADU 加速モーター /2 (M36)	1	40,000K	A4EUR73Q00		P77-28	*5
162		ループモーター (M18)	1	40,000K	A4EUR73X00		P72-30	*5
163		転写ベルトモーター (M30)	1	40,000K	A9JTM10300		P75-25	*5
164		ADU 搬送ベルト	1	40,000K	65AA80112		P78-5	*5

No.	区分	P M 部品名称	サイクル (K=1,000)		部品番号	仕向地	頁/キー	備考
			員数	交換				
165	デカーラー部	デカーラーモーター (M32)	1	40,000K	A9JTM10200		P86-19	*5
166		排紙ゲートソレノイド (SD7)	1	40,000K	A9JTR70400		P85-15	*5
167		デカーラーソレノイド /Up (SD8)	1	40,000K	A4EUR74900		P85-9	*5
168		デカーラーソレノイド /Lw (SD5)	1	40,000K	A9JTR70400		P85-15	*5
169	定着部	圧着ウオームAssy	1	40,000K	A4EUR76B00		P98-15	*5
170		圧着ホイールAssy	1	40,000K	A4EUR70P00		P98-14	*5
171	本体背面	給紙ギア	1	40,000K	A4EU239100		P14-14	*5
172		給紙モーター (M4)	1	40,000K	A1RFM10600		P14-13	*5
173		垂直搬送モーター (M8)	1	40,000K	A1TVM10100		P15-11	*5
174		垂直搬送ギア	1	40,000K	A9JX214100		P15-19	*5
175		現像スクリュウモーター (M21)	1	40,000K	A9JTM10300		P17-16	*5
176		ドラムモーター (M2)	1	40,000K	A9JTM10200		P16-35	*5
177		定着ギア	1	40,000K	A0G6237201		P19-6	*5
178		定着モーター (M1)	1	40,000K	A1RFM10600		P19-10	*5
179		クリーニングギア	1	40,000K	A0G6250601		P15-4	*5
180		清掃モーター (M5)	1	40,000K	A9JTM10200		P15-15	*5
181		廃トナーモーター (M9)	1	40,000K	A9JTM10200		P63-18	*5
182		排紙モーター (M20)	1	40,000K	A9JTM10200		P18-12	*5
183		現像モーター (M3)	1	40,000K	A9JTM10400		P17-17	*5
184		ADU 反転モーター (M12)	1	40,000K	A4EUR73Q00		P77-28	*5
185	DF-708	ピックアップローラー	2	200K	9J07330102		P111-3	*5、*6
186		給紙ローラー	1	200K	A00J563600		P111-6	*5、*6
187		分離ローラー	1	200K	9J07340901		P113-2	*5、*6

*1: 交換は、1,200,000 プリント、または、走行時間 184 時間 (6136/6136P) /216 時間 (6120) のいずれか早いタイミング (サービスマニュアル「F.3 ライフ値の考え方」参照)

*2: DIPSW 55-3=0 の場合

*3: PM カウンターの値を参照して交換すること。

*4: DIPSW 55-3=1 の場合

*5: スポット 交換部品

*6: 3 点同時交換のこと

*: ここに記載されている部品名称はサービスマニュアルで使用されている部品名称であり、他のページに記載されている部品名称とは異なる場合があります。

DESTINATION

Destination No.		Destinations		V	Hz	Model No.
A	A1	JAPAN		200	50/60	A9JT001
	A2	JAPAN		200	50/60	A9JT001
B		USA, CANADA		208-240	60	A9JT011/ A9JT012
C		EUROPEAN TYPE		220-240	50/60	A9JT021
D	D1	S.E ASIA TYPE	THAILAND, SRI LANKA, SINGAPORE, MALAYSIA, HONG KONG, PAKISTAN, INDIA, BANGLADESH, INDONESIA	220-240	50/60	A9JT041
	D3	OCEANIA TYPE	AUSTRALIA, NEW ZEALAND	220-240	50/60	A9JT051
E		PHILIPPINES		220-240	50/60	A9JT041
F	F1	SAUDI ARABIA				
	F2	SAUDI ARABIA		220-240	50/60	A9JT041
G	G1	C.S AMERICA		220-240	50/60	A9JT041
	G2	C.S AMERICA		208-240	60	A9JT011
H		TAIWAN		220-240	50/60	A9JT041
I		JORDAN, LEBANON, SYRIA, SOUTH AFRICA, IRAQ, IRAN, N.YEMEN, CAMEROON, UAE, BAHRAIN, OMAN, QATAR, KUWAIT, KENYA, TUNISIA, IVORY COAST, MOROCCO		220-240	50/60	A9JT021/ A9JT041
J		CHINA		220-240	50/60	A9JT081
K		KOREA		220-240	50/60	A9JT041

AccurioPress 6136