

KONICA MINOLTA

PARTS GUIDE MANUAL

APRIL 2023

AccurioPress
6136P/ 6136P/ 6272P
A9JW

INFORMATION FOR PARTS GUIDE MANUAL

To find correct Parts No., refer to the "HOW TO MAKE THE BEST USE OF THIS MANUAL" in the following page.

HOW TO MAKE THE BEST USE OF THIS MANUAL

- 1 When you order, please check the proper figures beforehand that are on Our Parts Guide Manual, and order with the appropriate figures.
- 2 For screws, Nuts, Washers, retaining rings and Pins which are used in this model, one letter is shown on the Standard parts column of Parts list and exploded diagrams.
- 3 In order to maintain safety of the product, some specific parts composed of this product are set up as "essential safety parts".
- 4 The assigned parts number for the "essential safety parts" is indicated as "SP00-****".
When replacing these parts, follow precautions for disassembling and installing which are listed in the Service Manual.
Do not use any parts that are not set up as
- 5 ♣ means that there are exclusive parts for each destination.
Please check the appropriate destination when you order.
- 6 Revision Mark
Marked as ▲ on the illustration shows that the revision has been made.
- 7 All rights reserved. (any reprints or quotations are prohibited.)
Use of this parts guide manual should be strictly supervised to avoid disclosure of confidential information.

パーツガイドマニュアルのご案内

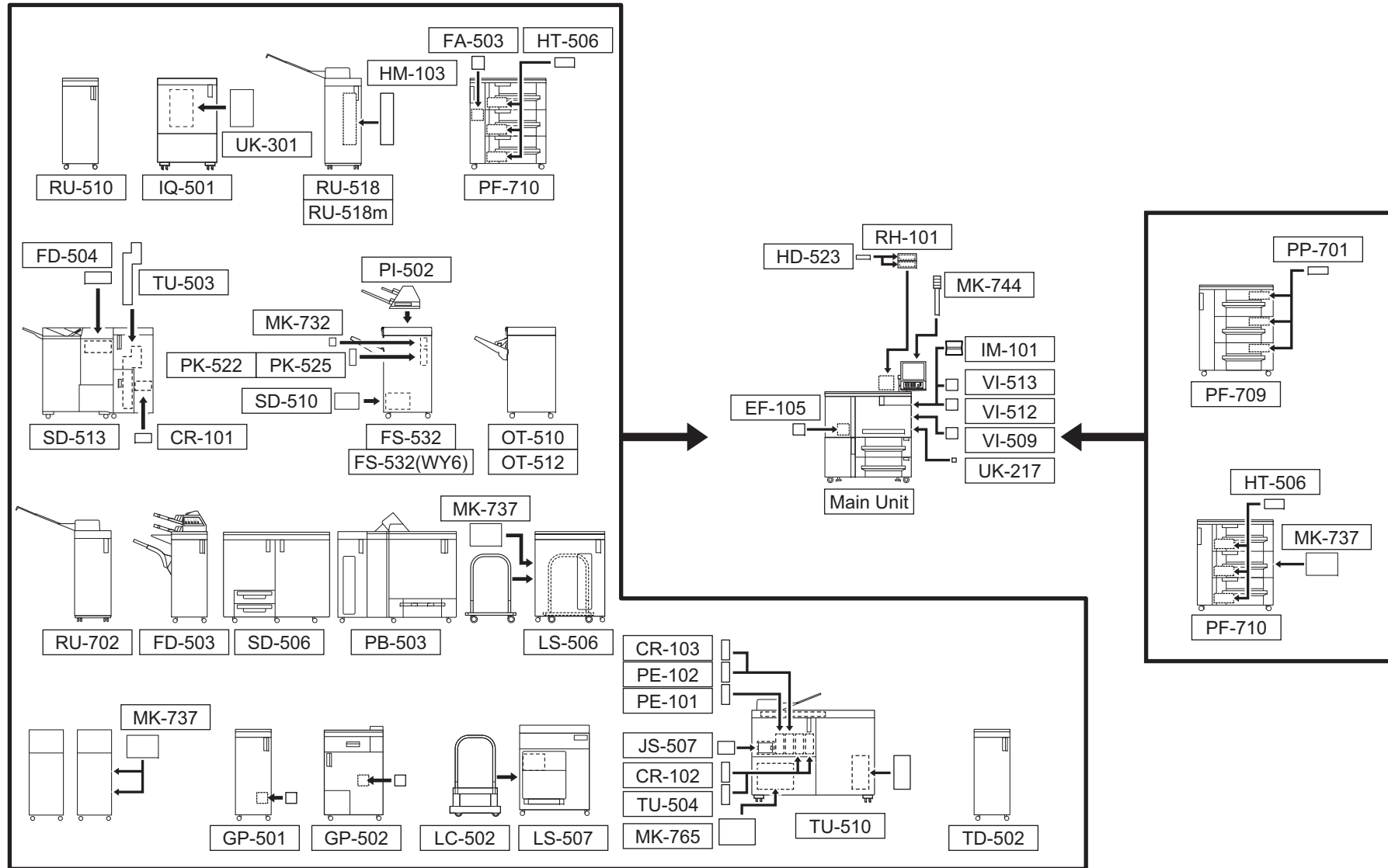
サービス部品をご発注の際には、下記に示す“パーツガイドマニュアルの活用にあたって”をご参照の上、正しい部品番号にてお願い致します。

パーツガイドマニュアルの活用にあたって

- 1 部品発注の際には、掲載されている部品番号の桁数を確認し、掲載されている桁数で発注願います。
- 2 この製品に使用されているネジ、ナット、ワッシャー、止め輪、ピンなどは、リストの右側の Standard parts 欄に a,b,c,……で表示し、イラストにも a,b,c,……表示してあります。
- 3 製品の安全性を維持する為に、製品に使用される特定の部品を「重要保安部品」として設定しています。
- 4 重要保安部品の部品番号は、“SP00-****”と記載されていますので、部品交換時は、サービスマニュアル記載の分解・組み立ての注意事項に従って作業をして下さい。
また、指定以外の部品は一切使用しないで下さい。
- 5 本文に ♣ が表示されている部品は、仕向け地毎に専用部品がある事を意味しています。
オーダーされる時は、仕向け地を確認して下さい。
- 6 改訂記号について
イラスト上に▲印が表示されている部分は、改訂された事を表します。
- 7 著作権所有（無断転載及び無断引用の禁止）
本パーツガイドマニュアルについては、機密保持等その扱いには十分注意して下さい。万一取り扱いを誤った場合には、法律で処罰されることがあります。

10/20/2017

System Configuration



AccurioPress 6136P/ 6136P/ 6272P

GENERAL CONTENTS

No.	Description	Model
1	Relay Unit	RU-510
2	Digital MFP B/W	AccurioPress 6136P/AccurioPress 6136P/Accurio Press 6272P
3	Saddle Unit	FD-504
4	Saddle Unit	SD-513
5	Folding Unit	FD-503
6	Saddle Unit	SD-506
7	Perfect Binder	PB-503
8	Punch Unit	GP-501
9	Other Option	TD-502
10	Ring Binder	GP-502
11	Large Capacity Stacker	LS-506
12	Other Option	MK-737
13	Saddle Unit	CR-101
14	Saddle Unit	SD-510
15	Punch Unit	PK-522
16	Mount Kit	MK-732
17	Post Inserter	PI-502
18	Finisher/Sorter	FS-532/FS-532 PK/SD
19	Output Tray	OT-510
20	Trimmer Unit	TU-503
21	Intelligent Quality Optimizer	IQ-501

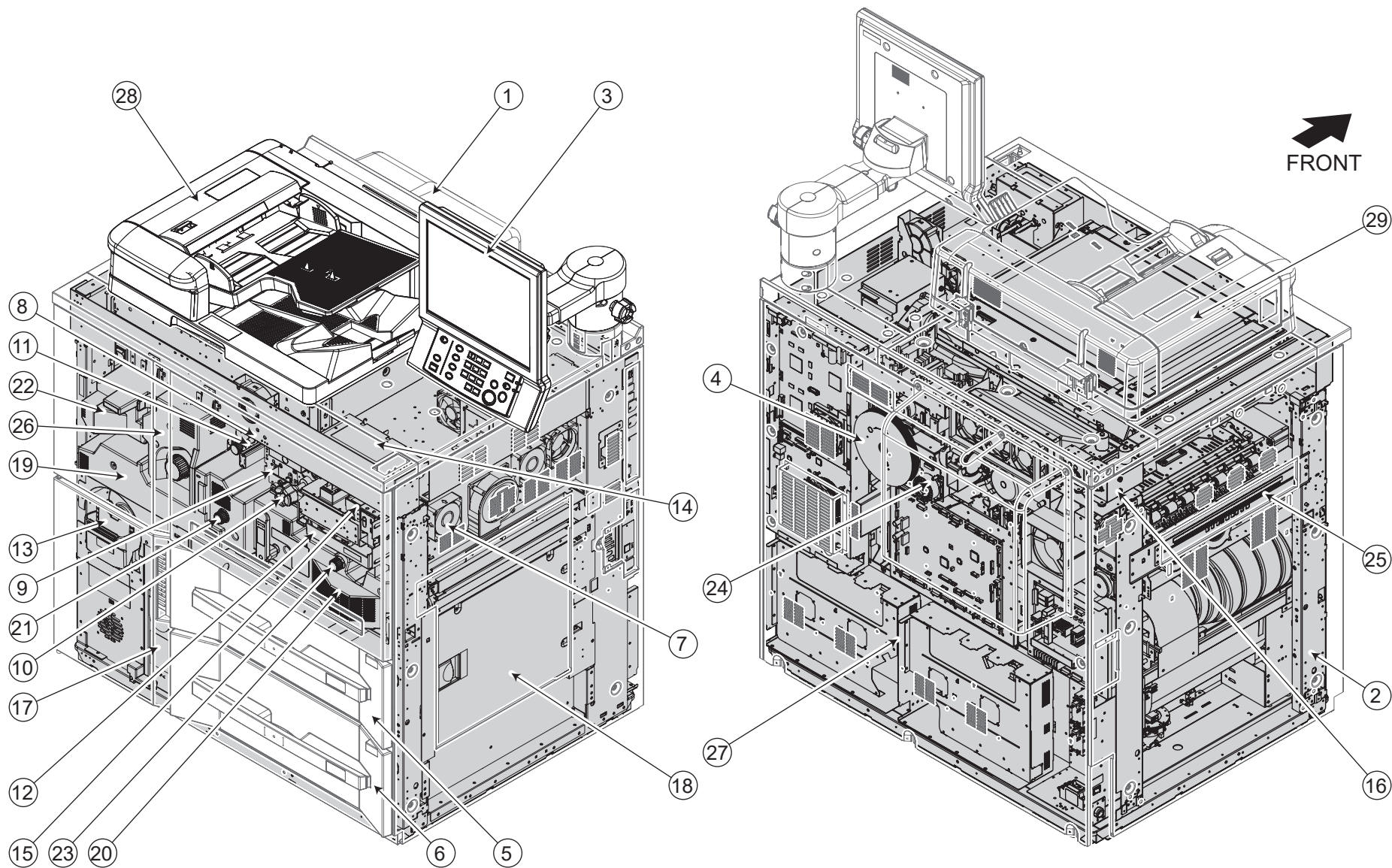
AccurioPress 6136P/ 6136P/ 6272P

No.	Description	Model
22	Relay Unit	RU-518
23	Humidifier	HM-103
24	Paper Feeder	PF-710
25	Paper Feeder	FA-503
26	Heater	HT-506
27	Relay Unit	RU-702
28	Other Option	UK-301
29	Envelop Fusing Unit	EF-105
30	HDD	HD-523
31	HDD	RH-101
32	Mount Kit	MK-744
33	Paper Feeder	PP-701
34	Paper Feeder	PF-709
35	Video IF Kit	VI-512
36	Video IF Kit	VI-513
37	Video IF Kit	VI-509
38	Other Option	UK-217
39	Large Capacity Stacker	LS-507
40	Other Option	LC-502
41	Output Tray	OT-512
42	Relay Unit	RU-518m
43	Punch Unit	PK-525
44	Other Option	IM-101

AccurioPress 6136P/ 6136P/ 6272P

No.	Description	Model
45	Other Option	PE-101
46	Other Option	JS-507
47	Other Option	PE-102
48	Other Option	CR-103
49	Other Option	CR-102
50	Trimmer Unit	TU-504
51	Other Option	MK-765
52	Trimmer Unit	TU-510
53	Finisher/Sorter	FS-532(WY6)

Section Configuration



AccurioPress 6136P/ 6136P/ 6272P

CONTENTS

No.	DESCRIPTION	名称	PAGE No.
1	External Parts Section	外装部	P1 P2 P3
2	Main Frame Section	骨格部	P4 P5 P6 P7 P8 P9 P10
3	Operation Panel Section	操作部	P11 P12 P13
4	Driving Section	駆動部	P14 P15 P16 P17 P18 P19
5	Tray 1 Section	トレイ1	P20 P21 P22 P23 P24 P25 P26 P27 P28
6	Tray 2 Section	トレイ2	P29 P30 P31 P32 P33 P34 P35 P36 P37
7	Developing Section	現像サクシオン部	P38
8	Charge Unit Section	帯電極ユニット部	P39 P40
9	Write Section	書き込み部 (LPH)	P41
10	Drum Cartridge Section	ドラムカートリッジ部	P42 P43 P44 P45 P46 P47
11	Drum Cleaning Unit Section	ドラムクリーニングユニット部	P48 P49 P50 P51
12	Developing Section	現像部	P52 P53
13	Toner Supply Protection Unit	トナー補給ユニット	P54 P55 P56 P57
14	Toner Supply Main Body Upper Unit	トナー補給本体上ユニット	P58 P59
15	Toner Conveyance Main Body Unit	トナー搬送本体ユニット	P60
16	Toner Pump Unit	トナーポンプ部組	P61
17	Toner Collection Section	トナー回収部	P62 P63
18	Vertical Conveyance Unit	垂直搬送ユニット	P64 P65 P66 P67 P68
19	ADU	ADU	P69 P70 P71 P72 P73 P74 P75 P76 P77 P78 P79 P80
20	ADU Transfer Pressure Unit	ADU 転写圧着ユニット	P81 P82
21	ADU Belt Cleaner Unit	ADU ベルト クリーナーユニット	P83 P84
22	ADU Decurler Unit	ADU デカーラユニット	P85 P86 P87 P88 P89 P90
23	ADU Regist Unit	ADU レジスト ユニット	P91 P92
24	Transfer Belt Unit	転写ベルト ユニット	P93 P94
25	Main Body Paper Exit Unit	本体排紙ユニット	P95
26	Fusing Section	定着部	P96 P97 P98 P99 P100 P101 P102
27	Electric Parts	電装	P103 P104 P105
28	Wiring	束線	P106 P107 P108
29	Service Tool	サービスツール	P109
30	Accessory Parts	同梱部品	P110 P111

INDEX

Parts No.	Page No.
000V-19-0	109-1
00GR00020	109-5
00GR00220	109-6
00GR00260	109-4
00VC-2-00	109-16
00VD-1000	109-17
029420640	52-1
048610110	8-1
048645260	87-1
059076510	28-1
059076510	37-1
066079020	17-1
066079020	82-1
07BA12352	87-2
07BA15871	45-1
08AA76060	78-1
090020510	43-1
090020510	49-1
090020510	51-1
090076040	50-1
090076040	62-1
113620270	47-1
129X48350	22-1
129X48350	23-1
129X48350	31-1
129X48350	32-1
129X48360	22-2
129X48360	23-2
129X48360	31-2
129X48360	32-2
12AJ45850	68-1
12AJ45850	73-1
12AJ45850	75-2
12AJ45850	79-1
12AJ45850	80-3
12AJ45850	91-1
12ER40350	74-1
12QV40650	27-1
12QV40650	36-1
12QV40650	65-1

Parts No.	Page No.
12QV40650	66-1
12QV40650	67-1
12QV40650	81-1
12QV40650	86-1
12QV40650	87-3
12QV40650	88-1
12QV40650	89-1
12QV40650	93-1
13GL46720	101-1
13GQ77550	77-1
13NT80511	4-1
13NT80511	9-1
13NT80511	54-1
13NT80511	90-1
13QA10330	20-1
13QA10330	29-1
13QA10330	63-1
13QA10330	91-2
13QA17730	86-2
13QA17730	87-4
13QA40610	14-1
13QA40610	16-1
13QA40610	17-2
13QA40610	18-1
13QA40610	19-1
13QA40610	49-2
13QA85511	24-1
13QA85511	26-1
13QA85511	33-1
13QA85511	35-1
13QA85511	65-2
13QA85511	66-2
13QA85511	67-2
13QA85511	68-2
13QA85511	73-2
13QA85511	74-2
13QA85511	75-1
13QA85511	76-1
13QA85511	79-2
13QA85511	90-2

Parts No.	Page No.
13QA85511	91-3
13QA85511	92-1
13QA85511	95-1
13RJ10390	111-1
14GE45470	77-2
14GE45470	91-4
15AG57620	88-2
15AG77020	16-2
15BA10310	111-2
15BY700400	66-3
15BY700400	67-3
173030270	6-1
173030270	27-2
173030270	36-2
25AA20321	47-2
25AA29770	47-3
25AA40120	27-3
25AA40120	36-3
25AA40460	28-2
25AA40460	37-2
25AA40870	24-2
25AA40870	33-2
25AA44180	73-3
25AA44180	80-1
25AA47500	77-3
25AA47551	22-3
25AA47551	31-3
25AA50080	80-2
25AA53290	102-1
25AA55360	48-1
25AA55390	48-2
25AA55420	48-3
25AA55720	50-2
25AA77890	55-1
25AA85020	104-1
25BA32251	60-1
25HA15210	49-3
25SA15270	16-3
25SA15280	16-4
25SA15390	16-5

Parts No.	Page No.
25SA43310	76-2
25SA43310	80-4
25SA43310	91-5
25SA66420	75-3
25SA77180	58-1
26AA53150	100-1
26MA74100	84-1
26TA30770	51-2
27LA80511	73-4
27LA80511	80-5
392010231	9-2
392010231	65-3
392010231	104-2
392010231	111-3
392014041	70-1
392015650	53-1
396040681	49-4
396040681	50-3
396040681	66-4
396040681	67-4
396040681	84-2
396076050	64-1
4004457301	62-2
4025228301	103-2
4036252401	81-2
4040078001	110-1
4040M10000	10-1
4040M10000	71-1
40AA32290	44-1
40AA32290	45-2
40AA32290	85-1
40AA53151	101-2
40AA88031	55-2
40AA88031	60-2
40BA75520	20-2
40BA75520	29-2
4120550302	98-2
4136N30000	104-9
4136N30000	110-1
4139M10001	4-2

Parts No.	Page No.
4139M10001	5-1
4139M10001	9-3
4139M10001	10-2
4139M10001	74-3
4470402401	5-2
4470402401	16-6
4470402401	24-3
4470402401	25-1
4470402401	33-3
4470402401	34-1
4470402401	48-4
4470402401	59-1
4470402401	62-3
4470402401	71-2
4470402401	82-2
4470402401	86-3
450053391	97-1
45AA20400	39-1
45AA20400	40-1
45AA20400	47-4
45AA20400	94-1
462076010	77-4
466076020	51-3
466076020	63-2
466076020	64-2
466076020	68-3
466076020	80-6
504097340	111-4
50BA40220	27-4
50BA40220	36-4
540015162	17-3
540076090	55-3
554010550	16-7
554010550	17-4
55GA32220	60-3
55TA75020	16-8
55VA12460	2-1
55VA15080	16-9
55VA15080	18-2
55VA15190	14-2

Parts No.	Page No.	Parts No.	Page No.	Parts No.	Page No.	Parts No.	Page No.	Parts No.	Page No.
55VA15190	98-3	55VA40610	35-2	55VA47450	74-4	55VA77040	17-6	56AA17510	37-6
55VA15541	16-10	55VA40910	21-1	55VA47701	80-12	55VA77300E	53-4	56AA17510	48-8
55VA15570	14-3	55VA40910	30-1	55VA47710	80-13	55VA77570	47-11	56AA17700	15-1
55VA15570	17-5	55VA40920D	21-2	55VA47762E	80-14	55VA77652	26-3	56AA17700	16-13
55VA15570	82-3	55VA40920D	30-2	55VA47770	80-15	55VA77652	35-3	56AA17760	28-7
55VA15580	16-11	55VA42111	24-6	55VA47801E	80-16	55VA77850	97-2	56AA17760	37-7
55VA15610	64-3	55VA42111	33-6	55VA47830	72-1	55VA77890	59-3	56AA25150	39-3
55VA20310	6-2	55VA42120	27-5	55VA47830	77-5	55VA77940	58-2	56AA32440	57-1
55VA20520	43-2	55VA42120	28-5	55VA47840	78-2	55VA77960	58-3	56AA32450	57-2
55VA20520	45-3	55VA42120	36-5	55VA47850	67-6	55VA77960	59-4	56AA32521	57-3
55VA20520	81-3	55VA42120	37-5	55VA47850	78-3	55VA77960	60-16	56AA32620	57-4
55VA20590	47-5	55VA42120	66-5	55VA47891	76-4	55VA79030	27-6	56AA32630	57-5
55VA20630D	44-2	55VA42120	67-5	55VA47910	80-17	55VA79030	36-6	56AA32640	57-6
55VA20680	47-6	55VA42120	91-6	55VA47970	80-18	55VA79050	27-7	56AA32650	55-4
55VA20830	46-1	55VA42220	24-7	55VA47980	80-19	55VA79050	36-7	56AA32650	58-4
55VA20850D	46-2	55VA42220	33-7	55VA47991F	76-5	55VA79140	27-8	56AA32710	57-7
55VA25140	39-2	55VA42330D	21-3	55VA49050E	72-2	55VA79140	36-8	56AA32751	57-8
55VA25240	40-2	55VA42330D	30-3	55VA49080	77-6	55VA79210	65-6	56AA32761	57-9
55VA25270	40-3	55VA42340	21-4	55VA49131	77-7	55VAJG021	109-8	56AA40490	27-9
55VA25270	42-1	55VA42340	30-4	55VA49240	76-6	55VAJG031	109-9	56AA40490	28-8
55VA29040	47-7	55VA42390	25-2	55VA49260	76-7	55VAJG041	109-10	56AA40490	36-9
55VA29050	47-8	55VA42390	34-2	55VA49440	75-4	55VB83042	100-4	56AA40490	37-8
55VA29140	47-9	55VA42400	25-3	55VA53360	100-2	55VE32080	56-1	56AA41340	21-5
55VA29150	47-10	55VA42400	34-3	55VA53450	100-3	564A116300	5-5	56AA41340	24-9
55VA30390D	53-2	55VA42420	24-8	55VA53770	102-2	56AA15460	105-2	56AA41340	30-5
55VA30970	53-3	55VA42420	33-8	55VA53970	99-1	56AA15471	105-3	56AA41340	33-9
55VA30981	52-2	55VA44120	65-4	55VA55130	50-4	56AA15521	105-4	56AA41351E	24-10
55VA32080	56-1	55VA44150	68-4	55VA55351	48-5	56AA17080	105-5	56AA41351E	33-10
55VA32150	56-2	55VA44171G	68-5	55VA55361	48-6	56AA17090	14-4	56AA42690	75-5
55VA32430	56-3	55VA44171G	80-7	55VA55442E	59-2	56AA17090	16-12	56AA51810	14-5
55VA32530	5-3	55VA46451	65-5	55VA55490	48-7	56AA17090	19-2	56AA52700	91-8
55VA40130	28-3	55VA46451	68-6	55VA55641	51-4	56AA17090	79-3	56AA54220	99-2
55VA40130	37-3	55VA46451	80-8	55VA55670	50-5	56AA17090	87-5	56AA97140	104-25
55VA40260	28-4	55VA46451	90-3	55VA55680	49-5	56AA17140	40-4	56AE43090	24-11
55VA40260	37-4	55VA46490	76-3	55VA55680	50-6	56AA17140	42-2	56AE43090	33-11
55VA40380	24-4	55VA46490	91-7	55VA70110D	4-3	56AA17300	68-7	56GA30290	55-5
55VA40380	33-4	55VA47360	80-9	55VA70110D	5-4	56AA17330	105-6	56GA76600E	16-14
55VA40460	24-5	55VA47371	80-10	55VA73310	104-3	56AA17350	77-9	56GA76600E	17-7
55VA40460	33-5	55VA47390	80-11	55VA76521E	77-8	56AA17361	80-20	56HA12980	25-4
55VA40610	26-2	55VA47450	73-5	55VA76530E	67-7	56AA17510	28-6	56HA12980	34-4

Parts No.	Page No.
56NE32510	57-10
56QA46060	92-2
56QA80570	72-3
56UA-1930	8-5
56UA-4080	24-18
56UA-4080	33-18
56UA-4321E	20-6
56UA-4321E	29-6
56UA-4640	64-6
56UA-7660	54-3
56UA-7680F	54-4
56UA10420E	9-4
56UA10520	8-3
56UA12200	4-4
56UA12210E	4-5
56UA12280	4-6
56UA12370	4-7
56UA12370	5-6
56UA12530	28-9
56UA12530	37-9
56UA12560	25-5
56UA12560	34-5
56UA15320	19-3
56UA15420	14-6
56UA15510	19-4
56UA15510	79-4
56UA15510	87-6
56UA15540	8-4
56UA15610E	14-7
56UA20160	6-3
56UA20720	43-3
56UA20730	43-4
56UA20740	43-5
56UA20750	43-6
56UA25090	40-5
56UA25110	39-4
56UA25280	39-5
56UA29230	47-12
56UA30251	53-5
56UA31030	38-1

Parts No.	Page No.
56UA31060	38-2
56UA32260	60-4
56UA32270	60-5
56UA32330	61-1
56UA32380	58-5
56UA32520	58-6
56UA32620	58-7
56UA32650	59-5
56UA32690	55-6
56UA32700	58-8
56UA32740	58-9
56UA32800	58-10
56UA32830	58-11
56UA32850	60-6
56UA33210	61-2
56UA33280	61-3
56UA34020	54-2
56UA34060	56-4
56UA34071	57-11
56UA34100	55-7
56UA34121E	56-5
56UA34160	55-8
56UA34180	55-26
56UA34190	55-25
56UA34230E	57-12
56UA34240E	57-13
56UA34290	55-9
56UA34300	55-10
56UA34452	56-6
56UA34460	56-7
56UA34610	56-8
56UA34710	55-11
56UA34730	55-12
56UA34800	55-13
56UA375200	53-6
56UA40011E	21-6
56UA40011E	30-6
56UA40020E	25-6
56UA40020E	34-6
56UA40051G	24-12

Parts No.	Page No.
56UA40051G	33-12
56UA40070	24-13
56UA40070	33-13
56UA40130E	27-10
56UA40130E	36-10
56UA40140	25-7
56UA40140	34-7
56UA40160	25-8
56UA40160	34-8
56UA40170	28-10
56UA40170	37-10
56UA40240	24-14
56UA40240	33-14
56UA40250	28-11
56UA40250	37-11
56UA40260	25-9
56UA40260	34-9
56UA40270	25-10
56UA40270	34-10
56UA40280	28-12
56UA40280	37-12
56UA40310	7-1
56UA40320	6-4
56UA40330	6-5
56UA40351	20-3
56UA40351	29-3
56UA40360	20-4
56UA40360	29-4
56UA40371	21-7
56UA40371	30-7
56UA40400	28-13
56UA40400	37-13
56UA40420	21-8
56UA40420	30-8
56UA40450E	7-2
56UA40460	26-4
56UA40460	35-4
56UA40470	24-15
56UA40470	33-15
56UA40480	24-16

Parts No.	Page No.
56UA40480	33-16
56UA40490	27-11
56UA40490	28-14
56UA40490	36-11
56UA40490	37-14
56UA40500	28-15
56UA40500	37-15
56UA40511E	21-9
56UA40511E	30-9
56UA40520	28-16
56UA40520	37-16
56UA40530	28-17
56UA40530	37-17
56UA40540	28-18
56UA40540	37-18
56UA40570	26-5
56UA40570	35-5
56UA40580E	25-11
56UA40580E	34-11
56UA40600	28-19
56UA40600	37-19
56UA40610	27-12
56UA40610	36-12
56UA40620	27-13
56UA40620	36-13
56UA40660	28-20
56UA40660	37-20
56UA40670	24-17
56UA40670	33-17
56UA40680	22-4
56UA40680	31-4
56UA40690	28-21
56UA40690	37-21
56UA40700	111-5
56UA40760	21-10
56UA40760	30-10
56UA408200	59-6
56UA41011E	26-6
56UA41011E	35-6
56UA41020	23-3

Parts No.	Page No.
56UA41020	32-3
56UA41030	22-5
56UA41030	31-5
56UA41040	23-4
56UA41040	32-4
56UA41060	23-5
56UA41060	32-5
56UA41070	22-6
56UA41070	31-6
56UA41090	22-7
56UA41090	31-7
56UA41110	21-11
56UA41110	30-11
56UA41120E	21-12
56UA41120E	30-12
56UA41130	26-7
56UA41130	35-7
56UA41140	26-8
56UA41140	35-8
56UA41150	26-9
56UA41150	35-9
56UA41160	26-10
56UA41160	35-10
56UA41220	21-13
56UA41220	30-13
56UA41240	22-9
56UA41240	31-9
56UA41250	23-7
56UA41250	32-7
56UA41260	21-14
56UA41260	30-14
56UA41270	26-12
56UA41270	35-12
56UA41281E	26-13
56UA41281E	35-13
56UA41300	22-10
56UA41300	31-10
56UA41310	22-11
56UA41310	23-8
56UA41310	31-11

Parts No.	Page No.	Parts No.	Page No.	Parts No.	Page No.	Parts No.	Page No.	Parts No.	Page No.
56UA41310	32-8	56UA41690	30-19	56UA45571E	95-2	56UA54430	96-2	56UA77170E	65-18
56UA41340	26-14	56UA41710	23-14	56UA45600	95-3	56UA54530	102-3	56UA77180E	66-9
56UA41340	35-14	56UA41710	32-14	56UA45910	72-4	56UA54540	102-4	56UA77270	18-4
56UA41400	26-15	56UA41750	23-15	56UA45960	47-13	56UA54550F	102-5	56UA77290	47-14
56UA41400	35-15	56UA41750	32-15	56UA45960	95-5	56UA54570	102-6	56UA77400	63-3
56UA41470	21-15	56UA41810	22-18	56UA45970	80-21	56UA54580	102-7	56UA77430	58-12
56UA41470	30-15	56UA41810	23-16	56UA46030G	91-10	56UA54590	102-8	56UA77430	60-17
56UA41470	91-9	56UA41810	31-18	56UA46110E	92-4	56UA54600	102-9	56UA77450	59-7
56UA41490	22-12	56UA41810	32-16	56UA46140	73-6	56UA54610	102-10	56UA77480	20-7
56UA41490	23-9	56UA42570	20-5	56UA46140	90-5	56UA55550	51-5	56UA77480	29-7
56UA41490	31-12	56UA42570	29-5	56UA46170	91-11	56UA70330	13-2	56UA77530	21-20
56UA41490	32-9	56UA44030	68-8	56UA46190	92-5	56UA70540	5-7	56UA77530	30-20
56UA41500	21-16	56UA44040F	67-8	56UA46430D	70-2	56UA70560	12-1	56UA77600	26-17
56UA41500	30-16	56UA44050E	66-6	56UA46480	74-5	56UA70570	12-2	56UA77600	35-17
56UA41520	21-17	56UA44070	65-7	56UA46480	76-8	56UA70590	12-3	56UA77620	26-18
56UA41520	30-17	56UA44080	65-8	56UA46480	80-22	56UA70600	12-4	56UA77620	35-18
56UA41530	21-18	56UA44100	66-7	56UA46610E	79-5	56UA70610E	12-5	56UA77640F	20-8
56UA41530	30-18	56UA44100	67-9	56UA46631F	74-6	56UA70620E	12-6	56UA77640F	29-8
56UA41540	22-13	56UA44150	68-9	56UA46740	72-5	56UA70650	12-7	56UA77650E	20-9
56UA41540	31-13	56UA44250	65-11	56UA46770E	74-7	56UA70670	12-8	56UA77650E	29-9
56UA41550	23-10	56UA44260	64-4	56UA46921	69-1	56UA70750	12-9	56UA77660	20-10
56UA41550	32-10	56UA44280	68-12	56UA47121	76-9	56UA70800	12-10	56UA77660	29-10
56UA41580	22-14	56UA44301F	64-5	56UA47190	79-6	56UA70820	11-1	56UA77700	54-5
56UA41580	23-11	56UA44310	67-11	56UA47240	80-23	56UA75020	8-6	56UA77700	56-9
56UA41580	31-14	56UA44320	68-13	56UA47250E	80-24	56UA75030	28-22	56UA77710	54-6
56UA41580	32-11	56UA44330	68-14	56UA47260	80-25	56UA75030	37-22	56UA77720	54-7
56UA41620	22-15	56UA44340	68-15	56UA47270	80-26	56UA75050	72-6	56UA77730	54-8
56UA41620	23-12	56UA44410E	65-12	56UA47310	76-10	56UA75050	77-12	56UA77740	54-9
56UA41620	31-15	56UA44500	65-13	56UA47320	76-11	56UA75050	78-4	56UA77750	55-15
56UA41620	32-12	56UA44500	67-12	56UA47330	76-12	56UA75070	100-8	56UA77760	54-10
56UA41640	26-16	56UA44500	68-16	56UA47350	73-7	56UA76030	66-8	56UA77760	55-16
56UA41640	35-16	56UA44660	65-14	56UA47380E	77-10	56UA76030	67-16	56UA77770	54-11
56UA41661	22-16	56UA44660	67-13	56UA47390	73-8	56UA76060	55-14	56UA77800	98-4
56UA41661	23-13	56UA44660	68-17	56UA47390	77-11	56UA760900	96-3	56UA78030	14-9
56UA41661	31-16	56UA44680	65-15	56UA47890	76-13	56UA760900	97-3	56UA78060	73-9
56UA41661	32-13	56UA44680	67-14	56UA53070	100-5	56UA77040E	14-8	56UA78080	72-7
56UA41670	22-17	56UA44680	68-18	56UA53320	100-6	56UA77061E	95-6	56UA78090	67-18
56UA41670	31-17	56UA44680	92-3	56UA53530	96-1	56UA77070F	18-3	56UA85010	4-8
56UA41670	90-4	56UA44700	67-15	56UA53750	99-3	56UA77070F	65-16	56UA85010	67-19
56UA41690	21-19	56UA44740E	68-19	56UA54160E	100-7	56UA77160	65-17	56UA886100	80-27

Parts No.	Page No.	Parts No.	Page No.	Parts No.	Page No.	Parts No.	Page No.	Parts No.	Page No.
56UA886200	80-28	57AA97211E	91-13	A00J617800	91-14	A03UM50500	78-22	A0G6193900	13-12
56UA90250E	68-20	57AA97221E	92-7	A00J617900	15-2	A03UR70200	62-11	A0G6194000	13-13
56UA90340	26-19	57GA47640	93-2	A00J617900	27-15	A03X565611	27-17	A0G6210400	16-16
56UA90340	35-19	57GA61560	7-3	A00J617900	36-15	A03X565611	36-17	A0G6215200	16-17
56UA90350	24-19	57GA61560	73-12	A00J617900	65-22	A04J709800	88-4	A0G6215300	16-18
56UA90350	33-19	57GA61560	82-4	A00J617900	66-11	A04J719200	88-5	A0G6215400	16-19
56UA90360	22-19	57GA79430	67-21	A00J617900	67-23	A04J719800	88-6	A0G6217200	16-20
56UA90360	31-19	57GA79440	67-22	A00J617900	88-3	A04P560002	109-19	A0G6217500	16-21
56UA90370	23-17	57GA82010	27-14	A00J617900	89-2	A07TM60100	104-5	A0G6217500	63-5
56UA90370	32-17	57GA82010	28-23	A00J617900	91-15	A0G6101701	5-9	A0G6217600	16-22
56UA90620	91-12	57GA82010	36-14	A00J663200	28-24	A0G6102500	8-7	A0G6217700	16-23
56UA90650	73-10	57GA82010	37-23	A00J663200	37-24	A0G6112400	8-8	A0G6221100	17-9
56UA90650	74-8	65AA-9920	109-3	A00J663200	59-9	A0G6113500	4-10	A0G6227300	17-10
56UA90650	75-6	65AA11140	14-10	A00JM14100	72-10	A0G6115600	4-11	A0G6227400	17-11
56UA90650	76-14	65AA11300	4-9	A00V240600	14-12	A0G6131300	11-3	A0G6237201	19-6
56UA90700	72-8	65AA11300	54-12	A00V240600	16-15	A0G6136400	12-11	A0G6237300	19-7
56UA90700	77-13	65AA26890	84-3	A00V240600	17-8	A0G6137000	103-4	A0G6240800	18-7
56UA90710	73-11	65AA49190	14-11	A00V240600	18-6	A0G6161600	11-4	A0G6240900	18-8
56UA90830	66-10	65AA53991	94-2	A00V240600	19-5	A0G6162100	1-2	A0G6247100	18-9
56UA90840	67-20	65AA53991	102-11	A00V240600	27-16	A0G6162200	1-3	A0G6247200	18-10
56UA90880	74-9	65AA80112	78-5	A00V240600	36-16	A0G6163602	2-2	A0G6247500	18-11
56UA90880	92-6	65AA88080	82-5	A00V240600	53-8	A0G6163700	2-3	A0G6250500	15-3
56UA90890	95-7	65AA99500	109-15	A00V240600	72-11	A0G6163911	2-4	A0G6250601	15-4
56UAR70500	9-5	9313100072	5-8	A00V240600	77-14	A0G6164101	4-12	A0G6250700	15-5
56UAR77100	59-8	9313100072	22-20	A00V240600	78-6	A0G6165200	25-15	A0G6250800	15-6
56UAR79500	24-20	9313100072	23-18	A00V240600	87-7	A0G6165200	34-15	A0G6250900	15-7
56UAR79500	25-12	9313100072	31-20	A00V240600	91-16	A0G6165900	111-6	A0G6251200	15-8
56UAR79500	33-20	9313100072	32-18	A00V240600	95-8	A0G6168101	5-10	A0G6251301	15-9
56UAR79500	34-12	9313100072	72-9	A03TM50000	86-4	A0G6168500	3-1	A0G6251400	15-10
56UAR79600	25-13	9313100072	73-13	A03U729500	98-5	A0G6168600	1-4	A0G6330401	46-3
56UAR79600	34-13	9313110033	9-6	A03U734500	96-4	A0G6168700	3-2	A0G6330900	42-3
56UAR79700	24-21	9335140051	62-4	A03U734500	99-4	A0G6191600	13-3	A0G6331101	46-4
56UAR79700	33-21	9J06N30000	110-1	A03U734500	100-9	A0G6192400	13-4	A0G6331204	45-4
56UAR7A100	68-21	A00J617800	20-11	A03U812800	28-25	A0G6192500	13-5	A0G6331301	45-5
56UAR7A200	68-22	A00J617800	29-11	A03U812800	37-25	A0G6192700	13-6	A0G6331903	47-15
56VA70550	11-2	A00J617800	48-9	A03U815700	66-12	A0G6192900	13-7	A0G6332000	47-16
57AA30260	1-1	A00J617800	62-5	A03U815700	67-24	A0G6193100	13-8	A0G6332600	43-7
57AA30260	25-14	A00J617800	63-4	A03UM15201	10-3	A0G6193200	13-9	A0G6333000	45-6
57AA30260	34-14	A00J617800	64-7	A03UM15802	9-7	A0G6193400	13-10	A0G6333100	46-5
57AA30260	53-7	A00J617800	65-21	A03UM15802	10-4	A0G6193800	13-11	A0G6333500	43-8

Parts No.	Page No.	Parts No.	Page No.	Parts No.	Page No.	Parts No.	Page No.	Parts No.	Page No.
A0G6333600	43-9	A0G6367500	63-8	A0G6501300	93-6	A0G6509201	82-12	A0G6530500	49-6
A0G6333700	42-4	A0G6367900	63-9	A0G6501400	93-7	A0G6509301	82-13	A0G6530701	49-7
A0G6333901	43-10	A0G6369500	16-24	A0G6501500	93-8	A0G6509400	81-17	A0G6531300	48-11
A0G6338113	47-17	A0G6373500	53-9	A0G6501600	93-9	A0G6509600	82-14	A0G6531401	51-7
A0G6338201	47-18	A0G6374900	52-3	A0G6501700	94-7	A0G6510700	84-4	A0G6531500	49-8
A0G6338411	47-19	A0G6375211	53-6	A0G6501800	94-8	A0G6511312	84-5	A0G6531500	50-7
A0G6338612	47-20	A0G6375400	52-4	A0G6501900	94-9	A0G6511401	83-1	A0G6531800	51-8
A0G6338911	47-21	A0G6376300	52-5	A0G6502200	93-10	A0G6511901	83-2	A0G6532101	48-13
A0G6339000	47-22	A0G6376400	52-6	A0G6502300	93-11	A0G6512012	83-3	A0G6532202	49-9
A0G6339400	47-23	A0G6377300	53-10	A0G6502600	93-12	A0G6512200	83-4	A0G6532300	49-10
A0G6339500	47-24	A0G6377400	53-11	A0G6503200	94-10	A0G6512300	83-5	A0G6532700	49-11
A0G6339600	47-25	A0G6378100	53-12	A0G6503300	94-11	A0G6512400	83-6	A0G6532900	49-12
A0G6339812	47-26	A0G6378700	52-7	A0G6503401	93-13	A0G6512800	83-7	A0G6533000	48-14
A0G6342200	44-3	A0G6378800	52-8	A0G6503500	94-12	A0G6513211	84-6	A0G6533100	48-15
A0G6343000	45-7	A0G6379400	53-13	A0G6503600	94-13	A0G6513300	83-8	A0G6534200	51-9
A0G6343200	43-11	A0G6379700	52-9	A0G6503900	94-14	A0G6513701	84-7	A0G6535900	49-13
A0G6343300	43-12	A0G6379900	52-10	A0G6504000	72-12	A0G6513801	83-9	A0G6561000	27-18
A0G6343401	43-13	A0G6390800	38-5	A0G6504100	72-13	A0G6514000	83-10	A0G6561000	28-26
A0G6344200	43-14	A0G6394400	38-3	A0G6504200	72-14	A0G6514100	83-11	A0G6561000	36-18
A0G6344501	42-5	A0G6400502	5-11	A0G6504300	72-15	A0G6514200	70-3	A0G6561000	37-26
A0G6344801	46-6	A0G6402300	58-13	A0G6504700	82-6	A0G6514800	75-7	A0G6561200	24-22
A0G6345111	47-27	A0G6405400	59-10	A0G6504900	82-7	A0G6514900	83-12	A0G6561200	33-22
A0G6345200	47-28	A0G6410611	56-10	A0G6505300	81-4	A0G6515100	83-13	A0G6561300	24-23
A0G6345311	47-29	A0G6411200	4-13	A0G6505800	81-5	A0G6515900	83-14	A0G6561300	33-23
A0G6345600	47-30	A0G6411200	62-10	A0G6506000	81-6	A0G6518600	83-15	A0G6570101	24-24
A0G6345700	47-31	A0G6414000	56-11	A0G6506300	82-8	A0G6520500	75-8	A0G6570101	33-24
A0G6345800	47-32	A0G6415000	56-12	A0G6506500	81-7	A0G6520900	84-8	A0G6570200	27-19
A0G6346101	45-8	A0G6416100	57-14	A0G6506600	81-8	A0G6521000	84-9	A0G6570200	36-19
A0G6346300	45-9	A0G6460600	40-6	A0G6506700	81-9	A0G6521100	84-10	A0G6570500	27-20
A0G6346400	44-4	A0G6461301	39-6	A0G6507100	81-10	A0G6521202	75-9	A0G6570500	36-20
A0G6346500	45-10	A0G6463200	39-7	A0G6507400	81-11	A0G6521400	83-16	A0G6570600	24-25
A0G6346600	46-7	A0G6463500	40-7	A0G6507512	81-12	A0G6521500	75-10	A0G6570600	33-25
A0G6346901	44-5	A0G6470800	42-6	A0G6507600	81-13	A0G6521600	75-11	A0G6570700	24-26
A0G6347100	45-11	A0G6500211	94-3	A0G6507800	81-14	A0G6521900	83-17	A0G6570700	33-26
A0G6352500	62-6	A0G6500300	93-3	A0G6507900	81-15	A0G6521900	84-11	A0G6570800	27-21
A0G6358700	62-7	A0G6500801	93-4	A0G6508202	82-9	A0G6523103	75-12	A0G6570800	36-21
A0G6365700	62-8	A0G6500901	93-5	A0G6508500	81-16	A0G6523300	84-12	A0G6571600	27-22
A0G6365900	62-9	A0G6501000	94-4	A0G6508600	77-15	A0G6525600	48-10	A0G6571600	36-22
A0G6367000	63-6	A0G6501100	94-5	A0G6509001	82-10	A0G6525600	83-18	A0G6571900	27-23
A0G6367400	63-7	A0G6501200	94-6	A0G6509101	82-11	A0G6530300	51-6	A0G6571900	36-23

Parts No.	Page No.	Parts No.	Page No.	Parts No.	Page No.	Parts No.	Page No.	Parts No.	Page No.
A0G6572000	27-24	A0G6700700	67-26	A0G6738000	97-11	A0G6810800	76-15	A0G6835500	9-8
A0G6572000	36-24	A0G6710502	92-8	A0G6738800	99-7	A0G6811700	74-10	A0G6835500	45-12
A0G6572100	27-25	A0G6711500	92-9	A0G6739300	19-8	A0G6812200	6-6	A0G6835500	69-4
A0G6572100	36-25	A0G6712100	91-17	A0G6739600	97-12	A0G6812400	72-16	A0G6836102	72-25
A0G6600700	21-21	A0G6712200	92-10	A0G6739800	97-13	A0G6812700	75-13	A0G6836200	72-26
A0G6600700	30-21	A0G6712301	92-11	A0G6741012	99-8	A0G6812800	73-14	A0G6836400	69-5
A0G6600800	21-22	A0G6712400	92-12	A0G6741112	99-9	A0G6812900	74-11	A0G6840900	90-7
A0G6600800	30-22	A0G6712701	92-13	A0G6741200	99-10	A0G6813100	78-7	A0G6841300	87-8
A0G6600900	21-23	A0G6712800	91-18	A0G6741300	99-11	A0G6813200	78-8	A0G6841401	86-5
A0G6600900	30-23	A0G6712900	91-19	A0G6743100	96-11	A0G6813300	78-9	A0G6841501	86-6
A0G6601000	21-24	A0G6713600	92-14	A0G6744300	98-7	A0G6813600	77-16	A0G6841700	87-9
A0G6601000	30-24	A0G6714100	91-20	A0G6744600	101-3	A0G6813700	72-17	A0G6841901	90-8
A0G6601300	21-25	A0G6714200	92-15	A0G6744700	101-4	A0G6814000	72-18	A0G6842323	90-9
A0G6601300	30-25	A0G6714300	91-21	A0G6744900	101-5	A0G6814200	78-10	A0G6842800	86-7
A0G6601500	21-26	A0G6714600	92-16	A0G6745000	98-8	A0G6814300	76-16	A0G6842900	86-8
A0G6601500	30-26	A0G6714700	92-17	A0G6745100	98-9	A0G6814400	76-17	A0G6843000	86-9
A0G6601700	21-28	A0G6717100	92-18	A0G6745202	102-14	A0G6815600	79-7	A0G6843501	85-2
A0G6601700	30-28	A0G6725501	102-12	A0G6745300	101-6	A0G6815900	77-17	A0G6843601	90-10
A0G6601900	20-12	A0G6726000	98-6	A0G6745500	102-15	A0G6816200	8-9	A0G6843800	87-10
A0G6601900	29-12	A0G6727201	100-10	A0G6745700	101-7	A0G6816400	70-4	A0G6843800	90-11
A0G6602101	27-26	A0G6727301	100-11	A0G6745800	99-12	A0G6816500	70-5	A0G6843901	90-12
A0G6602101	36-26	A0G6727500	100-12	A0G6746200	102-16	A0G6816900	72-19	A0G6844413	89-3
A0G6602300	27-27	A0G6727600	100-13	A0G6746300	102-17	A0G6817301	80-29	A0G6844500	89-4
A0G6602300	36-27	A0G6727700	99-5	A0G6747001	98-10	A0G6818200	72-20	A0G6844611	89-5
A0G6606500	20-13	A0G6728000	102-13	A0G6747903	96-12	A0G6818200	77-18	A0G6844700	85-3
A0G6606500	29-13	A0G6730311	100-14	A0G6748100	98-11	A0G6818300	71-3	A0G6844800	85-4
A0G6615100	21-29	A0G6731000	97-4	A0G6748500	100-15	A0G6818300	72-21	A0G6845100	89-6
A0G6615100	30-29	A0G6731900	97-5	A0G6748600	100-16	A0G6818300	73-15	A0G6845200	89-7
A0G6615200	21-30	A0G6732000	99-6	A0G6748711	100-17	A0G6818300	77-19	A0G6845500	85-5
A0G6615200	30-30	A0G6732100	96-5	A0G6748811	100-18	A0G6818600	79-8	A0G6845600	85-6
A0G6620300	26-20	A0G6732200	96-6	A0G6748900	100-19	A0G6818800	72-22	A0G6845700	87-11
A0G6620300	35-20	A0G6732701	96-7	A0G6749100	101-8	A0G6818900	78-11	A0G6845700	90-13
A0G6620400	26-21	A0G6734100	96-8	A0G6749200	101-9	A0G6819200	78-12	A0G6845900	87-12
A0G6620400	35-21	A0G6734200	97-6	A0G6749300	101-10	A0G6819300	78-13	A0G6845900	89-8
A0G6620400	90-6	A0G6734300	96-9	A0G6749600	101-11	A0G6819700	8-10	A0G6846100	88-7
A0G6620500	23-19	A0G6734500	96-10	A0G6749600	102-18	A0G6830101	69-2	A0G6846300	89-9
A0G6620500	32-19	A0G6736800	97-7	A0G6749700	102-19	A0G6830201	70-6	A0G6846500	89-10
A0G6620600	22-21	A0G6736900	97-8	A0G6749800	97-14	A0G6835100	72-23	A0G6846600	89-11
A0G6620600	31-21	A0G6737200	97-9	A0G6751800	99-13	A0G6835200	72-24	A0G6846800	89-12
A0G6700300	67-25	A0G6737900	97-10	A0G6751901	99-14	A0G6835300	69-3	A0G6848400	70-7

Parts No.	Page No.	Parts No.	Page No.	Parts No.	Page No.	Parts No.	Page No.	Parts No.	Page No.
A0G6848500	86-10	A0G6N22500	45-14	A1RF529300	79-9	A4EU222000	17-14	A4EU401900	46-13
A0G6848600	86-11	A0G6R7G800	50-14	A1RF529300	93-14	A4EU230800	19-12	A4EU413300	55-17
A0G6848700	88-8	A0GA195000	13-27	A1RF710900	16-25	A4EU230900	19-13	A4EU413900	55-18
A0G6943101	104-6	A0GA205000	13-27	A1RF819100	62-12	A4EU231000	19-14	A4EU414700	56-14
A0G6945100	91-22	A0GC700800	92-19	A1RF826100	105-8	A4EU235000	19-15	A4EU415100	55-19
A0G6945400	69-6	A0GY738300	95-9	A1RF851600	87-13	A4EU235200	19-16	A4EU464200	39-8
A0G6945500	94-15	A0H0702100	89-13	A1RF945101	45-16	A4EU235400	19-17	A4EU465000	40-9
A0G6945601	99-15	A0P0M50400	4-14	A1RFM10600	14-13	A4EU235500	19-18	A4EU500400	93-15
A0G6945700	90-14	A0P0M50400	54-14	A1RFM10600	19-10	A4EU235700	19-19	A4EU500600	94-17
A0G6945800	70-8	A0P0M73100	13-1	A1RFM15100	103-5	A4EU238100	19-20	A4EU505500	81-20
A0G6945900	102-20	A0TK397501	81-19	A1RFM51000	101-12	A4EU238200	19-21	A4EU505600	81-21
A0G6946000	80-30	A0U0945401	20-14	A1RFM51000	102-21	A4EU239100	14-14	A4EU506800	81-22
A0G6946100	77-20	A0U0945501	29-14	A1RFN28300	13-17	A4EU239200	14-15	A4EU508800	81-23
A0G6946200	73-16	A0U4109000	8-11	A1RG101600	8-12	A4EU247600	18-5	A4EU508900	81-24
A0G6947300	69-7	A0Y5134700	105-7	A1TT211400	78-15	A4EU251000	15-12	A4EU509700	82-15
A0G6950401	52-11	A0Y5196300	12-13	A1TT214301	19-11	A4EU252000	15-13	A4EU510600	84-14
A0G6950501	41-1	A0Y5196400	12-14	A1TVM10100	15-11	A4EU265000	26-22	A4EU510900	83-20
A0G6950501	44-6	A0Y5227500	17-12	A1TVM10311	60-7	A4EU265000	35-22	A4EU512100	83-21
A0G6950501	45-13	A0Y5227500	19-9	A1UDM50100	21-31	A4EU265000	77-22	A4EU515200	83-22
A0G6950501	49-14	A0Y5227600	17-13	A1UDM50100	24-27	A4EU332200	46-9	A4EU519200	82-16
A0G6950601	43-15	A0Y5344900	44-7	A1UDM50100	30-31	A4EU332900	45-17	A4EU519300	81-25
A0G6950701	38-4	A0Y5344900	45-15	A1UDM50100	33-27	A4EU334300	46-10	A4EU531000	48-16
A0G6950701	43-16	A0Y5351500	47-33	A4EU104000	6-7	A4EU334400	46-11	A4EU531900	48-12
A0G6951001	94-16	A0Y5373601	53-6	A4EU105100	8-13	A4EU334500	46-12	A4EU537000	48-17
A0G6951101	40-8	A0Y5378600	53-14	A4EU107000	6-8	A4EU341100	43-17	A4EU537400	49-15
A0G6H06000	13-14	A0Y5406400	56-13	A4EU110200	10-5	A4EU346800	44-8	A4EU537700	48-18
A0G6H32000	11-5	A0Y5601600	27-28	A4EU111900	10-6	A4EU362200	63-10	A4EU537800	48-19
A0G6J34000	46-8	A0Y5601600	36-28	A4EU112000	10-7	A4EU365000	63-11	A4EU537900	48-20
A0G6M50801	52-12	A0Y5M10400	59-11	A4EU118300	10-8	A4EU375100	53-6	A4EU538000	48-21
A0G6M60300	5-12	A0Y5M15101	4-15	A4EU131100	105-1	A4EU375200	53-6	A4EU538200	48-22
A0G6M93100	12-12	A0Y5M55100	92-20	A4EU138000	61-4	A4EU377000	53-15	A4EU538300	48-23
A0G6N13801	54-13	A0Y5M90101	59-12	A4EU138000	105-12	A4EU377100	53-16	A4EU538400	48-24
A0G6N17200	71-4	A1DUPJG100	109-18	A4EU162800	1-5	A4EU377200	53-17	A4EU538600	49-16
A0G6N18400	13-16	A1DUR70W00	62-11	A4EU162900	1-6	A4EU378200	53-18	A4EU538700	48-25
A0G6N19200	75-14	A1RF115001	105-9	A4EU164000	68-23	A4EU380300	53-19	A4EU560000	8-14
A0G6N19300	75-15	A1RF115101	105-10	A4EU190414	13-18	A4EU391311	38-6	A4EU560200	8-15
A0G6N19400	75-16	A1RF115301	105-11	A4EU194200	13-19	A4EU392600	38-7	A4EU565600	28-27
A0G6N20500	71-5	A1RF529100	83-19	A4EU211300	16-26	A4EU394600	38-8	A4EU565600	37-27
A0G6N20600	81-18	A1RF529100	84-13	A4EU218000	16-27	A4EU394700	38-9	A4EU602100	26-11
A0G6N22202	77-21	A1RF529300	78-14	A4EU218100	16-28	A4EU400800	57-15	A4EU602100	35-11

Parts No.	Page No.	Parts No.	Page No.	Parts No.	Page No.	Parts No.	Page No.	Parts No.	Page No.
A4EU602300	22-8	A4EU704300	65-27	A4EU812501	74-13	A4EU943000	21-32	A4EUR70411	38-10
A4EU602300	23-6	A4EU705400	68-25	A4EU813000	73-19	A4EU943000	30-32	A4EUR70500	60-8
A4EU602300	31-8	A4EU705700	68-26	A4EU813400	74-14	A4EU943200	23-21	A4EUR70600	60-9
A4EU602300	32-6	A4EU710600	92-21	A4EU814600	74-15	A4EU943200	32-21	A4EUR70B00	93-16
A4EU603100	20-15	A4EU713500	91-23	A4EU814701	71-6	A4EU943300	55-20	A4EUR70C00	94-18
A4EU603100	29-15	A4EU713700	92-22	A4EU814800	73-20	A4EU943400	59-13	A4EUR70D44	83-24
A4EU603200	20-16	A4EU714400	91-24	A4EU814900	73-21	A4EU943500	59-14	A4EUR70F00	49-19
A4EU603200	29-16	A4EU715000	70-9	A4EU815100	79-12	A4EU943600	55-21	A4EUR70G11	50-8
A4EU603300	20-17	A4EU715400	92-23	A4EU817200	77-23	A4EU947001	91-26	A4EUR70H11	50-9
A4EU603300	29-17	A4EU715500	66-14	A4EU817400	77-24	A4EU947900	54-15	A4EUR70J00	48-26
A4EU603400	20-18	A4EU715500	67-27	A4EU817500	78-16	A4EUF33301	44-9	A4EUR70K00	50-10
A4EU603400	29-18	A4EU715500	87-14	A4EU817600	77-25	A4EUF60701	25-16	A4EUR70N00	64-8
A4EU603500	20-19	A4EU715500	90-15	A4EU817700	72-27	A4EUF60701	34-16	A4EUR70P00	98-14
A4EU603500	29-19	A4EU715500	95-10	A4EU817700	78-17	A4EUH88000	91-27	A4EUR70T00	96-15
A4EU603600	20-20	A4EU725400	101-13	A4EU817800	80-31	A4EUH89000	91-28	A4EUR70U00	100-21
A4EU603600	29-20	A4EU727900	100-20	A4EU817900	76-19	A4EUM10100	19-22	A4EUR70V00	99-16
A4EU606100	20-21	A4EU731500	96-13	A4EU818000	73-22	A4EUM60000	5-13	A4EUR70W00	56-15
A4EU606100	29-21	A4EU732602	96-14	A4EU818000	74-16	A4EUM60401	104-7	A4EUR70X00	56-16
A4EU620100	22-22	A4EU735012	97-15	A4EU818000	80-32	A4EUM77000	103-18	A4EUR71100	49-20
A4EU620100	23-20	A4EU739412	97-16	A4EU818000	91-25	A4EUM92800	11-6	A4EUR71200	49-21
A4EU620100	31-22	A4EU742800	97-17	A4EU820400	73-23	A4EUN14304	40-10	A4EUR71300	51-10
A4EU620100	32-20	A4EU746124	102-22	A4EU821100	73-24	A4EUN14800	46-14	A4EUR71411	27-29
A4EU620200	26-23	A4EU746401	101-14	A4EU821200	73-25	A4EUN16300	92-24	A4EUR71411	28-28
A4EU620200	35-23	A4EU746501	101-15	A4EU821400	78-18	A4EUN16400	82-17	A4EUR71411	36-29
A4EU621100	26-24	A4EU747100	98-12	A4EU823100	65-28	A4EUN16800	75-19	A4EUR71411	37-28
A4EU621100	35-24	A4EU747200	101-16	A4EU823100	73-26	A4EUN18800	74-17	A4EUR71511	28-29
A4EU700600	65-23	A4EU747300	101-17	A4EU824100	77-26	A4EUN19700	72-29	A4EUR71511	37-29
A4EU700900	65-24	A4EU747400	102-23	A4EU835600	72-28	A4EUN19800	70-10	A4EUR71600	64-9
A4EU701200	65-25	A4EU747500	102-24	A4EU840700	87-15	A4EUN20100	77-27	A4EUR71800	4-16
A4EU701300	66-13	A4EU747600	98-13	A4EU840800	85-7	A4EUN20900	90-16	A4EUR71900	6-9
A4EU701500	65-10	A4EU748401	101-18	A4EU846100	88-9	A4EUN21000	86-14	A4EUR71A11	7-4
A4EU701600	65-9	A4EU755600	102-25	A4EU847000	87-16	A4EUN21600	80-33	A4EUR71B00	6-10
A4EU701600	67-10	A4EU810300	73-17	A4EU847200	87-17	A4EUN21700	79-13	A4EUR71F00	63-12
A4EU701600	68-10	A4EU810400	73-18	A4EU848600	86-12	A4EUN25200	65-29	A4EUR71J00	5-14
A4EU701900	65-19	A4EU810900	79-10	A4EU848800	88-10	A4EUN25300	49-17	A4EUR71M00	7-5
A4EU702000	65-20	A4EU811000	75-17	A4EU848900	86-13	A4EUN25500	49-18	A4EUR71N00	104-8
A4EU702300	67-17	A4EU811300	79-11	A4EU849300	66-15	A4EUN28500	13-21	A4EUR71S00	17-15
A4EU702700	68-11	A4EU811900	76-18	A4EU849300	67-28	A4EUPP0000	109-7	A4EUR71T11	19-23
A4EU703800	68-24	A4EU812000	75-18	A4EU849300	85-8	A4EUR70000	83-23	A4EUR71U00	19-24
A4EU704200	65-26	A4EU812200	74-12	A4EU896100	95-4	A4EUR70200	46-15	A4EUR71V00	19-25

Parts No.	Page No.	Parts No.	Page No.	Parts No.	Page No.	Parts No.	Page No.	Parts No.	Page No.
A4EUR72400	58-14	A4EUR73000	64-10	A4EUR75E00	46-17	A799113700	5-17	A799345000	43-19
A4EUR72500	58-15	A4EUR73100	65-30	A4EUR75F00	52-13	A799117800	7-7	A799361200	63-15
A4EUR72600	58-16	A4EUR73200	102-26	A4EUR75G00	53-20	A799160202	2-5	A799362900	63-16
A4EUR72700	58-17	A4EUR73300	96-16	A4EUR75H00	52-14	A799161401	11-7	A799363000	63-17
A4EUR72800	94-19	A4EUR73400	96-17	A4EUR75J00	40-11	A799161501	11-8	A799403300	60-10
A4EUR72900	94-20	A4EUR73500	96-18	A4EUR75P00	49-22	A799161700	2-6	A799409600	60-11
A4EUR72A00	9-9	A4EUR73600	100-22	A4EUR75Q00	50-11	A799164501	3-11	A799463500	40-12
A4EUR72B00	103-6	A4EUR73800	101-19	A4EUR75R00	49-23	A799164800	2-7	A799622100	28-30
A4EUR72C00	14-16	A4EUR73900	101-20	A4EUR75S00	51-11	A799165100	25-18	A799622100	37-30
A4EUR72D00	56-17	A4EUR73B00	81-26	A4EUR75U11	42-7	A799165100	34-18	A799623400	28-31
A4EUR72E00	55-22	A4EUR73C00	81-27	A4EUR75X00	111-7	A799165300	25-19	A799623400	37-31
A4EUR72F00	55-23	A4EUR73D00	83-25	A4EUR75Y00	104-9	A799165300	34-19	A799732500	96-19
A4EUR72G00	57-16	A4EUR73E00	83-26	A4EUR76000	104-9	A799165400	25-20	A799741500	101-24
A4EUR72H11	27-30	A4EUR73F00	83-27	A4EUR76100	104-9	A799165400	34-20	A799778600	97-18
A4EUR72H11	36-30	A4EUR73G00	84-15	A4EUR76B00	98-15	A799167700	110-3	A799815200	77-30
A4EUR72J11	27-31	A4EUR73H00	84-16	A4EUR76C00	98-16	A799168000	5-18	A799816100	8-16
A4EUR72J11	36-31	A4EUR73J00	84-17	A4EUR76D00	101-21	A799168300	9-10	A799840600	87-18
A4EUR72K11	27-32	A4EUR73K00	84-18	A4EUR76E00	101-22	A799169600	3-3	A799846400	88-11
A4EUR72K11	36-32	A4EUR73M00	84-19	A4EUR76F00	95-11	A799169701	2-8	A799944502	111-9
A4EUR72M11	25-17	A4EUR73Q00	71-7	A4EUR76G11	63-13	A799169801	3-4	A799H04001	13-26
A4EUR72M11	34-17	A4EUR73Q00	73-27	A4EUR76N00	104-9	A799169901	2-9	A799H31001	41-5
A4EUR72N11	24-28	A4EUR73Q00	74-18	A4EUR76P00	47-34	A799190100	13-22	A799M45103	104-10
A4EUR72N11	33-28	A4EUR73Q00	77-28	A4EUR77211	102-27	A799190200	13-23	A799M45202	104-11
A4EUR72Q11	20-22	A4EUR73R11	77-29	A4EUR77300	81-28	A799190500	12-16	A799M45300	104-12
A4EUR72Q11	29-22	A4EUR73T00	78-19	A4EW789601	101-23	A799190600	11-9	A799M72100	105-13
A4EUR72R11	23-22	A4EUR73V11	76-20	A4EW845900	90-17	A799190601	11-9	A799N14400	46-19
A4EUR72R11	32-22	A4EUR73X00	72-30	A4EX205100	13-27	A799190700	11-10	A799N14700	60-12
A4EUR72S11	22-23	A4EUR74300	75-20	A4EX205300	13-27	A799190701	11-10	A799N14901	60-13
A4EUR72S11	31-23	A4EUR74400	80-34	A4F3905000	20-23	A799190801	11-11	A799N15100	41-6
A4EUR72T23	24-29	A4EUR74500	92-25	A4F3905000	29-23	A799190801	12-17	A799N22100	4-17
A4EUR72T23	33-29	A4EUR74600	92-26	A50U854800	90-18	A799190900	12-18	A799N22100	54-16
A4EUR72U11	21-33	A4EUR74700	91-29	A55C601600	21-27	A799191000	111-8	A799N25600	103-7
A4EUR72U11	30-33	A4EUR74900	85-9	A55C601600	30-27	A799194101	13-25	A799R70D11	41-8
A4EUR72V11	21-34	A4EUR74J00	12-15	A55CR70400	7-6	A799197100	12-19	A799R70G00	62-14
A4EUR72V11	30-34	A4EUR74K00	16-29	A5AW162000	1-29	A799258300	63-14	A799R70S11	28-32
A4EUR72W11	22-24	A4EUR74V00	61-5	A5AW745200	98-17	A799301001	41-2	A799R70S11	37-32
A4EUR72W11	31-24	A4EUR74W00	61-6	A5AWM60200	5-15	A799301100	41-3	A799R71100	45-18
A4EUR72X11	22-25	A4EUR74X00	61-7	A5AWN23600	62-13	A799301200	41-4	A799R71200	4-18
A4EUR72X11	31-25	A4EUR74Y00	61-8	A5AWP00100	109-2	A799332100	43-18	A799R71300	4-19
A4EUR72Y00	67-29	A4EUR75800	46-16	A799110500	5-16	A799341700	46-18	A799R71400	4-20

Parts No.	Page No.
A799R71P00	46-21
A799R71Q00	46-22
A85C130700	103-8
A85CM55500	25-21
A85CM55500	34-21
A85CM55500	40-13
A85CM55500	48-27
A85CM55500	61-9
A85CM55600	5-19
A85CM55600	16-30
A85CM55600	24-30
A85CM55600	33-30
A85CM55600	59-15
A85CM55600	62-15
A85CM55600	71-8
A85CM55600	82-18
A92WM60100	104-13
A9JT100400	8-2
A9JT105001	9-11
A9JT109500	6-11
A9JT112200	9-12
A9JT112300	110-4
A9JT113400	9-13
A9JT113500	9-14
A9JT113600	9-15
A9JT114300	9-16
A9JT117300	9-17
A9JT117400	9-18
A9JT117500	9-19
A9JT118900	6-12
A9JT130600	105-14
A9JT130700	105-15
A9JT130901	105-16
A9JT131200	5-20
A9JT132500	105-17
A9JT132600	105-18
A9JT133600	103-9
A9JT133701	103-20
A9JT134400	103-10
A9JT135000	105-19

Parts No.	Page No.
A9JT136000	105-20
A9JT136100	105-21
A9JT136200	105-22
A9JT138100	103-11
A9JT139200	104-14
A9JT160102	1-8
A9JT160300	1-9
A9JT160400	2-10
A9JT160600	2-11
A9JT160700	1-10
A9JT160800	1-11
A9JT160900	2-12
A9JT161000	1-12
A9JT161100	3-5
A9JT161200	3-6
A9JT161600	1-13
A9JT162000	1-14
A9JT162300	3-7
A9JT162700	1-15
A9JT162900	4-21
A9JT163100	2-13
A9JT163200	1-16
A9JT163300	1-17
A9JT163401	2-14
A9JT163502	2-15
A9JT163600	1-18
A9JT163800	2-16
A9JT164901	1-19
A9JT165100	2-17
A9JT165301	2-18
A9JT165500	1-20
A9JT165600	1-21
A9JT165700	1-22
A9JT165900	1-23
A9JT166000	3-8
A9JT166100	1-24
A9JT166300	3-9
A9JT166400	2-19
A9JT167000	2-3
A9JT167200	2-20

Parts No.	Page No.
A9JT167301	2-21
A9JT167401	1-25
A9JT167500	1-26
A9JT195500	11-2
A9JT215100	16-31
A9JT215500	16-32
A9JT217100	16-33
A9JT217400	16-34
A9JT237100	14-17
A9JT239000	14-18
A9JT239301	14-19
A9JT257100	15-14
A9JT333800	42-8
A9JT341600	44-10
A9JT345400	47-35
A9JT347500	42-9
A9JT363100	62-16
A9JT363200	62-17
A9JT363300	62-18
A9JT363400	62-19
A9JT363500	62-20
A9JT363600	62-21
A9JT363700	62-22
A9JT363800	62-23
A9JT400201	60-14
A9JT410500	54-17
A9JT411100	57-17
A9JT417000	54-18
A9JT417100	54-19
A9JT420000	55-24
A9JT420100	59-16
A9JT460100	40-14
A9JT460200	40-15
A9JT460300	40-16
A9JT460400	40-17
A9JT460800	39-9
A9JT461000	40-18
A9JT461100	40-19
A9JT461700	39-10
A9JT462100	39-11

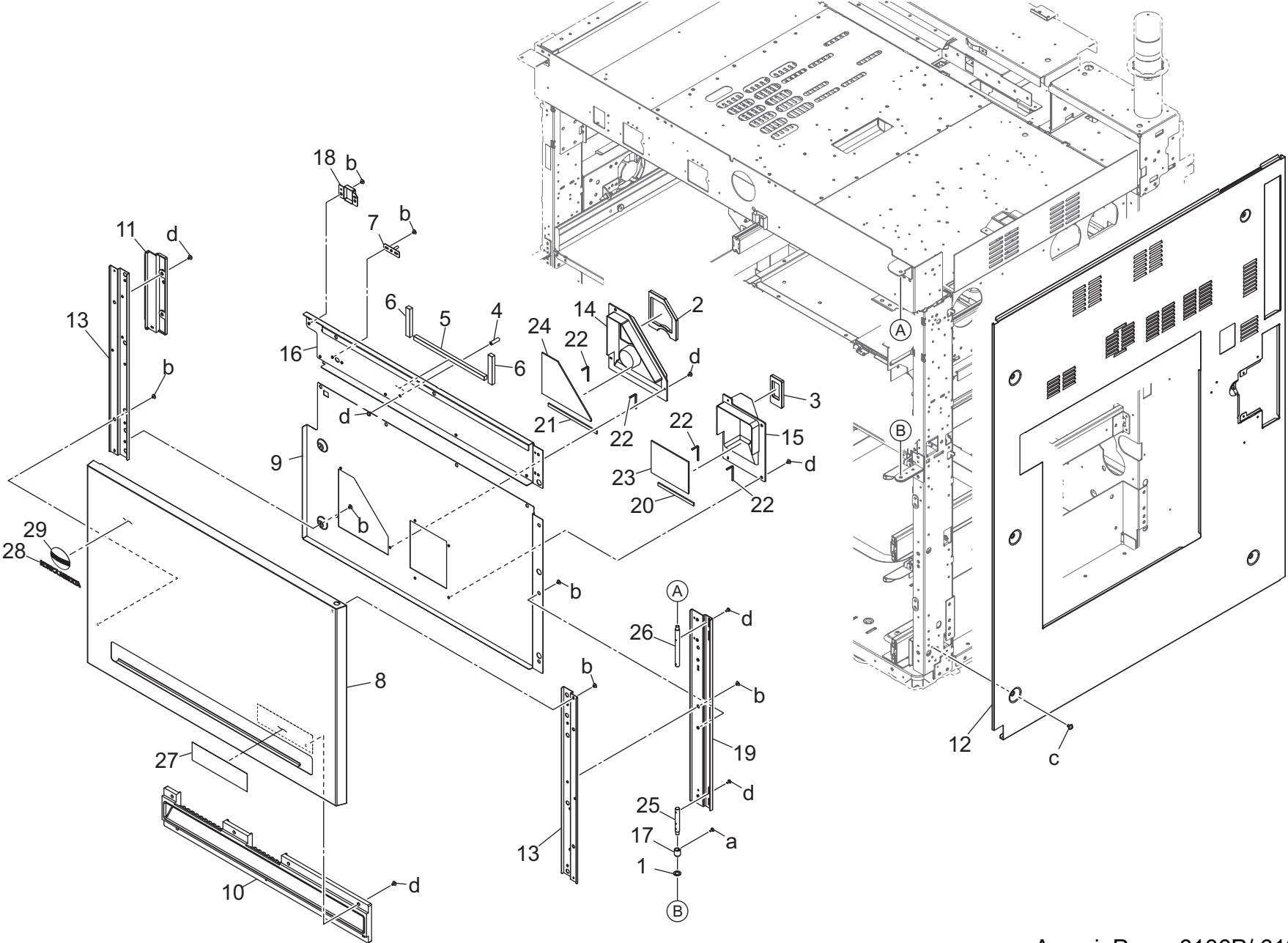
Parts No.	Page No.
A9JT463100	40-20
A9JT464000	39-12
A9JT500100	93-17
A9JT502700	94-21
A9JT502800	94-22
A9JT503100	94-23
A9JT503800	94-24
A9JT504100	94-25
A9JT504201	94-26
A9JT514500	81-29
A9JT514600	81-30
A9JT517700	81-31
A9JT518000	81-32
A9JT519600	82-19
A9JT532700	49-24
A9JT533000	48-14
A9JT533100	48-15
A9JT534800	51-12
A9JT534900	51-13
A9JT535300	51-14
A9JT536500	49-25
A9JT536600	51-15
A9JT539700	50-12
A9JT601500	25-22
A9JT601500	34-22
A9JT601900	25-23
A9JT601900	34-23
A9JT602000	24-31
A9JT602000	33-31
A9JT700100	66-16
A9JT700100	67-30
A9JT700200	67-31
A9JT700700	66-17
A9JT700700	67-32
A9JT700800	66-18
A9JT700800	67-33
A9JT703700	67-34
A9JT704400	65-31
A9JT710100	91-38
A9JT710800	91-30

Parts No.	Page No.
A9JT710900	91-31
A9JT713100	91-32
A9JT713200	91-33
A9JT713500	92-27
A9JT713800	92-28
A9JT714000	92-29
A9JT714100	91-34
A9JT714200	91-35
A9JT714600	69-8
A9JT716100	70-11
A9JT718300	92-30
A9JT723101	99-17
A9JT725000	99-18
A9JT725300	99-19
A9JT725600	97-19
A9JT725701	96-20
A9JT725800	97-20
A9JT725900	97-21
A9JT727400	100-23
A9JT728100	96-21
A9JT728200	96-22
A9JT728300	96-23
A9JT728400	96-24
A9JT729200	96-25
A9JT729300	96-26
A9JT729400	96-27
A9JT730400	98-23
A9JT731301	96-28
A9JT731400	96-29
A9JT732300	96-30
A9JT732400	96-31
A9JT732800	99-20
A9JT733000	99-21
A9JT736300	101-25
A9JT738500	101-26
A9JT738600	100-24
A9JT738700	100-25
A9JT739100	101-27
A9JT741400	100-26
A9JT742200	97-22

Parts No.	Page No.	Parts No.	Page No.	Parts No.	Page No.	Parts No.	Page No.	Parts No.	Page No.
A9JT743800	98-18	A9JT819600	8-21	A9JTM10400	17-17	A9JTN12800	108-1	A9JTR70200	52-15
A9JT745901	98-21	A9JT819700	8-22	A9JTM20000	66-19	A9JTN12900	15-17	A9JTR70300	97-23
A9JT746001	98-22	A9JT830300	69-9	A9JTM20000	67-35	A9JTN13000	105-29	A9JTR70400	85-15
A9JT748300	100-27	A9JT842100	86-15	A9JTM30800	40-21	A9JTN13100	6-13	A9JTR70500	54-21
A9JT749400	98-19	A9JT842200	87-19	A9JTM33001	98-20	A9JTN13301	25-25	A9JTR70600	54-21
A9JT810400	73-28	A9JT843400	85-10	A9JTM40100	105-23	A9JTN13301	34-25	A9JTR70700	54-21
A9JT810500	75-21	A9JT843700	86-16	A9JTM40200	75-26	A9JTN13A01	56-18	A9JTR70822	93-18
A9JT810700	76-21	A9JT844200	87-20	A9JTM40300	105-24	A9JTN13E01	56-18	A9JTR70822	93-18
A9JT811500	71-9	A9JT844900	87-21	A9JTM50100	99-22	A9JTN14100	45-20	A9JTR70822	93-18
A9JT811600	74-19	A9JT860400	87-22	A9JTM50200	99-23	A9JTN14200	46-20	A9JTR70911	96-32
A9JT812100	73-29	A9JT860500	85-11	A9JTM50300	99-24	A9JTN14601	6-14	A9JTR71000	91-37
A9JT812300	71-10	A9JT860600	90-19	A9JTM50400	100-28	A9JTN15200	41-7	A9JTR71200	85-16
A9JT812600	78-20	A9JT861000	85-12	A9JTM60300	5-12	A9JTN15401	11-12	A9JTR71300	42-10
A9JT813200	74-20	A9JT861100	85-13	A9JTM90100	103-15	A9JTN16000	73-36	A9JTR71400	42-11
A9JT813400	74-21	A9JT861800	90-20	A9JTM90200	103-16	A9JTN16100	76-24	A9JTR71500	50-13
A9JT813600	77-31	A9JT861900	86-17	A9JTM90300	2-22	A9JTN16200	77-34	A9JTR71622	48-28
A9JT813700	72-31	A9JT869900	86-18	A9JTM90400	2-23	A9JTN16500	73-37	A9JTR71622	48-28
A9JT813800	74-22	A9JT942401	3-10	A9JTM90511	2-24	A9JTN16600	74-24	A9JTR71700	72-35
A9JT813900	71-11	A9JT942601	75-24	A9JTN10100	104-16	A9JTN16700	75-27	A9JTR71800	16-39
A9JT814000	76-22	A9JT944200	1-28	A9JTN10200	104-17	A9JTN16900	72-33	A9JTR71900	17-18
A9JT814100	73-30	A9JT947600	57-18	A9JTN10300	105-25	A9JTN18200	12-20	A9JTR71A00	14-20
A9JT814100	75-22	A9JT947800	25-24	A9JTN10400	104-18	A9JTN18300	12-21	A9JTR71B00	18-13
A9JT814200	77-32	A9JT947800	34-24	A9JTN10500	104-19	A9JTN18900	71-14	A9JTR71C00	45-21
A9JT814300	73-31	A9JT951200	41-9	A9JTN10600	100-29	A9JTN19600	75-28	A9JTR71D00	63-19
A9JT814400	76-23	A9JTF33900	45-19	A9JTN10700	104-20	A9JTN19900	79-15	A9JTR71E00	62-24
A9JT814500	75-23	A9JTH01102	103-12	A9JTN10800	99-25	A9JTN20700	85-14	A9JTR71F00	60-15
A9JT814600	74-23	A9JTH02001	103-13	A9JTN10901	100-30	A9JTN21100	90-21	A9JTR71G00	39-14
A9JT814800	73-32	A9JTH05000	104-15	A9JTN11100	104-21	A9JTN21200	71-15	A9JTR71H00	64-11
A9JT815100	72-32	A9JTH07001	71-13	A9JTN11200	105-26	A9JTN21300	71-16	A9JTR71J00	78-21
A9JT815200	73-33	A9JTH08000	79-14	A9JTN11300	105-27	A9JTN21400	82-20	A9JTR71M00	110-5
A9JT815300	73-34	A9JTH51001	103-14	A9JTN11400	7-8	A9JTN21500	72-34	A9JTR71P00	15-18
A9JT815400	80-35	A9JTM10200	15-15	A9JTN11700	15-16	A9JTN22601	105-30	A9JTR71Q00	41-10
A9JT815600	73-35	A9JTM10200	16-35	A9JTN11800	59-17	A9JTN22701	105-31	A9JTR71R00	58-18
A9JT818000	80-36	A9JTM10200	18-12	A9JTN11900	105-28	A9JTN22800	105-32	A9JTR71S00	81-33
A9JT819000	8-17	A9JTM10200	54-20	A9JTN12000	104-22	A9JTN22900	105-33	A9JTR71T00	49-26
A9JT819100	8-18	A9JTM10200	63-18	A9JTN12100	8-23	A9JTN23100	105-34	A9JTR71U00	66-20
A9JT819200	8-19	A9JTM10200	86-19	A9JTN12311	5-21	A9JTN25700	91-36	A9JTR71U00	67-36
A9JT819300	8-20	A9JTM10300	16-36	A9JTN12400	16-37	A9JTN29812	105-35	A9JTR71W00	80-37
A9JT819400	77-33	A9JTM10300	17-16	A9JTN12500	16-38	A9JTN29911	105-36	A9JTR71Y11	105-37
A9JT819500	71-12	A9JTM10300	75-25	A9JTN12600	106-2	A9JTR70100	39-13	A9JTR72100	45-22

Parts No.	Page No.
A9JTR72200	61-10
A9JTR72300	61-11
A9JTR72500	6-15
A9JTR72600	1-7
A9JTR72700	5-22
A9JTR72800	51-16
A9JTR72900	82-21
A9JTR73100	45-23
A9JTR73200	45-24
A9JTR73300	50-8
A9JTR73400	50-9
A9JTR73500	49-20
A9JTR73600	62-11
A9JTR73700	54-21
A9JTR73800	51-17
A9JTR73900	51-18
A9JW160100	2-25
A9JW190300	13-24
A9JW944100	1-27
A9JWN11001	106-1
A9JWN11501	107-1
A9JWR70100	11-13
A9JX214100	15-19
A9VEM75500	13-15
AAJV370500	98-1
ACVXM40H00	104-4
ADF2M75800	13-20
SP00-0022	99-26
SP00-0043	100-31
V121030603	111-10
V121030803	111-11
V127030604	111-12
V502010007	79-16
V502010021	71-17
V502010032	104-23
V502010033	103-17
V502010033	104-24
V502010033	105-38
V865300109	103-19

External Parts Section

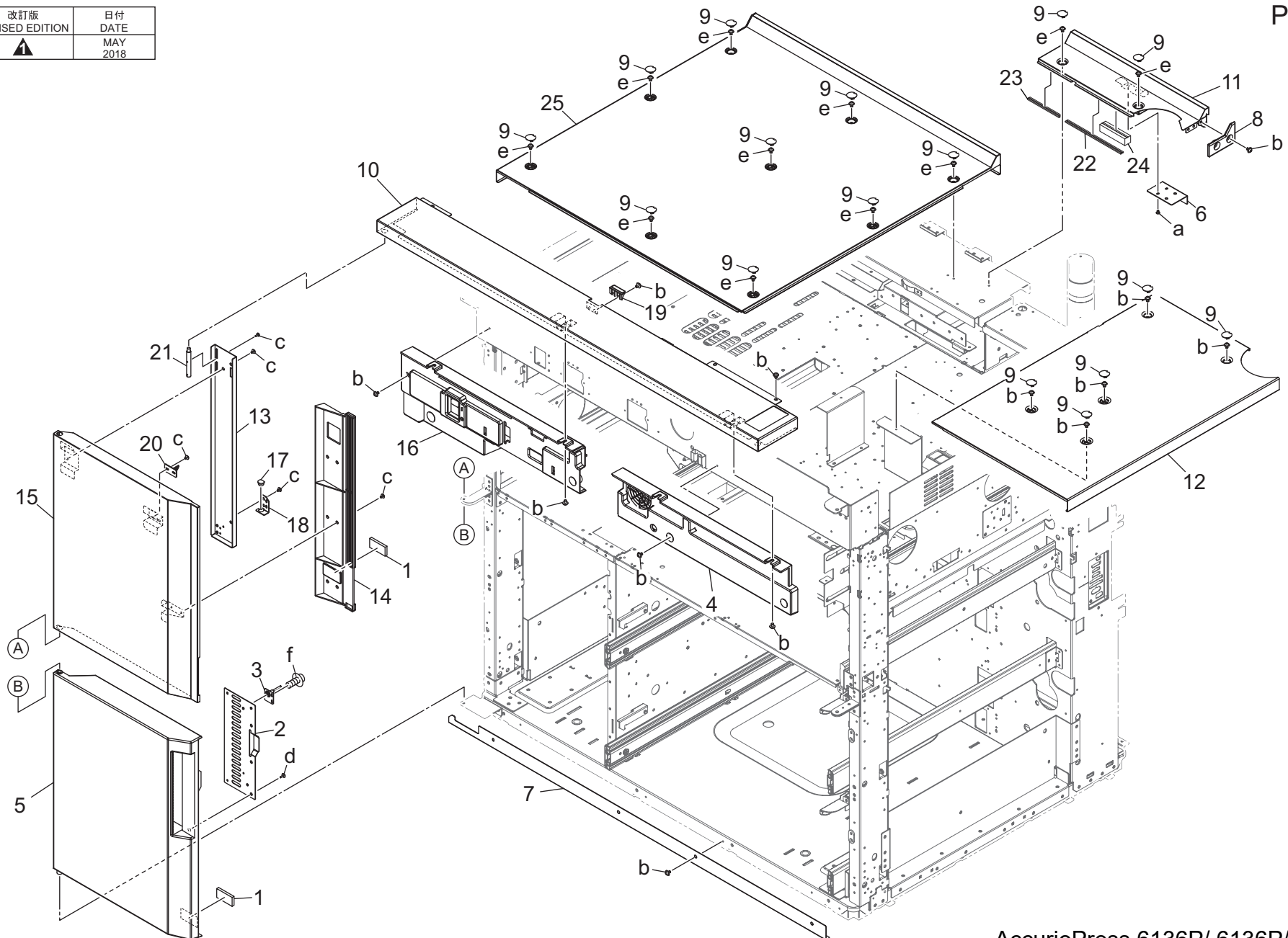


Key	Part No.	Description	Destinations	Class	QTY	Standard parts
1	57AA30260	Developing Agitating Spacer		C	1	a-V118030604 b-V121030403 c-V121040604 d-V127030604
2	A0G6162100	Sealing Cushion /Left		C	1	
3	A0G6162200	Sealing Cushion /Right		C	1	
4	A0G6168600	Ground Shaft		D	1	
5	A4EU162800	Sealing Part /A		D	1	
6	A4EU162900	Sealing Part /B		D	2	
7	A9JTR72600	Adjusting Plate/Right Caulking		D	1	
8	A9JT160102	Door /Right		D	1	
9	A9JT160300	Mounting Plate /Right		D	1	
10	A9JT160700	Cooling Duct /Front		D	1	
11	A9JT160800	Cover Handle /Right		D	1	
12	A9JT161000	Cover /Right		D	1	
13	A9JT161600	Reinforce Stay /Right		D	2	
14	A9JT162000	Cooling Duct /2		D	1	
15	A9JT162700	Cooling Duct /1		D	1	
16	A9JT163200	Reinforce Plate /Upper		D	1	
17	A9JT163300	Support Bushing /Right		C	1	
18	A9JT163600	Suction Base Frame		D	1	
19	A9JT164901	Reinforce Plate /Right		D	1	
20	A9JT165500	Cooling Seal /1		D	1	
21	A9JT165600	Cooling Seal /2		D	1	
22	A9JT165700	Cooling Seal /3		D	4	
23	A9JT165900	Cooling Seal /4		D	1	
24	A9JT166100	Cooling Seal /5		D	1	
25	A9JT167401	Mounting Shaft /Lower		D	1	
26	A9JT167500	Mounting Shaft /Upper		D	1	
27	A9JW944100	Label /H (Accurio Pres 6136P)		D	1	
28	A9JT944200	Label /KONICA MINOLTA		D	1	
29	A5AW162000	Indicating Plate		C	1	

External Parts Section

改訂版 REVISED EDITION	日付 DATE
	MAY 2018

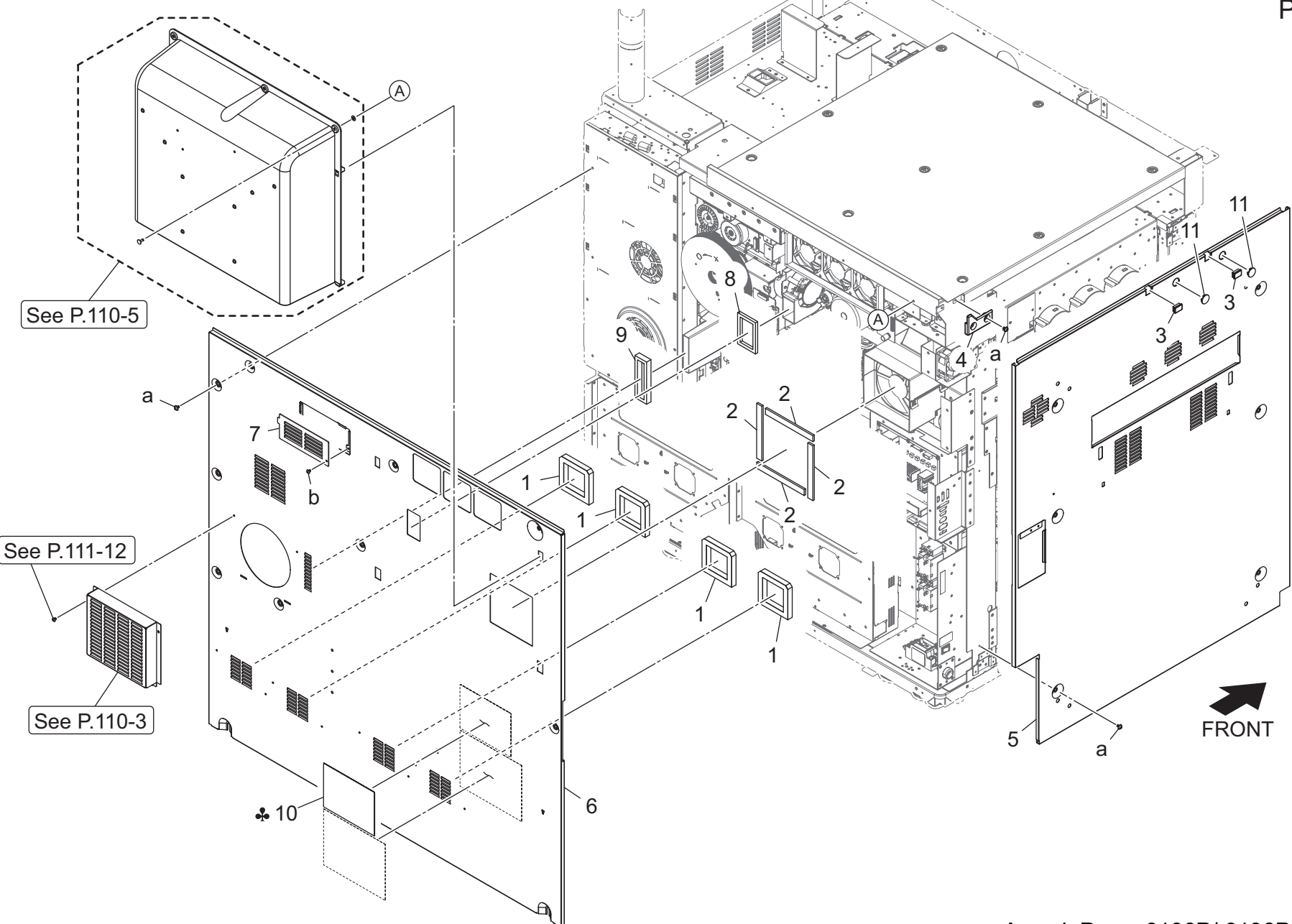
P 2



AccurioPress 6136P/ 6136P/ 6272P

Key	Part No.	Description	Destinations	Class	QTY	Standard parts
1	55VA12460	Front Door Stopper Rubber		D	2	a-V118030403 b-V121040604 c-V127030604 d-V151030804 e-V114040603 f-V125030803
2	A0G6163602	Auxiliary Cover		D	1	
3	A0G6163700Old	Open/Close Actuator		C	1	
3	A9JT167000	Adjusting Plate /Left		C	1	
4	A0G6163911	Cover /Right		C	1	
5	A799160202	Collection Door		D	1	
6	A799161700	Cover		D	1	
7	A799164800	Cover /Lower		D	1	
8	A799169701	Protection Cover /Right		D	1	
9	A799169901	Cover		D	16	
10	A9JT160400	Cover		D	1	
11	A9JT160600	Cover /Rear		D	1	
12	A9JT160900	Read Cover /Right		D	1	
13	A9JT163100	Reinforce Plate /Left		D	1	
14	A9JT163401	Cover Handle /Left		D	1	
15	A9JT163502	Door /Left		D	1	
16	A9JT163800	Cover /Left		D	1	
17	A9JT165100	Support Bushing /Left		C	1	
18	A9JT165301	Support Plate		D	1	
19	A9JT166400	Auxiliary Cover /Front		D	1	
20	A9JT167200	Lock Claw /Left		D	1	
21	A9JT167301	Mounting Shaft /Upper		D	1	
22	A9JTM90300	Gasket /3		D	1	
23	A9JTM90400	Gasket /4		D	1	
24	A9JTM90511	Gasket /5		D	1	
25	A9JW160100	Cover /P		D	1	

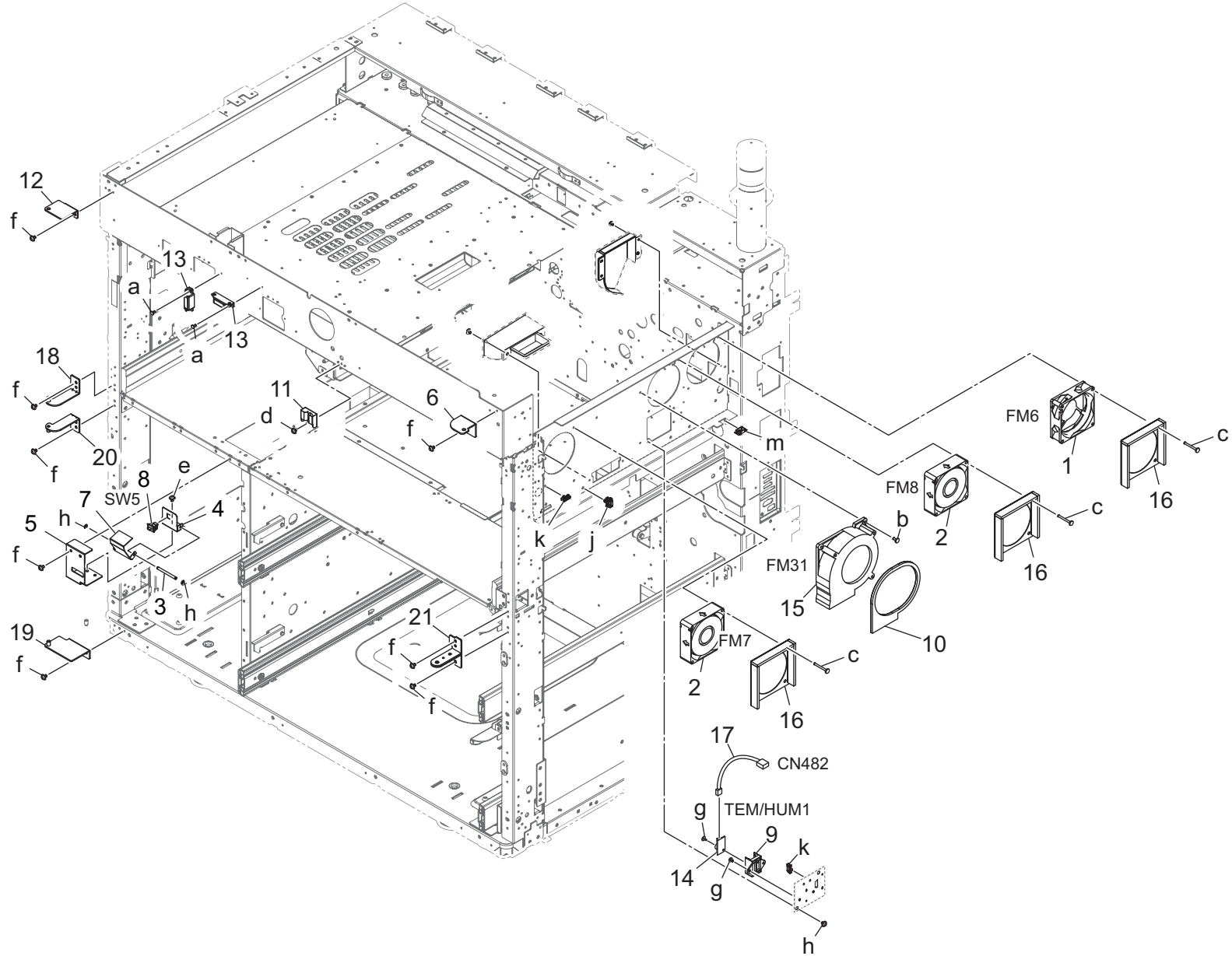
External Parts Section



AccurioPress 6136P/ 6136P/ 6272P

Key	Part No.	Description	Destinations	Class	QTY	Standard parts
1	A0G6168500	Seal /6		C	4	a-V121040604 b-V127030604
2	A0G6168700	Seal /12		C	4	
3	A799169600	Cover Part		C	2	
4	A799169801	Protection Cover /Left		D	1	
5	A9JT161100	Cover /Left		D	1	
6	A9JT161200	Cover /Rear		D	1	
7	A9JT162300	Protection Plate		D	1	
8	A9JT166000	Cooling Seal /1		D	1	
9	A9JT166300	Cooling Seal /2		D	1	
10	A9JT942401	Caution Label	C,I(SOUTH AFRICA)	D	1	
11	A799164501	Auxiliary Cover /2		D	2	


Main Frame Section

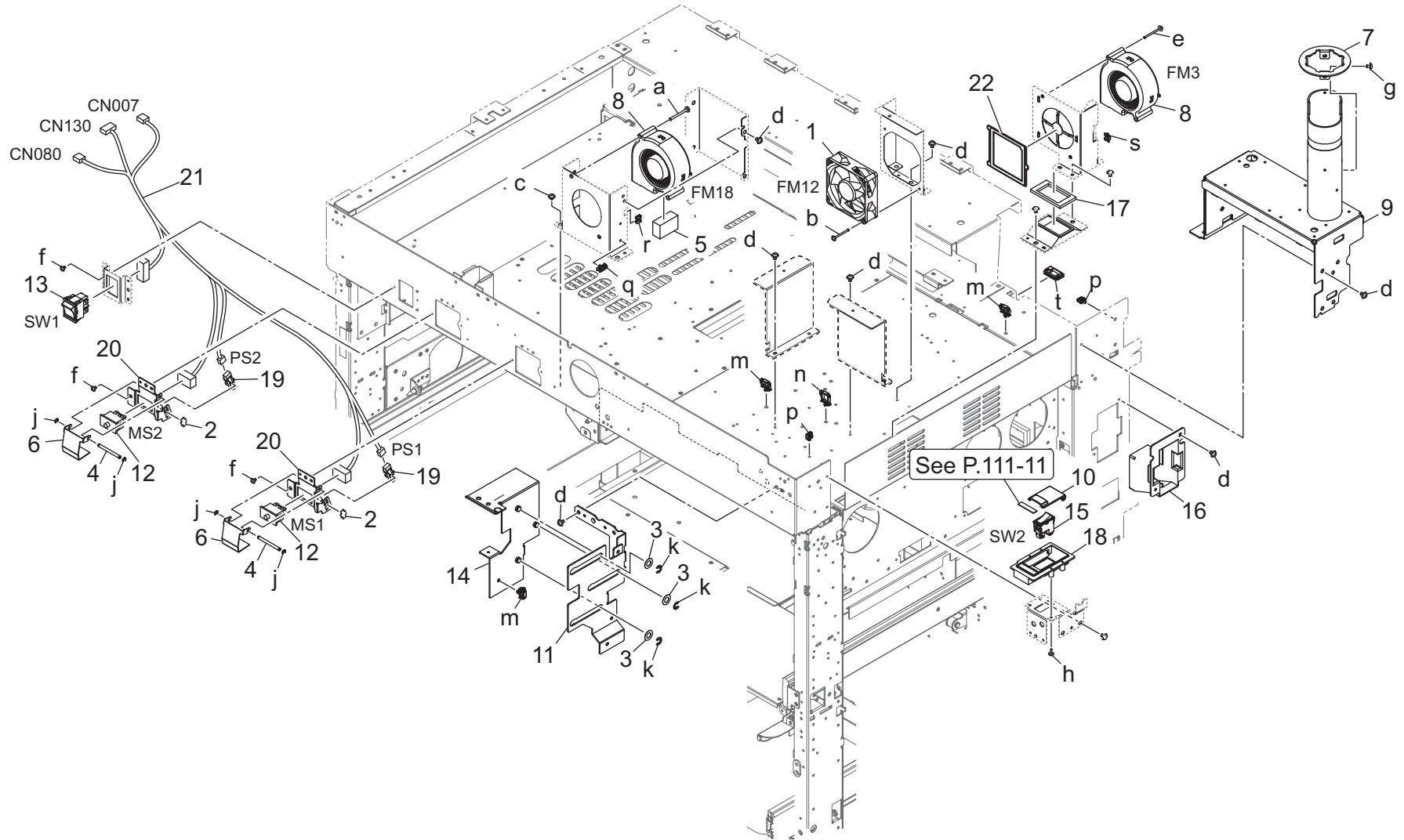


Main Frame Section

Key	Part No.	Description	Destinations	Class	QTY	Standard parts
1	13NT80511	Fan Motor /1		C	1	a-V118030603
2	4139M10001	Fan motor		B	2	b-V118040803
3	55VA70110D	Door Detection Shaft		D	1	c-V118043003
4	56UA12200	SWITCH FIXING PLATE		D	1	d-V121040403
5	56UA12210E	Switch Mounting Plate /2		D	1	e-V121040603
6	56UA12280	FRONT DOOR HINGE 2		D	1	f-V121040604
7	56UA12370	Door Detection Actuator		D	1	g-V149030803
8	56UA85010	Switch		C	1	h-V217030003
9	65AA11300	Support Part		D	1	j-V500010082
10	A0G6113500	Cooling Seal /Middle		C	1	k-V500020100
11	A0G6115600	Ground Plate /2		D	1	m-V570010063
12	A0G6164101	Holding Hinge /Upper		C	1	
13	A0G6411200	Magnet /X		D	2	
14	A0P0M50400	Humidity sensor		C	1	
15	A0Y5M15101	Suction Fan motor		C	1	
16	A4EUR71800	Fan Sealing Part/2 Assy		C	3	
17	A799N22100	Temperature Detection harness		D	1	
18	A799R71200	Support Hinge /3 Caulking		D	1	
19	A799R71300	Support Hinge /4 Caulking		D	1	
20	A799R71400	Support Hinge /5 Caulking		D	1	
21	A9JT162900	Support Hinge		D	1	

Main Frame Section

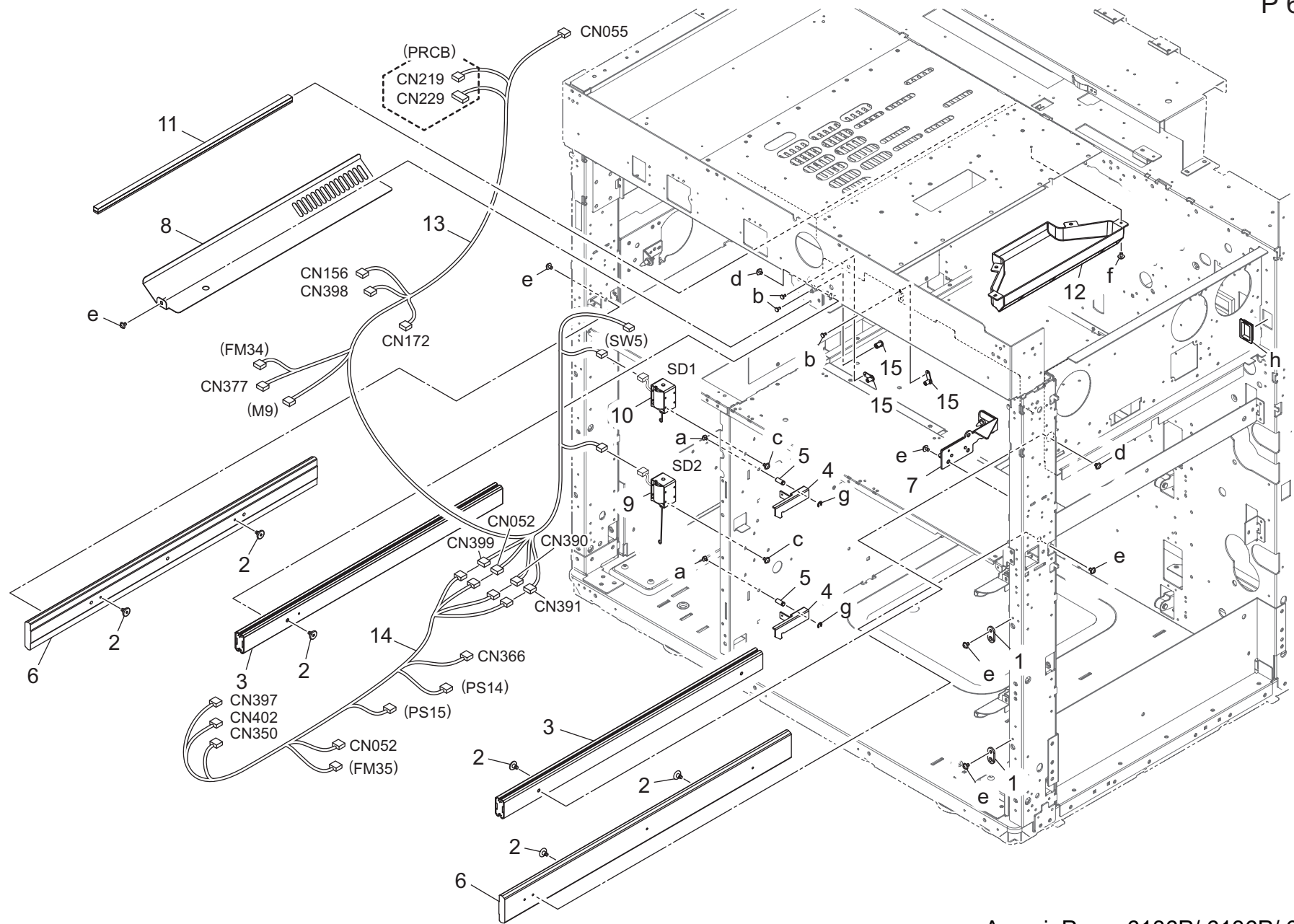
改訂版 REVISED EDITION	日付 DATE
	OCTOBER 2017



See P.111-11

Key	Part No.	Description	Destinations	Class	QTY	Standard parts
1	4139M10001	Fan motor	ファンモータ	B	1	a-V118043503
2	4470402401	Stopper	ストッパ	D	2	b-V121033003
3	55VA32530	Spacer	スペーサ	C	3	c-V121040403
4	55VA70110D	Door Detection Shaft	ドア検知軸	D	2	d-V121040603
5	564A116300	SEALING PART /1	シール部材 /1	C	1	e-V125033503
6	56UA12370	Door Detection Actuator	ドア検知アクチュエータ	D	2	f-V127030604
7	56UA70540	Ope Unit Positioning Plate /L	操作部位置決め板 /下	D	1	g-V127040603
8	9313100072	FAN MOTOR	ファンモータ	C	2	h-V151030803
9	A0G6101701	Mounting Pedestal	取付台	D	1	j-V217030003
10	A0G6168101	Protection Cover	保護カバー	C	1	k-V217060003
11	A0G6400502	Fixing Hinge	固定ヒンジ	C	1	m-V500010082
12	A0G6M60300Old	Interlock Switch	インターロックスイッチ	C	2	n-V500010083
12	A9JTM60300	Interlock Switch	インターロックスイッチ	C	2	p-V500020098
13	A4EUM60000	Power source Switch	電源スイッチ	C	1	q-V500020100
14	A4EUR71J00	Slide Hinge Caulking	スライドヒンジカシメ	D	1	r-V570010021
15	A5AWM60200	Power Source Switch	電源スイッチ	C	1	s-V570010050
16	A799110500	Suction Duct /1	サクシオンダクト /1	D	1	t-V570010059
17	A799113700	Cooling Seal /1	冷却シール /1	D	1	
18	A799168000	Operation Casing	操作ケーシング	D	1	
19	A85CM55600	Photo Sensor	フォトセンサ	C	2	
20	A9JT131200	Hold Plate	保持板	D	2	
21	A9JTN12311	Interlock Detection Harness	インターロック検知束線	D	1	
22	A9JTR72700	Charging Filter	帯電フィルター	B	1	

Main Frame Section

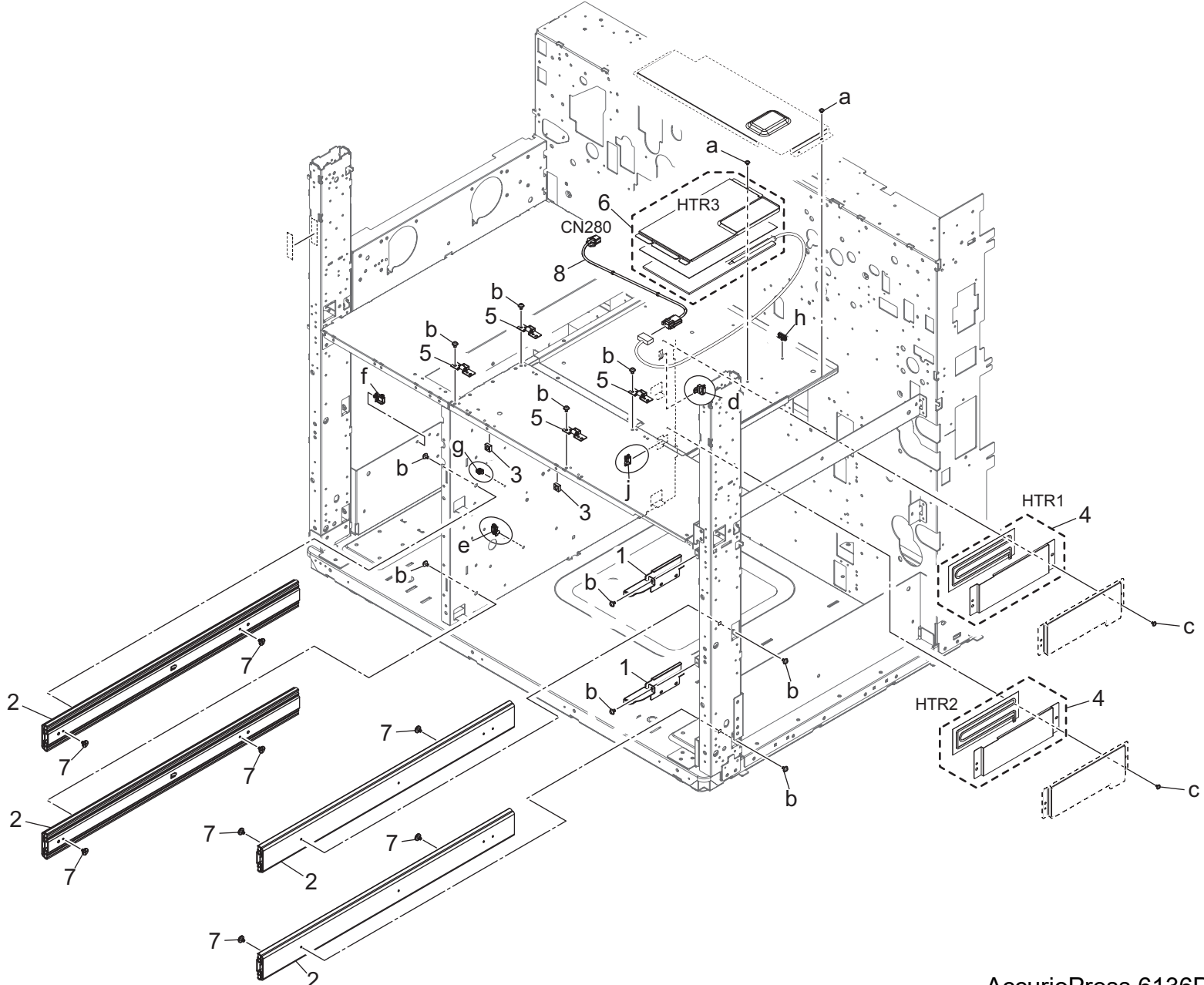


AccurioPress 6136P/ 6136P/ 6272P

Key	Part No.	Description	Destinations	Class	QTY	Standard parts
1	173030270	Pin Holder A		C	2	a-V116030603 b-V118030603 c-V121030403 d-V121040503 e-V121040603 f-V127030604 g-V217040003 h-V570010038
2	55VA20310	POSITIONING SCREW		C	6	
3	56UA20160	CARRIAGE RAIL RIGHT		D	2	
4	56UA40320	TRAY LOCK PLATE		D	2	
5	56UA40330	Support Shaft /L		D	2	
6	A0G6812200	Slide Rail /A		C	2	
7	A4EU104000	ADU Positioning Plate /Right		D	1	
8	A4EU107000	Suction Cover		B	1	
9	A4EUR71900	Tray Connecting Solenoid		C	1	
10	A4EUR71B00	Tray Connecting Solenoid/2 Assy		C	1	
11	A9JT109500	Scatter Partition /T		D	1	
12	A9JT118900	Ozone Duct /A		D	1	
13	A9JTN13100	Toner Relay Harness /2		D	1	
14	A9JTN14601	Toner Relay Harness		D	1	
15	A9JTR72500	Fixing Plate Caulking		D	3	

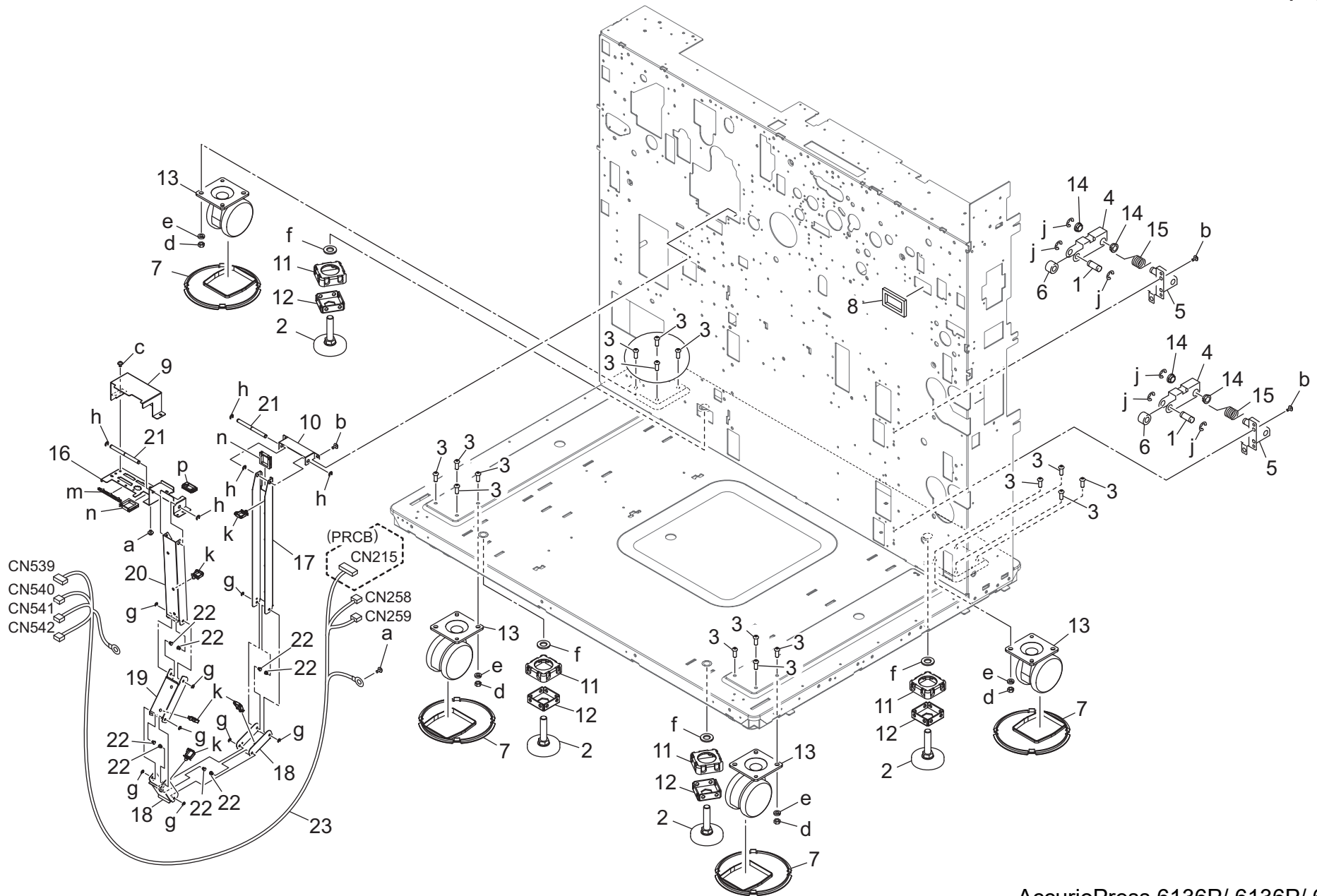
AccurioPress 6136P/ 6136P/ 6272P

Main Frame Section



Main Frame Section

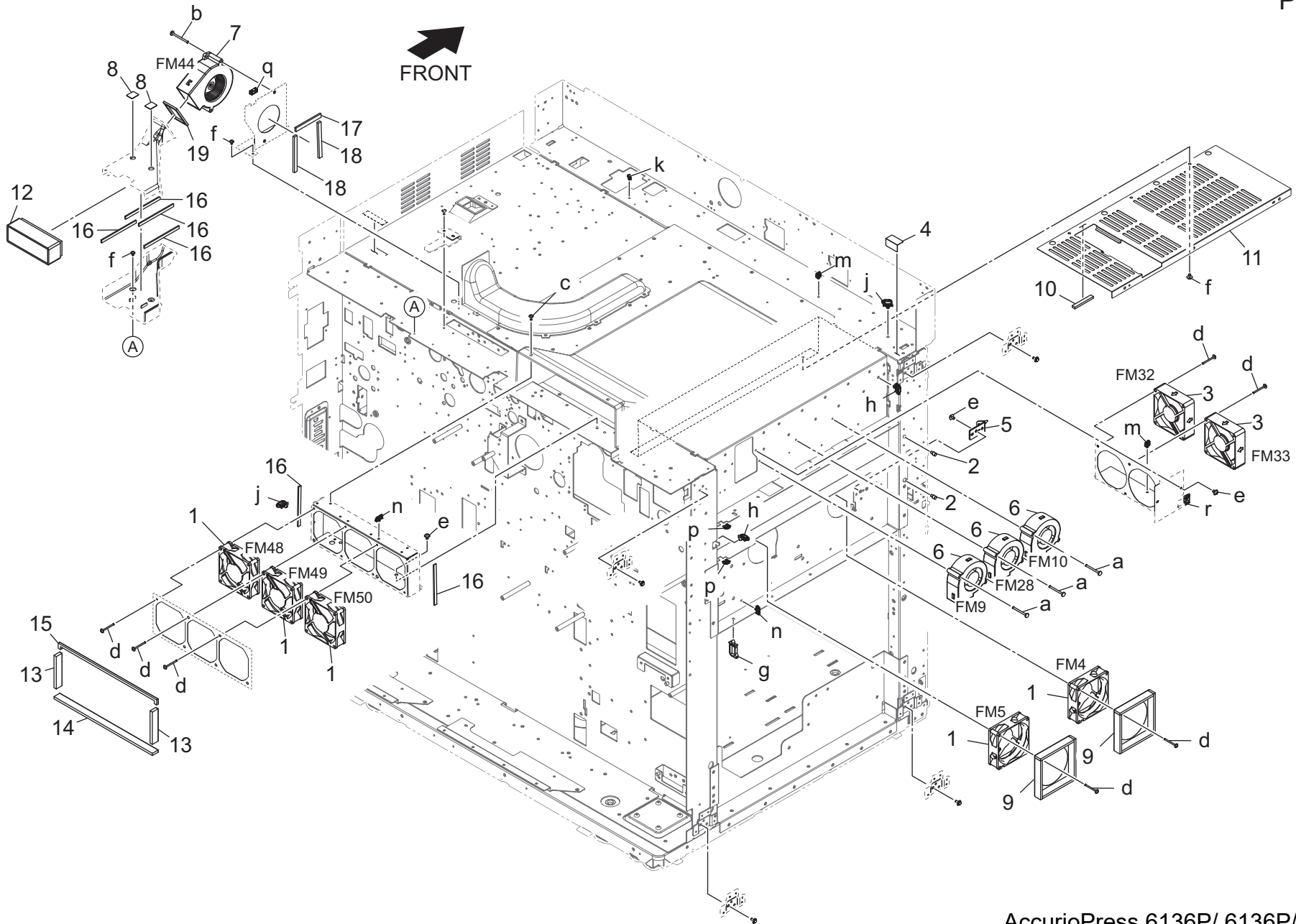
Key	Part No.	Description	Destinations	Class	QTY	Standard parts
1	56UA40310	Release Plate		D	2	a-V121030403
2	56UA40450E	Tray Slide Rail		D	4	b-V121040603
3	57GA61560	SCREW PROTECTION CUSHION/1		C	2	c-V127030604
4	A4EUR71A11	Heater Mounting Plate Assy		D	2	d-V500010021
5	A4EUR71M00	Bottom Plate Lifting Part Assy		D	4	e-V500010081
6	A55CR70400	Internal Heater Assy		D	1	f-V500020089
7	A799117800	Positioning Screw		D	8	g-V500020098
8	A9JTN11400	Heater Relay Harness /2		D	1	h-V500020100 j-V570010063



Key	Part No.	Description	Destinations	Class	QTY	Standard parts
1	048610110	Lock Shaft /A		D	2	a-V116040603
2	A9JT100400	Fixing Leg		C	4	b-V121040603
3	56UA10520	ROLLER MOUNTING SCREW		C	16	c-V127030604
4	56UA15540	Lock Plate		D	2	d-V195060003
5	56UA-1930	Paper Feed Lock Panel Assy		D	2	e-V205060003
6	56UA75020	TRAY LOCK BUSHING		C	2	f-V207120003
7	A0G6102500	Protection Cover		D	4	g-V217030003
8	A0G6112400	Suction Seal /1		C	1	h-V217040003
9	A0G6816200	Power Supply Cover		D	1	j-V217060003
10	A0G6819700	Power Supply Stay /M		D	1	k-V500010083
11	A0U4109000	Guide Part		D	4	m-V500030002
12	A1RG101600	Adjusting Plate		D	4	n-V570010028
13	A4EU105100	Castor		D	4	p-V570010059
14	A4EU560000	Drive Bushing		C	4	
15	A4EU560200	Lock Spring		D	2	
16	A799816100	Power Supply Stay /A		D	1	
17	A9JT819000	Power Supply Arm /1		D	1	
18	A9JT819100	Power Supply Arm /2		D	2	
19	A9JT819200	Power Supply Arm /3		D	1	
20	A9JT819300	Power Supply Arm /4		D	1	
21	A9JT819600	Support Shaft /1		D	2	
22	A9JT819700	Support Shaft /2		D	8	
23	A9JTN12100	ADU Relay Harness /5		D	1	

AccurioPress 6136P/ 6136P/ 6272P

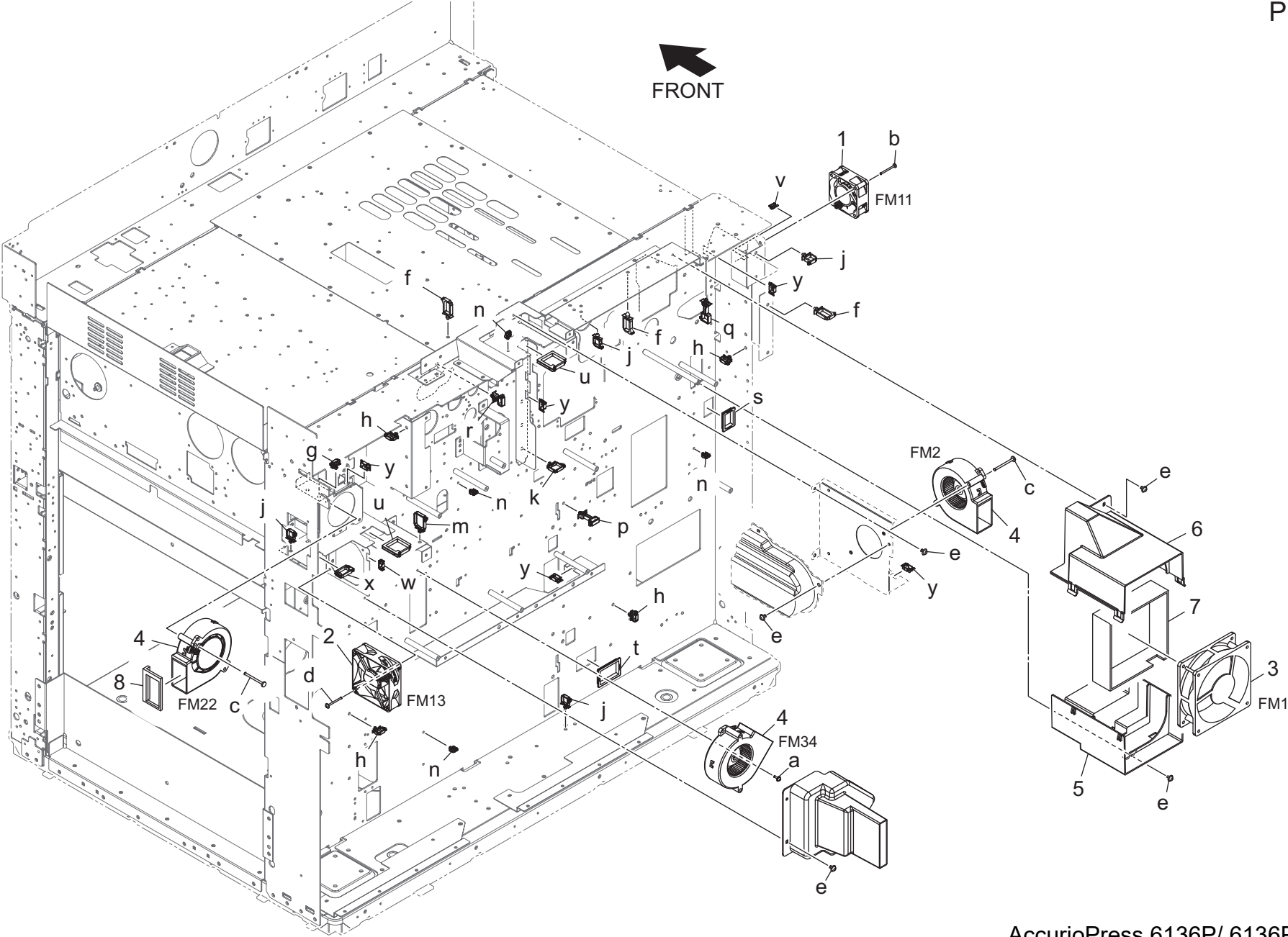
Main Frame Section



Main Frame Section

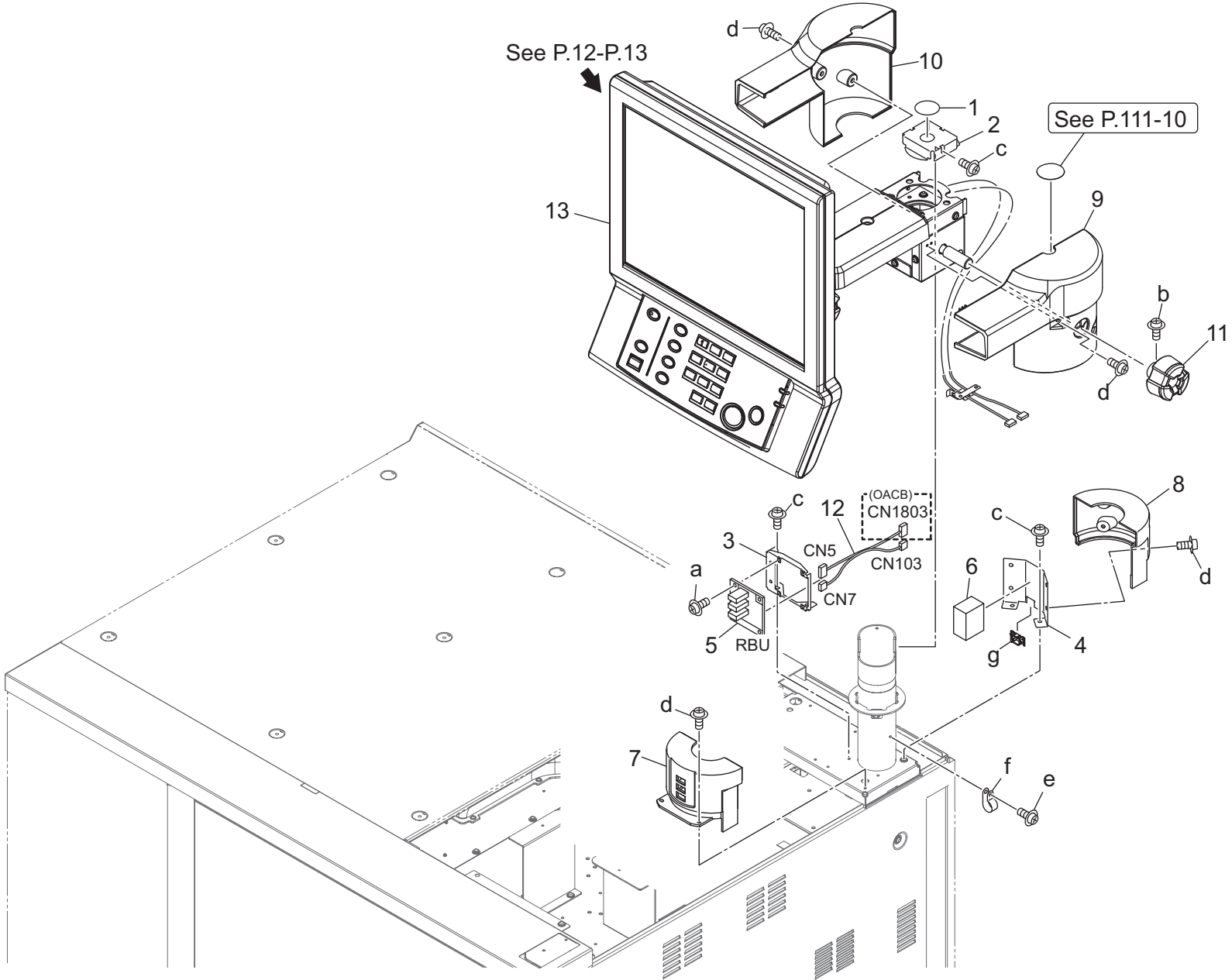
Key	Part No.	Description	Destinations	Class	QTY	Standard parts
1	13NT80511	Fan Motor /1		C	5	a-V118043503
2	392010231	STOPPER PIN		C	2	b-V118044003
3	4139M10001	Fan motor		B	2	c-V121030803
4	56UA10420E	WIRING PROTECTION SHEET /1		C	1	d-V121033003
5	56UAR70500	ADU POSITIONING PLATE LEFT		D	1	e-V121040603
6	9313110033	FAN MOTOR		C	3	f-V127030604
7	A03UM15802	Main body Cooling Fan		C	1	g-V500010013
8	A0G6835500	Seal /W		C	2	h-V500010081
9	A4EUR72A00	Fan Sealing Part/1 Assy		D	2	j-V500010082
10	A799168300	Auxiliary Seal /1		D	1	k-V500020077
11	A9JT105001	Heat blocking Partition /Left		D	1	m-V500020098
12	A9JT112200	Ozone Filter/2		B	1	n-V500020100
13	A9JT113400	Heat Blocking Seal /1		D	2	p-V570010050
14	A9JT113500	Heat Blocking Seal /2		D	1	q-V570010057
15	A9JT113600	Heat Blocking Seal /3		D	1	r-V570010063
16	A9JT114300	Charging Seal /A		D	6	
17	A9JT117300	Charging Seal /A		D	1	
18	A9JT117400	Charging Seal /B		D	2	
19	A9JT117500	Charging Seal /C		D	1	

Main Frame Section



AccurioPress 6136P/ 6136P/ 6272P

Key	Part No.	Description	Destinations	Class	QTY	Standard parts
1	4040M10000	FAN MOTOR		C	1	a-V116031003
2	4139M10001	Fan motor		B	1	b-V118033003
3	A03UM15201	Main body Fan motor		B	1	c-V118044003
4	A03UM15802	Main body Cooling Fan		C	3	d-V121033003
5	A4EU110200	Heat sink Duct Outside		D	1	e-V121040603
6	A4EU111900	Heat sink Duct /Upper		D	1	f-V500010013
7	A4EU112000	Heat sink Seal		D	1	g-V500010081
8	A4EU118300	Charging Seal /3		C	1	h-V500010082
						j-V500010083
						k-V500010084
						m-V500010085
						n-V500020098
						p-V500020101
						q-V500020104
						r-V500020108
						s-V570010038
						t-V570010039
						u-V570010048
						v-V570010050
						w-V570010057
						x-V570010059
						y-V570010063



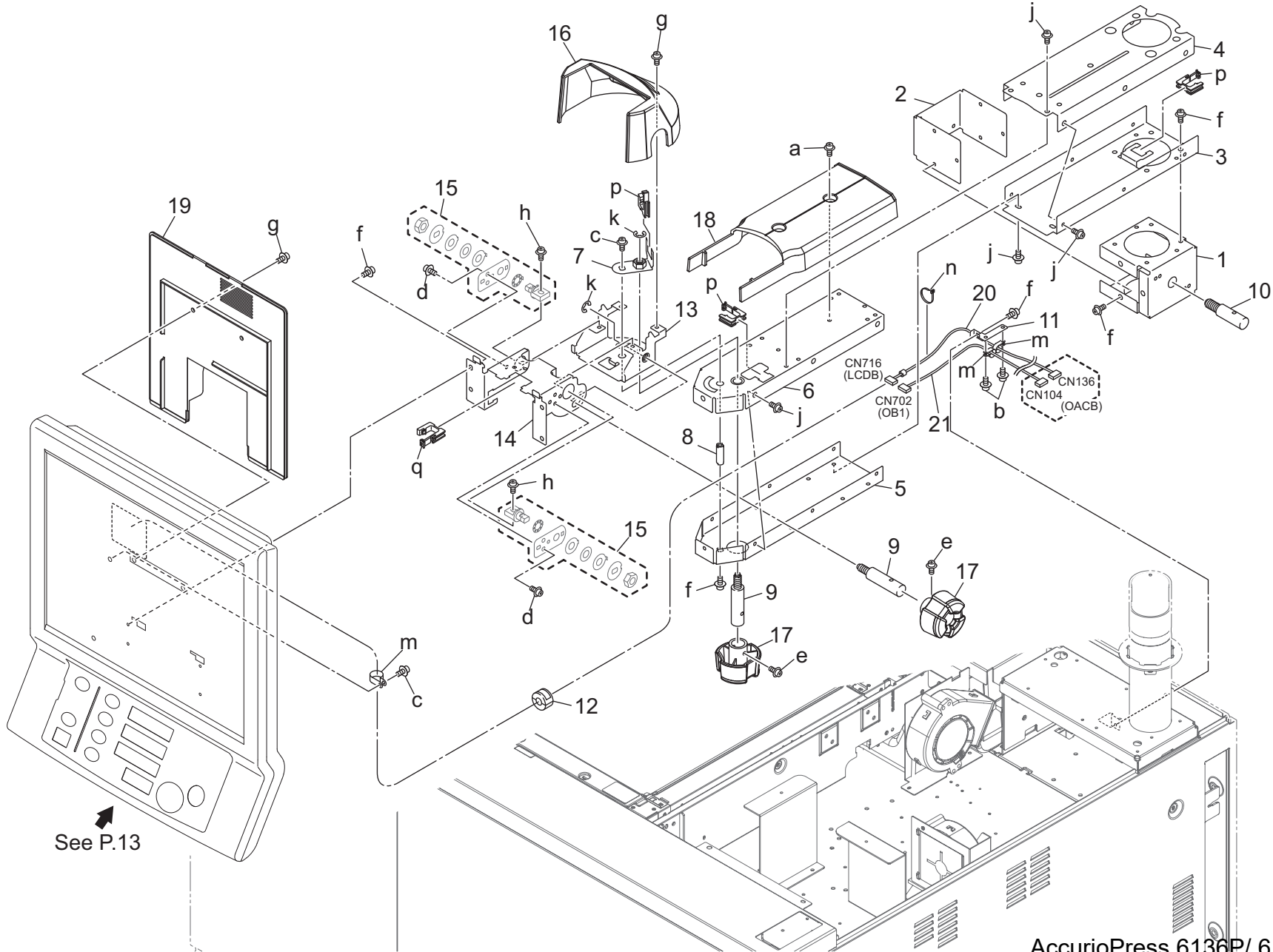
AccurioPress 6136P/ 6136P/ 6272P

Operation Panel Section

Key	Part No.	Description	Destinations	Class	QTY	Standard parts
1	56UA70820	OPERATION UNIT SEAL		C	1	a-V118030603 b-V118040804 c-V121040603 d-V121040604 e-V127040603 f-V500020020 g-V570010063
2	56VA70550Old	OPE UNIT POSITIONING PLATE /U		D	1	
2	A9JT195500	Positioning Plate /Upper		D	1	
3	A0G6131300	Mounting Plate /U		D	1	
4	A0G6161600	Fixing Plate		D	1	
5	A0G6H32000	Relay Board /U Assy		C	1	
6	A4EUM92800	Gasket		D	1	
7	A799161401	Cover /Front		D	1	
8	A799161501	Cover /Rear		D	1	
9	A799190600Old	Support Cover /Right		D	1	
9	A799190601	Support Cover /Right		D	1	
10	A799190700Old	Support Cover /Left		D	1	
10	A799190701	Support Cover /Left		D	1	
11	A799190801	Fixing Knob		D	1	
12	A9JTN15401	Relay Wiring /U		D	1	
13	A9JWR70100	Ope. Unit		I	1	

AccurioPress 6136P/ 6136P/ 6272P

Operation Panel Section



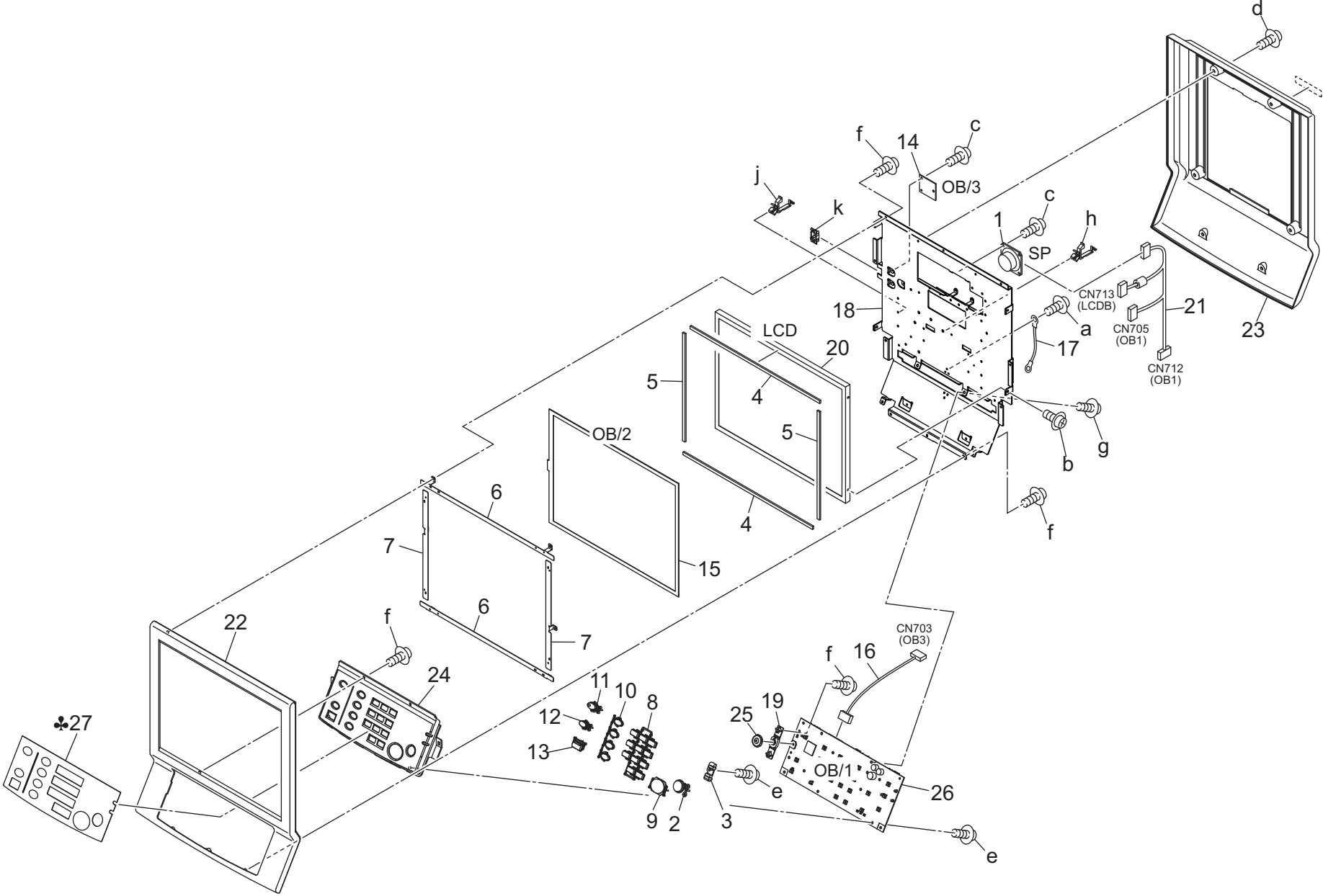
See P.13

AccurioPress 6136P/ 6136P/ 6272P

Key	Part No.	Description	Destinations	Class	QTY	Standard parts
1	56UA70560	OPE UNIT ROTATION PLATE /1		D	1	a-V114040804
2	56UA70570	Ope Unit Rotation Plate /2		D	1	b-V116030603
3	56UA70590	Ope Unit Support Arm /Lower		D	1	c-V116040803
4	56UA70600	Ope Unit Support Arm /Upper		D	1	d-V118040603
5	56UA70610E	Ope. unit Slide Arm /Lower		D	1	e-V118040804
6	56UA70620E	Ope. unit Slide Arm /Upper		D	1	f-V121040603
7	56UA70650	Operation Unit Fixing Plate		D	1	g-V121040604
8	56UA70670	Ope Unit Rotation Shaft		D	1	h-V121041003
9	56UA70750	OPERATION UNIT FIXING SCREW		D	1	j-V127040603
10	56UA70800	OPERATION UNIT FIXING SCREW 2		D	2	k-V217040003
11	A0G6136400	Ope.Unit Ground Plate		D	1	m-V500020069
12	A0G6M93100	Ferritecore		D	1	n-V501010002
13	A0Y5196300	Operation Stay /Lower		D	1	p-V570010026
14	A0Y5196400	Fixing Stay /1		D	1	q-V570010027
15	A4EUR74J00	Verticaul Rotary Torque Hinge		D	2	
16	A799190500	Rotation Cover		D	1	
17	A799190801	Fixing Knob		D	1	
18	A799190900	Cover /A		D	2	
19	A799197100	Swing Cover		D	1	
20	A9JTN18200	Ope.Unit Control Harness /1		D	1	
21	A9JTN18300	Ope.Unit Control Harness /2		D	1	

Operation Panel Section

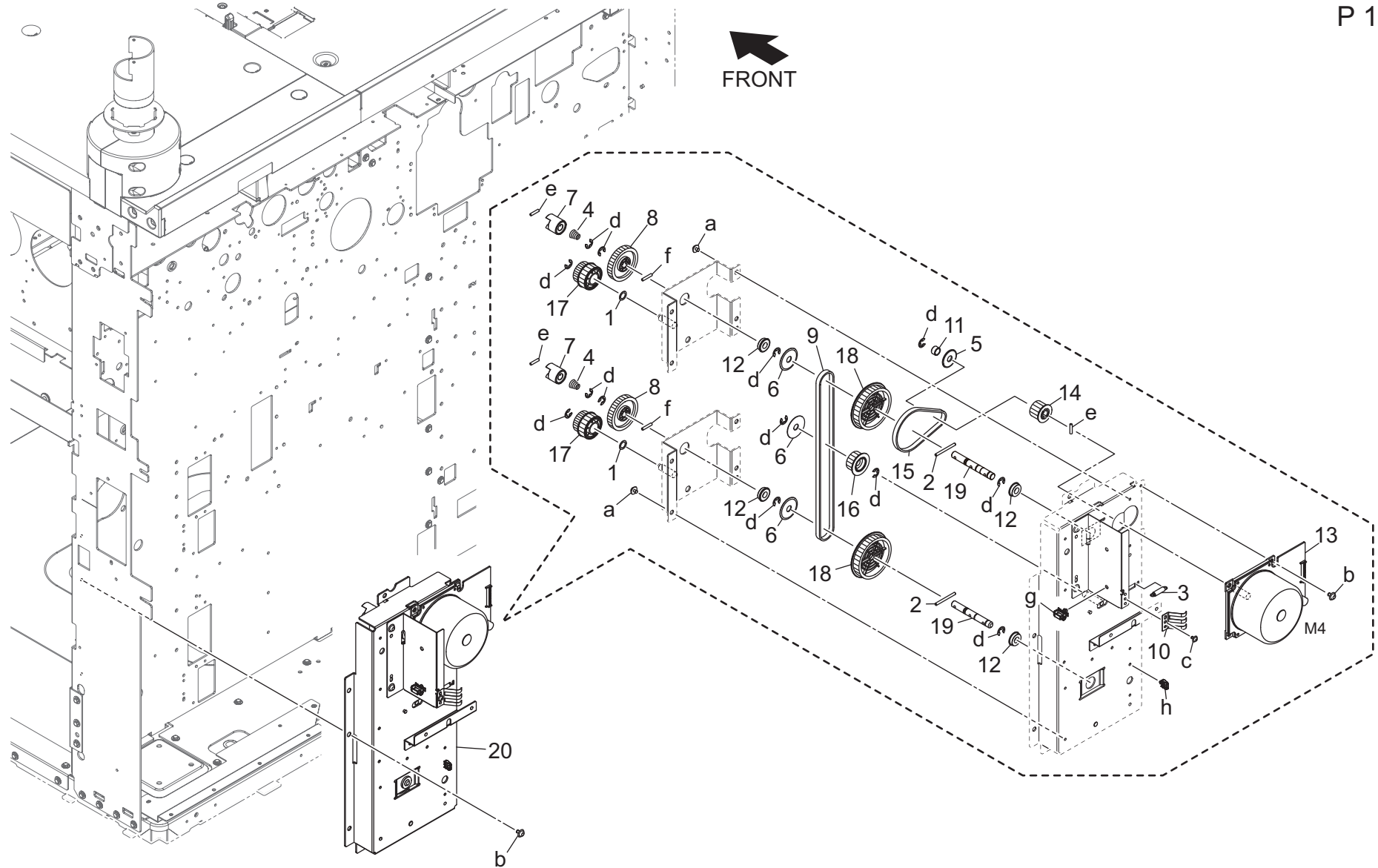
P 13



AccurioPress 6136P/ 6136P/ 6272P

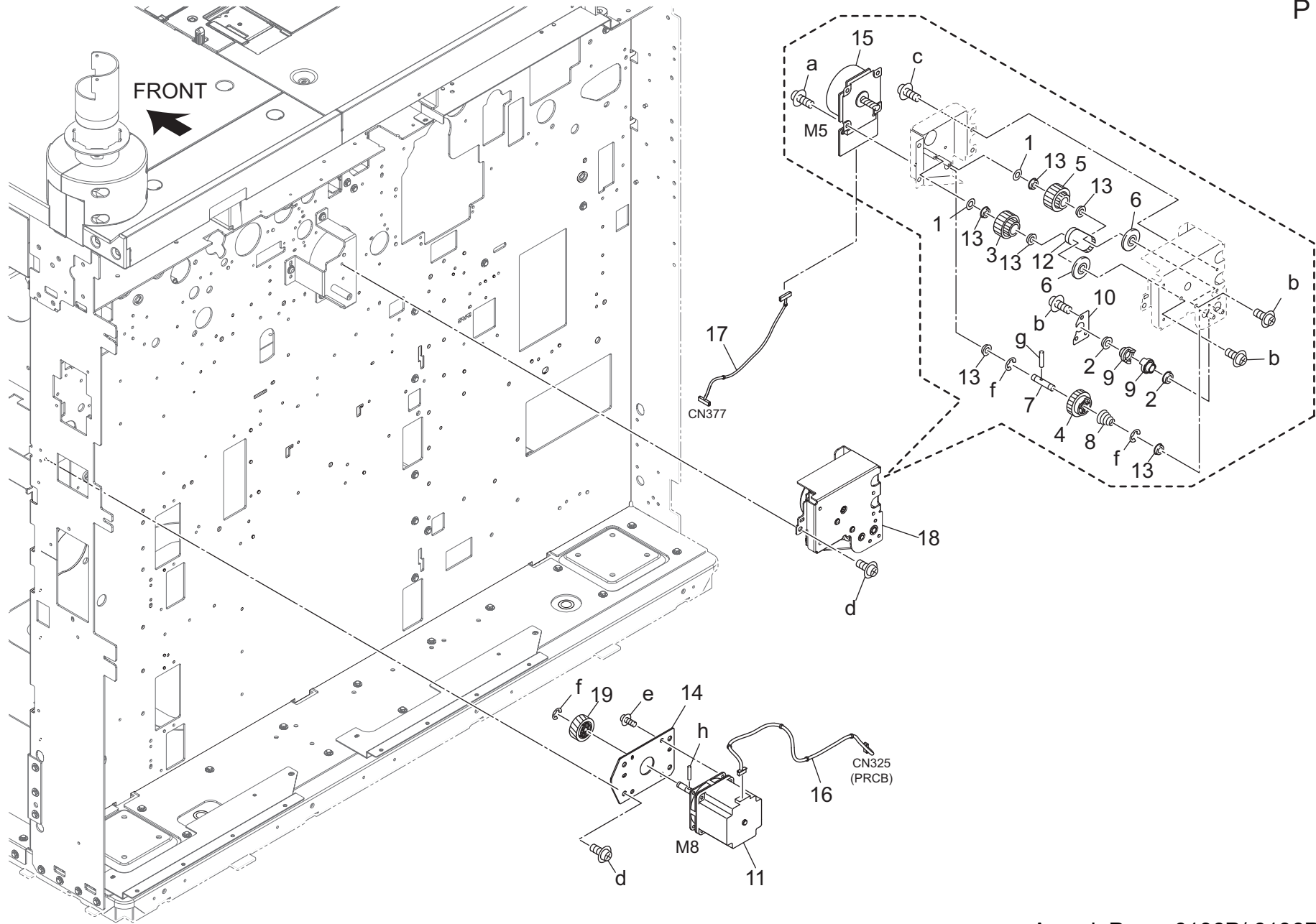
Key	Part No.	Description	Destinations	Class	QTY	Standard parts
1	A0P0M73100	Speaker		D	1	a-V116040603
2	56UA70330	Ope. Unit Button /S		C	1	b-V118030404
3	A0G6191600	Indicating Part /1		D	1	c-V118030603
4	A0G6192400	Holding Cushion /Upper		C	2	d-V121040604
5	A0G6192500	Holding Cushion /Right		C	2	e-V151030603
6	A0G6192700	Ground Plate /1		D	2	f-V151030803
7	A0G6192900	Ground Plate /2		D	2	g-V151031003
8	A0G6193100	Operation Button /1		C	1	h-V500010082
9	A0G6193200	Operation Button /2		C	1	j-V500020099
10	A0G6193400	Operation Button /4		C	1	k-V570010063
11	A0G6193800	Operation Button /10		C	1	
12	A0G6193900	Operation Button /8		C	1	
13	A0G6194000	Operation Button /9		C	1	
14	A0G6H06000	Operation Board /3 Assy		C	1	
15	A9VEM75500	Ope. Unit Touch Panel		C	1	
16	A0G6N18400	Ope. Unit Control Harness /3		D	1	
17	A1RFN28300	Ope. unit Wiring /1		D	1	
18	A4EU190414	Operation Plate		D	1	
19	A4EU194200	Fixing Holder		D	1	
20	ADF2M75800	Ope. Unit LCD		C	1	
21	A4EUN28500	Ope. unit Wiring /4		D	1	
22	A799190100	Operation Cover /Front		D	1	
23	A799190200	Operation Cover /Rear		D	1	
24	A9JW190300	Operation Casing /1		D	1	
25	A799194101	Operation Knob /1		D	1	
26	A799H04001	Operation Board /1 ASSY		I	1	
27	A0GA195000	Operation Sheet	A	C	1	
27	A0GA205000	Operation Sheet	B,D1,D3,E,F2,G1,G2, I	C	1	
27	A4EX205300	Operation Sheet	K	C	1	
27	A4EX205100	Operation Sheet	J	C	1	

Driving Section



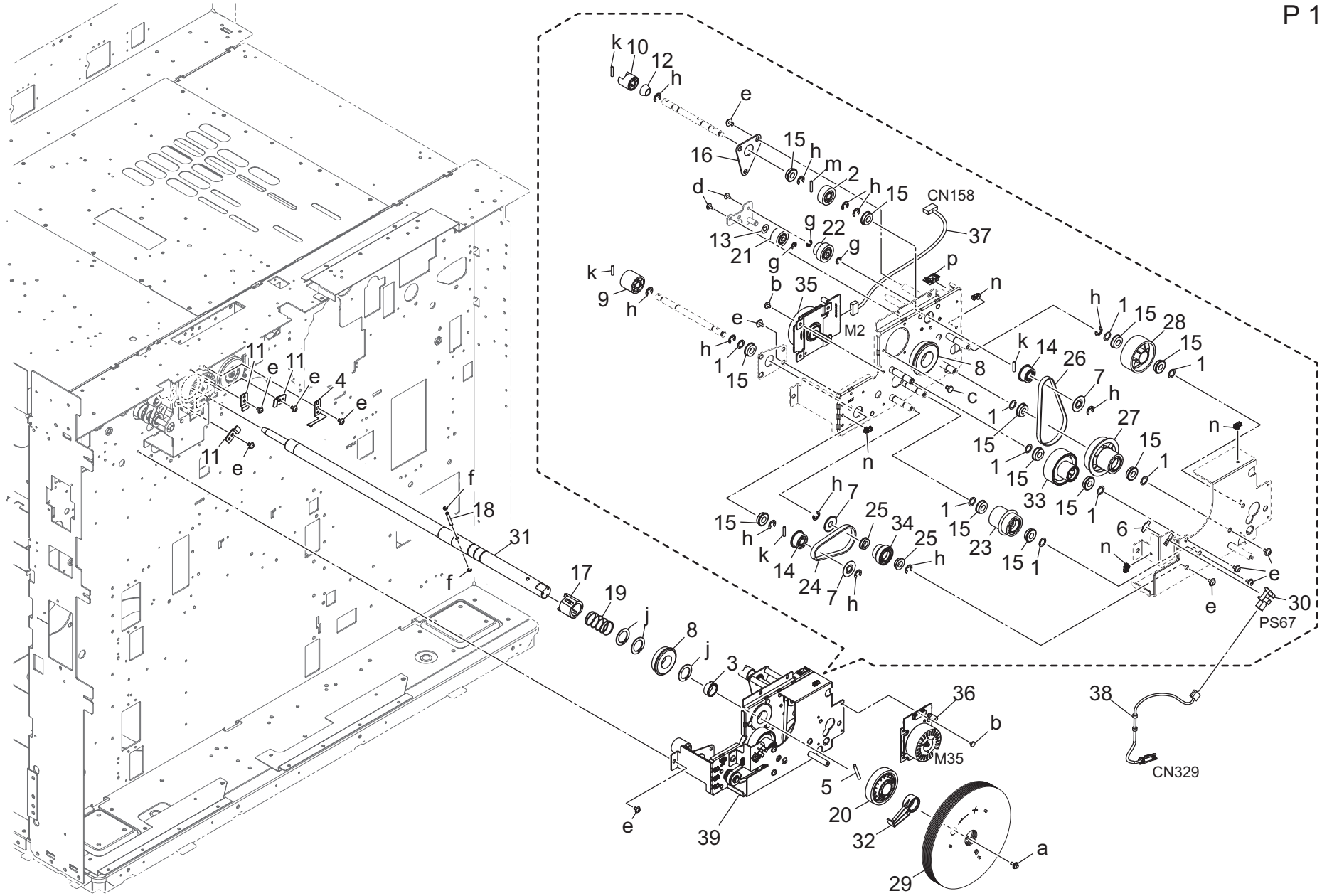
Key	Part No.	Description	Destinations	Class	QTY	Standard parts
1	13QA40610	Gear Spacer		C	2	a-V121040403
2	55VA15190	Fixing Drive Pin		B	2	b-V121040603
3	55VA15570	PAPER EXIT TENSION SPRING		B	1	c-V127030604
4	56AA17090	Pressing Spring		C	2	d-V217060003
5	56AA51810	BELT HOLDING COLLAR		C	1	e-V234301450
6	56UA15420	Belt Collar		C	3	f-V234301650
7	56UA15610E	PAPER FEED DRIVE COUPLING		C	2	g-V500010082
8	56UA77040E	Paper feed Input Gear 40T		C	2	h-V500020098
9	56UA78030	PAPER FEED DRIVE BELT 534L		C	1	
10	65AA11140	Earth Plate		D	1	
11	65AA49190	COLLAR 1		C	1	
12	A00V240600	Ball Bearing		B	4	
13	A1RFM10600	DC Brushless motor /8		B	1	
14	A4EU239100	Drive Pulley		B	1	
15	A4EU239200	Drive Belt 228L		C	1	
16	A4EUR72C00	Paper Feed Tension Pulley Assy		C	1	
17	A9JT237100	Idling Gear 27/25T		C	2	
18	A9JT239000	Paper Feed Pulley /M 26/60T		C	2	
19	A9JT239301	Drive Shaft		D	2	
20	A9JTR71A00	Paper Feed Driving Unit		S	1	

Driving Section



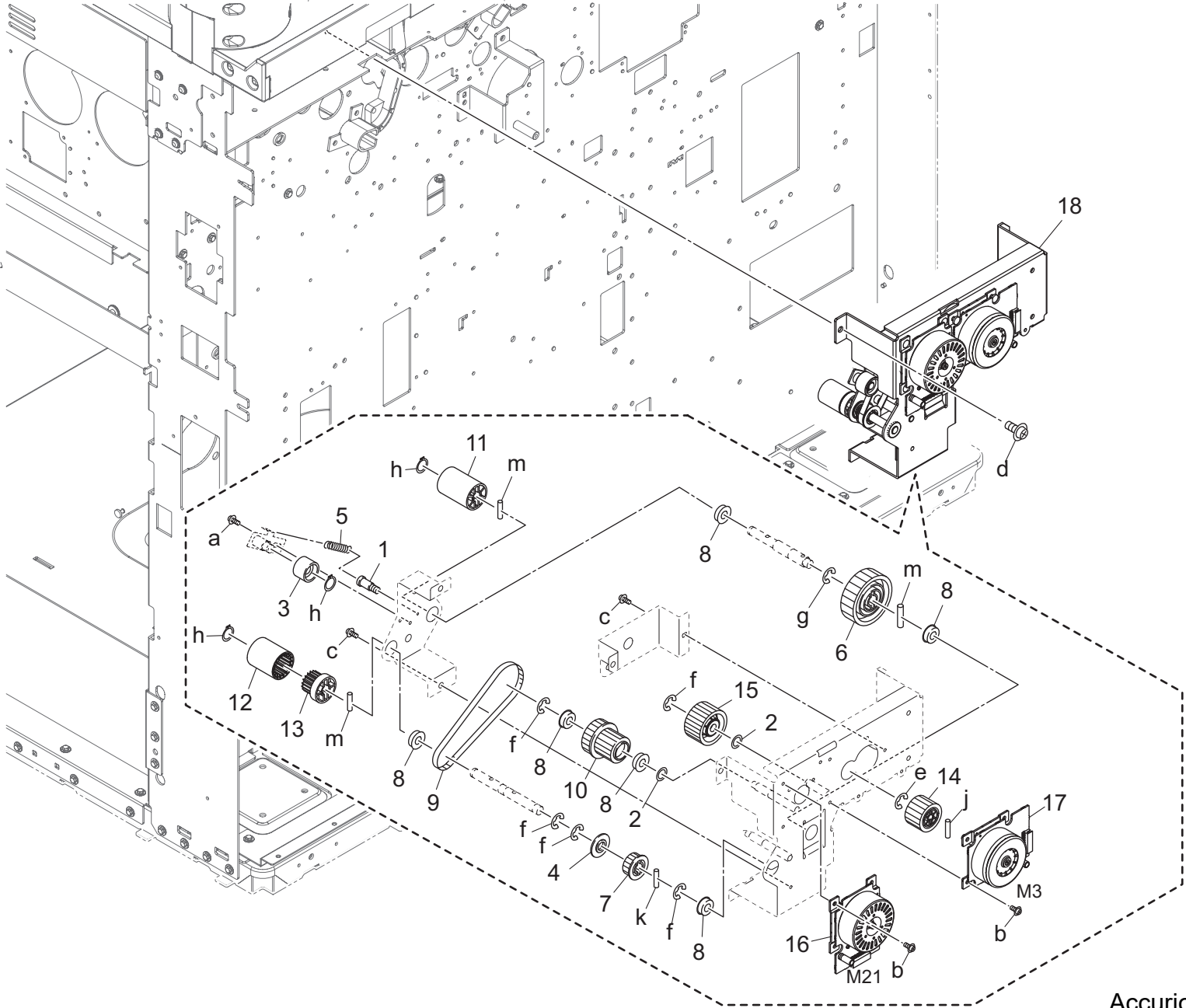
Key	Part No.	Description	Destinations	Class	QTY	Standard parts
1	56AA17700	Spacer /B		C	2	a-V118040603 b-V121030403 c-V121040403 d-V121040603 e-V127030604 f-V217040003 g-V234201650 h-V234302050
2	A00J617900	Ball Bearing		B	2	
3	A0G6250500	Idling Pulley /1		C	1	
4	A0G6250601	Slide Gear 24T		B	1	
5	A0G6250700	Idling Pulley /2		C	1	
6	A0G6250800	Collar		C	2	
7	A0G6250900	Input Shaft		D	1	
8	A0G6251200	Pressing Spring		C	1	
9	A0G6251301	Rotation Part		C	2	
10	A0G6251400	Positioning Plate		D	1	
11	A1TVM10100	Stepping motor /50		B	1	
12	A4EU251000	Cleaning Belt /1 120L		C	1	
13	A4EU252000	Drive Ball bearing /6		B	6	
14	A9JT257100	Drive Panel		D	1	
15	A9JTM10200	Drum Motor		B	1	
16	A9JTN11700	Conveyance Drive Harness /M		D	1	
17	A9JTN12900	Toner Relay Harness /1		D	1	
18	A9JTR71P00	Belt Cleaning Driving Assy		S	1	
19	A9JX214100	Drive Gear 25T		B	1	

Driving Section



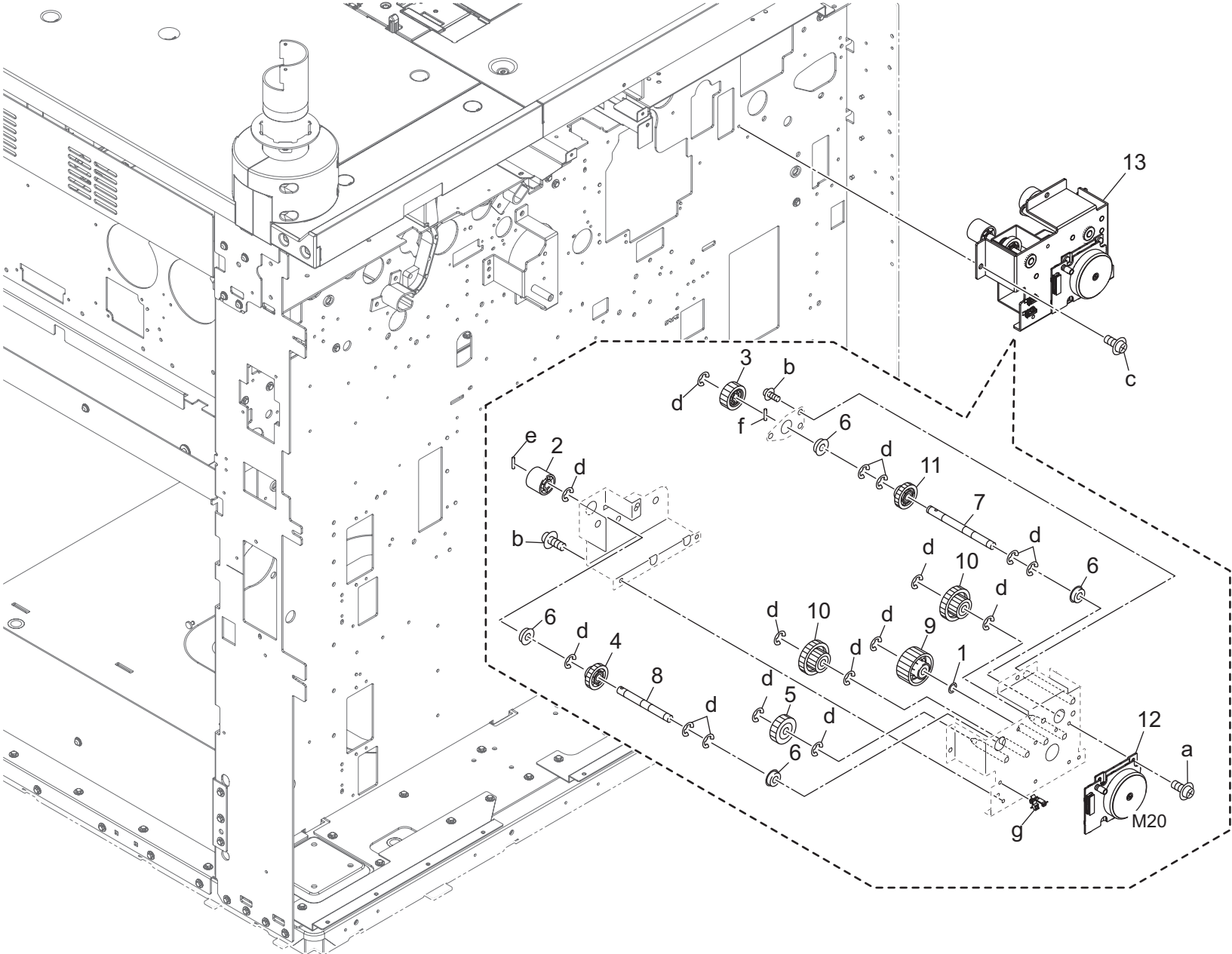
Key	Part No.	Description	Destinations	Class	QTY	Standard parts
1	13QA40610	Gear Spacer		C	9	a-V116041003
2	15AG77020	Drive Connecting Gear/ 1 22T		C	1	b-V118040403
3	25SA15270	EARTH SHAFT HOLDER		C	1	c-V118040603
4	25SA15280	DRUM EARTH SPRING		C	1	d-V121030603
5	25SA15390	Drive Position Pin D4X33		C	1	e-V121040603
6	4470402401	Stopper		D	1	f-V217030003
7	554010550	Collar		C	3	g-V217040003
8	55TA75020	Bearing		B	2	h-V217060003
9	55VA15080	Developing Coupling Part		C	1	j-V223200017
10	55VA15541	CLEANER COUPLING PART		C	1	k-V234301450
11	55VA15580	Shaft Holder Holding Plate		D	3	m-V234301650
12	56AA17090	Pressing Spring		C	1	n-V500020099
13	56AA17700	Spacer /B		C	1	p-V570010063
14	56GA76600E	Cleaner Driving Pulley 21T		C	2	
15	A00V240600	Ball Bearing		B	12	
16	A0G6210400	Support Plate		D	1	
17	A0G6215200	Coupling Part		C	1	
18	A0G6215300	Coupling Pin		C	1	
19	A0G6215400	Compressing Spring		C	1	
20	A0G6217200	Drive Gear 67T		C	1	
21	A0G6217500	Drive Gear /7 20T		C	1	
22	A0G6217600	Drive Gear /8 15/22T		C	1	
23	A0G6217700	Idling Pulley /1		C	1	
24	A0G6369500	Swing Belt 186L		C	1	
25	A1RF710900	Ball bearing /1		C	2	
26	A4EU211300	Drive Belt /A 255L		C	1	
27	A4EU218000	Idling Pulley /1		C	1	
28	A4EU218100	Idling Gear 83T		C	1	
29	A4EUR74K00	Flywheel Assy		D	1	
30	A85CM55600	Photo Sensor		C	1	
31	A9JT215100	Rotation Shaft /D		D	1	
32	A9JT215500	Actuator		C	1	
33	A9JT217100	Idling Gear /1 24/83T		C	1	
34	A9JT217400	Idling Pulley /2 21T		C	1	
35	A9JTM10200	Drum Motor		B	1	
36	A9JTM10300	Developing Screw Motor		B	1	
37	A9JTN12400	Photoconductor Drive Harness		D	1	
38	A9JTN12500	Photoconductor Relay Harness /5		D	1	
39	A9JTR71800	Drum Driving Unit		S	1	

Driving Section



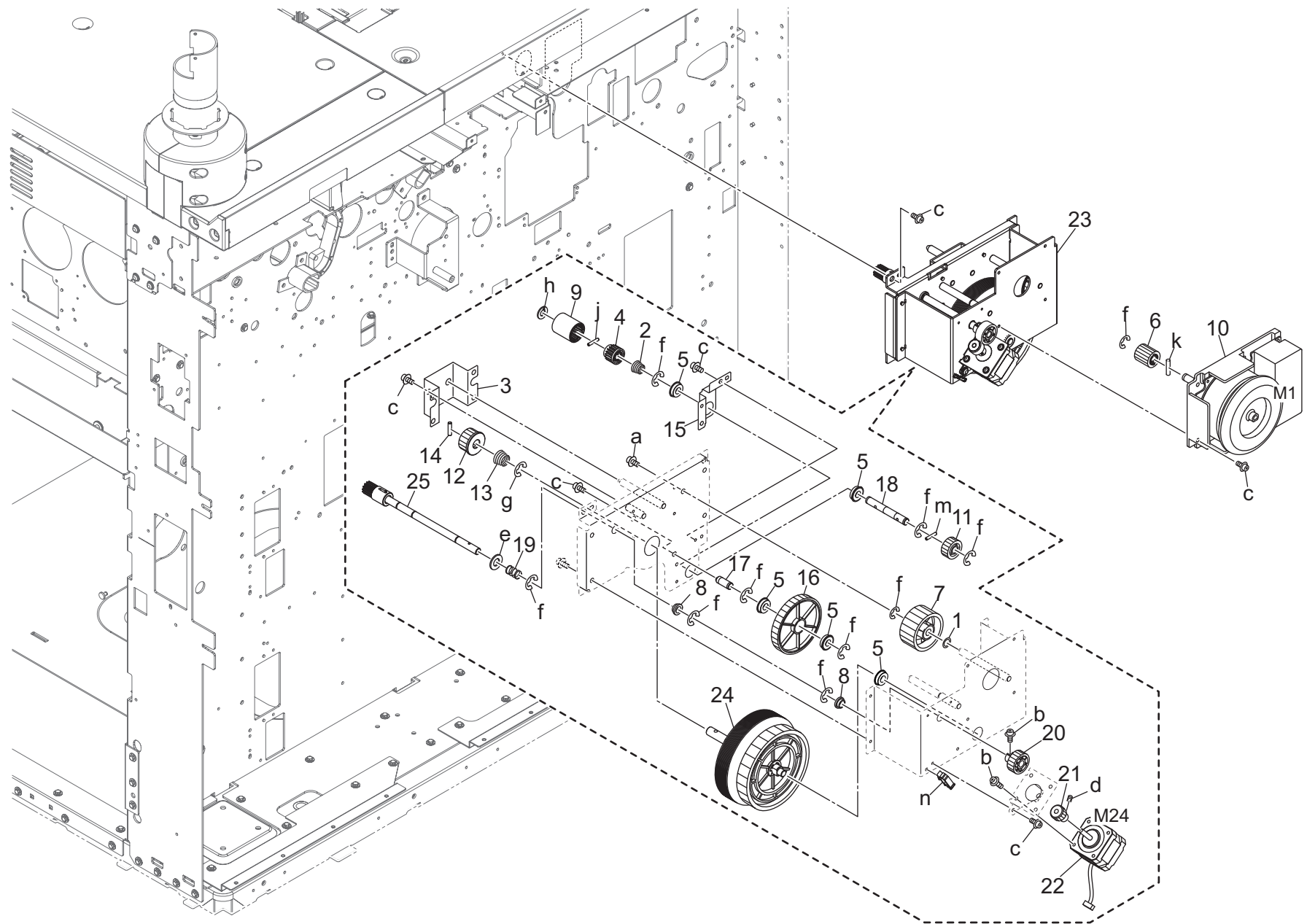
Key	Part No.	Description	Destinations	Class	QTY	Standard parts
1	066079020	DRAWER SCREW M3X10		C	1	a-V116040603 b-V118040403 c-V121040403 d-V121040603 e-V217040003 f-V217060003 g-V217080003 h-V223080050 j-V234201850 k-V234301450 m-V234302050
2	13QA40610	Gear Spacer	ドロワーネジ M 3 X 1 0 ギアスペーサー	C	2	
3	540015162	BELT TENSION ROLLER	ベルト テンションコロ	B	1	
4	554010550	Collar	カラー	C	1	
5	55VA15570	PAPER EXIT TENSION SPRING	排紙テンションバネ	B	1	
6	55VA77040	Developing Drive Gear /B 46T	現像駆動歯車 / B 4 6 T	C	1	
7	56GA76600E	Cleaner Driving Pulley 21T	クリーナー駆動プーリ 2 1 T	C	1	
8	A00V240600	Ball Bearing	ボールベアリング	B	6	
9	A0G6221100	Drive Belt 210L	駆動ベルト 2 1 0 L	C	1	
10	A0G6227300	Idling Pulley /3	アイドルプーリ /3	C	1	
11	A0G6227400	Coupling Part /1	カップリング部材 /1	D	1	
12	A0Y5227500	Coupling Part	カップリング部材	D	1	
13	A0Y5227600	Input Coupling	入力カップリング	D	1	
14	A4EU222000	Drive Gear /12 26T	駆動ギア /1 2 2 6 T	C	1	
15	A4EUR71S00	Developing Idling Gear Assy	現像アイドラ歯車部組	C	1	
16	A9JTM10300	Developing Screw Motor	現像スクリューモーター	B	1	
17	A9JTM10400	Developing Motor	現像モーター	B	1	
18	A9JTR71900	Developing Driving Unit	現像駆動ユニット	S	1	

Driving Section



Key	Part No.	Description	Destinations	Class	QTY	Standard parts
1	13QA40610	Gear Spacer		C	1	a-V118040403
2	55VA15080	Developing Coupling Part		C	1	b-V121040403
3	56UA77070F	Paper Exit Input Gear 25T		B	1	c-V121040603
4	56UA77270	PAPER EXIT DRIVE GEAR C 25T		C	1	d-V217060003
5	A4EU247600	Idling Gear /2 27T		C	1	e-V234301450
6	A00V240600	Ball Bearing		B	4	f-V234301650
7	A0G6240800	Paper Exit Shaft		D	1	g-V500020100
8	A0G6240900	Conveyance Shaft		D	1	
9	A0G6247100	Idling Gear /1 68T		C	1	
10	A0G6247200	Idling Gear /2 34/40T		C	2	
11	A0G6247500	Paper Exit Gear /C 25T		C	1	
12	A9JTM10200	Drum Motor		B	1	
13	A9JTR71B00	Paper Exit Driving Unit		S	1	

Driving Section

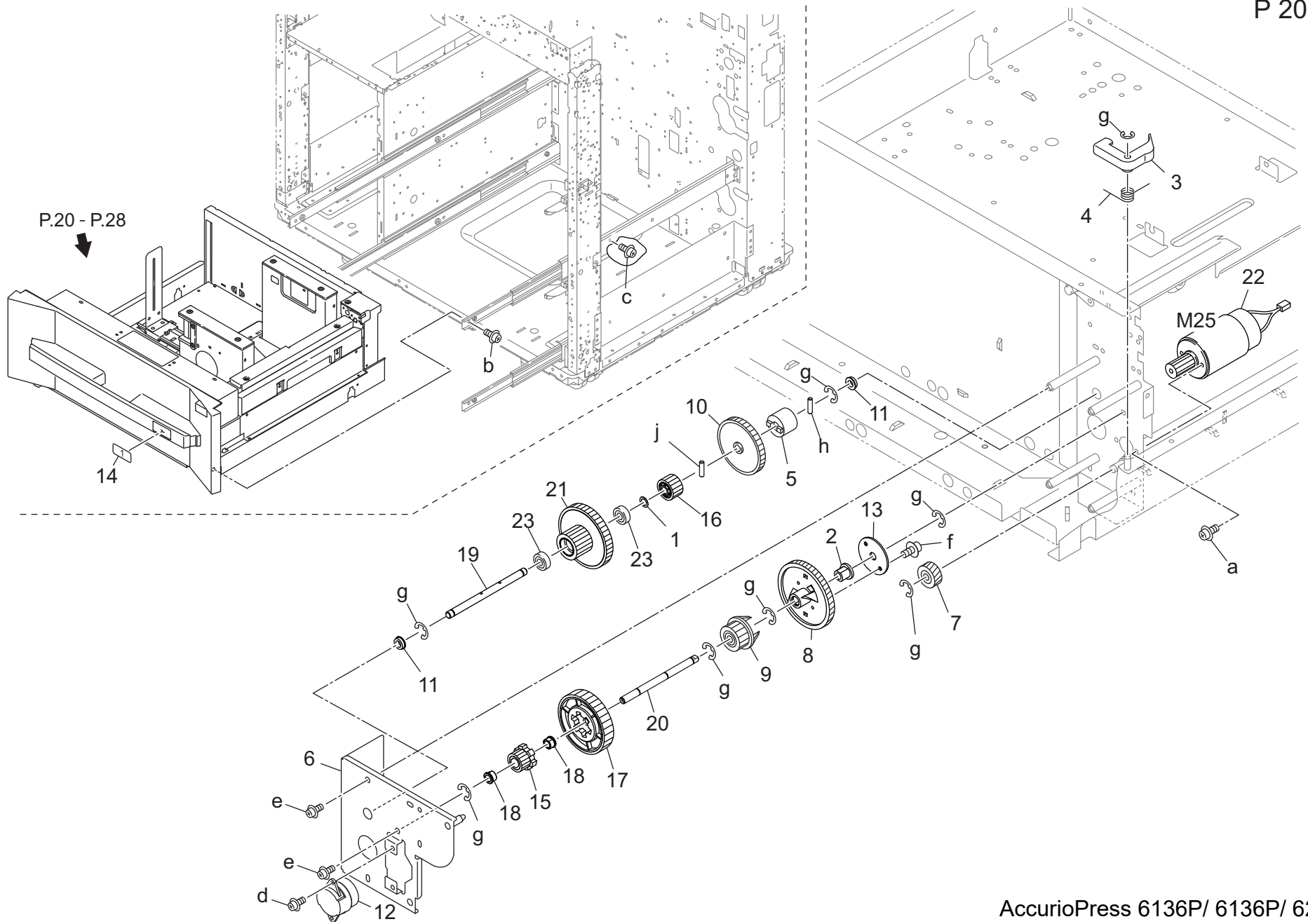


AccurioPress 6136P/ 6136P/ 6272P

Key	Part No.	Description	Destinations	Class	QTY	Standard parts
1	13QA40610	Gear Spacer		C	1	a-V118040603
2	56AA17090	Pressing Spring		C	1	b-V121030603
3	56UA15320	Fixing Reinforce Plate		D	1	c-V121040603
4	56UA15510	Conveyance Coupling Part		B	1	d-V193030304
5	A00V240600	Ball Bearing		B	5	e-V207080003
6	A0G6237201	Gear 17T		B	1	f-V217060003
7	A0G6237300	Idling Gear 42T		C	1	g-V217080003
8	A0G6739300	Operation Bushing /Front		C	2	h-V223080050
9	A0Y5227500	Coupling Part		D	1	j-V234301250
10	A1RFM10600	DC Brushless motor /8		B	1	k-V234301450
11	A1TT214301	Drive Gear /30 21T		C	1	m-V234301650
12	A4EU230800	Fusing Gear /1 24T		C	1	n-V500020100
13	A4EU230900	Pressing Spring		D	1	
14	A4EU231000	Pin /A		D	1	
15	A4EU235000	Drive Side plate /2		D	1	
16	A4EU235200	Fusing Gear /3 68T		C	1	
17	A4EU235400	Drive Shaft /2		D	1	
18	A4EU235500	Drive Shaft /3		D	1	
19	A4EU235700	Compressing Spring		D	1	
20	A4EU238100	Drive Gear /2 40T		C	1	
21	A4EU238200	Drive Worm /1		C	1	
22	A4EUM10100	HB Motor /40		B	1	
23	A4EUR71T11	Fixing Driving Assy		D	1	
24	A4EUR71U00	Fixing Drive Shaft Assy		D	1	
25	A4EUR71V00	Fixing Drive Idol Shaft Assy		D	1	

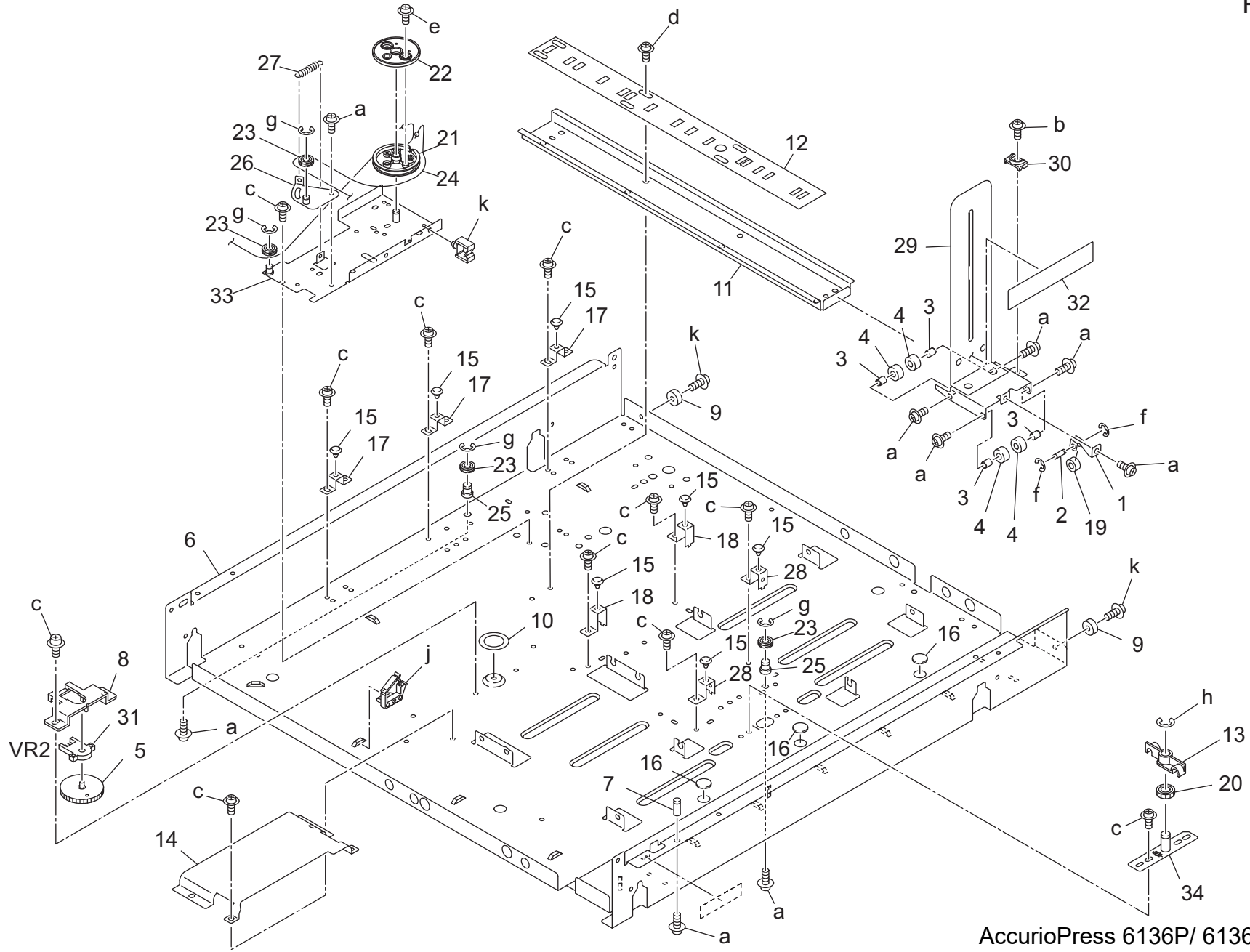
Tray 1 Section

P 20



Key	Part No.	Description	Destinations	Class	QTY	Standard parts
1	13QA10330	SHAFT SPACER		C	1	a-V118030403
2	40BA75520	Paper Exit Bearing		C	1	b-V118040603
3	56UA40351	GUIDE LEVER		D	1	c-V118040803
4	56UA40360	Lever Spring /1		C	1	d-V121030403
5	56UA42570	TORQUE LIMITER B		C	1	e-V127030516
6	56UA-4321E	DRIVE UP/DOWN BOARD		D	1	f-V147030603
7	56UA77480	Lock Idler		C	1	g-V217040003
8	56UA77640F	Drive Connecting Gear/A 70T		C	1	h-V234200850
9	56UA77650E	Control Gear 21T		C	1	j-V234201250
10	56UA77660	Drive Regulating Gear /A 49T		C	1	
11	A00J617800	Ball Bearing		A	2	
12	A0G6601900	Up/Down Dumper		C	1	
13	A0G6606500	Holding Part		C	1	
14	A0U0945401	Indicating Label /1		C	1	
15	A4EU603100	Gear 15T		C	1	
16	A4EU603200	Gear 17T		C	1	
17	A4EU603300	Gear 53T		C	1	
18	A4EU603400	Bushing		C	2	
19	A4EU603500	Idling Shaft /A		D	1	
20	A4EU603600	Idling Shaft /B		D	1	
21	A4EU606100	Up/down Gear /B 14/55T		C	1	
22	A4EUR72Q11	Updown Motor		C	1	
23	A4F3905000	Ball Bearing		D	2	

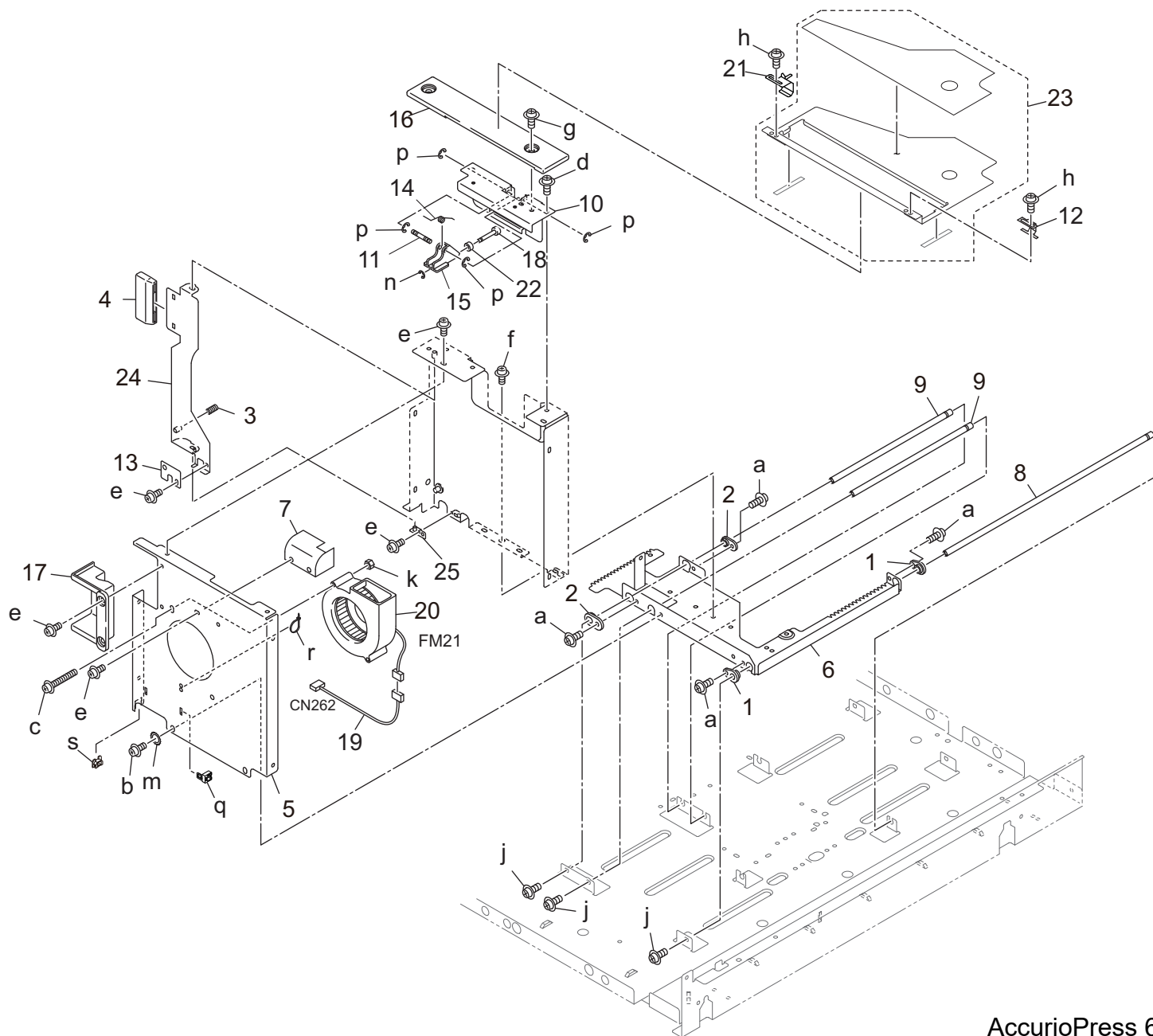
Tray 1 Section



AccurioPress 6136P/ 6136P/ 6272P

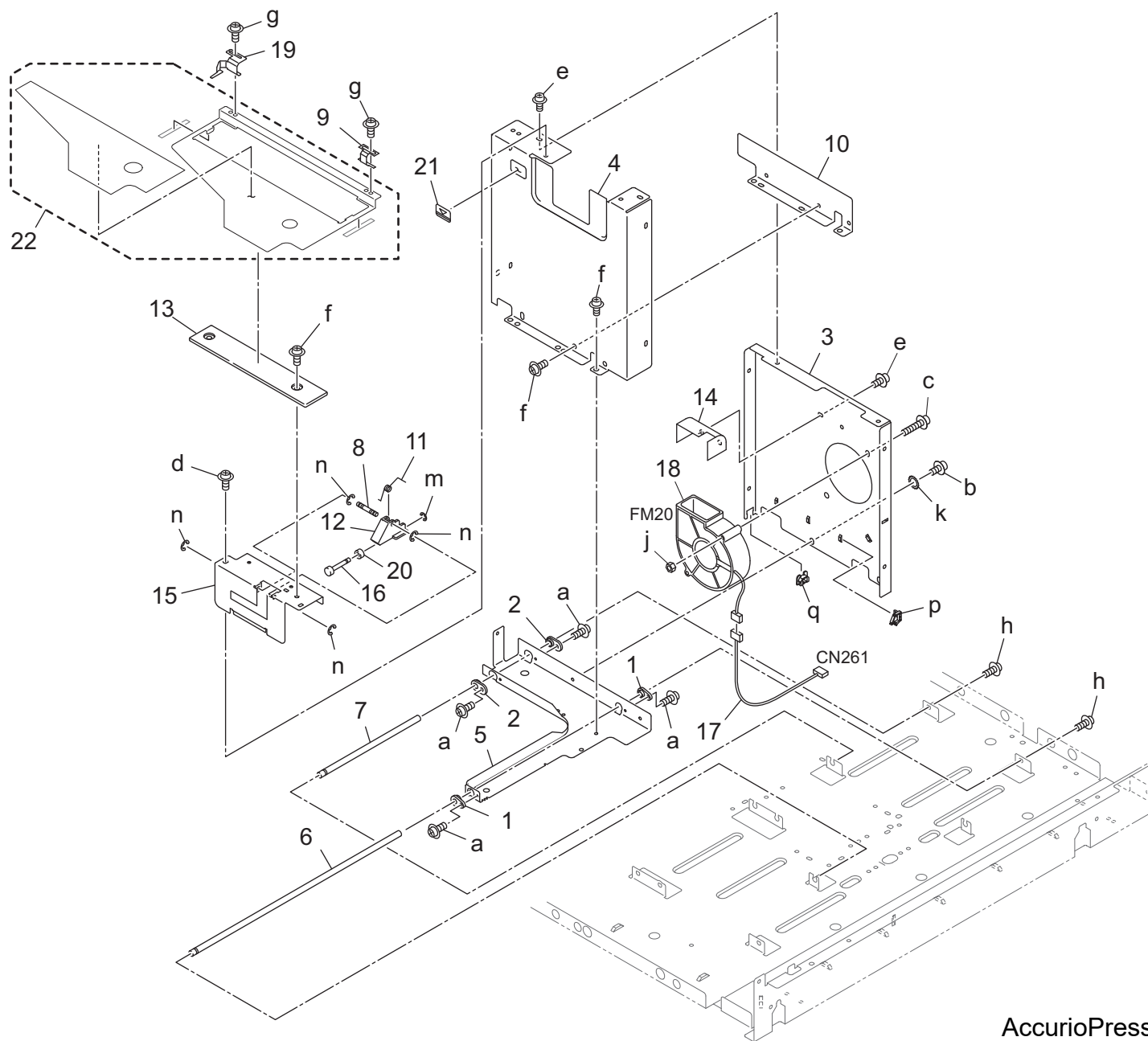
Key	Part No.	Description	Destinations	Class	QTY	Standard parts
1	55VA40910	PRESSURE PLATE A	押圧板 A	D	1	a-V116030603
2	55VA40920D	Support Shaft	支持軸	D	1	b-V116040803
3	55VA42330D	GUIDE SHAFT /E	ガイド軸 /E	D	4	c-V127030516
4	55VA42340	Guide Roller	ガイドコロ	C	4	d-V127030604
5	56AA41340	Detecting Gear 35T	検知ギア 35 T	C	1	e-V151030603
6	56UA40011E	Tray Bottom Plate	トレイ 底板	D	1	f-V217030003
7	56UA40371	Lever Support Shaft /A	レバー支点軸 /A	D	1	g-V217040003
8	56UA40420	DETECTION BOARD	検知基板	D	1	h-V217060003
9	56UA40511E	Stopper Rubber /C	ストッパゴム /C	C	2	j-V500010021
10	56UA40760	Gear Spacer	ギア スペーサー	C	1	k-V500010028
11	56UA41110	GUIDE RAIL	ガイドレール	D	1	
12	56UA41120E	Guide Stopper	ガイドストッパ	D	1	
13	56UA41220	SHAFT POSITIONING PART	軸位置決め部材	D	1	
14	56UA41260	BOARD PROTECTION COVER	基板保護カバー	D	1	
15	56UA41470	Stopper Rubber	ストッパゴム	C	7	
16	56UA41500	Stopper Rubber /B	ストッパゴム /B	C	3	
17	56UA41520	Paper Feed Tray Support Pedestal /A	給紙皿支持台 /A	D	3	
18	56UA41530	Paper Feed Tray Support Pedestal /B	給紙皿支持台 /B	D	2	
19	56UA41690	Tray Lock Roller	トレイロックコロ	C	1	
20	56UA77530	CASSETTE PINION	カセットピニオン	C	1	
21	A0G6600700	Pulley	プーリ	C	1	
22	A0G6600800	Detecting Gear 90T	検出ギア 90 T	C	1	
23	A0G6600900	Idling Pulley /A	アイドラプーリ /A	C	4	
24	A0G6601000	Detection Wire	検知ワイヤ	C	1	
25	A0G6601300	Idling Shaft /2	アイドラ軸 /2	D	2	
26	A0G6601500	Tension Arm	テンションアーム	D	1	
27	A55C601600	Tension Spring	テンションばね	D	1	
28	A0G6601700	Support Pedestal	支持台	D	2	
29	A0G6615100	Guide Part /Rear	ガイド部材 /後	D	1	
30	A0G6615200	Holding Part	押さえ部材	D	1	
31	A1UDM50100	Volume	ボリューム	D	1	
32	A4EU943000	Operation Label /H	操作ラベル /H	D	1	
33	A4EUR72U11	Detecting Board Caulking	検知基板カシメ	D	1	
34	A4EUR72V11	Adjusting Plate Caulking	片寄り調整板カシメ	D	1	

Tray 1 Section



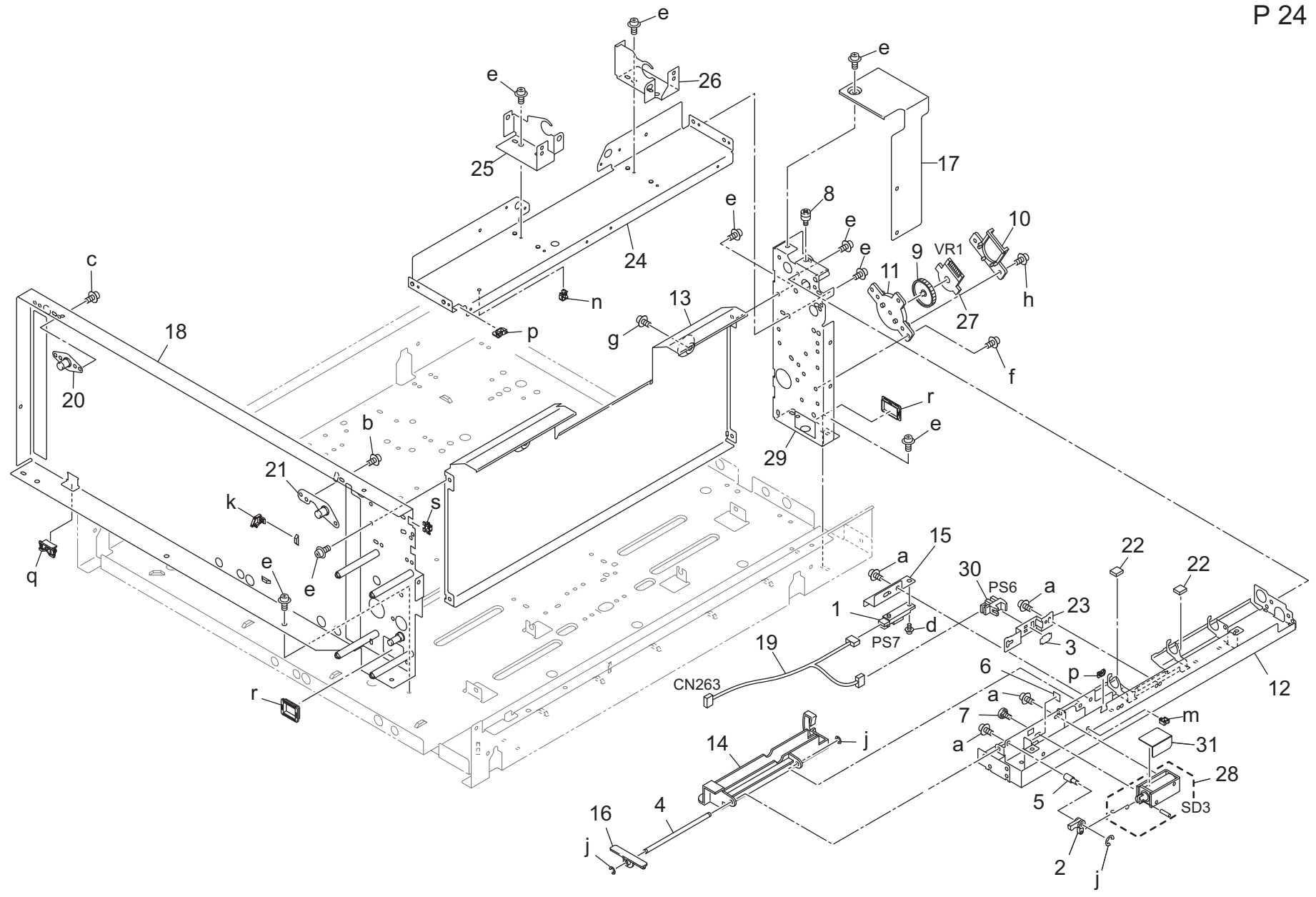
Key	Part No.	Description	Destinations	Class	QTY	Standard parts
1	129X48350	Guide Bearing /A		C	2	a-V116030603
2	129X48360	Guide Bearing /B		C	2	b-V116040803
3	25AA47551	LIFT UP SPRING REAR		C	1	c-V117043503
4	56UA40680	Lever Cover		C	1	d-V118030403
5	56UA41030	Paper Guide Board /Front		D	1	e-V121030403
6	56UA41070	Paper Guide Rack /Front		D	1	f-V121040404
7	56UA41090	Paper Feed Guide Duct /Front		D	1	g-V121040603
8	A4EU602300	Guide Shaft /L		D	1	h-V127030516
9	56UA41240	GUIDE SHAFT M		C	2	j-V127030604
10	56UA41300	FAN AUXILIARY PLATE FRONT		C	1	k-V195040003
11	56UA41310	Lever Support Shaft		D	1	m-V209040003
12	56UA41490	PAPER FEED TRAY HOLDING COVER B		C	1	n-V217020003
13	56UA41540	Lock Plate		C	1	p-V217030003
14	56UA41580	PAPER HOLDING SPRING		C	1	q-V500010027
15	56UA41620	PAPER HOLDING LEVER		C	1	r-V501010002
16	56UA41661	PAPER GUIDE COVER		D	1	s-V570010021
17	56UA41670	Lever Protection Cover		D	1	
18	56UA41810	Lever Shaft		D	1	
19	56UA90360	PAPER FEED SUCTION WIRING FRONT		D	1	
20	9313100072	FAN MOTOR		C	1	
21	A0G6620600	Holding Plate Spring /B		D	1	
22	A4EU620100	Bushing /A		C	1	
23	A4EUR72S11	Paper Feed Tray Cover /B Unit		D	1	
24	A4EUR72W11	Locking Lever Caulking		D	1	
25	A4EUR72X11	Rocking Board Caulking		D	1	

Tray 1 Section



Key	Part No.	Description	Destinations	Class	QTY	Standard parts
1	129X48350	Guide Bearing /A		C	2	a-V116030603
2	129X48360	Guide Bearing /B		C	2	b-V116040803
3	56UA41020	PAPER GUIDE BOARD /REAR		D	1	c-V117043503
4	56UA41040	Paper Guide Side Plate /Rear		D	1	d-V118030403
5	56UA41060	Paper Guide Rack /Rear		D	1	e-V121030403
6	A4EU602300	Guide Shaft /L		D	1	f-V121040603
7	56UA41250	Guide Shaft /S		D	1	g-V127030516
8	56UA41310	Lever Support Shaft		D	1	h-V127030604
9	56UA41490	PAPER FEED TRAY HOLDING COVER B		C	1	j-V195040003
10	56UA41550	REINFORCE PLATE /B		D	1	k-V209040003
11	56UA41580	PAPER HOLDING SPRING		C	1	m-V217020003
12	56UA41620	PAPER HOLDING LEVER		C	1	n-V217030003
13	56UA41661	PAPER GUIDE COVER		D	1	p-V500010027
14	56UA41710	Paper Feed Guide Duct /Rear		D	1	q-V570010021
15	56UA41750	Fan Auxiliary Plate /R		D	1	
16	56UA41810	Lever Shaft		D	1	
17	56UA90370	PAPER FEED SUCTION WIRING REAR		D	1	
18	9313100072	FAN MOTOR		C	1	
19	A0G6620500	Holding Plate Spring /A		D	1	
20	A4EU620100	Bushing /A		C	1	
21	A4EU943200	Guide Label		D	1	
22	A4EUR72R11	Paper Feed Tray Cover /A Unit		D	1	

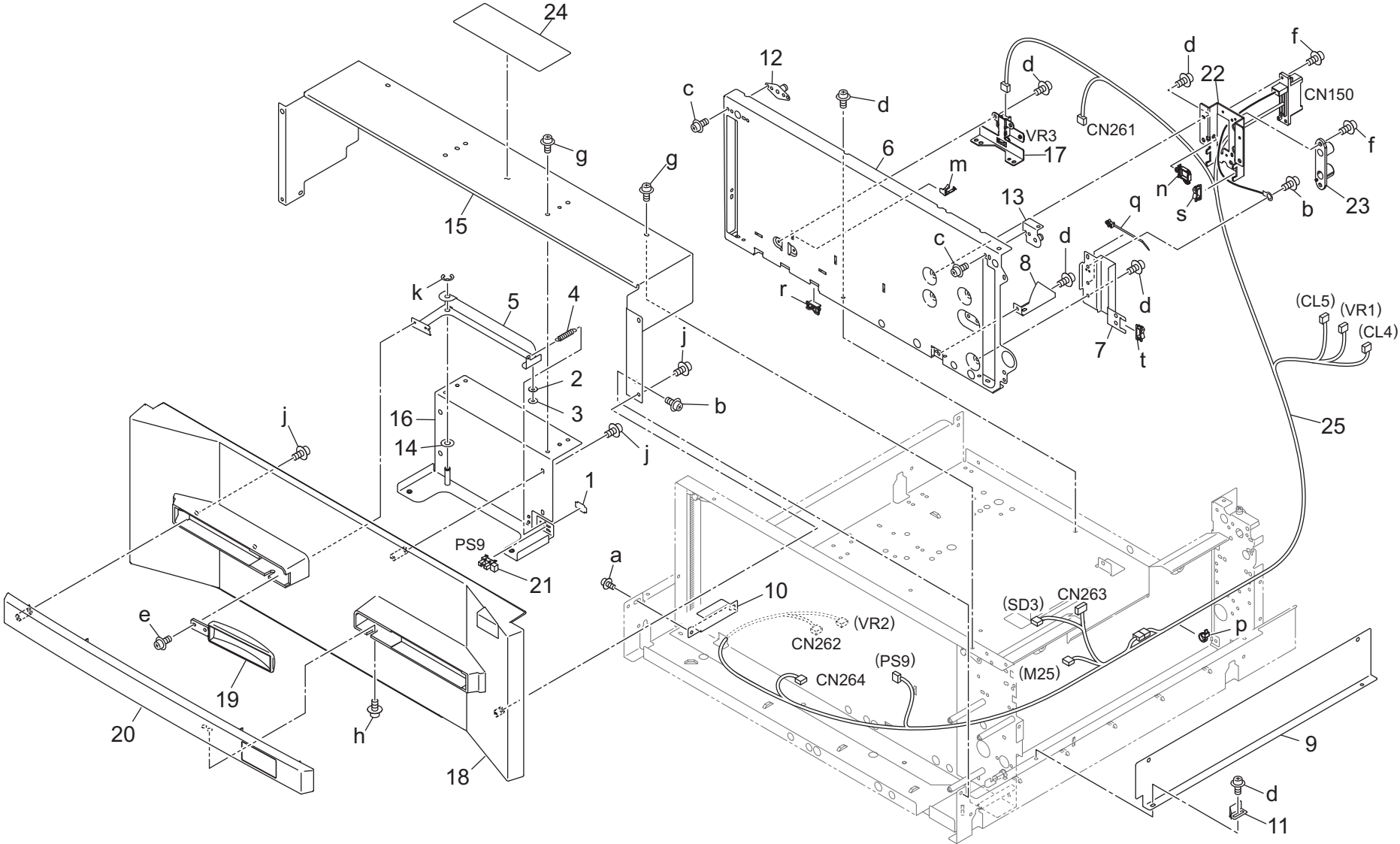
Tray 1 Section



AccurioPress 6136P/ 6136P/ 6272P

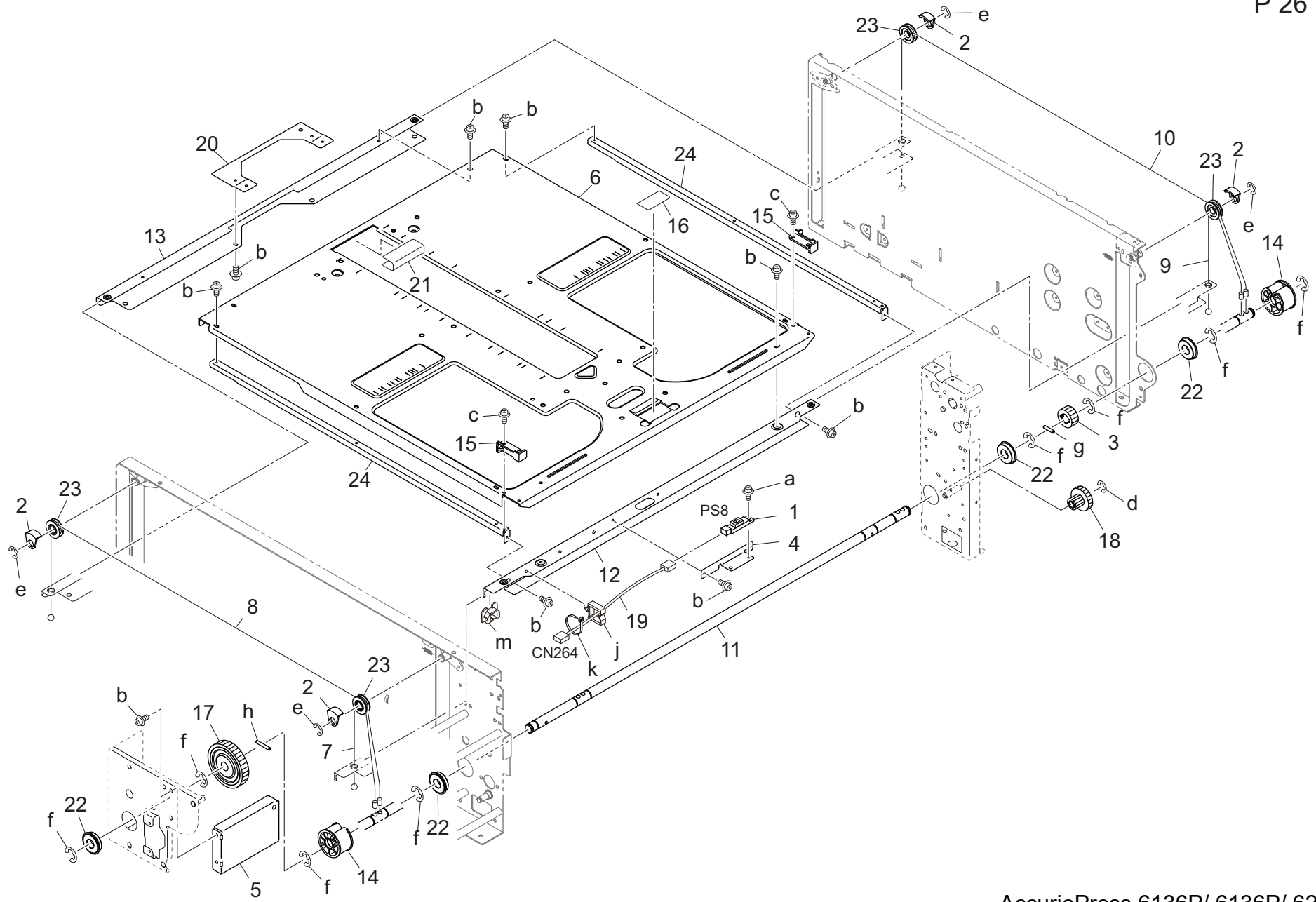
Key	Part No.	Description	Destinations	Class	QTY	Standard parts
1	13QA85511	Sensor /1		B	1	a-V116030503
2	25AA40870	SWITCH LEVER 1		C	1	b-V116030603
3	4470402401	Stopper		D	1	c-V121030403
4	55VA40380	SUPPORT SHAFT A		D	1	d-V126030603
5	55VA40460	FULCRUM SHAFT C		D	1	e-V127030516
6	55VA42111	SOLENOID STOPPER SHEET		C	1	f-V127030604
7	55VA42220	POSITIONING SCREW		C	1	g-V127040603
8	55VA42420	Lever Support Screw		C	1	h-V151030803
9	56AA41340	Detecting Gear 35T		C	1	j-V217030003
10	56AA41351E	Detection Board		C	1	k-V500010021
11	56AE43090	Board Mounting Part		C	1	m-V500010029
12	56UA40051G	Paper Feed Guide Plate /Upper		D	1	n-V500020098
13	56UA40070	PAPER STOPPER PLATE		D	1	p-V570010021
14	56UA40240	Entrance Guide Plate /Front		C	1	q-V570010023
15	56UA40470	Mounting Plate /S		D	1	r-V570010038
16	56UA40480	PAPER FEED LIFTING LEVER		D	1	s-V570010050
17	56UA40670	CLUTCH COVER		D	1	
18	56UA-4080	SIDE GUIDE /FRONT		D	1	
19	56UA90350	PAPER FEED CONTROL WIRING UPPER		D	1	
20	56UAR79500	WIRE SUPPORT PLATE A		D	1	
21	56UAR79700	WIRE SUPPORT PLATE C		C	1	
22	A0G6561200	Stopper Rubber		C	2	
23	A0G6561300	Adjusting Plate		D	1	
24	A0G6570101	Paper feed Stay		D	1	
25	A0G6570600	Support Plate /A		D	1	
26	A0G6570700	Support Plate /B		D	1	
27	A1UDM50100	Volume		D	1	
28	A4EUR72N11	Pick Up Solenoid Pin Assy		C	1	
29	A4EUR72T23	Tray Driveside Guide Caulking		D	1	
30	A85CM55600	Photo Sensor		C	1	
31	A9JT602000	Protection Cover /S		D	1	

Tray 1 Section



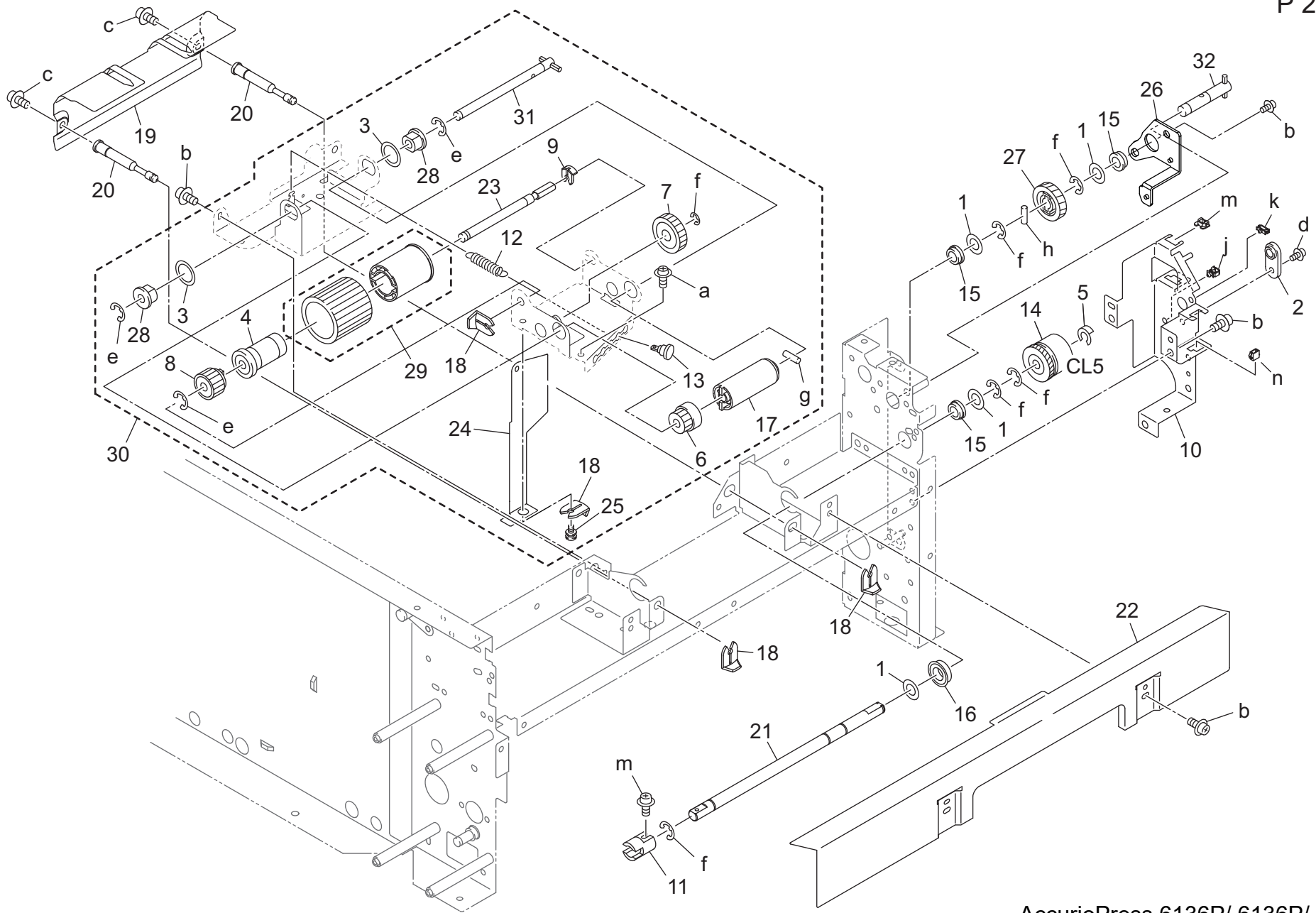
Key	Part No.	Description	Destinations	Class	QTY	Standard parts
1	4470402401	Stopper		D	1	a-V116030603
2	55VA42390	Attaching Sheet		C	1	b-V116040603
3	55VA42400	Cam Spacer		D	1	c-V121030403
4	56HA12980	Lever Spring		C	1	d-V127030516
5	56UA12560	Tray Lever		C	1	e-V127030604
6	56UA40020E	Side plate /Rear		D	1	f-V127030803
7	56UA40140	Wiring Guide Plate		D	1	g-V127040603
8	56UA40160	Main Body Lock Plate /A		D	1	h-V127040803
9	56UA40260	TRAY COVER RIGHT		D	1	j-V151041003
10	56UA40270	TRAY POSITIONING PLATE /LEFT		D	1	k-V217040003
11	56UA40580E	LEVER HOLDING PART		D	1	m-V500010021
12	56UAR79500	WIRE SUPPORT PLATE A		D	1	n-V500010083
13	56UAR79600	WIRE SUPPORT PLATE B		C	1	p-V501010002
14	57AA30260	Developing Agitating Spacer		C	1	q-V501010003
15	A0G6165200	Auxiliary Cover		D	1	r-V570010023
16	A4EUF60701	LEVER MOUNTING PLATE CAULKING		D	1	s-V570010057
17	A4EUR72M11	Sensor Board		C	1	t-V570010063
18	A799165100	Paper feed Cover		D	1	
19	A799165300	Handle		D	1	
20	A799165400	Paper feed Handle		D	1	
21	A85CM55500	Photo Sensor		C	1	
22	A9JT601500	Power Supply Holder /M		D	1	
23	A9JT601900	Positioning Sleeve		D	1	
24	A9JT947800	Operation Label /E		D	1	
25	A9JTN13301	Paperfeed Wiring /2		D	1	

Tray 1 Section



Key	Part No.	Description	Destinations	Class	QTY	Standard parts
1	13QA85511	Sensor /1		B	1	a-V126030603
2	55VA40610	Wire Holder /A		C	4	b-V127030516
3	55VA77652	ADU CONVEYANCE GEAR 2 19T		B	1	c-V127030604
4	56UA40460	Mounting Plate /O		D	1	d-V217040003
5	56UA40570	DRIVE UP DOWN COVER RIGHT		D	1	e-V217060003
6	56UA41011E	Paper feed Up/down Plate /M		D	1	f-V217080003
7	56UA41130	Up Down Wire /A		C	1	g-V234301450
8	56UA41140	Up Down Wire /B		C	1	h-V234302050
9	56UA41150	Up Down Wire /C		C	1	j-V500010029
10	56UA41160	Up Down Wire /D		C	1	k-V501010002
11	A4EU602100	Drive Shaft		D	1	m-V570010021
12	56UA41270	Up/Down Stay/A		D	1	
13	56UA41281E	Up/down Stay /B		D	1	
14	56UA41340	DRIVE UP DOWN PULLEY		C	2	
15	56UA41400	PAPER FEED TRAY SLIDE PART		D	2	
16	56UA41640	Multi Feed Preventing Plate		C	1	
17	56UA77600	Up Down Gear /A 32T		C	1	
18	56UA77620	TRAY UP DOWN IDLER		C	1	
19	56UA90340	PAPER FEED DETECTION WIRING		D	1	
20	A0G6620300	Reinforce Plate /C		D	1	
21	A0G6620400	Protection Sheet		C	1	
22	A4EU265000	Ball bearing		B	4	
23	A4EU620200	Roller Pulley Ball bearing Assy		C	4	
24	A4EU621100	Reinforce Shaft /L		D	2	

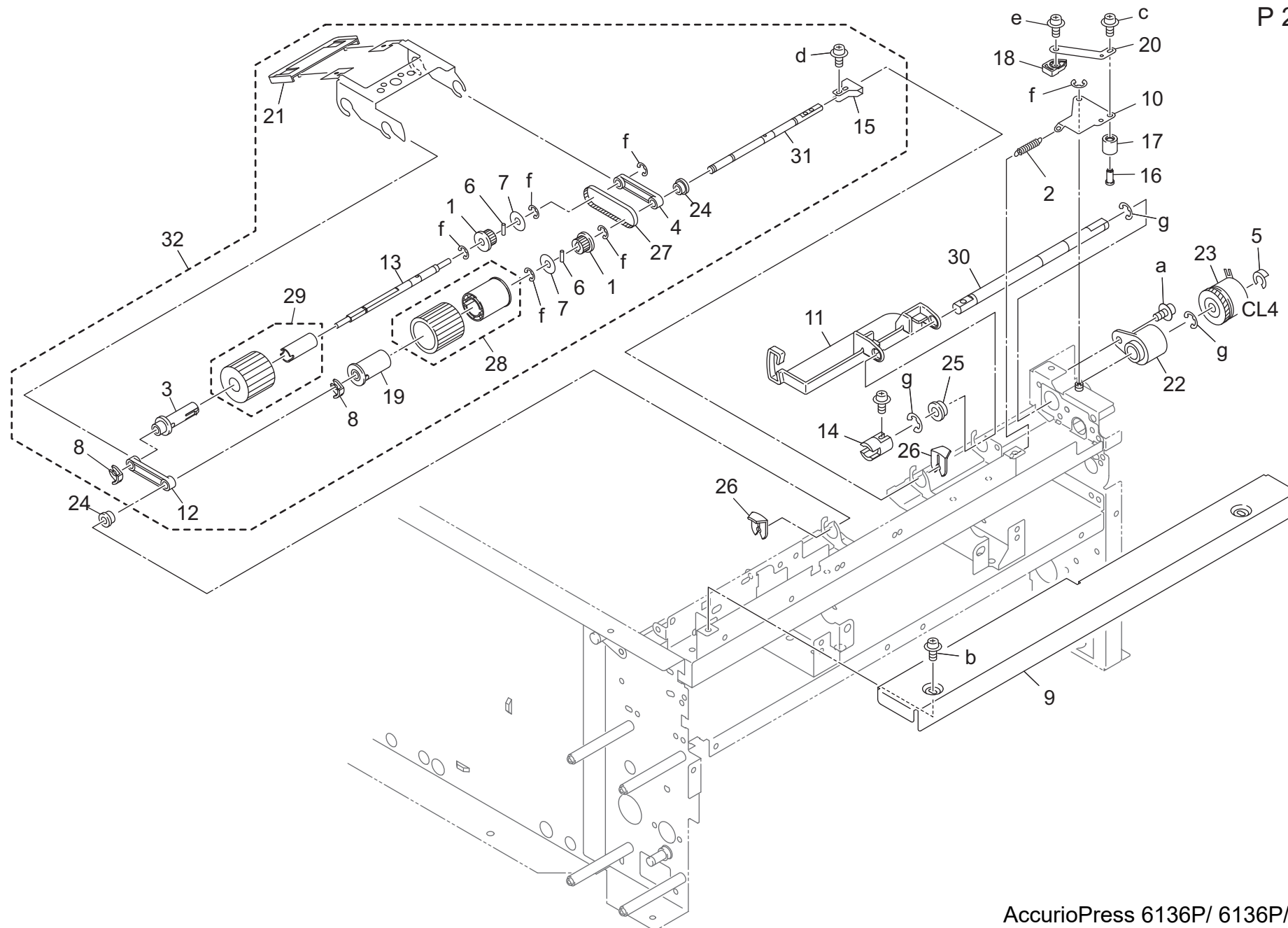
Tray 1 Section



Key	Part No.	Description	Destinations	Class	QTY	Standard parts
1	12QV40650	Spacer		B	4	a-V116030603
2	173030270	Pin Holder A		C	1	b-V127030516
3	25AA40120	SPACER		C	2	c-V127030604
4	50BA40220	REVERSE ROLLER		C	1	d-V127040603
5	55VA42120	Shaft Stopper		C	1	e-V217040003
6	55VA79030	Paper Feed Reversal Gear /C 14T	給紙逆転歯車 /C 14 T	B	1	f-V217060003
7	55VA79050	Idler Gear /B 24T	アイドル歯車 /B 24 T	C	1	g-V234200850
8	55VA79140	Paper Feed Reversal Gear /D 19T	給紙逆転歯車 /D 19 T	B	1	h-V234301450
9	56AA40490	Shaft Stopper /4	軸 ストップパ /4	C	1	j-V500020098
10	56UA40130E	Positioning Plate /Rear	位置決め板 /奥	D	1	k-V500020100
11	56UA40490	COUPLING F	カップリング F	C	1	m-V570010021
12	56UA40610	REVERSE SPRING B	逆転バネ B	C	1	n-V651010001
13	56UA40620	SPRING ADJUSTMENT LEVER	バネ調整レバー	D	1	
14	57GA82010	Clutch /1	クラッチ /1	B	1	
15	A00J617900	Ball Bearing	ボールベアリング	B	3	
16	A00V240600	Ball Bearing	ボールベアリング	B	1	
17	A03X565611	Torque Limiter /A	トルクリミッタ /A	B	1	
18	A0G6561000	Stopper /E	ストップパ /E	C	4	
19	A0G6570200	Guide Plate	案内板	C	1	
20	A0G6570500	Positioning Shaft /B	位置決め軸 /B	D	2	
21	A0G6570800	Reverse Shaft	逆転軸	B	1	
22	A0G6571600	Guide Plate /Lower	ガイド板 /下	C	1	
23	A0G6571900	Reverse Shaft /2	逆転軸 /2	D	1	
24	A0G6572000	Protection Cover	保護カバー	B	1	
25	A0G6572100	Guide Screw	案内ねじ	C	1	
26	A0G6602101	Idling Panel	アイドルパネル	D	1	
27	A0G6602300	Input Gear 25T	入力ギア 25 T	B	1	
28	A0Y5601600	Bushing/6	すべり軸受 /6	C	2	
29	A4EUR71411	Feeding Roller Unit/B	送り出しローラー部組 /B	A	1	
30	A4EUR72H11	Separating Unit	捌きユニット	C	1	
31	A4EUR72J11	Revers Shaft/B	逆転軸 /B ピン打ち	D	1	
32	A4EUR72K11	Paper Feed Input Shaft	給紙入力軸ピン打ち	B	1	

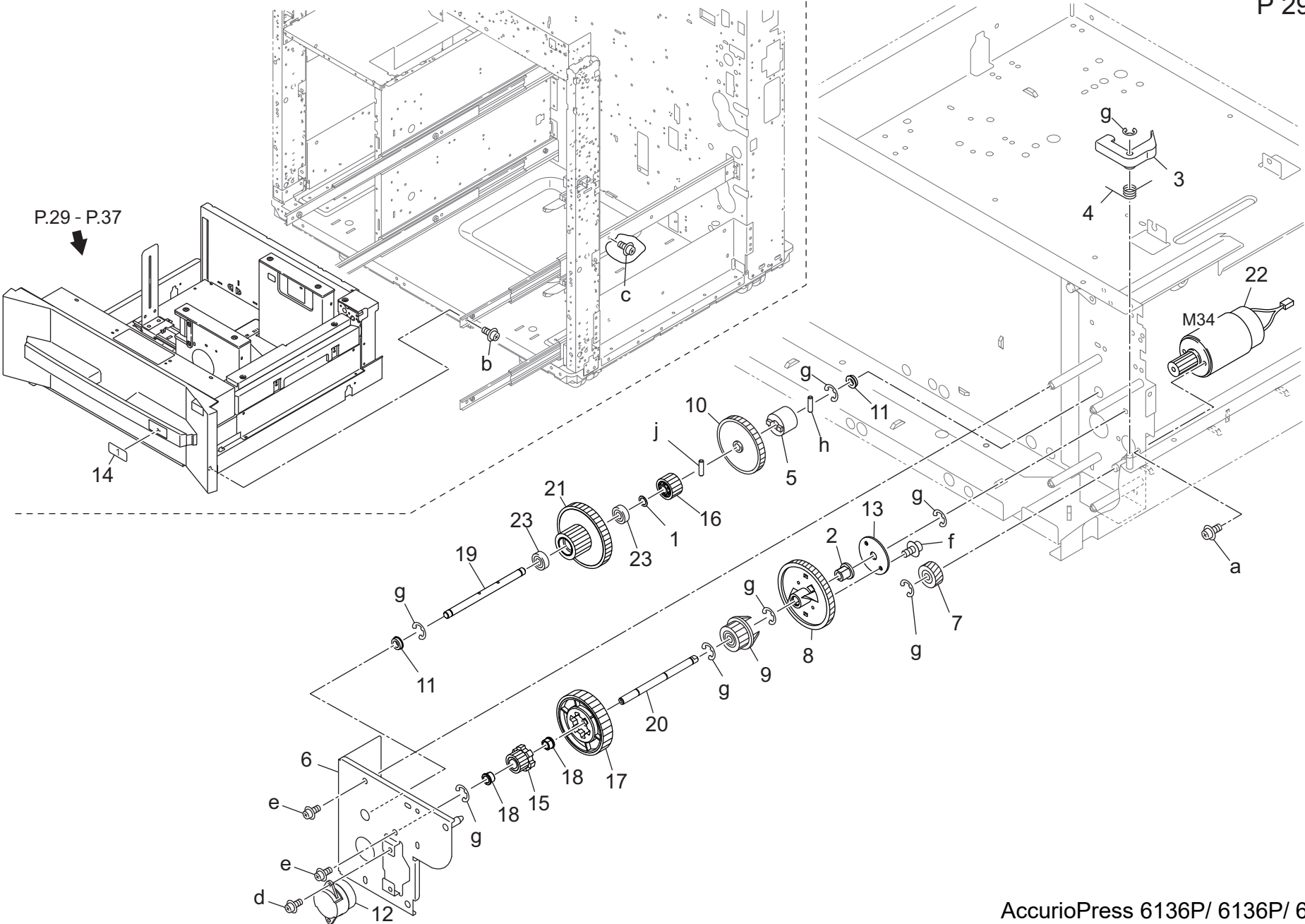
Tray 1 Section

P 28



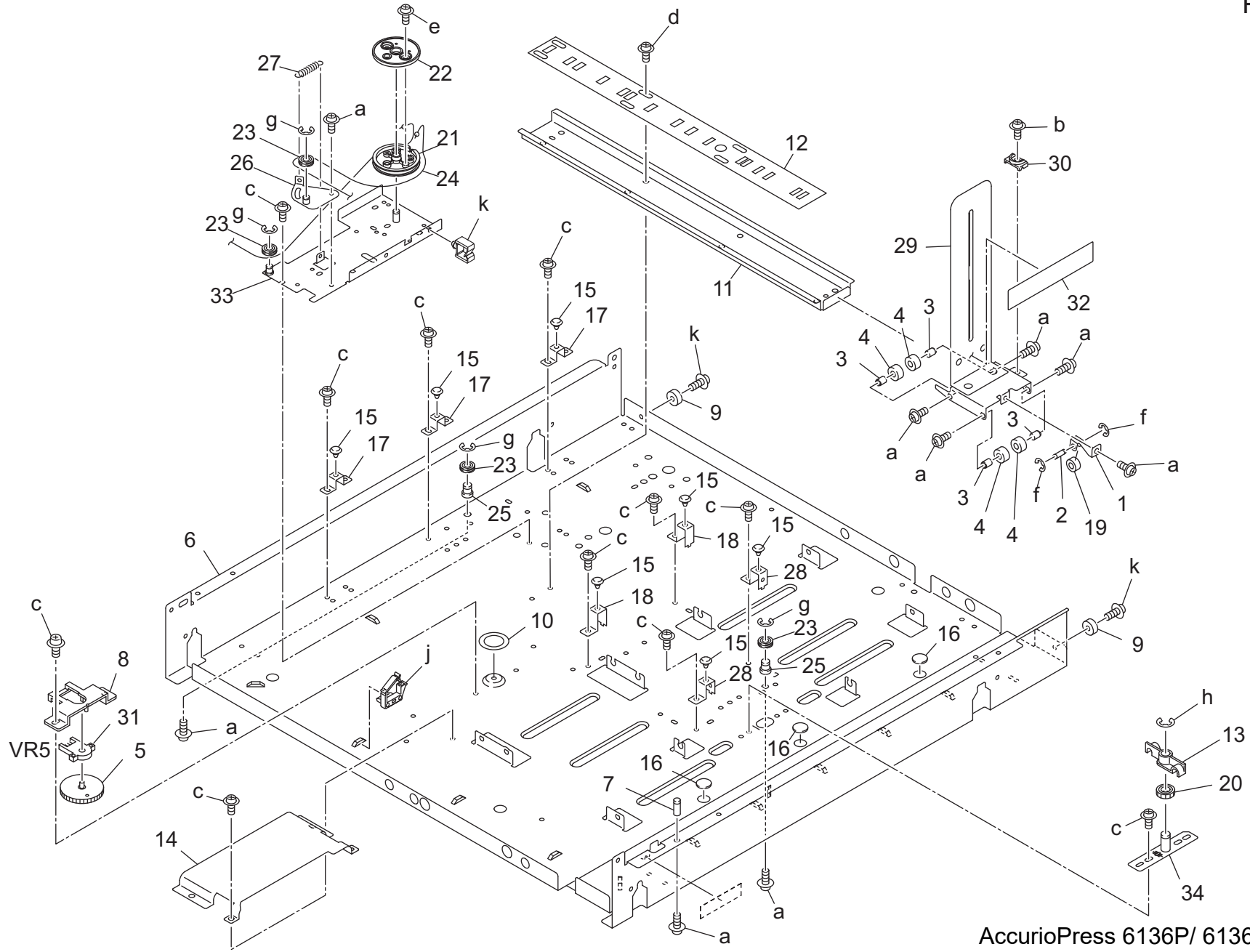
Key	Part No.	Description	Destinations	Class	QTY	Standard parts
1	059076510	PULLEY 1 15 T		C	2	a-V116030603 b-V118030403 c-V127030516 d-V127030604 e-V151040603 f-V217040003 g-V217060003
2	25AA40460	LOCK SPRING 2		C	1	
3	55VA40130	Feeding Roller /A		C	1	
4	55VA40260	Paper Feeding Shaft Holder		C	1	
5	55VA42120	Shaft Stopper		C	1	
6	56AA17510	Pin /B		C	2	
7	56AA17760	COLLAR		C	2	
8	56AA40490	Shaft Stopper /4		C	2	
9	56UA12530	FEEDING COVER		D	1	
10	56UA40170	Lock Lever /A		D	1	
11	56UA40250	ENTRANCE GUIDE PLATE REAR		C	1	
12	56UA40280	Paper Feed Feeding Bushing		C	1	
13	56UA40400	PAPER FEED SHAFT X		D	1	
14	56UA40490	COUPLING F		C	1	
15	56UA40500	COUPLING LEVER F		D	1	
16	56UA40520	Lock Shaft /B		D	1	
17	56UA40530	Release Roller		C	1	
18	56UA40540	Lever Auxiliary Part		D	1	
19	56UA40600	Multi-Feed Feeding Roller		C	1	
20	56UA40660	LEVER AUXILIARY SPRING		D	1	
21	56UA40690	Side Protection Cover /B		D	1	
22	56UA75030	Lock Bushing /A		C	1	
23	57GA82010	Clutch /1		B	1	
24	A00J663200	Bushing		B	2	
25	A03U812800	Slide Shaft Holder		B	1	
26	A0G6561000	Stopper /E		C	2	
27	A4EU565600	Drive Belt 126L		C	1	
28	A4EUR71411	Feeding Roller Unit/B		A	1	
29	A4EUR71511	Feeding Roller Unit/A		A	1	
30	A799622100	Supply Shaft /Upper		D	1	
31	A799623400	Paper feed Shaft /Upper		D	1	
32	A799R70S11	Pickup Unit		C	1	

Tray 2 Section



Key	Part No.	Description	Destinations	Class	QTY	Standard parts
1	13QA10330	SHAFT SPACER		C	1	a-V118030403
2	40BA75520	Paper Exit Bearing		C	1	b-V118040603
3	56UA40351	GUIDE LEVER		D	1	c-V118040803
4	56UA40360	Lever Spring /1		C	1	d-V121030403
5	56UA42570	TORQUE LIMITER B		C	1	e-V127030516
6	56UA-4321E	DRIVE UP/DOWN BOARD		D	1	f-V147030603
7	56UA77480	Lock Idler		C	1	g-V217040003
8	56UA77640F	Drive Connecting Gear/A 70T		C	1	h-V234200850
9	56UA77650E	Control Gear 21T		C	1	j-V234201250
10	56UA77660	Drive Regulating Gear /A 49T		C	1	
11	A00J617800	Ball Bearing		A	2	
12	A0G6601900	Up/Down Dumper		C	1	
13	A0G6606500	Holding Part		C	1	
14	A0U0945501	Indicating Label /2		C	1	
15	A4EU603100	Gear 15T		C	1	
16	A4EU603200	Gear 17T		C	1	
17	A4EU603300	Gear 53T		C	1	
18	A4EU603400	Bushing		C	2	
19	A4EU603500	Idling Shaft /A		D	1	
20	A4EU603600	Idling Shaft /B		D	1	
21	A4EU606100	Up/down Gear /B 14/55T		C	1	
22	A4EUR72Q11	Updown Motor		C	1	
23	A4F3905000	Ball Bearing		D	2	

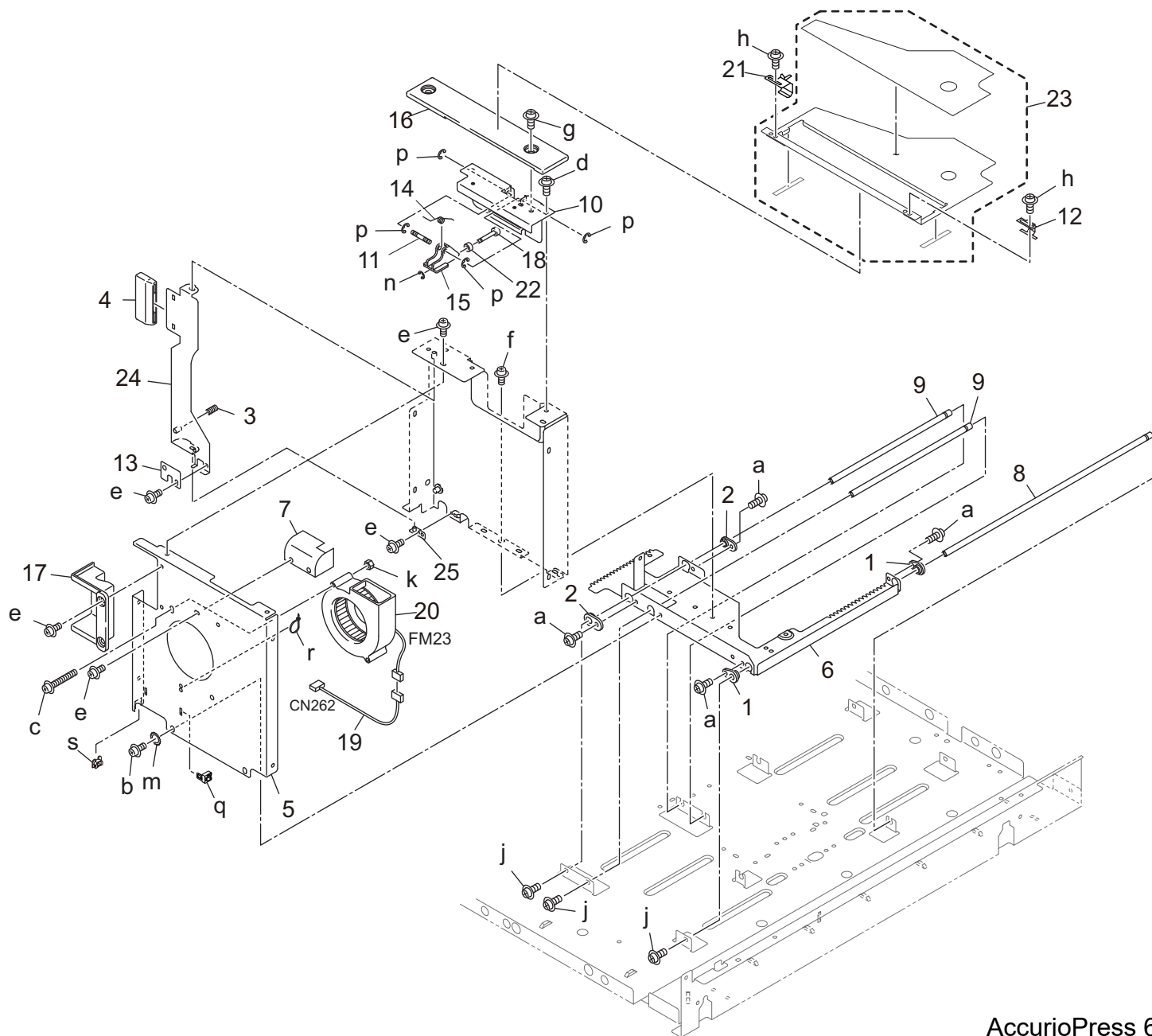
Tray 2 Section



AccurioPress 6136P/ 6136P/ 6272P

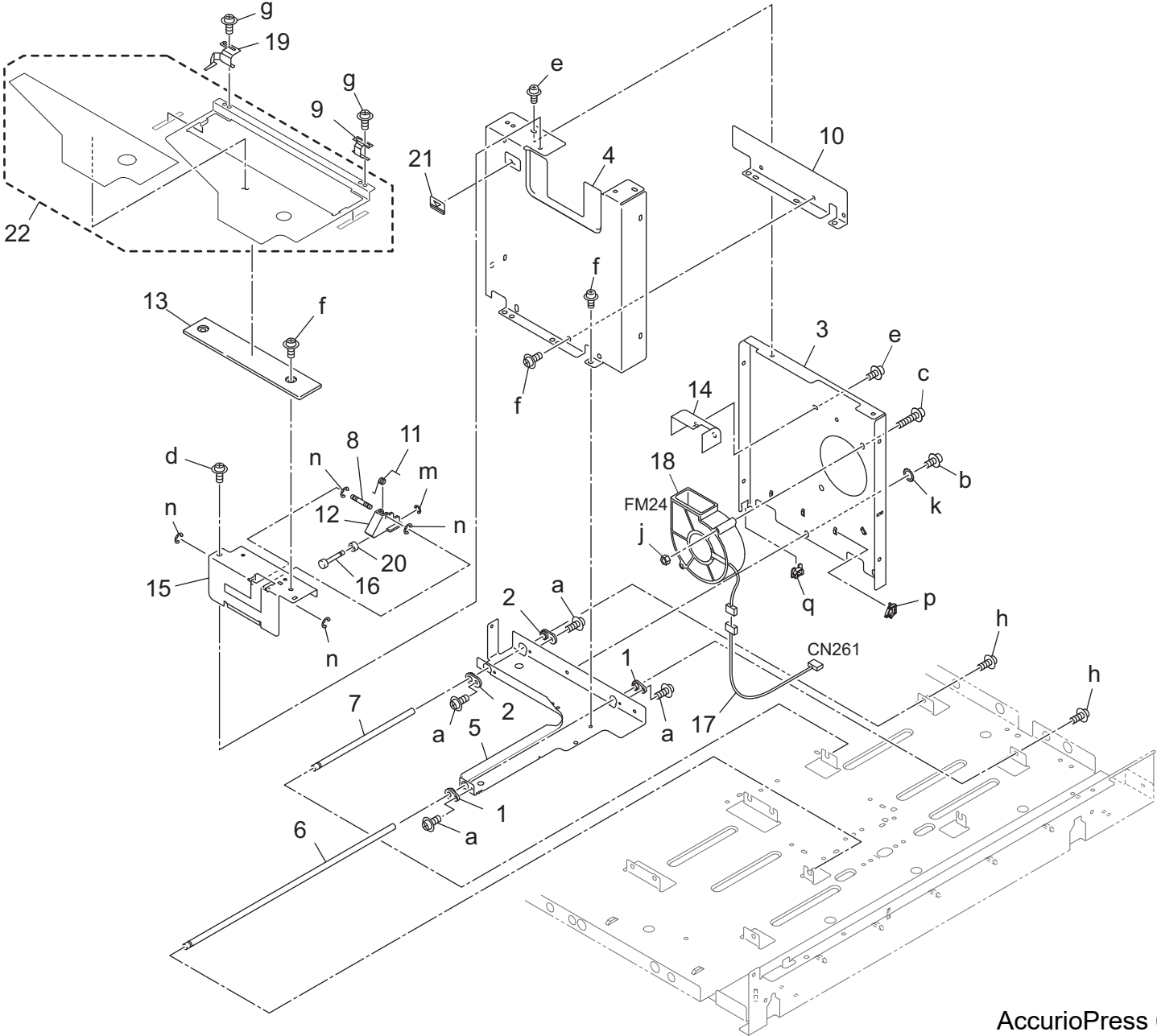
Key	Part No.	Description	Destinations	Class	QTY	Standard parts
1	55VA40910	PRESSURE PLATE A	押圧板 A	D	1	a-V116030603
2	55VA40920D	Support Shaft	支持軸	D	1	b-V116040803
3	55VA42330D	GUIDE SHAFT /E	ガイド軸 /E	D	4	c-V127030516
4	55VA42340	Guide Roller	ガイドコロ	C	4	d-V127030604
5	56AA41340	Detecting Gear 35T	検知ギア 35 T	C	1	e-V151030603
6	56UA40011E	Tray Bottom Plate	トレイ 底板	D	1	f-V217030003
7	56UA40371	Lever Support Shaft /A	レバー支点軸 /A	D	1	g-V217040003
8	56UA40420	DETECTION BOARD	検知基板	D	1	h-V217060003
9	56UA40511E	Stopper Rubber /C	ストッパゴム /C	C	2	j-V500010021
10	56UA40760	Gear Spacer	ギア スペース	C	1	k-V500010028
11	56UA41110	GUIDE RAIL	ガイドレール	D	1	
12	56UA41120E	Guide Stopper	ガイドストッパ	D	1	
13	56UA41220	SHAFT POSITIONING PART	軸位置決め部材	D	1	
14	56UA41260	BOARD PROTECTION COVER	基板保護カバー	D	1	
15	56UA41470	Stopper Rubber	ストッパゴム	C	7	
16	56UA41500	Stopper Rubber /B	ストッパゴム /B	C	3	
17	56UA41520	Paper Feed Tray Support Pedestal /A	給紙皿支持台 /A	D	3	
18	56UA41530	Paper Feed Tray Support Pedestal /B	給紙皿支持台 /B	D	2	
19	56UA41690	Tray Lock Roller	トレイロックコロ	C	1	
20	56UA77530	CASSETTE PINION	カセットピニオン	C	1	
21	A0G6600700	Pulley	プーリ	C	1	
22	A0G6600800	Detecting Gear 90T	検出ギア 90 T	C	1	
23	A0G6600900	Idling Pulley /A	アイドラプーリ /A	C	4	
24	A0G6601000	Detection Wire	検知ワイヤ	C	1	
25	A0G6601300	Idling Shaft /2	アイドラ軸 /2	D	2	
26	A0G6601500	Tension Arm	テンションアーム	D	1	
27	A55C601600	Tension Spring	テンションばね	D	1	
28	A0G6601700	Support Pedestal	支持台	D	2	
29	A0G6615100	Guide Part /Rear	ガイド部材 /後	D	1	
30	A0G6615200	Holding Part	押さえ部材	D	1	
31	A1UDM50100	Volume	ボリューム	D	1	
32	A4EU943000	Operation Label /H	操作ラベル /H	D	1	
33	A4EUR72U11	Detecting Board Caulking	検知基板カシメ	D	1	
34	A4EUR72V11	Adjusting Plate Caulking	片寄り調整板カシメ	D	1	

Tray 2 Section



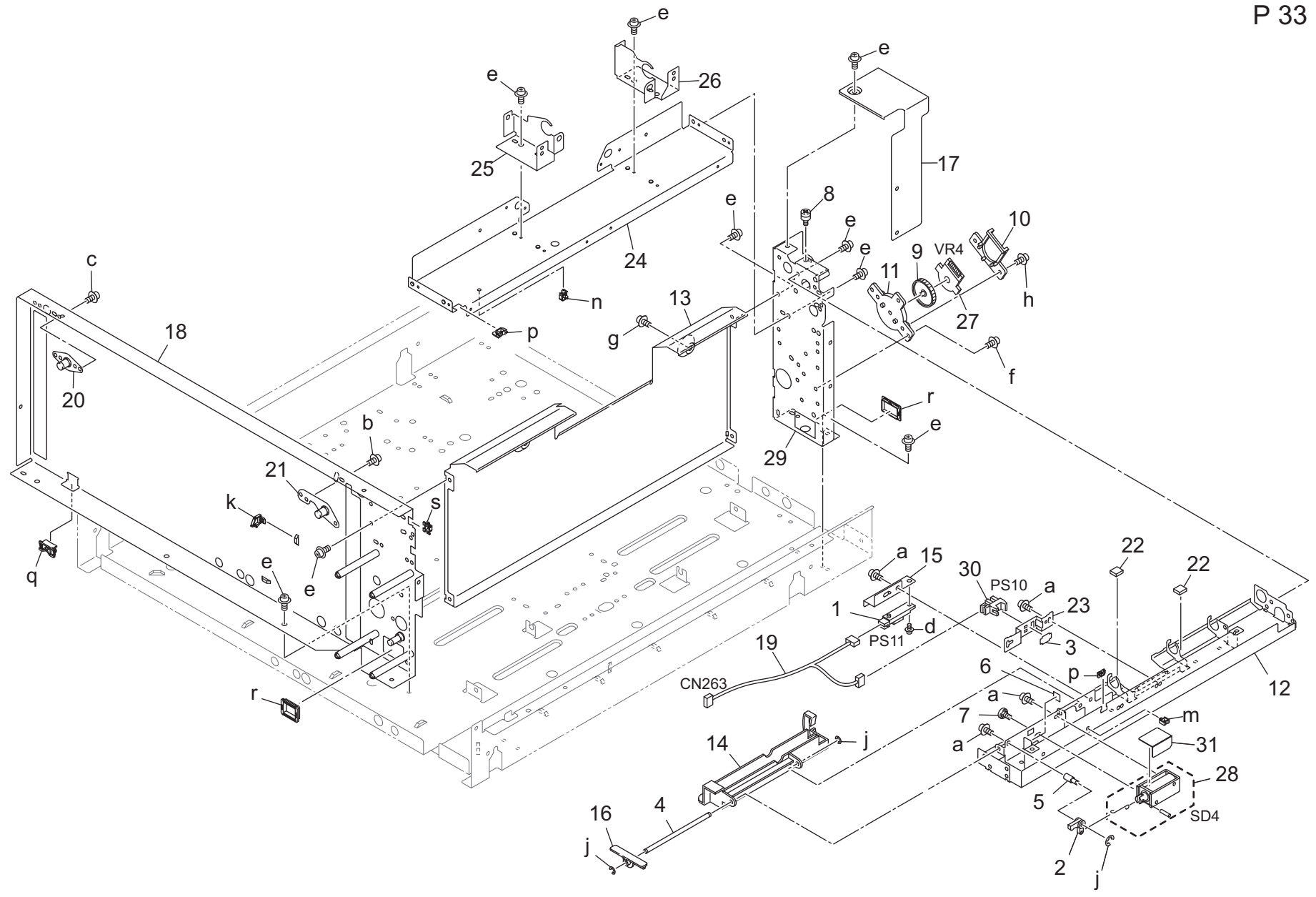
Key	Part No.	Description	Destinations	Class	QTY	Standard parts
1	129X48350	Guide Bearing /A		C	2	a-V116030603
2	129X48360	Guide Bearing /B		C	2	b-V116040803
3	25AA47551	LIFT UP SPRING REAR		C	1	c-V117043503
4	56UA40680	Lever Cover		C	1	d-V118030403
5	56UA41030	Paper Guide Board /Front		D	1	e-V121030403
6	56UA41070	Paper Guide Rack /Front		D	1	f-V121040404
7	56UA41090	Paper Feed Guide Duct /Front		D	1	g-V121040603
8	A4EU602300	Guide Shaft /L		D	1	h-V127030516
9	56UA41240	GUIDE SHAFT M		C	2	j-V127030604
10	56UA41300	FAN AUXILIARY PLATE FRONT		C	1	k-V195040003
11	56UA41310	Lever Support Shaft		D	1	m-V209040003
12	56UA41490	PAPER FEED TRAY HOLDING COVER B		C	1	n-V217020003
13	56UA41540	Lock Plate		C	1	p-V217030003
14	56UA41580	PAPER HOLDING SPRING		C	1	q-V500010027
15	56UA41620	PAPER HOLDING LEVER		C	1	r-V501010002
16	56UA41661	PAPER GUIDE COVER		D	1	s-V570010021
17	56UA41670	Lever Protection Cover		D	1	
18	56UA41810	Lever Shaft		D	1	
19	56UA90360	PAPER FEED SUCTION WIRING FRONT		D	1	
20	9313100072	FAN MOTOR		C	1	
21	A0G6620600	Holding Plate Spring /B		D	1	
22	A4EU620100	Bushing /A		C	1	
23	A4EUR72S11	Paper Feed Tray Cover /B Unit		D	1	
24	A4EUR72W11	Locking Lever Caulking		D	1	
25	A4EUR72X11	Rocking Board Caulking		D	1	

Tray 2 Section



Key	Part No.	Description	Destinations	Class	QTY	Standard parts
1	129X48350	Guide Bearing /A		C	2	a-V116030603
2	129X48360	Guide Bearing /B		C	2	b-V116040803
3	56UA41020	PAPER GUIDE BOARD /REAR		D	1	c-V117043503
4	56UA41040	Paper Guide Side Plate /Rear		D	1	d-V118030403
5	56UA41060	Paper Guide Rack /Rear		D	1	e-V121030403
6	A4EU602300	Guide Shaft /L		D	1	f-V121040603
7	56UA41250	Guide Shaft /S		D	1	g-V127030516
8	56UA41310	Lever Support Shaft		D	1	h-V127030604
9	56UA41490	PAPER FEED TRAY HOLDING COVER B		C	1	j-V195040003
10	56UA41550	REINFORCE PLATE /B		D	1	k-V209040003
11	56UA41580	PAPER HOLDING SPRING		C	1	m-V217020003
12	56UA41620	PAPER HOLDING LEVER		C	1	n-V217030003
13	56UA41661	PAPER GUIDE COVER		D	1	p-V500010027
14	56UA41710	Paper Feed Guide Duct /Rear		D	1	q-V570010021
15	56UA41750	Fan Auxiliary Plate /R		D	1	
16	56UA41810	Lever Shaft		D	1	
17	56UA90370	PAPER FEED SUCTION WIRING REAR		D	1	
18	9313100072	FAN MOTOR		C	1	
19	A0G6620500	Holding Plate Spring /A		D	1	
20	A4EU620100	Bushing /A		C	1	
21	A4EU943200	Guide Label		D	1	
22	A4EUR72R11	Paper Feed Tray Cover /A Unit		D	1	

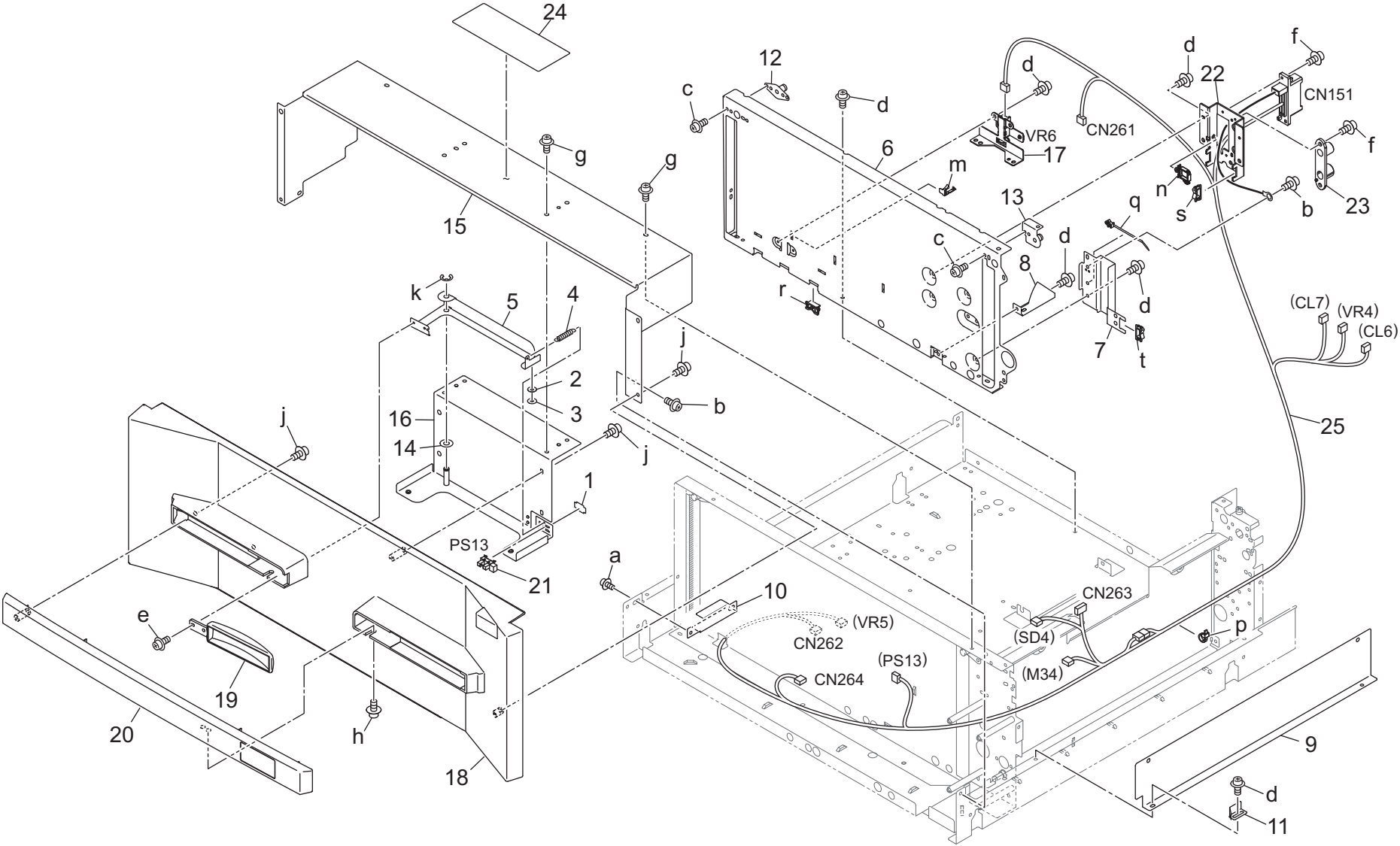
Tray 2 Section



AccurioPress 6136P/ 6136P/ 6272P

Key	Part No.	Description	Destinations	Class	QTY	Standard parts
1	13QA85511	Sensor /1		B	1	a-V116030503
2	25AA40870	SWITCH LEVER 1		C	1	b-V116030603
3	4470402401	Stopper		D	1	c-V121030403
4	55VA40380	SUPPORT SHAFT A		D	1	d-V126030603
5	55VA40460	FULCRUM SHAFT C		D	1	e-V127030516
6	55VA42111	SOLENOID STOPPER SHEET		C	1	f-V127030604
7	55VA42220	POSITIONING SCREW		C	1	g-V127040603
8	55VA42420	Lever Support Screw		C	1	h-V151030803
9	56AA41340	Detecting Gear 35T		C	1	j-V217030003
10	56AA41351E	Detection Board		C	1	k-V500010021
11	56AE43090	Board Mounting Part		C	1	m-V500010029
12	56UA40051G	Paper Feed Guide Plate /Upper		D	1	n-V500020098
13	56UA40070	PAPER STOPPER PLATE		D	1	p-V570010021
14	56UA40240	Entrance Guide Plate /Front		C	1	q-V570010023
15	56UA40470	Mounting Plate /S		D	1	r-V570010038
16	56UA40480	PAPER FEED LIFTING LEVER		D	1	s-V570010050
17	56UA40670	CLUTCH COVER		D	1	
18	56UA-4080	SIDE GUIDE /FRONT		D	1	
19	56UA90350	PAPER FEED CONTROL WIRING UPPER		D	1	
20	56UAR79500	WIRE SUPPORT PLATE A		D	1	
21	56UAR79700	WIRE SUPPORT PLATE C		C	1	
22	A0G6561200	Stopper Rubber		C	2	
23	A0G6561300	Adjusting Plate		D	1	
24	A0G6570101	Paper feed Stay		D	1	
25	A0G6570600	Support Plate /A		D	1	
26	A0G6570700	Support Plate /B		D	1	
27	A1UDM50100	Volume		D	1	
28	A4EUR72N11	Pick Up Solenoid Pin Assy		C	1	
29	A4EUR72T23	Tray Driveside Guide Caulking		D	1	
30	A85CM55600	Photo Sensor		C	1	
31	A9JT602000	Protection Cover /S		D	1	

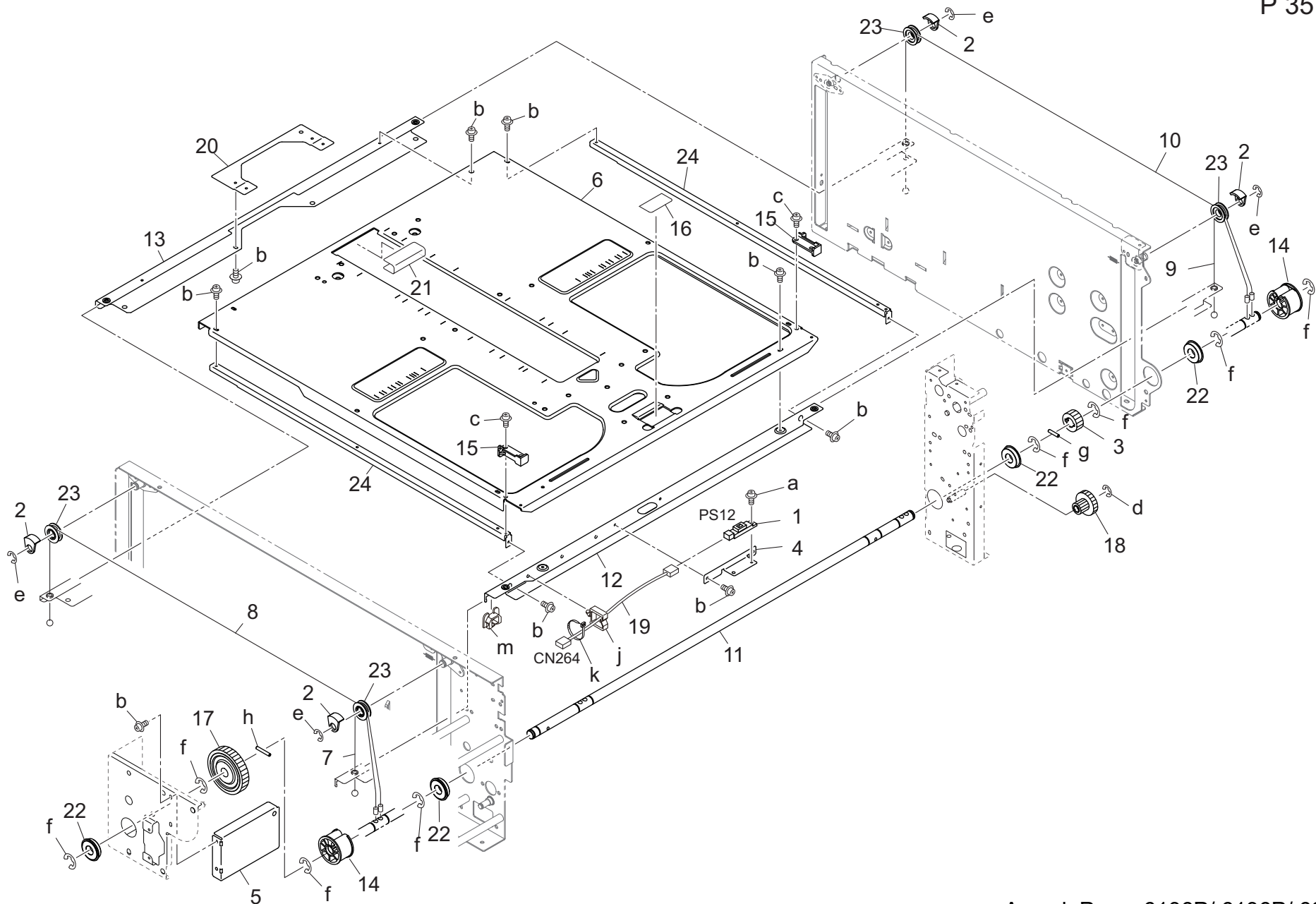
Tray 2 Section



AccurioPress 6136P/ 6136P/ 6272P

Key	Part No.	Description	Destinations	Class	QTY	Standard parts
1	4470402401	Stopper		D	1	a-V116030603
2	55VA42390	Attaching Sheet		C	1	b-V116040603
3	55VA42400	Cam Spacer		D	1	c-V121030403
4	56HA12980	Lever Spring		C	1	d-V127030516
5	56UA12560	Tray Lever		C	1	e-V127030604
6	56UA40020E	Side plate /Rear		D	1	f-V127030803
7	56UA40140	Wiring Guide Plate		D	1	g-V127040603
8	56UA40160	Main Body Lock Plate /A		D	1	h-V127040803
9	56UA40260	TRAY COVER RIGHT		D	1	j-V151041003
10	56UA40270	TRAY POSITIONING PLATE /LEFT		D	1	k-V217040003
11	56UA40580E	LEVER HOLDING PART		D	1	m-V500010021
12	56UAR79500	WIRE SUPPORT PLATE A		D	1	n-V500010083
13	56UAR79600	WIRE SUPPORT PLATE B		C	1	p-V501010002
14	57AA30260	Developing Agitating Spacer		C	1	q-V501010003
15	A0G6165200	Auxiliary Cover		D	1	r-V570010023
16	A4EUF60701	LEVER MOUNTING PLATE CAULKING		D	1	s-V570010057
17	A4EUR72M11	Sensor Board		C	1	t-V570010063
18	A799165100	Paper feed Cover		D	1	
19	A799165300	Handle		D	1	
20	A799165400	Paper feed Handle		D	1	
21	A85CM55500	Photo Sensor		C	1	
22	A9JT601500	Power Supply Holder /M		D	1	
23	A9JT601900	Positioning Sleeve		D	1	
24	A9JT947800	Operation Label /E		D	1	
25	A9JTN13301	Paperfeed Wiring /2		D	1	

Tray 2 Section

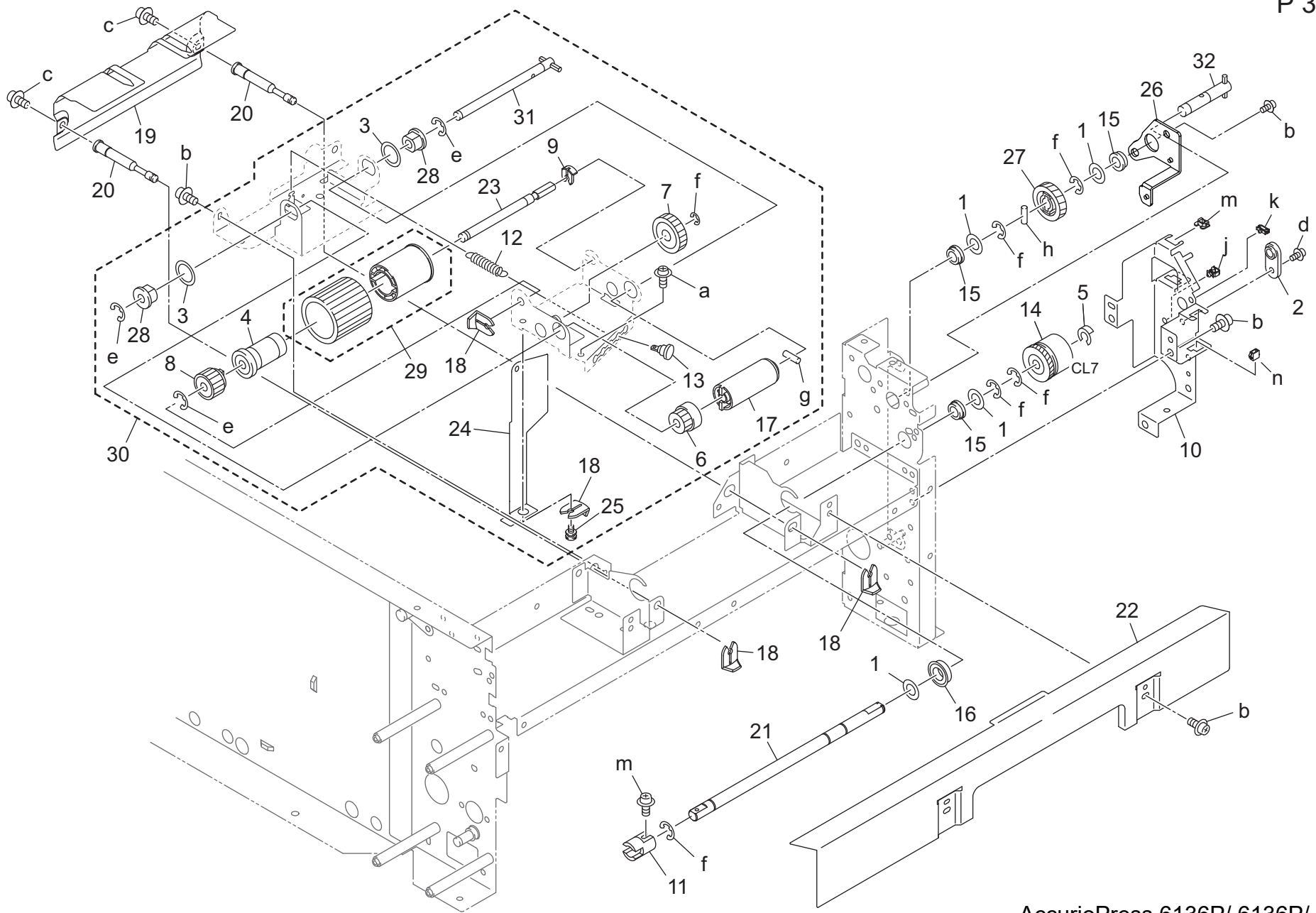


AccurioPress 6136P/ 6136P/ 6272P

Key	Part No.	Description	Destinations	Class	QTY	Standard parts
1	13QA85511	Sensor /1		B	1	a-V126030603
2	55VA40610	Wire Holder /A		C	4	b-V127030516
3	55VA77652	ADU CONVEYANCE GEAR 2 19T		B	1	c-V127030604
4	56UA40460	Mounting Plate /O		D	1	d-V217040003
5	56UA40570	DRIVE UP DOWN COVER RIGHT		D	1	e-V217060003
6	56UA41011E	Paper feed Up/down Plate /M		D	1	f-V217080003
7	56UA41130	Up Down Wire /A		C	1	g-V234301450
8	56UA41140	Up Down Wire /B		C	1	h-V234302050
9	56UA41150	Up Down Wire /C		C	1	j-V500010029
10	56UA41160	Up Down Wire /D		C	1	k-V501010002
11	A4EU602100	Drive Shaft		D	1	m-V570010021
12	56UA41270	Up/Down Stay/A		D	1	
13	56UA41281E	Up/down Stay /B		D	1	
14	56UA41340	DRIVE UP DOWN PULLEY		C	2	
15	56UA41400	PAPER FEED TRAY SLIDE PART		D	2	
16	56UA41640	Multi Feed Preventing Plate		C	1	
17	56UA77600	Up Down Gear /A 32T		C	1	
18	56UA77620	TRAY UP DOWN IDLER		C	1	
19	56UA90340	PAPER FEED DETECTION WIRING		D	1	
20	A0G6620300	Reinforce Plate /C		D	1	
21	A0G6620400	Protection Sheet		C	1	
22	A4EU265000	Ball bearing		B	4	
23	A4EU620200	Roller Pulley Ball bearing Assy		C	4	
24	A4EU621100	Reinforce Shaft /L		D	2	

AccurioPress 6136P/ 6136P/ 6272P

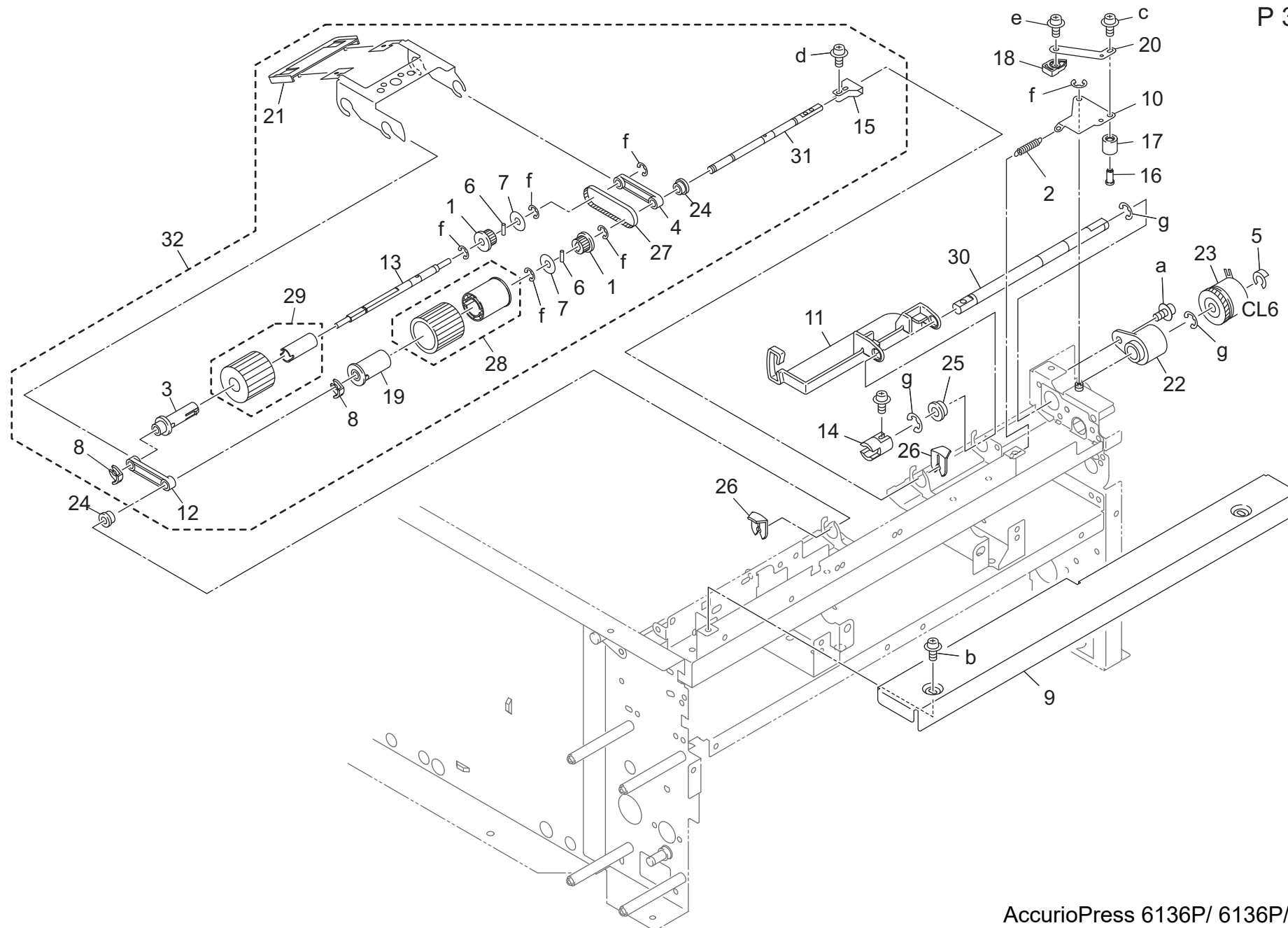
Tray 2 Section



Key	Part No.	Description	Destinations	Class	QTY	Standard parts
1	12QV40650	Spacer		B	4	a-V116030603
2	173030270	Pin Holder A		C	1	b-V127030516
3	25AA40120	SPACER		C	2	c-V127030604
4	50BA40220	REVERSE ROLLER		C	1	d-V127040603
5	55VA42120	Shaft Stopper		C	1	e-V217040003
6	55VA79030	Paper Feed Reversal Gear /C 14T	給紙逆転歯車 /C 14 T	B	1	f-V217060003
7	55VA79050	Idler Gear /B 24T	アイドル歯車 /B 24 T	C	1	g-V234200850
8	55VA79140	Paper Feed Reversal Gear /D 19T	給紙逆転歯車 /D 19 T	B	1	h-V234301450
9	56AA40490	Shaft Stopper /4	軸 ストップ /4	C	1	j-V500020098
10	56UA40130E	Positioning Plate /Rear	位置決め板 /奥	D	1	k-V500020100
11	56UA40490	COUPLING F	カップリング F	C	1	m-V570010021
12	56UA40610	REVERSE SPRING B	逆転バネ B	C	1	n-V651010001
13	56UA40620	SPRING ADJUSTMENT LEVER	バネ調整レバー	D	1	
14	57GA82010	Clutch /1	クラッチ /1	B	1	
15	A00J617900	Ball Bearing	ボールベアリング	B	3	
16	A00V240600	Ball Bearing	ボールベアリング	B	1	
17	A03X565611	Torque Limiter /A	トルクリミッタ /A	B	1	
18	A0G6561000	Stopper /E	ストップ /E	C	4	
19	A0G6570200	Guide Plate	案内板	C	1	
20	A0G6570500	Positioning Shaft /B	位置決め軸 /B	D	2	
21	A0G6570800	Reverse Shaft	逆転軸	B	1	
22	A0G6571600	Guide Plate /Lower	ガイド板 /下	C	1	
23	A0G6571900	Reverse Shaft /2	逆転軸 /2	D	1	
24	A0G6572000	Protection Cover	保護カバー	B	1	
25	A0G6572100	Guide Screw	案内ねじ	C	1	
26	A0G6602101	Idling Panel	アイドルパネル	D	1	
27	A0G6602300	Input Gear 25T	入力ギア 25 T	B	1	
28	A0Y5601600	Bushing/6	すべり軸受 /6	C	2	
29	A4EUR71411	Feeding Roller Unit/B	送り出しローラー部組 /B	A	1	
30	A4EUR72H11	Separating Unit	捌きユニット	C	1	
31	A4EUR72J11	Revers Shaft/B	逆転軸 /B ピン打ち	D	1	
32	A4EUR72K11	Paper Feed Input Shaft	給紙入力軸ピン打ち	B	1	

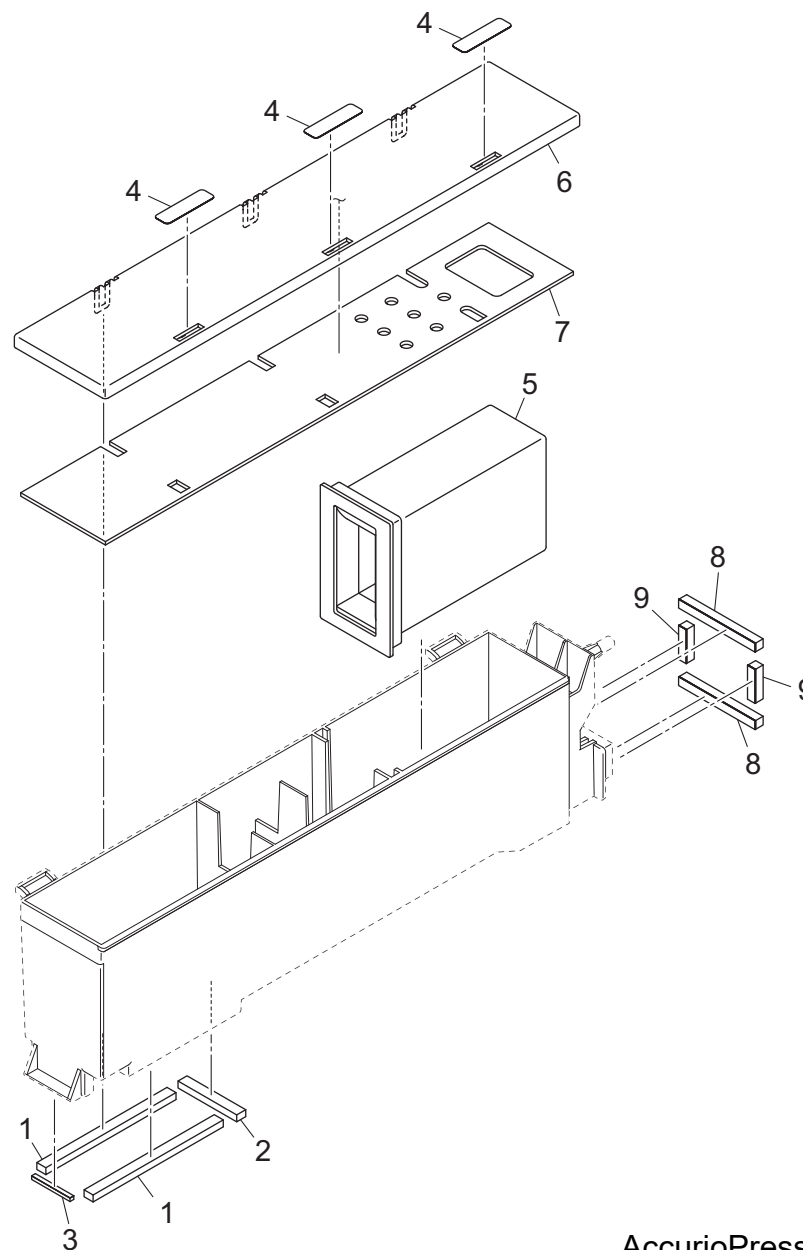
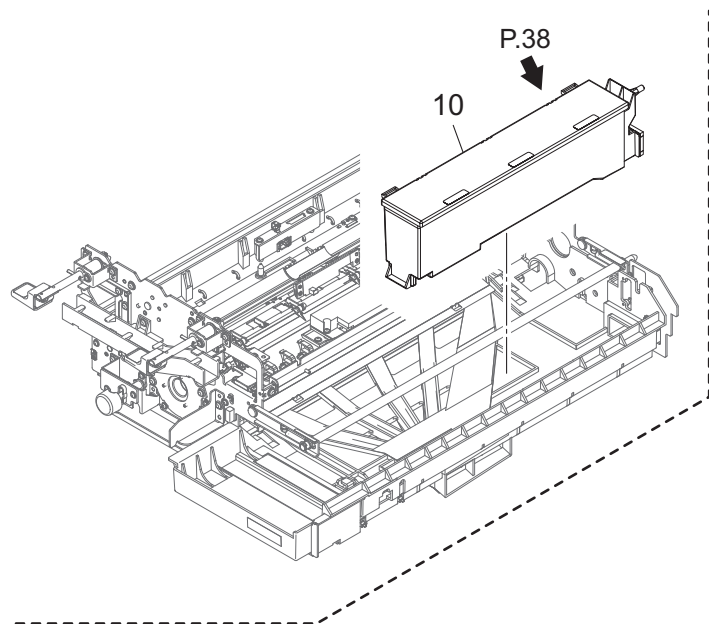
Tray 2 Section

P 37



Key	Part No.	Description	Destinations	Class	QTY	Standard parts
1	059076510	PULLEY 1 15 T		C	2	a-V116030603 b-V118030403 c-V127030516 d-V127030604 e-V151040603 f-V217040003 g-V217060003
2	25AA40460	LOCK SPRING 2		C	1	
3	55VA40130	Feeding Roller /A		C	1	
4	55VA40260	Paper Feeding Shaft Holder		C	1	
5	55VA42120	Shaft Stopper		C	1	
6	56AA17510	Pin /B		C	2	
7	56AA17760	COLLAR		C	2	
8	56AA40490	Shaft Stopper /4		C	2	
9	56UA12530	FEEDING COVER		D	1	
10	56UA40170	Lock Lever /A		D	1	
11	56UA40250	ENTRANCE GUIDE PLATE REAR		C	1	
12	56UA40280	Paper Feed Feeding Bushing		C	1	
13	56UA40400	PAPER FEED SHAFT X		D	1	
14	56UA40490	COUPLING F		C	1	
15	56UA40500	COUPLING LEVER F		D	1	
16	56UA40520	Lock Shaft /B		D	1	
17	56UA40530	Release Roller		C	1	
18	56UA40540	Lever Auxiliary Part		D	1	
19	56UA40600	Multi-Feed Feeding Roller		C	1	
20	56UA40660	LEVER AUXILIARY SPRING		D	1	
21	56UA40690	Side Protection Cover /B		D	1	
22	56UA75030	Lock Bushing /A		C	1	
23	57GA82010	Clutch /1		B	1	
24	A00J663200	Bushing		B	2	
25	A03U812800	Slide Shaft Holder		B	1	
26	A0G6561000	Stopper /E		C	2	
27	A4EU565600	Drive Belt 126L		C	1	
28	A4EUR71411	Feeding Roller Unit/B		A	1	
29	A4EUR71511	Feeding Roller Unit/A		A	1	
30	A799622100	Supply Shaft /Upper		D	1	
31	A799623400	Paper feed Shaft /Upper		D	1	
32	A799R70S11	Pickup Unit		C	1	

Developing Section

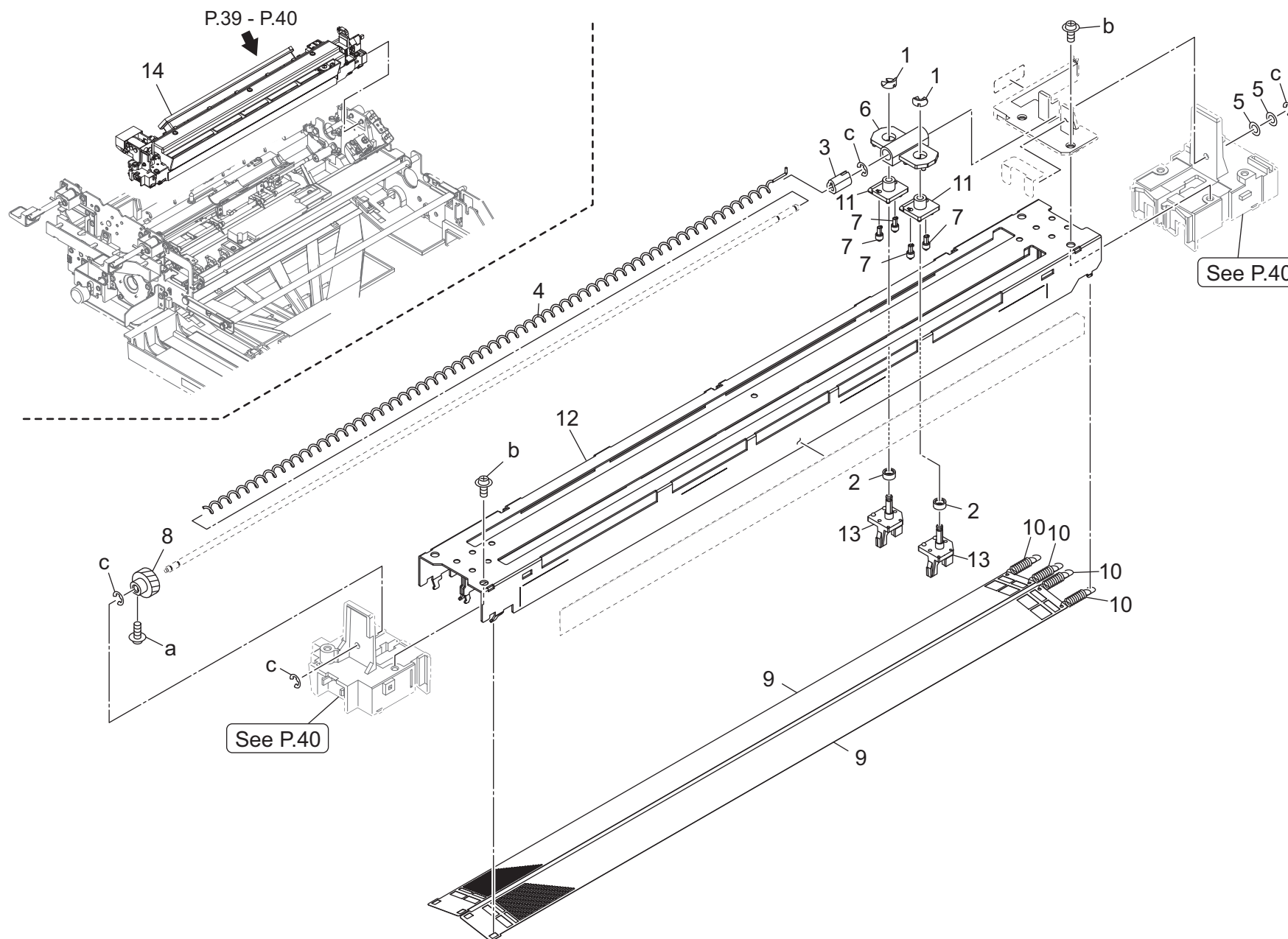


Key	Part No.	Description	Destinations	Class	QTY	Standard parts
1	56UA31030	Developing Suction Seal /2	現像サクシオンシール /2	B	2	
2	56UA31060	Developing Suction Seal /5	現像サクシオンシール /5	B	1	
3	A0G6394400	Suction Pad /H	サクシオンパッド /H	B	1	
4	A0G6950701	Set Label /7	セットラベル /7	D	3	
5	A0G6390800	Suction Filter /Lower	サクシオンフィルタ /下	A	1	
6	A4EU391311	Suction Cover /1	サクシオン蓋 /1	D	1	
7	A4EU392600	Suction Pad	サクシオンパッド	D	1	
8	A4EU394600	Stopper Pad /1	突当てパッド /1	B	2	
9	A4EU394700	Stopper Pad /2	突当てパッド /2	B	2	
10	A4EUR70411	Developing Suction Assy	現像サクシオン部組	B	1	



Charge Unit Section

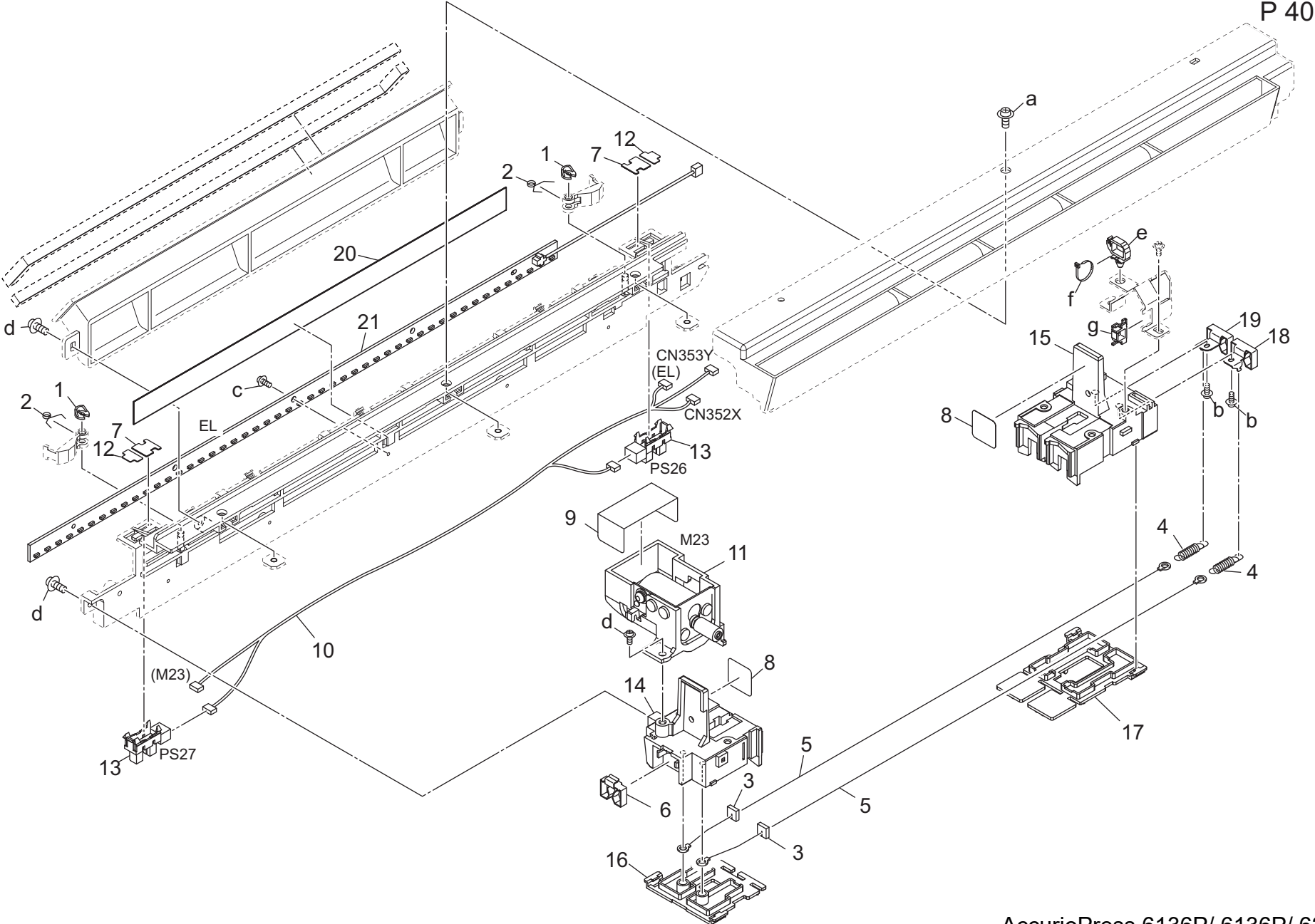
P 39



Charge Unit Section

Key	Part No.	Description	Destinations	Class	QTY	Standard parts
1	45AA20400	STOPPER PART		A	2	a-V145020403 b-V151030803 c-V217020003
2	55VA25140	Charging Slide Collar		B	2	
3	56AA25150	ELECTRODE CLEANING JOINT		C	1	
4	56UA25110	Charging Cleaning Spring		C	1	
5	56UA25280	Charge Cleaning Spacer		C	2	
6	A0G6461301	Slide Part		D	1	
7	A0G6463200	Guide Roll		C	4	
8	A4EU464200	Charging Gear 33T		C	1	
9	A9JT460800	Charging Control Plate		A	2	
10	A9JT461700	Fixing Spring		C	4	
11	A9JT462100	Cleaning Guide		D	2	
12	A9JT464000	Discharge Plate		D	1	
13	A9JTR70100	Charging Cleaning Assy		A	2	
14	A9JTR71G00	Charging Pole Unit		B	1	

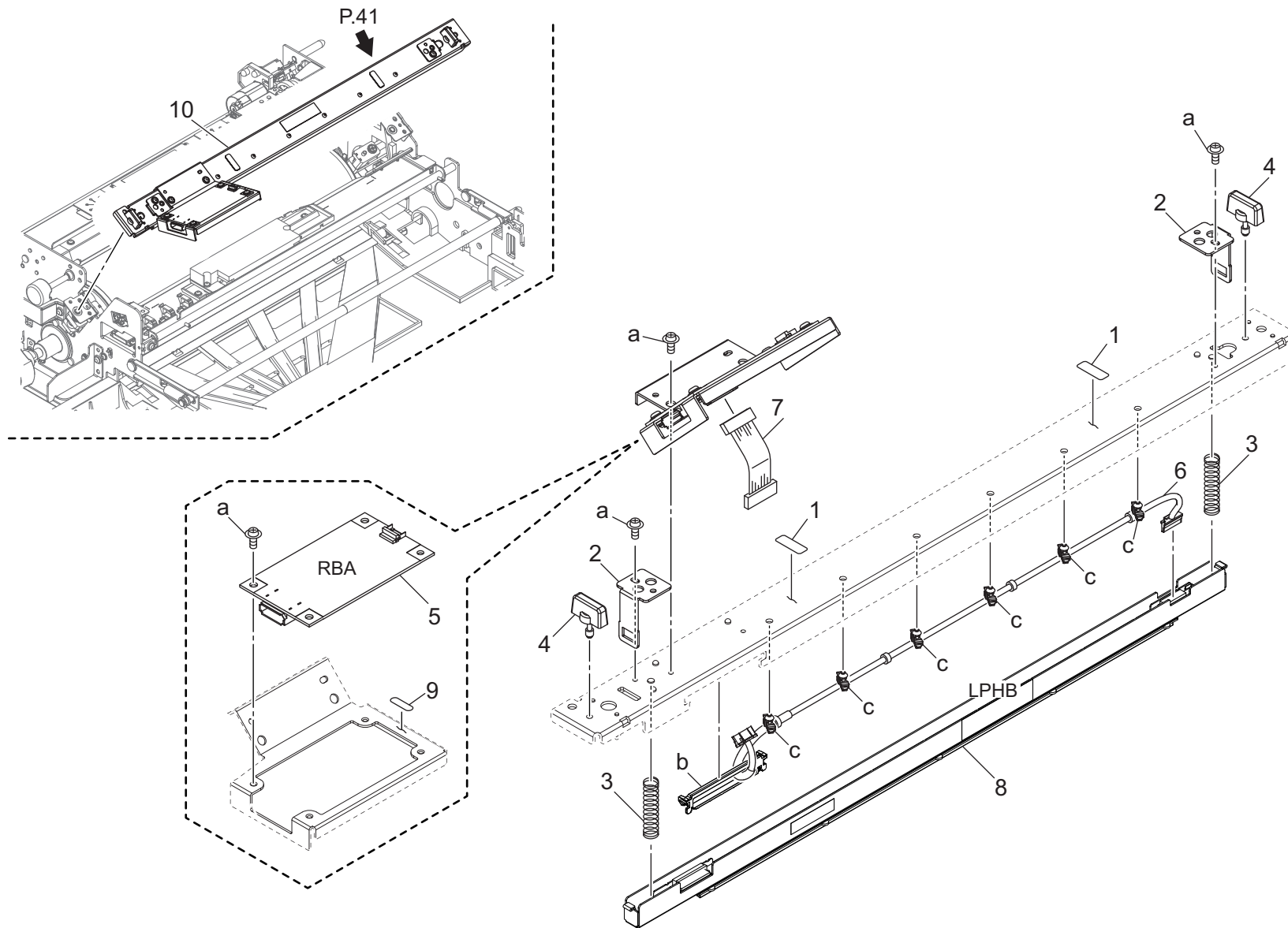
Charge Unit Section



AccurioPress 6136P/ 6136P/ 6272P

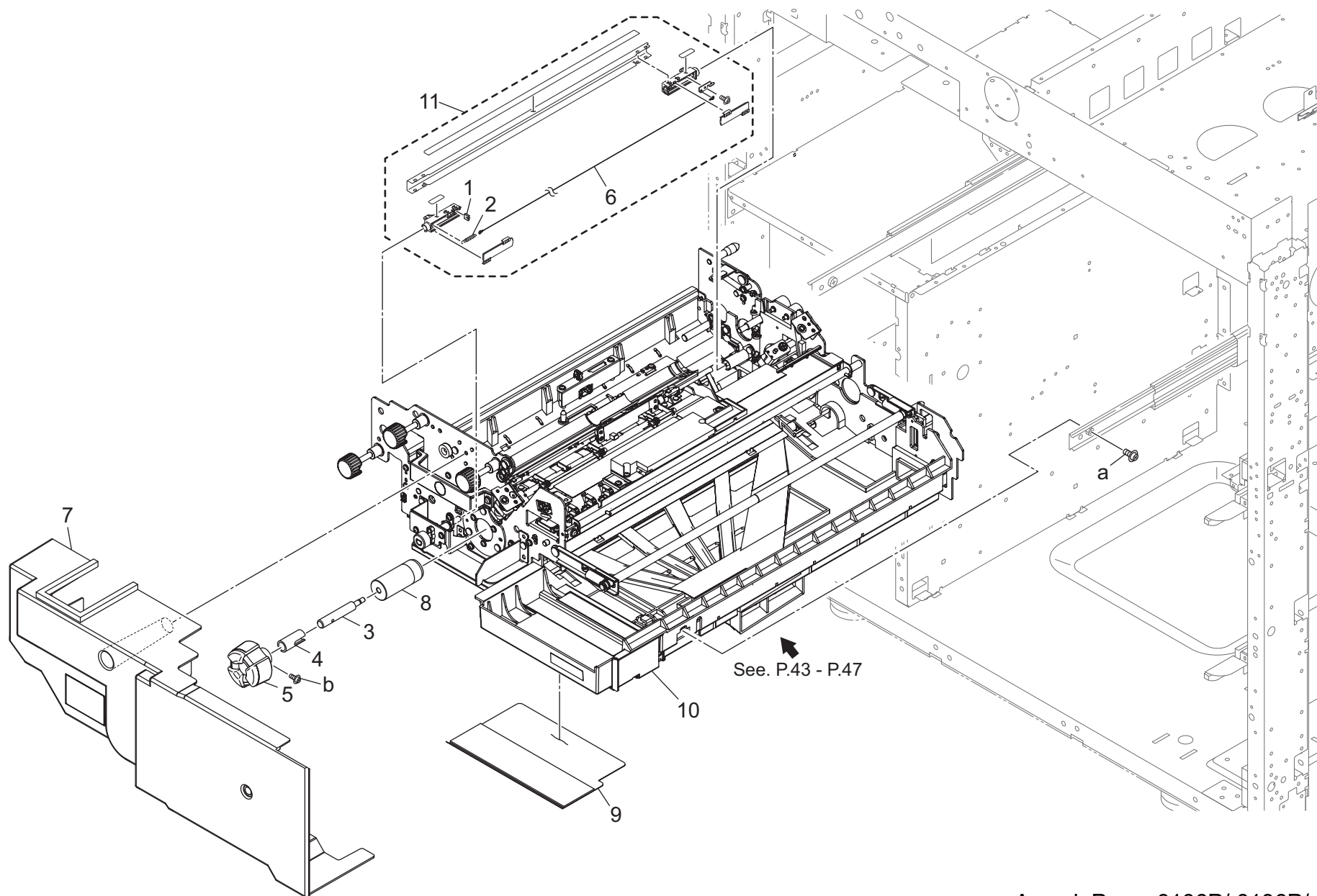
Key	Part No.	Description	Destinations	Class	QTY	Standard parts
1	45AA20400	STOPPER PART		A	2	a-V127030803
2	55VA25240	CHARGING DETECT SPRING		B	2	b-V145020403
3	55VA25270	Electrode Vibrating Rubber		A	2	c-V145020603
4	56AA17140	WIRE TENSION SPRING		C	2	d-V151030803
5	56UA25090	CHARGING WIRE		A	2	e-V500010067
6	A0G6460600	Fixing Spring /Front		D	1	f-V501010002
7	A0G6463500	Fixing Sheet		C	2	g-V570010050
8	A0G6951101	Set Label /11		C	2	
9	A4EU465000	Drive Sheet		D	1	
10	A4EUN14304	Chaging Relay harness		D	1	
11	A4EUR75J00	Charge Clener Motor Assy		C	1	
12	A799463500	Fixing Sheet		D	2	
13	A85CM55500	Photo Sensor		C	2	
14	A9JT460100	Charging Block /Front		D	1	
15	A9JT460200	Charging Block /Rear		D	1	
16	A9JT460300	Insulating Cover /Front		D	1	
17	A9JT460400	Insulating Cover /Rear		D	1	
18	A9JT461000	Fixing Spring /Right		C	1	
19	A9JT461100	Fixing Spring /Left		C	1	
20	A9JT463100	Regulating Seal		D	1	
21	A9JTM30800	PCL		C	1	

AccurioPress 6136P/ 6136P/ 6272P



Key	Part No.	Description	Destinations	Class	QTY	Standard parts
1	A0G6950501	Set Label /5		D	2	a-V127030604 b-V500010080 c-V500020099
2	A799301001	Hold Plate		D	2	
3	A799301100	Pressing Spring		C	2	
4	A799301200	Lock Screw		D	2	
5	A799H31001	Relay Board /A ASSY		C	1	
6	A799N15100	Power source Wiring /L		D	1	
7	A9JTN15200	Control Harness /L		D	1	
8	A799R70D11	LPH Assy		C	1	
9	A9JT951200	Set Label /12		D	1	
10	A9JTR71Q00	LPH Support Stay		S	1	

Drum Cartridge Section

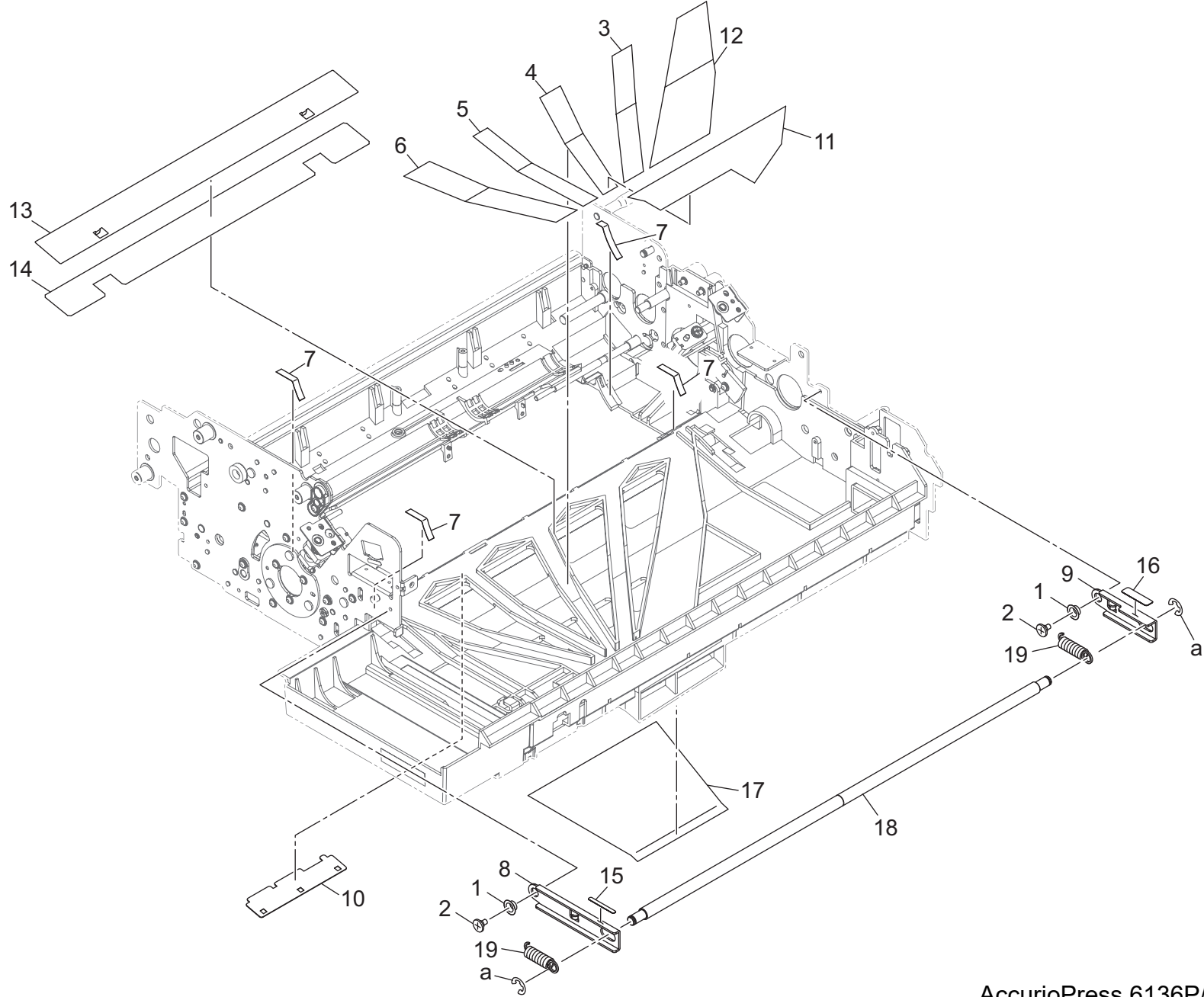


AccurioPress 6136P/ 6136P/ 6272P

Drum Cartridge Section

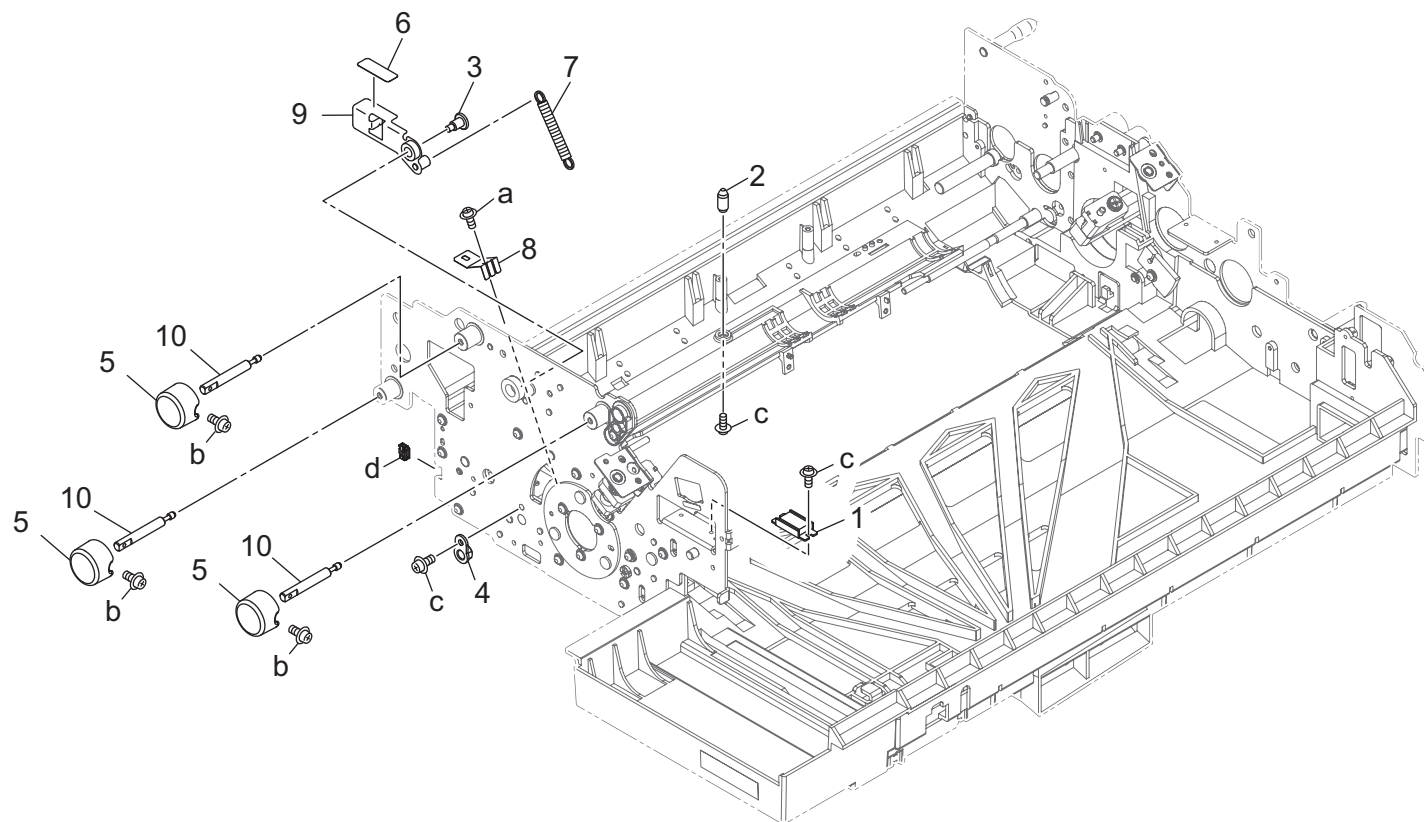
Key	Part No.	Description	Destinations	Class	QTY	Standard parts
1	55VA25270	Electrode Vibrating Rubber		A	1	a-V118030803 b-V121040803
2	56AA17140	WIRE TENSION SPRING		C	1	
3	A0G6330900	Fixing Shaft		D	1	
4	A0G6333700	Regulating Collar		C	1	
5	A0G6344501	Fixing Knob		C	1	
6	A0G6470800	Discharge Wire		A	1	
7	A4EUR75U11	Drum Protect Cover Assy		D	1	
8	A9JT333800	Fixing Coupling		D	1	
9	A9JT347500	Scatteringprevention Sheet		D	1	
10	A9JTR71300	Drum Stand		B	1	
11	A9JTR71400	Discharging Unit		B	1	

Drum Cartridge Section



Key	Part No.	Description	Destinations	Class	QTY	Standard parts
1	090020510	CLEANER MOUNT LEVER COLLAR		C	2	a-V217060003
2	55VA20520	Cleaner Locking Screw		C	2	
3	56UA20720	Developing Suction Cover /3		D	1	
4	56UA20730	Developing Suction Cover /4		D	1	
5	56UA20740	Developing Suction Cover /5		D	1	
6	56UA20750	Developing Suction Cover /6		C	1	
7	A0G6332600	Protection Seal /2		C	4	
8	A0G6333500	Developing Lever /Front		C	1	
9	A0G6333600	Developing Lever /Rear		C	1	
10	A0G6333901	Cover Plate		D	1	
11	A0G6343200	Suction Cover		C	1	
12	A0G6343300	Suction Cover /2		C	1	
13	A0G6343401	Suction Plate		D	1	
14	A0G6344200	Sealing Part /G		C	1	
15	A0G6950601	Set Label /6		D	1	
16	A0G6950701	Set Label /7		D	1	
17	A4EU341100	Suction Cover /7		D	1	
18	A799332100	Pressing Shaft		D	1	
19	A799345000	Pressing Spring		C	2	

Drum Cartridge Section

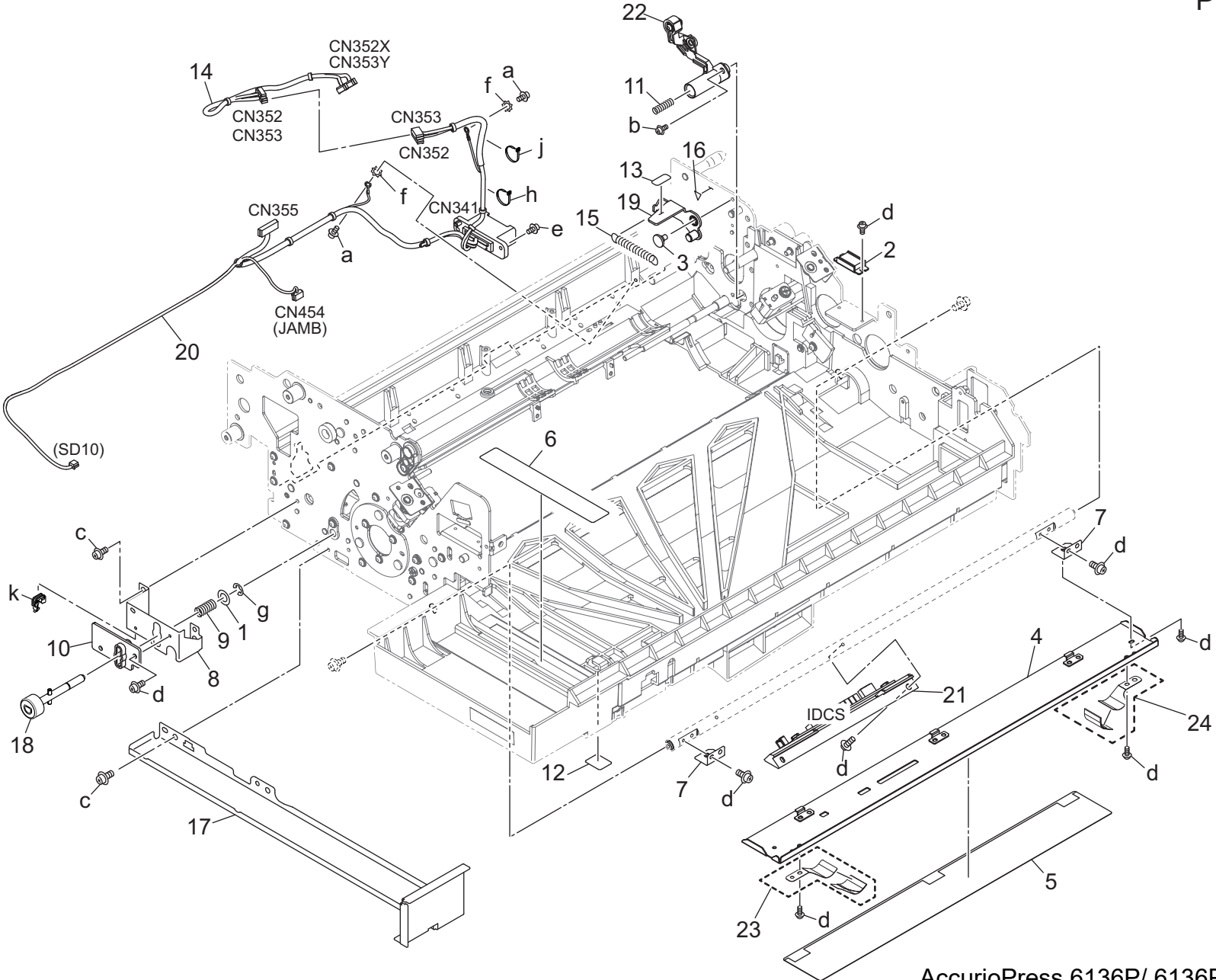


Drum Cartridge Section

Key	Part No.	Description	Destinations	Class	QTY	Standard parts
1	40AA32290	MAGNET CATCH		C	1	a-V116030603 b-V118030403 c-V127030604 d-V570010056
2	55VA20630D	Cleaner Base Shaft		D	1	
3	A0G6342200	Lock Screw		C	1	
4	A0G6346400	Slide Collar		C	1	
5	A0G6346901	Rotation Knob		D	3	
6	A0G6950501	Set Label /5		D	1	
7	A0Y5344900	Lock Spring		C	1	
8	A4EU346800	Contact		D	1	
9	A4EUF33301	CLENER LEVER/F CAULKING		D	1	
10	A9JT341600	Fixing Screw		D	3	

AccurioPress 6136P/ 6136P/ 6272P

Drum Cartridge Section



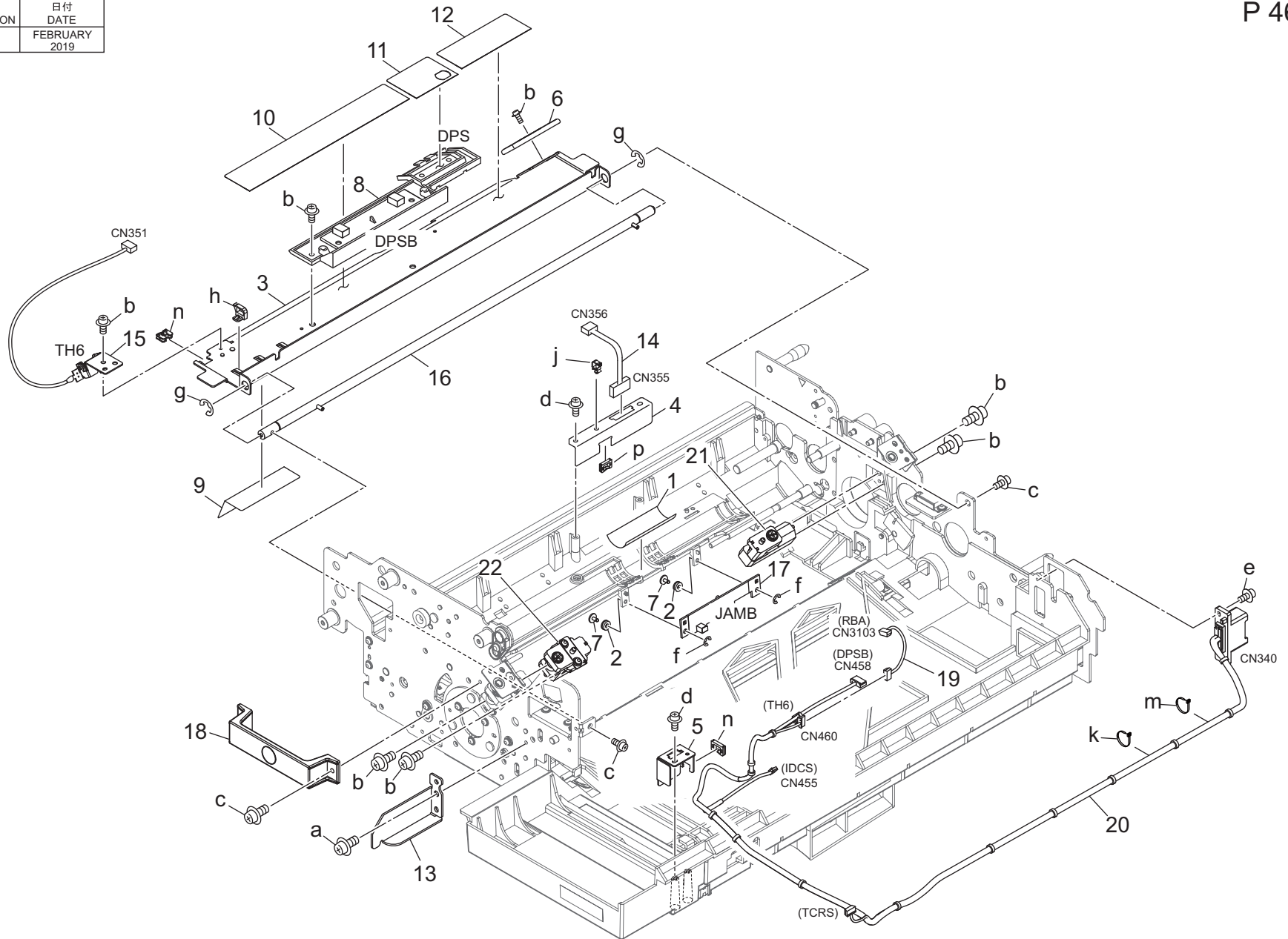
Drum Cartridge Section

Key	Part No.	Description	Destinations	Class	QTY	Standard parts
1	07BA15871	Spacer /A		C	1	a-V116030603
2	40AA32290	MAGNET CATCH		C	1	b-V118040604
3	55VA20520	Cleaner Locking Screw		C	1	c-V126040603
4	A0G6331204	Guide Part /T		D	1	d-V127030604
5	A0G6331301	Guide Sheet		C	1	e-V151031004
6	A0G6333000	Protection Cover		C	1	f-V209030003
7	A0G6343000	Support Part /T		D	2	g-V217040003
8	A0G6346101	Lock Plate		D	1	h-V501010002
9	A0G6346300	Lock Spring		C	1	j-V501010003
10	A0G6346500	Guide Block /2		D	1	k-V570010056
11	A0G6347100	Power Supply Spring		C	1	
12	A0G6835500	Seal /W		C	1	
13	A0G6950501	Set Label /5		D	1	
14	A0G6N22500	Photoconductor Relay Harness /4		D	1	
15	A0Y5344900	Lock Spring		C	1	
16	A1RF945101	Replacement Label /1		D	1	
17	A4EU332900	Reinforce Stay /Front		D	1	
18	A799R71100	Lock Axis Assy		D	1	
19	A9JTF33900	Cleaner Rock Rever /R Caulking		D	1	
20	A9JTN14100	Photoconductor Wiring /1		D	1	
21	A9JTR71C00	Toner Control Board Assy		C	1	
22	A9JTR72100	Power Supply Block Assy		C	1	
23	A9JTR73100	Presser Leaf Spring/Fr		B	1	
24	A9JTR73200	Presser Leaf Spring/Rr		B	1	

AccurioPress 6136P/ 6136P/ 6272P

Drum Cartridge Section

改訂版 REVISED EDITION	日付 DATE
	FEBRUARY 2019

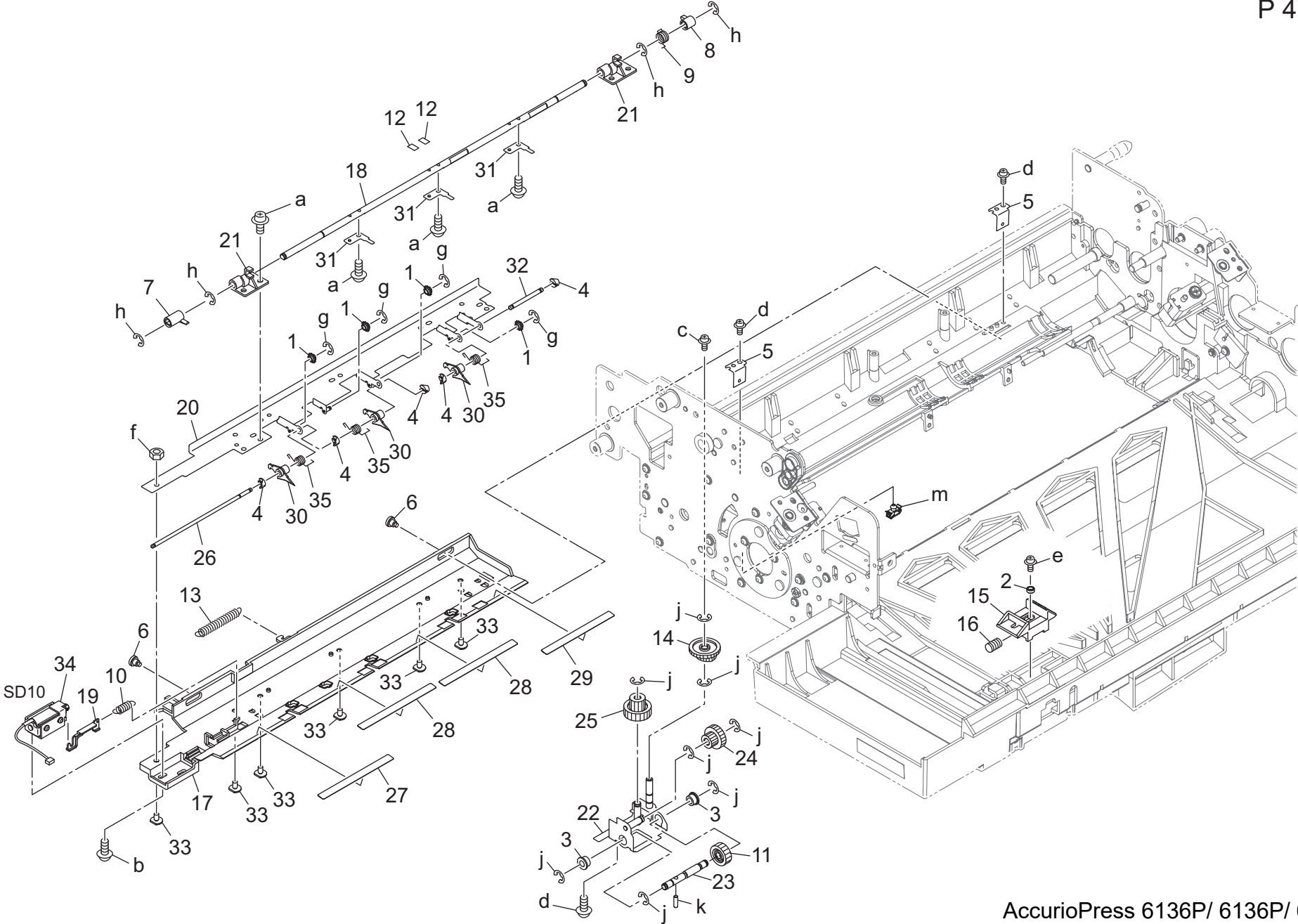


AccurioPress 6136P/ 6136P/ 6272P



Key	Part No.	Description	Destinations	Class	QTY	Standard parts
1	55VA20830	WIRING GUIDE SHEET		C	1	a-V126040603
2	55VA20850D	Fixing Part		D	2	b-V127030604
3	A0G6330401	Mounting Stay		D	1	c-V127040803
4	A0G6331101	Power supply Plate		D	1	d-V151030803
5	A0G6333100	Power Supply Plate /D		D	1	e-V151031004
6	A0G6344801	Fixing Knob		C	1	f-V217020003
7	A0G6346600	Pin		D	2	g-V217060003
8	A0G6J34000	High Voltage Detection Assy		D	1	h-V500010021
9	A4EU332200	Light blocking Sheet		D	1	j-V500020098
10	A4EU334300	Seal /Front		D	1	k-V501010002
11	A4EU334400	Seal /Middle		D	1	m-V501010003
12	A4EU334500	Seal /Rear		D	1	n-V570010050
13	A4EU401900	Positioning Panel /Middle		D	1	p-V570010063
14	A4EUN14800	Photoconductor Relay harness /3		D	1	
15	A4EUR70200	Drum Temperature Sensor Assy		B	1	
16	A4EUR75800	Support Shaft/D Assy		D	1	
17	A4EUR75E00	Detecting Board Adjust Assy		C	1	
18	A799341700	Handle		D	1	
19	A799N14400	Exposure Relay harness		D	1	
20	A9JTN14200	Photoconductor Wiring /2		D	1	
21	A799R71P00	Fixing Part /Rear ASSY	(Service Part Only)	C	1	
22	A799R71Q00	Fixing Part /Front ASSY	(Service Part Only)	C	1	

Drum Cartridge Section

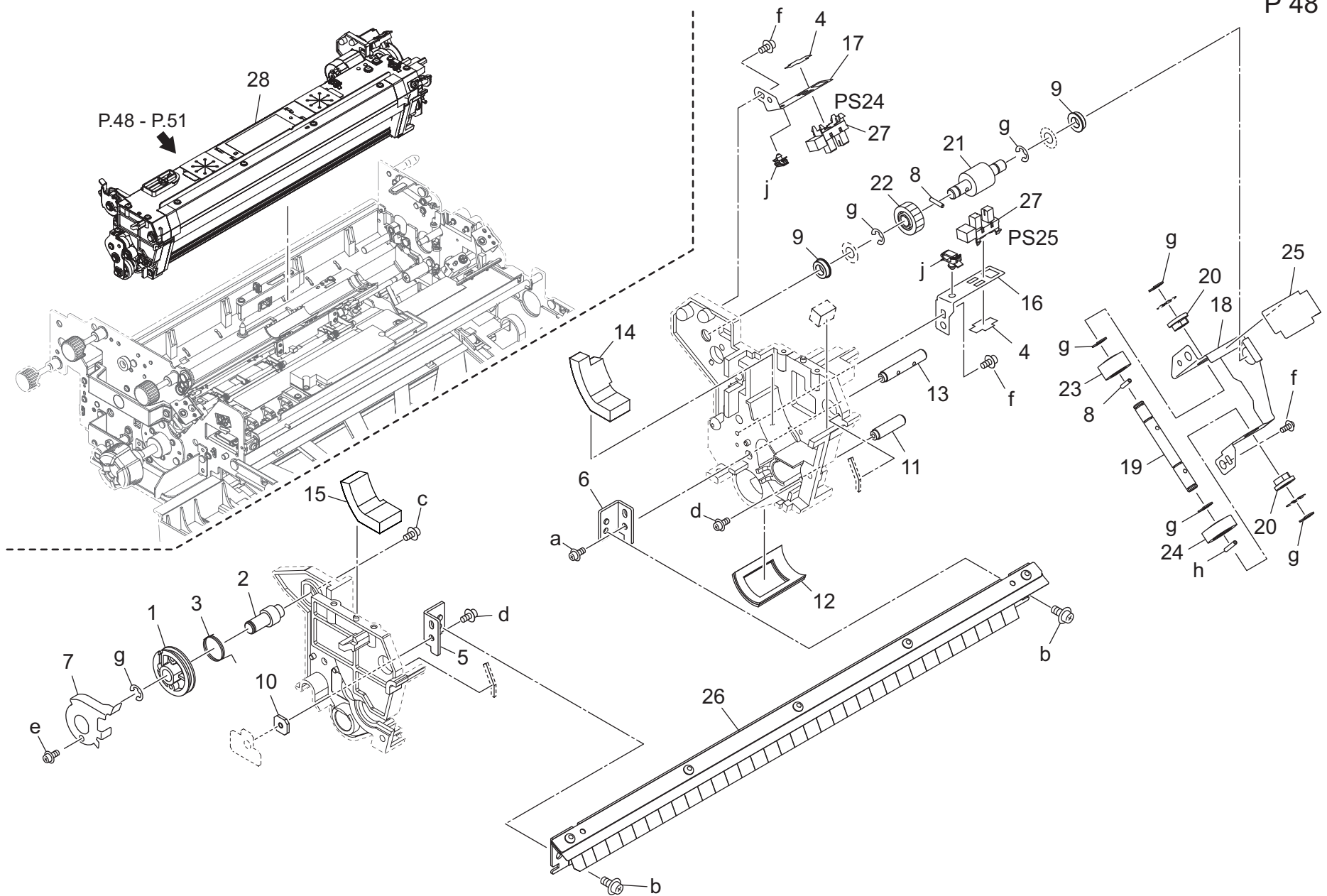


Drum Cartridge Section

Key	Part No.	Description	Destinations	Class	QTY	Standard parts
1	113620270	CLAW WHEEL	爪車	C	4	a-V118030403
2	25AA20321	PTL SUPPORT SPACER	P T L 支持スペーサー	C	1	b-V121030403
3	25AA29770	SEPARATE FULCRUM SHAFT HOLDER	分離支点軸受	C	2	c-V127030604
4	45AA20400	STOPPER PART	ストップ部品	A	5	d-V151030803
5	55VA20590	SEPARATION FIXING PLATE	分離固定板	D	2	e-V151041003
6	55VA20680	SEPARATION POSITIONING SCREW	分離位置決めネジ	C	2	f-V195030003
7	55VA29040	Separating Release Part /B	分離解除部材 / B	C	1	g-V217020003
8	55VA29050	Separating Release Part /C	分離解除部材 / C	C	1	h-V217030003
9	55VA29140	SOLENOID RELEASE SPRING	ソレノイド解除バネ	B	1	j-V217040003
10	55VA29150	RELEASE SPRING	解除バネ	B	1	k-V234301050
11	55VA77570	SEPARATE ROCKING GEAR B 32T	分離駆動歯車 B 32 T	C	1	m-V500020099
12	56UA29230	Separation Auxiliary Sheet	分離補助シート	C	2	
13	56UA45960	Paper Exit Pressing Spring	排紙押圧バネ	C	1	
14	56UA77290	SEPARATION SWING GEAR 40T	分離揺動歯車 40 T	C	1	
15	A0G6331903	Slide Stopper	スライドストップ	C	1	
16	A0G6332000	Tension Spring	テンションばね	C	1	
17	A0G6338113	Separating Guide	分離ガイド	D	1	
18	A0G6338201	Release Shaft	解除軸	D	1	
19	A0G6338411	Release Part /A	解除部材 / A	D	1	
20	A0G6338612	Separating Plate	分離板	D	1	
21	A0G6338911	Support Block	支持ブロック	D	2	
22	A0G6339000	Swing Board	揺動基板	D	1	
23	A0G6339400	Swing Shaft /W	揺動軸 /W	D	1	
24	A0G6339500	Swing Gear /A 20/35T	揺動歯車 /A 20 /35 T	C	1	
25	A0G6339600	Swing Gear /B 18/33T	揺動歯車 /B 18 /33 T	C	1	
26	A0G6339812	Separating Shaft	分離軸	D	1	
27	A0G6345111	Cover Sheet /F	カバーシート /F	C	1	
28	A0G6345200	Cover Sheet /C	カバーシート /C	C	2	
29	A0G6345311	Cover Sheet /R	カバーシート /R	C	1	
30	A0G6345600	Separating Claw /D	分離爪 /D	A	3	
31	A0G6345700	Release Plate	解除板	D	3	
32	A0G6345800	Separating Shaft /2	分離軸 /2	D	1	
33	A0Y5351500	Fixing Screw	固定ねじ	C	6	
34	A4EUR76P00	Claw Separating Solenoid Assy	爪分離ソレノイド部組	D	1	
35	A9JT345400	Separating Spring	分離ばね	C	3	

Drum Cleaning Unit Section

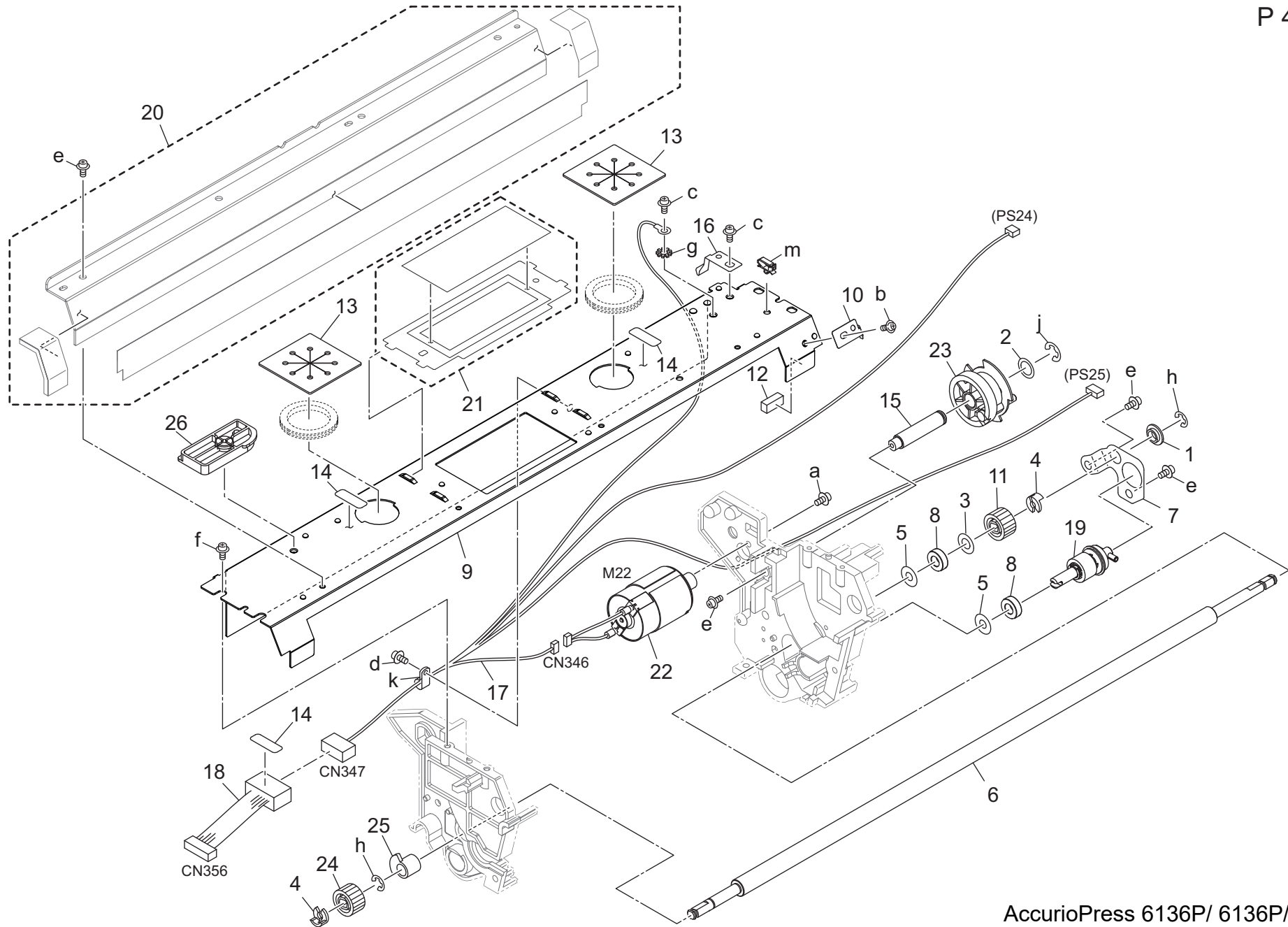
P 48



Drum Cleaning Unit Section

Key	Part No.	Description	Destinations	Class	QTY	Standard parts
1	25AA55360	Blade Pulley /C		C	1	a-V121030803
2	25AA55390	Wire Rotary Shaft		D	1	b-V121040403
3	25AA55420	WIRE TENSION SPRING		C	1	c-V121040603
4	4470402401	Stopper		D	2	d-V127030604
5	55VA55351	Mouting Plate /F		D	1	e-V145030603
6	55VA55361	Mouting Plate /R		D	1	f-V151030803
7	55VA55490	BLADE CHANGE LEVER		D	1	g-V217040003
8	56AA17510	Pin /B		C	2	h-V234201250
9	A00J617800	Ball Bearing		A	2	j-V500020099
10	A0G6525600	Mounting Plate		D	1	
11	A0G6531300	Positioning Shaft /R		D	1	
12	A4EU531900	Cleaning Seal /1		C	1	
13	A0G6532101	Idling Shaft /2		D	1	
14	A0G6533000Old	Cleaning Seal /3		C	1	
14	A9JT533000	Scatteringprevention Part /Rear		D	1	
15	A0G6533100Old	Cleaning Seal /4		C	1	
15	A9JT533100	Scatteringprevention Part /Front		D	1	
16	A4EU531000	Mounting Plate /B		D	1	
17	A4EU537000	Mounting Plate /A		D	1	
18	A4EU537700	Drive Plate		D	1	
19	A4EU537800	Drive Shaft		D	1	
20	A4EU537900	Bushing		C	2	
21	A4EU538000	Swing Shaft		D	1	
22	A4EU538200	Release Gear /2 26T		C	1	
23	A4EU538300	Release Gear /3 18T		C	1	
24	A4EU538400	Release Gear /4 15T		C	1	
25	A4EU538700	Scatteringprevention Filter		D	1	
26	A4EUR70J00	Guide Plate Assy		A	1	
27	A85CM55500	Photo Sensor		C	2	
28	A9JTR71622	Drum Cleaning Unit		S	1	
28	A9JTR71622	Drum Cleaning Unit	A,D1,D3,E,F2,G1,G2, H,I,J,K	S	1	
28	A9JTR71622	Drum Cleaning Unit	B,C	S	1	

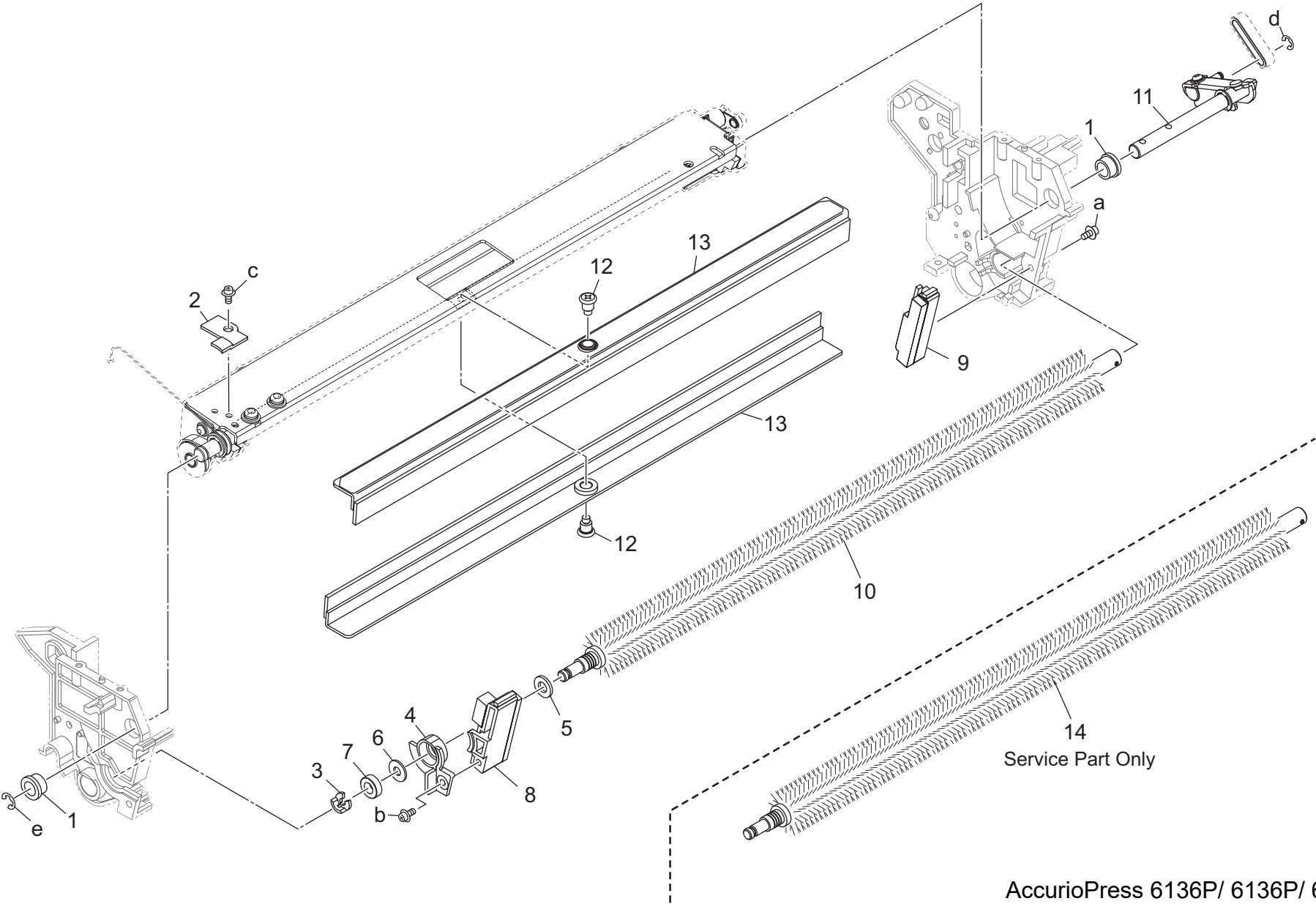
Drum Cleaning Unit Section



AccurioPress 6136P/ 6136P/ 6272P

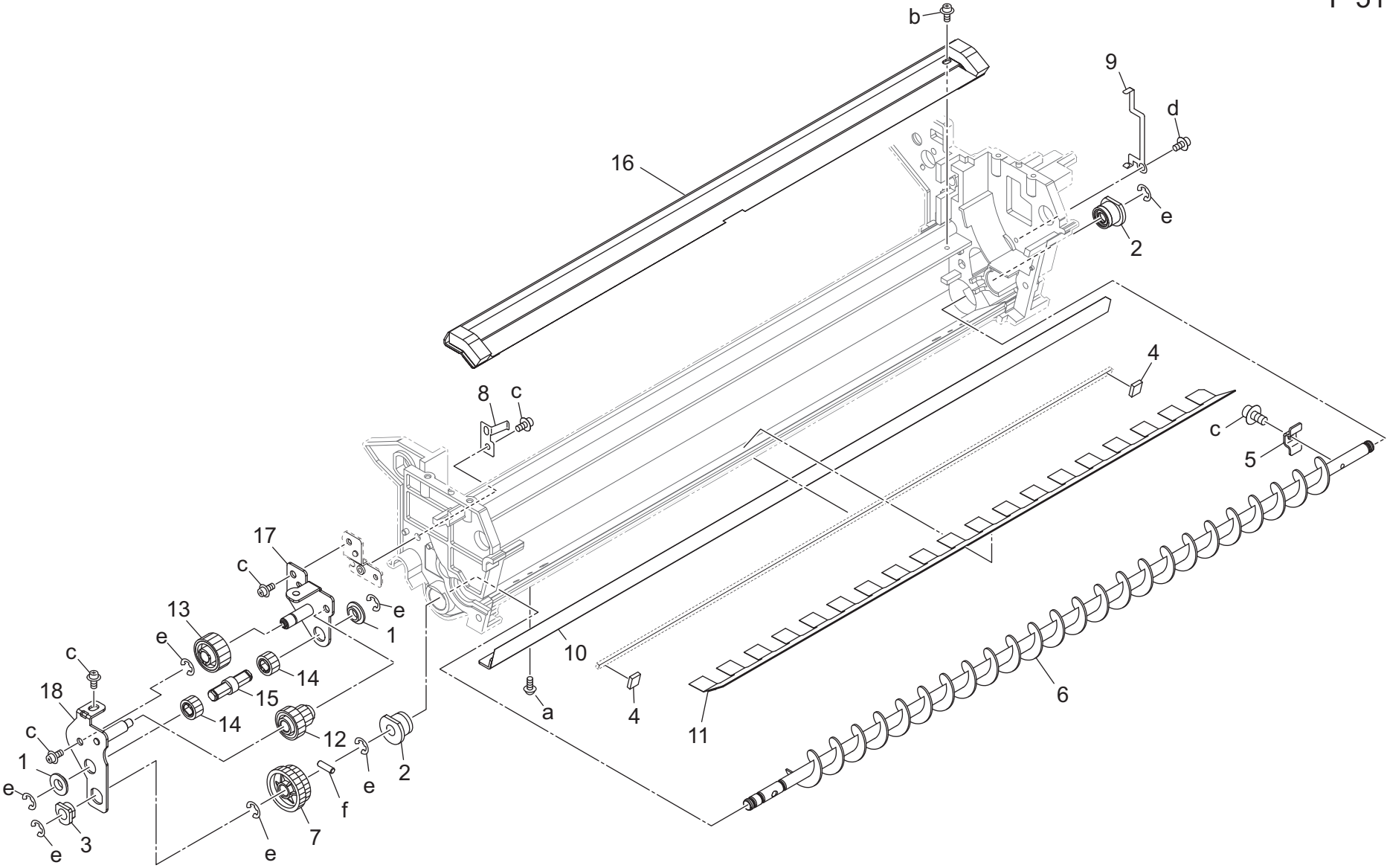
Key	Part No.	Description	Destinations	Class	QTY	Standard parts
1	090020510	CLEANER MOUNT LEVER COLLAR		C	1	a-V118260601
2	13QA40610	Gear Spacer		C	1	b-V121030403
3	25HA15210	SPACER E		C	1	c-V121040403
4	396040681	STOPPER RING		B	2	d-V121040603
5	55VA55680	SPEWING PREVENTIVE FELT		A	2	e-V127030604
6	A0G6530500	Guide Shaft		B	1	f-V151030803
7	A0G6530701	Reinforce Plate /R		D	1	g-V209040050
8	A0G6531500	Cleaning Bearing		C	2	h-V217040003
9	A0G6532202	Cleaning Cover		D	1	j-V217060003
10	A0G6532300	Ground Plate /A		D	1	k-V500020038
11	A0G6532700	Cleaning Gear/3 29T		B	1	m-V500020100
12	A0G6532900	Cleaning Seal /2		C	1	
13	A0G6535900	Cover Rubber		C	2	
14	A0G6950501	Set Label /5		D	3	
15	A4EU537400	Mounting Shaft		D	1	
16	A4EU538600	Ground Plate /B		D	1	
17	A4EUN25300	Relay harness /B		D	1	
18	A4EUN25500	Wiring /B		D	1	
19	A4EUR70F00	Cleaning Gear/2 Assy		B	1	
20	A4EUR71100Old	Drum Scraper Assy		A	1	
20	A9JTR73500	Photoconductor Seal Assy		A	1	
21	A4EUR71200	Scatteringprevention Filter Assy		A	1	
22	A4EUR75P00	Blade Motor Assy		C	1	
23	A4EUR75R00	Caum Gear Assy		D	1	
24	A9JT532700	Drive Gear /F 24T		C	1	
25	A9JT536500	Cleaning Bushing		C	1	
26	A9JTR71T00	Release Jig Assy		D	1	

Drum Cleaning Unit Section

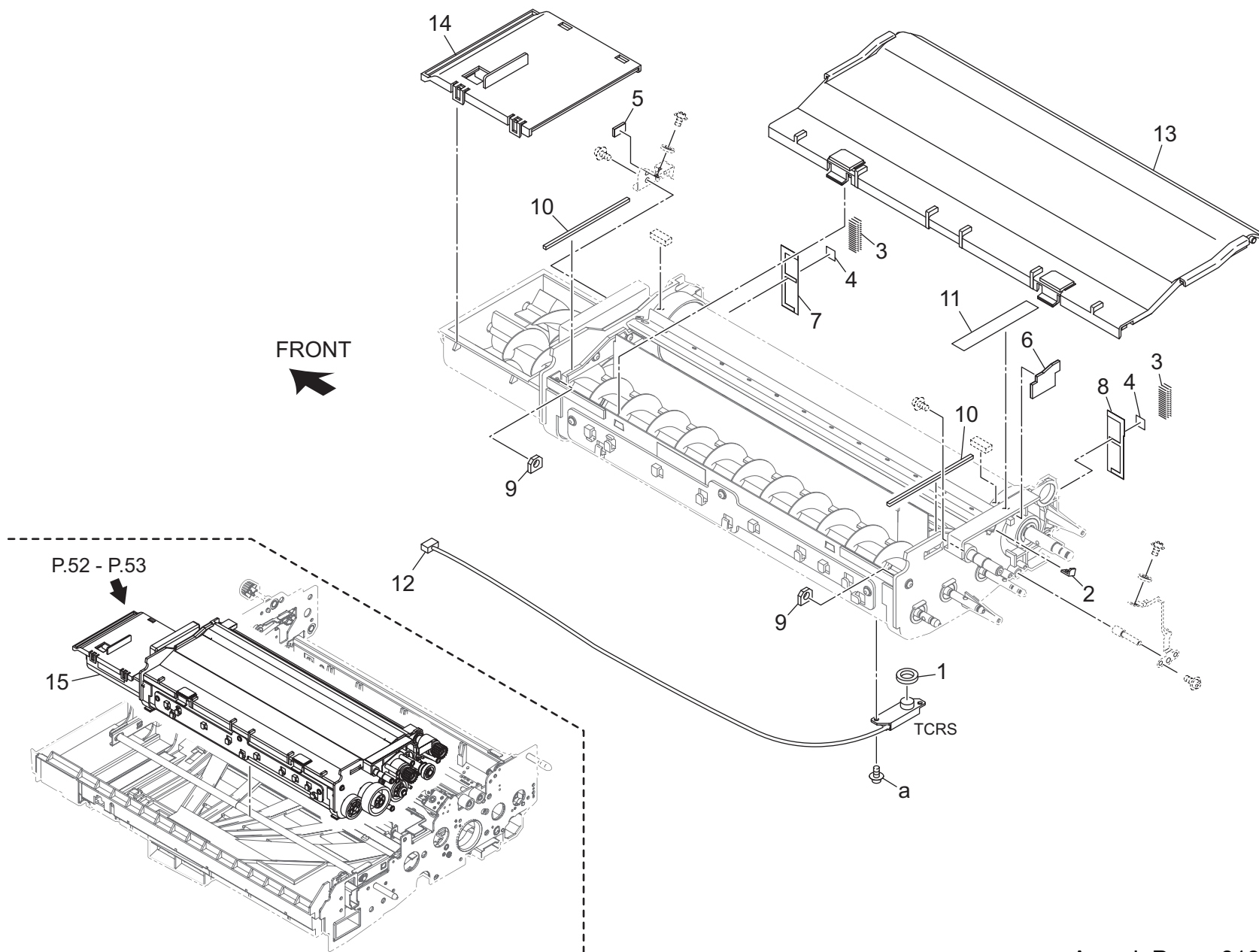


Key	Part No.	Description	Destinations	Class	QTY	Standard parts
1	090076040	SHAFT HOLDER		C	2	a-V121031203 b-V121031803 c-V121040403 d-V217030003 e-V217060003
2	25AA55720	Wire Cover /Upper		C	1	
3	396040681	STOPPER RING		B	1	
4	55VA55130	Shaft Holder Fixed Part		C	1	
5	55VA55670	Toner Preventive Collar		C	1	
6	55VA55680	SPEWING PREVENTIVE FELT		A	1	
7	A0G6531500	Cleaning Bearing		C	1	
8	A4EUR70G11Old	Sealing Plate/F Assy		A	1	
8	A9JTR73300	Sealing Plate/F Assy		B	1	
9	A4EUR70H11Old	Sealing Plate/R Assy		A	1	
9	A9JTR73400	Sealing Plate/R Assy		B	1	
10	A4EUR70K00	Toner Guide Brushe Assy		A	1	
11	A4EUR75Q00	Blade Release Arm Assy		D	1	
12	A9JT539700	Support Shoulder Screw		D	2	
13	A9JTR71500	Drum Cleaning Blade		A	2	
14	A0G6R7G800	Toner Guide Brush Assy	(Service Part Only)	A	1	

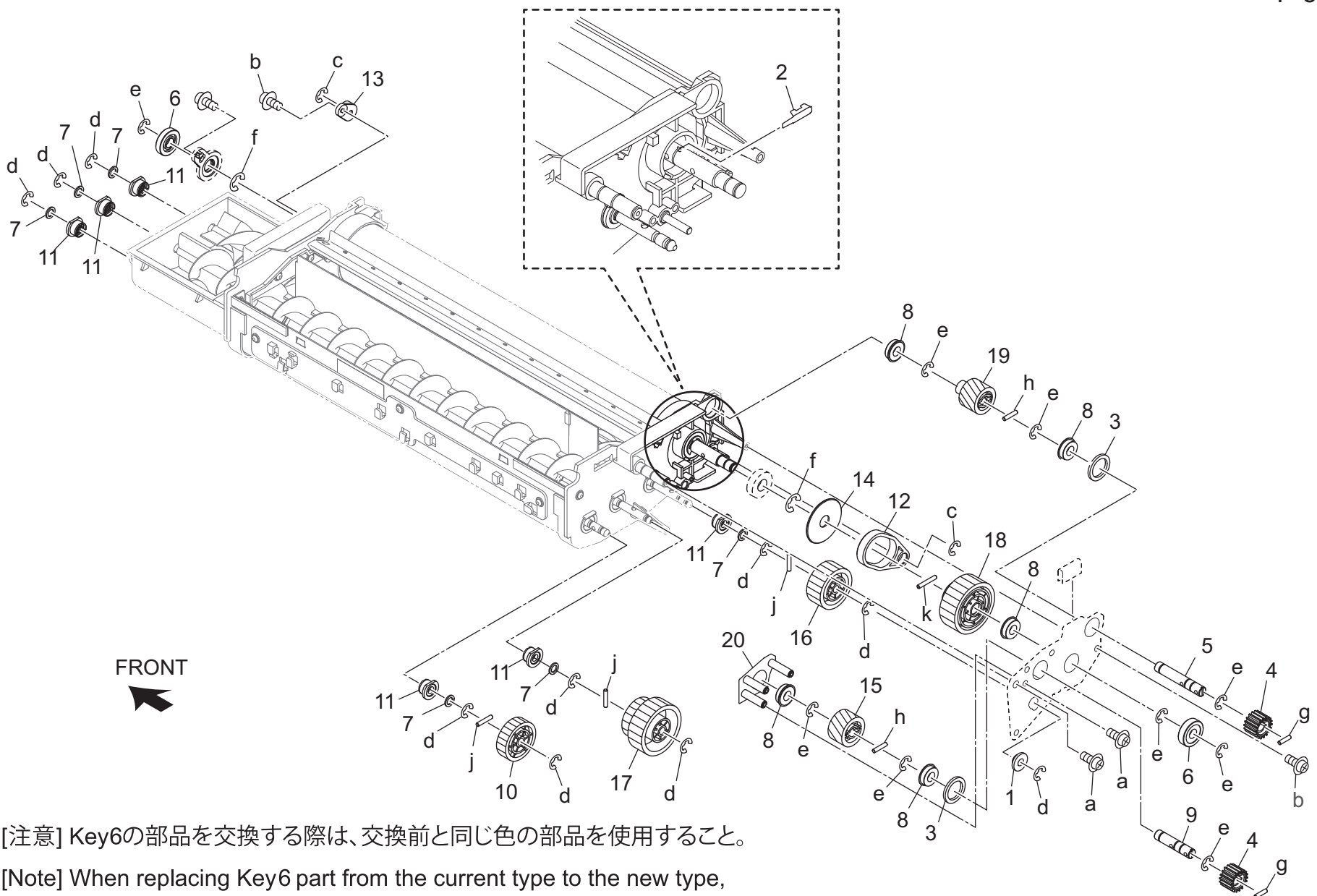
Drum Cleaning Unit Section



Key	Part No.	Description	Destinations	Class	QTY	Standard parts
1	090020510	CLEANER MOUNT LEVER COLLAR		C	2	a-V118030403 b-V121030403 c-V127030604 d-V145030603 e-V217040003 f-V234301050
2	26TA30770	DEVELOPING SHAFT HOLDER A		C	2	
3	466076020	Paper Feed Feeding Bearing		B	1	
4	55VA55641	SEALING PART/1		C	2	
5	56UA55550	Toner Agitating Plate		D	1	
6	A0G6530300	Cleaning Screw		C	1	
7	A0G6531401	Cleaning Gear /1 41/47T		C	1	
8	A0G6531800	Ground Plate		D	1	
9	A0G6534200	Ground Plate /B		D	1	
10	A4EUR71300	Toner Sealing Plate Assy		B	1	
11	A4EUR75S00	Sealing Assy		D	1	
12	A9JT534800	Drive Gear /2 20/31T		C	1	
13	A9JT534900	Drive Gear /3 35T		C	1	
14	A9JT535300	Drive Gear /4 20T		C	2	
15	A9JT536600	Drive Shaft /4		D	1	
16	A9JTR72800	Blade Seal /A Assy		D	1	
17	A9JTR73800	Drive Plate /R Caulking		D	1	
18	A9JTR73900	Drive Plate /F Caulking		D	1	



Key	Part No.	Description	Destinations	Class	QTY	Standard parts
1	029420640	L DETECTING SEAL		C	1	a-V145030603
2	55VA30981	Toner Brush Connecting Plate		D	1	
3	A0G6374900	Dust-Proof Packing /E		C	2	
4	A0G6375400	Stopper Spacer		C	2	
5	A0G6376300	Scatteringprevention Pad /8		C	1	
6	A0G6376400	Scatteringprevention Pad /9		C	1	
7	A0G6378700	Scatteringprevention Sheet /Front		C	1	
8	A0G6378800	Scatteringprevention Sheet /Rear		C	1	
9	A0G6379700	Developing Cushion		C	2	
10	A0G6379900	Scatteringprevention Seal /Upper		C	2	
11	A0G6950401	Set Label /4		D	1	
12	A0G6M50801	Toner Sensor		C	1	
13	A4EUR75F00	Developing Cover Assy		D	1	
14	A4EUR75H00	Developing Cover Assy		D	1	
15	A9JTR70200	Developing Unit		B	1	



[注意] Key6の部品を交換する際は、交換前と同じ色の部品を使用すること。

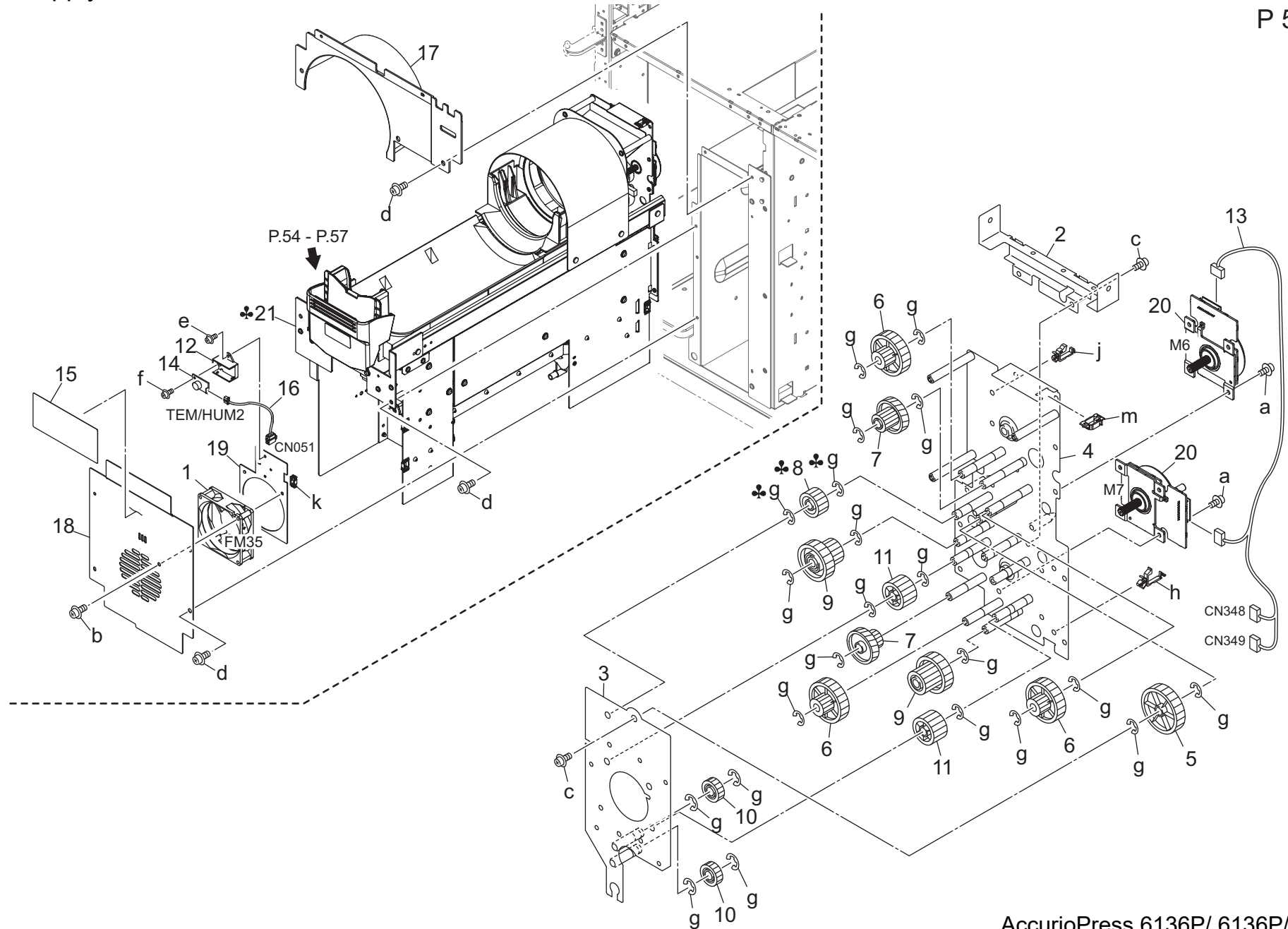
[Note] When replacing Key6 part from the current type to the new type, be sure to replace with same color used for current type.

AccurioPress 6136P/ 6136P/ 6272P

Key	Part No.	Description	Destinations	Class	QTY	Standard parts
1	392015650	SLIDE BUSHING/C		C	1	a-V121030603
2	55VA30390D	Bias Pin /A		D	1	b-V151030803
3	55VA30970	Collar /A		C	2	c-V217030003
4	55VA77300E	Developing Input Coupling		B	2	d-V217040003
5	56UA30251	Developing Input Shaft		D	1	e-V217060003
6	56UA375200	Stopper Roll /Rear	(D21.90mm Black)	C	2	f-V217080003
6	A0G6375211	Stopper Roll /Rear	(D21.98mm Green)	C	2	g-V234301250
6	A0Y5373601	Stopper Roll /Rear	(D22.06mm Yellow)	C	2	h-V234301450
6	A4EU375100	Stopper Roll	(D22.02mm White)	C	2	j-V234301650
6	A4EU375200	Stopper Roll	(D21.94mm Blue)	C	2	k-V234302050
7	57AA30260	Developing Agitating Spacer		C	6	
8	A00V240600	Ball Bearing		B	5	
9	A0G6373500	Input Shaft /2		D	1	
10	A0G6377300	Agitating Gear 30T		C	1	
11	A0G6377400	Sealing Ball Bearing		C	6	
12	A0G6378100	Swing Holder		C	1	
13	A0G6379400	Swing Holder /2		C	1	
14	A0Y5378600	Rotation Collar		C	1	
15	A4EU377000	Input Gear /2 22T		C	1	
16	A4EU377100	Conveyance Gear /1 31T		C	1	
17	A4EU377200	Conveyance Gear /2 30T/39T		C	1	
18	A4EU378200	Drive Gear /No.2 67T		C	1	
19	A4EU380300	Input Gear /2 33T		C	1	
20	A4EUR75G00	Drive Plate /2 Caulking		D	1	

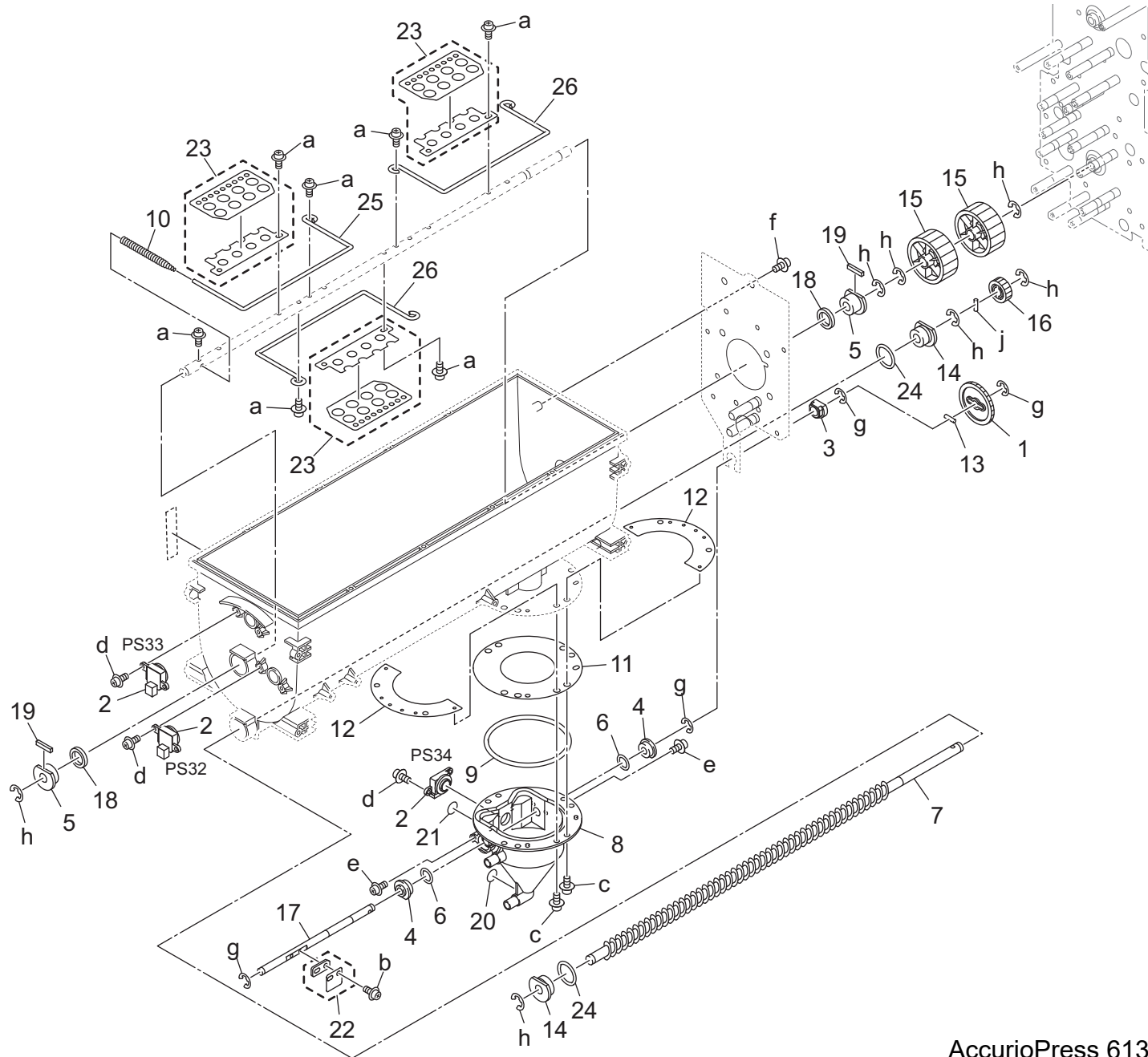
Toner Supply Protection Unit

P 54



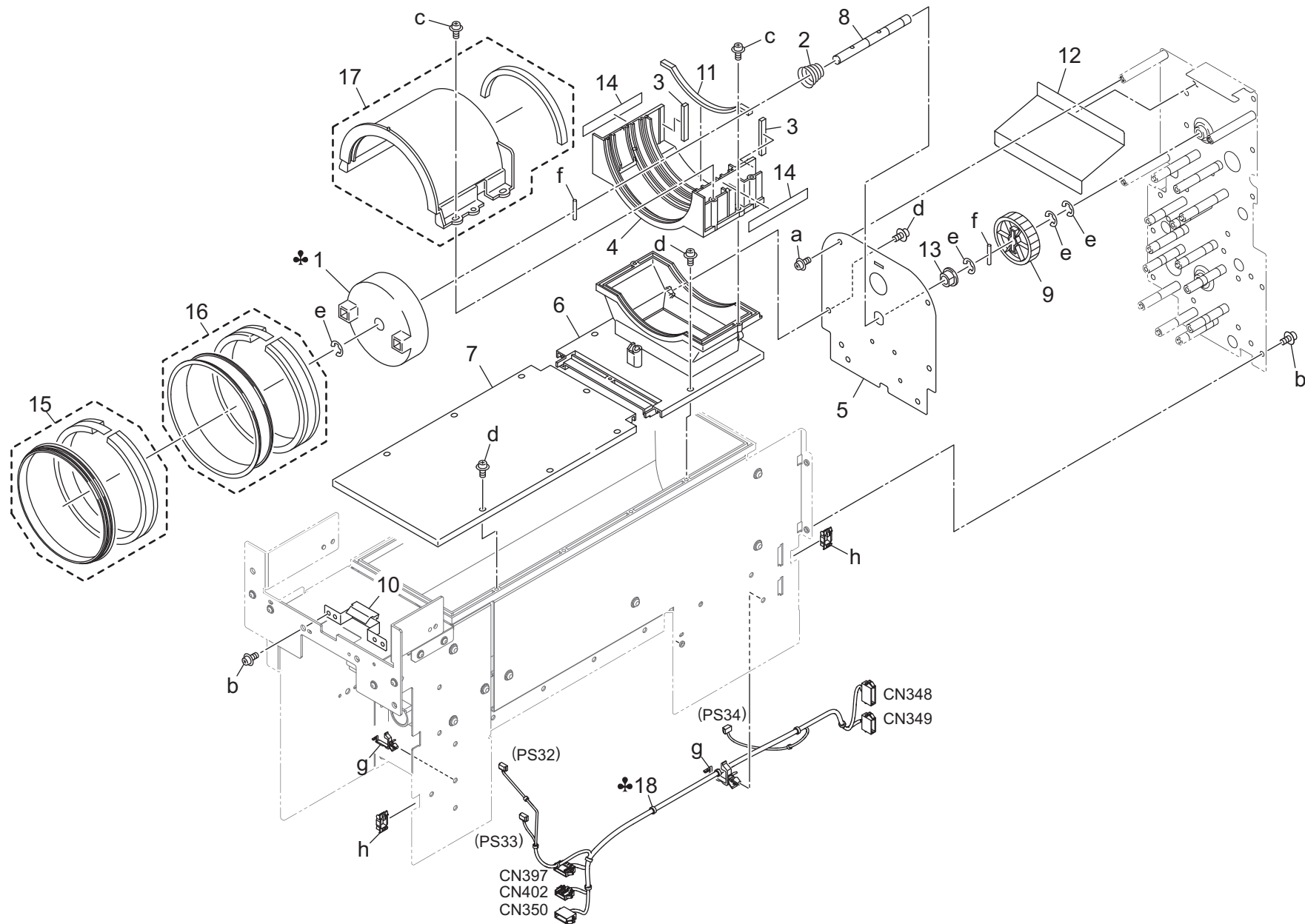
Key	Part No.	Description	Destinations	Class	QTY	Standard parts
1	13NT80511	Fan Motor /1		C	1	a-V118040403
2	56UA34020	Toner Supply Fixing Panel /Rear		D	1	b-V118043003
3	56UA-7660	DRIVE PLATE/C ASSY		D	1	c-V121040603
4	56UA-7680F	DRIVE PLATE/B ASSY		D	1	d-V121040604
5	56UA77700	Toner Supply Drive Gear /A 45T		C	1	e-V127030604
6	56UA77710	Toner Supply Drive Gear /B 16/40T		C	3	f-V149030803
7	56UA77720	TONER SUPPLY DRIVE GEAR /C 16/62T		C	2	g-V217060003
8	56UA77730	Toner Supply Drive Gear /D 23T	B,C,D1,E,F2,G1,G2,H .I,K	C	1	h-V500010082
9	56UA77740	Toner Supply Drive Gear /E 22/36T		C	2	j-V500020098
10	56UA77760	Toner Supply Drive Gear /G 18T		C	2	k-V570010057
11	56UA77770	Toner Supply Drive Gear /H 26T		C	2	m-V570010063
12	65AA11300	Support Part		D	1	
13	A0G6N13801	Toner Wiring /3		D	1	
14	A0P0M50400	Humidity sensor		C	1	
15	A4EU947900	Operation Label /F		D	1	
16	A799N22100	Temperature Detection harness		D	1	
17	A9JT410500	Toner Supply Cover /Upper		D	1	
18	A9JT417000	Toner Supply Panel /Lower		D	1	
19	A9JT417100	Fixing Plate /F		D	1	
20	A9JTM10200	Drum Motor		B	2	
21	A9JTR70500	Toner Supply Unit	A	I	1	
21	A9JTR70600	Toner Supply Unit	B,G2	I	1	
21	A9JTR70700	Toner Supply Unit	C,I(SOUTH AFRICA)	I	1	
21	A9JTR73700	Toner Supply Unit	D1,D3,E,F2,G1,H,I,(E xcept SOUTH AFRICA) .K,J	I	1	

Toner Supply Protection Unit



Key	Part No.	Description	Destinations	Class	QTY	Standard parts
1	25AA77890	REGULATION GEAR 36T		C	1	a-V111030603
2	40AA88031	Level Detection Sensor		C	3	b-V118030603
3	540076090	FIXING CLEANER SHAFT HOLDER C		B	1	c-V121030803
4	56AA32650	TONER CONVEYING SHAFT HOLDER		C	2	d-V145030803
5	56GA30290	Developing Shaft Holder /B		C	2	e-V151030603
6	56UA32690	Toner Supply Sealing Rubber/B		C	2	f-V151040803
7	56UA34100	Toner Conveyance Screw		D	1	g-V217040003
8	56UA34160	Toner Feeding Case		D	1	h-V217060003
9	56UA34290	Scatter Preventing Rubber		C	1	j-V234301250
10	56UA34300	Auxiliary Spring		C	1	
11	56UA34710	TONER SEAL		D	1	
12	56UA34730	Toner Supply Fixing Plate		D	2	
13	56UA34800	Pin		D	1	
14	56UA76060	Bushing		C	2	
15	56UA77750	Toner Supply Drive Gear /F 40T		C	2	
16	56UA77760	Toner Supply Drive Gear /G 18T		C	1	
17	A4EU413300	Agitating Shaft /Lower		D	1	
18	A4EU413900	Seal		D	2	
19	A4EU415100	Toner supply Seal /Upper		D	2	
20	A4EU943300	Toner supply Label /1		D	1	
21	A4EU943600	Toner supply Label /4		D	1	
22	A4EUR72E00	Agitating/Lower Assy		D	1	
23	A4EUR72F00	Agitating Assy		C	3	
24	A9JT420000	Toner Supply Rubber		D	2	
25	56UA34190	Toner Agitating Arm		D	1	
26	56UA34180	Toner Agitating Arm /2		C	2	

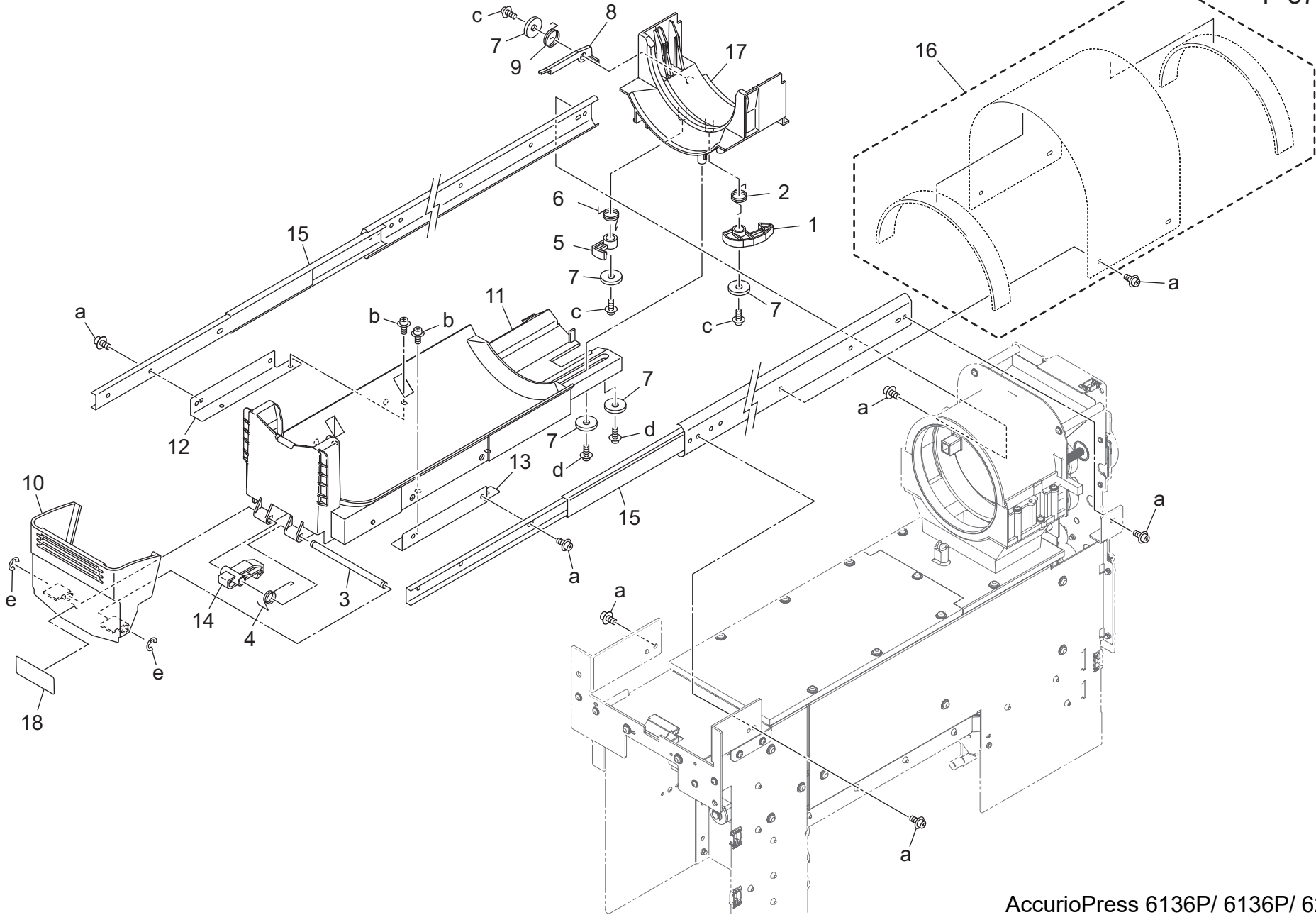
Toner Supply Protection Unit



Key	Part No.	Description	Destinations	Class	QTY	Standard parts
1	55VA32080	Cartridge Driving Part カートリッジ駆動部材	B,D1,D3,E,F2,G1,G2, H,I,K,J	C	1	a-V121030603
1	55VE32080	Cartridge Driving Part カートリッジ駆動部材	A,C,I(SOUTH AFRICA)	C	1	b-V121040604
2	55VA32150	Driving Release Spring 駆動解除バネ		B	1	c-V151030803
3	55VA32430	Toner Sealing Part/3 トナーシール部材 /3		D	2	d-V151040803
4	56UA34060	Toner Supply Cover /B トナー補給カバー /B		C	1	e-V217060003
5	56UA34121E	Cartridge Drive Plate /A カートリッジ駆動プレート / A		D	1	f-V234302250
6	56UA34452	Toner Supply Cover /1 トナー補給 蓋 /1		D	1	g-V500010082
7	56UA34460	Toner Supply Cover /2 トナー補給 蓋 /2		D	1	h-V570010063
8	56UA34610	Cartridge Drive Shaft カートリッジ駆動軸		D	1	
9	56UA77700	Toner Supply Drive Gear /A 45T トナー補給駆動歯車 / A 45 T		C	1	
10	A0G6410611	Toner Supply Lock トナー補給ロック		D	1	
11	A0G6414000	Sealing Part /R シール部材 /R		D	1	
12	A0G6415000	Toner supply Sheet トナー補給シート		D	1	
13	A0Y5406400	Slide Bushing/8 すべり軸受 /8		C	1	
14	A4EU414700	Seal シール (トナー補給)		D	2	
15	A4EUR70W00	Sleeve/1 スリーブ /1		B	1	
16	A4EUR70X00	Sleeve/2 スリーブ /2		B	1	
17	A4EUR72D00	Cover /Upper Assy カバー /上 部組		D	1	
18	A9JTN13A01	Toner Wiring /1 トナー束線 /1 (J)	A,D1,D3,E,F2,G1,H,I (Except SOUTH AFRIC A),K,J	D		
18	A9JTN13E01	Toner Wiring /1 トナー束線 /1 (E)	B,C,G2,I(SOUTH AFRI CA)	D	1	

Toner Supply Protection Unit

P 57

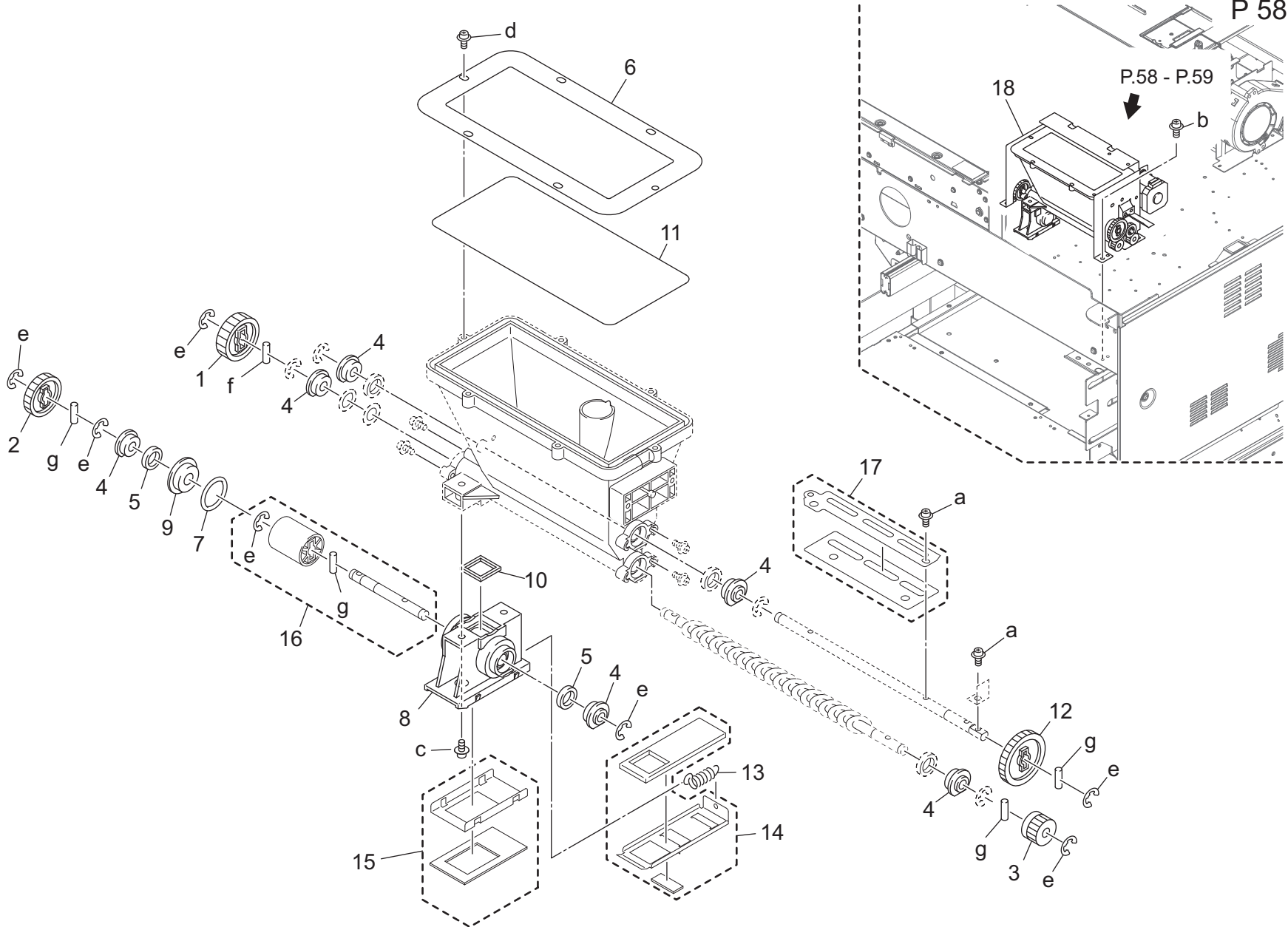


Toner Supply Protection Unit

Key	Part No.	Description	Destinations	Class	QTY	Standard parts
1	56AA32440	Locking Part /A		C	1	a-V118040403 b-V127040603 c-V145030803 d-V151030803 e-V217040003
2	56AA32450	Locking Spring /A		C	1	
3	56AA32521	Lever Shaft		D	1	
4	56AA32620	Toner Supply Locking Spring		C	1	
5	56AA32630	Locking Part /B		C	1	
6	56AA32640	Locking Spring /B		C	1	
7	56AA32710	Guide Spacer		C	5	
8	56AA32751	Locking Part /C		C	1	
9	56AA32761	Locking Spring /C		C	1	
10	56NE32510	Lever		C	1	
11	56UA34071	Cartridge Pressing Part		D	1	
12	56UA34230E	Cartridge Support Plate /Left		D	1	
13	56UA34240E	Cartridge Support Plate /Right		D	1	
14	A0G6416100	Toner Supply Part		C	1	
15	A4EU400800	Slide Rail		D	2	
16	A4EUR72G00	Toner Supply Plate Assy		D	1	
17	A9JT411100	Toner Supply Cover /A		D	1	
18	A9JT947600	Toner Supply Label		D	1	

AccurioPress 6136P/ 6136P/ 6272P

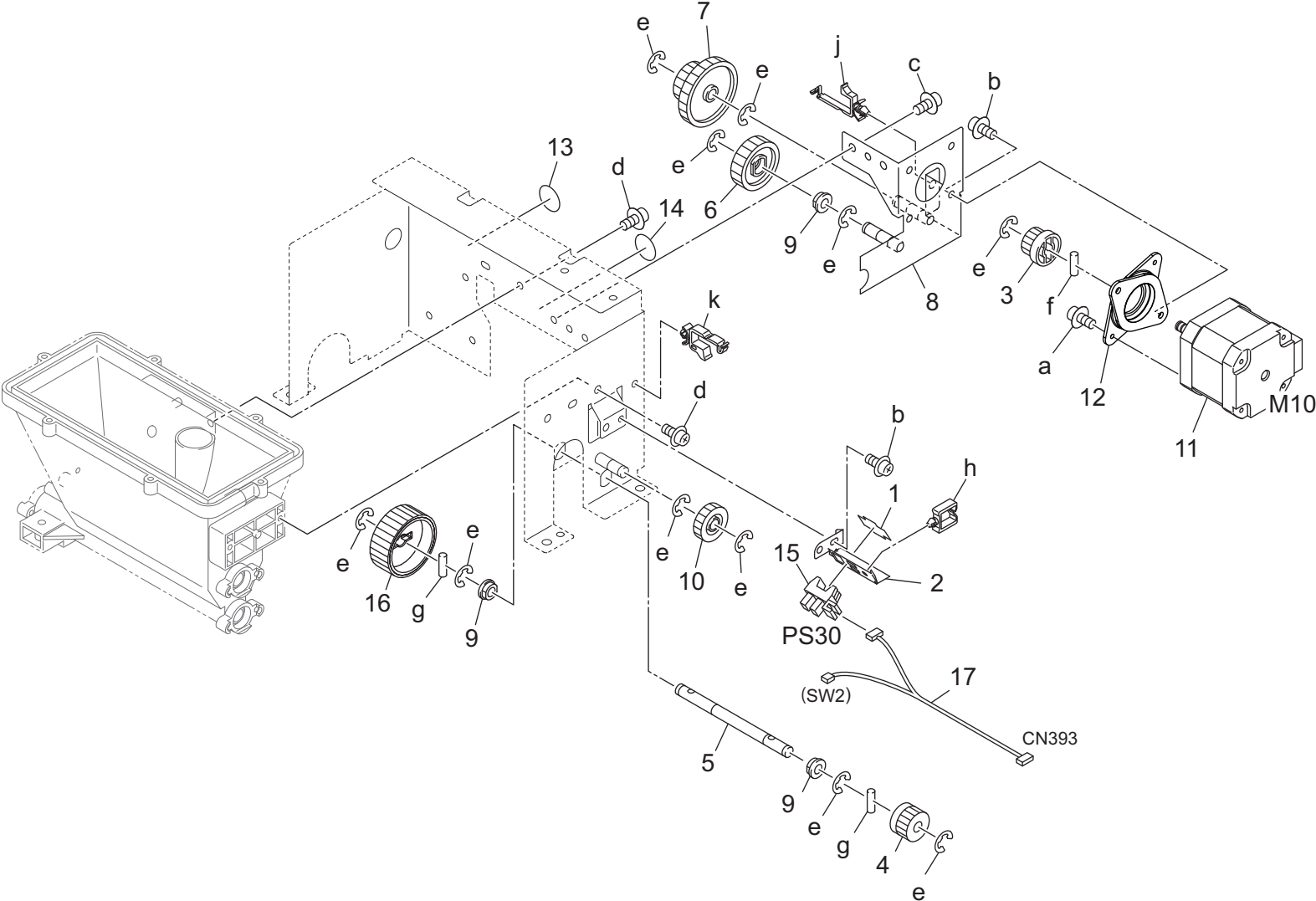
Toner Supply Main Body Upper Unit



AccurioPress 6136P/ 6136P/ 6272P

Key	Part No.	Description	Destinations	Class	QTY	Standard parts
1	25SA77180	TONER CONVEYANCE GEAR B 26T	トナー搬送歯車 B 26 T	C	1	a-V121030603
2	55VA77940	AGITATE GEAR A 23T	攪拌歯車 A 23 T	B	1	b-V121040403
3	55VA77960	SCREW GEAR 14T	スクリー歯車 14 T	B	1	c-V151030803
4	56AA32650	TONER CONVEYING SHAFT HOLDER	トナー搬送軸受	C	6	d-V151030804
5	56UA32380	Toner Agitating Seal	トナー攪拌シール	C	2	e-V217040003
6	56UA32520	Toner Supply Cover /Upper	トナー補給 蓋 /上	D	1	f-V234301050
7	56UA32620	Toner Supply Sealing Rubber /A	トナー補給シールゴム / A	C	1	g-V234301250
8	56UA32700	Toner Supply Control Main Body /Upper	トナー補給制御本体 /上	D	1	
9	56UA32740	Toner Supply Control Side Plate	トナー補給制御側板	C	1	
10	56UA32800	Toner Separating Seal /C	トナー分離シール / C	C	1	
11	56UA32830	TONER SEPARATING SEAL D	トナー分離シール D	C	1	
12	56UA77430	Toner Agitating Gear 32T	トナー攪拌歯車 32 T	C	1	
13	A0G6402300	Toner Supply Spring /Upper	トナー補給ばね /上	C	1	
14	A4EUR72400	Toner Supply Open/Close Plate	トナー補給開閉板部組	D	1	
15	A4EUR72500	Toner Supply Open/Close Cover Assy	トナー補給開閉カバー部組	D	1	
16	A4EUR72600	Toner Control Shaft Assy	トナー制御軸部組	D	1	
17	A4EUR72700	Agitating Plate /A 3 Assy	攪拌板 / A 3 部組	D	1	
18	A9JTR71R00	Toner Supply Main Body /Upper Assy	トナー補給本体 /上 A s s y	S	1	

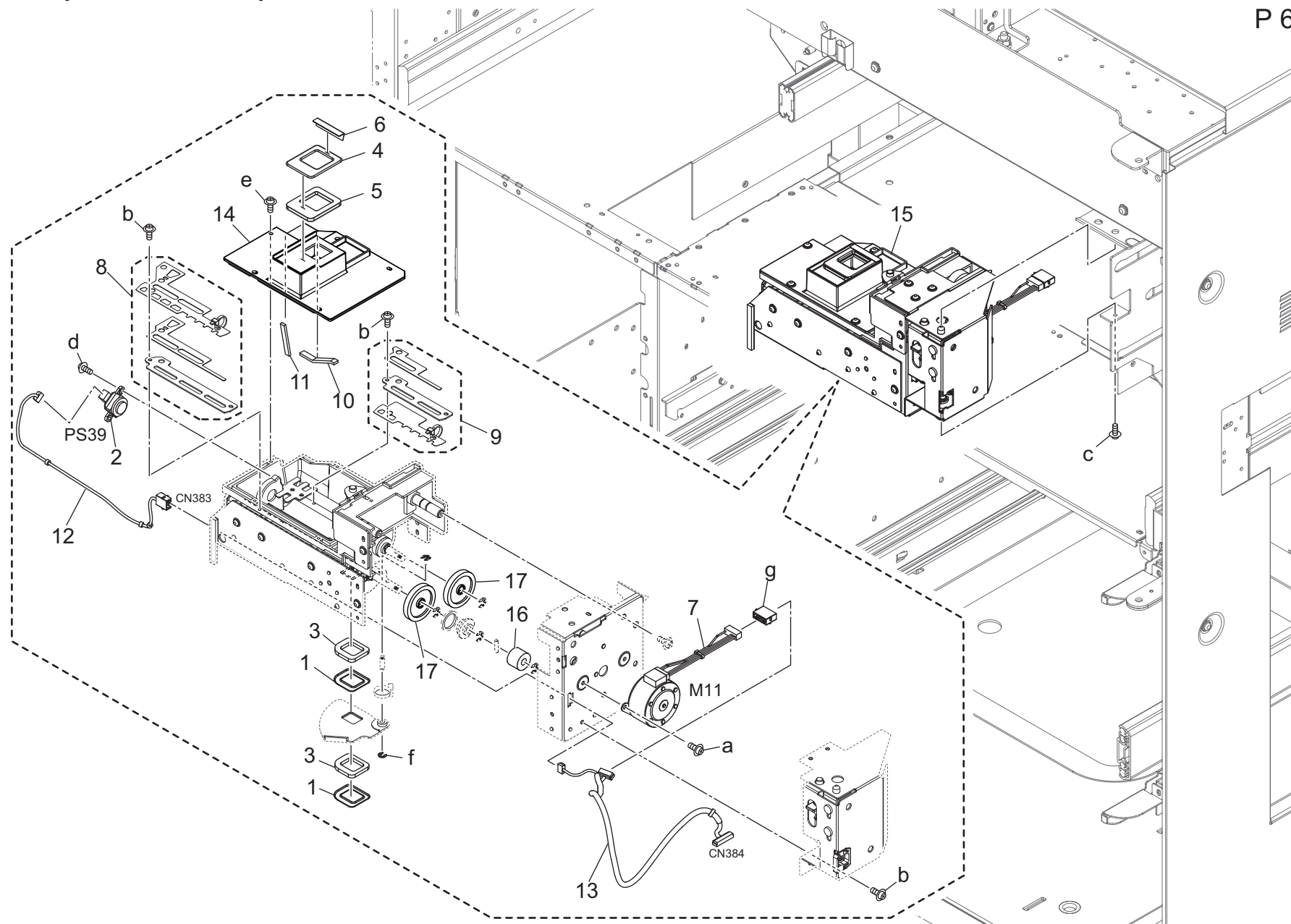
Toner Supply Main Body Upper Unit



Key	Part No.	Description	Destinations	Class	QTY	Standard parts
1	4470402401	Stopper		D	1	a-V111030603
2	55VA55442E	Mounting Plate /B		D	1	b-V121030603
3	55VA77890	Motor Gear 20T		B	1	c-V121040603
4	55VA77960	SCREW GEAR 14T		B	1	d-V151030803
5	56UA32650	Idling Shaft /E		D	1	e-V217040003
6	56UA408200	Idling Gear /A 26T		C	1	f-V234201250
7	56UA77450	Idling Gear /B 20T /61T		C	1	g-V234301250
8	56UAR77100	MOTOR MOUNTING PLATE UPPER		D	1	h-V500010026
9	A00J663200	Bushing		B	3	j-V500010083
10	A0G6405400	Toner Supply Gear /1 20T		C	1	k-V500020098
11	A0Y5M10400	HB Motor /40		B	1	
12	A0Y5M90101	HB Damper /40		D	1	
13	A4EU943400	Toner supply Label /2		D	1	
14	A4EU943500	Toner supply Label /3		D	1	
15	A85CM55600	Photo Sensor		C	1	
16	A9JT420100	Toner supply Gear /Upper 34T		C	1	
17	A9JTN11800	Power Source Detection Harness		D	1	

Toner Conveyance Main Body Unit

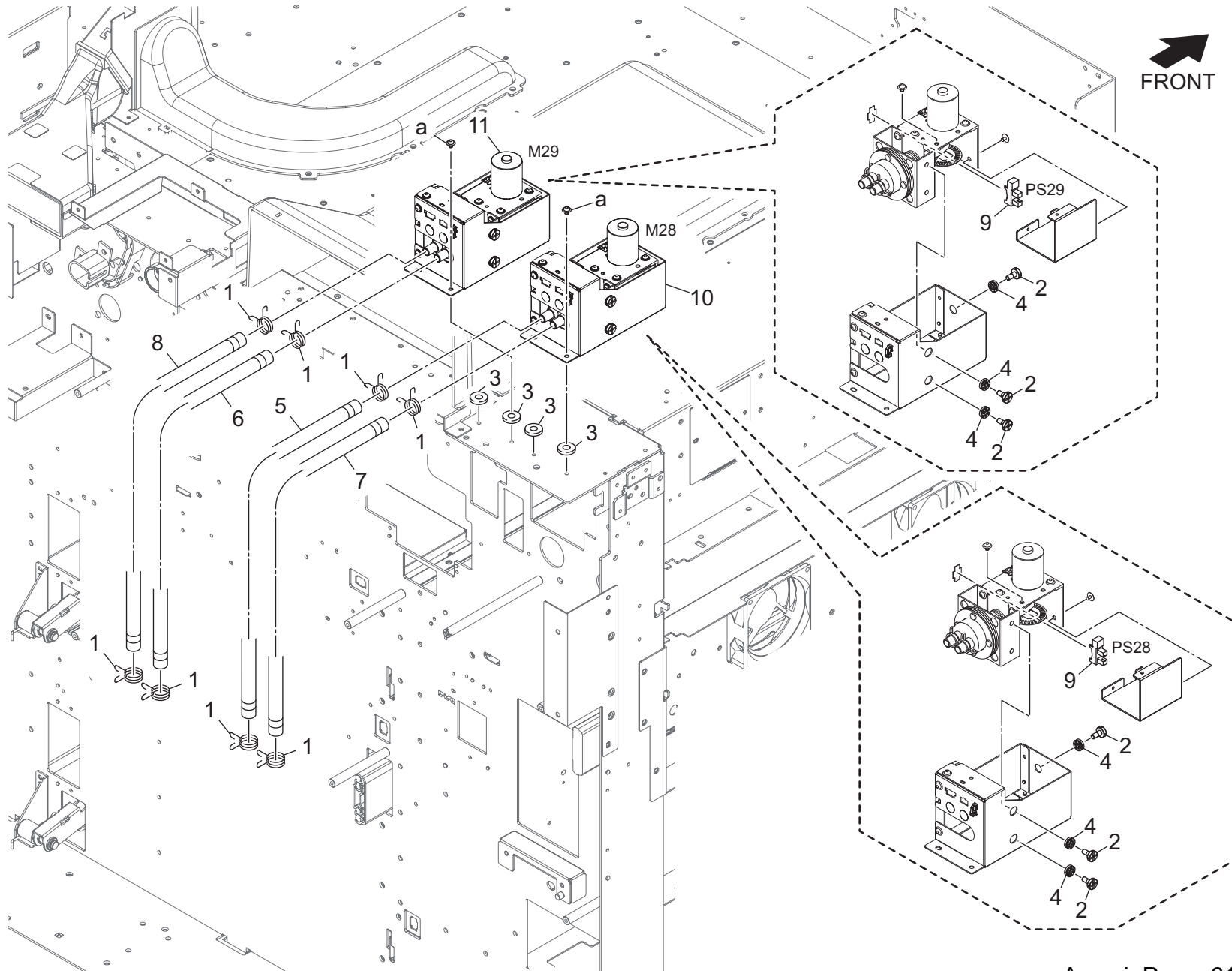
P 60



AccurioPress 6136P/ 6136P/ 6272P

Toner Pump Unit

P 61

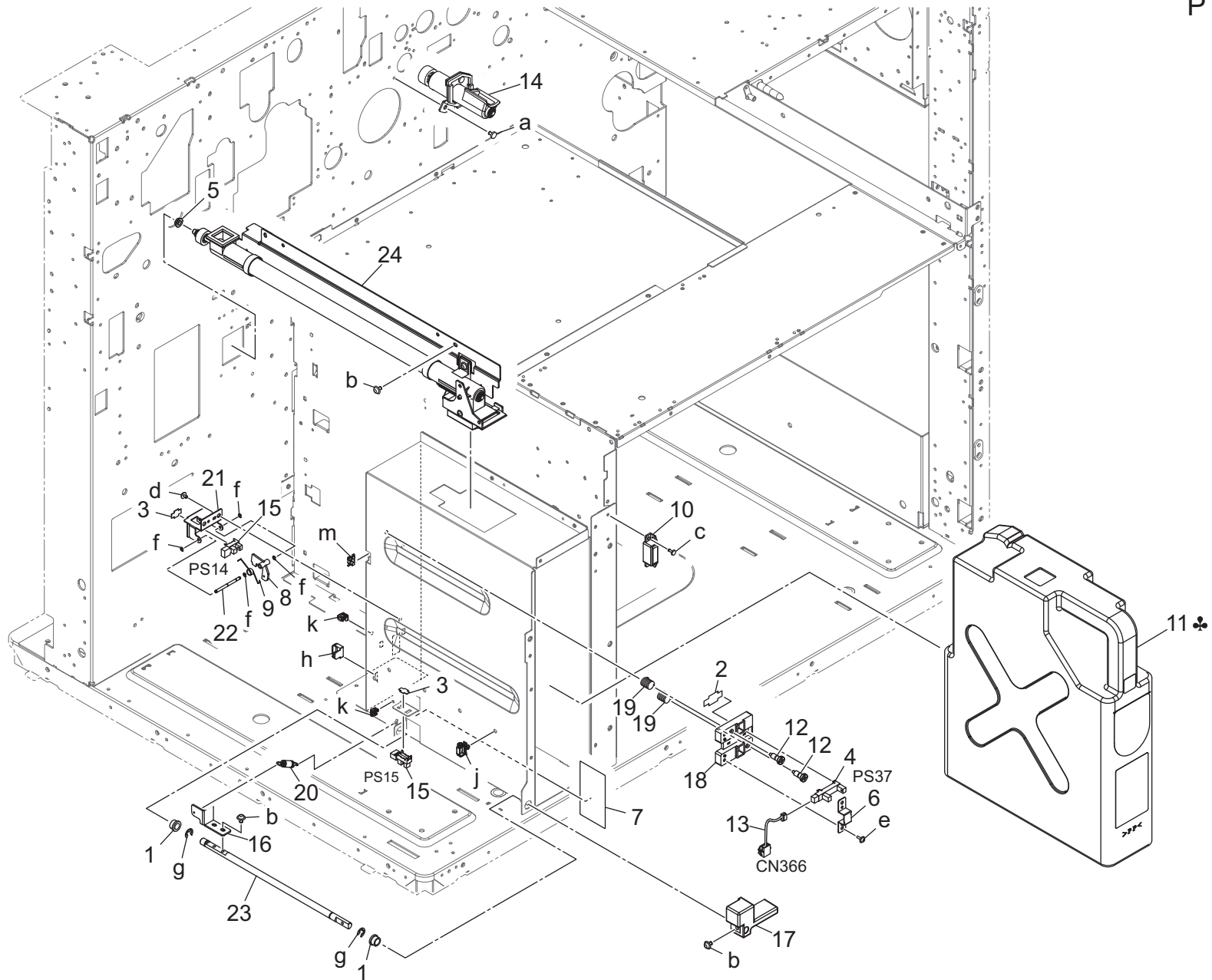


AccurioPress 6136P/ 6136P/ 6272P

Toner Pump Unit

Key	Part No.	Description	Destinations	Class	QTY	Standard parts
1	56UA32330	Toner Supply Dust Proof Spring		C	8	a-V121040803
2	56UA33210	Board Fixing Screw		C	6	
3	56UA33280	TONER SUPPLY HOLDING PLATE		D	4	
4	A4EU138000	Support Rubber		D	6	
5	A4EUR74V00	Toner Pipe Assy/2		D	1	
6	A4EUR74W00	Toner Pipe Assy/3		D	1	
7	A4EUR74X00	Toner Pipe Assy/1		D	1	
8	A4EUR74Y00	Toner Pipe Assy/4		D	1	
9	A85CM55500	Photo Sensor		C	2	
10	A9JTR72200	Toner Pump Assy		B	1	
11	A9JTR72300	Toner Pump Assy /2		B	1	

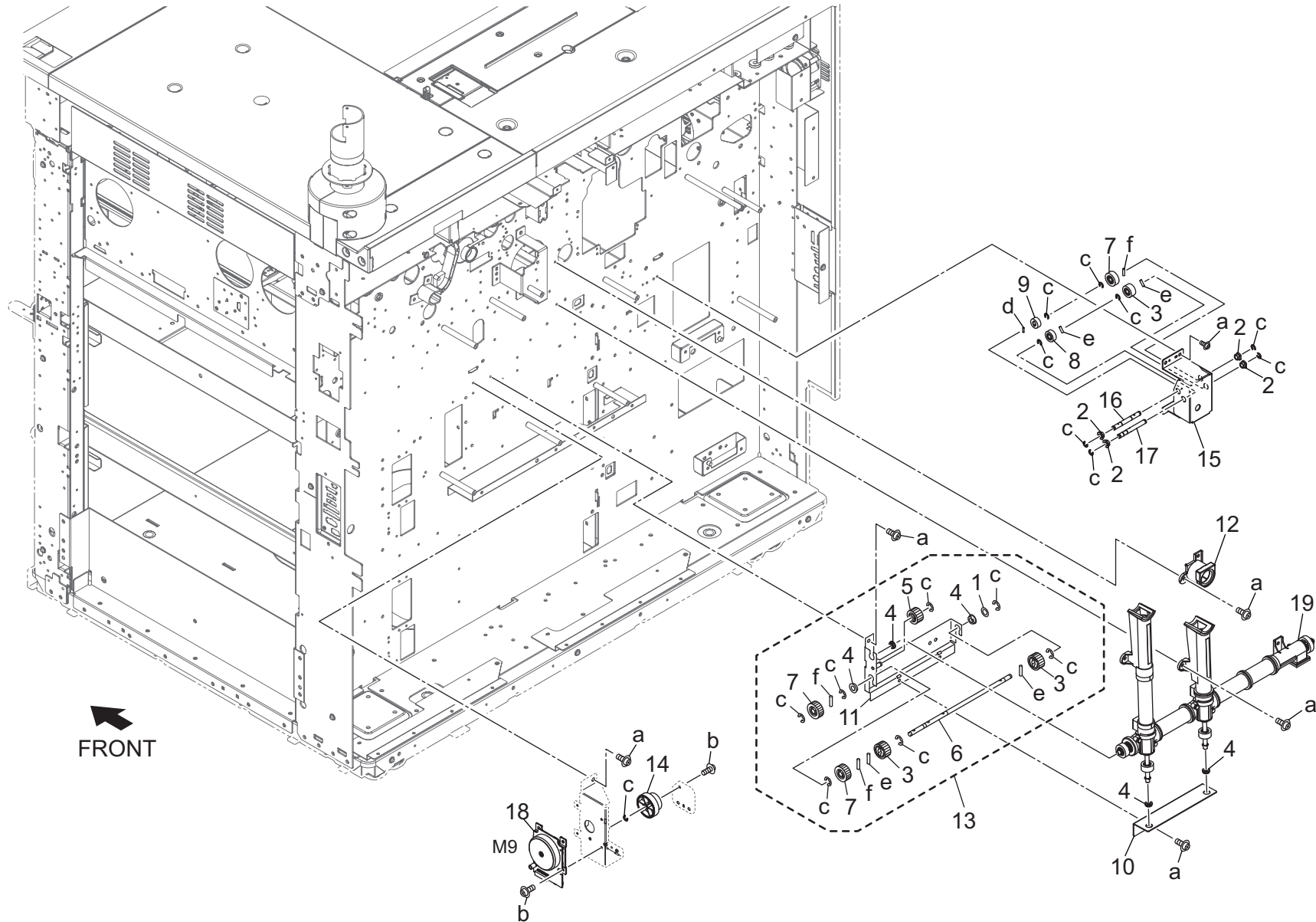
Toner Collection Section



AccurioPress 6136P/ 6136P/ 6272P

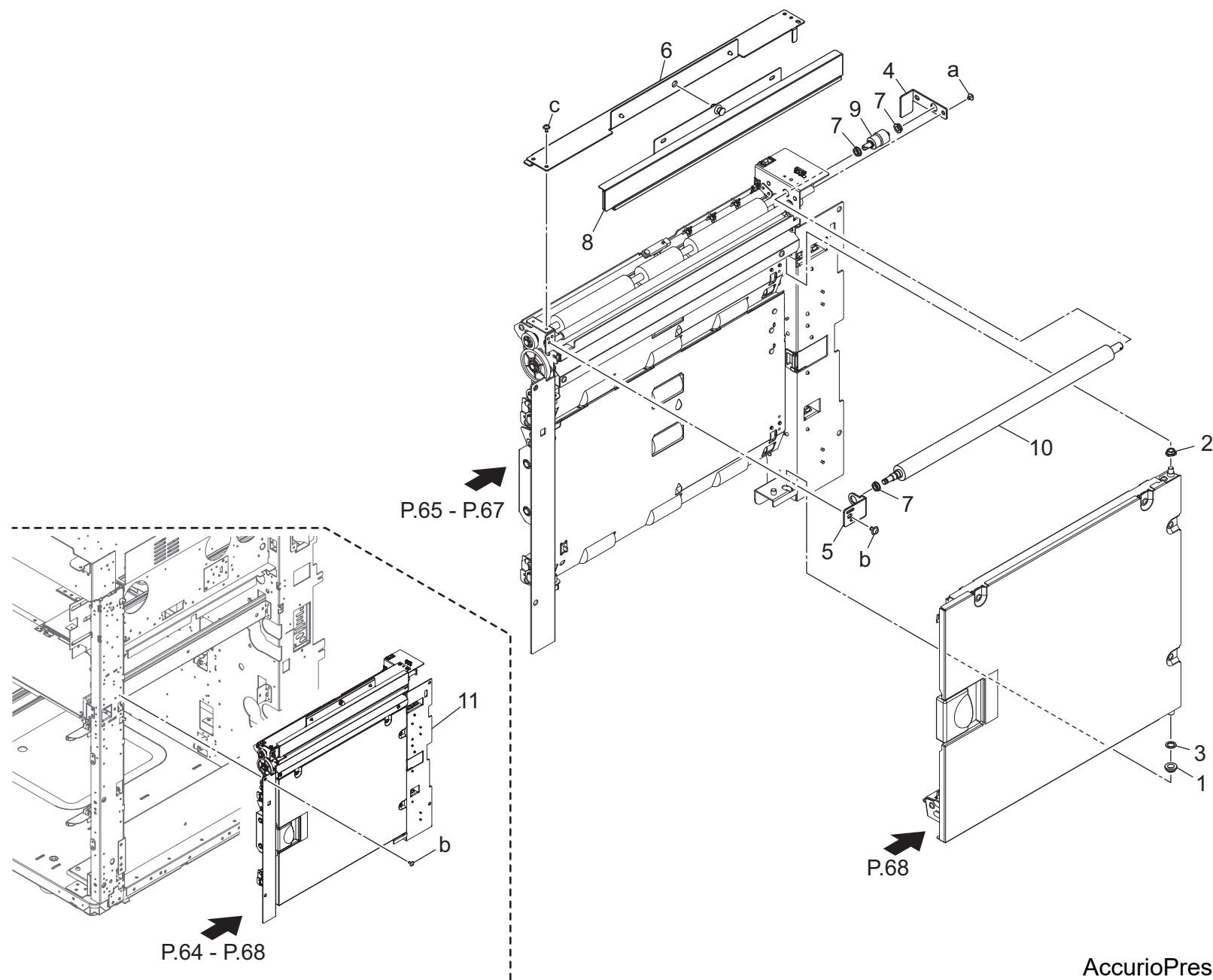
Key	Part No.	Description	Destinations	Class	QTY	Standard parts
1	090076040	SHAFT HOLDER		C	2	a-V118040603
2	4004457301	Stopper		D	1	b-V121040603
3	4470402401	Stopper		D	2	c-V126030803
4	9335140051	Solid State Switch		B	1	d-V127030604
5	A00J617800	Ball Bearing		A	1	e-V151030803
6	A0G6352500	Electrostatic Proof Cover /1		D	1	f-V217020003
7	A0G6358700	Regulating Sheet /1		C	1	h-V500010021
8	A0G6365700	Set Actuator		C	1	j-V500010082
9	A0G6365900	Set Spring		C	1	k-V500020098
10	A0G6411200	Magnet /X		D	1	m-V570010025
11	A9JTR73600	Toner Collecting Box Assy	A	A	1	
11	A03UR70200	TONER COLLECTING BOX ASSY	B,C	A	1	
11	A1DUR70W00	Toner Collecting Box Assy	D1,E,F2,G1,G2,H,I,K J	A	1	
12	A1RF819100	Mounting Shoulder screw		D	2	
13	A5AWN23600	Relay harness /4		D	1	
14	A799R70G00	Connecting Pipe /5 Assy		C	1	
15	A85CM55600	Photo Sensor		C	2	
16	A9JT363100	Lock Plate		D	1	
17	A9JT363200	Lock Handle		D	1	
18	A9JT363300	Sensor Board		C	1	
19	A9JT363400	Pressing Spring		C	2	
20	A9JT363500	Release Spring		C	1	
21	A9JT363600	Sensor Plate /2		D	1	
22	A9JT363700	Support Shaft		D	1	
23	A9JT363800	Lock Shaft		D	1	
24	A9JTR71E00	Horizontal Conveyance /2 Assy		S	1	

Toner Collection Section



AccurioPress 6136P/ 6136P/ 6272P

Key	Part No.	Description	Destinations	Class	QTY	Standard parts
1	13QA10330	SHAFT SPACER		C	1	a-V121040603
2	466076020	Paper Feed Feeding Bearing		B	4	b-V127030604
3	56UA77400	Toner Conveyance Gear /C 15T		C	3	c-V217040003
4	A00J617800	Ball Bearing		A	5	d-V234200850
5	A0G6217500	Drive Gear /7 20T		C	1	e-V234301050
6	A0G6367000	Drive Shaft /3		D	1	f-V234301250
7	A0G6367400	Drive Gear /4 19T		C	3	
8	A0G6367500	Drive Gear /5 18T		C	1	
9	A0G6367900	Drive Gear /9 16T		C	1	
10	A4EU362200	Positioning Base Frame		D	1	
11	A4EU365000	Drive Board /1		D	1	
12	A4EUR71F00	Connecting Block/C Assy		D	1	
13	A4EUR76G11	Drive Board/1 Assy		D	1	
14	A799258300	Toner Supply Gear /2 25/68T		C	1	
15	A799361200	Drive Cover		D	1	
16	A799362900	Drive Shaft /1		D	1	
17	A799363000	Drive Shaft /2		D	1	
18	A9JTM10200	Drum Motor		B	1	
19	A9JTR71D00	Vertical Conveyance /1 Assy		C	1	

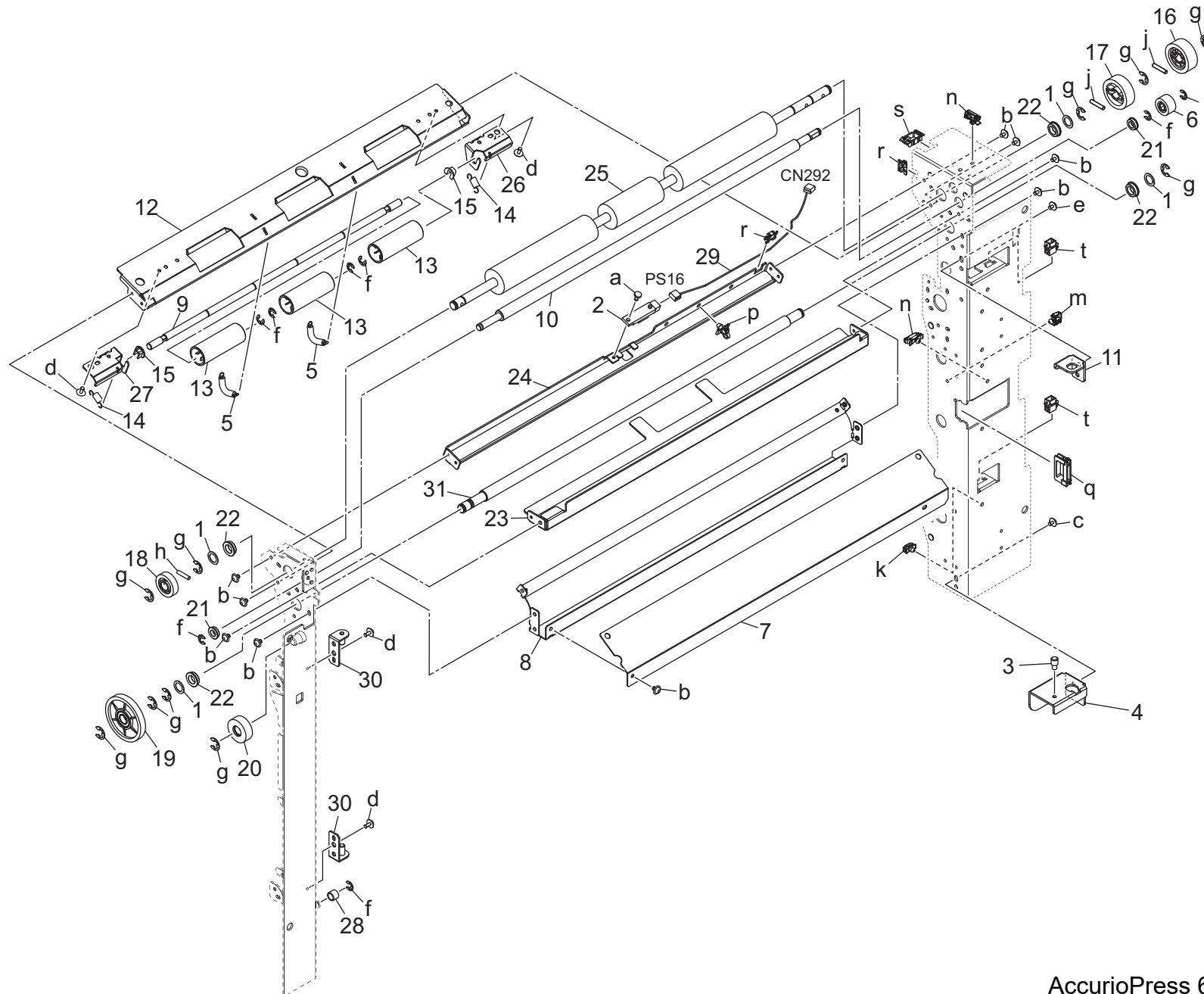


Vertical Conveyance Unit

Key	Part No.	Description	Destinations	Class	QTY	Standard parts
1	396076050	PAPER FEED SHAFT HOLDER		B	1	a-V121030403 b-V121040603 c-V138030603
2	466076020	Paper Feed Feeding Bearing		B	1	
3	55VA15610	Driving Spacer		C	1	
4	56UA44260	Shaft Support Plate		D	1	
5	56UA44301F	CLEANER SUPPORT PLATE /FRONT		D	1	
6	56UA-4640	PAPER CLEANING BOARD		D	1	
7	A00J617800	Ball Bearing		A	3	
8	A4EUR70N00	Cleaning Cause Assy		B	1	
9	A4EUR71600	Cleaner Drive Assy		B	1	
10	A4EUR73000	Toner Guide Brush		A	1	
11	A9JTR71H00	Vertical Conveyance Unit		S	1	

Vertical Conveyance Unit

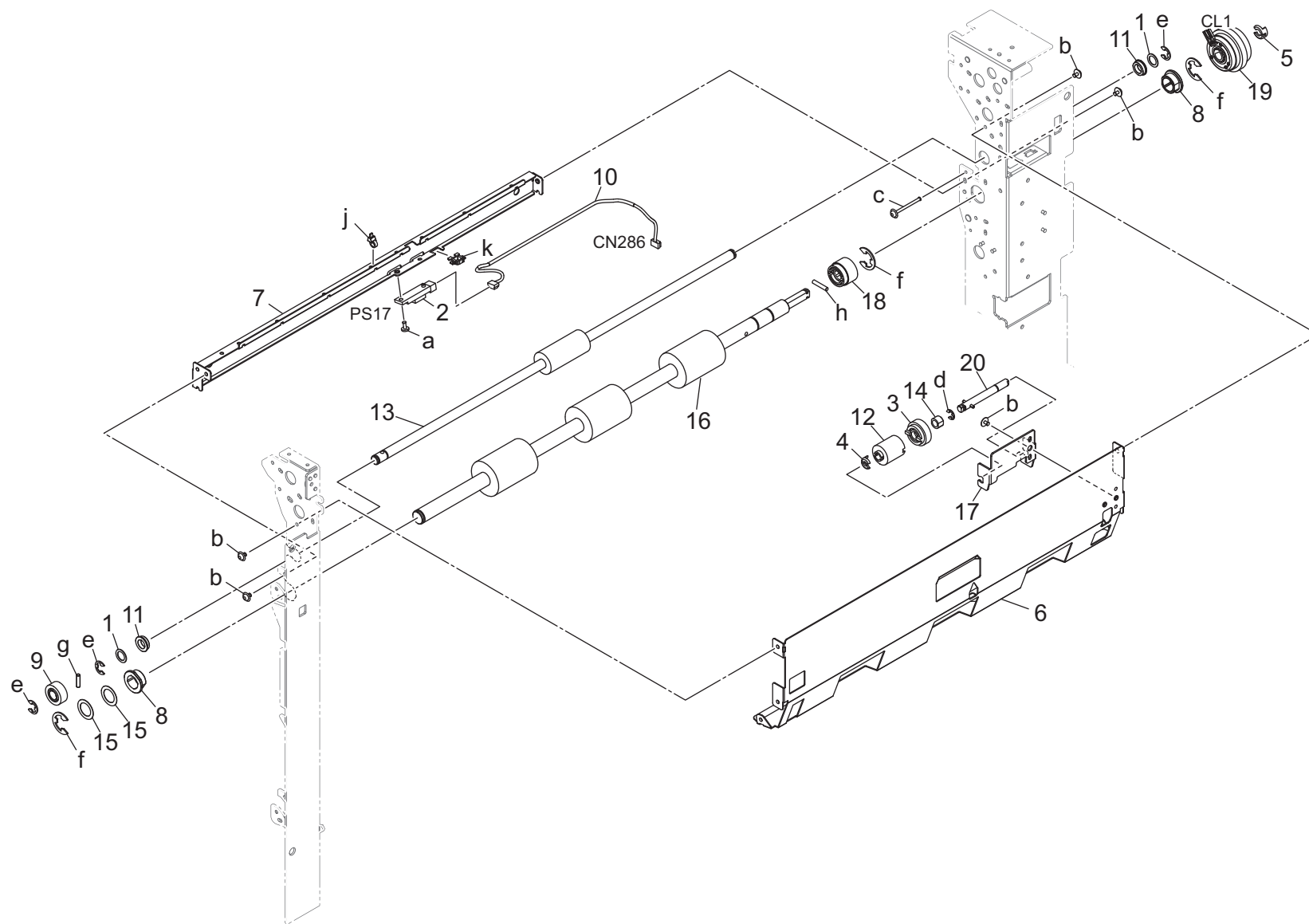
P 65



Key	Part No.	Description	Destinations	Class	QTY	Standard parts
1	12QV40650	Spacer		B	4	a-V118030603
2	13QA85511	Sensor /1		B	1	b-V121030403
3	392010231	STOPPER PIN		C	1	c-V121040403
4	55VA44120	Hinge Support Plate /Lower		D	1	d-V138030603
5	55VA46451	REGISTRATION FEEDING SPRING		B	2	e-V138040603
6	55VA79210	Cleaner Driving Gear /B 18T		B	1	f-V217040003
7	56UA44070	PFU Guide Plate /Lower		D	1	g-V217060003
8	56UA44080	Side Guide Plate /Upper		D	1	h-V234301450
9	A4EU701600	Idler Shaft /L		D	1	j-V234301650
10	A4EU701500	Scraper Shaft		B	1	k-V500020077
11	56UA44250	HINGE SUPPORT PLATE UPPER		D	1	m-V500020098
12	56UA44410E	EXIT GUIDE PLATE /LOWER		D	1	n-V500020100
13	56UA44500	Conveyance Idler Roller		C	3	p-V501010010
14	56UA44660	Registration Pressing Spring		C	2	q-V570010013
15	56UA44680	Idler Bushing		C	2	r-V570010050
16	56UA77070F	Paper Exit Input Gear 25T		B	1	s-V570010063
17	56UA77160	Paper Feed Cleaning Gear/B 26T		B	1	t-V651010001
18	56UA77170E	Conveyance Drive Gear/A 24T		B	1	
19	A4EU701900	Idling Gear /A 50T		C	1	
20	A4EU702000	Idling Gear /B 25T		C	1	
21	A00J617800	Ball Bearing		A	2	
22	A00J617900	Ball Bearing		B	4	
23	A4EU700600	Guide Plate /Upper		D	1	
24	A4EU700900	Guide Plate /Upper		D	1	
25	A4EU701200	Conveyance Roller /Upper		B	1	
26	A4EU704200	Support Plate /Rear		D	1	
27	A4EU704300	Support Plate /Front		D	1	
28	A4EU823100	Positioning Roll		D	1	
29	A4EUN25200	Conveyance Relay harness /3		D	1	
30	A4EUR73100	Door Stopper Caulking		D	2	
31	A9JT704400	Guide Shaft /M		D	1	

Vertical Conveyance Unit

P 66

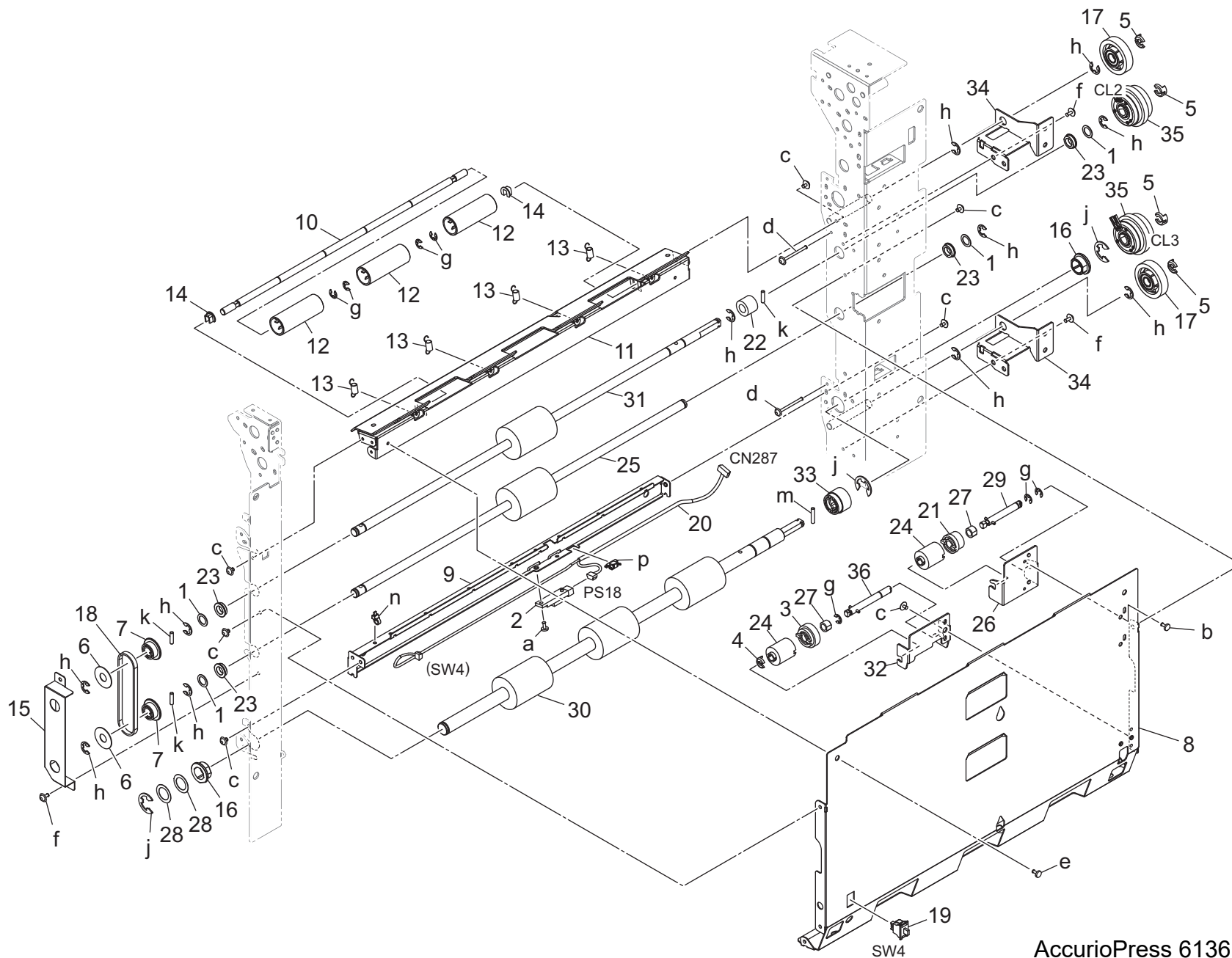


Vertical Conveyance Unit

Key	Part No.	Description	Destinations	Class	QTY	Standard parts
1	12QV40650	Spacer		B	2	a-V118030603 b-V121030403 c-V121033003 d-V217040003 e-V217060003 f-V217100050 g-V234301250 h-V234301650 j-V501010002 k-V570010050
2	13QA85511	Sensor /1		B	1	
3	15BY700400	Brake Gear /2 25T		C	1	
4	396040681	STOPPER RING		B	1	
5	55VA42120	Shaft Stopper		C	1	
6	56UA44050E	PAPER FEED CONVEYANCE PLATE UPPER		D	1	
7	56UA44100	ENTRANCE GUIDE STAY		D	1	
8	56UA76030	Registration Bushing /B		B	2	
9	56UA77180E	Conveyance Drive Gear/B 20T		B	1	
10	56UA90830	CONVEYANCE RELAY WIRING 1		D	1	
11	A00J617900	Ball Bearing		B	2	
12	A03U815700	Torque Limiter		B	1	
13	A4EU701300	Conveyance Roller /Middle		B	1	
14	A4EU715500	Bushing /No.1		D	1	
15	A4EU849300	Spacer /12		D	2	
16	A9JT700100	Pre-Registration Roller /1		B	1	
17	A9JT700700	Brake Holder /P		D	1	
18	A9JT700800	Brake Gear /P 24T		B	1	
19	A9JTM20000	Pre-registration Clutch/1		B	1	
20	A9JTR71U00	Brake Shaft /Pin Assy		D	1	

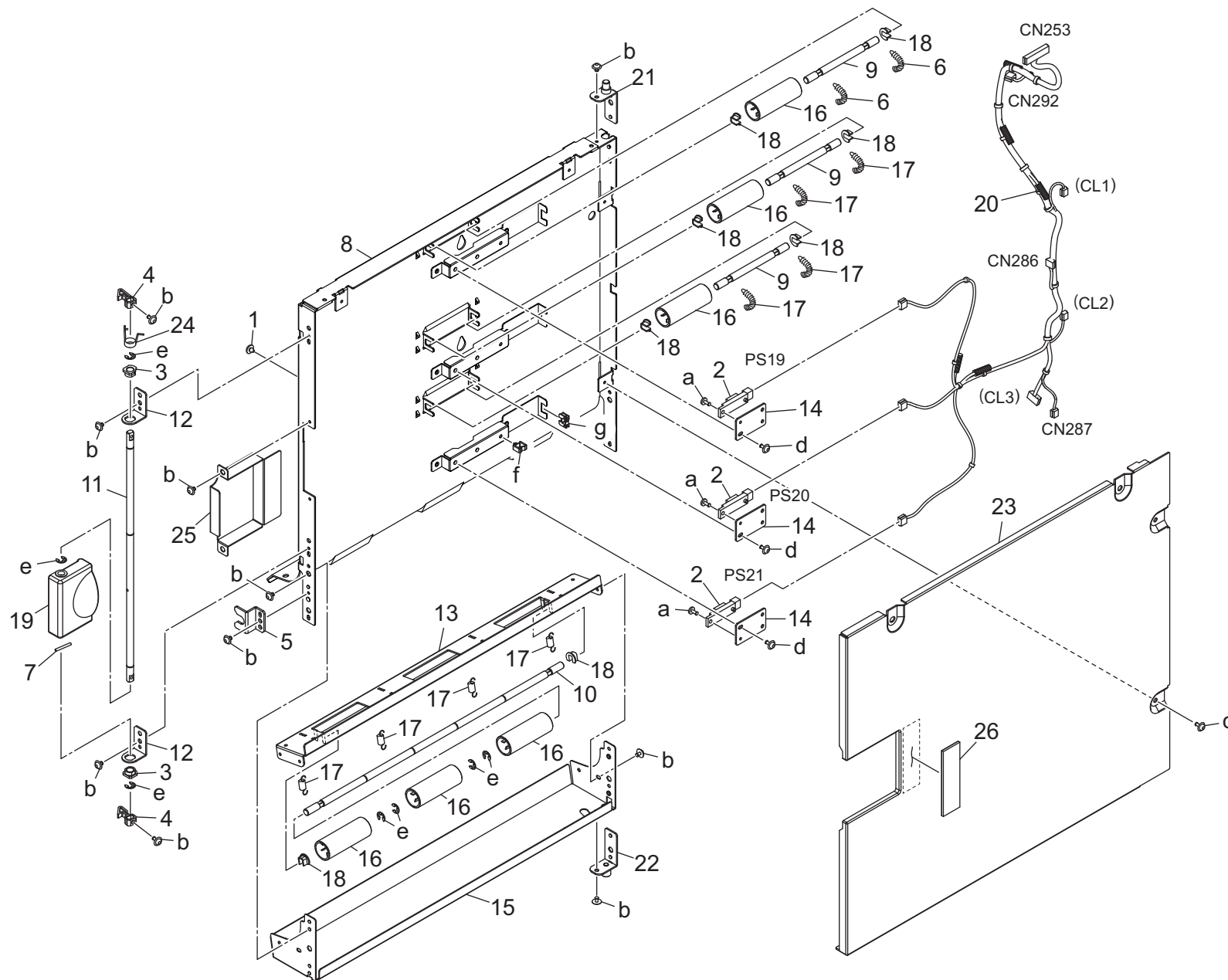
Vertical Conveyance Unit

P 67



Key	Part No.	Description	Destinations	Class	QTY	Standard parts
1	12QV40650	Spacer		B	4	a-V118030603
2	13QA85511	Sensor /1		B	1	b-V118030604
3	15BY700400	Brake Gear /2 25T		C	1	c-V121030403
4	396040681	STOPPER RING		B	1	d-V121033003
5	55VA42120	Shaft Stopper		C	4	e-V133030603
6	55VA47850	Belt Holding Part /2		D	2	f-V138030603
7	55VA76530E	ADU Conveyance Pulley /3 19T		B	2	g-V217040003
8	56UA44040F	Paper feed Conveyance Plate /Lower		D	1	h-V217060003
9	56UA44100	ENTRANCE GUIDE STAY		D	1	j-V217100050
10	A4EU701600	Idler Shaft /L		D	1	k-V234301250
11	56UA44310	ROLLER MOUNTING PLATE UPPER		D	1	m-V234301650
12	56UA44500	Conveyance Idler Roller		C	3	n-V501010002
13	56UA44660	Registration Pressing Spring		C	4	p-V570010050
14	56UA44680	Idler Bushing		C	2	
15	56UA44700	PULLEY COVER		D	1	
16	56UA76030	Registration Bushing /B		B	2	
17	A4EU702300	Drive Gear /F 32T		C	2	
18	56UA78090	CONVEYANCE BELT/A 192L		B	1	
19	56UA85010	Switch		C	1	
20	56UA90840	CONVEYANCE RELAY WIRING 2		D	1	
21	57GA79430	Torque Gear /1 18T		C	1	
22	57GA79440	TORQUE GEAR/2 17T		C	1	
23	A00J617900	Ball Bearing		B	4	
24	A03U815700	Torque Limiter		B	2	
25	A0G6700300	Conveyance Roller /A		B	1	
26	A0G6700700	Brake Plate		D	1	
27	A4EU715500	Bushing /No.1		D	2	
28	A4EU849300	Spacer /12		D	2	
29	A4EUR72Y00	Brake Shaft		D	1	
30	A9JT700100	Pre-Registration Roller /1		B	1	
31	A9JT700200	Vertical Conveyance Roller		B	1	
32	A9JT700700	Brake Holder /P		D	1	
33	A9JT700800	Brake Gear /P 24T		B	1	
34	A9JT703700	Reinforce Plate		D	2	
35	A9JTM20000	Pre-registration Clutch/1		B	2	
36	A9JTR71U00	Brake Shaft /Pin Assy		D	1	

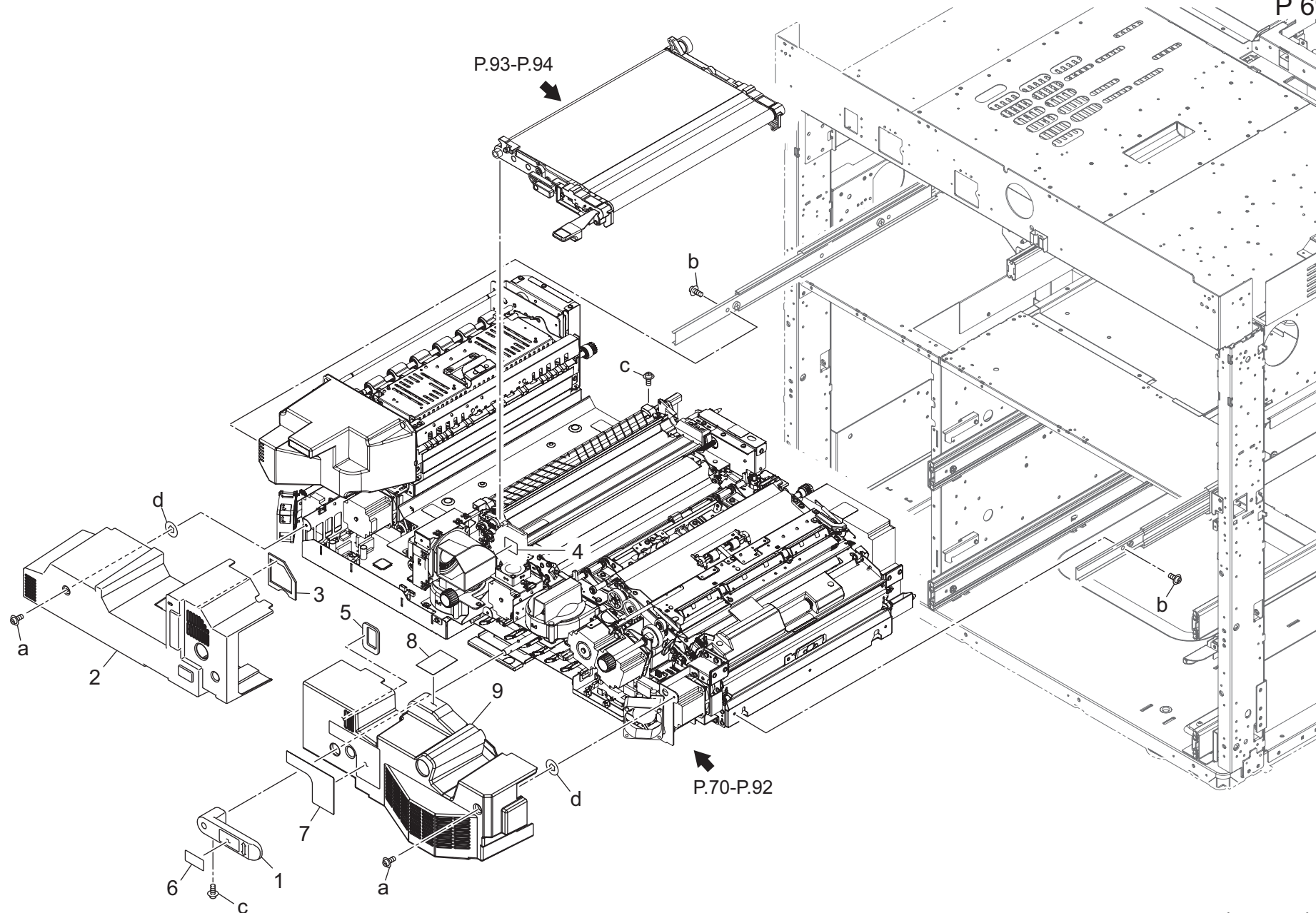
Vertical Conveyance Unit



Key	Part No.	Description	Destinations	Class	QTY	Standard parts
1	12AJ45850	Stopper Rubber	ストッパーゴム	C	1	a-V118030603 b-V121030603 c-V127030604 d-V138030603 e-V217040003 f-V500010024 g-V570010050
2	13QA85511	Sensor /1	センサ /1	B	3	
3	466076020	Paper Feed Feeding Bearing	給紙送り出し軸受	B	2	
4	55VA44150	Door Lock Claw	ドアロック爪	C	2	
5	55VA44171G	DOOR POSITIONING PLATE	ドア位置決め板	D	1	
6	55VA46451	REGISTRATION FEEDING SPRING	レジスト 送り出しバネ	B	2	
7	56AA17300	PIN	ピン	C	1	
8	56UA44030	PAPER FEED CONVEYANCE DOOR	給紙搬送扉	D	1	
9	56UA44150	Conveyance Idler Shaft /S	搬送従動軸 /S	D	3	
10	A4EU701600	Idler Shaft /L	従動軸 /L	D	1	
11	A4EU702700	Lock Shaft	ロック軸	D	1	
12	56UA44280	Shaft Holder Support Plate	軸受支持板	D	2	
13	56UA44320	Roller Mounting Plate /Lower	ローラ取付け板 /下	D	1	
14	56UA44330	Mounting Plate	センサ取付け板	D	3	
15	56UA44340	DOOR BOTTOM PLATE	ドア 底板	D	1	
16	56UA44500	Conveyance Idler Roller	搬送従動ローラ	C	6	
17	56UA44660	Registration Pressing Spring	レジスト 押圧バネ	C	8	
18	56UA44680	Idler Bushing	従動軸受	C	8	
19	56UA44740E	Door Open/Close Lever	ドア開閉レバー	C	1	
20	56UA90250E	Conveyance Wiring	搬送束線	D	1	
21	56UAR7A100	HINGE UPPER	ヒンジ上カシメ	D	1	
22	56UAR7A200	HINGE LOWER	ヒンジ下カシメ	D	1	
23	A4EU164000	Open/close Cover	開閉カバー (搬送)	D	1	
24	A4EU703800	Lock Spring /Upper	ロックばね /上	D	1	
25	A4EU705400	Conveyance Cover	搬送蓋	C	1	
26	A4EU705700	Vibrationproof Seal /2	防振シール /2	D	1	

ADU

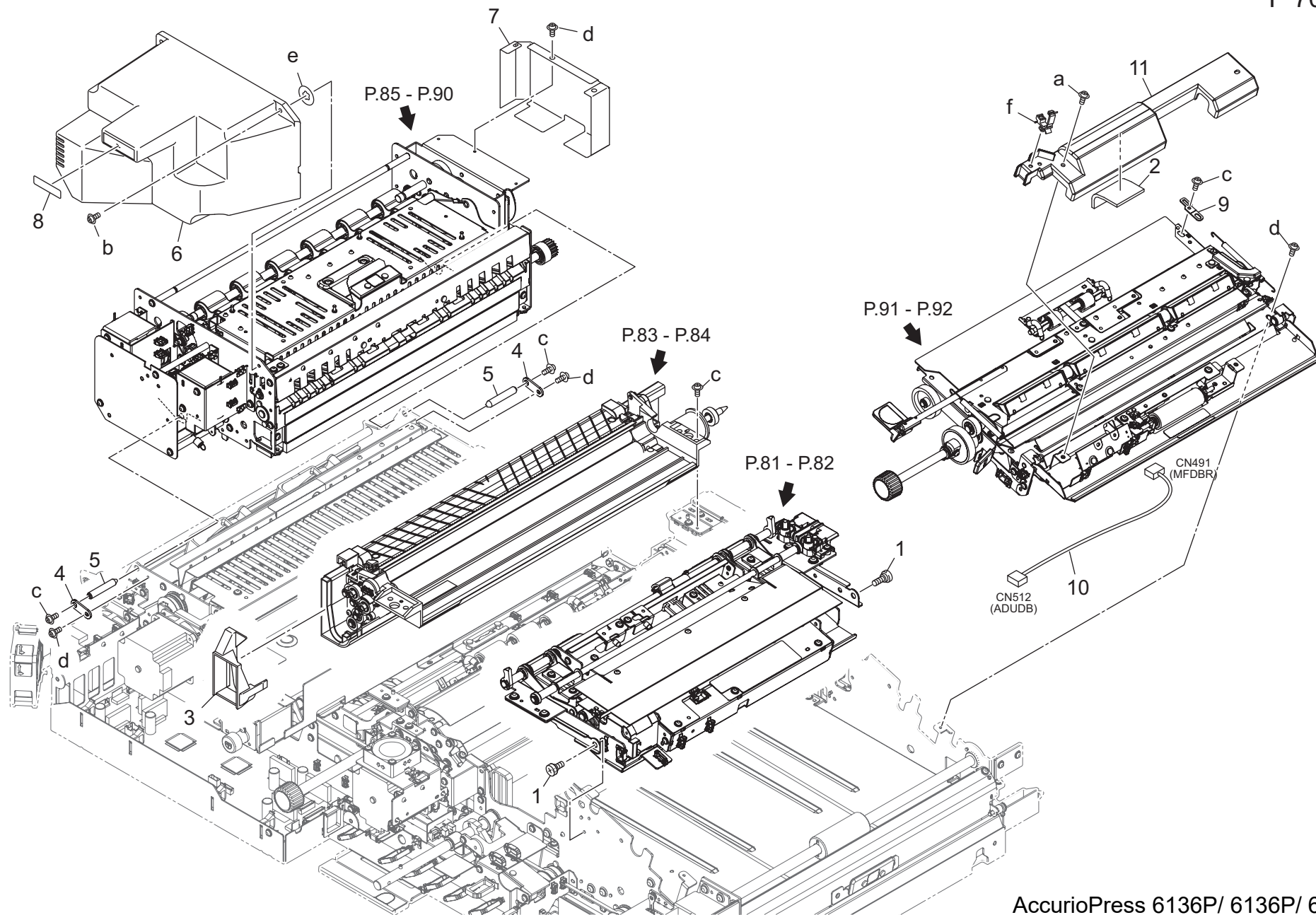
P 69



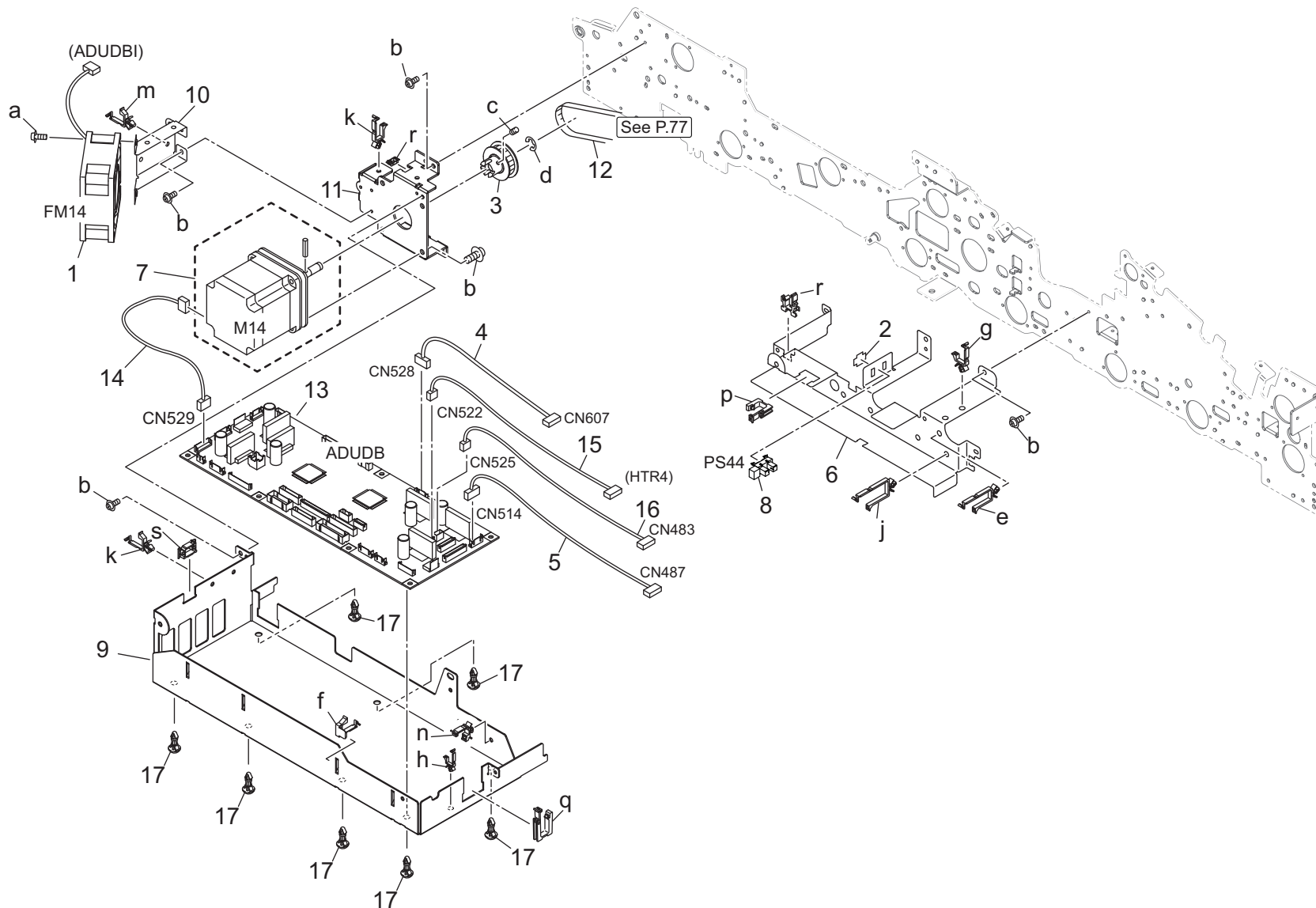
AccurioPress 6136P/ 6136P/ 6272P

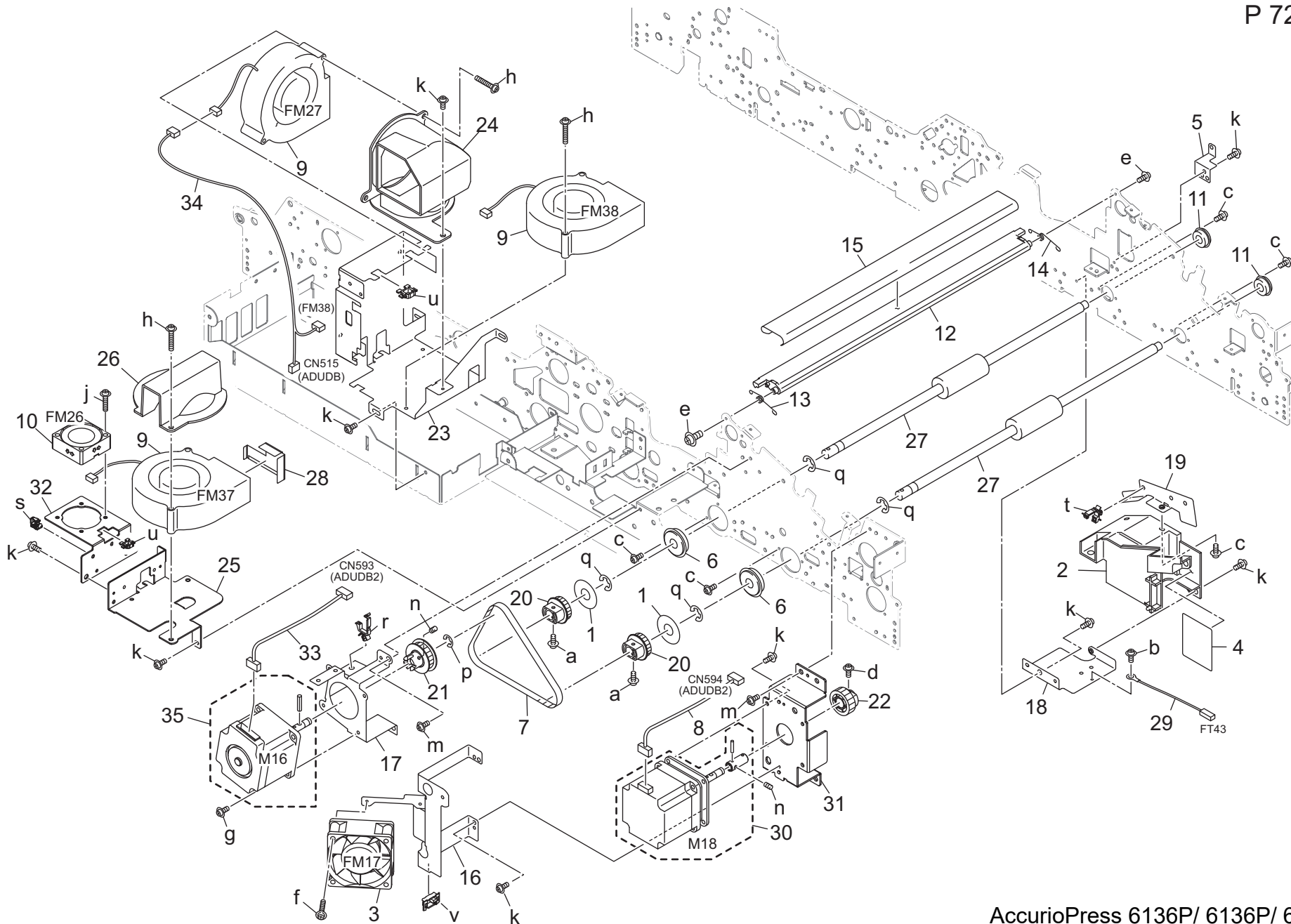
ADU

P 70

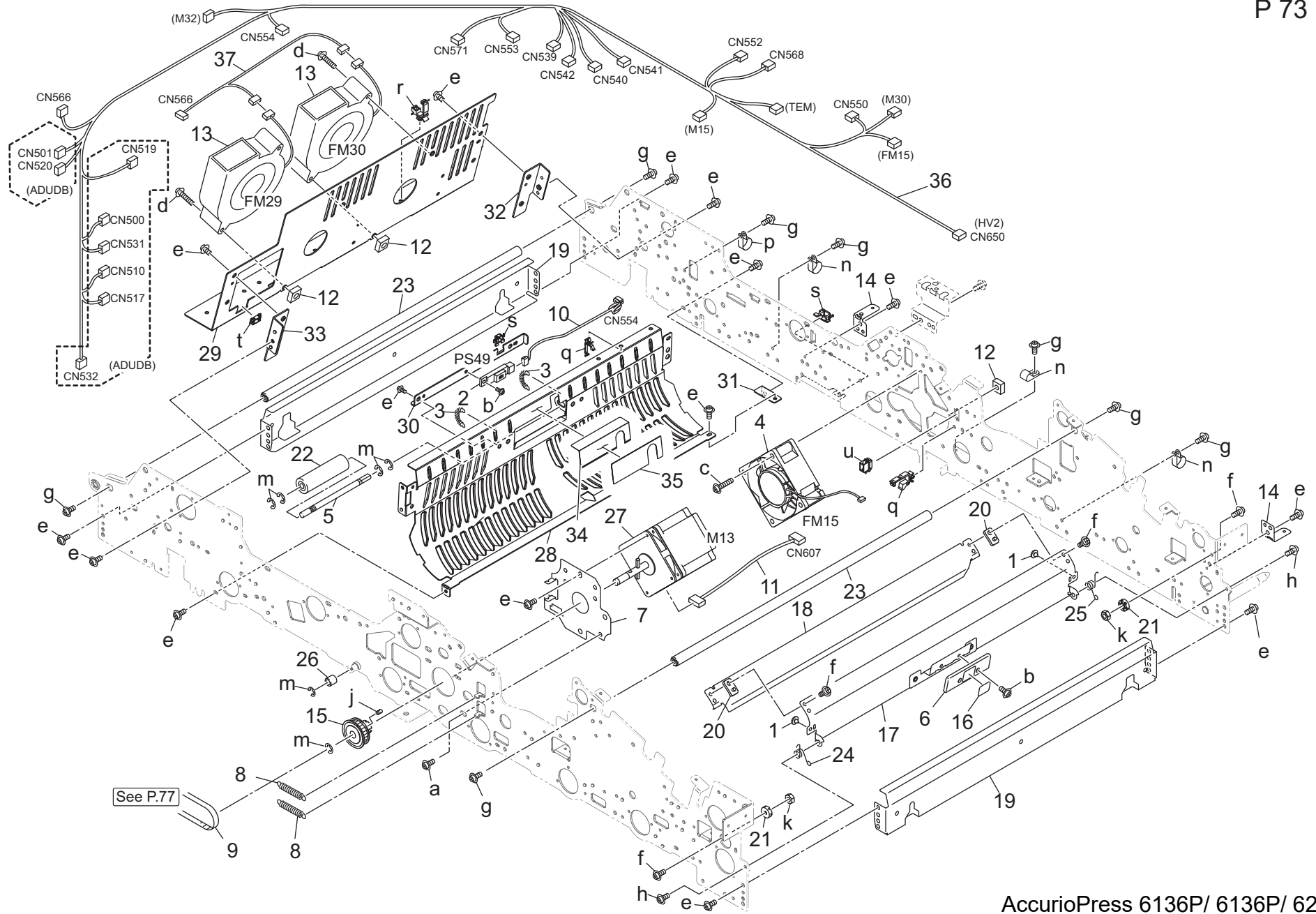


Key	Part No.	Description	Destinations	Class	QTY	Standard parts
1	392014041	PLATEN COVER MOUNT SCREW		C	2	a-V114040604
2	56UA46430D	Multi-Feed Cover Seal		D	1	b-V114041004
3	A0G6514200	Cooling Duct /Middle		D	1	c-V116030603
4	A0G6816400	Support Plate		D	2	d-V127030604
5	A0G6816500	Support Shaft		D	2	e-V211040080
6	A0G6830201	Reverse/Exit Cover		C	1	f-V500020100
7	A0G6848400	Cover /M		D	1	
8	A0G6945800	Label /8		C	1	
9	A4EU715000	Positioning Spacer /R		D	1	
10	A4EUN19800	Paperfeed Detection harness		D	1	
11	A9JT716100	Registration Cover /Upper		D	1	

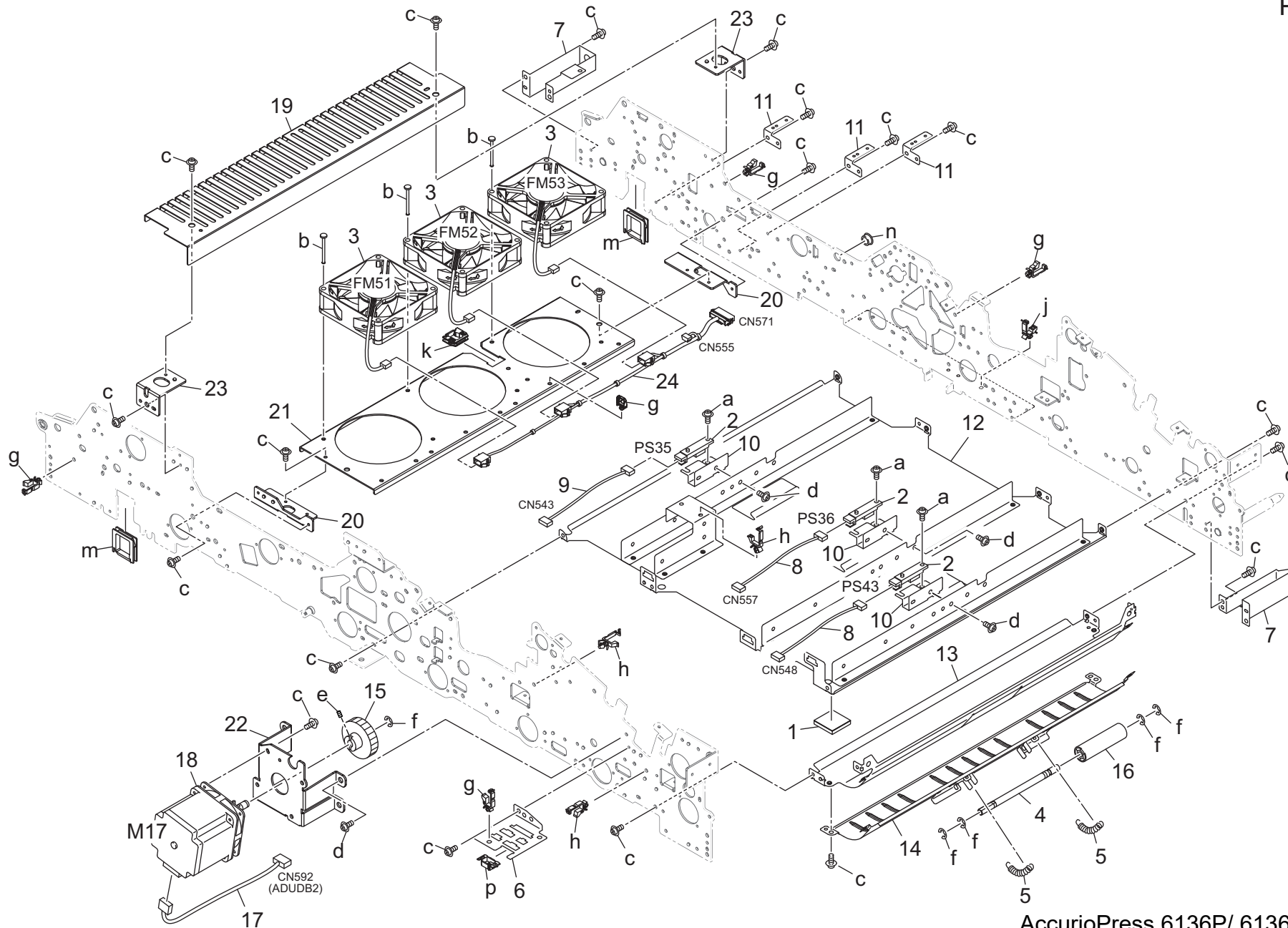




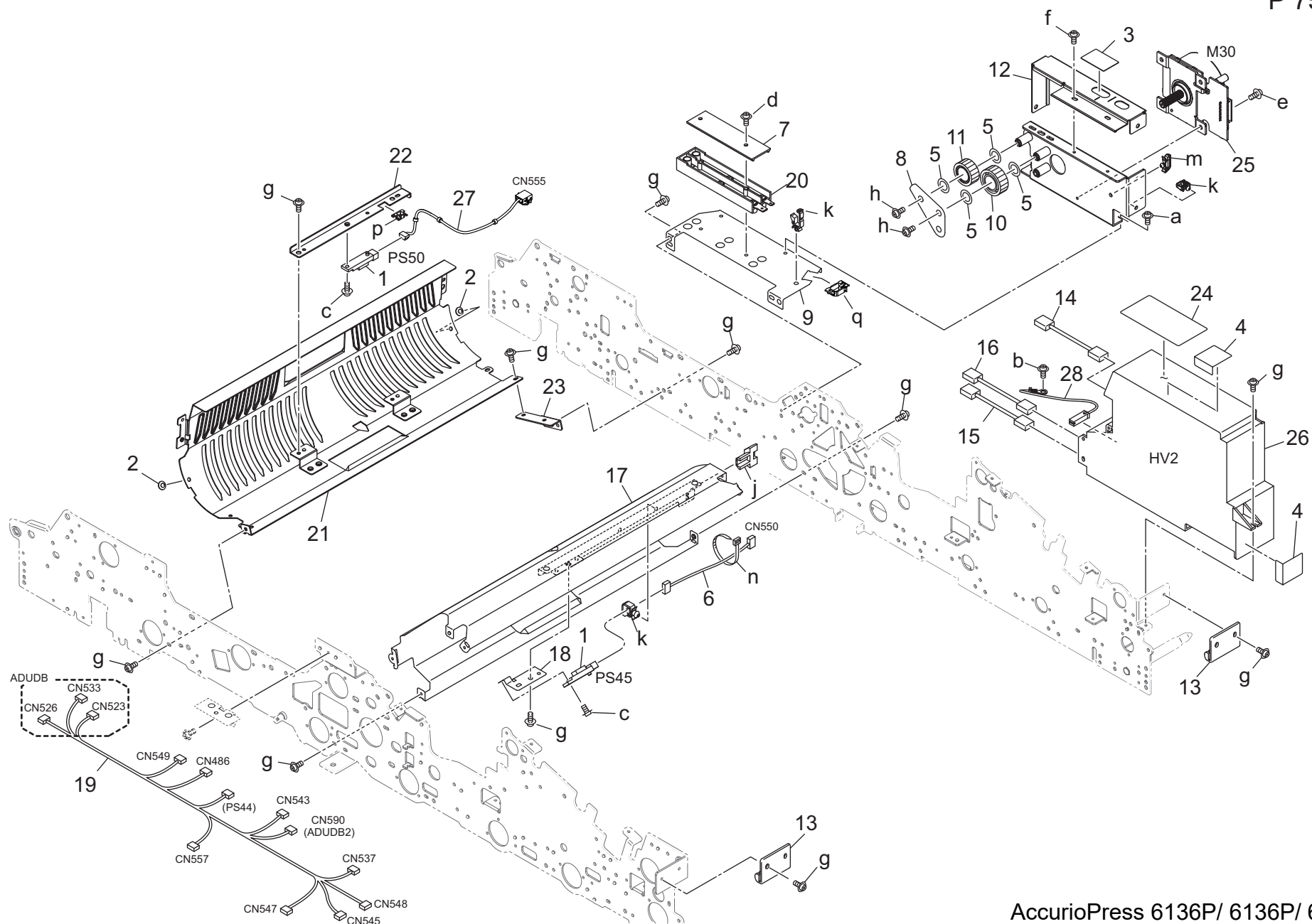
Key	Part No.	Description	Destinations	Class	QTY	Standard parts
1	55VA47830	Belt Hold Part		B	2	a-V116030603
2	55VA49050E	Wiring Protection Cover		D	1	b-V116040603
3	56QA80570	Internal Cooling Fan		C	1	c-V118030403
4	56UA45910	Wiring Protection Sheet		C	1	d-V118030603
5	56UA46740	Wiring Protection Plate		D	1	e-V118030803
6	56UA75050	ADU Roller Bearing		C	2	f-V118033003
7	56UA78080	ADU DRIVE BELT/C 318L		B	1	g-V118040803
8	56UA90700	REGISTRATION DRIVE WIRING 2		D	1	h-V118043503
9	9313100072	FAN MOTOR		C	3	j-V121031803
10	A00JM14100	Fan motor		C	1	k-V127030604
11	A00V240600	Ball Bearing		B	2	m-V127040603
12	A0G6504000	Entrance Plate		C	1	n-V193030404
13	A0G6504100	Rotation Spring /Front		C	1	p-V217040003
14	A0G6504200	Rotation Spring /Rear		C	1	q-V217080003
15	A0G6504300	Suction Sheet		C	1	r-V500010082
16	A0G6812400	Cooling Plate /Right		D	1	s-V500020098
17	A0G6813700	Mounting Plate /4		D	1	t-V500020100
18	A0G6814000	Mounting Plate /D		D	1	u-V570010050
19	A0G6816900	Wiring Plate /Rear		D	1	v-V570010063
20	A0G6818200	Conveyance Pulley		B	2	
21	A0G6818300	Drive Pulley		C	1	
22	A0G6818800	Drive Gear /L 23T		C	1	
23	A0G6835100	Cooling Plate /W		D	1	
24	A0G6835200	Duct /W		D	1	
25	A0G6836102	Cooling Plate /S		D	1	
26	A0G6836200	Duct /S		D	1	
27	A4EU817700	Conveyance Roller /7		B	2	
28	A4EU835600	Cover Film /S		D	1	
29	A4EUN19700	Grounding Wire /T		D	1	
30	A4EUR73X00	Motor /2 Pin Assy		B	1	
31	A9JT813700	Mounting Plate /D		D	1	
32	A9JT815100	Mounting Plate /5		D	1	
33	A9JTN16900	ADU Drive Harness /R		D	1	
34	A9JTN21500	ADU Drive Harness /9		D	1	
35	A9JTR71700	ADU Belt/2_Mtr/2		B	1	



Key	Part No.	Description	Destinations	Class	QTY	Standard parts
1	12AJ45850	Stopper Rubber	ストッパーゴム	C	2	a-V116040803
2	13QA85511	Sensor /1	センサ /1	B	1	b-V118030403
3	25AA44180	CONVEYANCE PRESSURE SPRING	搬送圧着バネ	C	2	c-V118033003
4	27LA80511	Main Body Fan Motor	本体 ファンモータ	A	1	d-V118043503
5	55VA47450	ADU DRIVEN SHAFT /S	ADU 従動軸 /S	D	1	e-V127030604
6	56UA46140	TRANSFER FEEDING HANDLE	転写送り出し把手	C	1	f-V127030803
7	56UA47350	Motor Mounting Plate /2	モータ取り付け板 /2	D	1	g-V127040603
8	56UA47390	Motor Slide Spring	モータスライドバネ	C	2	h-V146041804
9	56UA78060	ADU CONVEYANCE BELT/2 417L	ADU 搬送ベルト /2 417 L	B	1	j-V193030404
10	56UA90650	RELAY WIRING	センサ中継束線	D	1	k-V195030003
11	56UA90710	ADU DRIVE WIRING 3	ADU 駆動束線 3	D	1	m-V217040003
12	57GA61560	SCREW PROTECTION CUSHION/1	ネジ保護クッション /1	C	3	n-V500020005
13	9313100072	FAN MOTOR	ファンモータ	C	2	p-V500020007
14	A0G6812800	Mounting Plate /H	取付板 /H	D	2	q-V500020098
15	A0G6818300	Drive Pulley	駆動プーリ	C	1	r-V500020100
16	A0G6946200	Label /12	ラベル /12 (JAMラベル /12)	C	1	s-V570010050
17	A4EU810300	Open/close Guide Outside	開閉ガイド /外	D	1	t-V570010063
18	A4EU810400	Open/close Guide /Inside	開閉ガイド /内	D	1	u-V651010002
19	A4EU813000	Fixing Stay /A	固定ステー /A	D	2	
20	A4EU814800	Guide Spacer /8	ガイドスペーサ /8	D	2	
21	A4EU814900	Guide Stopper /8	ガイドストッパ /8	D	2	
22	A4EU818000	Idler Rubber /U	従動ゴム /U	B	1	
23	A4EU820400	Lifting Stay /A	持ち上げステー /A	D	2	
24	A4EU821100	Open/close Spring /Front	開閉ばね /前	D	1	
25	A4EU821200	Open/close Spring /Rear	開閉ばね /奥	D	1	
26	A4EU823100	Positioning Roll	位置決めころ	D	1	
27	A4EUR73Q00	Motor /1 Pin Assy	モータ部組 /1ピン打ち	B	1	
28	A9JT810400	Fixing Plate /1	固定板 /1	D	1	
29	A9JT812100	Cooling Stay	冷却ステー	D	1	
30	A9JT814100	Sensor Plate /2	センサ板 /2	D	1	
31	A9JT814300	Mounting Plate /3	取付板 /3	D	1	
32	A9JT814800	Mounting Plate /1	取付板 /1	D	1	
33	A9JT815200	Mounting Plate /2	取付板 /2	D	1	
34	A9JT815300	Hold Plate /Upper	保持板 /上	D	1	
35	A9JT815600	Guide Sheet /Upper	ガイドシート /上	D	1	
36	A9JTN16000	ADU Control Harness	ADU 制御束線	D	1	
37	A9JTN16500	ADU Drive Harness /2	ADU 駆動束線 /2	D	1	

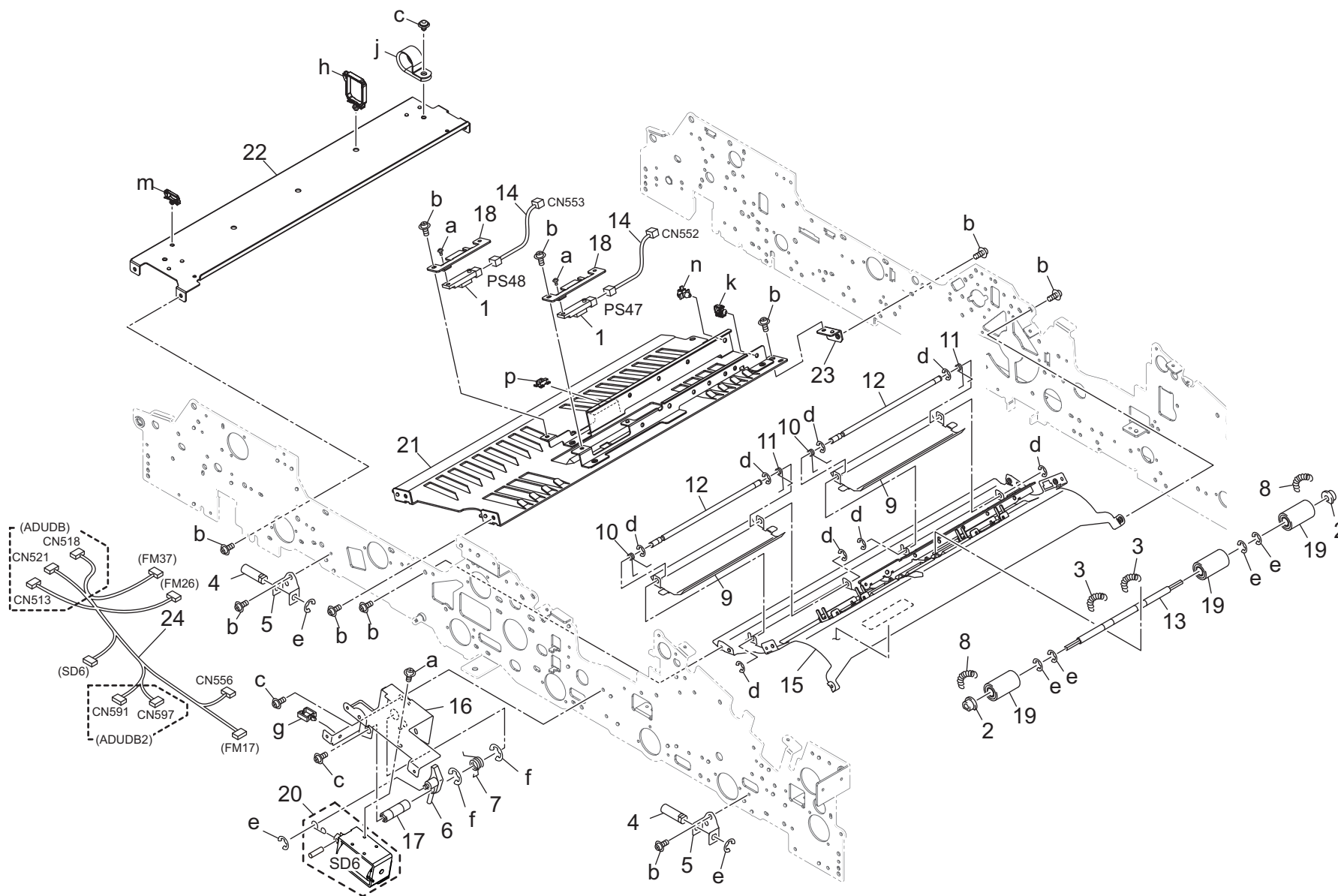


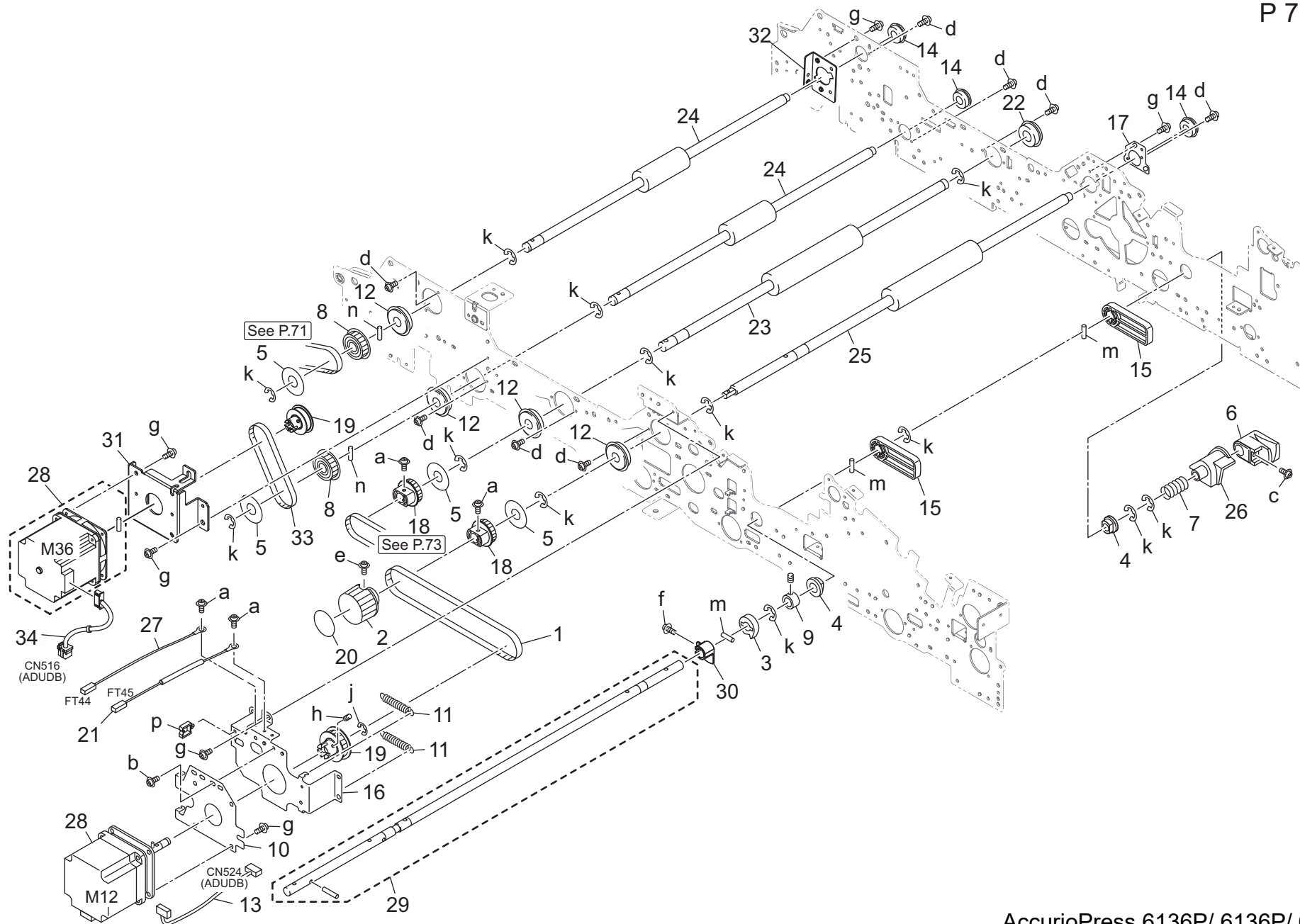
Key	Part No.	Description	Destinations	Class	QTY	Standard parts
1	12ER40350	Sticking Part		C	1	a-V118030403
2	13QA85511	Sensor /1	貼り部材 センサ /1	B	3	b-V118033003
3	4139M10001	Fan motor	ファンモータ	B	3	c-V127030604
4	55VA47450	ADU DRIVEN SHAFT /S	ADU 従動軸 /S	D	1	d-V127040603
5	56UA46480	REGIST PRESSING SPRING	レジスト 押圧バネ	C	2	e-V193030404
6	56UA46631F	Wiring Connecting Plate	束線連結板	D	1	f-V217040003
7	56UA46770E	ADU Positioning Plate /Rear	ADU 位置決め板 /奥	D	2	g-V500020098
8	56UA90650	RELAY WIRING	センサ中継束線	D	2	h-V500020099
9	56UA90880	RELAY WIRING 3	センサ中継束線 3	D	1	j-V500020100
10	A0G6811700	Plate	センサ板	D	3	k-V570010026
11	A0G6812900	Mounting Plate /A	取付板 /A	D	3	m-V570010028
12	A4EU812200	Conveyance Plate /A	搬送板 /A	D	1	n-V570010055
13	A4EU812501	Fixing Plate /8	固定板 /8	D	1	p-V570010063
14	A4EU813400	Fixing Plate /9	固定板 /9	D	1	
15	A4EU814600	Registration Gear /A 35T	レジストギア /A 35T	B	1	
16	A4EU818000	Idler Rubber /U	従動ゴム /U	B	1	
17	A4EUN18800	ADU Relay harness /2	ADU 中継束線 /2	D	1	
18	A4EUR73Q00	Motor /1 Pin Assy	モータ部組 /1ピン打ち	B	1	
19	A9JT811600	Protection Plate /S	保護板 /S	D	1	
20	A9JT813200	Mounting Plate /3	取付板 /3	D	2	
21	A9JT813400	Mounting Plate /4	取付板 /4	D	1	
22	A9JT813800	Mounting Plate /C	取付板 /C	D	1	
23	A9JT814600	Mounting Plate /1	取付板 /1	D	2	
24	A9JTN16600	ADU Drive Harness /3	ADU 駆動束線 /3	D	1	



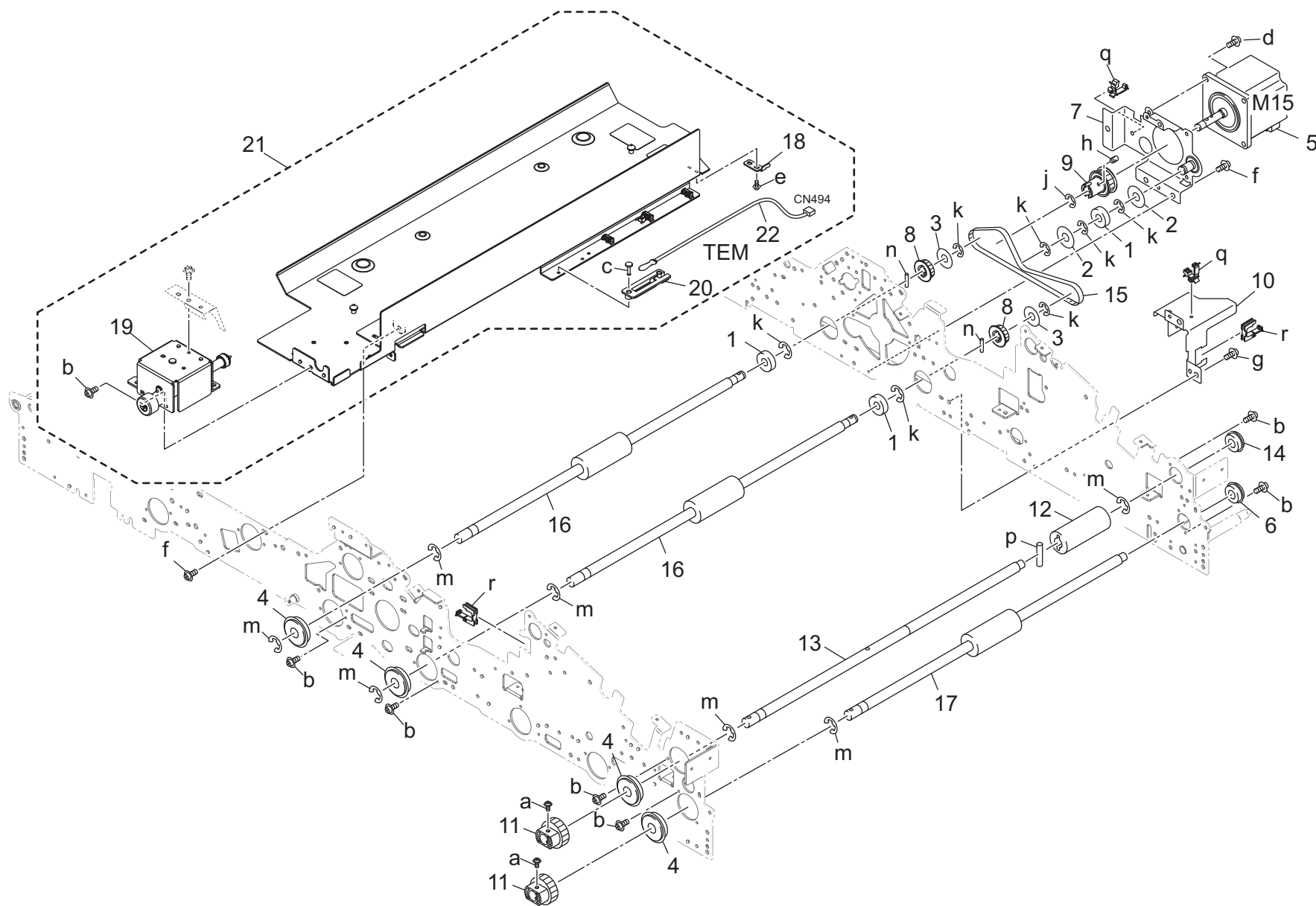
AccurioPress 6136P/ 6136P/ 6272P

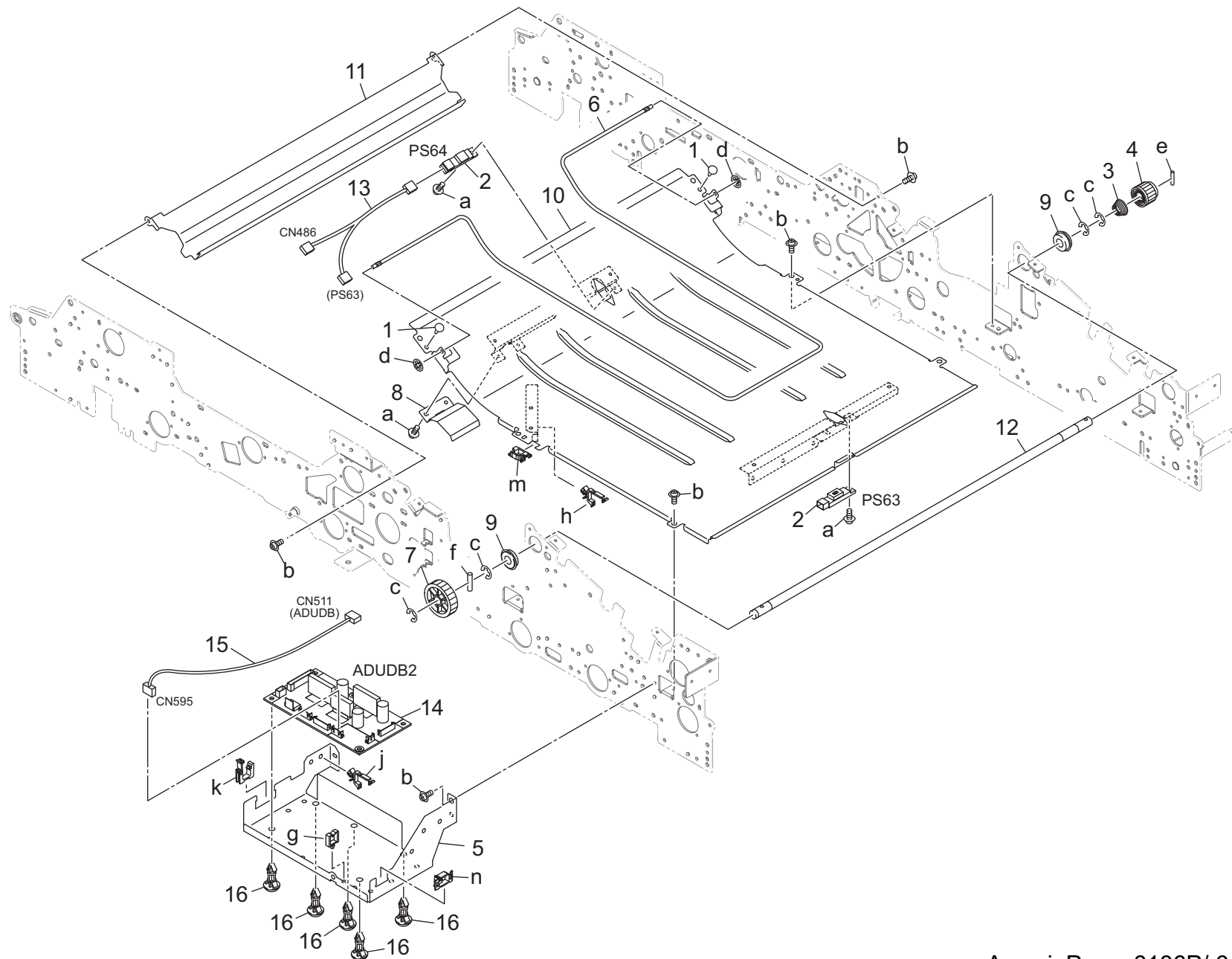
Key	Part No.	Description	Destinations	Class	QTY	Standard parts
1	13QA85511	Sensor /1		B	2	a-V116030603
2	12AJ45850	Stopper Rubber		C	2	b-V116040603
3	25SA66420	WRITE LIGHT SHIELD SHEET		C	1	c-V118030403
4	55VA49440	Power Source Cover Sheet		D	2	d-V118031603
5	56AA42690	By-Pass Spacer		C	4	e-V121030404
6	56UA90650	RELAY WIRING		D	1	f-V127030516
7	A0G6514800	Power Supply Cover /Lower		D	1	g-V127030604
8	A0G6520500	Drive Holder		D	1	h-V127040603
9	A0G6521202	Drive Base frame		D	1	j-V500020068
10	A0G6521500	Idling Gear /1 48T		C	1	k-V500020098
11	A0G6521600	Idling Gear /2 42T		C	1	m-V500020100
12	A0G6523103	Protection Cover /Rear		D	1	n-V501010002
13	A0G6812700	Lifting Handle		C	2	p-V570010050
14	A0G6N19200	HV Wire /T		D	1	q-V570010063
15	A0G6N19300	HV Wire /A		D	1	
16	A0G6N19400	HV Wire /B		D	1	
17	A4EU811000	Fixing Plate /7		D	1	
18	A4EU812000	Plate /7		D	1	
19	A4EUN16800	ADU Relay harness /6		D	1	
20	A4EUR74300	Power Block Assy		D	1	
21	A9JT810500	Fixing Plate /2		D	1	
22	A9JT814100	Sensor Plate /2		D	1	
23	A9JT814500	Mounting Plate /5		D	1	
24	A9JT942601	Caution Label /B		D	1	
25	A9JTM10300	Developing Screw Motor		B	1	
26	A9JTM40200	HV Power source /2		C	1	
27	A9JTN16700	Sensor Relay Harness /10		D	1	
28	A9JTN19600	Grounding Wire /H		D	1	





Key	Part No.	Description	Destinations	Class	QTY	Standard parts
1	13GQ77550	Drive Belt /E 195L		B	1	a-V116030603
2	14GE45470	Rotation Knob		C	1	b-V116040803
3	25AA47500	Carriage Lock Claw /B		C	1	c-V116041803
4	462076010	Driving Slide Shaft Holder A		C	2	d-V118030403
5	55VA47830	Belt Hold Part		B	4	e-V118030603
6	55VA49080	Positioning Cam		C	1	f-V121030803
7	55VA49131	Positioning Spring		B	1	g-V127030604
8	55VA76521E	ADU Conveying Pulley /2 25T		C	2	h-V193030404
9	56AA17350	SHAFT POSITIONING PART		C	1	j-V217040003
10	56UA47380E	Motor Slide Plate		D	1	k-V217080003
11	56UA47390	Motor Slide Spring		C	2	m-V234301650
12	56UA75050	ADU Roller Bearing		C	4	n-V234301850
13	56UA90700	REGISTRATION DRIVE WIRING 2		D	1	p-V500010026
14	A00V240600	Ball Bearing		B	3	
15	A0G6508600	Pressing Cam		C	2	
16	A0G6813600	Mounting Plate /3		D	1	
17	A0G6815900	Adjusting Plate		D	1	
18	A0G6818200	Conveyance Pulley		B	2	
19	A0G6818300	Drive Pulley		C	2	
20	A0G6946100	Label /11		C	1	
21	A0G6N22202	Grounding High-Volt. Resistor		D	1	
22	A4EU265000	Ball bearing		B	1	
23	A4EU817200	Conveyance Roller /2		B	1	
24	A4EU817400	Conveyance Roller /4		B	2	
25	A4EU817600	Conveyance Roller /6		B	1	
26	A4EU824100	Holding Part /A		C	1	
27	A4EUN20100	Grounding Wire /C		D	1	
28	A4EUR73Q00	Motor /1 Pin Assy		B	2	
29	A4EUR73R11	Caurrige Shaft Pin Assy		D	1	
30	A799815200	Lock Actuator		D	1	
31	A9JT813600	Mounting Plate /A		D	1	
32	A9JT814200	Mounting Plate /2		D	1	
33	A9JT819400	Accel Belt/2 180L		B	1	
34	A9JTN16200	ADU Drive Harness /7		D	1	





AccurioPress 6136P/ 6136P/ 6272P

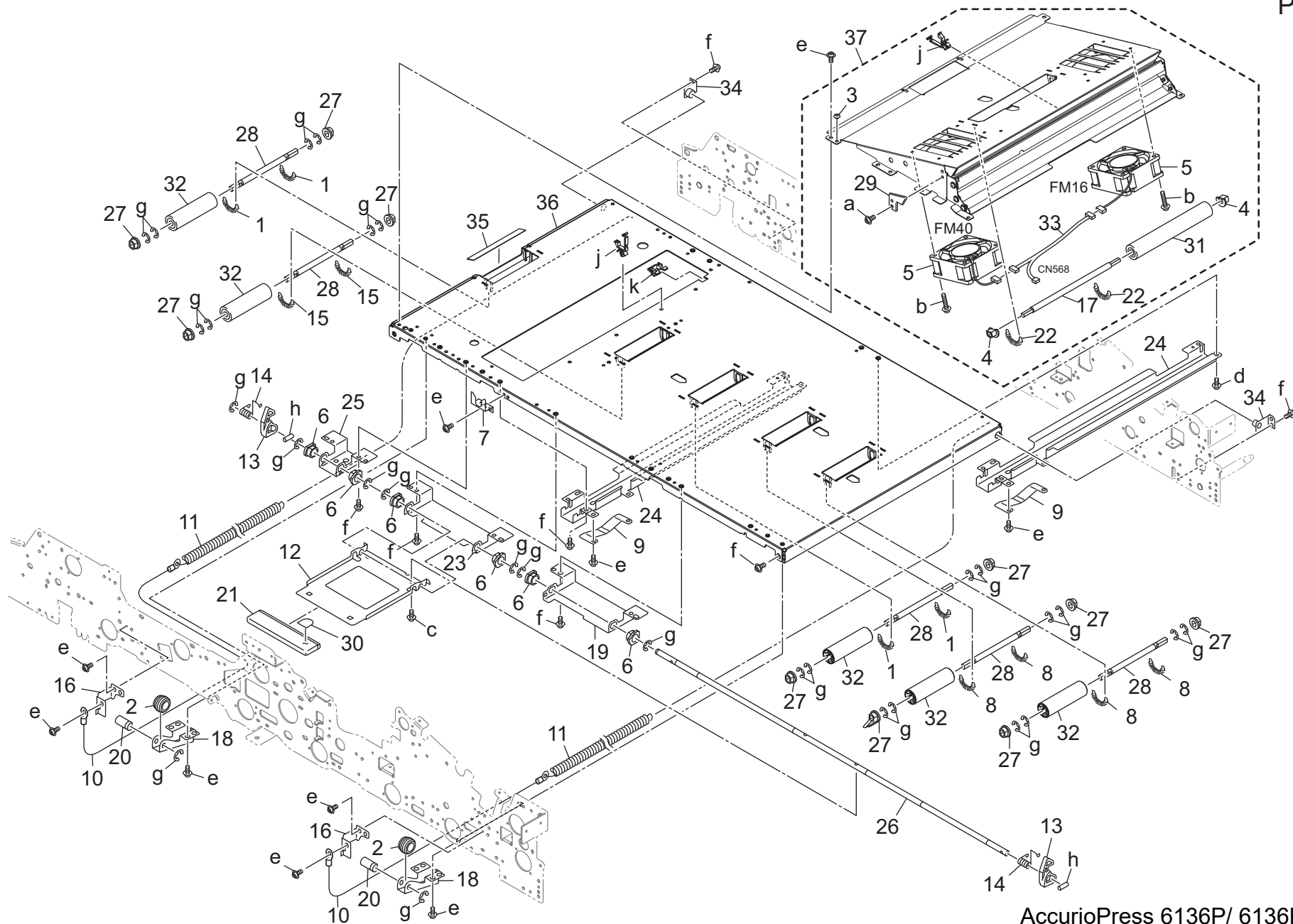
Key	Part No.	Description	Destinations	Class	QTY	Standard parts
1	12AJ45850	Stopper Rubber		C	2	a-V118030403
2	13QA85511	Sensor /1		B	2	b-V127030604
3	56AA17090	Pressing Spring		C	1	c-V217060003
4	56UA15510	Conveyance Coupling Part		B	1	d-V226030050
5	56UA46610E	Board Mounting Plate /R		D	1	e-V234301250
6	56UA47190	Paper Guide Shaft		D	1	f-V234301650
7	A0G6815600	Connecting Gear /T 31T		C	1	g-V500010031
8	A0G6818600	Holding Plate		D	1	h-V500020098
9	A1RF529300	Ball bearing		D	1	j-V500020099
10	A4EU810900	Fixing Plate /6		C	2	k-V570010027
11	A4EU811300	Open/close Plate /2		D	1	m-V570010050
12	A4EU815100	Connecting Shaft /T		D	1	n-V570010063
13	A4EUN21700	Relay harness /7		C	1	
14	A9JTH08000	ADU Drive Board/2 Assy		D	1	
15	A9JTN19900	Paperfeed Detection Harness /2		I	1	
16	V502010007	spacer		D	1	
					5	

AccurioPress 6136P/ 6136P/ 6272P



Order here
8 (495) 646-0426
www.km-shop.ru

ПЯТЫЙ ПАРТНЕР

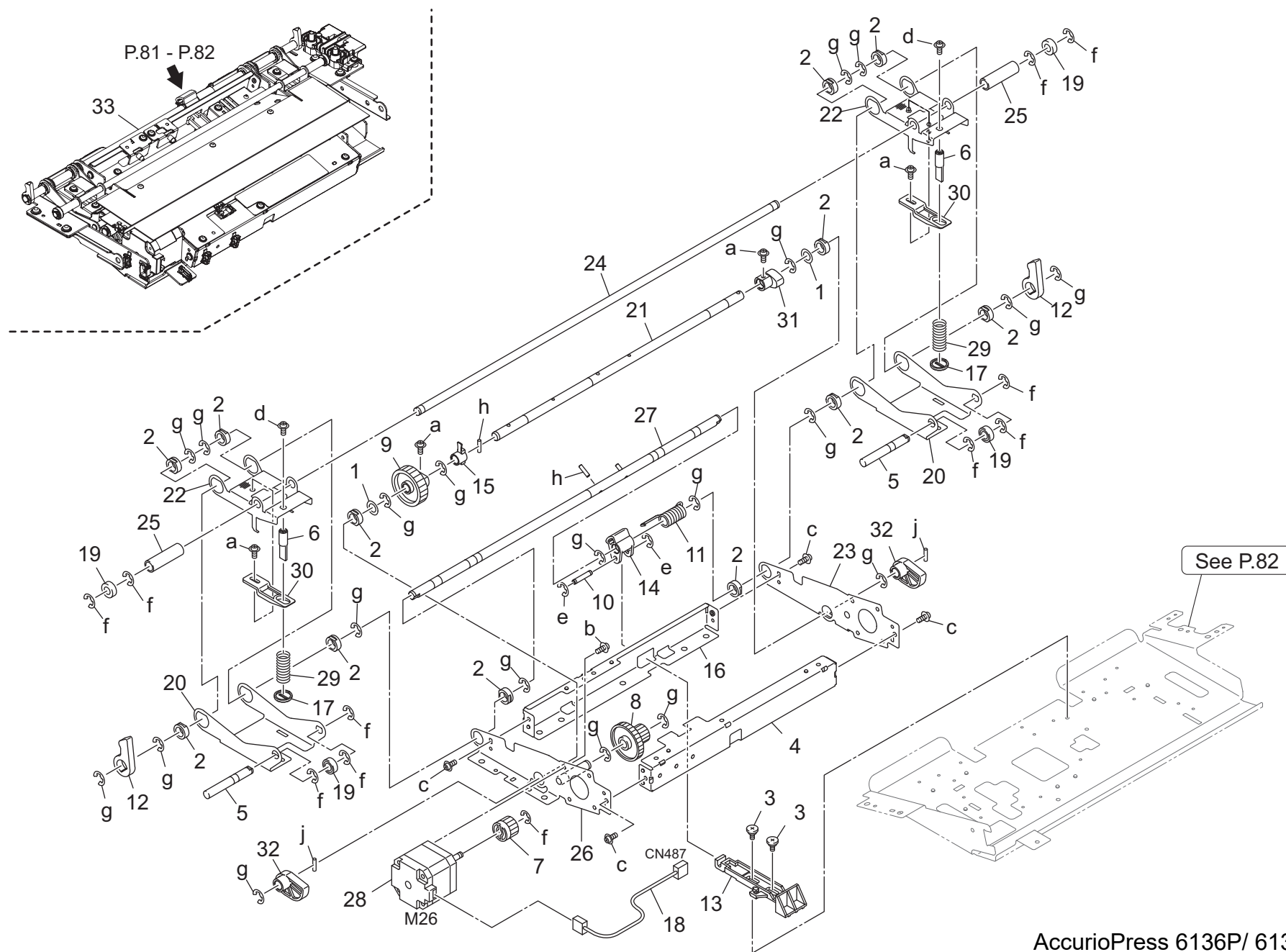


AccurioPress 6136P/ 6136P/ 6272P

Key	Part No.	Description	Destinations	Class	QTY	Standard parts
1	25AA44180	CONVEYANCE PRESSURE SPRING		C	4	a-V118030403
2	25AA50080	Wire Pulley		C	2	b-V118033003
3	12AJ45850	Stopper Rubber		C	1	c-V121030803
4	25SA43310	DRIVEN SHAFT HOLDER		B	2	d-V121040404
5	27LA80511	Main Body Fan Motor		A	2	e-V127030604
6	466076020	Paper Feed Feeding Bearing		B	6	f-V127040603
7	55VA44171G	DOOR POSITIONING PLATE		D	1	g-V217040003
8	55VA46451	REGISTRATION FEEDING SPRING		B	4	h-V234301250
9	55VA47360	BOTTOM PLATE LOCK SPRING		C	2	j-V500020099
10	55VA47371	BOTTOM PLATE LIFT UP WIRE		C	2	k-V570010050
11	55VA47390	BOTTOM PLATE LIFT UP SPRING		B	2	
12	55VA47701	Bottom Plate Open Shut Handle		D	1	
13	55VA47710	Bottom Plate Locking Claw		C	2	
14	55VA47762E	Bottom plate Open/close Spring		B	2	
15	55VA47770	ADU PRESSURE SPRING		C	2	
16	55VA47801E	Wire Mounting Plate /Left		D	2	
17	55VA47910	ADU DRIVEN SHAFT /L		D	1	
18	55VA47970	WIRE FULCRUM PLATE		D	2	
19	55VA47980	BOTTOM OPEN CLOSE PART RIGHT		D	1	
20	56AA17361	WIRE ROTARY SHAFT		C	2	
21	56UA45970	Lever Cover		C	1	
22	56UA46480	REGIST PRESSING SPRING		C	2	
23	56UA47240	Bottom Plate Open Close Part /Middle		D	1	
24	56UA47250E	Bottom plate Lifting Stay		D	2	
25	56UA47260	BOTTOM PLATE OPEN CLOSE PART LEFT		D	1	
26	56UA47270	Bottom Plate Open/Close Shaft		D	1	
27	56UA886100	Idler Bushing /2		C	10	
28	56UA886200	Idler Shaft /2		D	5	
29	A0G6817301	Conveyance Cover		D	1	
30	A0G6946000	Label /10		C	1	
31	A4EU817800	Idler Rubber /L		D	1	
32	A4EU818000	Idler Rubber /U		B	5	
33	A4EUN21600	ADU Drive harness /10		D	1	
34	A4EUR74400	Support Panel Caulking		D	2	
35	A9JT815400	Guide Sheet /Lower		D	1	
36	A9JT818000	Open/Close Plate /1		D	1	
37	A9JTR71W00	Bottom Plate Guide Plate Assy		D	1	

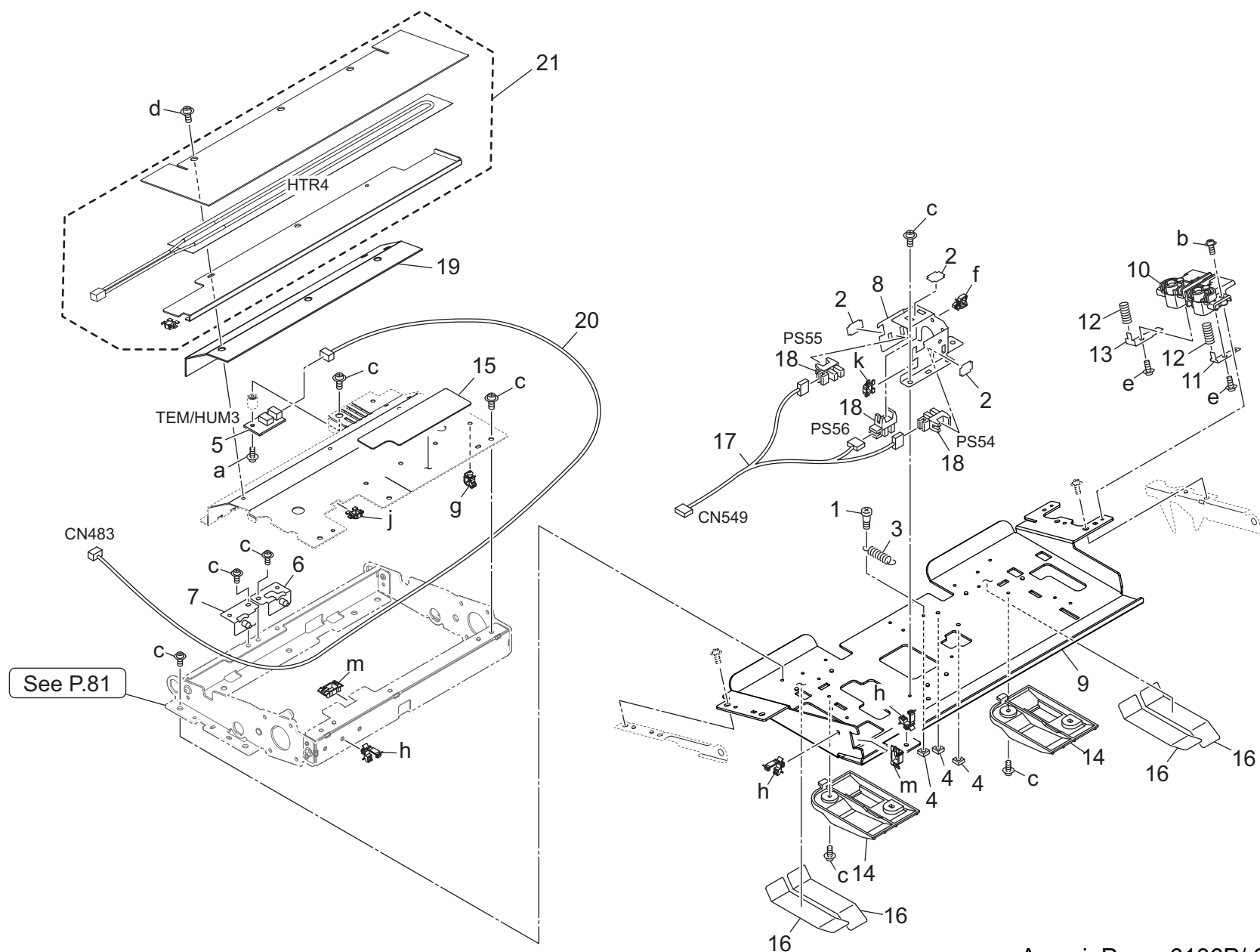
ADU Transfer Pressure Unit

P 81



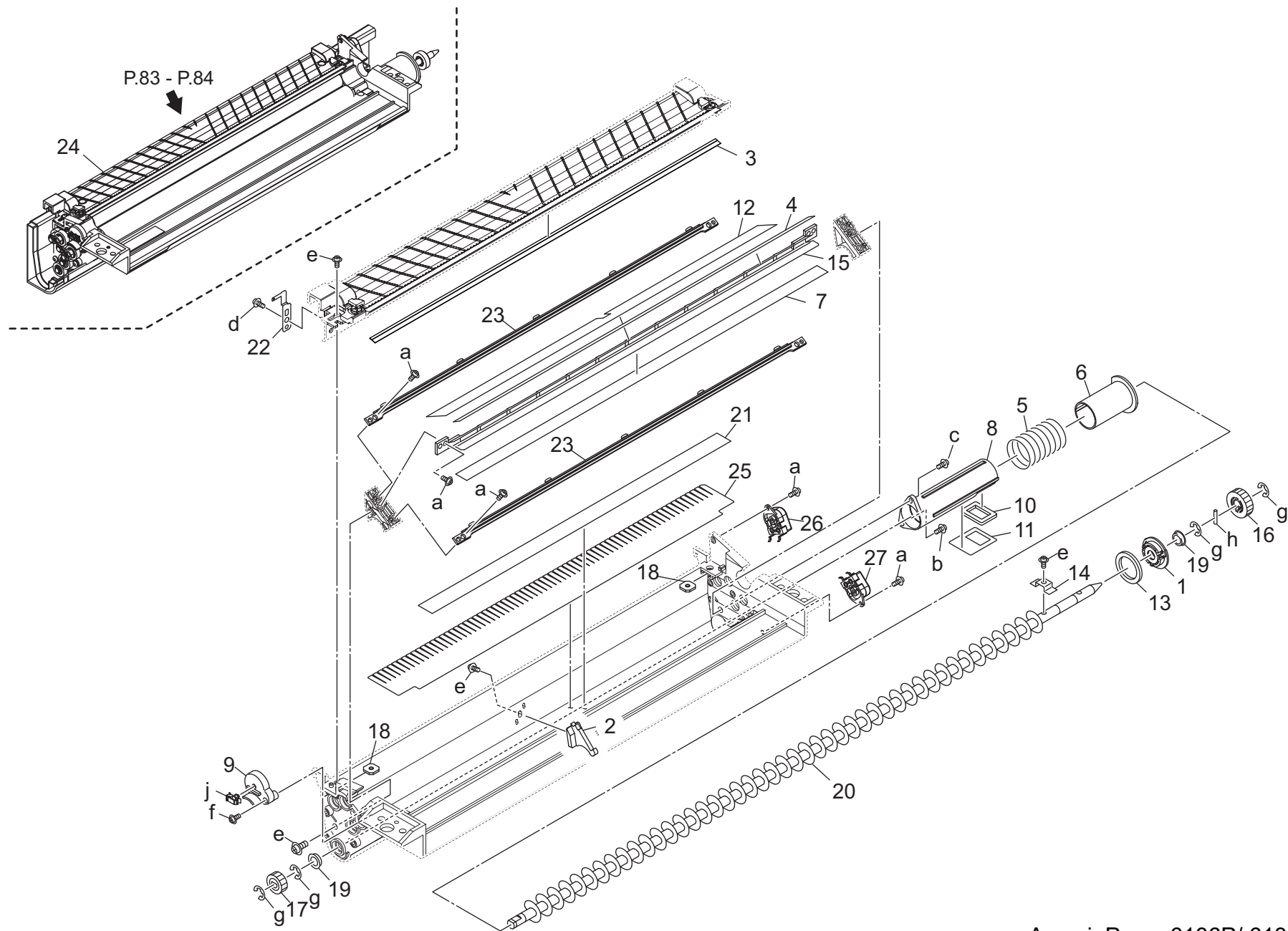
See P.82

Key	Part No.	Description	Destinations	Class	QTY	Standard parts
1	12QV40650	Spacer		B	2	a-V116030603 b-V121030603 c-V127030516 d-V127030604 e-V217030003 f-V217040003 g-V217060003 h-V234301250 j-V234301650
2	4036252401	BUSHING		C	12	
3	55VA20520	Cleaner Locking Screw		C	2	
4	A0G6505300	Support Stay		D	1	
5	A0G6505800	Pressure Shaft /2		D	2	
6	A0G6506000	Guide Shaft		D	2	
7	A0G6506500	Drive Gear 29T		C	1	
8	A0G6506600	Idling Gear 19/73T		C	1	
9	A0G6506700	Pressure Gear 45T		C	1	
10	A0G6507100	Support Pin		C	1	
11	A0G6507400	Spring		C	1	
12	A0G6507512	Release Lever		C	2	
13	A0G6507600	Slide Part		D	1	
14	A0G6507800	Connecting Part		D	1	
15	A0G6507900	Part		D	1	
16	A0G6508500	Support Stay /2		D	1	
17	A0G6509400	Slide Part		D	2	
18	A0G6N20600	ADU Drive Harness /6		D	1	
19	A0TK397501	Ball bearing		C	4	
20	A4EU505500	Lifting Plate		D	2	
21	A4EU505600	Pressure Shaft		D	1	
22	A4EU506800	Pressing Plate		D	2	
23	A4EU508800	Pressure Side plate /Rear		D	1	
24	A4EU508900	Pressure Shaft		D	1	
25	A4EU519300	Sleeve		D	2	
26	A4EUR73B00	Driving Panel Caulking		D	1	
27	A4EUR73C00	Support Shaft Assy /P		D	1	
28	A4EUR77300	Transfer Belt Pressure Release Motor		B	1	
29	A9JT514500	Compressing Spring		C	2	
30	A9JT514600	Adjusting Part		D	2	
31	A9JT517700	Release Cam		C	1	
32	A9JT518000	Pressure Cam		C	2	
33	A9JTR71S00	Transfer Pressure Assy		D	1	

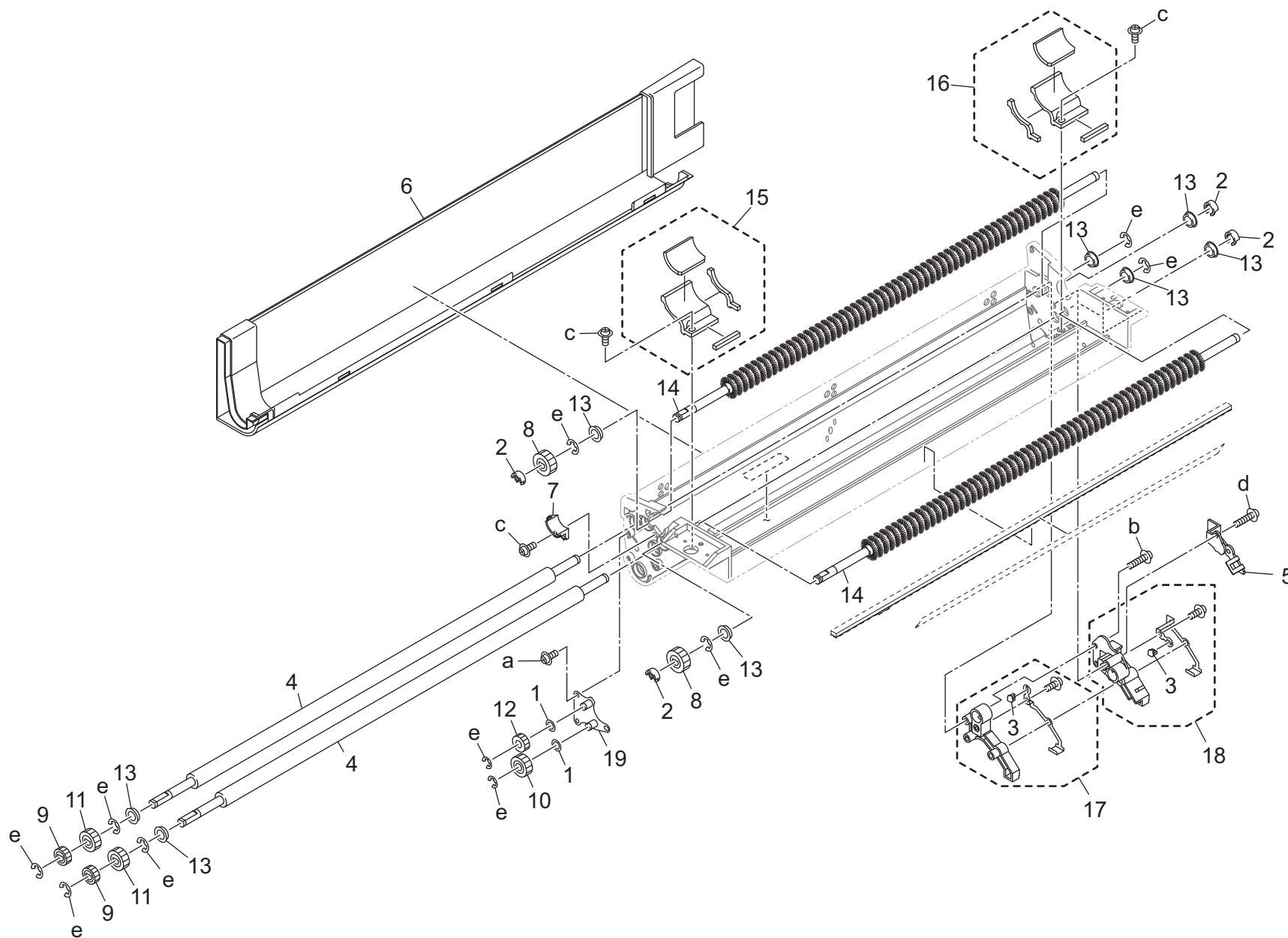


Key	Part No.	Description	Destinations	Class	QTY	Standard parts
1	066079020	DRAWER SCREW M3X10		C	1	a-V118030603
2	4470402401	Stopper		D	3	b-V121031003
3	55VA15570	PAPER EXIT TENSION SPRING		B	1	c-V127030516
4	57GA61560	SCREW PROTECTION CUSHION/1		C	3	d-V127030604
5	65AA88080	Process Sensor		C	1	e-V151030603
6	A0G6504700	Positioning Jig /Rear		D	1	f-V500010050
7	A0G6504900	Positioning Jig /Front		D	1	g-V500010074
8	A0G6506300	Mounting Plate		D	1	h-V500020100
9	A0G6508202	Pressure Bottom plate		D	1	j-V570010025
10	A0G6509001	Power supply Part		D	1	k-V570010050
11	A0G6509101	Power supply Terminal		D	1	m-V570010063
12	A0G6509201	Power Supply Spring		C	2	
13	A0G6509301	Power supply Terminal		D	1	
14	A0G6509600	Guide Part		C	2	
15	A4EU509700	Light blocking Sheet		D	1	
16	A4EU519200	Protection Film /Lower		D	4	
17	A4EUN16400	Transfer Drive harness		D	1	
18	A85CM55600	Photo Sensor		C	3	
19	A9JT519600	Insulating Cover /2		D	1	
20	A9JTN21400	Sensor Relay Harness /9		D	1	
21	A9JTR72900	DC Heater Assy		D	1	

ADU Belt Cleaner Unit



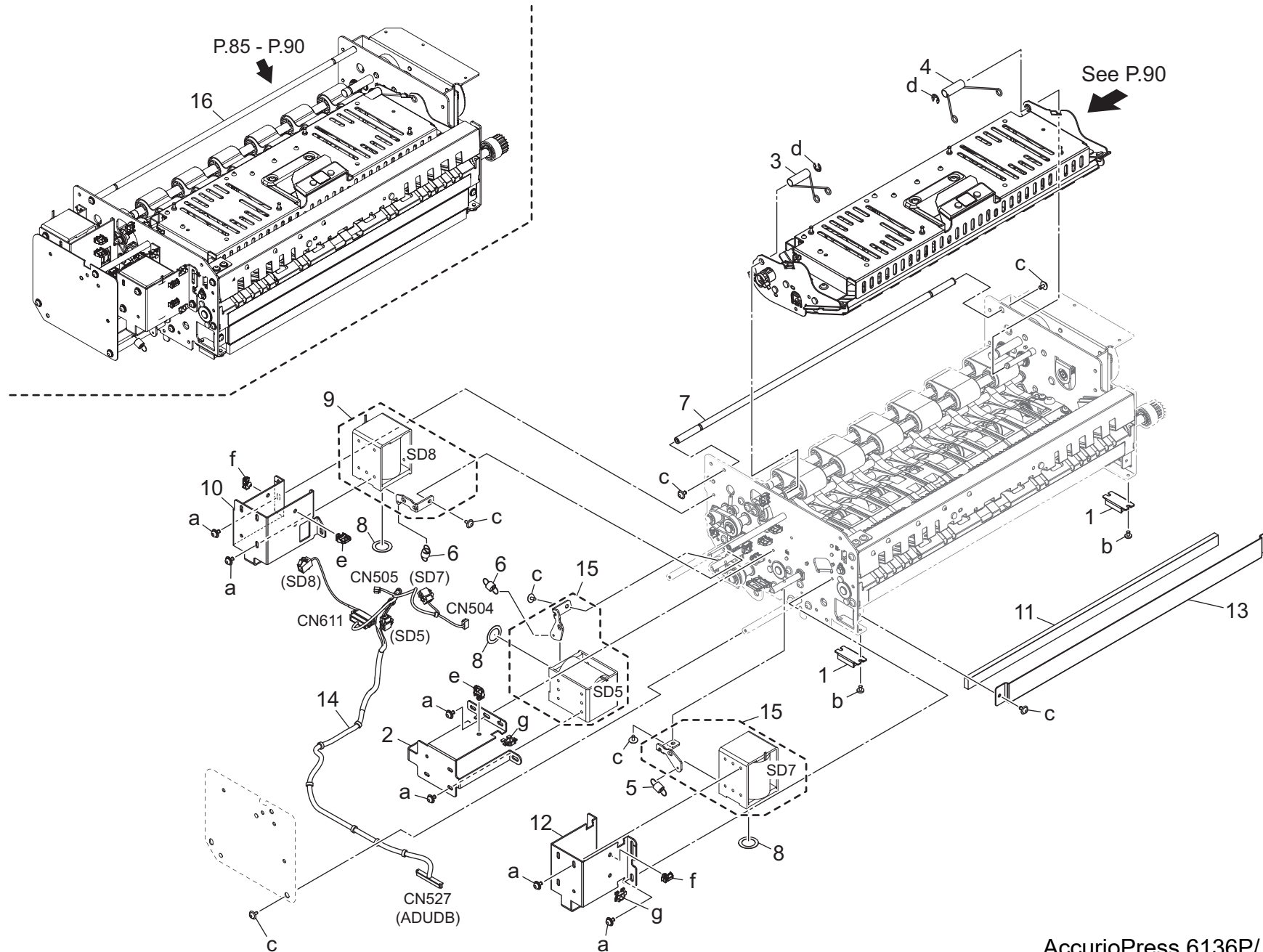
Key	Part No.	Description	Destinations	Class	QTY	Standard parts
1	A0G6511401	Cleaning Bushing		C	1	a-V111030604
2	A0G6511901	Reinforce Block		D	1	b-V118030604
3	A0G6512012	Scatteringprevention Sheet /Upper		C	1	c-V118031003
4	A0G6512200	Scatteringprevention Sheet /1		C	1	d-V121030303
5	A0G6512300	Compressing Spring		C	1	e-V121030603
6	A0G6512400	Slide Cover		D	1	f-V121031203
7	A0G6512800	Scatteringprevention Sheet /2		C	1	g-V217040003
8	A0G6513300	Cleaning Duct		D	1	h-V234201050
9	A0G6513801	Fixing Cover		D	1	j-V500020099
10	A0G6514000	Entrance Seal		C	1	
11	A0G6514100	Entrance Sheet		C	1	
12	A0G6514900	Cleaning Sheet /Lower		C	1	
13	A0G6515100	Toner Guide Seal		C	1	
14	A0G6515900	Toner Agitating Plate		D	1	
15	A0G6518600	Scatteringprevention Plate		C	1	
16	A0G6521400	Collection Gear /A 16T		C	1	
17	A0G6521900	Drive Gear 28T		C	1	
18	A0G6525600	Mounting Plate		D	2	
19	A1RF529100	Drive Ball bearing		C	2	
20	A4EU510900	Recycle Screw		D	1	
21	A4EU512100	Scatteringprevention Sheet Outside		D	1	
22	A4EU515200	Ground Plate /Front		D	1	
23	A4EUR70000	Regurating Plate Assy		A	2	
24	A4EUR70D44	Belt Cleaner Assy		B	1	
25	A4EUR73D00	Cleaning Seet Assy		D	1	
26	A4EUR73E00	Power Bridge /Upper Assy		D	1	
27	A4EUR73F00	Power Bridge /Lower Assy		D	1	



Key	Part No.	Description	Destinations	Class	QTY	Standard parts
1	26MA74100	SPECIAL WASHER		C	2	a-V111030404 b-V111031603 c-V118030604 d-V118031803 e-V217040003
2	396040681	STOPPER RING		B	4	
3	65AA26890	POWERING PART		B	2	
4	A0G6510700	Cleaning Shaft		B	2	
5	A0G6511312	Power Supply Cover		D	1	
6	A0G6513211	Cooling Duct /Middle		D	1	
7	A0G6513701	Fixing Part		D	1	
8	A0G6520900	Drive Gear /A 30T		C	2	
9	A0G6521000	Drive Gear /B 18T		C	2	
10	A0G6521100	Idling Gear /L 30T		C	1	
11	A0G6521900	Drive Gear 28T		C	2	
12	A0G6523300	Idling Gear /S 20T		C	1	
13	A1RF529100	Drive Ball bearing		C	8	
14	A4EU510600	Cleaning Brush		B	2	
15	A4EUR73G00	Scattering Prevention Block /Rear Assy		C	1	
16	A4EUR73H00	Scattering Prevention Block /Front Assy		C	1	
17	A4EUR73J00	Power Block /Lower Assy		D	1	
18	A4EUR73K00	Power Block /Upper Assy		B	1	
19	A4EUR73M00	Reinforce Plate Caulking		D	1	

ADU Decurler Unit

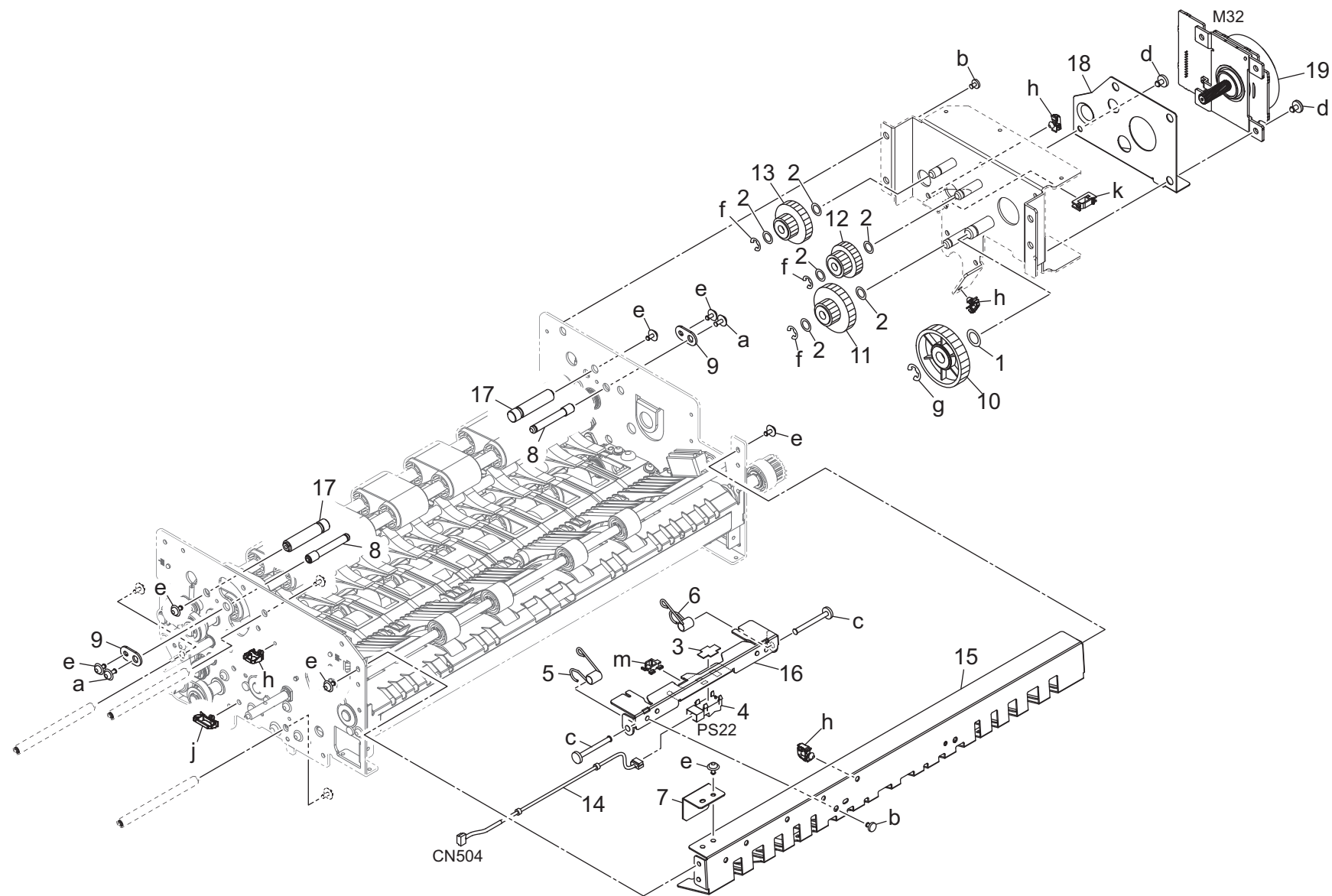
P 85



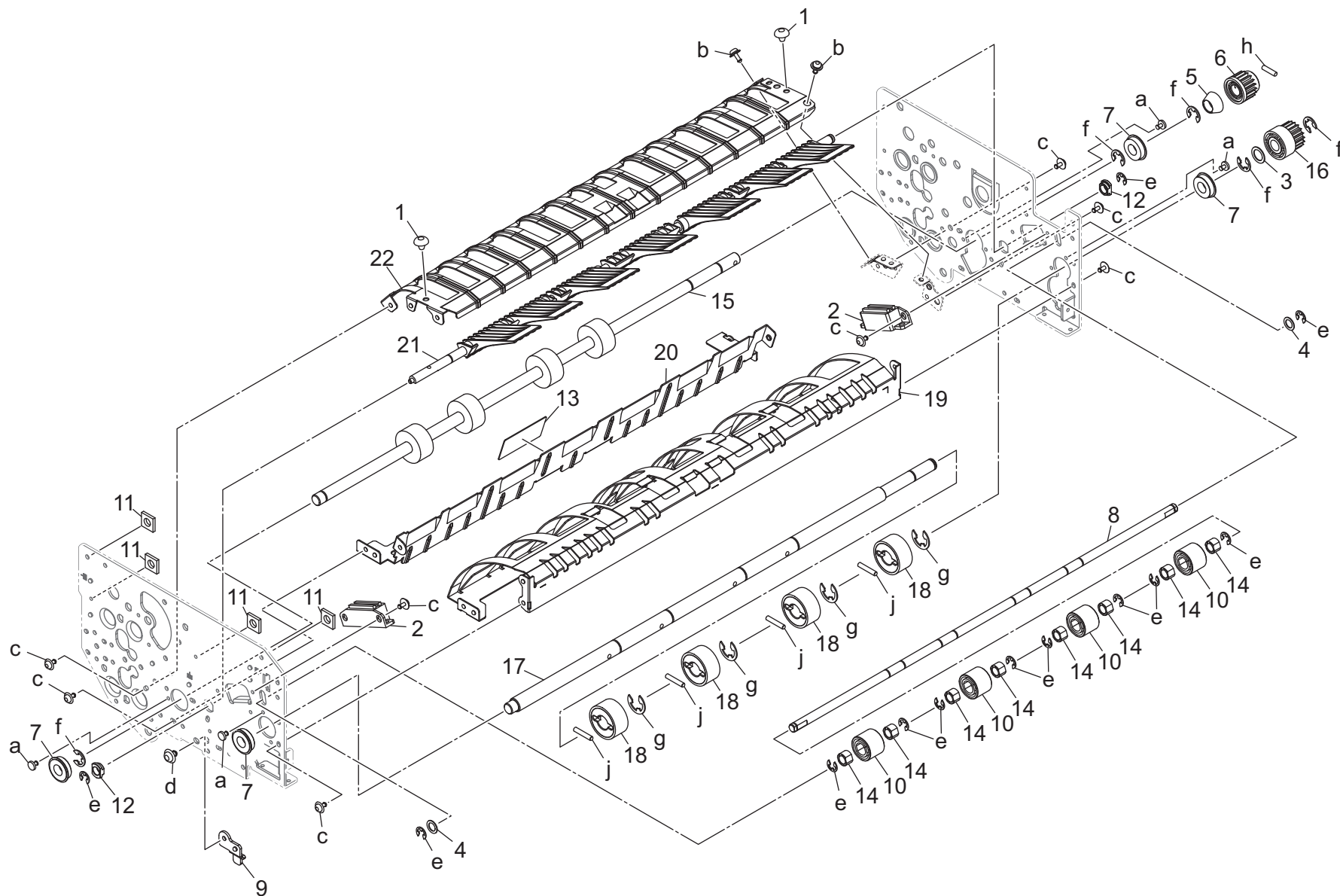
Key	Part No.	Description	Destinations	Class	QTY	Standard parts
1	40AA32290	MAGNET CATCH		C	2	a-V116030603 b-V118030403 c-V127030604 d-V217040003 e-V500020098 f-V500020099 g-V570010050
2	A0G6843501	Mounting Plate /Lower		D	1	
3	A0G6844700	Open/Close Spring /Front		C	1	
4	A0G6844800	Open/Close Spring /Rear		C	1	
5	A0G6845500	Guide Spring /G		C	1	
6	A0G6845600	Guide Spring /Middle		C	2	
7	A4EU840800	Support Stay /D		D	1	
8	A4EU849300	Spacer /12		D	3	
9	A4EUR74900	Solenoid /Upper Pin Assy		B	1	
10	A9JT843400	Mounting Plate /Upper		D	1	
11	A9JT860500	Sealing Part /D		D	1	
12	A9JT861000	Mounting Plate /G		D	1	
13	A9JT861100	Mounting Plate		D	1	
14	A9JTN20700	ADU Relay Harness /4		D	1	
15	A9JTR70400	Paper Exit Gate Solenoid		B	2	
16	A9JTR71200	De-Curler Unit		S	1	

ADU Decurler Unit

P 86



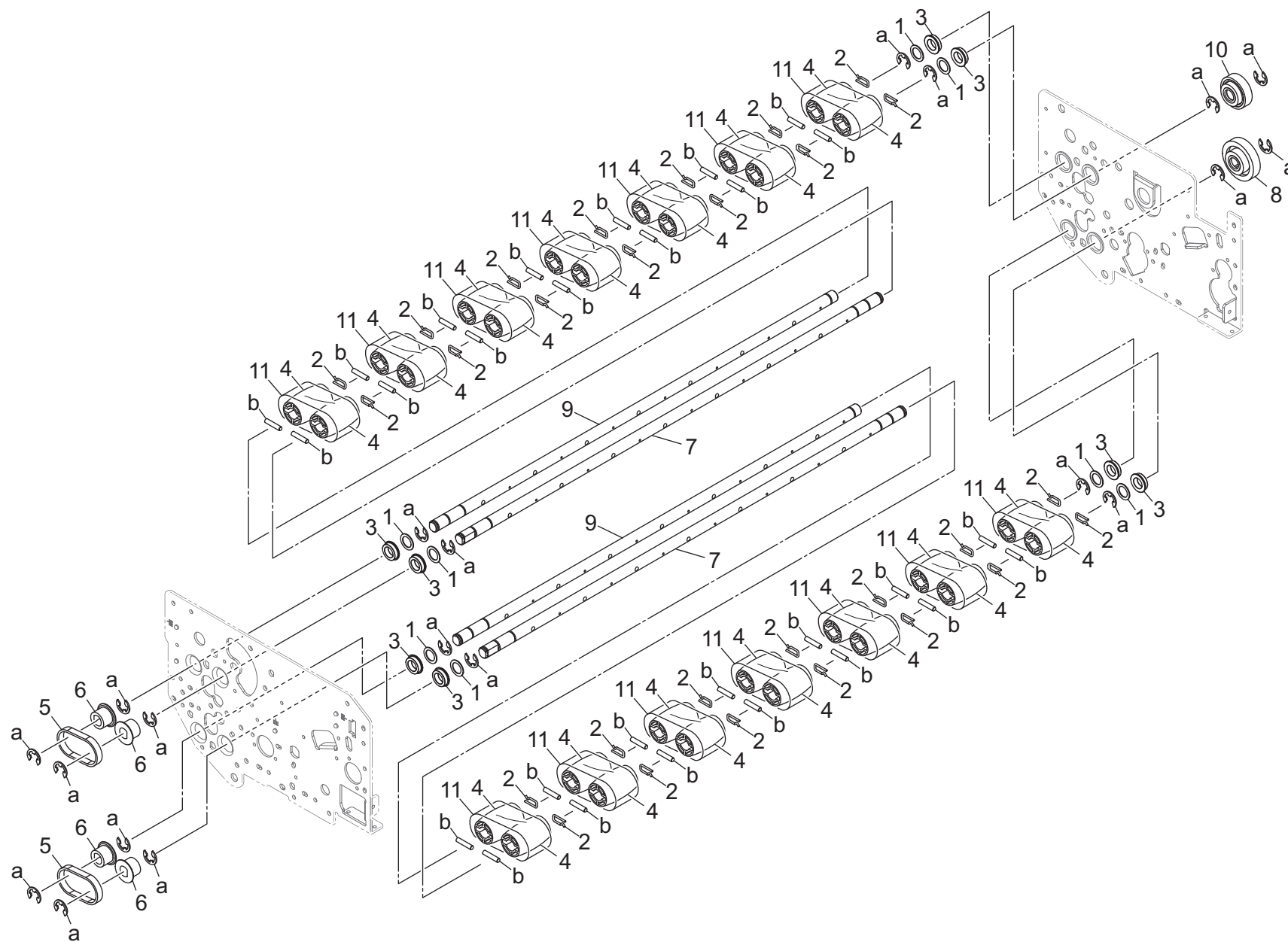
Key	Part No.	Description	Destinations	Class	QTY	Standard parts
1	12QV40650	Spacer		B	1	a-V116030603
2	13QA17730	COLLAR 6		C	6	b-V118030403
3	4470402401	Stopper		D	1	c-V118043003
4	A03TM50000	Photoreflector		I	1	d-V126040603
5	A0G6841401	Paper Exit Spring /Front		C	1	e-V127030604
6	A0G6841501	Paper Exit Spring /Rear		C	1	f-V217040003
7	A0G6842800	Protection Plate /D		D	1	g-V217060003
8	A0G6842900	Guide Shaft		D	2	h-V500020098
9	A0G6843000	Fixing Plate		D	2	j-V500020100
10	A0G6848500	Idling Gear /1 78T		C	1	k-V570010046
11	A0G6848600	Idling Gear /2 30/30T		C	1	m-V570010050
12	A4EU848600	Idling Gear /2 26/26T		C	1	
13	A4EU848900	Idling Gear /4 32T		C	1	
14	A4EUN21000	Relay harness /5		D	1	
15	A9JT842100	Guide Plate /A		D	1	
16	A9JT843700	Sensor Plate /F		D	1	
17	A9JT861900	Fixing Shaft		D	2	
18	A9JT869900	Protection Spacer /M		D	1	
19	A9JTM10200	Drum Motor		B	1	



Key	Part No.	Description	Destinations	Class	QTY	Standard parts
1	048645260	Stopper Rubber		B	2	a-V118030403
2	07BA12352	Magnet Catch		C	2	b-V125030803
3	12QV40650	Spacer		B	1	c-V127030604
4	13QA17730	COLLAR 6		C	2	d-V127040603
5	56AA17090	Pressing Spring		C	1	e-V217040003
6	56UA15510	Conveyance Coupling Part		B	1	f-V217060003
7	A00V240600	Ball Bearing		B	4	g-V217080003
8	A0G6841300	Idler Shaft /F		D	1	h-V234301250
9	A0G6841700	Stopper Plate		D	1	j-V234301650
10	A0G6843800	Idler Roll /D		C	4	
11	A0G6845700	Protection Pad /2		C	4	
12	A0G6845900	Bushing /G		C	2	
13	A1RF851600	Auxiliary Sheet		D	1	
14	A4EU715500	Bushing /No.1		D	8	
15	A4EU840700	Entrance Roller /D		B	1	
16	A4EU847000	Coupling Part		B	1	
17	A4EU847200	Drive Shaft /F		D	1	
18	A799840600	Paper exit Roller /1		B	4	
19	A9JT842200	Guide Plate /B		D	1	
20	A9JT844200	Guide Plate /F		D	1	
21	A9JT844900	Paper Exit Gate		B	1	
22	A9JT860400	Guide Plate /G		D	1	

ADU Decurler Unit

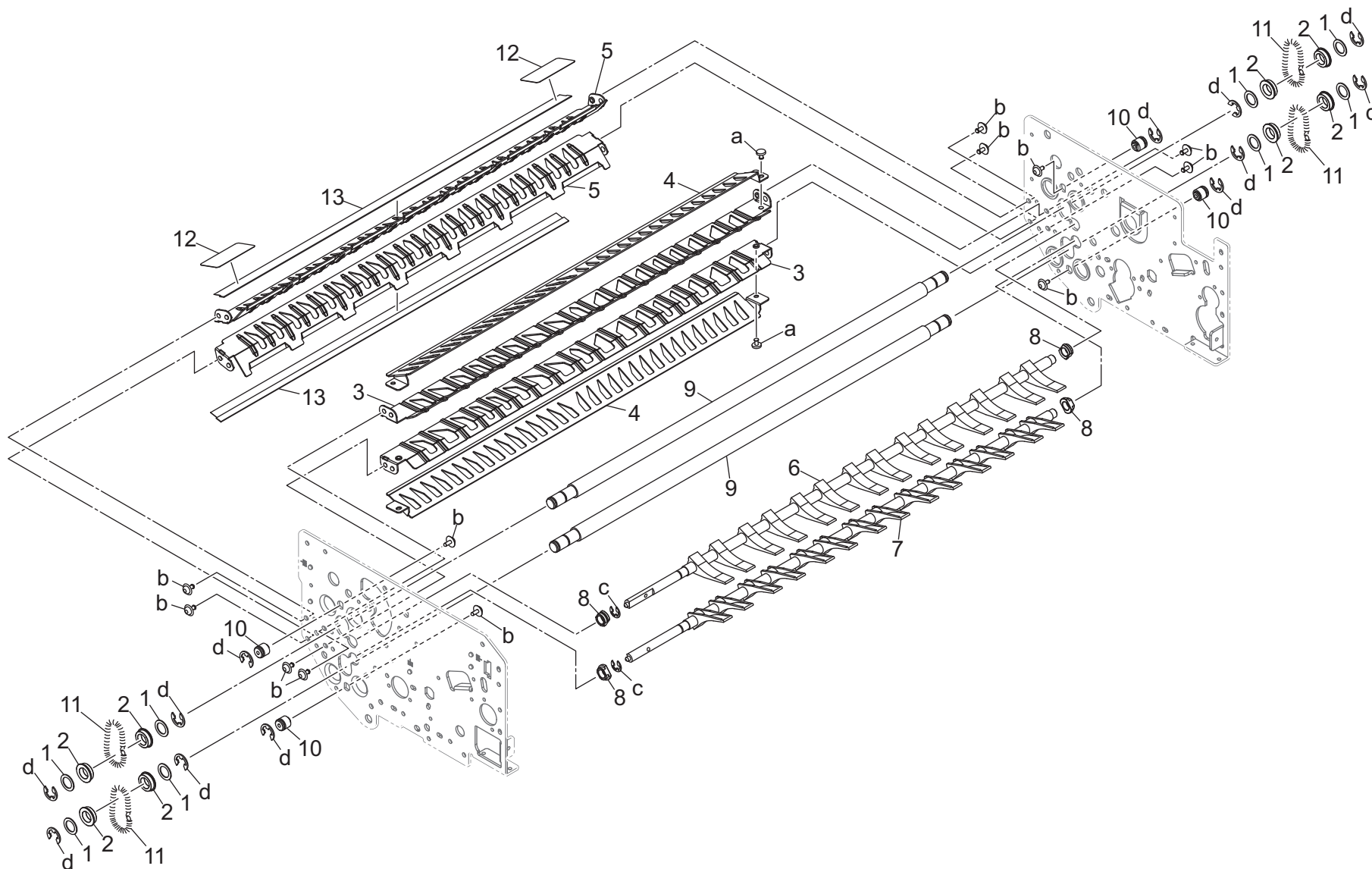
P 88



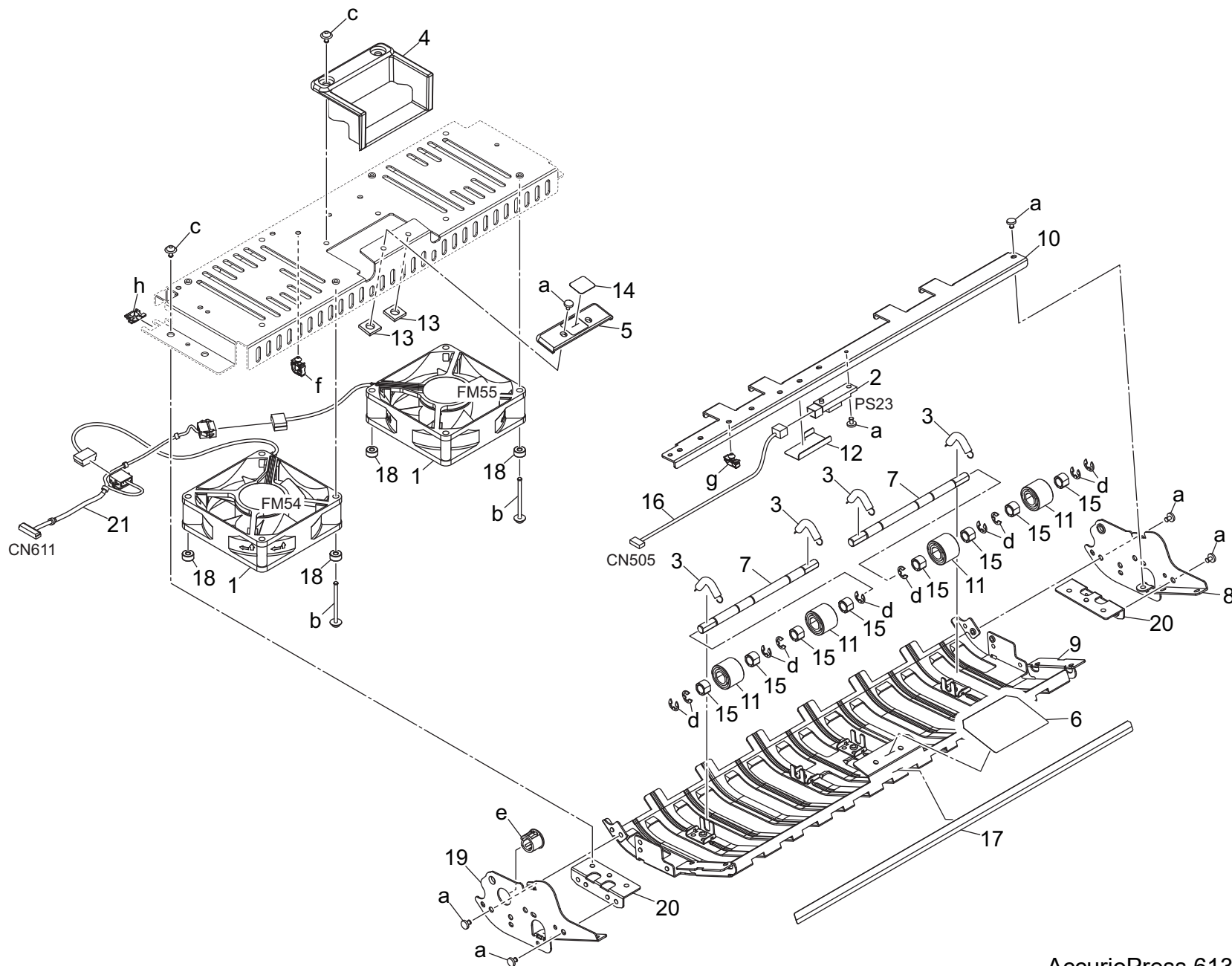
Key	Part No.	Description	Destinations	Class	QTY	Standard parts
1	12QV40650	Spacer		B	8	a-V217060003 b-V234301450
2	15AG57620	Fixing Part		C	28	
3	A00J617900	Ball Bearing		B	8	
4	A04J709800	Regulating Roll		C	28	
5	A04J719200	BELT /6 91 L		C	2	
6	A04J719800	DRIVE PULLEY /B 20T		C	4	
7	A0G6846100	Drive Shaft /B		D	2	
8	A0G6848700	Drive Gear /B 26T		C	1	
9	A4EU846100	Drive Shaft /C		D	2	
10	A4EU848800	Drive Gear /W 26T		C	1	
11	A799846400	Regulating Belt /D 115L		B	14	

ADU Decurler Unit

P 89



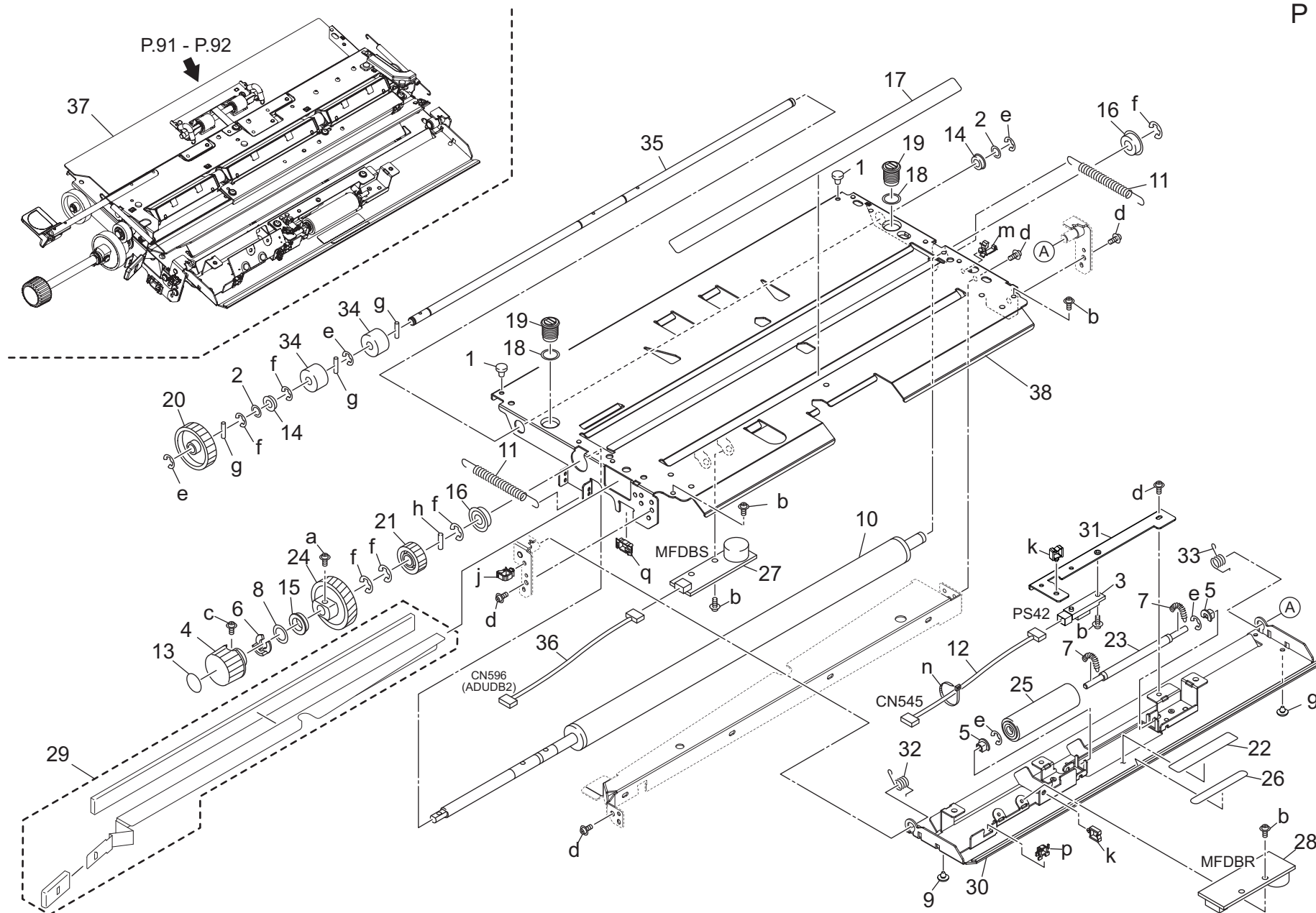
Key	Part No.	Description	Destinations	Class	QTY	Standard parts
1	12QV40650	Spacer		B	8	a-V118030403 b-V127030604 c-V217040003 d-V217060003
2	A00J617900	Ball Bearing		B	8	
3	A0G6844413	Guide Plate /H		C	2	
4	A0G6844500	Guide Plate /I		C	2	
5	A0G6844611	Guide Plate /J		C	2	
6	A0G6845100	Guide Part /Upper		B	1	
7	A0G6845200	Guide Part /Lower		B	1	
8	A0G6845900	Bushing /G		C	4	
9	A0G6846300	Regulating Shaft		D	2	
10	A0G6846500	Mounting Shaft		D	4	
11	A0G6846600	Pressing Spring /H		C	4	
12	A0G6846800	Holding Sheet		C	2	
13	A0H0702100	Neutralizing Brush		D	2	



Key	Part No.	Description	Destinations	Class	QTY	Standard parts
1	13NT80511	Fan Motor /1		C	2	a-V118030403
2	13QA85511	Sensor /1		B	1	b-V125033503
3	55VA46451	REGISTRATION FEEDING SPRING		B	4	c-V127030604
4	56UA41670	Lever Protection Cover		D	1	d-V217040003
5	56UA46140	TRANSFER FEEDING HANDLE		C	1	e-V500020044
6	A0G6620400	Protection Sheet		C	1	f-V500020098
7	A0G6840900	Idler Shaft /D		D	2	g-V500020099
8	A0G6841901	Guide Side Plate /Rear		D	1	h-V570010050
9	A0G6842323	Guide Plate /C		C	1	
10	A0G6843601	Plate /D		D	1	
11	A0G6843800	Idler Roll /D		C	4	
12	A0G6843901	Protection Sheet		C	1	
13	A0G6845700	Protection Pad /2		C	2	
14	A0G6945700	Label /7		C	1	
15	A4EU715500	Bushing /No.1		D	8	
16	A4EUN20900	Relay harness /6		D	1	
17	A4EW845900	Suction Sheet /D		D	1	
18	A50U854800	Conveyance Roll		D	4	
19	A9JT860600	Guide Side Plate /Front		D	1	
20	A9JT861800	Cooling Holder /D		D	2	
21	A9JTN21100	Cooling Wiring /D		D	1	

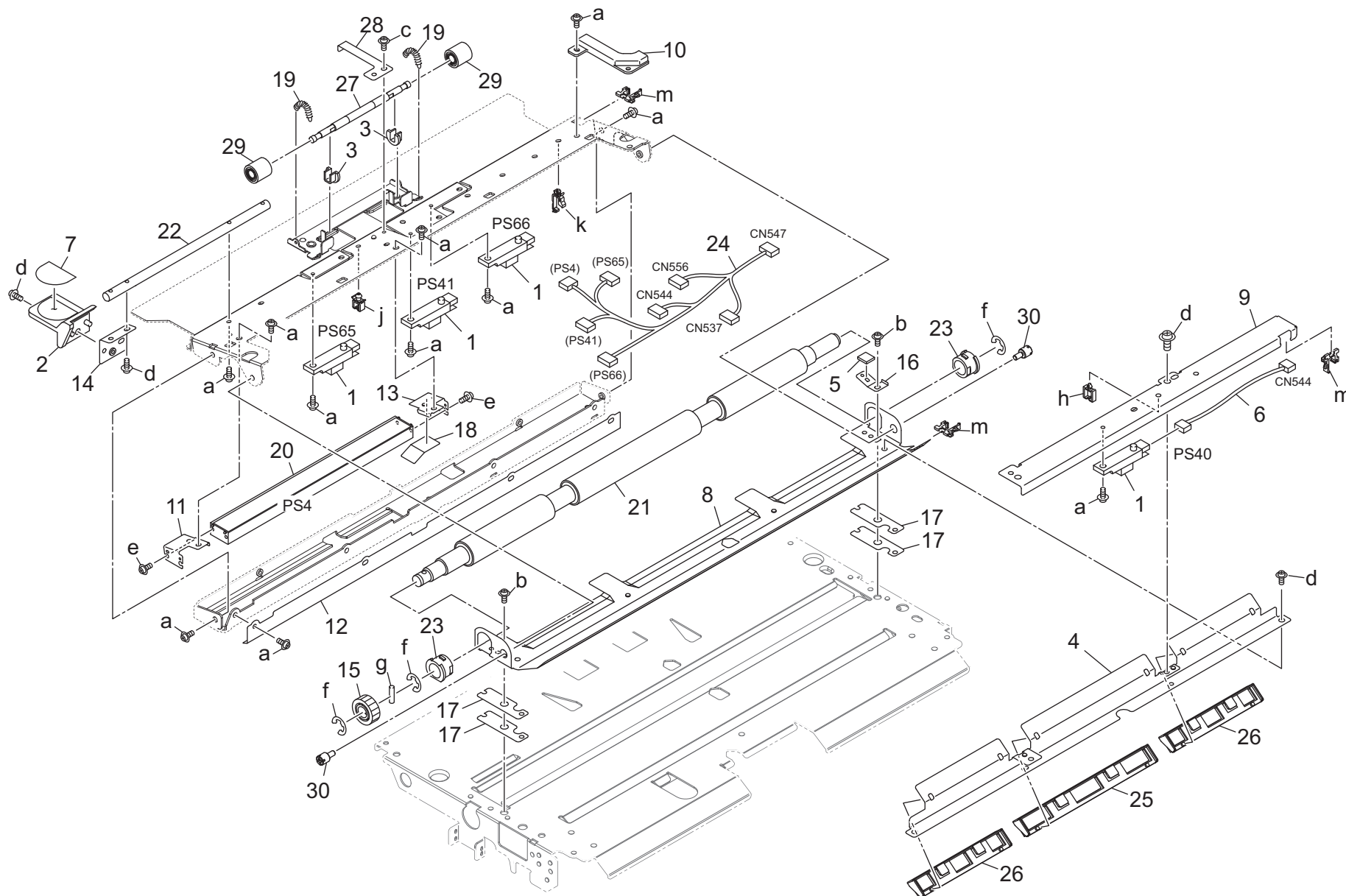
ADU Regist Unit

P 91



AccurioPress 6136P/ 6136P/ 6272P

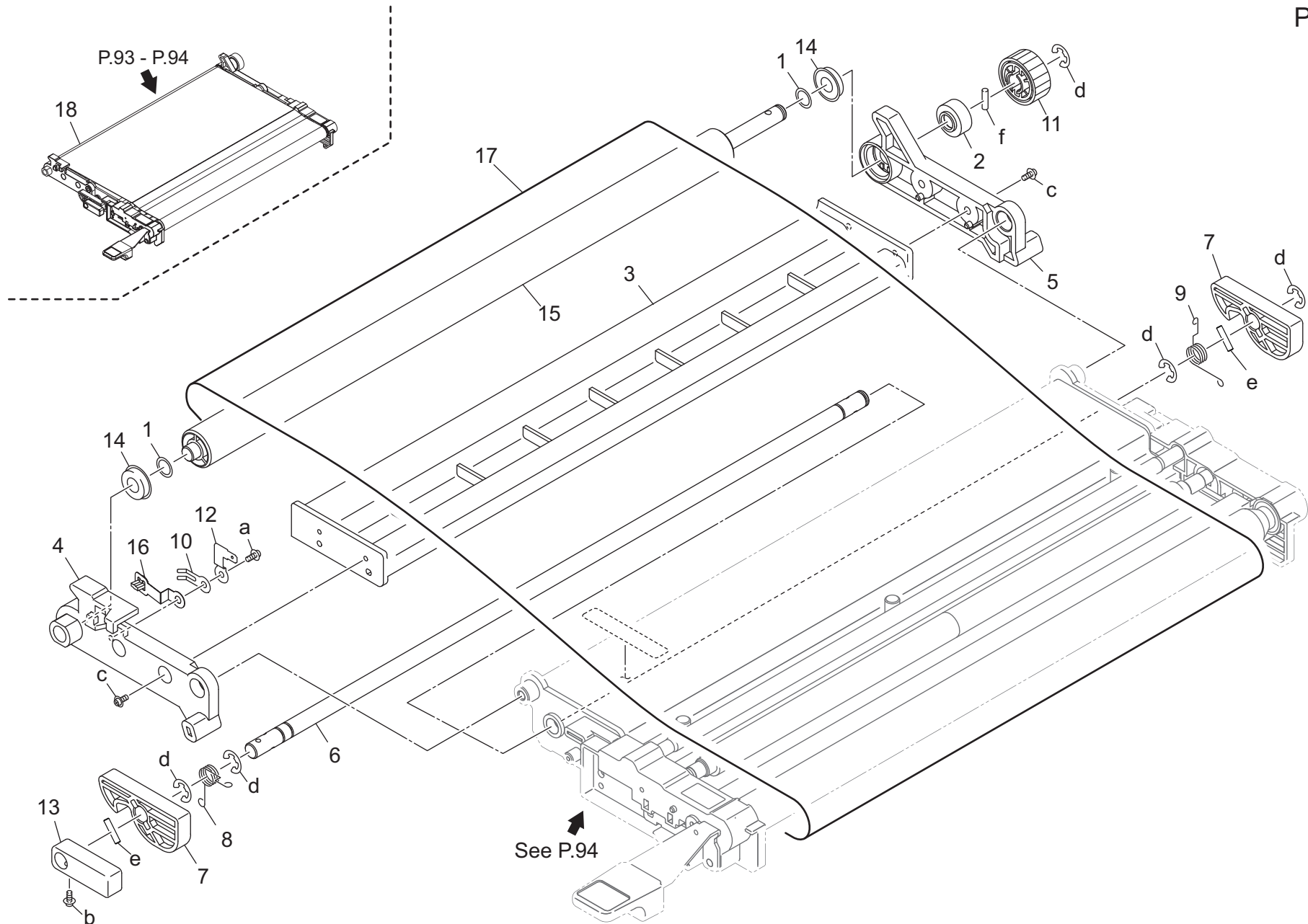
Key	Part No.	Description	Destinations	Class	QTY	Standard parts
1	12AJ45850	Stopper Rubber	ストップパーゴム	C	2	a-V116030603
2	13QA10330	SHAFT SPACER	軸スパーサー	C	2	b-V118030403
3	13QA85511	Sensor /1	センサ /1	B	1	c-V118030603
4	14GE45470	Rotation Knob	回転ノブ	C	1	d-V127030604
5	25SA43310	DRIVEN SHAFT HOLDER	従動軸受	B	2	e-V217040003
6	55VA42120	Shaft Stopper	軸ストッパー	C	1	f-V217060003
7	55VA46490	Registration Pressure Spring	レジスト 押圧バネ	B	2	g-V234201450
8	56AA52700	ADU COUPLING SPACER	ADU カップリングスパーサー	C	1	h-V234301250
9	56UA41470	Stopper Rubber	ストップパゴム	C	2	j-V500020098
10	56UA46030G	Registration Roller /Lower	レジスト ローラ /下	B	1	k-V500020099
11	56UA46170	Registration Pressing Spring	レジスト 押圧バネ	C	2	m-V500020100
12	56UA90620	REGISTRATION WIRING 2	レジスト 束線 2	D	1	n-V501010002
13	57AA97211E	Jam Release Label /2	ジャム解除ラベル /2	C	1	p-V570010050
14	A00J617800	Ball Bearing	ボールベアリング	A	2	q-V570010063
15	A00J617900	Ball Bearing	ボールベアリング	B	1	
16	A00V240600	Ball Bearing	ボールベアリング	B	2	
17	A0G6712100	Lifting Sheet	持ち上げシート	B	1	
18	A0G6712800	Suction Spacer	吸着スパーサー	C	2	
19	A0G6712900	Suction Catch /Black	吸着キャッチ /黒	C	2	
20	A0G6714100	Drive Gear /T 31T	駆動ギア /T 31 T	C	1	
21	A0G6714300	Registration Gear/Lower 20T	レジスト ギア /下 20 T	B	1	
22	A0G6945100	Label /1	ラベル /1 (JAMラベル /1)	C	1	
23	A4EU713500	Idler Shaft /L	従動軸 /L	D	1	
24	A4EU714400	Registration Gear /R 35T	レジスト ギア /R 35 T	B	1	
25	A4EU818000	Idler Rubber /U	従動ゴム /U	B	1	
26	A4EU947001	Release Label /F	解除ラベル /F	D	1	
27	A4EUH88000	Paperfeed Detection Board/S Assy	給紙検知基板 /S ASSY	I	1	
28	A4EUH89000	Paperfeed Detection Board/R Assy	給紙検知基板 /R ASSY	I	1	
29	A4EUR74700	Regist Clener Assy/Lower	レジスト 清掃部組 /下	D	1	
30	A9JT710800	Entrance Guide /Upper	入り口ガイド /上	D	1	
31	A9JT710900	Mounting Plate	取付板	D	1	
32	A9JT713100	Open/Close Spring /Front	開閉ばね /前	C	1	
33	A9JT713200	Open/Close Spring /Rear	開閉ばね /奥	C	1	
34	A9JT714100	Drive Roller /T	駆動ローラ /T	C	2	
35	A9JT714200	Drive Shaft /T	駆動軸 /T	D	1	
36	A9JTN25700	Paperfeed Detection Harness /3	給紙検知束線 /3	D	1	
37	A9JTR71000	Regist Unit	レジスト ユニット	S	1	
38	A9JT710100	Registration Main body	レジスト 本体	D	1	



Key	Part No.	Description	Destinations	Class	QTY	Standard parts
1	13QA85511	Sensor /1		B	4	a-V118030403
2	56QA46060	Transfer Guide Handle	転写ガイド把手	C	1	b-V121030603
3	56UA44680	Idler Bushing	従動軸受	C	2	c-V127030516
4	56UA46110E	Guide Part	ガイド部材	D	1	d-V127030604
5	56UA46190	Roller Conductive Pad	ローラ導電性パッド	C	1	e-V145260503
6	56UA90880	RELAY WIRING 3	センサ中継束線 3	D	1	f-V217060003
7	57AA97221E	Jam Release Label /3	ジャム解除ラベル/3	C	1	g-V234301250
8	A0G6710502	Registration Plate /Upper	レジスト板 /上	D	1	h-V500010024
9	A0G6711500	Holding Part /R	ホルダ部材 /R	D	1	j-V500010050
10	A0G6712200	Holding Holder	押さえホルダ	C	1	k-V500020098
11	A0G6712301	Plate /Front	センサ板 /前	D	1	m-V570010050
12	A0G6712400	Guide Plate /R	ガイド板 /R	C	1	
13	A0G6712701	Plate /Rear	センサ板 /奥	D	1	
14	A0G6713600	Open/Close Plate /Front	開閉板 /前	D	1	
15	A0G6714200	Registration Gear/Upper 18T	レジストギア /上 18 T	B	1	
16	A0G6714600	Ground Plate Spring /R	アース板ばね /R	C	1	
17	A0G6714700	Registration Spacer	レジストスペーサ	D	4	
18	A0G6717100	Protection Seal /Upper	保護シール /上	D	1	
19	A0GC700800	Conveyance Spring	搬送ばね	C	2	
20	A0Y5M55100	Compensating Sensor	補正センサ	C	1	
21	A4EU710600	Registration Roller /Upper	レジストローラ /上	B	1	
22	A4EU713700	Open/close Shaft /Front	開閉軸 /前	D	1	
23	A4EU715400	Registration Bushing /Upper	レジストすべり軸受 /上	B	2	
24	A4EUN16300	Relay harness /4	センサ中継束線 /4	D	1	
25	A4EUR74500	Cleaning Brush /1 Assy	清掃ブラシ /1 部組	C	1	
26	A4EUR74600	Cleaning Brush /2 Assy	清掃ブラシ /2 部組	C	2	
27	A9JT713500	Idler Shaft /T	従動軸 /T	C	1	
28	A9JT713800	Holding Plate /T	押さえ板 /T	D	1	
29	A9JT714000	Idler Roller /T	従動ローラー /T	B	2	
30	A9JT718300	Base Screw	基準ねじ	D	2	

Transfer Belt Unit

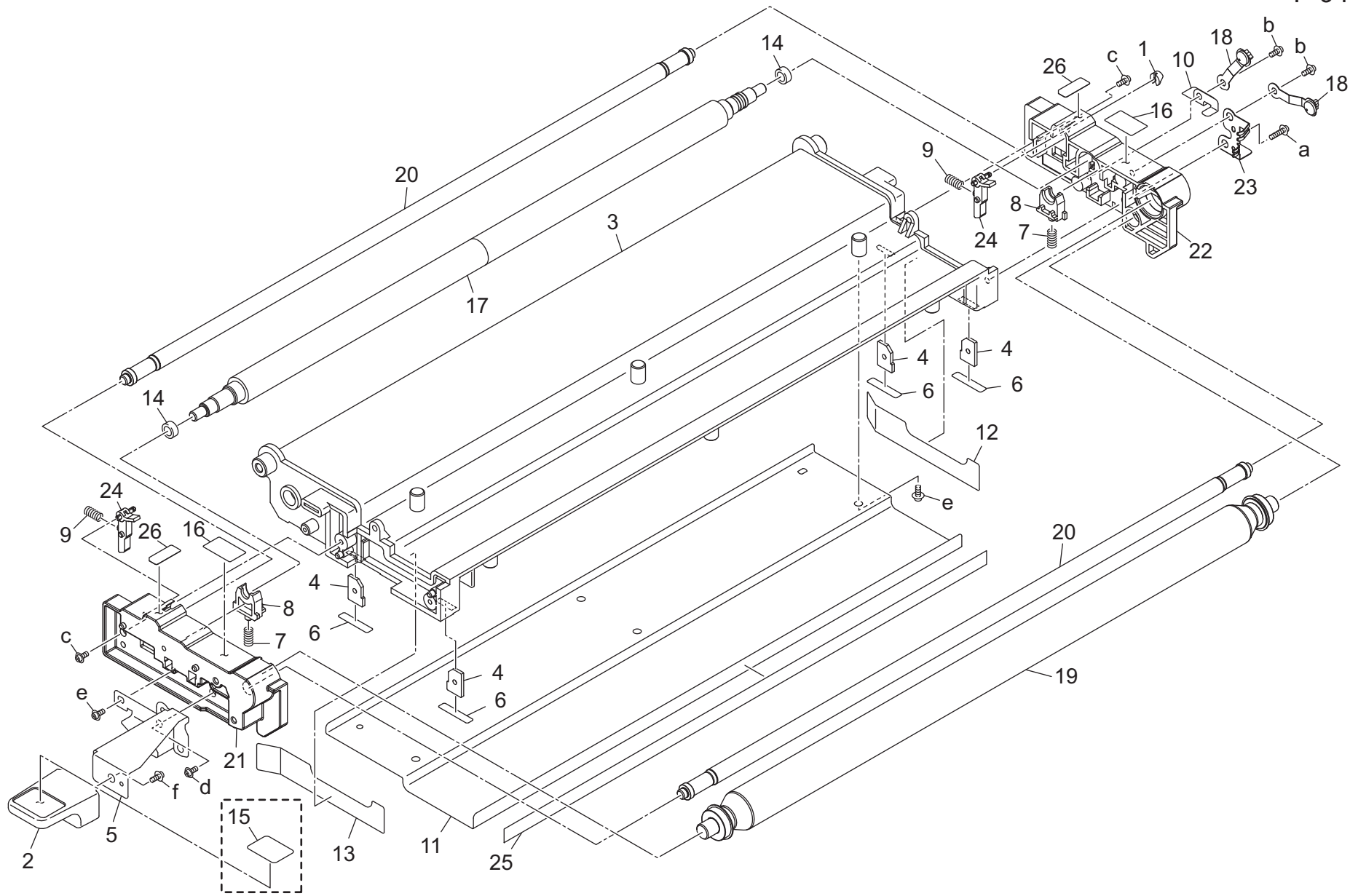
P 93



Key	Part No.	Description	Destinations	Class	QTY	Standard parts
1	12QV40650	Spacer		B	2	a-V121030403 b-V121030603 c-V121030803 d-V217060003 e-V234301450 f-V234301650
2	57GA47640	Belt Tension Roller		C	1	
3	A0G6500300	Transfer Bottom Plate /2		D	1	
4	A0G6500801	Hold Side plate /Front		D	1	
5	A0G6500901	Hold Side plate /Rear		D	1	
6	A0G6501300	Rotation Shaft		D	1	
7	A0G6501400	Release Cam		C	2	
8	A0G6501500	Lock Spring /Front		C	1	
9	A0G6501600	Lock Spring /Rear		C	1	
10	A0G6502200	Ground Plate /2		D	1	
11	A0G6502300	Drive Gear 48T		C	1	
12	A0G6502600	Ground Plate /3		D	1	
13	A0G6503401	Release Lever		C	1	
14	A1RF529300	Ball bearing		C	2	
15	A4EU500400	Drive Roller		C	1	
16	A4EUR70B00	Earth Electrode Assy		B	1	
17	A9JT500100	Transfer Belt 502L		B	1	
18	A9JTR70822	Transfer Unit		S	1	
18	A9JTR70822	Transfer Unit	D1,D3,E,F2,G1,G2,H, I,J,K	S	1	
18	A9JTR70822	Transfer Unit	A,C	S	1	
18	A9JTR70822	Transfer Unit	B	S	1	

Transfer Belt Unit

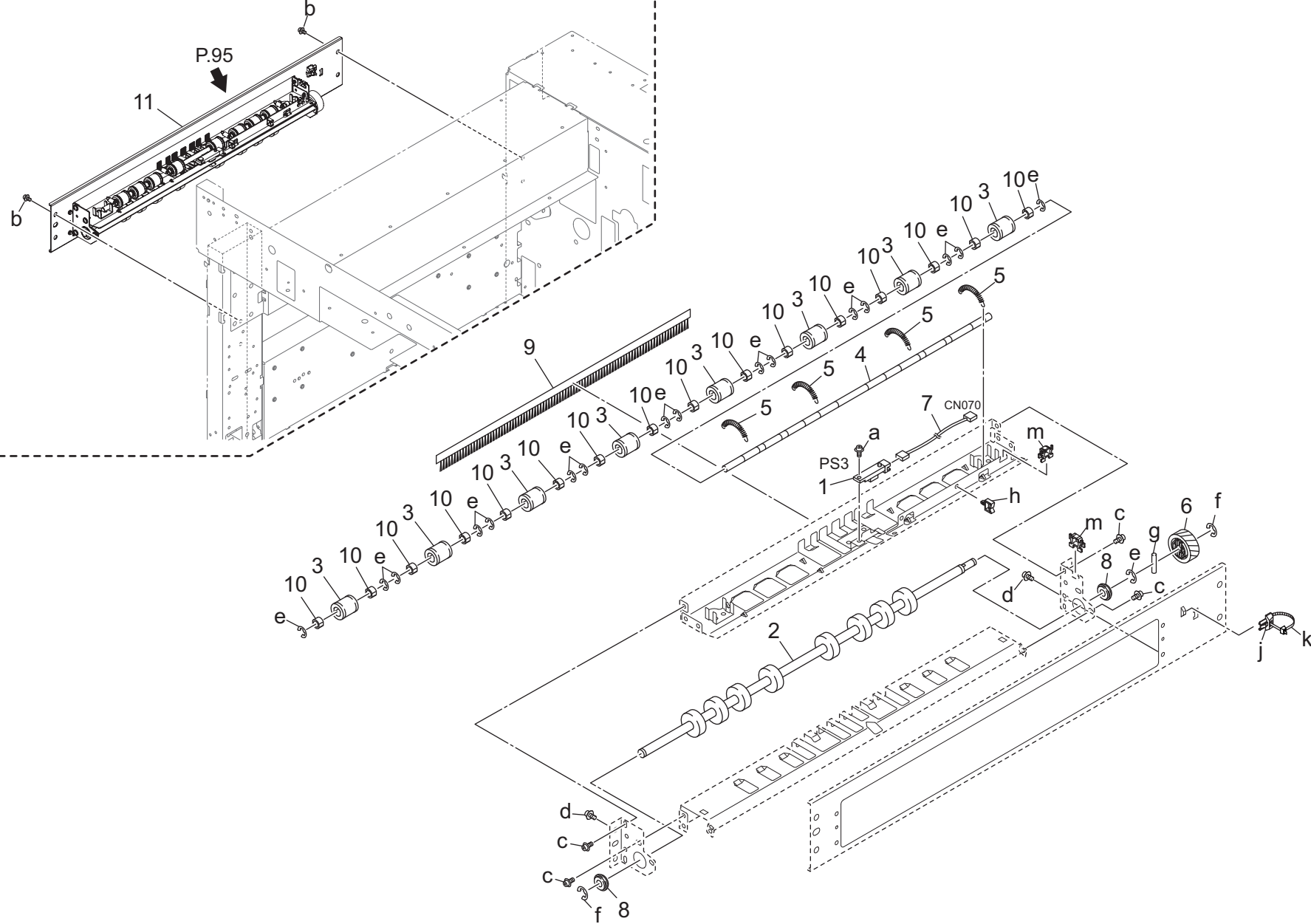
P 94



Accessory Part For Transfer Unit

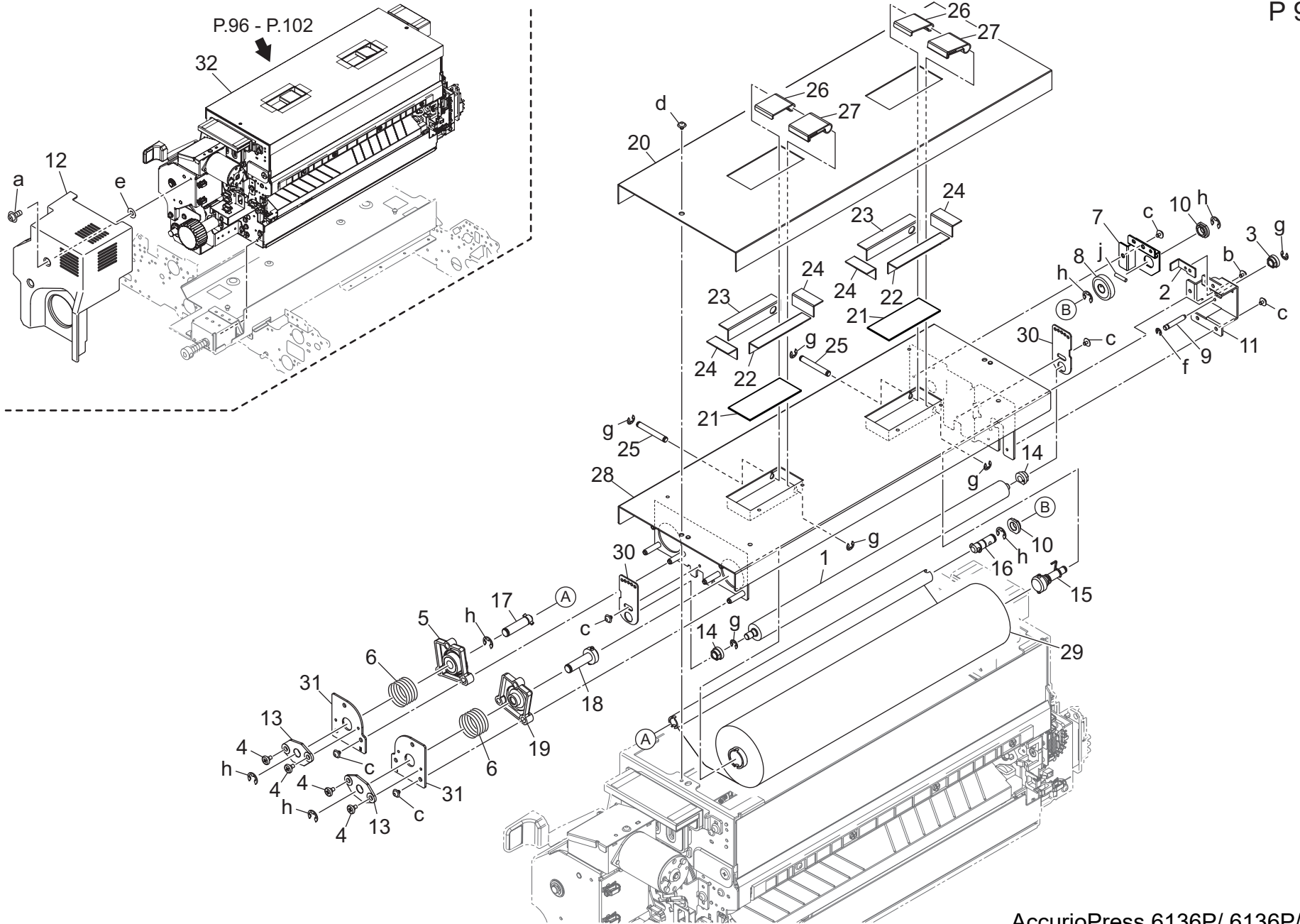
AccurioPress 6136P/ 6136P/ 6272P

Main Body Paper Exit Unit



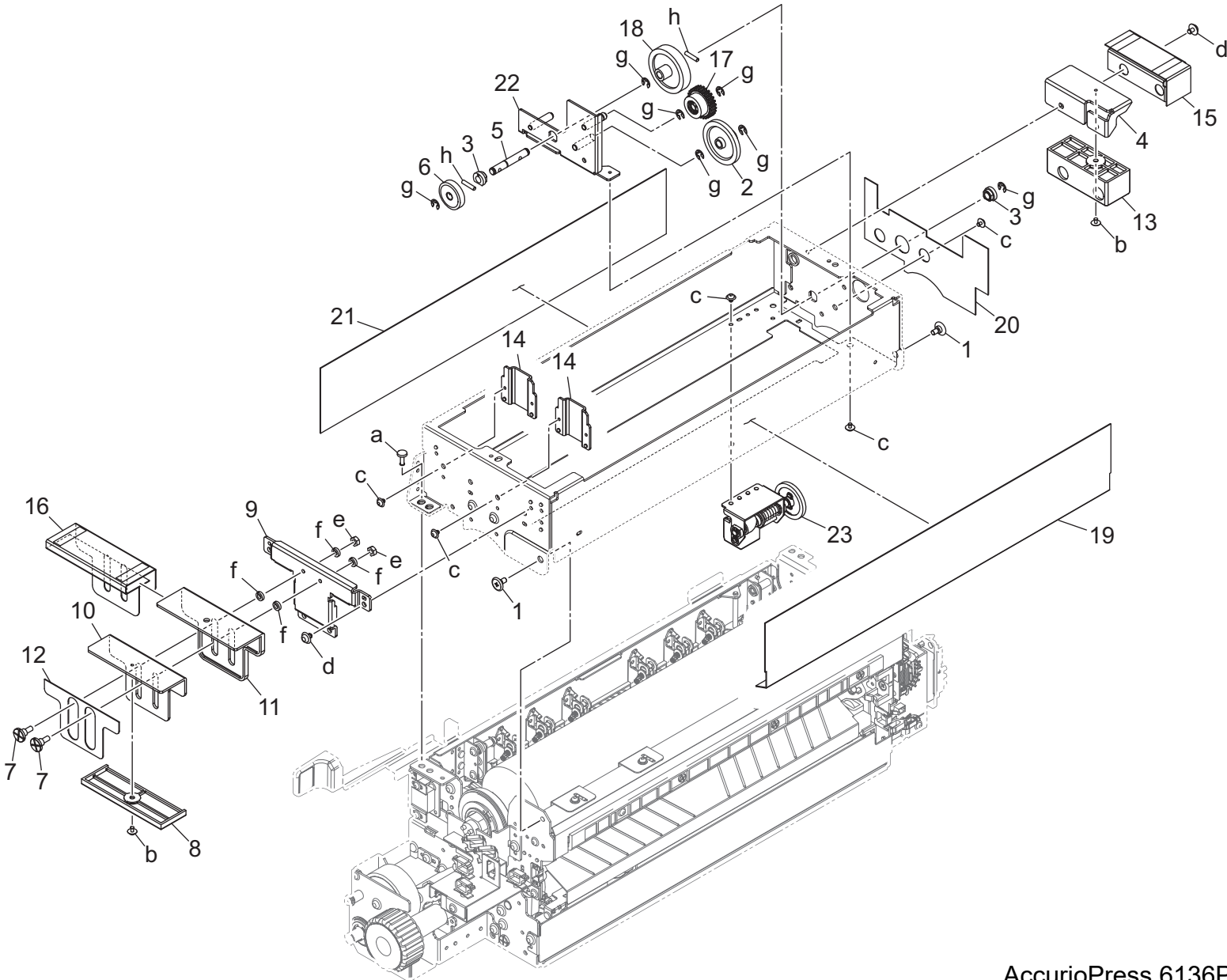
AccurioPress 6136P/ 6136P/ 6272P

Fusing Section



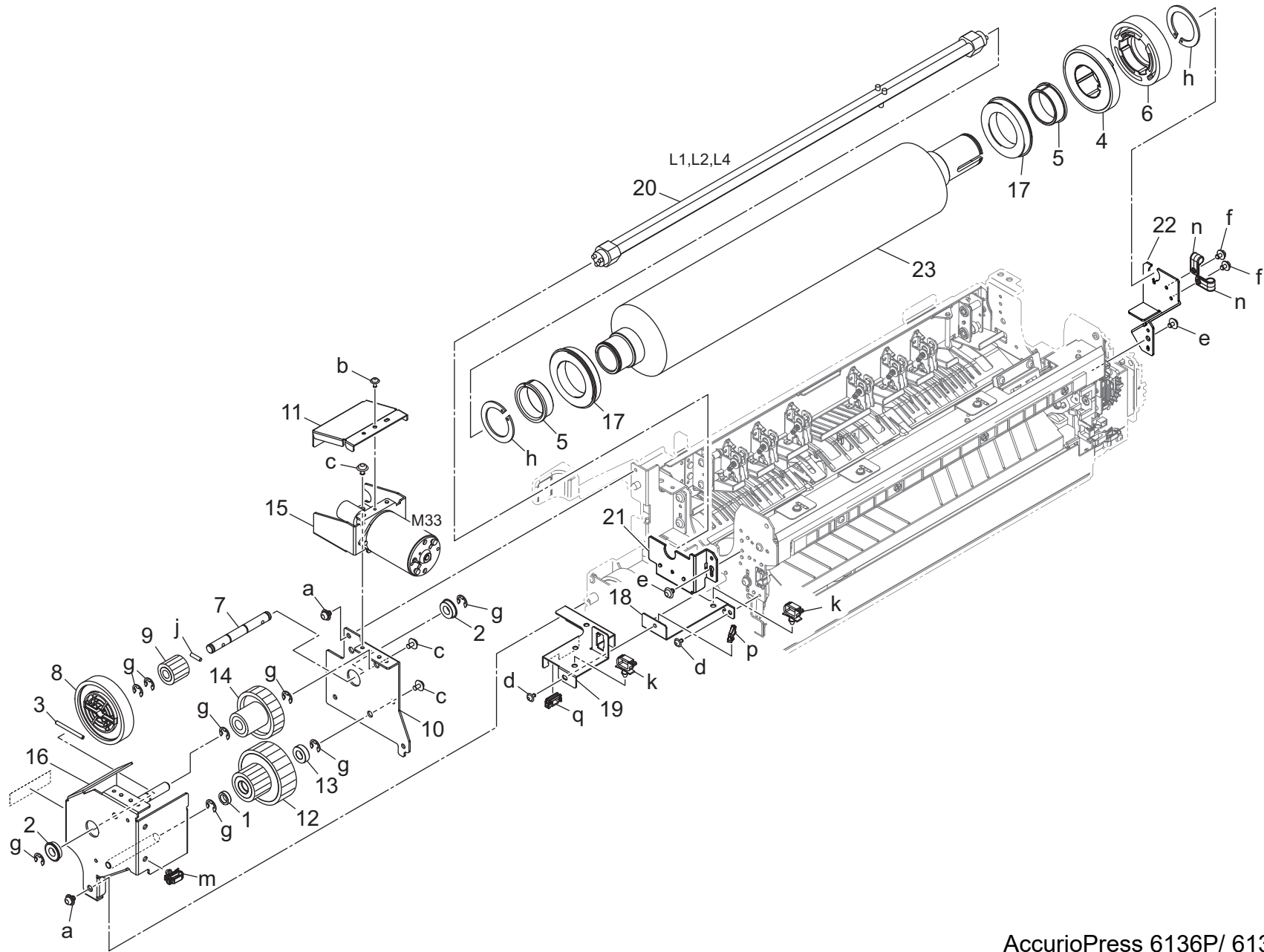
Key	Part No.	Description	Destinations	Class	QTY	Standard parts
1	56UA53530	FIXING CLEANING ROLLER		B	1	a-V114040804
2	56UA54430	ADJUSTMENT PLATE REAR		D	1	b-V116030603
3	56UA760900	Fixing Cleaning Bushing /C		B	1	c-V127030516
4	A03U734500	Support Screw /A		C	4	d-V182040603
5	A0G6732100	Holding Part /Left		D	1	e-V211040080
6	A0G6732200	Pressing Spring /Front		C	2	f-V217030003
7	A0G6732701	Cleaning Plate /1		D	1	g-V217040003
8	A0G6734100	Cleaning Gear /1 22T		C	1	h-V217060003
9	A0G6734300	Drive Stopper /1		C	1	j-V234301450
10	A0G6734500	Cleaning Bushing /5		C	2	
11	A0G6743100	Drive Plate /3		D	1	
12	A0G6747903	Fusing Cover		C	1	
13	A4EU731500	Stopper Bushing /5		C	2	
14	A4EU732602	Bushing		B	2	
15	A4EUR70T00	Regulating Part Assy		B	1	
16	A4EUR73300	Cleaning Drive Assy		D	1	
17	A4EUR73400	Holding Shaft / Left Assy		D	1	
18	A4EUR73500	Holding Shaft / Right Assy		D	1	
19	A799732500	Holding Part /Right		D	1	
20	A9JT725701	Insulating Cover /F		D	1	
21	A9JT728100	Insulating Cover /1		D	2	
22	A9JT728200	Insulating Cover /2		D	2	
23	A9JT728300	Insulating Cover /3		D	2	
24	A9JT728400	Insulating Cover /4		D	4	
25	A9JT729200	Support Shaft /T		D	2	
26	A9JT729300	Operation Handle /W		D	2	
27	A9JT729400	Insulating Cover /W		D	2	
28	A9JT731301	Fusing Top Plate		D	1	
29	A9JT731400	Fusing Cleaning Web		A	1	
30	A9JT732300	Adjusting Plate		D	2	
31	A9JT732400	Holding Plate		D	2	
32	A9JTR70911	Fusing Unit		I	1	

Fusing Section

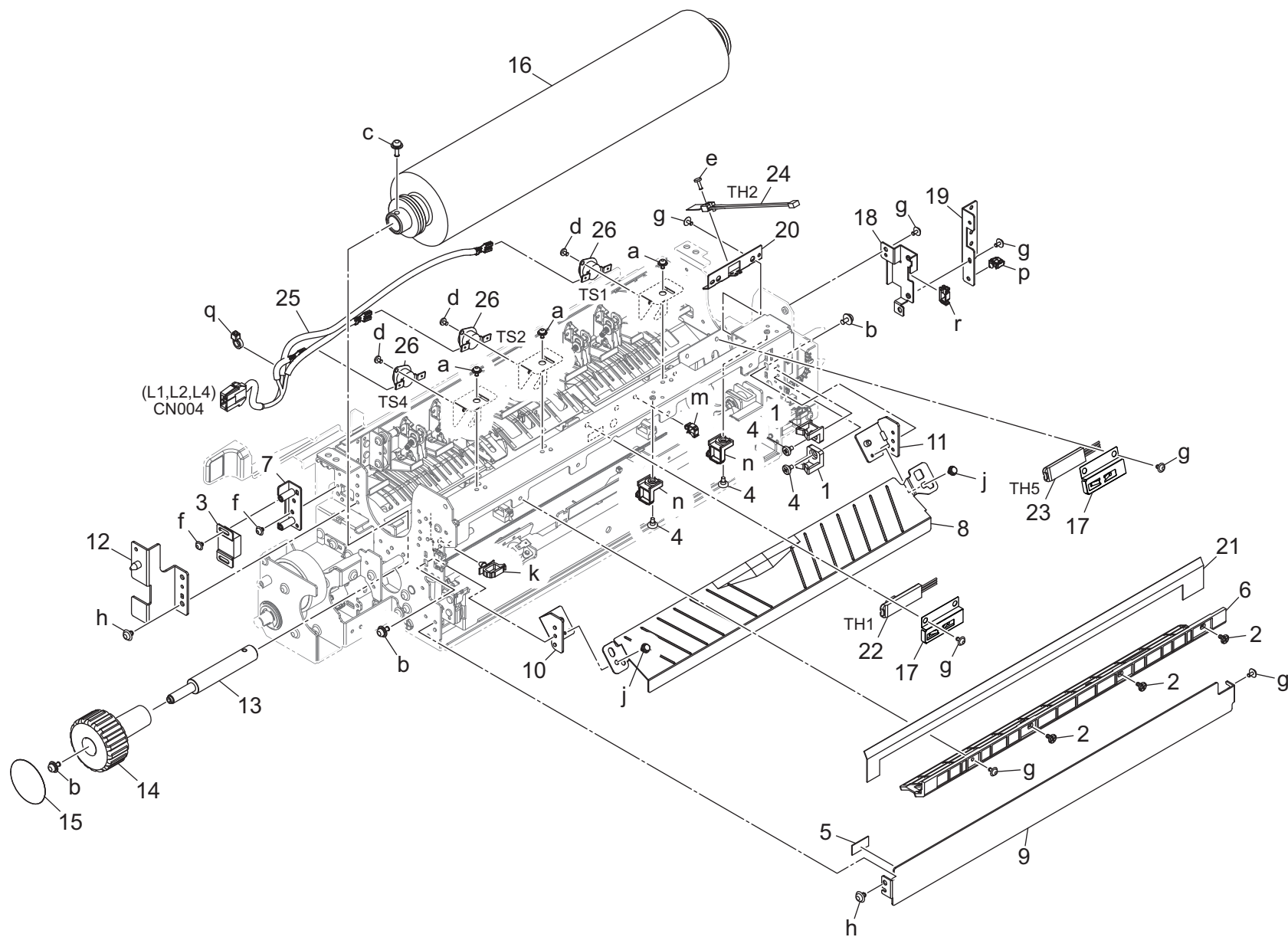


Key	Part No.	Description	Destinations	Class	QTY	Standard parts
1	450053391	EXIT GUIDEPLATE MOUNTING SCREW	出口ガイド板 取付けネジ	C	2	a-V118041003
2	55VA77850	Fixing Cleaner Gear /2 38T/13T	定着清掃歯車 /2 38 T /13 T	B	1	b-V121030403
3	56UA760900	Fixing Cleaning Bushing /C	定着清掃軸受 /C	B	2	c-V127030516
4	A0G6731000	Fusing Handle /Rear	定着取手 /奥	D	1	d-V127040603
5	A0G6731900	Drive Shaft /4	駆動軸 /4	D	1	e-V195040003
6	A0G6734200	Cleaning Gear /2 23T	クリーニングギア /2 23 T	C	1	f-V205040003
7	A0G6736800	Lifting Screw /1	持ち上げねじ /1	C	2	g-V217040003
8	A0G6736900	Fusing Handle /4	定着取手 /4	C	1	h-V234301450
9	A0G6737200	Fusing Handle /5	定着取手 /5	D	1	
10	A0G6737900	Fusing Handle /1	定着取手 /1	D	1	
11	A0G6738000	Fusing Handle /2	定着取手 /2	C	1	
12	A0G6739600	Insulating Cover /6	断熱カバー /6	C	1	
13	A0G6739800	Fusing Handle /B	定着取手 /B	C	1	
14	A0G6749800	Reinforce Plate /A	補強板 /A	D	2	
15	A4EU735012	Insulating Cover /D	断熱カバー /D	D	1	
16	A4EU739412	Insulating Cover /4	断熱カバー /4	D	1	
17	A4EU742800	Cleaning Gear Outside 18/26T	クリーニングギア /外 18 /26 T	C	1	
18	A799778600	Connecting Gear 39T	連結ギア 39 T	C	1	
19	A9JT725600	Insulating Cover /A	断熱カバー /A	D	1	
20	A9JT725800	Insulating Cover /Rear	断熱カバー /奥	D	1	
21	A9JT725900	Insulating Cover /H	断熱カバー /H	D	1	
22	A9JT742200	Drive Plate	駆動板	D	1	
23	A9JTR70300	Fusing Oscillation Cam Assy	定着揺動カム Assy	B	1	

Fusing Section



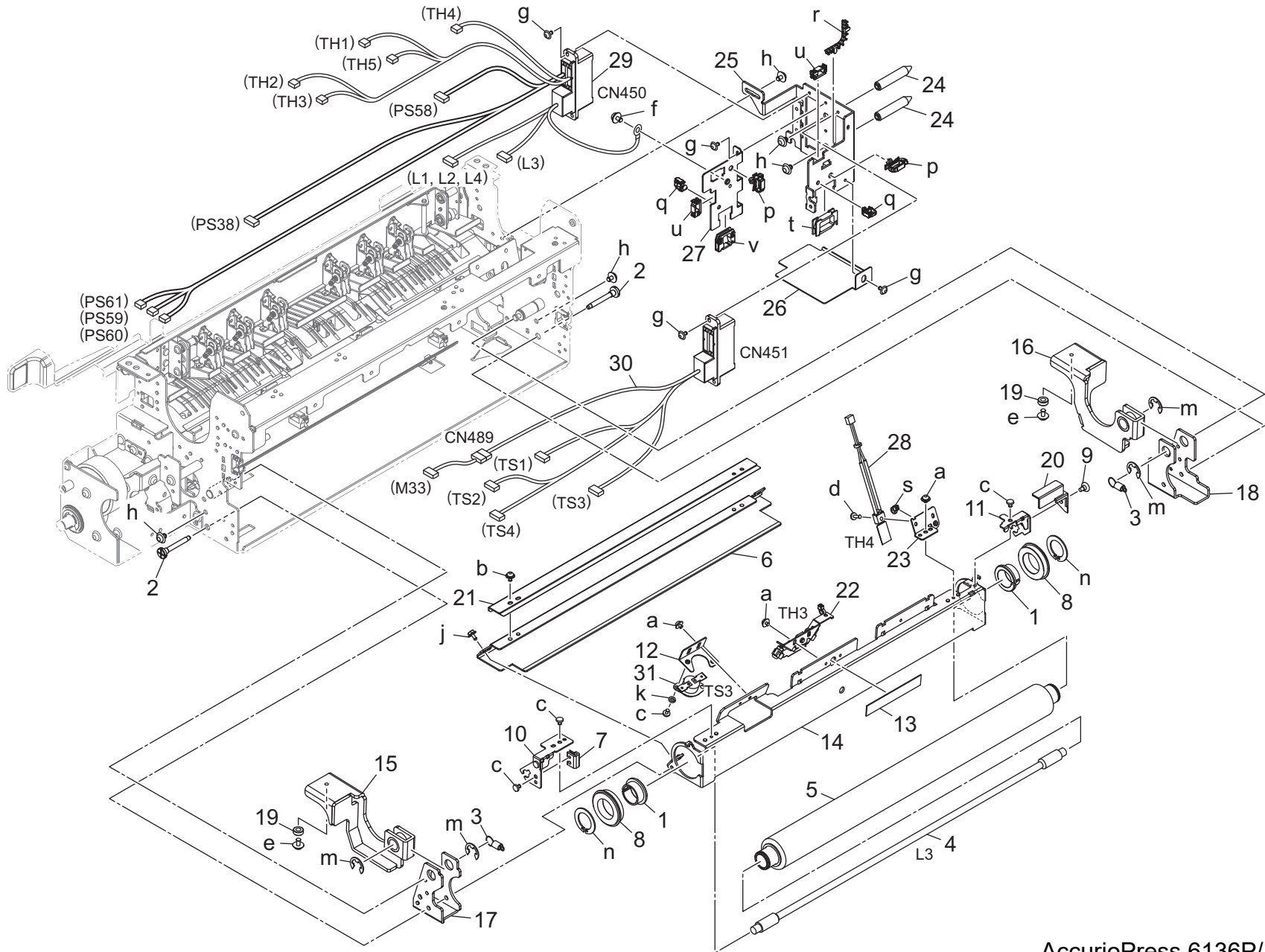
Key	Part No.	Description	Destinations	Class	QTY	Standard parts
1	AAJV370500	Ball bearing		C	1	a-V116040603
2	4120550302	Ball Bearing		A	2	b-V121030603
3	55VA15190	Fixing Drive Pin		B	1	c-V121040603
4	56UA77800	FIXING DRIVING GEAR 60T		B	1	d-V127030604
5	A03U729500	INSULATING SLEEVE /UPPER		B	2	e-V127040603
6	A0G6726000	Fusing Gear/2 60T		B	1	f-V182040603
7	A0G6744300	Pressure Shaft /B		D	1	g-V217060003
8	A0G6745000	Gear 60T		C	1	h-V223300017
9	A0G6745100	Pressure Gear 19T		C	1	j-V234301250
10	A0G6747001	Pressure Panel /4		D	1	k-V500010073
11	A0G6748100	Pressure Cover /Upper		D	1	m-V500010081
12	A4EU747100	Release Gear /A 17T/ 52T		C	1	n-V500020030
13	A4EU747600	Ball bearing		C	1	p-V500020100
14	A4EUR70P00	Pressure Wheel Assy		B	1	q-V570010057
15	A4EUR76B00	Pressure Worm Assy		B	1	
16	A4EUR76C00	Pressure Panel / 5 Caulking		D	1	
17	A5AW745200	Fusing Bearing/2		B	2	
18	A9JT743800	Wiring Plate /Lower		D	1	
19	A9JT749400	Wiring Plate /Upper		D	1	
20	A9JTM33001	Fusing Heater Lamp Assy/Up		B	1	
21	A9JT745901	Hold Heater /Front		D	1	
22	A9JT746001	Hold Heater /Rear		D	1	
23	A9JT730400	Fusing Roller /Upper		A	1	



AccurioPress 6136P/ 6136P/ 6272P

Key	Part No.	Description	Destinations	Class	QTY	Standard parts
1	55VA53970	Wiring Holder Part		D	2	a-V116030603
2	56AA54220	FIXING SCREW 2		C	3	b-V116040803
3	56UA53750	MAGNET CATCH		D	1	c-V116041203
4	A03U734500	Support Screw /A		C	4	d-V118030403
5	A0G6727700	Protection Sheet /Rear		D	1	e-V118030803
6	A0G6732000	Guide Plate Outside		C	1	f-V127030516
7	A0G6738800	Suction Plate /1		D	1	g-V127030604
8	A0G6741012	Guide Plate /Lower		C	1	h-V127040603
9	A0G6741112	Fusing Stay /1		D	1	j-V182030603
10	A0G6741200	Entrance Bin /Front		C	1	k-V500010073
11	A0G6741300	Entrance Pin /Rear		C	1	m-V500010074
12	A0G6745800	Pressure Part		D	1	n-V500010086
13	A0G6751800	Operation Shaft		D	1	p-V500020098
14	A0G6751901	Operation Knob		D	1	q-V501010014
15	A0G6945601	Label /6		D	1	r-V570010057
16	A4EUR70V00	Lower Roller Assy		A	1	
17	A9JT723101	Sensor Casing		D	2	
18	A9JT725000	Wiring Plate /Rear		D	1	
19	A9JT725300	Support Plate		D	1	
20	A9JT732800	Sensor Plate		D	1	
21	A9JT733000	Insulating Cover /C		D	1	
22	A9JTM50100	Temperature Sensor /1		C	1	
23	A9JTM50200	Temperature Sensor /5		C	1	
24	A9JTM50300	Fusing Temperature Sensor/2		B	1	
25	A9JTN10800	Fixing Wiring /2		D	1	
26	SP00-0022	THERMOSTAT		A	3	

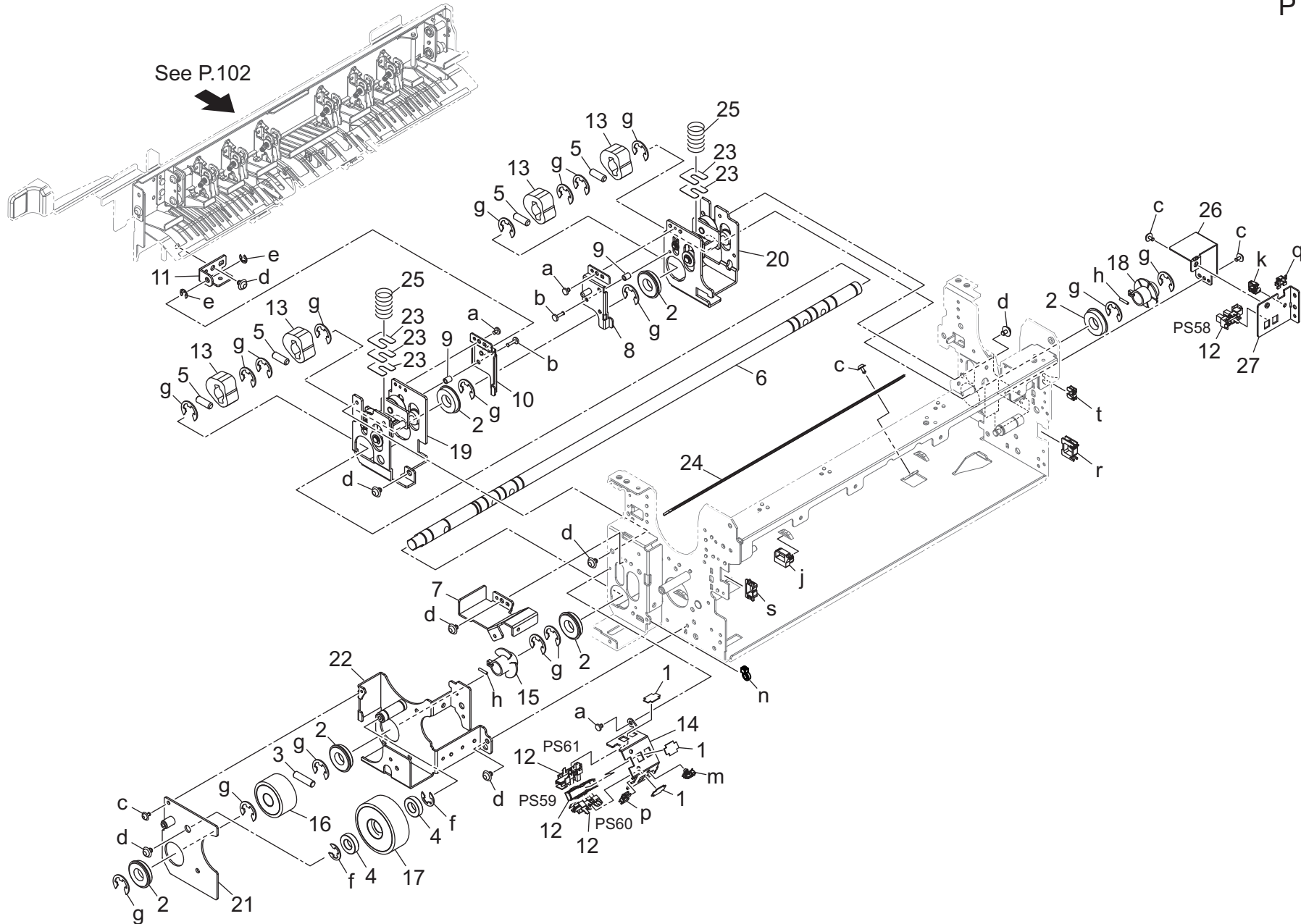
Fusing Section



Key	Part No.	Description	Destinations	Class	QTY	Standard parts
1	26AA53150	HEAT INSULATING SLEEVE FRONT	断熱スリーブ 前	B	2	a-V116030403
2	55VA53360	Fulcrum Screw	支点ネジ	C	2	b-V116030603
3	55VA53450	PRESSURE SPRING	押圧バネ	B	2	c-V118030403
4	55VB83042	Fixing Heater /3	定着 ヒーター /3	A	1	d-V118030803
5	56UA53070	FIXING AUXILIARY ROLLER	定着補助ローラ	B	1	e-V121040603
6	56UA53320	FIXING CLEANING PLATE /1	定着清掃板 /1	D	1	f-V125040803
7	56UA54160E	Neutralizing Brush /B	除電ブラシ /B	B	1	g-V127030604
8	56UA75070	Fixing Bearing	定着軸受	A	2	h-V127040603
9	A03U734500	Support Screw /A	支持ネジ /A	C	1	j-V182030603
10	A0G6727201	Heater Side Plate /Front	ヒータ側板 /前	D	1	k-V205030003
11	A0G6727301	Heater Side Plate /Rear	ヒータ側板 /奥	D	1	m-V217080003
12	A0G6727500	Mounting Plate /Front	取付板 /前	D	1	n-V223170017
13	A0G6727600	Protection Sheet /Lower	保護シート /下	C	1	p-V500010081
14	A0G6730311	Auxiliary Stay /1	補助ステー /1	D	1	q-V500020098
15	A0G6748500	Pressure Lever /Front	圧着レバー /前	C	1	r-V500030003
16	A0G6748600	Pressure Lever /Rear	圧着レバー /奥	C	1	s-V501010014
17	A0G6748711	Support Plate /Front	支点板 /前	D	1	t-V570010027
18	A0G6748811	Support Plate /Rear	支点板 /奥	D	1	u-V570010057
19	A0G6748900	Stable Roll	安定ころ	C	2	v-V570010060
20	A4EU727900	Protection Cover /1	保護カバー /1	D	1	
21	A4EUR70U00	Fixing Cleaning Sheet Assy	定着清掃シート 部組	A	1	
22	A4EUR73600	Roller Temperature Control Sensor Assy	補助ローラ温度制御センサ部組	C	1	
23	A9JT727400	Mounting Plate /Rear	取付板 /奥	D	1	
24	A9JT738600	Guide Shaft	ガイド軸	D	2	
25	A9JT738700	Fixing Connector /Rear	固定コネクタ /奥	D	1	
26	A9JT741400	Wiring Cover /Lower	配線カバー /下	D	1	
27	A9JT748300	Wiring Partition	配線仕切	D	1	
28	A9JTM50400	Fusing Temperature Sensor/4	定着温度センサー /4	B	1	
29	A9JTN10600	Fixing Wiring /1	定着束線 /1	D	1	
30	A9JTN10901	Fixing Wiring /3	定着束線 /3	D	1	
31	SP00-0043	THERMOSTAT 3	サーモスタット 3	A	1	

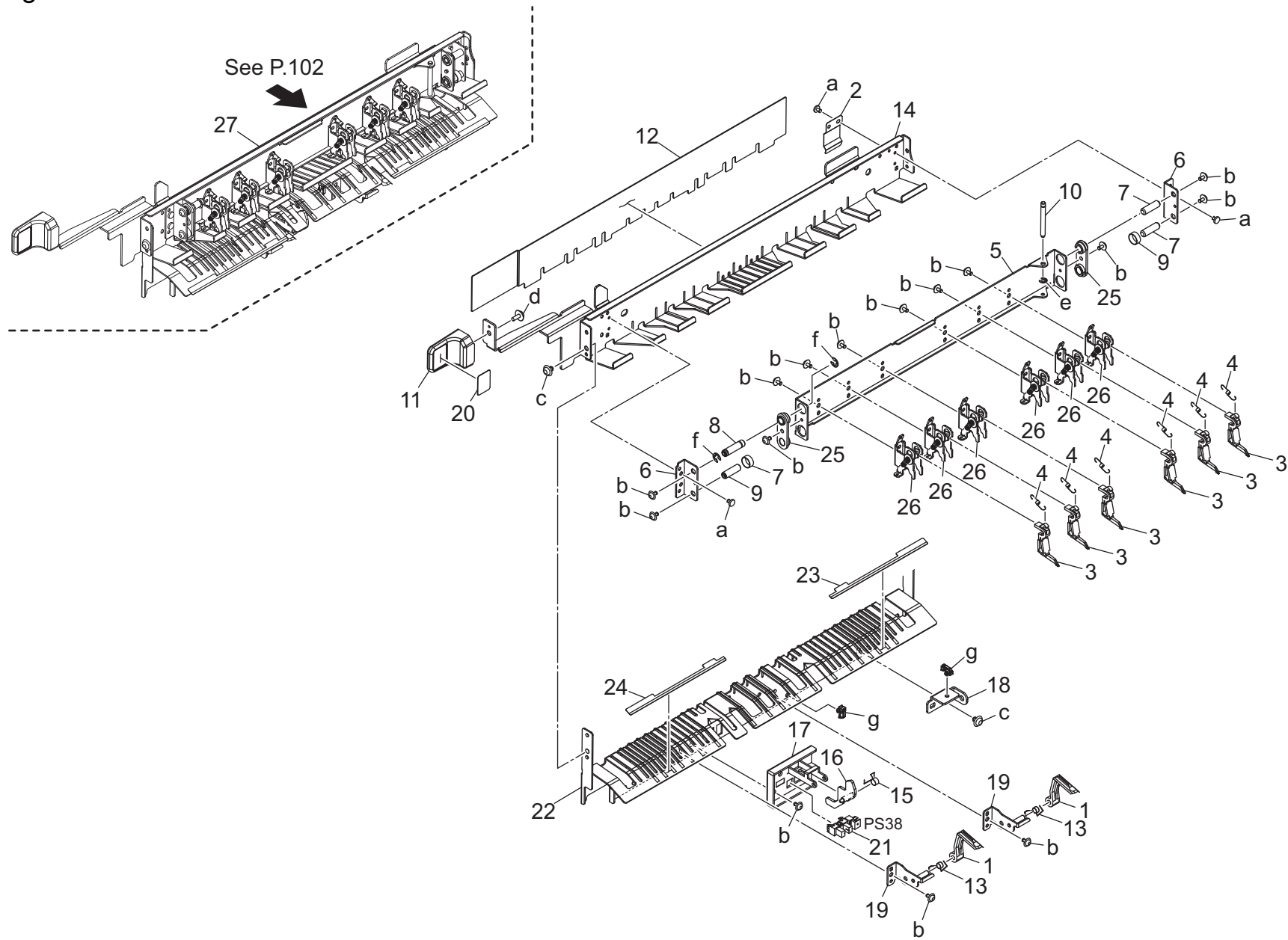
Fusing Section

P 101

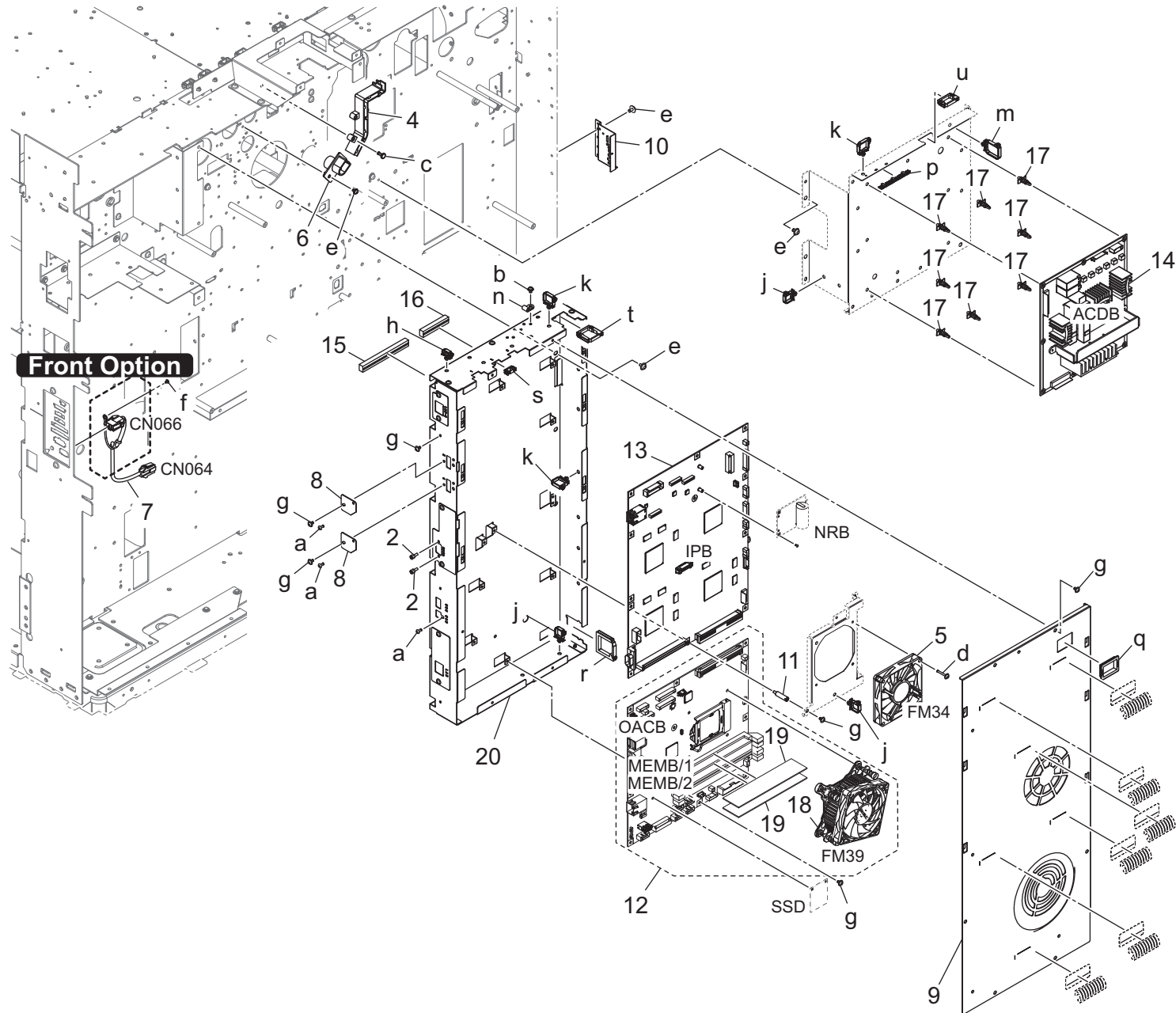


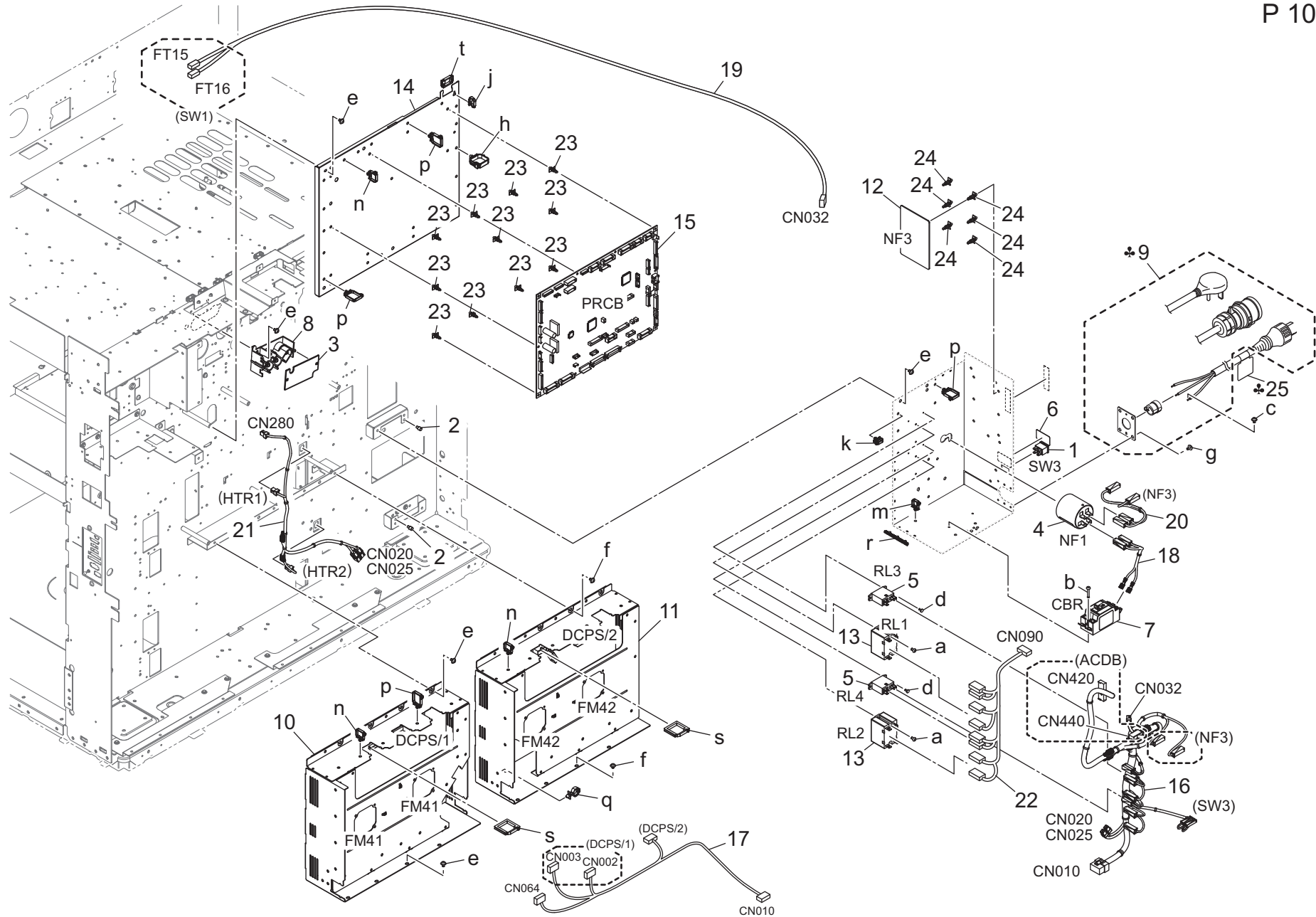
Key	Part No.	Description	Destinations	Class	QTY	Standard parts
1	13GL46720	Fixing Plate	センサ固定板	C	3	a-V118030403
2	40AA53151	Fixing Roller Bearing /Lower	定着ころがり軸受 /下	B	6	b-V118031003
3	A0G6744600	Drive Pin /A	駆動ピン / A	C	1	c-V127030604
4	A0G6744700	Drive Ball Bearing /H	駆動ボールベアリング / H	C	2	d-V127040603
5	A0G6744900	Rotation Pin /1	回転ピン /1	C	4	e-V217040003 f-V217080003
6	A0G6745300	Pressure Shaft /A	圧着軸 / A	D	1	g-V217100050
7	A0G6745700	Support Plate /S	支持板 / S	D	1	h-V234201050
8	A0G6749100	Paper Exit Stopper /Rear	排紙ストップ /奥	D	1	j-V500010021
9	A0G6749200	Support Shaft /Lower	支持軸 /下	D	2	k-V500020098
10	A0G6749300	Paper Exit Stopper /Front	排紙ストップ /前	D	1	m-V500020099 n-V501010014
11	A0G6749600	Positioning Plate	位置決め板	D	1	p-V570010021
12	A1RFM51000	Photointerrupter /H	透過型センサ / H	C	4	q-V570010050
13	A4EU725400	Pressure Cam	圧着カム	D	4	r-V570010053
14	A4EU746401	Plate /1	センサ板 /1	D	1	s-V570010064
15	A4EU746501	Pressure Actuator /Front	圧着アクチュエータ /前	C	1	t-V570010065
16	A4EU747200	Release Gear /B 22T	解除歯車 / B 2 2 T	C	1	
17	A4EU747300	Release Gear /C 32T	解除歯車 / C 3 2 T	C	1	
18	A4EU748401	Pressure Actuator /Rear	圧着アクチュエータ /奥	C	1	
19	A4EUR73800	Stable Holder / Front Assy	安定ホルダ /前部組	D	1	
20	A4EUR73900	Stable Holder / Rear Assy	安定ホルダ /奥部組	D	1	
21	A4EUR76D00	Pressure Panel / 3 Caulking	圧着パネル /3 カシメ	D	1	
22	A4EUR76E00	Pressure Panel Caulking	圧着パネルカシメ	D	1	
23	A4EW789601	Adjusting Spacer	調整スペーサ	D	5	
24	A799741500	Neutralizing Brush	除電ブラシ	C	1	
25	A9JT736300	Fusing Spring	定着ばね	C	2	
26	A9JT738500	Cover Sensor /Rear	カバーセンサ /奥	D	1	
27	A9JT739100	Fixing Sensor /H	固定センサ / H	D	1	

Fusing Section



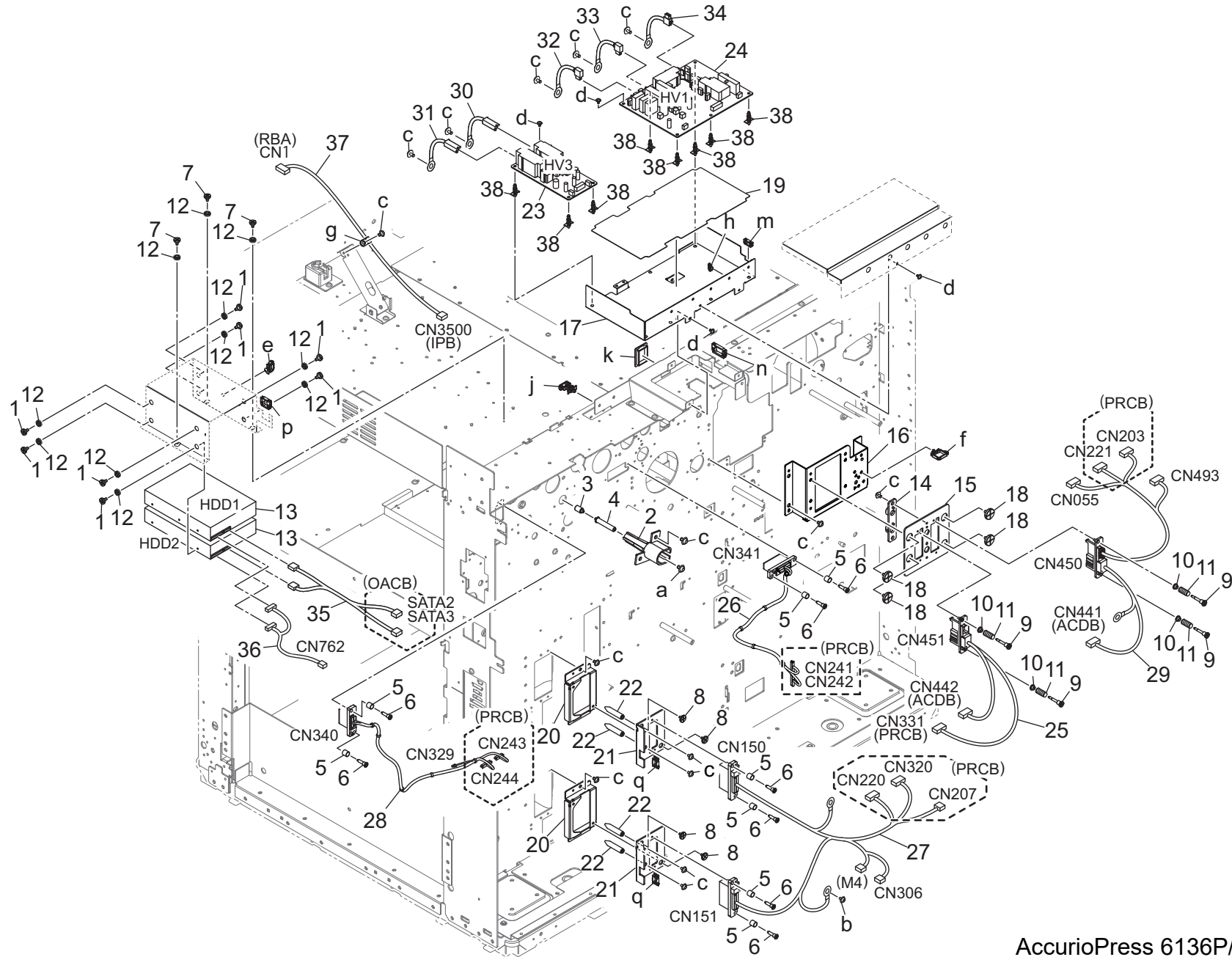
Key	Part No.	Description	Destinations	Class	QTY	Standard parts
1	25AA53290	FIXING CLAW LOWER		A	2	a-V118030403
2	55VA53770	PAPER EXIT PRESSURE PLATE		C	1	b-V127030604
3	56UA54530	FIXING CLAW UPPER		A	6	c-V127040603
4	56UA54540	HOLDING SPRING		C	6	d-V151040803
5	56UA54550F	Swing Plate		D	1	e-V217030003
6	56UA54570	Swing Stopper		D	2	f-V217040003
7	56UA54580	SWING SHAFT/3		D	3	g-V500020099
8	56UA54590	SWING SHAFT/6		D	1	
9	56UA54600	SWING SPRING 1		C	2	
10	56UA54610	SWING SHAFT/4		D	1	
11	65AA53991	Fixing Paper Exit Lever		C	1	
12	A0G6725501	Insulating Cover /B		C	1	
13	A0G6728000	Spring		C	2	
14	A0G6745202	Guide Plate /Upper		C	1	
15	A0G6745500	Holding Spring		C	1	
16	A0G6746200	Paper Exit Actuator		C	1	
17	A0G6746300	Plate /Middle		D	1	
18	A0G6749600	Positioning Plate		D	1	
19	A0G6749700	Separating Holder /Lower		D	2	
20	A0G6945900	Label /9	ラベル/9 (JAMラベル/9)	C	1	
21	A1RFM51000	Photointerrupter /H		C	1	
22	A4EU746124	Guide Plate /Lower		D	1	
23	A4EU747400	Separating Guide /R		D	1	
24	A4EU747500	Separating Guide /F		D	1	
25	A4EU755600	Swing Bushing		C	2	
26	A4EUR73200	Exit Plate Assy		B	6	
27	A4EUR77211	Exit Guide Assy	出口ガイド Assy	D	1	





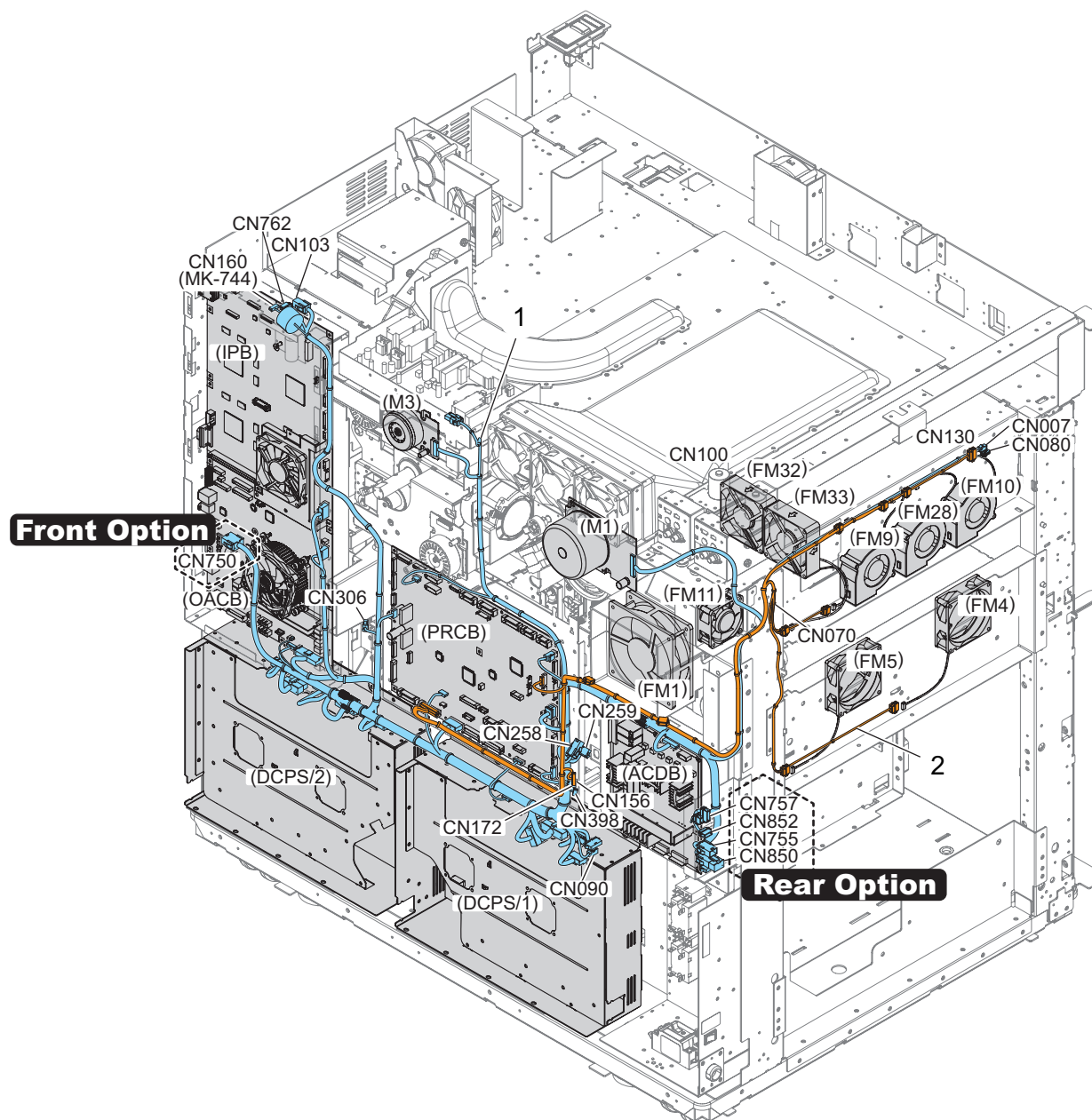
AccurioPress 6136P/ 6136P/ 6272P

Key	Part No.	Description	Destinations	Class	QTY	Standard parts
1	25AA85020	Heater Switch		C	1	a-V111040603
2	392010231	STOPPER PIN		C	2	b-V111042003
3	55VA73310	Terminal Protect Cover		D	1	c-V116050803
4	ACVXM40H00	Noise Filter		D	1	d-V118030603
5	A07TM60100	Power source Relay		C	2	e-V121040603
6	A0G6943101	Label		C	1	f-V127040603
7	A4EUM60401	Breaker		D	1	g-V127040803
8	A4EUR71N00	Chageg Powering Block		D	1	h-V500010063
9	A4EUR75Y00	Power Supply Code Assy(JP)	A	D	1	j-V500010071
9	A4EUR76000	Power Supply Code Assy(USA)	B,G2	D	1	k-V500010082
9	A4EUR76100	Power Supply Code Assy(EU)	C,D1,E,F2,G1,H,I,J	D	1	m-V500010083
9	A4EUR76N00	Power Supply Code Assy(AUS)	D3	D	1	n-V500010084
9	4136N30000	POWER CODE	K	D	1	p-V500010085
10	A799M45103	DC Power source /1		I	1	q-V500020064
11	A799M45202	DC Power source /2		I	1	r-V500030002
12	A799M45300	Noise filter		D	1	s-V570010048
13	A92WM60100	Relay		D	2	t-V570010059
14	A9JT139200	Mounting Panel /Middle		D	1	
15	A9JTH05000	Printer Control Board Assy		I	1	
16	A9JTN10100	AC Wiring /1		D	1	
17	A9JTN10200	AC Power Source Harness		D	1	
18	A9JTN10400	AC Wiring /2		D	1	
19	A9JTN10500	AC Wiring /4		D	1	
20	A9JTN10700	AC Wiring /3		D	1	
21	A9JTN11100	Heater Relay Harness		D	1	
22	A9JTN12000	Circuit Relay Harness		D	1	
23	V502010032	Circuit Board Spacer		D	11	
24	V502010033	Circuit Board Spacer		D	6	
25	56AA97140	CORD LABEL	B,G2	D	1	

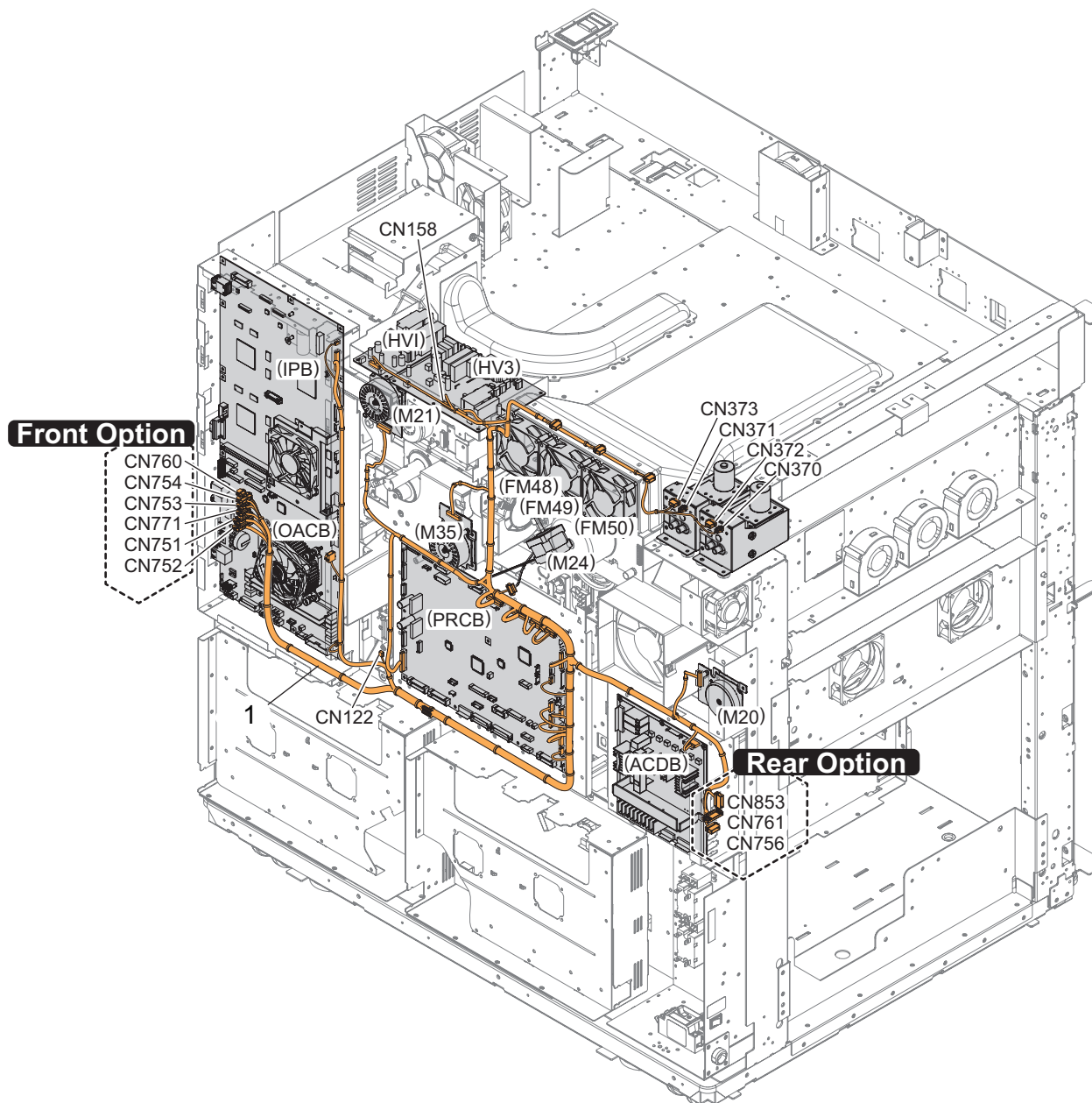


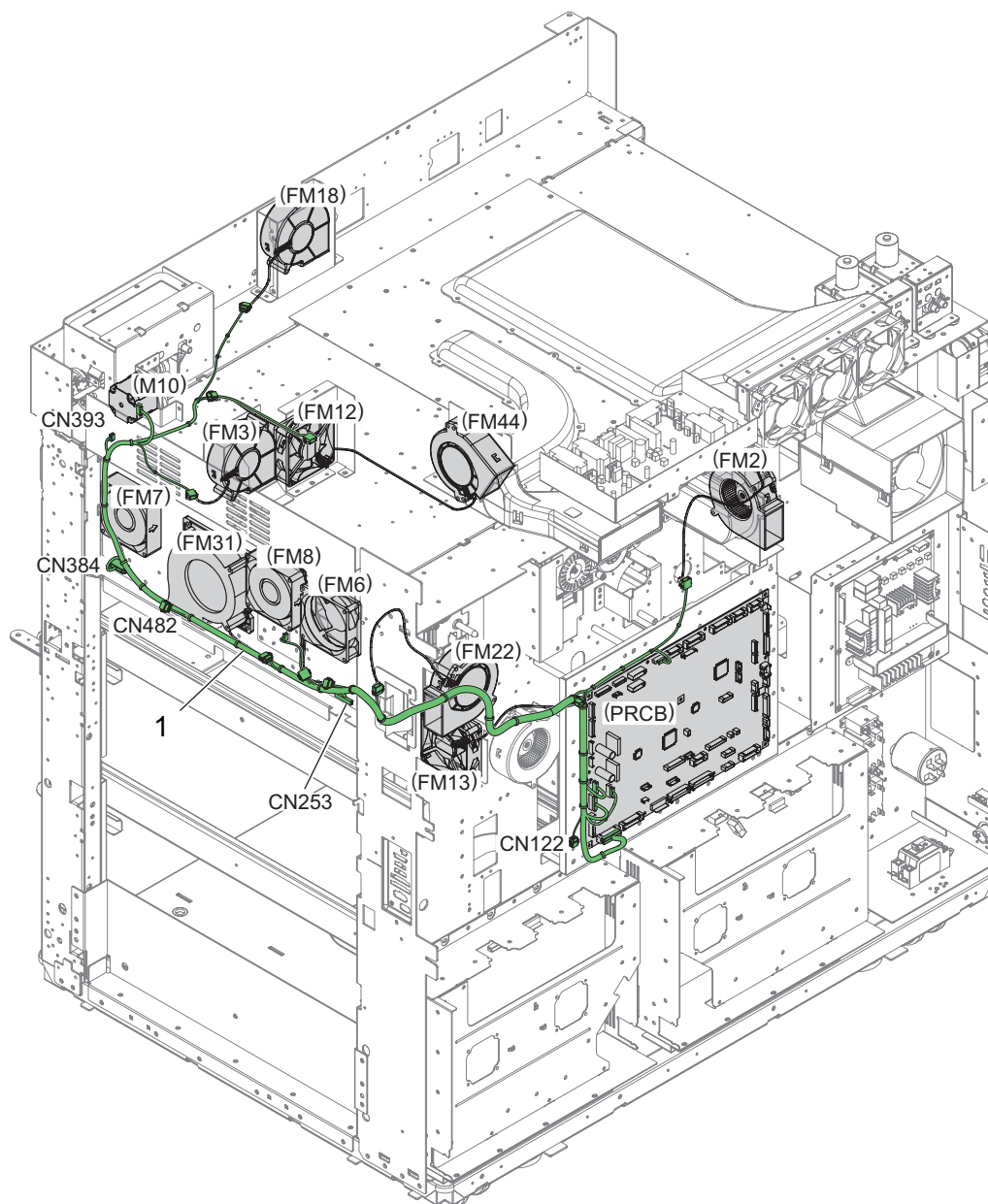
AccurioPress 6136P/ 6136P/ 6272P

Key	Part No.	Description	Destinations	Class	QTY	Standard parts
1	A4EU131100	Fixing Screw		D	8	a-V116030603
2	56AA15460	HIGH VOLTAGE GUIDE PART		C	1	b-V116040603
3	56AA15471	CONTACT SPRING		C	1	c-V121040603
4	56AA15521	CONTACT SHAFT		D	1	d-V127030604
5	56AA17080	TERMINAL ROCKING SPRING		C	8	e-V500010082
6	56AA17330	Slide Shaft		C	8	f-V500010084
7	A0Y5134700	Board Fixing Screw		C	3	g-V500020002
8	A1RF826100	Guide Screw		D	4	h-V500020099
9	A1RF115001	Fixing Screw		D	4	j-V500020108
10	A1RF115101	Slide Spacer		D	4	k-V570010038
11	A1RF115301	Pressing Spring /D		D	4	m-V570010057
12	A4EU138000	Support Rubber		D	11	n-V570010059
13	A799M72100	HDD		I	2	p-V570010060
14	A9JT130600	Positioning Sleeve		D	1	
15	A9JT130700	Fixing Plate		D	1	
16	A9JT130901	Hold Plate		D	1	
17	A9JT132500	Protection Box		D	1	
18	A9JT132600	Fixing Shoulder Screw /2		D	4	
19	A9JT135000	Insulating Sheet		D	1	
20	A9JT136000	Power Supply Holder /1		D	2	
21	A9JT136100	Power Supply Holder /2		D	2	
22	A9JT136200	Guide Shaft		D	4	
23	A9JTM40100	HV Power Source /1		I	1	
24	A9JTM40300	HV Power Source /3		I	1	
25	A9JTN10300	Fixing Power Source Harness		D	1	
26	A9JTN11200	Photoconductor Relay Harness /1		D	1	
27	A9JTN11300	Paperfeed Wiring /1		D	1	
28	A9JTN11900	Photoconductor Relay Harness /2		D	1	
29	A9JTN13000	Fixing Power Source Harness /2		D	1	
30	A9JTN22601	HV Wiring /T		D	1	
31	A9JTN22701	HV Wiring /D		D	1	
32	A9JTN22800	HV Wiring /G		D	1	
33	A9JTN22900	HV Wiring /B		D	1	
34	A9JTN23100	HV Wiring /P		D	1	
35	A9JTN29812	Signal Cable /H		D	1	
36	A9JTN29911	Power Source Cable /H		D	1	
37	A9JTR71Y11	LPH Signal Cable		C	1	
38	V502010033	Circuit Board Spacer		D	8	



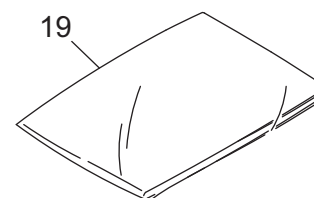
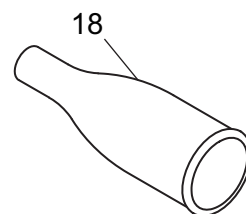
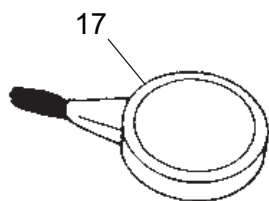
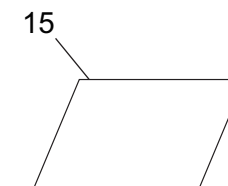
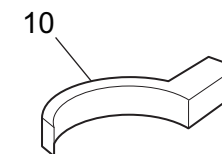
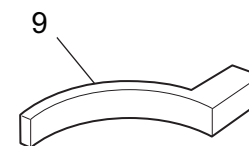
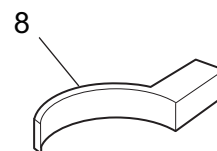
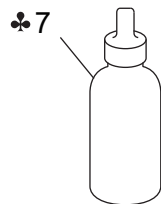
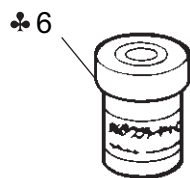
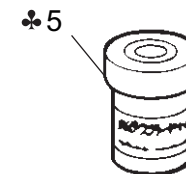
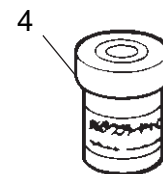
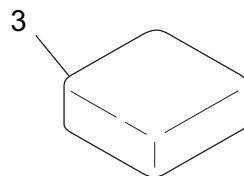
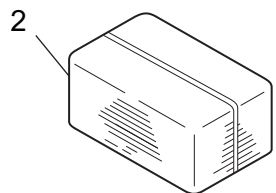
Key	Part No.	Description	Destinations	Class	QTY	Standard parts
1	A9JWN11001	DC Power source harness /1		D	1	
2	A9JTN12600	Cooling Wiring /2		D	1	





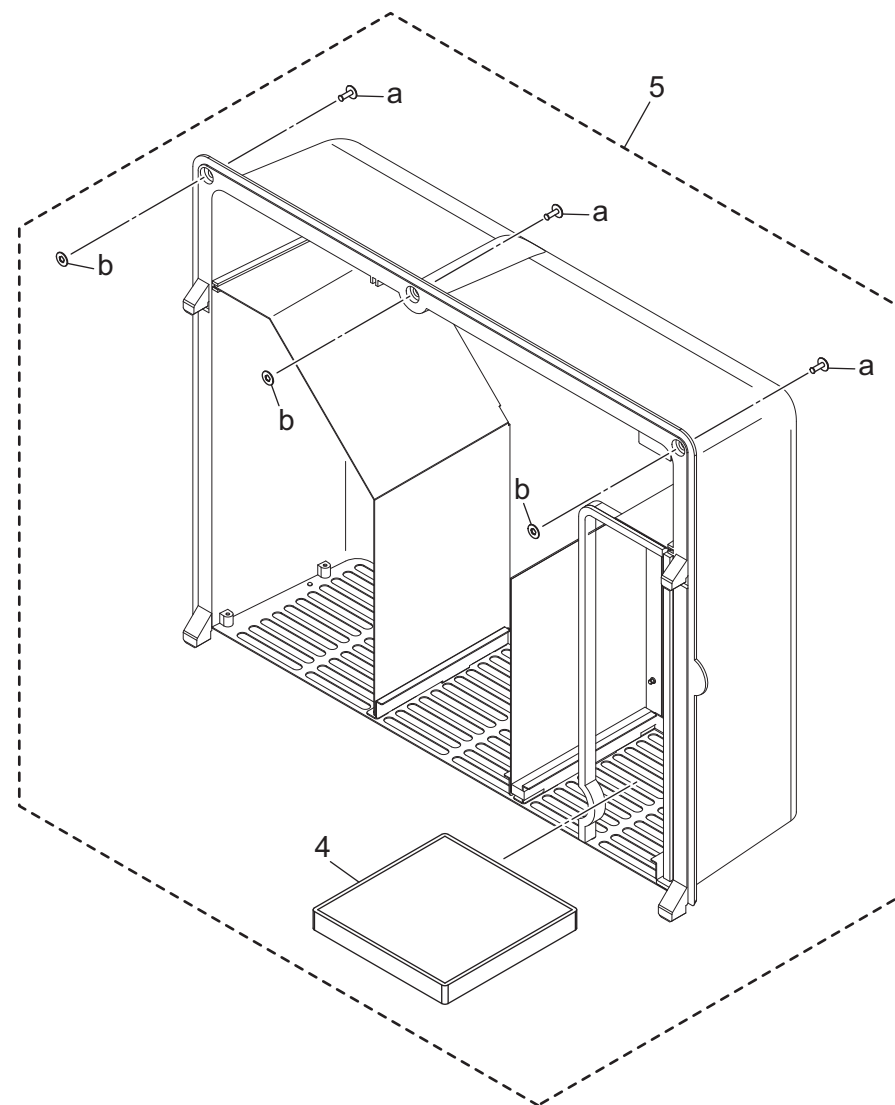
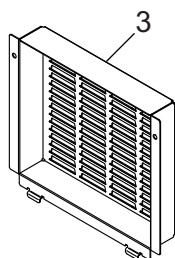
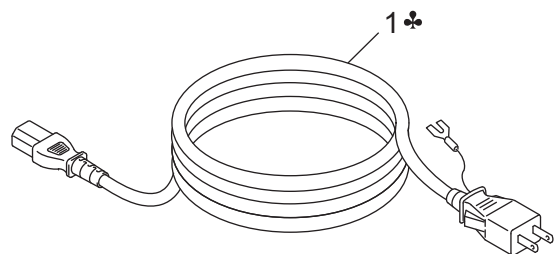
Service Tool

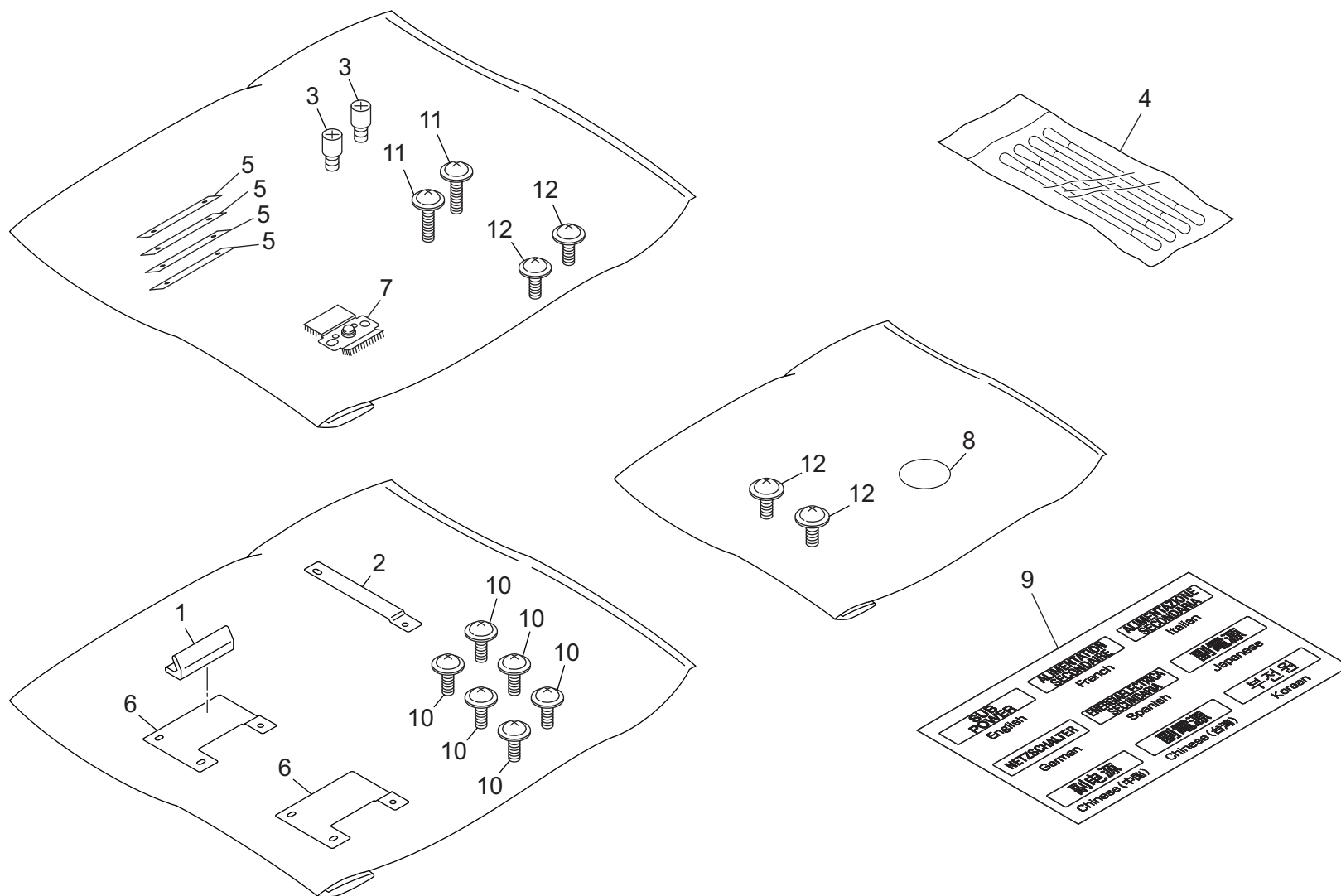
P 109



Accessory Parts

P 110





MAINTENANCE LIST

● The items with no Page/Key numbers are not handled as spare parts.

No.	Section	PM Parts Description	Maintenance Cycle (K=1,000)		Parts No.	Destinations	Page/Key	Note
			QTY	Replace				
1	Photo conductor section	Drum	1	1,200K				*1
2		Drum separation claws	3	1,200K	A0G6345600		P47-30	
3	Photo conductor section	Charging wire	2	1,200K	56UA25090		P40-5	
4		Charging control plate	2	1,200K	A9JT460800		P39-9	
5		Charger cleaning assy	2	1,200K	A9JTR70100		P39-13	
6		Vibration proof rubber	2	1,200K	55VA25270		P40-3	
7		C-clip	2	1,200K	45AA20400		P39-1	
8	Developing section	Developer DV017	1	1,200K				*1
9	Cleaning section	Drum cleaning blade (page)	2	1,200K	A9JTR71500		P50-13	
10		Vibration proof rubber	1	1,200K	55VA25270		P42-1	
11		Drum scraper assy	1	1,200K	A9JTR73500		P49-20	
12		Discharging wire	1	1,200K	A0G6470800		P42-6	
13	Fusing section	Fusing cleaning web	1	1,200K	A9JT731400		P96-29	
14	Developing section	Developing suction filter	1	2,400K	A0G6390800		P38-5	
15	Toner supply section	Agitator plate assy/1	1	2,400K	A4EUR70500		P60-8	
16		Agitator plate assy/2	1	2,400K	A4EUR70600		P60-9	
17	Cleaning section	Drum cleaning brush	1	2,400K	A4EUR70K00		P50-10	
18		Side plate assy/Rr	1	2,400K	A9JTR73300		P50-9	*2
19		Side plate assy/Fr	1	2,400K	A9JTR73400		P50-8	*2
20		Scattering prevention felt	1	2,400K	55VA55680		P50-6	
21	Photo conductor section	Pressure spring/Fr	1	3,600K	A9JTR73100		P45-23	*3
22		Pressure spring/Rr	1	3,600K	A9JTR73200		P45-24	*3
23		Drum temperature sensor	1	4,800K	A4EUR70200		P46-15	
24	Toner supply section	Toner supply sleeve/1	1	4,800K	A4EUR70W00		P56-15	
25		Toner supply sleeve/2	1	4,800K	A4EUR70X00		P56-16	
26	Cleaning section	Drum cleaning shaft scraper assy	1	4,800K	A4EUR70J00		P48-26	*2
27		Cleaning guide	1	4,800K	A4EUR71300		P51-10	
28	Transfer/Separation section	Regulation plate assy	2	4,800K	A4EUR70000		P83-23	
29		Transfer belt	1	4,800K	A9JT500100		P93-17	
30		Transfer roller	1	4,800K	A4EU500600		P94-17	
31		Transfer belt cleaning brush	2	4,800K	A4EU510600		P84-14	
32		Transfer roller bearing	2	4,800K	A0G6503900		P94-14	
33		Transfer electrode plate	2	4,800K	A4EUR70C00		P94-18	
34		Transfer ground plate	1	4,800K	A4EUR70B00		P93-16	
35		Cleaning shaft electrode plate	2	4,800K	65AA26890		P84-3	
36		Main body	Charging filter	1	4,800K	A9JTR72700		P5-22
37	Paper feed section	Input gear/1,2	2	6,000K	A0G6602300		P27-27/P36-27	
38		Torque limiter/1,2	2	6,000K	A03X565611		P27-17/P36-17	
39		Cover/1,2	2	6,000K	A0G6572000		P27-24/P36-24	
40	Vertical conveyance section	Vertical conveyance roller/2	1	6,000K	A9JT700200		P67-31	
41		Vertical conveyance roller/3	1	6,000K	A0G6700300		P67-25	
42		Pre-registration roller/1,2	2	6,000K	A9JT700100		P66-16/P67-30	
43		Brake gear/1,2	2	6,000K	A9JT700800		P66-18/P67-33	
44		Pre-registration bearing/1,2	4	6,000K	56UA76030		P66-8/P67-16	
45		Vertical conveyance torque limiter/1,2,3	3	6,000K	A03U815700		P66-12/P67-24	
46	De-curler section	De-curler belt/Lw,/Up	14	6,000K	A799846400		P88-11	
47	Main body	Ozone filter/1	1	6,000K	A9JT112300		P110-4	
48		Ozone filter/2	1	6,000K	A9JT112200		P9-12	
49	Vertical conveyance section	Pre-registration clutch/1,2	2	7,200K	A9JTM20000		P66-19/P67-35	
50		Vertical conveyance clutch	1	7,200K	A9JTM20000		P66-19/P67-35	
51	Photo conductor section	Charging corona unit	1	8,400K	A9JTR71G00		P39-14	

No.	Section	PM Parts Description	Maintenance Cycle (K=1,000)		Parts No.	Destinations	Page/Key	Note
			QTY	Replace				
52	Developing section	Developing unit	1	8,400K	A9JTR70200		P52-15	
53		Developing suction seal/2	2	9,600K	56UA31030		P38-1	
54		Developing suction seal/5	1	9,600K	56UA31060		P38-2	
55		Stopper pad/1	2	9,600K	A4EU394600		P38-8	
56		Suction pad/H	1	9,600K	A0G6394400		P38-3	
57		Stopper pad/2	2	9,600K	A4EU394700		P38-9	
58	Cleaning section	Drum cleaning shaft scraper assy	1	9,600K	A4EUR70J00		P48-26	*4
59		Drum cleaning shaft	1	9,600K	A0G6530500		P49-6	*4
60		Drum cleaning gear assy/Rr	1	9,600K	A4EUR70F00		P49-19	
61		Discharging unit	1	9,600K	A9JTR71400		P42-11	
62	Transfer/Separation section	Transfer belt cleaning shaft	2	9,600K	A0G6510700		P84-4	
63	Cleaning section	Side plate assy/Rr	1	12,000K	A9JTR73400		P50-9	*4
64		Side plate assy/Fr	1	12,000K	A9JTR73300		P50-8	*4
65	Vertical conveyance section	Vertical conveyance exit roller	1	12,000K	A4EU701200		P65-25	
66		Vertical conveyance roller/1	1	12,000K	A4EU701300		P66-13	
67		Paper dust removing brush shaft assy	1	12,000K	A4EUR71600		P64-9	
68	De-curler section	De-curler entrance roller	1	12,000K	A4EU840700		P87-15	
69		Paper exit gate	1	12,000K	A9JT844900		P87-21	
70	Fusing section	Fusing cleaning sheet assy	1	12,000K	A4EUR70U00		P100-21	*4
71	Toner supply section	Pump unit/Lt	1	14,400K	A9JTR72300		P61-11	
72		Pump unit/Rt	1	14,400K	A9JTR72200		P61-10	
73	Fusing section	Heat insulating sleeve/Lw	2	15,600K	26AA53150		P100-1	*4
74		Heat roller bearing	2	15,600K	56UA75070		P100-8	*4
75	Cleaning section	Drum cleaning shaft	1	19,200K	A0G6530500		P49-6	*4
76	Photo conductor section	Drum stand	1	20,400K	A9JTR71300		P42-10	
77	Cleaning section	Scattering prevention filter assy	1	24,000K	A4EUR71200		P49-21	
78	Paper feed section	Bearing/D1,/D2	4	24,000K	A00J617900		P27-15/P36-15	
79		Bearing/C1,/C2	2	24,000K	A00V240600		P27-16/P36-16	
80		Reverse rotation shaft/1,/2	2	24,000K	A0G6570800		P27-21/P36-21	
81		Paper feed input shaft/1,/2	2	24,000K	A4EUR72K11		P27-32/P36-32	
82	Vertical conveyance section	Paper dust removing brush holder	1	24,000K	A4EUR70N00		P64-8	
83		Conveyance pulley	2	24,000K	55VA76530E		P67-7	
84		Conveyance belt/A	1	24,000K	56UA78090		P67-18	
85		Bearing/E	5	24,000K	A00J617800		P64-7/P65-21	
86		Cleaning gear/B	1	24,000K	55VA79210		P65-6	
87		Scraper shaft	1	24,000K	A4EU701500		P65-10	
88	Registration section	Paper lift sheet	1	24,000K	A0G6712100		P91-17	
89		Loop driven roller	1	24,000K	A4EU818000		P91-25	
90		Pre-transfer driven roller assy	2	24,000K	A9JT714000		P92-29	
91	Fusing section	Web regulating spring assy	1	24,000K	A4EUR70T00		P96-15	
92		Fusing oscillation cam assy	1	24,000K	A9JTR70300		P97-23	
93		Fusing claws installation assy	6	24,000K	A4EUR73200		P102-26	
94		Bearing/G	1	24,000K	56UA760900		P96-3	
95	Main body rear side	Drum cleaner motor (M35)	1	36,000K	A9JTM10300		P16-36	
96	Cleaning section	Drum cleaning gear/3	1	38,400K	A0G6532700		P49-11	
97	Paper feed section	Pick-up roller/1,/2	2	500K	A4EUR71511		P28-29/P37-29	*5
98		Paper feed roller/1,/2	2	500K	A4EUR71411		P27-29/P36-29	*5
99		Separation roller/1,/2	2	500K	A4EUR71411		P28-28/P37-28	*5
100	Toner collection section	Waste toner box	1	713K	A9JTR73600	A	P62-11	*5
101		Waste toner box	1	713K	A03UR70200	B,C	P62-11	*5
102		Waste toner box	1	713K	A9JTR73600	D1,E,F2,G1,G2,H,I,K,J	P62-11	*5
103	Fusing section	Fusing separating claw/Lw	2	2,000K	25AA53290		P102-1	*5
104		Fusing separating claw/Up	6	2,000K	56UA54530		P102-3	*5
105		Fusing cleaning sheet assy	1	2,000K	A4EUR70U00		P100-21	*2,*5
106		Fusing roller/Up	1	2,000K	A9JT730400		P98-23	*5
107		Fusing roller assy/Lw	1	2,000K	A4EUR70V00		P99-16	*5
108		Heat insulating sleeve/Up	2	2,000K	A03U729500		P98-5	*5
109		Fusing bearing/Up	2	2,000K	A5AW745200		P98-7	*5

AccurioPress 6136P/ 6136P/ 6272P

No.	Section	PM Parts Description	Maintenance Cycle (K=1,000)		Parts No.	Destinations	Page/Key	Note
			QTY	Replace				
110	Paper feed section	Paper feed clutch/1,/2	2	3,000K	57GA82010		P27-14/P36-14	*5
111		Separation clutch/1,/2	1	3,000K	57GA82010		P28-23/P37-23	*5
112	Vertical conveyance section	Paper fur brush	1	4,000K	A4EUR73000		P64-10	*5
113	Fusing section	Fusing temperature sensor/2	1	4,000K	A9JTM50300		P99-24	*5
114		Fusing temperature sensor/4	1	4,000K	A9JTM50400		P100-28	*5
115	Registration section	Registration roller/Up	1	8,000K	A4EU710600		P92-21	*5
116		Registration gear/Up	1	8,000K	A0G6714200		P92-15	*5
117		Registration gear/Lw	1	8,000K	A0G6714300		P91-21	*5
118		Registration bearing	2	8,000K	A4EU715400		P92-23	*5
119	De-curler section	Fusing exit roller	4	8,000K	A799840600		P87-18	*5
120		Guide/Up	1	8,000K	A0G6845100		P89-6	*5
121		Guide/Lw	1	8,000K	A0G6845200		P89-7	*5
122	Fusing section	Fusing heating roller	1	8,000K	56UA53070		P100-5	*2,*5
123		Heat insulating sleeve/Lw	2	8,000K	26AA53150		P100-1	*2,*5
124		Heat roller bearing	2	8,000K	56UA75070		P100-8	*2,*5
125		Fusing gear/2	1	8,000K	A0G6726000		P98-6	*5
126	Paper exit section	Paper exit roller	1	8,000K	56UA45571E		P95-2	*5
127	Fusing section	Fusing heater lamp/3	1	10,000K	55VB83042		P100-4	*2,*5
128		Fusing cleaning roller	1	14,000K	56UA53530		P96-1	*5
129		Fusing cleaning roller bearing	2	14,000K	A4EU732602		P96-14	*5
130		Fusing heater lamp assy/Up	1	14,000K	A9JTM33001		P98-20	*2,*5
131	Duplex section	ADU accelerator roller/1,/2	3	16,000K	A4EU817400		P77-24	*5
132		ADU accelerator roller/3	1	16,000K	A4EU817200		P77-23	*5
133		ADU reverse roller	1	16,000K	A4EU817600		P77-25	*5
134		ADU conveyance roller/1,/2	2	16,000K	A4EU817500		P78-16	*5
135		ADU conveyance roller/3,/4,/5	3	16,000K	A4EU817700		P72-27/P78-17	*5
136	De-curler section	Coupling	1	16,000K	A4EU847000		P87-16	*5
137		De-curler entrance roller	1	16,000K	A4EU840700		P87-15	*5
138	Fusing section	Fusing heater lamp assy/Up	1	16,000K	A9JTM33001		P98-20	*4,*5
139		Fusing heating roller	1	16,000K	56UA53070		P100-5	*4,*5
140		Fusing heater lamp/3	1	16,000K	55VB83042		P100-4	*4,*5
141	Toner supply section	Air separation motor	1	40,000K	A0Y5M10400		P59-11	*5
142		Intermediate hopper motor (M11)	1	40,000K	A1TVM10311		P60-7	*5
143		Toner bottle motor (M6)	1	40,000K	A9JTM10200		P54-20	*5
144		Toner hopper motor (M7)	1	40,000K	A9JTM10200		P54-20	*5
145	Vertical conveyance section	Paper feed cleaning gear/B	1	40,000K	56UA77160		P65-17	*5
146		Paper feed gear/A	1	40,000K	56UA77170E		P65-18	*5
147		Paper feed gear/B	1	40,000K	56UA77180E		P66-9	*5
148		Paper exit input gear	1	40,000K	56UA77070F		P65-16	*5
149	Registration section	Registration roller gear	1	40,000K	A4EU714400		P91-24	*5
150		Registration motor (M17)	1	40,000K	A1TVM10100		P15-11	*5
151		Registration gear	1	40,000K	A4EU814600		P74-15	*5
152		Roller gear/Rt	1	40,000K	A4EU714400		P91-24	*5
153	Duplex section	ADU conveyance belt/2ADU conveyance motor/2	1	40,000K	A9JTR71700		P72-35	*5
154		ADU reverse belt	1	40,000K	13GQ77550		P77-1	*5
155		ADU accelerate motor/3	1	40,000K	A4EUR73Q00		P77-28	*5
156		Transfer belt pressure release motor (M26)	1	40,000K	A4EUR77300		P81-28	*5
157		ADU accelerate belt/3	1	40,000K	56UA78060		P73-9	*5
158		ADU accelerate motor/3 (M13)	1	40,000K	A4EUR73Q00		P73-27	*5
159		ADU accelerate belt/1	1	40,000K	A9JT819500		P71-12	*5
160		ADU accelerate motor/1 (M14)	1	40,000K	A4EUR73Q00		P71-7	*5
161		ADU accelerate belt/2	1	40,000K	A9JT819400		P77-33	*5
162		ADU accelerate motor/2 (M36)	1	40,000K	A4EUR73Q00		P77-28	*5
163		Loop motor (M18)	1	40,000K	A4EUR73X00		P72-30	*5
164		Transfer belt motor (M30)	1	40,000K	A9JTM10300		P75-25	*5
165		ADU conveyance motor/1 belt ADU conveyance	1	40,000K	65AA80112		P78-5	*5

AccurioPress 6136P/ 6136P/ 6272P

No.	Section	PM Parts Description	Maintenance Cycle (K=1,000)		Parts No.	Destinations	Page/Key	Note
			QTY	Replace				
166	De-curler section	De-curler motor (M32)	1	40,000K	A9JTM10200		P86-19	*5
167		Paper exit gate solenoid (SD7)	1	40,000K	A9JTR70400		P85-15	*5
168		De-curler solenoid/Up (SD8)	1	40,000K	A4EUR74900		P85-9	*5
169		De-curler solenoid/Lw (SD5)	1	40,000K	A9JTR70400		P85-15	*5
170	Fusing section	Pressure worm assy	1	40,000K	A4EUR76B00		P98-15	*5
171		Pressure wheel assy	1	40,000K	A4EUR70P00		P98-14	*5
172	Main body rear side	Paper feed gear	1	40,000K	A4EU239100		P14-14	*5
173		Paper feed motor (M4)	1	40,000K	A1RFM10600		P14-13	*5
174		Vertical conveyance motor (M8)	1	40,000K	A1TVM10100		P15-11	*5
175		Vertical conveyance gear	1	40,000K	A9JX214100		P15-19	*5
176		Developing screw motor (M21)	1	40,000K	A9JTM10300		P17-16	*5
177		Drum motor (M2)	1	40,000K	A9JTM10200		P16-35	*5
178		Fusing gear	1	40,000K	A0G6237201		P19-6	*5
179		Fusing motor (M1)	1	40,000K	A1RFM10600		P19-10	*5
180		Cleaning gear	1	40,000K	A0G6250601		P15-4	*5
181		Cleaning motor (M5)	1	40,000K	A9JTM10200		P15-15	*5
182		Waste toner motor (M9)	1	40,000K	A9JTM10200		P63-18	*5
183		Paper exit motor (M20)	1	40,000K	A9JTM10200		P18-12	*5
184		Developing motor (M3)	1	40,000K	A9JTM10400		P17-17	*5
185		ADU reverse motor (M12)	1	40,000K	A4EUR73Q00		P77-28	*5

*1: Actual replacement: 100% (special parts counter) (See Service Manual F-3 LIFE VALUE.)

*2: For DIPSW 55-3=0

*3: Replace the parts referring to the values of the PM counters.

*4: For DIPSW 55-3=1

*5: Spotted replacement parts

*: The part names used in this page follow the part name of Service Manual and they are occasionally different from part names written in other pages.

メンテナンスリスト

● ページ / キーナンバーのないものは、アフターサービス部品ではありません。

No.	区分	P M 部品名称	サイクル (K=1,000)		部品番号	仕向地	頁 / キー	備考
			員数	交換				
1	感光体部	ドラム	1	1,200K				*1
2		ドラム分離爪	3	1,200K	A0G6345600		P47-30	
3	帯電極	帯電ワイヤー	2	1,200K	56UA25090		P40-5	
4		帯電制御プレート	2	1,200K	A9JT460800		P39-9	
5		帯電清掃 Assy	2	1,200K	A9JTR70100		P39-13	
6		防振ゴム	2	1,200K	55VA25270		P40-3	
7		Cクリップ	2	1,200K	45AA20400		P39-1	
8	現像部	現像剤	1	1,200K				*1
9	クリーニング部	ドラムクリーニングブレード (枚数)	2	1,200K	A9JTR71500		P50-13	
10		防振ゴム	1	1,200K	55VA25270		P42-1	
11		ドラムスクレーパー Assy	1	1,200K	A9JTR73500		P49-20	
12		放電ワイヤー	1	1,200K	A0G6470800		P42-6	
13	定着部	定着クリーニングウェブ	1	1,200K	A9JT731400		P96-29	
14	現像部	現像サクションフィルター	1	2,400K	A0G6390800		P38-5	
15	トナー補給部	攪拌板 Assy/1	1	2,400K	A4EUR70500		P60-8	
16		攪拌板 Assy/2	1	2,400K	A4EUR70600		P60-9	
17	クリーニング部	ドラムクリーニングブラシ	1	2,400K	A4EUR70K00		P50-10	
18		サイドプレート Assy/Rr	1	2,400K	A9JTR73300		P50-9	*2
19		サイドプレート Assy/Fr	1	2,400K	A9JTR73400		P50-8	*2
20		飛散防止フェルト	1	2,400K	55VA55680		P50-6	
21	感光体部	押圧バネ /Fr	1	3,600K	A9JTR73100		P45-23	*3
22		押圧バネ /Rr	1	3,600K	A9JTR73200		P45-24	*3
23		ドラム温度センサー	1	4,800K	A4EUR70200		P46-15	
24	トナー補給部	トナー補給スリーブ /1	1	4,800K	A4EUR70W00		P56-15	
25		トナー補給スリーブ /2	1	4,800K	A4EUR70X00		P56-16	
26	クリーニング部	ドラムクリーニング軸スクレーパー Assy	1	4,800K	A4EUR70J00		P48-26	*2
27		クリーニングガイド	1	4,800K	A4EUR71300		P51-10	
28	転写 / 分離部	規制板 Assy	2	4,800K	A4EUR70000		P83-23	
29		転写ベルト	1	4,800K	A9JT500100		P93-17	
30		転写ローラー	1	4,800K	A4EU500600		P94-17	
31		転写ベルトクリーニングブラシ	2	4,800K	A4EU510600		P84-14	
32		転写ローラー軸受	2	4,800K	A0G6503900		P94-14	
33		転写電極板	2	4,800K	A4EUR70C00		P94-18	
34		転写アース板	1	4,800K	A4EUR70B00		P93-16	
35		クリーニング軸電極板	2	4,800K	65AA26890		P84-3	
36	本体	帯電フィルター	1	4,800K	A9JTR72700		P5-22	
37	給紙部	入力ギア /1、/2	2	6,000K	A0G6602300		P27-27/P36-27	
38		トルクリミッター /1、/2	2	6,000K	A03X565611		P27-17/P36-17	
39		カバー /1、/2	2	6,000K	A0G6572000		P27-24/P36-24	
40	垂直搬送部	垂直搬送ローラー /2	1	6,000K	A9JT700200		P67-31	
41		垂直搬送ローラー /3	1	6,000K	A0G6700300		P67-25	
42		プレレジストローラー /1、/2	2	6,000K	A9JT700100		P66-16/P67-30	
43		プレーキギア /1、/2	2	6,000K	A9JT700800		P66-18/P67-33	
44		プレレジスト軸受 /1、/2	4	6,000K	56UA76030		P66-8/P67-16	
45		垂直搬送トルクリミッター /1、/2、/3	3	6,000K	A03U815700		P66-12/P67-24	
46	デカラー部	デカラーベルト /Lw、/Up	14	6,000K	A799846400		P88-11	
47	本体	オゾンフィルター /1	1	6,000K	A9JT112300		P110-4	
48		オゾンフィルター /2	1	6,000K	A9JT112200		P9-12	
49	垂直搬送部	プレレジストクラッチ /1、/2	2	7,200K	A9JTM20000		P66-19/P67-35	
50		垂直搬送クラッチ	1	7,200K	A9JTM20000		P66-19/P67-35	
51	帯電極	帯電極ユニット	1	8,400K	A9JTR71G00		P39-14	

No.	区分	P M 部品名称	サイクル (K=1,000)		部品番号	仕向地	頁/キー	備考
			員数	交換				
52	現像部	現像ユニット	1	8,400K	A9JTR70200		P52-15	
53		現像サクシオンシール/2	2	9,600K	56UA31030		P38-1	
54		現像サクシオンシール/5	1	9,600K	56UA31060		P38-2	
55		突き当てパッド /1	2	9,600K	A4EU394600		P38-8	
56		サクシオンパッド /H	1	9,600K	A0G6394400		P38-3	
57		突き当てパッド /2	2	9,600K	A4EU394700		P38-9	
58	クリーニング部	ドラムクリーニング軸スクレーパー Assy	1	9,600K	A4EUR70J00		P48-26	*4
59		ドラムクリーニング軸	1	9,600K	A0G6530500		P49-6	*4
60		ドラムクリーニングギア Assy/Rr	1	9,600K	A4EUR70F00		P49-19	
61		放電ユニット	1	9,600K	A9JTR71400		P42-11	
62	転写 / 分離部	転写ベルト クリーニング軸	2	9,600K	A0G6510700		P84-4	
63	クリーニング部	サイドプレート Assy/Rr	1	12,000K	A9JTR73400		P50-9	*4
64		サイドプレート Assy/Fr	1	12,000K	A9JTR73300		P50-8	*4
65	垂直搬送部	垂直搬送出口ローラー	1	12,000K	A4EU701200		P65-25	
66		垂直搬送ローラー /1	1	12,000K	A4EU701300		P66-13	
67		紙粉取りブラシ軸 Assy	1	12,000K	A4EUR71600		P64-9	
68	デカーラー部	デカーラー入口ローラー	1	12,000K	A4EU840700		P87-15	
69		排紙ゲート	1	12,000K	A9JT844900		P87-21	
70	定着部	定着清掃シート Assy	1	12,000K	A4EUR70U00		P100-21	*4
71	トナー補給部	ポンプユニット /Lt	1	14,400K	A9JTR72300		P61-11	
72		ポンプユニット /Rt	1	14,400K	A9JTR72200		P61-10	
73	定着部	断熱スリーブ /Lw	2	15,600K	26AA53150		P100-1	*4
74		加熱ローラー軸受	2	15,600K	56UA75070		P100-8	*4
75	クリーニング部	ドラムクリーニング軸	1	19,200K	A0G6530500		P49-6	*4
76	感光体部	ドラム架台	1	20,400K	A9JTR71300		P42-10	
77	クリーニング部	飛散防止フィルター Assy	1	24,000K	A4EUR71200		P49-21	
78	給紙部	軸受 /D1、/D2	4	24,000K	A00J617900		P27-15/P36-15	
79		軸受 /C1、/C2	2	24,000K	A00V240600		P27-16/P36-16	
80		逆転軸 /1、/2	2	24,000K	A0G6570800		P27-21/P36-21	
81		給紙入力軸 /1、/2	2	24,000K	A4EUR72K11		P27-32/P36-32	
82	垂直搬送部	紙粉取りブラシホルダー	1	24,000K	A4EUR70N00		P64-8	
83		搬送ブリー	2	24,000K	55VA76530E		P67-7	
84		搬送ベルト /A	1	24,000K	56UA78090		P67-18	
85		軸受 /E	5	24,000K	A00J617800		P64-7/P65-21	
86		クリーニングギア /B	1	24,000K	55VA79210		P65-6	
87		スクレーパー軸	1	24,000K	A4EU701500		P65-10	
88	レジスト部	用紙持ち上げシート	1	24,000K	A0G6712100		P91-17	
89		ループ従動ローラー	1	24,000K	A4EU818000		P91-25	
90		転写前従動ローラー ASSY	2	24,000K	A9JT714000		P92-29	
91	定着部	ウェブ規制バネ Assy	1	24,000K	A4EUR70T00		P96-15	
92		定着揺動カム Assy	1	24,000K	A9JTR70300		P97-23	
93		定着爪取り付け Assy	6	24,000K	A4EUR73200		P102-26	
94		軸受 /G	1	24,000K	56UA760900		P96-3	
95	本体背面	ドラムクリーナーモーター (M35)	1	36,000K	A9JTM10300		P16-36	
96	クリーニング部	ドラムクリーニングギア /3	1	38,400K	A0G6532700		P49-11	
97	給紙部	ピックアップローラー /1	2	500K	A4EUR71511		P28-29/P37-29	*5
98		給紙ローラー /1、/2	2	500K	A4EUR71411		P27-29/P36-29	*5
99		分離ローラー /1、/2	2	500K	A4EUR71411		P28-28/P37-28	*5
100	トナー回収部	廃棄トナーボックス	1	713K	A9JTR73600	A	P62-11	*5
101		廃棄トナーボックス	1	713K	A03UR70200	B,C	P62-11	*5
102		廃棄トナーボックス	1	713K	A9JTR73600	D1,E,F2,G1,G2,H,I,K,J	P62-11	*5
103	定着部	定着分離爪 /Lw	2	2,000K	25AA53290		P102-1	*5
104		定着分離爪 /Up	6	2,000K	56UA54530		P102-3	*5
105		定着清掃シート Assy	1	2,000K	A4EUR70U00		P100-21	*2、*5
106		定着ローラー /Up	1	2,000K	A9JT730400		P98-23	*5
107		定着ローラー Assy/Lw	1	2,000K	A4EUR70V00		P99-16	*5
108		断熱スリーブ /Up	2	2,000K	A03U729500		P98-5	*5
109		定着軸受 /Up	2	2,000K	A5AW745200		P98-5	*5

AccurioPress 6136P/ 6136P/ 6272P

No.	区分	P M 部品名称	サイクル (K=1,000)		部品番号	仕向地	頁/キー	備考
			員数	交換				
110	給紙部	給紙クランチ /1、/2	2	3,000K	57GA82010		P27-14/P36-14	*5
111		分離クランチ /1、/2	1	3,000K	57GA82010		P28-23/P37-23	*5
112	垂直搬送部	紙粉取りブラシ	1	4,000K	A4EUR73000		P64-10	*5
113	定着部	定着温度センサー /2	1	4,000K	A9JTM50300		P99-24	*5
114		定着温度センサー /4	1	4,000K	A9JTM50400		P100-28	*5
115	レジスト部	レジストローラー /Up	1	8,000K	A4EU710600		P92-21	*5
116		レジストギア /Up	1	8,000K	A0G6714200		P92-15	*5
117		レジストギア /Lw	1	8,000K	A0G6714300		P91-21	*5
118		レジスト軸受け	2	8,000K	A4EU715400		P92-23	*5
119	デカーラー部	定着出口ローラー	4	8,000K	A799840600		P87-18	*5
120		ガイド /Up	1	8,000K	A0G6845100		P89-6	*5
121		ガイド /Lw	1	8,000K	A0G6845200		P89-7	*5
122	定着部	定着加熱ローラー	1	8,000K	56UA53070		P100-5	*2、*5
123		断熱スリーブ /Lw	2	8,000K	26AA53150		P100-1	*2、*5
124		加熱ローラー軸受	2	8,000K	56UA75070		P100-8	*2、*5
125		定着ギア /2	1	8,000K	A0G6726000		P98-6	*5
126	排紙部	排紙ローラー	1	8,000K	56UA45571E		P95-2	*5
127	定着部	定着ヒーターランプ /3	1	10,000K	55VB83042		P100-4	*2、*5
128		定着清掃ローラー	1	14,000K	56UA53530		P96-1	*5
129		定着清掃ローラー軸受	2	14,000K	A4EU732602		P96-14	*5
130		定着ヒーターランプ Assy/Up	1	14,000K	A9JTM33001		P98-20	*2、*5
131	両面部	ADU 加速ローラー /1、/2	3	16,000K	A4EU817400		P77-24	*5
132		ADU 加速ローラー /3	1	16,000K	A4EU817200		P77-23	*5
133		ADU 反転ローラー	1	16,000K	A4EU817600		P77-25	*5
134		ADU 搬送ローラー /1、/2	2	16,000K	A4EU817500		P78-16	*5
135		ADU 搬送ローラー /3、/4、/5	3	16,000K	A4EU817700		P72-27/P78-17	*5
136	デカーラー部	カップリング	1	16,000K	A4EU847000		P87-16	*5
137		デカーラー入口ローラー	1	16,000K	A4EU840700		P87-15	*5
138	定着部	定着ヒーターランプ Assy/Up	1	16,000K	A9JTM33001		P98-20	*4、*5
139		定着加熱ローラー	1	16,000K	56UA53070		P100-5	*4、*5
140		定着ヒーターランプ /3	1	16,000K	55VB83042		P100-4	*4、*5
141	トナー補給部	エア分離モーター	1	40,000K	A0Y5M10400		P59-11	*5
142		中間ホッパーモーター (M11)	1	40,000K	A1TVM10311		P60-7	*5
143		トナーボトルモーター (M6)	1	40,000K	A9JTM10200		P54-20	*5
144		トナーホッパーモーター (M7)	1	40,000K	A9JTM10200		P54-20	*5
145	垂直搬送部	給紙清掃ギア /B	1	40,000K	56UA77160		P65-17	*5
146		給紙ギア /A	1	40,000K	56UA77170E		P65-18	*5
147		給紙ギア /B	1	40,000K	56UA77180E		P66-9	*5
148		排紙入力ギア	1	40,000K	56UA77070F		P65-16	*5
149	レジスト部	レジストローラーギア	1	40,000K	A4EU714400		P91-24	*5
150		レジストモーター (M17)	1	40,000K	A1TVM10100		P15-11	*5
151		レジストギア	1	40,000K	A4EU814600		P74-15	*5
152		ローラーギア /Rt	1	40,000K	A4EU714400		P91-24	*5
153	両面部	ADU 搬送ベルト /2 ADU 搬送モーター /2(M16)	1	40,000K	A9JTR71700		P72-35	*5
154		ADU 反転ベルト	1	40,000K	13GQ77550		P77-1	*5
155		ADU 反転モーター (M12)	1	40,000K	A4EUR73Q00		P77-28	*5
156		転写ベルト 圧着解除モーター (M26)	1	40,000K	A4EUR77300		P81-28	*5
157		ADU 加速ベルト /3	1	40,000K	56UA78060		P73-9	*5
158		ADU 加速モーター /3 (M13)	1	40,000K	A4EUR73Q00		P73-27	*5
159		ADU 加速ベルト /1	1	40,000K	A9JT819500		P71-12	*5
160		ADU 加速モーター /1 (M14)	1	40,000K	A4EUR73Q00		P71-7	*5
161		ADU 加速ベルト /2	1	40,000K	A9JT819400		P77-33	*5
162		ADU 加速モーター /2 (M36)	1	40,000K	A4EUR73Q00		P77-28	*5
163		ループモーター (M18)	1	40,000K	A4EUR73X00		P72-30	*5
164		転写ベルトモーター (M30)	1	40,000K	A9JTM10300		P75-25	*5
165		ADU 搬送モーター /1 ベルト ADU 搬送モーター	1	40,000K	65AA80112		P78-5	*5

AccurioPress 6136P/ 6136P/ 6272P

No.	区分	P M 部品名称	サイクル (K=1,000)		部品番号	仕向地	頁 / キー	備考
			員数	交換				
166	デカーラー部	デカーラーモーター (M32)	1	40,000K	A9JTM10200		P86-19	*5
167		排紙ゲートソレノイド (SD7)	1	40,000K	A9JTR70400		P85-15	*5
168		デカーラーソレノイド /Up (SD8)	1	40,000K	A4EUR74900		P85-9	*5
169		デカーラーソレノイド /Lw (SD5)	1	40,000K	A9JTR70400		P85-15	*5
170	定着部	圧着ウオームAssy	1	40,000K	A4EUR76B00		P98-15	*5
171		圧着ホイールAssy	1	40,000K	A4EUR70P00		P98-14	*5
172	本体背面	給紙ギア	1	40,000K	A4EU239100		P14-14	*5
173		給紙モーター (M4)	1	40,000K	A1RFM10600		P14-13	*5
174		垂直搬送モーター (M8)	1	40,000K	A1TVM10100		P15-11	*5
175		垂直搬送ギア	1	40,000K	A9JX214100		P15-19	*5
176		現像スクリュウモーター (M21)	1	40,000K	A9JTM10300		P17-16	*5
177		ドラムモーター (M2)	1	40,000K	A9JTM10200		P16-35	*5
178		定着ギア	1	40,000K	A0G6237201		P19-6	*5
179		定着モーター (M1)	1	40,000K	A1RFM10600		P19-10	*5
180		クリーニングギア	1	40,000K	A0G6250601		P15-4	*5
181		清掃モーター (M5)	1	40,000K	A9JTM10200		P15-15	*5
182		廃トナーモーター (M9)	1	40,000K	A9JTM10200		P63-18	*5
183		排紙モーター (M20)	1	40,000K	A9JTM10200		P18-12	*5
184		現像モーター (M3)	1	40,000K	A9JTM10400		P17-17	*5
185		ADU 反転モーター (M12)	1	40,000K	A4EUR73Q00		P77-28	*5

*1: 交換は、1,200,000 プリント、または、走行時間 184 時間 (6136/6136P) /216 時間 (6120) のいずれか早いタイミング (サービスマニュアル「F.3 ライフ値の考え方」参照)

*2: DIPSW 55-3=0 の場合

*3: PM カウンターの値を参照して交換すること。

*4: DIPSW 55-3=1 の場合

*5: スポット 交換部品

*: ここに記載されている部品名称はサービスマニュアルで使用されている部品名称であり、他のページに記載されている部品名称とは異なる場合があります。

DESTINATION

Destination No.		Destinations		V	Hz	Model No.
A	A1	JAPAN		200	50/60	A9JW001
	A2	JAPAN		200	50/60	A9JW001
B		USA, CANADA		208-240	60	A9JW011
C		EUROPEAN TYPE		220-240	50/60	A9JW021
D	D1	S.E ASIA TYPE	THAILAND, SRI LANKA, SINGAPORE, MALAYSIA, HONG KONG, PAKISTAN, INDIA, BANGLADESH, INDONESIA	220-240	50/60	A9JW041
	D3	OCEANIA TYPE	AUSTRALIA, NEW ZEALAND	220-240	50/60	A9JW051
E		PHILIPPINES		220-240	50/60	A9JW041
F	F1	SAUDI ARABIA				
	F2	SAUDI ARABIA		220-240	50/60	A9JW041
G	G1	C.S AMERICA		220-240	50/60	A9JW041
	G2	C.S AMERICA		208-240	60	A9JW011
H		TAIWAN		220-240	50/60	A9JW041
I		JORDAN, LEBANON, SYRIA, SOUTH AFRICA, IRAQ, IRAN, N.YEMEN, CAMEROON, UAE, BAHRAIN, OMAN, QATAR, KUWAIT, KENYA, TUNISIA, IVORY COAST, MOROCCO		220-240	50/60	A9JW021/ A9JW041
J		CHINA		220-240	50/60	A9JW081
K		KOREA		220-240	50/60	A9JW041

AccurioPress 6136P/ 6136P/ 6272P