

KONICA MINOLTA

PARTS GUIDE MANUAL

MARCH 2017

bizhub PRESS C1085 A5AX

INFORMATION FOR PARTS GUIDE MANUAL

To find correct Parts No., refer to the "HOW TO MAKE THE BEST USE OF THIS MANUAL" in the following page.

HOW TO MAKE THE BEST USE OF THIS MANUAL

- 1 When you order, please check the proper figures beforehand that are on Our Parts Guide Manual, and order with the appropriate figures.
- 2 For screws, Nuts, Washers, retaining rings and Pins which are used in this model, one letter is shown on the Standard parts column of Parts list and exploded diagrams.
- 3 In order to maintain safety of the product, some specific parts composed of this product are set up as "essential safety parts".
- 4 The assigned parts number for the "essential safety parts" is indicated as "SP00-****".
When replacing these parts, follow precautions for disassembling and installing which are listed in the Service Manual.
Do not use any parts that are not set up as
- 5 ♣ means that there are exclusive parts for each destination.
Please check the appropriate destination when you order.
- 6 Revision Mark
Marked as ▲ on the illustration shows that the revision has been made.
- 7 All rights reserved. (any reprints or quotations are prohibited.)
Use of this parts guide manual should be strictly supervised to avoid disclosure of confidential information.

パーツガイド マニュアルのご案内

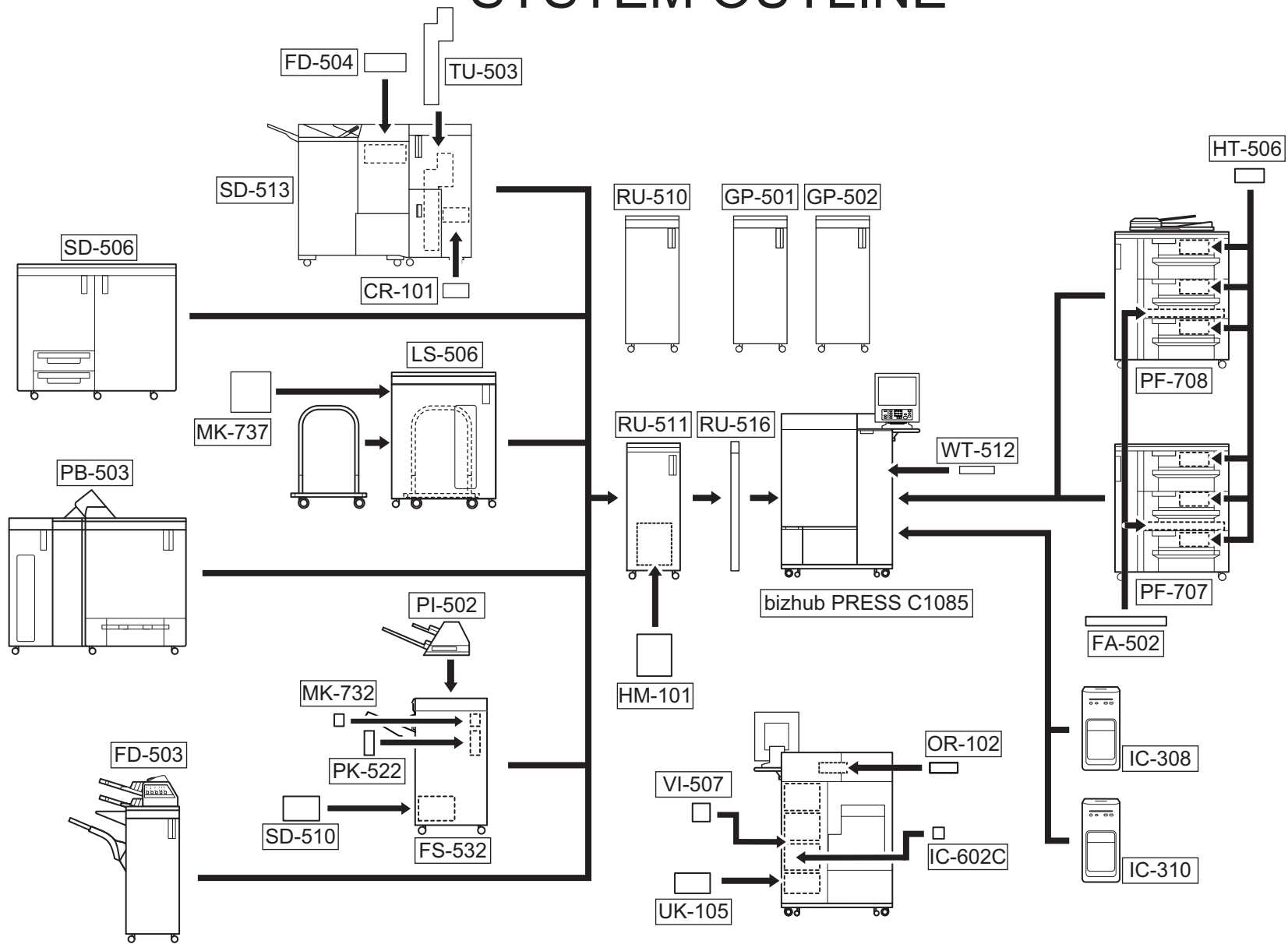
サービス部品をご発注の際には、下記に示す“パーツガイド マニュアルの活用にあたって”をご参照の上、正しい部品番号にてお願い致します。

パーツガイド マニュアルの活用にあたって

- 1 部品発注の際には、掲載されている部品番号の桁数を確認し、掲載されている桁数で発注願います。
- 2 この製品に使用されているネジ、ナット、ワッシャー、止め輪、ピンなどは、リストの右側の Standard parts 欄に a,b,c,…… で表示し、イラストにも a,b,c,…… 表示してあります。
- 3 製品の安全性を維持する為に、製品に使用される特定の部品を「重要保安部品」として設定しています。
- 4 重要保安部品の部品番号は、“SP00-****”と記載されていますので、部品交換時は、サービスマニュアル記載の分解・組み立ての注意事項に従って作業をして下さい。
また、指定以外の部品は一切使用しないで下さい。
- 5 本文に ♣ が表示されている部品は、仕向け地毎に専用部品がある事を意味しています。
オーダーされる時は、仕向け地を確認して下さい。
- 6 改訂記号について
イラスト上に ▲ 印が表示されている部分は、改訂された事を表します。
- 7 著作権所有（無断転載及び無断引用の禁止）
本パーツガイド マニュアルについては、機密保持等その扱いには十分注意して下さい。万一取り扱いを誤った場合には、法律で処罰されることがあります。

04/18/2014

SYSTEM OUTLINE



bizhub PRESS C1085

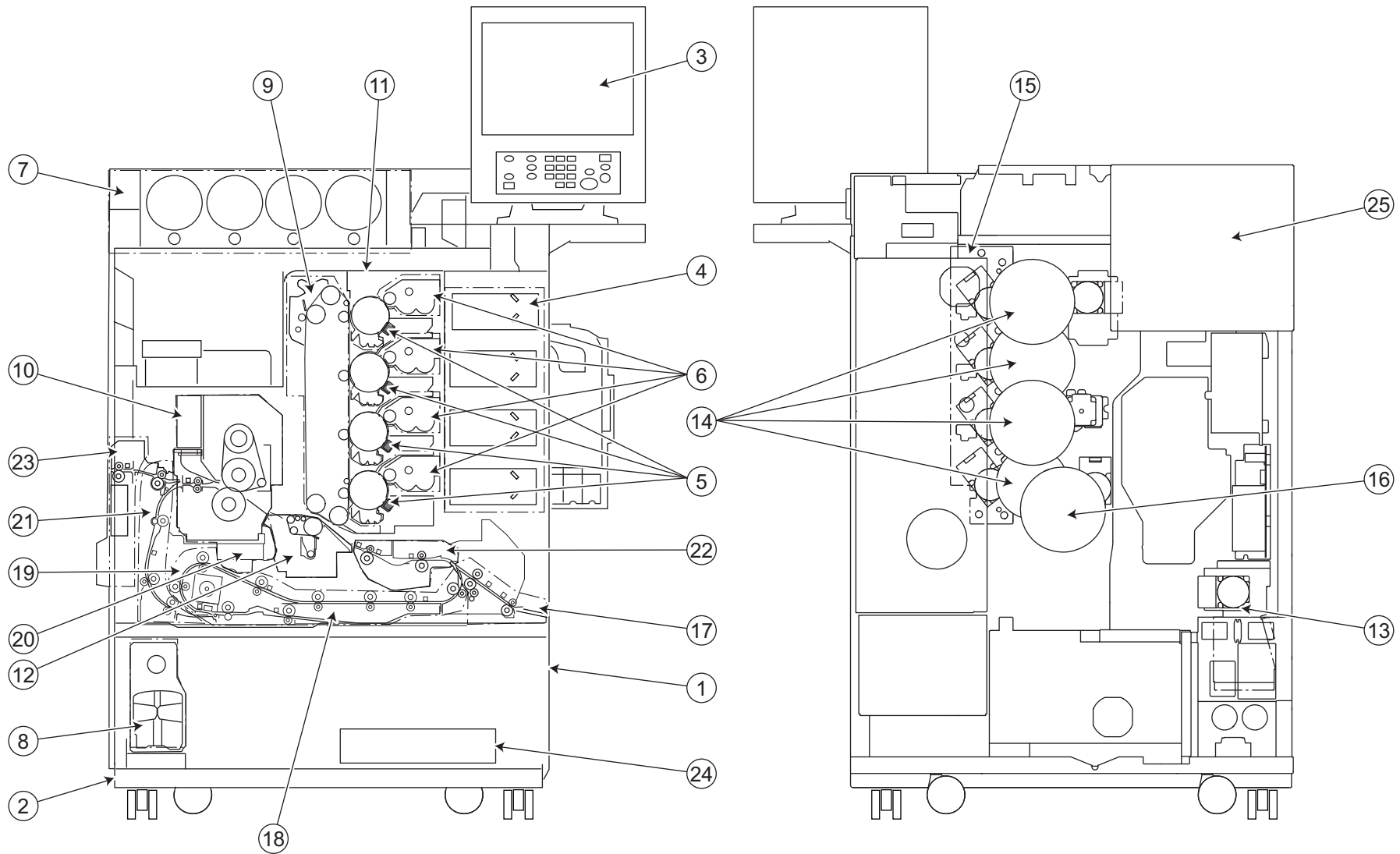
GENERAL CONTENTS

No.	Description	Model
1	Digital MFP Color	bizhub PRESS C1085
2	Post Inserter	PI-502
3	Folding Unit	FD-503
4	Saddle Unit	SD-506
5	Punch Unit	GP-501
6	Perfect Binder	PB-503
7	Heater	HT-506
8	Humidifier	HM-101
9	Finisher/Sorter	FS-532/FS-532 PK/SD
10	Saddle Unit	SD-510
11	Mount Kit	MK-732
12	Ring Binder	GP-502
13	Punch Unit	PK-522
14	Relay Unit	RU-510
15	Paper Feeder	PF-707
16	Paper Feeder	PF-708
17	Video IF Kit	VI-507
18	Image Controller	IC-308
19	Saddle Unit	SD-513
20	Saddle Unit	FD-504
21	Saddle Unit	TU-503
22	Saddle Unit	CR-101

bizhub PRESS C1085

No.	Description	Model
23	Relay Unit	RU-511
24	Large Capacity Stacker	LS-506
25	Other Option	FA-502
26	Image Controller	IC-310
27	Image Controller	IC-602C
28	Other Option	UK-105
29	Working Table	WT-512
30	Other Option	MK-737
31	Other Option	OR-102
32	Relay Unit	RU-516

DIAGRAMS OF MAIN PARTS SECTION



bizhub PRESS C1085

CONTENTS

No.	DESCRIPTION	名称	PAGE No.
1	External Parts	外装	P1 P2 P3
2	Main Frame	骨格	P4 P5 P6 P7 P8 P9 P10 P11 P12 P13 P14 P15 P16 P17 P18
3	Operation Panel Section	操作部	P19 P20 P21
4	Write Section	書き込み部	P22
5	Charging Section	帯電部	P23
6	Developing Section	現像部	P24
7	Toner Supply Section	トナー補給部	P25 P26 P27 P28 P29 P30 P31 P32 P33 P34 P35 P36
8	Toner Collection Section	トナー回収部	P37 P38
9	Intermediate Transfer Section	中間転写部	P39 P40 P41 P42 P43 P44
10	Fusing Section	定着部	P45 P46 P47 P48 P49 P50 P51 P52 P53 P54
11	Process Carriage Section	プロセス架台部	P55 P56 P57 P58 P59 P60 P61 P62
12	Secondary Transfer Section	2次転写部	P63 P64 P65 P66 P67 P68
13	Toner Collection Driving Section	トナー回収駆動部	P69
14	Drum Driving Section	ドラム駆動部	P70 P71 P72 P73 P74
15	Developing Drive Section	現像駆動部	P75
16	Belt Driving Section	ベルト駆動部	P76
17	Vertical Conveyance Section	垂直搬送部	P77
18	ADU Carriage	ADU 架台	P78 P79
19	ADU Duplex Section	ADU 両面部	P80 P81 P82 P83 P84 P85 P86 P87 P88 P89 P90 P91 P92 P93 P94 P95 P96 P97 P98
20	ADU Swing Section	ADU 揺動部	P99 P100
21	ADU Reverse And Exit Section	ADU 反転／排紙部	P101 P102 P103
22	ADU Resist Section	ADU レジスト部	P104 P105 P106
23	Reverse And Exit Section	反転／排紙部	P107 P108
24	Electrical Section	電気部	P109
25	Rear Electrical Section	背面電気部	P110 P111 P112 P113 P114
26	Wiring	束線	P115 P116 P117
27	Jigs	治具・サービス資材	P118 P119
28	Accessory Parts	同梱部品	P120 P121 P122

INDEX

Parts No.	Page No.	Parts No.	Page No.	Parts No.	Page No.	Parts No.	Page No.	Parts No.	Page No.
000V-18-1	118-2	25AA10090	6-16	40AA88031	33-9	55VA47840	38-18	56QA80570	112-24
000V-19-0	118-5	25AA47500	91-25	40LA73840	110-3	55VA77290	35-6	56QF84551	113-17
00VC-2-00	118-1	25AA50080	89-2	4109553001	46-1	55VA79200	88-16	56UA25280	87-30
00VD-1000	118-3	25SA77180	66-2	4109553001	47-1	56AA10101	6-6	56UA70330	20-10
08AA77360	32-13	25SA77470	69-7	4109553001	51-2	56AA12270	38-7	56UA75050	52-3
08AA85512	12-7	25SA88461	113-1	4109553001	52-1	56AA15490	86-16	56UA75070	40-8
08AA85512	66-6	26MA74040	57-18	4120550302	47-2	56AA17490	47-3	56UA77280	69-13
08AA85512	82-1	26NA17580	75-9	4120550302	48-1	56AA17490	70-7	56UA77430	32-5
120A97110	119-5	26NA21440	99-2	4120550302	49-1	56AA17510	51-4	56UA77700	32-2
12AJ45850	77-8	26NA42040	32-7	4470402401	4-1	56AA17630	4-19	56UA77710	69-5
12AJ45850	106-18	26NA42560	87-8	4470402401	12-11	56AA17640	4-18	56UA97310E	3-20
12QR86011	14-13	26NA42560	95-8	4470402401	18-7	56AA17770	112-28	56UA97321G	3-22
12QR86011	29-20	26NA42560	96-21	4470402401	29-25	56AA26250	96-8	56UA97920	58-1
12QV40650	30-6	26NA42560	97-4	4470402401	38-9	56AA40450	102-1	56UA97920	59-1
12QV40650	50-24	26NA42560	106-31	4470402401	43-19	56AA40490	43-32	56UA97920	60-1
12QV40650	51-3	26NA50920	41-30	4470402401	62-8	56AA40490	79-3	56UA97920	61-1
12QV40650	103-1	26NA54230	93-1	4470402401	64-15	56AA40510	102-2	56UF97280	3-21
12QV40650	104-18	27LA88031	5-7	4470402401	66-8	56AA42690	47-4	57AA15600	5-5
13GQ45490	108-1	27LA88031	55-11	4470402401	71-26	56AA42690	50-1	57AA30260	68-8
13NG45200	1-24	322076010	27-1	4470402401	72-26	56AA42690	65-4	57AA50760	78-8
13NG45200	78-21	322076010	27-4	4470402401	73-26	56AA50381	78-9	65AA-0750	15-15
13NT80511	17-17	322076010	32-1	4470402401	74-26	56AA50520	15-3	65AA-9091E	71-18
13QA40610	71-29	322076010	35-11	4470402401	82-6	56AA50530	15-1	65AA-9091E	72-18
13QA40610	72-29	322076010	69-11	4470402401	91-6	56AA50700	91-14	65AA-9091E	73-18
13QA40610	73-29	4004457301	38-11	4470402401	92-13	56AA68220D	112-17	65AA-9091E	74-18
13QA40610	74-29	4025228301	110-1	4470402401	100-29	56AA76530	93-16	65AA-9920	118-4
13QA85511	77-1	4036248701	8-1	4470402401	101-1	56AA76530	102-3	65AA10230D	15-9
13QA85511	83-4	4040M40100	19-2	454078030	52-2	56AA77220	54-1	65AA10260	15-14
13QA85511	87-20	4040PJP100	119-3	462076010	91-24	56AA77330	35-10	65AA10480	15-12
13QA85511	93-4	4040PJP200	119-4	4658351602	88-4	56AA77330	36-1	65AA10520	6-4
13QA85511	96-15	40AA30270	40-18	466076020	98-15	56AA77940	33-1	65AA10520	18-1
13QA85511	105-3	40AA32320	44-1	538088261	113-7	56AA80112	81-19	65AA10740D	6-5
13QA85511	106-2	40AA32320	65-7	55GA77050	69-15	56AA82012	27-11	65AA10740D	14-6
13QA85511	107-1	40AA32320	66-11	55TA84561	113-13	56GA76010	83-17	65AA10740D	18-2
13QA85521	94-2	40AA32320	68-14	55VA20680	33-5	56GA76010	95-9	65AA10740D	71-10
13QA85521	106-29	40AA32320	76-12	55VA32480	17-15	56GA76010	96-24	65AA10740D	72-10
13RN73120	110-2	40AA32320	100-18	55VA32530	90-9	56GA76010	97-1	65AA10740D	73-10
14GE45470	79-2	40AA46261	103-2	55VA42120	27-12	56GA76010	106-14	65AA10740D	74-10
14GE45470	97-30	40AA77660	33-3	55VA42120	79-4	56QA80570	91-4	65AA10840	15-8
20AL48470G	45-1	40AA85011	92-24	55VA42120	104-1	56QA80570	95-15	65AA11140	111-7

Parts No.	Page No.	Parts No.	Page No.	Parts No.	Page No.	Parts No.	Page No.	Parts No.	Page No.
65AA11300	5-8	65AA26750	43-28	65AA50810	91-9	65AAR75300	41-6	A00TM10000	100-14
65AA11300	55-12	65AA26810D	42-11	65AA51510	89-4	65AAR75600	44-3	A00V240600	41-10
65AA11530	6-13	65AA26840	44-2	65AA75081	57-6	65AAR77900	64-8	A00V240600	43-4
65AA11590	15-10	65AA26920E	40-16	65AA75081	74-31	9313100072	34-7	A00V240600	51-5
65AA15100D	71-17	65AA26930D	40-4	65AA77380	26-3	9313100072	107-2	A00V240600	54-3
65AA15100D	72-17	65AA26950D	42-10	65AA77380	32-10	9335140051	38-13	A00V240600	56-18
65AA15100D	73-17	65AA27180	42-6	65AA77380	35-8	9381410131	121-6	A00V240600	71-23
65AA15100D	74-17	65AA30890	9-26	65AA77410	69-6	9J06M10000	13-10	A00V240600	72-23
65AA15190D	71-19	65AA30900	9-28	65AA77640	108-2	9J06M10000	17-31	A00V240600	73-23
65AA15190D	72-19	65AA30910	9-25	65AA77900	18-33	9J06M10000	47-5	A00V240600	74-23
65AA15190D	73-19	65AA33280	26-1	65AA80112	18-12	9J06M10000	109-1	A00V240600	75-6
65AA15190D	74-19	65AA33360	26-8	65AA80112	81-15	9J06PJP100	119-1	A00V240600	86-3
65AA15200	71-3	65AA44350	106-19	65AA80112	83-13	9J06PJP200	119-2	A00V240600	90-16
65AA15200	72-3	65AA45180	65-13	65AA80112	92-16	A00J211200	47-6	A00V240600	92-5
65AA15200	73-3	65AA45190D	65-15	65AA80112	95-16	A00J211200	50-2	A00V240600	93-18
65AA15200	74-3	65AA45220	90-28	65AA80112	104-5	A00J211200	53-1	A00V240600	97-17
65AA15210	71-5	65AA45241	90-24	65AA80590	11-6	A00J211200	54-2	A00V240600	100-22
65AA15210	72-5	65AA46180	104-17	65AA83070	58-8	A00J211200	106-15	A00V240600	101-5
65AA15210	73-5	65AA47970	104-19	65AA83070	59-8	A00J281900	17-26	A00V240600	102-4
65AA15210	74-5	65AA49410	103-3	65AA83070	60-8	A00J612100	86-2	A00V240600	104-2
65AA15250D	71-16	65AA49410	106-10	65AA83070	61-8	A00J617800	18-26	A00V240600	108-4
65AA15250D	72-16	65AA49470	93-30	65AA88010	52-4	A00J617800	40-2	A011M10101	57-1
65AA15250D	73-16	65AA49500	69-16	65AA88020	48-2	A00J617800	43-11	A011M10101	108-5
65AA15250D	74-16	65AA49510F	80-7	65AA97440	56-20	A00J617800	55-7	A02EM70F00	114-24
65AA17100	18-5	65AA49510F	96-20	65AA97440	58-5	A00J617800	57-8	A034500800	105-6
65AA17130	18-35	65AA49510F	98-32	65AA97450	56-21	A00J617800	75-1	A03N211100	50-3
65AA17180	18-34	65AA49510F	101-3	65AA97450	59-5	A00J617800	84-2	A03TM50000	53-2
65AA17240	18-13	65AA49520	96-19	65AA97460	56-22	A00J617800	85-9	A03U119000	5-4
65AA22260	56-5	65AA50160	87-22	65AA97460	60-5	A00J617800	88-15	A03U136500	110-4
65AA22290	56-4	65AA50180	78-11	65AA97470	56-23	A00J617800	93-27	A03U170800	18-14
65AA22680	13-2	65AA50250	81-3	65AA97470	61-5	A00J617800	97-14	A03U191600	21-4
65AA22680	56-33	65AA50320	91-20	65AA99500	119-6	A00J617800	101-4	A03U191700	21-3
65AA22750	56-27	65AA50350	91-22	65AAR72300	71-21	A00J617800	103-4	A03U191800	21-2
65AA22820	56-31	65AA50370D	91-19	65AAR72300	72-21	A00J617800	108-3	A03U191900	21-5
65AA22830D	13-3	65AA50400	1-23	65AAR72300	73-21	A00J617900	82-17	A03U192000	21-1
65AA22830D	56-32	65AA50400	78-22	65AAR72300	74-21	A00J945401	6-9	A03U192100	21-6
65AA26050D	42-19	65AA50420	91-21	65AAR72700	6-3	A00JM12100	62-9	A03U259600	71-30
65AA26141F	43-26	65AA50630	89-13	65AAR73800	34-11	A00JM12100	66-14	A03U259600	72-30
65AA26600	41-1	65AA50740	78-15	65AAR74600	42-3	A00JM60300	113-3	A03U259600	73-30
65AA26690D	42-9	65AA50750D	78-19	65AAR74600	92-1	A00TM10000	43-22	A03U259600	74-30

Parts No.	Page No.	Parts No.	Page No.	Parts No.	Page No.	Parts No.	Page No.	Parts No.	Page No.
A03U259700	18-30	A03UM50500	105-11	A0G6J30M00	113-6	A1RF103700	11-19	A1RF114402	11-17
A03U259900	70-8	A03X105800	6-12	A0G6M45400	113-9	A1RF105402	9-3	A1RF114700	8-14
A03U347200	55-1	A03X622000	105-10	A0G6M70E00	113-5	A1RF105502	1-28	A1RF114800	8-15
A03U402100	14-14	A03X712000	83-10	A0G6M75501	19-18	A1RF105700	4-7	A1RF115001	17-9
A03U402100	29-21	A03X712000	95-4	A0G6N18400	19-8	A1RF105800	4-3	A1RF115101	17-7
A03U513300	41-34	A075481200	97-34	A0G6N30A00	113-6	A1RF105900	4-8	A1RF115200	4-2
A03U524000	90-26	A07R813701	80-15	A0GD522500	84-9	A1RF106000	4-5	A1RF115301	17-8
A03U712100	102-5	A07TM60100	113-2	A0GD522500	85-3	A1RF106900	5-9	A1RF115700	8-16
A03U712100	108-6	A0E7946700	110-24	A0H0911500	87-16	A1RF107400	8-8	A1RF117802	11-9
A03U724200	46-2	A0G6190101	19-11	A0H0M40100	112-13	A1RF107500	8-10	A1RF120300	11-15
A03U724200	51-6	A0G6190200	19-3	A0HR734600	106-5	A1RF107700	8-12	A1RF120400	16-5
A03U734500	46-3	A0G6190301	20-13	A0P0666301	108-7	A1RF107800	8-9	A1RF120500	16-6
A03U734500	48-3	A0G6191600	20-6	A0P0742300	52-6	A1RF108000	8-13	A1RF120600	16-7
A03U734500	52-5	A0G6192400	19-16	A0PNM10200	18-11	A1RF108100	12-10	A1RF120700	14-9
A03U734500	53-3	A0G6192500	19-15	A0PNM10200	32-8	A1RF108202	12-5	A1RF120800	14-12
A03U734500	100-6	A0G6192700	19-19	A0PNM10200	35-12	A1RF108301	12-13	A1RF120900	14-5
A03U811600	80-10	A0G6192900	19-10	A0PNM10200	69-14	A1RF108400	12-9	A1RF121000	14-11
A03U811800	81-6	A0G6193100	20-8	A0R5M10300	27-6	A1RF108800	13-11	A1RF121100	14-10
A03U812800	50-4	A0G6193200	20-9	A0R5M10300	75-10	A1RF108901	13-15	A1RF121201	14-7
A03U812800	79-5	A0G6193400	20-3	A0TKH00200	24-2	A1RF109000	13-16	A1RF121300	14-3
A03U812800	86-4	A0G6193500	20-4	A0Y5M15101	10-2	A1RF109101	13-4	A1RF121400	14-2
A03U812800	91-16	A0G6193700	20-5	A0Y5M15101	11-7	A1RF109400	13-14	A1RF121500	16-1
A03U815300	92-4	A0G6193800	20-2	A109940201	2-8	A1RF109500	9-24	A1RF121601	16-4
A03U816000	78-26	A0G6193900	20-1	A11P905000	47-7	A1RF109700	4-15	A1RF121700	16-2
A03U843500	80-11	A0G6194000	20-7	A11P905000	49-2	A1RF109801	15-5	A1RF121700	18-25
A03U843700	94-12	A0G6195000	20-14	A11PM10200	51-7	A1RF110101	11-3	A1RF121800	14-8
A03U843900	94-14	A0G6205000	20-14	A11PM10200	81-10	A1RF110401	11-2	A1RF121900	16-3
A03U845301	96-29	A0G6205100	20-14	A11PM10200	90-27	A1RF111100	11-10	A1RF121900	18-22
A03U845901	93-32	A0G6205200	20-14	A11PM10200	92-11	A1RF111200	11-11	A1RF122000	18-21
A03U850101	82-24	A0G6205300	20-14	A11PM10200	94-9	A1RF111300	11-16	A1RF122100	18-24
A03U850101	87-1	A0G6243900	80-21	A1DU622200	5-1	A1RF111400	11-13	A1RF122200	14-1
A03U889600	92-6	A0G6243900	96-3	A1DU622200	100-4	A1RF111602	17-21	A1RF122200	18-23
A03U889600	93-19	A0G6243900	102-6	A1DU764000	8-2	A1RF112301	17-16	A1RF122300	14-4
A03UM15200	7-1	A0G6301700	40-19	A1DUPJG100	118-6	A1RF112400	11-1	A1RF130100	111-12
A03UM15200	10-1	A0G6411200	17-6	A1RF101001	12-3	A1RF113100	11-14	A1RF130201	114-3
A03UM15200	11-4	A0G6411200	31-14	A1RF102000	15-2	A1RF113200	11-8	A1RF130301	114-21
A03UM15300	8-11	A0G6411200	78-1	A1RF102502	38-6	A1RF113300	11-12	A1RF130501	111-3
A03UM15802	7-2	A0G6739700	105-7	A1RF103400	5-2	A1RF113800	17-1	A1RF130800	113-4
A03UM15802	107-3	A0G6H06000	19-9	A1RF103500	4-20	A1RF114101	15-13	A1RF131500	111-10
A03UM50500	12-1	A0G6J30F00	113-6	A1RF103600	4-22	A1RF114200	11-5	A1RF131600	114-2

Parts No.	Page No.	Parts No.	Page No.	Parts No.	Page No.	Parts No.	Page No.	Parts No.	Page No.
A1RF131900	6-8	A1RF165900	5-10	A1RF191800	21-18	A1RF229600	75-13	A1RF347600	60-6
A1RF132401	9-10	A1RF165900	6-17	A1RF192000	21-19	A1RF229800	75-2	A1RF347600	61-6
A1RF132600	111-11	A1RF165900	9-12	A1RF192100	21-10	A1RF230100	76-9	A1RF347700	58-7
A1RF133901	112-11	A1RF165900	10-3	A1RF192200	21-17	A1RF230200	76-10	A1RF347700	59-7
A1RF134000	3-1	A1RF165900	111-6	A1RF210101	71-9	A1RF231600	18-4	A1RF347700	60-7
A1RF134201	112-2	A1RF166000	4-9	A1RF210101	72-9	A1RF231700	18-3	A1RF347700	61-7
A1RF134402	112-6	A1RF166000	6-18	A1RF210101	73-9	A1RF231804	76-2	A1RF347800	55-5
A1RF134800	112-10	A1RF166000	9-13	A1RF210303	71-2	A1RF232000	76-5	A1RF347900	55-4
A1RF134900	6-7	A1RF166000	10-4	A1RF210303	73-2	A1RF232100	76-6	A1RF348002	57-2
A1RF135000	9-11	A1RF166000	13-8	A1RF210403	72-2	A1RF232300	76-15	A1RF348103	58-2
A1RF135502	111-5	A1RF166000	110-5	A1RF210403	74-2	A1RF232900	76-4	A1RF348103	59-2
A1RF135801	3-3	A1RF166300	2-6	A1RF210600	71-14	A1RF239900	76-8	A1RF348103	60-2
A1RF160403	1-4	A1RF166401	1-19	A1RF210600	72-14	A1RF240200	18-10	A1RF348103	61-2
A1RF160500	121-1	A1RF167900	5-14	A1RF210600	73-14	A1RF240400	18-15	A1RF348300	62-1
A1RF160602	1-5	A1RF167900	13-9	A1RF210600	74-14	A1RF242000	18-32	A1RF348400	62-2
A1RF160801	2-1	A1RF168000	1-8	A1RF210700	71-12	A1RF242101	18-31	A1RF348500	62-3
A1RF161202	122-1	A1RF168500	4-12	A1RF210700	72-12	A1RF242201	18-20	A1RF348601	62-4
A1RF161300	2-2	A1RF168600	1-18	A1RF210700	73-12	A1RF242500	18-18	A1RF348800	56-29
A1RF161400	122-2	A1RF168900	3-12	A1RF210700	74-12	A1RF249401	18-27	A1RF349000	57-4
A1RF161700	3-5	A1RF169000	3-13	A1RF210800	71-13	A1RF249600	18-9	A1RF349103	55-2
A1RF161801	3-9	A1RF169100	3-15	A1RF210800	72-13	A1RF249700	18-8	A1RF349103	56-25
A1RF162600	7-3	A1RF169200	3-14	A1RF210800	73-13	A1RF249800	18-28	A1RF349200	56-13
A1RF162700	9-8	A1RF169300	3-16	A1RF210800	74-13	A1RF249900	18-19	A1RF349302	55-3
A1RF162800	7-4	A1RF169400	3-17	A1RF210900	71-11	A1RF304901	12-12	A1RF350700	58-3
A1RF163000	13-5	A1RF171400	18-36	A1RF210900	72-11	A1RF314700	13-6	A1RF350700	59-3
A1RF163200	1-3	A1RF190100	19-4	A1RF210900	73-11	A1RF341300	56-17	A1RF350700	60-3
A1RF163300	1-9	A1RF190201	19-1	A1RF210900	74-11	A1RF341400	56-1	A1RF350700	61-3
A1RF163400	4-13	A1RF190300	21-9	A1RF212600	71-4	A1RF343400	58-13	A1RF350800	56-2
A1RF163500	1-30	A1RF190400	19-6	A1RF212600	72-4	A1RF343500	58-14	A1RF361900	38-1
A1RF164200	4-11	A1RF190500	21-7	A1RF212600	73-4	A1RF344000	55-9	A1RF362400	69-9
A1RF164402	78-4	A1RF190601	21-11	A1RF212600	74-4	A1RF344201	55-6	A1RF362400	71-8
A1RF164501	78-6	A1RF190900	21-14	A1RF213402	74-9	A1RF345800	57-3	A1RF362400	72-8
A1RF164600	78-5	A1RF191000	21-13	A1RF213700	74-32	A1RF345900	57-13	A1RF362400	73-8
A1RF164700	11-18	A1RF191100	21-22	A1RF214100	71-27	A1RF346700	55-10	A1RF362400	74-8
A1RF164800	11-21	A1RF191200	21-23	A1RF214100	72-27	A1RF347101	13-7	A1RF363500	38-17
A1RF164902	1-11	A1RF191300	21-16	A1RF214100	73-27	A1RF347101	56-12	A1RF363602	38-8
A1RF165001	1-7	A1RF191400	21-12	A1RF214100	74-27	A1RF347300	56-19	A1RF363801	38-15
A1RF165103	1-22	A1RF191500	21-20	A1RF219900	70-9	A1RF347500	56-15	A1RF364100	37-3
A1RF165800	1-10	A1RF191600	21-8	A1RF220302	75-5	A1RF347600	58-6	A1RF366200	38-16
A1RF165900	4-10	A1RF191700	21-21	A1RF220400	75-3	A1RF347600	59-6	A1RF366300	9-14

Parts No.	Page No.	Parts No.	Page No.	Parts No.	Page No.	Parts No.	Page No.	Parts No.	Page No.
A1RF366601	38-5	A1RF408100	36-6	A1RF435400	35-2	A1RF501200	43-24	A1RF513100	41-8
A1RF367000	9-20	A1RF410101	35-13	A1RF435500	4-6	A1RF501403	42-18	A1RF513300	41-2
A1RF367100	9-19	A1RF411100	35-15	A1RF435500	31-2	A1RF501500	42-8	A1RF515000	44-11
A1RF367201	9-18	A1RF411700	35-5	A1RF435900	35-4	A1RF501600	40-6	A1RF515700	44-12
A1RF367300	9-16	A1RF411900	35-16	A1RF437203	34-8	A1RF502000	41-14	A1RF515901	41-4
A1RF367400	9-15	A1RF413101	36-13	A1RF437400	34-6	A1RF502400	43-27	A1RF517100	40-1
A1RF367500	9-17	A1RF413201	36-15	A1RF437500	34-1	A1RF502500	40-7	A1RF517100	41-16
A1RF367601	9-21	A1RF413301	36-17	A1RF437600	34-5	A1RF502803	42-15	A1RF517100	42-5
A1RF368300	69-18	A1RF413601	28-8	A1RF437900	34-9	A1RF502900	40-17	A1RF517100	88-23
A1RF368403	38-10	A1RF413601	36-2	A1RF438101	56-14	A1RF503714	41-19	A1RF517200	44-13
A1RF368500	69-2	A1RF413700	36-4	A1RF439002	30-5	A1RF503811	41-22	A1RF517200	66-17
A1RF368600	69-17	A1RF413800	36-12	A1RF440101	29-27	A1RF504101	43-8	A1RF517300	40-9
A1RF369100	69-12	A1RF413900	28-11	A1RF440201	29-31	A1RF504201	43-14	A1RF518300	41-3
A1RF369600	69-1	A1RF413900	36-9	A1RF440501	29-11	A1RF504403	43-15	A1RF519800	44-14
A1RF369700	69-3	A1RF414401	36-8	A1RF440602	29-13	A1RF504500	43-18	A1RF519901	44-15
A1RF379400	9-27	A1RF414501	36-14	A1RF440700	29-6	A1RF504900	41-21	A1RF520400	68-7
A1RF379502	13-1	A1RF414601	36-16	A1RF440900	29-7	A1RF505002	43-5	A1RF520700	65-18
A1RF403313	27-14	A1RF414700	36-11	A1RF441100	29-10	A1RF505300	43-6	A1RF520901	65-17
A1RF403400	27-3	A1RF414900	36-7	A1RF441200	29-16	A1RF506000	40-23	A1RF522201	68-15
A1RF403400	100-26	A1RF415600	33-2	A1RF441500	29-29	A1RF507200	40-5	A1RF522400	66-3
A1RF403500	26-2	A1RF415600	50-5	A1RF441600	29-28	A1RF507700	43-10	A1RF523201	65-16
A1RF403600	27-2	A1RF415700	28-10	A1RF441701	29-17	A1RF507800	43-9	A1RF523401	68-9
A1RF403700	28-2	A1RF415700	36-5	A1RF441800	29-4	A1RF507900	43-29	A1RF523600	68-3
A1RF404000	26-4	A1RF416200	32-14	A1RF441900	29-1	A1RF508000	41-15	A1RF523800	65-14
A1RF404100	27-7	A1RF419101	33-6	A1RF442101	29-12	A1RF508100	41-27	A1RF524300	66-5
A1RF404200	27-8	A1RF419200	33-4	A1RF442300	29-5	A1RF508200	41-13	A1RF524400	66-4
A1RF404200	35-14	A1RF419301	36-10	A1RF442400	29-15	A1RF508300	41-26	A1RF524901	64-4
A1RF404500	27-9	A1RF423401	36-3	A1RF442600	29-30	A1RF508900	42-13	A1RF525901	65-22
A1RF404500	35-17	A1RF432301	26-10	A1RF442900	29-9	A1RF509000	42-14	A1RF526000	65-23
A1RF405300	27-10	A1RF432602	29-32	A1RF443000	29-14	A1RF509600	43-12	A1RF526100	65-25
A1RF406700	34-3	A1RF434201	31-4	A1RF443100	29-18	A1RF509700	43-16	A1RF526200	65-24
A1RF406900	30-2	A1RF434300	31-3	A1RF443200	29-2	A1RF509800	43-13	A1RF526700	68-12
A1RF407000	30-1	A1RF434401	31-1	A1RF444200	29-37	A1RF510401	44-21	A1RF526900	66-1
A1RF407101	28-6	A1RF434500	1-29	A1RF445301	31-15	A1RF511203	44-4	A1RF527100	68-13
A1RF407200	28-1	A1RF434702	31-11	A1RF445301	78-2	A1RF511400	44-5	A1RF527200	68-10
A1RF407401	28-12	A1RF434800	31-10	A1RF445402	30-3	A1RF511601	44-6	A1RF529100	65-8
A1RF407502	28-3	A1RF434902	31-9	A1RF446100	29-3	A1RF511700	44-7	A1RF529100	67-2
A1RF407701	28-4	A1RF435000	31-12	A1RF500400	40-11	A1RF512000	44-8	A1RF529100	68-5
A1RF407803	28-7	A1RF435201	35-1	A1RF500901	42-7	A1RF512100	44-9	A1RF529300	68-1
A1RF408100	28-9	A1RF435300	35-3	A1RF501000	43-25	A1RF512200	44-10	A1RF529400	41-35

Parts No.	Page No.	Parts No.	Page No.	Parts No.	Page No.	Parts No.	Page No.	Parts No.	Page No.
A1RF529400	68-4	A1RF712802	106-30	A1RF812911	89-17	A1RF821200	88-29	A1RF842113	95-23
A1RF529600	66-12	A1RF712900	106-26	A1RF813511	89-9	A1RF821401	99-1	A1RF842400	95-7
A1RF529701	67-4	A1RF713300	106-27	A1RF813711	89-12	A1RF821902	78-24	A1RF842503	97-27
A1RF529800	65-9	A1RF713600	105-2	A1RF813800	89-11	A1RF822001	78-28	A1RF842601	83-14
A1RF529900	65-3	A1RF714100	104-13	A1RF813901	89-14	A1RF822500	78-14	A1RF842601	95-3
A1RF530100	66-10	A1RF714200	106-21	A1RF814100	88-13	A1RF823000	81-18	A1RF843200	83-3
A1RF530400	65-21	A1RF719800	104-3	A1RF814200	88-22	A1RF823104	78-23	A1RF843401	94-15
A1RF530500	65-1	A1RF724401	47-8	A1RF814300	78-17	A1RF823300	89-5	A1RF844000	98-8
A1RF530500	103-5	A1RF732700	46-4	A1RF814500	87-21	A1RF823601	81-5	A1RF844100	89-3
A1RF530700	64-2	A1RF738100	52-7	A1RF814600	87-19	A1RF824100	86-8	A1RF844200	89-16
A1RF531600	66-18	A1RF738300	52-8	A1RF814800	90-6	A1RF824700	100-19	A1RF844300	80-16
A1RF532800	67-7	A1RF746300	51-8	A1RF815000	90-32	A1RF825000	86-6	A1RF844300	81-9
A1RF533700	65-11	A1RF748400	46-5	A1RF815601	15-6	A1RF825200	92-27	A1RF844300	97-18
A1RF535100	68-11	A1RF749600	50-7	A1RF815702	9-31	A1RF825300	92-18	A1RF844401	98-20
A1RF539700	67-11	A1RF750300	52-9	A1RF815801	89-1	A1RF826600	91-15	A1RF844500	98-10
A1RF539900	50-6	A1RF758000	50-8	A1RF816100	90-2	A1RF827000	90-33	A1RF844600	97-12
A1RF700800	77-4	A1RF758100	50-9	A1RF816200	90-5	A1RF828200	78-25	A1RF844801	98-16
A1RF701101	77-2	A1RF758100	51-9	A1RF816300	90-3	A1RF829100	87-24	A1RF844901	98-13
A1RF702701	77-5	A1RF759700	100-25	A1RF816300	99-12	A1RF829500	90-25	A1RF845100	98-9
A1RF703200	106-8	A1RF765600	89-7	A1RF816400	90-4	A1RF829600	80-13	A1RF845200	98-3
A1RF704200	77-9	A1RF807400	47-9	A1RF816400	99-13	A1RF829800	80-12	A1RF845300	96-18
A1RF704300	77-7	A1RF807500	47-10	A1RF816500	80-24	A1RF829900	80-25	A1RF845401	96-31
A1RF704400	77-3	A1RF807700	54-4	A1RF816711	90-7	A1RF833000	89-6	A1RF845500	95-1
A1RF710200	106-1	A1RF808600	51-10	A1RF816801	90-8	A1RF833500	88-24	A1RF845600	95-10
A1RF710900	64-6	A1RF808900	51-11	A1RF817811	90-17	A1RF833600	88-25	A1RF845700	97-5
A1RF710900	65-2	A1RF809100	51-12	A1RF818000	91-3	A1RF835001	87-5	A1RF845800	97-21
A1RF710900	67-12	A1RF809400	51-13	A1RF819100	99-9	A1RF835101	88-11	A1RF845900	98-18
A1RF710900	102-7	A1RF809800	50-10	A1RF819200	90-1	A1RF835200	87-7	A1RF846200	96-23
A1RF711001	105-5	A1RF809900	50-11	A1RF819300	90-29	A1RF835300	89-10	A1RF846400	96-14
A1RF711300	106-17	A1RF810603	87-12	A1RF819702	80-3	A1RF837900	88-20	A1RF846400	106-4
A1RF711400	106-12	A1RF811201	81-8	A1RF819800	87-2	A1RF838000	88-17	A1RF846501	97-6
A1RF711500	104-7	A1RF811301	91-26	A1RF820000	80-6	A1RF838701	90-31	A1RF846701	97-9
A1RF711601	104-10	A1RF811600	91-23	A1RF820000	86-12	A1RF838800	90-18	A1RF846800	97-33
A1RF711700	104-8	A1RF811701	91-1	A1RF820000	88-2	A1RF839600	86-17	A1RF847000	95-11
A1RF711800	104-12	A1RF811801	78-18	A1RF820000	92-15	A1RF839700	92-26	A1RF847000	96-22
A1RF711900	104-6	A1RF811902	78-13	A1RF820000	100-10	A1RF840802	97-11	A1RF847000	97-10
A1RF712100	106-6	A1RF812001	78-10	A1RF820000	102-8	A1RF840901	96-25	A1RF847100	97-22
A1RF712200	106-13	A1RF812101	78-12	A1RF820100	91-12	A1RF841011	98-5	A1RF847300	97-32
A1RF712500	106-20	A1RF812700	91-5	A1RF820801	90-14	A1RF841500	96-4	A1RF847400	96-28
A1RF712700	106-9	A1RF812802	80-14	A1RF821002	90-13	A1RF841900	98-17	A1RF847500	97-26

Parts No.	Page No.	Parts No.	Page No.	Parts No.	Page No.	Parts No.	Page No.	Parts No.	Page No.
A1RF847600	98-1	A1RF877000	103-11	A1RF945800	64-1	A1RFN14101	31-8	A1RFPJG100	118-10
A1RF847700	98-14	A1RF877200	103-12	A1RF946100	120-14	A1RFN14202	31-5	A1RFP0000	118-8
A1RF847800	79-11	A1RF878100	101-8	A1RFF12300	16-12	A1RFN14301	31-7	A1RFR70012	38-2
A1RF847900	79-10	A1RF878401	101-9	A1RFF34500	56-16	A1RFN14400	32-12	A1RFR70300	34-10
A1RF848212	98-23	A1RF879001	93-14	A1RFF34600	56-3	A1RFN14900	29-23	A1RFR70500	64-9
A1RF848300	95-19	A1RF879001	102-11	A1RFF52202	66-13	A1RFN15201	57-5	A1RFR71900	64-18
A1RF849600	95-18	A1RF879900	101-10	A1RFF80500	46-6	A1RFN15900	71-22	A1RFR72000	64-14
A1RF849701	81-11	A1RF890201	108-8	A1RFF84312	96-34	A1RFN15900	72-22	A1RFR72900	65-20
A1RF849701	92-19	A1RF893100	107-4	A1RFF84501	98-28	A1RFN15900	73-22	A1RFR74000	12-14
A1RF849701	94-11	A1RF895002	108-9	A1RFH07003	31-6	A1RFN15900	74-22	A1RFR74111	98-22
A1RF849800	97-15	A1RF895101	102-12	A1RFH11002	19-5	A1RFN16100	76-16	A1RFR74300	32-9
A1RF849900	97-16	A1RF895101	108-10	A1RFH51002	112-5	A1RFN16800	38-12	A1RFR74300	47-11
A1RF850400	96-17	A1RF897000	107-5	A1RFM10300	12-8	A1RFN16900	117-4	A1RFR74300	93-25
A1RF850501	83-8	A1RF897300	107-6	A1RFM15100	110-6	A1RFN17100	111-13	A1RFR74400	122-8
A1RF850600	80-5	A1RF909300	108-11	A1RFM15200	114-19	A1RFN17200	111-9	A1RFR74500	3-6
A1RF850700	80-4	A1RF909400	108-12	A1RFM15500	17-22	A1RFN17300	111-14	A1RFR74600	71-6
A1RF850801	80-8	A1RF942100	38-3	A1RFM40300	111-15	A1RFN17400	114-4	A1RFR74600	72-6
A1RF850901	83-15	A1RF942201	105-1	A1RFM40400	114-8	A1RFN17500	114-5	A1RFR74600	73-6
A1RF851600	7-5	A1RF942300	63-3	A1RFM40500	114-17	A1RFN17600	114-6	A1RFR74600	74-6
A1RF852001	96-30	A1RF942600	13-17	A1RFM50200	48-4	A1RFN17700	114-7	A1RFR74711	58-4
A1RF852600	94-1	A1RF942700	5-12	A1RFM50900	76-14	A1RFN17800	114-20	A1RFR74711	59-4
A1RF853100	97-7	A1RF943100	78-7	A1RFM51000	46-7	A1RFN18300	112-21	A1RFR74711	60-4
A1RF853100	102-9	A1RF943300	106-11	A1RFM51000	47-12	A1RFN18400	42-16	A1RFR74711	61-4
A1RF855400	95-22	A1RF943400	45-2	A1RFM51000	51-14	A1RFN18600	114-9	A1RFR74800	56-28
A1RF855500	95-6	A1RF943500	103-13	A1RFM51000	52-10	A1RFN19001	29-19	A1RFR75800	91-11
A1RF855700	97-20	A1RF943600	53-4	A1RFM90200	3-4	A1RFN20200	65-27	A1RFR76100	40-3
A1RF860501	103-7	A1RF943700	79-9	A1RFM90300	3-2	A1RFN20400	65-26	A1RFR76211	42-2
A1RF861600	93-12	A1RF943801	98-19	A1RFM90700	13-12	A1RFN21700	87-18	A1RFR76800	106-33
A1RF861700	93-26	A1RF943900	98-7	A1RFM90800	19-7	A1RFN22100	64-3	A1RFR76900	74-25
A1RF862200	93-8	A1RF944000	97-29	A1RFM93100	113-15	A1RFN22300	66-15	A1RFR77100	5-6
A1RF863800	101-6	A1RF944100	97-28	A1RFN11600	112-3	A1RFN22400	66-9	A1RFR77200	15-7
A1RF868000	93-7	A1RF944701	1-1	A1RFN12000	112-15	A1RFN22500	64-17	A1RFR77600	1-17
A1RF869300	90-20	A1RF944800	120-12	A1RFN12900	5-16	A1RFN23100	94-8	A1RFR77700	71-25
A1RF869801	93-28	A1RF944900	38-4	A1RFN13200	18-29	A1RFN23400	93-5	A1RFR77700	72-25
A1RF869801	102-10	A1RF945100	43-7	A1RFN13200	69-19	A1RFN24300	90-30	A1RFR77700	73-25
A1RF869900	93-13	A1RF945100	56-11	A1RFN13200	75-12	A1RFN25500	113-16	A1RFR78000	18-16
A1RF870600	103-8	A1RF945100	63-7	A1RFN13200	80-19	A1RFN26500	6-11	A1RFR78300	62-7
A1RF870802	103-9	A1RF945300	43-2	A1RFN13800	12-6	A1RFN28300	19-17	A1RFR78400	56-26
A1RF873700	101-7	A1RF945501	120-13	A1RFN13900	13-13	A1RFN29900	112-15	A1RFR78511	56-30
A1RF873800	103-10	A1RF945700	43-31	A1RFN14001	27-13	A1RFN30E03	113-6	A1RFR78800	62-5

Parts No.	Page No.	Parts No.	Page No.	Parts No.	Page No.	Parts No.	Page No.	Parts No.	Page No.
A1RFR79311	29-8	A1RJ817200	103-6	A50U854800	87-29	A5AW115600	9-6	A5AW134500	112-20
A1RFR79411	29-24	A1RJ818800	54-5	A50U854800	108-32	A5AW115700	10-8	A5AW134600	112-23
A1RFR79500	29-26	A1RJ824800	102-13	A50UM45200	109-3	A5AW115800	17-13	A5AW135101	112-14
A1RFR7A100	35-9	A1TT715812	84-1	A50UM51000	4-4	A5AW115900	17-5	A5AW136800	113-19
A1RFR7A500	41-7	A1TT715812	85-8	A50UM51000	29-22	A5AW116000	17-14	A5AW137100	110-13
A1RFR7A800	44-16	A2XK742001	49-32	A50UM51000	38-14	A5AW116100	16-10	A5AW137500	114-16
A1RFR7B000	66-7	A4EU105100	6-14	A50UM51000	92-25	A5AW116200	16-11	A5AW137700	112-25
A1RFR7B200	64-11	A4EU190413	19-13	A57V660400	121-7	A5AW116301	7-11	A5AW137900	114-11
A1RFR7B300	64-10	A4EU194100	20-11	A5AW101400	7-6	A5AW116400	7-12	A5AW138000	114-13
A1RFR7B700	65-19	A4EU194200	20-15	A5AW101700	9-30	A5AW116601	7-13	A5AW138100	114-12
A1RFR7C300	106-22	A4EU265000	50-12	A5AW101900	9-7	A5AW116800	16-8	A5AW138200	17-32
A1RFR7D900	91-13	A4EU265000	51-15	A5AW102901	7-7	A5AW116900	16-9	A5AW138400	17-10
A1RFR7F000	70-6	A4EU265000	52-11	A5AW103801	7-8	A5AW117000	7-14	A5AW138700	110-14
A1RFR7F400	94-16	A4EU604000	81-1	A5AW103901	7-9	A5AW117400	7-15	A5AW160101	1-21
A1RFR7G200	40-20	A4EUH04001	20-12	A5AW104000	12-2	A5AW117500	6-19	A5AW160300	1-2
A1RFR7G300	64-13	A4EUM60000	9-9	A5AW104100	5-11	A5AW118000	4-16	A5AW160700	1-14
A1RFR7G400	88-18	A4EUM60401	113-11	A5AW104800	12-4	A5AW118100	10-9	A5AW161000	2-4
A1RFR7G500	70-5	A4EUM75600	19-14	A5AW104800	13-18	A5AW118200	10-10	A5AW161500	122-3
A1RFR7G600	76-3	A4EUPP0000	118-7	A5AW104900	5-3	A5AW118300	10-11	A5AW161600	3-11
A1RFR7G700	43-20	A4F3905000	103-14	A5AW105100	4-14	A5AW118400	10-12	A5AW161901	3-19
A1RFR7H000	65-28	A50U106300	4-17	A5AW107100	17-11	A5AW118600	10-13	A5AW162000	1-26
A1RFR7M100	58-9	A50U106300	6-15	A5AW107200	17-12	A5AW118800	10-14	A5AW162102	3-7
A1RFR7M100	59-9	A50U132300	109-2	A5AW110201	17-19	A5AW118900	10-15	A5AW162200	3-10
A1RFR7M100	60-9	A50U133400	110-7	A5AW110300	10-21	A5AW119002	10-16	A5AW162600	1-6
A1RFR7M100	61-9	A50U136200	110-8	A5AW110501	17-20	A5AW119100	10-17	A5AW165201	1-12
A1RFR7N300	68-6	A50U212600	40-15	A5AW111500	7-10	A5AW119300	8-3	A5AW165300	122-4
A1RFR7N400	68-2	A50U212600	71-15	A5AW111700	10-5	A5AW119400	8-4	A5AW165400	3-23
A1RFR7N500	66-19	A50U212600	72-15	A5AW111801	9-1	A5AW119500	8-5	A5AW165500	1-13
A1RFR7N600	66-20	A50U212600	73-15	A5AW111901	9-2	A5AW119600	17-4	A5AW166600	3-18
A1RFR7N700	66-23	A50U212600	74-15	A5AW112200	6-1	A5AW123001	14-19	A5AW166802	2-3
A1RFR7N800	66-21	A50U401200	26-5	A5AW112500	17-25	A5AW123200	14-20	A5AW166901	3-8
A1RFRX0101	118-9	A50U405400	26-11	A5AW112700	17-24	A5AW123300	14-21	A5AW167700	122-5
A1RG101600	6-21	A50U407600	26-12	A5AW112800	6-2	A5AW130400	110-9	A5AW168200	122-6
A1RG104300	112-16	A50U409300	26-7	A5AW112900	17-3	A5AW130600	110-10	A5AW169500	2-5
A1RG105300	6-20	A50U510100	42-12	A5AW114000	15-4	A5AW130700	113-14	A5AW210500	71-28
A1RG105900	92-28	A50U755000	52-12	A5AW114000	17-2	A5AW131300	110-11	A5AW210500	72-28
A1RG110100	12-15	A50U833000	9-29	A5AW114300	9-4	A5AW131700	114-15	A5AW210500	73-28
A1RG681400	86-5	A50U833000	15-11	A5AW114500	10-6	A5AW132500	109-4	A5AW210500	74-28
A1RJ815000	82-2	A50U854800	84-14	A5AW115401	10-7	A5AW133800	110-12	A5AW211000	71-7
A1RJ817200	97-8	A50U854800	85-11	A5AW115500	9-5	A5AW134101	112-12	A5AW211000	72-7

Parts No.	Page No.	Parts No.	Page No.	Parts No.	Page No.	Parts No.	Page No.	Parts No.	Page No.
A5AW211000	73-7	A5AW400800	69-4	A5AW510900	44-17	A5AW721700	52-14	A5AW740200	46-17
A5AW211000	74-7	A5AW401400	34-2	A5AW511200	44-4	A5AW721800	52-15	A5AW740301	46-18
A5AW219000	76-7	A5AW402400	34-4	A5AW511500	44-18	A5AW722000	47-15	A5AW740401	46-19
A5AW219900	74-33	A5AW407600	28-5	A5AW511600	44-6	A5AW722101	48-5	A5AW740500	52-28
A5AW225000	75-14	A5AW417000	32-4	A5AW512400	44-19	A5AW722200	46-9	A5AW740800	50-13
A5AW225100	75-15	A5AW417800	32-3	A5AW517400	41-11	A5AW723400	48-6	A5AW740900	50-14
A5AW229602	75-7	A5AW428100	69-8	A5AW521800	65-10	A5AW724000	49-7	A5AW742100	50-15
A5AW229602	80-26	A5AW432200	26-9	A5AW526500	65-12	A5AW724101	49-8	A5AW742200	50-16
A5AW229700	75-4	A5AW432700	26-6	A5AW527300	64-12	A5AW724800	49-9	A5AW742301	51-17
A5AW239700	76-11	A5AW445100	30-4	A5AW528100	64-5	A5AW725000	48-7	A5AW742500	52-17
A5AW239800	76-13	A5AW500400	40-12	A5AW529500	67-13	A5AW725201	49-10	A5AW742600	52-18
A5AW341200	56-9	A5AW500501	40-10	A5AW531301	65-5	A5AW725301	49-11	A5AW742801	52-20
A5AW341900	58-12	A5AW500600	43-21	A5AW539300	67-6	A5AW725400	49-12	A5AW743000	50-17
A5AW342100	57-11	A5AW500700	39-2	A5AW539400	65-6	A5AW725500	49-13	A5AW743100	52-21
A5AW342200	55-8	A5AW500800	41-9	A5AW539500	64-7	A5AW725802	48-8	A5AW744000	51-18
A5AW344100	57-10	A5AW501100	43-30	A5AW539800	67-3	A5AW726100	49-14	A5AW744900	49-21
A5AW344400	55-17	A5AW501200	40-13	A5AW539900	67-1	A5AW726300	49-15	A5AW745000	49-22
A5AW344500	55-18	A5AW501301	40-14	A5AW701600	77-10	A5AW726400	49-16	A5AW745200	49-23
A5AW344600	56-7	A5AW502001	42-20	A5AW710301	106-16	A5AW726501	46-10	A5AW746500	52-23
A5AW344700	55-19	A5AW502100	42-4	A5AW710800	104-9	A5AW726601	46-11	A5AW747000	52-24
A5AW347200	57-7	A5AW502200	41-23	A5AW711200	104-11	A5AW726800	49-17	A5AW749701	51-19
A5AW350100	56-8	A5AW504600	43-3	A5AW712300	104-20	A5AW727201	48-9	A5AW749900	51-20
A5AW351100	62-12	A5AW505900	43-1	A5AW712400	106-28	A5AW727500	49-18	A5AW750100	51-21
A5AW351200	62-10	A5AW506100	42-21	A5AW713700	105-13	A5AW727600	49-19	A5AW750200	51-22
A5AW352000	55-14	A5AW507000	41-17	A5AW713800	105-4	A5AW727900	48-10	A5AW753300	50-18
A5AW352100	57-14	A5AW507200	41-24	A5AW714000	105-9	A5AW729501	45-4	A5AW758200	46-20
A5AW352201	57-9	A5AW507301	41-28	A5AW714300	106-25	A5AW729601	45-5	A5AW760100	54-6
A5AW352300	57-15	A5AW507400	41-29	A5AW714500	106-7	A5AW734600	48-11	A5AW760200	53-6
A5AW352601	58-10	A5AW507800	41-31	A5AW714900	106-24	A5AW734700	49-20	A5AW760300	54-7
A5AW352601	59-10	A5AW507900	41-36	A5AW715000	106-23	A5AW735100	46-12	A5AW760400	54-8
A5AW352601	60-10	A5AW508000	41-33	A5AW719900	81-14	A5AW735200	46-13	A5AW760501	53-7
A5AW352700	56-6	A5AW508100	41-32	A5AW720100	49-3	A5AW735500	48-12	A5AW761200	54-9
A5AW359600	57-17	A5AW508400	41-12	A5AW720200	49-4	A5AW735700	48-13	A5AW761700	53-8
A5AW359700	57-12	A5AW509000	42-23	A5AW720301	49-5	A5AW735800	46-14	A5AW761800	54-10
A5AW359800	55-13	A5AW509300	41-20	A5AW720401	52-13	A5AW735900	46-15	A5AW761900	54-11
A5AW359900	55-15	A5AW509301	41-20	A5AW720700	47-13	A5AW736000	47-16	A5AW762000	54-12
A5AW400600	32-6	A5AW509400	41-25	A5AW720800	47-14	A5AW736401	45-3	A5AW762100	54-13
A5AW400600	35-7	A5AW509401	41-25	A5AW720900	46-8	A5AW738100	48-14	A5AW762300	53-9
A5AW400700	27-5	A5AW510400	42-17	A5AW721000	51-16	A5AW739300	53-5	A5AW762401	53-10
A5AW400800	32-11	A5AW510500	44-21	A5AW721700	49-6	A5AW740100	46-16	A5AW762501	53-11

Parts No.	Page No.	Parts No.	Page No.	Parts No.	Page No.	Parts No.	Page No.	Parts No.	Page No.
A5AW762600	53-12	A5AW808800	51-23	A5AW818800	81-17	A5AW825500	100-2	A5AW841800	96-2
A5AW762701	53-13	A5AW809000	51-24	A5AW818800	83-16	A5AW825600	100-11	A5AW842200	96-5
A5AW762800	54-14	A5AW809600	50-20	A5AW818800	92-20	A5AW825700	100-12	A5AW842300	95-14
A5AW763101	53-14	A5AW809700	50-21	A5AW818900	86-13	A5AW825800	100-21	A5AW843300	83-18
A5AW763400	53-15	A5AW810400	83-12	A5AW819000	92-21	A5AW825900	100-17	A5AW845000	97-31
A5AW763800	53-16	A5AW810500	81-4	A5AW819101	92-14	A5AW826000	100-16	A5AW845500	83-11
A5AW764000	54-15	A5AW810800	90-15	A5AW819400	80-22	A5AW826200	100-13	A5AW846900	95-21
A5AW764101	53-17	A5AW810901	99-7	A5AW819500	80-23	A5AW826300	99-10	A5AW847600	96-13
A5AW764200	53-18	A5AW811000	91-2	A5AW819700	82-15	A5AW826500	63-4	A5AW848001	94-13
A5AW764300	50-19	A5AW811400	87-3	A5AW819900	85-5	A5AW826800	99-17	A5AW848100	97-13
A5AW764401	53-19	A5AW811500	87-15	A5AW819900	86-1	A5AW827100	87-13	A5AW848200	98-6
A5AW780100	52-25	A5AW811600	87-9	A5AW820200	99-3	A5AW827200	87-10	A5AW848900	96-9
A5AW781000	53-20	A5AW812200	86-9	A5AW820300	82-16	A5AW827300	87-11	A5AW849001	96-10
A5AW781200	46-21	A5AW812300	86-7	A5AW820500	99-4	A5AW827400	88-8	A5AW849700	96-16
A5AW781300	54-16	A5AW812600	87-4	A5AW820600	99-5	A5AW827501	88-9	A5AW849700	98-31
A5AW781501	53-21	A5AW813000	87-14	A5AW820700	100-9	A5AW827601	82-23	A5AW849800	96-12
A5AW782500	51-27	A5AW813200	88-27	A5AW820900	82-25	A5AW827700	82-19	A5AW850100	83-5
A5AW782500	54-21	A5AW813300	88-28	A5AW821100	80-1	A5AW828000	88-1	A5AW850300	83-2
A5AW782500	57-19	A5AW813400	82-12	A5AW821400	82-18	A5AW828100	88-7	A5AW851002	83-1
A5AW782500	100-30	A5AW813600	89-15	A5AW821500	82-21	A5AW828200	88-10	A5AW851100	86-10
A5AW782600	46-22	A5AW814000	80-2	A5AW821600	82-4	A5AW828300	88-12	A5AW851200	86-11
A5AW782700	47-17	A5AW814400	87-27	A5AW821800	82-8	A5AW828500	82-10	A5AW851500	83-7
A5AW782800	47-18	A5AW814700	82-14	A5AW822000	87-25	A5AW828600	82-26	A5AW851800	84-12
A5AW783100	46-23	A5AW814901	80-9	A5AW822100	78-29	A5AW828700	81-13	A5AW851800	85-1
A5AW783200	46-24	A5AW815100	87-6	A5AW822200	90-12	A5AW828800	87-17	A5AW851901	85-7
A5AW783300	46-25	A5AW815900	82-13	A5AW822300	90-11	A5AW829100	88-3	A5AW852100	98-21
A5AW783400	53-22	A5AW816000	82-5	A5AW823000	82-9	A5AW829200	89-8	A5AW852200	98-12
A5AW783501	53-23	A5AW816600	86-14	A5AW823200	100-23	A5AW830500	87-28	A5AW852300	83-9
A5AW783600	53-24	A5AW817000	86-15	A5AW823500	100-27	A5AW831500	82-11	A5AW852300	95-2
A5AW783700	53-25	A5AW817101	78-20	A5AW823700	99-18	A5AW833200	88-14	A5AW852700	95-13
A5AW783800	53-26	A5AW817202	78-3	A5AW823800	99-6	A5AW833400	88-21	A5AW852800	98-27
A5AW789900	49-24	A5AW817301	63-6	A5AW824300	82-20	A5AW833700	88-26	A5AW853200	98-25
A5AW789900	52-26	A5AW817500	88-5	A5AW824602	87-26	A5AW836000	91-10	A5AW853300	98-24
A5AW807300	54-17	A5AW817500	93-23	A5AW824700	82-7	A5AW836100	92-23	A5AW853600	98-26
A5AW808000	52-27	A5AW817900	82-22	A5AW824900	99-8	A5AW840300	94-18	A5AW855300	96-27
A5AW808100	49-25	A5AW818201	63-2	A5AW825000	88-6	A5AW840402	96-32	A5AW855800	90-23
A5AW808200	49-26	A5AW818400	99-14	A5AW825101	100-1	A5AW840602	98-4	A5AW855901	96-11
A5AW808300	47-19	A5AW818500	99-15	A5AW825201	100-15	A5AW840901	96-1	A5AW856001	84-8
A5AW808500	49-27	A5AW818600	80-18	A5AW825300	100-20	A5AW841300	97-24	A5AW856001	85-2
A5AW808700	47-20	A5AW818700	81-16	A5AW825400	100-24	A5AW841400	97-23	A5AW856001	101-11

Parts No.	Page No.	Parts No.	Page No.	Parts No.	Page No.	Parts No.	Page No.	Parts No.	Page No.
A5AW856001	103-15	A5AW862400	101-18	A5AW890702	108-29	A5AWH01102	110-15	A5AWN11001	47-23
A5AW856001	105-8	A5AW862700	103-18	A5AW890800	108-16	A5AWH02001	110-16	A5AWN11100	47-24
A5AW856001	108-13	A5AW863000	101-19	A5AW890900	108-17	A5AWH03001	110-17	A5AWN11500	17-30
A5AW856100	84-13	A5AW863100	101-20	A5AW890901	108-17	A5AWH05007	111-4	A5AWN11700	117-2
A5AW856300	84-7	A5AW863501	101-21	A5AW891200	108-18	A5AWH06000	90-21	A5AWN11800	109-8
A5AW856400	84-11	A5AW863800	92-9	A5AW891400	108-19	A5AWH52000	112-1	A5AWN12100	111-8
A5AW856501	85-6	A5AW863900	93-17	A5AW892300	107-7	A5AWH53000	114-10	A5AWN12300	116-3
A5AW856701	84-10	A5AW864000	92-7	A5AW892400	107-8	A5AWH54001	17-28	A5AWN12400	116-1
A5AW857000	96-6	A5AW864100	79-1	A5AW892500	107-9	A5AWH78001	110-18	A5AWN12500	111-2
A5AW857600	85-10	A5AW864200	102-20	A5AW892600	107-10	A5AWH80000	51-25	A5AWN12701	117-1
A5AW858101	97-25	A5AW864300	93-15	A5AW892700	107-11	A5AWJ30X00	113-6	A5AWN12800	76-17
A5AW858200	101-31	A5AW864601	93-24	A5AW892800	107-12	A5AWM10101	71-24	A5AWN13000	17-23
A5AW858200	103-25	A5AW864700	101-22	A5AW893100	108-20	A5AWM10101	72-24	A5AWN13700	4-21
A5AW858302	84-4	A5AW864800	92-8	A5AW893300	108-21	A5AWM10101	73-24	A5AWN14500	10-19
A5AW858400	84-5	A5AW864901	93-20	A5AW893301	108-21	A5AWM10101	74-24	A5AWN14700	56-10
A5AW858701	85-4	A5AW865001	102-21	A5AW893500	108-22	A5AWM10201	47-21	A5AWN14800	57-16
A5AW858801	96-33	A5AW865100	92-30	A5AW893600	108-23	A5AWM10201	76-1	A5AWN15000	62-14
A5AW859200	96-7	A5AW865200	101-23	A5AW894000	108-24	A5AWM10201	80-20	A5AWN15100	31-13
A5AW859300	84-15	A5AW865300	101-24	A5AW894100	108-25	A5AWM10600	50-23	A5AWN15400	56-34
A5AW859400	84-16	A5AW865500	101-25	A5AW894300	108-30	A5AWM15101	8-6	A5AWN15500	43-23
A5AW859500	84-3	A5AW865500	103-19	A5AW894400	108-31	A5AWM15101	99-16	A5AWN15600	40-22
A5AW859701	78-30	A5AW865600	101-26	A5AW909800	108-26	A5AWM15200	114-18	A5AWN15700	56-35
A5AW859900	84-6	A5AW865700	103-20	A5AW942900	1-25	A5AWM31A00	49-30	A5AWN15800	62-15
A5AW860100	101-12	A5AW867200	93-11	A5AW943200	87-23	A5AWM31E00	49-30	A5AWN16200	77-6
A5AW860302	101-13	A5AW870401	93-2	A5AW943301	98-30	A5AWM31F00	49-30	A5AWN16300	18-17
A5AW860500	101-14	A5AW870500	93-29	A5AW943400	98-29	A5AWM34A00	49-31	A5AWN16400	8-7
A5AW860600	102-14	A5AW870601	93-9	A5AW944300	29-33	A5AWM34E00	49-31	A5AWN16500	7-16
A5AW860701	102-15	A5AW870800	93-3	A5AW944400	29-34	A5AWM34F00	49-31	A5AWN16600	108-28
A5AW860802	102-16	A5AW870900	93-31	A5AW944500	29-35	A5AWM40600	112-19	A5AWN16700	107-14
A5AW860901	102-17	A5AW872300	101-27	A5AW944600	29-36	A5AWM60200	5-13	A5AWN17001	71-20
A5AW861000	102-18	A5AW872400	101-28	A5AW945000	1-16	A5AWN10101	115-1	A5AWN17001	72-20
A5AW861100	101-15	A5AW872500	103-22	A5AW945900	1-27	A5AWN10200	113-12	A5AWN17001	73-20
A5AW861300	102-19	A5AW872600	103-23	A5AW946300	78-27	A5AWN10300	117-3	A5AWN17001	74-20
A5AW861400	101-16	A5AW875000	93-22	A5AW947000	30-7	A5AWN10400	113-10	A5AWN17900	70-1
A5AW861600	54-18	A5AW875100	93-21	A5AW947103	30-7	A5AWN10500	112-7	A5AWN18000	70-2
A5AW861801	103-16	A5AW878203	79-6	A5AW947200	17-35	A5AWN10600	17-29	A5AWN18100	70-3
A5AW861900	92-29	A5AW878300	79-7	A5AW947501	109-6	A5AWN10700	112-4	A5AWN18200	70-4
A5AW862101	93-10	A5AW878400	79-8	A5AW948000	1-20	A5AWN10800	46-27	A5AWN18700	112-26
A5AW862202	101-17	A5AW890301	108-14	A5AW949000	120-15	A5AWN10903	47-22	A5AWN18801	112-27
A5AW862300	103-17	A5AW890400	108-15	A5AWF84400	97-2	A5AWN10F00	113-12	A5AWN19100	111-1

Parts No.	Page No.
A5AWN19700	14-16
A5AWN20100	92-3
A5AWN20301	92-10
A5AWN20500	78-16
A5AWN20600	90-10
A5AWN20700	90-22
A5AWN20800	92-22
A5AWN20900	92-2
A5AWN21100	90-19
A5AWN21400	81-21
A5AWN21600	81-20
A5AWN21900	83-6
A5AWN22601	106-32
A5AWN22700	104-14
A5AWN22800	95-12
A5AWN22900	95-20
A5AWN23000	94-5
A5AWN23200	81-2
A5AWN23501	101-30
A5AWN23600	92-17
A5AWN23801	51-26
A5AWN23900	52-16
A5AWN24000	53-29
A5AWN24700	81-7
A5AWN24800	92-12
A5AWN24900	81-12
A5AWN25100	5-15
A5AWN25600	114-23
A5AWN26200	7-17
A5AWN26300	10-20
A5AWN26800	17-18
A5AWN26900	17-33
A5AWN27200	9-22
A5AWN27300	114-22
A5AWN27400	109-7
A5AWN27500	9-23
A5AWN27600	110-19
A5AWN27700	7-18
A5AWN28100	110-20
A5AWN28200	21-15


Parts No.	Page No.
A5AWN28500	19-12
A5AWN28600	110-21
A5AWN28701	110-22
A5AWN29200	116-2
A5AWN29401	110-23
A5AWN29800	114-25
A5AWP00100	118-2
A5AWR70144	24-1
A5AWR70222	39-3
A5AWR70300	66-24
A5AWR70400	64-20
A5AWR70500	62-13
A5AWR70633	39-1
A5AWR70733	45-7
A5AWR70833	45-7
A5AWR70933	45-7
A5AWR70A00	63-5
A5AWR70B11	14-17
A5AWR70E11	49-29
A5AWR70F00	46-26
A5AWR70G00	54-20
A5AWR70M00	23-1
A5AWR70N11	41-5
A5AWR70P11	44-20
A5AWR70Q00	42-22
A5AWR70R00	106-3
A5AWR70S00	67-10
A5AWR70T00	48-15
A5AWR70U00	49-28
A5AWR70V00	6-10
A5AWR70W00	14-18
A5AWR70X11	109-5
A5AWR70Y00	19-20
A5AWR71100	19-20
A5AWR71200	19-20
A5AWR71300	70-10
A5AWR71400	70-11
A5AWR71500	70-12
A5AWR71600	75-11
A5AWR71700	76-18

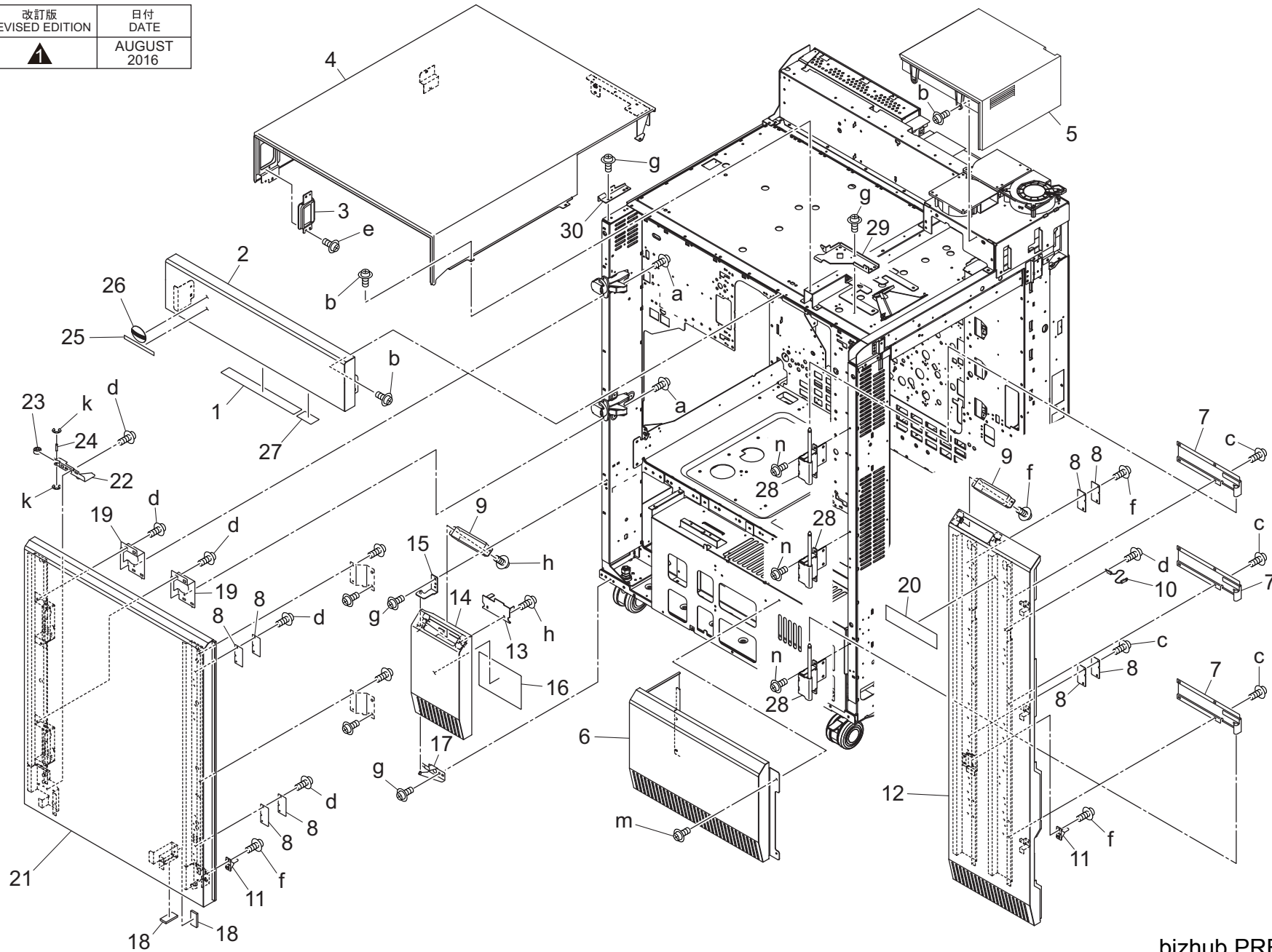
Parts No.	Page No.
A5AWR71811	22-1
A5AWR71911	55-16
A5AWR71A00	56-24
A5AWR71B00	37-1
A5AWR71C00	69-20
A5AWR71D00	37-2
A5AWR71E00	25-1
A5AWR71F00	25-1
A5AWR71G00	25-1
A5AWR71H11	30-8
A5AWR71J00	77-11
A5AWR71K11	104-15
A5AWR71Q00	52-19
A5AWR71R11	52-22
A5AWR71S00	63-1
A5AWR71T11	94-19
A5AWR71U00	101-29
A5AWR71V11	107-13
A5AWR71X00	35-18
A5AWR71Y22	40-21
A5AWR72200	48-16
A5AWR72300	62-6
A5AWR72400	26-13
A5AWR72500	50-22
A5AWR72600	53-27
A5AWR72700	54-19
A5AWR72800	88-19
A5AWR72900	96-26
A5AWR72A00	108-27
A5AWR72B00	95-5
A5AWR72C00	97-3
A5AWR72C00	98-2
A5AWR72D00	10-18
A5AWR72E00	42-1
A5AWR72F00	45-6
A5AWR72G00	99-11
A5AWR72H00	14-15
A5AWR72J00	1-15
A5AWR72K00	67-9
A5AWR72M00	64-19

Parts No.	Page No.
A5AWR72N00	53-28
A5AWR72P00	91-8
A5AWR72Q00	80-17
A5AWR72R00	104-4
A5AWR72S00	114-14
A5AWR72T00	122-7
A5AWR72U00	100-8
A5AWR72V00	41-18
A5AWR72W00	120-1
A5AWR72X00	120-2
A5AWR72Y00	91-17
A5AWR73011	33-7
A5AWR73111	33-8
A5AWR73200	94-20
A5AWR73300	66-22
A5AWR73400	14-22
A5AWR73500	120-16
A5AWR73600	94-21
A5AWR73900	19-20
A5AWR74100	19-20
A5AWR74200	103-24
A5AWR74300	58-11
A5AWR74300	59-11
A5AWR74300	60-11
A5AWRX0000	118-11
A5AXN12200	115-2
A5AY943100	2-7
A5AY943100	114-26
A85CM55600	18-6
A85CM55600	43-17
A85CM55600	62-11
A85CM55600	64-16
A85CM55600	71-1
A85CM55600	72-1
A85CM55600	73-1
A85CM55600	74-1
A85CM55600	91-7
A85CM55600	100-28
A85CM55600	101-2
V114040804	121-2

Parts No.	Page No.
V118030404	121-3
V118030604	121-5
V121041003	121-4
V502010006	11-20
V502010032	17-27
V502010032	112-9
V502010032	114-1
V502010033	112-8
V502010033	113-8
V502010036	112-22
V502010036	113-18
V502010041	112-18

External Parts


改訂版 REVISED EDITION	日付 DATE
	AUGUST 2016

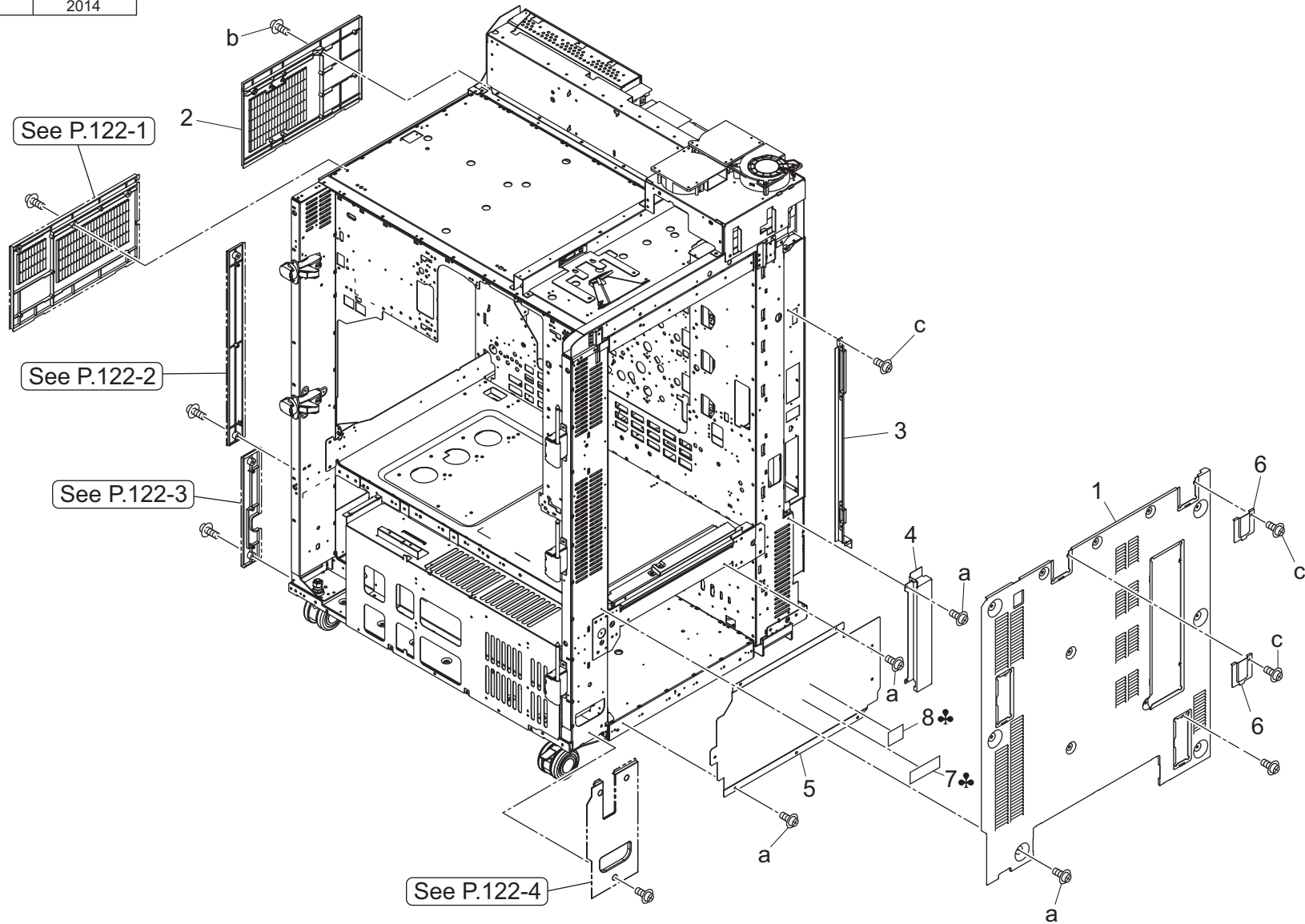


bizhub PRESS C1085

Key	Part No.	Description	Destinations	Class	QTY	Standard parts
1	A1RF944701	Toner supply Label /1		D	1	a-V112040803
2	A5AW160300	Cover Door /Upper		D	1	b-V114040804
3	A1RF163200	Cover Guide		D	1	c-V116030604
4	A1RF160403	Cover Top plate /Left		D	1	d-V116040804
5	A1RF160602	Cover Top plate /Right		D	1	e-V121030603
6	A5AW162600	Fixing Cover /C		D	1	f-V121030604
7	A1RF165001	Cover Arm /Right		D	3	g-V146040803
8	A1RF168000	Adjusting Plate		D	8	h-V121030804
9	A1RF163300	Cover Handle		D	2	k-V217030001
10	A1RF165800	Regulating Wire		D	1	m-V127040803
11	A1RF164902	Cover Lock /4		D	2	n-V146040804
12	A5AW165201	Cover Door /Right		D	1	
13	A5AW165500	Release Plate		D	1	
14	A5AW160700	Cover Bottom plate /C		D	1	
15	A5AWR72J00	Cover Hinge/Upper Caulking		I	1	
16	A5AW945000	Taking out Label /B		D	1	
17	A1RFR77600	COVER HINGE/UPPER CALKING		D	1	
18	A1RF168600	PROTECTION PAD /INSIDE		D	2	
19	A1RF166401	Support Plate		D	2	
20	A5AW948000	Indicating Label (bizhub PRESS C1085)		D	1	
21	A5AW160101	Cover Door /Left		D	1	
22	A1RF165103	Support Plate		D	1	
23	65AA50400	Guide Shaft		D	1	
24	13NG45200	Conveyance Driven Roller		C	1	
25	A5AW942900	Indicating Plate		D	1	
26	A5AW162000	Indicating Plate		C	1	
27	A5AW945900	Caution Label		D	1	
28	A1RF105502	Toner Supply Hinge		D	3	
29	A1RF434500	Fixing Plate /A		D	1	
30	A1RF163500	Cover Leg		D	1	

External Parts

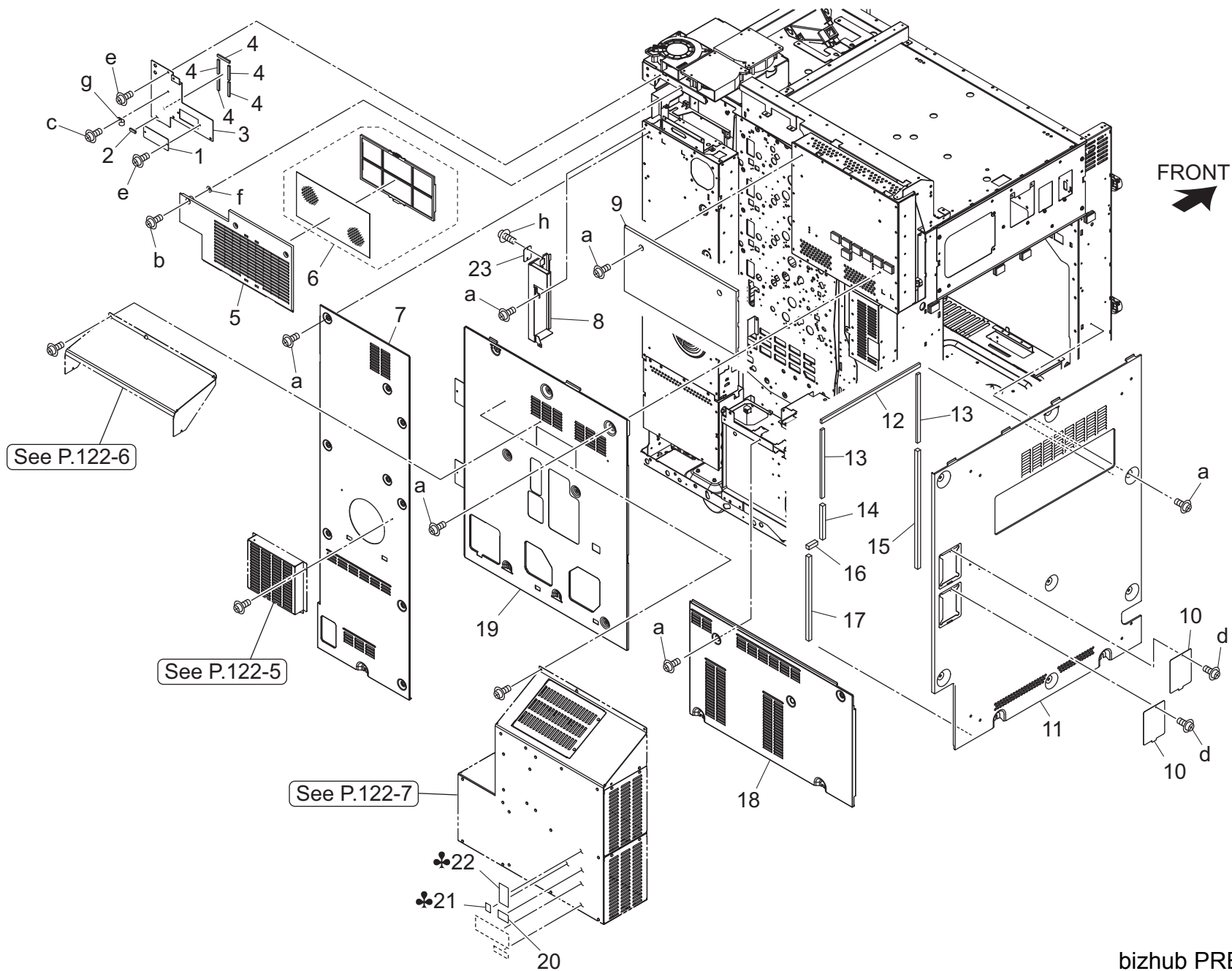
改訂版 REVISED EDITION	日付 DATE
	DECEMBER 2014



Key	Part No.	Description	Destinations	Class	QTY	Standard parts
1	A1RF160801	Cover Side plate /1		D	1	a-V114040804 b-V114041204 c-V118030404
2	A1RF161300	Cover Side plate /B		D	1	
3	A5AW166802	Regulating Plate /3		D	1	
4	A5AW161000	Cover Side plate /3		D	1	
5	A5AW169500	Cover Plate /Right		D	1	
6	A1RF166300	Cover Part /H		D	2	
7	A5AY943100	Label	B,G2	C	1	
8	A109940201	Caution Label	B,G2	C	1	

External Parts

P 3

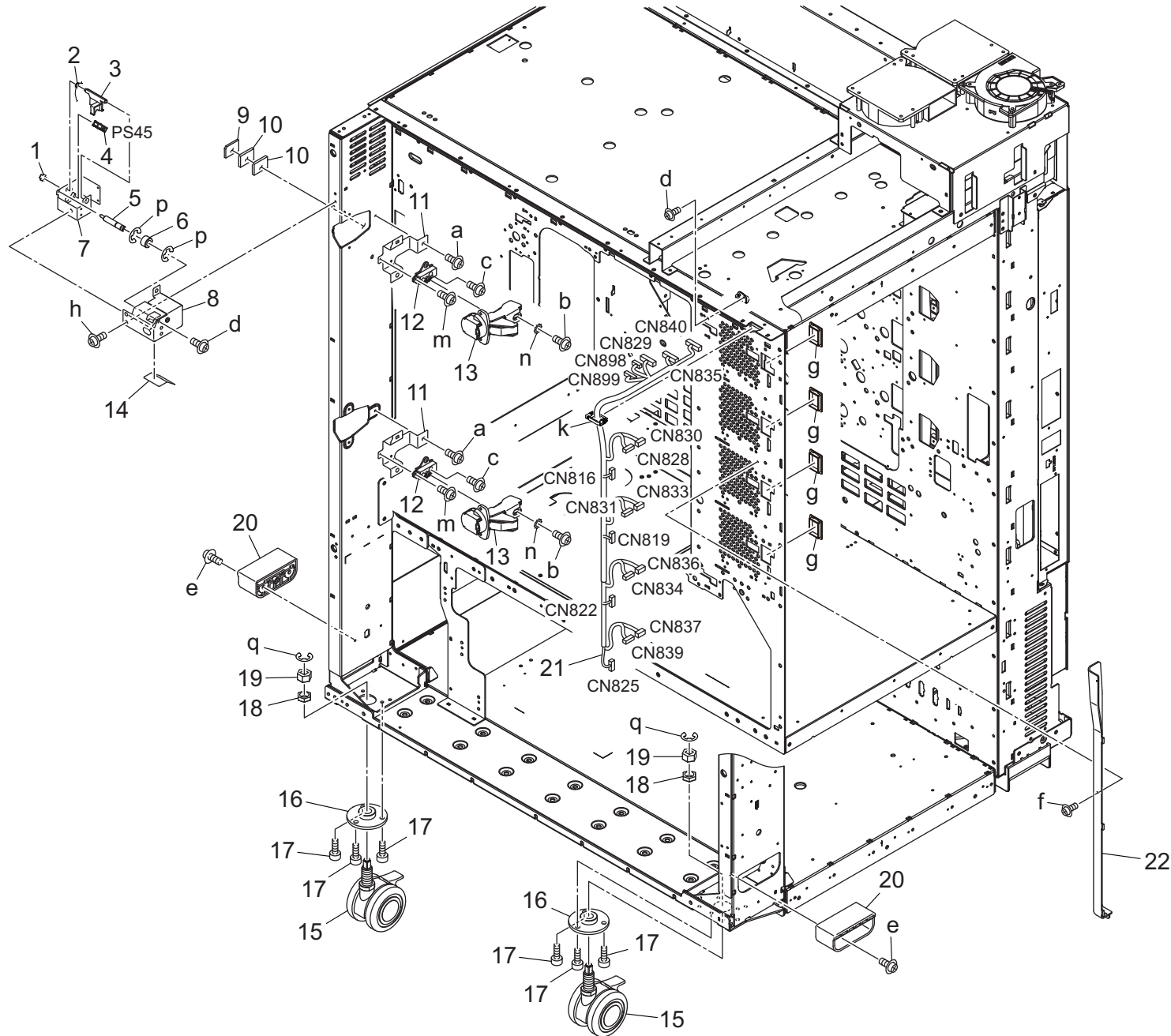


bizhub PRESS C1085

Key	Part No.	Description	Destinations	Class	QTY	Standard parts
1	A1RF134000	Cover		D	1	a-V114040804 b-V114041204 c-V116040803 d-V118030604 e-V121030603 f-V211040080 g-V500020020 h-V118030404
2	A1RFM90300	Gasket /3		D	1	
3	A1RF135801	Connecting Panel		D	1	
4	A1RFM90200	Gasket /2		D	5	
5	A1RF161700	Cover Side plate /No.1		D	1	
6	A1RFR74500	COVER FILTER/1		A	1	
7	A5AW162102	Cover Part /B		D	1	
8	A5AW166901	Cover Side plate /6		D	1	
9	A1RF161801	Cover Side plate /No.2		D	1	
10	A5AW162200	Cover Part /C		D	2	
11	A5AW161600	Cover Side plate /E		D	1	
12	A1RF168900	Cooling Seal /1		D	1	
13	A1RF169000	Cooling Seal /2		D	2	
14	A1RF169200	Cooling Seal /4		D	1	
15	A1RF169100	Cooling Seal /3		D	1	
16	A1RF169300	Cooling Seal /5		D	1	
17	A1RF169400	Cooling Seal /6		D	1	
18	A5AW166600	Cover Side plate /No.4		D	1	
19	A5AW161901	Cover Side plate /No.3		D	1	
20	56UA97310E	LASER INDICATING LABEL		D	1	
21	56UF97280	Separation Processing Label	C	D	1	
22	56UA97321G	Caution Label /A	C	D	1	
23	A5AW165400	Cover		D	1	

Main Frame

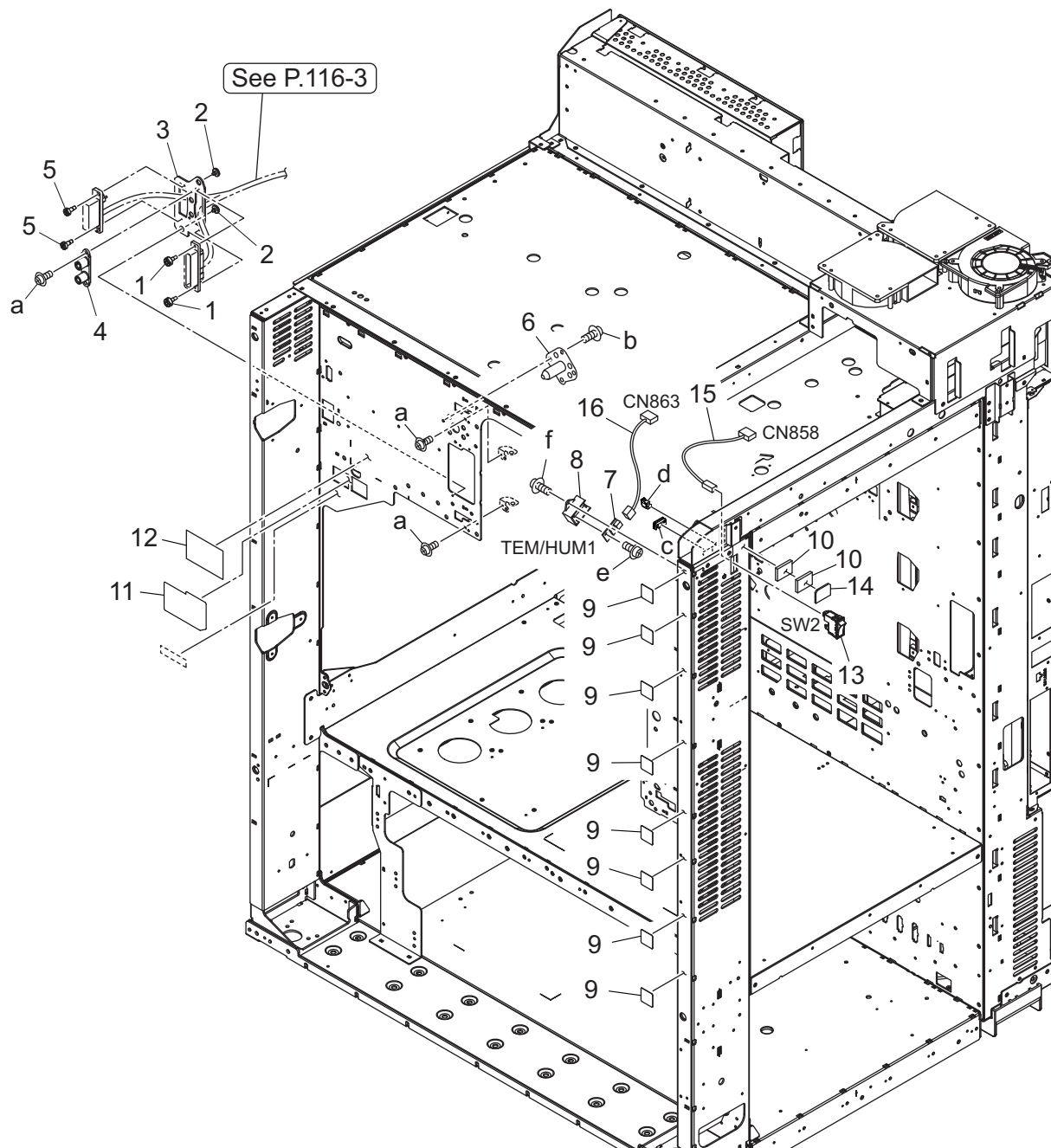
P 4



Key	Part No.	Description	Destinations	Class	QTY	Standard parts
1	4470402401	Stopper		D	1	a-V116040803
2	A1RF115200	Detecting Spring /1		D	1	b-V118040803
3	A1RF105800	Detecting Actuator		D	1	c-V188040809
4	A50UM51000	Photointerrupter		C	1	d-V121030603
5	A1RF106000	Guide Shaft /1		D	1	e-V121040604
6	A1RF435500	Open/close Bushing Outside		C	1	f-V146030603
7	A1RF105700	Mounting Plate /6		D	1	g-V570010038
8	A1RF105900	Lifting Arm /Right Calking		D	1	h-V146040804
9	A1RF166000	Protection Rubber /2		D	1	k-V570010059
10	A1RF165900	Protection Rubber /1		D	2	m-V188040609
11	A1RF164200	Support Plate /Upper		D	2	n-V209040003
12	A1RF168500	Support Part /H		D	2	p-V217060001
13	A1RF163400	Hinge		D	2	q-V217080001
14	A5AW105100	Protection Sheet		D	1	
15	A1RF109700	Support Roller /B		D	2	
16	A5AW118000	Mounting Shaft		D	2	
17	A50U106300	Lock Screw		D	6	
18	56AA17640	ADJUSTING PART 2		C	2	
19	56AA17630	ADJUSTING PART		C	2	
20	A1RF103500	Lifting Handle		D	2	
21	A5AWN13700	Polygon Drive harness /3		D	1	
22	A1RF103600	Wiring Cover		D	1	

Main Frame

P 5

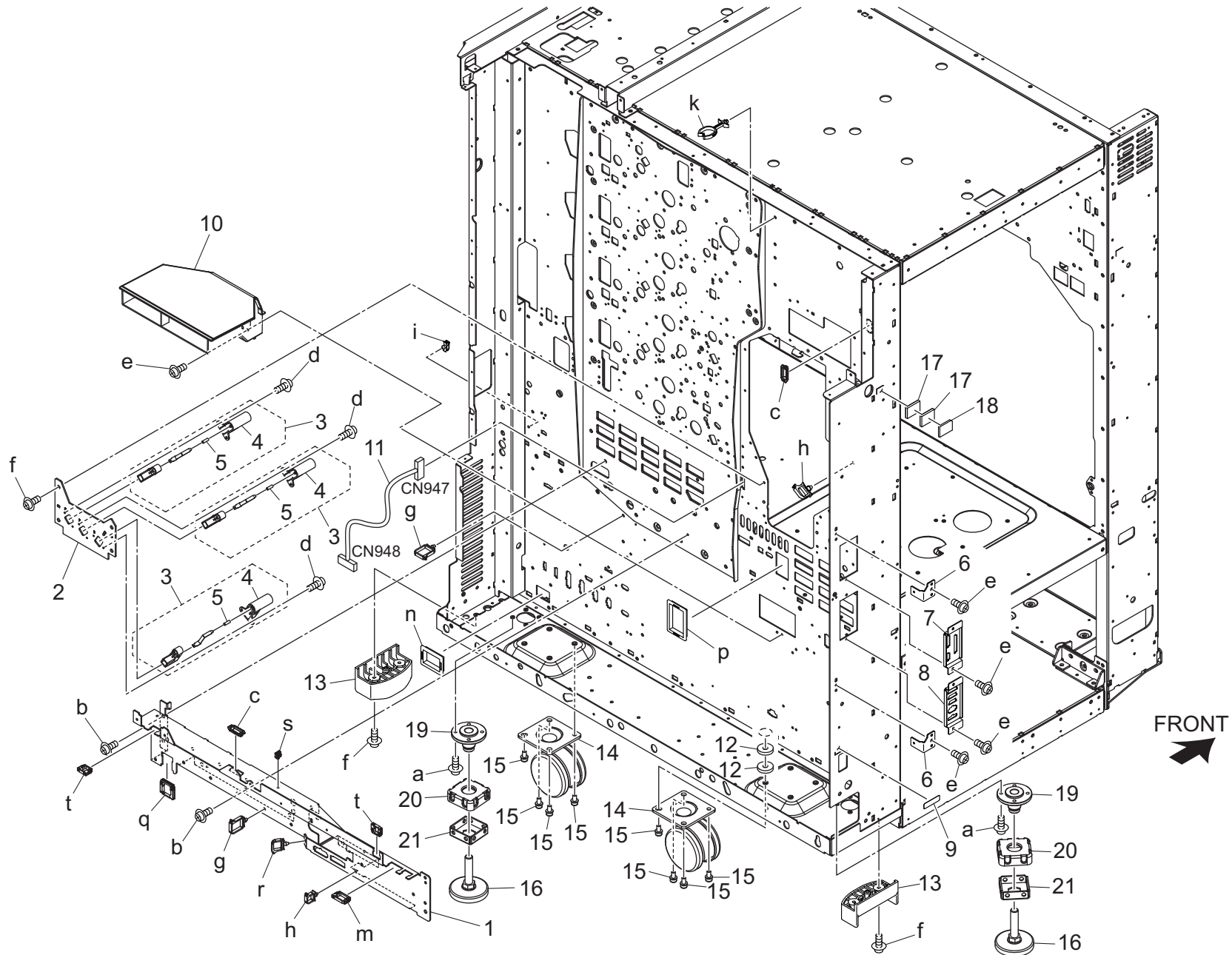


Main Frame

Key	Part No.	Description	Destinations	Class	QTY	Standard parts
1	A1DU622200	Mounting Screw		D	2	a-V121030603
2	A1RF103400	Guide Screw		D	2	b-V146040804
3	A5AW104900	Mounting Plate /4		D	1	c-V570010057
4	A03U119000	Positioning Sleeve		C	1	d-V500020098
5	57AA15600	ELECTRIC MOUNTING SCREW		C	2	e-V153030803
6	A1RFR77100	POSITIONING PLATE/FRONT CALKING		D	1	f-V146030803
7	27LA88031	Process Sensor		C	1	
8	65AA11300	SUPPORT PART		D	1	
9	A1RF106900	Moistureproof Seal		D	8	
10	A1RF165900	Protection Rubber /1		D	2	
11	A5AW104100	Protection Seal		D	1	
12	A1RF942700	Caution Label /7		D	1	
13	A5AWM60200	Power Source Switch		C	1	
14	A1RF167900	Protection Rubber /3		D	1	
15	A5AWN25100	Detection Wiring /S		D	1	
16	A1RFN12900	Temperature Detection harness		D	1	

Main Frame

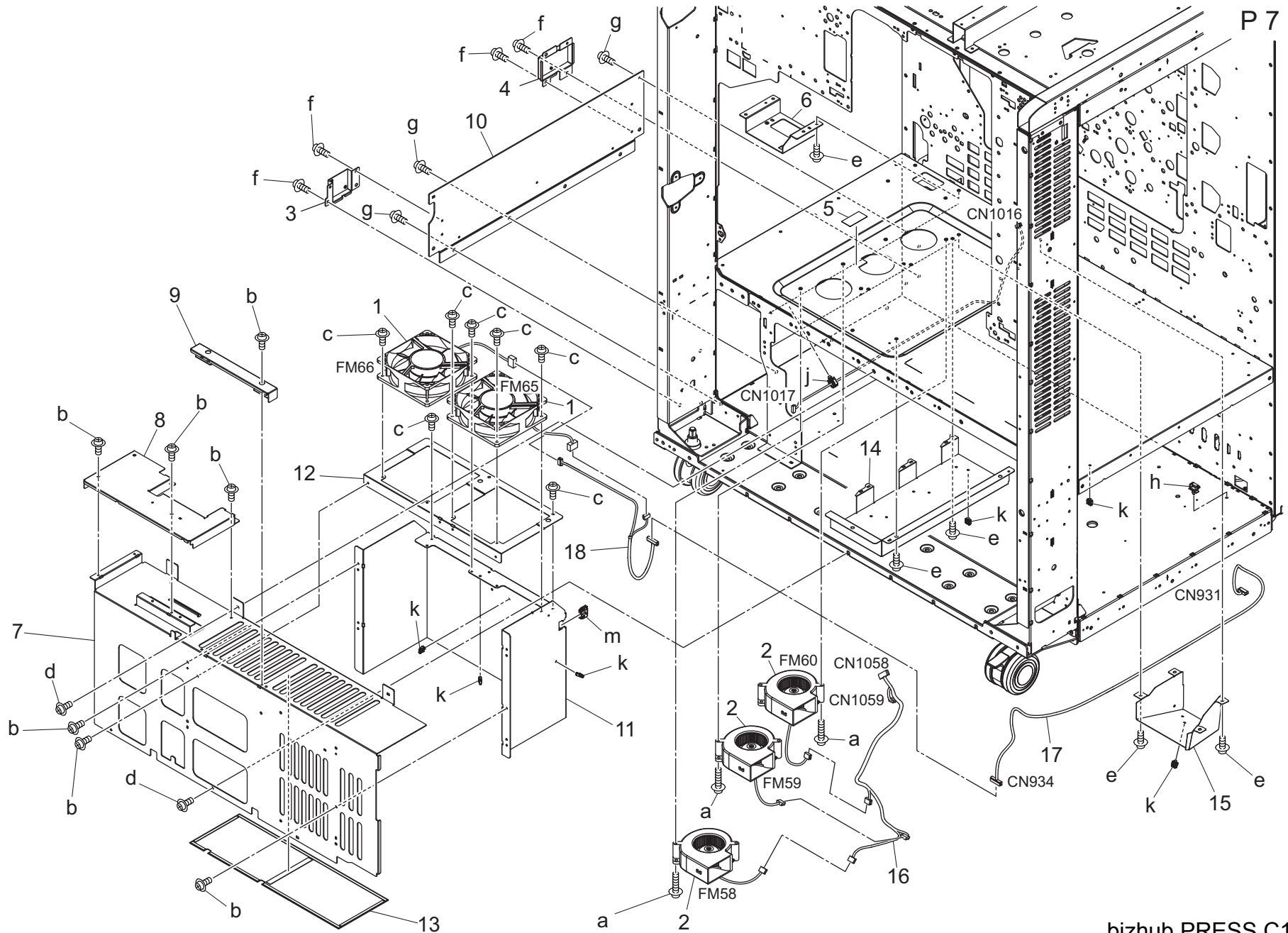
P 6



FRONT
➔

Key	Part No.	Description	Destinations	Class	QTY	Standard parts
1	A5AW112200	Guide Stay /A		D	1	a-V116041203
2	A5AW112800	Mounting Plate /H		D	1	b-V121041004
3	65AAR72700	Powering Block /1 Assy		C	3	c-V570010037
4	65AA10520	High Voltage Powering Cover /2		D	3	d-V146030603
5	65AA10740D	High voltage Powering Spring		D	3	e-V146040803
6	56AA10101	EXTERNAL SUPPORT PLATE1		D	2	f-V146040804
7	A1RF134900	Connecting Plate /C		D	1	g-V500010015
8	A1RF131900	Connecting Plate /A		D	1	h-V500010007
9	A00J945401	Label Dehumidifier SW.		D	1	i-V500020100
10	A5AWR70V00	Paper Cooling Duct Assy		C	1	k-V500020026
11	A1RFN26500	Memory Detection harness /2		D	1	m-V570010059
12	A03X105800	Cover Seal		D	1	n-V570010038
13	65AA11530	MAIN BODY LIFTING HANDLE 2		C	2	p-V570010039
14	A4EU105100	Castor		C	2	q-V570010058
15	A50U106300	Lock Screw		D	2	r-V500010008
16	25AA10090	Mainbody Fixing Stopper		D	2	s-V500020098
17	A1RF165900	Protection Rubber /1		D	8	t-V570010060
18	A1RF166000	Protection Rubber /2		D	2	
19	A5AW117500	Mounting Shaft		D	2	
20	A1RG105300	Guide Part		D	2	
21	A1RG101600	Adjusting Plate		D	2	

Main Frame

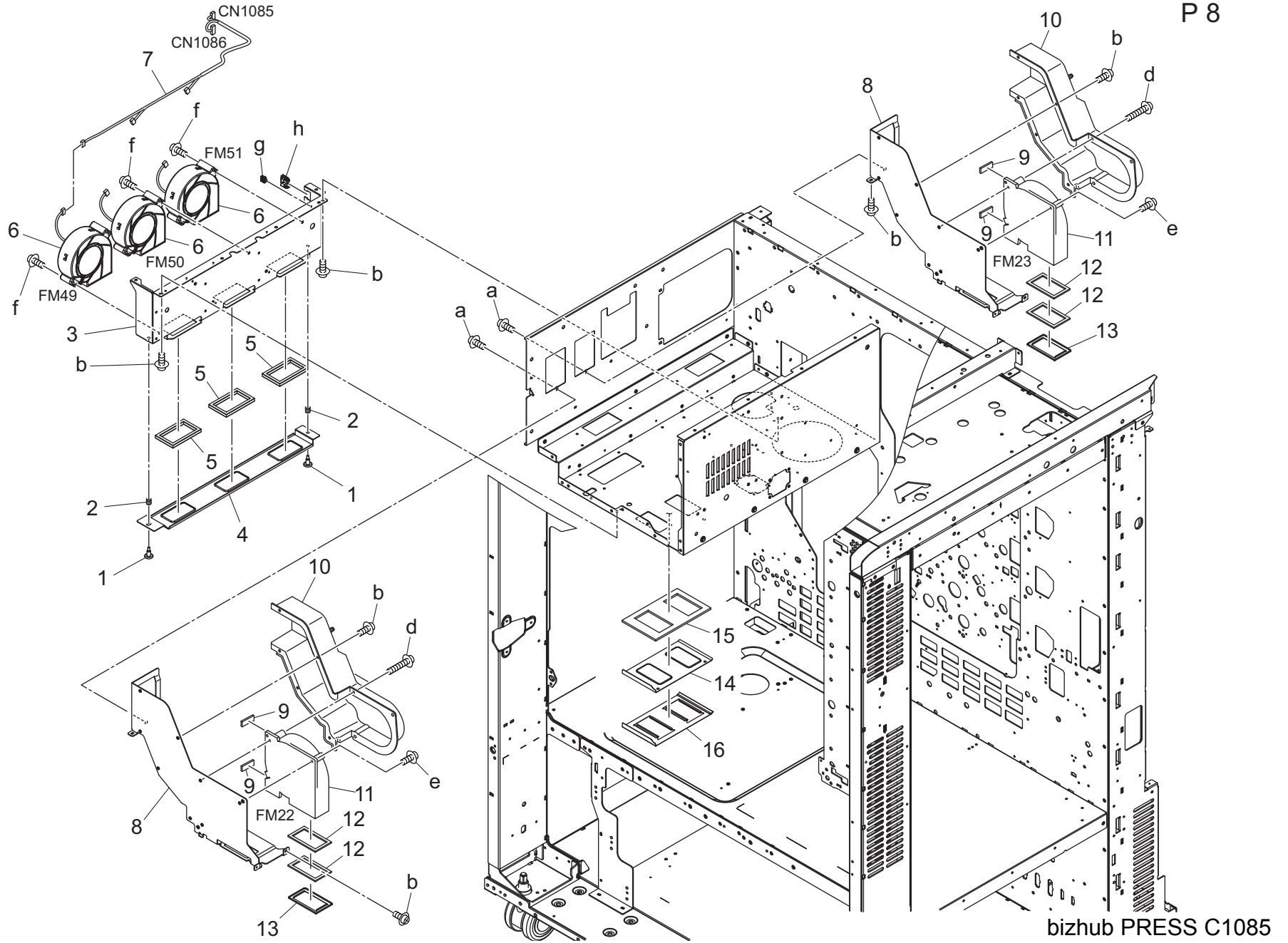


bizhub PRESS C1085

Key	Part No.	Description	Destinations	Class	QTY	Standard parts
1	A03UM15200	Main body Fan motor		B	2	a-V118044003
2	A03UM15802	Main body Cooling Fan		C	3	b-V127030603
3	A1RF162600	Cover Spacer /1		D	1	c-V127030803
4	A1RF162800	Cover Spacer /3		D	1	d-V127040803
5	A1RF851600	Auxiliary Sheet		D	1	e-V146030603
6	A5AW101400	Fixing Plate /1		D	1	f-V146040803
7	A5AW102901	Auxiliary Cover /Front		D	1	g-V146041404
8	A5AW103801	Heat blocking Plate /2		D	1	h-V500010005
9	A5AW103901	Heat blocking Plate /2		D	1	j-V500010020
10	A5AW111500	Reinforce Panel /Left		D	1	k-V500020098
11	A5AW116301	Cooling Duct	冷却ダクト (トナ補冷却ファン)	D	1	m-V570010060
12	A5AW116400	Mounting Plate	取付板 (トナ補冷却ファン)	D	1	
13	A5AW116601	Filter	フィルター	C	1	
14	A5AW117000	Duct	ダクト	D	1	
15	A5AW117400	Duct	ダクト	D	1	
16	A5AWN16500	Cooling Wiring /A	冷却束線 / A	D	1	
17	A5AWN26200	Cooling Wiring /K	冷却束線 / K	D	1	
18	A5AWN27700	Cooling Relay harness /2	冷却中継束線 / 2	D	1	

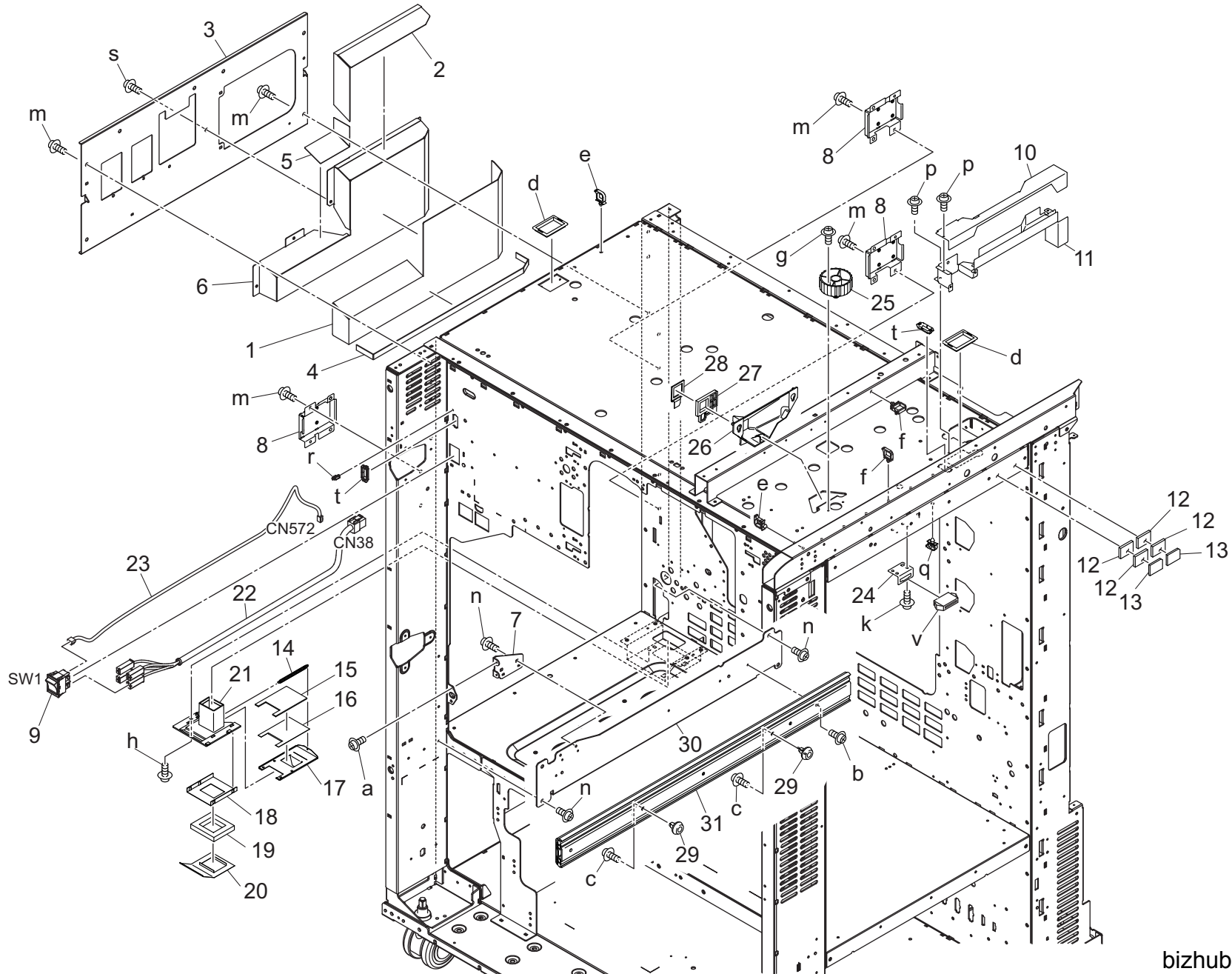
Main Frame

P 8




Key	Part No.	Description	Destinations	Class	QTY	Standard parts
1	4036248701	SHOULDER SCREW		C	2	a-V146030603 b-V121030603 c-V121034003 e-V121040803 f-V121030803 g-V500020098 h-V570010060
2	A1DU764000	Spring		D	2	
3	A5AW119300	Mounting Plate		D	1	
4	A5AW119400	Separating Shutter		D	1	
5	A5AW119500	Separating Cushion		D	3	
6	A5AWM15101	Cooling Fan		B	3	
7	A5AWN16400	Cooling Wiring /S		D	1	
8	A1RF107400	Installing Plate /Upper		D	2	
9	A1RF107800	Fusing Seal /2		D	4	
10	A1RF107500	Fusing Duct /Upper		D	2	
11	A03UM15300	Fixing Cooling Fan		C	2	
12	A1RF107700	Fusing Seal /1		D	4	
13	A1RF108000	Sealing Sheet		D	2	
14	A1RF114700	Sealing Plate		D	1	
15	A1RF114800	Insulating Seal		D	1	
16	A1RF115700	Slide Sheet		D	1	

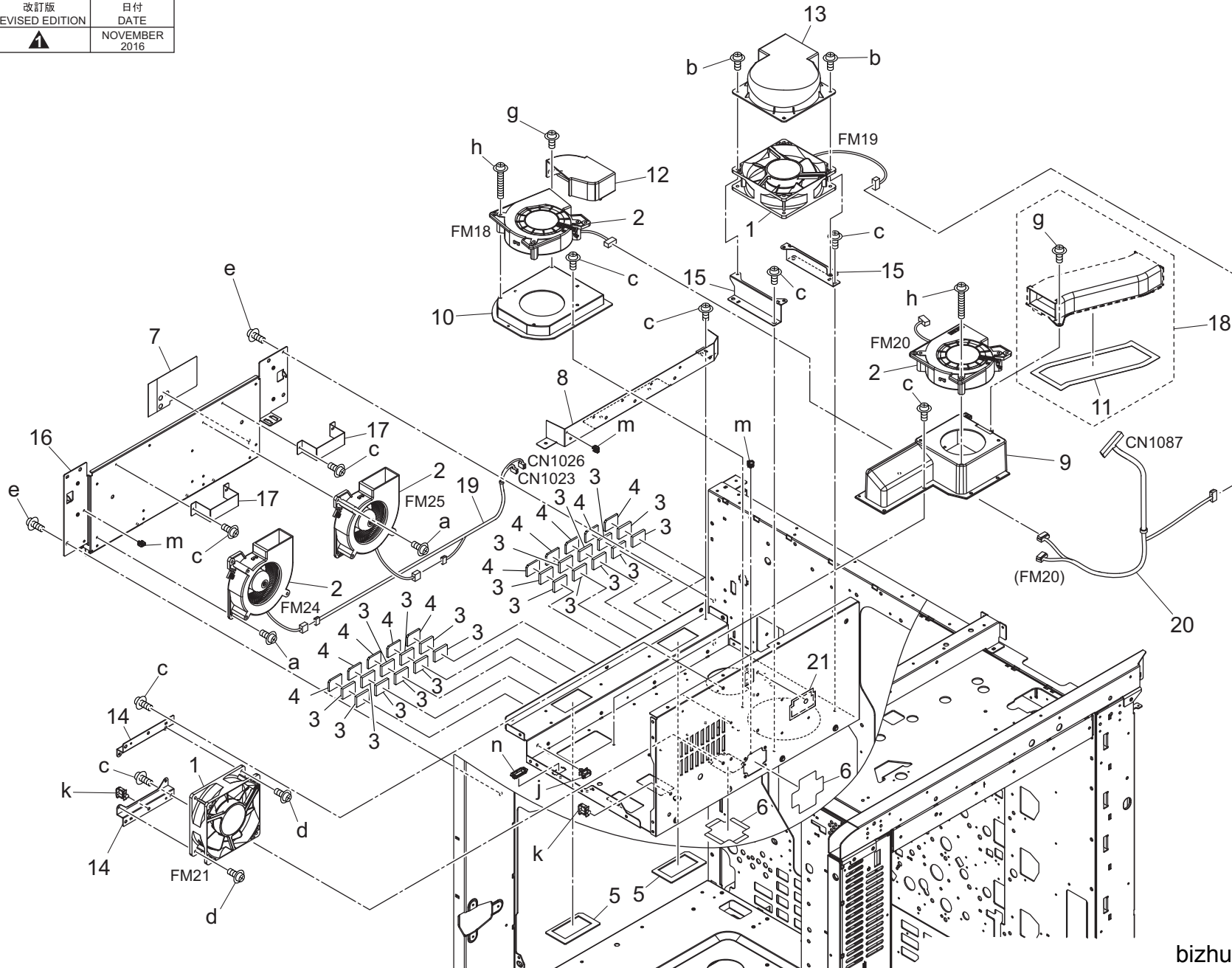
Main Frame



Key	Part No.	Description	Destinations	Class	QTY	Standard parts
1	A5AW111801	Insulating Sheet /1	断熱シート /1 (排熱ダクト)	D	1	a-V118030604
2	A5AW111901	Insulating Sheet /2	断熱シート /2 (排熱ダクト)	D	1	b-V118040603
3	A1RF105402	Mounting Plate /5	取付板 /5 (排紙上ファン)	D	1	c-V118040604
4	A5AW114300	Connecting Seal	連結シール (排熱ダクト)	D	1	d-V570010039
5	A5AW115500	Cover Sheet	カバーシート	D	1	e-V500010007
6	A5AW115600	Duct /3	ダクト /3	D	1	f-V500010008
7	A5AW101900	Reinforce Plate /2	補強板 /2	D	1	g-V121030803
8	A1RF162700	Cover Spacer /2	カバースペーサ /2	D	3	h-V121040803
9	A4EUM60000	Power source Switch	電源スイッチ	C	1	k-V121030603
10	A1RF132401	Hold Plate /A	保持板 /A (L D ケーブル)	D	1	m-V146040803
11	A1RF135000	Guide Cover /B	ガイドカバー /B (L D ケーブル)	D	1	n-V146040804
12	A1RF165900	Protection Rubber /1	保護ゴム /1 (外装)	D	4	p-V146030603
13	A1RF166000	Protection Rubber /2	保護ゴム /2 (外装)	D	2	q-V500010005
14	A1RF366300	Collection Spring	回収ばね	D	1	r-V500020098
15	A1RF367400	Collection Pad	回収パッド	D	1	s-V127030603
16	A1RF367300	Collection Sheet	回収シート	D	1	t-V570010037
17	A1RF367500	Collection Shutter	回収シャッター	D	1	v-V651010025
18	A1RF367201	Collection Rail	回収レール	D	1	
19	A1RF367100	Collection Pad	回収パッド	D	1	
20	A1RF367000	Collection Sheet	回収シート	D	1	
21	A1RF367601	Collection Part	回収部材	D	1	
22	A5AWN27200	AC Power source harness /8	A C 電源束線 /8	D	1	
23	A5AWN27500	DC Power source harness /4	D C 電源束線 /4	D	1	
24	A1RF109500	Mounting Plate /3	取付板 /3	D	1	
25	65AA30910	DEVELOPING ROTARY JIG	現像回転工具	D	1	
26	65AA30890	Cartridge Cover	カートリッジカバー	D	1	
27	A1RF379400	Stopper Spacer	突当てスペーサ	D	1	
28	65AA30900	Cartridge Protection Pad	カートリッジ保護パッド	D	1	
29	A50U833000	Mounting Collar /1	取付カラー /1	C	2	
30	A5AW101700	Support Stay /G	支持ステー /G (A D U 架台左)	D	1	
31	A1RF815702	Slide Rail /Left	スライドレール /左	D	1	

Main Frame

改訂版 REVISED EDITION	日付 DATE
	NOVEMBER 2016

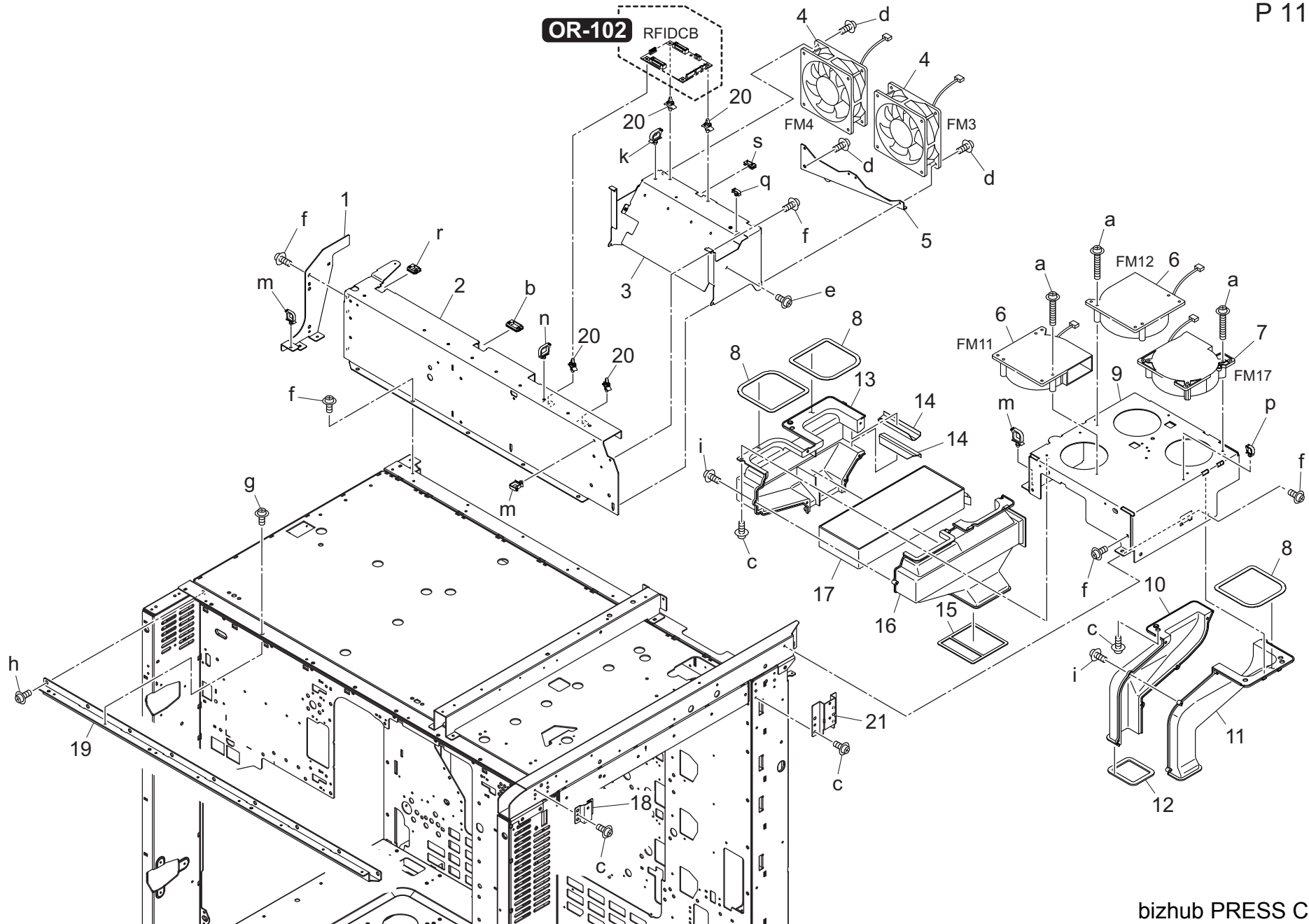


Key	Part No.	Description	Destinations	Class	QTY	Standard parts
1	A03UM15200	Main body Fan motor		B	2	a-V118030803
2	A0Y5M15101	Suction Fan motor		C	4	b-V121041203
3	A1RF165900	Protection Rubber /1		D	20	c-V127030603
4	A1RF166000	Protection Rubber /2		D	10	d-V127041003
5	A5AW111700	Auxiliary Seal		D	2	e-V146040803
6	A5AW114500	Sealing Part		D	2	g-V153040803
7	A5AW115401	Cover Sheet		D	1	h-V153044503
8	A5AW115700	Duct /2		D	1	j-V500010005
9	A5AW118100	Duct		D	1	k-V500010007
10	A5AW118200	Duct		D	1	m-V500020098
11	A5AW118300	Duct		D	1	n-V570010037
12	A5AW118400	Duct		D	1	
13	A5AW118600	Duct		D	1	
14	A5AW118800	Mounting Plate		D	2	
15	A5AW118900	Mounting Plate		D	2	
16	A5AW119002	Paper exit Plate /1		D	1	
17	A5AW119100	Duct /1		D	2	
18	A5AWR72D00	Duct Assy		D	1	
19	A5AWN14500	Cooling Wiring /H		D	1	
20	A5AWN26300	Cooling Wiring /B		D	1	
21	A5AW110300	Cover Seal		D	1	



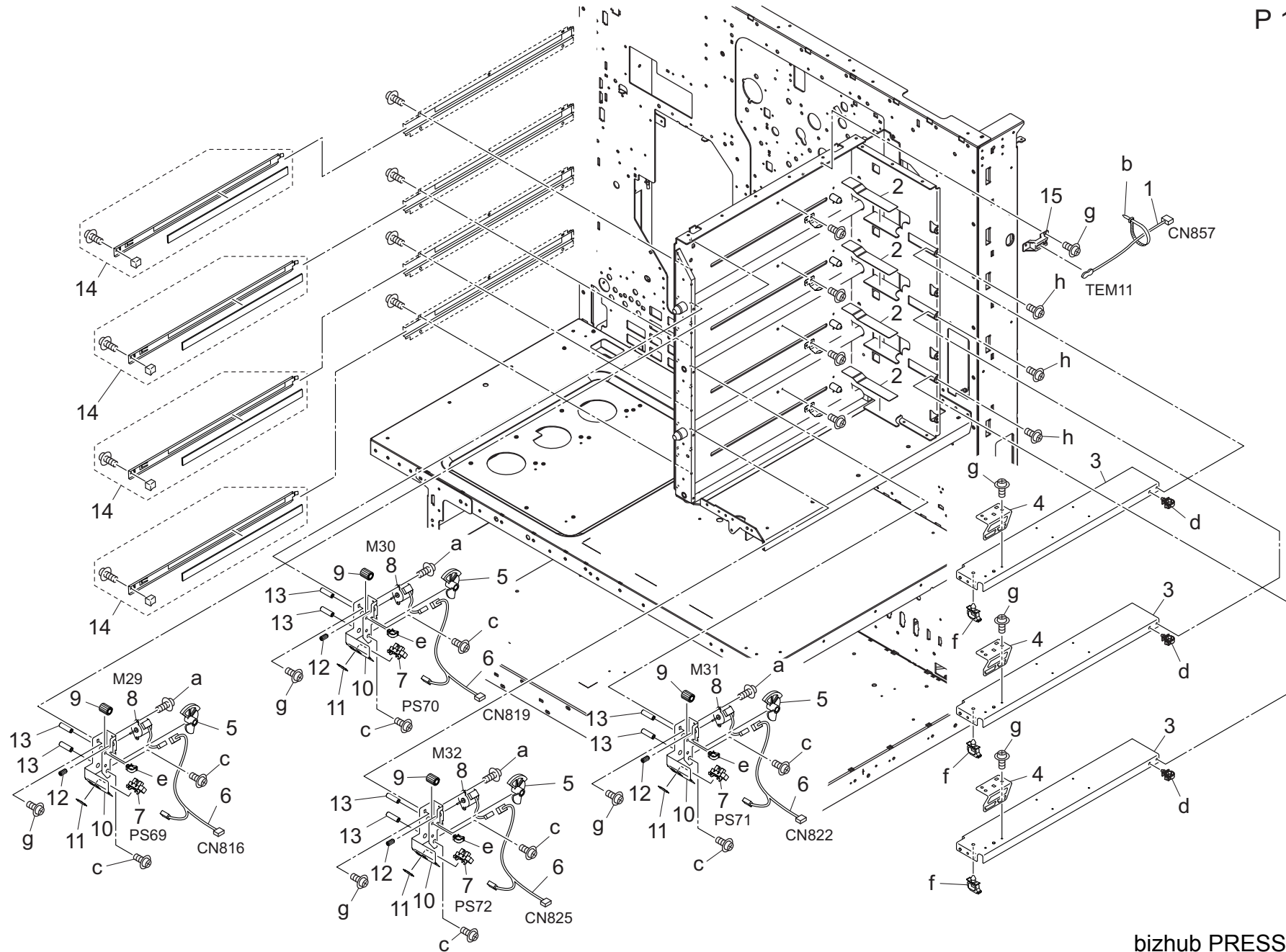
Main Frame

P 11



Key	Part No.	Description	Destinations	Class	QTY	Standard parts
1	A1RF112400	Guide Stay /C		D	1	a-V118043503
2	A1RF110401	Support Stay /Rear		D	1	b-V570010059
3	A1RF110101	Cooling Duct /Upper		D	1	c-V121040603
4	A03UM15200	Main body Fan motor		B	2	d-V121041003
5	A1RF114200	Mounting Stay /Upper		D	1	e-V146030603
6	65AA80590	MAIN BODY FAN		C	2	f-V146040803
7	A0Y5M15101	Suction Fan motor		C	1	g-V146040804
8	A1RF113200	Scatteringprevention Seal /A		D	3	h-V146041404
9	A1RF117802	Support Frame		D	1	i-V153030803
10	A1RF111100	Scatter Duct /A		D	1	k-V500010005
11	A1RF111200	Scatter Duct /B		D	1	m-V500010007
12	A1RF113300	Scatteringprevention Seal /B		D	1	n-V500010008
13	A1RF111400	Ozone Duct /B		D	1	p-V500010020
14	A1RF113100	Scatteringprevention Seal /D		D	2	q-V500010046
15	A1RF120300	Ozone Seal /1		D	1	r-V570010060
16	A1RF111300	Ozone Duct /A		D	1	s-V570010057
17	A1RF114402	Ozone Filter /A		A	1	
18	A1RF164700	Cover Spacer /5		D	1	
19	A1RF103700	Reinforce Stay /Upper		D	1	
20	V502010006	spacer		D	4	
21	A1RF164800	Cover Spacer /6		D	1	

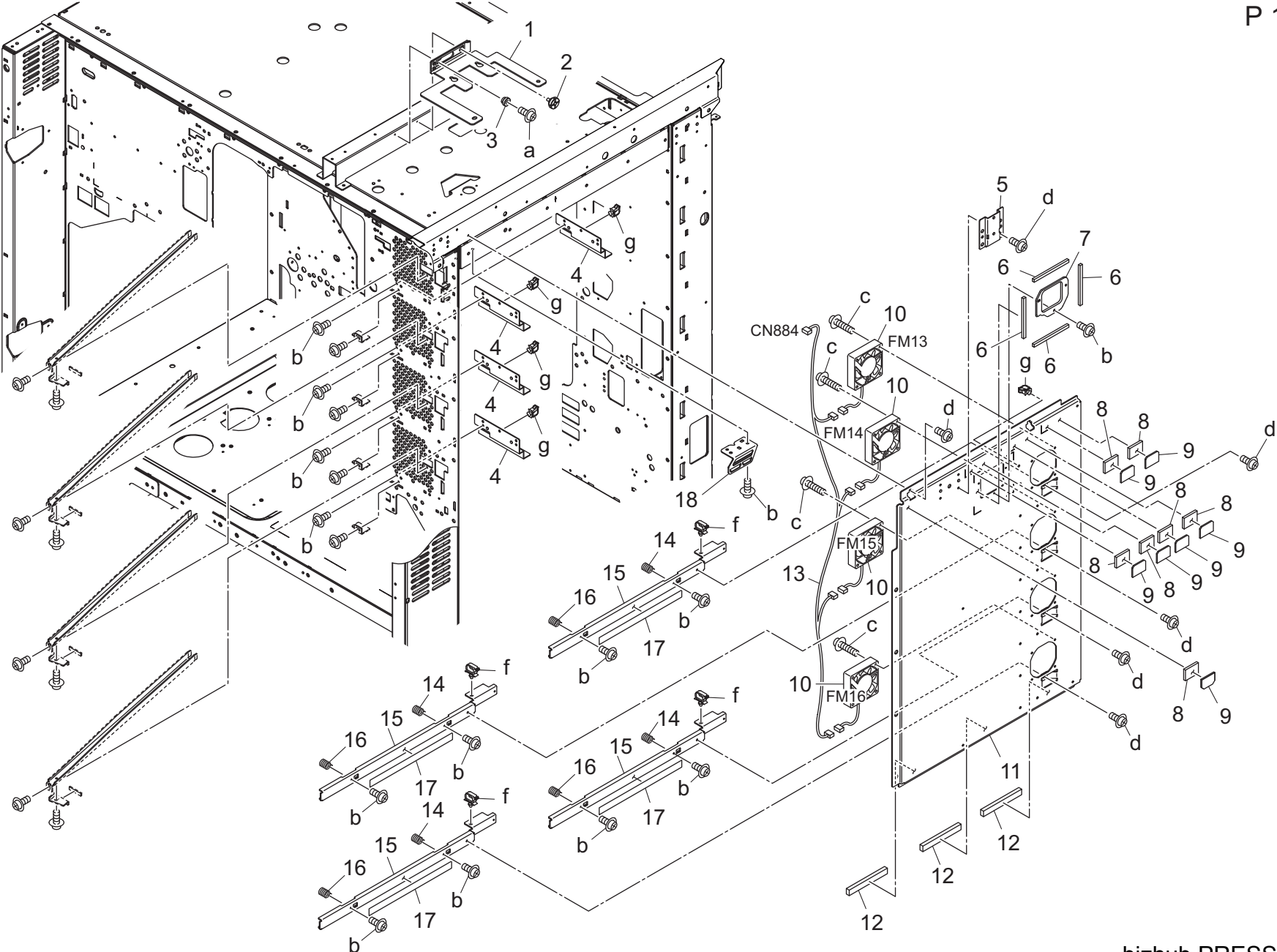
Main Frame



Main Frame


Key	Part No.	Description	Destinations	Class	QTY	Standard parts
1	A03UM50500	Temperature Sensor /5		C	1	a-V118020403
2	A5AW104000	Writing Spacer		D	4	b-V501010002
3	A1RF101001	Writing Stay		D	3	c-V121030603
4	A5AW104800	Wiring Plate /30		D	3	d-V500010076
5	A1RF108202	Adjusting Cam		D	4	e-V500010046
6	A1RFN13800	Polygon Drive harness /4		D	4	f-V500010005
7	08AA85512	Photo Sensor		B	4	g-V146030603
8	A1RFM10300	Stepping motor /20		C	4	h-V146040803
9	A1RF108400	Gear /1 20T		C	4	
10	A1RF108100	Drive Plate		D	4	
11	4470402401	Stopper		D	4	
12	A1RF304901	Gear		C	4	
13	A1RF108301	Drive Shaft		D	8	
14	A1RFR74000	GLASS CASE ASSY		D	4	
15	A1RG110100	Support Part		D	1	

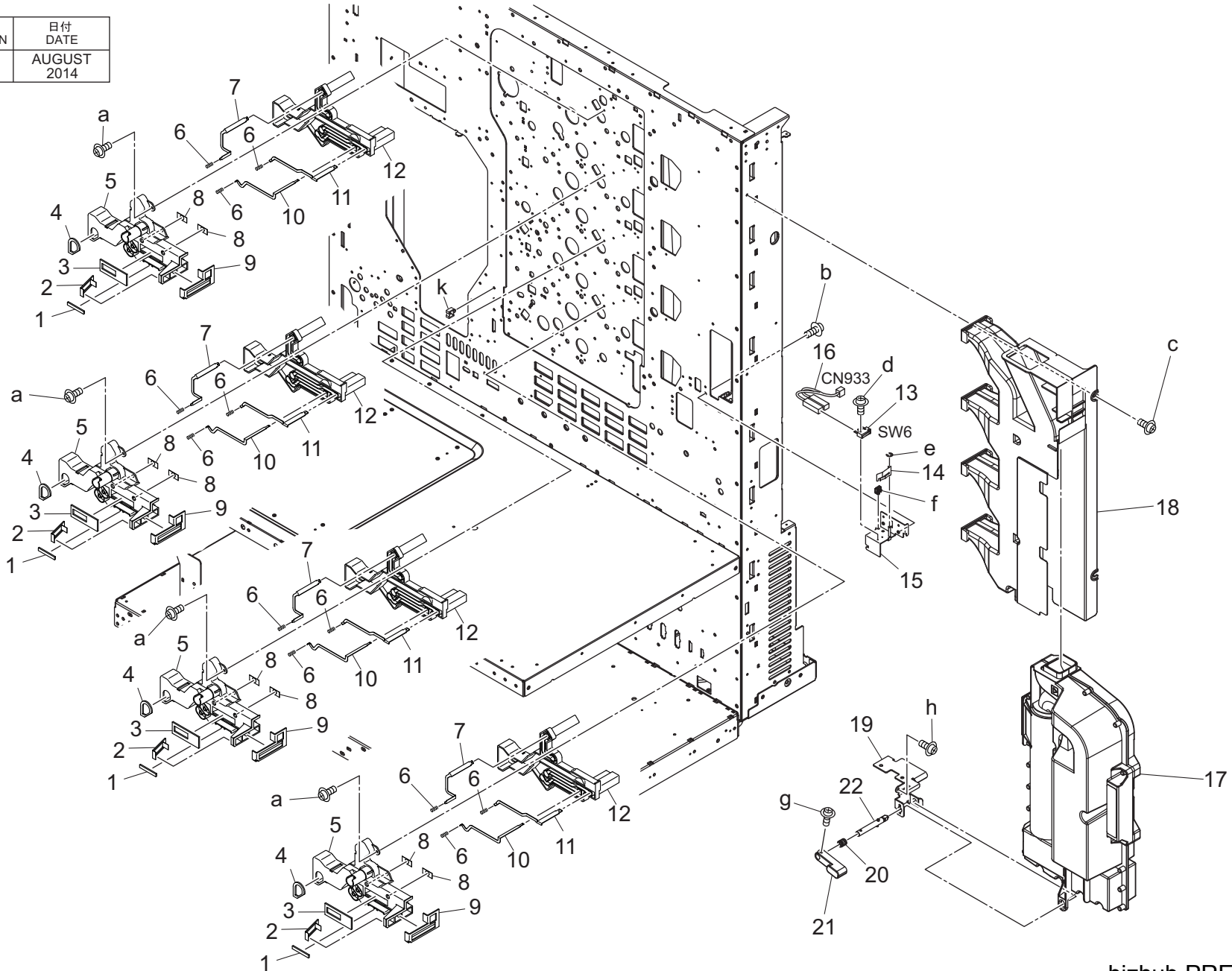
Main Frame



Key	Part No.	Description	Destinations	Class	QTY	Standard parts
1	A1RF379502	Supply Stay	供給ステー	D	1	a-V118030803 b-V121030603 c-V121041803 d-V121040603 f-V500010005 g-V500010020
2	65AA22680	CARTRIDGE SUPPORT SCREW	カートリッジ支持ネジ	C	1	
3	65AA22830D	Mounting Spacer	取り付けスペーサー	D	1	
4	A1RF109101	Installing Rail /Front	設置レール/前	D	4	
5	A1RF163000	Cover Spacer /4	カバースペーサ/4	D	1	
6	A1RF314700	Seal /12	シール/12	D	4	
7	A1RF347101	Wiring Cover	配線カバー	D	1	
8	A1RF166000	Protection Rubber /2	保護ゴム/2 (外装)	D	7	
9	A1RF167900	Protection Rubber /3	保護ゴム/3 (外装)	D	7	
10	9J06M10000	Fan motor	ファンモーター	C	4	
11	A1RF108800	Mounting Plate /1	取付板/1	D	1	
12	A1RFM90700	Gasket /7	ガスケット/7	D	3	
13	A1RFN13900	Polygon Drive harness /5	ポリゴン駆動束線/5	D	1	
14	A1RF109400	Pressing Spring /S	押圧ばね/S	C	4	
15	A1RF108901	Pressing Plate	押圧板	D	4	
16	A1RF109000	Pressing Spring /R	押圧ばね/R	D	4	
17	A1RF942600	Caution Label /6	注意ラベル/6	D	4	
18	A5AW104800	Wiring Plate /30	配線板/30	D	1	

Main Frame

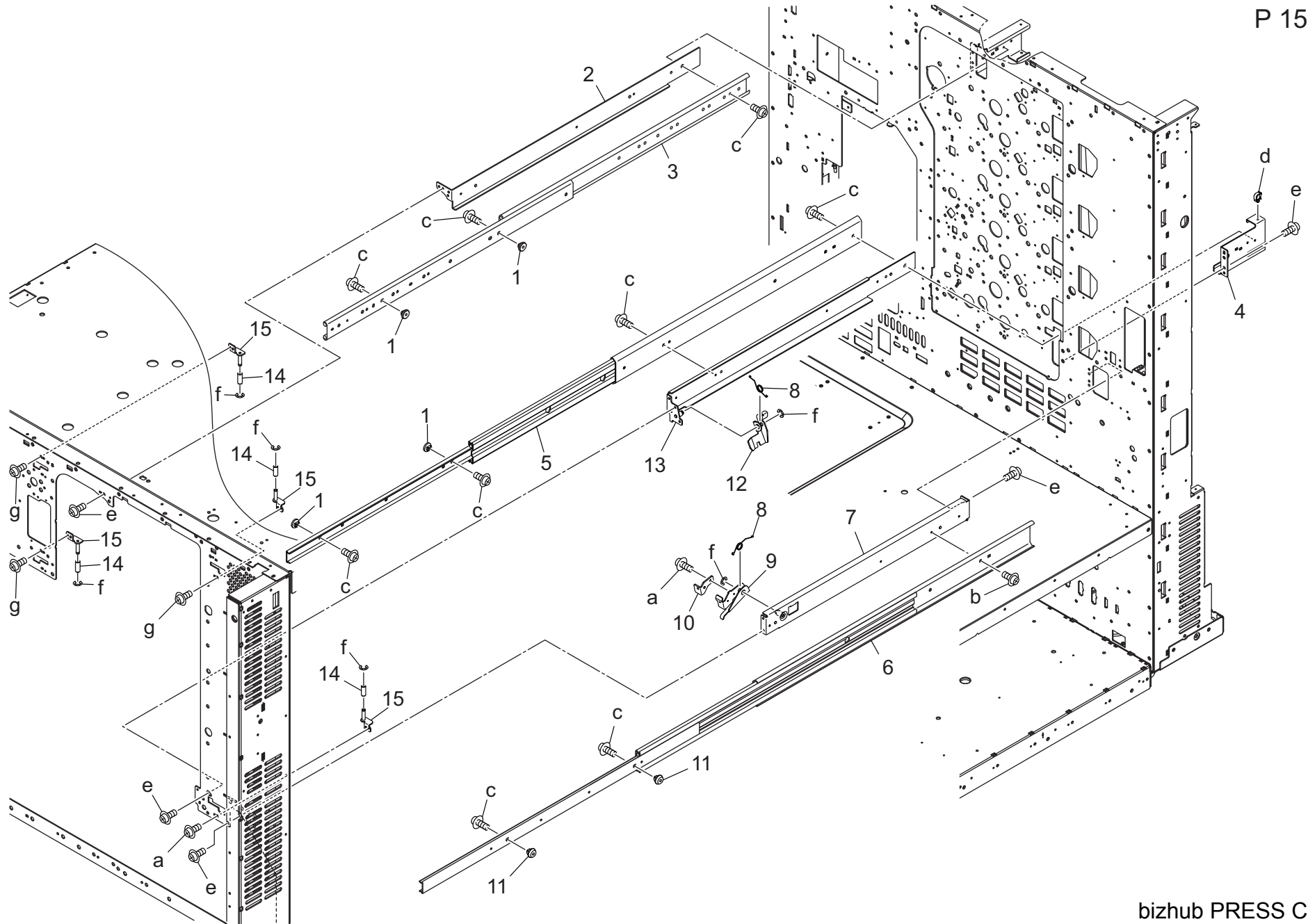
改訂版 REVISED EDITION	日付 DATE
	AUGUST 2014



Key	Part No.	Description	Destinations	Class	QTY	Standard parts
1	A1RF122200	Scatter Seal /10		D	4	a-V146030603 b-V127030603 c-V146040803 d-V118020803 e-V217020001 f-V500020098 g-V116030803 h-V114040804 k-V500020099
2	A1RF121400	Ozone Seal /B		D	4	
3	A1RF121300	Ozone Seal /4		D	4	
4	A1RF122300	Ozone Seal /Side		D	4	
5	A1RF120900	Power supply Cover /1		D	4	
6	65AA10740D	High voltage Powering Spring		D	12	
7	A1RF121201	Power supply Plate /3		D	4	
8	A1RF121800	Suction Sheet		D	8	
9	A1RF120700	Ozone Seal /3		D	4	
10	A1RF121100	Power supply Plate /2		D	4	
11	A1RF121000	Power supply Plate /1		D	4	
12	A1RF120800	Power supply Block /1		D	4	
13	12QR86011	Interlock Switch		B	1	
14	A03U402100	SWITCH PLATE		D	1	
15	A5AWR72H00	Cyclone Detecting Caulking		D	1	
16	A5AWN19700	Detection Wiring /C		D	1	
17	A5AWR70B11	Dust-proof Filter/Rt		B	1	
18	A5AWR70W00	Scattering Prevention Duct Assy		D	1	
19	A5AW123001	Fixing Plate		D	1	
20	A5AW123200	Release Spring		D	1	
21	A5AW123300	Lever /1		D	1	
22	A5AWR73400	Lock Shaft Pin Press Fit		D	1	

Main Frame

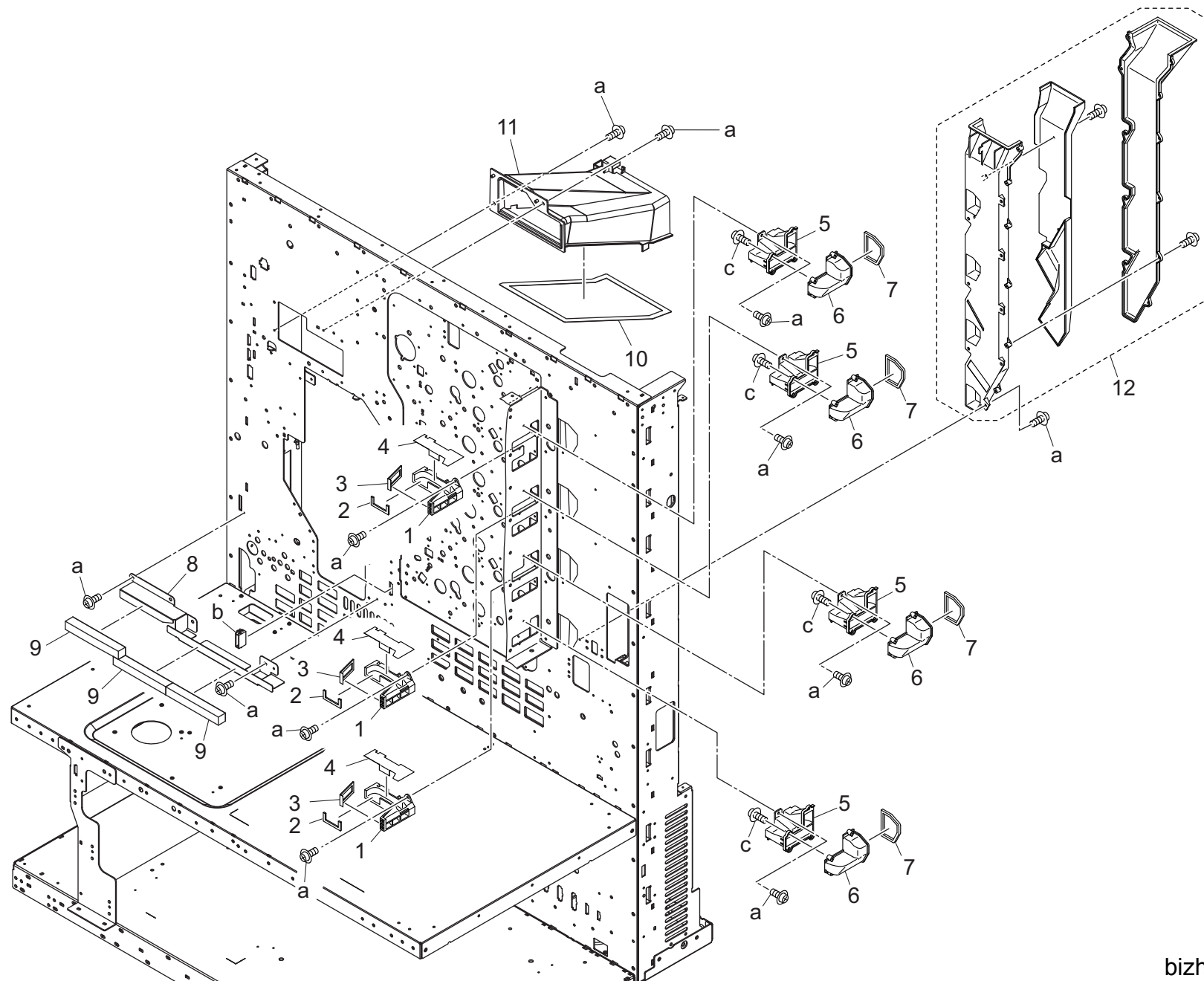
P 15



Key	Part No.	Description	Destinations	Class	QTY	Standard parts
1	56AA50530	ADU MOUNTING COLLAR	A D U 取り 付けカラー	C	4	a-V118030403
2	A1RF102000	Support Stay /C	支持ステー / C (P 架台上)	D	1	b-V118040603
3	56AA50520	SLIDE RAIL D	スライドレール D	C	1	c-V118040604
4	A5AW114000	Mounting Plate /2	取付板 / 2	D	1	d-V500010020
5	A1RF109801	Slide Rail /B	スライドレール / B (P 架台下)	D	1	e-V146040803
6	A1RF815601	Slide Rail /Right	スライドレール / 右	D	1	f-V217040001
7	A1RFR77200	SUPPORT STAY/E CALKING	支持ステー / E かしめ部組	D	1	g-V121030603
8	65AA10840	CARRIAGE LOCKING SPRING	架台ロックパネ	C	2	
9	65AA10230D	LOCKING LEVER /1	ロックレバー / 1	C	1	
10	65AA11590	LEVER REINFORCE PLATE	レバー補強板	D	1	
11	A50U833000	Mounting Collar /1	取付カラー / 1	C	2	
12	65AA10480	Locking Lever /2	ロックレバー / 2	C	1	
13	A1RF114101	Support Stay /D	支持ステー / D (P 架台下)	D	1	
14	65AA10260	LOCKING ROLLER	ロックコロ	D	4	
15	65AA-0750	LOCKING SHAFT CAULKING	ロック軸カシメ	C	4	

Main Frame

P 16



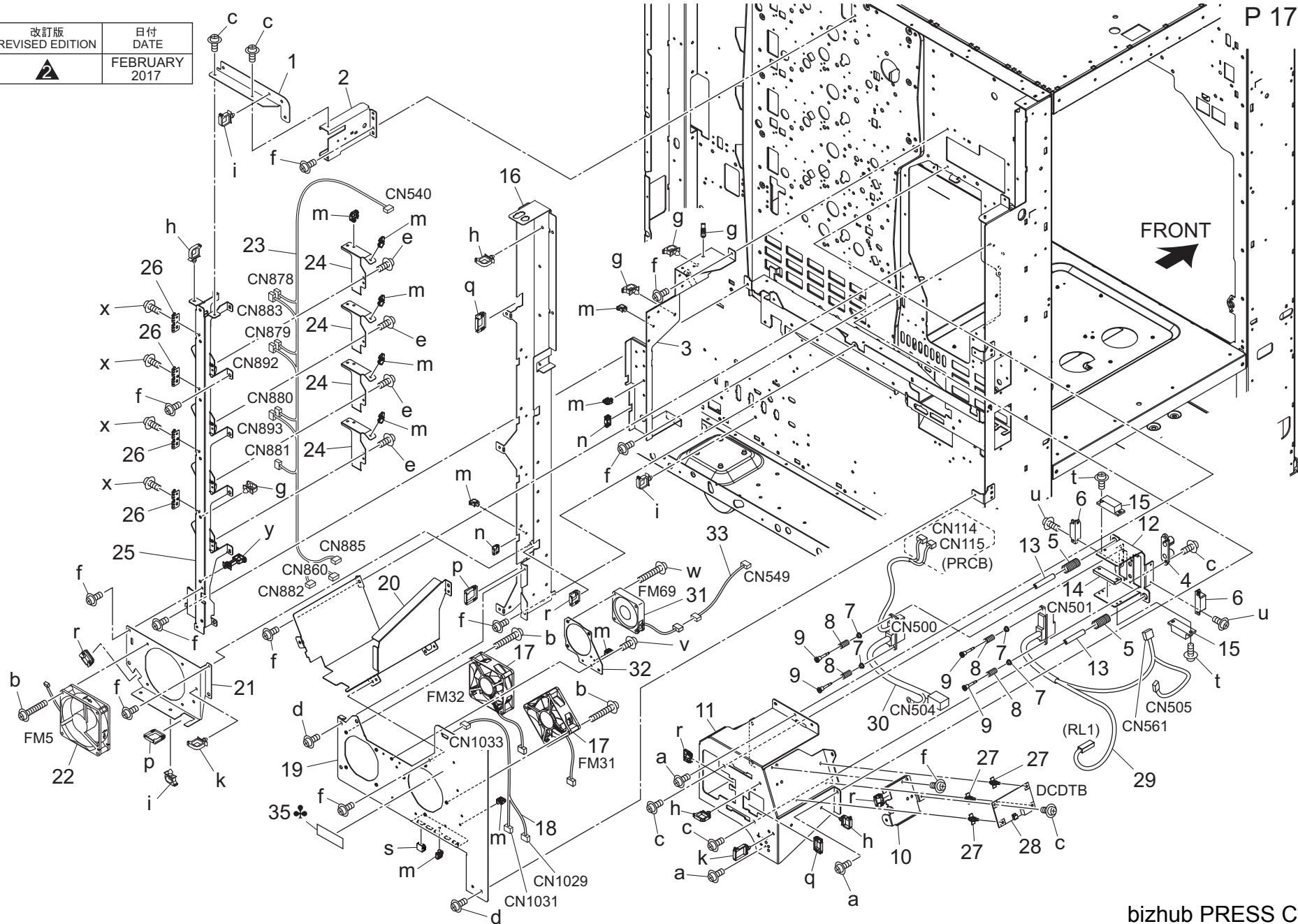
Key	Part No.	Description	Destinations	Class	QTY	Standard parts
1	A1RF121500	Scatter Duct /1		D	3	a-V146030603 b-V651010007 c-V153030803
2	A1RF121700	Scatter Seal /1		D	3	
3	A1RF121900	Scatter Seal /2		D	3	
4	A1RF121601	Scatter Sheet /1		D	3	
5	A1RF120400	Ozone Duct /3		D	4	
6	A1RF120500	Ozone Duct /4		D	4	
7	A1RF120600	Ozone Seal /2		D	4	
8	A5AW116800	Heat blocking Plate		D	1	
9	A5AW116900	Heat blocking Part		D	3	
10	A5AW116100	Duct		D	1	
11	A5AW116200	Duct		D	1	
12	A1RFF12300	Ozone Duct/1 Assy		D	1	

Main Frame

改訂版 REVISED EDITION	日付 DATE
	FEBRUARY 2017

P 17

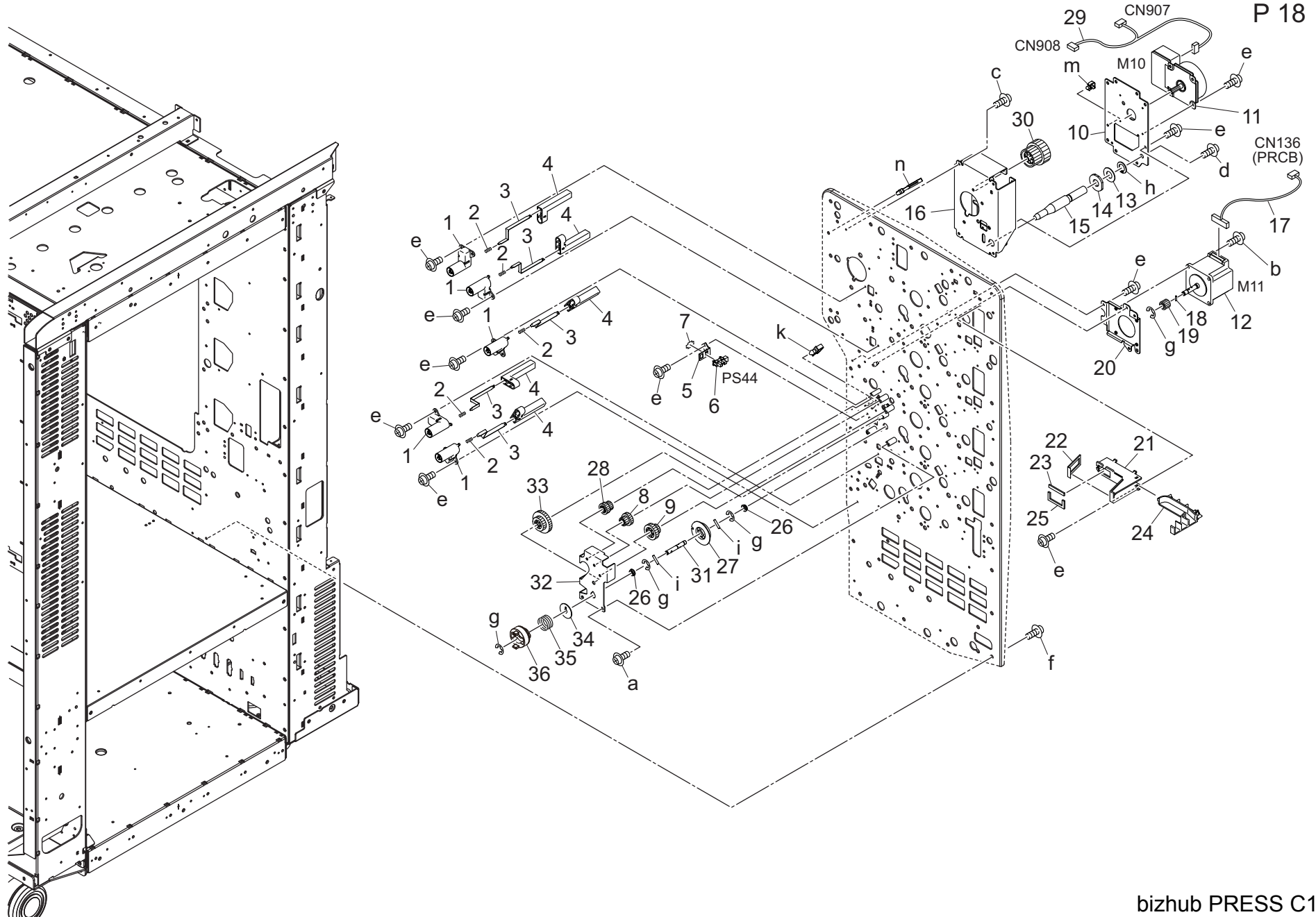
FRONT
➔



bizhub PRESS C1085

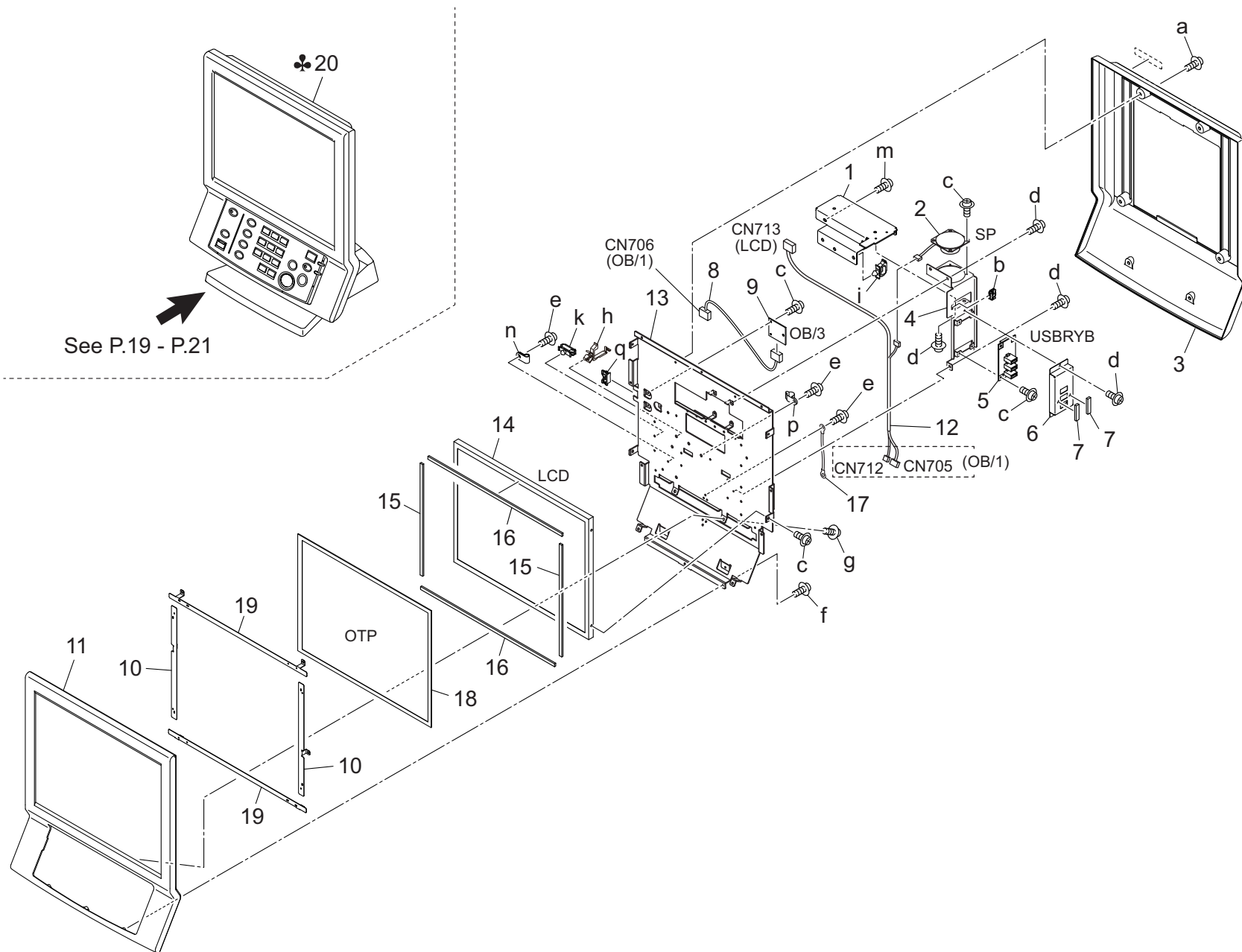
Key	Part No.	Description	Destinations	Class	QTY	Standard parts
1	A1RF113800	Guide Plate		D	1	a-V116040803
2	A5AW114000	Mounting Plate /2		D	1	b-V118043003
3	A5AW112900	Guide Stay /E		D	1	c-V121030603
4	A5AW119600	Positioning Sleeve		D	1	d-V121040803
5	A5AW115900	Pressing Spring		D	2	e-V146030603
6	A0G6411200	Magnet /X		D	2	f-V146040803
7	A1RF115101	Slide Spacer		D	4	g-V500010005
8	A1RF115301	Pressing Spring /D		D	4	h-V500010007
9	A1RF115001	Fixing Screw		D	4	i-V500010007
10	A5AW138400	Mounting Stay /1		D	1	k-V500010015
11	A5AW107100	Mounting Plate /Rear		D	1	m-V500020098
12	A5AW107200	Swing Plate /Upper		D	1	n-V570010057
13	A5AW115800	Guide Shaft		D	2	p-V570010058
14	A5AW116000	Protection Sheet		D	1	q-V570010059
15	55VA32480	MAGNET CATCH		C	2	r-V570010060
16	A1RF112301	Guide Stay /B		D	1	s-V651010003
17	13NT80511	Fan Motor /1		C	2	t-V118030603
18	A5AWN26800	Cooling Relay harness /3		D	1	u-V118030403
19	A5AW110201	Mounting Plate /F		D	1	v-V121030403
20	A5AW110501	Heat blocking Plate /Rear		D	1	w-V121031803
21	A1RF111602	Mounting Plate /E		D	1	x-V118030303
22	A1RFM15500	Fan motor /5		C	1	y-V500020104
23	A5AWN13000	Developing Drive harness		D	1	
24	A5AW112700	Guide Cover /D		D	4	
25	A5AW112500	Guide Stay /D		D	1	
26	A00J281900	Ground Plate		C	4	
27	V502010032	Circuit Board Spacer		D	3	
28	A5AWH54001	DC Detection board ASSY		I	1	
29	A5AWN10600	AC Power source harness /5		D	1	
30	A5AWN11500	AC Power source harness /7		D	1	
31	9J06M10000	Fan motor		C	1	
32	A5AW138200	Mounting Plate		D	1	
33	A5AWN26900	Cooling Relay harness /4		D	1	
35	A5AW947200	Caution Label /B	B,G2	D	1	

Main Frame



Key	Part No.	Description	Destinations	Class	QTY	Standard parts
1	65AA10520	High Voltage Powering Cover /2	高圧給電力カバー/2	D	5	a-V121030603
2	65AA10740D	High voltage Powering Spring	高圧給電バネ	D	5	b-V121030803
3	A1RF231700	Power supply Plate	給電板	D	5	c-V121040603
4	A1RF231600	Power supply Block	給電ブロック	D	5	d-V121040803
5	65AA17100	FIXING PLATE B	センサ固定板/B	D	1	e-V146030603
6	A85CM55600	Photo Sensor	フォトセンサ	C	1	f-V146040804
7	4470402401	Stopper	ストッパー	D	1	g-V217040001
8	A1RF249700	Control Gear /3 16/33T	制御ギア/3 16/33 T	C	1	h-V223120004
9	A1RF249600	Control Gear /4 18/31T	制御ギア/4 18/31 T	C	1	i-V234301650
10	A1RF240200	Drive Panel /Rear	駆動パネル/奥	D	1	k-V500010005
11	A0PNM10200	DC Brushless motor /20	DC ブラシレスモータ/20	B	1	m-V500010020
12	65AA80112	HB Motor /50	HB モータ/50	B	1	n-V500020026
13	65AA17240	PRESSING SPACER A	押圧スペーサー/A	D	1	
14	A03U170800	Reinforce Spacer	補強スペーサ	D	1	
15	A1RF240400	Positioning Pin	位置決めピン	D	1	
16	A1RFR78000	DRIVING UNIT PANEL/FRONT CALKING	駆動パネル/前カシメ	D	1	
17	A5AWN16300	Drive Wiring /1	駆動束線/1	D	1	
18	A1RF242500	Pin /1	ピン/1	D	1	
19	A1RF249900	Control Gear /1 21T	制御ギア/1 21 T	C	1	
20	A1RF242201	Drive Base frame	駆動台板	D	1	
21	A1RF122000	Scatter Duct /2	飛散ダクト/2	D	1	
22	A1RF121900	Scatter Seal /2	飛散シール/2	D	1	
23	A1RF122200	Scatter Seal /10	飛散シール/10	D	1	
24	A1RF122100	Scatter Duct /3	飛散ダクト/3	D	1	
25	A1RF121700	Scatter Seal /1	飛散シール/1	D	1	
26	A00J617800	Ball Bearing	ボールベアリング	B	2	
27	A1RF249401	Control Gear /6 20T	制御ギア/6 20 T	C	1	
28	A1RF249800	Control Gear /2 23/29T	制御ギア/2 23/29 T	C	1	
29	A1RFN13200	Drive Relay harness /1	駆動中継束線/1	D	1	
30	A03U259700	Drive Gear /1 56/72T	駆動ギア/1 56/72 T	C	1	
31	A1RF242101	Drive Shaft /3	駆動軸/3	C	1	
32	A1RF242000	Drive Panel	駆動パネル	D	1	
33	65AA77900	TRANSFER CONTROL GEAR 3 45T/22T	転写制御ギア 3 45 T /22 T	C	1	
34	65AA17180	SPACER	スペーサー	C	1	
35	65AA17130	PRESSING SPRING	押圧バネ	C	1	
36	A1RF171400	Transfer Coupling	転写 カップリング	C	1	

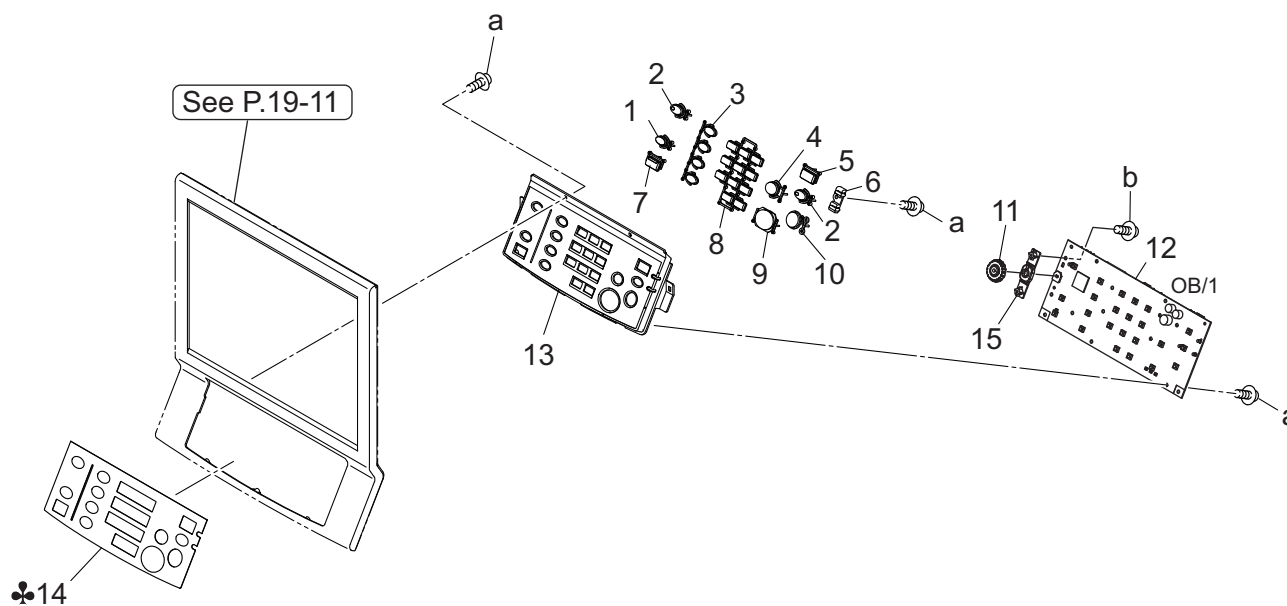
Operation Panel Section



See P.19 - P.21

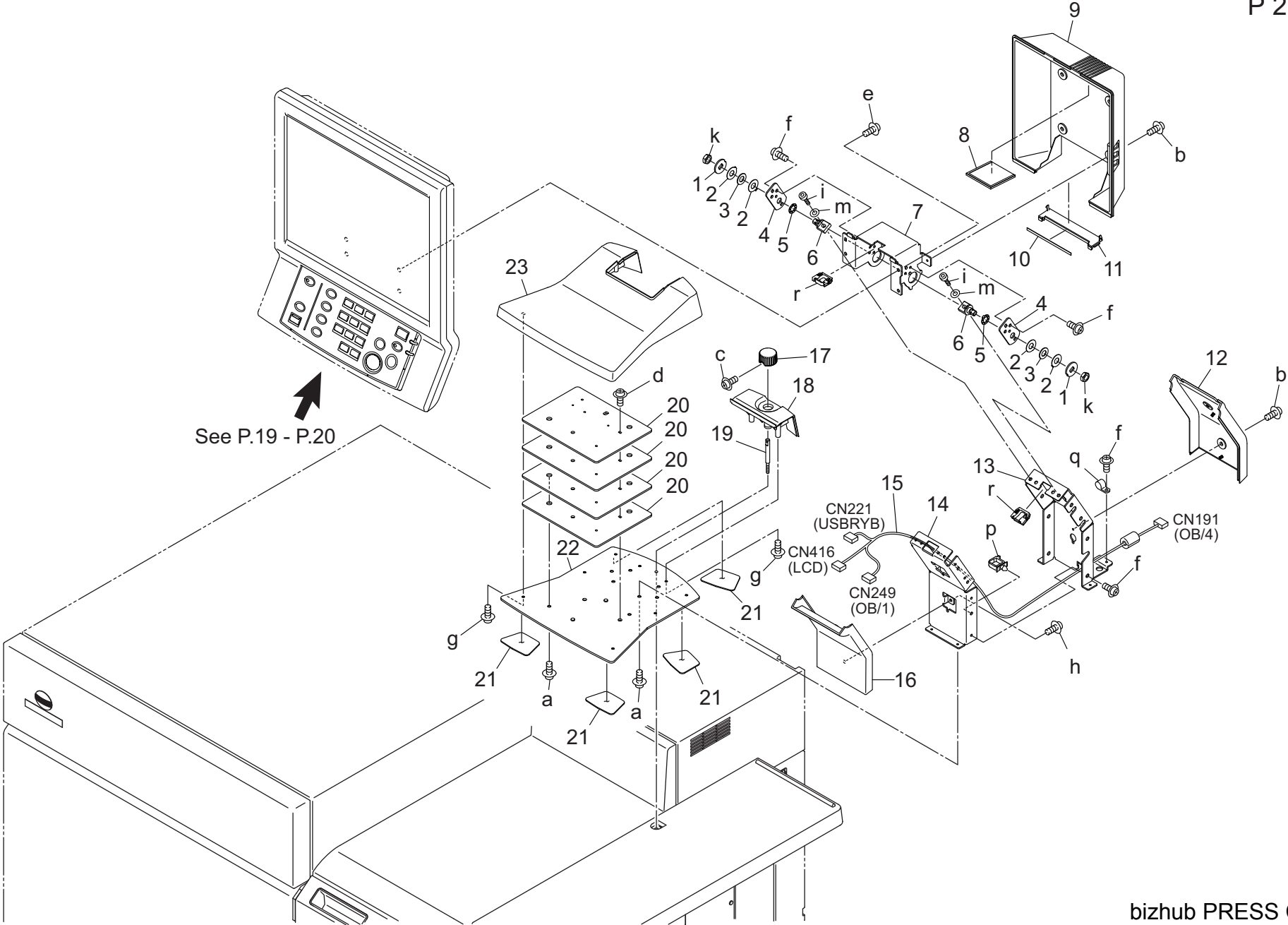
Operation Panel Section

Key	Part No.	Description	Destinations	Class	QTY	Standard parts
1	A1RF190201	Mounting Stay /2		D	1	a-V114040604
2	4040M40100	LOUDSPEAKER		D	1	b-V570010056
3	A0G6190200	Operation Cover /Rear		C	1	c-V118030403
4	A1RF190100	Mounting Stay /1		D	1	d-V121030603
5	A1RFH11002	Relay Board /U ASSY		I	1	e-V116040803
6	A1RF190400	Shield Cover		D	1	f-V153030803
7	A1RFM90800	Gasket /8		D	2	g-V153031003
8	A0G6N18400	Ope.Unit Control Harness /3		D	1	h-V500010005
9	A0G6H06000	Operation Board /3 Assy		C	1	i-V500010007
10	A0G6192900	Ground Plate /2		D	2	k-V500020099
11	A0G6190101	Operation Cover /Front		C	1	m-V121040603
12	A5AWN28500	Ope.unit Wiring /3		D	1	n-V500020018
13	A4EU190413	Operation Plate		D	1	p-V500020025
14	A4EUM75600	Ope.unit LCD		C	1	q-V570010023
15	A0G6192500	Holding Cushion /Right		C	2	
16	A0G6192400	Holding Cushion /Upper		C	2	
17	A1RFN28300	Ope.unit Wiring /1		D	1	
18	A0G6M75501	Ope.Unit Touch Panel		C	1	
19	A0G6192700	Ground Plate /1		D	2	
20	A5AWR70Y00	Operation Unit	A	I	1	
20	A5AWR71100	Operation Unit	B,G2	I	1	
20	A5AWR71200	Operation Unit	C,D1,E,F2,G1,H,I,K	I	1	
20	A5AWR73900	Operation Unit	D3	I	1	
20	A5AWR74100	Operation Unit	J	I	1	



Key	Part No.	Description	Destinations	Class	QTY	Standard parts
1	A0G6193900	Operation Button /8		C	1	a-V153030603 b-V153030803
2	A0G6193800	Operation Button /10		C	2	
3	A0G6193400	Operation Button /4		C	1	
4	A0G6193500	Operation Button /5		C	1	
5	A0G6193700	Operation Button /7		C	1	
6	A0G6191600	Indicating Part /1		D	1	
7	A0G6194000	Operation Button /9		C	1	
8	A0G6193100	Operation Button /1		C	1	
9	A0G6193200	Operation Button /2		C	1	
10	56UA70330	OPERATION UNIT BUTTON S		C	1	
11	A4EU194100	Operation Knob /1		D	1	
12	A4EUH04001	Operation Board /1 Assy		I	1	
13	A0G6190301	Operation Casing /1		C	1	
14	A0G6195000	Operation Sheet	A	C	1	
14	A0G6205000	Operation Sheet	B,D1,D3,E,F2,G1,G2, I	C	1	
14	A0G6205300	Operation Sheet	K	C	1	
14	A0G6205200	Operation Sheet	H	C	1	
14	A0G6205100	Operation Sheet	J	C	1	
15	A4EU194200	Fixing Holder		D	1	

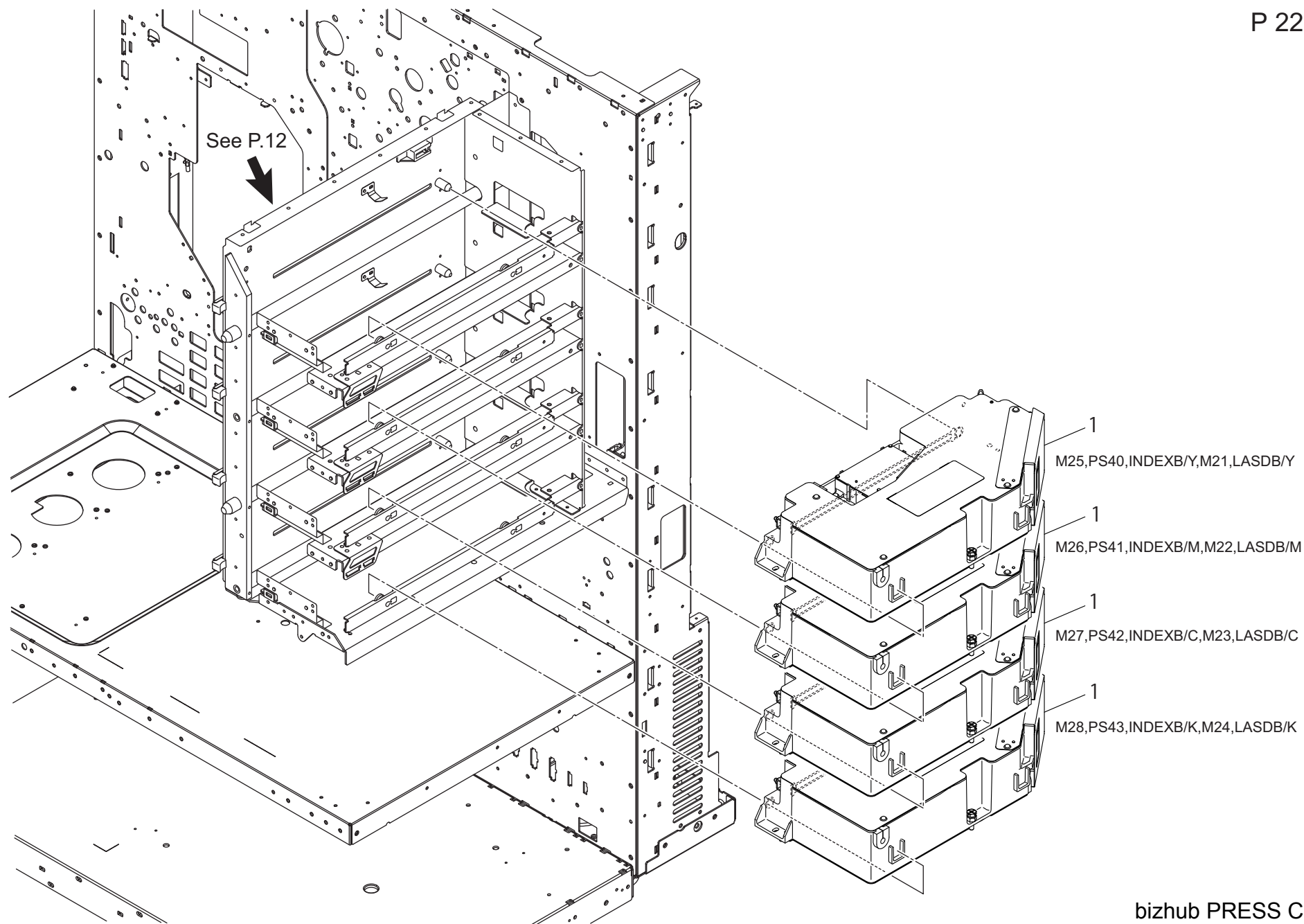
Operation Panel Section



See P.19 - P.20

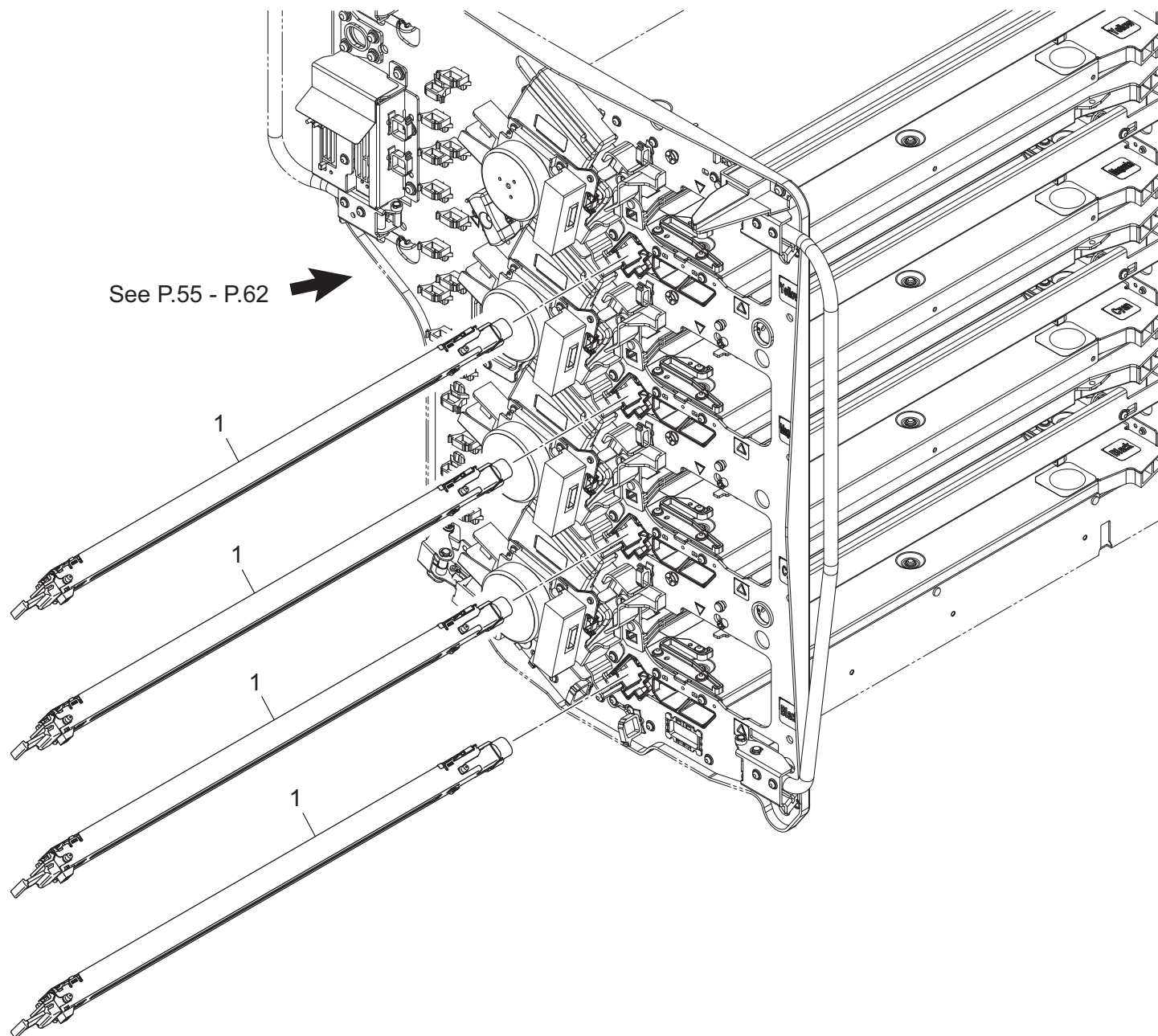
Key	Part No.	Description	Destinations	Class	QTY	Standard parts
1	A03U192000	Fixing Part /T		D	2	a-V112040803
2	A03U191800	Rotation Spacer /1		D	4	b-V114040604
3	A03U191700	Rotation Spring /T		D	2	c-V118030603
4	A03U191600	Mounting Plate /T		D	2	d-V121031203
5	A03U191900	Rotation Spacer /2		D	2	e-V121040603
6	A03U192100	Fixing Shaft /U		D	2	f-V146040803
7	A1RF190500	Mounting Stay /3		D	1	g-V147031003
8	A1RF191600	Filter		D	1	h-V153030803
9	A1RF190300	Cover /1		D	1	i-V188041409
10	A1RF192100	Pressing Cushion		D	1	k-V196080003
11	A1RF190601	Cover /2		D	1	m-V207040003
12	A1RF191400	Cover /6		D	1	p-V500010007
13	A1RF191000	Support Stay /2		D	1	q-V500020040
14	A1RF190900	Support Stay /1		D	1	r-V570010060
15	A5AWN28200	Ope.unit Control harness /2		C	1	
16	A1RF191300	Cover /5		D	1	
17	A1RF192200	Rotation Knob		D	1	
18	A1RF191800	Cover /7		D	1	
19	A1RF192000	Fixing Screw		D	1	
20	A1RF191500	Weight		D	4	
21	A1RF191700	Pad		D	4	
22	A1RF191100	Bottom plate		D	1	
23	A1RF191200	Cover /4		D	1	

Write Section



Key	Part No.	Description		Destinations	Class	QTY	Standard parts
1	A5AWR71811	PH Unit	PH ユニット		I	4	

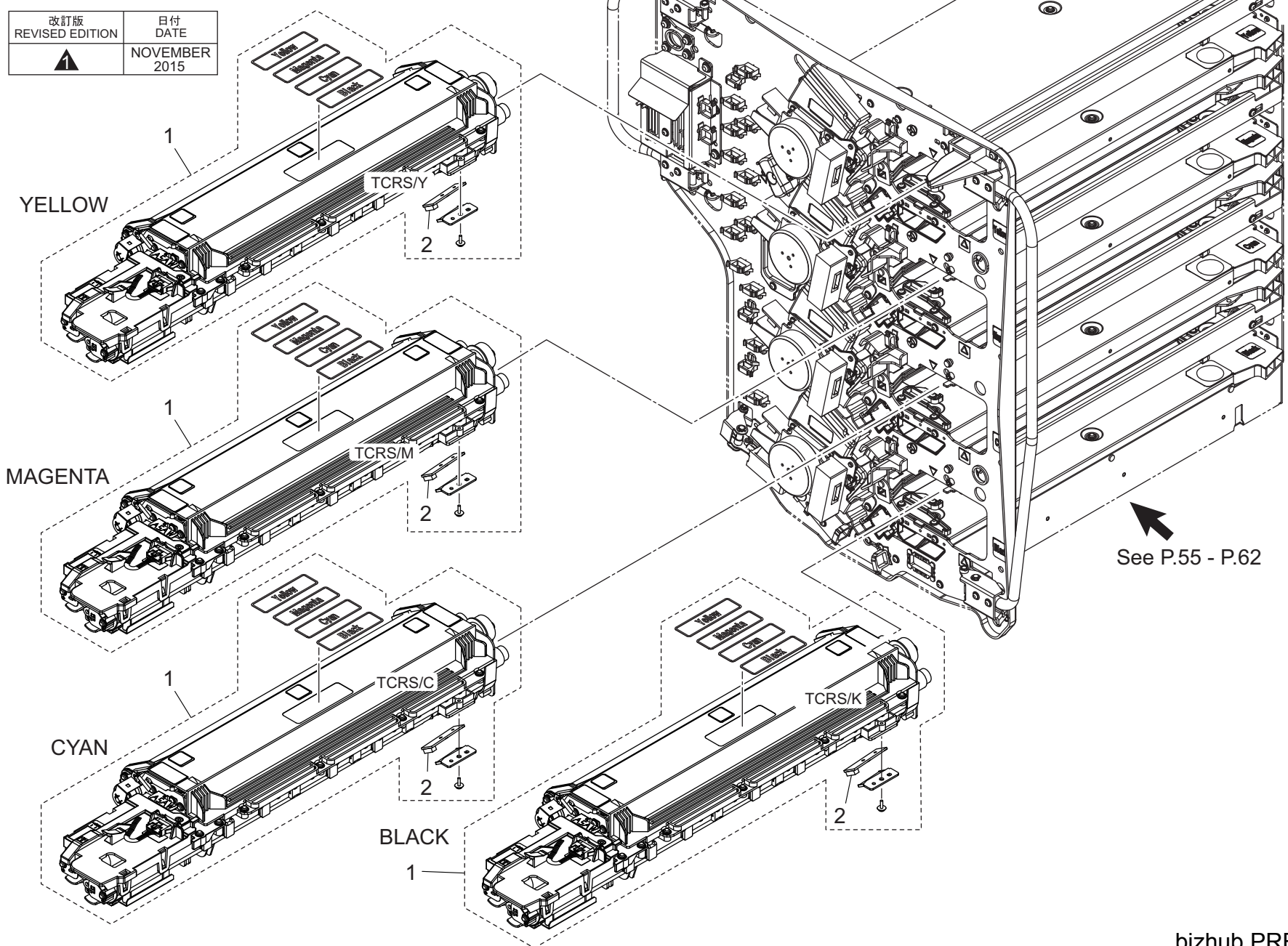
Charging Section



Key	Part No.	Description	Destinations	Class	QTY	Standard parts
1	A5AWR70M00	Charging Corona Unit 帯電極ユニット		A	4	

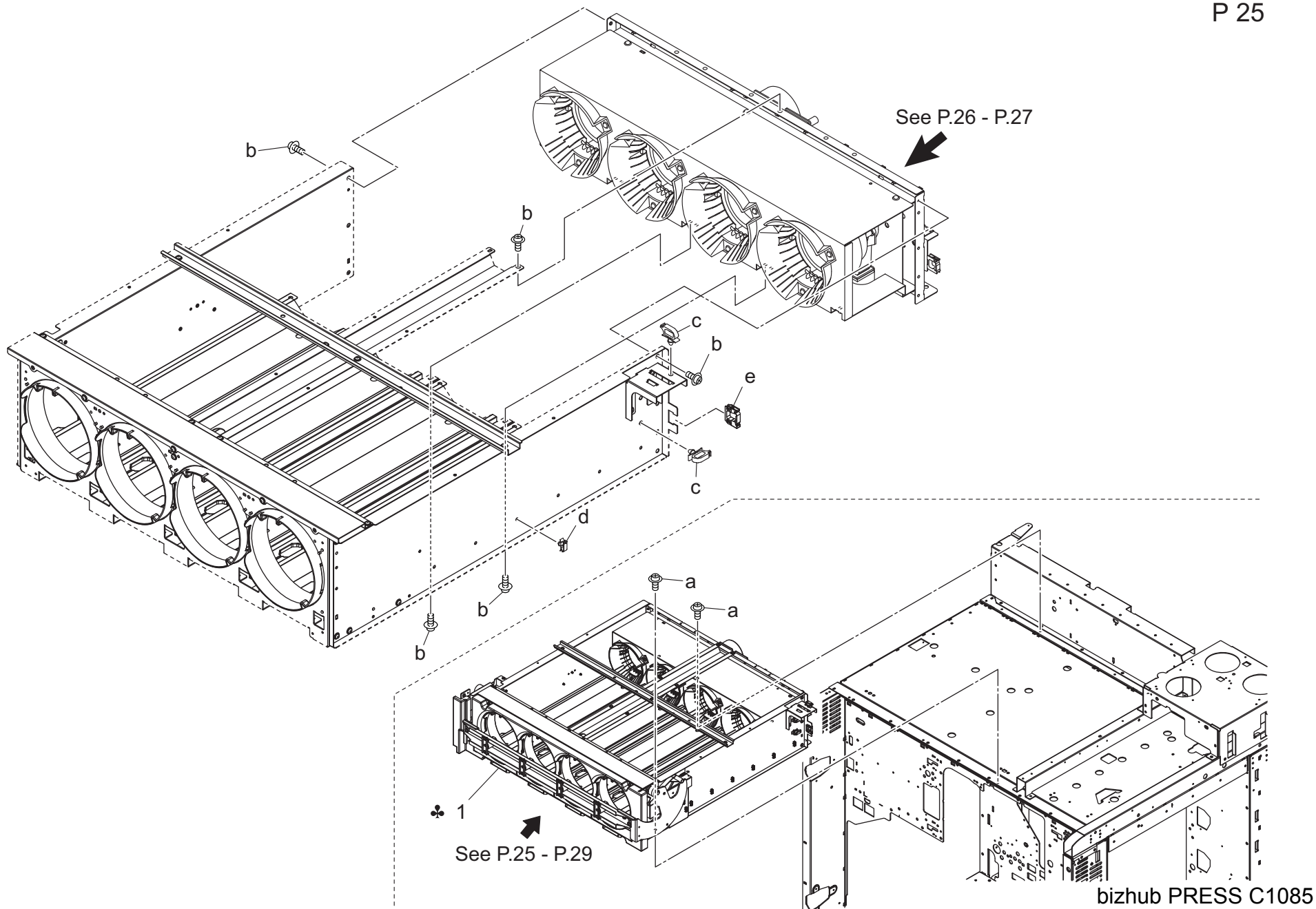
Developing Section

改訂版 REVISED EDITION	日付 DATE
	NOVEMBER 2015



Key	Part No.	Description		Destinations	Class	QTY	Standard parts
1	A5AWR70144	Developing Unit	現像ユニット		B	4	
2	A0TKH00200	PWB Assembly(PWB-TCR ASSY)	基板 ASSY (PWB - TCR ASSY)		I	4	


Toner Supply Section

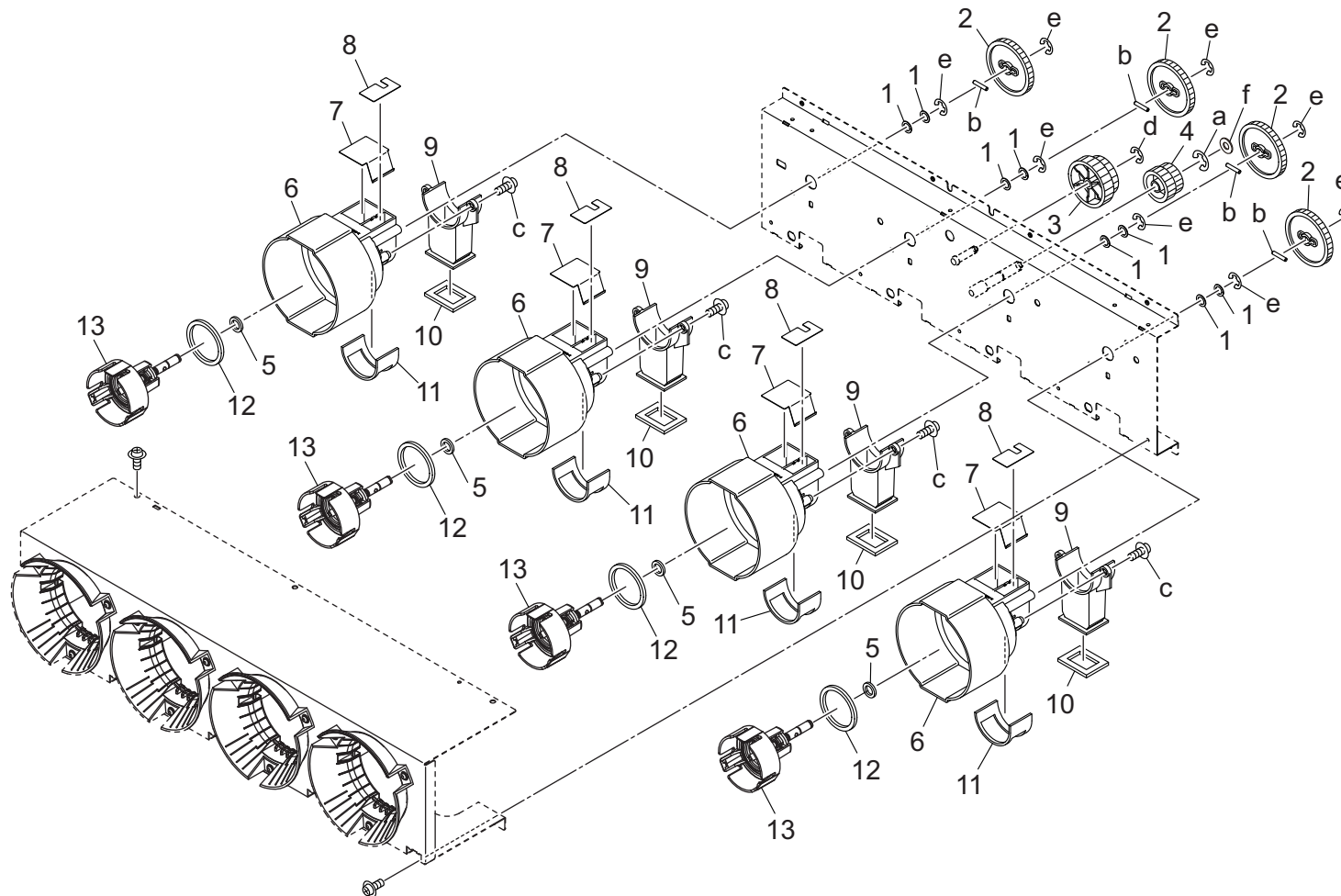


Toner Supply Section

Key	Part No.	Description		Destinations	Class	QTY	Standard parts
1	A5AWR71E00	Toner Supply /Upper Unit	トナー補給／上ユニット (日本)	A	I	1	a-V146040803 b-V127030603 c-V500010003 d-V500020098 e-V570010060
1	A5AWR71F00	Toner Supply /Upper Unit	トナー補給／上ユニット (北米)	B,G2	I	1	
1	A5AWR71G00	Toner Supply /Upper Unit	トナー補給／上ユニット (欧州)	C,D1,D3,E,F2,G1,H,I ,J,K	I	1	

Toner Supply Section

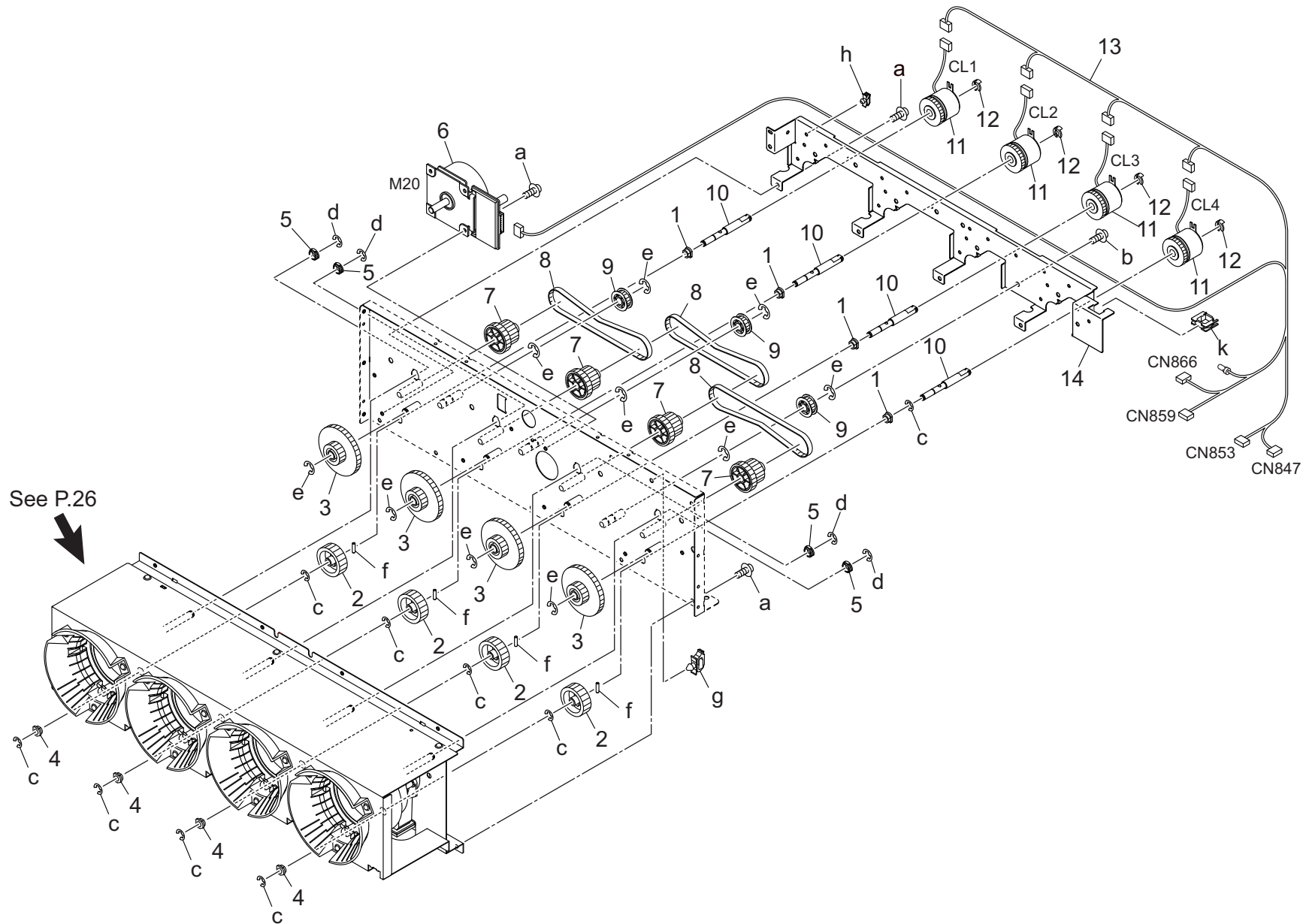
改訂版 REVISED EDITION	日付 DATE
	MARCH 2017



Toner Supply Section

Key	Part No.	Description	Destinations	Class	QTY	Standard parts
1	65AA33280	TONER SUPPLY SPACER		D	8	a-V217060001 b-V234301650 c-V153030803 d-V217040001 e-V217050001 f-V207050003
2	A1RF403500	Toner Supply Gear /B 50T		C	4	
3	65AA77380	TONER SUPPLY GEAR A 82T/34T		C	1	
4	A1RF404000	Toner Supply Gear /3 24/28T		C	1	
5	A50U401200	Holding Seal /A		D	4	
6	A5AW432700	Toner supply Guide Part /A		D	4	
7	A50U409300	Sealing Part /H		D	4	
8	65AA33360	SEALING PART		D	4	
9	A5AW432200	Connecting Part		D	4	
10	A1RF432301	Toner Supply Seal		D	4	
11	A50U405400	Conveying Seal		D	4	
12	A50U407600	Toner supply Holding Seal /A		D	4	
13	A5AWR72400	Holder Main Body Assy		D	4	

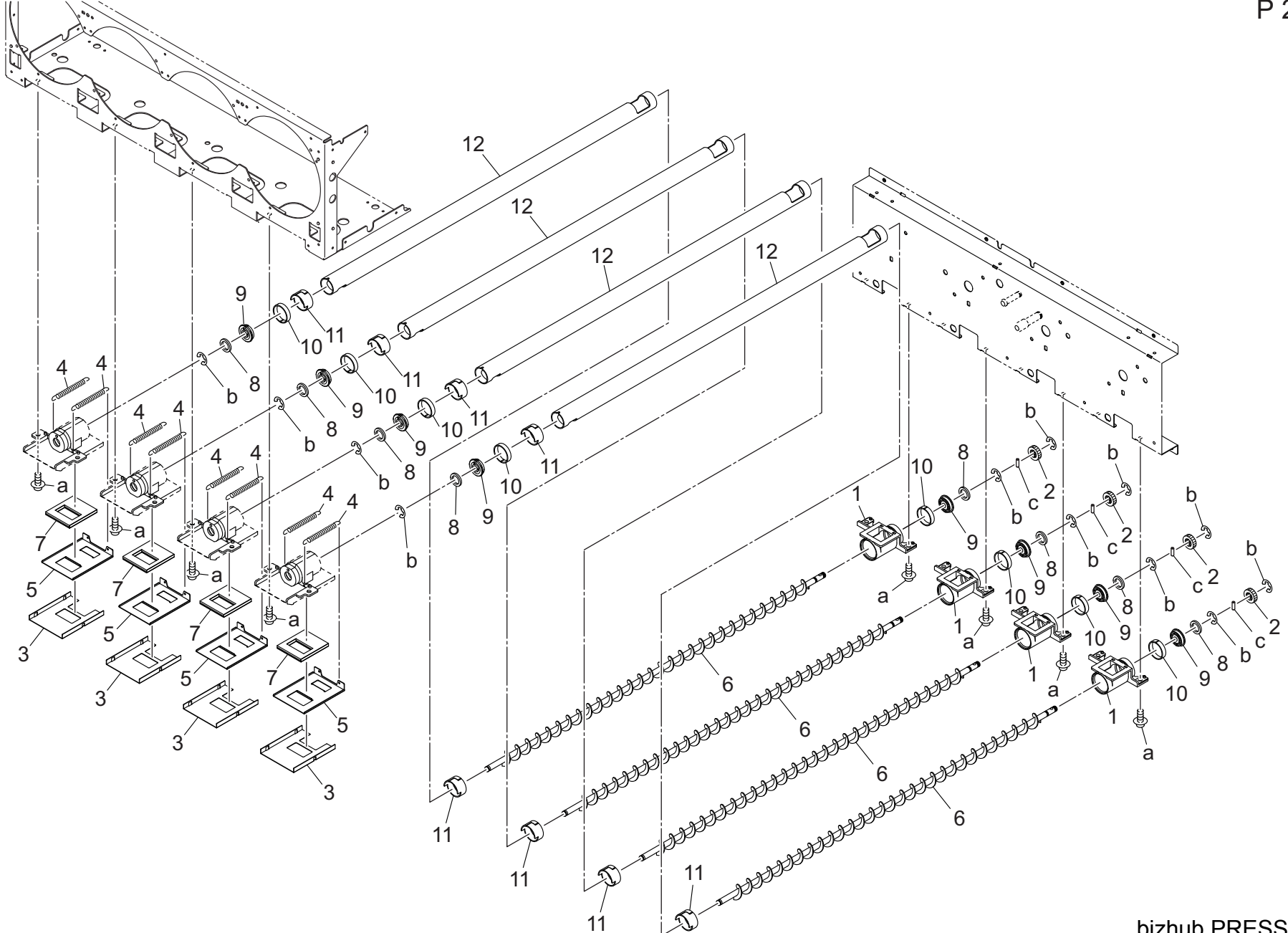
Toner Supply Section



Toner Supply Section

Key	Part No.	Description	Destinations	Class	QTY	Standard parts
1	322076010	PAPER LIFT UP LEVER SHAFT HOLDER		B	4	a-V121030603 b-V121030803 c-V217040001 d-V217050001 e-V217060001 f-V234301250 g-V500010003 h-V500020099 k-V570010060
2	A1RF403600	Gear 32T	ギア(トナー補給) 32 T	C	4	
3	A1RF403400	Toner Supply Gear /A 22/55T	トナー補給ギア/A 22 /5 5 T	C	4	
4	322076010	PAPER LIFT UP LEVER SHAFT HOLDER	ペーパー押しレバー軸受け	B	4	
5	A5AW400700	Toner supply Bushing	トナー補給すべり軸受	D	4	
6	A0R5M10300	DC Brushless motor /30	DC ブラシレスモータ /30	B	1	
7	A1RF404100	Toner supply Pulley /1	トナー補給プーリ /1	C	4	
8	A1RF404200	Toner Supply Belt 327L	トナー補給ベルト 327 L	C	3	
9	A1RF404500	Toner supply Pulley /3	トナー補給プーリ /3	C	3	
10	A1RF405300	Toner supply Shaft	トナー補給軸	D	4	
11	56AA82012	Paper Feed Drive Clutch	給紙駆動クラッチ	B	4	
12	55VA42120	Shaft Stopper	軸ストッパー	C	4	
13	A1RFN14001	Toner Drive Harness /5	トナー駆動束線 /5	D	1	
14	A1RF403313	Wiring Plate	配線板	D	1	

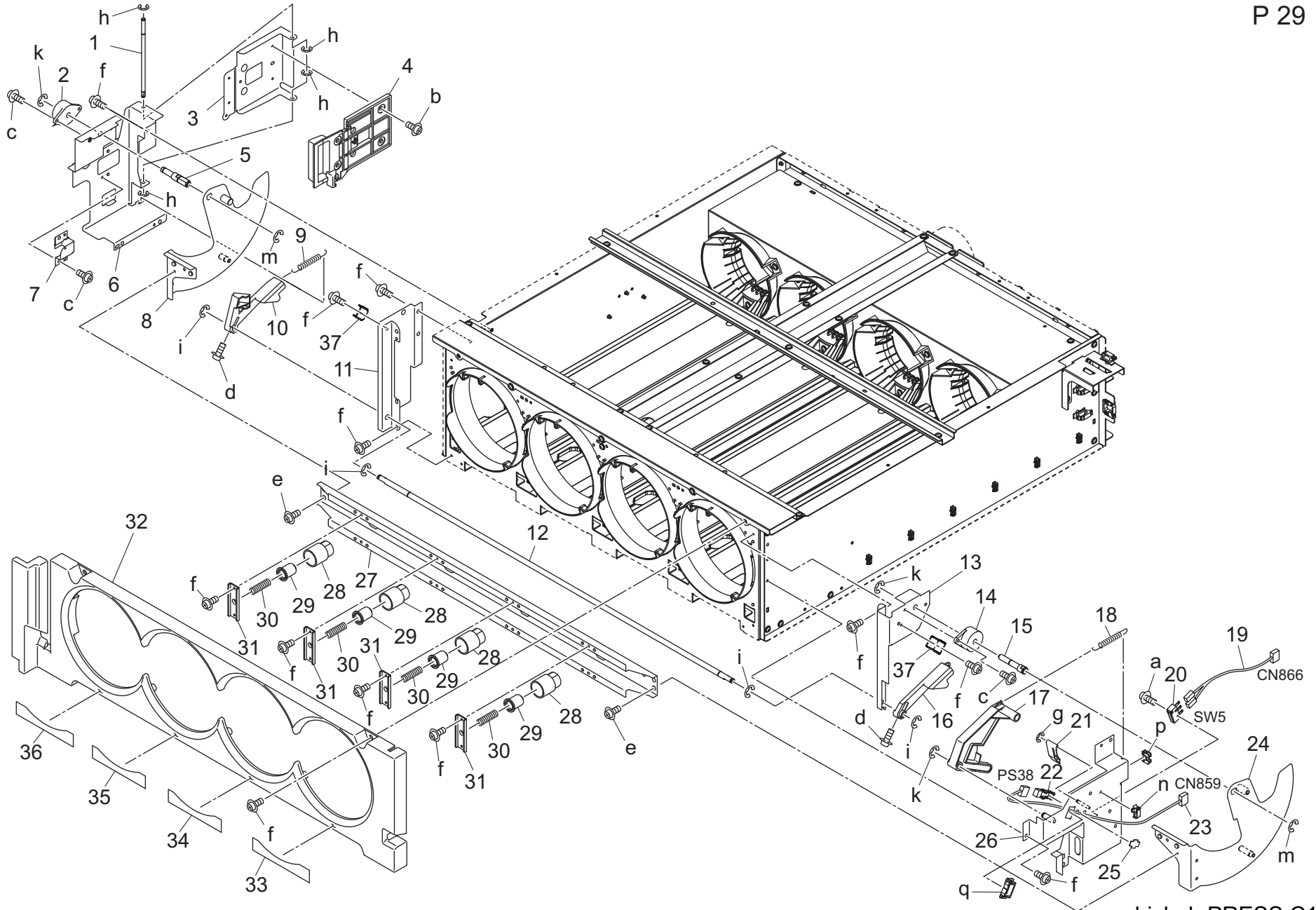
Toner Supply Section



Toner Supply Section

Key	Part No.	Description	Destinations	Class	QTY	Standard parts
1	A1RF407200	Conveyance Joint /1		D	4	a-V121030603 b-V217040001 c-V234301050
2	A1RF403700	Toner Supply Gear /3 16T		C	4	
3	A1RF407502	Open/close Cover		D	4	
4	A1RF407701	Toner supply Spring		D	8	
5	A5AW407600	Supply Shutter		D	4	
6	A1RF407101	Conveyance Screw /1		D	4	
7	A1RF407803	Toner Supply Seal		D	4	
8	A1RF413601	Sealing Part		D	8	
9	A1RF408100	Toner supply Bushing /1		C	8	
10	A1RF415700	Toner Supply Seal		D	8	
11	A1RF413900	Toner supply Seal		D	8	
12	A1RF407401	Conveyance Pipe /A		D	4	

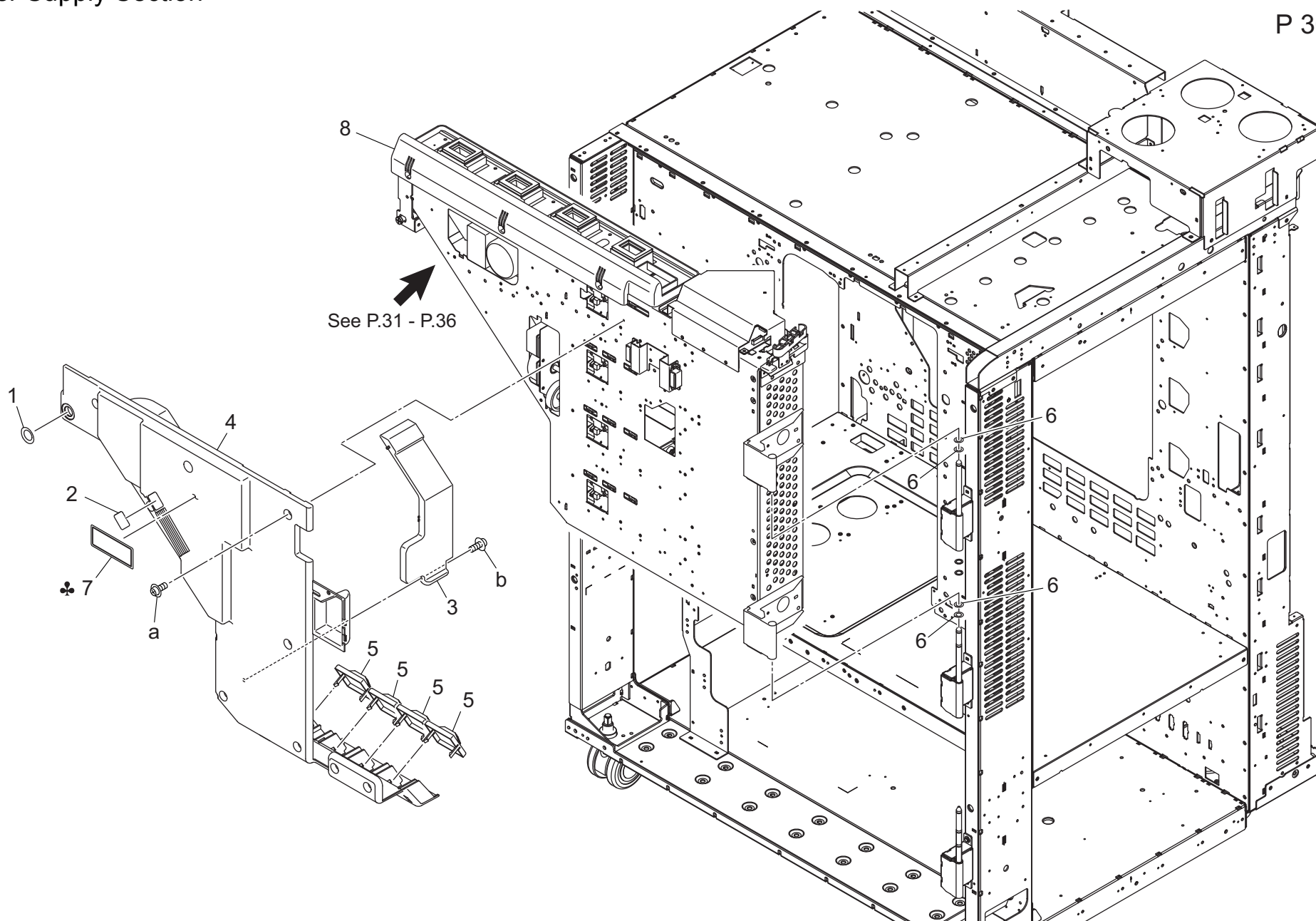
Toner Supply Section



bizhub PRESS C1085

Key	Part No.	Description	Destinations	Class	QTY	Standard parts
1	A1RF441900	Lock Shaft		D	1	a-V118020803
2	A1RF443200	Limiter		D	1	b-V121030403
3	A1RF446100	Reinforce Plate		D	1	c-V121030603
4	A1RF441800	Release Button /Left front		D	1	d-V121031403
5	A1RF442300	Swing Shaft /Left		D	1	e-V121040603
6	A1RF440700	Open/close Plate		D	1	f-V127030603
7	A1RF440900	Regulating Plate		D	1	g-V217020001
8	A1RFR79311	LIFTING ARM /LEFT CALKING		D	1	h-V217030001
9	A1RF442900	Lock Spring		D	1	i-V217040001
10	A1RF441100	Lock Claw /Left		D	1	k-V217050001
11	A1RF440501	Support Plate /Left		D	1	m-V217060001
12	A1RF442101	Open/close Shaft		D	1	n-V500010046
13	A1RF440602	Support Plate /Right		D	1	p-V570010021
14	A1RF443000	Limiter		D	1	q-V570010023
15	A1RF442400	Swing Shaft /Right		D	1	
16	A1RF441200	Lock Claw /Right		D	1	
17	A1RF441701	Open/close Actuator		D	1	
18	A1RF443100	Detecting Spring		D	1	
19	A1RFN19001	Toner Drive Harness /7		D	1	
20	12QR86011	Interlock Switch		B	1	
21	A03U402100	SWITCH PLATE		D	1	
22	A50UM51000	Photointerrupter		C	1	
23	A1RFN14900	Toner Drive harness /6		D	1	
24	A1RFR79411	LIFTING ARM /RIGHT CALKING		D	1	
25	4470402401	Stopper		D	1	
26	A1RFR79500	DETECTING PLATE CALKING		D	1	
27	A1RF440101	Pressing Plate		D	1	
28	A1RF441600	Pressing Part /Rear		D	4	
29	A1RF441500	Pressing Part /Front		D	4	
30	A1RF442600	Installing Spring		D	4	
31	A1RF440201	Receiving Plate		D	4	
32	A1RF432602	Guide Cover /Front		D	1	
33	A5AW944300	Toner supply Label /Y		D	1	
34	A5AW944400	Toner supply Label /M		D	1	
35	A5AW944500	Toner supply Label /C		D	1	
36	A5AW944600	Toner supply Label /K		D	1	
37	A1RF444200	Stopper Plate		D	2	

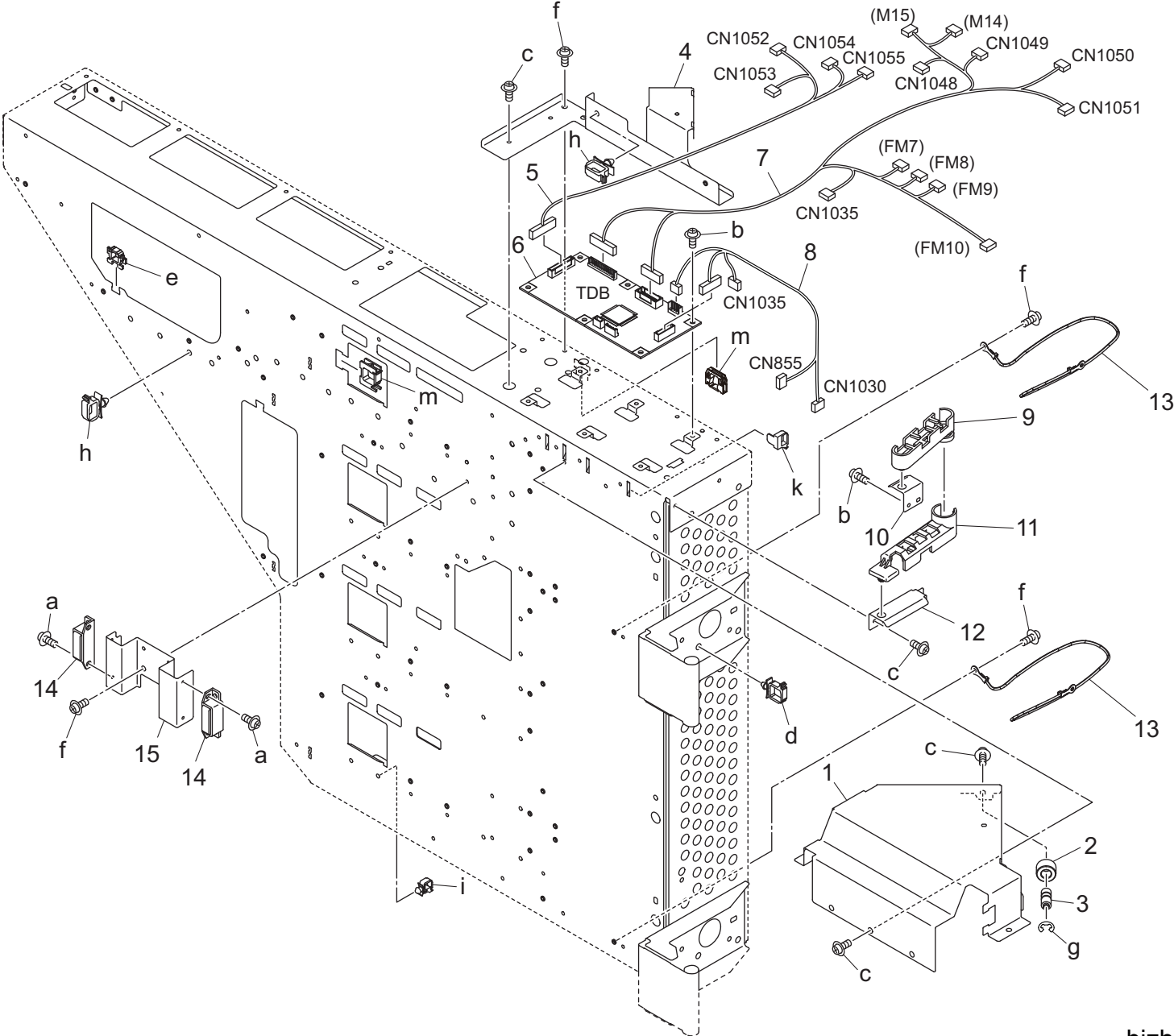
Toner Supply Section



See P.31 - P.36

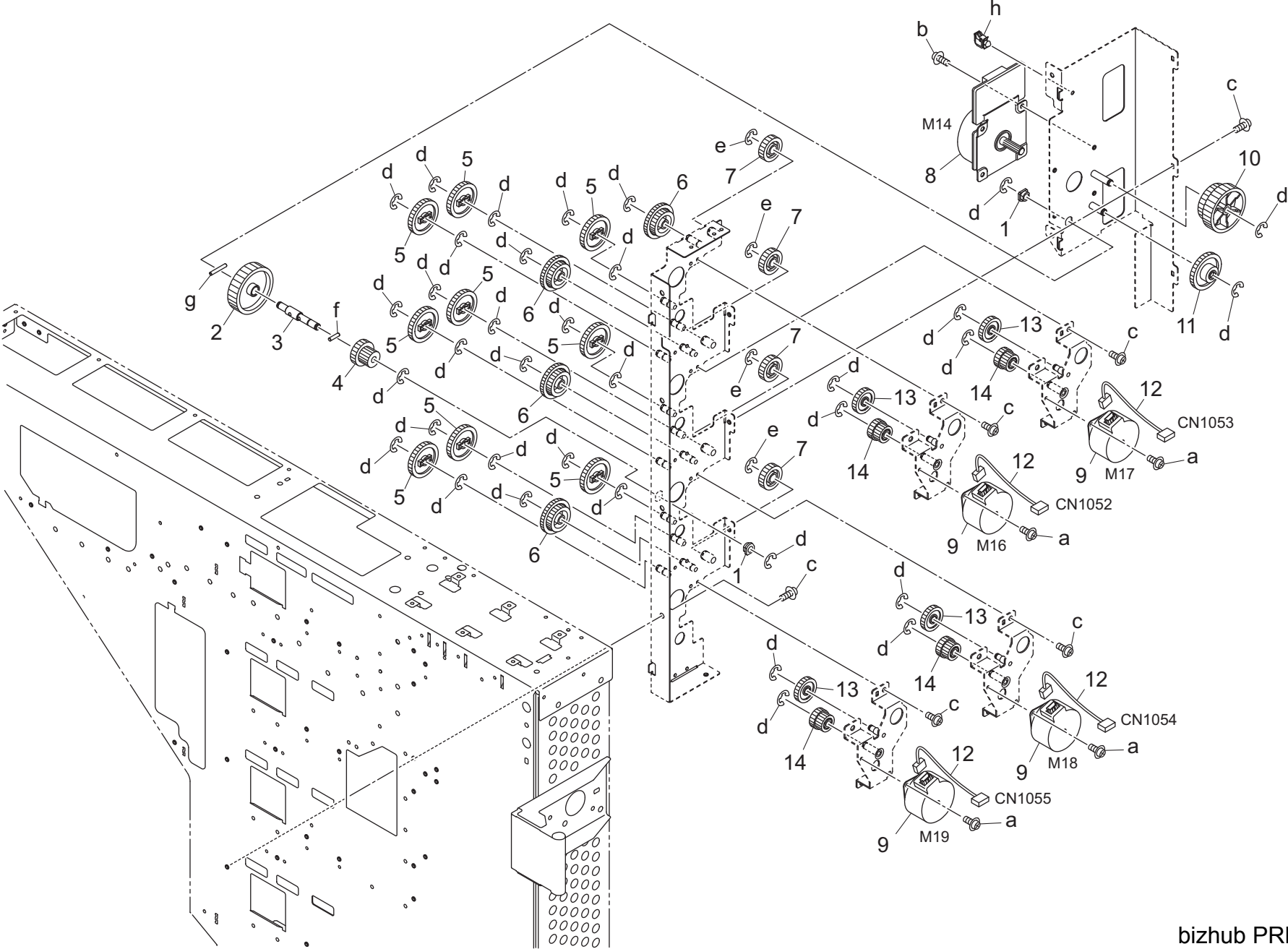
Key	Part No.	Description	Destinations	Class	QTY	Standard parts
1	A1RF407000	Operation Label /2		D	1	a-V121040603 b-V153030803
2	A1RF406900	Operation Label /1		D	1	
3	A1RF445402	Cover		D	1	
4	A5AW445100	Drive Cover		D	1	
5	A1RF439002	Cover		D	4	
6	12QV40650	Spacer		B	4	
7	A5AW947000	Caution Label /Assy	A	D	1	
7	A5AW947103	Caution Label /2	B,C,D1,D3,E,F2,G1,G 2,H,I,J,K	D	1	
8	A5AWR71H11	Toner Supply/Lower Assy		I	1	

Toner Supply Section




Key	Part No.	Description	Destinations	Class	QTY	Standard parts
1	A1RF434401	Fixing Plate /C		D	1	a-V118030503 b-V121030603 c-V121030604 d-V500010007 e-V570010025 f-V127030603 g-V217060001 h-V500010005 i-V500020098 k-V500010021 m-V570010060
2	A1RF435500	Open/close Bushing Outside		C	1	
3	A1RF434300	Fixing Shaft /A		D	1	
4	A1RF434201	Fixing Plate /B		D	1	
5	A1RFN14202	Toner Drive Harness /1		D	1	
6	A1RFH07003	Toner Drive Board Assy		I	1	
7	A1RFN14301	Toner Drive Harness /2		D	1	
8	A1RFN14101	Toner Relay Harness		D	1	
9	A1RF434902	Guide		D	1	
10	A1RF434800	Hold Plate		D	1	
11	A1RF434702	Guide		D	1	
12	A1RF435000	Hold Plate		D	1	
13	A5AWN15100	Toner Drive harness /8		D	2	
14	A0G6411200	Magnet /X		D	2	
15	A1RF445301	Cover Plate		D	1	

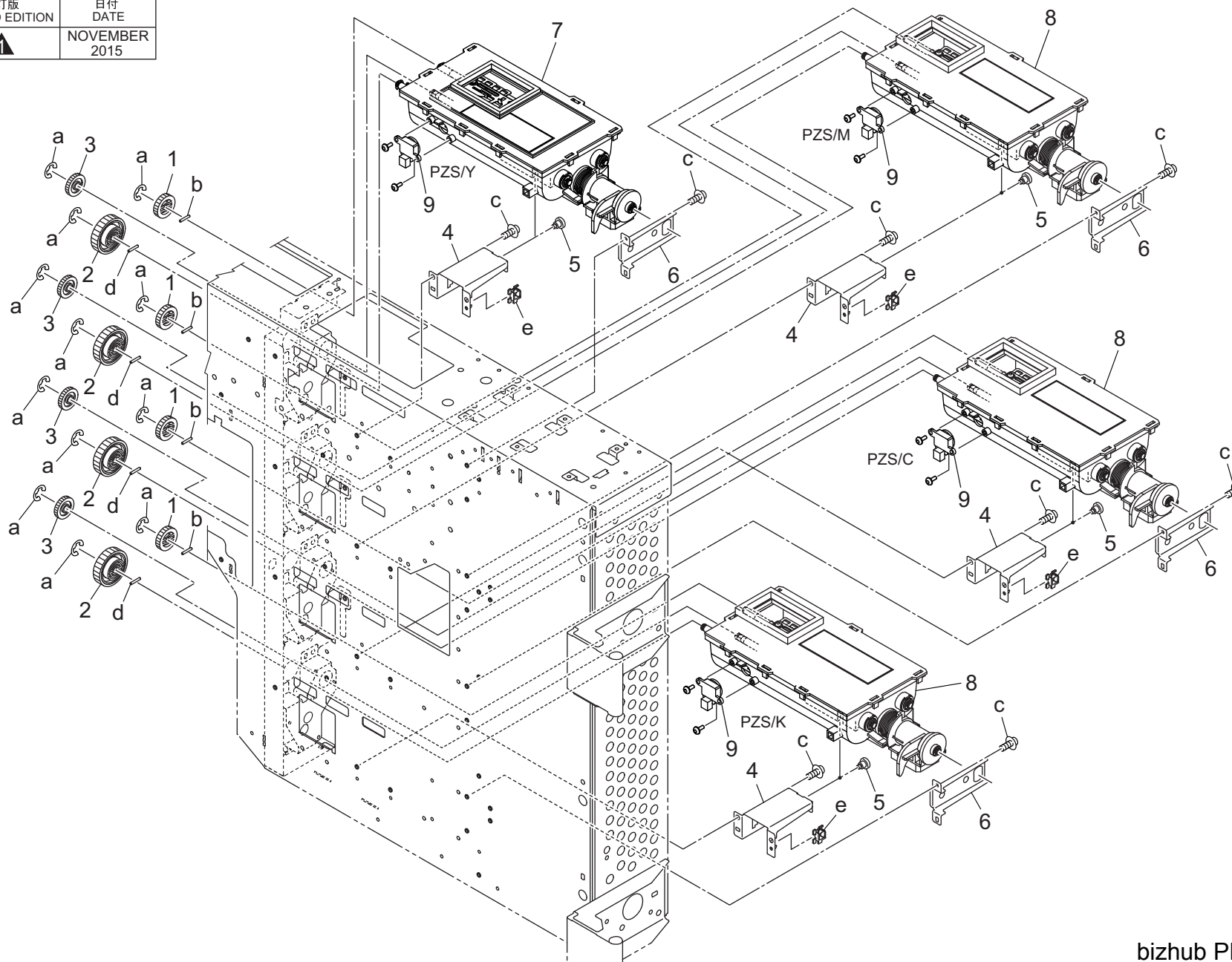
Toner Supply Section



Key	Part No.	Description	Destinations	Class	QTY	Standard parts
1	322076010	PAPER LIFT UP LEVER SHAFT HOLDER		B	2	a-V118030603 b-V121040403 c-V121030603 d-V217040001 e-V217050001 f-V234301250 g-V234302050 h-V500020098
2	56UA77700	Toner Supply Drive Gear /A 45T	トナー補給駆動歯車/A 45 T	C	1	
3	A5AW417800	Drive Shaft /K	駆動軸/K	D	1	
4	A5AW417000	Gear 14T	ギア 14 T	C	1	
5	56UA77430	Toner Agitating Gear 32T	トナー攪拌歯車 32 T	C	9	
6	A5AW400600	Idling Gear /C 23/32T	アイドラギア/C 23 /32 T	C	4	
7	26NA42040	MANUAL FEED IDLER GEAR LOWER 22T	手差しアイドラギア 下 22 T	C	4	
8	A0PNM10200	DC Brushless motor /20	DC ブラシレスモータ/20	B	1	
9	A1RFR74300	Drive Motor ASSY	駆動モーター Assy	C	4	
10	65AA77380	TONER SUPPLY GEAR A 82T/34T	トナー補給ギア A 82 T /34 T	C	1	
11	A5AW400800	Idling Gear 14/34T	アイドラギア 14 /34 T	C	1	
12	A1RFN14400	Toner Drive harness /3	トナー駆動束線/3	D	4	
13	08AA77360	TONER SUPPLY GEAR F 24T	トナー補給ギア/F 24 T	C	4	
14	A1RF416200	Toner Supply Gear /C 22/31T	トナー補給 ギア/C 22 /31 T	C	4	

Toner Supply Section

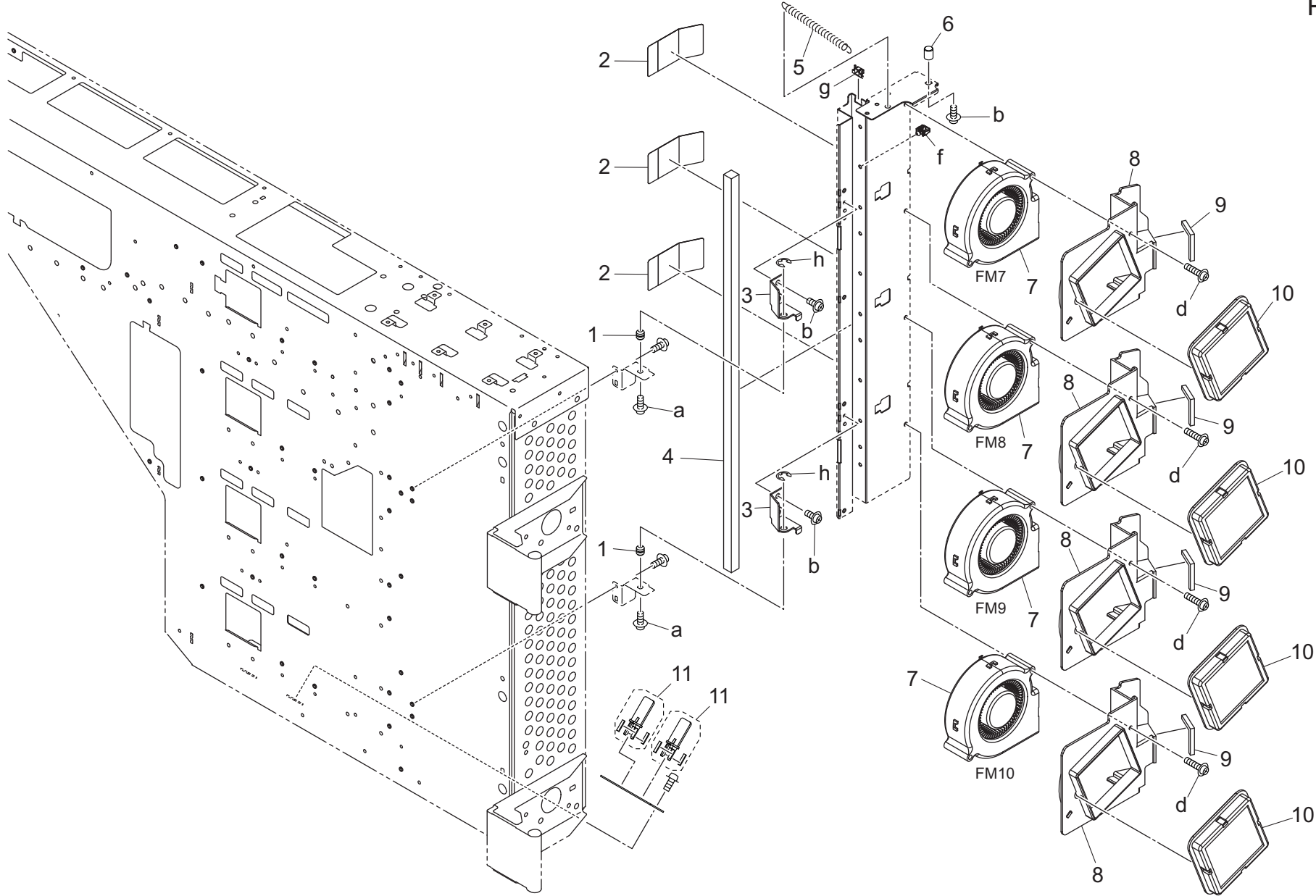
改訂版 REVISED EDITION	日付 DATE
	NOVEMBER 2015



Toner Supply Section

Key	Part No.	Description		Destinations	Class	QTY	Standard parts
1	56AA77940	IDLING GEAR G 20T	アイドル歯車 G 20 T		C	4	a-V217040001 b-V234201250 c-V127030603 d-V234201450 e-V570010025
2	A1RF415600	Toner Supply Gear 33T	トナー補給ギア(攪拌) 33 T		D	4	
3	40AA77660	TONER SUPPLY GEAR F 28T	トナー補給ギア F 28 T		C	4	
4	A1RF419200	Lifting Plate	持ち上げ板		D	4	
5	55VA20680	SEPARATION POSITIONING SCREW	分離位置決めネジ		C	4	
6	A1RF419101	Receiving Plate	受け板		D	4	
7	A5AWR73011	Hopper/Upper Assy	ホッパー/上 Assy		C	1	
8	A5AWR73111	Hopper/Lower Assy	ホッパー/下 Assy		C	3	
9	40AA88031	Level Detection Sensor	残量検知センサ		C	4	

Toner Supply Section



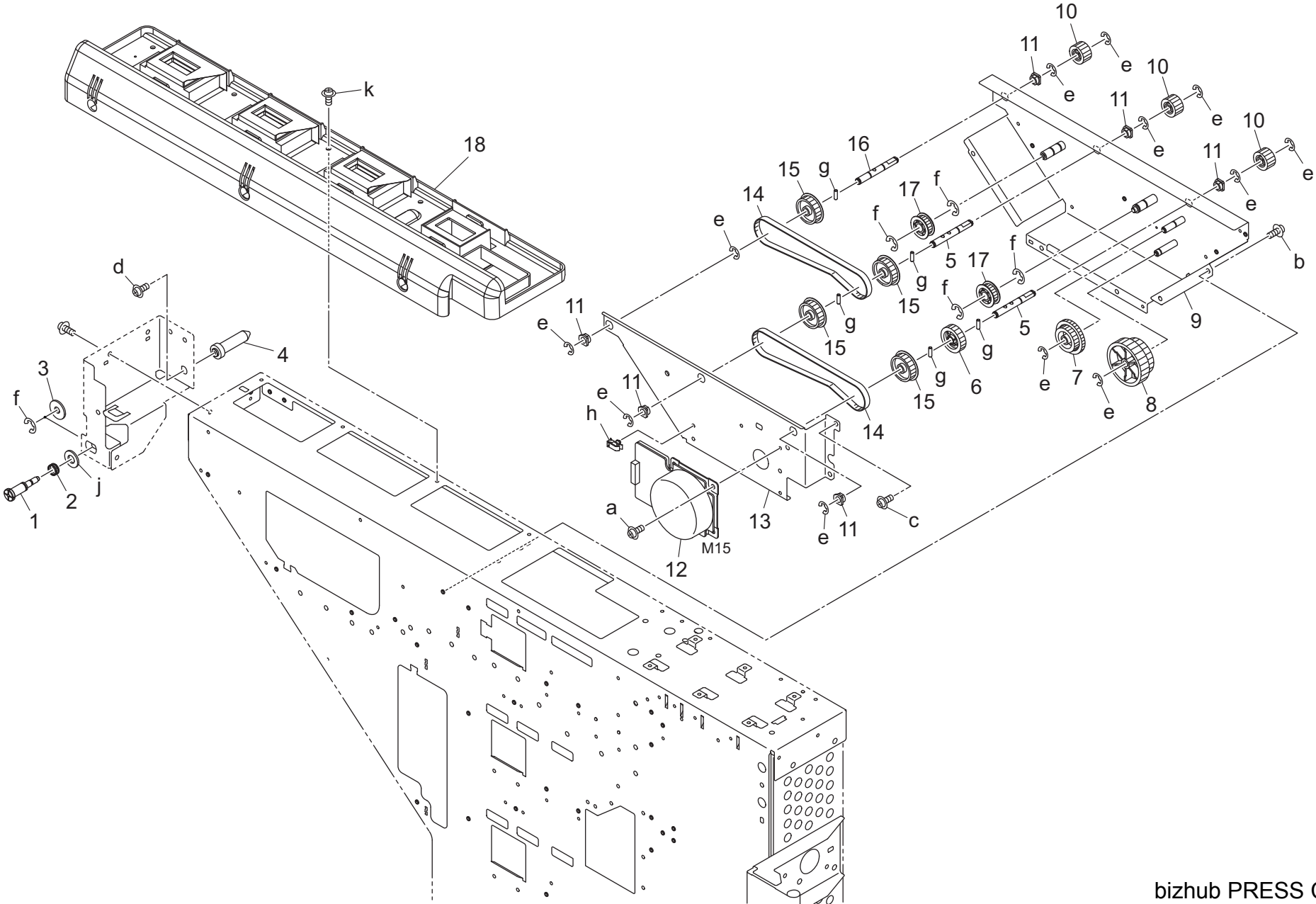
bizhub PRESS C1085



Toner Supply Section

Key	Part No.	Description	Destinations	Class	QTY	Standard parts
1	A1RF437500	Cooling Shaft		D	2	a-V121030403 b-V121030603 c-V121043503 f-V500020098 g-V570010025 h-V217040001
2	A5AW401400	Thermal insulation Sheet		D	3	
3	A1RF406700	Support Plate		D	2	
4	A5AW402400	Preventing Part		D	1	
5	A1RF437600	Cooling Spring		D	1	
6	A1RF437400	Stopper Shaft		D	1	
7	9313100072	FAN MOTOR		C	4	
8	A1RF437203	Cooling Plate		D	4	
9	A1RF437900	Cooling Seal		D	4	
10	A1RFR70300	Fancover Assy		A	4	
11	65AAR73800	Charging Cleaning Part Assy		B	2	

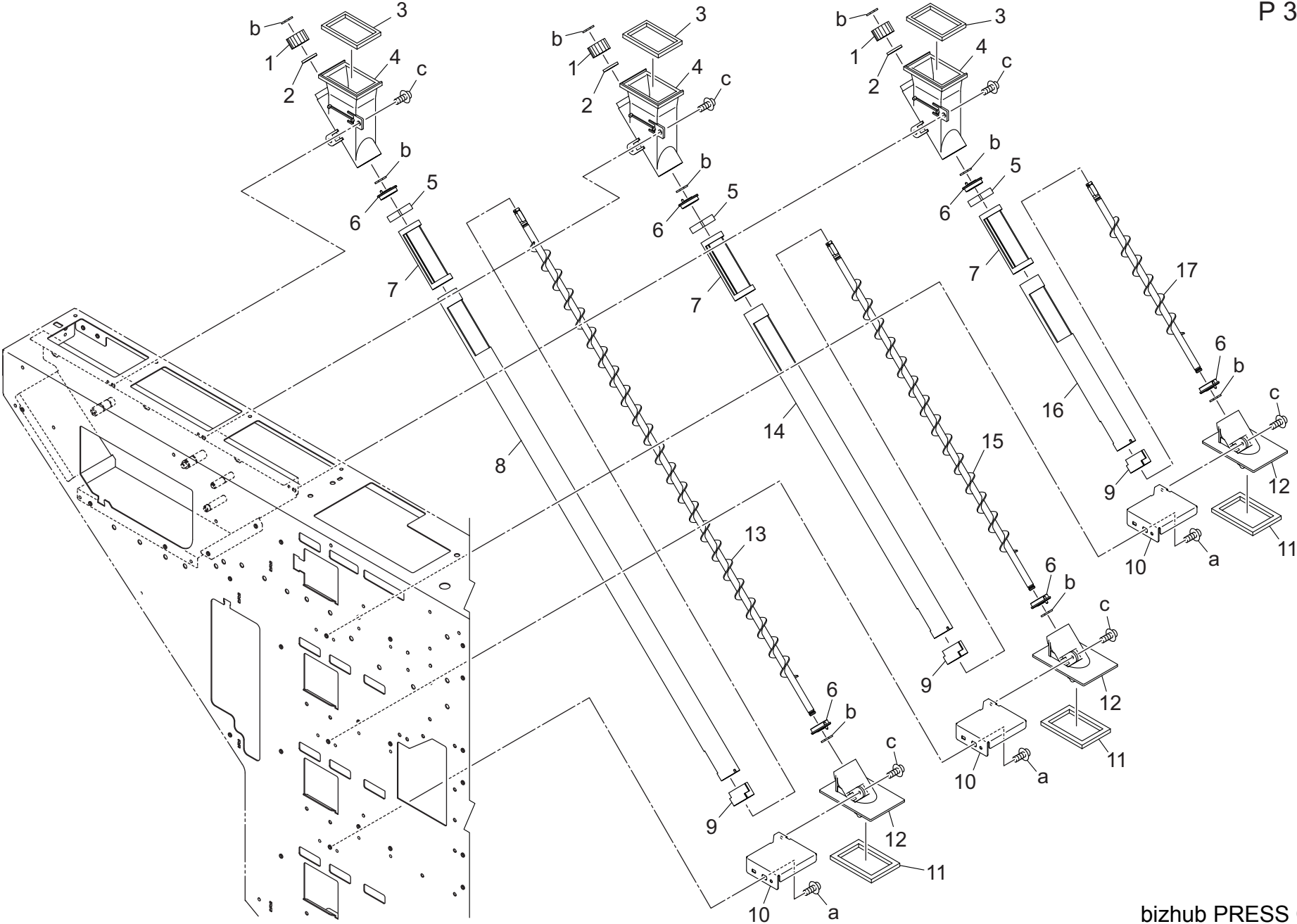
Toner Supply Section



Toner Supply Section

Key	Part No.	Description	Destinations	Class	QTY	Standard parts
1	A1RF435201	Lock Screw /1		D	1	a-V121030403
2	A1RF435400	Release Spring		C	1	b-V121030603
3	A1RF435300	Fixing Washer		D	1	c-V127030603
4	A1RF435900	Positioning Shaft /3		D	1	d-V121040803
5	A1RF411700	Drive Shaft /6		D	2	e-V217040001
6	55VA77290	TONER CONVEYANCE GEAR B 24T		C	1	f-V217060001
7	A5AW400600	Idling Gear /C 23/32T		C	1	g-V234301050
8	65AA77380	TONER SUPPLY GEAR A 82T/34T		C	1	h-V500020099
9	A1RFR7A100	SCREW DRIVE PLATE CALKING		D	1	j-V207080003
10	56AA77330	SCREW GEAR 15T		C	3	k-V121030604
11	322076010	PAPER LIFT UP LEVER SHAFT HOLDER		B	6	
12	A0PNM10200	DC Brushless motor /20		B	1	
13	A1RF410101	Drive Plate		D	1	
14	A1RF404200	Toner Supply Belt 327L		C	2	
15	A1RF411100	Toner supply Pulley /2		C	4	
16	A1RF411900	Drive Shaft /4		D	1	
17	A1RF404500	Toner supply Pulley /3		C	2	
18	A5AWR71X00	Dust Preventing Plate Assy		D	1	

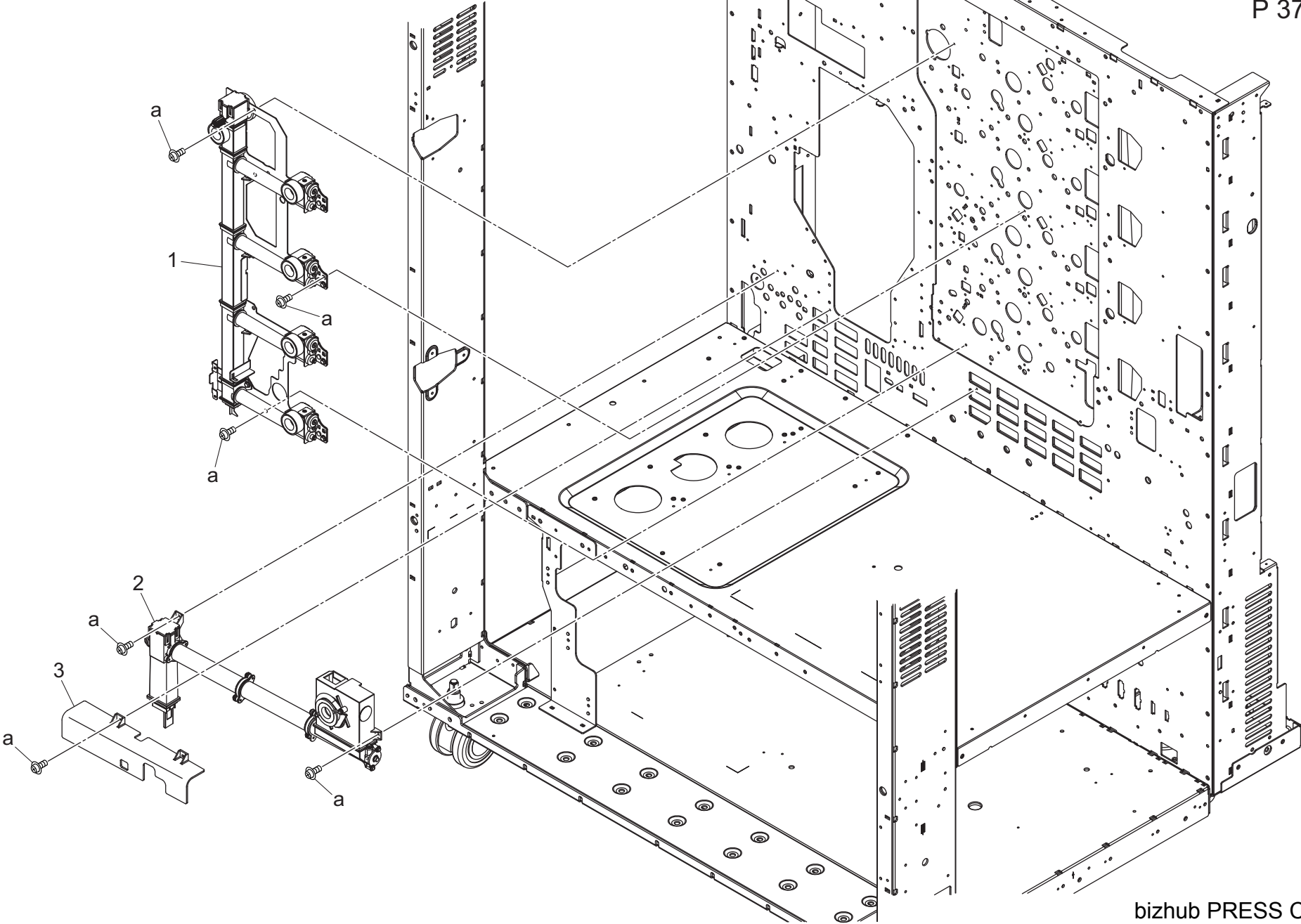
Toner Supply Section



Toner Supply Section

Key	Part No.	Description	Destinations	Class	QTY	Standard parts
1	56AA77330	SCREW GEAR 15T		C	3	a-V127030603 b-V217040001 c-V121030603
2	A1RF413601	Sealing Part		D	3	
3	A1RF423401	Toner Supply Seal		D	3	
4	A1RF413700	Conveyance Catch /Upper		D	3	
5	A1RF415700	Toner Supply Seal		D	3	
6	A1RF408100	Toner supply Bushing /1		C	6	
7	A1RF414900	Toner supply Seal		D	3	
8	A1RF414401	Conveyance Pipe /K		D	1	
9	A1RF413900	Toner supply Seal		D	3	
10	A1RF419301	Fixing Plate /C		D	3	
11	A1RF414700	Toner Supply Seal		D	3	
12	A1RF413800	Conveyance Catch /Lower		D	3	
13	A1RF413101	Conveyance Screw /2		D	1	
14	A1RF414501	Conveyance Pipe /C		D	1	
15	A1RF413201	Conveyance Screw /3		D	1	
16	A1RF414601	Conveyance Pipe /M		D	1	
17	A1RF413301	Conveyance Screw /4		D	1	

Toner Collection Section



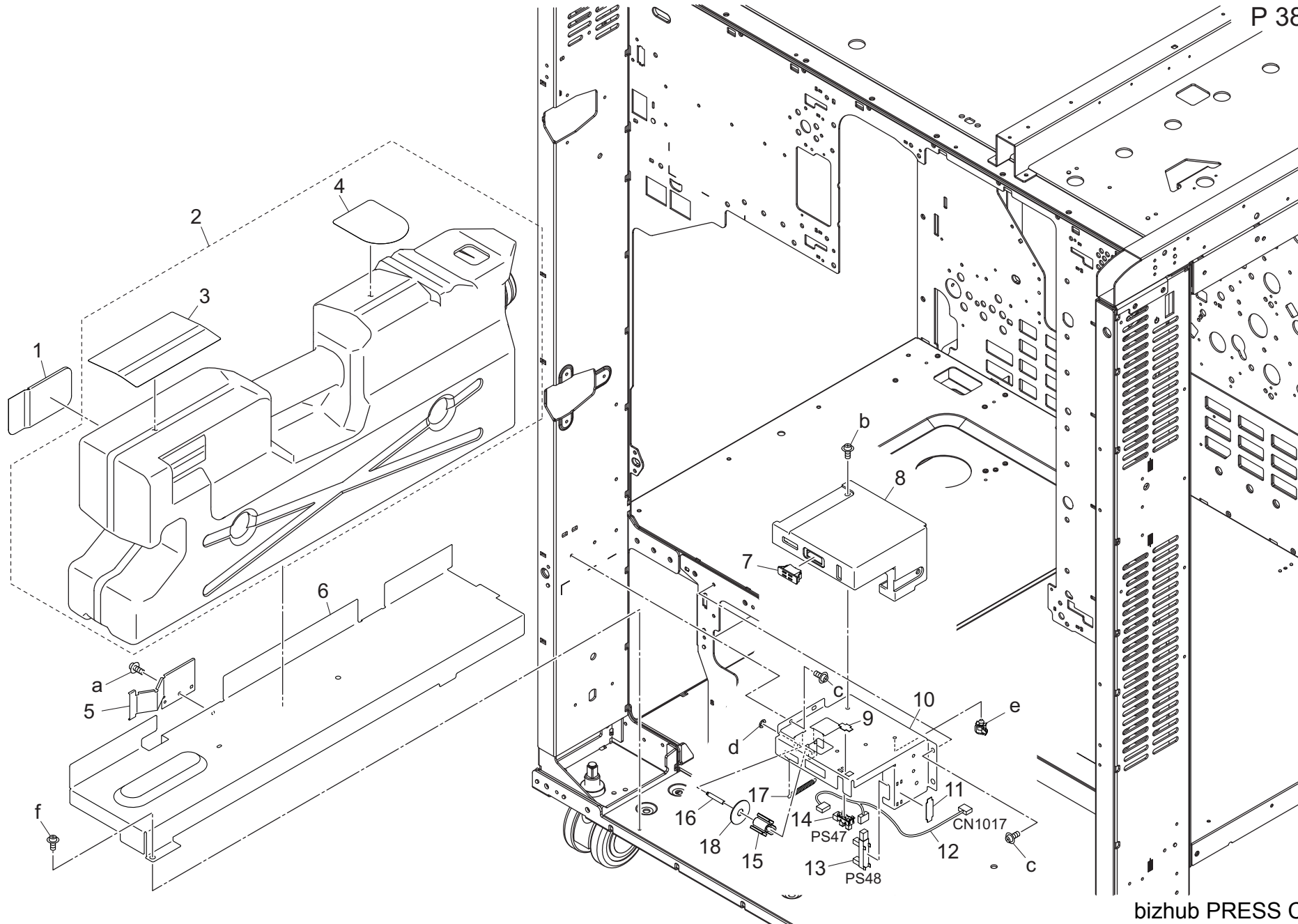
bizhub PRESS C1085

Toner Collection Section

Key	Part No.	Description	Destinations	Class	QTY	Standard parts
1	A5AWR71B00	Toner Collection/1 Assy		I	1	a-V146030603
2	A5AWR71D00	Toner Collection Horizontal Conveyance A		I	1	
3	A1RF364100	Insulating Cover /Right		D	1	

Toner Collection Section

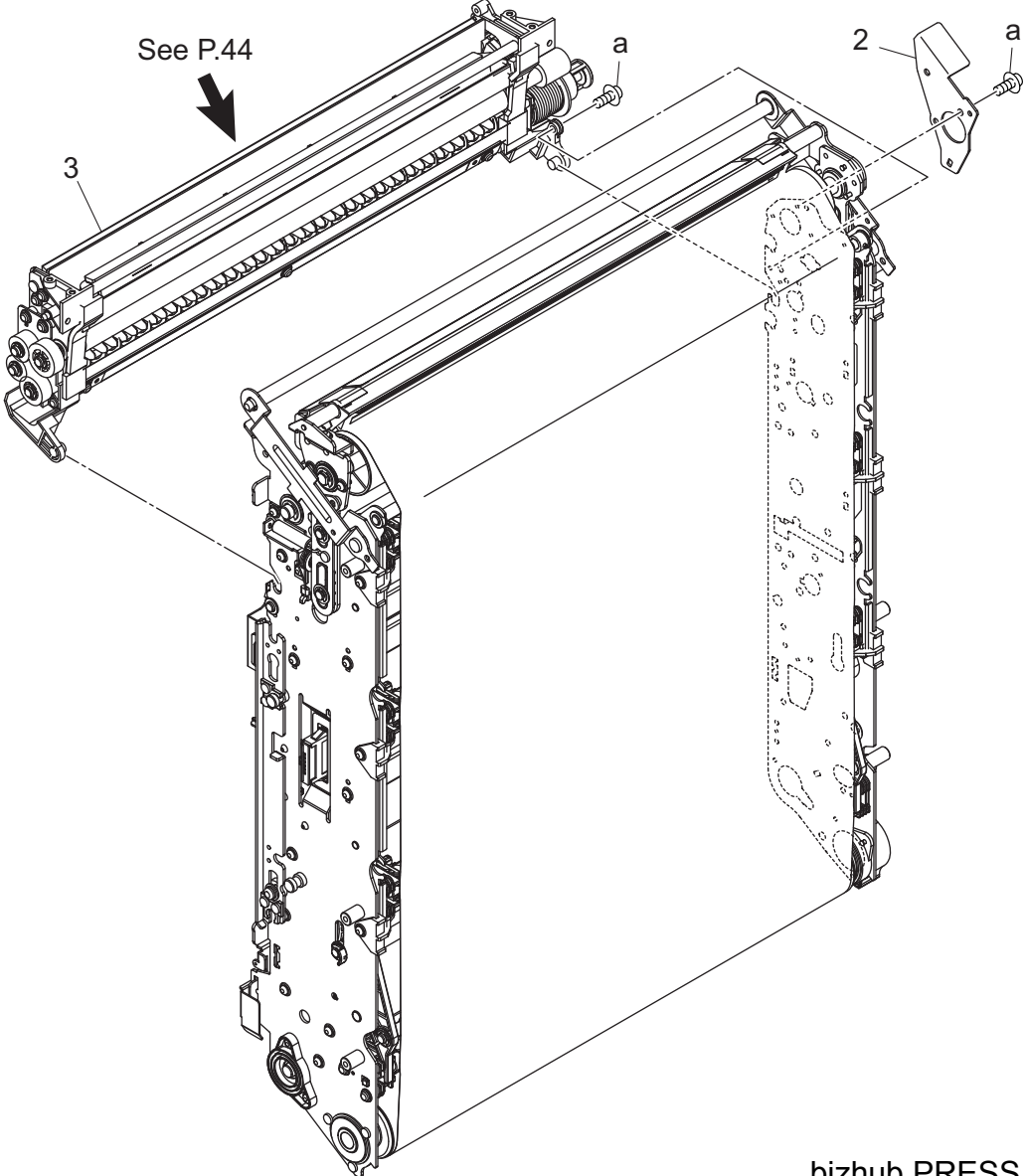
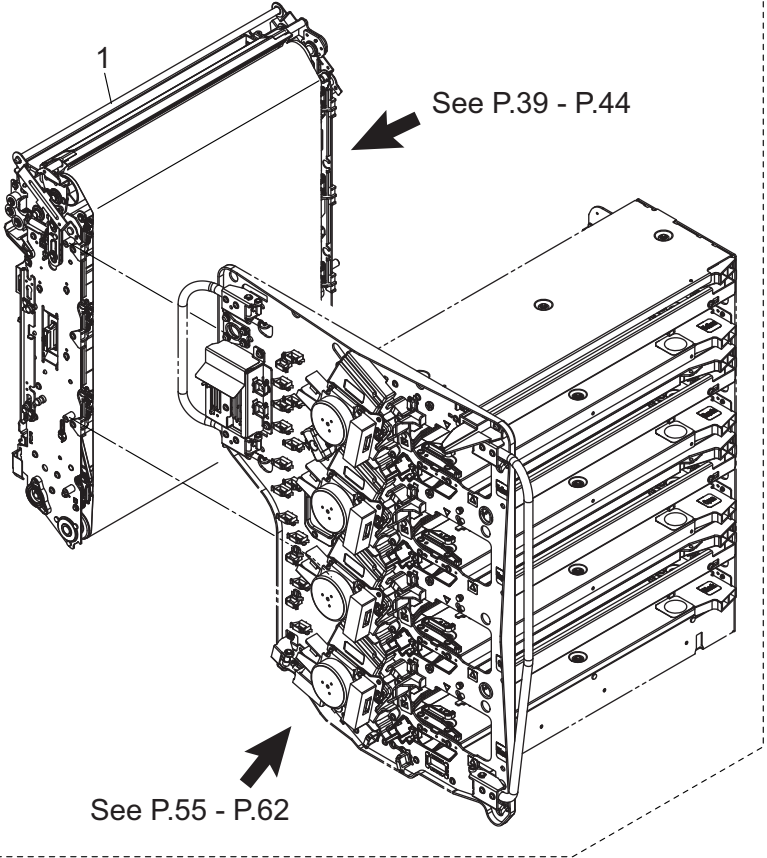
P 38



bizhub PRESS C1085

Key	Part No.	Description	Destinations	Class	QTY	Standard parts
1	A1RF361900	Collection Seal /Side		C	1	a-V121030803 b-V121040603 c-V146040803 d-V217020001 e-V500020098 f-V127040803
2	A1RFR70012	Toner Collecting Box		A	1	
3	A1RF942100	Caution Label /1		D	1	
4	A1RF944900	Collection Label		D	1	
5	A1RF366601	Regulating Plate Spring		D	1	
6	A1RF102502	Support Plate /4		D	1	
7	56AA12270	EXTERNAL LOCKING PART		C	1	
8	A1RF363602	Cover		D	1	
9	4470402401	Stopper		D	1	
10	A1RF368403	Cover /1		D	1	
11	4004457301	Stopper		D	1	
12	A1RFN16800	Toner Detection harness /Front		D	1	
13	9335140051	SOLID STATE SWITCH		B	1	
14	A50UM51000	Photointerrupter		C	1	
15	A1RF363801	Detecting Part /2		D	1	
16	A1RF366200	Collection Shaft		D	1	
17	A1RF363500	Control Spring		C	1	
18	55VA47840	Belt Hold Part /3		D	1	


Intermediate Transfer Section

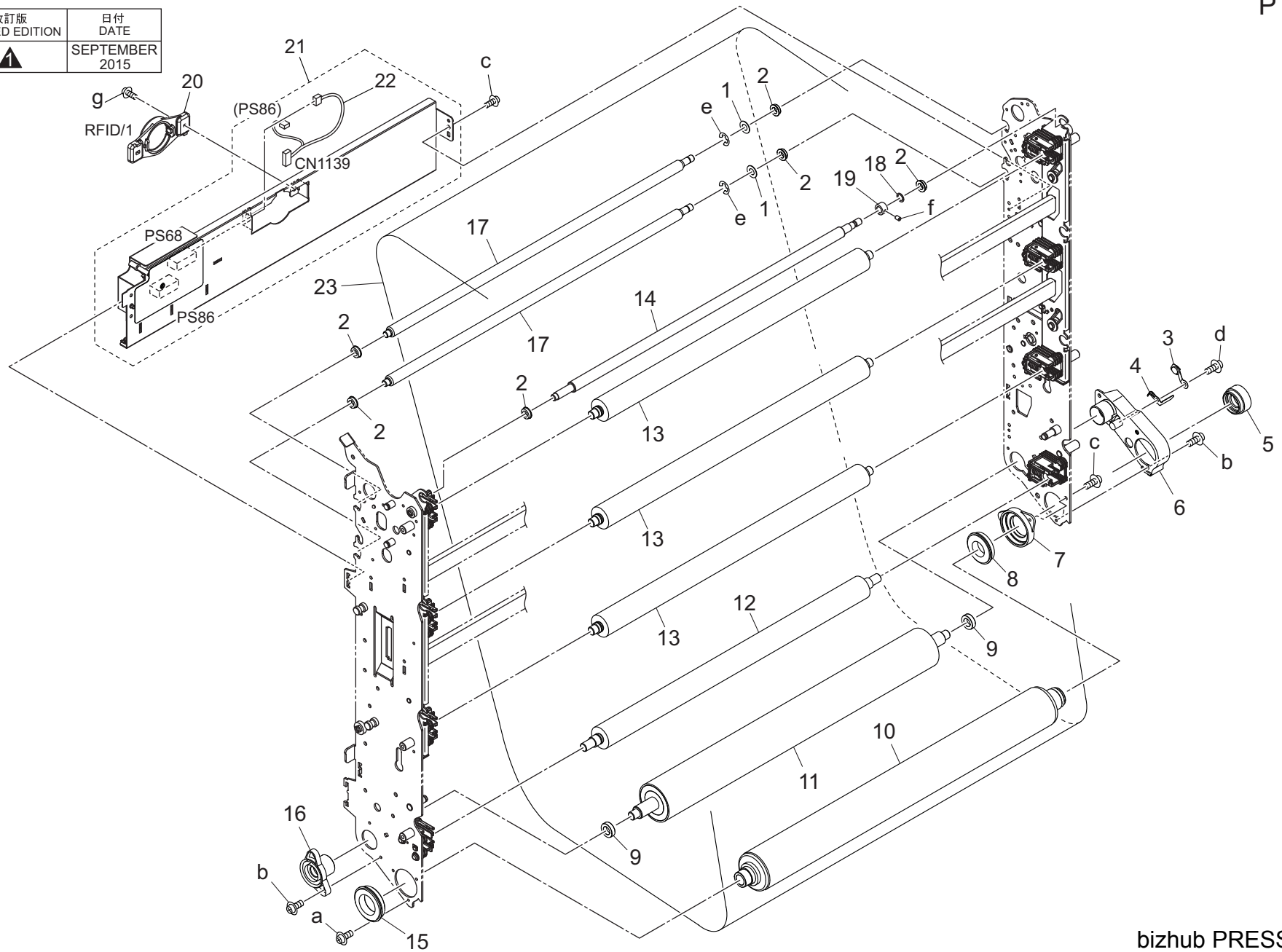


Intermediate Transfer Section

Key	Part No.	Description	Destinations	Class	QTY	Standard parts
1	A5AWR70633	Intermediate Transfer Unit		I	1	a-V121030603
2	A5AW500700	Mounting Plate /C		D	1	
3	A5AWR70222	Transfer Belt Cleaning Unit		B	1	

Intermediate Transfer Section

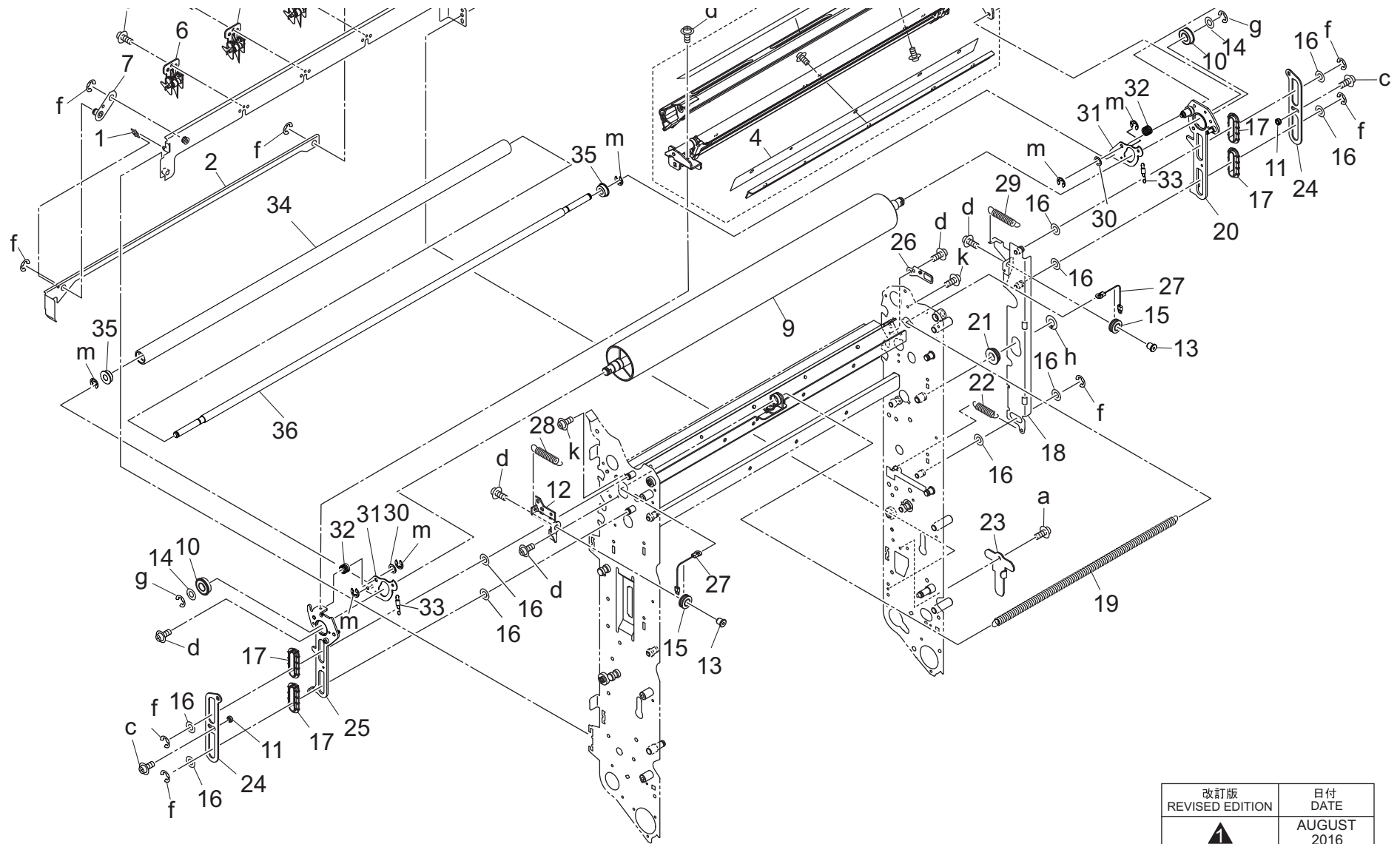
改訂版 REVISED EDITION	日付 DATE
	SEPTEMBER 2015



Intermediate Transfer Section

Key	Part No.	Description	Destinations	Class	QTY	Standard parts
1	A1RF517100	Spacer /A		D	2	a-V118030403 b-V121030403 c-V121030603 d-V153030803 e-V217040001 f-V193030304 g-V127030603
2	A00J617800	Ball Bearing		B	6	
3	A1RFR76100	POWER SUPPLY PLATE/NO2		D	1	
4	65AA26930D	Powering Plate /No.1		D	1	
5	A1RF507200	Connecting Flange		D	1	
6	A1RF501600	Power supply Cover		D	1	
7	A1RF502500	Support Block		D	1	
8	56UA75070	FIXING BEARING		A	1	
9	A1RF517300	bearing		C	2	
10	A5AW500501	Drive Roller /ASSY		C	1	
11	A1RF500400	Transfer Roller		A	1	
12	A5AW500400	1st Transfer Roller/K		B	1	
13	A5AW501200	1st Transfer Roller/YCM		B	3	
14	A5AW501301	Nip Formation Roller/Up		A	1	
15	A50U212600	Ball Bearing /15		C	1	
16	65AA26920E	High voltage Powering Collar /Front		C	1	
17	A1RF502900	Auxiliary Roller		D	2	
18	40AA30270	DEVELOPING SPACER		C	1	
19	A0G6301700	Regulating Stopper		D	1	
20	A1RFR7G200	Case		C	1	
21	A5AWR71Y22	Mounting Plate D Assy		I	1	
22	A5AWN15600	Transfer Wiring /5		D	1	
23	A1RF506000	Transfer Belt 1066L		A	1	

Intermediate Transfer Section



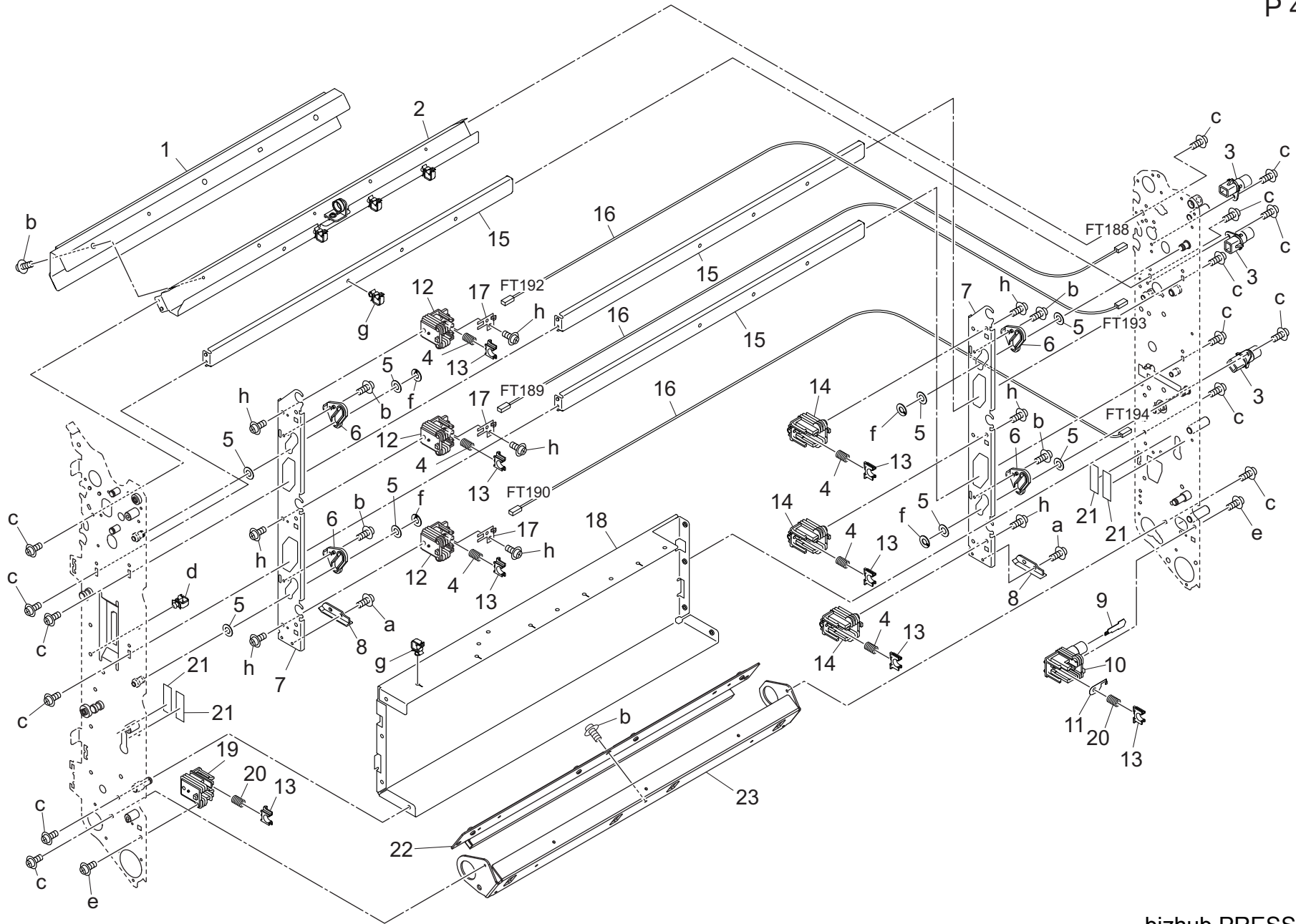
改訂版 REVISED EDITION	日付 DATE
	AUGUST 2016

Intermediate Transfer Section

Key	Part No.	Description	Destinations	Class	QTY	Standard parts
1	65AA26600	SLIDE SPRING		C	1	a-V116030603
2	A1RF513300	Release Plate		D	1	b-V118030403
3	A1RF518300	Scatteringprevention Sheet /2		C	1	c-V118030603
4	A1RF515901	Intermediate Transfer Scraper		A	1	d-V121030603
5	A5AWR70N11	Auxiliary Cleaner Assy		B	1	f-V217040001
6	65AAR75300	Separate Claw Assy		B	3	g-V217060001
7	A1RFR7A500	SEPARATION RELEASE PLATE CALKING		D	2	h-V223080050
8	A1RF513100	Positioning Plate		D	1	k-V118031003
9	A5AW500800	Tension Roller		C	1	m-V217030001
10	A00V240600	Ball Bearing		B	2	
11	A5AW517400	Shaft /2		D	2	
12	A5AW508400	Support Plate /2		D	1	
13	A1RF508200	Tension Shaft		D	2	
14	A1RF502000	Slide Spacer /B		D	2	
15	A1RF508000	Tension Pulley		D	2	
16	A1RF517100	Spacer /A		D	10	
17	A5AW507000	Bushing		D	4	
18	A5AWR72V00	Swing Arm Calking		D	1	
19	A1RF503714	Tension Spring		D	1	
20	A5AW509300Old	Tension Arm /Rear		D	1	
20	A5AW509301	Tension Arm /Rear		D	1	
21	A1RF504900	Bushing		C	1	
22	A1RF503811	Pressing Spring		D	1	
23	A5AW502200	Rotation Jig /1		D	1	
24	A5AW507200	Tension Panel /1		D	2	
25	A5AW509400Old	Tension Arm /Front		D	1	
25	A5AW509401	Tension Arm /Front		D	1	
26	A1RF508300	Slide Plate		D	1	
27	A1RF508100	Pulling Wire		D	2	
28	A5AW507301	Pressing Spring		D	1	
29	A5AW507400	Pressing Spring /Rear		C	1	
30	26NA50920	REVERSAL SPACER		C	2	
31	A5AW507800	Pressing Arm		D	2	
32	A5AW508100	Support Spring		C	2	
33	A5AW508000	Pressing Spring		C	2	
34	A03U513300	Roller		D	1	
35	A1RF529400	Guide Ball bearing		C	2	
36	A5AW507900	Support Shaft		D	1	

Intermediate Transfer Section

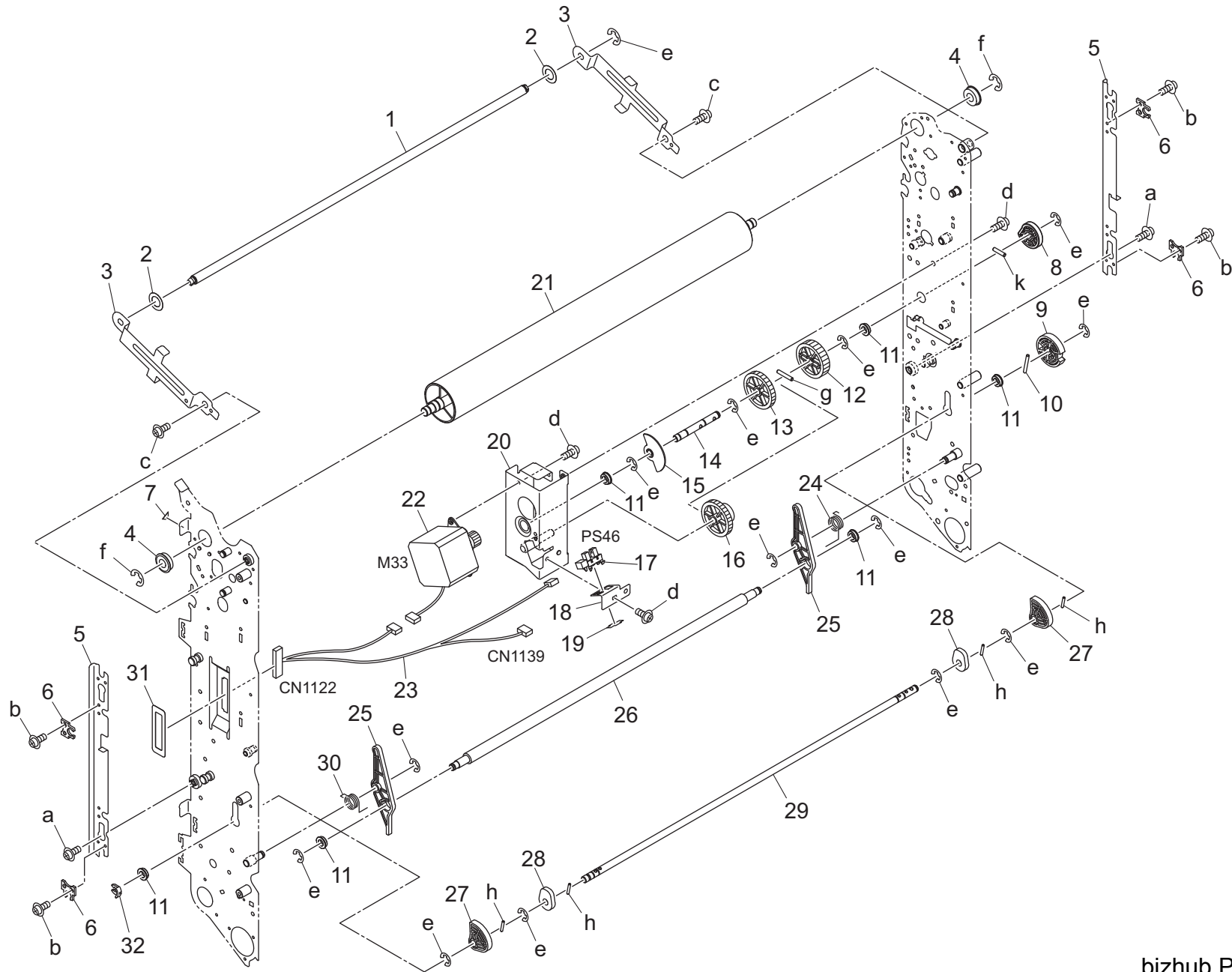
P 42



Intermediate Transfer Section

Key	Part No.	Description	Destinations	Class	QTY	Standard parts
1	A5AWR72E00	Cleaning Base Frame Assy		D	1	a-V118030403 b-V121030403 c-V121030603 d-V500020098 e-V153030803 f-V223060009 g-V500020098 h-V149030803
2	A1RFR76211	Cleaning Sheet		D	1	
3	65AAR74600	POWERING BLOCK A ASSY		C	3	
4	A5AW502100	Power supply Spring /C		D	6	
5	A1RF517100	Spacer /A		D	8	
6	65AA27180	Transfer Slide Bushing		C	4	
7	A1RF500901	Release Plate /Color		D	2	
8	A1RF501500	Slide Part		D	2	
9	65AA26690D	Transfer Powering Plate /K		D	1	
10	65AA26950D	High voltage Powering Block /D		D	1	
11	65AA26810D	Transfer Powering Plate /L		D	1	
12	A50U510100	High voltage Powering Block /C		D	3	
13	A1RF508900	Transfer Powering Bearing		B	8	
14	A1RF509000	Power supply Block /C		D	3	
15	A1RF502803	Reinforce Plate /2		D	3	
16	A1RFN18400	HV Wiring /18		D	3	
17	A5AW510400	Transfer Powering Plate /Front		D	3	
18	A1RF501403	Reinforce Plate		D	1	
19	65AA26050D	High voltage Powering Block /B		D	1	
20	A5AW502001	Power supply Spring /B		D	2	
21	A5AW506100	Slide Sheet		C	4	
22	A5AWR70Q00	Thick Paper Trans. Backup Guide		B	1	
23	A5AW509000	Mounting Stay		D	1	

Intermediate Transfer Section

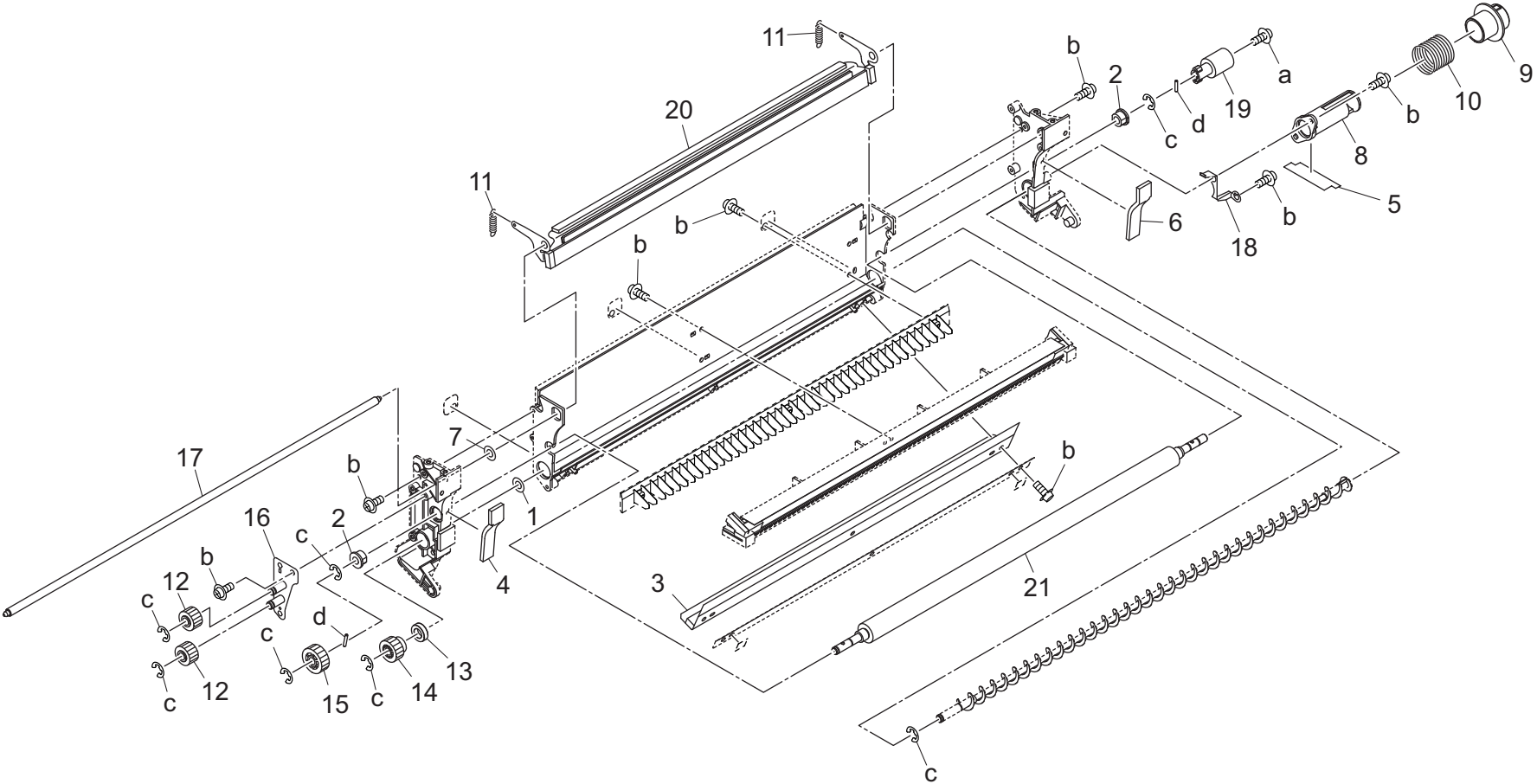


Intermediate Transfer Section

Key	Part No.	Description	Destinations	Class	QTY	Standard parts
1	A5AW505900	Handle		D	1	a-V116040803
2	A1RF945300	Replacement Label /3		D	2	b-V118030403
3	A5AW504600	Lifting Arm		D	2	c-V118040603
4	A00V240600	Ball Bearing		B	2	d-V121030603
5	A1RF505002	Support Leg		D	2	e-V217040001
6	A1RF505300	Lock Claw		D	4	f-V217060001
7	A1RF945100	Replacement Label /1		D	1	g-V234301850
8	A1RF504101	Swing Cam		D	1	h-V234201250
9	A1RF507800	Transfer Driving Coupling /Front		D	1	k-V234301450
10	A1RF507700	Pin /Z		D	1	
11	A00J617800	Ball Bearing		B	6	
12	A1RF509600	Drive Gear /2 40T		C	1	
13	A1RF509800	Idling Gear /1 20/44T		C	1	
14	A1RF504201	Drive Shaft /S		D	1	
15	A1RF504403	Index Plate /S		D	1	
16	A1RF509700	Idling Gear /2 20/40T		C	1	
17	A85CM55600	Photo Sensor		C	1	
18	A1RF504500	Stay		D	1	
19	4470402401	Stopper		D	1	
20	A1RFR7G700	Drive Unit Panel Calking		D	1	
21	A5AW500600	Driven Roller		C	1	
22	A00TM10000	Stepping motor		B	1	
23	A5AWN15500	Transfer Wiring /4		D	1	
24	A1RF501200	Pressing Spring /Rear		D	1	
25	A1RF501000	Release Arm /Black		D	2	
26	65AA26141F	Transfer Pressure Roller /K		C	1	
27	A1RF502400	Transfer Release Cam /C		D	2	
28	65AA26750	TRANSFER RELEASE CAM K		C	2	
29	A1RF507900	Pressure Shaft		D	1	
30	A5AW501100	Pressing Spring /Front		D	1	
31	A1RF945700	Replacement Label /7		D	1	
32	56AA40490	SHAFT STOPPER 4		C	1	

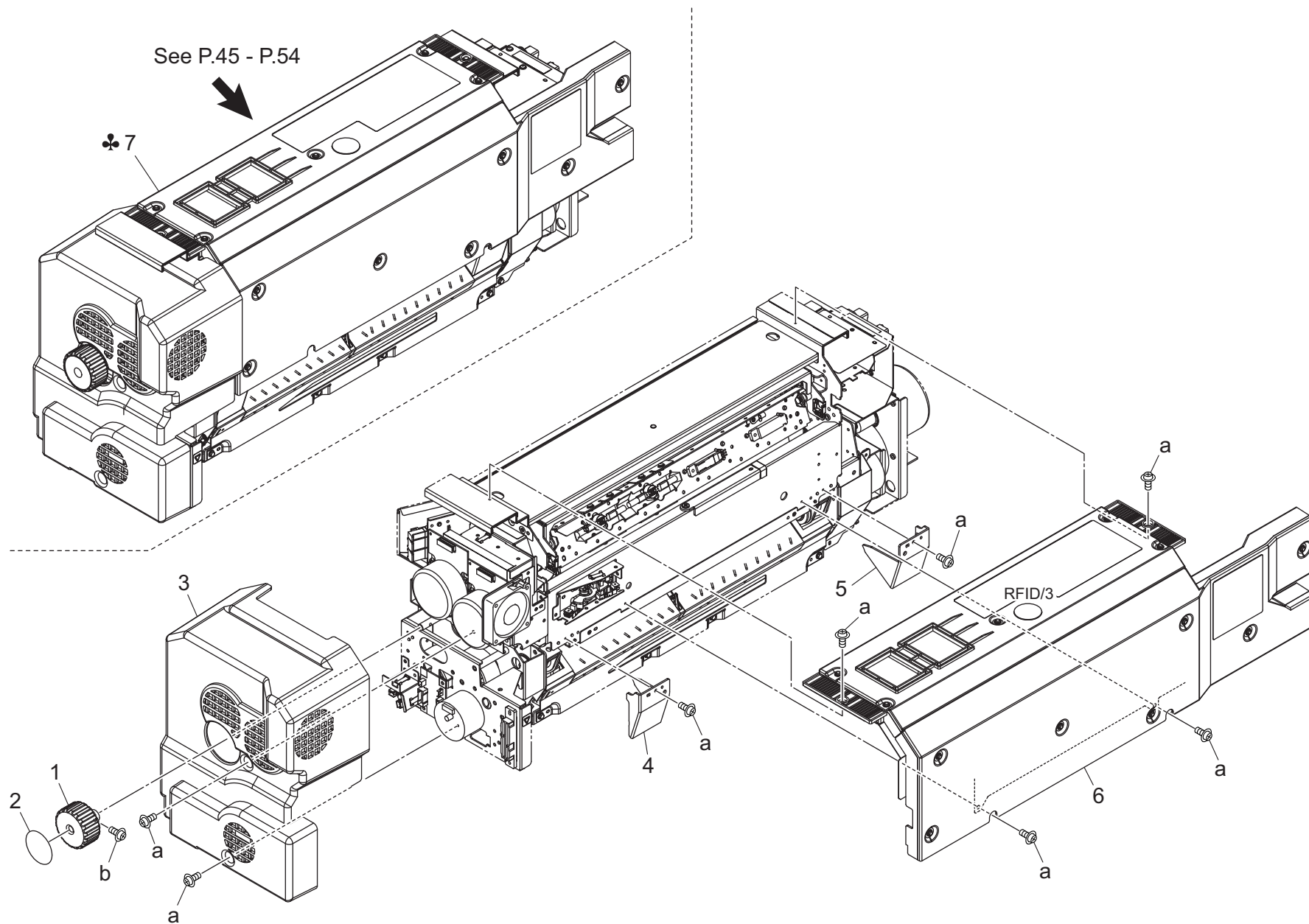
Intermediate Transfer Section

改訂版 REVISED EDITION	日付 DATE
	APRIL 2015



Key	Part No.	Description	Destinations	Class	QTY	Standard parts
1	40AA32320	Toner Supply Spacer		C	1	a-V121030603 b-V153030803 c-V217040001 d-V234201050
2	65AA26840	Cleaner Bushing /Front		C	2	
3	65AAR75600	SHEET 1 ASSY		A	1	
4	A1RF511203Old	Sealing Pad /C		A	1	
4	A5AW511200	Sealing Pad /C		A	1	
5	A1RF511400	Collection Seal /2		D	1	
6	A1RF511601Old	Sealing Pad /E		A	1	
6	A5AW511600	Sealing Pad /E		A	1	
7	A1RF511700	Regulating Seal		D	1	
8	A1RF512000	Collection Pipe		D	1	
9	A1RF512100	Collection Shutter		D	1	
10	A1RF512200	Collection Spring		D	1	
11	A1RF515000	Cleaning Spring		C	2	
12	A1RF515700	Idling Gear /4 14T		C	2	
13	A1RF517200	Collection Seal		D	1	
14	A1RF519800	Collection Gear /B 16T		C	1	
15	A1RF519901	Collection Gear /A 23T		C	1	
16	A1RFR7A800	DRIVING UNIT BASE FRAME/2 CALKING		D	1	
17	A5AW510900	Blade Fulcrum Shaft		D	1	
18	A5AW511500	Power supply Plate		D	1	
19	A5AW512400	Collection Coupling		D	1	
20	A5AWR70P11	Belt Cleaning Blade		A	1	
21	A1RF510401Old	Auxiliary Roller		C	1	
21	A5AW510500	Auxiliary Roller		C	1	

Fusing Section

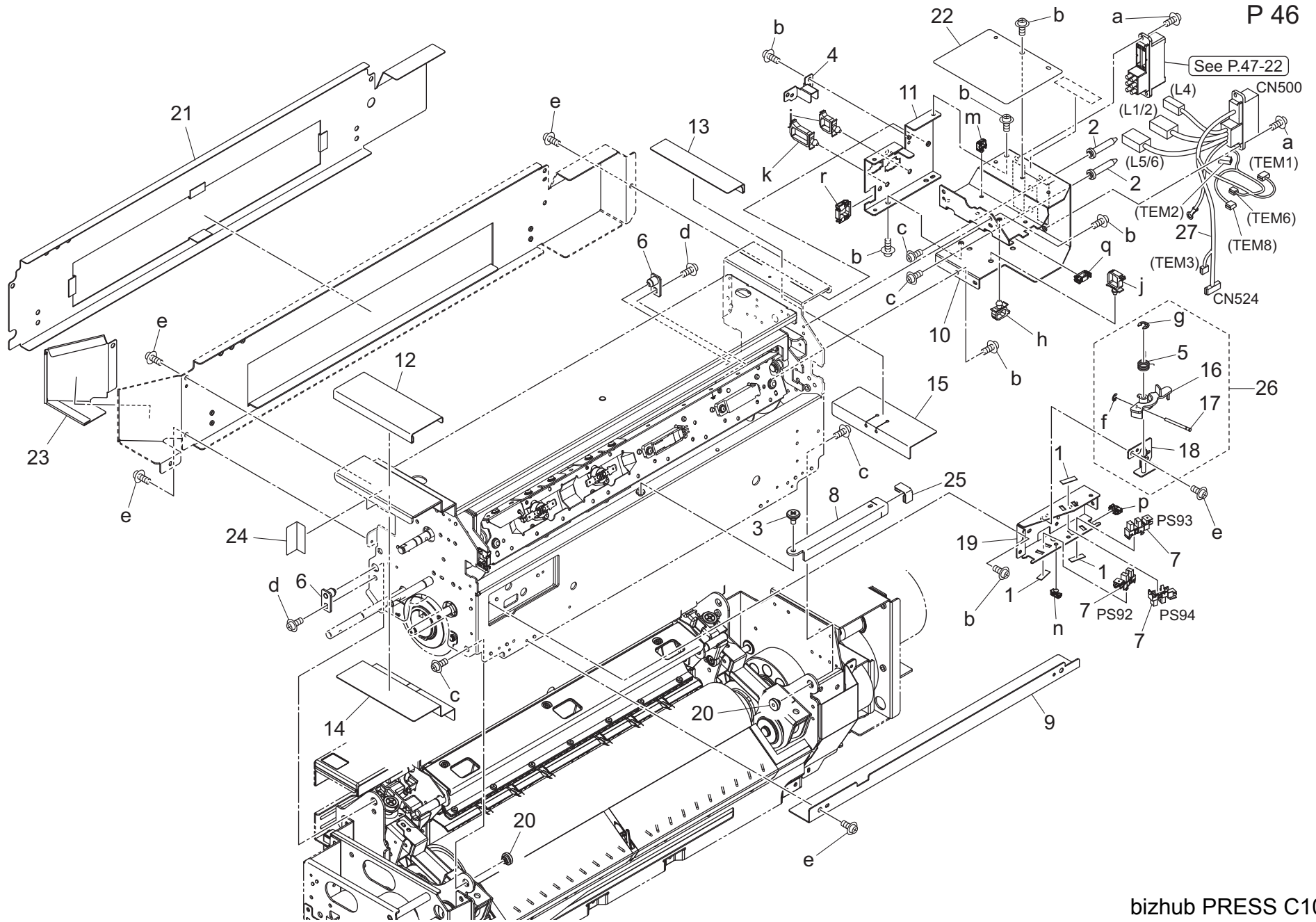


Fusing Section

Key	Part No.	Description	Destinations	Class	QTY	Standard parts
1	20AL48470G	Jam Release Knob		C	1	a-V182030603 b-V116041203
2	A1RF943400	Release Label /4		D	1	
3	A5AW736401	Fusing Cover		D	1	
4	A5AW729501	Fusing Cover /Front		D	1	
5	A5AW729601	Fusing Cover /Rear		D	1	
6	A5AWR72F00	Fusing Top plate Assy		D	1	
7	A5AWR70733	Fusing Unit (200V)	A	I	1	
7	A5AWR70833	Fusing Unit (208V)	B,G2	I	1	
7	A5AWR70933	Fusing Unit (220V)	C,D1,D3,E,F2,G1,H,I J,K	I	1	

Fusing Section

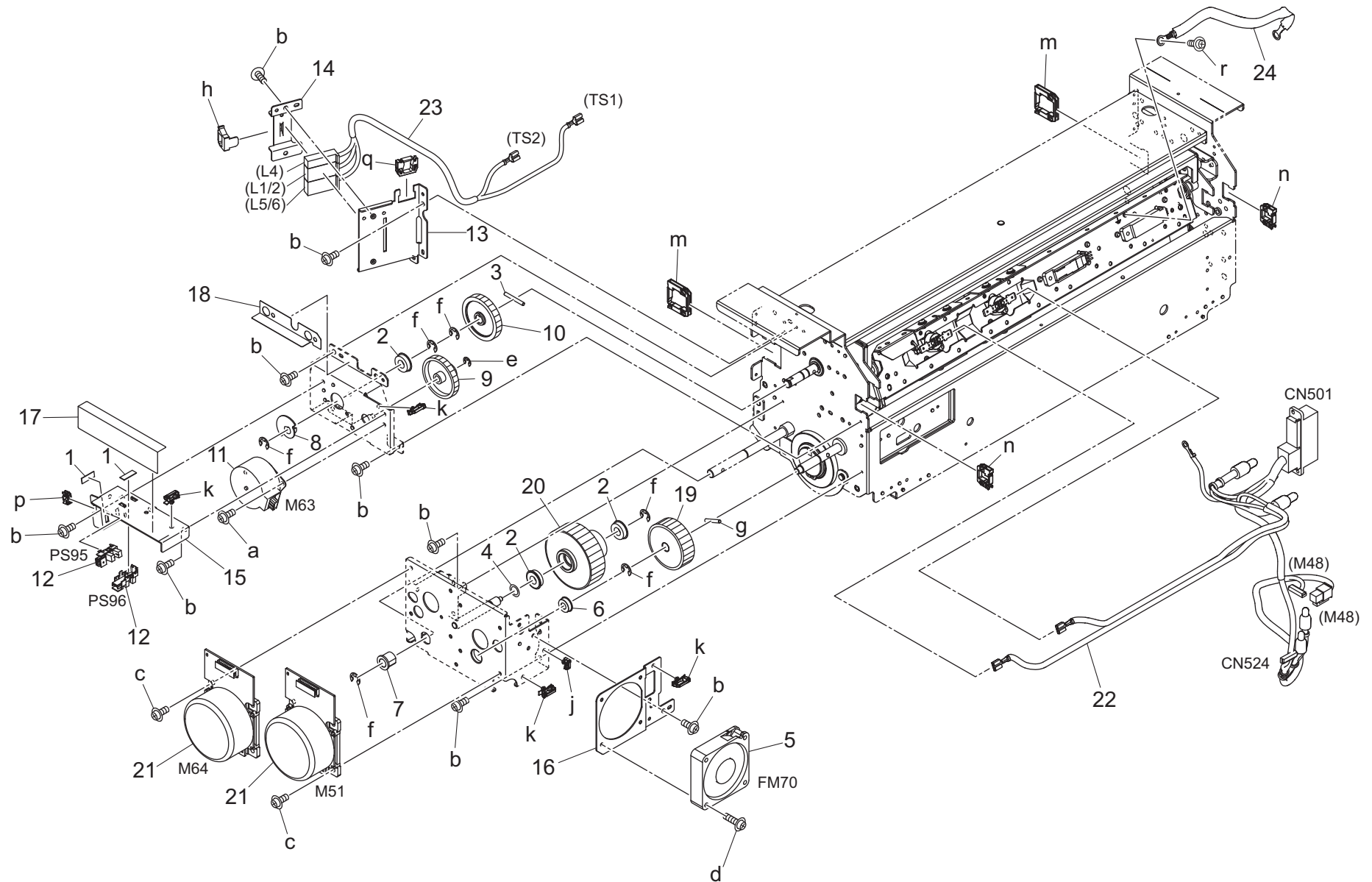
P 46



bizhub PRESS C1085

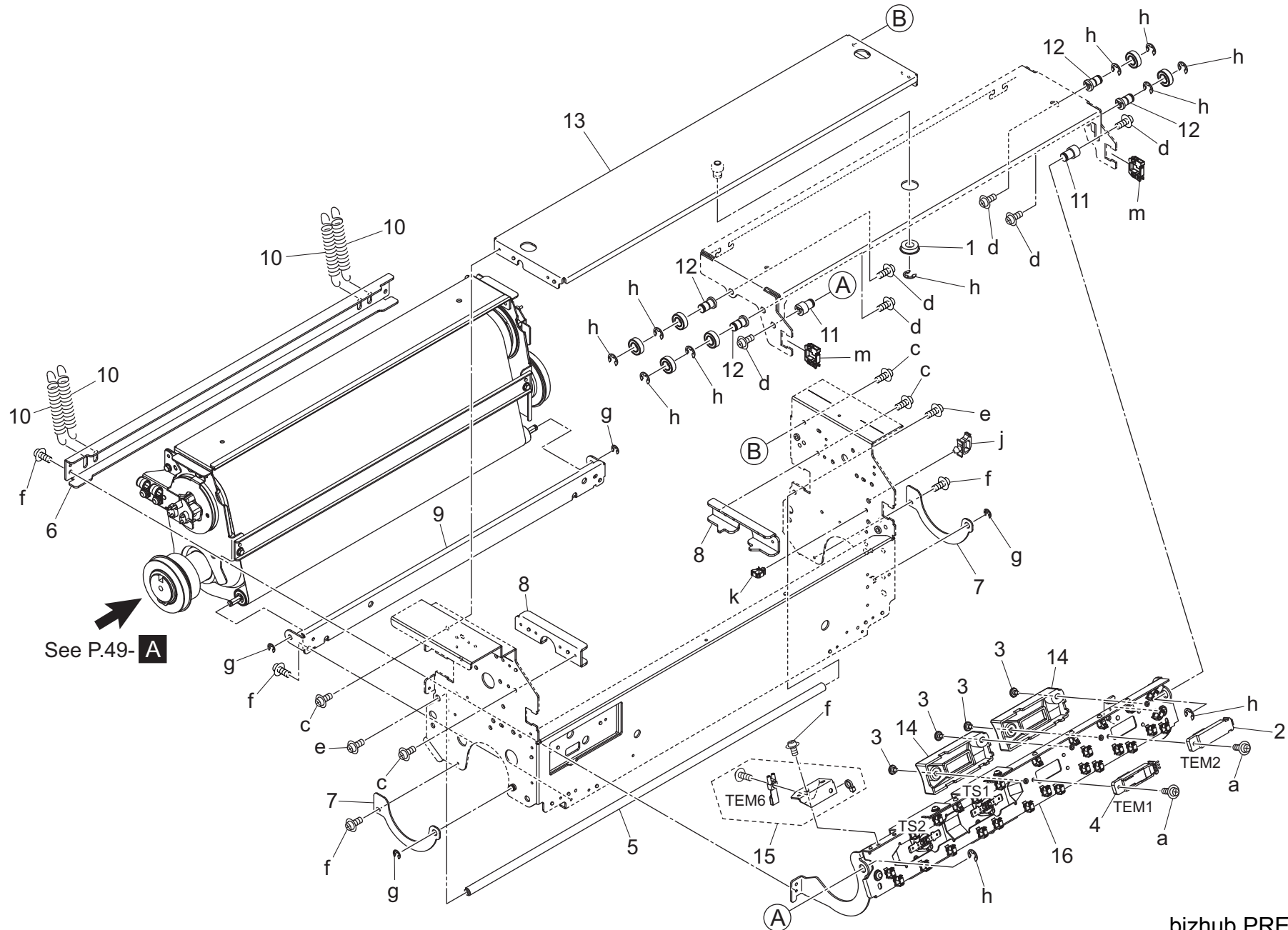
Key	Part No.	Description	Destinations	Class	QTY	Standard parts
1	4109553001	Stopper		C	3	a-V116030803
2	A03U724200	Positioning Shaft		D	2	b-V121030403
3	A03U734500	Support Screw /A		C	1	c-V121040803
4	A1RF732700	Fixing Plate		D	1	d-V125041003
5	A1RF748400	Swing Spring /1		D	1	e-V182030603
6	A1RFF80500	Open/Close Plate Caulking		D	2	f-V217020001
7	A1RFM51000	Photointerrupter /H		C	3	g-V217030001
8	A5AW720900	Auxiliary Plate		D	1	h-V500010005
9	A5AW722200	Entrance Plate		D	1	j-V500010007
10	A5AW726501	Mounting Plate /2		D	1	k-V500010013
11	A5AW726601	Mounting Plate /3		D	1	m-V500020098
12	A5AW735100	Lifting Handle /Front		D	1	n-V500020099
13	A5AW735200	Lifting Handle /Rear		D	1	p-V570010056
14	A5AW735800	Lifting Handle /A		D	1	q-V570010057
15	A5AW735900	Lifting Handle /B		D	1	r-V570010060
16	A5AW740100	Swing Actuator /A		C	1	
17	A5AW740200	Swing Shaft /1		D	1	
18	A5AW740301	Swing Plate /Assy		D	1	
19	A5AW740401	Detecting Plate /A		D	1	
20	A5AW758200	Open/close Shaft		D	2	
21	A5AW781200	Insulating Sheet /3		D	1	
22	A5AW782600	Cover Sheet /1		D	1	
23	A5AW783100	Insulating Sheet /4		D	1	
24	A5AW783200	Cover Sheet /4		D	1	
25	A5AW783300	Protection Sheet /8		D	1	
26	A5AWR70F00	Fusing Steering Actuator Assy		B	1	
27	A5AWN10800	Fixing Wiring /1		D	1	

Fusing Section



Key	Part No.	Description	Destinations	Class	QTY	Standard parts
1	4109553001	Stopper		C	2	a-V118030403
2	4120550302	BALL BEARING		A	3	b-V121030403
3	56AA17490	PIN		C	1	c-V121030803
4	56AA42690	BY-PASS SPACER		C	1	d-V121031803
5	9J06M10000	Fan motor		C	1	e-V217040001
6	A00J211200	Ball Bearing		C	1	f-V217060001
7	A11P905000	Bushing /A		C	1	g-V234302050
8	A1RF724401	Release Actuator		D	1	h-V500010021
9	A1RF807400	Release Gear /1 14/80T		C	1	j-V500020099
10	A1RF807500	Release Gear /2 42T		C	1	k-V500020100
11	A1RFR74300	Drive Motor ASSY		C	1	m-V500020105
12	A1RFM51000	Photointerrupter /H		C	2	n-V500020106
13	A5AW720700	Mounting Plate /2		D	1	p-V570010056
14	A5AW720800	Fixing Plate		D	1	q-V570010060
15	A5AW722000	Detecting Plate /B		D	1	r-V116050803
16	A5AW736000	Mounting Plate /F		D	1	
17	A5AW782700	Cover Sheet /2		D	1	
18	A5AW782800	Cover Sheet /3		D	1	
19	A5AW808300	Drive Gear /2 44T		C	1	
20	A5AW808700	Drive Gear /1 25/110T		C	1	
21	A5AWM10201	DC Brushless motor /B		C	2	
22	A5AWN10903	Fixing Wiring /2		D	1	
23	A5AWN11001	Fixing Wiring /3		D	1	
24	A5AWN11100	Fixing Wiring /4		D	1	

Fusing Section

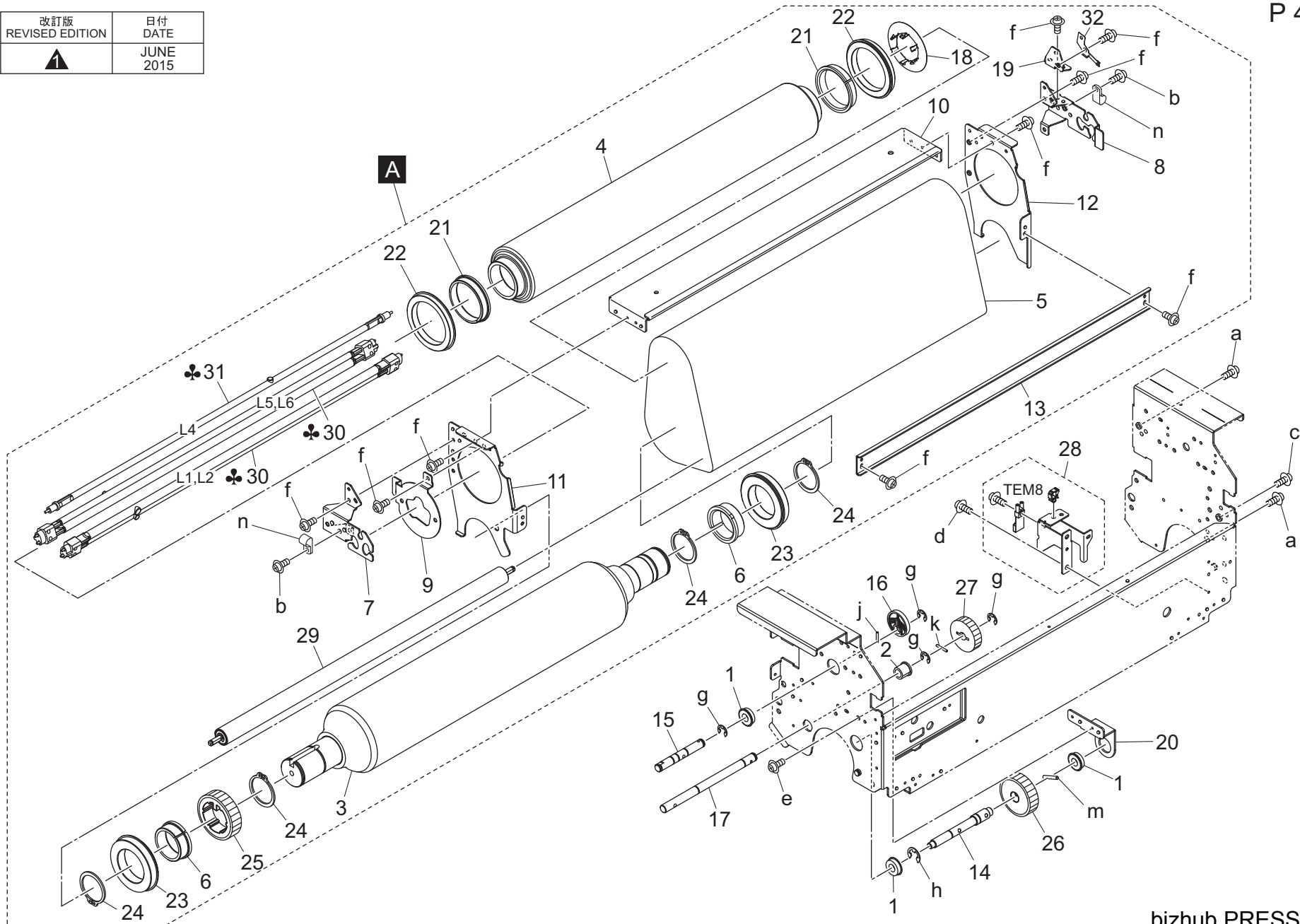


See P.49- **A**

Key	Part No.	Description	Destinations	Class	QTY	Standard parts
1	4120550302	BALL BEARING		A	1	a-V116030803
2	65AA88020	Temperature Sensor /2		B	1	c-V121030403
3	A03U734500	Support Screw /A		C	4	d-V121040803
4	A1RFM50200	Temperature Sensor /2		I	1	e-V125041003
5	A5AW722101	Reinforce Shaft		D	1	f-V182030603
6	A5AW723400	Fixing Stay		D	1	g-V217040001
7	A5AW725000	Hold Plate		D	2	h-V217060001
8	A5AW725802	Guide Plate		D	2	j-V500010005
9	A5AW727201	Fixing Plate		D	1	k-V500010074
10	A5AW727900	Belt Tension Spring		D	4	m-V500020106
11	A5AW734600	Support Shaft		D	2	
12	A5AW735500	Support Shaft /2		D	4	
13	A5AW735700	Reinforce Stay /1		D	1	
14	A5AW738100	Protection Cover		D	2	
15	A5AWR70T00	Fusing Belt Temp. Sensor/Fr		B	1	
16	A5AWR72200	Upper Sensor SUB ASSY		C	1	

Fusing Section

改訂版 REVISED EDITION	日付 DATE
	JUNE 2015

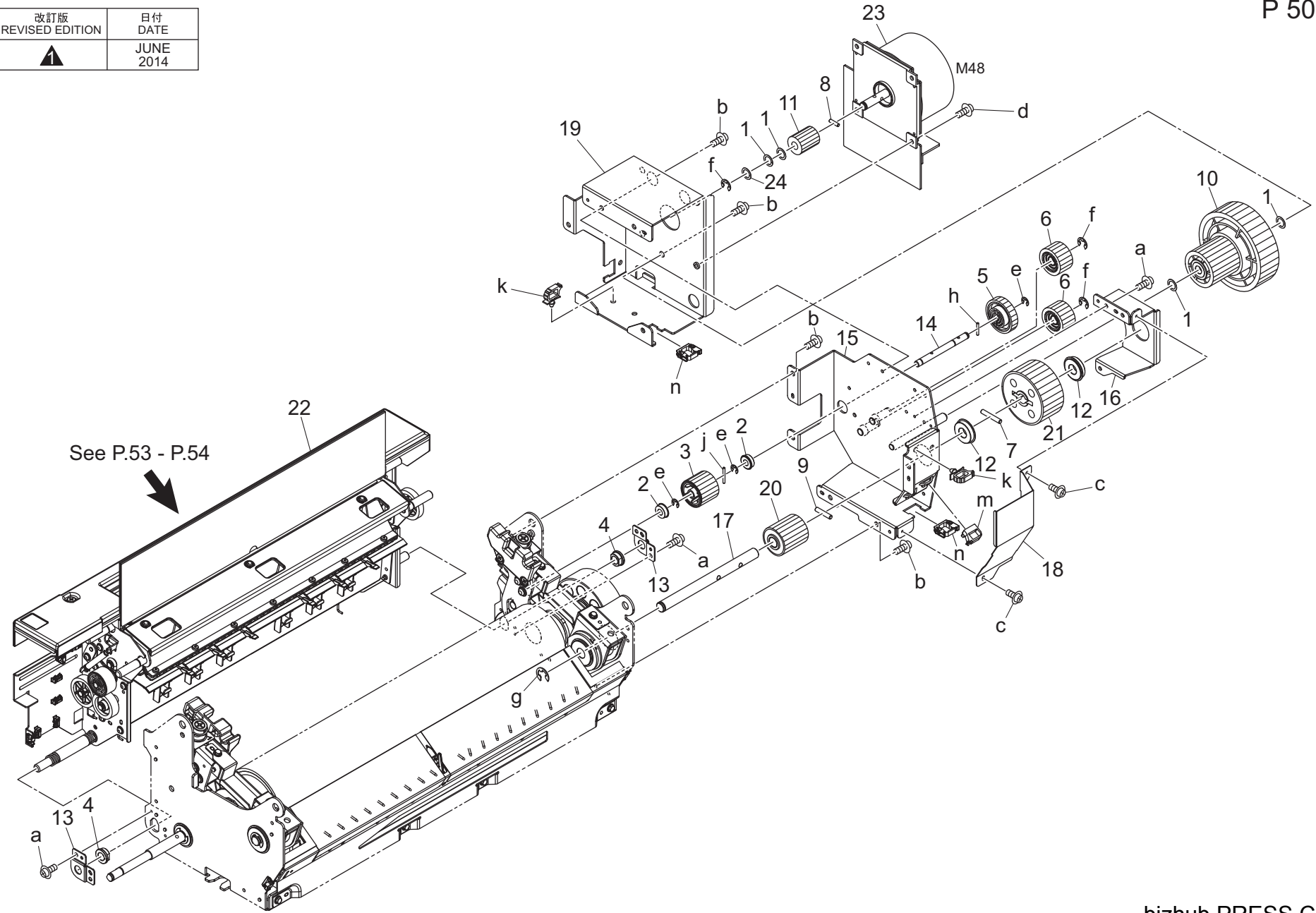


bizhub PRESS C1085

Key	Part No.	Description	Destinations	Class	QTY	Standard parts
1	4120550302	BALL BEARING		A	3	a-V116040603
2	A11P905000	Bushing /A		C	1	b-V116040803
3	A5AW720100	Upper Pressure Roller		B	1	c-V116050803
4	A5AW720200	Heating Roller		B	1	d-V121030403
5	A5AW720301	Fusing Belt		B	1	e-V121030603
6	A5AW721700	Heat Insulating Sleeve/Lw		B	2	f-V182030603
7	A5AW724000	Support Plate /Front		D	1	g-V217060001
8	A5AW724101	Support Plate /Rear		D	1	h-V217080001
9	A5AW724800	Heat blocking Plate /1		D	1	j-V234201250
10	A5AW725201	Positioning Stay /1		D	1	k-V234201450
11	A5AW725301	Hold Plate /Front		D	1	m-V234302050
12	A5AW725400	Hold Plate /Rear		D	1	n-V500020031
13	A5AW725500	Positioning Stay /2		D	1	
14	A5AW726100	Drive Shaft /1		D	1	
15	A5AW726300	Release Shaft		D	1	
16	A5AW726400	Release Cam		D	1	
17	A5AW726800	Processing Shaft		D	1	
18	A5AW727500	Ground Plate		D	1	
19	A5AW727600	Mounting Plate		D	1	
20	A5AW734700	Support Plate /1		D	1	
21	A5AW744900	Heat Insulating Sleeve/1		B	2	
22	A5AW745000	Fusing Bearing/1		B	2	
23	A5AW745200	Fusing Bearing/2		B	2	
24	A5AW789900	C type retaining ring		D	4	
25	A5AW808100	Fusing Gear /A 45T		C	1	
26	A5AW808200	Idling Gear /3 39T		C	1	
27	A5AW808500	Processing Gear 31T		C	1	
28	A5AWR70U00	Upper Pres. Roller Temp. Sensor		B	1	
29	A5AWR70E11	Fusing Inlet Roller Assy		B	1	
30	A5AWM31A00	Fusing Heater Lamp (200V)		B	2	
30	A5AWM31E00	Fusing Heater Lamp (208V)		B	2	
30	A5AWM31F00	Fusing Heater Lamp (220V)		B	2	
31	A5AWM34A00	Fusing Heater Lamp/4 (200V)		B	1	
31	A5AWM34E00	Fusing Heater Lamp/4 (208V)		B	1	
31	A5AWM34F00	Fusing Heater Lamp/4 (220V)		B	1	
32	A2XK742001	Contact		D	1	

Fusing Section

改訂版 REVISED EDITION	日付 DATE
	JUNE 2014

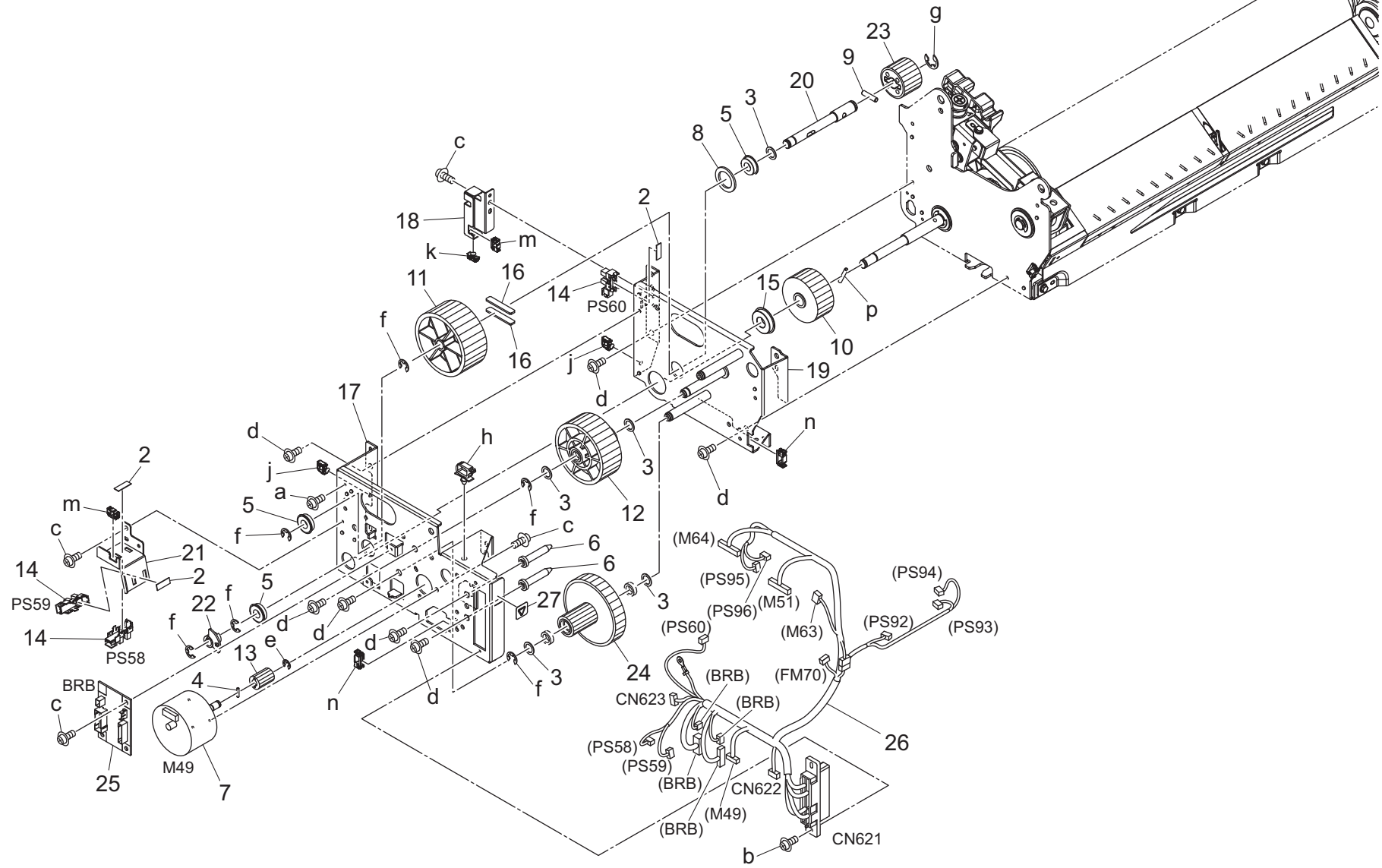


Key	Part No.	Description	Destinations	Class	QTY	Standard parts
1	56AA42690	BY-PASS SPACER		C	4	a-V121030403
2	A00J211200	Ball Bearing		C	2	b-V121040603
3	A03N211100	Gear 26T		C	1	c-V182030603
4	A03U812800	Slide Shaft Holder		B	2	d-V182040603
5	A1RF415600	Toner Supply Gear 33T		D	1	e-V217040001
6	A1RF539900	Idling Gear /4 26T		D	2	f-V217060001
7	A1RF749600	Pin /1		D	1	g-V217080001
8	A1RF758000	Pin /A		D	1	h-V234201450
9	A1RF758100	Pin /B		D	1	j-V234201850
10	A1RF809800	Fusing Gear /2 36/76T		B	1	k-V500010005
11	A1RF809900	Fusing Gear /6 16T		C	1	m-V500010021
12	A4EU265000	Ball bearing		B	2	n-V570010060
13	A5AW740800	Fixing Plate		D	2	
14	A5AW740900	Drive Shaft /4		D	1	
15	A5AW742100	Drive Panel /B		D	1	
16	A5AW742200	Drive Panel /C		D	1	
17	A5AW743000	Drive Shaft /3		D	1	
18	A5AW753300	Fusing Cover /Rear		D	1	
19	A5AW764300	Drive Panel /A		D	1	
20	A5AW809600	Fusing Gear /4 47T		C	1	
21	A5AW809700	Fusing Gear /3 54T		C	1	
22	A5AWR72500	Paper Exit Unit		I	1	
23	A5AWM10600	DC Brushless motor /F		C	1	
24	12QV40650	Spacer		B	1	

Fusing Section

P 51

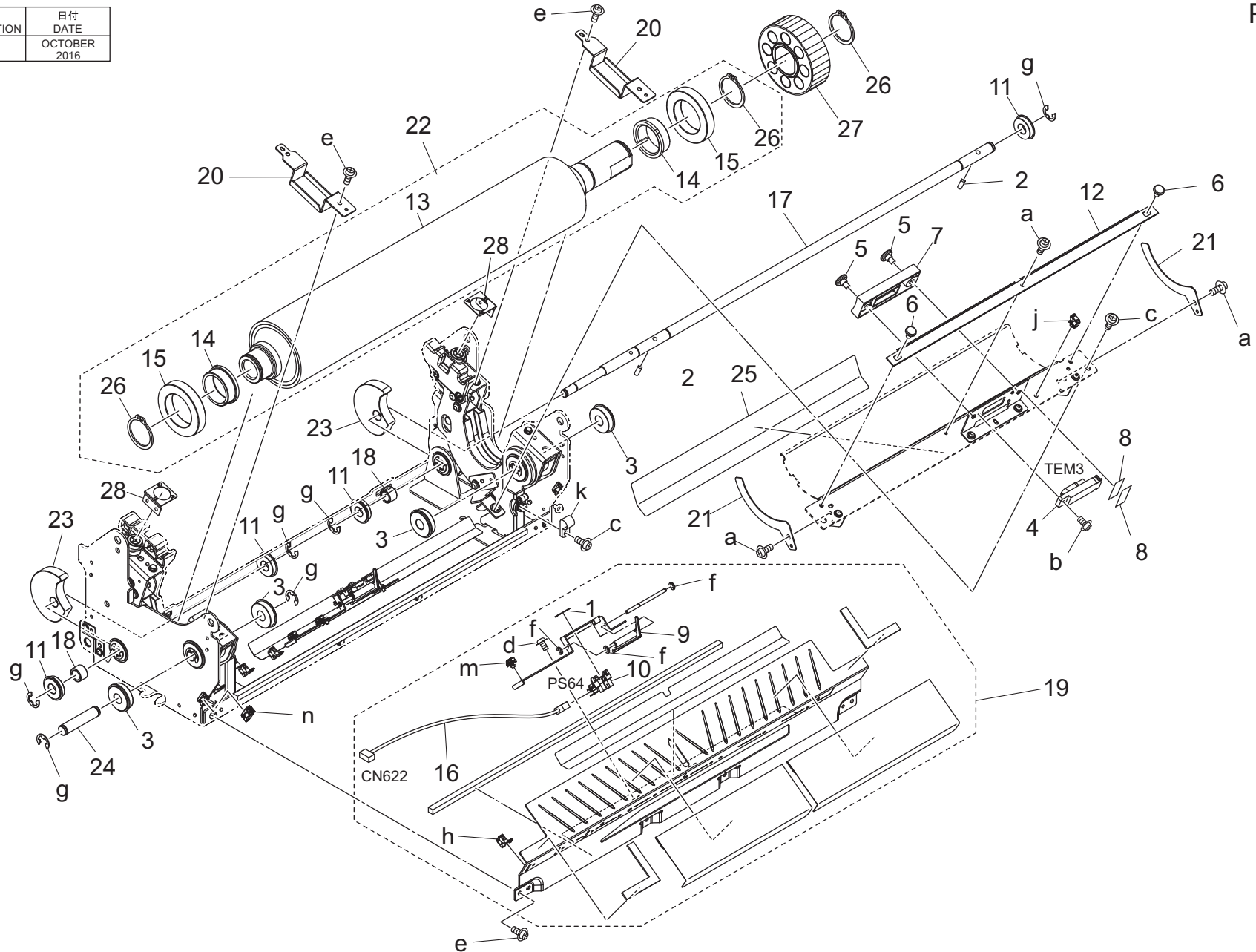
改訂版 REVISED EDITION	日付 DATE
	AUGUST 2016



Key	Part No.	Description	Destinations	Class	QTY	Standard parts
2	4109553001	Stopper		C	3	a-V116030603
3	12QV40650	Spacer		B	5	b-V116030803
4	56AA17510	Pin /B		C	1	c-V121030403
5	A00V240600	Ball Bearing		B	3	d-V121040603
6	A03U724200	Positioning Shaft		D	2	e-V217040001
7	A11PM10200	DC Brushless motor /12		C	1	f-V217060001
8	A1RF746300	Spacer /1		D	1	g-V217080001
9	A1RF758100	Pin /B		D	1	h-V500010005
10	A1RF808600	Pressure Gear /5 42T		C	1	j-V500020098
11	A1RF808900	Pressure Gear /4 60T		C	1	k-V500020099
12	A1RF809100	Pressure Gear /2 18/110T		C	1	m-V570010056
13	A1RF809400	Pressure Gear /1 22T		C	1	n-V570010057
14	A1RFM51000	Photointerrupter /H		C	3	p-V234302050
15	A4EU265000	Ball bearing		B	1	
16	A5AW721000	Part /1		D	2	
17	A5AW742301	Drive Panel /1		D	1	
18	A5AW744000	Cover		D	1	
19	A5AW749701	Drive Panel /2		D	1	
20	A5AW749900	Drive Shaft /2		D	1	
21	A5AW750100	Detecting Plate /C		D	1	
22	A5AW750200	Release Actuator		C	1	
23	A5AW808800	Pressure Gear /5 28T		C	1	
24	A5AW809000	Pressure Gear /3 18/63T		C	1	
25	A5AWH80000	BR Board /T Assy		I	1	
26	A5AWN23801	Fixing Drive harness /1		D	1	
27	A5AW782500	Fusing Label /3		D	1	

Fusing Section

改訂版 REVISED EDITION	日付 DATE
	OCTOBER 2016

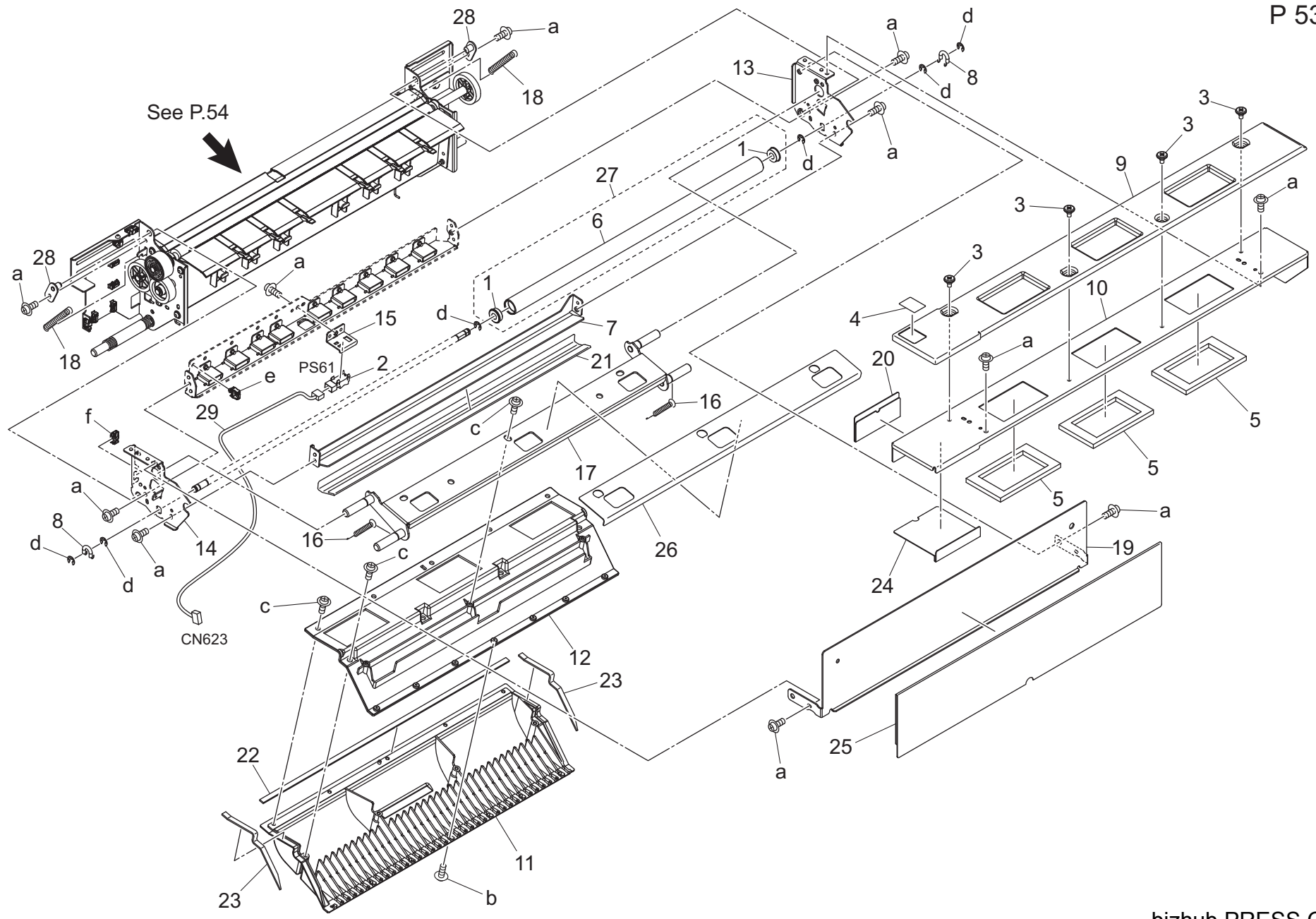


Fusing Section

Key	Part No.	Description	Destinations	Class	QTY	Standard parts
1	4109553001	Stopper		C	1	a-V116030603
2	454078030	PARALLEL PIN		C	2	b-V116030803
3	56UA75050	ADU Roller Bearing		C	4	c-V116040803
4	65AA88010	Temperature Sensor /1		B	1	d-V121030403
5	A03U734500	Support Screw /A		C	2	e-V182030603
6	A0P0742300	Shoulder screw		C	2	f-V217020001
7	A1RF738100	Protection Cover		D	1	g-V217080001
8	A1RF738300	Protection Sheet /F		D	2	h-V500010057
9	A1RF750300	Actuator /2		D	1	j-V500010074
10	A1RFM51000	Photointerrupter /H		C	1	k-V500020029
11	A4EU265000	Ball bearing		B	4	m-V500020099
12	A50U755000	Neutralizing Brush		D	1	n-V570010057
13	A5AW720401	Lower Pressure Roller		B	1	
14	A5AW721700	Heat Insulating Sleeve/Lw		B	2	
15	A5AW721800	Fusing Bearing/Lw		B	2	
16	A5AWN23900	Fixing Drive harness /2		D	1	
17	A5AW742500	Pressure Shaft /A		D	1	
18	A5AW742600	Pressure Spacer		D	2	
19	A5AWR71Q00	Entrance Guide Assy		D	1	
20	A5AW742801	Holding Plate /1		D	2	
21	A5AW743100	Side plate		D	2	
22	A5AWR71R11	Fusing Roller Assy		B	1	
23	A5AW746500	Pressure Cam		D	2	
24	A5AW747000	Support Shaft /Front		D	1	
25	A5AW780100	Cooling Sheet		D	1	
26	A5AW789900	C type retaining ring		D	3	
27	A5AW808000	Fusing Gear 120T		C	1	
28	A5AW740500	Adjusting Plate		D	2	

Fusing Section

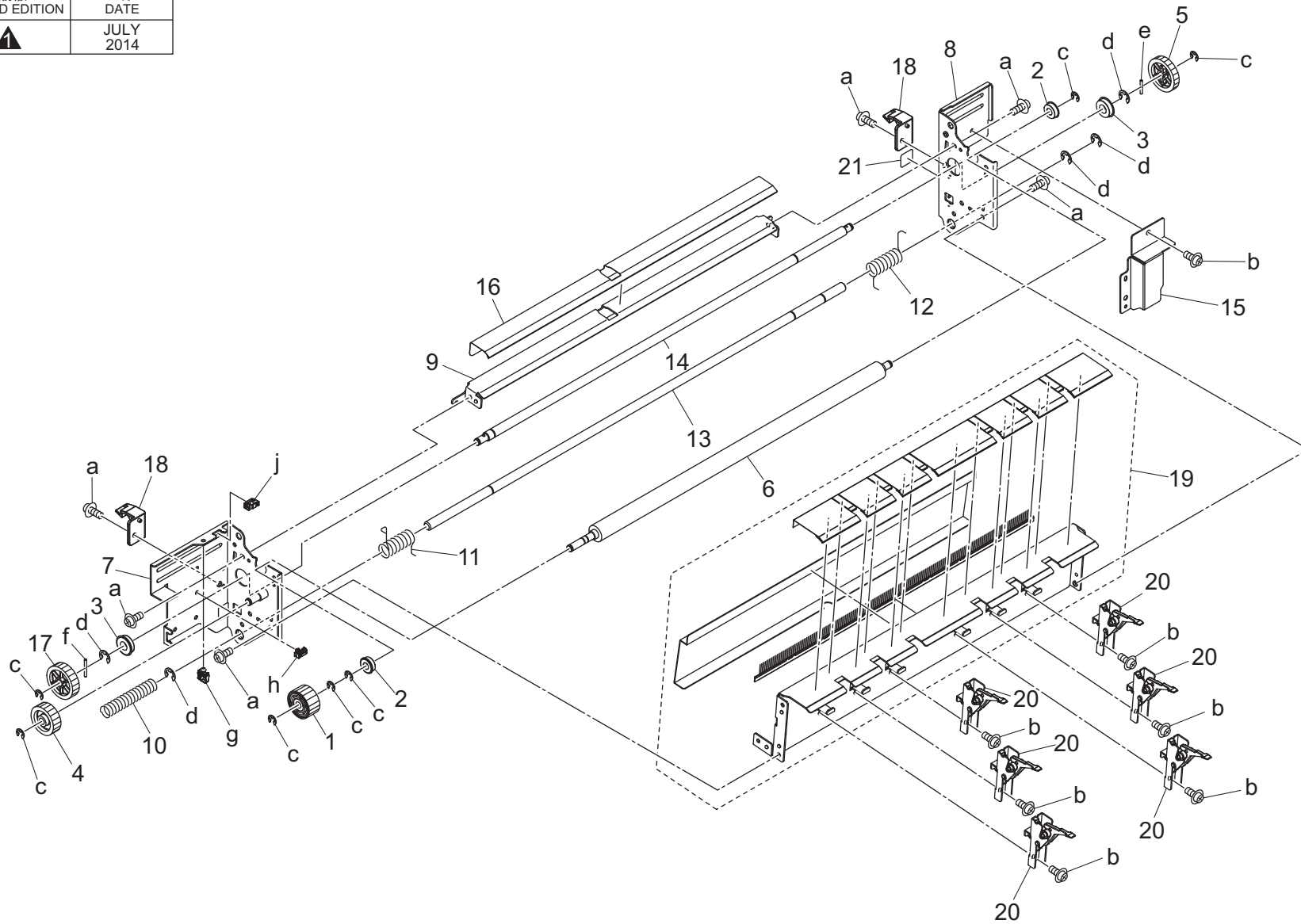
P 53



Key	Part No.	Description	Destinations	Class	QTY	Standard parts
1	A00J211200	Ball Bearing		C	2	a-V121030603
2	A03TM50000	Photorelector		I	1	b-V149020804
3	A03U734500	Support Screw /A		C	4	c-V153030803
4	A1RF943600	Release Label /6		D	1	d-V217040001
5	A5AW739300	Separating Cushion /3		D	3	e-V500020098
6	A5AW760200	Fusing Paper Exit Roller/Up		B	1	f-V570010056
7	A5AW760501	Paper exit Plate /1		D	1	
8	A5AW761700	Paper exit Spring		D	2	
9	A5AW762300	Cover Part /A		D	1	
10	A5AW762401	Paper exit Stay		D	1	
11	A5AW762501	Separating Duct /1		D	1	
12	A5AW762600	Separating Duct /2		D	1	
13	A5AW762701	Mounting Plate /Rear		D	1	
14	A5AW763101	Mounting Plate /Front		D	1	
15	A5AW763400	Base frame		D	1	
16	A5AW763800	Auxiliary Spring		D	2	
17	A5AW764101	Separating Stay /ASSY		D	1	
18	A5AW764200	Open/close Spring		D	2	
19	A5AW764401	Open/close Plate		D	1	
20	A5AW781000	Insulating Sheet /1		D	1	
21	A5AW781501	Protection Sheet /3		D	1	
22	A5AW783400	Separating Cushion /1		D	1	
23	A5AW783501	Separating Cushion /2		D	2	
24	A5AW783600	Insulating Sheet /5		D	1	
25	A5AW783700	Insulating Sheet /6		D	1	
26	A5AW783800	Insulating Sheet /7		D	1	
27	A5AWR72600	Fusing Paper Exit Roller Assy/Up		B	1	
28	A5AWR72N00	Separating Open/Close Plate Caulking		D	2	
29	A5AWN24000	Fixing Drive harness /3		D	1	

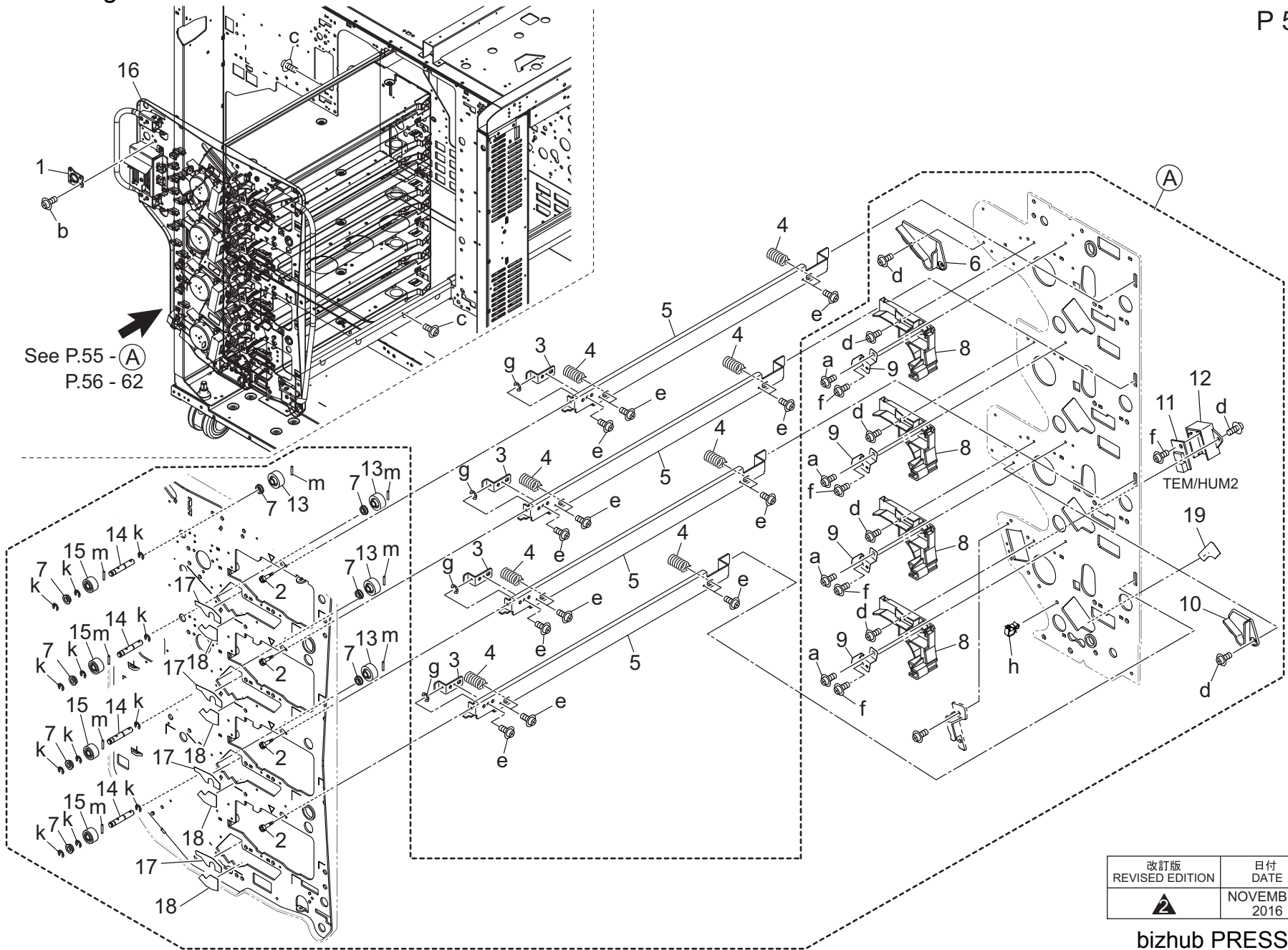
Fusing Section

改訂版 REVISED EDITION	日付 DATE
	JULY 2014



Key	Part No.	Description	Destinations	Class	QTY	Standard parts
1	56AA77220	PAPER EXIT DRIVING GEAR 1 24T		B	1	a-V121030603 b-V182030603 c-V217040001 d-V217060001 e-V234201450 f-V234201850 g-V500020098 h-V500020099 j-V570010056
2	A00J211200	Ball Bearing		C	2	
3	A00V240600	Ball Bearing		B	2	
4	A1RF807700	Idling Gear /3 25T		C	1	
5	A1RJ818800	Drive Gear /8 29T		C	1	
6	A5AW760100	Fusing Paper Exit Roller/Lw		B	1	
7	A5AW760300	Mounting Plate /Front		D	1	
8	A5AW760400	Mounting Plate /Rear		D	1	
9	A5AW761200	Paper exit Plate /4		D	1	
10	A5AW761800	Swing Spring		D	1	
11	A5AW761900	Open/close Spring /Front		D	1	
12	A5AW762000	Open/close Spring /Rear		D	1	
13	A5AW762100	Support Shaft /1		D	1	
14	A5AW762800	Support Shaft /2		D	1	
15	A5AW764000	Cover		D	1	
16	A5AW781300	Protection Sheet /1		D	1	
17	A5AW807300	Regulating Gear 29T		C	1	
18	A5AW861600	Fixing Block /Upper		D	2	
19	A5AWR72700	Fusing Claw Plate Assy		D	1	
20	A5AWR70G00	Fusing Claw Assy		B	6	
21	A5AW782500	Fusing Label /3		D	1	

Process Carriage Section



See P.55 - (A)
P.56 - 62

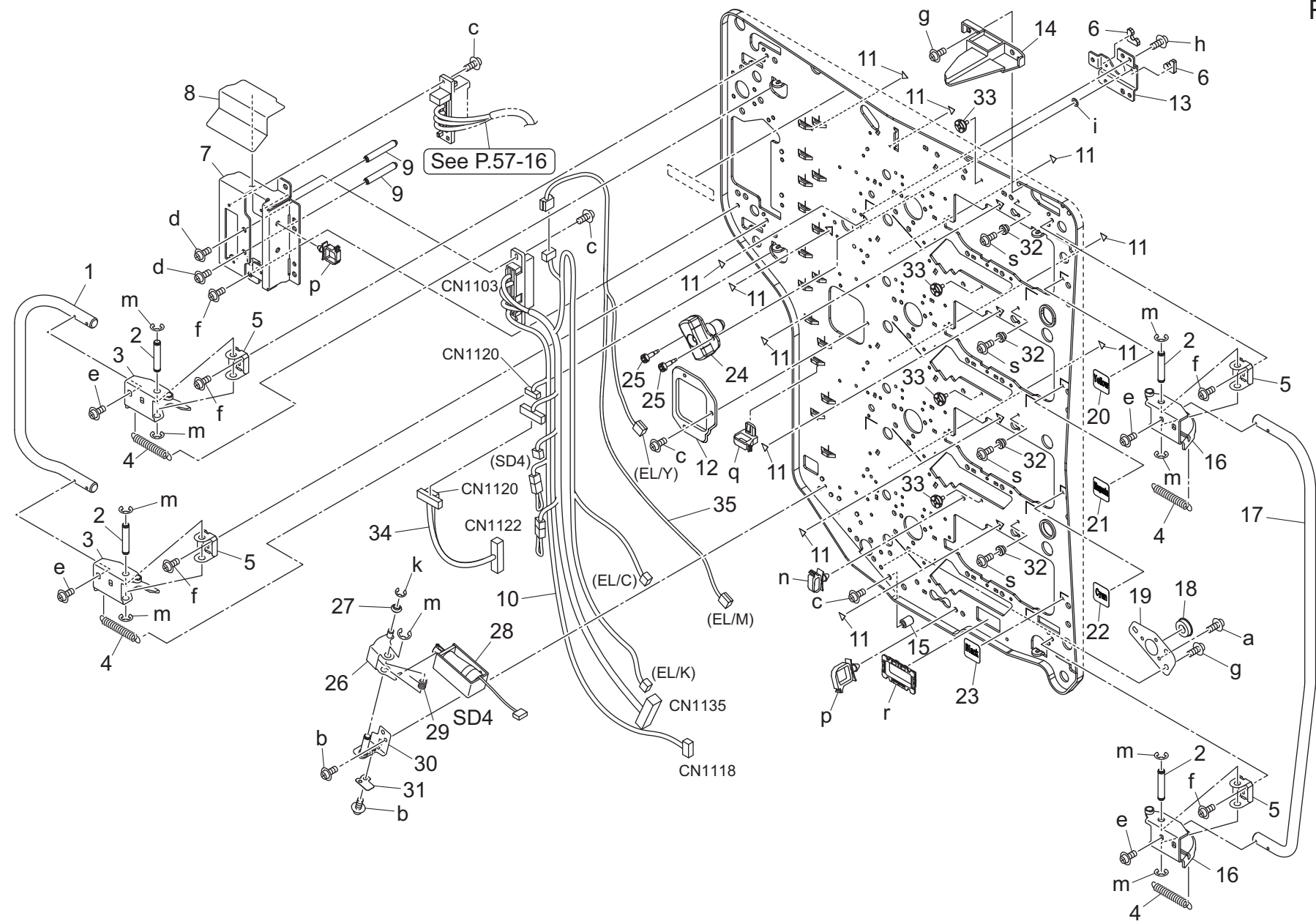
改訂版 REVISED EDITION	日付 DATE
2	NOVEMBER 2016

bizhub PRESS C1085

Process Carriage Section

Key	Part No.	Description	Destinations	Class	QTY	Standard parts
1	A03U347200	Carriage Positioning Plate /Left		D	1	a-V116030603
2	A1RF349103	Fixing Screw		D	4	b-V116040803
3	A1RF349302	Receiving Plate		D	4	c-V118040603
4	A1RF347900	Pressing Spring		D	8	d-V121030403
5	A1RF347800	Pressing Plate /3		D	4	e-V121030603
6	A1RF344201	Support Block /Rear		D	1	f-V153030803
7	A00J617800	Ball Bearing		B	8	g-V211030080
8	A5AW342200	Mounting Block /Rear		D	4	h-V500020098
9	A1RF344000	Photoconductor Spring /2		D	4	k-V217040001
10	A1RF346700	Support Block /Rear		D	1	m-V237201250
11	27LA88031	Process Sensor		C	1	
12	65AA11300	SUPPORT PART		D	1	
13	A5AW359800	Drive Gear /2 16T		C	4	
14	A5AW352000	Idling Shaft /1		D	4	
15	A5AW359900	Drive Gear /1 30T		C	4	
16	A5AWR71911	Process Carriage		S	1	
17	A5AW344400	Shield Seal /Upper		D	4	
18	A5AW344500	Shield Seal /Lower		D	4	
19	A5AW344700	Shield Seal /Rear		D	1	

Process Carriage Section

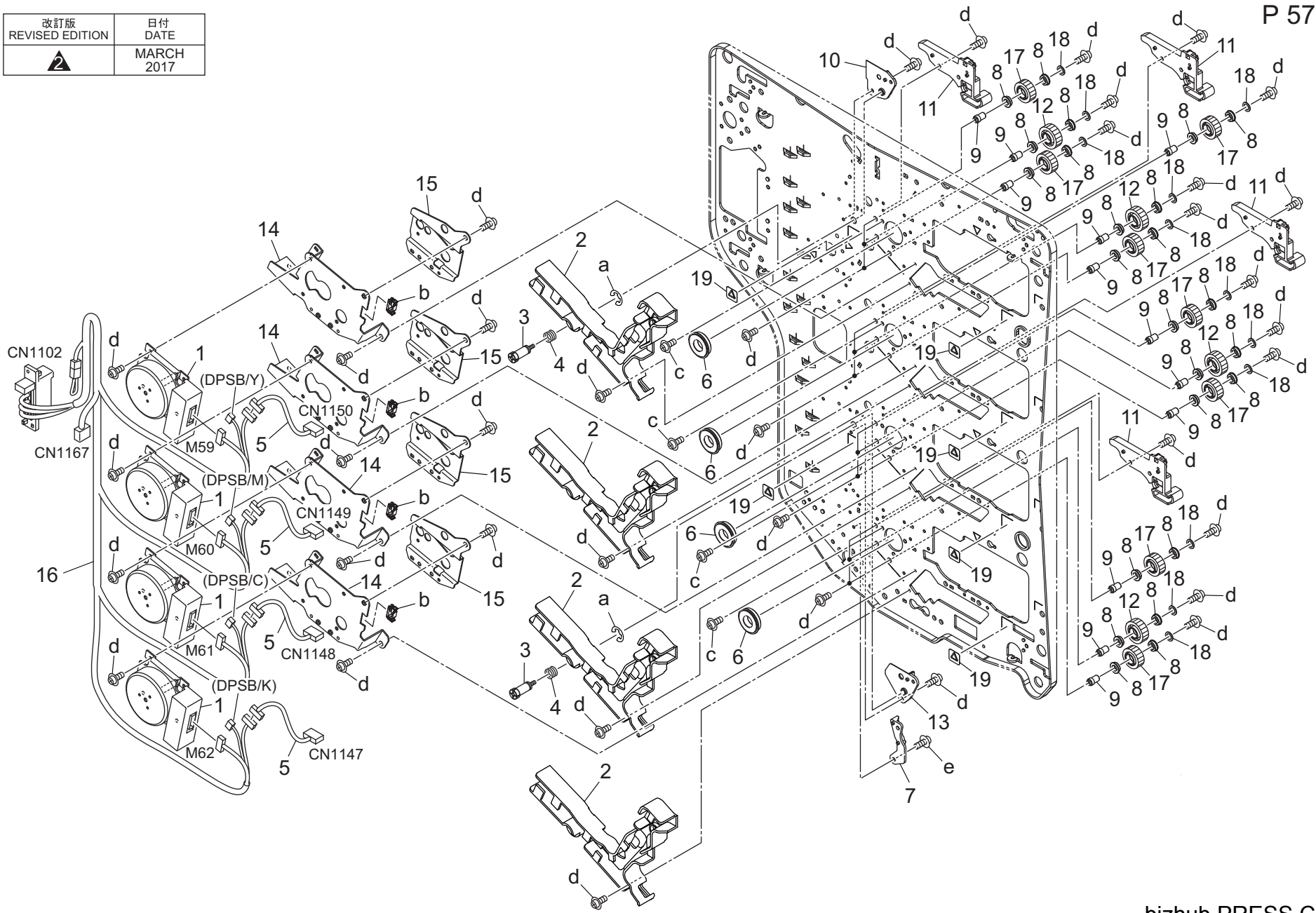


Key	Part No.	Description	Destinations	Class	QTY	Standard parts
1	A1RF341400	Open/close Handle /Left		D	1	a-V118040403
2	A1RF350800	Lock Shaft		D	4	b-V121030403
3	A1RFF34600	Lock Plate/Left Calking		D	2	c-V121030603
4	65AA22290	LEVER OPEN SHUT SPRING		C	4	d-V121030803
5	65AA22260	HINGE PLATE A		D	4	e-V121031203
6	A5AW352700	Protection Cushion		D	2	f-V121040403
7	A5AW344600	Wiring Plate		D	1	g-V121040603
8	A5AW350100	Cover Sheet /2		D	1	h-V127030603
9	A5AW341200	Guide Shaft		D	2	i-V211030080
10	A5AWN14700	Transfer Wiring /1		D	1	k-V217030001
11	A1RF945100	Replacement Label /1	交換ラベル/1 (ORU)	D	11	m-V217040001
12	A1RF347101	Wiring Cover	配線カバー	D	1	n-V500010003
13	A1RF349200	Fixing Plate	固定板	D	1	p-V500010007
14	A1RF438101	Guide Part	ガイド 部材	D	1	q-V500010021
15	A1RF347500	Guide Shaft /B	ガイド軸/B	D	1	r-V570010047
16	A1RFF34500	Lock Plate/Right Calking	ロック板/右カシメ	D	2	s-V118030803
17	A1RF341300	Open/close Handle /Right	開閉取手/右	D	1	
18	A00V240600	Ball Bearing	ボールベアリング	B	1	
19	A1RF347300	Support Plate /A	支持板/A	D	1	
20	65AA97440	Developing Exchanging Label /Y	現像交換ラベル/Y	D	1	
21	65AA97450	Developing Exchanging Label /M	現像交換ラベル/M	D	1	
22	65AA97460	Developing Exchanging Label /C	現像交換ラベル/C	D	1	
23	65AA97470	Developing Exchanging Label /K	現像交換ラベル K	D	1	
24	A5AWR71A00	Positioning Handle Assy	位置決め取手 A s s y	D	1	
25	A1RF349103	Fixing Screw	固定ねじ	D	2	
26	A1RFR78400	SUPPORT PLATE CALKING	支点板カシメ	D	1	
27	65AA22750	SEPARATION PRESSURE ROLLER	分離圧着コロ	C	1	
28	A1RFR74800	SOLENOID	ソレノイド	B	1	
29	A1RF348800	Release Spring	解除ばね	D	1	
30	A1RFR78511	Cam Fixing Plate Calking	カム固定板カシメ	D	1	
31	65AA22820	SOLENOID SUPPORT PLATE	ソレノイド 支持板	D	1	
32	65AA22830D	Mounting Spacer	取り付けスペーサー	D	4	
33	65AA22680	CARTRIDGE SUPPORT SCREW	カートリッジ支持ネジ	C	4	
34	A5AWN15400	Transfer Wiring /3	転写束線/3	D	1	
35	A5AWN15700	Transfer Wiring /6	転写束線/6	D	1	

Process Carriage Section

改訂版 REVISED EDITION	日付 DATE
	MARCH 2017

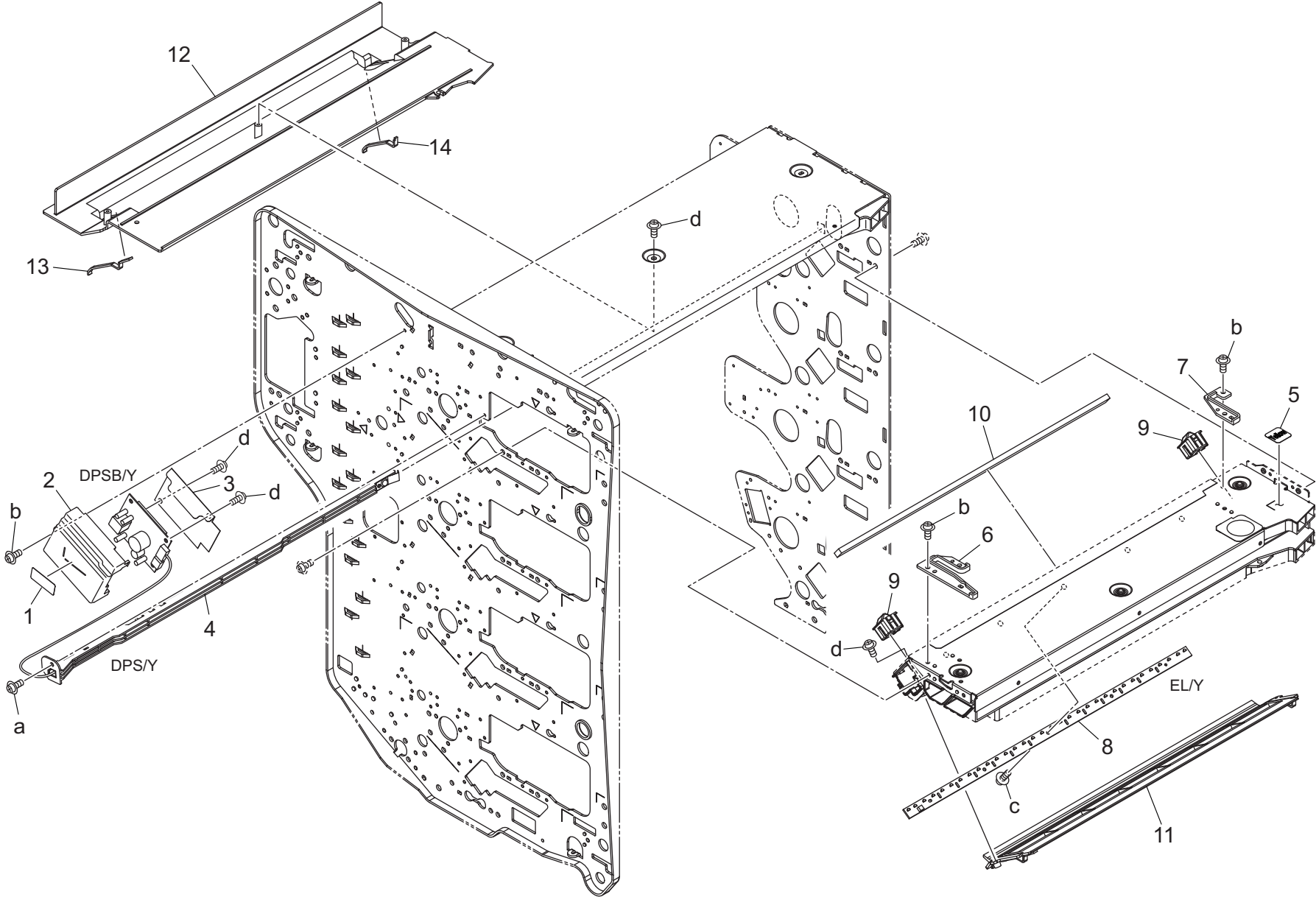
P 57



Key	Part No.	Description	Destinations	Class	QTY	Standard parts
1	A011M10101	BRUSHLESS MOTOR /20		B	4	a-V217060001 b-V570010057 c-V118040403 d-V121030403 e-V121030603
2	A1RF348002	Guide Cover		D	4	
3	A1RF345800	Fixing Screw		D	2	
4	A1RF349000	Release Spring		D	2	
5	A1RFN15201	Toner Detection Harness /2		D	4	
6	65AA75081	DRUM SUPPORT BEARING /2		C	4	
7	A5AW347200	Guide Block /Front		D	1	
8	A00J617800	Ball Bearing		B	24	
9	A5AW352201	Idling Shaft /2		D	12	
10	A5AW344100	Support Block /Front		D	1	
11	A5AW342100	Mounting Block /Front		D	4	
12	A5AW359700	Drive Gear /3 20 T		C	4	
13	A1RF345900	Support Block /Front		D	1	
14	A5AW352100	Drive Plate /A		D	4	
15	A5AW352300	Drive Plate /B		D	4	
16	A5AWN14800	Transfer Wiring /2		D	1	
17	A5AW359600	Drive Gear /4 18 T		C	8	
18	26MA74040	WASHER		C	12	
19	A5AW782500	Fusing Label /3		D	6	



Process Carriage Section

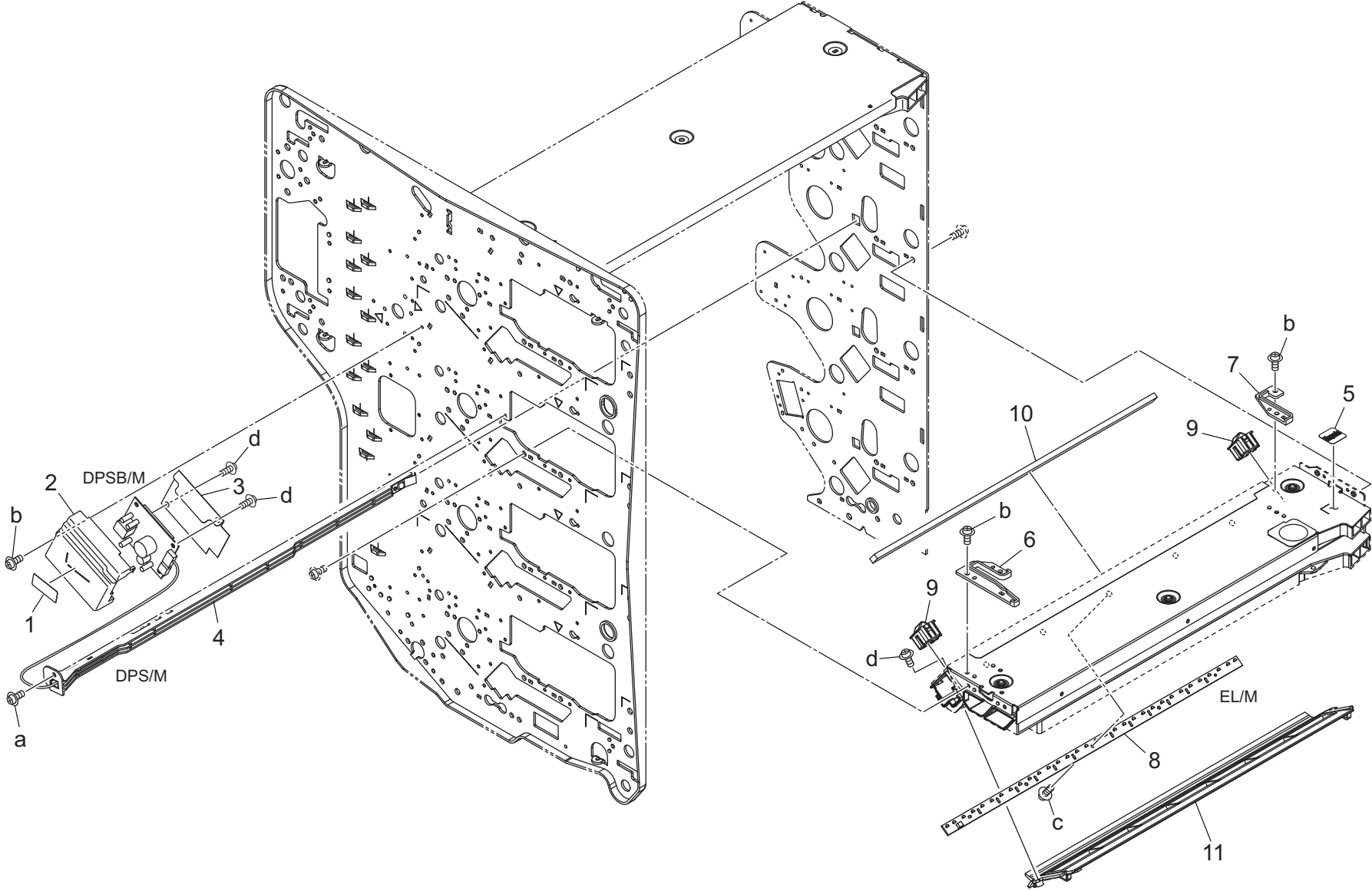


bizhub PRESS C1085



Key	Part No.	Description	Destinations	Class	QTY	Standard parts
1	56UA97920	HIGE VOLTAGE CAUTION LABEL		C	1	a-V118030403 b-V121030603 c-V153020503 d-V153030803
2	A1RF348103	Insulating Cover		D	1	
3	A1RF350700	Base plate Cover		D	1	
4	A1RFR74711	Surface Electric Potential Assy		C	1	
5	65AA97440	Developing Exchanging Label /Y		D	1	
6	A1RF347600	Guide Block /Front		D	1	
7	A1RF347700	Guide Block /Rear		D	1	
8	65AA83070	PCL		B	1	
9	A1RFR7M100	Charge Pressing		D	2	
10	A5AW352601	Scatteringprevention Seal		D	1	
11	A5AWR74300	Duct(M/C/K)		D	1	
12	A5AW341900	Scatter Duct /Upper		D	1	
13	A1RF343400	Scatter Seal /1		D	1	
14	A1RF343500	Scatter Seal /2		D	1	

Process Carriage Section

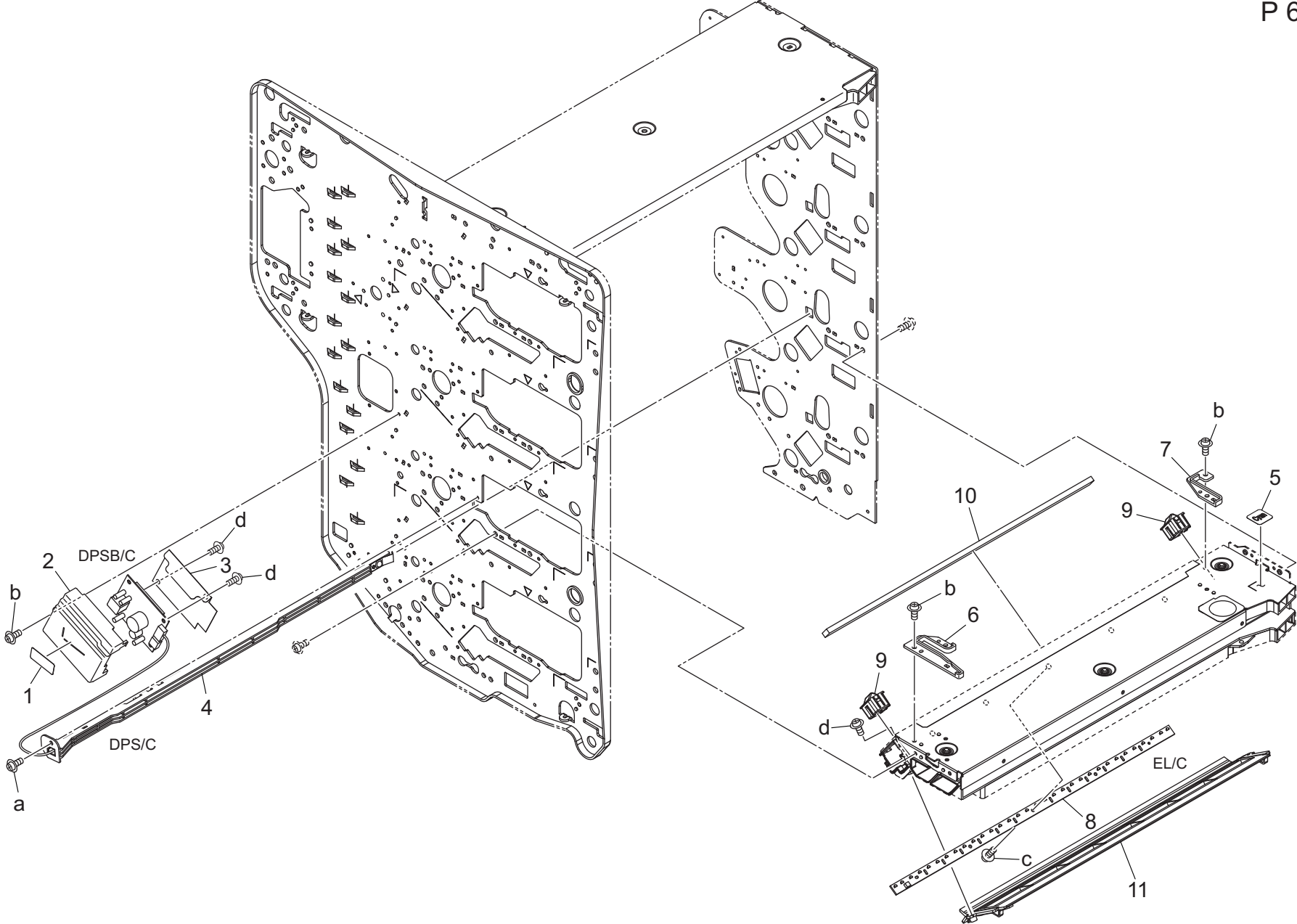


bizhub PRESS C1085

Process Carriage Section

Key	Part No.	Description	Destinations	Class	QTY	Standard parts
1	56UA97920	HIGE VOLTAGE CAUTION LABEL		C	1	a-V118030403 b-V121030603 c-V153020503 d-V153030803
2	A1RF348103	Insulating Cover		D	1	
3	A1RF350700	Base plate Cover		D	1	
4	A1RFR74711	Surface Electric Potential Assy		C	1	
5	65AA97450	Developing Exchanging Label /M		D	1	
6	A1RF347600	Guide Block /Front		D	1	
7	A1RF347700	Guide Block /Rear		D	1	
8	65AA83070	PCL		B	1	
9	A1RFR7M100	Charge Pressing		D	2	
10	A5AW352601	Scatteringprevention Seal		D	1	
11	A5AWR74300	Duct(M/C/K)		D	1	

Process Carriage Section

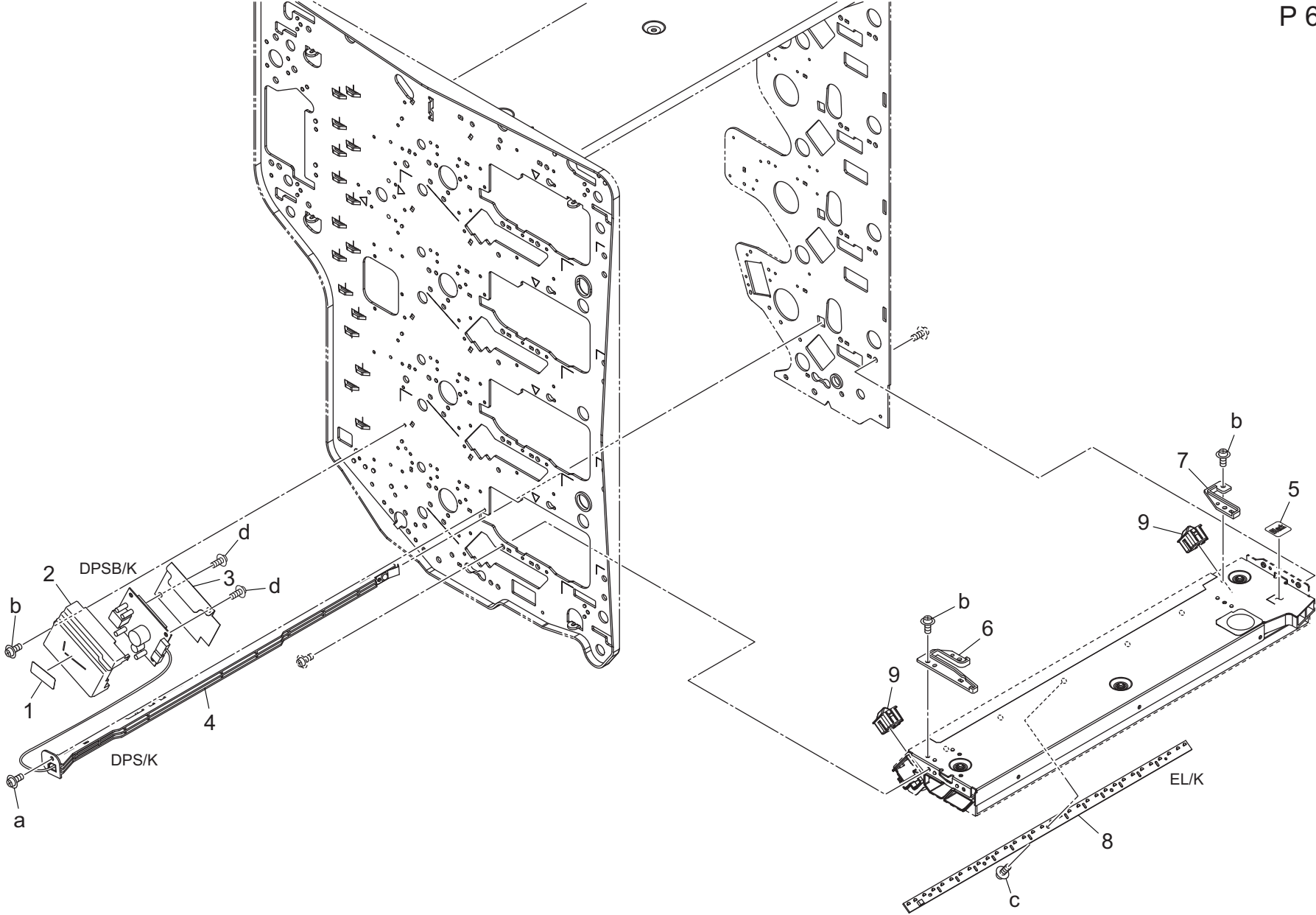


bizhub PRESS C1085

Process Carriage Section

Key	Part No.	Description	Destinations	Class	QTY	Standard parts
1	56UA97920	HIGE VOLTAGE CAUTION LABEL		C	1	a-V118030403 b-V121030603 c-V153020503 d-V153030803
2	A1RF348103	Insulating Cover		D	1	
3	A1RF350700	Base plate Cover		D	1	
4	A1RFR74711	Surface Electric Potential Assy		C	1	
5	65AA97460	Developing Exchanging Label /C		D	1	
6	A1RF347600	Guide Block /Front		D	1	
7	A1RF347700	Guide Block /Rear		D	1	
8	65AA83070	PCL		B	1	
9	A1RFR7M100	Charge Pressing		D	2	
10	A5AW352601	Scatteringprevention Seal		D	1	
11	A5AWR74300	Duct(M/C/K)		D	1	

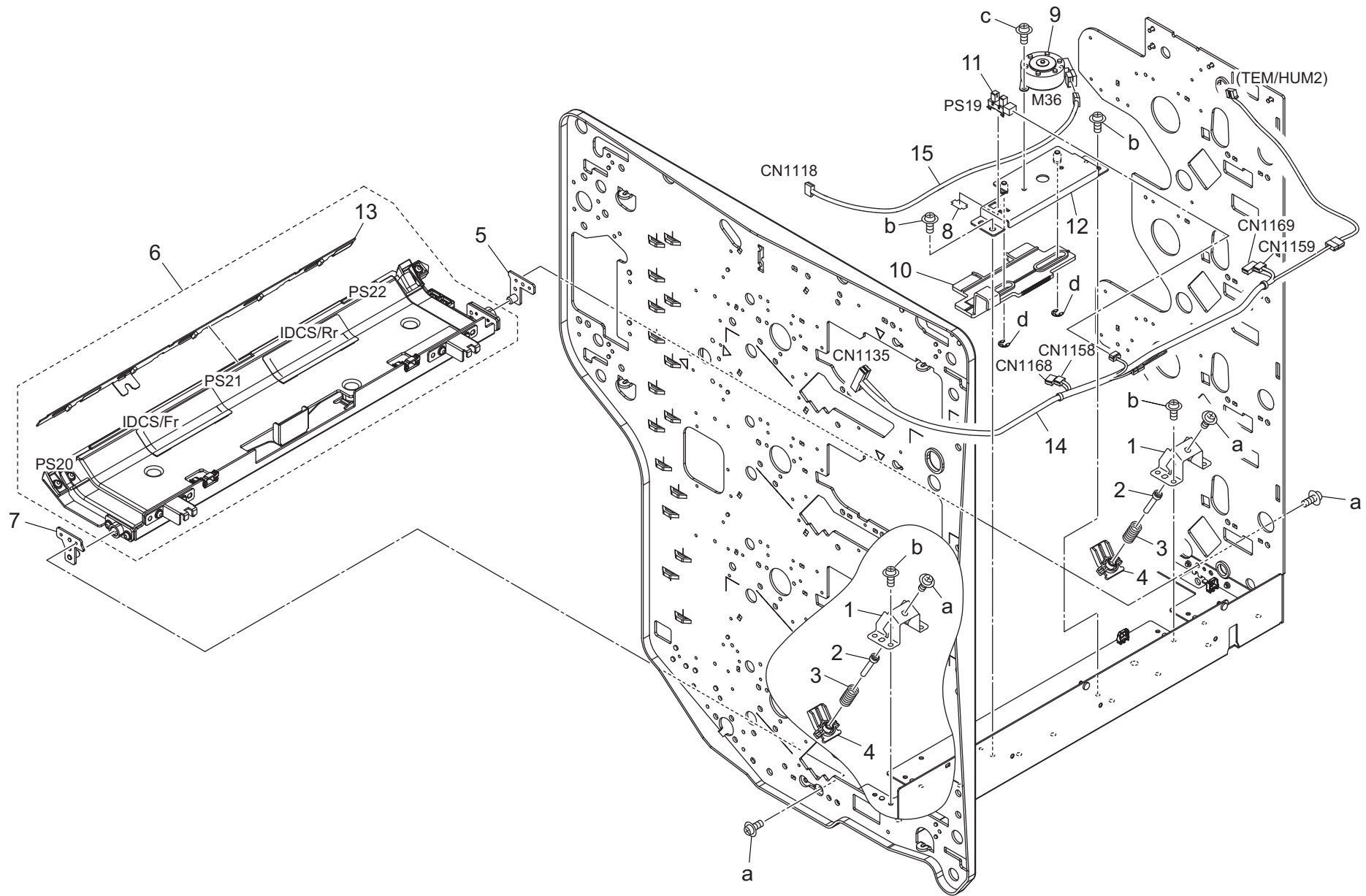
Process Carriage Section



Process Carriage Section

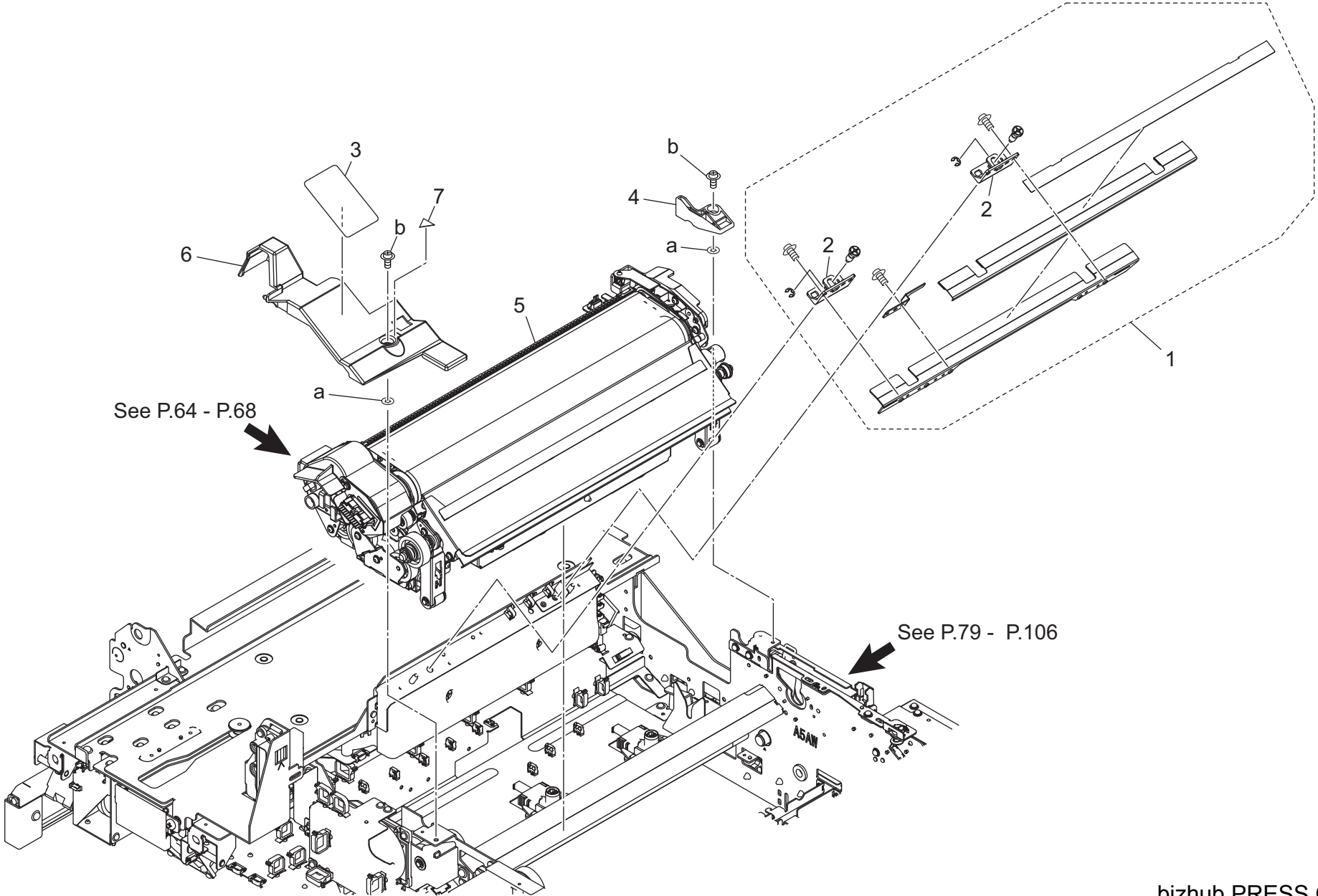
Key	Part No.	Description	Destinations	Class	QTY	Standard parts
1	56UA97920	HIGE VOLTAGE CAUTION LABEL		C	1	a-V118030403 b-V121030603 c-V153020503 d-V153030803
2	A1RF348103	Insulating Cover		D	1	
3	A1RF350700	Base plate Cover		D	1	
4	A1RFR74711	Surface Electric Potential Assy		C	1	
5	65AA97470	Developing Exchanging Label /K		D	1	
6	A1RF347600	Guide Block /Front		D	1	
7	A1RF347700	Guide Block /Rear		D	1	
8	65AA83070	PCL		B	1	
9	A1RFR7M100	Charge Pressing		D	2	

Process Carriage Section



Key	Part No.	Description	Destinations	Class	QTY	Standard parts
1	A1RF348300	Pressing Plate		D	2	a-V121030603 b-V121030403 c-V118030403 d-V217040001
2	A1RF348400	Guide Shaft		D	2	
3	A1RF348500	Pressing Spring		D	2	
4	A1RF348601	Pressing Block		D	2	
5	A1RFR78800	SEPARATING PLATE /REAR CALKING		D	1	
6	A5AWR72300	Sensor Stay/Lower Assy	センサーステー/下 Assy	D	1	
7	A1RFR78300	SEPARATING PLATE / CALKING		D	1	
8	4470402401	Stopper	ストッパー	D	1	
9	A00JM12100	Stepping motor	ステッピングモータ	C	1	
10	A5AW351200	Drive Rack	駆動ラック	D	1	
11	A85CM55600	Photo Sensor	フォトセンサ	C	1	
12	A5AW351100	Fixing Plate	固定板	D	1	
13	A5AWR70500	Sensor Shutter	センサーシャッター	B	1	
14	A5AWN15000	Compensating Wiring /1	補正束線/1	D	1	
15	A5AWN15800	Transfer Wiring /7	転写束線/7	D	1	

Secondary Transfer Section



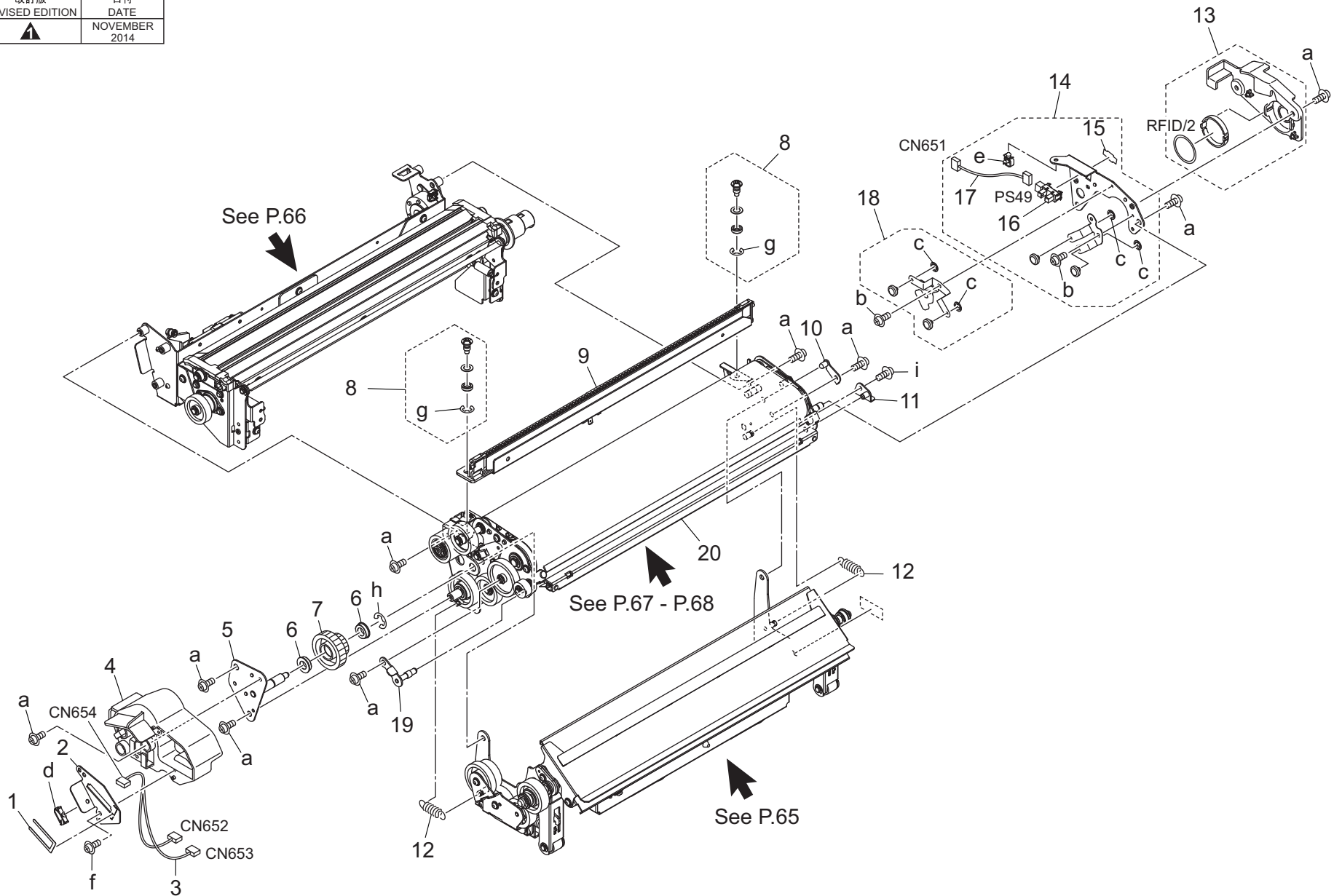
Secondary Transfer Section

Key	Part No.	Description	Destinations	Class	QTY	Standard parts
1	A5AWR71S00	Fusing Front Guide Assy		I	1	a-V211030080 b-V121030803
2	A5AW818201	Holding Part		D	2	
3	A1RF942300	Caution Label /3		D	1	
4	A5AW826500	Holding Cover /Rear		D	1	
5	A5AWR70A00	2nd Transfer Unit		B	1	
6	A5AW817301	Holding Cover /Front		D	1	
7	A1RF945100	Replacement Label /1		D	1	

Secondary Transfer Section

P 64

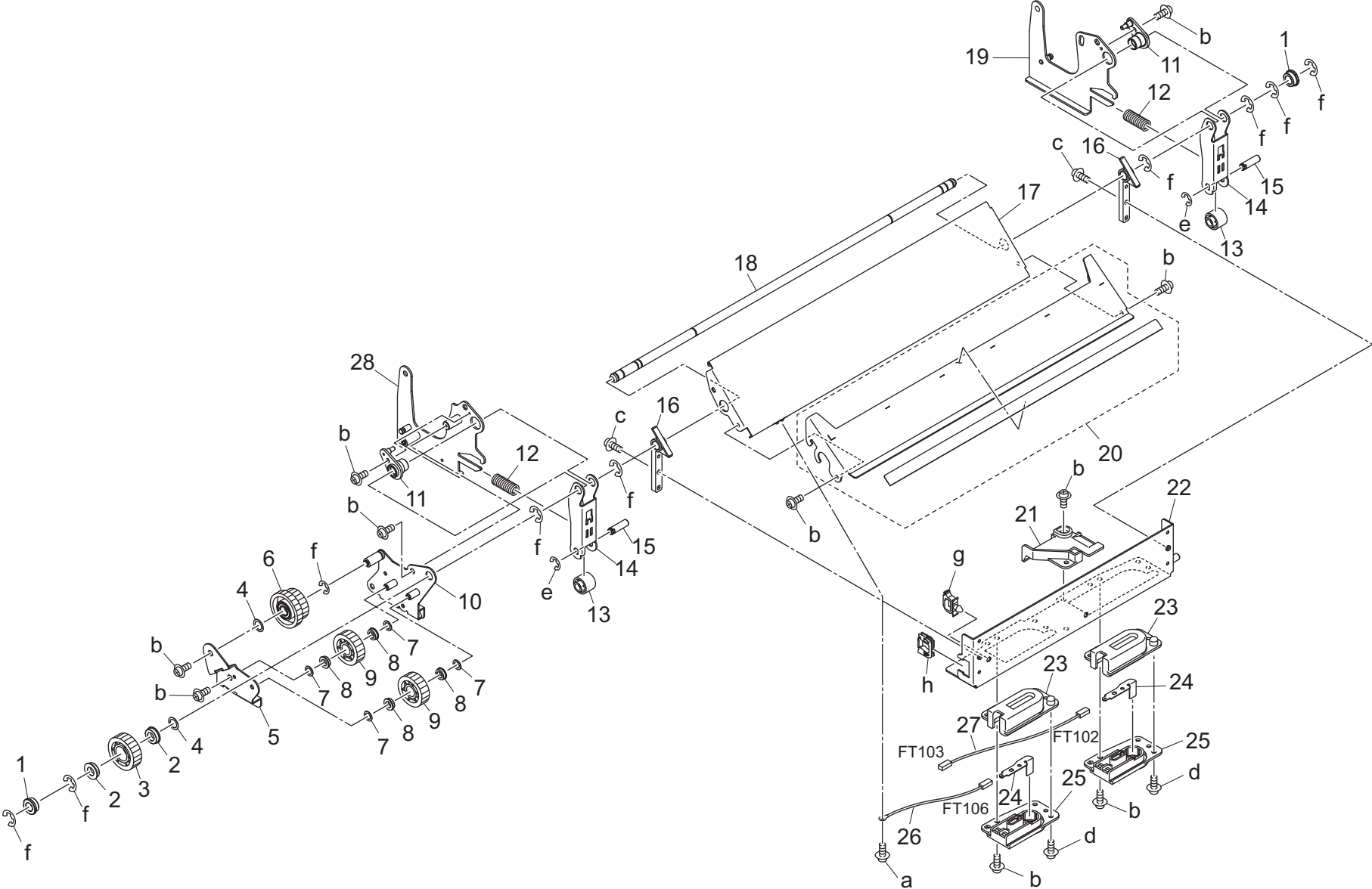
改訂版 REVISED EDITION	日付 DATE
	NOVEMBER 2014



Secondary Transfer Section

Key	Part No.	Description	Destinations	Class	QTY	Standard parts
1	A1RF945800	Replacement Label /8		D	1	a-V121030603
2	A1RF530700	Mounting Plate /2		D	1	b-V121030403
3	A1RFN22100	Transfer Relay harness /1		D	1	c-V226024050
4	A1RF524901	Cover Handle /Front		D	1	d-V500010061
5	A5AW528100	Holding Plate /Front		D	1	e-V500010020
6	A1RF710900	Ball bearing /1		C	2	f-V153030803
7	A5AW539500	Transfer Gear /C 19/32T		C	1	g-V217040001
8	65AAR77900	SEPARATING MT SCREW		C	2	h-V217060001
9	A1RFR70500	Neutralizing Holde		A	1	i-V121030404
10	A1RFR7B300	HOLDING PLATE/REAR CALKING		D	1	
11	A1RFR7B200	POSITIONING PLATE /REAR CALKING		D	1	
12	A5AW527300	Swing Spring		D	2	
13	A1RFR7G300	Transfer Cover/Rear		C	1	
14	A1RFR72000	Ground Plate/2		B	1	
15	4470402401	Stopper		D	1	
16	A85CM55600	Photo Sensor		C	1	
17	A1RFN22500	Transfer Relay harness /5		D	1	
18	A1RFR71900	Ground Plate/1		B	1	
19	A5AWR72M00	Positioning Plate/Front Caulking		D	1	
20	A5AWR70400	2nd Transfer Belt Assy		B	1	

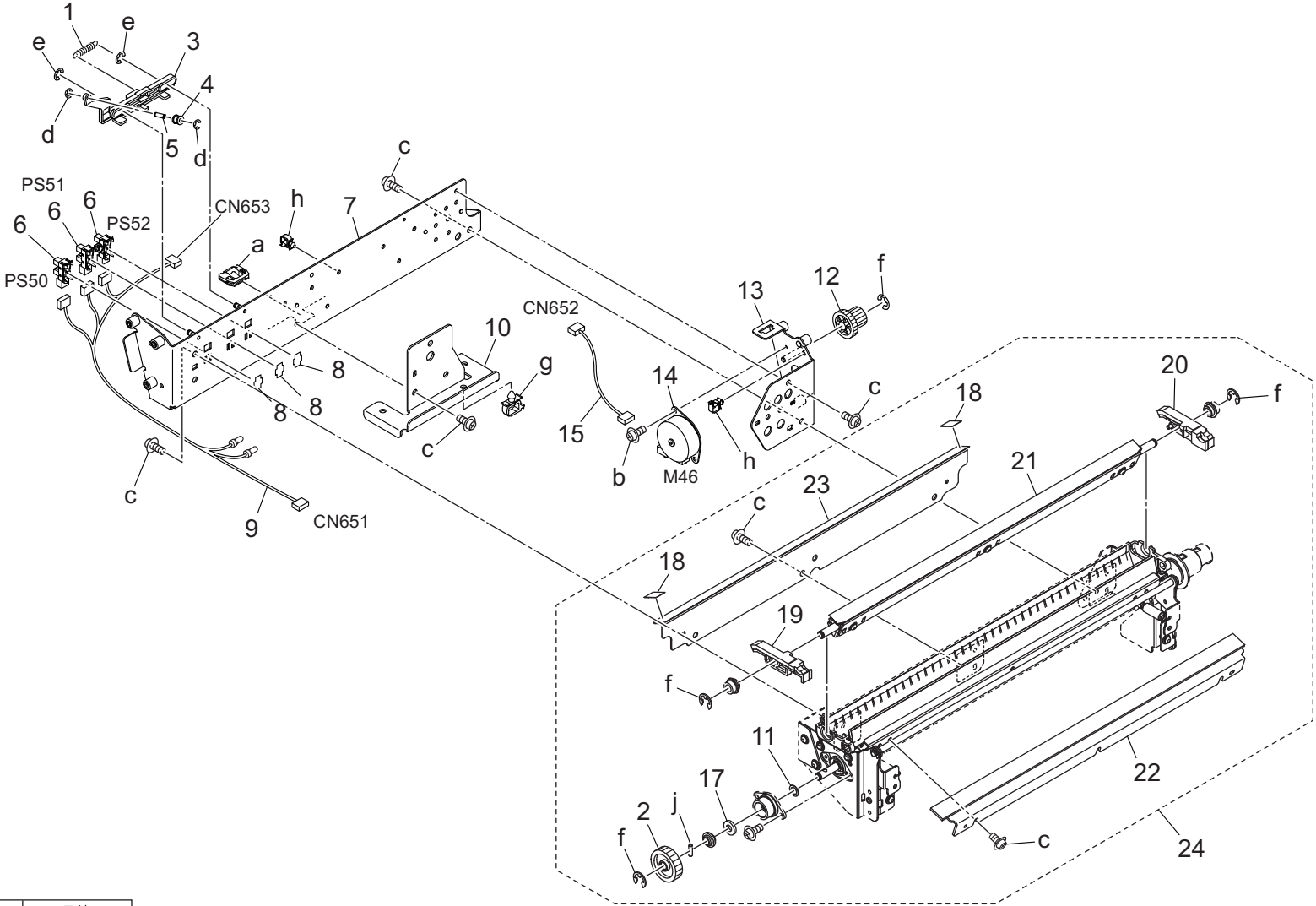
Secondary Transfer Section




Secondary Transfer Section

Key	Part No.	Description	Destinations	Class	QTY	Standard parts
1	A1RF530500	Support Bushing		D	2	a-V116030603 b-V121030603 c-V121030803 d-V153030803 e-V217040001 f-V217060001 g-V500010005 h-V570010060
2	A1RF710900	Ball bearing /1		C	2	
3	A1RF529900	Idling Gear /1 30T		D	1	
4	56AA42690	BY-PASS SPACER		C	2	
5	A5AW531301	Reinforce Plate		D	1	
6	A5AW539400	Transfer Gear /B 27/31T		C	1	
7	40AA32320	Toner Supply Spacer		C	4	
8	A1RF529100	Drive Ball bearing		C	4	
9	A1RF529800	Idling Gear /2 28T		D	2	
10	A5AW521800	Drive Plate		D	1	
11	A1RF533700	Support Guide		D	2	
12	A5AW526500	Transfer Spring		D	2	
13	65AA45180	TRANSFER PRESSURE ROLLER		C	2	
14	A1RF523800	Pressure Lever		D	2	
15	65AA45190D	Fulcrum Shaft /2		D	2	
16	A1RF523201	Hold Stay		D	2	
17	A1RF520901	Transfer Guide /Lower		D	1	
18	A1RF520700	Transfer Shaft		D	1	
19	A1RFR7B700	TRANSFER SIDE PLATE/REAR CALKING		D	1	
20	A1RFR72900	TRANSFER GUIDE /UPPER ASSY		A	1	
21	A1RF530400	Protection Guide		D	1	
22	A1RF525901	Power supply Stay		D	1	
23	A1RF526000	Power supply Block /A		D	2	
24	A1RF526200	Power supply Plate /2		D	2	
25	A1RF526100	Power supply Block /B		D	2	
26	A1RFN20400	HV Wiring /4		D	1	
27	A1RFN20200	HV Wiring /2		D	1	
28	A1RFR7H000	TRANSFER SIDE PLATE/FRONT CALKING		D	1	

Secondary Transfer Section



改訂版 REVISED EDITION	日付 DATE
	AUGUST 2016

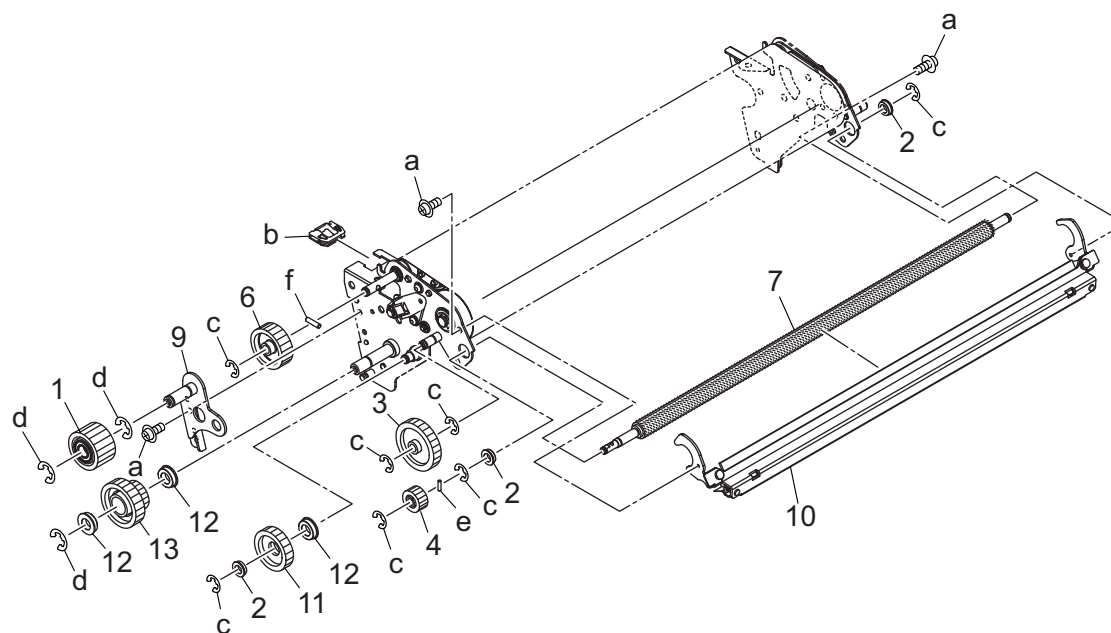
Order here
8 (495) 646-0426
ПЯТЫЙ ПАРТНЕР www.km-shop.ru

Secondary Transfer Section

Key	Part No.	Description	Destinations	Class	QTY	Standard parts
1	A1RF526900	Detecting Spring	検出ばね	D	1	a-V570010060 b-V118030403 c-V121030603 d-V217020001 e-V217030001 f-V217040001 g-V500010005 h-V500010020 j-V234301050
2	25SA77180	TONER CONVEYANCE GEAR B 26T	トナー搬送歯車 B 26 T	C	1	
3	A1RF522400	Detecting Arm	検出アーム	D	1	
4	A1RF524400	Roll	ころ	D	1	
5	A1RF524300	Detecting Shaft /2	検出軸 /2	D	1	
6	08AA85512	Photo Sensor	フォトセンサ	B	3	
7	A1RFR7B000	REINFORCE STAY CALKING	補強ステーカシメ	D	1	
8	4470402401	Stopper	ストッパー	D	3	
9	A1RFN22400	Transfer Relay harness /4	転写中継束線 /4	D	1	
10	A1RF530100	Reinforce Stay /2	補強ステー /2	D	1	
11	40AA32320	Toner Supply Spacer	トナー補給スペーサー	C	1	
12	A1RF529600	Control Gear 14/56T	制御ギア 14 /56 T	D	1	
13	A1RFF52202	Mounting Plate Caulking	取付板カシメ	D	1	
14	A00JM12100	Stepping motor	ステッピングモータ	C	1	
15	A1RFN22300	Transfer Relay harness /3	転写中継束線 /3	D	1	
17	A1RF517200	Collection Seal	回収シール	D	1	
18	A1RF531600	Scattering Prevention Sheet/1	飛散防止シート /1	A	2	
19	A1RFR7N500	Cleaning Side Seal Plate/Fr	クリーニングサイドシール取付板 / F r	A	1	
20	A1RFR7N600	Cleaning Side Seal Plate/Rr	クリーニングサイドシール取付板 / R r	A	1	
21	A1RFR7N800	2nd Trans. Assist Scraper Assy	2次転写補助スクレーパー A s s y	A	1	
22	A5AWR73300	2nd Transfer Cleaning Blade	2次転写クリーニングブレード	A	1	
23	A1RFR7N700	Scatter. Prevent. Sheet Plate/1	飛散防止シート 取付板 /1	A	1	
24	A5AWR70300	2nd Transfer Belt Cleaning Assy	2次転写クリーニング A s s y	C	1	

Secondary Transfer Section

改訂版 REVISED EDITION	日付 DATE
	AUGUST 2016

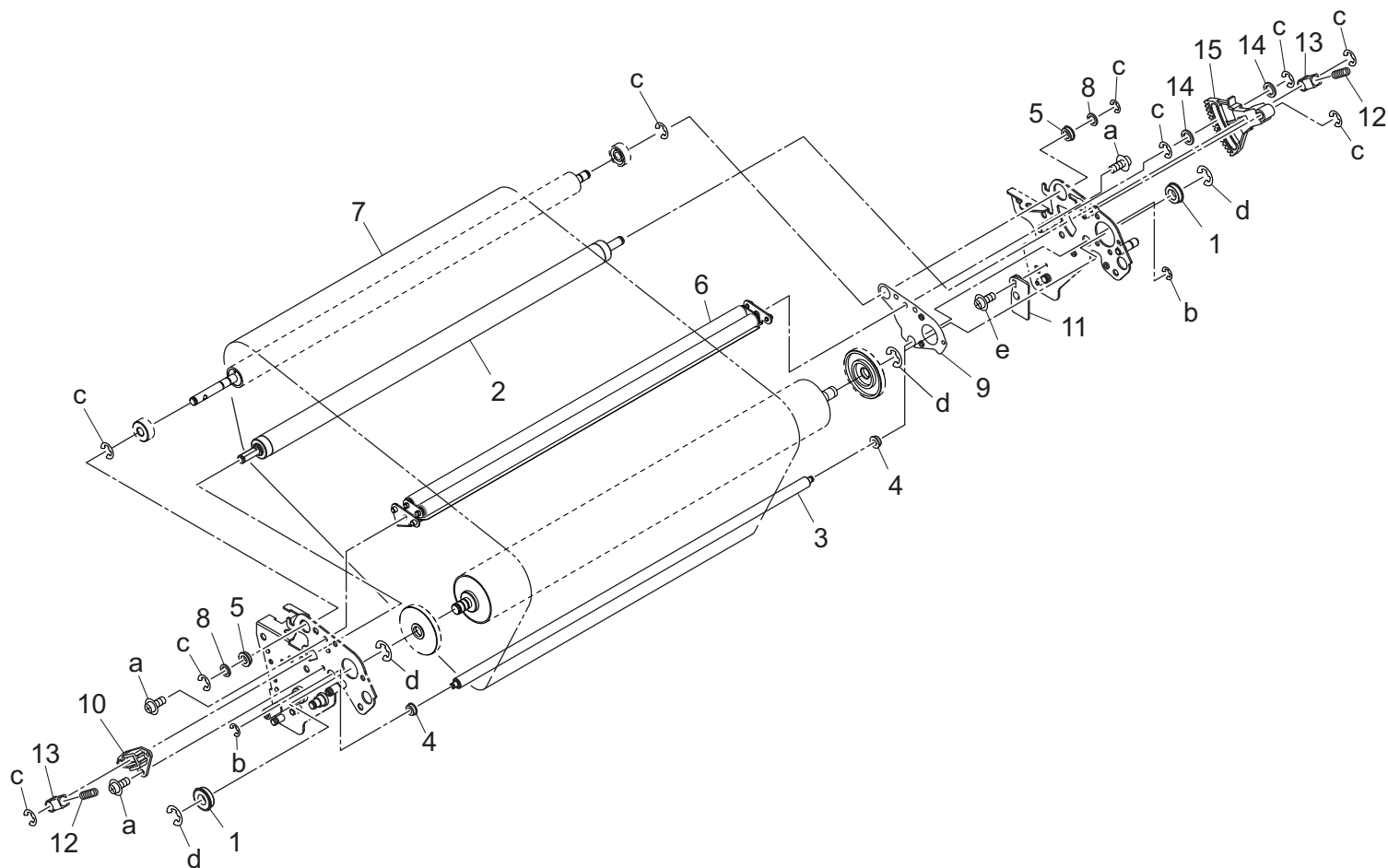


Secondary Transfer Section

Key	Part No.	Description	Destinations	Class	QTY	Standard parts	
1	A5AW539900	Transfer Gear /D 25T		C	1	a-V121030603 b-V570010060 c-V217040001 d-V217060001 e-V234200850 f-V234301250	
2	A1RF529100	Drive Ball bearing		C	3		
3	A5AW539800	Idling Gear /5 34T		C	1		
4	A1RF529701	Cleaning Gear 14T		C	1		
6	A5AW539300	Transfer Gear /A 27T		C	1		
7	A1RF532800	Auxiliary Brush		A	1		
9	A5AWR72K00	Support Plate Caulking		D	1		
10	A5AWR70S00	2nd Transfer Process Blade Assy		A	1		
11	A1RF539700	Idling Gear /6 28T		C	1		
12	A1RF710900	Ball bearing /1		C	3		
13	A5AW529500	Idling Gear /3 19/31T		C	1		

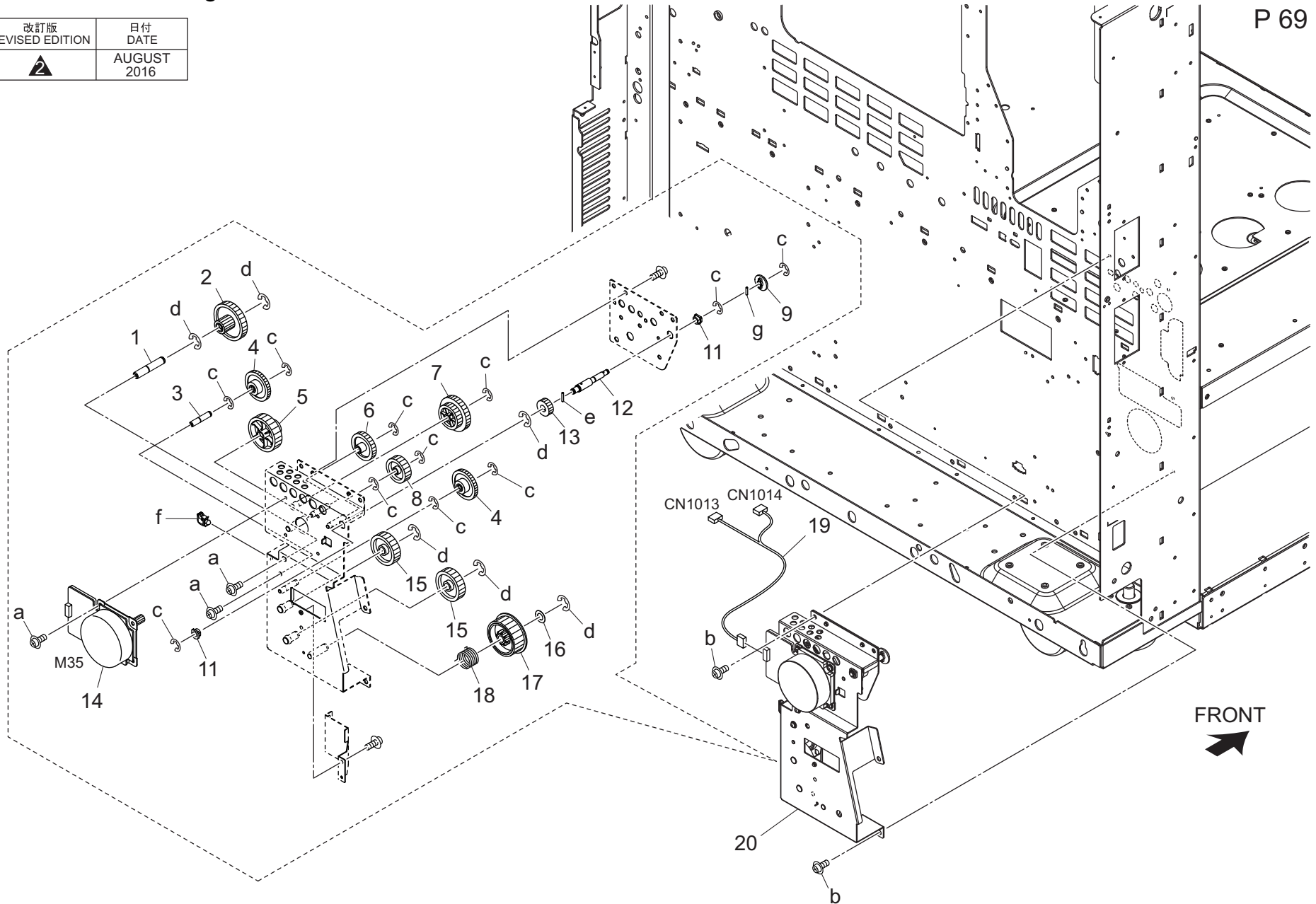
Secondary Transfer Section

P 68



Toner Collection Driving Section

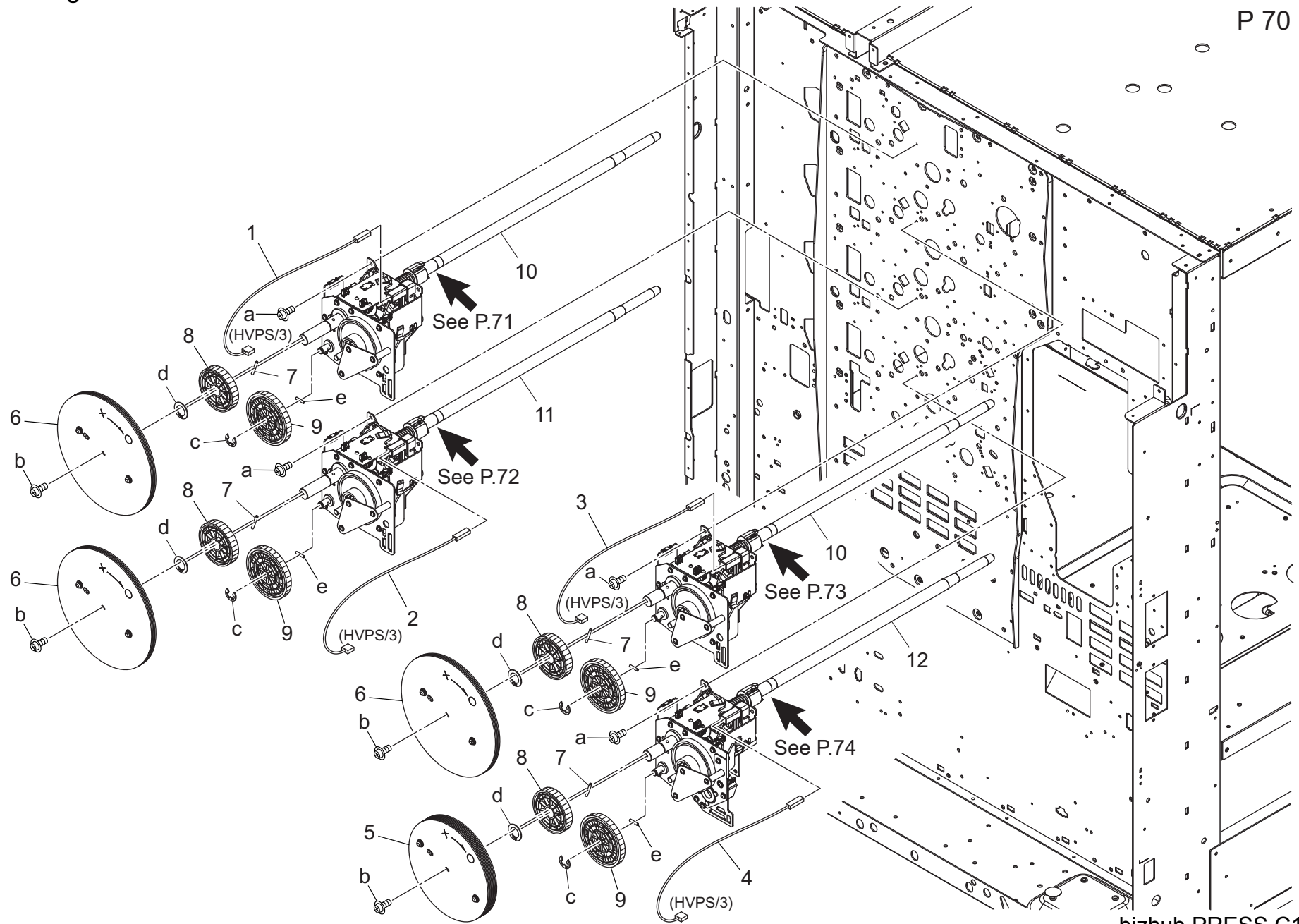
改訂版 REVISED EDITION	日付 DATE
	AUGUST 2016



Toner Collection Driving Section

Key	Part No.	Description	Destinations	Class	QTY	Standard parts
1	A1RF369600	Collection Shaft /W	回収軸 / W	D	1	a-V116030603 b-V146040803 c-V217040001 d-V217060001 e-V234201250 f-V500020100 g-V234201050
2	A1RF368500	Collection Gear 14/43T	回収ギア 14 / 43 T	C	1	
3	A1RF369700	Collection Shaft /X	回収軸 / X	D	1	
4	A5AW400800	Idling Gear 14/34T	アイドルギア 14 / 34 T	C	2	
5	56UA77710	TONER SUPPLY DRIVE GEAR /B 16/40T	トナー補給駆動歯車 / B 16 / 40 T	C	1	
6	65AA77410	TONER SUPPLY GEAR D 31T	トナー補給ギア D 31 T	C	1	
7	25SA77470	Idler Gear /A 76T 28T	アイドル歯車 / A 76 T 28 T	C	1	
8	A5AW428100	Gear /U 28T	ギア / U 28 T	C	1	
9	A1RF362400	Collection Gear /2 14T	回収ギア / 2 14 T	C	1	
11	322076010	PAPER LIFT UP LEVER SHAFT HOLDER	ペーパー押しレバー軸受け	B	2	
12	A1RF369100	Collection Shaft /R	回収軸 / R	D	1	
13	56UA77280	ADU CONVEYANCE GEAR 17T	ADU 搬送歯車 17 T	C	1	
14	A0PNM10200	DC Brushless motor /20	DC ブラシレスモータ / 20	B	1	
15	55GA77050	Conveyance Drive Gear /2 35T	搬送駆動歯車 / 2 35 T	B	2	
16	65AA49500	PAPER EXIT SPACER 1	排紙スペーサー 1	C	1	
17	A1RF368600	Collection Coupling	回収カップリング	D	1	
18	A1RF368300	Collection Spring	回収ばね	D	1	
19	A1RFN13200	Drive Relay harness /1	駆動中継束線 / 1	D	1	
20	A5AWR71C00	Toner Collection Drive Assy	トナー回収駆動 A s s y	I	1	

Drum Driving Section

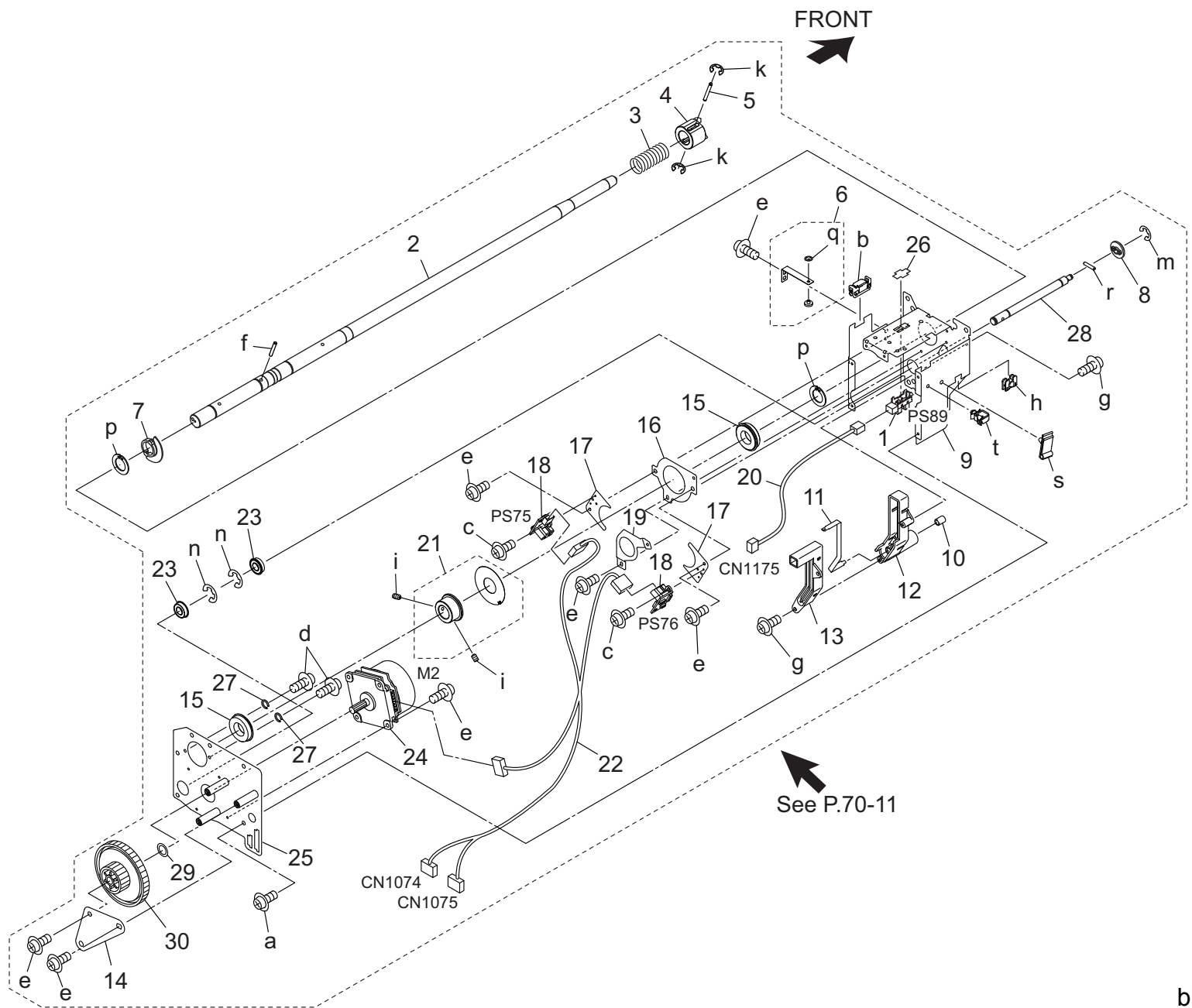


bizhub PRESS C1085

Drum Driving Section

Key	Part No.	Description	Destinations	Class	QTY	Standard parts
1	A85CM55600	Photo Sensor		C	1	a-V116030603
2	A1RF210303	Drive Shaft /1		D	1	b-V570010057
3	65AA15200	PRESSING SPRING		C	1	c-V118020403
4	A1RF212600	Coupling		D	1	d-V118040603
5	65AA15210	COUPLING PIN		D	1	e-V121030403
6	A1RFR74600	GROUND SPRING ASSY		D	1	f-V234301850
7	A5AW211000	Pressure Actuator		C	1	g-V153030803
8	A1RF362400	Collection Gear /2 14T		C	1	h-V570010021
9	A1RF210101	Drive Panel /1		C	1	i-V193040604
10	65AA10740D	High voltage Powering Spring		D	1	k-V217020001
11	A1RF210900	Power supply Plate /4		D	1	m-V217030001
12	A1RF210700	High voltage Powering Cover /2		D	1	n-V217060001
13	A1RF210800	High voltage Powering Block /2		D	1	p-V223150004
14	A1RF210600	Idling Panel		D	1	q-V226024050
15	A50U212600	Ball Bearing /15		C	2	r-V234201050
16	65AA15250D	Mounting Plate /2		D	1	s-V500020033
17	65AA15100D	Mounting Plate		D	2	t-V500020098
18	65AA-9091E	Sensor Board Assy		B	2	
19	65AA15190D	Shaft holder Holding Plate		C	1	
20	A5AWN17001	Drive Relay harness /3		D	1	
21	65AAR72300	ENCORDER ASSY		D	1	
22	A1RFN15900	Drive Relay harness /2		D	1	
23	A00V240600	Ball Bearing		B	2	
24	A5AWM10101	DC Brushless motor /D		C	1	
25	A1RFR77700	DRUM DRIVE UNIT PANEL(YMC) CALKING		D	1	
26	4470402401	Stopper		D	1	
27	A1RF214100	Set Washer /1		D	2	
28	A5AW210500	Drive Shaft /3		D	1	
29	13QA40610	Gear Spacer		C	1	
30	A03U259600	Idling Gear 46/132T		C	1	

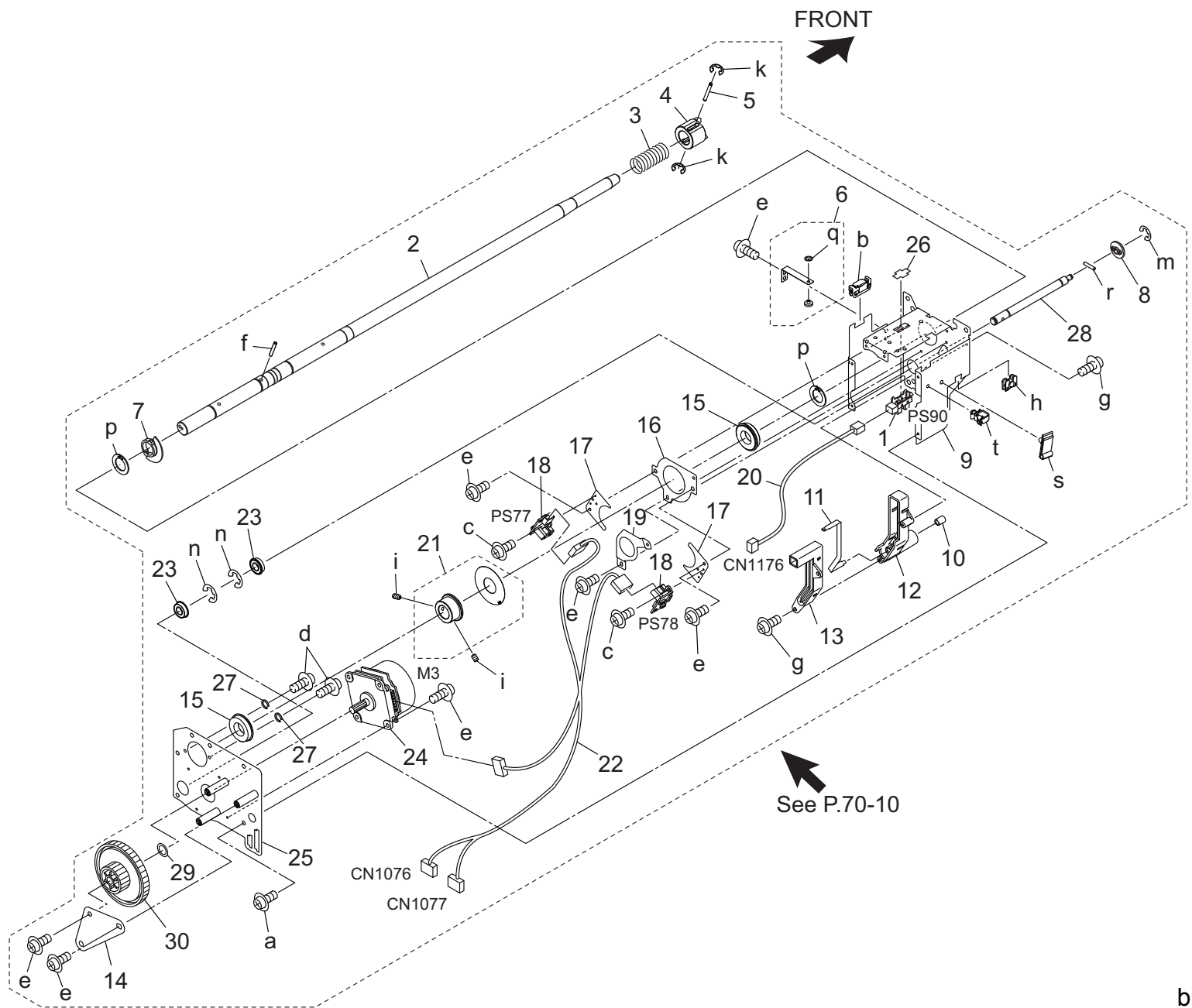
Drum Driving Section



Drum Driving Section

Key	Part No.	Description	Destinations	Class	QTY	Standard parts
1	A85CM55600	Photo Sensor		C	1	a-V116030603
2	A1RF210403	Drive Shaft /2		D	1	b-V570010057
3	65AA15200	PRESSING SPRING		C	1	c-V118020403
4	A1RF212600	Coupling		D	1	d-V118040603
5	65AA15210	COUPLING PIN		D	1	e-V121030403
6	A1RFR74600	GROUND SPRING ASSY		D	1	f-V234301850
7	A5AW211000	Pressure Actuator		C	1	g-V153030803
8	A1RF362400	Collection Gear /2 14T		C	1	h-V570010021
9	A1RF210101	Drive Panel /1		C	1	i-V193040604
10	65AA10740D	High voltage Powering Spring		D	1	k-V217020001
11	A1RF210900	Power supply Plate /4		D	1	m-V217030001
12	A1RF210700	High voltage Powering Cover /2		D	1	n-V217060001
13	A1RF210800	High voltage Powering Block /2		D	1	p-V223150004
14	A1RF210600	Idling Panel		D	1	q-V226024050
15	A50U212600	Ball Bearing /15		C	2	r-V234201050
16	65AA15250D	Mounting Plate /2		D	1	s-V500020033
17	65AA15100D	Mounting Plate		D	2	t-V500020098
18	65AA-9091E	Sensor Board Assy		B	2	
19	65AA15190D	Shaft holder Holding Plate		C	1	
20	A5AWN17001	Drive Relay harness /3		D	1	
21	65AAR72300	ENCORDER ASSY		D	1	
22	A1RFN15900	Drive Relay harness /2		D	1	
23	A00V240600	Ball Bearing		B	2	
24	A5AWM10101	DC Brushless motor /D		C	1	
25	A1RFR77700	DRUM DRIVE UNIT PANEL(YMC) CALKING		D	1	
26	4470402401	Stopper		D	1	
27	A1RF214100	Set Washer /1		D	2	
28	A5AW210500	Drive Shaft /3		D	1	
29	13QA40610	Gear Spacer		C	1	
30	A03U259600	Idling Gear 46/132T		C	1	

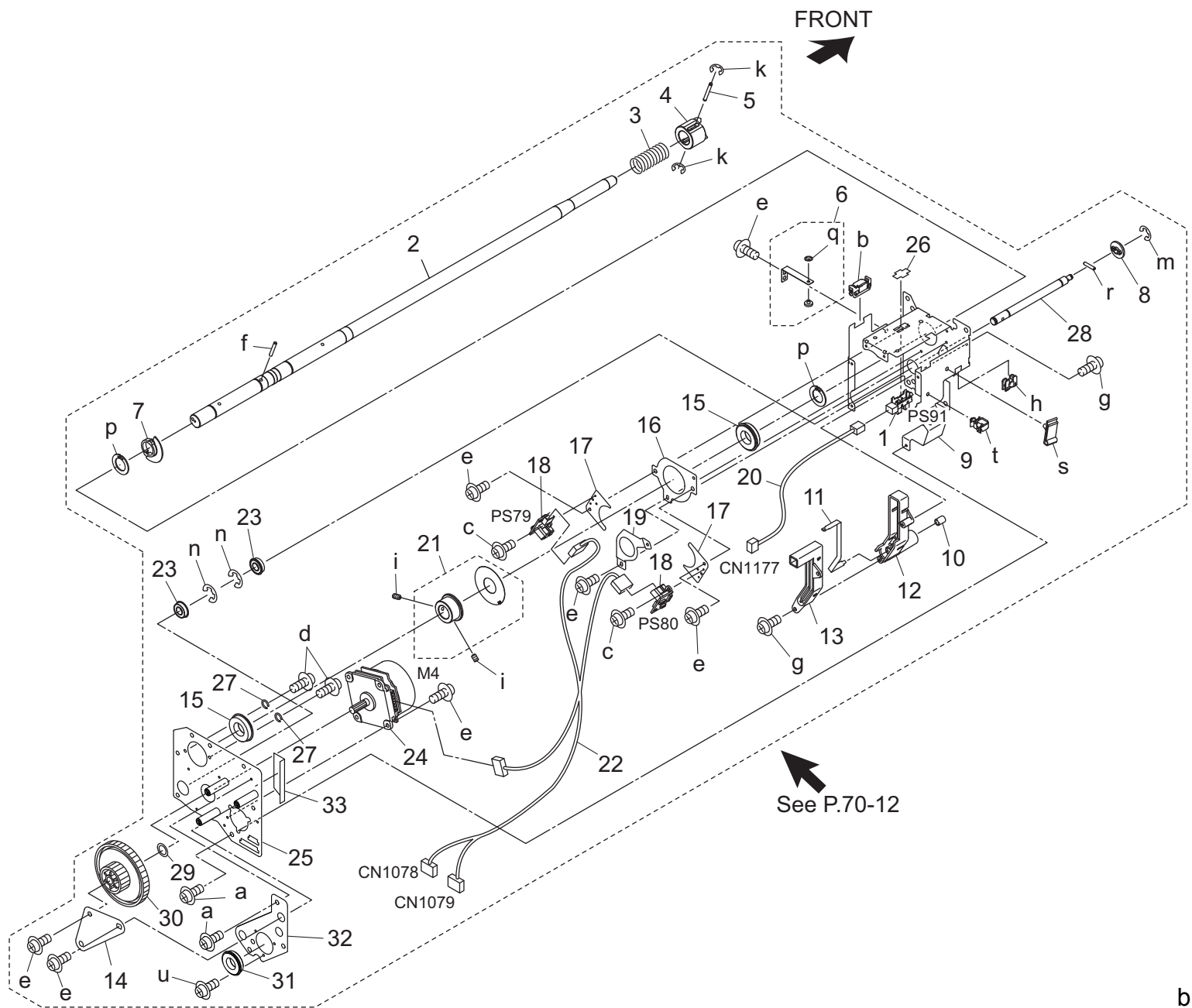
Drum Driving Section



Drum Driving Section

Key	Part No.	Description	Destinations	Class	QTY	Standard parts
1	A85CM55600	Photo Sensor		C	1	a-V116030603
2	A1RF210303	Drive Shaft /1		D	1	b-V570010057
3	65AA15200	PRESSING SPRING		C	1	c-V118020403
4	A1RF212600	Coupling		D	1	d-V118040603
5	65AA15210	COUPLING PIN		D	1	e-V121030403
6	A1RFR74600	GROUND SPRING ASSY		D	1	f-V234301850
7	A5AW211000	Pressure Actuator		C	1	g-V153030803
8	A1RF362400	Collection Gear /2 14T		C	1	h-V570010021
9	A1RF210101	Drive Panel /1		C	1	i-V193040604
10	65AA10740D	High voltage Powering Spring		D	1	k-V217020001
11	A1RF210900	Power supply Plate /4		D	1	m-V217030001
12	A1RF210700	High voltage Powering Cover /2		D	1	n-V217060001
13	A1RF210800	High voltage Powering Block /2		D	1	p-V223150004
14	A1RF210600	Idling Panel		D	1	q-V226024050
15	A50U212600	Ball Bearing /15		C	2	r-V234201050
16	65AA15250D	Mounting Plate /2		D	1	s-V500020033
17	65AA15100D	Mounting Plate		D	2	t-V500020098
18	65AA-9091E	Sensor Board Assy		B	2	
19	65AA15190D	Shaft holder Holding Plate		C	1	
20	A5AWN17001	Drive Relay harness /3		D	1	
21	65AAR72300	ENCORDER ASSY		D	1	
22	A1RFN15900	Drive Relay harness /2		D	1	
23	A00V240600	Ball Bearing		B	2	
24	A5AWM10101	DC Brushless motor /D		C	1	
25	A1RFR77700	DRUM DRIVE UNIT PANEL(YMC) CALKING		D	1	
26	4470402401	Stopper		D	1	
27	A1RF214100	Set Washer /1		D	2	
28	A5AW210500	Drive Shaft /3		D	1	
29	13QA40610	Gear Spacer		C	1	
30	A03U259600	Idling Gear 46/132T		C	1	

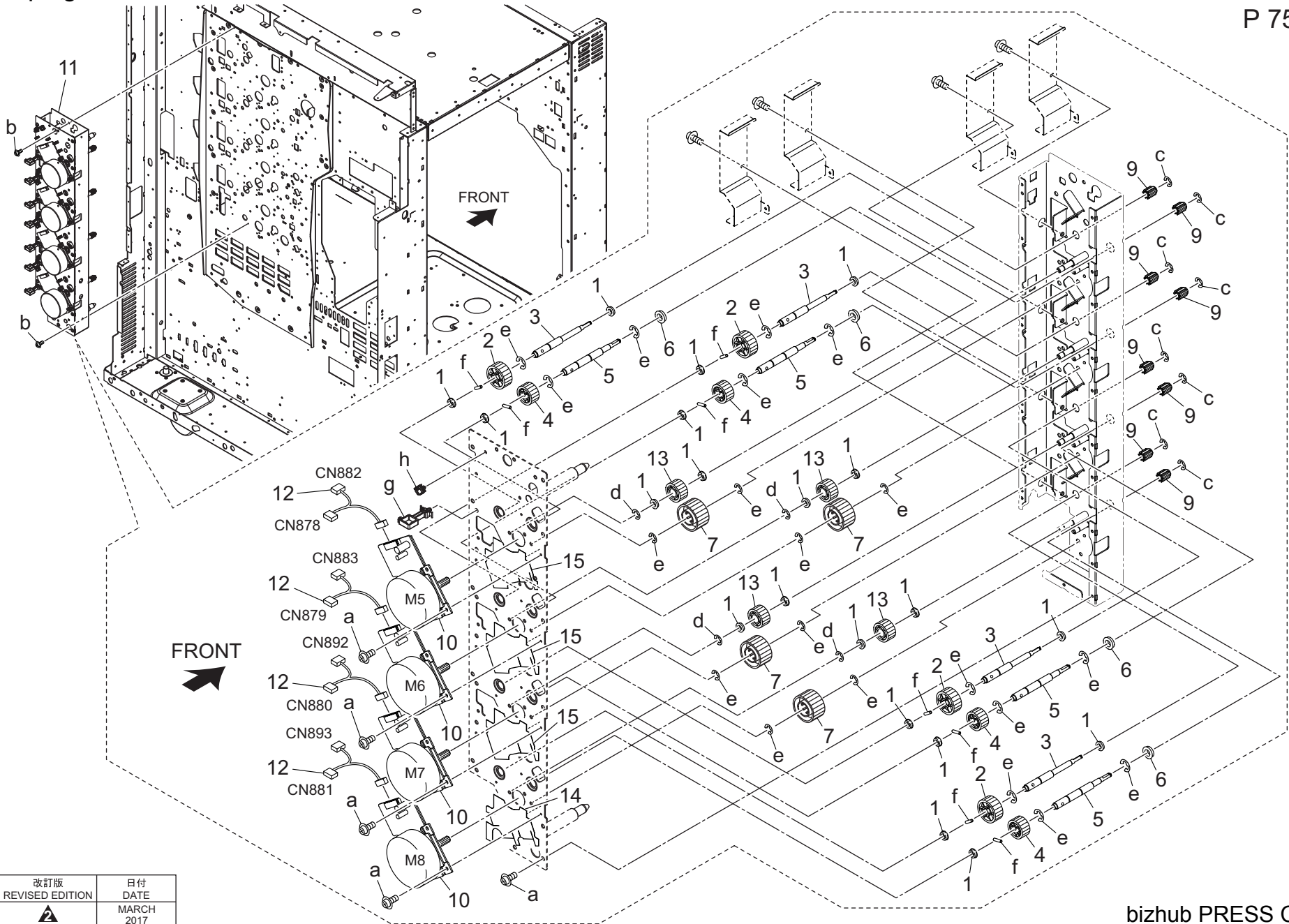
Drum Driving Section



Drum Driving Section

Key	Part No.	Description	Destinations	Class	QTY	Standard parts
1	A85CM55600	Photo Sensor		C	1	a-V116030603
2	A1RF210403	Drive Shaft /2		D	1	b-V570010057
3	65AA15200	PRESSING SPRING		C	1	c-V118020403
4	A1RF212600	Coupling		D	1	d-V118040603
5	65AA15210	COUPLING PIN		D	1	e-V121030403
6	A1RFR74600	GROUND SPRING ASSY		D	1	f-V234301850
7	A5AW211000	Pressure Actuator		C	1	g-V153030803
8	A1RF362400	Collection Gear /2 14T		C	1	h-V570010021
9	A1RF213402	Drive Panel /A		C	1	i-V193040604
10	65AA10740D	High voltage Powering Spring		D	1	k-V217020001
11	A1RF210900	Power supply Plate /4		D	1	m-V217030001
12	A1RF210700	High voltage Powering Cover /2		D	1	n-V217060001
13	A1RF210800	High voltage Powering Block /2		D	1	p-V223150004
14	A1RF210600	Idling Panel		D	1	q-V226024050
15	A50U212600	Ball Bearing /15		C	2	r-V234201050
16	65AA15250D	Mounting Plate /2		D	1	s-V500020033
17	65AA15100D	Mounting Plate		D	2	t-V500020098
18	65AA-9091E	Sensor Board Assy		B	2	u-V118030403
19	65AA15190D	Shaft holder Holding Plate		C	1	
20	A5AWN17001	Drive Relay harness /3		D	1	
21	65AAR72300	ENCORDER ASSY		D	1	
22	A1RFN15900	Drive Relay harness /2		D	1	
23	A00V240600	Ball Bearing		B	2	
24	A5AWM10101	DC Brushless motor /D		C	1	
25	A1RFR76900	DRUM DRIVING UNIT PANEL CALKING		D	1	
26	4470402401	Stopper		D	1	
27	A1RF214100	Set Washer /1		D	2	
28	A5AW210500	Drive Shaft /3		D	1	
29	13QA40610	Gear Spacer		C	1	
30	A03U259600	Idling Gear 46/132T		C	1	
31	65AA75081	DRUM SUPPORT BEARING /2		C	1	
32	A1RF213700	Support Plate		D	1	
33	A5AW219900	Protection Seal /K		D	1	

Developing Drive Section

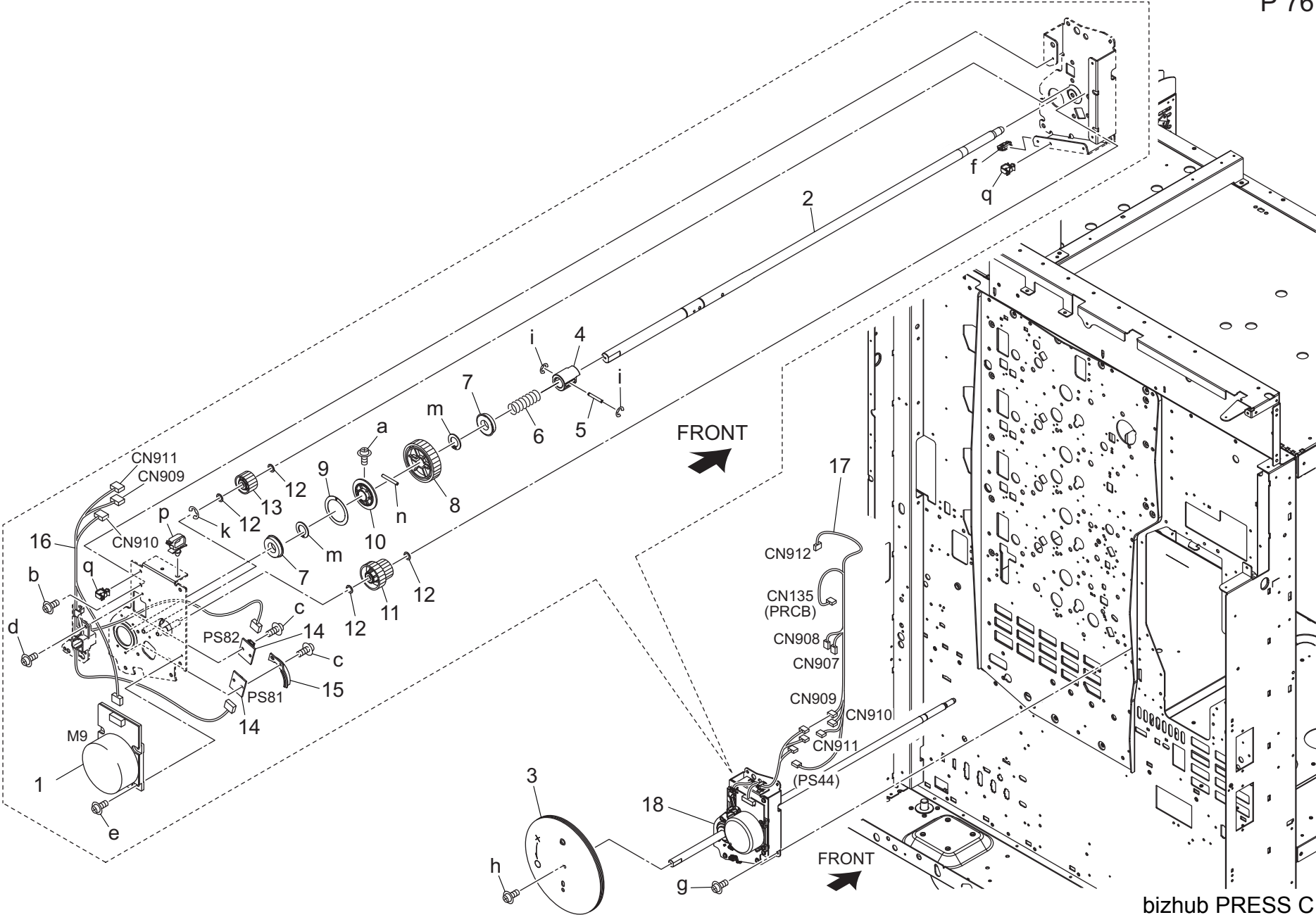


改訂版 REVISED EDITION	日付 DATE
	MARCH 2017

Order here
8 (495) 646-0426
ПЯТЫЙ ПАРТНЕР www.km-shop.ru

Key	Part No.	Description	Destinations	Class	QTY	Standard parts
1	A00J617800	Ball Bearing		B	20	a-V121030603 b-V146030603 c-V217030001 d-V217040001 e-V217060001 f-V237301250 g-V500020104 h-V500020098
2	A1RF229800	Agitating Gear /2 52T		C	4	
3	A1RF220400	Drive Shaft /2		D	4	
4	A5AW229700	Developing Gear /2 39T		C	4	
5	A1RF220302	Drive Shaft /1		D	4	
6	A00V240600	Ball Bearing		B	4	
7	A5AW229602	Transfer Gear /C		C	4	
9	26NA17580	AGITATING COUPLING B		C	8	
10	A0R5M10300	DC Brushless motor /30		B	4	
11	A5AWR71600	Developing Drive Assy		I	1	
12	A1RFN13200	Drive Relay harness /1		D	4	
13	A1RF229600	Idling Gear /2 42T		C	4	
14	A5AW225000	Shield Seal /K		D	1	
15	A5AW225100	Shield Seal /C		D	3	

Belt Driving Section



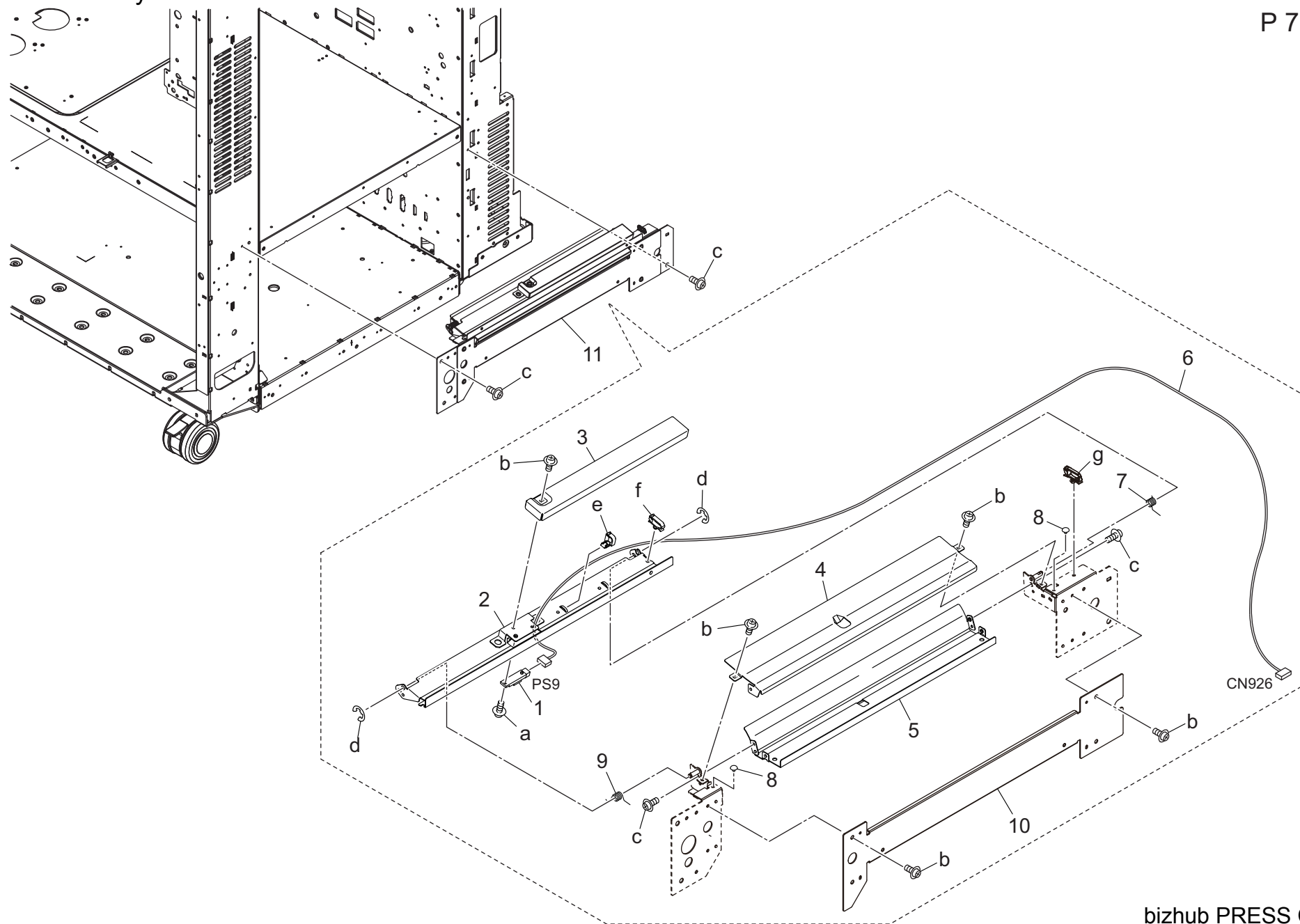
bizhub PRESS C1085

Belt Driving Section

Key	Part No.	Description	Destinations	Class	QTY	Standard parts
1	A5AWM10201	DC Brushless motor /B	D C ブラシレスモーター / B	C	1	a-V111030603
2	A1RF231804	Drive Shaft	駆動軸	D	1	b-V116030603
3	A1RFR7G600	FLYWHEEL(BELT)	フライホイール(ベルト)	D	1	c-V118030603
4	A1RF232900	Drive Coupling	駆動カップリング	D	1	d-V121030403
5	A1RF232000	Coupling Pin	カップリングピン	D	1	e-V121030603
6	A1RF232100	Pressing Spring	押圧ばね	D	1	f-V570010056
7	A5AW219000	Support Ball bearing /1	支持ボールベアリング /1	C	2	g-V146030603
8	A1RF239900	Drive Gear /1 88T	駆動ギア /1 88 T	C	1	h-V185041003
9	A1RF230100	Reflecting Plate	反射プレート	D	1	i-V217020001
10	A1RF230200	Mounting Part	取付部材	D	1	k-V217040001
11	A5AW239700	Idling Gear /1 44/60T	アイドラギア /1 44 /60 T	C	1	m-V223120004
12	40AA32320	Toner Supply Spacer	トナー補給スペーサー	C	4	n-V234302550
13	A5AW239800	Idling Gear /2 44T	アイドラギア /2 44 T	C	1	p-V500010005
14	A1RFM50900	Sensor PWB assembly	センサ基板 A S S Y	C	2	q-V500020098
15	A1RF232300	Scatteringprevention Partition	飛散防止仕切	D	1	
16	A1RFN16100	Detection harness /B	検知束線 / B	D	1	
17	A5AWN12800	Main body Wiring /8	本体束線 /8	D	1	
18	A5AWR71700	Belt Drive Assy	ベルト 駆動 A s s y	I	1	

Vertical Conveyance Section

P 77



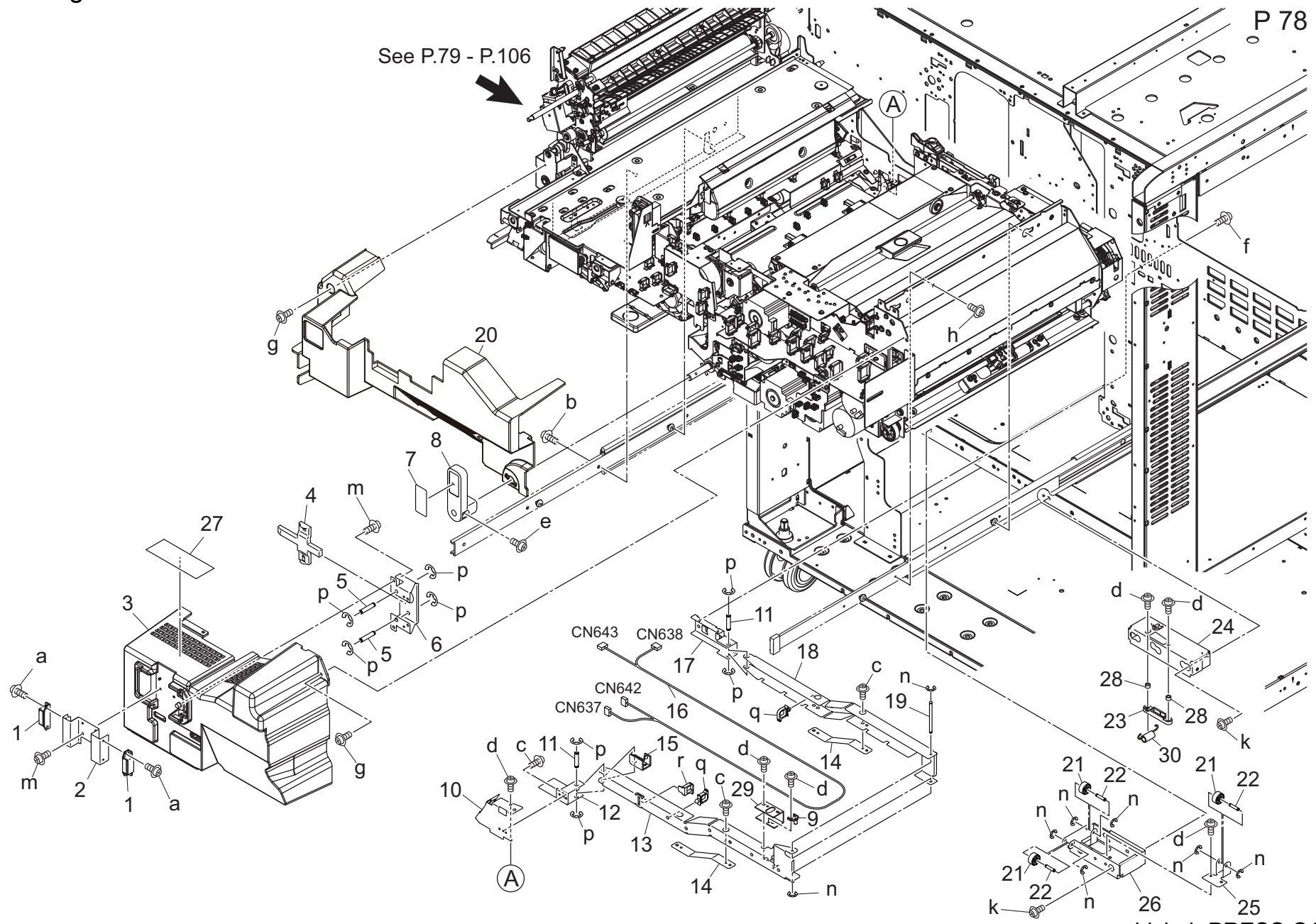
Vertical Conveyance Section

Key	Part No.	Description	Destinations	Class	QTY	Standard parts
1	13QA85511	Sensor 1		B	1	a-V118030603 b-V127030603 c-V146030603 d-V217040001 e-V500010057 f-V500010061 g-V500020100
2	A1RF701101	Guide Plate /1		D	1	
3	A1RF704400	Protection Plate /1		D	1	
4	A1RF700800	Guide Plate /2		D	1	
5	A1RF702701	Guide Plate /3		D	1	
6	A5AWN16200	Paperfeed Wiring /1		D	1	
7	A1RF704300	Lock Spring /Rear		D	1	
8	12AJ45850	Stopper Rubber		C	2	
9	A1RF704200	Entrance Spring /Front		D	1	
10	A5AW701600	Fixing Plate		D	1	
11	A5AWR71J00	Vertical Conveyance Assy		I	1	

ADU Carriage

P 78

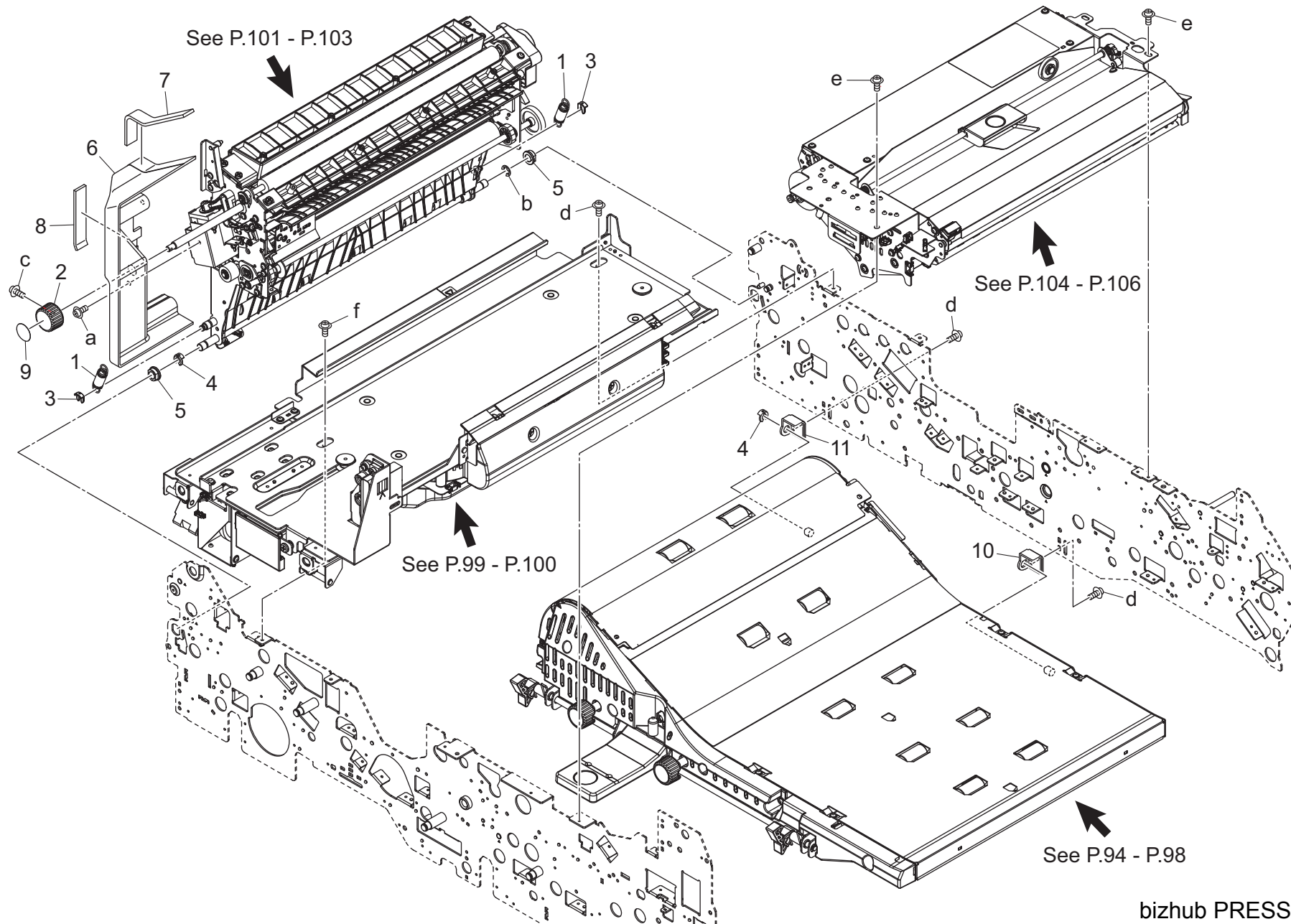
See P.79 - P.106



Key	Part No.	Description	Destinations	Class	QTY	Standard parts
1	A0G6411200	Magnet /X		D	2	a-V118030403
2	A1RF445301	Cover Plate		D	1	b-V118040603
3	A5AW817202	Conveyance Cover /Right		D	1	c-V121030403
4	A1RF164402	Cover Lock /1		D	1	d-V127030603
5	A1RF164600	Cover Lock /3		D	2	e-V121041003
6	A1RF164501	Cover Lock /2		D	1	f-V146040803
7	A1RF943100	Release Label /1		D	1	g-V127030604
8	57AA50760	CARRIAGE PULLING LEVER		C	1	h-V127040603
9	56AA50381	HINGE LIFTING BLOCK		C	1	k-V146041404
10	A1RF812001	Power supply Plate /Right rear		D	1	m-V153030803
11	65AA50180	HINGE FULCRUM SHAFT 1		D	2	n-V217030001
12	A1RF812101	Support Plate /Front		D	1	p-V217040001
13	A1RF811902	Wiring Arm /Lower		D	1	q-V500010007
14	A1RF822500	Reinforce Plate		D	2	r-V500010022
15	65AA50740	Wiring Cover /1		C	1	
16	A5AWN20500	ADU Control harness /1		D	1	
17	A1RF814300	Support Plate /Rear		D	1	
18	A1RF811801	Wiring Arm /Upper		D	1	
19	65AA50750D	Hinge Fulcrum Shaft		D	1	
20	A5AW817101	Conveyance Cover /Left		D	1	
21	13NG45200	Conveyance Driven Roller		C	3	
22	65AA50400	Guide Shaft		D	3	
23	A1RF823104	Fixing Part /B		D	1	
24	A1RF821902	Fixing Part /A		D	1	
25	A1RF828200	Receiving Plate /5		D	1	
26	A03U816000	FIXING PLATE /FRONT		D	1	
27	A5AW946300	Release Label /12		D	1	
28	A1RF822001	Positioning Shaft /1		D	2	
29	A5AW822100	Support Plate /1		D	1	
30	A5AW859701	Stopper Spring /1		D	1	

ADU Carriage

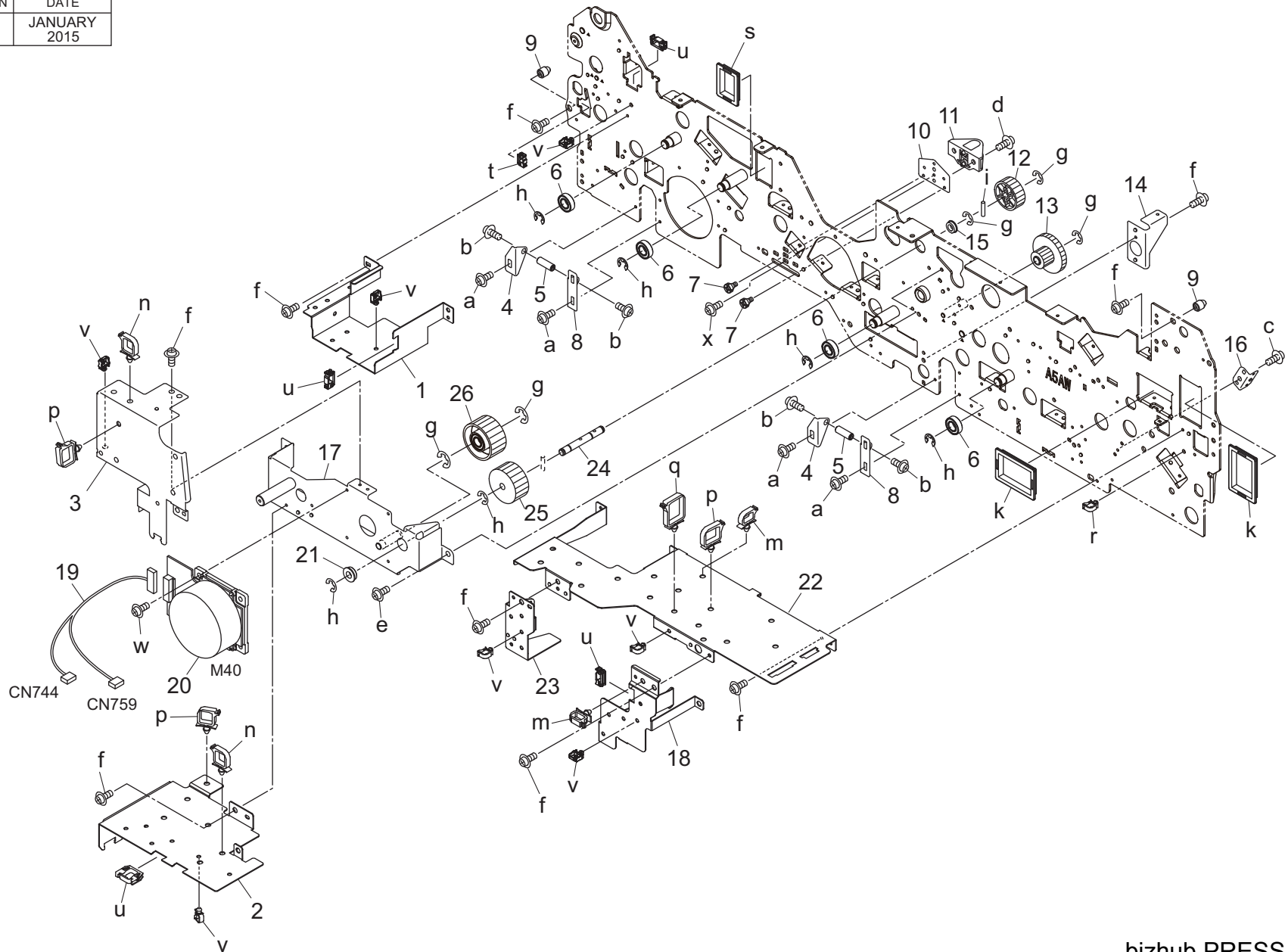
P 79



Key	Part No.	Description	Destinations	Class	QTY	Standard parts
1	A5AW864100	Open/close Spring /4		D	2	a-V121030603 b-V217060001 c-V118030603 d-V121040403 e-V116030618 f-V121040603
2	14GE45470	Rotation Knob		C	1	
3	56AA40490	SHAFT STOPPER 4		C	2	
4	55VA42120	Shaft Stopper		C	2	
5	A03U812800	Slide Shaft Holder		B	2	
6	A5AW878203	Protection Cover		D	1	
7	A5AW878300	Thermal insulation Seal /Upper		C	1	
8	A5AW878400	Thermal insulation Seal /Lower		C	1	
9	A1RF943700	Release Label /7		D	1	
10	A1RF847900	Support Plate /B		D	1	
11	A1RF847800	Support Plate /A		D	1	

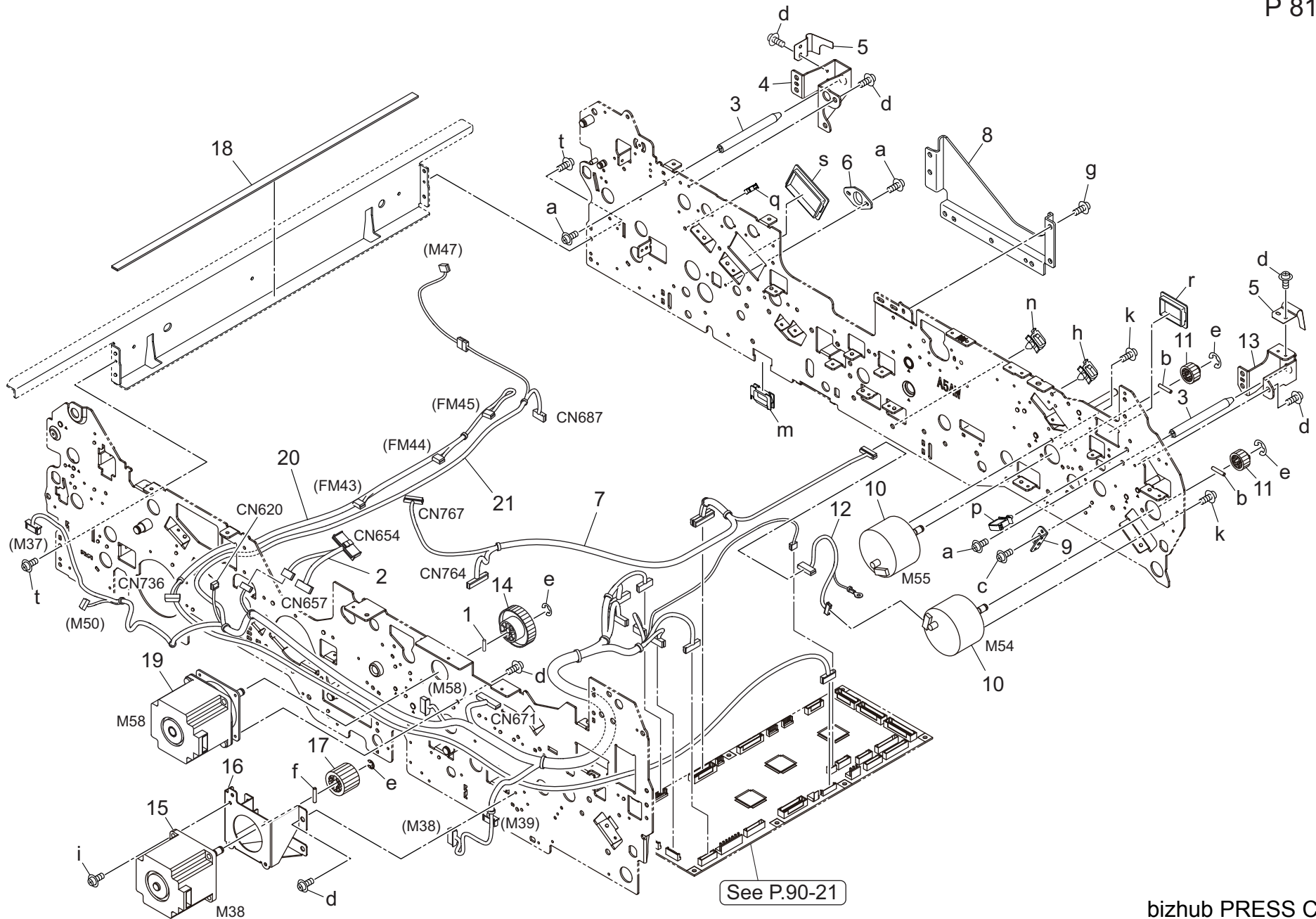
ADU Duplex Section

改訂版 REVISED EDITION	日付 DATE
	JANUARY 2015



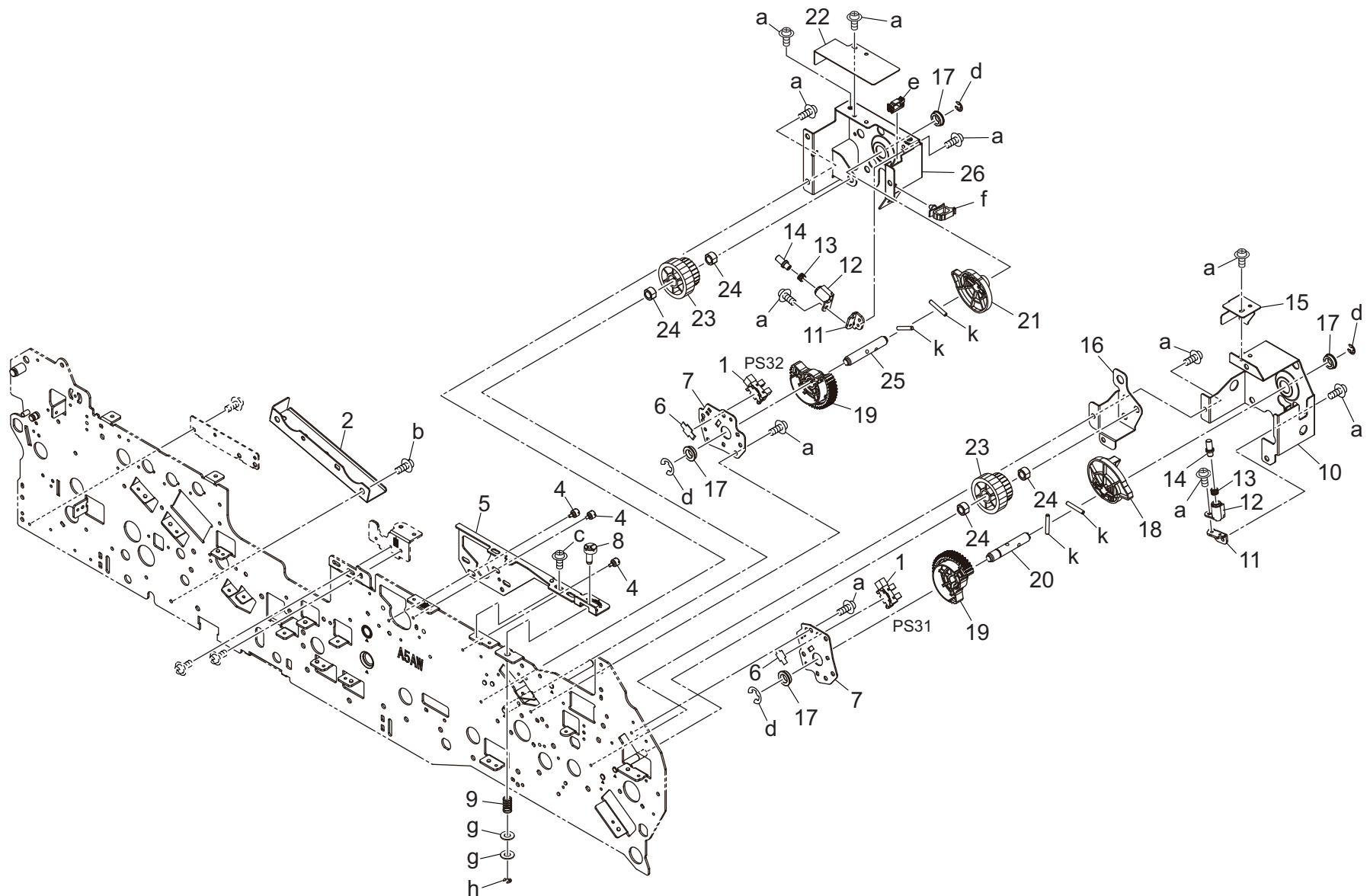
Key	Part No.	Description	Destinations	Class	QTY	Standard parts
1	A5AW821100	Wiring Guide		D	1	a-V116030603
2	A5AW814000	Wiring Guide /A		D	1	b-V118030403
3	A1RF819702	Wiring Guide /3		D	1	c-V121030403
4	A1RF850700	Adjusting Plate /1		D	2	d-V121030603
5	A1RF850600	Adjusting Shaft /Front		D	2	e-V121040403
6	A1RF820000	Ball Bearing		C	4	f-V127030603
7	65AA49510F	FIXING SCREW /1		C	2	g-V217060001
8	A1RF850801	Adjusting Plate /2		D	2	h-V217040001
9	A5AW814901	Base Pin		D	2	i-V234201250
10	A03U811600	ADU Positioning Plate /1		D	1	k-V570010039
11	A03U843500	Positioning Part		D	1	m-V500010005
12	A1RF829800	Transfer Gear /B 30T		C	1	n-V500010007
13	A1RF829600	Transfer Gear /3 14/70T		C	1	p-V500010008
14	A1RF812802	Reinforce Plate /1		D	1	q-V500010015
15	A07R813701	Roller Bearing /B		C	1	r-V500020099
16	A1RF844300	Hold Plate /3		D	1	s-V570010038
17	A5AWR72Q00	Reinforce Block/Front Caulking		D	1	t-V570010056
18	A5AW818600	Wiring Plate /1		D	1	u-V570010057
19	A1RFN13200	Drive Relay harness /1		D	1	v-V500020098
20	A5AWM10201	DC Brushless motor /B		C	1	w-V127030803
21	A0G6243900	Ball Bearing		C	1	x-V116030803
22	A5AW819400	Wiring Guide /1		D	1	
23	A5AW819500	Wiring Guide /2		D	1	
24	A1RF816500	Drive Shaft /B		D	1	
25	A1RF829900	Transfer Gear /A 60T		C	1	
26	A5AW229602	Transfer Gear /C		C	1	



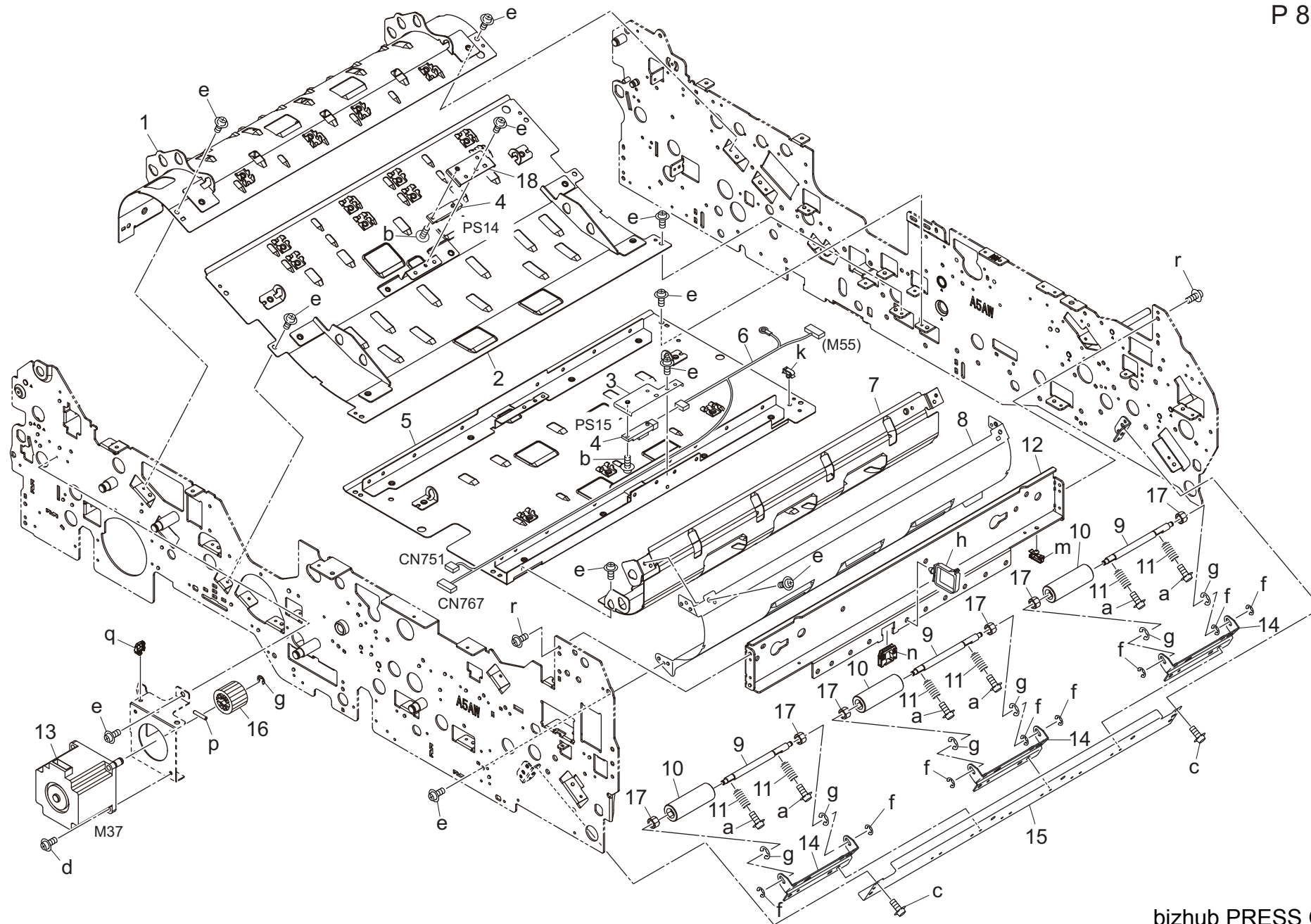


See P.90-21

Key	Part No.	Description	Destinations	Class	QTY	Standard parts
1	A4EU604000	Input Pin		D	1	a-V116030803
2	A5AWN23200	Transfer Relay harness /6		D	1	b-V234201250
3	65AA50250	CARRIGE GUIDE PIN REAR		D	2	c-V121030403
4	A5AW810500	Guide Plate /Rear		D	1	d-V127030603
5	A1RF823601	Ground Plate		D	2	e-V217040001
6	A03U811800	ADU Positioning Plate /2		C	1	f-V234301650
7	A5AWN24700	ADU Drive harness /10		D	1	g-V121040403
8	A1RF811201	Reinforce Part /Rear		D	1	h-V500020077
9	A1RF844300	Hold Plate /3		D	1	i-V121030803
10	A11PM10200	DC Brushless motor /12		C	2	k-V118030403
11	A1RF849701	Gear /1 16T		C	2	m-V570010059
12	A5AWN24900	ADU Drive harness /12		D	1	n-V500010005
13	A5AW828700	Support Plate /3		D	1	p-V500010007
14	A5AW719900	Registration Gear 40T		C	1	q-V500020098
15	65AA80112	HB Motor /50		B	1	r-V570010038
16	A5AW818700	Drive Base frame /2		D	1	s-V570010039
17	A5AW818800	Drive Gear /1 22T		C	1	t-V116030603
18	A1RF823000	Protection Tape		D	1	
19	56AA80112	Paper Exit Drive Motor		B	1	
20	A5AWN21600	ADU Drive harness /3		D	1	
21	A5AWN21400	ADU Drive harness /1		D	1	

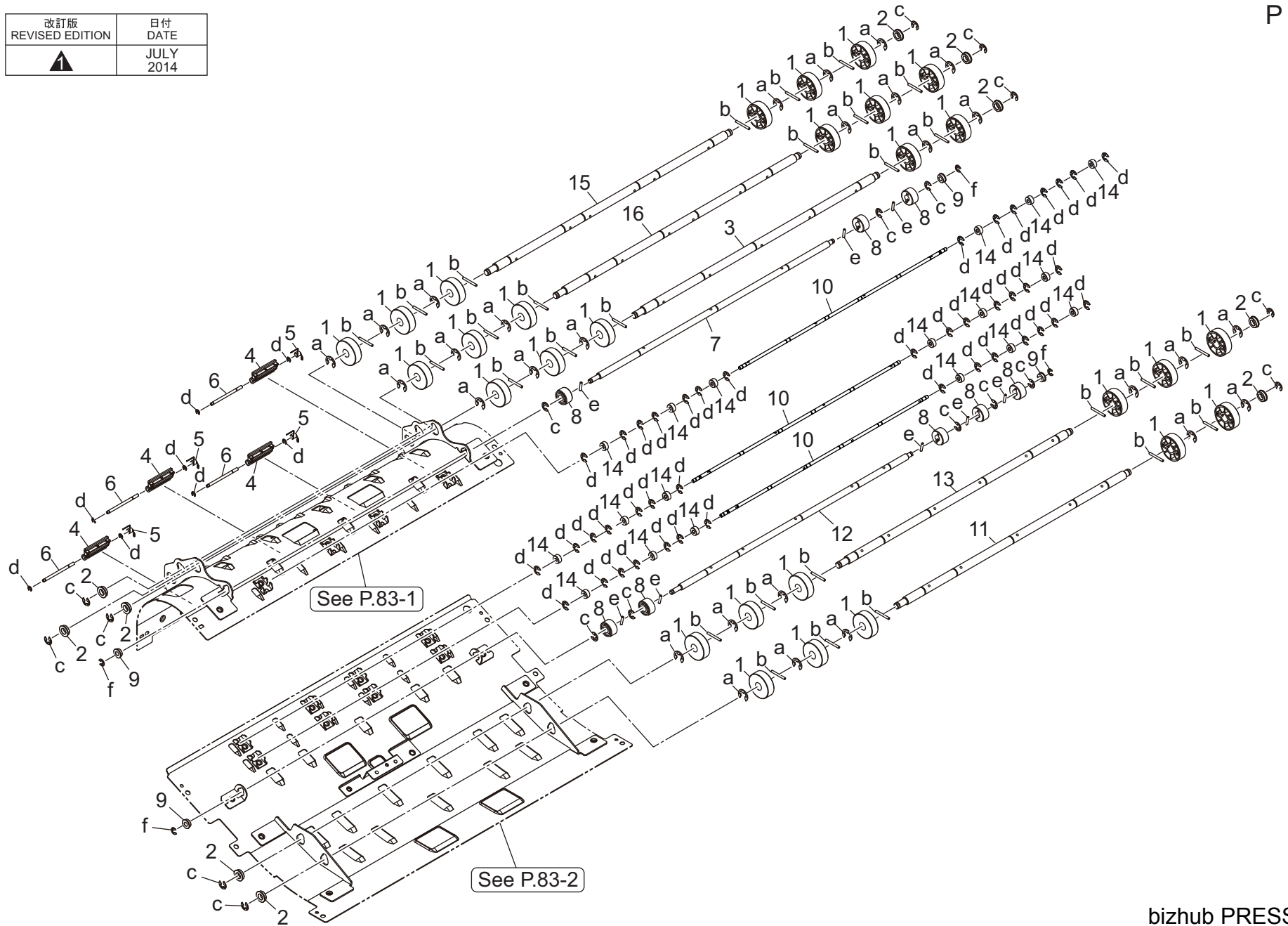


Key	Part No.	Description	Destinations	Class	QTY	Standard parts
1	08AA85512	Photo Sensor		B	2	a-V116030603
2	A1RJ815000	Protection Stay		D	1	b-V121040403
4	A5AW821600	Fixing Screw		D	3	c-V116030618
5	A5AW816000	Positioning Plate		D	1	d-V217040001
6	4470402401	Stopper		D	2	e-V570010057
7	A5AW824700	Mounting Plate		D	2	f-V500010005
8	A5AW821800	Lifting Shoulder screw		D	1	g-V207050003
9	A5AW823000	Pressing Spring /5		D	1	h-V217030001
10	A5AW828500	Drive Base frame /1		D	1	k-V234302050
11	A5AW831500	Support Plate		D	2	
12	A5AW813400	Lifting Casing		D	2	
13	A5AW815900	Pressing Spring /1		D	2	
14	A5AW814700	Slide Guide /1		D	2	
15	A5AW819700	Cover Plate		D	1	
16	A5AW820300	Support Plate		D	1	
17	A00J617900	Ball Bearing		B	4	
18	A5AW821400	Release Cam /1		D	1	
19	A5AW827700	Release Gear 48T		C	2	
20	A5AW824300	Release Shaft /1		D	1	
21	A5AW821500	Release Cam /2		D	1	
22	A5AW817900	Pressure Plate		D	1	
23	A5AW827601	Idling Gear /1 22/30T		C	2	
24	A03U850101	Slide Bushing		C	4	
25	A5AW820900	Release Shaft /B		D	1	
26	A5AW828600	Drive Base frame /2		D	1	



ADU Duplex Section

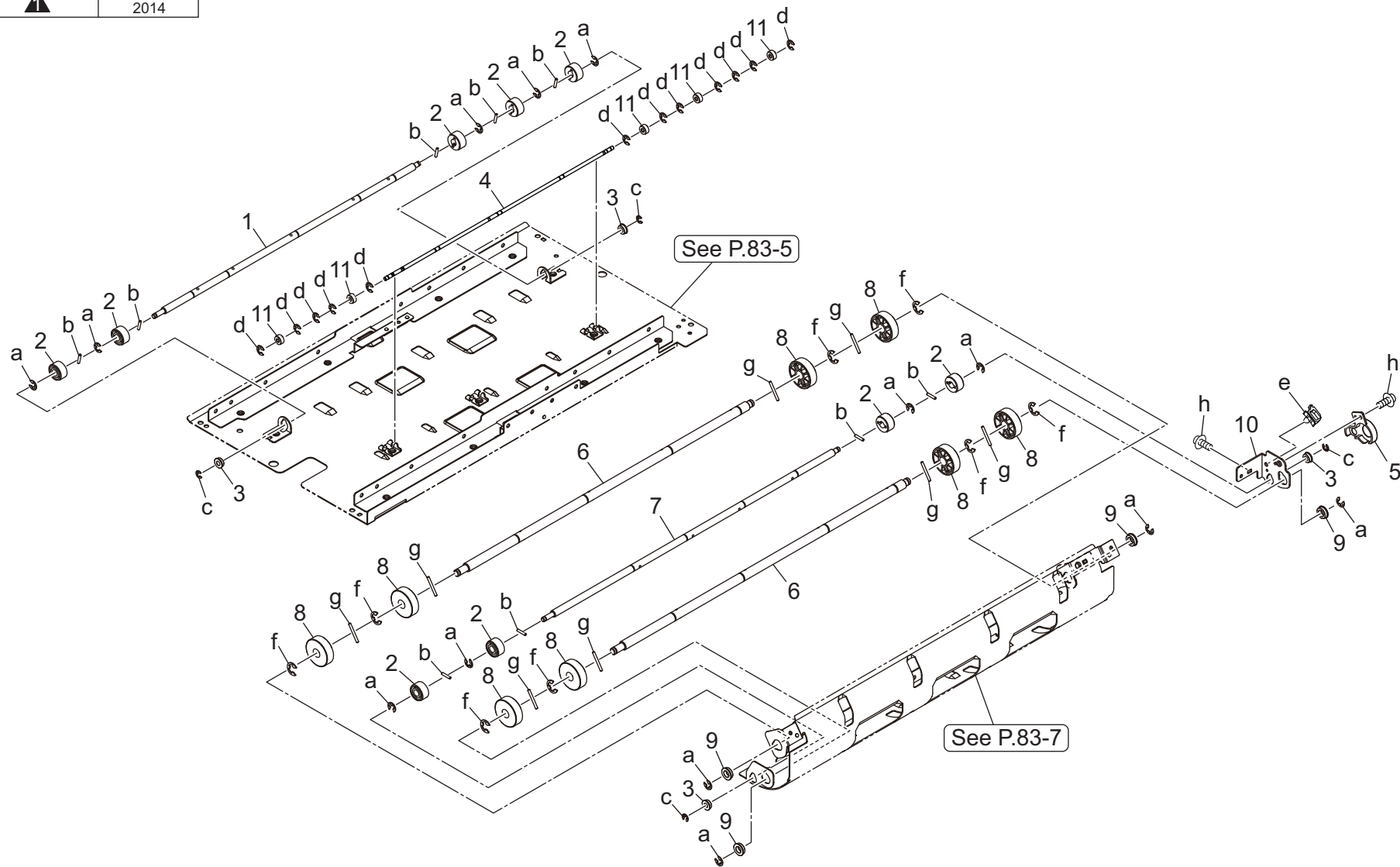
改訂版 REVISED EDITION	日付 DATE
	JULY 2014

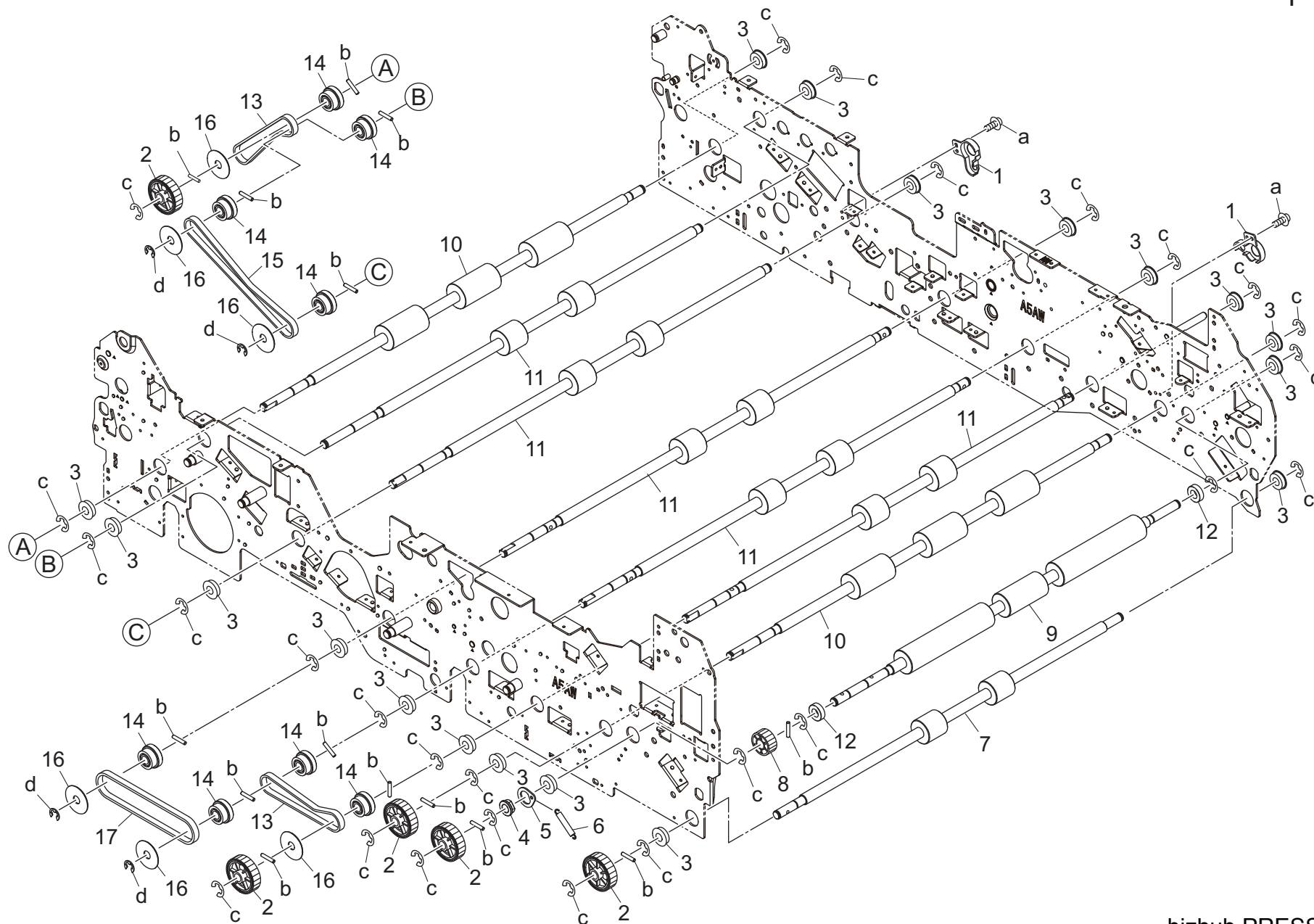


Key	Part No.	Description	Destinations	Class	QTY	Standard parts
1	A1TT715812	Guide Roll /B		C	28	a-V217060001
2	A00J617800	Ball Bearing		B	10	b-V234201850
3	A5AW859500	Guide Shaft /C		D	1	c-V217040001
4	A5AW858302	Conveyance Guide		C	4	d-V217020001
5	A5AW858400	Torsion Spring		D	4	e-V234201050
6	A5AW859900	Support Shaft /A		D	4	f-V217030001
7	A5AW856300	Guide Shaft		D	1	
8	A5AW856001	Guide Roll		D	8	
9	A0GD522500	Roller Bearing /B		C	4	
10	A5AW856701	Slide Shaft		D	3	
11	A5AW856400	Guide Shaft		D	1	
12	A5AW851800	Guide Shaft		D	1	
13	A5AW856100	Guide Shaft		D	1	
14	A50U854800	Conveyance Roll		D	18	
15	A5AW859300	Guide Shaft /A		D	1	
16	A5AW859400	Guide Shaft /B		D	1	

ADU Duplex Section

改訂版 REVISED EDITION	日付 DATE
	JULY 2014



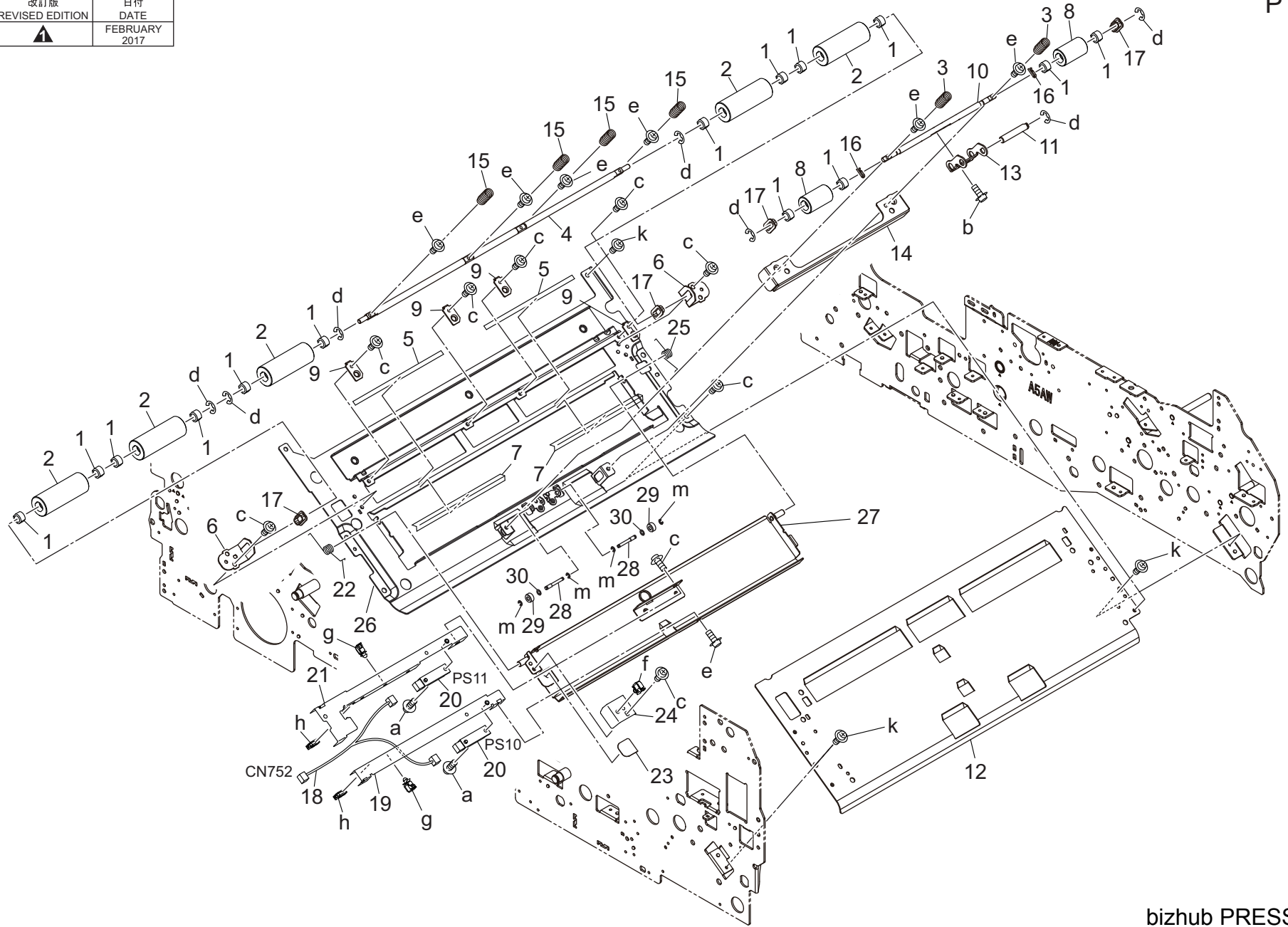


Key	Part No.	Description	Destinations	Class	QTY	Standard parts
1	A5AW819900	Protection Cover		D	2	a-V127030603 b-V234301650 c-V217060001 d-V217040001
2	A00J612100	Gear 32T		C	5	
3	A00V240600	Ball Bearing		B	18	
4	A03U812800	Slide Shaft Holder		B	1	
5	A1RG681400	Brake Plate /8		D	1	
6	A1RF825000	Pulling Spring /3		D	1	
7	A5AW812300	Roller /1		C	1	
8	A1RF824100	Gear /2 25T		C	1	
9	A5AW812200	Roller /2		C	1	
10	A5AW851100	Roller /B		C	2	
11	A5AW851200	Roller /E		C	5	
12	A1RF820000	Ball Bearing		C	2	
13	A5AW818900	Conveyance Belt /3 228L		C	2	
14	A5AW816600	Pulley /2		D	8	
15	A5AW817000	Conveyance Belt /2 324L		C	1	
16	56AA15490	PULLEY GUIDE PLATE		B	6	
17	A1RF839600	Conveyance Belt /6 276L		C	1	



ADU Duplex Section

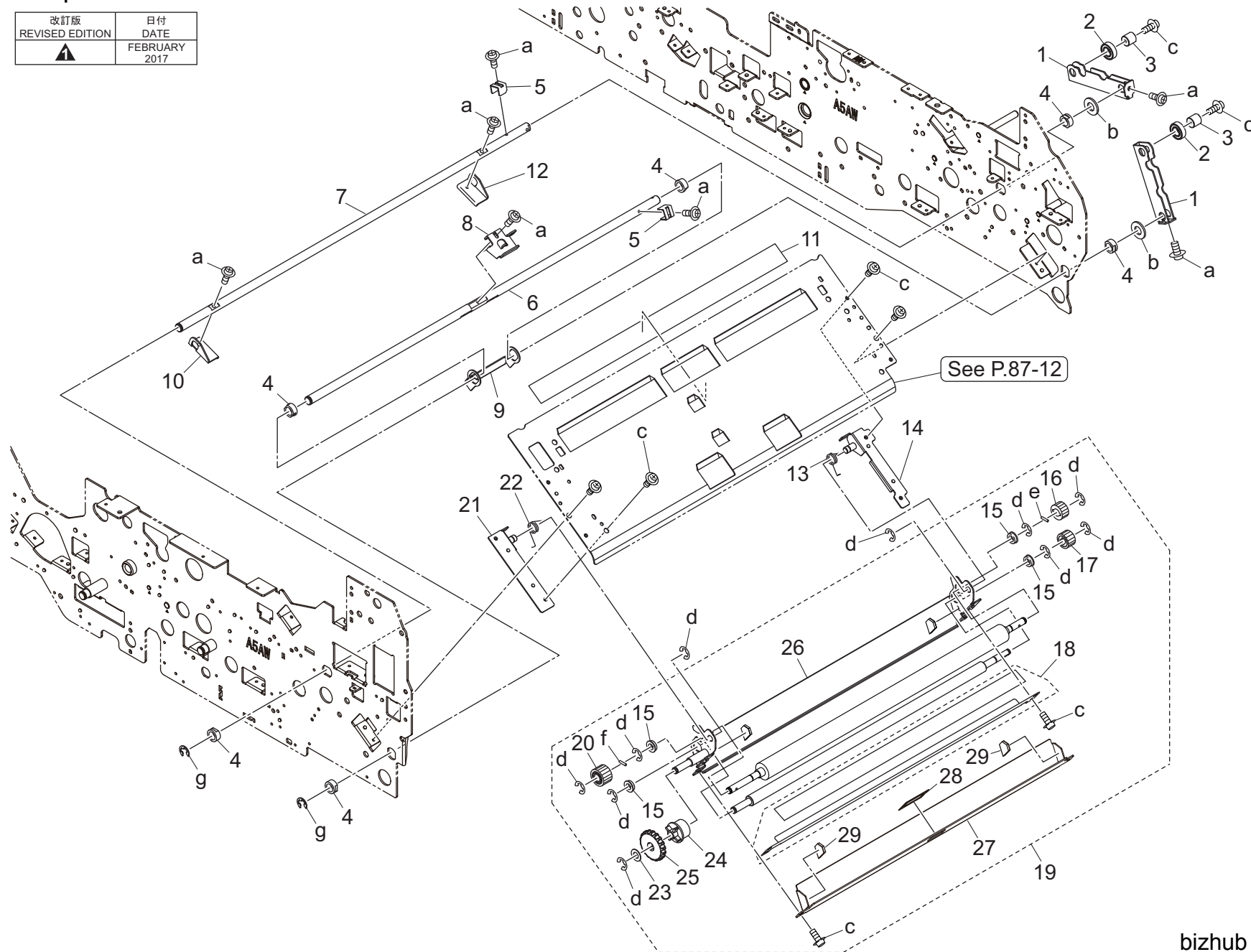
改訂版 REVISED EDITION	日付 DATE
	FEBRUARY 2017



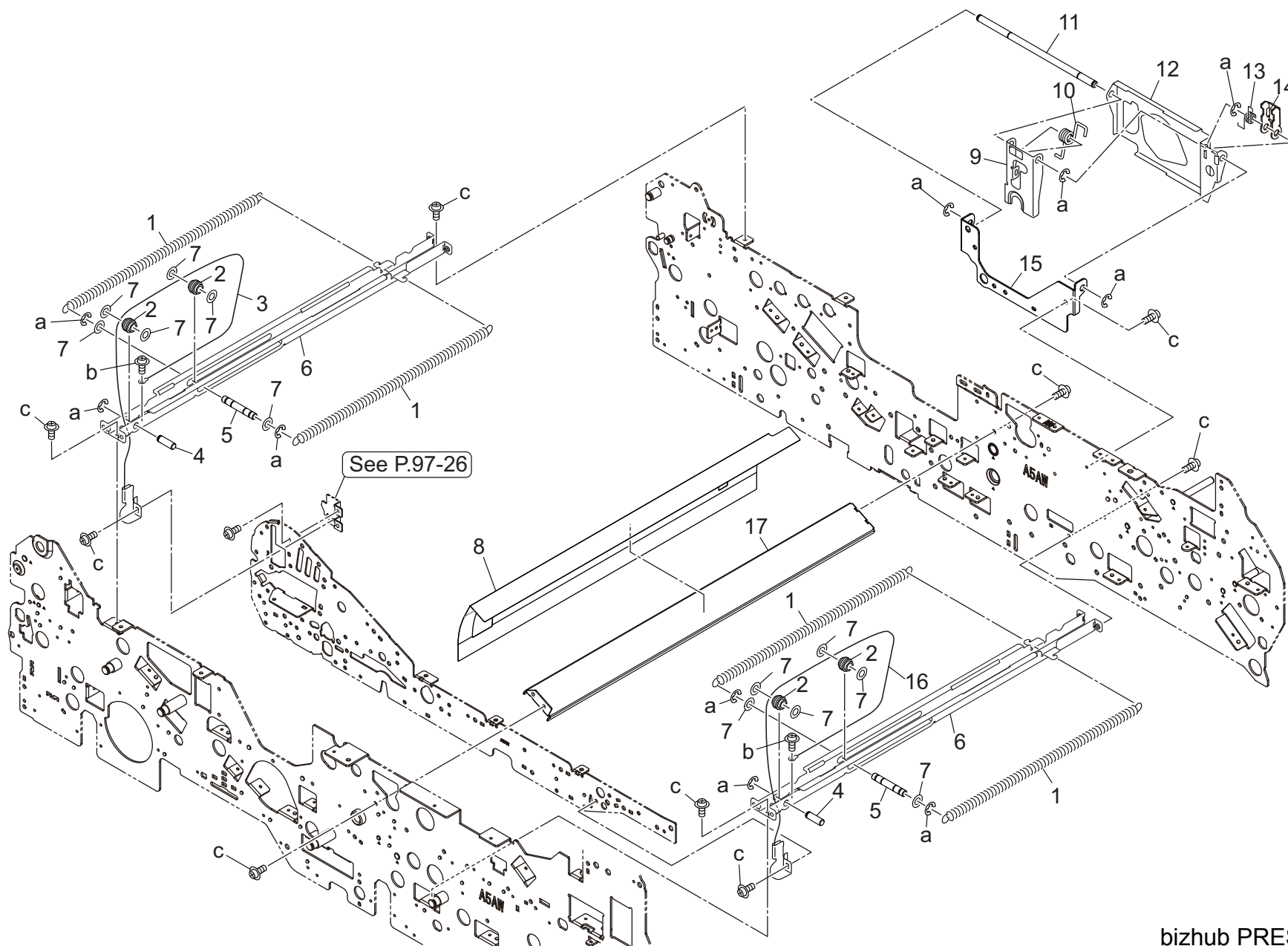
Key	Part No.	Description	Destinations	Class	QTY	Standard parts
1	A03U850101	Slide Bushing		C	14	a-V118030603
2	A1RF819800	Roller /C		D	5	b-V116031003
3	A5AW811400	Conveyance Spring /5		D	2	c-V127030603
4	A5AW812600	Shaft /A		D	1	d-V217040001
5	A1RF835001	Conveyance Sheet /Upper		D	2	e-V118030403
6	A5AW815100	Support Plate /Rear		D	2	f-V500020098
7	A1RF835200	Cover Sheet /Upper		D	2	g-V500010020
8	26NA42560	By-Pass Idler Roller		C	2	h-V570010056
9	A5AW811600	Positioning Plate /1		D	4	k-V121030403
10	A5AW827200	Idler Shaft /1		D	1	m-V217020001
11	A5AW827300	Support Shaft		D	1	
12	A1RF810603	Conveyance Plate /Lower		D	1	
13	A5AW827100	Support Plate /1		D	1	
14	A5AW813000	Positioning Plate /2		D	1	
15	A5AW811500	Conveyance Spring /6		D	4	
16	A0H0911500	Fixing Part /6		C	2	
17	A5AW828800	Receiving Part		D	4	
18	A1RFN21700	Relay Harness /1		D	1	
19	A1RF814600	Cover /2		D	1	
20	13QA85511	Sensor 1		B	2	
21	A1RF814500	Cover /1		D	1	
22	65AA50160	Pressing Spring /Left		C	1	
23	A5AW943200	Release Label /2		D	1	
24	A1RF829100	Cover Plate		D	1	
25	A5AW822000	Pressing Spring /Rear		D	1	
26	A5AW824602	Conveyance Plate /Upper		D	1	
27	A5AW814400	Conveyance Plate /Middle		D	1	
28	A5AW830500	Support Shaft		D	2	
29	A50U854800	Conveyance Roll		D	2	
30	56UA25280	Charge Cleaning Spacer		C	2	

ADU Duplex Section

改訂版 REVISED EDITION	日付 DATE
	FEBRUARY 2017

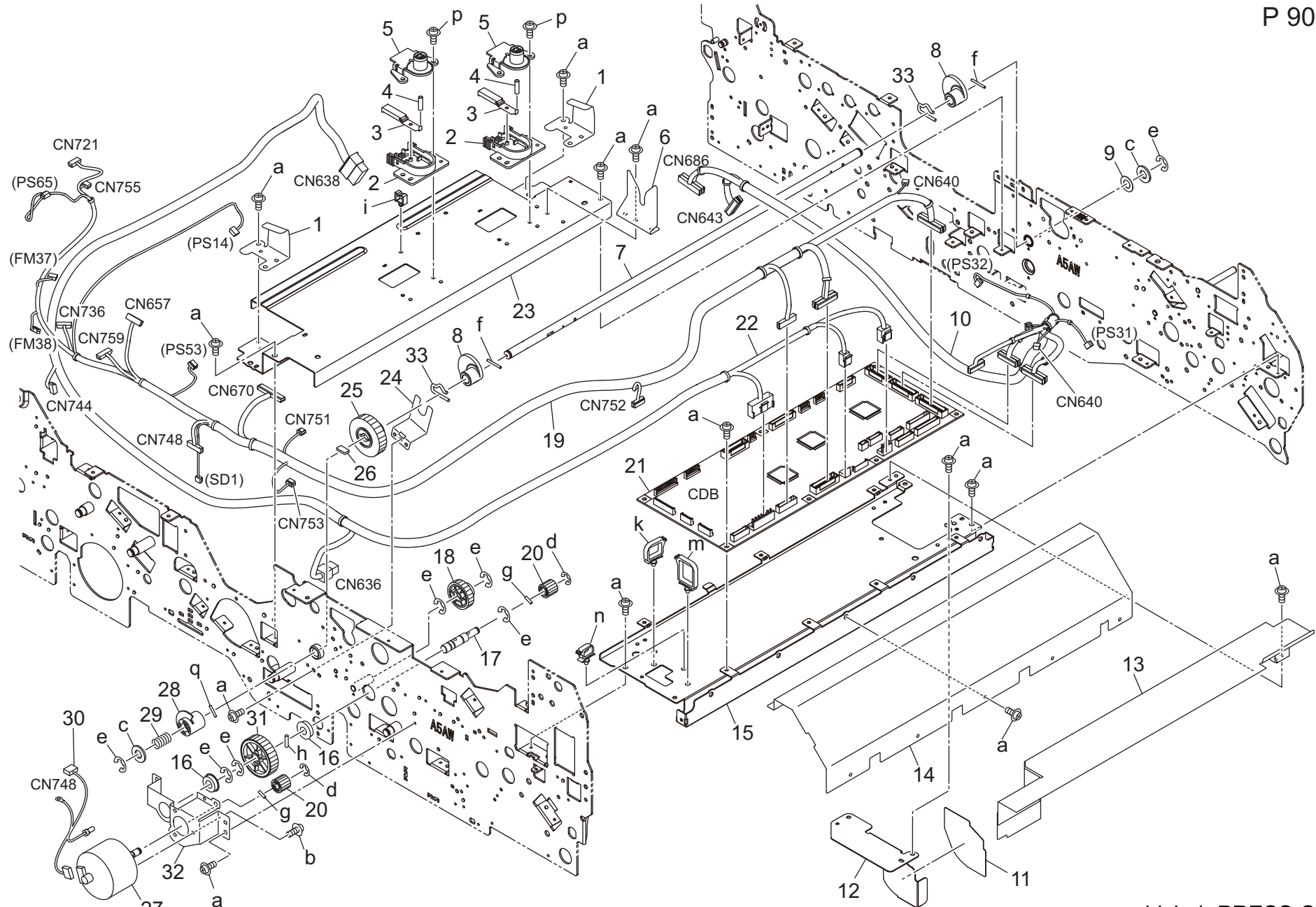


Key	Part No.	Description	Destinations	Class	QTY	Standard parts
1	A5AW828000	Release Arm		D	2	a-V116031003 b-V207080003 c-V127030603 d-V217040001 e-V234200850 f-V234201050 g-V217060001
2	A1RF820000	Ball Bearing		C	2	
3	A5AW829100	Support Shaft		D	2	
4	4658351602	Bushing		C	6	
5	A5AW817500	Spacer		D	2	
6	A5AW825000	Release Shaft /1		D	1	
7	A5AW828100	Release Shaft /2		D	1	
8	A5AW827400	Support Plate /2		D	1	
9	A5AW827501	Support Plate /3		D	1	
10	A5AW828200	Lifting Plate /Front		D	1	
11	A1RF835101	Conveyance Sheet /Lower		D	1	
12	A5AW828300	Lifting Plate /Rear		D	1	
13	A1RF814100	Pressing Spring /Rear		D	1	
14	A5AW833200	Hold Plate /1		D	1	
15	A00J617800	Ball Bearing		B	4	
16	55VA79200	Cleaner Driving Gear /A 16T		B	1	
17	A1RF838000	Gear 16T		C	1	
18	A1RFR7G400	Cleaning Sheet Assy		B	1	
19	A5AWR72800	Cleaning Roller Assy		I	1	
20	A1RF837900	Gear /1 15T		C	1	
21	A5AW833400	Hold Plate /2		D	1	
22	A1RF814200	Pressing Spring /Front		D	1	
23	A1RF517100	Spacer /A		D	1	
24	A1RF833500	Conveyance Gear 15T		C	1	
25	A1RF833600	Rotation Knob		C	1	
26	A5AW833700	Hold Stay /Assy		D	1	
27	A5AW813200	Collection Plate		D	1	
28	A5AW813300	Cover Seal		D	1	
29	A1RF821200	Scattering prevention Seal		D	2	



Key	Part No.	Description	Destinations	Class	QTY	Standard parts
1	A1RF815801	Open/close Spring		D	4	a-V217040001 b-V121030603 c-V127030603
2	25AA50080	WIRE PULLEY		C	4	
3	A1RF844100	Wire /Left		D	1	
4	65AA51510	ADU OPEN SHUT SHAFT 3		D	2	
5	A1RF823300	ADU Open/shut Shaft /1		D	2	
6	A1RF833000	Open/close Plate		D	2	
7	A1RF765600	Washer		D	12	
8	A5AW829200	Scatteringprevention Sheet		D	1	
9	A1RF813511	Release Plate /Left		D	1	
10	A1RF835300	Stopper Spring /1		C	1	
11	A1RF813800	Release Shaft /Rear		D	1	
12	A1RF813711	Release Lever /Rear		D	1	
13	65AA50630	CAM STOPPER SPRING 2		C	1	
14	A1RF813901	Release Lever /Right		D	1	
15	A5AW813600	Release Plate /Rear		D	1	
16	A1RF844200	Wire /Right		D	1	
17	A1RF812911	Reinforce Plate /2		D	1	

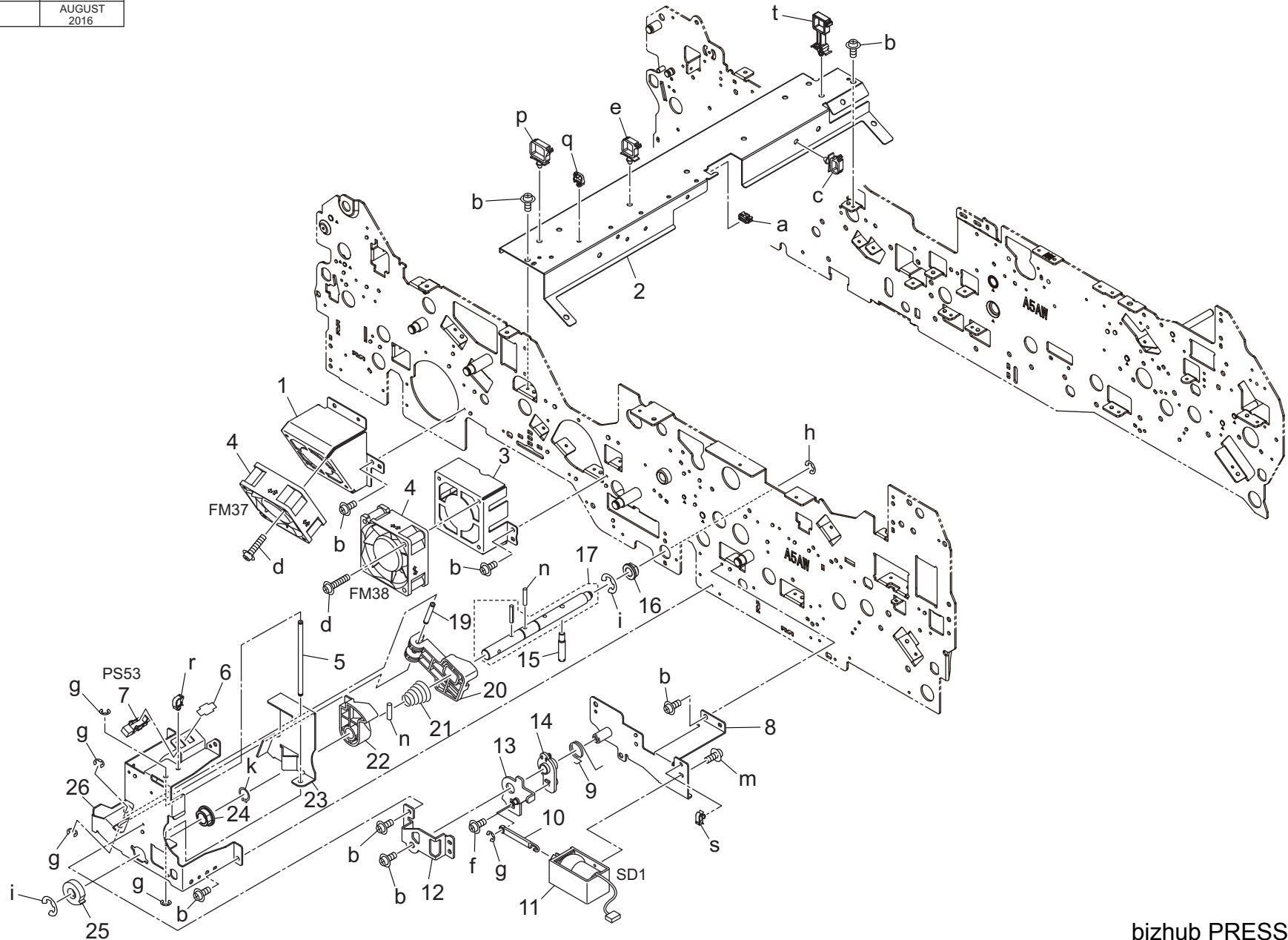
ADU Duplex Section



Key	Part No.	Description	Destinations	Class	QTY	Standard parts
1	A1RF819200	Stopper Plate		D	2	a-V127030603
2	A1RF816100	Power supply Block /A		D	2	b-V118030403
3	A1RF816300	Power supply Plate		D	2	c-V207080003
4	A1RF816400	Power supply Spring		D	2	d-V217040001
5	A1RF816200	Power supply Block /B		D	2	e-V217060001
6	A1RF814800	Mounting Guide		D	1	f-V234201850
7	A1RF816711	Release Shaft		D	1	g-V234301050
8	A1RF816801	Pressure Cam		D	1	h-V234301450
9	55VA32530	SPACER		D	2	i-V500020098
10	A5AWN20600	ADU Control harness /2		C	1	k-V500010008
11	A5AW822300	Protection Film		D	1	m-V500010015
12	A5AW822200	Shield Plate		D	1	n-V500010005
13	A1RF821002	Wiring Cover /Left		D	1	p-V121030803
14	A1RF820801	Wiring Cover /Right		D	1	q-V234201250
15	A5AW810800	Conveyance Stay /Upper		D	1	
16	A00V240600	Ball Bearing		B	2	
17	A1RF817811	Idling Shaft		D	1	
18	A1RF838800	Transfer Gear /4 26/28T		C	1	
19	A5AWN21100	ADU Wiring /2		D	1	
20	A1RF869300	Conveyance Gear /3 16T		C	2	
21	A5AWH06000	Conveyance Drive board Assy		I	1	
22	A5AWN20700	ADU Power source harness /1		D	1	
23	A5AW855800	Wiring Plate /Middle		D	1	
24	65AA45241	GEAR REGULATING PLATE		D	1	
25	A1RF829500	Transfer Gear /2 38T		C	1	
26	A03U524000	Drive Plate /1		D	1	
27	A11PM10200	DC Brushless motor /12		C	1	
28	65AA45220	Transfer Pressure Actuator		C	1	
29	A1RF819300	Slide Spring		D	1	
30	A1RFN24300	ADU Drive harness /6		D	1	
31	A1RF838701	Transfer Gear /1 38T		C	1	
32	A1RF815000	bracket		D	1	
33	A1RF827000	Fixing Part		D	2	


ADU Duplex Section

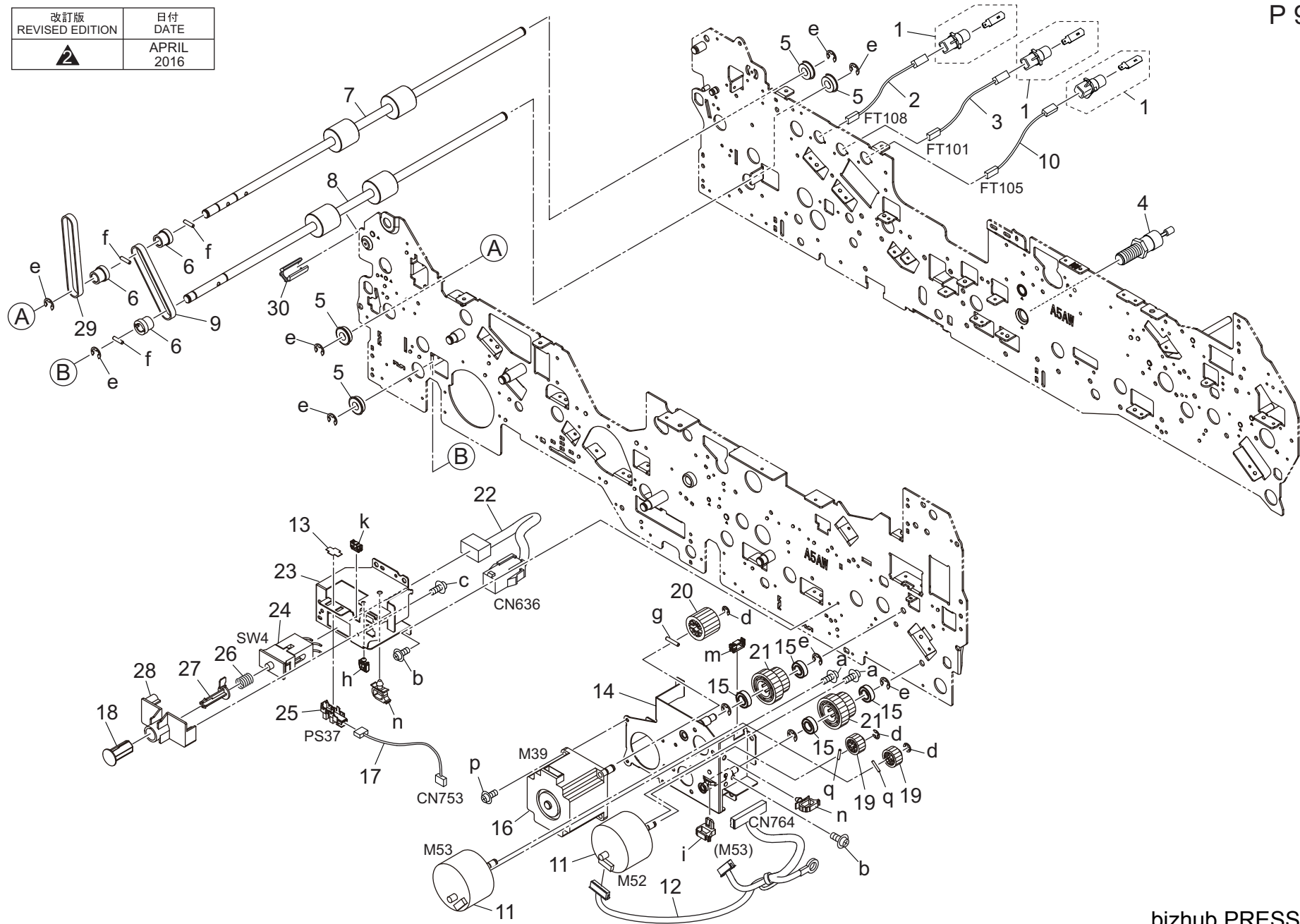
改訂版 REVISED EDITION	日付 DATE
	AUGUST 2016



Key	Part No.	Description	Destinations	Class	QTY	Standard parts
1	A1RF811701	Cooling Duct		D	1	a-V570010056
2	A5AW811000	Wiring Plate /Middle		D	1	b-V127030603
3	A1RF818000	Cooling Duct /2		D	1	c-V500010005
4	56QA80570	Internal Cooling Fan		C	2	d-V121033003
5	A1RF812700	Release Shaft /Front		D	1	e-V500010007
6	4470402401	Stopper		D	1	f-V153040803
7	A85CM55600	Photo Sensor		C	1	g-V217030001
8	A5AWR72P00	Release Box/Right Caulking		D	1	h-V217040001
9	65AA50810	LOCKING SPRING RIGHT		C	1	i-V217080001
10	A5AW836000	Pulling Lever		D	1	k-V223150004
11	A1RFR75800	RELEASE SOLENOID PIN ASSY	解除ソレノイドピン打ち	C	1	m-V118030403
12	A1RF820100	Holding Plate	押さえ板	D	1	n-V234301650
13	A1RFR7D900	LEVER LOCK PLATE CALKING	レバーロック板カシメ	D	1	p-V500010008
14	56AA50700	LEVER LOCKING PART	レバーロック部材	C	1	q-V500020098
15	A1RF826600	Lock Pin	ロックピン	D	1	r-V500010020
16	A03U812800	Slide Shaft Holder	すべり軸受	B	1	s-V500020099
17	A5AWR72Y00	Pulling Shaft Pin Assy	引張り軸ピン打ち	D	1	t-V500020104
19	65AA50370D	Cam Fulcrum Shaft	カム支点軸	D	1	
20	65AA50320	Locking Cam	ロックカム	C	1	
21	65AA50420	CAM HOLDING SPRING	カム押えバネ	C	1	
22	65AA50350	Release Cam	解除カム	C	1	
23	A1RF811600	Release Box /Middle	解除箱 /中	D	1	
24	462076010	Driving Slide Shaft Holder A	駆動滑り軸受 A	C	1	
25	25AA47500	Carriage Lock Claw B	架台ロック爪 B	C	1	
26	A1RF811301	Release Box Outside	解除箱 /外	D	1	


ADU Duplex Section

改訂版 REVISED EDITION	日付 DATE
	APRIL 2016

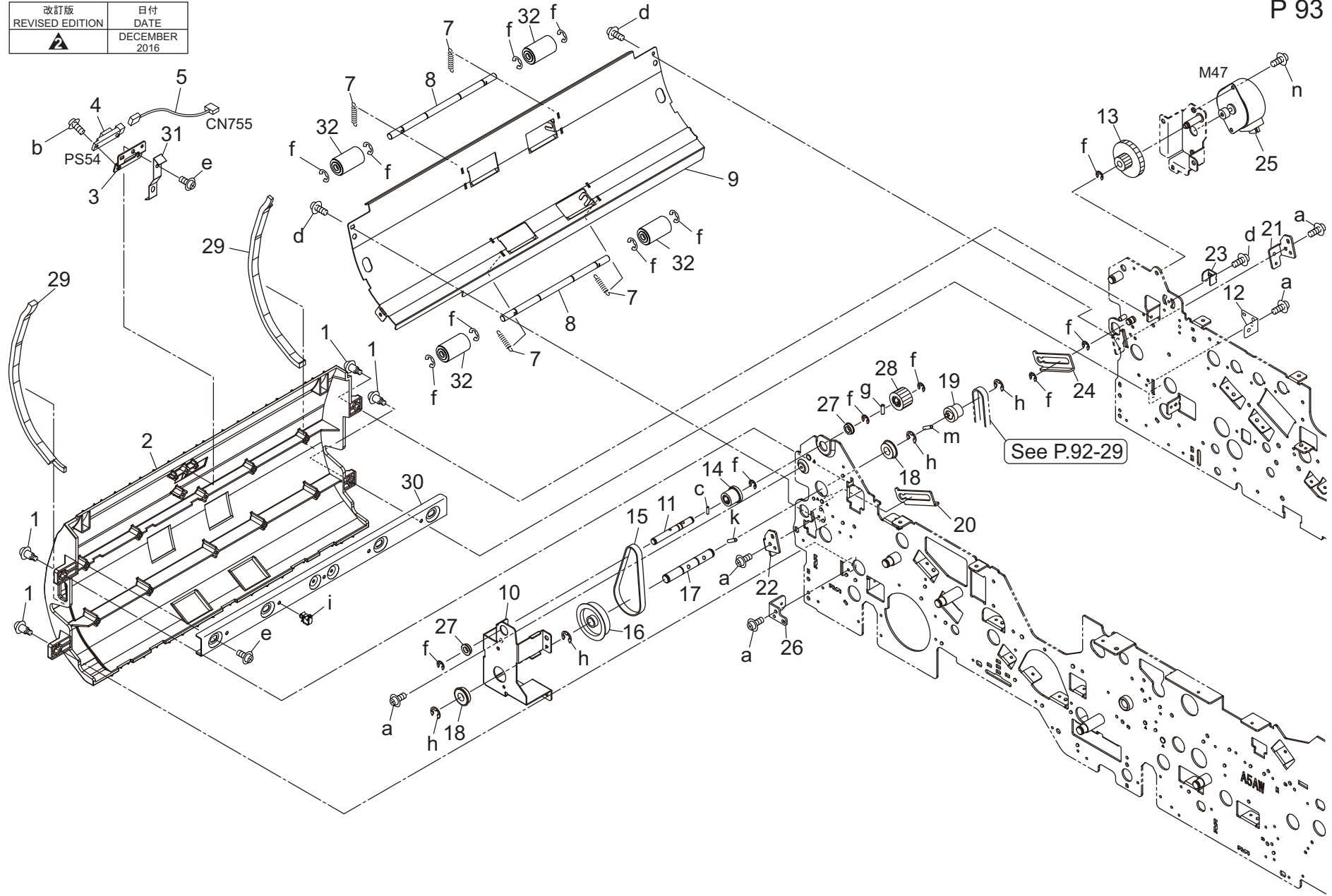


Key	Part No.	Description	Destinations	Class	QTY	Standard parts
1	65AAR74600	POWERING BLOCK A ASSY	給電ブロック A 部組	C	3	a-V118030403
2	A5AWN20900	HV Wiring /25	高圧束線/25	D	1	b-V116030603
3	A5AWN20100	HV Wiring /1	高圧束線/1	D	1	c-V153030603
4	A03U815300	Slide Dumper /2	スライドダンパ/2	C	1	d-V217040001
5	A00V240600	Ball Bearing	ボールベアリング	B	4	e-V217060001
6	A03U889600	CONVEYANCE PULLEY 20T	搬送プーリ 20 T	C	3	f-V234301250
7	A5AW864000	Conveyance Roller /2	搬送ローラー/2 (反転搬送)	C	1	g-V234301650
8	A5AW864800	Conveyance Roller /2	搬送ローラー/2 (反転搬送)	C	1	h-V500020098
9	A5AW863800	Drive Belt 164L	駆動ベルト (搬送 R) 164 L	C	1	i-V500010021
10	A5AWN20301	HV Wiring /3	高圧束線/3	D	1	k-V570010056
11	A11PM10200	DC Brushless motor /12	DC ブラシレスモータ/12	C	2	m-V570010057
12	A5AWN24800	ADU Drive harness /11	ADU 駆動束線/11	D	1	n-V500010005
13	4470402401	Stopper	ストッパー	D	1	p-V121030803
14	A5AW819101	Drive Base frame /C	駆動台板/C	D	1	q-V234201250
15	A1RF820000	Ball Bearing	ボールベアリング	C	4	
16	65AA80112	HB Motor /50	HB モータ/50	B	1	
17	A5AWN23600	Relay harness /4	センサー中継束線/4	D	1	
18	A1RF825300	Connecting Actuator	連結アクチュエータ	C	1	
19	A1RF849701	Gear /1 16T	ギア/1 16 T	C	2	
20	A5AW818800	Drive Gear /1 22T	駆動ギア/1 22 T	C	1	
21	A5AW819000	Conveyance Gear /3 22/29T	搬送ギア/3 22/29 T	C	2	
22	A5AWN20800	ADU Power source harness /2	ADU 電源束線/2	D	1	
23	A5AW836100	Hold Plate	保持板	D	1	
24	40AA85011	Door Switch	ドアスイッチ	B	1	
25	A50UM51000	Photointerrupter	透過型センサ	C	1	
26	A1RF839700	Cover Spring	カバーばね	D	1	
27	A1RF825200	Pressing Actuator	押圧アクチュエータ	C	1	
28	A1RG105900	Guide Part	ガイド部材	D	1	
29	A5AW861900	Drive Belt 140L	駆動ベルト (デカーラー搬送) 140 L	C	1	
30	A5AW865100	Collar	カラー	D	1	

ADU Duplex Section

改訂版 REVISED EDITION	日付 DATE
	DECEMBER 2016

P 93



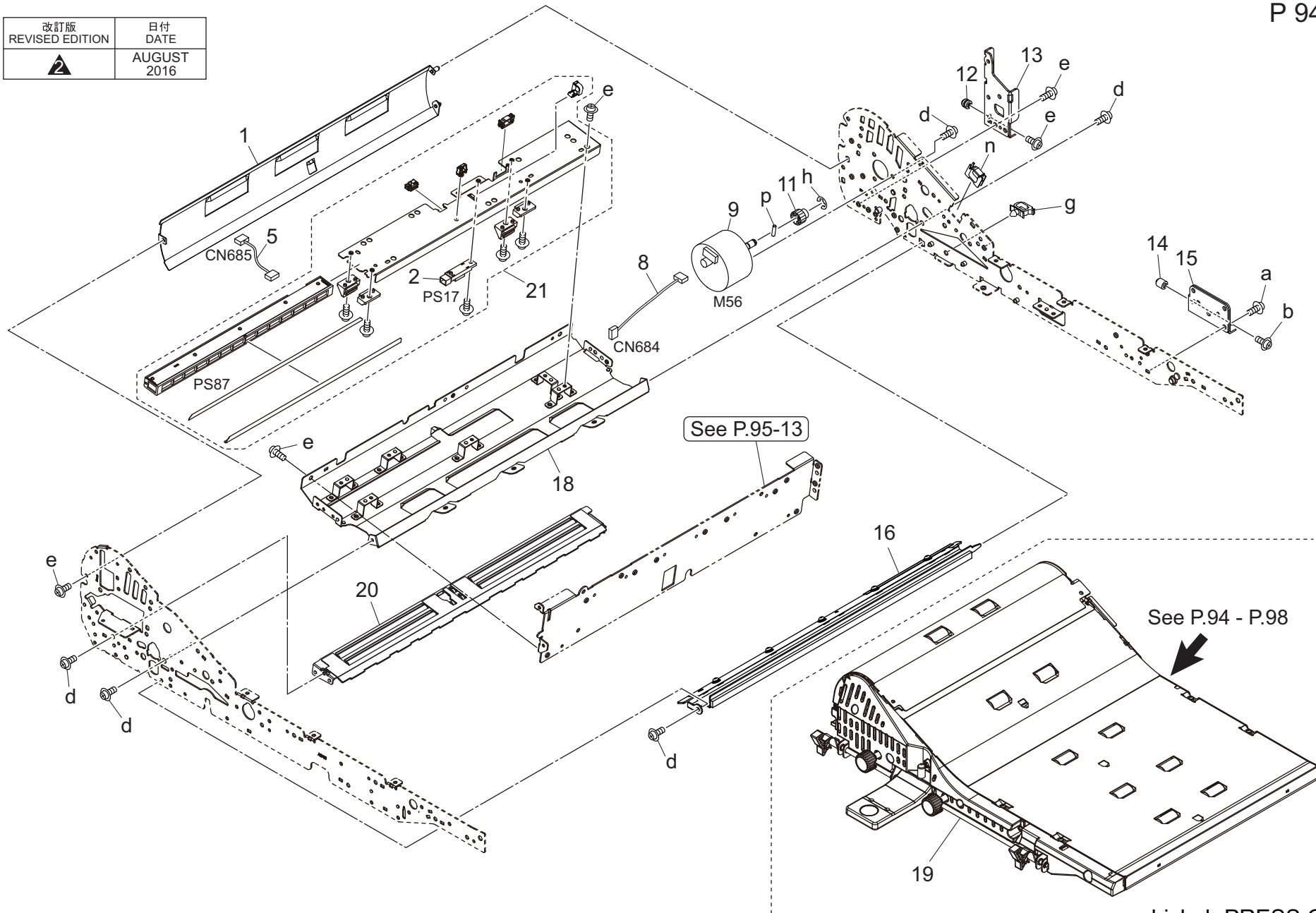
bizhub PRESS C1085



Key	Part No.	Description	Destinations	Class	QTY	Standard parts
1	26NA54230	TERMINAL FIXING SCREW		C	4	a-V121030603
2	A5AW870401	Guide Plate /I		D	1	b-V118030603
3	A5AW870800	Plate		D	1	c-V234200850
4	13QA85511	Sensor 1		B	1	d-V127030603
5	A1RFN23400	ADU Relay harness /7		D	1	e-V153030603
7	A1RF868000	Conveyance Spring /I		D	4	f-V217040001
8	A1RF862200	Fixing Shaft /A		D	2	g-V234301050
9	A5AW870601	Conveyance Guide /Lower		D	1	h-V217060001
10	A5AW862101	Drive Base frame		D	1	i-V500020098
11	A5AW867200	Drive Shaft		D	1	k-V234301450
12	A1RF861600	Fixing Plate /Rear		D	1	m-V234301250
13	A1RF869900	Pressure Gear /I 14/70T		C	1	n-V118030403
14	A1RF879001	Conveyance Pulley /B 15T		C	1	
15	A5AW864300	Drive Belt 186L		C	1	
16	56AA76530	Paper Feed Driving Pulley 36T		C	1	
17	A5AW863900	Drive Shaft		D	1	
18	A00V240600	Ball Bearing		B	2	
19	A03U889600	CONVEYANCE PULLEY 20T		C	1	
20	A5AW864901	Hold Plate /2		D	1	
21	A5AW875100	Fixing Plate /3		D	1	
22	A5AW875000	Fixing Plate /2		D	1	
23	A5AW817500	Spacer		D	1	
24	A5AW864601	Hold Plate /1		D	1	
25	A1RFR74300	Drive Motor ASSY		C	1	
26	A1RF861700	Fixing Plate /Front		D	1	
27	A00J617800	Ball Bearing		B	2	
28	A1RF869801	Conveyance Gear /I 16T		C	1	
29	A5AW870500	Cooling Seal /I		D	2	
30	65AA49470	PAPER EXIT REINFORCE PLATE 5		D	1	
31	A5AW870900	Ground Plate /1		D	1	
32	A03U845901	Idler Roller /3		C	4	


ADU Duplex Section

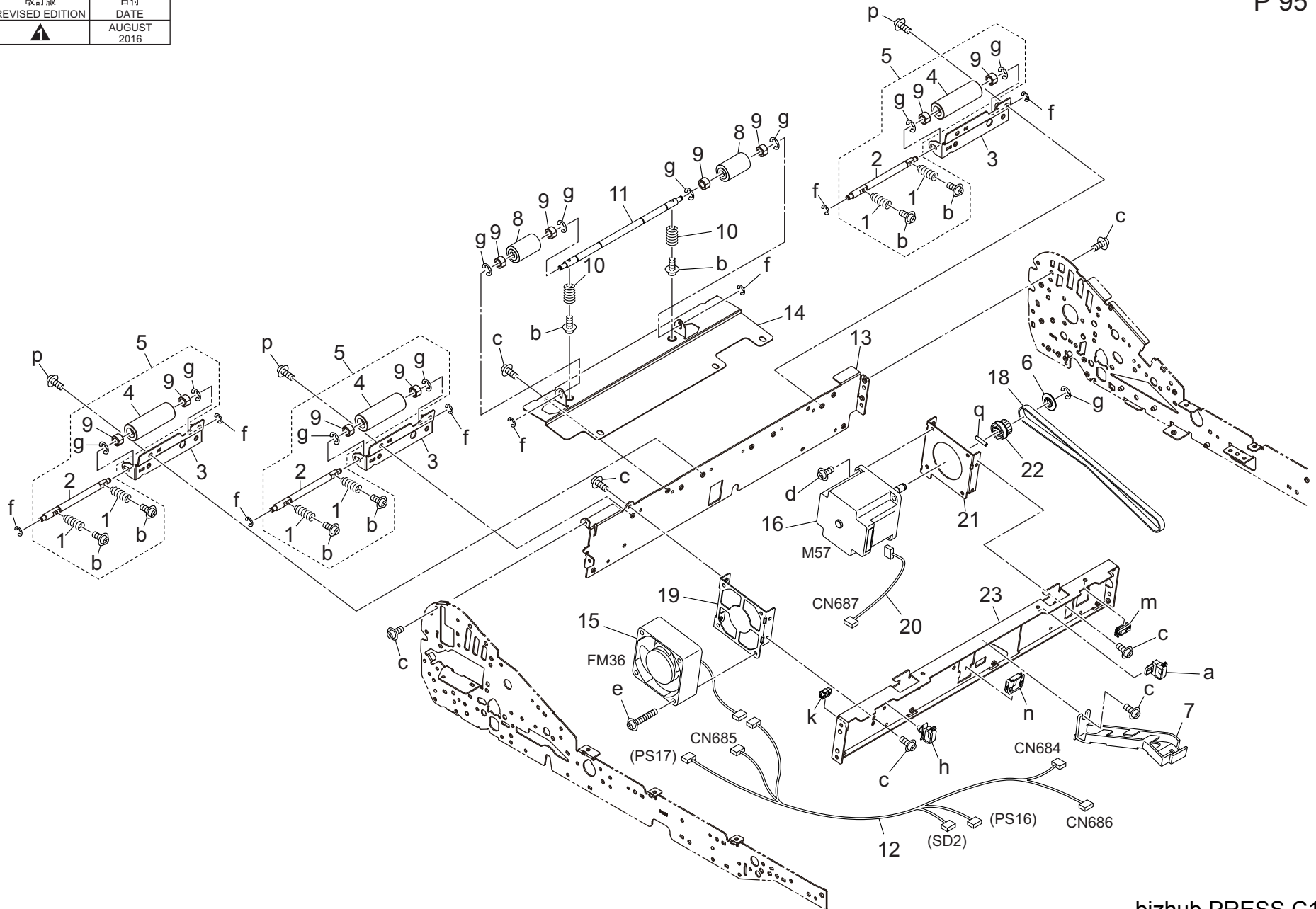
改訂版 REVISED EDITION	日付 DATE
	AUGUST 2016

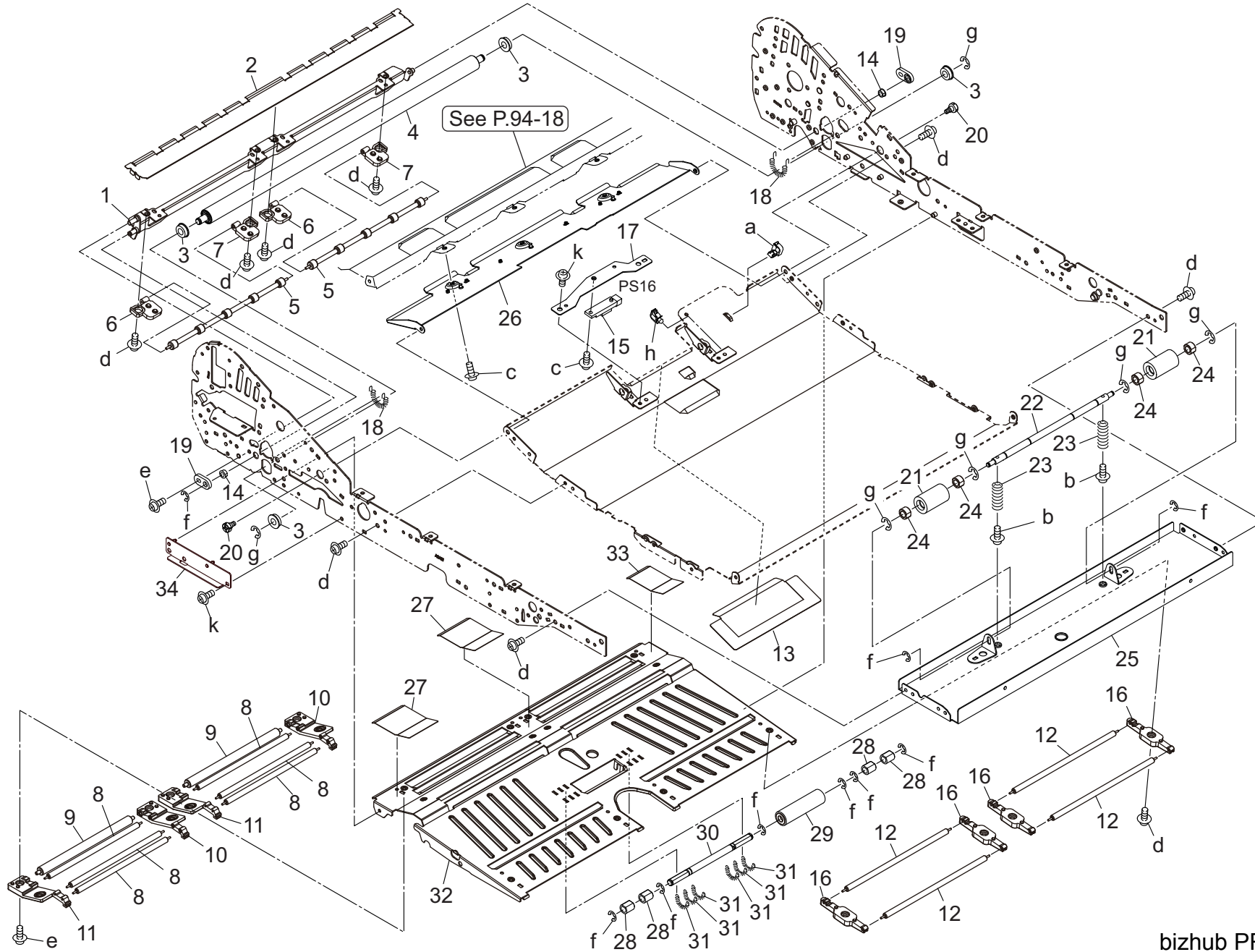


Key	Part No.	Description	Destinations	Class	QTY	Standard parts	
1	A1RF852600	Guide Plate /8		D	1	a-V127030803 b-V121030603 d-V118030403 e-V127030603 g-V500010005 h-V217040001 n-V570010060 p-V234301250	
2	13QA85521	Sensor /2		B	1		
5	A5AWN23000	ADU Relay harness /3		D	1		
8	A1RFN23100	ADU Relay harness /4		D	1		
9	A11PM10200	DC Brushless motor /12		C	1		
11	A1RF849701	Gear /1 16T		C	1		
12	A03U843700	Support Shaft /Left		D	1		
13	A5AW848001	Support Plate /Left		D	1		
14	A03U843900	Support Shaft /Right		D	1		
15	A1RF843401	Support Plate /1		D	1		
16	A1RFR7F400	Cleaning Sheet/4 Assy		B	1		
18	A5AW840300	Guide Plate /1		D	1		
19	A5AWR71T11	ADU Unit		D	1		
20	A5AWR73200	Guide Plate/D Assy		D	1		
21	A5AWR73600	ADU Deflection Sensor Assy		C	1		

ADU Duplex Section

改訂版 REVISED EDITION	日付 DATE
	AUGUST 2016

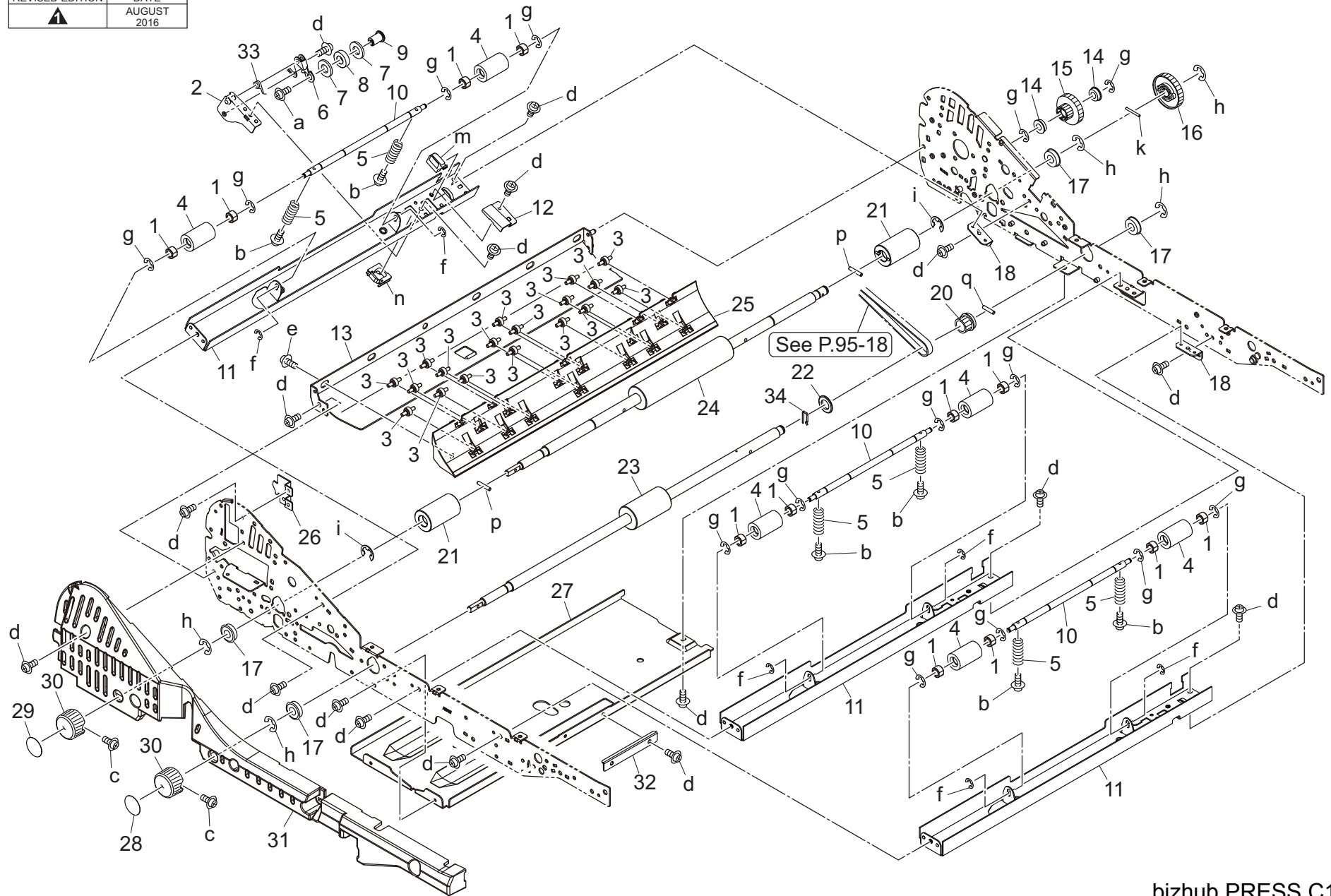




Key	Part No.	Description	Destinations	Class	QTY	Standard parts
1	A5AW840901	Guide Plate /C		D	1	a-V500010057
2	A5AW841800	Guide Plate /G		D	1	b-V118030403
3	A0G6243900	Ball Bearing		C	4	c-V118030603
4	A1RF841500	Roller		D	1	d-V121030403
5	A5AW842200	Transfer Roll		D	2	e-V121030603
6	A5AW857000	Conveyance Guide /1	搬送ガイド /1 (板 / P 従動ころ)	D	2	f-V217030001
7	A5AW859200	Conveyance Guide /2	搬送ガイド /2 (板 / P 従動ころ)	D	2	g-V217040001
8	56AA26250	TRANSFER GUIDE ROLLER	転写ガイドコロ	C	6	h-V500020098
9	A5AW848900	Transfer Roll	転写ころ (φ 8)	D	2	k-V127030603
10	A5AW849001	Conveyance Guide /2	搬送ガイド /2 (ガイド板 / 従動ころ)	D	2	
11	A5AW855901	Conveyance Guide /1	搬送ガイド /1 (ガイド板 / 従動ころ)	D	2	
12	A5AW849800	Conveyance Roll	搬送ころ (φ 5)	D	4	
13	A5AW847600	Holding Film	押さえフィルム	D	1	
14	A1RF846400	Bushing /A	すべり軸受 / A	C	2	
15	13QA85511	Sensor 1	センサ 1	B	1	
16	A5AW849700	Hold Part /3	保持部材 /3	D	4	
17	A1RF850400	Plate /1	センサ板 /1	D	1	
18	A1RF845300	Conveyance Spring /1	搬送ばね /1	D	2	
19	65AA49520	PAPER EXIT MOUNTING SPACER	排紙取り付けスペーサー	C	2	
20	65AA49510F	FIXING SCREW /1	固定ネジ /1	C	2	
21	26NA42560	By-Pass Idler Roller	手差し従動ローラー	C	2	
22	A1RF847000	Idler Shaft /D	従動軸 / D	D	1	
23	A1RF846200	Conveyance Spring /7	搬送ばね /7	D	2	
24	56GA76010	SLIDE SHAFT HOLDER 2	滑り軸受 2	C	4	
25	A1RF840901	Guide Plate /6	ガイド板 /6	D	1	
26	A5AWR72900	Guide Plate/H Assy	ガイド板 / H A s s y	D	1	
27	A5AW855300	Sheet /Middle	シート /中	C	2	
28	A1RF847400	Collar /1	カラー /1	D	4	
29	A03U845301	Idler Roller /1	従動ローラ /1	C	1	
30	A1RF852001	Idler Shaft /A	従動軸 / A	D	1	
31	A1RF845401	Conveyance Spring /2	搬送ばね /2	D	6	
32	A5AW840402	Guide Plate /2	ガイド板 /2	C	1	
33	A5AW858801	Sheet	シート (ガイド板 /2)	C	1	
34	A1RFF84312	Mounting Plate/5 Calking	取付板 /5 カシメ	D	1	

ADU Duplex Section

改訂版 REVISED EDITION	日付 DATE
	AUGUST 2016

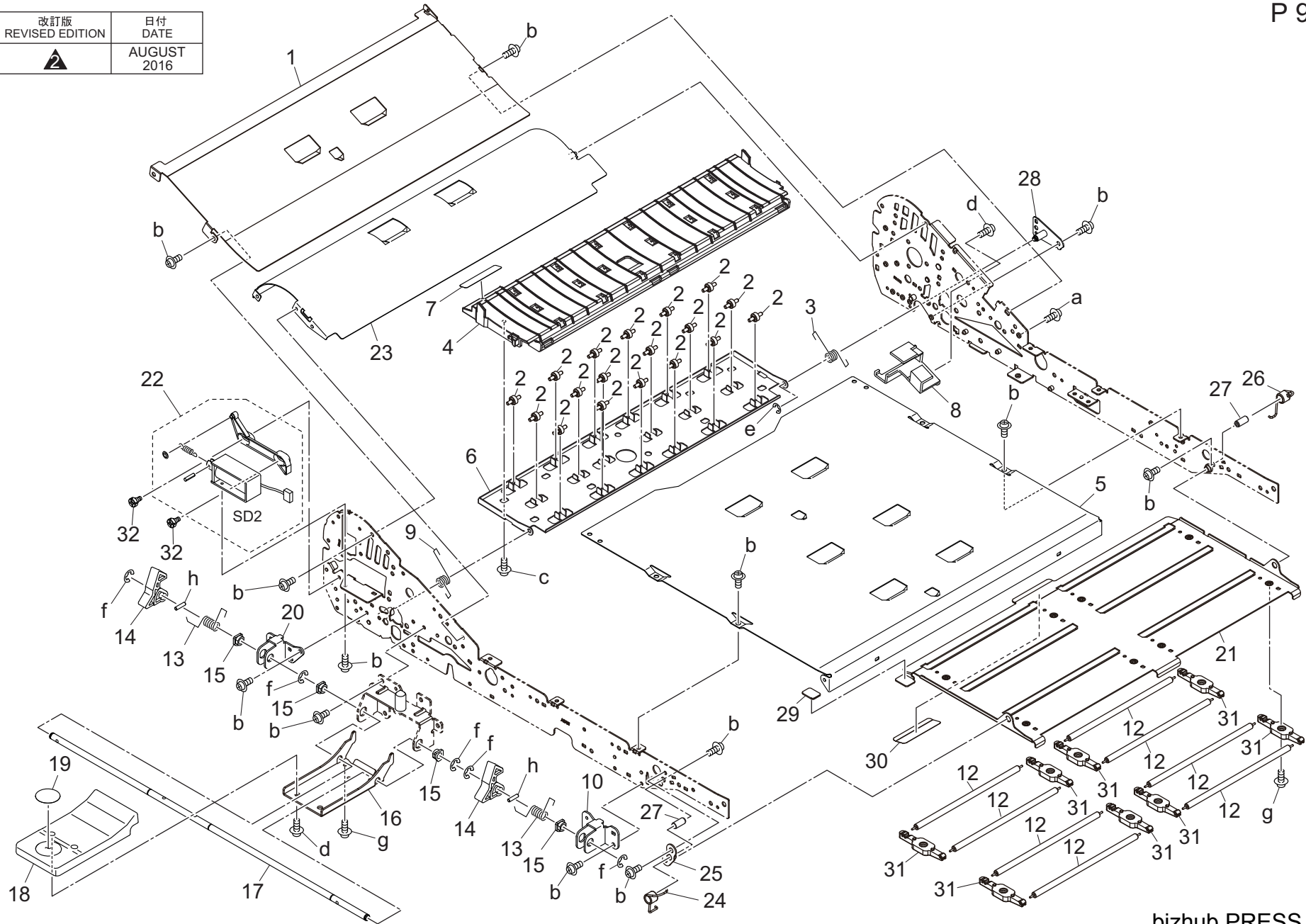


bizhub PRESS C1085

Key	Part No.	Description	Destinations	Class	QTY	Standard parts
1	56GA76010	SLIDE SHAFT HOLDER 2		C	12	a-V121030403
2	A5AWF84400	Hold Plate/B Caulking		D	1	b-V118030403
3	A5AWR72C00	Roll (Diameter 8 Bearing) Assy		C	18	c-V118030603
4	26NA42560	By-Pass Idler Roller		C	6	d-V127030603
5	A1RF845700	Conveyance Spring /5		D	6	e-V153030803
6	A1RF846501	Hold Plate /4		D	1	f-V217030001
7	A1RF853100	Guide Collar		D	2	g-V217040001
8	A1RJ817200	Ball bearing /8		C	1	h-V217060001
9	A1RF846701	Swing Shaft /3		D	1	i-V217080001
10	A1RF847000	Idler Shaft /D		D	3	k-V234201850
11	A1RF840802	Support Plate /1		D	3	m-V500010021
12	A1RF844600	Protection Plate /1		D	1	n-V570010060
13	A5AW848100	Guide Plate /K		D	1	p-V234301650
14	A00J617800	Ball Bearing		B	2	q-V234301450
15	A1RF849800	Gear /2 17/32T		C	1	
16	A1RF849900	Gear /3 37T		C	1	
17	A00V240600	Ball Bearing		B	4	
18	A1RF844300	Hold Plate /3		D	2	
20	A1RF855700	Pulley /4 16T		C	1	
21	A1RF845800	Idler Roller /L		C	2	
22	A1RF847100	Flange		D	1	
23	A5AW841400	Roller /2		C	1	
24	A5AW841300	Roller /1		C	1	
25	A5AW858101	Guide Plate /3		D	1	
26	A1RF847500	Hold Plate /C		D	1	
27	A1RF842503	Reinforce Plate /1		D	1	
28	A1RF944100	Release Label /11		D	1	
29	A1RF944000	Release Label /10		D	1	
30	14GE45470	Rotation Knob		C	2	
31	A5AW845000	Cover /Front		D	1	
32	A1RF847300	Mounting Plate		D	1	
33	A1RF846800	Support Spring		D	1	
34	A075481200	Fixing Part		D	1	

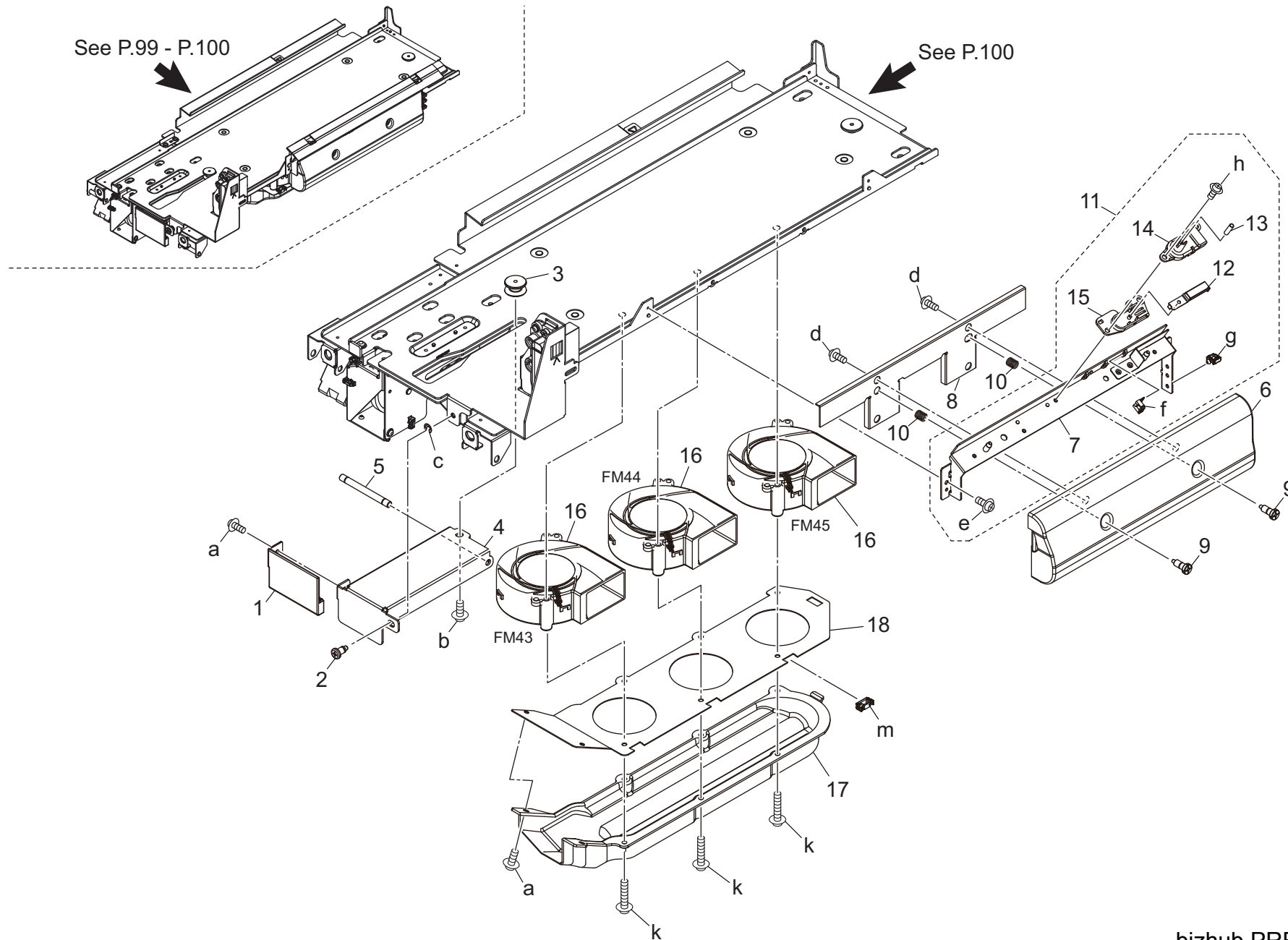
ADU Duplex Section

改訂版 REVISED EDITION	日付 DATE
	AUGUST 2016



Key	Part No.	Description	Destinations	Class	QTY	Standard parts
1	A1RF847600	Guide Plate /9	ガイド板/9	D	1	a-V116030603
2	A5AWR72C00	Roll (Diameter 8 Bearing) Assy	ころ (φ8ベアリング) Assy	C	18	b-V127030603
3	A1RF845200	Open/close Spring /4	開閉ばね/4	D	1	c-V153030603
4	A5AW840602	Guide Plate /4	ガイド板/4	C	1	d-V153030803
5	A1RF841011	Guide Plate /7	ガイド板/7	D	1	e-V217030001
6	A5AW848200	Reinforce Plate /A	補強板/A	D	1	f-V217040001
7	A1RF943900	Release Label /9	解除ラベル/9	D	1	g-V121030403
8	A1RF844000	Guide Part /2	ガイド部材/2	D	1	h-V234301250
9	A1RF845100	Open/close Spring /3	開閉ばね/3	D	1	
10	A1RF844500	Support Plate /3	支点板/3	D	1	
12	A5AW852200	Conveyance Shaft	搬送軸	D	8	
13	A1RF844901	Open/close Spring /1	開閉ばね/1	D	2	
14	A1RF847700	Lock Claw	ロック爪	D	2	
15	466076020	Paper Feed Feeding Bearing	給紙送り出し軸受	B	4	
16	A1RF844801	Lever /Front	レバー/前	D	1	
17	A1RF841900	Lock Shaft	ロック軸	D	1	
18	A1RF845900	Open/close Lever	開閉レバー	D	1	
19	A1RF943801	Release Label /8	解除ラベル/8	D	1	
20	A1RF844401	Support Plate /2	支点板/2	D	1	
21	A5AW852100	Guide Plate /A	ガイド板/A	D	1	
22	A1RFR74111	Adu Solenoid Assy	ADUソレノイド部組	C	1	
23	A1RF848212	Guide Plate /10	ガイド板/10	D	1	
24	A5AW853300	Open/close Spring /2	開閉ばね/2	D	1	
25	A5AW853200	Positioning Plate /Assy	位置決め板/Assy	D	1	
26	A5AW853600	Open/close Spring /3	開閉ばね/3	D	1	
27	A5AW852800	Support Shaft /B	支点軸/B	D	2	
28	A1RFF84501	Fixing Plate/1 Calking	固定板/1カシメ	D	1	
29	A5AW943400	Auxiliary Label	補助ラベル	D	1	
30	A5AW943301	Release Label /12	解除ラベル/12	D	1	
31	A5AW849700	Hold Part /3	保持部材/3	D	8	
32	65AA49510F	FIXING SCREW /1	固定ネジ/1	C	2	

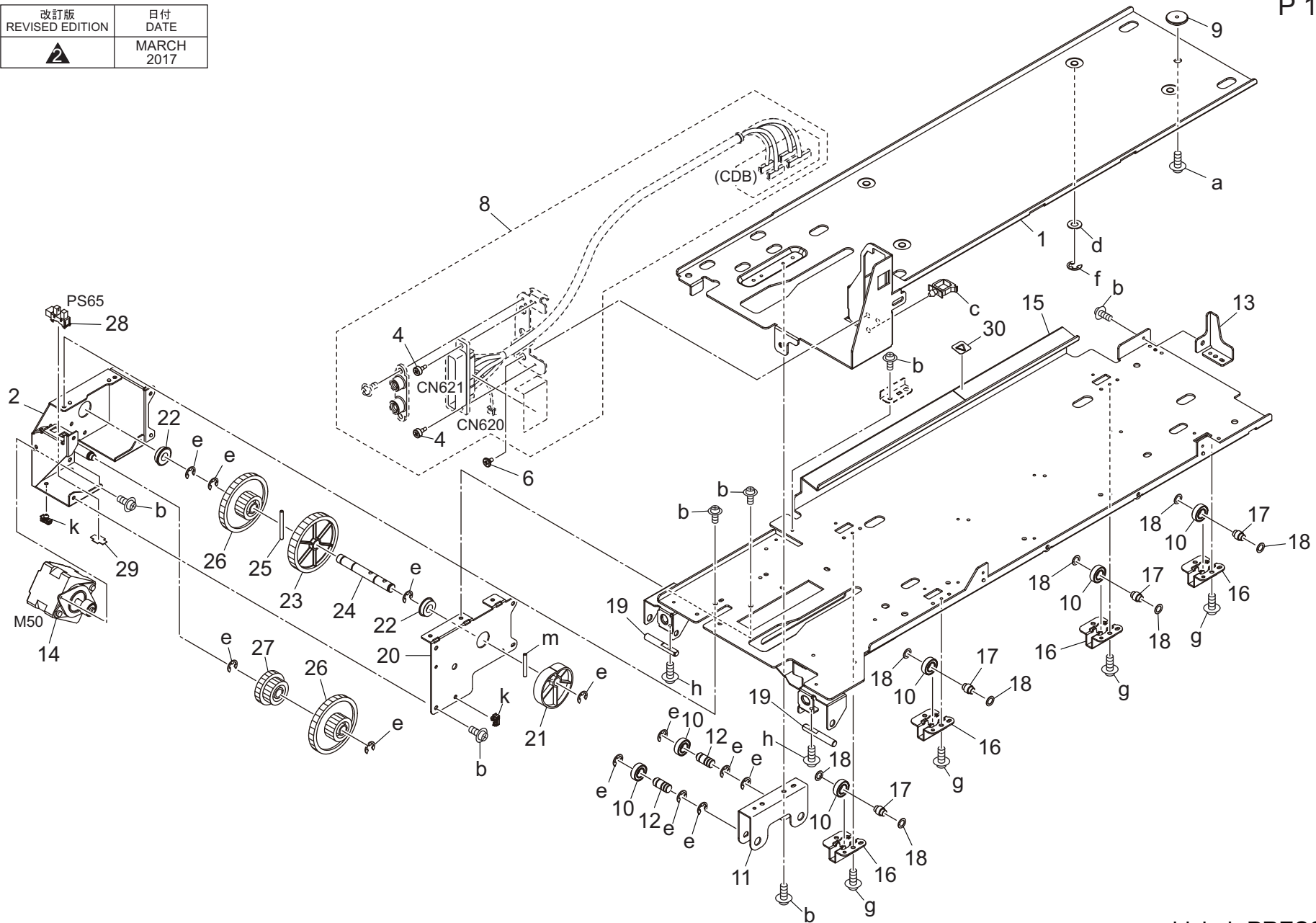
ADU Swing Section



Key	Part No.	Description	Destinations	Class	QTY	Standard parts
1	A1RF821401	Positioning Plate /3		D	1	a-V127030603 b-V116040803 c-V217040001 d-V153030803 e-V118030403 f-V500010057 g-V500020098 h-V118030603 k-V121034003 m-V570010057
2	26NA21440	Cartridge Screw		C	1	
3	A5AW820200	Guide Pin /Front		D	1	
4	A5AW820500	Positioning Plate /2		D	1	
5	A5AW820600	Positioning Shaft /1		D	1	
6	A5AW823800	Cooling Duct /2		D	1	
7	A5AW810901	Suction Stay		D	1	
8	A5AW824900	Cooling Duct /3		D	1	
9	A1RF819100	Mounting Shoulder screw		D	2	
10	A5AW826300	Stopper Spring		D	2	
11	A5AWR72G00	Power Supply Part Assy		D	1	
12	A1RF816300	Power supply Plate		D	1	
13	A1RF816400	Power supply Spring		D	1	
14	A5AW818400	Power supply Part /B		D	1	
15	A5AW818500	Power supply Part /A		D	1	
16	A5AWM15101	Cooling Fan		B	3	
17	A5AW826800	Cooling Duct /3		D	1	
18	A5AW823700	Cooling Duct /1		D	1	

ADU Swing Section

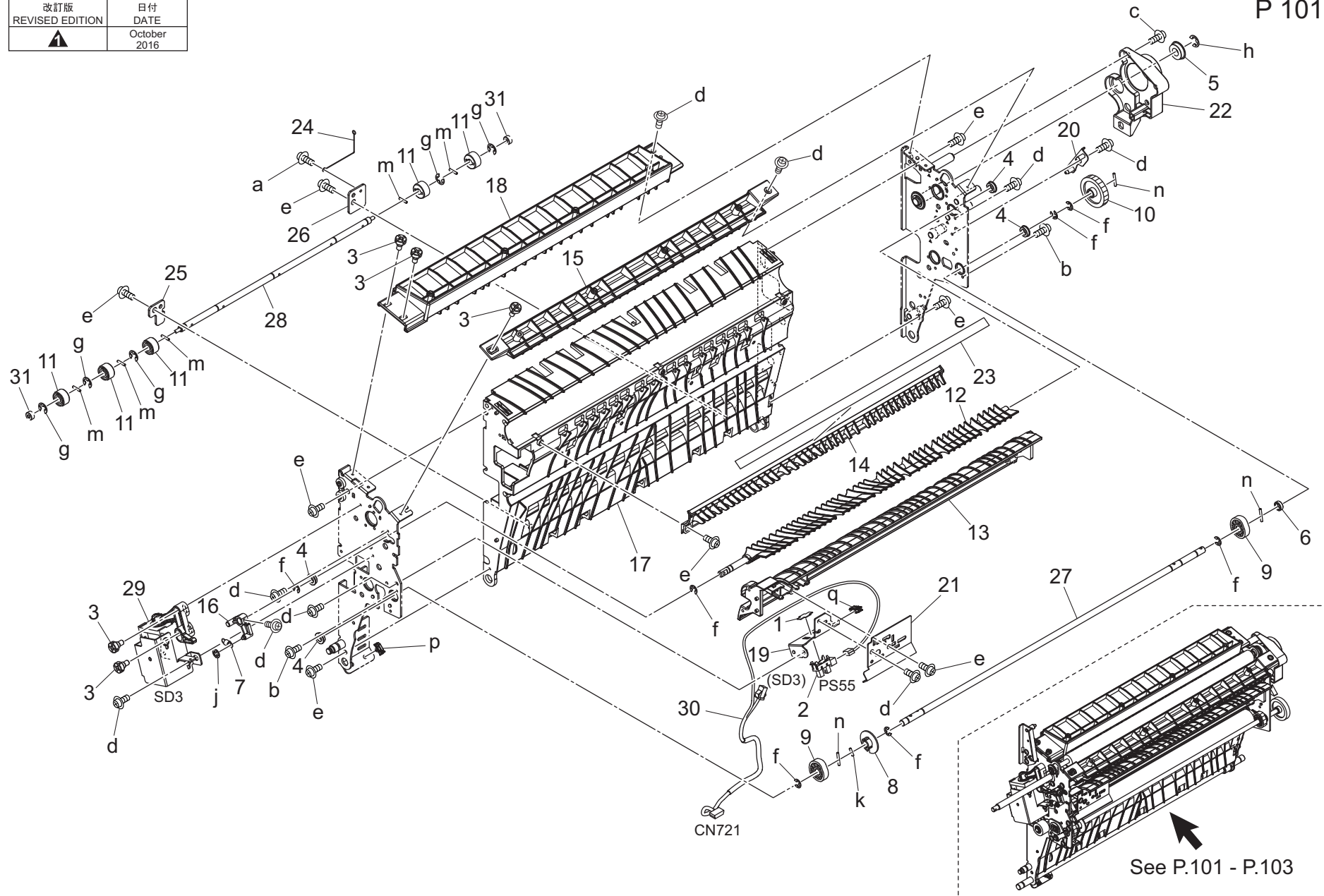
改訂版 REVISED EDITION	日付 DATE
	MARCH 2017



ADU Reverse And Exit Section

改訂版 REVISED EDITION	日付 DATE
	October 2016

P 101

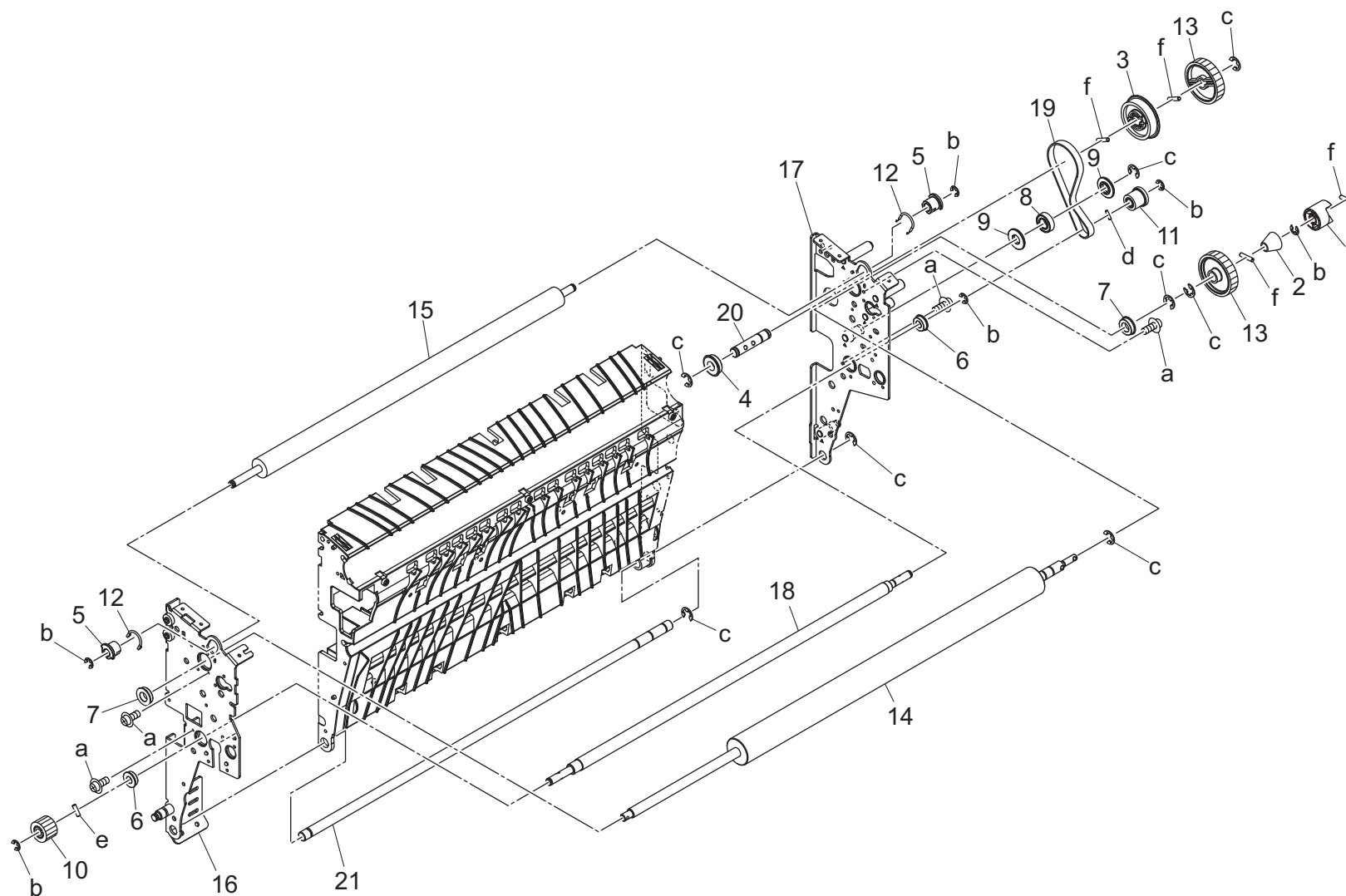


See P.101 - P.103

bizhub PRESS C1085


ADU Reverse And Exit Section

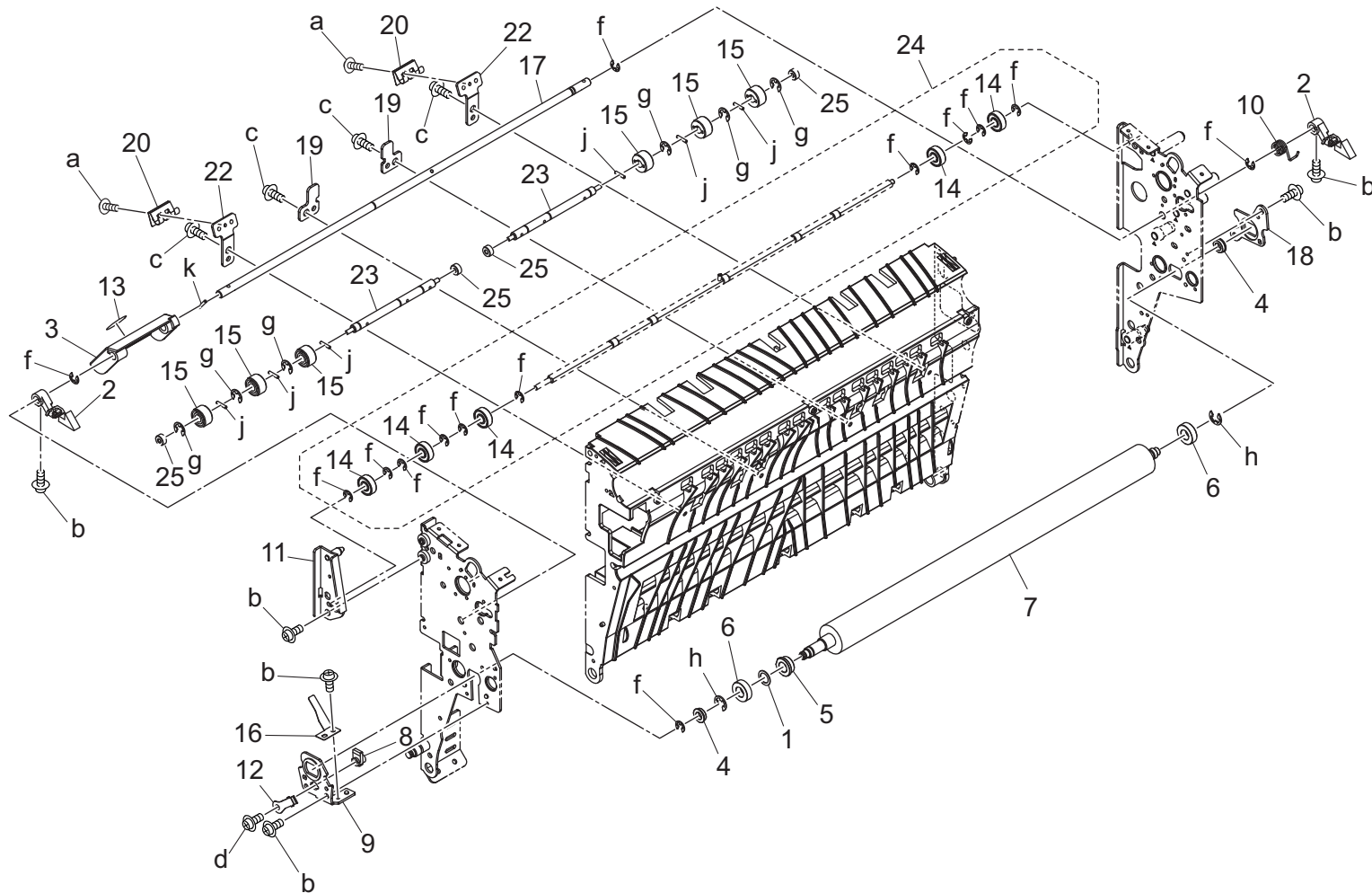
P 102



Key	Part No.	Description	Destinations	Class	QTY	Standard parts
1	56AA40450	Paper Feed Coupling Part		C	1	a-V127030603 b-V217040001 c-V217060001 d-V234200850 e-V234301050 f-V234301450
2	56AA40510	Pressing Spring		C	1	
3	56AA76530	Paper Feed Driving Pulley 36T		C	1	
4	A00V240600	Ball Bearing		B	1	
5	A03U712100	Registration Bushing		C	2	
6	A0G6243900	Ball Bearing		C	2	
7	A1RF710900	Ball bearing /1		C	2	
8	A1RF820000	Ball Bearing		C	1	
9	A1RF853100	Guide Collar		D	2	
10	A1RF869801	Conveyance Gear /1 16T		C	1	
11	A1RF879001	Conveyance Pulley /B 15T		C	1	
12	A1RF895101	Paper exit Spring /2		D	2	
13	A1RJ824800	Drive Gear /1 35T		C	2	
14	A5AW860600	Conveyance Roller /1		C	1	
15	A5AW860701	Paper Exit Driven Roller		B	1	
16	A5AW860802	Support Plate /Front		D	1	
17	A5AW860901	Support Plate /Rear		D	1	
18	A5AW861000	Conveyance Shaft		D	1	
19	A5AW861300	Drive Belt 207L		C	1	
20	A5AW864200	Drive Shaft /A		D	1	
21	A5AW865001	Support Shaft		D	1	

ADU Reverse And Exit Section

改訂版 REVISED EDITION	日付 DATE
	OCTOBER 2016

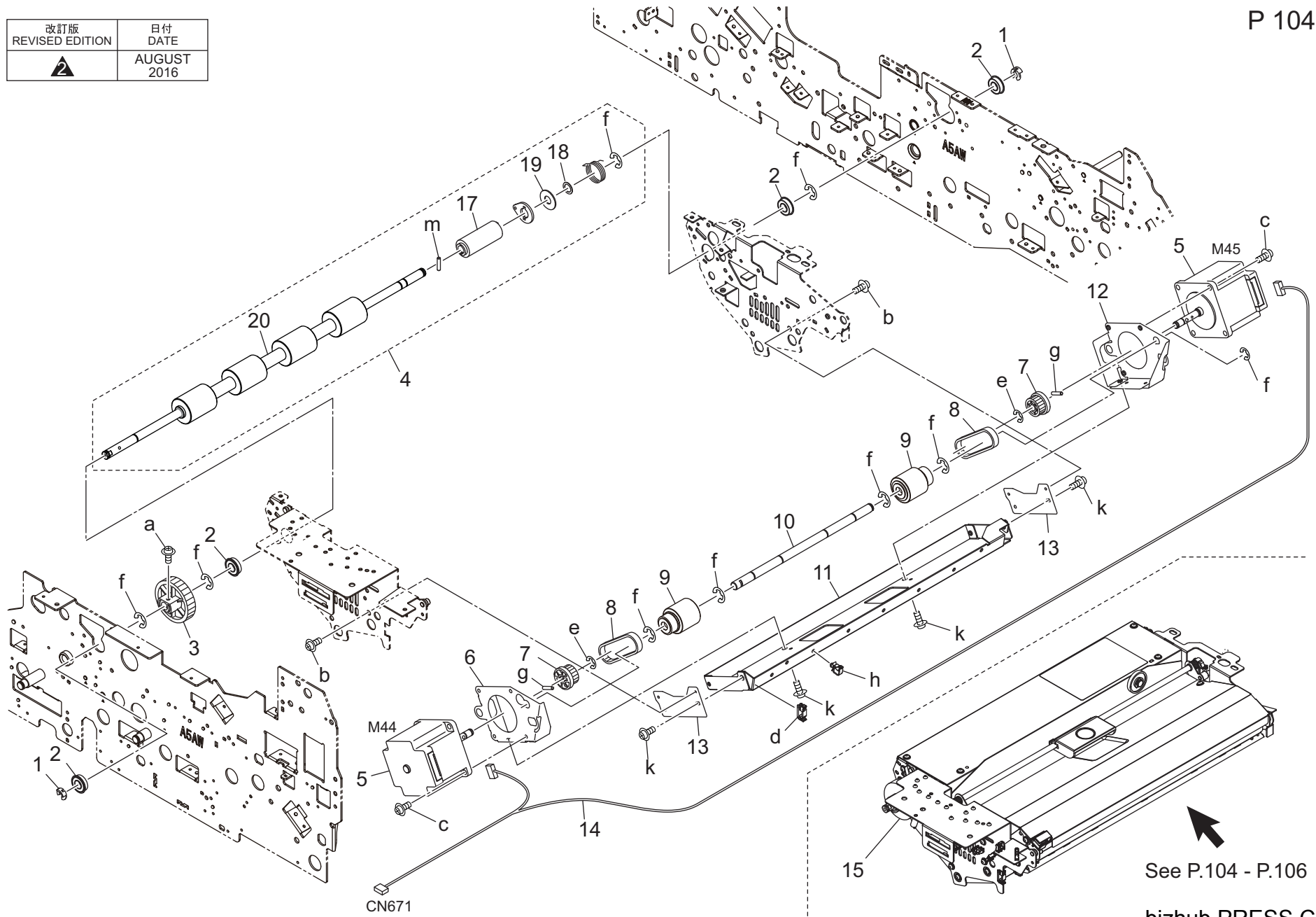


Key	Part No.	Description	Destinations	Class	QTY	Standard parts
1	12QV40650	Spacer		B	1	a-V116030403
2	40AA46261	LOCK CLAW F		B	2	b-V127030603
3	65AA49410	Paper Exit Handle		C	1	c-V153030603
4	A00J617800	Ball Bearing		B	2	d-V153030803
5	A1RF530500	Support Bushing		D	1	f-V217040001
6	A1RJ817200	Ball bearing /8		C	2	g-V217050001
7	A1RF860501	Pressure Roller /A		B	1	h-V217060001
8	A1RF870600	Fixing Part		D	1	j-V234201050
9	A1RF870802	Support Plate /Front		D	1	k-V234201250
10	A1RF873800	Open/close Spring /Upper		D	1	
11	A1RF877000	Ground Plate /1		D	1	
12	A1RF877200	Ground Plate /2		D	1	
13	A1RF943500	Release Label /5		D	1	
14	A4F3905000	Ball Bearing		D	5	
15	A5AW856001	Guide Roll		D	6	
16	A5AW861801	Holding Plate /Front		D	1	
17	A5AW862300	Lock Shaft /Upper		D	1	
18	A5AW862700	Support Plate /Rear		D	1	
19	A5AW865500	Holding Plate /2		D	2	
20	A5AW865700	Ground Plate		D	2	
22	A5AW872500	Holding Plate		D	2	
23	A5AW872600	Guide Shaft /11		D	2	
24	A5AWR74200	Guide Roll /12 Assy		C	1	
25	A5AW858200	Ball bearing /A		C	4	

ADU Resist Section

P 104

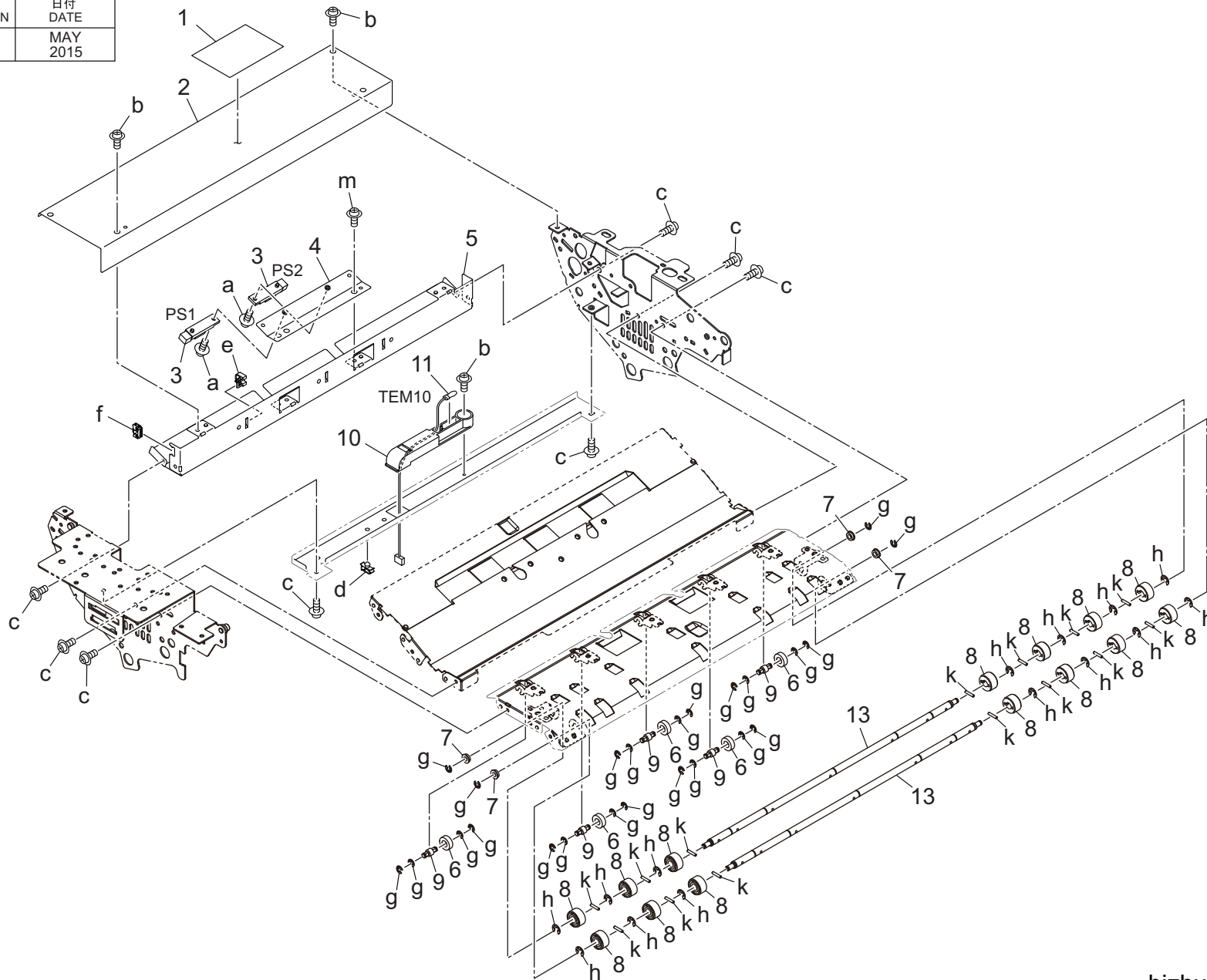
改訂版 REVISED EDITION	日付 DATE
	AUGUST 2016



See P.104 - P.106
bizhub PRESS C1085

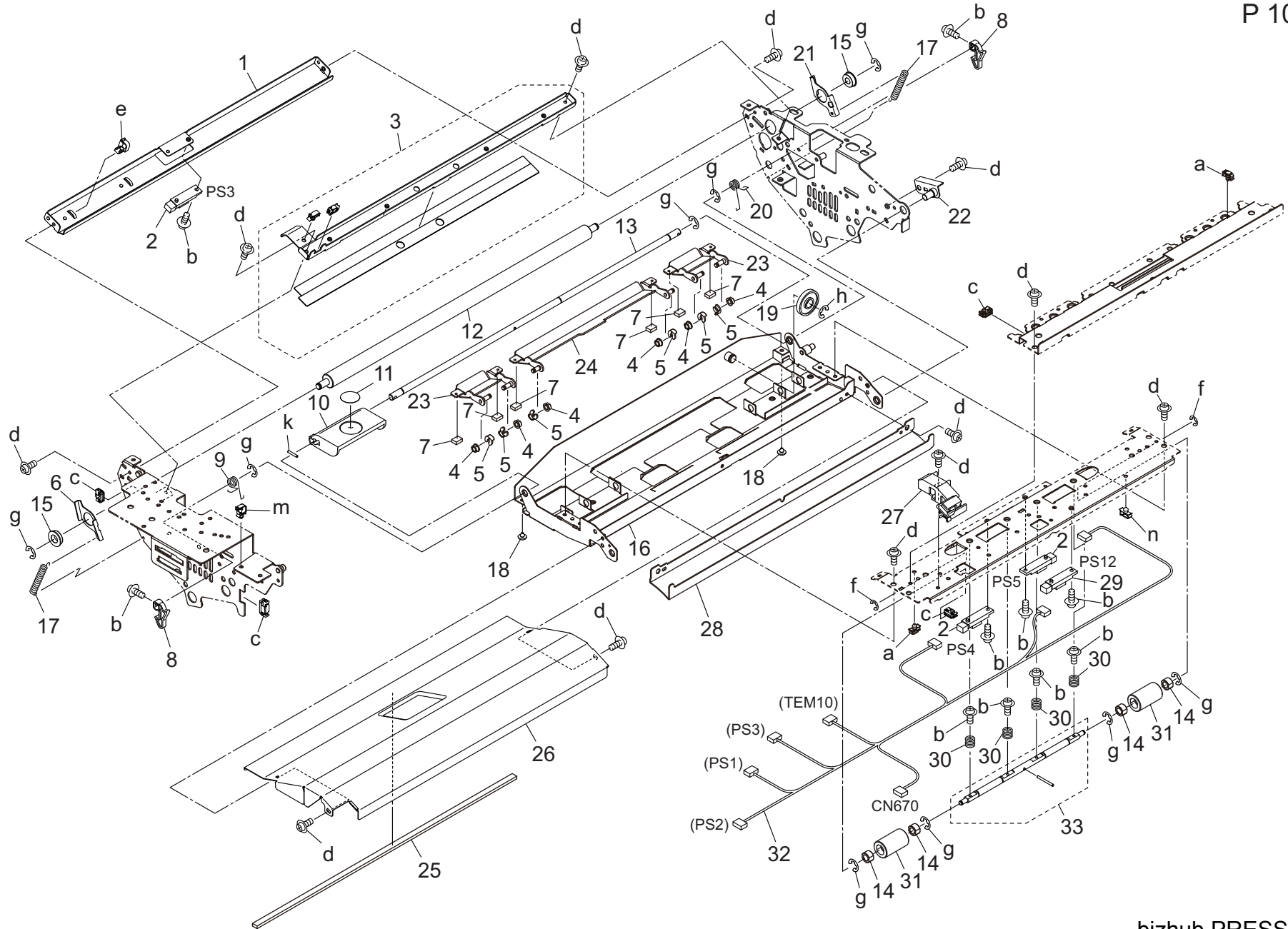
ADU Resist Section

改訂版 REVISED EDITION	日付 DATE
	MAY 2015



ADU Resist Section

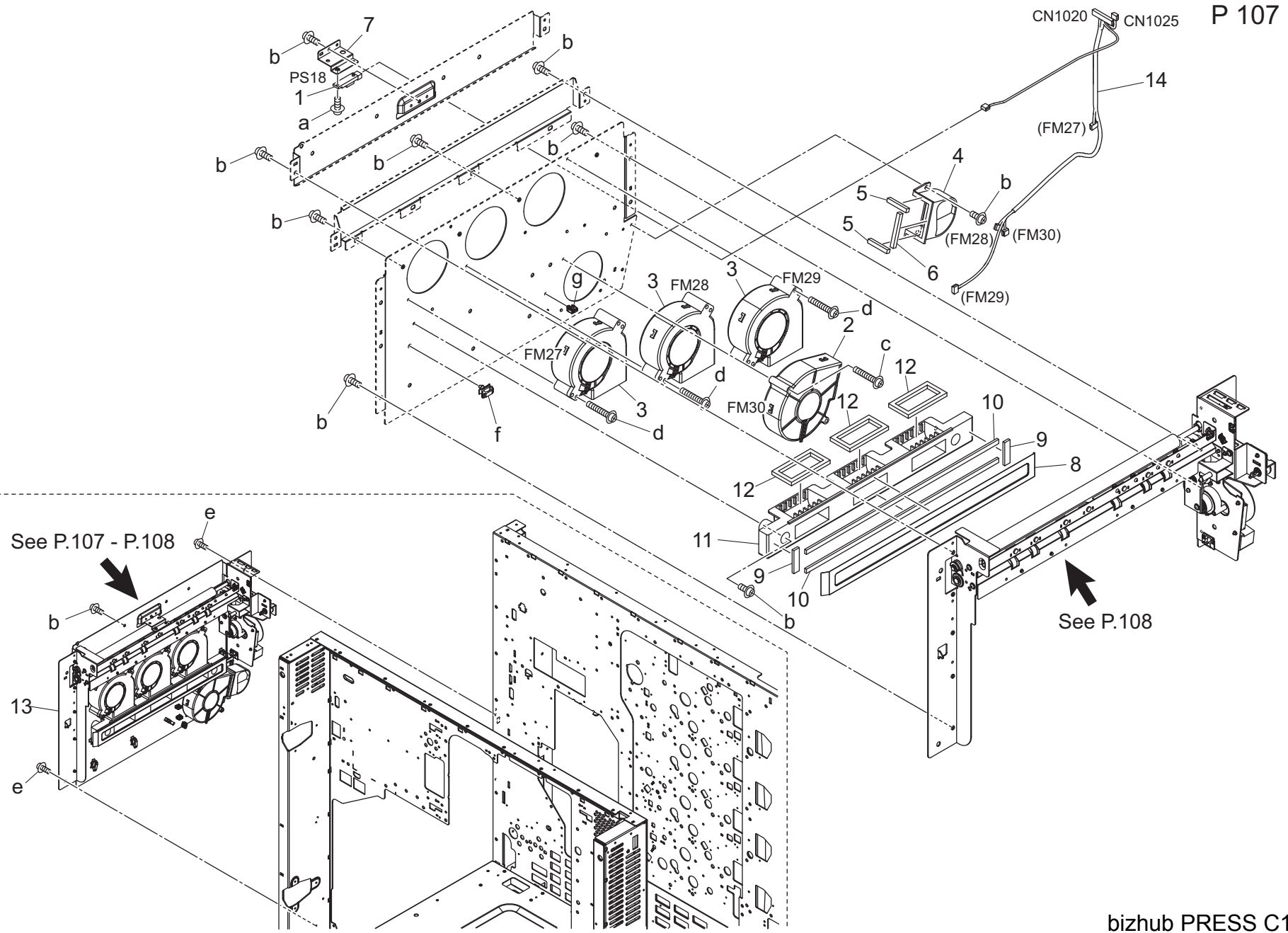
P 106



Key	Part No.	Description	Destinations	Class	QTY	Standard parts
1	A1RF710200	Guide Plate /Left	ガイド板/左	D	1	a-V500020077
2	13QA85511	Sensor 1	センサ 1	B	3	b-V118030603
3	A5AWR70R00	Registration Cleaning Sheet Assy	レジスト 清掃シート A s s y	B	1	c-V570010056
4	A1RF846400	Bushing /A	すべり軸受/A	C	6	d-V127030603
5	A0HR734600	Stopper	ストッパ	C	6	e-V500010057
6	A1RF712100	Pressing Part /Front	押圧部材/前	D	1	f-V217030001
7	A5AW714500	Stopper Pad /2	突当てパッド/2	D	6	g-V217040001
8	A1RF703200	Lock Claw	ロック爪	D	2	h-V217060001
9	A1RF712700	Lock Spring /Front	ロックばね/前	D	1	k-V234201250
10	65AA49410	Paper Exit Handle	排紙把手	C	1	m-V500020098
11	A1RF943300	Release Label /3	解除ラベル/3	D	1	n-V500020099
12	A1RF711400	Idler Roller	従動ローラ	D	1	
13	A1RF712200	Lock Shaft	ロック軸	D	1	
14	56GA76010	SLIDE SHAFT HOLDER 2	滑り軸受 2	C	4	
15	A00J211200	Ball Bearing	ボールベアリング	C	2	
16	A5AW710301	Guide Plate /Right	ガイド板/右	D	1	
17	A1RF711300	Registration Spring /1	レジストばね/1	D	2	
18	12AJ45850	Stopper Rubber	ストッパゴム	C	2	
19	65AA44350	STOPPER ROLLER	突き当てコロ	C	1	
20	A1RF712500	Lock Spring /Rear	ロックばね/奥	D	1	
21	A1RF714200	Pressing Part /Rear	押圧部材/奥	D	1	
22	A1RFR7C300	FIXING PART/REAR CALKING	固定部材/奥カシメ	D	1	
23	A5AW715000	Support Plate /2	支点板/2	D	2	
24	A5AW714900	Support Plate /1	支点板/1	D	1	
25	A5AW714300	Stopper Pad /1	突当てパッド/1	D	1	
26	A1RF712900	Cover Plate /Right	カバー板/右	D	1	
27	A1RF713300	Guide Bridge	ガイドブリッジ	D	1	
28	A5AW712400	Guide Part /1	ガイド部材/1	D	1	
29	13QA85521	Sensor /2	センサ/2	B	1	
30	A1RF712802	Conveyance Spring /5	搬送ばね/5	D	4	
31	26NA42560	By-Pass Idler Roller	手差し従動ローラー	C	2	
32	A5AWN22601	ADU Relay harness /5	A D U 中継束線/5	D	1	
33	A1RFR76800	IDLING SHAFT/1 ASSY	従動軸/1 ピン打ち	D	1	

Reverse And Exit Section

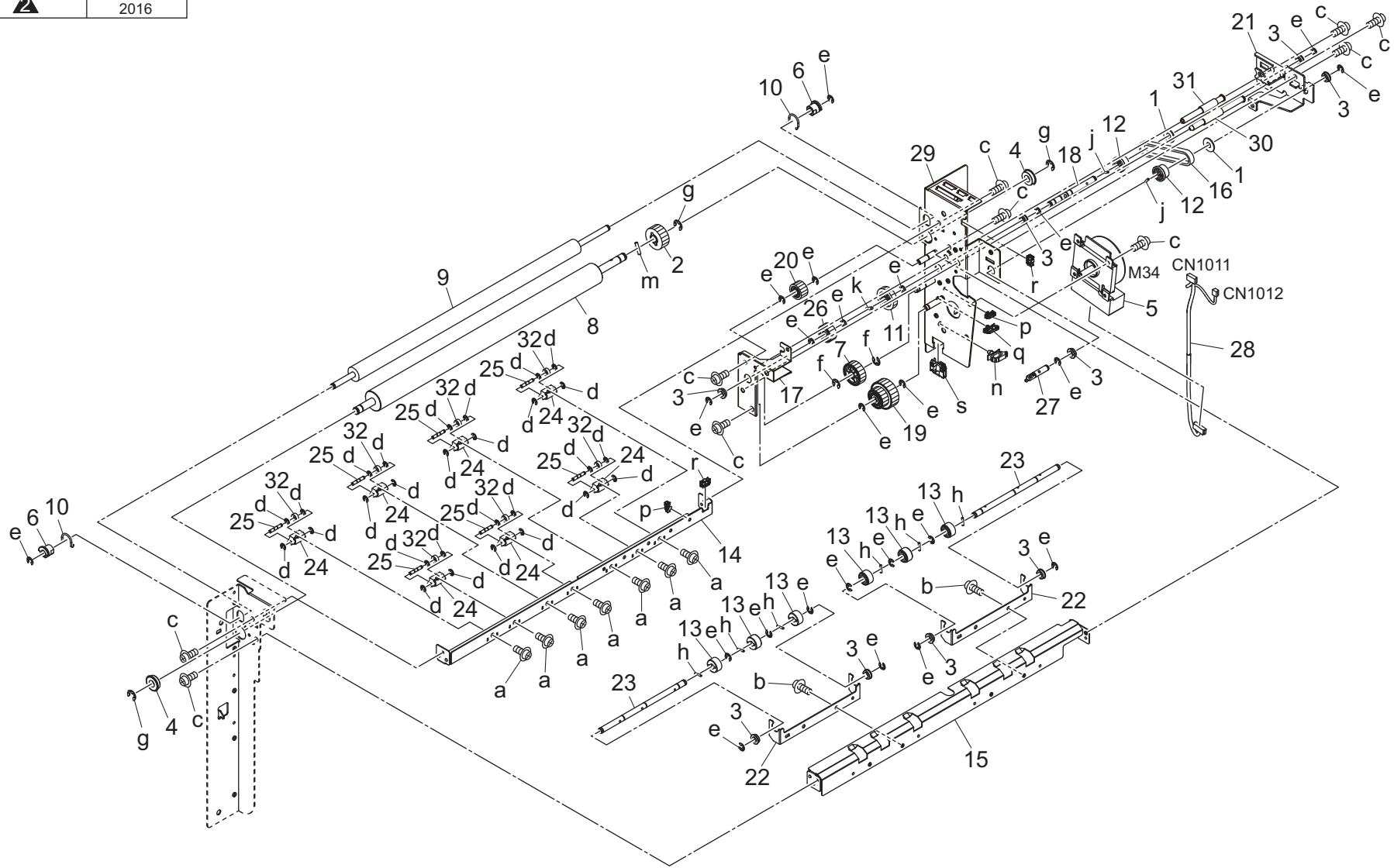
P 107



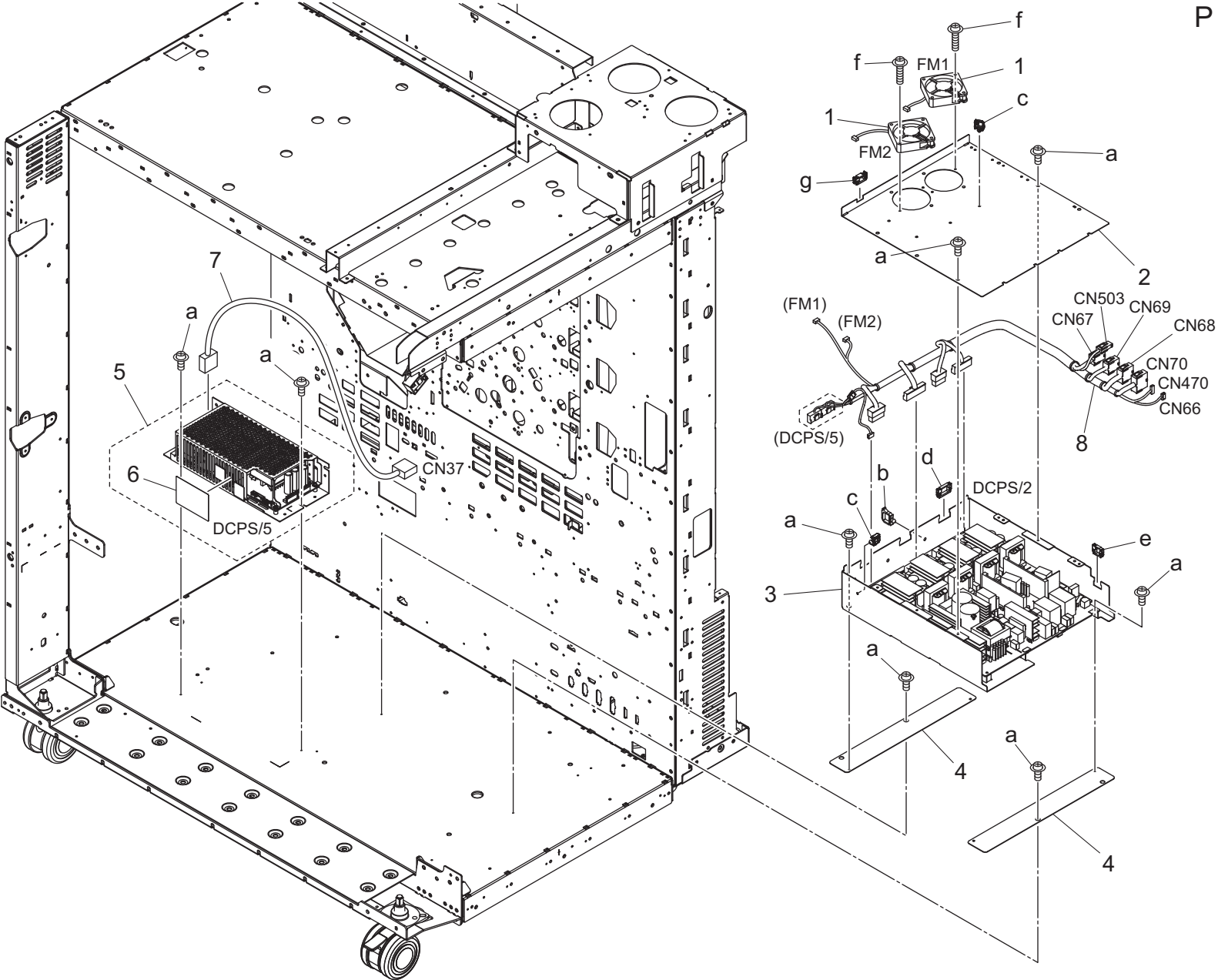
bizhub PRESS C1085

Reverse And Exit Section

改訂版 REVISED EDITION	日付 DATE
	SEPTEMBER 2016



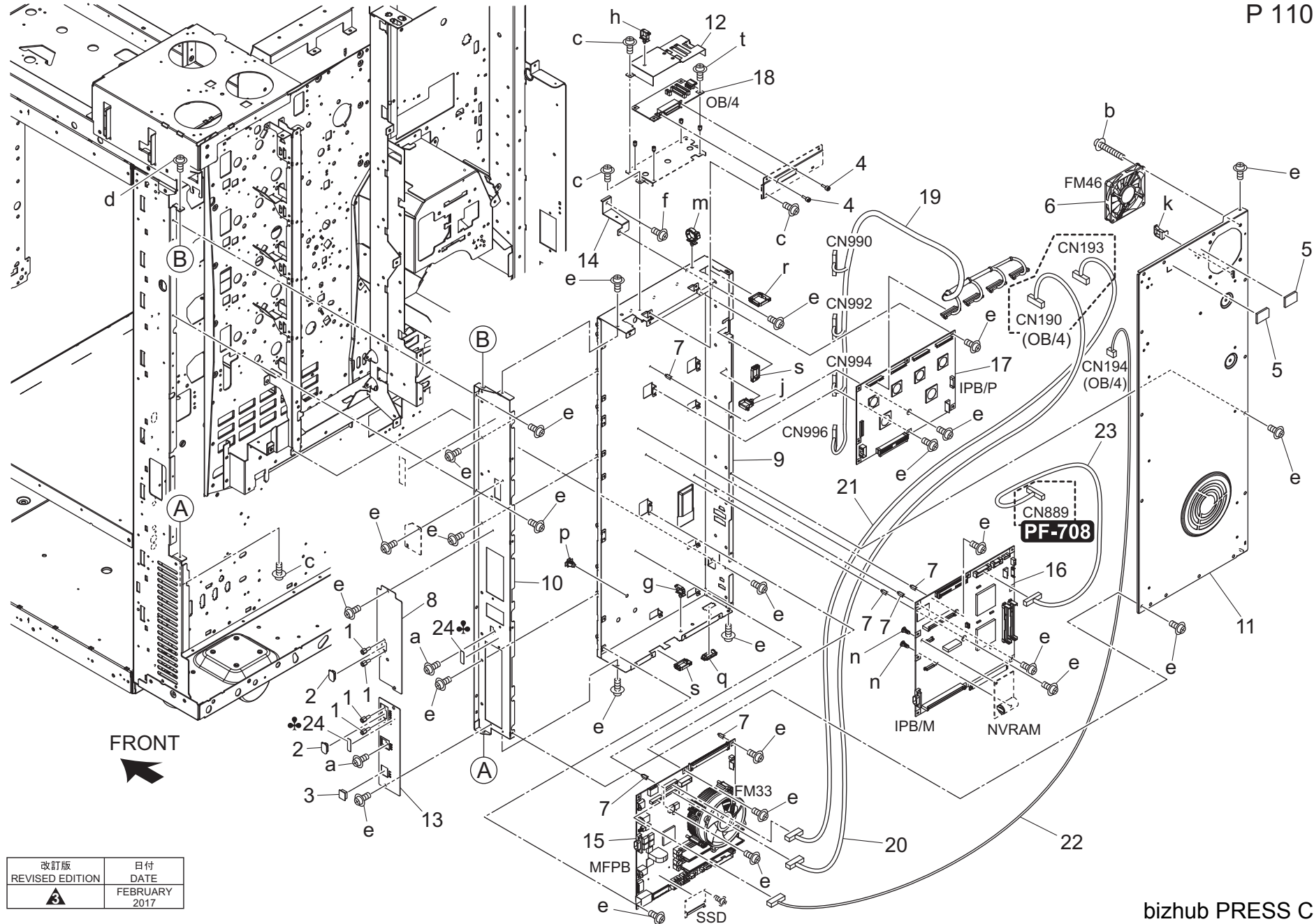
Key	Part No.	Description	Destinations	Class	QTY	Standard parts
1	13GQ45490	COLLAR B		C	2	a-V118030403
2	65AA77640	Paper Exit Driving Gear /2 22T	排紙駆動歯車/2 22 T	C	1	b-V121030403
3	A00J617800	Ball Bearing	ボールベアリング	B	9	c-V121030603
4	A00V240600	Ball Bearing	ボールベアリング	B	2	d-V217020001
5	A011M10101	BRUSHLESS MOTOR /20	ブラシレスモーター/20	B	1	e-V217040001
6	A03U712100	Registration Bushing	レジスト軸受	C	2	f-V217050001
7	A0P0666301	Idling Gear 23T	アイドルギア 23 T	C	1	g-V217060001
8	A1RF890201	Paper exit Roller	排紙ローラ	C	1	h-V234201050
9	A1RF895002	Idler Roller /E	従動ローラ/E	B	1	j-V234201250
10	A1RF895101	Paper exit Spring /2	排紙ばね/2	D	2	k-V234301050
11	A1RF909300	Paper Exit Gear /2 22T	排紙ギア/2 22 T	C	1	m-V234301450
12	A1RF909400	Paper exit Pulley	排紙プーリ	C	2	n-V500010003
13	A5AW856001	Guide Roll	ガイドころ (φ15)	D	6	p-V500020099
14	A5AW890301	Guide Plate /Upper	ガイド板/上	D	1	q-V500020100
15	A5AW890400	Guide Plate /Lower	ガイド板/下	D	1	r-V570010056
16	A5AW890800	Paper exit Timing belt 59L	排紙タイミングベルト 59 L	C	1	s-V570010060
17	A5AW890900Old	Fixing Plate /1	固定板/1	D	1	
17	A5AW890901	Fixing Plate /1	固定板/1	D	1	
18	A5AW891200	Drive Shaft /2	駆動軸/2	D	1	
19	A5AW891400	Paper exit Gear /1 20/58T	排紙ギア/1 20/58 T	C	1	
20	A5AW893100	Gear 15T	ギア (ドッキング) 15 T	C	1	
21	A5AW893300Old	Fixing Plate /1	固定板/1	D	1	
21	A5AW893301	Fixing Plate /1	固定板/1	D	1	
22	A5AW893500	Hold Plate	保持板	D	2	
23	A5AW893600	Guide Shaft	ガイド軸	D	2	
24	A5AW894000	Positioning Plate /A	位置決め板/A	D	7	
25	A5AW894100	Positioning Shaft	位置決め軸	D	7	
26	A5AW909800	Drive Gear /5 17T	駆動ギア/5 17 T	C	1	
27	A5AWR72A00	Drive Shaft/1 Assy	駆動軸/1 Assy	D	1	
28	A5AWN16600	Drive Relay harness /4	駆動中継束線/4	D	1	
29	A5AW890702	Paper exit Plate /Rear	排紙板/奥	D	1	
30	A5AW894300	Positioning Shaft /Rear	位置決め軸/奥	D	1	
31	A5AW894400	Positioning Shaft /A	位置決め軸/A	D	1	
32	A50U854800	Conveyance Roll	搬送ころ	D	7	



Key	Part No.	Description	Destinations	Class	QTY	Standard parts
1	9J06M10000	Fan motor		C	2	a-V127030603 b-V500010008 c-V500020098 d-V570010059 e-V570010060 f-V121031803 g-V570010057
2	A50U132300	Cover /2		D	1	
3	A50UM45200	DC Power source /2		I	1	
4	A5AW132500	Mounting Plate		D	2	
5	A5AWR70X11	DC Power Source/5 Assy		I	1	
6	A5AW947501	Caution Label /A		D	1	
7	A5AWN27400	AC Power source harness /10		D	1	
8	A5AWN11800	DC Power source harness /3		D	1	

Rear Electrical Section

P 110



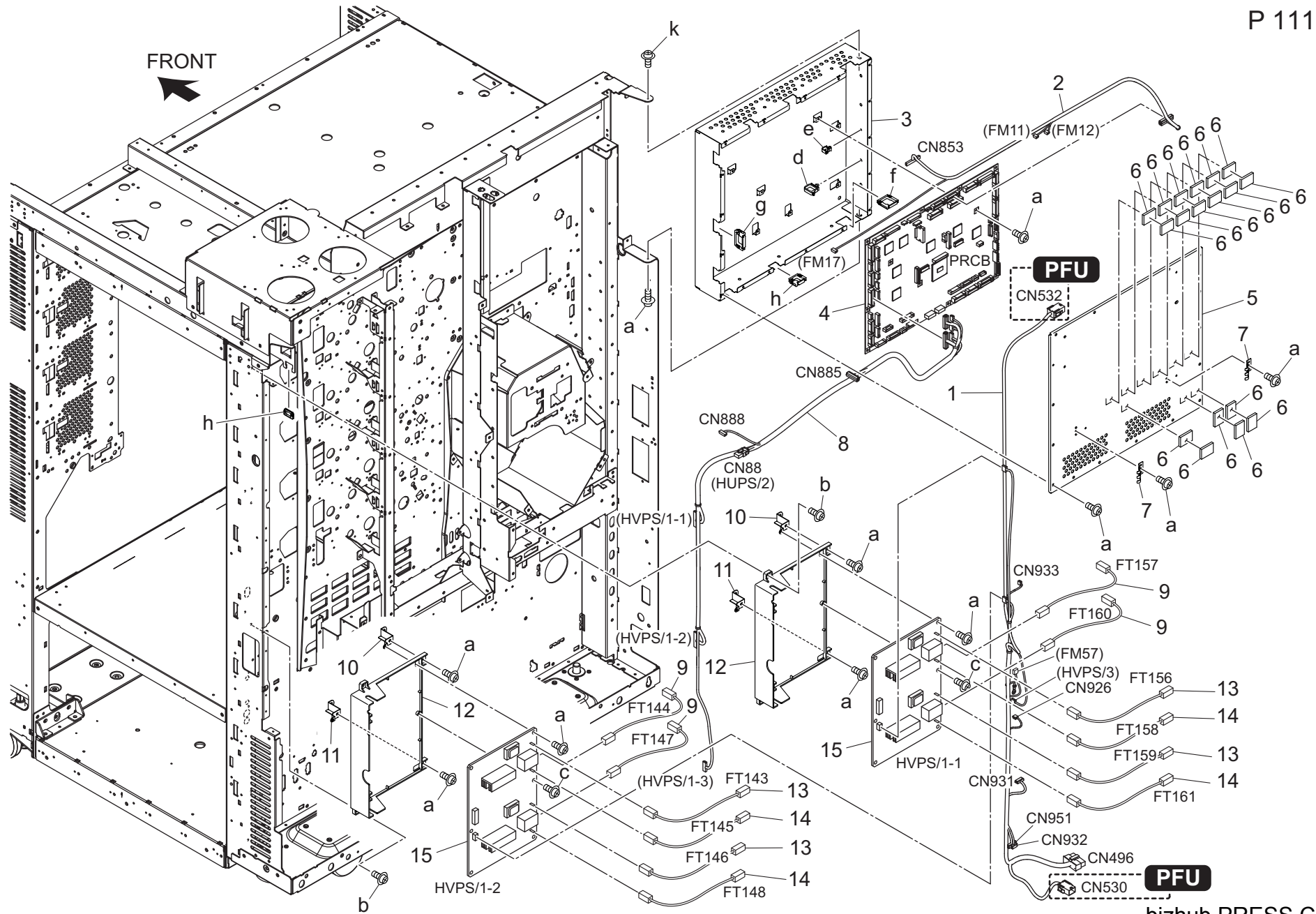
改訂版 REVISED EDITION	日付 DATE
	FEBRUARY 2017

Order here
8 (495) 646-0426
ПЯТЫЙ ПАРТНЕР www.km-shop.ru

bizhub PRESS C1085

Rear Electrical Section

P 111

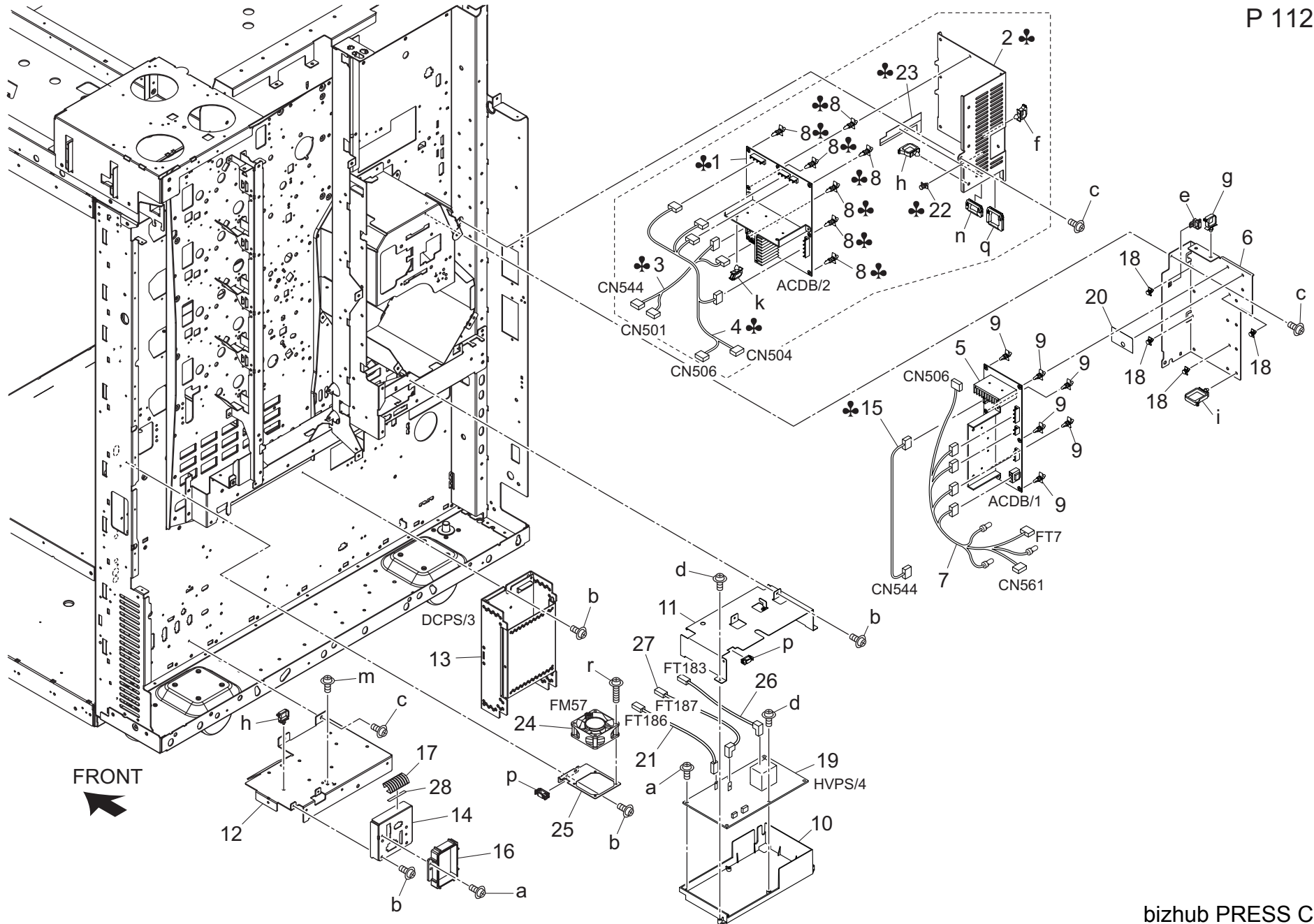


Order here
 8 (495) 646-0426
 ПЯТЫЙ ПАРТНЕР www.km-shop.ru

bizhub PRESS C1085

Rear Electrical Section

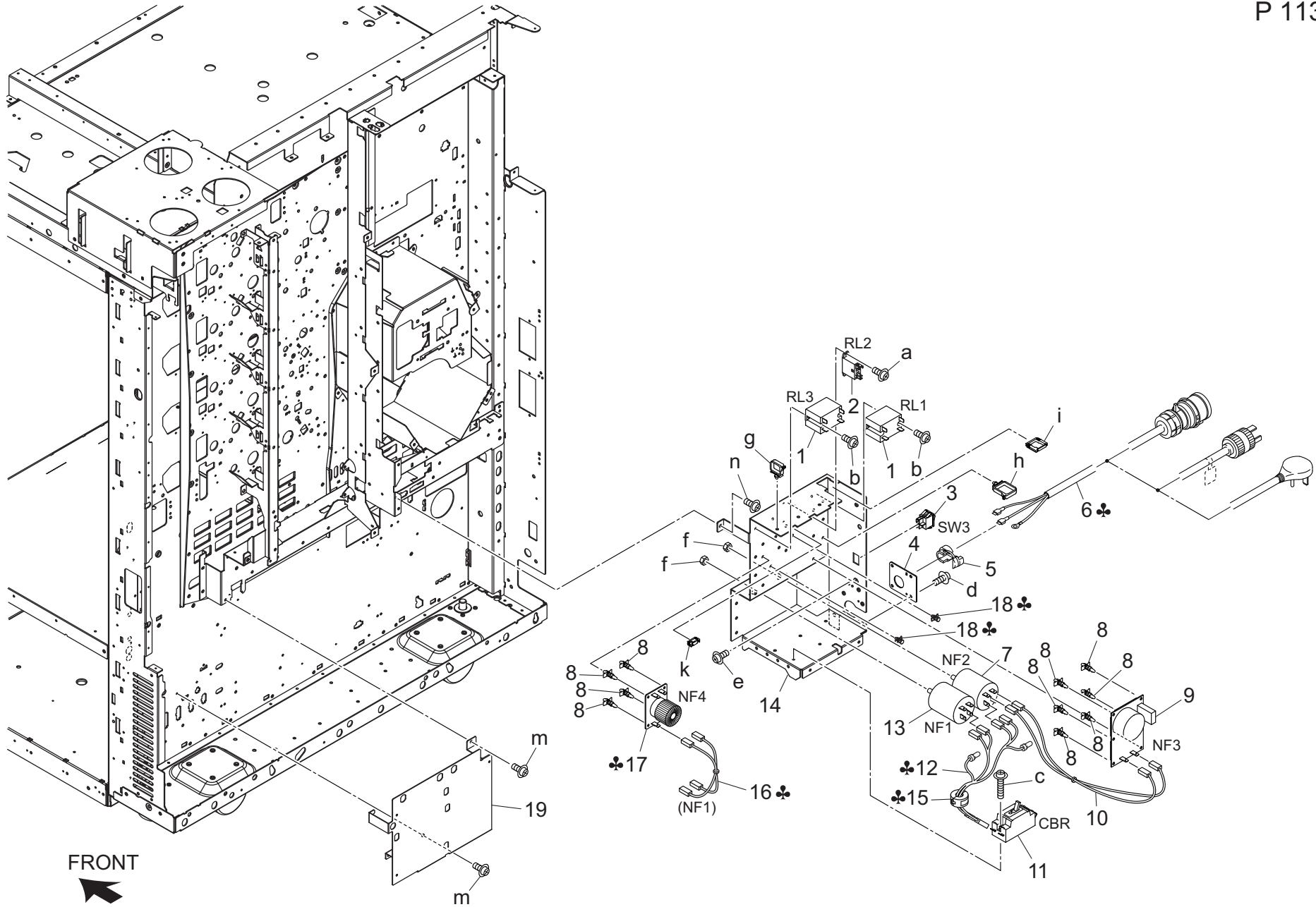
P 112



Key	Part No.	Description	Destinations	Class	QTY	Standard parts
1	A5AWH52000	AC Drive board /2 Assy	A C 駆動基板/2 A s s y C,D1,D3,E,F2,G1,H,I ,J,K	I	1	a-V121030603
2	A1RF134201	Mounting Plate	取付板 (フリッカー) C,D1,D3,E,F2,G1,H,I ,J,K	D	1	b-V146030603
3	A1RFN11600	AC Drive harness	A C 駆動束線 C,D1,D3,E,F2,G1,H,I ,J,K	D	1	c-V146040803
4	A5AWN10700	AC Power source harness /6	A C 電源束線/6 C,D1,D3,E,F2,G1,H,I ,J,K	D	1	d-V153030803
5	A1RFH51002	AC Drive Board /1 Assy	A C 駆動基板/1 A s s y	I	1	e-V500010021
6	A1RF134402	Mounting Plate	取付板 (A C 駆動/1)	D	1	f-V500010005
7	A5AWN10500	AC Power source harness /4	A C 電源束線/4	D	1	g-V500010007
8	V502010033	Circuit Board Spacer	サーキット ボード スペーサー C,D1,D3,E,F2,G1,H,I ,J,K	D	7	h-V500010008
9	V502010032	Circuit Board Spacer	サーキット ボード スペーサー	D	6	i-V500010015
10	A1RF134800	Support Case /4	支持ケース/4 (H V 4)	D	1	k-V500010059
11	A1RF133901	Cover /1	カバー/1 (H V 4)	D	1	m-V116040803
12	A5AW134101	Reinforce Plate /Lower	補強板/下 (右奥下)	D	1	n-V570010059
13	A0H0M40100	DC Power Source	D C 電源	I	1	p-V570010057
14	A5AW135101	Connecting Panel	連結パネル	D	1	q-V570010058
15	A1RFN12000	AC Drive harness /2	A C 駆動束線/2 A,B,G2	D	1	r-V121033003
15	A1RFN29900	AC Drive harness /3	A C 駆動束線/3 C,D1,D3,E,F2,G1,H,I ,J,K	D	1	
16	A1RG104300	Protection Cover /Rear	保護カバー/奥	D	1	
17	56AA68220D	Ground Spring	アースばね	D	1	
18	V502010041	BUSHING	ブッシュ	D	4	
19	A5AWM40600	HV Power source /4	高圧電源/4	I	1	
20	A5AW134500	Cover Sheet	カバーシート	D	1	
21	A1RFN18300	HV Wiring /17	高圧束線/17	D	1	
22	V502010036	spacer	サーキット ボード スペーサー C,D1,D3,E,F2,G1,H,I ,J,K	D	1	
23	A5AW134600	Cover Sheet	カバーシート C,D1,D3,E,F2,G1,H,I ,J,K	D	1	
24	56QA80570	Internal Cooling Fan	機内冷却ファン	C	1	
25	A5AW137700	Mounting Plate	取付板	D	1	
26	A5AWN18700	HV Wiring /19	高圧束線/19	D	1	
27	A5AWN18801	HV Wiring /20	高圧束線/20	D	1	
28	56AA17770	ATTACHING PART	貼り部材	D	1	

Rear Electrical Section

P 113



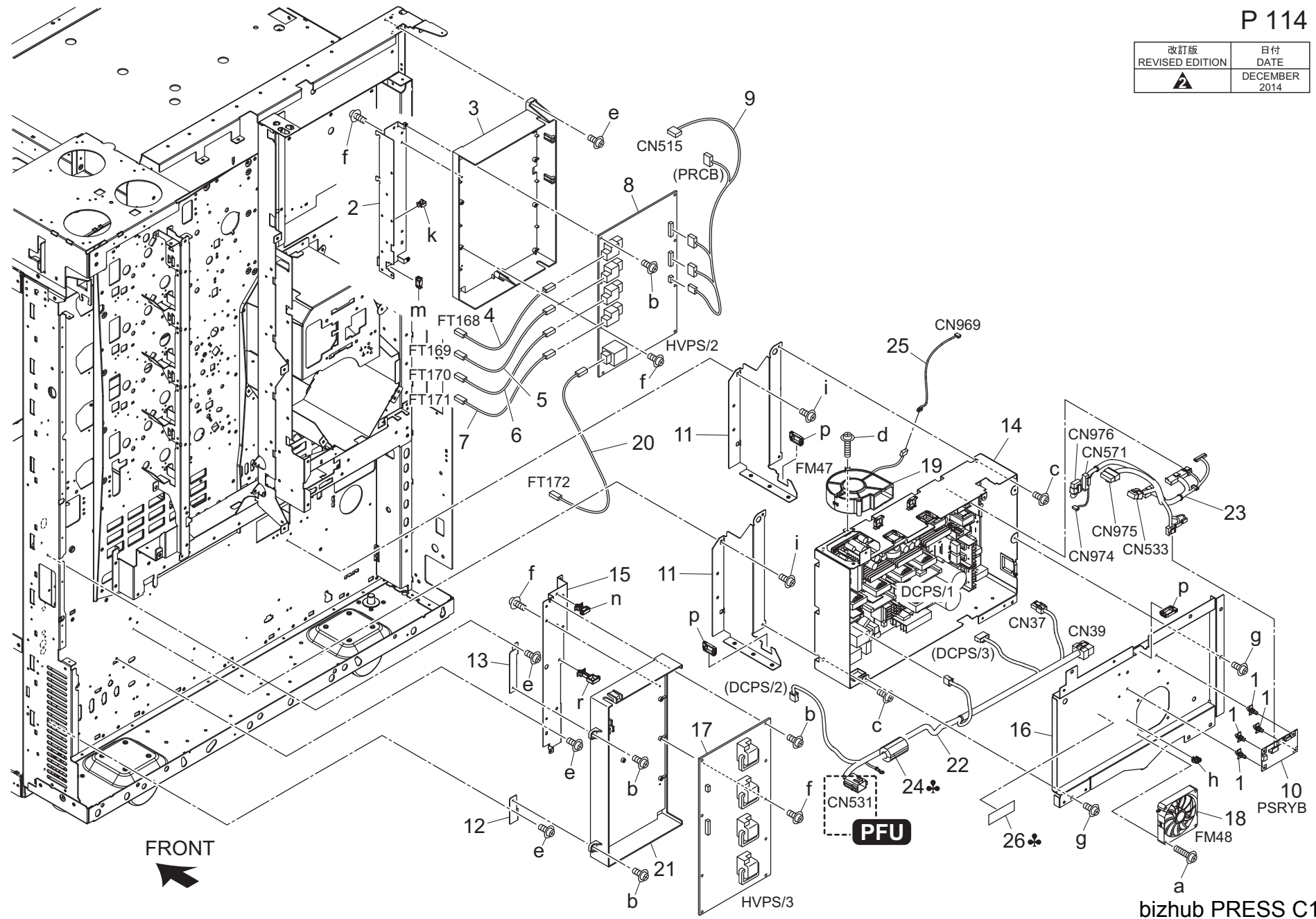
FRONT

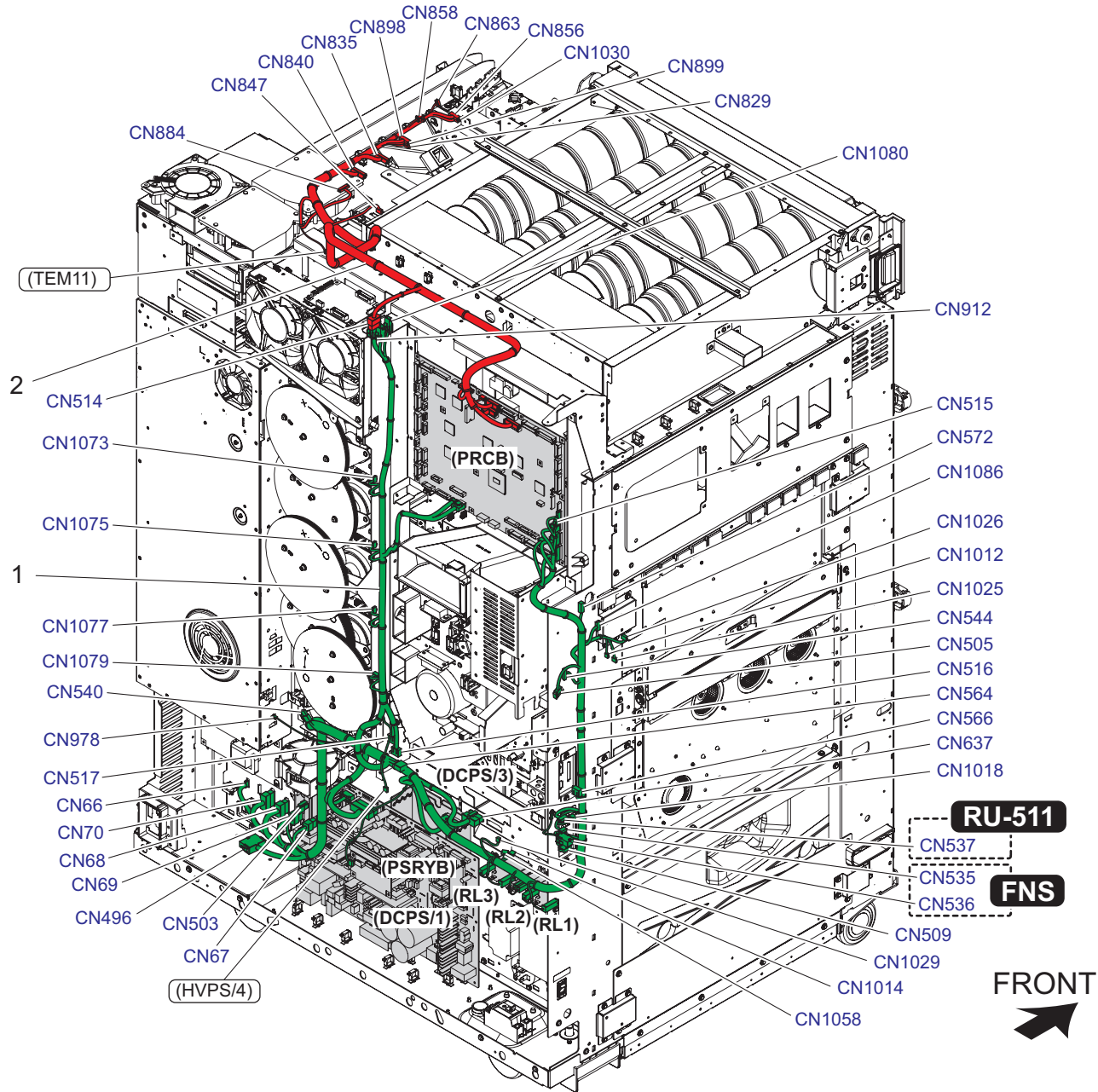
Key	Part No.	Description	Destinations	Class	QTY	Standard parts
1	25SA88461	Main Relay		C	2	a-V111030603
2	A07TM60100	Power source Relay		C	1	b-V111041003
3	A00JM60300	Rocker switch		C	1	c-V111042003
4	A1RF130800	Mounting Plate /D		D	1	d-V116041003
5	A0G6M70E00	Power Source Code Holder		D	1	e-V116050803
6	A0G6J30F00	Power source Cord ASSY	電源コード ASSY	D	1	f-V195080003
6	A0G6N30A00	Power Source Cord	電源コード	D	1	g-V500010008
6	A1RFN30E03	Power Source Cord (US)	電源コード (北米)	D	1	h-V500010015
6	A0G6J30M00	Power source Cord ASSY	電源コード ASSY (オセアニア)	D	1	i-V570010058
6	A5AWJ30X00	Power source Cord ASSY	電源コード ASSY (インド)	D	1	k-V570010057
7	538088261	Noise Filter	ノイズフィルター	C	1	m-V115040803
8	V502010033	Circuit Board Spacer	サーキット ボード スペース	D	10	n-V127040803
9	A0G6M45400	Noise Filter	ノイズフィルター	C	1	
10	A5AWN10400	AC Power source harness /3	AC 電源束線 /3	D	1	
11	A4EUM60401	Breaker	漏電ブレーカ	D	1	
12	A5AWN10200	AC Power source harness /1	AC 電源束線 /1	D	1	
12	A5AWN10F00	AC Power source harness /F	AC 電源束線 /F	D	1	
13	55TA84561	Noise Filter	ノイズフィルター	C	1	
14	A5AW130700	Mounting Plate /C	取付板 /C	D	1	
15	A1RFM93100	Ferritecore	フェライトコア	D	1	
16	A1RFN25500	AC Power source harness /7	AC 電源束線 /7	D	1	
17	56QF84551	Coil /2	コイル /2	D	1	
18	V502010036	spacer	サーキット ボード スペース	D	2	
19	A5AW136800	Mounting Plate	取付板	D	1	

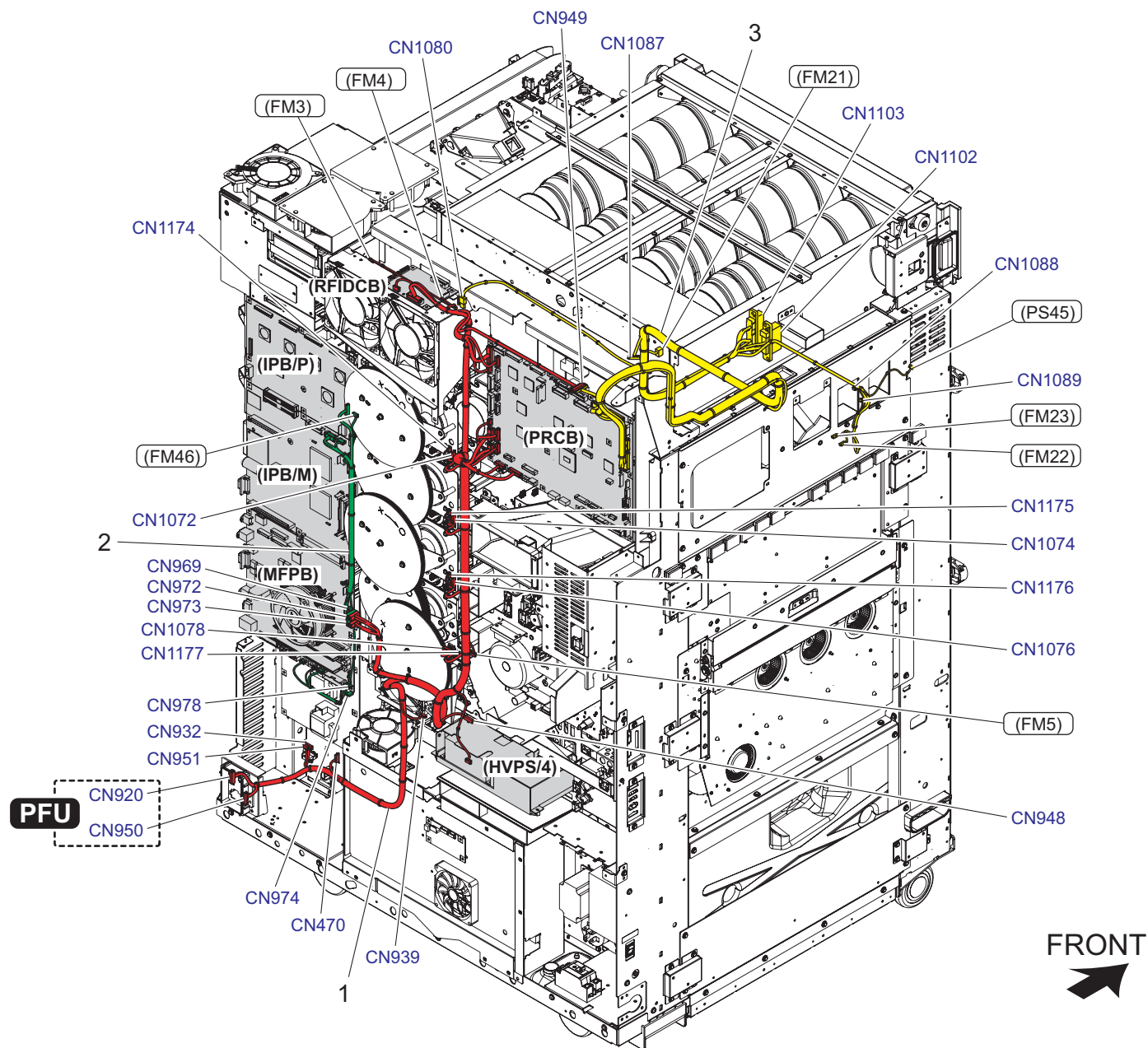
Rear Electrical Section

P 114

改訂版 REVISED EDITION	日付 DATE
	DECEMBER 2014



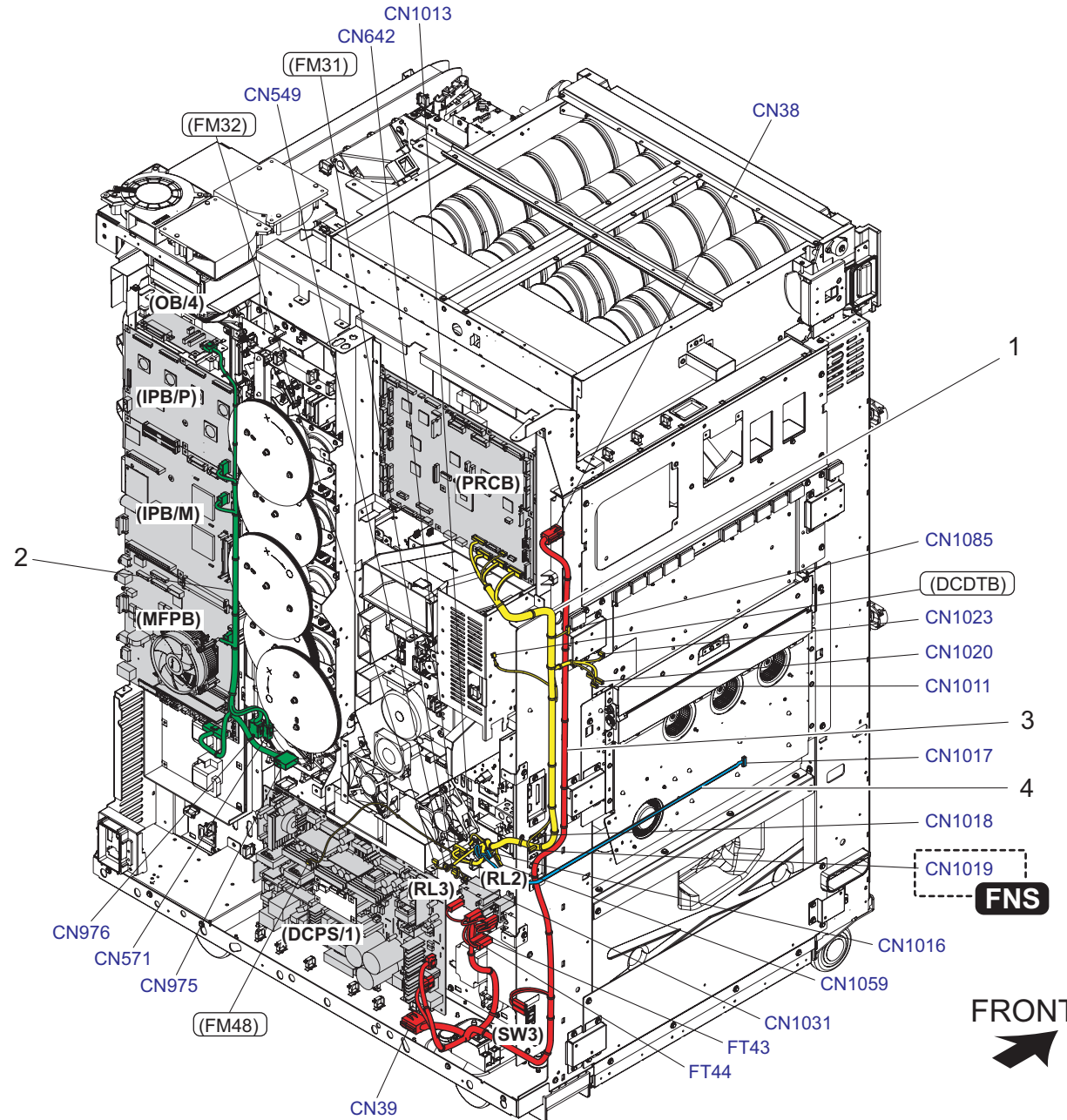




bizhub PRESS C1085

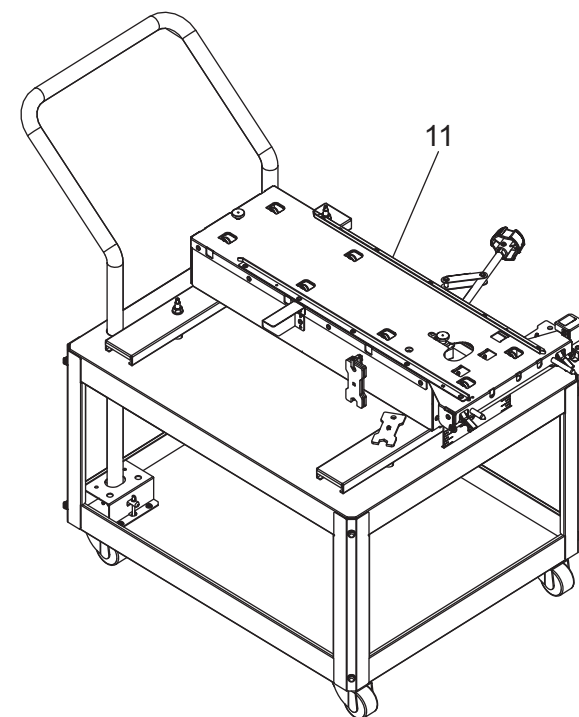
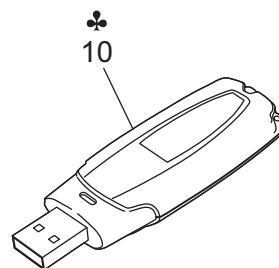
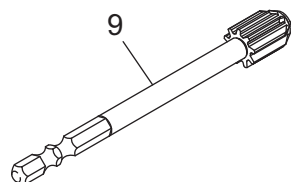
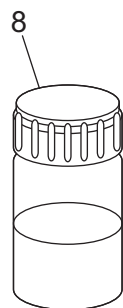
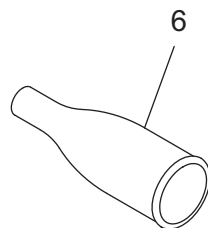
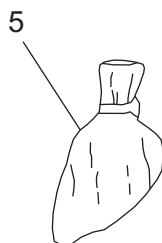
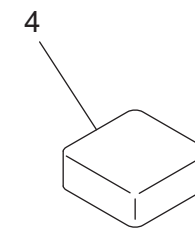
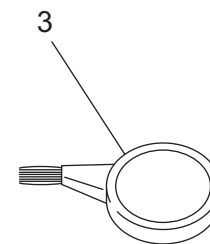
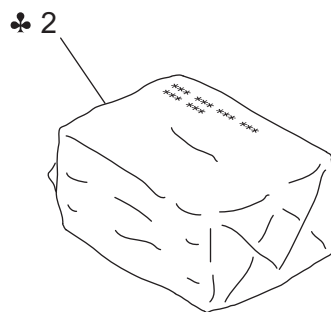
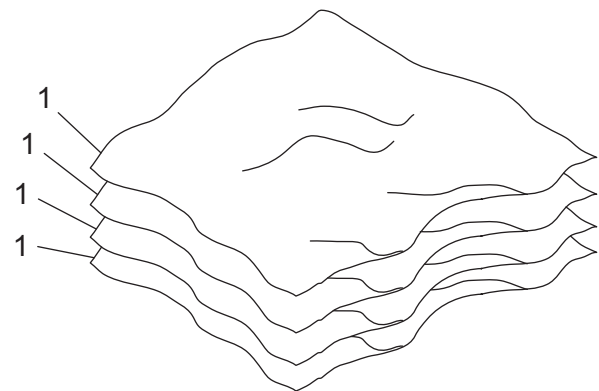
Wiring

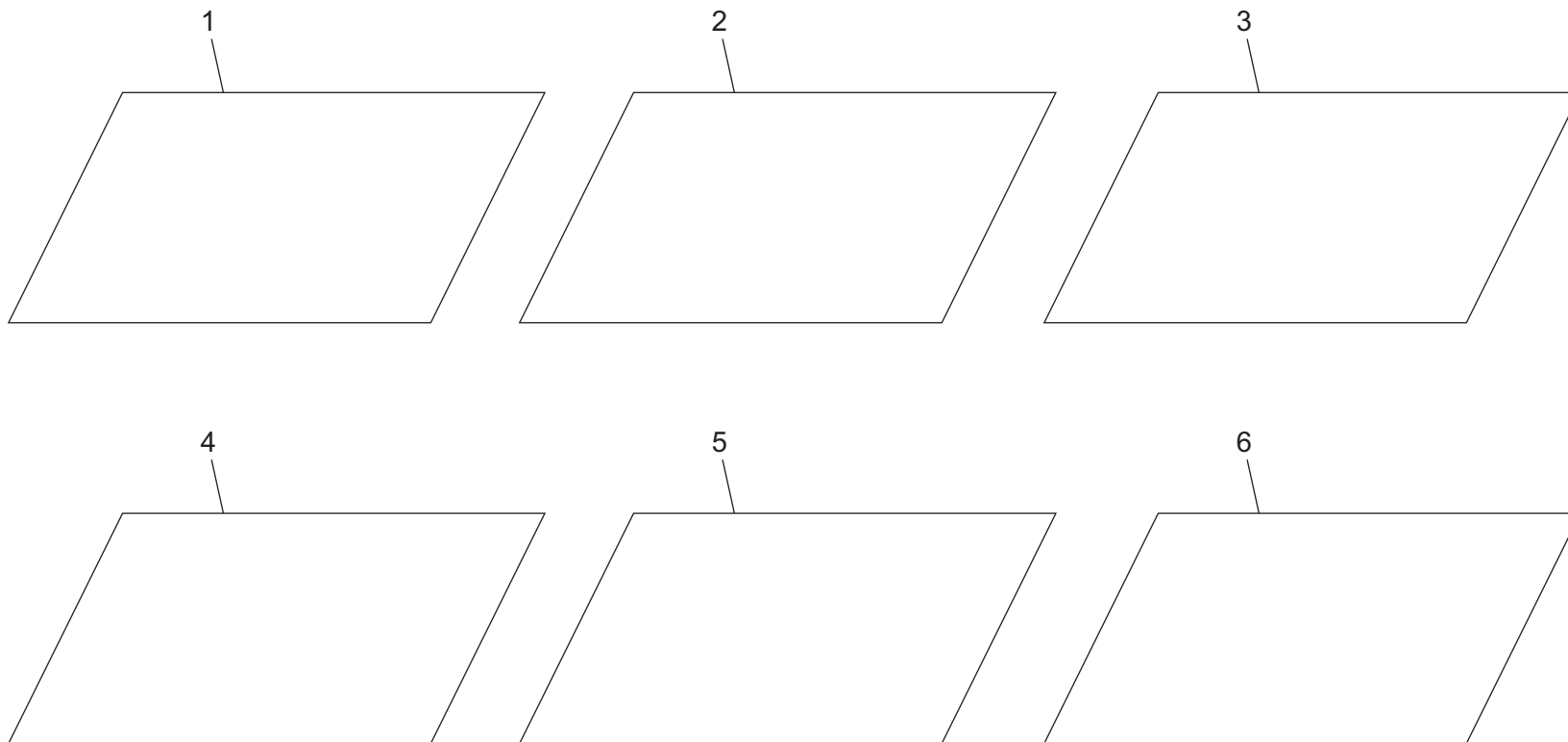
改訂版 REVISED EDITION	日付 DATE
	APRIL 2014

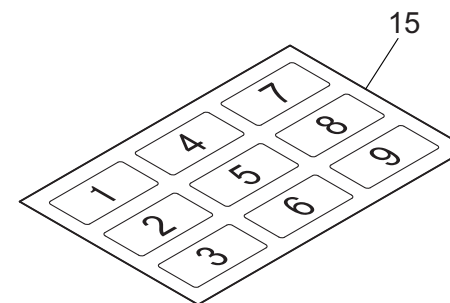
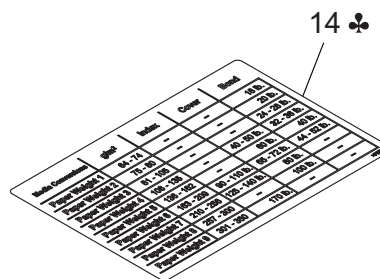
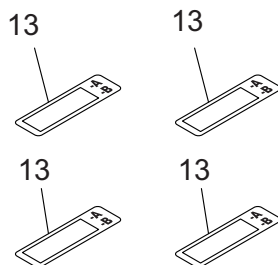
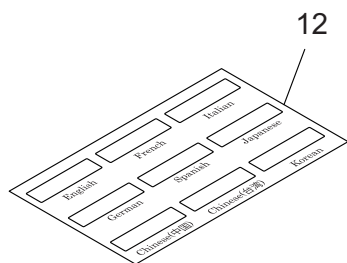
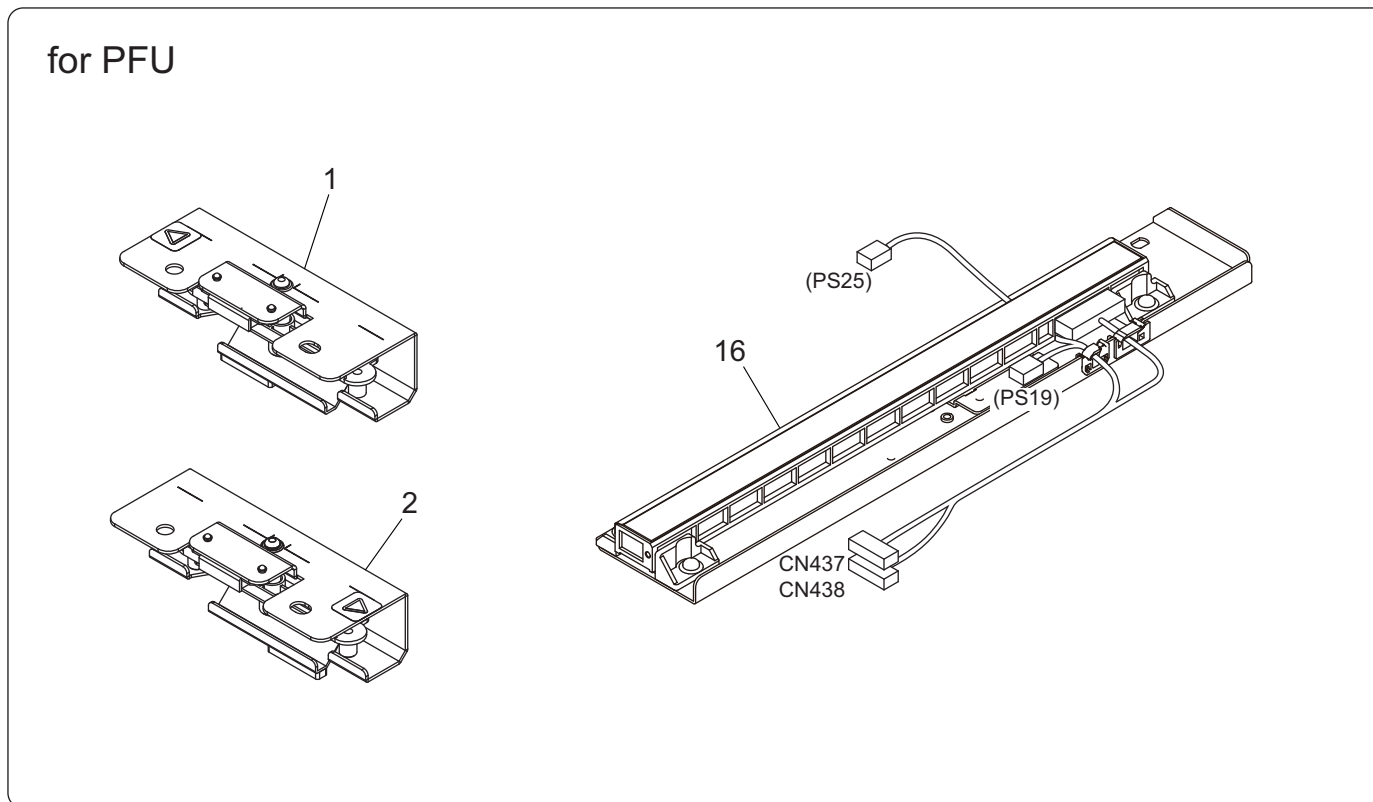


Jigs

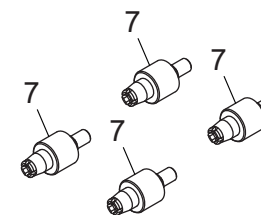
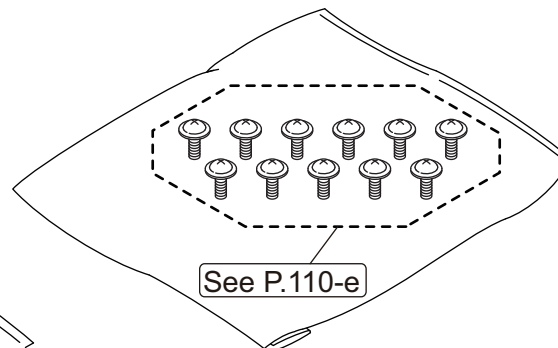
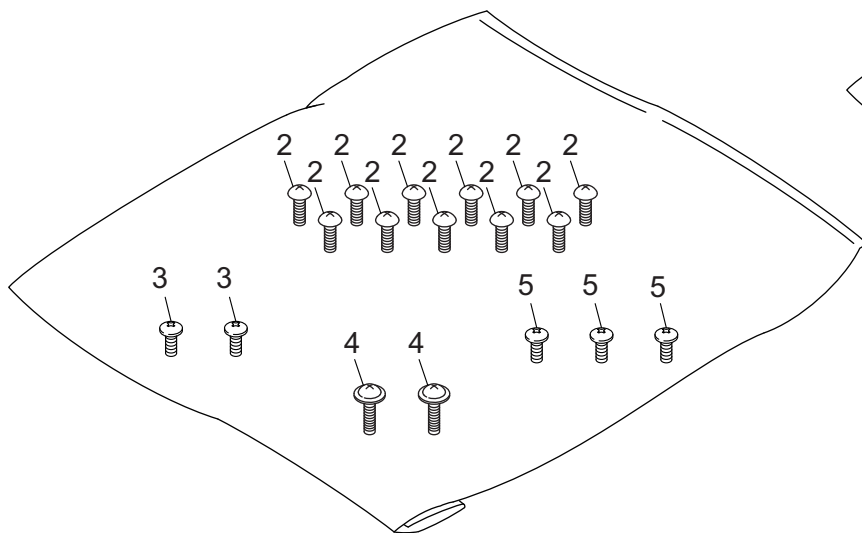
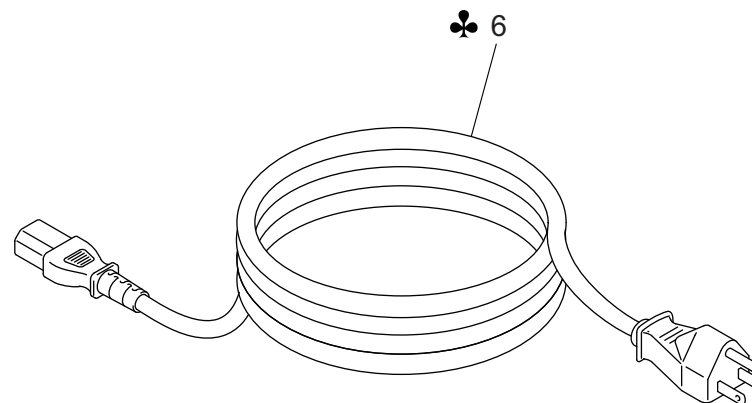
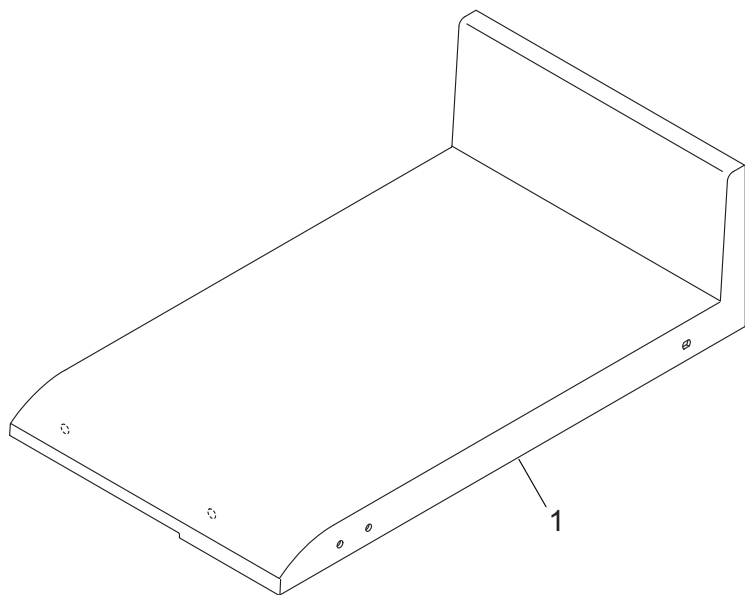
P 118





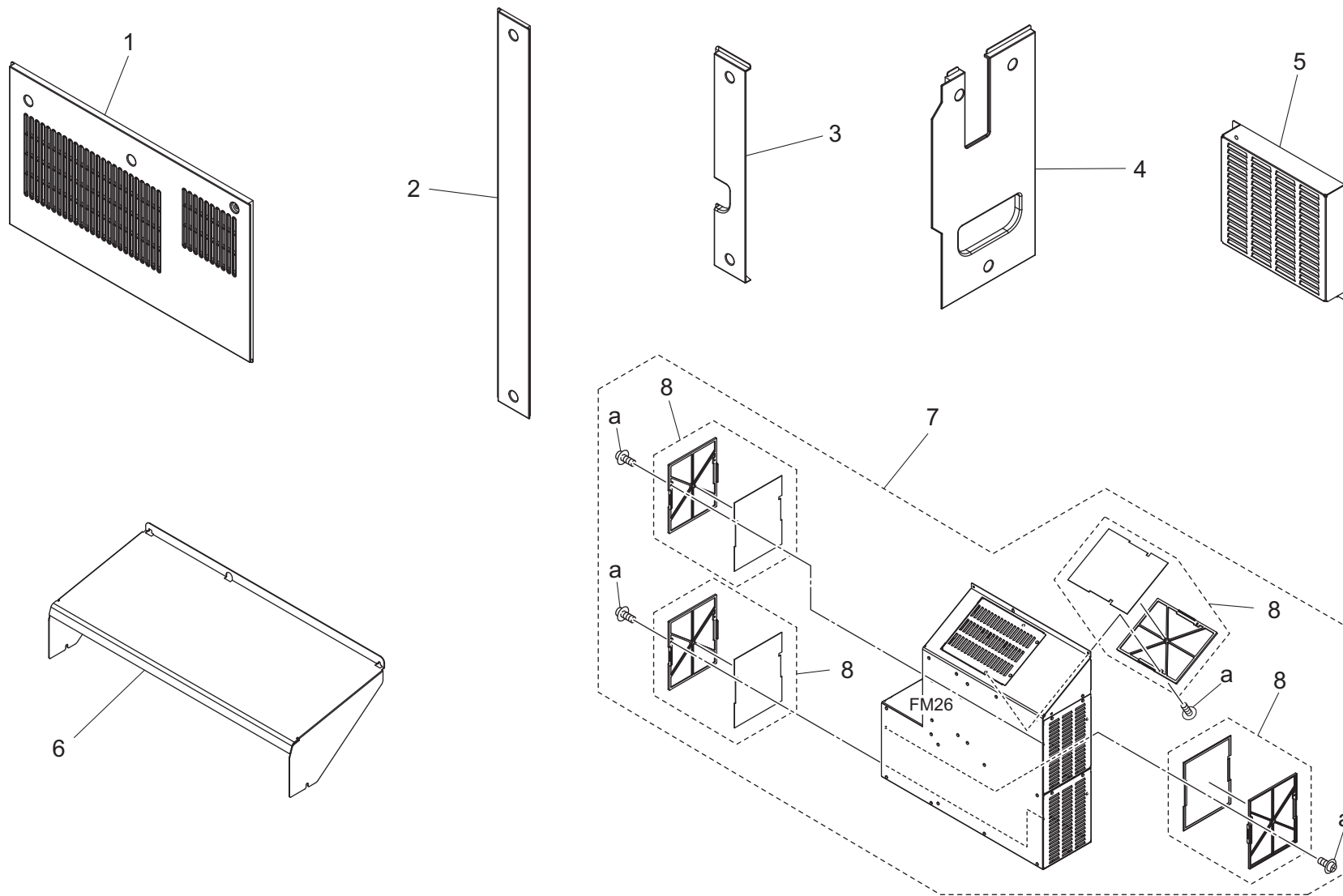


改訂版 REVISED EDITION	日付 DATE
	OCTOBER 2014



Accessory Parts

P 122



No.	Section	PM Parts Description	Maintenance Cycle (K=1,000)		Parts No.	Destinations	Page/Key	Note
			QTY	Replace				
46	2nd transfer section	Scattering prevention sheet plate/1	1	175K	A1RFR7N700		P66-23	
47		Cleaning side seal plate/Fr	1	175K	A1RFR7N500		P66-19	
48		Cleaning side seal plate/Rr	1	175K	A1RFR7N600		P66-20	
49		2nd transfer assist scraper assy	1	175K	A1RFR7N800		P66-21	
50		2nd transfer process blade assy	1	175K	A5AWR70S00		P67-10	
51		Scattering prevention sheet/1	2	175K	A1RF531600		P66-18	
52		2nd transfer belt	1	350K	A1RF520400		P68-7	
53		2nd transfer cleaning brush	1	350K	A1RF532800		P67-7	
54		Connecting stay assy	1	350K	A1RFR7N300		P68-6	
55		Separation discharging assy	1	700K	A1RFR70500		P64-9	
56		2nd transfer entrance guide/Up	1	700K	A1RFR72900		P65-20	
57		2nd transfer belt assy	1	700K	A5AWR70400		P64-20	
58		2nd transfer ground plate/1	1	1400K	A1RFR71900		P64-18	
59		2nd transfer ground plate/2	1	1400K	A1RFR72000		P64-14	
60	2nd transfer unit	1	2800K	A5AWR70A00		P63-5		
61	2nd transfer cleaning blade	1	*1	A5AWR73300		P66-22		
62	Toner collection section	Waste toner box	1	170K	A1RFR70012		P38-2	
63	Intermediate conveyance sec-	Cleaning sheet assy	1	1000K	A1RFR7G400		P88-18	
64	Registration section	Registration cleaning sheet assy	1	1000K	A5AWR70R00		P106-3	
65		Torque limiter	1	1500K	65AA46180		P104-17	
66		Registration roller	1	6300K	A5AW712300		P104-20	
67	Fusing section	Heat insulating sleeve/2	2	1050K	A5AW721700		P49-6	
68		Heat insulating sleeve/Lw	2	1050K	A5AW721700		P52-14	
69		Fusing bearing/2	2	1050K	A5AW745200		P49-23	
70		Fusing bearing/Lw	2	1050K	A5AW721800		P52-15	
71		Fusing inlet roller assy	1	1050K	A5AWR70E11		P49-29	
72		Fusing belt	1	1050K	A5AW720301		P49-5	
73		Fusing steering actuator assy	1	1050K	A5AWR70F00		P46-26	
74		Upper pressure roller	1	1050K	A5AW720100		P49-3	
75		Lower pressure roller	1	1050K	A5AW720401		P52-13	
76		Fusing claw assy	1	1050K	A5AWR70G00		P54-20	
77		Heat insulating sleeve/1	2	2100K	A5AW744900		P49-21	
78		Fusing bearing/1	2	2100K	A5AW745000		P49-22	
79		Fusing paper exit roller assy/Up	1	2100K	A5AWR72600		P53-27	
80		Heating roller	1	2100K	A5AW720200		P49-4	
81		Fusing paper exit roller/Lw	1	2100K	A5AW760100		P54-6	
82		Fusing gear/2	1	3150K	A1RF809800		P50-10	
83		Fusing belt temperature sensor/Fr	1	3150K	A5AWR70T00		P48-15	
84		Upper pressure roller temperature sensor	1	3150K	A5AWR70U00		P49-28	
85		Fusing heater lamp assy/1	1	3150K	A5AWM31A00	A	P49-30	
85		Fusing heater lamp assy/1	1	3150K	A5AWM31E00	B,G2	P49-30	
85	Fusing heater lamp assy/1	1	3150K	A5AWM31F00	C,D1,D3,E,F2,G1,H,I,	P49-30		
86	Fusing heater lamp/4	1	3150K	A5AWM34A00	A	P49-31		
86	Fusing heater lamp/4	1	3150K	A5AWM34E00	B,G2	P49-31		
86	Fusing heater lamp/4	1	3150K	A5AWM34F00	C,D1,D3,E,F2,G1,H,I,	P49-31		
87	Fusing heater lamp assy/5	1	3150K	A5AWM31A00	A	P49-30		
87	Fusing heater lamp assy/5	1	3150K	A5AWM31E00	B,G2	P49-30		
87	Fusing heater lamp assy/5	1	3150K	A5AWM31F00	C,D1,D3,E,F2,G1,H,I,	P49-30		
88	Fusing paper separation fan/Fr, /Md./Rr	3	80K	A5AWM15101		P8-6	Spotted replacement parts	
89	Low.Pres.Roller CoolingFan/Fr/Rr	2	300K	A5AWM15101		P99-16	Spotted replacement parts	
90	Low. Pres. Roller Cooling Fan/Md	1	300K	A5AWM15101		P99-16	Spotted replacement parts	
91	Reversal section	De-curler roller	1	700K	A1RF860501		P103-7	
92		Exit conveyance driven roller	1	3150K	A1RF895002		P108-9	
93	Paper exit section	Paper exit driven roller	1	3150K	A5AW860701		P102-15	

*1: See Service Manual F-4 LIFE VALUE.

bizhub PRESS C1085

メンテナンスリスト

● ページ / キーナンバーのないものは、アフターサービス部品ではありません。

No.	区分	P M 部品名称	サイクル (K=1,000)		部品番号	仕向地	頁 / キー	備考
			員数	交換				
1	外装部	オゾンフィルター	1	700K	A1RF114402		P11-17	
2		防塵フィルター / Rt	1	*1	A5AWR70B11		P14-17	
3		防塵フィルター / Rr 1	1	*1	A1RFR74500		P3-6	
4		防塵フィルター / Lt	1	*1	A1RFR74400		P122-8	
5		防塵フィルター / Rr 2	1	*1	A1RFR74400		P122-8	
6		防塵フィルター / Rr 3	1	*1	A1RFR74400		P122-8	
7		防塵フィルター / Rr 4	1	*1	A1RFR74400		P122-8	
8	感光体部	ドラムユニット / Y	1	*1				
9		ドラムユニット / M	1	*1				
10		ドラムユニット / C	1	*1				
11		ドラムユニット / K	1	*1				
12	帯電部	帯電極 / Y	1	*1	A5AWR70M00		P23-1	
13		帯電極 / M	1	*1	A5AWR70M00		P23-1	
14		帯電極 / C	1	*1	A5AWR70M00		P23-1	
15		帯電極 / K	1	*1	A5AWR70M00		P23-1	
16	現像部	現像ユニット / Y	1	*1	A5AWR70144		P24-1	
17		現像ユニット / M	1	*1	A5AWR70144		P24-1	
18		現像ユニット / C	1	*1	A5AWR70144		P24-1	
19		現像ユニット / K	1	*1	A5AWR70144		P24-1	
20		現像剤 / Y	1	*1				
21		現像剤 / M	1	*1				
22		現像剤 / C	1	*1				
23		現像剤 / K	1	*1				
24	トナー補給部	現像帯電フィルター / Y	1	525K	A1RFR70300		P34-10	
25		現像帯電フィルター / M	1	525K	A1RFR70300		P34-10	
26		現像帯電フィルター / C	1	525K	A1RFR70300		P34-10	
27		現像帯電フィルター / K	1	525K	A1RFR70300		P34-10	
28	中間転写部	トナー回収シート	1	175K	65AAR75600		P44-3	
29		転写ベルトクリーニングシール / Fr	1	175K	A5AW511200		P44-4	
30		ニップ形成ローラー / Up	1	525K	A5AW501301		P40-14	
31		転写ベルトクリーニングシール / Rr	1	175K	A5AW511600		P44-6	
32		1次転写ローラー / Y	1	525K	A5AW501200		P40-13	
33		1次転写ローラー / M	1	525K	A5AW501200		P40-13	
34		1次転写ローラー / C	1	525K	A5AW501200		P40-13	
35		1次転写ローラー / K	1	525K	A5AW500400		P40-12	
36		中間転写厚紙バックアップガイド	1	525K	A5AWR70Q00		P42-22	
37		2次転写ローラー / Up	1	525K	A1RF500400		P40-11	
38		センサーシャッター	1	700K	A5AWR70500		P62-13	
39		中間転写ベルト	1	1050K	A1RF506000		P40-23	
40		転写ベルトクリーニングユニット	1	1050K	A5AWR70222		P39-3	
41		補助クリーナー Assy	1	700K	A5AWR70N11		P41-5	
42		転写ベルト分離爪	3	2625K	65AAR75300		P41-6	
43		転写ローラー軸受	8	2625K	A1RF508900		P42-13	
44		中間転写分離爪ソレノイド	1	2975K	A1RFR74800		P56-28	
45	転写ベルトクリーニングブレード	1	*1	A5AWR70P11		P44-20		

No.	区分	P M 部品名称	サイクル (K=1,000)		部品番号	仕向地	頁 / キー	備考
			員数	交換				
46	2次転写部	飛散防止シート 取付板 / 1	1	175K	A1RFR7N700		P66-23	
47		クリーニングサイドシール取付板 / Fr	1	175K	A1RFR7N500		P66-19	
48		クリーニングサイドシール取付板 / Rr	1	175K	A1RFR7N600		P66-20	
49		2次転写補助スクレーパー Assy	1	175K	A1RFR7N800		P66-21	
50		2次転写処理ブレード Assy	1	175K	A5AWR70S00		P67-10	
51		飛散防止シート / 1	2	175K	A1RF531600		P66-18	
52		2次転写ベルト	1	350K	A1RF520400		P68-7	
53		2次転写クリーニングブラシ	1	350K	A1RF532800		P67-7	
54		連結ステー Assy	1	350K	A1RFR7N300		P68-6	
55		分離放電板 Assy	1	700K	A1RFR70500		P64-9	
56		2次転写進入ガイド板 / Up	1	700K	A1RFR72900		P65-20	
57	2次転写ベルト Assy	1	700K	A5AWR70400		P64-20		
58	2次転写アース板 / 1	1	1400K	A1RFR71900		P64-18		
59	2次転写アース板 / 2	1	1400K	A1RFR72000		P64-14		
60	2次転写ユニット	1	2800K	A5AWR70A00		P63-5		
61	2次転写クリーニングブレード	1	*1	A5AWR73300		P66-22		
62	トナー回収部	廃棄トナーボックス	1	170K	A1RFR70012		P38-2	
63	中間搬送部	クリーニングシート Assy	1	1000K	A1RFR7G400		P88-18	
64	レジスト部	レジスト清掃シート Assy	1	1000K	A5AWR70R00		P106-3	
65		トルクリミッター	1	1500K	65AA46180		P104-17	
66		レジストローラー	1	6300K	A5AW712300		P104-20	
67	定着部	断熱スリーブ / 2	2	1050K	A5AW721700		P49-6	
68		断熱スリーブ / Lw	2	1050K	A5AW721700		P52-14	
69		定着軸受 / 2	2	1050K	A5AW745200		P49-23	
70		定着軸受 / Lw	2	1050K	A5AW721800		P52-15	
71		定着インレットローラー Assy	1	1050K	A5AWR70E11		P49-29	
72		定着ベルト	1	1050K	A5AW720301		P49-5	
73		定着ステアリングアクチュエーター Assy	1	1050K	A5AWR70F00		P46-26	
74		上加圧ローラー	1	1050K	A5AW720100		P49-3	
75		下加圧ローラー	1	1050K	A5AW720401		P52-13	
76		定着爪 Assy	1	1050K	A5AWR70G00		P54-20	
77		断熱スリーブ / 1	2	2100K	A5AW744900		P49-21	
78		定着軸受 / 1	2	2100K	A5AW745000		P49-22	
79		定着排紙ローラー Assy / Up	1	2100K	A5AWR72600		P53-27	
80		加熱ローラー	1	2100K	A5AW720200		P49-4	
81		定着排紙ローラー / Lw	1	2100K	A5AW760100		P54-6	
82		定着ギア / 2	1	3150K	A1RF809800		P50-10	
83		定着ベルト温度センサー / Fr	1	3150K	A5AWR70T00		P48-15	
84		上加圧ローラー温度センサー	1	3150K	A5AWR70U00		P49-28	
85		定着ヒーターランプ Assy / 1	1	3150K	A5AWM31A00	A	P49-30	
85		定着ヒーターランプ Assy / 1	1	3150K	A5AWM31E00	B,G2	P49-30	
85	定着ヒーターランプ Assy / 1	1	3150K	A5AWM31F00	C,D1,D3,E,F2,G1,H,I,K	P49-30		
86	定着ヒーターランプ / 4	1	3150K	A5AWM34A00	A	P49-31		
86	定着ヒーターランプ / 4	1	3150K	A5AWM34E00	B,G2	P49-31		
86	定着ヒーターランプ / 4	1	3150K	A5AWM34F00	C,D1,D3,E,F2,G1,H,I,K	P49-31		
87	定着ヒーターランプ Assy / 5	1	3150K	A5AWM31A00	A	P49-30		
87	定着ヒーターランプ Assy / 5	1	3150K	A5AWM31E00	B,G2	P49-30		
87	定着ヒーターランプ Assy / 5	1	3150K	A5AWM31F00	C,D1,D3,E,F2,G1,H,I,K	P49-30		
88	定着用紙分離ファン / Fr、 / Md、 / Rr	3	80K	A5AWM15101		P8-6		
89	下加圧ローラー冷却ファン / Fr、 / Rr	2	300K	A5AWM15101		P99-16	スポット 交換部品	
90	下加圧ローラー冷却ファン / Md	1	300K	A5AWM15101		P99-16	スポット 交換部品	
91	反転部	デカローラー	1	700K	A1RF860501		P103-7	
92		排紙搬送従動ローラー	1	3150K	A1RF895002		P108-9	
93	排紙部	排紙従動ローラー	1	3150K	A5AW860701		P102-15	

*1: サービスマニュアル F-4「ライフ値の考え方」参照

DESTINATION

Destination No.		Destinations		V	Hz	Model No.
A	A1	JAPAN		200	50/60	A5AX001
	A2	JAPAN		200	50/60	A5AX001
B		USA, CANADA		208-240	60	A5AX011
C		EUROPEAN TYPE		220-240	50/60	A5AX021
D	D1	S.E ASIA TYPE	THAILAND, SRI LANKA, SINGAPORE, MALAYSIA, HONG KONG, PAKISTAN, INDIA, BANGLADESH, INDONESIA	220-240	50/60	A5AX041/ A5AW0T1
	D3	OCEANIA TYPE	AUSTRALIA, NEW ZEALAND	220-240	50/60	A5AX051
E		PHILIPPINES		220-240	50/60	A5AX041
F	F1	SAUDI ARABIA				
	F2	SAUDI ARABIA		220-240	50/60	A5AX041
G	G1	C.S AMERICA		220-240	50/60	A5AX041
	G2	C.S AMERICA		220-240	50/60	A5AX011
H		TAIWAN		220-240	50/60	A5AX041
I		JORDAN, LEBANON, SYRIA, SOUTH AFRICA, IRAQ, IRAN, N.YEMEN, CAMEROON, UAE, BAHRAIN, OMAN, QATAR, KUWAIT, KENYA, TUNISIA, IVORY COAST, MOROCCO		220-240	50/60	A5AX041
J		CHINA		220-240	50/60	A5AX081
K		KOREA		220-240	50/60	A5AX041

bizhub PRESS C1085