

KONICA MINOLTA

# *PARTS GUIDE MANUAL*

---

*APRIL 2023*

# *AccurioPress C12000* *AC0D*

KONICA MINOLTA, INC.

## INFORMATION FOR PARTS GUIDE MANUAL

To find correct Parts No., refer to the "HOW TO MAKE THE BEST USE OF THIS MANUAL" in the following page.

### HOW TO MAKE THE BEST USE OF THIS MANUAL

- 1 When you order, please check the proper figures beforehand that are on Our Parts Guide Manual, and order with the appropriate figures.
- 2 For screws, Nuts, Washers, retaining rings and Pins which are used in this model, one letter is shown on the Standard parts column of Parts list and exploded diagrams.
- 3 In order to maintain safety of the product, some specific parts composed of this product are set up as "essential safety parts".
- 4 The assigned parts number for the "essential safety parts" is indicated as "SP00-\*\*\*\*".  
When replacing these parts, follow precautions for disassembling and installing which are listed in the Service Manual.  
Do not use any parts that are not set up as
- 5 ♣ means that there are exclusive parts for each destination.  
Please check the appropriate destination when you order.
- 6 Revision Mark  
Marked as ▲ on the illustration shows that the revision has been made.
- 7 All rights reserved. (any reprints or quotations are prohibited.)  
Use of this parts guide manual should be strictly supervised to avoid disclosure of confidential information.

## パーツガイドマニュアルのご案内

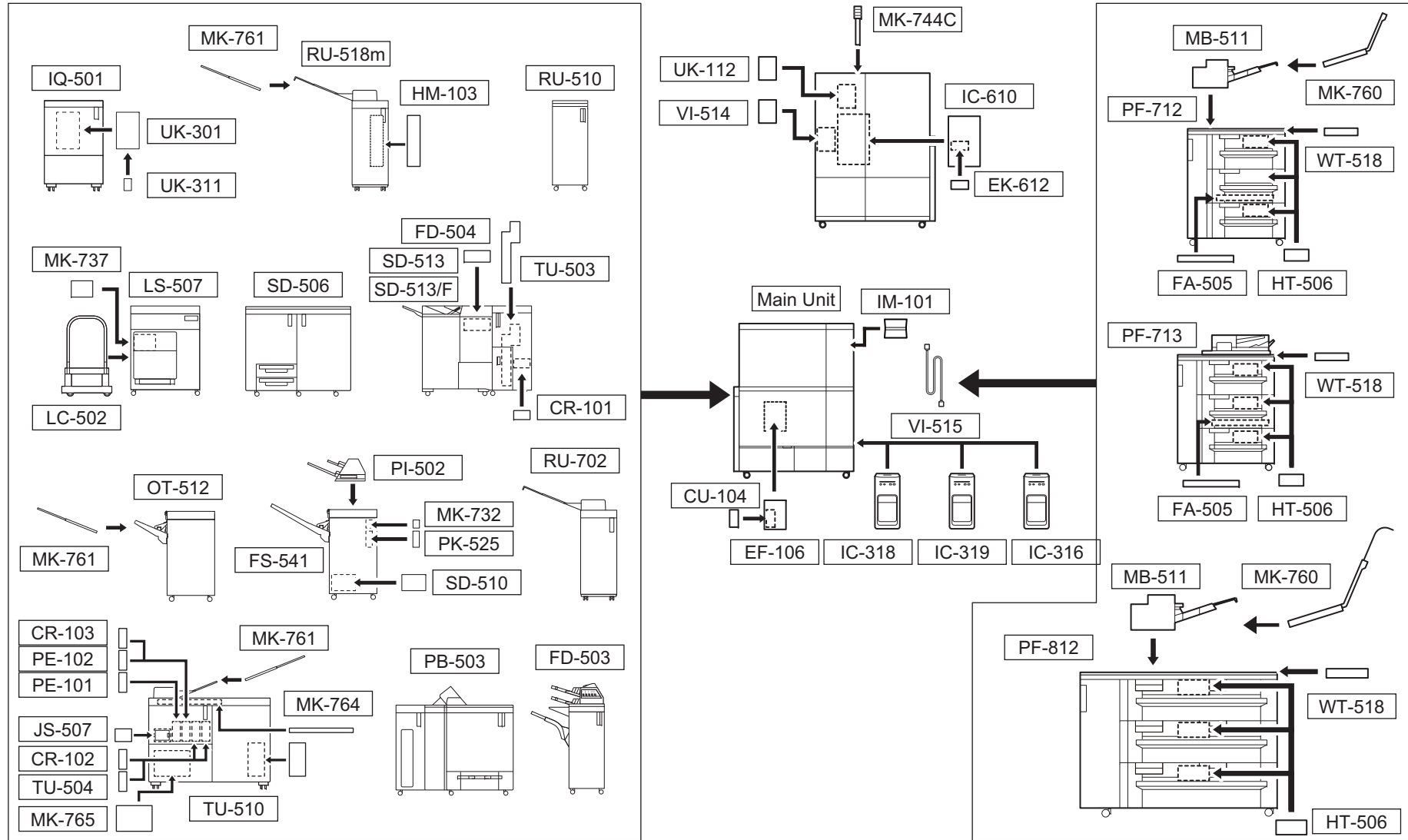
サービス部品をご発注の際には、下記に示す“パーツガイドマニュアルの活用にあたって”をご参照の上、正しい部品番号にてお願い致します。

### パーツガイドマニュアルの活用にあたって

- 1 部品発注の際には、掲載されている部品番号の桁数を確認し、掲載されている桁数で発注願います。
- 2 この製品に使用されているネジ、ナット、ワッシャー、止め輪、ピンなどは、リストの右側の Standard parts 欄に a,b,c,……で表示し、イラストにも a,b,c,……表示してあります。
- 3 製品の安全性を維持する為に、製品に使用される特定の部品を「重要保安部品」として設定しています。
- 4 重要保安部品の部品番号は、“SP00-\*\*\*\*”と記載されていますので、部品交換時は、サービスマニュアル記載の分解・組み立ての注意事項に従って作業をして下さい。  
また、指定以外の部品は一切使用しないで下さい。
- 5 本文に ♣ が表示されている部品は、仕向け地毎に専用部品がある事を意味しています。  
オーダーされる時は、仕向け地を確認して下さい。
- 6 改訂記号について  
イラスト上に▲印が表示されている部分は、改訂された事を表します。
- 7 著作権所有（無断転載及び無断引用の禁止）  
本パーツガイドマニュアルについては、機密保持等その扱いには十分注意して下さい。万一取り扱いを誤った場合には、法律で処罰されることがあります。

12/27/2019

# System Configuration



AccurioPress C12000

# GENERAL CONTENTS

No.	Description	Model
1	Digital MFP Color	AccurioPress C12000
2	Bypass Tray	MB-511
3	Mount Kit	MK-760
4	Envelop Fusing Unit	EF-106
5	Digital MFP Color	ineo+ 14000
6	Other Option	UK-112
7	Mount Kit	MK-744C
8	Image Controller	IC-610
9	Other Option	EK-612
10	Other Option	CU-104
11	Video IF Kit	VI-514
12	Image Controller	IC-319
13	Image Controller	IC-318
14	Video IF Kit	VI-515
15	Other Option	IM-101
16	Paper Feeder	FA-505
17	Heater	HT-506
18	Working Table	WT-518
19	Paper Feeder	PF-712
20	Paper Feeder	PF-812
21	Paper Feeder	PF-713
22	Mount Kit	MK-761

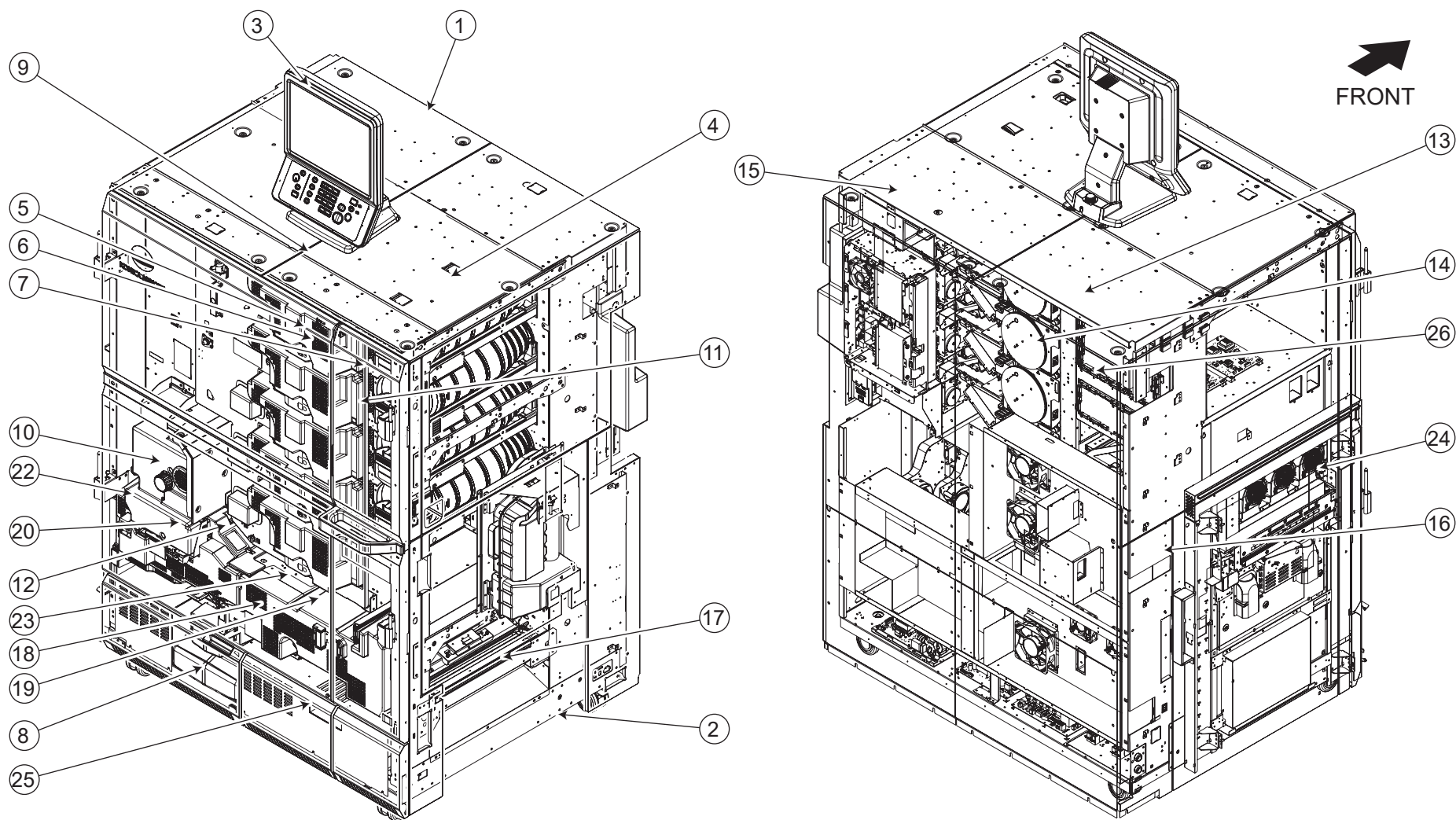
AccurioPress C12000

No.	Description	Model
23	Relay Unit	RU-518m
24	Humidifier	HM-103
25	Intelligent Quality Optimizer	IQ-501
26	Other Option	UK-301
27	Other Option	UK-311
28	Relay Unit	RU-510
29	Large Capacity Stacker	LS-507
30	Other Option	MK-737
31	Other Option	LC-502
32	Saddle Unit	SD-506
33	Saddle Unit	SD-513
34	Saddle Unit	FD-504
35	Trimmer Unit	TU-503
36	Saddle Unit	CR-101
37	Output Tray	OT-512
38	Mount Kit	MK-732
39	Post Inserter	PI-502
40	Finisher/Sorter	FS-541
41	Punch Unit	PK-525
42	Saddle Unit	SD-510
43	Relay Unit	RU-702
44	Folding Unit	FD-503
45	Perfect Binder	PB-503

AccurioPress C12000

No.	Description	Model
46	Image Controller	IC-316
47	Other Option	PE-101
48	Other Option	JS-507
49	Other Option	PE-102
50	Other Option	CR-103
51	Other Option	CR-102
52	Trimmer Unit	TU-504
53	Other Option	MK-765
54	Trimmer Unit	TU-510
55	Mount Kit	MK-764

# Section Configuration



AccurioPress C12000

# CONTENTS

No.	DESCRIPTION	名称	PAGE No.
1	External Parts	外装	P1 P2 P3
2	Main Frame	骨格	P4 P5 P6 P7 P8 P9 P10 P11 P12 P13 P14 P15 P16 P17 P18 P19
3	Operation Panel Section	操作部	P20 P21 P22
4	Write Section	書き込み部	P23
5	Charging Section	帯電部	P24 P25 P26 P27
6	Developing Section	現像部	P28 P29 P30 P31
7	Toner Supply Section (1/2)	トナー補給部 (1 / 2)	P32 P33 P34 P35 P36
8	Toner Collection Section	トナー回収部	P37 P38 P39
9	Intermediate Transfer Section	中間転写部	P40 P41 P42 P43 P44 P45 P46 P47 P48 P49 P50
10	Fusing Section	定着部	P51 P52 P53 P54 P55 P56 P57 P58 P59 P60 P61 P62 P63 P64 P65 P66 P67 P68 P69
11	Process Carriage Section	プロセス架台部	P70 P71 P72 P73 P74 P75 P76 P77 P78 P79 P80 P81 P82 P83
12	Secondary Transfer Section	2次転写部?	P84 P85 P86 P87 P88 P89
13	Toner Collection Driving Section	トナー回収駆動部	P90
14	Drum Driving Section	ドラム駆動部	P91 P92 P93 P94 P95 P96 P97 P98 P99
15	Toner Supply Section (2/2)	トナー補給部 (2 / 2)	P100 P101 P102 P103 P104 P105 P106 P107
16	Intermediate Transfer Belt Driving Section	中間転写ベルト 駆動部	P108 P109
17	Vertical Conveyance Section	垂直搬送部	P110
18	Adu Carriage	ADU 架台	P111 P112
19	Adu Duplex Section	ADU 両面部	P113 P114 P115 P116 P117 P118 P119 P120 P121 P122 P123 P124 P125 P126 P127 P128 P129 P130 P131 P132
20	Adu Duplex Section	ADU 両面部	P133 P134 P135 P136 P137 P138 P139 P140 P141
21	Adu Swing Section	ADU 揺動部	P142 P143
22	Adu Reverse And Exit Section	ADU 反転 / 排紙部	P144 P145 P146
23	Adu Resist Section	ADU レジスト部	P147 P148 P149 P150 P151
24	Reverse And Exit Section	反転 / 排紙部	P152 P153 P154 P155 P156
25	Electrical Section	電気部	P157 P158
26	Rear Electrical Section	背面電気部	P159 P160 P161 P162 P163
27	Wiring	束線	P164 P165 P166
28	Service Tool	サービスツール	P167 P168
29	Accessory Parts	同梱部品	P169 P170



# INDEX

Parts No.	Page No.
00GR00020	167-1
00GR00220	167-2
00GR00260	167-3
00VC-2-00	167-4
00VD-1000	167-5
07BA15871	45-1
07BA15871	48-1
07BA15871	49-20
07BA15871	50-2
1134512701	42-1
12AJ45850	110-1
12AJ45850	115-1
12AJ45850	151-2
12QV40650	1-34
12QV40650	51-1
12QV40650	89-1
12QV40650	93-2
12QV40650	95-2
12QV40650	97-2
12QV40650	99-2
12QV40650	117-1
12QV40650	118-1
12QV40650	126-1
12QV40650	134-1
12QV40650	135-1
12QV40650	146-1
12QV40650	147-1
12QV40650	148-1
12QV40650	150-1
12QV40650	151-3
12QV40650	156-1
13GQ45490	153-1
13NG45200	111-1
13NT80511	13-1
13QA85511	110-2
13QA85511	115-2
13QA85511	128-1
13QA85511	129-1
13QA85511	135-2
13QA85511	136-1

Parts No.	Page No.
13QA85511	137-1
13QA85511	138-1
13QA85511	149-1
13QA85511	152-1
13QA85521	114-1
13RN73120	162-25
14GE45470	111-2
14GE45470	112-1
15AG57620	50-3
15AG57620	125-2
15BA630300	50-4
173030270	117-2
20AL48470G	54-1
25AA13420	151-4
25AA47500	132-1
25AA50080	116-1
25AA50080	124-1
25SA15390	92-1
25SA15390	94-1
25SA15390	96-1
25SA15390	98-1
25SA77470	39-1
26NA17580	93-3
26NA17580	95-3
26NA17580	97-3
26NA17580	99-3
26NA21440	5-1
26NA21440	142-1
26NA42040	101-1
26NA42040	103-1
26NA42040	105-1
26NA42040	107-1
26NA42560	128-2
26NA54230	138-2
27LA54190	72-2
27LA54190	75-2
27LA54190	78-2
27LA54190	81-2
304078070	51-2
4004457301	38-1

Parts No.	Page No.
4025228301	162-21
4030307101	50-31
4030575101	169-15
4034572101	72-1
4034572101	75-1
4034572101	78-1
4034572101	81-1
4034575801	41-1
4034575801	42-2
4036248701	16-1
40AA30270	47-28
40AA32320	41-2
40AA32320	42-3
40AA32320	47-2
40AA32320	48-2
40AA32320	67-1
40AA32320	85-1
40AA32320	89-2
40AA32320	143-1
40AA32320	150-2
40AA32320	151-5
40AA46261	146-2
40AA88031	101-2
40AA88031	103-2
40AA88031	105-2
40AA88031	107-2
4120550302	53-1
4120550302	54-2
4120550302	58-1
4470402401	3-1
4470402401	5-25
4470402401	28-1
4470402401	29-1
4470402401	30-1
4470402401	31-1
4470402401	38-2
4470402401	43-1
4470402401	49-1
4470402401	53-17
4470402401	59-1

Parts No.	Page No.
4470402401	63-1
4470402401	93-1
4470402401	95-1
4470402401	97-1
4470402401	99-1
4470402401	125-1
454078030	51-3
462076010	132-2
4658351602	56-1
4658351602	66-1
4658351602	118-2
4658351602	126-2
4658351602	135-3
4658351602	151-1
50GA15540	42-4
55GA77050	39-2
55VA15190	100-1
55VA15190	102-1
55VA15190	104-1
55VA15190	106-1
55VA25140	24-1
55VA25140	25-1
55VA25140	26-1
55VA25140	27-1
55VA25270	24-2
55VA25270	25-2
55VA25270	26-2
55VA25270	27-2
55VA32080	100-2
55VA32080	102-2
55VA32080	104-2
55VA32080	106-2
55VA32150	100-3
55VA32150	102-3
55VA32150	104-3
55VA32150	106-3
55VA32430	100-4
55VA32430	102-4
55VA32430	104-4
55VA32430	106-4

Parts No.	Page No.
55VA32530	123-1
55VA42120	88-1
55VA42120	89-3
55VA42120	112-2
55VA47840	38-4
55VA77700	123-2
55VA77910	93-4
55VA77910	95-4
55VA77910	97-4
55VA77910	99-4
55VE32080	100-2
55VE32080	102-2
55VE32080	104-2
55VE32080	106-2
56AA10101	160-1
56AA10300	33-1
56AA10300	34-1
56AA10300	35-1
56AA10300	36-1
56AA10300	72-3
56AA10300	75-3
56AA10300	78-3
56AA10300	81-3
56AA17490	53-2
56AA17490	55-1
56AA17490	69-1
56AA26310	15-11
56AA32440	33-2
56AA32440	34-2
56AA32440	35-2
56AA32440	36-2
56AA32450	33-3
56AA32450	34-3
56AA32450	35-3
56AA32450	36-3
56AA32521	33-4
56AA32521	34-4
56AA32521	35-4
56AA32521	36-4
56AA32620	33-5

Parts No.	Page No.	Parts No.	Page No.	Parts No.	Page No.	Parts No.	Page No.	Parts No.	Page No.
56AA32620	34-5	56AA77330	104-6	65AA10740D	96-2	65AA49510F	141-2	9J06M60100	4-2
56AA32620	35-5	56AA77330	106-6	65AA10740D	98-2	65AA49510F	144-1	9J06PJP100	168-2
56AA32620	36-5	56AA77940	101-3	65AA10740D	125-3	65AA49510F	145-3	9J06PJP200	168-3
56AA32630	33-6	56AA77940	103-3	65AA11300	10-4	65AA49520	113-1	9J07444301	49-2
56AA32630	34-6	56AA77940	105-3	65AA11300	17-1	65AA50150	129-2	A00J139000	9-12
56AA32630	35-6	56AA77940	107-3	65AA15200	92-3	65AA50160	129-3	A00J211200	54-4
56AA32630	36-6	56GA76010	128-3	65AA15200	94-3	65AA50250	121-1	A00J211200	56-4
56AA32640	33-7	56GA76010	151-6	65AA15200	96-3	65AA50320	132-5	A00J211200	61-3
56AA32640	34-7	56NE32510	33-11	65AA15200	98-3	65AA50350	132-6	A00J211200	69-4
56AA32640	35-7	56NE32510	34-11	65AA15210	92-4	65AA50370D	132-7	A00J211200	90-3
56AA32640	36-7	56NE32510	35-11	65AA15210	94-4	65AA50400	111-5	A00J211200	92-5
56AA32710	33-8	56NE32510	36-11	65AA15210	96-4	65AA50420	132-8	A00J211200	93-6
56AA32710	34-8	56UA25110	24-3	65AA15210	98-4	65AA50630	123-5	A00J211200	94-5
56AA32710	35-8	56UA25110	25-3	65AA16080	90-1	65AA50810	132-9	A00J211200	95-6
56AA32710	36-8	56UA25110	26-3	65AA16080	93-5	65AA51510	124-2	A00J211200	96-5
56AA32751	33-9	56UA25110	27-3	65AA16080	95-5	65AA53991	61-2	A00J211200	97-6
56AA32751	34-9	56UA34230E	33-12	65AA16080	97-5	65AA77380	90-2	A00J211200	98-5
56AA32751	35-9	56UA34230E	34-12	65AA16080	99-5	65AA77410	39-6	A00J211200	99-6
56AA32751	36-9	56UA34230E	35-12	65AA22750	44-10	65AA77410	100-7	A00J565500	125-6
56AA32761	33-10	56UA34230E	36-12	65AA22880D	71-1	65AA77410	102-7	A00J591700	125-7
56AA32761	34-10	56UA34240E	33-13	65AA22880D	74-1	65AA77410	104-7	A00J617800	18-1
56AA32761	35-10	56UA34240E	34-13	65AA22880D	77-1	65AA77410	106-7	A00J617800	47-3
56AA32761	36-10	56UA34240E	35-13	65AA22880D	80-1	65AA77640	153-2	A00J617800	48-3
56AA40450	145-1	56UA34240E	36-13	65AA26600	44-1	65AA80112	51-4	A00J617800	49-3
56AA40490	112-3	56UA70330	21-1	65AA26840	41-3	65AA80112	148-2	A00J617800	50-7
56AA40510	145-2	56UA70760	4-1	65AA26840	42-5	65AA99500	168-1	A00J617800	85-3
56AA41711	3-2	56UA75050	56-3	65AA26920E	50-6	65AAR72700	10-5	A00J617800	101-4
56AA42690	54-3	56UA75050	60-1	65AA44350	151-7	65AAR72700	12-12	A00J617800	103-4
56AA42690	56-2	56UA75070	50-5	65AA45130D	46-2	65AAR72700	155-1	A00J617800	105-4
56AA50520	40-1	56UA760900	67-2	65AA45130D	62-1	65AAR74600	46-1	A00J617800	107-4
56AA50520	72-4	56UA760900	69-3	65AA45180	125-4	65AAR74600	86-1	A00J617800	120-1
56AA50520	75-4	56UA77280	39-3	65AA45190D	125-5	65AAR74600	121-2	A00J617800	121-3
56AA50520	78-4	56UA77710	39-4	65AA45220	123-3	65AAR74600	156-2	A00J617800	122-2
56AA50520	81-4	57AA15600	5-2	65AA45241	123-4	65AAR75300	44-3	A00J617800	125-8
56AA50530	40-2	57AA50760	111-4	65AA49410	146-3	65AAR75600	42-6	A00J617800	136-2
56AA50700	132-4	65AA-9091E	109-1	65AA49410	151-8	65AAR77900	85-2	A00J617800	137-2
56AA77220	61-1	65AA-9920	167-6	65AA49470	138-3	65LAR70400	42-8	A00J617800	139-1
56AA77220	69-2	65AA10740D	10-3	65AA49500	39-5	9335140051	38-3	A00J617800	144-2
56AA77330	100-6	65AA10740D	92-2	65AA49510F	110-3	9381410131	170-1	A00J617800	146-4
56AA77330	102-6	65AA10740D	94-2	65AA49510F	118-3	9J06M10000	140-1	A00J617800	148-3

Parts No.	Page No.	Parts No.	Page No.	Parts No.	Page No.	Parts No.	Page No.	Parts No.	Page No.
A00J617800	153-3	A02E815200	117-3	A03U811800	121-5	A0G6243900	118-7	A0G6M70E00	161-3
A00J617900	147-2	A02F259900	93-7	A03U812800	60-2	A0G6243900	145-7	A0G6N18400	20-6
A00J617900	150-3	A02F259900	95-7	A03U812800	132-10	A0G6346400	144-3	A0G6N30A01	161-19
A00J623300	3-3	A02F259900	97-7	A03U812800	134-4	A0G6352700	71-2	A0GD522400	122-4
A00J660700	147-3	A02F259900	99-7	A03U812800	147-4	A0G6352700	74-2	A0GD522500	117-5
A00J663000	3-4	A034M50000	10-6	A03U812800	150-4	A0G6352700	77-2	A0GD522500	136-3
A00J663200	46-3	A034M50000	17-2	A03U816001	111-6	A0G6352700	80-2	A0GD522500	137-3
A00J731900	68-1	A03N211200	93-8	A03U843500	141-4	A0G6357200	101-40	A0H0911500	115-4
A00J945401	169-19	A03N211200	95-8	A03U843700	114-2	A0G6357200	103-40	A0H0911500	119-18
A00JM12100	45-2	A03N211200	97-8	A03U843900	114-3	A0G6357200	105-40	A0H0911500	128-5
A00JM12100	85-4	A03N211200	99-8	A03U845301	117-4	A0G6357200	107-40	A0H0911500	151-9
A00JM60300	161-1	A03TM50000	62-3	A03U845902	115-3	A0G6377300	120-3	A0H0929700	147-6
A00TM10000	49-4	A03U119000	5-3	A03U845902	118-5	A0G6411200	1-3	A0HT221000	121-6
A00TM10000	50-8	A03U119000	11-1	A03U845902	128-4	A0G6411200	5-4	A0HT221000	134-6
A00TM10000	143-2	A03U136500	162-2	A03U861100	150-5	A0G6411200	11-2	A0P0663600	39-7
A00V240600	49-5	A03U162500	1-2	A03U889600	139-3	A0G6411200	111-7	A0P0663600	57-2
A00V240600	51-5	A03U191600	22-1	A03UM15201	13-3	A0G6414000	100-9	A0P0663600	65-1
A00V240600	62-2	A03U191700	22-2	A03UM15201	157-2	A0G6414000	102-9	A0P0663600	100-11
A00V240600	100-8	A03U191800	22-3	A03UM15300	16-2	A0G6414000	104-9	A0P0663600	102-11
A00V240600	102-8	A03U191900	22-4	A03UM15802	18-2	A0G6414000	106-9	A0P0663600	104-11
A00V240600	104-8	A03U192000	22-5	A03UM50500	7-1	A0G6416100	33-14	A0P0663600	106-11
A00V240600	106-8	A03U192100	22-6	A03UM50500	149-3	A0G6416100	34-14	A0P0663600	117-6
A00V240600	108-1	A03U347201	4-3	A03X622000	149-4	A0G6416100	35-14	A0P0663600	119-1
A00V240600	118-4	A03U513300	89-5	A075481200	118-6	A0G6416100	36-14	A0P0663600	130-1
A00V240600	120-2	A03U524000	123-6	A07R813801	50-10	A0G6531500	89-7	A0P0666301	153-7
A00V240600	121-4	A03U712000	149-2	A07R813801	89-6	A0G6739300	112-4	A0P0742300	59-3
A00V240600	122-3	A03U712100	145-4	A07R813801	148-4	A0G6739300	120-4	A0P0M50400	10-6
A00V240600	125-9	A03U712100	153-6	A07R813801	156-3	A0G6739300	134-5	A0P0M50400	17-2
A00V240600	126-3	A03U724200	50-9	A07TM60100	161-2	A0G6739300	147-5	A0P0M73100	20-7
A00V240600	134-3	A03U724200	51-6	A0ED700700	101-5	A0G6739300	148-5	A0PN162100	73-1
A00V240600	139-2	A03U724200	55-2	A0ED700700	103-5	A0G6739300	156-4	A0PN162100	76-1
A00V240600	143-3	A03U734500	15-1	A0ED700700	105-5	A0G6739700	149-5	A0PN162100	79-1
A00V240600	153-4	A03U734500	57-1	A0ED700700	107-5	A0G6745000	100-10	A0PN162100	82-1
A011M10101	153-5	A03U734500	58-2	A0EDM10500	162-3	A0G6745000	102-10	A0TK397501	48-4
A02E148300	157-1	A03U734500	59-2	A0G6192400	20-1	A0G6745000	104-10	A0TK397501	118-8
A02E262300	162-1	A03U734500	61-4	A0G6192500	20-2	A0G6745000	106-10	A0TKH00200	28-2
A02E507101	92-6	A03U734500	66-2	A0G6192700	20-3	A0G6H06000	20-5	A0TKH00200	29-2
A02E507101	94-6	A03U734500	68-2	A0G6192900	20-4	A0G6J30F00	161-19	A0TKH00200	30-2
A02E507101	96-6	A03U734500	143-4	A0G6193700	21-2	A0G6J30M00	161-19	A0TKH00200	31-2
A02E507101	98-6	A03U811600	141-3	A0G6194000	21-3	A0G6M70A01	161-3	A0Y5406400	100-12

Parts No.	Page No.	Parts No.	Page No.	Parts No.	Page No.	Parts No.	Page No.	Parts No.	Page No.
A0Y5406400	102-12	A1RF134000	9-1	A1RF366200	38-7	A1RF445301	111-8	A1RF517200	41-7
A0Y5406400	104-12	A1RF134900	12-2	A1RF366300	38-8	A1RF502000	49-6	A1RF517200	42-17
A0Y5406400	106-12	A1RF135200	162-6	A1RF367000	38-9	A1RF502500	50-11	A1RF517300	50-15
A0Y5M10400	148-6	A1RF162601	14-2	A1RF367100	38-10	A1RF502900	49-7	A1RF519800	41-8
A0Y5M15101	13-4	A1RF162700	14-3	A1RF367201	38-11	A1RF502900	50-12	A1RF519800	42-18
A0Y5M15101	15-2	A1RF163300	1-4	A1RF367300	38-12	A1RF503811	49-8	A1RF519901	41-9
A0Y5M15101	17-3	A1RF164902	1-5	A1RF367400	38-13	A1RF504101	49-9	A1RF519901	42-19
A11P905000	54-5	A1RF165800	1-30	A1RF367500	38-14	A1RF504201	49-10	A1RF520100	89-8
A161191900	5-21	A1RF165900	1-35	A1RF367601	38-15	A1RF504403	49-11	A1RF520112	89-8
A161215300	73-2	A1RF166000	1-36	A1RF368301	39-9	A1RF504500	49-12	A1RF520400	89-9
A161215300	76-2	A1RF168000	1-6	A1RF368500	39-10	A1RF504900	49-13	A1RF523900	89-10
A161215300	79-2	A1RF168000	161-20	A1RF368600	39-11	A1RF508000	49-14	A1RF523911	89-10
A161215300	82-2	A1RF168600	1-7	A1RF369600	39-12	A1RF508100	49-15	A1RF524300	86-2
A161712600	140-2	A1RF190100	20-8	A1RF369700	39-13	A1RF508200	49-16	A1RF524400	86-3
A1DU163402	17-4	A1RF190201	20-9	A1RF403400	143-6	A1RF508300	46-4	A1RF526900	86-4
A1DU622200	11-3	A1RF190400	20-10	A1RF415600	56-5	A1RF508500	46-5	A1RF527100	89-12
A1DU622200	143-5	A1RF190500	22-7	A1RF415600	90-4	A1RF508900	47-4	A1RF527200	89-13
A1DU764000	16-3	A1RF190900	22-8	A1RF415600	101-7	A1RF508900	48-5	A1RF529100	88-3
A1DUPJG100	167-7	A1RF191000	22-9	A1RF415600	103-7	A1RF508900	156-5	A1RF529100	89-4
A1RF103400	5-5	A1RF191500	22-10	A1RF415600	105-7	A1RF509000	156-6	A1RF529200	85-5
A1RF103400	11-4	A1RF191600	22-11	A1RF415600	107-7	A1RF509600	49-17	A1RF529300	89-14
A1RF106900	4-4	A1RF191700	22-12	A1RF419200	9-2	A1RF509700	49-18	A1RF529400	89-15
A1RF106900	37-1	A1RF192000	22-13	A1RF420600	101-8	A1RF509800	49-19	A1RF529600	85-6
A1RF107400	16-4	A1RF192100	22-14	A1RF420600	103-8	A1RF511300	42-9	A1RF529701	88-4
A1RF107500	16-5	A1RF212600	92-7	A1RF420600	105-8	A1RF511400	42-10	A1RF530500	146-5
A1RF107700	16-6	A1RF212600	94-7	A1RF420600	107-8	A1RF511700	42-11	A1RF532100	89-16
A1RF107800	16-7	A1RF212600	96-7	A1RF420700	101-9	A1RF512000	41-4	A1RF532800	88-5
A1RF107800	128-20	A1RF212600	98-7	A1RF420700	103-9	A1RF512000	42-12	A1RF533700	85-7
A1RF108000	16-8	A1RF232000	109-2	A1RF420700	105-9	A1RF512100	41-5	A1RF539900	63-2
A1RF109400	7-2	A1RF232900	109-3	A1RF420700	107-9	A1RF512100	42-13	A1RF702701	110-4
A1RF114700	15-3	A1RF336500	142-2	A1RF420901	101-10	A1RF512200	41-6	A1RF703200	151-10
A1RF114800	15-4	A1RF348800	44-2	A1RF420901	103-10	A1RF512200	42-14	A1RF710900	57-3
A1RF115001	11-5	A1RF361900	38-29	A1RF420901	105-10	A1RF513300	44-9	A1RF710900	69-5
A1RF115101	11-6	A1RF362400	92-8	A1RF420901	107-10	A1RF513802	73-3	A1RF710900	88-6
A1RF115301	11-7	A1RF362400	94-8	A1RF421301	101-11	A1RF513802	76-3	A1RF710900	145-8
A1RF115700	15-5	A1RF362400	96-8	A1RF421301	103-11	A1RF513802	79-3	A1RF710900	147-7
A1RF122200	61-5	A1RF362400	98-8	A1RF421301	105-11	A1RF513802	82-3	A1RF711002	149-6
A1RF131900	12-1	A1RF363500	38-5	A1RF421301	107-11	A1RF515000	42-15	A1RF712200	151-11
A1RF132201	162-4	A1RF363801	38-6	A1RF421700	13-5	A1RF515700	42-16	A1RF712500	151-12
A1RF133700	162-5	A1RF364201	39-8	A1RF435400	4-5	A1RF517100	125-10	A1RF712700	151-13

Parts No.	Page No.
A1RF712803	151-14
A1RF712902	151-15
A1RF713300	151-16
A1RF717700	151-17
A1RF721100	68-3
A1RF722400	68-4
A1RF722500	68-5
A1RF722602	68-6
A1RF722700	68-7
A1RF723901	69-6
A1RF724001	69-7
A1RF724300	69-8
A1RF724401	53-3
A1RF724401	55-3
A1RF724401	69-9
A1RF726700	46-6
A1RF728600	67-3
A1RF728700	67-4
A1RF728800	67-5
A1RF729902	68-8
A1RF731300	57-4
A1RF731800	67-6
A1RF732100	68-9
A1RF732700	53-4
A1RF732700	55-4
A1RF733000	57-5
A1RF733100	57-6
A1RF733500	68-10
A1RF735600	69-10
A1RF738000	68-11
A1RF738101	59-4
A1RF738300	59-5
A1RF746300	51-7
A1RF749600	56-6
A1RF755600	51-8
A1RF755600	73-4
A1RF755600	76-4
A1RF755600	79-4
A1RF755600	82-4
A1RF755600	127-1

Parts No.	Page No.
A1RF758000	56-7
A1RF758100	51-9
A1RF758100	56-8
A1RF759700	143-7
A1RF765600	124-3
A1RF807000	69-11
A1RF807100	67-8
A1RF807100	69-12
A1RF807200	67-9
A1RF807200	69-13
A1RF807400	53-5
A1RF807400	55-5
A1RF807400	69-14
A1RF807500	53-6
A1RF807500	55-6
A1RF807500	69-15
A1RF807900	68-12
A1RF808600	51-10
A1RF808900	51-11
A1RF809800	56-9
A1RF811701	122-5
A1RF813511	123-7
A1RF813711	123-8
A1RF813800	123-9
A1RF814500	129-4
A1RF814600	129-5
A1RF815801	124-4
A1RF816300	142-3
A1RF816400	142-4
A1RF817811	122-6
A1RF819100	142-5
A1RF819300	123-10
A1RF820000	143-8
A1RF820000	150-6
A1RF820000	151-18
A1RF820000	156-7
A1RF820100	132-11
A1RF821402	142-6
A1RF821902	111-9
A1RF822001	111-10

Parts No.	Page No.
A1RF823000	123-11
A1RF823104	111-11
A1RF823300	124-5
A1RF823601	121-7
A1RF824700	143-9
A1RF826600	132-12
A1RF827000	118-9
A1RF827000	121-8
A1RF827000	123-12
A1RF827000	126-4
A1RF827000	134-7
A1RF827000	135-4
A1RF827000	147-8
A1RF827000	148-7
A1RF827000	151-19
A1RF828200	111-12
A1RF829100	129-6
A1RF833000	124-6
A1RF835300	123-13
A1RF838701	122-7
A1RF840804	118-10
A1RF841603	114-4
A1RF841603	135-5
A1RF841900	65-2
A1RF841900	119-2
A1RF842602	114-5
A1RF842701	9-3
A1RF843200	137-4
A1RF843401	114-6
A1RF844100	124-7
A1RF844200	124-8
A1RF844300	118-11
A1RF844300	135-6
A1RF844402	65-3
A1RF844402	119-3
A1RF844500	65-4
A1RF844500	119-4
A1RF844801	119-5
A1RF844901	65-5
A1RF844901	119-6

Parts No.	Page No.
A1RF845100	119-7
A1RF845200	119-8
A1RF845300	118-12
A1RF845401	117-7
A1RF845500	114-7
A1RF845700	118-13
A1RF845900	119-9
A1RF846400	57-21
A1RF846400	113-2
A1RF846501	114-8
A1RF846701	114-9
A1RF847000	118-14
A1RF847100	118-15
A1RF847400	117-8
A1RF847500	114-10
A1RF847700	65-6
A1RF847700	119-10
A1RF847800	112-5
A1RF847900	112-6
A1RF848300	114-11
A1RF849600	118-16
A1RF850400	115-5
A1RF850600	141-5
A1RF850700	141-6
A1RF850801	141-7
A1RF851800	119-11
A1RF852001	117-9
A1RF852600	113-3
A1RF853100	114-12
A1RF855400	114-13
A1RF855400	118-17
A1RF855500	114-14
A1RF855500	118-18
A1RF855700	118-19
A1RF862200	139-4
A1RF863800	144-4
A1RF868000	139-5
A1RF869200	85-8
A1RF869200	89-17
A1RF869300	122-8

Parts No.	Page No.
A1RF869801	122-9
A1RF869801	145-9
A1RF869900	121-9
A1RF869900	130-2
A1RF870600	146-8
A1RF870802	146-9
A1RF873700	144-5
A1RF873800	146-10
A1RF877000	146-11
A1RF877201	146-12
A1RF878100	130-3
A1RF878100	144-6
A1RF879900	144-7
A1RF890201	153-8
A1RF895002	153-9
A1RF895101	145-10
A1RF895101	153-10
A1RF909200	121-10
A1RF909400	153-11
A1RF942600	7-3
A1RF944800	170-10
A1RF945101	4-6
A1RF945101	71-3
A1RF945101	73-5
A1RF945101	74-3
A1RF945101	76-5
A1RF945101	77-3
A1RF945101	79-5
A1RF945101	80-3
A1RF945101	82-5
A1RF945101	84-1
A1RF945101	140-3
A1RF945101	170-13
A1RF945501	170-12
A1RFF75002	68-13
A1RFF75202	68-14
A1RFF80500	63-3
A1RFF84501	119-12
A1RFM15400	131-1
A1RFM90800	20-12

Parts No.	Page No.	Parts No.	Page No.	Parts No.	Page No.	Parts No.	Page No.	Parts No.	Page No.
A1RFN23100	140-4	A1RG163201	14-13	A4EU604000	122-11	A50U404800	103-16	A50U716500	151-22
A1RFN23400	138-6	A1RJ817200	114-15	A4EUM10100	65-9	A50U404800	105-16	A50U746400	130-5
A1RFN28300	20-13	A1RJ817200	146-6	A4EUM60000	5-6	A50U404800	107-16	A50U746500	39-17
A1RFP72800	167-14	A1RJ825000	101-13	A4EUM60401	161-4	A50U404900	101-17	A50U755000	59-6
A1RFP73500	167-15	A1RJ825000	103-13	A4EUN28500	20-16	A50U404900	103-17	A50U803201	143-10
A1RFP75400	167-16	A1RJ825000	105-13	A4EUPP0000	167-8	A50U404900	105-17	A50U805100	143-11
A1RFR70300	4-7	A1RJ825000	107-13	A4EUR70X00	100-14	A50U404900	107-17	A50U833000	14-12
A1RFR70500	85-9	A1TT214400	126-5	A4EUR70X00	102-14	A50U405300	101-18	A50U833000	17-15
A1RFR74000	7-4	A1TT214400	134-8	A4EUR70X00	104-14	A50U405300	103-18	A50U854800	136-5
A1RFR74111	118-20	A1TT713600	38-16	A4EUR70X00	106-14	A50U405300	105-18	A50U854800	153-12
A1RFR74300	53-7	A1TT715812	18-3	A4F3897000	121-12	A50U405300	107-18	A50U943502	54-6
A1RFR74300	121-11	A1TT715812	136-4	A4F3905000	146-14	A50U411200	101-19	A50U943601	146-13
A1RFR74300	130-4	A1TT717900	67-7	A4F3907600	138-15	A50U411200	103-19	A50U943701	61-7
A1RFR74600	92-9	A1TVM10100	114-16	A4F4913700	101-15	A50U411200	105-19	A50U947600	4-30
A1RFR74600	94-9	A1TVM10100	122-10	A4F4913700	103-15	A50U411200	107-19	A50U947700	4-31
A1RFR74600	96-9	A1TVM10100	127-2	A4F4913700	105-15	A50U420900	61-6	A50U947800	4-14
A1RFR74600	98-9	A1TVM10100	139-6	A4F4913700	107-15	A50U504400	85-10	A50U947900	4-34
A1RFR74711	73-6	A1UD276500	71-4	A4F4914600	100-15	A50U504400	93-11	A50UM51000	3-5
A1RFR74711	76-6	A1UD276500	74-4	A4F4914600	102-15	A50U504400	95-11	A50UM51000	4-9
A1RFR74711	79-6	A1UD276500	77-4	A4F4914600	104-15	A50U504400	97-11	A50UM51000	5-7
A1RFR74711	82-6	A1UD276500	80-4	A4F4914600	106-15	A50U504400	99-11	A50UM51000	38-17
A1RFR74800	44-4	A1UD595500	39-16	A4F4914700	100-16	A50U523800	89-20	A50UM51000	152-2
A1RFR75800	132-3	A1UD721800	101-14	A4F4914700	102-16	A50U524000	89-21	A50UM55500	93-12
A1RFR76100	50-1	A1UD721800	103-14	A4F4914700	104-16	A50U525600	87-1	A50UM55500	95-12
A1RFR78400	44-5	A1UD721800	105-14	A4F4914700	106-16	A50U711101	120-6	A50UM55500	97-12
A1RFR78511	44-6	A1UD721800	107-14	A4JU914500	93-10	A50U711101	122-12	A50UM55500	99-12
A1RFR78900	39-14	A2XK742001	68-15	A4JU914500	95-10	A50U711101	134-10	A50UPP0100	167-9
A1RFR79000	39-15	A2Y1706400	134-9	A4JU914500	97-10	A50U711101	147-9	A50UR71K00	92-10
A1RFR7A500	44-7	A4EU190414	20-14	A4JU914500	99-10	A50U711101	148-8	A50UR71K00	94-10
A1RFR7B500	89-18	A4EU194200	21-4	A50U164100	4-8	A50U711101	150-7	A50UR71K00	96-10
A1RFR7B600	89-19	A4EU238100	69-16	A50U212600	50-16	A50U713000	147-10	A50UR71K00	98-10
A1RFR7C300	151-20	A4EU238200	65-7	A50U212600	92-11	A50U713100	150-8	A55C219800	101-20
A1RFR7D900	132-13	A4EU238301	65-8	A50U212600	94-11	A50U713500	120-7	A55C219800	103-20
A1RFR7F000	91-8	A4EU252000	62-4	A50U212600	96-11	A50U713500	135-7	A55C219800	105-20
A1RFR7G600	108-3	A4EU252000	93-9	A50U212600	98-11	A50U713500	148-9	A55C219800	107-20
A1RFR7G700	49-21	A4EU252000	95-9	A50U373700	28-3	A50U714601	118-21	A55C231300	5-14
A1RG110100	7-5	A4EU252000	97-9	A50U373700	29-3	A50U714601	135-8	A5AW104000	7-6
A1RG163101	12-3	A4EU252000	99-9	A50U373700	30-3	A50U714601	151-21	A5AW104900	5-8
A1RG163101	14-4	A4EU265000	51-12	A50U373700	31-3	A50U716500	126-6	A5AW104900	11-8
A1RG163101	120-19	A4EU265000	56-10	A50U404800	101-16	A50U716500	135-9	A5AW115800	11-9

Parts No.	Page No.	Parts No.	Page No.	Parts No.	Page No.	Parts No.	Page No.	Parts No.	Page No.
A5AW115900	11-10	A5AW507200	49-25	A5AW744000	63-6	A5AW814901	120-9	A5AW828800	128-11
A5AW116100	12-4	A5AW510400	156-8	A5AW745200	64-4	A5AW816600	121-14	A5AW835600	142-20
A5AW116200	12-5	A5AW510900	41-10	A5AW746500	51-35	A5AW816600	134-12	A5AW836000	132-14
A5AW118800	5-9	A5AW510900	42-21	A5AW747000	60-10	A5AW817500	112-7	A5AW840602	119-13
A5AW118800	13-6	A5AW517400	49-26	A5AW750100	51-16	A5AW817500	151-25	A5AW840901	113-4
A5AW118800	157-3	A5AW701600	110-5	A5AW758200	63-7	A5AW817700	143-13	A5AW841801	113-5
A5AW119400	16-10	A5AW712400	151-23	A5AW761700	62-5	A5AW818102	142-8	A5AW842200	113-6
A5AW119500	16-11	A5AW713201	151-24	A5AW761800	62-6	A5AW818202	142-9	A5AW843300	114-17
A5AW133800	162-7	A5AW714000	149-7	A5AW761900	62-7	A5AW818301	142-10	A5AW843300	136-6
A5AW137700	8-2	A5AW721000	51-14	A5AW762000	62-8	A5AW818400	142-11	A5AW843300	137-5
A5AW170000	13-7	A5AW721700	60-3	A5AW763400	5-10	A5AW818500	142-12	A5AW848100	113-7
A5AW170100	13-8	A5AW721700	64-1	A5AW780400	52-1	A5AW818900	134-13	A5AW848200	119-14
A5AW170200	13-9	A5AW721800	60-4	A5AW782501	4-10	A5AW819900	134-14	A5AW851800	136-7
A5AW170301	13-10	A5AW722000	53-8	A5AW782501	51-18	A5AW820200	142-13	A5AW851800	137-6
A5AW211000	92-12	A5AW722200	63-4	A5AW782501	61-8	A5AW820500	142-14	A5AW852300	114-18
A5AW211000	94-12	A5AW723400	58-3	A5AW782501	71-5	A5AW820600	142-15	A5AW856001	117-10
A5AW211000	96-12	A5AW725000	55-7	A5AW782501	74-5	A5AW821600	121-15	A5AW856001	136-8
A5AW211000	98-12	A5AW725000	63-5	A5AW782501	77-5	A5AW821800	121-16	A5AW856001	137-7
A5AW219000	109-5	A5AW725201	64-2	A5AW782501	80-5	A5AW823000	121-17	A5AW856001	138-7
A5AW229602	120-8	A5AW725500	64-3	A5AW782501	143-12	A5AW823200	143-14	A5AW856001	144-8
A5AW345000	13-32	A5AW725802	57-7	A5AW782600	55-8	A5AW823500	143-15	A5AW856001	146-15
A5AW365800	142-7	A5AW726100	54-7	A5AW782700	53-11	A5AW823700	142-16	A5AW856001	153-13
A5AW400800	39-18	A5AW726300	53-9	A5AW783200	7-7	A5AW823800	142-17	A5AW856100	136-9
A5AW420800	101-21	A5AW726400	53-10	A5AW783300	57-9	A5AW823900	143-16	A5AW856400	136-10
A5AW420800	103-21	A5AW726800	54-8	A5AW783400	66-3	A5AW824900	142-18	A5AW856701	136-11
A5AW420800	105-21	A5AW734600	58-4	A5AW789800	64-5	A5AW825204	143-17	A5AW858102	113-8
A5AW420800	107-21	A5AW734700	54-9	A5AW789900	60-11	A5AW825300	143-18	A5AW858114	113-8
A5AW421000	101-22	A5AW735500	58-5	A5AW808000	60-12	A5AW825400	143-19	A5AW859500	136-14
A5AW421000	103-22	A5AW738101	58-6	A5AW808100	64-6	A5AW825500	143-20	A5AW859701	111-14
A5AW421000	105-22	A5AW740401	57-8	A5AW808200	54-10	A5AW825600	143-21	A5AW860100	144-9
A5AW421000	107-22	A5AW740500	60-5	A5AW808300	54-11	A5AW825700	143-22	A5AW860500	144-10
A5AW428100	39-19	A5AW740800	60-6	A5AW808500	54-12	A5AW825800	143-23	A5AW860600	145-11
A5AW428100	42-20	A5AW740900	56-11	A5AW808700	54-13	A5AW825900	143-24	A5AW861400	144-11
A5AW460411	24-4	A5AW741700	60-7	A5AW808800	51-19	A5AW826000	143-25	A5AW861601	61-9
A5AW460411	25-4	A5AW741800	60-8	A5AW809600	56-14	A5AW826300	142-19	A5AW861802	146-16
A5AW460411	26-4	A5AW742200	56-12	A5AW809700	56-15	A5AW827100	128-8	A5AW862300	146-17
A5AW460411	27-4	A5AW742600	51-15	A5AW810500	121-13	A5AW827200	128-9	A5AW862700	146-18
A5AW500600	49-22	A5AW742801	60-9	A5AW811400	128-6	A5AW827300	128-10	A5AW864100	112-8
A5AW500800	49-23	A5AW743000	56-13	A5AW813000	128-7	A5AW827400	126-7	A5AW864601	112-9
A5AW507000	49-24	A5AW744000	3-6	A5AW813600	123-14	A5AW827501	126-8	A5AW864901	112-10

Parts No.	Page No.	Parts No.	Page No.	Parts No.	Page No.	Parts No.	Page No.	Parts No.	Page No.
A5AW865001	145-12	A5AWN11100	58-7	A797M90211	169-6	A85CM55600	86-5	A8AK108400	156-30
A5AW865200	144-12	A5AWN16200	110-6	A799341700	4-12	A85CM55600	93-13	A8AK108500	156-31
A5AW865300	144-13	A5AWN16600	153-29	A799743600	62-10	A85CM55600	95-13	A8AK941001	170-2
A5AW865500	144-14	A5AWN20900	142-30	A79JPJP000	168-5	A85CM55600	97-13	A8AK941301	156-32
A5AW865500	146-19	A5AWN24000	62-18	A79JPJP100	168-6	A85CM55600	99-13	A8AKN10501	156-34
A5AW865600	144-15	A5AWN28100	162-9	A85C895800	156-36	A85CM55600	120-11	A8AKR70200	169-2
A5AW865700	146-20	A5AWN28600	162-10	A85C895900	156-37	A85CM55600	121-18	A8AKR70300	169-1
A5AW870800	138-8	A5AWN28701	162-11	A85C896100	155-3	A85CM55600	125-11	A8AKR70511	156-33
A5AW870900	138-9	A5AWP00100	167-10	A85C896301	156-11	A85CM55600	127-3	A92W119600	11-11
A5AW872300	144-16	A5AWP73400	167-13	A85C896400	156-12	A85CM55600	130-7	A92W124301	3-7
A5AW872500	146-22	A5AWR70500	45-3	A85C896800	156-13	A85CM55600	132-15	A92W124401	3-8
A5AW875000	135-10	A5AWR70F00	57-10	A85C896900	156-14	A85CM55600	135-12	A92W124500	3-9
A5AW875000	139-7	A5AWR70P11	42-22	A85C897201	156-15	A85CM55600	143-26	A92W124900	3-10
A5AW875100	135-11	A5AWR71U00	144-31	A85C897300	156-16	A85CM55600	144-17	A92W125200	3-11
A5AW875100	139-8	A5AWR72A00	153-30	A85C897400	152-4	A85CM55600	147-11	A92W223200	73-8
A5AW890301	153-14	A5AWR72C00	113-9	A85C897800	156-18	A85CM55600	148-10	A92W223200	76-8
A5AW890400	153-15	A5AWR72C00	119-15	A85CM55600	28-4	A85CN21700	152-5	A92W223200	79-8
A5AW890800	153-17	A5AWR72E00	46-7	A85CM55600	29-4	A8A1700801	100-19	A92W223200	82-8
A5AW890901	153-18	A5AWR72G00	142-22	A85CM55600	30-4	A8A1700801	102-19	A92W223300	73-9
A5AW892300	152-3	A5AWR72N00	62-9	A85CM55600	31-4	A8A1700801	104-19	A92W223300	76-9
A5AW893100	153-20	A5AWR74200	146-21	A85CM55600	43-2	A8A1700801	106-19	A92W223300	79-9
A5AW893301	153-21	A5AWRX0011	167-11	A85CM55600	45-4	A8AK100314	155-4	A92W223300	82-9
A5AW893501	153-22	A5C1122600	151-26	A85CM55600	49-27	A8AK100401	154-3	A92W343000	72-6
A5AW893600	153-23	A5C1122600	155-2	A85CM55600	50-17	A8AK101201	155-6	A92W343000	75-6
A5AW894000	153-24	A5C1M92100	162-22	A85CM55600	51-20	A8AK101700	155-7	A92W343000	78-6
A5AW894100	153-25	A64J228000	100-17	A85CM55600	53-13	A8AK103200	156-21	A92W343000	81-6
A5AW894300	153-26	A64J228000	102-17	A85CM55600	55-9	A8AK103502	156-22	A92W345400	72-7
A5AW894400	153-27	A64J228000	104-17	A85CM55600	57-11	A8AK103601	156-23	A92W345400	75-7
A5AW909800	153-28	A64J228000	106-17	A85CM55600	59-7	A8AK103702	156-24	A92W345400	78-7
A5AWJ30X01	161-19	A65U186600	154-2	A85CM55600	63-8	A8AK104100	156-25	A92W345400	81-7
A5AWM10201	54-14	A65U289600	130-6	A85CM55600	69-17	A8AK105000	152-6	A92W345700	93-14
A5AWM10201	92-13	A65U651400	56-16	A85CM55600	72-5	A8AK105301	152-7	A92W345700	95-14
A5AWM10201	94-13	A782704901	47-5	A85CM55600	73-7	A8AK105500	152-8	A92W345700	97-14
A5AWM10201	96-13	A782704901	48-6	A85CM55600	75-5	A8AK106901	152-9	A92W345700	99-14
A5AWM10201	98-13	A795723400	100-18	A85CM55600	76-7	A8AK107000	152-10	A92W379300	142-23
A5AWM10201	120-10	A795723400	102-18	A85CM55600	78-5	A8AK107100	152-11	A92W461100	24-5
A5AWM15101	13-11	A795723400	104-18	A85CM55600	79-7	A8AK108001	156-26	A92W461100	25-5
A5AWM15101	16-12	A795723400	106-18	A85CM55600	81-5	A8AK108100	156-27	A92W461100	26-5
A5AWM15101	142-21	A797740000	68-16	A85CM55600	82-7	A8AK108200	156-28	A92W461100	27-5
A5AWM60200	17-5	A797M90211	1-33	A85CM55600	85-11	A8AK108302	156-29	A92W511200	42-23



Parts No.	Page No.
A92W511600	42-24
A92W522400	86-6
A92W539100	85-12
A92W704500	110-7
A92W704600	110-8
A92W816900	140-5
A92W836200	118-22
A92W838000	141-8
A92W890900	169-3
A92W891200	153-31
A92W909300	153-32
A92WM60100	161-5
A92WN16001	143-27
A92WR70211	170-4
A92WR70Y00	110-9
A92WR71M00	24-6
A92WR71M00	25-6
A92WR71M00	26-6
A92WR71M00	27-6
A93EM10600	4-13
A93EM10600	13-2
A93EM10600	14-1
A9CE713700	130-8
A9CE726800	49-28
A9CE941900	155-9
A9CEM10100	152-12
A9JT723101	58-8
A9JT723101	59-8
A9JT942401	2-3
A9JTM10200	28-5
A9JTM10200	29-5
A9JTM10200	30-5
A9JTM10200	31-5
A9JTM10200	39-20
A9JTM10200	90-5
A9JTM10200	100-20
A9JTM10200	101-23
A9JTM10200	102-20
A9JTM10200	103-23
A9JTM10200	104-20

Parts No.	Page No.
A9JTM10200	105-23
A9JTM10200	106-20
A9JTM10200	107-23
A9JTM30800	72-8
A9JTM30800	75-8
A9JTM30800	78-8
A9JTM30800	81-8
A9JTM40100	163-1
A9JTM50100	58-9
A9JTM50100	59-9
A9JTM90400	7-11
A9JX941801	2-4
A9VE942301	2-14
A9VE942600	2-15
A9VE943100	111-15
A9VEM75500	20-17
A9VP765200	62-11
AAPKM45202	158-1
AAPKM45202	161-6
AC0C102502	17-6
AC0C103301	14-5
AC0C103401	9-5
AC0C103500	9-6
AC0C103901	5-11
AC0C104000	5-12
AC0C104800	161-7
AC0C105000	10-7
AC0C105100	91-1
AC0C105501	1-31
AC0C105601	1-32
AC0C106302	4-33
AC0C106500	4-15
AC0C106902	4-16
AC0C107000	4-17
AC0C107100	11-12
AC0C107200	11-13
AC0C108501	5-13
AC0C108901	7-8
AC0C109001	7-9
AC0C109200	4-19

Parts No.	Page No.
AC0C109200	5-22
AC0C109700	157-4
AC0C109800	157-5
AC0C110400	11-14
AC0C110701	157-6
AC0C110800	5-15
AC0C112800	12-7
AC0C113100	157-7
AC0C114401	2-5
AC0C114501	2-6
AC0C115000	4-20
AC0C115200	4-21
AC0C115300	4-22
AC0C115400	4-23
AC0C115600	4-11
AC0C116901	12-10
AC0C117000	7-10
AC0C117100	6-1
AC0C117601	15-6
AC0C117700	4-24
AC0C117801	4-25
AC0C117901	4-26
AC0C118302	14-6
AC0C118401	14-7
AC0C118401	17-7
AC0C118501	15-12
AC0C119000	15-8
AC0C119001	15-8
AC0C119101	15-9
AC0C119200	5-16
AC0C119300	91-2
AC0C119500	4-27
AC0C119600	9-7
AC0C119600	12-8
AC0C119700	16-13
AC0C119900	16-15
AC0C120200	13-12
AC0C120300	155-10
AC0C120400	155-11
AC0C120500	156-17

Parts No.	Page No.
AC0C120600	4-36
AC0C120700	15-13
AC0C120900	4-37
AC0C121500	19-3
AC0C121600	3-13
AC0C121700	3-14
AC0C121800	3-15
AC0C121900	3-16
AC0C122000	16-16
AC0C122100	16-17
AC0C122200	125-12
AC0C122600	1-8
AC0C122700	125-13
AC0C122800	125-14
AC0C122900	125-15
AC0C123001	13-13
AC0C123100	13-14
AC0C123100	14-8
AC0C123200	13-15
AC0C123400	13-16
AC0C123700	4-38
AC0C124200	13-17
AC0C124500	13-18
AC0C124600	13-19
AC0C124700	13-20
AC0C125201	13-21
AC0C125300	8-3
AC0C125400	8-4
AC0C125500	8-5
AC0C125600	8-6
AC0C125900	15-10
AC0C126000	12-9
AC0C126000	17-8
AC0C126100	13-22
AC0C126400	8-7
AC0C126500	19-5
AC0C127000	10-10
AC0C127100	10-11
AC0C127200	10-12
AC0C127300	10-13

Parts No.	Page No.
AC0C127400	10-14
AC0C127600	4-35
AC0C127900	16-18
AC0C128700	13-23
AC0C129200	8-8
AC0C129711	19-10
AC0C129900	19-11
AC0C130100	160-2
AC0C130400	163-2
AC0C130601	161-8
AC0C130700	161-9
AC0C130800	161-9
AC0C131000	157-8
AC0C131301	163-3
AC0C131600	163-18
AC0C131700	163-4
AC0C131801	160-3
AC0C131900	9-8
AC0C132101	159-1
AC0C132201	160-4
AC0C132400	11-15
AC0C132700	157-9
AC0C132800	11-16
AC0C133100	158-2
AC0C133200	158-3
AC0C133400	163-5
AC0C133500	163-6
AC0C134301	157-10
AC0C134801	158-5
AC0C134901	158-6
AC0C135300	163-7
AC0C135400	163-8
AC0C135500	163-9
AC0C135600	163-10
AC0C135800	161-10
AC0C135901	163-11
AC0C136001	161-11
AC0C137301	162-13
AC0C137601	162-14
AC0C137700	162-15

Parts No.	Page No.	Parts No.	Page No.	Parts No.	Page No.	Parts No.	Page No.	Parts No.	Page No.
AC0C137800	162-16	AC0C167700	1-28	AC0C210601	95-17	AC0C211600	94-24	AC0C341602	71-6
AC0C138100	162-17	AC0C167700	169-9	AC0C210601	97-17	AC0C211600	96-24	AC0C341602	74-6
AC0C138200	162-18	AC0C167800	14-9	AC0C210601	99-17	AC0C211700	92-25	AC0C341602	77-6
AC0C138600	17-9	AC0C167800	17-11	AC0C210701	92-17	AC0C211700	94-25	AC0C341602	80-6
AC0C160004	1-9	AC0C167900	170-5	AC0C210701	94-17	AC0C211700	96-25	AC0C341700	71-7
AC0C160104	1-10	AC0C168000	13-24	AC0C210701	96-17	AC0C211700	98-25	AC0C341700	74-7
AC0C160501	1-11	AC0C168101	13-25	AC0C210701	98-17	AC0C230300	109-6	AC0C341700	77-7
AC0C160601	1-12	AC0C168200	13-26	AC0C210800	92-18	AC0C230401	109-7	AC0C341700	80-7
AC0C160700	1-13	AC0C168201	13-26	AC0C210800	94-18	AC0C231800	109-8	AC0C342501	72-18
AC0C160801	1-14	AC0C168701	2-16	AC0C210800	96-18	AC0C231900	108-2	AC0C342501	75-18
AC0C161601	2-7	AC0C168900	13-27	AC0C210800	98-18	AC0C233100	109-9	AC0C342501	78-18
AC0C161702	2-8	AC0C169200	2-10	AC0C210900	92-19	AC0C239900	109-11	AC0C342501	81-18
AC0C161902	1-15	AC0C169400	1-16	AC0C210900	94-19	AC0C240100	90-6	AC0C342600	72-19
AC0C162002	169-12	AC0C169800	154-1	AC0C210900	96-19	AC0C240200	90-7	AC0C342600	75-19
AC0C162203	169-10	AC0C169900	1-17	AC0C210900	98-19	AC0C240400	90-8	AC0C342600	78-19
AC0C162302	169-14	AC0C190300	22-15	AC0C211000	93-18	AC0C241200	90-9	AC0C342600	81-19
AC0C162303	169-14	AC0C190600	22-16	AC0C211000	95-18	AC0C340500	72-9	AC0C342701	71-8
AC0C162402	169-11	AC0C191100	22-17	AC0C211000	97-18	AC0C340500	75-9	AC0C342701	74-8
AC0C162702	169-4	AC0C191200	22-18	AC0C211000	99-18	AC0C340500	78-9	AC0C342701	77-8
AC0C162803	1-18	AC0C191300	22-19	AC0C211100	92-20	AC0C340500	81-9	AC0C342701	80-8
AC0C162902	169-5	AC0C191400	22-20	AC0C211100	94-20	AC0C340800	72-10	AC0C342901	73-10
AC0C163001	2-12	AC0C191800	22-21	AC0C211100	96-20	AC0C340800	75-10	AC0C342901	76-10
AC0C163101	2-13	AC0C192200	22-22	AC0C211100	98-20	AC0C340800	78-10	AC0C342901	79-10
AC0C163300	1-21	AC0C210102	92-15	AC0C211200	92-21	AC0C340800	81-10	AC0C342901	82-10
AC0C163400	1-38	AC0C210102	94-15	AC0C211200	94-21	AC0C340901	72-11	AC0C343200	73-11
AC0C164002	169-7	AC0C210102	96-15	AC0C211200	96-21	AC0C340901	75-11	AC0C343200	76-11
AC0C164101	169-8	AC0C210102	98-15	AC0C211200	98-21	AC0C340901	78-11	AC0C343200	79-11
AC0C164200	1-37	AC0C210201	92-16	AC0C211300	92-22	AC0C340901	81-11	AC0C343200	82-11
AC0C164302	1-23	AC0C210201	94-16	AC0C211300	94-22	AC0C341000	72-12	AC0C343300	73-12
AC0C165001	2-11	AC0C210201	96-16	AC0C211300	96-22	AC0C341000	75-12	AC0C343300	76-12
AC0C165501	1-24	AC0C210201	98-16	AC0C211300	98-22	AC0C341000	78-12	AC0C343300	79-12
AC0C165600	1-20	AC0C210300	93-15	AC0C211400	93-19	AC0C341000	81-12	AC0C343300	82-12
AC0C165700	1-25	AC0C210300	95-15	AC0C211400	95-19	AC0C341111	72-13	AC0C343400	71-9
AC0C166001	1-26	AC0C210300	97-15	AC0C211400	97-19	AC0C341111	75-13	AC0C343400	74-9
AC0C166101	17-10	AC0C210300	99-15	AC0C211400	99-19	AC0C341111	78-13	AC0C343400	77-9
AC0C166200	2-9	AC0C210400	93-16	AC0C211500	92-14	AC0C341111	81-13	AC0C343400	80-9
AC0C166300	2-2	AC0C210400	95-16	AC0C211500	94-14	AC0C341400	72-14	AC0C343700	73-13
AC0C166400	2-1	AC0C210400	97-16	AC0C211500	96-14	AC0C341400	75-14	AC0C343700	76-13
AC0C167402	1-27	AC0C210400	99-16	AC0C211500	98-14	AC0C341400	78-14	AC0C343700	79-13
AC0C167601	169-13	AC0C210601	93-17	AC0C211600	92-24	AC0C341400	81-14	AC0C343700	82-13

Parts No.	Page No.	Parts No.	Page No.	Parts No.	Page No.	Parts No.	Page No.	Parts No.	Page No.
AC0C343800	72-20	AC0C344700	72-27	AC0C346600	71-17	AC0C348601	71-22	AC0C368500	37-8
AC0C343800	73-14	AC0C344700	75-27	AC0C346600	74-17	AC0C348601	74-22	AC0C369200	39-23
AC0C343800	75-20	AC0C344700	78-27	AC0C346600	77-17	AC0C348601	77-22	AC0C369400	37-9
AC0C343800	76-14	AC0C344700	81-27	AC0C346600	80-17	AC0C348601	80-22	AC0C369500	39-24
AC0C343800	78-20	AC0C344800	71-10	AC0C346700	72-33	AC0C348701	71-23	AC0C369700	37-10
AC0C343800	79-14	AC0C344800	74-10	AC0C346700	75-33	AC0C348701	74-23	AC0C369801	39-25
AC0C343800	81-20	AC0C344800	77-10	AC0C346700	78-33	AC0C348701	77-23	AC0C373700	28-7
AC0C343800	82-14	AC0C344800	80-10	AC0C346700	81-33	AC0C348701	80-23	AC0C373700	29-7
AC0C343901	72-21	AC0C344900	71-11	AC0C346801	73-17	AC0C348801	71-24	AC0C373700	30-7
AC0C343901	73-15	AC0C344900	74-11	AC0C346801	76-17	AC0C348801	74-24	AC0C373700	31-7
AC0C343901	75-21	AC0C344900	77-11	AC0C346801	79-17	AC0C348801	77-24	AC0C374500	28-8
AC0C343901	76-15	AC0C344900	80-11	AC0C346801	82-17	AC0C348801	80-24	AC0C374500	29-8
AC0C343901	78-21	AC0C345000	71-12	AC0C346901	71-18	AC0C348900	71-25	AC0C374500	30-8
AC0C343901	79-15	AC0C345000	74-12	AC0C346901	74-18	AC0C348900	74-25	AC0C374500	31-8
AC0C343901	81-21	AC0C345000	77-12	AC0C346901	77-18	AC0C348900	77-25	AC0C374800	28-9
AC0C343901	82-15	AC0C345000	80-12	AC0C346901	80-18	AC0C348900	80-25	AC0C374800	29-9
AC0C344001	72-22	AC0C345100	71-13	AC0C347301	71-19	AC0C349000	73-22	AC0C374800	30-9
AC0C344001	75-22	AC0C345100	74-13	AC0C347301	74-19	AC0C349000	76-22	AC0C374800	31-9
AC0C344001	78-22	AC0C345100	77-13	AC0C347301	77-19	AC0C349000	79-22	AC0C377900	28-10
AC0C344001	81-22	AC0C345100	80-13	AC0C347301	80-19	AC0C349000	82-22	AC0C377900	29-10
AC0C344100	73-16	AC0C345200	71-14	AC0C347401	71-20	AC0C360800	38-19	AC0C377900	30-10
AC0C344100	76-16	AC0C345200	74-14	AC0C347401	74-20	AC0C362200	37-2	AC0C377900	31-10
AC0C344100	79-16	AC0C345200	77-14	AC0C347401	77-20	AC0C362300	37-3	AC0C378300	28-15
AC0C344100	82-16	AC0C345200	80-14	AC0C347401	80-20	AC0C362400	37-4	AC0C378300	29-15
AC0C344200	72-23	AC0C345300	71-15	AC0C347500	73-18	AC0C362800	37-12	AC0C378300	30-15
AC0C344200	75-23	AC0C345300	74-15	AC0C347500	76-18	AC0C362900	37-13	AC0C378300	31-15
AC0C344200	78-23	AC0C345300	77-15	AC0C347500	79-18	AC0C363600	38-20	AC0C389600	28-14
AC0C344200	81-23	AC0C345300	80-15	AC0C347500	82-18	AC0C363900	38-21	AC0C389600	29-14
AC0C344300	72-24	AC0C345400	72-28	AC0C347600	72-35	AC0C365800	37-5	AC0C389600	30-14
AC0C344300	75-24	AC0C345400	75-28	AC0C347600	75-35	AC0C366000	37-6	AC0C389600	31-14
AC0C344300	78-24	AC0C345400	78-28	AC0C347600	78-35	AC0C366200	38-28	AC0C389700	5-17
AC0C344300	81-24	AC0C345400	81-28	AC0C347600	81-35	AC0C366400	38-22	AC0C390800	70-5
AC0C344501	72-25	AC0C345800	72-29	AC0C347700	73-19	AC0C366500	38-23	AC0C390900	70-6
AC0C344501	75-25	AC0C345800	75-29	AC0C347700	76-19	AC0C366600	38-24	AC0C401400	100-22
AC0C344501	78-25	AC0C345800	78-29	AC0C347700	79-19	AC0C366700	38-25	AC0C401400	102-22
AC0C344501	81-25	AC0C345800	81-29	AC0C347700	82-19	AC0C366901	39-28	AC0C401400	104-22
AC0C344600	72-26	AC0C346500	71-16	AC0C348501	71-21	AC0C367201	39-21	AC0C401400	106-22
AC0C344600	75-26	AC0C346500	74-16	AC0C348501	74-21	AC0C367500	39-22	AC0C402100	100-2
AC0C344600	78-26	AC0C346500	77-16	AC0C348501	77-21	AC0C367700	37-7	AC0C402100	102-2
AC0C344600	81-26	AC0C346500	80-16	AC0C348501	80-21	AC0C368400	38-26	AC0C402100	104-2

Parts No.	Page No.	Parts No.	Page No.	Parts No.	Page No.	Parts No.	Page No.	Parts No.	Page No.
AC0C402100	106-2	AC0C411113	34-18	AC0C421700	103-38	AC0C503700	46-9	AC0C515700	42-32
AC0C402200	100-2	AC0C411113	35-18	AC0C421700	105-38	AC0C503800	46-10	AC0C515900	41-11
AC0C402200	102-2	AC0C411113	36-18	AC0C421700	107-38	AC0C503900	46-11	AC0C515900	87-2
AC0C402200	104-2	AC0C411700	100-28	AC0C460800	24-7	AC0C504000	49-32	AC0C516200	41-12
AC0C402200	106-2	AC0C411700	102-28	AC0C460800	25-7	AC0C504100	47-23	AC0C516600	41-13
AC0C402300	100-2	AC0C411700	104-28	AC0C460800	26-7	AC0C504200	48-19	AC0C516800	41-14
AC0C402300	102-2	AC0C411700	106-28	AC0C460800	27-7	AC0C504300	47-17	AC0C517600	41-15
AC0C402300	104-2	AC0C411800	101-26	AC0C500400	50-18	AC0C504300	48-20	AC0C517700	40-5
AC0C402300	106-2	AC0C411800	103-26	AC0C500500	50-19	AC0C504500	47-18	AC0C517801	40-6
AC0C405100	101-24	AC0C411800	105-26	AC0C500600	50-18	AC0C504500	48-21	AC0C518000	170-3
AC0C405100	103-24	AC0C411800	107-26	AC0C501000	46-8	AC0C504800	47-24	AC0C518600	46-14
AC0C405100	105-24	AC0C419800	101-27	AC0C501100	49-30	AC0C504900	47-25	AC0C518700	45-5
AC0C405100	107-24	AC0C419800	103-27	AC0C501200	47-6	AC0C505000	47-26	AC0C518800	45-6
AC0C406101	100-25	AC0C419800	105-27	AC0C501200	48-7	AC0C505100	47-27	AC0C518901	47-22
AC0C406101	102-25	AC0C419800	107-27	AC0C501300	48-8	AC0C505200	50-13	AC0C518901	48-23
AC0C406101	104-25	AC0C420201	101-29	AC0C501600	50-20	AC0C506000	40-3	AC0C519100	45-7
AC0C406101	106-25	AC0C420201	103-29	AC0C501800	50-21	AC0C506500	40-4	AC0C519400	45-8
AC0C407400	101-25	AC0C420201	105-29	AC0C502000	47-7	AC0C506901	47-19	AC0C520201	89-22
AC0C407400	103-25	AC0C420201	107-29	AC0C502200	47-8	AC0C507000	49-34	AC0C520800	85-13
AC0C407400	105-25	AC0C421100	101-33	AC0C502200	48-9	AC0C507300	50-24	AC0C520900	87-3
AC0C407400	107-25	AC0C421100	103-33	AC0C502300	47-9	AC0C507600	50-25	AC0C521300	89-23
AC0C408100	100-26	AC0C421100	105-33	AC0C502300	48-10	AC0C507700	50-26	AC0C522200	89-24
AC0C408100	102-26	AC0C421100	107-33	AC0C502400	47-10	AC0C507800	50-27	AC0C522701	85-14
AC0C408100	104-26	AC0C421200	101-34	AC0C502400	48-11	AC0C507900	50-28	AC0C522800	87-4
AC0C408100	106-26	AC0C421200	103-34	AC0C502500	47-11	AC0C508200	50-29	AC0C523400	89-25
AC0C408201	33-15	AC0C421200	105-34	AC0C502500	48-12	AC0C508400	49-35	AC0C523600	89-26
AC0C408201	34-15	AC0C421200	107-34	AC0C502600	47-12	AC0C508600	49-36	AC0C523800	89-27
AC0C408201	35-15	AC0C421402	101-35	AC0C502600	48-13	AC0C509001	46-12	AC0C524201	85-15
AC0C408201	36-15	AC0C421402	103-35	AC0C502700	47-13	AC0C509101	49-33	AC0C524700	87-5
AC0C410401	33-16	AC0C421402	105-35	AC0C502700	48-14	AC0C509201	49-29	AC0C524800	85-16
AC0C410401	34-16	AC0C421402	107-35	AC0C502800	47-14	AC0C509300	50-30	AC0C525300	86-7
AC0C410401	35-16	AC0C421500	101-36	AC0C502800	48-15	AC0C510200	42-25	AC0C525900	86-8
AC0C410401	36-16	AC0C421500	103-36	AC0C502900	47-15	AC0C510300	42-26	AC0C526700	89-11
AC0C410501	32-1	AC0C421500	105-36	AC0C502900	48-16	AC0C510600	42-27	AC0C526800	85-17
AC0C410601	33-17	AC0C421500	107-36	AC0C503000	48-17	AC0C512900	46-13	AC0C527100	125-16
AC0C410601	34-17	AC0C421600	101-37	AC0C503200	47-16	AC0C514200	44-8	AC0C527200	125-17
AC0C410601	35-17	AC0C421600	103-37	AC0C503200	48-18	AC0C514300	42-28	AC0C527500	125-18
AC0C410601	36-17	AC0C421600	105-37	AC0C503300	50-22	AC0C514400	42-29	AC0C528300	85-18
AC0C410700	32-2	AC0C421600	107-37	AC0C503400	50-23	AC0C515300	42-30	AC0C528501	85-19
AC0C411113	33-18	AC0C421700	101-38	AC0C503600	49-31	AC0C515600	42-31	AC0C529500	85-20

Parts No.	Page No.	Parts No.	Page No.	Parts No.	Page No.	Parts No.	Page No.	Parts No.	Page No.
AC0C529900	85-21	AC0C717000	147-17	AC0C727900	58-13	AC0C739401	56-20	AC0C761600	62-12
AC0C531000	125-19	AC0C717100	147-18	AC0C728000	68-20	AC0C739401	66-6	AC0C762100	62-13
AC0C531100	125-20	AC0C717200	148-20	AC0C728200	57-14	AC0C739500	57-18	AC0C762300	66-7
AC0C531800	89-28	AC0C717400	147-19	AC0C728300	68-21	AC0C739600	56-21	AC0C762502	66-8
AC0C534000	142-24	AC0C717800	149-10	AC0C728400	68-22	AC0C739700	57-20	AC0C762602	66-9
AC0C537200	125-21	AC0C718500	148-21	AC0C729402	52-9	AC0C739800	58-15	AC0C762801	62-14
AC0C537600	125-22	AC0C718600	151-32	AC0C729502	52-2	AC0C739900	67-18	AC0C762900	62-15
AC0C537800	125-23	AC0C718700	151-33	AC0C730001	52-3	AC0C741500	51-23	AC0C763002	61-13
AC0C539200	85-22	AC0C719600	148-22	AC0C730300	57-15	AC0C742101	56-22	AC0C763600	56-24
AC0C539311	88-7	AC0C719700	134-17	AC0C730500	68-23	AC0C742301	51-24	AC0C763700	62-16
AC0C710800	148-11	AC0C719700	148-23	AC0C730600	67-14	AC0C742500	51-25	AC0C764200	62-17
AC0C710900	148-12	AC0C719800	147-20	AC0C730800	52-4	AC0C743000	56-13	AC0C764302	56-25
AC0C711300	150-9	AC0C719900	122-13	AC0C730900	52-5	AC0C743100	142-25	AC0C764800	61-14
AC0C711400	150-10	AC0C720100	64-18	AC0C731000	52-6	AC0C743200	51-26	AC0C764900	61-15
AC0C711500	148-13	AC0C720200	64-7	AC0C731300	57-4	AC0C743700	56-23	AC0C781000	68-24
AC0C711600	148-14	AC0C720300	64-8	AC0C731400	57-16	AC0C744000	55-14	AC0C781500	62-19
AC0C711800	148-15	AC0C720300	64-8	AC0C732501	67-15	AC0C744000	69-25	AC0C782200	57-19
AC0C711900	148-16	AC0C720401	60-14	AC0C733100	57-6	AC0C744500	51-27	AC0C783500	66-10
AC0C712100	150-11	AC0C720700	53-14	AC0C734001	55-12	AC0C744700	51-28	AC0C784200	143-28
AC0C712301	147-12	AC0C720900	67-10	AC0C734001	69-21	AC0C744900	64-13	AC0C800100	142-26
AC0C713500	151-27	AC0C721011	67-11	AC0C734800	65-16	AC0C745000	64-14	AC0C810300	123-15
AC0C713700	149-8	AC0C721201	54-15	AC0C735201	57-17	AC0C745600	59-10	AC0C810400	133-1
AC0C713800	151-28	AC0C722100	57-12	AC0C736400	51-21	AC0C746200	51-29	AC0C810800	133-2
AC0C713900	148-17	AC0C723300	57-13	AC0C736600	65-10	AC0C747400	51-30	AC0C810900	142-27
AC0C713900	149-9	AC0C723500	68-17	AC0C736701	69-22	AC0C747700	69-26	AC0C811000	124-9
AC0C714200	150-12	AC0C723600	69-18	AC0C737500	65-11	AC0C749701	51-31	AC0C811100	120-12
AC0C715600	147-13	AC0C723700	69-19	AC0C737600	65-12	AC0C749900	51-32	AC0C811300	132-18
AC0C715600	148-18	AC0C724000	64-9	AC0C737700	69-23	AC0C750100	51-33	AC0C812000	111-16
AC0C715800	147-14	AC0C724100	64-10	AC0C737800	55-13	AC0C750200	51-17	AC0C812300	143-32
AC0C716100	150-13	AC0C724200	69-20	AC0C737900	67-16	AC0C750300	59-11	AC0C812400	143-32
AC0C716200	126-9	AC0C724701	67-12	AC0C738000	67-17	AC0C750400	59-12	AC0C812801	135-15
AC0C716200	135-13	AC0C724801	67-13	AC0C738500	69-24	AC0C750500	59-13	AC0C813900	123-16
AC0C716200	151-29	AC0C725300	64-11	AC0C738600	65-13	AC0C750900	59-14	AC0C814000	140-6
AC0C716300	126-10	AC0C725400	64-12	AC0C738700	65-14	AC0C751000	59-15	AC0C814400	129-7
AC0C716300	135-14	AC0C726501	55-10	AC0C738800	66-4	AC0C751400	59-18	AC0C814500	129-8
AC0C716300	151-30	AC0C727301	55-11	AC0C738902	56-17	AC0C751900	60-13	AC0C815000	122-14
AC0C716400	151-31	AC0C727400	53-15	AC0C739000	56-18	AC0C760100	61-10	AC0C815600	17-14
AC0C716500	147-15	AC0C727501	68-18	AC0C739000	66-5	AC0C760300	61-11	AC0C815700	14-11
AC0C716600	147-16	AC0C727600	58-12	AC0C739101	56-19	AC0C760401	61-12	AC0C816000	121-19
AC0C716800	148-19	AC0C727700	68-19	AC0C739200	51-22	AC0C760500	62-20	AC0C816500	120-13

Parts No.	Page No.
AC0C816700	123-17
AC0C816800	123-18
AC0C817000	125-24
AC0C817101	111-17
AC0C817201	111-18
AC0C817500	125-25
AC0C817700	125-26
AC0C818000	128-12
AC0C818200	135-16
AC0C818500	140-17
AC0C818700	122-15
AC0C818700	127-4
AC0C819701	140-7
AC0C819900	122-16
AC0C820900	133-3
AC0C821000	133-4
AC0C822100	111-19
AC0C822700	84-2
AC0C825100	143-29
AC0C826100	143-33
AC0C826200	143-30
AC0C826800	142-28
AC0C828100	126-11
AC0C829500	123-19
AC0C829600	123-20
AC0C829900	137-8
AC0C830300	141-9
AC0C830500	130-10
AC0C830600	130-11
AC0C830700	130-12
AC0C830900	130-13
AC0C831000	130-14
AC0C831100	130-15
AC0C831200	130-16
AC0C831300	130-17
AC0C831600	129-9
AC0C831700	129-10
AC0C832000	111-20
AC0C832100	111-21
AC0C832200	111-22

Parts No.	Page No.
AC0C832300	111-23
AC0C832400	111-24
AC0C832600	111-13
AC0C833000	129-11
AC0C833100	129-12
AC0C833400	129-13
AC0C833500	129-14
AC0C833600	129-15
AC0C833700	129-16
AC0C834000	141-10
AC0C834100	141-11
AC0C834200	141-12
AC0C834300	141-13
AC0C834803	128-14
AC0C834900	128-15
AC0C835000	128-16
AC0C835100	123-21
AC0C835200	127-5
AC0C835300	134-18
AC0C835400	115-6
AC0C835400	135-17
AC0C835400	151-34
AC0C835500	121-20
AC0C835500	147-21
AC0C835600	127-6
AC0C835700	121-21
AC0C836000	121-22
AC0C836200	140-8
AC0C836300	140-9
AC0C836400	140-10
AC0C836500	140-11
AC0C836700	126-12
AC0C836800	131-2
AC0C836900	140-12
AC0C837100	125-27
AC0C837200	131-3
AC0C837300	141-14
AC0C837401	121-23
AC0C837500	120-14
AC0C837601	125-28

Parts No.	Page No.
AC0C837700	125-29
AC0C837800	125-30
AC0C837900	125-30
AC0C838001	125-31
AC0C838100	125-32
AC0C838201	84-3
AC0C838300	127-7
AC0C838300	147-22
AC0C838400	125-33
AC0C838500	127-8
AC0C838600	127-9
AC0C838700	125-34
AC0C838800	123-22
AC0C838900	120-15
AC0C839000	139-9
AC0C839100	127-10
AC0C839100	139-10
AC0C839200	122-17
AC0C839602	120-16
AC0C839700	120-17
AC0C839800	122-18
AC0C839900	126-13
AC0C839900	134-19
AC0C839900	139-11
AC0C840501	118-23
AC0C841300	118-24
AC0C841400	118-25
AC0C841501	118-26
AC0C841600	118-27
AC0C841800	118-28
AC0C841900	119-2
AC0C843500	114-19
AC0C844100	117-11
AC0C844200	117-12
AC0C844300	116-3
AC0C844400	116-4
AC0C844500	116-5
AC0C844600	116-6
AC0C844701	116-7
AC0C845002	112-11

Parts No.	Page No.
AC0C845300	116-8
AC0C845400	116-9
AC0C845500	115-7
AC0C845700	117-13
AC0C845900	135-18
AC0C846100	117-14
AC0C846200	117-15
AC0C846300	116-10
AC0C846600	117-16
AC0C846700	115-8
AC0C846800	114-20
AC0C847000	115-9
AC0C847100	116-11
AC0C847200	116-2
AC0C847300	114-21
AC0C848300	113-12
AC0C848500	118-29
AC0C848800	115-10
AC0C848900	115-11
AC0C849200	117-17
AC0C849300	118-30
AC0C849700	118-31
AC0C849800	118-32
AC0C850300	136-16
AC0C850500	137-10
AC0C851000	136-17
AC0C851002	136-17
AC0C851200	126-14
AC0C851200	134-16
AC0C851300	134-15
AC0C851400	134-11
AC0C851500	137-11
AC0C851600	134-2
AC0C851700	137-12
AC0C851900	137-13
AC0C852100	138-10
AC0C852200	137-14
AC0C853100	135-19
AC0C854100	135-20
AC0C854300	121-24

Parts No.	Page No.
AC0C854400	135-21
AC0C854800	118-33
AC0C855000	135-22
AC0C855800	117-18
AC0C855900	117-19
AC0C856000	137-15
AC0C856000	149-11
AC0C856500	137-16
AC0C857500	118-34
AC0C857700	121-25
AC0C858700	136-18
AC0C859400	136-19
AC0C860300	144-18
AC0C860500	146-7
AC0C860700	145-13
AC0C860800	144-19
AC0C860900	144-20
AC0C861000	145-14
AC0C861100	145-15
AC0C861600	138-4
AC0C861700	138-5
AC0C862400	144-21
AC0C862500	144-22
AC0C863000	144-23
AC0C863800	139-12
AC0C864000	139-13
AC0C864200	144-24
AC0C864300	144-25
AC0C864800	139-14
AC0C865000	144-26
AC0C866000	144-27
AC0C867200	122-19
AC0C868400	145-16
AC0C868500	145-17
AC0C870400	138-11
AC0C870600	139-15
AC0C870701	139-16
AC0C870800	138-12
AC0C870900	138-13
AC0C872400	144-28

Parts No.	Page No.
AC0C872600	146-23
AC0C878200	112-12
AC0C878400	144-29
AC0C879000	138-14
AC0C890300	152-13
AC0C890700	153-16
AC0C891100	155-12
AC0C891400	153-19
AC0C893100	156-20
AC0C896200	156-10
AC0C896300	152-14
AC0C897900	152-15
AC0C942200	131-4
AC0C942300	84-4
AC0C942401	52-7
AC0C942500	52-8
AC0C942700	5-18
AC0C943200	129-17
AC0C943300	129-18
AC0C943400	151-35
AC0C943801	65-15
AC0C943900	112-13
AC0C944000	117-20
AC0C944100	119-16
AC0C944200	119-17
AC0C944300	33-19
AC0C944400	34-19
AC0C944500	35-19
AC0C944600	36-19
AC0C944702	1-29
AC0C945000	1-19
AC0C945400	5-20
AC0C947100	4-28
AC0C948101	1-1
AC0C966300	85-24
AC0CH01109	162-19
AC0CH03016	160-5
AC0CH04000	21-5
AC0CH05003	133-5
AC0CH07002	160-6

Parts No.	Page No.
AC0CH08000	133-6
AC0CH09000	131-5
AC0CH09011	131-5
AC0CH11000	20-11
AC0CH78000	162-8
AC0CM10400	125-36
AC0CM10600	56-26
AC0CM36A01	64-15
AC0CM36E01	64-15
AC0CM37A01	64-16
AC0CM37E01	64-16
AC0CM40300	163-12
AC0CM40401	160-7
AC0CM40500	160-8
AC0CM40600	160-9
AC0CM40700	163-13
AC0CM40800	159-2
AC0CM40A01	64-17
AC0CM40E01	64-17
AC0CM41A01	68-26
AC0CM41E01	68-26
AC0CM45000	161-12
AC0CM45302	158-7
AC0CM45811	161-13
AC0CM46301	161-14
AC0CM50200	43-4
AC0CM50200	140-13
AC0CM50600	68-27
AC0CN10100	161-15
AC0CN10200	161-16
AC0CN10300	159-5
AC0CN10400	5-19
AC0CN10500	9-10
AC0CN10700	9-11
AC0CN10800	158-8
AC0CN10900	158-9
AC0CN11000	158-10
AC0CN11100	158-11
AC0CN11600	11-17
AC0CN11700	55-16

Parts No.	Page No.
AC0CN11800	53-16
AC0CN11901	68-28
AC0CN12001	68-29
AC0CN12100	55-17
AC0CN12200	11-18
AC0CN12400	160-20
AC0CN12700	158-12
AC0CN12801	158-13
AC0CN12900	158-14
AC0CN13001	158-4
AC0CN13100	162-20
AC0CN13200	164-4
AC0CN13300	5-23
AC0CN13400	4-32
AC0CN13501	9-4
AC0CN13600	9-9
AC0CN13800	160-10
AC0CN13900	160-17
AC0CN14000	160-11
AC0CN14100	101-6
AC0CN14100	103-6
AC0CN14100	105-6
AC0CN14100	107-6
AC0CN14202	164-2
AC0CN14300	38-18
AC0CN14400	18-4
AC0CN14500	160-18
AC0CN14601	160-19
AC0CN14701	93-21
AC0CN14701	95-21
AC0CN14701	97-21
AC0CN14701	99-21
AC0CN14800	165-1
AC0CN14900	165-2
AC0CN15000	17-12
AC0CN15101	5-24
AC0CN15200	71-26
AC0CN15200	74-26
AC0CN15200	77-26
AC0CN15200	80-26

Parts No.	Page No.
AC0CN15300	28-13
AC0CN15300	29-13
AC0CN15300	30-13
AC0CN15300	31-13
AC0CN15501	164-3
AC0CN15800	165-3
AC0CN15900	130-20
AC0CN16000	109-14
AC0CN16100	109-4
AC0CN16200	11-19
AC0CN16300	50-14
AC0CN16400	43-5
AC0CN16500	45-10
AC0CN16600	45-11
AC0CN16700	11-20
AC0CN16801	90-10
AC0CN16900	166-2
AC0CN17000	3-12
AC0CN17100	12-11
AC0CN17200	13-31
AC0CN17300	17-13
AC0CN17401	15-7
AC0CN17501	4-18
AC0CN17600	13-28
AC0CN17701	14-10
AC0CN18100	160-12
AC0CN18200	16-14
AC0CN18400	153-33
AC0CN18500	13-29
AC0CN18701	13-30
AC0CN18800	16-9
AC0CN19100	164-1
AC0CN19301	23-2
AC0CN19401	23-3
AC0CN19700	162-23
AC0CN20100	12-6
AC0CN20200	111-3
AC0CN20300	133-7
AC0CN20400	142-29
AC0CN20500	131-6

Parts No.	Page No.
AC0CN20602	140-15
AC0CN20700	131-7
AC0CN20901	149-12
AC0CN21001	114-22
AC0CN21002	114-22
AC0CN21100	135-24
AC0CN21200	128-17
AC0CN21300	128-18
AC0CN21300	129-19
AC0CN21300	136-20
AC0CN21400	114-23
AC0CN21500	148-25
AC0CN21700	127-11
AC0CN21800	132-17
AC0CN21900	120-5
AC0CN22000	85-26
AC0CN22100	140-14
AC0CN22200	137-9
AC0CN22301	86-9
AC0CN22402	140-16
AC0CN22502	51-34
AC0CN22600	133-8
AC0CN22601	133-8
AC0CN22700	125-37
AC0CN22800	144-32
AC0CN22901	143-31
AC0CN23100	135-25
AC0CN23300	148-26
AC0CN23500	130-21
AC0CN23600	130-22
AC0CN23701	129-20
AC0CN23801	129-21
AC0CN23900	128-19
AC0CN24100	165-4
AC0CN24200	163-14
AC0CN24301	59-17
AC0CN24400	163-15
AC0CN24500	155-13
AC0CN24600	159-3
AC0CN24700	86-10

Parts No.	Page No.	Parts No.	Page No.	Parts No.	Page No.	Parts No.	Page No.	Parts No.	Page No.
AC0CN24900	114-24	AC0CR70122	92-23	AC0CR72200	156-35	AC0CR73333	26-8	AC0CR75611	106-23
AC0CN25100	11-29	AC0CR70122	92-23	AC0CR72300	20-21	AC0CR73333	26-8	AC0CR75788	51-13
AC0CN25200	11-21	AC0CR70122	94-23	AC0CR72400	89-29	AC0CR73333	27-8	AC0CR75788	51-13
AC0CN25300	11-22	AC0CR70122	94-23	AC0CR72600	43-3	AC0CR73333	27-8	AC0CR75788	51-13
AC0CN25401	11-23	AC0CR70122	94-23	AC0CR72766	84-5	AC0CR73333	27-8	AC0CR75800	85-23
AC0CN25600	11-24	AC0CR70122	94-23	AC0CR72766	84-5	AC0CR73333	27-8	AC0CR75900	72-34
AC0CN25700	11-25	AC0CR70122	96-23	AC0CR72766	84-5	AC0CR73444	88-9	AC0CR75900	75-34
AC0CN25800	11-26	AC0CR70122	96-23	AC0CR72766	84-5	AC0CR73444	88-9	AC0CR75900	78-34
AC0CN25900	11-27	AC0CR70122	96-23	AC0CR72900	63-9	AC0CR73444	88-9	AC0CR75900	81-34
AC0CN26100	11-28	AC0CR70122	96-23	AC0CR73100	83-1	AC0CR73444	88-9	AC0CR76100	61-19
AC0CN26201	22-23	AC0CR70122	98-23	AC0CR73288	28-12	AC0CR73500	89-30	AC0CR76200	24-9
AC0CN26600	10-15	AC0CR70122	98-23	AC0CR73288	29-12	AC0CR73600	88-8	AC0CR76200	25-9
AC0CN26700	10-16	AC0CR70122	98-23	AC0CR73288	30-12	AC0CR73700	85-28	AC0CR76200	26-9
AC0CN26800	10-17	AC0CR70122	98-23	AC0CR73288	31-12	AC0CR73800	85-25	AC0CR76200	27-9
AC0CN26900	10-18	AC0CR70211	109-10	AC0CR73299	28-12	AC0CR73900	86-13	AC0CR76300	109-12
AC0CN27100	91-4	AC0CR70300	23-1	AC0CR73299	28-12	AC0CR74000	87-6	AC0CR76400	101-39
AC0CN27200	91-5	AC0CR70433	71-27	AC0CR73299	28-12	AC0CR74100	87-7	AC0CR76400	103-39
AC0CN27300	91-6	AC0CR70433	74-27	AC0CR73299	29-12	AC0CR74211	42-7	AC0CR76400	105-39
AC0CN27400	91-7	AC0CR70433	77-27	AC0CR73299	29-12	AC0CR74322	41-16	AC0CR76400	107-39
AC0CN27600	10-19	AC0CR70433	80-27	AC0CR73299	29-12	AC0CR74322	41-16	AC0CR76500	100-31
AC0CN27700	10-1	AC0CR70611	37-11	AC0CR73299	30-12	AC0CR74322	41-16	AC0CR76500	102-31
AC0CN27800	10-2	AC0CR70700	39-27	AC0CR73299	30-12	AC0CR74322	41-16	AC0CR76500	104-31
AC0CN27901	10-20	AC0CR70811	39-26	AC0CR73299	30-12	AC0CR74411	38-27	AC0CR76500	106-31
AC0CN28600	47-20	AC0CR70911	100-23	AC0CR73299	31-12	AC0CR74411	38-27	AC0CR76600	100-5
AC0CN28700	47-21	AC0CR70911	102-23	AC0CR73299	31-12	AC0CR74500	70-7	AC0CR76600	102-5
AC0CN28700	48-22	AC0CR70911	104-23	AC0CR73299	31-12	AC0CR74600	46-16	AC0CR76600	104-5
AC0CN29100	10-9	AC0CR70911	106-23	AC0CR73322	24-8	AC0CR74700	145-6	AC0CR76600	106-5
AC0CN29201	160-13	AC0CR71033	46-15	AC0CR73322	25-8	AC0CR74800	170-14	AC0CR76700	55-15
AC0CN29300	160-14	AC0CR71033	46-15	AC0CR73322	26-8	AC0CR75000	144-30	AC0CR76700	69-27
AC0CN29401	160-15	AC0CR71033	46-15	AC0CR73322	27-8	AC0CR75100	32-3	AC0CR76800	68-25
AC0CN29500	125-38	AC0CR71111	45-9	AC0CR73333	24-8	AC0CR75200	32-4	AC0CR76900	148-24
AC0CN29600	125-35	AC0CR71200	147-23	AC0CR73333	24-8	AC0CR75300	32-5	AC0CR77000	135-23
AC0CN29700	86-11	AC0CR71300	150-14	AC0CR73333	24-8	AC0CR75400	32-6	AC0CR77200	91-3
AC0CN29800	86-12	AC0CR71488	51-13	AC0CR73333	24-8	AC0CR75511	100-23	AC0CR77300	73-20
AC0CN29900	155-8	AC0CR71511	59-16	AC0CR73333	25-8	AC0CR75511	102-23	AC0CR77300	76-20
AC0CN30X00	161-19	AC0CR71600	58-14	AC0CR73333	25-8	AC0CR75511	104-23	AC0CR77300	79-20
AC0CP50100	40-7	AC0CR71711	61-16	AC0CR73333	25-8	AC0CR75511	106-23	AC0CR77300	82-20
AC0CP75100	167-12	AC0CR71811	61-17	AC0CR73333	25-8	AC0CR75611	100-23	AC0CR77400	120-18
AC0CR70122	92-23	AC0CR72022	113-10	AC0CR73333	26-8	AC0CR75611	102-23	AC0CR77500	132-16
AC0CR70122	92-23	AC0CR72100	152-16	AC0CR73333	26-8	AC0CR75611	104-23	AC0CR77700	150-15

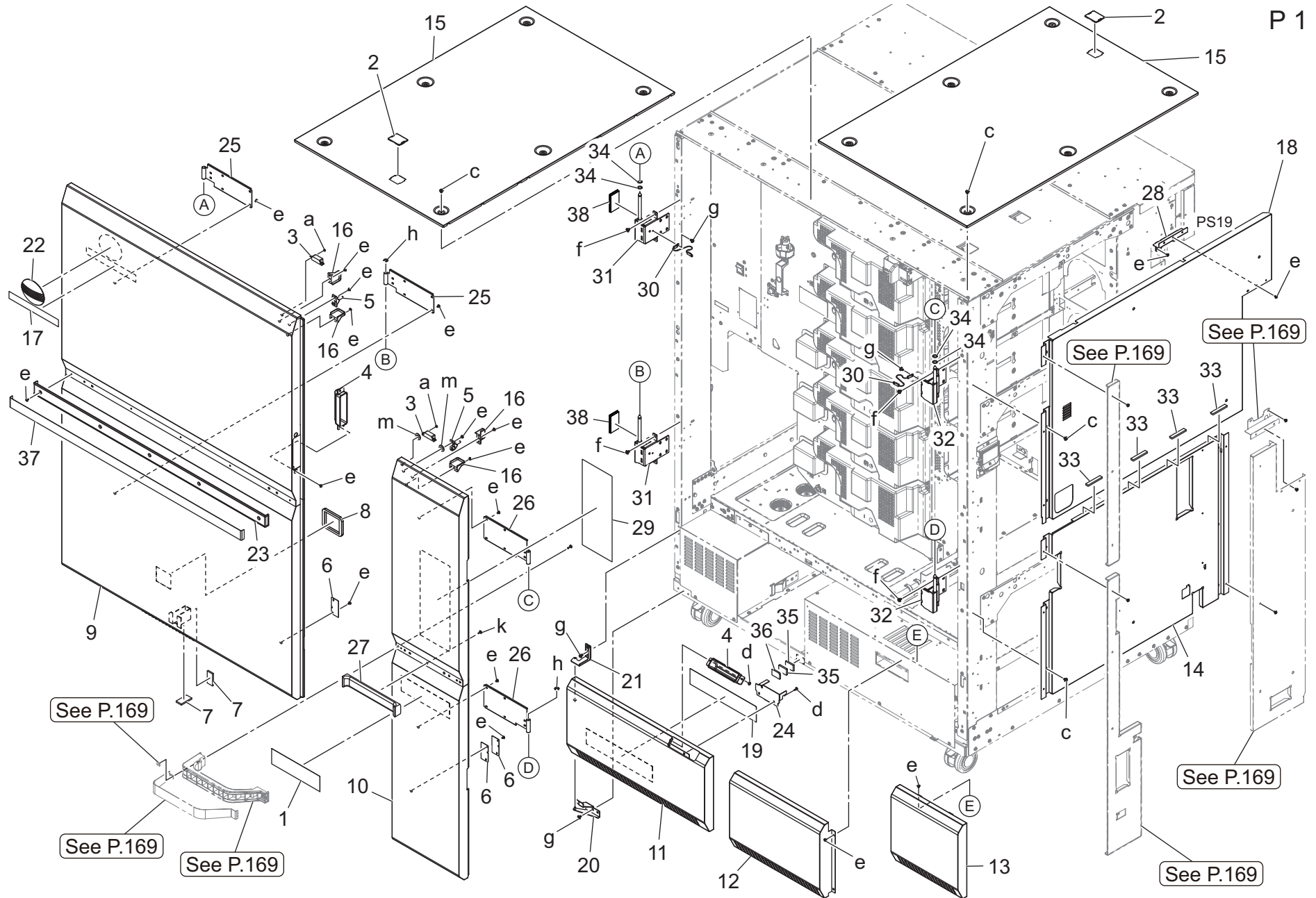


Parts No.	Page No.
AC0CR77800	113-11
AC0CR77900	145-5
AC0CR78000	61-18
AC0CR78100	117-21
AC0CR78311	38-27
AC0CR78411	168-4
AC0CR78500	130-25
AC0CR79011	100-23
AC0CR79011	102-23
AC0CR79011	104-23
AC0CR79011	106-23
AC0CR79100	129-23
AC0CR79200	10-8
AC0CR79311	100-23
AC0CR79311	102-23
AC0CR79311	104-23
AC0CR79311	106-23
AC0CR79500	72-36
AC0CR79500	75-36
AC0CR79500	78-36
AC0CR79500	81-36
AC0CR79600	88-10
AC0CR79800	4-7
AC0CR79900	52-10
AC0CR7A300	109-17
AC0CR7A400	28-16
AC0CR7A400	29-16
AC0CR7A400	30-16
AC0CR7A400	31-16
AC0DN13700	166-1
AC4GM10100	121-26
AC4GM10100	127-12
AC4H112500	9-13
AC57130400	162-24
AC57190102	20-18
AC57190201	20-19
AC57190301	21-6
AC57193100	21-7
AC57193200	21-8
AC57193400	21-9

Parts No.	Page No.
AC57193500	21-10
AC57193600	21-11
AC57193800	21-12
AC57193900	21-13
AC57194101	21-14
AC57195001	20-20
AC57205001	20-20
AC57205101	20-20
AC57205201	20-20
AC57205300	20-20
AC57896400	156-9
AC57899000	156-19
AC57974400	70-1
AC57M10300	85-27
AC57M10300	93-20
AC57M10300	95-20
AC57M10300	97-20
AC57M10300	99-20
AC57M10300	122-20
AC57M15000	4-29
AC57M15000	8-1
AC57M15000	114-25
AC57M15000	122-1
AC57M15000	141-1
AC57M40900	155-5
AC57M46100	161-17
AC57M50200	45-12
AC57N30000	161-19
AC93940200	1-22
ACCX130300	129-22
ACCXH21002	130-24
ACCXM50100	128-13
ADF2M75800	20-15
V121031004	169-17
V121031004	170-8
V121040604	170-6
V127030604	169-16
V127030604	170-7
V127040803	170-9
V211030080	169-18

Parts No.	Page No.
V502010014	73-21
V502010014	76-21
V502010014	79-21
V502010014	82-21
V502010032	163-16
V502010033	159-4
V502010033	160-16
V502010033	161-18
V502010033	163-17

# External Parts



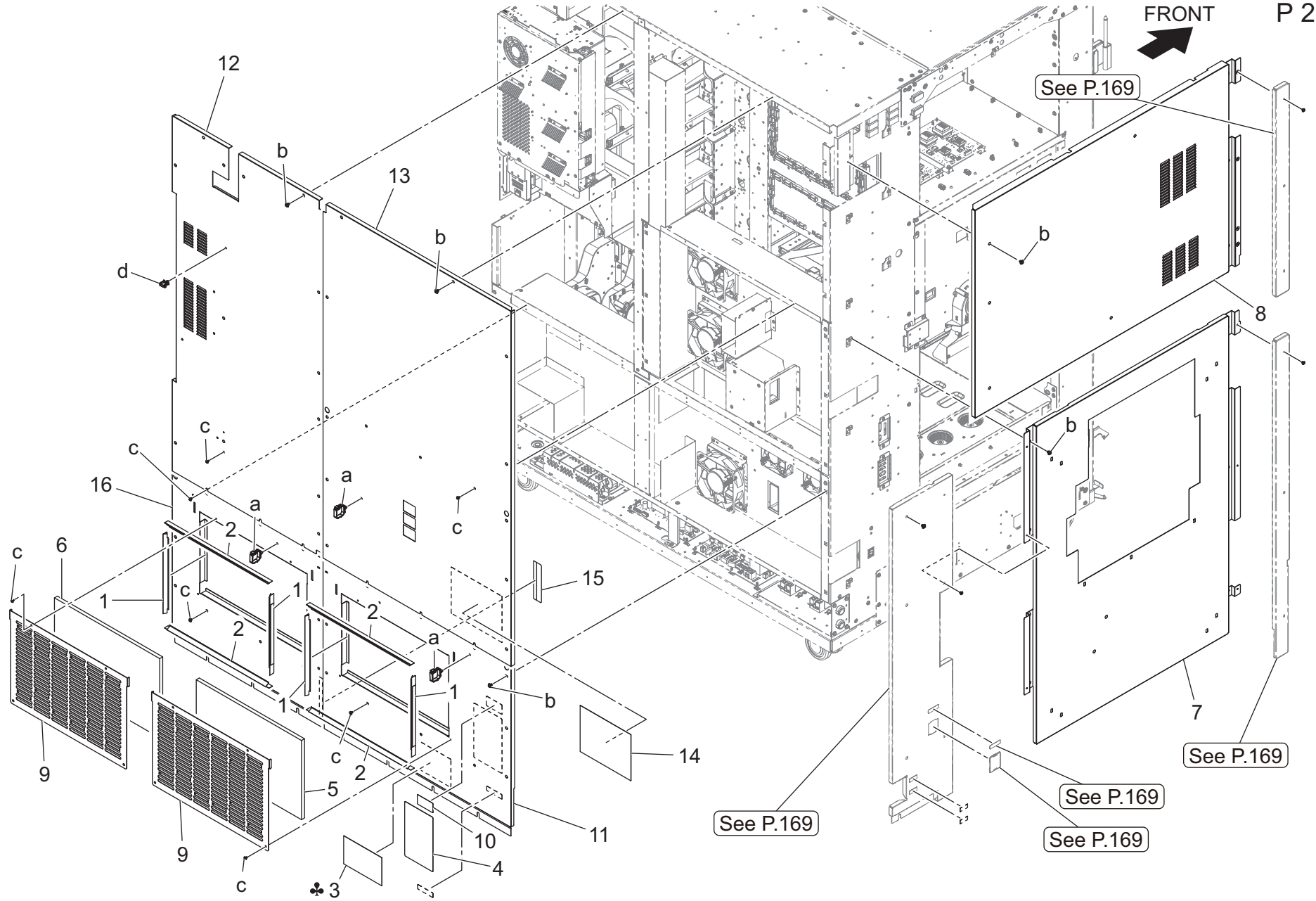
AccurioPress C12000

Key	Part No.	Description	Destinations	Class	QTY	Standard parts
1	AC0C948101	Indicating Label	表示ラベル (AccurioPress)	D	1	a-V118030603
2	A03U162500	Cover /A	カバー /A	C	2	c-V121040604
3	A0G6411200	Magnet /X	マグネット /X	D	2	d-V127030604
4	A1RF163300	Cover Handle	カバー取手	D	2	e-V127030604
5	A1RF164902	Cover Lock /4	カバーロック /4	D	2	f-V183040804
6	A1RF168000	Adjusting Plate	調整板	D	3	g-V127040803
7	A1RF168600	Protection Pad /Inside	保護パッド /内 (外装)	D	2	h-V217060001
8	AC0C122600	Sealing Seal	シールシール	D	1	k-V153030803
9	AC0C160004	Cover Door /Left	カバー扉 /左	D	1	m-V207050003
10	AC0C160104	Cover Door /Right	カバー扉 /右	D	1	
11	AC0C160501	Cover Door /ASSY	カバー扉 /ASSY	D	1	
12	AC0C160601	Cover Panel /Lower	カバーパネル /下 (1)	D	1	
13	AC0C160700	Cover Panel /Lower	カバーパネル /下 (2)	D	1	
14	AC0C160801	Side Plate /Right	側板 /右	D	1	
15	AC0C161902	Cover Top plate /1	カバー天板 /1	D	2	
16	AC0C169400	Block	ブロック	D	4	
17	AC0C169900	Label /K	ラベル /K (KONICA MINOLTA)	D	1	
18	AC0C162803	Cover /No.3	カバー /3号	D	1	
19	AC0C945000	Taking Out Label /B	取り出し方ラベル /B ((回収BOX))	D	1	
20	AC0C165600	Open/Close Shaft /Assy	開閉軸 /Assy	D	1	
21	AC0C163300	Cover Hinge /Assy	カバーヒンジ /Assy	D	1	
22	AC93940200	Mark /2	マーク /2	D	1	
23	AC0C164302	Cover Plate	カバー板	D	1	
24	AC0C165501	Release Plate	解除板	D	1	
25	AC0C165700	Cover Arm /Left	カバーアーム /左	D	2	
26	AC0C166001	Cover Arm /Left	カバーアーム /左	D	2	
27	AC0C167402	Open/close Handle /A	開閉取手 /A	D	1	
28	AC0C167700	Auxiliary Plate	補助板	D	1	
29	AC0C944702	Toner supply Label /1	トナー補給ラベル /1	D	1	
30	A1RF165800	Regulating Wire	規制ワイヤ	D	2	
31	AC0C105501	Open/close Hinge /ASSY	開閉ヒンジ /ASSY	D	2	
32	AC0C105601	Toner supply Hinge	トナー補給ヒンジ	D	2	
33	A797M90211	Gasket /3	ガスケット /3	D	4	
34	12QV40650	Spacer	スペーサー	B	4	
35	A1RF165900	Protection Rubber /1	保護ゴム /1 (外装)	D	2	
36	A1RF166000	Protection Rubber /2	保護ゴム /2 (外装)	D	1	
37	AC0C164200	Cover Plate	カバープレート	D	1	
38	AC0C163400	Stopper Sheet /1	ストッパシート /1	D	2	

# External Parts

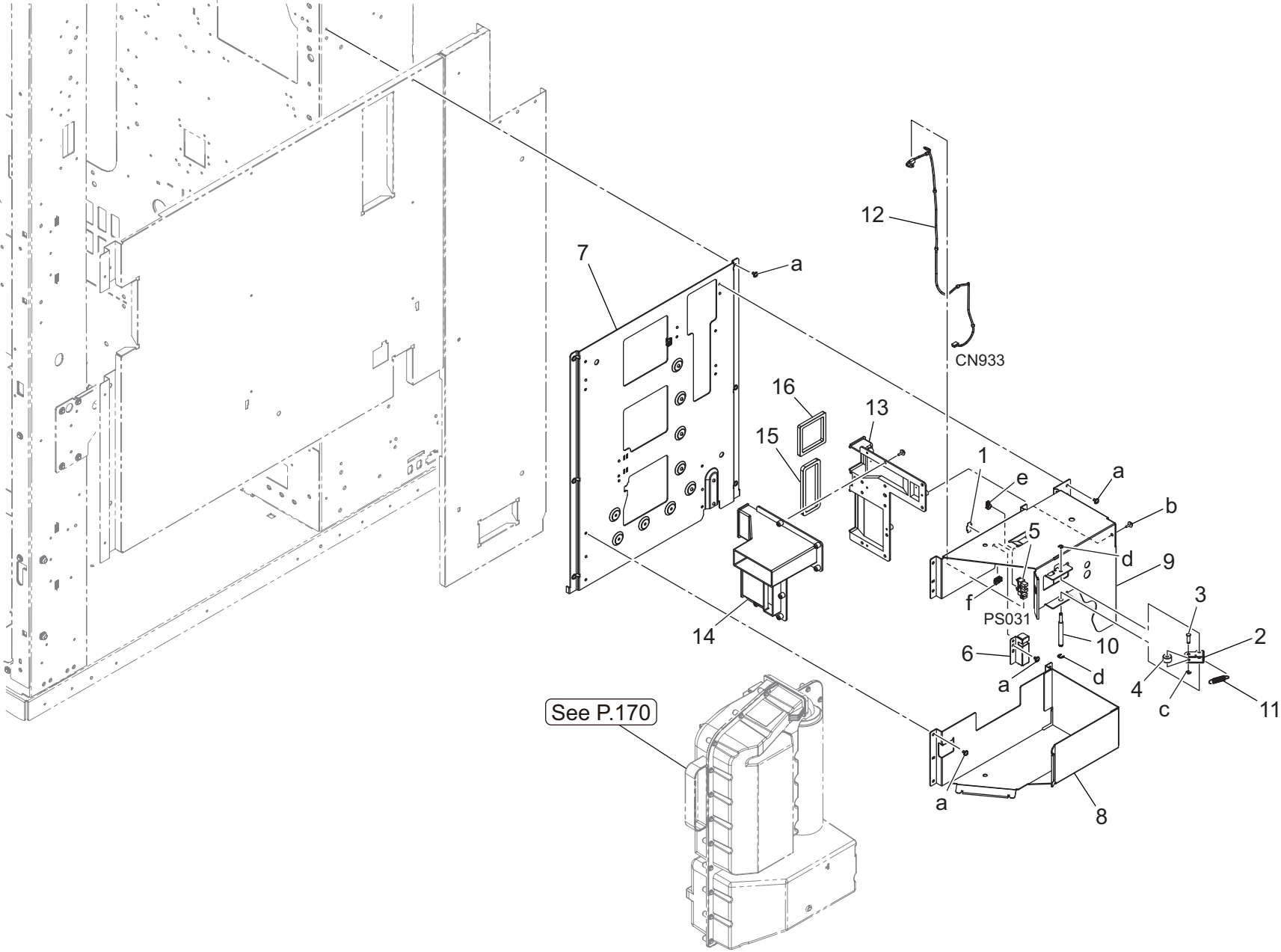
FRONT

P 2



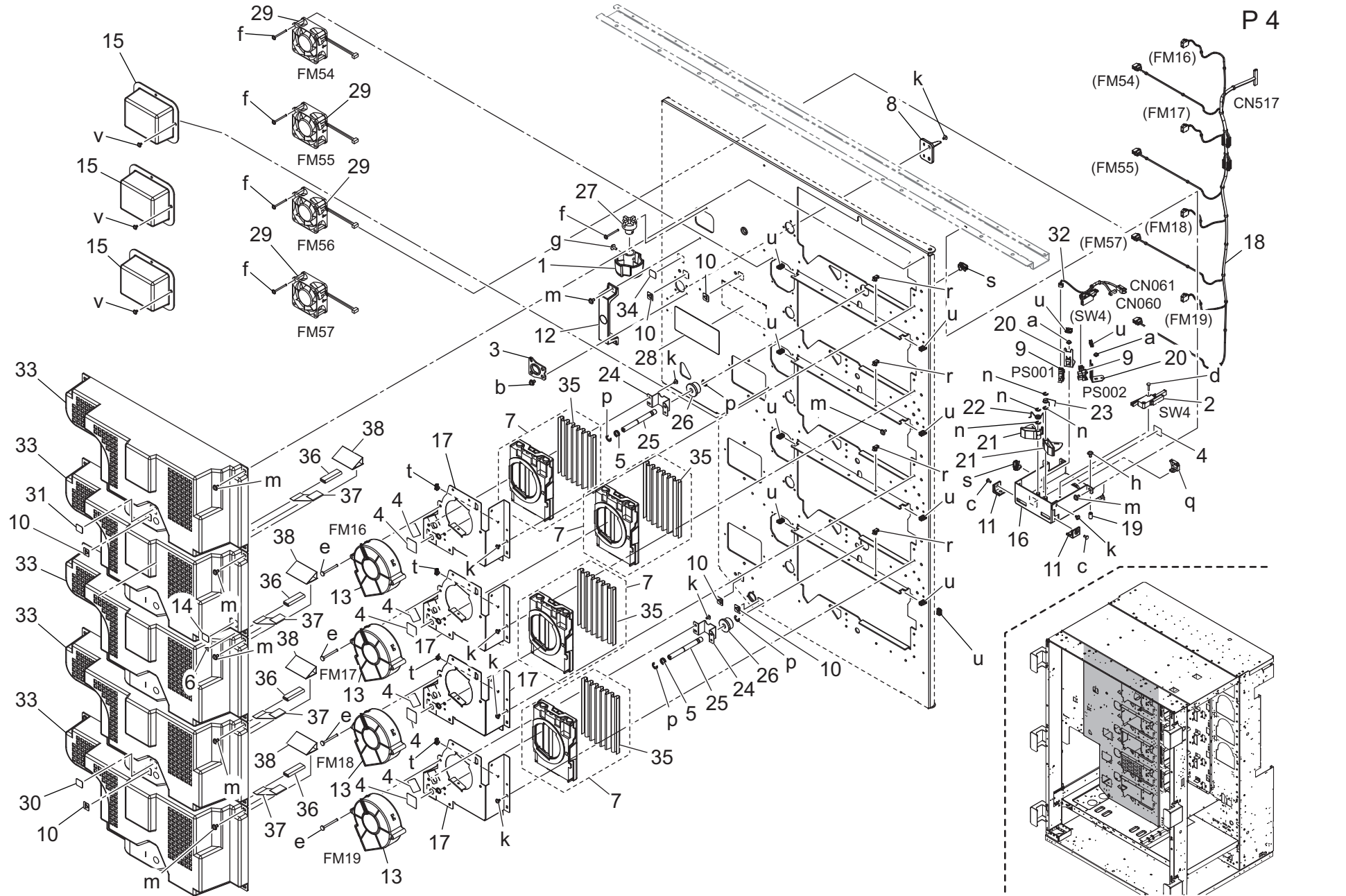
Key	Part No.	Description	Destinations	Class	QTY	Standard parts
1	AC0C166400	Holding Part /2	C,I(only SOUTH AFRI CA)	D	4	a-V500010063 b-V121040604 c-V127030604 d-V500010083
2	AC0C166300	Holding Part /1		D	4	
3	A9JT942401	Caution Label		D	1	
4	A9JX941801	Caution Label /1		D	1	
5	AC0C114401	Ozone Filter /1		A	1	
6	AC0C114501	Ozone Filter /2	A	1		
7	AC0C161601	Cover Side Plate /Left	D	1		
8	AC0C161702	Cover Side Plate /E	D	1		
9	AC0C166200	Filter Cover	D	2		
10	AC0C169200	Cover Sheet	D	1		
11	AC0C165001	Cover Plate	D	1		
12	AC0C163001	Cover Plate	D	1		
13	AC0C163101	Cover Plate	D	1		
14	A9VE942301	Caution Label	D	1		
15	A9VE942600	Caution Label	D	1		
16	AC0C168701	Cover Plate	D	1		

External Parts



Key	Part No.	Description	Destinations	Class	QTY	Standard parts
1	4470402401	Stopper		D	1	a-V127030604 b-V153030803 c-V217030003 d-V217040003 e-V500020099 f-V570010056
2	56AA41711	Tray Pressing Plate		D	1	
3	A00J623300	Shaft		D	1	
4	A00J663000	Roll		C	1	
5	A50UM51000	Photointerrupter		C	1	
6	A5AW744000	Cover		D	1	
7	A92W124301	Mounting Plate		D	1	
8	A92W124401	Slide Guide /Lower		D	1	
9	A92W124500	Slide Guide /Upper		D	1	
10	A92W124900	Support Shaft		D	1	
11	A92W125200	Pressing Spring		D	1	
12	AC0CN17000	Detection Harness /12		D	1	
13	AC0C121600	Scatteringprevention Duct /3		D	1	
14	AC0C121700	Scatteringprevention Duct /4		D	1	
15	AC0C121800	Suction Seal /1		D	1	
16	AC0C121900	Sealing Part /2		D	1	

# Main Frame



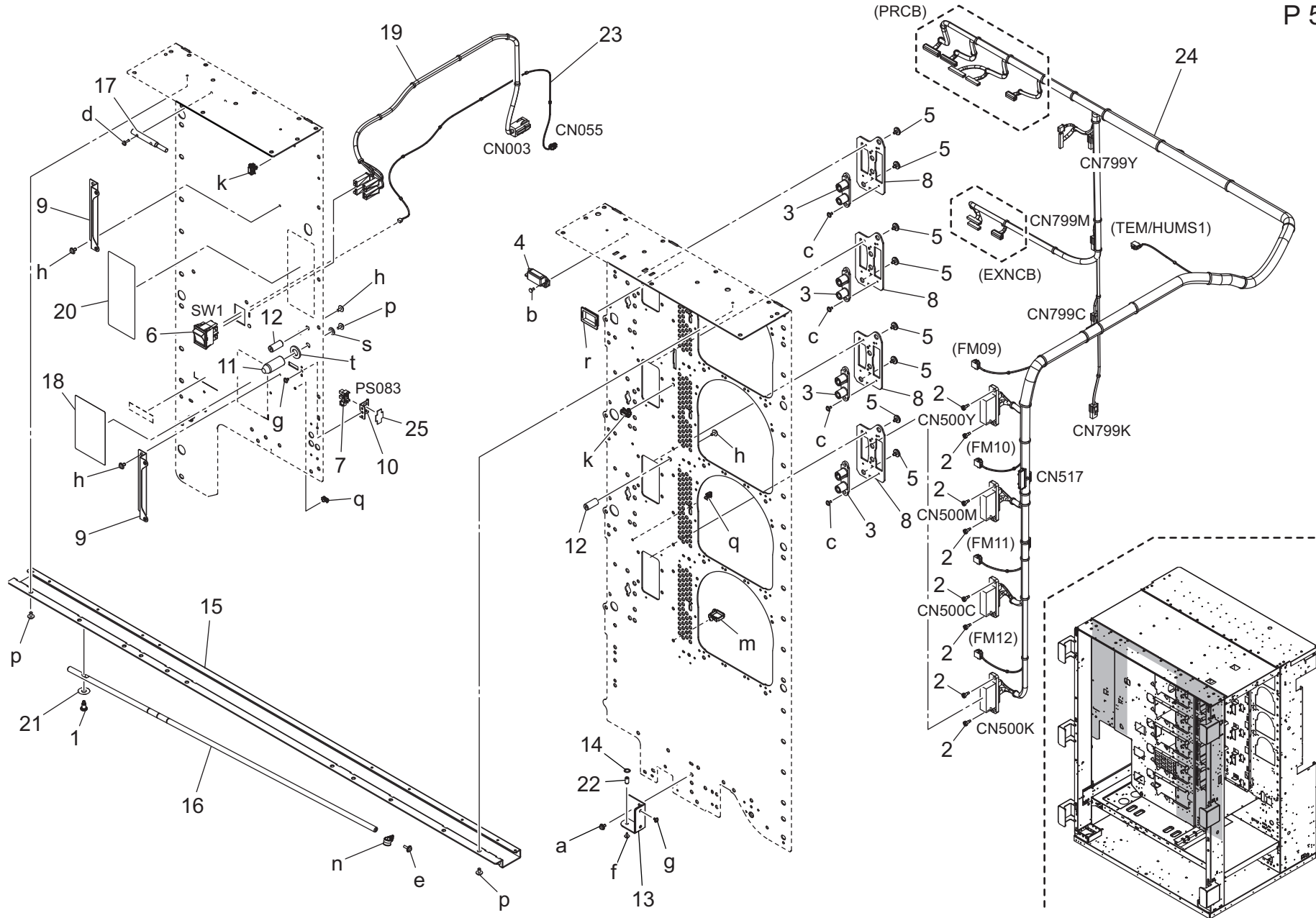
AccurioPress C12000



Key	Part No.	Description	Destinations	Class	QTY	Standard parts
1	56UA70760	Operation Unit Fixing Knob		C	1	a-V116030403
2	9J06M60100	Micro Switch		C	1	b-V116040803
3	A03U347201	Carriage Positioning Plate /Left		D	1	c-V118040604
4	A1RF106900	Moistureproof Seal		D	9	d-V118031203
5	A1RF435400	Release Spring		C	2	e-V118043503
6	A1RF945101	Replacement Label /1		D	1	f-V121033003
7	A1RFR70300Old	Fancover Assy		A	4	g-V121040803
7	AC0CR79800	Filter Assy		A	4	h-V125030803
8	A50U164100	Detecting Actuator		D	1	k-V127030604
9	A50UM51000	Photointerrupter		C	2	m-V127040803
10	A5AW782501	Fusing Label /3		D	6	n-V217040003
11	AC0C115600	Protection Part		D	2	p-V217060003
12	A799341700	Handle		D	1	q-V500010021
13	A93EM10600	Fan motor		C	4	r-V500010055
14	A50U947800	Label /3		D	1	s-V500010081
15	AC0C106500	Protection Cover /3		D	3	t-V500020099
16	AC0C106902	Support Plate		D	1	u-V570010056
17	AC0C107000	Mounting Plate		D	4	v-V127040603
18	AC0CN17501	Cooling Harness /2		D	1	
19	AC0C109200	Support Shaft		D	1	
20	AC0C115000	Mounting Plate /A		D	2	
21	AC0C115200	Actuator /Upper		D	2	
22	AC0C115300	Sensor Coil Spring /L		D	1	
23	AC0C115400	Sensor Coil Spring /R		D	1	
24	AC0C117700	Guide Part		D	2	
25	AC0C117801	Positioning Shaft		D	2	
26	AC0C117901	Positioning Coupling		D	2	
27	AC0C119500	Lock Jig		D	1	
28	AC0C947100	Caution Label /2		D	1	
29	AC57M15000	Cooling Fan		C	4	
30	A50U947600	Label /1		D	1	
31	A50U947700	Label /2		D	1	
32	AC0CN13400	Interlock Harness		D	1	
33	AC0C106302	Protection Cover /1		D	5	
34	A50U947900	Label /4		D	1	
35	AC0C127600	Protection Filter		A	4	
36	AC0C120600	Seal		D	4	
37	AC0C120900	Guide Sheet		D	4	
38	AC0C123700	Guide Sheet		D	4	

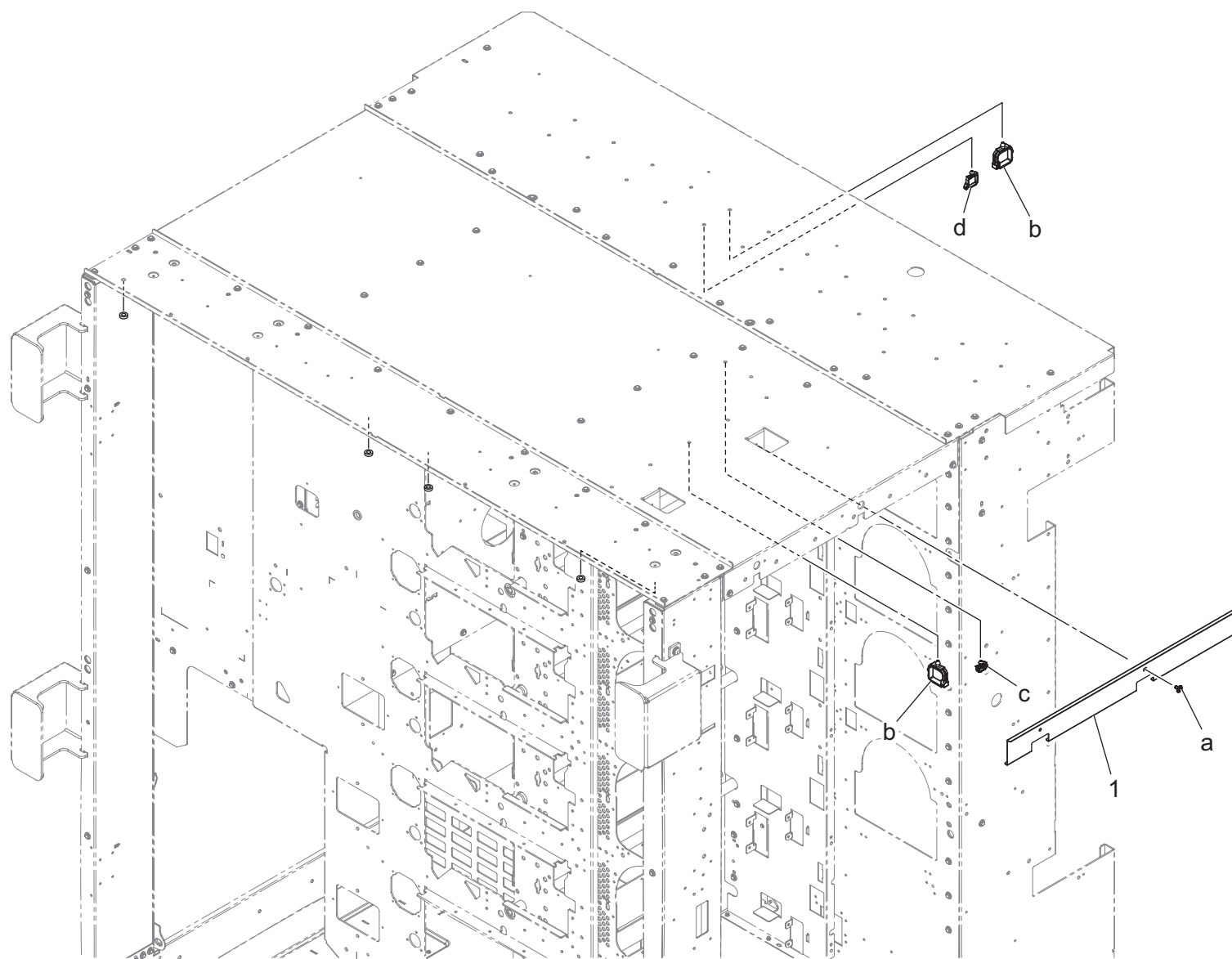
# Main Frame

P 5



AccurioPress C12000

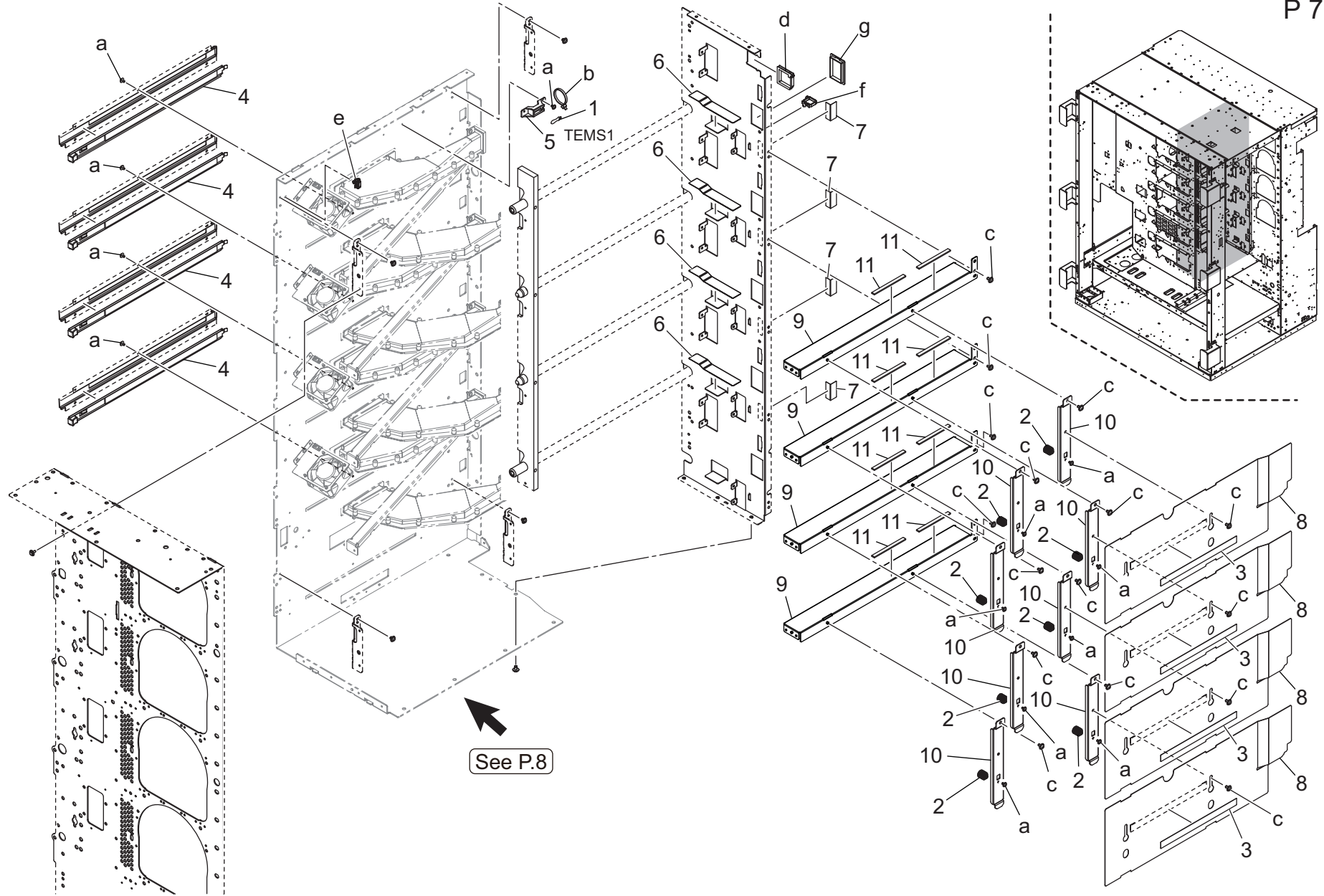
Key	Part No.	Description	Destinations	Class	QTY	Standard parts
1	26NA21440	Cartridge Screw		C	1	a-V116040803
2	57AA15600	Electric Mounting Screw		C	8	b-V118030603
3	A03U119000	Positioning Sleeve		C	4	c-V121030603
4	A0G6411200	Magnet /X		D	1	d-V121031004
5	A1RF103400	Guide Screw		D	8	e-V121041003
6	A4EUM60000	Power source Switch		C	1	f-V125030803
7	A50UM51000	Photointerrupter		C	1	g-V127030604
8	A5AW104900	Mounting Plate /4		D	4	h-V127040803
9	A5AW118800	Mounting Plate		D	2	k-V500010081
10	A5AW763400	Base frame		D	1	m-V500010084
11	AC0C103901	Base Shaft		D	1	n-V500020078
12	AC0C104000	Positioning Pin		D	2	p-V183040804
13	AC0C108501	Support Plate		D	1	q-V500020099
14	A55C231300	Spacer		D	1	r-V570010038
15	AC0C110800	Fixing Plate		D	1	s-V207080003
16	AC0C119200	Support Stay		D	1	t-V207120003
17	AC0C389700	Support Shaft		D	1	
18	AC0C942700	Caution Label /7		D	1	
19	AC0CN10400	AC Power Source Harness /4		D	1	
20	AC0C945400	Caution Label /D		D	1	
21	A161191900	Washer		D	1	
22	AC0C109200	Support Shaft		D	1	
23	AC0CN13300	Power Source Control Board /2		D	1	
24	AC0CN15101	Developing Harness /1		D	1	
25	4470402401	Stopper		D	1	



Key	Part No.	Description	Destinations	Class	QTY	Standard parts
1	AC0C117100	Cover Plate	カバー板	D	1	a-V183040804 b-V500010063 c-V500010081 d-V500010084

# Main Frame

P 7

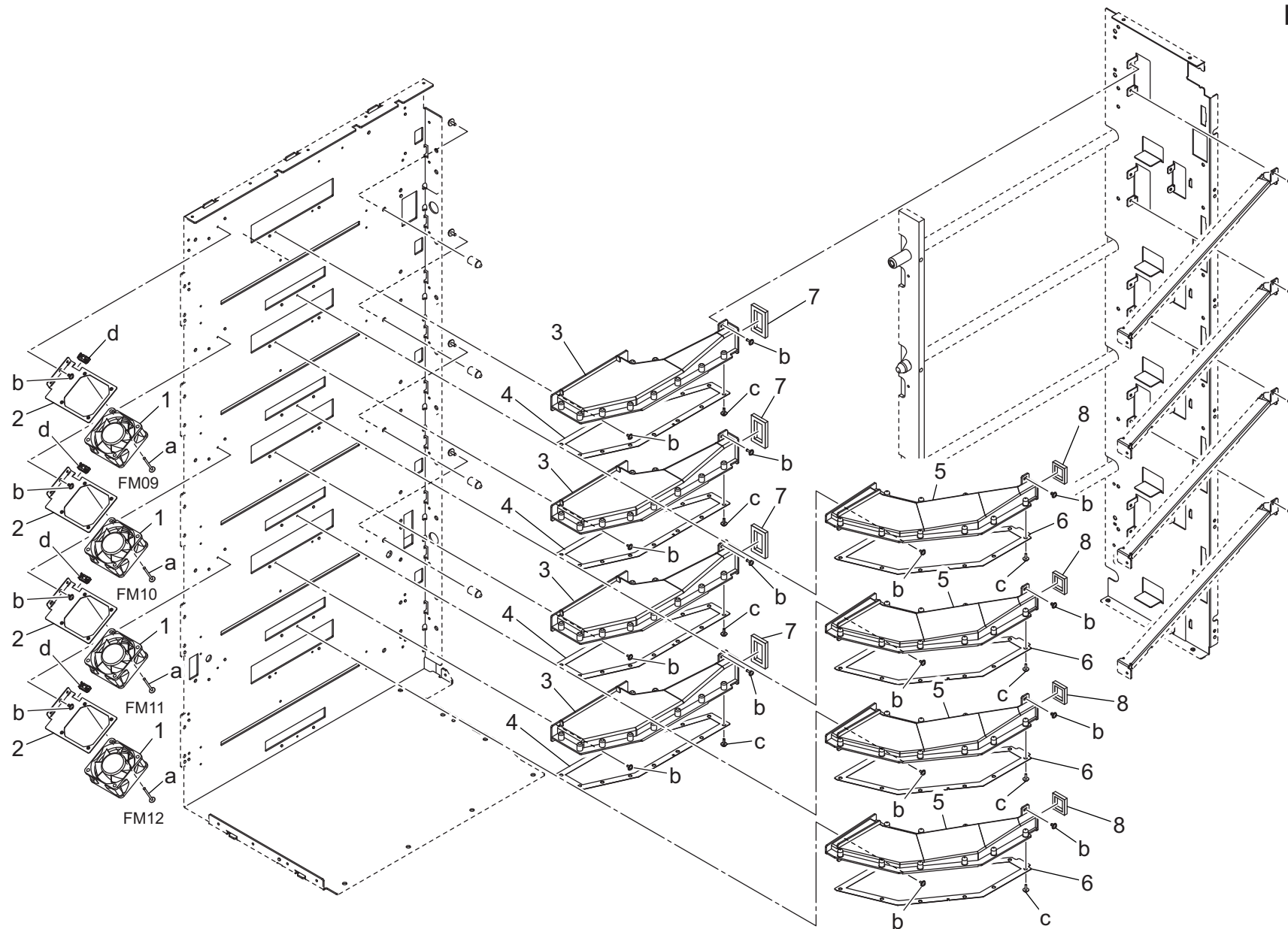


See P.8

Key	Part No.	Description	Destinations	Class	QTY	Standard parts
1	A03UM50500	Temperature Sensor /5 温度 センサ /5		C	1	a-V127030604 b-V501010002 c-V127040803 d-V570010048 e-V500010081 f-V500010084 g-V570010039
2	A1RF109400	Pressing Spring /S 押圧ばね /S		C	8	
3	A1RF942600	Caution Label /6 注意ラベル /6		D	4	
4	A1RFR74000	Glass Case Assy ガラスケース ASSY		D	4	
5	A1RG110100	Support Part 支持部材		D	1	
6	A5AW104000	Writing Spacer 書込みスペーサー		D	4	
7	A5AW783200	Cover Sheet /4 カバーシート /4		D	4	
8	AC0C108901	Fixing Plate 固定板		D	4	
9	AC0C109001	Hold Plate 保持板 (PH 下側)		D	4	
10	AC0C117000	Pressing Plate 押圧板		D	8	
11	A9JTM90400	Gasket /4 ガスケット /4		D	8	

# Main Frame

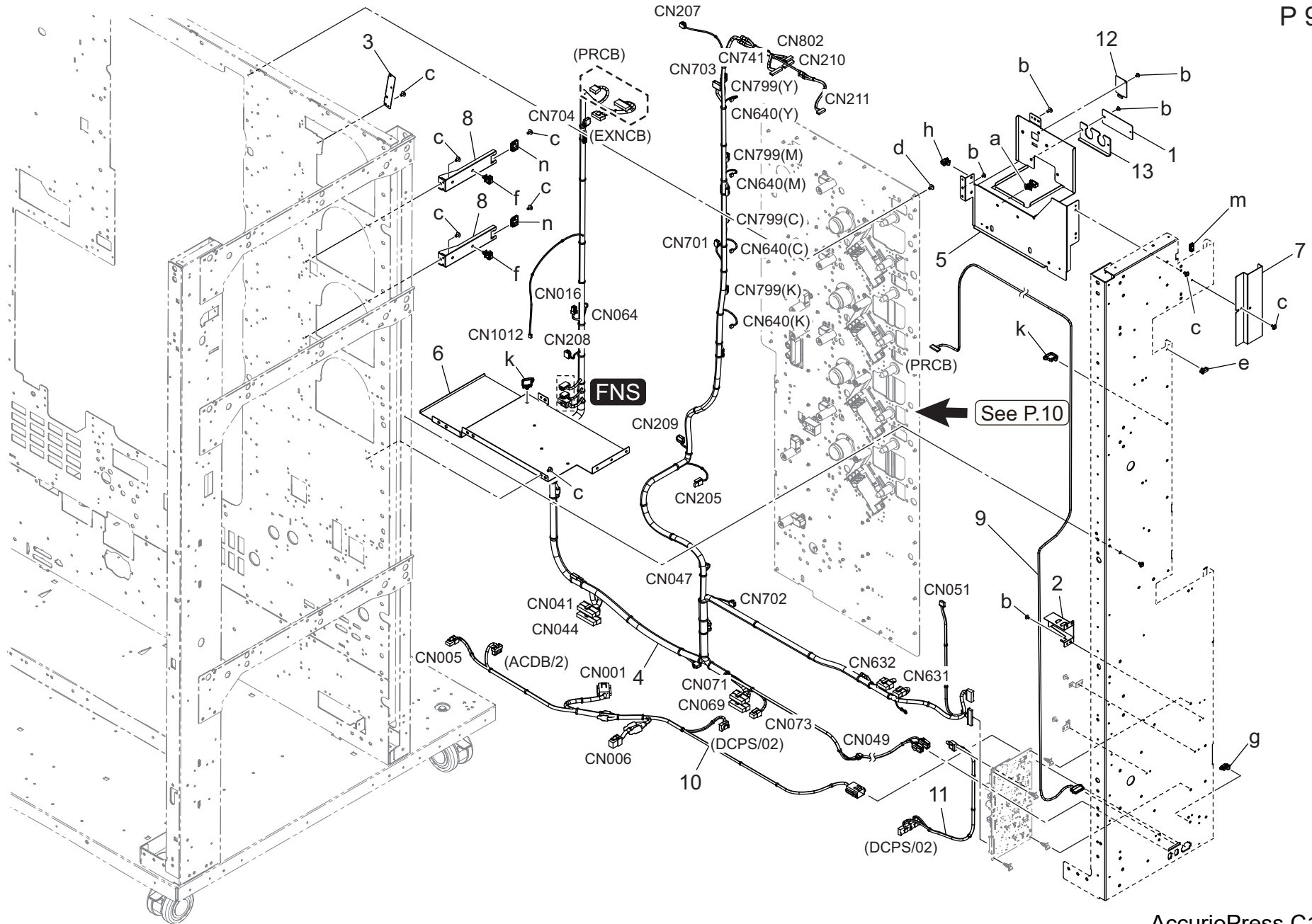
P 8





Key	Part No.	Description	Destinations	Class	QTY	Standard parts
1	AC57M15000	Cooling Fan		C	4	a-V121033003 b-V127030604 c-V153030803 d-V570010057
2	A5AW137700	Mounting Plate		D	4	
3	AC0C125300	Duct		D	4	
4	AC0C125400	Duct		D	4	
5	AC0C125500	Duct		D	4	
6	AC0C125600	Duct		D	4	
7	AC0C126400	Sealing Part		D	4	
8	AC0C129200	Sealing Part		D	4	

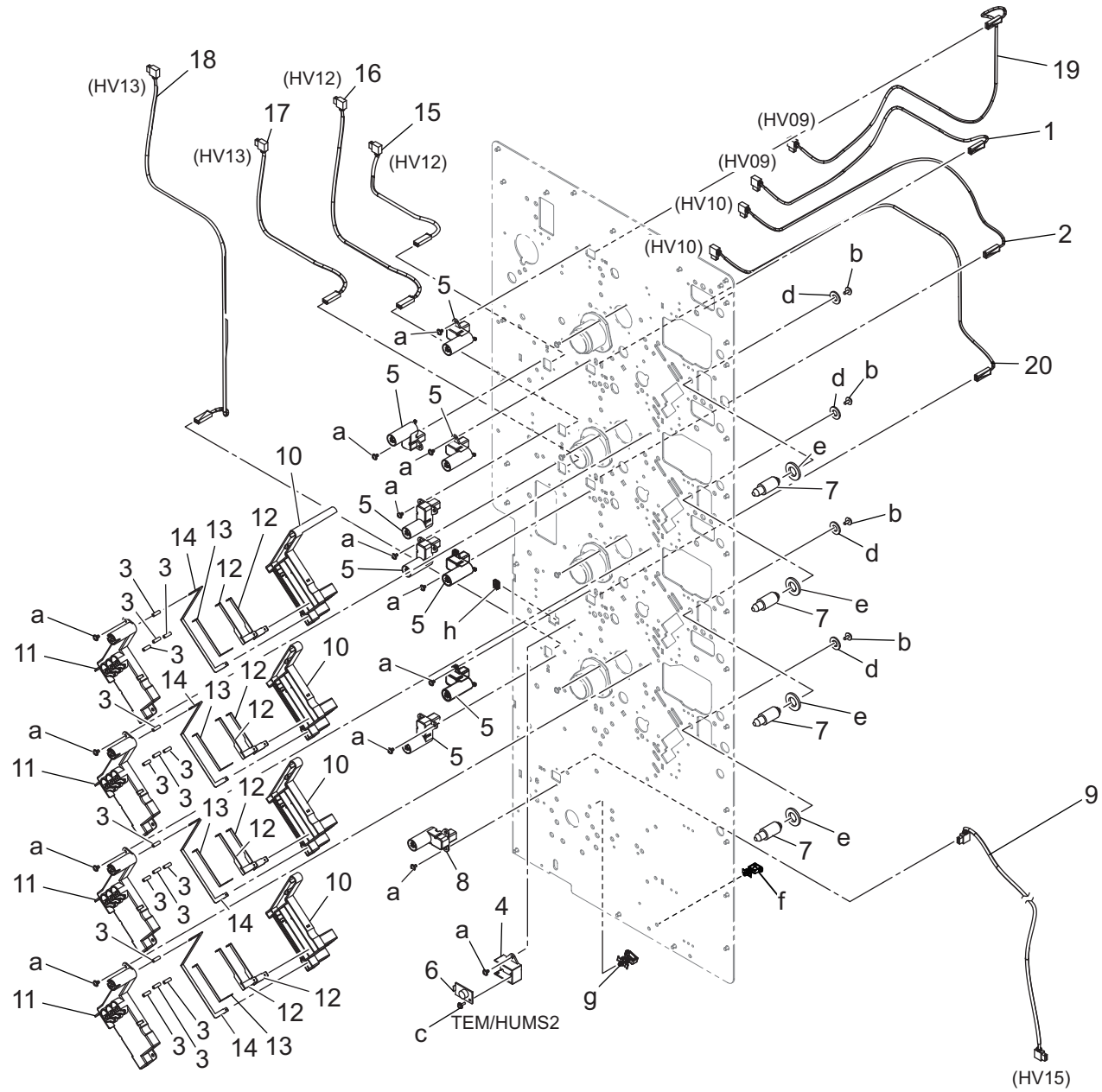
# Main Frame



Key	Part No.	Description	Destinations	Class	QTY	Standard parts
1	A1RF134000	Cover		D	1	a-V500020108
2	A1RF419200	Lifting Plate		D	1	b-V127030604
3	A1RF842701	Mounting Plate /5		D	1	c-V127040803
4	AC0CN13501	DC Power Source Harness /1		D	1	d-V183040804
5	AC0C103401	Hold Plate		D	1	e-V500010054
6	AC0C103500	Guide Plate		D	1	f-V500010076
7	AC0C119600	Fixing Plate		D	1	g-V500010081
8	AC0C131900	Guide Plate		D	2	h-V500010082
9	AC0CN13600	PFU Relay Harness		D	1	k-V500010084
10	AC0CN10500	AC Power Source Harness /5		D	1	m-V570010057
11	AC0CN10700	DC Power Source Harness /5		D	1	n-V570010060
12	A00J139000	Cover		D	1	
13	AC4H112500	Mounting Cover		D	1	

# Main Frame

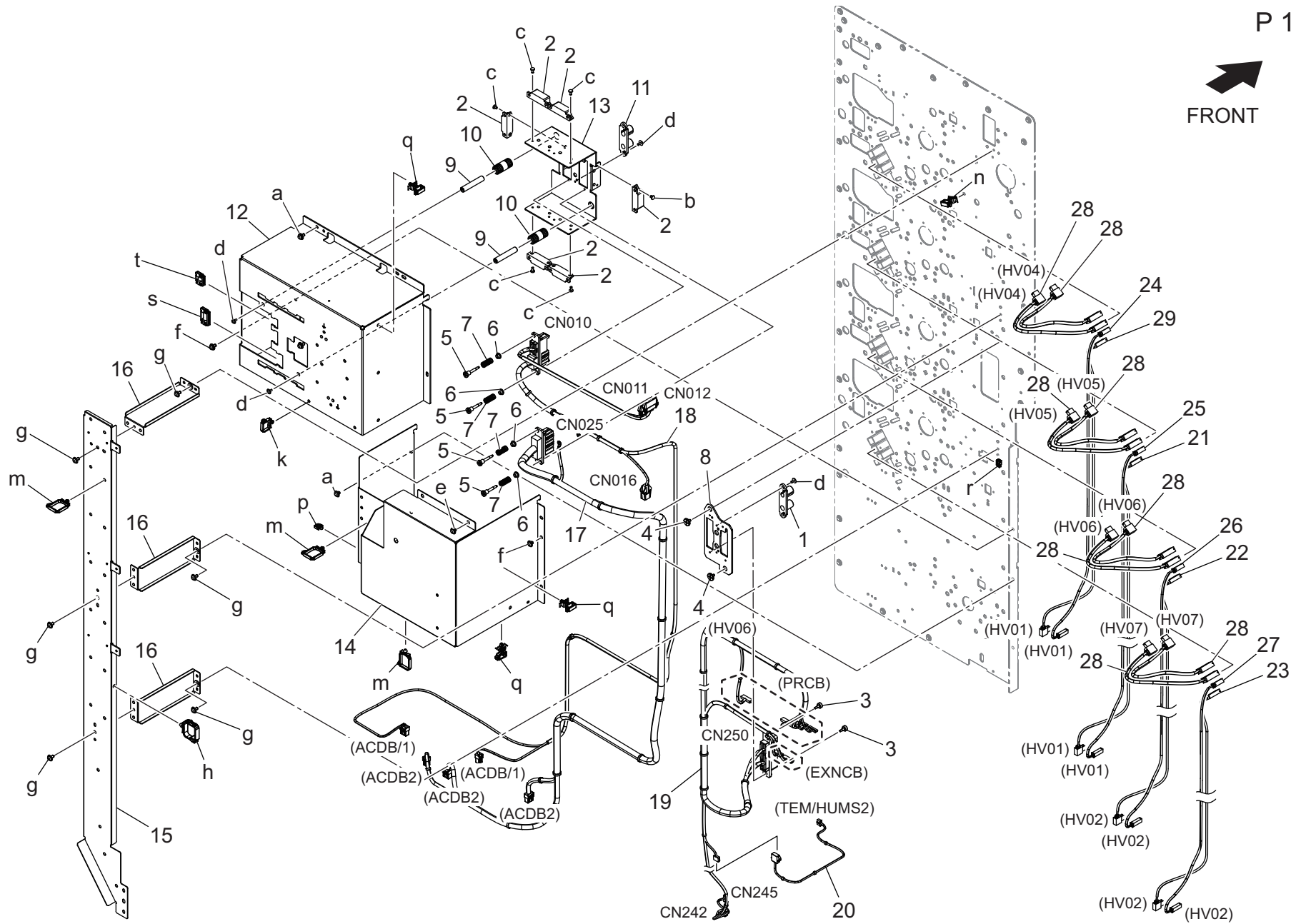
P 10



Key	Part No.	Description	Destinations	Class	QTY	Standard parts
1	AC0CN27700	HV Harness /19	高压束線 /1 9	D	1	a-V127030604
2	AC0CN27800	HV Harness /20	高压束線 /2 0	D	1	b-V127040803
3	65AA10740D	High voltage Powering Spring	高压給電バネ	D	16	c-V153030803
4	65AA11300	Support Part	センサ支持部材	D	1	d-V207080003
5	65AAR72700	Powering Block /1 Assy	給電ブロック /1 部組	C	8	e-V207120003
6	A034M50000Old	Humidity sensor	温湿度センサ	C	1	f-V500020089
6	A0P0M50400	Humidity sensor	温湿度センサ	C	1	g-V500020108
7	AC0C105000	Guide Leg	ガイド脚	D	4	h-V570010056
8	AC0CR79200	Power Supply Assy	給電 Assy	I	1	
9	AC0CN29100	HV Harness /S	高压束線 /S	D	1	
10	AC0C127000	Power Supply Block /1	給電ブロック /1	D	4	
11	AC0C127100	Power Supply Cover /1	給電カバー /1	D	4	
12	AC0C127200	Power Supply Plate /1	給電板 /1	D	8	
13	AC0C127300	Power Supply Plate /2	給電板 /2	D	4	
14	AC0C127400	Power Supply Plate /3	給電板 /3	D	4	
15	AC0CN26600	HV Harness /10	高压束線 /1 0	D	1	
16	AC0CN26700	HV Harness /11	高压束線 /1 1	D	1	
17	AC0CN26800	HV Harness /12	高压束線 /1 2	D	1	
18	AC0CN26900	HV Harness /13	高压束線 /1 3	D	1	
19	AC0CN27600	HV Harness /18	高压束線 /1 8	D	1	
20	AC0CN27901	HV Harness /25	高压束線 /2 5	D	1	

# Main Frame

P 11



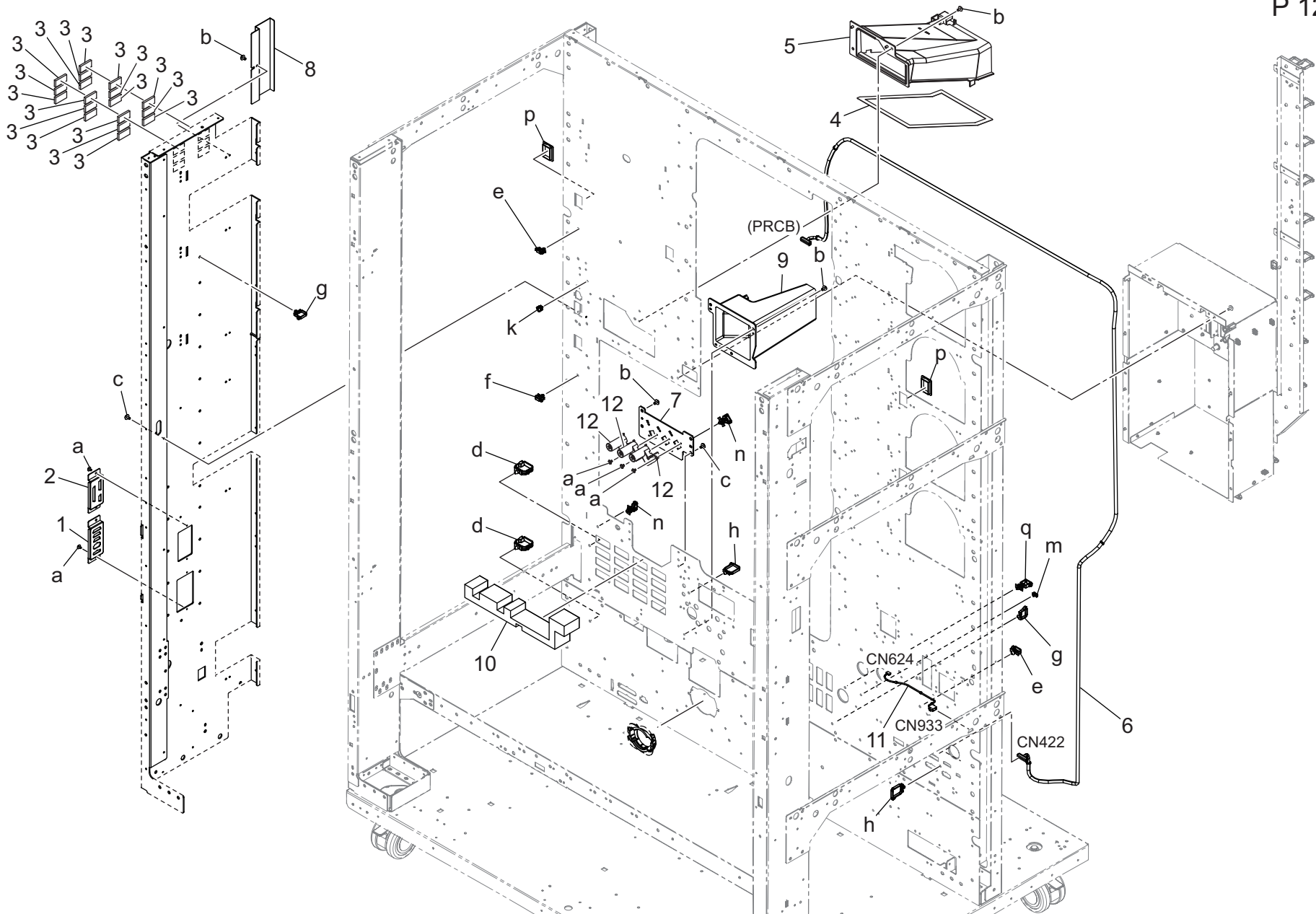
AccurioPress C12000

Key	Part No.	Description	Destinations	Class	QTY	Standard parts
1	A03U119000	Positioning Sleeve		C	1	a-V116040803
2	A0G6411200	Magnet /X		D	6	b-V118030403
3	A1DU622200	Mounting Screw		D	2	c-V118030603
4	A1RF103400	Guide Screw		D	2	d-V121030603
5	A1RF115001	Fixing Screw		D	4	e-V127030604
6	A1RF115101	Slide Spacer		D	4	f-V127040603
7	A1RF115301	Pressing Spring /D		D	4	g-V127040803
8	A5AW104900	Mounting Plate /4		D	1	h-V500010063
9	A5AW115800	Guide Shaft		D	2	k-V500010084
10	A5AW115900	Pressing Spring		D	2	m-V500010085
11	A92W119600	Positioning Sleeve		D	1	n-V500020089
12	AC0C107100	Mounting Plate /Rear		D	1	p-V500020098
13	AC0C107200	Swing Plate /Upper		D	1	q-V500020108
14	AC0C110400	Cover Plate		D	1	r-V570010056
15	AC0C132400	Wiring Guide /Assy		D	1	s-V570010059
16	AC0C132800	Fixing Plate		D	3	t-V570010060
17	AC0CN11600	Heater Drive Harness /1		D	1	
18	AC0CN12200	Heater Drive Harness /7		D	1	
19	AC0CN16200	Transfer Harness /1		D	1	
20	AC0CN16700	Transfer Harness /6		D	1	
21	AC0CN25200	HV Harness /2		D	1	
22	AC0CN25300	HV Harness /3		D	1	
23	AC0CN25401	HV Harness /4		D	1	
24	AC0CN25600	HV Harness /5		D	1	
25	AC0CN25700	HV Harness /6		D	1	
26	AC0CN25800	HV Harness /7		D	1	
27	AC0CN25900	HV Harness /8		D	1	
28	AC0CN26100	HV Harness /9		D	8	
29	AC0CN25100	HV Harness /1		D	1	



# Main Frame

P 12

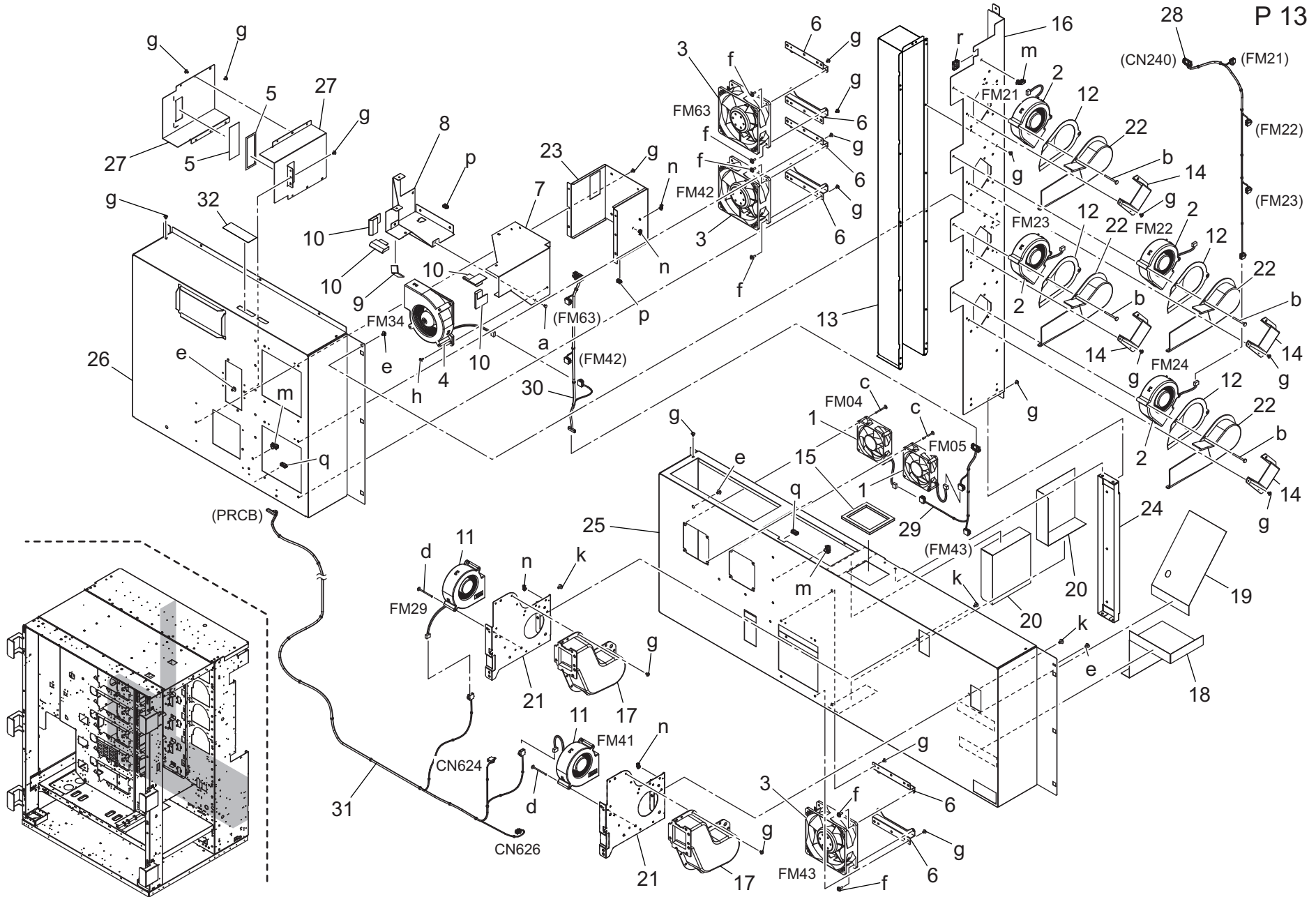




Key	Part No.	Description	Destinations	Class	QTY	Standard parts
1	A1RF131900	Connecting Plate /A		D	1	a-V127030604
2	A1RF134900	Connecting Plate /C		D	1	b-V127040803
3	A1RG163101	Protection Rubber /4		D	18	c-V183040804
4	A5AW116100	Duct		D	1	d-V500010063
5	A5AW116200	Duct		D	1	e-V500010081
6	AC0CN20100	Conveyance Control Harness /1		D	1	f-V500010082
7	AC0C112800	Mounting Plate /H		D	1	g-V500010084
8	AC0C119600	Fixing Plate		D	1	h-V500010085
9	AC0C126000	Heat Sink Duct		D	1	k-V500020098
10	AC0C116901	Sealing Part		D	1	m-V500020099
11	AC0CN17100	Detection Harness /2		D	1	n-V500020108
12	65AAR72700	Powering Block /1 Assy		C	3	p-V570010038 q-V500020089

# Main Frame

P 13

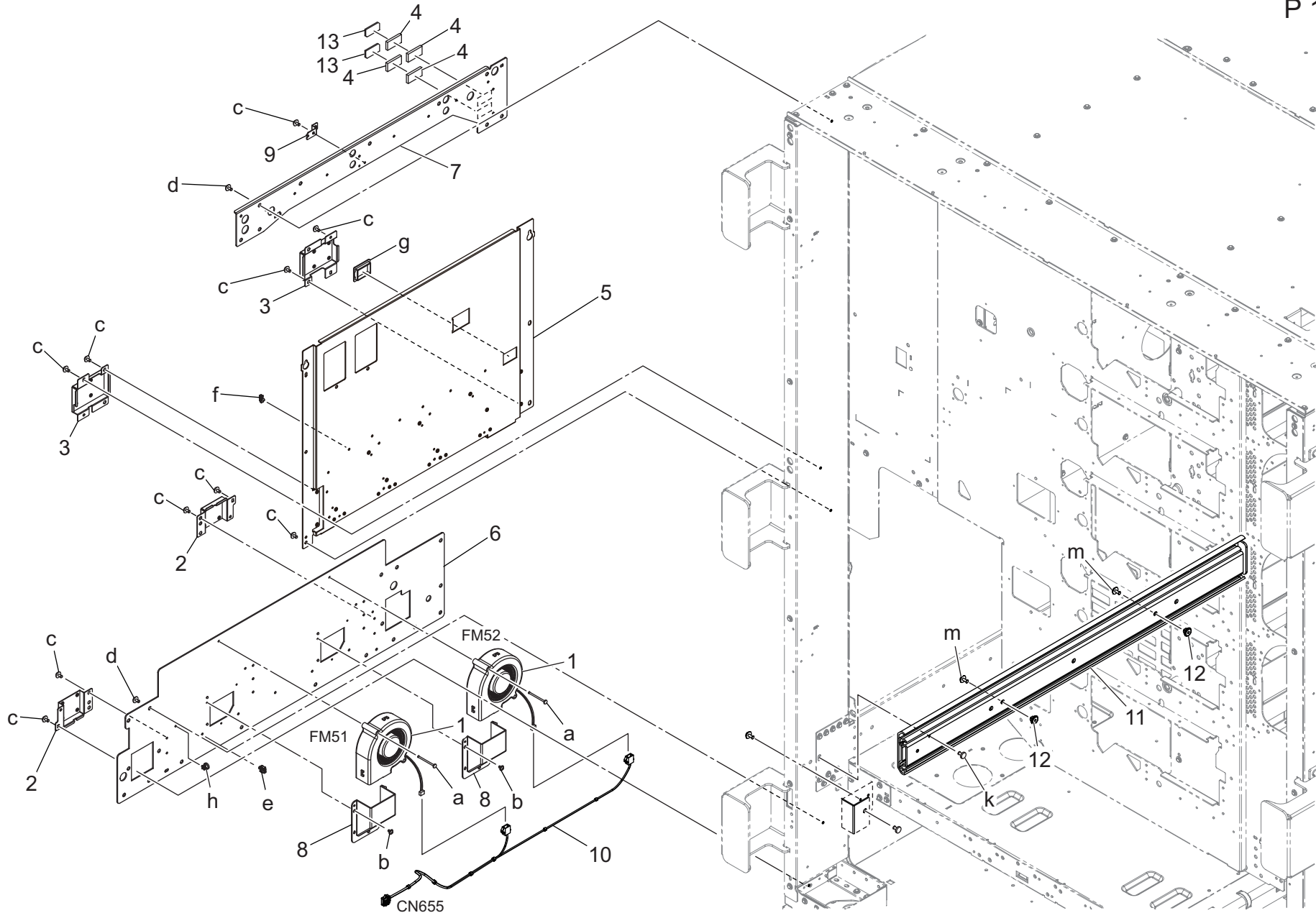


AccurioPress C12000

Key	Part No.	Description	Destinations	Class	QTY	Standard parts
1	13NT80511	Fan Motor /1		C	2	a-V118030404
2	A93EM10600	Fan motor		C	4	b-V118043503
3	A03UM15201	Main body Fan motor		B	3	c-V121033003
4	A0Y5M15101	Suction Fan motor		C	1	d-V121034003
5	A1RF421700	Toner supply Sheet		D	2	e-V121040604
6	A5AW118800	Mounting Plate		D	6	f-V121041003
7	A5AW170000	Suction Duct /1		D	1	g-V127030604
8	A5AW170100	Suction Duct /2		D	1	h-V127030803
9	A5AW170200	Auxiliary Seal		D	1	k-V127040803
10	A5AW170301	Auxiliary Seal		D	4	m-V500010081
11	A5AWM15101	Cooling Fan		B	2	n-V500020099
12	AC0C120200	Sealing Part		D	4	p-V570010056
13	AC0C123001	Heat Sink Duct		D	1	q-V570010057
14	AC0C123100	Heat Sink Duct		D	4	r-V570010060
15	AC0C123200	Sealing Part		D	1	
16	AC0C123400	Mounting Plate /F		D	1	
17	AC0C124200	Duct		D	2	
18	AC0C124500	Guide Sheet		D	1	
19	AC0C124600	Guide Sheet		D	1	
20	AC0C124700	Guide Sheet		D	2	
21	AC0C125201	Fixing Plate		D	2	
22	AC0C126100	Heat Sink Duct		D	4	
23	AC0C128700	Hold Plate		D	1	
24	AC0C168000	Stay		D	1	
25	AC0C168101	Ozone Box		D	1	
26	AC0C168200Old	Heat Sink Box		D	1	
26	AC0C168201	Heat Sink Box		D	1	
27	AC0C168900	Duct		D	2	
28	AC0CN17600	Cooling Harness /3		D	1	
29	AC0CN18500	Cooling Harness /6		D	1	
30	AC0CN18701	Cooling Harness /7		D	1	
31	AC0CN17200	Detection Harness /3		D	1	
32	A5AW345000	Cover Sheet		D	1	

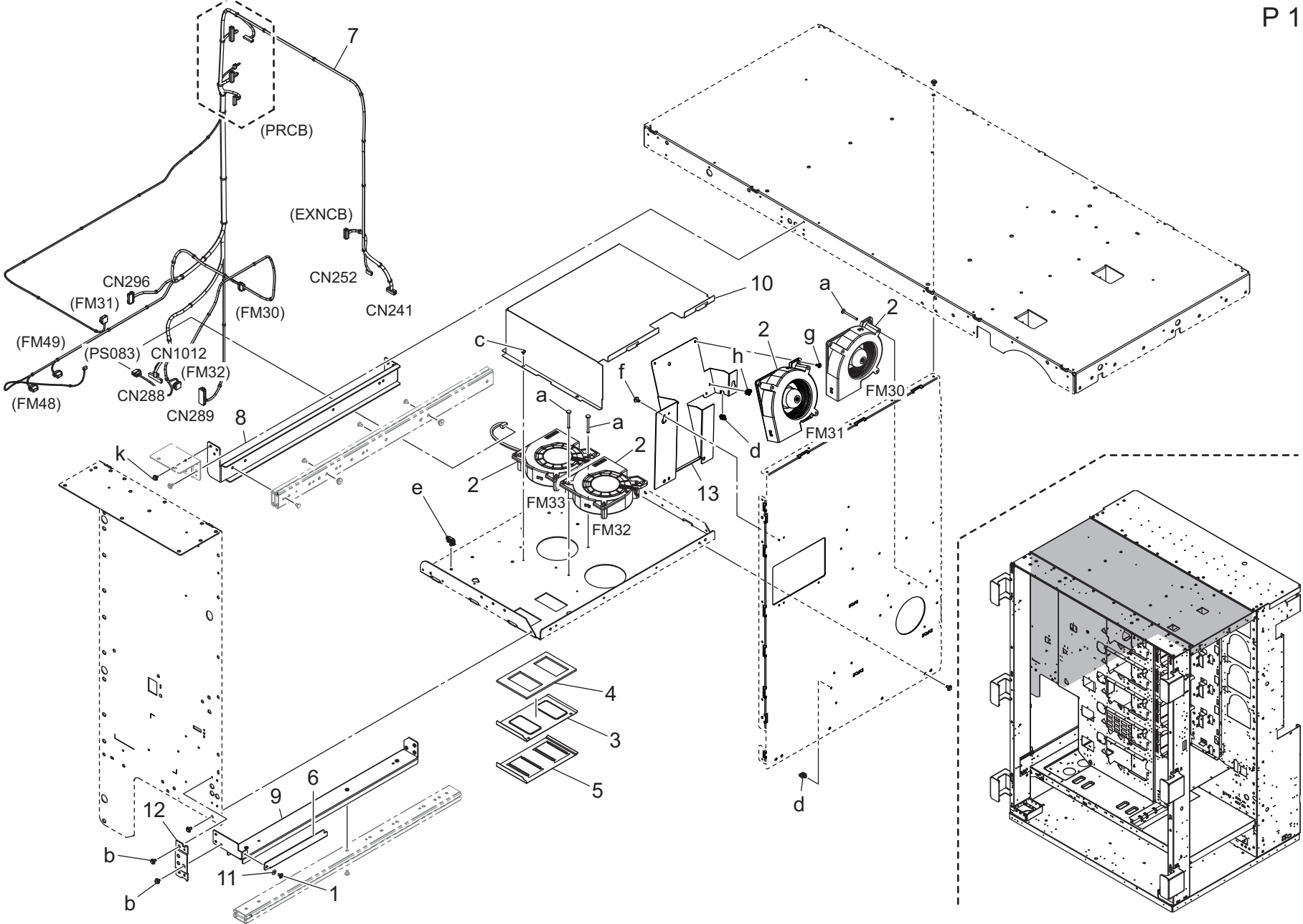
# Main Frame

P 14



Key	Part No.	Description	Destinations	Class	QTY	Standard parts
1	A93EM10600	Fan motor ファンモータ		C	2	a-V118043503
2	A1RF162601	Cover Spacer /1 カバースペーサ /1		D	2	b-V127030604
3	A1RF162700	Cover Spacer /2 カバースペーサ /2		D	2	c-V127040803
4	A1RG163101	Protection Rubber /4 保護ゴム /4		D	4	d-V183040804
5	AC0C103301	Protection Cover 保護カバー (左側面)		D	1	e-V500020098
6	AC0C118302	Reinforce Plate /12 補強板 /1 2		D	1	f-V500020099
7	AC0C118401	Reinforce Plate /12 補強板 /1 2		D	1	g-V570010038
8	AC0C123100	Heat Sink Duct 放熱ダクト (現像放熱2)		D	2	h-V501010011
9	AC0C167800	Fixing Plate 固定板		D	1	k-V118051003
10	AC0CN17701	Cooling Harness /4 冷却束線 /4		D	1	m-V118040604
11	AC0C815700	Slide Rail /Left スライドレール /左		D	1	
12	A50U833000	Mounting Collar /1 取付カラー /1		C	2	
13	A1RG163201	Protection Rubber /2 保護ゴム /2		D	2	

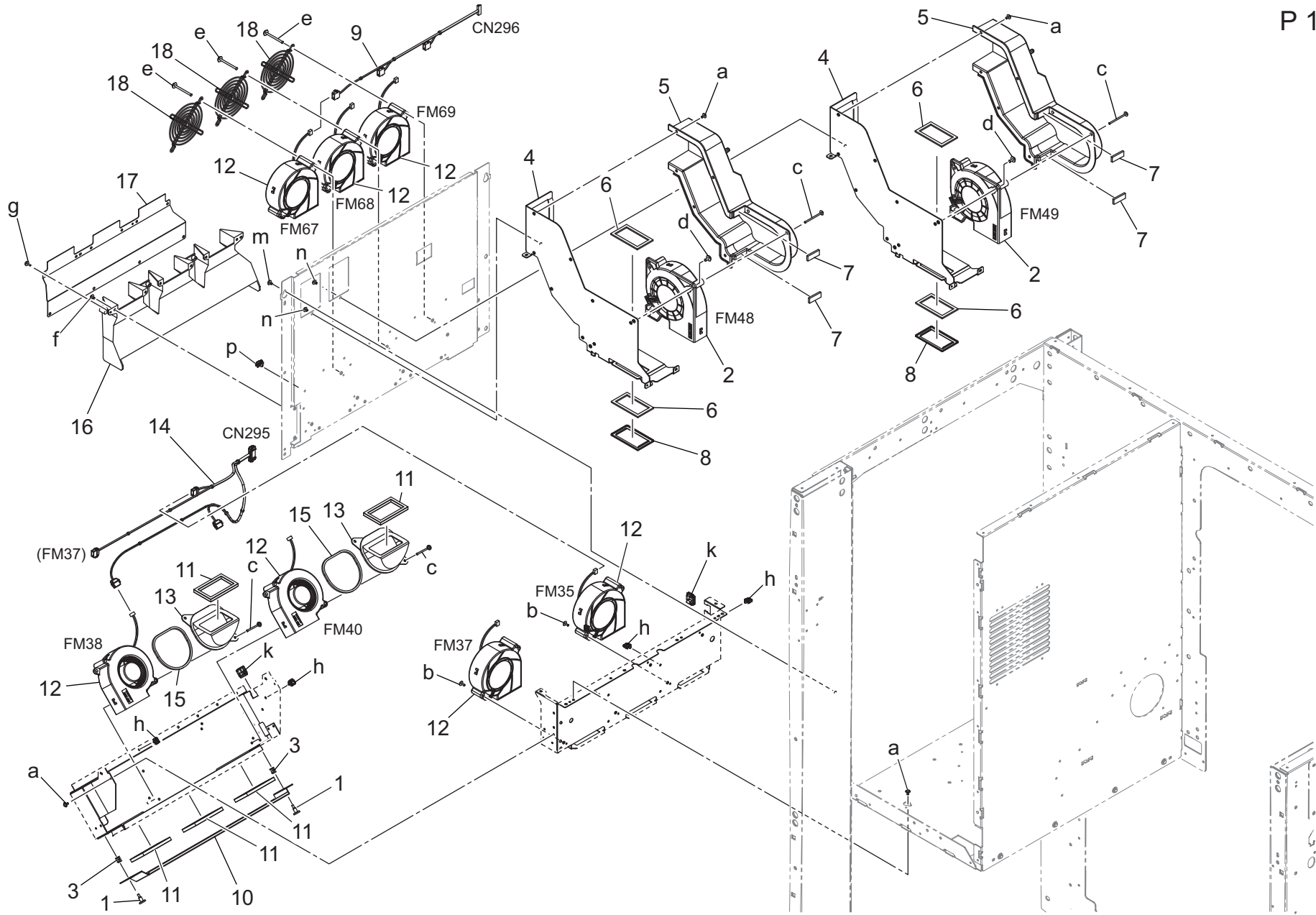
# Main Frame



AccurioPress C12000

Key	Part No.	Description	Destinations	Class	QTY	Standard parts
1	A03U734500	Support Screw /A		C	1	a-V118043503
2	A0Y5M15101	Suction Fan motor		C	4	b-V125041003
3	A1RF114700	Sealing Plate		D	1	c-V127030604
4	A1RF114800	Insulating Seal		D	1	d-V500020098
5	A1RF115700	Slide Sheet		D	1	e-V500010081
6	AC0C117601	Stopper Part		D	1	f-V183040804
7	AC0CN17401	Cooling Harness /1		D	1	g-V121030803
8	AC0C119000Old	Stay /4		D	1	h-V570010056
8	AC0C119001	Stay /4		D	1	k-V121050803
9	AC0C119101	Stay		D	1	
10	AC0C125900	Heat Sink Duct		D	1	
11	56AA26310	Spacer /5		C	1	
12	AC0C118501	Holding Plate		D	1	
13	AC0C120700	Cooling Duct		D	1	

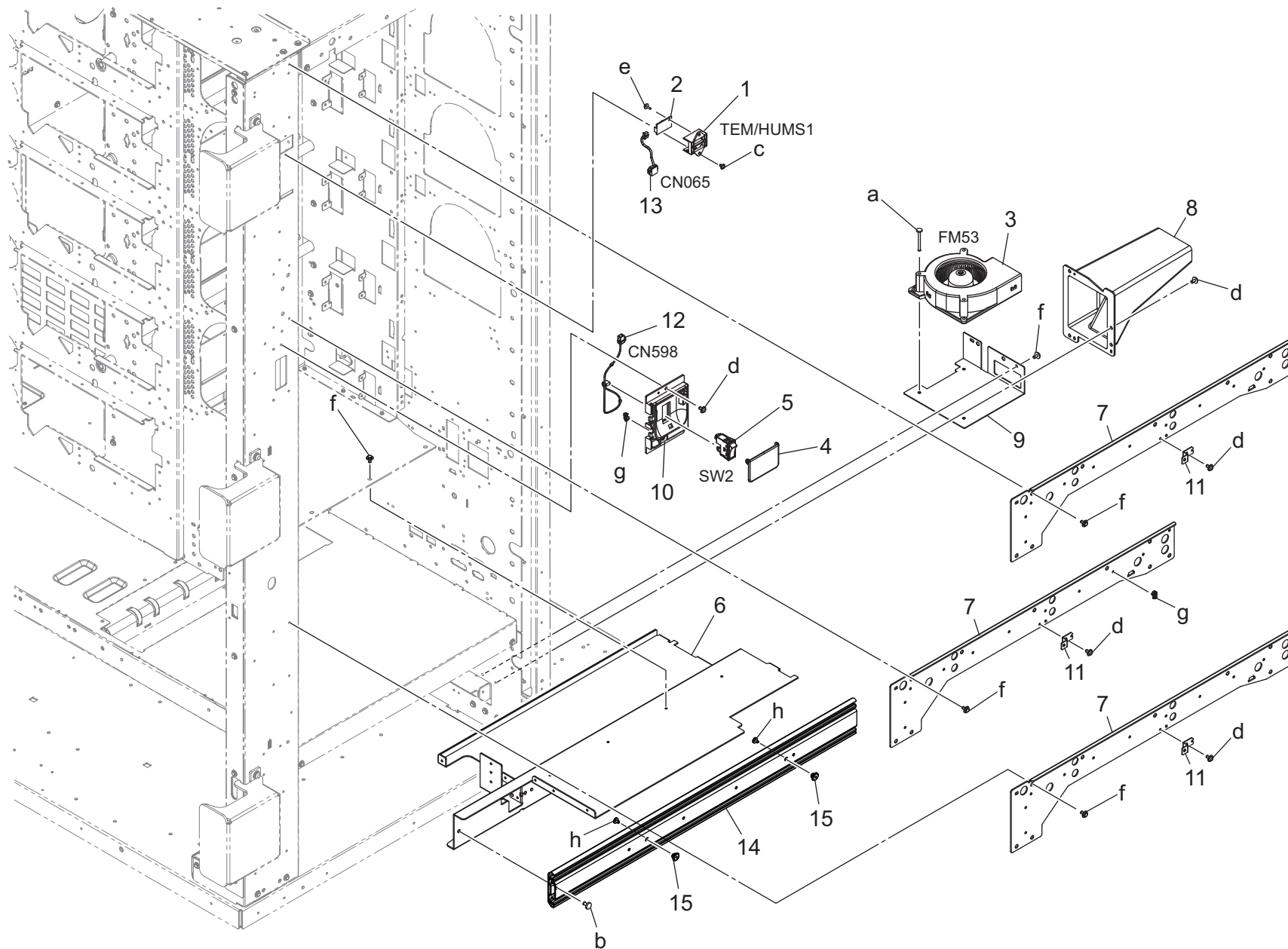
# Main Frame





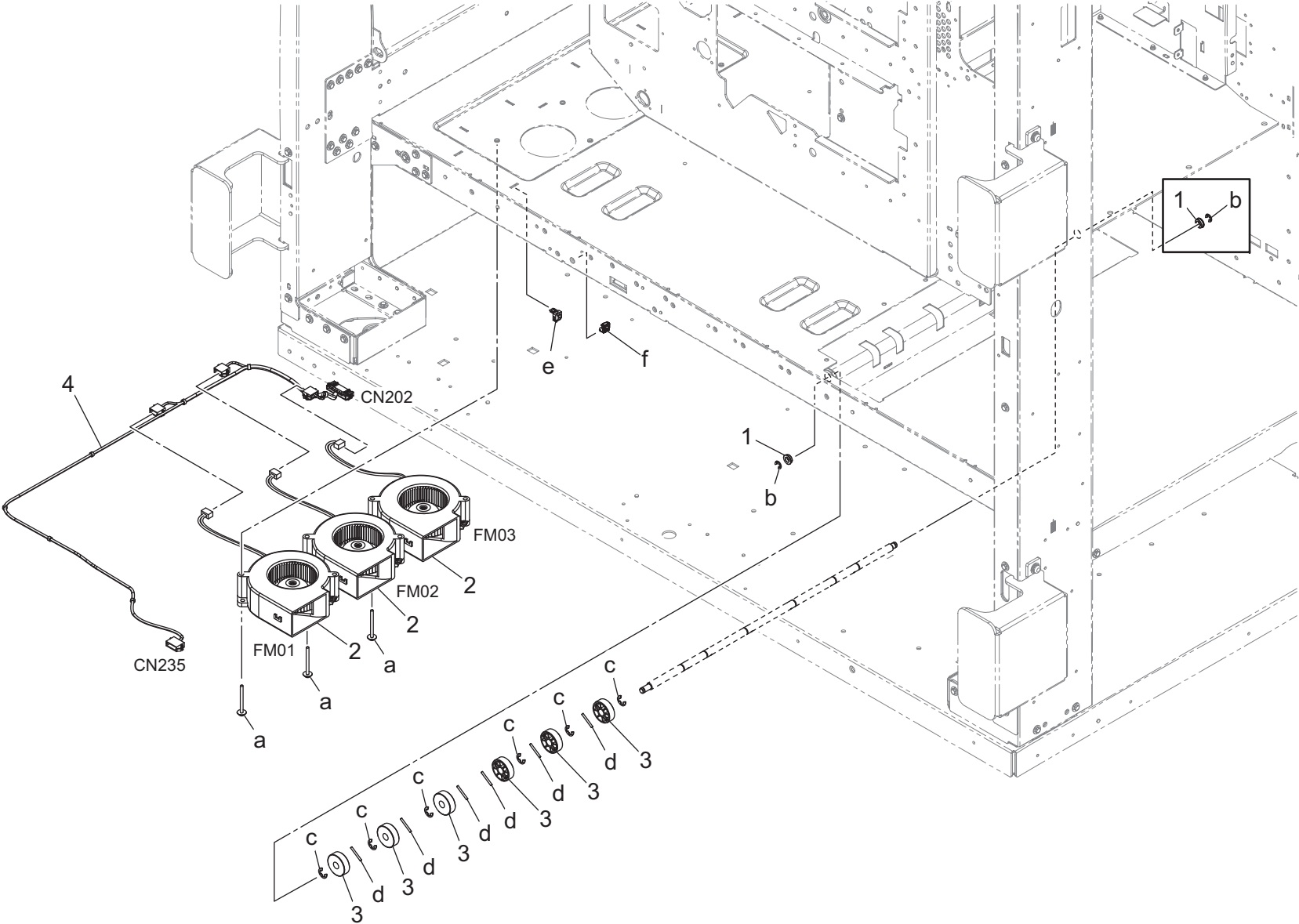
Key	Part No.	Description	Destinations	Class	QTY	Standard parts
1	4036248701	Shoulder Screw		C	2	a-V121030603
2	A03UM15300	Fixing Cooling Fan		C	2	b-V121030803
3	A1DU764000	Spring		D	2	c-V121034003
4	A1RF107400	Installing Plate /Upper		D	2	d-V121040803
5	A1RF107500	Fusing Duct /Upper		D	2	e-V121044003
6	A1RF107700	Fusing Seal /1		D	4	f-V127030604
7	A1RF107800	Fusing Seal /2		D	4	g-V153030803
8	A1RF108000	Sealing Sheet		D	2	h-V500020098
9	AC0CN18800	Cooling Harness /10		D	1	k-V570010060
10	A5AW119400	Separating Shutter		D	1	m-V127040803
11	A5AW119500	Separating Cushion		D	5	n-V146030603
12	A5AWM15101	Cooling Fan		B	7	p-V500020099
13	AC0C119700	Connecting Duct		D	2	
14	AC0CN18200	Cooling Harness /9		D	1	
15	AC0C119900	Connecting Seal		D	2	
16	AC0C122000	Cooling Duct /1		D	1	
17	AC0C122100	Cooling Duct /2		D	1	
18	AC0C127900	Protection Part		D	3	

# Main Frame



Key	Part No.	Description	Destinations	Class	QTY	Standard parts
1	65AA11300	Support Part		D	1	a-V118043503
2	A034M50000Old	Humidity sensor		C	1	b-V118051003
2	A0P0M50400	Humidity sensor		C	1	c-V127030604
3	A0Y5M15101	Suction Fan motor		C	1	d-V127040803
4	A1DU163402	Protection Cover		D	1	e-V153030803
5	A5AWM60200	Power Source Switch		C	1	f-V183040804
6	AC0C102502	Support Stay /E		D	1	g-V500020099
7	AC0C118401	Reinforce Plate /12		D	3	h-V118040604
8	AC0C126000	Heat Sink Duct		D	1	
9	AC0C138600	Fixing Plate		D	1	
10	AC0C166101	Guide Part		D	1	
11	AC0C167800	Fixing Plate		D	3	
12	AC0CN15000	Power Source Control Harness /5		D	1	
13	AC0CN17300	Sensor Relay Harness		D	1	
14	AC0C815600	Slide Rail /Right		D	1	
15	A50U833000	Mounting Collar /1		C	2	

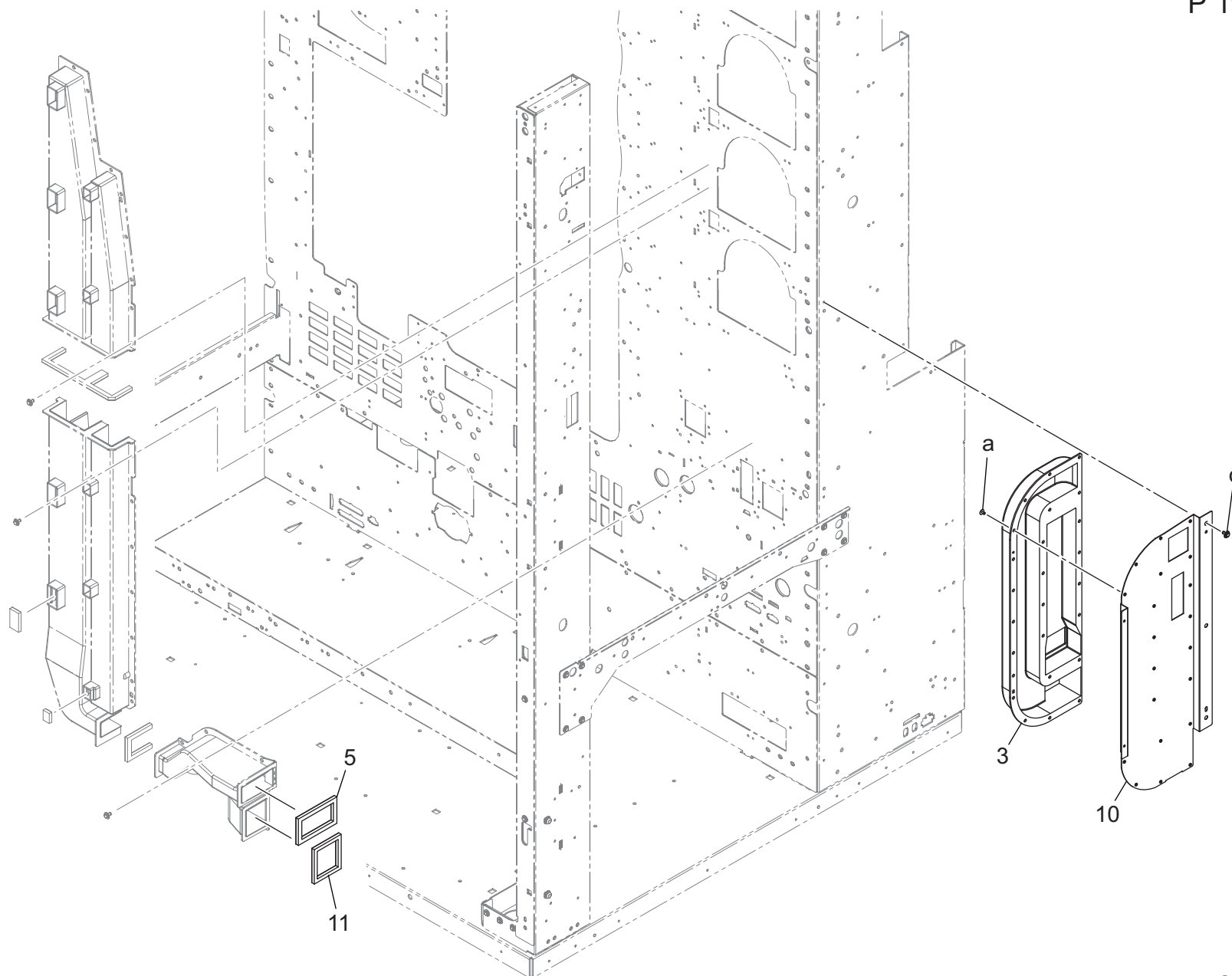
Main Frame



Key	Part No.	Description	Destinations	Class	QTY	Standard parts
1	A00J617800	Ball Bearing		A	2	a-V118043503
2	A03UM15802	Main body Cooling Fan		C	3	b-V217040003
3	A1TT715812	Guide Roll /B		C	6	c-V217060001
4	AC0CN14400	Toner Detection Harness /2		D	1	d-V234201850 e-V500010057 f-V500020098

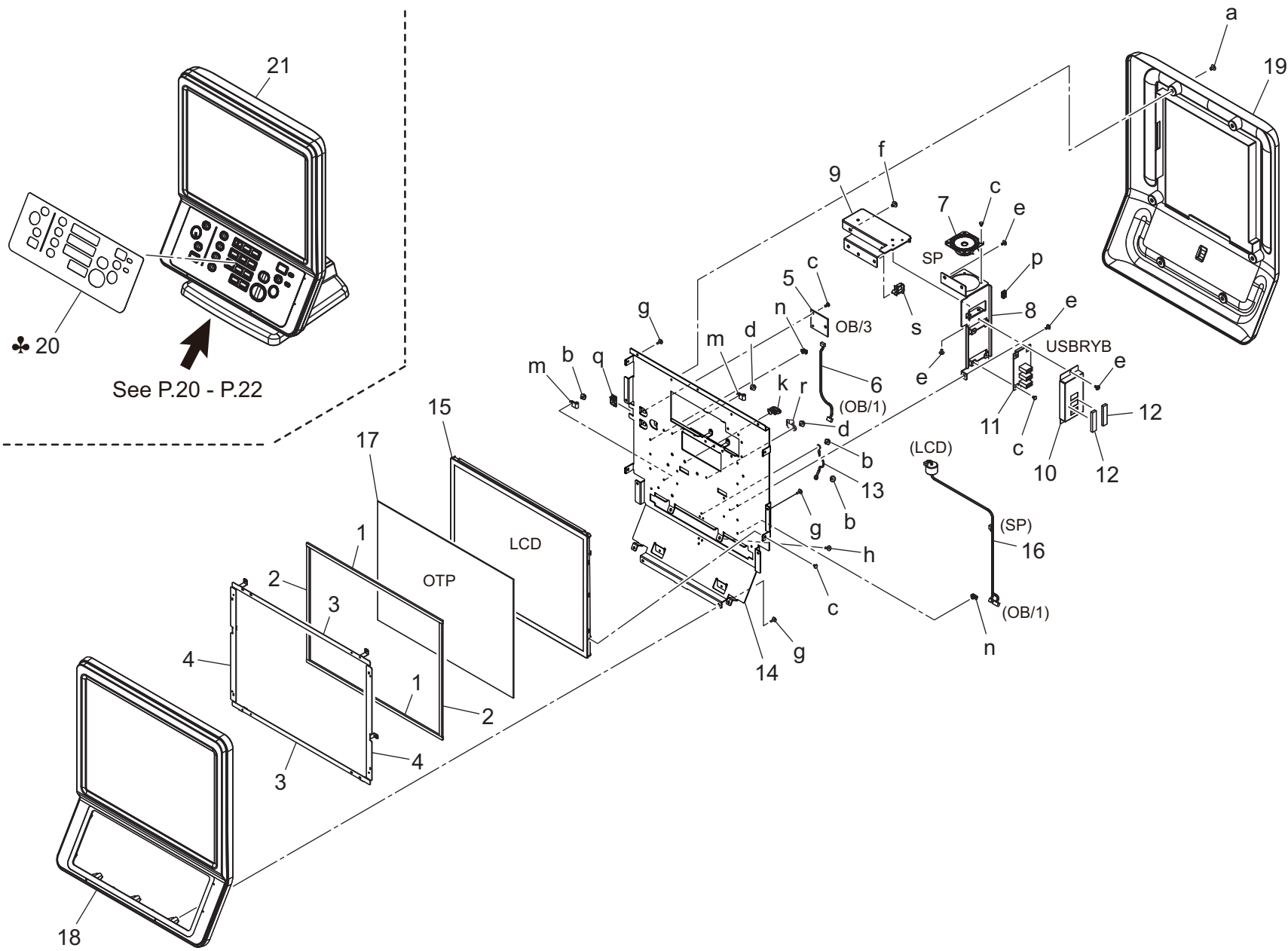
# Main Frame

P 19



Key	Part No.	Description	Destinations	Class	QTY	Standard parts
3	AC0C121500	Ventilation Duct /2		D	1	a-V127030604 c-V127040803
5	AC0C126500	Sealing Part		D	1	
10	AC0C129711	Cover Plate		D	1	
11	AC0C129900	Sealing Part		D	1	

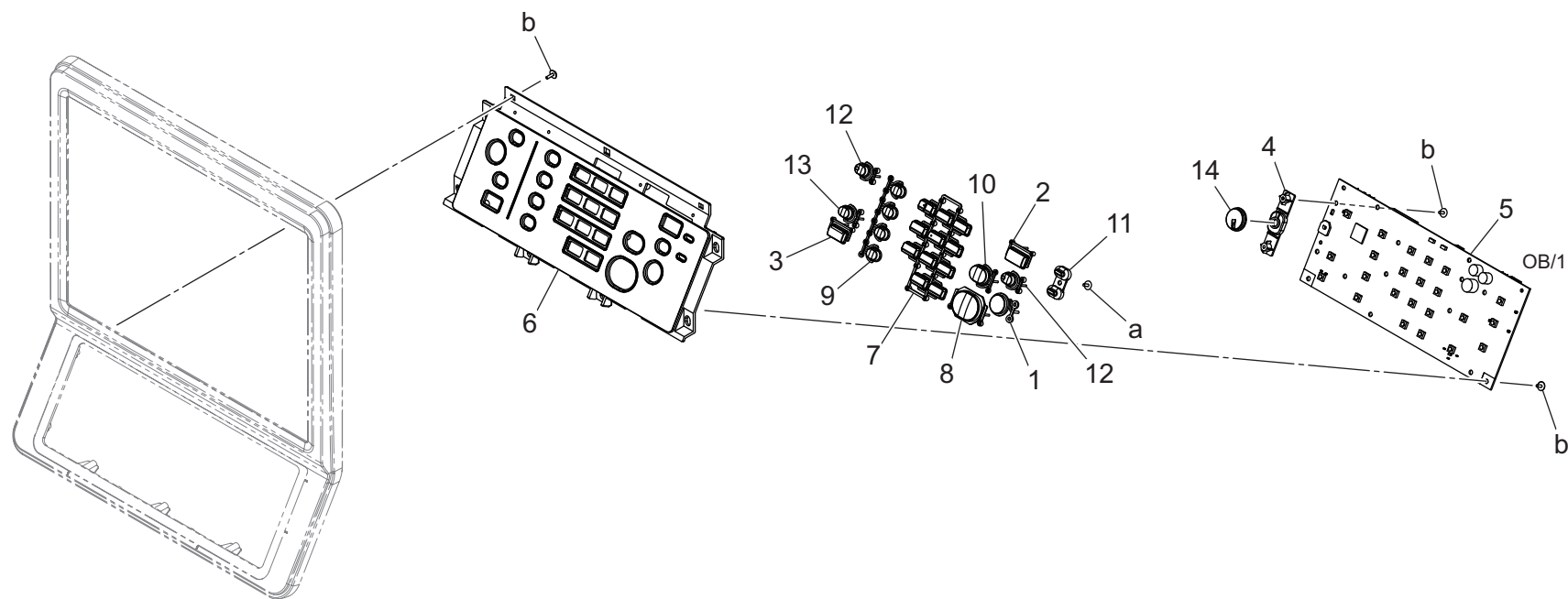
# Operation Panel Section



See P.20 - P.22

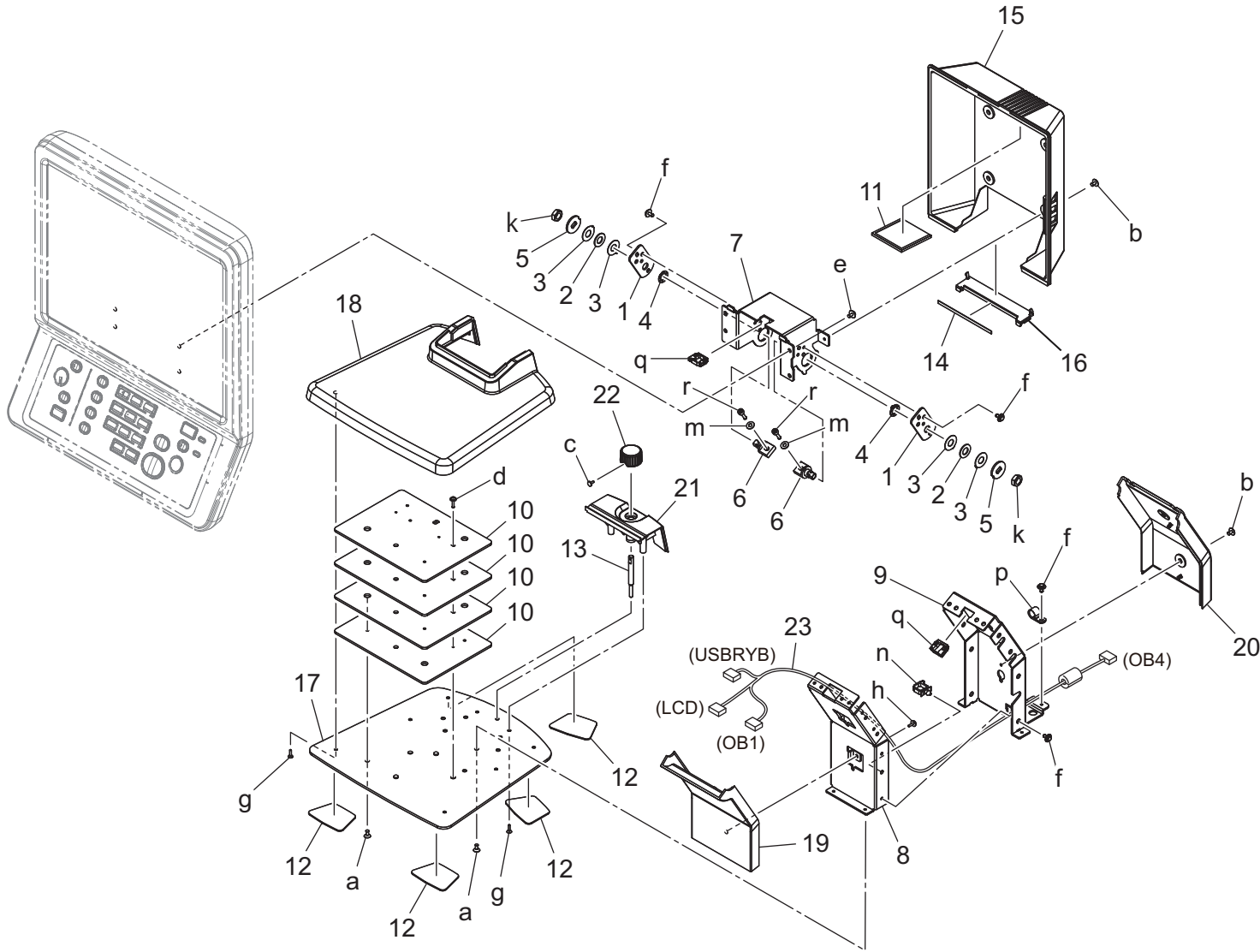


Key	Part No.	Description	Destinations	Class	QTY	Standard parts
1	A0G6192400	Holding Cushion /Upper		C	2	a-V114040604
2	A0G6192500	Holding Cushion /Right		C	2	b-V116040603
3	A0G6192700	Ground Plate /1		D	2	c-V118030403
4	A0G6192900	Ground Plate /2		D	2	d-V116040803
5	A0G6H06000	Operation Board /3 Assy		C	1	e-V121030603
6	A0G6N18400	Ope.Unit Control Harness /3		D	1	f-V121040603
7	A0P0M73100	Speaker		D	1	g-V153030803
8	A1RF190100	Mounting Stay /1		D	1	h-V153031003
9	A1RF190201	Mounting Stay /2		D	1	k-V500010082
10	A1RF190400	Shield Cover		D	1	m-V500020018
11	AC0CH11000	Relay Board/U ASSY		I	1	n-V500020099
12	A1RFM90800	Gasket /8		D	2	p-V570010056
13	A1RFN28300	Ope.unit Wiring /1		D	1	q-V570010023
14	A4EU190414	Operation Plate		D	1	r-V500020025
15	ADF2M75800	Ope. Unit LCD		C	1	s-V500010007
16	A4EUN28500	Ope.unit Wiring /4		D	1	
17	A9VEM75500	Ope. Unit Touch Panel		C	1	
18	AC57190102	Operation Cover /Front		D	1	
19	AC57190201	Operation Cover /Rear		D	1	
20	AC57195001	Operation Sheet	A	D	1	
20	AC57205001	Operation Sheet	B,D1,D3,E,F2,G1,G2	D	1	
20	AC57205201	Operation Sheet	H	D	1	
20	AC57205300	Operation Sheet	K	D	1	
20	AC57205101	Operation Sheet	J	D	1	
21	AC0CR72300	Operation Panel Unit		I	1	

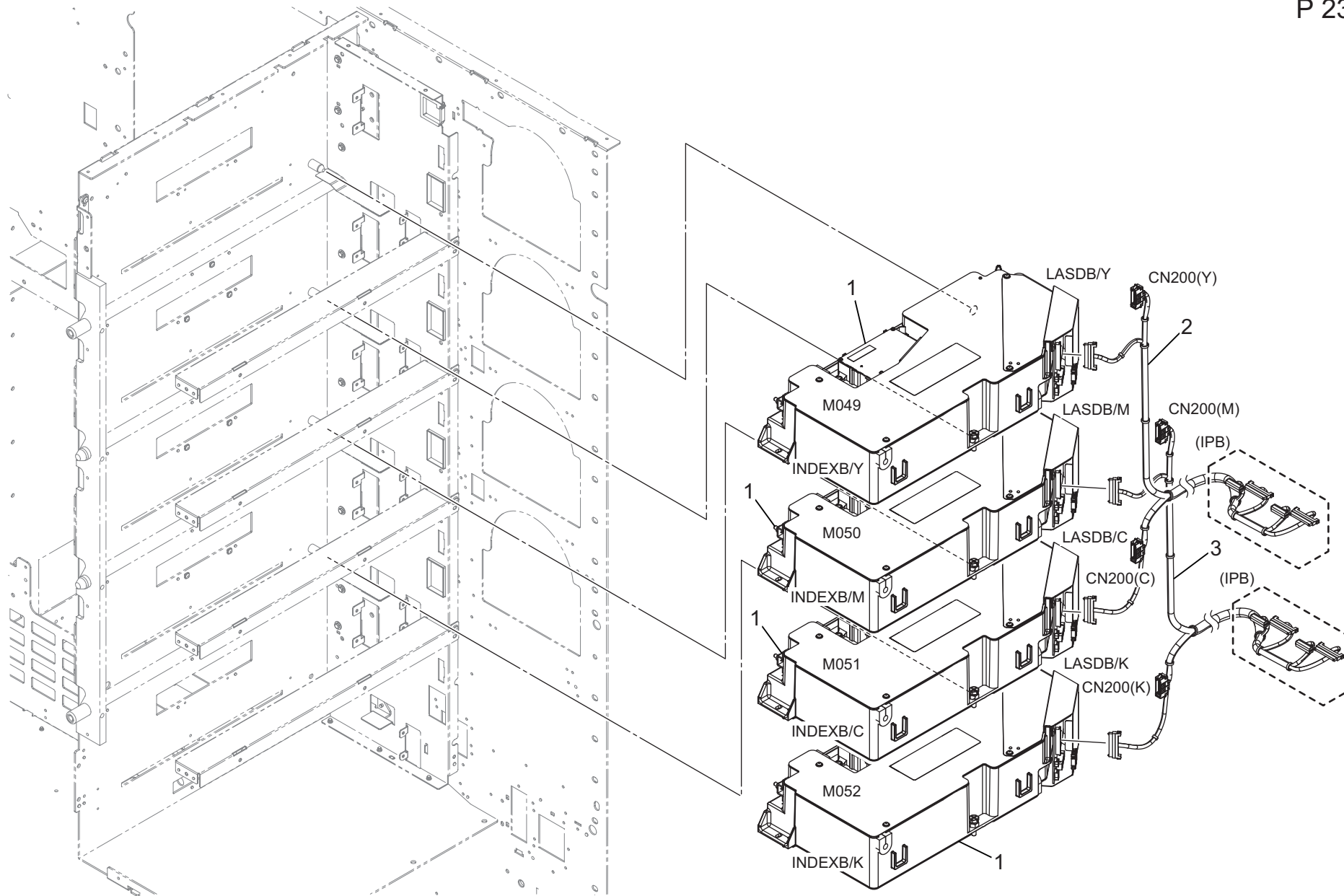


# Operation Panel Section

Key	Part No.	Description	Destinations	Class	QTY	Standard parts
1	56UA70330	Ope. Unit Button /S		C	1	a-V151030603 b-V153030803
2	A0G6193700	Operation Button /7		C	1	
3	A0G6194000	Operation Button /9		C	1	
4	A4EU194200	Fixing Holder		D	1	
5	AC0CH04000	Operation Board /1 Assy		I	1	
6	AC57190301	Operation Casing /1		D	1	
7	AC57193100	Operation Button /1		D	1	
8	AC57193200	Operation Button /2		D	1	
9	AC57193400	Operation Button /4		D	1	
10	AC57193500	Operation Button /5		D	1	
11	AC57193600	Indicating Part /1		D	1	
12	AC57193800	Operation Button /10		D	2	
13	AC57193900	Operation Button /8		D	1	
14	AC57194101	Operation Knob /1		D	1	



Key	Part No.	Description	Destinations	Class	QTY	Standard parts
1	A03U191600	Mounting Plate /T		D	2	a-V112040803
2	A03U191700	Rotation Spring /T		D	2	b-V114040604
3	A03U191800	Rotation Spacer /1		D	4	c-V118030603
4	A03U191900	Rotation Spacer /2		D	2	d-V121031203
5	A03U192000	Fixing Part /T		D	2	e-V121040603
6	A03U192100	Fixing Shaft /U		D	2	f-V146040803
7	A1RF190500	Mounting Stay /3	取付ステー /3 (操作部)	D	1	g-V147031003
8	A1RF190900	Support Stay /1	支持ステー /1 (操作部)	D	1	h-V153030803
9	A1RF191000	Support Stay /2	支持ステー /2 (操作部)	D	1	k-V196080003
10	A1RF191500	Weight	重り (操作部)	D	4	m-V207040003
11	A1RF191600	Filter	フィルタ (操作部)	D	1	n-V500010007
12	A1RF191700	Pad	パッド (操作部)	D	4	p-V500020041
13	A1RF192000	Fixing Screw	固定ねじ	D	1	q-V570010060
14	A1RF192100	Pressing Cushion	押圧クッション	D	1	r-V188041409
15	AC0C190300	Cover /1	カバー /1 (操作部)	D	1	
16	AC0C190600	Cover /2	カバー /2 (操作部)	D	1	
17	AC0C191100	Bottom Plate	底板	D	1	
18	AC0C191200	Cover /4	カバー /4	D	1	
19	AC0C191300	Cover /5	カバー /5 (操作部)	D	1	
20	AC0C191400	Cover /6	カバー /6 (操作部)	D	1	
21	AC0C191800	Cover /7	カバー /7 (操作部)	D	1	
22	AC0C192200	Rotation Knob	回転ノブ	D	1	
23	AC0CN26201	Ope. Unit Control Harness /2	操作部制御束線 /2	D	1	



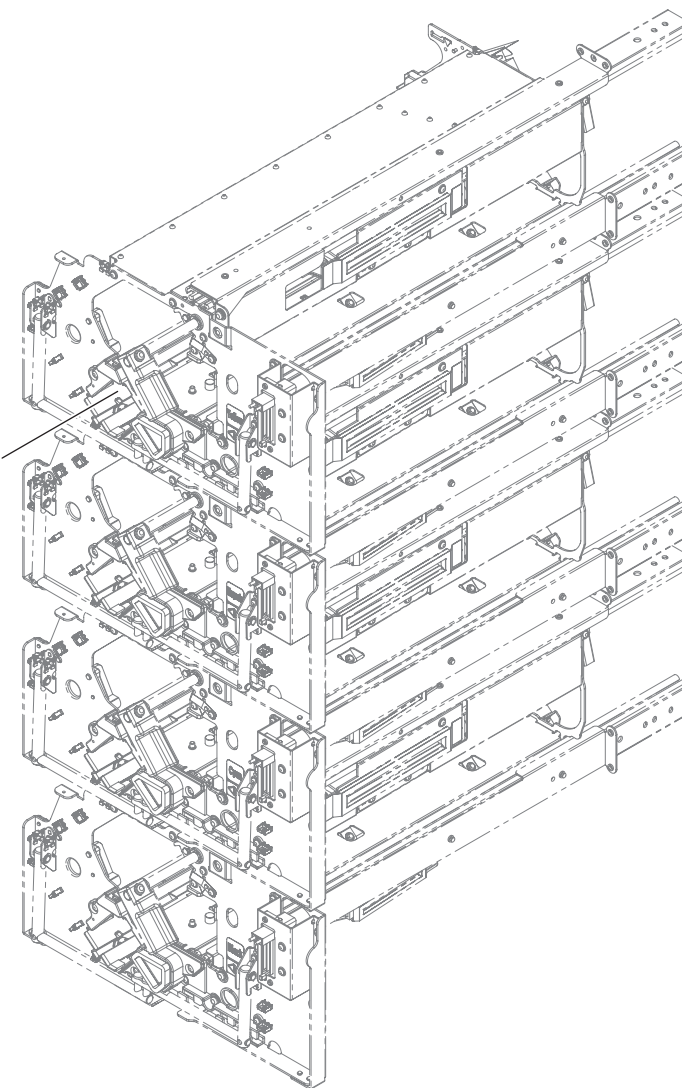
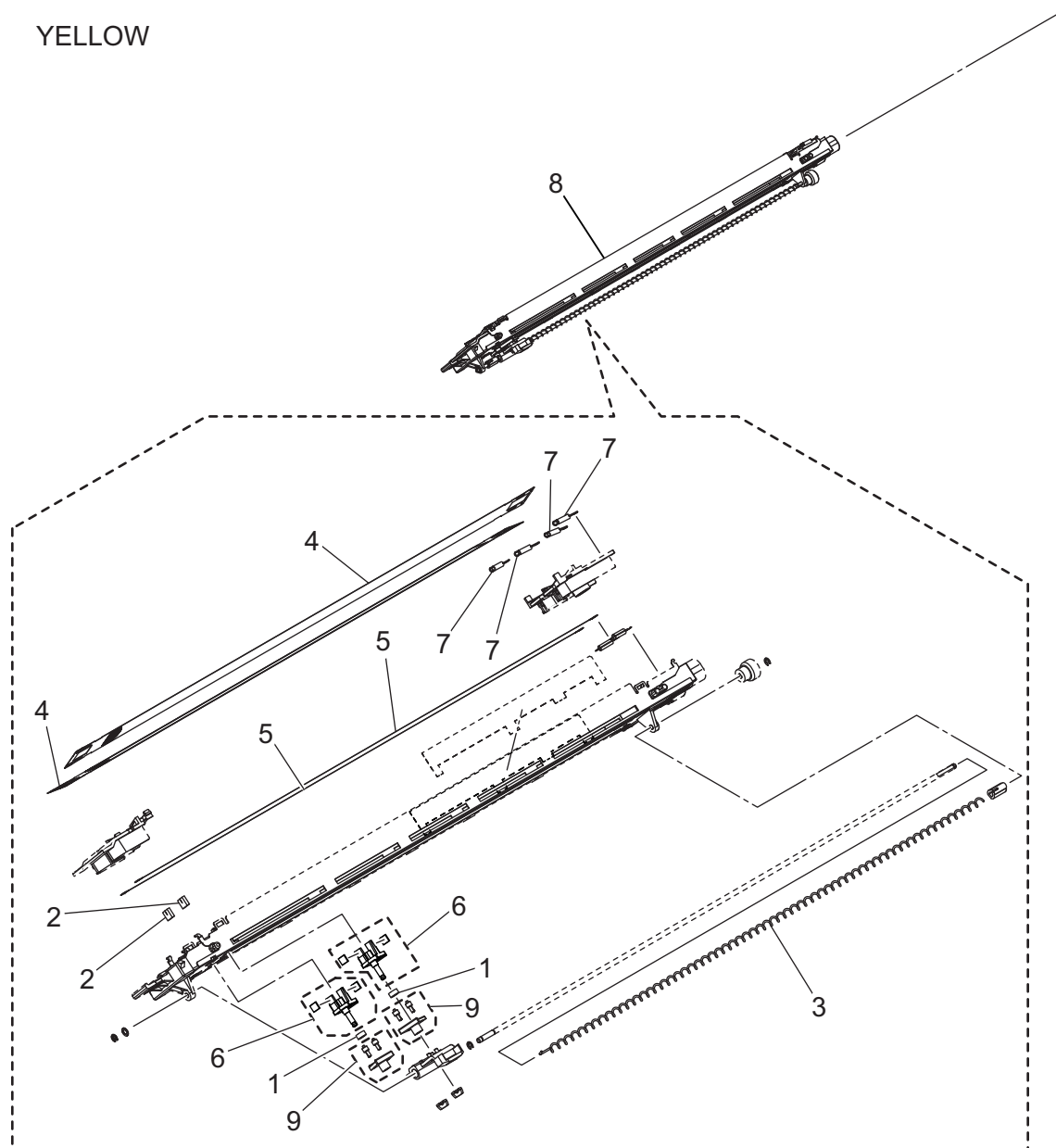
Write Section

Key	Part No.	Description	Destinations	Class	QTY	Standard parts
1	AC0CR70300	PH Unit		I	4	
2	AC0CN19301	LD Harness /1		D	1	
3	AC0CN19401	LD Harness /2		D	1	

# Charging Section

YELLOW

P 24





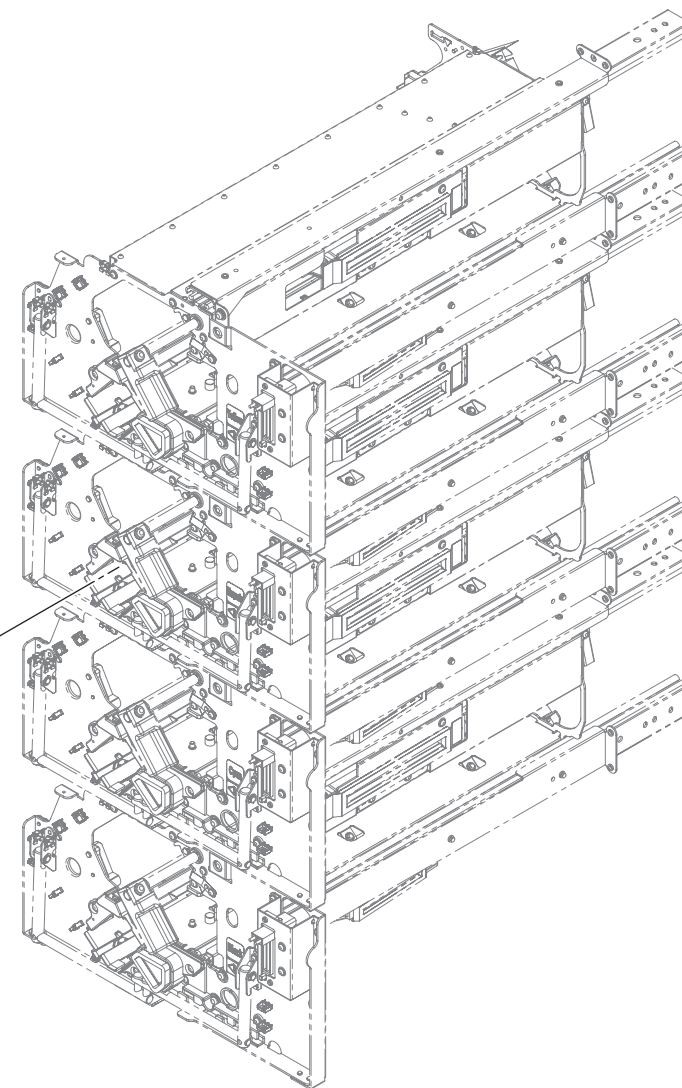
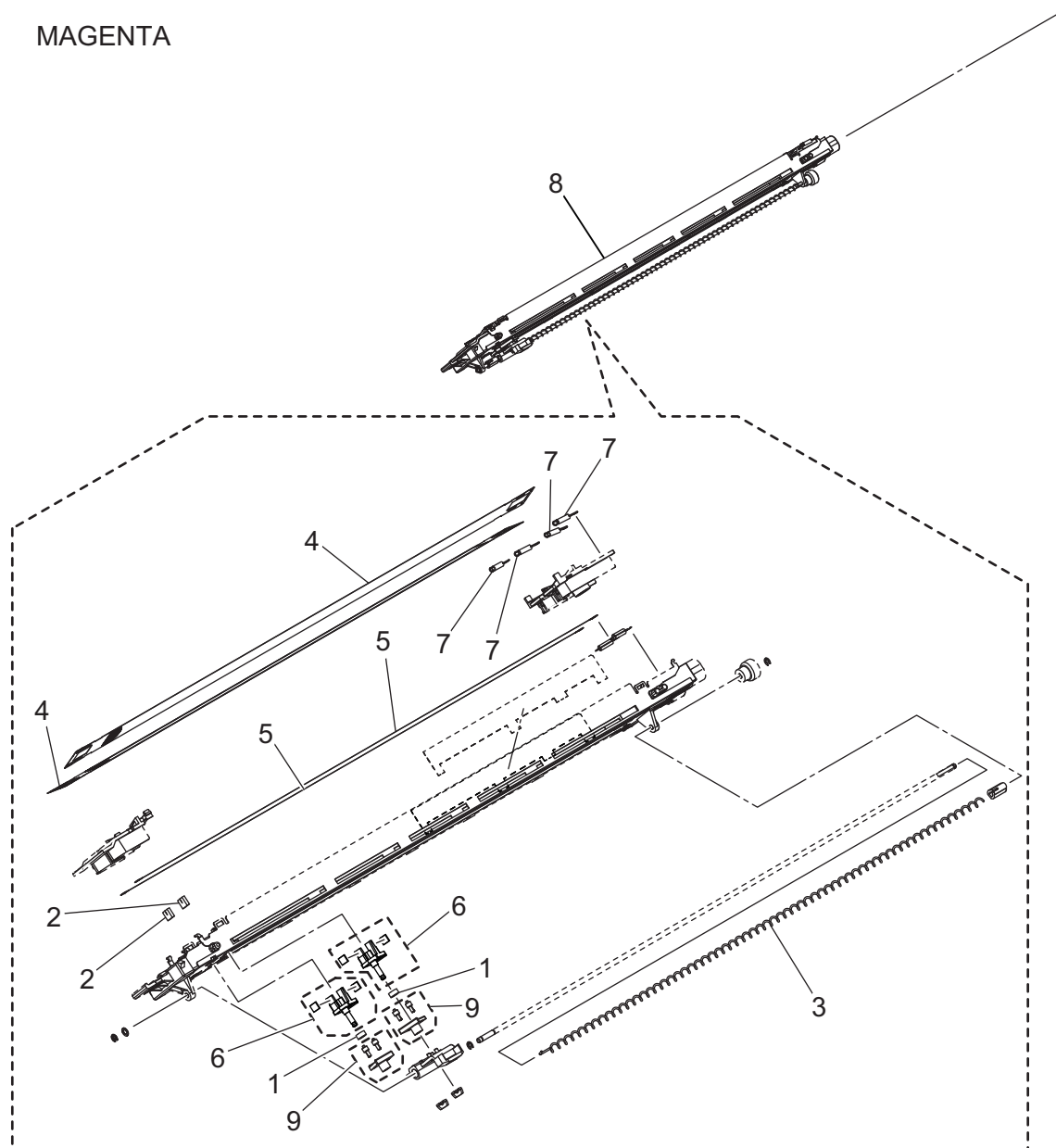
# Charging Section

Key	Part No.	Description	Destinations	Class	QTY	Standard parts
1	55VA25140	Charging Slide Collar		B	2	
2	55VA25270	Electrode Vibrating Rubber		A	2	
3	56UA25110	Charging Cleaning Spring		C	1	
4	A5AW460411	Charging Plate		A	2	
5	A92W461100	Charg Wire		A	2	
6	A92WR71M00	Charging Cleaning Assy		A	2	
7	AC0C460800	Charge Control Spring		D	4	
8	AC0CR73333	Charging Corona		I	1	
8	AC0CR73333	Charging Corona	A	I	1	
8	AC0CR73333	Charging Corona	C	I	1	
8	AC0CR73333	Charging Corona	B	I	1	
8	AC0CR73322Old	Charging Corona		I	1	
8	AC0CR73333	Charging Corona	D1,D3,E,F2,G1,G2,H,I,J,K	I	1	
9	AC0CR76200	Guide Roll Assy		A	2	

# Charging Section

MAGENTA

P 25

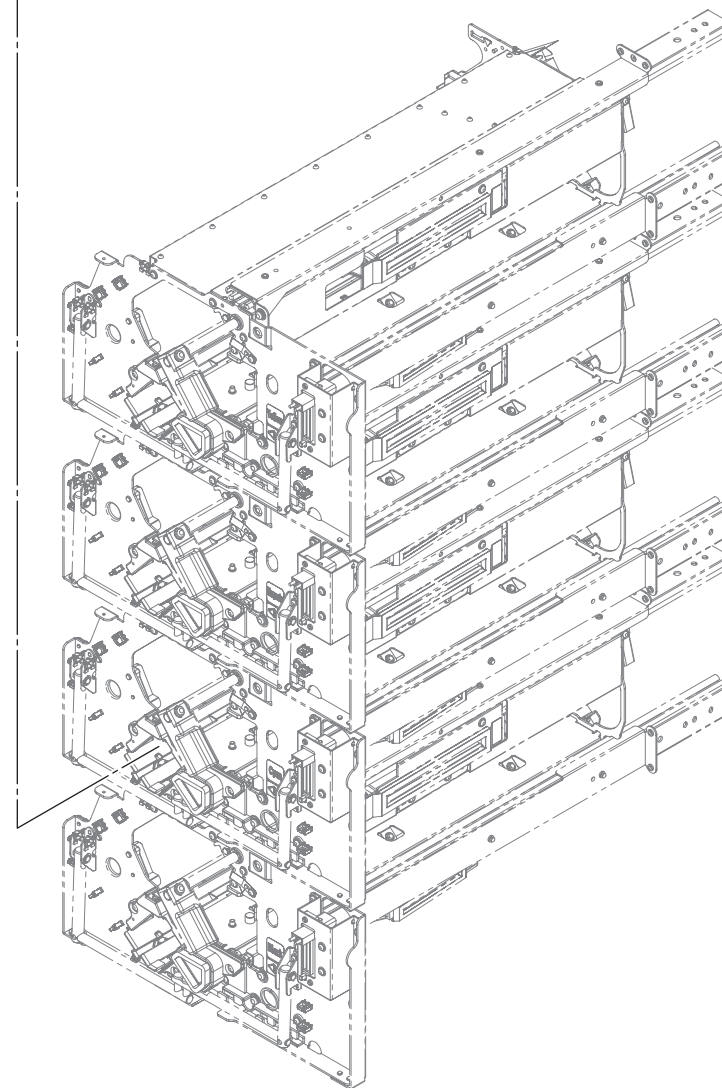
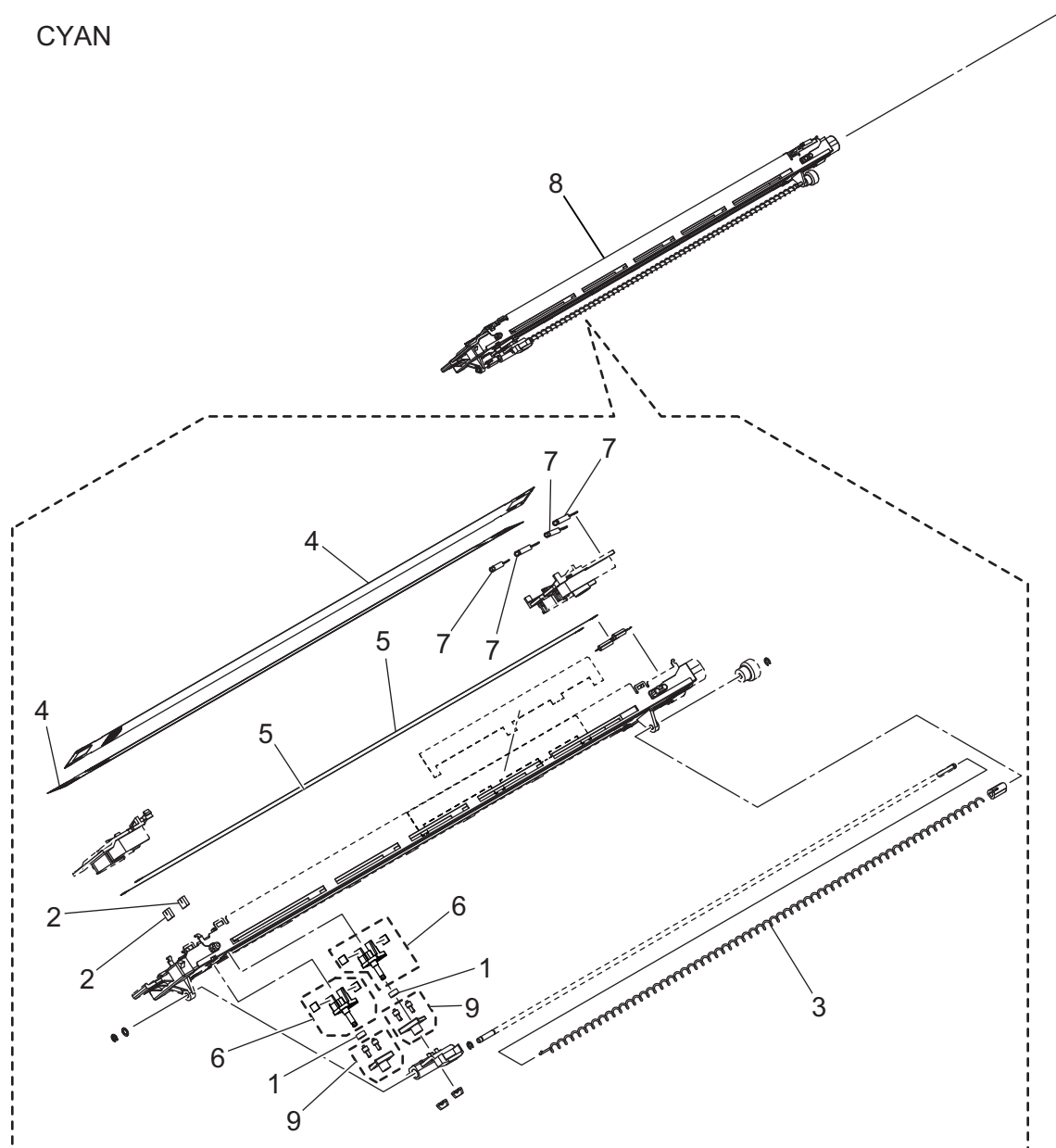


Key	Part No.	Description	Destinations	Class	QTY	Standard parts
1	55VA25140	Charging Slide Collar		B	2	
2	55VA25270	Electrode Vibrating Rubber		A	2	
3	56UA25110	Charging Cleaning Spring		C	1	
4	A5AW460411	Charging Plate		A	2	
5	A92W461100	Charg Wire		A	2	
6	A92WR71M00	Charging Cleaning Assy		A	2	
7	AC0C460800	Charge Control Spring		D	4	
8	AC0CR73333	Charging Corona		I	1	
8	AC0CR73333	Charging Corona	A	I	1	
8	AC0CR73333	Charging Corona	C	I	1	
8	AC0CR73333	Charging Corona	B	I	1	
8	AC0CR73322Old	Charging Corona		I	1	
8	AC0CR73333	Charging Corona	D1,D3,E,F2,G1,G2,H, I,J,K	I	1	
9	AC0CR76200	Guide Roll Assy	D1,D3,E,F2,G1,G2,H, I,J,K	A	2	

# Charging Section

CYAN

P 26



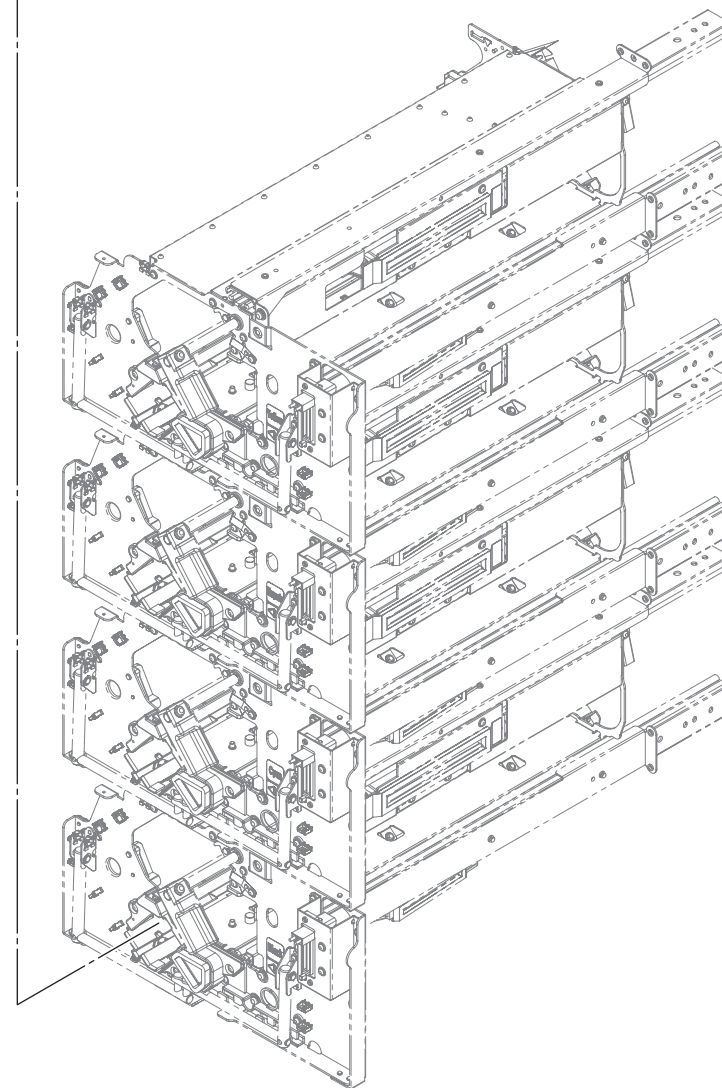
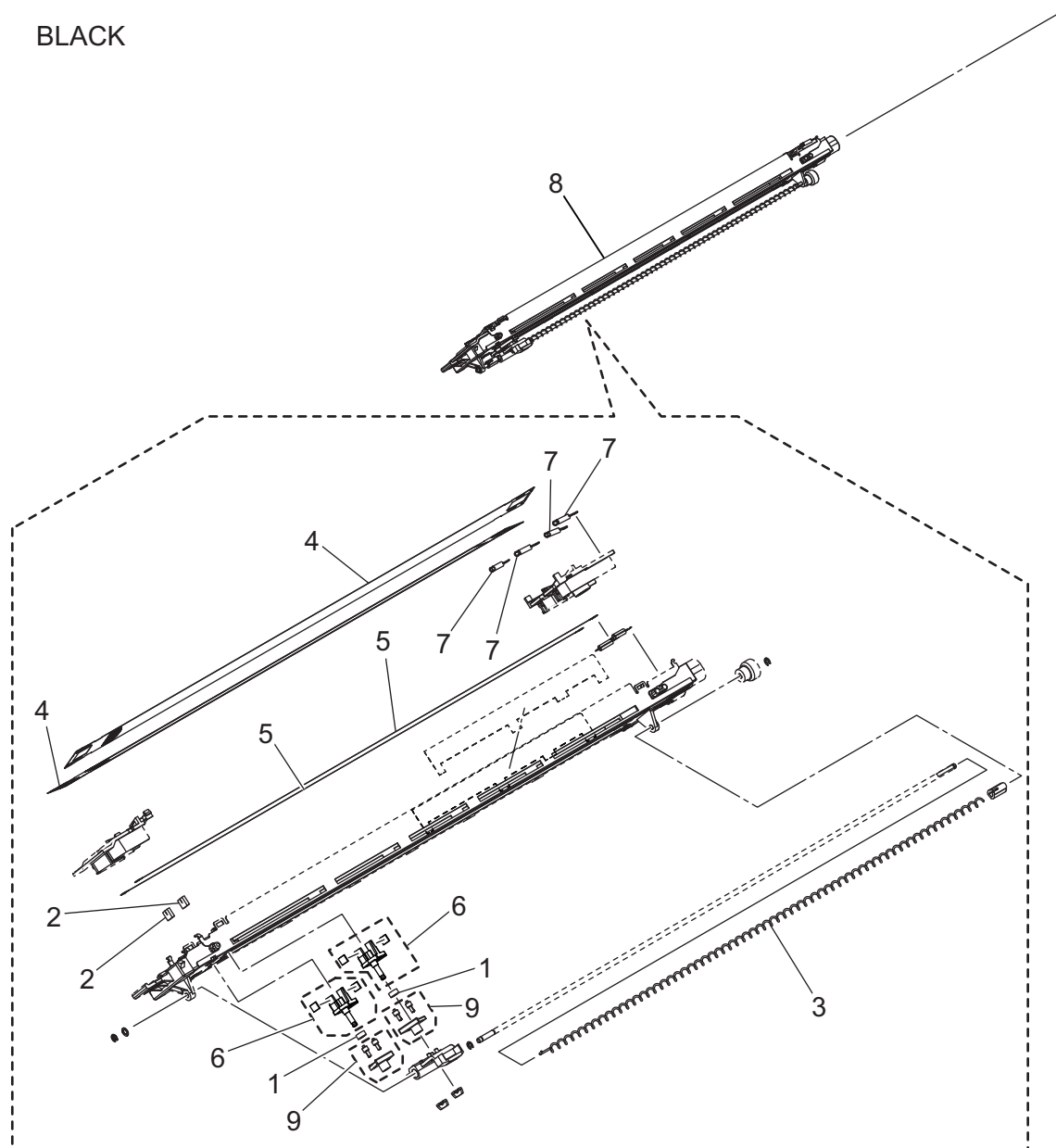
# Charging Section

Key	Part No.	Description	Destinations	Class	QTY	Standard parts
1	55VA25140	Charging Slide Collar		B	2	
2	55VA25270	Electrode Vibrating Rubber		A	2	
3	56UA25110	Charging Cleaning Spring		C	1	
4	A5AW460411	Charging Plate		A	2	
5	A92W461100	Charg Wire		A	2	
6	A92WR71M00	Charging Cleaning Assy		A	2	
7	AC0C460800	Charge Control Spring		D	4	
8	AC0CR73333	Charging Corona		I	1	
8	AC0CR73333	Charging Corona	A	I	1	
8	AC0CR73333	Charging Corona	C	I	1	
8	AC0CR73333	Charging Corona	B	I	1	
8	AC0CR73322Old	Charging Corona		I	1	
8	AC0CR73333	Charging Corona	D1,D3,E,F2,G1,G2,H, I,J,K	I	1	
9	AC0CR76200	Guide Roll Assy	D1,D3,E,F2,G1,G2,H, I,J,K	A	2	

# Charging Section

BLACK

P 27

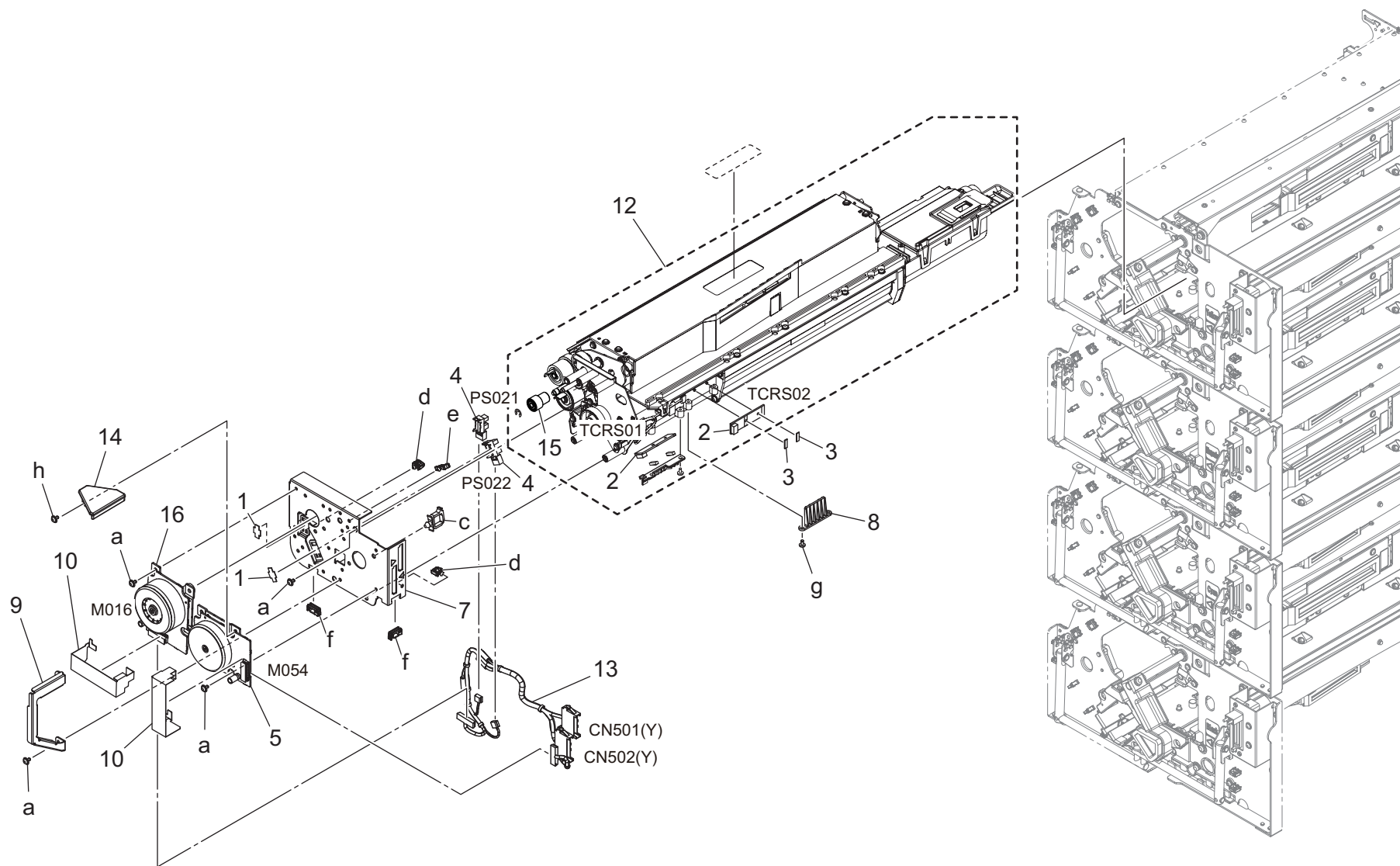


Key	Part No.	Description	Destinations	Class	QTY	Standard parts
1	55VA25140	Charging Slide Collar		B	2	
2	55VA25270	Electrode Vibrating Rubber		A	2	
3	56UA25110	Charging Cleaning Spring		C	1	
4	A5AW460411	Charging Plate		A	2	
5	A92W461100	Charg Wire		A	2	
6	A92WR71M00	Charging Cleaning Assy		A	2	
7	AC0C460800	Charge Control Spring		D	4	
8	AC0CR73333	Charging Corona		I	1	
8	AC0CR73333	Charging Corona	A	I	1	
8	AC0CR73333	Charging Corona	C	I	1	
8	AC0CR73333	Charging Corona	B	I	1	
8	AC0CR73322Old	Charging Corona	帯電極	I	1	
8	AC0CR73333	Charging Corona	帯電極	I	1	
9	AC0CR76200	Guide Roll Assy	ガイドコロ A s s y	A	2	

# Developing Section

YELLOW

P 28



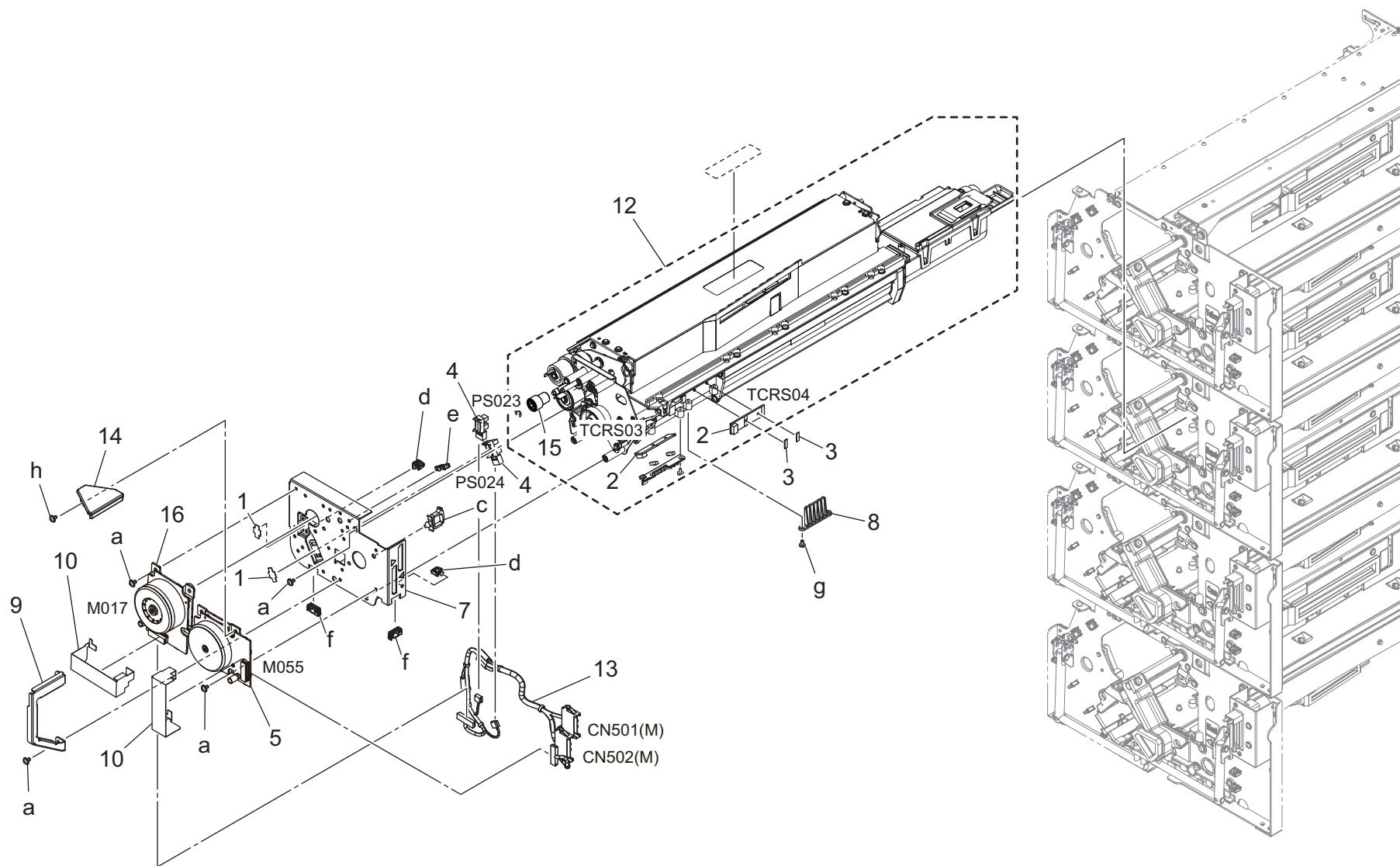


Key	Part No.	Description	Destinations	Class	QTY	Standard parts
1	4470402401	Stopper		D	2	a-V127030604 c-V500010007 d-V500020098 e-V500020100 f-V570010057 g-V149030803 h-V127031203
2	A0TKH00200	PWB Assembly(PWB-TCR ASSY)		I	2	
3	A50U373700	Seal /F		D	2	
4	A85CM55600	Photo Sensor		C	2	
5	A9JTM10200	Drum Motor		B	1	
7	AC0C373700	Drive Plate /3		D	1	
8	AC0C374500	Sensor Cover /K		D	1	
9	AC0C374800	Developing Handle /Front		D	1	
10	AC0C377900	Drive Cover		D	2	
12	AC0CR73299	Developing Unit	A	B	1	
12	AC0CR73299	Developing Unit	D1,D3,E,F2,G1,H,I,J	B	1	
12	AC0CR73299	Developing Unit	,K	B	1	
12	AC0CR73288	Developing Unit	B	B	1	
13	AC0CN15300	Developing Harness /3	C	B	1	
14	AC0C389600	Protection Cover		D	1	
15	AC0C378300	Developing Gear /A		C	1	
16	AC0CR7A400	Developing Drive Motor Assy		C	1	

# Developing Section

MAGENTA

P 29



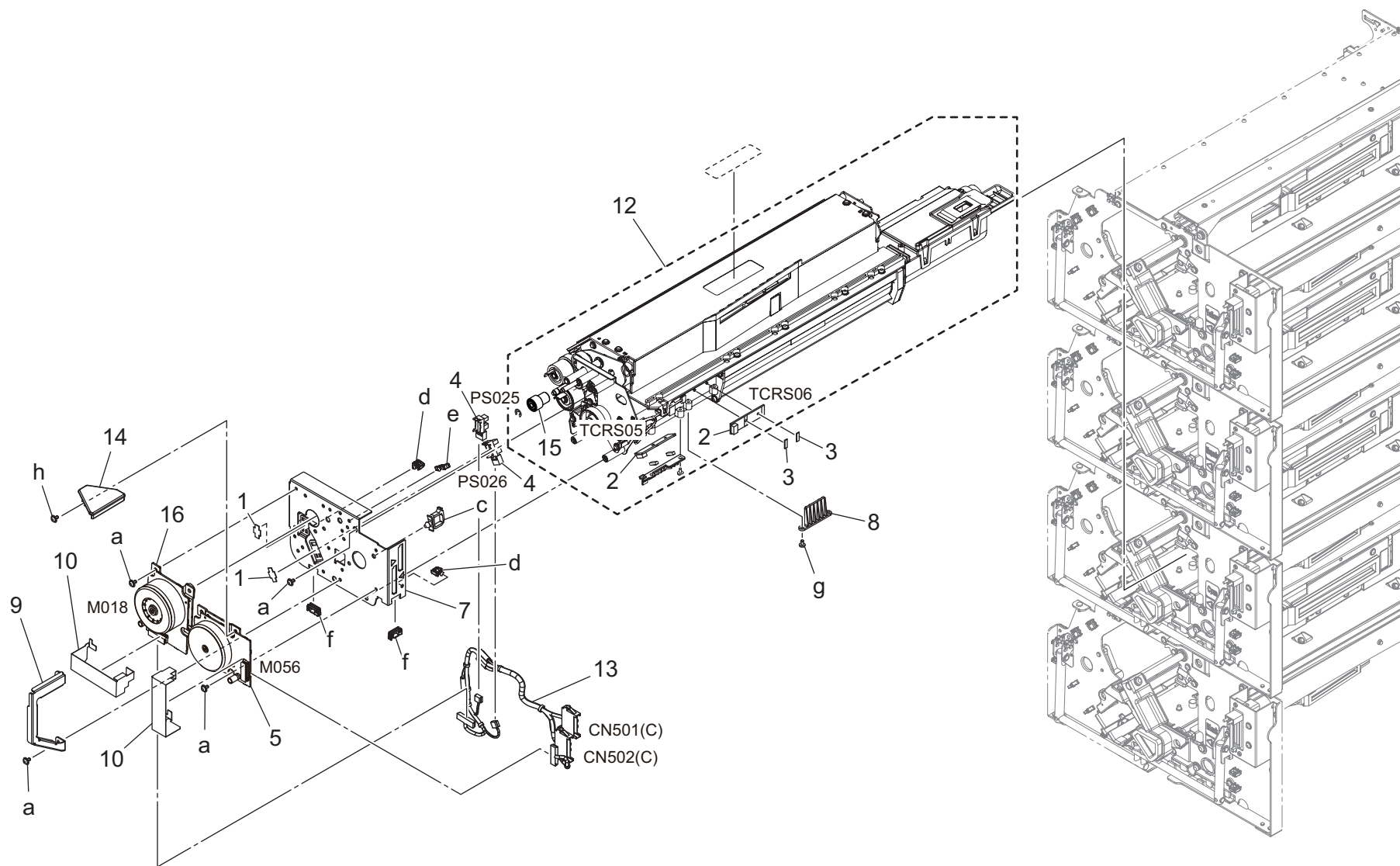
Key	Part No.	Description	Destinations	Class	QTY	Standard parts
1	4470402401	Stopper		D	2	a-V127030604 c-V500010007 d-V500020098 e-V500020100 f-V570010057 g-V149030803 h-V127031203
2	A0TKH00200	PWB Assembly(PWB-TCR ASSY)		I	2	
3	A50U373700	Seal /F		D	2	
4	A85CM55600	Photo Sensor		C	2	
5	A9JTM10200	Drum Motor		B	1	
7	AC0C373700	Drive Plate /3		D	1	
8	AC0C374500	Sensor Cover /K		D	1	
9	AC0C374800	Developing Handle /Front		D	1	
10	AC0C377900	Drive Cover		D	2	
12	AC0CR73299	Developing Unit	A	B	1	
12	AC0CR73299	Developing Unit	D1,D3,E,F2,G1,H,I,J	B	1	
12	AC0CR73299	Developing Unit	,K	B	1	
12	AC0CR73288	Developing Unit	B	B	1	
13	AC0CN15300	Developing Harness /3	C	B	1	
14	AC0C389600	Protection Cover		D	1	
15	AC0C378300	Developing Gear /A		C	1	
16	AC0CR7A400	Developing Drive Motor Assy		C	1	



# Developing Section

CYAN

P 30

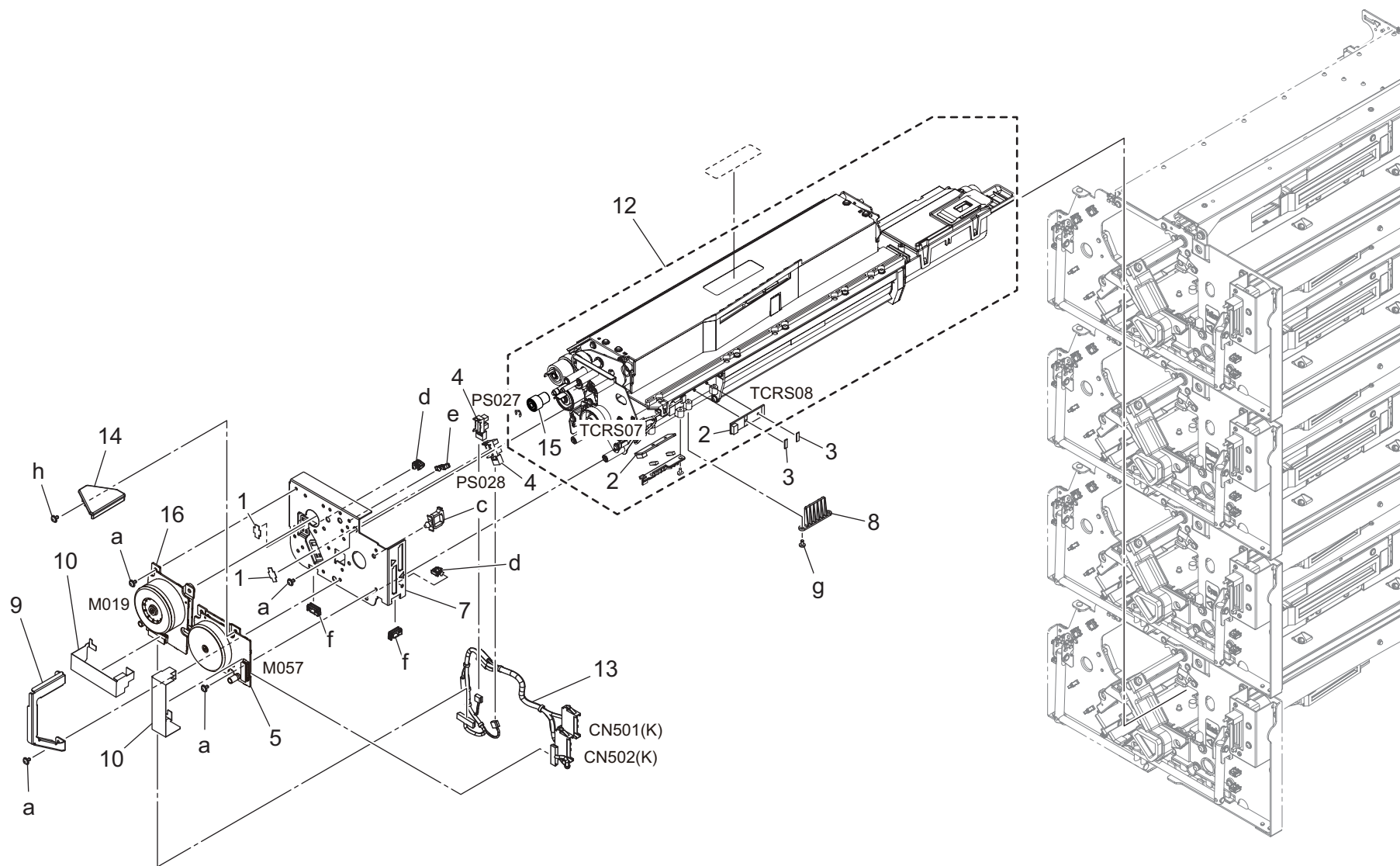


Key	Part No.	Description	Destinations	Class	QTY	Standard parts
1	4470402401	Stopper		D	2	a-V127030604 c-V500010007 d-V500020098 e-V500020100 f-V570010057 g-V149030803 h-V127031203
2	A0TKH00200	PWB Assembly(PWB-TCR ASSY)		I	2	
3	A50U373700	Seal /F		D	2	
4	A85CM55600	Photo Sensor		C	2	
5	A9JTM10200	Drum Motor		B	1	
7	AC0C373700	Drive Plate /3		D	1	
8	AC0C374500	Sensor Cover /K		D	1	
9	AC0C374800	Developing Handle /Front		D	1	
10	AC0C377900	Drive Cover		D	2	
12	AC0CR73299	Developing Unit	A	B	1	
12	AC0CR73299	Developing Unit	D1,D3,E,F2,G1,H,I,J	B	1	
12	AC0CR73299	Developing Unit	,K	B	1	
12	AC0CR73288	Developing Unit	B	B	1	
13	AC0CN15300	Developing Harness /3	C	B	1	
14	AC0C389600	Protection Cover		D	1	
15	AC0C378300	Developing Gear /A		C	1	
16	AC0CR7A400	Developing Drive Motor Assy		C	1	

# Developing Section

BLACK

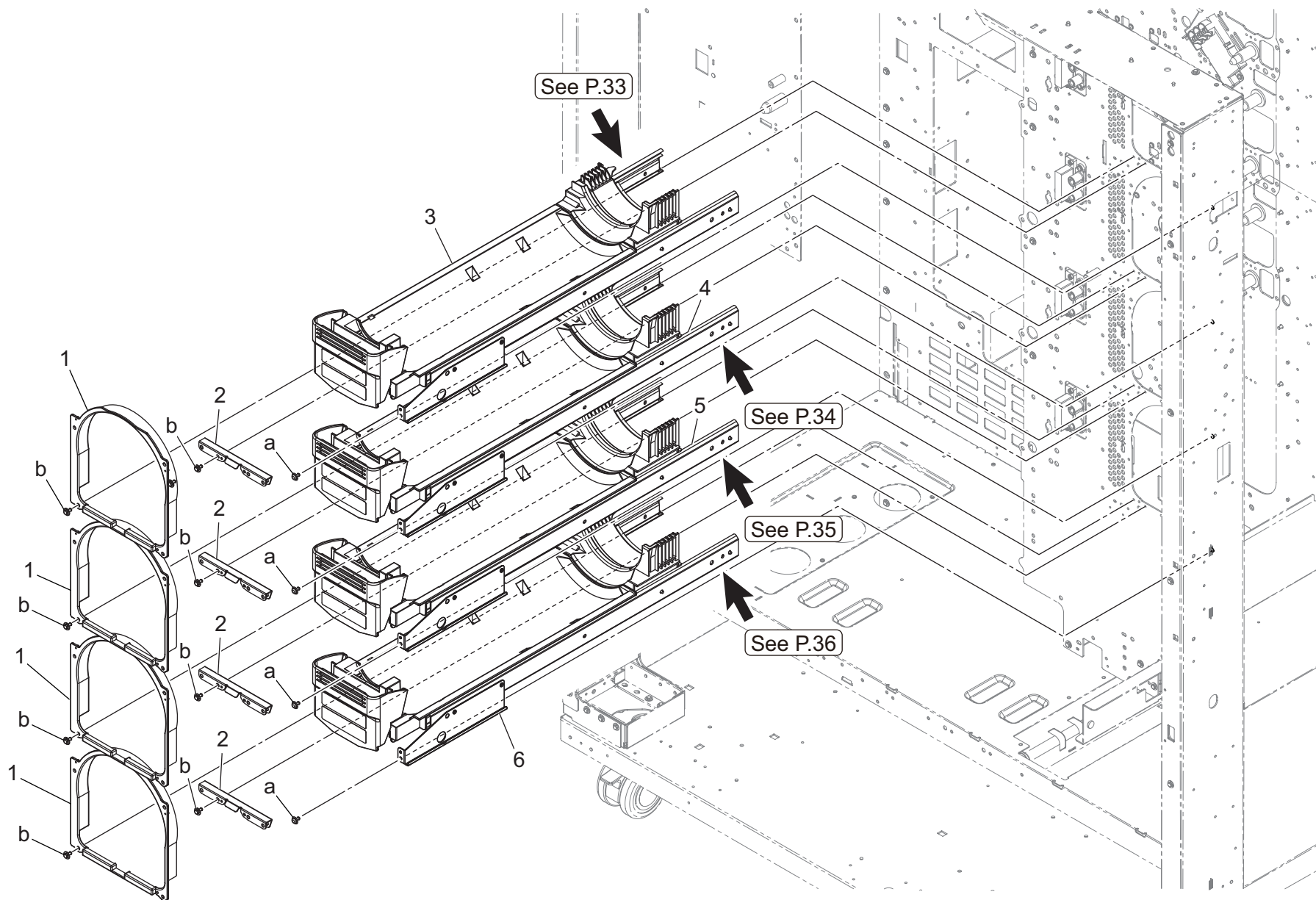
P 31



Key	Part No.	Description	Destinations	Class	QTY	Standard parts
1	4470402401	Stopper		D	2	a-V127030604 c-V500010007 d-V500020098 e-V500020100 f-V570010057 g-V149030803 h-V127031203
2	A0TKH00200	PWB Assembly(PWB-TCR ASSY)		I	2	
3	A50U373700	Seal /F		D	2	
4	A85CM55600	Photo Sensor		C	2	
5	A9JTM10200	Drum Motor		B	1	
7	AC0C373700	Drive Plate /3		D	1	
8	AC0C374500	Sensor Cover /K		D	1	
9	AC0C374800	Developing Handle /Front		D	1	
10	AC0C377900	Drive Cover		D	2	
12	AC0CR73299	Developing Unit	A	B	1	
12	AC0CR73299	Developing Unit	D1,D3,E,F2,G1,H,I,J	B	1	
12	AC0CR73299	Developing Unit	,K	B	1	
12	AC0CR73288	Developing Unit	B	B	1	
13	AC0CN15300	Developing Harness /3	C	B	1	
14	AC0C389600	Protection Cover		D	1	
15	AC0C378300	Developing Gear /A		C	1	
16	AC0CR7A400	Developing Drive Motor Assy		C	1	



# Toner Supply Section (1/2)

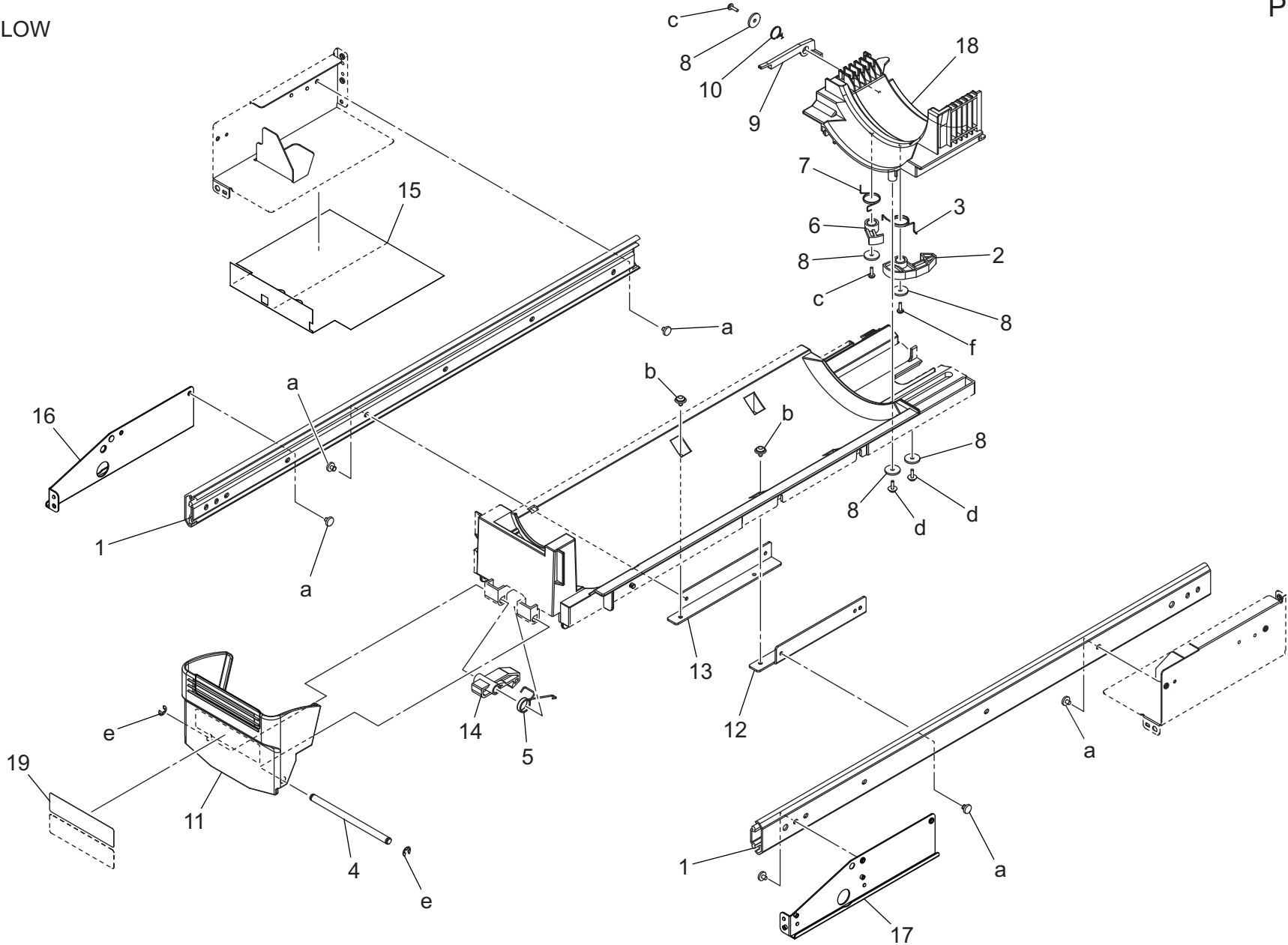




Key	Part No.	Description	Destinations	Class	QTY	Standard parts
1	AC0C410501	Toner supply Cover		D	4	a-V127040803 b-V183040804
2	AC0C410700	Toner Supply Lock		D	4	
3	AC0CR75100	Toner Supply Rail /Y Assy		D	1	
4	AC0CR75200	Toner Supply Rail /M Assy		D	1	
5	AC0CR75300	Toner Supply Rail /C Assy		D	1	
6	AC0CR75400	Toner Supply Rail /K Assy		D	1	

Toner Supply Section (1/2)

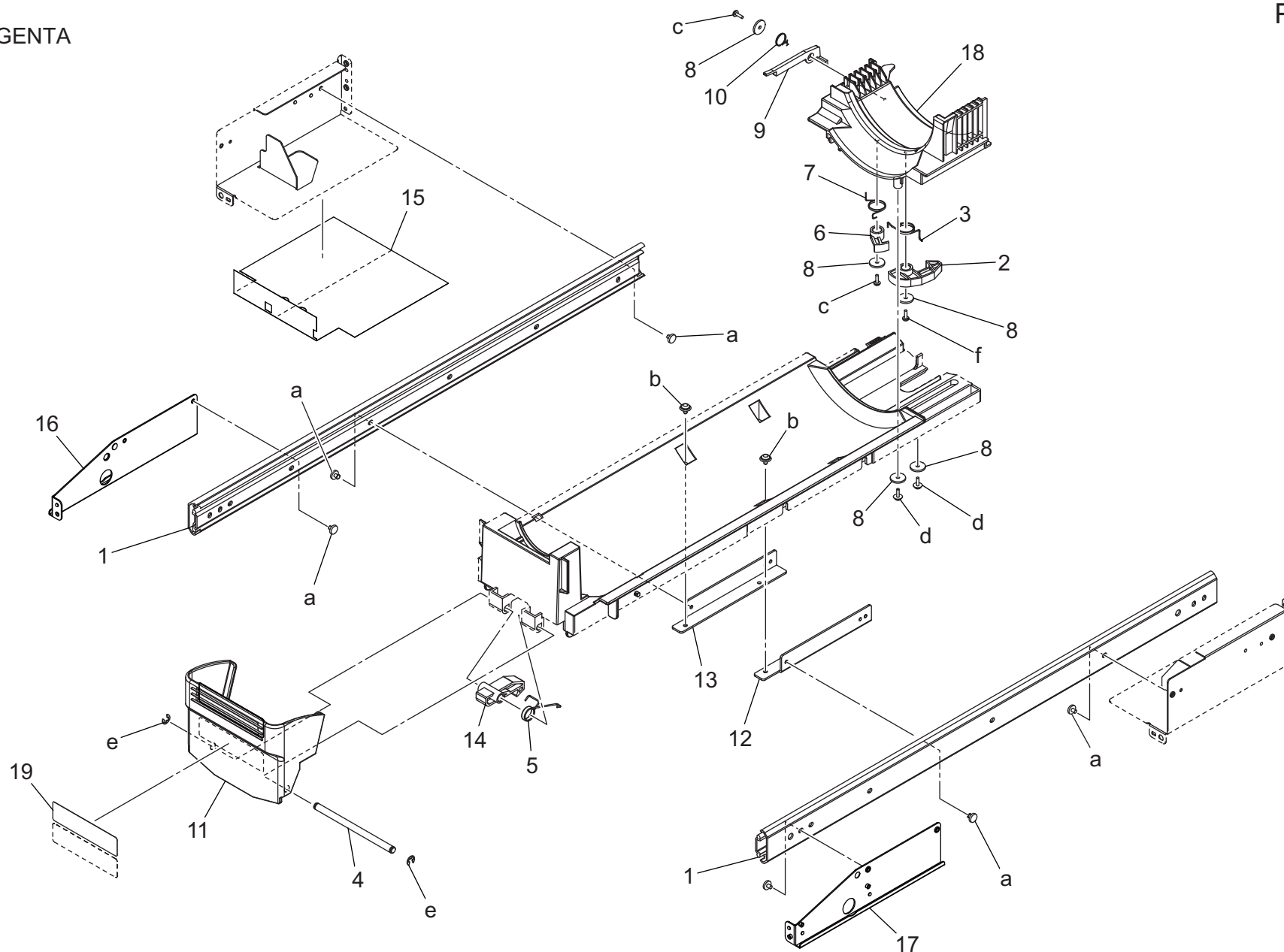
YELLOW



Key	Part No.	Description	Destinations	Class	QTY	Standard parts
1	56AA10300	Slide Rail /A		C	2	a-V118040403
2	56AA32440	Locking Part /A		C	1	b-V127040603
3	56AA32450	Locking Spring /A		C	1	c-V145030803
4	56AA32521	Lever Shaft		D	1	d-V153030803
5	56AA32620	Toner Supply Locking Spring		C	1	e-V217040003
6	56AA32630	Locking Part /B		C	1	f-V145031003
7	56AA32640	Locking Spring /B		C	1	
8	56AA32710	Guide Spacer		C	5	
9	56AA32751	Locking Part /C		C	1	
10	56AA32761	Locking Spring /C		C	1	
11	56NE32510	Lever		C	1	
12	56UA34230E	Cartridge Support Plate /Left		D	1	
13	56UA34240E	Cartridge Support Plate /Right		D	1	
14	A0G6416100	Toner Supply Part		C	1	
15	AC0C408201	Cover Sheet		D	1	
16	AC0C410401	Toner Supply Panel /Front		D	1	
17	AC0C410601	Toner Supply Panel /Right Front		D	1	
18	AC0C411113	Toner supply Cover /A		D	1	
19	AC0C944300	Toner Supply Label /Y		D	1	

# Toner Supply Section (1/2)

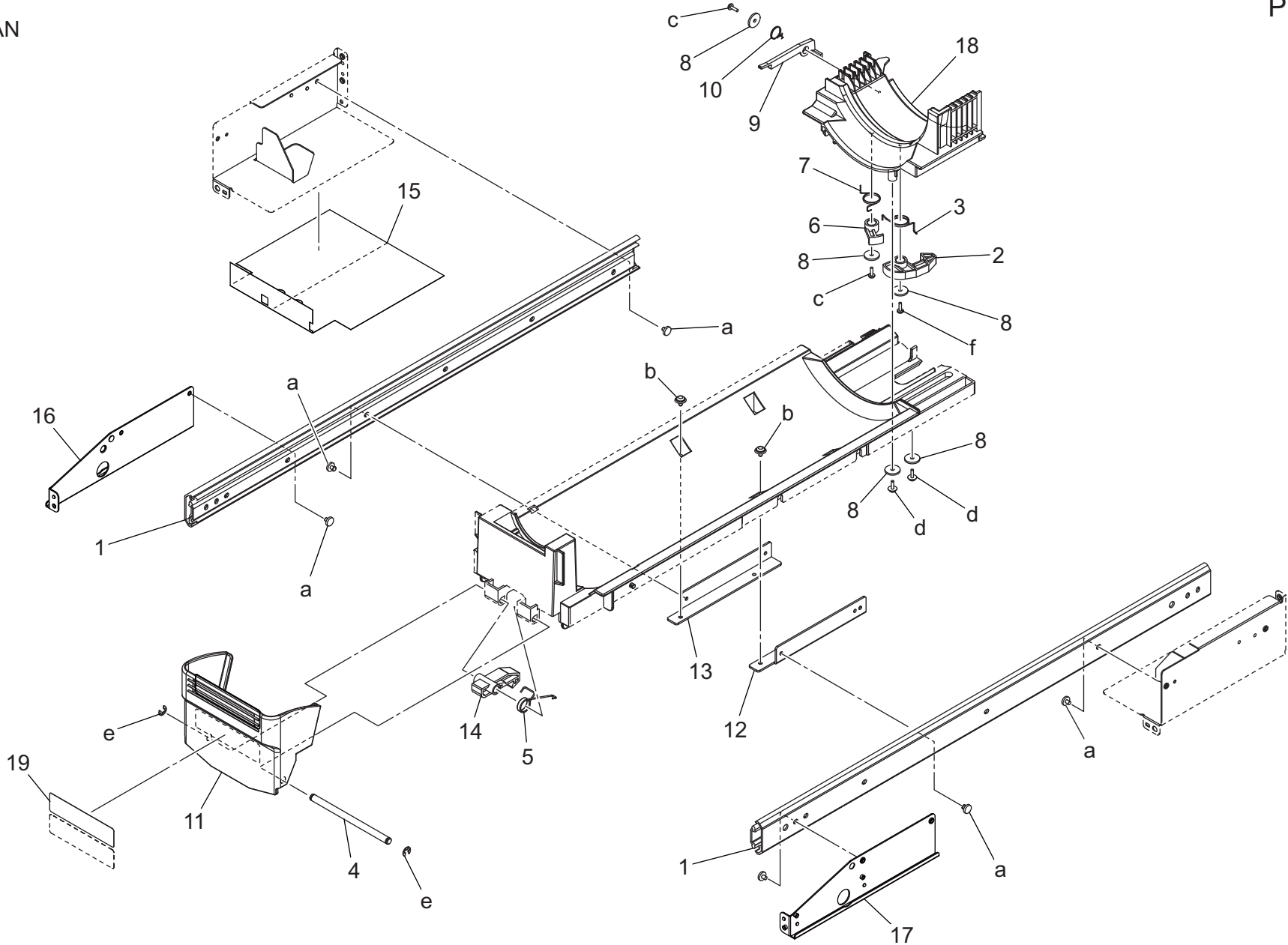
MAGENTA



Key	Part No.	Description	Destinations	Class	QTY	Standard parts
1	56AA10300	Slide Rail /A		C	2	a-V118040403 b-V127040603 c-V145030803 d-V153030803 e-V217040003 f-V145031003
2	56AA32440	Locking Part /A		C	1	
3	56AA32450	Locking Spring /A		C	1	
4	56AA32521	Lever Shaft		D	1	
5	56AA32620	Toner Supply Locking Spring		C	1	
6	56AA32630	Locking Part /B		C	1	
7	56AA32640	Locking Spring /B		C	1	
8	56AA32710	Guide Spacer		C	5	
9	56AA32751	Locking Part /C		C	1	
10	56AA32761	Locking Spring /C		C	1	
11	56NE32510	Lever		C	1	
12	56UA34230E	Cartridge Support Plate /Left		D	1	
13	56UA34240E	Cartridge Support Plate /Right		D	1	
14	A0G6416100	Toner Supply Part		C	1	
15	AC0C408201	Cover Sheet		D	1	
16	AC0C410401	Toner Supply Panel /Front		D	1	
17	AC0C410601	Toner Supply Panel /Right Front		D	1	
18	AC0C411113	Toner supply Cover /A		D	1	
19	AC0C944400	Toner Supply Label /M		D	1	

# Toner Supply Section (1/2)

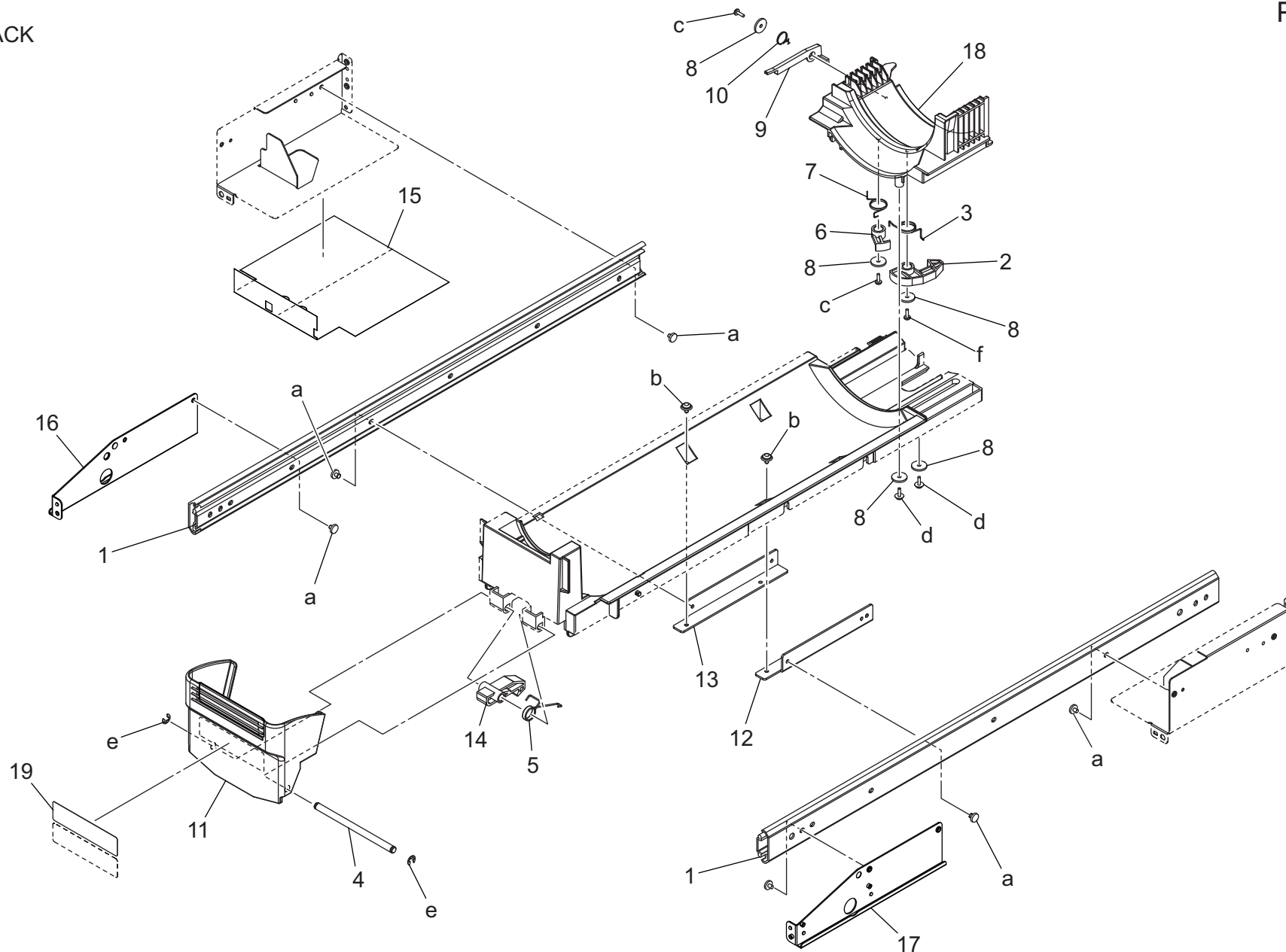
CYAN



Key	Part No.	Description	Destinations	Class	QTY	Standard parts
1	56AA10300	Slide Rail /A		C	2	a-V118040403 b-V127040603 c-V145030803 d-V153030803 e-V217040003 f-V145031003
2	56AA32440	Locking Part /A		C	1	
3	56AA32450	Locking Spring /A		C	1	
4	56AA32521	Lever Shaft		D	1	
5	56AA32620	Toner Supply Locking Spring		C	1	
6	56AA32630	Locking Part /B		C	1	
7	56AA32640	Locking Spring /B		C	1	
8	56AA32710	Guide Spacer		C	5	
9	56AA32751	Locking Part /C		C	1	
10	56AA32761	Locking Spring /C		C	1	
11	56NE32510	Lever		C	1	
12	56UA34230E	Cartridge Support Plate /Left		D	1	
13	56UA34240E	Cartridge Support Plate /Right		D	1	
14	A0G6416100	Toner Supply Part		C	1	
15	AC0C408201	Cover Sheet		D	1	
16	AC0C410401	Toner Supply Panel /Front		D	1	
17	AC0C410601	Toner Supply Panel /Right Front		D	1	
18	AC0C411113	Toner supply Cover /A		D	1	
19	AC0C944500	Toner Supply Label /C		D	1	

# Toner Supply Section (1/2)

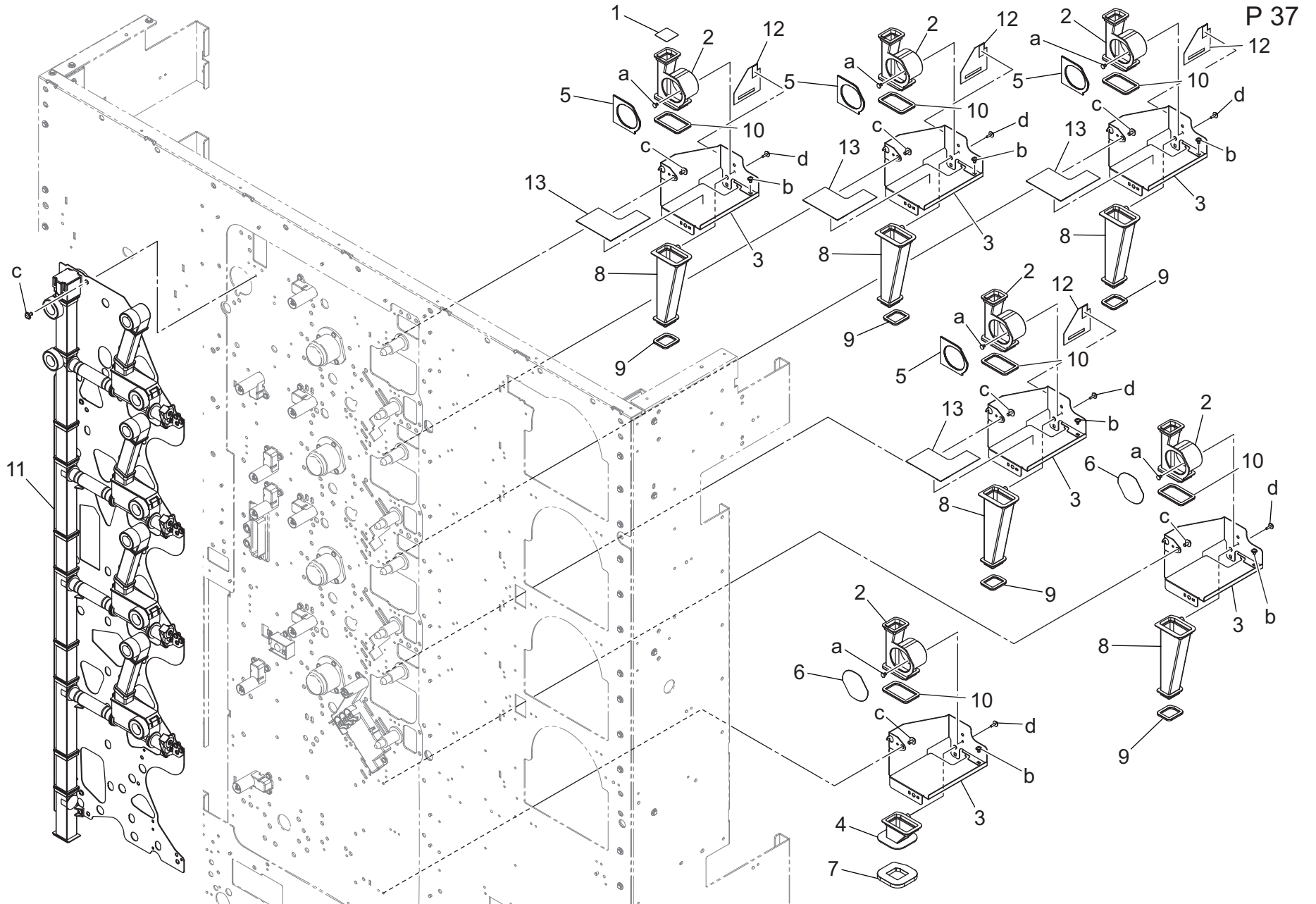
BLACK





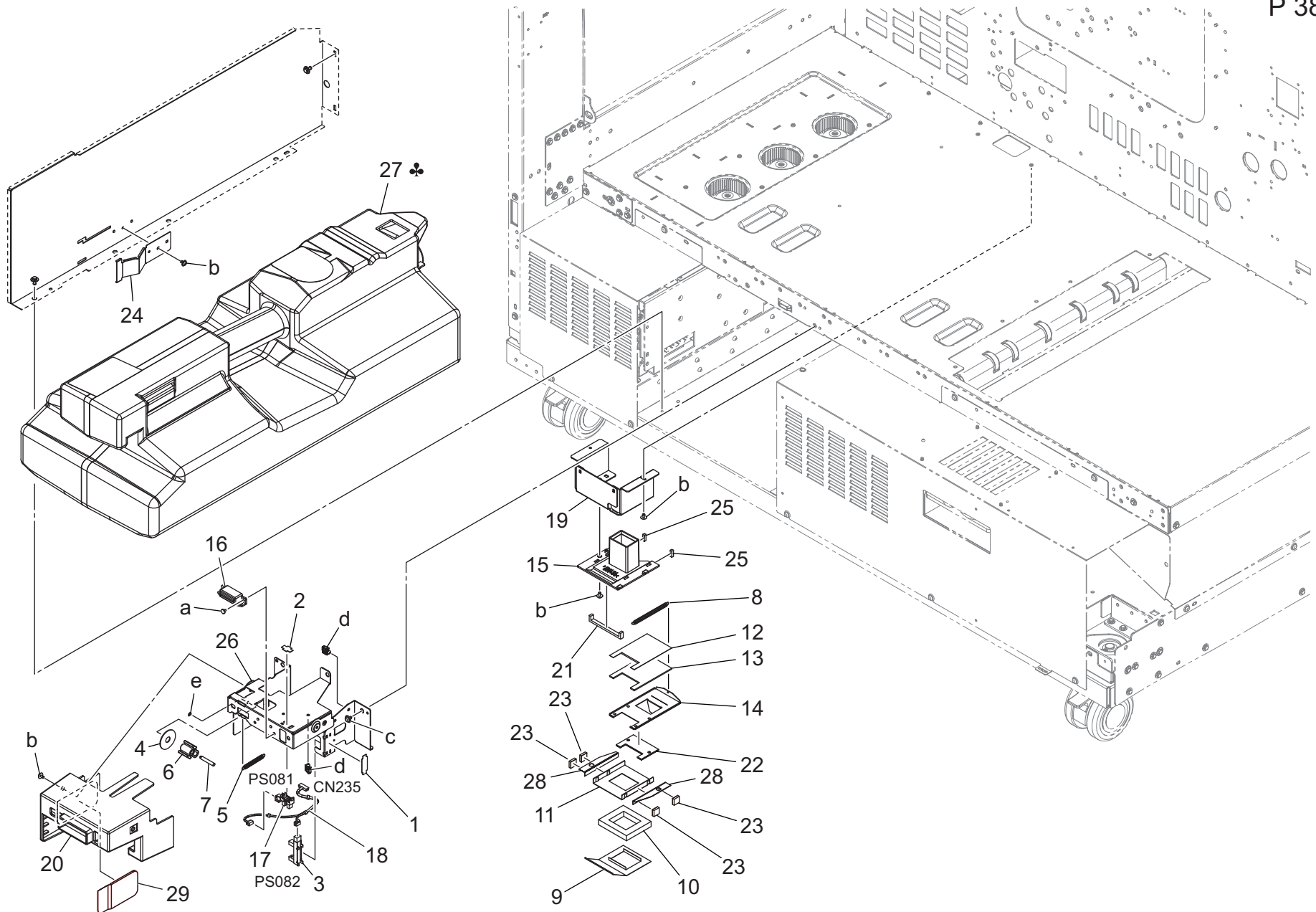
Key	Part No.	Description	Destinations	Class	QTY	Standard parts
1	56AA10300	Slide Rail /A		C	2	a-V118040403 b-V127040603 c-V145030803 d-V153030803 e-V217040003 f-V145031003
2	56AA32440	Locking Part /A		C	1	
3	56AA32450	Locking Spring /A		C	1	
4	56AA32521	Lever Shaft		D	1	
5	56AA32620	Toner Supply Locking Spring		C	1	
6	56AA32630	Locking Part /B		C	1	
7	56AA32640	Locking Spring /B		C	1	
8	56AA32710	Guide Spacer		C	5	
9	56AA32751	Locking Part /C		C	1	
10	56AA32761	Locking Spring /C		C	1	
11	56NE32510	Lever		C	1	
12	56UA34230E	Cartridge Support Plate /Left		D	1	
13	56UA34240E	Cartridge Support Plate /Right		D	1	
14	A0G6416100	Toner Supply Part		C	1	
15	AC0C408201	Cover Sheet		D	1	
16	AC0C410401	Toner Supply Panel /Front		D	1	
17	AC0C410601	Toner Supply Panel /Right Front		D	1	
18	AC0C411113	Toner supply Cover /A		D	1	
19	AC0C944600	Toner Supply Label /K		D	1	

# Toner Collection Section



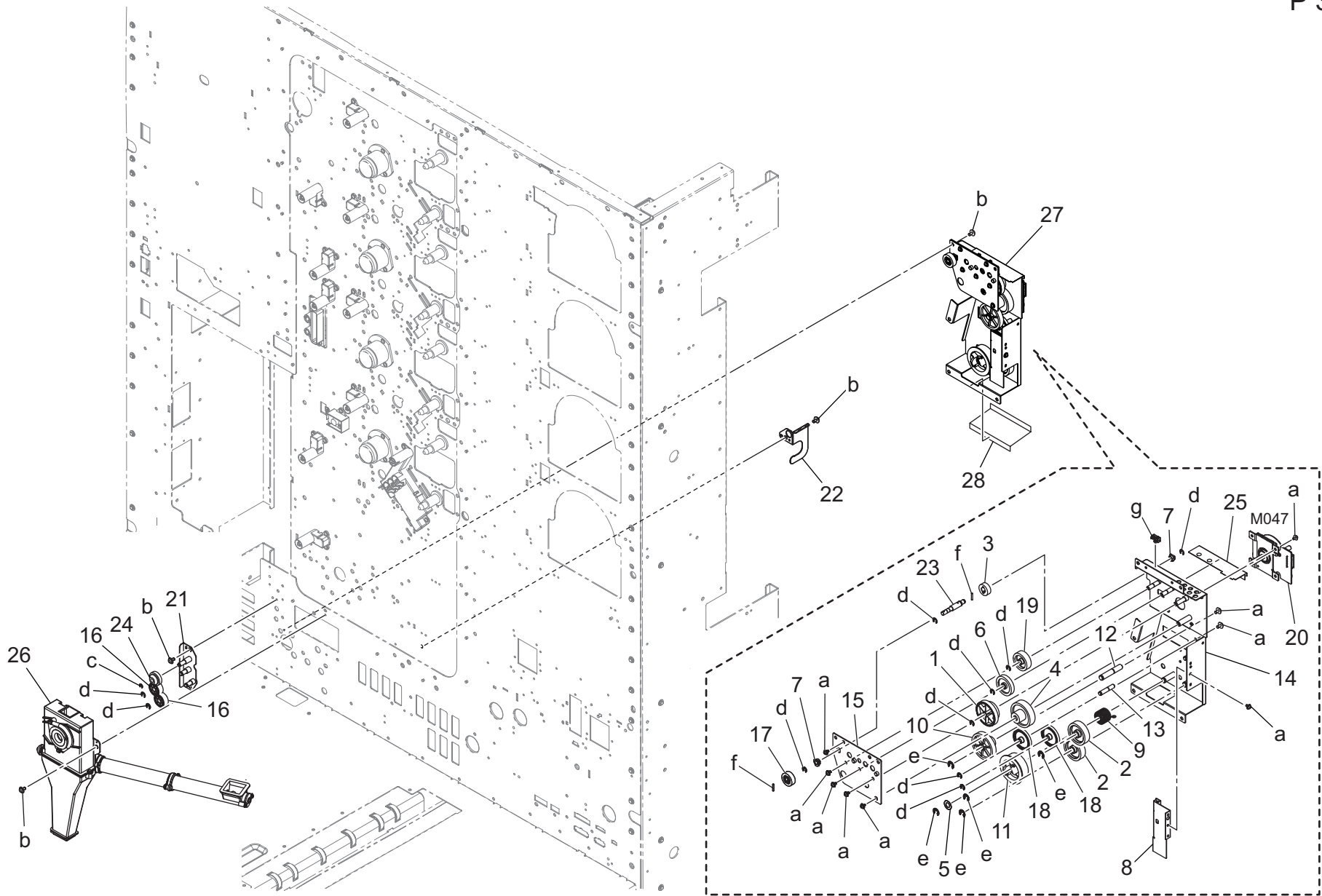
Key	Part No.	Description	Destinations	Class	QTY	Standard parts
1	A1RF106900	Moistureproof Seal		D	1	a-V118030403 b-V127030604 c-V127040803 d-V153030803
2	AC0C362200	Collection Pipe /A		D	6	
3	AC0C362300	Mounting Plate		D	6	
4	AC0C362400	Collection Pipe		D	1	
5	AC0C365800	Collection Seal /B		D	4	
6	AC0C366000	Collection Seal /B		D	2	
7	AC0C367700	Sealing Part /A		D	1	
8	AC0C368500	Collection Pipe		D	5	
9	AC0C369400	Sealing Part /E		D	5	
10	AC0C369700	Sealing Part /D		D	6	
11	AC0CR70611	Toner Collection Assy		I	1	
12	AC0C362800	Magnet sheet /1		D	4	
13	AC0C362900	Magnet sheet /2		D	4	

# Toner Collection Section



Key	Part No.	Description	Destinations	Class	QTY	Standard parts
1	4004457301	Stopper		D	1	a-V118030403 b-V127030604 c-V127040603 d-V500020098 e-V217020003
2	4470402401	Stopper		D	1	
3	9335140051	Solid State Switch		B	1	
4	55VA47840	Belt Hold Part /3		D	1	
5	A1RF363500	Control Spring		C	1	
6	A1RF363801	Detecting Part /2		D	1	
7	A1RF366200	Collection Shaft		D	1	
8	A1RF366300	Collection Spring		D	1	
9	A1RF367000	Collection Sheet		D	1	
10	A1RF367100	Collection Pad		D	1	
11	A1RF367201	Collection Rail		D	1	
12	A1RF367300	Collection Sheet		D	1	
13	A1RF367400	Collection Pad		D	1	
14	A1RF367500	Collection Shutter		D	1	
15	A1RF367601	Collection Part		D	1	
16	A1TT713600	Magnet /1		D	1	
17	A50UM51000	Photointerrupter		C	1	
18	AC0CN14300	Toner Detection Harness /1		D	1	
19	AC0C360800	Mounting Plate /2		D	1	
20	AC0C363600	Sensor Cover		D	1	
21	AC0C363900	Scatteringprevention Seal		D	1	
22	AC0C366400	Slide Seal /A		D	1	
23	AC0C366500	Collection Seal /G		D	4	
24	AC0C366600	Regulating Plate Spring		D	1	
25	AC0C366700	Collection Seal /H		D	2	
26	AC0C368400	Sensor Cover /1		D	1	
27	AC0CR74411	Waste Toner Box	B,C	A	1	
27	AC0CR78311	Waste Toner Box	A	A	1	
27	AC0CR74411	Waste Toner Box	D1,D3,E,F2,G1,G2,H, I,K,J	A	1	
28	AC0C366200	Scatteringprevention Sheet		D	2	
29	A1RF361900	Collection Seal /Side		C	1	

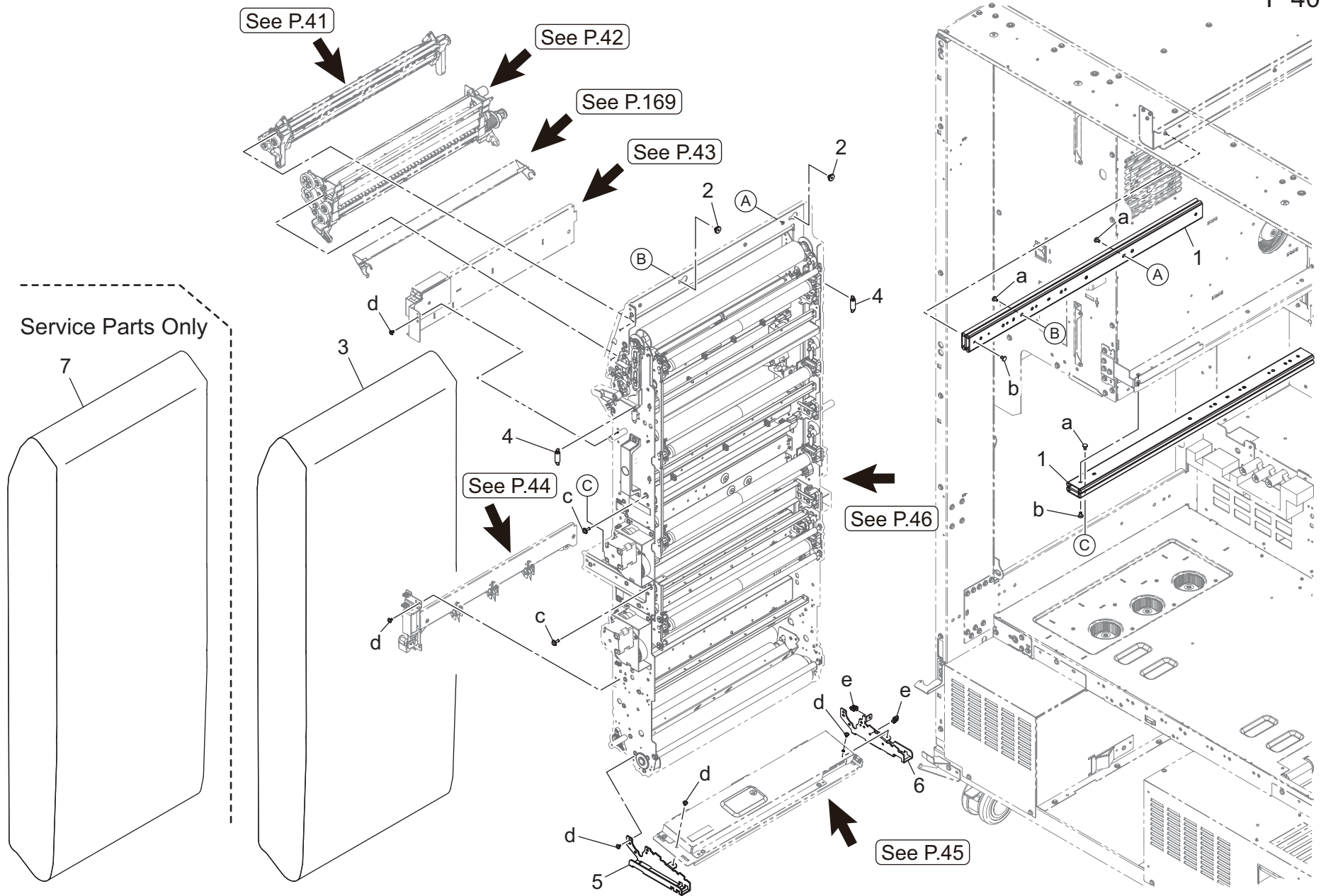
# Toner Collection Section



Key	Part No.	Description	Destinations	Class	QTY	Standard parts
1	25SA77470	Idle Gear /A 76/28T	アイドル歯車 / A 76 / 28 T	C	1	a-V116030603 b-V127040803 c-V217030003 d-V217040003 e-V217060003 f-V234201250 g-V500020099
2	55GA77050	Conveyance Drive Gear /2 35T	搬送駆動歯車 / 2 35 T	B	2	
3	56UA77280	ADU Conveyance Gear 17T	ADU 搬送歯車 17 T	C	1	
4	56UA77710	Toner Supply Drive Gear /B 16/40T	トナー補給駆動歯車 / B 16 / 40 T	C	1	
5	65AA49500	Paper Exit Spacer /1	排紙 スペース / 1	C	1	
6	65AA77410	Toner Supply Gear /D 31T	トナー補給 ギア / D 31 T	C	1	
7	A0P0663600	Bushing	すべり軸受	C	2	
8	A1RF364201	Reinforce Plate /1	補強板 / 1	D	1	
9	A1RF368301	Collection Spring	回収ばね	D	1	
10	A1RF368500	Collection Gear 14/43T	回収ギア 14 / 43 T	C	1	
11	A1RF368600	Collection Coupling	回収カップリング	D	1	
12	A1RF369600	Collection Shaft /W	回収軸 / W	D	1	
13	A1RF369700	Collection Shaft /X	回収軸 / X	D	1	
14	A1RFR78900	Toner Collection Drive Unit/1 Calking	回収駆動カシメ / 1	D	1	
15	A1RFR79000	Toner Collection Drive Unit/2 Calking	回収駆動カシメ / 2	D	1	
16	A1UD595500	Gear 20T	ギア 20 T	C	2	
17	A50U746500	Paper exit Gear /B 20T	排紙ギア / B 20 T	C	1	
18	A5AW400800	Idling Gear 14/34T	アイドルギア 14 / 34 T	C	2	
19	A5AW428100	Gear /U 28T	ギア / U 28 T	C	1	
20	A9JTM10200	Drum Motor	ドラムモーター	B	1	
21	AC0C367201	Drive Plate /Assy	駆動板 / A s s y	D	1	
22	AC0C367500	Support Plate	支持板	D	1	
23	AC0C369200	Collection Shaft /R	回収軸 / R	D	1	
24	AC0C369500	Collection Gear /2 20/13T	回収ギア / 2 20 / 13 T	C	1	
25	AC0C369801	Scatteringprevention Sheet	飛散防止シート	D	1	
26	AC0CR70811	Toner Collection Hori. Conveyance Assy	トナー回収水平搬送 A s s y	I	1	
27	AC0CR70700	Toner Collection Drive Assy	トナー回収駆動 A s s y	S	1	
28	AC0C366901	Scatteringprevention Sheet	飛散防止シート	D	1	

# Intermediate Transfer Section

P 40



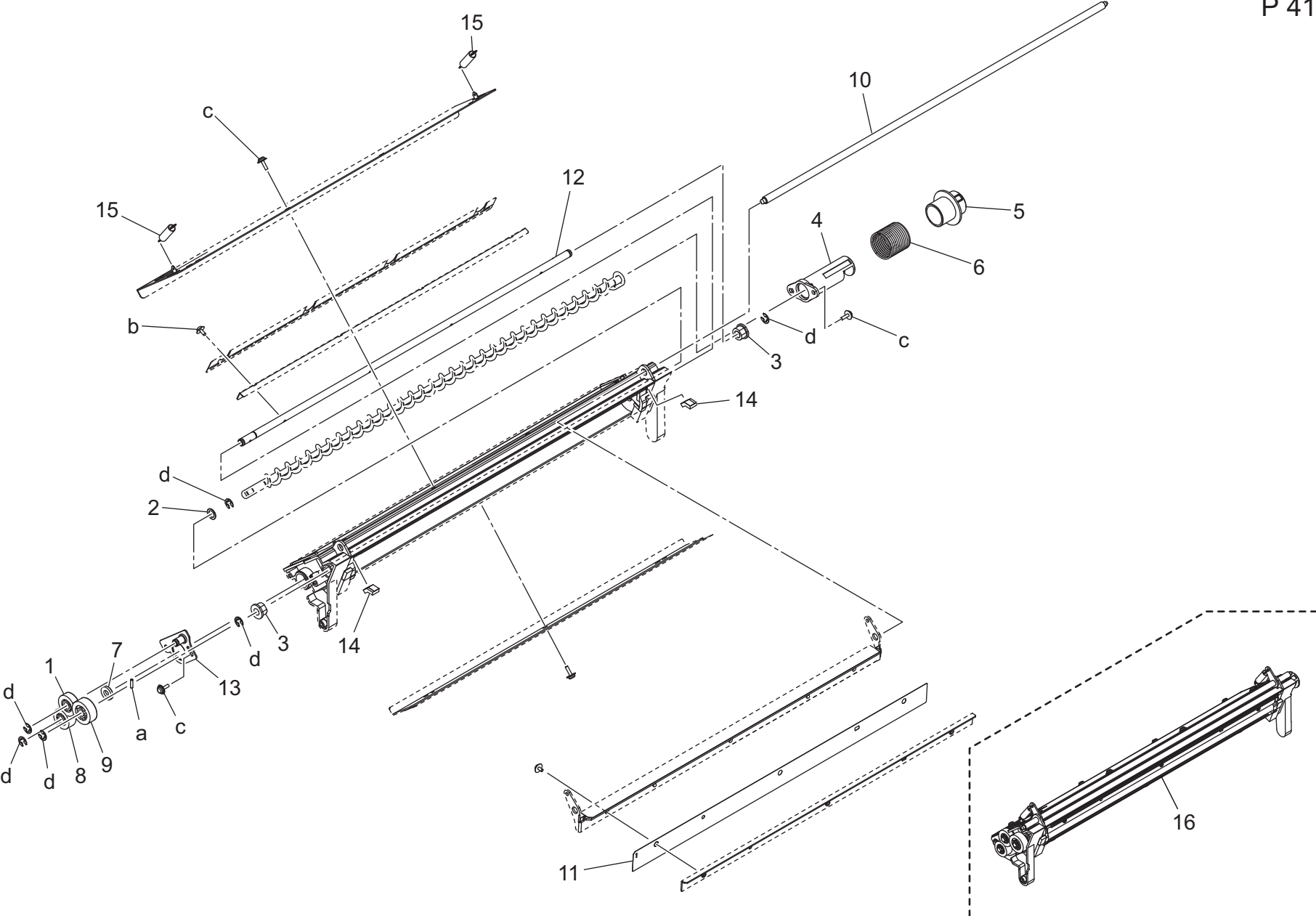
AccurioPress C12000



# Intermediate Transfer Section

Key	Part No.	Description	Destinations	Class	QTY	Standard parts
1	56AA50520	Slide Rail /D		C	2	a-V118040603 b-V118040604 c-V121041003 d-V127030604 e-V500020098
2	56AA50530	ADU Mounting Collar		C	2	
3	AC0C506000	Intermediate Transfer Belt 1939L		A	1	
4	AC0C506500	Hold Spring /1		D	2	
5	AC0C517700	Positioning Plate /Front		D	1	
6	AC0C517801	Positioning Plate /Rear		D	1	
7	AC0CP50100	Intermediate Transfer Belt/CP	(Service Parts Only )	A	1	

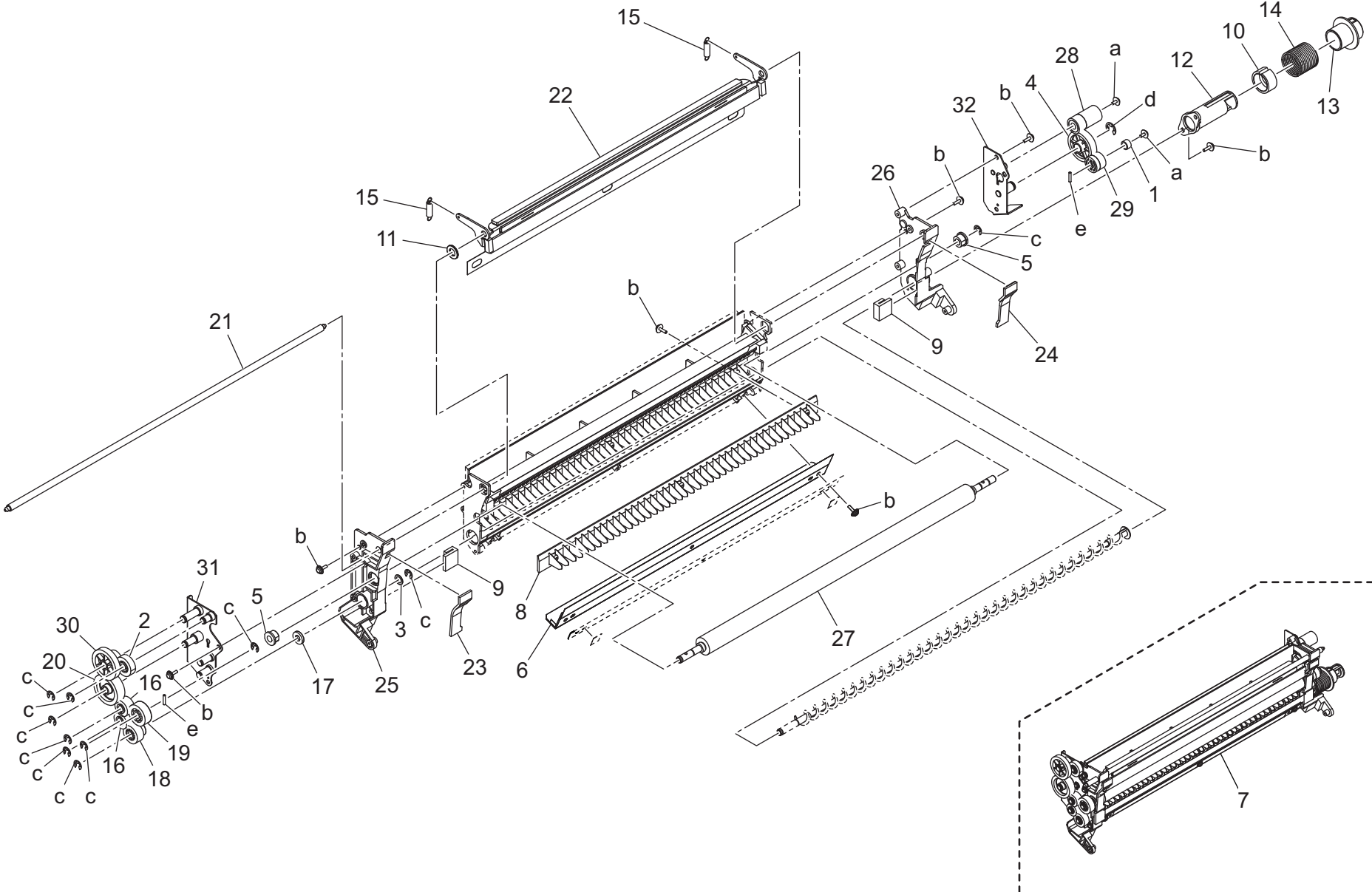
Intermediate Transfer Section



Key	Part No.	Description	Destinations	Class	QTY	Standard parts
1	4034575801	Gear 17T		C	1	a-V234201050 b-V127030604 c-V153030803 d-V217040003
2	40AA32320	Toner Supply Spacer		C	1	
3	65AA26840	Cleaner Bushing /Front		C	2	
4	A1RF512000	Collection Pipe		D	1	
5	A1RF512100	Collection Shutter		D	1	
6	A1RF512200	Collection Spring		D	1	
7	A1RF517200	Collection Seal		D	1	
8	A1RF519800	Collection Gear /B 16 T		C	1	
9	A1RF519901	Collection Gear /A 23 T		C	1	
10	A5AW510900	Blade Fulcrum Shaft		D	1	
11	AC0C515900	Scraper		A	1	
12	AC0C516200	Agitating Shaft		D	1	
13	AC0C516600	Drive Side Plate /Assy		D	1	
14	AC0C516800	Sealing Part /A		D	2	
15	AC0C517600	Cleaning Spring		D	2	
16	AC0CR74322	Auxiliary Cleaning Unit	A	A	1	
16	AC0CR74322	Auxiliary Cleaning Unit	C	A	1	
16	AC0CR74322	Auxiliary Cleaning Unit	B	A	1	
16	AC0CR74322	Auxiliary Cleaning Unit	D1,D3,E,F2,G1,G2,H, I,J,K	A	1	

# Intermediate Transfer Section

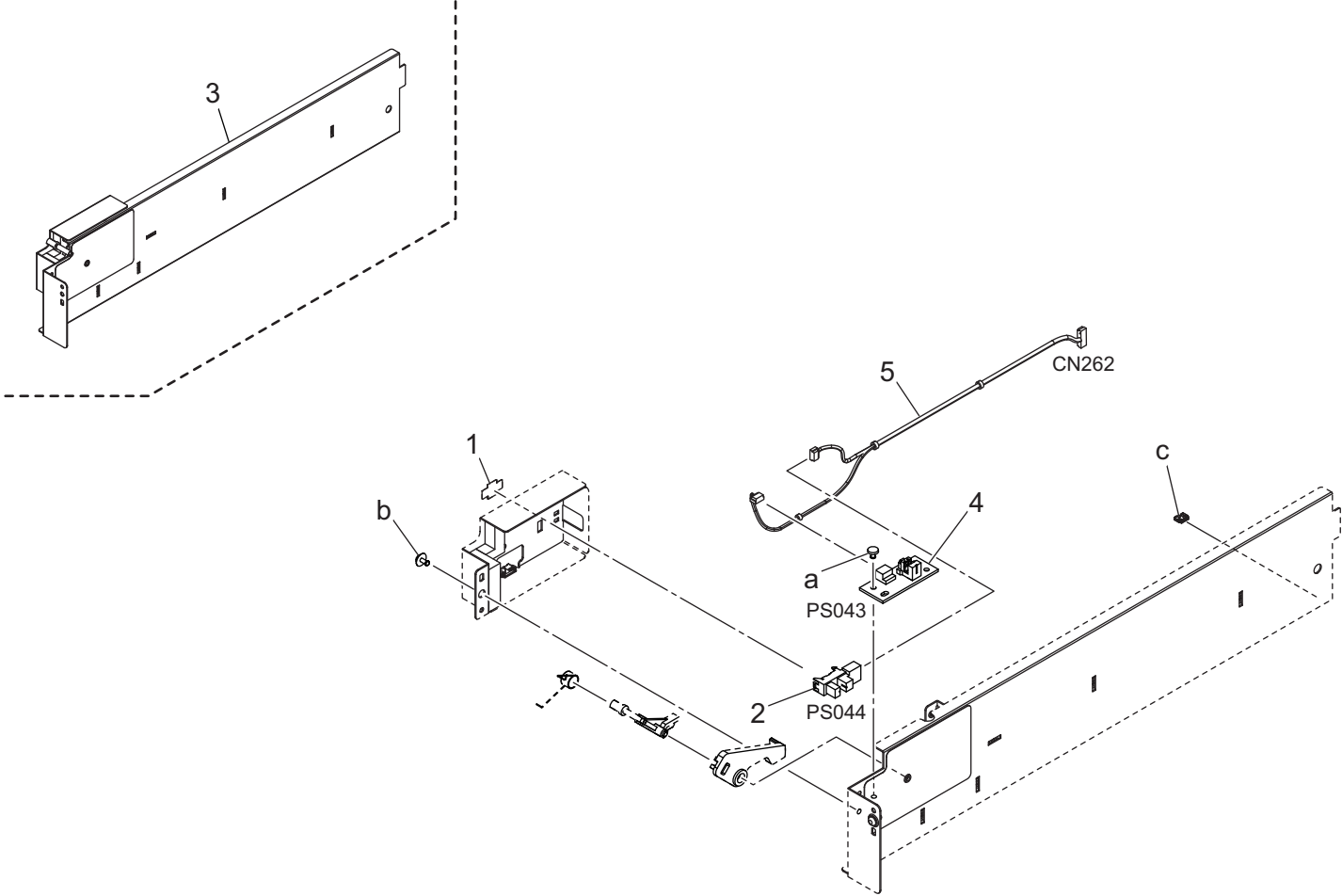
P 42



AccurioPress C12000

Key	Part No.	Description	Destinations	Class	QTY	Standard parts
1	1134512701	COLLAR		D	1	a-V127030604 b-V153030803 c-V217040003 d-V217060003 e-V234201050
2	4034575801	Gear 17T		C	1	
3	40AA32320	Toner Supply Spacer		C	1	
4	50GA15540	Gear/E 35T		C	1	
5	65AA26840	Cleaner Bushing /Front		C	2	
6	65AAR75600	Sheet /1 Assy		A	1	
7	AC0CR74211	Transfer Belt Cleaning Unit		A	1	
8	65LAR70400	Support Plate Assy		C	1	
9	A1RF511300	Sealing Pad /D		D	2	
10	A1RF511400	Collection Seal /2		D	1	
11	A1RF511700	Regulating Seal		D	1	
12	A1RF512000	Collection Pipe		D	1	
13	A1RF512100	Collection Shutter		D	1	
14	A1RF512200	Collection Spring		D	1	
15	A1RF515000	Cleaning Spring		C	2	
16	A1RF515700	Idling Gear /4 14T		C	2	
17	A1RF517200	Collection Seal		D	1	
18	A1RF519800	Collection Gear /B 16T		C	1	
19	A1RF519901	Collection Gear /A 23T		C	1	
20	A5AW428100	Gear /U 28T		C	1	
21	A5AW510900	Blade Fulcrum Shaft		D	1	
22	A5AWR70P11	Belt Cleaning Blade		A	1	
23	A92W511200	Sealing Pad /C		A	1	
24	A92W511600	Sealing Pad /E		A	1	
25	AC0C510200	Side Plate /Front		D	1	
26	AC0C510300	Side Plate /Rear		D	1	
27	AC0C510600	Auxiliary Roller		C	1	
28	AC0C514300	Collection Coupling		D	1	
29	AC0C514400	Gear 17T		C	1	
30	AC0C515300	Idling Gear /B 14/28T		C	1	
31	AC0C515600	Drive Base Frame /2		D	1	
32	AC0C515700	Drive Base Frame /1		D	1	

# Intermediate Transfer Section

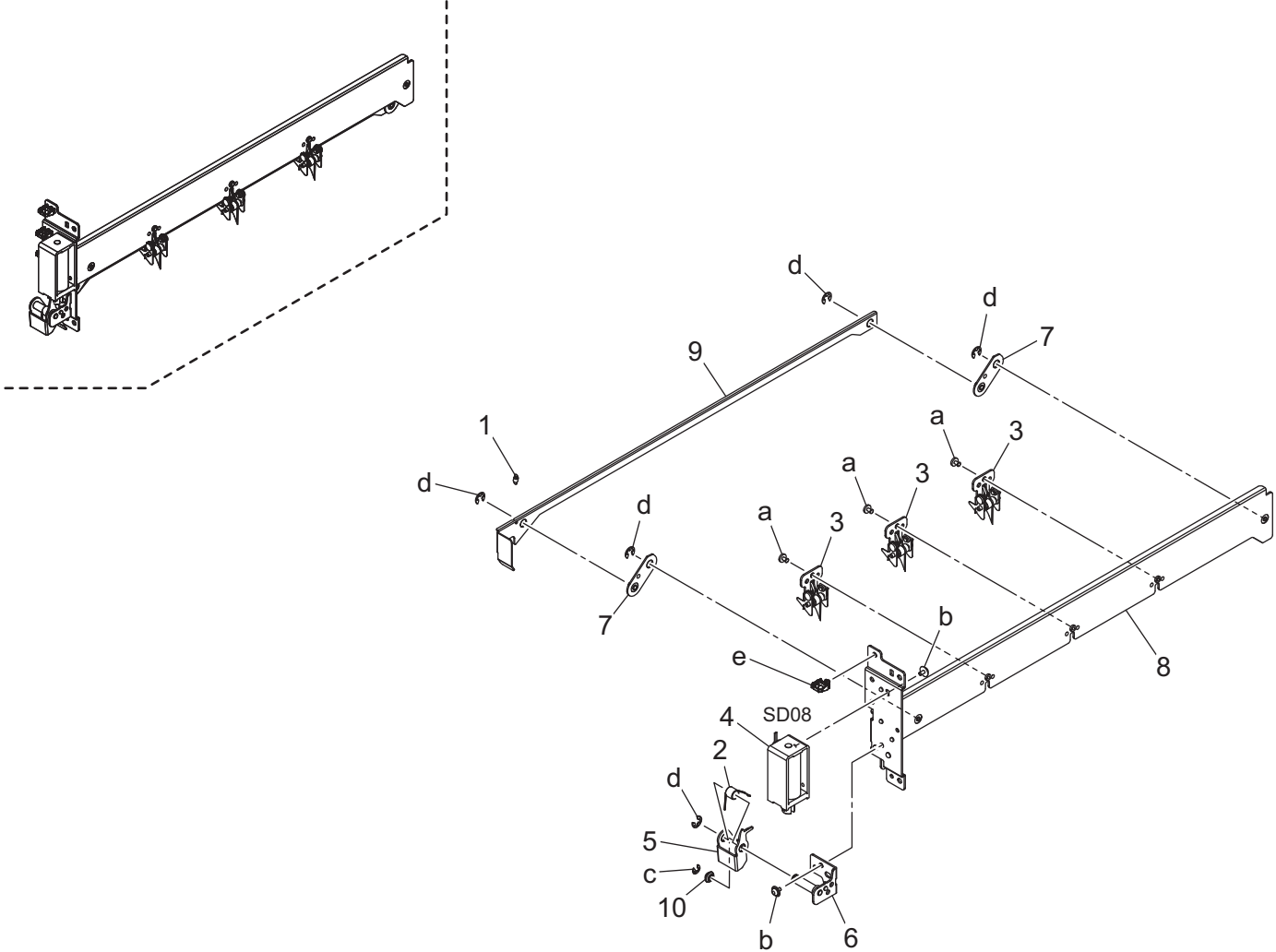


# Intermediate Transfer Section

Key	Part No.	Description	Destinations	Class	QTY	Standard parts
1	4470402401	Stopper		D	1	a-V118030403 b-V127030604 c-V570010056
2	A85CM55600	Photo Sensor		C	1	
3	AC0CR72600	Steering Sensor Assy		I	1	
4	AC0CM50200	Photointerrupter /S		D	1	
5	AC0CN16400	Transfer Harness /3		D	1	

AccurioPress C12000

Intermediate Transfer Section

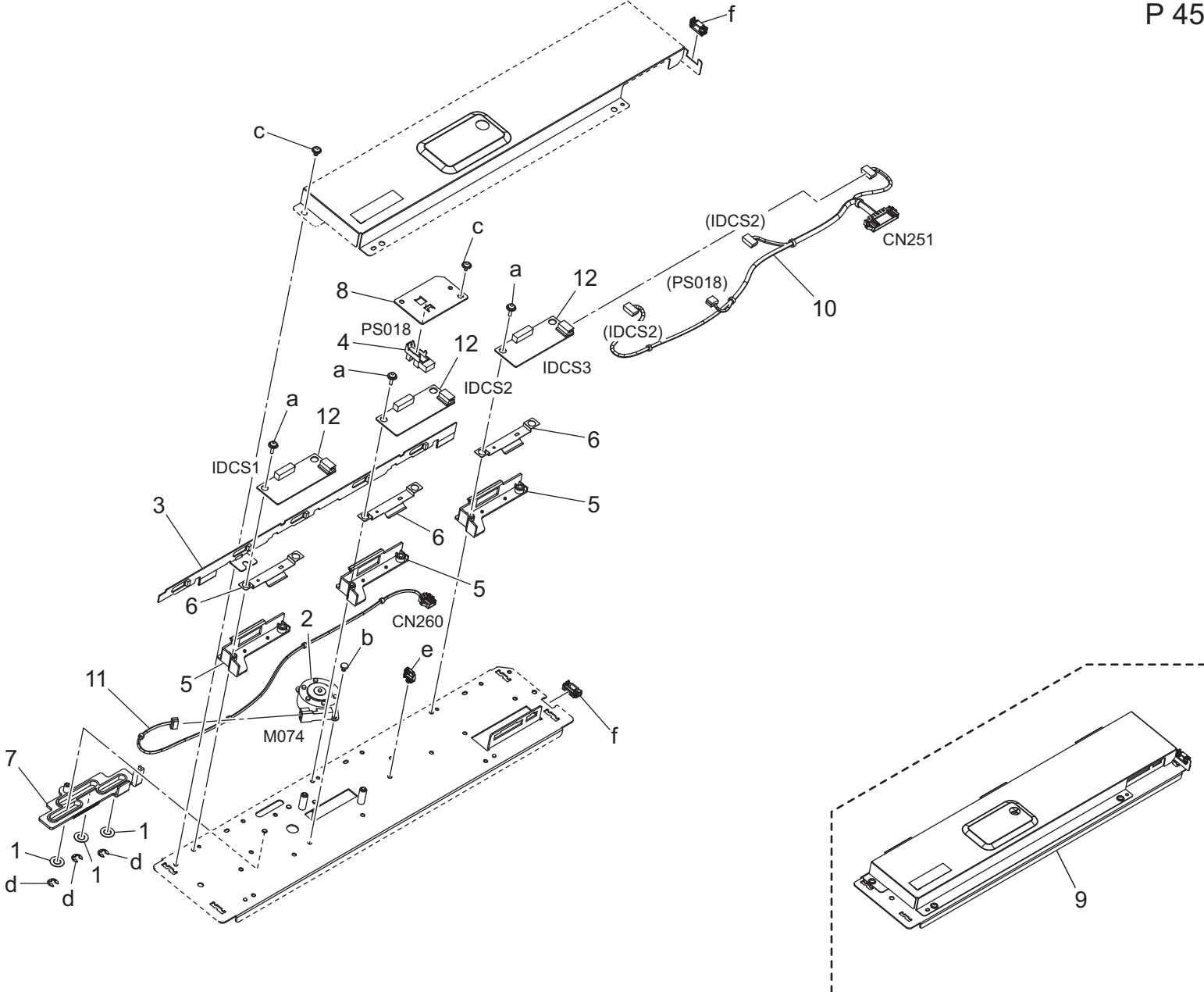




Intermediate Transfer Section

Key	Part No.	Description	Destinations	Class	QTY	Standard parts
1	65AA26600	Slide Spring スライドバネ		C	1	a-V118030403 b-V121030403 c-V217030003 d-V217040003 e-V500020098
2	A1RF348800	Release Spring 解除ばね		D	1	
3	65AAR75300	Separate Claw Assy 分離爪部組		B	3	
4	A1RFR74800	Solenoid ソレノイド		B	1	
5	A1RFR78400	Support Plate Calking 支点板カシメ		D	1	
6	A1RFR78511	Cam Fixing Plate Calking カム固定板カシメ		D	1	
7	A1RFR7A500	Separation Release Plate Calking 分離解除板カシメ		D	2	
8	AC0C514200	Separating Claw 分離爪		D	1	
9	A1RF513300	Release Plate 解除板		D	1	
10	65AA22750	Separation Pressure Roller 分離圧着コロ		C	1	

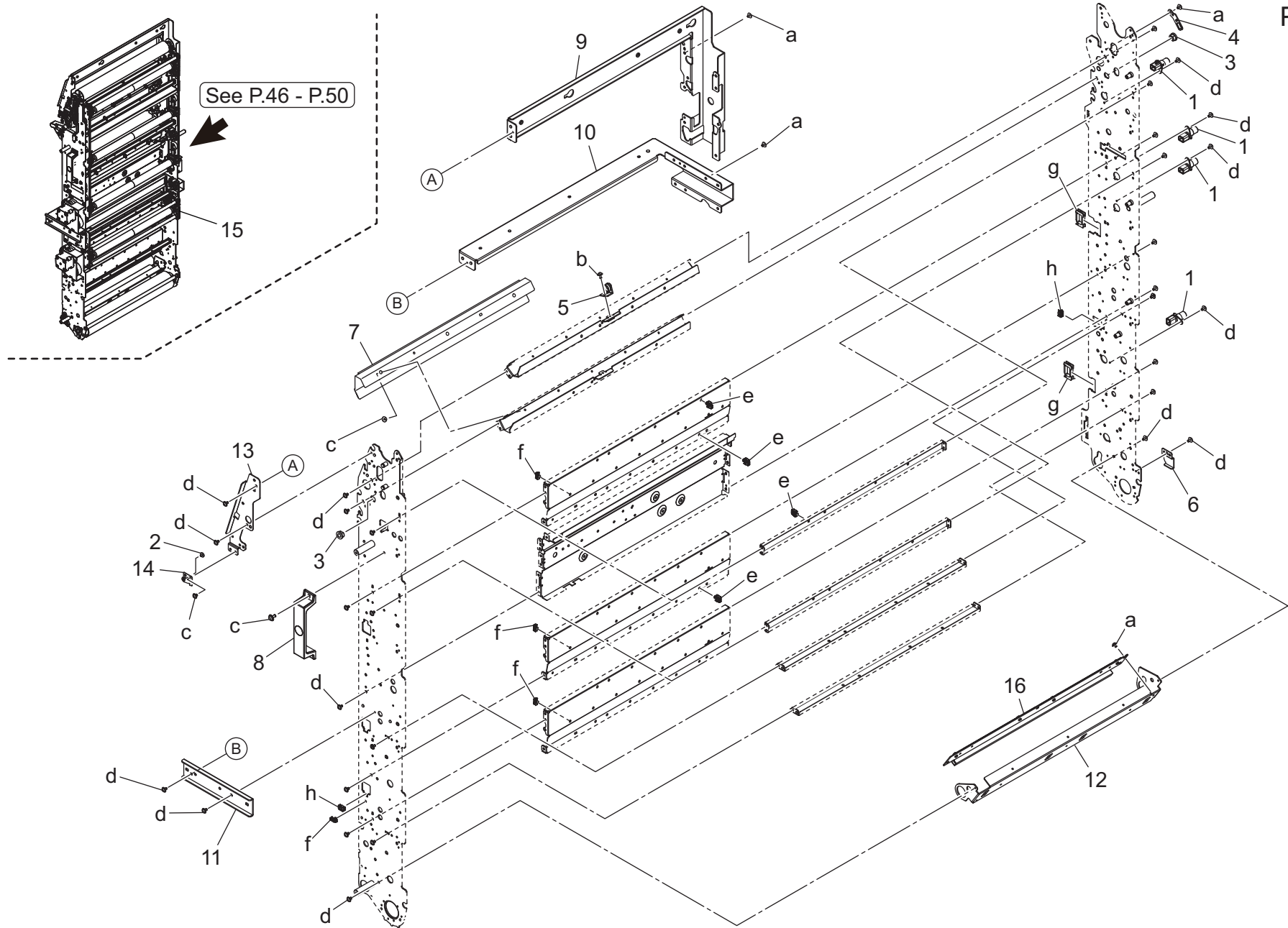
Intermediate Transfer Section



Key	Part No.	Description	Destinations	Class	QTY	Standard parts
1	07BA15871	Spacer /A		C	3	a-V116031003
2	A00JM12100	Stepping motor		C	1	b-V118030403
3	A5AWR70500	Sensor Shutter		B	1	c-V127030604
4	A85CM55600	Photo Sensor		C	1	d-V217040003
5	AC0C518700	Slide Guide		D	3	e-V500020098
6	AC0C518800	Ground Plate /2		D	3	f-V570010057
7	AC0C519100	Drive Rack		D	1	
8	AC0C519400	Detecting Plate		D	1	
9	AC0CR71111	IDC Color Registration Assy		I	1	
10	AC0CN16500	Transfer Harness /4		D	1	
11	AC0CN16600	Transfer Harness /5		D	1	
12	AC57M50200	Photo Sensing Element		I	3	

# Intermediate Transfer Section

P 46

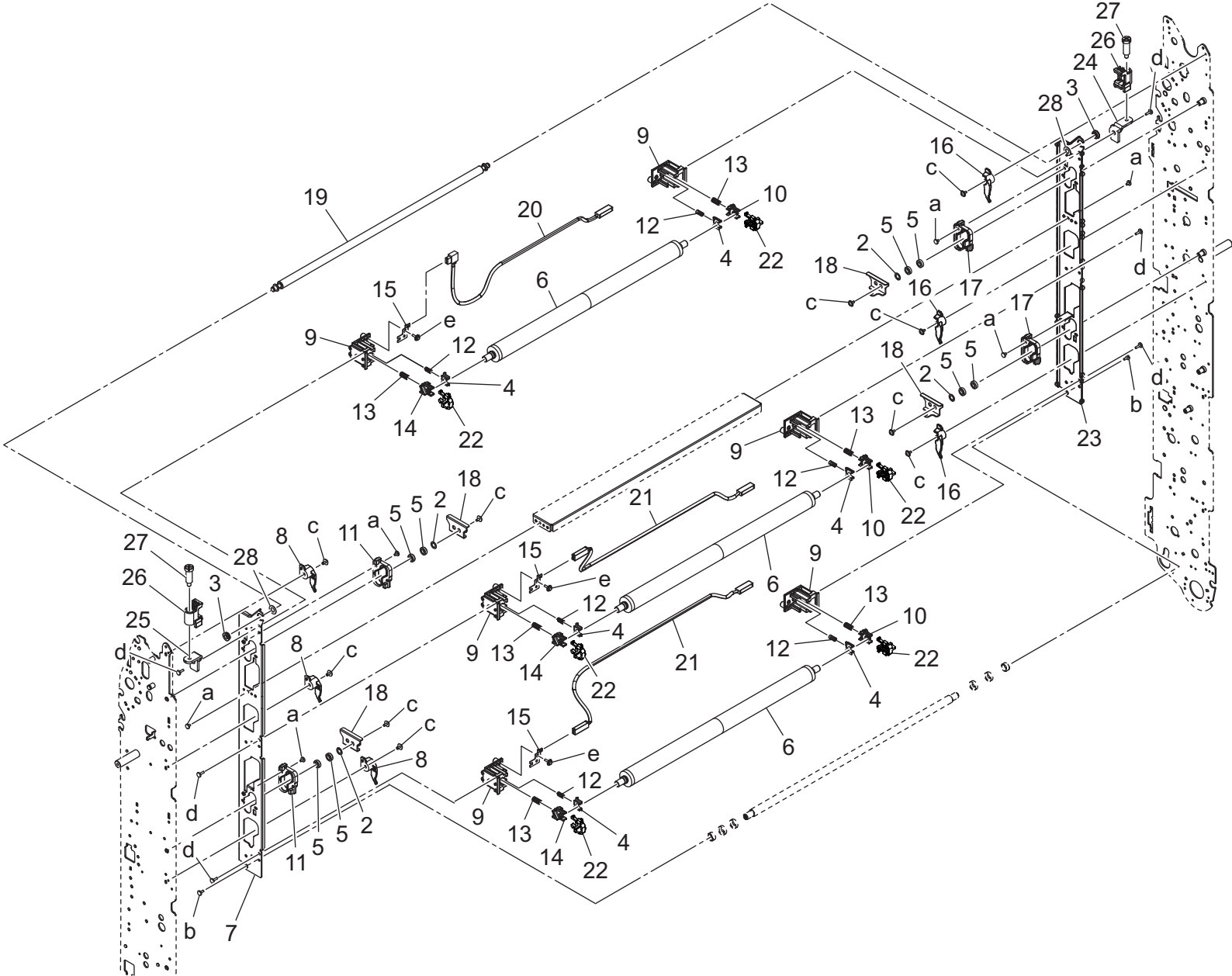


# Intermediate Transfer Section

Key	Part No.	Description	Destinations	Class	QTY	Standard parts
1	65AAR74600	Powering Block /A Assy		C	4	a-V121030403
2	65AA45130D	Transfer Earth Brush		D	1	b-V121030603
3	A00J663200	Bushing		B	2	c-V121040803
4	A1RF508300	Slide Plate		D	1	d-V127030604
5	A1RF508500	Holding Part		D	1	e-V500020098
6	A1RF726700	Cover Plate		D	1	f-V500020099
7	A5AWR72E00	Cleaning Base Frame Assy		D	1	g-V570010027
8	AC0C501000	Handle		D	1	h-V570010056
9	AC0C503700	Support Stay /1		D	1	
10	AC0C503800	Support Stay /2		D	1	
11	AC0C503900	Support Stay /3		D	1	
12	AC0C509001	Mounting Stay		D	1	
13	AC0C512900	Positioning Plate		D	1	
14	AC0C518600	Ground Plate /1		D	1	
15	AC0CR71033	Middle Transfer Unit (without Belt)		I	1	
15	AC0CR71033	Middle Transfer Unit (without Belt)	D1,D3,E,F2,G1,G2,H, I,J,K	I	1	
15	AC0CR71033	Middle Transfer Unit (without Belt)	A	I	1	
16	AC0CR74600	Holding Sheet Assy	B,C	A	1	

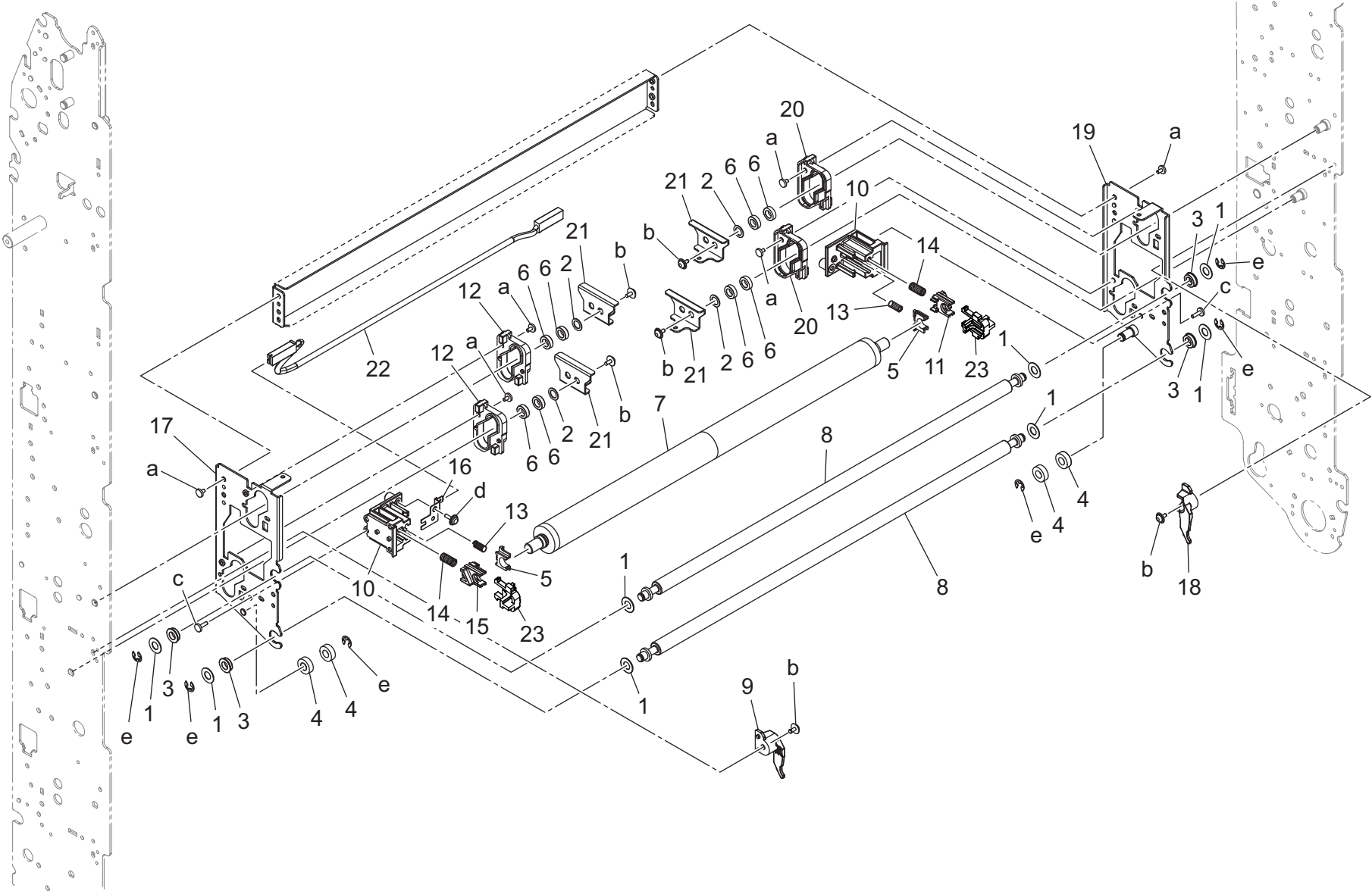


Intermediate Transfer Section



Key	Part No.	Description	Destinations	Class	QTY	Standard parts
2	40AA32320	Toner Supply Spacer		C	4	a-V118030403 b-V118030603 c-V127030604 d-V149030803 e-V153030803
3	A00J617800	Ball Bearing		A	2	
4	A1RF508900	Transfer Powering Bearing		B	6	
5	A782704901	Ball bearing		C	8	
6	AC0C501200	1st Transfer Roller		A	3	
7	AC0C502000	Release Plate /Color		D	1	
8	AC0C502200	Release Claw /Front		D	3	
9	AC0C502300	Power Supply Block		D	6	
10	AC0C502400	Texture Transfer Roller Bearing/Fr		B	3	
11	AC0C502500	Regulating Part /Front		D	2	
12	AC0C502600	Compressing Spring /E		D	6	
13	AC0C502700	Compressing Coil Spring		D	6	
14	AC0C502800	Texture Transfer Roller Bearing/Rr		B	3	
15	AC0C502900	Power Supply Plate		D	3	
16	AC0C503200	Release Claw /Rear		D	3	
17	AC0C504300	Regulating Part /Rear		D	2	
18	AC0C504500	Holding Plate		D	4	
19	AC0C506901	Transfer Pressure Roller /Y		A	1	
20	AC0CN28600	HV Relay Harness /1		D	1	
21	AC0CN28700	HV Relay Harness /2		D	2	
22	AC0C518901	Fixing Part		D	6	
23	AC0C504100	Release Plate /Color		D	1	
24	AC0C504800	Installing Plate /Rear		C	1	
25	AC0C504900	Installing Plate /Front		C	1	
26	AC0C505000	Swing Stopper		C	2	
27	AC0C505100	Regulating Shoulder screw		C	2	
28	40AA30270	DEVELOPING SPACER		C	2	

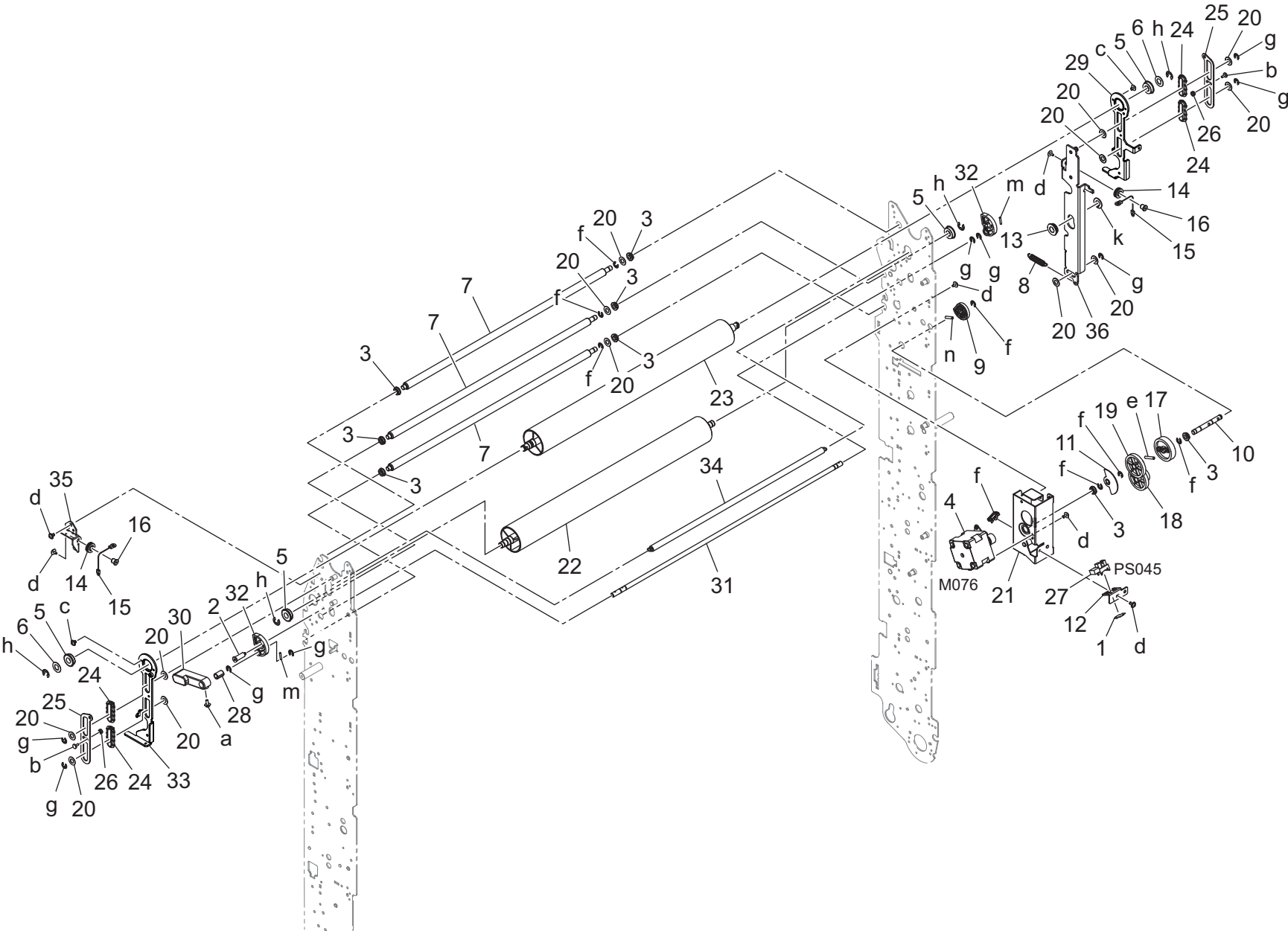
Intermediate Transfer Section





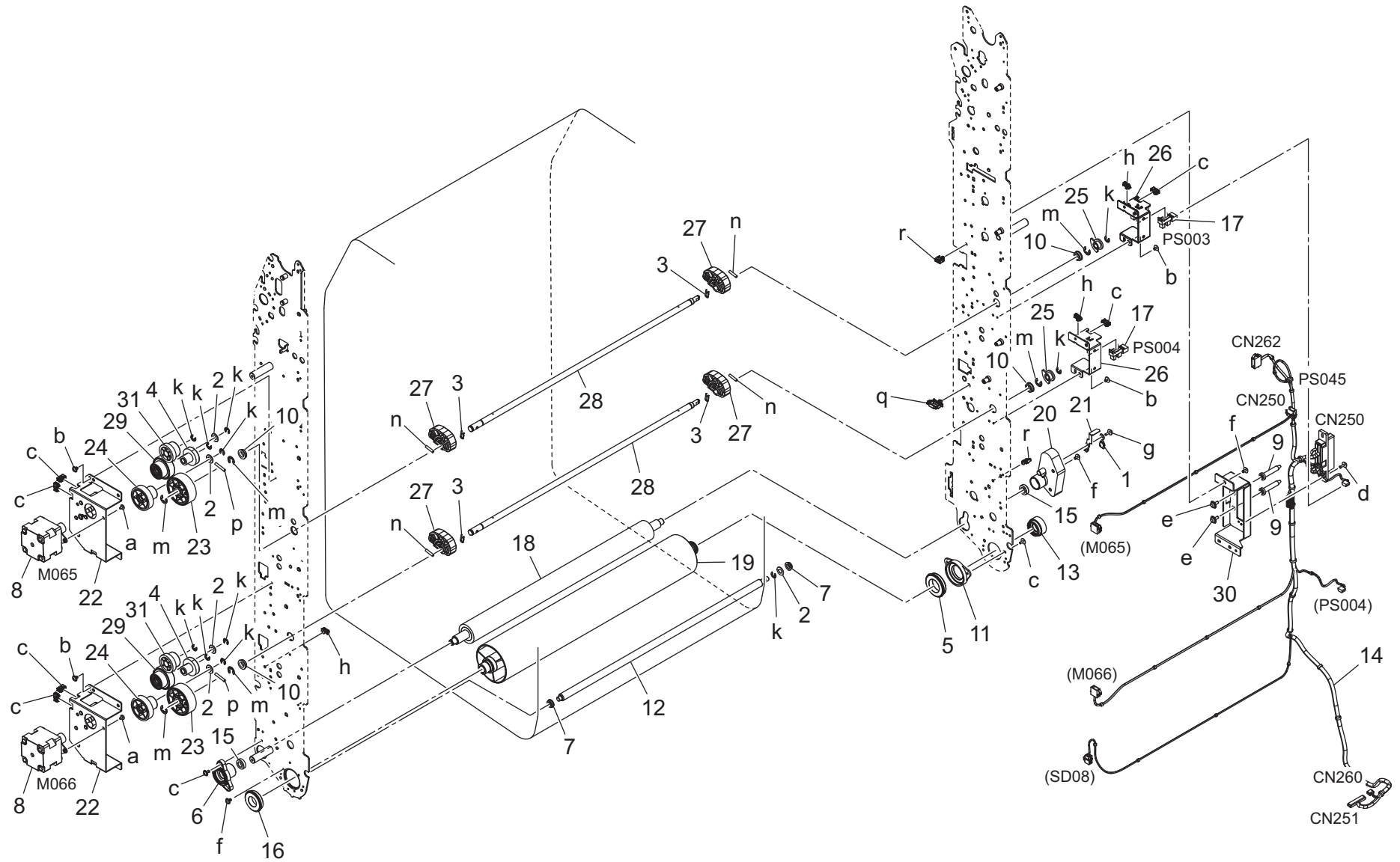
Key	Part No.	Description	Destinations	Class	QTY	Standard parts
1	07BA15871	Spacer /A		C	8	a-V118030403 b-V127030604 c-V149030803 d-V153030803 e-V217040003
2	40AA32320	Toner Supply Spacer		C	4	
3	A00J617800	Ball Bearing		A	4	
4	A0TK397501	Ball bearing		C	4	
5	A1RF508900	Transfer Powering Bearing		B	2	
6	A782704901	Ball bearing		C	8	
7	AC0C501200	1st Transfer Roller		A	1	
8	AC0C501300	Pressure Roller /B		C	2	
9	AC0C502200	Release Claw /Front		D	1	
10	AC0C502300	Power Supply Block		D	2	
11	AC0C502400	Texture Transfer Roller Bearing/Fr		B	1	
12	AC0C502500	Regulating Part /Front		D	2	
13	AC0C502600	Compressing Spring /E		D	2	
14	AC0C502700	Compressing Coil Spring		D	2	
15	AC0C502800	Texture Transfer Roller Bearing/Rr		B	1	
16	AC0C502900	Power Supply Plate		D	1	
17	AC0C503000	Release Plate /Assy		D	1	
18	AC0C503200	Release Claw /Rear		D	1	
19	AC0C504200	Release Plate /Assy		D	1	
20	AC0C504300	Regulating Part /Rear		D	2	
21	AC0C504500	Holding Plate		D	4	
22	AC0CN28700	HV Relay Harness /2		D	1	
23	AC0C518901	Fixing Part		D	2	

# Intermediate Transfer Section



Key	Part No.	Description	Destinations	Class	QTY	Standard parts
1	4470402401	Stopper		D	1	a-V116030803
2	9J07444301	SHOULDER SCREW		C	1	b-V118030603
3	A00J617800	Ball Bearing		A	8	c-V121030403
4	A00TM10000	Stepping motor		B	1	d-V127030604
5	A00V240600	Ball Bearing		B	4	e-V234301850
6	A1RF502000	Slide Spacer /B		D	2	f-V500020100
7	A1RF502900	Auxiliary Roller		D	3	g-V217040003
8	A1RF503811	Pressing Spring		D	1	h-V217060003
9	A1RF504101	Swing Cam		D	1	k-V223080050
10	A1RF504201	Drive Shaft /S		D	1	m-V234201050
11	A1RF504403	Index Plate /S		D	1	n-V234301450
12	A1RF504500	Stay		D	1	
13	A1RF504900	Bushing		C	1	
14	A1RF508000	Tension Pulley		D	2	
15	A1RF508100	Pulling Wire		D	2	
16	A1RF508200	Tension Shaft		D	2	
17	A1RF509600	Drive Gear /2 40T		C	1	
18	A1RF509700	Idling Gear /2 20/40T		C	1	
19	A1RF509800	Idling Gear /1 20/44T		C	1	
20	07BA15871	Spacer /A		C	13	
21	A1RFR7G700	Drive Unit Panel Calking		D	1	
22	A5AW500600	Driven Roller		C	1	
23	A5AW500800	Tension Roller		C	1	
24	A5AW507000	Bushing		D	4	
25	A5AW507200	Tension Panel /1		D	2	
26	A5AW517400	Shaft /2		D	2	
27	A85CM55600	Photo Sensor		C	1	
28	A9CE726800	Hold Part		D	1	
29	AC0C509201	Tension Arm /Rear		D	1	
30	AC0C501100	Lever /1		D	1	
31	AC0C503600	Release Shaft /T		D	1	
32	AC0C504000	Release Cam /T		D	2	
33	AC0C509101	Tension Arm /Front		D	1	
34	AC0C507000	Tension Spring		D	1	
35	AC0C508400	Support Plate /2		D	1	
36	AC0C508600	Swing Arm /Assy		D	1	

# Intermediate Transfer Section

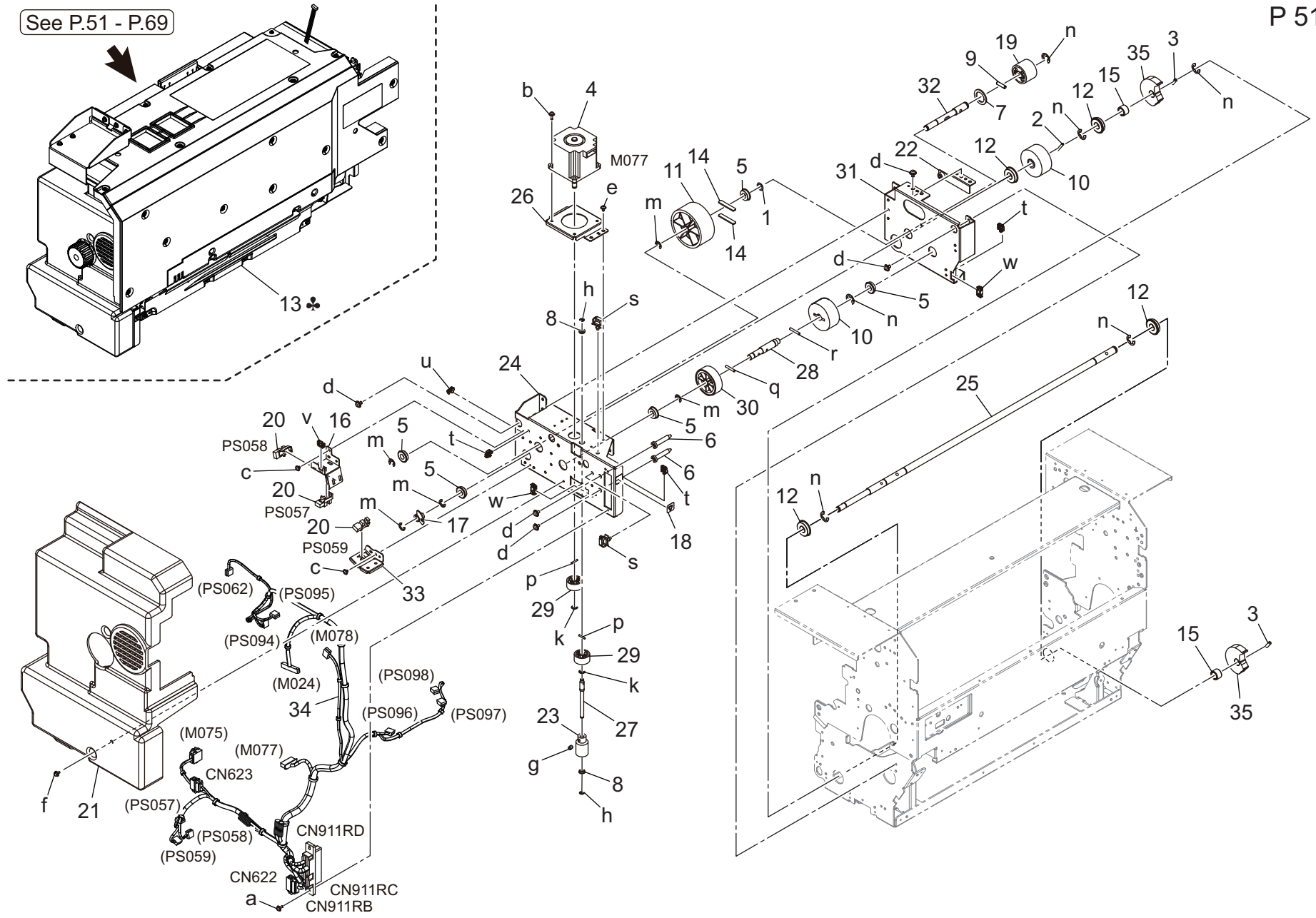


Key	Part No.	Description	Destinations	Class	QTY	Standard parts
1	A1RFR76100	Power Supply Plate/No2	給電板 /2号	D	1	a-V118030403
2	07BA15871	Spacer /A	スペーサー / A	C	5	b-V121030403
3	15AG57620	Fixing Part	固定部材	C	4	c-V570010056
4	15BA630300	Up/Down Gear /B 14/23T	昇降ギア /B 14 /23 T	C	2	d-V121030803
5	56UA75070	Fixing Bearing	定着軸受	A	1	e-V121040803
6	65AA26920E	High voltage Powering Collar /Front	高圧給電カラー /前	C	1	f-V127030604
7	A00J617800	Ball Bearing	ボールベアリング	A	2	g-V153030803
8	A00TM10000	Stepping motor	ステッピングモータ	B	2	h-V500020099
9	A03U724200	Positioning Shaft	位置決め軸	D	2	k-V217040003
10	A07R813801	Roller Bearing /A	ころがり軸受 / A	C	4	m-V217060003
11	A1RF502500	Support Block	支持ブロック	D	1	n-V234301450
12	A1RF502900	Auxiliary Roller	補助ローラ	D	1	p-V234301850
13	AC0C505200	Connecting Flange	連結フランジ	D	1	q-V500010082
14	AC0CN16300	Transfer Harness /2	転写束線 /2	D	1	r-V500020098
15	A1RF517300	bearing	軸受	C	2	
16	A50U212600	Ball Bearing /15	ボールベアリング /15	C	1	
17	A85CM55600	Photo Sensor	フォトセンサ	C	2	
18	AC0C500400Old	2nd Transfer Roller/Up	2次転写ローラー /Up	A	1	
18	AC0C500600	Transfer Roller	転写ローラ	A	1	
19	AC0C500500	Drive Roller /Assy	駆動ローラ /Assy	C	1	
20	AC0C501600	Power Supply Cover	給電カバー	D	1	
21	AC0C501800	Powering Plate /No.1	給電板 /1号	D	1	
22	AC0C503300	Fixing Plate /Assy	固定板 /Assy (モーター固定)	D	2	
23	AC0C503400	Pressure Gear 40T	圧着ギア 40T	C	2	
24	AC0C507300	Idling Gear /2 16/32T	アイドルギア /2 16 /32 T	C	2	
25	AC0C507600	Detecting Plate	検出板	D	2	
26	AC0C507700	Sensor Plate /Rear	センサ板 /奥	D	2	
27	AC0C507800	Transfer Release Cam /C	転写解除カム /C	D	4	
28	AC0C507900	Rotation Shaft /Middle	回転軸 /中	D	2	
29	AC0C508200	Idling Gear /1 21/38T	アイドルギア /1 21 /38 T	C	2	
30	AC0C509300	Power Supply Plate	給電板 (ドロア)	D	1	
31	4030307101	Gear 19/33T	ギヤ 19 /33 T	C	2	

# Fusing Section

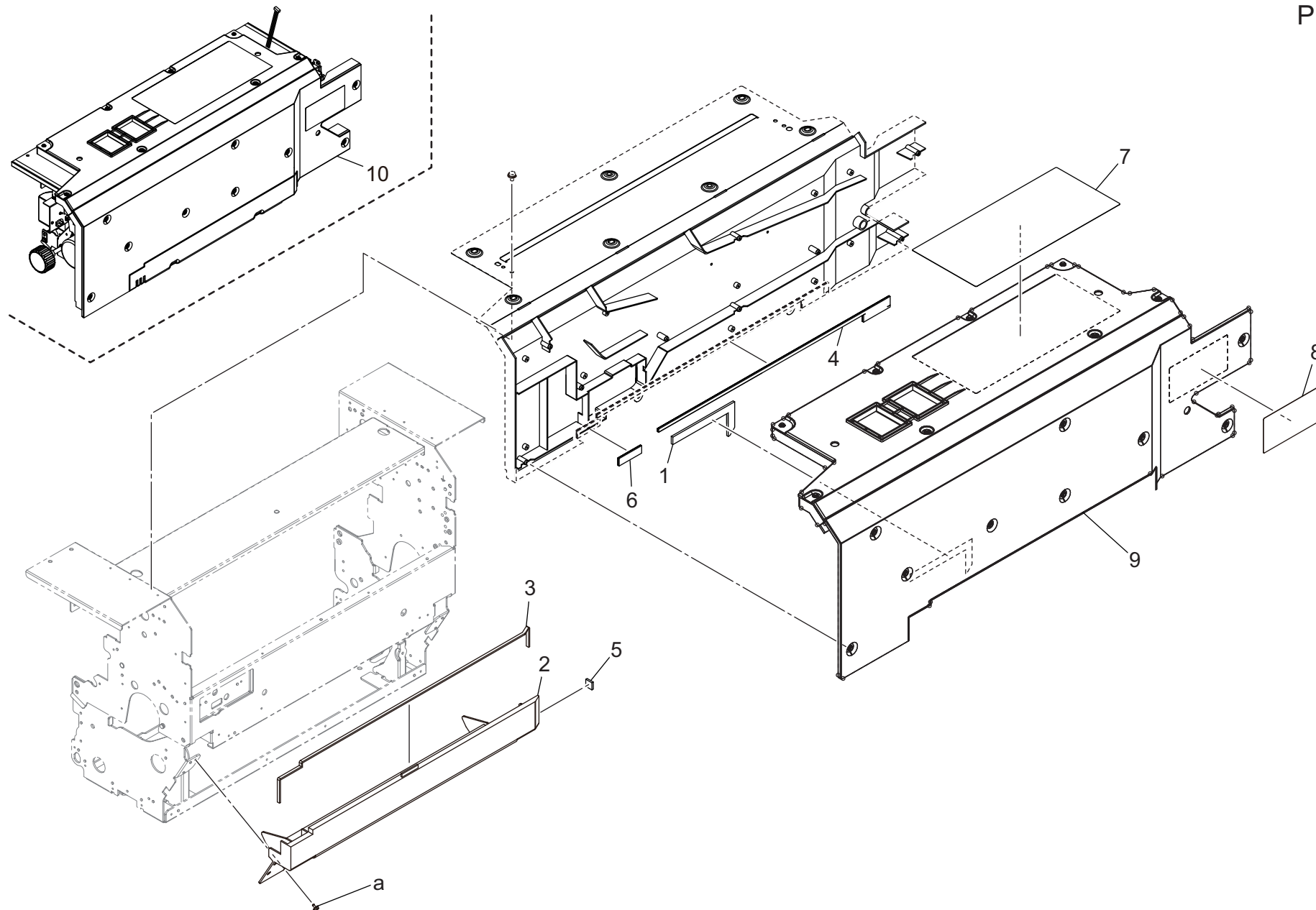
See P.51 - P.69

P 51



Key	Part No.	Description	Destinations	Class	QTY	Standard parts
1	12QV40650	Spacer		B	1	a-V116030803
2	304078070	Pin /C		C	1	b-V116031003
3	454078030	Pin		C	2	c-V121030403
4	65AA80112	HB Motor /50		B	1	d-V121040603
5	A00V240600	Ball Bearing		B	5	e-V127030604
6	A03U724200	Positioning Shaft		D	2	f-V182030603
7	A1RF746300	Spacer /1		D	1	g-V193040404
8	A1RF755600	Tension Ball Bearing		C	2	h-V217030003
9	A1RF758100	Pin /B		D	1	k-V217040003
10	A1RF808600	Pressure Gear /5 42T		C	2	m-V217060003
11	A1RF808900	Pressure Gear /4 60T		C	1	n-V217080003
12	A4EU265000	Ball bearing		B	4	p-V234201250
13	AC0CR71488	Fusing Unit (200V)	A	I	1	q-V234301850
13	AC0CR75788	Fusing Unit (208-240V)	C	I	1	r-V234302050
13	AC0CR75788	Fusing Unit (208-240V)	D1,D3,E,F2,G1,G2,H, I,K,J	I	1	s-V500010005
13	AC0CR75788	Fusing Unit (208-240V)	B	I	1	t-V500020098
14	A5AW721000	Part /1		D	2	u-V500020099
15	A5AW742600	Pressure Spacer		D	2	v-V570010056
16	A5AW750100	Detecting Plate /C		D	1	
17	AC0C750200	Release Actuator		C	1	
18	A5AW782501	Fusing Label /3		D	1	
19	A5AW808800	Pressure Gear /5 28T		C	1	
20	A85CM55600	Photo Sensor		C	3	
21	AC0C736400	Fusing Cover		D	1	
22	AC0C739200	Support Plate /R		D	1	
23	AC0C741500	Pressure Worm		C	1	
24	AC0C742301	Drive Panel /1		D	1	
25	AC0C742500	Pressure Shaft /A		D	1	
26	AC0C743200	Drive Panel /D		D	1	
27	AC0C744500	Drive Shaft /3		D	1	
28	AC0C744700	Drive Shaft /1		D	1	
29	AC0C746200	Control Gear /1 21T		C	2	
30	AC0C747400	Gear 26T		C	1	
31	AC0C749701	Drive Panel /2		D	1	
32	AC0C749900	Drive Shaft /2		D	1	
33	AC0C750100	Detecting Plate /C		D	1	
34	AC0CN22502	Fusing Relay Harness /2		D	1	
35	A5AW746500	Pressure Cam		D	2	

# Fusing Section

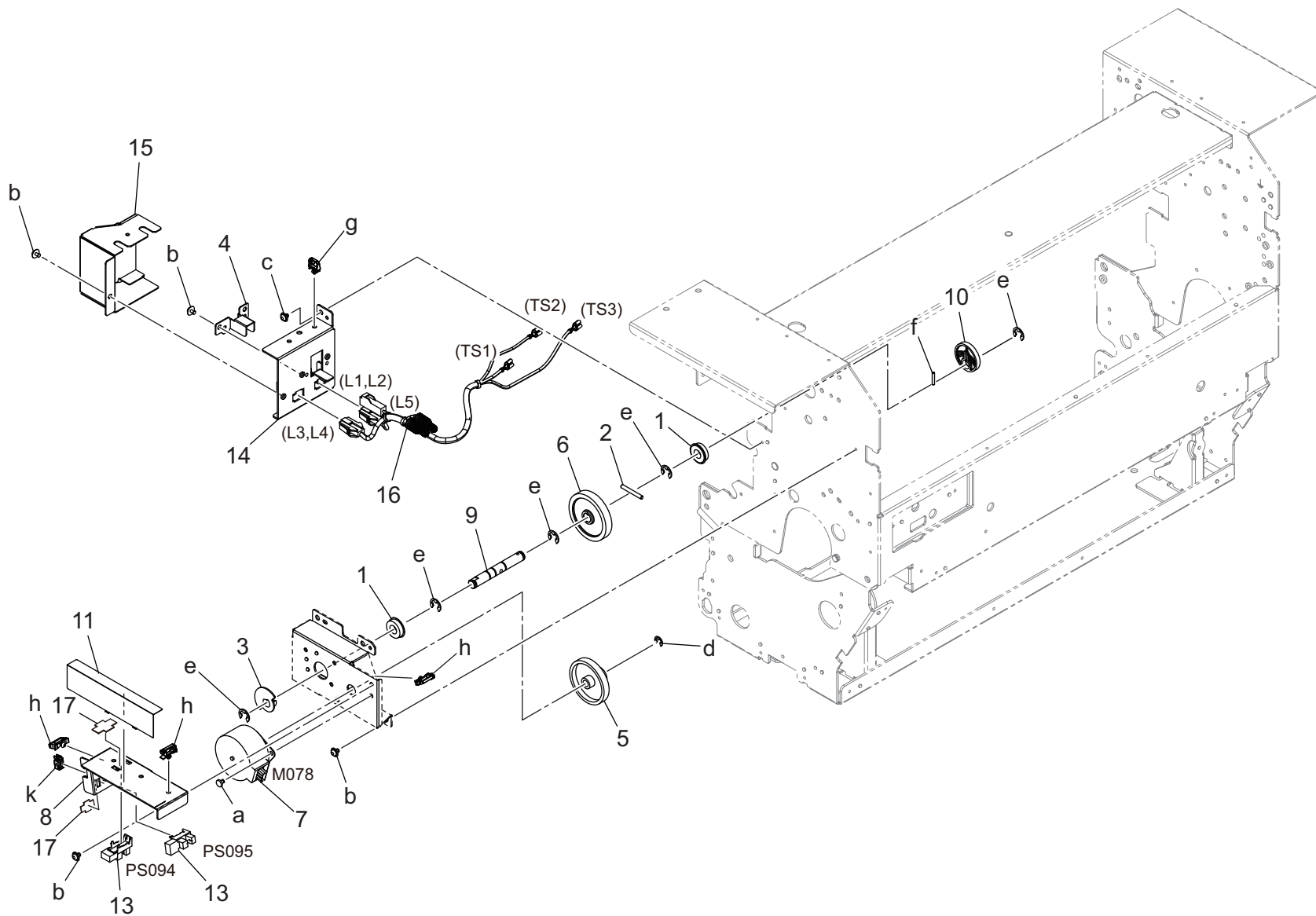




# Fusing Section

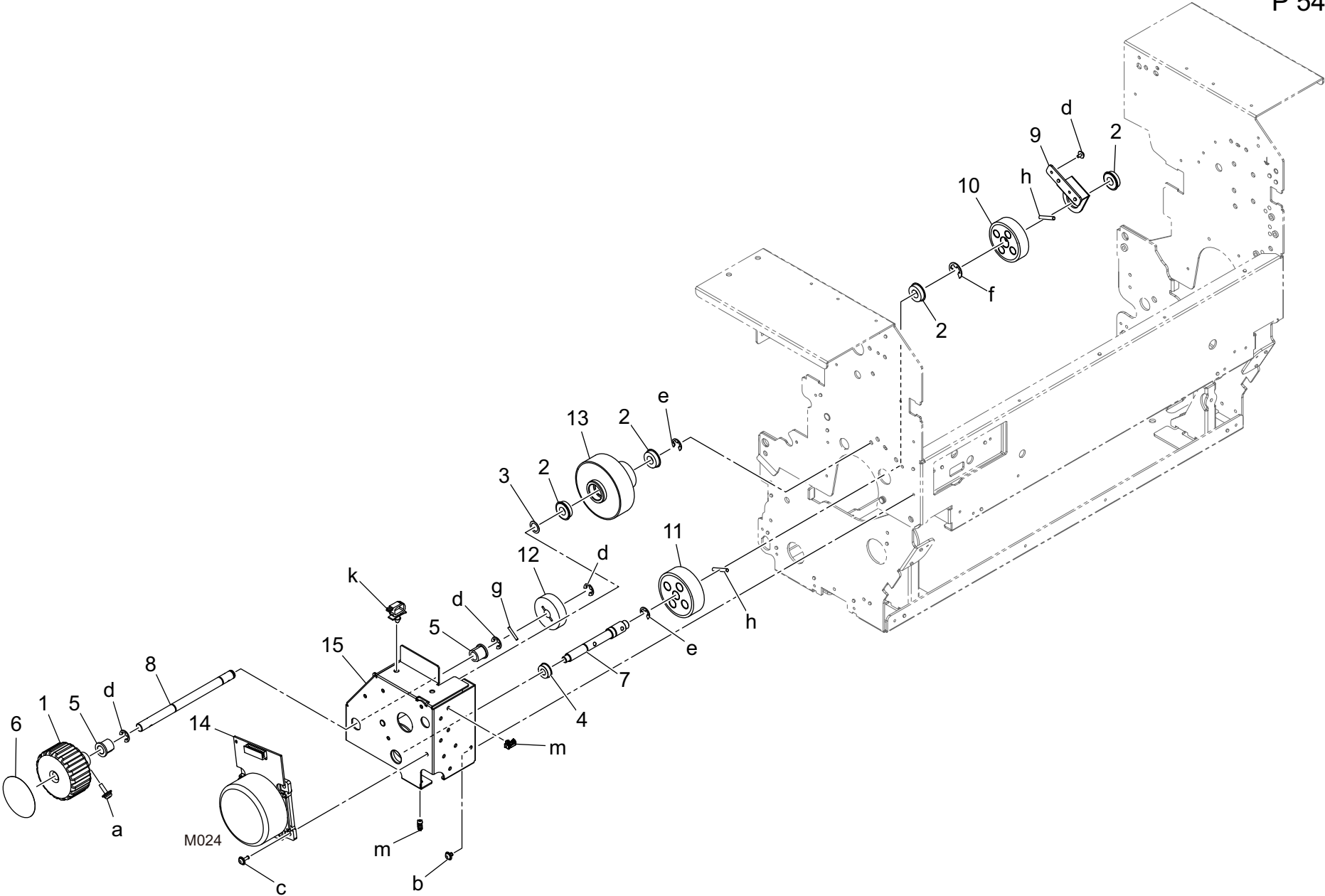
Key	Part No.	Description	Destinations	Class	QTY	Standard parts
1	A5AW780400	Cooling Sheet /C 冷却シート /C		D	1	a-V182030603
2	AC0C729502	Fusing Cover /Front 定着カバー /前		D	1	
3	AC0C730001	Charging Seal 帯電シール		D	1	
4	AC0C730800	Thermal insulation Seal /A 防熱シール /A		D	1	
5	AC0C730900	Thermal insulation Seal /B 防熱シール /B		D	1	
6	AC0C731000	Thermal insulation Seal /C 防熱シール /C		D	1	
7	AC0C942401	Caution Label /4 注意ラベル /4		D	1	
8	AC0C942500	Caution Label /5 注意ラベル /5		D	1	
9	AC0C729402	Insulating Duct /4 断熱ダクト /4		D	1	
10	AC0CR79900	Fusing Upper Main Body ASSY 定着上本体 A s s y		S	1	

# Fusing Section



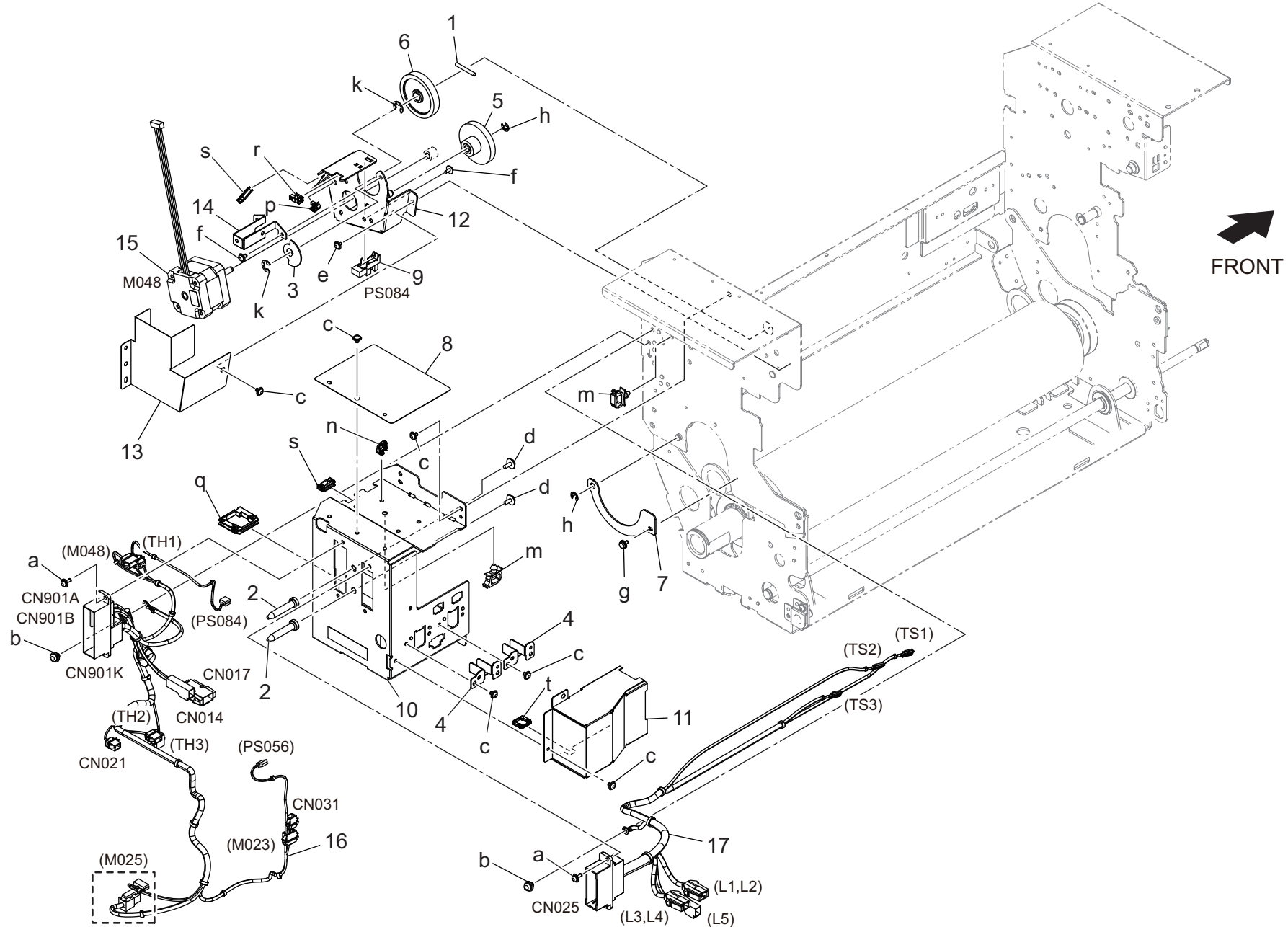
Key	Part No.	Description	Destinations	Class	QTY	Standard parts
1	4120550302	Ball Bearing		A	2	a-V118030403
2	56AA17490	Pin		C	1	b-V121030403
3	A1RF724401	Release Actuator		D	1	c-V127030516
4	A1RF732700	Fixing Plate		D	1	d-V217040001
5	A1RF807400	Release Gear /1 14/80T		C	1	e-V217060003
6	A1RF807500	Release Gear /2 42T		C	1	f-V234201250
7	A1RFR74300	Drive Motor ASSY		C	1	g-V500020098
8	A5AW722000	Detecting Plate /B		D	1	h-V500020100
9	A5AW726300	Release Shaft		D	1	k-V570010056
10	A5AW726400	Release Cam		D	1	
11	A5AW782700	Cover Sheet /2		D	1	
13	A85CM55600	Photo Sensor		C	2	
14	AC0C720700	Mounting Plate /2		D	1	
15	AC0C727400	Wiring Cover /2		D	1	
16	AC0CN11800	Heater Drive Harness /3		D	1	
17	4470402401	Stopper		D	2	

Fusing Section



Key	Part No.	Description	Destinations	Class	QTY	Standard parts
1	20AL48470G	Jam Release Knob		C	1	a-V116041203
2	4120550302	Ball Bearing		A	4	b-V121030403
3	56AA42690	By-Pass Spacer		C	1	c-V121030803
4	A00J211200	Ball Bearing		C	1	d-V217060001
5	A11P905000	Bushing /A		C	2	e-V217060003 f-V217080001
6	A50U943502	Release Label /5		D	1	g-V234201450
7	A5AW726100	Drive Shaft /1		D	1	h-V234302050
8	A5AW726800	Processing Shaft		D	1	k-V500010005
9	A5AW734700	Support Plate /1		D	1	m-V500020098
10	A5AW808200	Idling Gear /3 39T		C	1	
11	A5AW808300	Drive Gear /2 44T		C	1	
12	A5AW808500	Processing Gear 31T		C	1	
13	A5AW808700	Drive Gear /1 25/110T		C	1	
14	A5AWM10201	DC Brushless motor /B		C	1	
15	AC0C721201	Drive Panel /D		C	1	

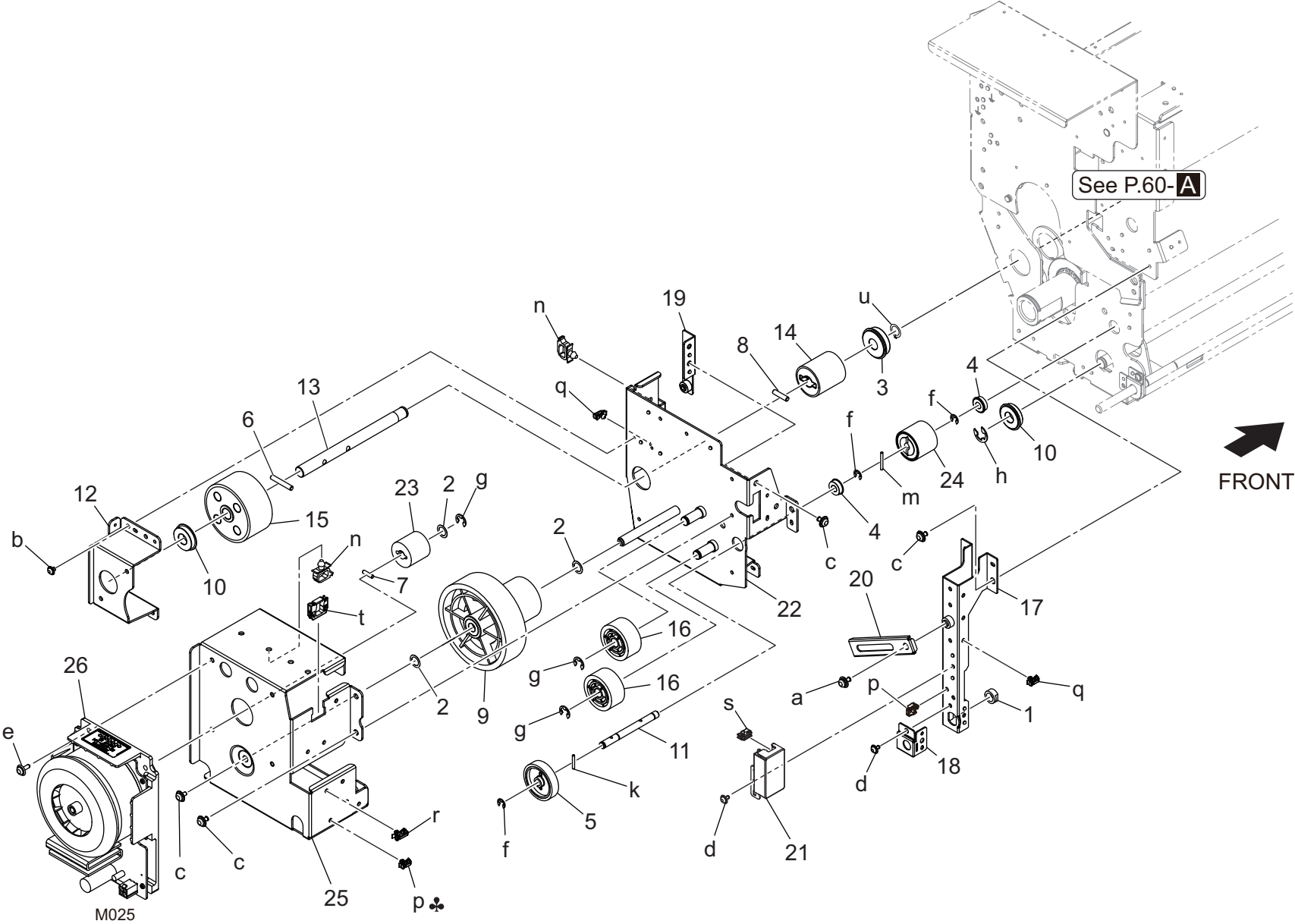
# Fusing Section



FRONT

Key	Part No.	Description	Destinations	Class	QTY	Standard parts
1	56AA17490	Pin		C	1	a-V116030803
2	A03U724200	Positioning Shaft		D	2	b-V116040603
3	A1RF724401	Release Actuator		D	1	c-V121030403
4	A1RF732700	Fixing Plate		D	2	d-V121040803
5	A1RF807400	Release Gear /1 14/80T		C	1	e-V127030516
6	A1RF807500	Release Gear /2 42T		C	1	f-V127030604
7	A5AW725000	Hold Plate		D	1	g-V182030603
8	A5AW782600	Cover Sheet /1		D	1	h-V217040003
9	A85CM55600	Photo Sensor		D	1	k-V217060003
10	AC0C726501	Mounting Plate /2		C	1	m-V500010005
11	AC0C727301	Wiring Cover /1		D	1	n-V500020098
12	AC0C734001	Drive Side plate		D	1	p-V500020099
13	AC0C737800	Cover Sheet /2		D	1	q-V570010058
14	AC0C744000	Sensor Cover		D	1	r-V570010056
15	AC0CR76700	Drive Gear Motor Assy		C	1	s-V570010057
16	AC0CN11700	Heater Drive Harness /2		D	1	t-V570010060
17	AC0CN12100	Heater Drive Harness /5		D	1	

Fusing Section

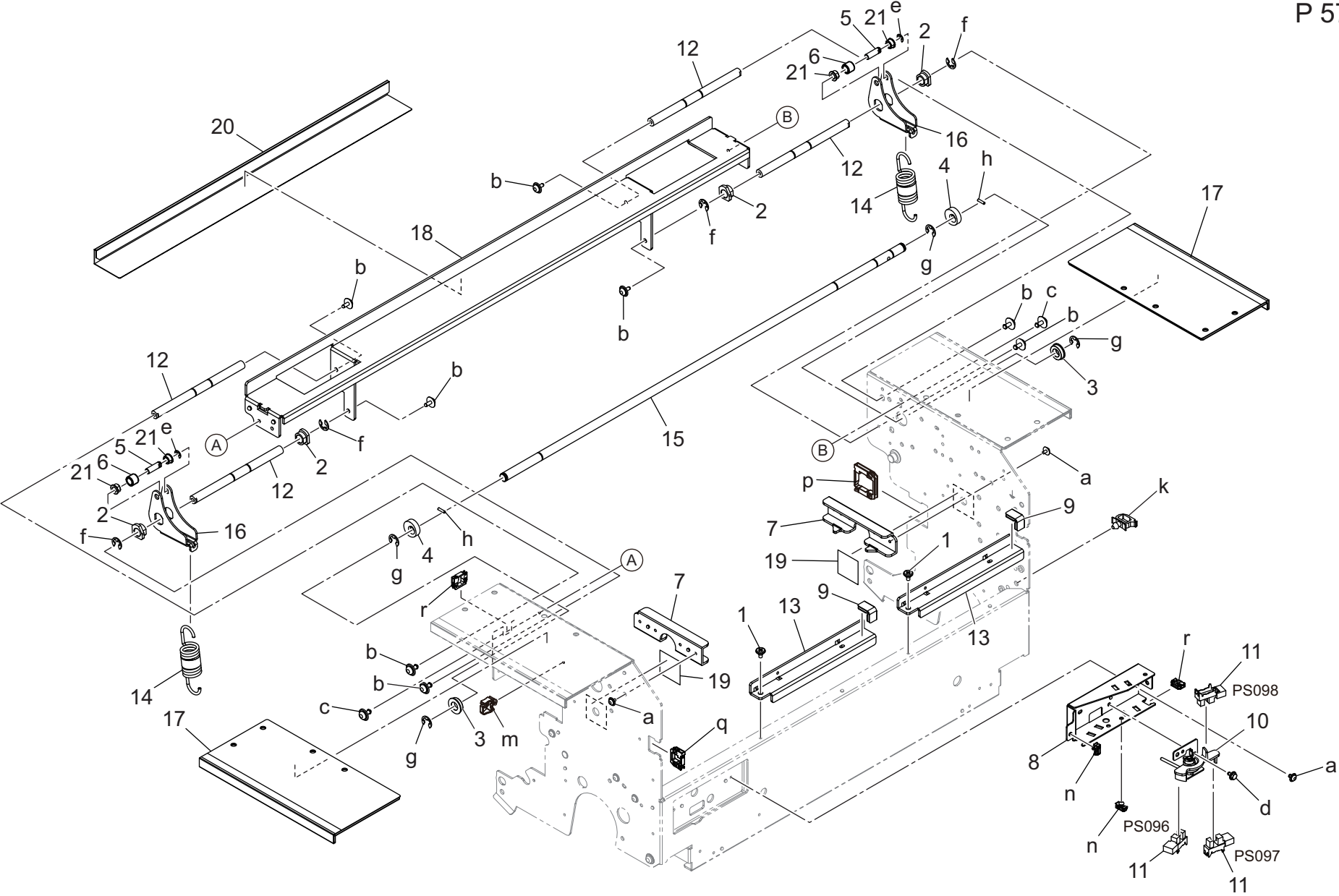




Key	Part No.	Description	Destinations	Class	QTY	Standard parts
1	4658351602	Bushing		C	1	a-V116040803
2	56AA42690	By-Pass Spacer		C	3	b-V121030403
3	56UA75050	ADU Roller Bearing		C	1	c-V121040603
4	A00J211200	Ball Bearing		C	2	d-V127030604
5	A1RF415600	Toner Supply Gear 33T		D	1	e-V127041003 f-V217040003
6	A1RF749600	Pin /1		D	1	g-V217060003
7	A1RF758000	Pin /A		D	1	h-V217080003
8	A1RF758100	Pin /B		D	1	k-V234201450
9	A1RF809800	Fusing Gear /2 36 /76T		B	1	m-V234201850
10	A4EU265000	Ball bearing		B	2	n-V500010005 p-V500020098
11	A5AW740900	Drive Shaft /4		D	1	q-V500020099
12	A5AW742200	Drive Panel /C		D	1	r-V500020100
13	A5AW743000Old	Drive Shaft /3		D	1	s-V570010056
13	AC0C743000	Drive Shaft /3		D	1	t-V570010060
14	A5AW809600	Fusing Gear /4 47T		C	1	u-V223100050
15	A5AW809700	Fusing Gear /3 54T		C	1	
16	A65U651400	Gear 32T		C	2	
17	AC0C738902	Rotation Arm /Left		D	1	
18	AC0C739000	Fixing Plate		D	1	
19	AC0C739101	Support Plate /L		D	1	
20	AC0C739401	Hold Plate /1		D	1	
21	AC0C739600	Cover Plate /1		D	1	
22	AC0C742101	Drive Panel /B		D	1	
23	AC0C743700	Fusing Gear /6 21T		C	1	
24	AC0C763600	Paper Exit Gear 33T		C	1	
25	AC0C764302	Drive Panel /A		D	1	
26	AC0CM10600	DC Brushless Motor		C	1	



# Fusing Section

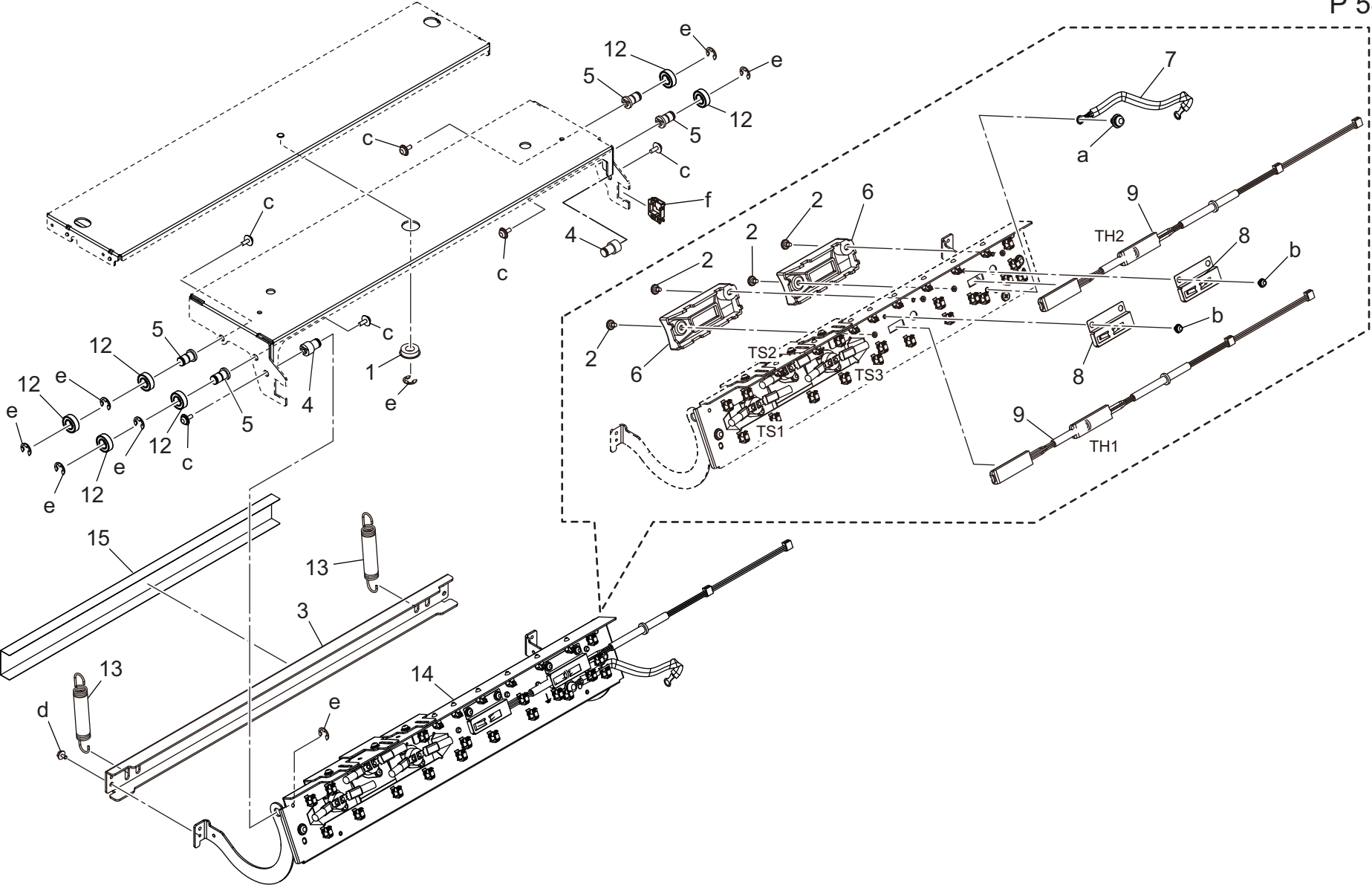


AccurioPress C12000

# Fusing Section

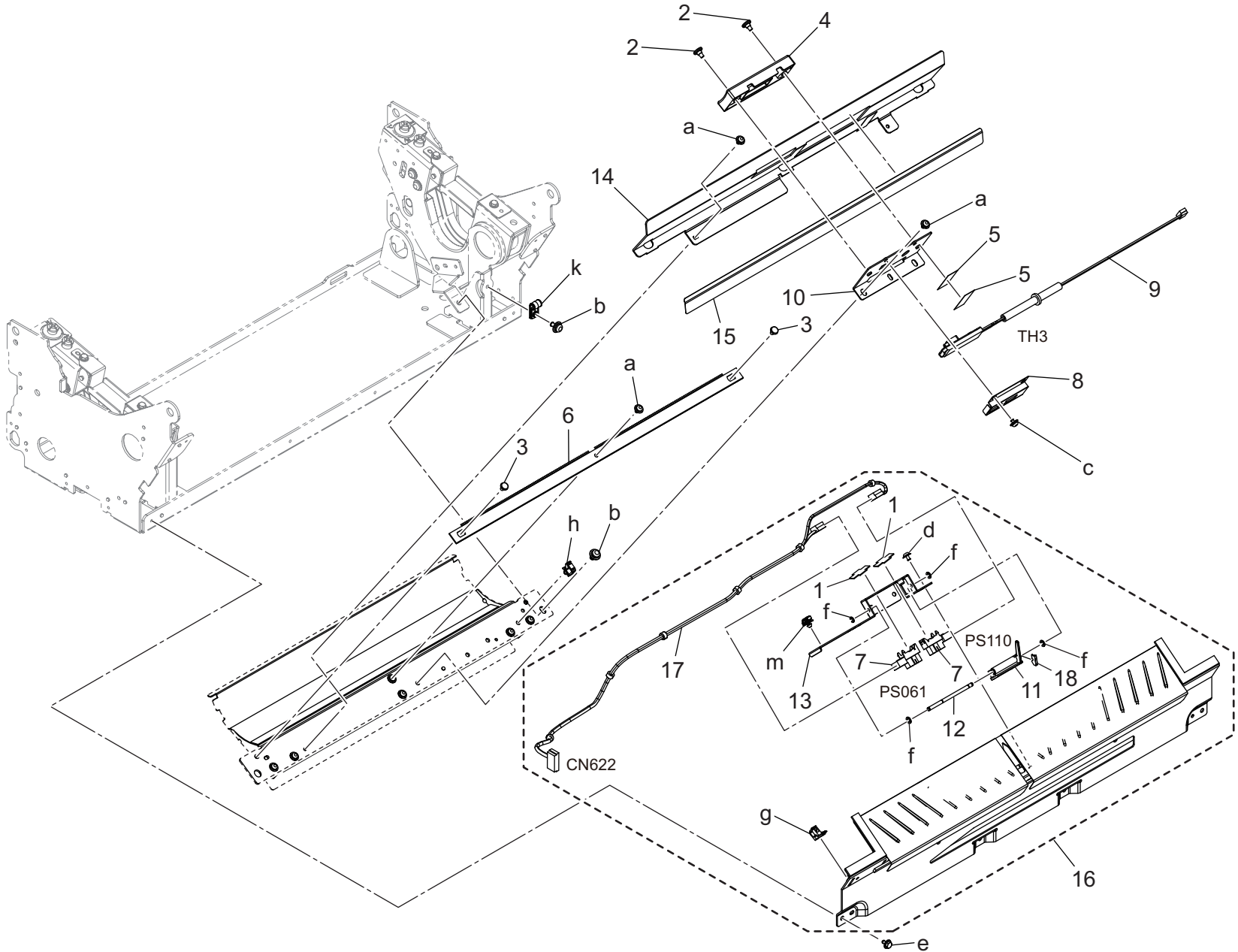
Key	Part No.	Description	Destinations	Class	QTY	Standard parts
1	A03U734500	Support Screw /A		C	2	a-V121030403
2	A0P0663600	Bushing		C	4	b-V127030604
3	A1RF710900	Ball bearing /1		C	2	c-V127030803
4	A1RF731300Old	Release Cam /2		D	2	d-V182030603
4	AC0C731300	Tension Cam		D	2	e-V217025050
5	A1RF733000	Support Shaft		D	2	f-V217040003
6	A1RF733100Old	Release Roll		D	2	g-V217060003
6	AC0C733100	Idler Roll		D	2	h-V234200850
7	A5AW725802	Guide Plate		D	2	k-V500010005
8	A5AW740401	Detecting Plate /A		D	1	m-V500020098
9	A5AW783300	Protection Sheet /8		D	2	n-V500020099
10	A5AWR70F00	Fusing Steering Actuator Assy		B	1	p-V500020105
11	A85CM55600	Photo Sensor		C	3	q-V500020106
12	AC0C722100	Reinforce Shaft		D	4	r-V570010056
13	AC0C723300	Auxiliary Plate		D	2	
14	AC0C728200	Tension Spring		D	2	
15	AC0C730300	Release Shaft		D	1	
16	AC0C731400	Lifting Arm		D	2	
17	AC0C735201	Insulating Sheet /F		D	2	
18	AC0C739500	Hold Stay /Front		D	1	
19	AC0C782200	Protection Sheet /8		D	2	
20	AC0C739700	Insulating Sheet		D	1	
21	A1RF846400	Bushing /A		C	4	

Fusing Section



Key	Part No.	Description	Destinations	Class	QTY	Standard parts
1	4120550302	Ball Bearing		A	1	a-V116050803
2	A03U734500	Support Screw /A		C	4	b-V118030403
3	A5AW723400	Fixing Stay		D	1	c-V121040803
4	A5AW734600	Support Shaft		D	2	d-V182030603
5	A5AW735500	Support Shaft /2		D	4	e-V217060003
6	A5AW738101	Protection Cover		D	2	f-V500020106
7	A5AWN11100	Fixing Wiring /4		D	1	
8	A9JT723101	Sensor Casing		D	2	
9	A9JTM50100	Temperature Sensor /1		C	2	
12	AC0C727600	Ball Bearing		C	6	
13	AC0C727900	Tension Spring		D	2	
14	AC0CR71600	Upper Sensor Arm Assy		I	1	
15	AC0C739800	Insulating Sheet /2		D	1	

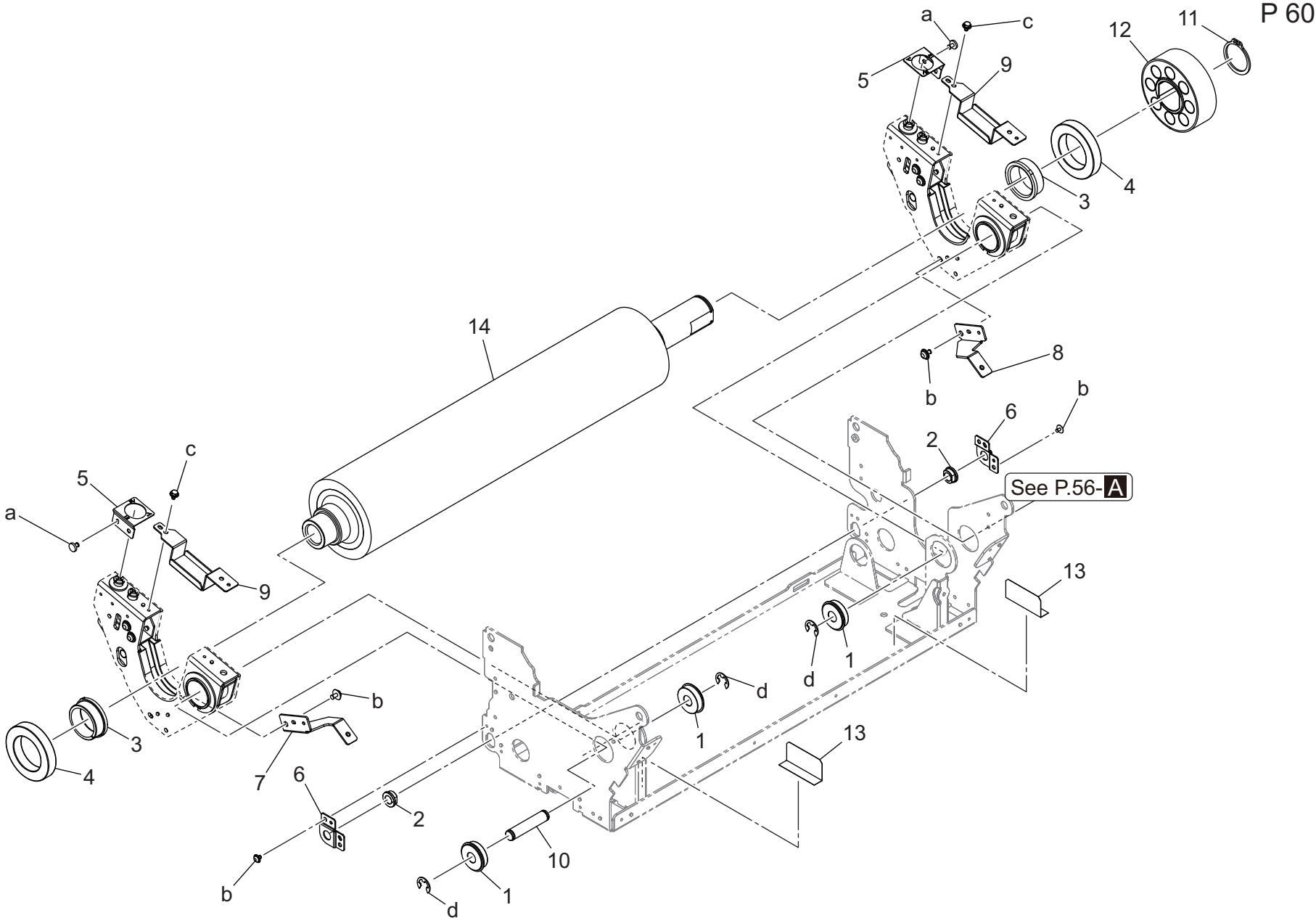
Fusing Section



# Fusing Section

Key	Part No.	Description	Destinations	Class	QTY	Standard parts
1	4470402401	Stopper		D	2	a-V116030603
2	A03U734500	Support Screw /A		C	2	b-V116040803
3	A0P0742300	Shoulder screw		C	2	c-V118030403
4	A1RF738101	Protection Cover		D	1	d-V121030403
5	A1RF738300	Protection Sheet /F		D	2	e-V182030603
6	A50U755000	Neutralizing Brush		D	1	f-V217020003
7	A85CM55600	Photo Sensor		C	2	g-V500010057
8	A9JT723101	Sensor Casing		D	1	h-V500010074
9	A9JTM50100	Temperature Sensor /1		C	1	k-V500020029
10	AC0C745600	Mounting Plate /2		D	1	m-V500020099
11	AC0C750300	Actuator /2		D	1	
12	AC0C750400	Fixing Shaft /6		D	1	
13	AC0C750500	Mounting Plate /1		D	1	
14	AC0C750900	Suction Duct		D	1	
15	AC0C751000	Cooling Sheet		D	1	
16	AC0CR71511	Entrance Guide Assy		D	1	
17	AC0CN24301	Fusing Detection Harness /1		D	1	
18	AC0C751400	Protection Plate		D	1	

# Fusing Section

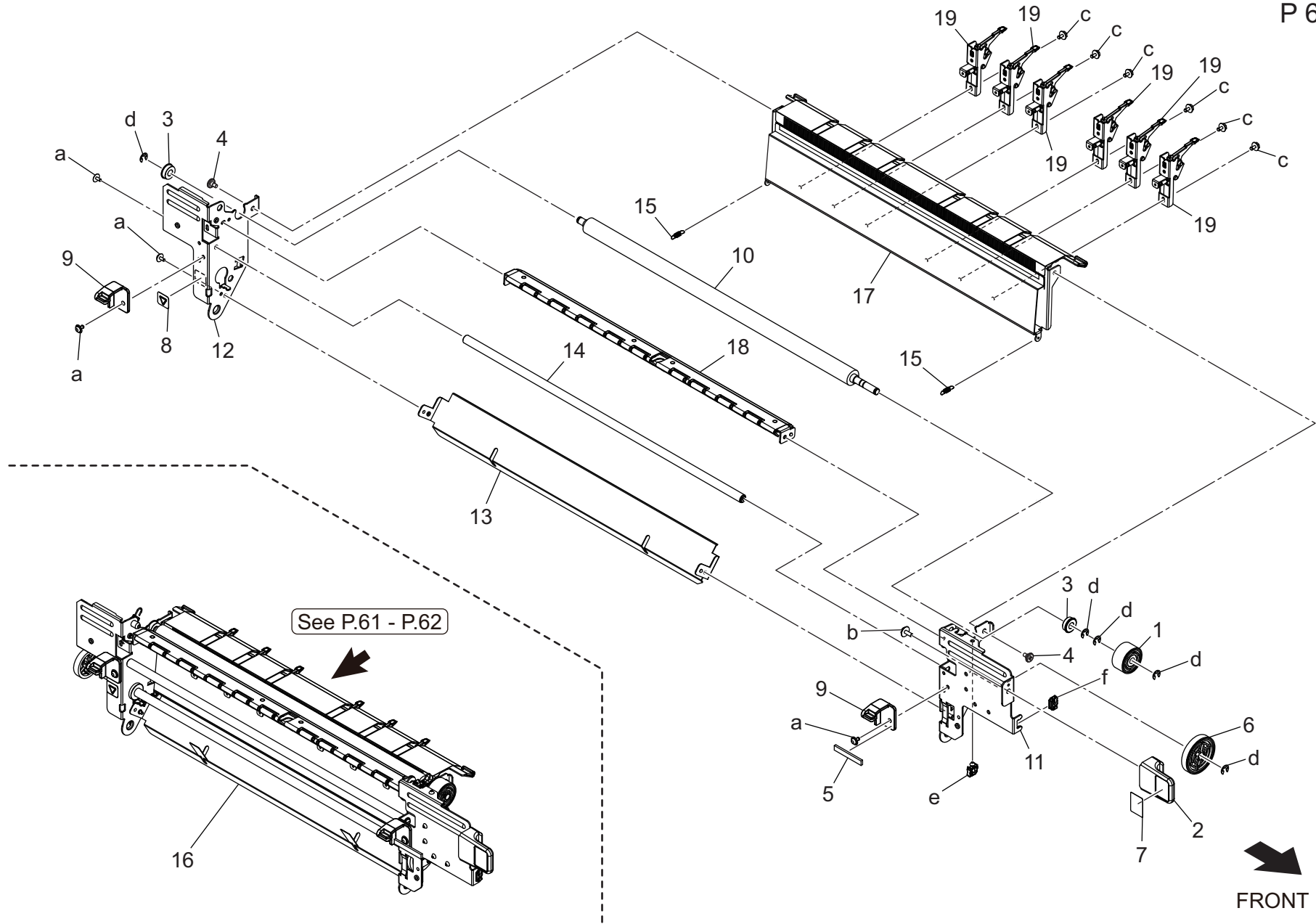




Key	Part No.	Description	Destinations	Class	QTY	Standard parts
1	56UA75050	ADU Roller Bearing		C	3	a-V118030403 b-V121040603 c-V182030603 d-V217080003
2	A03U812800	Slide Shaft Holder		B	2	
3	A5AW721700	Heat Insulating Sleeve/Lw		B	2	
4	A5AW721800	Fusing Bearing/Lw		B	2	
5	A5AW740500	Adjusting Plate		D	2	
6	A5AW740800	Fixing Plate		D	2	
7	A5AW741700	Auxiliary Plate /Front		D	1	
8	A5AW741800	Auxiliary Plate /Rear		D	1	
9	A5AW742801	Holding Plate /1		D	2	
10	A5AW747000	Support Shaft /Front		D	1	
11	A5AW789900	C type retaining ring		D	1	
12	A5AW808000	Fusing Gear 120T		C	1	
13	AC0C751900	Preventing Sheet /A		D	2	
14	AC0C720401	Lower Pressure Roller		A	1	

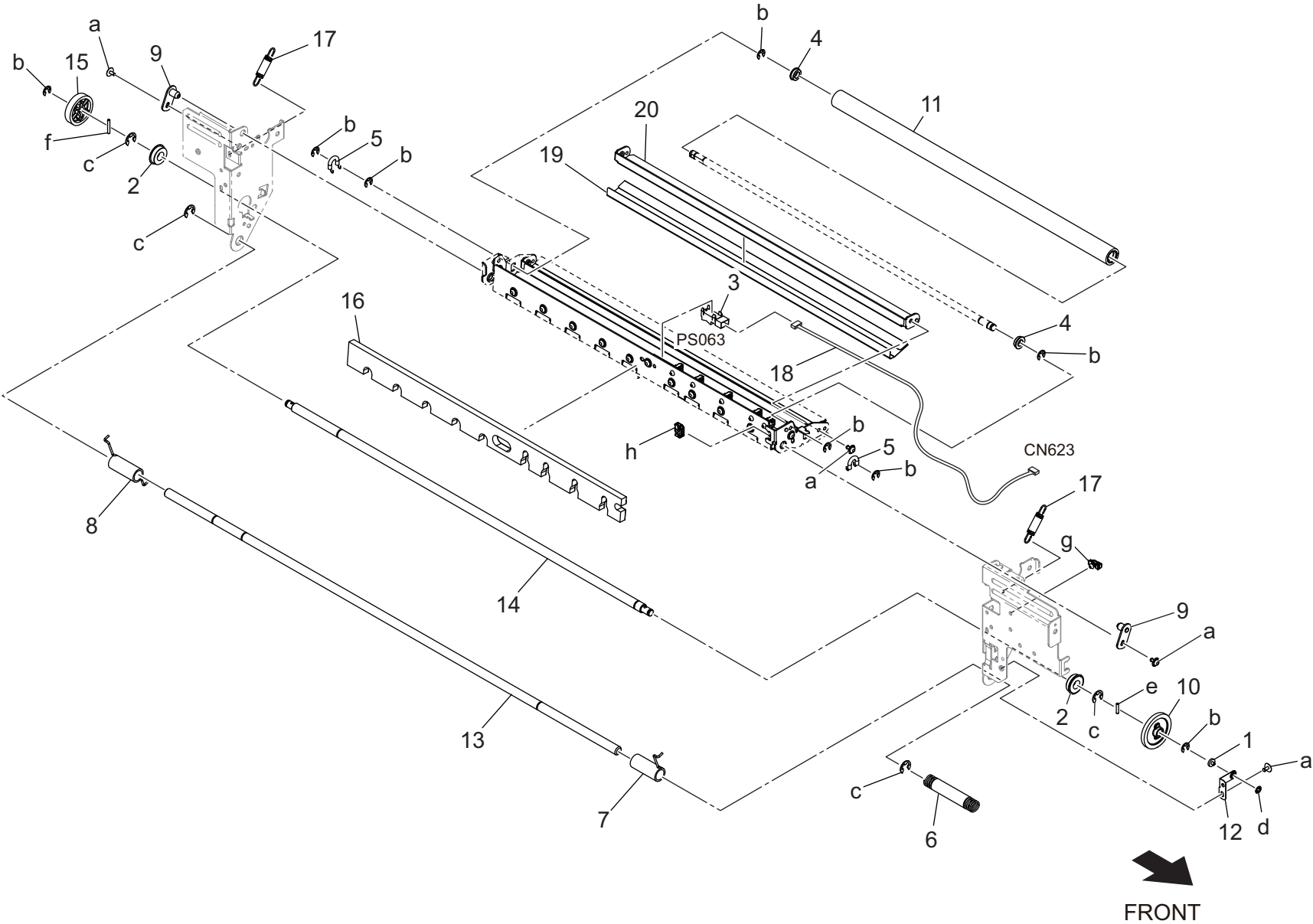
# Fusing Section

P 61

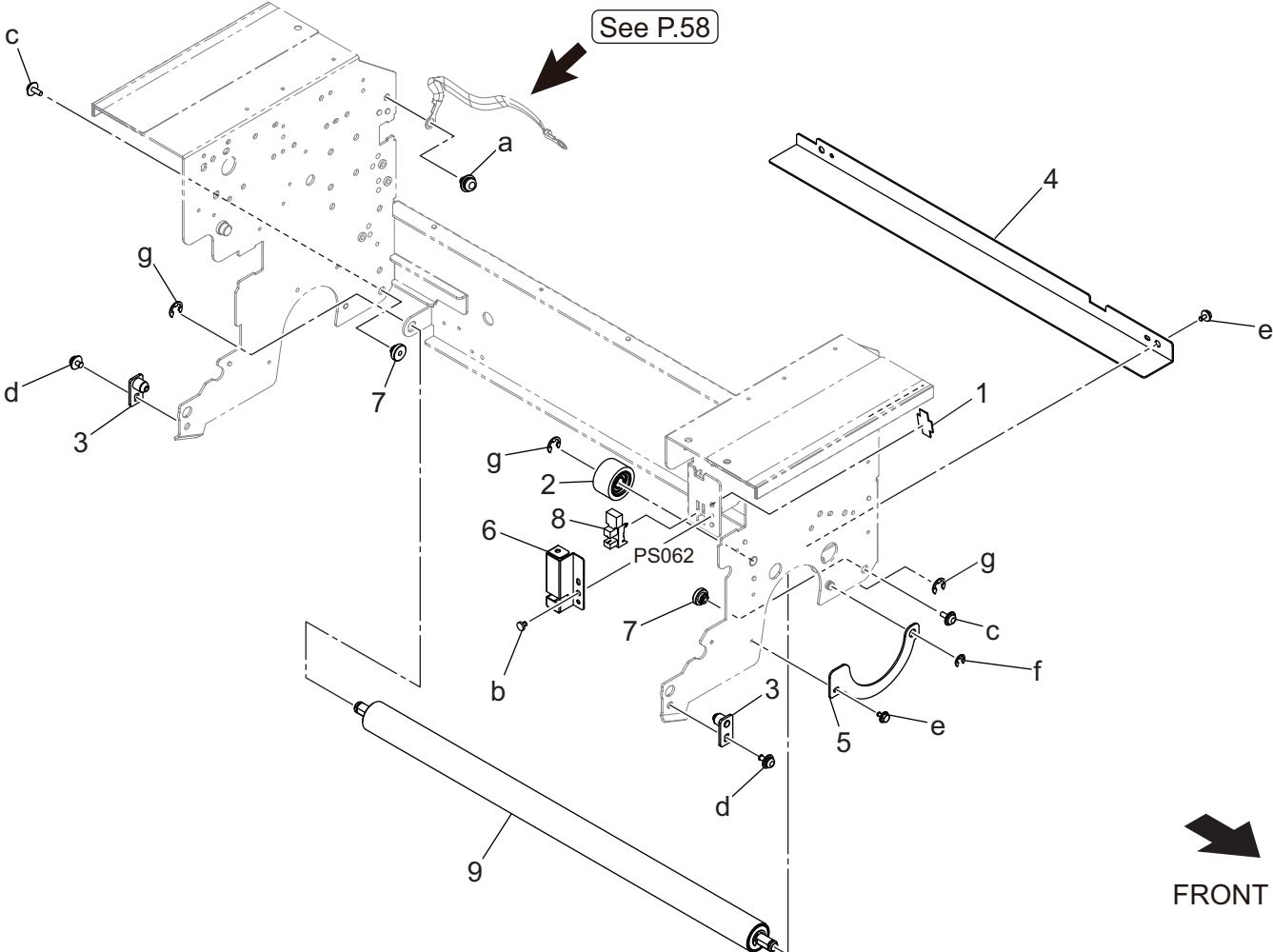


Key	Part No.	Description	Destinations	Class	QTY	Standard parts
1	56AA77220	Paper Exit Driving Gear /1 24T		B	1	a-V127030604
2	65AA53991	Fixing Paper Exit Lever		C	1	b-V153040803
3	A00J211200	Ball Bearing		C	2	c-V182030603
4	A03U734500	Support Screw /A		C	2	d-V217040003
5	A1RF122200	Scatter Seal /10		D	1	e-V500020098
6	A50U420900	Toner supply Gear /9 35T		C	1	f-V570010056
7	A50U943701	Release Label /7		D	1	
8	A5AW782501	Fusing Label /3		D	1	
9	A5AW861601	Fixing Block /Upper		D	2	
10	AC0C760100	Fusing Paper Exit Roller/Lw		A	1	
11	AC0C760300	Mounting Plate /Front		D	1	
12	AC0C760401	Mounting Plate /Rear		D	1	
13	AC0C763002	Thermal insulation Plate /A		D	1	
14	AC0C764800	Reinforce Shaft /1		D	1	
15	AC0C764900	Regulating Spring		D	2	
16	AC0CR71711	Fusing Paper Exit Unit		S	1	
17	AC0CR71811	Paper Exit Guide Plate Assy		S	1	
18	AC0CR78000	Paper Exit Plate/4 Assy		D	1	
19	AC0CR76100	Fusing Claw Assy		A	6	

# Fusing Section

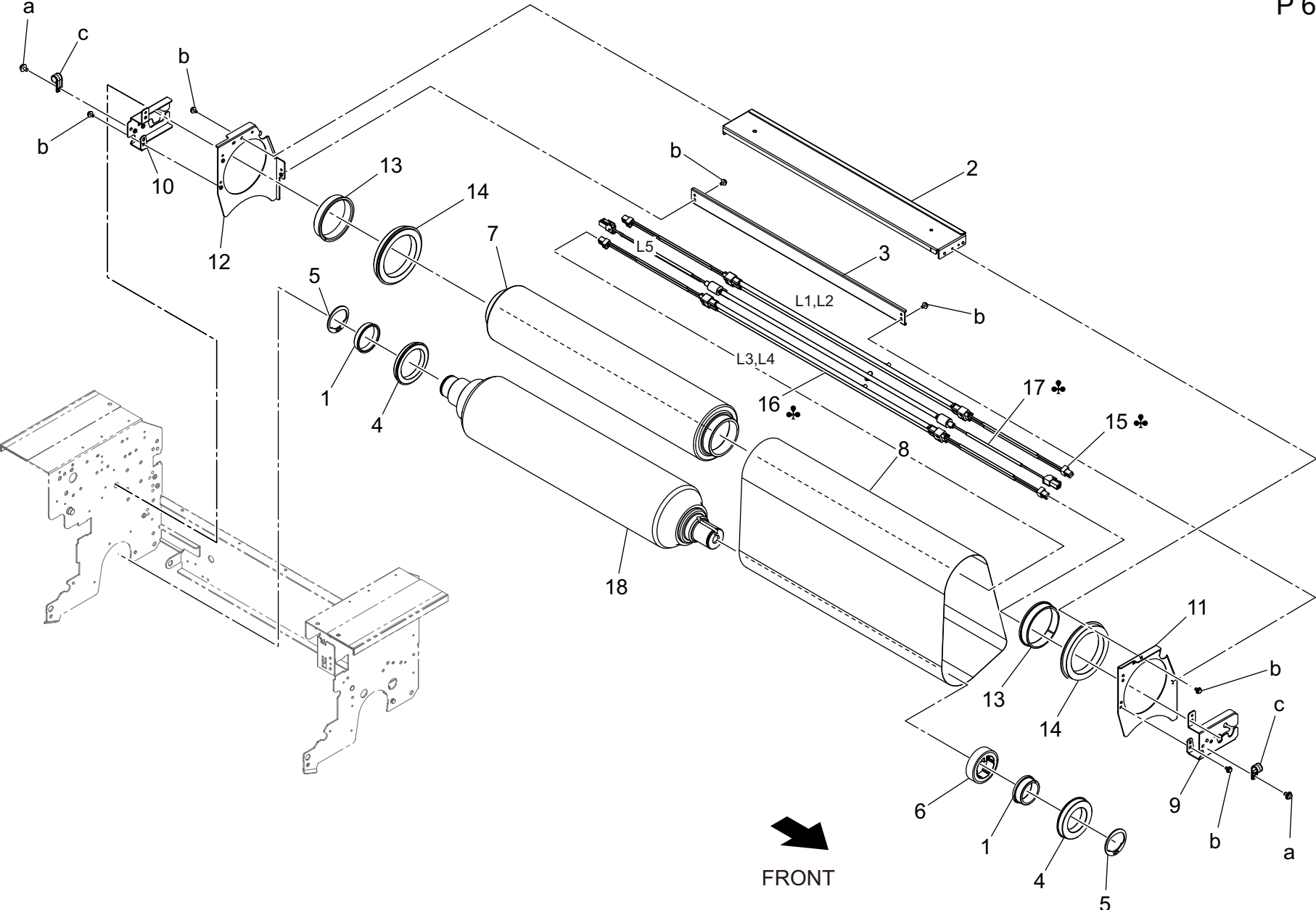


Key	Part No.	Description	Destinations	Class	QTY	Standard parts
1	65AA45130D	Transfer Earth Brush		D	1	a-V127030604
2	A00V240600	Ball Bearing		B	2	b-V217040003
3	A03TM50000	Photoreflexor		I	1	c-V217060003
4	A4EU252000	Drive Ball bearing /6		B	2	d-V226024050
5	A5AW761700	Paper exit Spring		D	2	e-V234201050
6	A5AW761800	Swing Spring		D	1	f-V234201450
7	A5AW761900	Open/close Spring /Front		D	1	g-V500020099
8	A5AW762000	Open/close Spring /Rear		D	1	h-V570010056
9	A5AWR72N00	Separating Open/Close Plate Caulking		D	2	
10	A799743600	Swing Gear 31T		C	1	
11	A9VP765200	Fusing Paper Exit Roller/Up		A	1	
12	AC0C761600	Ground Plate Spring		D	1	
13	AC0C762100	Support Shaft /1		D	1	
14	AC0C762801	Support Shaft /2		D	1	
15	AC0C762900	Drive Gear /8 33T		C	1	
16	AC0C763700	Preventing Seal		D	1	
17	AC0C764200	Open/Close Spring		D	2	
18	A5AWN24000	Fixing Drive harness /3		D	1	
19	AC0C781500	Protection Sheet /3		D	1	
20	AC0C760500	Paper Exit Plate /1		D	1	



Key	Part No.	Description	Destinations	Class	QTY	Standard parts
1	4470402401	Stopper		D	1	a-V116050803 b-V118030403 c-V121040803 d-V125041001 e-V182030603 f-V217040003 g-V217060003
2	A1RF539900	Idling Gear /4 26T アイドラギア /4 26 T		D	1	
3	A1RFF80500	Open/Close Plate Caulking 開閉板カシメ		D	2	
4	A5AW722200	Entrance Plate 入り口板		D	1	
5	A5AW725000	Hold Plate 保持板		D	1	
6	A5AW744000	Cover センサーカバー		D	1	
7	A5AW758200	Open/close Shaft 開閉軸		D	2	
8	A85CM55600	Photo Sensor フォトセンサ		C	1	
9	AC0CR72900	Fusing Inlet Roller Assy 定着インレットローラー A s s y		B	1	

# Fusing Section

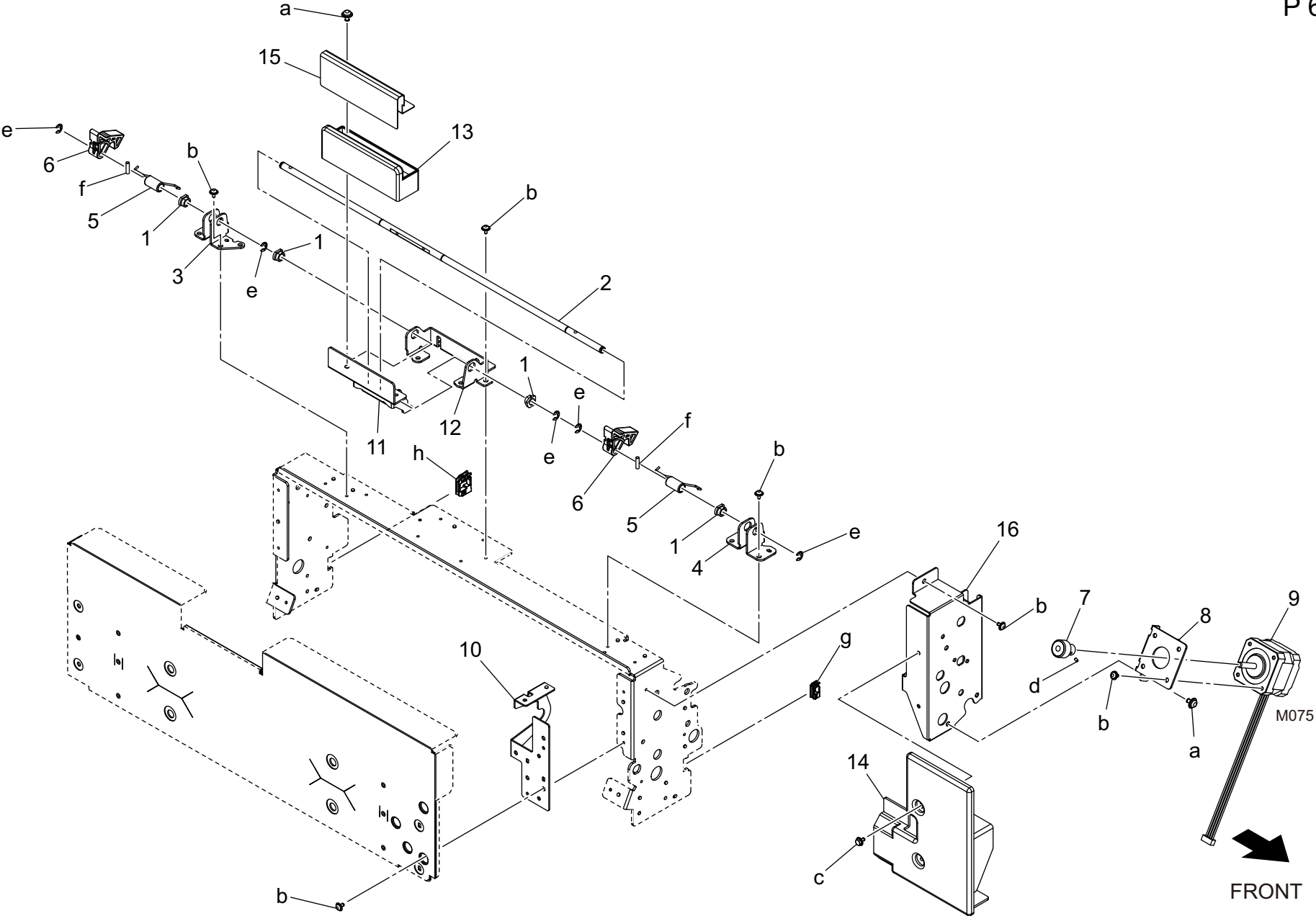




# Fusing Section

Key	Part No.	Description	Destinations	Class	QTY	Standard parts
1	A5AW721700	Heat Insulating Sleeve/Lw		B	2	a-V116040803 b-V182030603 c-V500020031
2	A5AW725201	Positioning Stay /1		D	1	
3	A5AW725500	Positioning Stay /2		D	1	
4	A5AW745200	Fusing Bearing/2		B	2	
5	A5AW789800	Mounting Ring		D	2	
6	A5AW808100	Fusing Gear /A 45T		C	1	
7	AC0C720200	Heating Roller		B	1	
8	AC0C720300	Fusing Belt 527L	A	A	1	
8	AC0C720300	Fusing Belt 527L	B,C,D1,D3,E,F2,G1,G 2,H,I,K,J	A	1	
9	AC0C724000	Support Plate /Front		D	1	
10	AC0C724100	Support Plate /Rear		D	1	
11	AC0C725300	Hold Plate /Front		D	1	
12	AC0C725400	Hold Plate /Rear		D	1	
13	AC0C744900	Heat Insulating Sleeve/Up1		B	2	
14	AC0C745000	Fusing Bearing/Up1		B	2	
15	AC0CM36A01	Fusing Heater Lamp Assy/1(200V)	定着ヒーターランプ /1 ( 2 0 0 V )	B	1	
15	AC0CM36E01	Fusing Heater Lamp Assy/1(208V)	定着ヒーターランプ /1 ( 2 0 8 V )	B,C,D1,D3,E,F2,G1,G 2,H,I,K,J	1	
16	AC0CM37A01	Fusing Heater Lamp Assy/3(200V)	定着ヒーターランプ /3 ( 2 0 0 V )	B	1	
16	AC0CM37E01	Fusing Heater Lamp Assy/3(208V)	定着ヒーターランプ /3 ( 2 0 8 V )	B,C,D1,D3,E,F2,G1,G 2,H,I,K,J	1	
17	AC0CM40A01	Fusing Heater Lamp/5(200V)	定着ヒーターランプ /5 ( 2 0 0 V )	B	1	
17	AC0CM40E01	Fusing Heater Lamp/5(208V)	定着ヒーターランプ /5 ( 2 0 8 V )	B,C,D1,D3,E,F2,G1,G 2,H,I,K,J	1	
18	AC0C720100	Upper Pressure Roller	上加圧ローラー	A	1	

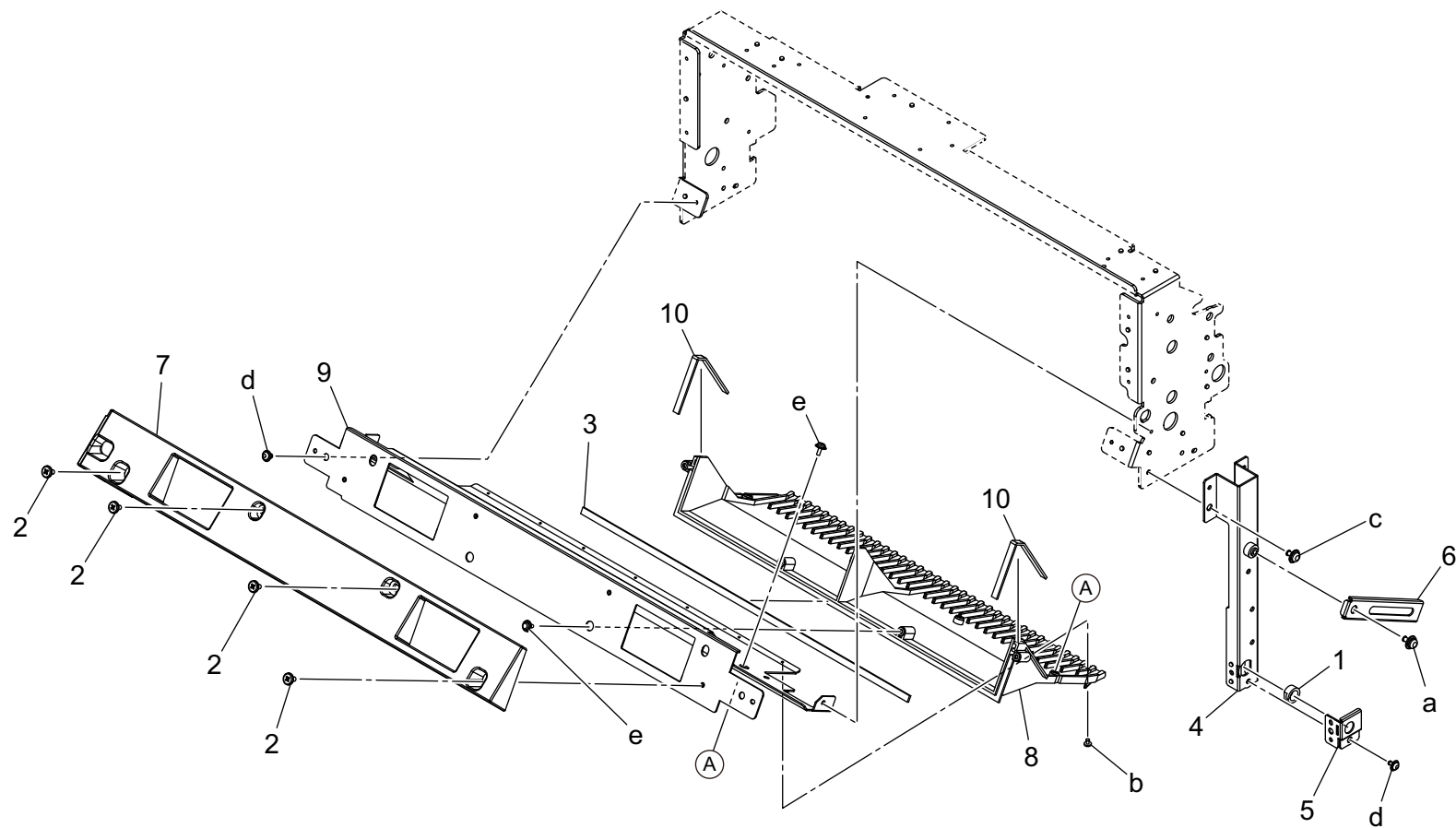
Fusing Section



FRONT  
AccurioPress C12000

Fusing Section

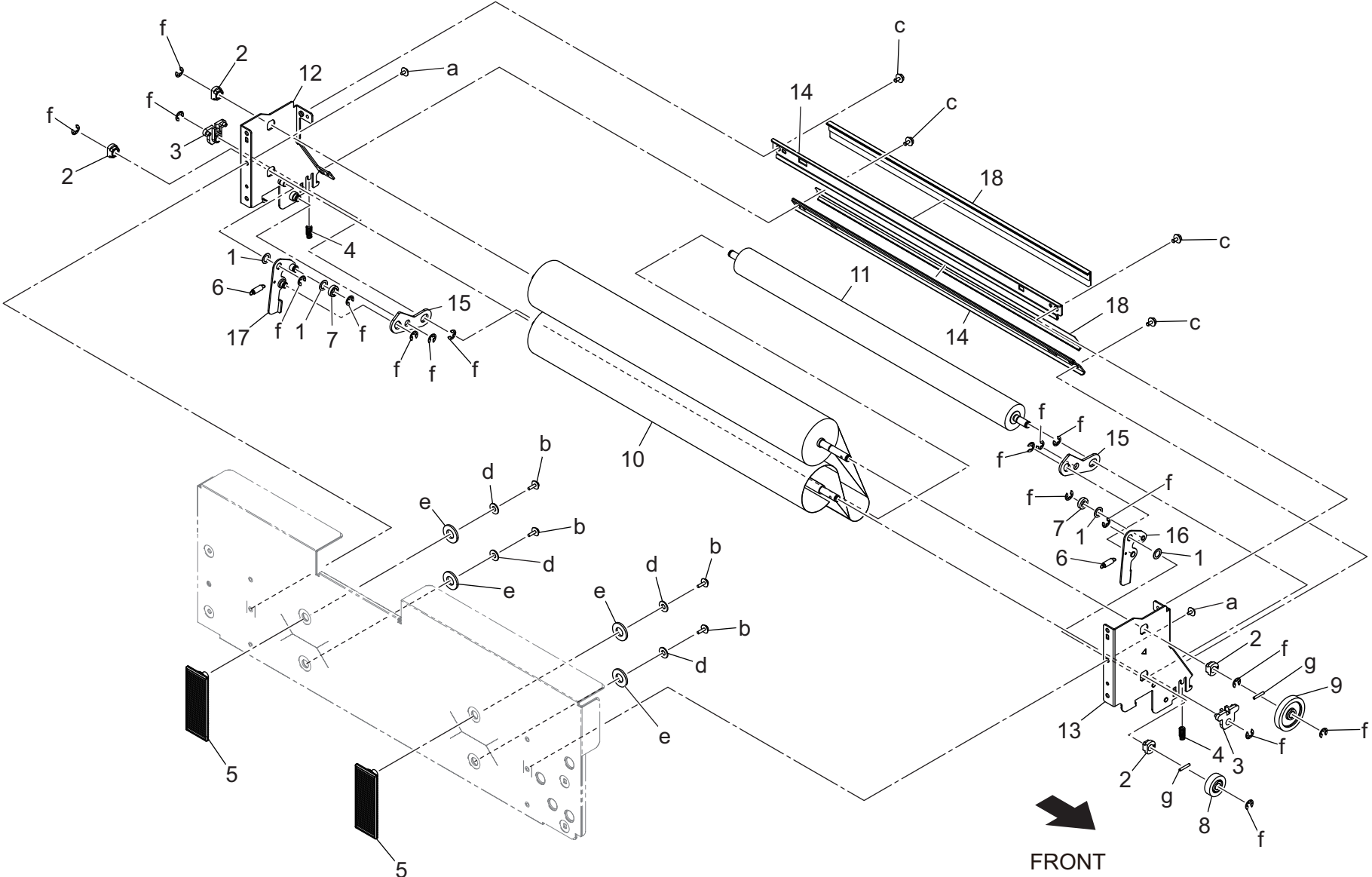
Key	Part No.	Description	Destinations	Class	QTY	Standard parts
1	A0P0663600	Bushing		C	4	a-V121040603 b-V127030604 c-V182030603 d-V193030304 e-V217040003 f-V234301250 g-V500020096 h-V500020106
2	A1RF841900	Lock Shaft		D	1	
3	A1RF844402	Support Plate /2		D	1	
4	A1RF844500	Support Plate /3		D	1	
5	A1RF844901	Open/close Spring /1		D	2	
6	A1RF847700	Lock Claw		D	2	
7	A4EU238200	Drive Worm /1		C	1	
8	A4EU238301	Holding Plate /M		D	1	
9	A4EUM10100	HB Motor /40		B	1	
10	AC0C736600	Cleaning Side Plate /Rear		D	1	
11	AC0C737500	Lever /Front		D	1	
12	AC0C737600	Support Plate /4		D	1	
13	AC0C738600	Open/Close Lever		D	1	
14	AC0C738700	Thermal Insulation Cover /Front		D	1	
15	AC0C943801	Release Label /8		D	1	
16	AC0C734800	Drive Side Plate /Front		D	1	



FRONT

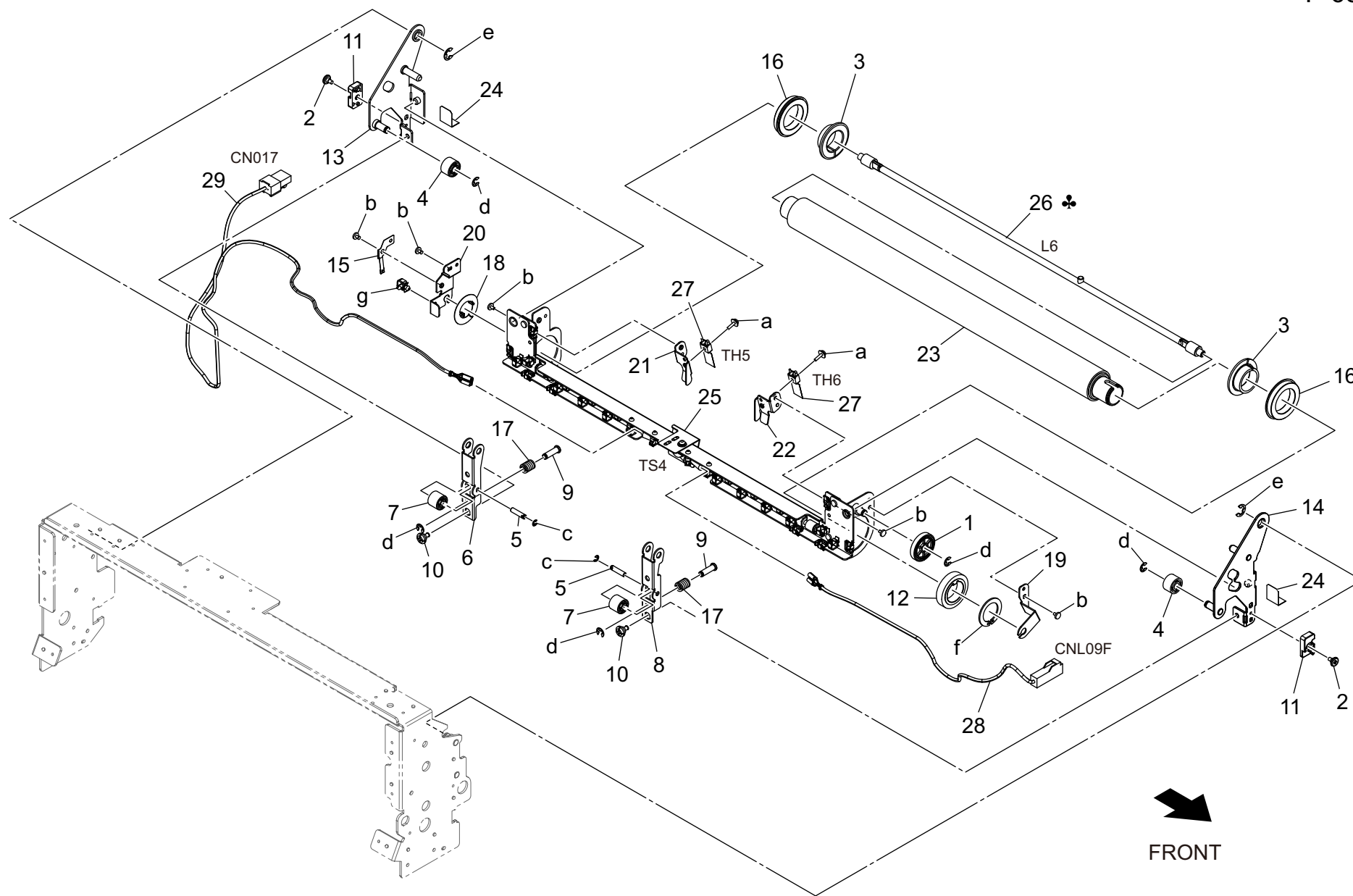
Key	Part No.	Description	Destinations	Class	QTY	Standard parts
1	4658351602	Bushing		C	1	a-V116040803 b-V118020603 c-V121040603 d-V127030604 e-V153030603
2	A03U734500	Support Screw /A		C	4	
3	A5AW783400	Separating Cushion /1		D	1	
4	AC0C738800	Rotation Arm /Right		D	1	
5	AC0C739000	Fixing Plate		D	1	
6	AC0C739401	Hold Plate /1		D	1	
7	AC0C762300	Cover Part /A		D	1	
8	AC0C762502	Separating Duct /1		D	1	
9	AC0C762602	Separating Duct /2		D	1	
10	AC0C783500	Separating Cushion /2		D	2	

Fusing Section



Key	Part No.	Description	Destinations	Class	QTY	Standard parts
1	40AA32320	Toner Supply Spacer トナー補給スペーサー		C	4	a-V121030403
2	56UA760900	Fixing Cleaning Bushing /C 定着清掃軸受 /C		B	4	b-V153030803
3	A1RF728600	Cleaning Bushing /1 清掃すべり軸受 /1		C	2	c-V182030603
4	A1RF728700	Pressing Spring /2 押圧ばね /2		D	2	d-V207040003
5	A1RF728800	Cleaning Handle クリーニング取手		D	2	e-V207080003
6	A1RF731800	Pressing Spring /K 押圧ばね /K		D	2	f-V217040003
7	A1TT717900	Ball bearing ボールベアリング		C	2	g-V234201250
8	A1RF807100	Cleaning Gear /2 18T クリーニングギア /2 18 T		C	1	
9	A1RF807200	Cleaning Gear /3 30T クリーニングギア /3 30 T		C	1	
10	AC0C720900	Fusing Cleaning Web 定着クリーニングウェブ		A	1	
11	AC0C721011	Cleaning Roller /1 クリーニングローラ /1		A	1	
12	AC0C724701	Cleaning Side plate /Front クリーニング側板 /前		D	1	
13	AC0C724801	Cleaning Side plate /Rear クリーニング側板 /奥		D	1	
14	AC0C730600	Positioning Stay /2 位置決めステー /2		D	2	
15	AC0C732501	Release Arm /1 解除アーム /1		D	2	
16	AC0C737900	Arm /1 アーム /1		D	1	
17	AC0C738000	Arm /2 アーム /2		D	1	
18	AC0C739900	Insulating Sheet /3 断熱シート /3		D	2	

# Fusing Section





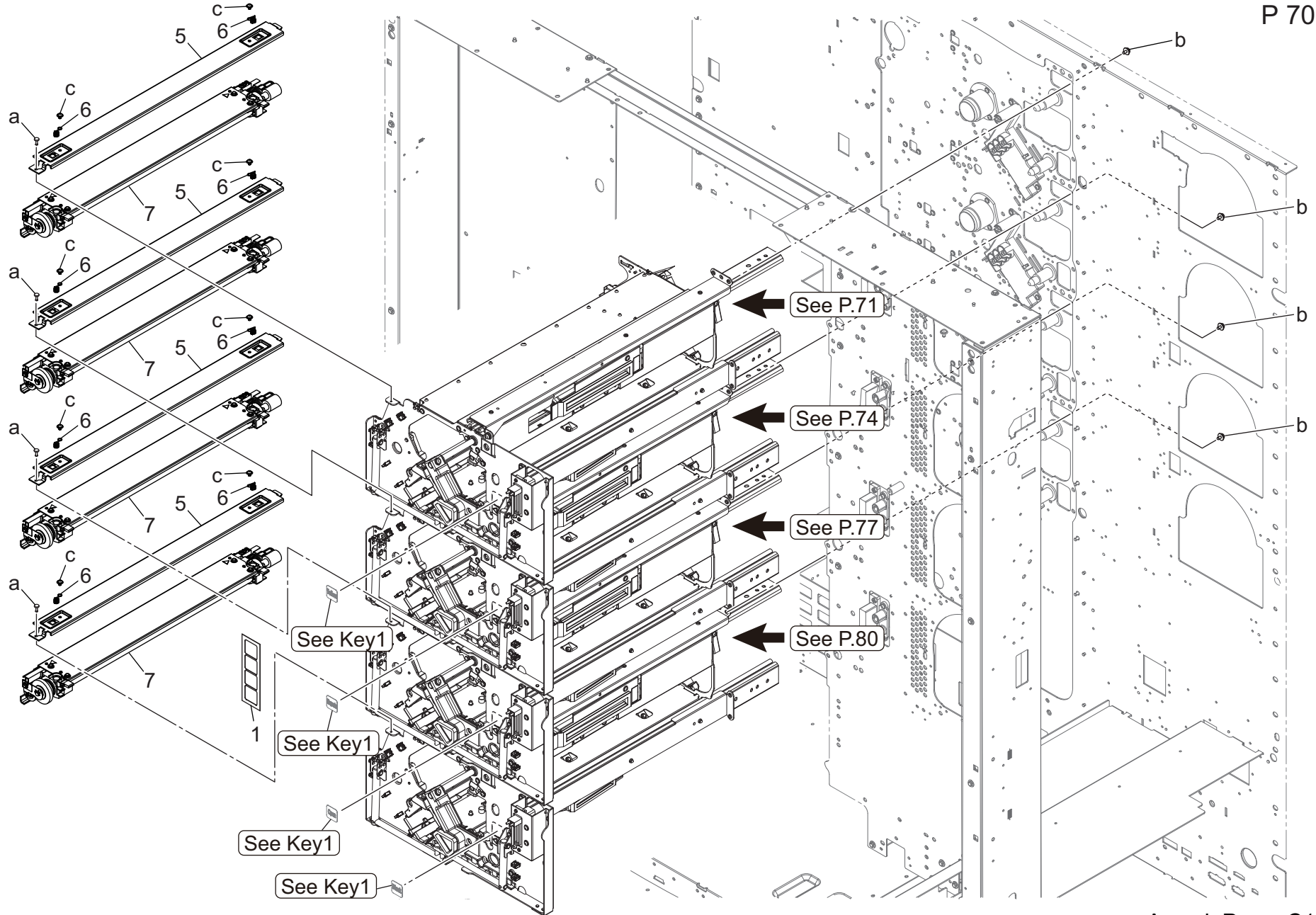
Key	Part No.	Description	Destinations	Class	QTY	Standard parts
1	A00J731900	Gear 25T		C	1	a-V116031003
2	A03U734500	Support Screw /A		C	2	b-V118030403
3	A1RF721100	Heat Insulating Sleeve/CL		B	2	c-V217025050
4	A1RF722400	Lifting Roll		D	2	d-V217040003
5	A1RF722500	Pressing Pin		D	2	e-V217060003
6	A1RF722602	Pressing Arm /Front		D	1	f-V223200017
7	A1RF722700	Pressing Roll		D	2	g-V500010074
8	A1RF729902	Pressing Arm /Rear		D	1	
9	A1RF732100	Pressing Shaft		D	2	
10	A1RF733500	Pressing Screw		D	2	
11	A1RF738000	Slide Spacer /1		D	2	
12	A1RF807900	Fusing Gear /Upper 32T		D	1	
13	A1RFF75002	Release Arm /Front Calking		D	1	
14	A1RFF75202	Release Arm /Rear Calking		D	1	
15	A2XK742001	Contact		D	1	
16	A797740000	Fusing Bearing/CL		B	2	
17	AC0C723500	Pressure Spring /L		D	2	
18	AC0C727501	Ground Plate		D	1	
19	AC0C727700	Mounting Plate		D	1	
20	AC0C728000	Mounting Plate		D	1	
21	AC0C728300	Sensor Stay /Rear		D	1	
22	AC0C728400	Sensor Stay /Front		D	1	
23	AC0C730500	Fusing Cleaning Roller		B	1	
24	AC0C781000	Protection Sheet		D	2	
25	AC0CR76800	CL Stay/Thermostat Assy		D	1	
26	AC0CM41A01	Fusing Heater Lamp/6(200V)		B	1	
26	AC0CM41E01	Fusing Heater Lamp/6(208V)	A B,C,D1,D3,E,F2,G1,G 2,H,I,K,J	B	1	
27	AC0CM50600	CleaningRollerTemperatureSensor/Fr		A	2	
28	AC0CN11901	Heater Drive Harness /4		D	1	
29	AC0CN12001	Heater Drive Harness /6		D	1	



Key	Part No.	Description	Destinations	Class	QTY	Standard parts
1	56AA17490	Pin	ピン	C	1	a-V121030403
2	56AA77220	Paper Exit Driving Gear /1 24T	排紙駆動歯車 /1 24 T	B	1	b-V121040603
3	56UA760900	Fixing Cleaning Bushing /C	定着清掃軸受 /C	B	6	c-V127030604
4	A00J211200	Ball Bearing	ボールベアリング	C	2	d-V217040003
5	A1RF710900	Ball bearing /1	ボールベアリング /1	C	2	e-V217060003
6	A1RF723901	Torque limiter	トルクリミッタ	B	1	f-V234200850
7	A1RF724001	Regulating Part	規制部材	B	1	g-V234201250
8	A1RF724300	Release Cam	解除カム	D	2	h-V500020099
9	A1RF724401	Release Actuator	解除アクチュエータ	D	1	k-V570010056
10	A1RF735600	Idling Gear /11 13/38T	アイドルギア /11 13 /38 T	C	1	
11	A1RF807000	Regulating Gear 22T	規制ギア 22 T	C	2	
12	A1RF807100	Cleaning Gear /2 18T	クリーニングギア /2 18 T	C	4	
13	A1RF807200	Cleaning Gear /3 30T	クリーニングギア /3 30 T	C	1	
14	A1RF807400	Release Gear /1 14/80T	解除ギア /1 14 /80 T	C	1	
15	A1RF807500	Release Gear /2 42T	解除ギア /2 42 T	C	1	
16	A4EU238100	Drive Gear /2 40T	駆動ギア /2 (定着駆動) 40 T	C	1	
17	A85CM55600	Photo Sensor	フォトセンサ	C	1	
18	AC0C723600	Drive Shaft /1	駆動軸 /1	D	1	
19	AC0C723700	Drive Shaft /2	駆動軸 /2	D	1	
20	AC0C724200	Release Shaft	解除軸	D	1	
21	AC0C734001	Drive Side plate	駆動側板	D	1	
22	AC0C736701	Drive Shaft /4	駆動軸 /4	D	1	
23	AC0C737700	Drive Side Plate /Front	駆動側板 /前	D	1	
24	AC0C738500	Drive Shaft /2	駆動軸 /2	D	1	
25	AC0C744000	Sensor Cover	センサカバー	D	1	
26	AC0C747700	Positioning Bin	位置決めピン	D	1	
27	AC0CR76700	Drive Gear Motor Assy	駆動ギアモーター A s s y	C	1	

# Process Carriage Section

P 70

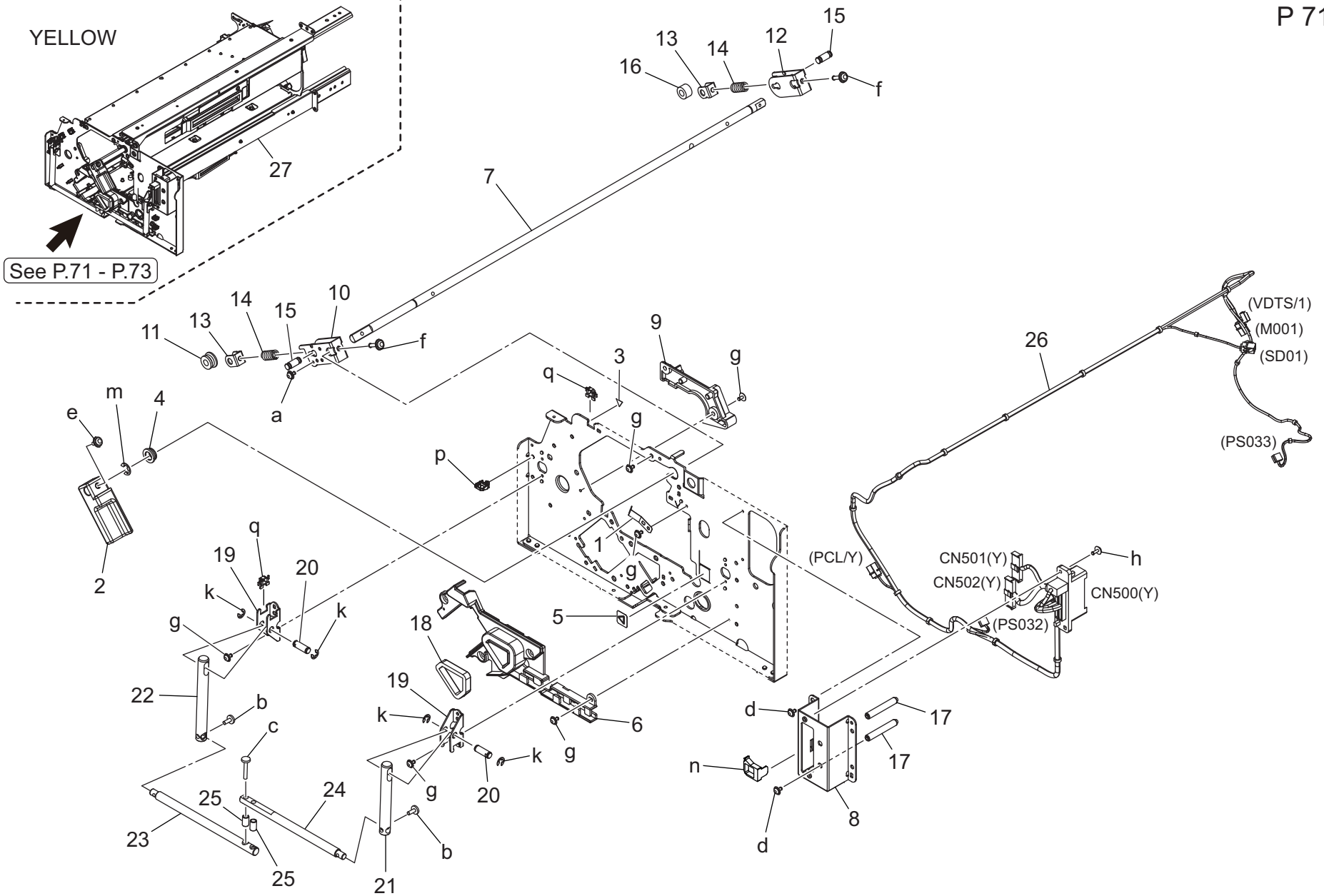


AccurioPress C12000



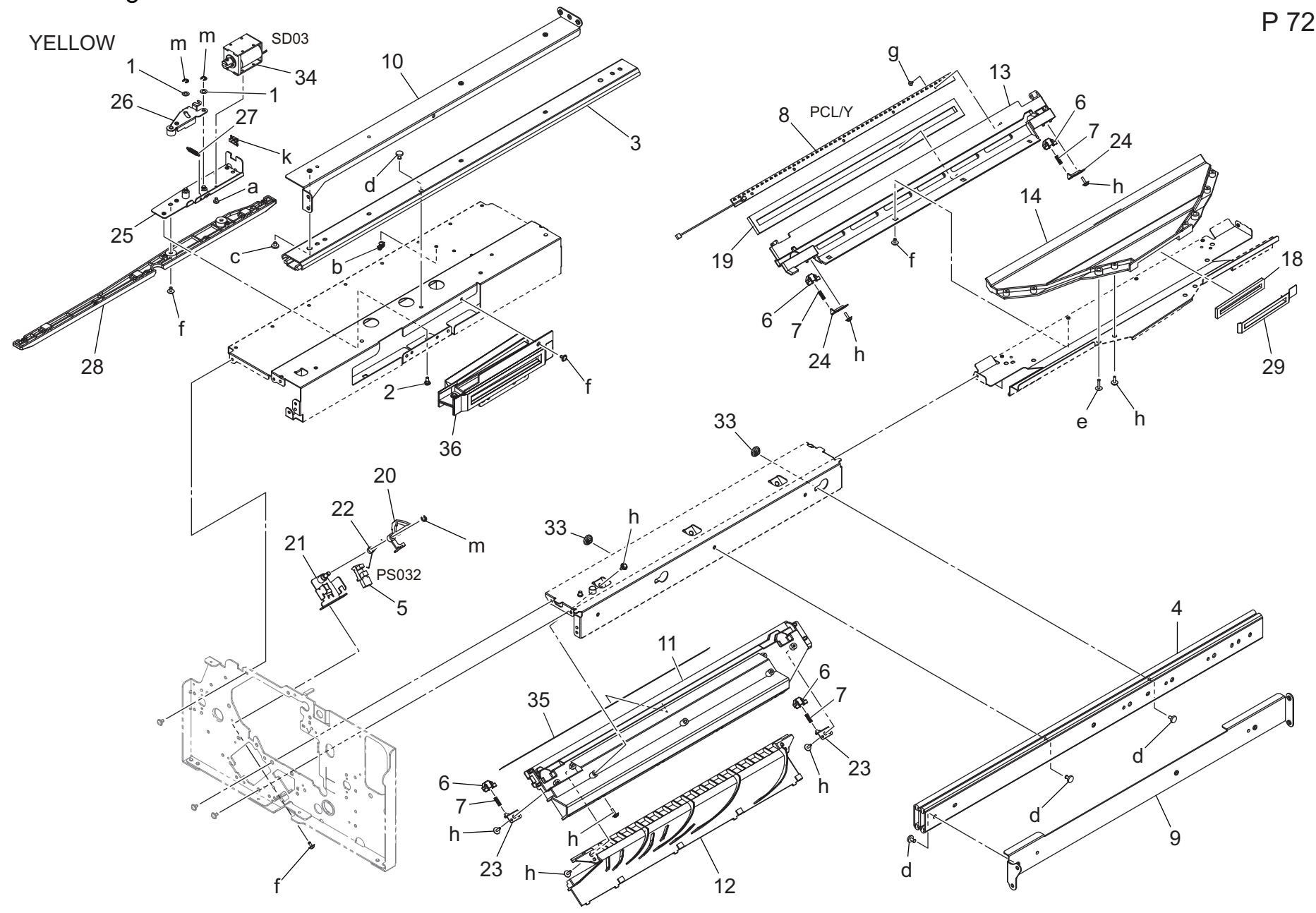
# Process Carriage Section

P 71



Key	Part No.	Description	Destinations	Class	QTY	Standard parts
1	65AA22880D	Sensor Holding Plate		D	1	a-V116030603
2	A0G6352700	Lock Handle		C	1	b-V118040803
3	A1RF945101	Replacement Label /1		D	1	c-V118042003
4	A1UD276500	Bushing		D	1	d-V121030803
5	A5AW782501	Fusing Label /3		D	1	e-V121040803
6	AC0C341602	Duct /1		D	1	f-V121041403
7	AC0C341700	Slide Shaft		D	1	g-V127030604
8	AC0C342701	Wiring Plate		D	1	h-V127030804
9	AC0C343400	Mounting Block /Front		D	1	k-V217040003
10	AC0C344800	Pressing Arm /Front		D	1	m-V217060003
11	AC0C344900	Roll		D	1	n-V500010022
12	AC0C345000	Pressing Arm /Rear		D	1	p-V500020098
13	AC0C345100	Pressing Plate		D	2	q-V570010056
14	AC0C345200	Pressing Spring		D	2	
15	AC0C345300	Guide Pin		D	2	
16	AC0C346500	Roll		D	1	
17	AC0C346600	Guide Shaft		D	2	
18	AC0C346901	Suction Seal		D	1	
19	AC0C347301	Support Plate		D	2	
20	AC0C347401	Support Shaft		D	2	
21	AC0C348501	Operation Shaft /1		D	1	
22	AC0C348601	Operation Shaft /2		D	1	
23	AC0C348701	Operation Shaft /3		D	1	
24	AC0C348801	Operation Shaft /4		D	1	
25	AC0C348900	Operation Shaft /5		D	2	
26	AC0CN15200	Developing Harness /2		D	1	
27	AC0CR70433	IU Carriage Assy		S	1	

# Process Carriage Section



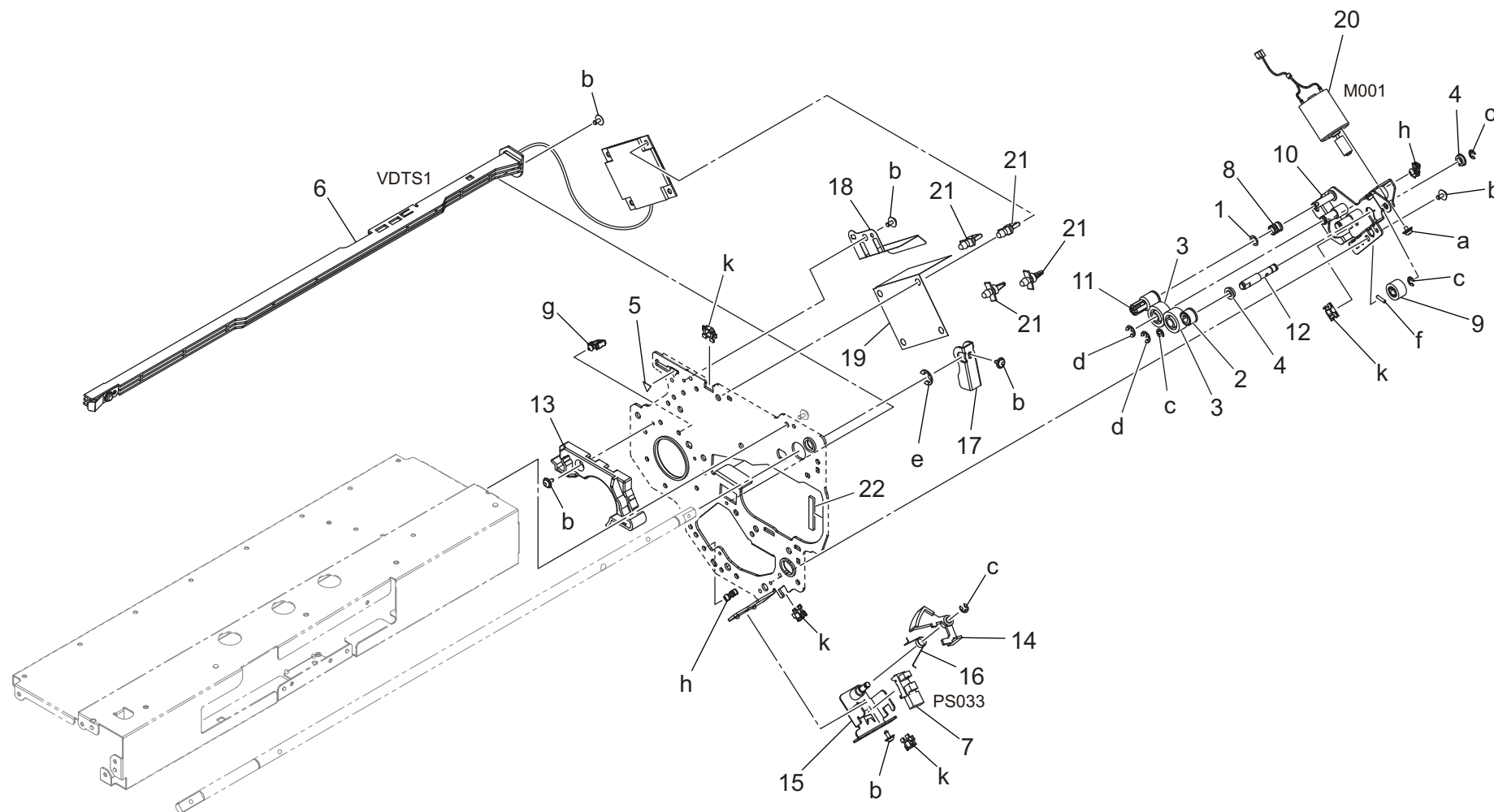




# Process Carriage Section

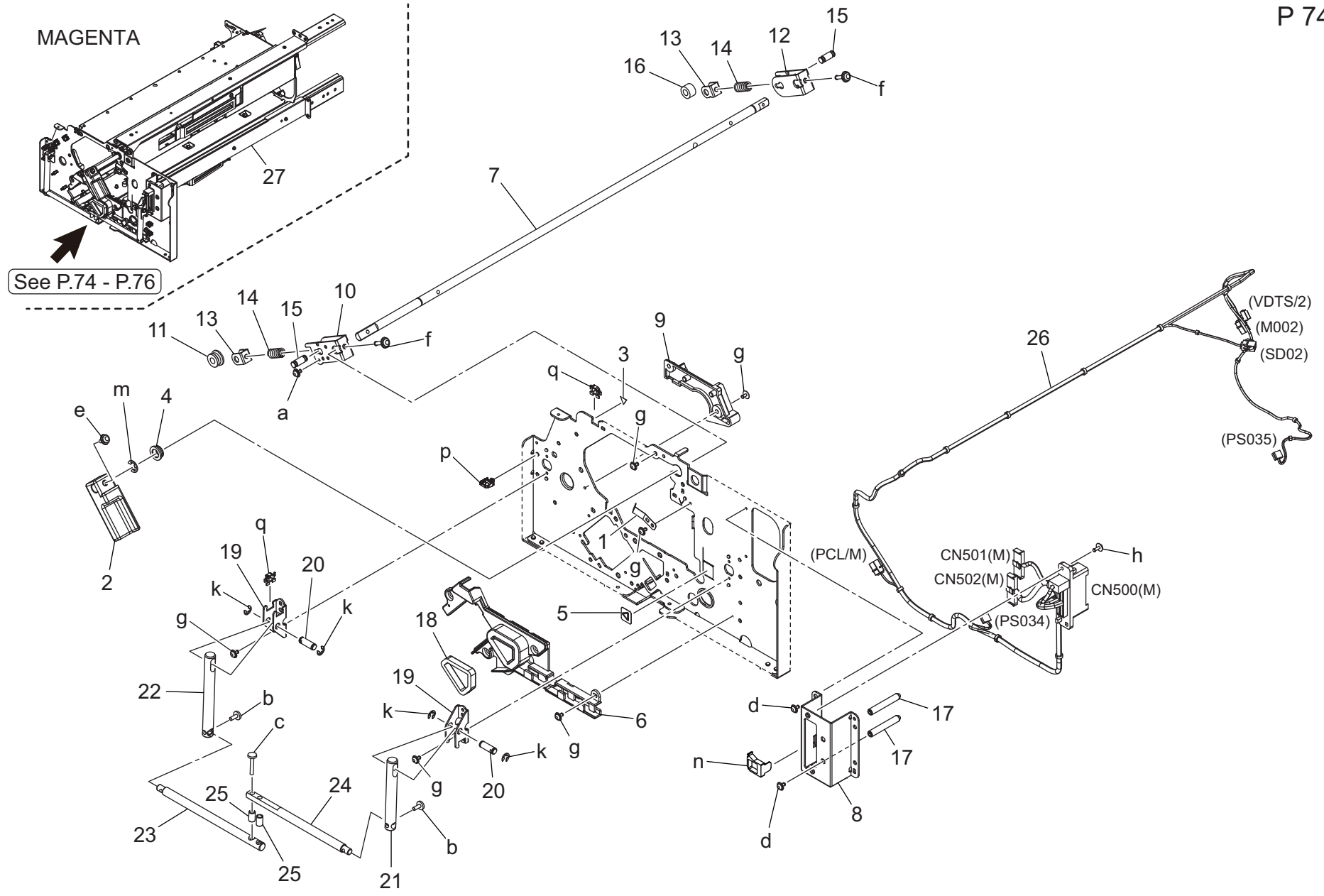
YELLOW

P 73



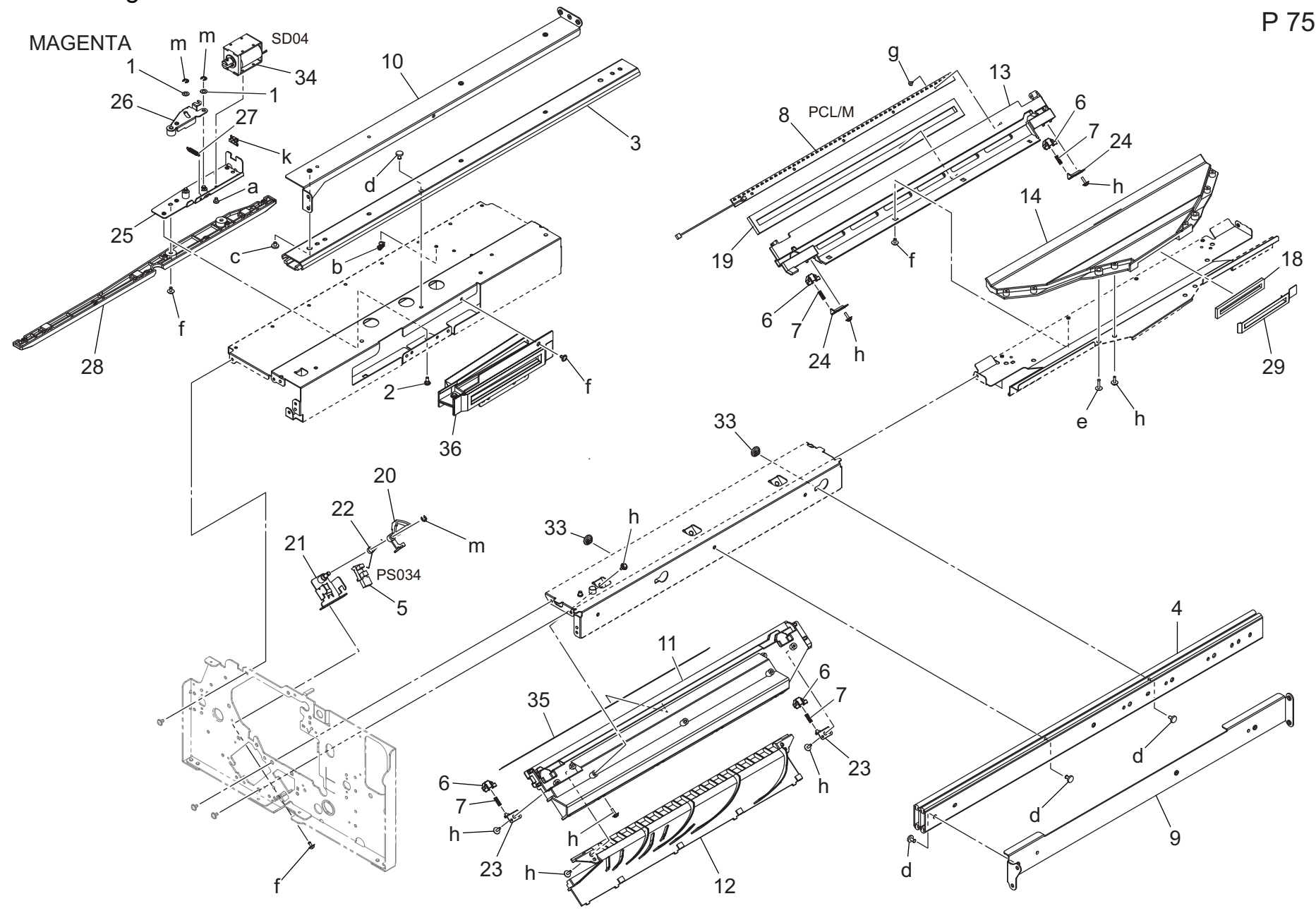


# Process Carriage Section



Key	Part No.	Description	Destinations	Class	QTY	Standard parts
1	65AA22880D	Sensor Holding Plate		D	1	a-V116030603
2	A0G6352700	Lock Handle		C	1	b-V118040803
3	A1RF945101	Replacement Label /1		D	1	c-V118042003
4	A1UD276500	Bushing		D	1	d-V121030803
5	A5AW782501	Fusing Label /3		D	1	e-V121040803
6	AC0C341602	Duct /1		D	1	f-V121041403
7	AC0C341700	Slide Shaft		D	1	g-V127030604
8	AC0C342701	Wiring Plate		D	1	h-V127030804
9	AC0C343400	Mounting Block /Front		D	1	k-V217040003
10	AC0C344800	Pressing Arm /Front		D	1	m-V217060003
11	AC0C344900	Roll		D	1	n-V500010022
12	AC0C345000	Pressing Arm /Rear		D	1	p-V500020098
13	AC0C345100	Pressing Plate		D	2	q-V570010056
14	AC0C345200	Pressing Spring		D	2	
15	AC0C345300	Guide Pin		D	2	
16	AC0C346500	Roll		D	1	
17	AC0C346600	Guide Shaft		D	2	
18	AC0C346901	Suction Seal		D	1	
19	AC0C347301	Support Plate		D	2	
20	AC0C347401	Support Shaft		D	2	
21	AC0C348501	Operation Shaft /1		D	1	
22	AC0C348601	Operation Shaft /2		D	1	
23	AC0C348701	Operation Shaft /3		D	1	
24	AC0C348801	Operation Shaft /4		D	1	
25	AC0C348900	Operation Shaft /5		D	2	
26	AC0CN15200	Developing Harness /2		D	1	
27	AC0CR70433	IU Carriage Assy		S	1	

# Process Carriage Section

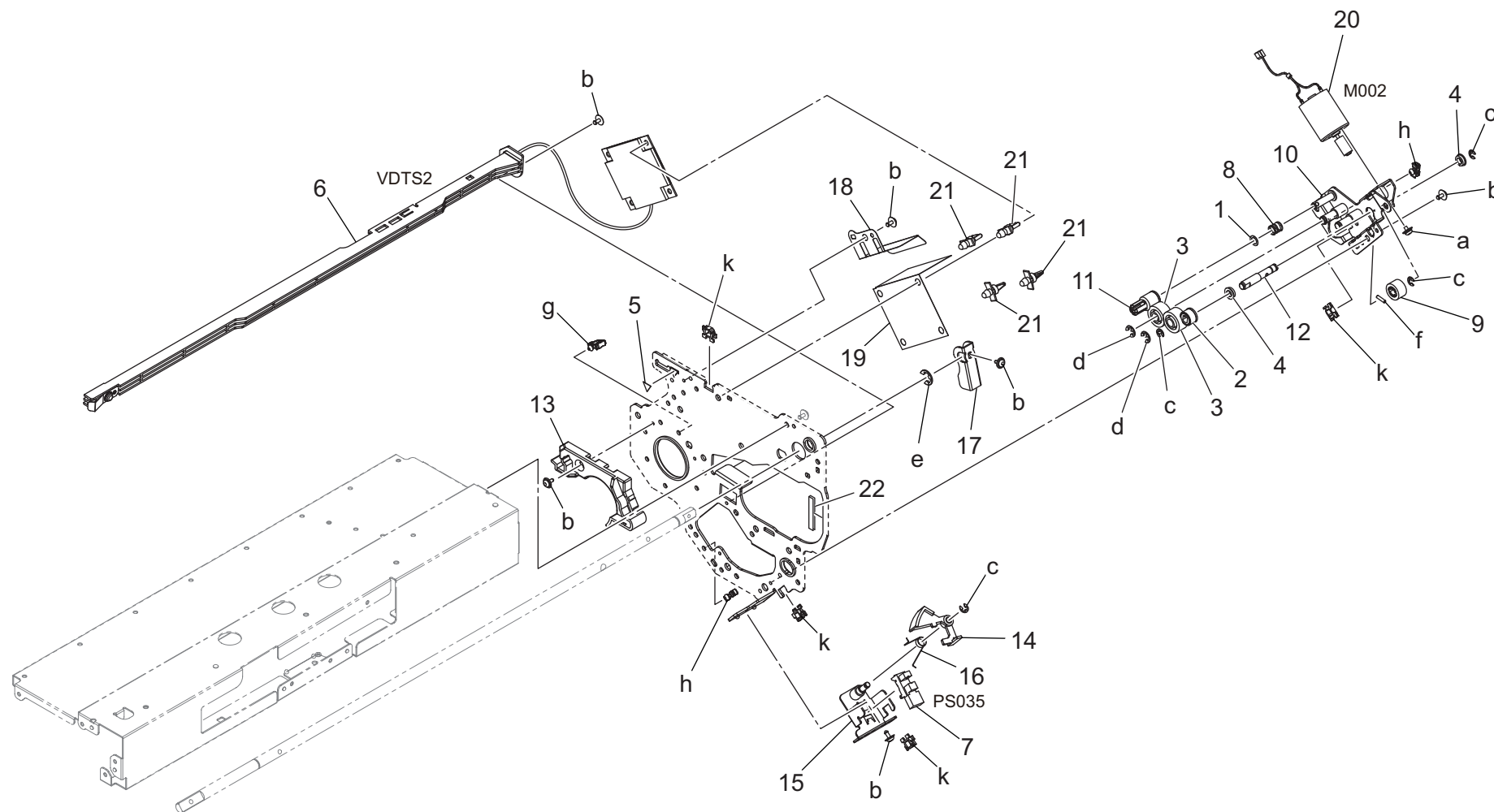




# Process Carriage Section

MAGENTA

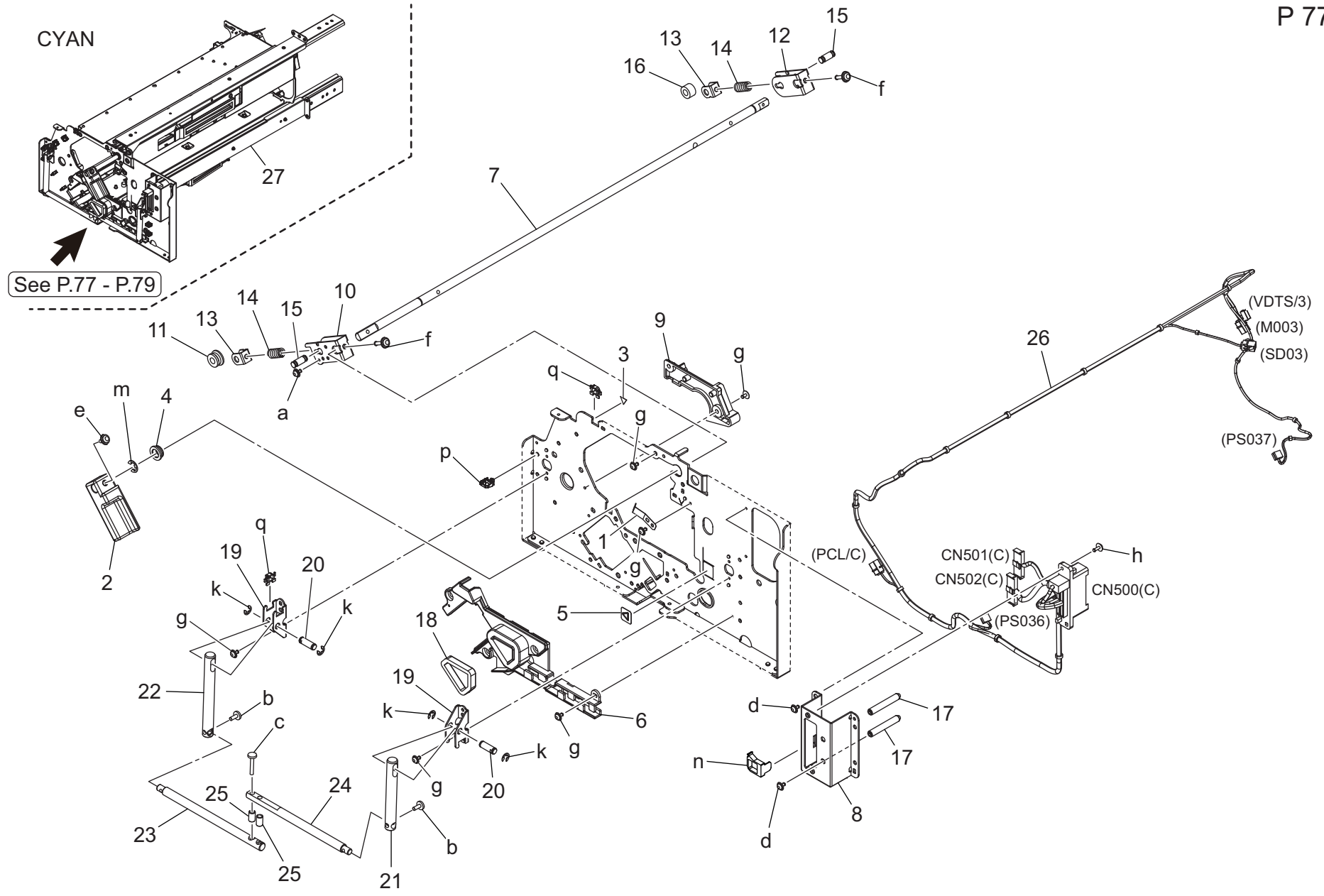
P 76





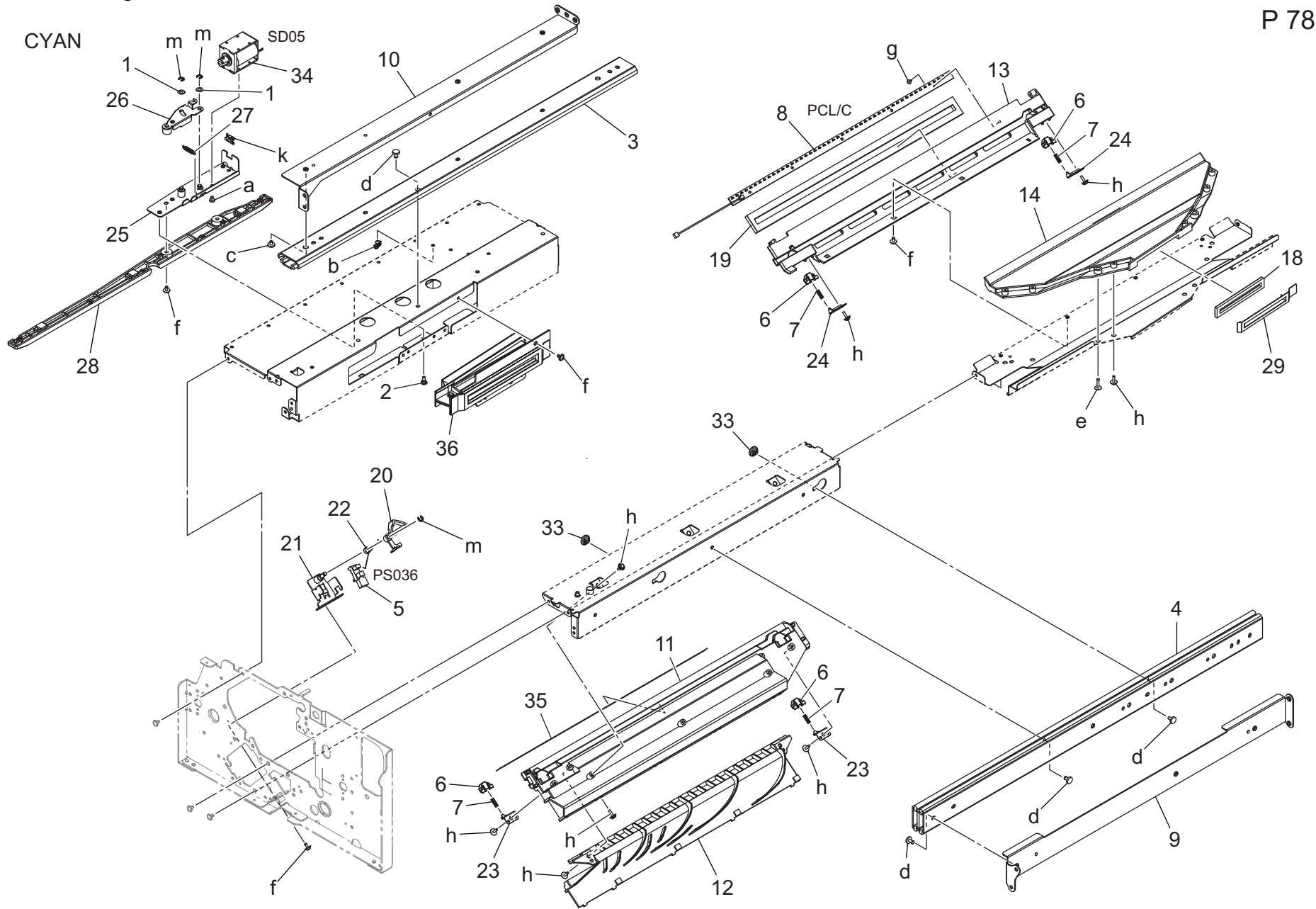
Key	Part No.	Description	Destinations	Class	QTY	Standard parts
1	A0PN162100	Spacer		D	1	a-V116030403
2	A161215300	Gear 20T		C	1	b-V127030604
3	A1RF513802	Idling Gear /3 32T		C	2	c-V217030003
4	A1RF755600	Tension Ball Bearing		C	2	d-V217040003
5	A1RF945101	Replacement Label /1		D	1	e-V217060003
6	A1RFR74711	Surface Electric Potential Assy		C	1	f-V234200850
7	A85CM55600	Photo Sensor		C	1	g-V500020098
8	A92W223200	Charging Spring		D	1	h-V500020099
9	A92W223300	Charging Gear 20T		C	1	k-V570010056
10	AC0C342901	Drive Plate /ASSY		D	1	
11	AC0C343200	Charging Gear 20T		C	1	
12	AC0C343300	Drive Shaft /4		D	1	
13	AC0C343700	Mounting Block /Rear		D	1	
14	AC0C343800	Detecting Actuator		D	1	
15	AC0C343901	Drive Plate /ASSY		D	1	
16	AC0C344100	Pressing Spring /Rear		D	1	
17	AC0C346801	Lock Stay		D	1	
18	AC0C347500	Cover Plate		D	1	
19	AC0C347700	Protection Sheet		D	1	
20	AC0CR77300	Cleaning Motor Worm Assy		C	1	
21	V502010014	support		V	4	
22	AC0C349000	Protection Sheet		D	1	

# Process Carriage Section



Key	Part No.	Description	Destinations	Class	QTY	Standard parts
1	65AA22880D	Sensor Holding Plate		D	1	a-V116030603
2	A0G6352700	Lock Handle		C	1	b-V118040803
3	A1RF945101	Replacement Label /1		D	1	c-V118042003
4	A1UD276500	Bushing		D	1	d-V121030803
5	A5AW782501	Fusing Label /3		D	1	e-V121040803
6	AC0C341602	Duct /1		D	1	f-V121041403
7	AC0C341700	Slide Shaft		D	1	g-V127030604
8	AC0C342701	Wiring Plate		D	1	h-V127030804
9	AC0C343400	Mounting Block /Front		D	1	k-V217040003
10	AC0C344800	Pressing Arm /Front		D	1	m-V217060003
11	AC0C344900	Roll		D	1	n-V500010022
12	AC0C345000	Pressing Arm /Rear		D	1	p-V500020098
13	AC0C345100	Pressing Plate		D	2	q-V570010056
14	AC0C345200	Pressing Spring		D	2	
15	AC0C345300	Guide Pin		D	2	
16	AC0C346500	Roll		D	1	
17	AC0C346600	Guide Shaft		D	2	
18	AC0C346901	Suction Seal		D	1	
19	AC0C347301	Support Plate		D	2	
20	AC0C347401	Support Shaft		D	2	
21	AC0C348501	Operation Shaft /1		D	1	
22	AC0C348601	Operation Shaft /2		D	1	
23	AC0C348701	Operation Shaft /3		D	1	
24	AC0C348801	Operation Shaft /4		D	1	
25	AC0C348900	Operation Shaft /5		D	2	
26	AC0CN15200	Developing Harness /2		D	1	
27	AC0CR70433	IU Carriage Assy		S	1	

# Process Carriage Section

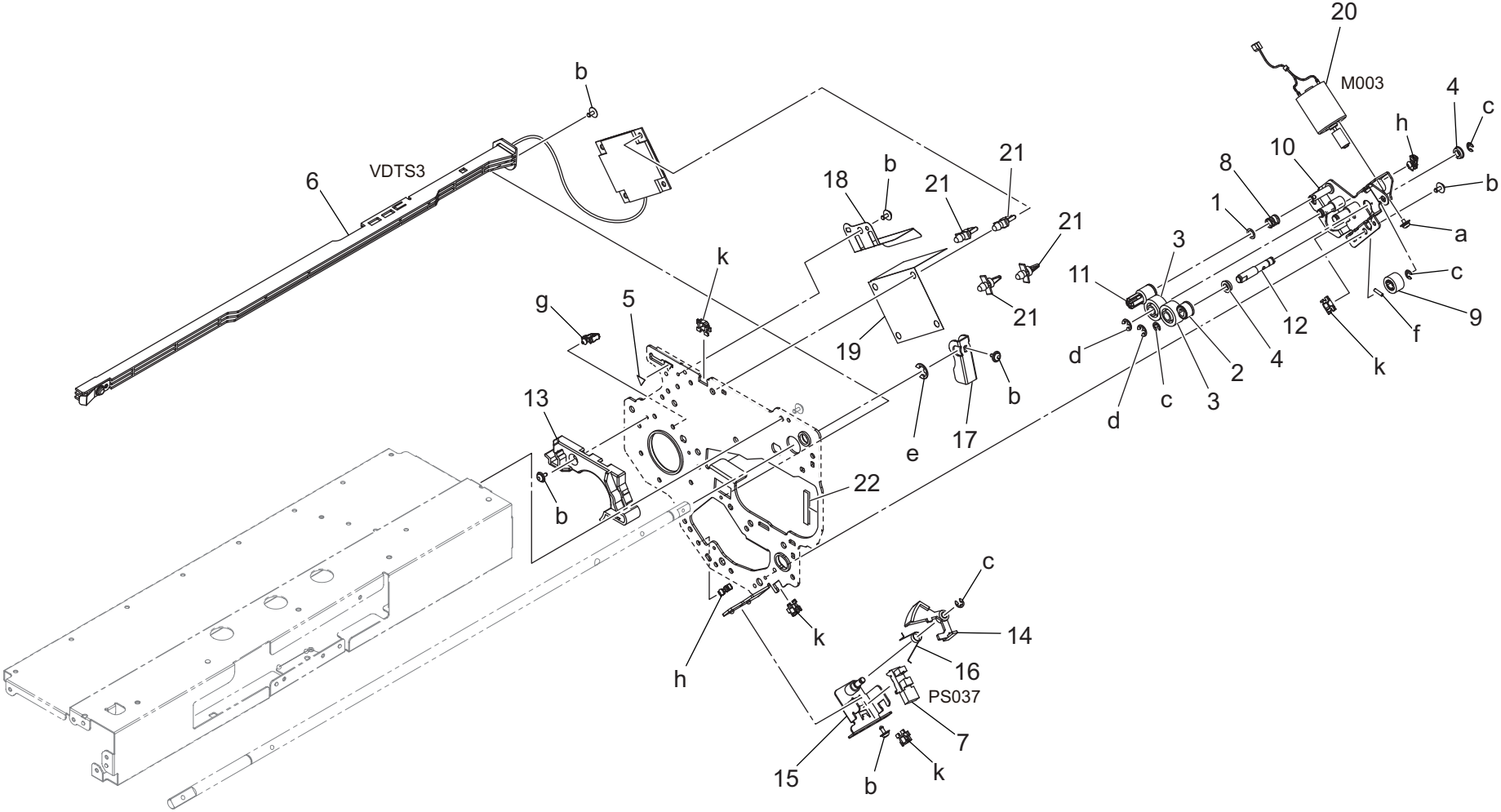


Process Carriage Section

Key	Part No.	Description	Destinations	Class	QTY	Standard parts
1	4034572101	Spacer		D	2	a-V118030403
2	27LA54190	FIXING GUIDE SCREW		C	1	b-V500020099
3	56AA10300	Slide Rail /A		C	1	c-V118040403
4	56AA50520	Slide Rail /D		C	1	d-V118040604
5	A85CM55600	Photo Sensor		C	1	e-V121031204
6	A92W343000	Pressing Block		D	4	f-V127030604
7	A92W345400	Pressing Spring		D	4	g-V153020503
8	A9JTM30800	PCL		C	1	h-V153030803
9	AC0C340500	Stay /4		D	1	k-V570010056
10	AC0C340800	Stay /3		D	1	m-V217030003
11	AC0C340901	Holder /1		D	1	
12	AC0C341000	Positioning Duct /1		D	1	
13	AC0C341111	Positioning Guide /10		D	1	
14	AC0C341400	Positioning Duct		D	1	
18	AC0C342501	Scatteringprevention Seal /1		D	1	
19	AC0C342600	Scatteringprevention Seal /3		D	1	
20	AC0C343800	Detecting Actuator		D	1	
21	AC0C343901	Drive Plate /ASSY		D	1	
22	AC0C344001	Pressing Spring /Front		D	1	
23	AC0C344200	Lifting Plate /Upper		D	2	
24	AC0C344300	Lifting Plate /Lower		D	2	
25	AC0C344501	Drive Plate /ASSY		D	1	
26	AC0C344600	Drive Plate		D	1	
27	AC0C344700	Spring /3		D	1	
28	AC0C345400	Slide Guide		D	1	
29	AC0C345800	Scatteringprevention Seal /1		D	1	
33	AC0C346700	Positioning Shaft		D	2	
34	AC0CR75900	Solenoid Assy		C	1	
35	AC0C347600	Charging Seal		D	1	
36	AC0CR79500	Suction Duct/1 Assy		D	1	

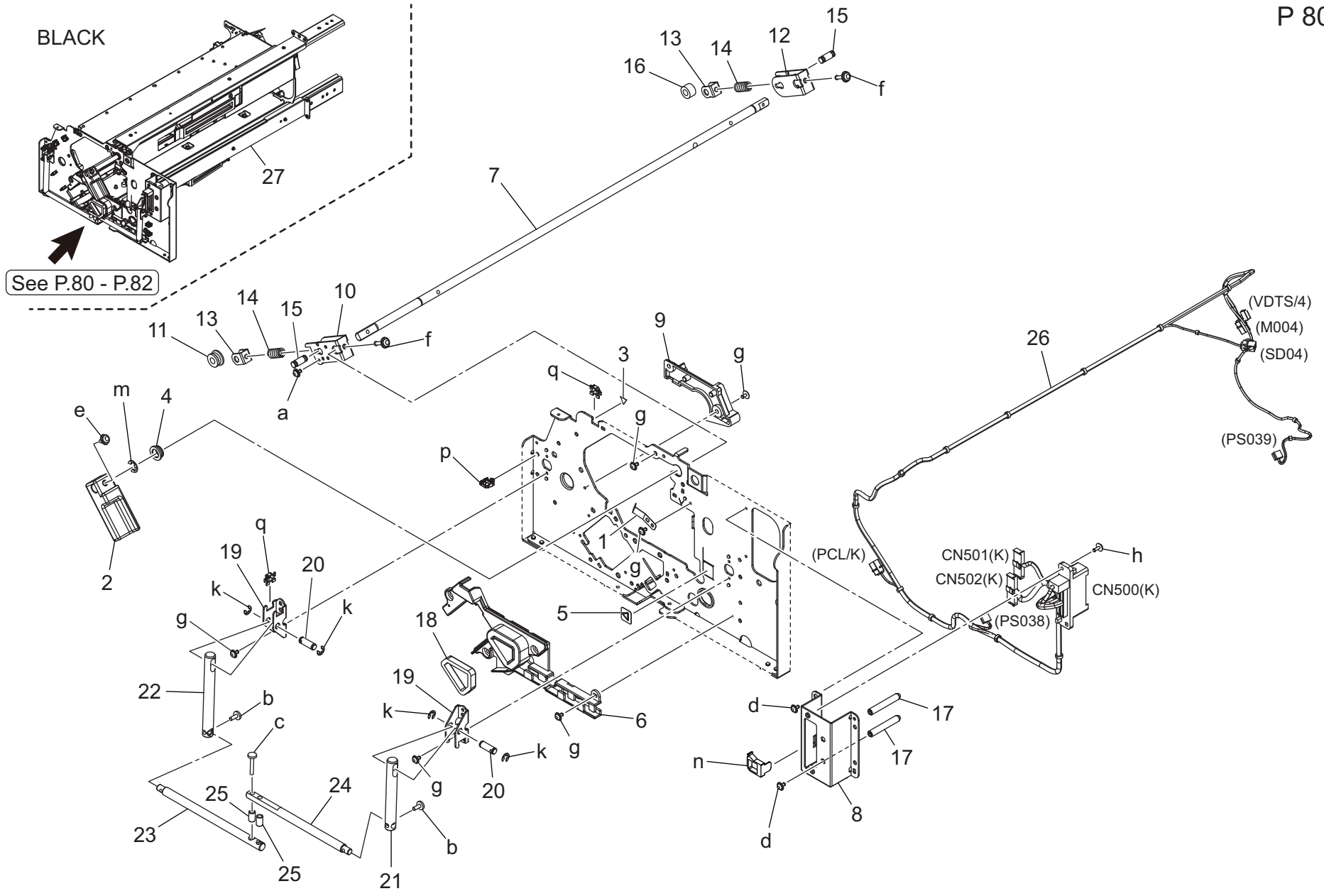
Process Carriage Section

CYAN



Key	Part No.	Description	Destinations	Class	QTY	Standard parts
1	A0PN162100	Spacer		D	1	a-V116030403 b-V127030604 c-V217030003 d-V217040003 e-V217060003 f-V234200850 g-V500020098 h-V500020099 k-V570010056
2	A161215300	Gear 20T		C	1	
3	A1RF513802	Idling Gear /3 32T		C	2	
4	A1RF755600	Tension Ball Bearing		C	2	
5	A1RF945101	Replacement Label /1		D	1	
6	A1RFR74711	Surface Electric Potential Assy		C	1	
7	A85CM55600	Photo Sensor		C	1	
8	A92W223200	Charging Spring		D	1	
9	A92W223300	Charging Gear 20T		C	1	
10	AC0C342901	Drive Plate /ASSY		D	1	
11	AC0C343200	Charging Gear 20T		C	1	
12	AC0C343300	Drive Shaft /4		D	1	
13	AC0C343700	Mounting Block /Rear		D	1	
14	AC0C343800	Detecting Actuator		D	1	
15	AC0C343901	Drive Plate /ASSY		D	1	
16	AC0C344100	Pressing Spring /Rear		D	1	
17	AC0C346801	Lock Stay		D	1	
18	AC0C347500	Cover Plate		D	1	
19	AC0C347700	Protection Sheet		D	1	
20	AC0CR77300	Cleaning Motor Worm Assy		C	1	
21	V502010014	support		V	4	
22	AC0C349000	Protection Sheet		D	1	

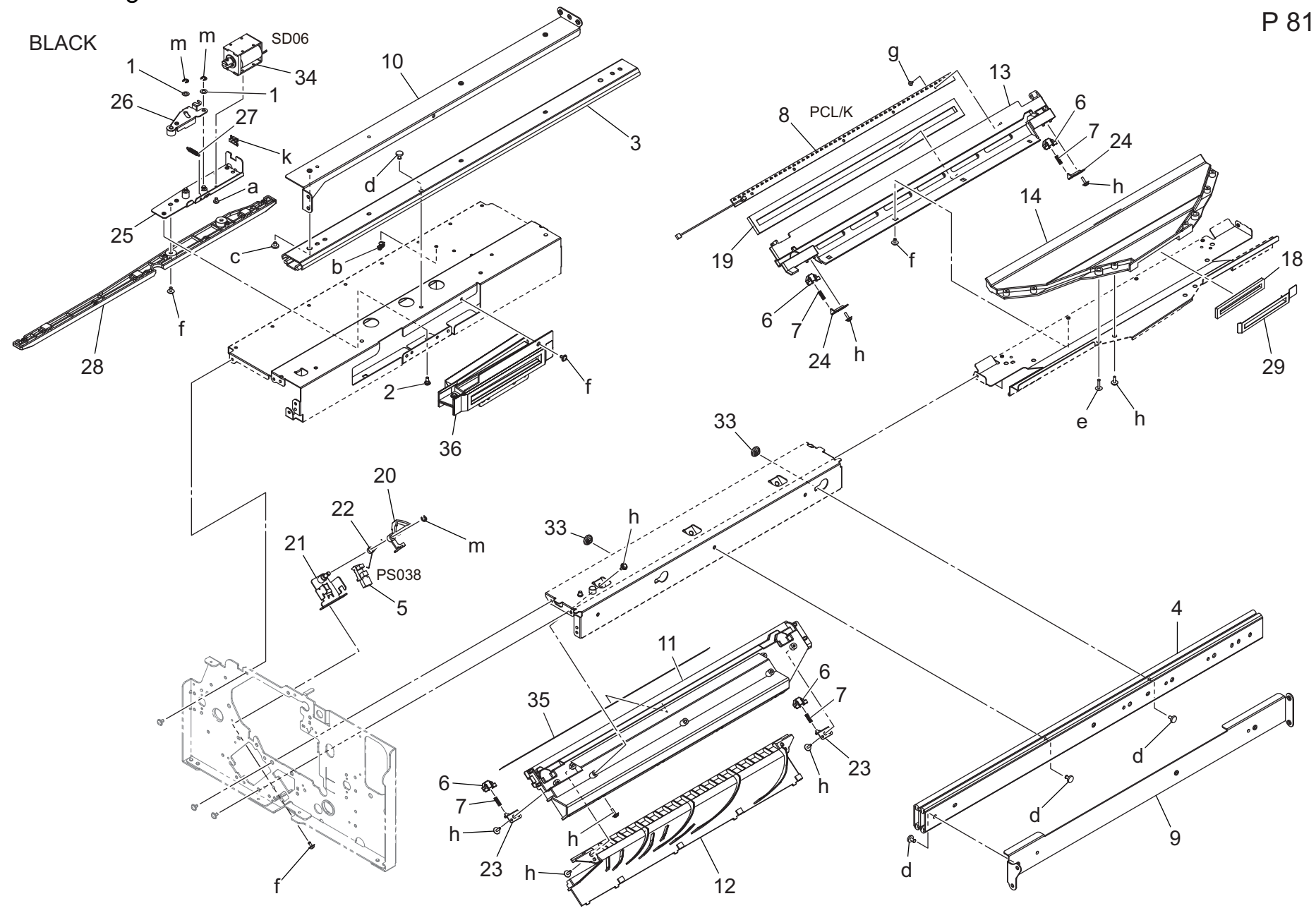
# Process Carriage Section





Key	Part No.	Description	Destinations	Class	QTY	Standard parts
1	65AA22880D	Sensor Holding Plate		D	1	a-V116030603
2	A0G6352700	Lock Handle		C	1	b-V118040803
3	A1RF945101	Replacement Label /1		D	1	c-V118042003
4	A1UD276500	Bushing		D	1	d-V121030803
5	A5AW782501	Fusing Label /3		D	1	e-V121040803
6	AC0C341602	Duct /1		D	1	f-V121041403
7	AC0C341700	Slide Shaft		D	1	g-V127030604
8	AC0C342701	Wiring Plate		D	1	h-V127030804
9	AC0C343400	Mounting Block /Front		D	1	k-V217040003
10	AC0C344800	Pressing Arm /Front		D	1	m-V217060003
11	AC0C344900	Roll		D	1	n-V500010022
12	AC0C345000	Pressing Arm /Rear		D	1	p-V500020098
13	AC0C345100	Pressing Plate		D	2	q-V570010056
14	AC0C345200	Pressing Spring		D	2	
15	AC0C345300	Guide Pin		D	2	
16	AC0C346500	Roll		D	1	
17	AC0C346600	Guide Shaft		D	2	
18	AC0C346901	Suction Seal		D	1	
19	AC0C347301	Support Plate		D	2	
20	AC0C347401	Support Shaft		D	2	
21	AC0C348501	Operation Shaft /1		D	1	
22	AC0C348601	Operation Shaft /2		D	1	
23	AC0C348701	Operation Shaft /3		D	1	
24	AC0C348801	Operation Shaft /4		D	1	
25	AC0C348900	Operation Shaft /5		D	2	
26	AC0CN15200	Developing Harness /2		D	1	
27	AC0CR70433	IU Carriage Assy		S	1	

# Process Carriage Section

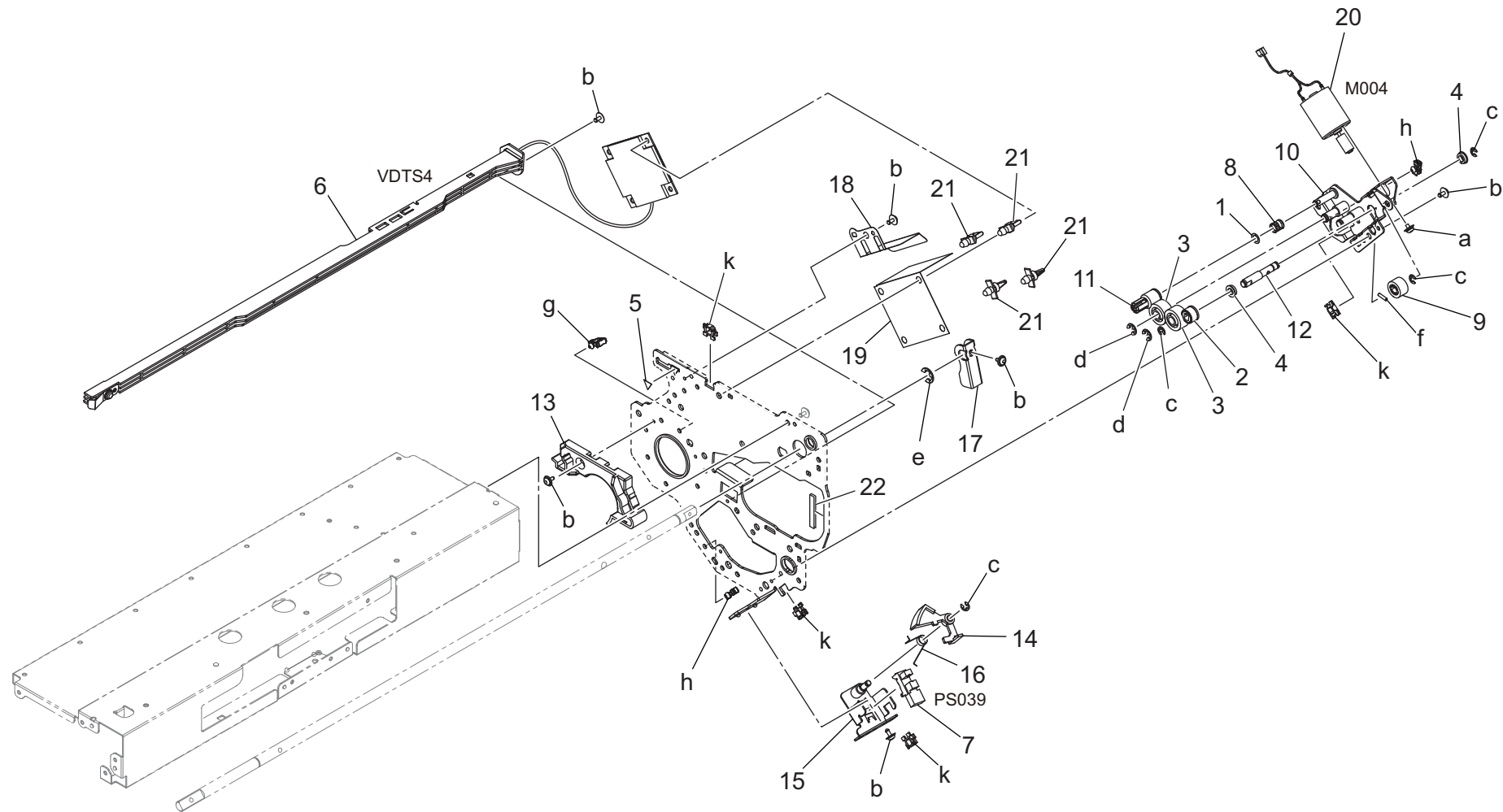


Key	Part No.	Description	Destinations	Class	QTY	Standard parts
1	4034572101	Spacer		D	2	a-V118030403
2	27LA54190	FIXING GUIDE SCREW		C	1	b-V500020099
3	56AA10300	Slide Rail /A		C	1	c-V118040403
4	56AA50520	Slide Rail /D		C	1	d-V118040604
5	A85CM55600	Photo Sensor		C	1	e-V121031204
6	A92W343000	Pressing Block		D	4	f-V127030604
7	A92W345400	Pressing Spring		D	4	g-V153020503
8	A9JTM30800	PCL		C	1	h-V153030803
9	AC0C340500	Stay /4		D	1	k-V570010056
10	AC0C340800	Stay /3		D	1	m-V217030003
11	AC0C340901	Holder /1		D	1	
12	AC0C341000	Positioning Duct /1		D	1	
13	AC0C341111	Positioning Guide /10		D	1	
14	AC0C341400	Positioning Duct		D	1	
18	AC0C342501	Scatteringprevention Seal /1		D	1	
19	AC0C342600	Scatteringprevention Seal /3		D	1	
20	AC0C343800	Detecting Actuator		D	1	
21	AC0C343901	Drive Plate /ASSY		D	1	
22	AC0C344001	Pressing Spring /Front		D	1	
23	AC0C344200	Lifting Plate /Upper		D	2	
24	AC0C344300	Lifting Plate /Lower		D	2	
25	AC0C344501	Drive Plate /ASSY		D	1	
26	AC0C344600	Drive Plate		D	1	
27	AC0C344700	Spring /3		D	1	
28	AC0C345400	Slide Guide		D	1	
29	AC0C345800	Scatteringprevention Seal /1		D	1	
33	AC0C346700	Positioning Shaft		D	2	
34	AC0CR75900	Solenoid Assy		C	1	
35	AC0C347600	Charging Seal		D	1	
36	AC0CR79500	Suction Duct/1 Assy		D	1	

# Process Carriage Section

BLACK

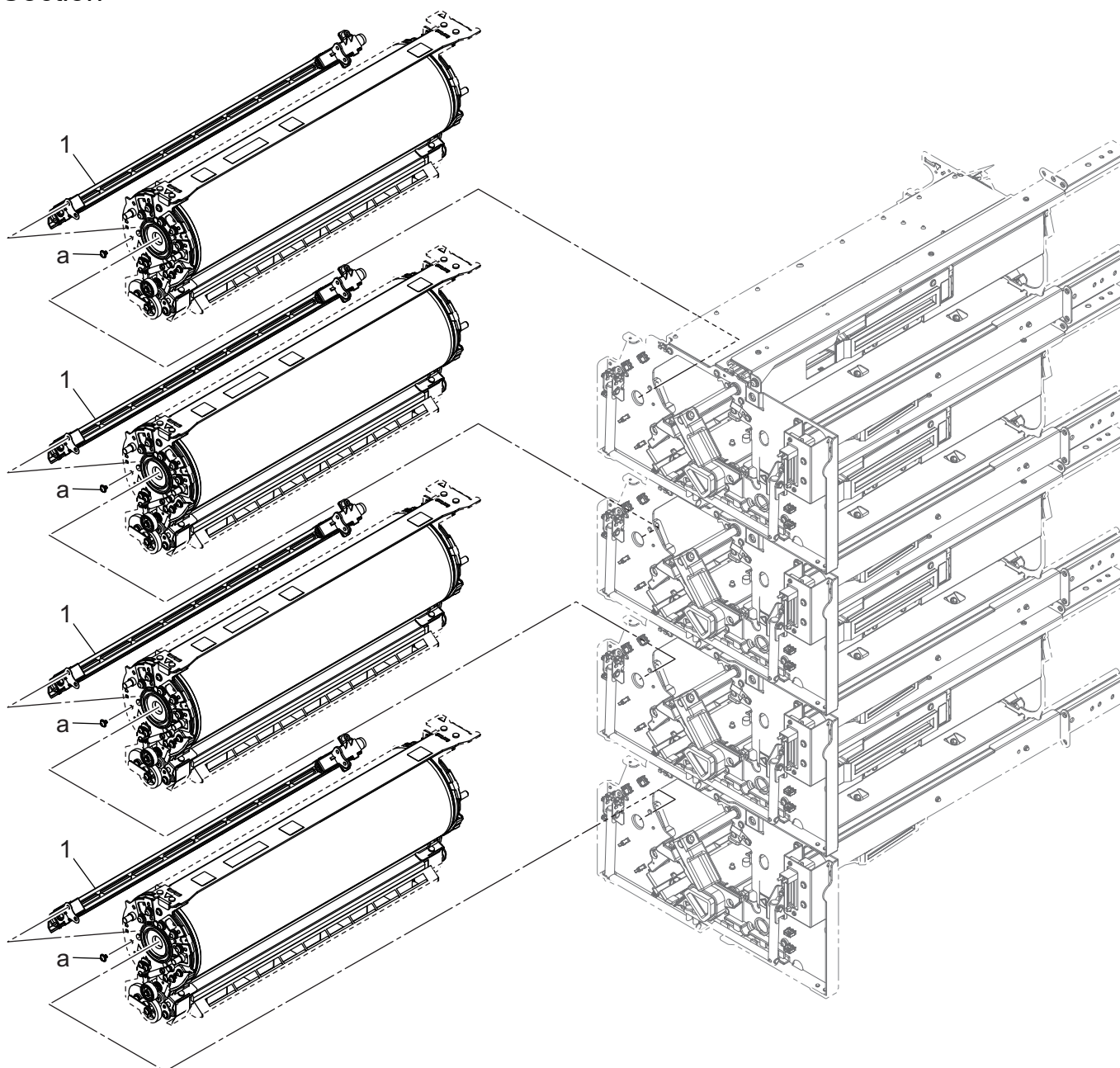
P 82



# Process Carriage Section

Key	Part No.	Description	Destinations	Class	QTY	Standard parts
1	A0PN162100	Spacer		D	1	a-V116030403
2	A161215300	Gear 20T		C	1	b-V127030604
3	A1RF513802	Idling Gear /3 32T		C	2	c-V217030003
4	A1RF755600	Tension Ball Bearing		C	2	d-V217040003
5	A1RF945101	Replacement Label /1		D	1	e-V217060003
6	A1RFR74711	Surface Electric Potential Assy		C	1	f-V234200850
7	A85CM55600	Photo Sensor		C	1	g-V500020098
8	A92W223200	Charging Spring		D	1	h-V500020099
9	A92W223300	Charging Gear 20T		C	1	k-V570010056
10	AC0C342901	Drive Plate /ASSY		D	1	
11	AC0C343200	Charging Gear 20T		C	1	
12	AC0C343300	Drive Shaft /4		D	1	
13	AC0C343700	Mounting Block /Rear		D	1	
14	AC0C343800	Detecting Actuator		D	1	
15	AC0C343901	Drive Plate /ASSY		D	1	
16	AC0C344100	Pressing Spring /Rear		D	1	
17	AC0C346801	Lock Stay		D	1	
18	AC0C347500	Cover Plate		D	1	
19	AC0C347700	Protection Sheet		D	1	
20	AC0CR77300	Cleaning Motor Worm Assy		C	1	
21	V502010014	support		V	4	
22	AC0C349000	Protection Sheet		D	1	

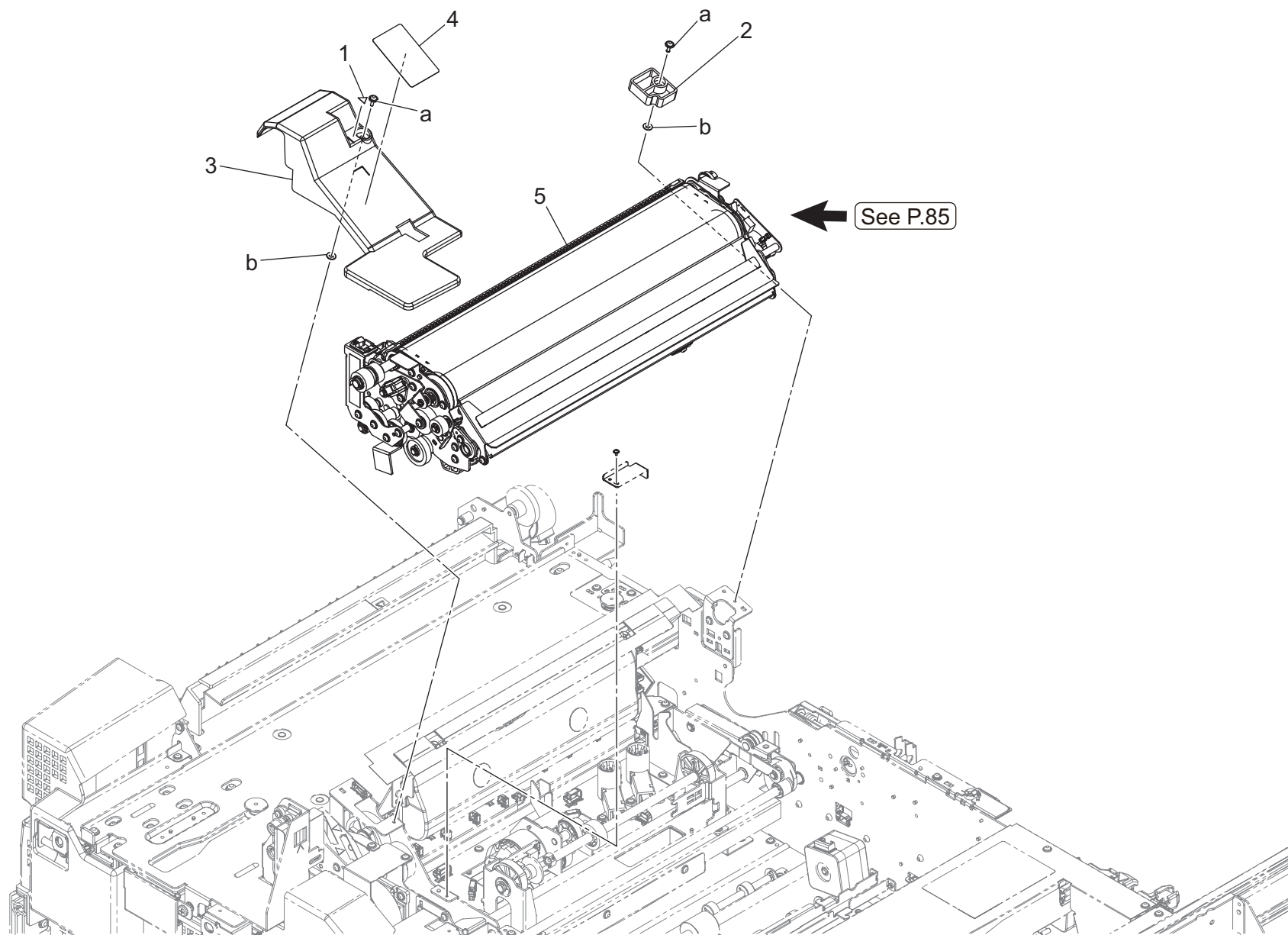
# Process Carriage Section



Process Carriage Section

Key	Part No.	Description	Destinations	Class	QTY	Standard parts
1	AC0CR73100	Neutralizing Corona 除電極		A	4	a-V116030603

# Secondary Transfer Section





# Secondary Transfer Section

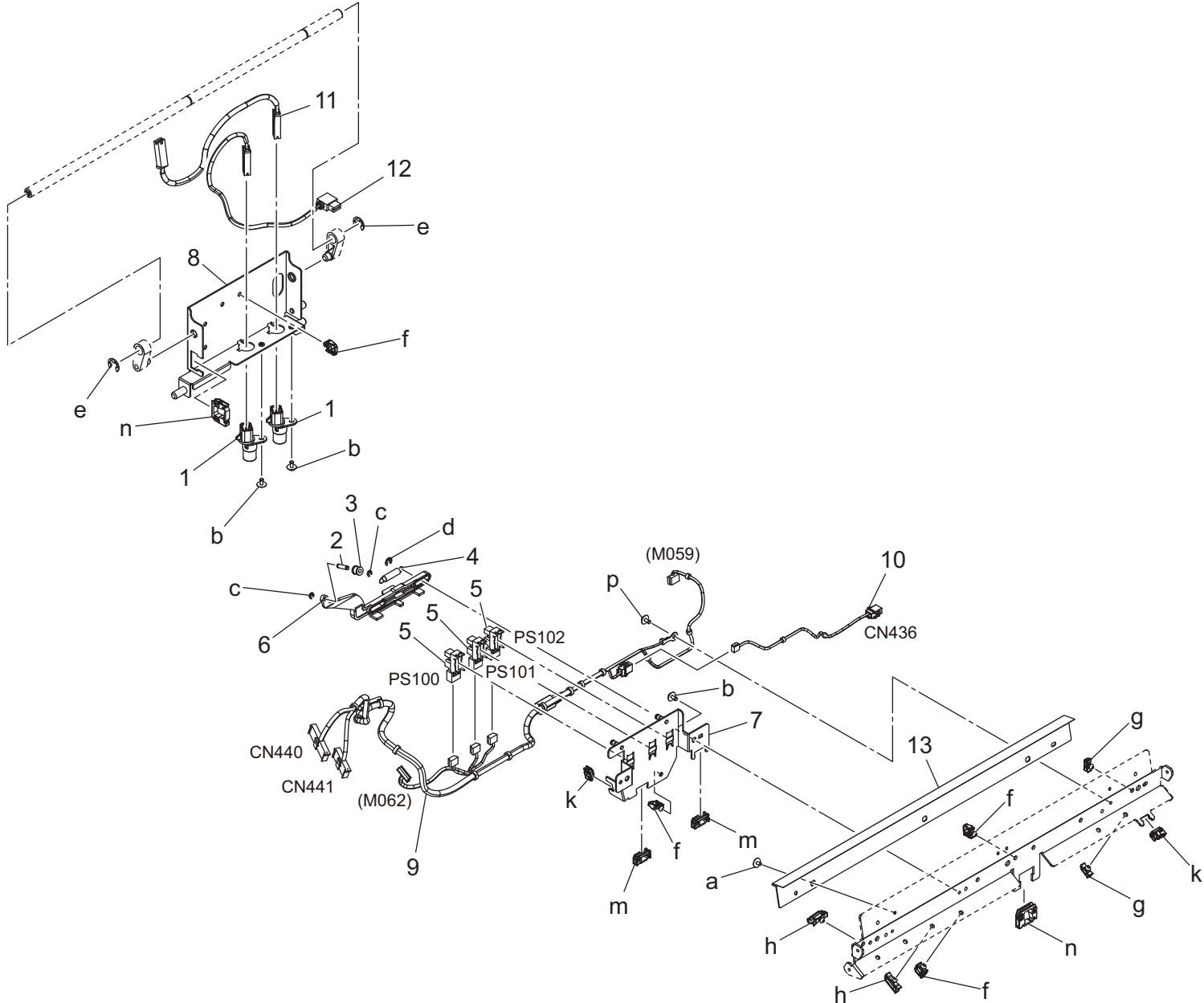
Key	Part No.	Description	Destinations	Class	QTY	Standard parts
1	A1RF945101	Replacement Label /1		D	1	a-V121030803 b-V211030080
2	AC0C822700	Holding Cover /Rear		D	1	
3	AC0C838201	Holding Cover /Front		D	1	
4	AC0C942300	Caution Label /3		D	1	
5	AC0CR72766	2nd Transfer Unit		I	1	
5	AC0CR72766	2nd Transfer Unit	C	I	1	
5	AC0CR72766	2nd Transfer Unit	D1,D3,E,F2,G1,H,I,J ,K	I	1	
5	AC0CR72766	2nd Transfer Unit	A	I	1	
5	AC0CR72766	2nd Transfer Unit	B,G2	I	1	



# Secondary Transfer Section

Key	Part No.	Description	Destinations	Class	QTY	Standard parts
1	40AA32320	Toner Supply Spacer		C	6	a-V118030403
2	65AAR77900	Separating Mt Screw		C	2	b-V207030001
3	A00J617800	Ball Bearing		A	6	c-V125030818
4	A00JM12100	Stepping motor		C	1	d-V127030604
5	A1RF529200	Sealing Collar		D	1	e-V217040003
6	A1RF529600	Control Gear 14/56T		D	1	f-V234200850
7	A1RF533700	Support Guide		D	2	g-V234301050
8	A1RF869200	Conveyance Gear /7 22T		C	1	h-V500010084
9	A1RFR70500	Neutralizing Holde		A	1	k-V500020098
10	A50U504400	Pressure Gear /M 18T		C	1	m-V500020099
11	A85CM55600	Photo Sensor		C	1	n-V500020100
12	A92W539100	Idling Gear /C 17/37T		C	1	p-V570010060
13	AC0C520800	Support Plate		D	1	
14	AC0C522701	Sensor Plate		D	1	
15	AC0C524201	Mounting Plate		D	1	
16	AC0C524800	Idling Plate		D	1	
17	AC0C526800	Cleaning Spring /1		D	2	
18	AC0C528300	Positioning Shaft /Assy		D	2	
19	AC0C528501	Cleaning Spring		D	2	
20	AC0C529500	Idling Gear /B 15/38T		C	1	
21	AC0C529900	Conveyance Gear /B 26T		C	1	
22	AC0C539200	Idling Gear /A 26/31T		C	1	
23	AC0CR75800	Base Assy		I	1	
24	AC0C966300	Lock Part /1		D	1	
25	AC0CR73800	Cleaning Side Seal Plate /Rr		A	1	
26	AC0CN22000	Transfer Detection Harness /1		D	1	
27	AC57M10300	DC Brushless Motor /25		C	1	
28	AC0CR73700	Cleaning Side Seal Plate /Fr		A	1	

# Secondary Transfer Section

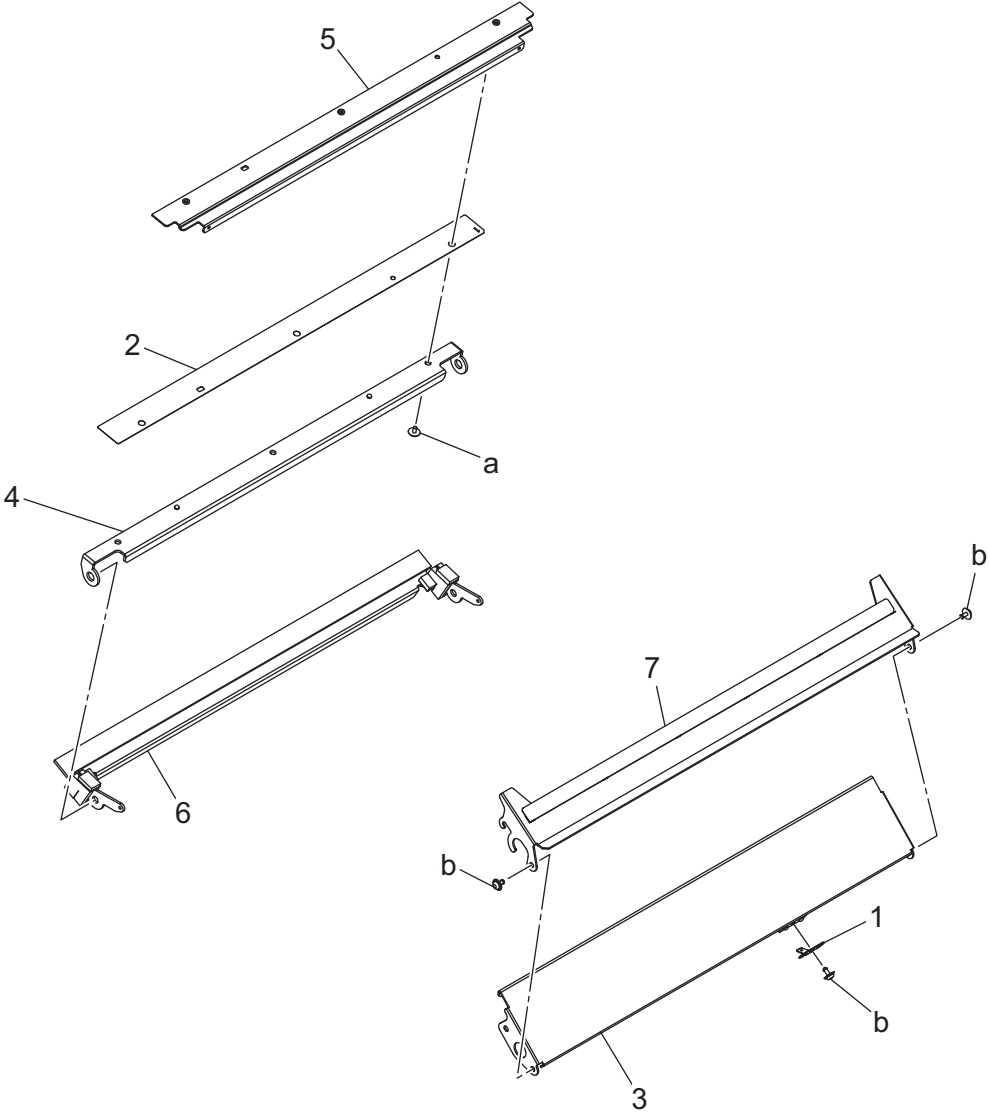


# Secondary Transfer Section

Key	Part No.	Description	Destinations	Class	QTY	Standard parts
1	65AAR74600	Powering Block /A Assy		C	2	a-V121030403
2	A1RF524300	Detecting Shaft /2		D	1	b-V127030604
3	A1RF524400	Roll		D	1	c-V217020003
4	A1RF526900	Detecting Spring		D	1	d-V217030003
5	A85CM55600	Photo Sensor		C	3	e-V217060003
6	A92W522400	Detecting Arm		D	1	f-V500020098
7	AC0C525300	Detecting Plate /Assy		D	1	g-V500020099
8	AC0C525900	Power Supply Stay		D	1	h-V500020100
9	AC0CN22301	Transfer Control Harness /1		D	1	k-V570010056
10	AC0CN24700	Transfer Relay Harness /2		D	1	m-V570010057
11	AC0CN29700	HV Relay Harness /5		D	1	n-V570010060
12	AC0CN29800	HV Relay Harness /6		D	1	p-V116030603
13	AC0CR73900	Scattering Prevention Sheet Plate / 1		A	1	



Secondary Transfer Section

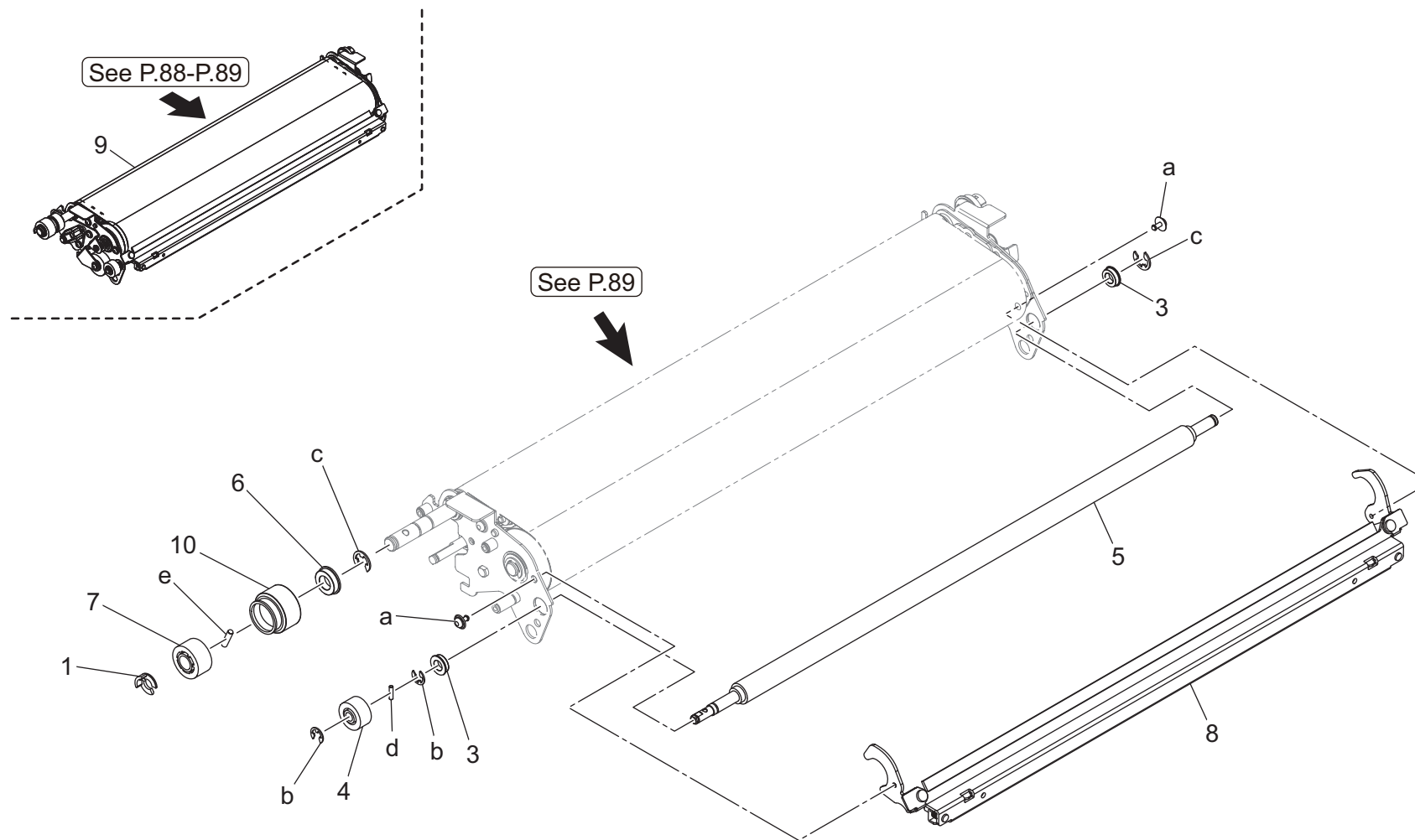


## Secondary Transfer Section

Key	Part No.	Description	Destinations	Class	QTY	Standard parts
1	A50U525600	Power Supply Plate		D	1	a-V121030403 b-V127030604
2	AC0C515900	Scraper		A	1	
3	AC0C520900	Transfer Guide /Lower		D	1	
4	AC0C522800	Pressing Plate		D	1	
5	AC0C524700	Holding Plate		D	1	
6	AC0CR74000	2nd Transfer Cleaning Blade		A	1	
7	AC0CR74100	2nd Transfer Entrance Guide/Up		A	1	

# Secondary Transfer Section

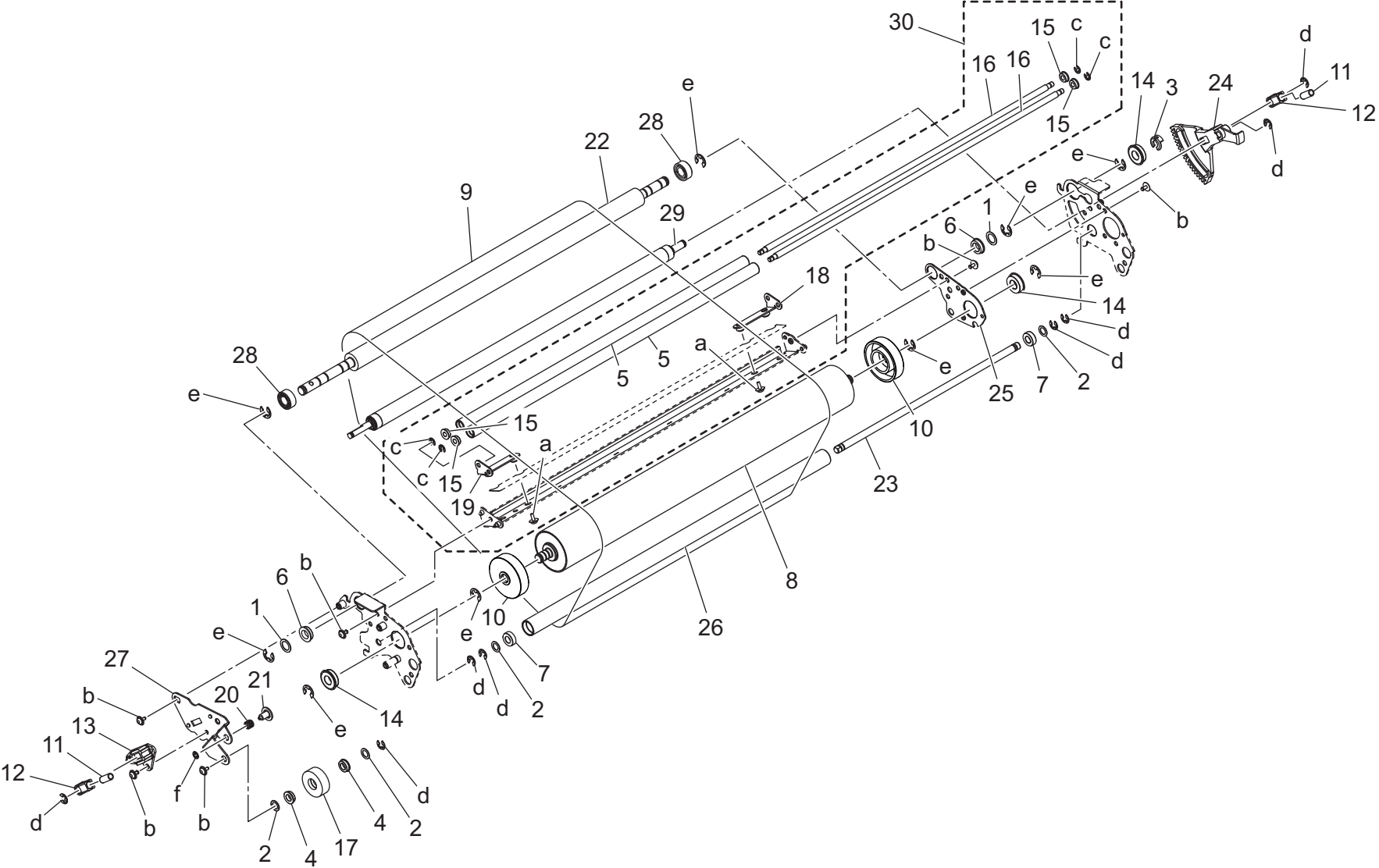
P 88





Key	Part No.	Description	Destinations	Class	QTY	Standard parts
1	55VA42120	Shaft Stopper		C	1	a-V127030604 b-V217040003 c-V217060003 d-V234200850 e-V234301250
3	A1RF529100	Drive Ball bearing		C	2	
4	A1RF529701	Cleaning Gear 14T		C	1	
5	A1RF532800	Auxiliary Brush		A	1	
6	A1RF710900	Ball bearing /1		C	1	
7	AC0C539311	Transfer Gear /A 16T		C	1	
8	AC0CR73600	2nd Transfer Process Blade Assy		A	1	
9	AC0CR73444	2nd Transfer Belt Assy	A	B	1	
9	AC0CR73444	2nd Transfer Belt Assy	C	B	1	
9	AC0CR73444	2nd Transfer Belt Assy	B	B	1	
9	AC0CR73444	2nd Transfer Belt Assy	D1,D3,E,F2,G1,G2,H, I,J,K	B	1	
10	AC0CR79600	STOPPER SHAFT ASSY		D	1	

Secondary Transfer Section

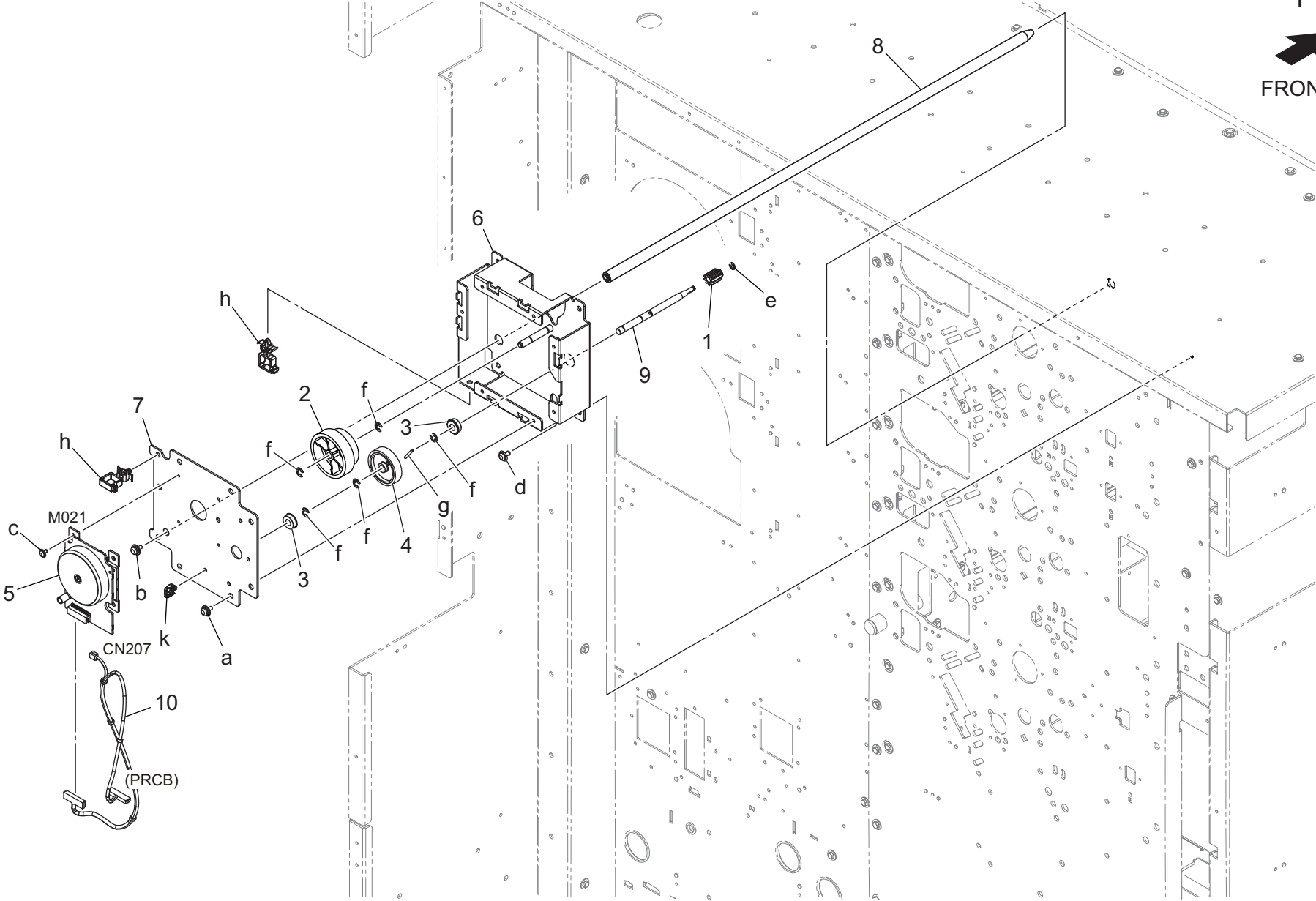


# Secondary Transfer Section

Key	Part No.	Description	Destinations	Class	QTY	Standard parts
1	12QV40650	Spacer		B	2	a-V121030603 b-V127030604 c-V217030003 d-V217040003 e-V217060003 f-V226024050
2	40AA32320	Toner Supply Spacer		C	4	
3	55VA42120	Shaft Stopper		C	1	
4	A1RF529100	Drive Ball bearing		C	2	
5	A03U513300	Roller		D	2	
6	A07R813801	Roller Bearing /A		C	2	
7	A0G6531500	Cleaning Bearing		C	2	
8	A1RF520100Old	Transfer Roller		D	1	
8	A1RF520112	Transfer Roller		D	1	
9	A1RF520400	Transfer Belt		A	1	
10	A1RF523900Old	Transfer Collar		D	2	
10	A1RF523911	Transfer Collar		D	2	
11	AC0C526700	Tension Spring		D	2	
12	A1RF527100	Tension Block /1		D	2	
13	A1RF527200	Tension Block /2		D	1	
14	A1RF529300	Ball bearing		C	3	
15	A1RF529400	Guide Ball bearing		C	4	
16	A1RF532100	Guide Shaft		D	2	
17	A1RF869200	Conveyance Gear /7 22T		C	1	
18	A1RFR7B500	Support Plate/Rear Calking		D	1	
19	A1RFR7B600	Support Plate Calking		D	1	
20	A50U523800	Ground Spring		D	1	
21	A50U524000	Ground Part		D	1	
22	AC0C520201	Drive Roller		C	1	
23	AC0C521300	Idler Shaft		D	1	
24	AC0C522200	Control Arm		D	1	
25	AC0C523400	Mounting Plate /Rear		D	1	
26	AC0C523600	Auxiliary Roller		C	1	
27	AC0C523800	Lifting Plate /Front		D	1	
28	AC0C531800	Tension Collar /16		D	2	
29	AC0CR72400	2nd Transfer Steering Roller Assy		A	1	
30	AC0CR73500	Connecting Stay Assy		A	1	

# Toner Collection Driving Section

P 90

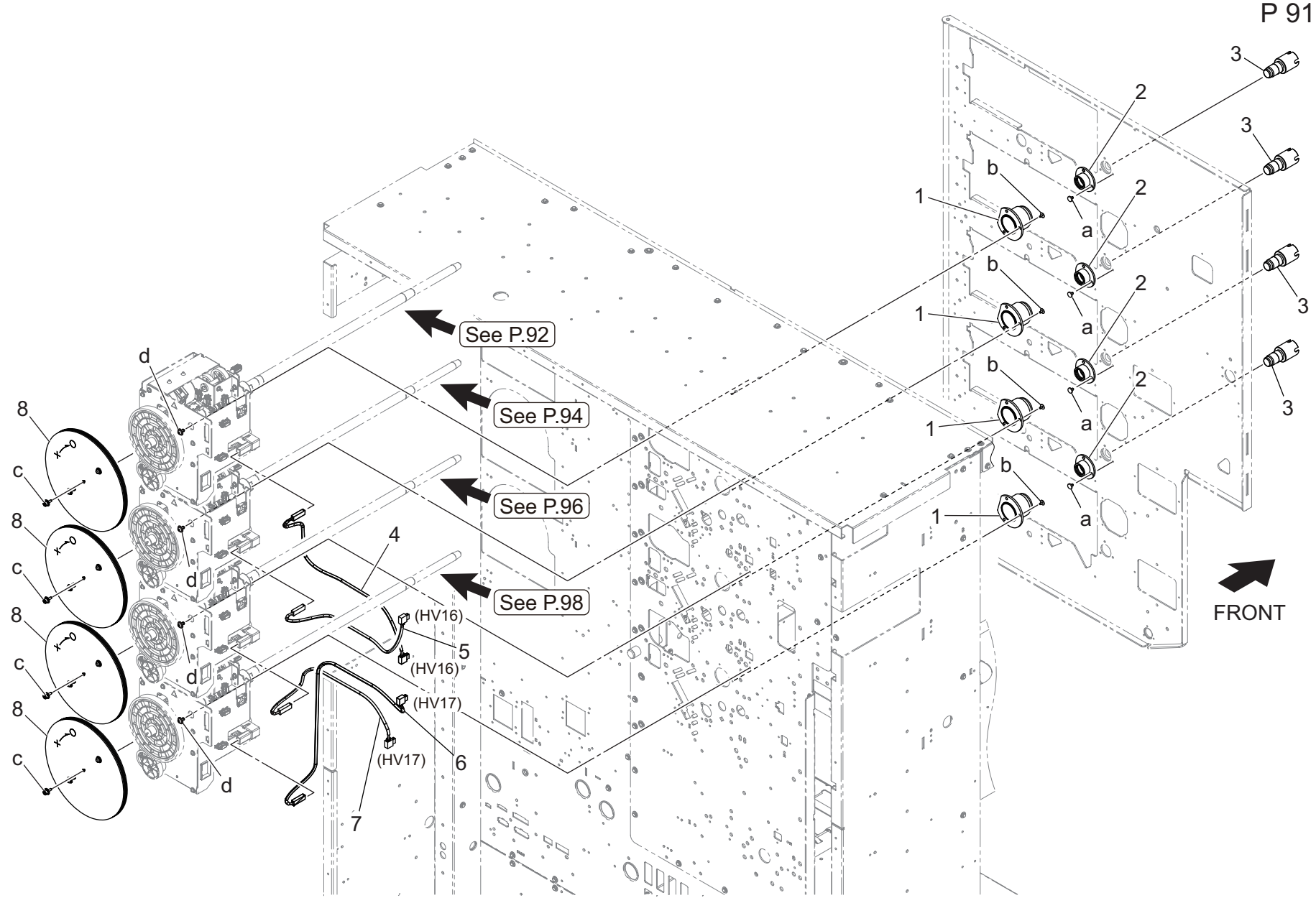


AccurioPress C12000

# Toner Collection Driving Section

Key	Part No.	Description	Destinations	Class	QTY	Standard parts
1	65AA16080	Developing Coupling		C	1	a-V116040803
2	65AA77380	Toner Supply Gear A 82T/34T		C	1	b-V121040604
3	A00J211200	Ball Bearing		C	2	c-V127030604
4	A1RF415600	Toner Supply Gear 33T		D	1	d-V127040803
5	A9JTM10200	Drum Motor		B	1	e-V217030003
6	AC0C240100	Drive Panel /Front		D	1	f-V217040003
7	AC0C240200	Drive Panel /Rear		D	1	g-V234201650
8	AC0C240400	Positioning Shaft		D	1	h-V500020089
9	AC0C241200	Drive Shaft /2		D	1	k-V500020098
10	AC0CN16801	Transfer Harness /7		D	1	

# Drum Driving Section

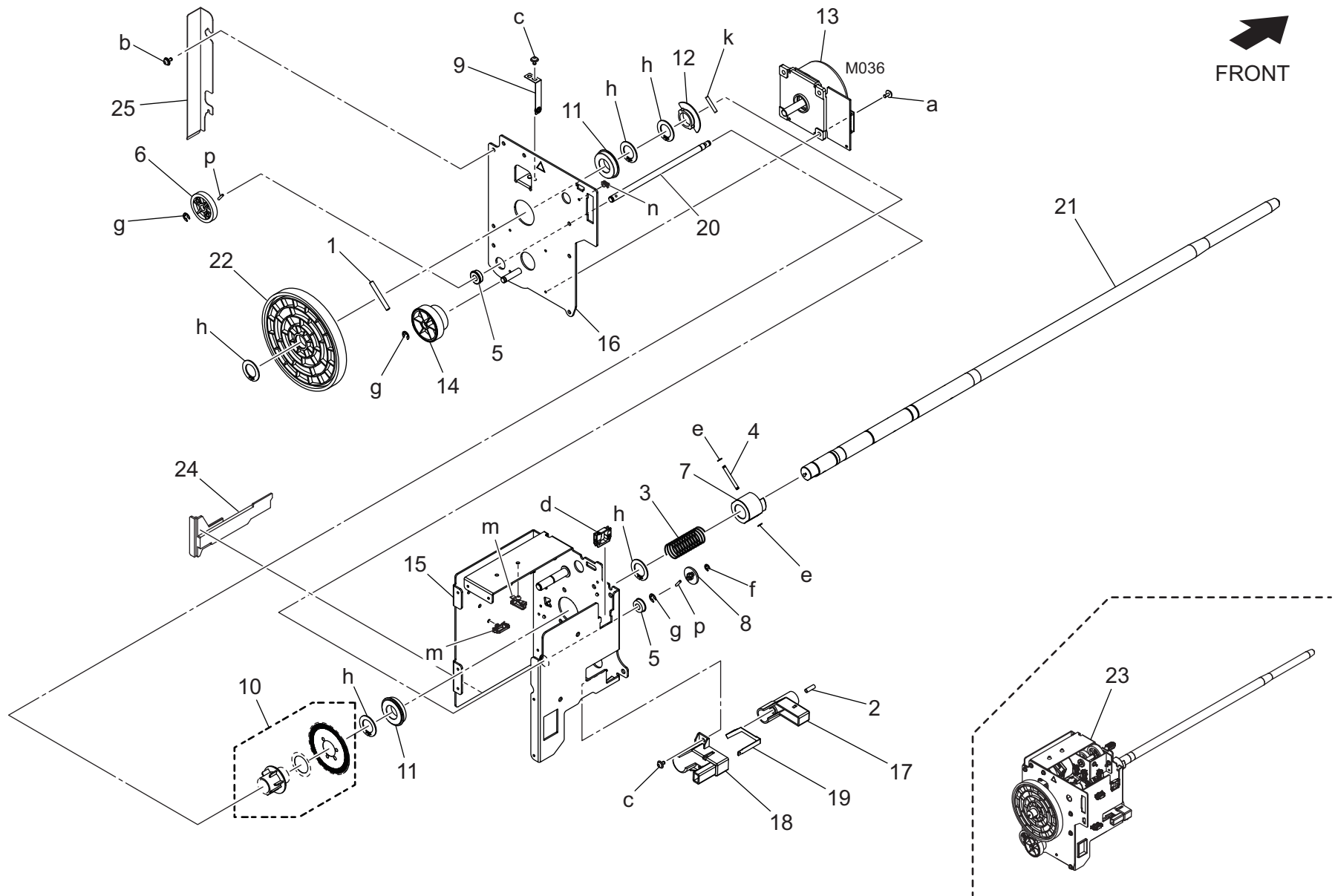


Key	Part No.	Description	Destinations	Class	QTY	Standard parts
1	AC0C105100	Guide Flange /R		D	4	a-V126040603 b-V127030604 c-V185041003 d-V127040803
2	AC0C119300	Positioning Shaft /A		D	4	
3	AC0CR77200	Positioning Shaft/B Assy		D	4	
4	AC0CN27100	HV Harness /14		D	1	
5	AC0CN27200	HV Harness /15		D	1	
6	AC0CN27300	HV Harness /16		D	1	
7	AC0CN27400	HV Harness /17		D	1	
8	A1RFR7F000	Flywheel(YMC)		D	4	

# Drum Driving Section

P 92

YELLOW



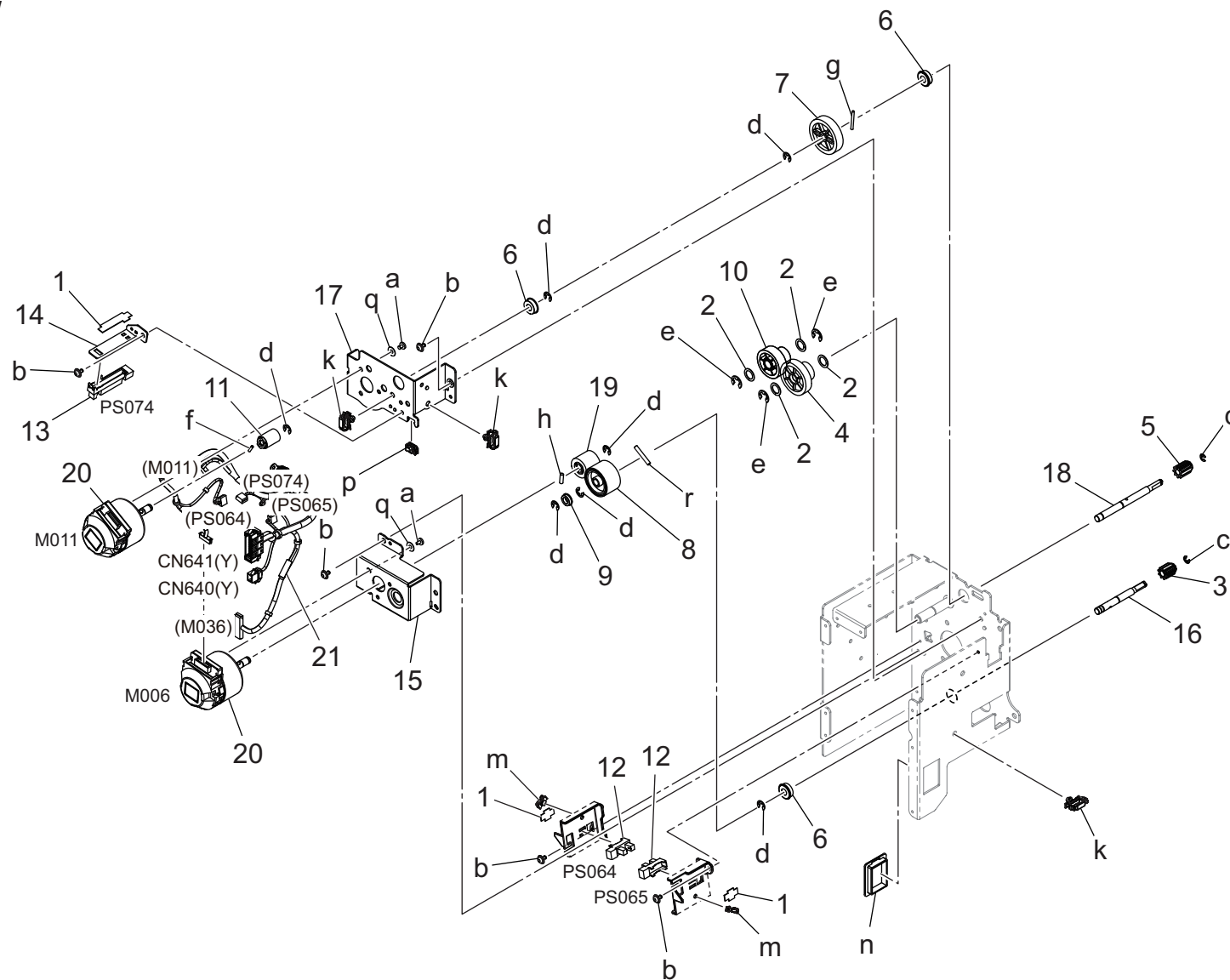


Key	Part No.	Description	Destinations	Class	QTY	Standard parts
1	25SA15390	Drive Position Pin D4X33		C	1	a-V121030603
2	65AA10740D	High voltage Powering Spring		D	1	b-V125030803
3	65AA15200	Pressing Spring		C	1	c-V127030604
4	65AA15210	Coupling Pin		D	1	d-V570010060
5	A00J211200	Ball Bearing		C	2	e-V217020003
6	A02E507101	Gear 30T		C	1	f-V217030003
7	A1RF212600	Coupling		D	1	g-V217040003
8	A1RF362400	Collection Gear /2 14T		C	1	h-V223150017
9	A1RFR74600	Ground Spring Assy		D	1	k-V234301850
10	A50UR71K00	Encoder / YMC		D	1	m-V500020100
11	A50U212600	Ball Bearing /15		C	2	n-V500020099
12	A5AW211000	Pressure Actuator		C	1	p-V234201050
13	A5AWM10201	DC Brushless motor /B		C	1	
14	AC0C211500	Collection Gear 25/68T		C	1	
15	AC0C210102	Drive Panel /1		D	1	
16	AC0C210201	Drive Panel /2		D	1	
17	AC0C210701	Power supply Cover /2		D	1	
18	AC0C210800	Power Supply Block /2		D	1	
19	AC0C210900	Power Supply Plate /4		D	1	
20	AC0C211100	Drive Shaft /4		D	1	
21	AC0C211200	Drive Shaft /1		D	1	
22	AC0C211300	Drive Gear /1 204T		C	1	
23	AC0CR70122	Drum Drive Assy		S	1	
23	AC0CR70122	Drum Drive Assy		A	1	
23	AC0CR70122	Drum Drive Assy		B	1	
23	AC0CR70122	Drum Drive Assy	D1,D3,E,F2,G1,G2,H, I,J,K	S	1	
24	AC0C211600	Protection Cover /2		D	1	
25	AC0C211700	Protection Cover /1		D	1	

# Drum Driving Section

YELLOW

P 93



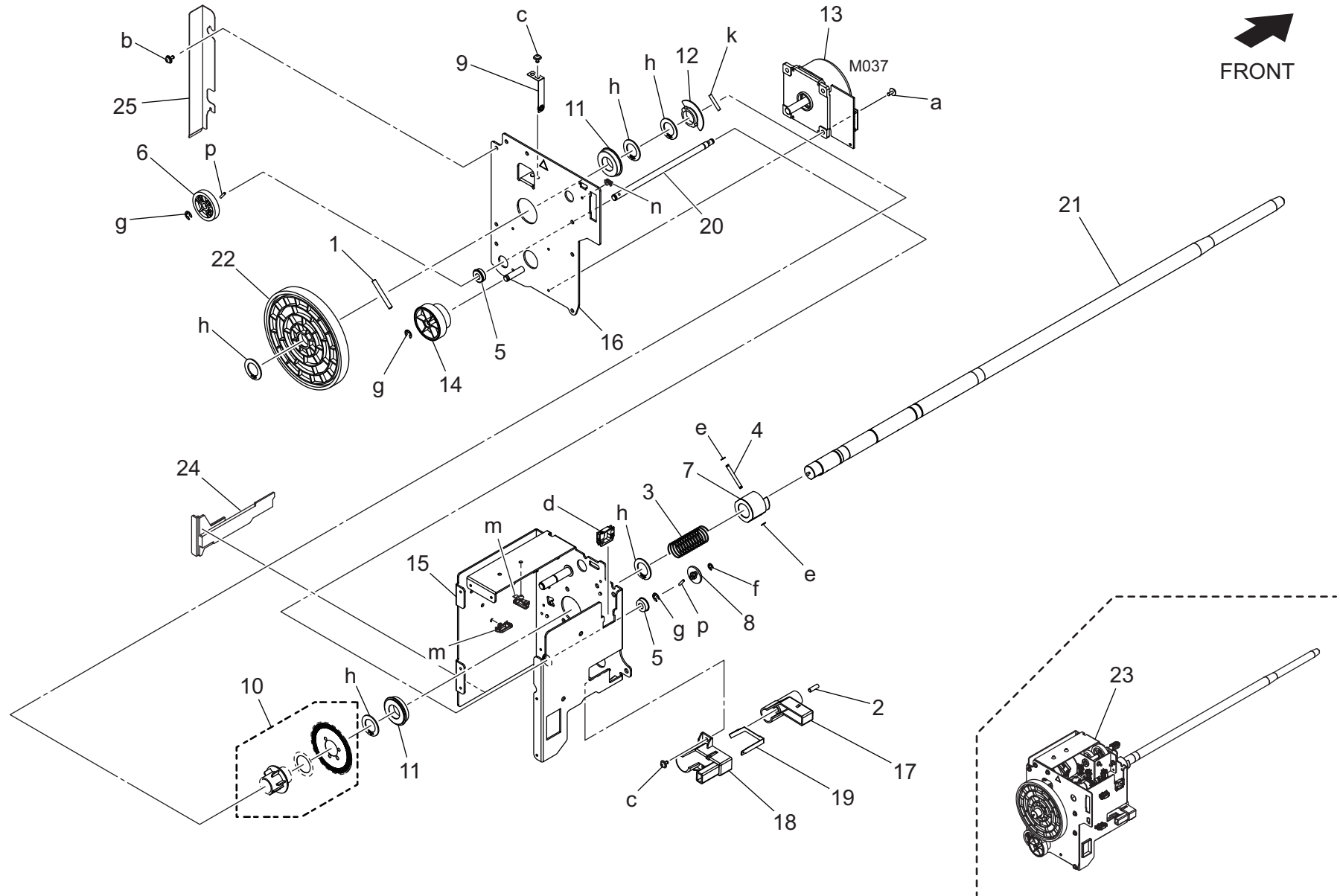
# Drum Driving Section

Key	Part No.	Description	Destinations	Class	QTY	Standard parts
1	4470402401	Stopper		D	3	a-V118030403
2	12QV40650	Spacer		B	4	b-V127030604
3	26NA17580	Agitating Coupling /B		C	1	c-V217030003
4	55VA77910	Idling Gear /B 15/30T		C	1	d-V217040003
5	65AA16080	Developing Coupling		C	1	e-V217060003
6	A00J211200	Ball Bearing		C	3	f-V234200850
7	A02F259900	Gear 32T		C	1	g-V234202050
8	A03N211200	Gear 26T		C	1	h-V234301050
9	A4EU252000	Drive Ball bearing /6		B	1	k-V500010081
10	A4JU914500	Idling Gear /2 44/14T		C	1	m-V500020099
11	A50U504400	Pressure Gear /M 18T		C	1	n-V570010038
12	A50UM55500	Photo Sensor		I	2	o-V570010056
13	A85CM55600	Photo Sensor		C	1	p-V207030001
14	A92W345700	Sensor Stay /Front		D	1	r-V234301850
15	AC0C210300	Drive Panel /3		D	1	
16	AC0C210400	Drive Shaft /2		D	1	
17	AC0C210601	Drive Plate /4		D	1	
18	AC0C211000	Drive Shaft /3		D	1	
19	AC0C211400	Drive Gear /2 17T		C	1	
20	AC57M10300	DC Brushless Motor /25		C	2	
21	AC0CN14701	Photoconductor Drive Harness /2		D	1	

# Drum Driving Section

P 94

MAGENTA



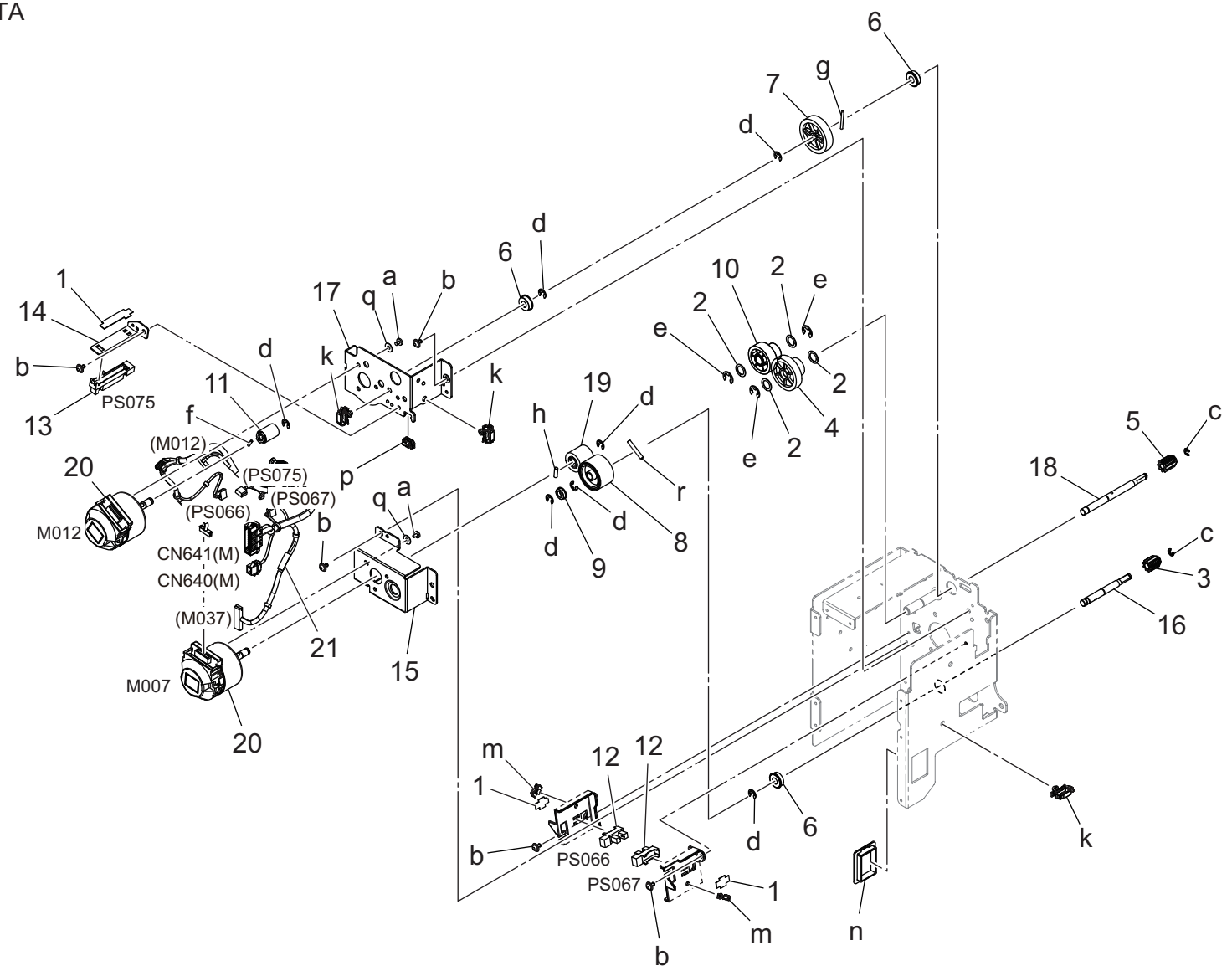
FRONT

Key	Part No.	Description	Destinations	Class	QTY	Standard parts
1	25SA15390	Drive Position Pin D4X33		C	1	a-V121030603
2	65AA10740D	High voltage Powering Spring		D	1	b-V125030803
3	65AA15200	Pressing Spring		C	1	c-V127030604
4	65AA15210	Coupling Pin		D	1	d-V570010060
5	A00J211200	Ball Bearing		C	2	e-V217020003
6	A02E507101	Gear 30T		C	1	f-V217030003
7	A1RF212600	Coupling		D	1	g-V217040003
8	A1RF362400	Collection Gear /2 14T		C	1	h-V223150017
9	A1RFR74600	Ground Spring Assy		D	1	k-V234301850
10	A50UR71K00	Encoder / YMC		D	1	m-V500020100
11	A50U212600	Ball Bearing /15		C	2	n-V500020099
12	A5AW211000	Pressure Actuator		C	1	p-V234201050
13	A5AWM10201	DC Brushless motor /B		C	1	
14	AC0C211500	Collection Gear 25/68T		C	1	
15	AC0C210102	Drive Panel /1		D	1	
16	AC0C210201	Drive Panel /2		D	1	
17	AC0C210701	Power supply Cover /2		D	1	
18	AC0C210800	Power Supply Block /2		D	1	
19	AC0C210900	Power Supply Plate /4		D	1	
20	AC0C211100	Drive Shaft /4		D	1	
21	AC0C211200	Drive Shaft /1		D	1	
22	AC0C211300	Drive Gear /1 204T		C	1	
23	AC0CR70122	Drum Drive Assy		S	1	
23	AC0CR70122	Drum Drive Assy		A	1	
23	AC0CR70122	Drum Drive Assy		B	1	
23	AC0CR70122	Drum Drive Assy	D1,D3,E,F2,G1,G2,H, I,J,K	S	1	
24	AC0C211600	Protection Cover /2		D	1	
25	AC0C211700	Protection Cover /1		D	1	

# Drum Driving Section

MAGENTA

P 95

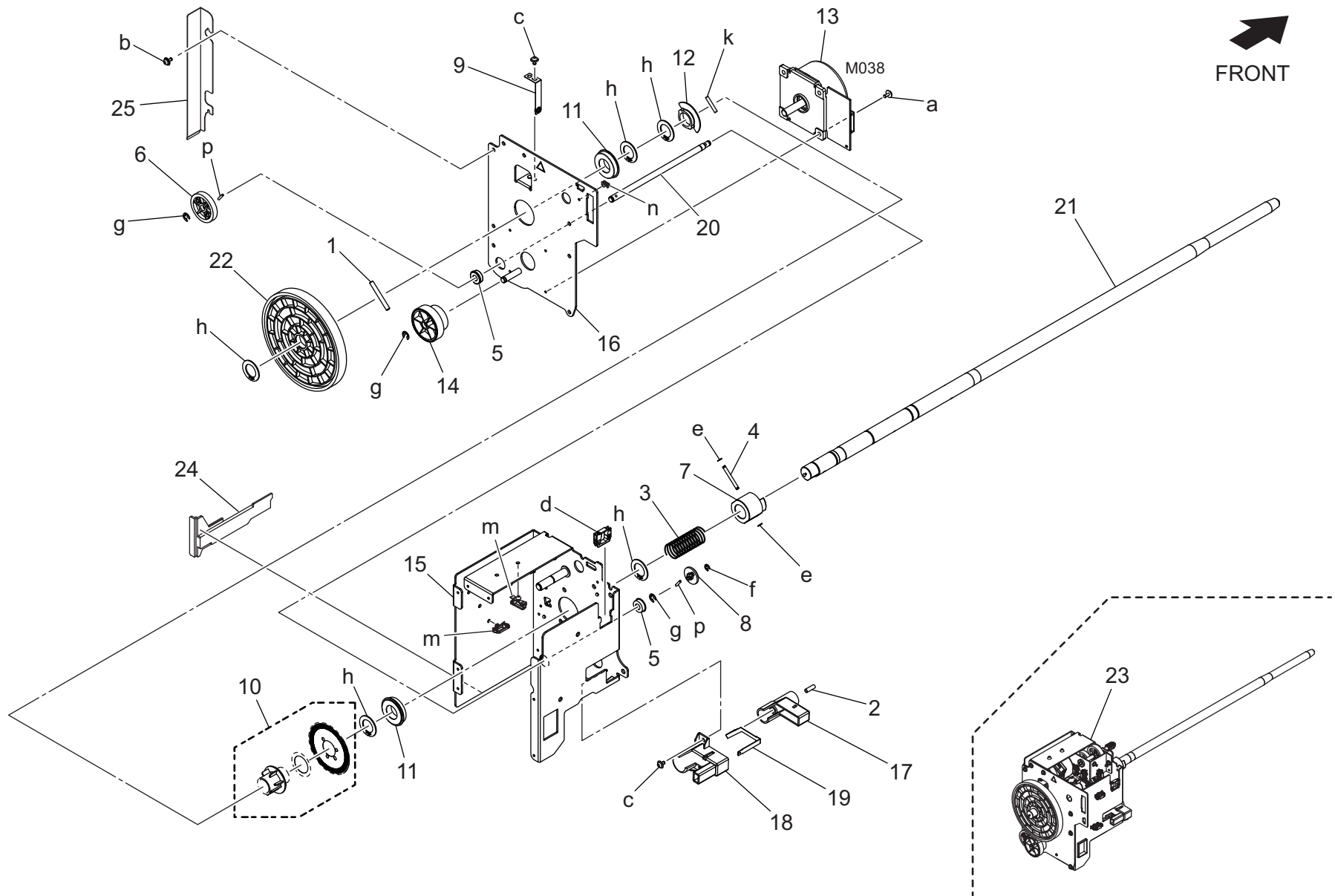


# Drum Driving Section

Key	Part No.	Description	Destinations	Class	QTY	Standard parts
1	4470402401	Stopper		D	3	a-V118030403
2	12QV40650	Spacer		B	4	b-V127030604
3	26NA17580	Agitating Coupling /B		C	1	c-V217030003
4	55VA77910	Idling Gear /B 15/30T		C	1	d-V217040003
5	65AA16080	Developing Coupling		C	1	e-V217060003
6	A00J211200	Ball Bearing		C	3	f-V234200850
7	A02F259900	Gear 32T		C	1	g-V234202050
8	A03N211200	Gear 26T		C	1	h-V234301050
9	A4EU252000	Drive Ball bearing /6		B	1	k-V500010081
10	A4JU914500	Idling Gear /2 44/14T		C	1	m-V500020099
11	A50U504400	Pressure Gear /M 18T		C	1	n-V570010038
12	A50UM55500	Photo Sensor		I	2	q-V207030001
13	A85CM55600	Photo Sensor		C	1	r-V234301850
14	A92W345700	Sensor Stay /Front		D	1	
15	AC0C210300	Drive Panel /3		D	1	
16	AC0C210400	Drive Shaft /2		D	1	
17	AC0C210601	Drive Plate /4		D	1	
18	AC0C211000	Drive Shaft /3		D	1	
19	AC0C211400	Drive Gear /2 17T		C	1	
20	AC57M10300	DC Brushless Motor /25		C	2	
21	AC0CN14701	Photoconductor Drive Harness /2		D	1	

# Drum Driving Section

CYAN



AccurioPress C12000



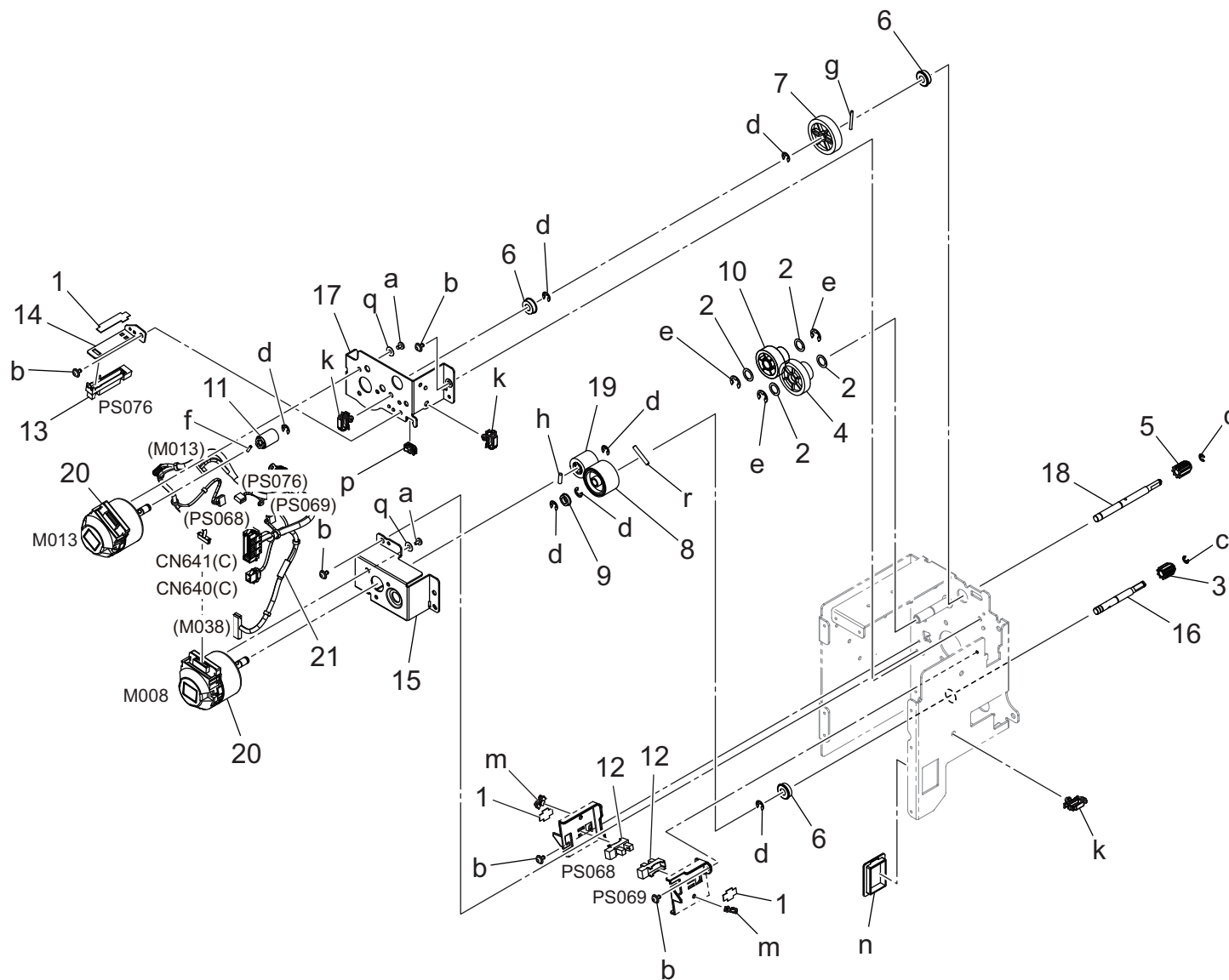
# Drum Driving Section

Key	Part No.	Description	Destinations	Class	QTY	Standard parts
1	25SA15390	Drive Position Pin D4X33		C	1	a-V121030603
2	65AA10740D	High voltage Powering Spring		D	1	b-V125030803
3	65AA15200	Pressing Spring		C	1	c-V127030604
4	65AA15210	Coupling Pin		D	1	d-V570010060
5	A00J211200	Ball Bearing		C	2	e-V217020003
6	A02E507101	Gear 30T		C	1	f-V217030003
7	A1RF212600	Coupling		D	1	g-V217040003
8	A1RF362400	Collection Gear /2 14T		C	1	h-V223150017
9	A1RFR74600	Ground Spring Assy		D	1	k-V234301850
10	A50UR71K00	Encoder / YMC		D	1	m-V500020100
11	A50U212600	Ball Bearing /15		C	2	n-V500020099
12	A5AW211000	Pressure Actuator		C	1	p-V234201050
13	A5AWM10201	DC Brushless motor /B		C	1	
14	AC0C211500	Collection Gear 25/68T		C	1	
15	AC0C210102	Drive Panel /1		D	1	
16	AC0C210201	Drive Panel /2		D	1	
17	AC0C210701	Power supply Cover /2		D	1	
18	AC0C210800	Power Supply Block /2		D	1	
19	AC0C210900	Power Supply Plate /4		D	1	
20	AC0C211100	Drive Shaft /4		D	1	
21	AC0C211200	Drive Shaft /1		D	1	
22	AC0C211300	Drive Gear /1 204T		C	1	
23	AC0CR70122	Drum Drive Assy		S	1	
23	AC0CR70122	Drum Drive Assy		A	1	
23	AC0CR70122	Drum Drive Assy		B	1	
23	AC0CR70122	Drum Drive Assy	D1,D3,E,F2,G1,G2,H, I,J,K	S	1	
24	AC0C211600	Protection Cover /2		D	1	
25	AC0C211700	Protection Cover /1		D	1	

# Drum Driving Section

CYAN

P 97



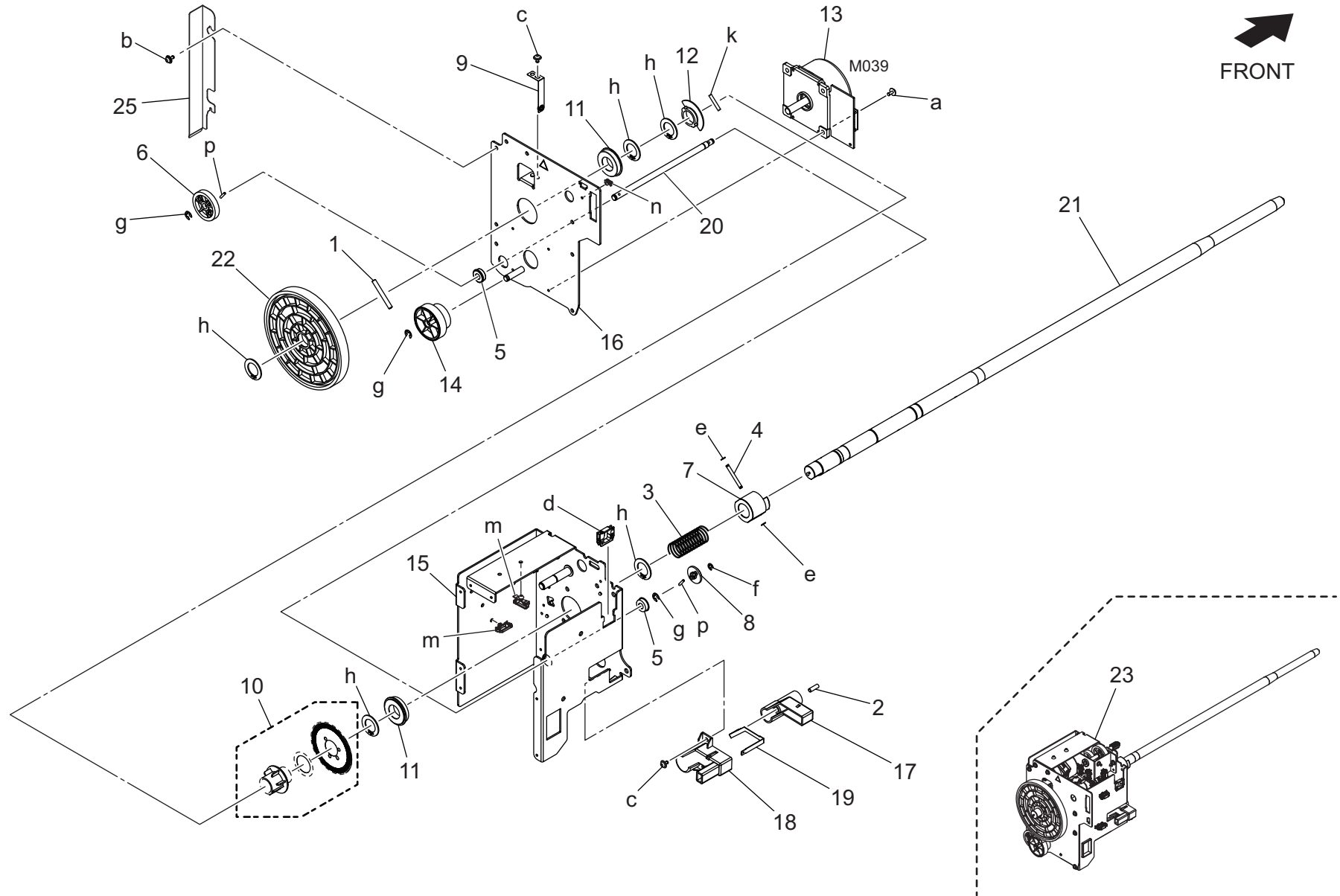
# Drum Driving Section

Key	Part No.	Description	Destinations	Class	QTY	Standard parts
1	4470402401	Stopper		D	3	a-V118030403
2	12QV40650	Spacer		B	4	b-V127030604
3	26NA17580	Agitating Coupling /B		C	1	c-V217030003
4	55VA77910	Idling Gear /B 15/30T		C	1	d-V217040003
5	65AA16080	Developing Coupling		C	1	e-V217060003
6	A00J211200	Ball Bearing		C	3	f-V234200850
7	A02F259900	Gear 32T		C	1	g-V234202050
8	A03N211200	Gear 26T		C	1	h-V234301050
9	A4EU252000	Drive Ball bearing /6		B	1	k-V500010081
10	A4JU914500	Idling Gear /2 44/14T		C	1	m-V500020099
11	A50U504400	Pressure Gear /M 18T		C	1	n-V570010038
12	A50UM55500	Photo Sensor		I	2	o-V570010056
13	A85CM55600	Photo Sensor		C	1	q-V207030001
14	A92W345700	Sensor Stay /Front		D	1	r-V234301850
15	AC0C210300	Drive Panel /3		D	1	
16	AC0C210400	Drive Shaft /2		D	1	
17	AC0C210601	Drive Plate /4		D	1	
18	AC0C211000	Drive Shaft /3		D	1	
19	AC0C211400	Drive Gear /2 17T		C	1	
20	AC57M10300	DC Brushless Motor /25		C	2	
21	AC0CN14701	Photoconductor Drive Harness /2		D	1	

# Drum Driving Section

P 98

BLACK

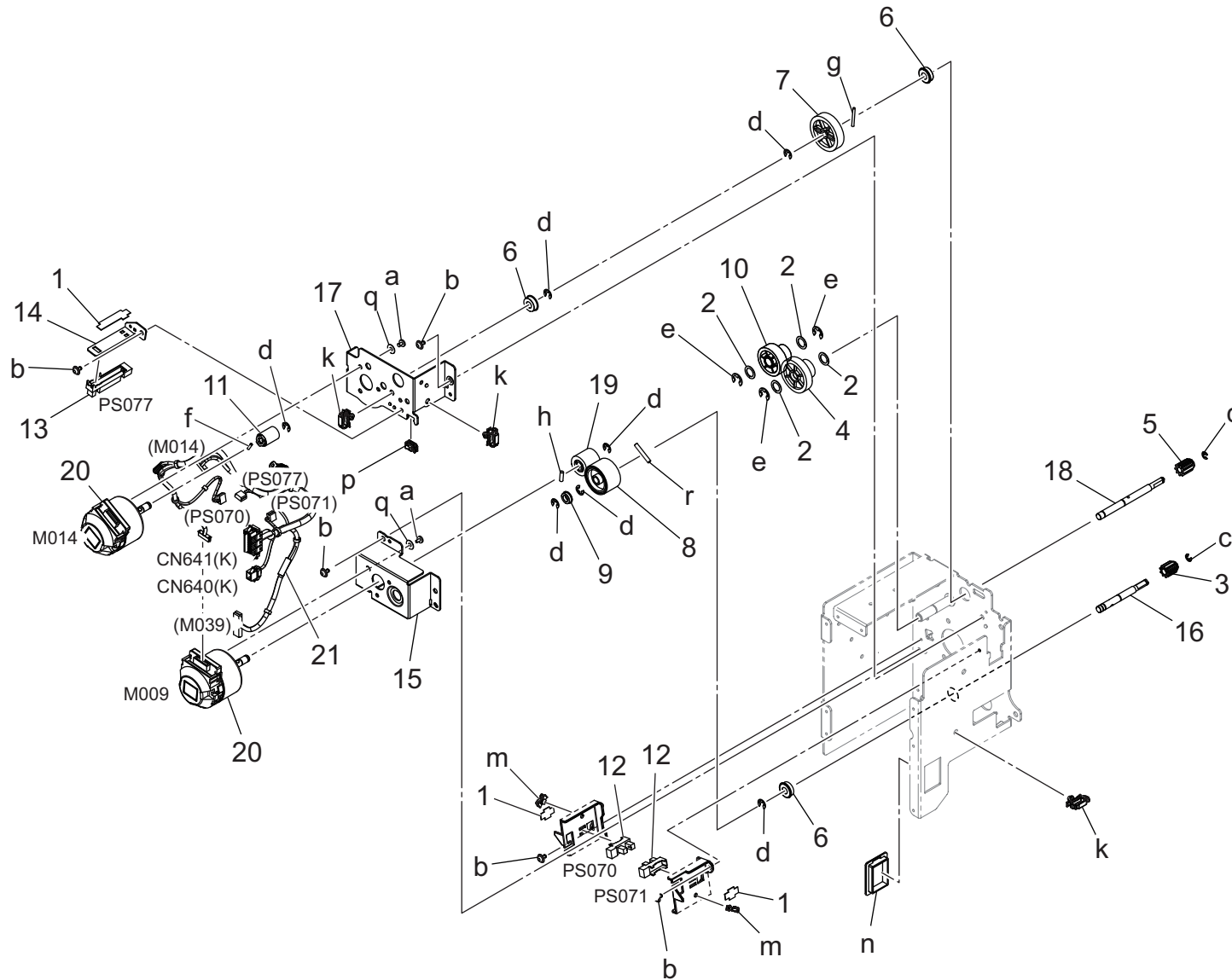


Key	Part No.	Description	Destinations	Class	QTY	Standard parts
1	25SA15390	Drive Position Pin D4X33		C	1	a-V121030603
2	65AA10740D	High voltage Powering Spring		D	1	b-V125030803
3	65AA15200	Pressing Spring		C	1	c-V127030604
4	65AA15210	Coupling Pin		D	1	d-V570010060
5	A00J211200	Ball Bearing		C	2	e-V217020003
6	A02E507101	Gear 30T		C	1	f-V217030003
7	A1RF212600	Coupling		D	1	g-V217040003
8	A1RF362400	Collection Gear /2 14T		C	1	h-V223150017
9	A1RFR74600	Ground Spring Assy		D	1	k-V234301850
10	A50UR71K00	Encoder / YMC		D	1	m-V500020100
11	A50U212600	Ball Bearing /15		C	2	n-V500020099
12	A5AW211000	Pressure Actuator		C	1	p-V234201050
13	A5AWM10201	DC Brushless motor /B		C	1	
14	AC0C211500	Collection Gear 25/68T		C	1	
15	AC0C210102	Drive Panel /1		D	1	
16	AC0C210201	Drive Panel /2		D	1	
17	AC0C210701	Power supply Cover /2		D	1	
18	AC0C210800	Power Supply Block /2		D	1	
19	AC0C210900	Power Supply Plate /4		D	1	
20	AC0C211100	Drive Shaft /4		D	1	
21	AC0C211200	Drive Shaft /1		D	1	
22	AC0C211300	Drive Gear /1 204T		C	1	
23	AC0CR70122	Drum Drive Assy		S	1	
23	AC0CR70122	Drum Drive Assy	C	S	1	
23	AC0CR70122	Drum Drive Assy	A	S	1	
23	AC0CR70122	Drum Drive Assy	B	S	1	
23	AC0CR70122	Drum Drive Assy	D1,D3,E,F2,G1,G2,H, I,J,K	S	1	
25	AC0C211700	Protection Cover /1		D	1	

# Drum Driving Section

BLACK

P 99



# Drum Driving Section

Key	Part No.	Description	Destinations	Class	QTY	Standard parts
1	4470402401	Stopper		D	3	a-V118030403
2	12QV40650	Spacer		B	4	b-V127030604
3	26NA17580	Agitating Coupling /B		C	1	c-V217030003
4	55VA77910	Idling Gear /B 15/30T		C	1	d-V217040003
5	65AA16080	Developing Coupling		C	1	e-V217060003
6	A00J211200	Ball Bearing		C	3	f-V234200850
7	A02F259900	Gear 32T		C	1	g-V234202050
8	A03N211200	Gear 26T		C	1	h-V234301050
9	A4EU252000	Drive Ball bearing /6		B	1	k-V500010081
10	A4JU914500	Idling Gear /2 44/14T		C	1	m-V500020099
11	A50U504400	Pressure Gear /M 18T		C	1	n-V570010038
12	A50UM55500	Photo Sensor		I	2	q-V207030001
13	A85CM55600	Photo Sensor		C	1	r-V234301850
14	A92W345700	Sensor Stay /Front		D	1	
15	AC0C210300	Drive Panel /3		D	1	
16	AC0C210400	Drive Shaft /2		D	1	
17	AC0C210601	Drive Plate /4		D	1	
18	AC0C211000	Drive Shaft /3		D	1	
19	AC0C211400	Drive Gear /2 17T		C	1	
20	AC57M10300	DC Brushless Motor /25		C	2	
21	AC0CN14701	Photoconductor Drive Harness /2		D	1	

# Toner Supply Section (2/2)

YELLOW

P 100

