

KONICA MINOLTA

PARTS GUIDE MANUAL

MARCH 2018

AccurioPress C2070P A85D

INFORMATION FOR PARTS GUIDE MANUAL

To find correct Parts No., refer to the "HOW TO MAKE THE BEST USE OF THIS MANUAL" in the following page.

HOW TO MAKE THE BEST USE OF THIS MANUAL

- 1 When you order, please check the proper figures beforehand that are on Our Parts Guide Manual, and order with the appropriate figures.
- 2 For screws, Nuts, Washers, retaining rings and Pins which are used in this model, one letter is shown on the Standard parts column of Parts list and exploded diagrams.
- 3 In order to maintain safety of the product, some specific parts composed of this product are set up as "essential safety parts".
- 4 The assigned parts number for the "essential safety parts" is indicated as "SP00-****".
When replacing these parts, follow precautions for disassembling and installing which are listed in the Service Manual.
Do not use any parts that are not set up as
- 5 ♣ means that there are exclusive parts for each destination.
Please check the appropriate destination when you order.
- 6 Revision Mark
Marked as ▲ on the illustration shows that the revision has been made.
- 7 All rights reserved. (any reprints or quotations are prohibited.)
Use of this parts guide manual should be strictly supervised to avoid disclosure of confidential information.

パーツガイド マニュアルのご案内

サービス部品をご発注の際には、下記に示す“パーツガイド マニュアルの活用にあたって”をご参照の上、正しい部品番号にてお願い致します。

パーツガイド マニュアルの活用にあたって

- 1 部品発注の際には、掲載されている部品番号の桁数を確認し、掲載されている桁数で発注願います。
- 2 この製品に使用されているネジ、ナット、ワッシャー、止め輪、ピンなどは、リストの右側の Standard parts 欄に a,b,c,…… で表示し、イラストにも a,b,c,…… 表示してあります。
- 3 製品の安全性を維持する為に、製品に使用される特定の部品を「重要保安部品」として設定しています。
- 4 重要保安部品の部品番号は、“SP00-****”と記載されていますので、部品交換時は、サービスマニュアル記載の分解・組み立ての注意事項に従って作業をして下さい。
また、指定以外の部品は一切使用しないで下さい。
- 5 本文に ♣ が表示されている部品は、仕向け地毎に専用部品がある事を意味しています。
オーダーされる時は、仕向け地を確認して下さい。
- 6 改訂記号について
イラスト上に ▲ 印が表示されている部分は、改訂された事を表します。
- 7 著作権所有（無断転載及び無断引用の禁止）
本パーツガイド マニュアルについては、機密保持等その扱いには十分注意して下さい。万一取り扱いを誤った場合には、法律で処罰されることがあります。

10/13/2016

GENERAL CONTENTS

No.	Description	Model
1	Digital MFP Color	AccurioPress C2070P
2	Saddle Unit	CR-101
3	Envelop Fusing Unit	EF-103
4	Folding Unit	FD-503
5	Saddle Unit	FD-504
6	Finisher/Sorter	FS-531
7	Finisher/Sorter	FS-532/FS-532 PK/SD
8	Finisher/Sorter	FS-612
9	Punch Unit	GP-501
10	Ring Binder	GP-502
11	Humidifier	HM-102
12	Heater	HT-503
13	Heater	HT-504
14	Heater	HT-505
15	Heater	HT-506
16	Heater	HT-514
17	Image Controller	IC-313
18	Image Controller	IC-314
19	Image Controller	IC-417
20	Image Controller	IC-603B
21	Intelligent Quality Optimizer	IQ-501
22	Large Capacity Stacker	LS-506

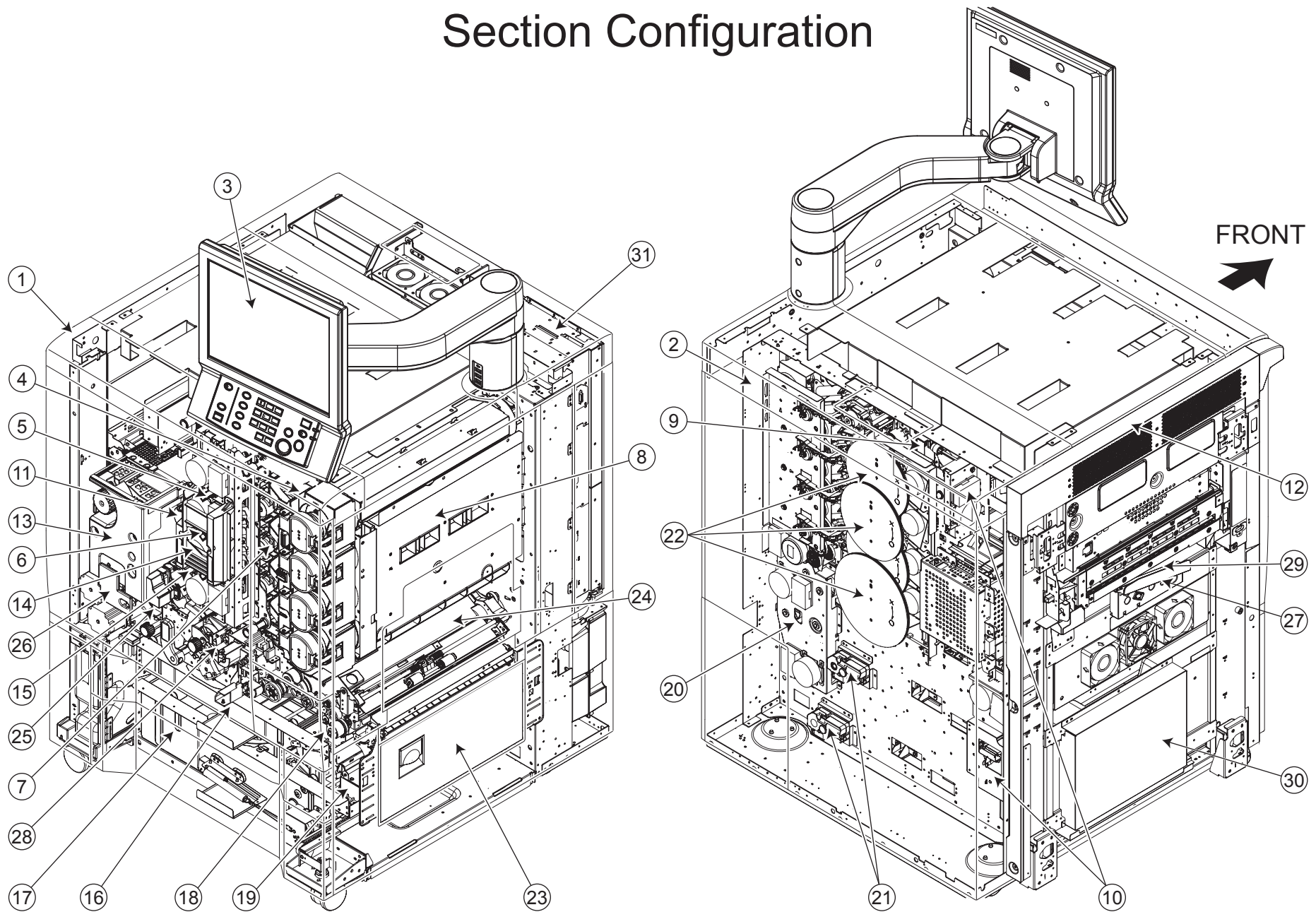
AccurioPress C2070P

No.	Description	Model
23	Paper Feeder	LU-202m
24	Paper Feeder	LU-202XL
25	Bypass Tray	MB-506
26	Mount Kit	MK-732
27	Other Option	MK-737
28	Mount Kit	MK-740/MK-740m
29	Mount Kit	MK-744/MK-744C
30	Mount Kit	MK-746
31	Output Tray	OT-510
32	Output Tray	OT-511
33	Perfect Binder	PB-503
34	Paper Feeder	PF-602/PF-602m
35	Paper Feeder	PF-707
36	Paper Feeder	PF-707m
37	Post Inserter	PI-502
38	Punch Unit	PK-511
39	Punch Unit	PK-512
40	Punch Unit	PK-513
41	Punch Unit	PK-522
42	Relay Unit	RU-509
43	Relay Unit	RU-510
44	Saddle Unit	SD-506
45	Saddle Unit	SD-510

AccurioPress C2070P

No.	Description	Model
46	Saddle Unit	SD-513
47	Saddle Unit	TU-503
48	Other Option	UK-104
49	Video IF Kit	VI-509
50	Video IF Kit	VI-511
51	Working Table	WT-511

Section Configuration



AccurioPress C2070P

CONTENTS

No.	DESCRIPTION	名称	PAGE No.
1	External Parts Section	外装部	P1 P2 P3 P4
2	Main Frame Section	骨格部	P5 P6 P7 P8 P9 P10 P11 P12 P13
3	Operation Panel Section	操作部	P14 P15 P16
4	Write Section	書き込み部	P17
5	Charging Section	帯電部	P18
6	Photo Conductor Section	感光体部	P19
7	Developing Section	現像部	P20 P21 P22 P23
8	Toner Supply Section	トナー補給部	P24 P25 P26 P27 P28
9	Toner Collection Section	トナー回収部	P29 P30
10	Toner Collection Driving Section	トナー回収駆動部	P31
11	Intermediate Transfer Section	中間転写部	P32 P33 P34 P35 P36 P37
12	Color Resist Section	画像補正ユニット部	P38
13	Fusing Section	定着部	P39 P40 P41 P42 P43 P44 P45 P46 P47
14	Process Carriage Section	プロセス架台部	P48 P49 P50 P51 P52 P53 P54
15	Secondary Transfer Section	2次転写部	P55
16	Tray 1 Section	トレイ1	P56 P57 P58 P59
17	Tray 2 Section	トレイ2	P60 P61 P62 P63
18	Tray 1 Paper Feed Section	トレイ1 給紙部	P64 P65 P66
19	Tray 2 Paper Feed Section	トレイ2 給紙部	P67 P68 P69
20	Paper Feed Driving Section	給紙駆動部	P70
21	Tray Driving Section	トレイ駆動部	P71
22	Drum Driving Section	ドラム駆動部	P72 P73 P74 P75
23	Vertical Conveyance Section	垂直搬送部	P76 P77
24	Duplex Carriage Section	両面架台部	P78 P79
25	Duplex Section	両面部	P80 P81 P82 P83 P84 P85 P86 P87 P88 P89 P90 P91
26	Duplex Swing Section	両面揺動部	P92 P93
27	Reverse Section	反転	P94 P95 P96
28	Resist Section	レジスト部	P97 P98 P99
29	Exit Section	排紙部	P100 P101
30	Charge Control Section	電荷制御部	P102 P103 P104
31	Rear Electrical Section	背面電気部	P105 P106 P107 P108 P109 P110
32	Wiring	束線	P111 P112 P113 P114
33	Jigs	治具・サービス資材	P115
34	Accessory Parts	同梱部品	P116

INDEX

Parts No.	Page No.	Parts No.	Page No.	Parts No.	Page No.	Parts No.	Page No.	Parts No.	Page No.
00GR00020	115-5	25AA40100	66-2	40AA32320	49-1	4470402401	91-2	55WA10310	10-3
00GR00220	115-6	25AA40100	69-2	40AA32320	58-2	4470402401	92-1	56AA10300	8-2
00GR00260	115-4	25AA47500	82-3	40AA32320	62-2	4470402401	94-2	56AA10300	9-2
00VC-2-00	115-16	25AA50080	85-3	40AA32320	70-2	4470402401	95-1	56AA12140	24-4
00VD-1000	115-17	25AA77730	77-2	40AA46261	95-3	4470402401	101-1	56AA12150	24-5
059076510	66-1	25BA77171	27-2	40AA77550	80-4	4470402401	103-1	56AA12160	24-6
059076510	69-1	25SA40960	64-1	40AA77550	95-4	462076010	82-1	56AA12241	2-3
067642581	71-1	25SA40960	66-3	40AA85011	24-3	466076020	27-1	56AA12270	30-5
07BA12352	25-1	25SA40960	67-1	40LA73840	110-2	466076020	31-2	56AA17090	81-2
07BA12352	40-2	25SA40960	69-3	4109553001	65-1	466076020	91-3	56AA17121	65-4
07BA15871	33-2	26NA17580	29-1	4109553001	68-1	50GA250100	29-3	56AA17121	68-4
07BA15871	35-1	26NA32660	28-1	4109553001	86-1	55FA40320	66-4	56AA17321	34-3
08AA45230	37-1	26NA32870	25-2	4131253701	85-1	55FA40320	69-4	56AA17321	86-5
1154467001	85-2	26NA42061	64-2	4131253701	86-2	55GA75031	46-1	56AA17321	88-2
12QR86011	24-2	26NA42061	67-2	4131253701	87-1	55GA77050	31-5	56AA17321	95-5
12QV40650	34-1	26NA42560	64-3	4131253701	91-1	55VA15541	81-1	56AA17321	99-2
12QV40650	36-1	26NA42560	67-3	4131253701	99-1	55VA20520	44-1	56AA17490	88-3
12QV40650	70-1	26NA42560	76-1	4131353202	80-1	55VA20680	77-3	56AA17510	64-5
12QV40650	72-2	26NA47070	58-1	4131353202	97-1	55VA32480	109-1	56AA17510	66-6
12QV40650	73-2	26NA47070	62-1	4139M10000	93-1	55VA32530	57-2	56AA17510	67-5
12QV40650	74-2	26NA53712	42-2	4470402401	8-1	55VA32530	61-2	56AA17510	69-6
12QV40650	75-1	26NA53712	45-1	4470402401	24-1	55VA40600	58-3	56AA17531	47-1
12QV40650	80-3	26NA54230	79-2	4470402401	30-1	55VA40930	57-3	56AA17551	62-3
12QV40650	82-2	26NA82513	7-2	4470402401	33-1	55VA40930	61-3	56AA17551	88-4
12QV40650	97-2	26TA32970	25-4	4470402401	40-1	55VA42120	34-2	56AA17551	94-5
12QV40650	104-1	26TA32990	25-5	4470402401	42-1	55VA42120	65-2	56AA17551	95-6
13NG45200	9-1	4004457301	30-2	4470402401	50-1	55VA42120	66-5	56AA17630	10-4
13QA40610	31-3	4038254001	31-1	4470402401	57-1	55VA42120	68-2	56AA17640	10-5
13QA40610	48-1	4038351102	7-1	4470402401	59-1	55VA42120	69-5	56AA17700	101-3
13QA40610	94-3	4040078001	116-1	4470402401	61-1	55VA42120	77-4	56AA17760	65-5
13QA40610	101-2	4040PJP100	115-13	4470402401	72-1	55VA42120	82-4	56AA17760	66-7
13QA85511	96-1	4040PJP200	115-14	4470402401	73-1	55VA47840	30-4	56AA17760	68-5
13QA85511	98-1	40AA30270	2-1	4470402401	74-1	55VA48500	45-2	56AA17760	69-7
13RN73120	110-1	40AA30270	95-2	4470402401	77-1	55VA75540	65-3	56AA20940D	37-3
14GE45470	79-1	40AA32320	7-3	4470402401	80-2	55VA75540	68-3	56AA40010E	64-6
14GE45470	94-4	40AA32320	27-3	4470402401	83-1	55VA79030	64-4	56AA40010E	67-6
14GE45470	97-3	40AA32320	29-2	4470402401	84-1	55VA79030	67-4	56AA40032E	65-6
192141710	94-1	40AA32320	31-4	4470402401	86-3	55VA90840	2-2	56AA40032E	68-6
20AL48470G	39-1	40AA32320	35-2	4470402401	88-1	55WA10300	10-2	56AA40070	66-8
25AA10090	10-1	40AA32320	37-2	4470402401	90-1	55WA10300	13-1	56AA40070	69-8

Parts No.	Page No.	Parts No.	Page No.	Parts No.	Page No.	Parts No.	Page No.	Parts No.	Page No.
56AA40100G	65-7	56AA40520	65-18	56QA40270	64-15	65AA40010	68-22	65AA50430	8-3
56AA40100G	68-7	56AA40520	68-18	56QA40270	67-15	65AA40080E	66-14	65AA51510	85-5
56AA40120	65-8	56AA40530	64-11	56QA40550	64-16	65AA40080E	69-14	65AA51730	83-3
56AA40120	68-8	56AA40530	67-11	56QA40550	67-16	65AA42370	94-7	65AA53560	46-2
56AA40171	65-9	56AA40540	64-12	56QA80570	10-6	65AA44200	77-6	65AA53991	46-3
56AA40171	68-9	56AA40540	67-12	56QA80570	90-4	65AA44350	77-7	65AA75010E	16-1
56AA40190	65-10	56AA42690	39-2	56QA80570	108-3	65AA44440	77-8	65AA77390	28-3
56AA40190	68-10	56AA42690	40-3	56QE88261	105-2	65AA45230	80-6	65AA77410	31-8
56AA40230	65-11	56AA42690	79-3	56UA70330	14-3	65AA47120D	61-4	65AA77540	81-5
56AA40230	68-11	56AA42690	81-3	56UA77280	31-6	65AA47131E	58-4	65AA80021	40-4
56AA40300	66-9	56AA42690	82-5	56UA77710	31-7	65AA47310E	57-4	65AA80112	83-4
56AA40300	69-9	56AA42690	83-2	57AA15600	9-3	65AA47310E	61-5	65AA80112	90-5
56AA40310	65-12	56AA42690	87-2	57AA15600	107-1	65AA47320	57-5	65AA80112	97-4
56AA40310	68-12	56AA42690	88-5	57AA40420	64-17	65AA47320	61-6	65AA88010	44-2
56AA40360	64-7	56AA42690	90-3	57AA40420	67-17	65AA47360	71-2	65AA91100	24-7
56AA40360	67-7	56AA42690	94-6	65AA-9091E	75-3	65AA47370	71-3	65AA97440	51-2
56AA40370	65-13	56AA50670	82-6	65AA-9920	115-3	65AA47390	71-4	65AA97450	52-2
56AA40370	68-13	56AA50800	82-7	65AA10190	11-1	65AA47550	59-2	65AA97460	53-2
56AA40380	66-10	56AA73560	108-2	65AA10470	9-4	65AA47550	63-1	65AA97470	54-2
56AA40380	69-10	56AA77330	27-4	65AA11300	5-2	65AA47600E	58-5	65AA99500	115-15
56AA40390	65-14	56AA77530	82-8	65AA11300	33-3	65AA47600E	62-4	65AAR72700	103-2
56AA40390	68-14	56AA77590	66-12	65AA11430	5-3	65AA47630	59-3	65AAR73200	51-1
56AA40430	64-8	56AA77590	69-12	65AA15210	72-3	65AA47630	63-2	65AAR73200	52-1
56AA40430	67-8	56AA77720E	65-19	65AA15210	73-3	65AA47700D	58-6	65AAR73200	53-1
56AA40440	64-9	56AA77720E	68-19	65AA15210	74-3	65AA47700D	62-5	65AAR73200	54-1
56AA40440	67-9	56AA77730	65-20	65AA15210	75-2	65AA47710	71-5	65AAR74600	104-2
56AA40470	65-16	56AA77730	68-20	65AA20060	37-5	65AA47740E	58-7	65GE97400	66-15
56AA40470	68-16	56AA80551	84-2	65AA20300	37-6	65AA47740E	59-4	65GE97400	69-15
56AA40481	64-10	56AA82012	65-21	65AA26380	35-3	65AA47740E	62-6	65GE97490	58-8
56AA40481	67-10	56AA82012	66-13	65AA26600	35-4	65AA47740E	63-3	65GE97490	62-7
56AA40490	28-2	56AA82012	68-21	65AA26690D	35-5	65AA47820	57-6	65LA48530	100-1
56AA40490	37-4	56AA82012	69-13	65AA26840	37-7	65AA47820	61-7	9313100072	5-1
56AA40490	66-11	56AA82012	77-5	65AA26870	34-4	65AA47860	57-7	9313110033	108-1
56AA40490	69-11	56AA82012	82-9	65AA26900D	35-6	65AA47860	61-8	9335140051	30-3
56AA40490	78-1	56AA97140	105-1	65AA27090D	37-8	65AA47900E	59-5	9335140071	86-4
56AA40490	80-5	56GA76010	81-4	65AA27240	34-5	65AA47970	71-6	9335140071	90-2
56AA40490	85-4	56QA40080	64-13	65AA27240	36-2	65AA48360	101-4	9335140071	91-4
56AA40490	99-3	56QA40080	67-13	65AA27320	37-9	65AA48460	101-5	9381410131	116-1
56AA40500	65-17	56QA40250	64-14	65AA33310F	48-2	65AA49410	95-7	9J03M10000	8-5
56AA40500	68-17	56QA40250	67-14	65AA40010	65-22	65AA50400	9-5	9J03M10000	10-7

Parts No.	Page No.	Parts No.	Page No.	Parts No.	Page No.	Parts No.	Page No.	Parts No.	Page No.
9J03M10000	100-2	A00V240600	92-2	A03U195400	16-14	A03U812800	77-9	A03U892400	100-5
9J06M10000	106-1	A00V240600	97-5	A03U195500	16-15	A03U812800	81-7	A03U892701	101-7
9J06N30000	116-1	A02E262300	109-2	A03U259600	72-4	A03U812800	82-12	A03U893000	101-8
9J06PJP100	115-11	A034M50000	5-4	A03U259600	73-4	A03U812800	83-5	A03U893101	101-9
9J06PJP200	115-12	A034M50000	33-4	A03U259600	74-4	A03U812800	88-7	A03U893200	101-10
9J07500201	27-5	A03N621800	62-8	A03U259600	75-4	A03U812800	97-6	A03U893502	101-11
A00FM20000	28-4	A03U118301	11-2	A03U259900	72-5	A03U812800	99-4	A03U909502	101-12
A00J211200	100-3	A03U162500	4-3	A03U259900	73-5	A03U813601	85-9	A03U909900	100-6
A00J617800	35-7	A03U168500	2-4	A03U259900	74-5	A03U814100	85-10	A03UF19100	16-16
A00J617800	40-5	A03U169900	2-5	A03U259900	75-5	A03U814200	85-11	A03UF84300	91-10
A00J617800	49-2	A03U190500	16-2	A03U512300	34-8	A03U814300	85-12	A03UM15802	5-5
A00J617800	85-6	A03U190600	16-3	A03U515100	33-5	A03U815700	81-8	A03UM15802	8-6
A00J617800	95-8	A03U190700	16-4	A03U555400	37-10	A03U838900	82-13	A03UM20100	82-14
A00J617800	101-6	A03U190802	16-5	A03U560500	66-17	A03U839000	81-9	A03UN23200	41-1
A00J617900	34-6	A03U190900	15-1	A03U560500	69-17	A03U842600	89-1	A03UN23200	44-4
A00J617900	79-4	A03U191100	16-6	A03U621200	59-6	A03U842700	90-7	A03W123000	102-1
A00J617900	82-10	A03U191201	16-7	A03U621200	63-4	A03U842800	90-8	A03X565001	82-15
A00J617900	87-3	A03U191300	16-8	A03U700202	76-2	A03U843500	85-13	A03X565611	64-20
A00J617900	88-6	A03U191400	15-2	A03U723301	46-4	A03U844200	91-5	A03X565611	67-20
A00J617900	94-9	A03U191500	15-3	A03U724200	40-7	A03U844300	91-6	A03X622000	98-2
A00J663200	64-18	A03U191600	15-4	A03U728000	46-5	A03U844700	91-7	A03X622101	63-5
A00J663200	65-23	A03U191700	15-5	A03U729500	45-4	A03U844802	91-8	A03X622201	63-6
A00J663200	66-16	A03U191800	15-6	A03U734500	40-8	A03U844901	91-9	A03X656203	57-8
A00J663200	67-18	A03U191900	15-7	A03U734500	42-3	A03U845100	89-2	A03X656203	61-9
A00J663200	68-23	A03U192000	15-8	A03U734500	43-1	A03U845301	87-4	A043909901	100-7
A00J663200	69-16	A03U192100	15-9	A03U734500	44-3	A03U845301	89-3	A07R813801	104-3
A00J945401	4-2	A03U192200	15-10	A03U734500	47-2	A03U845601	90-9	A07TM60100	105-4
A00JM12100	26-3	A03U192300	16-9	A03U734800	46-6	A03U845601	96-2	A0EDM10500	108-4
A00JM60300	105-3	A03U193100	16-10	A03U734900	46-7	A03U845700	90-10	A0G6190101	14-4
A00TM10000	93-2	A03U193200	16-11	A03U807700	92-3	A03U845901	90-11	A0G6190200	14-5
A00V240600	34-7	A03U193300	15-11	A03U808400	40-9	A03U848100	89-4	A0G6191600	14-7
A00V240600	36-3	A03U193400	15-12	A03U809500	45-5	A03U849701	85-14	A0G6192400	14-8
A00V240600	39-3	A03U193500	15-13	A03U811600	85-7	A03U850101	64-19	A0G6192500	14-9
A00V240600	40-6	A03U193600	15-14	A03U811800	85-8	A03U850101	67-19	A0G6192700	14-10
A00V240600	45-3	A03U193700	15-15	A03U812800	58-9	A03U850101	76-3	A0G6192900	14-11
A00V240600	49-3	A03U193800	15-16	A03U812800	62-9	A03U850101	86-6	A0G6193100	14-12
A00V240600	70-3	A03U193900	16-12	A03U812800	65-24	A03U850101	99-5	A0G6193200	14-13
A00V240600	81-6	A03U194002	15-17	A03U812800	66-18	A03U859400	90-12	A0G6193400	14-14
A00V240600	82-11	A03U194102	15-18	A03U812800	68-24	A03U859500	90-13	A0G6193800	14-15
A00V240600	90-6	A03U195302	16-13	A03U812800	69-18	A03U892300	100-4	A0G6193900	14-16

Parts No.	Page No.	Parts No.	Page No.	Parts No.	Page No.	Parts No.	Page No.	Parts No.	Page No.
A0G6194000	14-17	A1DUF62100	59-7	A1RF701700	76-4	A4EU265000	43-4	A50U107800	8-17
A0G6411200	5-6	A1DUF62100	63-7	A1RF758100	43-2	A4EUM60000	5-7	A50U107901	11-7
A0G6739300	104-4	A1DUH11000	16-20	A1RF808600	43-3	A4EUM60401	105-5	A50U108001	11-8
A0G6H06000	14-19	A1DUPJG100	115-18	A1RF809400	39-6	A4EUM75800	14-26	A50U108200	11-9
A0G6M75501	14-20	A1DUR71200	48-3	A1RF815702	8-7	A4EUN28500	14-27	A50U108900	7-10
A0G6N18400	14-21	A1DUR71600	38-1	A1RF820000	40-10	A4EUPP0000	115-7	A50U109100	6-1
A0GA190301	14-6	A1DUR71900	35-8	A1RF820000	87-5	A50U101600	9-6	A50U109201	71-8
A0GA195000	14-18	A1DUR71C00	37-11	A1RF820000	88-8	A50U102703	9-7	A50U109201	108-5
A0GA205000	14-18	A1DUR71D00	37-12	A1RF820000	94-10	A50U102800	7-6	A50U109300	71-9
A0P0144300	86-7	A1DUR71J00	66-19	A1RF820000	104-7	A50U102900	5-8	A50U109400	8-18
A0P0742300	41-2	A1DUR71J00	69-19	A1RF847400	89-5	A50U103200	8-8	A50U109600	8-19
A0P0M73100	14-2	A1DUR71K00	64-21	A1RF863800	95-9	A50U103301	10-8	A50U109700	8-20
A0TK341300	83-6	A1DUR71K00	67-21	A1RF942900	2-6	A50U103402	8-9	A50U109800	8-21
A0TKH00200	20-1	A1DUR73500	34-11	A1RF943100	78-2	A50U103500	8-10	A50U109900	8-22
A0TKH00200	21-1	A1DUR73E00	90-14	A1RF944100	79-5	A50U103602	7-7	A50U110000	10-13
A0TKH00200	22-1	A1DUR73K00	81-10	A1RF945501	116-3	A50U103700	10-9	A50U112901	71-10
A0TKH00200	23-1	A1DUR73P00	90-15	A1RF946000	61-10	A50U103800	10-10	A50U112901	108-6
A0U0945401	56-1	A1DUR75200	66-20	A1RFM15100	109-3	A50U104000	12-2	A50U120100	105-6
A0U0945501	60-1	A1DUR75200	69-20	A1RFM51000	42-4	A50U104300	13-2	A50U120200	105-7
A0VDM50500	98-3	A1RF168800	3-2	A1RFN28300	14-22	A50U104401	10-11	A50U120300	8-23
A0XV370300	93-3	A1RF214100	72-6	A1RG569900	29-4	A50U104500	13-3	A50U120600	5-9
A0Y5M15101	11-3	A1RF214100	73-6	A1RG569900	31-12	A50U104600	9-8	A50U120700	108-7
A11PM10200	34-9	A1RF214100	74-6	A1RG681400	82-16	A50U104700	8-11	A50U120800	108-8
A11PM10200	39-4	A1RF214100	75-6	A1RJ732100	36-7	A50U104800	107-2	A50U120900	11-10
A161626800	56-2	A1RF301400	12-1	A1RJ818800	95-10	A50U104901	7-8	A50U121003	5-10
A161626800	60-2	A1RF363500	30-6	A1RJ825100	92-4	A50U105000	13-4	A50U121300	5-11
A161M10200	31-9	A1RF363801	30-7	A1RJ825800	92-5	A50U105100	8-12	A50U121500	17-1
A1DU111101	7-4	A1RF368500	31-10	A1TVM10100	84-3	A50U105201	8-13	A50U121601	5-12
A1DU162300	4-4	A1RF372300	31-11	A1TVM10100	100-8	A50U105600	8-14	A50U121800	11-11
A1DU163402	3-1	A1RF441500	25-6	A1UD210500	31-13	A50U105800	9-9	A50U121900	11-12
A1DU190101	16-17	A1RF501700	34-12	A1UD723500	45-6	A50U106300	10-12	A50U122000	10-14
A1DU194200	16-18	A1RF508000	36-4	A1UDM50100	58-10	A50U106300	13-5	A50U122103	5-13
A1DU194300	16-19	A1RF508100	36-5	A1UDM50100	62-10	A50U106502	11-4	A50U122400	108-9
A1DU197100	15-19	A1RF508200	36-6	A2X0M12101	71-7	A50U106600	11-5	A50U122701	12-3
A1DU504203	34-10	A1RF508900	104-5	A2XKM10300	27-6	A50U106700	11-6	A50U122800	10-15
A1DU722500	46-8	A1RF509000	104-6	A2XKM10300	48-4	A50U106800	7-9	A50U122900	11-13
A1DU736200	39-5	A1RF517300	34-13	A2XKM10300	70-4	A50U107000	9-10	A50U123200	6-2
A1DU764000	7-5	A1RF517300	101-13	A4EU190413	14-23	A50U107101	9-11	A50U123300	6-3
A1DU942900	98-4	A1RF620301	64-22	A4EU194100	14-24	A50U107501	8-15	A50U123400	6-4
A1DU946300	116-2	A1RF620301	67-22	A4EU194200	14-25	A50U107600	8-16	A50U123500	6-5

Parts No.	Page No.	Parts No.	Page No.	Parts No.	Page No.	Parts No.	Page No.	Parts No.	Page No.
A50U123600	6-6	A50U131200	108-11	A50U161800	2-16	A50U179000	24-9	A50U318601	12-12
A50U123700	5-14	A50U131300	108-12	A50U161900	2-17	A50U179500	5-30	A50U318700	17-5
A50U123800	5-15	A50U131400	107-4	A50U162005	1-1	A50U210600	72-7	A50U318700	24-10
A50U123900	6-7	A50U131502	105-8	A50U162102	1-2	A50U210600	73-7	A50U318800	12-13
A50U124000	6-8	A50U131600	105-9	A50U162200	1-3	A50U210600	74-7	A50U318900	17-6
A50U124100	5-16	A50U131700	105-10	A50U162301	1-4	A50U210600	75-7	A50U319301	17-7
A50U124900	5-17	A50U131800	105-11	A50U162400	3-4	A50U212100	72-8	A50U333500	19-1
A50U125000	11-14	A50U131900	107-5	A50U162503	1-5	A50U212100	73-8	A50U333600	19-2
A50U125101	11-15	A50U132100	108-13	A50U162701	1-6	A50U212100	74-8	A50U335600	50-2
A50U125200	5-18	A50U132301	106-3	A50U162803	1-7	A50U212100	75-8	A50U335600	51-3
A50U125500	11-16	A50U132400	105-12	A50U162900	1-8	A50U212600	72-9	A50U335600	52-3
A50U125600	11-17	A50U132600	108-14	A50U163506	4-5	A50U212600	73-9	A50U335600	53-3
A50U125800	11-18	A50U132701	11-27	A50U163603	4-6	A50U212600	74-9	A50U335600	54-3
A50U125901	5-19	A50U132800	11-28	A50U163700	4-7	A50U212600	75-9	A50U337101	49-8
A50U126200	6-9	A50U133001	107-6	A50U163800	4-8	A50U220501	48-7	A50U337200	50-3
A50U126300	11-19	A50U133101	107-7	A50U163903	3-5	A50U220600	49-4	A50U337300	50-4
A50U126400	11-20	A50U133201	7-11	A50U164000	5-24	A50U220700	49-5	A50U337400	49-9
A50U126500	5-20	A50U133400	110-4	A50U164100	2-18	A50U221500	48-8	A50U340301	51-4
A50U126600	5-21	A50U133700	105-13	A50U164200	2-19	A50U221701	48-9	A50U340301	52-4
A50U126800	6-10	A50U133800	105-14	A50U164801	2-20	A50U221800	49-6	A50U340301	53-4
A50U127000	12-4	A50U133901	110-5	A50U164901	2-21	A50U222000	49-7	A50U340301	54-4
A50U127200	6-11	A50U134701	110-6	A50U165500	2-22	A50U252100	70-5	A50U340501	50-5
A50U127300	6-12	A50U134801	110-7	A50U165600	2-23	A50U252300	70-6	A50U340700	8-25
A50U127400	5-22	A50U136000	106-4	A50U166100	2-24	A50U252400	70-7	A50U340900	50-6
A50U127500	6-13	A50U136302	110-8	A50U166200	2-25	A50U252500	70-8	A50U341000	48-10
A50U127800	6-14	A50U136403	106-5	A50U166800	24-8	A50U252600	70-9	A50U341200	54-5
A50U127901	5-23	A50U136501	9-12	A50U167201	2-26	A50U252700	70-10	A50U341300	50-7
A50U128000	6-15	A50U160101	2-7	A50U167500	2-27	A50U252800	70-11	A50U341401	50-8
A50U128700	6-16	A50U160200	2-8	A50U167601	2-28	A50U269000	116-14	A50U341600	50-9
A50U128800	11-21	A50U160303	2-9	A50U167801	4-9	A50U308100	12-5	A50U341800	6-17
A50U128900	11-22	A50U160401	78-3	A50U167901	5-25	A50U308200	12-6	A50U341900	51-5
A50U129100	11-23	A50U160500	2-10	A50U168002	116-4	A50U308300	12-7	A50U341900	52-5
A50U129200	8-24	A50U160600	2-11	A50U168801	5-26	A50U308400	12-8	A50U341900	53-5
A50U129300	11-24	A50U160701	56-3	A50U168901	5-27	A50U308500	12-9	A50U341900	54-6
A50U129401	11-25	A50U160801	60-3	A50U169002	48-5	A50U314300	12-10	A50U342000	51-6
A50U129801	11-26	A50U160900	2-12	A50U169300	5-28	A50U314800	9-13	A50U342000	52-6
A50U130300	110-3	A50U161001	3-3	A50U169501	5-29	A50U318101	17-2	A50U342000	53-6
A50U130502	109-4	A50U161501	2-13	A50U169602	48-6	A50U318201	17-3	A50U342000	54-7
A50U131002	107-3	A50U161601	2-14	A50U169900	2-29	A50U318300	17-4	A50U342200	6-18
A50U131100	108-10	A50U161700	2-15	A50U175001	3-6	A50U318500	12-11	A50U342300	51-7

Parts No.	Page No.	Parts No.	Page No.	Parts No.	Page No.	Parts No.	Page No.	Parts No.	Page No.
A50U342300	52-7	A50U369900	30-15	A50U404000	27-7	A50U462600	54-16	A50U504000	34-18
A50U342300	53-7	A50U372901	20-2	A50U404200	27-8	A50U462700	51-13	A50U504400	34-19
A50U342300	54-8	A50U372901	21-2	A50U404600	27-9	A50U462700	52-13	A50U504500	34-20
A50U342400	6-19	A50U372901	22-2	A50U406400	27-10	A50U462700	53-13	A50U504600	34-21
A50U342502	50-10	A50U372901	23-2	A50U407300	13-6	A50U462700	54-17	A50U504700	34-22
A50U342600	50-11	A50U373100	20-3	A50U407600	28-8	A50U462801	51-14	A50U505000	34-23
A50U342900	8-26	A50U373100	21-3	A50U408100	24-14	A50U462801	52-14	A50U505100	34-24
A50U343000	50-12	A50U373100	22-3	A50U408501	25-8	A50U462801	53-14	A50U505200	33-9
A50U343100	54-9	A50U373100	23-3	A50U408600	25-9	A50U462801	54-18	A50U505300	34-25
A50U343301	54-10	A50U374102	20-4	A50U408700	25-10	A50U462900	51-15	A50U505401	35-12
A50U343400	50-13	A50U374102	21-4	A50U408900	25-11	A50U462900	52-15	A50U505500	35-13
A50U343500	50-14	A50U374102	22-4	A50U410200	25-12	A50U462900	53-15	A50U505601	35-14
A50U343600	50-15	A50U374102	23-4	A50U420300	27-11	A50U462900	54-19	A50U505700	35-15
A50U343700	54-11	A50U374501	20-5	A50U420400	28-9	A50U463000	51-16	A50U505800	35-16
A50U343800	50-16	A50U374501	21-5	A50U420800	28-10	A50U463000	52-16	A50U505901	34-26
A50U343900	50-17	A50U374501	22-5	A50U420900	27-12	A50U463000	53-16	A50U506101	34-27
A50U344100	50-18	A50U374501	23-5	A50U421000	27-13	A50U463000	54-20	A50U506200	33-10
A50U344200	50-19	A50U376002	20-6	A50U421000	28-11	A50U463100	51-17	A50U506300	33-11
A50U344500	50-20	A50U376002	21-6	A50U440301	25-13	A50U463100	52-17	A50U506500	50-22
A50U360700	31-14	A50U376002	22-6	A50U440601	25-14	A50U463100	53-17	A50U506701	34-28
A50U361200	31-15	A50U376002	23-6	A50U442100	24-15	A50U463100	54-21	A50U506900	35-17
A50U361401	31-16	A50U376801	20-7	A50U462101	51-8	A50U500401	34-14	A50U507000	34-29
A50U361900	29-5	A50U376801	21-7	A50U462101	52-8	A50U500800	33-6	A50U507600	35-18
A50U362200	31-17	A50U376801	22-7	A50U462101	53-8	A50U501201	35-9	A50U507801	35-19
A50U362300	29-6	A50U376801	23-7	A50U462101	54-12	A50U501401	36-10	A50U507900	35-20
A50U363200	30-8	A50U377201	20-8	A50U462201	51-9	A50U501702	36-12	A50U508001	35-21
A50U363300	29-7	A50U377201	21-8	A50U462201	52-9	A50U501900	35-10	A50U508102	35-22
A50U363400	30-9	A50U377201	22-8	A50U462201	53-9	A50U502100	36-13	A50U508301	7-12
A50U363701	30-10	A50U377201	23-8	A50U462201	54-13	A50U502500	34-15	A50U508600	33-12
A50U363900	9-14	A50U377301	20-9	A50U462400	51-10	A50U502600	34-16	A50U508800	33-13
A50U365400	29-8	A50U377301	21-9	A50U462400	52-10	A50U502700	36-16	A50U509100	34-30
A50U365600	31-18	A50U377301	22-9	A50U462400	53-10	A50U502801	50-21	A50U509200	36-24
A50U365800	31-19	A50U377301	23-9	A50U462400	54-14	A50U502900	36-17	A50U509300	7-13
A50U366601	9-15	A50U400201	25-7	A50U462501	51-11	A50U503001	36-18	A50U510100	35-23
A50U366800	30-11	A50U400501	28-5	A50U462501	52-11	A50U503200	35-11	A50U510200	35-24
A50U367001	31-20	A50U400600	24-11	A50U462501	53-11	A50U503300	36-19	A50U510400	7-14
A50U367100	30-12	A50U400900	24-12	A50U462501	54-15	A50U503500	36-20	A50U510501	34-10
A50U367400	30-13	A50U401200	28-6	A50U462600	51-12	A50U503600	33-7	A50U515200	38-2
A50U368000	9-16	A50U401301	28-7	A50U462600	52-12	A50U503700	33-8	A50U515500	38-3
A50U368400	30-14	A50U401401	24-13	A50U462600	53-12	A50U503900	34-17	A50U516800	38-4

Parts No.	Page No.	Parts No.	Page No.	Parts No.	Page No.	Parts No.	Page No.	Parts No.	Page No.
A50U516900	38-5	A50U620602	58-11	A50U624600	63-10	A50U629202	61-22	A50U633900	60-13
A50U517000	38-6	A50U620701	63-8	A50U624700	59-10	A50U629300	57-20	A50U634200	10-19
A50U517100	38-7	A50U620801	58-12	A50U624700	63-11	A50U629401	63-15	A50U634300	56-12
A50U517300	34-31	A50U620801	62-11	A50U624904	9-19	A50U629502	59-14	A50U634300	60-14
A50U520001	55-1	A50U620902	58-13	A50U625000	57-12	A50U629502	63-16	A50U634400	56-13
A50U520401	80-7	A50U621001	57-9	A50U625100	59-11	A50U629702	59-15	A50U634400	60-15
A50U520601	80-8	A50U621001	61-11	A50U625100	63-12	A50U629702	63-17	A50U635400	62-35
A50U520700	80-9	A50U621200	59-8	A50U625400	58-26	A50U629801	59-16	A50U635500	62-36
A50U520900	80-10	A50U621200	63-9	A50U625500	58-27	A50U629801	63-18	A50U637002	56-14
A50U521101	80-11	A50U621301	58-14	A50U625701	57-13	A50U629901	59-17	A50U637600	59-19
A50U521200	80-12	A50U621301	62-12	A50U625701	61-14	A50U630203	57-21	A50U637700	59-20
A50U521301	80-13	A50U621400	58-15	A50U626000	62-22	A50U630203	61-23	A50U640100	63-19
A50U521500	80-14	A50U621400	62-13	A50U626100	58-28	A50U630602	62-26	A50U640200	10-20
A50U521900	80-15	A50U621800	58-16	A50U626100	62-23	A50U630701	59-18	A50U640400	10-21
A50U522001	80-16	A50U621900	58-17	A50U626502	57-14	A50U630902	62-27	A50U640700	62-37
A50U522400	80-17	A50U621900	62-14	A50U626502	61-15	A50U631000	62-28	A50U640800	58-32
A50U522500	80-18	A50U622001	58-18	A50U626601	57-15	A50U631100	62-29	A50U641500	57-22
A50U522900	80-19	A50U622001	62-15	A50U626601	61-16	A50U631200	61-24	A50U641500	61-27
A50U523001	80-20	A50U622101	58-19	A50U626702	57-16	A50U631300	61-25	A50U641600	10-22
A50U523100	80-21	A50U622101	62-16	A50U626702	61-17	A50U631500	62-30	A50U642000	58-33
A50U523200	80-22	A50U622300	58-20	A50U627002	60-4	A50U631600	61-26	A50U642000	62-38
A50U523400	80-23	A50U622400	58-21	A50U627200	60-5	A50U631700	62-31	A50U642300	43-5
A50U524100	80-24	A50U622400	62-17	A50U627501	58-29	A50U631800	62-32	A50U642300	63-20
A50U524500	80-25	A50U622600	57-10	A50U627501	62-24	A50U631900	62-33	A50U642300	94-11
A50U524600	80-26	A50U622600	61-12	A50U627601	57-17	A50U632300	62-34	A50U700101	76-5
A50U524700	80-27	A50U622802	57-11	A50U627601	61-18	A50U633002	56-4	A50U700200	77-10
A50U525900	55-2	A50U622802	61-13	A50U627701	57-18	A50U633002	60-6	A50U700300	77-11
A50U531400	37-13	A50U623201	58-22	A50U627701	61-19	A50U633100	56-5	A50U700400	77-12
A50U531500	37-14	A50U623201	62-18	A50U628001	10-18	A50U633100	60-7	A50U700500	77-13
A50U531601	37-15	A50U623300	58-23	A50U628100	58-30	A50U633200	56-6	A50U700600	77-14
A50U560900	65-25	A50U623300	62-19	A50U628200	57-19	A50U633200	60-8	A50U700901	76-6
A50U560900	68-25	A50U623600	58-24	A50U628200	59-12	A50U633301	56-7	A50U701000	77-15
A50U561200	65-26	A50U623701	58-25	A50U628200	61-20	A50U633400	56-8	A50U701113	76-7
A50U561200	68-26	A50U623900	62-20	A50U628200	63-13	A50U633400	60-9	A50U701303	76-8
A50U562400	65-27	A50U624000	9-17	A50U628300	59-13	A50U633601	60-10	A50U704400	77-16
A50U562400	68-27	A50U624113	10-16	A50U628300	63-14	A50U633702	56-9	A50U704700	77-17
A50U564500	65-28	A50U624201	62-21	A50U628400	58-31	A50U633702	60-11	A50U704801	77-18
A50U564500	68-28	A50U624300	10-17	A50U628400	62-25	A50U633800	56-10	A50U704900	77-19
A50U565100	65-29	A50U624503	9-18	A50U629001	61-21	A50U633800	60-12	A50U705000	77-20
A50U565100	68-29	A50U624600	59-9	A50U629100	71-11	A50U633900	56-11	A50U705100	76-9

Parts No.	Page No.	Parts No.	Page No.	Parts No.	Page No.	Parts No.	Page No.	Parts No.	Page No.
A50U705200	76-10	A50U714300	97-13	A50U720501	45-8	A50U732400	39-9	A50U743301	40-13
A50U705400	77-21	A50U714400	97-14	A50U721201	47-3	A50U732500	39-10	A50U743501	45-26
A50U705500	77-22	A50U714500	99-18	A50U721502	47-4	A50U733001	45-21	A50U743600	40-14
A50U705600	77-23	A50U714600	86-11	A50U721601	45-9	A50U733101	45-22	A50U743700	40-15
A50U705701	76-11	A50U714600	99-19	A50U722100	44-5	A50U733402	44-17	A50U743800	40-16
A50U706000	76-12	A50U714800	83-13	A50U722202	44-6	A50U733500	44-18	A50U743900	40-17
A50U706800	77-24	A50U714900	83-14	A50U722301	47-5	A50U733712	45-23	A50U744000	45-27
A50U706900	76-13	A50U715002	83-15	A50U722700	47-6	A50U734100	109-5	A50U744100	45-28
A50U707001	77-25	A50U715100	83-16	A50U722800	47-7	A50U737201	7-17	A50U744300	40-18
A50U707300	77-26	A50U715200	83-17	A50U723100	45-10	A50U737302	109-6	A50U744400	45-29
A50U707400	77-27	A50U715300	86-12	A50U723812	44-7	A50U737401	109-7	A50U744601	40-19
A50U707600	76-14	A50U715300	99-20	A50U723911	44-8	A50U737601	109-8	A50U744700	43-7
A50U710101	97-7	A50U715400	88-9	A50U724102	45-11	A50U737700	109-9	A50U744912	40-20
A50U710300	99-6	A50U715600	86-13	A50U725001	45-12	A50U737800	7-18	A50U745100	41-3
A50U710901	99-7	A50U715600	99-21	A50U725200	44-9	A50U738001	7-19	A50U745302	39-17
A50U711001	99-8	A50U715800	86-14	A50U726300	45-13	A50U738100	7-20	A50U745500	40-21
A50U711101	97-8	A50U715800	99-23	A50U726401	45-14	A50U738201	47-13	A50U745600	39-18
A50U711200	99-9	A50U715900	97-15	A50U726611	44-10	A50U738300	47-14	A50U745700	39-19
A50U711300	99-10	A50U716200	97-16	A50U726800	45-15	A50U738400	47-15	A50U745802	41-4
A50U711400	97-9	A50U716301	99-24	A50U727600	47-8	A50U738500	47-16	A50U746200	41-5
A50U711602	99-11	A50U716400	99-25	A50U728301	45-16	A50U738600	47-17	A50U746400	40-22
A50U712001	98-5	A50U716500	55-3	A50U728401	44-11	A50U738700	47-18	A50U746500	46-10
A50U712200	86-8	A50U716500	80-28	A50U728500	44-12	A50U738801	47-19	A50U746700	43-8
A50U712200	99-12	A50U716500	86-15	A50U728700	47-9	A50U738900	7-21	A50U746800	42-7
A50U712300	86-9	A50U716500	99-26	A50U728800	44-13	A50U739000	7-22	A50U747101	43-9
A50U712300	99-13	A50U717001	98-6	A50U729000	47-10	A50U739200	47-20	A50U747200	40-23
A50U712400	86-10	A50U717100	98-7	A50U730125	45-17	A50U739400	7-23	A50U747300	40-24
A50U712400	99-14	A50U717200	98-8	A50U730525	45-18	A50U739500	47-21	A50U747803	42-8
A50U712700	99-15	A50U717901	97-17	A50U730600	45-19	A50U739811	45-24	A50U747900	42-9
A50U713000	97-10	A50U718200	98-9	A50U730700	45-20	A50U739900	45-25	A50U748200	42-10
A50U713100	99-16	A50U718300	98-10	A50U730900	44-14	A50U741700	42-5	A50U748403	39-20
A50U713200	97-11	A50U718400	86-16	A50U731002	44-15	A50U741800	42-6	A50U748504	40-25
A50U713300	83-7	A50U718400	99-27	A50U731102	44-16	A50U742000	43-6	A50U748701	46-11
A50U713401	83-8	A50U718500	86-17	A50U731501	47-11	A50U742300	39-11	A50U749200	40-26
A50U713500	83-9	A50U718500	99-28	A50U731700	7-15	A50U742400	40-12	A50U749300	40-27
A50U713600	97-12	A50U719200	97-18	A50U731900	7-16	A50U742800	39-12	A50U749401	109-10
A50U713700	83-10	A50U719300	98-11	A50U732000	47-12	A50U742901	39-13	A50U749502	109-11
A50U713800	83-11	A50U719400	98-12	A50U732100	40-11	A50U743000	39-14	A50U749600	109-12
A50U713900	83-12	A50U719800	97-19	A50U732200	39-7	A50U743100	39-15	A50U749700	109-13
A50U714200	99-17	A50U720123	45-7	A50U732300	39-8	A50U743200	39-16	A50U749801	109-14

Parts No.	Page No.	Parts No.	Page No.	Parts No.	Page No.	Parts No.	Page No.	Parts No.	Page No.
A50U750500	39-21	A50U761900	46-26	A50U800300	92-6	A50U816700	86-19	A50U832201	10-23
A50U750600	39-22	A50U762000	46-27	A50U800400	92-7	A50U816801	86-20	A50U832600	85-19
A50U751002	39-23	A50U762100	46-28	A50U800700	92-8	A50U816900	86-21	A50U832700	85-20
A50U751101	39-24	A50U762200	46-29	A50U800800	92-9	A50U817001	80-29	A50U832901	78-9
A50U751200	39-25	A50U762300	46-30	A50U801400	92-10	A50U817300	82-18	A50U833000	8-28
A50U751301	39-26	A50U762400	46-31	A50U801500	92-11	A50U817300	94-12	A50U833400	86-27
A50U752000	40-28	A50U762912	47-22	A50U801602	92-12	A50U817400	81-14	A50U833500	86-28
A50U752200	40-29	A50U763000	47-23	A50U802002	92-13	A50U817601	86-22	A50U834200	85-21
A50U752300	40-30	A50U763100	47-24	A50U802100	93-5	A50U817700	13-10	A50U834302	94-14
A50U752600	39-27	A50U763211	47-25	A50U802211	92-14	A50U817800	86-23	A50U834500	86-29
A50U752700	42-11	A50U763300	47-26	A50U802700	93-6	A50U818000	81-15	A50U834600	86-30
A50U753100	109-15	A50U763400	47-27	A50U802801	93-7	A50U818100	81-16	A50U834700	86-31
A50U754700	40-31	A50U763511	47-28	A50U802900	93-8	A50U818201	86-24	A50U834802	80-30
A50U754901	43-10	A50U763600	47-29	A50U803101	93-9	A50U818400	86-25	A50U835001	78-10
A50U755000	41-6	A50U763800	46-32	A50U803300	93-10	A50U818501	82-19	A50U835301	81-17
A50U755100	42-12	A50U763900	46-33	A50U803400	93-11	A50U818601	86-26	A50U835400	81-18
A50U755301	42-13	A50U764000	47-30	A50U803500	93-12	A50U818700	78-4	A50U835601	83-19
A50U755800	42-14	A50U765000	45-31	A50U803600	93-13	A50U818800	78-5	A50U835900	81-19
A50U755900	39-28	A50U765500	42-17	A50U803700	93-14	A50U818900	78-6	A50U836000	81-20
A50U756001	39-29	A50U783400	45-32	A50U803800	93-15	A50U819201	78-7	A50U836100	83-20
A50U756300	42-15	A50U785000	43-11	A50U804001	92-15	A50U819302	78-8	A50U836200	86-32
A50U756300	45-30	A50U785400	45-33	A50U804200	92-16	A50U819500	79-6	A50U836300	84-10
A50U756500	39-30	A50U785500	45-34	A50U804701	93-16	A50U819600	94-13	A50U836400	81-21
A50U757000	39-31	A50U786100	44-19	A50U805200	93-17	A50U819700	83-18	A50U836500	81-22
A50U757100	39-32	A50U787003	43-12	A50U805300	92-17	A50U819812	84-7	A50U836801	88-11
A50U758201	42-16	A50U787500	41-7	A50U810300	85-15	A50U819900	84-8	A50U837001	78-11
A50U760300	46-12	A50U787600	41-8	A50U810400	85-16	A50U830200	82-20	A50U837101	78-12
A50U760400	46-13	A50U787700	42-18	A50U810502	81-11	A50U830300	82-21	A50U837300	78-13
A50U760600	46-14	A50U788000	43-13	A50U811300	13-7	A50U830400	82-22	A50U837700	84-11
A50U760701	46-15	A50U788101	43-14	A50U811500	13-8	A50U830500	82-23	A50U838500	84-12
A50U760802	46-16	A50U788601	42-19	A50U812100	81-12	A50U830600	82-24	A50U838700	84-13
A50U761000	46-17	A50U788900	42-20	A50U812202	82-17	A50U830700	82-25	A50U838800	94-15
A50U761100	46-18	A50U789100	42-21	A50U813700	13-9	A50U830800	82-26	A50U839100	81-23
A50U761200	46-19	A50U792901	43-15	A50U814401	84-4	A50U831000	82-27	A50U839200	81-24
A50U761300	46-20	A50U794800	43-16	A50U814500	84-5	A50U831100	82-28	A50U839200	82-31
A50U761400	46-21	A50U799200	43-17	A50U815101	84-6	A50U831200	82-29	A50U839900	79-7
A50U761500	46-22	A50U799601	43-18	A50U815800	85-17	A50U831300	84-9	A50U840303	87-6
A50U761601	46-23	A50U799700	43-19	A50U816103	81-13	A50U831400	85-18	A50U840400	91-11
A50U761700	46-24	A50U799800	43-20	A50U816301	86-18	A50U831900	82-30	A50U840704	89-6
A50U761800	46-25	A50U800100	93-4	A50U816403	88-10	A50U832100	8-27	A50U840802	87-7

Parts No.	Page No.
A50U841100	90-16
A50U841301	91-12
A50U841402	87-8
A50U841501	89-7
A50U841600	89-8
A50U841700	91-13
A50U841800	91-14
A50U841901	89-9
A50U842000	90-17
A50U842300	90-18
A50U842900	79-8
A50U842900	91-15
A50U843601	91-16
A50U843801	91-17
A50U843900	85-22
A50U844100	85-23
A50U844400	91-18
A50U844501	91-19
A50U844601	91-20
A50U844800	89-10
A50U845400	90-19
A50U846000	91-21
A50U846102	87-9
A50U846304	87-10
A50U847200	90-20
A50U848000	89-11
A50U848302	89-12
A50U849100	82-32
A50U849200	82-33
A50U850201	90-21
A50U850201	91-22
A50U850700	88-12
A50U851400	87-11
A50U851500	87-12
A50U851500	88-13
A50U851700	87-13
A50U851800	87-14
A50U851800	88-14
A50U851901	88-15
A50U852000	87-15

Parts No.	Page No.
A50U852101	88-16
A50U852200	88-17
A50U852300	88-18
A50U852400	88-19
A50U852500	87-16
A50U852500	88-20
A50U852701	87-17
A50U852904	87-18
A50U853001	87-19
A50U853100	88-21
A50U853200	87-20
A50U853200	88-22
A50U853400	91-23
A50U853700	87-21
A50U854100	91-24
A50U854200	87-22
A50U854302	87-23
A50U854400	87-24
A50U854600	62-39
A50U854600	88-23
A50U854800	87-25
A50U854800	89-13
A50U855200	9-20
A50U855601	89-14
A50U855702	78-14
A50U855800	80-31
A50U855900	81-25
A50U856201	87-26
A50U856501	91-25
A50U858101	80-32
A50U858200	78-15
A50U858300	78-16
A50U858400	78-17
A50U858500	78-18
A50U858600	81-26
A50U858702	88-24
A50U859000	82-34
A50U859400	82-35
A50U859500	87-27
A50U859800	87-28

Parts No.	Page No.
A50U859900	90-22
A50U860104	94-16
A50U860202	95-11
A50U860501	94-17
A50U860600	95-12
A50U861004	94-18
A50U861100	95-13
A50U861601	95-14
A50U861800	94-19
A50U861900	96-3
A50U862600	96-4
A50U863000	96-5
A50U863100	2-30
A50U864200	95-15
A50U864300	95-16
A50U865011	96-6
A50U865101	95-17
A50U865200	96-7
A50U865300	94-20
A50U865401	95-18
A50U865601	95-19
A50U865703	94-21
A50U865901	94-22
A50U866400	94-24
A50U866900	94-25
A50U867100	95-20
A50U867200	94-26
A50U867312	94-27
A50U867400	94-28
A50U867500	94-29
A50U867600	94-30
A50U867700	95-21
A50U867800	94-31
A50U868000	95-22
A50U868200	96-8
A50U868301	96-9
A50U868401	95-23
A50U868500	96-10
A50U868600	96-11
A50U868702	95-24

Parts No.	Page No.
A50U869100	96-12
A50U869300	95-25
A50U869400	94-32
A50U869501	94-33
A50U869601	95-26
A50U869700	95-27
A50U869800	95-28
A50U880103	87-29
A50U880201	89-15
A50U880701	81-27
A50U880800	86-33
A50U880900	86-34
A50U880900	99-29
A50U881300	87-30
A50U881400	87-31
A50U881500	8-29
A50U881601	86-35
A50U881700	86-36
A50U882100	86-37
A50U882100	88-25
A50U882300	83-21
A50U882401	97-20
A50U882600	83-22
A50U882701	79-9
A50U882801	79-10
A50U882900	88-26
A50U883001	88-27
A50U883101	88-28
A50U883200	88-29
A50U883300	83-23
A50U883400	88-30
A50U883501	83-24
A50U883600	86-38
A50U883600	88-31
A50U883701	88-32
A50U884000	88-33
A50U884202	79-11
A50U884300	88-34
A50U884600	80-33
A50U884700	80-34

Parts No.	Page No.
A50U885100	81-28
A50U886300	86-39
A50U886700	88-35
A50U886800	87-32
A50U886900	88-36
A50U887100	86-40
A50U887200	86-41
A50U887300	86-42
A50U890102	101-14
A50U890201	101-15
A50U890300	101-16
A50U890402	101-17
A50U890500	100-9
A50U890600	101-18
A50U890700	101-33
A50U890802	101-19
A50U890900	101-20
A50U891001	100-10
A50U891200	100-11
A50U891301	101-21
A50U891500	101-22
A50U891600	101-23
A50U891900	101-24
A50U892001	101-25
A50U892101	101-26
A50U892201	100-12
A50U892502	100-13
A50U892801	101-27
A50U892911	101-28
A50U893201	101-29
A50U893300	100-14
A50U894000	101-30
A50U895000	100-15
A50U895101	100-16
A50U899700	101-31
A50U899801	101-32
A50U943200	86-43
A50U943300	99-30
A50U943400	97-21
A50U943501	39-33

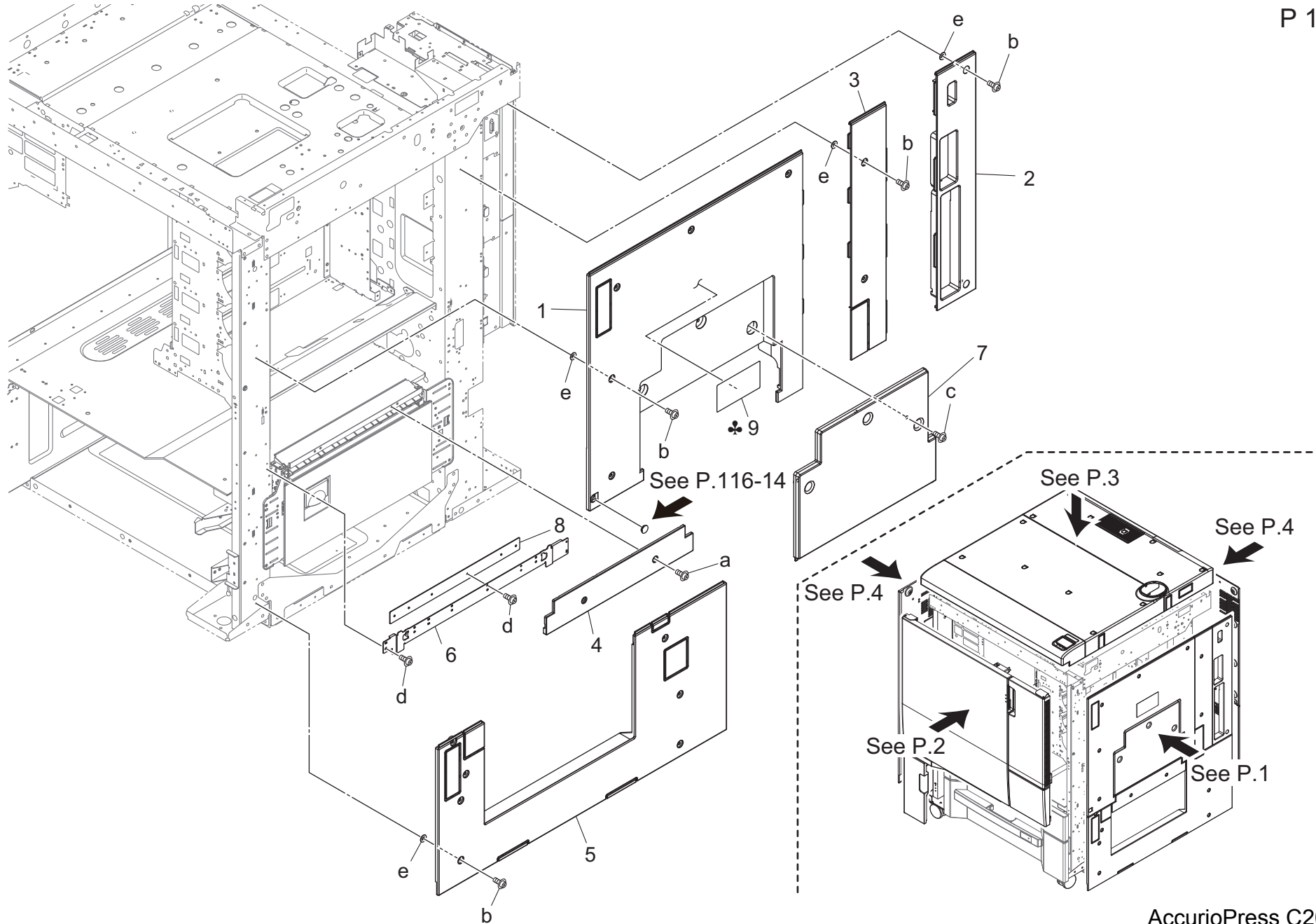
Parts No.	Page No.	Parts No.	Page No.	Parts No.	Page No.	Parts No.	Page No.	Parts No.	Page No.
A50U943600	95-29	A50UF41500	24-16	A50UN12000	30-19	A50UN17900	86-45	A50UR70115	30-16
A50U943700	46-34	A50UF50700	7-26	A50UN12101	24-18	A50UN18100	88-41	A50UR70244	20-10
A50U943800	94-34	A50UF70800	76-15	A50UN12203	28-12	A50UN18201	83-30	A50UR70244	20-10
A50U943900	91-26	A50UF70900	76-16	A50UN12401	48-15	A50UN18401	95-32	A50UR70244	21-10
A50U944000	89-16	A50UF80404	93-19	A50UN12500	50-26	A50UN18700	78-23	A50UR70244	21-10
A50U944200	78-19	A50UF80500	92-18	A50UN12602	5-35	A50UN18801	81-33	A50UR70244	22-10
A50U944301	5-31	A50UF81401	83-28	A50UN12702	113-1	A50UN18900	83-31	A50UR70244	22-10
A50U944500	25-15	A50UF82200	81-29	A50UN12900	107-9	A50UN20001	38-11	A50UR70244	23-10
A50U944600	25-16	A50UF83702	79-12	A50UN13201	35-25	A50UN23200	107-11	A50UR70244	23-10
A50U944700	25-17	A50UF84100	89-17	A50UN13203	35-25	A50UN23300	107-12	A50UR70311	18-1
A50U944800	25-18	A50UF84800	90-23	A50UN13600	10-24	A50UN23400	107-13	A50UR70500	55-4
A50U944900	2-31	A50UM15300	7-28	A50UN14001	63-22	A50UN23500	107-14	A50UR70633	32-1
A50U945300	58-34	A50UM15300	100-17	A50UN14100	59-22	A50UN23600	107-15	A50UR70A12	11-29
A50U945300	62-40	A50UM15401	11-30	A50UN14201	65-30	A50UN23700	107-16	A50UR70B00	55-8
A50U945601	50-23	A50UM30101	51-18	A50UN14201	68-30	A50UN23800	107-17	A50UR70D01	99-31
A50U945700	56-15	A50UM30101	52-18	A50UN14400	77-29	A50UN23900	107-18	A50UR70E11	41-9
A50U945700	60-16	A50UM30101	53-18	A50UN15001	81-30	A50UN24100	107-19	A50UR70F00	44-20
A50U946000	57-23	A50UM30101	54-22	A50UN15101	108-17	A50UN24200	107-20	A50UR70G01	78-20
A50U946300	58-35	A50UM32A00	42-22	A50UN15201	101-34	A50UN24300	107-21	A50UR70H00	12-14
A50U946300	62-41	A50UM32E00	42-22	A50UN15301	100-18	A50UN24400	108-18	A50UR70K11	37-16
A50U946400	59-21	A50UM32F00	42-22	A50UN15400	8-31	A50UN24501	34-33	A50UR70Q00	75-10
A50U946400	63-21	A50UM40100	107-8	A50UN15500	78-22	A50UN24600	108-19	A50UR70R00	48-14
A50U946501	2-32	A50UM40201	108-16	A50UN15601	81-31	A50UN24701	34-34	A50UR70S11	70-12
A50U948001	48-11	A50UM45200	106-6	A50UN15800	97-23	A50UN24800	108-20	A50UR70V00	29-9
A50U949600	5-32	A50UM50100	38-9	A50UN15900	88-40	A50UN24901	34-35	A50UR70W11	29-10
A50U949600	39-34	A50UM50200	38-10	A50UN16000	84-14	A50UN25000	108-21	A50UR70Y11	31-21
A50U949600	48-12	A50UM50600	44-21	A50UN16101	84-15	A50UN25200	108-22	A50UR71100	29-11
A50U949700	48-13	A50UM51000	8-30	A50UN16300	90-24	A50UN25300	108-23	A50UR71200	31-22
A50U949700	49-10	A50UM51000	24-17	A50UN16400	90-25	A50UN25400	81-34	A50UR71300	26-1
A50U949700	50-24	A50UM51000	30-17	A50UN16500	83-29	A50UN25500	108-24	A50UR71400	26-1
A50UF12000	5-33	A50UM51000	77-28	A50UN16600	98-14	A50UN25600	81-35	A50UR71500	26-1
A50UF16000	2-33	A50UM51000	103-3	A50UN16700	98-15	A50UN27002	12-15	A50UR71711	38-8
A50UF16101	2-34	A50UM55111	98-13	A50UN16800	98-16	A50UN29012	15-20	A50UR71C22	97-22
A50UF16201	2-35	A50UM60300	5-34	A50UN16900	84-16	A50UN29101	15-21	A50UR71G00	105-15
A50UF16301	2-36	A50UN10101	111-1	A50UN17100	92-20	A50UN29201	110-9	A50UR71H00	105-15
A50UF16400	2-37	A50UN10903	39-35	A50UN17200	81-32	A50UPJG100	115-9	A50UR71J00	105-15
A50UF21100	72-11	A50UN11011	44-23	A50UN17400	107-10	A50UPJG200	115-10	A50UR71K00	72-10
A50UF21100	73-11	A50UN11501	107-23	A50UN17502	96-13	A50UPJG300	115-8	A50UR71K00	73-10
A50UF21100	74-11	A50UN11701	105-16	A50UN17601	95-31	A50UPP0100	115-1	A50UR71K00	74-10
A50UF36500	29-12	A50UN11801	30-18	A50UN17700	93-20	A50UR70115	30-16	A50UR71M00	75-11

Parts No.	Page No.	Parts No.	Page No.	Parts No.	Page No.	Parts No.	Page No.	Parts No.	Page No.
A50UR71P22	32-2	A57P160202	3-8	A85C877200	89-18	A85CM10200	74-13	A85CN19900	116-13
A50UR71Q00	55-5	A5AW510400	104-8	A85C895300	104-9	A85CM31A00	45-37	A85CN21300	103-8
A50UR71R11	55-6	A5AWM15101	7-29	A85C895400	104-10	A85CM31E00	45-37	A85CN21400	103-9
A50UR71S11	55-7	A5AWM15101	102-2	A85C895500	101-35	A85CM31F00	45-37	A85CN21600	102-7
A50UR71U01	13-11	A5AWP00100	115-2	A85C895800	104-11	A85CM40100	103-7	A85CN21700	103-10
A50UR71V01	13-12	A65U186600	102-3	A85C895900	104-12	A85CM55500	33-14	A85CN26500	17-9
A50UR71W01	13-13	A799H04001	14-28	A85C896000	102-4	A85CM55500	40-32	A85CN27400	109-18
A50UR71X00	7-24	A799M45300	106-7	A85C896300	104-13	A85CM55500	50-27	A85CR70100	39-38
A50UR71Y00	7-25	A799R90400	110-15	A85C896400	104-14	A85CM55500	57-24	A85CR70200	39-38
A50UR72100	34-32	A7PU941701	4-10	A85C896501	103-23	A85CM55500	59-23	A85CR70300	39-38
A50UR72200	93-18	A85C102000	10-25	A85C896600	103-24	A85CM55500	61-28	A85CR70400	108-25
A50UR72400	88-37	A85C108100	106-8	A85C896800	104-15	A85CM55500	65-31	A85CR70A00	14-1
A50UR72500	88-38	A85C130700	110-10	A85C896900	104-16	A85CM55500	68-31	A85CR70C00	72-13
A50UR72600	86-44	A85C136200	110-11	A85C897201	104-17	A85CM55500	72-15	A85CR70F00	17-8
A50UR72600	88-39	A85C137100	109-16	A85C897300	104-18	A85CM55500	73-14	A85CR70G00	64-23
A50UR72711	95-30	A85C163000	4-11	A85C897400	103-4	A85CM55500	74-14	A85CR70G00	67-23
A50UR72811	94-35	A85C213100	75-13	A85C897700	104-19	A85CM55500	77-30	A85CR70J00	76-19
A50UR72C00	80-35	A85C409600	25-3	A85C897800	104-20	A85CM55500	80-36	A85CR70K11	46-42
A50UR72E00	82-36	A85C526201	80-7	A85C897900	103-5	A85CM55500	83-32	A85CR70M00	45-36
A50UR72F00	83-25	A85C635200	66-21	A85C898000	102-5	A85CM55500	84-17	A85CR70N11	100-19
A50UR72G00	83-26	A85C635200	69-21	A85C898100	103-25	A85CM55500	86-46	A85CR70P22	32-3
A50UR72H00	83-27	A85C635300	66-22	A85C898200	103-26	A85CM55500	88-42	A85CR70R11	32-4
A50UR72J00	7-27	A85C635300	69-22	A85C898300	103-27	A85CM55500	92-21	A85CR70S00	26-1
A50UR72K00	50-25	A85C635400	65-15	A85C898701	103-21	A85CM55500	94-36	A85CR70U00	105-15
A50UR72R00	92-19	A85C635400	68-15	A85C898800	103-22	A85CM55500	95-33	A85D947001	78-24
A50UR72S00	78-21	A85C723600	45-35	A85C898900	102-6	A85CM55500	101-36	A85DH01100	110-12
A50UR72U11	46-35	A85C727500	46-36	A85C899000	104-21	A85CM55600	101-37	A8AK100401	102-8
A50UR72V00	26-2	A85C727700	46-37	A85C899100	104-22	A85CM90400	110-14	A8AK101201	103-19
A50UR72X01	72-12	A85C741600	41-12	A85C942100	103-6	A85CN10202	112-1	A8AK101502	103-17
A50UR72X01	73-12	A85C741900	43-21	A85C942200	116-5	A85CN10302	113-2	A8AK101700	103-11
A50UR72X01	74-12	A85C742500	39-36	A85C942300	4-12	A85CN10400	112-2	A8AK103200	104-23
A50UR72X01	75-12	A85C757801	46-38	A85C945900	1-9	A85CN10502	114-1	A8AK103502	104-24
A50UR72Y00	41-10	A85C758001	46-39	A85CF62100	60-17	A85CN10601	44-26	A8AK103601	104-25
A50UR73100	76-17	A85C758100	46-40	A85CF63101	56-16	A85CN10700	40-33	A8AK103702	104-26
A50UR73D11	47-31	A85C758300	39-37	A85CH02002	110-13	A85CN10A01	109-17	A8AK104100	104-27
A50UR73F00	108-15	A85C758400	43-22	A85CH03003	107-22	A85CN10F00	111-1	A8AK106101	100-20
A50UR73J00	36-25	A85C764100	46-41	A85CH05000	81-36	A85CN11F00	106-9	A8AK106200	100-21
A50UR73K00	36-26	A85C789200	44-24	A85CM10100	75-14	A85CN12800	7-30	A8AK106300	100-22
A55C712000	76-18	A85C789300	44-25	A85CM10200	72-14	A85CN19000	72-16	A8AK106400	100-23
A57P160100	3-7	A85C877100	96-14	A85CM10200	73-13	A85CN19100	75-15	A8AK106800	100-24

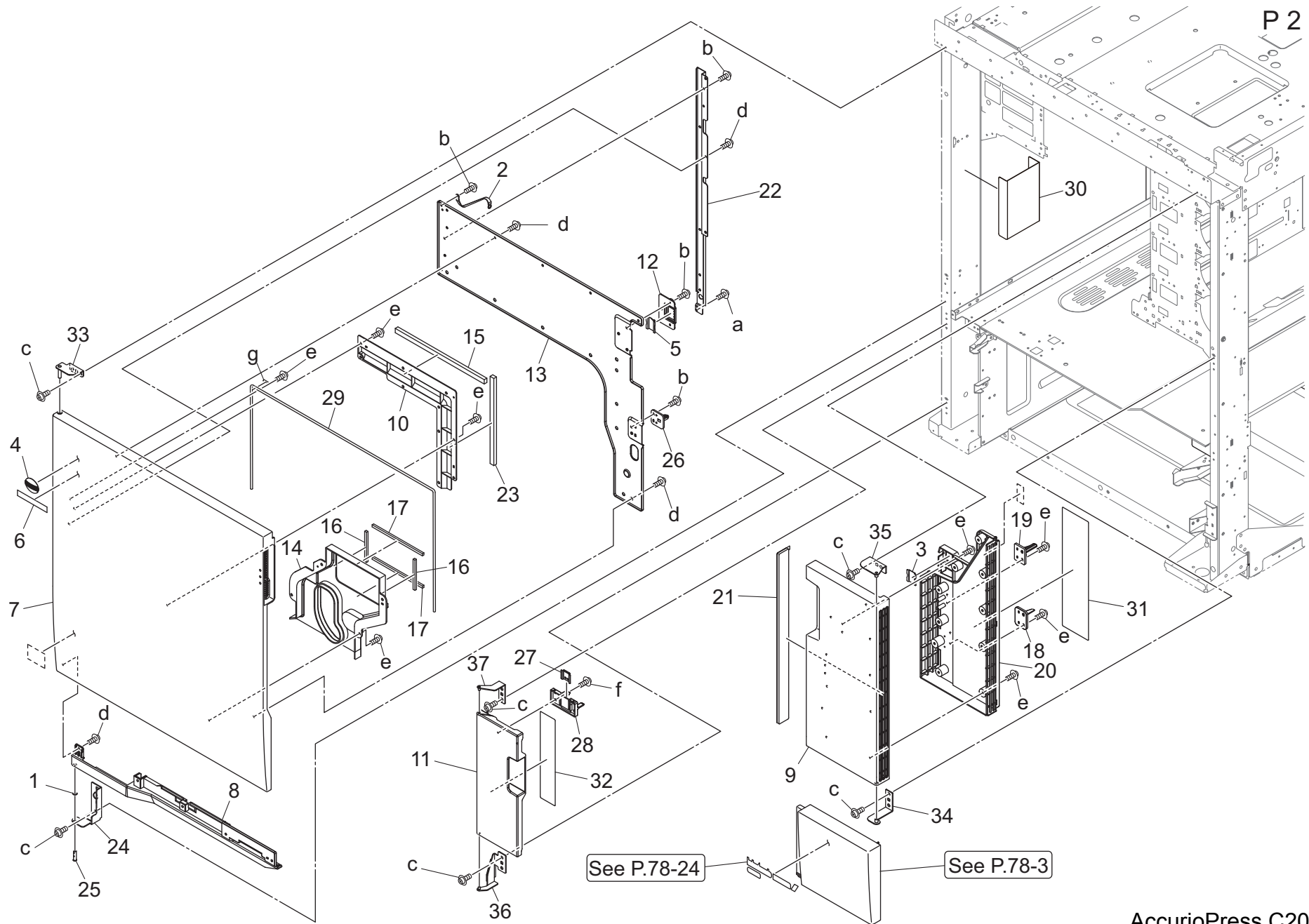
Parts No.	Page No.
A8AK107100	103-12
A8AK107200	100-25
A8AK108001	104-28
A8AK108100	104-29
A8AK108200	104-30
A8AK108302	104-31
A8AK108400	104-32
A8AK108500	104-33
A8AK162701	100-26
A8AK941001	116-6
A8AK941200	116-7
A8AK941300	104-34
A8AKN10501	104-36
A8AKR70500	104-35
A8AW106900	103-13
A8AW160401	103-20
A8AW161911	100-27
A8AW162401	103-14
A8AW162500	103-18
A8AW162600	103-15
A8AW941001	103-16
A9VE715700	99-22
A9VE866100	94-37
A9VE866200	94-23
A9VE867900	94-8
A9VE942600	4-1
A9VE942700	48-16
A9VE949000	46-9
SP00-0210	44-22
SP00-0220	41-11
V114040604	116-8
V118045503	8-4
V121030604	116-9
V127030516	116-10
V127030604	116-11
V502010033	40-34
V502010033	106-10
V590040002	116-12

External Parts Section

P 1



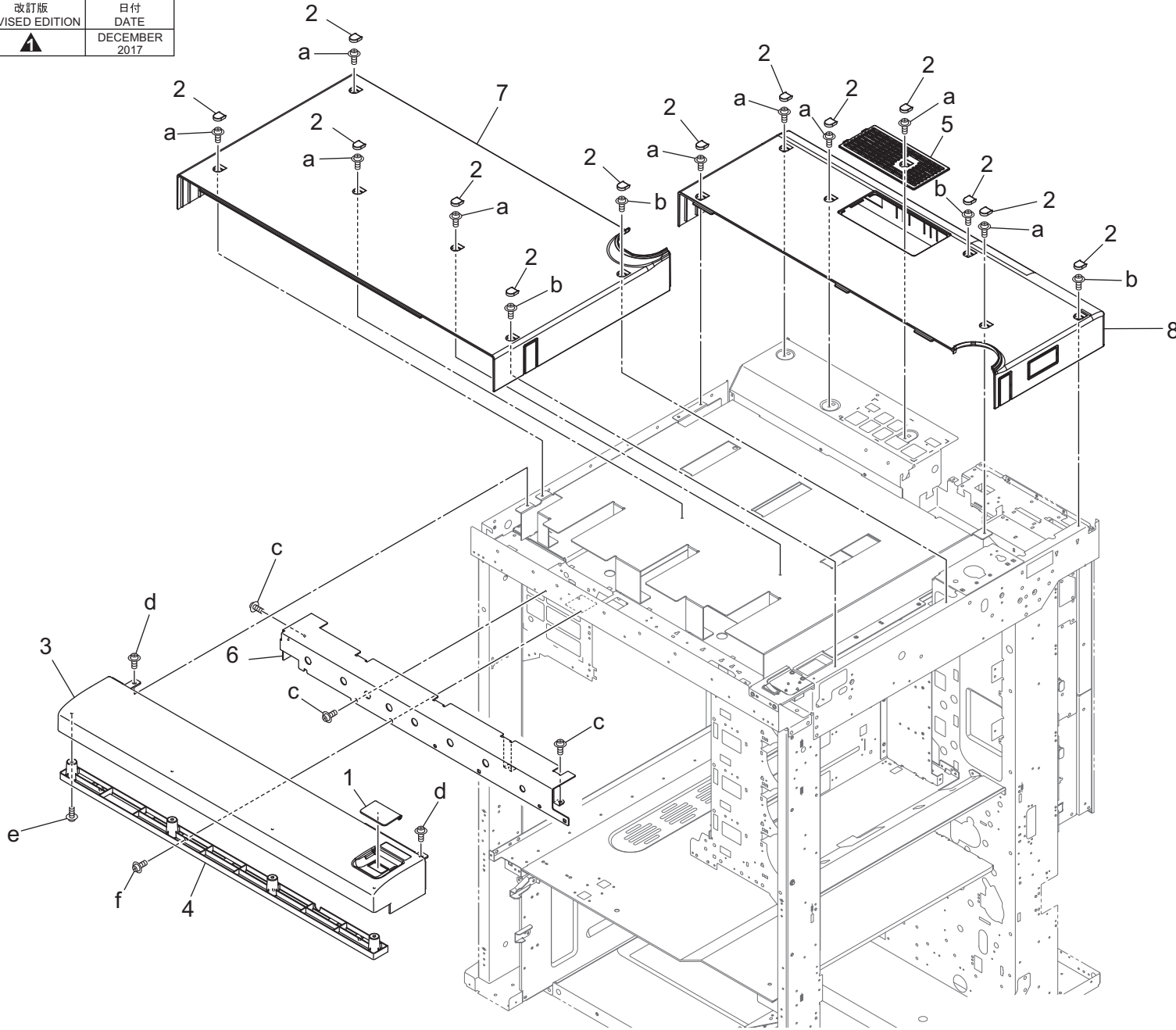
External Parts Section



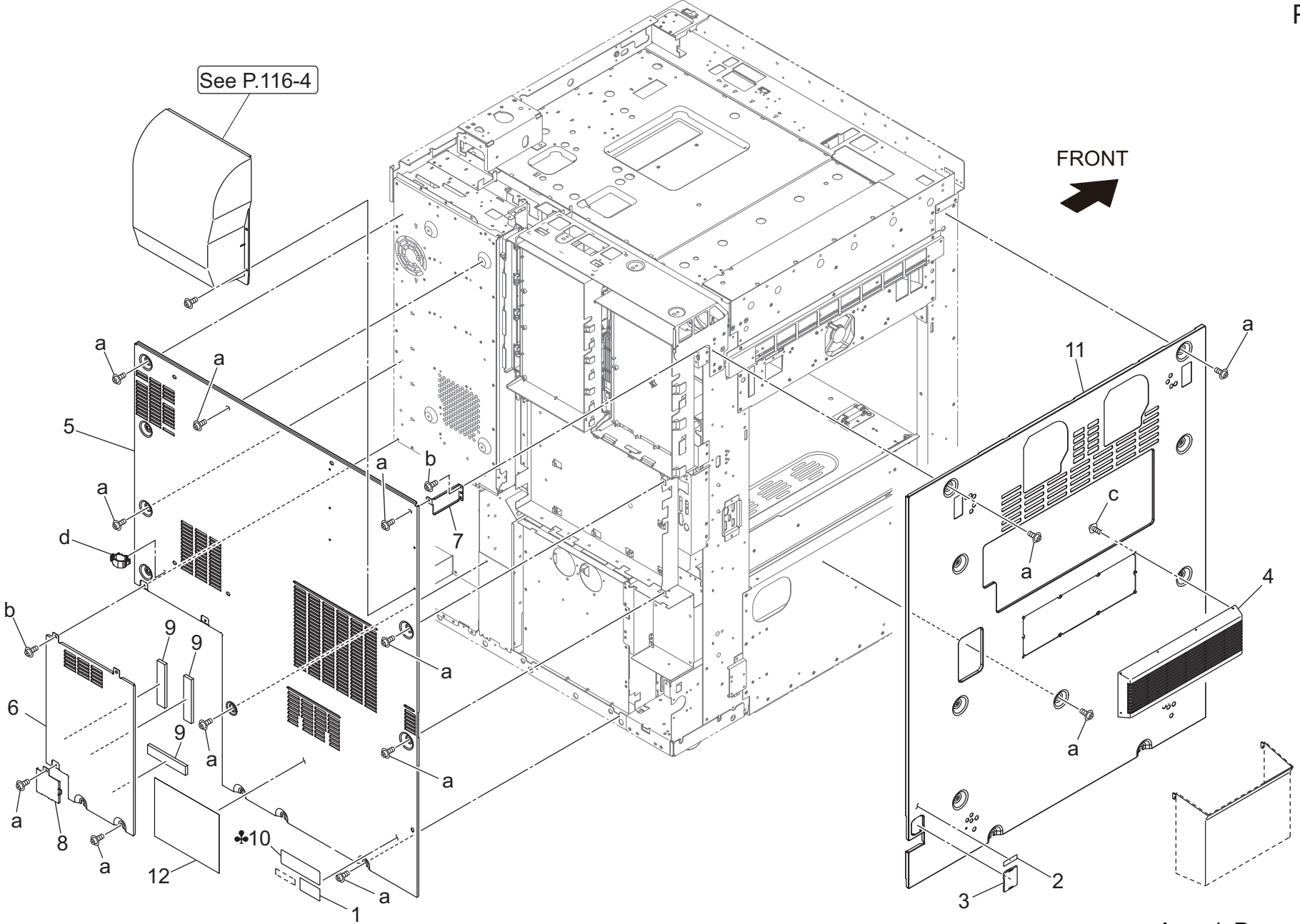
Key	Part No.	Description	Destinations	Class	QTY	Standard parts
1	40AA30270	DEVELOPING SPACER		C	1	a-V126030603
2	55VA90840	MAIN EARTH WIRE		D	1	b-V127030604
3	56AA12241	EXTERNAL LOCK PLATE		D	1	c-V127040603
4	A03U168500	Indicating Plate		C	1	d-V158030803
5	A03U169900	LOCK PLATE		D	1	e-V158030804
6	A1RF942900	Indicating Plate		D	1	f-V158031003
7	A50U160101	Door /Front		D	1	g-V234201450
8	A50U160200	Door /Lower		D	1	
9	A50U160303	Toner supply Door		D	1	
10	A50U160500	Fixing Plate		D	1	
11	A50U160600	Collection Door		D	1	
12	A50U160900	Holding Part		D	1	
13	A50U161501	Reinforce Door /Right		D	1	
14	A50U161601	Cover Duct /Front		D	1	
15	A50U161700	Sealing Cushion /1		D	1	
16	A50U161800	Sealing Cushion /Right		D	2	
17	A50U161900	Sealing Cushion /Left		D	2	
18	A50U164100	Detecting Actuator		D	1	
19	A50U164200	Detecting Part		D	1	
20	A50U164801	Toner supply Duct		D	1	
21	A50U164901	Suction Dust-proof Filter		B	1	
22	A50U165500	Reinforce Hinge		D	1	
23	A50U165600	Sealing Cushion /2		D	1	
24	A50U166100	Hinge /Lower		D	1	
25	A50U166200	Support Shaft /Lower		D	1	
26	A50U167201	Lock Cover		D	1	
27	A50U167500	Lock Plate		D	1	
28	A50U167601	Detecting Part		D	1	
29	A50U169900	Reinforce Wire		D	1	
30	A50U863100	Sheet		D	1	
31	A50U944900	Toner supply Label		D	1	
32	A50U946501	Operation Label /A		D	1	
33	A50UF16000	Left Door Support Plate / Upper Caulking		D	1	
34	A50UF16101	Right Door Support Plate / Lower Caulkin		D	1	
35	A50UF16201	Right Door Support Plate / Upper Caulkin		D	1	
36	A50UF16301	Collection Box Door Support Plate / L		D	1	
37	A50UF16400	Collection Box Door Support Plate / Upper		D	1	

External Parts Section

改訂版 REVISED EDITION	日付 DATE
	DECEMBER 2017

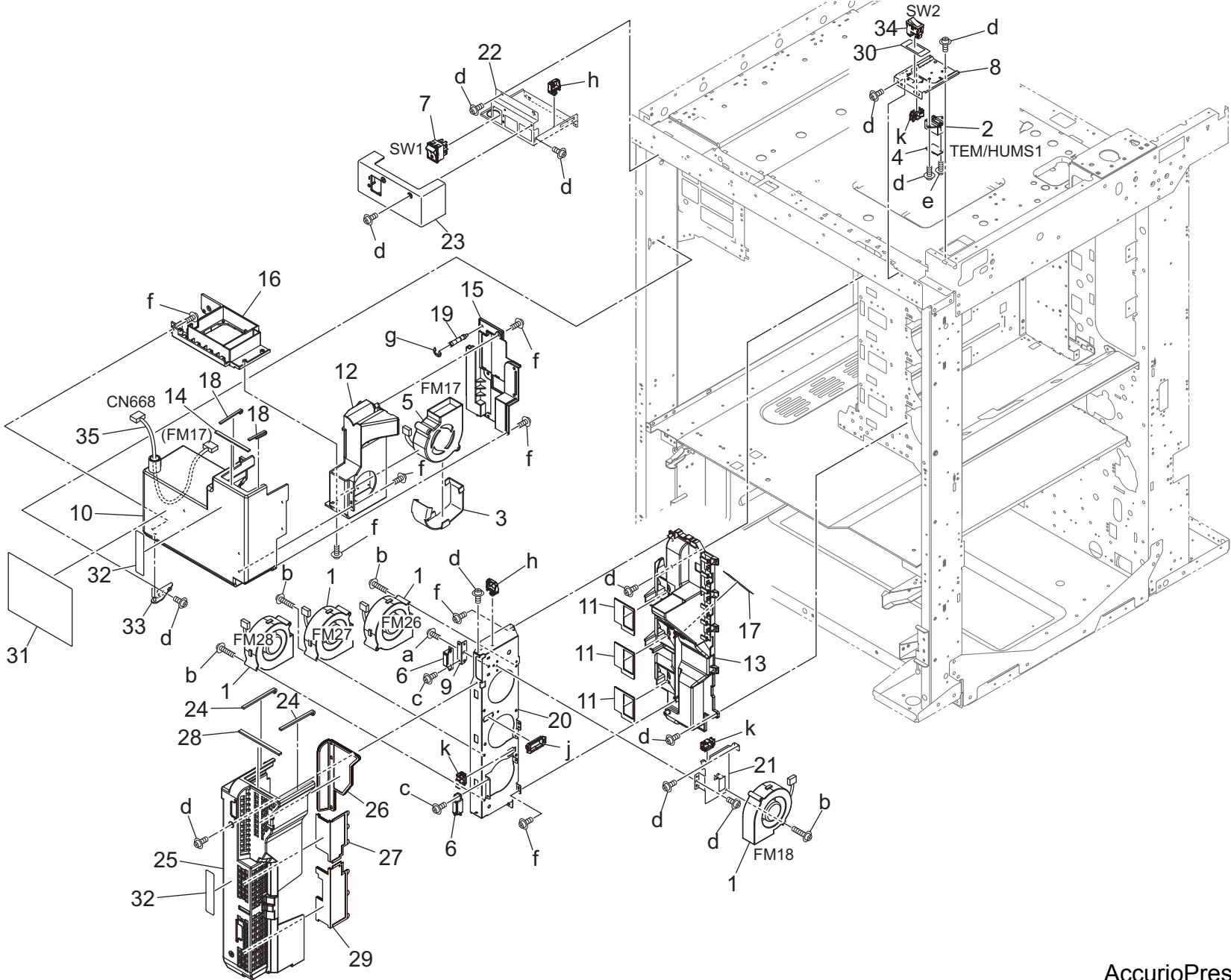


External Parts Section



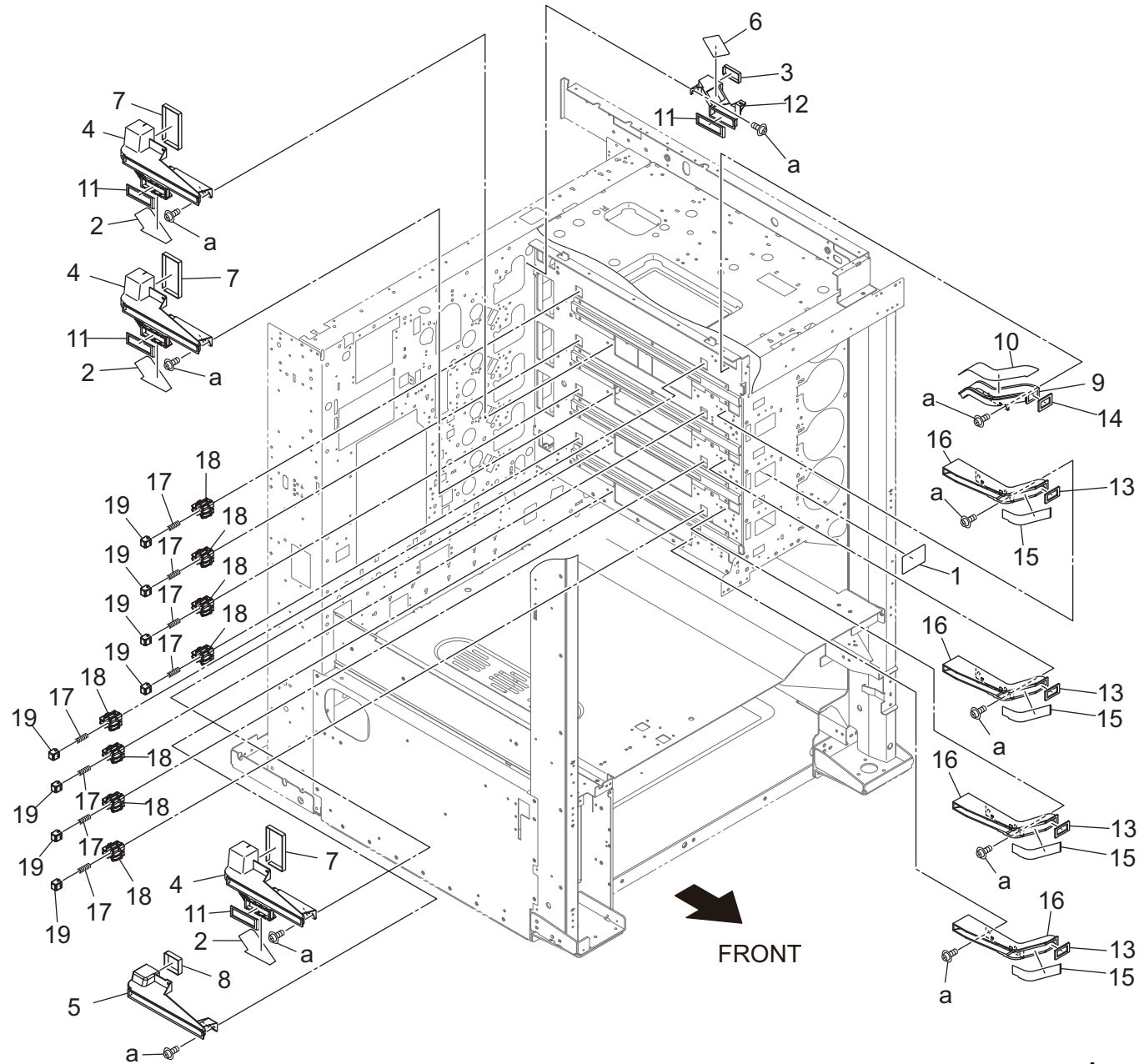
AccurioPress C2070P

Main Frame Section



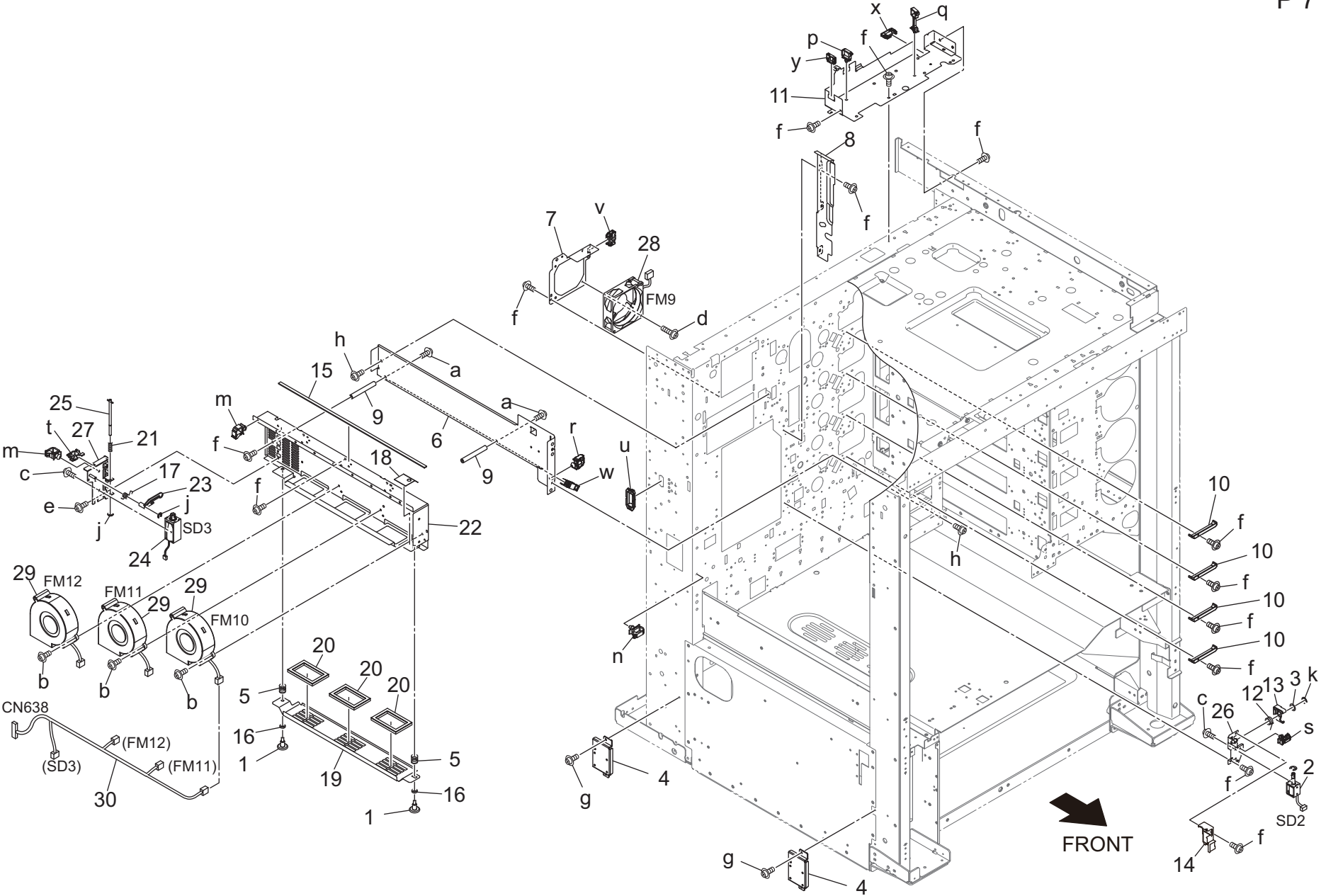
Key	Part No.	Description	Destinations	Class	QTY	Standard parts
1	9313100072	FAN MOTOR		C	4	a-V116030803
2	65AA11300	SUPPORT PART		D	1	b-V118033503
3	65AA11430	FAN SEALING PART 3		C	1	c-V126030603
4	A034M50000	Humidity sensor		C	1	d-V127030604
5	A03UM15802	Main body Cooling Fan		C	1	e-V151030803
6	A0G6411200	Magnet /X		D	2	f-V158030803
7	A4EUM60000	Power source Switch		C	1	g-V217060050
8	A50U102900	Mounting Plate		D	1	h-V500020098
9	A50U120600	Fixing Plate		D	1	j-V570010037
10	A50U121003	Duct		D	1	k-V570010056
11	A50U121300	Cooling Seal /Front		D	3	
12	A50U121601	Duct		D	1	
13	A50U122103	Cooling Duct		D	1	
14	A50U123700	Cooling Seal /B		D	1	
15	A50U123800	Cover		D	1	
16	A50U124100	Duct		D	1	
17	A50U124900	Cover Sheet		D	1	
18	A50U125200	Cooling Seal /A		D	2	
19	A50U125901	Fixing Screw		D	1	
20	A50U126500	Mounting Plate		D	1	
21	A50U126600	Mounting Plate		D	1	
22	A50U127400	Mounting Plate		D	1	
23	A50U127901	Cover		D	1	
24	A50U164000	Cooling Seal /1		D	2	
25	A50U167901	Cooling Cover		D	1	
26	A50U168801	PH Dust-proof Filter		B	1	
27	A50U168901	Deve. Dust-proof Filter/1		B	1	
28	A50U169300	Cooling Seal /2		D	1	
29	A50U169501	Deve. Dust-proof Filter/2		B	1	
30	A50U179500	Protection Sheet		D	1	
31	A50U944301	Processing Label /2		D	1	
32	A50U949600	Replacement Label		D	2	
33	A50UF12000	Fusing Front Cooling Duct Support Shaft		D	1	
34	A50UM60300	Power source Switch		C	1	
35	A50UN12602	Cooling Relay harness /1		D	1	

Main Frame Section



Key	Part No.	Description	Destinations	Class	QTY	Standard parts
1	A50U109100	Writing Cover		D	1	a-V127030604
2	A50U123200	Ozone Cover		D	3	
3	A50U123300	Suction Seal		D	1	
4	A50U123400	Duct /Cyan		D	3	
5	A50U123500	Duct		D	1	
6	A50U123600	Suction Cover		D	1	
7	A50U123900	Suction Seal		D	3	
8	A50U124000	Suction Seal		D	1	
9	A50U126200	Duct		D	1	
10	A50U126800	Sheet /1		D	1	
11	A50U127200	Suction Seal /Rear		D	4	
12	A50U127300	Suction Duct		D	1	
13	A50U127500	Seal		D	4	
14	A50U127800	Seal		D	1	
15	A50U128000	Sheet /2		D	4	
16	A50U128700	Duct /1		D	4	
17	A50U341800	Pressing Spring /D		D	8	
18	A50U342200	Pressing Pedestal		D	8	
19	A50U342400	Charge Pressing Block		D	8	


Main Frame Section

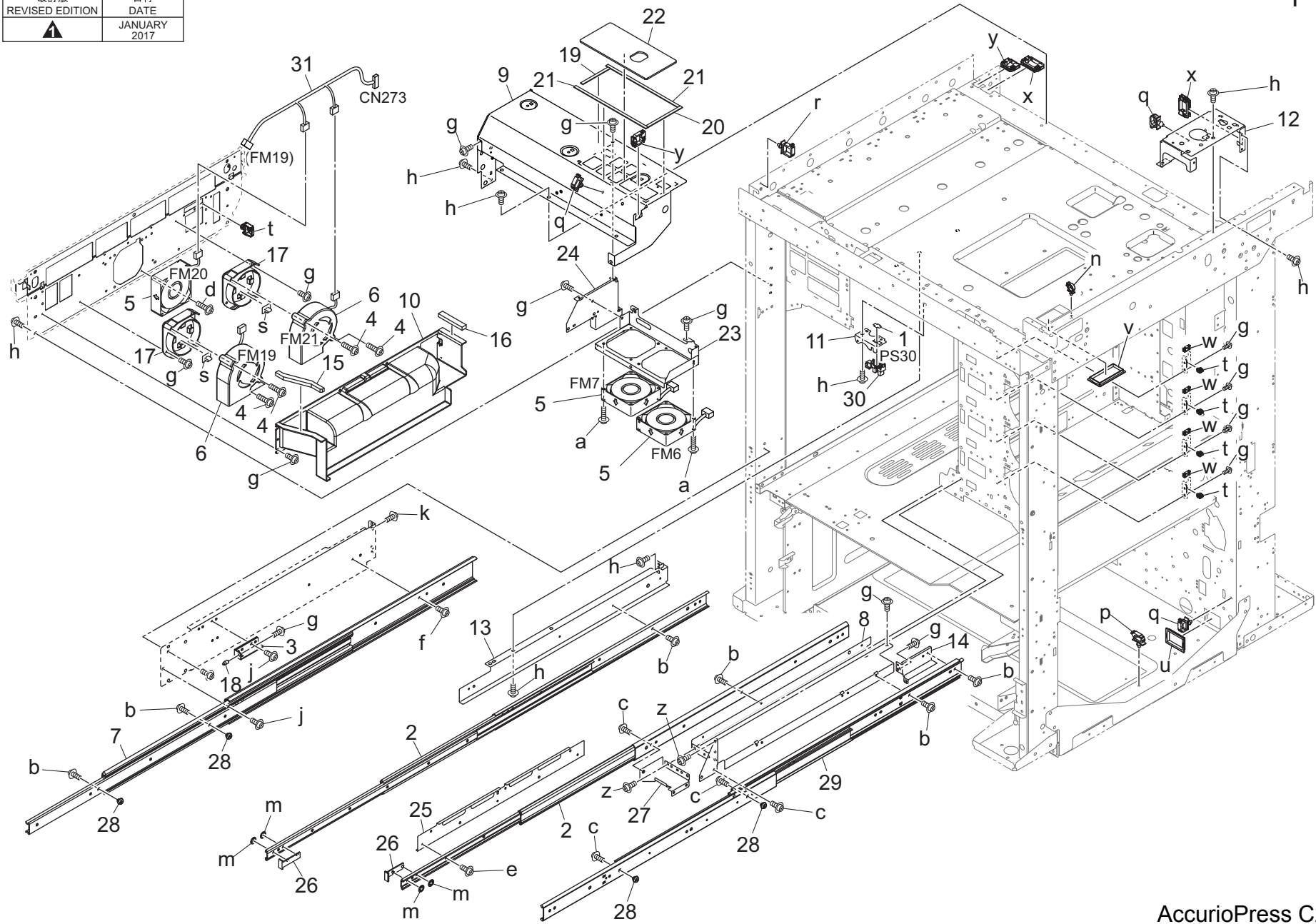


AccurioPress C2070P

Key	Part No.	Description	Destinations	Class	QTY	Standard parts
1	4038351102	SHOULDER SCREW		C	2	a-V116030803
2	26NA82513	Paper Feed Solenoid		B	1	b-V116031003
3	40AA32320	Toner Supply Spacer		C	1	c-V118030303
4	A1DU111101	Connecting Plate /F		D	2	d-V118033003
5	A1DU764000	Spring		D	2	e-V121030403 f-V127030604
6	A50U102800	Mounting Stay /Middle		D	1	g-V127040603
7	A50U103602	Mounting Plate /Rear		D	1	h-V146040804
8	A50U104901	Inner partition		D	1	j-V217030001
9	A50U106800	Mounting Shaft /Inside		D	2	k-V217040050
10	A50U108900	Receiving Part /1		D	4	m-V500010074 n-V500010082
11	A50U133201	Mounting Plate /Upper		D	1	p-V500010084
12	A50U508301	Solenoid Release Spring		D	1	q-V500020085
13	A50U509300	Separating Cam		D	1	r-V500020098
14	A50U510400	Cover		D	1	s-V500020099
15	A50U731700	Insulating Seal /1		D	1	t-V570010025 u-V570010037
16	A50U731900	Lifting Spacer /1		D	2	v-V570010056
17	A50U737201	Holding Spring /A		D	1	w-V570010057
18	A50U737800	Protection Sheet /1		D	1	x-V570010059
19	A50U738001	Shutter		D	1	y-V570010060
20	A50U738100	Cushion		D	3	
21	A50U738900	Holding Spring /B		D	1	
22	A50U739000	Mounting Plate		D	1	
23	A50U739400	Open/close Arm /1		D	1	
24	A50UR71X00	Shutter Solenoid Pin Insert		C	1	
25	A50UR71Y00	Support Shaft / B Pin Insert		D	1	
26	A50UF50700	Mounting Stay Caulking		D	1	
27	A50UR72J00	Support Shaft Caulking		D	1	
28	A50UM15300	Fan motor /2		C	1	
29	A5AWM15101	Cooling Fan		B	3	
30	A85CN12800	Fixing Relay harness /2		D	1	

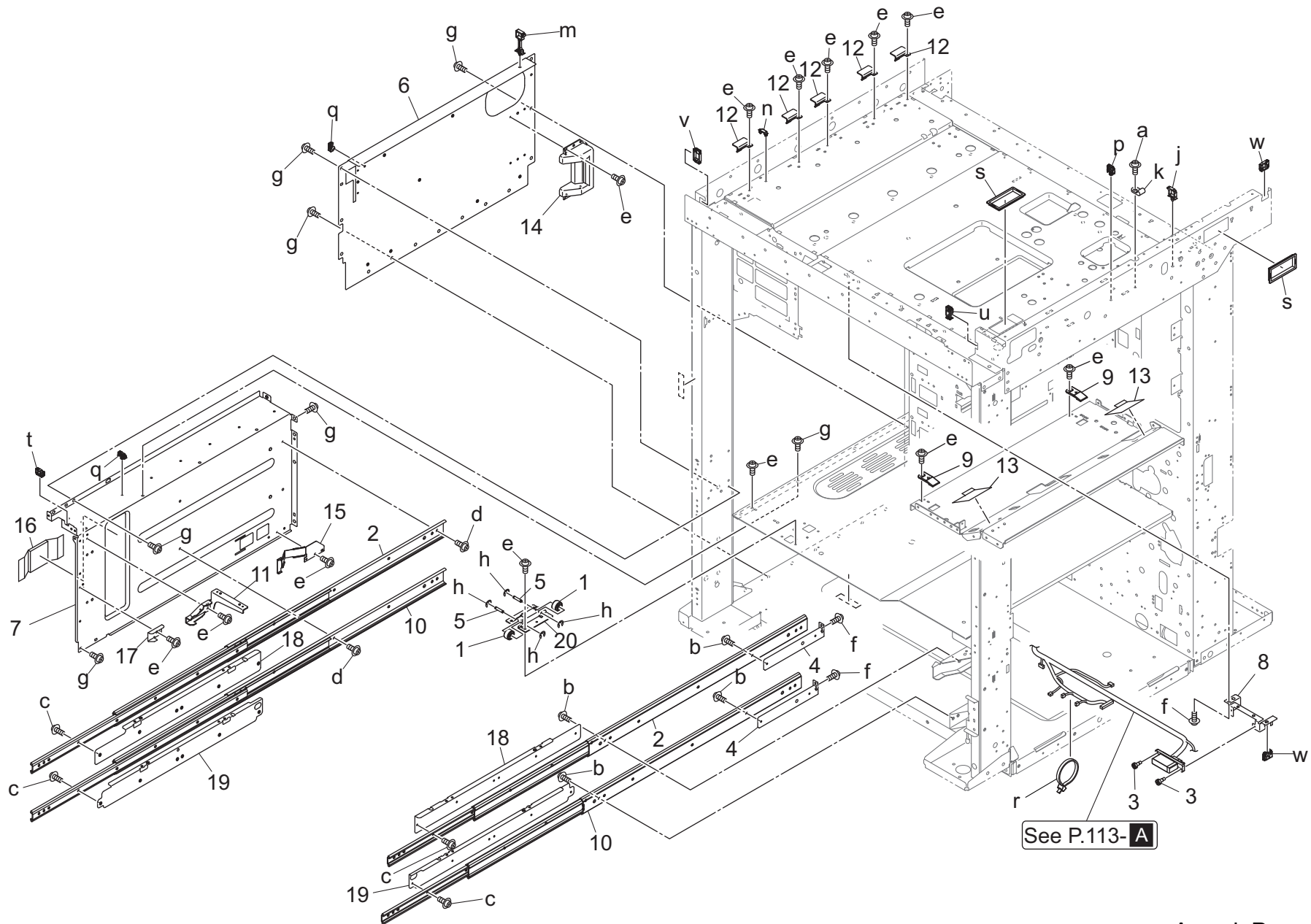
Main Frame Section

改訂版 REVISED EDITION	日付 DATE
	JANUARY 2017



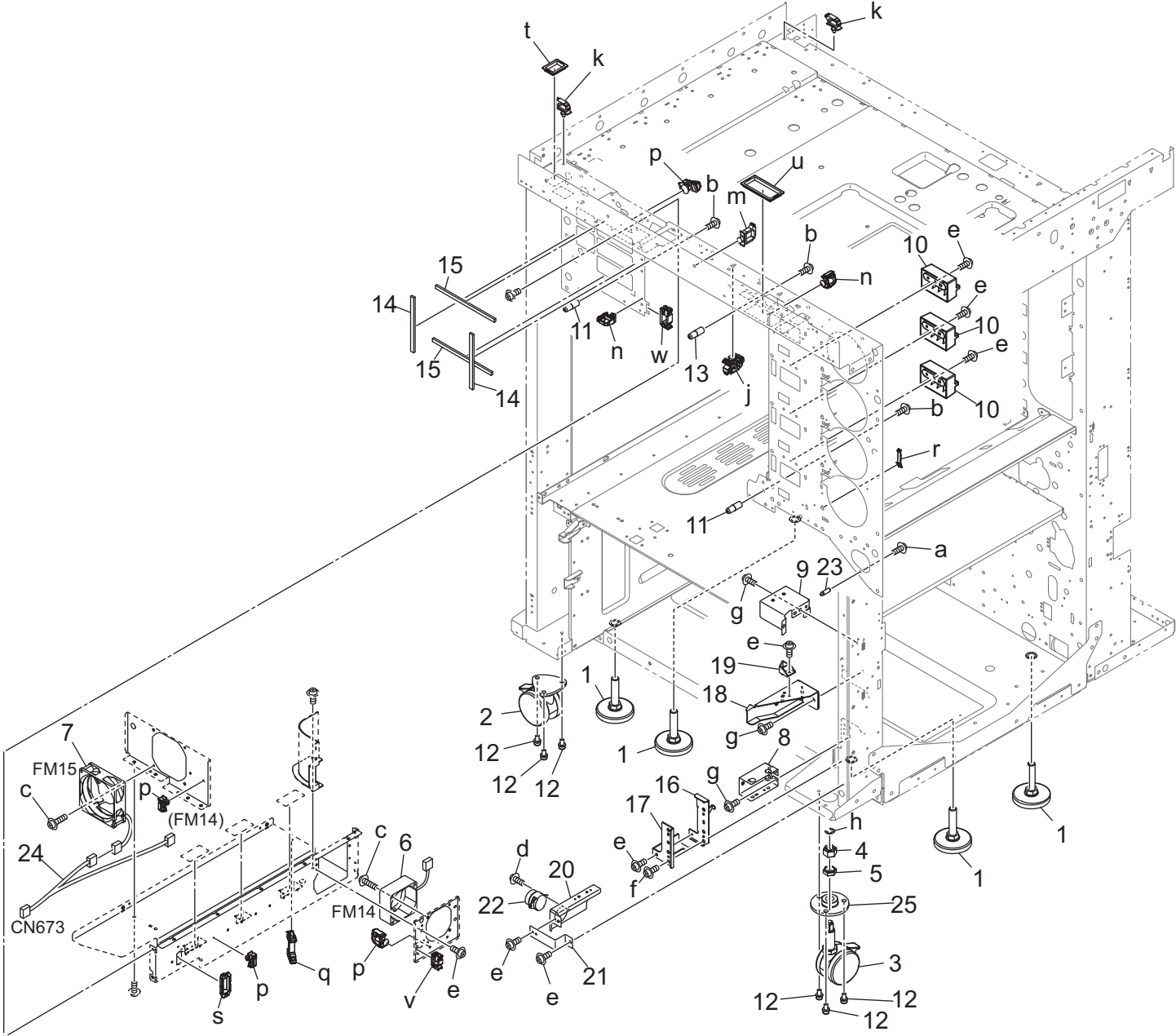
Key	Part No.	Description	Destinations	Class	QTY	Standard parts
1	4470402401	Stopper		D	1	a-V118033003
2	56AA10300	Slide Rail /A		C	2	b-V118040604
3	65AA50430	SHAFT MOUNTING PLATE LEFT		D	1	c-V118040804
4	V118045503	Screw		V	4	d-V118043003
5	9J03M10000	FAN MOTOR		B	3	e-V121030403
6	A03UM15802	Main body Cooling Fan		C	2	f-V126040603
7	A1RF815702	Slide Rail /Left		D	1	g-V127030604
8	A50U103200	Reinforce Rail		D	1	h-V127040603
9	A50U103402	Fixing Plate /Left rear		D	1	j-V127040803
10	A50U103500	Separating Duct		D	1	k-V146040804
11	A50U104700	Mounting Plate		D	1	m-V226040050
12	A50U105100	Support Plate /A		D	1	n-V500010076
13	A50U105201	Support Rail /Front		D	1	p-V500010081
14	A50U105600	Rail /Rear		D	1	q-V500010082
15	A50U107501	Sealing Part /Front		D	1	r-V500010083
16	A50U107600	Sealing Part /Rear		D	1	s-V500020050
17	A50U107800	Fan duct		D	2	t-V500020098
18	A50U109400	Guide Pin /Left		D	1	u-V570010039
19	A50U109600	Cooling Seal /2		D	1	v-V570010040
20	A50U109700	Cooling Seal /3		D	1	w-V570010057
21	A50U109800	Cooling Seal /4		D	2	x-V570010059
22	A50U109900	Electric Comp. Cooling Filter		B	1	y-V570010060
23	A50U120300	Fixing Plate		D	1	z-V121040803
24	A50U129200	Fixing Plate		D	1	
25	A50U340700	Mounting Rail		D	1	
26	A50U342900	Protection Cover		D	2	
27	A50U832100	Reinforce Rail /A		D	1	
28	A50U833000	Mounting Collar /1		C	4	
29	A50U881500	Slide Rail		D	1	
30	A50UM51000	Photointerrupter		C	1	
31	A50UN15400	Drive harness /F		D	1	

Main Frame Section



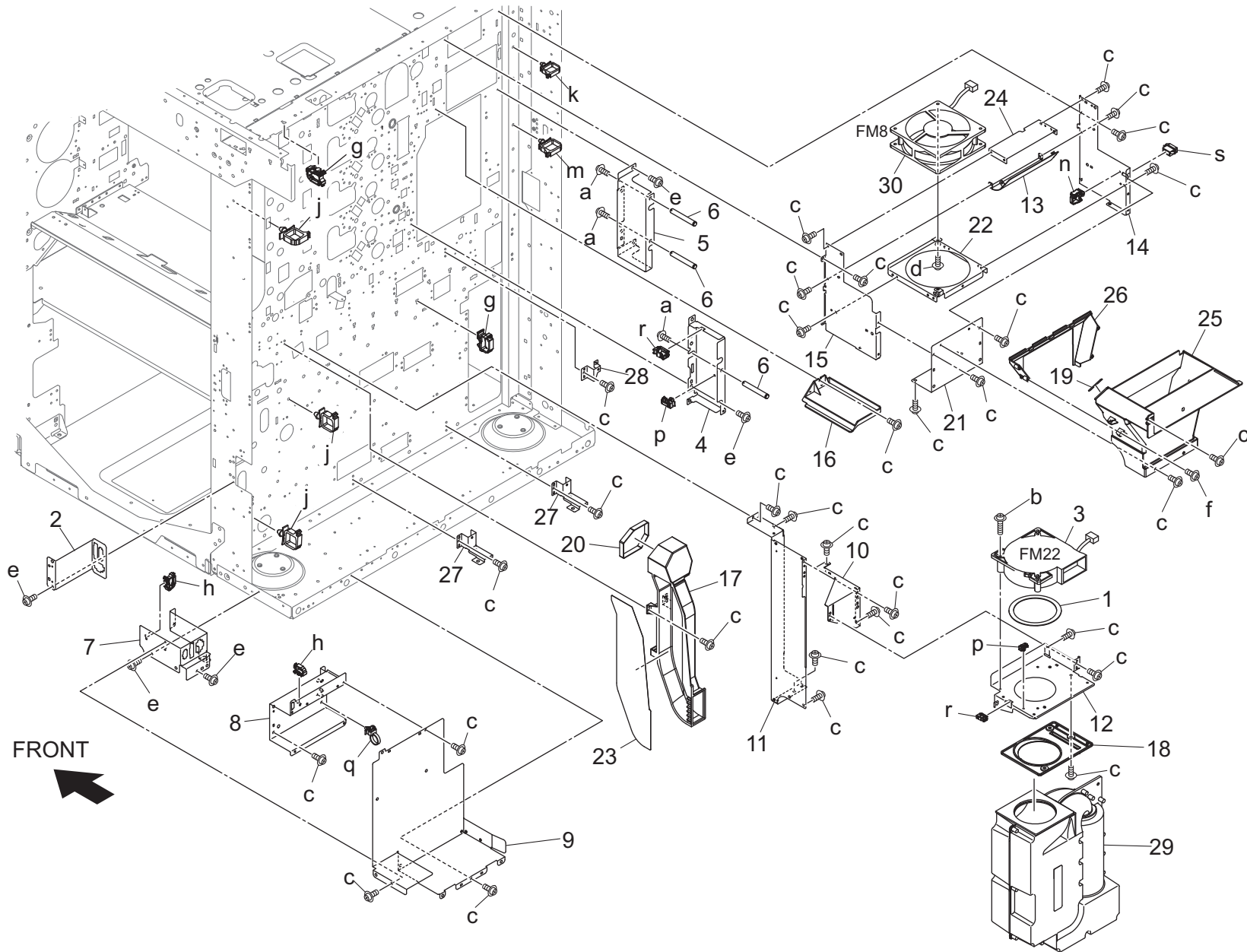
Key	Part No.	Description	Destinations	Class	QTY	Standard parts
1	13NG45200	Conveyance Driven Roller		C	2	a-V116030803
2	56AA10300	Slide Rail /A	スライドレール / A	C	2	b-V118040603
3	57AA15600	ELECTRIC MOUNTING SCREW	電装取り 付けネジ	C	2	c-V118040604
4	65AA10470	Mounting Plate /4	取り 付け板 /4	D	2	d-V126040603
5	65AA50400	Guide Shaft	案内軸	D	2	e-V127030604
6	A50U101600	Auxiliary Plate /Left	補助板 /左	D	1	f-V127040603
7	A50U102703	Protection Plate	保護板	D	1	g-V146040804
8	A50U104600	Mounting Plate /Front	取付板 /前	D	1	h-V217030001
9	A50U105800	Writing Guide /Front	書込みガイド /前	D	2	j-V500010083
10	A50U107000	Slide Rail /A	スライドレール / A	D	2	k-V500020069
11	A50U107101	Hold Plate /Front	保持板 /前	D	1	m-V500020085
12	A50U136501	Cover	カバー	D	5	n-V500020092
13	A50U314800	Receiving Sheet	受けシート	D	2	p-V500020098
14	A50U363900	Collection Guide	回収ガイド	D	1	q-V500020099
15	A50U366601	Regulating Plate	規制板	D	1	r-V501010002
16	A50U368000	Collection Seal /2	回収シール /2	D	1	s-V570010040
17	A50U624000	Lock Claw	ロック爪 (1 0 0 0 本体_左)	D	1	t-V570010056
18	A50U624503	Support Stay /2	支持ステー /2	D	2	u-V570010057
19	A50U624904	Support Stay /2	支持ステー /2	D	2	v-V570010059
20	A50U855200	Lifting Base frame	持ち上げ台板	D	1	w-V570010060

Main Frame Section



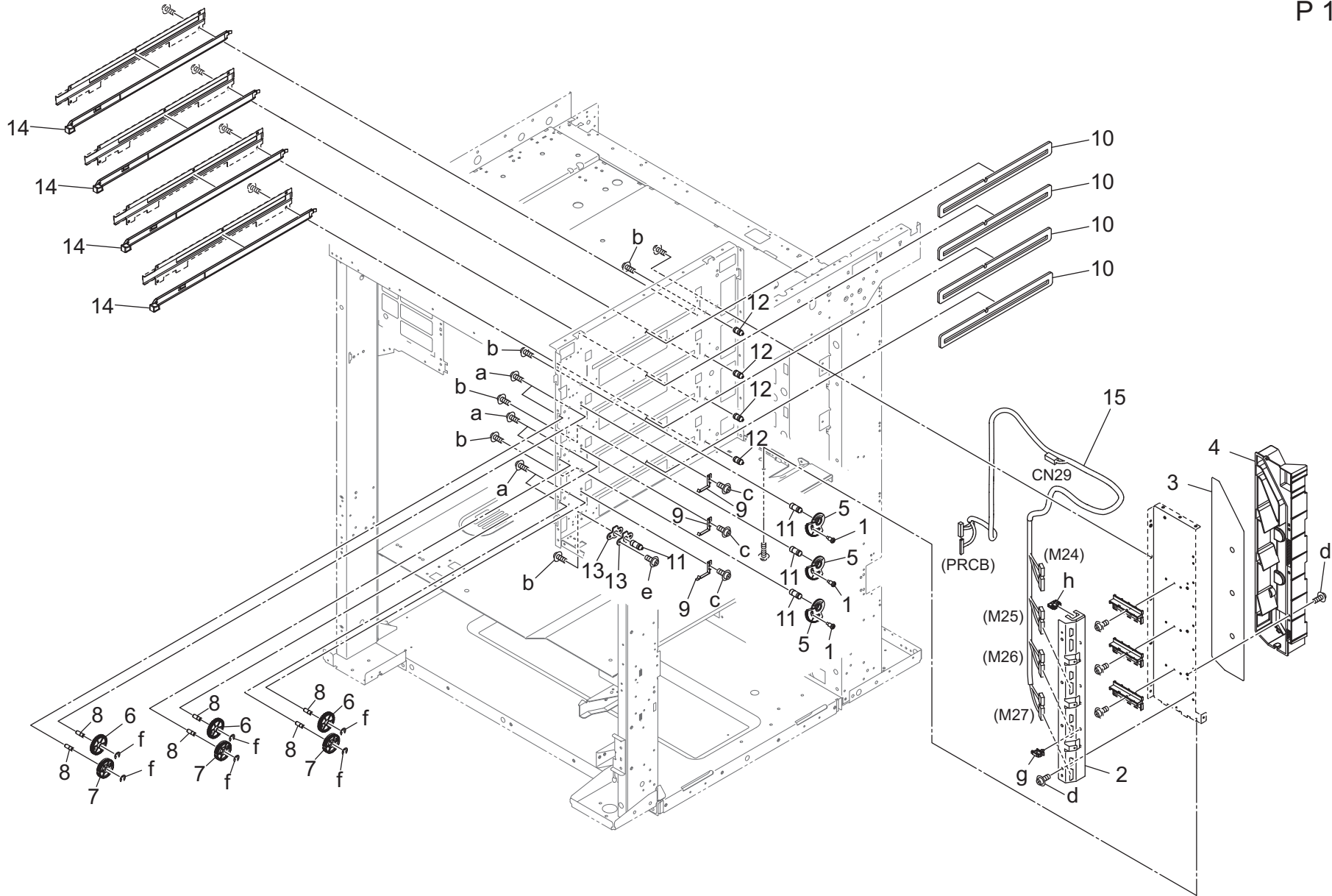
Key	Part No.	Description	Destinations	Class	QTY	Standard parts
1	25AA10090	Mainbody Fixing Stopper		C	4	a-V116030803
2	55WA10300	MAIN BODY SUPPORT ROLLER X		C	1	b-V116040803
3	55WA10310	MAIN BODY SUPPORT ROLLER Y		C	1	c-V118033003
4	56AA17630	ADJUSTING PART		C	1	d-V126030603
5	56AA17640	ADJUSTING PART 2		C	1	e-V127030604
6	56QA80570	Internal Cooling Fan		C	1	f-V127040603
7	9J03M10000	FAN MOTOR		B	1	g-V146040804
8	A50U103301	Support Part /Middle		D	1	h-V217080001
9	A50U103700	Support Part /Middle		D	1	j-V500010071
10	A50U103800	Guide Part /Front		D	3	k-V500010081
11	A50U104401	Positioning Shaft /Front		D	2	m-V500020098
12	A50U106300	Lock Screw		D	6	p-V500020099
13	A50U110000	Positioning Shaft /Upper		D	1	q-V500020101
14	A50U122000	Cooling Seal		D	2	r-V500020102
15	A50U122800	Cooling Seal		D	2	s-V570010037
16	A50U624113	Lock Part		D	1	t-V570010038
17	A50U624300	Reinforce Plate		D	1	u-V570010040
18	A50U628001	Lock Claw		D	1	v-V570010056
19	A50U634200	Lock Part		D	1	w-V570010057
20	A50U640200	Mounting Plate		D	1	
21	A50U640400	Reinforce Part		D	1	
22	A50U641600	Slide Dumper /A		D	1	
23	A50U832201	Guide Pin /Right front		D	1	
24	A50UN13600	Cooling Relay harness /3		D	1	
25	A85C102000	Adjusting Part		C	1	

Main Frame Section



Key	Part No.	Description	Destinations	Class	QTY	Standard parts
1	65AA10190	FAN SEALING PART 1		C	1	a-V116040803
2	A03U118301	PFU Power supply Panel		D	1	b-V118033503
3	A0Y5M15101	Suction Fan motor		C	1	c-V127030604
4	A50U106502	Fusing Plate		D	1	d-V127031203
5	A50U106600	Fusing Plate /B		D	1	e-V127040603
6	A50U106700	Swing Shaft		D	3	f-V151030803
7	A50U107901	Mounting Plate /P		D	1	g-V500010071
8	A50U108001	Protection Plate /P		D	1	h-V500010072
9	A50U108200	Guide Part /Rear		D	1	j-V500010083
10	A50U120900	Mounting Frame /2		D	1	k-V500010084
11	A50U121800	Mounting Frame /Right Rear		D	1	m-V500010085
12	A50U121900	Fixing Plate /1		D	1	n-V500020098
13	A50U122900	Fusing Duct /4		D	1	p-V500020099
14	A50U125000	Fusing Duct /2		D	1	q-V501010018
15	A50U125101	Fusing Duct /1		D	1	r-V570010056
16	A50U125500	Heat blocking Plate		D	1	s-V651010003
17	A50U125600	Suction Duct /Lower		D	1	
18	A50U125800	Connecting Duct		D	1	
19	A50U126300	Cooling Seal		D	1	
20	A50U126400	Suction Seal		D	1	
21	A50U128800	Fusing Duct /3		D	1	
22	A50U128900	Fusing Duct /5		D	1	
23	A50U129100	Suction Cover /Lower		D	1	
24	A50U129300	Fusing Duct /6		D	1	
25	A50U129401	Fusing Duct		D	1	
26	A50U129801	Fusing Duct /7		D	1	
27	A50U132701	Mounting Plate /Lower		D	2	
28	A50U132800	Mounting Plate /Right		D	1	
29	A50UR70A12	Filter Box		B	1	
30	A50UM15401	Fan motor /3		C	1	

Main Frame Section

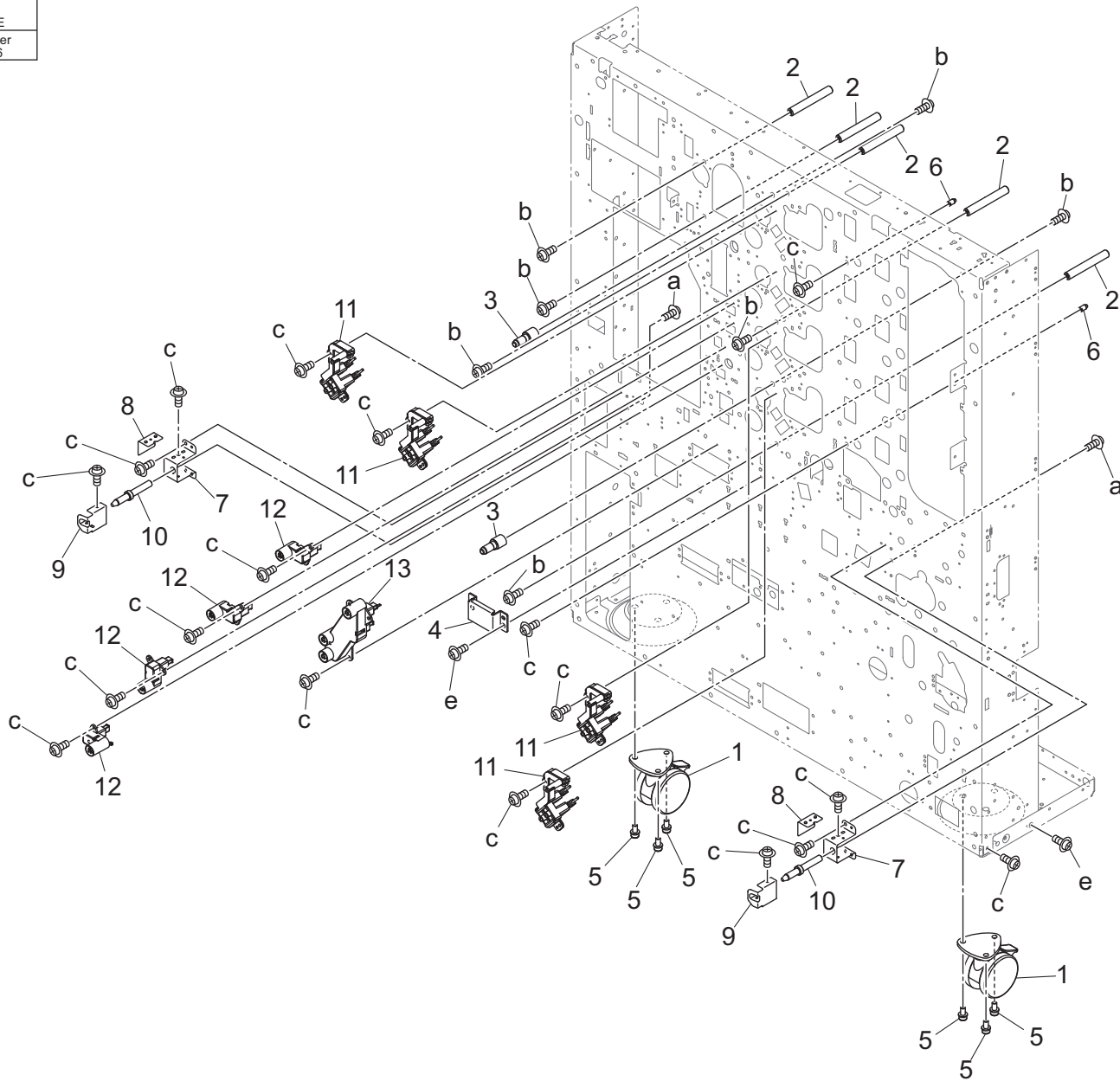


Main Frame Section

Key	Part No.	Description	Destinations	Class	QTY	Standard parts
1	A1RF301400	Guide Screw		D	3	a-V116030803 b-V116040803 c-V121030403 d-V127030604 e-V127030803 f-V217040001 g-V500010082 h-V570010060
2	A50U104000	Support Plate /P		D	1	
3	A50U122701	Suction Cover /Upper		D	1	
4	A50U127000	Suction Duct /Upper		D	1	
5	A50U308100	Adjusting Cam		D	3	
6	A50U308200	Idling Gear 36T		C	3	
7	A50U308300	Adjusting Gear 15T		C	3	
8	A50U308400	Idling Shaft		D	6	
9	A50U308500	Regulating Spring		D	3	
10	A50U314300	Seal /4		D	4	
11	A50U318500	Positioning Pin /Front		D	4	
12	A50U318601	Positioning Pin /Rear		D	4	
13	A50U318800	Stopper Plate /Black		D	2	
14	A50UR70H00	PH Protection Glass Assy		D	4	
15	A50UN27002	Polygon Relay harness /1		D	1	

Main Frame Section

改訂版 REVISED EDITION	日付 DATE
	October 2016

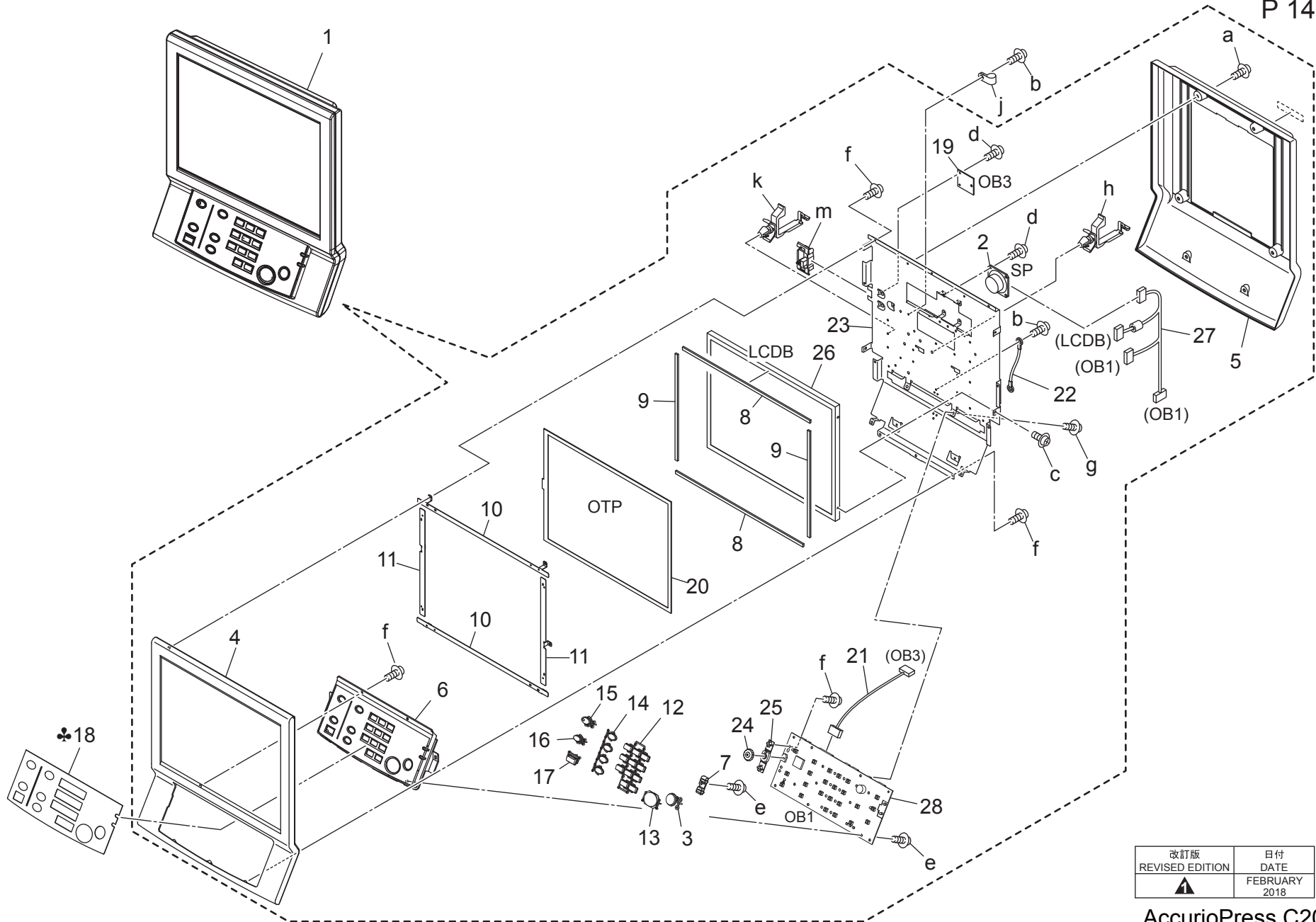


Main Frame Section

Key	Part No.	Description	Destinations	Class	QTY	Standard parts
1	55WA10300	MAIN BODY SUPPORT ROLLER X	本体支持ローラ X	C	2	a-V116030803 b-V116040803 c-V127030604 e-V146040804
2	A50U104300	Drive Shaft	駆動軸	D	5	
3	A50U104500	Positioning Shaft /Rear	位置決め軸／奥	D	2	
4	A50U105000	Lock Plate	ロック板	D	1	
5	A50U106300	Lock Screw	ロックねじ	D	6	
6	A50U407300	Positioning Shaft /Rear	位置決め軸／奥	D	2	
7	A50U811300	Guide Holder /Rear	ガイド 押さえ／奥	D	2	
8	A50U811500	Guide Holder /1	ガイド 押さえ／1	D	2	
9	A50U813700	Ground Plate	アース板 (A D U)	D	2	
10	A50U817700	Guide Pin /Right rear	ガイドピン／右後	D	2	
11	A50UR71U01	Terminal 1 Assy / HV	ターミナル1 A s s y /HV	C	4	
12	A50UR71V01	Terminal 2 Assy / HV	ターミナル2 A s s y /HV	C	4	
13	A50UR71W01	Terminal 3 Assy / HV	ターミナル3 A s s y /HV	C	1	

Operation Panel Section

P 14

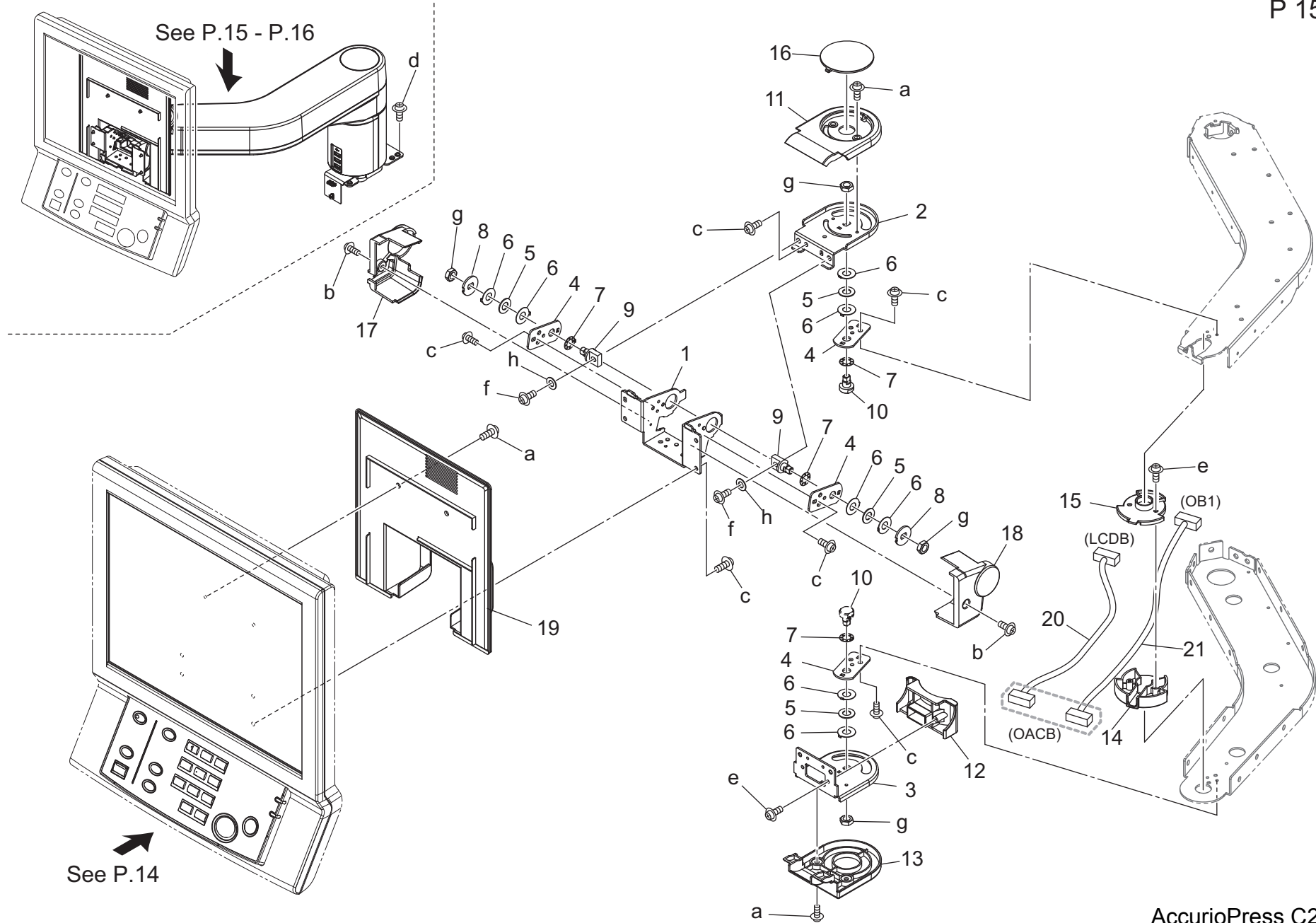


改訂版 REVISED EDITION	日付 DATE
	FEBRUARY 2018

AccurioPress C2070P

Key	Part No.	Description	Destinations	Class	QTY	Standard parts
1	A85CR70A00	Operation Unit		I	1	a-V114040604
2	A0P0M73100	Speaker		D	1	b-V116040603
3	56UA70330	OPERATION UNIT BUTTON S		C	1	c-V118030404
4	A0G6190101	Operation Cover /Front		C	1	d-V118030603
5	A0G6190200	Operation Cover /Rear		C	1	e-V151030603
6	A0GA190301	Operation Casing /1		C	1	f-V151030803
7	A0G6191600	Indicating Part /1		D	1	g-V151031003
8	A0G6192400	Holding Cushion /Upper		C	2	h-V500010082
9	A0G6192500	Holding Cushion /Right		C	2	j-V500020069
10	A0G6192700	Ground Plate /1		D	2	k-V500020099
11	A0G6192900	Ground Plate /2		D	2	m-V570010063
12	A0G6193100	Operation Button /1		C	1	
13	A0G6193200	Operation Button /2		C	1	
14	A0G6193400	Operation Button /4		C	1	
15	A0G6193800	Operation Button /10		C	1	
16	A0G6193900	Operation Button /8		C	1	
17	A0G6194000	Operation Button /9		C	1	
18	A0GA195000	Operation Sheet	A	C	1	
18	A0GA205000	Operation Sheet	B,D1,E,F2,G1,G2,I	C	1	
19	A0G6H06000	Operation Board /3 Assy		C	1	
20	A0G6M75501	Ope.Unit Touch Panel		C	1	
21	A0G6N18400	Ope.Unit Control Harness /3		D	1	
22	A1RFN28300	Ope.unit Wiring /1		D	1	
23	A4EU190413	Operation Plate		D	1	
24	A4EU194100	Operation Knob /1		D	1	
25	A4EU194200	Fixing Holder		D	1	
26	A4EUM75800	Ope.unit LCD		C	1	
27	A4EUN28500	Ope.unit Wiring /4		D	1	
28	A799H04001	Operation Board /1 ASSY		I	1	

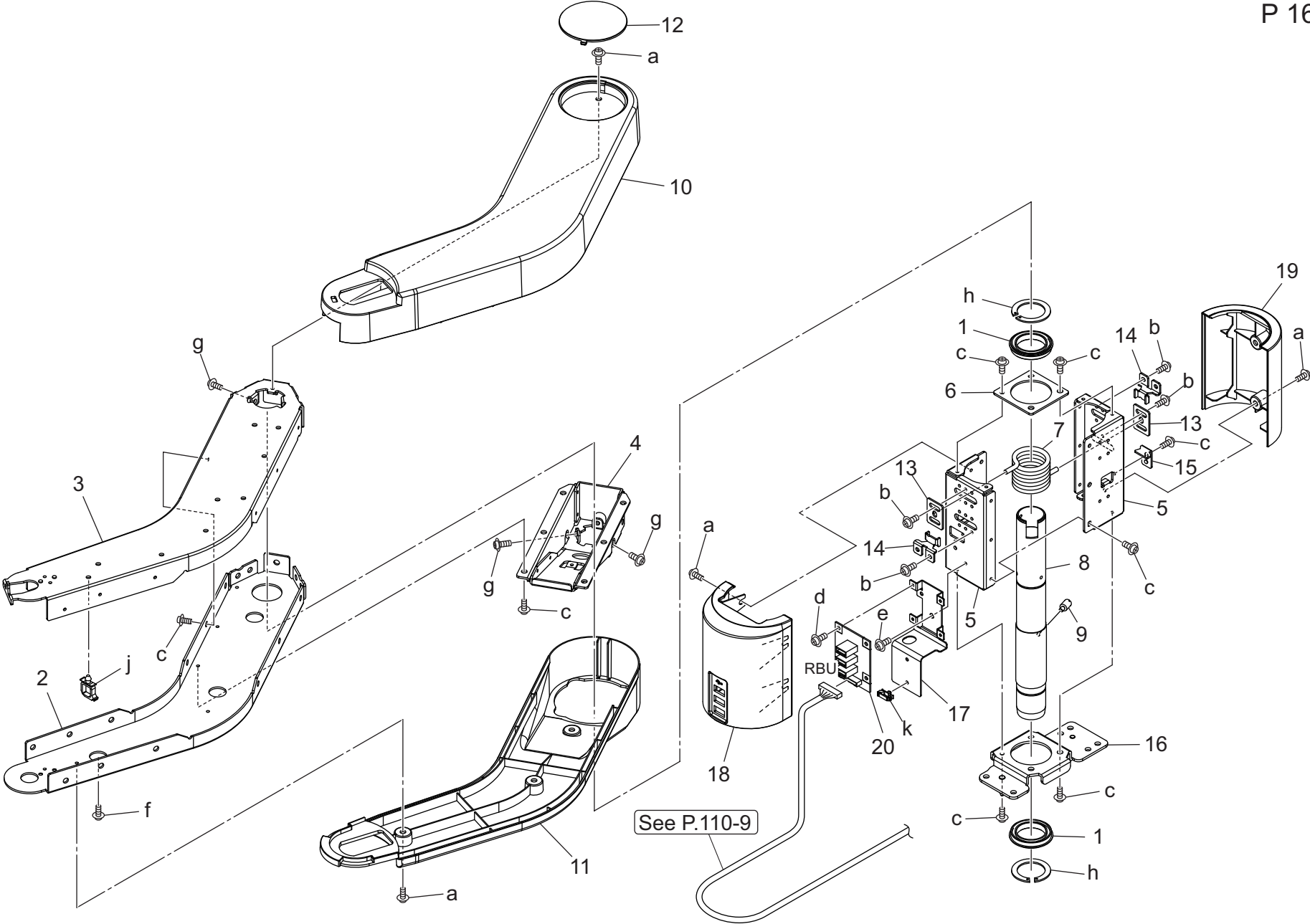
Operation Panel Section



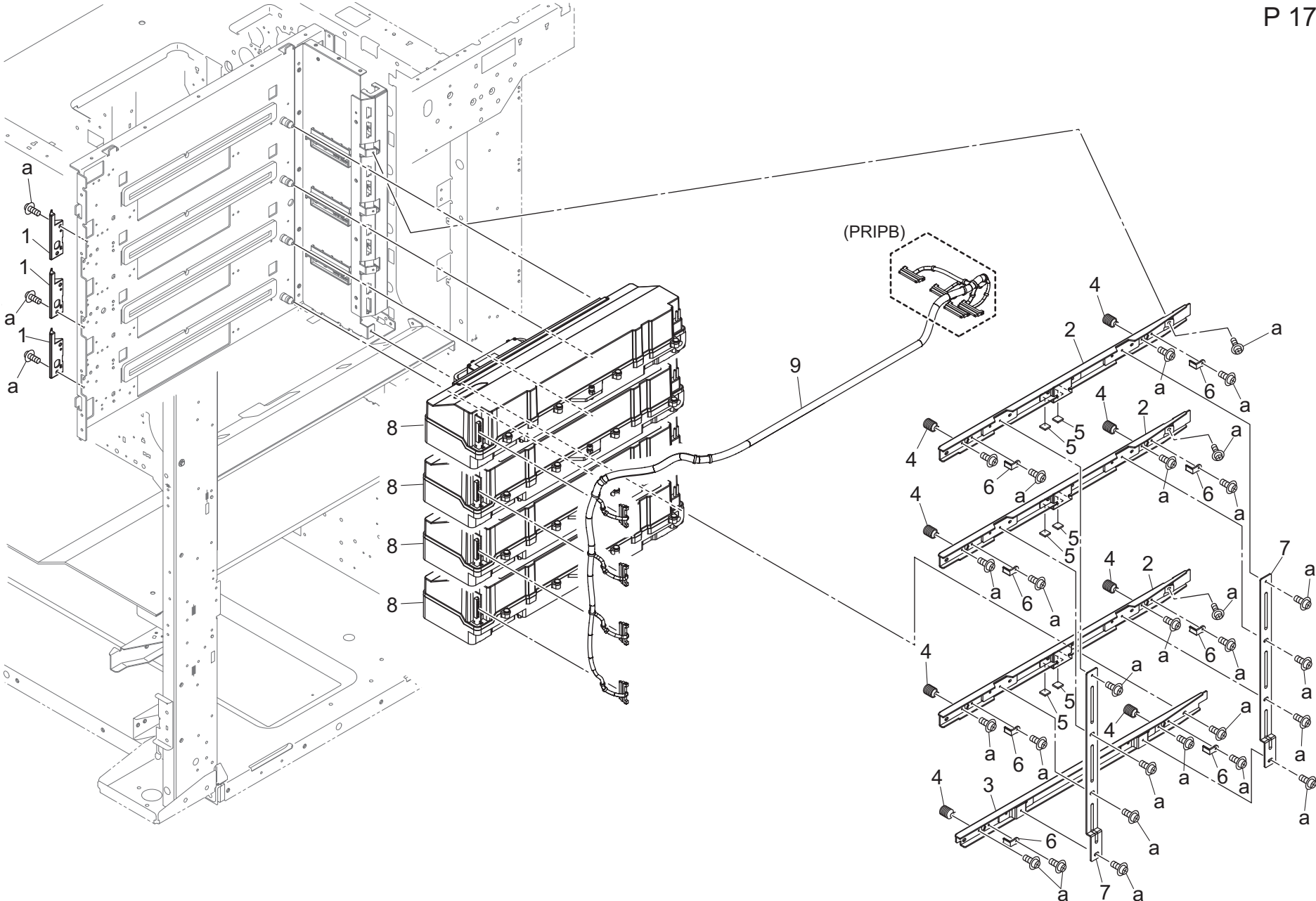
Operation Panel Section

Key	Part No.	Description	Destinations	Class	QTY	Standard parts
1	A03U190900	Ope. unit Mounting Stay /1		D	1	a-V114040604 b-V121030603 c-V121040603 d-V127040803 e-V158030803 f-V188051604 g-V196080003 h-V207050003
2	A03U191400	Support Plate /Upper		D	1	
3	A03U191500	Support Plate /Lower		D	1	
4	A03U191600	Mounting Plate /T		D	4	
5	A03U191700	Rotation Spring /T		D	4	
6	A03U191800	Rotation Spacer /1		D	8	
7	A03U191900	Rotation Spacer /2		D	4	
8	A03U192000	Fixing Part /T		D	2	
9	A03U192100	Fixing Shaft /U		D	2	
10	A03U192200	Rotation Shaft /T		D	2	
11	A03U193300	Operation Cover /C		C	1	
12	A03U193400	Operation Cover /E		C	1	
13	A03U193500	Operation Cover /D		C	1	
14	A03U193600	Swing Cover /Lower		C	1	
15	A03U193700	Swing Cover /Upper		C	1	
16	A03U193800	Operation Cover /I		C	1	
17	A03U194002	Operation Cover /F		C	1	
18	A03U194102	Operation Cover /G		C	1	
19	A1DU197100	Operation Cover /R		D	1	
20	A50UN29012	Ope.unit Control harness /1		D	1	
21	A50UN29101	Ope.unit Control harness /2		D	1	

Operation Panel Section



Key	Part No.	Description	Destinations	Class	QTY	Standard parts
1	65AA75010E	DRUM SUPPORT BEARING		D	2	a-V114040604
2	A03U190500	Ope. unit Mounting Arm /Lower		D	1	b-V116040803
3	A03U190600	Ope. unit Mounting Arm /Upper		D	1	c-V121040603
4	A03U190700	Support Plate /1		D	1	d-V127030603
5	A03U190802	Support Plate /2		D	2	e-V127040603
6	A03U191100	Support Plate /3		D	1	f-V158030803
7	A03U191201	Support Spring		C	1	g-V185041203
8	A03U191300	Ope. unit Support Pipe		D	1	h-V223300004
9	A03U192300	Stopper Screw /A		C	1	j-V500010083
10	A03U193100	Operation Cover /Upper		C	1	k-V500020100
11	A03U193200	Operation Cover /Lower		C	1	
12	A03U193900	Operation Cover /J		C	1	
13	A03U195302	REGULATING PLATE		D	2	
14	A03U195400	Regulating Part		D	2	
15	A03U195500	Rotation Stopper		D	1	
16	A03UF19100	Main Body Attachment Caulking		D	1	
17	A1DU190101	Installing Plate		D	1	
18	A1DU194200	Operation Cover /A		D	1	
19	A1DU194300	Operation Cover /B		D	1	
20	A1DUH11000	Relay Board/U ASSY		C	1	

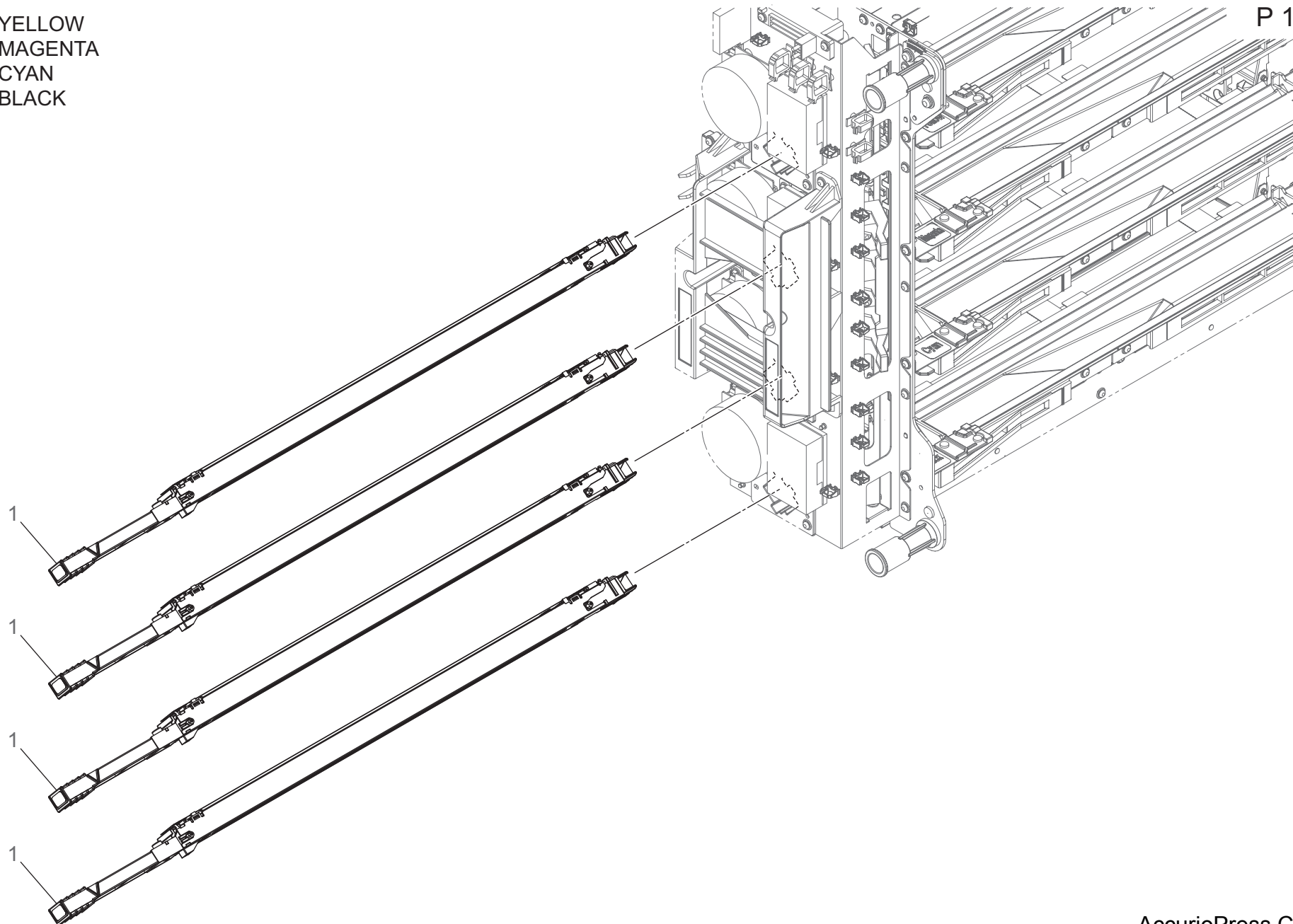


Key	Part No.	Description	Destinations	Class	QTY	Standard parts
1	A50U121500	Cooling Guide /Front		D	3	a-V127030604
2	A50U318101	Pressing Stay /Color		D	3	
3	A50U318201	Pressing Stay /Black		D	1	
4	A50U318300	Pressing Spring /R		D	8	
5	A50U318700	Auxiliary Pad		D	6	
6	A50U318900	Pressing Guide		D	8	
7	A50U319301	Connecting Plate /1		D	2	
8	A85CR70F00	PH Unit		I	4	
9	A85CN26500	LD Wiring /1		D	1	

Charging Section

YELLOW
MAGENTA
CYAN
BLACK

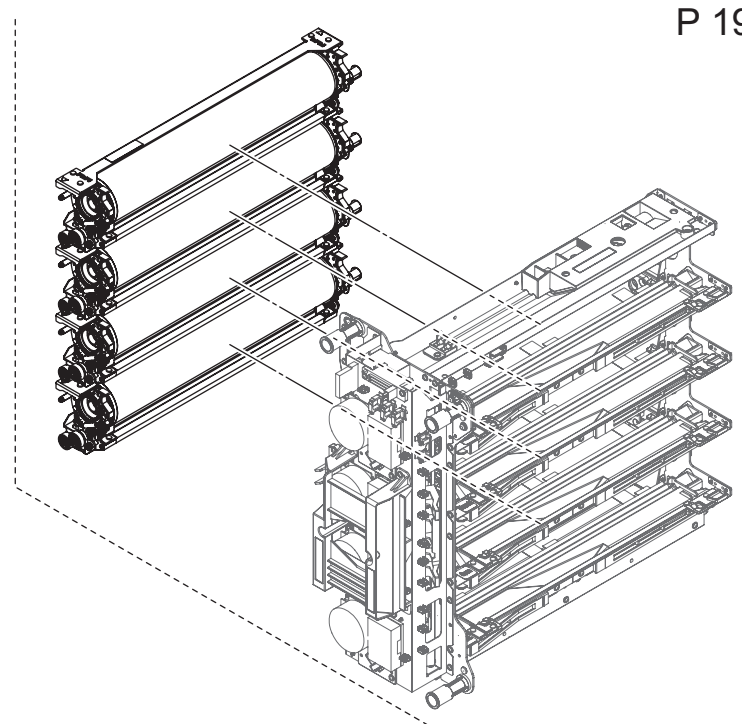
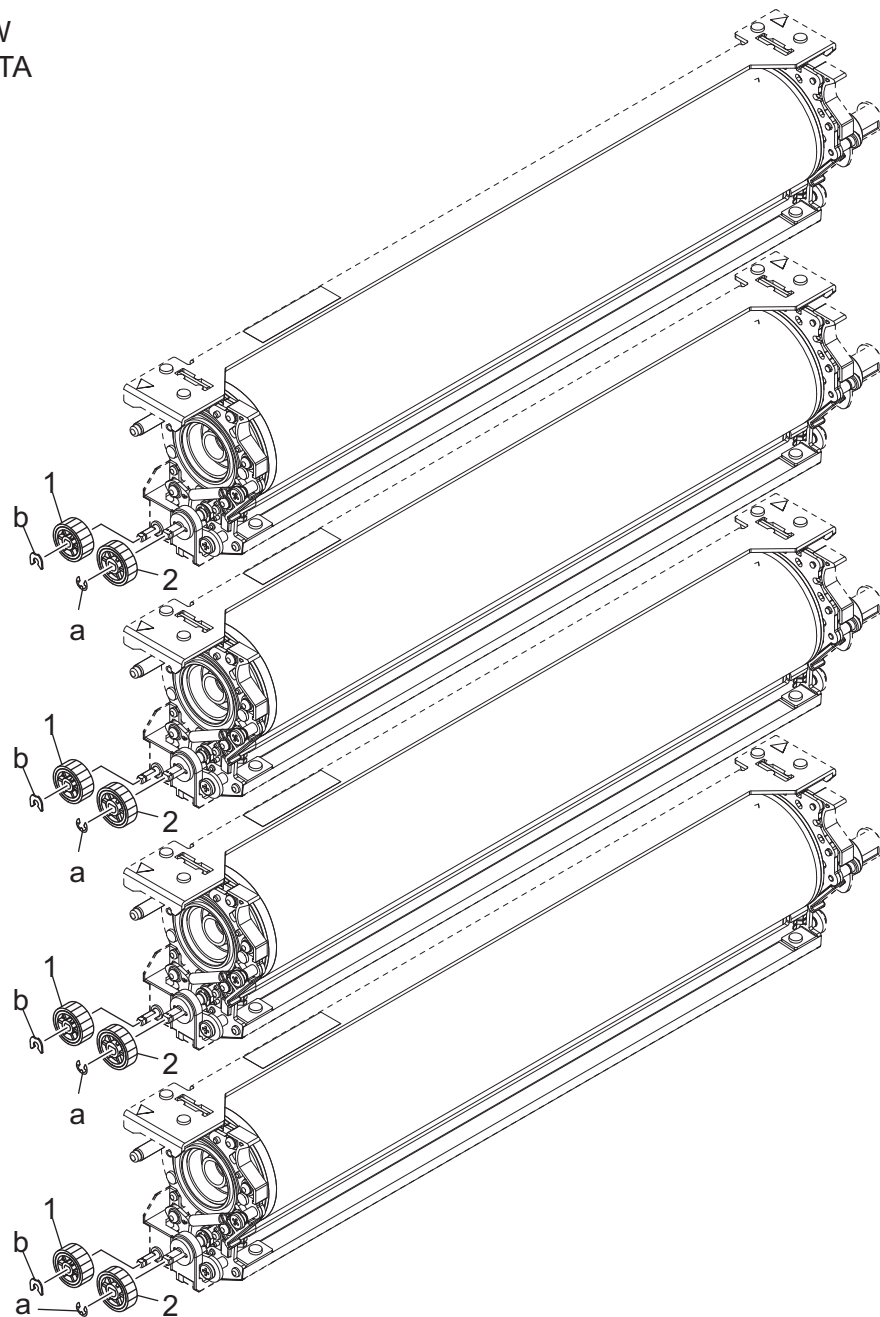
P 18



Key	Part No.	Description		Destinations	Class	QTY	Standard parts
1	A50UR70311	Charging Corona Unit	帯電極ユニット		A	4	

Photo Conductor Section

YELLOW
MAGENTA
CYAN
BLACK



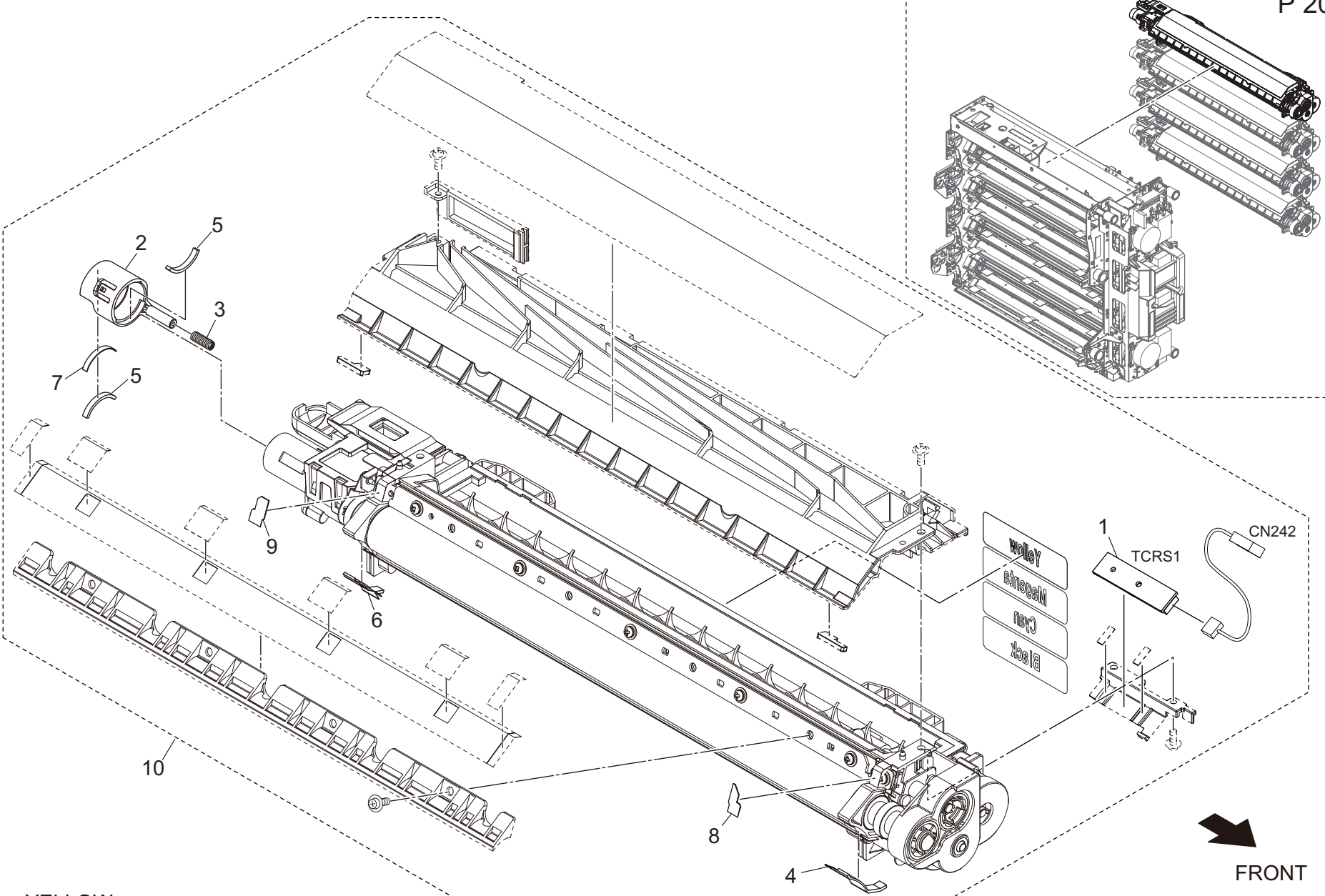
P 19

Photo Conductor Section

Key	Part No.	Description	Destinations	Class	QTY	Standard parts
1	A50U333500	Cleaning Gear /1 28T		C	4	a-V217030001
2	A50U333600	Cleaning Gear /2 30T		C	4	b-V218030086

Developing Section

P 20



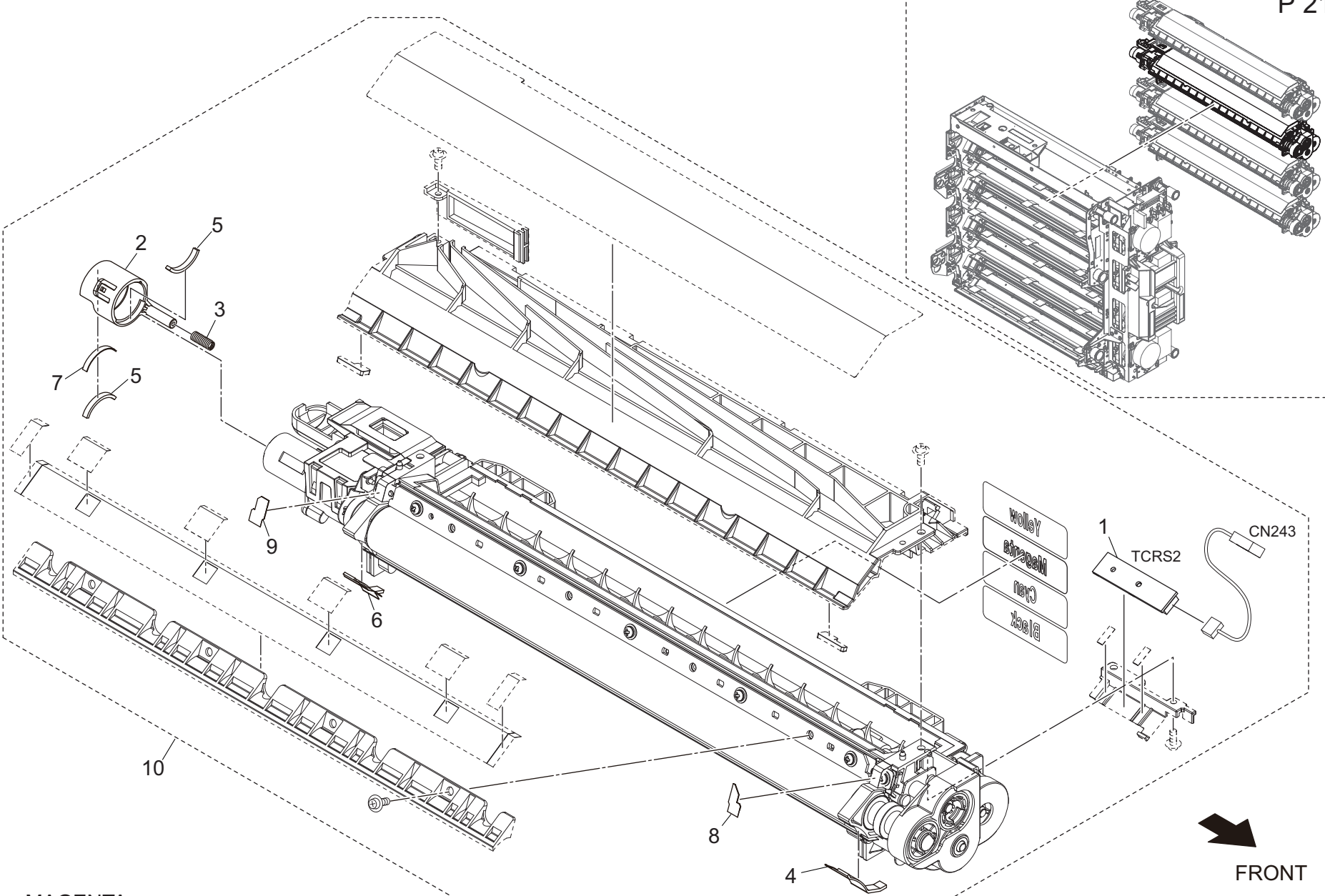
YELLOW

AccurioPress C2070P

Key	Part No.	Description	Destinations	Class	QTY	Standard parts
1	A0TKH00200	PWB Assembly(PWB-TCR ASSY)	基板 A S S Y (P W B - T C R A S S Y)	I	1	
2	A50U372901	Collection Cover	回収カバー	D	1	
3	A50U373100	Compressing Coil spring /1	圧縮コイルばね /1	D	1	
4	A50U374102	Scatteringprevention Sheet /Side	飛散防止シート /サイド	D	1	
5	A50U374501	Seal /J	シール / J	D	2	
6	A50U376002	Scatteringprevention Sheet /Rear	飛散防止シート /奥	D	1	
7	A50U376801	Seal /T	シール / T	D	1	
8	A50U377201	Auxiliary Seal /Front	補助シール /前	D	1	
9	A50U377301	Auxiliary Seal /Rear	補助シール /奥	D	1	
10	A50UR70244	Developing Unit	現像ユニット	B	1	
10	A50UR70244	Developing Unit	現像ユニット	B	1	

Developing Section

P 21



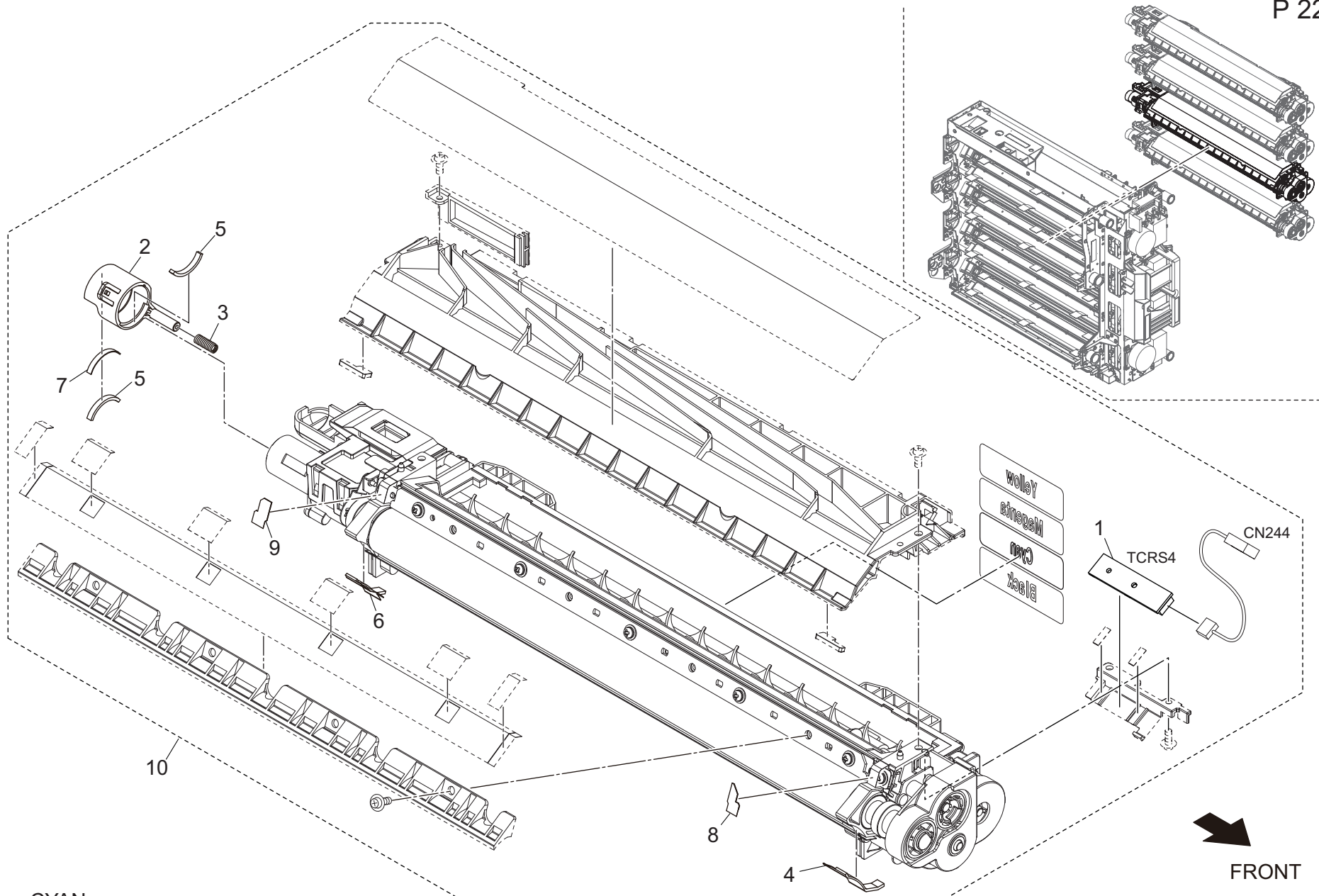
MAGENTA

AccurioPress C2070P

Key	Part No.	Description	Destinations	Class	QTY	Standard parts
1	A0TKH00200	PWB Assembly(PWB-TCR ASSY)	基板ASSY(PWB-TCR ASSY)	I	1	
2	A50U372901	Collection Cover	回収カバー	D	1	
3	A50U373100	Compressing Coil spring /1	圧縮コイルばね/1	D	1	
4	A50U374102	Scatteringprevention Sheet /Side	飛散防止シート /サイド	D	1	
5	A50U374501	Seal /J	シール/J	D	2	
6	A50U376002	Scatteringprevention Sheet /Rear	飛散防止シート /奥	D	1	
7	A50U376801	Seal /T	シール/T	D	1	
8	A50U377201	Auxiliary Seal /Front	補助シール/前	D	1	
9	A50U377301	Auxiliary Seal /Rear	補助シール/奥	D	1	
10	A50UR70244	Developing Unit	現像ユニット	B	1	B,C,D1,E,F2,G1,G2,I
10	A50UR70244	Developing Unit	現像ユニット	B	1	A

Developing Section

P 22



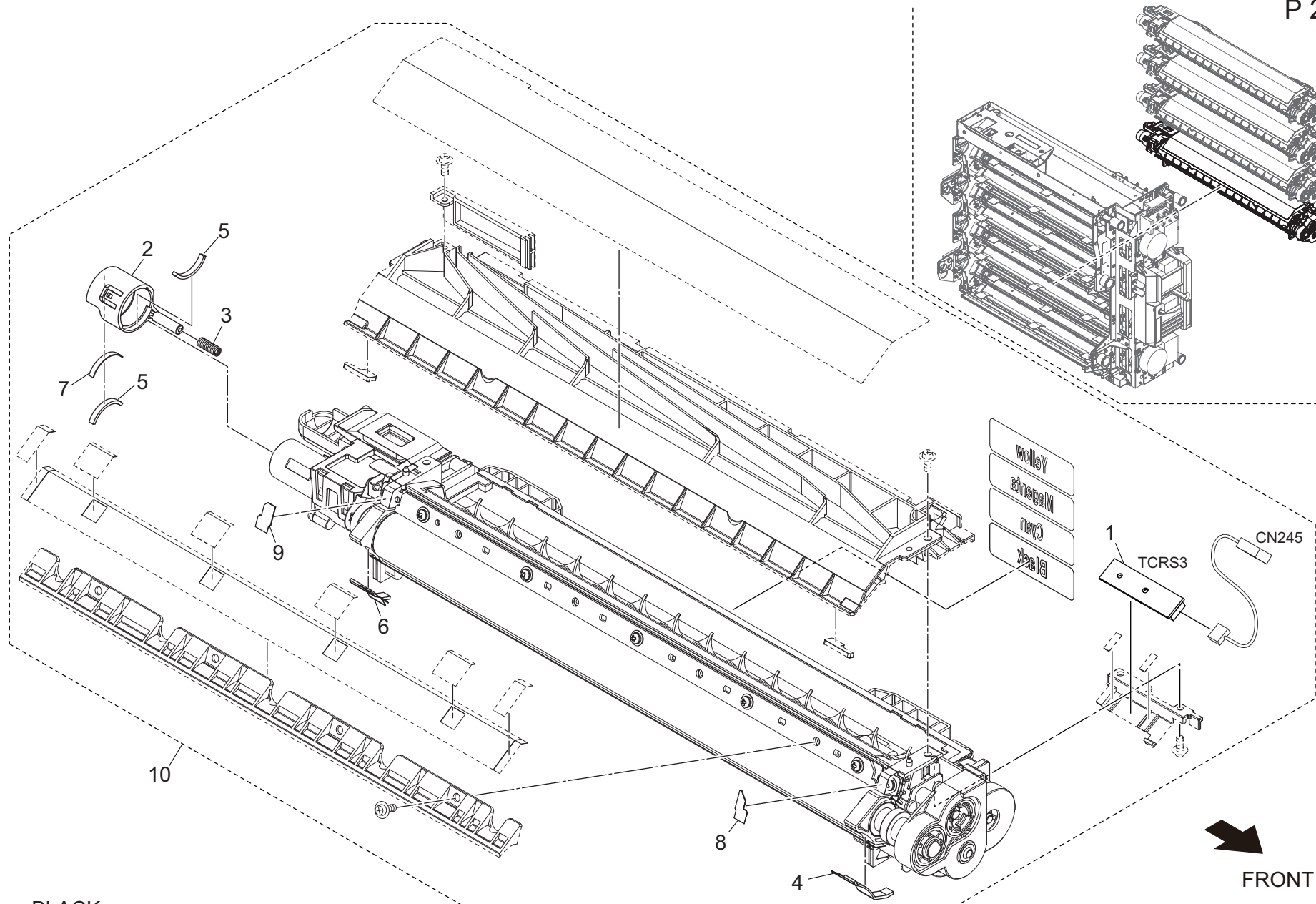
CYAN

FRONT
AccurioPress C2070P

Key	Part No.	Description		Destinations	Class	QTY	Standard parts
1	A0TKH00200	PWB Assembly(PWB-TCR ASSY)	基板 A S S Y (P W B - T C R A S S Y)		I	1	
2	A50U372901	Collection Cover	回収カバー		D	1	
3	A50U373100	Compressing Coil spring /1	圧縮コイルばね /1		D	1	
4	A50U374102	Scatteringprevention Sheet /Side	飛散防止シート /サイド		D	1	
5	A50U374501	Seal /J	シール / J		D	2	
6	A50U376002	Scatteringprevention Sheet /Rear	飛散防止シート /奥		D	1	
7	A50U376801	Seal /T	シール / T		D	1	
8	A50U377201	Auxiliary Seal /Front	補助シール /前		D	1	
9	A50U377301	Auxiliary Seal /Rear	補助シール /奥		D	1	
10	A50UR70244	Developing Unit	現像ユニット	B,C,D1,E,F2,G1,G2,I	B	1	
10	A50UR70244	Developing Unit	現像ユニット	A	B	1	

Developing Section

P 23

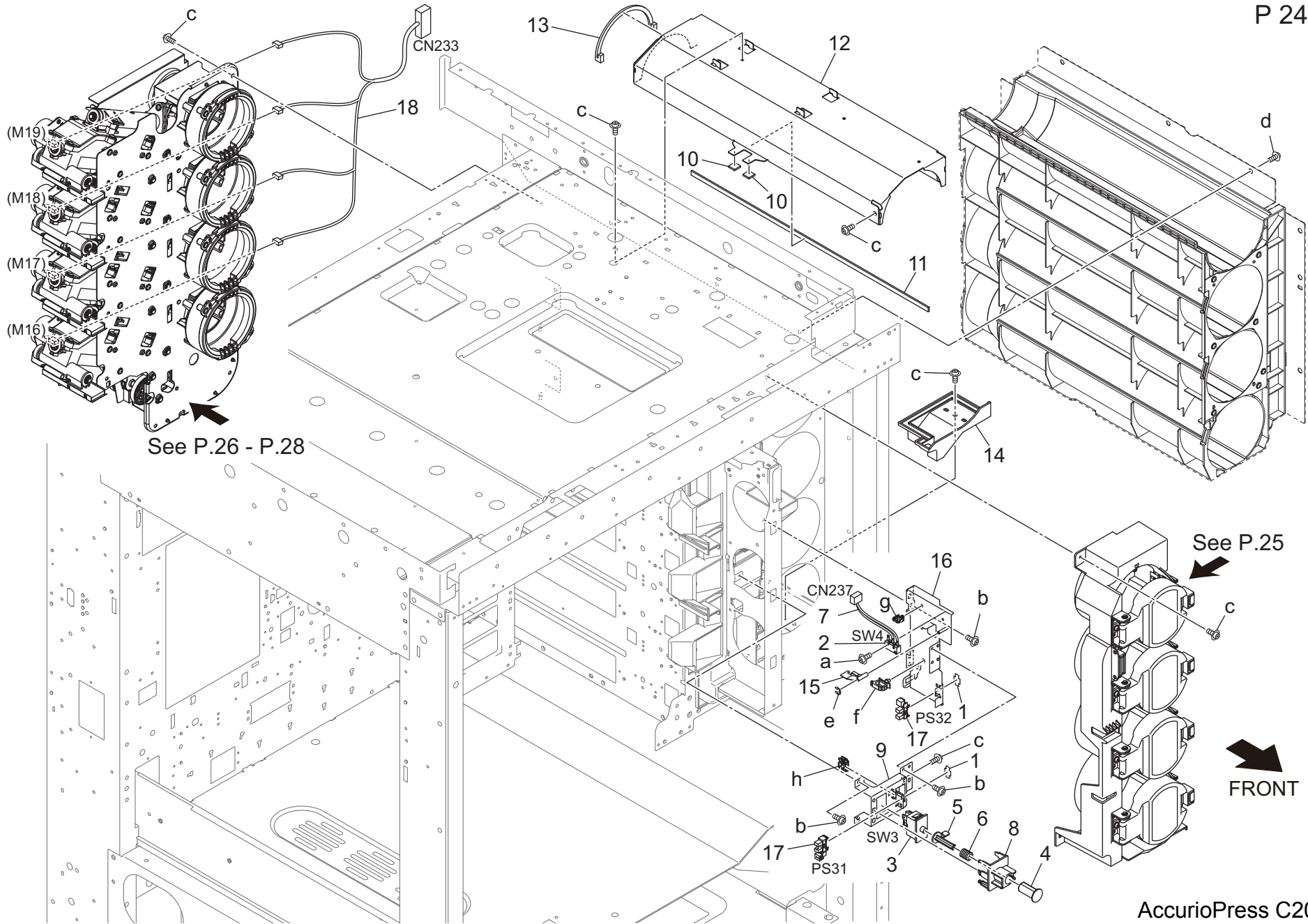


BLACK

FRONT
AccurioPress C2070P

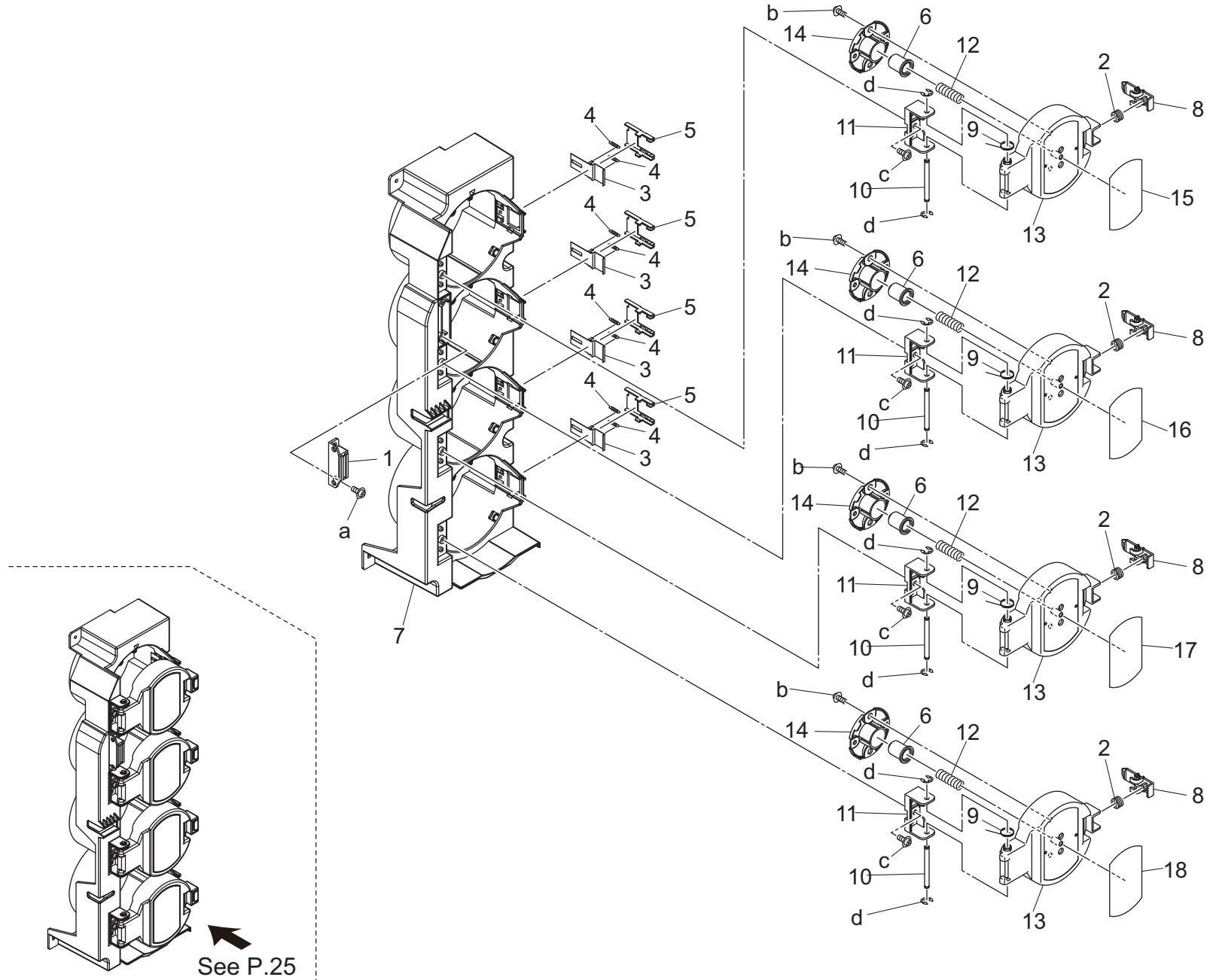
Key	Part No.	Description	Destinations	Class	QTY	Standard parts
1	A0TKH00200	PWB Assembly(PWB-TCR ASSY)	基板 A S S Y (P W B - T C R A S S Y)	I	1	
2	A50U372901	Collection Cover	回収カバー	D	1	
3	A50U373100	Compressing Coil spring /1	圧縮コイルばね/1	D	1	
4	A50U374102	Scatteringprevention Sheet /Side	飛散防止シート /サイド	D	1	
5	A50U374501	Seal /J	シール / J	D	2	
6	A50U376002	Scatteringprevention Sheet /Rear	飛散防止シート /奥	D	1	
7	A50U376801	Seal /T	シール / T	D	1	
8	A50U377201	Auxiliary Seal /Front	補助シール /前	D	1	
9	A50U377301	Auxiliary Seal /Rear	補助シール /奥	D	1	
10	A50UR70244	Developing Unit	現像ユニット	B	1	B,C,D1,E,F2,G1,G2,I
10	A50UR70244	Developing Unit	現像ユニット	B	1	A

Toner Supply Section



Key	Part No.	Description	Destinations	Class	QTY	Standard parts
1	4470402401	Stopper		D	2	a-V111020803 b-V127030516 c-V127030604 d-V127040603 e-V217020050 f-V500010081 g-V500020098 h-V570010056
2	12QR86011	Interlock Switch		B	1	
3	40AA85011	Door Switch		B	1	
4	56AA12140	Switch Connecting Actuator		C	1	
5	56AA12150	Switch Pressing Actuator		C	1	
6	56AA12160	Contact Pressing Spring /1		C	1	
7	65AA91100	INTER LOCK WIRING		D	1	
8	A50U166800	Guide Part		D	1	
9	A50U179000	Plate		D	1	
10	A50U318700	Auxiliary Pad		D	2	
11	A50U400600	Toner supply Seal /Upper		D	1	
12	A50U400900	Toner supply Frame /Upper		D	1	
13	A50U401401	Seal /Rear		D	1	
14	A50U408100	Receiving Lower tray		D	1	
15	A50U442100	Switch Plate		D	1	
16	A50UF41500	Toner Supply Support Shaft Caulking ASSY		D	1	
17	A50UM51000	Photointerrupter		C	2	
18	A50UN12101	Toner Wiring /1		D	1	

Toner Supply Section



See P.25

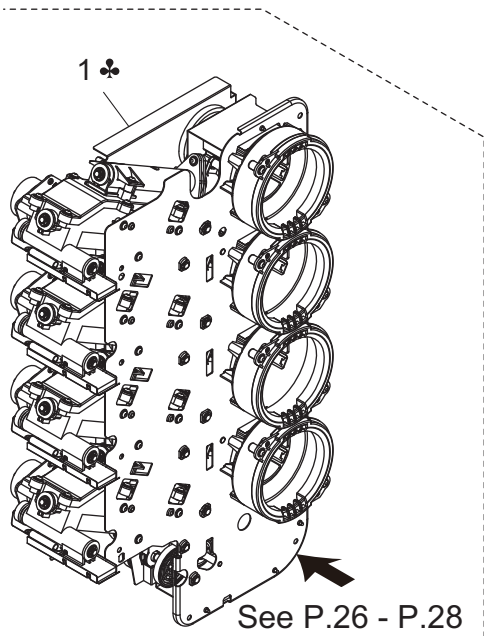
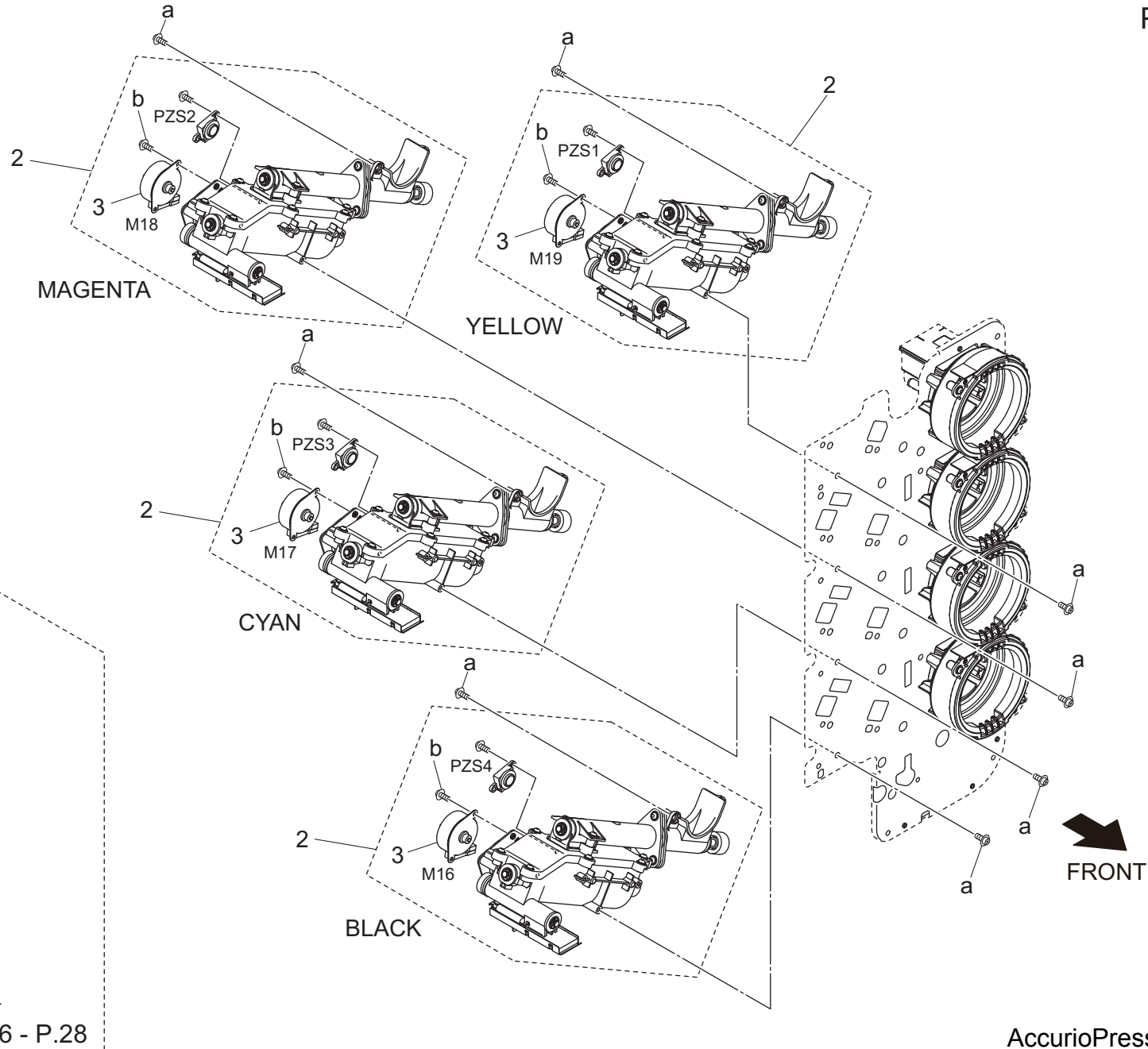
FRONT

Toner Supply Section

Key	Part No.	Description	Destinations	Class	QTY	Standard parts
1	07BA12352	Magnet Catch		C	1	a-V149030803 b-V151041003 c-V158030803 d-V217030001
2	26NA32870	CARTRIDGE PRESSING SPRING 2		C	4	
3	A85C409600	Regulating Plate		D	4	
4	26TA32970	CARTRIDGE REGULATING SPRING		C	8	
5	26TA32990	COVER PART		C	4	
6	A1RF441500	Pressing Part /Front		D	4	
7	A50U400201	Guide Part		D	1	
8	A50U408501	Pressing Handle		D	4	
9	A50U408600	Toner supply Open/close Spring /A		D	4	
10	A50U408700	Support Shaft		D	4	
11	A50U408900	Support Part		D	4	
12	A50U410200	Lock Spring		D	4	
13	A50U440301	Pressing Pedestal /Front		D	4	
14	A50U440601	Pressing Part /Rear		D	4	
15	A50U944500	Toner supply Label /Y		D	1	
16	A50U944600	Toner supply Label /M		D	1	
17	A50U944700	Toner supply Label /C		D	1	
18	A50U944800	Toner supply Label /K		D	1	

Toner Supply Section

改訂版 REVISED EDITION	日付 DATE
	FEBRUARY 2017



See P.26 - P.28

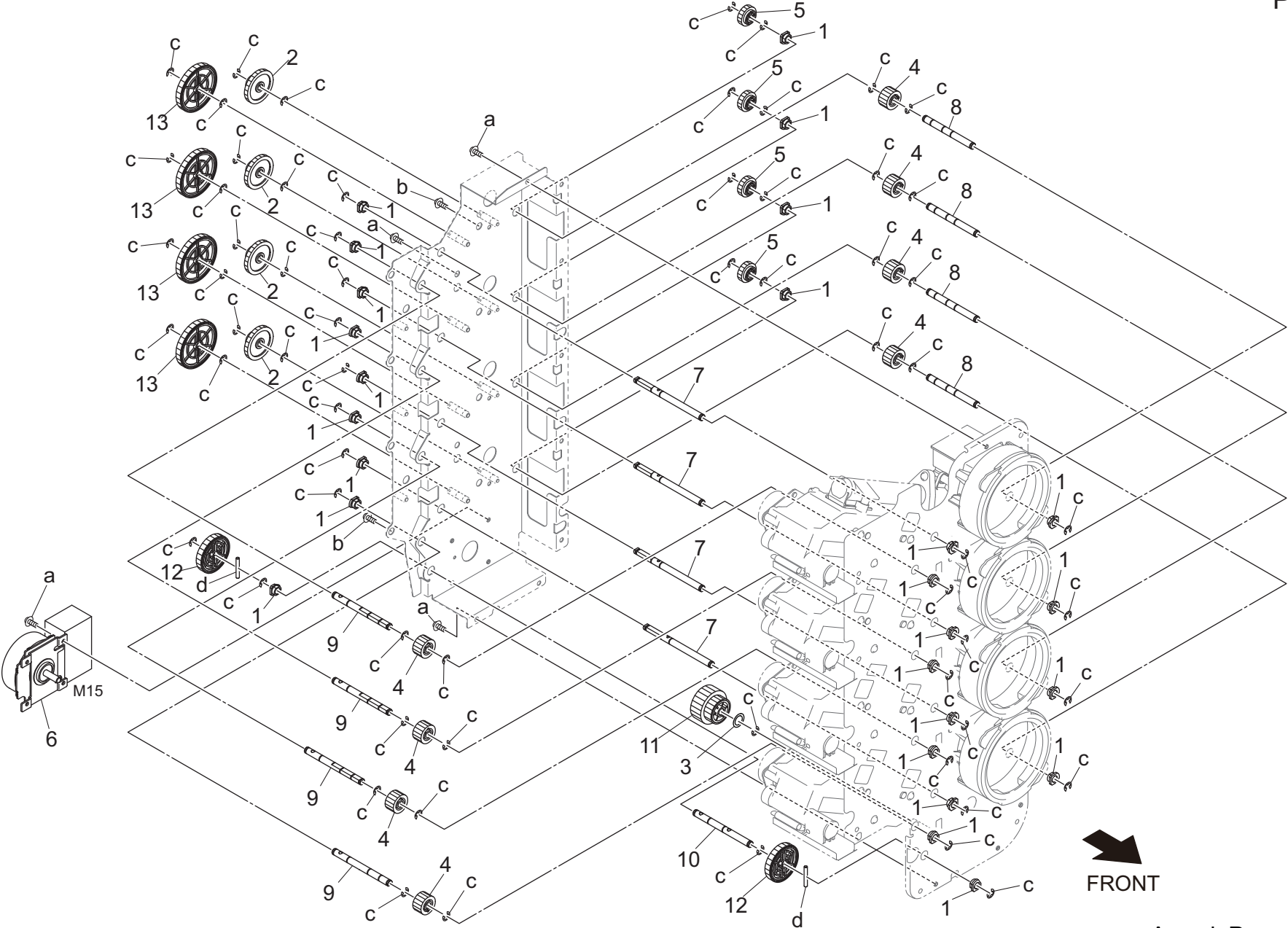
FRONT

AccurioPress C2070P

Toner Supply Section

Key	Part No.	Description	Destinations	Class	QTY	Standard parts
1	A50UR71300	Toner Supply Unit Assy(JP)		S	1	a-V151030803 b-V158030803
1	A50UR71400	Toner Supply Unit Assy(US)	A	S	1	
1	A85CR70S00	Toner Supply Unit Assy(EU)	B,G2	S	1	
1	A50UR71500	Toner Supply Unit Assy(EU)	C	S	1	
2	A50UR72V00	Toner Conveyance Assy	D1,E,F2,G1,I	S	4	
3	A00JM12100	Stepping motor		D	4	
		ステッピングモータ		C	4	

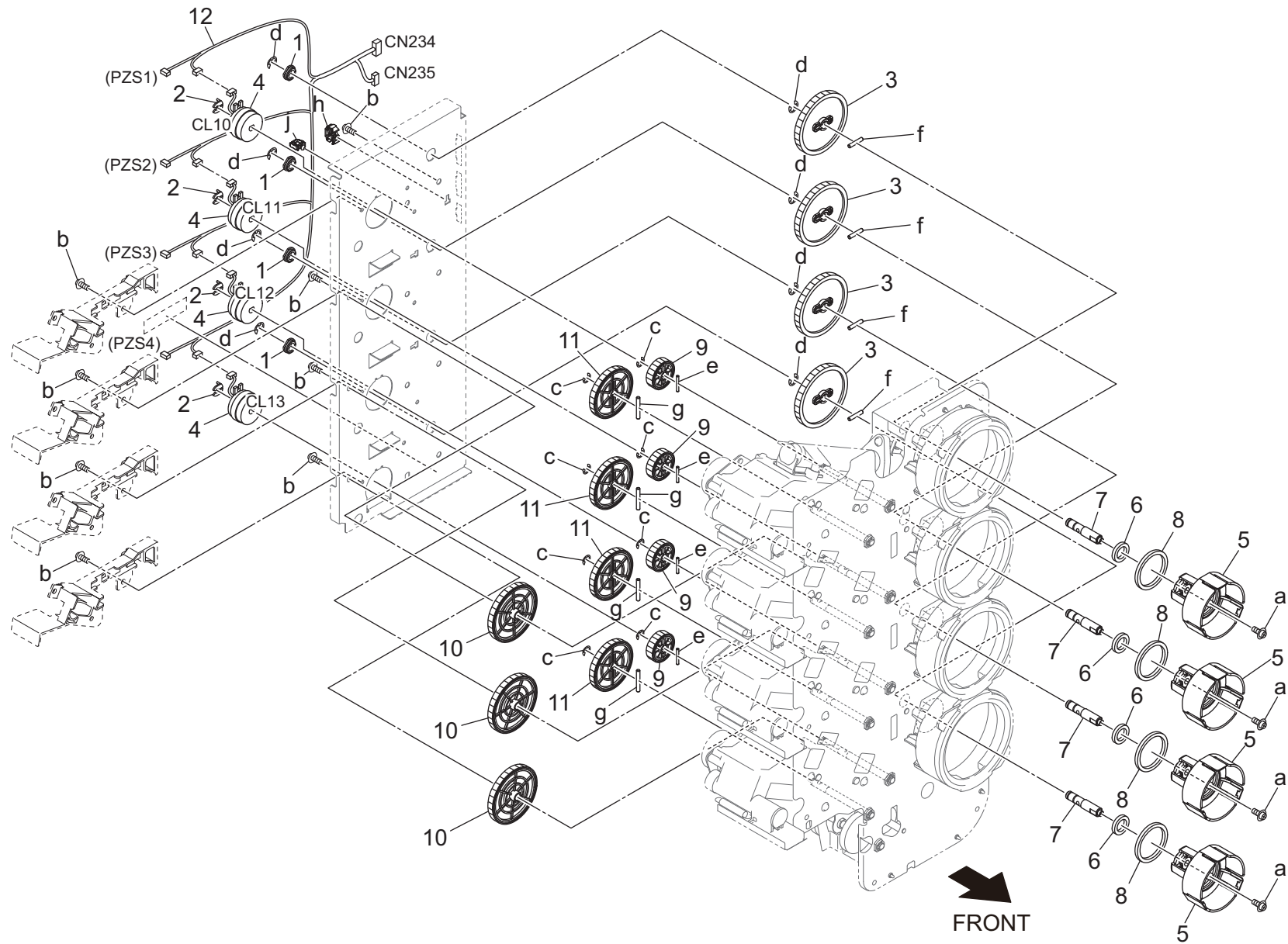
Toner Supply Section



Toner Supply Section

Key	Part No.	Description	Destinations	Class	QTY	Standard parts
1	466076020	Paper Feed Feeding Bearing		B	26	a-V127030604 b-V151030803 c-V217040001 d-V234302250
2	25BA77171	Toner Supply Gear /2 13/31T		C	4	
3	40AA32320	Toner Supply Spacer		C	1	
4	56AA77330	SCREW GEAR 15T		C	8	
5	9J07500201	GEAR 17T		C	4	
6	A2XKM10300	Brushless motor		I	1	
7	A50U404000	Drive Shaft /A		D	4	
8	A50U404200	Drive Shaft /C		D	4	
9	A50U404600	Drive Shaft /B		D	4	
10	A50U406400	Drive Shaft /D		D	1	
11	A50U420300	Toner supply Gear /3 25/65T		C	1	
12	A50U420900	Toner supply Gear /9 35T		C	2	
13	A50U421000	Toner supply Gear /10 45T		C	4	

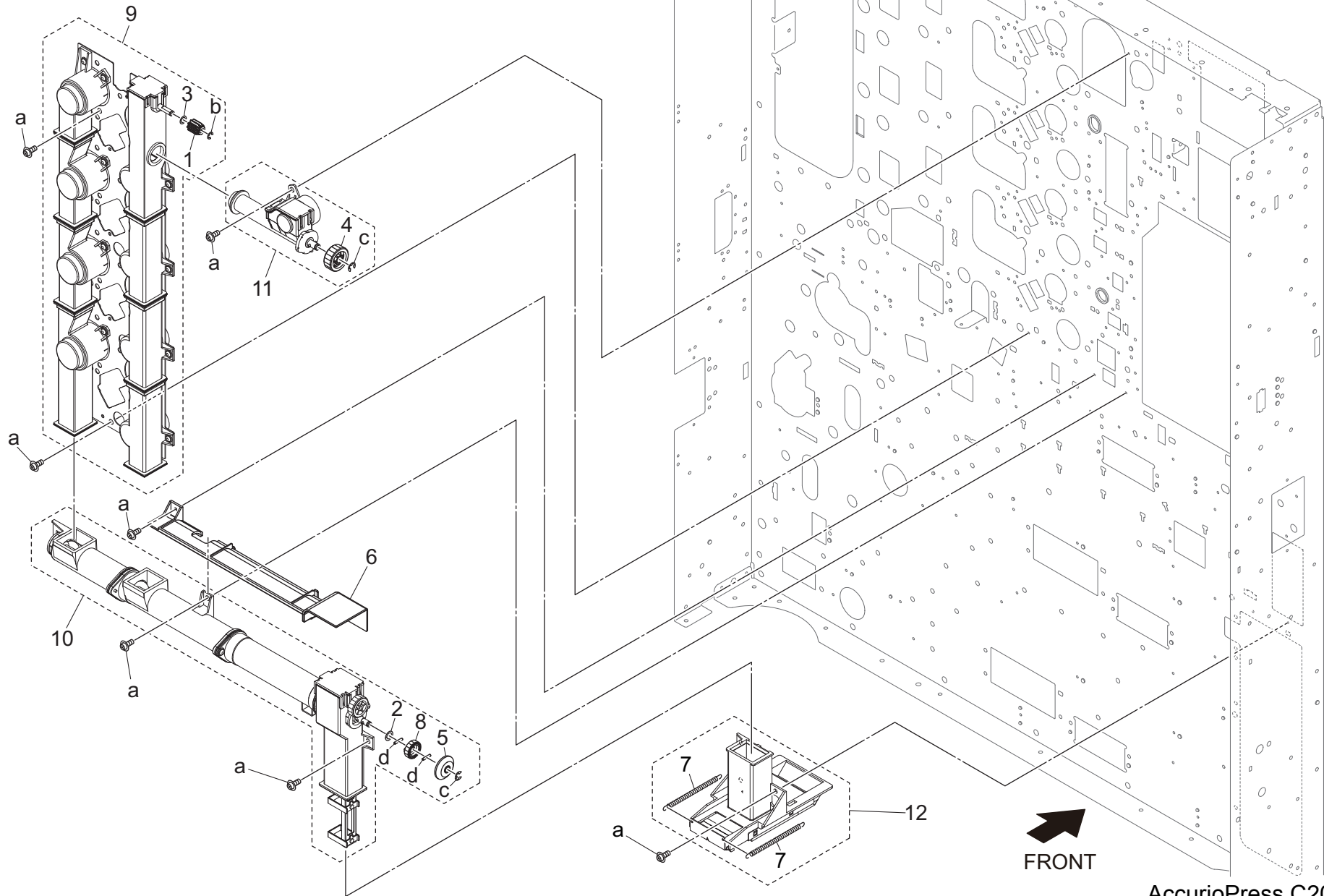
Toner Supply Section



AccurioPress C2070P

Key	Part No.	Description	Destinations	Class	QTY	Standard parts
1	26NA32660	TONER SUPPLY SHAFT HOLDER		C	4	a-V116030803 b-V127030604 c-V217040001 d-V217050001 e-V234201650 f-V234301650 g-V234302250 h-V500010072 j-V500020098
2	56AA40490	SHAFT STOPPER 4		C	4	
3	65AA77390	Toner Supply Gear /B 56T		C	4	
4	A00FM20000	Clutch		C	4	
5	A50U400501	Toner supply Coupling		D	4	
6	A50U401200	Holding Seal /A		D	4	
7	A50U401301	Connecting Shaft		D	4	
8	A50U407600	Toner supply Holding Seal /A		D	4	
9	A50U420400	Toner supply Gear /4 25T		C	4	
10	A50U420800	Toner supply Gear /8 52T		C	3	
11	A50U421000	Toner supply Gear /10 45T		C	4	
12	A50UN12203	Toner Wiring /2		D	1	

Toner Collection Section

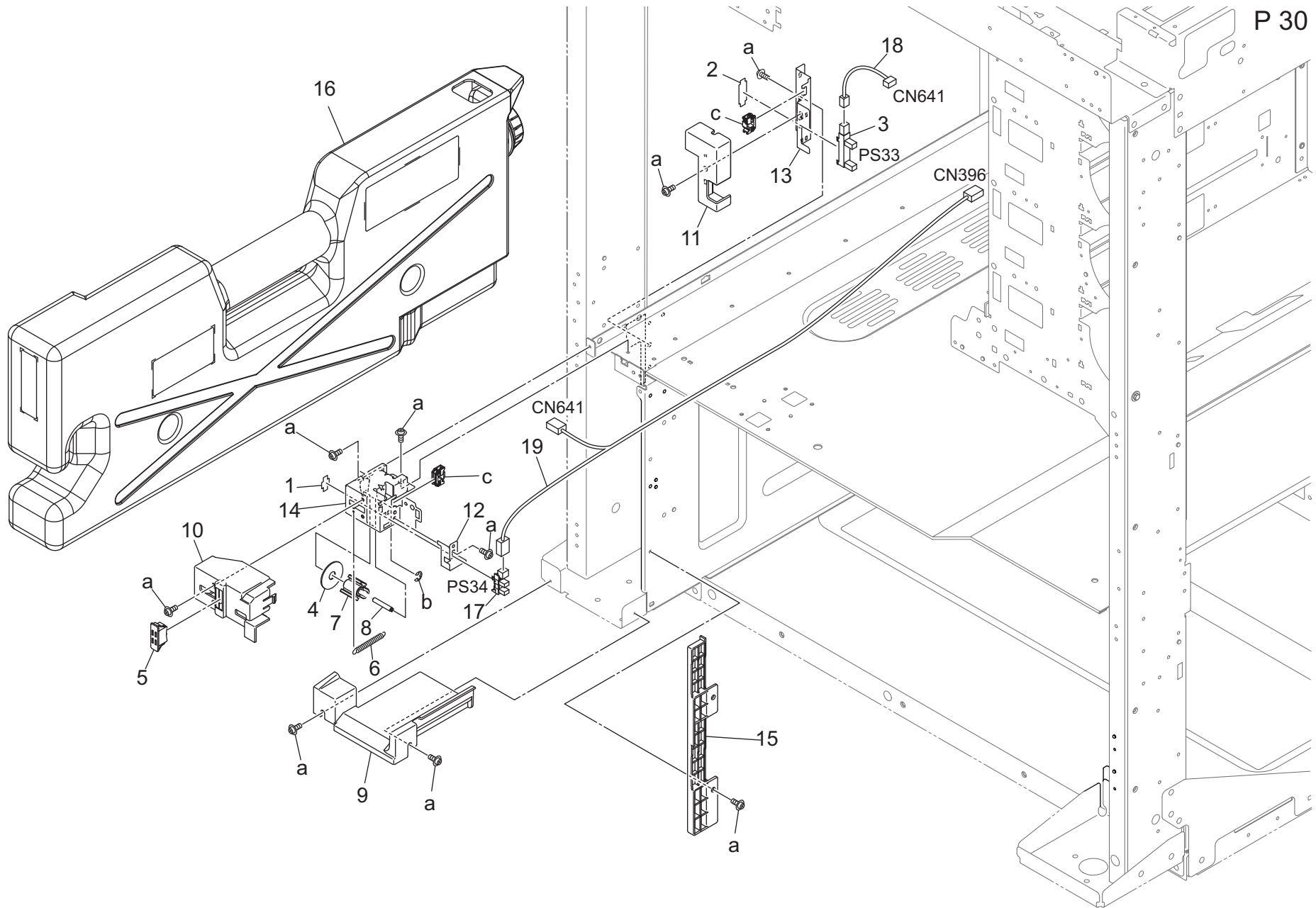


Toner Collection Section

Key	Part No.	Description	Destinations	Class	QTY	Standard parts
1	26NA17580	AGITATING COUPLING B		C	1	a-V127030604 b-V217030001 c-V217040001 d-V234201050
2	40AA32320	Toner Supply Spacer		C	1	
3	50GA250100	SPACER		C	1	
4	A1RG569900	Suction Gear /2 21T		C	1	
5	A50U361900	Collection Gear /2 14T		C	1	
6	A50U362300	Insulating Cover		D	1	
7	A50U363300	Open/close Spring		D	2	
8	A50U365400	Collection Gear 19T		C	1	
9	A50UR70V00	Collection Pipe Assy		S	1	
10	A50UR70W11	Toner Collection Conveyance Assy		S	1	
11	A50UR71100	Collection Pipe / 1 Assy		D	1	
12	A50UF36500	Toner Collection Gate ASSY		D	1	

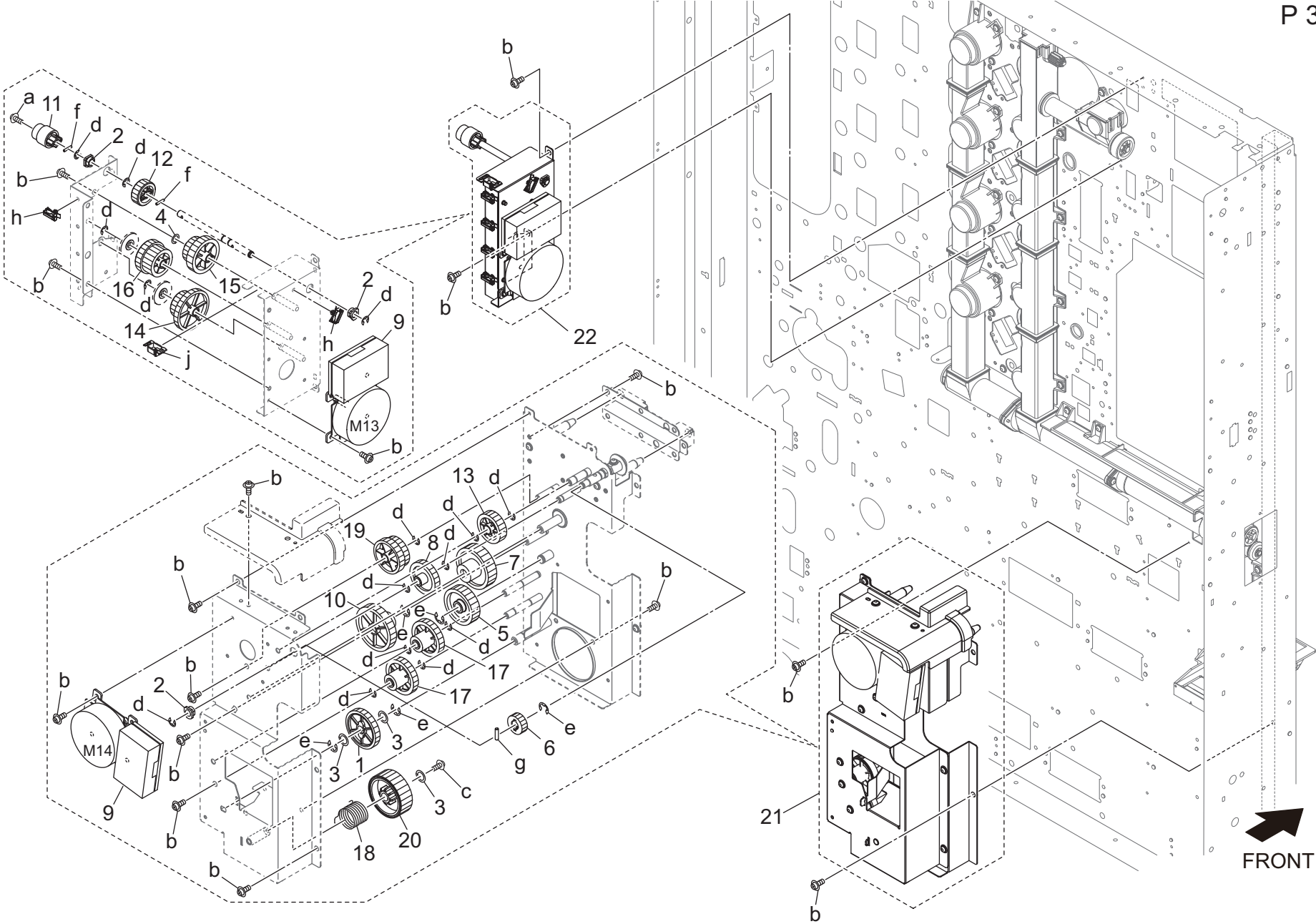
Toner Collection Section

P 30



Key	Part No.	Description	Destinations	Class	QTY	Standard parts
1	4470402401	Stopper		D	1	a-V127030604 b-V217020001 c-V570010056
2	4004457301	Stopper		D	1	
3	9335140051	SOLID STATE SWITCH		B	1	
4	55VA47840	Belt Hold Part /3		D	1	
5	56AA12270	EXTERNAL LOCKING PART		C	1	
6	A1RF363500	Control Spring		C	1	
7	A1RF363801	Detecting Part /2		D	1	
8	A50U363200	Collection Shaft		D	1	
9	A50U363400	Protection Cover /Lower		D	1	
10	A50U363701	Cover Outside		D	1	
11	A50U366800	Cover /2		D	1	
12	A50U367100	Card		D	1	
13	A50U367400	Cover		D	1	
14	A50U368400	Cover		D	1	
15	A50U369900	Cover /Front		D	1	
16	A50UR70115	Waste Toner Box	B,C,D1,E,F2,G1,G2,I	A	1	
16	A50UR70115	Waste Toner Box	A	A	1	
17	A50UM51000	Photointerrupter		C	1	
18	A50UN11801	Detection Relay harness /3		D	1	
19	A50UN12000	Detection Relay harness /1		D	1	

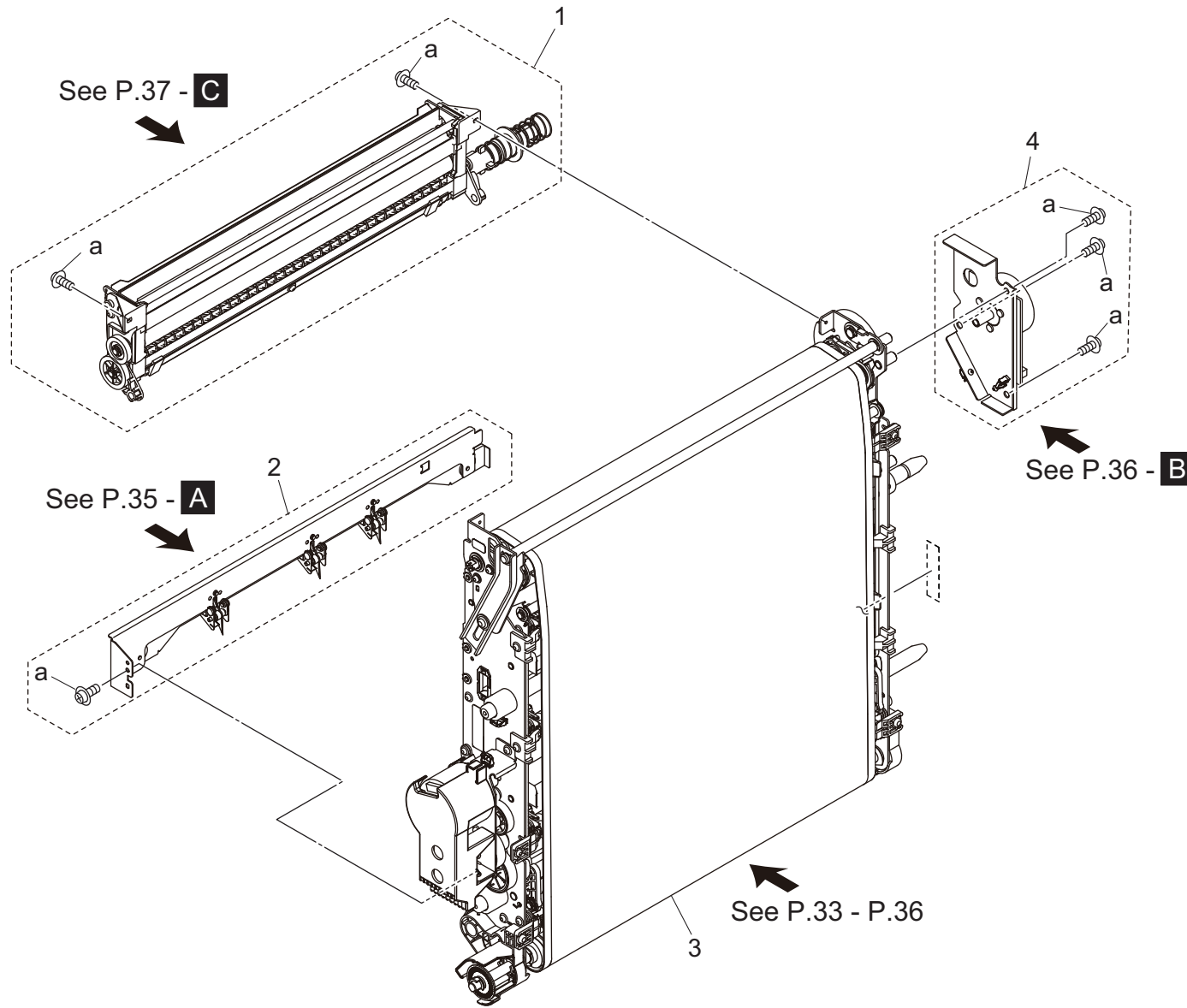
Toner Collection Driving Section



Key	Part No.	Description	Destinations	Class	QTY	Standard parts
1	4038254001	GEAR 37T		C	1	a-V121030403
2	466076020	Paper Feed Feeding Bearing		B	3	b-V127030604
3	13QA40610	Gear Spacer		C	3	c-V127040603
4	40AA32320	Toner Supply Spacer		C	1	d-V217040001
5	55GA77050	Conveyance Drive Gear /2 35T		B	1	e-V217060001
6	56UA77280	ADU CONVEYANCE GEAR 17T		C	1	f-V234201050
7	56UA77710	TONER SUPPLY DRIVE GEAR /B 16/40T		C	1	g-V500020100
8	65AA77410	TONER SUPPLY GEAR D 31T		C	1	h-V500020100
9	A161M10200	brushless Motor /20		I	2	j-V570010063
10	A1RF368500	Collection Gear 14/43T		C	1	
11	A1RF372300	Agitating Coupling /1		D	1	
12	A1RG569900	Suction Gear /2 21T		C	1	
13	A1UD210500	Gear 28T		C	1	
14	A50U360700	Collection Gear /1 75/23T		C	1	
15	A50U361200	Collection Gear /3 32/22T		C	1	
16	A50U361401	Collection Gear /2 29/25T		C	1	
17	A50U362200	Gear /1 34/14T		C	2	
18	A50U365600	Collection Spring		D	1	
19	A50U365800	Collection Gear /1 62/28T		C	1	
20	A50U367001	Collection Coupling		D	1	
21	A50UR70Y11	Toner Collection Drive Assy		S	1	
22	A50UR71200	Collection Drive Assy		S	1	

Intermediate Transfer Section

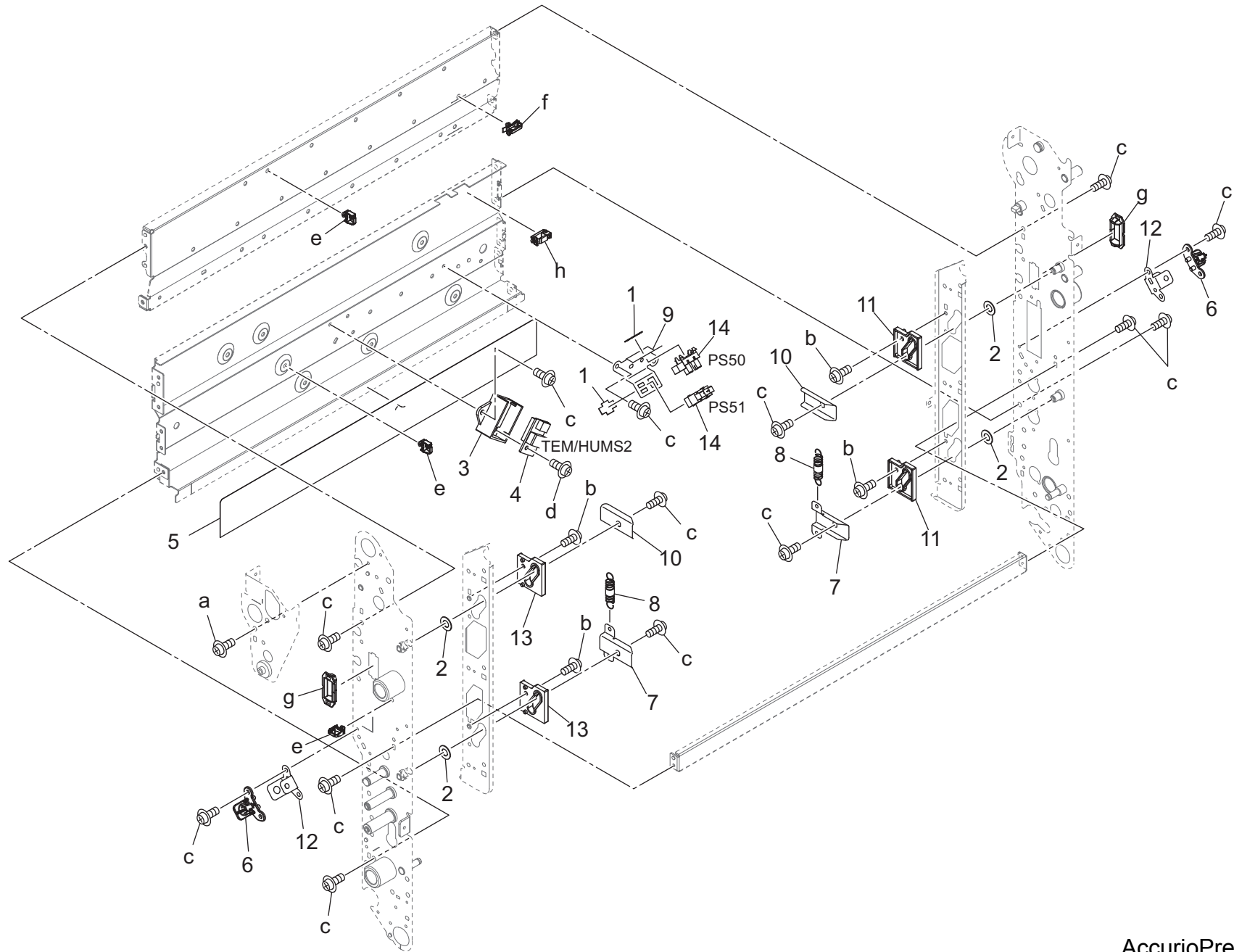
改訂版 REVISED EDITION	日付 DATE
▲	NOVEMBER 2016



Intermediate Transfer Section


Key	Part No.	Description	Destinations	Class	QTY	Standard parts
1	A50UR70633	Transfer Belt Cleaning Unit		B	1	a-V127030604
2	A50UR71P22	Separating Claw Unit		I	1	
3	A85CR70P22	Middle Transfer Assy		I	1	
4	A85CR70R11	Drive Plate Assy		C	1	

Intermediate Transfer Section

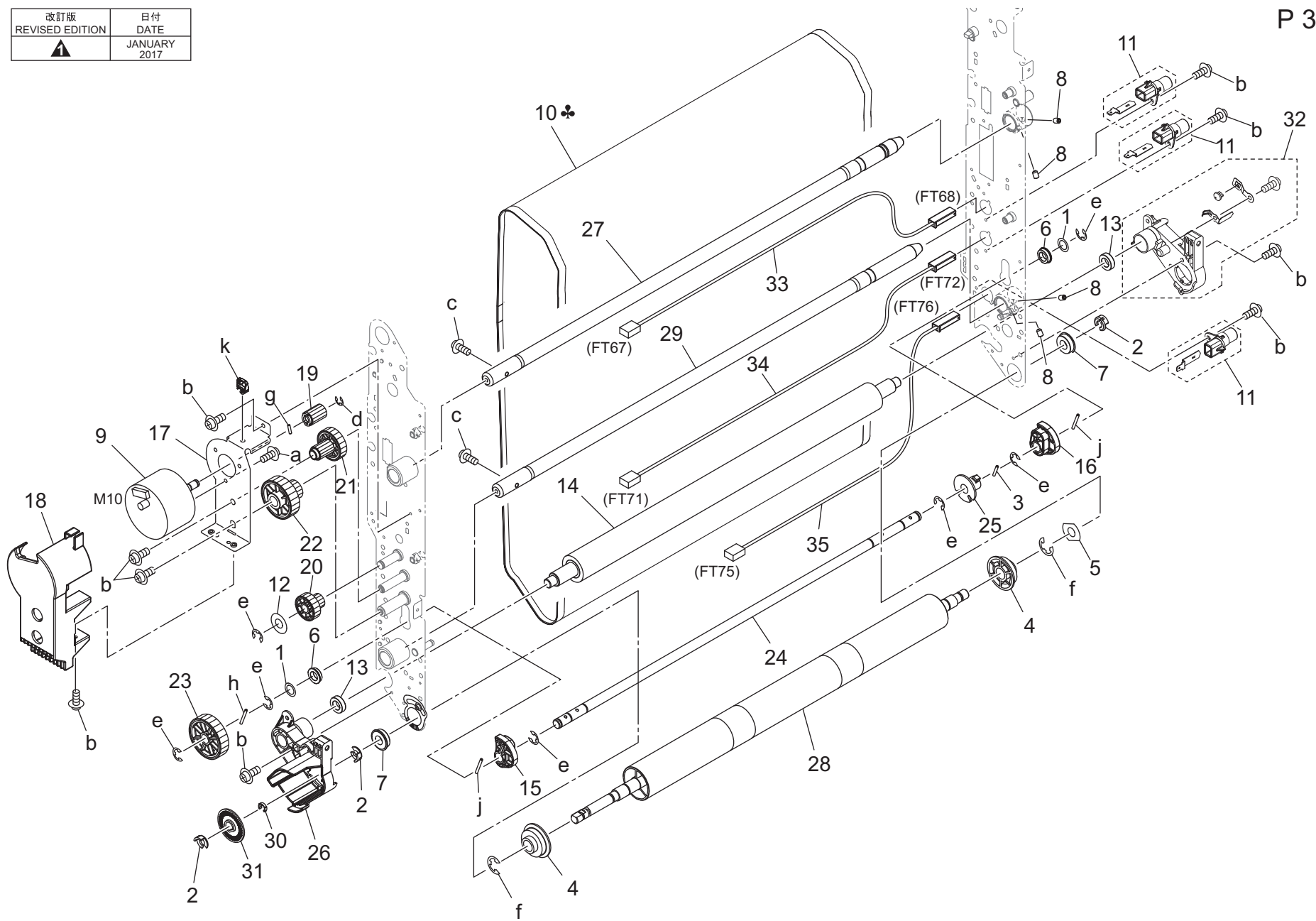


Key	Part No.	Description	Destinations	Class	QTY	Standard parts
1	4470402401	Stopper		D	2	a-V116030503 b-V121030403 c-V127030604 d-V158030803 e-V500020098 f-V500020100 g-V570010037 h-V570010057
2	07BA15871	SPACER A		C	4	
3	65AA11300	SUPPORT PART		D	1	
4	A034M50000	Humidity sensor		C	1	
5	A03U515100	Insulating Sheet		D	1	
6	A50U500800	Hold Part		D	2	
7	A50U503600	Stopper Plate		D	2	
8	A50U503700	Spring		D	2	
9	A50U505200	Plate		D	1	
10	A50U506200	Stopper Plate		D	2	
11	A50U506300	Transfer Bushing /Rear		D	2	
12	A50U508600	Transfer Support Plate		D	2	
13	A50U508800	Transfer Bushing /Front		D	2	
14	A85CM55500	Photo Sensor		C	2	

Intermediate Transfer Section

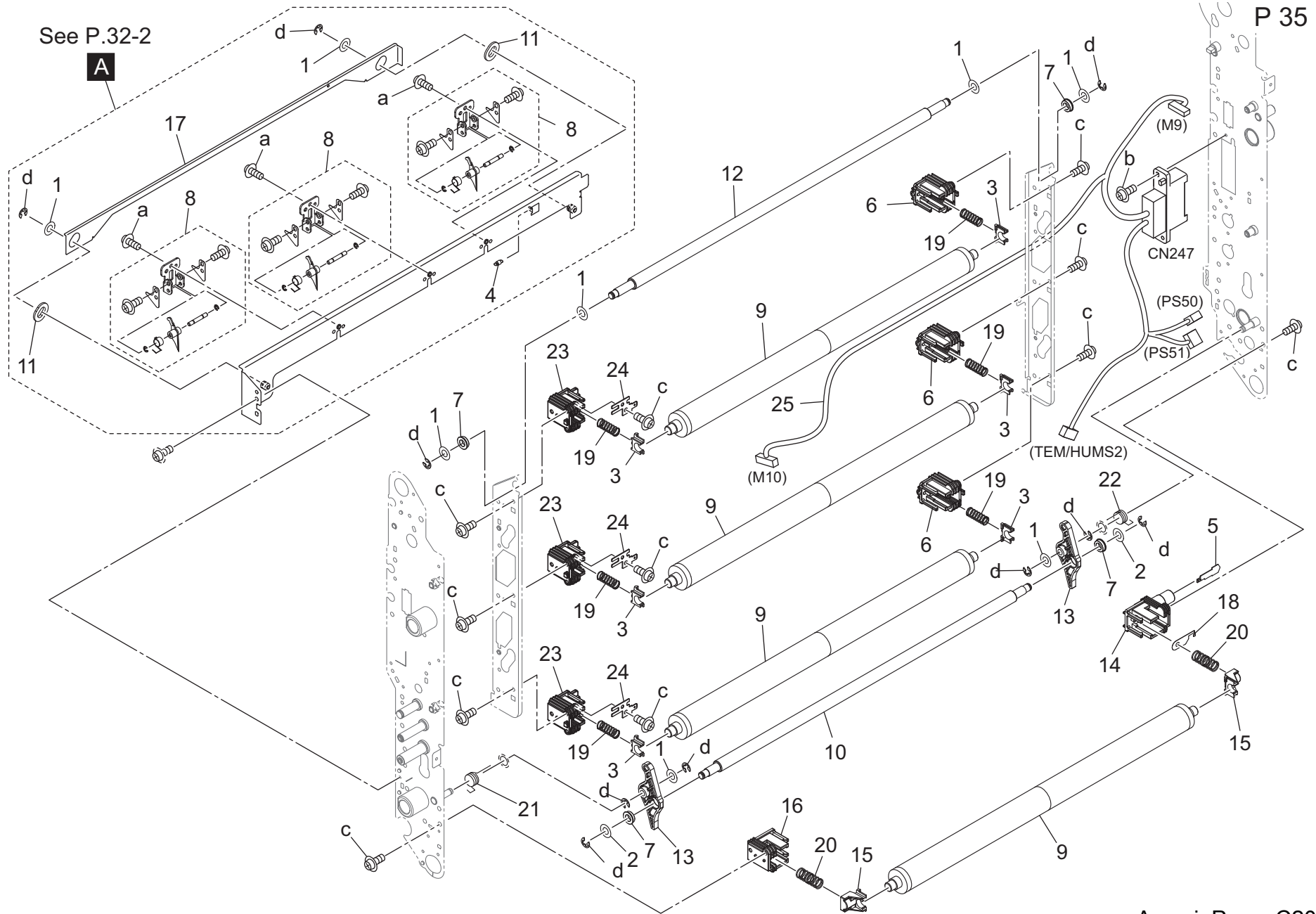
改訂版 REVISED EDITION	日付 DATE
	JANUARY 2017

P 34



Key	Part No.	Description	Destinations	Class	QTY	Standard parts
1	12QV40650	Spacer		B	2	a-V121030403
2	55VA42120	Shaft Stopper		C	3	b-V127030604
3	56AA17321	PIN A D2X12		B	1	c-V127040803
4	65AA26870	REGULATING COLLAR		C	2	d-V217040001
5	65AA27240	SPACER A		C	1	e-V217060001
6	A00J617900	Ball Bearing		B	2	f-V217080001
7	A00V240600	Ball Bearing		B	2	g-V234200850
8	A03U512300	Fixing Screw		C	4	h-V234201850
9	A11PM10200	DC Brushless motor /12		C	1	j-V237201850
10	A1DU504203	Transfer Belt 862L		A	1	k-V500020098
10	A50U510501	Transfer Belt	転写ベルト	A	1	
11	A1DUR73500	Power Supply Block / A Assy	給電ブロック / A A S S Y	D	3	
12	A1RF501700	Slide Spacer /A	スライド スペーサ / A	D	1	
13	A1RF517300	bearing	軸受	C	2	
14	A50U500401	2nd Transfer Roller/Up	2次転写ローラー / U p	A	1	
15	A50U502500	Transfer Release Cam /C	転写解除カム / C	D	1	
16	A50U502600	Transfer Release Cam /C	転写解除カム / C	D	1	
17	A50U503900	Drive Plate /2	駆動板 /2	D	1	
18	A50U504000	Cover	カバー	D	1	
19	A50U504400	Pressure Gear /M 18T	圧着ギア / M 1 8 T	C	1	
20	A50U504500	Compressing Gear /1 35/18T	圧縮ギア /1 3 5 /1 8 T	C	1	
21	A50U504600	Pressure Gear /2 43/18T	圧着ギア /2 4 3 /1 8 T	C	1	
22	A50U504700	Pressure Gear /3 56/18T	圧着ギア /3 5 6 /1 8 T	C	1	
23	A50U505000	Pressure Gear /4 44T	圧着ギア /4 4 4 T	C	1	
24	A50U505100	Pressure Shaft	圧着軸	D	1	
25	A50U505300	Light blocking Plate	遮光板	D	1	
26	A50U505901	Insulating Holder /Front	絶縁ホルダ /前	D	1	
27	A50U506101	Positioning Shaft /Upper	位置決め軸 /上	D	1	
28	A50U506701	Idler Roller	従動ローラ	C	1	
29	A50U507000	Positioning Shaft /Lower	位置決め軸 /下	D	1	
30	A50U509100	Lifting Collar /8	押上げカラー /8	D	1	
31	A50U517300	Control Plate	制御プレート	D	1	
32	A50UR72100	Insulating Holder / Rear Assy	絶縁ホルダ /奥 A s s y	D	1	
33	A50UN24501	HV Relay harness /1	高圧中継束線 /1	D	1	
34	A50UN24701	HV Relay harness /2	高圧中継束線 /2	D	1	
35	A50UN24901	HV Relay harness /3	高圧中継束線 /3	D	1	

Intermediate Transfer Section

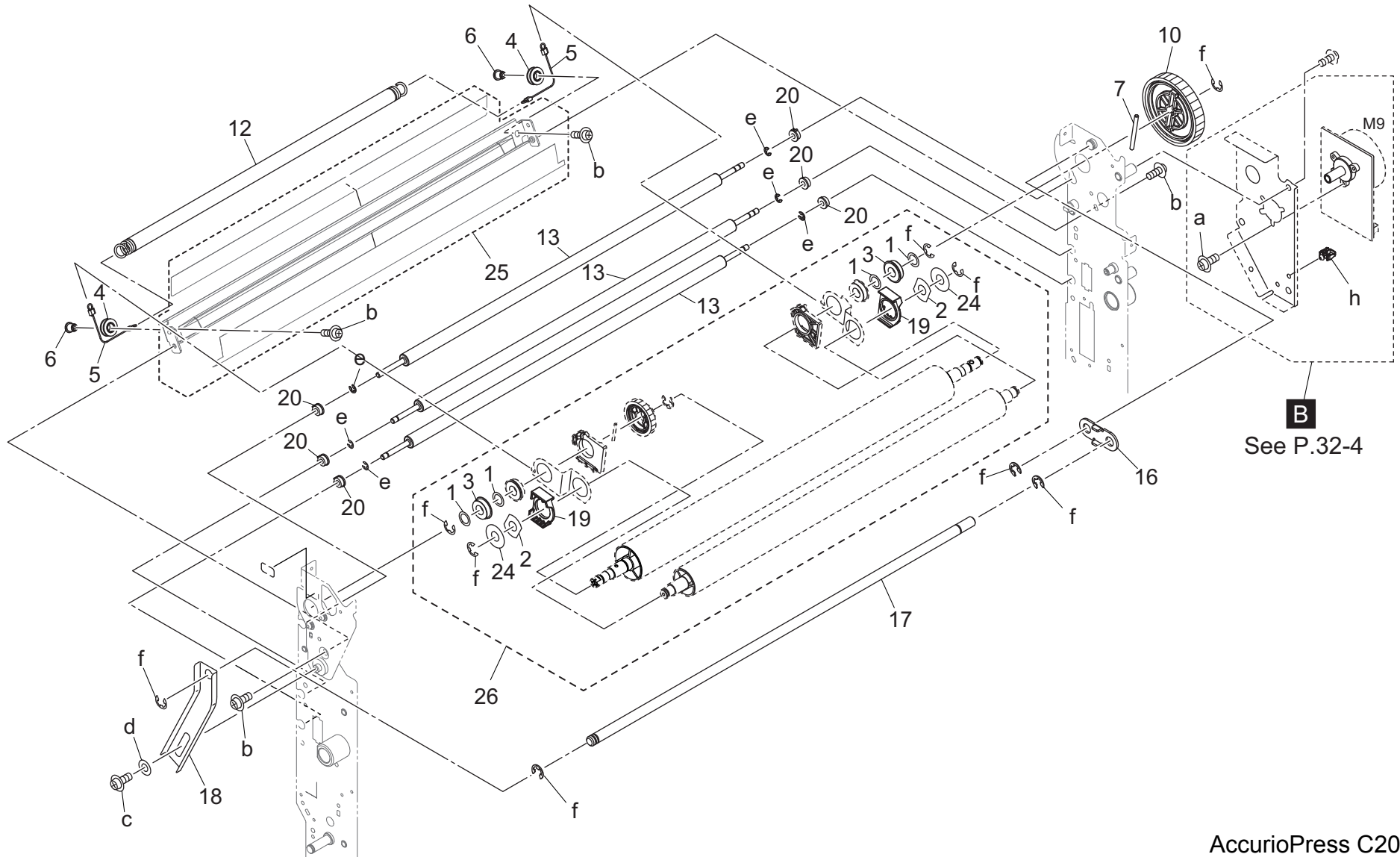


Intermediate Transfer Section

Key	Part No.	Description	Destinations	Class	QTY	Standard parts
1	07BA15871	SPACER A		C	8	a-V121030403 b-V127030803 c-V158030803 d-V217040001
2	40AA32320	Toner Supply Spacer		C	2	
3	65AA26380	Transfer Powering Bushing		B	6	
4	65AA26600	SLIDE SPRING		C	1	
5	65AA26690D	Transfer Powering Plate /K		D	1	
6	65AA26900D	High voltage Powering Block /C		D	3	
7	A00J617800	Ball Bearing		B	4	
8	A1DUR71900	Separation Claw Assy		B	3	
9	A50U501201	1st Transfer Roller		A	4	
10	A50U501900	Transfer Pressure Roller /K		C	1	
11	A50U503200	Bushing		D	2	
12	A50U505401	Transfer Pressure Roller /Y		C	1	
13	A50U505500	Release Arm		D	2	
14	A50U505601	Power supply Block /D		D	1	
15	A50U505700	Transfer Roller Bearing /K		B	2	
16	A50U505800	High voltage Powering Block /B		D	1	
17	A50U506900	Release Plate		D	1	
18	A50U507600	Transfer Powering Plate /L		D	1	
19	A50U507801	Pressure Spring /C		D	6	
20	A50U507900	Pressure Spring /Black		D	2	
21	A50U508001	Pressing Spring /Front		D	1	
22	A50U508102	Pressing Spring /Rear		D	1	
23	A50U510100	High voltage Powering Block /C		D	3	
24	A50U510200	Transfer Powering Plate /Front		D	3	
25	A50UN13201Old	Transfer Drive harness /1		D	1	
25	A50UN13203	Transfer Drive harness /1		D	1	

Intermediate Transfer Section

改訂版 REVISED EDITION	日付 DATE
	JANUARY 2018

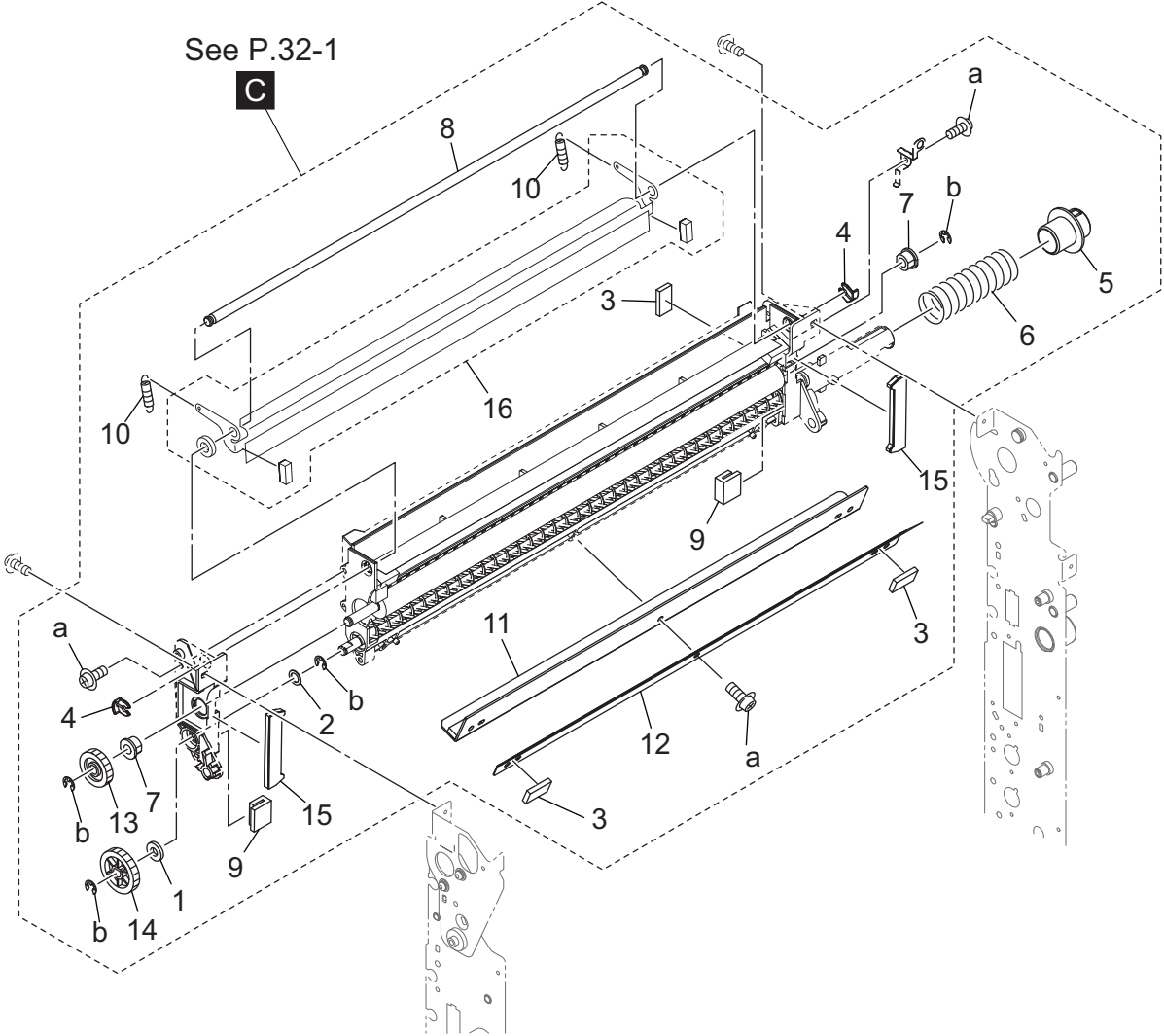


B
See P.32-4

Intermediate Transfer Section

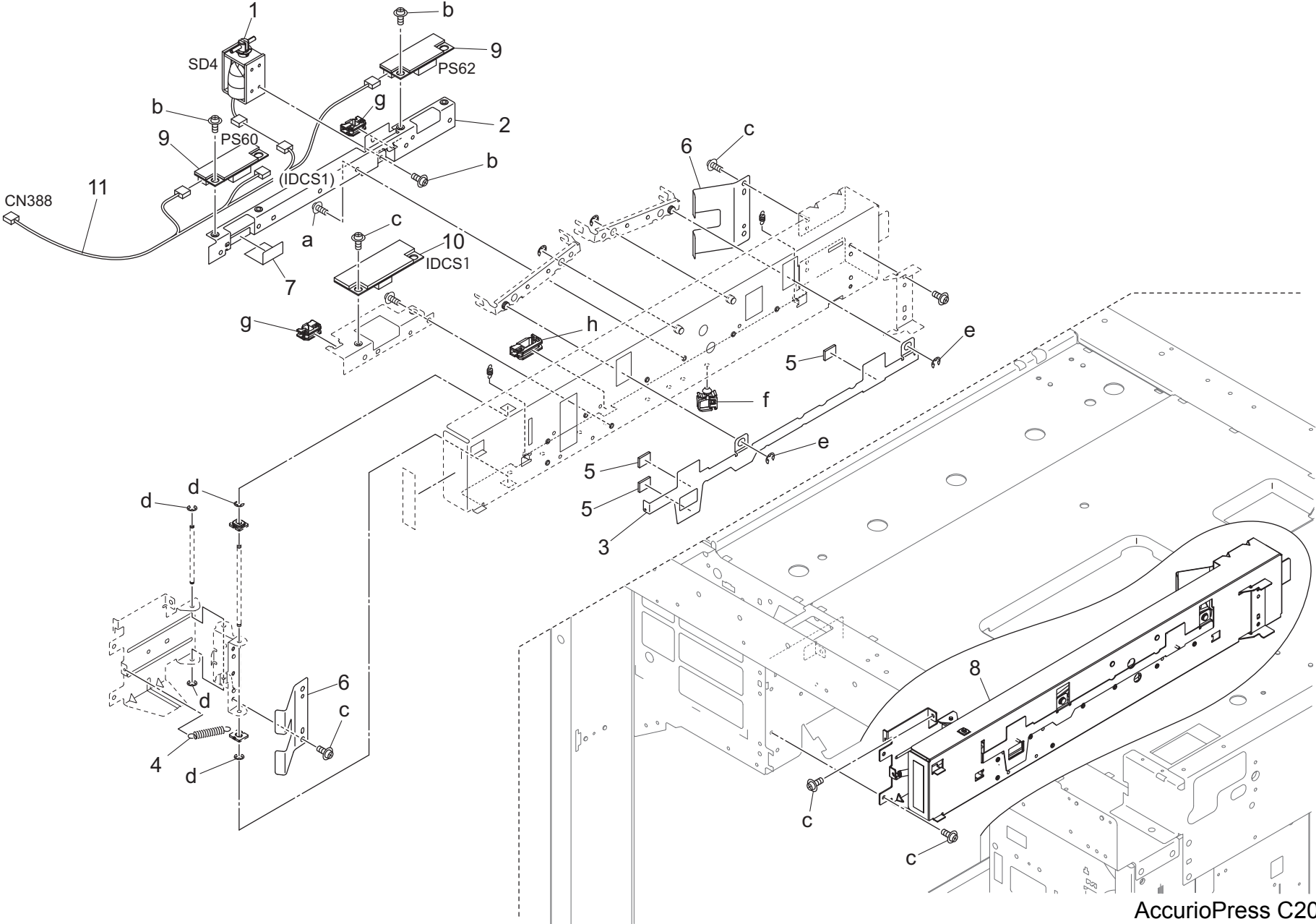
Key	Part No.	Description	Destinations	Class	QTY	Standard parts
1	12QV40650	Spacer		B	4	a-V118030403 b-V127030604 c-V127040603 d-V207060003 e-V217030001 f-V217060001 h-V500020098
2	65AA27240	SPACER A		C	2	
3	A00V240600	Ball Bearing		B	2	
4	A1RF508000	Tension Pulley		D	2	
5	A1RF508100	Pulling Wire		D	2	
6	A1RF508200	Tension Shaft		D	2	
7	A1RJ732100	Pin /2		C	1	
10	A50U501401	Drive Gear 108T		C	1	
12	A50U501702	Tension Spring		D	1	
13	A50U502100	Auxiliary Roller /1		C	3	
16	A50U502700	Handle /Rear		D	1	
17	A50U502900	Handle		D	1	
18	A50U503001	Mounting Plate		D	1	
19	A50U503300	Cover		D	2	
20	A50U503500	Bushing		D	6	
24	A50U509200	Washer		D	2	
25	A50UR73J00	Cleaning Sheet Assy		D	1	
26	A50UR73K00	Drive Roller Assy		C	1	

Intermediate Transfer Section



Key	Part No.	Description	Destinations	Class	QTY	Standard parts
1	08AA45230	COLLECTING SEAL		C	1	a-V158030803 b-V217040001
2	40AA32320	Toner Supply Spacer		C	1	
3	56AA20940D	Toner Dust-proof Seal /D		D	3	
4	56AA40490	SHAFT STOPPER 4		C	2	
5	65AA20060	COLLECTING COVER		C	1	
6	65AA20300	TONER COLLECTING SPRING		C	1	
7	65AA26840	Cleaner Bushing /Front		C	2	
8	65AA27090D	Blade Fulcrum Shaft		D	1	
9	65AA27320	SCATTER PREVENTING PAD 4		C	2	
10	A03U555400	Cleaning Spring		C	2	
11	A1DUR71C00	Sheet /1 Assy		A	1	
12	A1DUR71D00	Sheet /2 Assy		C	1	
13	A50U531400	Cleaning Gear /1 21T		C	1	
14	A50U531500	Cleaning Gear /2 26T		C	1	
15	A50U531601	Seal /F		A	2	
16	A50UR70K11	Belt Cleaning Blade		A	1	

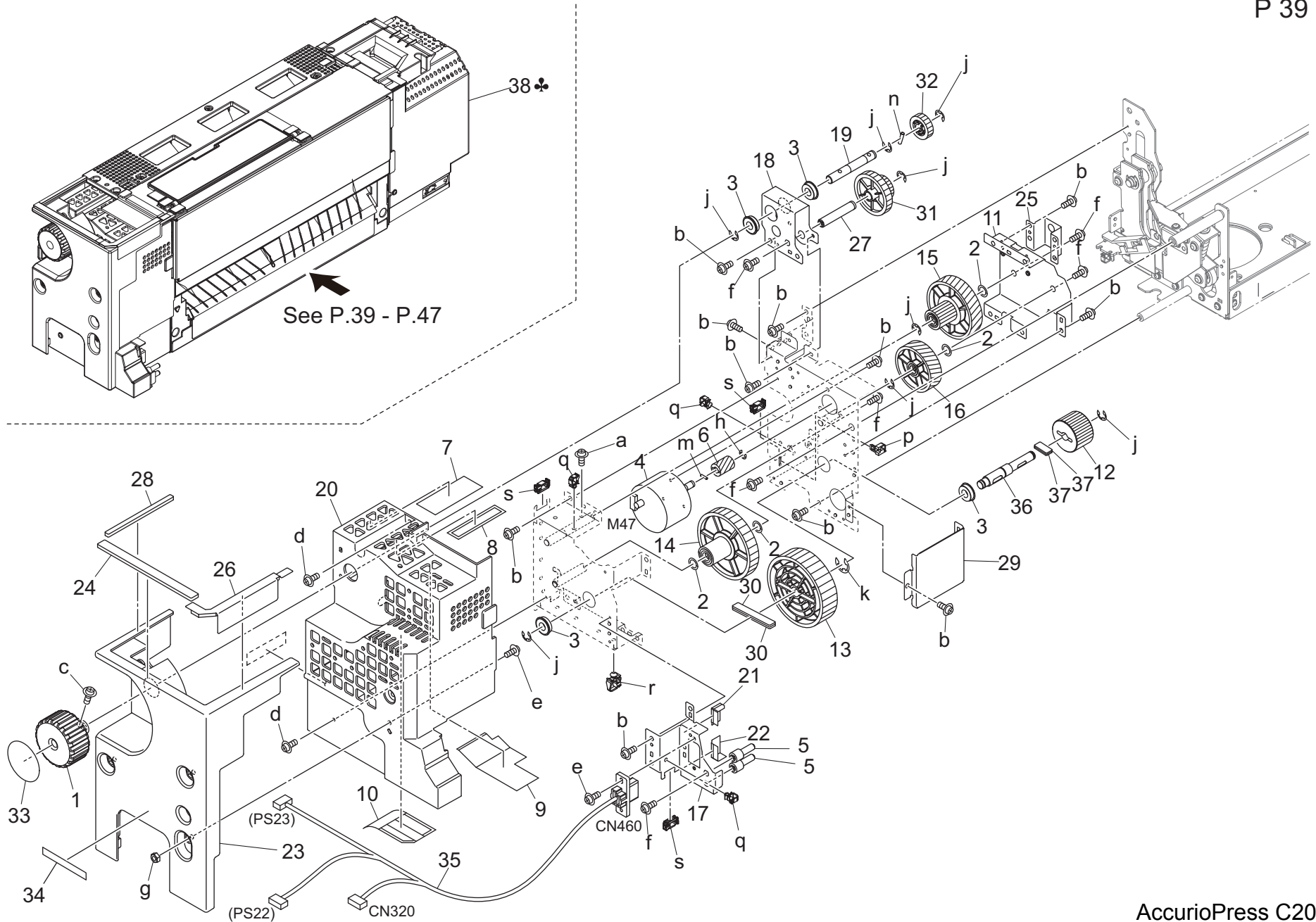
Color Resist Section



Color Resist Section

Key	Part No.	Description	Destinations	Class	QTY	Standard parts
1	A1DUR71600	Solenoid Assy		C	1	a-V116030503 b-V121030403 c-V127030604 d-V217020001 e-V217040001 f-V500020098 g-V570010056 h-V570010057
2	A50U515200	Fixing Plate		D	1	
3	A50U515500	Open/close Shutter		D	1	
4	A50U516800	Spring		D	1	
5	A50U516900	Scatteringprevention Pad		D	3	
6	A50U517000	Pressing Spring		D	2	
7	A50U517100	Cover Sheet		D	1	
8	A50UR71711	Color Registration Unit		S	1	
9	A50UM50100	Photo sensing		I	2	
10	A50UM50200	Photo sensing		I	1	
11	A50UN20001	Wiring /1		D	1	

Fusing Section



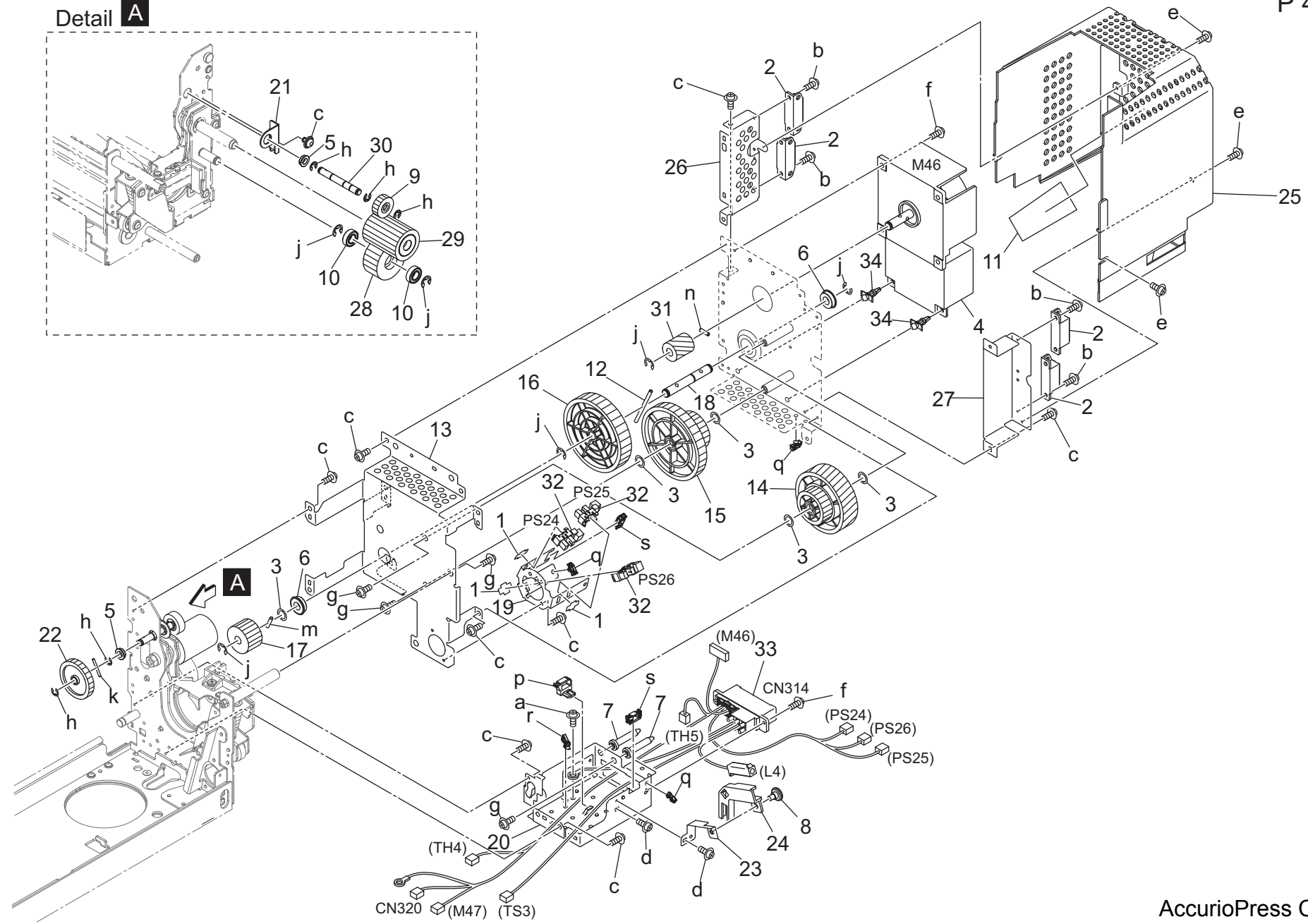
See P.39 - P.47

Key	Part No.	Description	Destinations	Class	QTY	Standard parts
1	20AL48470G	Jam Release Knob		C	1	a-V116030603
2	56AA42690	BY-PASS SPACER		C	4	b-V121030403
3	A00V240600	Ball Bearing		B	4	c-V121041003
4	A11PM10200	DC Brushless motor /12		C	1	d-V127030604
5	A1DU736200	Positioning Shaft		D	2	e-V127030803
6	A1RF809400	Pressure Gear /1 22T		C	1	f-V127040603
7	A50U732200	Protection Seal /2		D	1	g-V195030003
8	A50U732300	Protection Seal /3		D	1	h-V217040001
9	A50U732400	Protection Seal /4		D	1	j-V217060001
10	A50U732500	Protection Seal /5		D	1	k-V217080001
11	A50U742300	Drive Plate /3		D	1	m-V234200850
12	A50U742800	Pressure Gear /1 31T		C	1	n-V234301450
13	A50U742901	Pressure Gear /2 90T		C	1	p-V500010057
14	A50U743000	Pressure Gear /3 23/85T		C	1	q-V500010074
15	A50U743100	Pressure Gear /4 23/110T		C	1	r-V500020098
16	A50U743200	Pressure Gear /5 87T		C	1	s-V500010057
17	A50U745302	Fixing Plate /5		D	1	
18	A50U745600	Fixing Plate /1		D	1	
19	A50U745700	Processing Shaft /A		D	1	
20	A50U748403	Fusing Cover /Front		D	1	
21	A50U750500	Sheet /5		D	1	
22	A50U750600	Sheet /6		D	1	
23	A50U751002	Fusing Cover /1		D	1	
24	A50U751101	Spacer /1		D	1	
25	A50U751200	Positioning Plate /A		D	1	
26	A50U751301	Spacer /2		D	1	
27	A50U752600	Processing Shaft		D	1	
28	A50U755900	Spacer /3		D	1	
29	A50U756001	Auxiliary Side plate		D	1	
30	A50U756500	Part /1		D	2	
31	A50U757000	Connecting Gear /A 41/22T		C	1	
32	A50U757100	Idling Gear /A 22T		C	1	
33	A50U943501	Release Label /5		D	1	
34	A50U949600	Replacement Label		D	1	
35	A50UN10903	Fixing Wiring /5		D	1	
36	A85C742500	Pressure Shaft /1		D	1	
37	A85C758300	Drive Plate /1		D	2	
38	A85CR70100	Fusing Unit (200V)		I	1	
38	A85CR70200	Fusing Unit (208V)		I	1	
38	A85CR70300	Fusing Unit (220V)		I	1	

Fusing Section

P 40

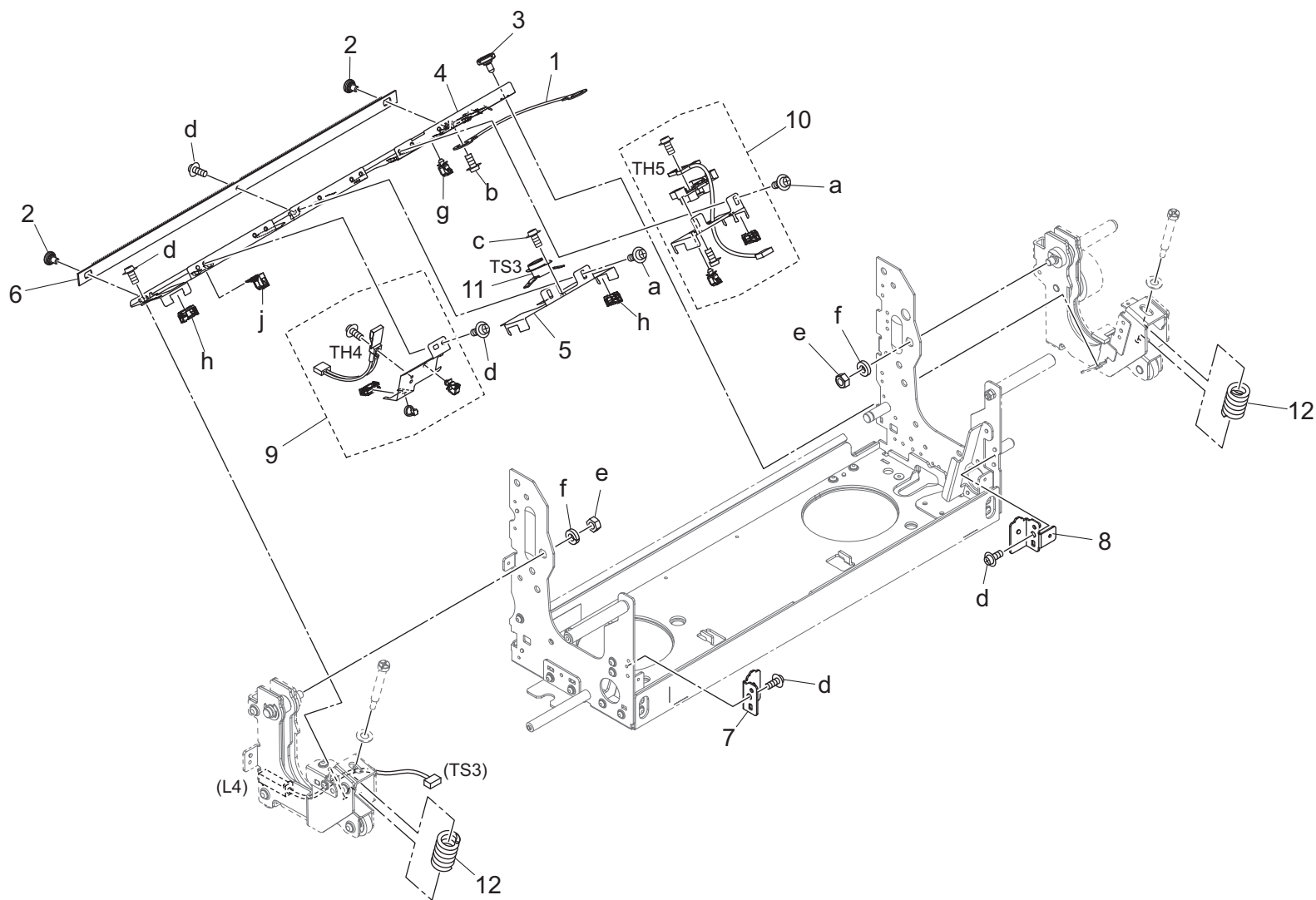
Detail **A**



Order here
 8 (495) 646-0426
 ПЯТЫЙ ПАРТНЕР www.km-shop.ru

AccurioPress C2070P

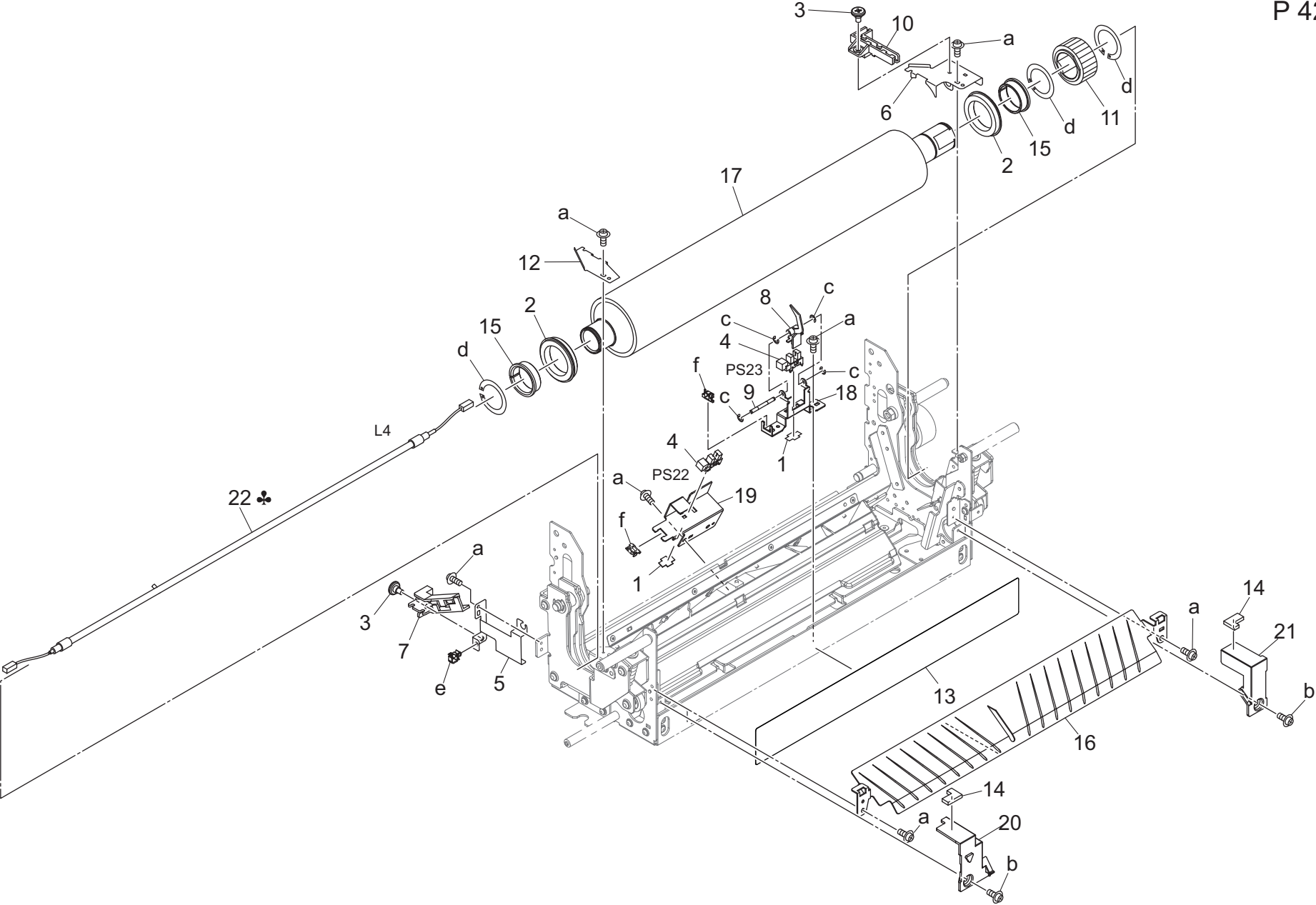
Key	Part No.	Description	Destinations	Class	QTY	Standard parts
1	4470402401	Stopper		D	3	a-V116040603
2	07BA12352	Magnet Catch		C	4	b-V118030603
3	56AA42690	BY-PASS SPACER		C	5	c-V121030403
4	65AA80021	DC Brushless Motor /50		B	1	d-V127030516
5	A00J617800	Ball Bearing		B	2	e-V127030604
6	A00V240600	Ball Bearing		B	2	f-V127030803
7	A03U724200	Positioning Shaft		D	2	g-V127040603
8	A03U734500	Support Screw /A		C	1	h-V217040001
9	A03U808400	FIXING DRIVE GEAR /D 19T		B	1	j-V217060001
10	A1RF820000	Ball Bearing		C	2	k-V234201850
11	A50U732100	Protection Seal /1		D	1	m-V234301450
12	A50U742400	Pin /4		D	1	n-V237301150
13	A50U743301	Drive Plate /4		D	1	p-V500010021
14	A50U743600	Drive Gear /2 33/58T		C	1	q-V500020099
15	A50U743700	Drive Gear /3 36/74T		C	1	r-V500020100
16	A50U743800	Drive Gear /4 74T		C	1	s-V570010057
17	A50U743900	Drive Gear /5 26T		C	1	
18	A50U744300	Drive Shaft /2		D	1	
19	A50U744601	Plate		D	1	
20	A50U744912	Mounting Plate /4		D	1	
21	A50U745500	Paper exit Plate /1		D	1	
22	A50U746400	Paper exit Gear /A 37T		C	1	
23	A50U747200	Hold Plate /2		D	1	
24	A50U747300	Wiring Part /5		D	1	
25	A50U748504	Fusing Cover /Rear		D	1	
26	A50U749200	Mounting Plate /1		D	1	
27	A50U749300	Mounting Plate /2		D	1	
28	A50U752000	Drive Gear /C 36T		D	1	
29	A50U752200	Fusing Gear/3 30T		B	1	
30	A50U752300	Paper exit Shaft /A		D	1	
31	A50U754700	Fusing Gear /6 16T		C	1	
32	A85CM55500	Photo Sensor		C	3	
33	A85CN10700	Fixing Wiring /2		D	1	
34	V502010033	Circuit Board Spacer		D	2	



Fusing Section

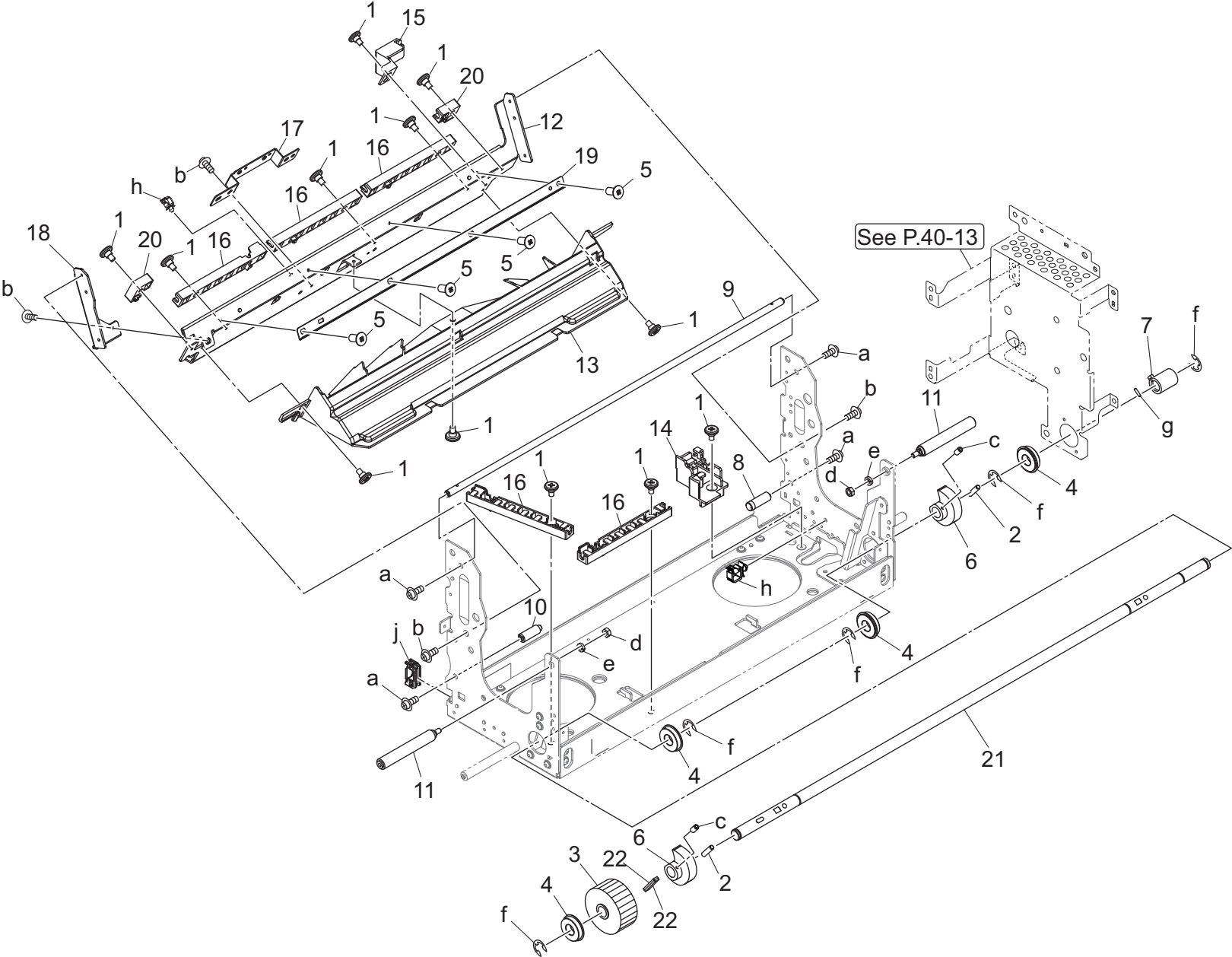
Key	Part No.	Description	Destinations	Class	QTY	Standard parts
1	A03UN23200	Grounding Wiring /F		D	1	a-V116030603
2	A0P0742300	Shoulder screw		C	2	b-V116040603
3	A50U745100	Guide Screw		D	1	c-V118030403
4	A50U745802	Stay /4		D	1	d-V121030403
5	A50U746200	Stay /2		D	1	e-V195060003 f-V205060003
6	A50U755000	Neutralizing Brush		D	1	g-V500010074
7	A50U787500	Hold Arm /Front		D	1	h-V500020096
8	A50U787600	Hold Arm /Rear		D	1	j-V500020097
9	A50UR70E11	Fusing Temperature Sensor/4		B	1	
10	A50UR72Y00	Fusing Temperature Sensor/5		C	1	
11	SP00-0220	Thermostat /Lower		I	1	
12	A85C741600	Pressure Spring /1		D	2	

Fusing Section



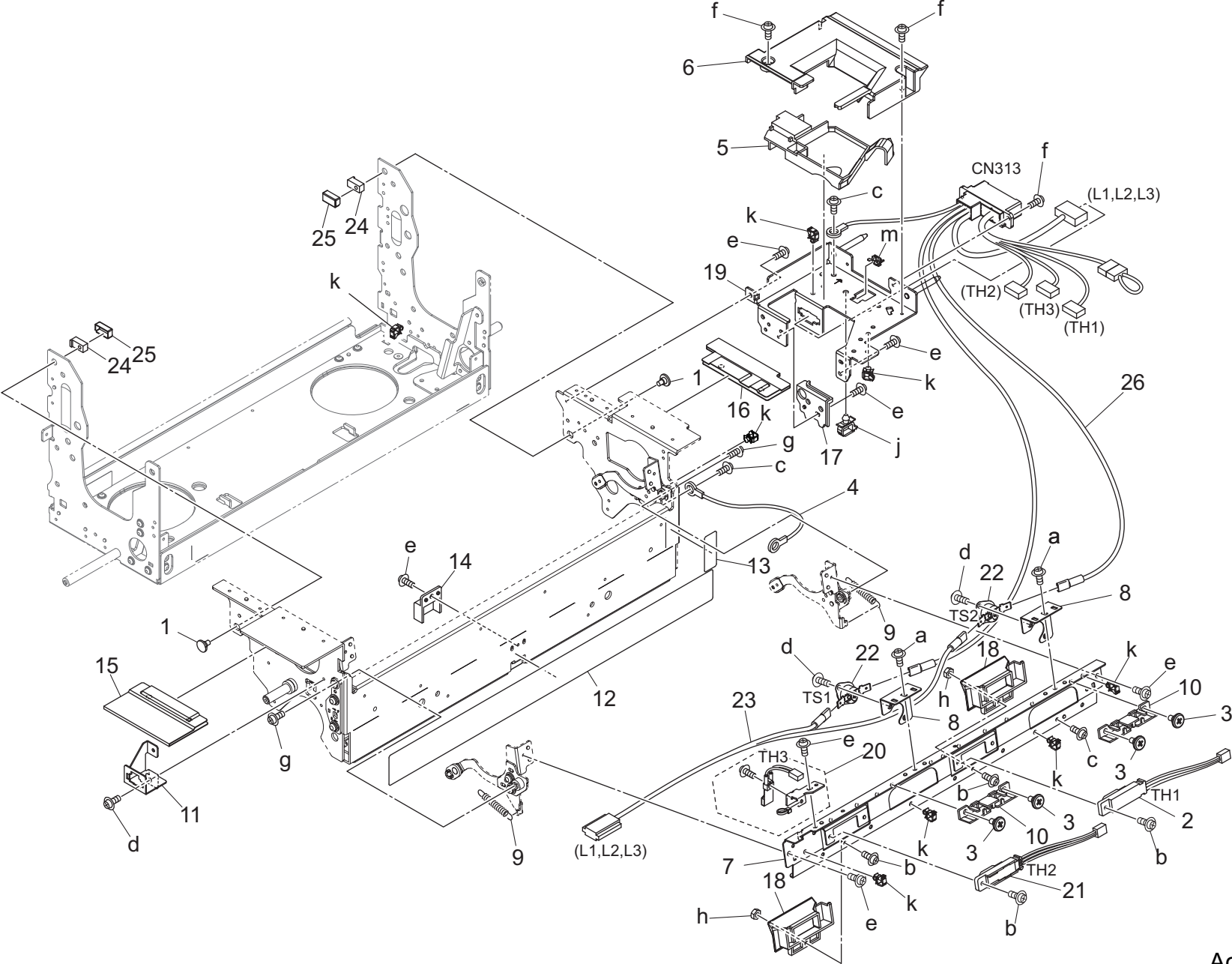
Key	Part No.	Description	Destinations	Class	QTY	Standard parts
1	4470402401	Stopper		D	2	a-V121030403 b-V127030604 c-V217020001 d-V223260004 e-V500010074 f-V570010025
2	26NA53712	BALL BEARING		A	2	
3	A03U734500	Support Screw /A		C	2	
4	A1RFM51000	Photointerrupter /H		C	2	
5	A50U741700	Hold Plate /1		D	1	
6	A50U741800	Hold Plate /2		D	1	
7	A50U746800	Wiring Part /3		D	1	
8	A50U747803	Actuator /A		D	1	
9	A50U747900	Shaft /1		D	1	
10	A50U748200	Wiring Part /1		D	1	
11	A50U752700	Fusing Gear/1 38T		B	1	
12	A50U755100	Holding Part /F		D	1	
13	A50U755301	Sheet /L		D	1	
14	A50U755800	Sealing Part /2		D	2	
15	A50U756300	Insulating Sleeve /Lower		B	2	
16	A50U758201	Guide Plate /B		D	1	
17	A50U765500	Fusing Roller /Lw		B	1	
18	A50U787700	Sensor Plate /Front		D	1	
19	A50U788601	Sensor Plate /Rear		D	1	
20	A50U788900	Insulating Plate /Front		D	1	
21	A50U789100	Insulating Plate /Rear		D	1	
22	A50UM32A00	Fusing Heater Lamp/4 (200V)	A	I	1	
22	A50UM32E00	Fusing Heater Lamp/4 (208V)	B,G2	I	1	
22	A50UM32F00	Fusing Heater Lamp/4 (220V)	C,D1,E,F2,G1,I	I	1	

Fusing Section



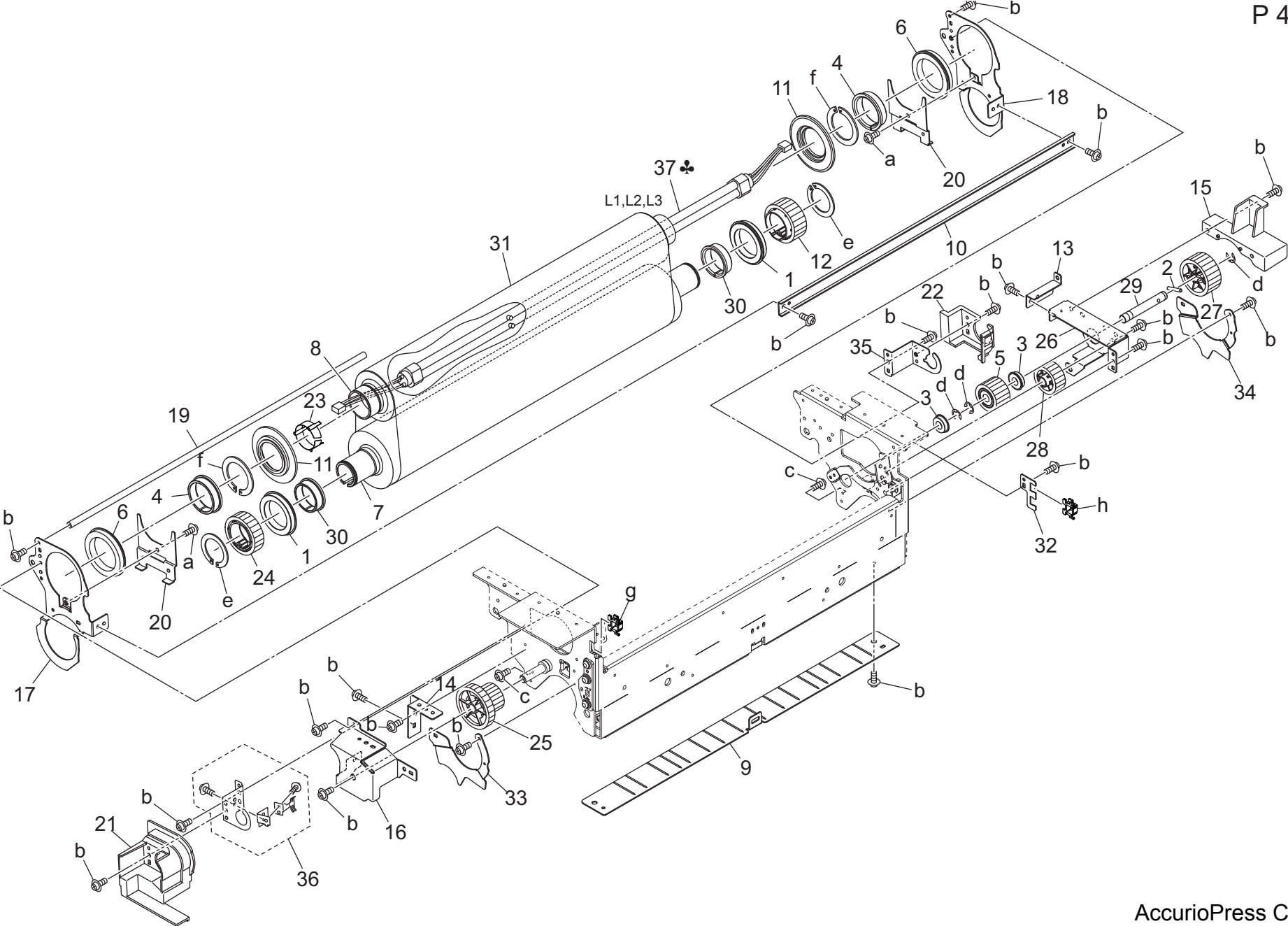
Key	Part No.	Description	Destinations	Class	QTY	Standard parts
1	A03U734500	Support Screw /A		C	12	a-V116030603 b-V121030403 c-V193030404 d-V195040003 e-V205040003 f-V217080001 g-V234200850 h-V500010074 j-V500020096
2	A1RF758100	Pin /B		D	2	
3	A1RF808600	Pressure Gear /5 42T		C	1	
4	A4EU265000	Ball bearing		B	4	
5	A50U642300	Mounting Screw		D	4	
6	A50U742000	Pressure Cam /1		D	2	
7	A50U744700	Pressure Actuator /1		D	1	
8	A50U746700	Paper exit Fulcrum Shaft		D	1	
9	A50U747101	Stopper Shaft /1		D	1	
10	A50U754901	Paper exit Fulcrum Shaft		D	1	
11	A50U785000	Rotation Shaft /2		D	2	
12	A50U787003	Cover Plate		D	1	
13	A50U788000	Cooling Duct		D	1	
14	A50U788101	Wiring Part /2		D	1	
15	A50U792901	Wiring Part /D		D	1	
16	A50U794800	Wiring Part		D	5	
17	A50U799200	Mounting Plate		D	1	
18	A50U799601	Adjusting Plate		D	1	
19	A50U799700	Regulating Plate		D	1	
20	A50U799800	Wiring Part		D	2	
21	A85C741900	Pressure Shaft /2		D	1	
22	A85C758400	Drive Plate /2		D	2	

Fusing Section



Key	Part No.	Description	Destinations	Class	QTY	Standard parts
1	55VA20520	Cleaner Locking Screw		C	2	a-V116030603 b-V116030803 c-V116040603 d-V118030303 e-V121030403 f-V127030604 g-V127040603 h-V195030003 j-V500010073 k-V500010074 m-V570010025
2	65AA88010	Temperature Sensor /1		B	1	
3	A03U734500	Support Screw /A		C	4	
4	A03UN23200	Grounding Wiring /F		D	1	
5	A50U722100	Fusing Cover /1		D	1	
6	A50U722202	Fusing Cover /2		D	1	
7	A50U723812	Stay /1		D	1	
8	A50U723911	Stay /2		D	2	
9	A50U725200	Tension Spring /1		D	2	
10	A50U726611	Guide Part /2		D	2	
11	A50U728401	Mounting Plate /B		D	1	
12	A50U728500	Insulating Sheet /A		D	1	
13	A50U728800	Insulating Sheet /D		D	1	
14	A50U730900	Cover Part /1		D	1	
15	A50U731002	Insulating Sheet /F		D	1	
16	A50U731102	Insulating Sheet /G		D	1	
17	A50U733402	Protection Cover /A		D	1	
18	A50U733500	Protection Part /1		D	2	
19	A50U786100	Fusing Stay /2		D	1	
20	A50UR70F00	Fusing Temperature Sensor/3		B	1	
21	A50UM50600	Fusing Temperature Sensor/2		C	1	
22	SP00-0210	Thermostat /Upper		I	2	
23	A50UN11011	Fixing Relay harness /1		D	1	
24	A85C789200	Hold Part /A		D	2	
25	A85C789300	Insulating Sheet /F		D	2	
26	A85CN10601	Fixing Wiring /1		D	1	

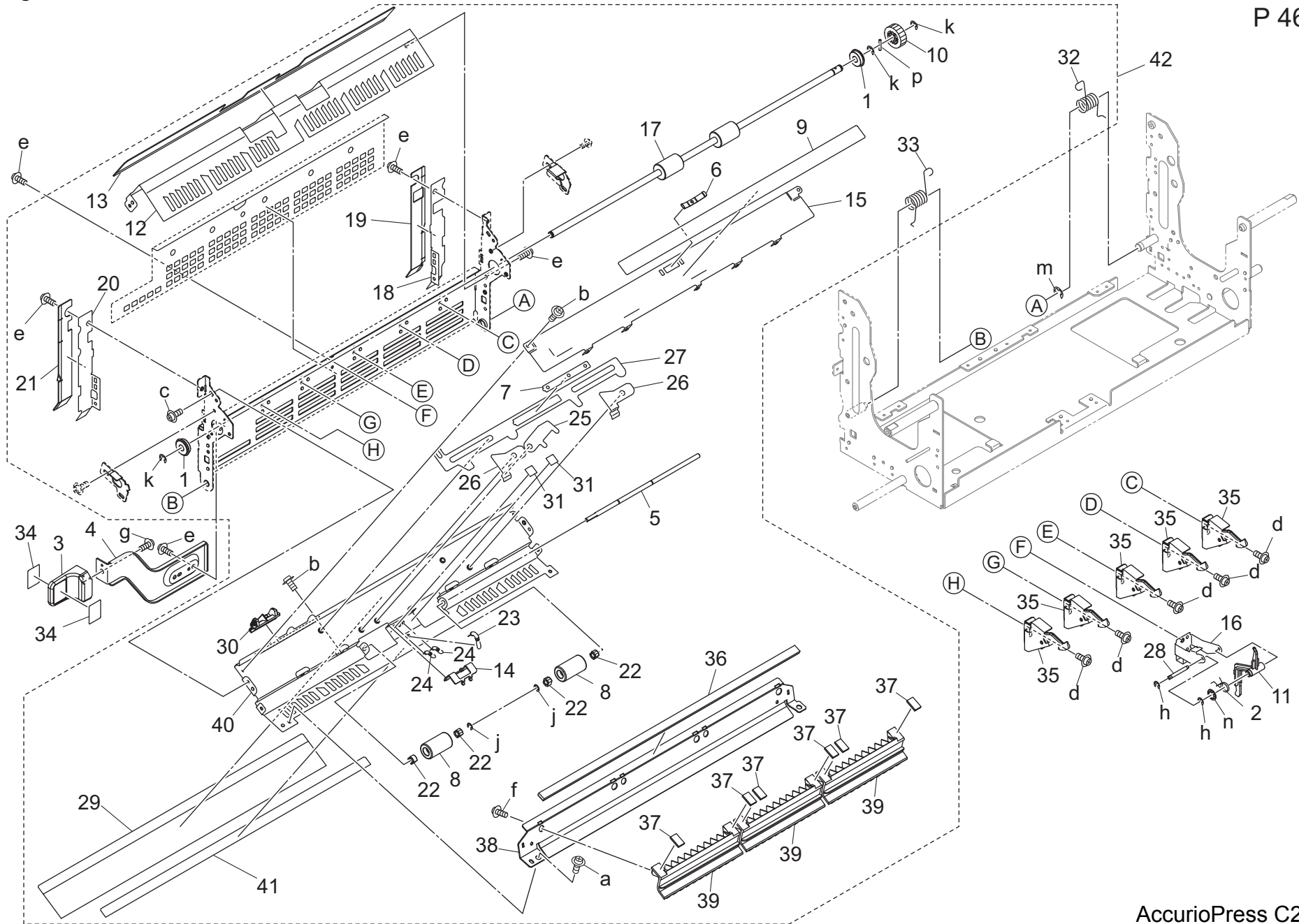
Fusing Section



Key	Part No.	Description	Destinations	Class	QTY	Standard parts
1	26NA53712	BALL BEARING		A	2	a-V116030503 b-V121030403 c-V127030604 d-V217060001 e-V223260004 f-V223300004 g-V500020096 h-V570010025
2	55VA48500	PARALLEL PIN D3X18		D	1	
3	A00V240600	Ball Bearing		B	2	
4	A03U729500	INSULATING SLEEVE /UPPER		B	2	
5	A03U809500	FIXING DRIVE GEAR /O 26T		A	1	
6	A1UD723500	Fusing Bearing /Upper		A	2	
7	A50U720123	Fusing Roller/1		B	1	
8	A50U720501	Fusing Roller/2		B	1	
9	A50U721601	Guide Plate /Upper		D	1	
10	A50U723100	Fusing Stay /1		D	1	
11	A50U724102	Belt Regulating Sleeve		B	2	
12	A50U725001	Drive Gear /Upper 38T		C	1	
13	A50U726300	Support Plate /3		D	1	
14	A50U726401	Support Plate /4		D	1	
15	A50U726800	Guide Part /3		D	1	
16	A50U728301	Support Plate /11		D	1	
17	A50U730125	Fusing Stay /A		D	1	
18	A50U730525	Fusing Stay /E		D	1	
19	A50U730600	Fusing Stay /F		D	1	
20	A50U730700	Holding Plate /1		D	2	
21	A50U733001	Cover /Front		D	1	
22	A50U733101	Cover /Rear		D	1	
23	A50U733712	Neutralizing Ring /1		B	1	
24	A50U739811	Drive Gear /Front 38T		C	1	
25	A50U739900	Connecting Gear /A 42/25T		C	1	
26	A50U743501	Drive Plate /6		D	1	
27	A50U744000	Drive Gear /6 36T		C	1	
28	A50U744100	Drive Gear /7 27T		C	1	
29	A50U744400	Drive Shaft /3		D	1	
30	A50U756300	Insulating Sleeve /Lower		B	2	
31	A50U765000	Fusing Belt		B	1	
32	A50U783400	Hold Plate		D	1	
33	A50U785400	Stopper Stopper /A		D	1	
34	A50U785500	Stopper Stopper /B		D	1	
35	A85C723600	Support Plate /2		D	1	
36	A85CR70M00	Newtralizing Spring Assy		B	1	
37	A85CM31A00	Fusing Heater Lamp Assy /Up (200V)		B	1	
37	A85CM31E00	Fusing Heater Lamp Assy /Up (208V)		B	1	
37	A85CM31F00	Fusing Heater Lamp Assy /Up (220V)		B	1	

Fusing Section

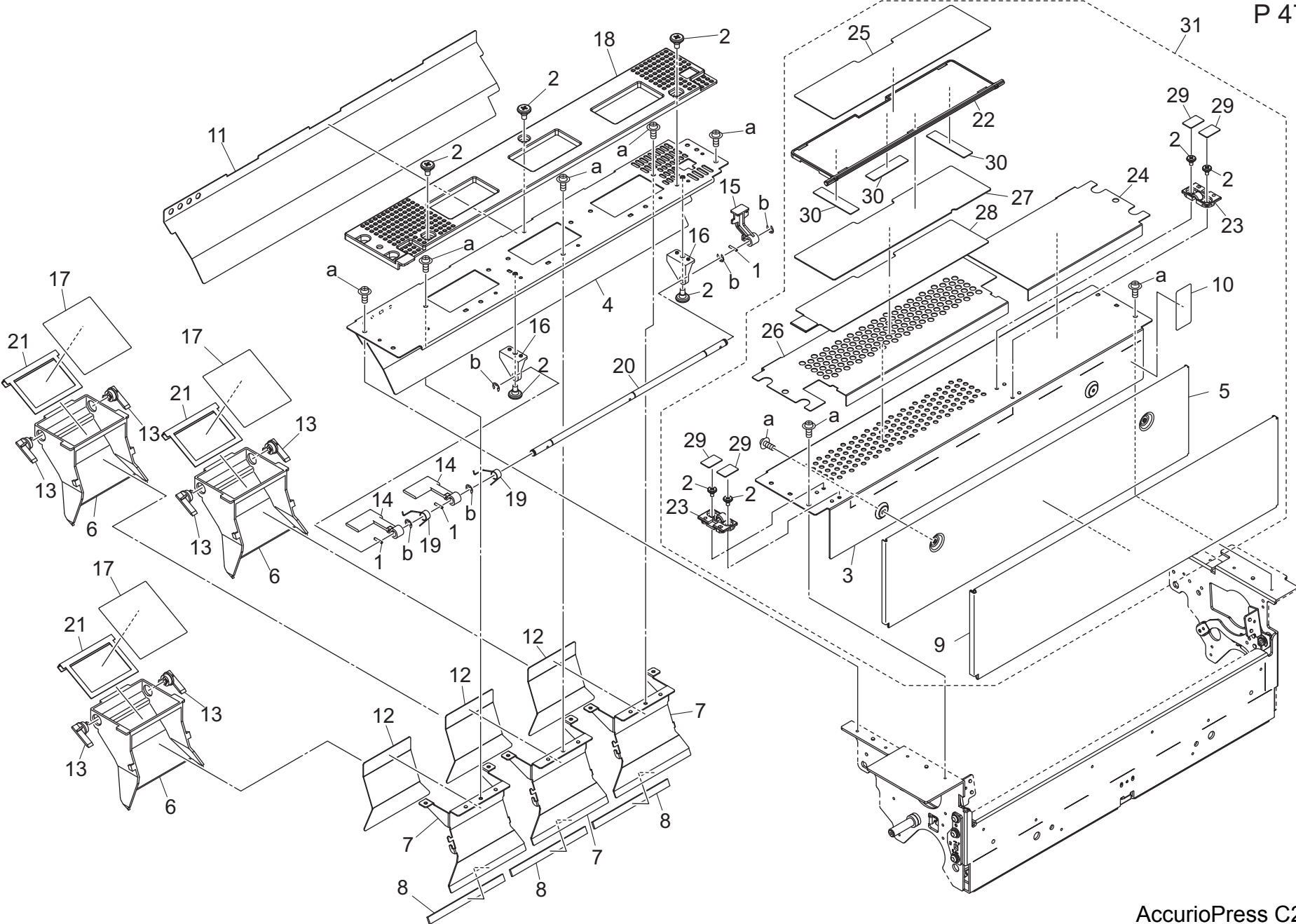
P 46



Key	Part No.	Description	Destinations	Class	QTY	Standard parts
1	55GA75031	BALL BEARING		A	2	a-V116030603
2	65AA53560	PAPER EXIT DETECTING SPRING		C	1	b-V118020403
3	65AA53991	Fixing Papaer Exit Lever		C	1	c-V118030403
4	A03U723301	Open/close Lever		C	1	d-V127030516
5	A03U728000	PAPER EXIT SHAFT		D	1	e-V127030604
6	A03U734800	Positioning Plate spring /1		C	1	f-V151030803
7	A03U734900	Positioning Plate		D	1	g-V151040803
8	A1DU722500	Fixing Paper exit Roller		A	2	h-V217020001
9	A9VE949000	Caution Label		D	1	j-V217030001
10	A50U746500	Paper exit Gear /B 20T		C	1	k-V217040001
11	A50U748701	Paper exit Actuator		D	1	m-V217060001
12	A50U760300	Paper exit Plate /Lower		D	1	n-V226060050
13	A50U760400	Insulating Sheet		D	1	p-V234201250
14	A50U760600	Pressing Cam /1		D	1	
15	A50U760701	Holding Plate		D	1	
16	A50U760802	Support Plate		D	1	
17	A50U761000	Fixing Paper exit Roller		C	1	
18	A50U761100	Heat blocking Plate /Rear		D	1	
19	A50U761200	Insulating Sheet /Rear		D	1	
20	A50U761300	Heat blocking Plate /Front		D	1	
21	A50U761400	Insulating Sheet /Front		D	1	
22	A50U761500	Fixing Paper exit Bearing		C	4	
23	A50U761601	Paper exit Spring /1		D	1	
24	A50U761700	Paper exit Spring /2		D	2	
25	A50U761800	Pressing Cam /2		D	1	
26	A50U761900	Release Lever		D	2	
27	A50U762000	Slide Plate		D	1	
28	A50U762100	Paper exit Detecting Shaft		D	1	
29	A50U762200	Protection Film		D	1	
30	A50U762300	Slide Knob		D	1	
31	A50U762400	Fusing Spacer /2		D	2	
32	A50U763800	Paper exit Open/shut Spring /B		D	1	
33	A50U763900	Paper exit Open/shut Spring /A		D	1	
34	A50U943700	Release Label /7		D	2	
35	A50UR72U11	Fusing Separating Claw Assy		B	5	
36	A85C727500	Guide Seal /A		D	1	
37	A85C727700	Guide Seal /C		D	6	
38	A85C757801	Guide Plate /E		D	1	
39	A85C758001	Separating Cell /E		D	3	
40	A85C758100	Paper exit Plate /Upper		D	1	
41	A85C764100	Holding Sheet /A		D	1	
42	A85CR70K11	Fusing Paper Exit Door Duct Assy		D	1	

Fusing Section

P 47



Fusing Section

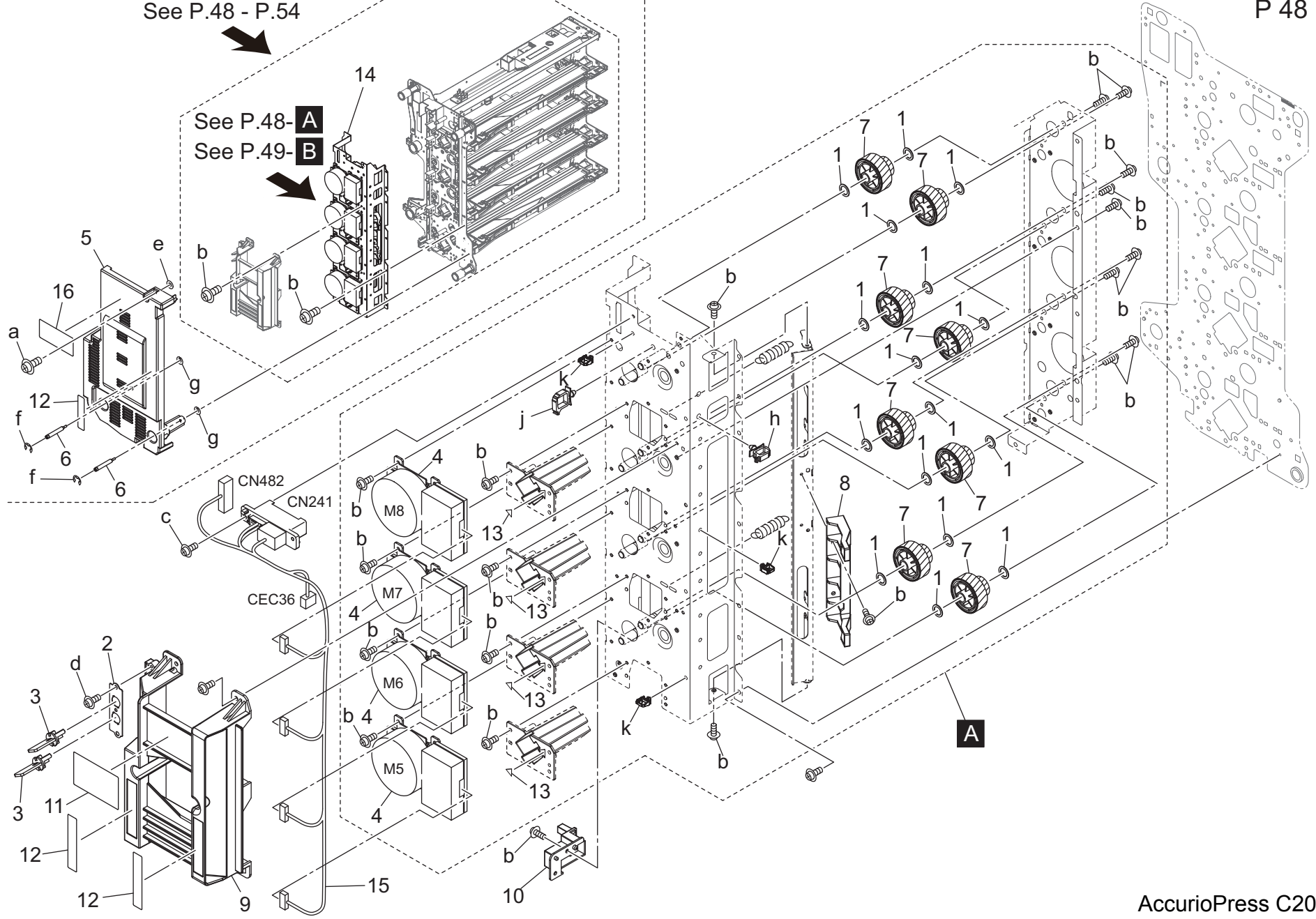
Key	Part No.	Description	Destinations	Class	QTY	Standard parts
1	56AA17531	PIN /A D2X10		C	3	a-V121030403 b-V217040001
2	A03U734500	Support Screw /A		C	9	
3	A50U721201	Fusing Stay /Upper		D	1	
4	A50U721502	Fusing Frame /Upper		D	1	
5	A50U722301	Fusing Cover /3		D	1	
6	A50U722700	Fusing Duct /3		D	3	
7	A50U722800	Fusing Duct /4		D	3	
8	A50U727600	Guide Seal /B		D	3	
9	A50U728700	Insulating Sheet /C		D	1	
10	A50U729000	Insulating Sheet /F		D	1	
11	A50U731501	Insulating Sheet /L		D	1	
12	A50U732000	Insulating Sheet /N		D	3	
13	A50U738201	Support Part /1		D	6	
14	A50U738300	Lifting Arm /1		D	2	
15	A50U738400	Lifting Arm /2		D	1	
16	A50U738500	Support Part /A		D	2	
17	A50U738600	Holding Sheet /A		D	3	
18	A50U738700	Cover Part /A		D	1	
19	A50U738801	Lifting Spring /A		D	2	
20	A50U739200	Support Shaft /1		D	1	
21	A50U739500	Support Plate /A		D	3	
22	A50U762912	Open/close Door		D	1	
23	A50U763000	Support Plate		D	2	
24	A50U763100	Insulating Sheet /2		D	1	
25	A50U763211	Insulating Sheet /3		D	1	
26	A50U763300	Insulating Sheet /4		D	1	
27	A50U763400	Mounting Plate		D	1	
28	A50U763511	Insulating Sheet /5		D	1	
29	A50U763600	Insulating Sheet /6		D	4	
30	A50U764000	Fusing Seal		D	3	
31	A50UR73D11	Fusing Stay /Upper Assy		D	1	



Process Carriage Section

See P.48 - P.54

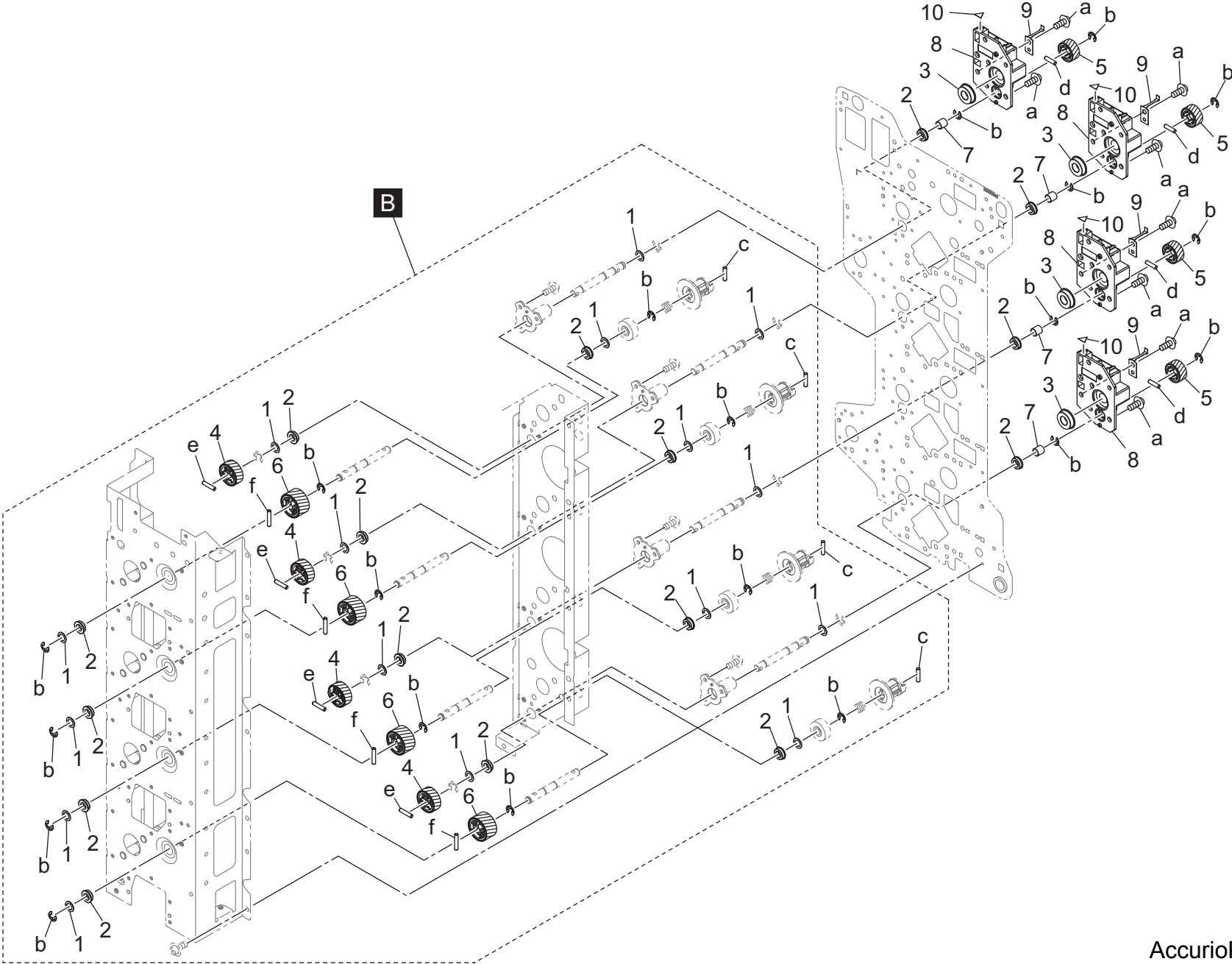
P 48



Process Carriage Section

Key	Part No.	Description	Destinations	Class	QTY	Standard parts
1	13QA40610	Gear Spacer		C	16	a-V114041004 b-V127030604 c-V127030803 d-V151030803 e-V211040080 f-V217060050 g-V221040050 h-V500010082 j-V500010083 k-V500020098
2	65AA33310F	Mounting Plate /2		D	1	
3	A1DUR71200	Chaging Cleaning Part Assy		B	2	
4	A2XKM10300	Brushless motor		I	4	
5	A50U169002	Cover Duct /B		D	1	
6	A50U169602	Mounting Screw		D	2	
7	A50U220501	Idling Gear /C 63/34T		C	8	
8	A50U221500	Release Lever		D	1	
9	A50U221701	Guide Handle		D	1	
10	A50U341000	Protection Cover /2		D	1	
11	A50U948001	Caution Label		D	1	
12	A50U949600	Replacement Label		D	3	
13	A50U949700	Replacement Label /1		D	4	
14	A50UR70R00	Developing Drive Assy		S	1	
15	A50UN12401	Developing Wiring /1		D	1	
16	A9VE942700	Caution Label		D	1	

Process Carriage Section



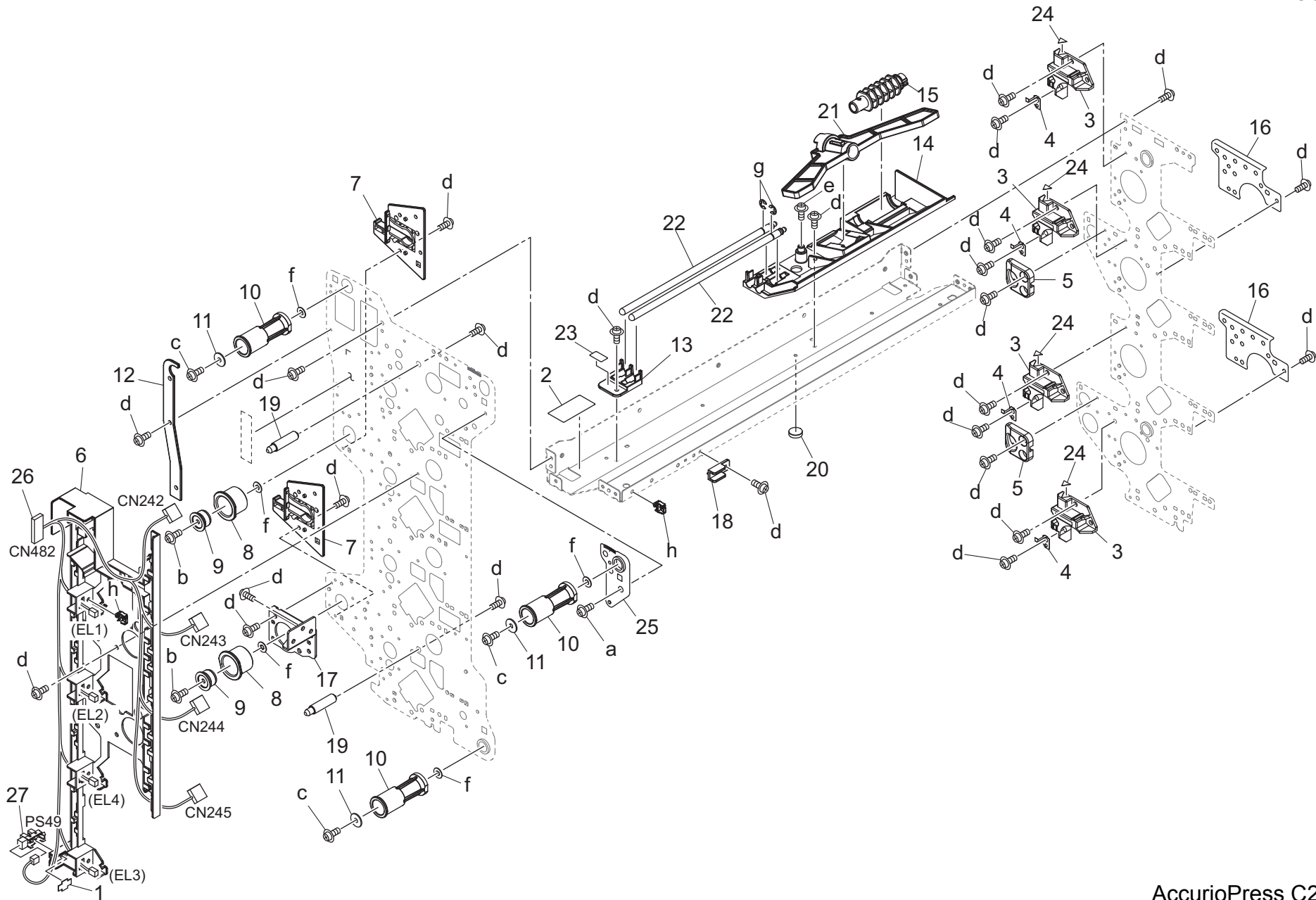
Order here
8 (495) 646-0426
www.km-shop.ru

AccurioPress C2070P

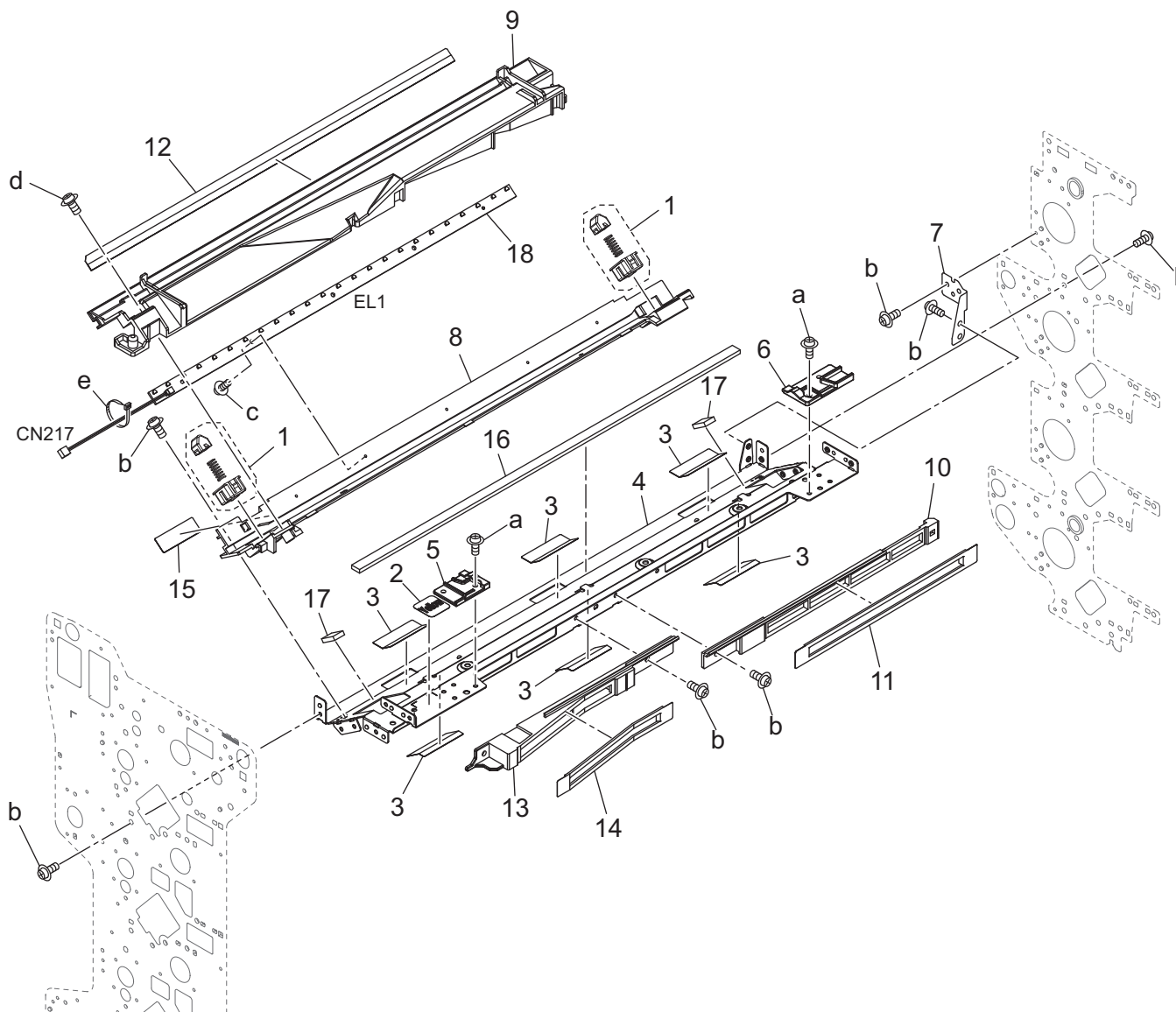
Process Carriage Section

Key	Part No.	Description	Destinations	Class	QTY	Standard parts
1	40AA32320	Toner Supply Spacer		C	16	a-V127030604 b-V217040001 c-V234301050 d-V234301250 e-V234301450 f-V234301650
2	A00J617800	Ball Bearing		B	16	
3	A00V240600	Ball Bearing		B	4	
4	A50U220600	Drive Gear /C 37T		C	4	
5	A50U220700	Coupling Gear /C 28T		C	4	
6	A50U221800	Drive Gear /D 40T		C	4	
7	A50U222000	Collar		D	4	
8	A50U337101	Positioning Rail /1		D	4	
9	A50U337400	Ground Plate spring /Front		D	4	
10	A50U949700	Replacement Label /1		D	4	

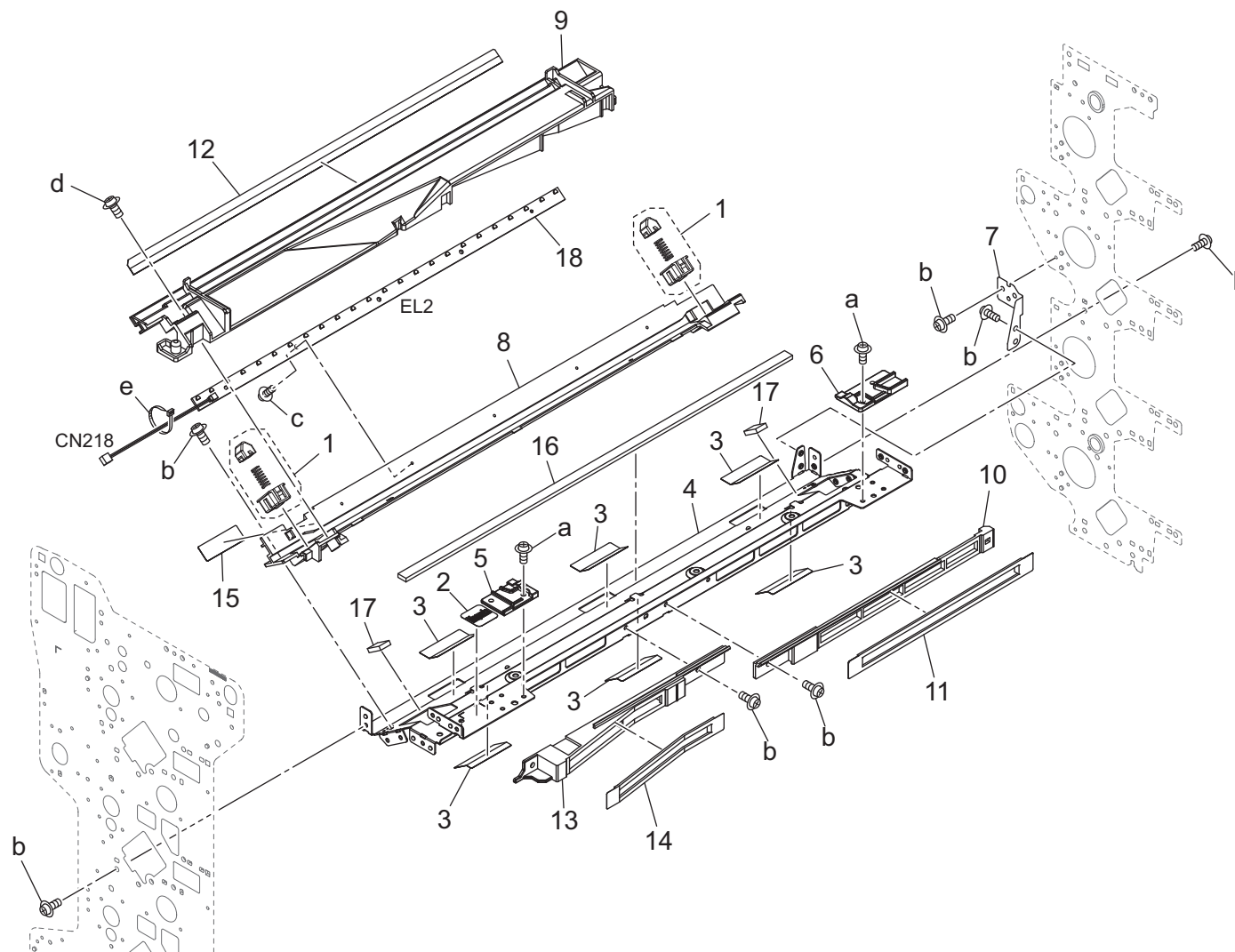
Process Carriage Section



Process Carriage Section

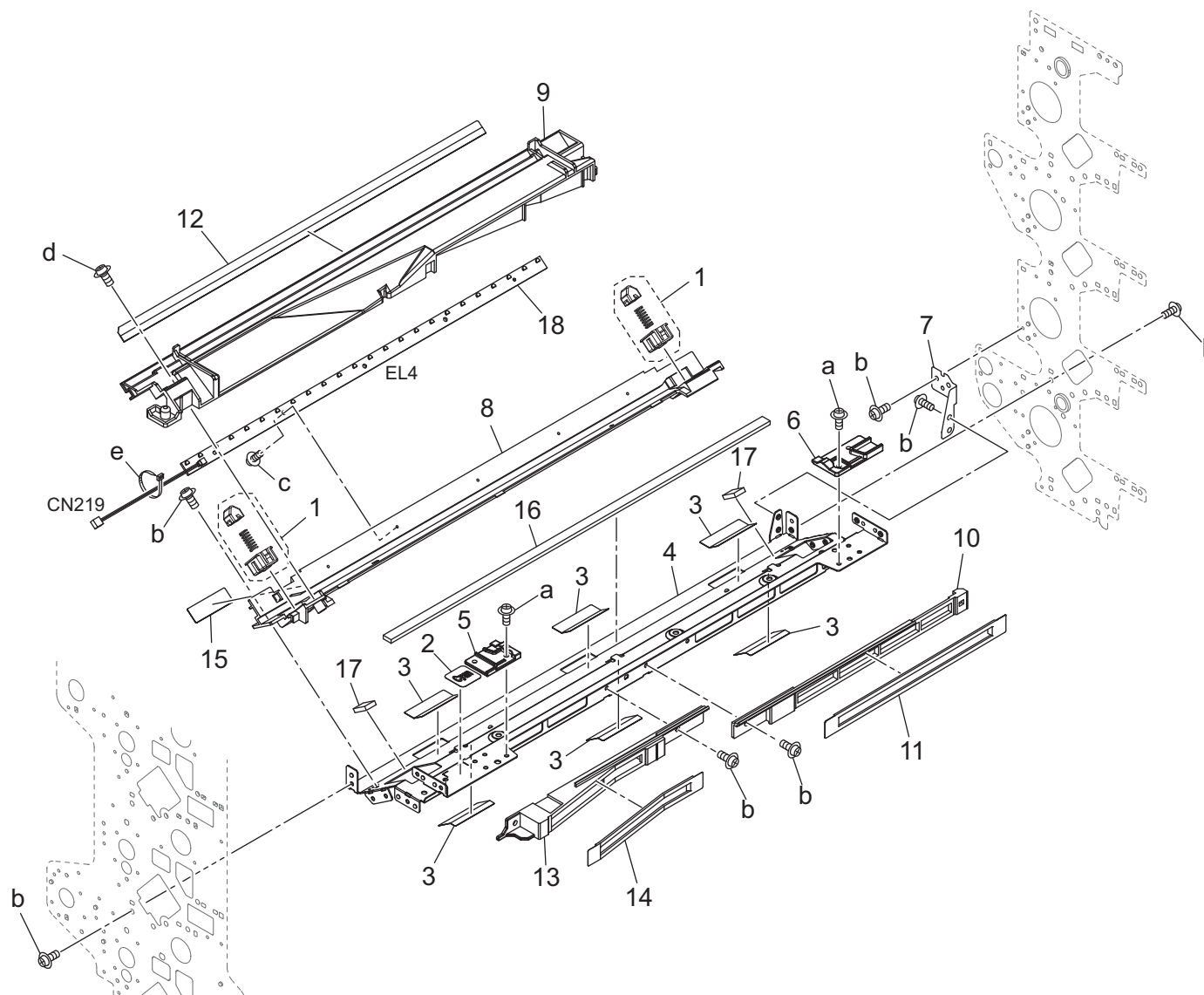


Process Carriage Section



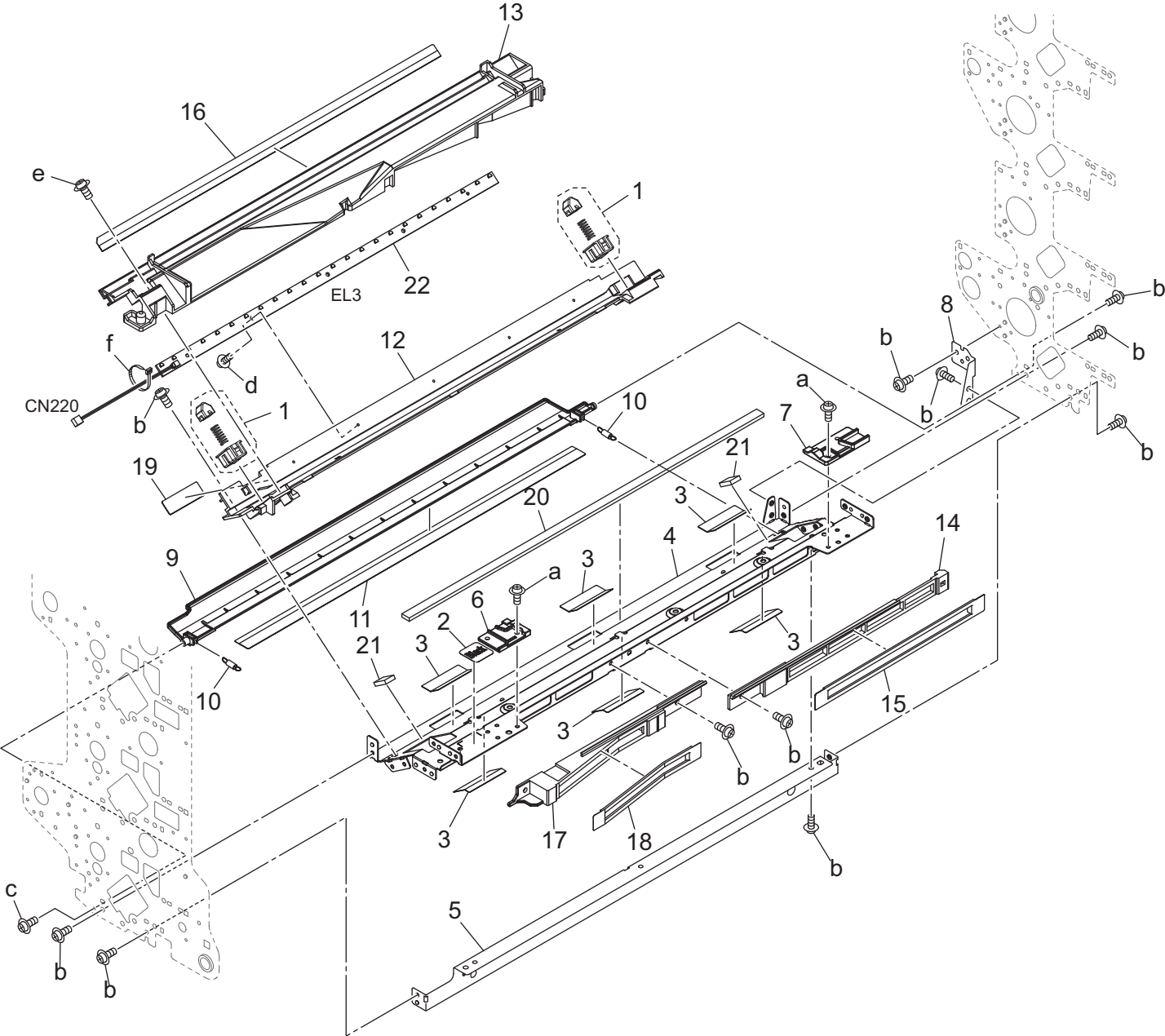
Key	Part No.	Description	Destinations	Class	QTY	Standard parts
1	65AAR73200	CHARGE PRESSING ASSY		C	2	a-V118030403 b-V127030604 c-V151020603 d-V151030803 e-V501010002
2	65AA97450	Developing Exchanging Label /M		D	1	
3	A50U335600	Cleaning Seal /A		D	6	
4	A50U340301	Fixing Stay /1		D	1	
5	A50U341900	Developing Rail /Front		D	1	
6	A50U342000	Developing Rail /Rear		D	1	
7	A50U342300	Reinforce Plate		D	1	
8	A50U462101	Charging Rail		D	1	
9	A50U462201	Charging Rail /2		D	1	
10	A50U462400	Charging Duct /3		D	1	
11	A50U462501	Charging Seal /1		D	1	
12	A50U462600	Charging Seal		D	1	
13	A50U462700	Charging Duct		D	1	
14	A50U462801	Charging Seal		D	1	
15	A50U462900	Auxiliary Seal /A		D	1	
16	A50U463000	Charging Seal /2		D	1	
17	A50U463100	Charging Seal /3		D	2	
18	A50UM30101	LED array		D	1	

Process Carriage Section



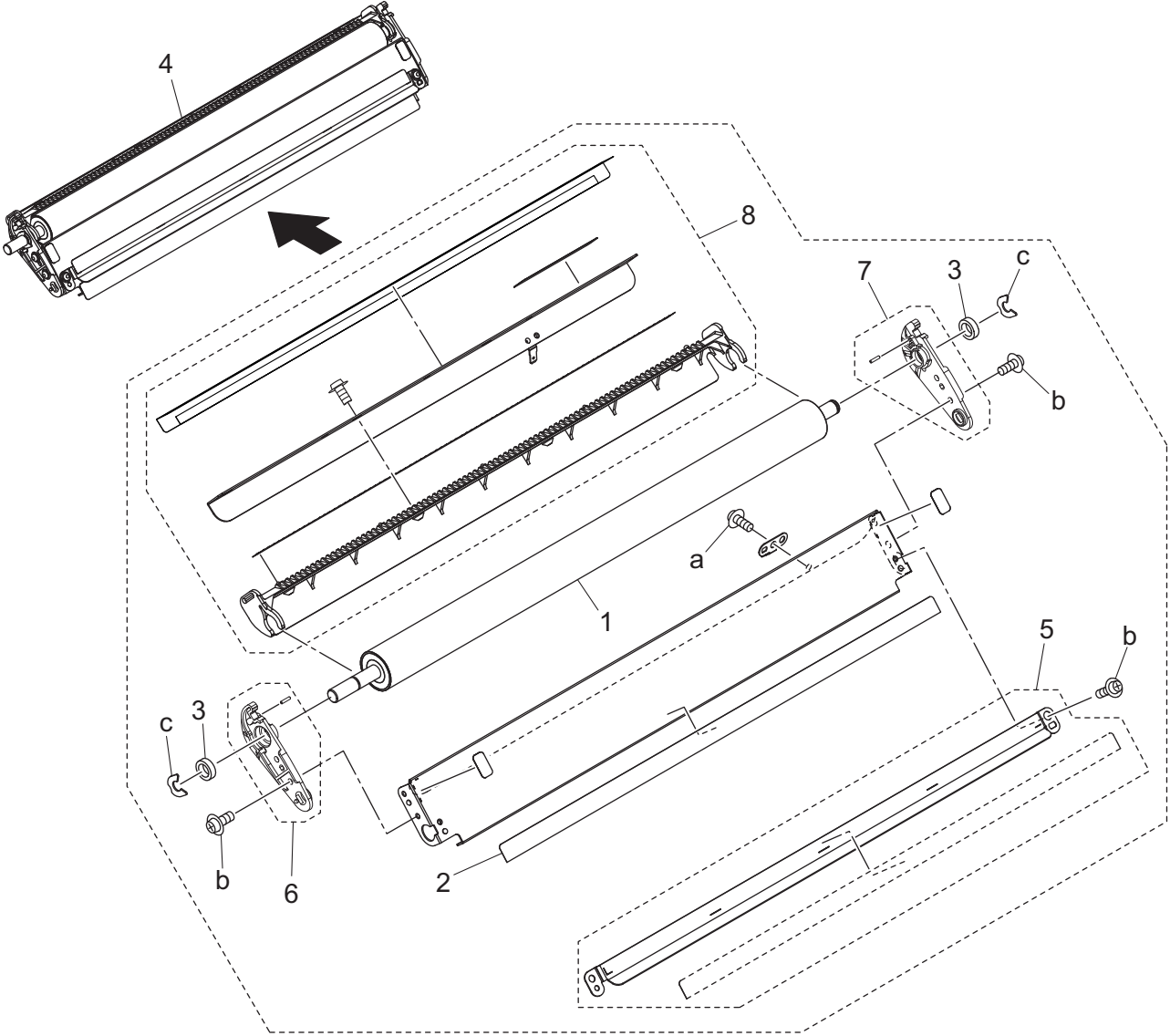
Key	Part No.	Description	Destinations	Class	QTY	Standard parts
1	65AAR73200	CHARGE PRESSING ASSY		C	2	a-V118030403 b-V127030604 c-V151020603 d-V151030803 e-V501010002
2	65AA97460	Developing Exchanging Label /C		D	1	
3	A50U335600	Cleaning Seal /A		D	6	
4	A50U340301	Fixing Stay /1		D	1	
5	A50U341900	Developing Rail /Front		D	1	
6	A50U342000	Developing Rail /Rear		D	1	
7	A50U342300	Reinforce Plate		D	1	
8	A50U462101	Charging Rail		D	1	
9	A50U462201	Charging Rail /2		D	1	
10	A50U462400	Charging Duct /3		D	1	
11	A50U462501	Charging Seal /1		D	1	
12	A50U462600	Charging Seal		D	1	
13	A50U462700	Charging Duct		D	1	
14	A50U462801	Charging Seal		D	1	
15	A50U462900	Auxiliary Seal /A		D	1	
16	A50U463000	Charging Seal /2		D	1	
17	A50U463100	Charging Seal /3		D	2	
18	A50UM30101	LED array		D	1	

Process Carriage Section



Key	Part No.	Description	Destinations	Class	QTY	Standard parts
1	65AAR73200	CHARGE PRESSING ASSY		C	2	a-V118030403
2	65AA97470	Developing Exchanging Label /K		D	1	b-V127030604
3	A50U335600	Cleaning Seal /A		D	6	c-V127030803
4	A50U340301	Fixing Stay /1		D	1	d-V151020603
5	A50U341200	Fixing Stay /3		D	1	e-V151030803
6	A50U341900	Developing Rail /Front		D	1	f-V501010002
7	A50U342000	Developing Rail /Rear		D	1	
8	A50U342300	Reinforce Plate		D	1	
9	A50U343100	Cleaning Catch		D	1	
10	A50U343301	Receiving Spring		D	2	
11	A50U343700	Receiving Sheet		D	1	
12	A50U462101	Charging Rail		D	1	
13	A50U462201	Charging Rail /2		D	1	
14	A50U462400	Charging Duct /3		D	1	
15	A50U462501	Charging Seal /1		D	1	
16	A50U462600	Charging Seal		D	1	
17	A50U462700	Charging Duct		D	1	
18	A50U462801	Charging Seal		D	1	
19	A50U462900	Auxiliary Seal /A		D	1	
20	A50U463000	Charging Seal /2		D	1	
21	A50U463100	Charging Seal /3		D	2	
22	A50UM30101	LED array		D	1	

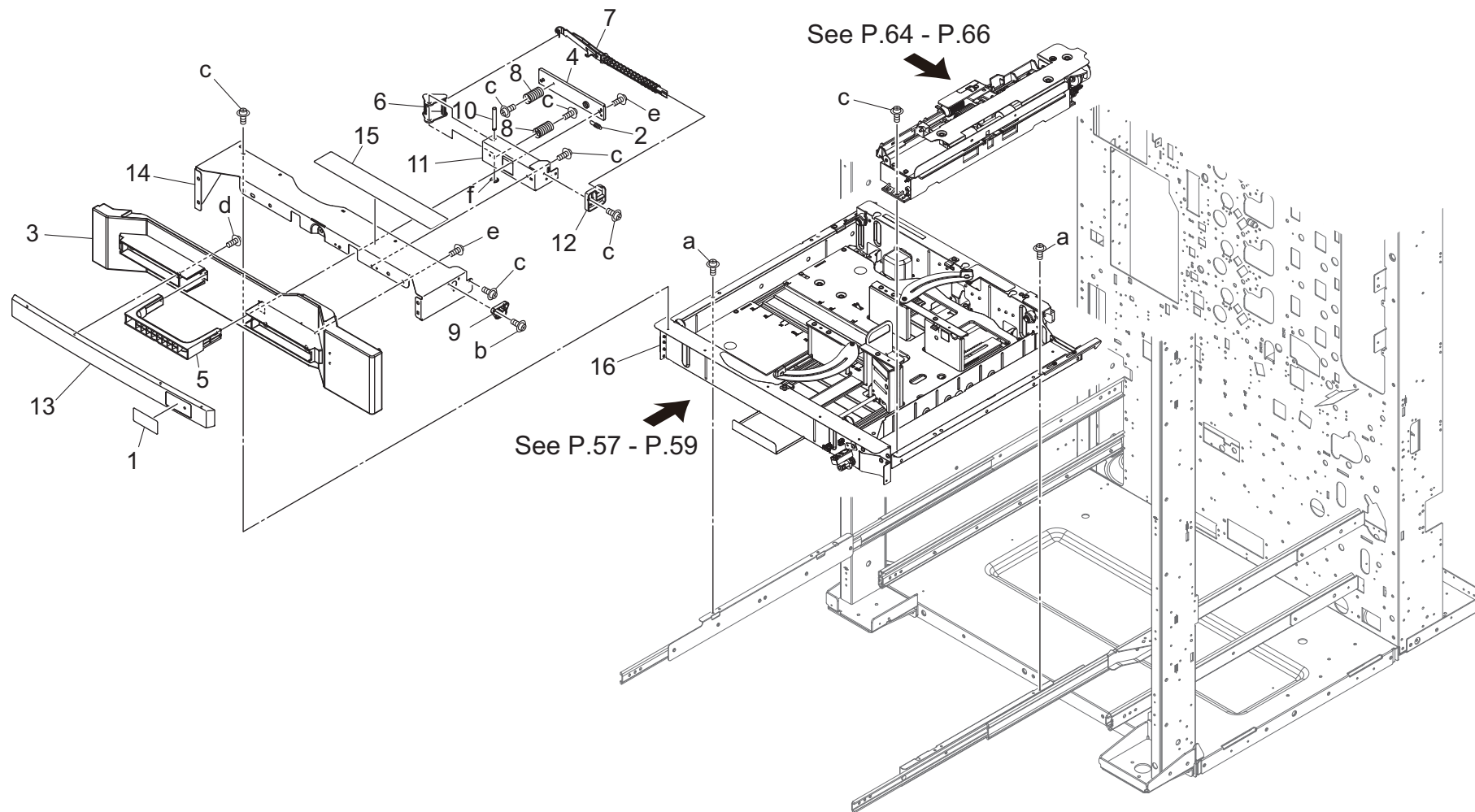
Secondary Transfer Section



Secondary Transfer Section

Key	Part No.	Description	Destinations	Class	QTY	Standard parts
1	A50U520001	2nd Transfer Roller/L		A	1	a-V127030603 b-V127030604 c-V218060086
2	A50U525900	Entrance Sheet		D	1	
3	A50U716500	Ball Bearing		C	2	
4	A50UR70500	2nd Transfer Unit		I	1	
5	A50UR71Q00	Transfer Guide / Upper Assy		D	1	
6	A50UR71R11	Transfer Side Plate / Front Assy		D	1	
7	A50UR71S11	Transfer Side Plate / Rear Assy		D	1	
8	A50UR70B00	Separation Discharging Unit		A	1	

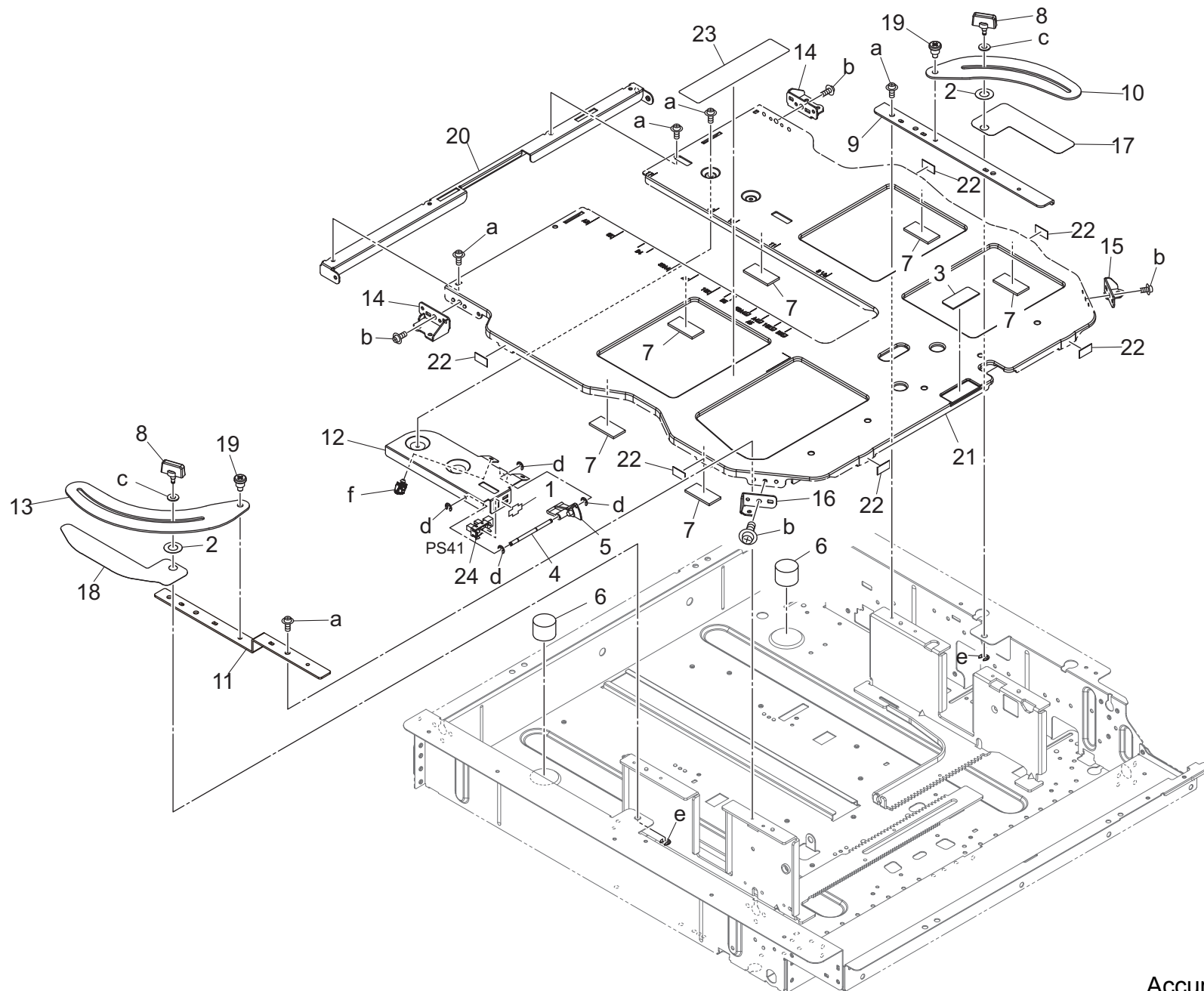
Tray 1 Section



Key	Part No.	Description	Destinations	Class	QTY	Standard parts
1	A0U0945401	Indicating Label /1		C	1	a-V118030303 b-V126030603 c-V127030604 d-V151041003 e-V158030803 f-V217040001
2	A161626800	Pulling Coil spring		C	1	
3	A50U160701	Cover Tray /1		D	1	
4	A50U633002	Holding Handle		D	1	
5	A50U633100	Handle /B		D	1	
6	A50U633200	Release Lever		D	1	
7	A50U633301	Lock Lever		D	1	
8	A50U633400	Stable Spring		D	2	
9	A50U633702	Receiving Guide /1		D	1	
10	A50U633800	Release Shaft /1		D	1	
11	A50U633900	Fixing Plate		D	1	
12	A50U634300	Receiving Guide /2		D	1	
13	A50U634400	Paper feed Handle		D	1	
14	A50U637002	Fixing Plate /1		D	1	
15	A50U945700	Operation Label /1		D	1	
16	A85CF63101	500 Paper Cassette ASSY	500枚カセット ASSY	S	1	

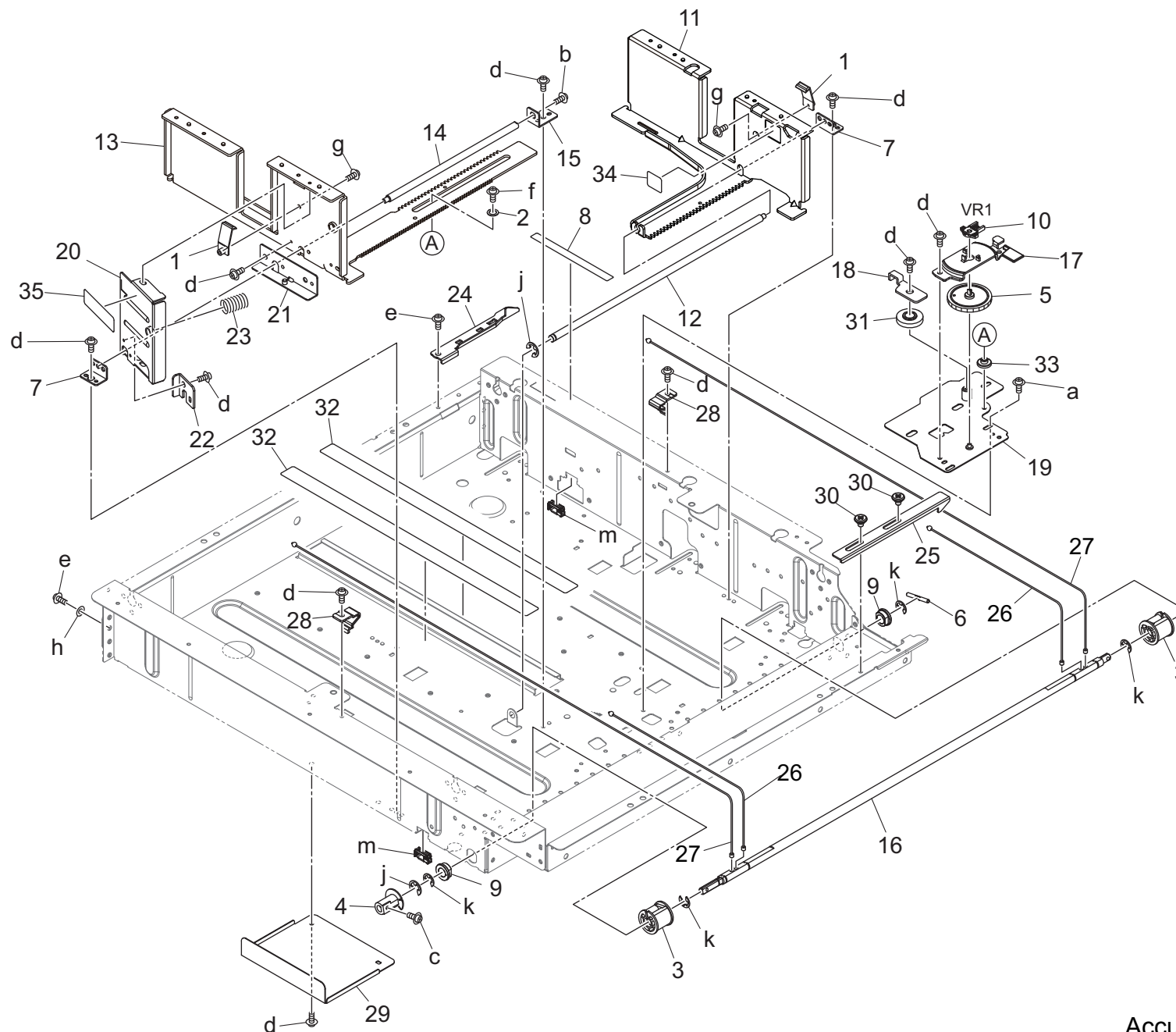
Tray 1 Section

P 57



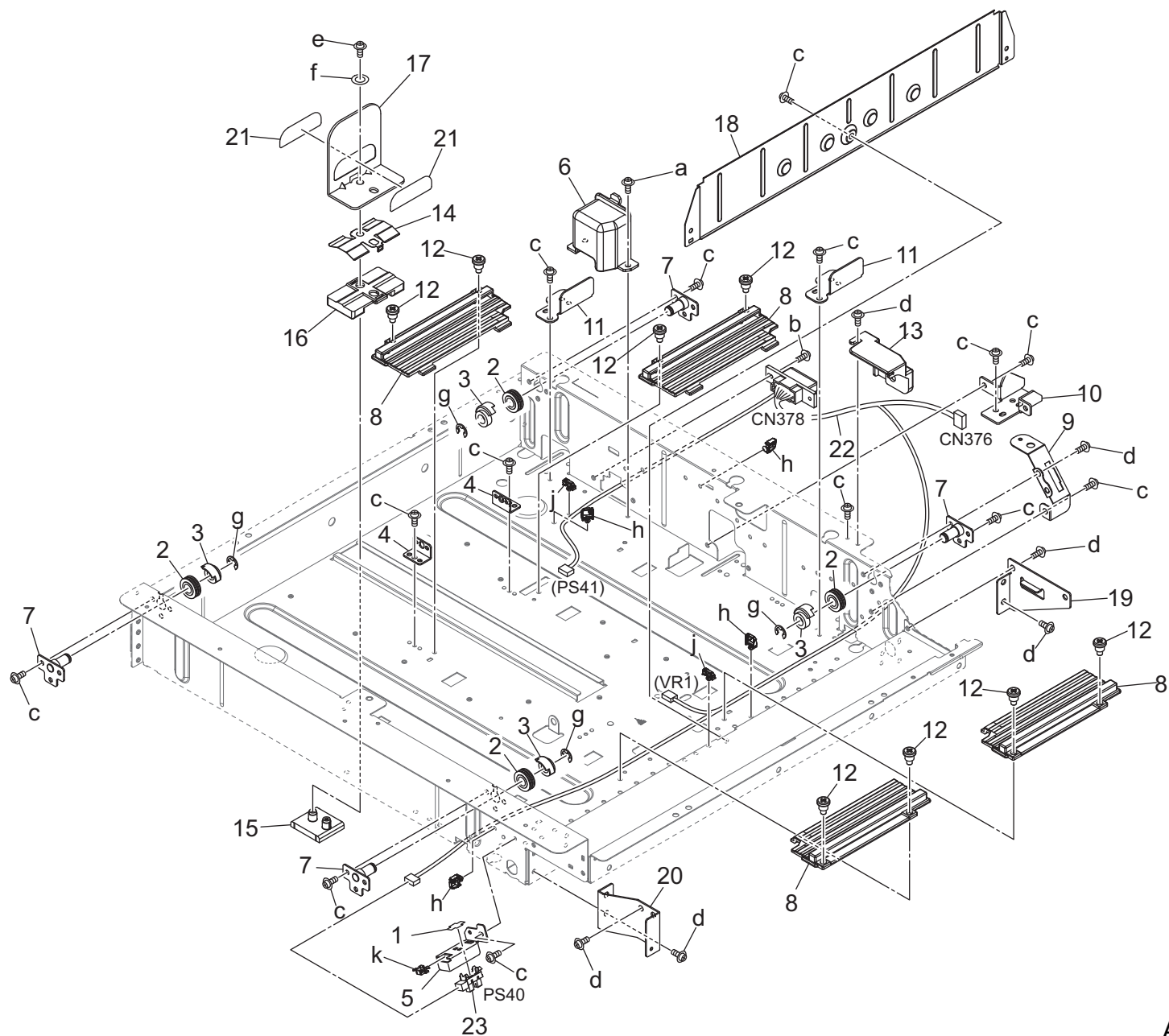
Key	Part No.	Description	Destinations	Class	QTY	Standard parts
1	4470402401	Stopper		D	1	a-V127030516 b-V127030604 c-V207040003 d-V217020050 e-V217025050 f-V500020098
2	55VA32530	SPACER		C	2	
3	55VA40930	DOUBLE FEED PREVENTIVE PLATE		C	1	
4	65AA47310E	PAPER DETECTING SHAFT		D	1	
5	65AA47320	Paper Detecting Actuator		C	1	
6	65AA47820	REGULATING PART		C	2	
7	65AA47860	AUXILIARY SHEET		C	6	
8	A03X656203	Lock Screw		C	2	
9	A50U621001	Reinforce Plate /Rear		D	1	
10	A50U622600	Regulating Plate /Rear		D	1	
11	A50U622802	Reinforce Plate /Front		D	1	
12	A50U625000	Mounting Plate /2		D	1	
13	A50U625701	Regulating Plate /Front		D	1	
14	A50U626502	Support Plate /1		D	2	
15	A50U626601	Support Plate /2		D	1	
16	A50U626702	Support Plate /3		D	1	
17	A50U627601	Sheet		D	1	
18	A50U627701	Sheet		D	1	
19	A50U628200	Shoulder Screw		D	2	
20	A50U629300	Guide Base frame		D	1	
21	A50U630203	Lifting Plate		D	1	
22	A50U641500	Slide Sheet		D	6	
23	A50U946000	Paper feed Label		D	1	
24	A85CM55500	Photo Sensor		C	1	

Tray 1 Section



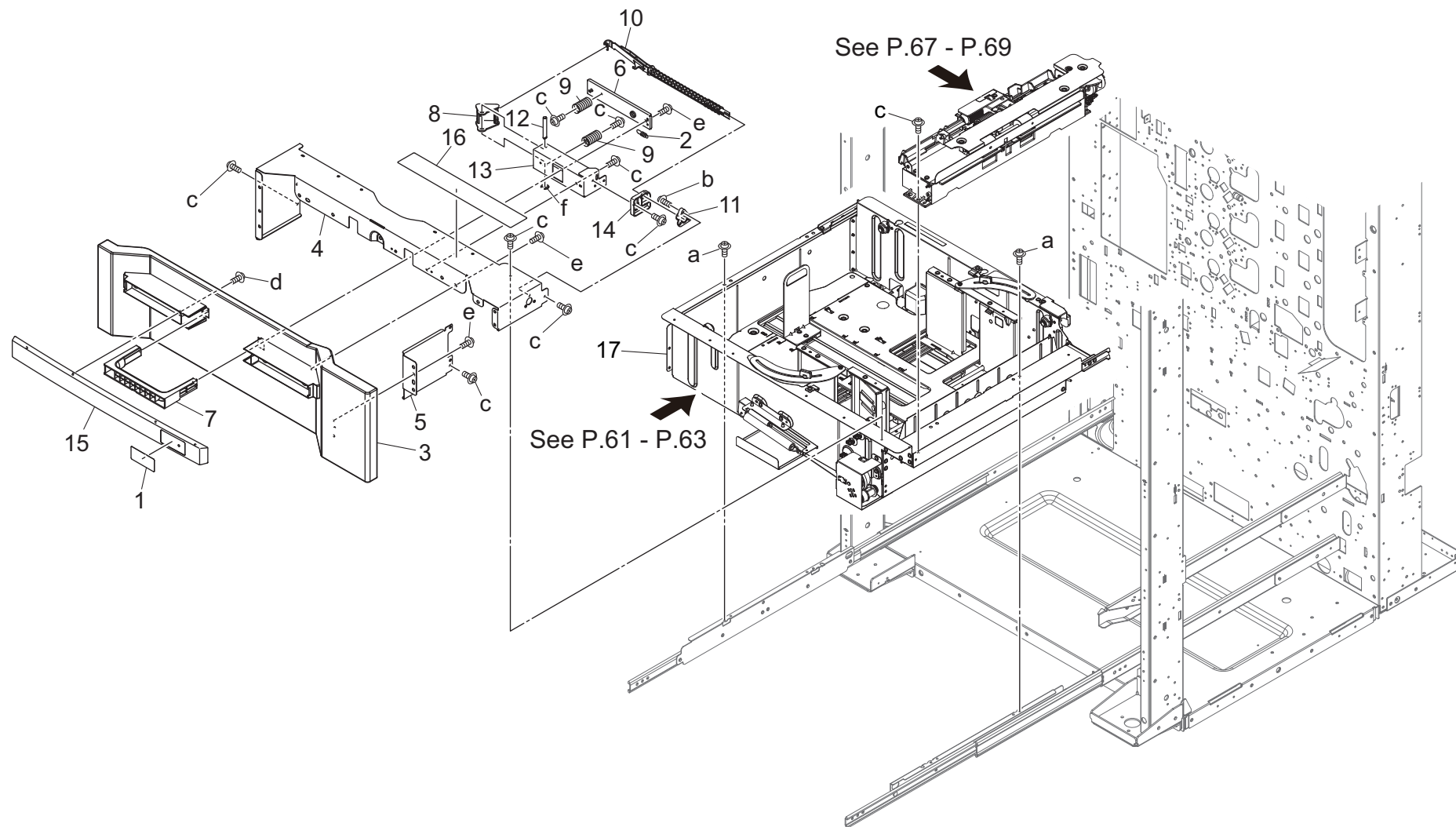
Key	Part No.	Description	Destinations	Class	QTY	Standard parts
1	26NA47070	PAPER REGULATING CLAW		C	2	a-V116030503
2	40AA32320	Toner Supply Spacer		C	1	b-V116030603
3	55VA40600	Driving Up /Down Pulley		B	2	c-V121030603
4	65AA47131E	Paper Detecting Actuator		C	1	d-V127030516
5	65AA47600E	Detecting Gear 45T		C	1	e-V127030604
6	65AA47700D	Up/down Pin		D	1	f-V127030803
7	65AA47740E	Shaft Mounting Plate		D	2	g-V147030803
8	65GE97490	CASSETTE GUIDE LABEL		D	1	h-V207030003
9	A03U812800	Slide Shaft Holder		B	2	j-V217040050
10	A1UDM50100	VR		D	1	k-V217060050
11	A50U620602	Guide Rack /Rear		D	1	m-V570010057
12	A50U620801	Regulating Shaft		D	1	
13	A50U620902	Guide Rack /Front		D	1	
14	A50U621301	Stopper Shaft		D	1	
15	A50U621400	Mounting Plate		D	1	
16	A50U621800	Lifting Shaft		D	1	
17	A50U621900	Mounting Plate		D	1	
18	A50U622001	Stopper Plate		D	1	
19	A50U622101	Positioning Plate		D	1	
20	A50U622300	Brake Knob		D	1	
21	A50U622400	Support Plate		D	1	
22	A50U623201	Lock Claw		D	1	
23	A50U623300	Slide Spring /1		D	1	
24	A50U623600	Lock Claw		D	1	
25	A50U623701	Lock Claw		D	1	
26	A50U625400	Up/down Wire /1		D	2	
27	A50U625500	Up/down Wire /2		D	2	
28	A50U626100	Protection Plate		D	2	
29	A50U627501	Reinforce Stay		D	1	
30	A50U628100	Shoulder Screw		D	2	
31	A50U628400	Pinion		C	1	
32	A50U640800	Sheet		D	2	
33	A50U642000	Guide Spacer		D	1	
34	A50U945300	Regulating Label		D	1	
35	A50U946300	Lock Label /2		D	1	

Tray 1 Section



Key	Part No.	Description	Destinations	Class	QTY	Standard parts
1	4470402401	Stopper		D	1	a-V116030503
2	65AA47550	WIRE ROLLER		C	4	b-V121030603
3	65AA47630	WIRE GUIDE PART		C	4	c-V127030516
4	65AA47740E	Shaft Mounting Plate		D	2	d-V127030604
5	65AA47900E	Mounting Plate /2		D	1	e-V158031003
6	A03U621200	GUIDE COVER		C	1	f-V207030003
7	A1DUF62100	PULLEY FULCRUM PLATE CAULKING		D	4	g-V217060050
8	A50U621200	Slide Guide		D	4	h-V500020098
9	A50U624600	Mounting Plate		D	1	j-V500020099
10	A50U624700	Fixing Cam		D	1	k-V570010050
11	A50U625100	Positioning Plate		D	2	
12	A50U628200	Shoulder Screw		D	8	
13	A50U628300	Cover		D	1	
14	A50U629502	Plate spring		D	1	
15	A50U629702	Brake Part /Lower		D	1	
16	A50U629801	Brake Part		D	1	
17	A50U629901	Regulating Plate /Rear		D	1	
18	A50U630701	Regulating Plate /Right		D	1	
19	A50U637600	Reinforce Plate /1		D	1	
20	A50U637700	Reinforce Plate /2		D	1	
21	A50U946400	Lock Label /1		D	2	
22	A50UN14100	Paperfeed Wiring /3		D	1	
23	A85CM55500	Photo Sensor		C	1	

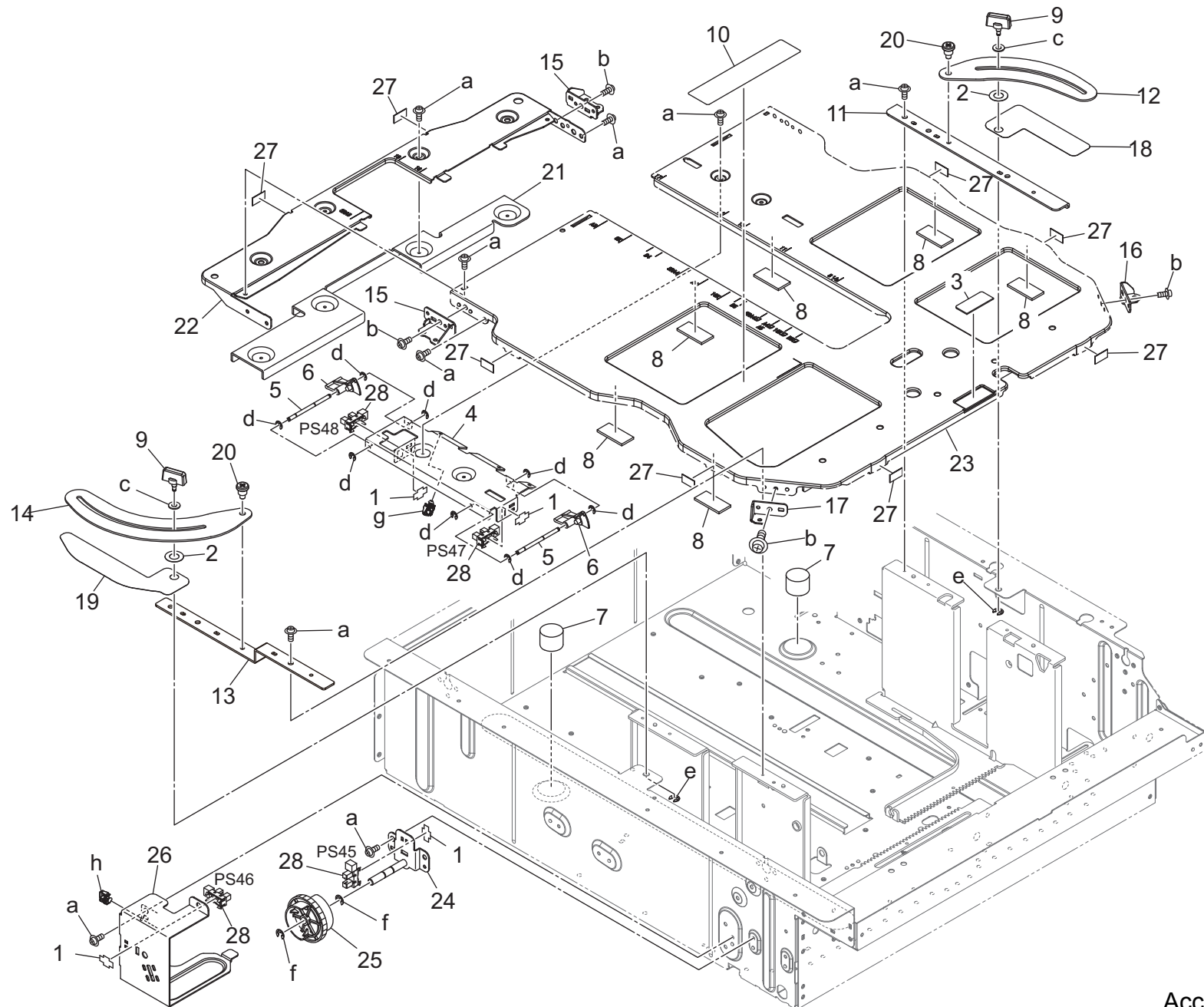
Tray 2 Section



Key	Part No.	Description	Destinations	Class	QTY	Standard parts
1	A0U0945501	Indicating Label /2		C	1	a-V118030303 b-V126030603 c-V127030604 d-V151041003 e-V158030803 f-V217040001
2	A161626800	Pulling Coil spring		C	1	
3	A50U160801	Cover Tray /2		D	1	
4	A50U627002	Fixing Plate /2		D	1	
5	A50U627200	Fixing Plate /3		D	1	
6	A50U633002	Holding Handle		D	1	
7	A50U633100	Handle /B		D	1	
8	A50U633200	Release Lever		D	1	
9	A50U633400	Stable Spring		D	2	
10	A50U633601	Lock Lever		D	1	
11	A50U633702	Receiving Guide /1		D	1	
12	A50U633800	Release Shaft /1		D	1	
13	A50U633900	Fixing Plate		D	1	
14	A50U634300	Receiving Guide /2		D	1	
15	A50U634400	Paper feed Handle		D	1	
16	A50U945700	Operation Label /1		D	1	
17	A85CF62100	1000 Paper Cassette ASSY		S	1	

Tray 2 Section

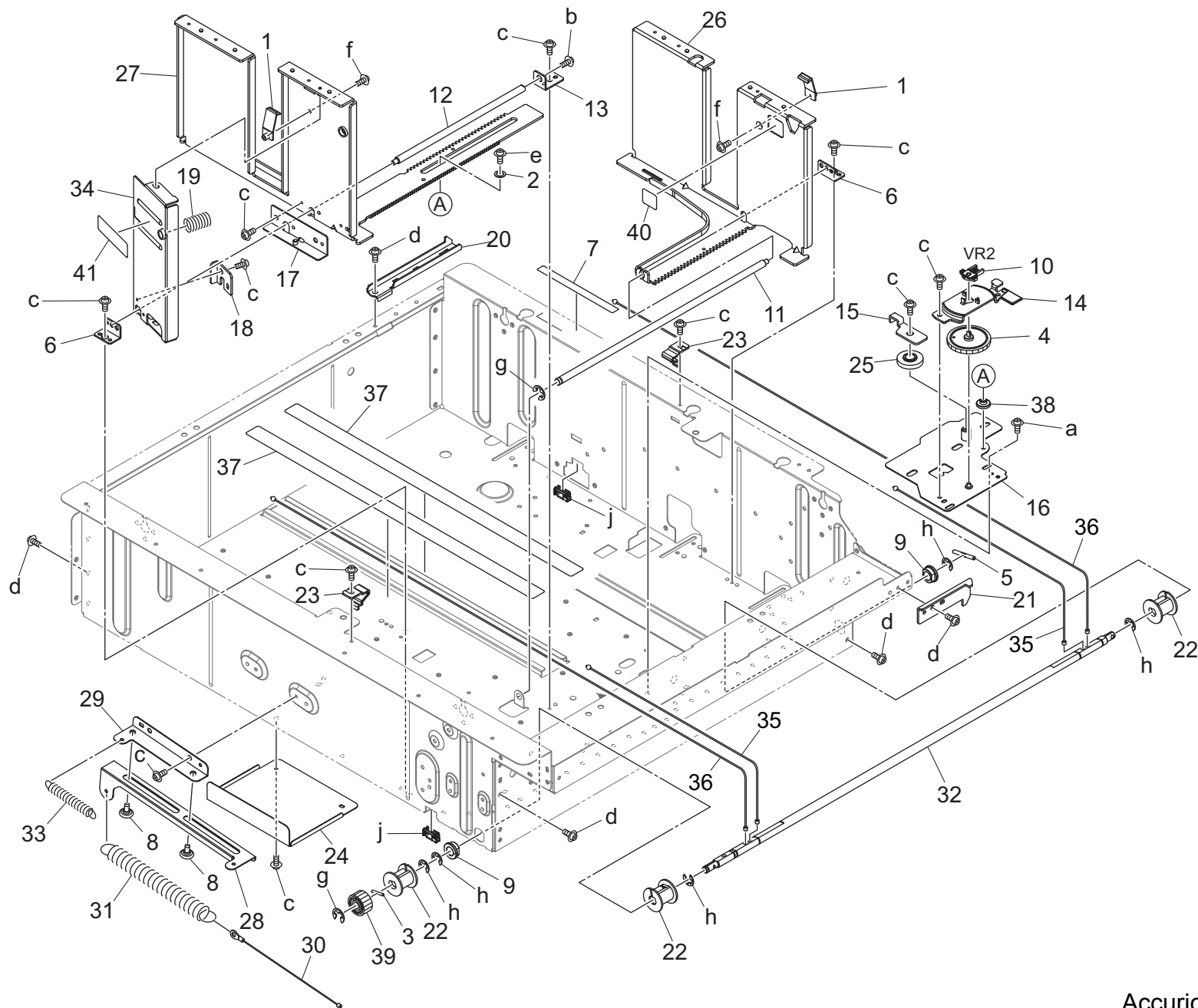
P 61



AccurioPress C2070P

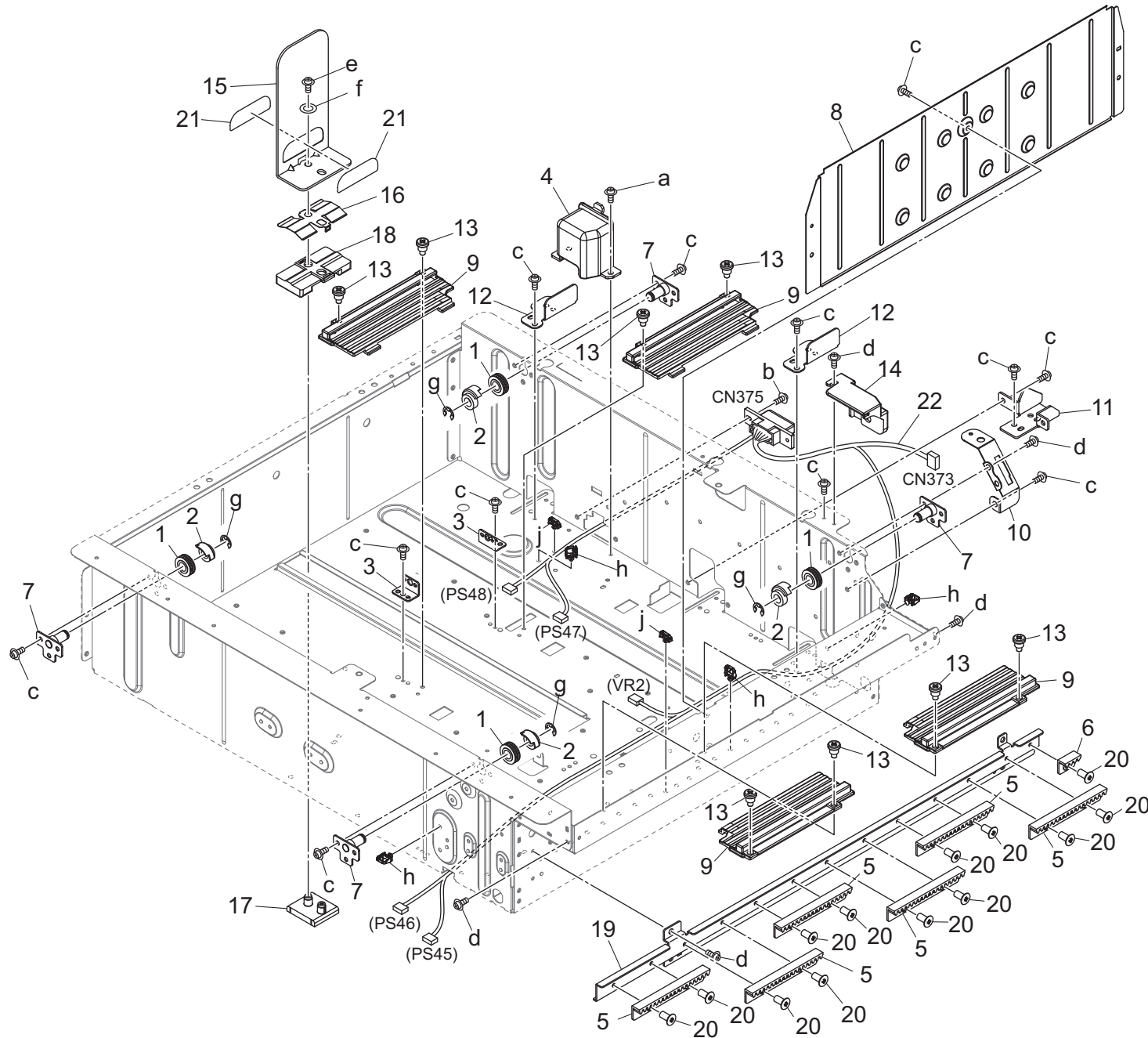
Key	Part No.	Description	Destinations	Class	QTY	Standard parts
1	4470402401	Stopper	ストッパー	D	4	a-V127030516 b-V127030604 c-V207040003 d-V217020050 e-V217025050 f-V217040050 g-V500010051 h-V500020098
2	55VA32530	SPACER	スペーサー	C	2	
3	55VA40930	DOUBLE FEED PREVENTIVE PLATE	重送防止板	C	1	
4	65AA47120D	Mounting Plate	センサ取り付け板	D	1	
5	65AA47310E	PAPER DETECTING SHAFT	紙検知軸	D	2	
6	65AA47320	Paper Detecting Actuator	紙検知アクチュエータ	C	2	
7	65AA47820	REGULATING PART	規制部材	C	2	
8	65AA47860	AUXILIARY SHEET	補助シート	C	6	
9	A03X656203	Lock Screw	ロックねじ	C	2	
10	A1RF946000	Paper feed Label /1	給紙ラベル/1	D	1	
11	A50U621001	Reinforce Plate /Rear	補強板/奥	D	1	
12	A50U622600	Regulating Plate /Rear	規制板/奥	D	1	
13	A50U622802	Reinforce Plate /Front	補強板/前	D	1	
14	A50U625701	Regulating Plate /Front	規制板/前	D	1	
15	A50U626502	Support Plate /1	支持板/1	D	2	
16	A50U626601	Support Plate /2	支持板/2	D	1	
17	A50U626702	Support Plate /3	支持板/3	D	1	
18	A50U627601	Sheet	シート	D	1	
19	A50U627701	Sheet	シート	D	1	
20	A50U628200	Shoulder Screw	段ねじ	D	2	
21	A50U629001	Reinforce Stay	補強ステー	D	1	
22	A50U629202	Up/down Plate /Rear	昇降板/後	D	1	
23	A50U630203	Lifting Plate	持ち上げ板 (ASSY)	D	1	
24	A50U631200	Mounting Plate /Assy	取付板 / A s s y	D	1	
25	A50U631300	Up/down Gear 60T	昇降ギア 60T	C	1	
26	A50U631600	Mounting Plate	取付板 (1000 枚トレイ 残量検知)	D	1	
27	A50U641500	Slide Sheet	スライドシート	D	8	
28	A85CM55500	Photo Sensor	フォトセンサ	C	4	

Tray 2 Section



Key	Part No.	Description	Destinations	Class	QTY	Standard parts
1	26NA47070	PAPER REGULATING CLAW		C	2	a-V116030503
2	40AA32320	Toner Supply Spacer		C	1	b-V116030603
3	56AA17551	PIN A		C	1	c-V127030516
4	65AA47600E	Detecting Gear 45T		C	1	d-V127030604
5	65AA47700D	Up/down Pin		D	1	e-V127030803
6	65AA47740E	Shaft Mounting Plate		D	2	f-V147030803
7	65GE97490	CASSETTE GUIDE LABEL		D	1	g-V217040050
8	A03N621800	Slide Shoulder screw		C	2	h-V217060050
9	A03U812800	Slide Shaft Holder		B	2	j-V570010057
10	A1UDM50100	VR		D	1	
11	A50U620801	Regulating Shaft		D	1	
12	A50U621301	Stopper Shaft		D	1	
13	A50U621400	Mounting Plate		D	1	
14	A50U621900	Mounting Plate		D	1	
15	A50U622001	Stopper Plate		D	1	
16	A50U622101	Positioning Plate		D	1	
17	A50U622400	Support Plate		D	1	
18	A50U623201	Lock Claw		D	1	
19	A50U623300	Slide Spring /1		D	1	
20	A50U623900	Lock Claw		D	1	
21	A50U624201	Lock Part		D	1	
22	A50U626000	Pulley		C	3	
23	A50U626100	Protection Plate		D	2	
24	A50U627501	Reinforce Stay		D	1	
25	A50U628400	Pinion		C	1	
26	A50U630602	Guide Rack /Rear		D	1	
27	A50U630902	Guide Rack /Front		D	1	
28	A50U631000	Slide Plate		D	1	
29	A50U631100	Mounting Plate		D	1	
30	A50U631500	Auxiliary Wire		D	1	
31	A50U631700	Slide Spring /1		D	1	
32	A50U631800	Up/down Shaft		D	1	
33	A50U631900	Slide Spring /1		D	1	
34	A50U632300	Brake Knob		D	1	
35	A50U635400	Up/down Wire /1		D	2	
36	A50U635500	Up/down Wire /2		D	2	
37	A50U640700	Sheet		D	2	
38	A50U642000	Guide Spacer		D	1	
39	A50U854600	Release Gear /1 24T		C	1	
40	A50U945300	Regulating Label		D	1	
41	A50U946300	Lock Label /2		D	1	

Tray 2 Section



Key	Part No.	Description	Destinations	Class	QTY	Standard parts
1	65AA47550	WIRE ROLLER		C	4	a-V116030503
2	65AA47630	WIRE GUIDE PART		C	4	b-V121030603
3	65AA47740E	Shaft Mounting Plate		D	2	c-V127030516
4	A03U621200	GUIDE COVER		C	1	d-V127030604
5	A03X622101	REGULATING RACK /1		D	6	e-V158031003
6	A03X622201	REGULATING RACK /2		D	1	f-V207030003
7	A1DUF62100	PULLEY FULCRUM PLATE CAULKING		D	4	g-V217060050
8	A50U620701	Regulating Plate /Right		D	1	h-V500020098
9	A50U621200	Slide Guide		D	4	j-V500020099
10	A50U624600	Mounting Plate		D	1	
11	A50U624700	Fixing Cam		D	1	
12	A50U625100	Positioning Plate		D	2	
13	A50U628200	Shoulder Screw		D	8	
14	A50U628300	Cover		D	1	
15	A50U629401	Regulating Plate /Rear		D	1	
16	A50U629502	Plate spring		D	1	
17	A50U629702	Brake Part /Lower		D	1	
18	A50U629801	Brake Part		D	1	
19	A50U640100	Guide Rail		D	1	
20	A50U642300	Mounting Screw		D	13	
21	A50U946400	Lock Label /1		D	2	
22	A50UN14001	Paperfeed Wiring /2		D	1	

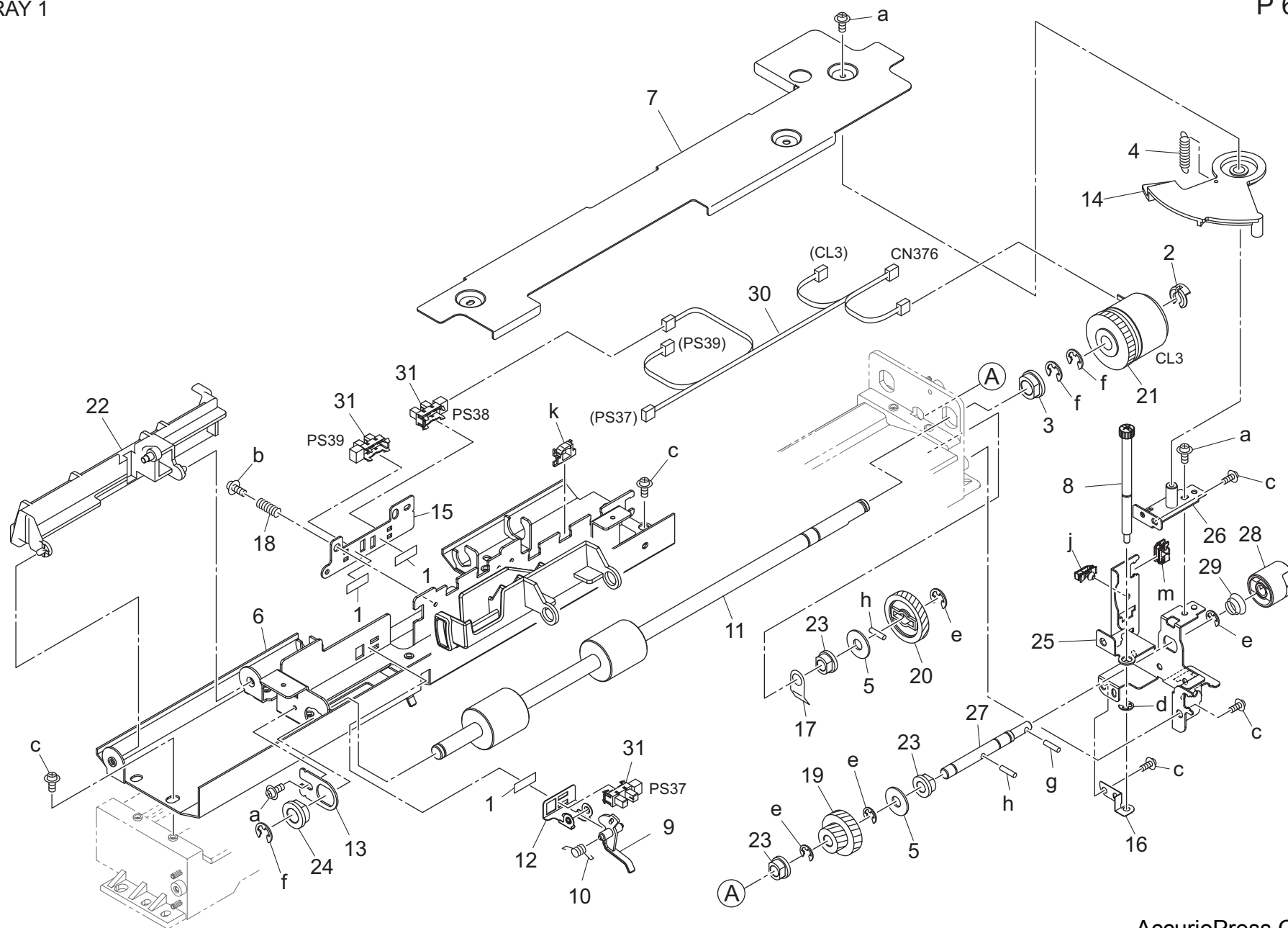
Tray 1 Paper Feed Section

Key	Part No.	Description	Destinations	Class	QTY	Standard parts
1	25SA40960	DOUBLE FEED PREVENTION RUBBER	重送防止ゴム	A	1	a-V116030603 b-V121030603 c-V153030803 d-V217030001 e-V217040001 f-V217060001
2	26NA42061	BY PASS FEED CONVEYING GEAR 21T	手差し搬送ギア 21 T	B	1	
3	26NA42560	By-Pass Idler Roller	手差し従動ローラー	C	2	
4	55VA79030	Paper Feed Reversal Gear /C 14T	給紙逆転歯車 / C 14 T	B	2	
5	56AA17510	Pin /B	ピン / B	C	1	
6	56AA40010E	Paper feed Main body	給紙 本体	C	1	
7	56AA40360	Reverse Roller	逆転ローラー	C	1	
8	56AA40430	SPRING MOUNTING PLATE 1	バネ取り 付け板 /1	D	1	
9	56AA40440	SPRING MOUNTING PLATE 2	バネ取り 付け板 /2	D	1	
10	56AA40481	PAPERFEEDPRESSINGSRING	給紙押圧バネ	C	1	
11	56AA40530	ENTRANCE GUIDE PART	入口ガイド 部材	D	1	
12	56AA40540	ENTRANCE GUIDE SHEET	入口ガイドシート	C	1	
13	56QA40080	Multi-feed Preventing Plate	重送防止板	C	1	
14	56QA40250	MULTI FEED SUPPORT SHAFT	重送支点軸	D	1	
15	56QA40270	MULTI FEED REVERSE SHAFT	重送逆転軸	D	1	
16	56QA40550	MULTI FEED ADJUSTMENT PLATE	重送調整板	D	1	
17	57AA40420	MULTI FEED PREVENTING SPRING	重送防止バネ	C	1	
18	A00J663200	Bushing	すべり軸受	C	4	
19	A03U850101	Slide Bushing	すべり軸受	C	4	
20	A03X565611	Torque Limiter /A	トルクリミッター /A	B	1	
21	A1DUR71K00	Paper Feed Driven Shaft Assy	給紙従動軸部組	D	1	
22	A1RF620301	Stopper Collar	ストップパカラー	D	1	
23	A85CR70G00	Paper Feed Assy	給紙 Assy	S	1	

Tray 1 Paper Feed Section

TRAY 1

P 65



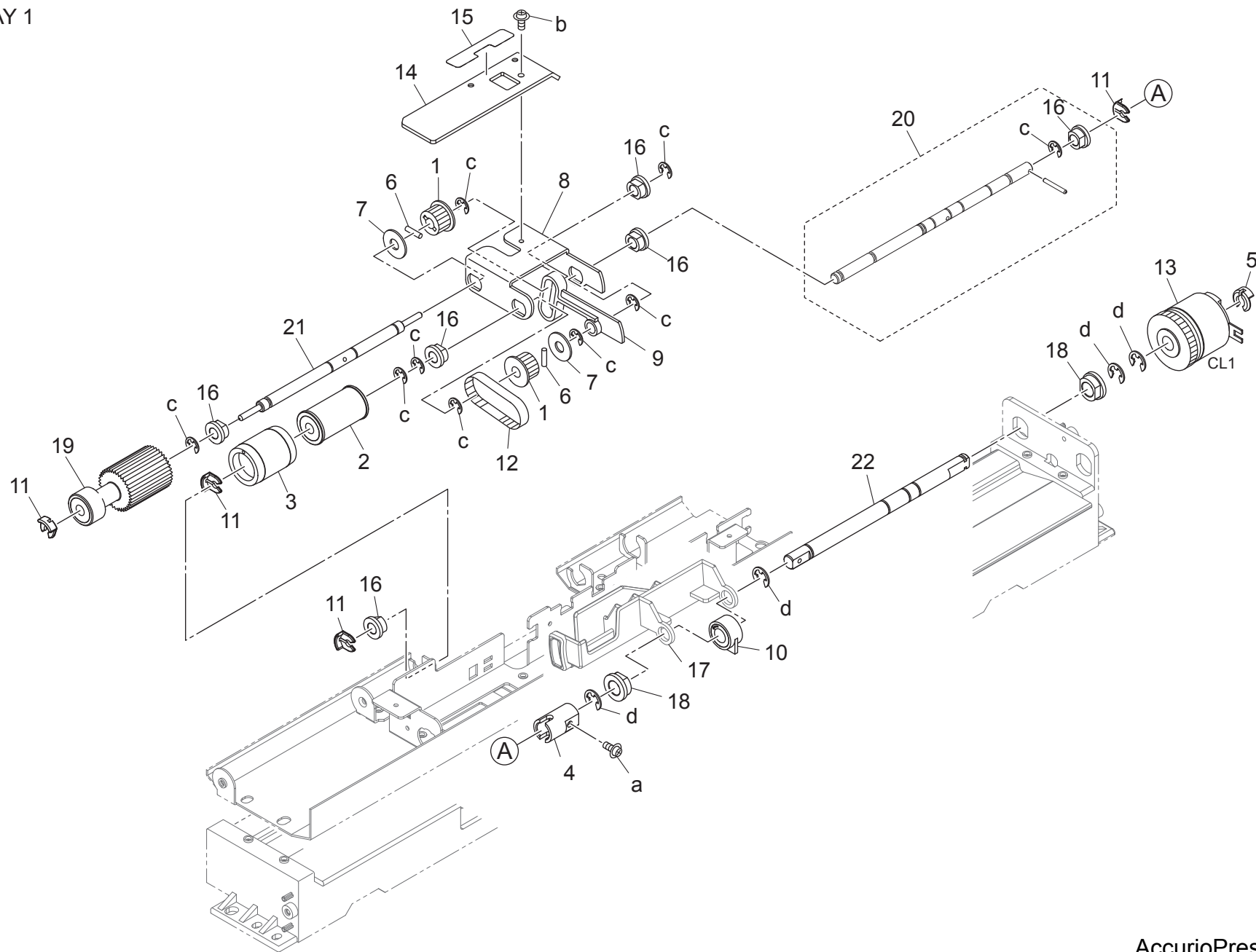
Tray 1 Paper Feed Section

Key	Part No.	Description	Destinations	Class	QTY	Standard parts
1	4109553001	Stopper		C	3	a-V121030603
2	55VA42120	Shaft Stopper		C	1	b-V127030604
3	55VA75540	PAPER FEED SHAFT HOLDER B		B	1	c-V153030803
4	56AA17121	SEPARATE SPRING UPPER		C	1	d-V217030001
5	56AA17760	COLLAR		C	2	e-V217040001
6	56AA40032E	Paper Feed Guide Plate /Upper		C	1	f-V217060001
7	56AA40100G	Wiring Protection Cover		D	1	g-V234301250
8	56AA40120	PAPER FEED HOLDING SCREW		C	1	h-V234301450
9	56AA40171	PAPER FEED DETECTING ACTUATOR		C	1	j-V500020099
10	56AA40190	PRESSING SPRING		C	1	k-V570010050
11	56AA40230	PAPER FEED REGISTRATION ROLLER		C	1	m-V570010056
12	56AA40310	MOUNTING PLATE		D	1	
13	56AA40370	ADJUSTING PLATE		D	1	
14	56AA40390	CAM PLATE		C	1	
15	A85C635400	Adjusting Plate		D	1	
16	56AA40470	SCREW EARTH PLATE		C	1	
17	56AA40500	SHAFT HOLDER EARTH PLATE		C	1	
18	56AA40520	EARTH SPRING		C	1	
19	56AA77720E	Paper Feed Reverse Gear /1 16/22T		C	1	
20	56AA77730	PAPER FEED REVERSING GEAR 2 33T		C	1	
21	56AA82012	Paper Feed Drive Clutch		B	1	
22	65AA40010	Regulating Plate		D	1	
23	A00J663200	Bushing		C	3	
24	A03U812800	Slide Shaft Holder		B	1	
25	A50U560900	Drive Side plate /1		D	1	
26	A50U561200	Drive Side plate /Assy		D	1	
27	A50U562400	Input Shaft		D	1	
28	A50U564500	Paper feed Coupling		D	1	
29	A50U565100	Pressing Spring		D	1	
30	A50UN14201	Paperfeed Wiring /1		D	1	
31	A85CM55500	Photo Sensor		C	3	

Tray 1 Paper Feed Section

TRAY 1

P 66



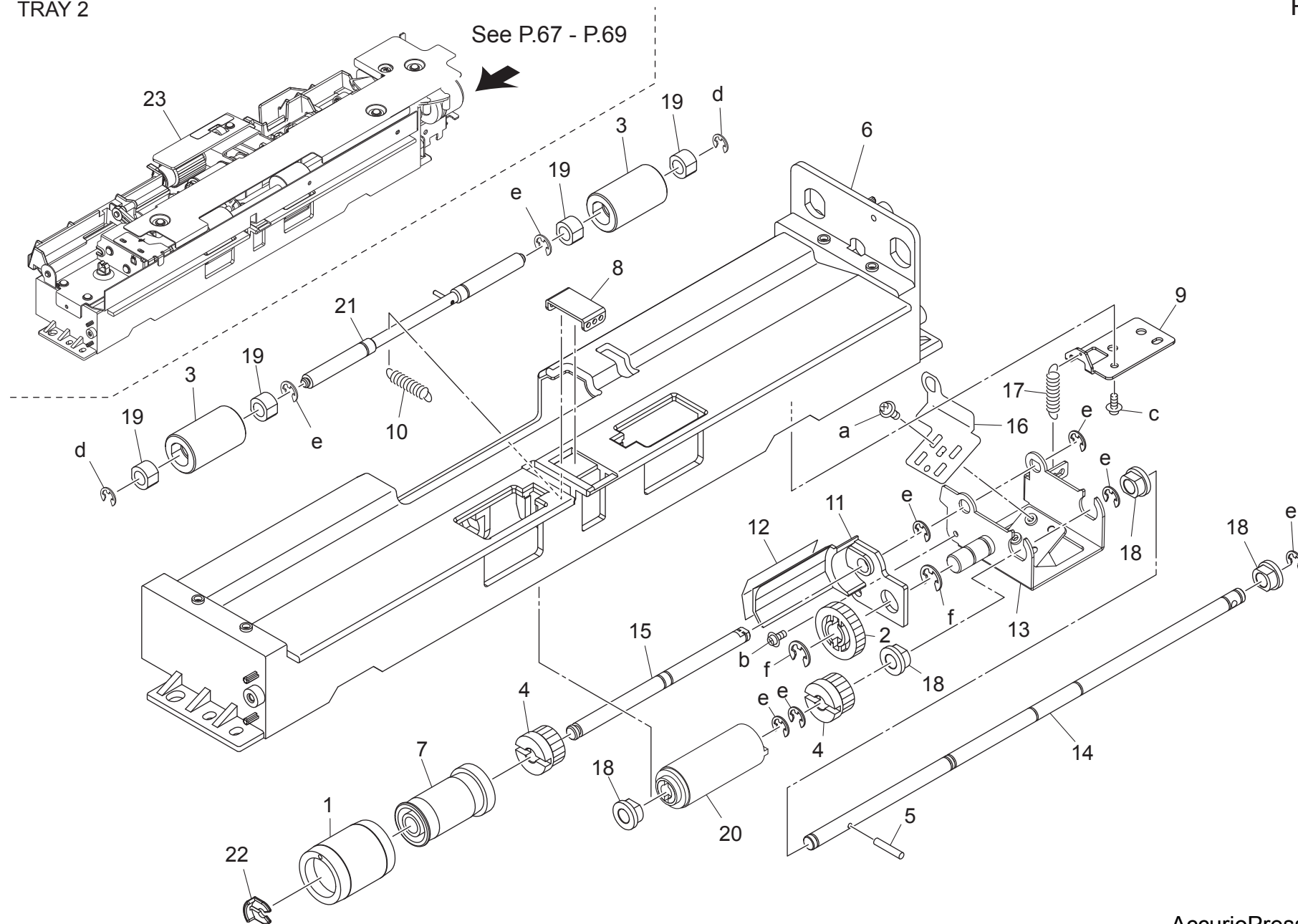
Tray 1 Paper Feed Section

Key	Part No.	Description	Destinations	Class	QTY	Standard parts
1	059076510	PULLEY 1 15T		C	2	a-V118030603 b-V121030603 c-V217040001 d-V217060001
2	25AA40100	Feeding Roller /B		B	1	
3	25SA40960	DOUBLE FEED PREVENTION RUBBER		A	1	
4	55FA40320	COUPLING		C	1	
5	55VA42120	Shaft Stopper		C	1	
6	56AA17510	Pin /B		C	2	
7	56AA17760	COLLAR		C	2	
8	56AA40070	Paper feed Swing Plate		D	1	
9	56AA40300	PAPER QUANTITY ACTUATOR		C	1	
10	56AA40380	PAPER FEED REGULATING BLOCK		B	1	
11	56AA40490	SHAFT STOPPER 4		C	4	
12	56AA77590	PAPER FEED ROCKING BELT 111L		C	1	
13	56AA82012	Paper Feed Drive Clutch		B	1	
14	65AA40080E	Paper feed Auxiliary Plate		D	1	
15	65GE97400	GUIDE LABEL /1		C	1	
16	A00J663200	Bushing		C	6	
17	A03U560500	Regulating Plate /Rear		C	1	
18	A03U812800	Slide Shaft Holder		B	2	
19	A1DUR71J00	Paper Feed Oscillate Roller		B	1	
20	A1DUR75200	Paper Feed Feeding Shaft Assy		D	1	
21	A85C635200	Swing Shaft		D	1	
22	A85C635300	Drive Shaft		D	1	

Tray 2 Paper Feed Section

TRAY 2

P 67



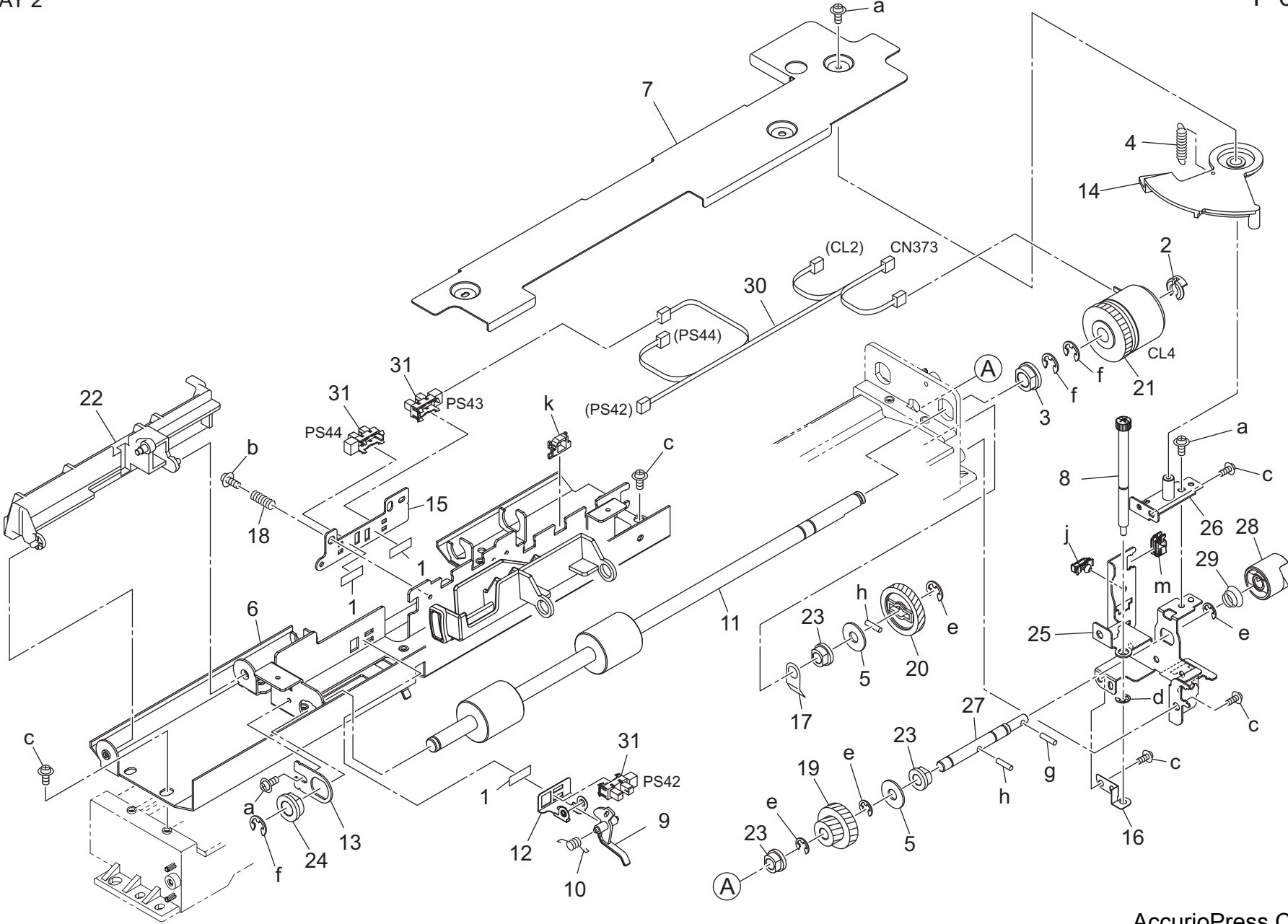
Tray 2 Paper Feed Section

Key	Part No.	Description	Destinations	Class	QTY	Standard parts
1	25SA40960	DOUBLE FEED PREVENTION RUBBER		A	1	a-V116030603 b-V121030603 c-V153030803 d-V217030001 e-V217040001 f-V217060001
2	26NA42061	BY PASS FEED CONVEYING GEAR 21T		B	1	
3	26NA42560	By-Pass Idler Roller		C	2	
4	55VA79030	Paper Feed Reversal Gear /C 14T		B	2	
5	56AA17510	Pin /B		C	1	
6	56AA40010E	Paper feed Main body		C	1	
7	56AA40360	Reverse Roller		C	1	
8	56AA40430	SPRING MOUNTING PLATE 1		D	1	
9	56AA40440	SPRING MOUNTING PLATE 2		D	1	
10	56AA40481	PAPERFEEDPRESSINGSRING		C	1	
11	56AA40530	ENTRANCE GUIDE PART		D	1	
12	56AA40540	ENTRANCE GUIDE SHEET		C	1	
13	56QA40080	Multi-feed Preventing Plate		C	1	
14	56QA40250	MULTI FEED SUPPORT SHAFT		D	1	
15	56QA40270	MULTI FEED REVERSE SHAFT		D	1	
16	56QA40550	MULTI FEED ADJUSTMENT PLATE		D	1	
17	57AA40420	MULTI FEED PREVENTING SPRING		C	1	
18	A00J663200	Bushing		C	4	
19	A03U850101	Slide Bushing		C	4	
20	A03X565611	Torque Limiter /A		B	1	
21	A1DUR71K00	Paper Feed Driven Shaft Assy		D	1	
22	A1RF620301	Stopper Collar		D	1	
23	A85CR70G00	Paper Feed Assy		S	1	

Tray 2 Paper Feed Section

TRAY 2

P 68



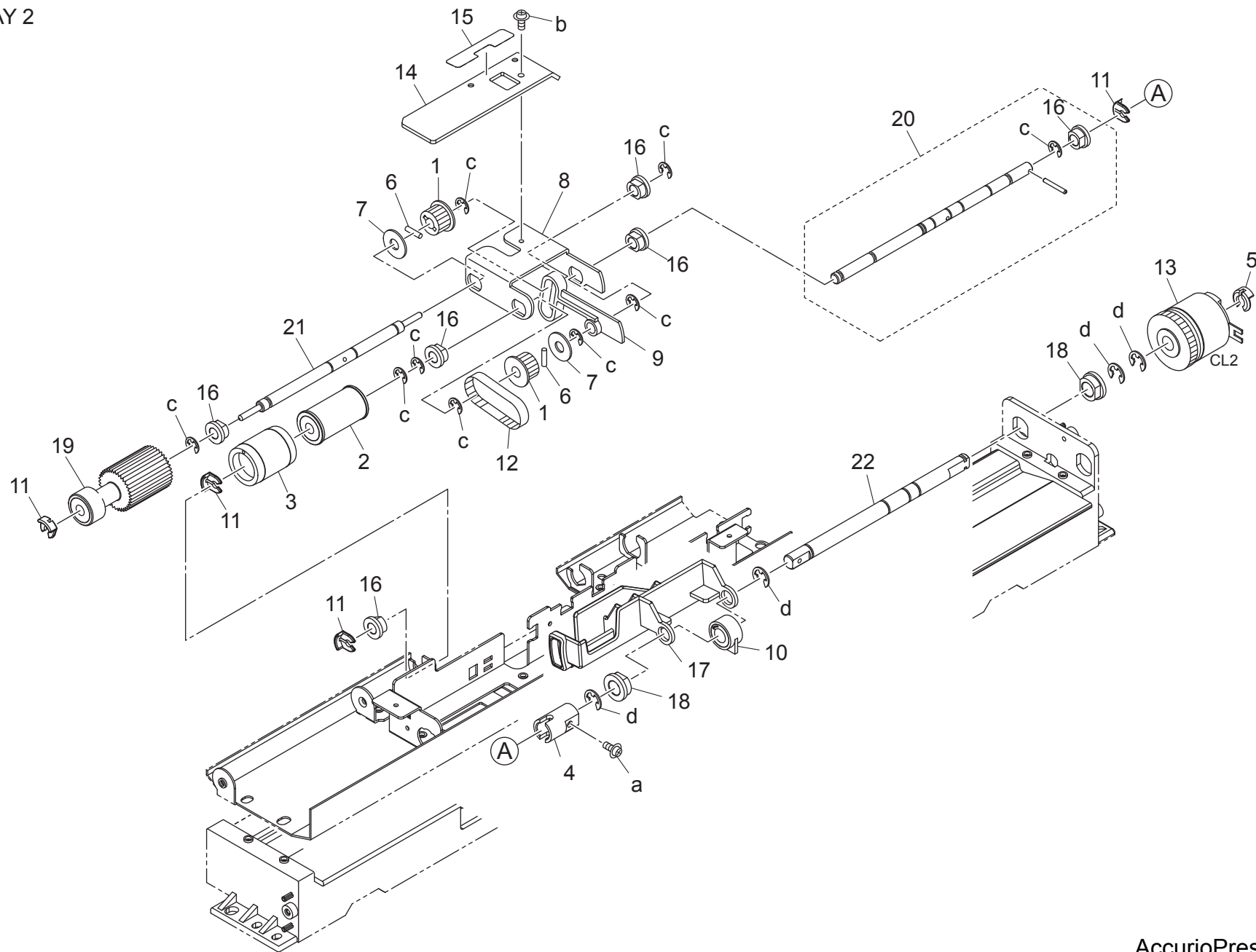
Tray 2 Paper Feed Section

Key	Part No.	Description	Destinations	Class	QTY	Standard parts
1	4109553001	Stopper		C	3	a-V121030603
2	55VA42120	Shaft Stopper		C	1	b-V127030604
3	55VA75540	PAPER FEED SHAFT HOLDER B		B	1	c-V153030803
4	56AA17121	SEPARATE SPRING UPPER		C	1	d-V217030001
5	56AA17760	COLLAR		C	2	e-V217040001
6	56AA40032E	Paper Feed Guide Plate /Upper		C	1	f-V217060001
7	56AA40100G	Wiring Protection Cover		D	1	g-V234301250
8	56AA40120	PAPER FEED HOLDING SCREW		C	1	h-V234301450
9	56AA40171	PAPER FEED DETECTING ACTUATOR		C	1	j-V500020099
10	56AA40190	PRESSING SPRING		C	1	k-V570010050
11	56AA40230	PAPER FEED REGISTRATION ROLLER		C	1	m-V570010056
12	56AA40310	MOUNTING PLATE		D	1	
13	56AA40370	ADJUSTING PLATE		D	1	
14	56AA40390	CAM PLATE		C	1	
15	A85C635400	Adjusting Plate		D	1	
16	56AA40470	SCREW EARTH PLATE		C	1	
17	56AA40500	SHAFT HOLDER EARTH PLATE		C	1	
18	56AA40520	EARTH SPRING		C	1	
19	56AA77720E	Paper Feed Reverse Gear /1 16/22T		C	1	
20	56AA77730	PAPER FEED REVERSING GEAR 2 33T		C	1	
21	56AA82012	Paper Feed Drive Clutch		B	1	
22	65AA40010	Regulating Plate		D	1	
23	A00J663200	Bushing		C	3	
24	A03U812800	Slide Shaft Holder		B	1	
25	A50U560900	Drive Side plate /1		D	1	
26	A50U561200	Drive Side plate /Assy		D	1	
27	A50U562400	Input Shaft		D	1	
28	A50U564500	Paper feed Coupling		D	1	
29	A50U565100	Pressing Spring		D	1	
30	A50UN14201	Paperfeed Wiring /1		D	1	
31	A85CM55500	Photo Sensor		C	3	

Tray 2 Paper Feed Section

TRAY 2

P 69

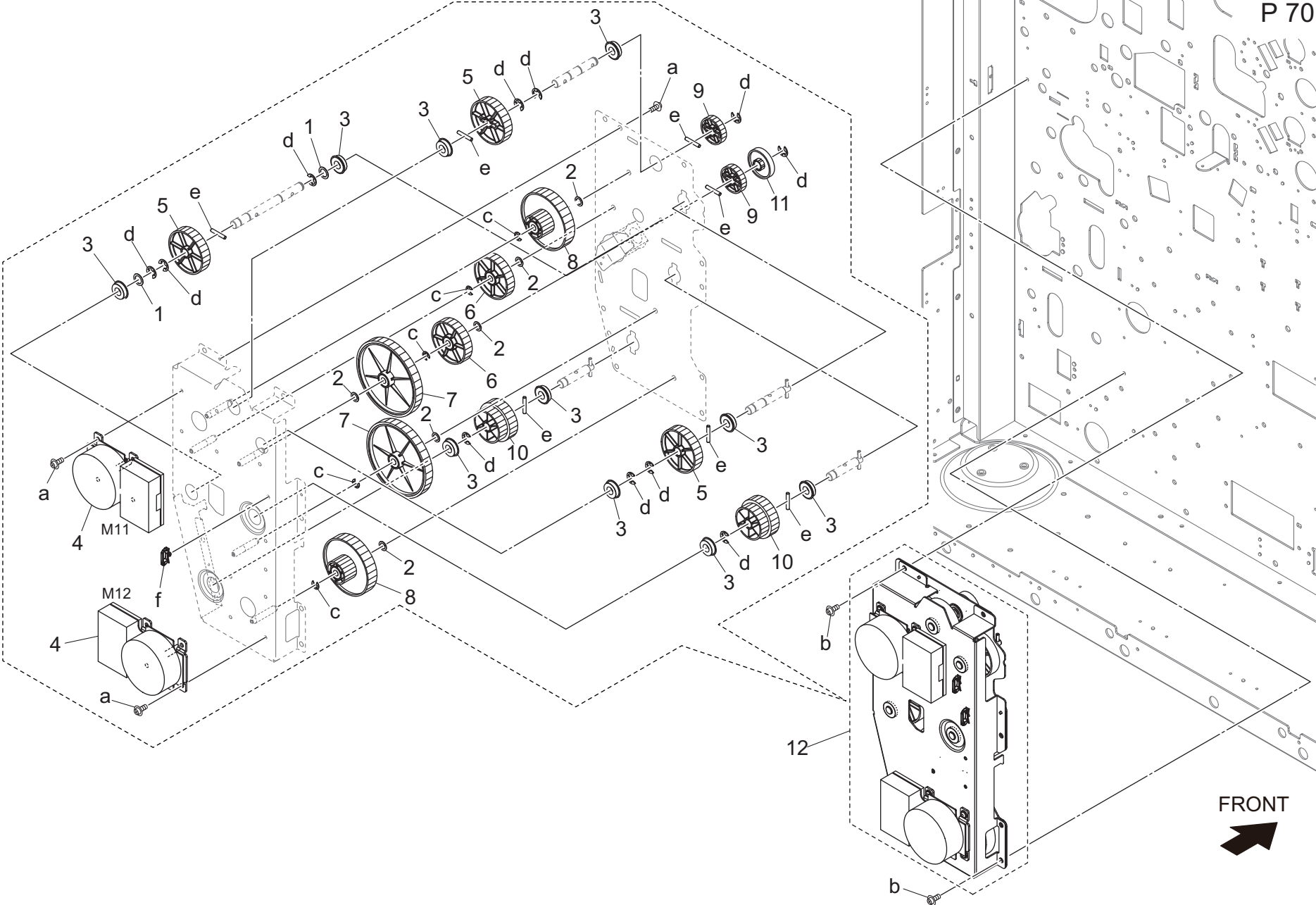


Tray 2 Paper Feed Section

Key	Part No.	Description	Destinations	Class	QTY	Standard parts
1	059076510	PULLEY 1 15T	プーリー 1 15 T	C	2	a-V118030603 b-V121030603 c-V217040001 d-V217060001
2	25AA40100	Feeding Roller /B	送り出しローラー/B	B	1	
3	25SA40960	DOUBLE FEED PREVENTION RUBBER	重送防止ゴム	A	1	
4	55FA40320	COUPLING	カップリング	C	1	
5	55VA42120	Shaft Stopper	軸ストッパー	C	1	
6	56AA17510	Pin /B	ピン/B	C	2	
7	56AA17760	COLLAR	カラー	C	2	
8	56AA40070	Paper feed Swing Plate	給紙首振り板	D	1	
9	56AA40300	PAPER QUANTITY ACTUATOR	紙残検アクチュエータ	C	1	
10	56AA40380	PAPER FEED REGULATING BLOCK	給紙規制ブロック	B	1	
11	56AA40490	SHAFT STOPPER 4	軸ストッパ 4	C	4	
12	56AA77590	PAPER FEED ROCKING BELT 111L	給紙首振りベルト 111 L	C	1	
13	56AA82012	Paper Feed Drive Clutch	給紙駆動クラッチ	B	1	
14	65AA40080E	Paper feed Auxiliary Plate	給紙補助板	D	1	
15	65GE97400	GUIDE LABEL /1	案内ラベル/1	C	1	
16	A00J663200	Bushing	すべり軸受	C	6	
17	A03U560500	Regulating Plate /Rear	規制板/奥	C	1	
18	A03U812800	Slide Shaft Holder	すべり軸受	B	2	
19	A1DUR71J00	Paper Feed Oscillate Roller	給紙首振りローラ部組	B	1	
20	A1DUR75200	Paper Feed Feeding Shaft Assy	給紙送り出し軸 Assy	D	1	
21	A85C635200	Swing Shaft	首振り軸	D	1	
22	A85C635300	Drive Shaft	駆動軸	D	1	

Paper Feed Driving Section

P 70



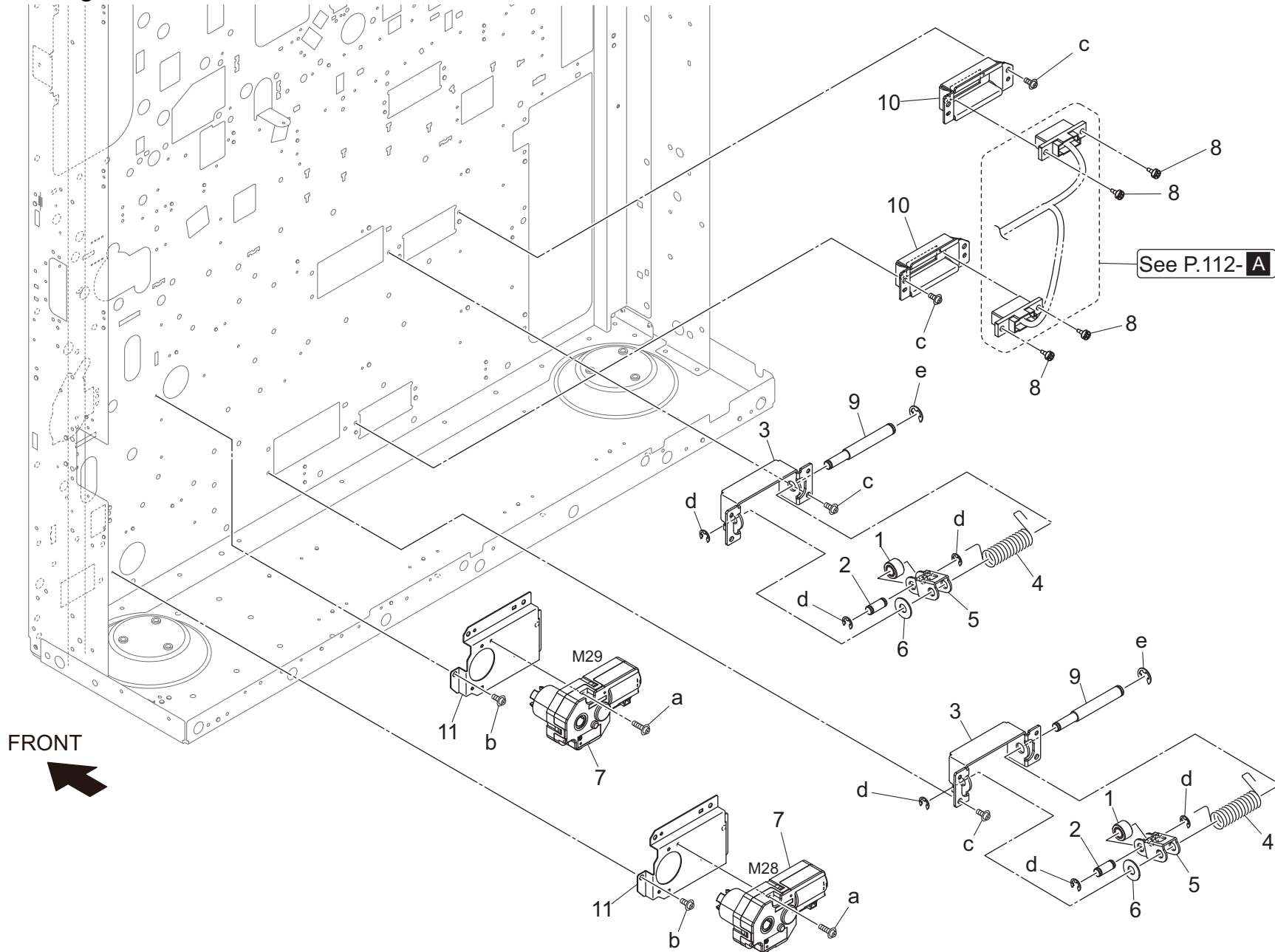
FRONT


AccurioPress C2070P

Key	Part No.	Description	Destinations	Class	QTY	Standard parts
1	12QV40650	Spacer		B	2	a-V121030403 b-V127030604 c-V217040001 d-V217060001 e-V234301850 f-V500020100
2	40AA32320	Toner Supply Spacer		C	6	
3	A00V240600	Ball Bearing		B	10	
4	A2XKM10300	Brushless motor		I	2	
5	A50U252100	Paper feed Gear /1 46T		C	3	
6	A50U252300	Paper feed Gear /3 45T		C	2	
7	A50U252400	Paper feed Gear /4 74T		C	2	
8	A50U252500	Paper feed Gear /5 47/60T		C	2	
9	A50U252600	Paper feed Gear /6 29T		C	2	
10	A50U252700	Paper feed Gear /2 35/41T		C	2	
11	A50U252800	Stopper Roll		D	1	
12	A50UR70S11	Paper Feed Drive Assy		S	1	

Tray Driving Section

P 71



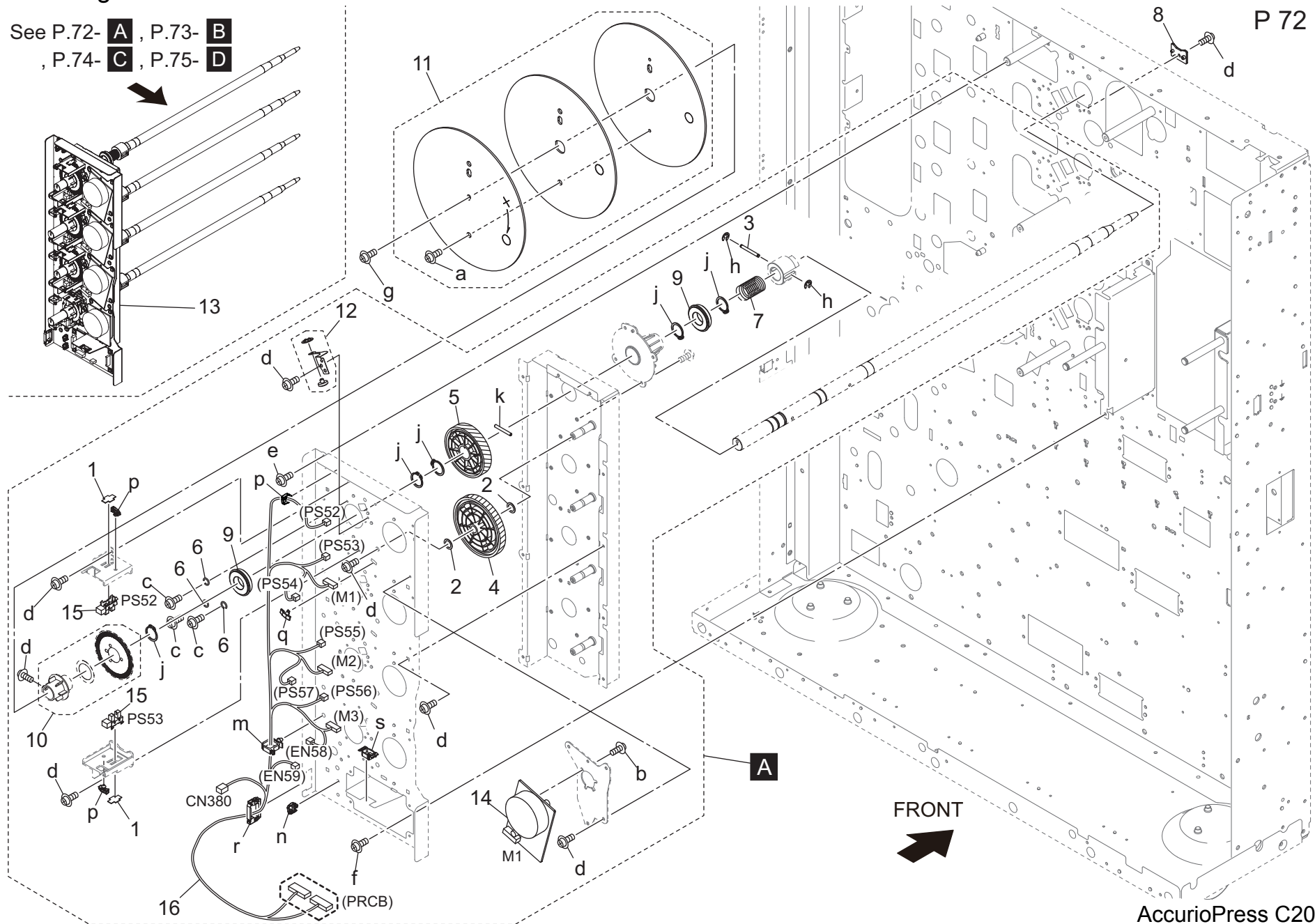
AccurioPress C2070P

Key	Part No.	Description	Destinations	Class	QTY	Standard parts
1	067642581	TRAY LOCK PULLEY		C	2	a-V118032003 b-V127030604 c-V146040804 d-V217060001 e-V217080050
2	65AA47360	CASSETTE LOCKING SHAFT		D	2	
3	65AA47370	FULCRUM PLATE		D	2	
4	65AA47390	GUIDE SPRING		C	2	
5	65AA47710	LOCKING PLATE		D	2	
6	65AA47970	SPACER		C	2	
7	A2X0M12101	Brush motor		B	2	
8	A50U109201	Mounting Screw		D	4	
9	A50U109300	Support Shaft		D	2	
10	A50U112901	Mounting Tray		D	2	
11	A50U629100	Mounting Plate		D	2	



Drum Driving Section

See P.72- **A** , P.73- **B**
 , P.74- **C** , P.75- **D**



P 72

FRONT

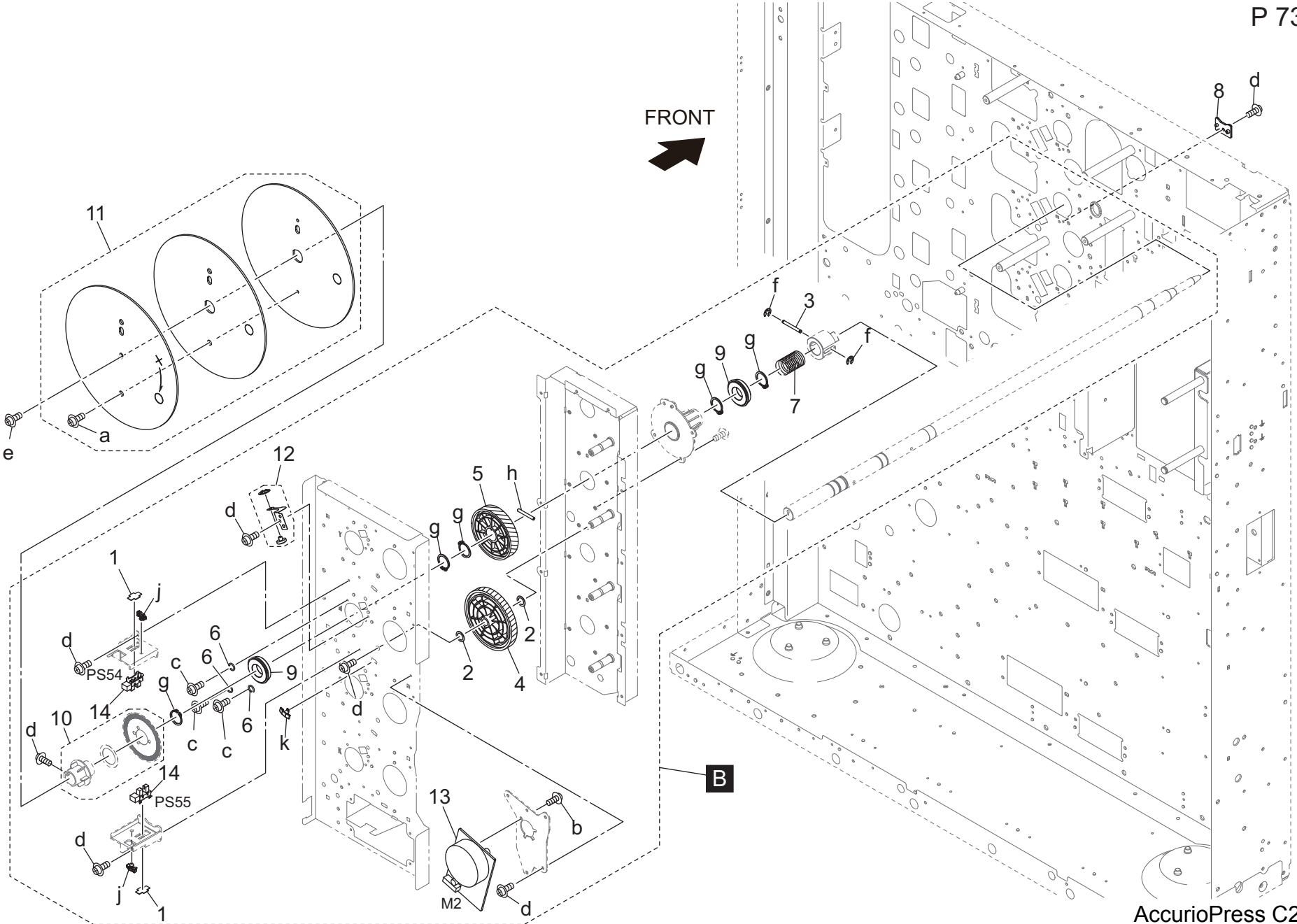
AccurioPress C2070P

Drum Driving Section

Key	Part No.	Description	Destinations	Class	QTY	Standard parts
1	4470402401	Stopper		D	2	a-V116040803
2	12QV40650	Spacer		B	2	b-V118030403
3	65AA15210	COUPLING PIN		D	1	c-V118030603
4	A03U259600	Idling Gear 46/132T		C	1	d-V127030604
5	A03U259900	DRIVE GEAR 92T		C	1	e-V127040603
6	A1RF214100	Set Washer /1		D	3	f-V127040803
7	A50U210600	Pressing Spring		D	1	g-V185041003
8	A50U212100	Slide Part		D	1	h-V217020001
9	A50U212600	Ball Bearing /15		D	1	j-V223150004
10	A50UR71K00	Encoder / YMC		C	2	k-V234302550
11	A50UF21100	Drum Drive Fly Wheel / Y M C		D	1	m-V500010005
12	A50UR72X01	Drum Ground Assy		D	1	n-V500020098
13	A85CR70C00	Drum Drive Assy		D	1	p-V500020099
14	A85CM10200	DC Brushless motor /20		S	1	q-V500020103
15	A85CM55500	Photo Sensor		C	1	r-V570010059
16	A85CN19000	Drive Wiring /1		C	2	s-V570010063
				D	1	

Drum Driving Section

P 73

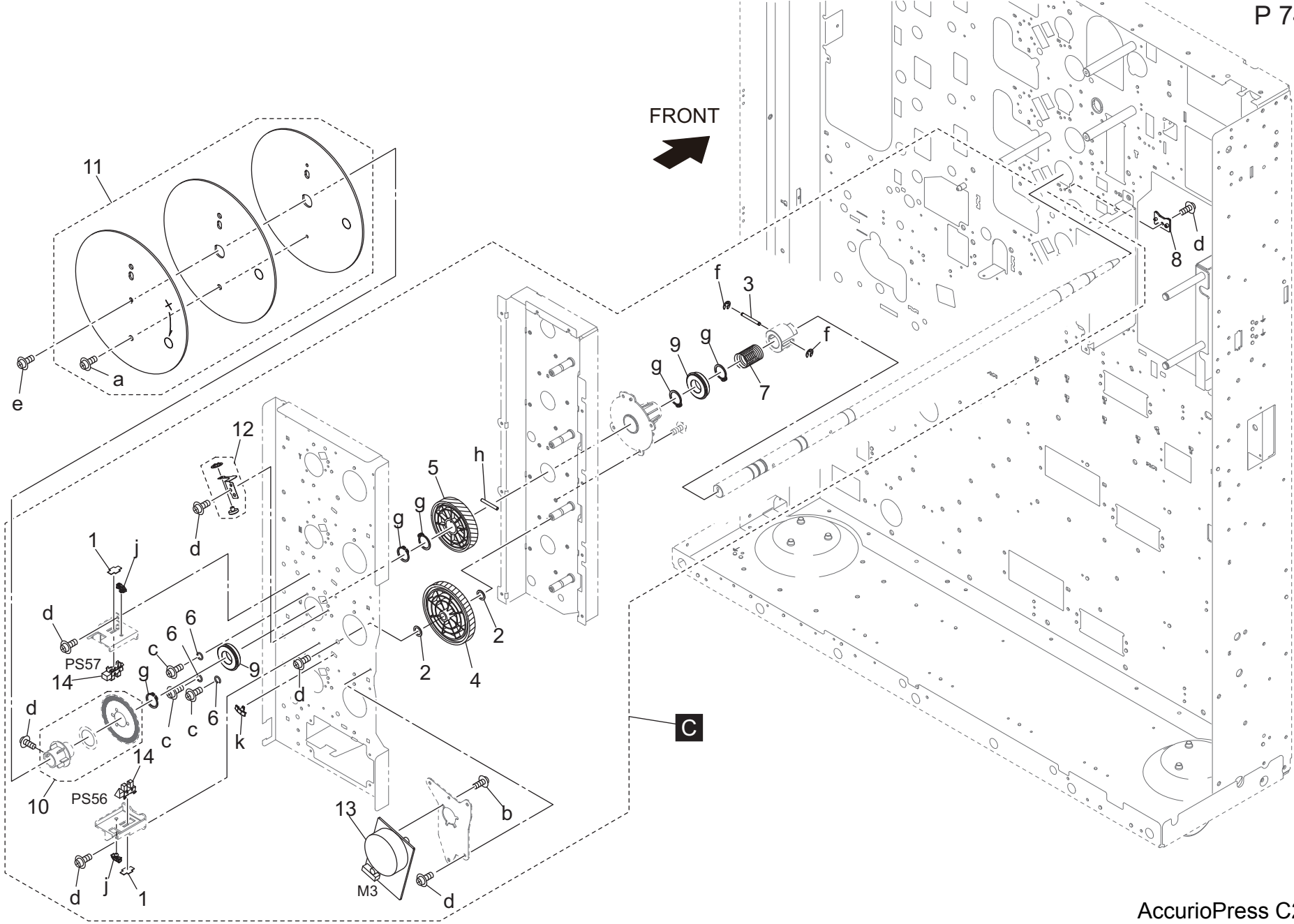


AccurioPress C2070P

Drum Driving Section

Key	Part No.	Description	Destinations	Class	QTY	Standard parts
1	4470402401	Stopper		D	2	a-V116040803
2	12QV40650	Spacer		B	2	b-V118030403
3	65AA15210	COUPLING PIN		D	1	c-V118030603
4	A03U259600	Idling Gear 46/132T		C	1	d-V127030604
5	A03U259900	DRIVE GEAR 92T		C	1	e-V185041003
6	A1RF214100	Set Washer /1		D	3	f-V217020001
7	A50U210600	Pressing Spring		D	1	g-V223150004
8	A50U212100	Slide Part		D	1	h-V234302550
9	A50U212600	Ball Bearing /15		D	1	j-V500020099
10	A50UR71K00	Encoder / YMC		C	2	k-V500020103
11	A50UF21100	Drum Drive Fly Wheel / Y M C		D	1	
12	A50UR72X01	Drum Ground Assy		D	1	
13	A85CM10200	DC Brushless motor /20		C	1	
14	A85CM55500	Photo Sensor		C	2	

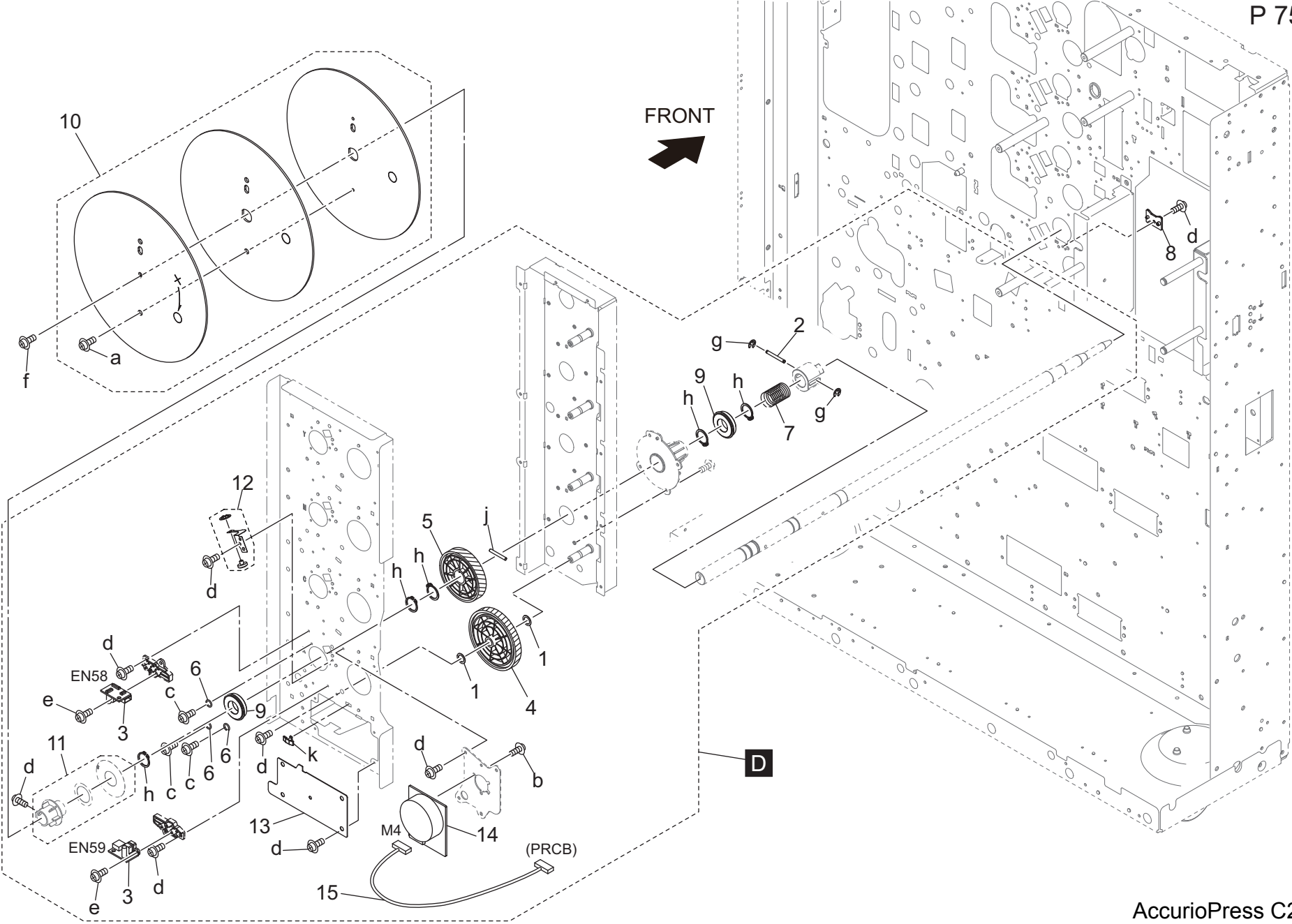
Drum Driving Section



Key	Part No.	Description	Destinations	Class	QTY	Standard parts
1	4470402401	Stopper		D	2	a-V116040803 b-V118030403 c-V118030603 d-V127030604 e-V185041003 f-V217020001 g-V223150004 h-V234302550 j-V500020099 k-V500020103
2	12QV40650	Spacer		B	2	
3	65AA15210	COUPLING PIN		D	1	
4	A03U259600	Idling Gear 46/132T		C	1	
5	A03U259900	DRIVE GEAR 92T		C	1	
6	A1RF214100	Set Washer /1		D	3	
7	A50U210600	Pressing Spring		D	1	
8	A50U212100	Slide Part		D	1	
9	A50U212600	Ball Bearing /15		C	2	
10	A50UR71K00	Encoder / YMC		D	1	
11	A50UF21100	Drum Drive Fly Wheel / Y M C		D	1	
12	A50UR72X01	Drum Ground Assy		D	1	
13	A85CM10200	DC Brushless motor /20		C	1	
14	A85CM55500	Photo Sensor		C	2	

Drum Driving Section

P 75



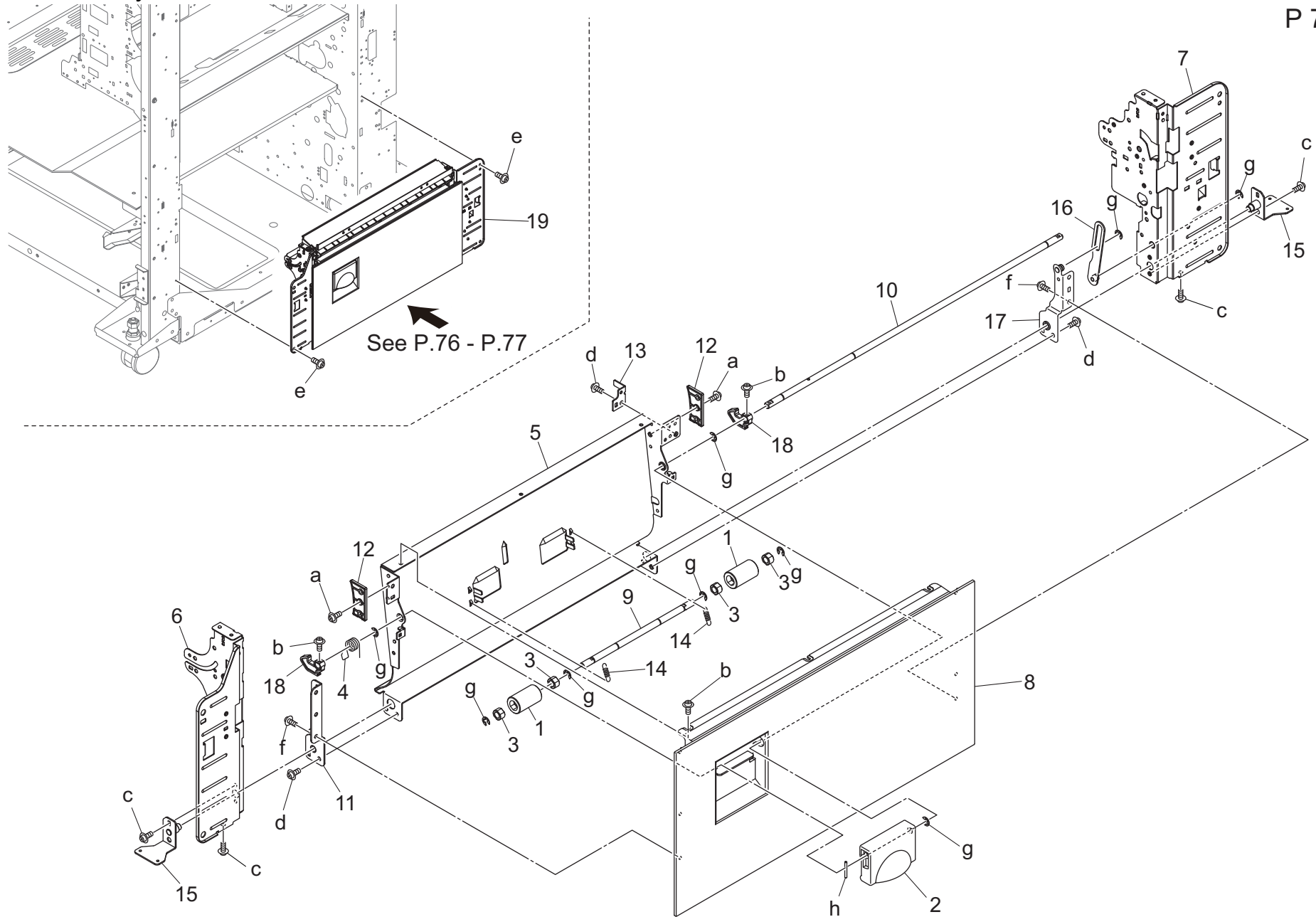
AccurioPress C2070P

Drum Driving Section

Key	Part No.	Description	Destinations	Class	QTY	Standard parts
1	12QV40650	Spacer		B	2	a-V116040803
2	65AA15210	COUPLING PIN		D	1	b-V118030403
3	65AA-9091E	Sensor Board Assy		B	2	c-V118030603
4	A03U259600	Idling Gear 46/132T		C	1	d-V127030604
5	A03U259900	DRIVE GEAR 92T		C	1	e-V149020603
6	A1RF214100	Set Washer /1		D	3	f-V185041003
7	A50U210600	Pressing Spring		D	1	g-V217020001
8	A50U212100	Slide Part		D	1	h-V223150004
9	A50U212600	Ball Bearing /15		D	1	j-V234302550
10	A50UR70Q00	Drum Drive Fly Wheel / K		C	2	k-V500020103
				D	1	
11	A50UR71M00	Encoder / K		D	1	
12	A50UR72X01	Drum Ground Assy		D	1	
13	A85C213100	Drive Frame /3		D	1	
14	A85CM10100	DC Brushless motor		D	1	
15	A85CN19100	Drive Wiring /K		C	1	
				D	1	

Vertical Conveyance Section

P 76

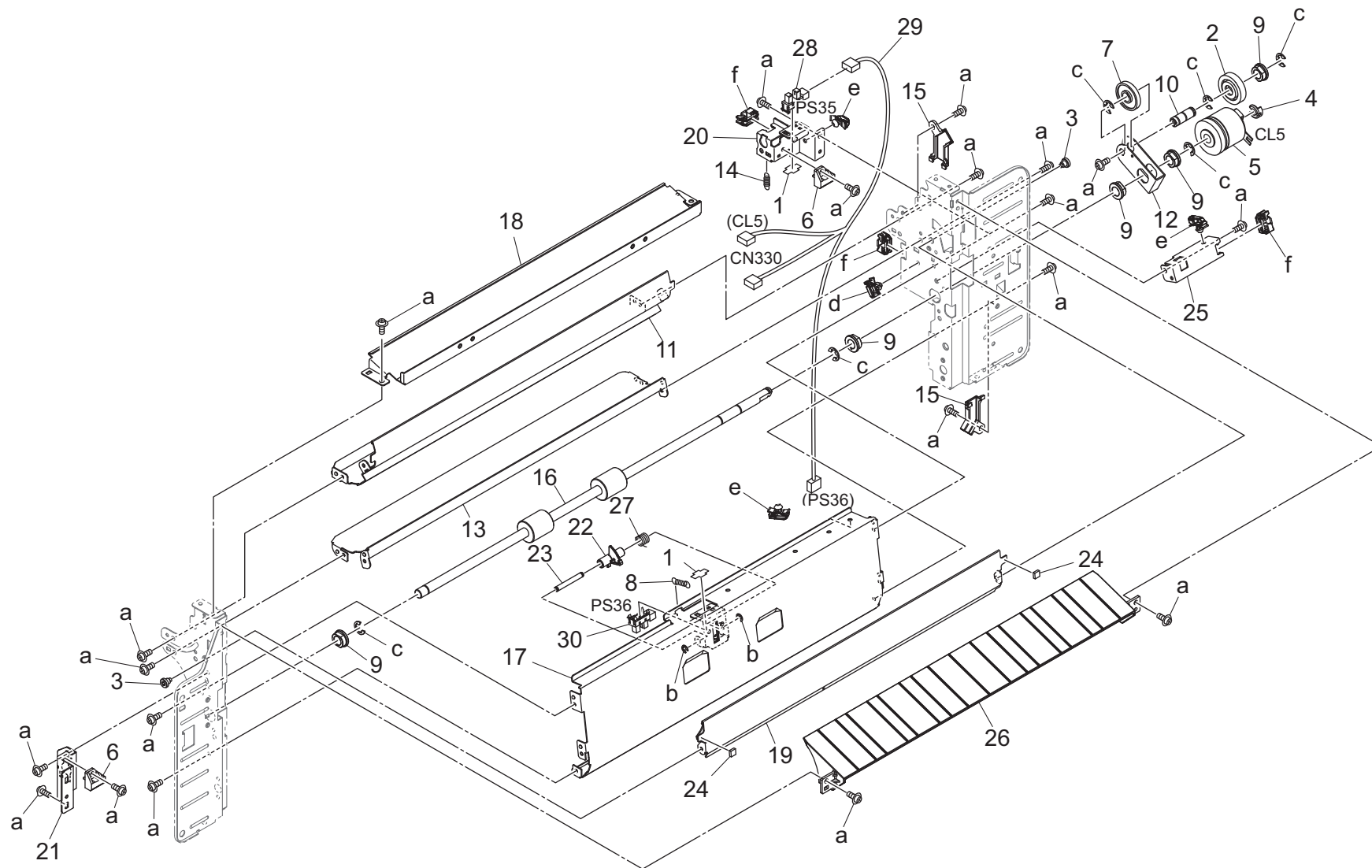


Vertical Conveyance Section

Key	Part No.	Description	Destinations	Class	QTY	Standard parts
1	26NA42560	By-Pass Idler Roller		C	2	a-V112030603 b-V118030603 c-V121030403 d-V127030604 e-V127040603 f-V158030803 g-V217040001 h-V234201850
2	A03U700202	Conveyance Handle		C	1	
3	A03U850101	Slide Bushing		C	4	
4	A1RF701700	Lock Spring /Front		D	1	
5	A50U700101	Guide Plate Outside		D	1	
6	A50U700901	Side plate /1		D	1	
7	A50U701113	Side plate /2		D	1	
8	A50U701303	Cover Door		D	1	
9	A50U705100	Idler Shaft		D	1	
10	A50U705200	Open/close Shaft		D	1	
11	A50U705701	Support Plate /3		D	1	
12	A50U706000	Regulating Plate /Front		D	2	
13	A50U706900	Detecting Plate		D	1	
14	A50U707600	Idler Spring		D	2	
15	A50UF70800	Support Plate / 1 Caulking		D	2	
16	A50UF70900	Connecting Plate Caulking		D	1	
17	A50UR73100	Support Plate /2 Caulking		D	1	
18	A55C712000	Lock Claw		D	2	
19	A85CR70J00	Vertical Conveyance Assy		S	1	

Vertical Conveyance Section

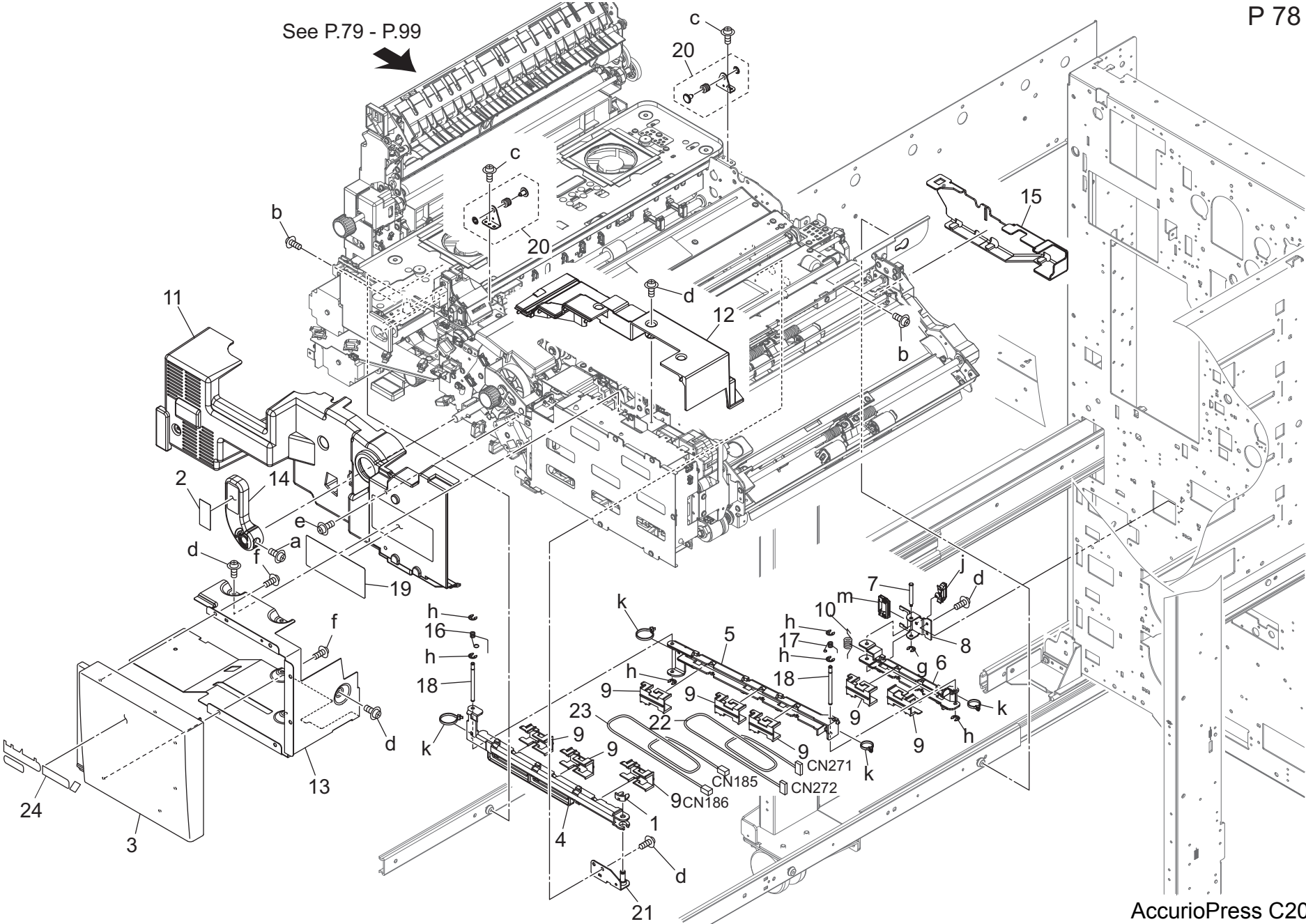
P 77



Vertical Conveyance Section

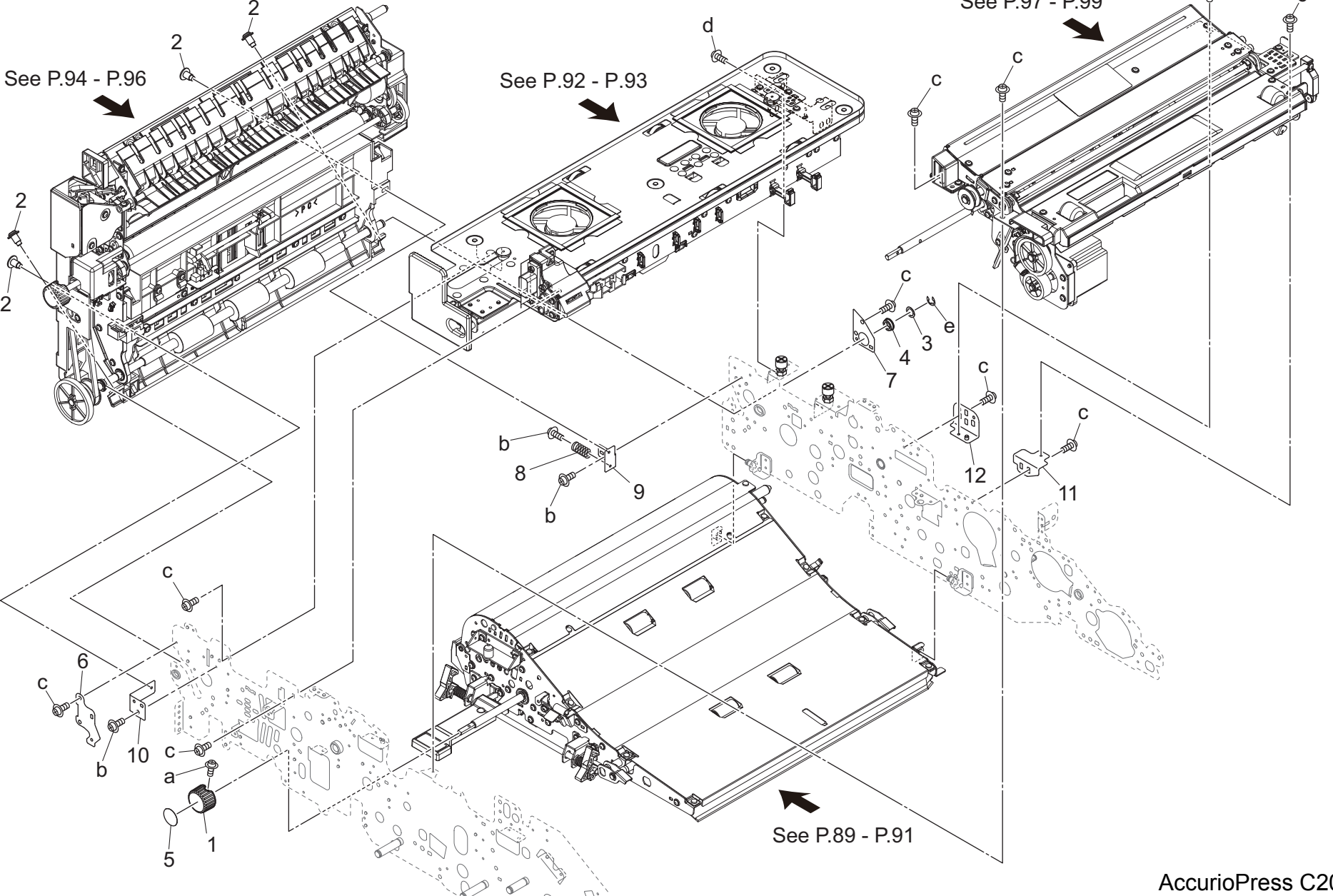
Key	Part No.	Description	Destinations	Class	QTY	Standard parts
1	4470402401	Stopper		D	2	a-V127030604 b-V217030001 c-V217060001 d-V500020098 e-V500020099 f-V570010056
2	25AA77730	CONVEYANCE IDLER RIGHT 24T	搬送アイドラー 右 24 T	C	1	
3	55VA20680	SEPARATION POSITIONING SCREW	分離位置決めネジ	C	2	
4	55VA42120	Shaft Stopper	軸ストッパー	C	1	
5	56AA82012	Paper Feed Drive Clutch	給紙駆動クラッチ	B	1	
6	65AA44200	LOCKING PLATE	ロック板	C	2	
7	65AA44350	STOPPER ROLLER	突き当てコロ	C	1	
8	65AA44440	OPEN SHUT SPRING	開閉バネ	C	1	
9	A03U812800	Slide Shaft Holder	すべり軸受	B	5	
10	A50U700200	Idling Shaft	アイドラ軸	D	1	
11	A50U700300	Guide Plate /Upper	ガイド板/上	D	1	
12	A50U700400	Rotation Plate	回転板	D	1	
13	A50U700500	Guide Plate /Inside	ガイド板/内	D	1	
14	A50U700600	Positioning Spring	位置決めばね	D	1	
15	A50U701000	Support Plate	支持板	D	2	
16	A50U704400	Conveyance Roller /1	搬送ローラ/1	C	1	
17	A50U704700	Guide Plate /Middle	ガイド板/中	D	1	
18	A50U704801	Guide Plate /2	ガイド板/2	D	1	
19	A50U704900	Open/shut Plate	開閉板	D	1	
20	A50U705000	Mounting Plate /Rear	取付板/奥	D	1	
21	A50U705400	Fixing Plate /1	固定板/1	D	1	
22	A50U705500	Detection Actuator	検知アクチュエータ	D	1	
23	A50U705600	Support Shaft	支点軸	D	1	
24	A50U706800	Cushion	クッション	D	2	
25	A50U707001	Lock Plate	ロック板	D	1	
26	A50U707300	Guide Plate	ガイド板	D	1	
27	A50U707400	Pressing Spring /1	押圧ばね/1	D	1	
28	A50UM51000	Photointerrupter	透過型センサ	C	1	
29	A50UN14400	Conveyance Wiring /1	搬送束線/1	D	1	
30	A85CM55500	Photo Sensor	フォトセンサ	C	1	

Duplex Carriage Section



Key	Part No.	Description	Destinations	Class	QTY	Standard parts
1	56AA40490	SHAFT STOPPER 4		C	1	a-V116041203 b-V118040603 c-V121030403 d-V127030604 e-V127030804 f-V151030803 g-V217020001 h-V217030001 j-V500020100 k-V501010002 m-V570010059
2	A1RF943100	Release Label /1		D	1	
3	A50U160401	Duplex Cover		D	1	
4	A50U818700	Wiring Guide /Front		D	1	
5	A50U818800	Wiring Guide /Middle		D	1	
6	A50U818900	Wiring Guide /Rear		D	1	
7	A50U819201	Support Shaft /Rear		D	1	
8	A50U819302	Support Plate /Rear		D	1	
9	A50U832901	Wiring Cover		D	8	
10	A50U835001	Torsion Coil spring		D	1	
11	A50U837001	Cover Part /1		D	1	
12	A50U837101	Cover Part /2		D	1	
13	A50U837300	Cover Part /3		D	1	
14	A50U855702	Pulling Lever		D	1	
15	A50U858200	Cover Cover		D	1	
16	A50U858300	Ground Spring /2		D	1	
17	A50U858400	Ground Spring /1		D	1	
18	A50U858500	Support Shaft /Middle		D	2	
19	A50U944200	Processing Label /1		D	1	
20	A50UR70G01	2nd Transfer Earth Plate Assy		B	2	
21	A50UR72S00	Support Plate / Front Caulking		D	1	
22	A50UN15500	ADU Relay harness /3		D	1	
23	A50UN18700	ADU Relay harness /6		D	1	
24	A85D947001	Indicating Label		D	1	

Duplex Carriage Section



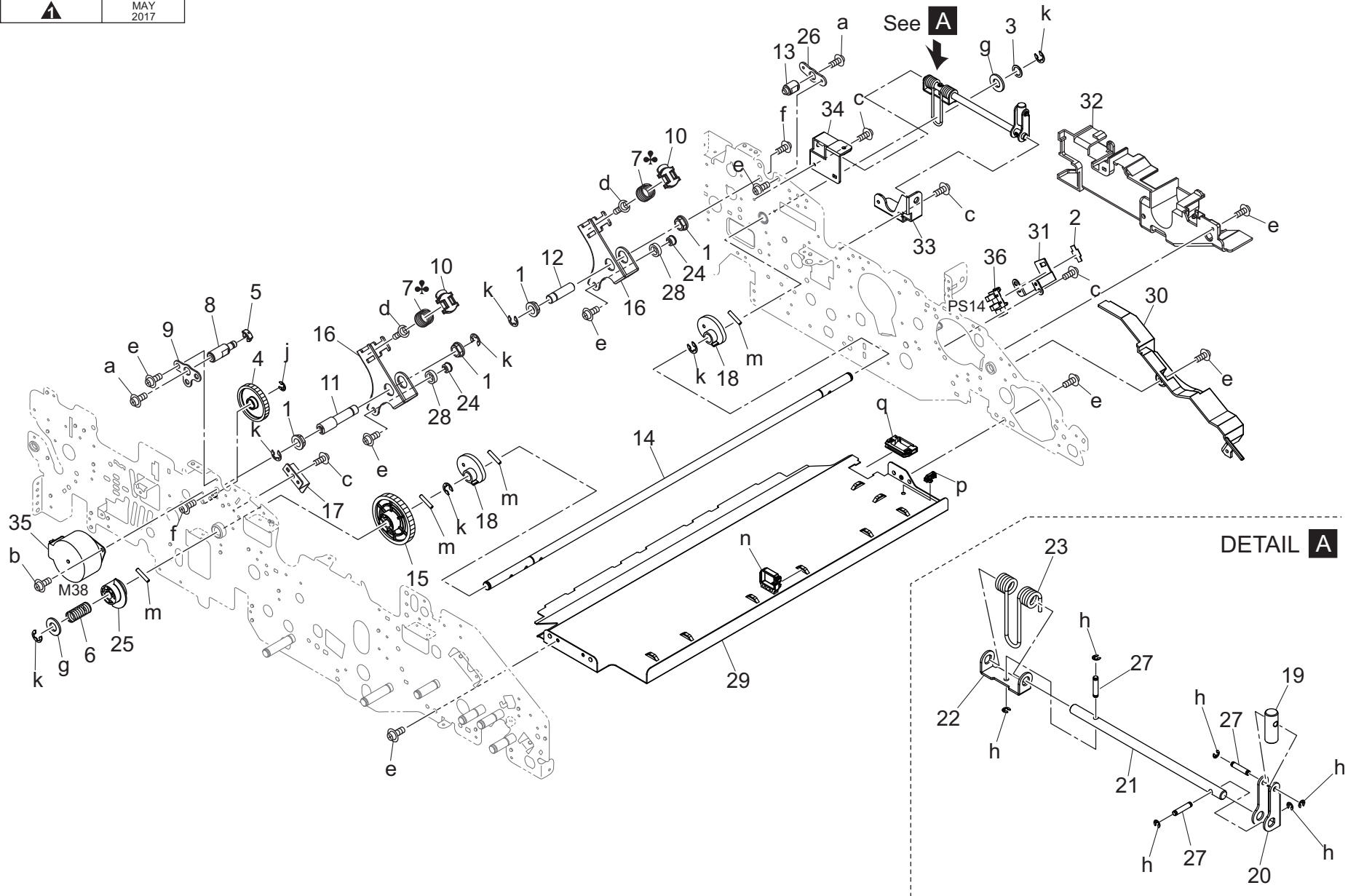
AccurioPress C2070P

Duplex Carriage Section

Key	Part No.	Description	Destinations	Class	QTY	Standard parts
1	14GE45470	Rotation Knob		C	1	a-V118030603 b-V121030403 c-V127030604 d-V127040803 e-V217060001
2	26NA54230	TERMINAL FIXING SCREW		C	4	
3	56AA42690	BY-PASS SPACER		C	1	
4	A00J617900	Ball Bearing		B	1	
5	A1RF944100	Release Label /11		D	1	
6	A50U819500	Connecting Plate		D	1	
7	A50U839900	Connecting Plate		D	1	
8	A50U842900	Conveyance Spring /5		D	1	
9	A50U882701	Reverse/Exit Joint /Rear		D	1	
10	A50U882801	Reverse/Exit Joint /Front		D	1	
11	A50U884202	Registration Base frame /2		D	1	
12	A50UF83702	Registration Base Frame / 1 Caulking		D	1	

Duplex Section

改訂版 REVISED EDITION	日付 DATE
	MAY 2017

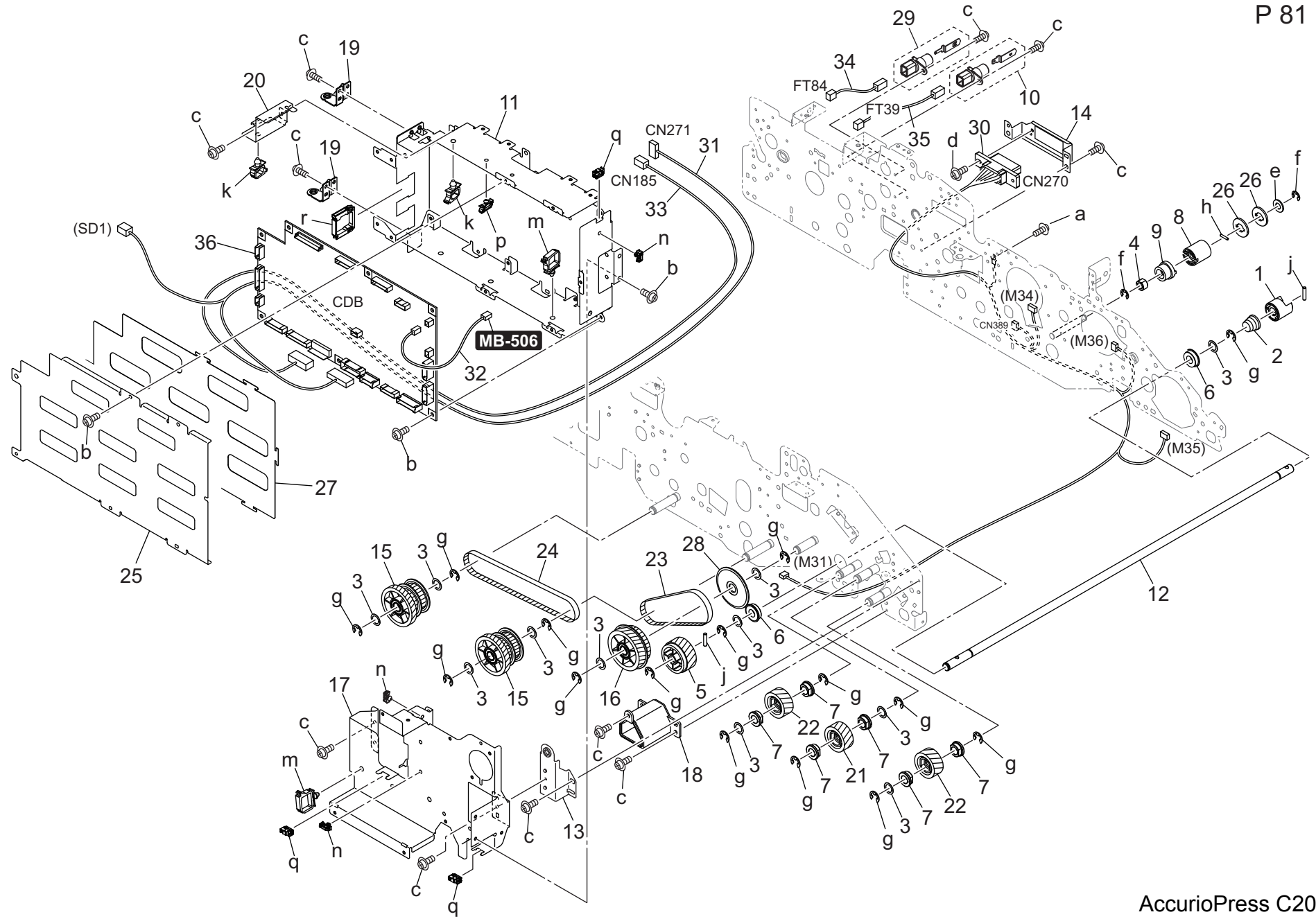


AccurioPress C2070P

Key	Part No.	Description	Destinations	Class	QTY	Standard parts
1	4131353202	BUSHING		C	4	a-V116050803
2	4470402401	Stopper	ストッパ	D	1	b-V118030403
3	12QV40650	Spacer	スペーサー	B	1	c-V121030403
4	40AA77550	Mirror Drive Gear /2 14/70T	ミラー駆動ギア/2 14 /70 T	C	1	d-V121040403
5	56AA40490	SHAFT STOPPER 4	軸ストッパ 4	C	1	e-V127030604
6	65AA45230	CAM PULLING SPRING	カム引張りバネ	C	1	f-V127040803
7	A50U520401	Pressing Spring	押圧ばね	D	2	g-V207080003
7	A85C526201	Pressing Spring	押圧ばね	C	2	h-V217020001
8	A50U520601	Support Shaft /Front	支点軸 /前	D	1	j-V217040001
9	A50U520700	Adjusting Plate /Front	調整板 /前	D	1	k-V217060001
10	A50U520900	Pressing Cover	押圧蓋	D	2	m-V234301650
11	A50U521101	Pressing Shaft /Front	押圧軸 /前	D	1	n-V500010079
12	A50U521200	Pressing Shaft /Rear	押圧軸 /奥	D	1	p-V500020099
13	A50U521301	Support Shaft /Rear	支点軸 /奥	D	1	q-V570010059
14	A50U521500	Drive Shaft	駆動軸	D	1	
15	A50U521900	Pressure Gear /3 47T	圧着ギア /3 47 T	C	1	
16	A50U522001	Rotation Arm	回転アーム	D	2	
17	A50U522400	Holding Plate	押さえ板	D	1	
18	A50U522500	Transfer Cam	転写カム (2 次)	D	2	
19	A50U522900	Rotation Shaft	回転軸	D	1	
20	A50U523001	Release Arm	解除アーム	D	1	
21	A50U523100	Support Shaft	支点軸	D	1	
22	A50U523200	Rotation Cover	回転カバー	D	1	
23	A50U523400	Torsion Coil spring	ねじりコイルばね	D	1	
24	A50U524100	Receiving Shaft	受け軸	D	2	
25	A50U524500	Transfer Actuator	転写アクチュエータ	D	1	
26	A50U524600	Adjusting Plate /Rear	調整板 /奥	D	1	
27	A50U524700	Support Shaft	支点軸	D	3	
28	A50U716500	Ball Bearing	ボールベアリング	C	2	
29	A50U817001	Reinforce Stay /Lower	補強ステー /下	D	1	
30	A50U834802	Cover Side plate /Right rear	カバー側板 /右後	D	1	
31	A50U855800	Drive Side plate /2	駆動側板 /2	D	1	
32	A50U858101	Cover Box	カバー箱	D	1	
33	A50U884600	Support Plate /1	支持板 /1	D	1	
34	A50U884700	Support Plate /2	支持板 /2	D	1	
35	A50UR72C00	Drive Motor / 1 Assy	駆動モータ /1 A s s y	C	1	
36	A85CM55500	Photo Sensor	フォトセンサ	C	1	

Duplex Section

P 81

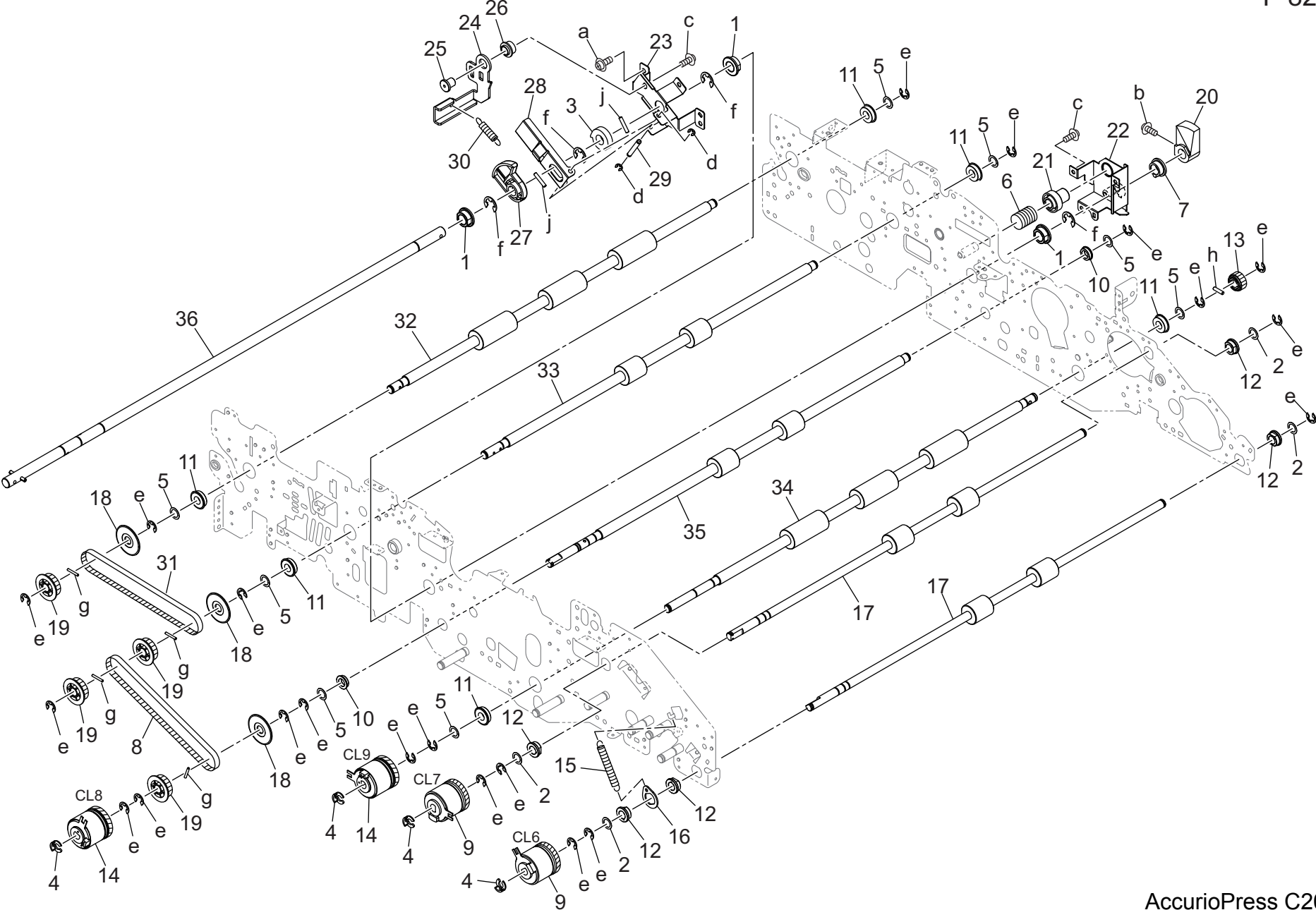


Order here
8 (495) 646-0426
ПЯТЫЙ ПАРТНЕР www.km-shop.ru

AccurioPress C2070P

Key	Part No.	Description	Destinations	Class	QTY	Standard parts
1	55VA15541	CLEANER COUPLING PART	クリーナーカップリング部材	C	1	a-V116030603
2	56AA17090	Pressing Spring	押圧バネ	C	1	b-V127030603
3	56AA42690	BY-PASS SPACER	手差しスペーサー	C	11	c-V127030604
4	56GA76010	SLIDE SHAFT HOLDER 2	滑り軸受 2	C	1	d-V127030803
5	65AA77540	PAPER FEED GEAR 2 29T	給紙歯車 2 29 T	C	1	e-V207060003
6	A00V240600	Ball Bearing	ボールベアリング	B	2	f-V217050001
7	A03U812800	Slide Shaft Holder	すべり軸受	B	6	g-V217060001
8	A03U815700	Torque Limiter	トルクリミッター	B	1	h-V234201050
9	A03U839000	BRAKE GEAR /1 21T	ブレーキギア /1 21 T	C	1	j-V234301450
10	A1DUR73K00	Powering Block A Assy	給電ブロック / A 部組	C	1	k-V500010082
11	A50U810502	Mounting Board /1	取付基板 /1	D	1	m-V500010084
12	A50U812100	Drive Input Shaft	駆動入力軸	D	1	n-V500020099
13	A50U816103	Positioning Side plate /Right	位置決め側板 /右	D	1	p-V500020100
14	A50U817400	Mounting Side plate /1	取付側板 /1	D	1	q-V570010056
15	A50U818000	Drive Gear /1 38/29/29T	駆動ギア /1 38 /29 /29 T	C	2	r-V570010058
16	A50U818100	Drive Gear /1 39T	駆動ギア /1 39 T	C	1	
17	A50U835301	Mounting Board /2	取付基板 /2	D	1	
18	A50U835400	Guide Part /Front	ガイド部材 /前	D	1	
19	A50U835900	Support Plate	支点板 (基板)	D	2	
20	A50U836000	Cover	カバー (基板)	D	1	
21	A50U836400	Conveyance Idler /Right	搬送アイドラ /右	D	1	
22	A50U836500	Conveyance Idler /Right	搬送アイドラ /右	D	2	
23	A50U839100	Belt /4 243L	ベルト /4 243 L	C	1	
24	A50U839200	Belt /3 342L	ベルト /3 342 L	C	1	
25	A50U855900	Cover Board /Left Front	カバー基板 /左前 (基板)	D	1	
26	A50U858600	Stopper Plate	ストッププレート	D	2	
27	A50U880701	Packing Board /Front	包装基板 /前	D	1	
28	A50U885100	Drive Spacer	駆動スペーサー	D	1	
29	A50UF82200	Power Supply Block / B ASSY	給電ブロック / B ASSY	D	1	
30	A50UN15001	ADU Drive harness /1	ADU 駆動束線 /1	D	1	
31	A50UN15601	ADU Control harness /1	ADU 制御束線 /1	D	1	
32	A50UN17200	ADU Drive harness /7	ADU 駆動束線 /7	D	1	
33	A50UN18801	ADU Control harness /2	ADU 制御束線 /2	D	1	
34	A50UN25400	HV Relay harness /5	高圧中継束線 /5	D	1	
35	A50UN25600	HV Relay harness /6	高圧中継束線 /6	D	1	
36	A85CH05000	Conveyance Drive Board ASSY	搬送駆動基板 ASSY	I	1	

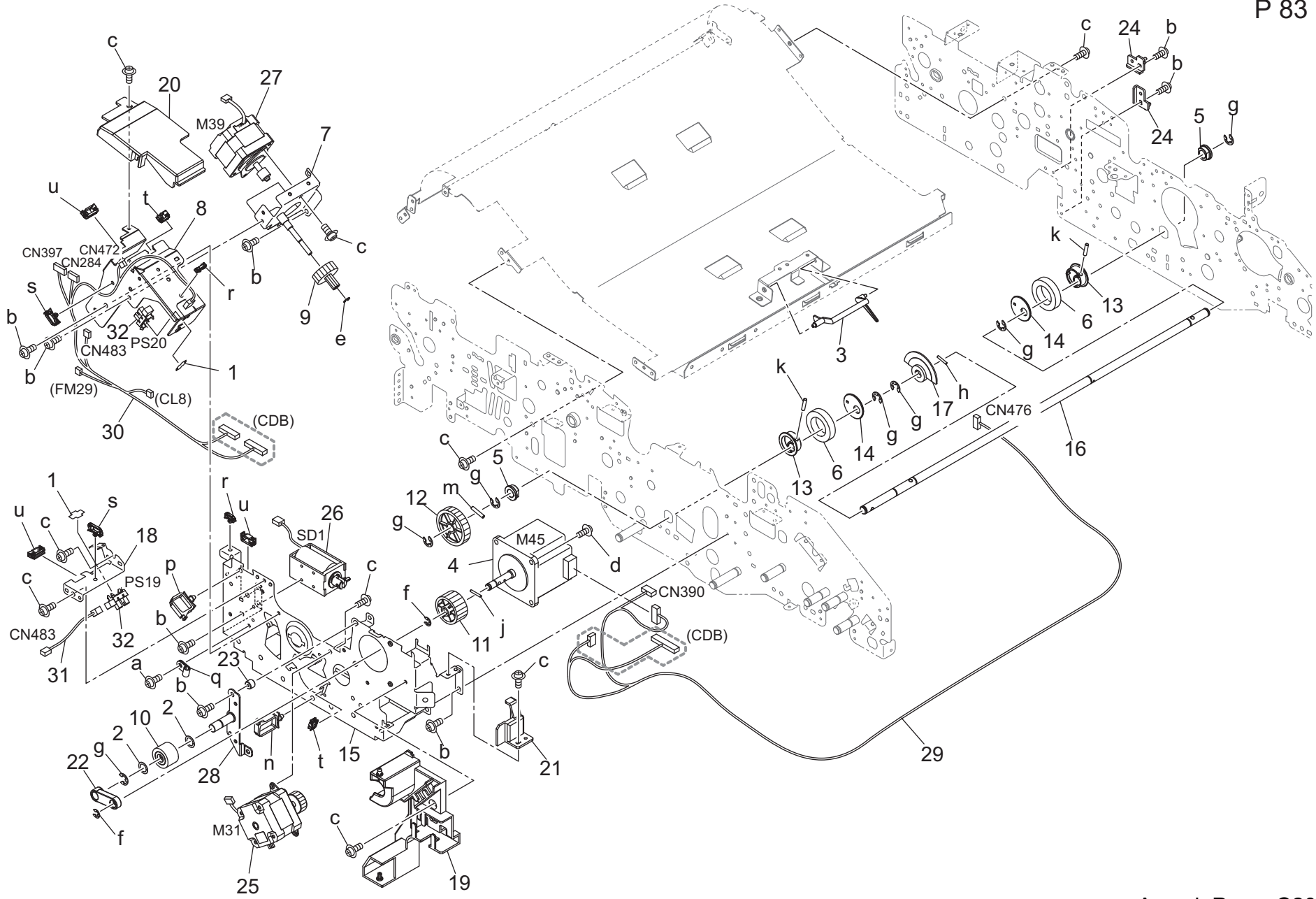
Duplex Section



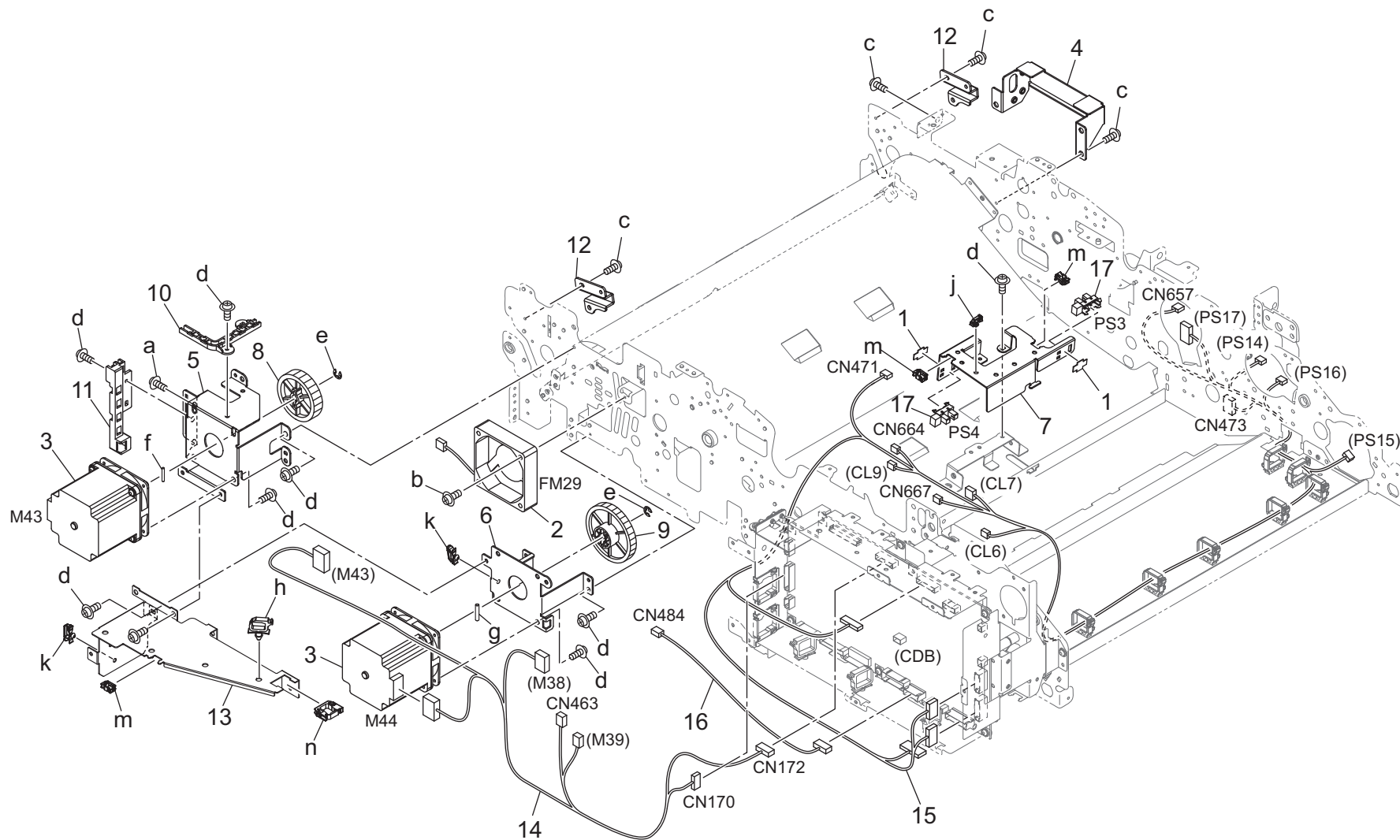
Key	Part No.	Description	Destinations	Class	QTY	Standard parts
1	462076010	Driving Slide Shaft Holder A	駆動滑り軸受 A	C	3	a-V121030403
2	12QV40650	Spacer	スペーサー	B	4	b-V121041203
3	25AA47500	Carriage Lock Claw B	架台ロック爪 B	C	1	c-V127030604
4	55VA42120	Shaft Stopper	軸ストッパー	C	4	d-V217030001
5	56AA42690	BY-PASS SPACER	手差しスペーサー	C	8	e-V217060001
6	56AA50670	Cam Stopper Spring	カムストッパバネ	C	1	f-V217080001
7	56AA50800	LEVER SUPPORT SHAFT HOLDER	レバー支持軸受	C	1	g-V234201450
8	56AA77530	Paper Feed Drive Belt /1 336L	給紙駆動ベルト /1 336 L	C	1	h-V234301250
9	56AA82012	Paper Feed Drive Clutch	給紙駆動クラッチ	B	2	j-V234301650
10	A00J617900	Ball Bearing	ボールベアリング	B	2	
11	A00V240600	Ball Bearing	ボールベアリング	B	6	
12	A03U812800	Slide Shaft Holder	すべり軸受	B	5	
13	A03U838900	Brake Gear /2 24T	ブレーキギア /2 24 T	C	1	
14	A03UM20100	Clutch /1	クラッチ /1	B	2	
15	A03X565001	Swing Spring	首振りばね	C	1	
16	A1RG681400	Brake Plate /8	ブレーキ板 /8	D	1	
17	A50U812202	ADU Conveying Roller /Right	A D U 搬送ローラ /右	C	2	
18	A50U817300	Holding Collar	押さえカラ	D	3	
19	A50U818501	Pulley /2	プーリ /2	D	4	
20	A50U830200	Positioning Part /Rear	位置決め部材 /奥	D	1	
21	A50U830300	Regulating Part /Rear	規制部材 /奥	D	1	
22	A50U830400	Hold Plate /Assy	保持板 / A s s y	D	1	
23	A50U830500	Reinforce Plate /1	補強板 /1	D	1	
24	A50U830600	Lock Plate	ロック板	D	1	
25	A50U830700	Support Shaft	支持軸	D	1	
26	A50U830800	Lock Bushing	ロックすべり軸受	D	1	
27	A50U831000	Release Cam	解除カム	D	1	
28	A50U831100	Release Plate	解除板	D	1	
29	A50U831200	Release Shaft /1	解除軸 /1	D	1	
30	A50U831900	Pulling Spring	引張りばね (ロックレバー)	D	1	
31	A50U839200	Belt /3 342L	ベルト /3 342 L	C	1	
32	A50U849100	Roller /1	ローラ /1	C	1	
33	A50U849200	Roller /2	ローラ /2	C	1	
34	A50U859000	Roller	ローラ	C	1	
35	A50U859400	Roller /3	ローラ /3	C	1	
36	A50UR72E00	Release Shaft Pin Assy	解除軸ピン A s s y	D	1	

Duplex Section

P 83

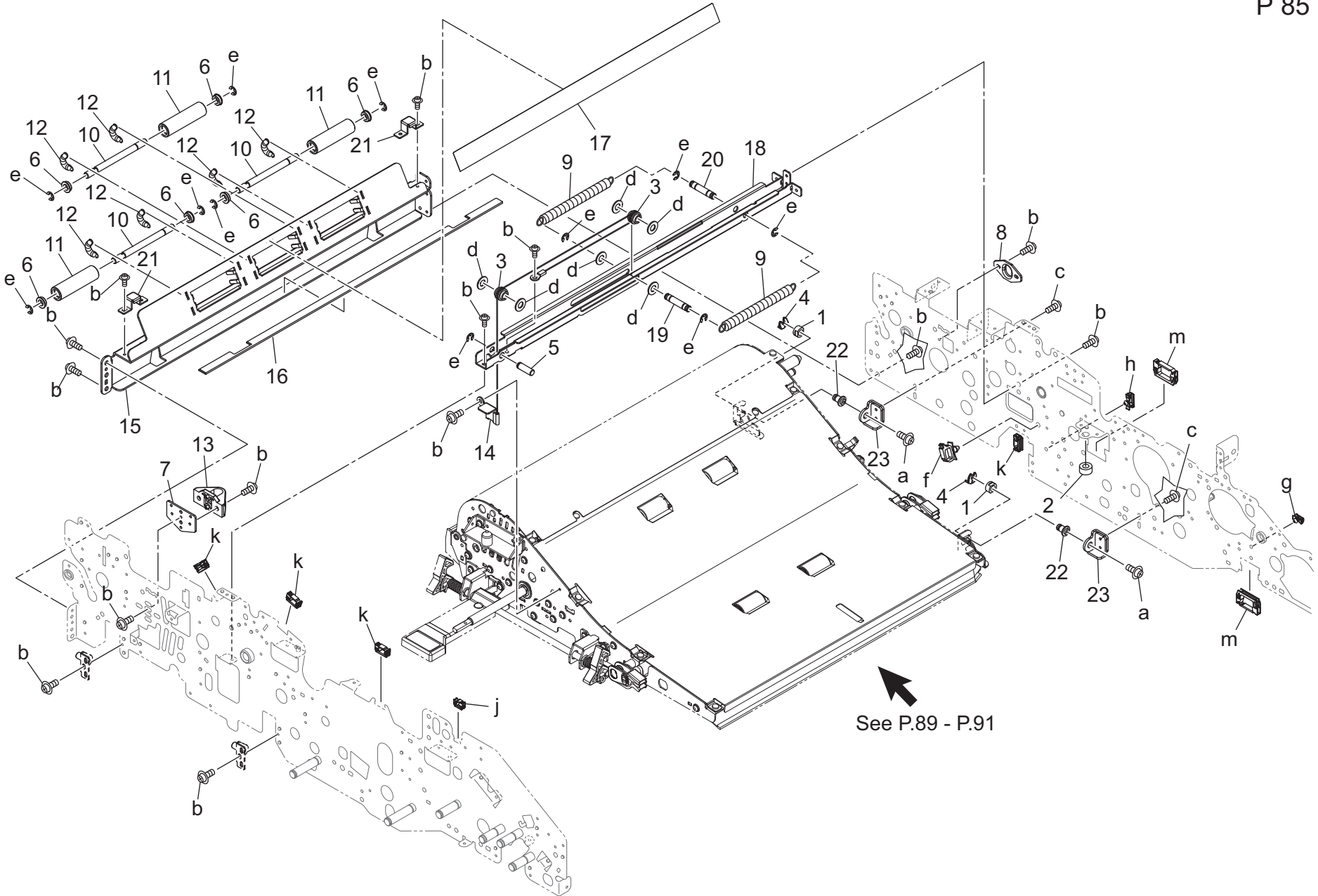


Key	Part No.	Description	Destinations	Class	QTY	Standard parts
1	4470402401	Stopper		D	2	a-V116030603
2	56AA42690	BY-PASS SPACER		C	2	b-V121030403
3	65AA51730	ADU 2		C	1	c-V127030604
4	65AA80112	HB Motor /50		B	1	d-V127030803
5	A03U812800	Slide Shaft Holder		B	2	e-V217030001
6	A0TK341300	Ball Bearing /Rear		C	2	f-V217040001
7	A50U713300	Swing Side plate /Assy		D	1	g-V217060001
8	A50U713401	Swing Side plate /2		D	1	h-V234201250
9	A50U713500	Swing Gear /1 18/51T		D	1	j-V234201450
10	A50U713700	Registration Idler /1		C	1	k-V234301450
11	A50U713800	Registration Gear /1 56T		B	1	m-V234301650
12	A50U713900	Registration Gear /2 48T		C	1	n-V500010013
13	A50U714800	Pressure Cam		C	1	p-V500010084
14	A50U714900	Spacer		D	2	q-V500020069
15	A50U715002	Mounting Lever /1		D	2	r-V500020099
16	A50U715100	Pressure Shaft /2		D	1	s-V500020100
17	A50U715200	Pressure Actuator		D	1	t-V570010056
18	A50U819700	Cover		D	1	u-V570010057
19	A50U835601	Drive Cover		D	1	
20	A50U836100	Cover		D	1	
21	A50U882300	Protection Cover		D	1	
22	A50U882600	Registration ring /Front		D	1	
23	A50U883300	Idling Shaft /1		D	1	
24	A50U883501	Protection Plate		D	2	
25	A50UR72F00	Motor Assy		C	1	
26	A50UR72G00	ADU Connecting Solenoid Pin Assy		D	1	
27	A50UR72H00	Stepping Motor / 3 Assy		C	1	
28	A50UF81401	Adjusting Plate Caulking		D	1	
29	A50UN16500	ADU Drive harness /6		D	1	
30	A50UN18201	ADU Drive harness /12		D	1	
31	A50UN18900	ADU Detection harness /14		D	1	
32	A85CM55500	Photo Sensor		C	2	



Key	Part No.	Description	Destinations	Class	QTY	Standard parts
1	4470402401	Stopper		D	2	a-V118030403
2	56AA80551	Fan Motor /2		B	1	b-V118032003
3	A1TVM10100	Stepping motor /50		B	2	c-V121030403
4	A50U814401	Reinforce Plate		D	1	d-V127030604
5	A50U814500	Positioning Plate /Upper		D	1	e-V217040001
6	A50U815101	Positioning Plate /Lower		D	1	f-V234201450
7	A50U819812	Mounting /A		D	1	g-V234301650
8	A50U819900	Riverse/exit Gear /1 42T		C	1	h-V500010082
9	A50U831300	Preventing Gear /1 57T		C	1	j-V500020099
10	A50U836300	Cover		D	1	k-V500020100
11	A50U837700	Wiring Guide		D	1	m-V570010056
12	A50U838500	Mounting Handle /Left		D	2	n-V570010060
13	A50U838700	Reverse/Exit Plate /Left Front		D	1	
14	A50UN16000	ADU Drive harness /4		D	1	
15	A50UN16101	ADU Drive harness /11		D	1	
16	A50UN16900	ADU Detection harness /15		D	1	
17	A85CM55500	Photo Sensor		C	2	

Duplex Section



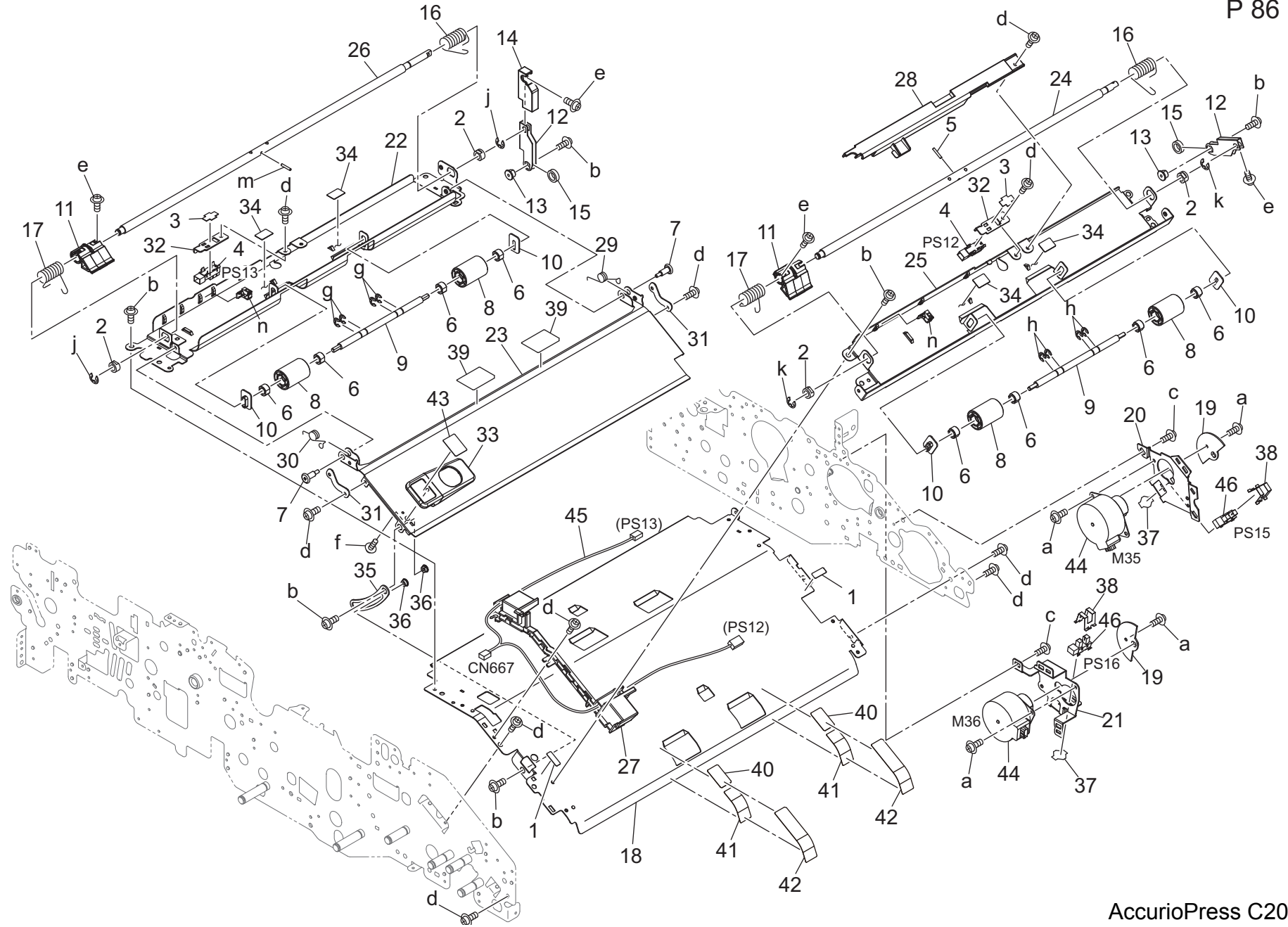
See P.89 - P.91

Key	Part No.	Description	Destinations	Class	QTY	Standard parts
1	4131253701	BUSHING		C	2	a-V121030403 b-V127030604 c-V127030803 d-V207060003 e-V217040001 f-V500010082 g-V500020099 h-V500020100 j-V570010056 k-V570010057 m-V570010059
2	1154467001	PROTECTION		C	1	
3	25AA50080	WIRE PULLEY		C	2	
4	56AA40490	SHAFT STOPPER 4		C	2	
5	65AA51510	ADU OPEN SHUT SHAFT 3		D	1	
6	A00J617800	Ball Bearing		B	6	
7	A03U811600	ADU Positioning Plate /1		D	1	
8	A03U811800	ADU Positioning Plate /2		C	1	
9	A03U813601	ADU Open/shut Spring /Upper		C	2	
10	A03U814100	Idler Shaft /Lower		D	3	
11	A03U814200	Idler Roll		C	3	
12	A03U814300	Conveyance Spring		C	6	
13	A03U843500	Positioning Part		D	1	
14	A03U849701	Wire /Right		C	1	
15	A50U810300	Hold Stay /Left		D	1	
16	A50U810400	Protection Sheet		D	1	
17	A50U815800	Guide Sheet /A		D	1	
18	A50U831400	Open/close Plate		D	1	
19	A50U832600	Open/close Shaft /1		D	1	
20	A50U832700	Open/close Shaft /2		D	1	
21	A50U834200	Reverse/Exit Stopper		D	2	
22	A50U843900	Support Shaft /Right		D	2	
23	A50U844100	Support Plate /B		D	2	



Duplex Section

P 86

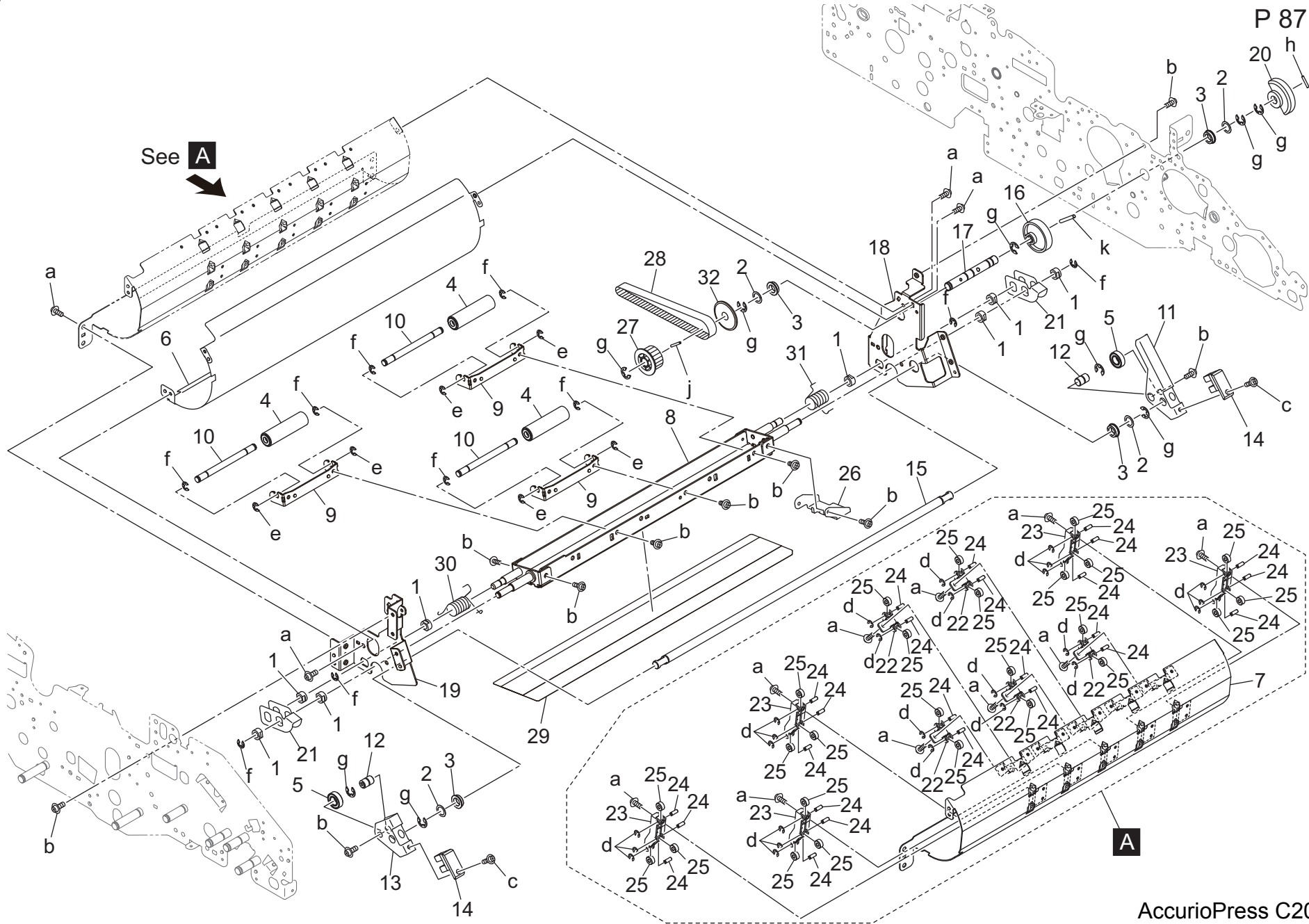


Order here
8 (495) 646-0426
ПЯТЫЙ ПАРТНЕР www.km-shop.ru

AccurioPress C2070P

Key	Part No.	Description	Destinations	Class	QTY	Standard parts
1	4109553001	Stopper	ストッパー	C	2	a-V118030403
2	4131253701	BUSHING	軸受	C	4	b-V121030303
3	4470402401	Stopper	ストッパー	D	2	c-V121030403
4	9335140071	Solid State Switch	反射型フォトスイッチ	B	2	d-V127030604
5	56AA17321	PIN A D2X12	ピン A D 2 X 1 2	B	1	e-V127030803
6	A03U850101	Slide Bushing	すべり軸受	C	8	f-V151040803
7	A0P0144300	Shoulder screw	段ねじ (HDD)	D	2	g-V217040001
8	A50U712200	Idler Roll /1	従動ころ /1	D	4	h-V217040050
9	A50U712300	Idler Shaft /1	従動軸 /1	D	2	j-V217050001
10	A50U712400	Receiving Shaft /1	受け軸 /1	D	4	k-V217050050
11	A50U714600	Lever	レバー	D	2	m-V234201250
12	A50U715300	Pressure Lever /25	圧着レバー /2 5	D	2	n-V500010057
13	A50U715600	Support Shaft /2	支点軸 /2	D	2	
14	A50U715800	Protection Cover	保護カバー	D	1	
15	A50U716500	Ball Bearing	ボールベアリング	C	2	
16	A50U718400	Pressing Spring /Rear	押圧ばね /奥	D	2	
17	A50U718500	Pressing Spring /Front	押圧ばね /前	D	2	
18	A50U816301	Conveyance Guide /Lower	搬送ガイド /下	D	1	
19	A50U816700	Light blocking Plate /1	遮光板 /1	D	2	
20	A50U816801	Drive Side plate /1	駆動側板 /1	D	1	
21	A50U816900	Drive Side plate /2	駆動側板 /2	D	1	
22	A50U817601	Guide Plate	ガイド板	D	1	
23	A50U817800	Guide Plate /Middle	ガイド板 /中	D	1	
24	A50U818201	Release Shaft /1	解除軸 /1	D	1	
25	A50U818400	Guide Plate /Right	ガイド板 /右	D	1	
26	A50U818601	Release Shaft /2	解除軸 /2	D	1	
27	A50U833400	Protection Cover /1	保護カバー /1	D	1	
28	A50U833500	Protection Cover /2	保護カバー /2	D	1	
29	A50U834500	Pressing Spring /Left	押圧バネ /左	D	1	
30	A50U834600	Pressing Spring /Right	押圧バネ /右	D	1	
31	A50U834700	Reinforce Plate /A	補強板 /A	D	2	
32	A50U836200	Plate /23	センサ板 /2 3	D	2	
33	A50U880800	Processing Lever	処理レバー	D	1	
34	A50U880900	Guide Sheet /Side	ガイドシート /サイド	D	4	
35	A50U881601	Processing Guide /1	処理ガイド /1	D	1	
36	A50U881700	Support Screw /A	支持ねじ /A	D	2	
37	A50U882100	Stopper Plate	ストッパ板 (センサー)	D	2	
38	A50U883600	Guide /1	センサガイド /1	D	2	
39	A50U886300	Sheet	シート	D	2	
40	A50U887100	Conductive Tape /4	導電性テープ /4	D	2	
41	A50U887200	Duplex Tape	両面テープ	D	2	
42	A50U887300	Conveyance Guide /3	搬送ガイド /3	D	2	
43	A50U943200	Release Label /2	解除ラベル /2	D	1	
44	A50UR72600	Drive Motor / 1 Assy	駆動モータ /1 A s s y	C	2	
45	A50UN17900	ADU Detection harness /13	A D U 検知束線 /1 3	D	1	
46	A85CM55500	Photo Sensor	フォトセンサ	C	2	

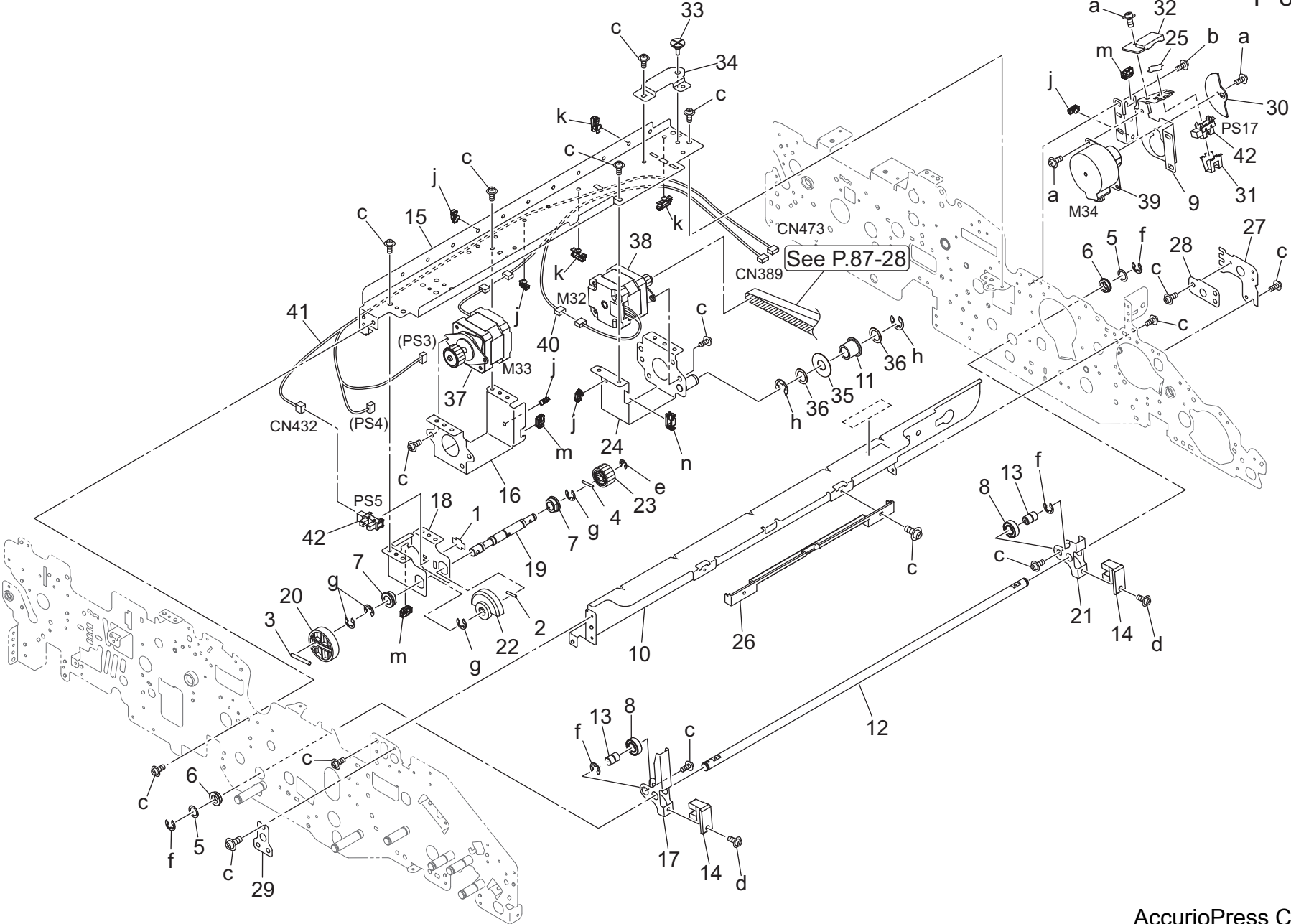
Duplex Section



AccurioPress C2070P

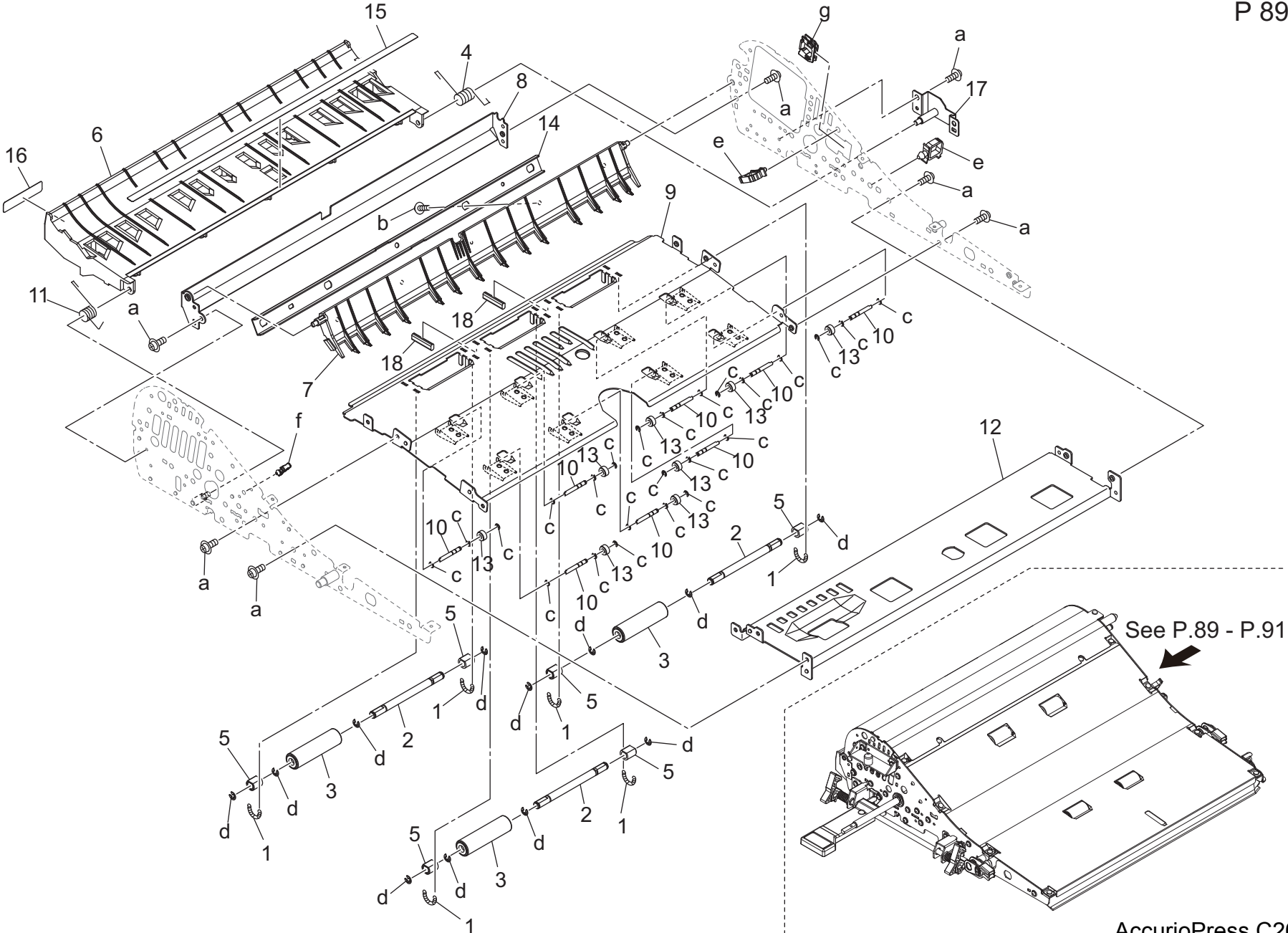
Key	Part No.	Description	Destinations	Class	QTY	Standard parts
1	4131253701	BUSHING		C	8	a-V121030403
2	56AA42690	BY-PASS SPACER		C	4	b-V127030604
3	A00J617900	Ball Bearing		B	4	c-V127030803
4	A03U845301	Idler Roller /1		C	3	d-V217020001
5	A1RF820000	Ball Bearing		C	2	e-V217030001
6	A50U840303	Guide Plate /3		D	1	f-V217040001
7	A50U840802	Guide Plate /2		D	1	g-V217060001
8	A50U841402	Release Plate /10		D	1	h-V234201250
9	A50U846102	Mounting Plate /5		D	3	j-V234201650
10	A50U846304	Idler Shaft /F		D	3	k-V234302550
11	A50U851400	Release Plate /Rear		D	1	
12	A50U851500	Shaft		D	2	
13	A50U851700	Release Plate		D	1	
14	A50U851800	Reinforce Block		D	2	
15	A50U852000	Release Shaft /4		D	1	
16	A50U852500	Cam		D	1	
17	A50U852701	Release Shaft /3		D	1	
18	A50U852904	Release Plate /4		D	1	
19	A50U853001	Release Plate /5		D	1	
20	A50U853200	Pressure Actuator		D	1	
21	A50U853700	Release Plate /7		D	2	
22	A50U854200	Roller Base frame /2		D	5	
23	A50U854302	Roller Base frame /1		D	5	
24	A50U854400	Fixing Shaft		D	25	
25	A50U854800	Conveyance Roll		D	25	
26	A50U856201	Support Plate		D	1	
27	A50U859500	Pulley /2		D	1	
28	A50U859800	Belt /1 280L		C	1	
29	A50U880103	Conveyance Guide /1		D	1	
30	A50U881300	Torsion Coil spring		D	1	
31	A50U881400	Torsion Coil spring		D	1	
32	A50U886800	Regulating Spacer		D	1	

Duplex Section




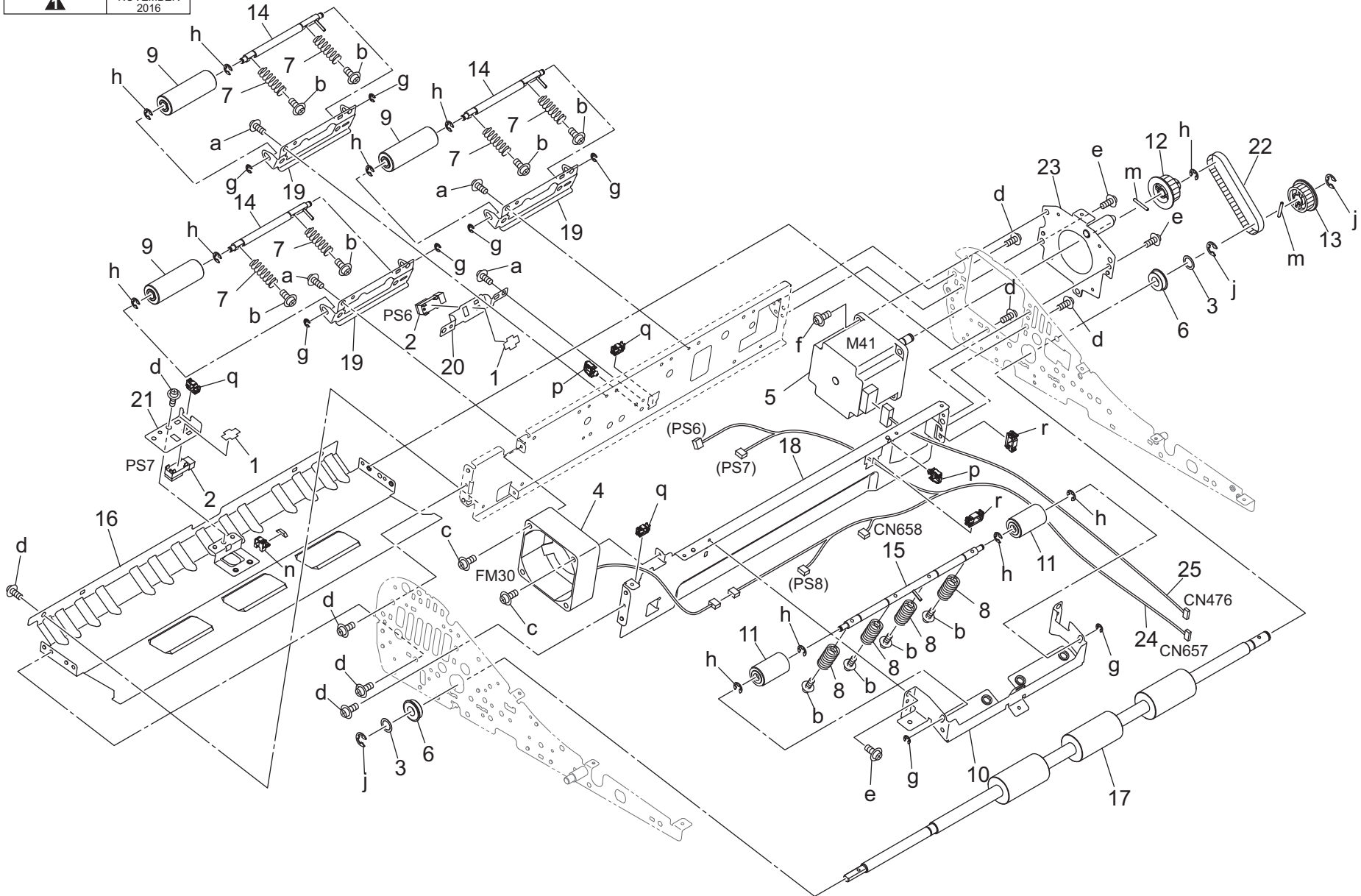
Key	Part No.	Description	Destinations	Class	QTY	Standard parts
1	4470402401	Stopper		D	1	a-V118030403
2	56AA17321	PIN A D2X12		B	1	b-V121030403
3	56AA17490	PIN		C	1	c-V127030604
4	56AA17551	PIN A		C	1	d-V127030803
5	56AA42690	BY-PASS SPACER		C	2	e-V217040050
6	A00J617900	Ball Bearing		B	2	f-V217060001
7	A03U812800	Slide Shaft Holder		B	2	h-V217080001
8	A1RF820000	Ball Bearing		C	2	j-V500020099
9	A50U715400	Pressure Side plate /1		D	1	k-V500020100
10	A50U816403	Hold Stay /Right		D	1	m-V570010056
11	A50U836801	Tension Pulley /B		D	1	n-V570010057
12	A50U850700	Release Shaft /2		D	1	
13	A50U851500	Shaft		D	2	
14	A50U851800	Reinforce Block		D	2	
15	A50U851901	Mounting Plate /1		D	1	
16	A50U852101	Mounting Plate /2		D	1	
17	A50U852200	Release Plate /3		D	1	
18	A50U852300	Mounting Plate /3		D	1	
19	A50U852400	Release Shaft /1		D	1	
20	A50U852500	Cam		D	1	
21	A50U853100	Release Plate /6		D	1	
22	A50U853200	Pressure Actuator		D	1	
23	A50U854600	Release Gear /1 24T		C	1	
24	A50U858702	Mounting Plate /3		D	1	
25	A50U882100	Stopper Plate		D	1	
26	A50U882900	Handle		D	1	
27	A50U883001	Positioning Side plate /Rear		D	1	
28	A50U883101	Positioning Plate /Rear		D	1	
29	A50U883200	Positioning Plate /Front		D	1	
30	A50U883400	Light blocking Plate		D	1	
31	A50U883600	Guide /1		D	1	
32	A50U883701	Protection Cover /1		D	1	
33	A50U884000	Registration Screw		D	1	
34	A50U884300	Registration Plate		D	1	
35	A50U886700	Holding Collar		D	1	
36	A50U886900	Spacer		D	2	
37	A50UR72400	Stepping Motor / 2 Assy		C	1	
38	A50UR72500	Stepping Motor / 1 Assy		C	1	
39	A50UR72600	Drive Motor / 1 Assy		C	1	
40	A50UN15900	ADU Drive harness /3		D	1	
41	A50UN18100	ADU Detection harness /10		D	1	
42	A85CM55500	Photo Sensor		C	2	

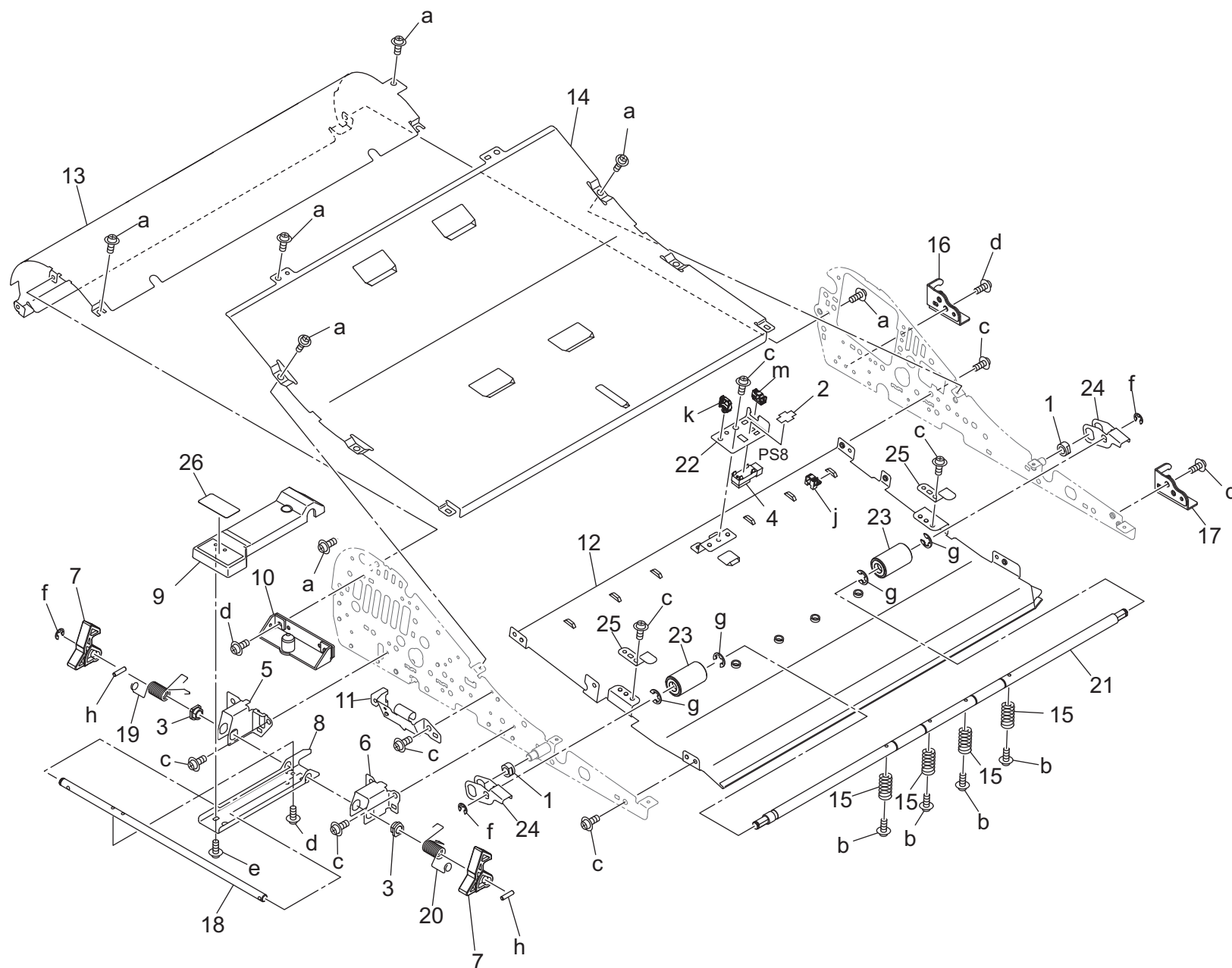
Duplex Section



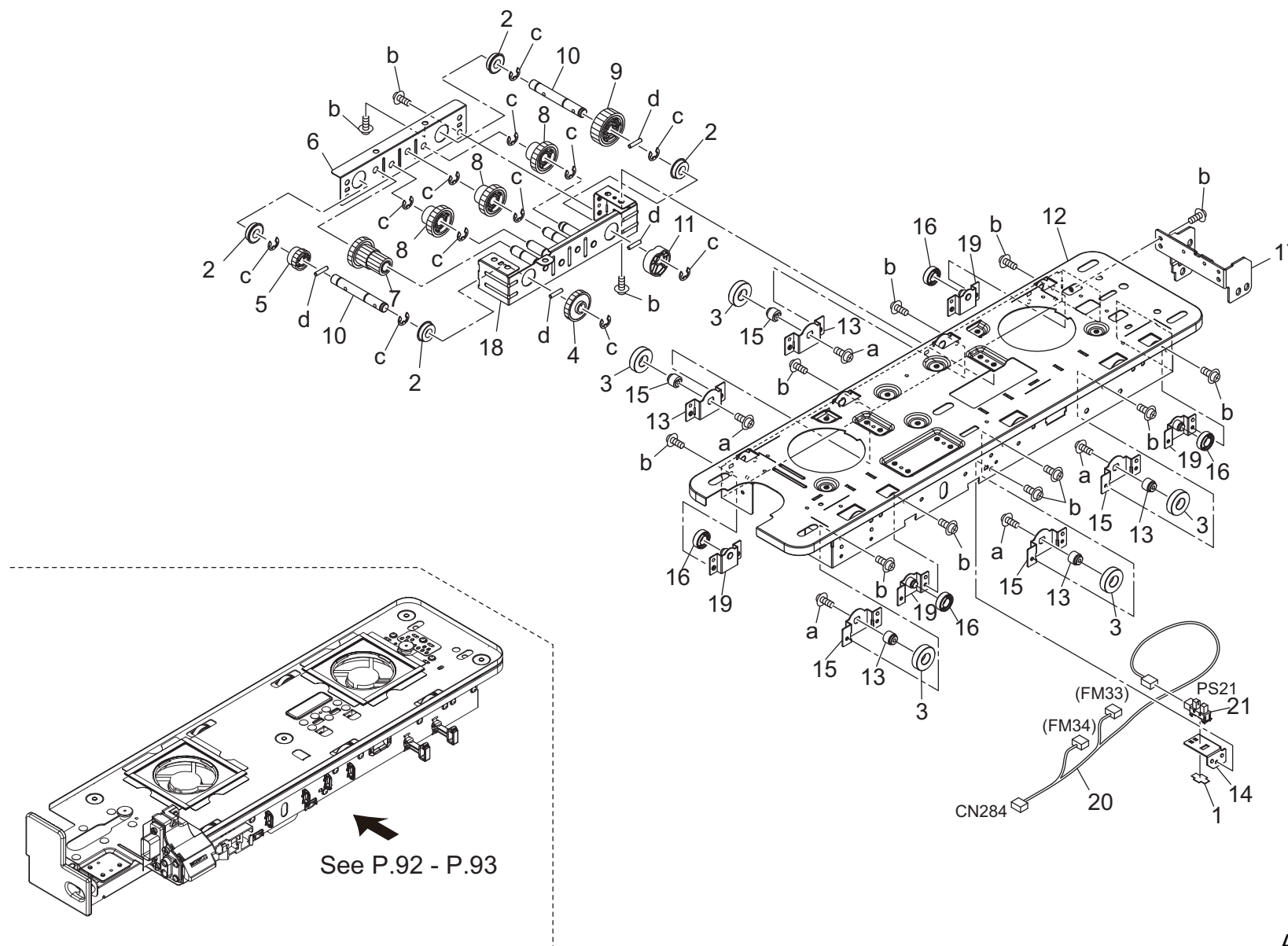
Duplex Section

改訂版 REVISED EDITION	日付 DATE
	NOVEMBER 2016





Key	Part No.	Description	Destinations	Class	QTY	Standard parts
1	4131253701	BUSHING		C	2	a-V118030403
2	4470402401	Stopper		D	1	b-V118030603
3	466076020	Paper Feed Feeding Bearing		B	2	c-V121030403
4	9335140071	Solid State Switch		B	1	d-V127030604
5	A03U844200	Mounting Plate /Left		D	1	e-V151030803
6	A03U844300	Mounting Plate /Right		D	1	f-V217040001
7	A03U844700	Lock Claw		C	2	g-V217060001
8	A03U844802	Open/close Plate		D	1	h-V234301250
9	A03U844901	Open/close Lever		C	1	j-V500010057
10	A03UF84300	Mounting Plate /1 Caulking		D	1	k-V500020098
11	A50U840400	Mounting Plate		D	1	m-V570010056
12	A50U841301	Guide Plate /G		D	1	
13	A50U841700	Guide Plate /L		D	1	
14	A50U841800	Guide Plate /M		D	1	
15	A50U842900	Conveyance Spring /5		D	4	
16	A50U843601	Support Plate		D	1	
17	A50U843801	Support Plate /Right rear		D	1	
18	A50U844400	Lock Shaft		D	1	
19	A50U844501	Open/close Spring /1		D	1	
20	A50U844601	Open/close Spring /2		D	1	
21	A50U846000	Idler Shaft /E		D	1	
22	A50U850201	Mounting Plate /F		D	1	
23	A50U853400	Pressure Roller		C	2	
24	A50U854100	Release Plate /8		D	2	
25	A50U856501	Hold Plate		D	2	
26	A50U943900	Release Label /9		D	1	

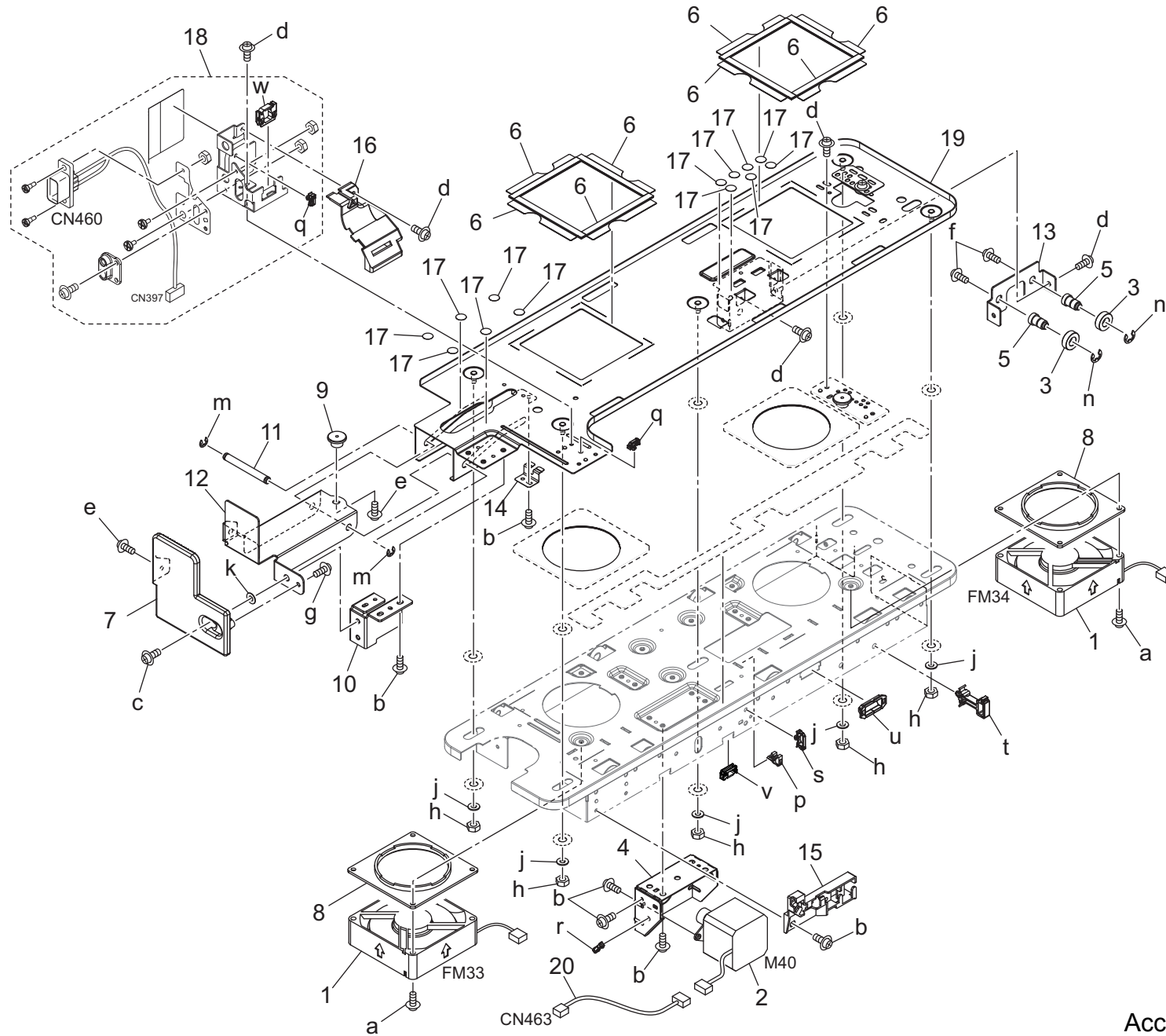


See P.92 - P.93

(FM33)
 (FM34)
 PS21
 CN284
 20
 14
 1

Key	Part No.	Description	Destinations	Class	QTY	Standard parts
1	4470402401	Stopper		D	1	a-V116040803 b-V121030403 c-V217060001 d-V234301450
2	A00V240600	Ball Bearing		B	4	
3	A03U807700	Pressure Bearing		C	5	
4	A1RJ825100	Drive Gear /4 34T		C	1	
5	A1RJ825800	Drive Gear /5 14T		C	1	
6	A50U800300	Swing Frame /2		D	1	
7	A50U800400	Drive Gear /3 14/25T		C	1	
8	A50U800700	Drive Gear /6 14/25T		C	3	
9	A50U800800	Drive Gear /7 29T		C	1	
10	A50U801400	Drive Shaft		D	2	
11	A50U801500	Swing Cam		D	1	
12	A50U801602	Fixing Plate /ASSY		D	1	
13	A50U802002	Positioning Shaft /A		D	5	
14	A50U802211	Plate		D	1	
15	A50U804001	Fusing Rail /B		D	5	
16	A50U804200	Fusing Roll		D	4	
17	A50U805300	Mounting Plate /1		D	1	
18	A50UF80500	Swing Frame Caulking		D	1	
19	A50UR72R00	Swing Rail Caulking		D	4	
20	A50UN17100	ADU Detection harness /7		D	1	
21	A85CM55500	Photo Sensor		C	1	

Duplex Swing Section

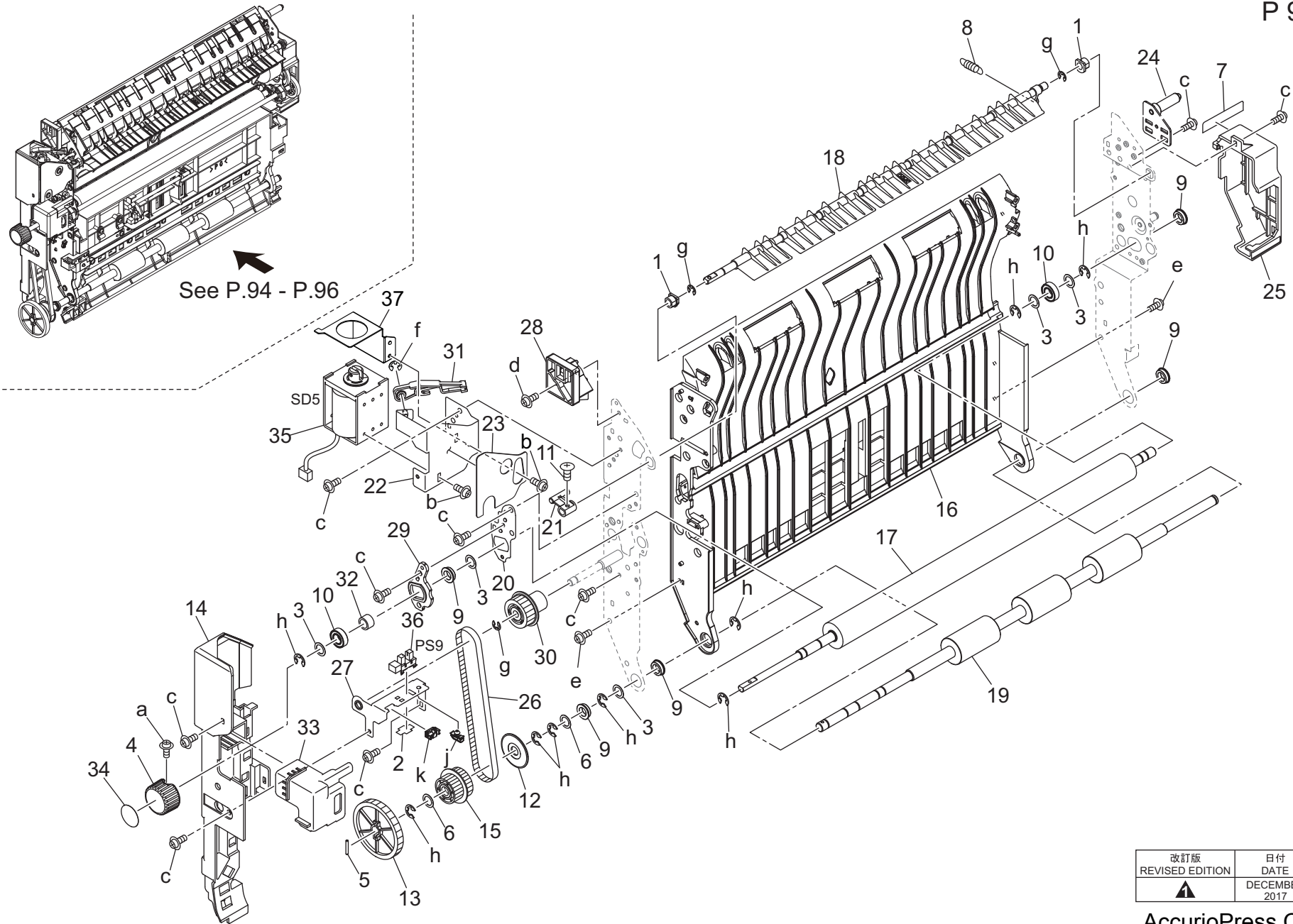


Duplex Swing Section

Key	Part No.	Description	Destinations	Class	QTY	Standard parts
1	4139M10000	Fan motor		B	2	a-V118033003
2	A00TM10000	Stepping motor		B	1	b-V121030403
3	A0XV370300	Ball Bearing		C	2	c-V121041203
4	A50U800100	Support Plate		D	1	d-V127030604
5	A50U802100	Positioning Shaft /B		D	2	e-V127030803
6	A50U802700	Heat blocking Part /B		D	8	f-V127040803
7	A50U802801	Handle		D	1	g-V151030803
8	A50U802900	Spacer		D	1	h-V195040003
9	A50U803101	Guide Pin /Front		D	2	j-V207040003
10	A50U803300	Fusing Rail /A		D	1	k-V211040080
11	A50U803400	Positioning Shaft /1		D	1	m-V217040001
12	A50U803500	Positioning Plate /Front		D	1	n-V217060001
13	A50U803600	Holding Plate		D	1	p-V500010057
14	A50U803700	Ground Plate		D	1	q-V500020098
15	A50U803800	Guide Part		D	1	r-V500020099
16	A50U804701	Wiring Cover		D	1	s-V500020100
17	A50U805200	Protection Seal		D	13	t-V500020101
18	A50UR72200	Power Supply Guide Assy		D	1	u-V570010037
19	A50UF80404	Swing Plate Caulking		D	1	v-V570010057
20	A50UN17700	ADU Drive harness /9		D	1	w-V570010060

Reverse Section

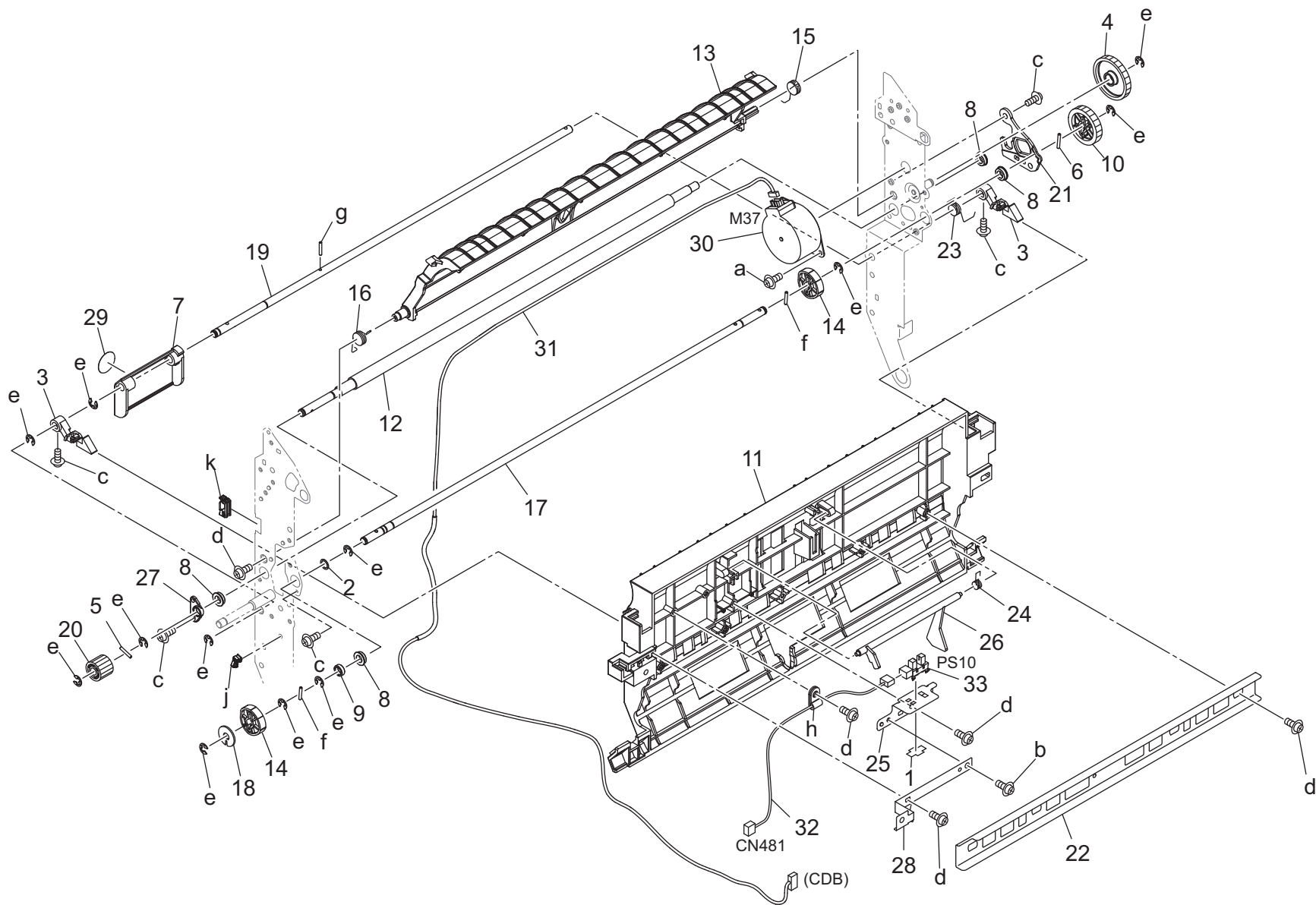
P 94



改訂版 REVISED EDITION	日付 DATE
▲	DECEMBER 2017

AccurioPress C2070P

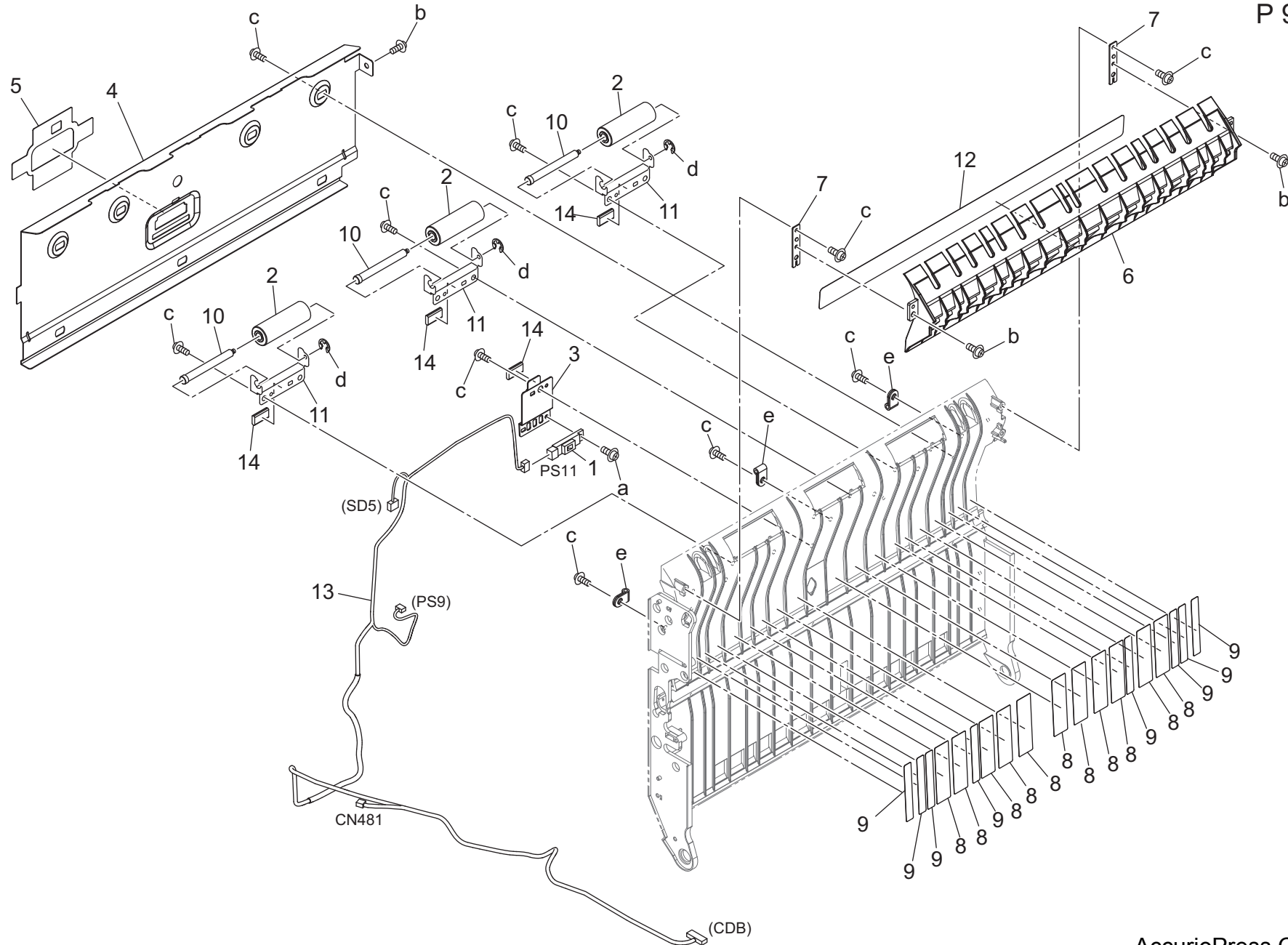
Key	Part No.	Description	Destinations	Class	QTY	Standard parts
1	192141710	PAPER LIFT UP LEVER BUSHING	ペーパー押し上げレバー軸受	B	2	a-V118030603
2	4470402401	Stopper	ストッパー	D	1	b-V121030403
3	13QA40610	Gear Spacer	ギアスペーサー	C	5	c-V127030604
4	14GE45470	Rotation Knob	回転ノブ	C	1	d-V127031203
5	56AA17551	PIN A	ピン A	C	1	e-V151030803
6	56AA42690	BY-PASS SPACER	手差しスペーサー	C	2	f-V217030050
7	65AA42370	SLIDE PART 1	滑り部材 1	D	1	g-V217040050
8	A9VE867900	Open/close Spring	開閉ばね	D	1	h-V217060001
9	A00J617900	Ball Bearing	ボールベアリング	B	5	j-V500020099
10	A1RF820000	Ball Bearing	ボールベアリング	C	2	k-V570010056
11	A50U642300	Mounting Screw	取付ねじ	D	1	
12	A50U817300	Holding Collar	押さえカラー	D	1	
13	A50U819600	Reverse/Exit Gear /2 50 T	反転排紙ギア/2 50 T	C	1	
14	A50U834302	Cover Part /2	カバー材/2	D	1	
15	A50U838800	Drive Idler /1	駆動アイドル/1	D	1	
16	A50U860104	Guide Plate /A	ガイド板/A	D	1	
17	A50U860501	Paper exit Roller /Middle	排紙ローラ/中	A	1	
18	A50U861004	Swing Part	揺動部材	D	1	
19	A50U861800	Riverse/exit Roller /Lower	反転排紙ローラ/下	C	1	
20	A50U865300	Holding Plate	押さえ板	D	1	
21	A50U865703	Swing Arm	揺動アーム	D	1	
22	A50U865901	Support Plate	支持板	D	1	
23	A9VE866200	Insulating Sheet /1	断熱シート/1	D	1	
24	A50U866400	Positioning Plate /2	位置決め板/2	D	1	
25	A50U866900	Drive Cover /1	駆動カバー/1	D	1	
26	A50U867200	Belt /A 324 L	ベルト/A 324 L	C	1	
27	A50U867312	Fixing Plate /1	固定板/1	D	1	
28	A50U867400	Positioning Part	位置決め部材	D	1	
29	A50U867500	Fixing Plate /1	固定板/1	D	1	
30	A50U867600	Reverse/Exit Gear /1 20 T	反転排紙ギア/1 20 T	C	1	
31	A50U867800	Positioning Plate /1	位置決め板/1	D	1	
32	A50U869400	Collar	カラー	D	1	
33	A50U869501	Cover	カバー	D	1	
34	A50U943800	Release Label /8	解除ラベル/8	D	1	
35	A50UR72811	ADU Solenoid Pin Assy	ADU ソレノイドピン Assy	C	1	
36	A85CM55500	Photo Sensor	フォトセンサ	C	1	
37	A9VE866100	Receiving Plate /1	受け板/1	D	1	



Key	Part No.	Description	Destinations	Class	QTY	Standard parts
1	4470402401	Stopper		D	1	a-V118030403
2	40AA30270	DEVELOPING SPACER		C	1	b-V127030603
3	40AA46261	LOCK CLAW F		B	2	c-V127030604
4	40AA77550	Mirror Drive Gear /2 14/70T		C	1	d-V151030803
5	56AA17321	PIN A D2X12		B	1	e-V217040050
6	56AA17551	PIN A		C	1	f-V234200850
7	65AA49410	Paper Exit Handle		C	1	g-V234201250
8	A00J617800	Ball Bearing		B	4	h-V500020002
9	A1RF863800	Collar		D	1	j-V500020099
10	A1RJ818800	Drive Gear /8 29T		C	1	k-V570010057
11	A50U860202	Guide Plate /B		D	1	
12	A50U860600	Riverse/exit Shaft		D	1	
13	A50U861100	Guide Plate /4		D	1	
14	A50U861601	Positioning Cam		D	2	
15	A50U864200	Reverse/Exit Spring /Rear		D	1	
16	A50U864300	Reverse/Exit Spring /Front		D	1	
17	A50U865101	Pressing Shaft		D	1	
18	A50U865401	Positioning		D	1	
19	A50U865601	Lock Shaft /A		D	1	
20	A50U867100	Reverse/Exit Gear /A 20T		C	1	
21	A50U867700	Fixing Plate /2		D	1	
22	A50U868000	Reinforce Plate /A		D	1	
23	A50U868401	Open/close Spring /1		D	1	
24	A50U868702	Spring /1		D	1	
25	A50U869300	Mounting Stay		D	1	
26	A50U869601	Arm /1		D	1	
27	A50U869700	Fixing Collar /1		D	1	
28	A50U869800	Ground Plate /1		D	1	
29	A50U943600	Release Label /6		D	1	
30	A50UR72711	Drive Motor / 1 Assy		C	1	
31	A50UN17601	ADU Drive harness /8		D	1	
32	A50UN18401	ADU Detection harness /12		D	1	
33	A85CM55500	Photo Sensor		C	1	

Reverse Section

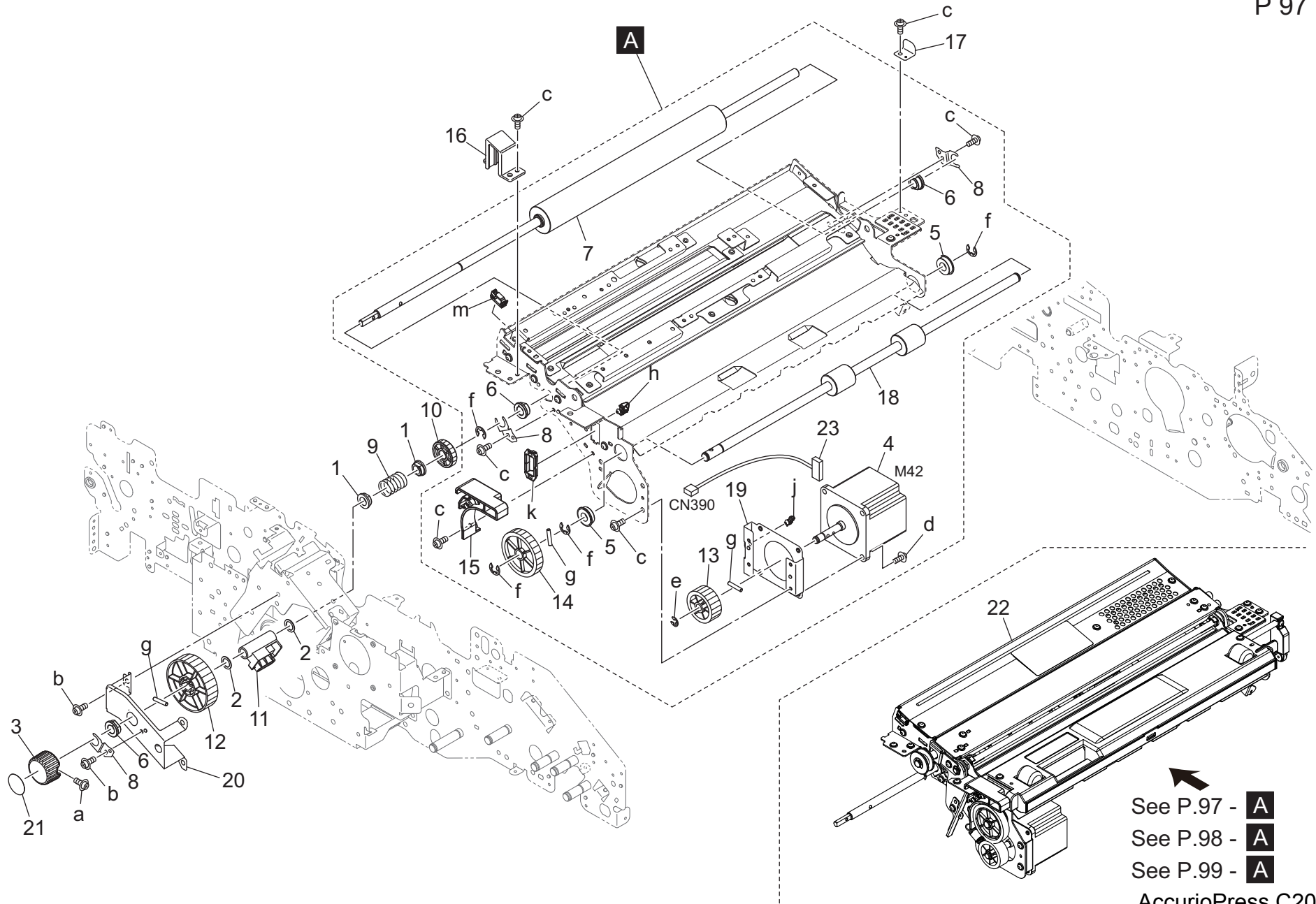
P 96



Key	Part No.	Description	Destinations	Class	QTY	Standard parts
1	13QA85511	Sensor 1		B	1	a-V118030403 b-V127030604 c-V151030803 d-V217020050 e-V500020002
2	A03U845601	Idler Roller /2		C	3	
3	A50U861900	Fixing Plate		D	1	
4	A50U862600	Reinforce Plate /3		D	1	
5	A50U863000	Slide Seal		D	1	
6	A50U865011	Paper exit Guide Plate /5		D	1	
7	A50U865200	Positioning Plate /1		D	2	
8	A50U868200	Guide Sheet /1		D	11	
9	A50U868301	Guide Sheet /2		D	8	
10	A50U868500	Idler Shaft		D	3	
11	A50U868600	Support Plate		D	3	
12	A50U869100	Separating Guide /1		D	1	
13	A50UN17502	ADU Detection harness /8		D	1	
14	A85C877100	Ground Part /1		D	4	

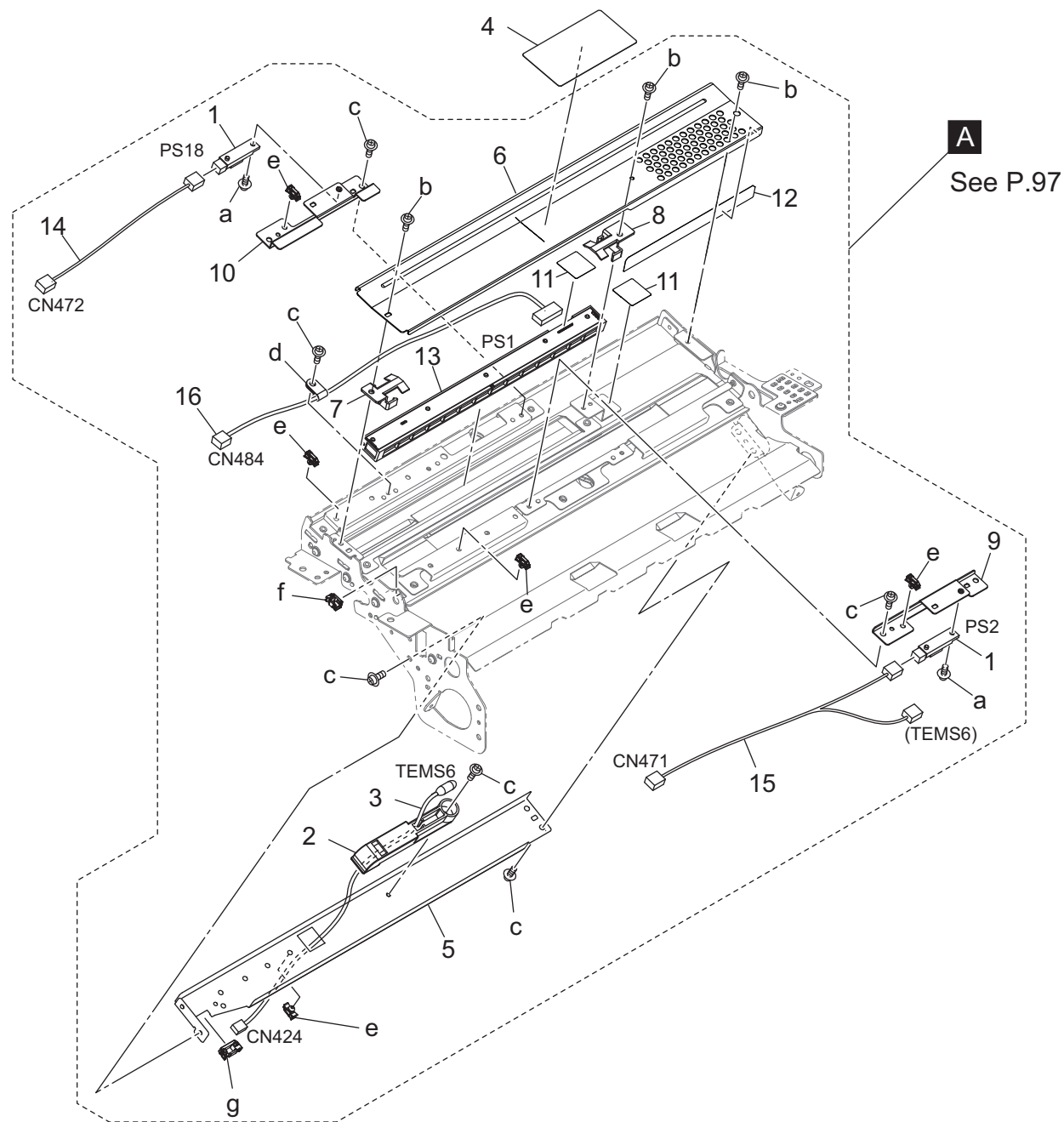
Resist Section

P 97



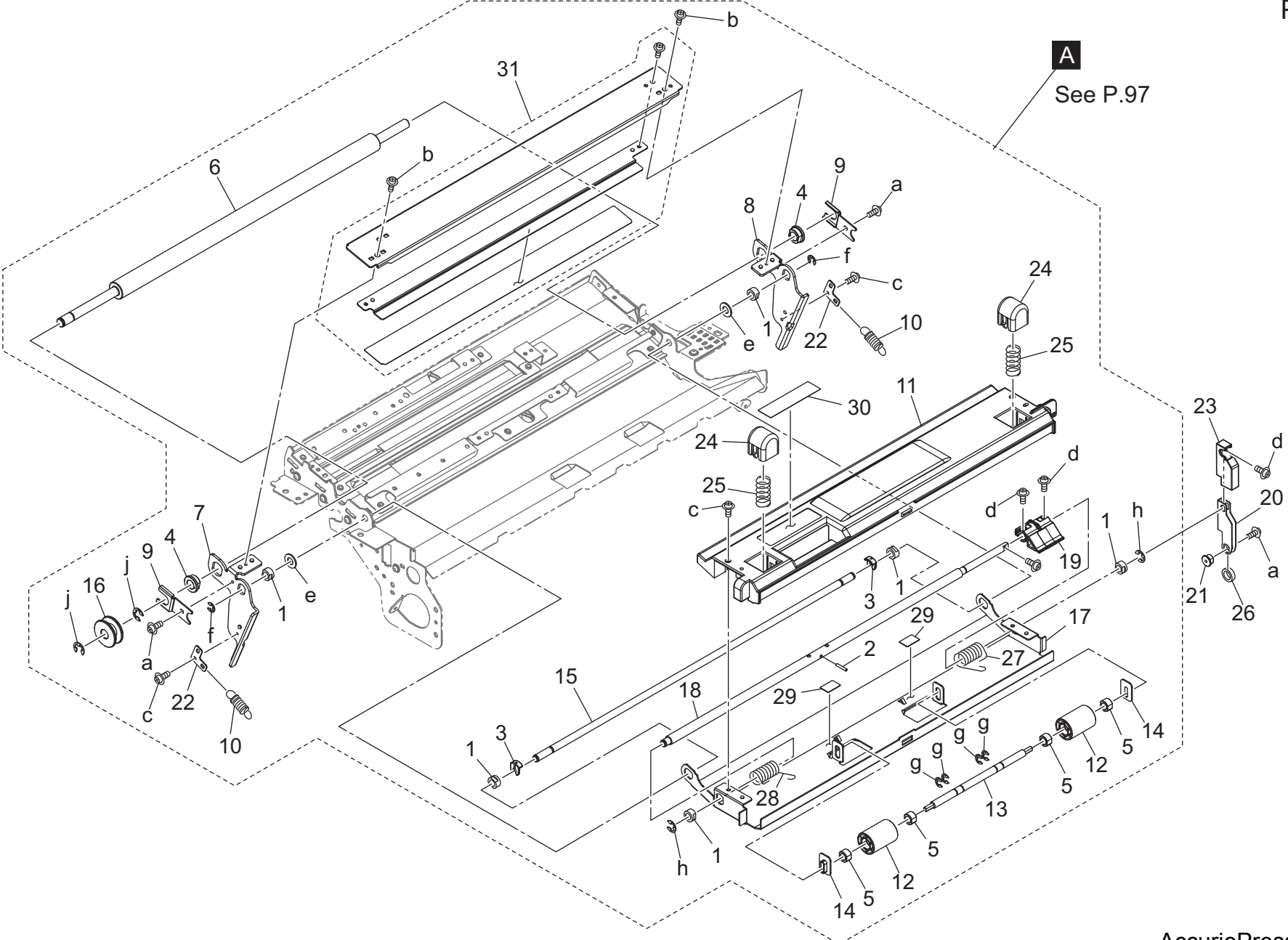
See P.97 - **A**
 See P.98 - **A**
 See P.99 - **A**
 AccurioPress C2070P

Key	Part No.	Description	Destinations	Class	QTY	Standard parts
1	4131353202	BUSHING		C	2	a-V118030603
2	12QV40650	Spacer		B	2	b-V121030403
3	14GE45470	Rotation Knob		C	1	c-V127030604
4	65AA80112	HB Motor /50		B	1	d-V127030803
5	A00V240600	Ball Bearing		B	2	e-V217040001
6	A03U812800	Slide Shaft Holder		B	3	f-V217060001
7	A50U710101	Registration Roller		B	1	g-V234301650
8	A50U711101	Holding Plate /1		D	3	h-V500020098
9	A50U711400	Swing Spring		D	1	j-V500020099
10	A50U713000	Roll /1		D	1	k-V570010037
11	A50U713200	Light blocking Rack		D	1	m-V570010057
12	A50U713600	Swing Gear /2 104T		C	1	
13	A50U714300	Drive Gear /1 28T		C	1	
14	A50U714400	Conveyance Gear /1 40T		C	1	
15	A50U715900	Wiring Cover /1		D	1	
16	A50U716200	Wiring Cover /2		D	1	
17	A50U717901	Adjusting Jig /ASSY		D	1	
18	A50U719200	Roller		C	1	
19	A50U719800	Drive Side plate		D	1	
20	A50U882401	Registration Side plate /Front		D	1	
21	A50U943400	Release Label /4		D	1	
22	A50UR71C22	Registration Assy		S	1	
23	A50UN15800	ADU Drive harness /2		D	1	



Key	Part No.	Description	Destinations	Class	QTY	Standard parts
1	13QA85511	Sensor 1		B	2	a-V118030403
2	A03X622000	Detecting Cover		C	1	b-V127030603
3	A0VDM50500	Thermistor /1		I	1	c-V127030604
4	A1DU942900	Caution Label /5		D	1	d-V500020069
5	A50U712001	Mounting Stay /Lower		D	1	e-V500020099
6	A50U717001	Cover		D	1	f-V570010056
7	A50U717100	Stopper /1		D	1	g-V570010057
8	A50U717200	Stopper /2		D	1	
9	A50U718200	Plate /1		D	1	
10	A50U718300	Plate /2		D	1	
11	A50U719300	Protection Sheet		D	2	
12	A50U719400	Protection Sheet /2		D	1	
13	A50UM55111	Compensating Sensor		C	1	
14	A50UN16600	ADU Detection harness /3		D	1	
15	A50UN16700	ADU Detection harness /4		D	1	
16	A50UN16800	ADU Detection harness /5		D	1	

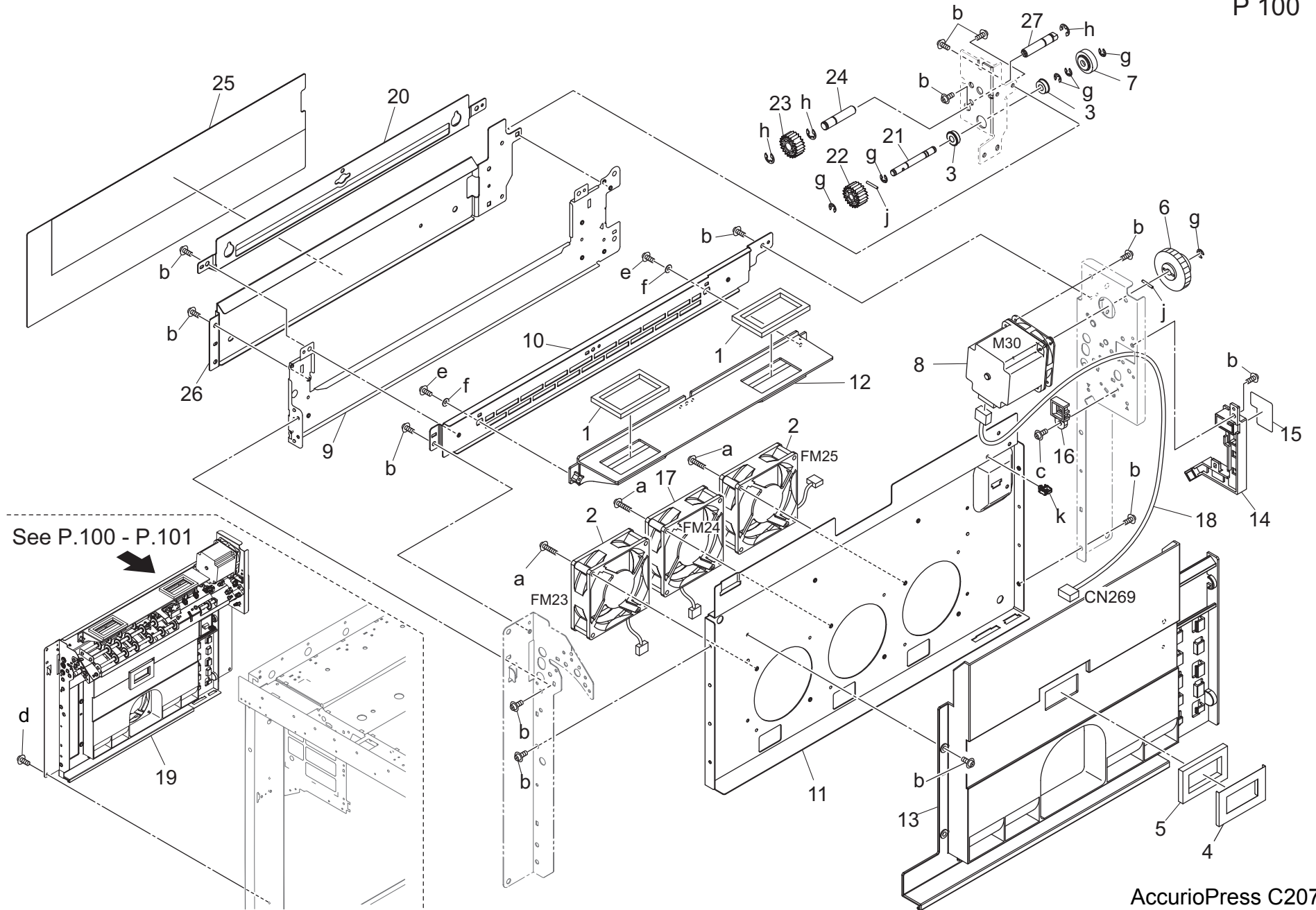
Resist Section



Key	Part No.	Description	Destinations	Class	QTY	Standard parts
1	4131253701	BUSHING		C	6	a-V121030403
2	56AA17321	PIN A D2X12		B	1	b-V127030603
3	56AA40490	SHAFT STOPPER 4		C	2	c-V127030604
4	A03U812800	Slide Shaft Holder		B	2	d-V127030803
5	A03U850101	Slide Bushing		C	4	e-V207060003 f-V217040001
6	A50U710300	Idler Roller		D	1	g-V217040050
7	A50U710901	Pressure Lever /1		D	1	h-V217050050
8	A50U711001	Pressure Lever /2		D	1	j-V217060001
9	A50U711200	Holding Plate /2		D	2	
10	A50U711300	Pressure Spring		D	2	
11	A50U711602	Open/close Holder		D	1	
12	A50U712200	Idler Roll /1		D	2	
13	A50U712300	Idler Shaft /1		D	1	
14	A50U712400	Receiving Shaft /1		D	2	
15	A50U712700	Pressure Shaft /1		D	1	
16	A50U713100	Roll /2		D	1	
17	A50U714200	Open/close Guide		D	1	
18	A50U714500	Release Shaft		D	1	
19	A50U714600	Lever		D	1	
20	A50U715300	Pressure Lever /25		D	1	
21	A50U715600	Support Shaft /2		D	1	
22	A9VE715700	Pulling Plate /1		D	2	
23	A50U715800	Protection Cover		D	1	
24	A50U716301	Pressing Block		D	2	
25	A50U716400	Compressing Coil spring		D	2	
26	A50U716500	Ball Bearing		C	1	
27	A50U718400	Pressing Spring /Rear		D	1	
28	A50U718500	Pressing Spring /Front		D	1	
29	A50U880900	Guide Sheet /Side		D	2	
30	A50U943300	Release Label /3		D	1	
31	A50UR70D01	Registration Cleaning Sheet Assy		B	1	

Exit Section

P 100




AccurioPress C2070P

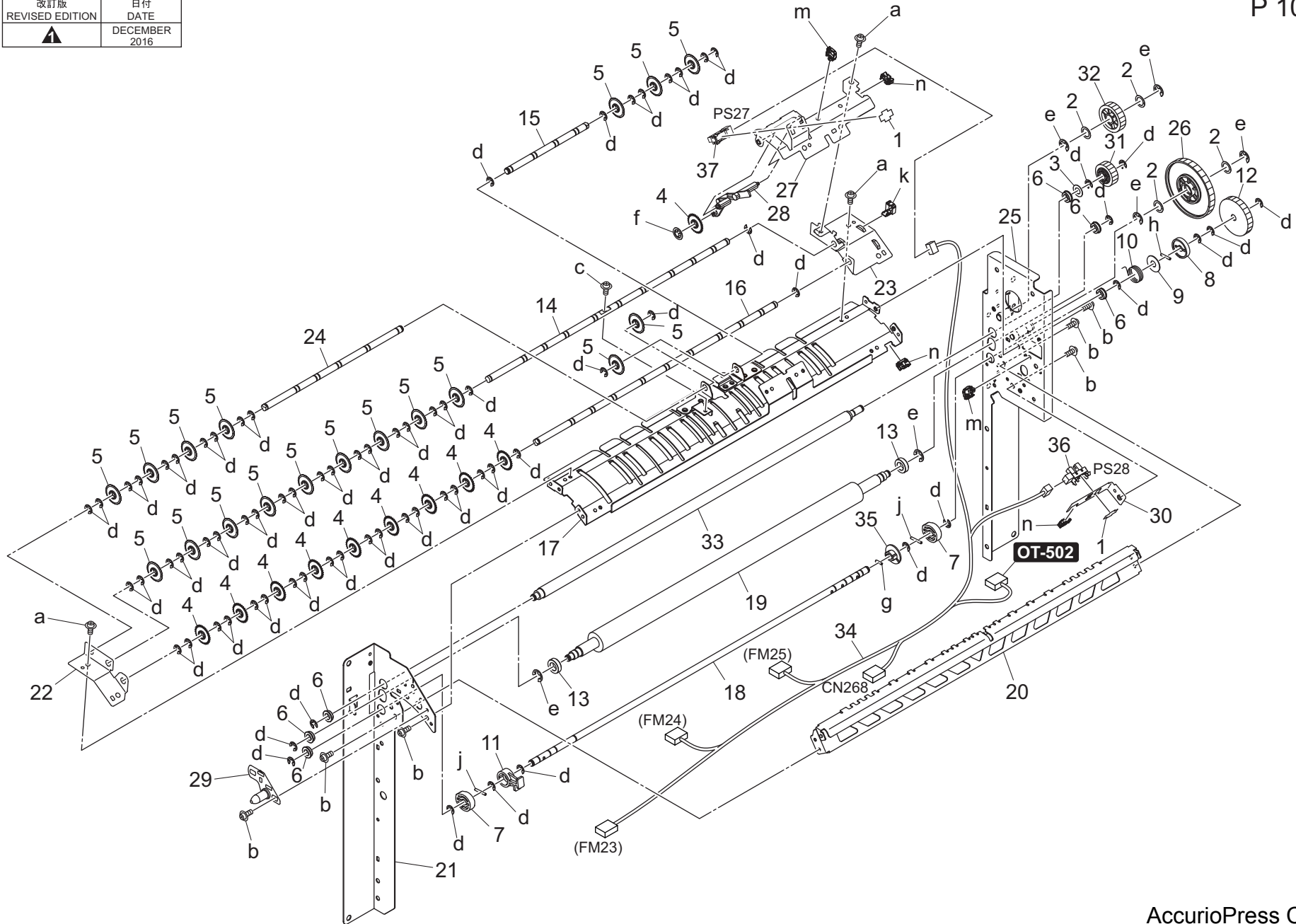
Key	Part No.	Description	Destinations	Class	QTY	Standard parts
1	65LA48530	DUCT SEAL 1		D	2	a-V118033003
2	9J03M10000	FAN MOTOR		B	2	b-V127030604
3	A00J211200	Ball Bearing		C	2	c-V127030803
4	A03U892300	Sheet		C	1	d-V127040603
5	A03U892400	Seal		C	1	e-V145030803
6	A03U909900	Paper exit Gear /1 22/44T		C	1	f-V207030003
7	A043909901	PAPER EXIT GEAR /6 23T		B	1	g-V217040001
8	A1TVM10100	Stepping motor /50		B	1	h-V217060001
9	A50U890500	Reinforce Plate /Left		D	1	j-V234201450
10	A50U891001	Guide Plate /Left		D	1	k-V500020098
11	A50U891200	Paper exit Plate		D	1	
12	A50U892201	Cooling Duct /2		D	1	
13	A50U892502	Paper exit Duct		D	1	
14	A50U893300	Guide Cover /1		D	1	
15	A50U895000	Wiring Sheet		D	1	
16	A50U895101	Positioning Part		D	1	
17	A50UM15300	Fan motor /2		C	1	
18	A50UN15301	Drive harness /2		D	1	
19	A85CR70N11	Main Body Paper Exit Unit Assy		S	1	
20	A8AK106101	Paper Exit Guide /Upper		C	1	
21	A8AK106200	Drive Shaft		D	1	
22	A8AK106300	Drive Gear /B 20T		C	1	
23	A8AK106400	Drive Gear /C 21T		C	1	
24	A8AK106800	Idling Shaft		D	1	
25	A8AK107200	Thermal insulation Sheet /4		D	1	
26	A8AK162701	Paper exit Guide /Lower		D	1	
27	A8AW161911	Idling Shaft /2		D	1	



Exit Section

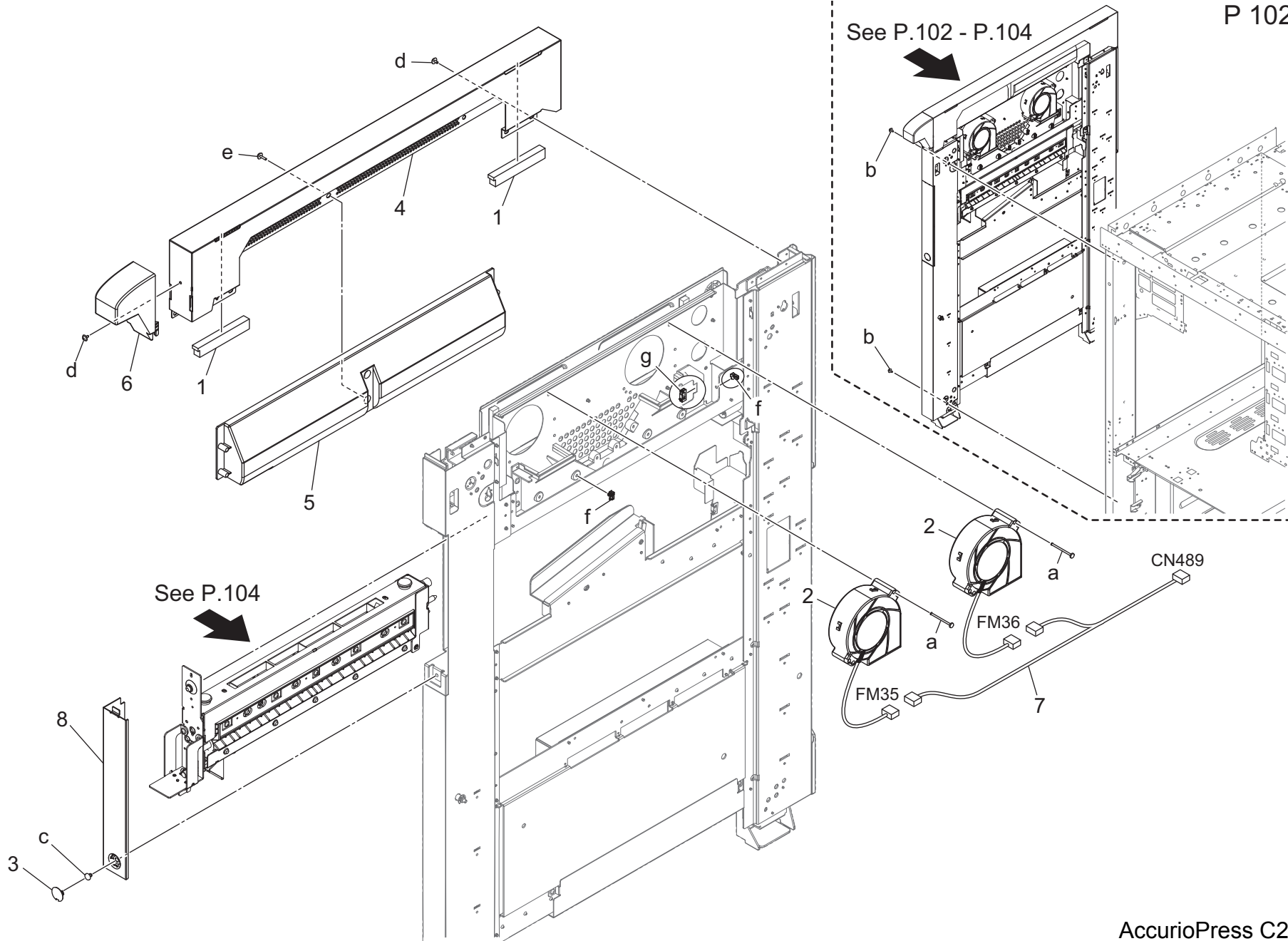
改訂版 REVISED EDITION	日付 DATE
	DECEMBER 2016

P 101



Key	Part No.	Description	Destinations	Class	QTY	Standard parts
1	4470402401	Stopper		D	2	a-V121030303
2	13QA40610	Gear Spacer		C	4	b-V127030604
3	56AA17700	Spacer /B		C	1	c-V127030803
4	65AA48360	Paper Holding Part /1		C	10	d-V217040001
5	65AA48460	PAPER HOLDING PART 2		C	18	e-V217060001
6	A00J617800	Ball Bearing		B	6	f-V226030050
7	A03U892701	Positioning Cam		C	2	g-V234200850
8	A03U893000	Slide Plate		C	1	h-V234201250
9	A03U893101	Spacer /Rear		C	1	j-V234201450
10	A03U893200	Stopper Spring		C	1	k-V500010057
11	A03U893502	Regulating Cam		C	1	m-V500020098
12	A03U909502	PAPER EXIT GEAR /5 40T		C	1	n-V570010056
13	A1RF517300	bearing		C	2	
14	A50U890102	Fixing Shaft /2		D	1	
15	A50U890201	Fixing Shaft /6		D	1	
16	A50U890300	Fixing Shaft /1		D	1	
17	A50U890402	Guide Plate /Upper		D	1	
18	A50U890600	Regulating Shaft		D	1	
19	A50U890802	Paper exit Roller /B		C	1	
20	A50U890900	Guide Plate /Lower		D	1	
21	A50U891301	Paper exit Plate /Front		D	1	
22	A50U891500	Support Side plate /Front		D	1	
23	A50U891600	Support Side plate /Rear		D	1	
24	A50U891900	Fixing Shaft /5		D	1	
25	A50U892001	Paper exit Plate /Rear		D	1	
26	A50U892101	Idling Gear /1 68T		C	1	
27	A50U892801	Support Plate /A		D	1	
28	A50U892911	Paper exit /3		D	1	
29	A50U893201	Adjusting Plate /1		D	1	
30	A50U894000	Plate /Rear		D	1	
31	A50U899700	Paper exit Gear /3 23T		C	1	
32	A50U899801	Paper exit Gear /2 29T		C	1	
33	A50U890700	Paper exit Shaft		D	1	
34	A50UN15201	Drive harness /3		D	1	
35	A85C895500	Positioning Roll		D	1	
36	A85CM55500	Photo Sensor		C	1	
37	A85CM55600	Photo Sensor		C	1	

Charge Control Section

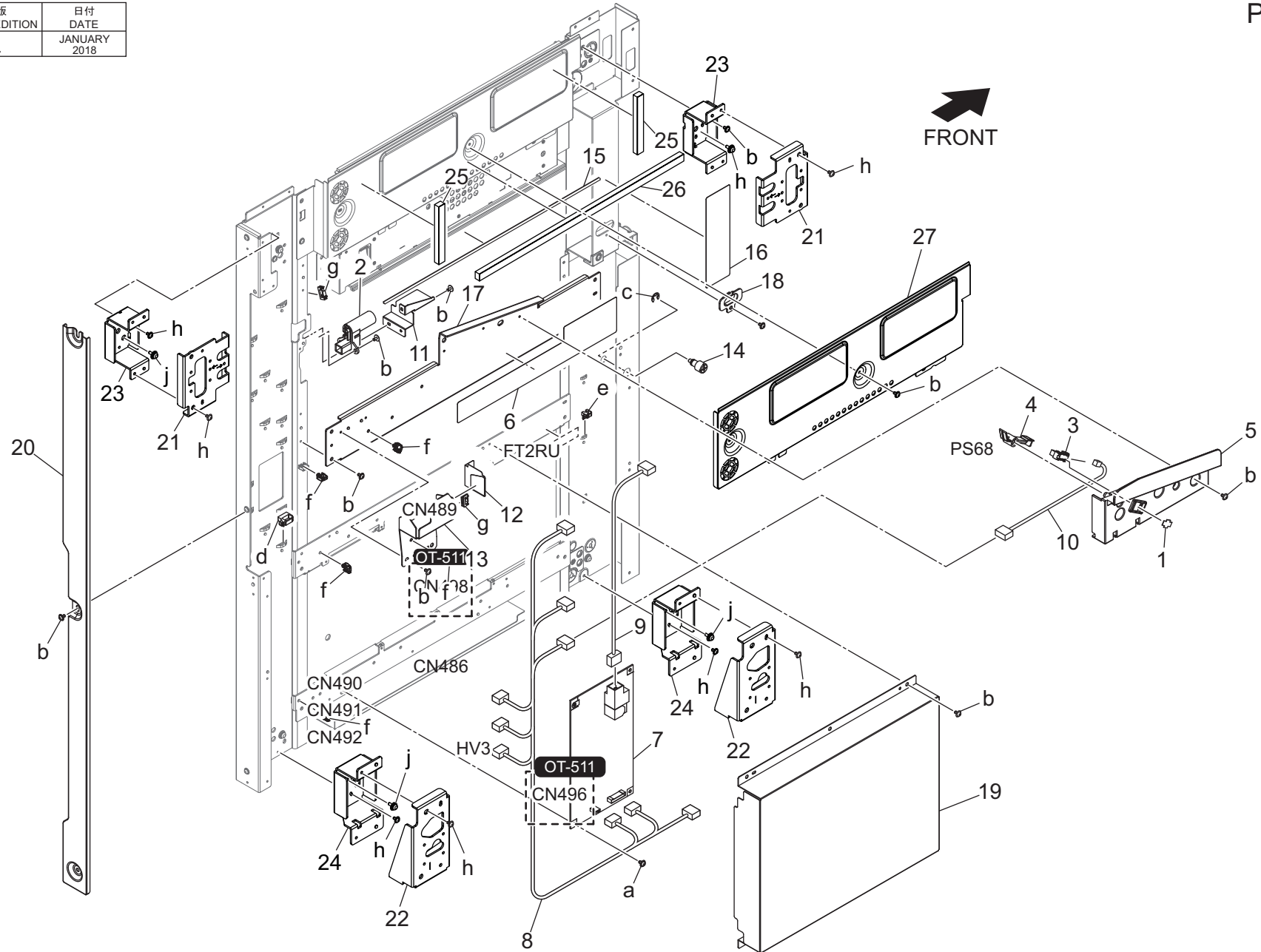


Key	Part No.	Description		Destinations	Class	QTY	Standard parts
1	A03W123000	LCT MOISTUREPROOF SEAL /Y	LCT 防湿シール/Y		D	2	a-V118033503 b-V125041001 c-V126040603 d-V127030604 e-V153031004 f-V500020099 g-V570010046
2	A5AWM15101	Cooling Fan	冷却ファン		B	2	
3	A65U186600	Cover Part /2	カバー部材/2		D	1	
4	A85C896000	Cover /Upper	カバー/上		D	1	
5	A85C898000	Duct /Upper	ダクト/上		D	1	
6	A85C898900	Cover	カバー		D	1	
7	A85CN21600	Relay Wiring /6	中継束線/6		D	1	
8	A8AK100401	Cover /Middle	カバー/中		C	1	



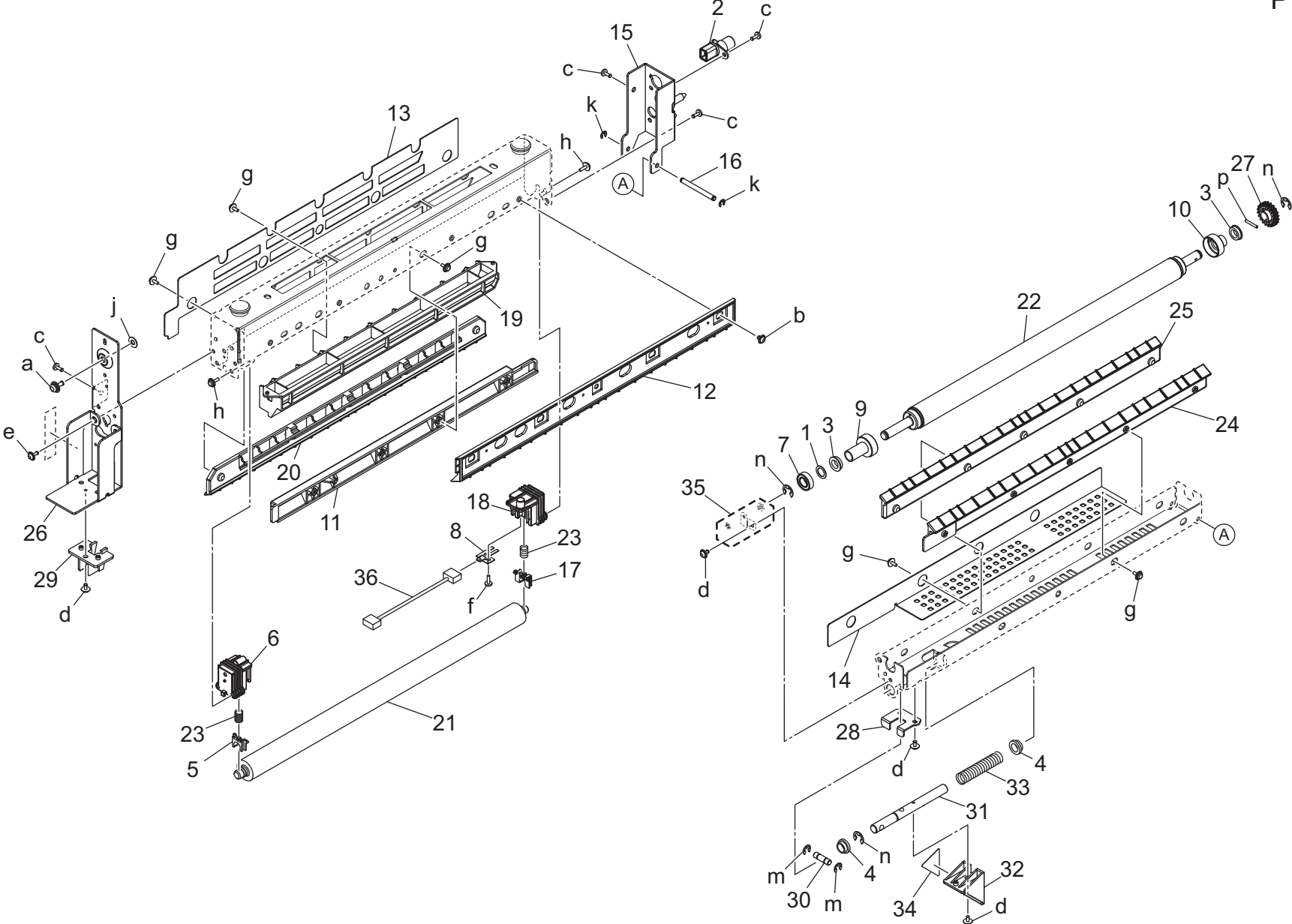
Charge Control Section

改訂版 REVISED EDITION	日付 DATE
	JANUARY 2018



Key	Part No.	Description	Destinations	Class	QTY	Standard parts
1	4470402401	Stopper		D	1	a-V127030603
2	65AAR72700	Powering Block /1 Assy		C	1	b-V127030604
3	A50UM51000	Photointerrupter		C	1	c-V217060001
4	A85C897400	Sensor Actuator /1		D	1	d-V500010021
5	A85C897900	Sensor Cover /1		D	1	e-V500010057
6	A85C942100	Caution Label		D	1	f-V500020098
7	A85CM40100	HV Board /3		I	1	g-V570010046
8	A85CN21300	Relay Wiring /3		D	1	h-V127040803
9	A85CN21400	HV Wiring /20		D	1	j-V125041001
10	A85CN21700	Relay Wiring /7		D	1	
11	A8AK101700	Protection Plate /1		D	1	
12	A8AK107100	Protection Cover /2		D	1	
13	A8AW106900	Drive Cover		D	1	
14	A8AW162401	Fixing Screw		D	1	
15	A8AW162600	Thermal insulation Sheet /1		D	1	
16	A8AW941001	Processing Label		C	1	
17	A8AK101502	Stay /Middle		D	1	
18	A8AW162500	Lock Guide		D	1	
19	A8AK101201	Protection Cover		D	1	
20	A8AW160401	Cover /Rear		C	1	
21	A85C898701	Connecting Plate /2		D	2	
22	A85C898800	Connecting Plate /4		D	2	
23	A85C896501	Connecting Plate /1		D	2	
24	A85C896600	Connecting Plate /3		D	2	
25	A85C898100	Sealing Part /1		D	2	
26	A85C898200	Sealing Part /2		D	1	
27	A85C898300	Cover /Middle		D	1	

Charge Control Section

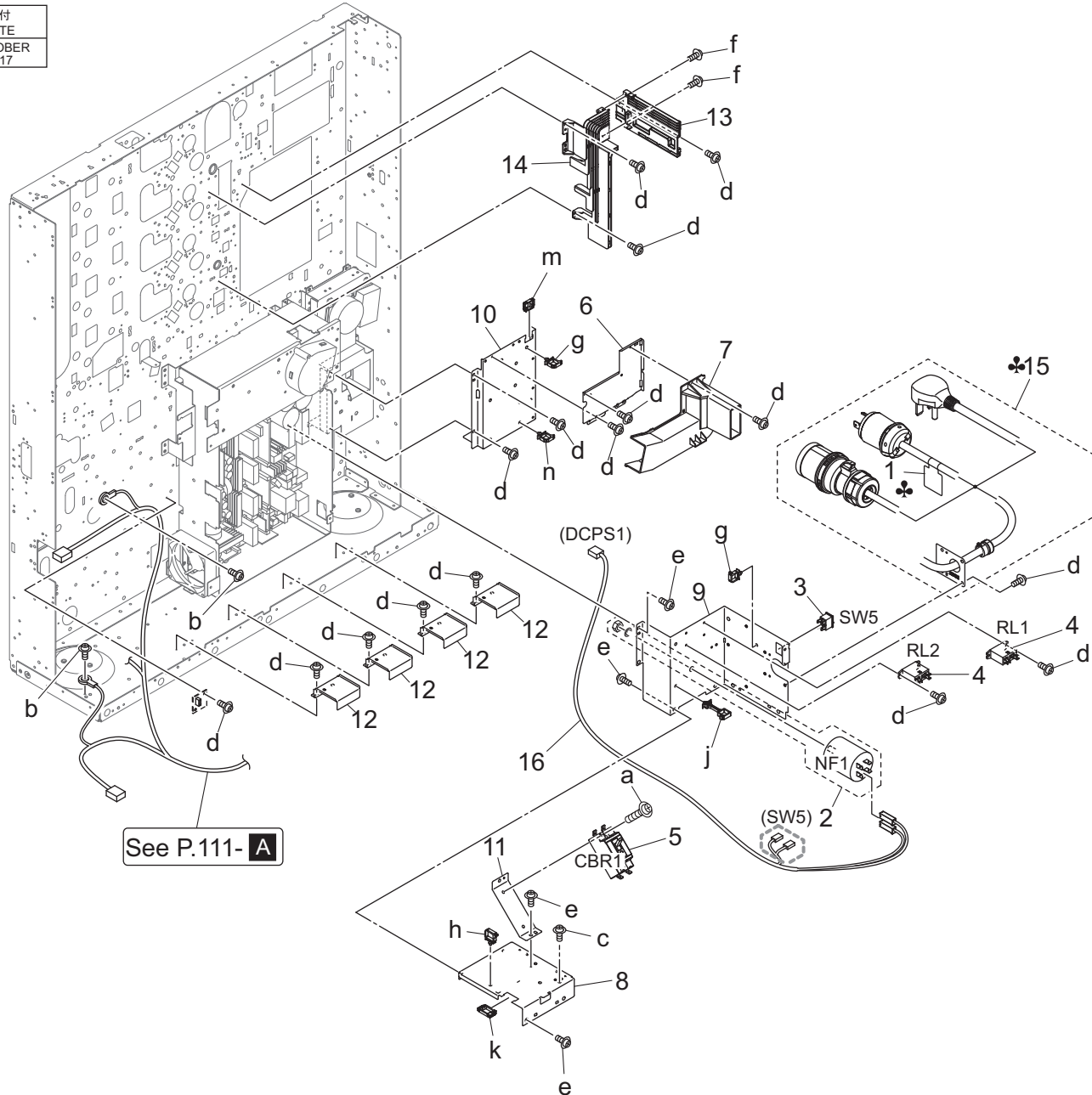


Key	Part No.	Description	Destinations	Class	QTY	Standard parts
1	12QV40650	Spacer		B	1	a-V116041003
2	65AAR74600	POWERING BLOCK A ASSY		C	1	b-V121030403
3	A07R813801	Roller Bearing /A		C	2	c-V126030803
4	A0G6739300	Operation Bushing /Front		C	2	d-V127030604
5	A1RF508900	Transfer Powering Bearing		B	1	e-V127030803
6	A1RF509000	Power supply Block /C		D	1	f-V149030803
7	A1RF820000	Ball Bearing		C	1	g-V153030604
8	A5AW510400	Transfer Powering Plate /Front		D	1	h-V153030803
9	A85C895300	Insulating Collar /Front		D	1	j-V211040080
10	A85C895400	Insulating Collar /Rear		D	1	k-V217030001
11	A85C895800	Cover Guide		D	1	m-V217040001
12	A85C895900	Conveyance Guide /1		D	1	n-V217060001
13	A85C896300	Thermal insulation Sheet /1		D	1	p-V234201450
14	A85C896400	Thermal insulation Sheet /3		D	1	
15	A85C896800	Fixing Plate		D	1	
16	A85C896900	Support Shaft		D	1	
17	A85C897201	Charging Roller Bushing /Fr		B	1	
18	A85C897300	High voltage Powering Block /C		D	1	
19	A85C897700	Insulating Duct /Middle		D	1	
20	A85C897800	Conveyance Guide /2		D	1	
21	A85C899000	Charging Roller /Up		A	1	
22	A85C899100	Neutralizing Roller /Lower		D	1	
23	A8AK103200	Power supply Spring		C	2	
24	A8AK103502	Conveyance Guide /1		D	1	
25	A8AK103601	Conveyance Guide /2		D	1	
26	A8AK103702	Mounting Plate /Front		D	1	
27	A8AK104100	Drive Gear 20T		C	1	
28	A8AK108001	Holding Plate		D	1	
29	A8AK108100	Guide Block		D	1	
30	A8AK108200	Guide Shaft		D	1	
31	A8AK108302	Positioning Shaft		D	1	
32	A8AK108400	Lock Handle		C	1	
33	A8AK108500	Lock Spring		D	1	
34	A8AK941300	Processing Label /1		C	1	
35	A8AKR70500	Lower Roller Contact Assy		C	1	
36	A8AKN10501	HV Wiring /2		D	1	

Rear Electrical Section

改訂版 REVISED EDITION	日付 DATE
▲	OCTOBER 2017

FRONT
←



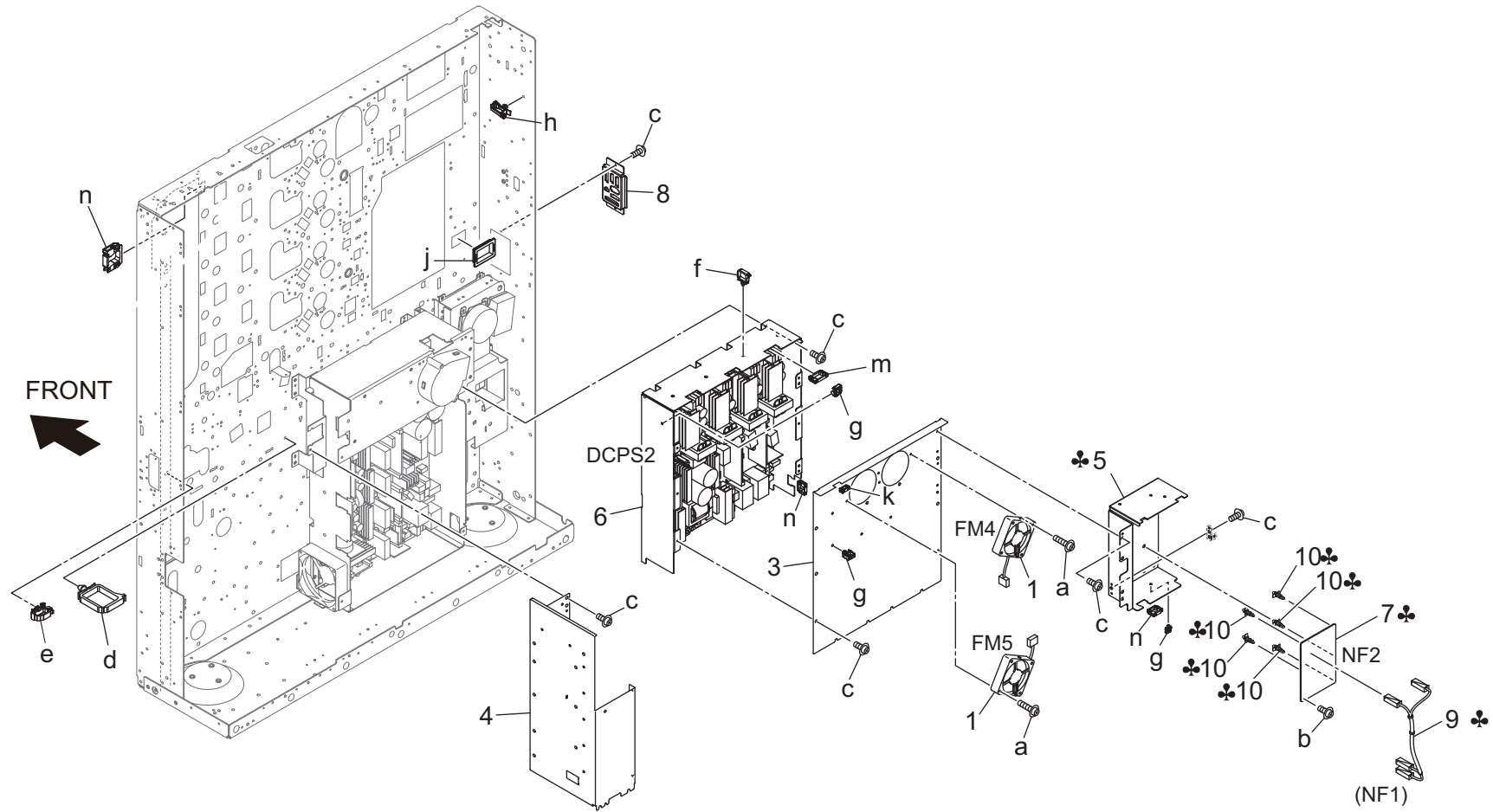
See P.111- A

Rear Electrical Section

Key	Part No.	Description	Destinations	Class	QTY	Standard parts
1	56AA97140	CORD LABEL	B,G2	D	1	a-V111042003
2	56QE88261	NOISE FILTER		D	1	b-V116040603
3	A00JM60300	Rocker switch		C	1	c-V116050803
4	A07TM60100	Power source Relay		C	2	d-V127030604
5	A4EUM60401	Breaker		D	1	e-V127040603
6	A50U120100	Fixing Plate		C	1	f-V158030803
7	A50U120200	Cooling Duct		D	1	g-V500010083
8	A50U131502	Bottom plate		D	1	h-V500010084
9	A50U131600	Side plate		D	1	j-V500010088
10	A50U131700	Mounting Plate		D	1	k-V570010059
11	A50U131800	Fixing Plate /D		D	1	m-V570010060
12	A50U132400	Wiring Cover		D	4	n-V500010081
13	A50U133700	Wiring Guide /Rear		D	1	
14	A50U133800	Wiring Guide /Left Rear		D	1	
15	A50UR71G00	Power Code Assy(JP)	A	D	1	
15	A50UR71H00	Power Code Assy(US)	B,G2	D	1	
15	A50UR71J00	Power Code Assy(EU)	C,D1,E,F2,G1,I	D	1	
15	A85CR70U00	Power Code Assy	D1(only INDIA)	D	1	
16	A50UN11701	AC Wiring /4	A C 東線 /4	D	1	

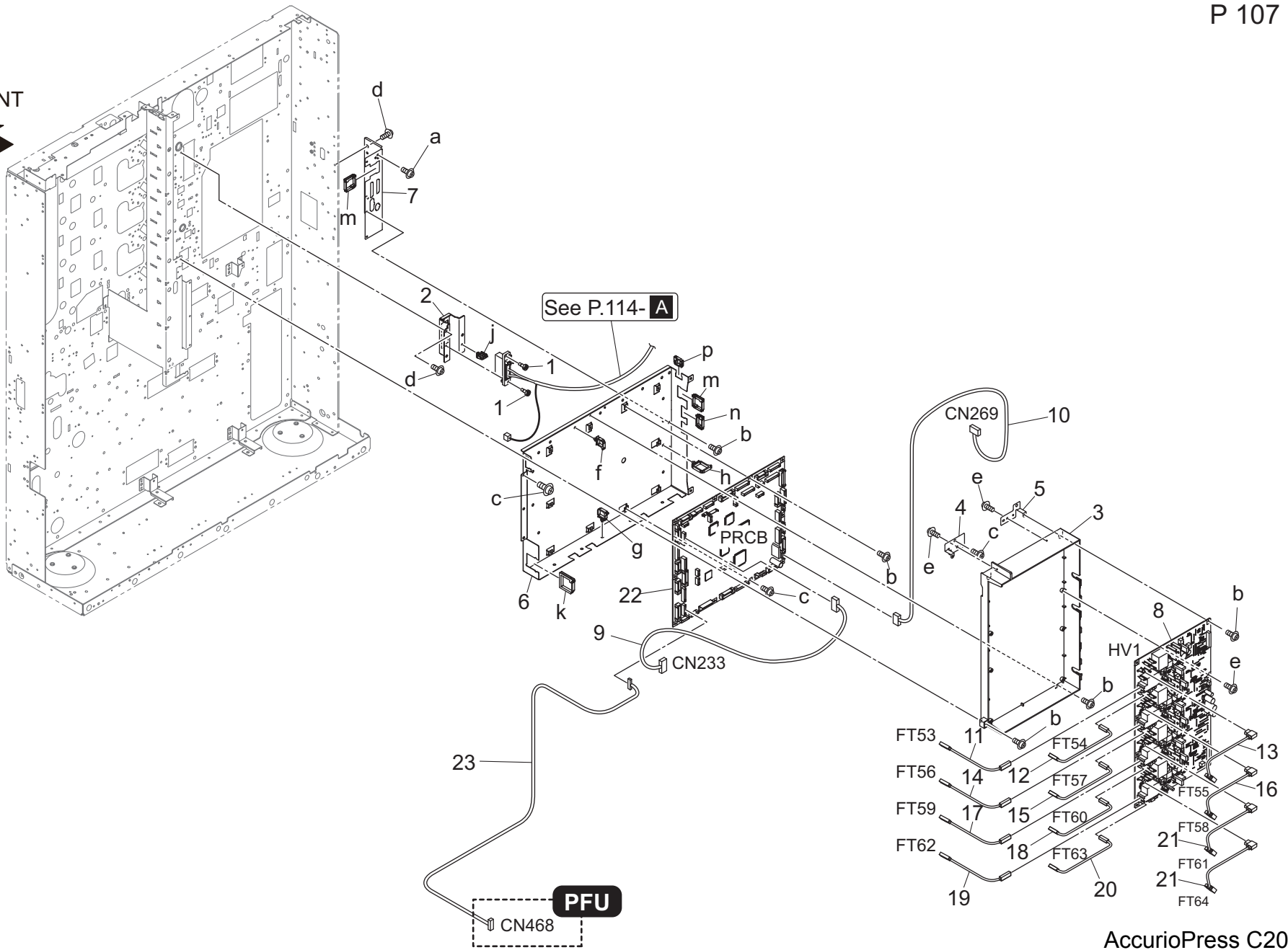
Rear Electrical Section

改訂版 REVISED EDITION	日付 DATE
▲	MAY 2017



Rear Electrical Section

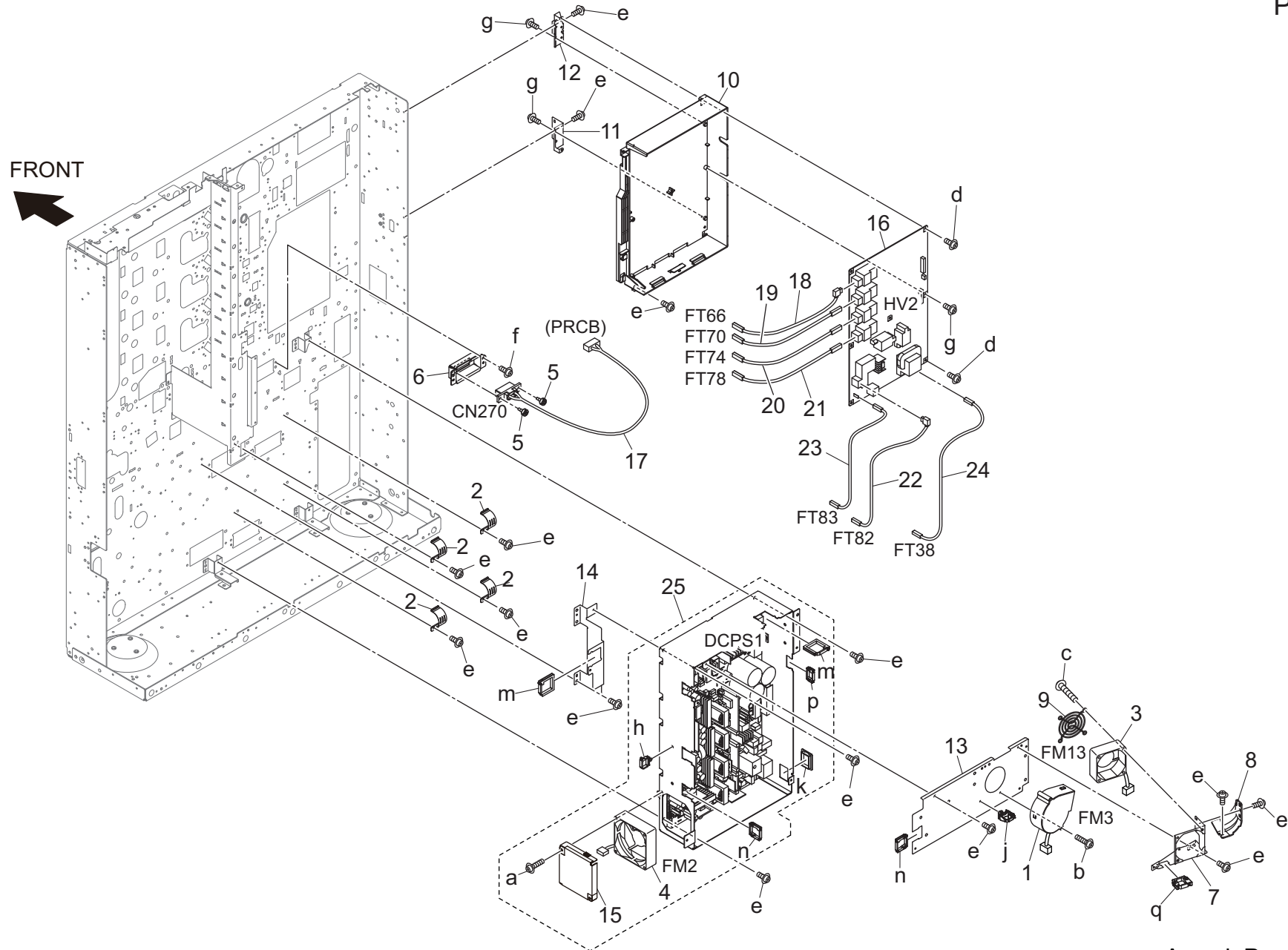
FRONT

AccurioPress C2070P

Key	Part No.	Description	Destinations	Class	QTY	Standard parts
1	57AA15600	ELECTRIC MOUNTING SCREW		C	2	a-V116040603
2	A50U104800	Connecting Frame		D	1	b-V127030603
3	A50U131002	Casing /1		D	1	c-V127030604
4	A50U131400	Ground Plate /1		D	1	d-V127040603
5	A50U131900	Ground Plate /2		D	1	e-V158030803
6	A50U133001	Control Plate		D	1	f-V500010083
7	A50U133101	Support Plate /B		D	1	g-V500010084
8	A50UM40100	HV Board /1		D	1	h-V500010085
9	A50UN12900	Toner Relay harness /1		D	1	j-V500020099
10	A50UN17400	Drive Relay harness /2		D	1	k-V570010048
11	A50UN23200	HV Wiring /3		D	1	m-V570010058
12	A50UN23300	HV Wiring /4		D	1	n-V570010059
13	A50UN23400	HV Wiring /5		D	1	p-V570010060
14	A50UN23500	HV Wiring /6		D	1	
15	A50UN23600	HV Wiring /7		D	1	
16	A50UN23700	HV Wiring /8		D	1	
17	A50UN23800	HV Wiring /9		D	1	
18	A50UN23900	HV Wiring /10		D	1	
19	A50UN24100	HV Wiring /12		D	1	
20	A50UN24200	HV Wiring /13		D	1	
21	A50UN24300	HV Wiring /14		D	2	
22	A85CH03003	Control Board ASSY		I	1	
23	A50UN11501	Main body Wiring /5		D	1	

Rear Electrical Section



AccurioPress C2070P

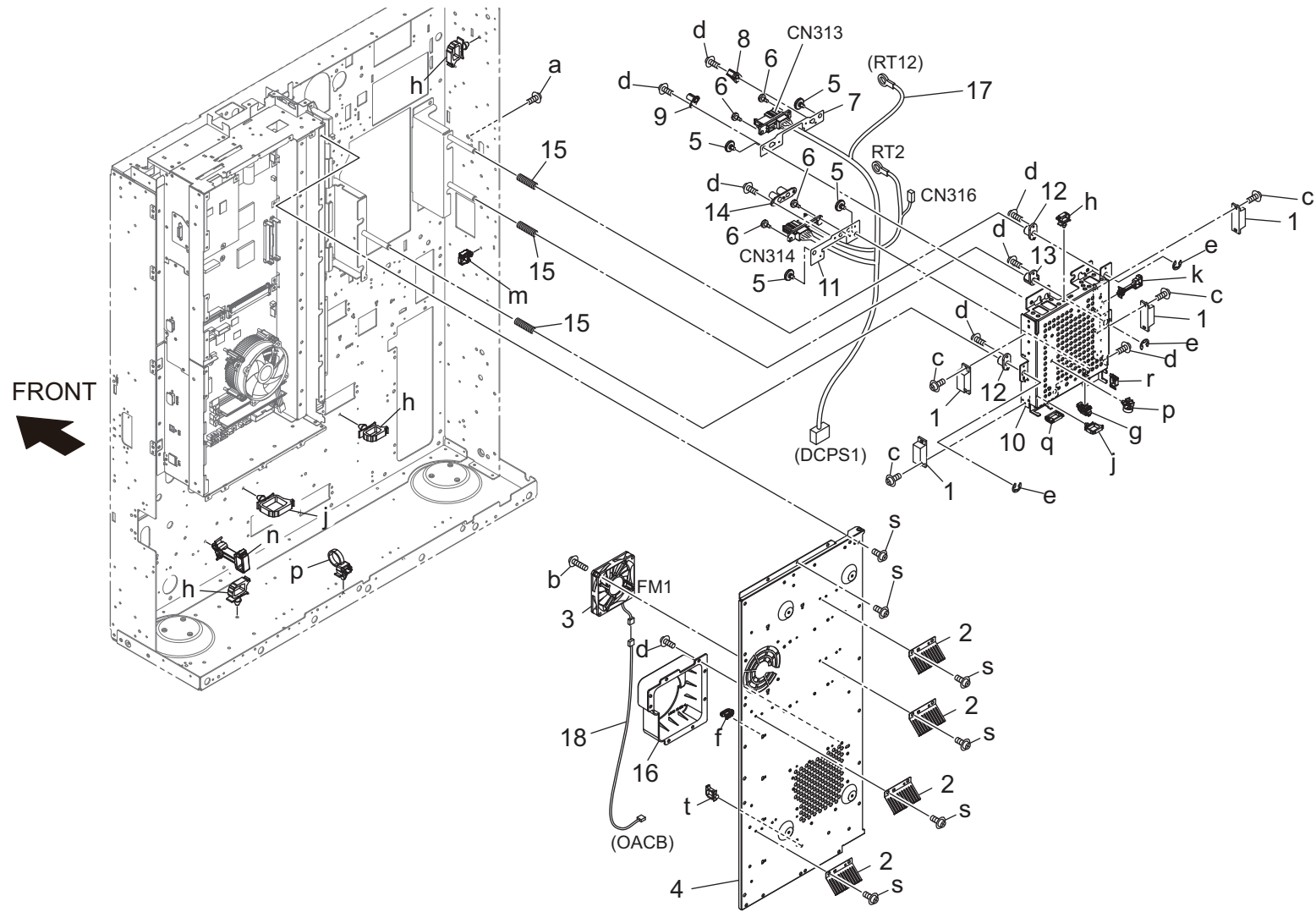


ПЯТЫЙ ПАРТНЕР

Rear Electrical Section

Key	Part No.	Description	Destinations	Class	QTY	Standard parts
1	9313110033	FAN MOTOR		C	1	a-V118033003
2	56AA73560	EARTH PLATE UPPER		C	4	b-V118043503
3	56QA80570	Internal Cooling Fan		C	1	c-V121033003
4	A0EDM10500	Fan motor		C	1	d-V127030603
5	A50U109201	Mounting Screw		D	2	e-V127030604
6	A50U112901	Mounting Tray		D	1	f-V146040804
7	A50U120700	Fixing Plate /2		D	1	g-V158030803
8	A50U120800	Cover Part /Left Front		D	1	h-V500010084
9	A50U122400	Protection Cover /2		D	1	j-V500020098
10	A50U131100	Hold Casing /2		D	1	k-V570010038
11	A50U131200	Ground Plate /4		D	1	m-V570010048
12	A50U131300	Ground Plate /3		D	1	n-V570010058
13	A50U132100	Cover /1		D	1	p-V570010059
14	A50U132600	Mounting Plate /Left		D	1	q-V570010060
15	A50UR73F00	Filter Assy		D	1	
16	A50UM40201	HV Board /2		D	1	
17	A50UN15101	ADU Relay harness /2		D	1	
18	A50UN24400	HV Wiring /15		D	1	
19	A50UN24600	HV Wiring /16		D	1	
20	A50UN24800	HV Wiring /17		D	1	
21	A50UN25000	HV Wiring /18		D	1	
22	A50UN25200	HV Wiring /19		D	1	
23	A50UN25300	HV Wiring /G		D	1	
24	A50UN25500	HV Wiring /S		D	1	
25	A85CR70400	Power Supply / 1 Assy		I	1	

Rear Electrical Section

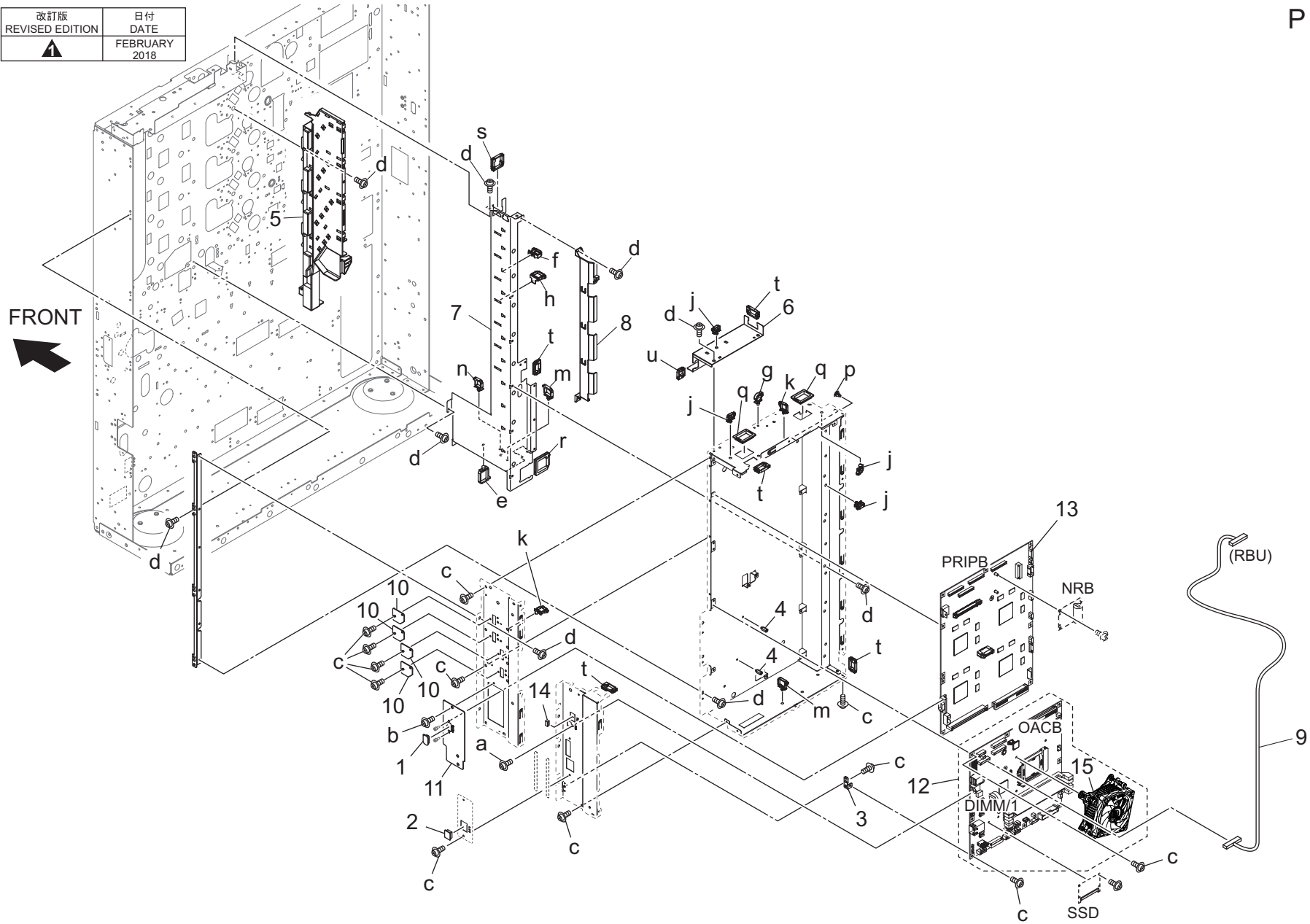


Key	Part No.	Description	Destinations	Class	QTY	Standard parts
1	55VA32480	MAGNET CATCH		C	4	a-V116040603
2	A02E262300	Plate spring		D	4	b-V118031803
3	A1RFM15100	Fan motor /1		C	1	c-V126030603
4	A50U130502	Processing Cover /Lower		D	1	d-V127030604
5	A50U734100	Guide Screw		D	4	e-V217060001 f-V500010071
6	A50U737302	Fixing Screw /1		D	4	g-V500010072
7	A50U737401	Mounting Stay /2		D	1	h-V500010082
8	A50U737601	Guide Part /11		D	1	j-V500010084
9	A50U737700	Guide Part /12		D	1	k-V500020085
10	A50U749401	Mounting Stay /Rear		D	1	m-V500020098 n-V500020101
11	A50U749502	Mounting Stay /1		D	1	p-V501010018
12	A50U749600	Idler Sleeve /1		D	2	q-V570010059
13	A50U749700	Idler Sleeve /2		D	1	r-V570010063
14	A50U749801	Positioning Sleeve /3		D	1	s-V127030516
15	A50U753100	Pressing Spring		D	3	t-V500010083
16	A85C137100	Cooling Duct		D	1	
17	A85CN10A01	Fixing Relay harness /A		D	1	
18	A85CN27400	ImageProcessing Relay harness /1		D	1	

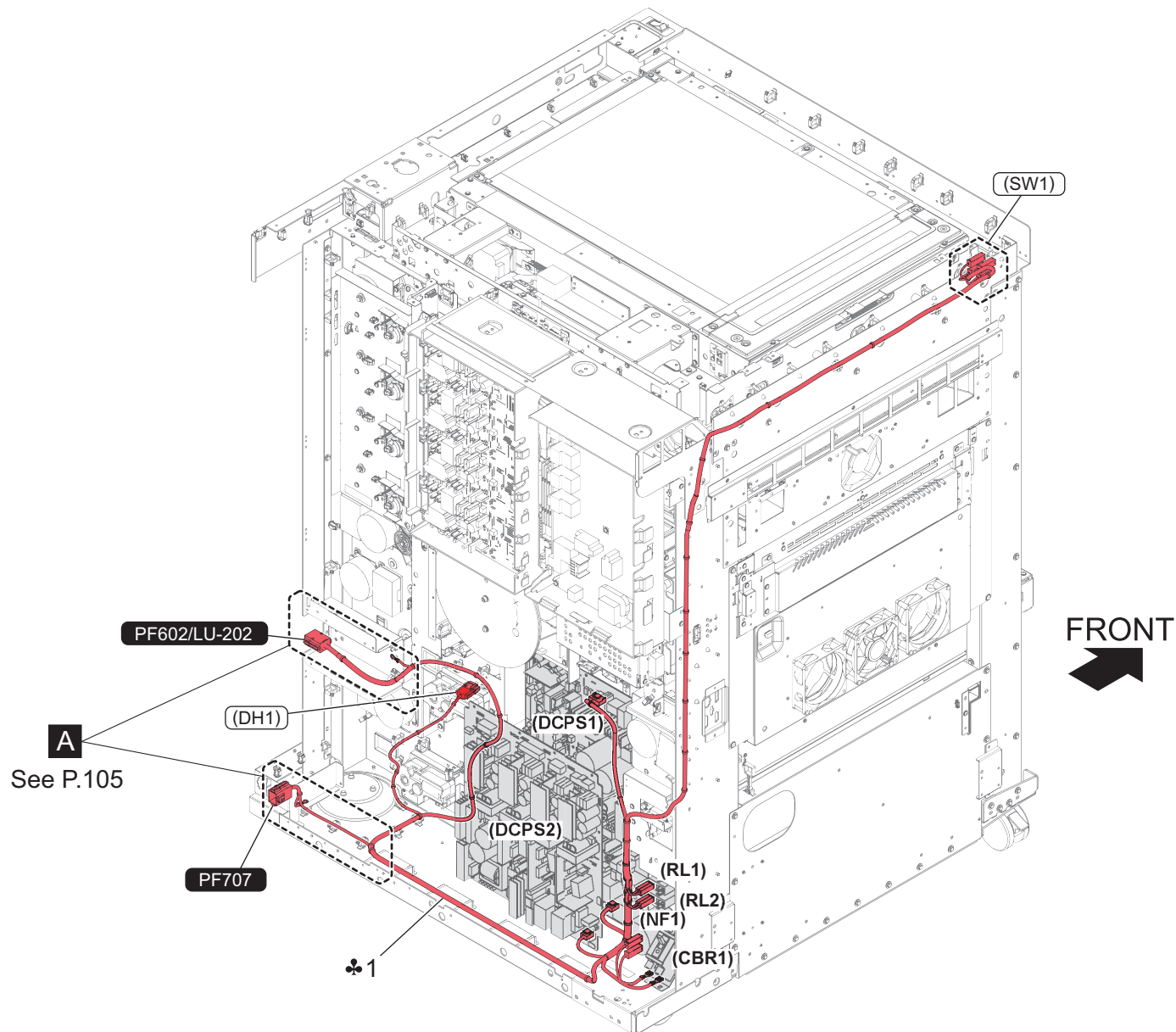


Rear Electrical Section

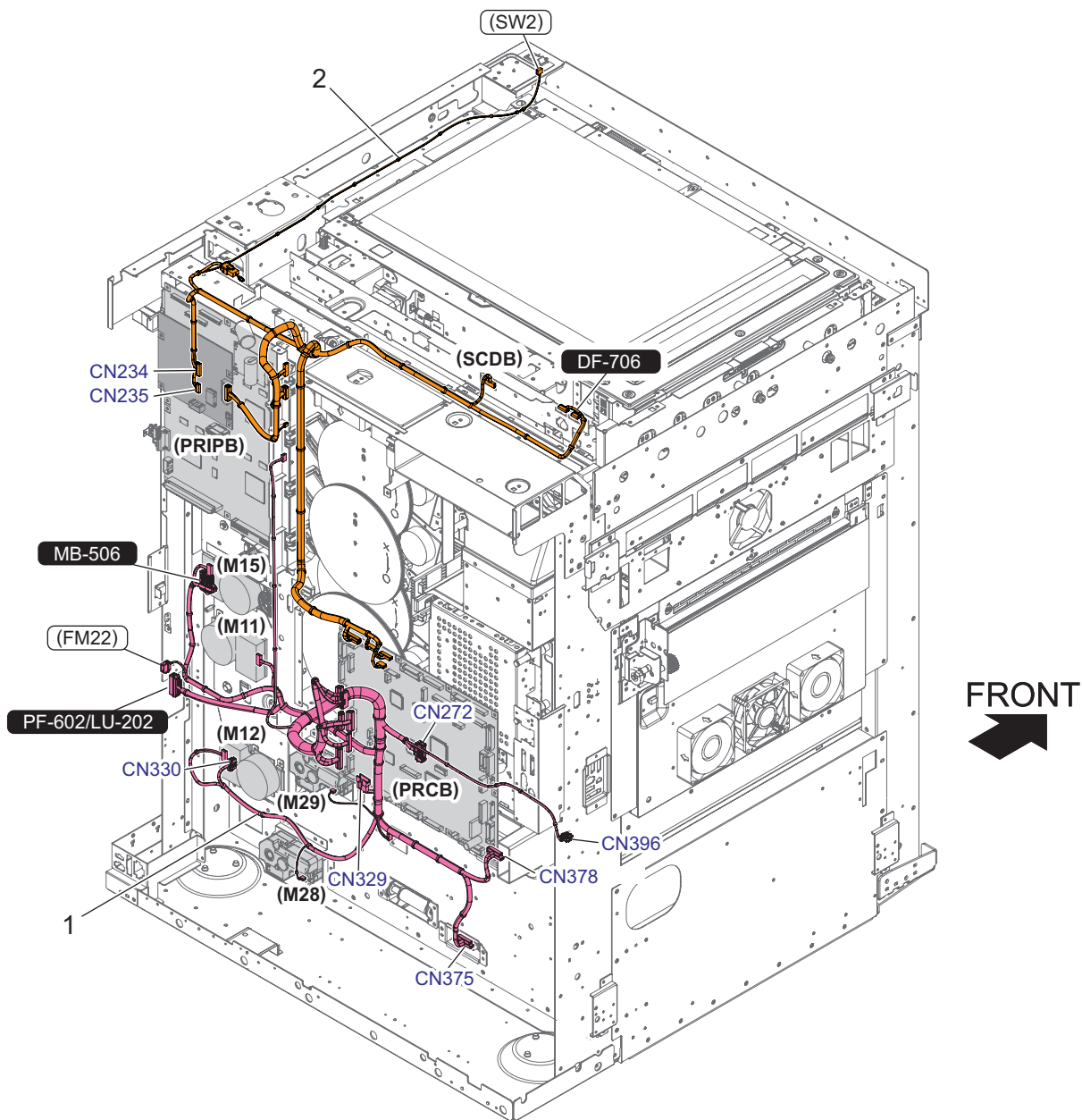
改訂版 REVISED EDITION	日付 DATE
▲	FEBRUARY 2018



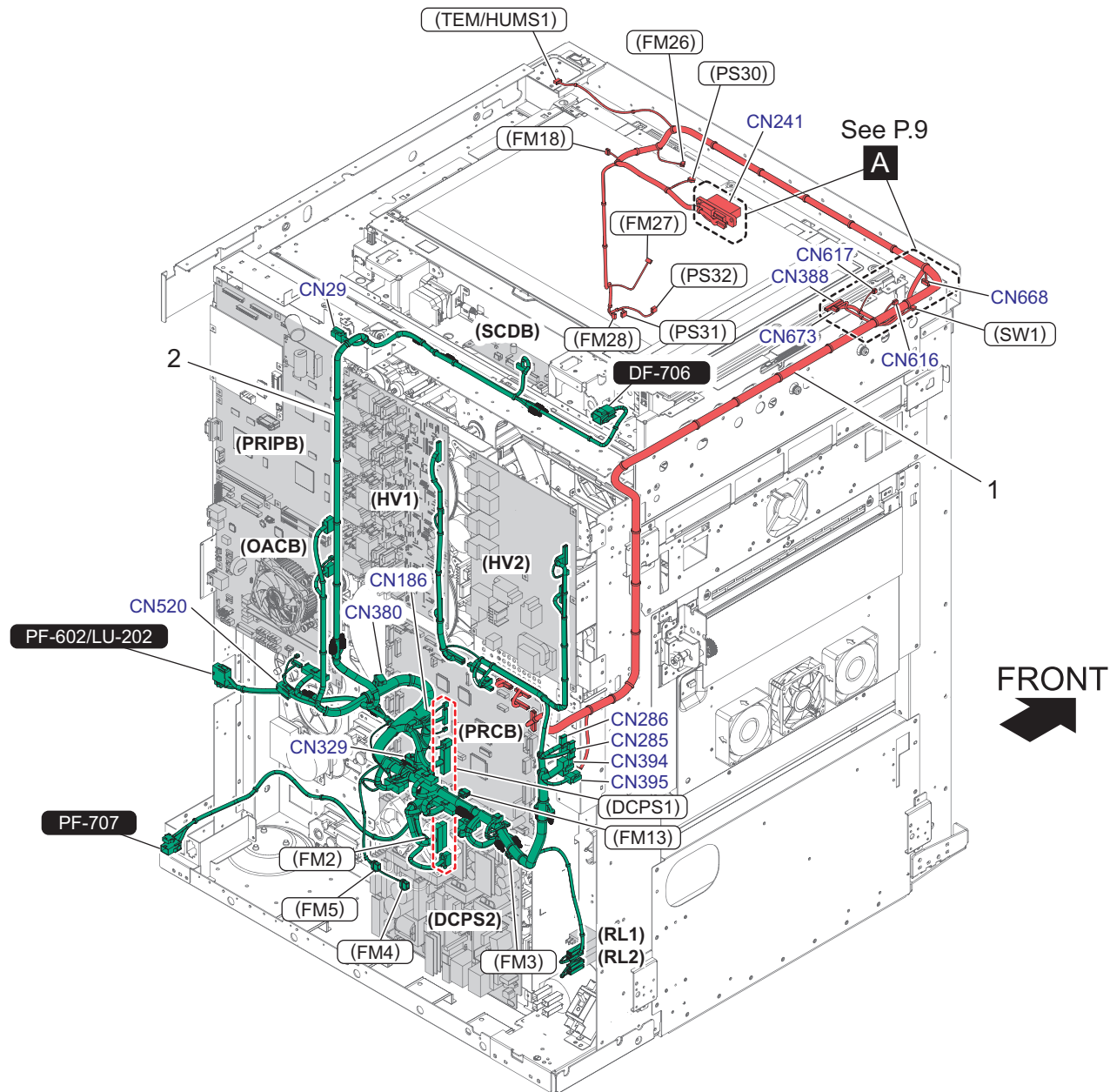
Key	Part No.	Description	Destinations	Class	QTY	Standard parts
1	13RN73120	Terminal Protection Cover /1		D	1	a-V111030603
2	40LA73840	Contact Protection Cover		D	1	b-V121030416
3	A50U130300	Mounting Plate Outside		D	1	c-V127030516
4	A50U133400	Mounting Screw /B		D	2	d-V127030604
5	A50U133901	Wiring Guide /Right Rear		D	1	e-V500010063
6	A50U134701	Wiring Guide /P		D	1	f-V500010071
7	A50U134801	Cover Plate /1		D	1	g-V500010076
8	A50U136302	Wiring Guide /2		D	1	h-V500010079
9	A50UN29201	Relay Wiring /U		D	1	j-V500010082
10	A85C130700	Cover /1		D	1	k-V500010083
11	A85C136200	Cover /2		D	4	m-V500010084
12	A85DH01100	main Body Control Board assy		D	1	n-V500020100
13	A85CH02002	Image Processing Board /M ASSY		I	1	p-V502010062
14	A85CM90400	Gasket /4		I	1	q-V570010038
15	A799R90400	Cooling Fan Assy		D	1	r-V570010048
						s-V570010058
						t-V570010059
						u-V570010060



Key	Part No.	Description	Destinations	Class	QTY	Standard parts
1	A50UN10101	AC Wiring /3	A,B,G2	D	1	
1	A85CN10F00	AC Wiring /3	C,D1,E,F2,G1,I	D	1	

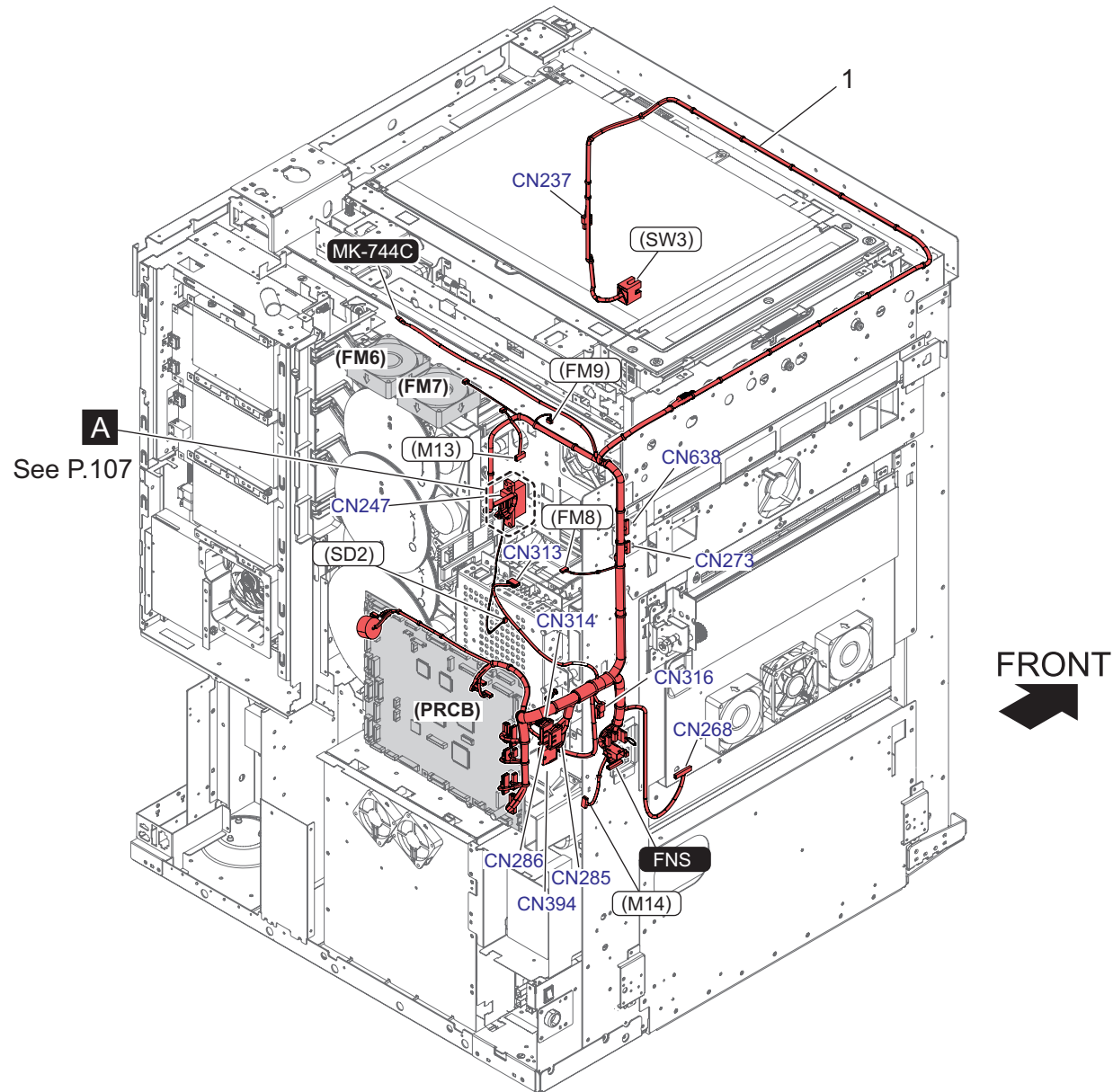


Key	Part No.	Description	Destinations	Class	QTY	Standard parts
1	A85CN10202	Main body Wiring /1		D	1	
2	A85CN10400	Main body Wiring /2		D	1	



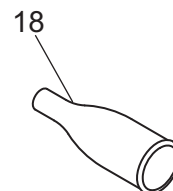
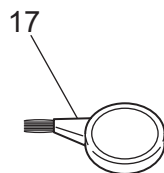
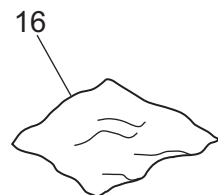
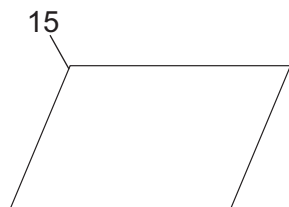
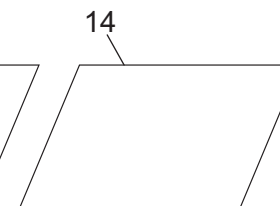
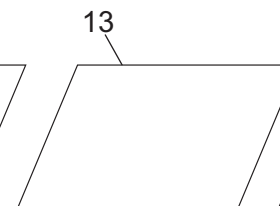
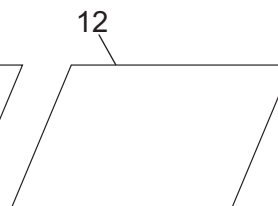
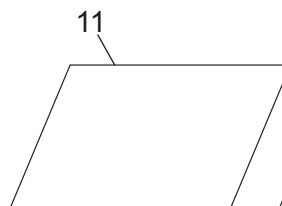
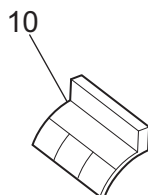
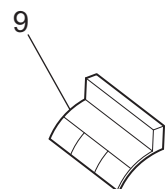
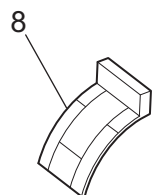
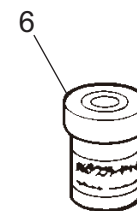
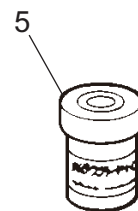
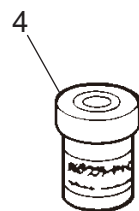
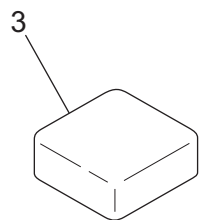
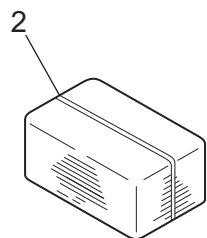
FRONT

Key	Part No.	Description	Destinations	Class	QTY	Standard parts
1	A50UN12702	Main body Wiring /4		D	1	
2	A85CN10302	DC Power source harness /1		D	1	



Jigs

P 115

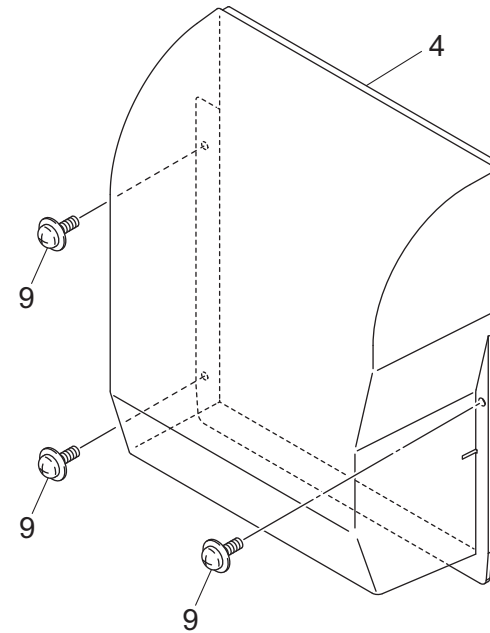
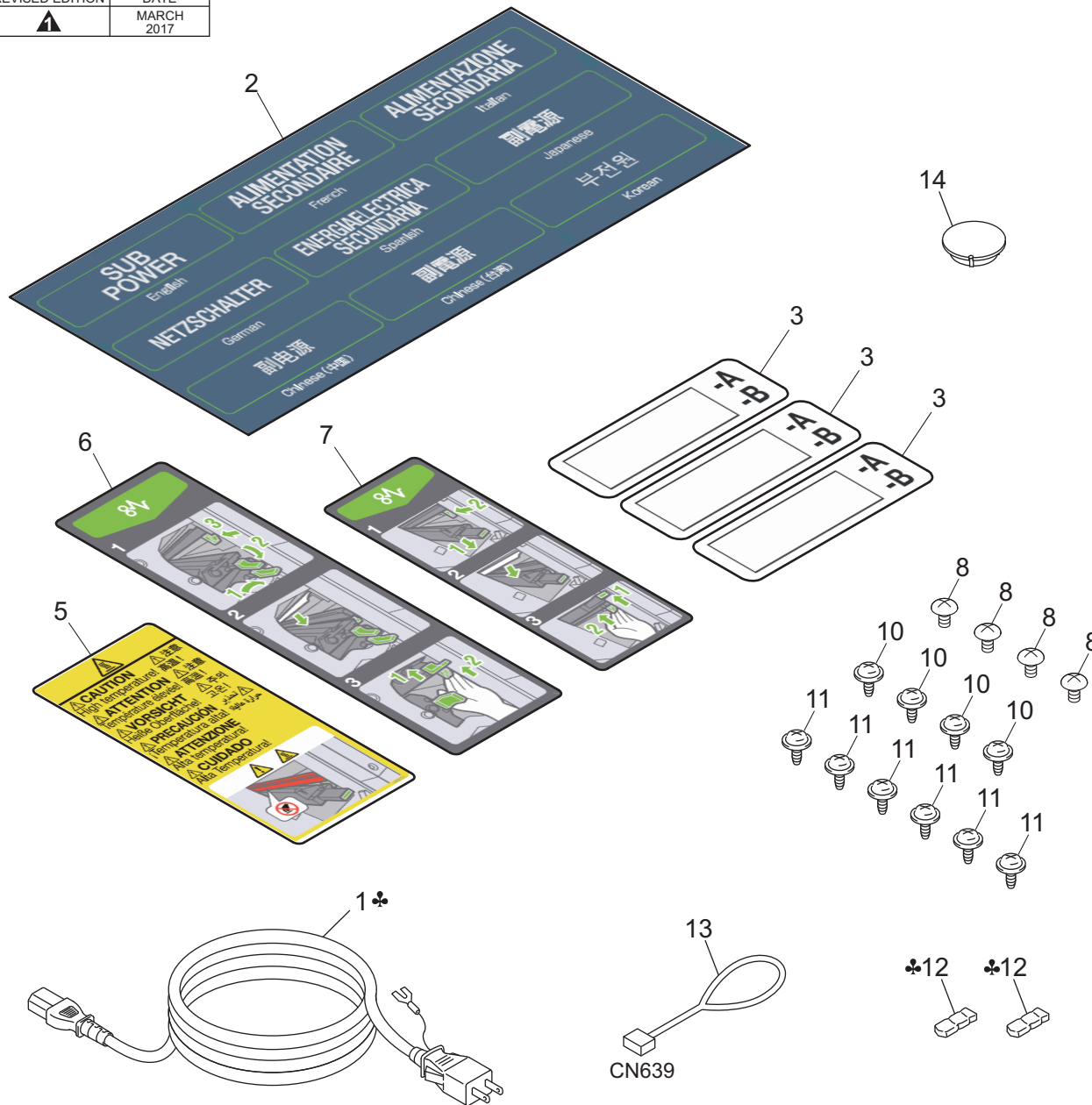


Key	Part No.	Description	Destinations	Class	QTY	Standard parts
1	A50UPP0100	Setting Toner No.2		S	1	
2	A5AWP00100	Cleaning Pad		S	1	
3	65AA-9920	HYDROWIPE		D	1	
4	00GR00260	Grease(Multemp FF-RM)		C	1	
5	00GR00020	Grease(Plas Guard No.1)		B	1	
6	00GR00220	Grease(Molykote EM-30L Grease)		C	1	
7	A4EUPP0000	MHSURF FT-240	A,B(only USA),C,D1, F2,G2,I	S	1	
8	A50UPJG300	Positioning Jig /C (Temperature Sensor)		S	1	
9	A50UPJG100	Positioning Jig /A (TS1/2)		S	1	
10	A50UPJG200	Positioning Jig /B (TS3)		S	1	
11	9J06PJP100	Color chart/A3 size		S	1	
12	9J06PJP200	Color chart/11x17size		S	1	
13	4040PJP100	Test chart/A3 size		S	1	
14	4040PJP200	Test chart/11x17 size		S	1	
15	65AA99500	AJUST PAPER FOR FIXING UNIT(16SHEET S)		S	1	
16	00VC-2-00	Drum Cover		S	1	
17	00VD-1000	Blower Brush		S	1	
18	A1DUPJG100	Cleaning Jig		S	1	

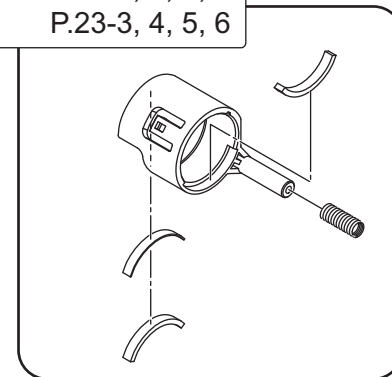
Accessory Parts

改訂版 REVISED EDITION	日付 DATE
	MARCH 2017

P 116



See P.20-3, 4, 5, 6
 P.21-3, 4, 5, 6
 P.22-3, 4, 5, 6
 P.23-3, 4, 5, 6



AccurioPress C2070P

Key	Part No.	Description	Destinations	Class	QTY	Standard parts
1	4040078001	Power Cord	A	C	2	
1	9381410131	Power code /120V	B,G2	C	1	
1	9J06N30000	Power Code /230V	C,D1,E,F2,G1,I	D	1	
2	A1DU946300	Input Label		D	1	
3	A1RF945501	Replacement Label /5		D	3	
4	A50U168002	Duct		D	1	
5	A85C942200	Caution Label		D	1	
6	A8AK941001	Processing Label /2		C	1	
7	A8AK941200	Processing Label /3		C	1	
8	V114040604	Screw		V	4	
9	V121030604	Screw	T P ネジ・座付なべ小ねじ	V	3	
10	V127030516	Screw	T P ネジ・座付なべ小ねじ・先端丸型	V	4	
11	V127030604	Screw	T P ネジ・座付なべ小ねじ・先端丸形	V	6	
12	V590040002	Terminal Cap	A	D	2	
13	A85CN19900	Interface Wiring /1		D	1	
14	A50U269000	Cover		C	1	

MAINTENANCE LIST

● The items with no Page/Key numbers are not handled as spare parts.

No.	Section	PM Parts Description	Maintenance Cycle (K=1,000)		Parts No.	Destinations	Page/Key	Note
			QTY	Replace				
1	External section	Deve. Dust-proof Filter/1	1	*1	A50U168901		P5-27	
2		Deve. Dust-proof Filter/2	1	*1	A50U169501		P5-29	
3		PH dust-proof filter	1	*1	A50U168801		P5-26	
4		Electric component cooling filter	1	*1	A50U109900		P8-22	
5		Suction dust-proof filter	1	*1	A50U164901		P2-21	
6		Filter box	1	*1	A50UR70A12		P11-29	
7	Photo conductor section	Drum unit/Y	1	*1				
8		Drum unit/M	1	*1				
9		Drum unit/C	1	*1				
10		Drum unit/K	1	*1				
11	Charging section	Charging corona/Y	1	*1	A50UR70311		P18-1	
12		Charging corona/M	1	*1	A50UR70311		P18-1	
13		Charging corona/C	1	*1	A50UR70311		P18-1	
14		Charging corona/K	1	*1	A50UR70311		P18-1	
15	Developing section	Developing unit/Y	1	*1	A50UR70244		P20-10	
16		Developing unit/M	1	*1	A50UR70244		P21-10	
17		Developing unit/C	1	*1	A50UR70244		P22-10	
18		Developing unit/K	1	*1	A50UR70244		P23-10	
19		Developer/Y	1	*1				
20		Developer/M	1	*1				
21		Developer/C	1	*1				
22		Developer/K	1	*1				
23	Intermediate transfer section	Toner collection sheet	1	*1	A1DUR71C00		P37-11	
24		Belt cleaning blade	1	*1	A50UR70K11		P37-16	
25		2nd transfer roller/Up	1	*1	A50U500401		P34-14	
26		Intermediate transfer belt	1	*1	A1DU504203		P34-10	
27		1st transfer roller/Y	1	*1	A50U501201		P35-9	
28		1st transfer roller/M	1	*1	A50U501201		P35-9	
29		1st transfer roller/C	1	*1	A50U501201		P35-9	
30		1st transfer roller/K	1	*1	A50U501201		P35-9	
31		Transfer belt cleaning unit	1	*1	A50UR70633		P32-1	
32		Transfer belt separation claw	3	880K	A1DUR71900		P35-8	
33		Belt separation claw solenoid (SD2)	1	1,760K	26NA82513		P7-2	
34		Transfer roller bearing/Y, transfer roller bearing/M,	6	*1	65AA26380		P35-3	
35		Transfer roller bearing/K	2	*1	A50U505700		P35-15	
36		Side seal	2	*1	A50U531601		P37-15	
37		2nd transfer roller/Lw	1	*1	A50U520001		P55-1	
38		Separation discharging unit	1	*1	A50UR70B00		P55-8	
39		2nd transfer earth plate assy	2	*1	A50UR70G01		P78-20	
40		C-clip	2	*1	V218060086		P55-c	
41	Toner collection section	Waste toner box	1	130K	A50UR70115		P30-16	
42	Paper feed section	Paper feed roller rubber/1, paper feed roller rubber/2	2	125K	25SA40960		P66-3/P69-3	
43		Separation roller rubber/1, separation roller rubber/2	2	125K	25SA40960		P64-1/P67-1	
44		Pick-up roller/1, pick-up roller/2	2	800K	A1DUR71J00		P66-19/P69-19	
45		Paper feed clutch/1 (CL1), paper feed clutch/2 (CL2)	2	2,000K	56AA82012		P66-13/P69-13	
46		Pre-registration clutch/1 (CL3), pre-registration clutch/2	2	2,000K	56AA82012		P65-21/P68-21	
47		Vertical conveyance section	Intermediate conveyance clutch/1 (CL5)	1	2,000K	56AA82012		P77-5
48	Registration section	Registration cleaning sheet assy	1	600K	A50UR70D01		P99-31	
49		Registration roller	1	1,400K	A50U710101		P97-7	
50		Registration roller bearing	2	1,400K	A03U812800		P97-6	
51		Registration idler gear	1	2,800K	A50U713700		P83-10	

No.	Section	PM Parts Description	Maintenance Cycle (K=1,000)		Parts No.	Destinations	Page/Key	Note
			QTY	Replace				
52	Fusing section	Fusing belt	1	600K	A50U765000		P45-31	
53		Heat insulating sleeve/Lw1, heat insulating sleeve/	4	600K	A50U756300		P42-15/P45-30	
54		Fusing gear/1	1	600K	A50U752700		P42-11	
55		Fusing gear/3	1	600K	A50U752200		P40-29	
56		Fusing Roller/1	1	1,200K	A50U720123		P45-7	
57		Fusing roller/Lw	1	1,200K	A50U765500		P42-17	
58		Belt regulating sleeve	2	1,200K	A50U724102		P45-11	
59		Fusing paper exit roller/Up	2	1,200K	A1DU722500		P46-8	
60		Heat insulating sleeve/Up	2	1,200K	A03U729500		P45-4	
61		Fusing bearing/Lw1, fusing bearing/Lw2	4	1,200K	26NA53712		P42-2/P45-1	
62		Fusing Roller/2	1	1,200K	A50U720501		P45-8	
63		Fusing bearing/Up	2	1,200K	A1UD723500		P45-6	
64		Fusing gear/2	1	1,200K	A03U809500		P45-5	
65		Fusing separating claw assy	5	1,200K	A50UR72U11		P46-35	
66	Neutralizing ring	1	1,200K	A50U733712		P45-23		
67	Neutralizing flat spring assy	1	1,200K	A85CR70M00		P45-36		
68	Fusing heater lamp assy/Up (Japan)	1	3,000K	A85CM31A00	A	P45-37		
68	Fusing heater lamp assy/Up (North America)	1	3,000K	A85CM31E00	B,G2	P45-37		
68	Fusing heater lamp assy/Up (Europe)	1	3,000K	A85CM31F00	C,D1,E,F2,G1,I	P45-37		
69	Fusing temperature sensor/3 (TH3)	1	3,000K	A50UR70F00		P44-20		
70	Fusing temperature sensor/4 (TH4)	1	3,000K	A50UR70E11		P41-9		
71	Duplex section	Intermediate conveyance clutch/2 (CL6)	1	2,000K	56AA82012		P82-9	
72		Intermediate conveyance clutch/3 (CL7)	1	2,000K	56AA82012		P82-9	
73	Reverse exit section	Reverse de-curler roller	1	400K	A50U860501		P94-17	
74		Paper exit de-curler roller	1	1000K	A50U890802		P101-19	
75		Paper exit drive gear	1	1000K	A03U909502		P101-12	
76		Paper exit gear	1	1000K	A50U899700		P101-31	
77	Rear electrical section	Charging roller/Up	1	*1	A85C899000		P104-21	
78		Charging roller bushing/Fr	1	3,150K	A1RF508900		P104-5	
79		Charging roller bushing/Rr	1	3,150K	A85C897201		P104-17	

*1: See Service Manual F-4 LIFE VALUE.

メンテナンスリスト

● ページ / キーナンバーのないものは、アフターサービス部品ではありません。

No.	区分	P M 部品名称	サイクル (K=1,000)		部品番号	仕向地	頁 / キー	備考
			員数	交換				
1	外装部	現像防塵フィルター / 1	1	*1	A50U168901		P5-27	
2		現像防塵フィルター / 2	1	*1	A50U169501		P5-29	
3		PH 防塵フィルター	1	*1	A50U168801		P5-26	
4		電装冷却フィルター	1	*1	A50U109900		P8-22	
5		吸気防塵フィルター	1	*1	A50U164901		P2-21	
6		フィルターボックス	1	*1	A50UR70A12		P11-29	
7	感光体部	ドラムユニット / Y	1	*1				
8		ドラムユニット / M	1	*1				
9		ドラムユニット / C	1	*1				
10		ドラムユニット / K	1	*1				
11	帯電部	帯電極 / Y	1	*1	A50UR70311		P18-1	
12		帯電極 / M	1	*1	A50UR70311		P18-1	
13		帯電極 / C	1	*1	A50UR70311		P18-1	
14		帯電極 / K	1	*1	A50UR70311		P18-1	
15	現像部	現像ユニット / Y	1	*1	A50UR70244		P20-10	
16		現像ユニット / M	1	*1	A50UR70244		P21-10	
17		現像ユニット / C	1	*1	A50UR70244		P22-10	
18		現像ユニット / K	1	*1	A50UR70244		P23-10	
19		現像剤 / Y	1	*1				
20		現像剤 / M	1	*1				
21		現像剤 / C	1	*1				
22		現像剤 / K	1	*1				
23	中間転写部	トナー回収シート	1	*1	A1DUR71C00		P37-11	
24		転写ベルトクリーニングブレード	1	*1	A50UR70K11		P37-16	
25		2次転写ローラー / Up	1	*1	A50U500401		P34-14	
26		中間転写ベルト	1	*1	A1DU504203		P34-10	
27		1次転写ローラー / Y	1	*1	A50U501201		P35-9	
28		1次転写ローラー / M	1	*1	A50U501201		P35-9	
29		1次転写ローラー / C	1	*1	A50U501201		P35-9	
30		1次転写ローラー / K	1	*1	A50U501201		P35-9	
31		転写ベルトクリーニングユニット	1	*1	A50UR70633		P32-1	
32		転写ベルト分離爪	3	880K	A1DUR71900		P35-8	
33		ベルト分離爪ソレノイド (SD 2)	1	1,760K	26NA82513		P7-2	
34		転写ローラー軸受 / Y、 / M、 / C	6	*1	65AA26380		P35-3	
35		転写ローラー軸受 / K	2	*1	A50U505700		P35-15	
36		サイドシール	2	*1	A50U531601		P37-15	
37		2次転写ローラー / L w	1	*1	A50U520001		P55-1	
38		分離放電板ユニット	1	*1	A50UR70B00		P55-8	
39		2次転写アース板 A s s y	2	*1	A50UR70G01		P78-20	
40		C クリップ	2	*1	V218060086		P55-c	
41	トナー回収部	廃棄トナーボックス	1	130K	A50UR70115		P30-16	
42	給紙部	給紙ローラーゴム / 1、 / 2	2	125K	25SA40960		P66-3/P69-3	
43		分離ローラーゴム / 1、 / 2	2	125K	25SA40960		P64-1/P67-1	
44		ピックアップローラー / 1、 / 2	2	800K	A1DUR71J00		P66-19/P69-19	
45		給紙クラッチ / 1 (CL 1)、 / 2 (CL 2)	2	2,000K	56AA82012		P66-13/P69-13	
46		プレジストクラッチ / 1 (CL 3)、 / 2	2	2,000K	56AA82012		P65-21/P68-21	
47		垂直搬送部	中間搬送クラッチ / 1 (CL 5)	1	2,000K	56AA82012		P77-5
48	レジスト部	レジスト清掃シート A s s y	1	600K	A50UR70D01		P99-31	
49		レジストローラー	1	1,400K	A50U710101		P97-7	
50		レジストローラー軸受	2	1,400K	A03U812800		P97-6	
51		レジストアイドラーギア	1	2,800K	A50U713700		P83-10	

No.	区分	P M 部品名称	サイクル (K=1,000)		部品番号	仕向地	頁 / キー	備考
			員数	交換				
52	定着部	定着ベルト	1	600K	A50U765000	A B,G2 C,D1,E,F2,G1,I	P45-31	
53		断熱スリーブ / L w 1、 / L W 2	4	600K	A50U756300		P42-15/P45-30	
54		定着ギア / 1	1	600K	A50U752700		P42-11	
55		定着ギア / 3	1	600K	A50U752200		P40-29	
56		定着ローラ / 1	1	1,200K	A50U720123		P45-7	
57		定着ローラ / L w	1	1,200K	A50U765500		P42-17	
58		ベルト 規制スリーブ	2	1,200K	A50U724102		P45-11	
59		定着排紙ローラ / U p	2	1,200K	A1DU722500		P46-8	
60		断熱スリーブ / U p	2	1,200K	A03U729500		P45-4	
61		定着軸受 / L w 1、 / L w 2	4	1,200K	26NA53712		P42-2/P45-1	
62		定着ローラ / 2	1	1,200K	A50U720501		P45-8	
63		定着軸受 / U p	2	1,200K	A1UD723500		P45-6	
64		定着ギア / 2	1	1,200K	A03U809500		P45-5	
65		定着分離爪 A s s y	5	1,200K	A50UR72U11		P46-35	
66		除電リング	1	1,200K	A50U733712		P45-23	
67		除電板バネ A s s y	1	1,200K	A85CR70M00		P45-36	
68		定着ヒーターランプ A s s y / U p	1	3,000K	A85CM31A00		P45-37	
68	定着ヒーターランプ A s s y / U p	1	3,000K	A85CM31E00	P45-37			
68	定着ヒーターランプ A s s y / U p	1	3,000K	A85CM31F00	P45-37			
69	定着温度センサ / 3 (T H 3)	1	3,000K	A50UR70F00	P44-20			
70	定着温度センサ / 4 (T H 4)	1	3,000K	A50UR70E11	P41-9			
71	両面部	中間搬送クラッチ / 2 (C L 6)	1	2,000K	56AA82012	P82-9		
72		中間搬送クラッチ / 3 (C L 7)	1	2,000K	56AA82012	P82-9		
73	反転 / 排紙部	反転デカローラローラ	1	400K	A50U860501	P94-17		
74		排紙デカローラローラ	1	1000K	A50U890802	P101-19		
75		排紙駆動ギア	1	1000K	A03U909502	P101-12		
76		排紙ギア	1	1000K	A50U899700	P101-31		
77	電荷制御部	帯電ローラ / U p	1	*1	A85C899000	P104-21		
78		帯電ローラ軸受 / F r	1	3,150K	A1RF508900	P104-5		
79		帯電ローラ軸受 / R r	1	3,150K	A85C897201	P104-17		

*1: サービスマニュアル F-4「ライフ値の考え方」参照

DESTINATION

Destination No.		Destinations		V	Hz	Model No.
A	A1	JAPAN		200	50/60	A85D001
	A2	JAPAN		200	50/60	A85D001
B		USA, CANADA		208-240	60	A85D011/ A85E012
C		EUROPEAN TYPE		220-240	50/60	A85D021
D	D1	S.E ASIA TYPE	THAILAND, SRI LANKA, SINGAPORE, MALAYSIA, HONG KONG, PAKISTAN, INDIA, BANGLADESH, INDONESIA	220-240	50/60	A85D041/ A85D0T1
	D3	OCEANIA TYPE	AUSTRALIA, NEW ZEALAND			
E		PHILIPPINES		220-240	50/60	A85D041
F	F1	SAUDI ARABIA				
	F2	SAUDI ARABIA		220-240	50/60	A85D041
G	G1	C.S AMERICA		220-240	50/60	A85D041
	G2	C.S AMERICA				
H		TAIWAN				
I		JORDAN, LEBANON, SYRIA, SOUTH AFRICA, IRAQ, IRAN, N.YEMEN, CAMEROON, UAE, BAHRAIN, OMAN, QATAR, KUWAIT, KENYA, TUNISIA, IVORY COAST, MOROCCO		220-240	50/60	A85D041
J		CHINA				
K		KOREA				

AccurioPress C2070P