

KONICA MINOLTA

PARTS GUIDE MANUAL

APRIL 2022

AccurioPress C3070 *AAC3*

INFORMATION FOR PARTS GUIDE MANUAL

To find correct Parts No., refer to the "HOW TO MAKE THE BEST USE OF THIS MANUAL" in the following page.

HOW TO MAKE THE BEST USE OF THIS MANUAL

- 1 When you order, please check the proper figures beforehand that are on Our Parts Guide Manual, and order with the appropriate figures.
- 2 For screws, Nuts, Washers, retaining rings and Pins which are used in this model, one letter is shown on the Standard parts column of Parts list and exploded diagrams.
- 3 In order to maintain safety of the product, some specific parts composed of this product are set up as "essential safety parts".
- 4 The assigned parts number for the "essential safety parts" is indicated as "SP00-****".
When replacing these parts, follow precautions for disassembling and installing which are listed in the Service Manual.
Do not use any parts that are not set up as
- 5 ♣ means that there are exclusive parts for each destination.
Please check the appropriate destination when you order.
- 6 All rights reserved. (any reprints or quotations are prohibited.)
Use of this parts guide manual should be strictly supervised to avoid disclosure of confidential information.

パーツガイドマニュアルのご案内

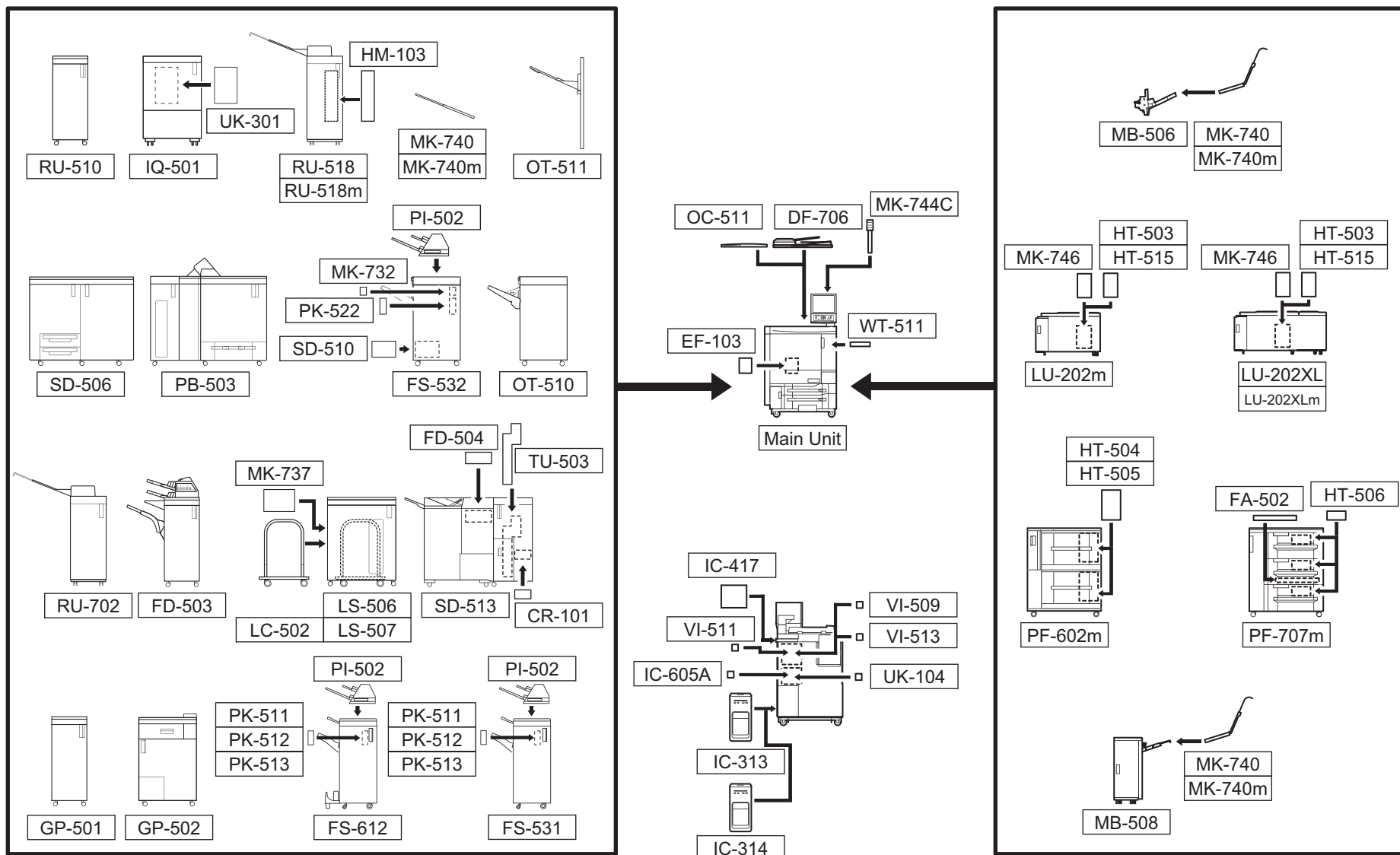
サービス部品をご発注の際には、下記に示す“パーツガイドマニュアルの活用にあたって”をご参照の上、正しい部品番号にてお願い致します。

パーツガイドマニュアルの活用にあたって

- 1 部品発注の際には、掲載されている部品番号の桁数を確認し、掲載されている桁数で発注願います。
- 2 この製品に使用されているネジ、ナット、ワッシャー、止め輪、ピンなどは、リストの右側の Standard parts 欄に a,b,c,…… で表示し、イラストにも a,b,c,…… 表示してあります。
- 3 製品の安全性を維持する為に、製品に使用される特定の部品を「重要保安部品」として設定しています。
- 4 重要保安部品の部品番号は、“SP00-****”と記載されていますので、部品交換時は、サービスマニュアル記載の分解・組み立ての注意事項に従って作業をして下さい。
また、指定以外の部品は一切使用しないで下さい。
- 5 本文に ♣ が表示されている部品は、仕向け地毎に専用部品がある事を意味しています。
オーダーされる時は、仕向け地を確認して下さい。
- 6 著作権所有（無断転載及び無断引用の禁止）
本パーツガイドマニュアルについては、機密保持等その扱いには十分注意して下さい。万一取り扱いを誤った場合には、法律で処罰される場合があります。

11/21/2017

System Configuration



AccurioPress C3070

GENERAL CONTENTS

No.	Description	Model
1	Digital MFP Color	AccurioPress C3070
2	Relay Unit	RU-510
3	Intelligent Quality Optimizer	IQ-501
4	Relay Unit	RU-518
5	Relay Unit	RU-518m
6	Humidifier	HM-103
7	Output Tray	OT-511
8	Post Inserter	PI-502
9	Mount Kit	MK-732
10	Punch Unit	PK-522
11	Saddle Unit	SD-510
12	Finisher/Sorter	FS-532/FS-532 PK/SD
13	Output Tray	OT-510
14	Trimmer Unit	TU-503
15	Saddle Unit	FD-504
16	Saddle Unit	SD-506
17	Perfect Binder	PB-503
18	Other Option	MK-737
19	Folding Unit	FD-503
20	Large Capacity Stacker	LS-506
21	Large Capacity Stacker	LS-507
22	Other Option	LC-502

AccurioPress C3070

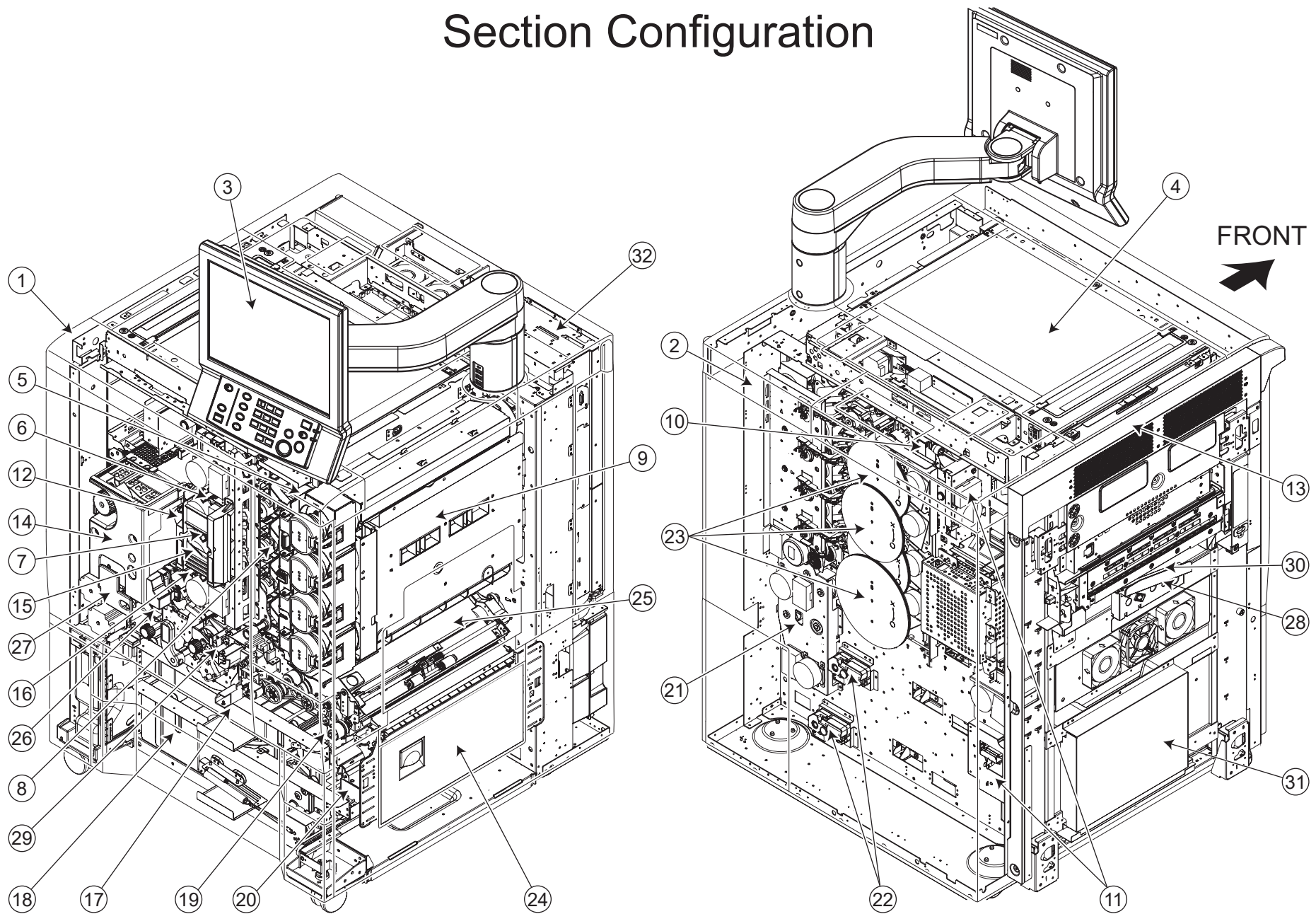
No.	Description	Model
23	Punch Unit	PK-511
24	Punch Unit	PK-512
25	Punch Unit	PK-513
26	Punch Unit	GP-501
27	Ring Binder	GP-502
28	Finisher/Sorter	FS-612
29	Finisher/Sorter	FS-531
30	Saddle Unit	SD-513
31	Saddle Unit	CR-101
32	Original Cover	OC-511
33	Document Feeder	DF-706
34	Mount Kit	MK-744
35	Envelop Fusing Unit	EF-103
36	Working Table	WT-511
37	Mount Kit	MK-746
38	Heater	HT-503
39	Heater	HT-515
40	Paper Feeder	LU-202m
41	Heater	HT-504
42	Heater	HT-505
43	Image Controller	IC-417
44	Video IF Kit	VI-511
45	Image Controller	IC-605A

AccurioPress C3070

No.	Description	Model
46	Image Controller	IC-313
47	Image Controller	IC-314
48	Other Option	UK-104
49	Paper Feeder	PF-602/PF-602m
50	Bypass Tray	MB-508
51	Mount Kit	MK-740/MK-740m
52	Paper Feeder	PF-707m
53	Other Option	FA-502
54	Heater	HT-506
55	Paper Feeder	LU-202XL
56	Paper Feeder	LU-202XLm
57	Bypass Tray	MB-506
58	Other Option	UK-301
59	Relay Unit	RU-702
60	Video IF Kit	VI-509
61	Video IF Kit	VI-513

AccurioPress C3070

Section Configuration



AccurioPress C3070

CONTENTS

No.	DESCRIPTION	名称	PAGE No.
1	External Parts Section	外装部	P1 P2 P3 P4
2	Main Frame Section	骨格部	P5 P6 P7 P8 P9 P10 P11 P12 P13
3	Operation Panel Section	操作部	P14 P15 P16
4	Scanner Section	スキャナー部	P17 P18 P19 P20
5	Write Section	書き込み部	P21
6	Charging Section	帯電部	P22
7	Photo Conductor Section	感光体部	P23
8	Developing Section	現像部	P24 P25 P26 P27
9	Toner Supply Section	トナー補給部	P28 P29 P30 P31 P32
10	Toner Collection Section	トナー回収部	P33 P34
11	Toner Collection Driving Section	トナー回収駆動部	P35
12	Intermediate Transfer Section	中間転写部	P36 P37 P38 P39 P40 P41
13	Color Resist Section	画像補正ユニット部	P42
14	Fusing Section	定着部	P43 P44 P45 P46 P47 P48 P49 P50 P51
15	Process Carriage Section	プロセス架台部	P52 P53 P54 P55 P56 P57 P58
16	Secondary Transfer Section	2次転写部	P59
17	Tray 1 Section	トレイ1	P60 P61 P62 P63
18	Tray 2 Section	トレイ2	P64 P65 P66 P67
19	Tray 1 Paper Feed Section	トレイ1 給紙部	P68 P69 P70
20	Tray 2 Paper Feed Section	トレイ2 給紙部	P71 P72 P73
21	Paper Feed Driving Section	給紙駆動部	P74
22	Tray Driving Section	トレイ駆動部	P75
23	Drum Driving Section	ドラム駆動部	P76 P77 P78 P79
24	Vertical Conveyance Section	垂直搬送部	P80 P81
25	Duplex Carriage Section	両面架台部	P82 P83
26	Duplex Section	両面部	P84 P85 P86 P87 P88 P89 P90 P91 P92 P93 P94 P95 P96
27	Duplex Swing Section	両面揺動部	P97 P98
28	Reverse Section	反転	P99 P100 P101
29	Resist Section	レジスト部	P102 P103 P104
30	Exit Section	排紙部	P105 P106
31	Charge Control Section	電荷制御部	P107 P108 P109
32	Rear Electrical Section	背面電気部	P110 P111 P112 P113 P114 P115
33	Wiring	束線	P116 P117 P118 P119
34	Service Tool	サービスツール	P120
35	Accessory Parts	同梱部品	P121 P122

INDEX

Parts No.	Page No.	Parts No.	Page No.	Parts No.	Page No.	Parts No.	Page No.	Parts No.	Page No.
00GR00020	120-5	25AA10091F	10-1	40AA32320	41-2	4470402401	89-1	55VA79030	68-4
00GR00220	120-6	25AA40100	70-2	40AA32320	53-1	4470402401	91-3	55VA79030	71-4
00GR00260	120-4	25AA40100	73-2	40AA32320	62-2	4470402401	93-1	55VA90840	2-2
00VC-2-00	120-12	25AA47500	87-3	40AA32320	66-2	4470402401	95-1	56AA10300	8-2
00VD-1000	120-13	25AA50080	90-3	40AA32320	74-2	4470402401	96-3	56AA10300	9-2
059076510	70-1	25AA77730	81-2	40AA32320	100-2	4470402401	97-1	56AA12140	28-4
059076510	73-1	25BA77171	31-2	40AA46261	100-3	4470402401	99-2	56AA12160	28-5
07BA12352	29-1	25SA40960	68-1	40AA77550	84-4	4470402401	100-1	56AA12241	2-3
07BA12352	44-2	25SA40960	70-3	40AA77550	100-4	4470402401	106-1	56AA12270	34-5
07BA15871	39-1	25SA40960	71-1	40AA85011	28-3	4470402401	108-1	56AA17090	86-2
08AA45230	41-1	25SA40960	73-3	40AA88031	30-6	4581162501	19-1	56AA17121	69-4
1154467001	90-1	25SA88461	111-1	40AA98020D	84-5	462076010	87-1	56AA17121	72-4
120A97110	120-21	26NA17580	33-1	40LA73840	115-2	466076020	31-1	56AA17321	38-3
12QR86011	28-2	26NA32660	32-1	4109553001	69-1	466076020	35-1	56AA17321	91-5
12QV40650	38-1	26NA32870	29-2	4109553001	72-1	466076020	84-9	56AA17321	100-5
12QV40650	38-5	26NA42061	68-2	4109553001	91-1	466076020	96-1	56AA17321	104-2
12QV40650	38-11	26NA42061	71-2	4131253701	90-2	50GA250100	33-3	56AA17490	93-3
12QV40650	74-1	26NA42560	68-3	4131253701	91-2	55FA40320	70-4	56AA17510	68-5
12QV40650	76-2	26NA42560	71-3	4131253701	92-1	55FA40320	73-4	56AA17510	70-6
12QV40650	77-2	26NA42560	80-1	4131253701	96-2	55GA75031	50-1	56AA17510	71-5
12QV40650	78-2	26NA47070	62-1	4131253701	104-1	55GA77050	35-5	56AA17510	73-6
12QV40650	79-1	26NA47070	66-1	4131353202	84-1	55VA15190	40-7	56AA17551	99-5
12QV40650	87-2	26NA53712	46-2	4131353202	102-1	55VA15541	86-1	56AA17551	100-6
12QV40650	102-2	26NA53712	49-1	4139M10001	98-1	55VA20520	48-1	56AA17630	10-4
12QV40650	109-1	26NA54230	83-2	4470402401	8-1	55VA20680	81-3	56AA17640	10-5
13NG45200	9-1	26NA82513	7-2	4470402401	28-1	55VA32480	114-1	56AA17760	69-5
13QA10330	106-3	26TA32970	29-3	4470402401	34-2	55VA40600	62-3	56AA17760	70-7
13QA40610	35-3	26TA32990	29-4	4470402401	37-1	55VA40930	61-3	56AA17760	72-5
13QA40610	52-1	4004457301	34-1	4470402401	44-1	55VA40930	65-3	56AA17760	73-7
13QA40610	99-3	4036307501	18-1	4470402401	46-1	55VA42120	38-2	56AA20940D	41-3
13QA40610	106-2	4038254001	35-2	4470402401	54-1	55VA42120	69-2	56AA40010E	68-6
13QA85511	85-1	4038351102	7-1	4470402401	61-1	55VA42120	70-5	56AA40010E	71-6
13QA85511	101-1	4040078001	122-1	4470402401	63-1	55VA42120	72-2	56AA40032E	69-6
13QA85511	103-1	40AA30270	2-1	4470402401	65-1	55VA42120	73-5	56AA40032E	72-6
14GE45470	83-1	40AA32320	7-3	4470402401	76-1	55VA42120	81-4	56AA40032F	69-6
14GE45470	99-4	40AA32320	31-3	4470402401	77-1	55VA42120	87-4	56AA40032F	72-6
14GE45470	102-3	40AA32320	33-2	4470402401	78-1	55VA47840	34-4	56AA40070	70-8
192141710	99-1	40AA32320	35-4	4470402401	81-1	55VA48500	49-2	56AA40070	73-8
20AL48470G	43-1	40AA32320	37-2	4470402401	84-2	55VA75540	69-3	56AA40100G	69-7
20ER73110E	114-20	40AA32320	39-2	4470402401	88-1	55VA75540	72-3	56AA40100G	72-7

Parts No.	Page No.	Parts No.	Page No.	Parts No.	Page No.	Parts No.	Page No.	Parts No.	Page No.
56AA40120	69-8	56AA40540	68-12	56QA80570	10-6	65AA44440	81-8	65AA77390	32-3
56AA40120	72-8	56AA40540	71-12	56QA80570	95-4	65AA45230	84-7	65AA77410	35-8
56AA40171	69-9	56AA42690	43-2	56QA80570	113-3	65AA47120D	65-4	65AA77540	86-5
56AA40171	72-9	56AA42690	44-3	56QE88261E	110-1	65AA47131E	62-4	65AA78040	30-4
56AA40190	69-10	56AA42690	83-3	56UA70330	14-2	65AA47310E	61-4	65AA80112	88-4
56AA40190	72-10	56AA42690	86-3	56UA77280	35-6	65AA47310E	65-5	65AA80112	95-5
56AA40230	69-11	56AA42690	87-5	56UA77710	35-7	65AA47320	61-5	65AA80112	102-4
56AA40230	72-11	56AA42690	88-2	57AA15600	9-3	65AA47320	65-6	65AA88010	48-2
56AA40300	70-9	56AA42690	92-2	57AA15600	112-1	65AA47360	75-2	65AA91101E	28-6
56AA40300	73-9	56AA42690	93-5	57AA40420	68-17	65AA47370	75-3	65AA97440	55-1
56AA40310	69-12	56AA42690	95-3	57AA40420	71-17	65AA47390	75-4	65AA97450	56-1
56AA40310	72-12	56AA42690	99-6	65AA-9091E	79-3	65AA47550	63-2	65AA97460	57-1
56AA40360	68-7	56AA50670	87-6	65AA-9920	120-3	65AA47550	67-1	65AA97470	58-1
56AA40360	71-7	56AA50800	87-7	65AA10190	11-1	65AA47600E	62-5	65AA99500	120-11
56AA40370	69-13	56AA73560	113-2	65AA10470	9-4	65AA47600E	66-4	65AAR72700	108-2
56AA40370	72-13	56AA77330	31-4	65AA11300	5-2	65AA47630	63-3	65AAR73200	55-2
56AA40380	70-10	56AA77530	87-8	65AA11300	37-3	65AA47630	67-2	65AAR73200	56-2
56AA40380	73-10	56AA77590	70-12	65AA11430	5-3	65AA47700D	62-6	65AAR73200	57-2
56AA40390	69-14	56AA77590	73-12	65AA15210	76-3	65AA47700D	66-5	65AAR73200	58-2
56AA40390	72-14	56AA77720E	69-18	65AA15210	77-3	65AA47710	75-5	65AAR74600	109-2
56AA40430	68-8	56AA77720E	72-18	65AA15210	78-3	65AA47740E	62-7	65GE97400	70-15
56AA40430	71-8	56AA77730	69-19	65AA15210	79-2	65AA47740E	66-6	65GE97400	73-15
56AA40440	68-9	56AA77730	72-19	65AA20060	41-5	65AA47820	61-6	65GE97490	62-8
56AA40440	71-9	56AA80551	89-2	65AA20300	41-6	65AA47820	65-7	65GE97490	66-7
56AA40481	68-10	56AA82012	69-20	65AA26380	39-3	65AA47860	61-7	65LA48530	105-1
56AA40481	71-10	56AA82012	70-13	65AA26600	39-4	65AA47860	65-8	9313100072	5-1
56AA40490	32-2	56AA82012	72-20	65AA26690D	39-5	65AA47900E	63-5	9313110033	113-1
56AA40490	41-4	56AA82012	73-13	65AA26840	41-7	65AA47970	75-6	9335140051	34-3
56AA40490	70-11	56AA82012	81-5	65AA26870	38-4	65AA48360	106-4	9335140071	91-4
56AA40490	73-11	56AA82012	87-9	65AA26900D	39-6	65AA48460	106-5	9335140071	95-2
56AA40490	82-1	56AA97140	110-16	65AA27090D	41-8	65AA49410	100-7	9335140071	96-4
56AA40490	84-6	56GA76010	86-4	65AA27320	41-9	65AA49500	61-2	9381410131	122-1
56AA40490	90-4	56QA40080	68-13	65AA33310F	52-2	65AA49500	65-2	9J03M10000	8-5
56AA40490	104-3	56QA40080	71-13	65AA40010	69-21	65AA50400	9-5	9J03M10000	10-7
56AA40500	69-16	56QA40250	68-14	65AA40010	72-21	65AA509900	8-3	9J03M10000	105-2
56AA40500	72-16	56QA40250	71-14	65AA40080E	70-14	65AA51510	90-5	9J06M10000	111-2
56AA40520	69-17	56QA40270	68-15	65AA40080E	73-14	65AA51730	88-3	9J06N30000	122-1
56AA40520	72-17	56QA40270	71-15	65AA42370	99-7	65AA53560	50-2	9J06PJP100	120-22
56AA40530	68-11	56QA40550	68-16	65AA44200	81-6	65AA53991	50-3	9J06PJP100	120-15
56AA40530	71-11	56QA40550	71-16	65AA44350	81-7	65AA75010E	16-1	9J06PJP200	120-16

Parts No.	Page No.	Parts No.	Page No.	Parts No.	Page No.	Parts No.	Page No.	Parts No.	Page No.
9J07500201	31-5	A034M50000	5-4	A03U560500	70-17	A03U842800	95-8	A03X565001	87-15
A00FM20000	32-4	A034M50000	37-4	A03U560500	73-17	A03U843500	90-13	A03X565611	68-20
A00J169100	121-15	A03N621800	66-8	A03U621200	63-6	A03U844200	96-5	A03X565611	71-20
A00J211200	105-3	A03TM50000	106-7	A03U621200	67-4	A03U844300	96-6	A03X622000	103-2
A00J265300	17-1	A03U118301	11-2	A03U723301	50-4	A03U844700	96-7	A03X622101	67-5
A00J617800	39-7	A03U190500	16-2	A03U724200	44-6	A03U844802	96-8	A03X622201	67-6
A00J617800	44-4	A03U190600	16-3	A03U728000	50-5	A03U844901	96-9	A03X656203	61-8
A00J617800	53-2	A03U190700	16-4	A03U734500	44-7	A03U845100	94-2	A03X656203	65-9
A00J617800	84-8	A03U190802	16-5	A03U734500	46-3	A03U845301	92-4	A043909901	105-7
A00J617800	90-6	A03U190900	15-1	A03U734500	47-1	A03U845301	94-3	A07R813801	109-3
A00J617800	100-8	A03U191100	16-6	A03U734500	48-3	A03U845601	85-3	A07TM60100	110-3
A00J617800	106-6	A03U191201	16-7	A03U734500	51-2	A03U845601	95-9	A0ED271200	20-1
A00J617900	38-6	A03U191301	16-8	A03U734800	50-6	A03U845601	101-2	A0ED271300	20-2
A00J617900	83-4	A03U191400	15-2	A03U734900	50-7	A03U845700	95-10	A0ED273600	19-2
A00J617900	87-10	A03U191500	15-3	A03U808400	44-8	A03U845902	95-11	A0ED273600	20-3
A00J617900	92-3	A03U191600	15-4	A03U809500	49-5	A03U848100	94-4	A0ED274200	20-4
A00J617900	93-6	A03U191700	15-5	A03U811600	90-7	A03U849701	90-14	A0ED274300	20-5
A00J617900	99-8	A03U191800	15-6	A03U811800	90-8	A03U850101	68-19	A0ED274400	20-6
A00J663200	68-18	A03U191900	15-7	A03U812800	62-9	A03U850101	71-19	A0ED276301	19-3
A00J663200	69-22	A03U192000	15-8	A03U812800	66-9	A03U850101	80-2	A0EDM10500	113-4
A00J663200	70-16	A03U192100	15-9	A03U812800	69-23	A03U850101	91-6	A0G6191600	14-3
A00J663200	71-18	A03U192200	15-10	A03U812800	70-18	A03U850101	104-5	A0G6192400	14-4
A00J663200	72-22	A03U192300	16-9	A03U812800	72-23	A03U859400	95-12	A0G6192500	14-5
A00J663200	73-16	A03U193400	15-11	A03U812800	73-18	A03U859500	95-13	A0G6192700	14-6
A00J945401	4-1	A03U193600	15-12	A03U812800	81-9	A03U892300	105-4	A0G6192900	14-7
A00JM12100	30-3	A03U193700	15-13	A03U812800	86-7	A03U892400	105-5	A0G6193100	14-8
A00JM60300	110-2	A03U195302	16-10	A03U812800	87-12	A03U892701	106-8	A0G6193200	14-9
A00TM10000	98-2	A03U195400	16-11	A03U812800	88-5	A03U893000	106-9	A0G6193400	14-10
A00V240600	38-7	A03U195500	16-12	A03U812800	93-7	A03U893101	106-10	A0G6193500	14-11
A00V240600	43-3	A03U259600	76-4	A03U812800	102-6	A03U893200	106-11	A0G6193700	14-12
A00V240600	44-5	A03U259600	77-4	A03U812800	104-4	A03U893502	106-12	A0G6193800	14-13
A00V240600	49-3	A03U259600	78-4	A03U813601	90-9	A03U909502	106-13	A0G6193900	14-14
A00V240600	53-3	A03U259600	79-4	A03U814100	90-10	A03U909900	105-6	A0G6194000	14-15
A00V240600	74-3	A03U259900	76-5	A03U814200	90-11	A03UF19100	16-13	A0G6411200	5-6
A00V240600	86-6	A03U259900	77-5	A03U814300	90-12	A03UF84300	96-10	A0G6739300	109-4
A00V240600	87-11	A03U259900	78-5	A03U815700	86-8	A03UM15802	5-5	A0G6H06000	14-16
A00V240600	95-6	A03U259900	79-5	A03U838900	87-13	A03UM15802	8-6	A0G6N18400	14-18
A00V240600	97-2	A03U512300	38-8	A03U839000	86-9	A03UM20100	87-14	A0GD944100	121-16
A00V240600	102-5	A03U515100	37-5	A03U842700	85-2	A03UN23200	45-1	A0GD944200	121-17
A02E262300	114-2	A03U555400	41-10	A03U842700	95-7	A03UN23200	48-4	A0P0144300	91-7

Parts No.	Page No.	Parts No.	Page No.	Parts No.	Page No.	Parts No.	Page No.	Parts No.	Page No.
A0P0M50400	5-4	A161281300	19-13	A1RF214100	78-6	A1RJ825100	97-4	A50U104700	8-11
A0P0M50400	37-4	A161281600	18-7	A1RF214100	79-6	A1RJ825800	97-5	A50U104801	112-2
A0P0M73100	14-1	A161626800	60-1	A1RF301400	12-1	A1TVM10100	89-3	A50U104901	7-8
A0TK341200	97-3	A161626800	64-1	A1RF363500	34-6	A1TVM10100	105-8	A50U105000	13-4
A0TKH00200	24-1	A161940602	3-7	A1RF363801	34-7	A1UD210500	35-13	A50U105100	8-12
A0TKH00200	25-1	A161M10200	35-9	A1RF368500	35-10	A1UDM50100	62-10	A50U105201	8-13
A0TKH00200	26-1	A161M50A00	19-14	A1RF372300	35-11	A1UDM50100	66-10	A50U105600	8-14
A0TKH00200	27-1	A161N14000	20-18	A1RF441500	29-5	A1UDM50200	19-16	A50U105800	9-9
A0VDM50500	103-3	A161N14201	19-15	A1RF508000	40-4	A2X0M12101	75-7	A50U106300	10-11
A0Y5M15101	11-3	A161R72200	17-6	A1RF508100	40-5	A2XKM10300	31-6	A50U106300	13-5
A11PM10200	38-9	A1DU111101	7-4	A1RF508200	40-6	A2XKM10300	74-4	A50U106502	11-4
A11PM10200	43-4	A1DU163402	3-1	A1RF508900	109-5	A4EU138000	114-21	A50U106600	11-5
A161261902	18-3	A1DU190101	16-14	A1RF509000	109-6	A4EU190413	14-20	A50U106700	11-6
A161262002	18-4	A1DU504203	38-35	A1RF517300	38-12	A4EU194100	14-21	A50U106800	7-9
A161262200	19-4	A1DU622200	75-8	A1RF517300	106-14	A4EU194200	14-22	A50U107000	9-10
A161263000	19-5	A1DU622200	113-5	A1RF620301	68-22	A4EU265000	43-8	A50U107101	9-11
A161268200	17-2	A1DU736200	43-5	A1RF620301	71-22	A4EU265000	47-3	A50U107501	8-15
A161268300	17-3	A1DU764000	7-5	A1RF701700	80-3	A4EU538400	30-5	A50U107600	8-16
A161270102	20-7	A1DU942900	103-4	A1RF758100	43-6	A4EUM60000	5-7	A50U107801	8-17
A161270600	20-8	A1DUF62101	63-7	A1RF758100	47-2	A4EUM60401	110-4	A50U108001	11-7
A161271000	20-9	A1DUF62101	67-7	A1RF809400	43-7	A4EUM75800	14-23	A50U108200	11-8
A161271100	20-10	A1DUH11000	16-15	A1RF815702	8-7	A4EUM77000	115-17	A50U108900	7-10
A161273113	20-11	A1DUPJG100	120-14	A1RF820000	44-9	A4EUN28500	14-24	A50U109101	6-1
A161273401	20-12	A1DUR71200	52-3	A1RF820000	92-5	A4EUPP0000	120-7	A50U109300	75-9
A161273500	20-13	A1DUR71600	42-1	A1RF820000	93-8	A4F3744400	10-28	A50U109400	8-18
A161273701	20-14	A1DUR71900	39-8	A1RF820000	98-3	A50U101602	9-6	A50U109900	8-22
A161273800	20-15	A1DUR71C00	41-11	A1RF820000	99-9	A50U102704	9-7	A50U110000	10-12
A161274500	20-16	A1DUR71D00	41-12	A1RF820000	109-7	A50U102801	7-6	A50U112901	75-10
A161274600	20-17	A1DUR71J00	70-19	A1RF847400	94-5	A50U102900	5-8	A50U112901	113-6
A161275300	19-6	A1DUR71J00	73-19	A1RF863800	100-9	A50U103200	8-8	A50U120100	110-5
A161275400	19-7	A1DUR71K00	68-21	A1RF945501	38-37	A50U103301	10-8	A50U120200	110-6
A161275500	19-8	A1DUR71K00	71-21	A1RF945501	121-1	A50U103403	8-9	A50U120300	8-23
A161275600	19-9	A1DUR73500	38-10	A1RF946000	65-10	A50U103500	8-10	A50U120600	5-9
A161276000	19-10	A1DUR73E00	95-14	A1RFM15100	114-3	A50U103602	7-7	A50U120700	113-7
A161276500	19-11	A1DUR73K00	86-10	A1RFM51000	46-4	A50U103800	10-9	A50U120900	11-9
A161278600	17-4	A1DUR73P00	95-15	A1RFN28300	14-19	A50U104000	12-2	A50U121003	5-10
A161278900	17-5	A1DUR75200	70-20	A1RG569900	33-4	A50U104300	13-2	A50U121300	5-11
A161280211	18-5	A1DUR75200	73-20	A1RG569900	35-12	A50U104401	10-10	A50U121500	21-1
A161280300	18-6	A1RF214100	76-6	A1RG681400	87-16	A50U104500	13-3	A50U121601	5-12
A161281100	19-12	A1RF214100	77-6	A1RJ818800	100-10	A50U104600	9-8	A50U121800	11-10

Parts No.	Page No.	Parts No.	Page No.	Parts No.	Page No.	Parts No.	Page No.	Parts No.	Page No.
A50U121900	11-11	A50U129100	11-22	A50U161601	2-8	A50U212600	76-9	A50U335600	58-3
A50U122103	5-13	A50U129200	8-24	A50U161700	2-9	A50U212600	77-9	A50U337101	53-7
A50U122400	113-9	A50U129300	11-23	A50U161800	2-10	A50U212600	78-9	A50U337200	54-3
A50U122701	12-3	A50U129401	11-24	A50U161900	2-11	A50U212600	79-9	A50U337300	54-4
A50U122900	11-12	A50U129801	11-25	A50U162701	1-1	A50U220501	52-6	A50U337400	53-8
A50U123200	6-2	A50U130300	115-3	A50U162900	1-2	A50U220600	53-11	A50U340301	55-4
A50U123300	6-3	A50U130502	114-4	A50U163700	4-2	A50U220700	53-4	A50U340301	56-4
A50U123400	6-4	A50U131002	112-3	A50U164000	5-24	A50U221500	52-7	A50U340301	57-4
A50U123500	6-5	A50U131100	113-10	A50U164100	2-12	A50U221701	52-8	A50U340301	58-4
A50U123600	6-6	A50U131200	113-11	A50U164200	2-13	A50U221800	53-5	A50U340501	54-5
A50U123700	5-14	A50U131300	113-12	A50U164901	2-14	A50U252100	74-5	A50U340700	8-25
A50U123800	5-15	A50U131400	112-4	A50U165500	2-15	A50U252300	74-6	A50U340902	54-6
A50U123900	6-7	A50U131503	110-7	A50U165600	2-16	A50U252400	74-7	A50U341002	52-9
A50U124000	6-8	A50U131600	110-8	A50U166100	2-17	A50U252500	74-8	A50U341200	58-5
A50U124100	5-16	A50U131700	110-9	A50U166200	2-18	A50U252600	74-9	A50U341301	54-7
A50U124900	5-17	A50U131800	110-10	A50U166800	28-7	A50U252700	74-10	A50U341401	54-8
A50U125000	11-13	A50U131900	112-5	A50U167201	2-19	A50U252800	74-11	A50U341600	54-9
A50U125101	11-14	A50U132100	113-13	A50U167301	3-8	A50U308100	12-5	A50U341800	6-17
A50U125200	5-18	A50U132301	111-3	A50U167500	2-20	A50U308200	12-6	A50U341900	55-5
A50U125500	11-15	A50U132400	110-11	A50U167601	2-21	A50U308300	12-7	A50U341900	56-5
A50U125600	11-16	A50U132600	113-14	A50U167801	4-3	A50U308400	12-8	A50U341900	57-5
A50U125800	11-17	A50U132701	11-26	A50U167901	5-25	A50U308500	12-9	A50U341900	58-6
A50U125901	5-19	A50U132800	11-27	A50U169002	52-4	A50U314300	12-10	A50U342000	55-6
A50U126200	6-9	A50U133101	112-6	A50U169602	52-5	A50U314800	9-13	A50U342000	56-6
A50U126300	11-18	A50U133201	7-11	A50U169900	2-22	A50U318101	21-2	A50U342000	57-6
A50U126400	11-19	A50U133302	114-22	A50U171500	28-8	A50U318201	21-3	A50U342000	58-7
A50U126500	5-20	A50U133400	115-4	A50U172100	5-26	A50U318300	21-4	A50U342200	6-18
A50U126600	5-21	A50U133500	114-23	A50U172200	5-27	A50U318500	12-11	A50U342300	55-7
A50U126800	6-10	A50U133600	114-24	A50U172300	5-29	A50U318601	12-12	A50U342300	56-7
A50U127000	12-4	A50U133700	110-12	A50U175001	3-5	A50U318700	21-5	A50U342300	57-7
A50U127201	6-11	A50U133800	110-13	A50U179000	28-9	A50U318700	28-10	A50U342300	58-8
A50U127300	6-12	A50U133902	115-5	A50U179500	5-30	A50U318800	12-13	A50U342400	6-19
A50U127401	5-22	A50U134701	115-6	A50U210600	76-7	A50U318900	21-6	A50U342502	54-10
A50U127500	6-13	A50U134801	115-7	A50U210600	77-7	A50U319301	21-7	A50U342600	54-11
A50U127800	6-14	A50U136303	115-8	A50U210600	78-7	A50U333500	23-1	A50U342900	8-26
A50U127901	5-23	A50U136403	111-4	A50U210600	79-7	A50U333600	23-2	A50U343000	54-12
A50U128000	6-15	A50U136501	9-12	A50U212100	76-8	A50U335600	54-2	A50U343100	58-9
A50U128700	6-16	A50U160500	2-5	A50U212100	77-8	A50U335600	55-3	A50U343301	58-10
A50U128801	11-20	A50U161501	2-7	A50U212100	78-8	A50U335600	56-3	A50U343400	54-13
A50U128900	11-21	A50U161502	2-7	A50U212100	79-8	A50U335600	57-3	A50U343500	54-14

Parts No.	Page No.	Parts No.	Page No.	Parts No.	Page No.	Parts No.	Page No.	Parts No.	Page No.
A50U343600	122-2	A50U374501	25-5	A50U440301	29-11	A50U463100	56-17	A50U506701	38-27
A50U343700	58-11	A50U374501	26-5	A50U440601	29-12	A50U463100	57-17	A50U506900	39-17
A50U343800	54-15	A50U374501	27-5	A50U442100	28-15	A50U463100	58-21	A50U507000	38-28
A50U343900	54-16	A50U376002	24-6	A50U462101	55-8	A50U500401	38-13	A50U507600	39-18
A50U344200	54-18	A50U376002	25-6	A50U462101	56-8	A50U500800	37-6	A50U507801	39-19
A50U360700	35-14	A50U376002	26-6	A50U462101	57-8	A50U501201	39-9	A50U507900	39-20
A50U361200	35-15	A50U376002	27-6	A50U462101	58-12	A50U501401	40-8	A50U508001	39-21
A50U361401	35-16	A50U377201	24-8	A50U462201	55-9	A50U501702	40-9	A50U508102	39-22
A50U361900	33-5	A50U377201	25-8	A50U462201	56-9	A50U501900	39-10	A50U508301	7-12
A50U362200	35-17	A50U377201	26-8	A50U462201	57-9	A50U502100	40-10	A50U508600	37-12
A50U362300	33-6	A50U377201	27-8	A50U462201	58-13	A50U502500	38-14	A50U508800	37-13
A50U363200	34-8	A50U377301	24-9	A50U462400	55-10	A50U502600	38-15	A50U509100	38-29
A50U363300	33-7	A50U377301	25-9	A50U462400	56-10	A50U502700	40-11	A50U509300	7-13
A50U363400	34-9	A50U377301	26-9	A50U462400	57-10	A50U502801	122-3	A50U510100	39-23
A50U363701	34-10	A50U377301	27-9	A50U462400	58-14	A50U502900	40-12	A50U510200	39-24
A50U363900	9-14	A50U400201	29-18	A50U462501	55-11	A50U503001	40-13	A50U510400	7-14
A50U365400	33-8	A50U400503	32-5	A50U462501	56-11	A50U503200	39-11	A50U515200	42-2
A50U365600	35-18	A50U400600	28-11	A50U462501	57-11	A50U503500	40-15	A50U515500	42-3
A50U365800	35-19	A50U400900	28-12	A50U462501	58-15	A50U503600	37-7	A50U516800	42-4
A50U366601	9-15	A50U401200	32-6	A50U462600	55-12	A50U503700	37-8	A50U516900	42-5
A50U366800	34-11	A50U401301	32-7	A50U462600	56-12	A50U503900	38-16	A50U517000	42-6
A50U367001	35-20	A50U401401	28-13	A50U462600	57-12	A50U504000	38-17	A50U517100	42-7
A50U367100	34-12	A50U404000	31-7	A50U462600	58-16	A50U504400	38-18	A50U517300	38-30
A50U367400	34-13	A50U404200	31-8	A50U462700	55-13	A50U504500	38-19	A50U520001	59-1
A50U368000	9-16	A50U404600	31-9	A50U462700	56-13	A50U504600	38-20	A50U520601	84-10
A50U368400	34-14	A50U406400	31-10	A50U462700	57-13	A50U504700	38-21	A50U520700	84-11
A50U369900	34-15	A50U407300	13-6	A50U462700	58-17	A50U505000	38-22	A50U520900	84-12
A50U372902	24-2	A50U407600	32-8	A50U462801	55-14	A50U505100	38-23	A50U521301	84-15
A50U372902	25-2	A50U408101	28-14	A50U462801	56-14	A50U505202	37-9	A50U521500	84-16
A50U372902	26-2	A50U408501	29-6	A50U462801	57-14	A50U505300	38-24	A50U521900	84-17
A50U372902	27-2	A50U408600	29-7	A50U462801	58-18	A50U505401	39-12	A50U522001	84-18
A50U373100	24-3	A50U408700	29-8	A50U462900	55-15	A50U505500	39-13	A50U522400	84-19
A50U373100	25-3	A50U408900	29-9	A50U462900	56-15	A50U505601	39-14	A50U522900	84-20
A50U373100	26-3	A50U410200	29-10	A50U462900	57-15	A50U505700	39-15	A50U523001	84-21
A50U373100	27-3	A50U420300	31-11	A50U462900	58-19	A50U505800	39-16	A50U523100	84-22
A50U374102	24-4	A50U420400	32-9	A50U463000	55-16	A50U505901	38-25	A50U523200	84-23
A50U374102	25-4	A50U420800	32-10	A50U463000	56-16	A50U506101	38-26	A50U523400	84-24
A50U374102	26-4	A50U420900	31-12	A50U463000	57-16	A50U506200	37-10	A50U524100	84-25
A50U374102	27-4	A50U421000	31-13	A50U463000	58-20	A50U506300	37-11	A50U524500	84-26
A50U374501	24-5	A50U421000	32-11	A50U463100	55-17	A50U506500	122-4	A50U524600	84-27

Parts No.	Page No.	Parts No.	Page No.	Parts No.	Page No.	Parts No.	Page No.	Parts No.	Page No.
A50U524700	84-28	A50U622802	65-13	A50U628200	61-19	A50U633400	64-6	A50U704900	81-19
A50U525900	59-2	A50U623201	62-22	A50U628200	63-12	A50U633601	64-7	A50U705000	81-20
A50U531400	41-13	A50U623201	66-18	A50U628200	65-20	A50U633702	60-6	A50U705100	80-7
A50U531500	41-14	A50U623300	62-23	A50U628200	67-12	A50U633702	64-8	A50U705200	80-8
A50U531601	41-15	A50U623300	66-19	A50U628300	63-13	A50U633800	60-7	A50U705400	81-21
A50U560901	69-24	A50U623600	62-24	A50U628300	67-13	A50U633800	64-9	A50U705500	81-22
A50U560901	72-24	A50U623701	62-25	A50U628400	62-31	A50U633900	60-8	A50U705600	81-23
A50U561200	69-25	A50U623900	66-20	A50U628400	66-25	A50U633900	64-10	A50U705701	80-9
A50U561200	72-25	A50U624000	9-17	A50U629001	65-21	A50U634200	10-18	A50U706000	80-10
A50U562400	69-26	A50U624113	10-15	A50U629100	75-11	A50U634300	60-9	A50U706800	81-24
A50U562400	72-26	A50U624201	66-21	A50U629202	65-22	A50U634300	64-11	A50U706900	80-11
A50U564500	69-27	A50U624300	10-16	A50U629300	61-20	A50U635400	66-35	A50U707002	81-25
A50U564500	72-27	A50U624503	9-18	A50U629401	67-14	A50U635500	66-36	A50U707300	81-26
A50U565100	69-28	A50U624600	63-9	A50U629502	63-14	A50U637002	60-10	A50U707400	81-27
A50U565100	72-28	A50U624600	67-9	A50U629502	67-15	A50U637600	63-18	A50U707600	80-12
A50U620602	62-11	A50U624700	63-10	A50U629702	63-15	A50U637700	63-19	A50U710101	102-7
A50U620801	62-12	A50U624700	67-10	A50U629702	67-16	A50U640100	67-18	A50U710300	104-6
A50U620801	66-11	A50U624904	9-19	A50U629801	63-16	A50U640200	10-19	A50U710901	104-7
A50U620902	62-13	A50U625000	61-12	A50U629801	67-17	A50U640400	10-20	A50U711001	104-8
A50U621001	61-9	A50U625100	63-11	A50U629901	63-17	A50U640700	66-37	A50U711101	102-8
A50U621001	65-11	A50U625100	67-11	A50U630203	61-21	A50U640800	62-32	A50U711200	104-9
A50U621200	63-8	A50U625400	62-26	A50U630203	65-23	A50U641500	61-22	A50U711300	104-10
A50U621200	67-8	A50U625500	62-27	A50U630602	66-26	A50U641500	65-27	A50U711400	102-9
A50U621301	62-14	A50U625701	61-13	A50U630902	66-27	A50U642000	62-33	A50U711602	104-11
A50U621301	66-12	A50U625701	65-14	A50U631000	66-28	A50U642000	66-38	A50U712001	103-5
A50U621400	62-15	A50U626000	66-22	A50U631100	66-29	A50U642300	47-4	A50U712200	91-8
A50U621400	66-13	A50U626502	61-14	A50U631200	65-24	A50U642300	67-19	A50U712200	104-12
A50U621800	62-16	A50U626502	65-15	A50U631301	65-25	A50U642300	99-10	A50U712300	91-9
A50U621900	62-17	A50U626601	61-15	A50U631500	66-30	A50U700101	80-4	A50U712300	104-13
A50U621900	66-14	A50U626601	65-16	A50U631600	65-26	A50U700200	81-10	A50U712400	91-10
A50U622001	62-18	A50U626702	61-16	A50U631700	66-31	A50U700300	81-11	A50U712400	104-14
A50U622001	66-15	A50U626702	65-17	A50U631800	66-32	A50U700400	81-12	A50U712700	104-15
A50U622101	62-19	A50U627002	64-2	A50U631900	66-33	A50U700500	81-13	A50U713000	102-10
A50U622101	66-16	A50U627200	64-3	A50U632300	66-34	A50U700600	81-14	A50U713100	104-16
A50U622300	62-20	A50U627601	61-17	A50U633002	60-2	A50U700901	80-5	A50U713200	102-11
A50U622400	62-21	A50U627601	65-18	A50U633002	64-4	A50U701113	80-6	A50U713302	88-7
A50U622400	66-17	A50U627701	61-18	A50U633200	60-3	A50U701114	80-6	A50U713401	88-8
A50U622600	61-10	A50U627701	65-19	A50U633200	64-5	A50U704400	81-16	A50U713403	88-8
A50U622600	65-12	A50U628001	10-17	A50U633301	60-4	A50U704700	81-17	A50U713500	88-9
A50U622802	61-11	A50U628100	62-30	A50U633400	60-5	A50U704801	81-18	A50U713600	102-12

Parts No.	Page No.	Parts No.	Page No.	Parts No.	Page No.	Parts No.	Page No.	Parts No.	Page No.
A50U713700	88-10	A50U719300	103-11	A50U742901	43-13	A50U751101	43-22	A50U763600	51-16
A50U713800	88-11	A50U719400	103-12	A50U743100	43-14	A50U751200	43-23	A50U763800	50-30
A50U713900	88-12	A50U719800	102-19	A50U743200	43-15	A50U751301	43-24	A50U763900	50-31
A50U714201	104-17	A50U721502	51-3	A50U743302	44-11	A50U752000	44-22	A50U765000	49-14
A50U714300	102-13	A50U722100	48-5	A50U743600	44-12	A50U752200	44-23	A50U765500	46-15
A50U714400	102-14	A50U722202	48-6	A50U743700	44-13	A50U752300	44-24	A50U783400	49-15
A50U714500	104-18	A50U722700	51-4	A50U743900	44-14	A50U752600	43-25	A50U785000	47-10
A50U714601	91-11	A50U723812	48-7	A50U744000	49-10	A50U752700	46-9	A50U787003	47-11
A50U714601	104-19	A50U723911	48-8	A50U744100	49-11	A50U753100	114-15	A50U787500	45-4
A50U714800	88-13	A50U725001	49-7	A50U744400	49-12	A50U754700	44-25	A50U787600	45-5
A50U714900	88-14	A50U725200	48-9	A50U744601	44-15	A50U754901	47-9	A50U787700	46-16
A50U715003	88-15	A50U726611	48-10	A50U744700	47-5	A50U755100	46-10	A50U788000	47-12
A50U715004	88-15	A50U728500	48-11	A50U744912	44-16	A50U755301	46-11	A50U788102	47-13
A50U715100	88-16	A50U728800	48-12	A50U745100	45-2	A50U755900	43-26	A50U788602	46-17
A50U715200	88-17	A50U730900	48-13	A50U745400	47-6	A50U756002	43-27	A50U788900	46-18
A50U715300	91-12	A50U731002	48-14	A50U745501	44-17	A50U756300	46-13	A50U789100	46-19
A50U715300	104-20	A50U731102	48-15	A50U745600	43-16	A50U756300	49-13	A50U792901	47-14
A50U715400	93-9	A50U731700	7-15	A50U745700	43-17	A50U756500	43-28	A50U794800	47-15
A50U715600	91-13	A50U731900	7-16	A50U746200	45-3	A50U757000	43-29	A50U799200	47-16
A50U715600	104-21	A50U732000	51-5	A50U746400	44-18	A50U757100	43-30	A50U799601	47-17
A50U715800	91-14	A50U732100	44-10	A50U746500	50-9	A50U758201	46-14	A50U799700	47-18
A50U715800	104-22	A50U732200	43-9	A50U746700	47-7	A50U760400	50-11	A50U799800	47-19
A50U715900	102-15	A50U732300	43-10	A50U746800	46-5	A50U760600	50-12	A50U800100	98-4
A50U716200	102-16	A50U732400	43-11	A50U747101	47-8	A50U760701	50-13	A50U800300	97-6
A50U716301	104-23	A50U732500	43-12	A50U747803	46-6	A50U760802	50-14	A50U800400	97-7
A50U716400	104-24	A50U733500	48-16	A50U747900	46-7	A50U761100	50-16	A50U800700	97-8
A50U716500	59-3	A50U734100	114-5	A50U748200	46-8	A50U761200	50-17	A50U800800	97-9
A50U716500	84-29	A50U737201	7-17	A50U748403	43-18	A50U761300	50-18	A50U801400	97-10
A50U716500	91-15	A50U737302	114-6	A50U748404	43-18	A50U761400	50-19	A50U801500	97-11
A50U716500	104-25	A50U737401	114-7	A50U748506	44-19	A50U761500	50-20	A50U801602	97-12
A50U717001	103-6	A50U737601	114-8	A50U748701	50-10	A50U761601	50-21	A50U802002	97-13
A50U717100	103-7	A50U737700	114-9	A50U749200	44-20	A50U761700	50-22	A50U802100	98-5
A50U717200	103-8	A50U737800	7-18	A50U749300	44-21	A50U761800	50-23	A50U802211	97-14
A50U717901	102-17	A50U738001	7-19	A50U749401	114-10	A50U761900	50-24	A50U802700	98-6
A50U718200	103-9	A50U738100	7-20	A50U749502	114-11	A50U762000	50-25	A50U802801	98-7
A50U718300	103-10	A50U738700	51-11	A50U749600	114-12	A50U762100	50-26	A50U802900	98-8
A50U718400	91-16	A50U738900	7-21	A50U749700	114-13	A50U762200	50-27	A50U803101	98-9
A50U718400	104-26	A50U739000	7-22	A50U749801	114-14	A50U762300	50-28	A50U803300	98-10
A50U718500	91-17	A50U739811	49-8	A50U751002	43-21	A50U762400	50-29	A50U803400	98-11
A50U718500	104-27	A50U739900	49-9	A50U751003	43-21	A50U763000	51-15	A50U803500	98-12

Parts No.	Page No.	Parts No.	Page No.	Parts No.	Page No.	Parts No.	Page No.	Parts No.	Page No.
A50U803600	98-13	A50U819302	82-7	A50U836200	91-31	A50U844400	96-18	A50U854600	66-39
A50U803700	98-14	A50U819500	83-6	A50U836300	89-10	A50U844501	96-19	A50U854600	93-23
A50U803800	98-15	A50U819600	99-12	A50U836400	86-20	A50U844601	96-20	A50U854800	84-32
A50U804001	97-15	A50U819700	88-18	A50U836500	86-21	A50U844800	94-10	A50U854800	85-4
A50U804200	97-16	A50U819812	89-7	A50U836801	93-11	A50U845400	95-19	A50U854800	92-25
A50U804701	98-16	A50U819900	89-8	A50U837001	82-10	A50U846000	96-21	A50U854800	94-13
A50U805200	98-17	A50U830200	87-20	A50U837101	82-11	A50U846102	92-9	A50U855200	9-20
A50U805300	97-17	A50U830300	87-21	A50U837300	82-12	A50U846304	92-10	A50U855601	94-14
A50U810302	90-15	A50U830400	87-22	A50U837700	89-11	A50U847200	95-20	A50U855702	82-13
A50U810400	90-16	A50U830501	87-23	A50U838500	89-12	A50U848000	94-11	A50U855800	84-33
A50U810502	86-11	A50U830600	87-24	A50U838700	89-13	A50U848302	94-12	A50U855900	86-23
A50U811300	13-7	A50U830700	87-25	A50U838701	89-13	A50U850201	95-21	A50U856201	92-26
A50U811500	13-8	A50U830800	87-26	A50U838800	99-14	A50U850201	96-22	A50U856501	96-25
A50U812100	86-12	A50U831000	87-27	A50U839200	86-22	A50U850700	93-12	A50U858101	84-34
A50U812202	87-17	A50U831100	87-28	A50U839200	87-31	A50U851400	92-11	A50U858200	82-14
A50U813700	13-9	A50U831200	87-29	A50U839900	83-7	A50U851500	92-12	A50U858300	82-15
A50U814401	89-4	A50U831300	89-9	A50U840303	92-6	A50U851500	93-13	A50U858400	82-16
A50U814500	89-5	A50U831400	90-18	A50U840400	96-11	A50U851700	92-13	A50U858500	82-17
A50U815101	89-6	A50U831900	87-30	A50U840501	94-20	A50U851901	93-15	A50U858600	86-24
A50U815800	90-17	A50U832100	8-27	A50U840602	94-21	A50U852000	92-15	A50U858703	93-24
A50U816103	86-13	A50U832201	10-22	A50U840704	94-6	A50U852102	93-16	A50U859000	87-34
A50U816403	93-10	A50U832600	90-19	A50U840715	94-6	A50U852200	93-17	A50U859400	87-35
A50U816700	91-18	A50U832700	90-20	A50U840802	92-7	A50U852300	93-18	A50U859500	92-27
A50U816801	91-19	A50U832901	82-8	A50U841100	95-16	A50U852301	93-18	A50U859800	92-28
A50U816900	91-20	A50U833000	8-28	A50U841301	96-12	A50U852400	93-19	A50U859900	95-22
A50U817300	87-18	A50U833400	91-26	A50U841402	92-8	A50U852501	92-16	A50U860104	99-15
A50U817300	99-11	A50U833500	91-27	A50U841501	94-7	A50U852501	93-20	A50U860105	99-15
A50U817400	86-14	A50U834200	90-21	A50U841600	94-8	A50U852701	92-17	A50U860202	100-11
A50U817601	91-21	A50U834304	99-13	A50U841700	96-13	A50U852904	92-18	A50U860501	99-16
A50U817700	13-10	A50U834500	91-28	A50U841800	96-14	A50U853001	92-19	A50U860600	100-12
A50U817800	91-22	A50U834600	91-29	A50U841901	94-9	A50U853100	93-21	A50U861006	99-17
A50U818001	86-15	A50U834700	91-30	A50U842000	95-17	A50U853200	92-20	A50U861100	100-13
A50U818201	91-23	A50U834802	84-30	A50U842300	95-18	A50U853200	93-22	A50U861601	100-14
A50U818400	91-24	A50U835001	82-9	A50U842301	95-18	A50U853400	96-23	A50U861900	101-3
A50U818501	87-19	A50U835302	86-16	A50U842900	83-8	A50U853700	92-21	A50U862600	101-4
A50U818601	91-25	A50U835400	86-17	A50U842900	96-15	A50U854100	96-24	A50U863000	101-5
A50U818700	82-3	A50U835601	88-19	A50U843601	96-16	A50U854200	92-22	A50U864200	100-15
A50U818800	82-4	A50U835900	86-18	A50U843801	96-17	A50U854302	92-23	A50U864300	100-16
A50U818900	82-5	A50U836000	86-19	A50U843900	90-22	A50U854400	84-31	A50U865011	101-6
A50U819201	82-6	A50U836100	88-20	A50U844100	90-23	A50U854400	92-24	A50U865101	100-17

Parts No.	Page No.	Parts No.	Page No.	Parts No.	Page No.	Parts No.	Page No.	Parts No.	Page No.
A50U865200	101-7	A50U882100	91-36	A50U892101	106-26	A50U949600	43-32	A50UM51000	8-30
A50U865300	99-19	A50U882100	93-25	A50U892201	105-12	A50U949600	52-11	A50UM51000	28-17
A50U865401	100-18	A50U882300	88-21	A50U892502	105-13	A50U949700	52-12	A50UM51000	34-16
A50U865601	100-19	A50U882401	102-20	A50U893201	106-27	A50U949700	53-9	A50UM51000	81-28
A50U865703	99-20	A50U882600	88-22	A50U893300	105-14	A50U949700	54-20	A50UM51000	108-3
A50U865901	99-21	A50U882701	83-9	A50U894000	106-28	A50UF12000	5-33	A50UM60300	5-34
A50U865902	99-21	A50U882801	83-10	A50U895000	105-15	A50UF16000	2-26	A50UN10903	43-33
A50U866400	99-22	A50U882900	93-26	A50U895101	105-16	A50UF16101	2-27	A50UN11801	34-17
A50U866900	99-23	A50U883001	93-27	A50U899700	106-29	A50UF16201	2-28	A50UN12000	34-18
A50U867100	100-20	A50U883101	93-28	A50U899801	106-30	A50UF16301	2-29	A50UN12101	28-18
A50U867200	99-24	A50U883200	93-29	A50U943201	91-42	A50UF16400	2-30	A50UN12203	32-12
A50U867312	99-25	A50U883300	88-23	A50U943301	104-29	A50UF21100	76-10	A50UN12500	54-21
A50U867400	99-26	A50U883400	93-30	A50U943401	102-21	A50UF21100	77-10	A50UN12602	5-35
A50U867500	99-27	A50U883501	88-24	A50U943502	43-31	A50UF21100	78-10	A50UN12702	118-1
A50U867600	99-28	A50U883600	91-37	A50U943601	100-29	A50UF36500	33-9	A50UN12900	112-8
A50U867700	100-21	A50U883600	93-31	A50U943701	50-32	A50UF41500	28-16	A50UN13203	39-25
A50U867802	99-29	A50U883701	93-32	A50U943801	99-32	A50UF50700	7-23	A50UN13600	10-23
A50U868000	100-22	A50U884000	93-33	A50U943901	96-26	A50UF70800	80-13	A50UN14001	67-21
A50U868200	101-8	A50U884202	83-11	A50U944001	94-16	A50UF70900	80-14	A50UN14100	63-21
A50U868301	101-9	A50U884600	84-35	A50U944200	82-18	A50UF80500	97-18	A50UN14201	69-29
A50U868401	100-23	A50U884700	84-36	A50U944302	5-31	A50UF81401	88-25	A50UN14201	72-29
A50U868500	101-10	A50U885100	86-26	A50U944500	29-13	A50UF82200	86-27	A50UN14400	81-29
A50U868600	101-11	A50U886300	91-38	A50U944600	29-14	A50UF83702	83-12	A50UN15101	113-16
A50U868702	100-24	A50U886700	93-35	A50U944700	29-15	A50UF84800	95-23	A50UN15301	105-18
A50U869100	101-12	A50U886800	92-32	A50U944800	29-16	A50UM15300	7-24	A50UN15400	8-31
A50U869300	100-25	A50U886900	93-36	A50U945301	62-34	A50UM15300	105-17	A50UN15500	82-19
A50U869400	99-30	A50U890102	106-15	A50U945301	66-40	A50UM15401	11-28	A50UN15800	102-22
A50U869501	99-31	A50U890201	106-16	A50U945601	2-24	A50UM30101	55-18	A50UN15900	93-37
A50U869601	100-26	A50U890300	106-17	A50U945601	54-19	A50UM30101	56-18	A50UN16000	89-14
A50U869700	100-27	A50U890500	105-9	A50U945601	59-4	A50UM30101	57-18	A50UN16300	95-24
A50U869800	100-28	A50U890600	106-18	A50U945702	60-11	A50UM30101	58-22	A50UN16400	95-25
A50U880103	92-29	A50U890700	106-19	A50U945702	64-12	A50UM32A00	46-20	A50UN16600	103-13
A50U880201	94-15	A50U890802	106-20	A50U946000	61-23	A50UM32E00	46-20	A50UN16700	103-14
A50U880702	86-25	A50U891001	105-10	A50U946300	62-35	A50UM32F00	46-20	A50UN16800	103-15
A50U880800	91-32	A50U891201	105-11	A50U946300	66-41	A50UM40100	112-7	A50UN16900	89-15
A50U881300	92-30	A50U891302	106-21	A50U946400	63-20	A50UM40201	113-15	A50UN17100	97-19
A50U881400	92-31	A50U891500	106-22	A50U946400	67-20	A50UM45206	111-5	A50UN17200	86-28
A50U881500	8-29	A50U891600	106-23	A50U946503	2-25	A50UM50100	42-8	A50UN17400	112-9
A50U881601	91-34	A50U891900	106-24	A50U948001	52-10	A50UM50200	42-9	A50UN17502	101-13
A50U881700	91-35	A50U892001	106-25	A50U949600	5-32	A50UM50600	48-17	A50UN17601	100-30

Parts No.	Page No.
A50UN17700	98-18
A50UN17900	91-43
A50UN18100	93-38
A50UN18203	88-26
A50UN18401	100-31
A50UN18700	82-20
A50UN18900	88-27
A50UN20001	42-10
A50UN23200	112-10
A50UN23300	112-11
A50UN23400	112-12
A50UN23500	112-13
A50UN23600	112-14
A50UN23700	112-15
A50UN23800	112-16
A50UN23900	112-17
A50UN24100	112-18
A50UN24200	112-19
A50UN24300	112-20
A50UN24400	113-17
A50UN24501	38-31
A50UN24600	113-18
A50UN24701	38-32
A50UN24800	113-19
A50UN24901	38-33
A50UN25000	113-20
A50UN25200	113-21
A50UN25300	113-22
A50UN25400	86-29
A50UN25500	113-23
A50UN25600	86-30
A50UN27002	12-14
A50UN29012	15-14
A50UN29101	15-15
A50UN29201	115-9
A50UN29900	114-25
A50UPJG100	120-9
A50UPJG200	120-10
A50UPJG300	120-8
A50UPP0100	120-1

Parts No.	Page No.
A50UR70115	34-19
A50UR70266	24-10
A50UR70266	24-10
A50UR70266	24-10
A50UR70266	24-10
A50UR70266	24-10
A50UR70266	25-10
A50UR70266	25-10
A50UR70266	25-10
A50UR70266	25-10
A50UR70266	25-10
A50UR70266	26-10
A50UR70266	26-10
A50UR70266	26-10
A50UR70266	26-10
A50UR70266	26-10
A50UR70266	27-10
A50UR70266	27-10
A50UR70266	27-10
A50UR70266	27-10
A50UR70323	22-1
A50UR70323	22-1
A50UR70500	59-5
A50UR70655	36-1
A50UR70655	36-1
A50UR70A12	11-29
A50UR70B00	59-6
A50UR70D01	104-30
A50UR70E22	45-6
A50UR70F00	48-18
A50UR70G01	82-21
A50UR70H00	12-15
A50UR70K22	41-16
A50UR70K22	41-16
A50UR70Q00	79-10
A50UR70S11	74-12
A50UR70V00	33-10
A50UR70Y11	35-21
A50UR71111	33-12

Parts No.	Page No.
A50UR71200	35-22
A50UR71711	42-11
A50UR71G00	110-14
A50UR71J00	110-14
A50UR71K00	76-11
A50UR71K00	77-11
A50UR71K00	78-11
A50UR71M00	79-11
A50UR71P22	36-2
A50UR71Q00	59-7
A50UR71R11	59-8
A50UR71S11	59-9
A50UR71U01	13-11
A50UR71V01	13-12
A50UR71W01	13-13
A50UR71X00	7-25
A50UR71Y00	7-26
A50UR72100	38-34
A50UR72400	93-39
A50UR72500	93-40
A50UR72600	91-44
A50UR72600	93-41
A50UR72722	100-32
A50UR72811	99-33
A50UR72C00	84-37
A50UR72E00	87-36
A50UR72F00	88-28
A50UR72G00	88-29
A50UR72H00	88-30
A50UR72J00	7-27
A50UR72K00	54-22
A50UR72R00	97-20
A50UR72S00	82-22
A50UR72U11	50-33
A50UR72X01	76-12
A50UR72X01	77-12
A50UR72X01	78-12
A50UR72X01	79-12
A50UR72Y00	45-7
A50UR73100	80-15

Parts No.	Page No.
A50UR73700	110-14
A50UR73F00	113-24
A50UR73J00	40-17
A50UR73K00	40-18
A55C712000	80-16
A55D941100	3-9
A5AW162000	2-37
A5AW510400	109-8
A5AW744900	49-16
A5AW745000	49-17
A5AWM15101	7-28
A5AWM15101	107-1
A5AWP00100	120-2
A5C1263300	19-17
A5C1263400	19-18
A5C1280101	18-8
A5C1M10A00	19-19
A5C1M50100	18-9
A5C1M50100	19-20
A5C1N14300	19-21
A61FM31100	20-19
A61FM90200	18-10
A65U186600	107-2
A782945003	120-19
A795167800	3-10
A795273900	20-20
A795275700	19-22
A796H01A00	18-11
A799190100	14-25
A799190200	14-26
A799190301	14-27
A799H04001	14-28
A799M45300	111-6
A799M72000	114-26
A79JM11300	52-13
A79JJP000	120-17
A79JJP100	120-18
A7PU169900	122-11
A7PUN14611	17-7
A7PUR71133	17-8

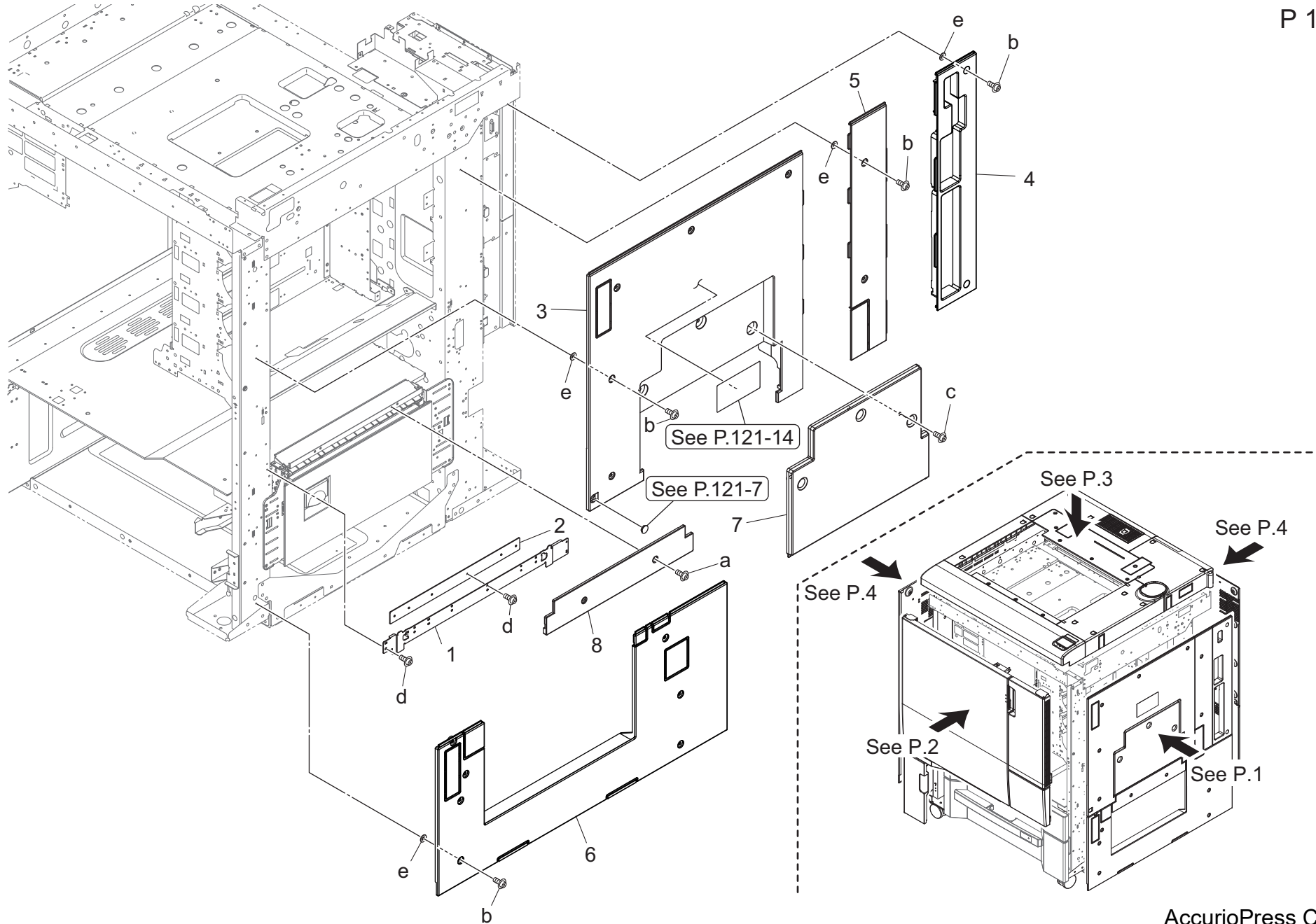
Parts No.	Page No.
A85C102000	10-24
A85C108100	111-7
A85C130700	115-10
A85C136200	115-11
A85C137100	114-16
A85C213100	79-13
A85C409600	29-17
A85C635200	70-21
A85C635200	73-21
A85C635300	70-22
A85C635300	73-22
A85C635400	69-30
A85C635400	72-30
A85C635401	69-30
A85C635401	72-30
A85C757801	50-34
A85C758100	50-35
A85C764100	50-36
A85C789200	48-27
A85C789300	48-28
A85C877111	101-14
A85C877211	94-17
A85C895300	109-9
A85C895400	109-10
A85C895500	106-31
A85C895800	109-11
A85C895900	109-12
A85C896300	109-13
A85C896301	109-13
A85C896400	109-14
A85C896501	108-21
A85C896600	108-22
A85C896601	108-22
A85C896800	109-15
A85C896900	109-16
A85C897101	105-28
A85C897201	109-17
A85C897300	109-18
A85C897400	108-4
A85C897700	109-19

Parts No.	Page No.	Parts No.	Page No.	Parts No.	Page No.	Parts No.	Page No.	Parts No.	Page No.
A85C897800	109-20	A85CN19100	79-15	A8AK162701	105-25	A9VE162000	1-3	A9VE521100	84-49
A85C897900	108-5	A85CN19900	122-5	A8AK941001	121-2	A9VE162100	1-4	A9VE521200	84-50
A85C898701	107-3	A85CN21300	108-7	A8AK941200	121-3	A9VE162200	1-5	A9VE522500	84-39
A85C898800	107-4	A85CN21400	108-8	A8AK941301	109-34	A9VE162300	4-5	A9VE526200	84-40
A85C898801	107-4	A85CN21600	107-5	A8AKN10501	109-35	A9VE162400	3-3	A9VE560100	69-15
A85C899100	109-22	A85CN21700	108-9	A8AKR70511	109-36	A9VE162500	1-6	A9VE560100	72-15
A85CH01104	115-12	A85CN26500	21-8	A8AW106900	108-14	A9VE162800	1-7	A9VE620701	64-14
A85CH10003	115-15	A85CN27400	114-17	A8AW160401	108-15	A9VE163001	4-6	A9VE625800	75-1
A85CM10100	79-14	A85CN27800	18-13	A8AW161911	105-26	A9VE163200	1-8	A9VE628400	60-13
A85CM10200	76-13	A85CN29711	114-27	A8AW162500	108-17	A9VE163500	4-7	A9VE628400	64-15
A85CM10200	77-13	A85CN29811	114-28	A8AW162600	108-18	A9VE163600	4-8	A9VE628500	60-14
A85CM10200	78-13	A85CR70C22	76-16	A8AW941002	108-19	A9VE163800	4-9	A9VE630701	60-15
A85CM40100	108-6	A85CR70G22	68-23	A8WC707100	120-20	A9VE163900	3-4	A9VE633100	60-16
A85CM55500	91-45	A85CR70G22	71-23	A92W943100	111-13	A9VE164800	2-35	A9VE633100	64-16
A85CM55500	99-34	A85CR70P33	36-3	A92WH51003	111-8	A9VE168000	122-6	A9VE634400	60-17
A85CM55500	106-32	A85CR70R11	36-4	A92WR70T00	109-38	A9VE168800	3-6	A9VE634400	64-17
A85CM55600	37-14	A85CR70U00	110-14	A9CE955000	121-4	A9VE168800	121-6	A9VE641600	10-25
A85CM55600	44-26	A85CR71000	97-23	A9CE955100	121-5	A9VE169000	121-7	A9VE641700	10-27
A85CM55600	54-23	A8AK100401	107-6	A9JT170601	3-11	A9VE193100	16-16	A9VE700200	80-17
A85CM55600	61-24	A8AK101201	108-10	A9JT942401	4-4	A9VE193200	16-17	A9VE701300	80-18
A85CM55600	63-22	A8AK101503	108-11	A9JT944200	2-38	A9VE193300	15-16	A9VE715700	104-31
A85CM55600	65-28	A8AK101700	108-12	A9PJ138400	17-10	A9VE193500	15-17	A9VE720300	49-33
A85CM55600	69-31	A8AK103200	109-23	A9PJ138500	17-11	A9VE193800	15-18	A9VE720500	49-19
A85CM55600	72-31	A8AK103502	109-24	A9VE110100	10-2	A9VE193900	16-18	A9VE722800	51-17
A85CM55600	76-14	A8AK103601	109-25	A9VE110100	13-1	A9VE194000	15-19	A9VE723500	49-20
A85CM55600	77-14	A8AK103702	109-26	A9VE110200	10-3	A9VE194100	15-20	A9VE723600	49-21
A85CM55600	78-14	A8AK104100	109-27	A9VE133000	112-21	A9VE194200	122-7	A9VE724100	49-22
A85CM55600	81-30	A8AK106101	105-19	A9VE139100	114-18	A9VE194300	122-8	A9VE726800	49-23
A85CM55600	84-38	A8AK106200	105-20	A9VE160100	2-31	A9VE195000	14-30	A9VE727500	50-37
A85CM55600	88-31	A8AK106300	105-21	A9VE160200	2-32	A9VE197100	15-21	A9VE727600	51-18
A85CM55600	89-16	A8AK106400	105-22	A9VE160300	2-33	A9VE205000	14-30	A9VE727700	50-38
A85CM55600	93-42	A8AK106800	105-23	A9VE160400	82-23	A9VE205100	14-30	A9VE728300	49-24
A85CM55600	97-21	A8AK107100	108-13	A9VE160600	2-34	A9VE205200	14-30	A9VE728400	48-21
A85CM55600	100-33	A8AK107200	105-24	A9VE160700	60-12	A9VE205300	14-30	A9VE731500	51-19
A85CM90411	115-13	A8AK108001	109-28	A9VE160800	64-13	A9VE220500	52-14	A9VE733000	49-25
A85CM91100	18-12	A8AK108100	109-29	A9VE161000	3-2	A9VE220600	53-10	A9VE733100	49-26
A85CN10202	117-1	A8AK108200	109-30	A9VE161100	3-12	A9VE222000	53-6	A9VE733400	48-22
A85CN10400	117-2	A8AK108302	109-31	A9VE161200	3-13	A9VE400200	29-18	A9VE739400	7-30
A85CN12800	7-29	A8AK108400	109-32	A9VE161301	3-14	A9VE500100	38-35	A9VE741600	45-8
A85CN19000	76-15	A8AK108500	109-33	A9VE161400	3-15	A9VE500200	38-36	A9VE741700	46-21

Parts No.	Page No.	Parts No.	Page No.	Parts No.	Page No.	Parts No.	Page No.	Parts No.	Page No.
A9VE741800	46-22	A9VE870200	85-6	A9VEM10100	44-32	A9VER70511	36-3	SP00-0210	48-26
A9VE741900	47-20	A9VE870300	85-7	A9VEM31A00	49-30	A9VER70600	14-29	SP00-0220	45-10
A9VE742000	47-21	A9VE870400	85-8	A9VEM31E00	49-30	A9VER70800	80-19	V114040604	121-10
A9VE742400	44-27	A9VE870500	85-9	A9VEM31F00	49-30	A9VER70900	51-22	V118045503	8-4
A9VE742500	43-34	A9VE870600	85-10	A9VEM33A00	49-31	A9VER71000	102-23	V121030604	121-11
A9VE742800	43-35	A9VE870800	84-42	A9VEM33E00	49-31	A9VER71100	98-19	V127030516	121-12
A9VE743000	43-36	A9VE870900	84-43	A9VEM33F00	49-31	A9VER71211	113-25	V127030604	121-13
A9VE743500	49-27	A9VE871200	84-44	A9VEM55100	103-17	A9VER71300	21-9	V217040003	122-9
A9VE743800	44-28	A9VE871300	84-45	A9VEM75500	14-17	A9VER71400	84-48	V221050050	10-29
A9VE744300	44-29	A9VE871601	91-46	A9VEN10300	118-2	A9VER71600	34-19	V234200850	10-26
A9VE745800	45-9	A9VE871700	84-46	A9VEN10601	48-24	A9VER71700	30-2	V234201250	93-2
A9VE747200	44-30	A9VE871800	84-47	A9VEN10700	44-33	A9VER71800	33-11	V234201450	66-3
A9VE747301	44-31	A9VE871900	85-11	A9VEN10A00	116-1	A9VER71900	30-1	V234201450	93-4
A9VE749401	45-9	A9VE872000	91-47	A9VEN10F00	116-1	A9VER72000	30-1	V502010033	44-34
A9VE758000	50-39	A9VE890400	106-33	A9VEN11000	48-25	A9VER72100	30-1	V502010033	111-12
A9VE758400	47-22	A9VE890900	106-34	A9VEN11300	114-19	A9VER72200	30-1	V502010033	111-14
A9VE758600	47-23	A9VE892800	106-35	A9VEN11400	111-9	A9VER72300	110-14	V502010065	115-16
A9VE760312	50-40	A9VE942102	108-20	A9VEN11500	112-23	A9VER72400	36-3	V503010002	115-1
A9VE760900	50-8	A9VE942200	121-8	A9VEN11601	111-10	A9VER72400	36-3	V590040002	122-10
A9VE764200	50-41	A9VE942301	4-12	A9VEN11700	110-15	A9VER72500	17-9	V865300109	115-19
A9VE769001	48-23	A9VE942500	103-16	A9VEN11F00	111-11	A9VP788700	45-12	V865300110	115-18
A9VE769300	51-20	A9VE942600	4-11	A9VEN12400	52-16	AAC3947000	82-24		
A9VE769600	51-21	A9VE942700	52-15	A9VEN13300	39-26	AAC3N10500	119-1		
A9VE784200	48-27	A9VE943100	82-2	A9VEN13400	39-27	AAC3N10511	119-1		
A9VE784300	48-28	A9VE944100	83-5	A9VEN15000	86-34	AAC3R70100	52-17		
A9VE785400	49-28	A9VE944901	2-36	A9VEN15200	106-36	AAK7R90200	114-26		
A9VE785500	49-29	A9VE945400	60-18	A9VEN15601	86-35	AC57719200	102-18		
A9VE818100	86-31	A9VE945500	64-18	A9VEN16100	89-17	AC57740000	51-24		
A9VE819100	88-32	A9VE945900	121-18	A9VEN16200	85-12	AC57761000	50-15		
A9VE839100	86-32	A9VE946300	121-9	A9VEN16200	91-48	AC57784600	51-23		
A9VE841000	94-19	A9VE949000	50-42	A9VEN16500	88-33	AC57805500	97-22		
A9VE841300	88-6	A9VEF62104	64-19	A9VEN18801	86-36	AC57849100	87-32		
A9VE849900	94-1	A9VEF63104	60-19	A9VEP12100	5-36	AC57849200	87-33		
A9VE851800	92-14	A9VEF75114	50-43	A9VEP12200	5-37	AC57861800	99-18		
A9VE851800	93-14	A9VEF84100	94-18	A9VER70144	43-37	AC57870700	84-41		
A9VE866100	99-35	A9VEF89001	105-27	A9VER70244	43-37	AC57884400	83-13		
A9VE866200	99-36	A9VEH02000	115-14	A9VER70311	43-37	AC57884500	83-14		
A9VE866201	99-36	A9VEH03005	112-22	A9VER70344	43-37	AC57899000	109-21		
A9VE867900	99-37	A9VEH03017	112-22	A9VER70422	49-32	AC57M60000	28-3		
A9VE870100	85-5	A9VEH05001	86-33	A9VER70422	49-32	AC57R75400	50-44		

External Parts Section

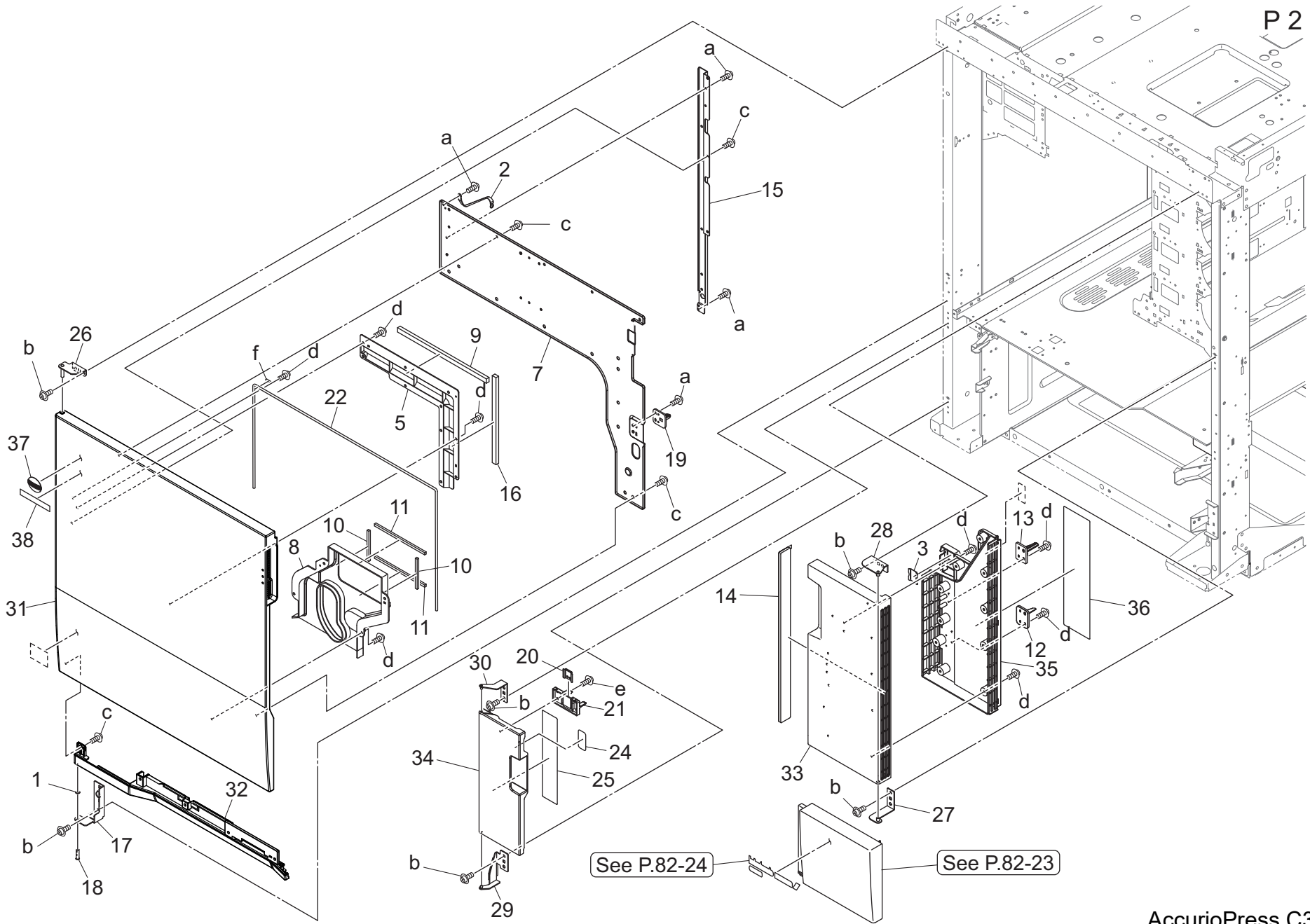
P 1



External Parts Section

Key	Part No.	Description	Destinations	Class	QTY	Standard parts
1	A50U162701	Reinforce Plate		D	1	a-V114040604 b-V114041004 c-V121031004 d-V127030604 e-V211040080
2	A50U162900	Reinforce Plate /2		D	1	
3	A9VE162000	Cover /Right		D	1	
4	A9VE162100	Protection Cover /1		D	1	
5	A9VE162200	Protection Cover /2		D	1	
6	A9VE162500	Protection Cover /Lower		D	1	
7	A9VE162800	Bypass Cover		D	1	
8	A9VE163200	Protection Cover		D	1	

External Parts Section



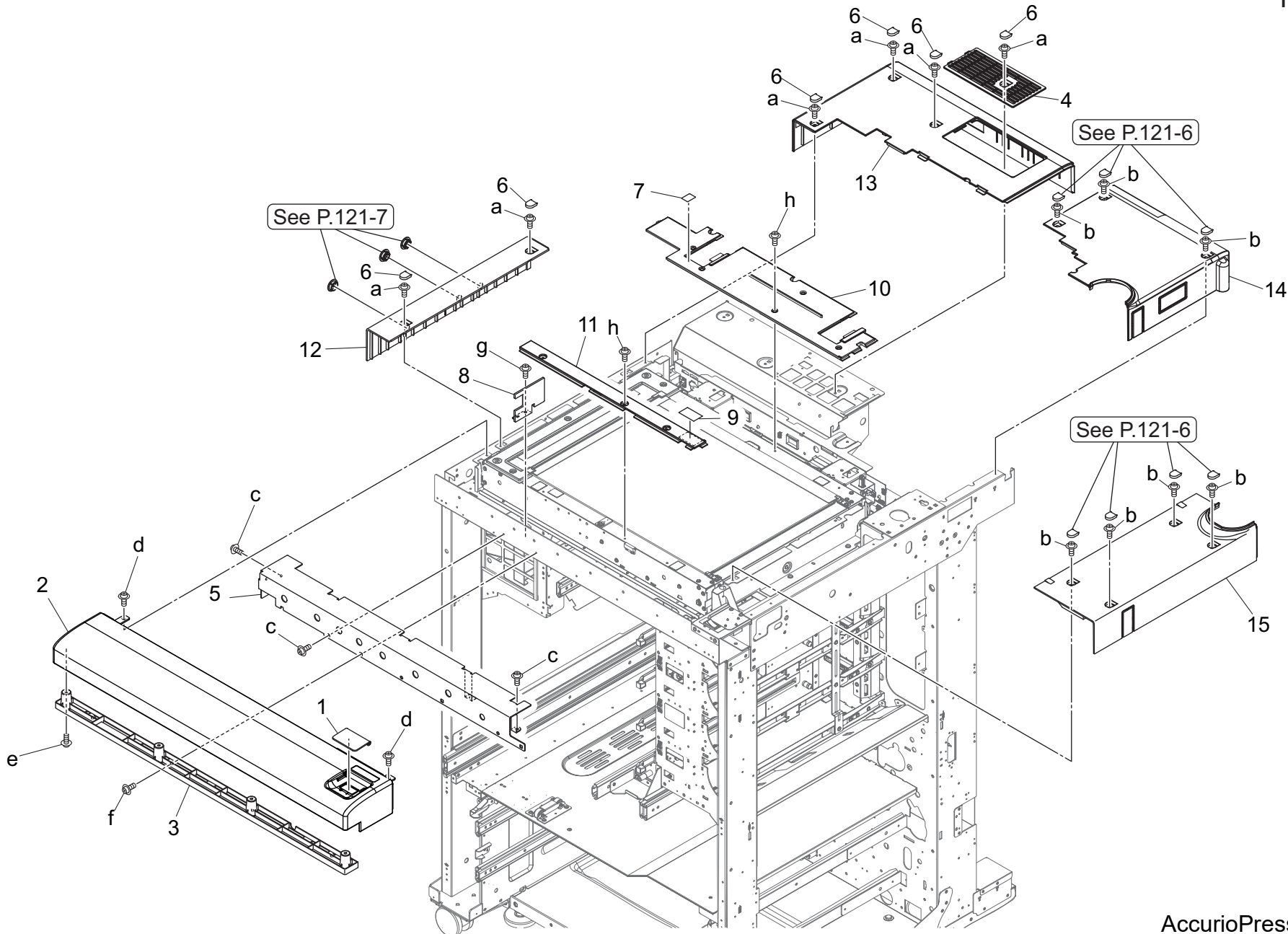
P 2

See P.82-24

See P.82-23

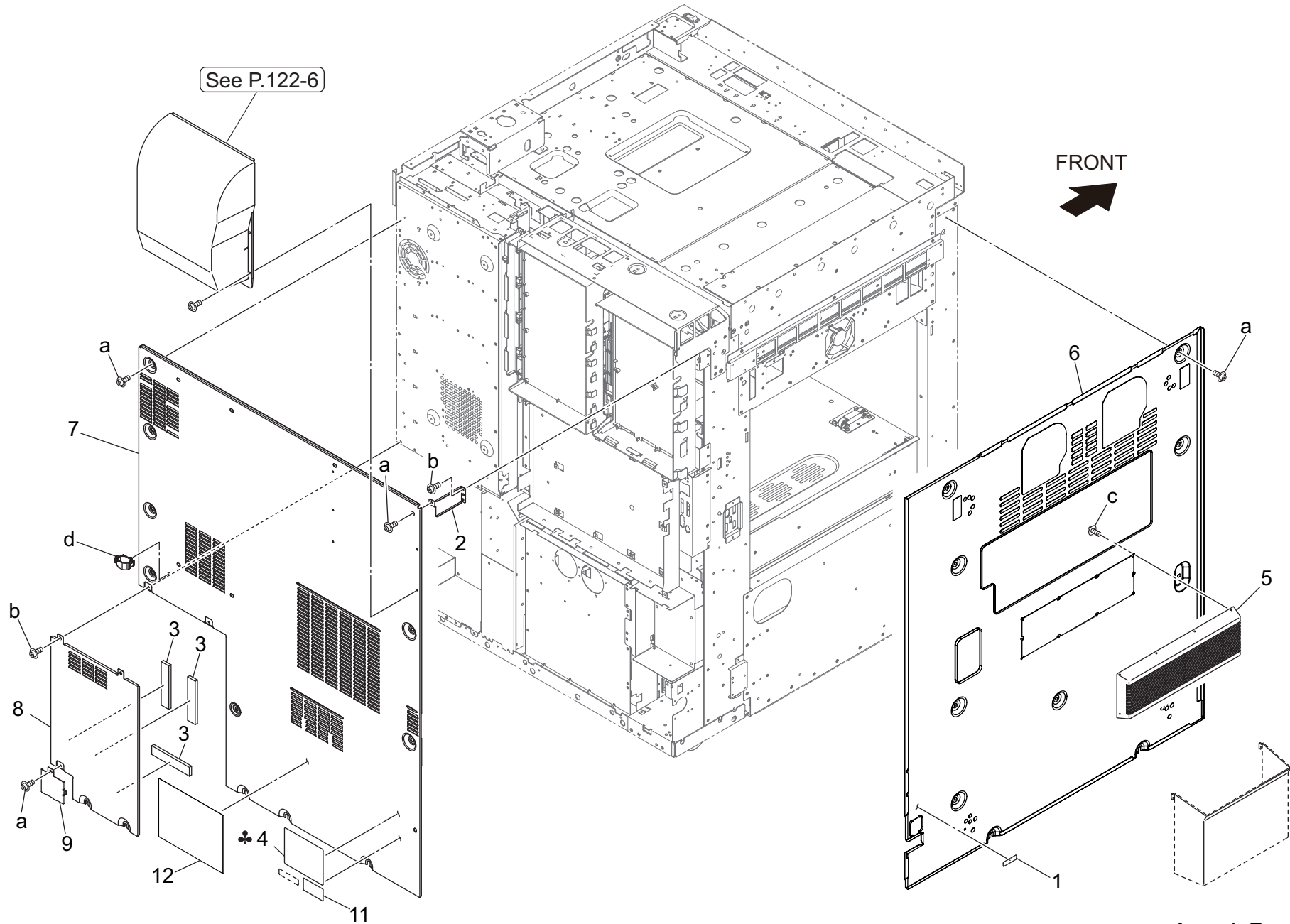
Key	Part No.	Description	Destinations	Class	QTY	Standard parts
1	40AA30270	DEVELOPING SPACER		C	1	a-V127030604
2	55VA90840	MAIN EARTH WIRE		D	1	b-V127040603
3	56AA12241	EXTERNAL LOCK PLATE		D	1	c-V158030803
5	A50U160500	Fixing Plate		D	1	d-V158030804
7	A50U161501Old	Reinforce Door /Right		D	1	e-V158031003
7	A50U161502	Reinforce Door /Right		D	1	f-V234201450
8	A50U161601	Cover Duct /Front		D	1	
9	A50U161700	Sealing Cushion /1		D	1	
10	A50U161800	Sealing Cushion /Right		D	2	
11	A50U161900	Sealing Cushion /Left		D	2	
12	A50U164100	Detecting Actuator		D	1	
13	A50U164200	Detecting Part		D	1	
14	A50U164901	Suction Dust-proof Filter		A	1	
15	A50U165500	Reinforce Hinge		D	1	
16	A50U165600	Sealing Cushion /2		D	1	
17	A50U166100	Hinge /Lower		D	1	
18	A50U166200	Support Shaft /Lower		D	1	
19	A50U167201	Lock Cover		D	1	
20	A50U167500	Lock Plate		D	1	
21	A50U167601	Detecting Part		D	1	
22	A50U169900	Reinforce Wire		D	1	
24	A50U945601	Operation Label		D	1	
25	A50U946503	Operation Label /A		D	1	
26	A50UF16000	Left Door Support Plate / Upper Caulking		D	1	
27	A50UF16101	Right Door Support Plate / Lower Caulking		D	1	
28	A50UF16201	Right Door Support Plate / Upper Caulking		D	1	
29	A50UF16301	Collection Box Door Support Plate / L		D	1	
30	A50UF16400	Collection Box Door Support Plate / Upper		D	1	
31	A9VE160100	Door /Front		D	1	
32	A9VE160200	Door /Lower		D	1	
33	A9VE160300	Toner supply Door		D	1	
34	A9VE160600	Collection Door		D	1	
35	A9VE164800	Toner supply Duct		D	1	
36	A9VE944901	Toner supply Label		D	1	
37	A5AW162000	Indicating Plate		C	1	
38	A9JT944200	Label /KONICA MINOLTA		D	1	

External Parts Section



Key	Part No.	Description	Destinations	Class	QTY	Standard parts
1	A1DU163402	Protection Cover		D	1	a-V114040604
2	A9VE161000	Cover Part		D	1	b-V114041004
3	A9VE162400	Cover Part /Inside		D	1	c-V121040604
4	A9VE163900	Replacement Cover		D	1	d-V127040603
5	A50U175001	Reinforce Plate		D	1	e-V158030803
6	A9VE168800	Click Cover		D	6	f-V114040804
7	A161940602	Label		D	1	g-V127030604
8	A50U167301	Insulating Part		D	1	h-V116030804
9	A55D941100	Caution Label		D	1	
10	A795167800	Read Cover /Upper		C	1	
11	A9JT170601	Read Cover		D	1	
12	A9VE161100	Cover Plate /Left		D	1	
13	A9VE161200	Read Cover /Rear		D	1	
14	A9VE161301	Read Cover /Right rear		D	1	
15	A9VE161400	Read Cover /Right		D	1	

External Parts Section



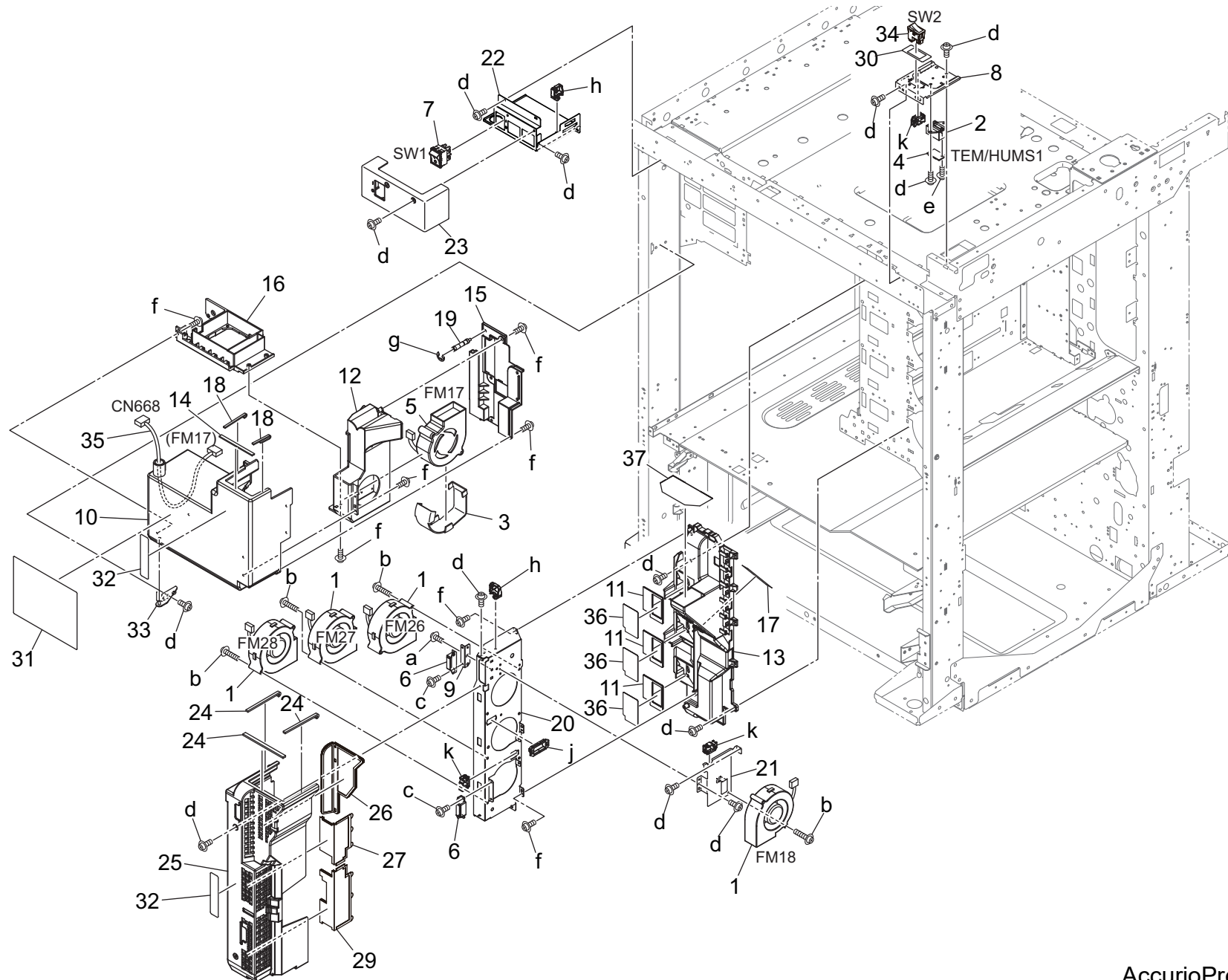
AccurioPress C3070

External Parts Section

Key	Part No.	Description	Destinations	Class	QTY	Standard parts
1	A00J945401	Label Dehumidifier SW.		C	1	a-V114040604 b-V127030604 c-V158030804 d-V500010075
2	A50U163700	Mounting Plate /Upper		D	1	
3	A50U167801	Holding Part		D	3	
4	A9JT942401	Caution Label		D	1	
5	A9VE162300	Paper exit Cover /2	C,I(only SOUTH AFRI CA)	D	1	
6	A9VE163001	Paper exit Cover /Left		D	1	
7	A9VE163500	Protection Cover /1		D	1	
8	A9VE163600	Cover /Rear		D	1	
9	A9VE163800	Entrance Plate		D	1	
11	A9VE942600	Caution Label		D	1	
12	A9VE942301	Caution Label		D	1	

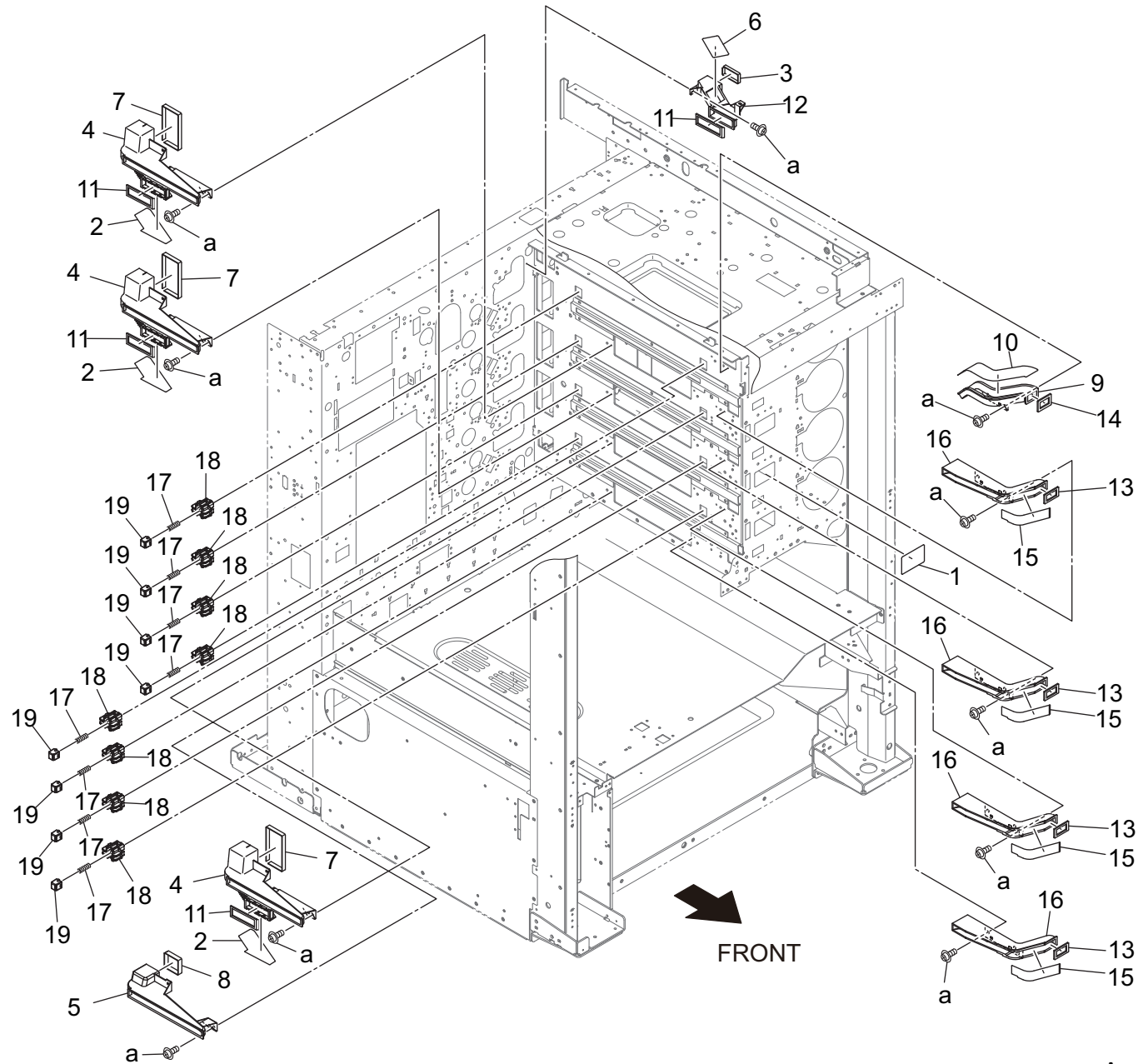
Main Frame Section

P 5



Key	Part No.	Description	Destinations	Class	QTY	Standard parts
1	9313100072	FAN MOTOR		C	4	a-V116030803
2	65AA11300	Support Part		D	1	b-V118033503
3	65AA11430	FAN SEALING PART 3		C	1	c-V126030603
4	A034M50000Old	Humidity sensor		C	1	d-V127030604
4	A0P0M50400	Humidity sensor		C	1	e-V151030803
5	A03UM15802	Main body Cooling Fan		C	1	f-V158030803
6	A0G6411200	Magnet /X		D	2	g-V217060003
7	A4EUM60000	Power source Switch		C	1	h-V500020098
8	A50U102900	Mounting Plate		D	1	j-V570010037
9	A50U120600	Fixing Plate		D	1	k-V570010056
10	A50U121003	Duct		D	1	
11	A50U121300	Cooling Seal /Front		D	3	
12	A50U121601	Duct		D	1	
13	A50U122103	Cooling Duct		D	1	
14	A50U123700	Cooling Seal /B		D	1	
15	A50U123800	Cover		D	1	
16	A50U124100	Duct		D	1	
17	A50U124900	Cover Sheet		D	1	
18	A50U125200	Cooling Seal /A		D	2	
19	A50U125901	Fixing Screw		D	1	
20	A50U126500	Mounting Plate		D	1	
21	A50U126600	Mounting Plate		D	1	
22	A50U127401	Mounting Plate		D	1	
23	A50U127901	Cover		D	1	
24	A50U164000	Cooling Seal /1		D	3	
25	A50U167901	Cooling Cover		D	1	
26	A50U172100	PH Dust-proof Filter		B	1	
27	A50U172200	Deve. Dust-proof Filter/1		B	1	
29	A50U172300	Deve. Dust-proof Filter/2		B	1	
30	A50U179500	Protection Sheet		D	1	
31	A50U944302	Processing Label /2		D	1	
32	A50U949600	Replacement Label		D	2	
33	A50UF12000	Fusing Front Cooling Duct Support Shaft		D	1	
34	A50UM60300	Power source Switch		C	1	
35	A50UN12602	Cooling Relay harness /1		D	1	
36	A9VEP12100	Filter /G	(Service Part Only)	C	3	
37	A9VEP12200	Filter /H	(Service Part Only)	C	1	

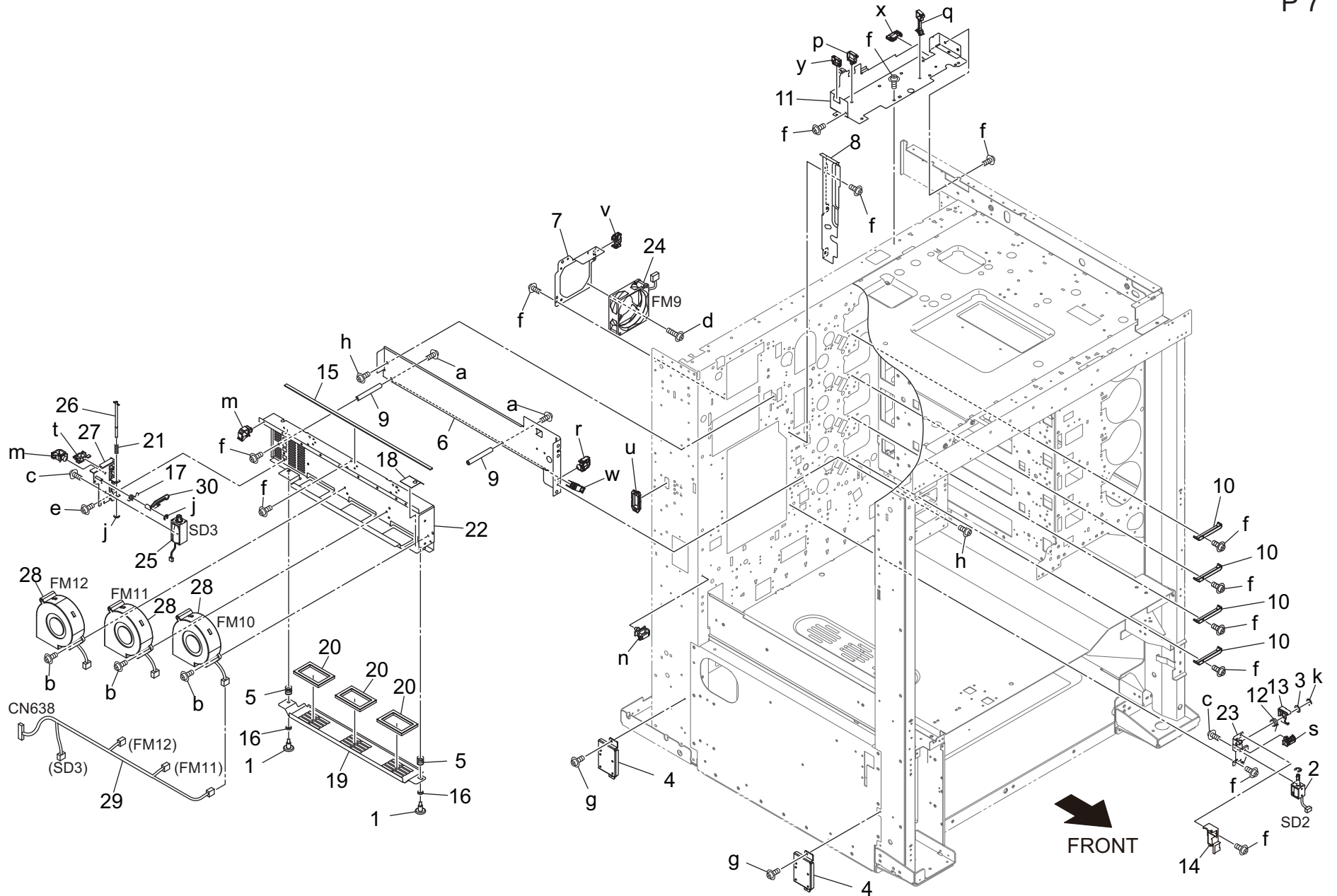
Main Frame Section



Key	Part No.	Description	Destinations	Class	QTY	Standard parts
1	A50U109101	Writing Cover		D	1	a-V127030604
2	A50U123200	Ozone Cover		D	3	
3	A50U123300	Suction Seal		D	1	
4	A50U123400	Duct /Cyan		D	3	
5	A50U123500	Duct		D	1	
6	A50U123600	Suction Cover		D	1	
7	A50U123900	Suction Seal		D	3	
8	A50U124000	Suction Seal		D	1	
9	A50U126200	Duct		D	1	
10	A50U126800	Sheet /1		D	1	
11	A50U127201	Suction Seal /Rear		D	4	
12	A50U127300	Suction Duct		D	1	
13	A50U127500	Seal		D	4	
14	A50U127800	Seal		D	1	
15	A50U128000	Sheet /2		D	4	
16	A50U128700	Duct /1		D	4	
17	A50U341800	Pressing Spring /D		D	8	
18	A50U342200	Pressing Pedestal		D	8	
19	A50U342400	Charge Pressing Block		D	8	

Main Frame Section

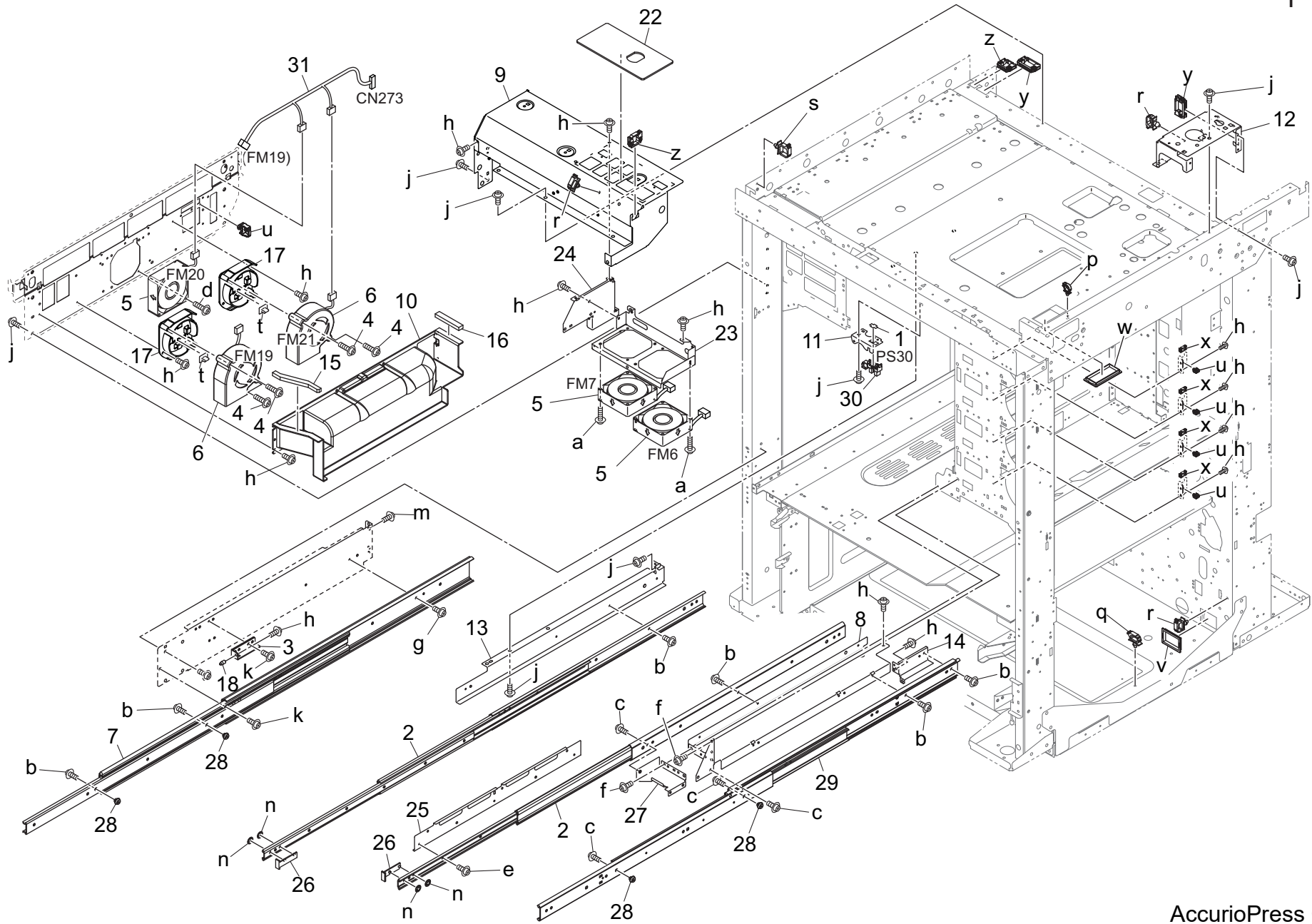
P 7



AccurioPress C3070

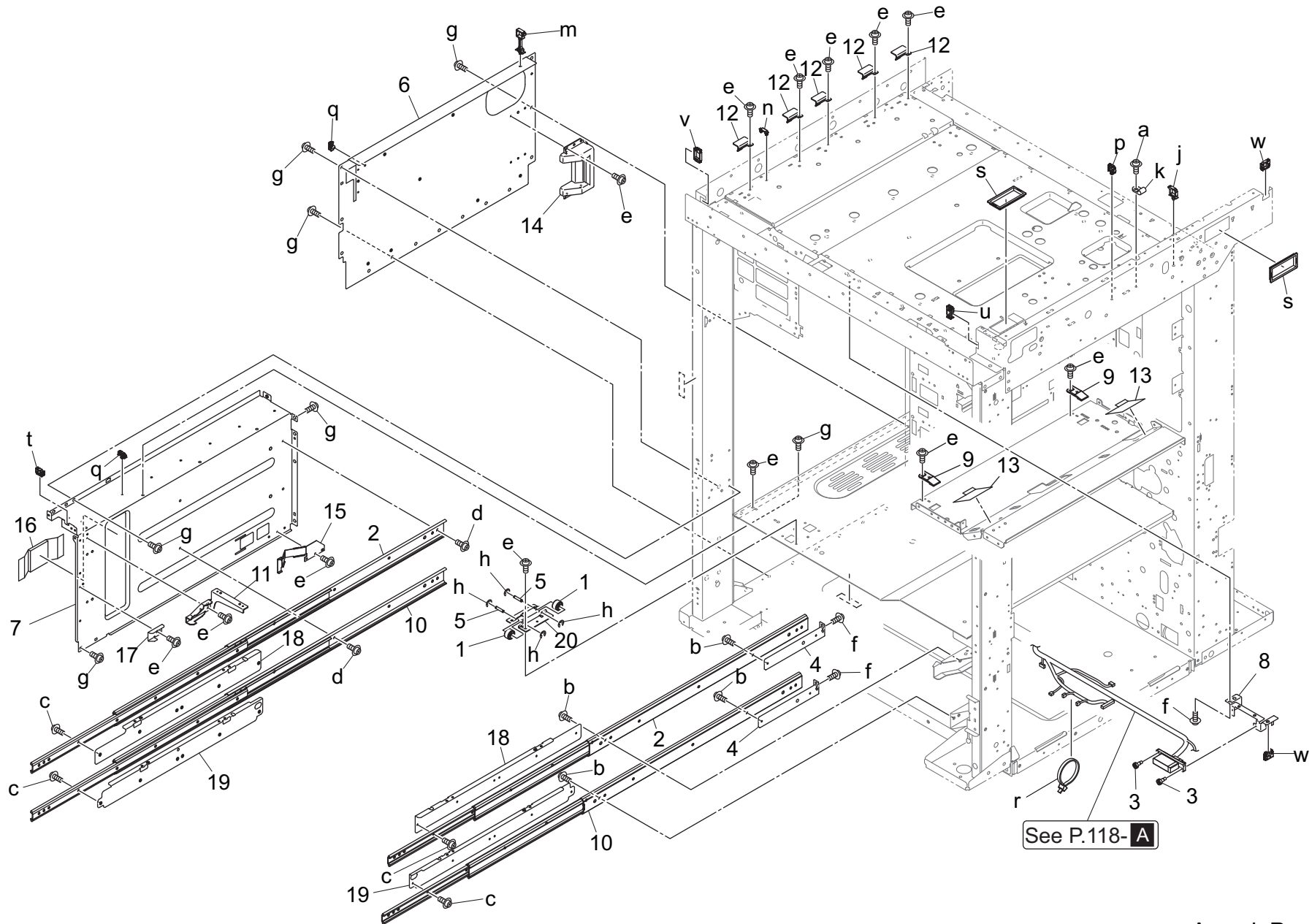
Key	Part No.	Description	Destinations	Class	QTY	Standard parts
1	4038351102	SHOULDER SCREW		C	2	a-V116030803
2	26NA82513	Paper Feed Solenoid		B	1	b-V116031003
3	40AA32320	Toner Supply Spacer		C	1	c-V118030303
4	A1DU111101	Connecting Plate /F		D	2	d-V118033003
5	A1DU764000	Spring		D	2	e-V121030403
6	A50U102801	Mounting Stay /Middle		D	1	f-V127030604
7	A50U103602	Mounting Plate /Rear		D	1	g-V127040603
8	A50U104901	Inner partition		D	1	h-V146040804
9	A50U106800	Mounting Shaft /Inside		D	2	j-V217030003
10	A50U108900	Receiving Part /1		D	4	k-V217040003
11	A50U133201	Mounting Plate /Upper		D	1	m-V500010074
12	A50U508301	Solenoid Release Spring		D	1	n-V500010082
13	A50U509300	Separating Cam		D	1	p-V500010084
14	A50U510400	Cover		D	1	q-V500020085
15	A50U731700	Insulating Seal /1		D	1	r-V500020098
16	A50U731900	Lifting Spacer /1		D	2	s-V500020099
17	A50U737201	Holding Spring /A		D	1	t-V570010025
18	A50U737800	Protection Sheet /1		D	1	u-V570010037
19	A50U738001	Shutter		D	1	v-V570010056
20	A50U738100	Cushion		D	3	w-V570010057
21	A50U738900	Holding Spring /B		D	1	x-V570010059
22	A50U739000	Mounting Plate		D	1	y-V570010060
23	A50UF50700	Mounting Stay Caulking		D	1	
24	A50UM15300	Fan motor /2		C	1	
25	A50UR71X00	Shutter Solenoid Pin Insert		C	1	
26	A50UR71Y00	Support Shaft / B Pin Insert		D	1	
27	A50UR72J00	Support Shaft Caulking		D	1	
28	A5AWM15101	Cooling Fan		B	3	
29	A85CN12800	Fixing Relay harness /2		D	1	
30	A9VE739400	Open/close Arm /1		D	1	

Main Frame Section



Key	Part No.	Description	Destinations	Class	QTY	Standard parts
1	4470402401	Stopper		D	1	a-V118033003
2	56AA10300	Slide Rail /A		C	2	b-V118040604
3	65AA509900	Mounting Plate /Left		D	1	c-V118040804
4	V118045503	Screw		V	4	d-V118043003
5	9J03M10000	FAN MOTOR		B	3	e-V121030403
6	A03UM15802	Main body Cooling Fan		C	2	f-V121040803
7	A1RF815702	Slide Rail /Left		D	1	g-V126040603
8	A50U103200	Reinforce Rail		D	1	h-V127030604
9	A50U103403	Fixing Plate /Left rear		D	1	j-V127040603
10	A50U103500	Separating Duct		D	1	k-V127040803
11	A50U104700	Mounting Plate		D	1	m-V146040804
12	A50U105100	Support Plate /A		D	1	n-V226040050
13	A50U105201	Support Rail /Front		D	1	p-V500010076
14	A50U105600	Rail /Rear		D	1	q-V500010081
15	A50U107501	Sealing Part /Front		D	1	r-V500010082
16	A50U107600	Sealing Part /Rear		D	1	s-V500010083
17	A50U107801	Fan duct		D	2	t-V500020050
18	A50U109400	Guide Pin /Left		D	1	u-V500020098
22	A50U109900	Electric Comp. Cooling Filter		B	1	v-V570010039
23	A50U120300	Fixing Plate		D	1	w-V570010040
24	A50U129200	Fixing Plate		D	1	x-V570010057
25	A50U340700	Mounting Rail		D	1	y-V570010059
26	A50U342900	Protection Cover		D	2	z-V570010060
27	A50U832100	Reinforce Rail /A		D	1	
28	A50U833000	Mounting Collar /1		C	4	
29	A50U881500	Slide Rail		D	1	
30	A50UM51000	Photointerrupter		C	1	
31	A50UN15400	Drive harness /F		D	1	

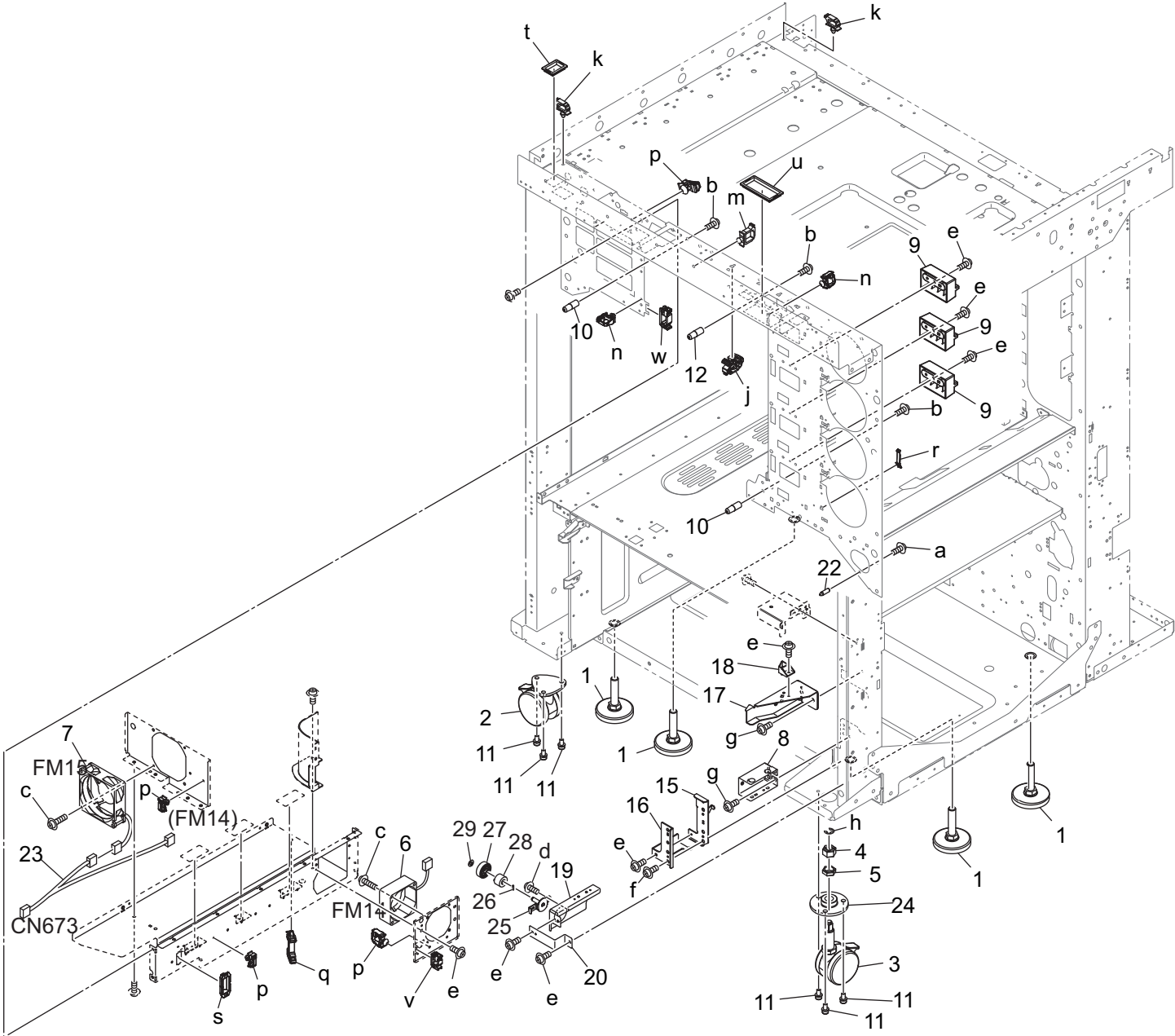
Main Frame Section



See P.118-A

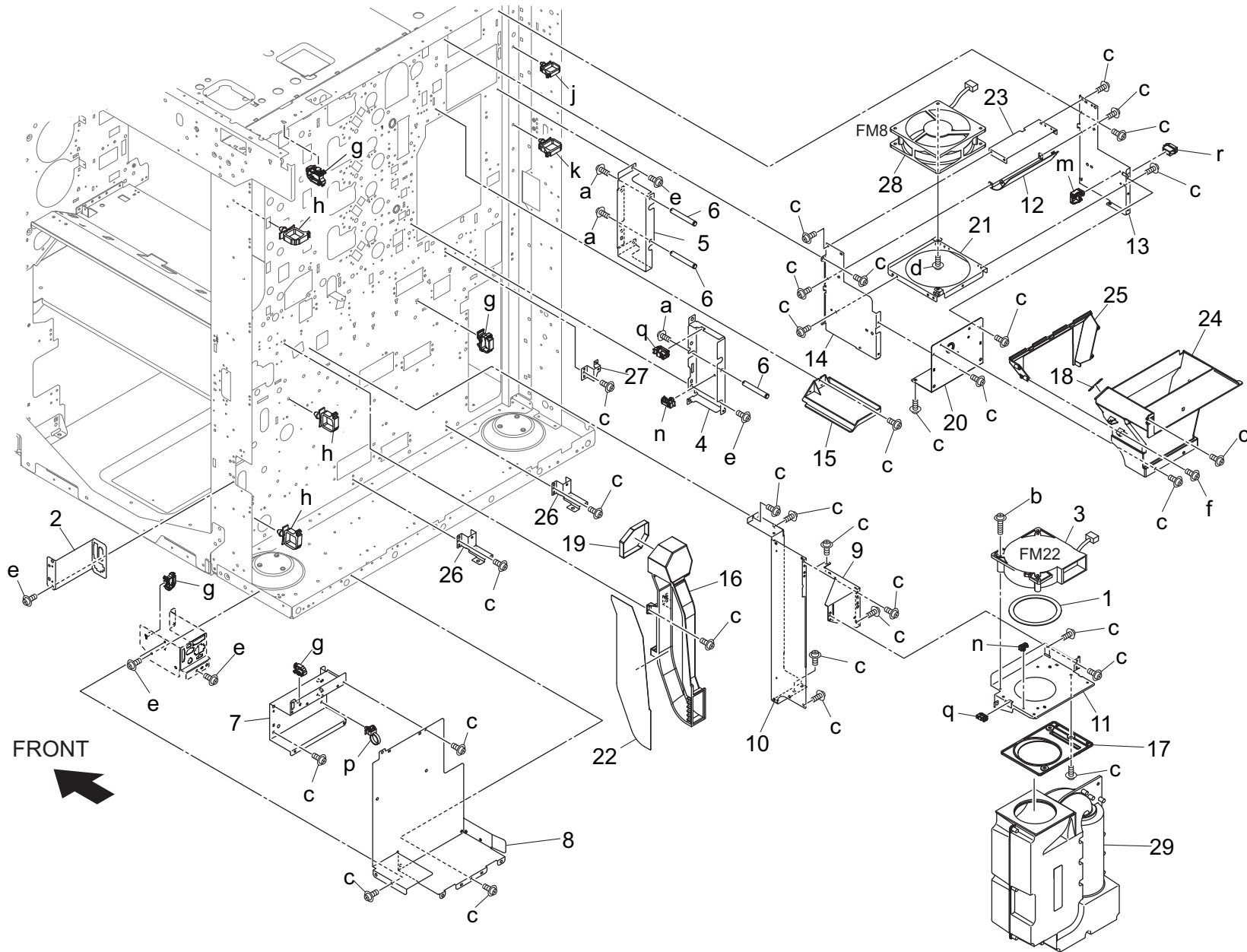
Key	Part No.	Description	Destinations	Class	QTY	Standard parts
1	13NG45200	Conveyance Driven Roller		C	2	a-V116030803
2	56AA10300	Slide Rail /A		C	2	b-V118040603
3	57AA15600	Electric Mounting Screw		C	2	c-V118040604
4	65AA10470	Mounting Plate /4		D	2	d-V126040603
5	65AA50400	Guide Shaft		D	2	e-V127030604
6	A50U101602	Auxiliary Plate /Left		D	1	f-V127040603
7	A50U102704	Protection Plate		D	1	g-V146040804
8	A50U104600	Mounting Plate /Front		D	1	h-V217030003
9	A50U105800	Writing Guide /Front		D	2	j-V500010083
10	A50U107000	Slide Rail /A		D	2	k-V500020069
11	A50U107101	Hold Plate /Front		D	1	m-V500020085
12	A50U136501	Cover		D	5	n-V500020092
13	A50U314800	Receiving Sheet		D	2	p-V500020098
14	A50U363900	Collection Guide		D	1	q-V500020099
15	A50U366601	Regulating Plate		D	1	r-V501010002
16	A50U368000	Collection Seal /2		D	1	s-V570010040
17	A50U624000	Lock Claw		D	1	t-V570010056
18	A50U624503	Support Stay /2		D	2	u-V570010057
19	A50U624904	Support Stay /2		D	2	v-V570010059
20	A50U855200	Lifting Base frame		D	1	w-V570010060

Main Frame Section



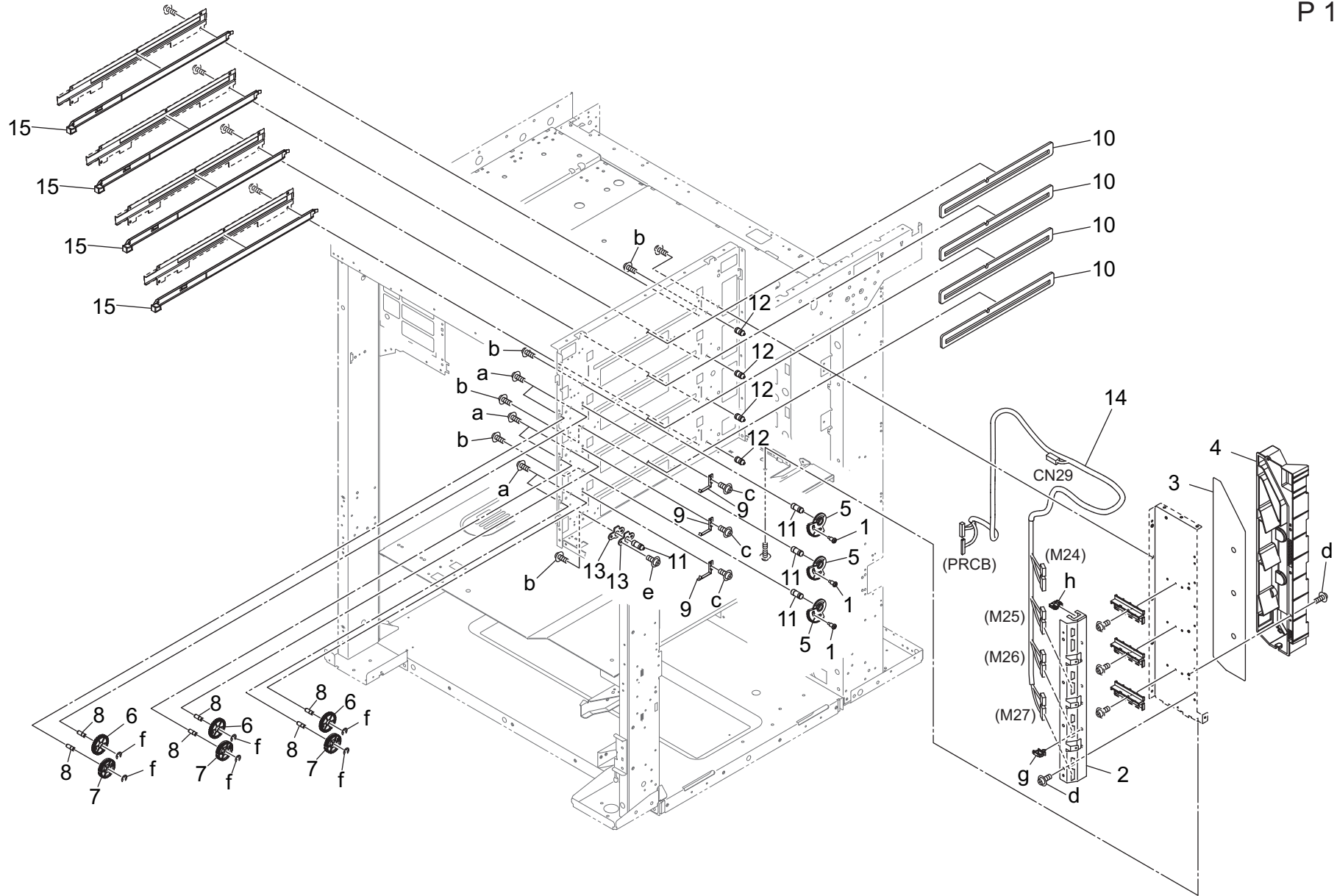
Key	Part No.	Description	Destinations	Class	QTY	Standard parts
1	25AA10091F	Mainbody Fixing Stopper		C	4	a-V116030803
2	A9VE110100	Castor /A		D	1	b-V116040803
3	A9VE110200	Castor /B		D	1	c-V118033003
4	56AA17630	ADJUSTING PART		C	1	d-V126030603
5	56AA17640	ADJUSTING PART 2		C	1	e-V127030604
6	56QA80570	Internal Cooling Fan		C	1	f-V127040603
7	9J03M10000	FAN MOTOR		B	1	g-V146040804
8	A50U103301	Support Part /Middle		D	1	h-V217080003
9	A50U103800	Guide Part /Front		D	3	j-V500010071
10	A50U104401	Positioning Shaft /Front		D	2	k-V500010081
11	A50U106300	Lock Screw		D	6	m-V500010083
12	A50U110000	Positioning Shaft /Upper		D	1	n-V500020098
15	A50U624113	Lock Part		D	1	p-V500020099
16	A50U624300	Reinforce Plate		D	1	q-V500020101
17	A50U628001	Lock Claw		D	1	r-V500020102
18	A50U634200	Lock Part		D	1	s-V570010037
19	A50U640200	Mounting Plate		D	1	t-V570010038
20	A50U640400	Reinforce Part		D	1	u-V570010040
22	A50U832201	Guide Pin /Right front		D	1	v-V570010056
23	A50UN13600	Cooling Relay harness /3		D	1	w-V570010057
24	A85C102000	Adjusting Part		C	1	
25	A9VE641600	Mounting Plate		D	1	
26	V234200850	Pin		V	1	
27	A9VE641700	Gear 15T		C	1	
28	A4F3744400	Torque limiter		C	1	
29	V221050050	G-ring		V	1	

Main Frame Section



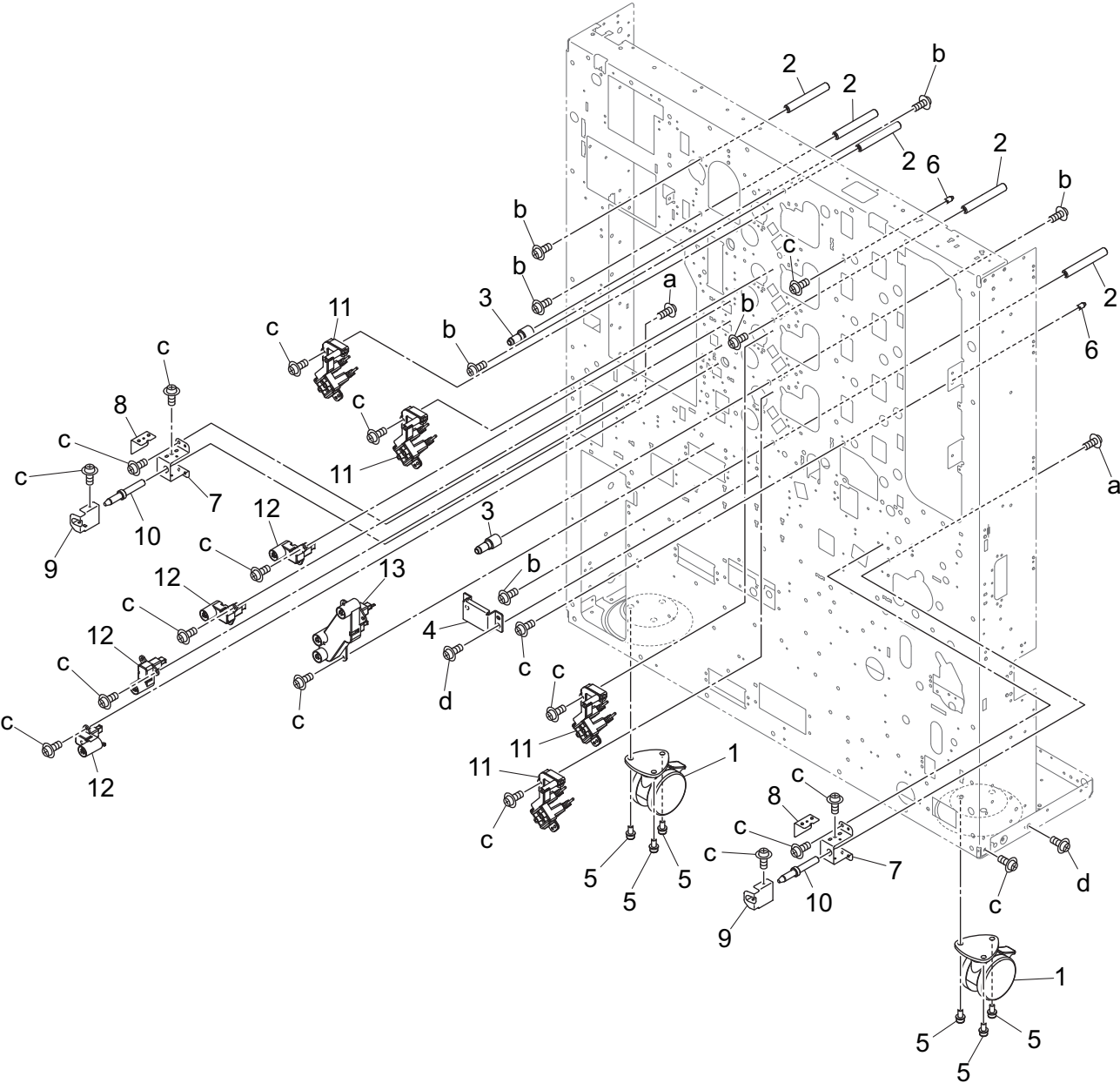
Key	Part No.	Description	Destinations	Class	QTY	Standard parts
1	65AA10190	FAN SEALING PART 1		C	1	a-V116040803
2	A03U118301	PFU Power supply Panel		D	1	b-V118033503
3	A0Y5M15101	Suction Fan motor		C	1	c-V127030604
4	A50U106502	Fusing Plate		D	1	d-V127031203
5	A50U106600	Fusing Plate /B		D	1	e-V127040603
6	A50U106700	Swing Shaft		D	3	f-V151030803
7	A50U108001	Protection Plate /P		D	1	g-V500010071
8	A50U108200	Guide Part /Rear		D	1	h-V500010083
9	A50U120900	Mounting Frame /2		D	1	j-V500010084
10	A50U121800	Mounting Frame /Right Rear		D	1	k-V500010085
11	A50U121900	Fixing Plate /1		D	1	m-V500020098
12	A50U122900	Fusing Duct /4		D	1	n-V500020099
13	A50U125000	Fusing Duct /2		D	1	p-V501010018
14	A50U125101	Fusing Duct /1		D	1	q-V570010056
15	A50U125500	Heat blocking Plate		D	1	r-V651010003
16	A50U125600	Suction Duct /Lower		D	1	
17	A50U125800	Connecting Duct		D	1	
18	A50U126300	Cooling Seal		D	1	
19	A50U126400	Suction Seal		D	1	
20	A50U128801	Fusing Duct /3		D	1	
21	A50U128900	Fusing Duct /5		D	1	
22	A50U129100	Suction Cover /Lower		D	1	
23	A50U129300	Fusing Duct /6		D	1	
24	A50U129401	Fusing Duct		D	1	
25	A50U129801	Fusing Duct /7		D	1	
26	A50U132701	Mounting Plate /Lower		D	2	
27	A50U132800	Mounting Plate /Right		D	1	
28	A50UM15401	Fan motor /3		C	1	
29	A50UR70A12	Filter Box		B	1	

Main Frame Section



Key	Part No.	Description	Destinations	Class	QTY	Standard parts
1	A1RF301400	Guide Screw		D	3	a-V116030803 b-V116040803 c-V121030403 d-V127030604 e-V127030803 f-V217040003 g-V500010082 h-V570010060
2	A50U104000	Support Plate /P		D	1	
3	A50U122701	Suction Cover /Upper		D	1	
4	A50U127000	Suction Duct /Upper		D	1	
5	A50U308100	Adjusting Cam		D	3	
6	A50U308200	Idling Gear 36T		C	3	
7	A50U308300	Adjusting Gear 15T		C	3	
8	A50U308400	Idling Shaft		D	6	
9	A50U308500	Regulating Spring		D	3	
10	A50U314300	Seal /4		D	4	
11	A50U318500	Positioning Pin /Front		D	4	
12	A50U318601	Positioning Pin /Rear		D	4	
13	A50U318800	Stopper Plate /Black		D	2	
14	A50UN27002	Polygon Relay harness /1		D	1	
15	A50UR70H00	PH Protection Glass Assy		D	4	

Main Frame Section

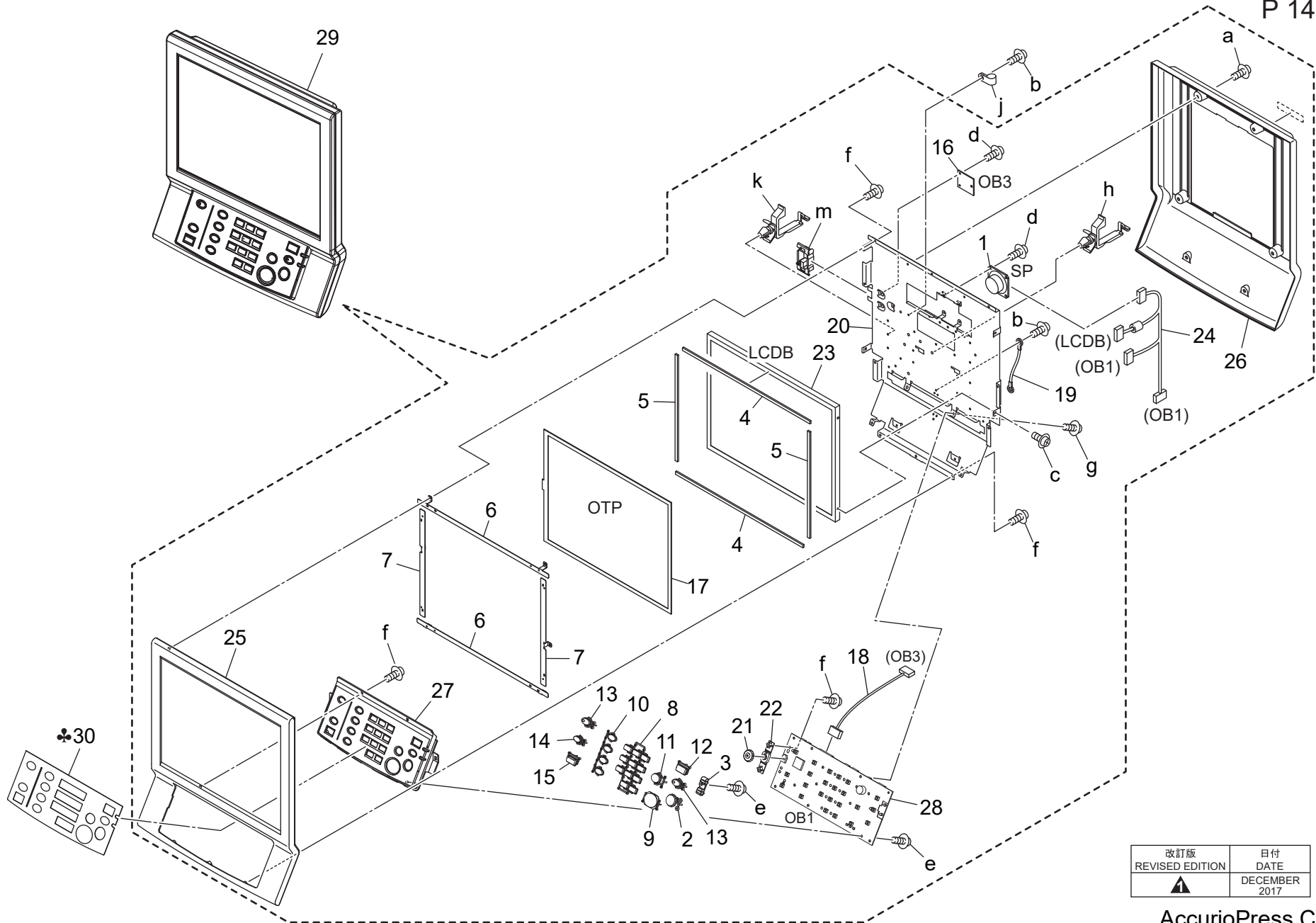



Main Frame Section

Key	Part No.	Description	Destinations	Class	QTY	Standard parts
1	A9VE110100	Castor /A		D	2	a-V116030803 b-V116040803 c-V127030604 d-V146040804
2	A50U104300	Drive Shaft		D	5	
3	A50U104500	Positioning Shaft /Rear		D	2	
4	A50U105000	Lock Plate		D	1	
5	A50U106300	Lock Screw		D	6	
6	A50U407300	Positioning Shaft /Rear		D	2	
7	A50U811300	Guide Holder /Rear		D	2	
8	A50U811500	Guide Holder /1		D	2	
9	A50U813700	Ground Plate		D	2	
10	A50U817700	Guide Pin /Right rear		D	2	
11	A50UR71U01	Terminal 1 Assy / HV		C	4	
12	A50UR71V01	Terminal 2 Assy / HV		C	4	
13	A50UR71W01	Terminal 3 Assy / HV		C	1	

Operation Panel Section

P 14



改訂版 REVISED EDITION	日付 DATE
	DECEMBER 2017

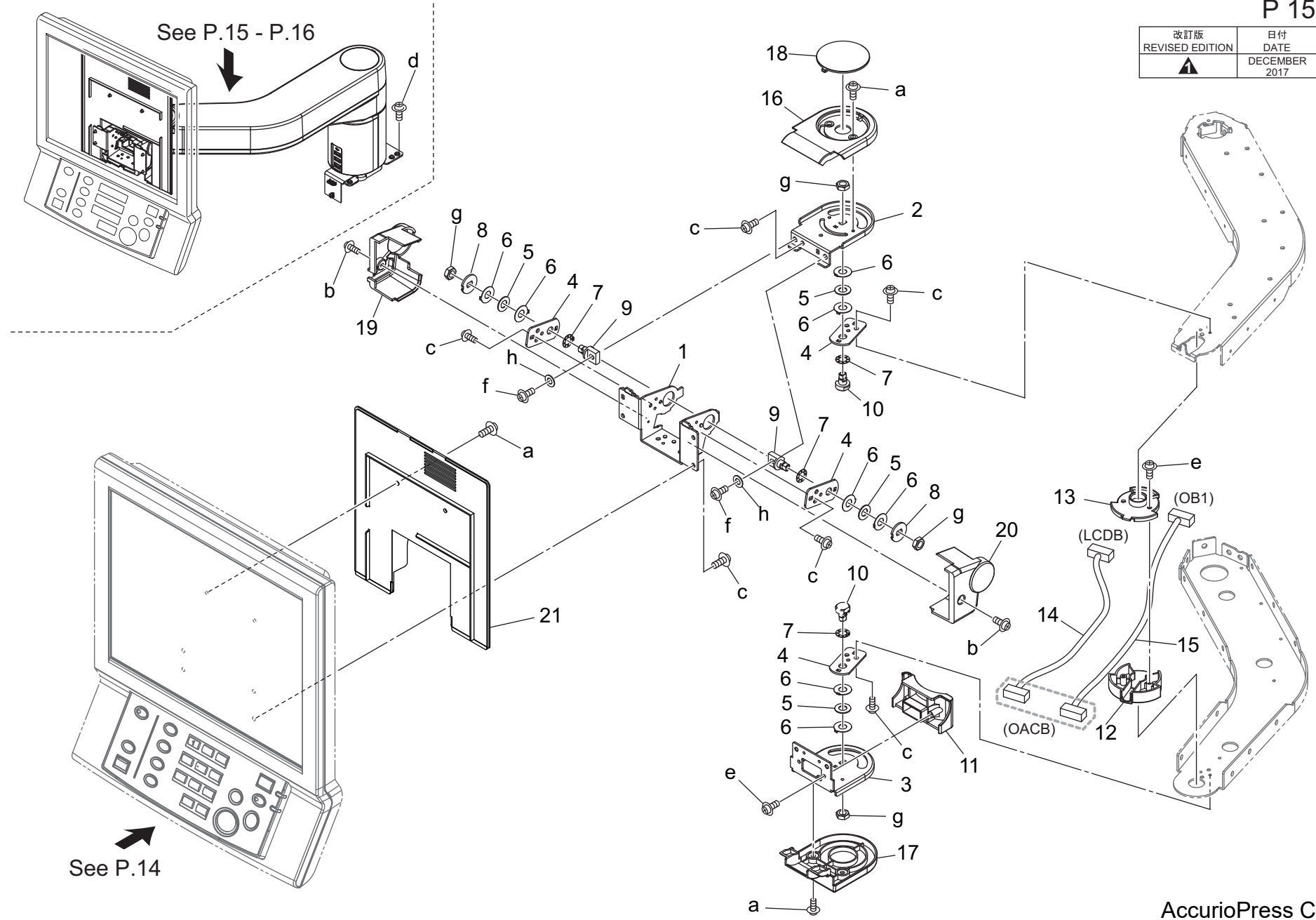
AccurioPress C3070

Operation Panel Section

Key	Part No.	Description	Destinations	Class	QTY	Standard parts
1	A0P0M73100	Speaker		D	1	a-V114040604
2	56UA70330	Spe. Unit Button /S	操作部 ボタン / S	C	1	b-V116040603
3	A0G6191600	Indicating Part /1	表示部材 / 1	D	1	c-V118030404
4	A0G6192400	Holding Cushion /Upper	押さえクッション / 上	C	2	d-V118030603
5	A0G6192500	Holding Cushion /Right	押さえクッション / 右	C	2	e-V151030603
6	A0G6192700	Ground Plate /1	アース板 / 1	D	2	f-V151030803
7	A0G6192900	Ground Plate /2	アース板 / 2	D	2	g-V151031003
8	A0G6193100	Operation Button /1	操作ボタン / 1	C	1	h-V500010082
9	A0G6193200	Operation Button /2	操作ボタン / 2	C	1	j-V500020069
10	A0G6193400	Operation Button /4	操作ボタン / 4	C	1	k-V500020099
11	A0G6193500	Operation Button /5	操作ボタン / 5	C	1	m-V570010063
12	A0G6193700	Operation Button /7	操作ボタン / 7	C	1	
13	A0G6193800	Operation Button /10	操作ボタン / 10	C	2	
14	A0G6193900	Operation Button /8	操作ボタン / 8	C	1	
15	A0G6194000	Operation Button /9	操作ボタン / 9	C	1	
16	A0G6H06000	Operation Board /3 Assy	操作基板 / 3	C	1	
17	A9VEM75500	Spe. Unit Touch Panel	操作部タッチパネル	C	1	
18	A0G6N18400	Spe. Unit Control Harness /3	操作部制御束線 / 3	D	1	
19	A1RFN28300	Spe. unit Wiring /1	操作部束線 / 1	D	1	
20	A4EU190413	Operation Plate	操作板	D	1	
21	A4EU194100	Operation Knob /1	操作つまみ / 1	D	1	
22	A4EU194200	Fixing Holder	固定ホルダ	D	1	
23	A4EUM75800	Spe. unit LCD	操作部 LCD	C	1	
24	A4EUN28500	Spe. unit Wiring /4	操作部束線 / 4	D	1	
25	A799190100	Operation Cover /Front	操作カバー / 前	D	1	
26	A799190200	Operation Cover /Rear	操作カバー / 後	D	1	
27	A799190301	Operation Casing /1	操作ケーシング / 1	D	1	
28	A799H04001	Operation Board /1 ASSY	操作基板 / 1 A s s y	I	1	
29	A9VER70600	Operation Unit	操作部ユニット	I	1	
30	A9VE205000	Operation Sheet	操作シート (英語)	D	1	B, D1, D3, E, F2, G1, G2, I (Except SOUTH AFRICA)
30	A9VE205200	Operation Sheet	操作シート (台湾語)	H	1	
30	A9VE205300	Operation Sheet	操作シート (韓国語)	K	1	
30	A9VE195000	Operation Sheet	操作シート (日本語)	A	1	
30	A9VE205100	Operation Sheet	操作シート (中国語 / 英語)	J	1	

Operation Panel Section

改訂版 REVISED EDITION	日付 DATE
▲	DECEMBER 2017

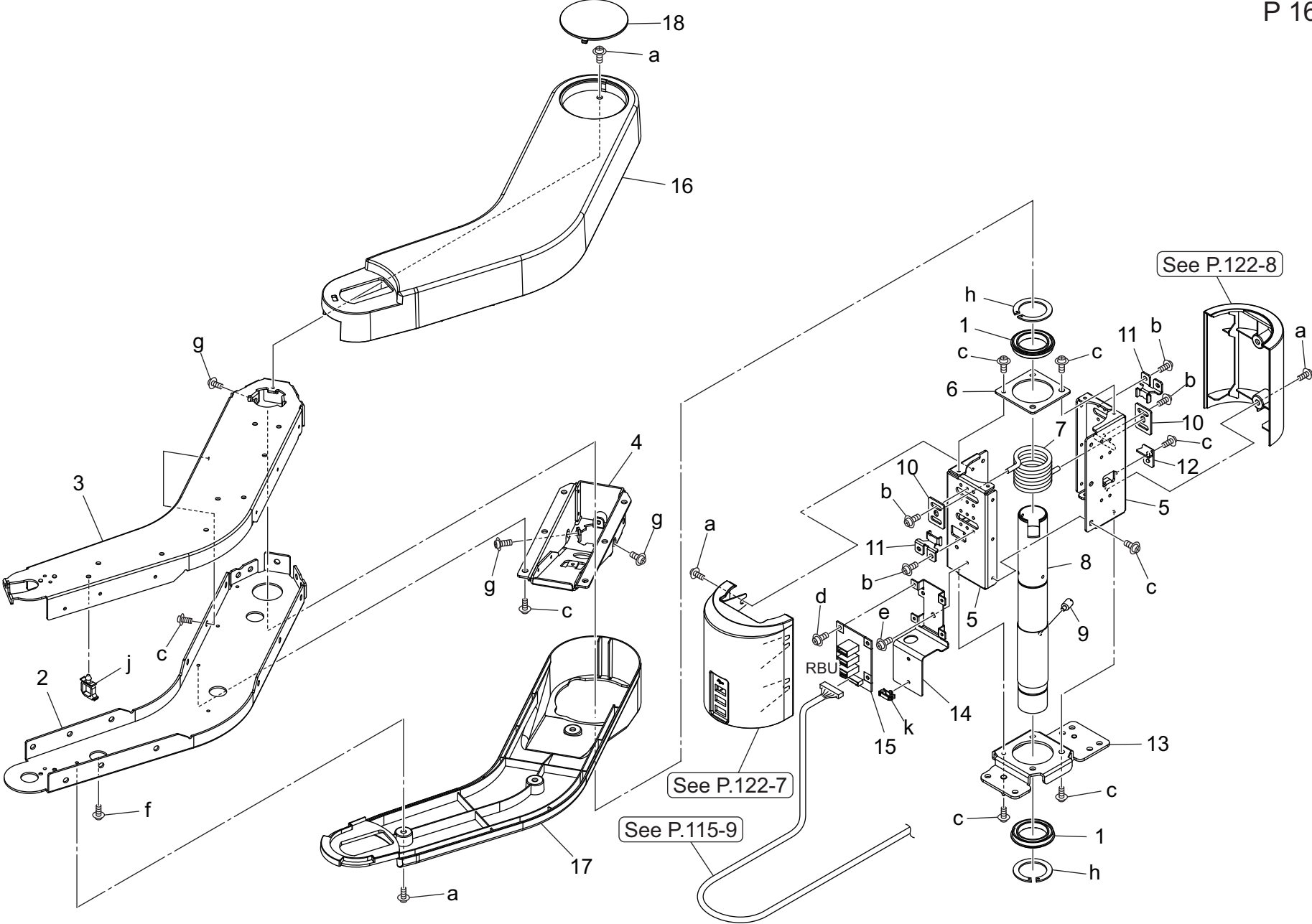


See P.14

AccurioPress C3070

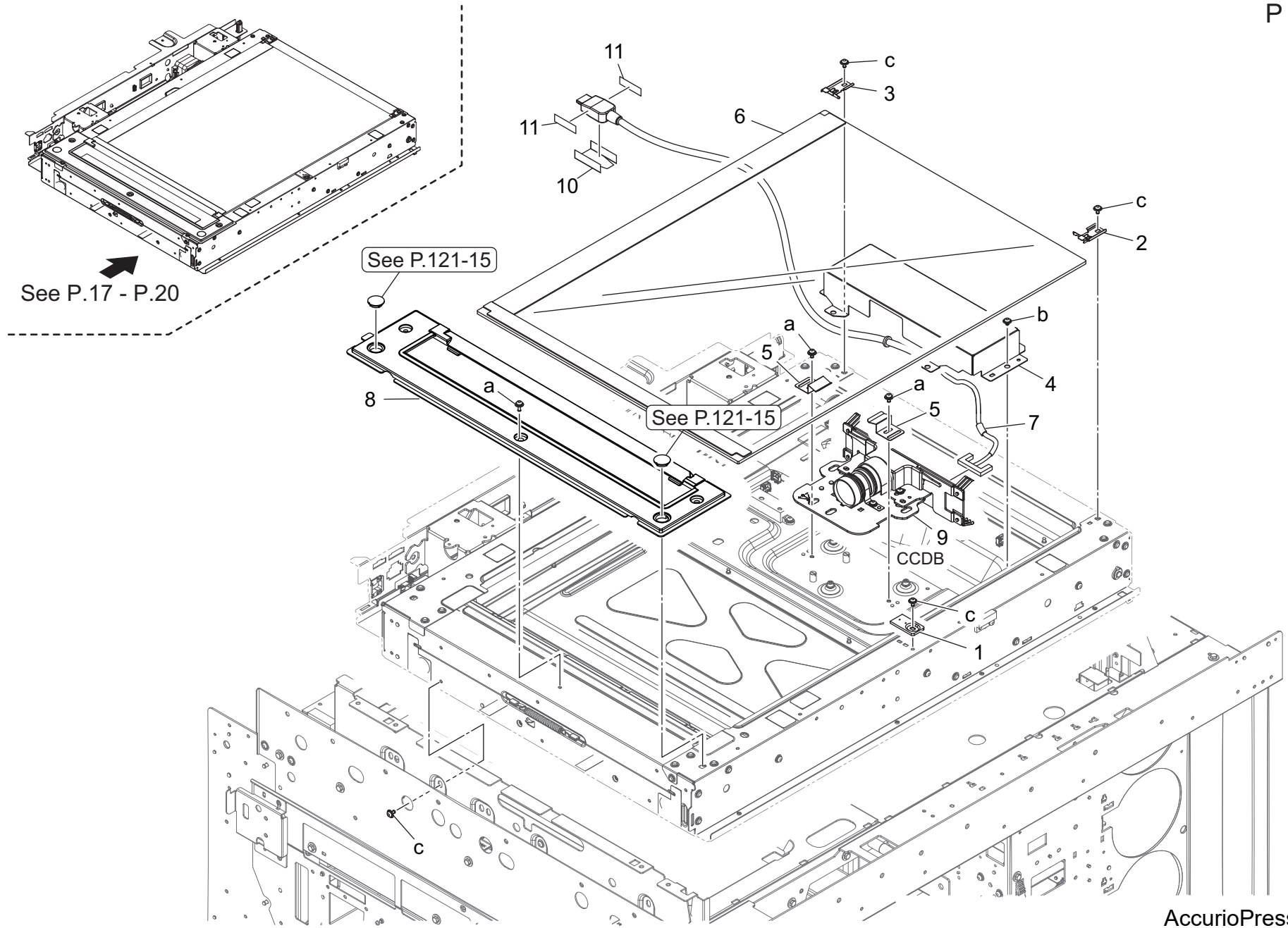


Key	Part No.	Description	Destinations	Class	QTY	Standard parts
1	A03U190900	Ope. unit Mounting Stay /1		D	1	a-V114040604 b-V121030603 c-V121040603 d-V127040803 e-V158030803 f-V188051604 g-V196080003 h-V207050003
2	A03U191400	Support Plate /Upper		D	1	
3	A03U191500	Support Plate /Lower		D	1	
4	A03U191600	Mounting Plate /T		D	4	
5	A03U191700	Rotation Spring /T		D	4	
6	A03U191800	Rotation Spacer /1		D	8	
7	A03U191900	Rotation Spacer /2		D	4	
8	A03U192000	Fixing Part /T		D	2	
9	A03U192100	Fixing Shaft /U		D	2	
10	A03U192200	Rotation Shaft /T		D	2	
11	A03U193400	Operation Cover /E		C	1	
12	A03U193600	Swing Cover /Lower		C	1	
13	A03U193700	Swing Cover /Upper		C	1	
14	A50UN29012	Ope.unit Control harness /1		D	1	
15	A50UN29101	Ope.unit Control harness /2		D	1	
16	A9VE193300	Operation Cover /C		D	1	
17	A9VE193500	Operation Cover /D		D	1	
18	A9VE193800	Operation Cover /I		D	1	
19	A9VE194000	Operation Cover /F		D	1	
20	A9VE194100	Operation Cover /G		D	1	
21	A9VE197100	Operation Cover /R		D	1	

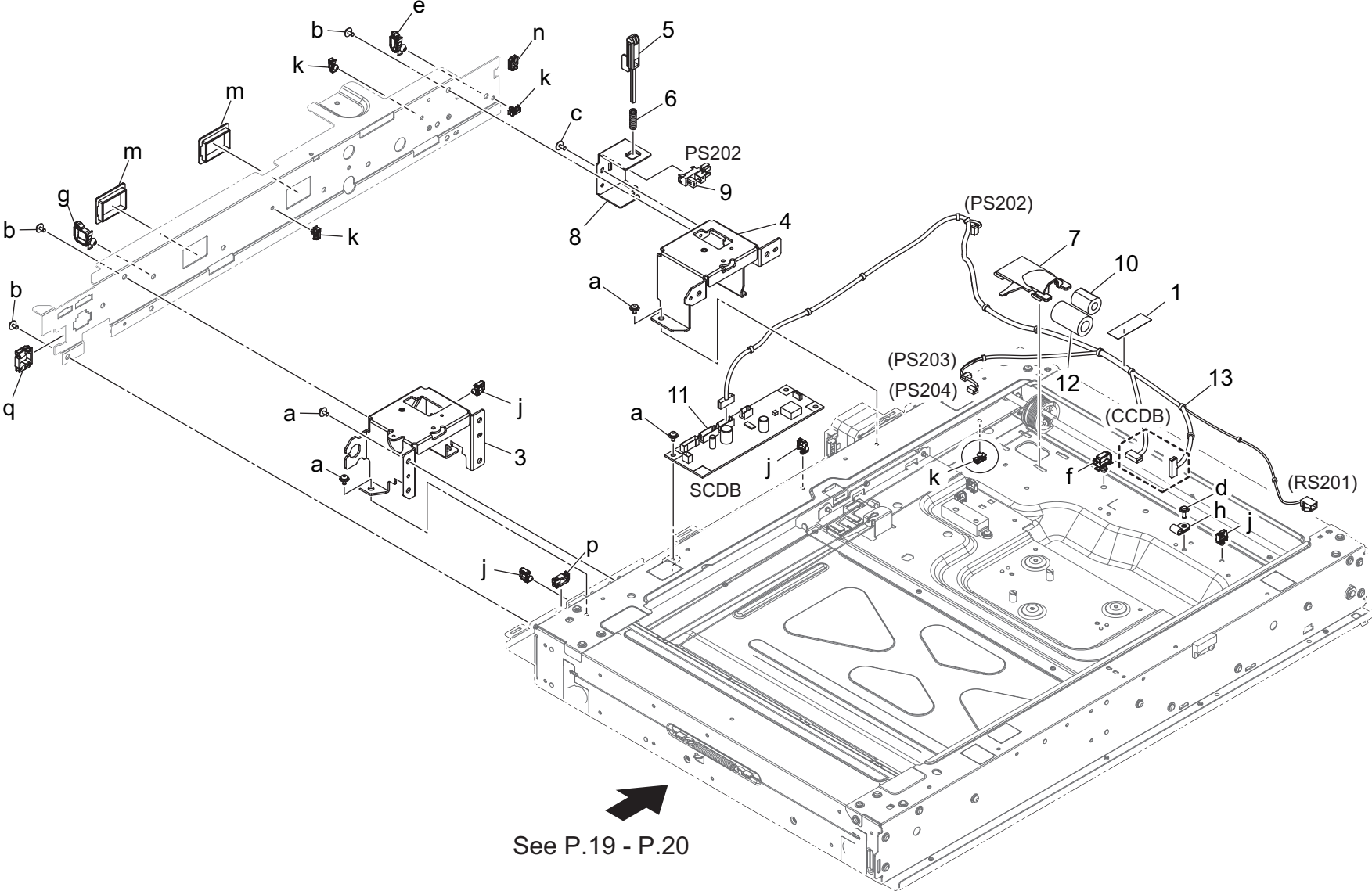


Key	Part No.	Description	Destinations	Class	QTY	Standard parts
1	65AA75010E	DRUM SUPPORT BEARING		D	2	a-V114040604
2	A03U190500	Ope. unit Mounting Arm /Lower		D	1	b-V116040803
3	A03U190600	Ope. unit Mounting Arm /Upper		D	1	c-V121040603
4	A03U190700	Support Plate /1		D	1	d-V127030603
5	A03U190802	Support Plate /2		D	2	e-V127040603
6	A03U191100	Support Plate /3		D	1	f-V158030803
7	A03U191201	Support Spring		C	1	g-V185041203
8	A03U191301	Ope. unit Support Pipe		D	1	h-V223300017
9	A03U192300	Stopper Screw /A		C	1	j-V500010083
10	A03U195302	REGULATING PLATE		D	2	k-V500020100
11	A03U195400	Regulating Part		D	2	
12	A03U195500	Rotation Stopper		D	1	
13	A03UF19100	Main Body Attachment Caulking		D	1	
14	A1DU190101	Installing Plate		D	1	
15	A1DUH11000	Relay Board/U ASSY		C	1	
16	A9VE193100	Operation Cover /Upper		D	1	
17	A9VE193200	Operation Cover /Lower		D	1	
18	A9VE193900	Operation Cover /J		D	1	

Scanner Section




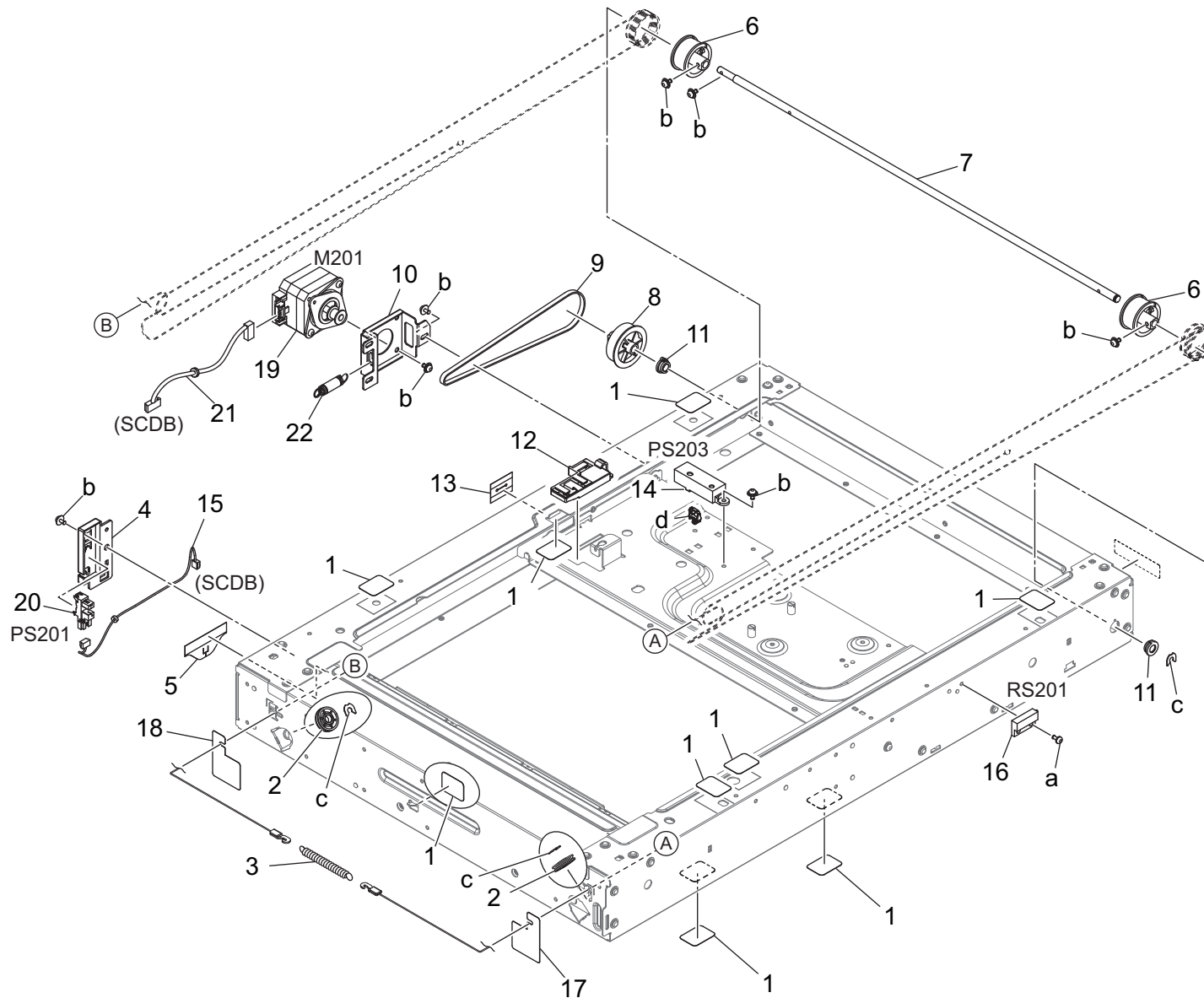
Key	Part No.	Description	Destinations	Class	QTY	Standard parts
1	A00J265300	Regulating Plate		C	1	a-V116030804 b-V127030516 c-V127030604
2	A161268200	Holding Plate		D	1	
3	A161268300	Holding Plate		D	1	
4	A161278600	Cover		D	1	
5	A161278900	Plate spring		D	2	
6	A161R72200	Original Glass Assy		C	1	
7	A7PUN14611	CCD Cable		D	1	
8	A7PUR71133	Slit Glass Assy		C	1	
9	A9VER72500	CCD Assy		I	1	
10	A9PJ138400	Protection Part /B		D	1	
11	A9PJ138500	Protection Part /A		D	2	



See P.19 - P.20

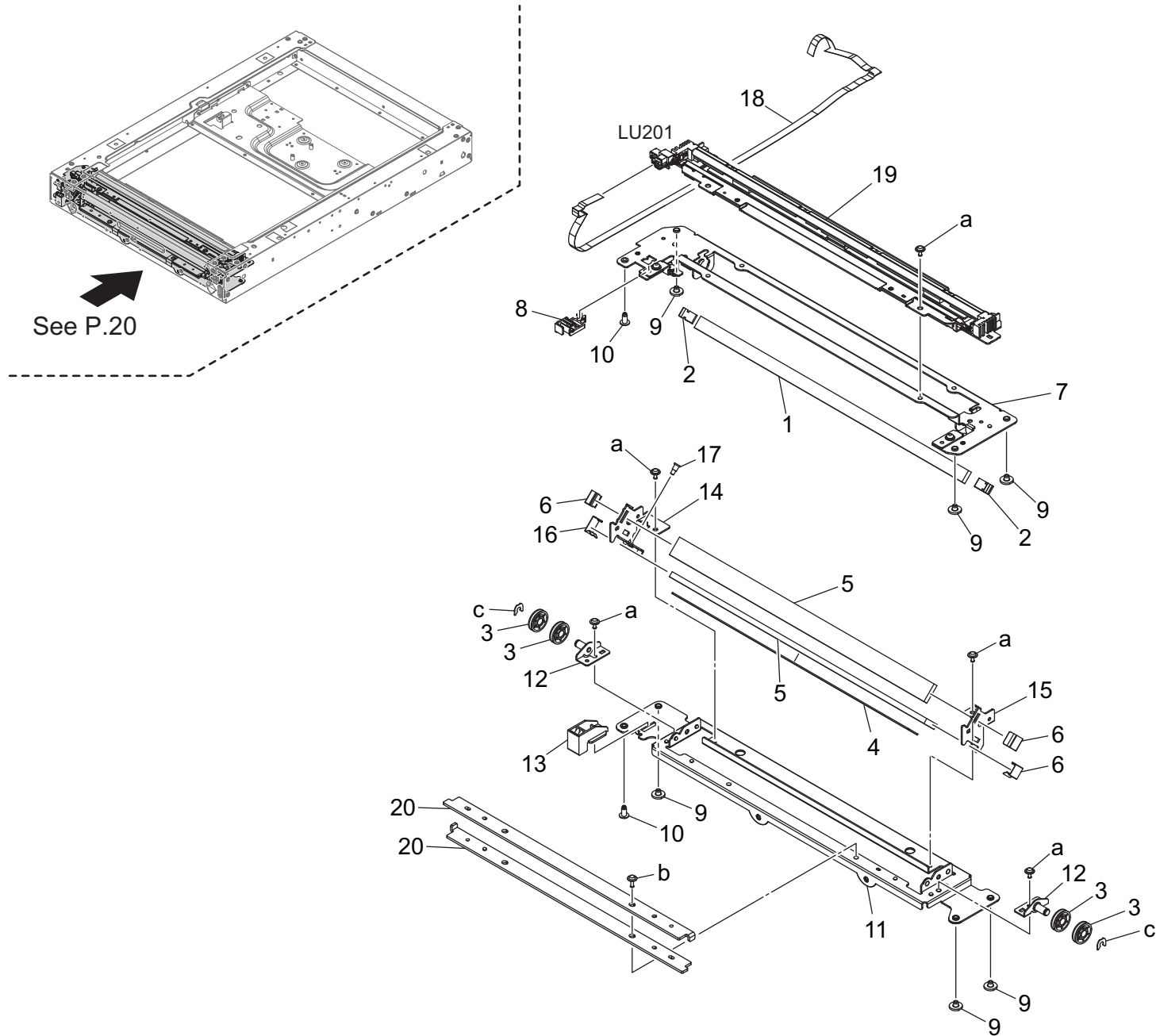
Scanner Section

改訂版 REVISED EDITION	日付 DATE
	NOVEMBER 2018

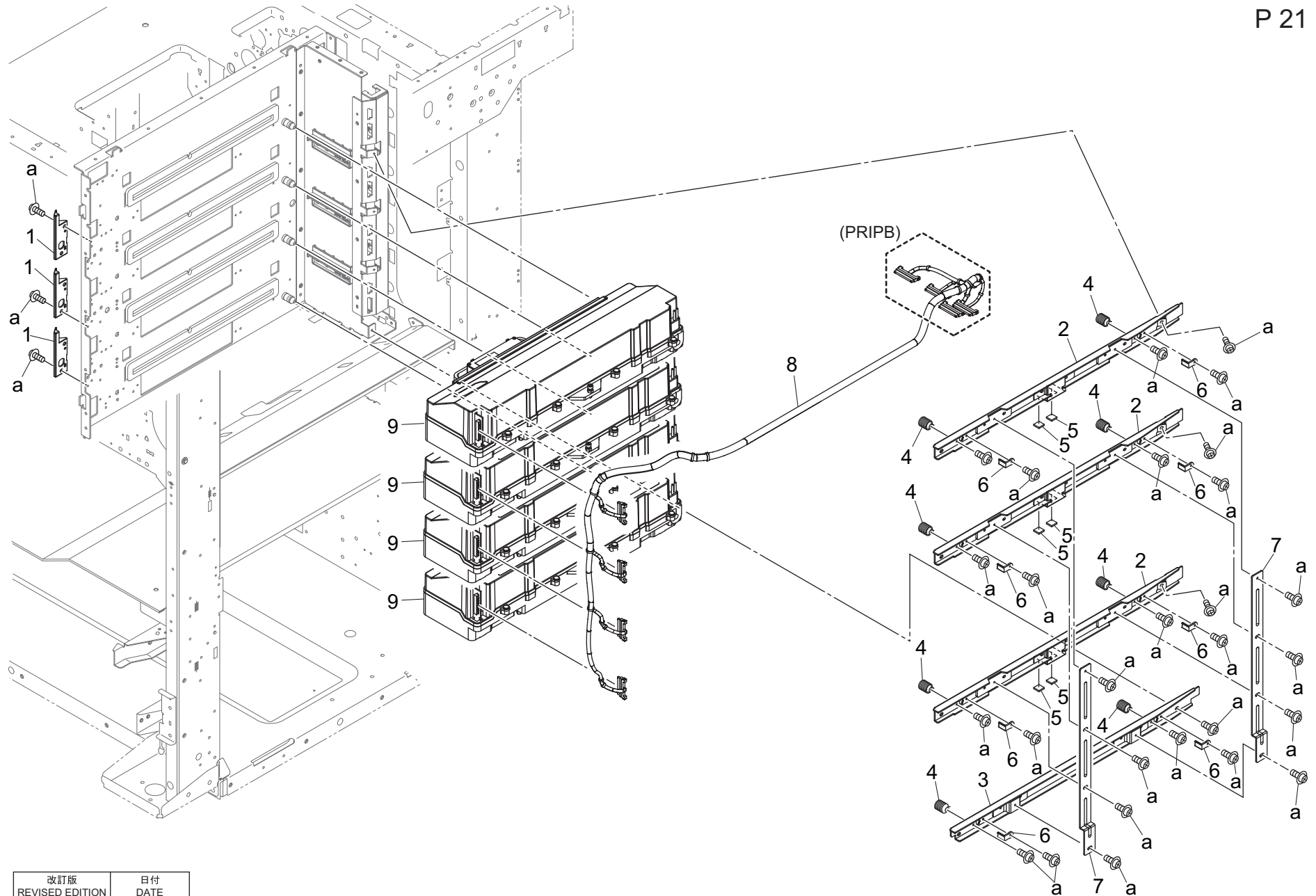


Key	Part No.	Description	Destinations	Class	QTY	Standard parts
1	4581162501	SEAL		C	9	a-V115030603 b-V116030603 c-V218040086 d-V500020098
2	A0ED273600	Pulley		C	2	
3	A0ED276301	Pulling Spring		D	1	
4	A161262200	Cover		D	1	
5	A161263000	Seal		D	1	
6	A161275300	Pulley		D	2	
7	A161275400	Shaft		D	1	
8	A161275500	Pulley 103T		D	1	
9	A161275600	Timing belt 335L		D	1	
10	A161276000	Mounting Plate		D	1	
11	A161276500	Bearing		D	2	
12	A161281100	Guide		D	1	
13	A161281300	Seal		D	1	
14	A161M50A00	APS Photoreflector		C	1	
15	A161N14201	Scanner Wiring /2		D	1	
16	A1UDM50200	Lead Switch		C	1	
17	A5C1263300	Seal		C	1	
18	A5C1263400	Seal		C	1	
19	A5C1M10A00	Stepping motor		C	1	
20	A5C1M50100	Photointerrupter		B	1	
21	A5C1N14300	Scanner Wiring		D	1	
22	A795275700	Pulling Spring		D	1	

Scanner Section



Key	Part No.	Description	Destinations	Class	QTY	Standard parts
1	A0ED271200	Mirror		D	1	a-V137030603 b-V137030803 c-V218040086
2	A0ED271300	Plate spring		D	2	
3	A0ED273600	Pulley		C	4	
4	A0ED274200	Vibrationproof Plate		D	1	
5	A0ED274300	Mirror		D	2	
6	A0ED274400	Plate spring		D	3	
7	A161270102	Frame		D	1	
8	A161270600	Guide		D	1	
9	A161271000	Bushing		D	6	
10	A161271100	Bushing		D	2	
11	A161273113	Frame		D	1	
12	A161273401	Mounting Plate		D	2	
13	A161273500	Guide Part		D	1	
14	A161273701	Mounting Plate		D	1	
15	A161273800	Mounting Plate		D	1	
16	A161274500	Plate spring /1		D	1	
17	A161274600	Adjusting Screw		C	1	
18	A161N14000	Scanner Wiring /4		D	1	
19	A61FM31100	Lamp		D	1	
20	A795273900	Vibrationproof Plate		D	2	



改訂版 REVISED EDITION	日付 DATE
▲	NOVEMBER 2017

Order here
8 (495)646-0426
www.km-shop.ru

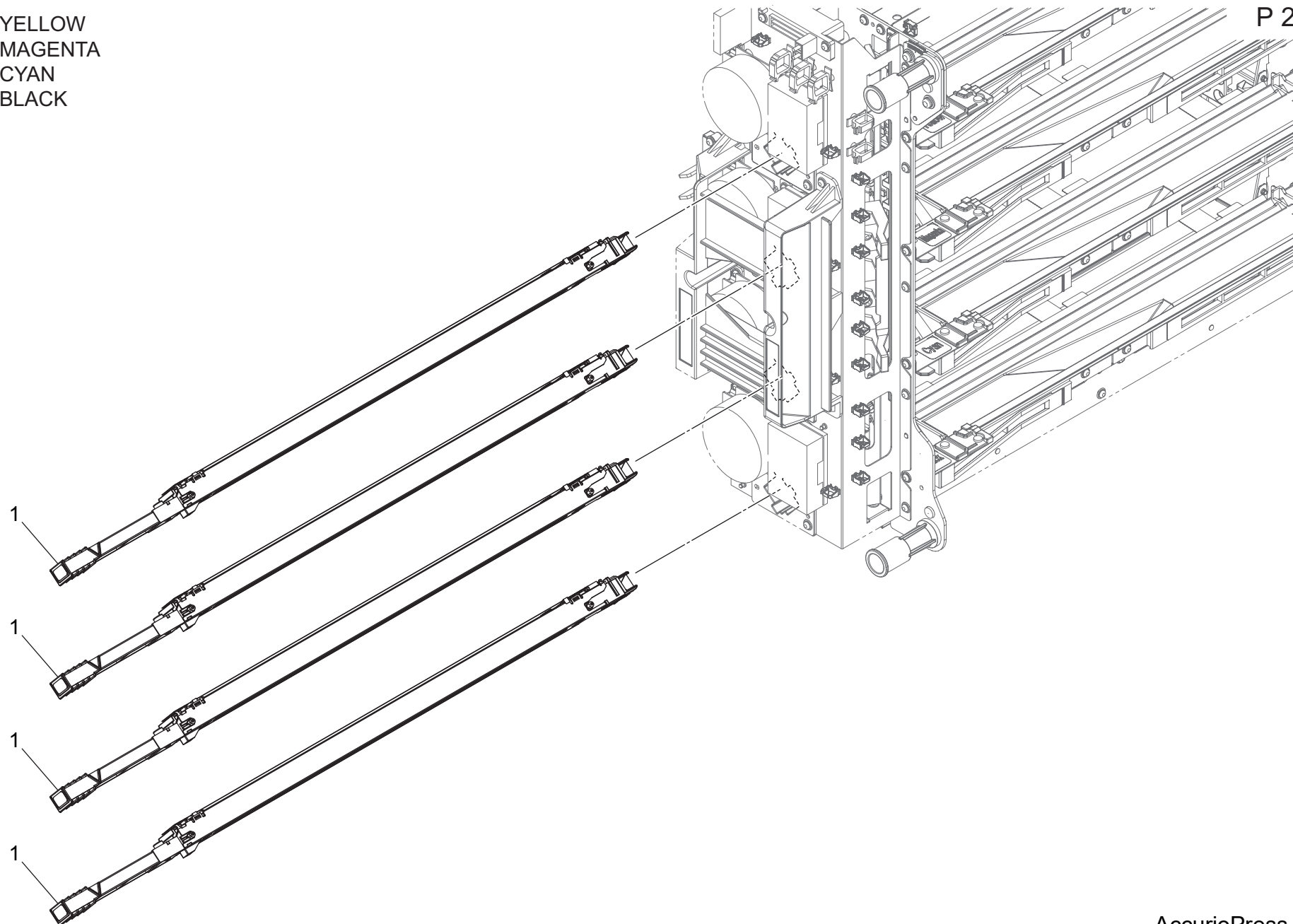
ПЯТЫЙ ПАРТНЕР

Key	Part No.	Description	Destinations	Class	QTY	Standard parts
1	A50U121500	Cooling Guide /Front		D	3	a-V127030604
2	A50U318101	Pressing Stay /Color		D	3	
3	A50U318201	Pressing Stay /Black		D	1	
4	A50U318300	Pressing Spring /R		D	8	
5	A50U318700	Auxiliary Pad		D	6	
6	A50U318900	Pressing Guide		D	8	
7	A50U319301	Connecting Plate /1		D	2	
8	A85CN26500	LD Wiring /1		D	1	
9	A9VER71300	PH Unit		I	4	

Charging Section

YELLOW
MAGENTA
CYAN
BLACK

P 22

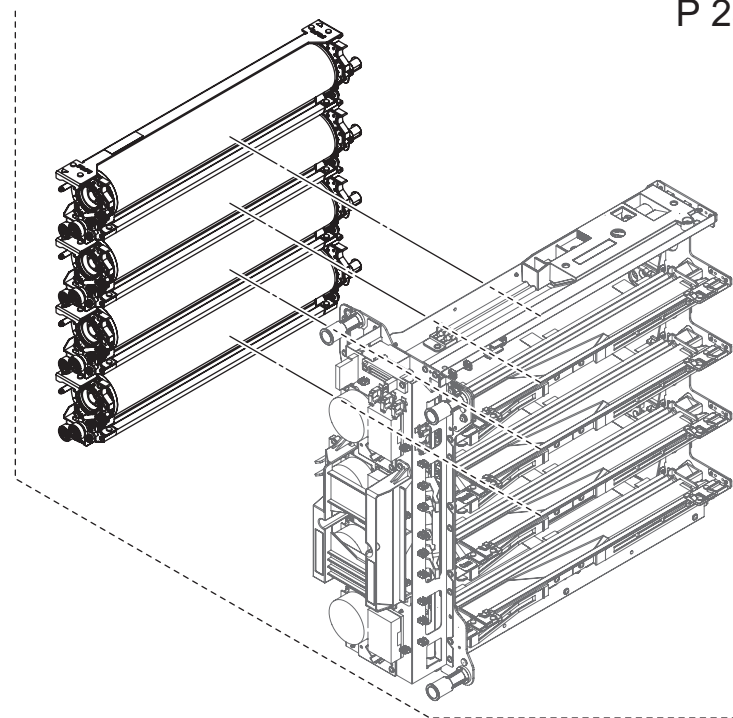
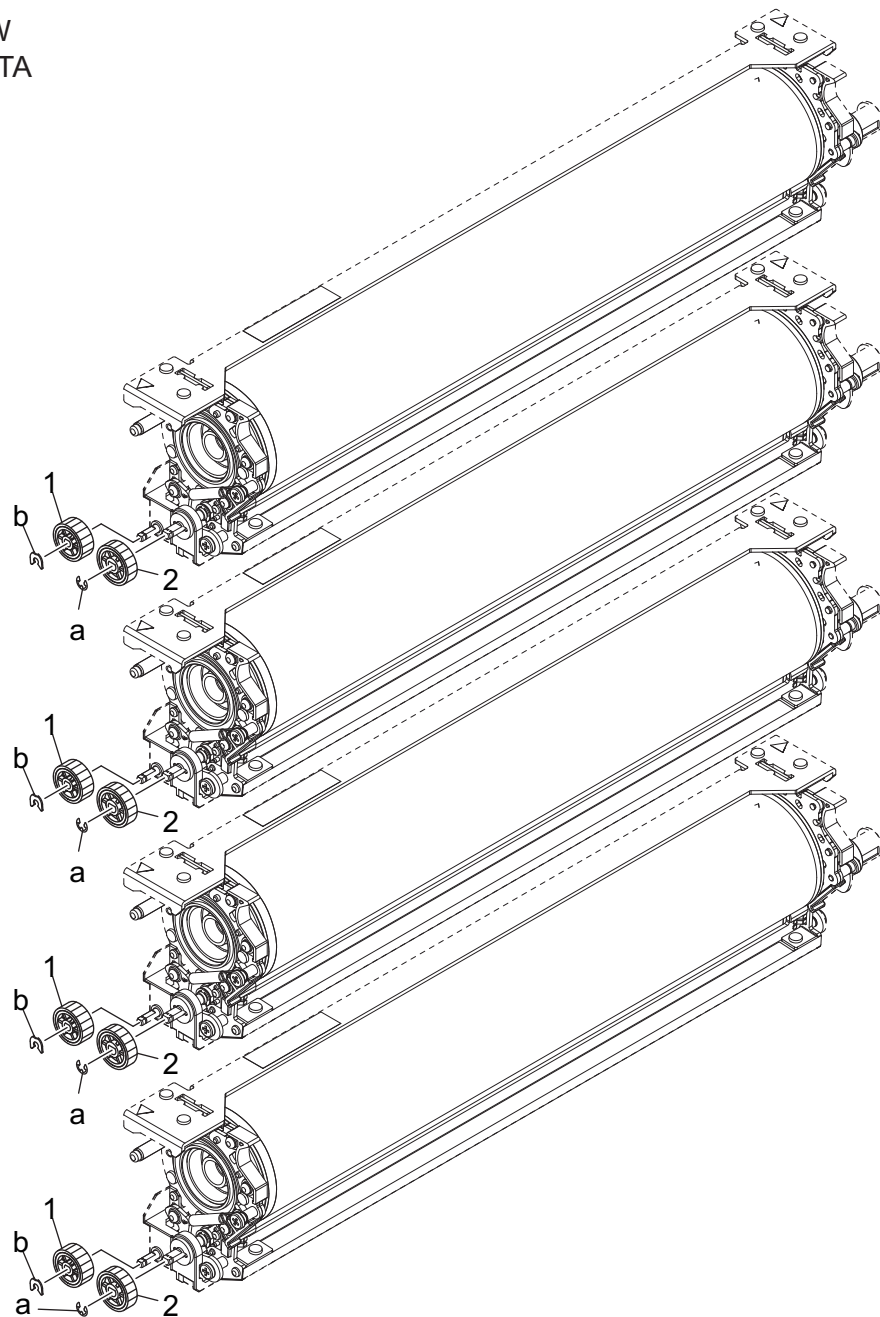


Charging Section

Key	Part No.	Description	Destinations	Class	QTY	Standard parts
1	A50UR70323	Charging Corona Unit	C	A	4	
1	A50UR70323	Charging Corona Unit	A,B,G2,D1,D3,E,F2,G 1,H,I,J,K	A	4	

Photo Conductor Section

YELLOW
MAGENTA
CYAN
BLACK



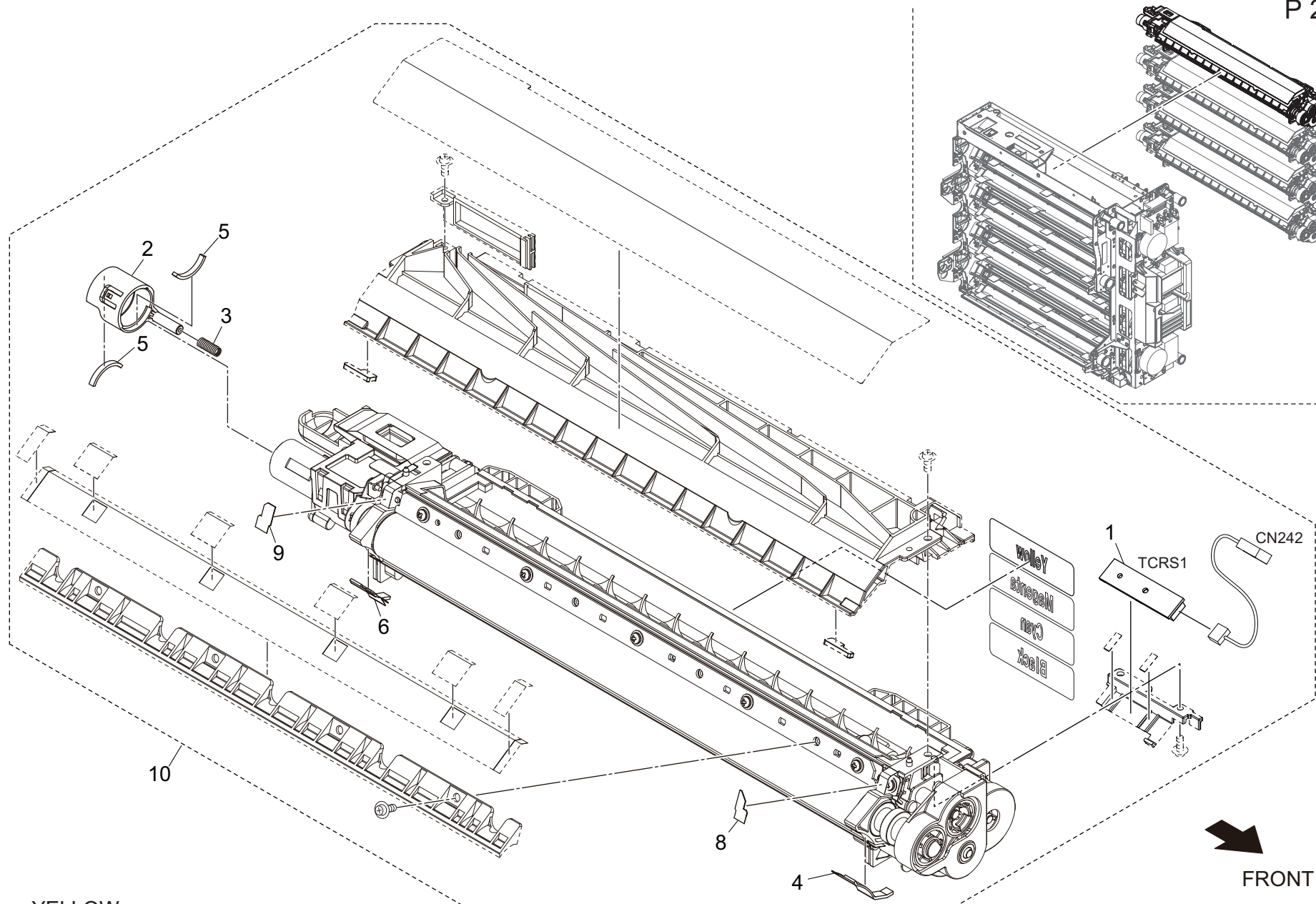
P 23

Photo Conductor Section

Key	Part No.	Description	Destinations	Class	QTY	Standard parts
1	A50U333500	Cleaning Gear /1 28T		C	4	a-V217030003 b-V218030086
2	A50U333600	Cleaning Gear /2 30T		C	4	

Developing Section

P 24

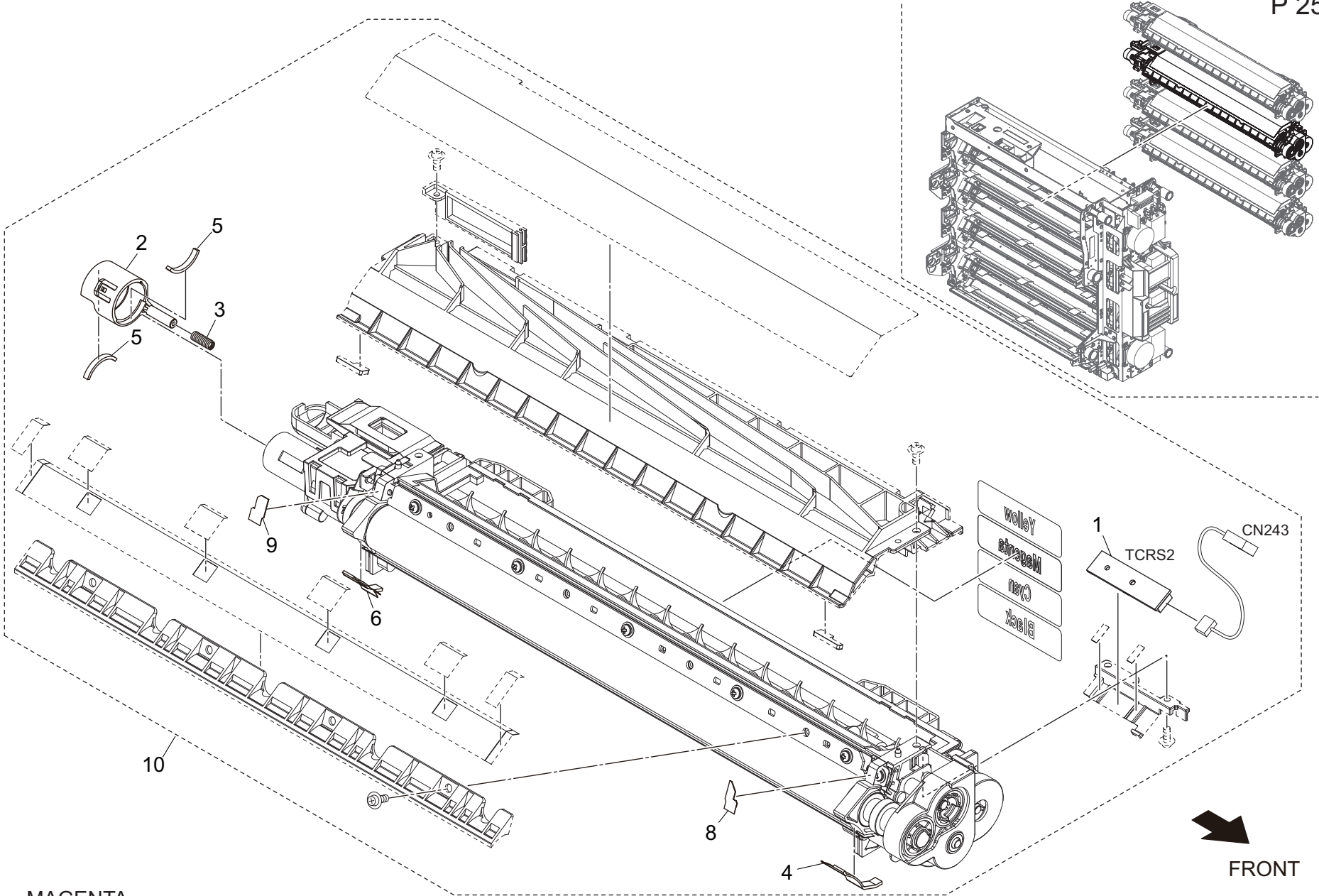


YELLOW

AccurioPress C3070

Key	Part No.	Description	Destinations	Class	QTY	Standard parts
1	A0TKH00200	PWB Assembly(PWB-TCR ASSY)	基板 A S S Y (P W B - T C R A S S Y)	I	1	
2	A50U372902	Collection Cover	回収カバー	D	1	
3	A50U373100	Compressing Coil spring /1	圧縮コイルばね / 1	D	1	
4	A50U374102	Scatteringprevention Sheet /Side	飛散防止シート / サイド	D	1	
5	A50U374501	Seal /J	シール / J	D	2	
6	A50U376002	Scatteringprevention Sheet /Rear	飛散防止シート / 奥	D	1	
8	A50U377201	Auxiliary Seal /Front	補助シール / 前	D	1	
9	A50U377301	Auxiliary Seal /Rear	補助シール / 奥	D	1	
10	A50UR70266	Developing Unit	現像ユニット	C	1	
10	A50UR70266	Developing Unit	現像ユニット	A	1	
10	A50UR70266	Developing Unit	現像ユニット	J	1	
10	A50UR70266	Developing Unit	現像ユニット	B	1	
10	A50UR70266	Developing Unit	現像ユニット	D1,D3,E,F2,G1,G2,H,I,K	1	

Developing Section



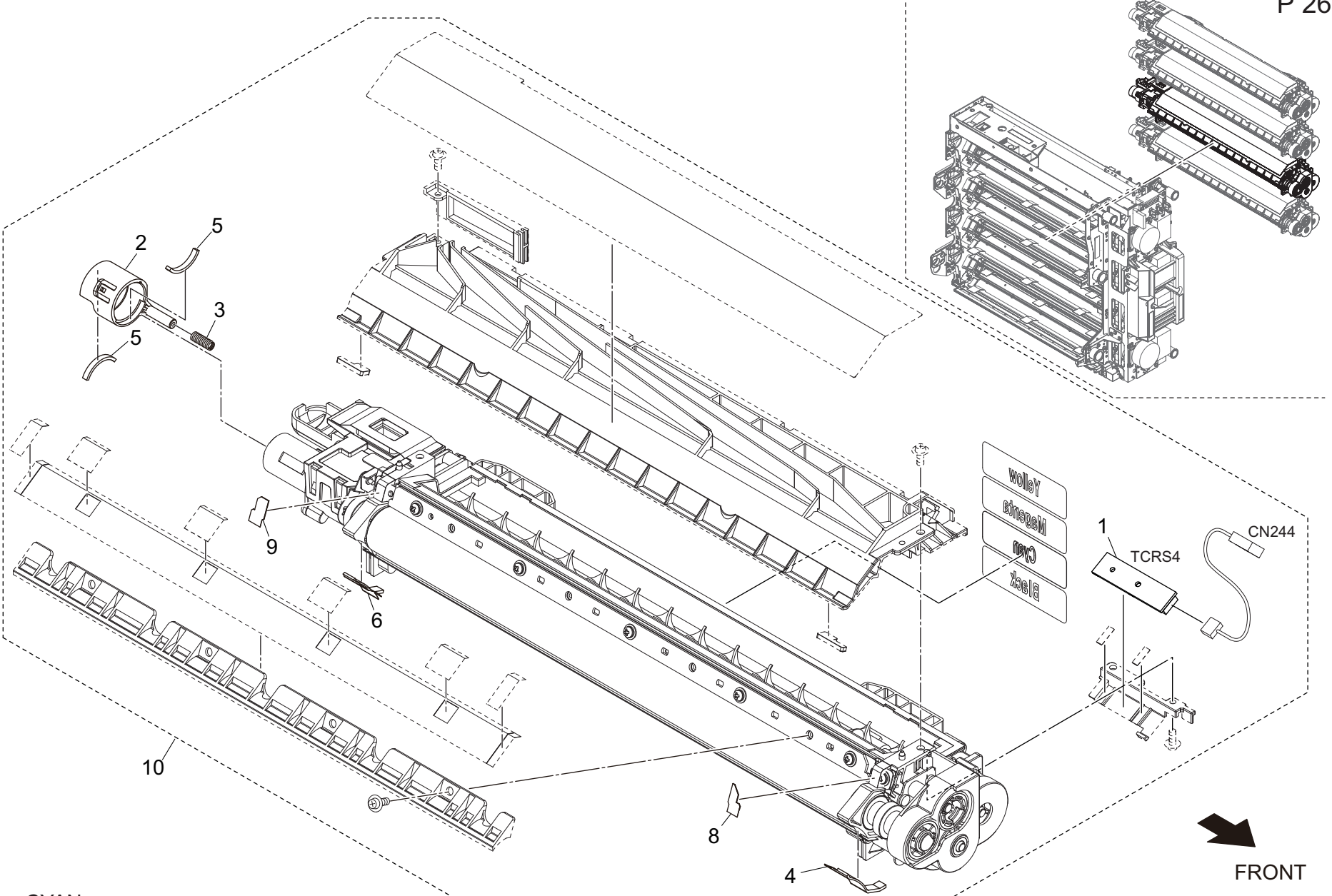
MAGENTA

FRONT

AccurioPress C3070

Key	Part No.	Description	Destinations	Class	QTY	Standard parts
1	A0TKH00200	PWB Assembly(PWB-TCR ASSY)	基板 ASSY (PWB-TCR ASSY)	I	1	
2	A50U372902	Collection Cover	回収カバー	D	1	
3	A50U373100	Compressing Coil spring /1	圧縮コイルばね/1	D	1	
4	A50U374102	Scatteringprevention Sheet /Side	飛散防止シート/サイド	D	1	
5	A50U374501	Seal /J	シール/ J	D	2	
6	A50U376002	Scatteringprevention Sheet /Rear	飛散防止シート/奥	D	1	
8	A50U377201	Auxiliary Seal /Front	補助シール/前	D	1	
9	A50U377301	Auxiliary Seal /Rear	補助シール/奥	D	1	
10	A50UR70266	Developing Unit	現像ユニット	B	1	
10	A50UR70266	Developing Unit	現像ユニット	A	1	
10	A50UR70266	Developing Unit	現像ユニット	J	1	
10	A50UR70266	Developing Unit	現像ユニット	B	1	
10	A50UR70266	Developing Unit	現像ユニット	B	1	
			D1,D3,E,F2,G1,G2,H,I,K			

Developing Section



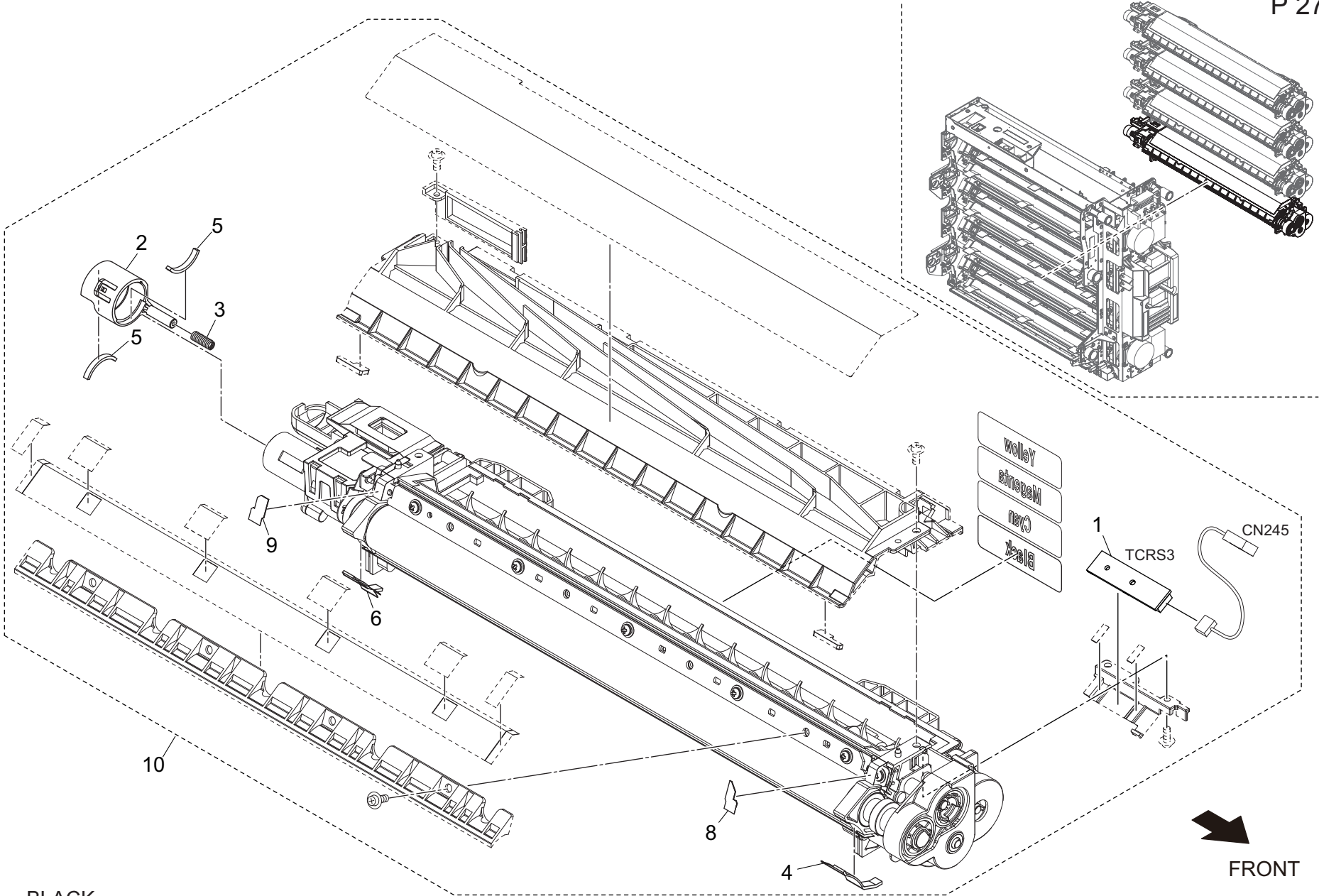
CYAN

FRONT
AccurioPress C3070

Key	Part No.	Description		Destinations	Class	QTY	Standard parts
1	A0TKH00200	PWB Assembly(PWB-TCR ASSY)	基板 ASSY (PWB-TCR ASSY)		I	1	
2	A50U372902	Collection Cover	回収カバー		D	1	
3	A50U373100	Compressing Coil spring /1	圧縮コイルばね / 1		D	1	
4	A50U374102	Scatteringprevention Sheet /Side	飛散防止シート / サイド		D	1	
5	A50U374501	Seal /J	シール / J		D	2	
6	A50U376002	Scatteringprevention Sheet /Rear	飛散防止シート / 奥		D	1	
8	A50U377201	Auxiliary Seal /Front	補助シール / 前		D	1	
9	A50U377301	Auxiliary Seal /Rear	補助シール / 奥		D	1	
10	A50UR70266	Developing Unit	現像ユニット	C	B	1	
10	A50UR70266	Developing Unit	現像ユニット	A	B	1	
10	A50UR70266	Developing Unit	現像ユニット	J	B	1	
10	A50UR70266	Developing Unit	現像ユニット	B	B	1	
10	A50UR70266	Developing Unit	現像ユニット	D1,D3,E,F2,G1,G2,H,I,K	B	1	

Developing Section

P 27



BLACK

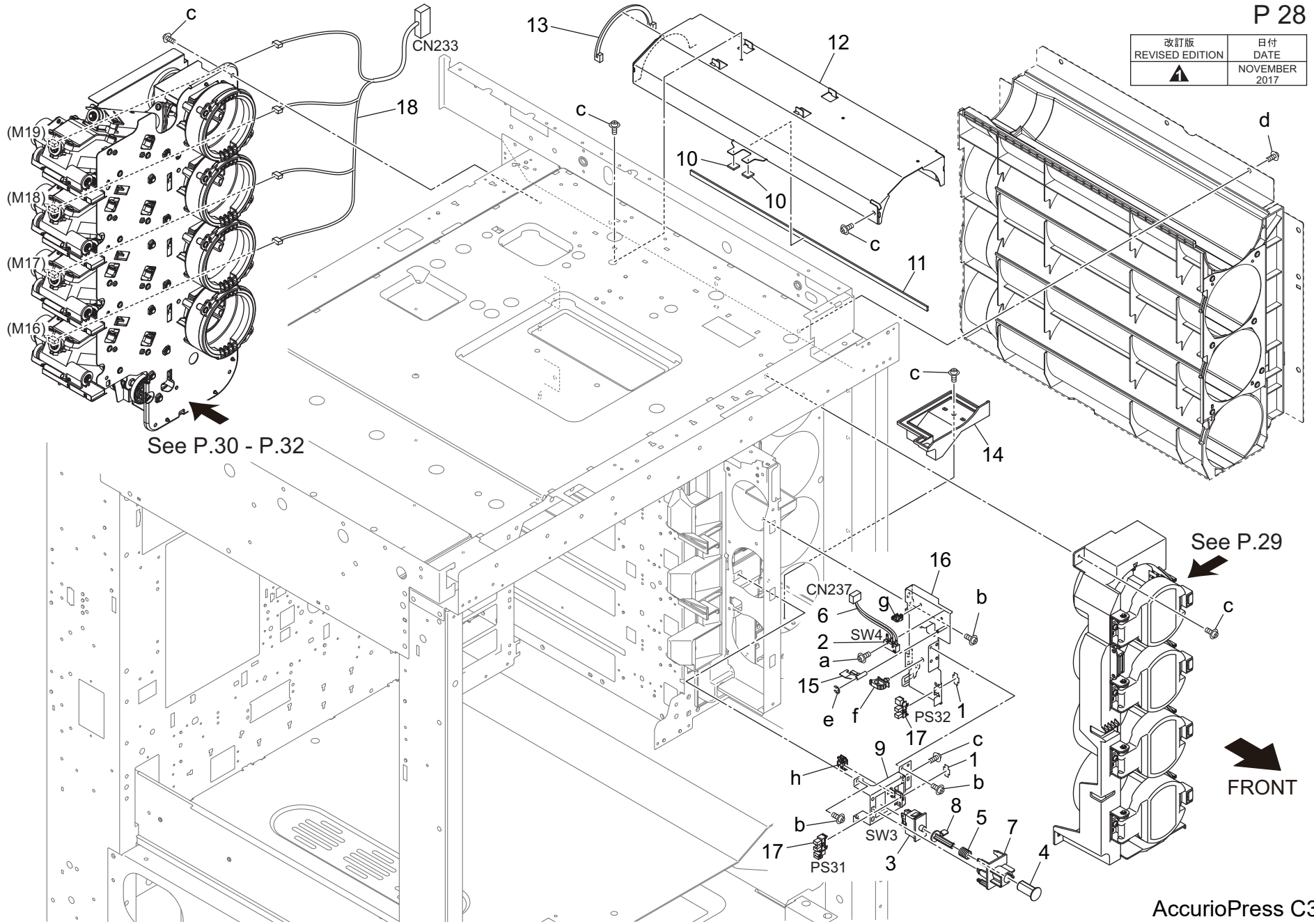
FRONT

AccurioPress C3070

Key	Part No.	Description	Destinations	Class	QTY	Standard parts
1	A0TKH00200	PWB Assembly(PWB-TCR ASSY)	基板 A S S Y (P W B - T C R A S S Y)	I	1	
2	A50U372902	Collection Cover	回収カバー	D	1	
3	A50U373100	Compressing Coil spring /1	圧縮コイルばね / 1	D	1	
4	A50U374102	Scatteringprevention Sheet /Side	飛散防止シート / サイド	D	1	
5	A50U374501	Seal /J	シール / J	D	2	
6	A50U376002	Scatteringprevention Sheet /Rear	飛散防止シート / 奥	D	1	
8	A50U377201	Auxiliary Seal /Front	補助シール / 前	D	1	
9	A50U377301	Auxiliary Seal /Rear	補助シール / 奥	D	1	
10	A50UR70266	Developing Unit	現像ユニット	C	1	
10	A50UR70266	Developing Unit	現像ユニット	A	1	
10	A50UR70266	Developing Unit	現像ユニット	J	1	
10	A50UR70266	Developing Unit	現像ユニット	B	1	
10	A50UR70266	Developing Unit	現像ユニット	B	1	
			D1,D3,E,F2,G1,G2,H,I,K	B	1	

Toner Supply Section

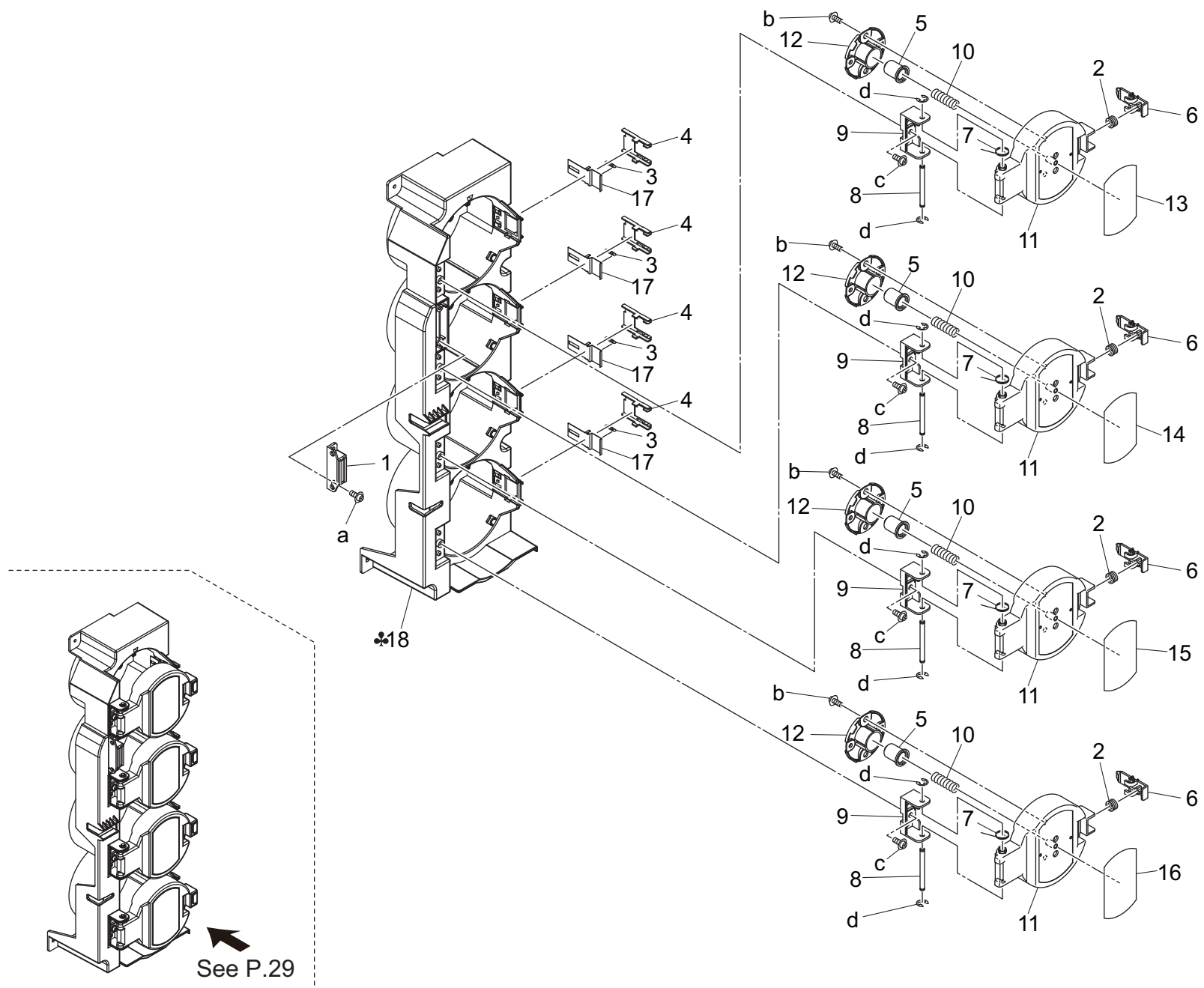
改訂版 REVISED EDITION	日付 DATE
▲	NOVEMBER 2017



Toner Supply Section

Key	Part No.	Description	Destinations	Class	QTY	Standard parts
1	4470402401	Stopper		D	2	a-V111020803 b-V127030516 c-V127030604 d-V127040603 e-V217020003 f-V500010081 g-V500020098 h-V570010056
2	12QR86011	Interlock Switch		B	1	
3	40AA85011Old	Door Switch		B	1	
3	AC57M60000	Door Switch		B	1	
4	56AA12140	Switch Connecting Actuator		C	1	
5	56AA12160	Contact Pressing Spring /1		C	1	
6	65AA91101E	INTER LOCK WIRING		D	1	
7	A50U166800	Guide Part		D	1	
8	A50U171500	Pressing Actuator		C	1	
9	A50U179000	Plate		D	1	
10	A50U318700	Auxiliary Pad		D	2	
11	A50U400600	Toner supply Seal /Upper		D	1	
12	A50U400900	Toner supply Frame /Upper		D	1	
13	A50U401401	Seal /Rear		D	1	
14	A50U408101	Receiving Lower tray		D	1	
15	A50U442100	Switch Plate		D	1	
16	A50UF41500	Toner Supply Support Shaft Caulking ASSY		D	1	
17	A50UM51000	Photointerrupter		C	2	
18	A50UN12101	Toner Wiring /1		D	1	

Toner Supply Section

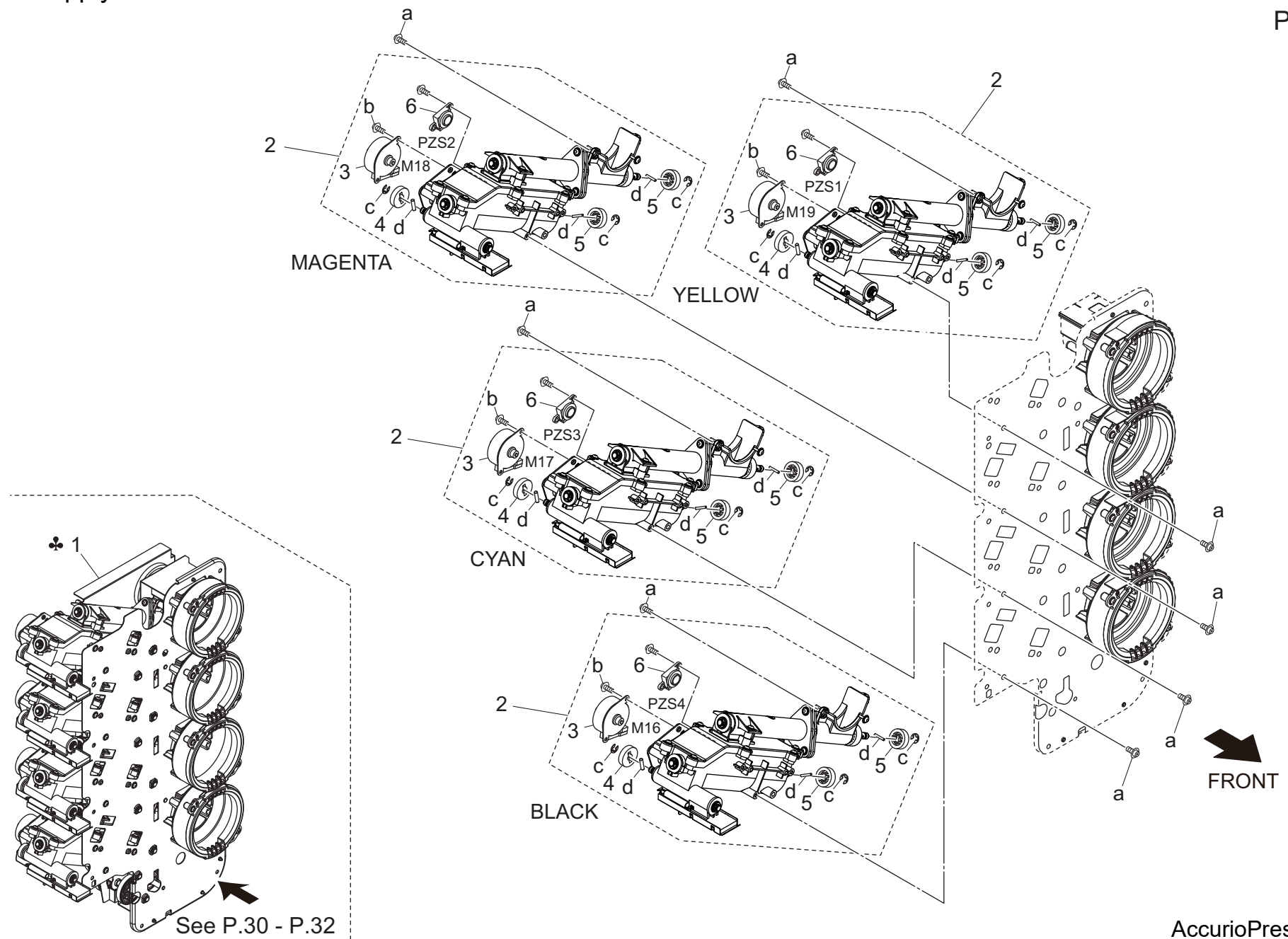


See P.29

FRONT

Key	Part No.	Description	Destinations	Class	QTY	Standard parts
1	07BA12352	Magnet Catch	マグネットキャッチ	C	1	a-V149030803 b-V151041003 c-V158030803 d-V217030003
2	26NA32870	CARTRIDGE PRESSING SPRING 2	カートリッジ押圧バネ 2	C	4	
3	26TA32970	CARTRIDGE REGULATING SPRING	カートリッジ規制バネ	C	4	
4	26TA32990	COVER PART	カバー部材	C	4	
5	A1RF441500	Pressing Part /Front	押圧部材／前	D	4	
6	A50U408501	Pressing Handle	押圧取手	D	4	
7	A50U408600	Toner supply Open/close Spring /A	トナー補給開閉バネ／A	D	4	
8	A50U408700	Support Shaft	支点軸	D	4	
9	A50U408900	Support Part	支点部材	D	4	
10	A50U410200	Lock Spring	ロックばね	D	4	
11	A50U440301	Pressing Pedestal /Front	押圧台／前	D	4	
12	A50U440601	Pressing Part /Rear	押圧部材／後	D	4	
13	A50U944500	Toner supply Label /Y	トナー補給ラベル／Y	D	1	
14	A50U944600	Toner supply Label /M	トナー補給ラベル／M	D	1	
15	A50U944700	Toner supply Label /C	トナー補給ラベル／C	D	1	
16	A50U944800	Toner supply Label /K	トナー補給ラベル／K	D	1	
17	A85C409600	Regulating Plate	規制板	D	4	
18	A50U400201	Guide Part	ガイド部材	D	1	
18	A9VE400200	Guide Part	ガイド部材	D	1	

Toner Supply Section



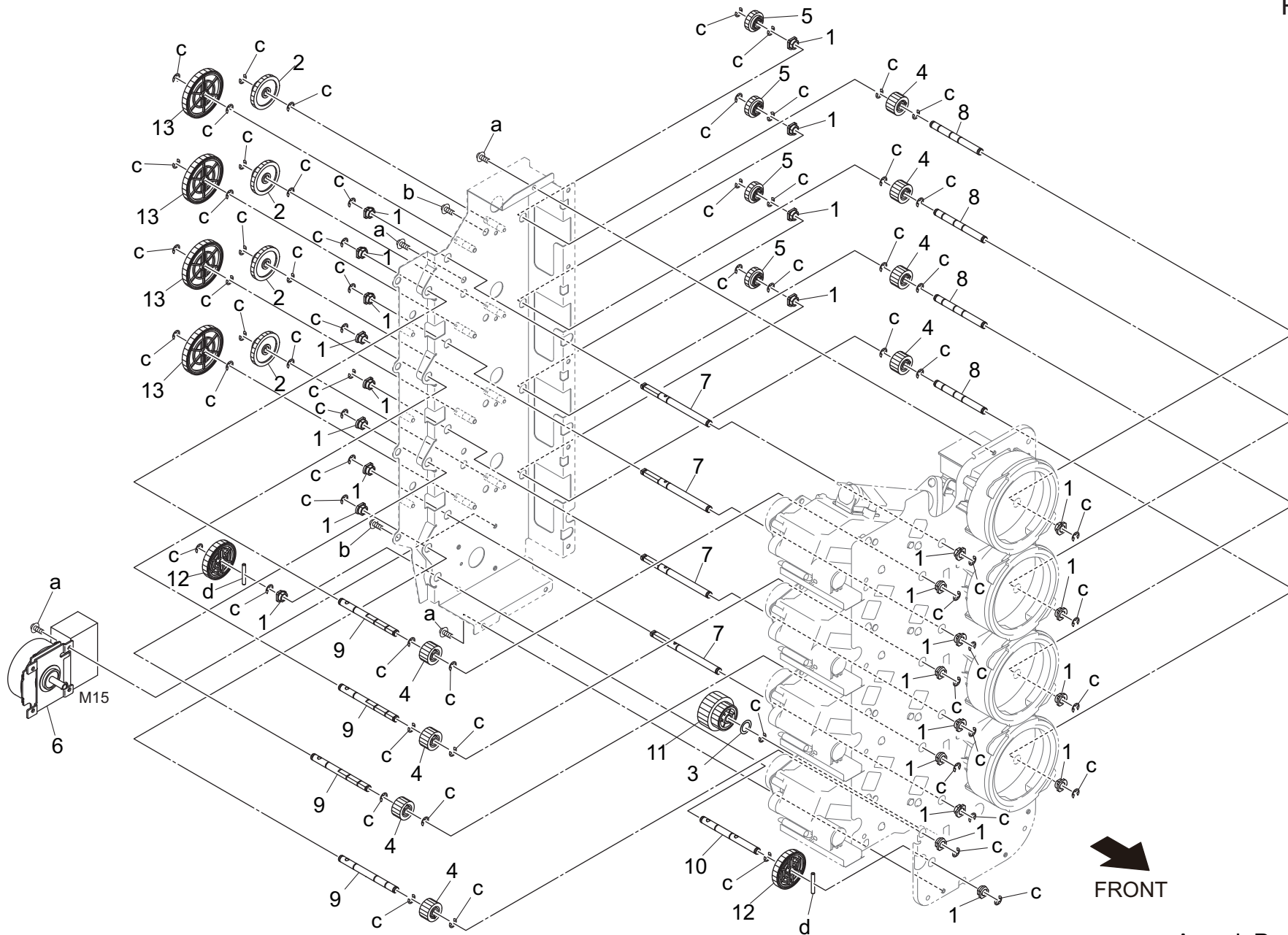
See P.30 - P.32

AccurioPress C3070

Toner Supply Section

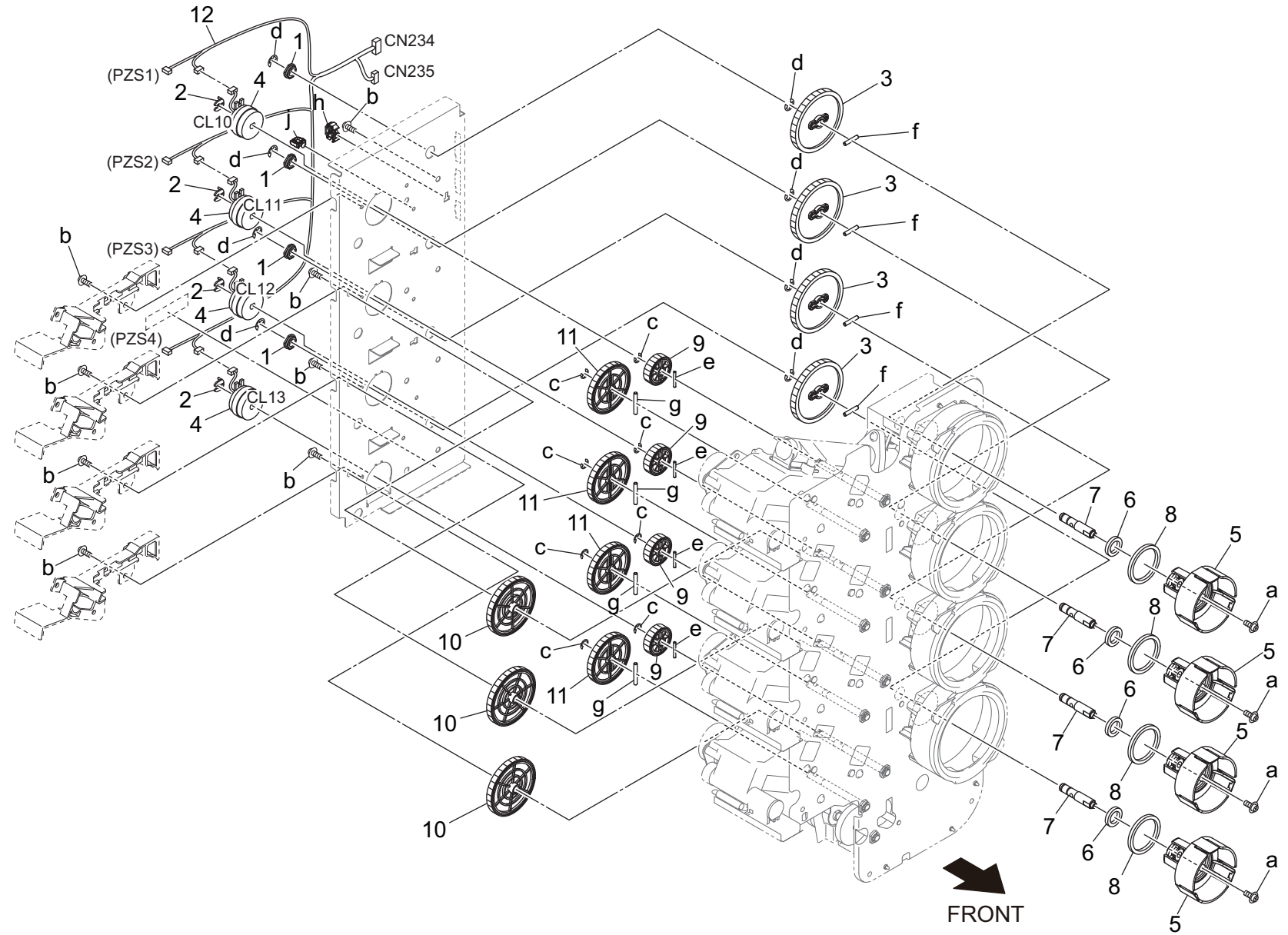
Key	Part No.	Description	Destinations	Class	QTY	Standard parts
1	A9VER72000	Toner Supply Unit Assy (US)	トナー補給ユニット A S S Y (北米)	B,G2	1	a-V151030803 b-V158030803 c-V217040003 d-V234301250
1	A9VER72200	Toner Supply Unit Assy (EU)	トナー補給ユニット A S S Y (欧州)	C,I(only SOUTH AFRI CA)	1	
1	A9VER72100	Toner Supply Unit Assy (EU)	トナー補給ユニット A S S Y (欧州)	D1,D3,E,F2,G1,H,I(E xcept SOUTH AFRICA) J,K	1	
1	A9VER71900	Toner Supply Unit Assy (JP)	トナー補給ユニット A S S Y (日本)	A	1	
2	A9VER71700	Toner Conveyance Assy	トナー搬送 A s s y	D	4	
3	A00JM12100	Stepping motor	ステッピングモータ	C	4	
4	65AA78040	AGITATING GEAR A 18T	攪拌歯車 A 1 8 T	C	4	
5	A4EU538400	Release Gear /4 15T	解除ギア / 4 1 5 T	C	8	
6	40AA88031	Level Detection Sensor	残量検知センサ	C	4	

Toner Supply Section



Toner Supply Section

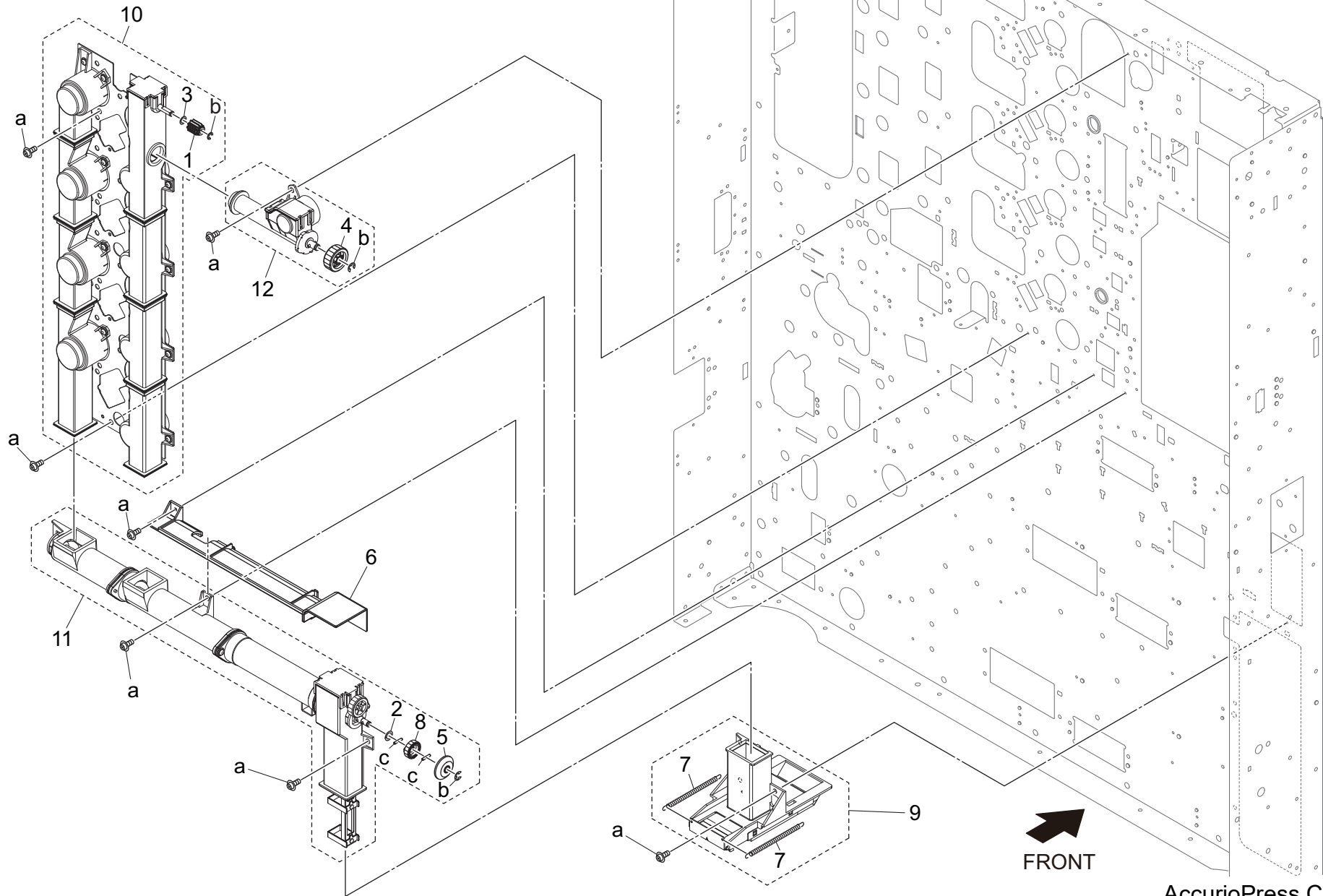
Key	Part No.	Description	Destinations	Class	QTY	Standard parts
1	466076020	Paper Feed Feeding Bearing		B	26	a-V127030604 b-V151030803 c-V217040003 d-V234302250
2	25BA77171	Toner Supply Gear /2 13/31T		C	4	
3	40AA32320	Toner Supply Spacer		C	1	
4	56AA77330	Screw Gear 15T		C	8	
5	9J07500201	GEAR 17T		C	4	
6	A2XKM10300	Brushless motor		I	1	
7	A50U404000	Drive Shaft /A		D	4	
8	A50U404200	Drive Shaft /C		D	4	
9	A50U404600	Drive Shaft /B		D	4	
10	A50U406400	Drive Shaft /D		D	1	
11	A50U420300	Toner supply Gear /3 25/65T		C	1	
12	A50U420900	Toner supply Gear /9 35T		C	2	
13	A50U421000	Toner supply Gear /10 45T		C	4	



AccurioPress C3070

Key	Part No.	Description	Destinations	Class	QTY	Standard parts
1	26NA32660	TONER SUPPLY SHAFT HOLDER		C	4	a-V116030803
2	56AA40490	Shaft Stopper /4		C	4	b-V127030604
3	65AA77390	Toner Supply Gear /B 56T		C	4	c-V217040003
4	A00FM20000	Clutch		C	4	d-V217050003
5	A50U400503	Toner supply Coupling		D	4	e-V234201650
6	A50U401200	Holding Seal /A		D	4	f-V234301650
7	A50U401301	Connecting Shaft		D	4	g-V234302250
8	A50U407600	Toner supply Holding Seal /A		D	4	h-V500020098
9	A50U420400	Toner supply Gear /4 25T		C	4	j-V500020098
10	A50U420800	Toner supply Gear /8 52T		C	3	
11	A50U421000	Toner supply Gear /10 45T		C	4	
12	A50UN12203	Toner Wiring /2		D	1	

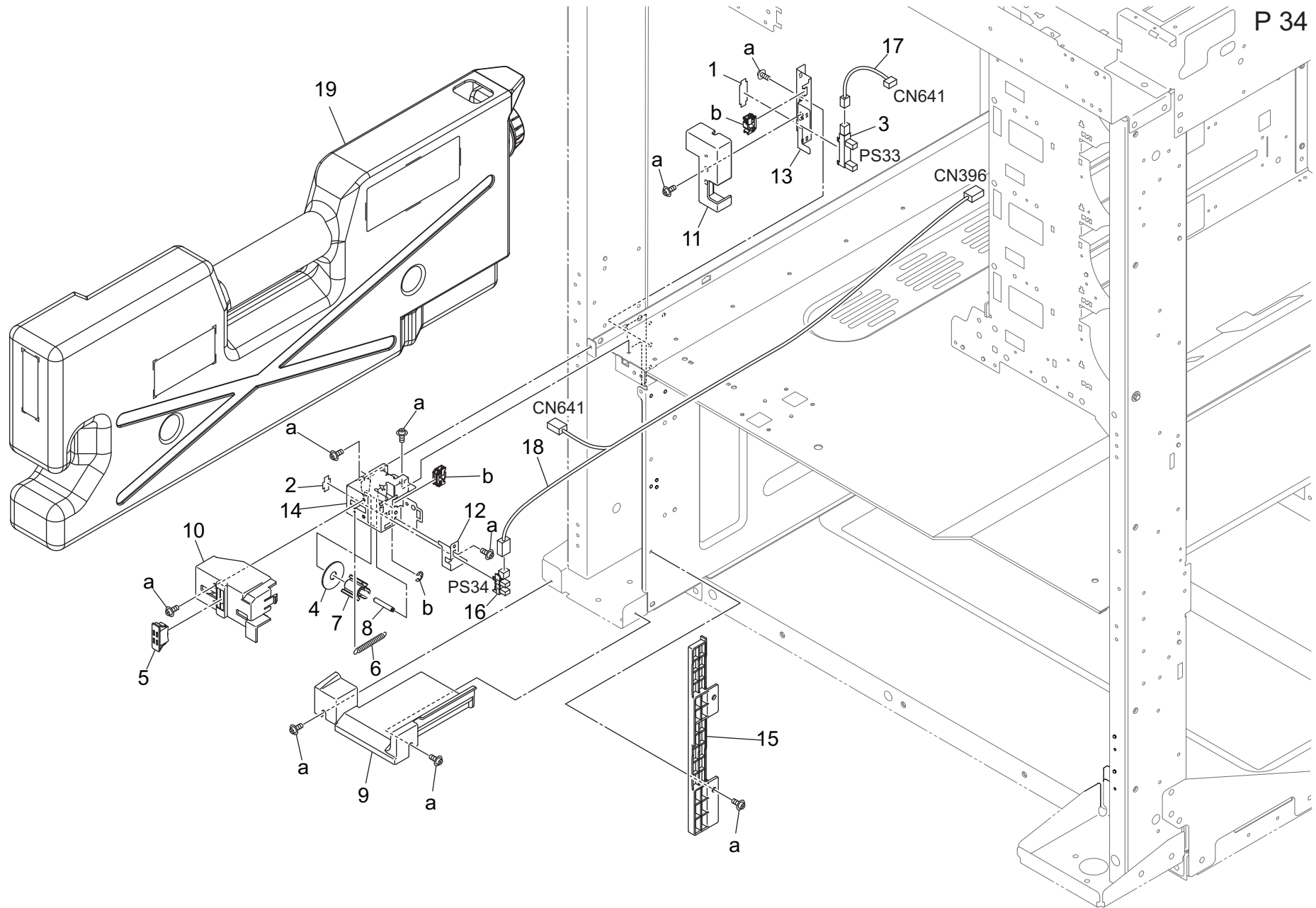
Toner Collection Section



Toner Collection Section

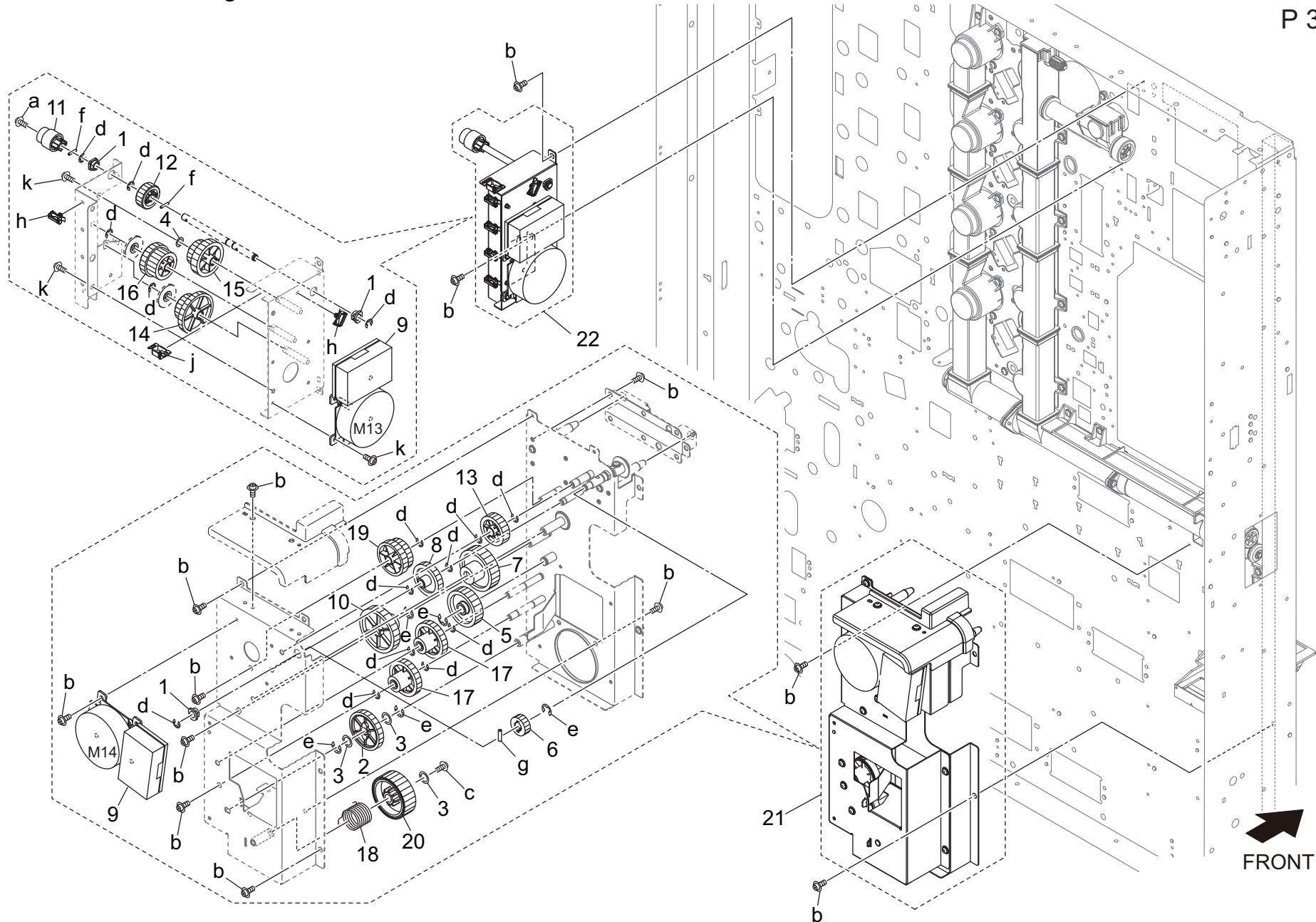
Key	Part No.	Description	Destinations	Class	QTY	Standard parts
1	26NA17580	Agitating Coupling /B		C	1	a-V127030604 b-V217040003 c-V234201050
2	40AA32320	Toner Supply Spacer		C	1	
3	50GA250100	SPACER		C	1	
4	A1RG569900	Suction Gear /2 21T		C	1	
5	A50U361900	Collection Gear /2 14T		C	1	
6	A50U362300	Insulating Cover		D	1	
7	A50U363300	Open/close Spring		D	2	
8	A50U365400	Collection Gear 19T		C	1	
9	A50UF36500	Toner Collection Gate ASSY		D	1	
10	A50UR70V00	Collection Pipe Assy		S	1	
11	A9VER71800	Toner Collection Conveyance Assy		S	1	
12	A50UR71111	Collection Pipe / 1 Assy		D	1	

Toner Collection Section



Key	Part No.	Description	Destinations	Class	QTY	Standard parts
1	4004457301	Stopper		D	1	a-V127030604 b-V570010056
2	4470402401	Stopper		D	1	
3	9335140051	Solid State Switch		B	1	
4	55VA47840	Belt Hold Part /3		D	1	
5	56AA12270	EXTERNAL LOCKING PART		C	1	
6	A1RF363500	Control Spring		C	1	
7	A1RF363801	Detecting Part /2		D	1	
8	A50U363200	Collection Shaft		D	1	
9	A50U363400	Protection Cover /Lower		D	1	
10	A50U363701	Cover Outside		D	1	
11	A50U366800	Cover /2		D	1	
12	A50U367100	Card		D	1	
13	A50U367400	Cover		D	1	
14	A50U368400	Cover		D	1	
15	A50U369900	Cover /Front		D	1	
16	A50UM51000	Photointerrupter		C	1	
17	A50UN11801	Detection Relay harness /3		D	1	
18	A50UN12000	Detection Relay harness /1		D	1	
19	A50UR70115	Waste Toner Box	廃棄トナーボックス	A	1	
19	A9VER71600	Waste Toner Box	廃棄トナーボックス	A	1	

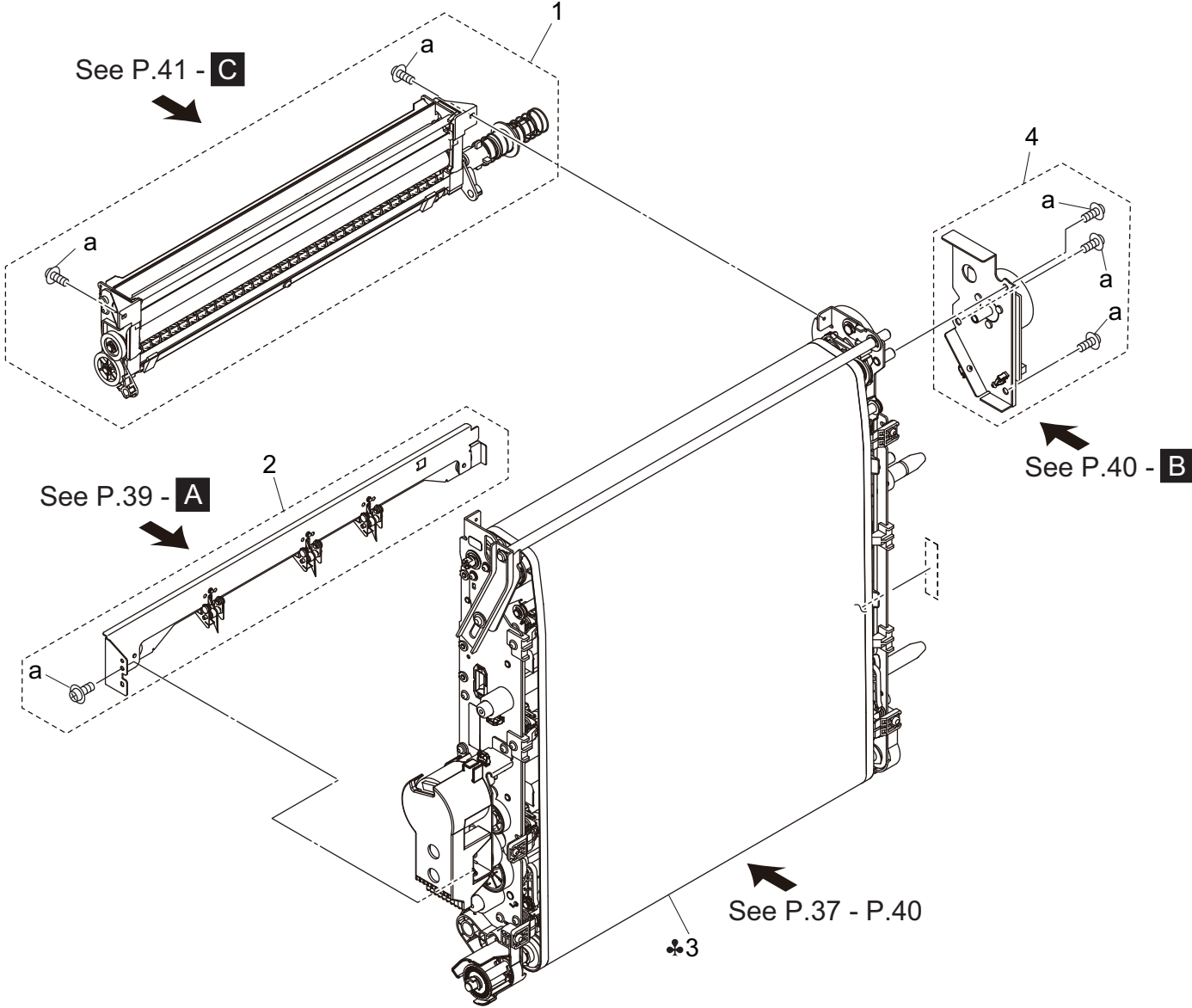
Toner Collection Driving Section



Toner Collection Driving Section

Key	Part No.	Description	Destinations	Class	QTY	Standard parts
1	466076020	Paper Feed Feeding Bearing		B	3	a-V121030403
2	4038254001	GEAR 37T		C	1	b-V127030604
3	13QA40610	Gear Spacer		C	3	c-V127040603
4	40AA32320	Toner Supply Spacer		C	1	d-V217040003
5	55GA77050	Conveyance Drive Gear /2 35T		B	1	e-V217060003
6	56UA77280	ADU Conveyance Gear 17T		C	1	f-V234201050
7	56UA77710	Toner Supply Drive Gear /B 16/40T		C	1	g-V234301250
8	65AA77410	Toner Supply Gear /D 31T		C	1	h-V500020100
9	A161M10200	brushless Motor /20		I	2	j-V570010063
10	A1RF368500	Collection Gear 14/43T		C	1	k-V127030516
11	A1RF372300	Agitating Coupling /1		D	1	
12	A1RG569900	Suction Gear /2 21T		C	1	
13	A1UD210500	Gear 28T		C	1	
14	A50U360700	Collection Gear /1 75/23T		C	1	
15	A50U361200	Collection Gear /3 32/22T		C	1	
16	A50U361401	Collection Gear /2 29/25T		C	1	
17	A50U362200	Gear /1 34/14T		C	2	
18	A50U365600	Collection Spring		D	1	
19	A50U365800	Collection Gear /1 62/28T		C	1	
20	A50U367001	Collection Coupling		D	1	
21	A50UR70Y11	Toner Collection Drive Assy		S	1	
22	A50UR71200	Collection Drive Assy		S	1	

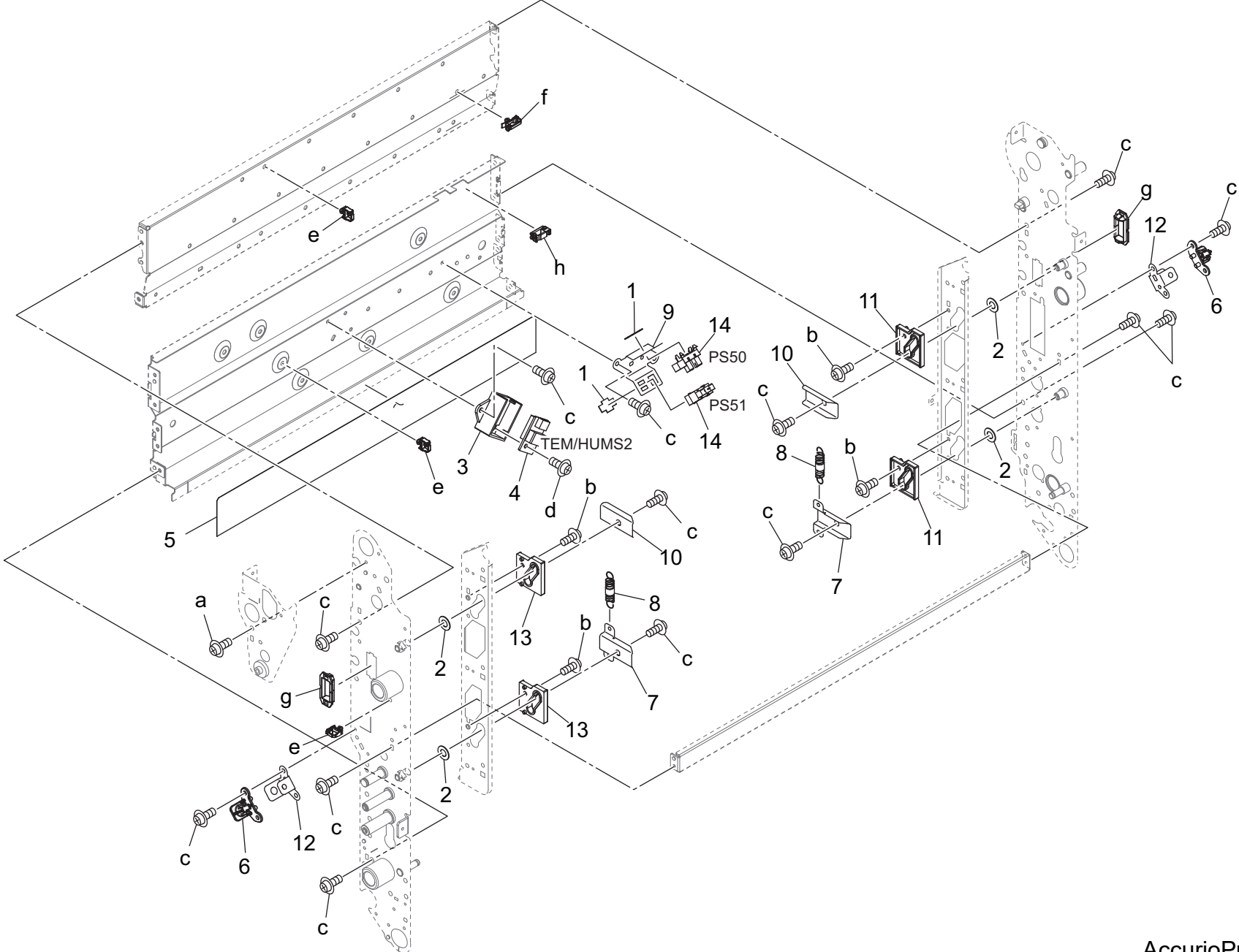
Intermediate Transfer Section



Intermediate Transfer Section

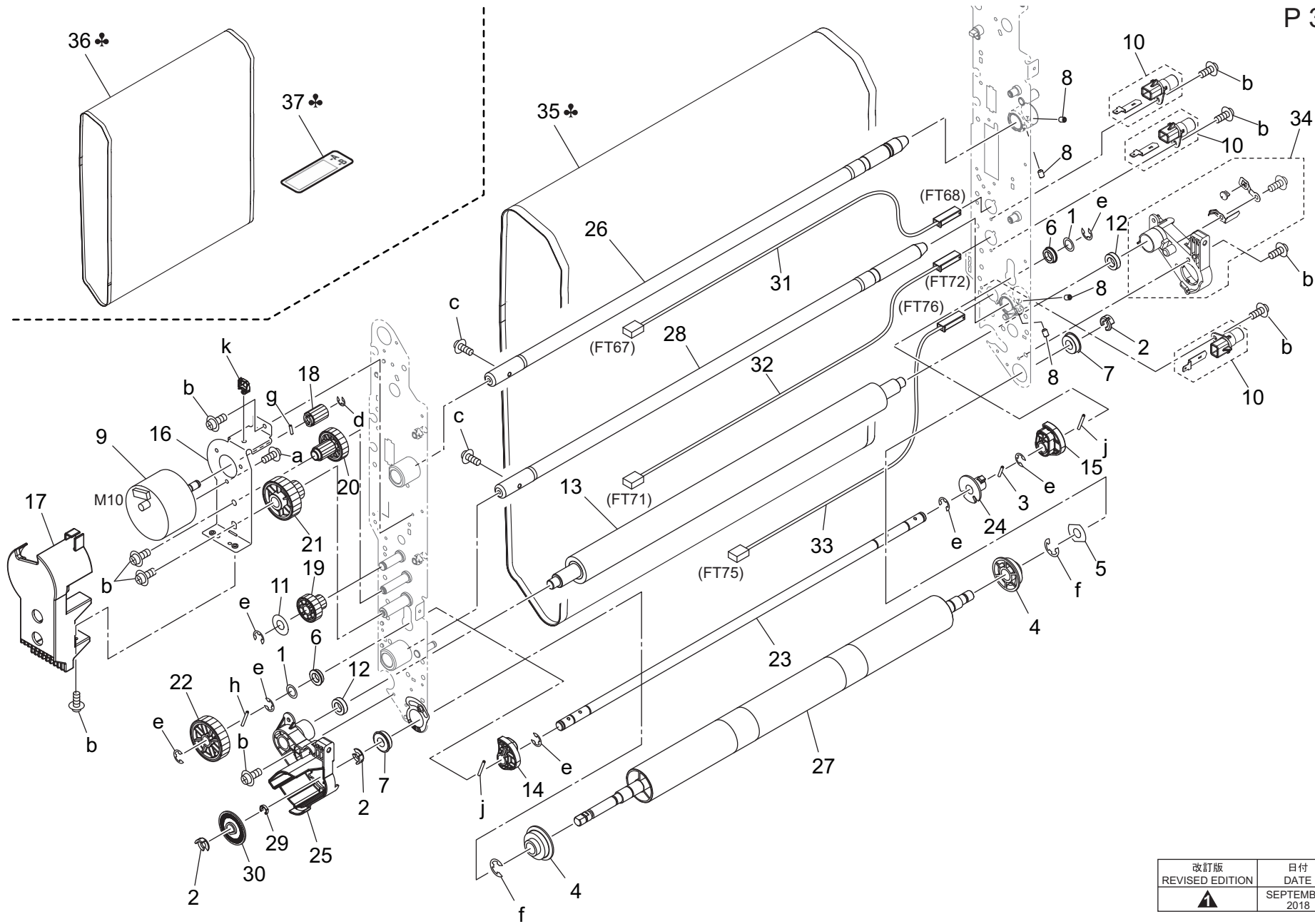
Key	Part No.	Description	Destinations	Class	QTY	Standard parts
1	A50UR70655	Transfer Belt Cleaning Unit 転写ベルトクリーニングユニット	A,C,D1,D3,E,F2,G1,G 2,H,I,J,K	B	1	a-V127030604
1	A50UR70655	Transfer Belt Cleaning Unit 転写ベルトクリーニングユニット	B	B	1	
2	A50UR71P22	Separating Claw Unit 分離爪ユニット		I	1	
3	A9VER70511	Middle Transfer Assy /H 中間転写 A s s y / H	B,C,G2,I(only SOUTH AFRICA)	I	1	
3	A85CR70P33Old	Middle Transfer Assy 中間転写 A s s y	D1,D3,E,F2,G1,H,I(E xcept SOUTH AFRICA) J,K	I	1	
3	A9VER72400	Middle Transfer Assy 中間転写 A s s y	D1,D3,E,F2,G1,H,I(E xcept SOUTH AFRICA) J,K	I	1	
3	A9VER72400	Middle Transfer Assy 中間転写 A s s y	A	I	1	
4	A85CR70R11	Drive Plate Assy 駆動板 A s s y		C	1	

Intermediate Transfer Section



Key	Part No.	Description	Destinations	Class	QTY	Standard parts
1	4470402401	Stopper		D	2	a-V116030503 b-V121030403 c-V127030604 d-V158030803 e-V500020098 f-V500020100 g-V570010037 h-V570010057
2	40AA32320	Toner Supply Spacer		C	4	
3	65AA11300	Support Part		D	1	
4	A034M50000Old	Humidity sensor		C	1	
4	A0P0M50400	Humidity sensor		C	1	
5	A03U515100	Insulating Sheet		D	1	
6	A50U500800	Hold Part		D	2	
7	A50U503600	Stopper Plate		D	2	
8	A50U503700	Spring		D	2	
9	A50U505202	Plate		D	1	
10	A50U506200	Stopper Plate		D	2	
11	A50U506300	Transfer Bushing /Rear		D	2	
12	A50U508600	Transfer Support Plate		D	2	
13	A50U508800	Transfer Bushing /Front		D	2	
14	A85CM55600	Photo Sensor		C	2	

Intermediate Transfer Section



改訂版 REVISED EDITION	日付 DATE
▲	SEPTEMBER 2018

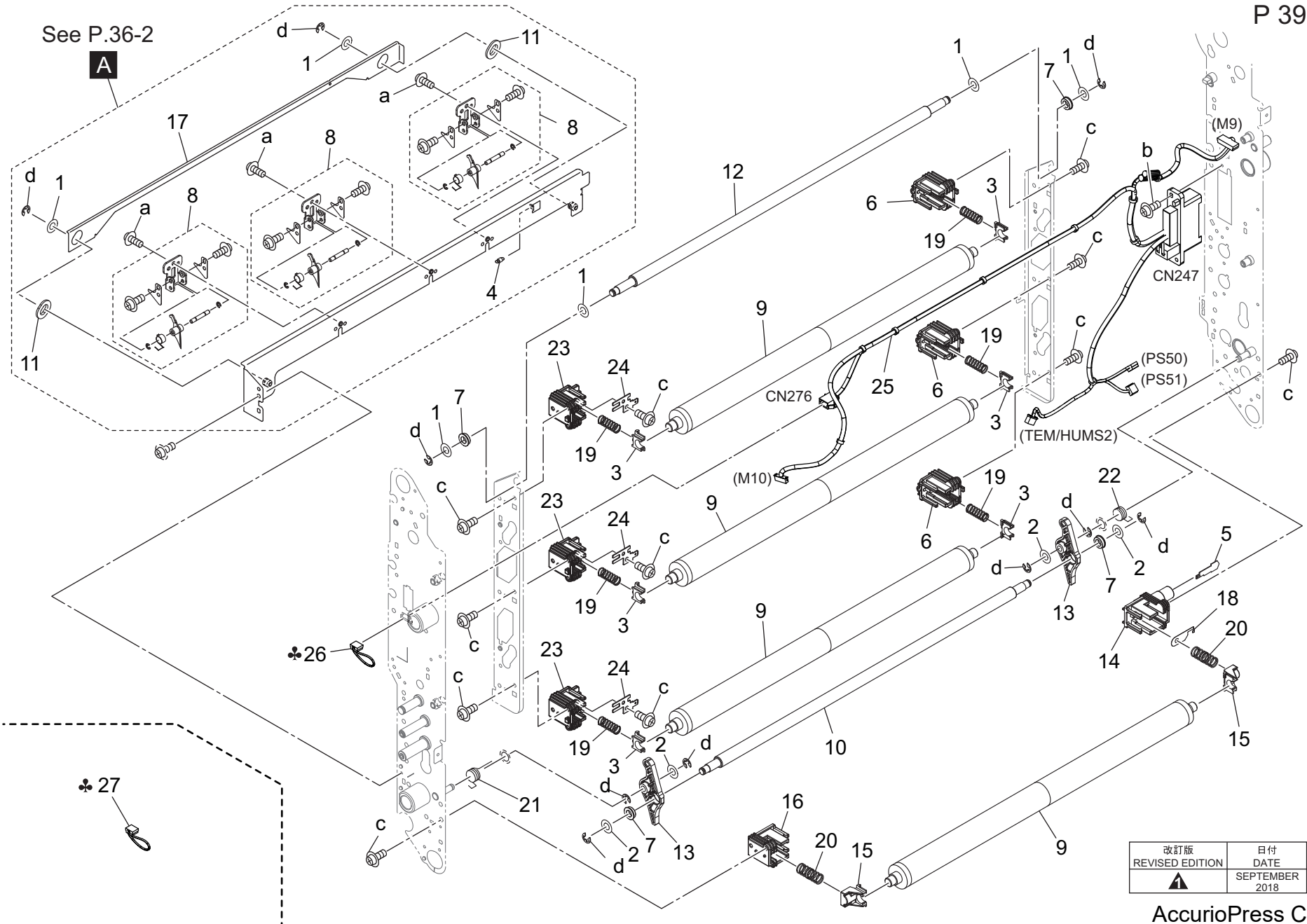
AccurioPress C3070

Order here
8 (495) 646-0426
ПЯТЫЙ ПАРТНЕР www.km-shop.ru

Intermediate Transfer Section

Key	Part No.	Description	Destinations	Class	QTY	Standard parts
1	12QV40650	Spacer		B	2	a-V121030403 b-V127030604 c-V127040803 d-V217040003 e-V217060003 f-V217080003 g-V234200850 h-V234201850 j-V237201850 k-V500020098
2	55VA42120	Shaft Stopper		C	3	
3	56AA17321	PIN A D2X12		B	1	
4	65AA26870	REGULATING COLLAR		C	2	
5	12QV40650	Spacer		B	1	
6	A00J617900	Ball Bearing		B	2	
7	A00V240600	Ball Bearing		B	2	
8	A03U512300	Fixing Screw		C	4	
9	A11PM10200	DC Brushless motor /12		C	1	
10	A1DUR73500	Power Supply Block / A Assy		D	3	
11	12QV40650	Spacer		B	1	
12	A1RF517300	bearing		C	2	
13	A50U500401	2nd Transfer Roller/Up		A	1	
14	A50U502500	Transfer Release Cam /C		D	1	
15	A50U502600	Transfer Release Cam /C		D	1	
16	A50U503900	Drive Plate /2		D	1	
17	A50U504000	Cover		D	1	
18	A50U504400	Pressure Gear /M 18T		C	1	
19	A50U504500	Compressing Gear /1 35/18T		C	1	
20	A50U504600	Pressure Gear /2 43/18T		C	1	
21	A50U504700	Pressure Gear /3 56/18T		C	1	
22	A50U505000	Pressure Gear /4 44T		C	1	
23	A50U505100	Pressure Shaft		D	1	
24	A50U505300	Light blocking Plate		D	1	
25	A50U505901	Insulating Holder /Front		D	1	
26	A50U506101	Positioning Shaft /Upper		D	1	
27	A50U506701	Idler Roller		C	1	
28	A50U507000	Positioning Shaft /Lower		D	1	
29	A50U509100	Lifting Collar /8		D	1	
30	A50U517300	Control Plate		D	1	
31	A50UN24501	HV Relay harness /1		D	1	
32	A50UN24701	HV Relay harness /2		D	1	
33	A50UN24901	HV Relay harness /3		D	1	
34	A50UR72100	Insulating Holder / Rear Assy		D	1	
35	A9VE500100	Transfer Belt /H		A	1	
35	A1DU504203	Transfer Belt 862L		A	1	
36	A9VE500200	Transfer Belt / C		A	1	
37	A1RF945501	Replacement Label /5		D	1	

Intermediate Transfer Section



改訂版 REVISED EDITION	日付 DATE
▲	SEPTEMBER 2018

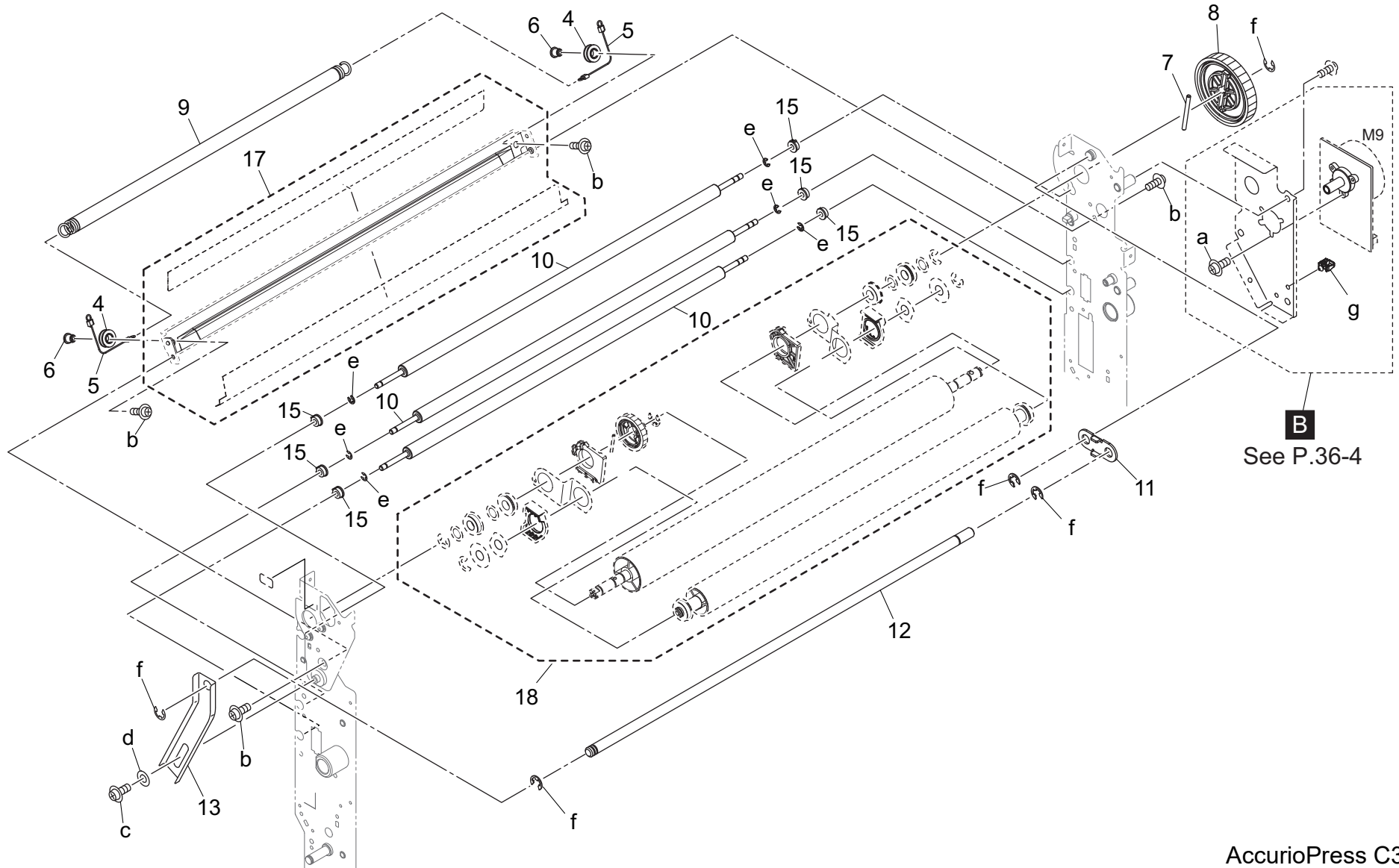
AccurioPress C3070

Intermediate Transfer Section

Key	Part No.	Description	Destinations	Class	QTY	Standard parts
1	07BA15871	Spacer /A		C	6	a-V121030403 b-V127030803 c-V158030803 d-V217040003
2	40AA32320	Toner Supply Spacer		C	4	
3	65AA26380	Transfer Powering Bushing		B	6	
4	65AA26600	Slide Spring		C	1	
5	65AA26690D	Transfer Powering Plate /K		D	1	
6	65AA26900D	High voltage Powering Block /C		D	3	
7	A00J617800	Ball Bearing		B	4	
8	A1DUR71900	Separation Claw Assy		B	3	
9	A50U501201	1st Transfer Roller		A	4	
10	A50U501900	Transfer Pressure Roller /K		C	1	
11	A50U503200	Bushing		D	2	
12	A50U505401	Transfer Pressure Roller /Y		C	1	
13	A50U505500	Release Arm		D	2	
14	A50U505601	Power supply Block /D		D	1	
15	A50U505700	Transfer Roller Bearing /K		B	2	
16	A50U505800	High voltage Powering Block /B		D	1	
17	A50U506900	Release Plate		D	1	
18	A50U507600	Transfer Powering Plate /L		D	1	
19	A50U507801	Pressure Spring /C		D	6	
20	A50U507900	Pressure Spring /Black		D	2	
21	A50U508001	Pressing Spring /Front		D	1	
22	A50U508102	Pressing Spring /Rear		D	1	
23	A50U510100	High voltage Powering Block /C		D	3	
24	A50U510200	Transfer Powering Plate /Front		D	3	
25	A50UN13203	Transfer Drive harness /1		D	1	
26	A9VEN13300	Transfer Detection harness /1	B,C,G2,I(only SOUTH AFRICA)	D	1	
27	A9VEN13400	Transfer Detection harness /2	(Service Part Only)	D	1	

Intermediate Transfer Section

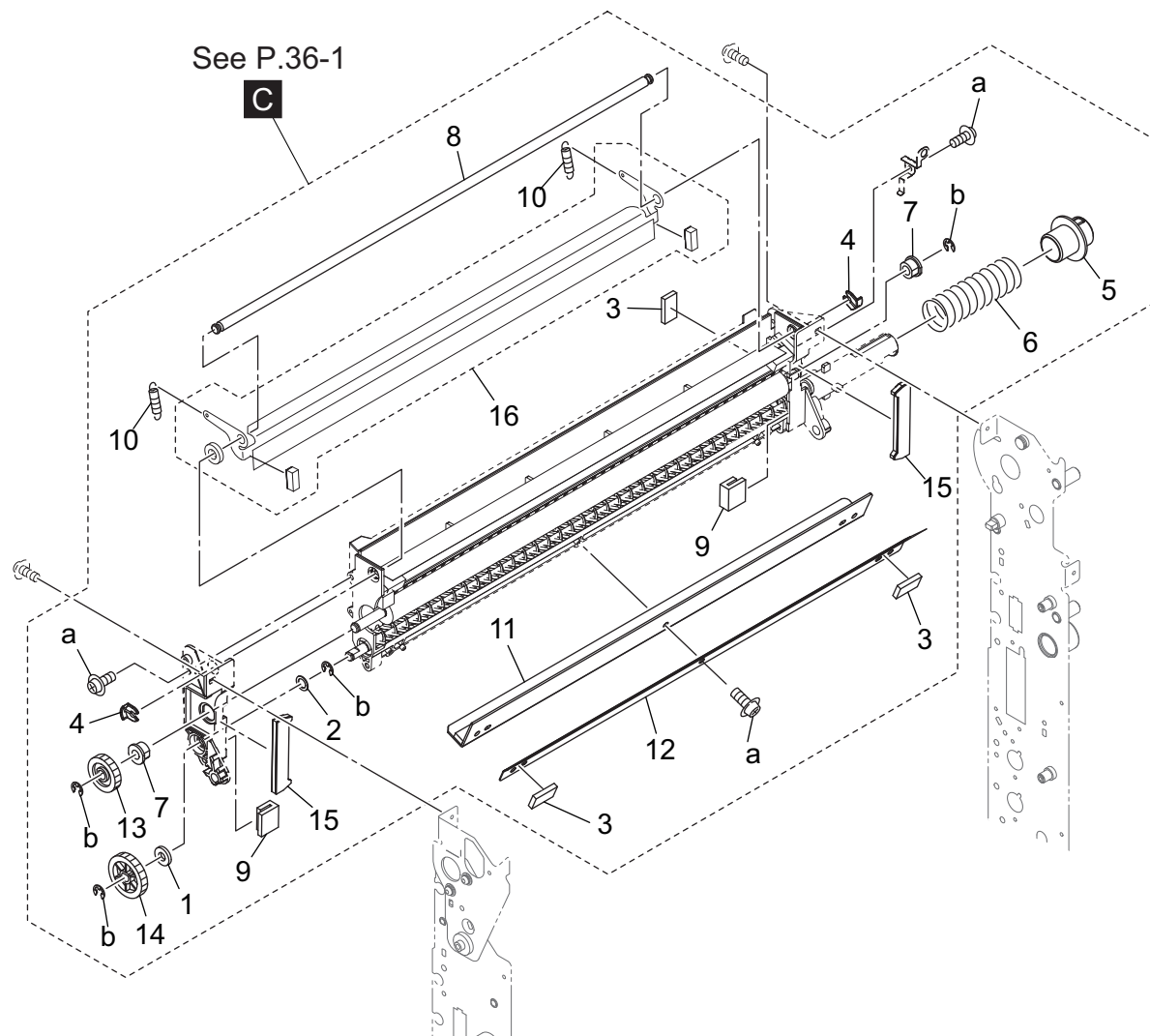
改訂版 REVISED EDITION	日付 DATE
▲	DECEMBER 2018



Key	Part No.	Description	Destinations	Class	QTY	Standard parts	
4	A1RF508000	Tension Pulley		D	2	a-V118030403 b-V127030604 c-V127040603 d-V207060003 e-V217030003 f-V217060003 g-V500020098	
5	A1RF508100	Pulling Wire		D	2		
6	A1RF508200	Tension Shaft		D	2		
7	55VA15190	Fixing Drive Pin		B	1		
8	A50U501401	Drive Gear 108T		C	1		
9	A50U501702	Tension Spring		D	1		
10	A50U502100	Auxiliary Roller /1		C	3		
11	A50U502700	Handle /Rear		D	1		
12	A50U502900	Handle		D	1		
13	A50U503001	Mounting Plate		D	1		
15	A50U503500	Bushing		D	6		
17	A50UR73J00	Cleaning Sheet Assy		D	1		
18	A50UR73K00	Drive Roller Assy		C	1		

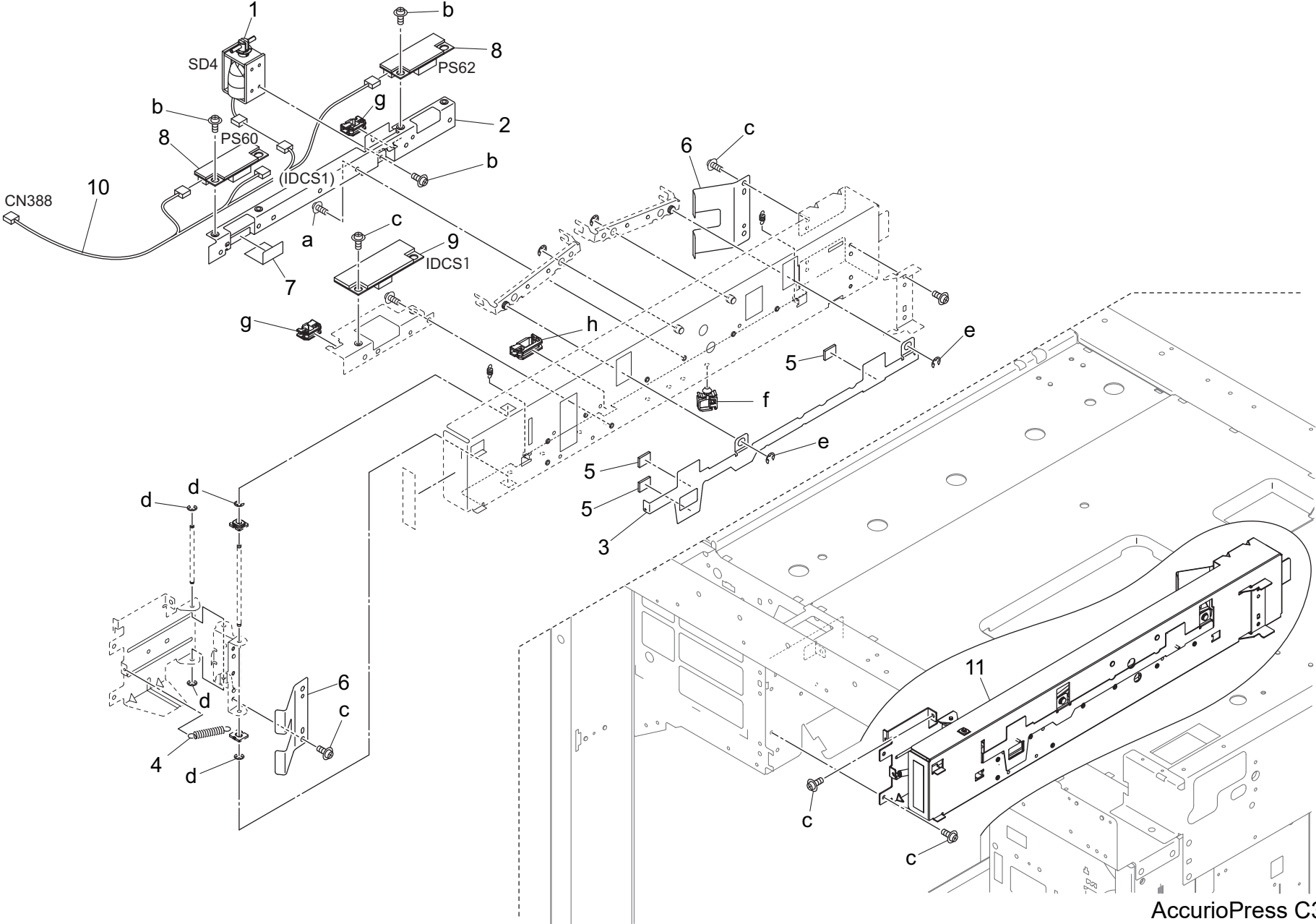
Intermediate Transfer Section

P 41



Key	Part No.	Description	Destinations	Class	QTY	Standard parts
1	08AA45230	COLLECTING SEAL		C	1	a-V158030803 b-V217040003
2	40AA32320	Toner Supply Spacer		C	1	
3	56AA20940D	Toner Dust-proof Seal /D		D	3	
4	56AA40490	Shaft Stopper /4		C	2	
5	65AA20060	COLLECTING COVER		C	1	
6	65AA20300	TONER COLLECTING SPRING		C	1	
7	65AA26840	Cleaner Bushing /Front		C	2	
8	65AA27090D	Blade Fulcrum Shaft		D	1	
9	65AA27320	SCATTER PREVENTING PAD 4		C	2	
10	A03U555400	Cleaning Spring		C	2	
11	A1DUR71C00	Sheet /1 Assy		A	1	
12	A1DUR71D00	Sheet /2 Assy		C	1	
13	A50U531400	Cleaning Gear /1 21T		C	1	
14	A50U531500	Cleaning Gear /2 26T		C	1	
15	A50U531601	Seal /F		A	2	
16	A50UR70K22	Belt Cleaning Blade	A,D1,D3,E,F2,G1,G2, H,I,J,K	A	1	
16	A50UR70K22	Belt Cleaning Blade	B,C	A	1	

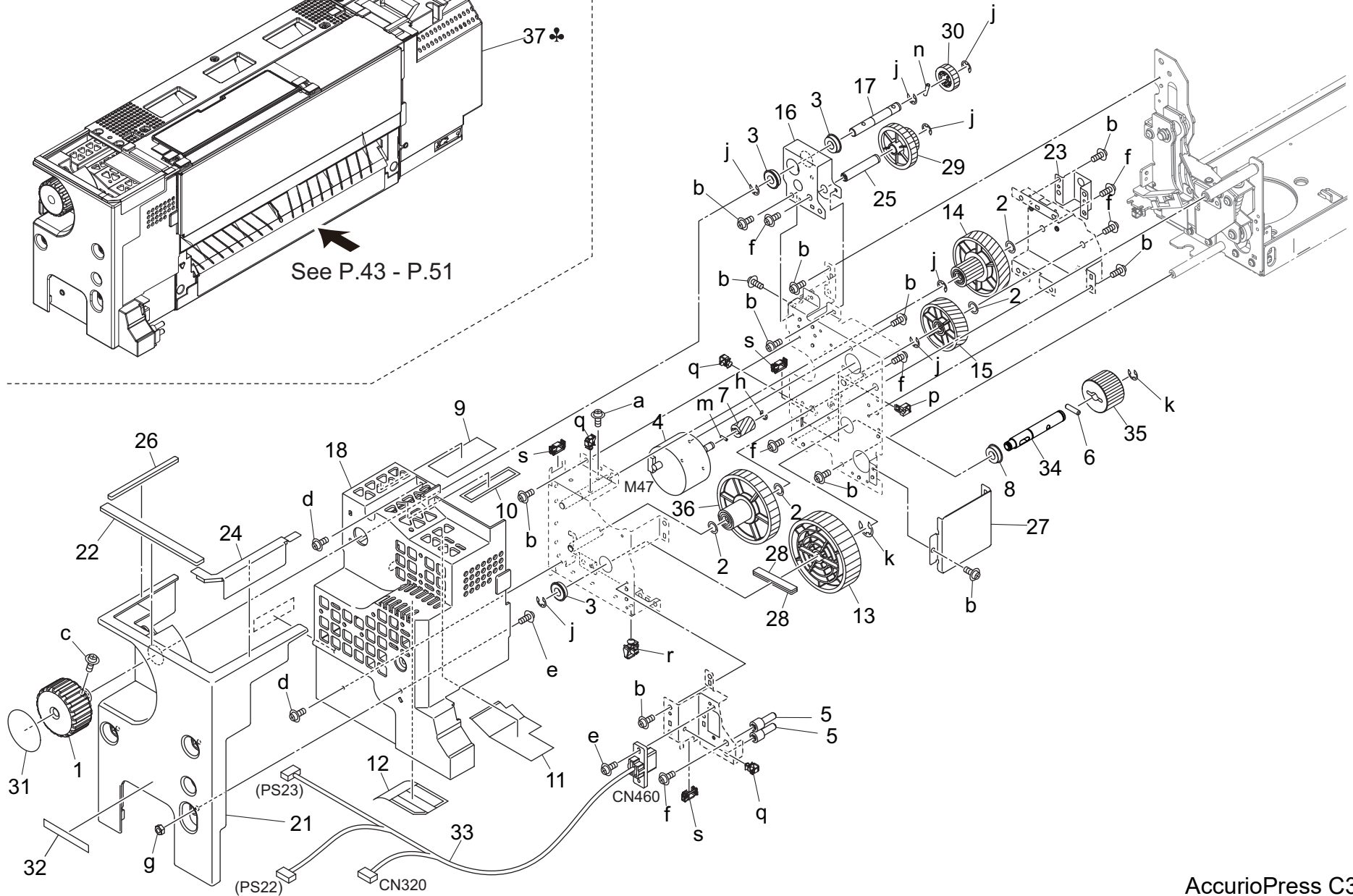
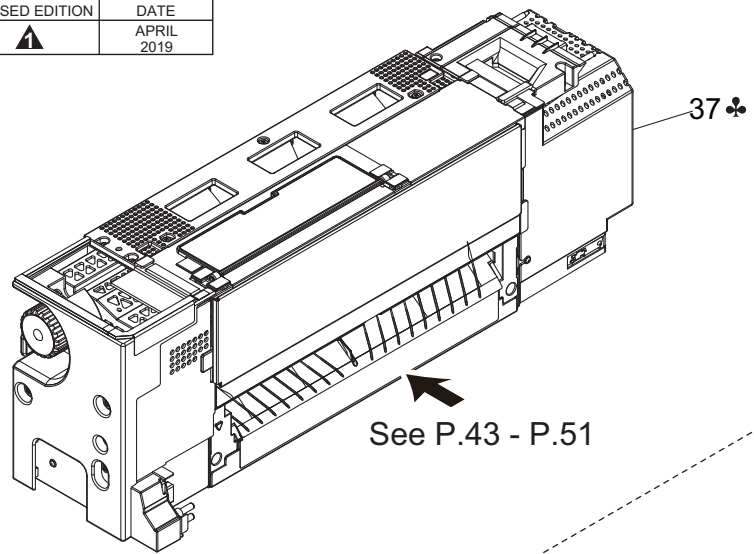
Color Resist Section



Key	Part No.	Description	Destinations	Class	QTY	Standard parts
1	A1DUR71600	Solenoid Assy		C	1	a-V116030503 b-V121030403 c-V127030604 d-V217020003 e-V217040003 f-V500020098 g-V570010056 h-V570010057
2	A50U515200	Fixing Plate		D	1	
3	A50U515500	Open/close Shutter		D	1	
4	A50U516800	Spring		D	1	
5	A50U516900	Scatteringprevention Pad		D	3	
6	A50U517000	Pressing Spring		D	2	
7	A50U517100	Cover Sheet		D	1	
8	A50UM50100	Photo sensing		I	2	
9	A50UM50200	Photo sensing		I	1	
10	A50UN20001	Wiring /1		D	1	
11	A50UR71711	Color Registration Unit		S	1	

Fusing Section

改訂版 REVISED EDITION	日付 DATE
▲	APRIL 2019

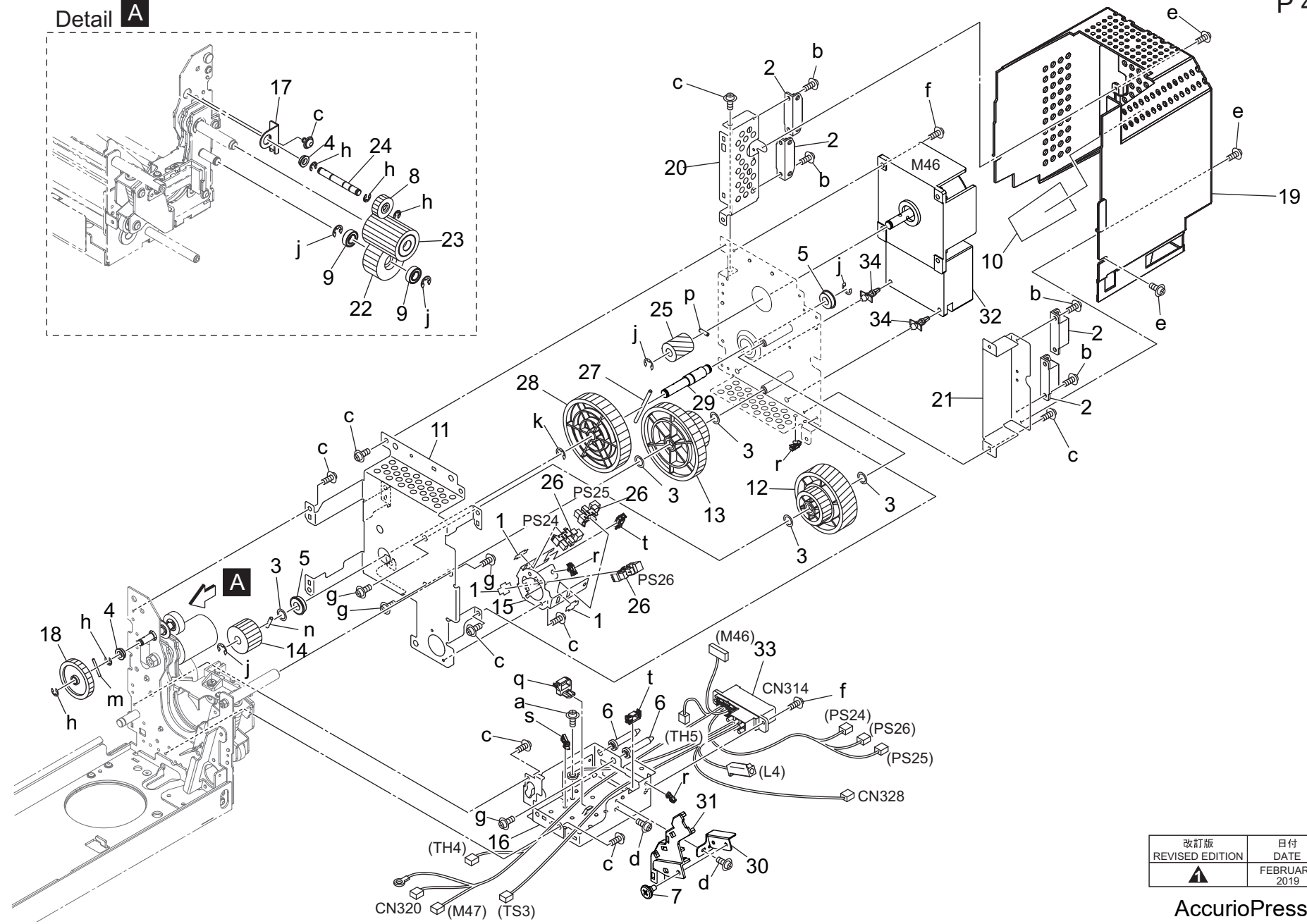
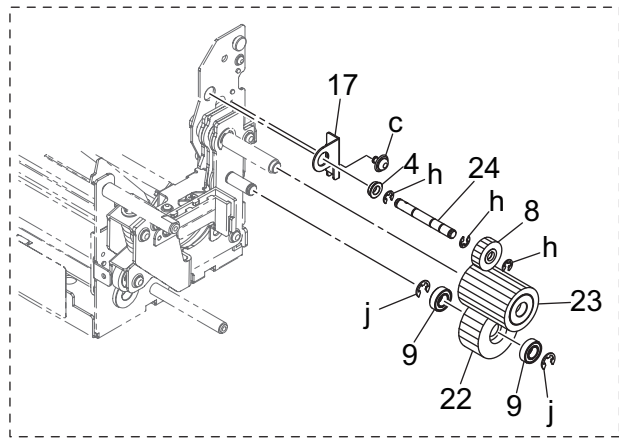


AccurioPress C3070

Key	Part No.	Description	Destinations	Class	QTY	Standard parts
1	20AL48470G	Jam Release Knob		C	1	a-V116030603
2	56AA42690	By-Pass Spacer		C	4	b-V121030403
3	A00V240600	Ball Bearing		B	3	c-V121041003
4	A11PM10200	DC Brushless motor /12		C	1	d-V127030604
5	A1DU736200	Positioning Shaft		D	2	e-V127030803
6	A1RF758100	Pin /B		D	1	f-V127040603
7	A1RF809400	Pressure Gear /1 22T		C	1	g-V195030003
8	A4EU265000	Ball bearing		B	1	h-V217040003
9	A50U732200	Protection Seal /2		D	1	j-V217060003
10	A50U732300	Protection Seal /3		D	1	k-V217080003
11	A50U732400	Protection Seal /4		D	1	m-V234200850
12	A50U732500	Protection Seal /5		D	1	n-V234301450
13	A50U742901	Pressure Gear /2 90T		C	1	p-V500010057
14	A50U743100	Pressure Gear /4 23/110T		C	1	q-V500010074
15	A50U743200	Pressure Gear /5 87T		C	1	r-V500020098
16	A50U745600	Fixing Plate /1		D	1	s-V570010057
17	A50U745700	Processing Shaft /A		D	1	
18	A50U748403Old	Fusing Cover /Front		D	1	
18	A50U748404	Fusing Cover /Front		D	1	
21	A50U751002Old	Fusing Cover /1		D	1	
21	A50U751003	Fusing Cover /1		D	1	
22	A50U751101	Spacer /1		D	1	
23	A50U751200	Positioning Plate /A		D	1	
24	A50U751301	Spacer /2		D	1	
25	A50U752600	Processing Shaft		D	1	
26	A50U755900	Spacer /3		D	1	
27	A50U756002	Auxiliary Side plate		D	1	
28	A50U756500	Part /1		D	2	
29	A50U757000	Connecting Gear /A 41/22T		C	1	
30	A50U757100	Idling Gear /A 22T		C	1	
31	A50U943502	Release Label /5		D	1	
32	A50U949600	Replacement Label		D	1	
33	A50UN10903	Fixing Wiring /5		D	1	
34	A9VE742500	Pressure Shaft /B		D	1	
35	A9VE742800	Pressure Gear /1 31T		C	1	
36	A9VE743000	Pressure Gear /3 23/85T		C	1	
37	A9VER70244	Fusing Unit (208V)	B,G2	I	1	
37	A9VER70344	Fusing Unit (220V)	C	I	1	
37	A9VER70144	Fusing Unit (200V)	A	I	1	
37	A9VER70311	Fusing Unit (220V)	D1,D3,E,F2,G1,H,I,J ,K	I	1	

Fusing Section

Detail **A**



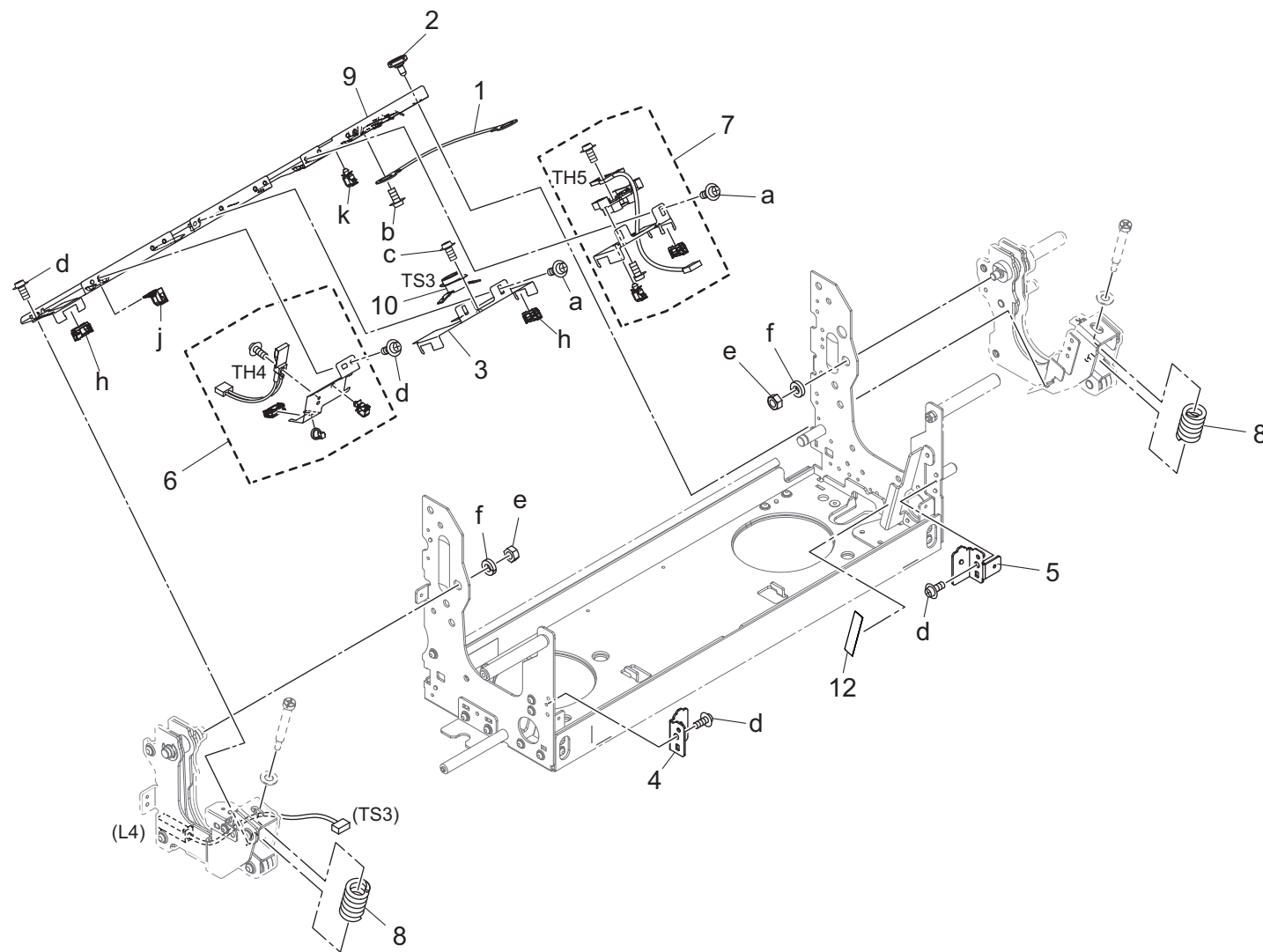
改訂版 REVISED EDITION	日付 DATE
	FEBRUARY 2019

AccurioPress C3070

Order here
8 (495) 646-0426
www.km-shop.ru



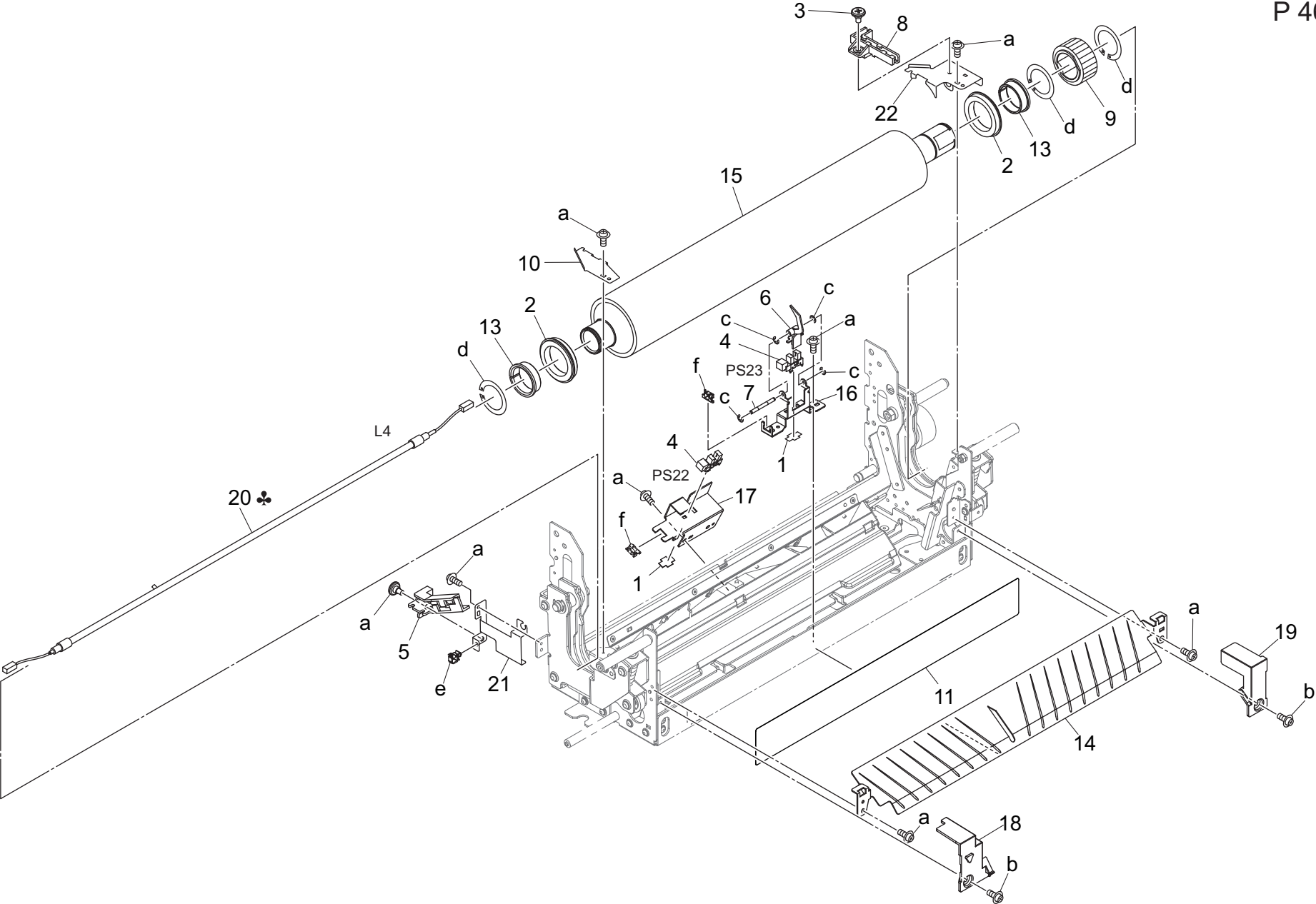
Key	Part No.	Description	Destinations	Class	QTY	Standard parts
1	4470402401	Stopper		D	3	a-V116040603
2	07BA12352	Magnet Catch	ストッパー	C	4	b-V118030603
3	56AA42690	By-Pass Spacer	マグネットキャッチ	C	5	c-V121030403
4	A00J617800	Ball Bearing	手差しスペーサー	B	2	d-V127030516
5	A00V240600	Ball Bearing	ボールベアリング	B	2	e-V127030604
6	A03U724200	Positioning Shaft	ボールベアリング	D	2	f-V127030803
7	A03U734500	Support Screw /A	位置決め軸	C	1	g-V127040603
8	A03U808400	FIXING DRIVE GEAR /D 19T	支持ネジ / A	B	1	h-V217040003
9	A1RF820000	Ball Bearing	定着駆動ギア / D 19 T	C	2	j-V217060003
10	A50U732100	Protection Seal /1	ボールベアリング	D	1	k-V217080003
11	A50U743302	Drive Plate /4	保護シール / 1	D	1	m-V234201850
12	A50U743600	Drive Gear /2 33/58T	駆動板 / 4	D	1	n-V234301450
13	A50U743700	Drive Gear /3 36/74T	駆動ギア / 2 33 / 58 T	C	1	p-V237301150
14	A50U743900	Drive Gear /5 26T	駆動ギア / 3 36 / 74 T	C	1	q-V500010021
15	A50U744601	Plate	駆動ギア / 5 26 T	C	1	r-V500020099
16	A50U744912	Mounting Plate /4	センサ板	D	1	s-V500020100
17	A50U745501	Paper exit Plate /1	取付板 / 4	D	1	t-V570010057
18	A50U746400	Paper exit Gear /A 37T	排紙板 / 1	D	1	
19	A50U748506	Fusing Cover /Rear	排紙ギア / A 37 T	C	1	
20	A50U749200	Mounting Plate /1	定着カバー / 奥	D	1	
21	A50U749300	Mounting Plate /2	取付板 / 1	D	1	
22	A50U752000	Drive Gear /C 36T	取付板 / 2	D	1	
23	A50U752200	Fusing Gear/3 30T	駆動ギア / C 36 T	D	1	
24	A50U752300	Paper exit Shaft /A	定着ギア / 3 30 T	B	1	
25	A50U754700	Fusing Gear /6 16T	排紙軸 / A	D	1	
26	A85CM55600	Photo Sensor	定着ギア / 6 16 T	C	1	
27	A9VE742400	Pin /4	フォトセンサ	C	3	
28	A9VE743800	Drive Gear /4 74T	ピン / 4	D	1	
29	A9VE744300	Drive Shaft /2	駆動ギア / 4 74 T	C	1	
30	A9VE747200	Hold Plate /2	駆動軸 / 2	D	1	
31	A9VE747301	Wiring Part /5	保持板 / 2	D	1	
32	A9VEM10100	Brushless motor /50	配線部材 / 5	D	1	
33	A9VEN10700	Fixing Wiring /2	ブラシレスモータ / 50	C	1	
34	V502010033	Circuit Board Spacer	定着束線 / 2	D	1	
			サーキットボードスペーサー	D	2	



Fusing Section

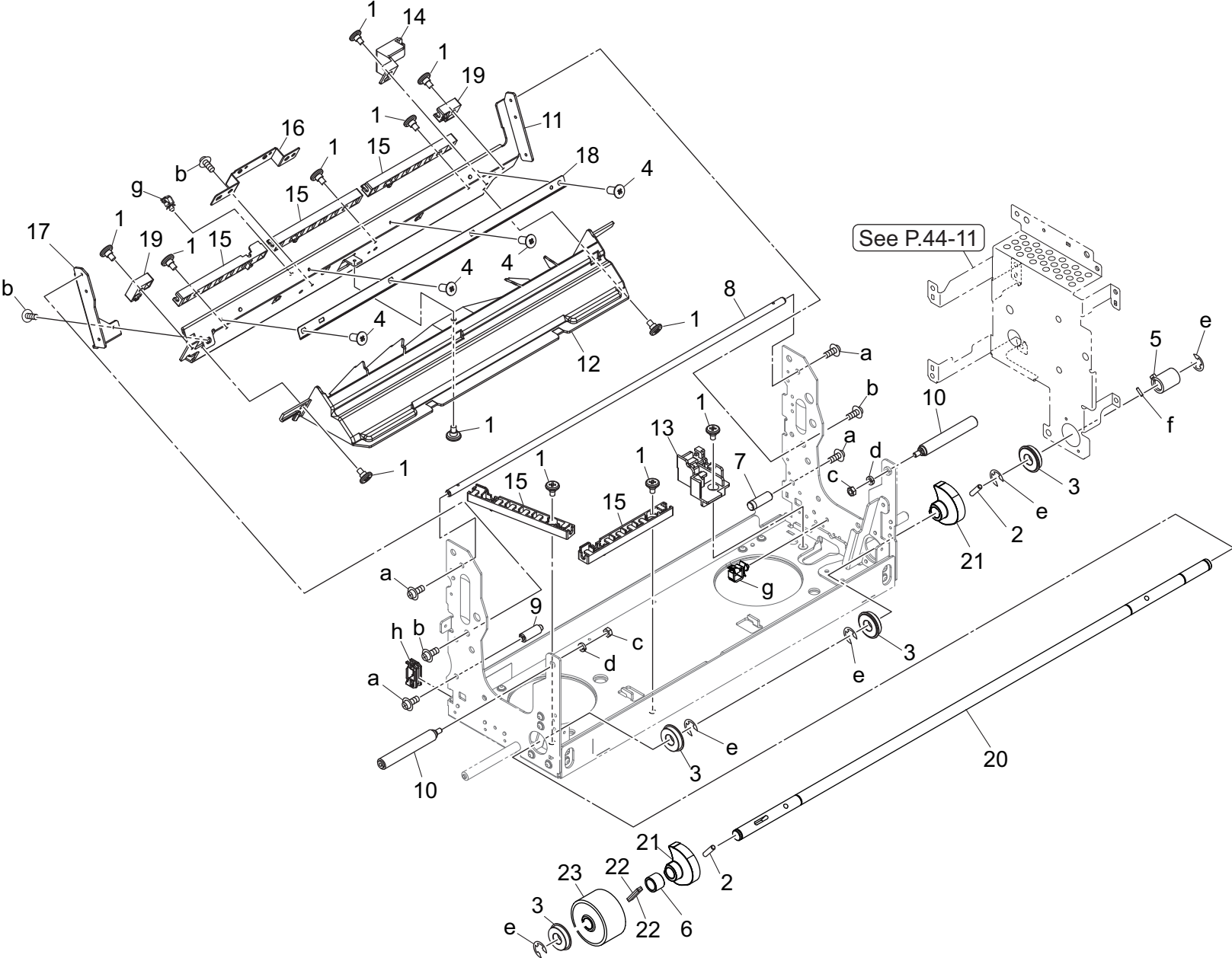
Key	Part No.	Description	Destinations	Class	QTY	Standard parts
1	A03UN23200	Grounding Wiring /F		D	1	a-V116030603
2	A50U745100	Guide Screw		D	1	b-V116040603
3	A50U746200	Stay /2		D	1	c-V118030403
4	A50U787500	Hold Arm /Front		D	1	d-V121030403
5	A50U787600	Hold Arm /Rear		D	1	e-V195060003
6	A50UR70E22	Fusing Temperature Sensor/4		B	1	f-V205060003
7	A50UR72Y00	Fusing Temperature Sensor/5		C	1	h-V500020096
8	A9VE741600	Pressure Spring /11		D	2	j-V500020097
9	A9VE749401Old	Sensor Stay /4		D	1	k-V500010074
9	A9VE745800	Sensor Stay /4		D	1	
10	SP00-0220	Thermostat /Lower		I	1	
12	A9VP788700	Protection Sheet /1		D	1	

Fusing Section



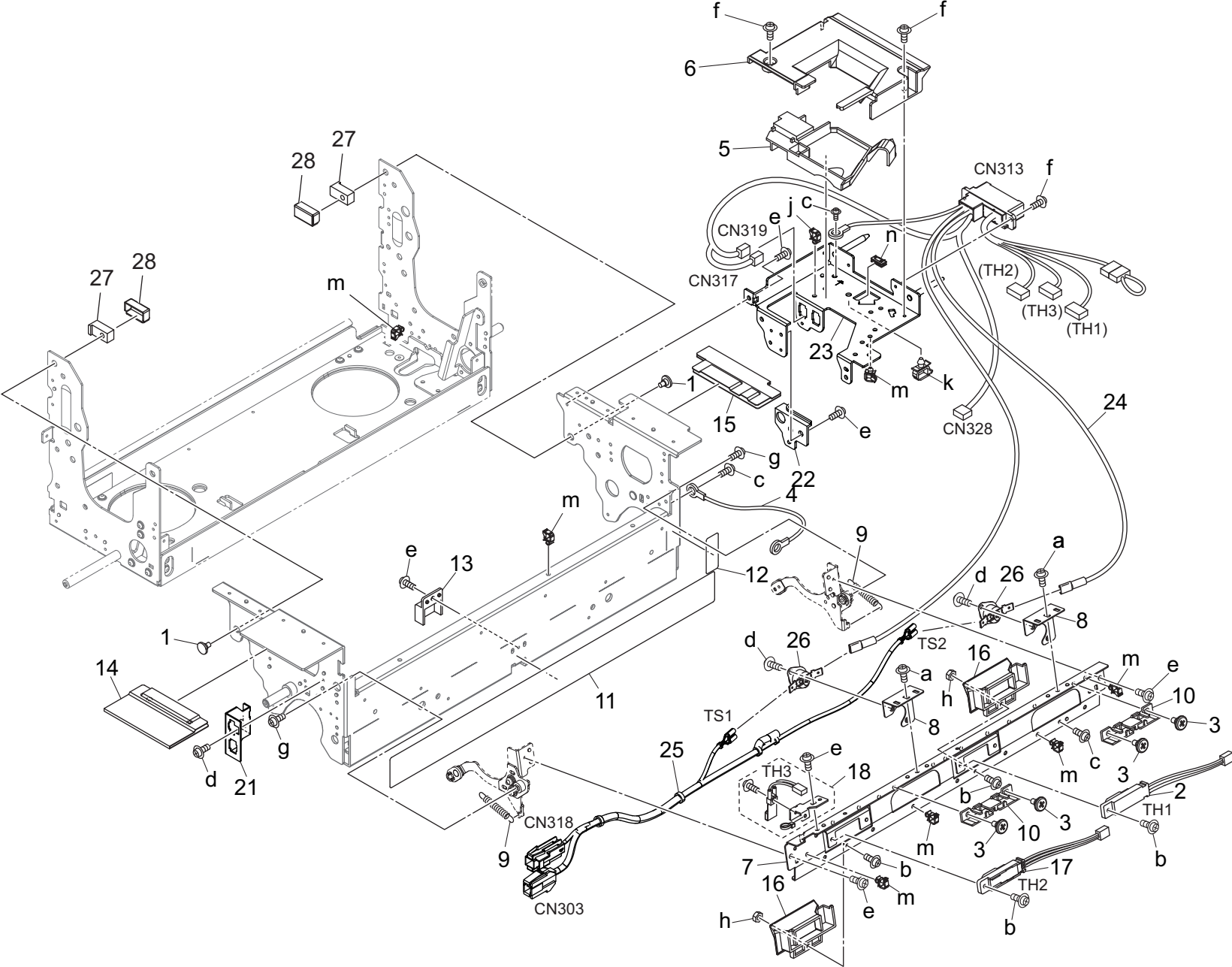
Key	Part No.	Description	Destinations	Class	QTY	Standard parts
1	4470402401	Stopper		D	2	a-V121030403 b-V127030604 c-V217020003 d-V223260017 e-V500010074 f-V570010025
2	26NA53712	BALL BEARING		A	2	
3	A03U734500	Support Screw /A		C	1	
4	A1RFM51000	Photointerrupter /H		C	2	
5	A50U746800	Wiring Part /3		D	1	
6	A50U747803	Actuator /A		D	1	
7	A50U747900	Shaft /1		D	1	
8	A50U748200	Wiring Part /1		D	1	
9	A50U752700	Fusing Gear/1 38T		B	1	
10	A50U755100	Holding Part /F		D	1	
11	A50U755301	Sheet /L		D	1	
13	A50U756300	Insulating Sleeve /Lower		B	2	
14	A50U758201	Guide Plate /B		D	1	
15	A50U765500	Fusing Roller /Lw		B	1	
16	A50U787700	Sensor Plate /Front		D	1	
17	A50U788602	Sensor Plate /Rear		D	1	
18	A50U788900	Insulating Plate /Front		D	1	
19	A50U789100	Insulating Plate /Rear		D	1	
20	A50UM32E00	Fusing Heater Lamp/4 (208V)	B,G2	I	1	
20	A50UM32F00	Fusing Heater Lamp/4 (220V)	C,D1,D3,E,F2,G1,H,I J,K	I	1	
20	A50UM32A00	Fusing Heater Lamp/4 (200V)	A	I	1	
21	A9VE741700	Hold Plate /1		D	1	
22	A9VE741800	Hold Plate /2		D	1	

Fusing Section



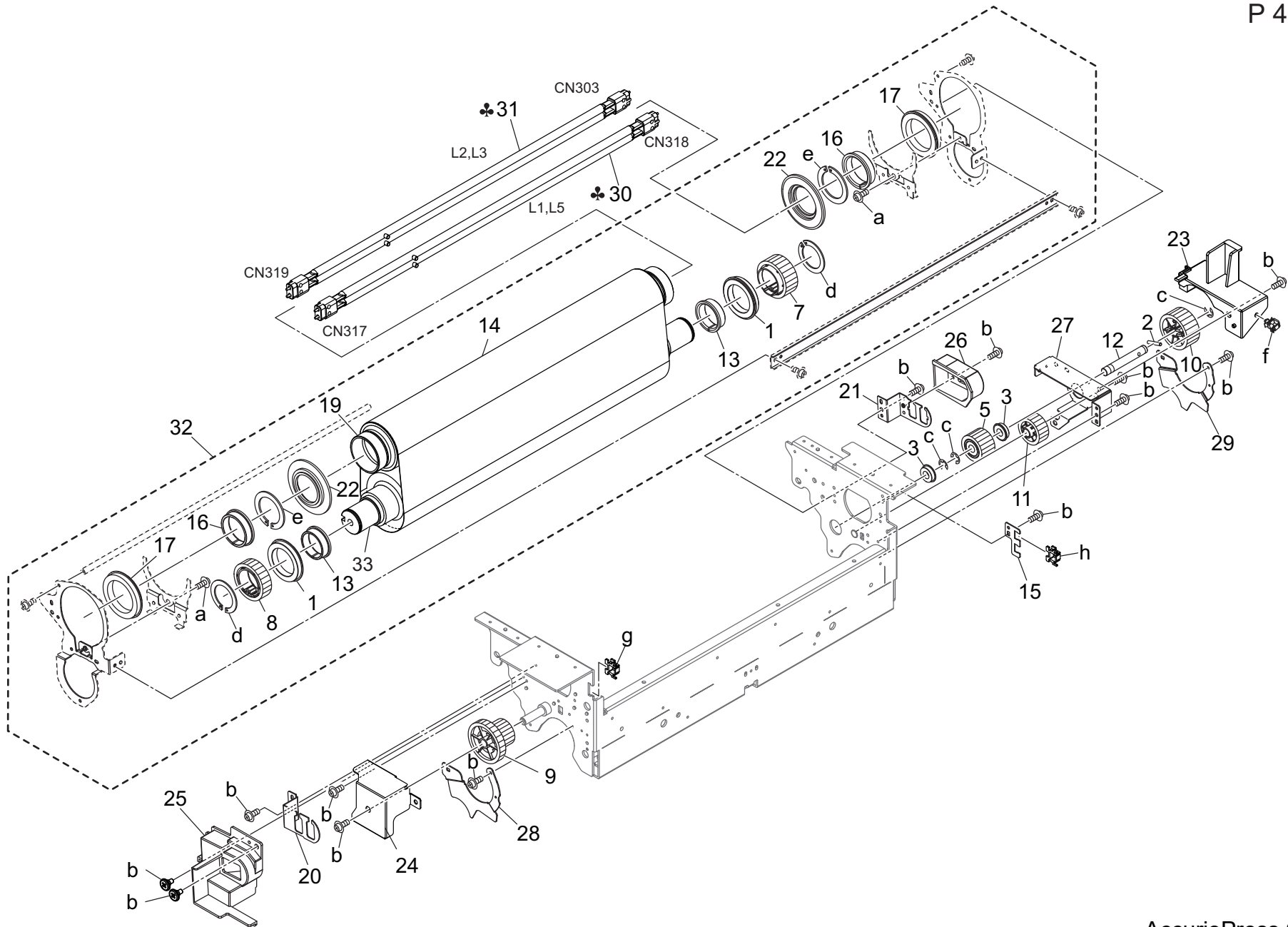
Fusing Section

Key	Part No.	Description	Destinations	Class	QTY	Standard parts
1	A03U734500	Support Screw /A		C	12	a-V116030603 b-V121030403 c-V195040003 d-V205040003 e-V217080003 f-V234200850 g-V500010074 h-V500020096
2	A1RF758100	Pin /B		D	2	
3	A4EU265000	Ball bearing		B	4	
4	A50U642300	Mounting Screw		D	4	
5	A50U744700	Pressure Actuator /1		D	1	
6	A50U745400	Regulating Shaft /2		D	1	
7	A50U746700	Paper exit Fulcrum Shaft		D	1	
8	A50U747101	Stopper Shaft /1		D	1	
9	A50U754901	Paper exit Fulcrum Shaft		D	1	
10	A50U785000	Rotation Shaft /2		D	2	
11	A50U787003	Cover Plate		D	1	
12	A50U788000	Cooling Duct		D	1	
13	A50U788102	Wiring Part /2		D	1	
14	A50U792901	Wiring Part /D		D	1	
15	A50U794800	Wiring Part		D	5	
16	A50U799200	Mounting Plate		D	1	
17	A50U799601	Adjusting Plate		D	1	
18	A50U799700	Regulating Plate		D	1	
19	A50U799800	Wiring Part		D	2	
20	A9VE741900	Pressure Shaft /A		D	1	
21	A9VE742000	Pressure Cam /1		C	2	
22	A9VE758400	Drive Plate /2		D	2	
23	A9VE758600	Pressure Gear /5 4 2 T		C	1	



Key	Part No.	Description	Destinations	Class	QTY	Standard parts
1	55VA20520	Cleaner Locking Screw		C	2	a-V116030603
2	65AA88010	Temperature Sensor /1		B	1	b-V116030803
3	A03U734500	Support Screw /A		C	4	c-V116040603
4	A03UN23200	Grounding Wiring /F		D	1	d-V118030303
5	A50U722100	Fusing Cover /1		D	1	e-V121030403
6	A50U722202	Fusing Cover /2		D	1	f-V127030604
7	A50U723812	Stay /1		D	1	g-V127040603
8	A50U723911	Stay /2		D	2	h-V195030003
9	A50U725200	Tension Spring /1		D	2	j-V500010070
10	A50U726611	Guide Part /2		D	2	k-V500010073
11	A50U728500	Insulating Sheet /A		D	1	m-V500010074
12	A50U728800	Insulating Sheet /D		D	1	n-V570010057
13	A50U730900	Cover Part /1		D	1	
14	A50U731002	Insulating Sheet /F		D	1	
15	A50U731102	Insulating Sheet /G		D	1	
16	A50U733500	Protection Part /1		D	2	
17	A50UM50600	Fusing Temperature Sensor/2		C	1	
18	A50UR70F00	Fusing Temperature Sensor/3		B	1	
21	A9VE728400	Mounting Plate /B		D	1	
22	A9VE733400	Protection Cover /A		D	1	
23	A9VE769001	Fusing Stay /2		D	1	
24	A9VEN10601	Fixing Wiring /1		D	1	
25	A9VEN11000	Fixing Relay harness /1		D	1	
26	SP00-0210	Thermostat /Upper		I	2	
27	A9VE784200Old	Fixing Plate		D	2	
27	A85C789200	Hold Part /A		D	2	
28	A9VE784300Old	Cover		D	2	
28	A85C789300	Insulating Sheet /F		D	2	

Fusing Section

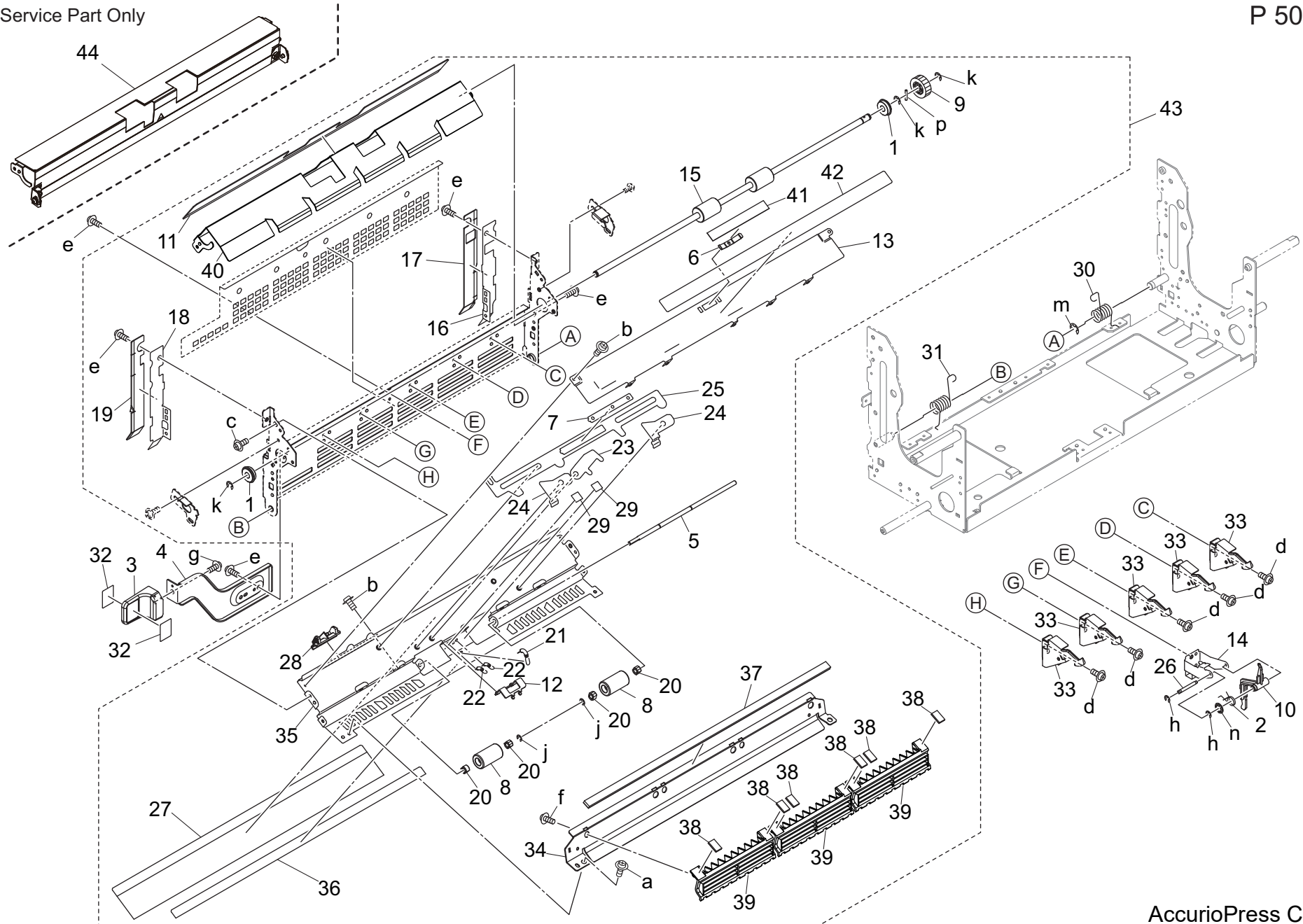


Key	Part No.	Description	Destinations	Class	QTY	Standard parts
1	26NA53712	BALL BEARING		A	2	a-V116030503 b-V121030403 c-V217060003 d-V223260017 e-V223400017 f-V500010074 g-V500020096 h-V570010025
2	55VA48500	PARALLEL PIN D3X18		D	1	
3	A00V240600	Ball Bearing		B	2	
5	A03U809500	FIXING DRIVE GEAR /O 26T		A	1	
7	A50U725001	Drive Gear /Upper 38T		C	1	
8	A50U739811	Drive Gear /Front 38T		C	1	
9	A50U739900	Connecting Gear /A 42/25T		C	1	
10	A50U744000	Drive Gear /6 36T		C	1	
11	A50U744100	Drive Gear /7 27T		C	1	
12	A50U744400	Drive Shaft /3		D	1	
13	A50U756300	Insulating Sleeve /Lower		B	2	
14	A50U765000	Fusing Belt		B	1	
15	A50U783400	Hold Plate		D	1	
16	A5AW744900	Heat Insulating Sleeve/1		B	2	
17	A5AW745000	Fusing Bearing/1		B	2	
19	A9VE720500	Fusing Roller /2		B	1	
20	A9VE723500	Support Plate /1		D	1	
21	A9VE723600	Support Plate /2		D	1	
22	A9VE724100	Regulating Sleeve /1		B	2	
23	A9VE726800	Guide Part /3		D	1	
24	A9VE728300	Support Plate /11		D	1	
25	A9VE733000	Cover /Front		D	1	
26	A9VE733100	Cover /Rear		D	1	
27	A9VE743500	Drive Plate /6		D	1	
28	A9VE785400	Stopper Stopper /A		D	1	
29	A9VE785500	Stopper Stopper /B		D	1	
30	A9VEM31E00	Fusing Heater Lamp Assy 1 /Up (208V)	B,G2	B	1	
30	A9VEM31F00	Fusing Heater Lamp Assy 1 /Up (220V)	C,D1,D3,E,F2,G1,H,I ,J,K	B	1	
30	A9VEM31A00	Fusing Heater Lamp Assy 1 /Up (200V)	A	B	1	
31	A9VEM33E00	Fusing Heater Lamp Assy 2 /Up (208V)	B,G2	B	1	
31	A9VEM33F00	Fusing Heater Lamp Assy 2 /Up (220V)	C,D1,D3,E,F2,G1,H,I ,J,K	B	1	
31	A9VEM33A00	Fusing Heater Lamp Assy 2 /Up (200V)	A	B	1	
32	A9VER70422	Fusing Belt Assy		B	1	
32	A9VER70422	Fusing Belt Assy		B	1	
33	A9VE720300	Fusing Roller /1		B	1	

Fusing Section

Service Part Only

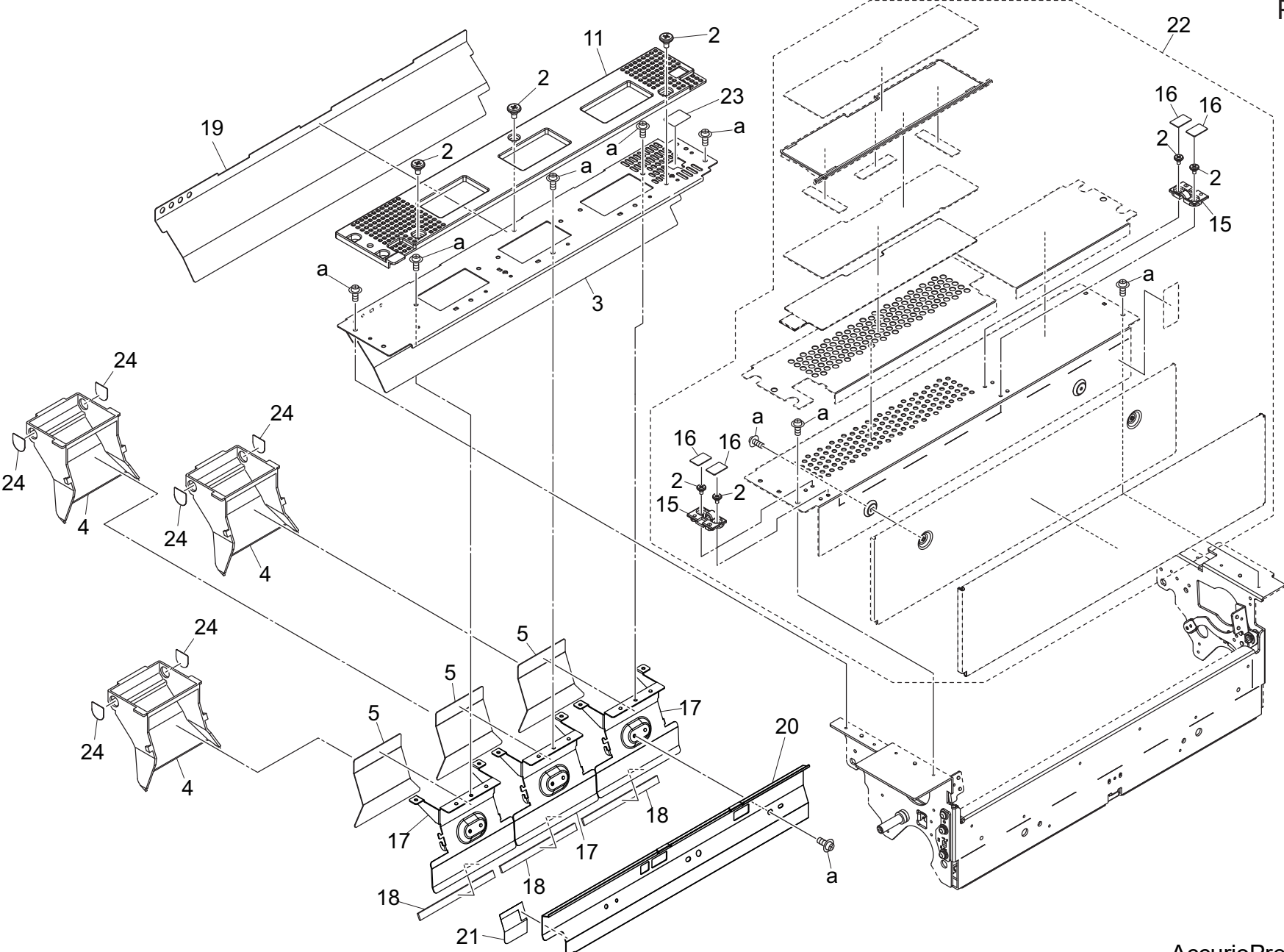
P 50



Key	Part No.	Description	Destinations	Class	QTY	Standard parts
1	55GA75031	BALL BEARING	軸受	A	2	a-V116030603
2	65AA53560	PAPER EXIT DETECTING SPRING	排紙検知バネ	C	1	b-V118020403
3	65AA53991	Fixing Papaer Exit Lever	定着排紙レバー	C	1	c-V118030403
4	A03U723301	Open/close Lever	開閉レバー	C	1	d-V127030516
5	A03U728000	PAPER EXIT SHAFT	排紙軸	D	1	e-V127030604
6	A03U734800	Positioning Plate spring /1	位置決め板ばね / 1	C	1	f-V151030803
7	A03U734900	Positioning Plate	位置決め板	D	1	g-V151040803
8	A9VE760900	Paper exit Roll	排紙ころ	B	2	h-V217020003
9	A50U746500	Paper exit Gear /B 20T	排紙ギア / B 20 T	C	1	j-V217030003
10	A50U748701	Paper exit Actuator	排紙アクチュエータ	D	1	k-V217040003
11	A50U760400	Insulating Sheet	断熱シート	D	1	m-V217060003
12	A50U760600	Pressing Cam /1	押圧カム / 1	D	1	n-V226060050
13	A50U760701	Holding Plate	押さえ板	D	1	p-V234201250
14	A50U760802	Support Plate	支持板	D	1	
15	AC57761000	Fixing Paper exit Roller	定着排紙ローラ	C	1	
16	A50U761100	Heat blocking Plate /Rear	遮熱板 / 奥	D	1	
17	A50U761200	Insulating Sheet /Rear	断熱シート / 後	D	1	
18	A50U761300	Heat blocking Plate /Front	遮熱板 / 前	D	1	
19	A50U761400	Insulating Sheet /Front	断熱シート / 前	D	1	
20	A50U761500	Fixing Paper exit Bearing	定着排紙軸受	C	4	
21	A50U761601	Paper exit Spring /1	排紙ばね / 1	D	1	
22	A50U761700	Paper exit Spring /2	排紙ばね / 2	D	2	
23	A50U761800	Pressing Cam /2	押圧カム / 2	D	1	
24	A50U761900	Release Lever	解除レバー	D	2	
25	A50U762000	Slide Plate	スライド板	D	1	
26	A50U762100	Paper exit Detecting Shaft	排紙検知軸	D	1	
27	A50U762200	Protection Film	保護フィルム	D	1	
28	A50U762300	Slide Knob	スライドつまみ	D	1	
29	A50U762400	Fusing Spacer /2	定着スペーサ / 2	D	2	
30	A50U763800	Paper exit Open/shut Spring /B	排紙開閉バネ / B	D	1	
31	A50U763900	Paper exit Open/shut Spring /A	排紙開閉バネ / A	D	1	
32	A50U943701	Release Label /7	解除ラベル / 7	D	2	
33	A50UR72U11	Fusing Separating Claw Assy	定着分離爪 A s s y	B	5	
34	A85C757801	Guide Plate /E	ガイド板 / E	D	1	
35	A85C758100	Paper exit Plate /Upper	排紙板 / 上	D	1	
36	A85C764100	Holding Sheet /A	押さえシート / A	D	1	
37	A9VE727500	Guide Seal /A	ガイドシール / A	D	1	
38	A9VE727700	Guide Seal /C	ガイドシール / C	D	6	
39	A9VE758000	Separating Cell /11	分離セル / 1 1	D	3	
40	A9VE760312	Paper exit Plate /Lower	排紙板 / 下	D	1	
41	A9VE764200	Protection Film /B	保護フィルム / B	D	1	
42	A9VE949000	Caution Label	注意ラベル	D	1	
43	A9VEF75114	Fusing Paper Exit Door Duct Assy	定着排紙扉ダクト A s s y	D	1	
44	AC57R75400	Fusing Separating Plate Assy	定着分離板 A s s y	C	1	(Service Part Only)

Fusing Section

P 51

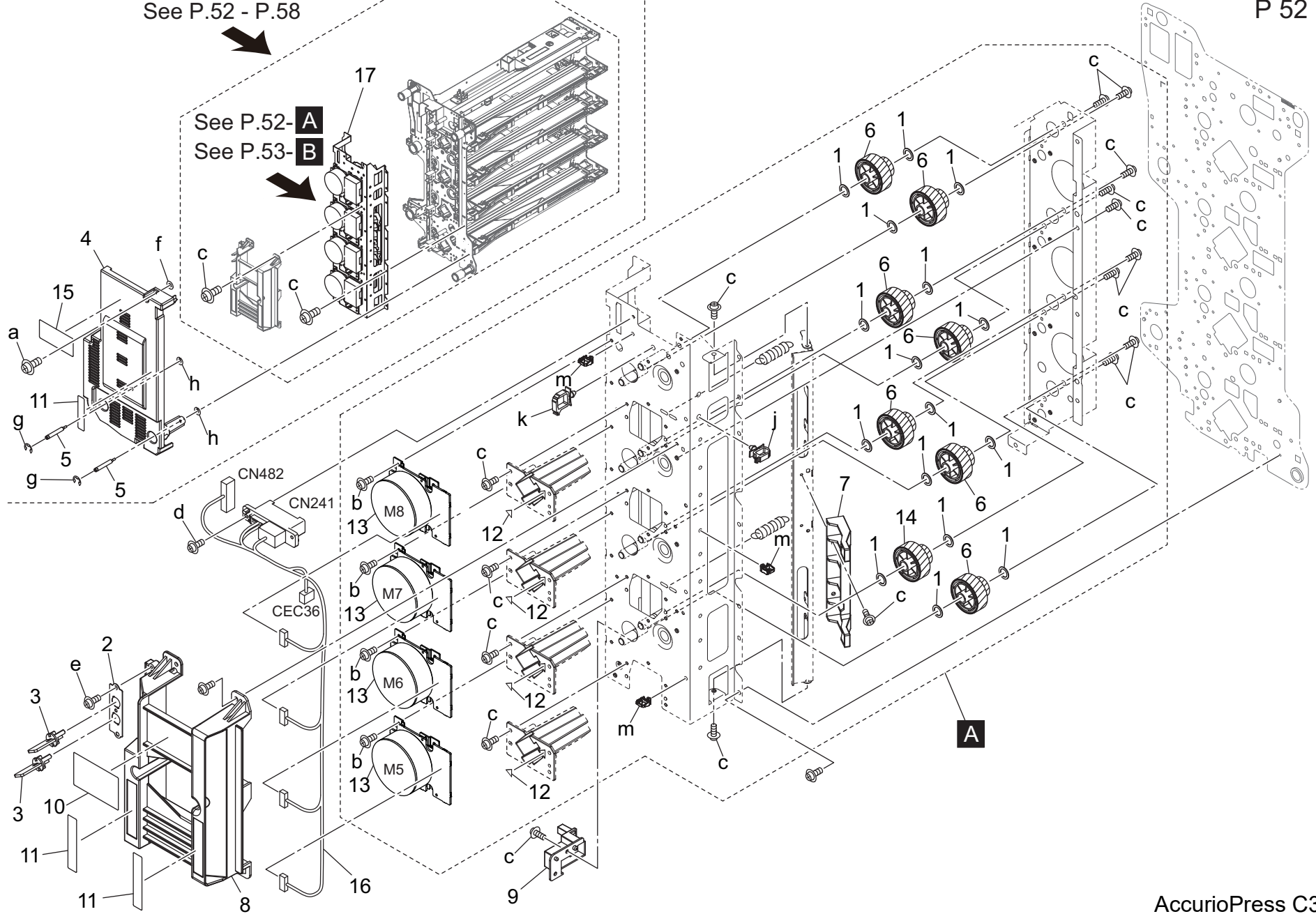


Key	Part No.	Description	Destinations	Class	QTY	Standard parts	
2	A03U734500	Support Screw /A		C	7	a-V121030403	
3	A50U721502	Fusing Frame /Upper		D	1		
4	A50U722700	Fusing Duct /3		D	3		
5	A50U732000	Insulating Sheet /N		D	3		
11	A50U738700	Cover Part /A		D	1		
15	A50U763000	Support Plate		D	2		
16	A50U763600	Insulating Sheet /6		D	4		
17	A9VE722800	Fusing Duct /4		D	3		
18	A9VE727600	Guide Seal /B		D	3		
19	A9VE731500	Insulating Sheet /L		D	1		
20	A9VE769300	Reflecting Plate /3		D	1		
21	A9VE769600	Holding Sheet /Front		D	1		
22	A9VER70900	Fusing Stay/ Upper Assy		D	1		
23	AC57784600	Protection Sheet /A		D	1		
24	AC57740000	Separating Seal		D	6		

Process Carriage Section

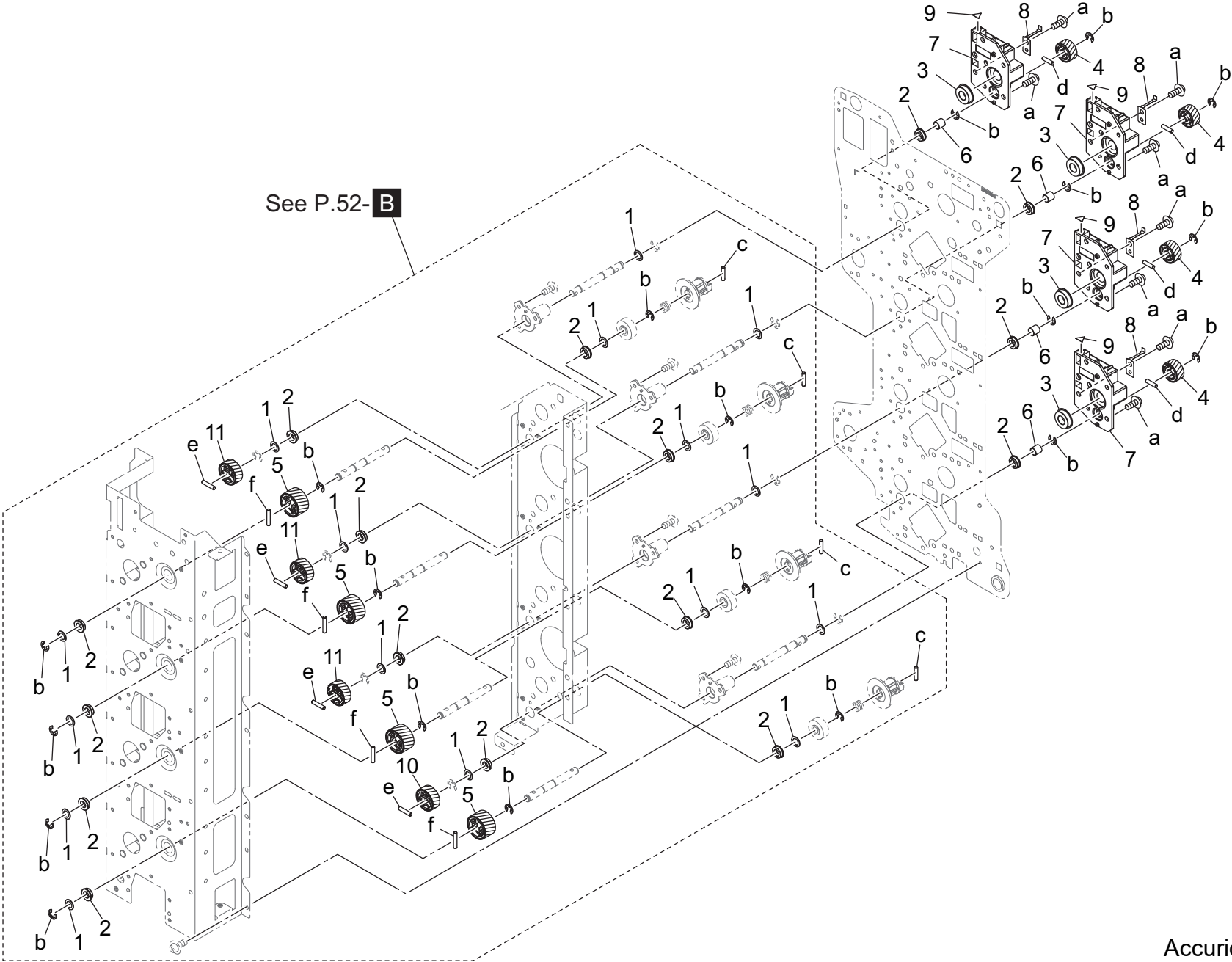
See P.52 - P.58

P 52



Key	Part No.	Description	Destinations	Class	QTY	Standard parts
1	13QA40610	Gear Spacer		C	16	a-V114041004
2	65AA33310F	Mounting Plate /2		D	1	b-V121030403
3	A1DUR71200	Chaging Cleaning Part Assy		B	2	c-V127030604
4	A50U169002	Cover Duct /B		D	1	d-V127030803
5	A50U169602	Mounting Screw		D	2	e-V151030803
6	A50U220501	Idling Gear /C 63/34T		C	7	f-V211040080
7	A50U221500	Release Lever		D	1	g-V217060003
8	A50U221701	Guide Handle		D	1	h-V221040050
9	A50U341002	Protection Cover /2		D	1	j-V500010082
10	A50U948001	Caution Label		D	1	k-V500010083
11	A50U949600	Replacement Label		D	3	m-V500020098
12	A50U949700	Replacement Label /1		D	4	
13	A79JM11300	DC Brushless motor /30		I	4	
14	A9VE220500	Idling Gear /C 35/62T		C	1	
15	A9VE942700	Caution Label		D	1	
16	A9VEN12400	Developing Wiring /1		D	1	
17	AAC3R70100	Developing Drive Assy		S	1	

Process Carriage Section

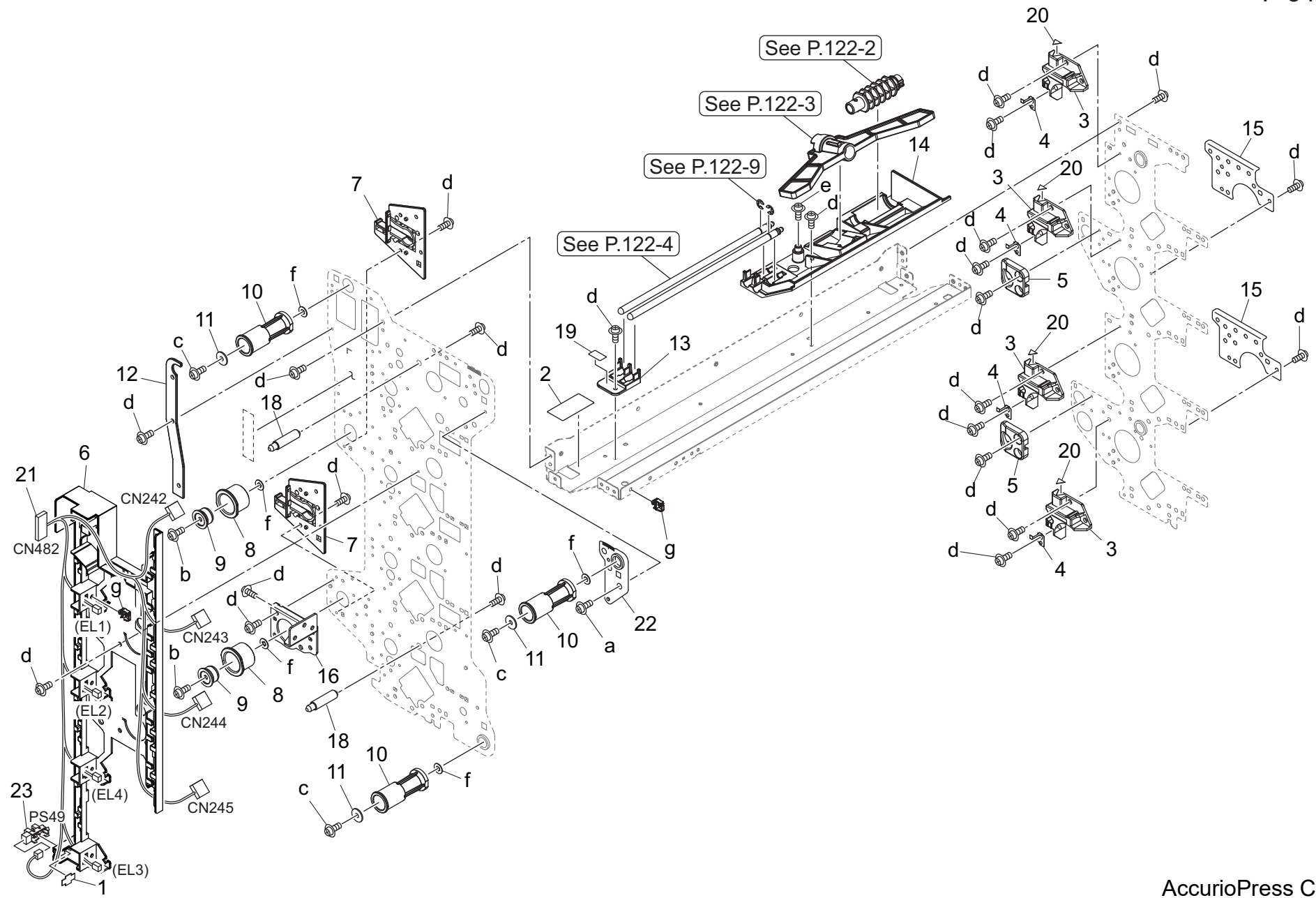


Order here
8 (495) 646-0426
www.km-shop.ru

Process Carriage Section

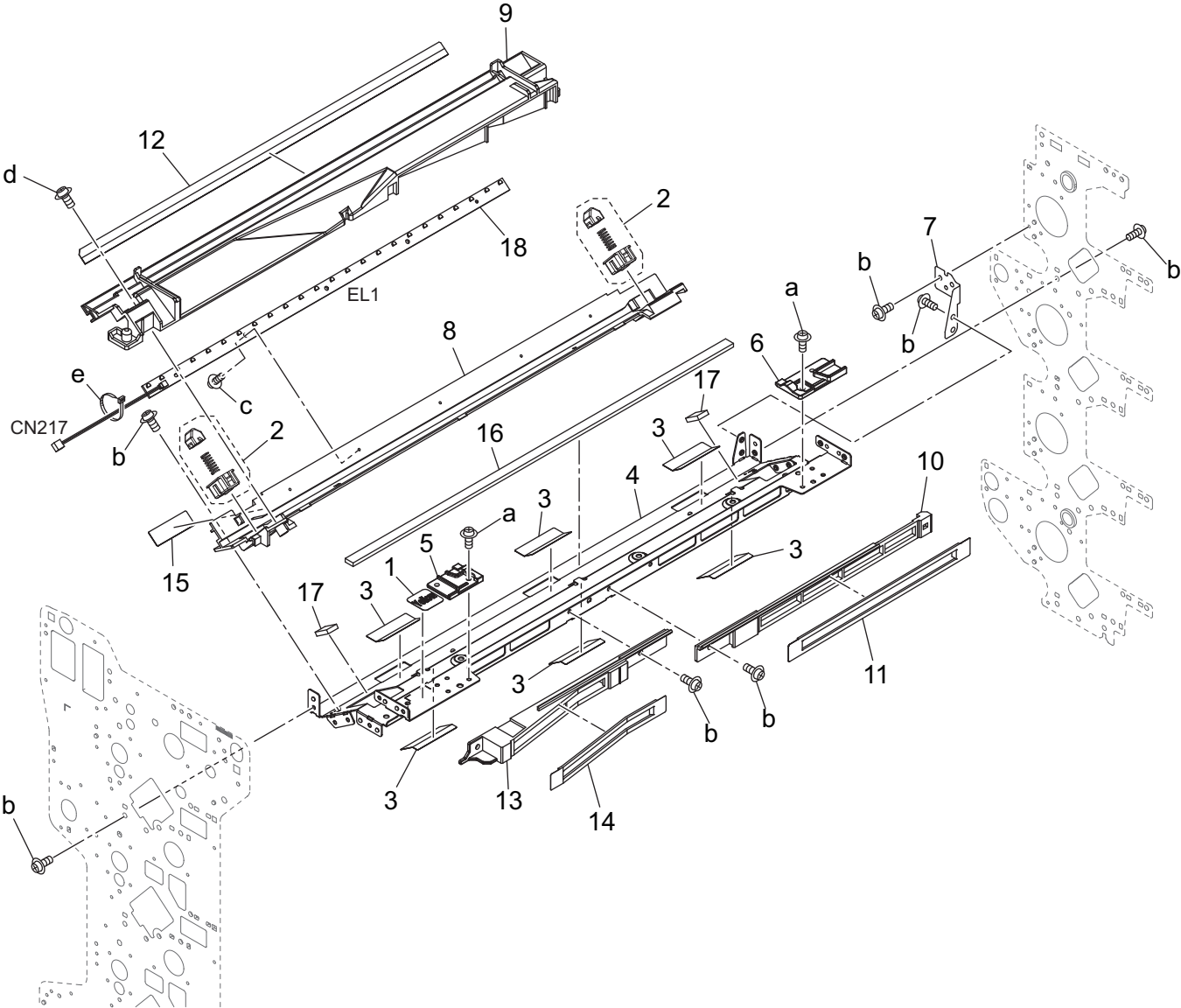
Key	Part No.	Description	Destinations	Class	QTY	Standard parts
1	40AA32320	Toner Supply Spacer		C	16	a-V127030604 b-V217040003 c-V234301050 d-V234301250 e-V234301250 f-V234301650
2	A00J617800	Ball Bearing		B	16	
3	A00V240600	Ball Bearing		B	4	
4	A50U220700	Coupling Gear /C 28T		C	4	
5	A50U221800	Drive Gear /D 40T		C	4	
6	A9VE222000	Collar		D	4	
7	A50U337101	Positioning Rail /1		D	4	
8	A50U337400	Ground Plate spring /Front		D	4	
9	A50U949700	Replacement Label /1		D	4	
10	A9VE220600	Drive Gear /C 36T		C	1	
11	A50U220600	Drive Gear /C 37T		C	3	

Process Carriage Section



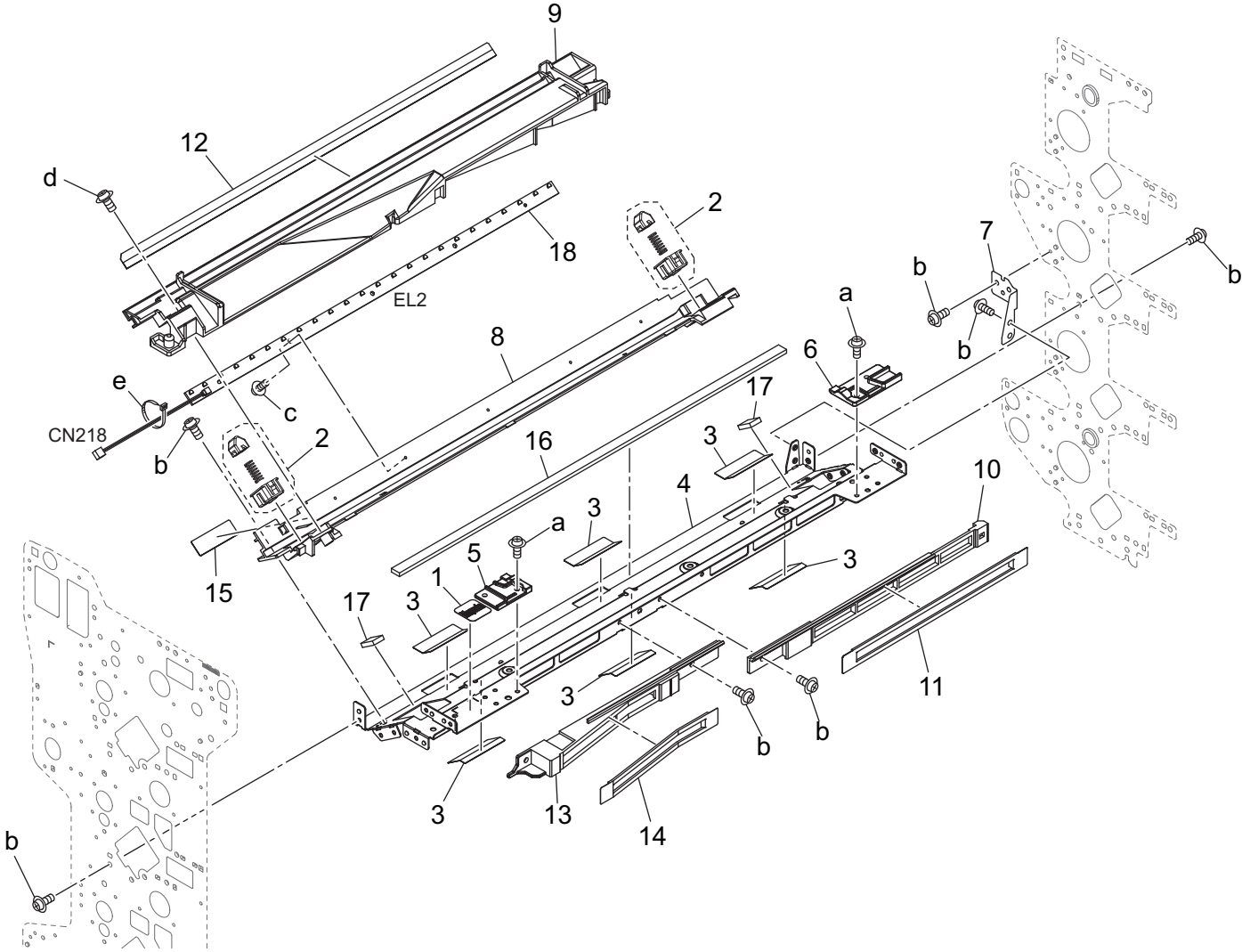
Key	Part No.	Description	Destinations	Class	QTY	Standard parts
1	4470402401	Stopper		D	1	a-V116040803 b-V121041003 c-V121041403 d-V127030604 e-V127031203 f-V211040080 g-V500020098
2	A50U335600	Cleaning Seal /A		D	1	
3	A50U337200	Positioning Rail /2		D	4	
4	A50U337300	Ground Plate spring /Rear		D	4	
5	A50U340501	Transfer Hinge		D	2	
6	A50U340902	Protection Cover /1		D	1	
7	A50U341301	Positioning Block /1		D	2	
8	A50U341401	Positioning Collar /1		D	2	
9	A50U341600	Transfer Shaft		D	2	
10	A50U342502	Set Collar		D	3	
11	A50U342600	Collar		D	3	
12	A50U343000	Operation Cover		D	1	
13	A50U343400	Tray /Front		D	1	
14	A50U343500	Tray /Rear		D	1	
15	A50U343800	Transfer Plate		D	2	
16	A50U343900	Transfer Plate /2		D	1	
18	A50U344200	Positioning Shaft		D	2	
19	A50U945601	Operation Label		D	1	
20	A50U949700	Replacement Label /1		D	4	
21	A50UN12500	Developing Wiring /2		D	1	
22	A50UR72K00	Adjusting Plate Caulking Assy		D	1	
23	A85CM55600	Photo Sensor		C	1	

Process Carriage Section



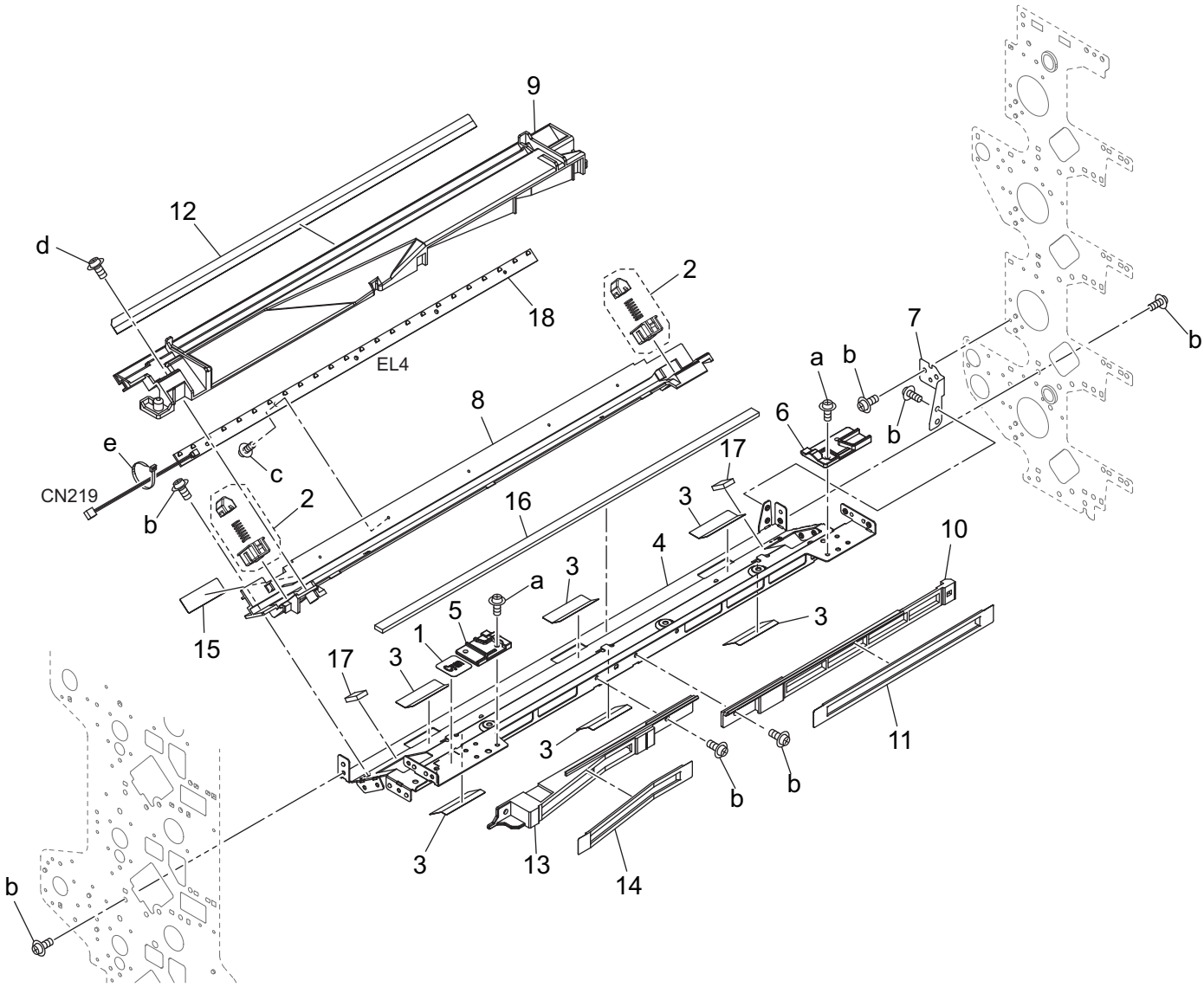
Key	Part No.	Description	Destinations	Class	QTY	Standard parts
1	65AA97440	Developing Exchanging Label /Y		D	1	a-V118030403 b-V127030604 c-V153020603 d-V151030803 e-V501010002
2	65AAR73200	CHARGE PRESSING ASSY		C	2	
3	A50U335600	Cleaning Seal /A		D	6	
4	A50U340301	Fixing Stay /1		D	1	
5	A50U341900	Developing Rail /Front		D	1	
6	A50U342000	Developing Rail /Rear		D	1	
7	A50U342300	Reinforce Plate		D	1	
8	A50U462101	Charging Rail		D	1	
9	A50U462201	Charging Rail /2		D	1	
10	A50U462400	Charging Duct /3		D	1	
11	A50U462501	Charging Seal /1		D	1	
12	A50U462600	Charging Seal		D	1	
13	A50U462700	Charging Duct		D	1	
14	A50U462801	Charging Seal		D	1	
15	A50U462900	Auxiliary Seal /A		D	1	
16	A50U463000	Charging Seal /2		D	1	
17	A50U463100	Charging Seal /3		D	2	
18	A50UM30101	LED array		D	1	

Process Carriage Section



Key	Part No.	Description	Destinations	Class	QTY	Standard parts
1	65AA97450	Developing Exchanging Label /M		D	1	a-V118030403 b-V127030604 c-V153020603 d-V151030803 e-V501010002
2	65AAR73200	CHARGE PRESSING ASSY		C	2	
3	A50U335600	Cleaning Seal /A		D	6	
4	A50U340301	Fixing Stay /1		D	1	
5	A50U341900	Developing Rail /Front		D	1	
6	A50U342000	Developing Rail /Rear		D	1	
7	A50U342300	Reinforce Plate		D	1	
8	A50U462101	Charging Rail		D	1	
9	A50U462201	Charging Rail /2		D	1	
10	A50U462400	Charging Duct /3		D	1	
11	A50U462501	Charging Seal /1		D	1	
12	A50U462600	Charging Seal		D	1	
13	A50U462700	Charging Duct		D	1	
14	A50U462801	Charging Seal		D	1	
15	A50U462900	Auxiliary Seal /A		D	1	
16	A50U463000	Charging Seal /2		D	1	
17	A50U463100	Charging Seal /3		D	2	
18	A50UM30101	LED array		D	1	

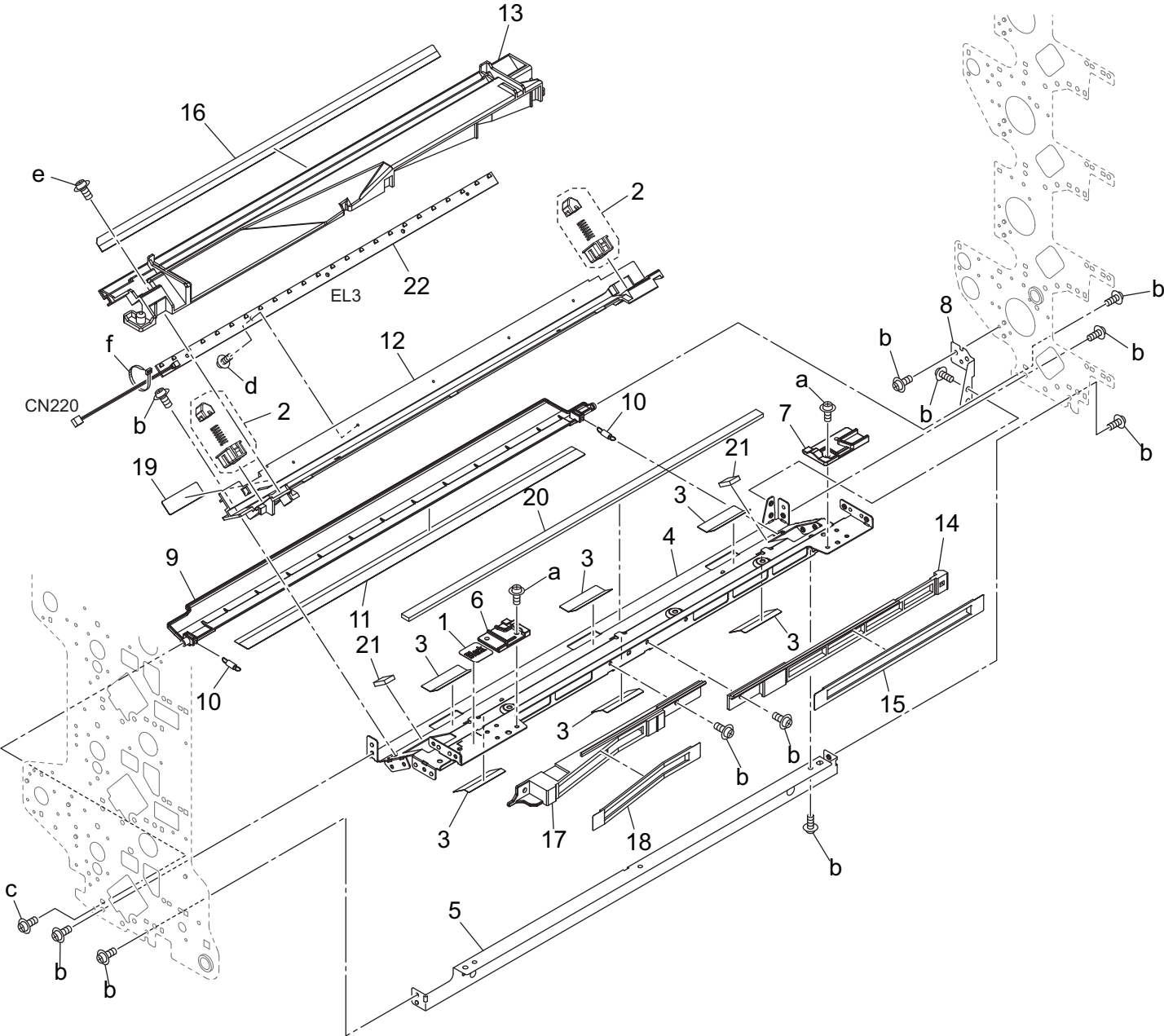
Process Carriage Section



Process Carriage Section

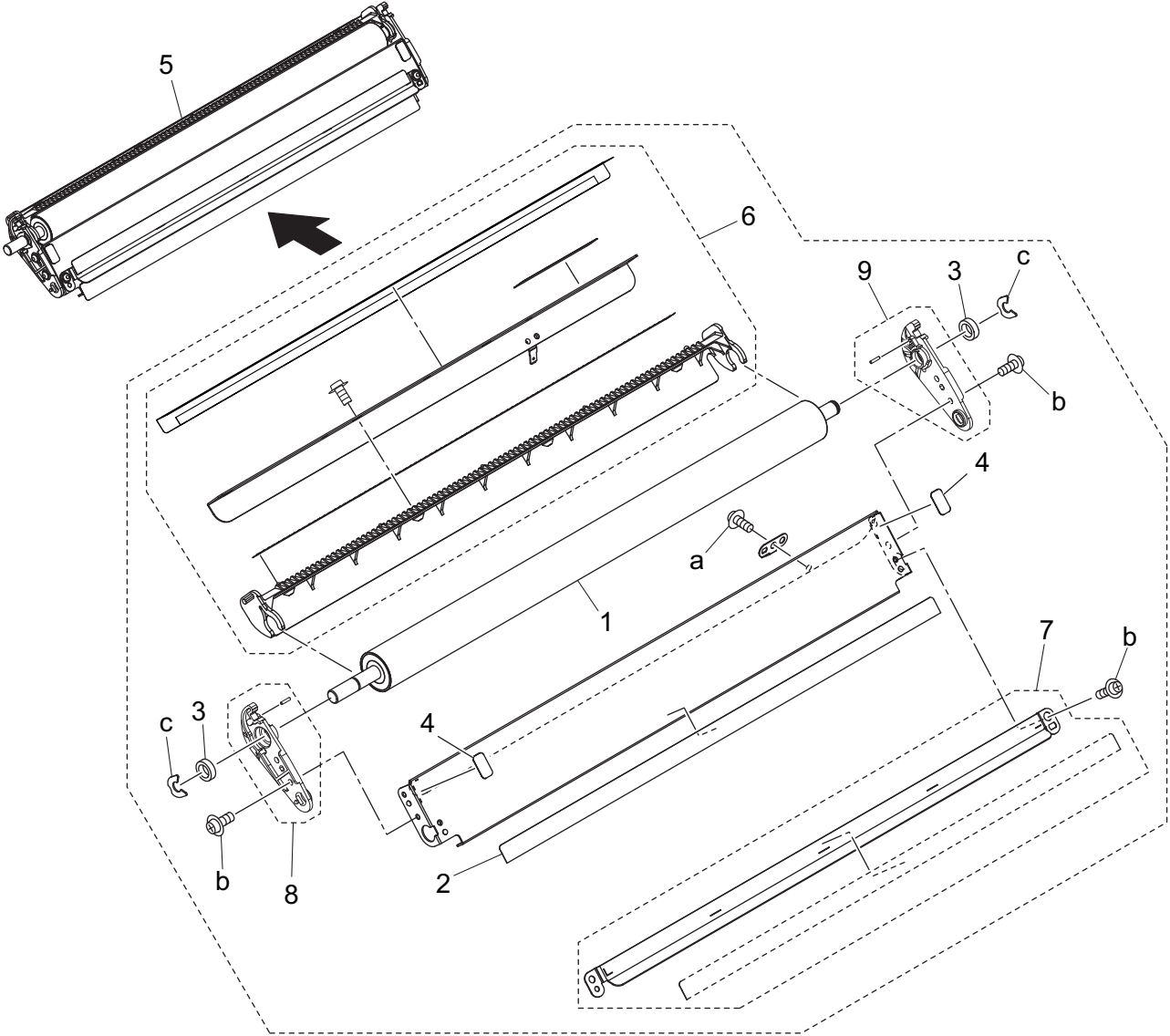
Key	Part No.	Description	Destinations	Class	QTY	Standard parts
1	65AA97460	Developing Exchanging Label /C		D	1	a-V118030403 b-V127030604 c-V153020603 d-V151030803 e-V501010002
2	65AAR73200	CHARGE PRESSING ASSY		C	2	
3	A50U335600	Cleaning Seal /A		D	6	
4	A50U340301	Fixing Stay /1		D	1	
5	A50U341900	Developing Rail /Front		D	1	
6	A50U342000	Developing Rail /Rear		D	1	
7	A50U342300	Reinforce Plate		D	1	
8	A50U462101	Charging Rail		D	1	
9	A50U462201	Charging Rail /2		D	1	
10	A50U462400	Charging Duct /3		D	1	
11	A50U462501	Charging Seal /1		D	1	
12	A50U462600	Charging Seal		D	1	
13	A50U462700	Charging Duct		D	1	
14	A50U462801	Charging Seal		D	1	
15	A50U462900	Auxiliary Seal /A		D	1	
16	A50U463000	Charging Seal /2		D	1	
17	A50U463100	Charging Seal /3		D	2	
18	A50UM30101	LED array		D	1	

Process Carriage Section



Key	Part No.	Description	Destinations	Class	QTY	Standard parts
1	65AA97470	Developing Exchanging Label /K		D	1	a-V118030403 b-V127030604 c-V127030803 d-V153020603 e-V151030803 f-V501010002
2	65AAR73200	CHARGE PRESSING ASSY		C	2	
3	A50U335600	Cleaning Seal /A		D	6	
4	A50U340301	Fixing Stay /1		D	1	
5	A50U341200	Fixing Stay /3		D	1	
6	A50U341900	Developing Rail /Front		D	1	
7	A50U342000	Developing Rail /Rear		D	1	
8	A50U342300	Reinforce Plate		D	1	
9	A50U343100	Cleaning Catch		D	1	
10	A50U343301	Receiving Spring		D	2	
11	A50U343700	Receiving Sheet		D	1	
12	A50U462101	Charging Rail		D	1	
13	A50U462201	Charging Rail /2		D	1	
14	A50U462400	Charging Duct /3		D	1	
15	A50U462501	Charging Seal /1		D	1	
16	A50U462600	Charging Seal		D	1	
17	A50U462700	Charging Duct		D	1	
18	A50U462801	Charging Seal		D	1	
19	A50U462900	Auxiliary Seal /A		D	1	
20	A50U463000	Charging Seal /2		D	1	
21	A50U463100	Charging Seal /3		D	2	
22	A50UM30101	LED array		D	1	

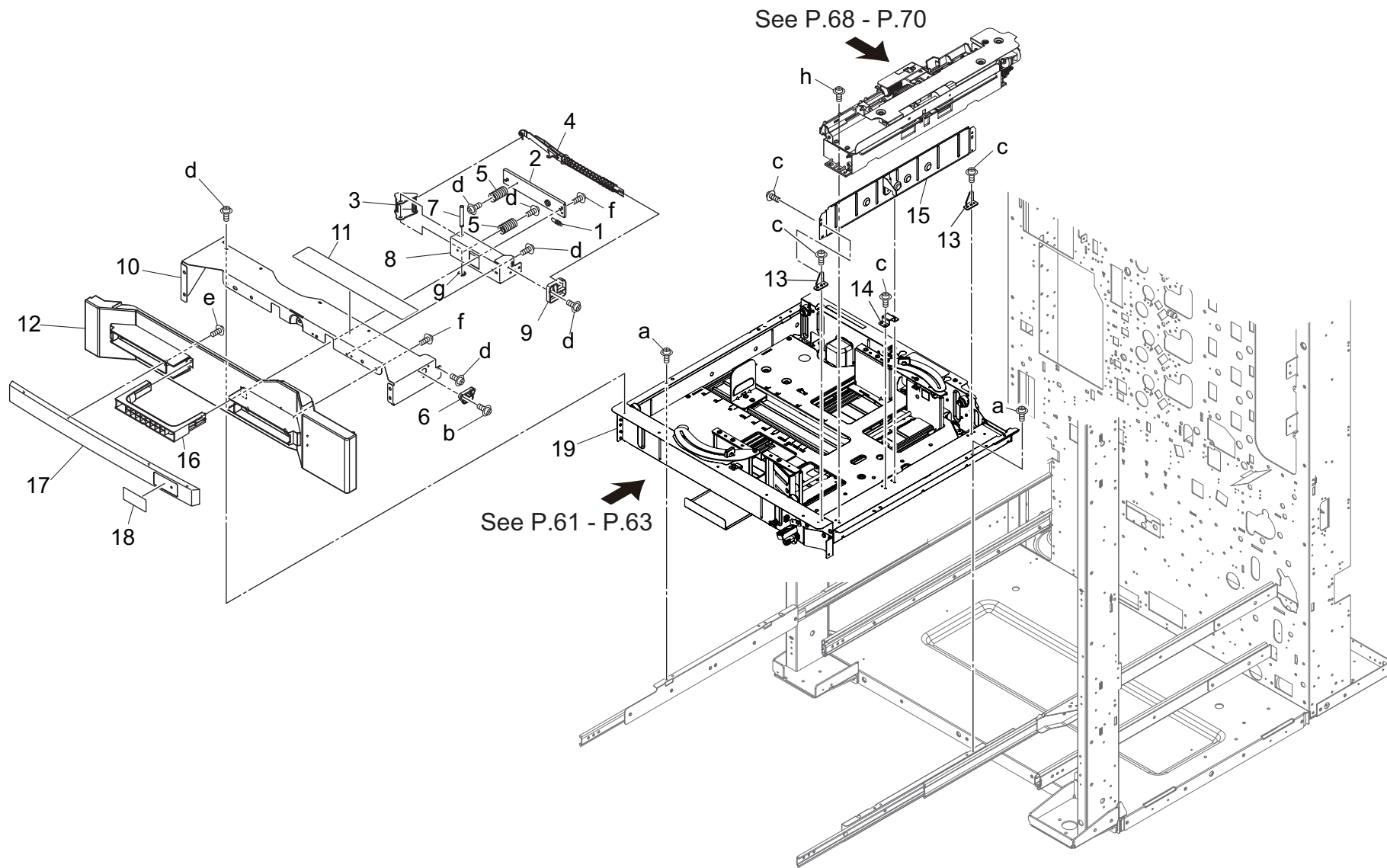
Secondary Transfer Section



Secondary Transfer Section

Key	Part No.	Description	Destinations	Class	QTY	Standard parts
1	A50U520001	2nd Transfer Roller/L		A	1	a-V127030603 b-V127030604 c-V218060086
2	A50U525900	Entrance Sheet		D	1	
3	A50U716500	Ball Bearing		C	2	
4	A50U945601	Operation Label		D	2	
5	A50UR70500	2nd Transfer Unit		I	1	
6	A50UR70B00	Separation Discharging Unit		A	1	
7	A50UR71Q00	Transfer Guide / Upper Assy		D	1	
8	A50UR71R11	Transfer Side Plate / Front Assy		D	1	
9	A50UR71S11	Transfer Side Plate / Rear Assy		D	1	

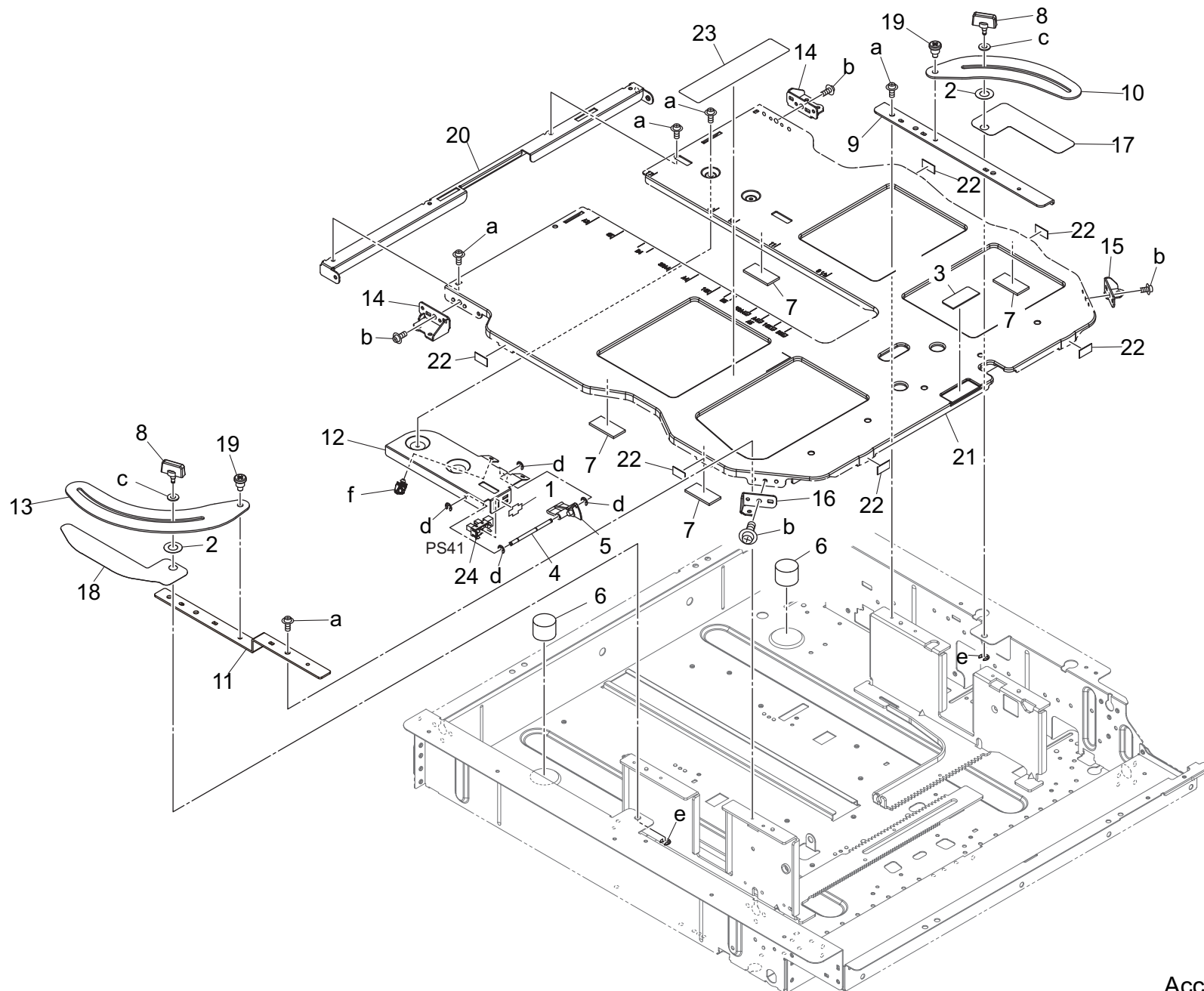
Tray 1 Section



Key	Part No.	Description	Destinations	Class	QTY	Standard parts
1	A161626800	Pulling Coil spring		C	1	a-V118030303 b-V126030603 c-V127030516 d-V127030604 e-V151041003 f-V158030803 g-V217040003 h-V125030803
2	A50U633002	Holding Handle		D	1	
3	A50U633200	Release Lever		D	1	
4	A50U633301	Lock Lever		D	1	
5	A50U633400	Stable Spring		D	2	
6	A50U633702	Receiving Guide /1		D	1	
7	A50U633800	Release Shaft /1		D	1	
8	A50U633900	Fixing Plate		D	1	
9	A50U634300	Receiving Guide /2		D	1	
10	A50U637002	Fixing Plate /1		D	1	
11	A50U945702	Operation Label /1		D	1	
12	A9VE160700	Cover Tray /1		D	1	
13	A9VE628400	Mounting Plate /1		D	2	
14	A9VE628500	Hold Part /1		D	1	
15	A9VE630701	Regulating Plate /Right		D	1	
16	A9VE633100	Handle /B		D	1	
17	A9VE634400	Paper feed Handle		D	1	
18	A9VE945400	Indicating Label /1		D	1	
19	A9VEF63104	500 Paper Cassette ASSY		S	1	

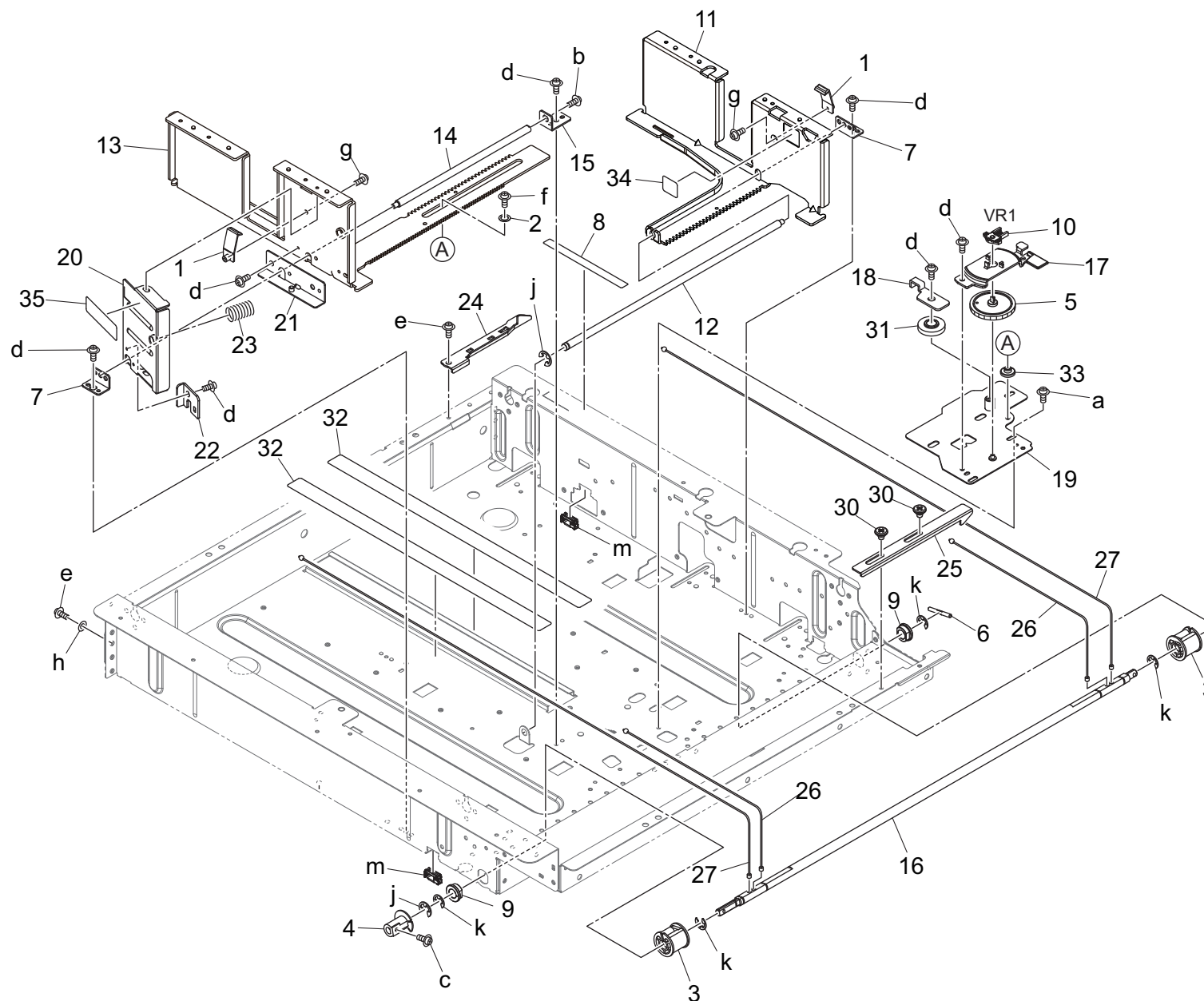
Tray 1 Section

P 61



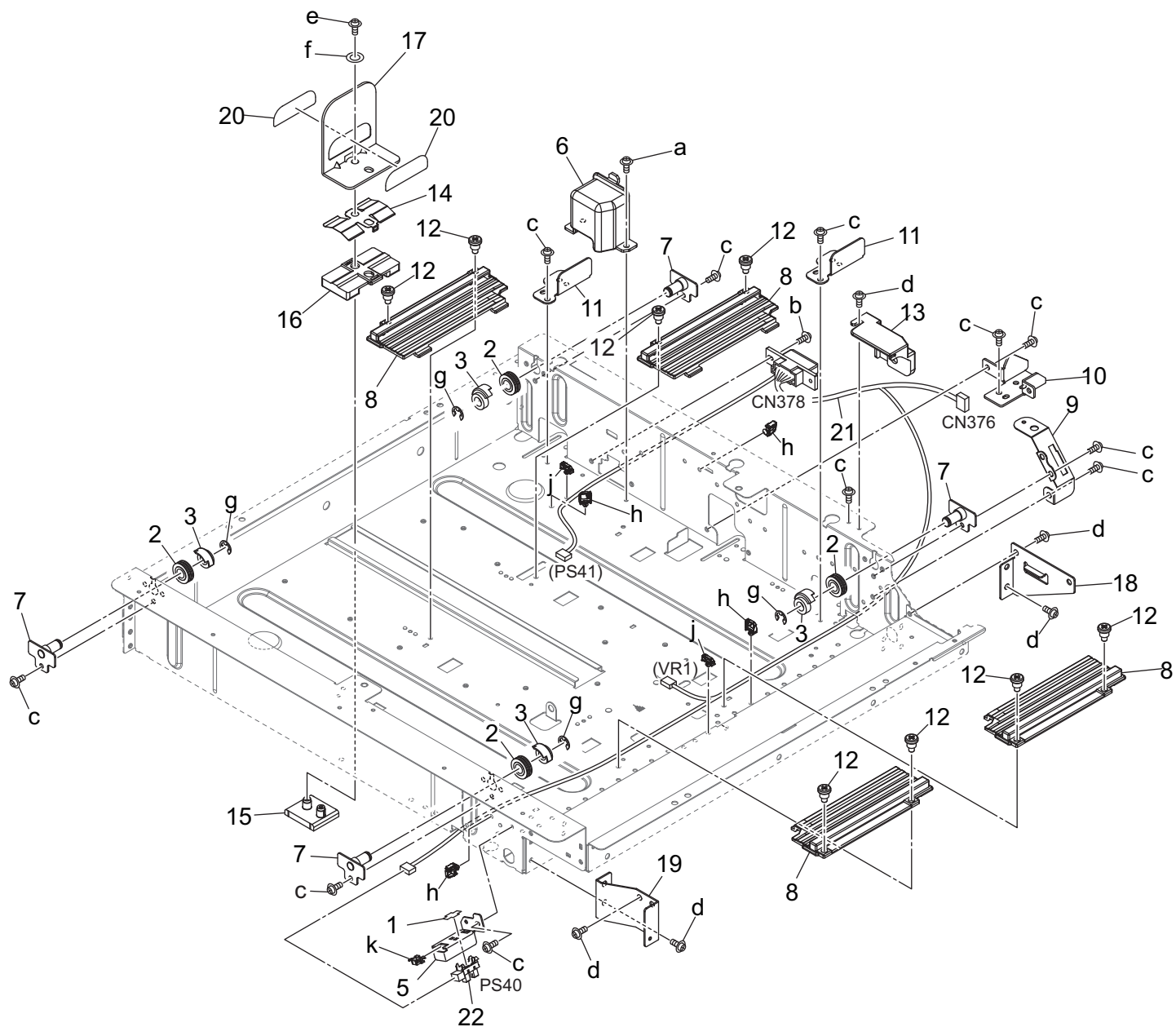
Key	Part No.	Description	Destinations	Class	QTY	Standard parts
1	4470402401	Stopper		D	1	a-V127030516 b-V127030604 c-V207040003 d-V217020003 e-V217025050 f-V500020098
2	65AA49500	Paper Exit Spacer /1	排紙 スペース / 1	C	2	
3	55VA40930	DOUBLE FEED PREVENTIVE PLATE	重送防止板	C	1	
4	65AA47310E	PAPER DETECTING SHAFT	紙検知軸	D	1	
5	65AA47320	Paper Detecting Actuator	紙検知アクチュエータ	C	1	
6	65AA47820	REGULATING PART	規制部材	C	2	
7	65AA47860	AUXILIARY SHEET	補助シート	C	4	
8	A03X656203	Lock Screw	ロックねじ	C	2	
9	A50U621001	Reinforce Plate /Rear	補強板 / 奥	D	1	
10	A50U622600	Regulating Plate /Rear	規制板 / 奥	D	1	
11	A50U622802	Reinforce Plate /Front	補強板 / 前	D	1	
12	A50U625000	Mounting Plate /2	取付板 / 2	D	1	
13	A50U625701	Regulating Plate /Front	規制板 / 前	D	1	
14	A50U626502	Support Plate /1	支持板 / 1	D	2	
15	A50U626601	Support Plate /2	支持板 / 2	D	1	
16	A50U626702	Support Plate /3	支持板 / 3	D	1	
17	A50U627601	Sheet	シート	D	1	
18	A50U627701	Sheet	シート	D	1	
19	A50U628200	Shoulder Screw	段ねじ	D	2	
20	A50U629300	Guide Base frame	ガイド台板	D	1	
21	A50U630203	Lifting Plate	持ち上げ板 (ASSY)	D	1	
22	A50U641500	Slide Sheet	スライドシート	D	6	
23	A50U946000	Paper feed Label	給紙ラベル	D	1	
24	A85CM55600	Photo Sensor	フォトセンサ	C	1	

Tray 1 Section



Key	Part No.	Description	Destinations	Class	QTY	Standard parts
1	26NA47070	PAPER REGULATING CLAW		C	2	a-V116030503
2	40AA32320	Toner Supply Spacer		C	1	b-V116030603
3	55VA40600	Driving Up /Down Pulley		B	2	c-V121030603
4	65AA47131E	Paper Detecting Actuator		C	1	d-V127030516
5	65AA47600E	Detecting Gear 45T		C	1	e-V127030604
6	65AA47700D	Up/down Pin		D	1	f-V127030803
7	65AA47740E	Shaft Mounting Plate		D	2	g-V147030803
8	65GE97490	CASSETTE GUIDE LABEL		D	1	h-V207030003
9	A03U812800	Slide Shaft Holder		B	2	j-V217040003
10	A1UDM50100	Volume		D	1	k-V217060003
11	A50U620602	Guide Rack/Rear		D	1	m-V570010057
12	A50U620801	Regulating Shaft		D	1	
13	A50U620902	Guide Rack /Front		D	1	
14	A50U621301	Stopper Shaft		D	1	
15	A50U621400	Mounting Plate		D	1	
16	A50U621800	Lifting Shaft		D	1	
17	A50U621900	Mounting Plate		D	1	
18	A50U622001	Stopper Plate		D	1	
19	A50U622101	Positioning Plate		D	1	
20	A50U622300	Brake Knob		D	1	
21	A50U622400	Support Plate		D	1	
22	A50U623201	Lock Claw		D	1	
23	A50U623300	Slide Spring /1		D	1	
24	A50U623600	Lock Claw		D	1	
25	A50U623701	Lock Claw		D	1	
26	A50U625400	Up/down Wire /1		D	2	
27	A50U625500	Up/down Wire /2		D	2	
30	A50U628100	Shoulder Screw		D	2	
31	A50U628400	Pinion		C	1	
32	A50U640800	Sheet		D	2	
33	A50U642000	Guide Spacer		D	1	
34	A50U945301	Regulating Label		D	1	
35	A50U946300	Lock Label /2		D	1	

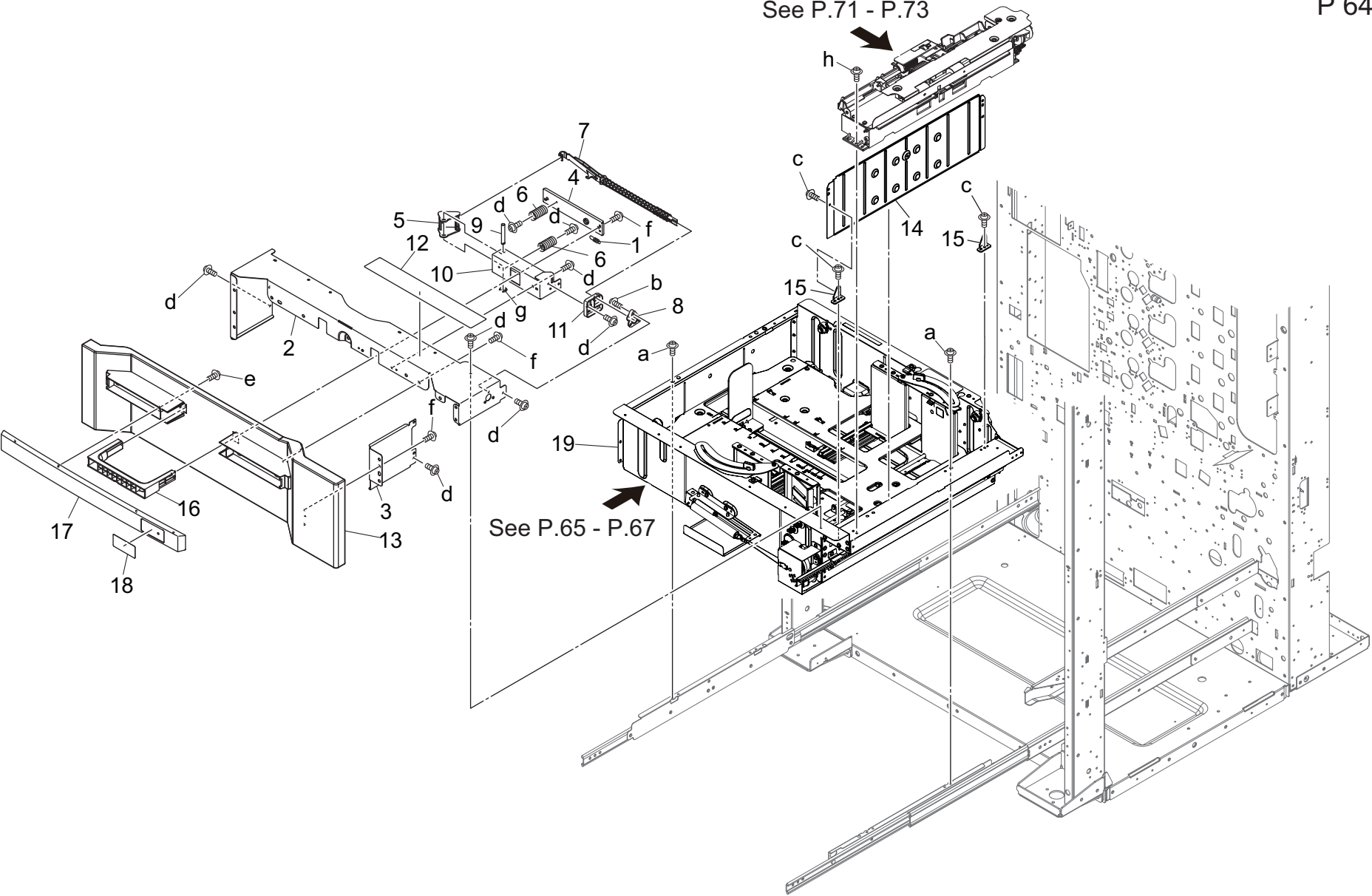
Tray 1 Section



Tray 1 Section

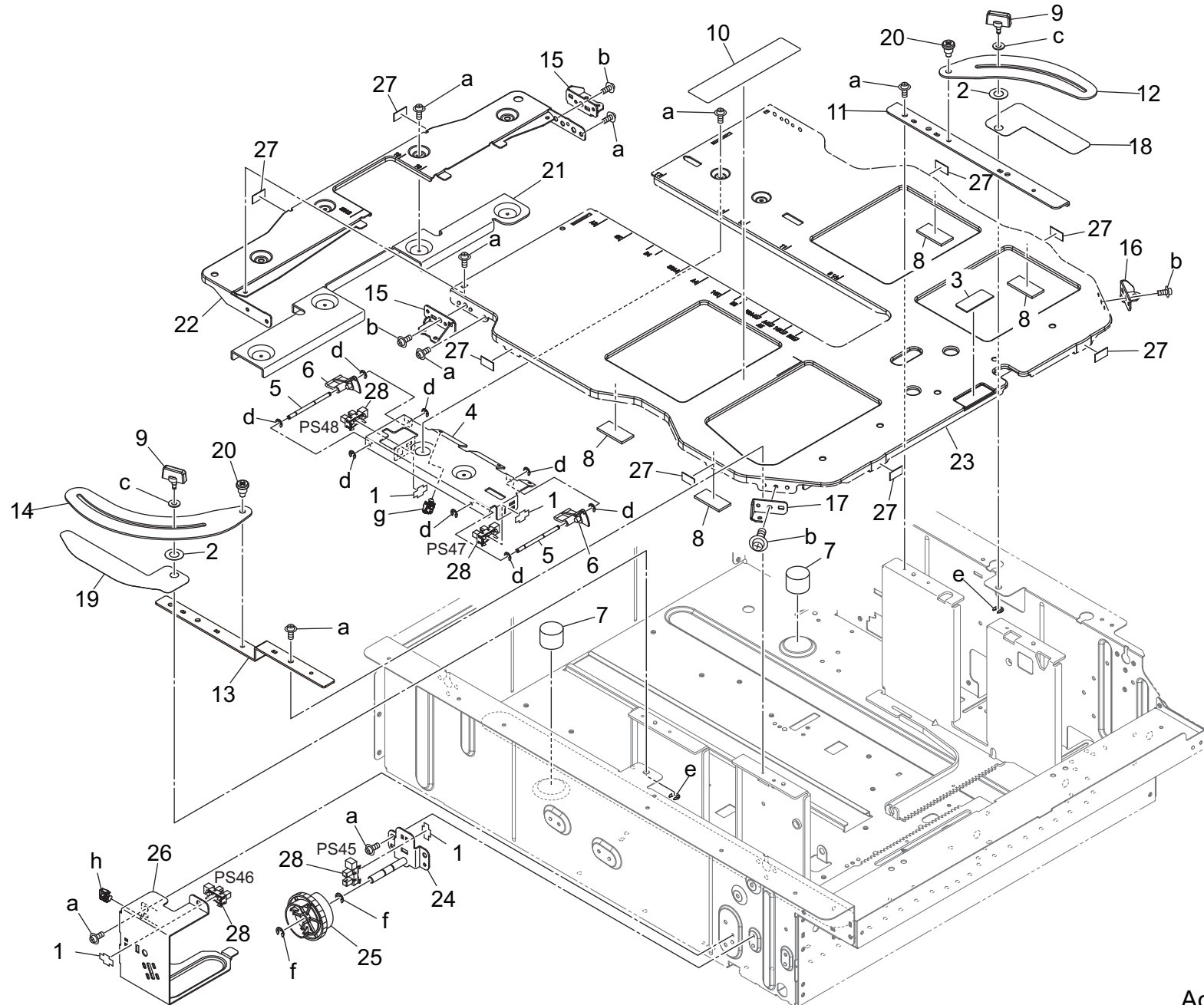
Key	Part No.	Description	Destinations	Class	QTY	Standard parts
1	4470402401	Stopper		D	1	a-V116030503 b-V121030603 c-V127030516 d-V127030604 e-V158031003 f-V207030003 g-V217060003 h-V500020098 j-V500020099 k-V570010050
2	65AA47550	WIRE ROLLER		C	4	
3	65AA47630	WIRE GUIDE PART		C	4	
5	65AA47900E	Mounting Plate /2		D	1	
6	A03U621200	GUIDE COVER		C	1	
7	A1DUF62101	PULLEY FULCRUM PLATE CAULKING		D	4	
8	A50U621200	Slide Guide		D	4	
9	A50U624600	Mounting Plate		D	1	
10	A50U624700	Fixing Cam		D	1	
11	A50U625100	Positioning Plate		D	2	
12	A50U628200	Shoulder Screw		D	8	
13	A50U628300	Cover		D	1	
14	A50U629502	Plate spring		D	1	
15	A50U629702	Brake Part /Lower		D	1	
16	A50U629801	Brake Part		D	1	
17	A50U629901	Regulating Plate /Rear		D	1	
18	A50U637600	Reinforce Plate /1		D	1	
19	A50U637700	Reinforce Plate /2		D	1	
20	A50U946400	Lock Label /1		D	2	
21	A50UN14100	Paperfeed Wiring /3		D	1	
22	A85CM55600	Photo Sensor		C	1	

Tray 2 Section



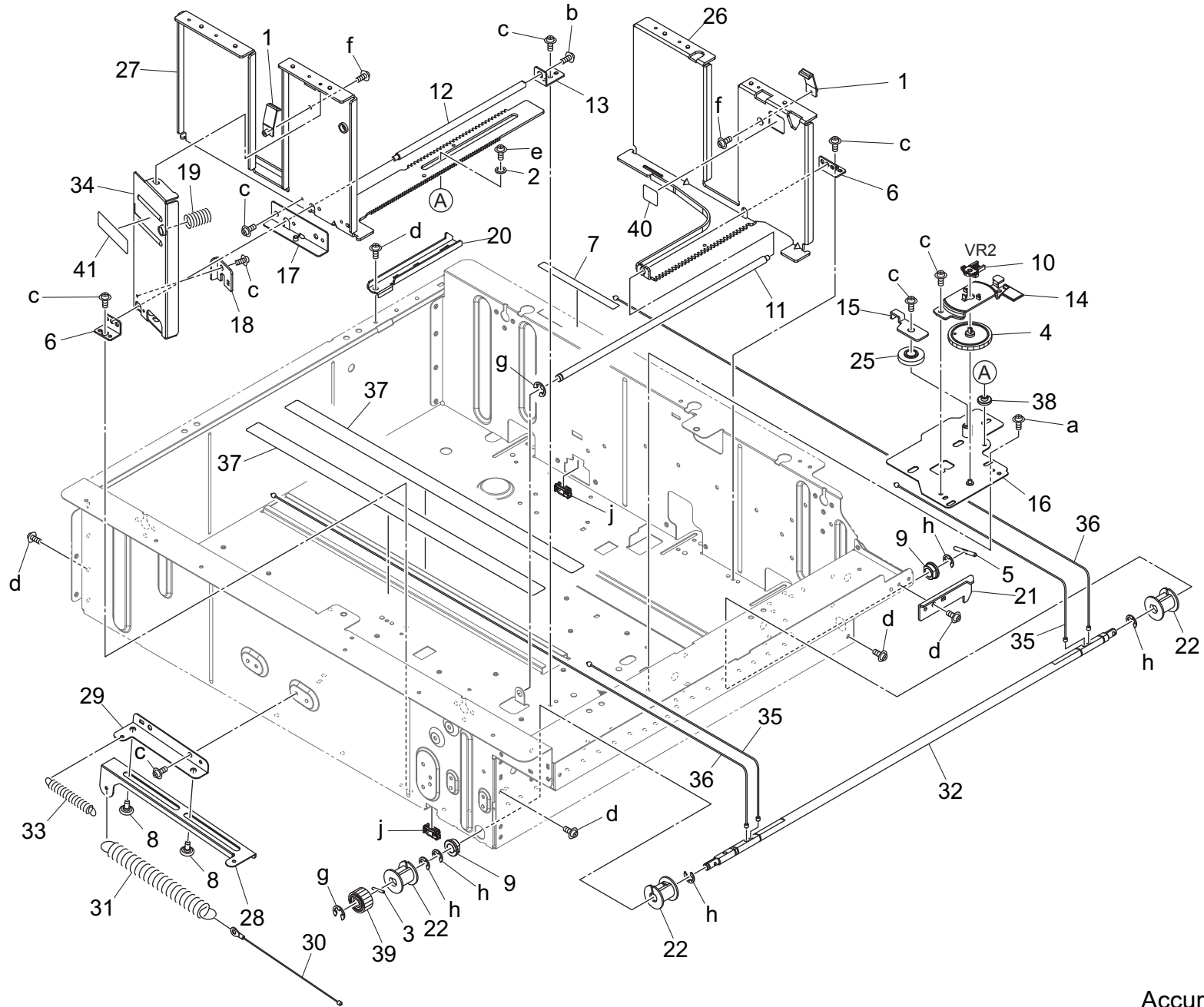
Key	Part No.	Description	Destinations	Class	QTY	Standard parts
1	A161626800	Pulling Coil spring		C	1	a-V118030303
2	A50U627002	Fixing Plate /2		D	1	b-V126030603
3	A50U627200	Fixing Plate /3		D	1	c-V127030516
4	A50U633002	Holding Handle		D	1	d-V127030604
5	A50U633200	Release Lever		D	1	e-V151041003
6	A50U633400	Stable Spring		D	2	f-V158030803
7	A50U633601	Lock Lever		D	1	g-V217040003
8	A50U633702	Receiving Guide /1		D	1	h-V125030803
9	A50U633800	Release Shaft /1		D	1	
10	A50U633900	Fixing Plate		D	1	
11	A50U634300	Receiving Guide /2		D	1	
12	A50U945702	Operation Label /1		D	1	
13	A9VE160800	Cover Tray /2		D	1	
14	A9VE620701	Regulating Plate /Right		D	1	
15	A9VE628400	Mounting Plate /1		D	2	
16	A9VE633100	Handle /B		D	1	
17	A9VE634400	Paper feed Handle		D	1	
18	A9VE945500	Indicating Label /2		D	1	
19	A9VEF62104	1000 Paper Cassette ASSY		S	1	

Tray 2 Section



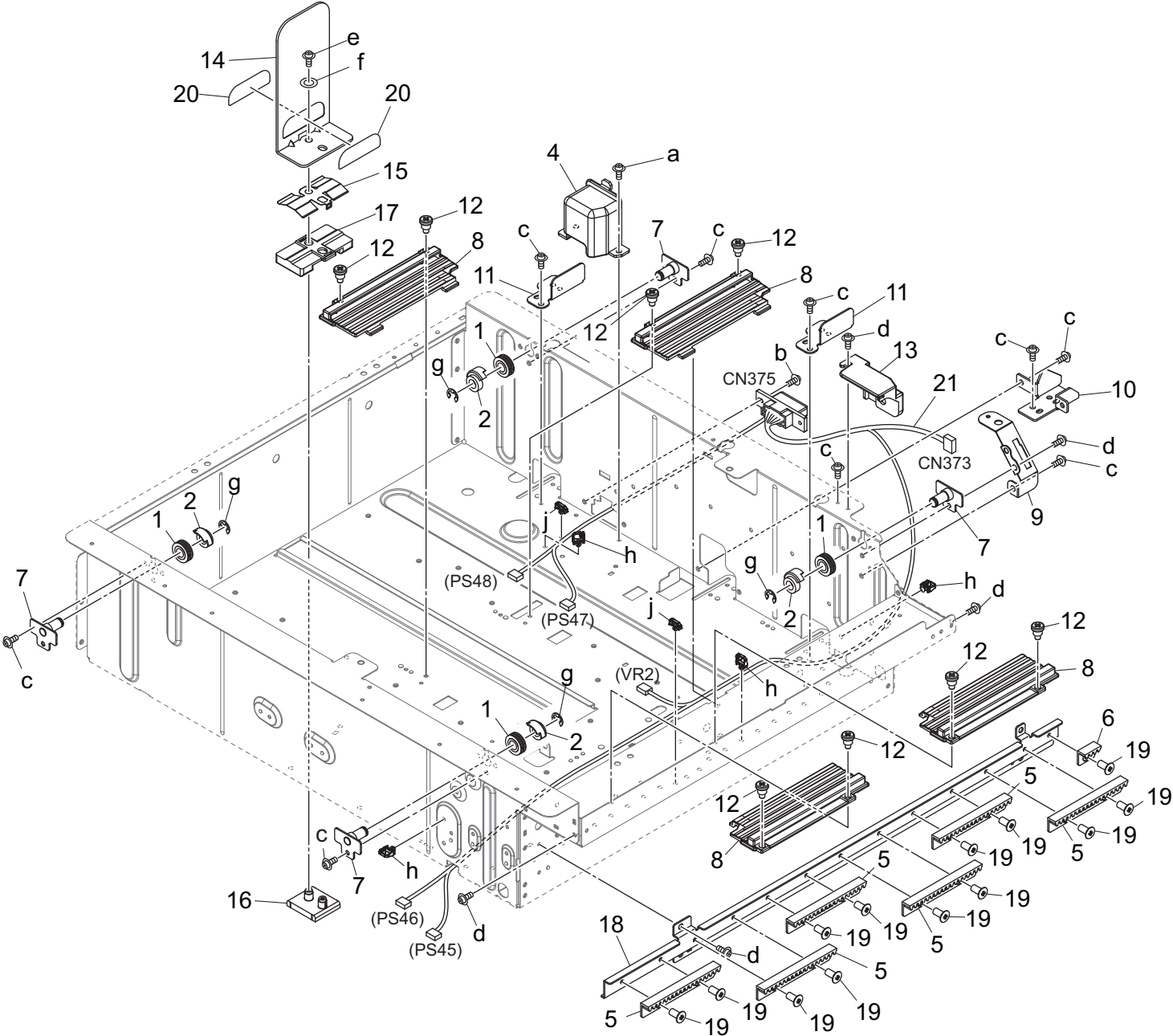
Key	Part No.	Description	Destinations	Class	QTY	Standard parts
1	4470402401	Stopper		D	4	a-V127030516 b-V127030604 c-V207040003 d-V217020003 e-V217025050 f-V217040003 g-V500010051 h-V500020098
2	65AA49500	Paper Exit Spacer /1		C	2	
3	55VA40930	DOUBLE FEED PREVENTIVE PLATE		C	1	
4	65AA47120D	Mounting Plate		D	1	
5	65AA47310E	PAPER DETECTING SHAFT		D	2	
6	65AA47320	Paper Detecting Actuator		C	2	
7	65AA47820	REGULATING PART		C	2	
8	65AA47860	AUXILIARY SHEET		C	4	
9	A03X656203	Lock Screw		C	2	
10	A1RF946000	Paper feed Label /1		D	1	
11	A50U621001	Reinforce Plate /Rear		D	1	
12	A50U622600	Regulating Plate /Rear		D	1	
13	A50U622802	Reinforce Plate /Front		D	1	
14	A50U625701	Regulating Plate /Front		D	1	
15	A50U626502	Support Plate /1		D	2	
16	A50U626601	Support Plate /2		D	1	
17	A50U626702	Support Plate /3		D	1	
18	A50U627601	Sheet		D	1	
19	A50U627701	Sheet		D	1	
20	A50U628200	Shoulder Screw		D	2	
21	A50U629001	Reinforce Stay		D	1	
22	A50U629202	Up/down Plate /Rear		D	1	
23	A50U630203	Lifting Plate		D	1	
24	A50U631200	Mounting Plate /Assy		D	1	
25	A50U631301	Up/down Gear 60T		C	1	
26	A50U631600	Mounting Plate		D	1	
27	A50U641500	Slide Sheet		D	8	
28	A85CM55600	Photo Sensor		C	4	

Tray 2 Section



Key	Part No.	Description	Destinations	Class	QTY	Standard parts
1	26NA47070	PAPER REGULATING CLAW		C	2	a-V116030503
2	40AA32320	Toner Supply Spacer		C	1	b-V116030603
3	V234201450	Pin		V	1	c-V127030516
4	65AA47600E	Detecting Gear 45T		C	1	d-V127030604
5	65AA47700D	Up/down Pin		D	1	e-V127030803
6	65AA47740E	Shaft Mounting Plate		D	2	f-V147030803
7	65GE97490	CASSETTE GUIDE LABEL		D	1	g-V217040003
8	A03N621800	Slide Shoulder screw		C	2	h-V217060003
9	A03U812800	Slide Shaft Holder		B	2	j-V570010057
10	A1UDM50100	Volume		D	1	
11	A50U620801	Regulating Shaft		D	1	
12	A50U621301	Stopper Shaft		D	1	
13	A50U621400	Mounting Plate		D	1	
14	A50U621900	Mounting Plate		D	1	
15	A50U622001	Stopper Plate		D	1	
16	A50U622101	Positioning Plate		D	1	
17	A50U622400	Support Plate		D	1	
18	A50U623201	Lock Claw		D	1	
19	A50U623300	Slide Spring /1		D	1	
20	A50U623900	Lock Claw		D	1	
21	A50U624201	Lock Part		D	1	
22	A50U626000	Pulley		C	3	
25	A50U628400	Pinion		C	1	
26	A50U630602	Guide Rack /Rear		D	1	
27	A50U630902	Guide Rack /Front		D	1	
28	A50U631000	Slide Plate		D	1	
29	A50U631100	Mounting Plate		D	1	
30	A50U631500	Auxiliary Wire		D	1	
31	A50U631700	Slide Spring /1		D	1	
32	A50U631800	Up/down Shaft		D	1	
33	A50U631900	Slide Spring /1		D	1	
34	A50U632300	Brake Knob		D	1	
35	A50U635400	Up/down Wire /1		D	2	
36	A50U635500	Up/down Wire /2		D	2	
37	A50U640700	Sheet		D	2	
38	A50U642000	Guide Spacer		D	1	
39	A50U854600	Release Gear /1 24 T		C	1	
40	A50U945301	Regulating Label		D	1	
41	A50U946300	Lock Label /2		D	1	

Tray 2 Section

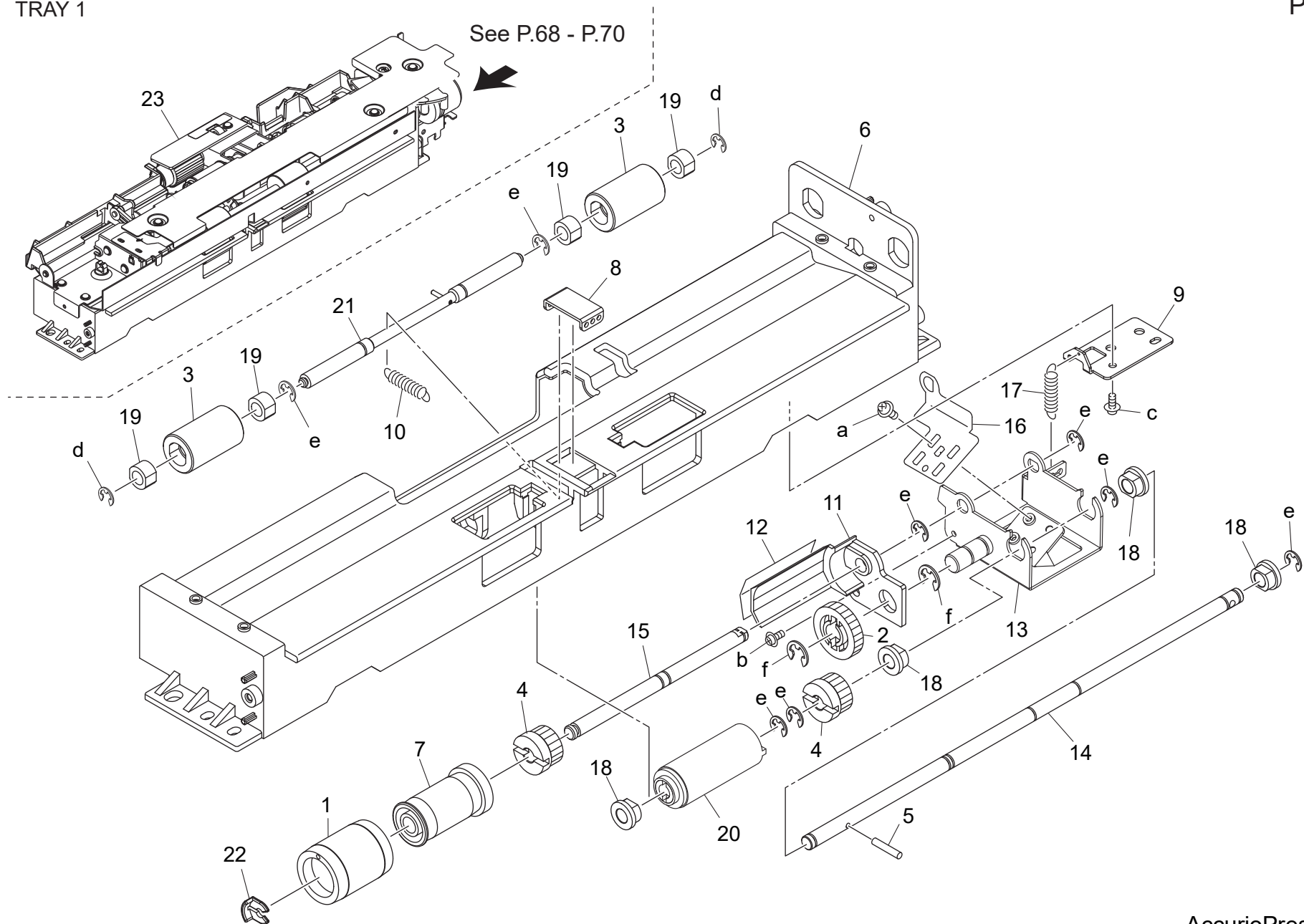


Key	Part No.	Description	Destinations	Class	QTY	Standard parts
1	65AA47550	WIRE ROLLER		C	4	a-V116030503
2	65AA47630	WIRE GUIDE PART		C	4	b-V121030603
4	A03U621200	GUIDE COVER		C	1	c-V127030516
5	A03X622101	REGULATING RACK /1		D	6	d-V127030604
6	A03X622201	REGULATING RACK /2		D	1	e-V158031003
7	A1DUF62101	PULLEY FULCRUM PLATE CAULKING		D	4	f-V207030003
8	A50U621200	Slide Guide		D	4	g-V217060003
9	A50U624600	Mounting Plate		D	1	h-V500020098
10	A50U624700	Fixing Cam		D	1	j-V500020099
11	A50U625100	Positioning Plate		D	2	
12	A50U628200	Shoulder Screw		D	8	
13	A50U628300	Cover		D	1	
14	A50U629401	Regulating Plate /Rear		D	1	
15	A50U629502	Plate spring		D	1	
16	A50U629702	Brake Part /Lower		D	1	
17	A50U629801	Brake Part		D	1	
18	A50U640100	Guide Rail		D	1	
19	A50U642300	Mounting Screw		D	13	
20	A50U946400	Lock Label /1		D	2	
21	A50UN14001	Paperfeed Wiring /2		D	1	

Tray 1 Paper Feed Section

TRAY 1

P 68

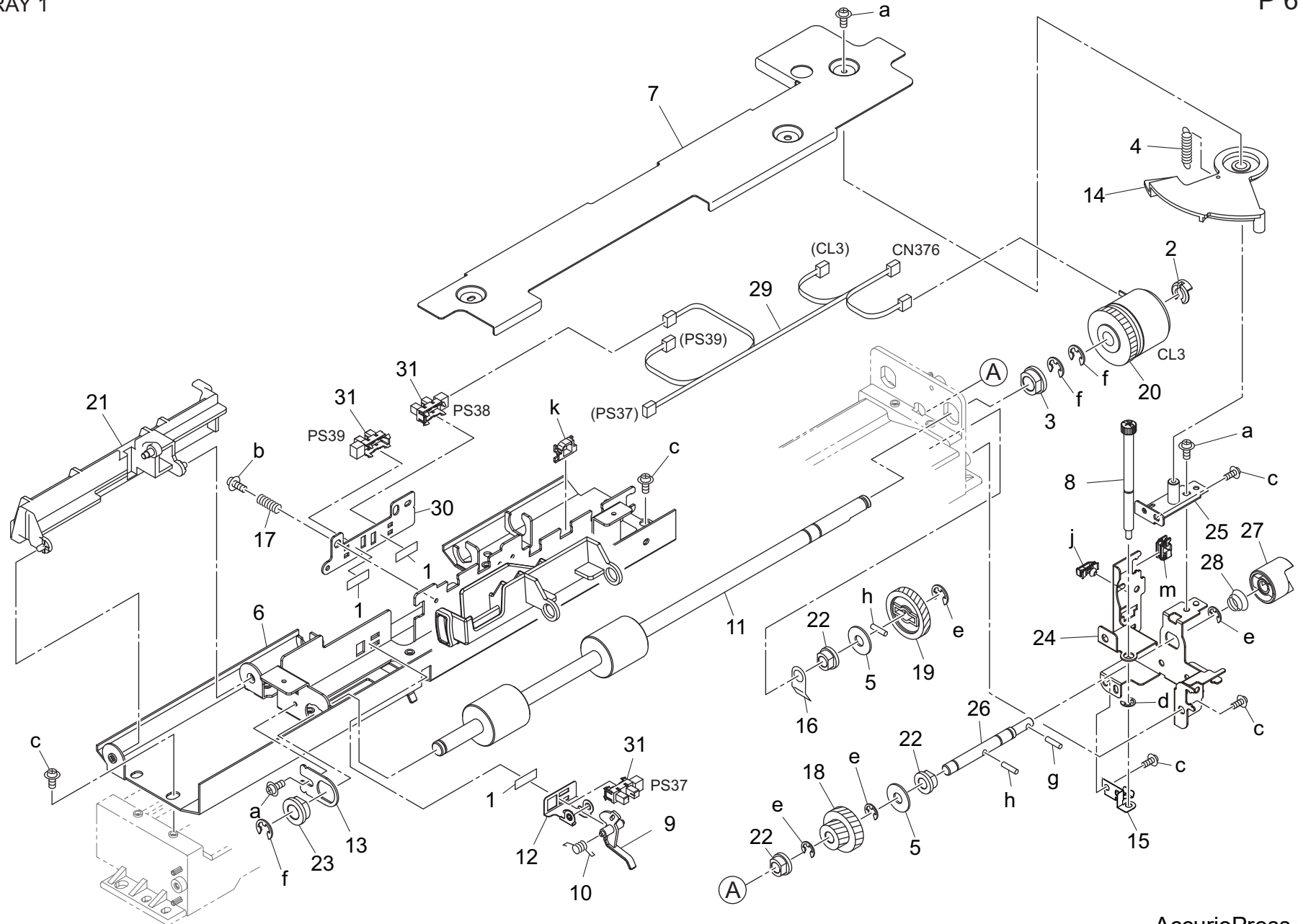


Key	Part No.	Description	Destinations	Class	QTY	Standard parts
1	25SA40960	DOUBLE FEED PREVENTION RUBBER		A	1	a-V116030603 b-V121030603 c-V153030803 d-V217030003 e-V217040003 f-V217060003
2	26NA42061	BY PASS FEED CONVEYING GEAR 21T		B	1	
3	26NA42560	By-Pass Idler Roller		C	2	
4	55VA79030	Paper Feed Reversal Gear /C 14T		B	2	
5	56AA17510	Pin /B		C	1	
6	56AA40010E	Paper feed Main body		C	1	
7	56AA40360	Reverse Roller		C	1	
8	56AA40430	SPRING MOUNTING PLATE 1		D	1	
9	56AA40440	SPRING MOUNTING PLATE 2		D	1	
10	56AA40481	PAPERFEEDPRESSINGSPRING		C	1	
11	56AA40530	ENTRANCE GUIDE PART		D	1	
12	56AA40540	ENTRANCE GUIDE SHEET		C	1	
13	56QA40080	Multi-feed Preventing Plate		C	1	
14	56QA40250	MULTI FEED SUPPORT SHAFT		D	1	
15	56QA40270	MULTI FEED REVERSE SHAFT		D	1	
16	56QA40550	MULTI FEED ADJUSTMENT PLATE		D	1	
17	57AA40420	MULTI FEED PREVENTING SPRING		C	1	
18	A00J663200	Bushing		B	4	
19	A03U850101	Slide Bushing		C	4	
20	A03X565611	Torque Limiter /A		B	1	
21	A1DUR71K00	Paper Feed Driven Shaft Assy		D	1	
22	A1RF620301	Stopper Collar		D	1	
23	A85CR70G22	Paper Feed Assy		S	1	

Tray 1 Paper Feed Section

TRAY 1

P 69



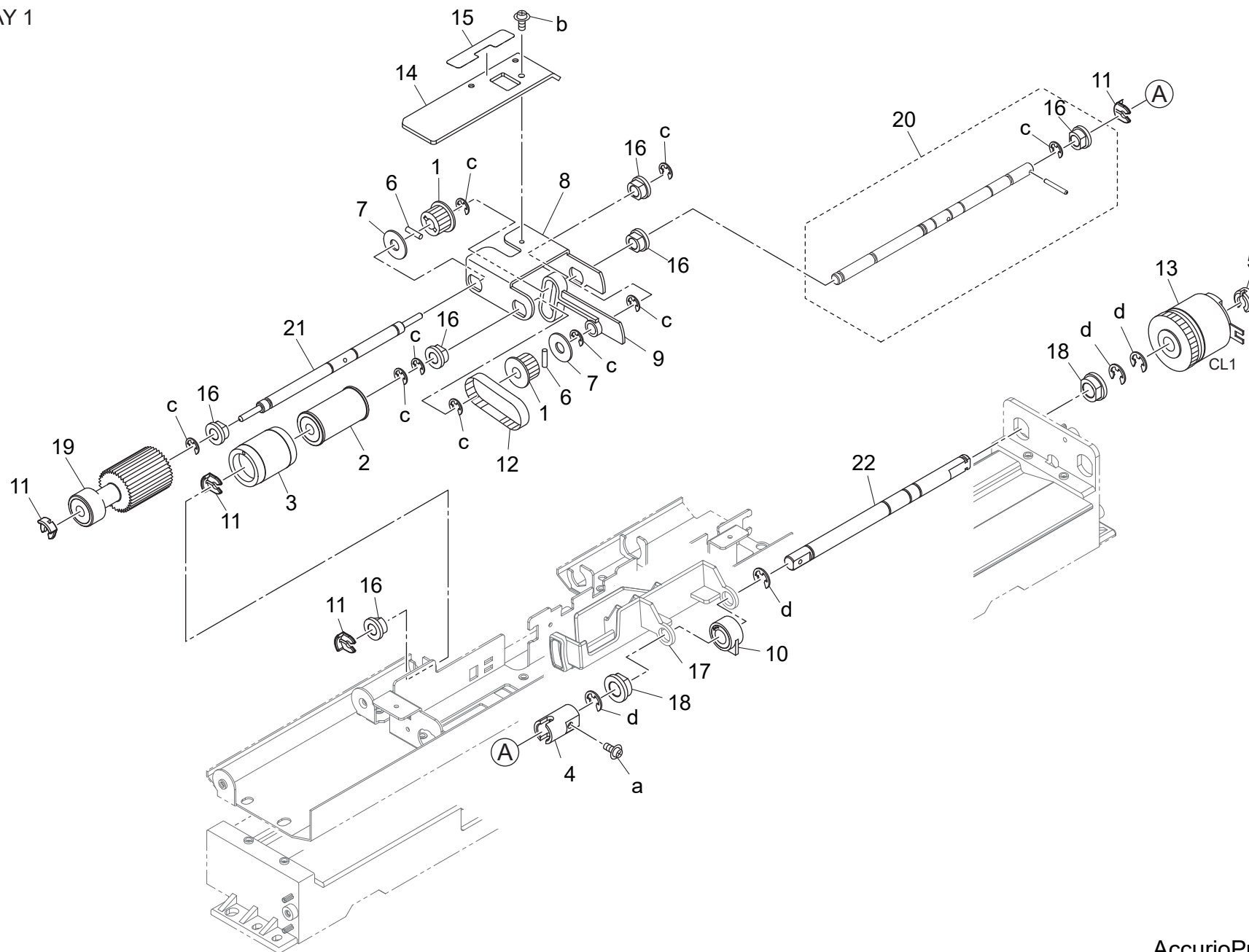
Tray 1 Paper Feed Section

Key	Part No.	Description	Destinations	Class	QTY	Standard parts
1	4109553001	Stopper		C	3	a-V121030603
2	55VA42120	Shaft Stopper		C	1	b-V127030604
3	55VA75540	PAPER FEED SHAFT HOLDER B		B	1	c-V153030803
4	56AA17121	SEPARATE SPRING UPPER		C	1	d-V217030003
5	56AA17760	COLLAR		C	2	e-V217040003
6	56AA40032EOld	Paper Feed Guide Plate /Upper		C	1	f-V217060003
6	56AA40032F	Paper Feed Guide Plate /Upper		C	1	g-V234301250
7	56AA40100G	Wiring Protection Cover		D	1	h-V234301450
8	56AA40120	PAPER FEED HOLDING SCREW		C	1	j-V500020099
9	56AA40171	PAPER FEED DETECTING ACTUATOR		C	1	k-V570010050
10	56AA40190	PRESSING SPRING		C	1	m-V570010056
11	56AA40230	PAPER FEED REGISTRATION ROLLER		C	1	
12	56AA40310	MOUNTING PLATE		D	1	
13	56AA40370	ADJUSTING PLATE		D	1	
14	56AA40390	CAM PLATE		C	1	
15	A9VE560100	Ground Plate		C	1	
16	56AA40500	SHAFT HOLDER EARTH PLATE		C	1	
17	56AA40520	EARTH SPRING		C	1	
18	56AA77720E	Paper Feed Reverse Gear /1 16/22T		C	1	
19	56AA77730	PAPER FEED REVERSING GEAR 2 33T		C	1	
20	56AA82012	Paper Feed Drive Clutch		B	1	
21	65AA40010	Regulating Plate		D	1	
22	A00J663200	Bushing		B	3	
23	A03U812800	Slide Shaft Holder		B	1	
24	A50U560901	Drive Side plate /1		D	1	
25	A50U561200	Drive Side plate /Assy		D	1	
26	A50U562400	Input Shaft		D	1	
27	A50U564500	Paper feed Coupling		B	1	
28	A50U565100	Pressing Spring		D	1	
29	A50UN14201	Paperfeed Wiring /1		D	1	
30	A85C635400Old	Adjusting Plate		D	1	
30	A85C635401	Adjusting Plate		D	1	
31	A85CM55600	Photo Sensor		C	3	

Tray 1 Paper Feed Section

TRAY 1

P 70



Tray 1 Paper Feed Section

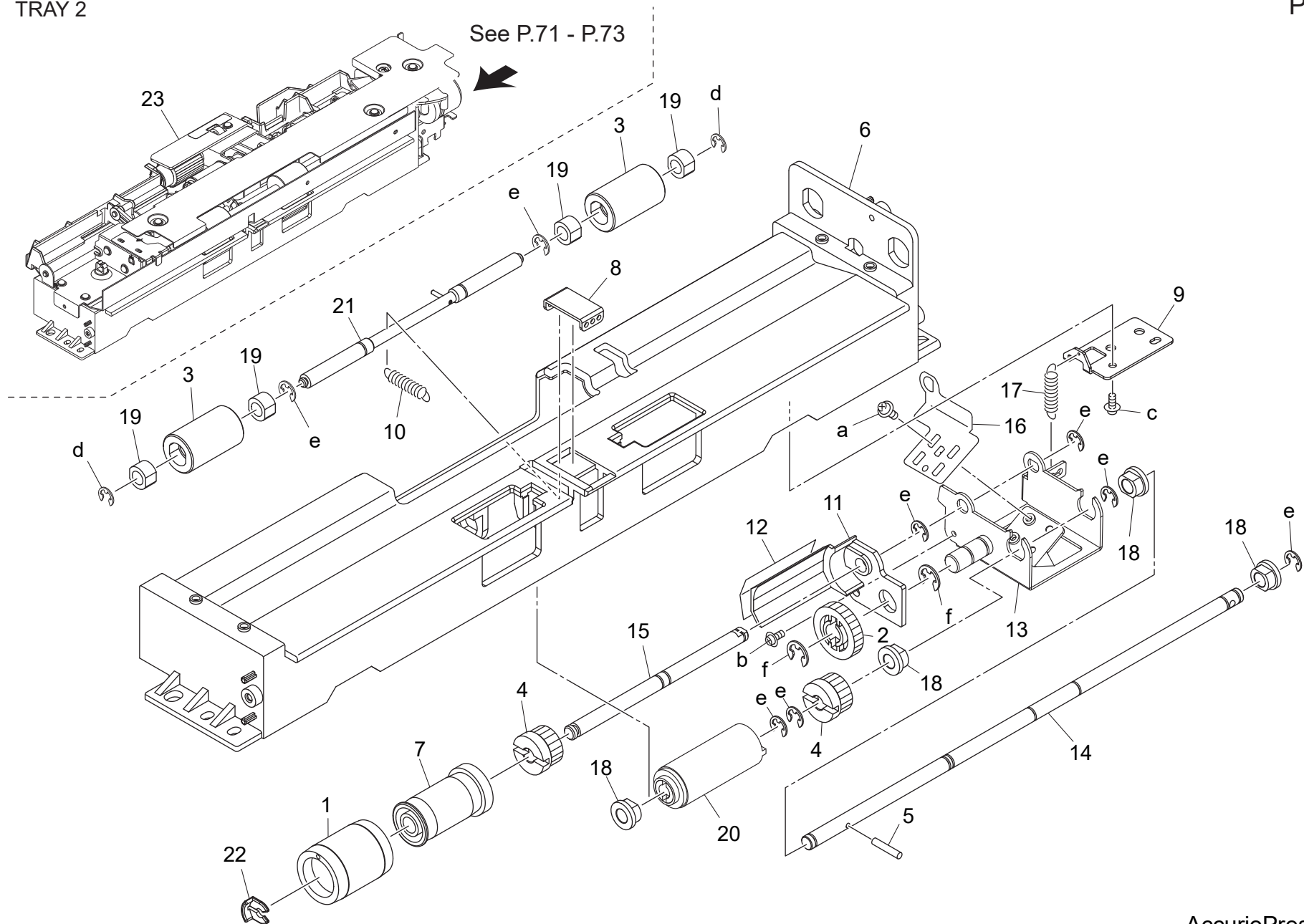
Key	Part No.	Description	Destinations	Class	QTY	Standard parts
1	059076510	PULLEY 1 15T	プーリー 1 15 T	C	2	a-V118030603 b-V121030603 c-V217040003 d-V217060003
2	25AA40100	Feeding Roller /B	送り出しローラー / B	B	1	
3	25SA40960	DOUBLE FEED PREVENTION RUBBER	重送防止ゴム	A	1	
4	55FA40320	COUPLING	カップリング	C	1	
5	55VA42120	Shaft Stopper	軸ストッパー	C	1	
6	56AA17510	Pin /B	ピン / B	C	2	
7	56AA17760	COLLAR	カラー	C	2	
8	56AA40070	Paper feed Swing Plate	給紙首振り板	D	1	
9	56AA40300	PAPER QUANTITY ACTUATOR	紙残検アクチュエータ	C	1	
10	56AA40380	PAPER FEED REGULATING BLOCK	給紙規制ブロック	B	1	
11	56AA40490	Shaft Stopper /4	軸 ストッパ / 4	C	4	
12	56AA77590	PAPER FEED ROCKING BELT 111L	給紙首振りベルト 1 1 1 L	C	1	
13	56AA82012	Paper Feed Drive Clutch	給紙駆動クラッチ	B	1	
14	65AA40080E	Paper feed Auxiliary Plate	給紙補助板	D	1	
15	65GE97400	GUIDE LABEL /1	案内ラベル / 1	C	1	
16	A00J663200	Bushing	すべり軸受	B	6	
17	A03U560500	Regulating Plate /Rear	規制板 / 奥	C	1	
18	A03U812800	Slide Shaft Holder	すべり軸受	B	2	
19	A1DUR71J00	Paper Feed Oscillate Roller	給紙首振りローラ部組	B	1	
20	A1DUR75200	Paper Feed Feeding Shaft Assy	給紙送り出し軸 A s s y	D	1	
21	A85C635200	Swing Shaft	首振り軸	D	1	
22	A85C635300	Drive Shaft	駆動軸	D	1	



Tray 2 Paper Feed Section

TRAY 2

P 71



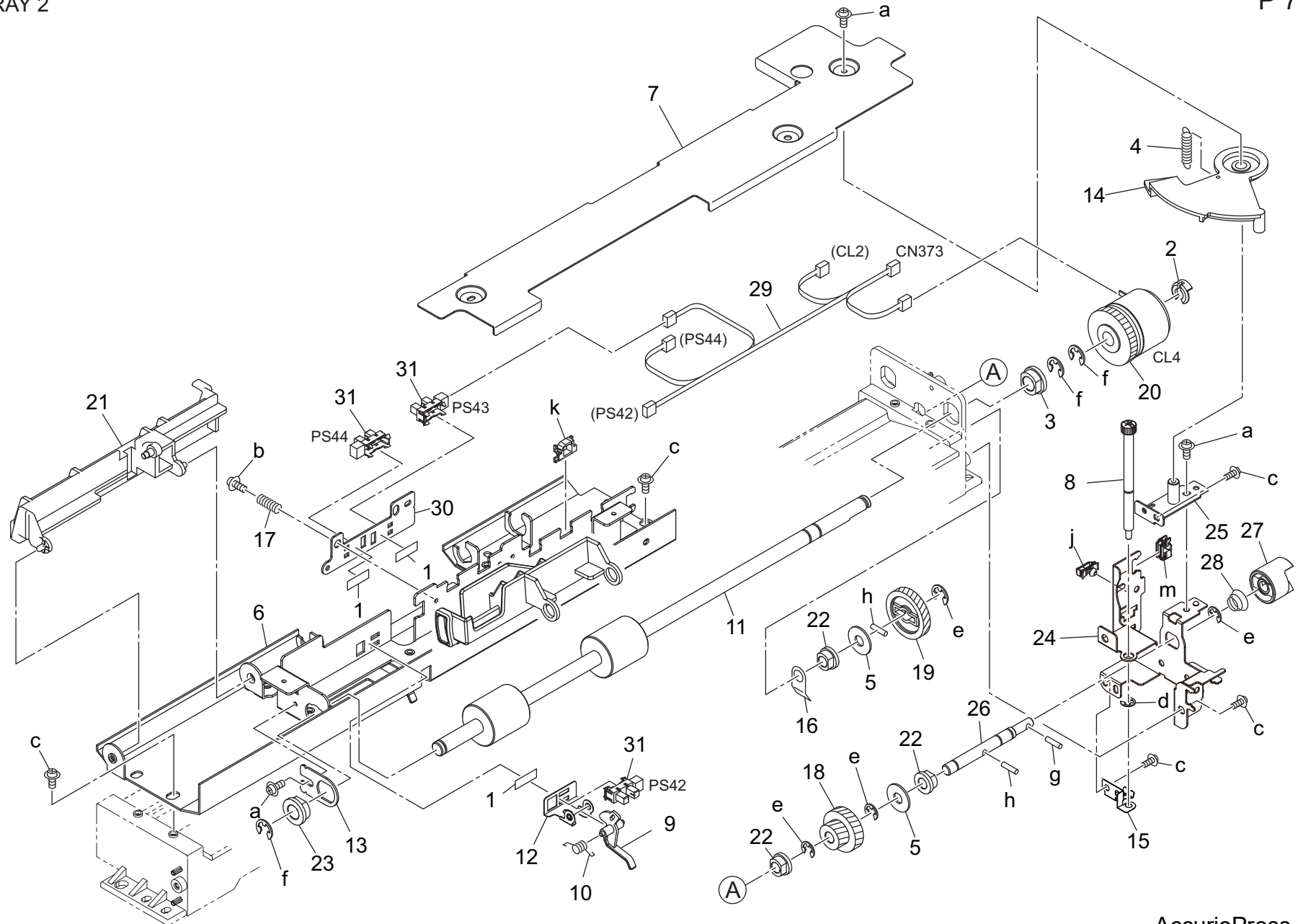
Tray 2 Paper Feed Section

Key	Part No.	Description	Destinations	Class	QTY	Standard parts
1	25SA40960	DOUBLE FEED PREVENTION RUBBER	重送防止ゴム	A	1	a-V116030603 b-V121030603 c-V153030803 d-V217030003 e-V217040003 f-V217060003
2	26NA42061	BY PASS FEED CONVEYING GEAR 21T	手差し搬送ギア 21 T	B	1	
3	26NA42560	By-Pass Idler Roller	手差し従動ローラー	C	2	
4	55VA79030	Paper Feed Reversal Gear /C 14T	給紙逆転歯車 / C 14 T	B	2	
5	56AA17510	Pin /B	ピン / B	C	1	
6	56AA40010E	Paper feed Main body	給紙 本体	C	1	
7	56AA40360	Reverse Roller	逆転ローラー	C	1	
8	56AA40430	SPRING MOUNTING PLATE 1	バネ取り付け板 / 1	D	1	
9	56AA40440	SPRING MOUNTING PLATE 2	バネ取り付け板 / 2	D	1	
10	56AA40481	PAPERFEEDPRESSINGSRING	給紙押圧バネ	C	1	
11	56AA40530	ENTRANCE GUIDE PART	入口ガイド部材	D	1	
12	56AA40540	ENTRANCE GUIDE SHEET	入口ガイドシート	C	1	
13	56QA40080	Multi-feed Preventing Plate	重送防止板	C	1	
14	56QA40250	MULTI FEED SUPPORT SHAFT	重送支点軸	D	1	
15	56QA40270	MULTI FEED REVERSE SHAFT	重送逆転軸	D	1	
16	56QA40550	MULTI FEED ADJUSTMENT PLATE	重送調整板	D	1	
17	57AA40420	MULTI FEED PREVENTING SPRING	重送防止バネ	C	1	
18	A00J663200	Bushing	すべり軸受	B	4	
19	A03U850101	Slide Bushing	すべり軸受	C	4	
20	A03X565611	Torque Limiter /A	トルクリミッター / A	B	1	
21	A1DUR71K00	Paper Feed Driven Shaft Assy	給紙従動軸部組	D	1	
22	A1RF620301	Stopper Collar	ストップカラー	D	1	
23	A85CR70G22	Paper Feed Assy	給紙 A s s y	S	1	

Tray 2 Paper Feed Section

TRAY 2

P 72



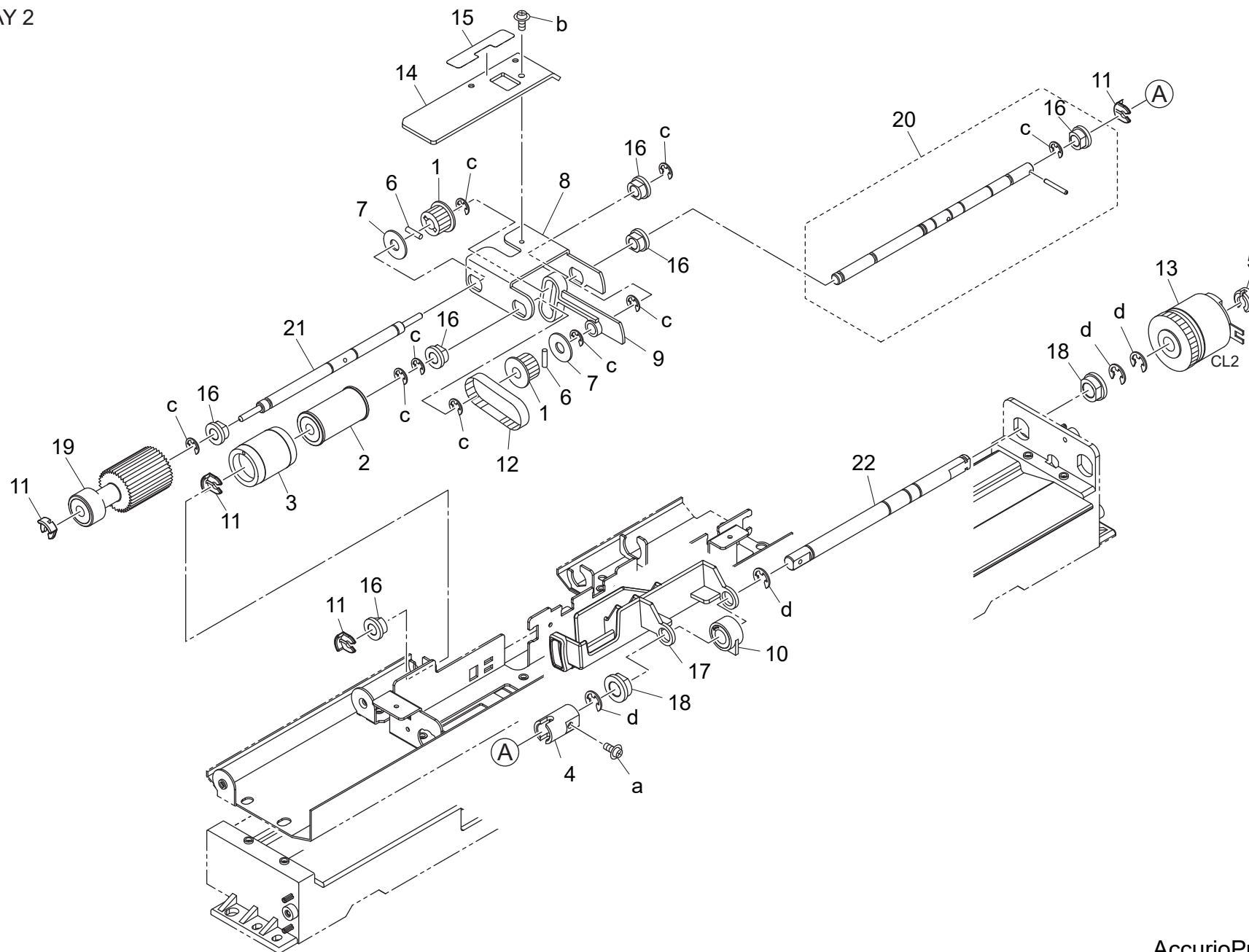
Tray 2 Paper Feed Section

Key	Part No.	Description	Destinations	Class	QTY	Standard parts
1	4109553001	Stopper		C	3	a-V121030603
2	55VA42120	Shaft Stopper		C	1	b-V127030604
3	55VA75540	PAPER FEED SHAFT HOLDER B		B	1	c-V153030803
4	56AA17121	SEPARATE SPRING UPPER		C	1	d-V217030003
5	56AA17760	COLLAR		C	2	e-V217040003
6	56AA40032EOld	Paper Feed Guide Plate /Upper		C	1	f-V217060003
6	56AA40032F	Paper Feed Guide Plate /Upper		C	1	g-V234301250
7	56AA40100G	Wiring Protection Cover		D	1	h-V234301450
8	56AA40120	PAPER FEED HOLDING SCREW		C	1	j-V500020099
9	56AA40171	PAPER FEED DETECTING ACTUATOR		C	1	k-V570010050
10	56AA40190	PRESSING SPRING		C	1	m-V570010056
11	56AA40230	PAPER FEED REGISTRATION ROLLER		C	1	
12	56AA40310	MOUNTING PLATE		D	1	
13	56AA40370	ADJUSTING PLATE		D	1	
14	56AA40390	CAM PLATE		C	1	
15	A9VE560100	Ground Plate		C	1	
16	56AA40500	SHAFT HOLDER EARTH PLATE		C	1	
17	56AA40520	EARTH SPRING		C	1	
18	56AA77720E	Paper Feed Reverse Gear /1 16/22T		C	1	
19	56AA77730	PAPER FEED REVERSING GEAR 2 33T		C	1	
20	56AA82012	Paper Feed Drive Clutch		B	1	
21	65AA40010	Regulating Plate		D	1	
22	A00J663200	Bushing		B	3	
23	A03U812800	Slide Shaft Holder		B	1	
24	A50U560901	Drive Side plate /1		D	1	
25	A50U561200	Drive Side plate /Assy		D	1	
26	A50U562400	Input Shaft		D	1	
27	A50U564500	Paper feed Coupling		B	1	
28	A50U565100	Pressing Spring		D	1	
29	A50UN14201	Paperfeed Wiring /1		D	1	
30	A85C635400Old	Adjusting Plate		D	1	
30	A85C635401	Adjusting Plate		D	1	
31	A85CM55600	Photo Sensor		C	3	

Tray 2 Paper Feed Section

TRAY 2

P 73

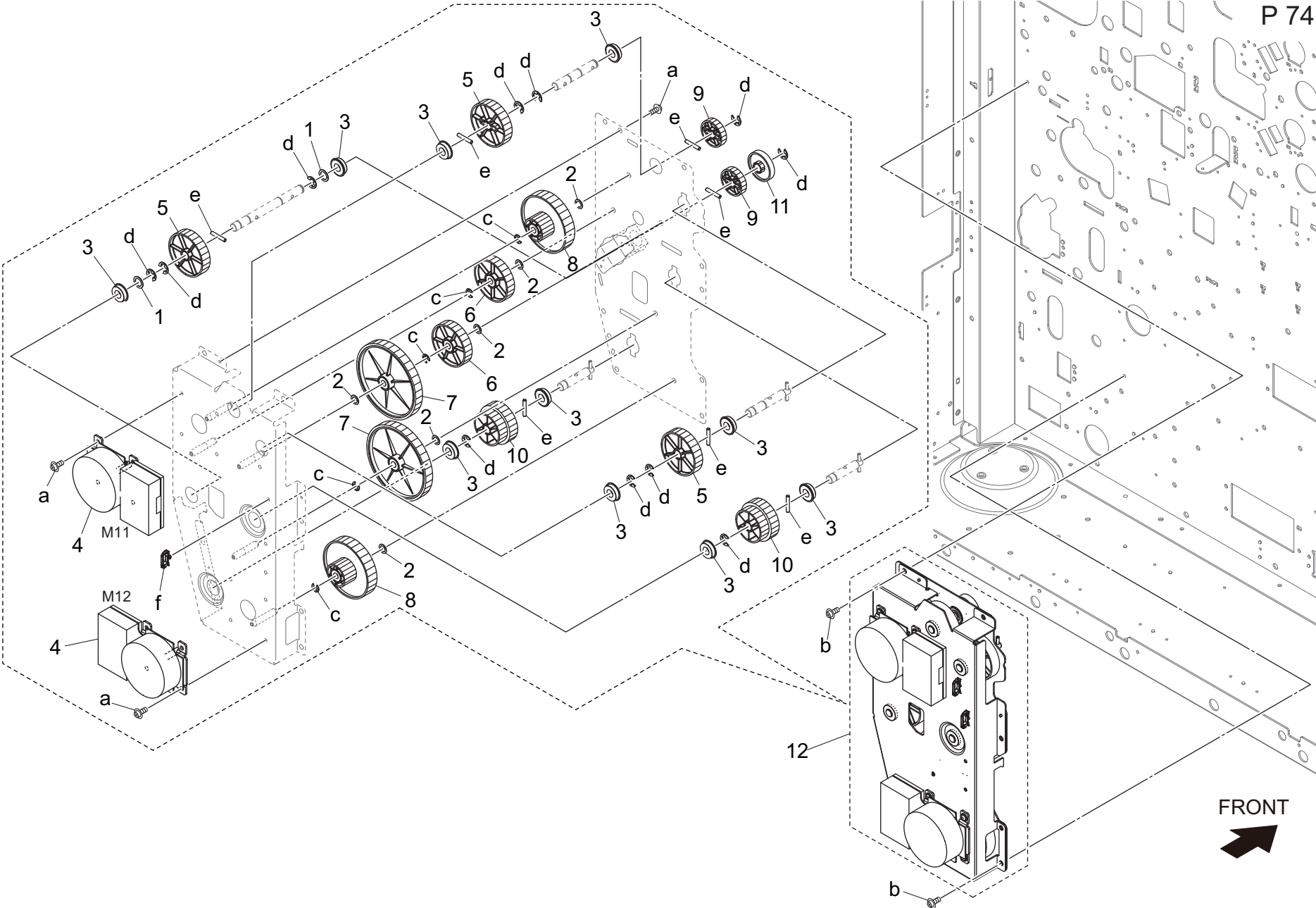


Tray 2 Paper Feed Section

Key	Part No.	Description	Destinations	Class	QTY	Standard parts
1	059076510	PULLEY 1 15T		C	2	a-V118030603 b-V121030603 c-V217040003 d-V217060003
2	25AA40100	Feeding Roller /B		B	1	
3	25SA40960	DOUBLE FEED PREVENTION RUBBER		A	1	
4	55FA40320	COUPLING		C	1	
5	55VA42120	Shaft Stopper		C	1	
6	56AA17510	Pin /B		C	2	
7	56AA17760	COLLAR		C	2	
8	56AA40070	Paper feed Swing Plate		D	1	
9	56AA40300	PAPER QUANTITY ACTUATOR		C	1	
10	56AA40380	PAPER FEED REGULATING BLOCK		B	1	
11	56AA40490	Shaft Stopper /4		C	4	
12	56AA77590	PAPER FEED ROCKING BELT 111L		C	1	
13	56AA82012	Paper Feed Drive Clutch		B	1	
14	65AA40080E	Paper feed Auxiliary Plate		D	1	
15	65GE97400	GUIDE LABEL /1		C	1	
16	A00J663200	Bushing		B	6	
17	A03U560500	Regulating Plate /Rear		C	1	
18	A03U812800	Slide Shaft Holder		B	2	
19	A1DUR71J00	Paper Feed Oscillate Roller		B	1	
20	A1DUR75200	Paper Feed Feeding Shaft Assy		D	1	
21	A85C635200	Swing Shaft		D	1	
22	A85C635300	Drive Shaft		D	1	

Paper Feed Driving Section

P 74

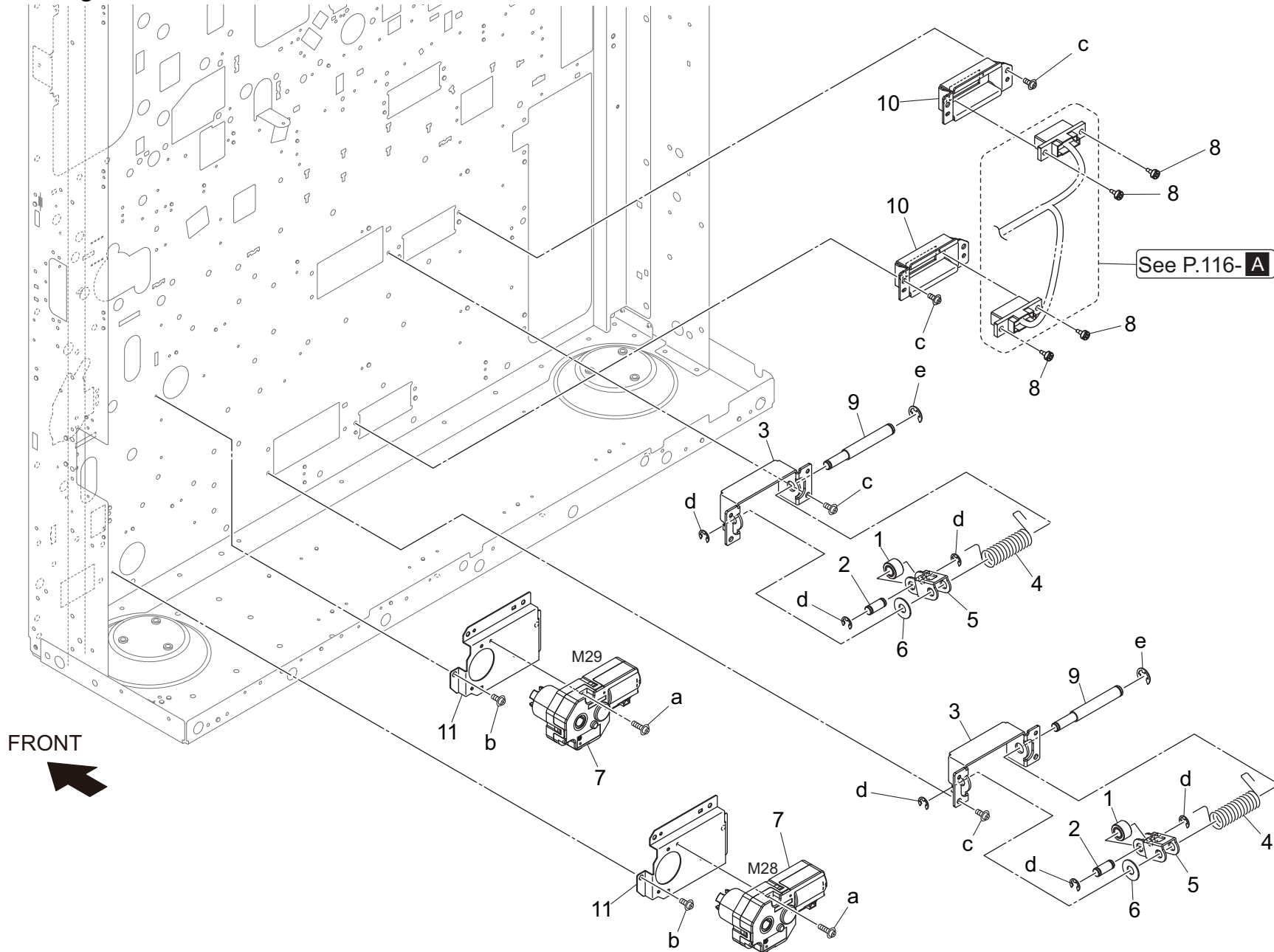


FRONT

AccurioPress C3070

Tray Driving Section

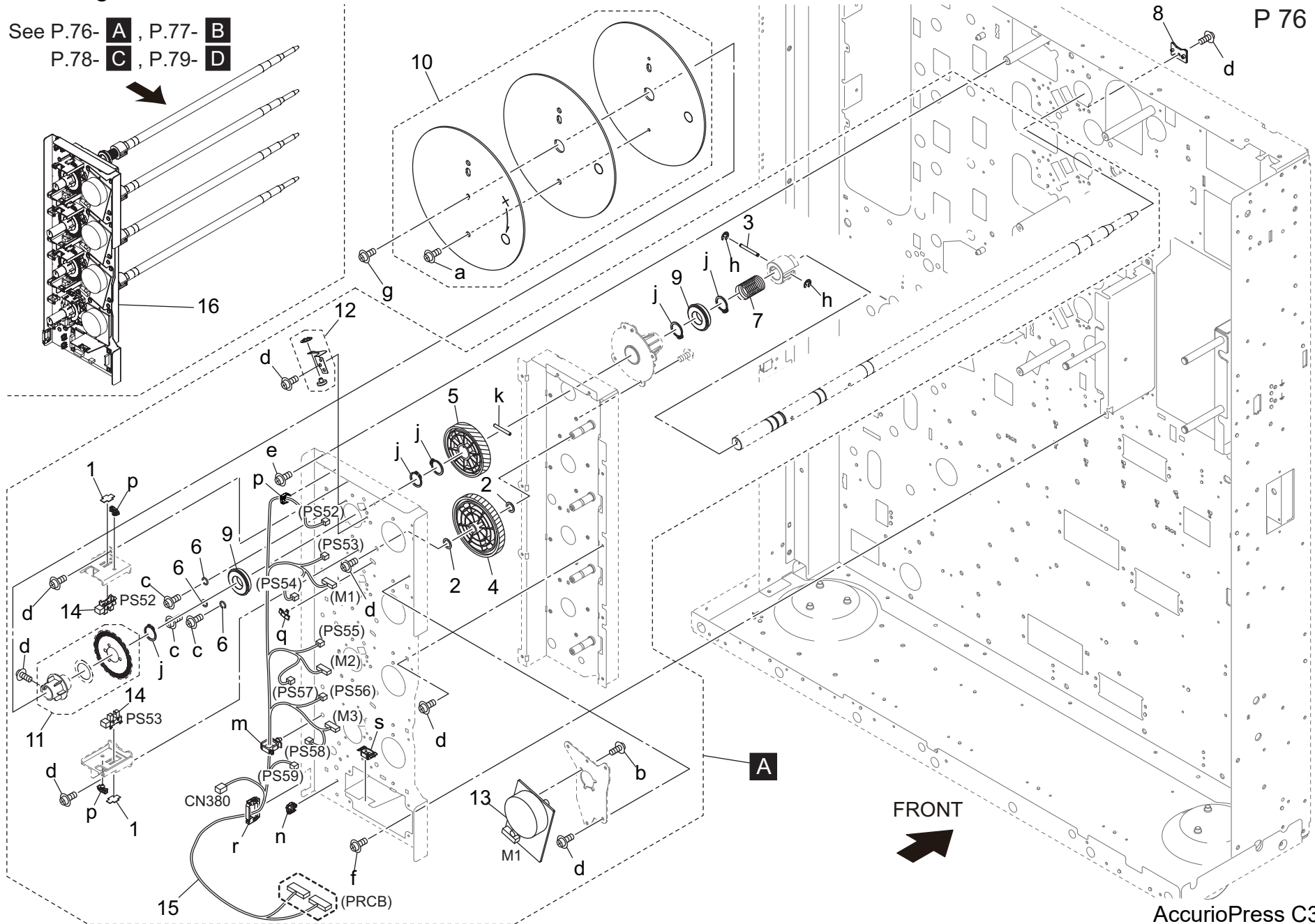
P 75



AccurioPress C3070

Drum Driving Section

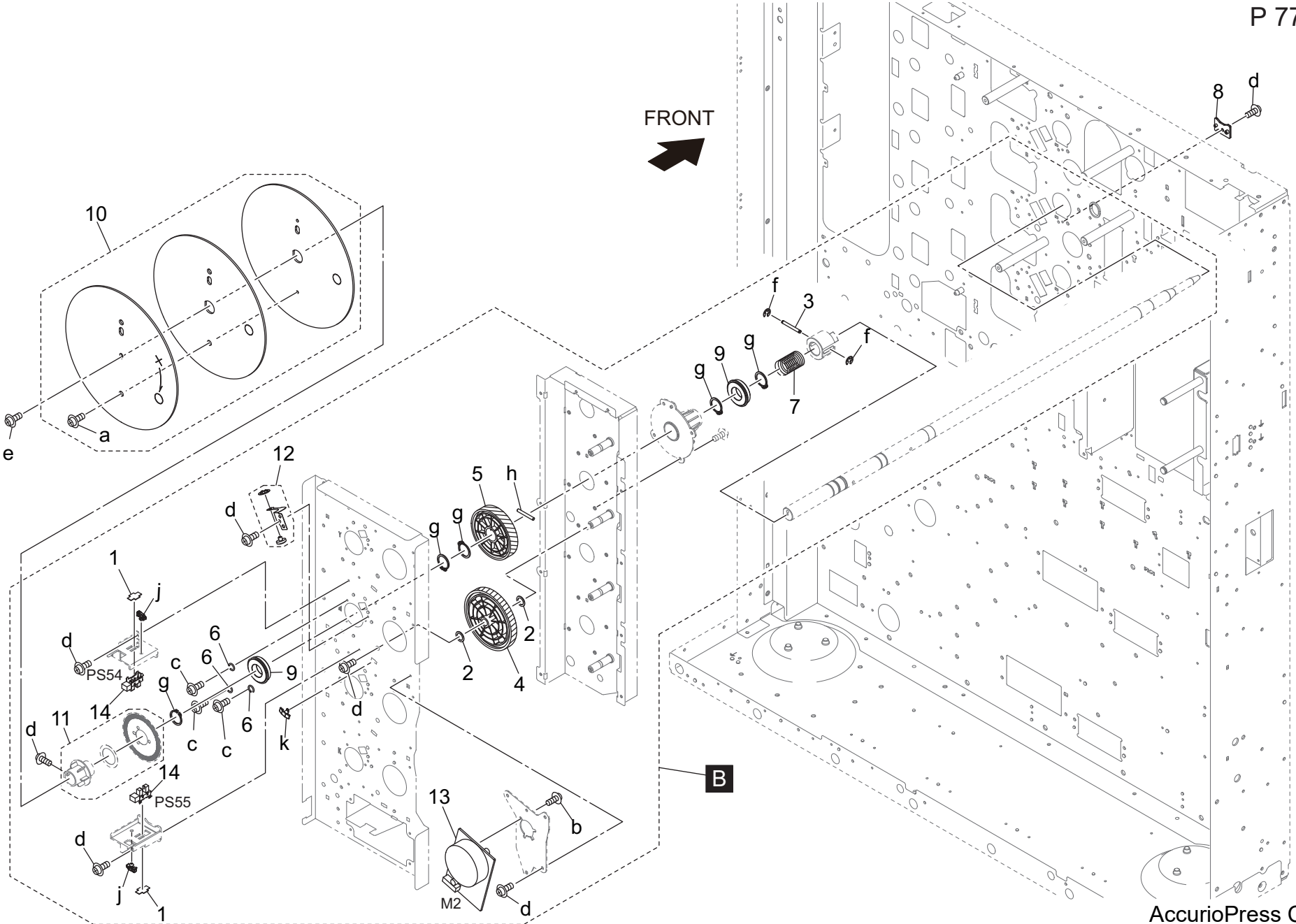
See P.76- **A** , P.77- **B**
 P.78- **C** , P.79- **D**



AccurioPress C3070

Drum Driving Section

P 77

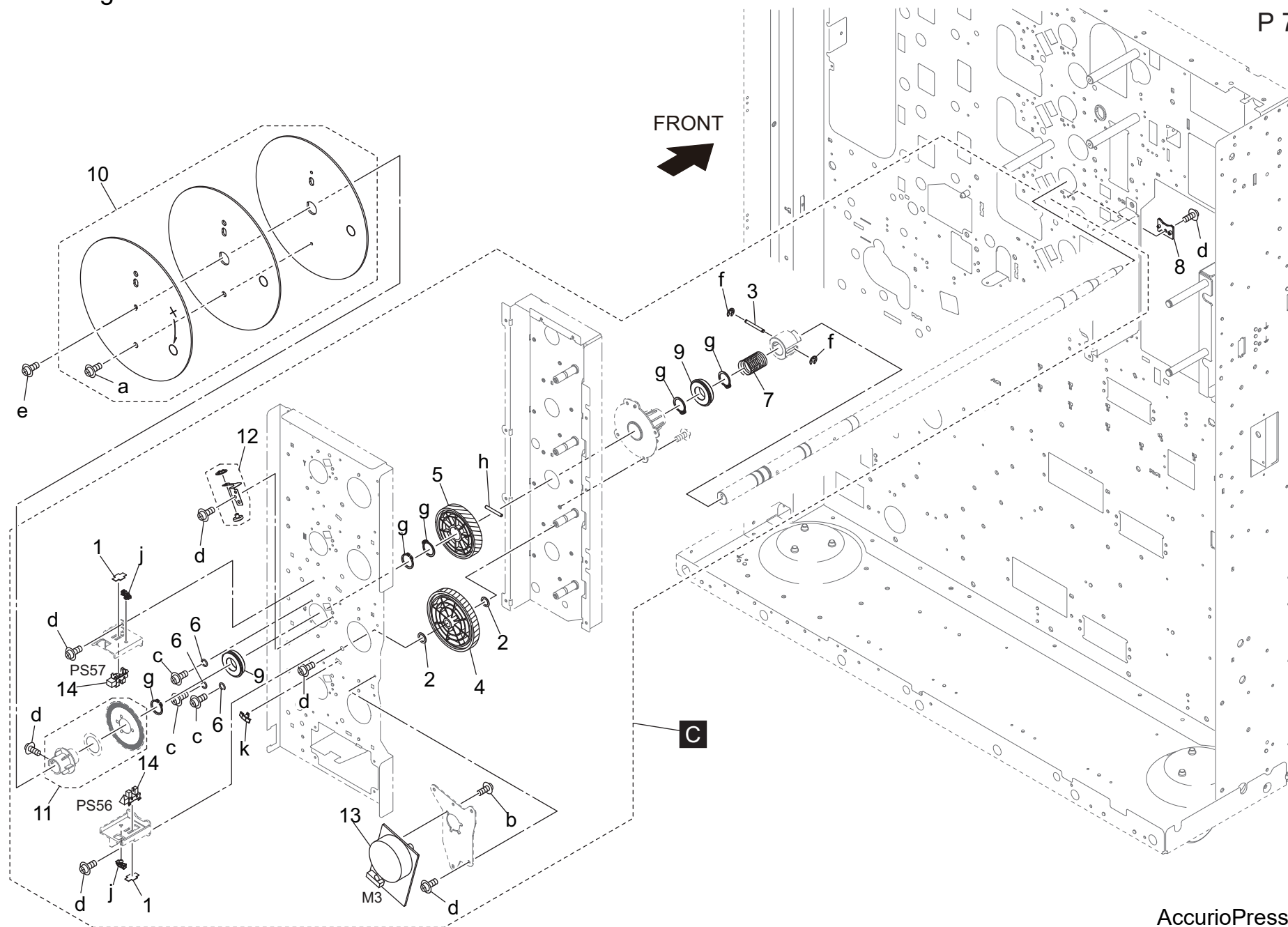


AccurioPress C3070

Drum Driving Section

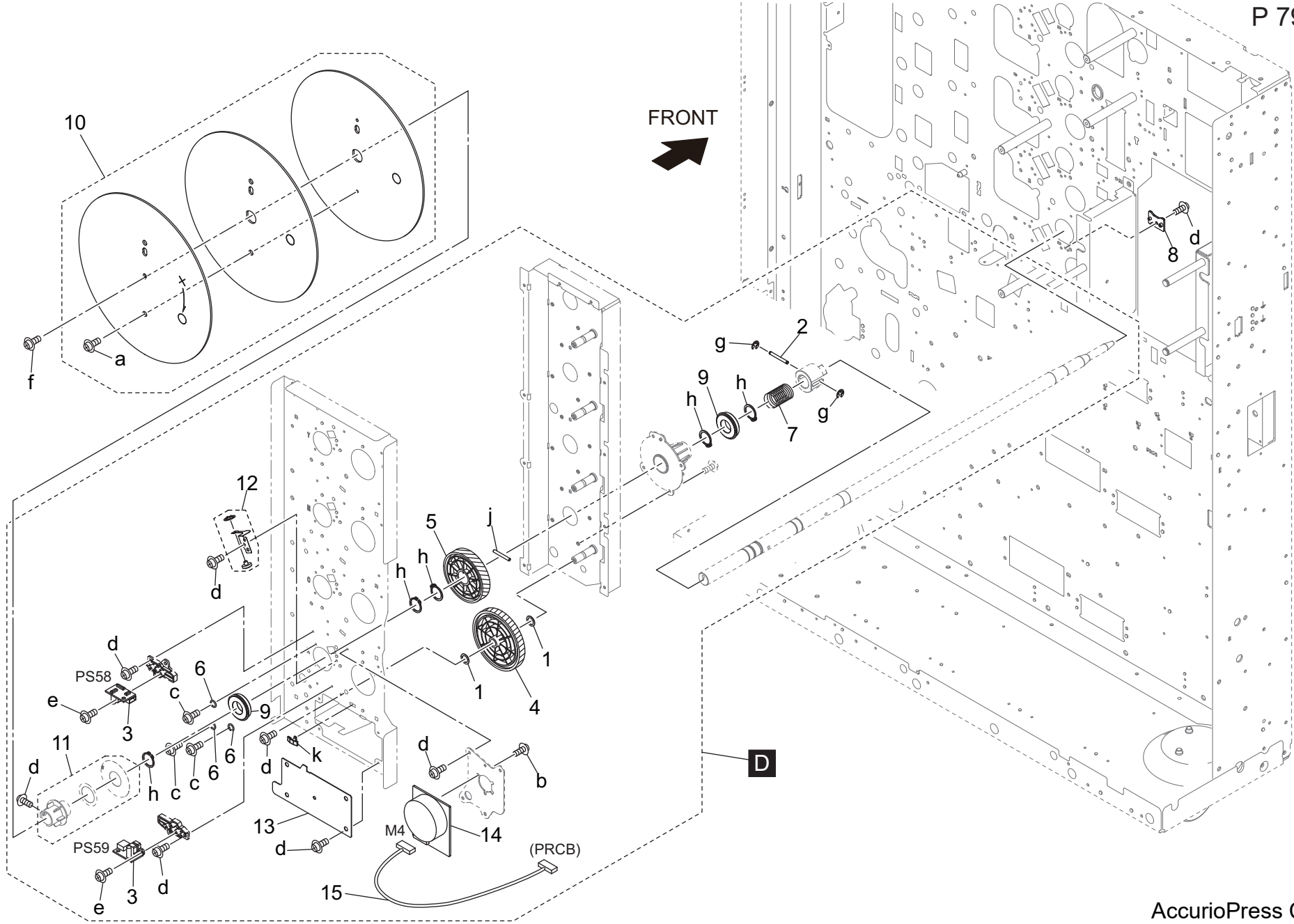
P 78

FRONT



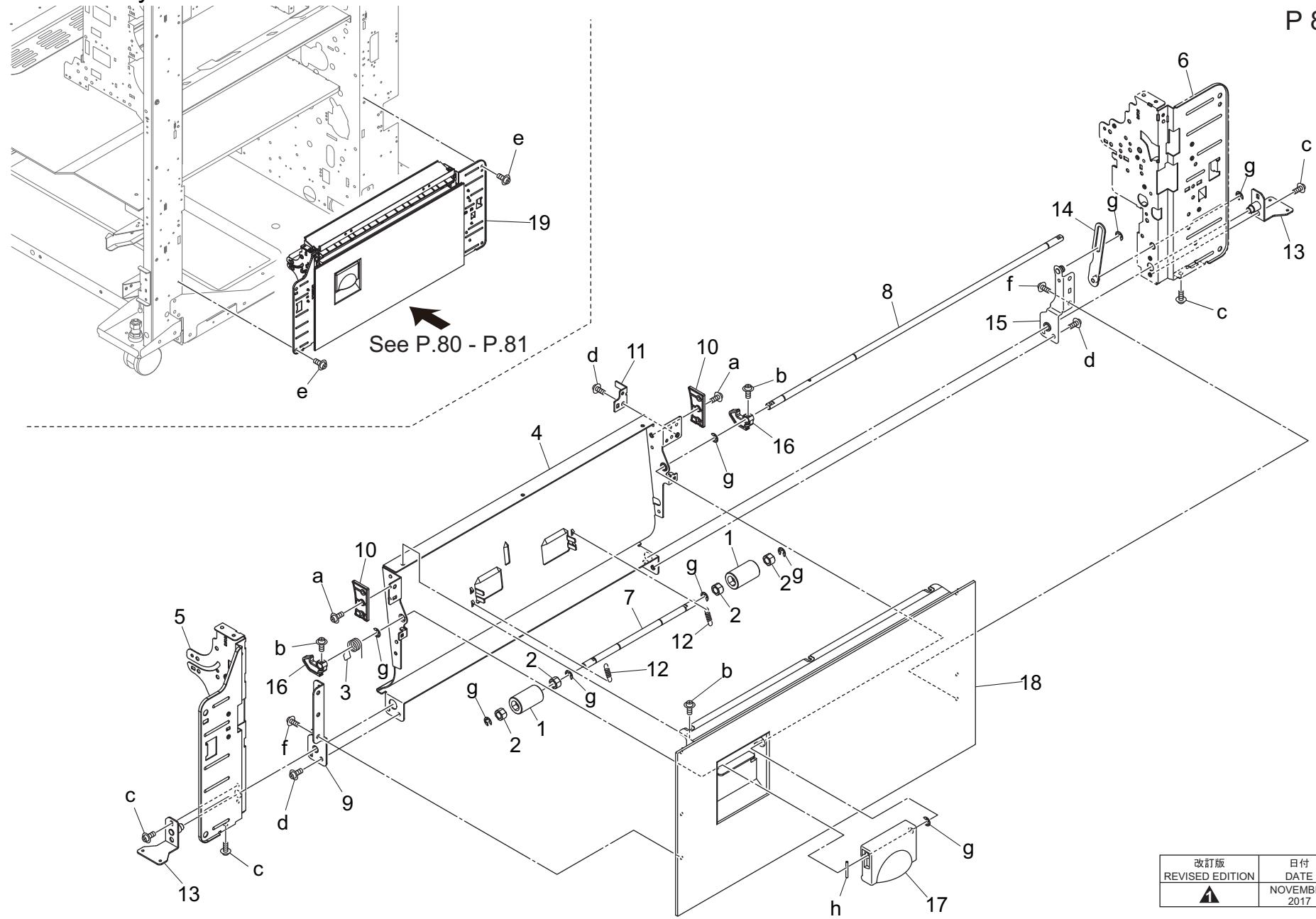
AccurioPress C3070

Drum Driving Section



Vertical Conveyance Section

P 80



See P.80 - P.81

改訂版 REVISED EDITION	日付 DATE
▲	NOVEMBER 2017

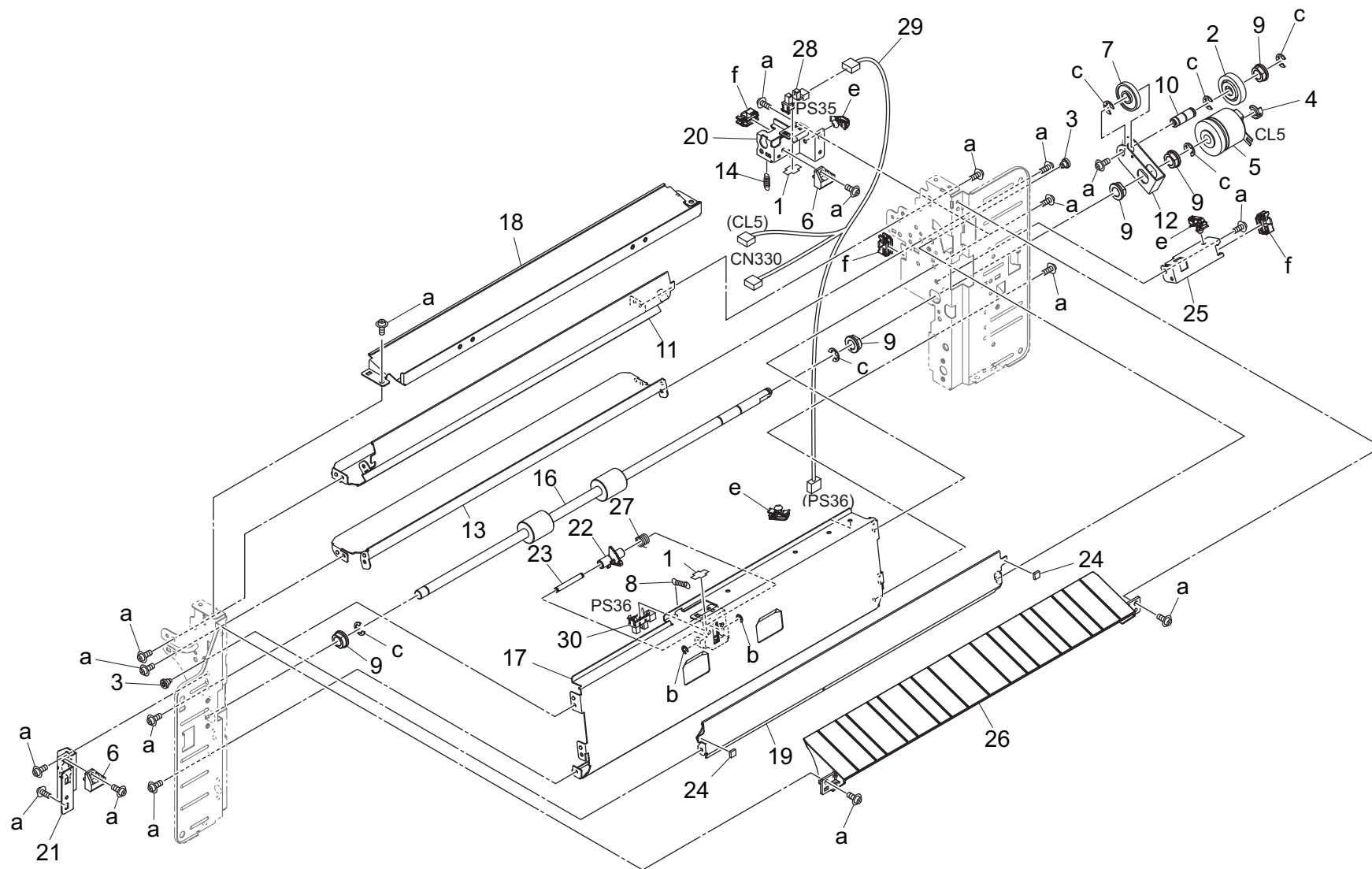
AccurioPress C3070

Vertical Conveyance Section

Key	Part No.	Description	Destinations	Class	QTY	Standard parts
1	26NA42560	By-Pass Idler Roller		C	2	a-V112030603 b-V118030603 c-V121030403 d-V127030604 e-V127040603 f-V158030803 g-V217040003 h-V234201850
2	A03U850101	Slide Bushing		C	4	
3	A1RF701700	Lock Spring /Front		D	1	
4	A50U700101	Guide Plate Outside		D	1	
5	A50U700901	Side plate /1		D	1	
6	A50U701113Old	Side plate /2		D	1	
6	A50U701114	Side plate /2		D	1	
7	A50U705100	Idler Shaft		D	1	
8	A50U705200	Open/close Shaft		D	1	
9	A50U705701	Support Plate /3		D	1	
10	A50U706000	Regulating Plate /Front		D	2	
11	A50U706900	Detecting Plate		D	1	
12	A50U707600	Idler Spring		D	2	
13	A50UF70800	Support Plate / 1 Caulking		D	2	
14	A50UF70900	Connecting Plate Caulking		D	1	
15	A50UR73100	Support Plate /2 Caulking		D	1	
16	A55C712000	Lock Claw		D	2	
17	A9VE700200	Conveyance Handle		D	1	
18	A9VE701300	Cover Door		D	1	
19	A9VER70800	Vertical Conveyance Assy		S	1	

Vertical Conveyance Section

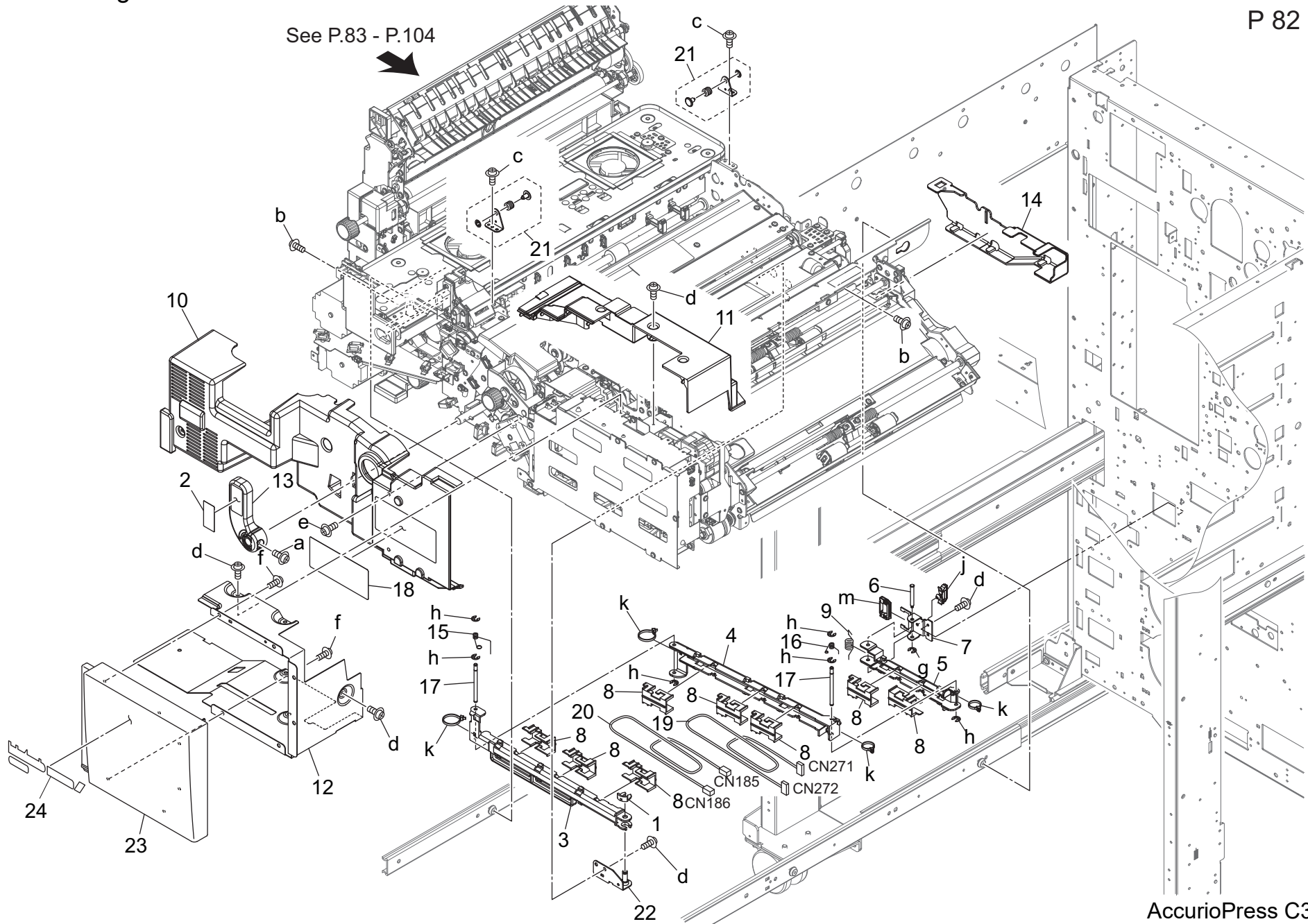
P 81



Duplex Carriage Section

See P.83 - P.104

P 82

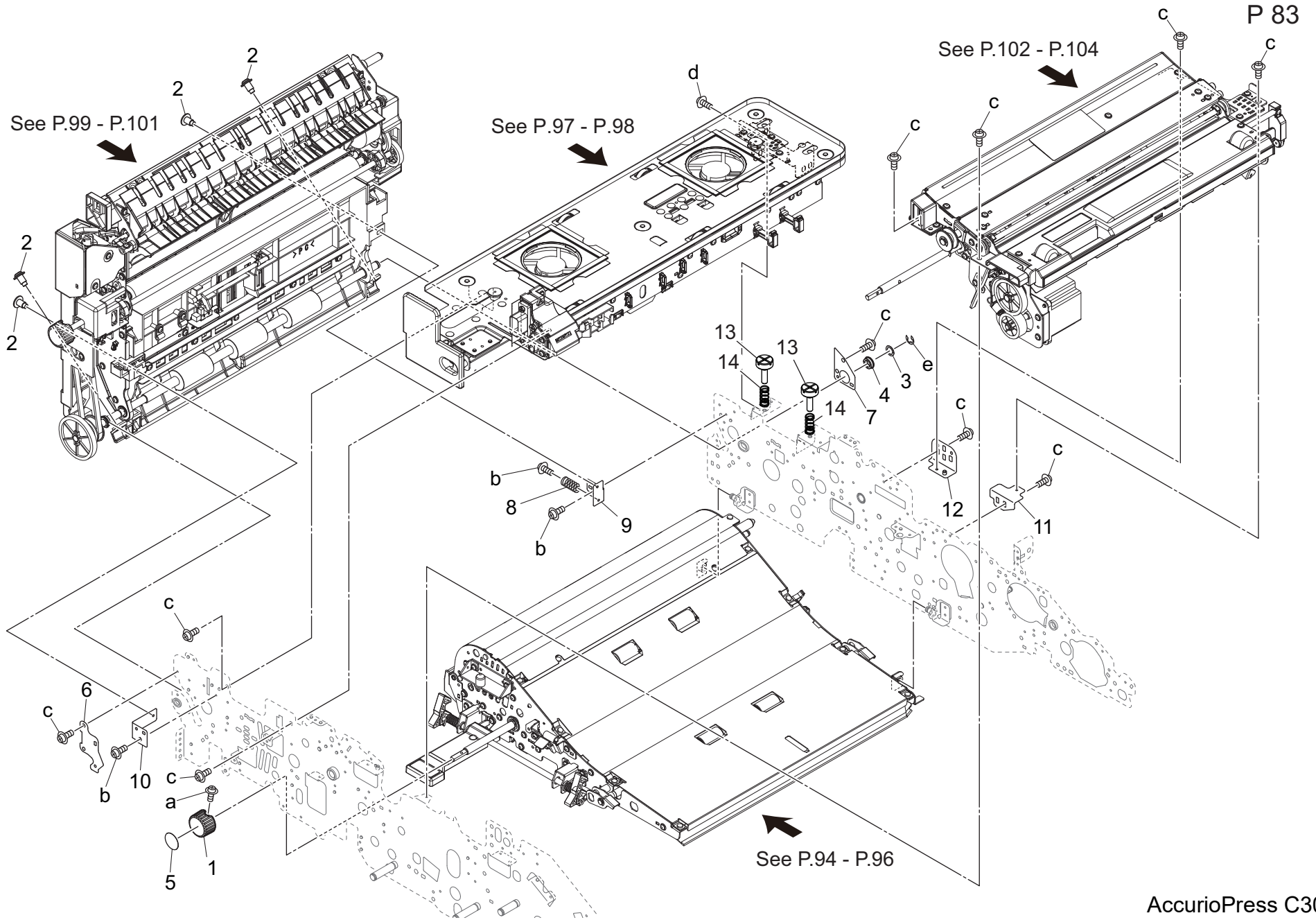


AccurioPress C3070

Duplex Carriage Section

Key	Part No.	Description	Destinations	Class	QTY	Standard parts
1	56AA40490	Shaft Stopper /4		C	1	a-V116041203
2	A9VE943100	Release Label /1		D	1	b-V118040603
3	A50U818700	Wiring Guide /Front		D	1	c-V121030403
4	A50U818800	Wiring Guide /Middle		D	1	d-V127030604
5	A50U818900	Wiring Guide /Rear		D	1	e-V127030804
6	A50U819201	Support Shaft /Rear		D	1	f-V151030803
7	A50U819302	Support Plate /Rear		D	1	g-V217020003
8	A50U832901	Wiring Cover		D	8	h-V217030003
9	A50U835001	Torsion Coil spring		D	1	j-V500020100
10	A50U837001	Cover Part /1		D	1	k-V501010002
11	A50U837101	Cover Part /2		D	1	m-V570010059
12	A50U837300	Cover Part /3		D	1	
13	A50U855702	Pulling Lever (ADU 架台)		D	1	
14	A50U858200	Cover Cover		D	1	
15	A50U858300	Ground Spring /2		D	1	
16	A50U858400	Ground Spring /1		D	1	
17	A50U858500	Support Shaft /Middle		D	2	
18	A50U944200	Processing Label /1		D	1	
19	A50UN15500	ADU Relay harness /3		D	1	
20	A50UN18700	ADU Relay harness /6		D	1	
21	A50UR70G01	2nd Transfer Earth Plate Assy		B	2	
22	A50UR72S00	Support Plate / Front Caulking		D	1	
23	A9VE160400	Duplex Cover		D	1	
24	AAC3947000	Indicating Label		D	1	

Duplex Carriage Section

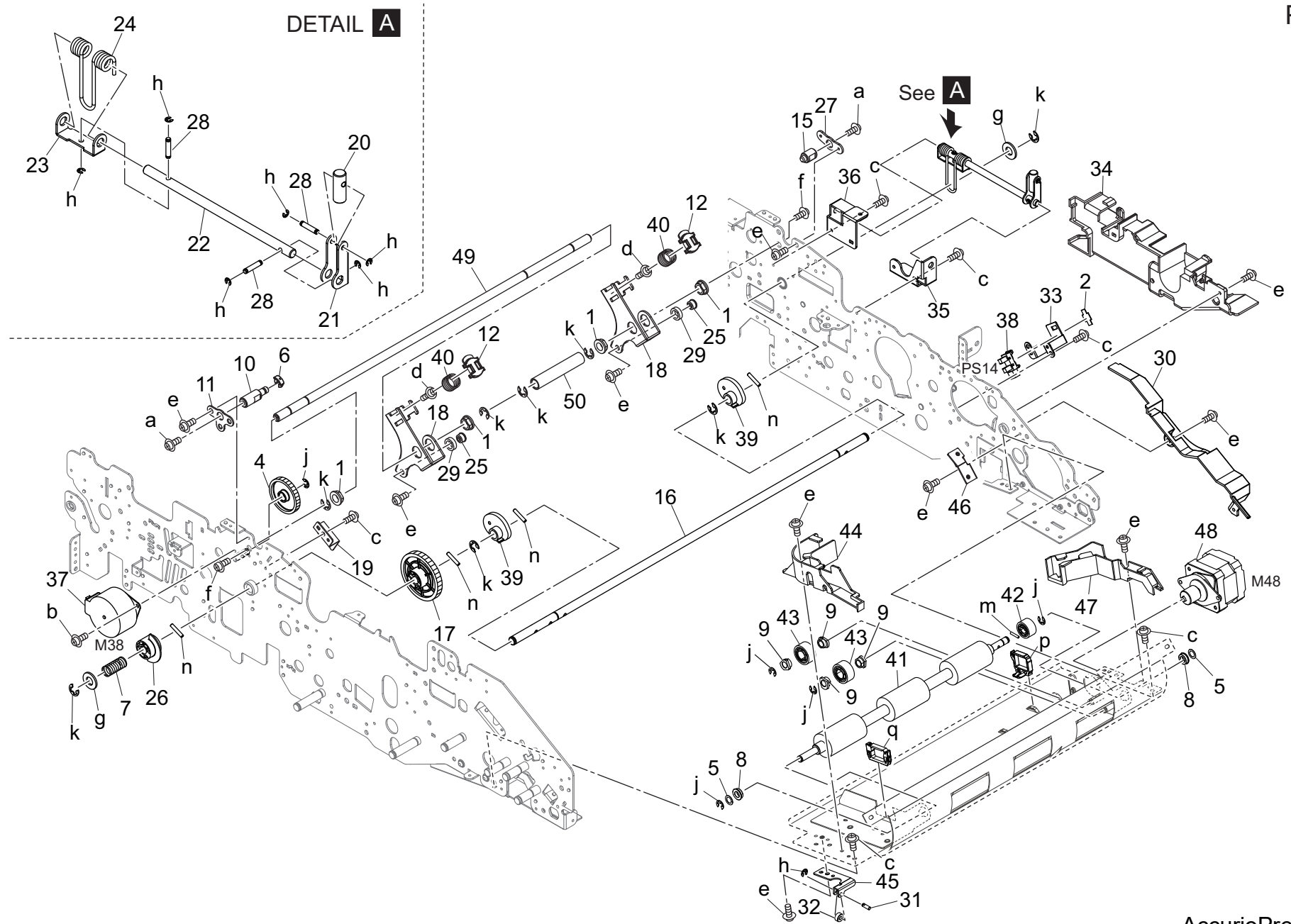


AccurioPress C3070

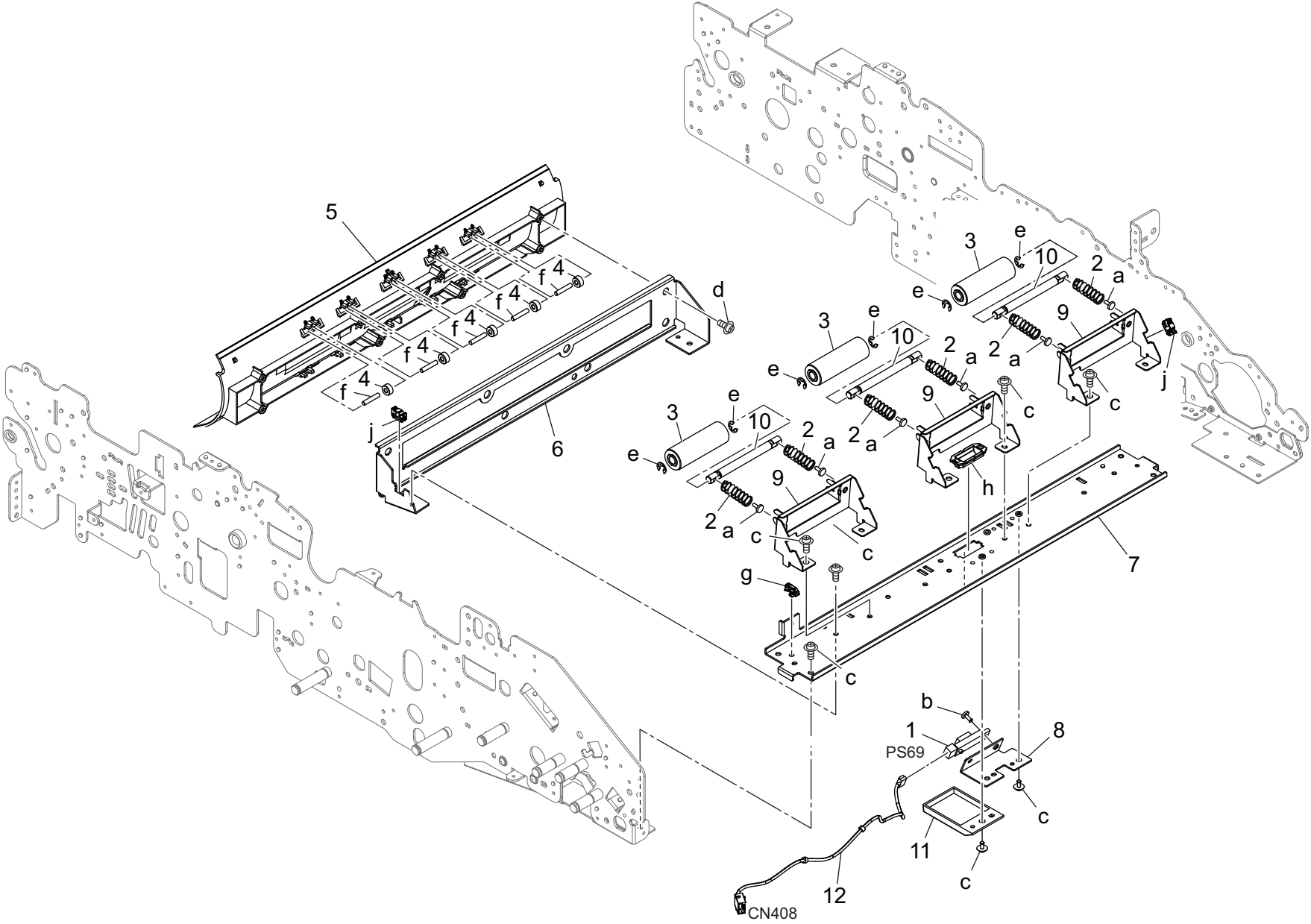
Duplex Carriage Section

Key	Part No.	Description	Destinations	Class	QTY	Standard parts
1	14GE45470	Rotation Knob		C	1	a-V118030603 b-V121030403 c-V127030604 d-V127040803 e-V217060003
2	26NA54230	Terminal Fixing Screw		C	4	
3	56AA42690	By-Pass Spacer		C	1	
4	A00J617900	Ball Bearing		B	1	
5	A9VE944100	Release Label /11		D	1	
6	A50U819500	Connecting Plate		D	1	
7	A50U839900	Connecting Plate		D	1	
8	A50U842900	Conveyance Spring /5		D	1	
9	A50U882701	Reverse/Exit Joint /Rear		D	1	
10	A50U882801	Reverse/Exit Joint /Front		D	1	
11	A50U884202	Registration Base frame /2		D	1	
12	A50UF83702	Registration Base Frame / 1 Caulking		D	1	
13	AC57884400	Fusing Screw /Rear		D	2	
14	AC57884500	Compressing Coil spring		D	2	

Duplex Section



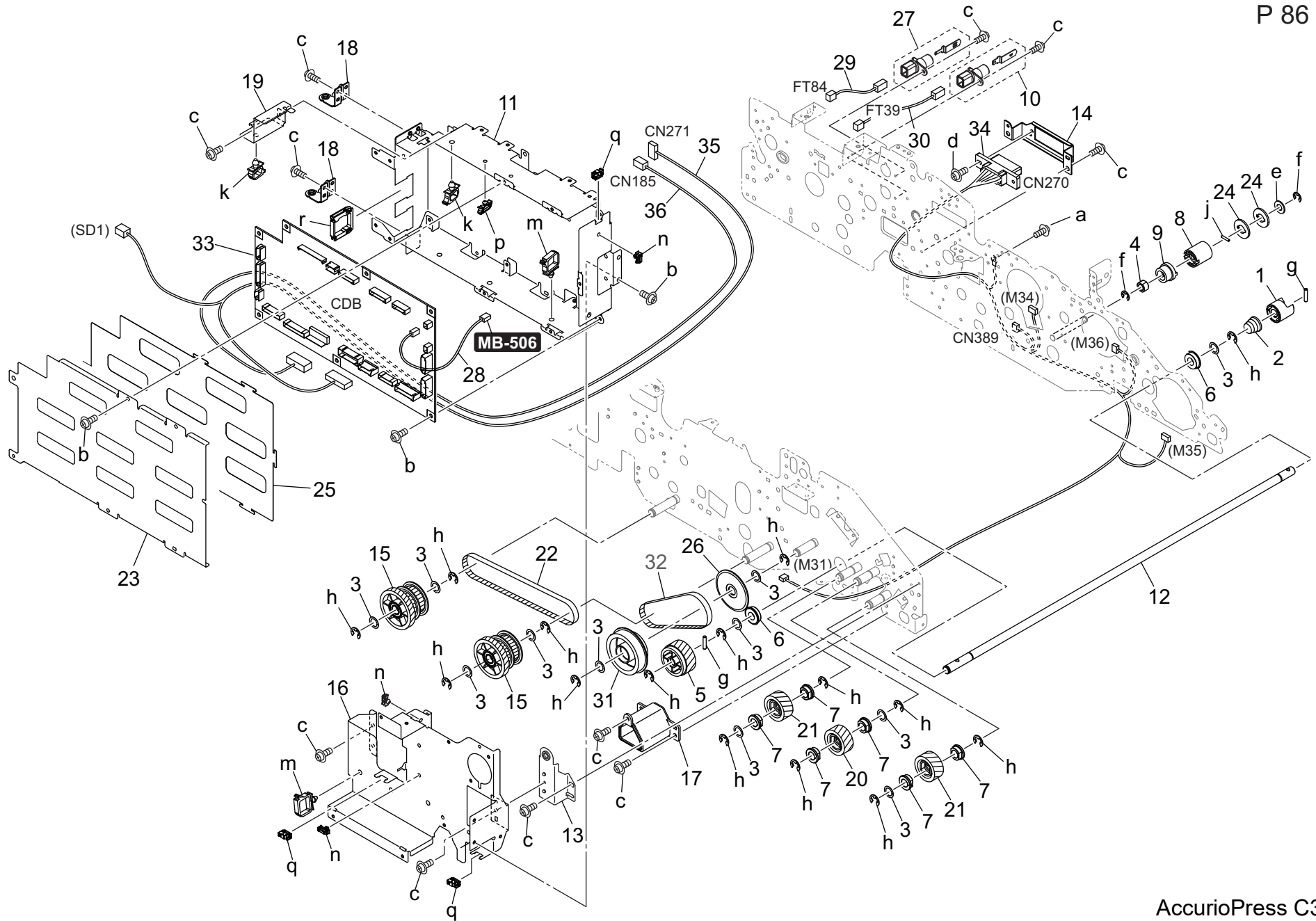
Key	Part No.	Description	Destinations	Class	QTY	Standard parts
1	4131353202	BUSHING	軸受	C	4	a-V116050803
2	4470402401	Stopper	ストッパー	D	1	b-V118030403
4	40AA77550	Mirror Drive Gear /2 14/70T	ミラー駆動ギア / 2 14 / 70 T	C	1	c-V121030403
5	40AA98020D	Paper exit Spacer	排紙 スペース	D	2	d-V121040403
6	56AA40490	Shaft Stopper /4	軸 ストッパー / 4	C	1	e-V127030604
7	65AA45230	CAM PULLING SPRING	カム引張りバネ	C	1	f-V127040803
8	A00J617800	Ball Bearing	ボールベアリング	B	2	g-V207080003
9	466076020	Paper Feed Feeding Bearing	給紙送り出し軸受	B	4	h-V217020003
10	A50U520601	Support Shaft /Front	支点軸 / 前	D	1	j-V217040003
11	A50U520700	Adjusting Plate /Front	調整板 / 前	D	1	k-V217060003
12	A50U520900	Pressing Cover	押圧蓋	D	2	m-V234201050
15	A50U521301	Support Shaft /Rear	支点軸 / 奥	D	1	n-V234301650
16	A50U521500	Drive Shaft	駆動軸	D	1	p-V500010079
17	A50U521900	Pressure Gear /3 47T	圧着ギア / 3 47 T	C	1	q-V570010059
18	A50U522001	Rotation Arm	回転アーム	D	2	
19	A50U522400	Holding Plate	押さえ板	D	1	
20	A50U522900	Rotation Shaft	回転軸	D	1	
21	A50U523001	Release Arm	解除アーム	D	1	
22	A50U523100	Support Shaft	支点軸	D	1	
23	A50U523200	Rotation Cover	回転カバー	D	1	
24	A50U523400	Torsion Coil spring	ねじりコイルばね	D	1	
25	A50U524100	Receiving Shaft	受け軸	D	2	
26	A50U524500	Transfer Actuator	転写アクチュエータ	D	1	
27	A50U524600	Adjusting Plate /Rear	調整板 / 奥	D	1	
28	A50U524700	Support Shaft	支点軸	D	3	
29	A50U716500	Ball Bearing	ボールベアリング	C	2	
30	A50U834802	Cover Side plate /Right rear	カバー側板 / 右後	D	1	
31	A50U854400	Fixing Shaft	固定軸	D	1	
32	A50U854800	Conveyance Roll	搬送ころ	D	1	
33	A50U855800	Drive Side plate /2	駆動側板 / 2	D	1	
34	A50U858101	Cover Box	カバー箱	D	1	
35	A50U884600	Support Plate /1	支持板 / 1	D	1	
36	A50U884700	Support Plate /2	支持板 / 2	D	1	
37	A50UR72C00	Drive Motor / 1 Assy	駆動モーター / 1 A s s y	C	1	
38	A85CM55600	Photo Sensor	フォトセンサ	C	1	
39	A9VE522500	Transfer Cam	転写カム	C	2	
40	A9VE526200	Pressing Spring	押圧ばね	D	2	
41	AC57870700	Conveyance Roller	搬送ローラ	C	1	
42	A9VE870800	Drive Gear /1 20T	駆動ギア / 1 20 T	C	1	
43	A9VE870900	Idling Gear 24T	アイドラギア 24 T	C	2	
44	A9VE871200	Wiring Guide /1	配線ガイド / 1	D	1	
45	A9VE871300	Support Plate	支持板	D	1	
46	A9VE871700	Mounting Plate /5	取付板 / 5	D	1	
47	A9VE871800	Wiring Guide /2	配線ガイド / 2	D	1	
48	A9VER71400	Stepping Motor Assy	ステッピングモーター A s s y	C	1	
49	A9VE521100	Pressing Shaft /1	押圧軸 / 1	D	1	
50	A9VE521200	Transfer Collar /1	転写カラー / 1	D	1	



Key	Part No.	Description	Destinations	Class	QTY	Standard parts
1	13QA85511	Sensor /1		B	1	a-V118030603 b-V118030604 c-V127030604 d-V151030803 e-V217040003 f-V234301650 g-V500020099 h-V570010037 j-V570010056
2	A03U842700	Conveyance Spring /3		C	6	
3	A03U845601	Idler Roller /2		C	3	
4	A50U854800	Conveyance Roll		D	5	
5	A9VE870100	Guide Plate		D	1	
6	A9VE870200	Mounting Plate /4		D	1	
7	A9VE870300	Mounting Plate /3		D	1	
8	A9VE870400	Sensor Plate		D	1	
9	A9VE870500	Idler Plate		D	3	
10	A9VE870600	Idler Shaft		D	3	
11	A9VE871900	Wiring Cover		D	1	
12	A9VEN16200	ADU Detection harness /16		D	1	

Duplex Section

P 86

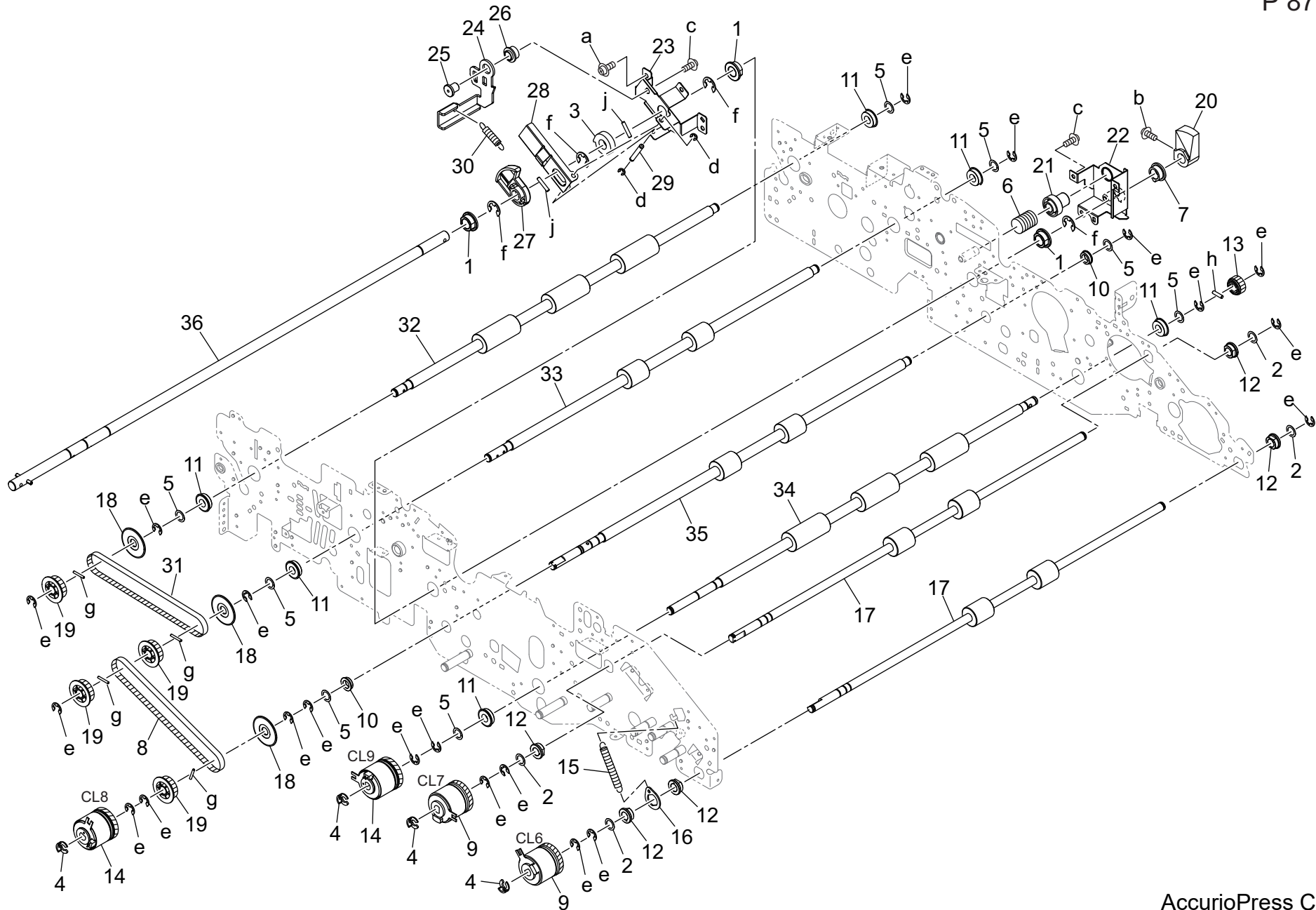


AccurioPress C3070

Key	Part No.	Description	Destinations	Class	QTY	Standard parts
1	55VA15541	CLEANER COUPLING PART	クリーナーカップリング部材	C	1	a-V116030603
2	56AA17090	Pressing Spring	押圧バネ	C	1	b-V127030603
3	56AA42690	By-Pass Spacer	手差しスペーサー	C	11	c-V127030604
4	56GA76010	Slide Bearing /2	すべり軸受 / 2	C	1	d-V127030803
5	65AA77540	PAPER FEED GEAR 2 29T	給紙歯車 2 29 T	C	1	e-V207060003
6	A00V240600	Ball Bearing	ボールベアリング	B	2	f-V217050003
7	A03U812800	Slide Shaft Holder	すべり軸受	B	6	g-V234301450
8	A03U815700	Torque Limiter	トルクリミッター	B	1	h-V217060003
9	A03U839000	BRAKE GEAR /1 21T	ブレーキギア / 1 21 T	C	1	j-V234201050
10	A1DUR73K00	Powering Block A Assy	給電ブロック / A 部組	C	1	k-V500010082
11	A50U810502	Mounting Board /1	取付基板 / 1	D	1	m-V500010084
12	A50U812100	Drive Input Shaft	駆動入力軸	D	1	n-V500020099
13	A50U816103	Positioning Side plate /Right	位置決め側板 / 右	D	1	p-V500020100
14	A50U817400	Mounting Side plate /1	取付側板 / 1	D	1	q-V570010056
15	A50U818001	Drive Gear /1 38/29/29T	駆動ギア / 1 38 / 29 / 29 T	C	2	r-V570010058
16	A50U835302	Mounting Board /2	取付基板 / 2	D	1	
17	A50U835400	Guide Part /Front	ガイド部材 / 前	D	1	
18	A50U835900	Support Plate	支点板 (基板)	D	2	
19	A50U836000	Cover	カバー (基板)	D	1	
20	A50U836400	Conveyance Idler /Right	搬送アイドラ / 右	D	1	
21	A50U836500	Conveyance Idler /Right	搬送アイドラ / 右	D	2	
22	A50U839200	Belt /3 342L	ベルト / 3 342 L	C	1	
23	A50U855900	Cover Board /Left Front	カバー基板 / 左前 (基板)	D	1	
24	A50U858600	Stopper Plate	ストッパ板	D	2	
25	A50U880702	Packing Board /Front	包装基板 / 前	D	1	
26	A50U885100	Drive Spacer	駆動スペーサ	D	1	
27	A50UF82200	Power Supply Block / B ASSY	給電ブロック / B ASSY	D	1	
28	A50UN17200	ADU Drive harness /7	ADU 駆動束線 / 7	D	1	
29	A50UN25400	HV Relay harness /5	高圧中継束線 / 5	D	1	
30	A50UN25600	HV Relay harness /6	高圧中継束線 / 6	D	1	
31	A9VE818100	Drive Gear /1 39T	駆動ギア / 1 39 T	C	1	
32	A9VE839100	Belt /4	ベルト / 4	D	1	
33	A9VEH05001	Conveyance Drive Board ASSY	搬送駆動基板 ASSY	I	1	
34	A9VEN15000	ADU Drive harness /1	ADU 駆動束線 / 1	D	1	
35	A9VEN15601	ADU Control harness /1	ADU 制御束線 / 1	D	1	
36	A9VEN18801	ADU Control harness /2	ADU 制御束線 / 2	D	1	

Duplex Section

P 87

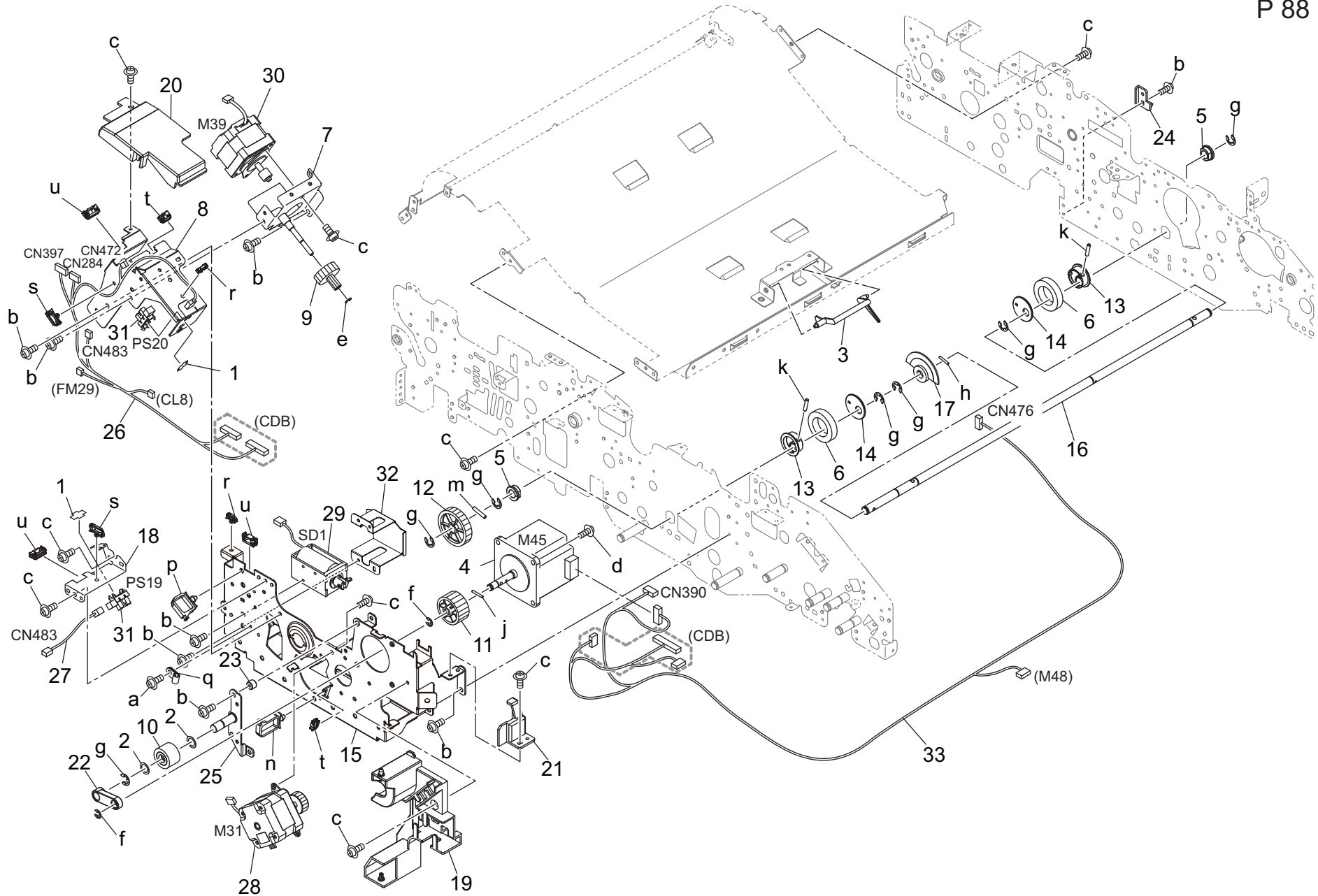


AccurioPress C3070

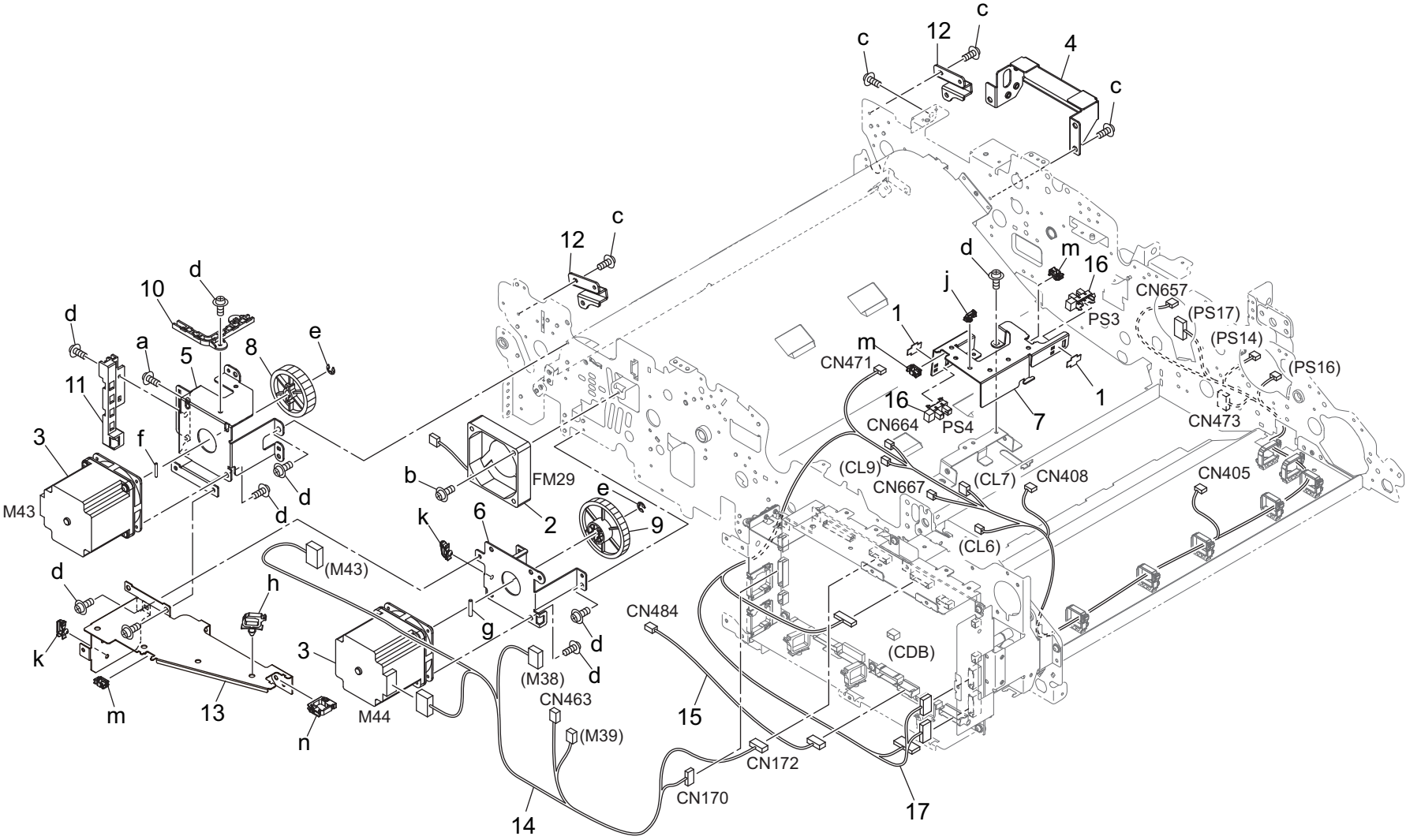
Key	Part No.	Description	Destinations	Class	QTY	Standard parts
1	462076010	Driving Slide Shaft Holder A	駆動滑り軸受 A	C	3	a-V121030403
2	12QV40650	Spacer	スペーサー	B	4	b-V116041403
3	25AA47500	Carriage Lock Claw /B	架台ロック爪 / B	C	1	c-V127030604
4	55VA42120	Shaft Stopper	軸ストッパー	C	4	d-V217030003
5	56AA42690	By-Pass Spacer	手差しスペーサー	C	8	e-V217060003
6	56AA50670	Cam Stopper Spring	カムストッパバネ	C	1	f-V217080003
7	56AA50800	LEVER SUPPORT SHAFT HOLDER	レバー支持軸受	C	1	g-V234201450
8	56AA77530	Paper Feed Drive Belt /1 336L	給紙駆動ベルト / 1 336 L	C	1	h-V234301250
9	56AA82012	Paper Feed Drive Clutch	給紙駆動クラッチ	B	2	j-V234301650
10	A00J617900	Ball Bearing	ボールベアリング	B	2	
11	A00V240600	Ball Bearing	ボールベアリング	B	6	
12	A03U812800	Slide Shaft Holder	すべり軸受	B	5	
13	A03U838900	Brake Gear /2 24T	ブレーキギア / 2 24 T	C	1	
14	A03UM20100	Clutch /1	クラッチ / 1	B	2	
15	A03X565001	Swing Spring	首振りばね	C	1	
16	A1RG681400	Brake Plate /8	ブレーキ板 / 8	D	1	
17	A50U812202	ADU Conveying Roller /Right	A D U 搬送ローラ / 右	C	2	
18	A50U817300	Holding Collar	押さえカラー	D	3	
19	A50U818501	Pulley /2	プーリ / 2	D	4	
20	A50U830200	Positioning Part /Rear	位置決め部材 / 奥	D	1	
21	A50U830300	Regulating Part /Rear	規制部材 / 奥	D	1	
22	A50U830400	Hold Plate /Assy	保持板 / A s s y	D	1	
23	A50U830501	Reinforce Plate /1	補強板 / 1	D	1	
24	A50U830600	Lock Plate	ロック板	D	1	
25	A50U830700	Support Shaft	支持軸	D	1	
26	A50U830800	Lock Bushing	ロックすべり軸受	D	1	
27	A50U831000	Release Cam	解除カム	D	1	
28	A50U831100	Release Plate	解除板	D	1	
29	A50U831200	Release Shaft /1	解除軸 / 1	D	1	
30	A50U831900	Pulling Spring	引張りばね (ロックレバー)	D	1	
31	A50U839200	Belt /3 342L	ベルト / 3 342 L	C	1	
32	AC57849100	Roller /1	ローラ / 1	C	1	
33	AC57849200	Roller /2	ローラ / 2	C	1	
34	A50U859000	Roller	ローラ	C	1	
35	A50U859400	Roller /3	ローラ / 3	C	1	
36	A50UR72E00	Release Shaft Pin Assy	解除軸ピン A s s y	D	1	

Duplex Section

P 88



Key	Part No.	Description	Destinations	Class	QTY	Standard parts
1	4470402401	Stopper		D	2	a-V116030603
2	56AA42690	By-Pass Spacer		C	2	b-V121030403
3	65AA51730	ADU 2		C	1	c-V127030604
4	65AA80112	HB Motor /50		B	1	d-V127030803
5	A03U812800	Slide Shaft Holder		B	2	e-V217030003
6	A9VE841300	Ball bearing		C	2	f-V217040003
7	A50U713302	Swing Side plate /ASSY		D	1	g-V217060003
8	A50U713401Old	Swing Side plate /2		D	1	h-V234201250
8	A50U713403	Swing Side plate /2		D	1	j-V234201450
9	A50U713500	Swing Gear /1 18/51T		C	1	k-V234301450
10	A50U713700	Registration Idler /1		B	1	m-V234301650
11	A50U713800	Registration Gear /1 56T		C	1	n-V500010013
12	A50U713900	Registration Gear /2 48T		C	1	p-V500010084
13	A50U714800	Pressure Cam		D	2	q-V500020069
14	A50U714900	Spacer		D	2	r-V500020099
15	A50U715003Old	Mounting Lever /1		D	1	s-V500020100
15	A50U715004	Mounting Lever /1		D	1	t-V570010056
16	A50U715100	Pressure Shaft /2		D	1	u-V570010057
17	A50U715200	Pressure Actuator		D	1	
18	A50U819700	Cover		D	1	
19	A50U835601	Drive Cover		D	1	
20	A50U836100	Cover		D	1	
21	A50U882300	Protection Cover		D	1	
22	A50U882600	Registration ring /Front		D	1	
23	A50U883300	Idling Shaft /1		D	1	
24	A50U883501	Protection Plate		D	1	
25	A50UF81401	Adjusting Plate Caulking		D	1	
26	A50UN18203	ADU Drive harness /12		D	1	
27	A50UN18900	ADU Detection harness /14		D	1	
28	A50UR72F00	Motor Assy		C	1	
29	A50UR72G00	ADU Connecting Solenoid Pin Assy		C	1	
30	A50UR72H00	Stepping Motor / 3 Assy		C	1	
31	A85CM55600	Photo Sensor		C	2	
32	A9VE819100	Regulating Plate		D	1	
33	A9VEN16500	ADU Drive harness /6		D	1	

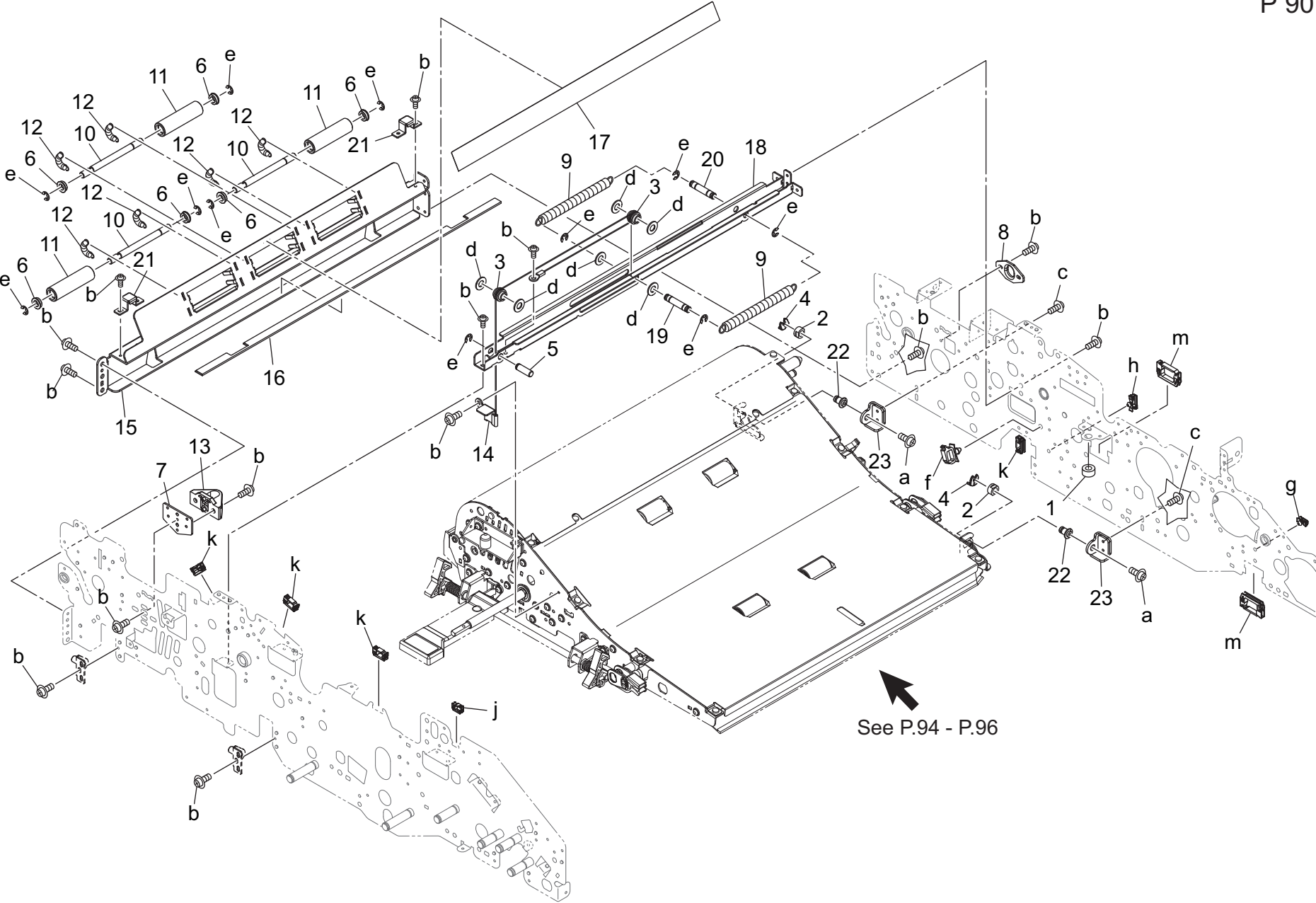


Duplex Section

Key	Part No.	Description	Destinations	Class	QTY	Standard parts
1	4470402401	Stopper		D	2	a-V118030403
2	56AA80551	Fan Motor /2		B	1	b-V118032003
3	A1TVM10100	Stepping motor /50		B	2	c-V121030403
4	A50U814401	Reinforce Plate		D	1	d-V127030604
5	A50U814500	Positioning Plate /Upper		D	1	e-V217040003
6	A50U815101	Positioning Plate /Lower		D	1	f-V234201450
7	A50U819812	Mounting /A		D	1	g-V234301650
8	A50U819900	Riverse/exit Gear /1 42T		D	1	h-V500010082
9	A50U831300	Preventing Gear /1 57T		C	1	j-V500020099
10	A50U836300	Cover		C	1	k-V500020100
11	A50U837700	Wiring Guide		D	1	m-V570010056
12	A50U838500	Mounting Handle /Left		D	1	n-V570010031
13	A50U838700Old	Reverse/Exit Plate /Left Front		D	2	
13	A50U838701	Reverse/Exit Plate /Left front		D	1	
14	A50UN16000	ADU Drive harness /4		D	1	
15	A50UN16900	ADU Detection harness /15		D	1	
16	A85CM55600	Photo Sensor		C	2	
17	A9VEN16100	ADU Drive harness /11		D	1	

AccurioPress C3070

Duplex Section

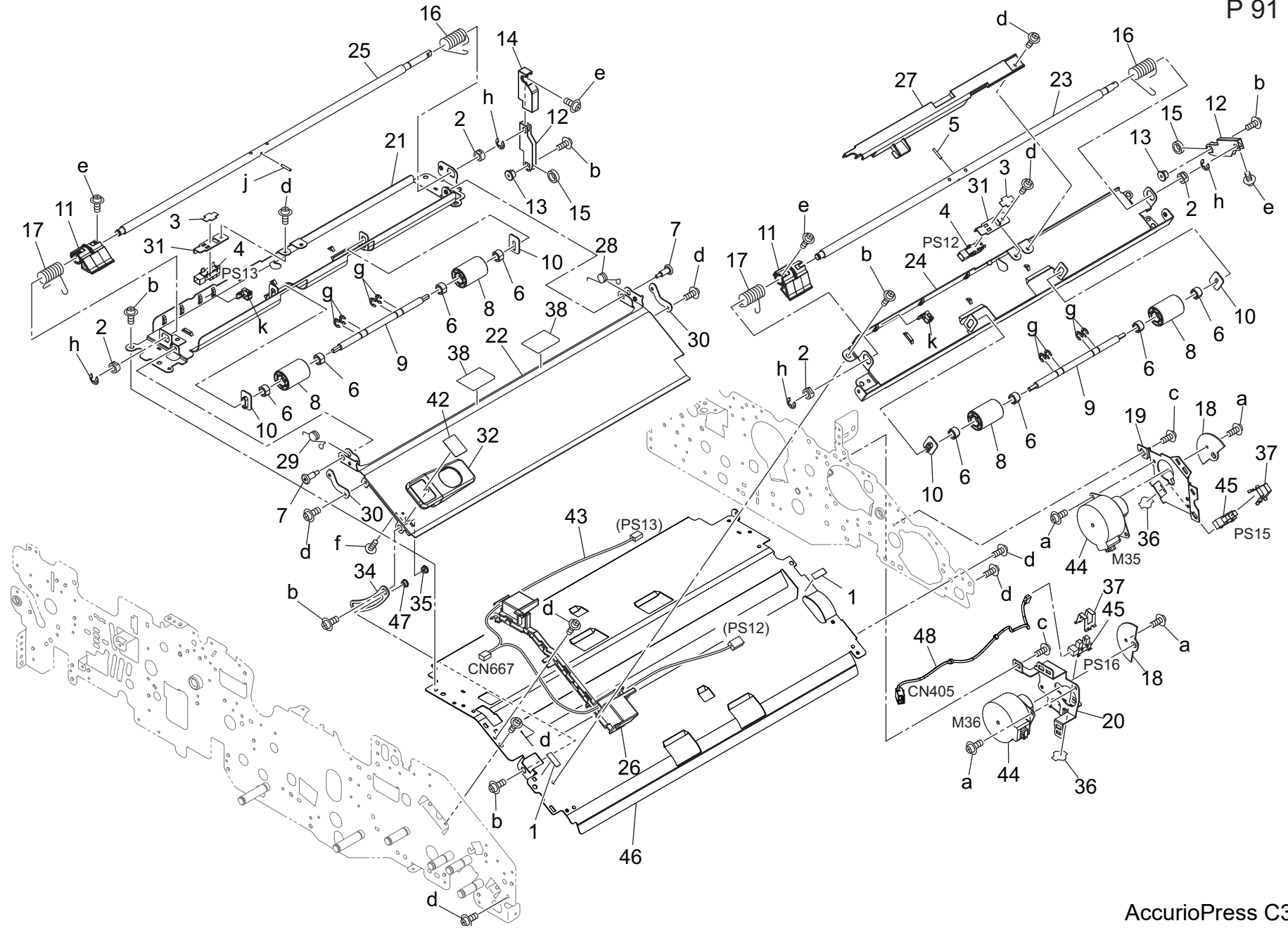


See P.94 - P.96

Key	Part No.	Description	Destinations	Class	QTY	Standard parts
1	1154467001	PROTECTION		C	1	a-V121030403
2	4131253701	BUSHING		C	2	b-V127030604
3	25AA50080	Wire Pulley		C	2	c-V127030803
4	56AA40490	Shaft Stopper /4		C	2	d-V207060003
5	65AA51510	ADU Open/Shut Shaft /3		D	1	e-V217040003
6	A00J617800	Ball Bearing		B	6	f-V500010082
7	A03U811600	ADU Positioning Plate /1		D	1	g-V500020099
8	A03U811800	ADU Positioning Plate /2		C	1	h-V500020100
9	A03U813601	ADU Open/shut Spring /Upper		C	2	j-V570010056
10	A03U814100	Idler Shaft /Lower		D	3	k-V570010057
11	A03U814200	Idler Roll		C	3	m-V570010059
12	A03U814300	Conveyance Spring		C	6	
13	A03U843500	Positioning Part		D	1	
14	A03U849701	Wire /Right		C	1	
15	A50U810302	Hold Stay /Left		D	1	
16	A50U810400	Protection Sheet		D	1	
17	A50U815800	Guide Sheet /A		D	1	
18	A50U831400	Open/close Plate		D	1	
19	A50U832600	Open/close Shaft /1		D	1	
20	A50U832700	Open/close Shaft /2		D	1	
21	A50U834200	Reverse/Exit Stopper		D	2	
22	A50U843900	Support Shaft /Right		D	2	
23	A50U844100	Support Plate /B		D	2	

Duplex Section

P 91

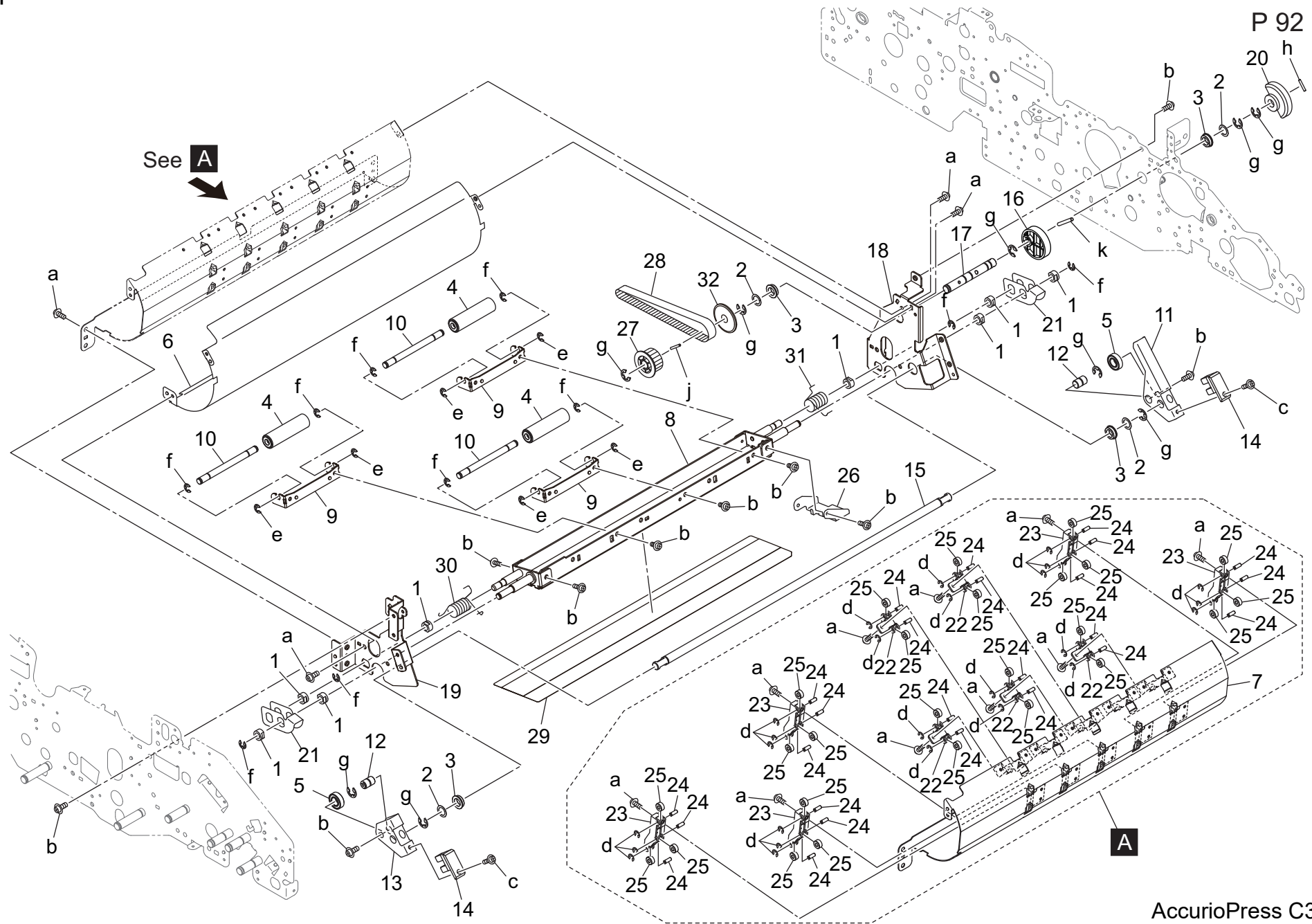


Order here
8 (495) 646-0426
ПЯТЫЙ ПАРТНЕР www.km-shop.ru

AccurioPress C3070

Key	Part No.	Description	Destinations	Class	QTY	Standard parts
1	4109553001	Stopper		C	2	a-V118030403
2	4131253701	BUSHING		C	4	b-V121030303
3	4470402401	Stopper		D	2	c-V121030403
4	9335140071	Solid State Switch		B	2	d-V127030604
5	56AA17321	PIN A D2X12		B	1	e-V127030803
6	A03U850101	Slide Bushing		C	8	f-V151040803
7	A0P0144300	Shoulder screw		D	2	g-V217040003
8	A50U712200	Idler Roll /1		D	4	h-V217050003
9	A50U712300	Idler Shaft /1		D	2	j-V234201250
10	A50U712400	Receiving Shaft /1		D	4	k-V500010057
11	A50U714601	Lever		D	2	
12	A50U715300	Pressure Lever /25		D	2	
13	A50U715600	Support Shaft /2		D	2	
14	A50U715800	Protection Cover		D	1	
15	A50U716500	Ball Bearing		C	2	
16	A50U718400	Pressing Spring /Rear		D	2	
17	A50U718500	Pressing Spring /Front		D	2	
18	A50U816700	Light blocking Plate /1		D	2	
19	A50U816801	Drive Side plate /1		D	1	
20	A50U816900	Drive Side plate /2		D	1	
21	A50U817601	Guide Plate		D	1	
22	A50U817800	Guide Plate /Middle		D	1	
23	A50U818201	Release Shaft /1		D	1	
24	A50U818400	Guide Plate /Right		D	1	
25	A50U818601	Release Shaft /2		D	1	
26	A50U833400	Protection Cover /1		D	1	
27	A50U833500	Protection Cover /2		D	1	
28	A50U834500	Pressing Spring /Left		D	1	
29	A50U834600	Pressing Spring /Right		D	1	
30	A50U834700	Reinforce Plate /A		D	2	
31	A50U836200	Plate /23		D	2	
32	A50U880800	Processing Lever		D	1	
34	A50U881601	Processing Guide /1		D	1	
35	A50U881700	Support Screw /A		D	1	
36	A50U882100	Stopper Plate		D	2	
37	A50U883600	Guide /1		D	2	
38	A50U886300	Sheet		D	2	
42	A50U943201	Release Label /2		D	1	
43	A50UN17900	ADU Detection harness /13		D	1	
44	A50UR72600	Drive Motor / 1 Assy		C	2	
45	A85CM55500	Photo Sensor		C	2	
46	A9VE871601	Conveyance Guide /Lower		D	1	
47	A9VE872000	Support Screw /A		D	1	
48	A9VEN16200	ADU Detection harness /16		D	1	

Duplex Section

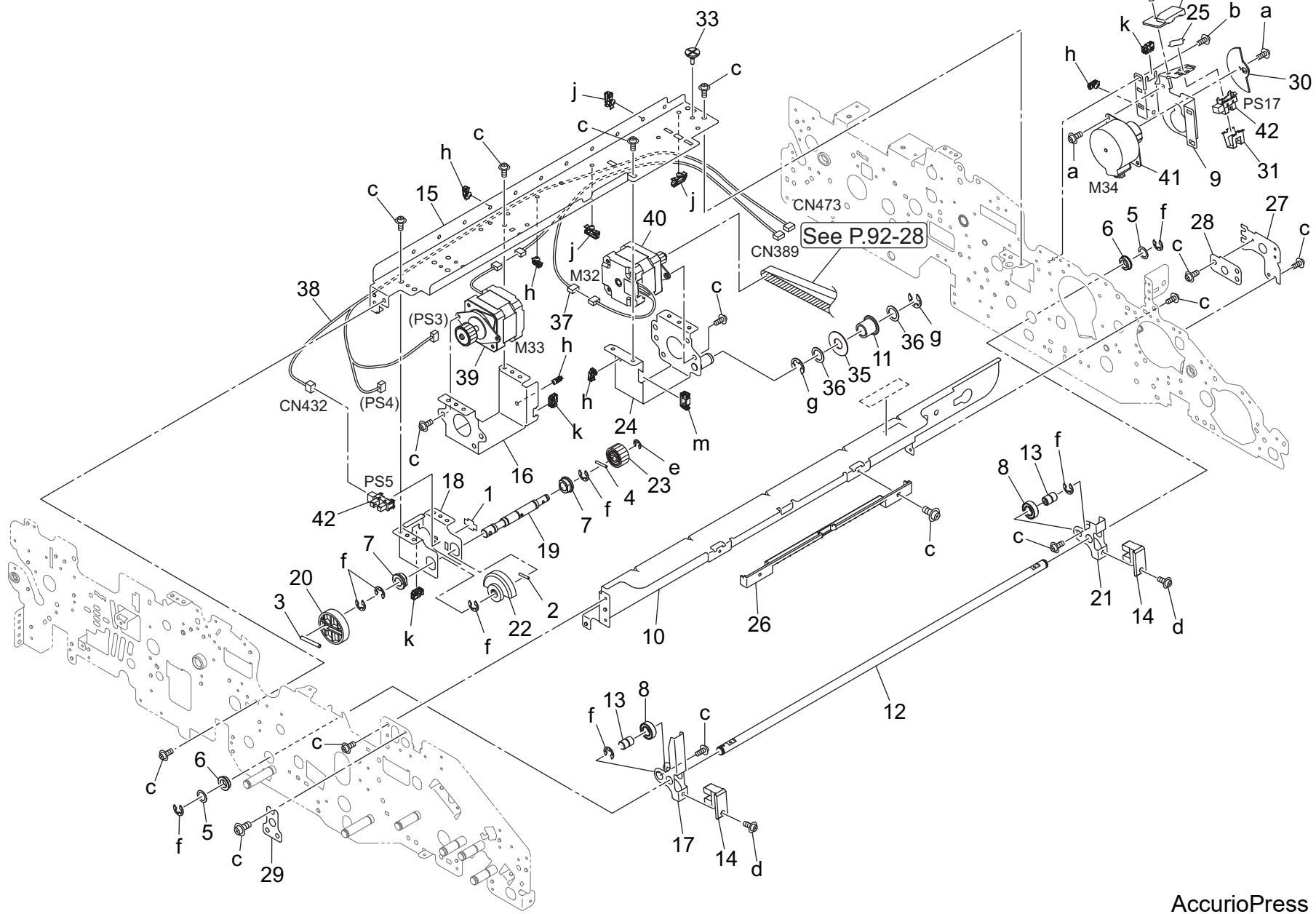


AccurioPress C3070

Key	Part No.	Description	Destinations	Class	QTY	Standard parts
1	4131253701	BUSHING		C	8	a-V121030403
2	56AA42690	By-Pass Spacer		C	4	b-V127030604
3	A00J617900	Ball Bearing		B	4	c-V127030803
4	A03U845301	Idler Roller /1		C	3	d-V217020003
5	A1RF820000	Ball Bearing		C	2	e-V217030003
6	A50U840303	Guide Plate /3		D	1	f-V217040003
7	A50U840802	Guide Plate /2		D	1	g-V217060003
8	A50U841402	Release Plate /10		D	1	h-V234201250
9	A50U846102	Mounting Plate /5		D	3	j-V234201650
10	A50U846304	Idler Shaft /F		D	3	k-V234302550
11	A50U851400	Release Plate /Rear		D	1	
12	A50U851500	Shaft		D	2	
13	A50U851700	Release Plate		D	1	
14	A9VE851800	Reinforce Block		D	2	
15	A50U852000	Release Shaft /4		D	1	
16	A50U852501	Cam		D	1	
17	A50U852701	Release Shaft /3		D	1	
18	A50U852904	Release Plate /4		D	1	
19	A50U853001	Release Plate /5		D	1	
20	A50U853200	Pressure Actuator		D	1	
21	A50U853700	Release Plate /7		D	2	
22	A50U854200	Roller Base frame /2		D	5	
23	A50U854302	Roller Base frame /1		D	5	
24	A50U854400	Fixing Shaft		D	25	
25	A50U854800	Conveyance Roll		D	25	
26	A50U856201	Support Plate		D	1	
27	A50U859500	Pulley /2		D	1	
28	A50U859800	Belt /1 280L		C	1	
29	A50U880103	Conveyance Guide /1		D	1	
30	A50U881300	Torsion Coil spring		D	1	
31	A50U881400	Torsion Coil spring		D	1	
32	A50U886800	Regulating Spacer		D	1	

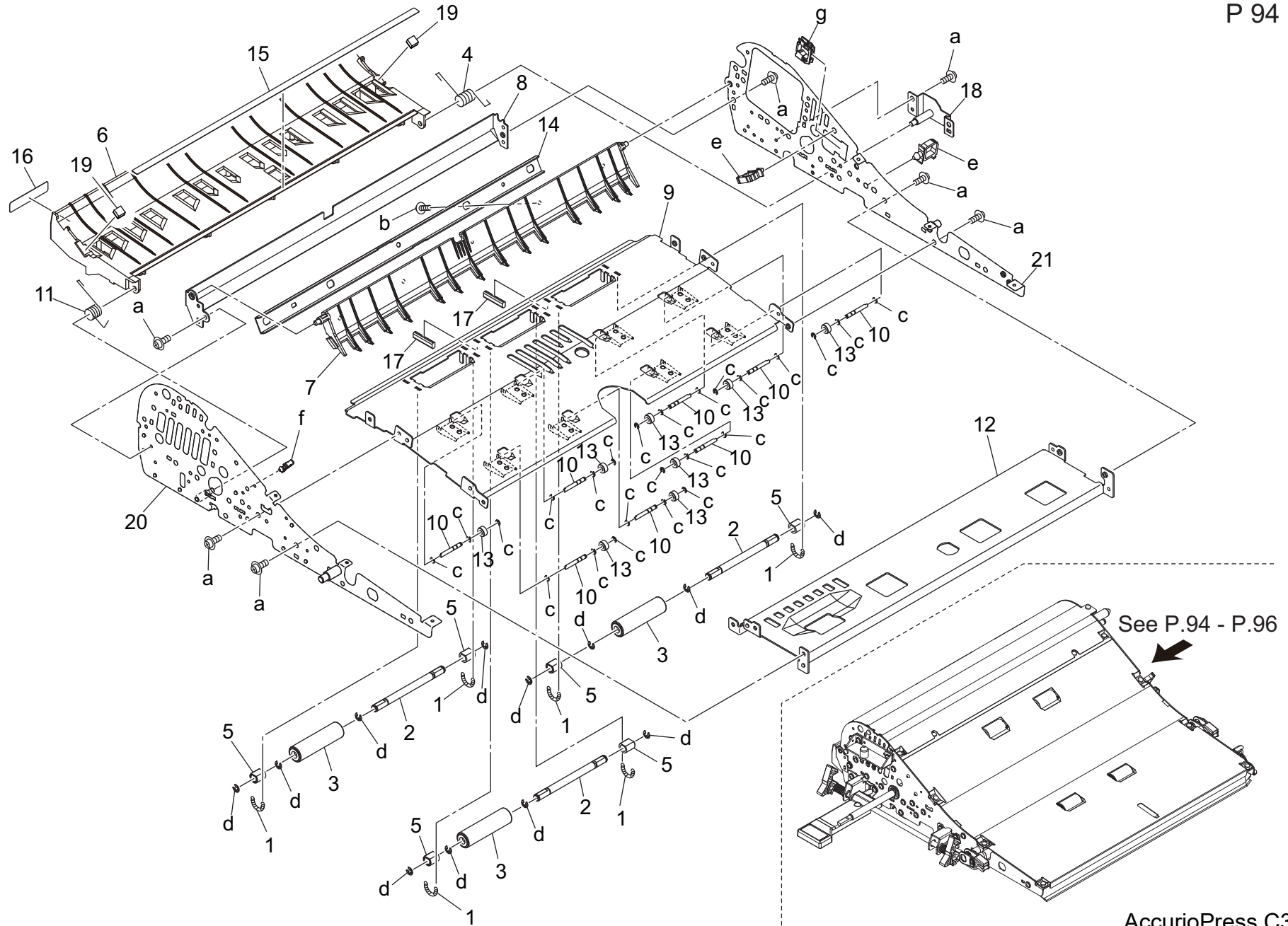
Duplex Section

P 93



Key	Part No.	Description	Destinations	Class	QTY	Standard parts
1	4470402401	Stopper		D	1	a-V118030403
2	V234201250	Pin		V	1	b-V121030403
3	56AA17490	Pin		C	1	c-V127030604
4	V234201450	Pin		V	1	d-V127030803
5	56AA42690	By-Pass Spacer		C	2	e-V217040003
6	A00J617900	Ball Bearing		B	2	f-V217060003
7	A03U812800	Slide Shaft Holder		B	2	g-V217080003
8	A1RF820000	Ball Bearing		C	2	h-V500020099
9	A50U715400	Pressure Side plate /1		D	1	j-V500020100
10	A50U816403	Hold Stay /Right		D	1	k-V570010056
11	A50U836801	Tension Pulley /B		D	1	m-V570010057
12	A50U850700	Release Shaft /2		D	1	
13	A50U851500	Shaft		D	2	
14	A9VE851800	Reinforce Block		D	2	
15	A50U851901	Mounting Plate /1		D	1	
16	A50U852102	Mounting Plate /2		D	1	
17	A50U852200	Release Plate /3		D	1	
18	A50U852300Old	Mounting Plate /3		D	1	
18	A50U852301	Mounting Plate /3		D	1	
19	A50U852400	Release Shaft /1		D	1	
20	A50U852501	Cam		D	1	
21	A50U853100	Release Plate /6		D	1	
22	A50U853200	Pressure Actuator		D	1	
23	A50U854600	Release Gear /1 24T		C	1	
24	A50U858703	Mounting Plate /3		D	1	
25	A50U882100	Stopper Plate		D	1	
26	A50U882900	Handle		D	1	
27	A50U883001	Positioning Side plate /Rear		D	1	
28	A50U883101	Positioning Plate /Rear		D	1	
29	A50U883200	Positioning Plate /Front		D	1	
30	A50U883400	Light blocking Plate		D	1	
31	A50U883600	Guide /1		D	1	
32	A50U883701	Protection Cover /1		D	1	
33	A50U884000	Registration Screw		D	1	
35	A50U886700	Holding Collar		D	1	
36	A50U886900	Spacer		D	2	
37	A50UN15900	ADU Drive harness /3		D	1	
38	A50UN18100	ADU Detection harness /10		D	1	
39	A50UR72400	Stepping Motor / 2 Assy		C	1	
40	A50UR72500	Stepping Motor / 1 Assy		C	1	
41	A50UR72600	Drive Motor / 1 Assy		C	1	
42	A85CM55600	Photo Sensor		C	2	

Duplex Section

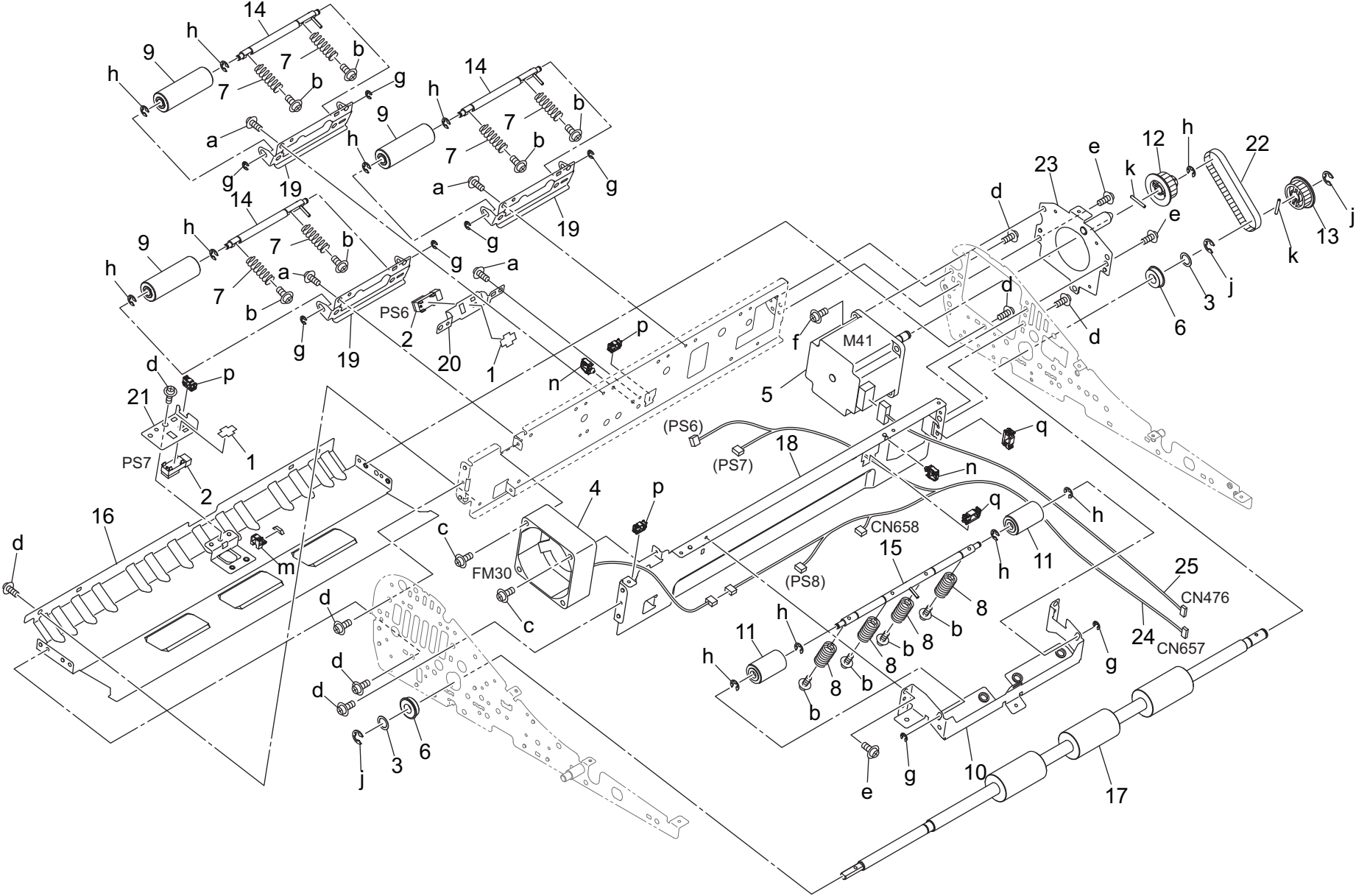


See P.94 - P.96

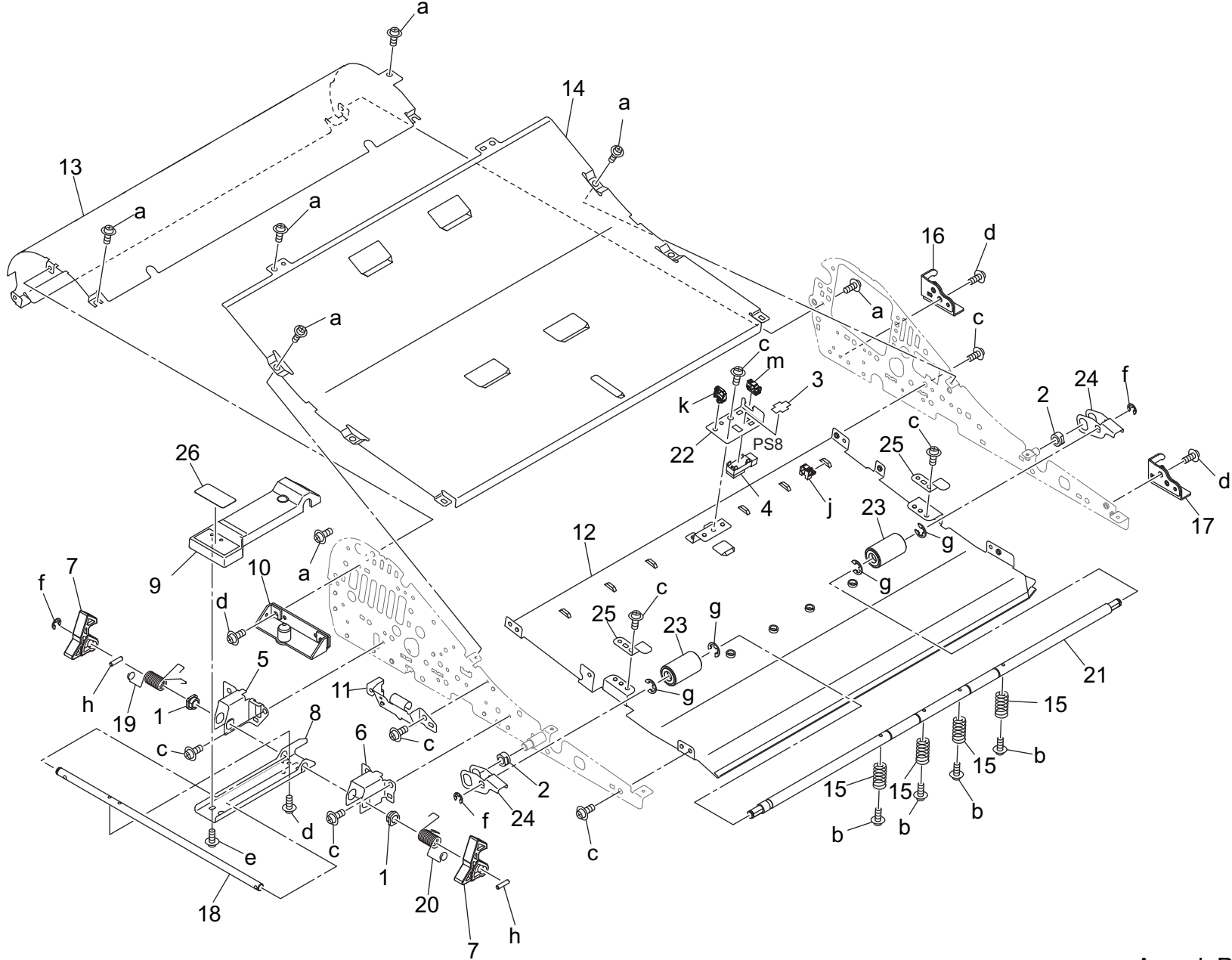
AccurioPress C3070

Key	Part No.	Description	Destinations	Class	QTY	Standard parts
1	A9VE849900	Conveyance Spring /2		D	6	a-V121030403 b-V151030603 c-V217020003 d-V217030003 e-V500010082 f-V500020098 g-V570010060
2	A03U845100	Idler Shaft /B		D	3	
3	A03U845301	Idler Roller /1		C	3	
4	A03U848100	Open/close Spring /4		C	1	
5	A1RF847400	Collar /1		D	6	
6	A50U840704Old	Guide Plate /A		D	1	
6	A50U840715	Guide Plate /A		D	1	
7	A50U841501	Guide Plate /J		D	1	
8	A50U841600	Guide Plate /K		D	1	
9	A50U841901	Guide Plate /F		D	1	
10	A50U844800	Fixing Shaft		D	8	
11	A50U848000	Open/close Spring /3		D	1	
12	A50U848302	Reinforce Plate /B		D	1	
13	A50U854800	Conveyance Roll		D	8	
14	A50U855601	Reinforce Plate		D	1	
15	A50U880201	Conveyance Guide /2		D	1	
16	A50U944001	Release Label /10		D	1	
17	A85C877211	Ground Part /2		D	2	
18	A9VEF84100	Support Plate / C Caulking		D	1	
19	A9VE841000	Cushion		D	2	
20	A50U840501	Panel /Front		D	1	
21	A50U840602	Panel /Rear		D	1	

Duplex Section

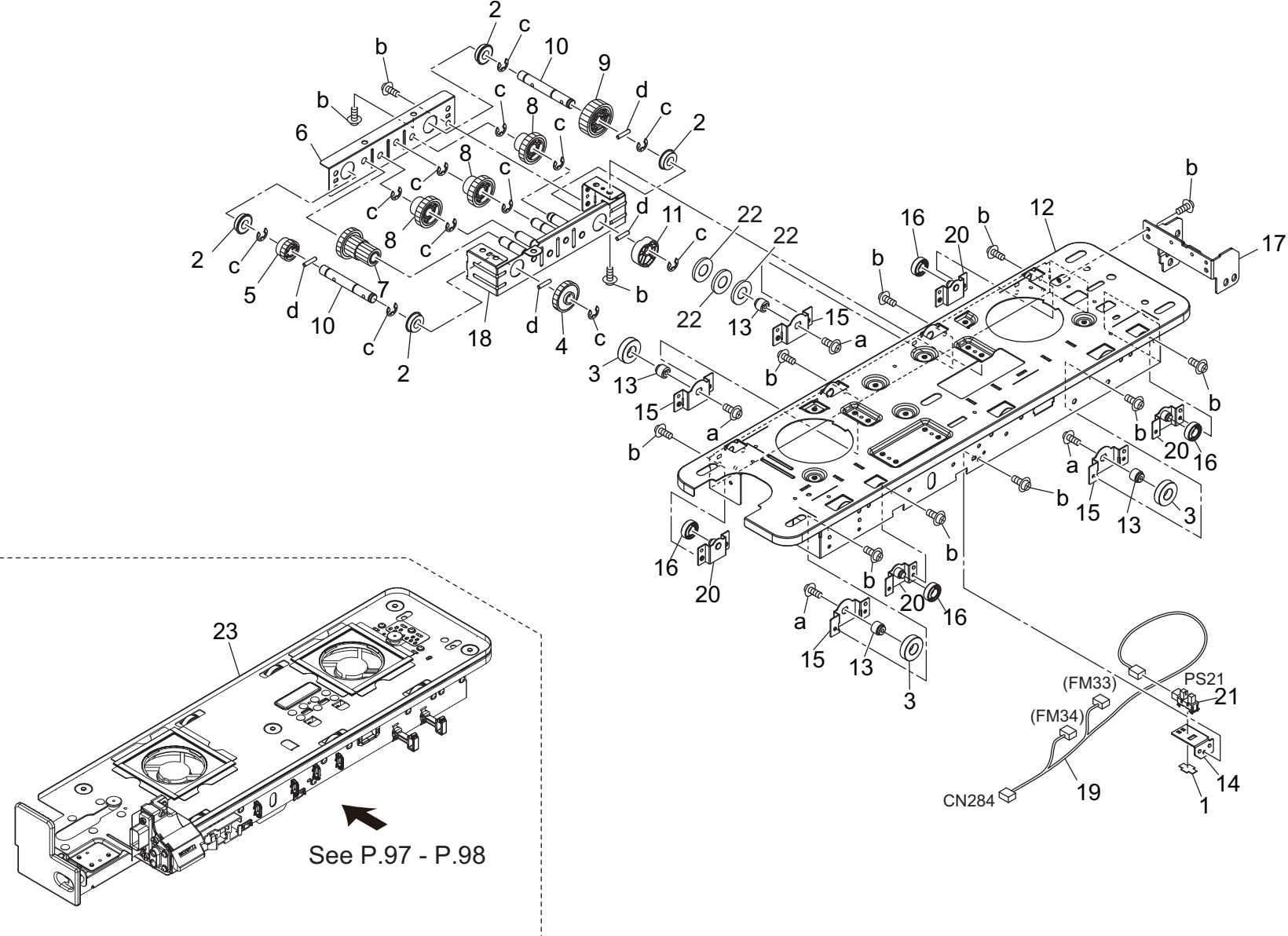


Key	Part No.	Description	Destinations	Class	QTY	Standard parts
1	4470402401	Stopper		D	2	a-V118030303
2	9335140071	Solid State Switch		B	2	b-V118030603
3	56AA42690	By-Pass Spacer		C	2	c-V118033003
4	56QA80570	Internal Cooling Fan		C	1	d-V121030403
5	65AA80112	HB Motor /50		B	1	e-V127030604
6	A00V240600	Ball Bearing		B	2	f-V127030803
7	A03U842700	Conveyance Spring /3		C	6	g-V217030003
8	A03U842800	Conveyance Spring /4		C	4	h-V217040003
9	A03U845601	Idler Roller /2		C	3	j-V217060003
10	A03U845700	Mounting Plate /4		D	1	k-V234201650
11	A03U845902	Idler Roller /3		C	2	m-V500010057
12	A03U859400	PULLEY /1 24T		C	1	n-V500020098
13	A03U859500	PULLEY /2 24T		C	1	p-V570010056
14	A1DUR73E00	Idler Shaft /C Assy		D	3	q-V570010057
15	A1DUR73P00	Idler Shaft /D Assy		D	1	
16	A50U841100	Guide Plate /E		D	1	
17	A50U842000	Roller		C	1	
18	A50U842300Old	Support Plate /1		D	1	
18	A50U842301	Support Plate /1		D	1	
19	A50U845400	Mounting Plate /3		D	3	
20	A50U847200	Mounting Plate /A		D	1	
21	A50U850201	Mounting Plate /F		D	1	
22	A50U859900	Belt /2 177L		C	1	
23	A50UF84800	Mounting Plate /2 Caulking		D	1	
24	A50UN16300	ADU Relay harness /1		D	1	
25	A50UN16400	ADU Drive harness /5		D	1	



Key	Part No.	Description	Destinations	Class	QTY	Standard parts
1	466076020	Paper Feed Feeding Bearing		B	2	a-V118030403
2	4131253701	BUSHING		C	2	b-V118030603
3	4470402401	Stopper		D	1	c-V121030403
4	9335140071	Solid State Switch		B	1	d-V127030604
5	A03U844200	Mounting Plate /Left		D	1	e-V151030803
6	A03U844300	Mounting Plate /Right		D	1	f-V217040003
7	A03U844700	Lock Claw		C	2	g-V217060003
8	A03U844802	Open/close Plate		D	1	h-V234301250
9	A03U844901	Open/close Lever		C	1	j-V500010057
10	A03UF84300	Mounting Plate /1 Caulking		D	1	k-V500020098
11	A50U840400	Mounting Plate		D	1	m-V570010056
12	A50U841301	Guide Plate /G		D	1	
13	A50U841700	Guide Plate /L		D	1	
14	A50U841800	Guide Plate /M		D	1	
15	A50U842900	Conveyance Spring /5		D	4	
16	A50U843601	Support Plate		D	1	
17	A50U843801	Support Plate /Right rear		D	1	
18	A50U844400	Lock Shaft		D	1	
19	A50U844501	Open/close Spring /1		D	1	
20	A50U844601	Open/close Spring /2		D	1	
21	A50U846000	Idler Shaft /E		D	1	
22	A50U850201	Mounting Plate /F		D	1	
23	A50U853400	Pressure Roller		C	2	
24	A50U854100	Release Plate /8		D	2	
25	A50U856501	Hold Plate		D	2	
26	A50U943901	Release Label /9		D	1	

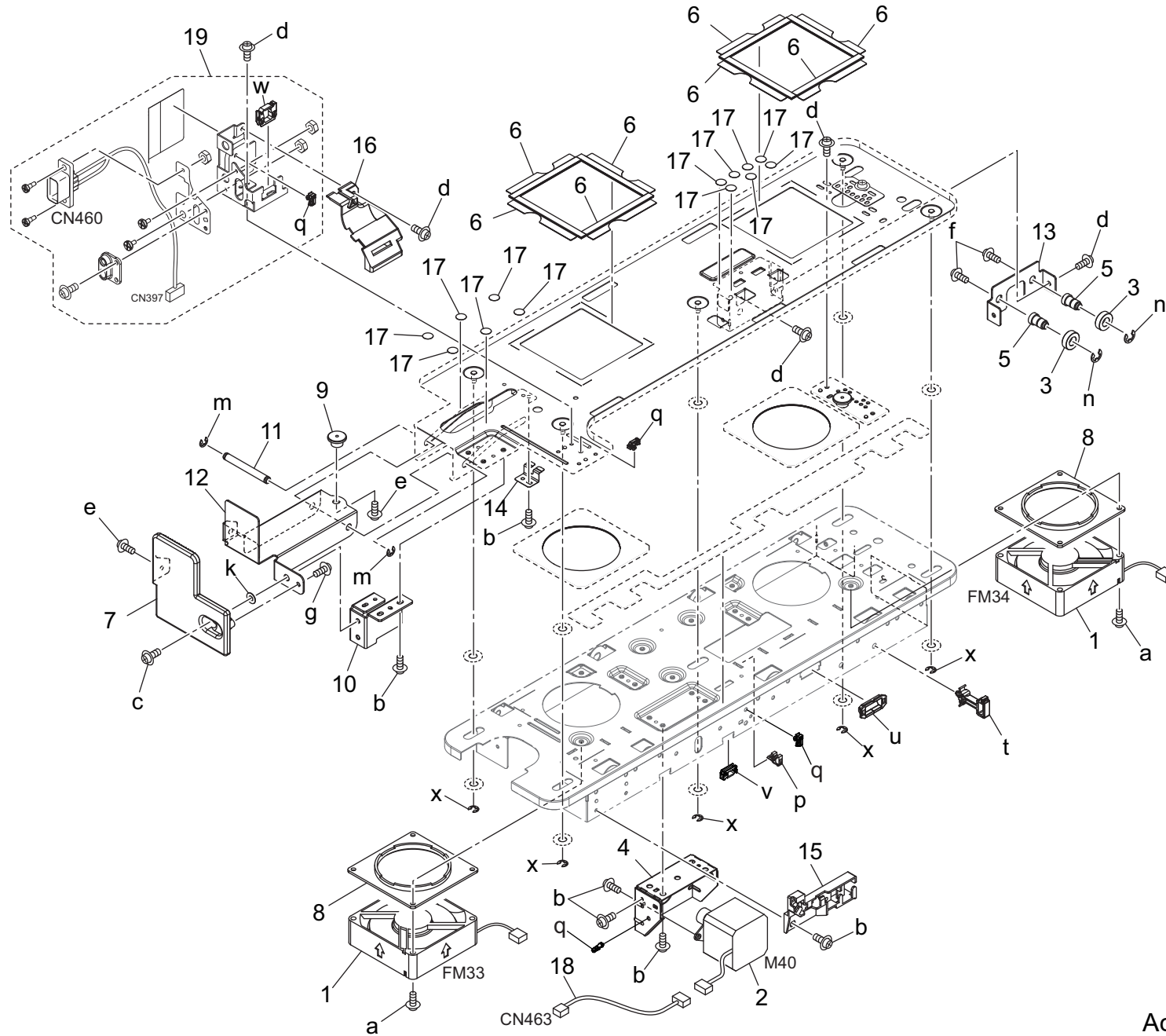
Duplex Swing Section



Duplex Swing Section

Key	Part No.	Description	Destinations	Class	QTY	Standard parts
1	4470402401	Stopper		D	1	a-V116040803 b-V121030403 c-V217060003 d-V234301450
2	A00V240600	Ball Bearing		B	4	
3	A0TK341200	Ball Bearing /Front		C	3	
4	A1RJ825100	Drive Gear /4 34T		C	1	
5	A1RJ825800	Drive Gear /5 14T		C	1	
6	A50U800300	Swing Frame /2		D	1	
7	A50U800400	Drive Gear /3 14/25T		C	1	
8	A50U800700	Drive Gear /6 14/25T		C	3	
9	A50U800800	Drive Gear /7 29T		C	1	
10	A50U801400	Drive Shaft		D	2	
11	A50U801500	Swing Cam		D	1	
12	A50U801602	Fixing Plate /ASSY		D	1	
13	A50U802002	Positioning Shaft /A		D	4	
14	A50U802211	Plate		D	1	
15	A50U804001	Fusing Rail /B		D	4	
16	A50U804200	Fusing Roll		D	4	
17	A50U805300	Mounting Plate /1		D	1	
18	A50UF80500	Swing Frame Caulking		D	1	
19	A50UN17100	ADU Detection harness /7		D	1	
20	A50UR72R00	Swing Rail Caulking		D	4	
21	A85CM55600	Photo Sensor		C	1	
22	AC57805500	Spacer /12		D	3	
23	A85CR71000	Fusing Swing Assy		D	1	

Duplex Swing Section

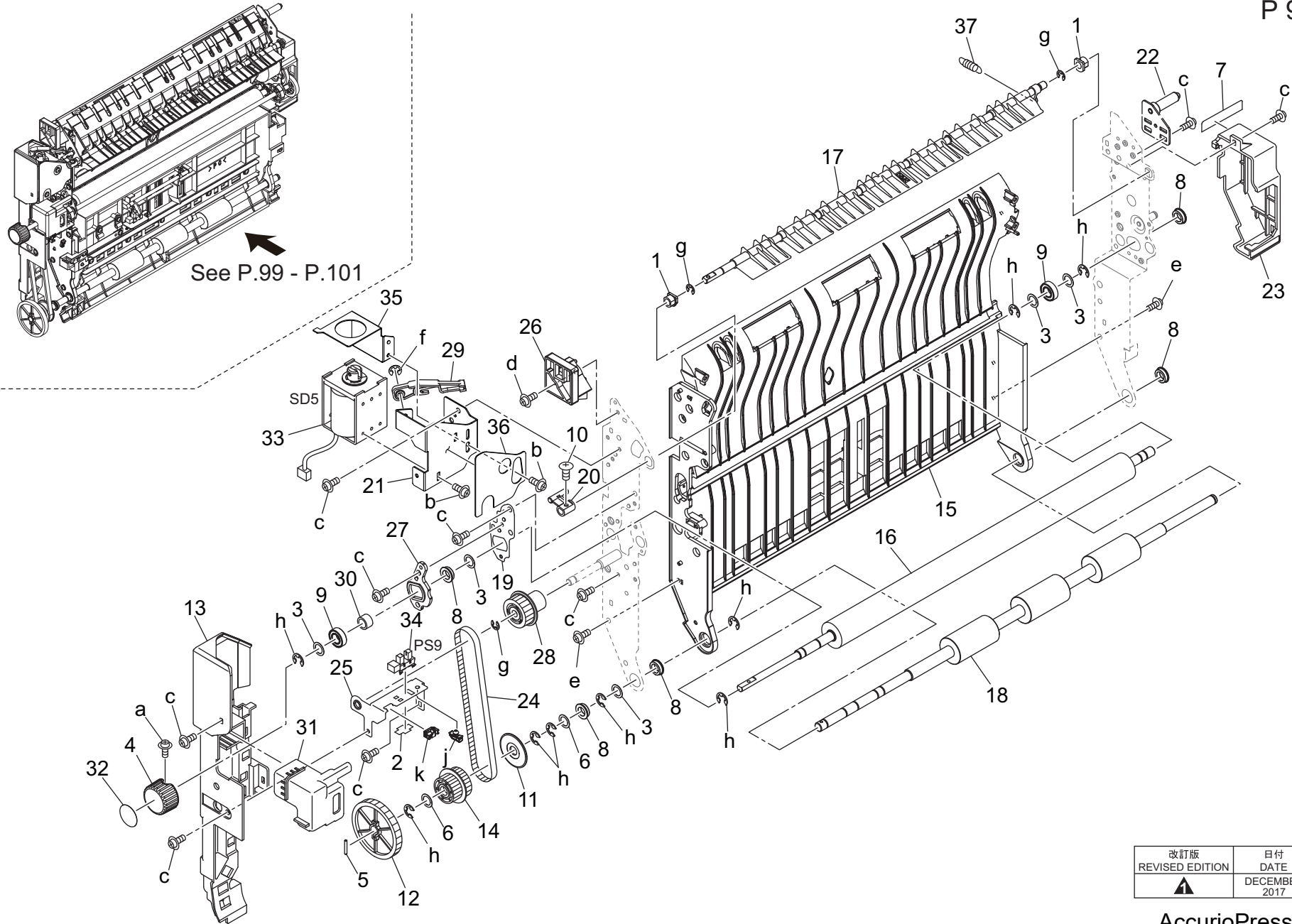


Duplex Swing Section

Key	Part No.	Description	Destinations	Class	QTY	Standard parts
1	4139M10001	Fan motor		B	2	a-V118033003
2	A00TM10000	Stepping motor		B	1	b-V121030403
3	A1RF820000	Ball Bearing		C	2	c-V121041203
4	A50U800100	Support Plate		D	1	d-V127030604
5	A50U802100	Positioning Shaft /B		D	2	e-V127030803
6	A50U802700	Heat blocking Part /B		D	8	f-V127040803
7	A50U802801	Handle		D	1	g-V151030803
8	A50U802900	Spacer		D	2	k-V211040080
9	A50U803101	Guide Pin /Front		D	1	m-V217040003
10	A50U803300	Fusing Rail /A		D	1	n-V217060003
11	A50U803400	Positioning Shaft /1		D	1	p-V500010057
12	A50U803500	Positioning Plate /Front		D	1	q-V500020098
13	A50U803600	Holding Plate		D	1	t-V500020101
14	A50U803700	Ground Plate		D	1	u-V570010037
15	A50U803800	Guide Part		D	1	v-V570010057
16	A50U804701	Wiring Cover		D	1	w-V570010060
17	A50U805200	Protection Seal		D	13	x-V217050003
18	A50UN17700	ADU Drive harness /9		D	1	
19	A9VER71100	Power Supply Guide Assy		D	1	

Reverse Section

P 99



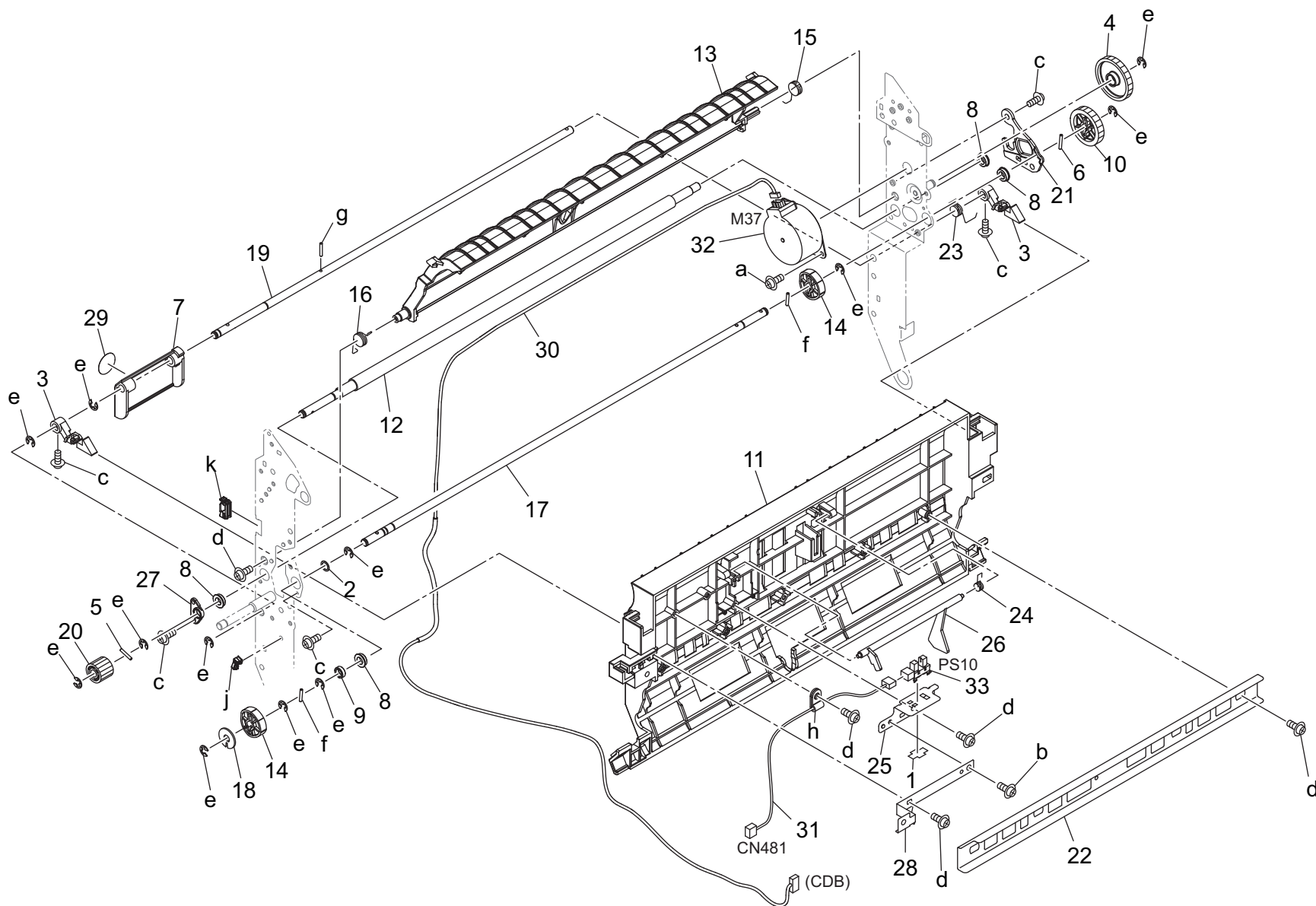
改訂版 REVISED EDITION	日付 DATE
	DECEMBER 2017

AccurioPress C3070

Key	Part No.	Description	Destinations	Class	QTY	Standard parts
1	192141710	PAPER LIFT UP LEVER BUSHING	ペーパー押し上げレバー軸受	B	2	a-V118030603
2	4470402401	Stopper	ストッパー	D	1	b-V121030403
3	13QA40610	Gear Spacer	ギアスペーサー	C	5	c-V127030604
4	14GE45470	Rotation Knob	回転ノブ	C	1	d-V127031203
5	56AA17551	PIN A	ピン A	C	1	e-V151030803
6	56AA42690	By-Pass Spacer	手差しスペーサー	C	2	f-V217030003
7	65AA42370	SLIDE PART 1	滑り部材 1	D	1	g-V217040003
8	A00J617900	Ball Bearing	ボールベアリング	B	5	h-V217060003
9	A1RF820000	Ball Bearing	ボールベアリング	C	2	j-V500020099
10	A50U642300	Mounting Screw	取付ねじ	D	1	k-V570010056
11	A50U817300	Holding Collar	押さえカラー	D	1	
12	A50U819600	Reverse/Exit Gear /2 50 T	反転排紙ギア/2 50 T	C	1	
13	A50U834304	Cover Part /2	カバー材/2	D	1	
14	A50U838800	Drive Idler /1	駆動アイドル/1	D	1	
15	A50U860104Old	Guide Plate /A	ガイド板/A	D	1	
15	A50U860105	Guide Plate /A	ガイド板/A	D	1	
16	A50U860501	Decurler Roller	デカーラーローラー	A	1	
17	A50U861006	Swing Part	揺動部材	D	1	
18	AC57861800	Reverse/Exit Roller /Lower	反転排紙ローラー/下	C	1	
19	A50U865300	Holding Plate	押さえ板	D	1	
20	A50U865703	Swing Arm	揺動アーム	D	1	
21	A50U865901Old	Support Plate	支持板	D	1	
21	A50U865902	Support Plate	支持板	D	1	
22	A50U866400	Positioning Plate /2	位置決め板/2	D	1	
23	A50U866900	Drive Cover /1	駆動カバー/1	D	1	
24	A50U867200	Belt /A 324 L	ベルト/A 324 L	C	1	
25	A50U867312	Fixing Plate /1	固定板/1	D	1	
26	A50U867400	Positioning Part	位置決め部材	D	1	
27	A50U867500	Fixing Plate /1	固定板/1	D	1	
28	A50U867600	Reverse/Exit Gear /1 20 T	反転排紙ギア/1 20 T	C	1	
29	A50U867802	Positioning Plate /1	位置決め板/1	D	1	
30	A50U869400	Collar	カラー	D	1	
31	A50U869501	Cover	カバー	D	1	
32	A50U943801	Release Label /8	解除ラベル/8	D	1	
33	A50UR72811	ADU Solenoid Pin Assy	ADU ソレノイドピン Assy	C	1	
34	A85CM55500	Photo Sensor	フォトセンサ	C	1	
35	A9VE866100	Receiving Plate /1	受け板/1	D	1	
36	A9VE866200Old	Insulating Sheet /1	断熱シート/1	D	1	
36	A9VE866201	Insulating Sheet /1	断熱シート/1	D	1	
37	A9VE867900	Open/close Spring	開閉ばね	D	1	

Reverse Section

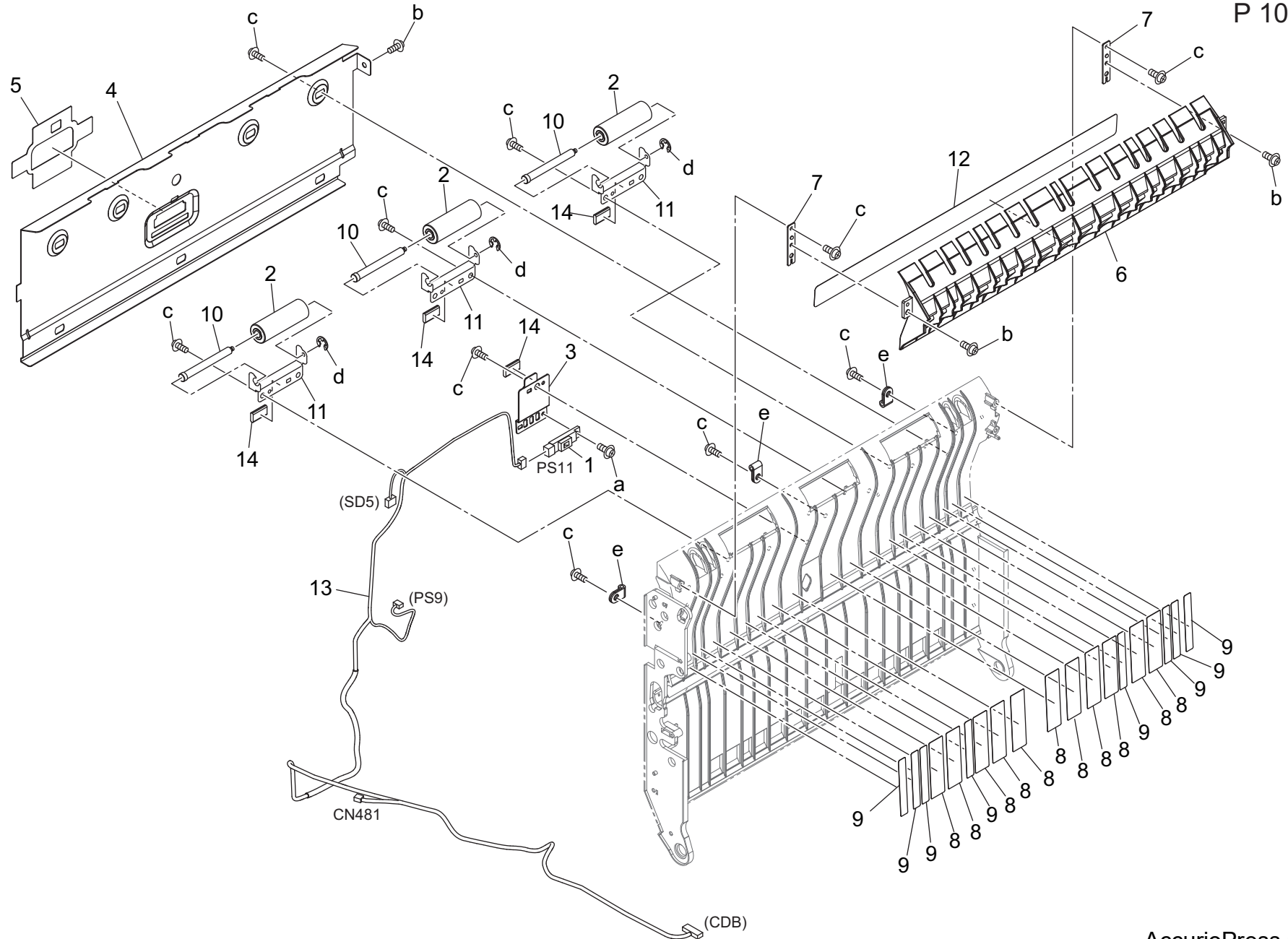
P 100




Key	Part No.	Description	Destinations	Class	QTY	Standard parts
1	4470402401	Stopper		D	1	a-V118030403
2	40AA32320	Toner Supply Spacer		C	1	b-V127030603
3	40AA46261	Lock Claw /F		B	2	c-V127030604
4	40AA77550	Mirror Drive Gear /2 14/70T		C	1	d-V151030803
5	56AA17321	PIN A D2X12		B	1	e-V217040003
6	56AA17551	PIN A		C	1	f-V234201250
7	65AA49410	Paper Exit Handle		C	1	g-V500020002
8	A00J617800	Ball Bearing		B	4	j-V500020099
9	A1RF863800	Collar		D	1	k-V570010057
10	A1RJ818800	Drive Gear /8 29T		C	1	
11	A50U860202	Guide Plate /B		D	1	
12	A50U860600	Riverse/exit Shaft		D	1	
13	A50U861100	Guide Plate /4		D	1	
14	A50U861601	Positioning Cam		D	2	
15	A50U864200	Reverse/Exit Spring /Rear		D	1	
16	A50U864300	Reverse/Exit Spring /Front		D	1	
17	A50U865101	Pressing Shaft		D	1	
18	A50U865401	Positioning		D	1	
19	A50U865601	Lock Shaft /A		D	1	
20	A50U867100	Reverse/Exit Gear /A 20T		C	1	
21	A50U867700	Fixing Plate /2		D	1	
22	A50U868000	Reinforce Plate /A		D	1	
23	A50U868401	Open/close Spring /1		D	1	
24	A50U868702	Spring /1		D	1	
25	A50U869300	Mounting Stay		D	1	
26	A50U869601	Arm /1		D	1	
27	A50U869700	Fixing Collar /1		D	1	
28	A50U869800	Ground Plate /1		D	1	
29	A50U943601	Release Label /6		D	1	
30	A50UN17601	ADU Drive harness /8		D	1	
31	A50UN18401	ADU Detection harness /12		D	1	
32	A50UR72722	Drive Motor / 1 Assy		C	1	
33	A85CM55600	Photo Sensor		C	1	

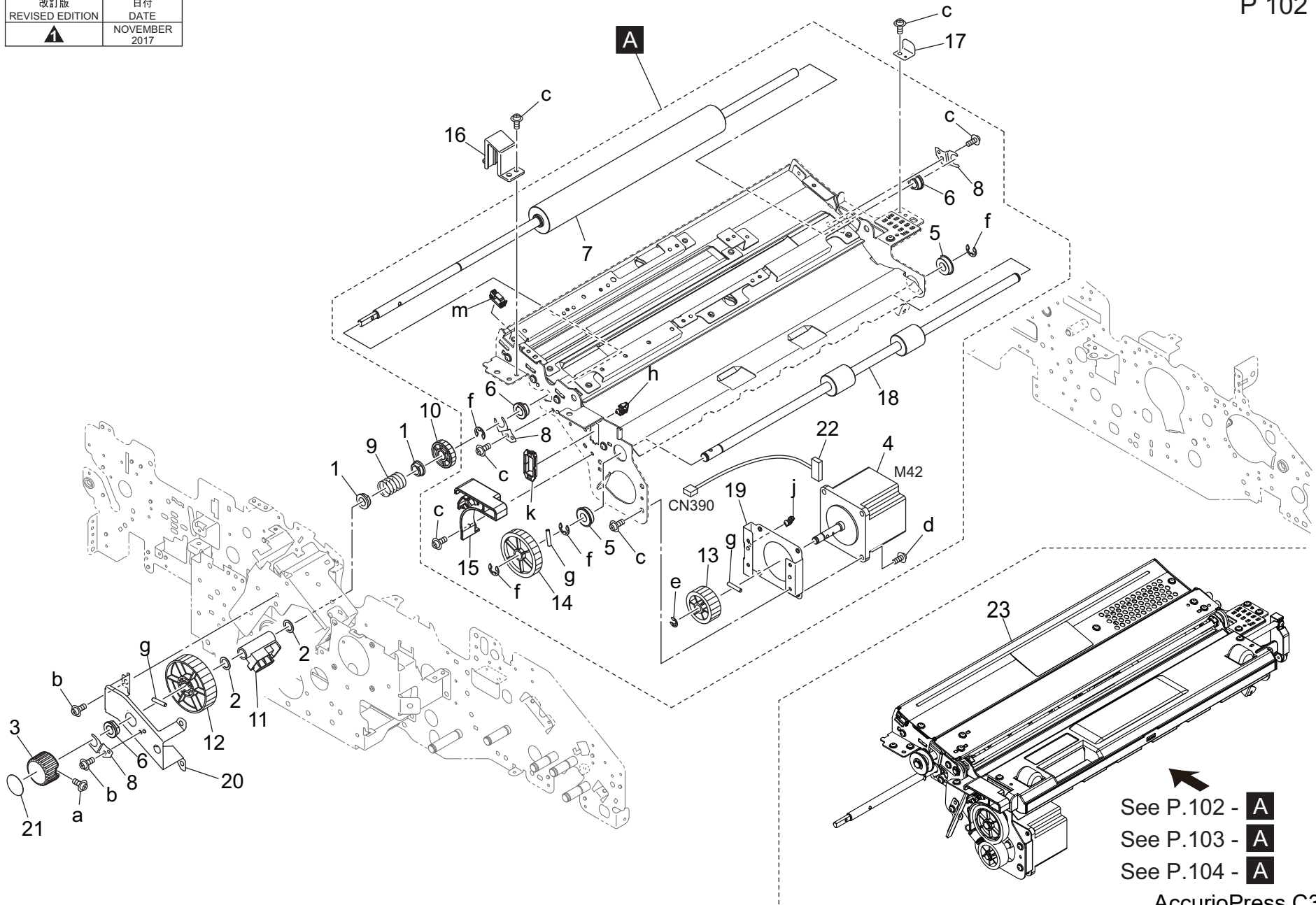
Reverse Section

P 101



Resist Section

改訂版 REVISED EDITION	日付 DATE
	NOVEMBER 2017

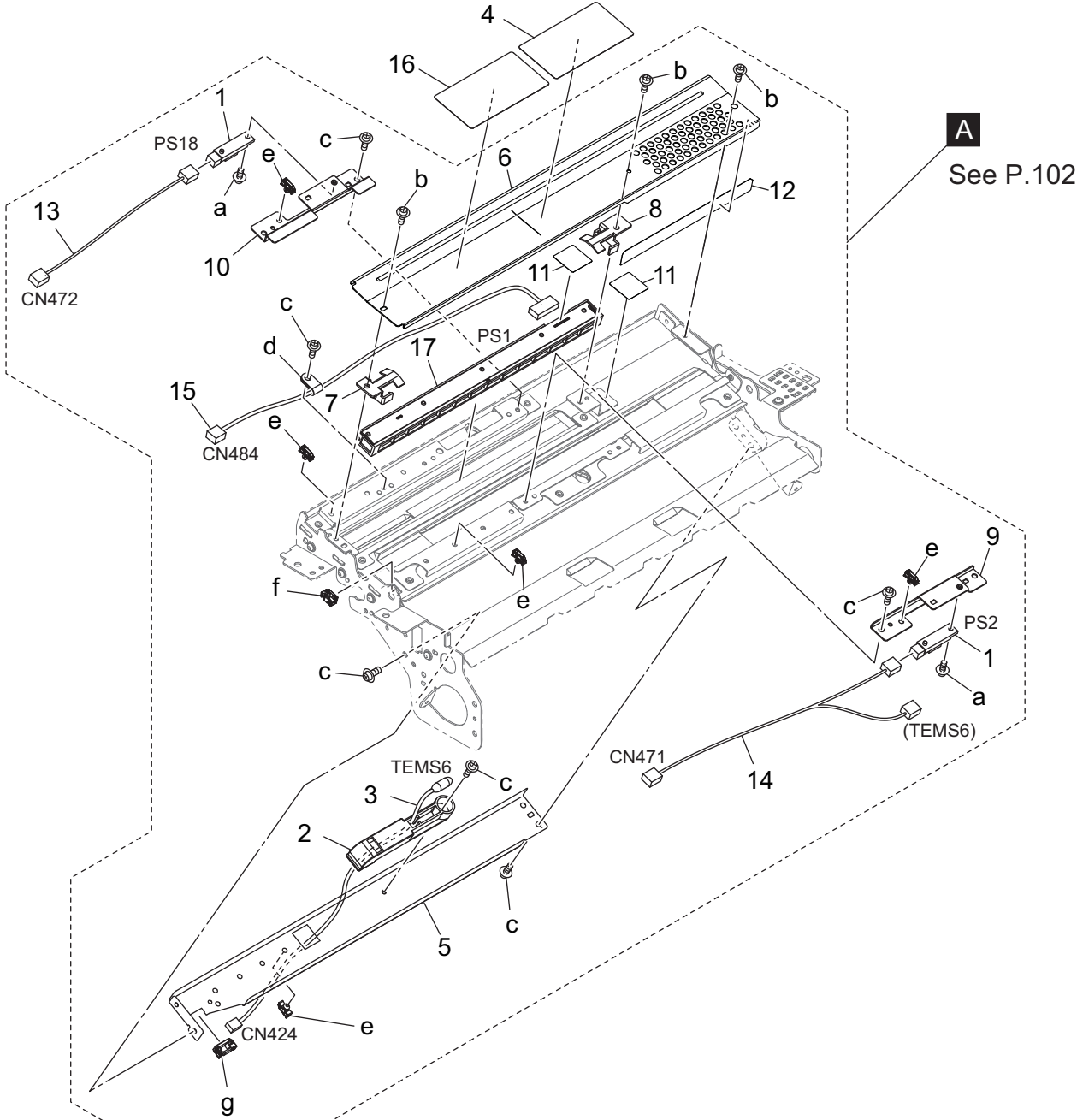


See P.102 - **A**
 See P.103 - **A**
 See P.104 - **A**

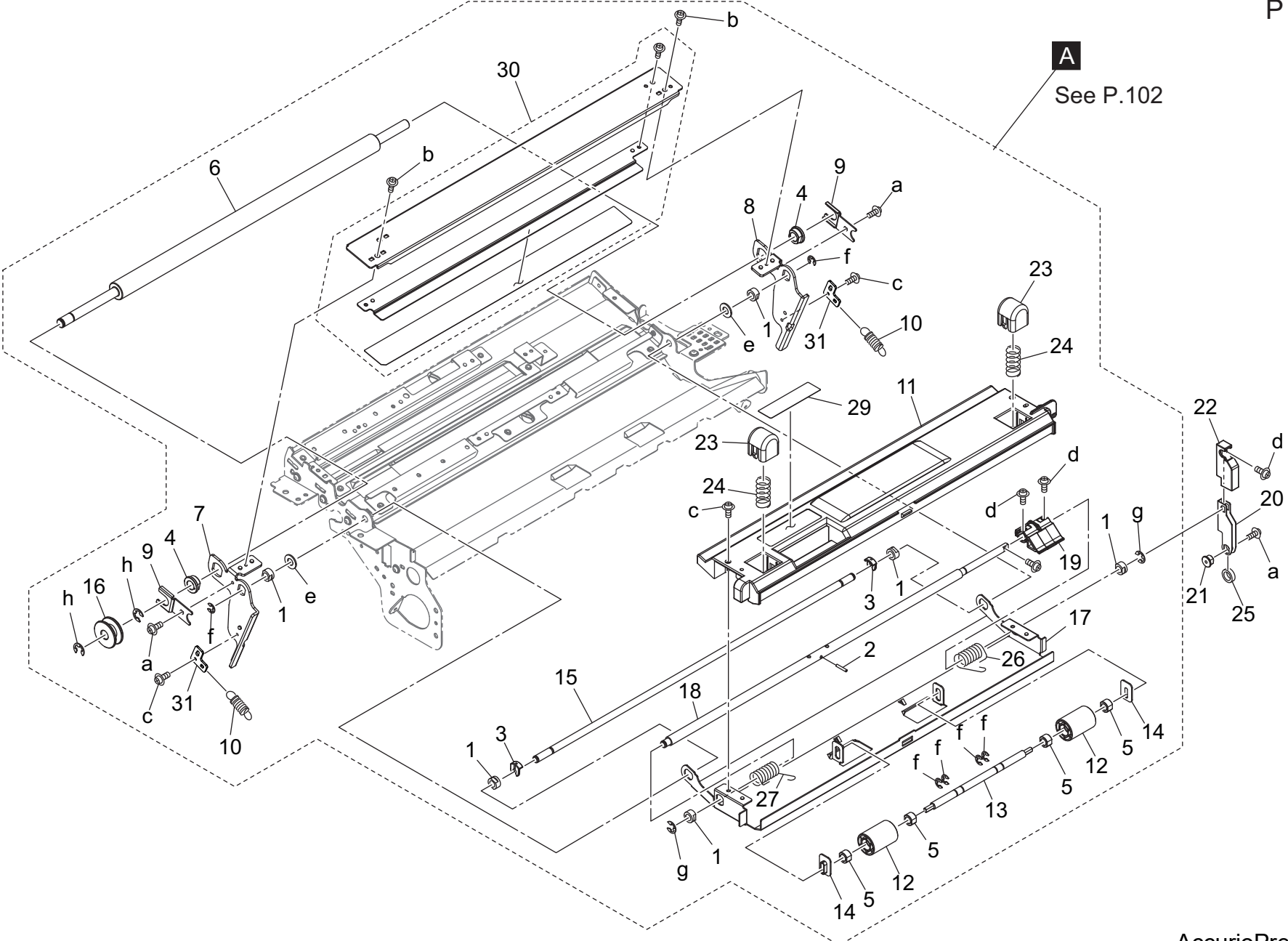
AccurioPress C3070

Key	Part No.	Description	Destinations	Class	QTY	Standard parts
1	4131353202	BUSHING		C	2	a-V118030603
2	12QV40650	Spacer		B	2	b-V121030403
3	14GE45470	Rotation Knob		C	1	c-V127030604
4	65AA80112	HB Motor /50		B	1	d-V121030803
5	A00V240600	Ball Bearing		B	2	e-V217040003
6	A03U812800	Slide Shaft Holder		B	3	f-V217060003
7	A50U710101	Registration Roller		B	1	g-V234301650
8	A50U711101	Holding Plate /1		D	3	h-V500020098
9	A50U711400	Swing Spring		D	1	j-V500020099
10	A50U713000	Roll /1		D	1	k-V570010037
11	A50U713200	Light blocking Rack		D	1	m-V570010057
12	A50U713600	Swing Gear /2 104T		C	1	
13	A50U714300	Drive Gear /1 28T		C	1	
14	A50U714400	Conveyance Gear /1 40T		C	1	
15	A50U715900	Wiring Cover /1		D	1	
16	A50U716200	Wiring Cover /2		D	1	
17	A50U717901	Adjusting Jig /ASSY		D	1	
18	AC57719200	Roller		C	1	
19	A50U719800	Drive Side plate		D	1	
20	A50U882401	Registration Side plate /Front		D	1	
21	A50U943401	Release Label /4		D	1	
22	A50UN15800	ADU Drive harness /2		D	1	
23	A9VER71000	Registration Assy		S	1	

Resist Section



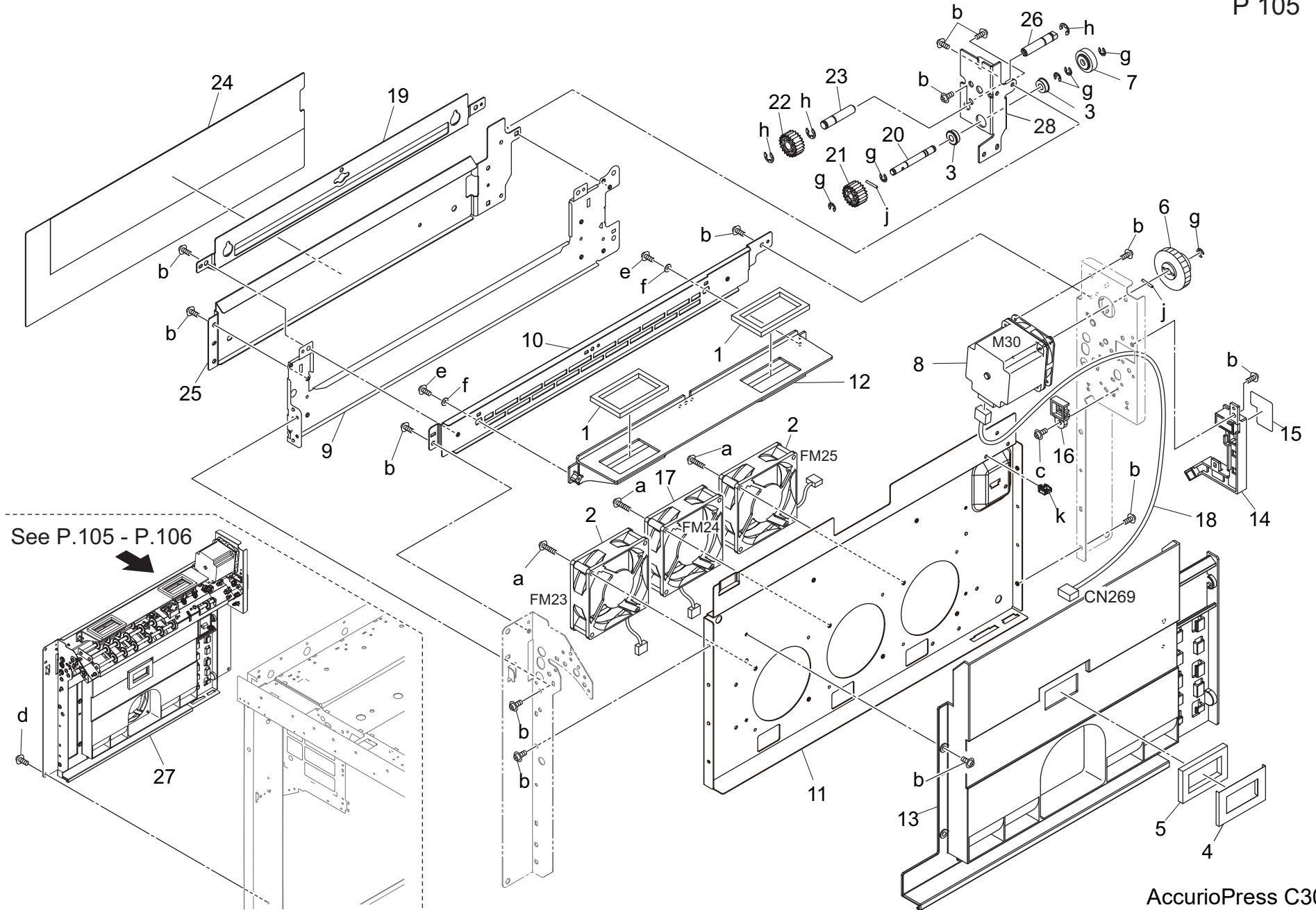
Resist Section



Key	Part No.	Description	Destinations	Class	QTY	Standard parts
1	4131253701	BUSHING		C	6	a-V121030403
2	56AA17321	PIN A D2X12		B	1	b-V127030603
3	56AA40490	Shaft Stopper /4		C	2	c-V127030604
4	A03U812800	Slide Shaft Holder		B	2	d-V127030803
5	A03U850101	Slide Bushing		C	4	e-V207060003
6	A50U710300	Idler Roller		D	1	f-V217040003
7	A50U710901	Pressure Lever /1		D	1	g-V217050003
8	A50U711001	Pressure Lever /2		D	1	h-V217060003
9	A50U711200	Holding Plate /2		D	2	
10	A50U711300	Pressure Spring		D	2	
11	A50U711602	Open/close Holder		D	1	
12	A50U712200	Idler Roll /1		D	2	
13	A50U712300	Idler Shaft /1		D	1	
14	A50U712400	Receiving Shaft /1		D	2	
15	A50U712700	Pressure Shaft /1		D	1	
16	A50U713100	Roll /2		D	1	
17	A50U714201	Open/close Guide		D	1	
18	A50U714500	Release Shaft		D	1	
19	A50U714601	Lever		D	1	
20	A50U715300	Pressure Lever /25		D	1	
21	A50U715600	Support Shaft /2		D	1	
22	A50U715800	Protection Cover		D	1	
23	A50U716301	Pressing Block		D	2	
24	A50U716400	Compressing Coil spring		D	2	
25	A50U716500	Ball Bearing		C	1	
26	A50U718400	Pressing Spring /Rear		D	1	
27	A50U718500	Pressing Spring /Front		D	1	
29	A50U943301	Release Label /3		D	1	
30	A50UR70D01	Registration Cleaning Sheet Assy		B	1	
31	A9VE715700	Pulling Plate /1		D	2	

Exit Section

P 105

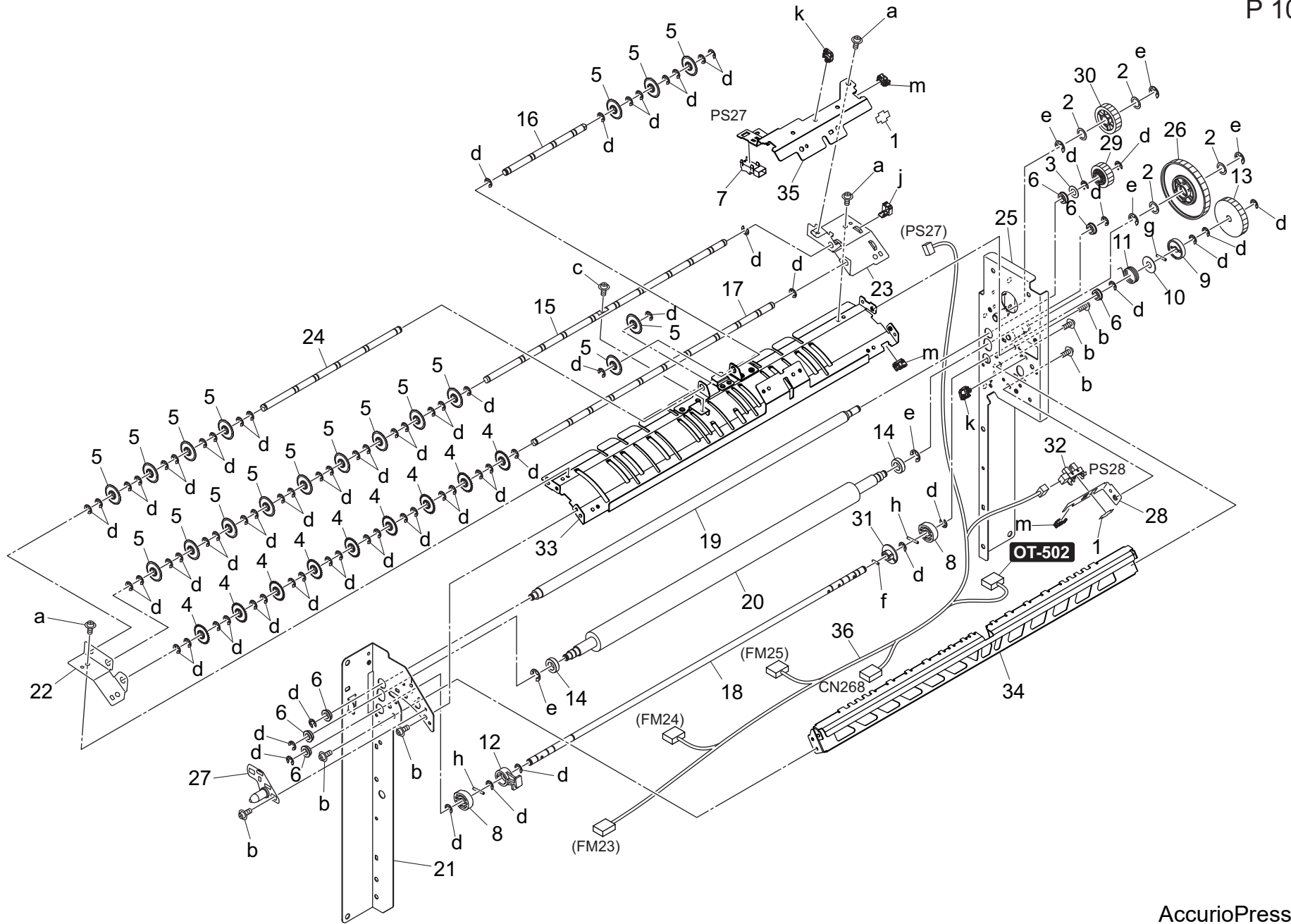


AccurioPress C3070

Key	Part No.	Description	Destinations	Class	QTY	Standard parts
1	65LA48530	DUCT SEAL 1		D	2	a-V118033003
2	9J03M10000	FAN MOTOR		B	2	b-V127030604
3	A00J211200	Ball Bearing		C	2	c-V127030803
4	A03U892300	Sheet		C	1	d-V127040603
5	A03U892400	Seal		C	1	e-V145030803
6	A03U909900	Paper exit Gear /1 22/44T		C	1	f-V207030003
7	A043909901	PAPER EXIT GEAR /6 23T		B	1	g-V217040003
8	A1TVM10100	Stepping motor /50		B	1	h-V217060003
9	A50U890500	Reinforce Plate /Left		D	1	j-V234201450
10	A50U891001	Guide Plate /Left		D	1	k-V500020098
11	A50U891201	Paper exit Plate		D	1	
12	A50U892201	Cooling Duct /2		D	1	
13	A50U892502	Paper exit Duct		D	1	
14	A50U893300	Guide Cover /1		D	1	
15	A50U895000	Wiring Sheet		D	1	
16	A50U895101	Positioning Part		D	1	
17	A50UM15300	Fan motor /2		C	1	
18	A50UN15301	Drive harness /2		D	1	
19	A8AK106101	Paper Exit Guide /Upper		C	1	
20	A8AK106200	Drive Shaft		D	1	
21	A8AK106300	Drive Gear /B 20T		C	1	
22	A8AK106400	Drive Gear /C 21T		C	1	
23	A8AK106800	Idling Shaft		D	1	
24	A8AK107200	Thermal insulation Sheet /4		D	1	
25	A8AK162701	Paper exit Guide /Lower		D	1	
26	A8AW161911	Idling Shaft /2		D	1	
27	A9VEF89001	Main Body Paper Exit Unit Assy		D	1	
28	A85C897101	Drive Plate /D		D	1	

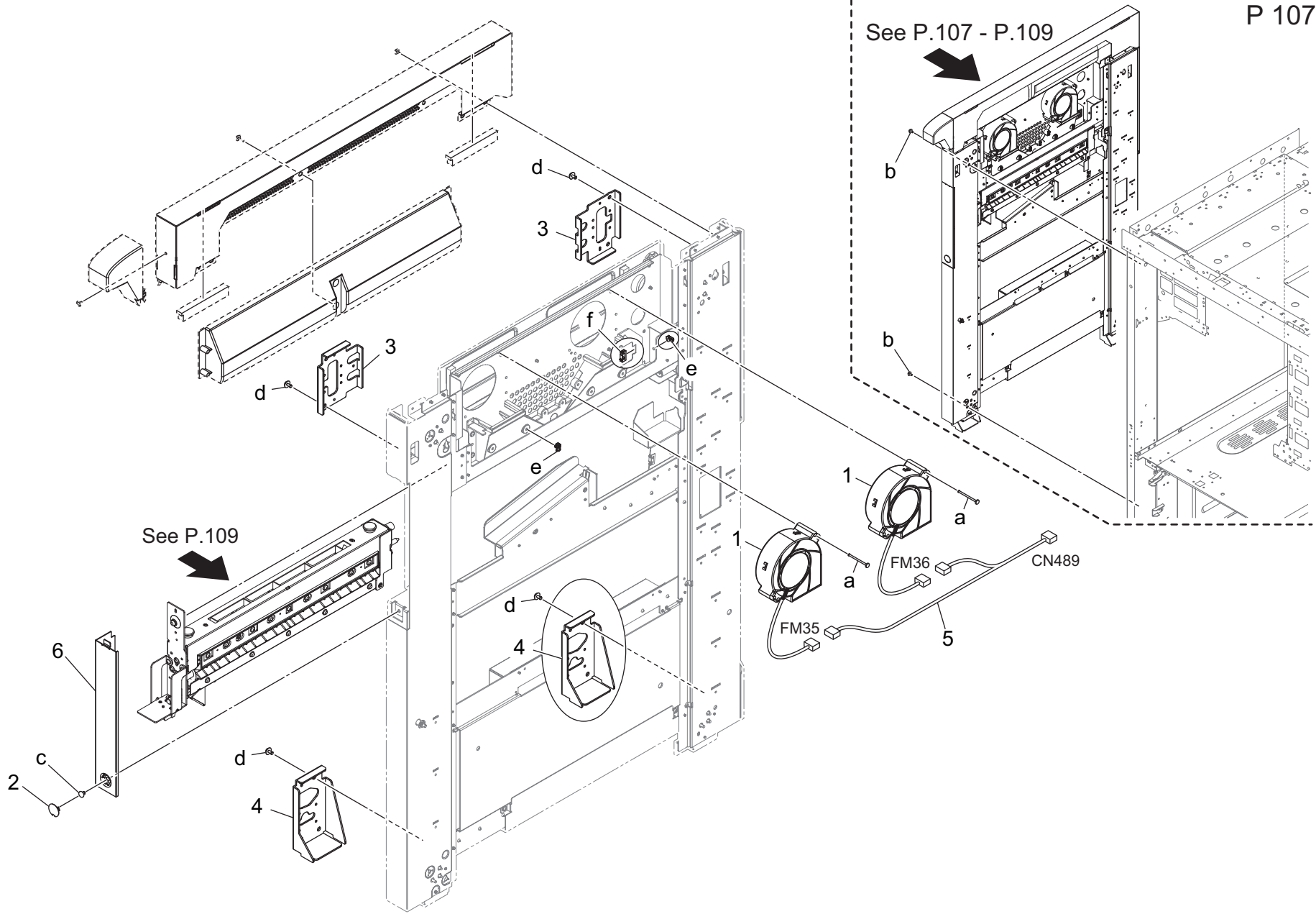
Exit Section

P 106

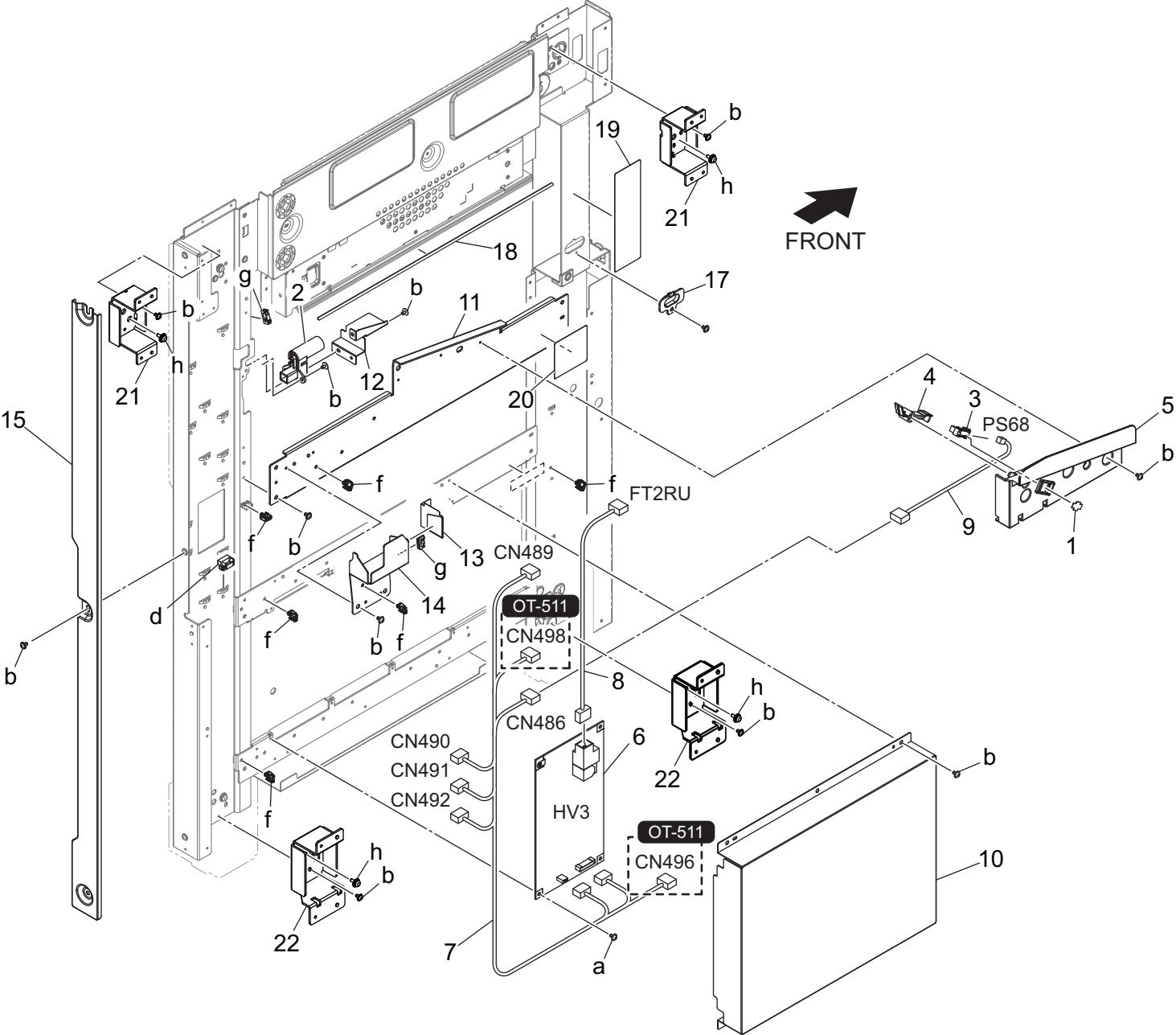


Key	Part No.	Description	Destinations	Class	QTY	Standard parts
1	4470402401	Stopper		D	2	a-V121030303
2	13QA40610	Gear Spacer		C	4	b-V127030604
3	13QA10330	SHAFT SPACER		C	1	c-V127030803
4	65AA48360	Paper Holding Part /1		C	9	d-V217040003
5	65AA48460	PAPER HOLDING PART 2		C	18	e-V217060003
6	A00J617800	Ball Bearing		B	6	f-V234200850
7	A03TM50000	Photoreflector		I	1	g-V234201250
8	A03U892701	Positioning Cam		C	2	h-V234201450
9	A03U893000	Slide Plate		C	1	j-V500010057
10	A03U893101	Spacer /Rear		C	1	k-V500020098
11	A03U893200	Stopper Spring		C	1	m-V570010056
12	A03U893502	Regulating Cam		C	1	
13	A03U909502	PAPER EXIT GEAR /5 40 T		C	1	
14	A1RF517300	bearing		C	2	
15	A50U890102	Fixing Shaft /2		D	1	
16	A50U890201	Fixing Shaft /6		D	1	
17	A50U890300	Fixing Shaft /1		D	1	
18	A50U890600	Regulating Shaft		D	1	
19	A50U890700	Paper exit Shaft		D	1	
20	A50U890802	Paper exit Roller /B		C	1	
21	A50U891302	Paper exit Plate /Front		D	1	
22	A50U891500	Support Side plate /Front		D	1	
23	A50U891600	Support Side plate /Rear		D	1	
24	A50U891900	Fixing Shaft /5		D	1	
25	A50U892001	Paper exit Plate /Rear		D	1	
26	A50U892101	Idling Gear /1 68T		C	1	
27	A50U893201	Adjusting Plate /1		D	1	
28	A50U894000	Plate /Rear		D	1	
29	A50U899700	Paper exit Gear /3 23T		B	1	
30	A50U899801	Paper exit Gear /2 29T		C	1	
31	A85C895500	Positioning Roll		D	1	
32	A85CM55500	Photo Sensor		C	1	
33	A9VE890400	Guide Plate /Upper		D	1	
34	A9VE890900	Guide Plate /Lower		D	1	
35	A9VE892800	Support Plate /A		D	1	
36	A9VEN15200	Drive Wiring /3		D	1	

Charge Control Section

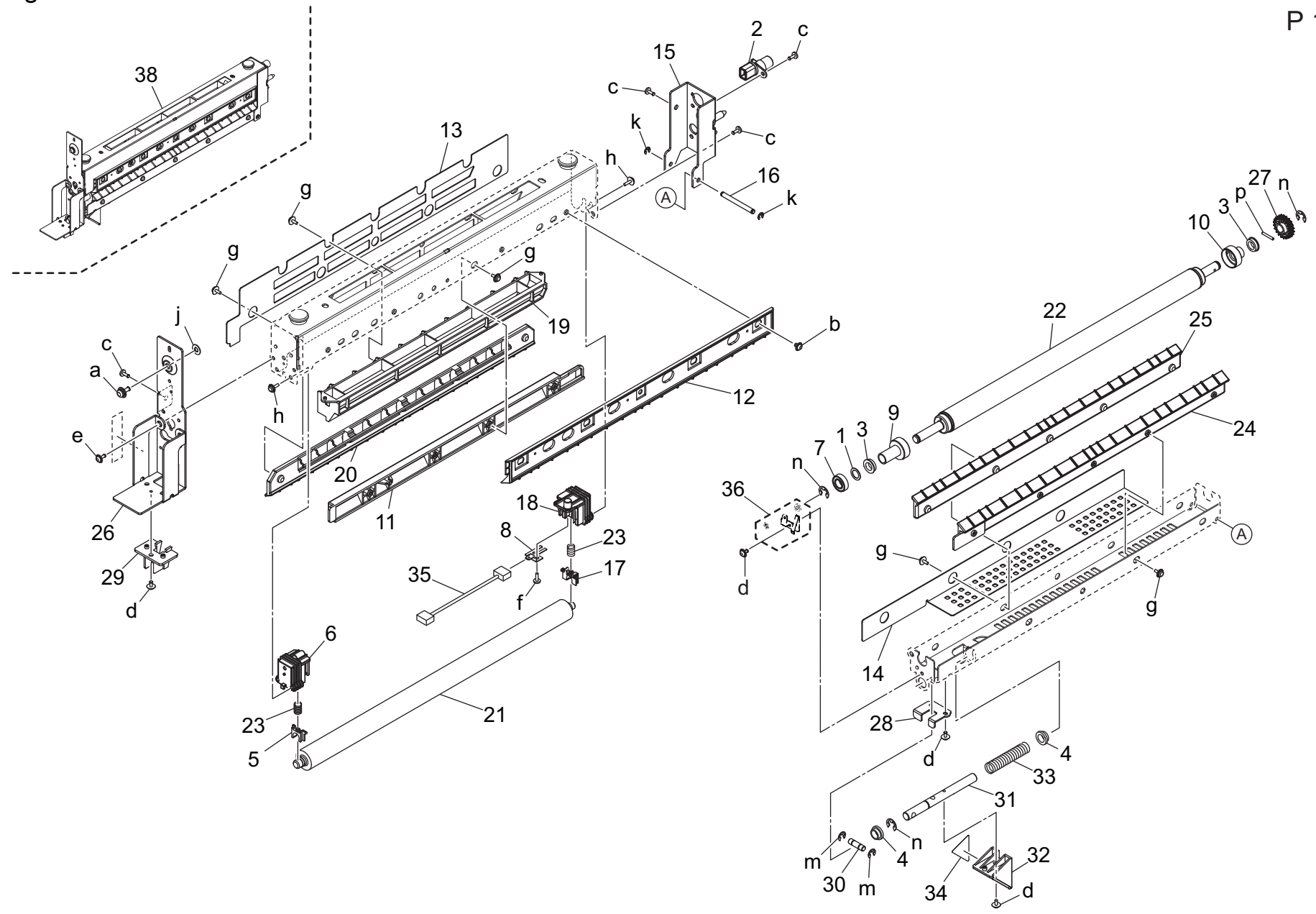


Charge Control Section



Key	Part No.	Description	Destinations	Class	QTY	Standard parts
1	4470402401	Stopper		D	1	a-V127030603 b-V127030604 d-V500010021 f-V500020098 g-V570010046 h-V125041001
2	65AAR72700	Powering Block /1 Assy		C	1	
3	A50UM51000	Photointerrupter		C	1	
4	A85C897400	Sensor Actuator /1		D	1	
5	A85C897900	Sensor Cover /1		D	1	
6	A85CM40100	HV Board /3		I	1	
7	A85CN21300	Relay Wiring /3		D	1	
8	A85CN21400	HV Wiring /20		D	1	
9	A85CN21700	Relay Wiring /7		D	1	
10	A8AK101201	Protection Cover		D	1	
11	A8AK101503	Stay /Middle		D	1	
12	A8AK101700	Protection Plate /1		D	1	
13	A8AK107100	Protection Cover /2		D	1	
14	A8AW106900	Drive Cover		D	1	
15	A8AW160401	Cover /Rear		C	1	
17	A8AW162500	Lock Guide		D	1	
18	A8AW162600	Thermal insulation Sheet /1		D	1	
19	A8AW941002	Processing Label		C	1	
20	A9VE942102	Caution Label		D	1	
21	A85C896501	Connecting Plate /1		D	2	
22	A85C896600Old	Connecting Plate /3		D	2	
22	A85C896601	Connecting Plate /3		D	2	

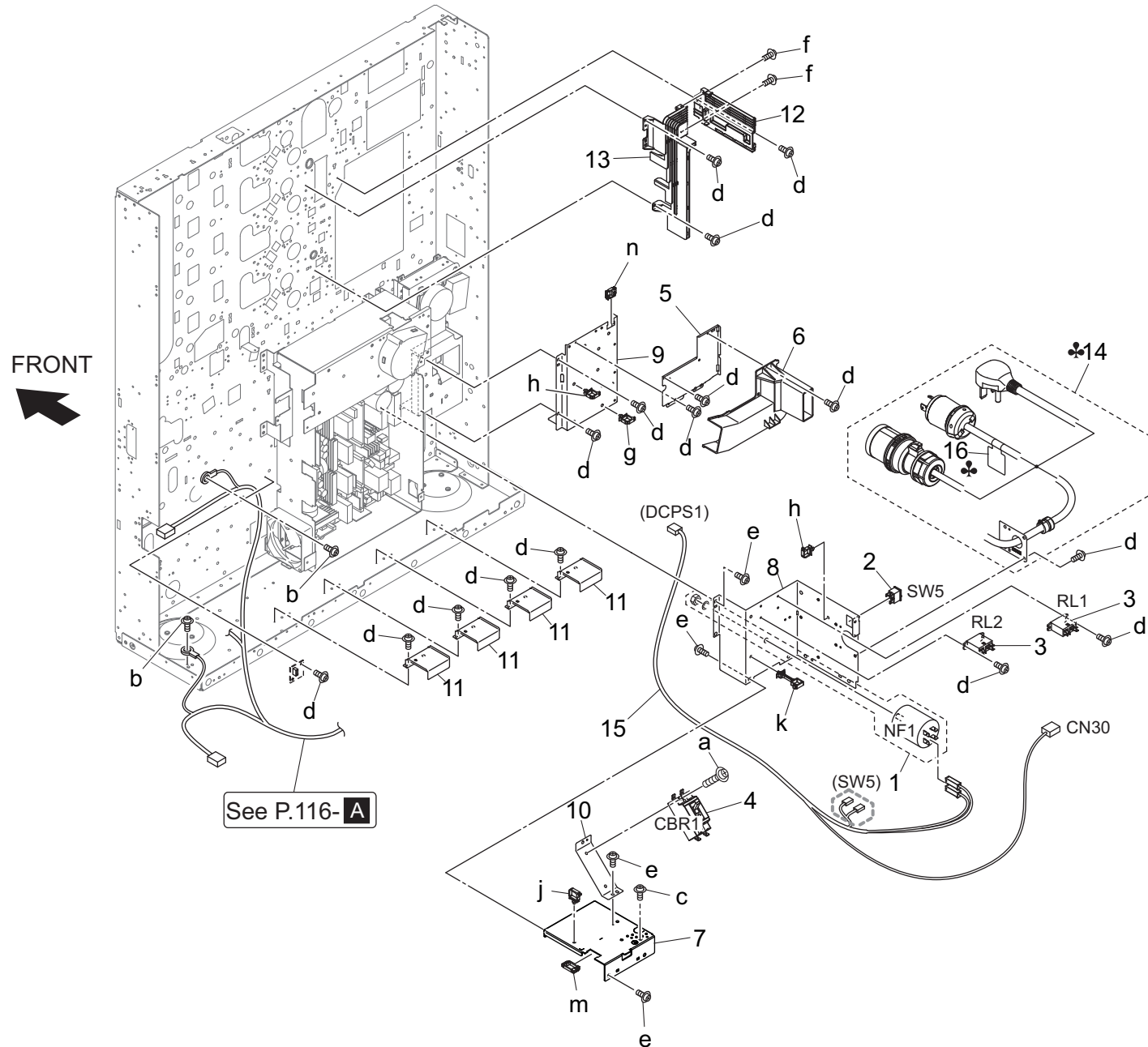
Charge Control Section



Key	Part No.	Description	Destinations	Class	QTY	Standard parts
1	12QV40650	Spacer		B	1	a-V116041003
2	65AAR74600	Powering Block /A Assy	給電ブロック / A 部組	C	1	b-V121030403
3	A07R813801	Roller Bearing /A	ころがり軸受 / A	C	2	c-V126030803
4	A0G6739300	Operation Bushing /Front	操作軸受 / 前	C	2	d-V127030604
5	A1RF508900	Transfer Powering Bearing	転写給電軸受	B	1	e-V127030803
6	A1RF509000	Power supply Block /C	給電ブロック / C	D	1	f-V149030803
7	A1RF820000	Ball Bearing	ボールベアリング	C	1	g-V153030604
8	A5AW510400	Transfer Powering Plate /Front	転写給電板 / 前	D	1	h-V153030803
9	A85C895300	Insulating Collar /Front	絶縁カラー / 前	D	1	j-V211040080
10	A85C895400	Insulating Collar /Rear	絶縁カラー / 奥	D	1	k-V217030003
11	A85C895800	Cover Guide	カバーガイド	D	1	m-V217040003
12	A85C895900	Conveyance Guide /1	搬送ガイド / 1	D	1	n-V217060003
13	A85C896300Old	Thermal insulation Sheet /1	防熱シート / 1	D	1	p-V234201450
13	A85C896301	Thermal insulation Sheet /1	防熱シート / 1	D	1	
14	A85C896400	Thermal insulation Sheet /3	防熱シート / 3	D	1	
15	A85C896800	Fixing Plate	固定板	D	1	
16	A85C896900	Support Shaft	支点軸	D	1	
17	A85C897201	Charging Roller Bushing /Fr	帯電ローラー軸受 / F r	B	1	
18	A85C897300	High voltage Powering Block /C	高圧給電ブロック / C	D	1	
19	A85C897700	Insulating Duct /Middle	断熱ダクト / 中	D	1	
20	A85C897800	Conveyance Guide /2	搬送ガイド / 2	D	1	
21	AC57899000	Charging Roller /Up	帯電ローラー / U p	A	1	
22	A85C899100	Neutralizing Roller /Lower	除電ローラー / 下	D	1	
23	A8AK103200	Power supply Spring	給電ばね	C	2	
24	A8AK103502	Conveyance Guide /1	搬送ガイド / 1	D	1	
25	A8AK103601	Conveyance Guide /2	搬送ガイド / 2	D	1	
26	A8AK103702	Mounting Plate /Front	取付板 / 前	D	1	
27	A8AK104100	Drive Gear 20T	駆動ギア 20 T	C	1	
28	A8AK108001	Holding Plate	押さえ板	D	1	
29	A8AK108100	Guide Block	ガイド ブロック	D	1	
30	A8AK108200	Guide Shaft	ガイド軸	D	1	
31	A8AK108302	Positioning Shaft	位置決め軸	D	1	
32	A8AK108400	Lock Handle	ロック取手	C	1	
33	A8AK108500	Lock Spring	ロックばね	D	1	
34	A8AK941301	Processing Label /1	処理ラベル / 1	C	1	
35	A8AKN10501	HV Wiring /2	高圧束線 / 2	D	1	
36	A8AKR70511	Lower Roller Contact Assy	下ローラー接点 A s s y	C	1	
38	A92WR70T00	Charging Roller Assy	帯電ローラー A s s y	D	1	

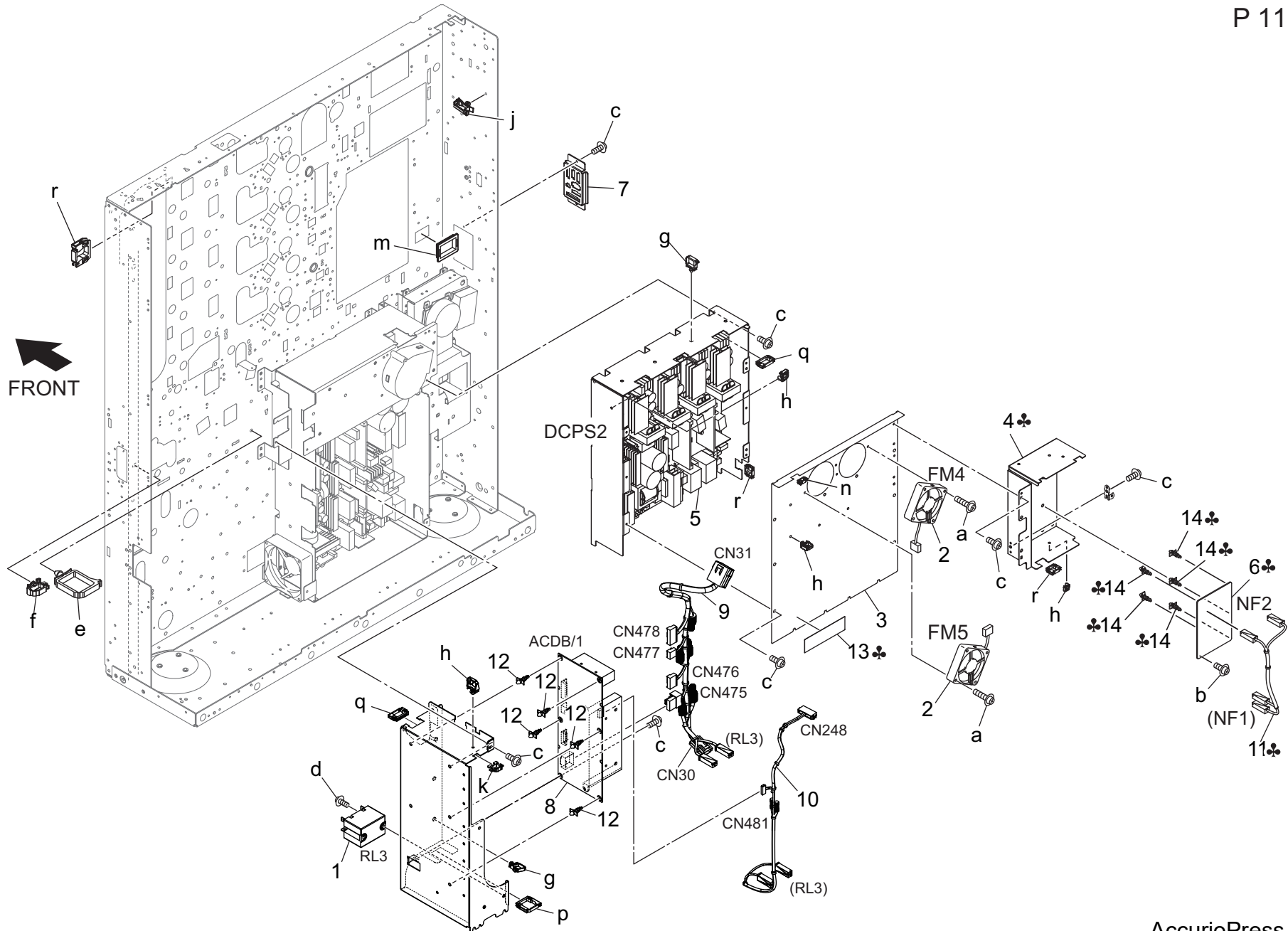
Rear Electrical Section

P 110

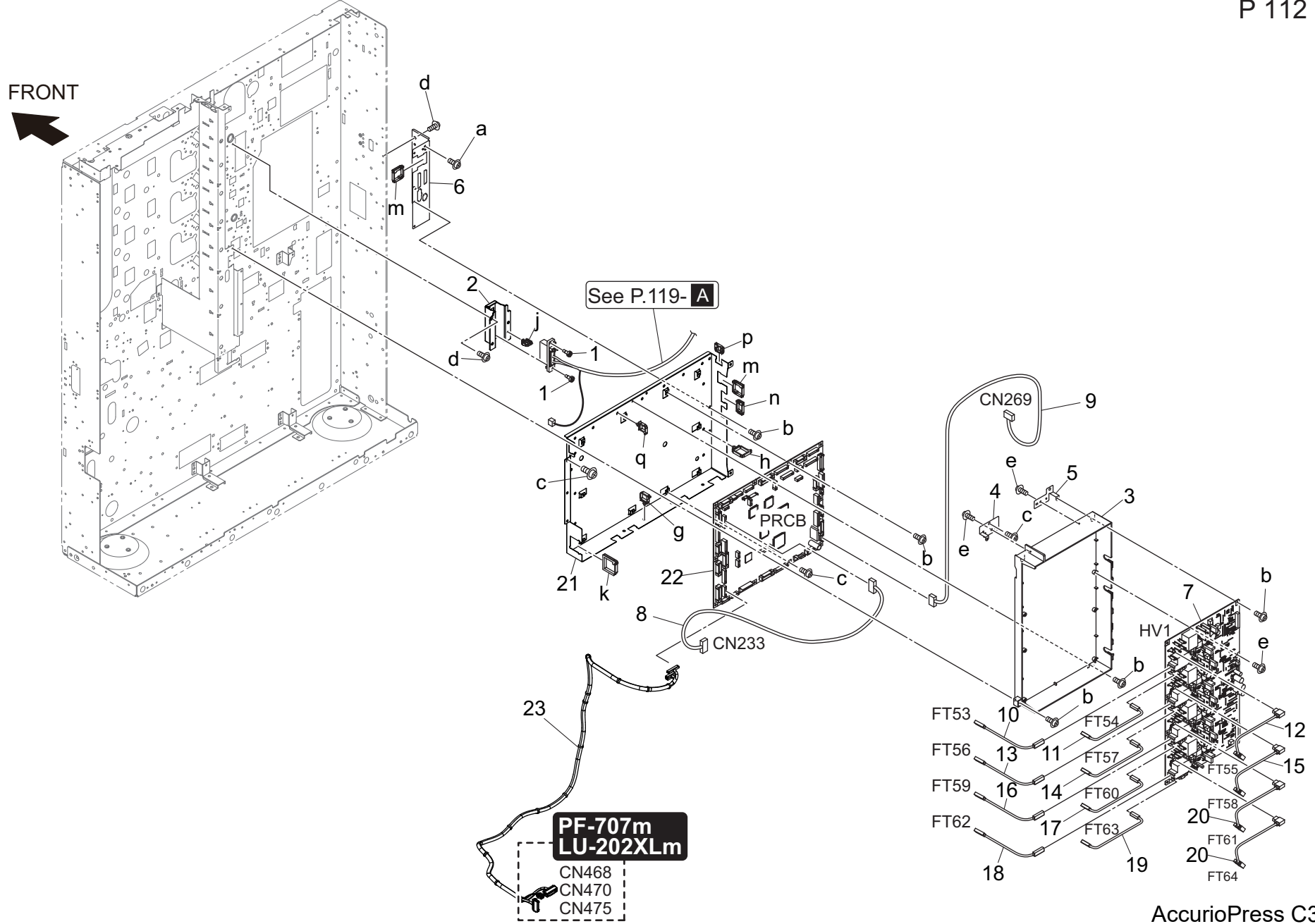


See P.116- A

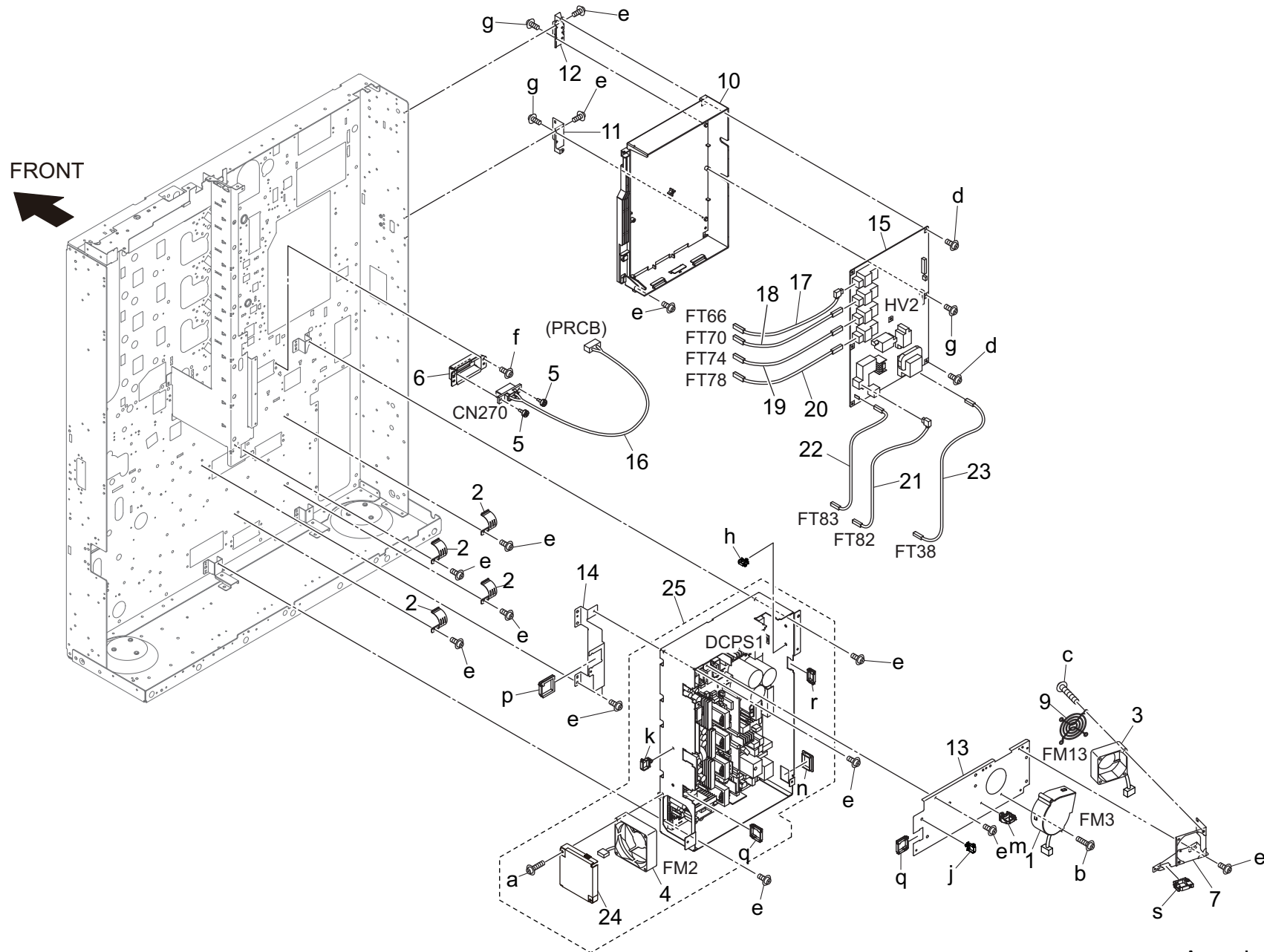
Rear Electrical Section



Rear Electrical Section

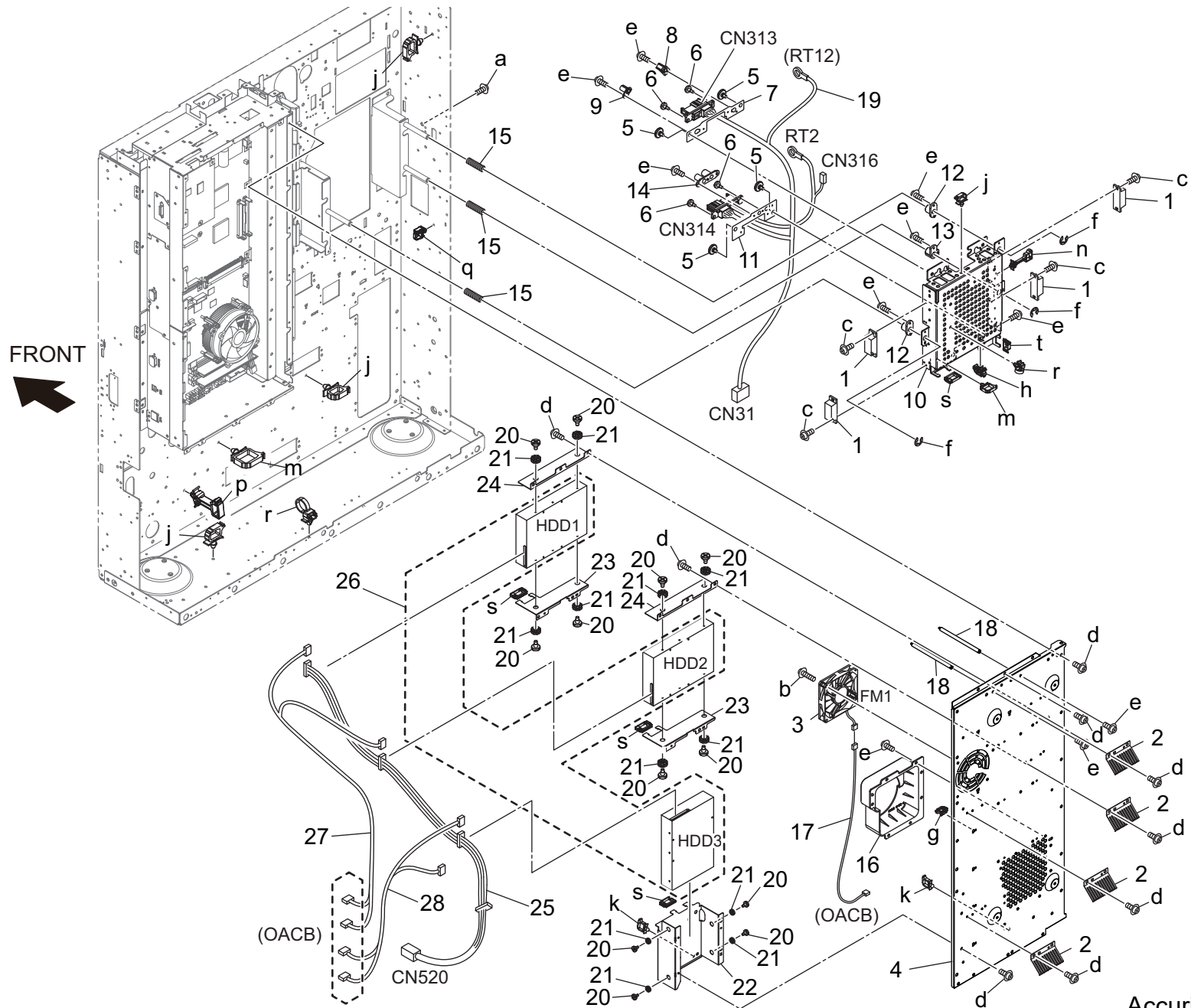


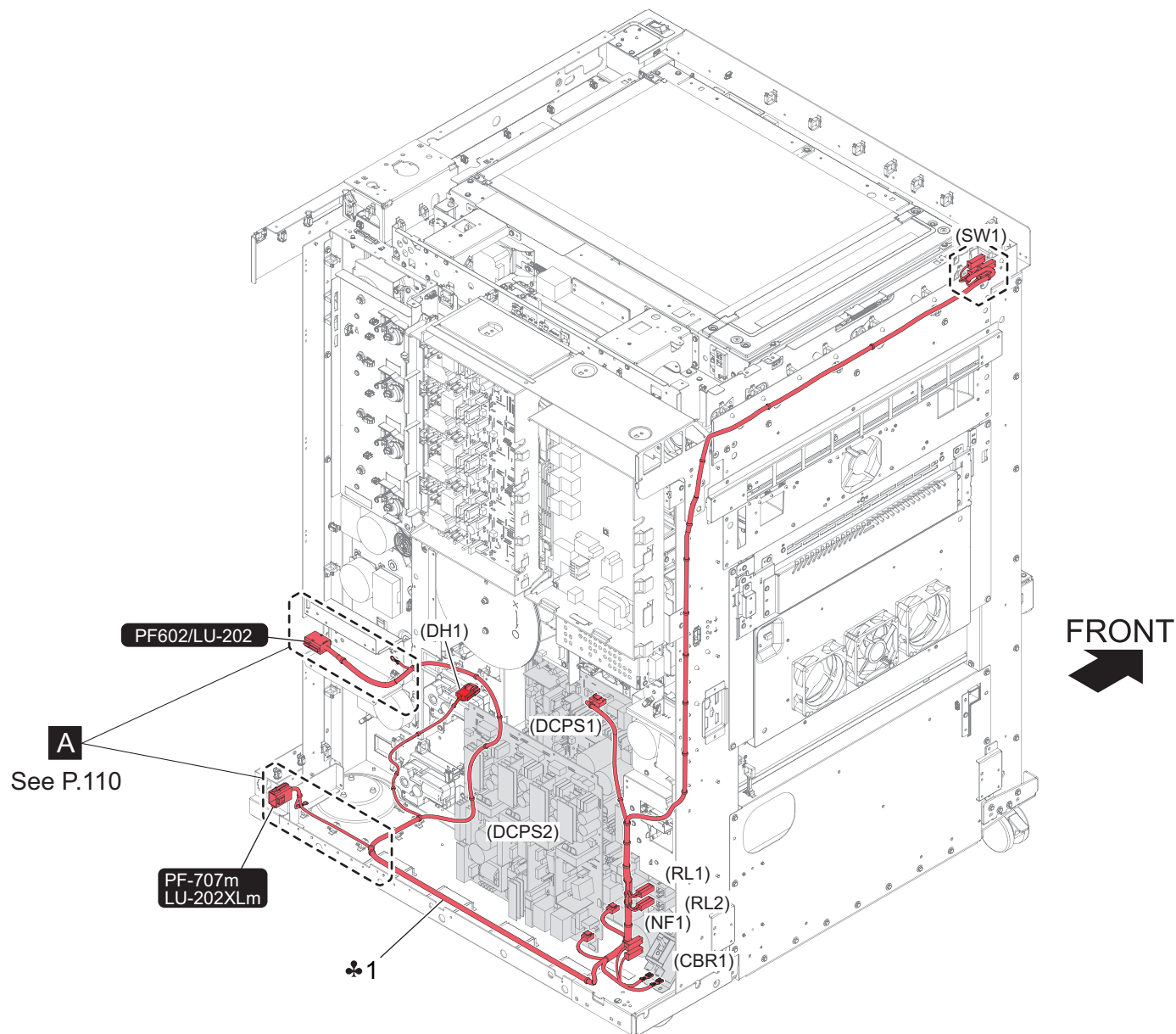
Rear Electrical Section

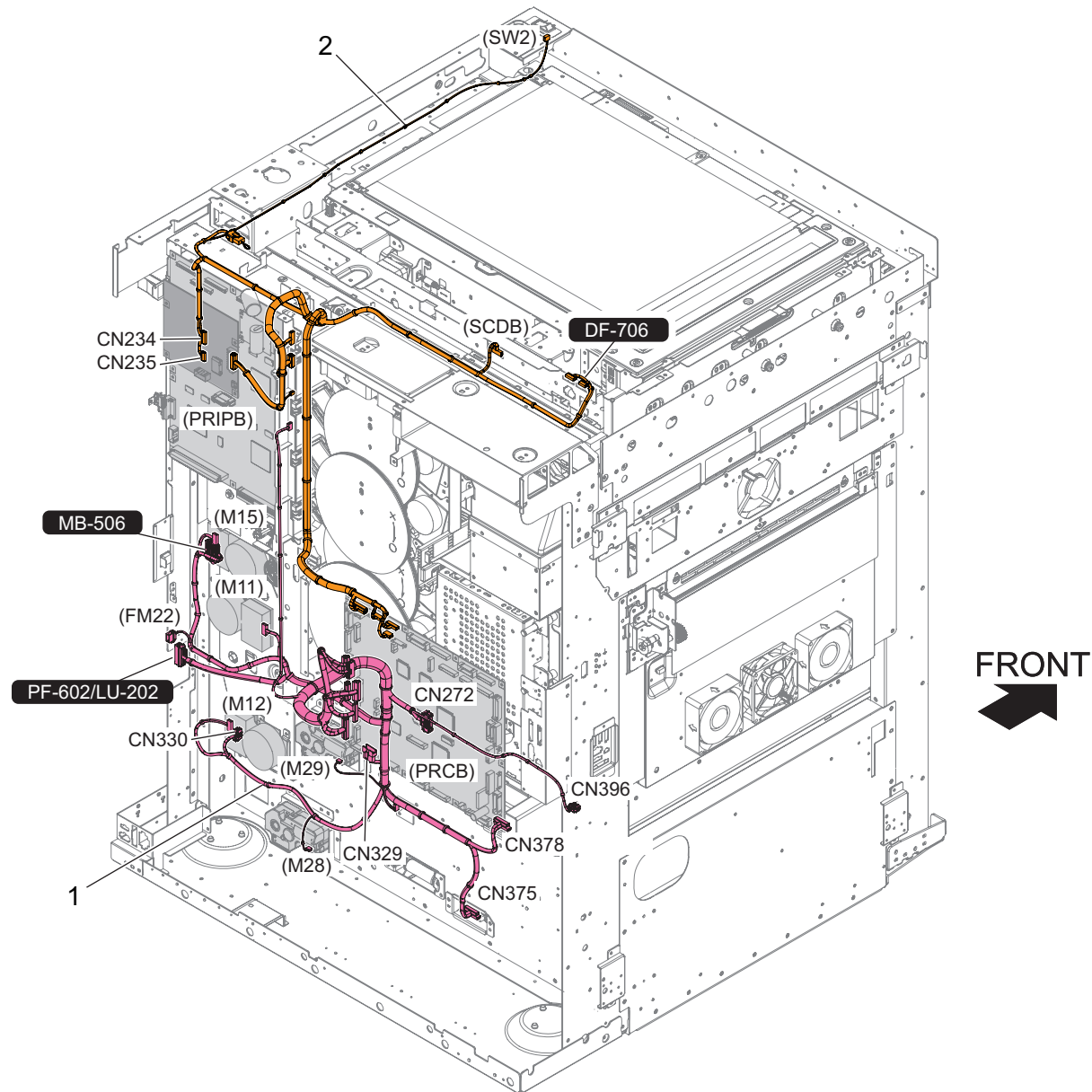


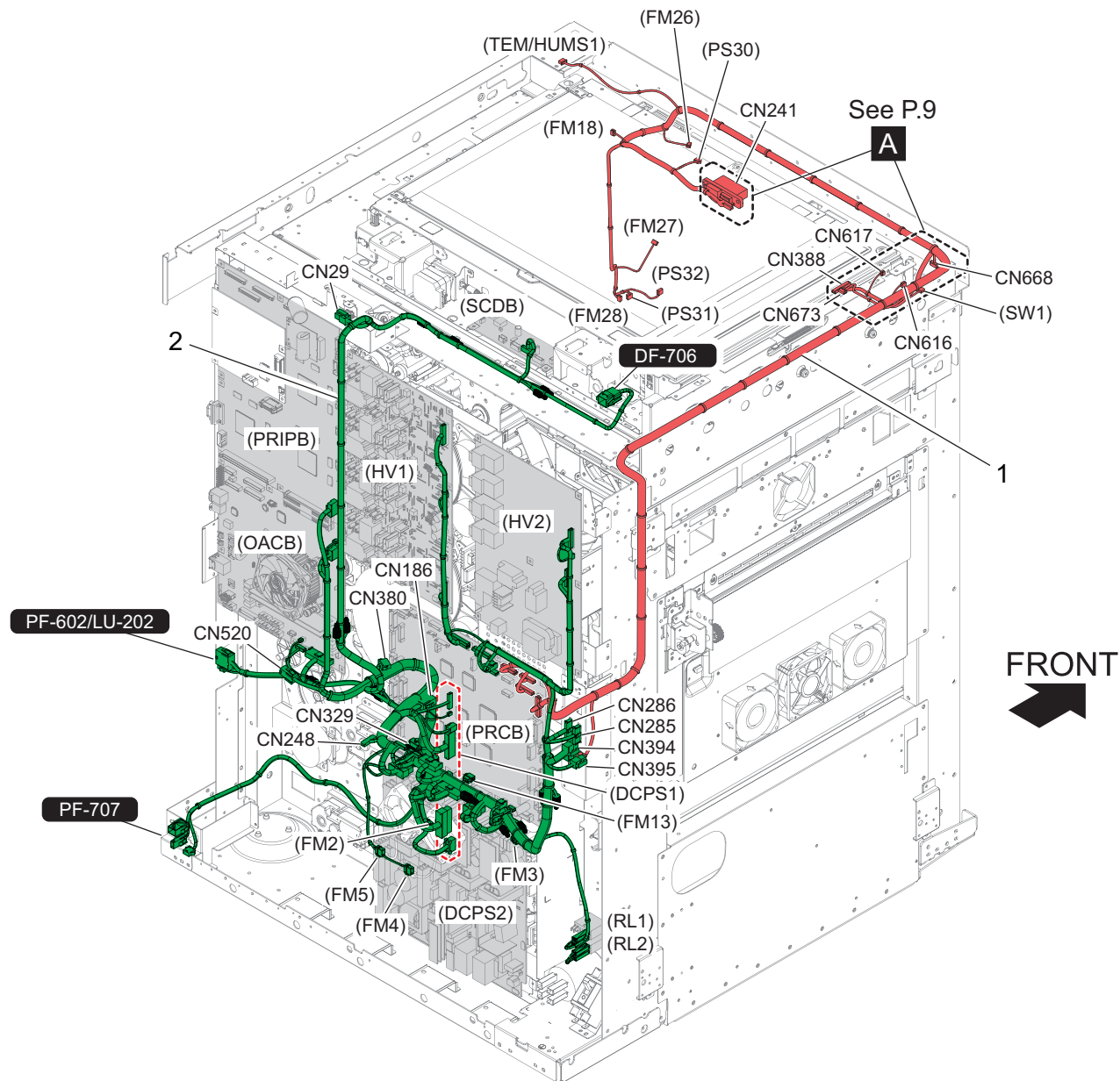
AccurioPress C3070

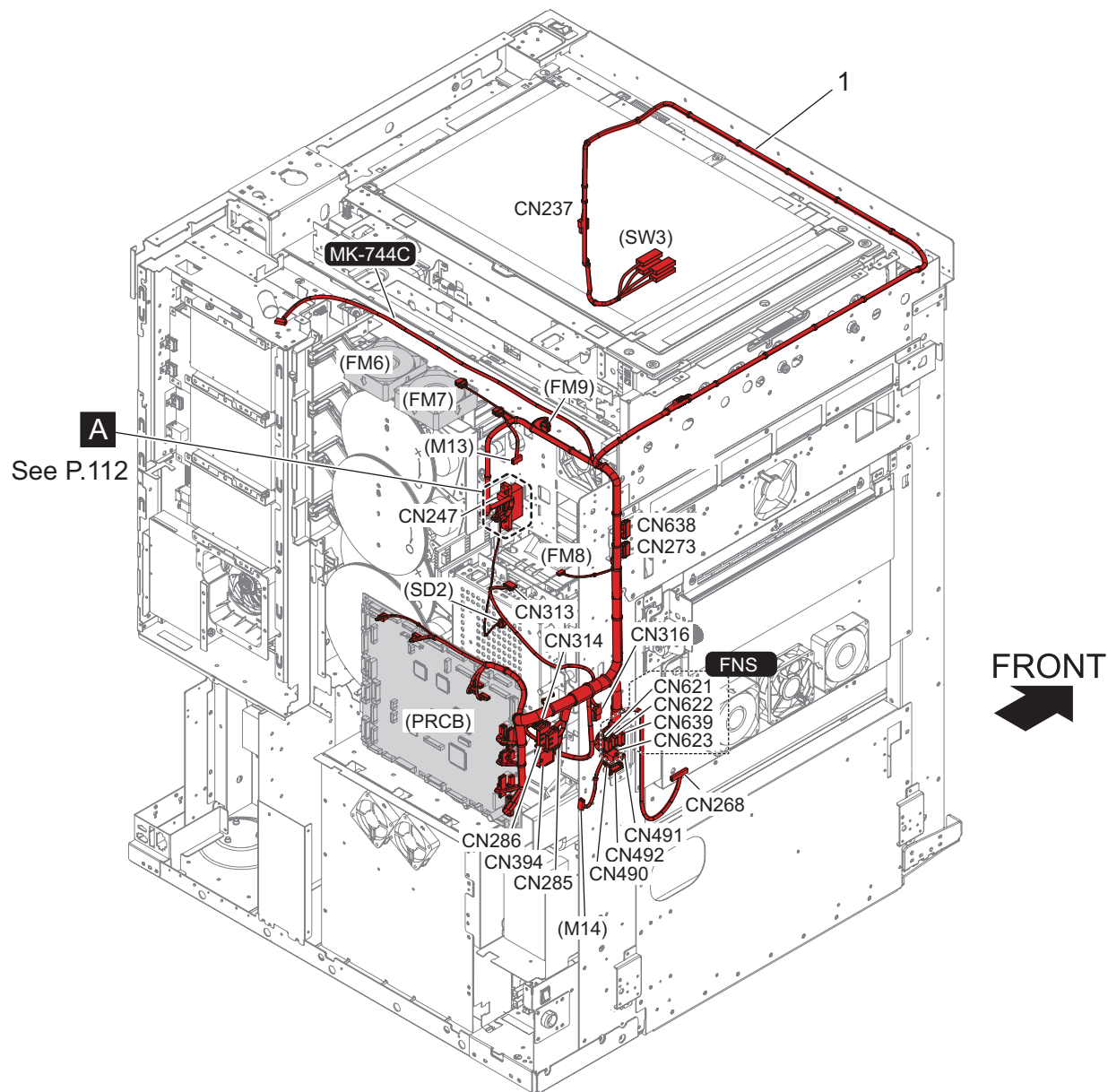
Rear Electrical Section







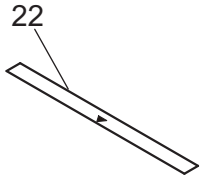
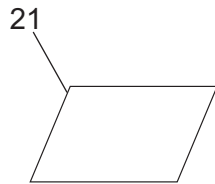
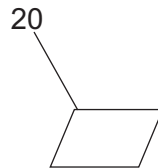
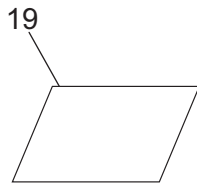
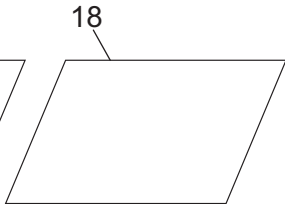
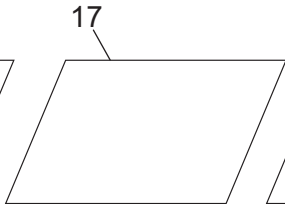
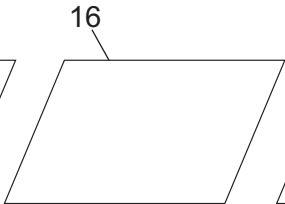
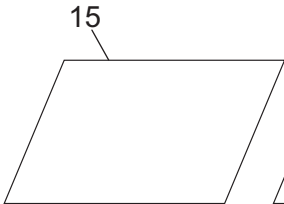
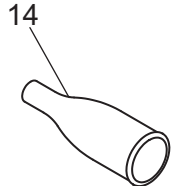
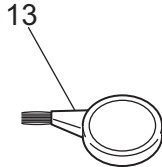
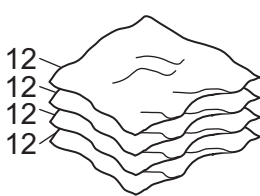
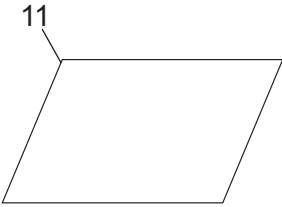
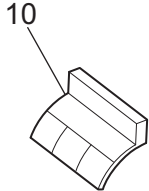
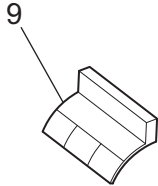
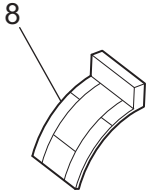
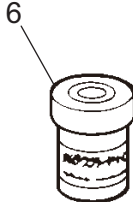
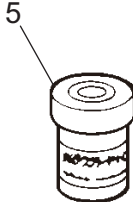
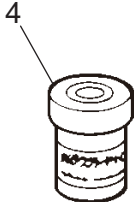
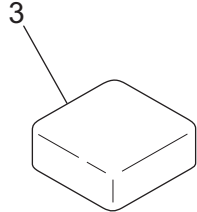
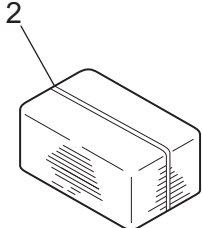


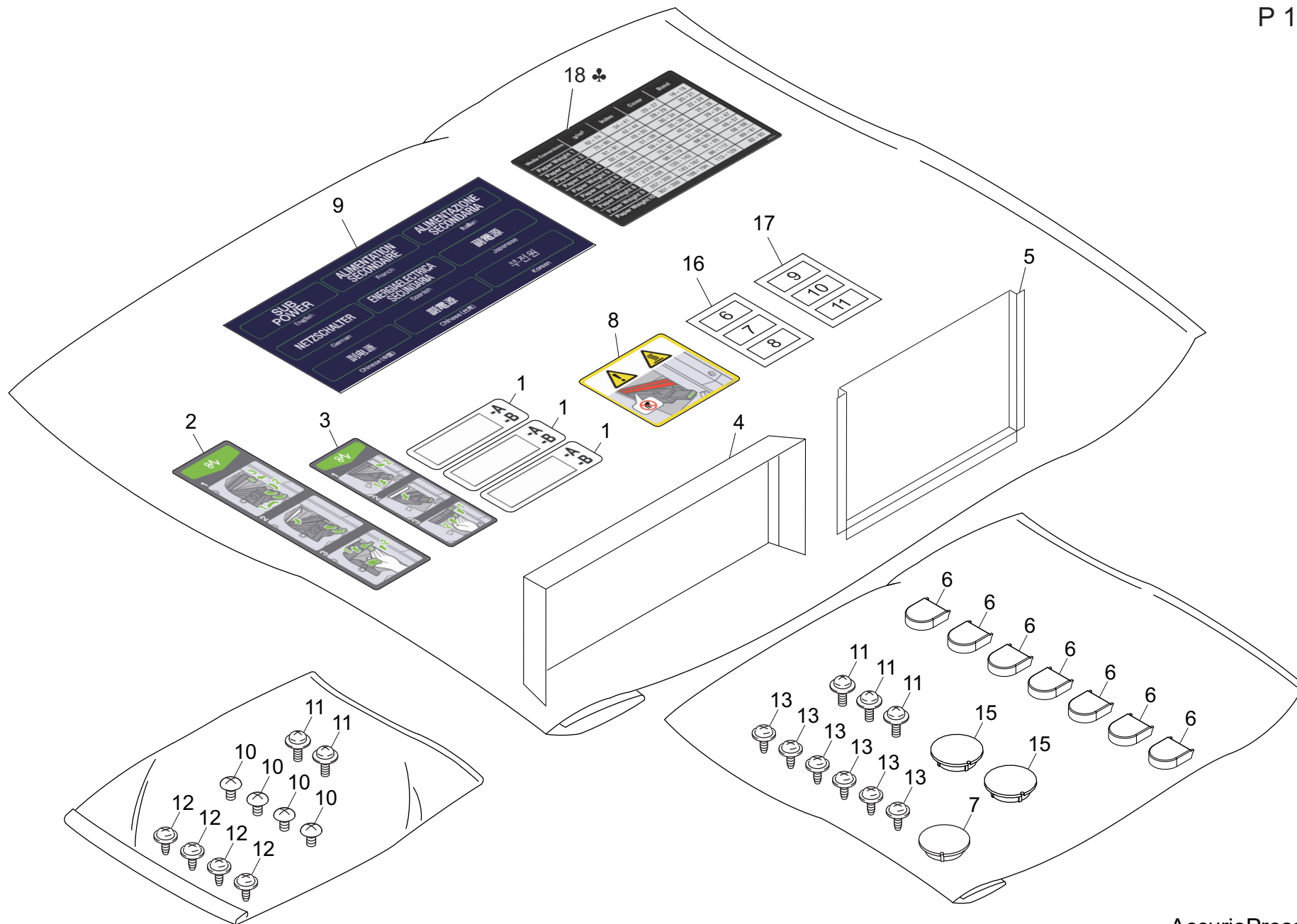


Key	Part No.	Description	Destinations	Class	QTY	Standard parts
1	AAC3N10500Old	Main body Wiring /3		D	1	
1	AAC3N10511	Main body Wiring /3		D	1	

Service Tool

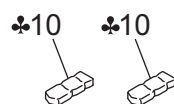
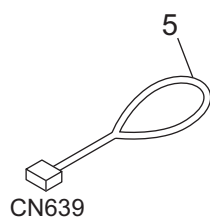
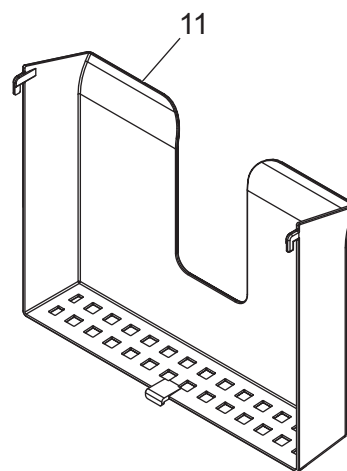
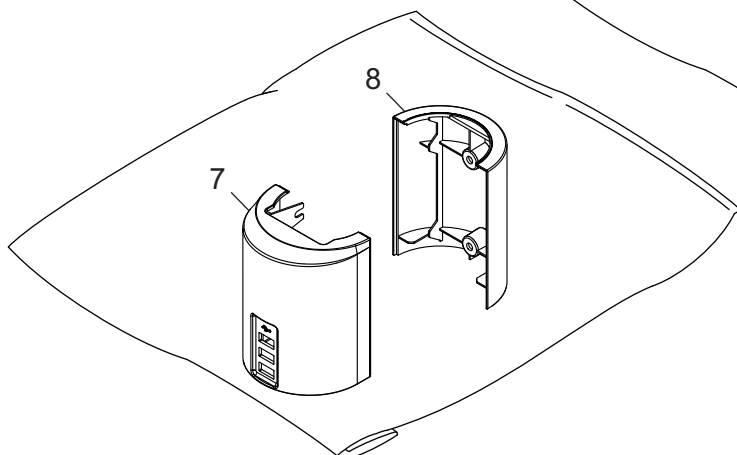
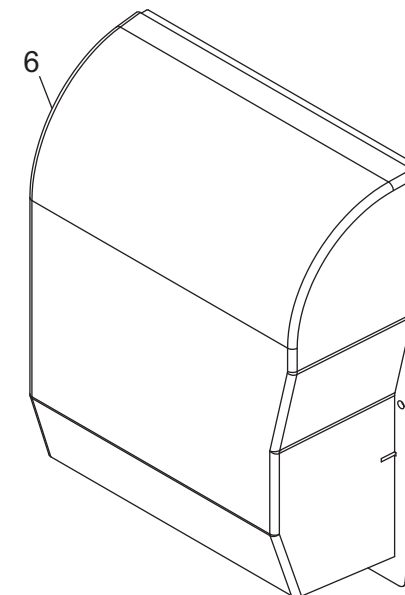
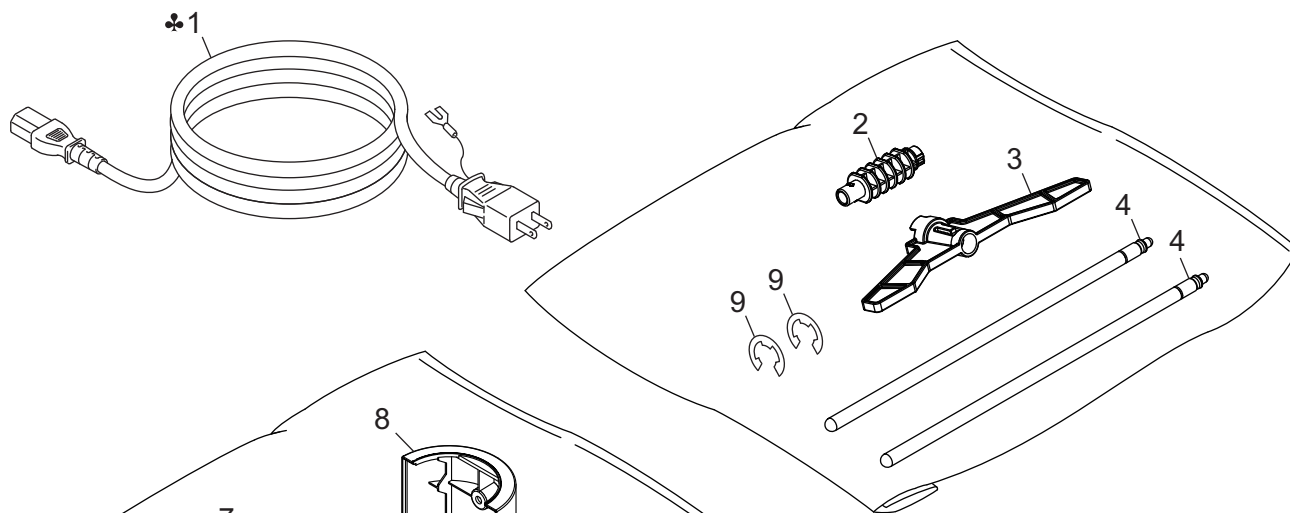
P 120



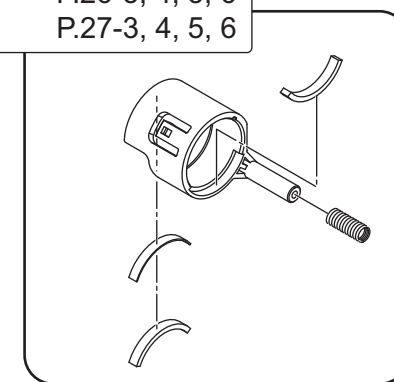


Accessory Parts

P 122



See P.24-3, 4, 5, 6
 P.25-3, 4, 5, 6
 P.26-3, 4, 5, 6
 P.27-3, 4, 5, 6



AccurioPress C3070

MAINTENANCE LIST

● The items with no Page/Key numbers are not handled as spare parts.

No.	Section	PM Parts Description	Maintenance Cycle (K=1,000)		Parts No.	Destinations	Page/Key	Note
			QTY	Replace				
1	External section	Filter box	1	400K	A50UR70A12		P11-29	*1
2	External section	Developing dust-proof filter/1	1	600K	A50U172200		P5-27	*1
3		Developing dust-proof filter/2	1	600K	A50U172300		P5-29	*1
4		PH dust-proof filter	1	600K	A50U172100		P5-26	*1
5		Electric component cooling filter	1	600K	A50U109900		P8-22	*1
6		suction dust-proof filter	1	600K	A50U164901		P2-14	*1
7	Paper feed section	Paper feed roller rubber	2	125K	25SA40960		P70-3/P73-3	
8		Separation roller rubber	2	125K	25SA40960		P68-1/P71-1	
9	Toner collection section	Waste toner box	1	125K	A50UR70115	B,C,D1,D3,E,F2,G1,G A	P34-19	*2
10		Waste toner box	1	125K	A9VER71600		P34-19	*2
11	Charging section	Charging corona/Y	1	210K	A50UR70323		P22-1	*1
12		Charging corona/M	1	210K	A50UR70323		P22-1	*1
13		Charging corona/C	1	210K	A50UR70323		P22-1	*1
14		Charging corona/K	1	210K	A50UR70323		P22-1	*1
15	Intermediate transfer section	Toner collection sheet	1	220K	A1DUR71C00		P41-11	*1
16		Transfer belt cleaning blade	1	220K	A50UR70K22		P41-16	*1
17		Side Seal	2	220K	A50U531601		P41-15	*1
18	Reverse and exit section	Reverse de-curler roller	1	400K	A50U860501		P99-16	
19	Photo conductor section	Drum unit/K	1	420K				*4
20	Intermediate transfer section	1st transfer roller/Y	1	440K	A50U501201		P39-9	*1
21		1st transfer roller/M	1	440K	A50U501201		P39-9	*1
22		1st transfer roller/C	1	440K	A50U501201		P39-9	*1
23		1st transfer roller/K	1	440K	A50U501201		P39-9	*1
24		2nd transfer roller/Up	1	440K	A50U500401		P38-13	*1
25		Intermediate transfer belt	1	444K	A1DU504203	A,D1,D3,E,F2,G1,H,I, B,C,G2,I(only SOUTH (Service Part Only)	P38-35	*1,*3
26		Intermediate transfer belt/H	1	444K	A9VE500100		P38-35	*1,*3
27		Intermediate transfer belt/C	1	444K	A9VE500200		P38-36	*1,*3
28		Photo conductor section	2nd transfer roller/Lw	1	440K	A50U520001		P59-1
29	Separate Discharging Unit		1	440K	A50UR70B00		P59-6	*1
30	Photo conductor section	Drum unit/Y	1	460K				*5
31		Drum unit/M	1	460K				*5
32		Drum unit/C	1	460K				*5
33	Registration section	Registration cleaning sheet assy	1	600K	A50UR70D01		P104-30	
34	Fusing section	Heat insulating sleeve/Lw	2	600K	A50U756300		P46-13	Service tool: Fluotribo MH
35		Fusing gear/1	1	600K	A50U752700		P46-9	Service tool: Fluotribo MH
36		Fusing gear/3	1	600K	A50U752200		P44-23	Service tool: Fluotribo MH
37		Fusing belt assy	1	600K	A9VER70422		P49-32	
38	Charge control section	Charging roller/Up	1	700K	AC57899000		P109-21	*1
39	Paper feed section	Pick-up roller	2	800K	A1DUR71J00		P70-19/P73-19	
40	Intermediate transfer section	Transfer belt cleaning unit	1	880K	A50UR70655		P36-1	*1
41	Intermediate transfer section	Transfer belt separation claw	3	888K	A1DUR71900		P39-8	
42	REVERSE AND EXIT SEC-	Paper Exit Decurler Roller	1	1,000K	A50U890802		P106-20	
43		Paper exit drive gear /1	1	1,000K	A03U909502		P106-13	
44		Paper exit gear	1	1,000K	A50U899700		P106-29	
45	Charge control section	Paper exit drive gear/2	1	1,000K	A043909901		P105-7	
46	Developing section	Developer/Y	1	1,200K				*6
47		Developer/M	1	1,200K				*6
48		Developer/C	1	1,200K				*6
49		Developer/K	1	1,200K				*6
50		Developing unit/Y	1	1,200K	A50UR70266		P24-10	*1
51		Developing unit/M	1	1,200K	A50UR70266		P25-10	*1
52		Developing unit/C	1	1,200K	A50UR70266		P26-10	*1
53		Developing unit/K	1	1,200K	A50UR70266		P27-10	*1

No.	Section	PM Parts Description	Maintenance Cycle (K=1,000)		Parts No.	Destinations	Page/Key	Note
			QTY	Replace				
54	Fusing section	Fusing paper exit roller/Up	2	1,200K	A9VE760900		P50-8	Service tool: Fluotribo MH Service tool: Fluotribo MH
55		Fusing Bearing/Lw	2	1,200K	26NA53712		P46-2	
56		Fusing gear/2	1	1,200K	A03U809500		P49-5	
57		Fusing Roller/Lw	1	1,200K	A50U765500		P46-15	
58		Fusing separating claw assy	5	1,200K	A50UR72U11		P50-33	
59	Registration section	Registration roller	1	1,400K	A50U710101		P102-7	
60		Registration Roller Bearing	2	1,400K	A03U812800		P102-6	
61	Intermediate transfer section	2nd transfer earth plate assy	2	1,760K	A50UR70G01		P82-21	*1
62		C-clip	2	1,760K	V218060086		P59-c	*1
63	Intermediate transfer section	Belt separation claw solenoid (SD2)	1	1,776K	26NA82513		P7-2	
64	Paper feed section	Paper feed clutch	2	2,000K	56AA82012		P70-13/P73-13	
65		Pre-registration clutch	2	2,000K	56AA82012		P69-20/P72-20	
66	Vertical conveyance section	Intermediate conveyance clutch/1 (CL5)	1	2,000K	56AA82012		P81-5	
67	Duplex section	Intermediate conveyance clutch/2 (CL6)	1	2,000K	56AA82012		P87-9	
68		Intermediate conveyance clutch/3 (CL7)	1	2,000K	56AA82012		P87-9	
69	Registration section	Registration idler gear	1	2,800K	A50U713700		P88-10	
70	Fusing section	Fusing heater lamp 1 assy/Up (Japan)	1	3,000K	A9VEM31A00	A	P49-30	
71		Fusing heater lamp 1 assy/Up (North America)	1	3,000K	A9VEM31E00	B,G2	P49-30	
72		Fusing heater lamp 1 assy/Up (Europe)	1	3,000K	A9VEM31F00	C,D1,D3,E,F2,G1,H,I,J	P49-30	
73		Fusing heater lamp 2 assy/Up (Japan)	1	3,000K	A9VEM33A00	A	P49-31	
74		Fusing heater lamp 2 assy/Up (North America)	1	3,000K	A9VEM33E00	B,G2	P49-31	
75		Fusing heater lamp 2 assy/Up (Europe)	1	3,000K	A9VEM33F00	C,D1,D3,E,F2,G1,H,I,J	P49-31	
76		Fusing temperature sensor/3 (TH3)	1	3,000K	A50UR70F00		P48-18	
77		Fusing temperature sensor/4 (TH4)	1	3,000K	A50UR70E22		P45-6	
78	Charge control section	Charging roller bearing/Fr	1	3,150K	A1RF508900		P109-5	
79		Charging roller bearing/Rr	1	3,150K	A85C897201		P109-17	
80	Intermediate transfer section	Transfer roller bearing/Y, transfer roller bearing/M and	6	3,520K	65AA26380		P39-3	
81		Transfer Roller Bearing/K	2	3,520K	A50U505700		P39-15	

*1: Actual replacement: 100% (special parts counter) (See Service Manual F-3 LIFE VALUE.)

*2: The sensor detects its full automatically.

*3: You can distinguish by the color of the connectors.

*4: Actual replacement: 420,000 counts (quantity) or 100% (distance), whichever is earlier (See Service Manual F-3 LIFE VALUE.)

*5: Actual replacement: 460,000 counts (quantity) or 100% (distance), whichever is earlier (See Service Manual F-3 LIFE VALUE.)

*6: Be sure to replace it together with the developing unit at the same time.

*: The part names used in this page follow the part name of Service Manual and they are occasionally different from part names written in other pages.

メンテナンスリスト

● ページ / キーナンバーのないものは、アフターサービス部品ではありません。

No.	区分	PM 部品名称	サイクル (K=1,000)		部品番号	仕向地	頁 / キー	備考	
			員数	交換					
1	外装部	フィルターボックス	1	400K	A50UR70A12		P11-29	*1	
2	外装部	現像防塵フィルター /1	1	600K	A50U172200		P5-27	*1	
3		現像防塵フィルター /2	1	600K	A50U172300		P5-29	*1	
4		PH 防塵フィルター	1	600K	A50U172100		P5-26	*1	
5		電装冷却フィルター	1	600K	A50U109900		P8-22	*1	
6		吸気防塵フィルター	1	600K	A50U164901		P2-14	*1	
7		給紙部	給紙ローラーゴム	2	125K	25SA40960		P70-3/P73-3	
8	分離ローラーゴム		2	125K	25SA40960		P68-1/P71-1		
9	トナー回収部	廃棄トナーボックス	1	125K	A50UR70115	B,C,D1,D3,E,F2,G1,G2,H,A	P34-19	*2	
10		廃棄トナーボックス	1	125K	A9VER71600		P34-19	*2	
11	帯電部	帯電極 /Y	1	210K	A50UR70323		P22-1	*1	
12		帯電極 /M	1	210K	A50UR70323		P22-1	*1	
13		帯電極 /C	1	210K	A50UR70323		P22-1	*1	
14		帯電極 /K	1	210K	A50UR70323		P22-1	*1	
15	中間転写部	トナー回収シート	1	220K	A1DUR71C00		P41-11	*1	
16		転写ベルトクリーニングブレード	1	220K	A50UR70K22		P41-16	*1	
17		サイドシール	2	220K	A50U531601		P41-15	*1	
18	反転 / 排紙部	反転デカラーローラー	1	400K	A50U860501		P99-16		
19	感光体部	ドラムユニット /K	1	420K				*4	
20	中間転写部	1次転写ローラー /Y	1	440K	A50U501201	A,D1,D3,E,F2,G1,H,I(Exc B,C,G2,I(only SOUTH (Service Part Only)	P39-9	*1	
21		1次転写ローラー /M	1	440K	A50U501201		P39-9	*1	
22		1次転写ローラー /C	1	440K	A50U501201		P39-9	*1	
23		1次転写ローラー /K	1	440K	A50U501201		P39-9	*1	
24		2次転写ローラー /Up	1	440K	A50U500401		P38-13	*1	
25		転写ベルト 862 L	1	444K	A1DU504203		P38-35	*1、*3	
26		中間転写ベルト /H	1	444K	A9VE500100		P38-35	*1、*3	
27		中間転写ベルト /C	1	444K	A9VE500200		P38-36	*1、*3	
28		2次転写ローラー /Lw	1	440K	A50U520001		P59-1	*1	
29		分離放電板ユニット	1	440K	A50UR70B00	P59-6	*1		
30	感光体部	ドラムユニット /Y	1	460K				*5	
31		ドラムユニット /M	1	460K				*5	
32		ドラムユニット /C	1	460K				*5	
33	レジスト部	レジスト清掃シート Assy	1	600K	A50UR70D01		P104-30		
34	定着部	断熱スリーブ /Lw	2	600K	A50U756300		P46-13	サービスツール：フルトライボ MH	
35		定着ギア /1	1	600K	A50U752700		P46-9	サービスツール：フルトライボ MH	
36		定着ギア /3	1	600K	A50U752200		P44-23	サービスツール：フルトライボ MH	
37		定着ベルト Assy	1	600K	A9VER70422		P49-32	サービスツール：フルトライボ MH	
38	電荷制御部	帯電ローラー /Up	1	700K	AC57899000		P109-21	*1	
39	給紙部	ピックアップローラー	2	800K	A1DUR71J00		P70-19/P73-19		
40	中間転写部	転写ベルトクリーニングユニット	1	880K	A50UR70655		P36-1	*1	
41	中間転写部	転写ベルト分離爪	3	888K	A1DUR71900		P39-8		
42	反転 / 排紙部	排紙デカラーローラー	1	1,000K	A50U890802		P106-20		
43		排紙駆動ギア /1	1	1,000K	A03U909502		P106-13		
44		排紙ギア	1	1,000K	A50U899700		P106-29		
45	電荷制御部	排紙駆動ギア /2	1	1,000K	A043909901		P105-7		
46	現像部	現像剤 /Y	1	1,200K				*6	
47		現像剤 /M	1	1,200K				*6	
48		現像剤 /C	1	1,200K				*6	
49		現像剤 /K	1	1,200K				*6	
50		現像ユニット /Y	1	1,200K	A50UR70266		P24-10	*1	
51		現像ユニット /M	1	1,200K	A50UR70266		P25-10	*1	
52		現像ユニット /C	1	1,200K	A50UR70266		P26-10	*1	
53			現像ユニット /K	1	1,200K	A50UR70266		P27-10	*1

AccurioPress C3070

No.	区分	PM 部品名称	サイクル (K=1,000)		部品番号	仕向地	頁 / キー	備考
			員数	交換				
54	定着部	定着排紙ローラー /Up	2	1,200K	A9VE760900		P50-8	サービスツール：フルトライボ MH サービスツール：フルトライボ MH
55		定着軸受 /Lw	2	1,200K	26NA53712		P46-2	
56		定着ギア /2	1	1,200K	A03U809500		P49-5	
57		定着ローラー /Lw	1	1,200K	A50U765500		P46-15	
58		定着分離爪 Assy	5	1,200K	A50UR72U11		P50-33	
59	レジスト部	レジストローラー	1	1,400K	A50U710101		P102-7	
60		レジストローラー軸受	2	1,400K	A03U812800		P102-6	
61	中間転写部	2次転写アース板 Assy	2	1,760K	A50UR70G01		P82-21	*1
62		Cクリップ	2	1,760K	V218060086		P59-c	*1
63	中間転写部	ベルト分離爪ソレノイド (SD2)	1	1,776K	26NA82513		P7-2	
64	給紙部	給紙クラッチ	2	2,000K	56AA82012		P70-13/P73-13	
65		プレジストクラッチ	2	2,000K	56AA82012		P69-20/P72-20	
66	垂直搬送部	中間搬送クラッチ /1 (CL5)	1	2,000K	56AA82012		P81-5	
67	両面部	中間搬送クラッチ /2 (CL6)	1	2,000K	56AA82012		P87-9	
68		中間搬送クラッチ /3 (CL7)	1	2,000K	56AA82012		P87-9	
69	レジスト部	レジストアイドラーギア	1	2,800K	A50U713700		P88-10	
70	定着部	定着ヒーターランプ 1 Assy/Up (国内)	1	3,000K	A9VEM31A00	A	P49-30	
71		定着ヒーターランプ 1 Assy/Up (北米)	1	3,000K	A9VEM31E00	B,G2	P49-30	
72		定着ヒーターランプ 1 Assy/Up (欧州)	1	3,000K	A9VEM31F00	C,D1,D3,E,F2,G1,H,I,J,K	P49-30	
73		定着ヒーターランプ 2 Assy/Up (国内)	1	3,000K	A9VEM33A00	A	P49-31	
74		定着ヒーターランプ 2 Assy/Up (北米)	1	3,000K	A9VEM33E00	B,G2	P49-31	
75		定着ヒーターランプ 2 Assy/Up (欧州)	1	3,000K	A9VEM33F00	C,D1,D3,E,F2,G1,H,I,J,K	P49-31	
76		定着温度センサー /3 (TH3)	1	3,000K	A50UR70F00		P48-18	
77		定着温度センサー /4 (TH4)	1	3,000K	A50UR70E22		P45-6	
78	電荷制御部	帯電ローラー軸受 /Fr	1	3,150K	A1RF508900		P109-5	
79		帯電ローラー軸受 /Rr	1	3,150K	A85C897201		P109-17	
80	中間転写部	転写ローラー軸受 /Y、/M、/C	6	3,520K	65AA26380		P39-3	
81		転写ローラー軸受 /K	2	3,520K	A50U505700		P39-15	

*1: 実質交換：100% (固定パーツカウンター) (サービスマニュアル「F.3 ライフ値の考え方」参照)

*2: フル検知はセンサーにより自動検知

*3: コネクタの色により、識別可能。

*4: 実質交換：420,000 カウント (枚数)、または 100% (距離) いずれか早いタイミング (サービスマニュアル「F.3 ライフ値の考え方」参照)

*5: 実質交換：460,000 カウント (枚数)、または 100% (距離) いずれか早いタイミング (サービスマニュアル「F.3 ライフ値の考え方」参照)

*6: 現像ユニットと同時に交換すること。

*: ここに記載されている部品名称はサービスマニュアルで使用されている部品名称であり、他のページに記載されている部品名称とは異なる場合があります。

DESTINATION

Destination No.		Destinations		V	Hz	Model No.
A	A1	JAPAN		200	50/60	AAC3001
	A2	JAPAN		200	50/60	AAC3001
B		USA, CANADA		208-240	60	AAC3011
C		EUROPEAN TYPE		220-240	50/60	AAC3021
D	D1	S.E ASIA TYPE	THAILAND, SRI LANKA, SINGAPORE, MALAYSIA, HONG KONG, PAKISTAN, INDIA, BANGLADESH, INDONESIA	220-240	50/60	AAC3041/ AAC30T1
	D3	OCEANIA TYPE	AUSTRALIA, NEW ZEALAND	220-240	50/60	AAC3051
E		PHILIPPINES		220-240	50/60	AAC3041
F	F1	SAUDI ARABIA				
	F2	SAUDI ARABIA		220-240	50/60	AAC3041
G	G1	C.S AMERICA		220-240	50/60	AAC3041
	G2	C.S AMERICA		208-240	60	AAC3011
H		TAIWAN		220-240	50/60	AAC3041
I		JORDAN, LEBANON, SYRIA, SOUTH AFRICA, IRAQ, IRAN, N.YEMEN, CAMEROON, UAE, BAHRAIN, OMAN, QATAR, KUWAIT, KENYA, TUNISIA, IVORY COAST, MOROCCO		220-240	50/60	AAC3021/ AAC3041
J		CHINA		220-240	50/60	AAC3081
K		KOREA		220-240	50/60	AAC3041

AccurioPress C3070