

KONICA MINOLTA

PARTS GUIDE MANUAL

JUNE 2021

AccurioPress C3080 A9VE

INFORMATION FOR PARTS GUIDE MANUAL

To find correct Parts No., refer to the "HOW TO MAKE THE BEST USE OF THIS MANUAL" in the following page.

HOW TO MAKE THE BEST USE OF THIS MANUAL

- 1 When you order, please check the proper figures beforehand that are on Our Parts Guide Manual, and order with the appropriate figures.
- 2 For screws, Nuts, Washers, retaining rings and Pins which are used in this model, one letter is shown on the Standard parts column of Parts list and exploded diagrams.
- 3 In order to maintain safety of the product, some specific parts composed of this product are set up as "essential safety parts".
- 4 The assigned parts number for the "essential safety parts" is indicated as "SP00-****".
When replacing these parts, follow precautions for disassembling and installing which are listed in the Service Manual.
Do not use any parts that are not set up as
- 5 ♣ means that there are exclusive parts for each destination.
Please check the appropriate destination when you order.
- 6 All rights reserved. (any reprints or quotations are prohibited.)
Use of this parts guide manual should be strictly supervised to avoid disclosure of confidential information.

パーツガイドマニュアルのご案内

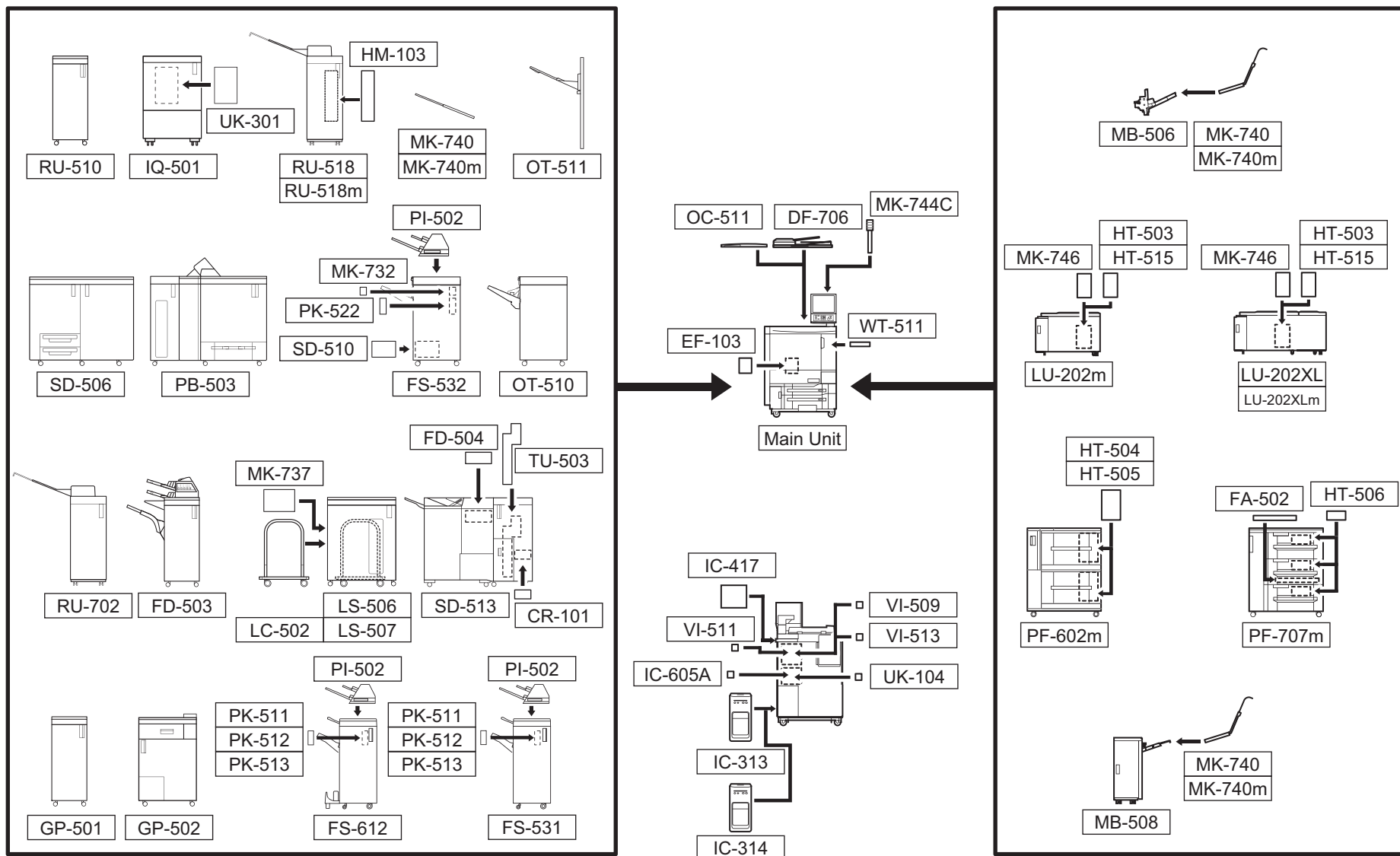
サービス部品をご発注の際には、下記に示す“パーツガイドマニュアルの活用にあたって”をご参照の上、正しい部品番号にてお願い致します。

パーツガイドマニュアルの活用にあたって

- 1 部品発注の際には、掲載されている部品番号の桁数を確認し、掲載されている桁数で発注願います。
- 2 この製品に使用されているネジ、ナット、ワッシャー、止め輪、ピンなどは、リストの右側の Standard parts 欄に a,b,c,…… で表示し、イラストにも a,b,c,…… 表示してあります。
- 3 製品の安全性を維持する為に、製品に使用される特定の部品を「重要保安部品」として設定しています。
- 4 重要保安部品の部品番号は、“SP00-****”と記載されていますので、部品交換時は、サービスマニュアル記載の分解・組み立ての注意事項に従って作業をして下さい。
また、指定以外の部品は一切使用しないで下さい。
- 5 本文に ♣ が表示されている部品は、仕向け地毎に専用部品がある事を意味しています。
オーダーされる時は、仕向け地を確認して下さい。
- 6 著作権所有（無断転載及び無断引用の禁止）
本パーツガイドマニュアルについては、機密保持等その扱いには十分注意して下さい。万一取り扱いを誤った場合には、法律で処罰される場合があります。

11/21/2017

System Configuration



AccurioPress C3080

GENERAL CONTENTS

| No. | Description | Model |
|-----|-------------------------------|---------------------|
| 1 | Digital MFP Color | AccurioPress C3080 |
| 2 | Relay Unit | RU-510 |
| 3 | Intelligent Quality Optimizer | IQ-501 |
| 4 | Relay Unit | RU-518 |
| 5 | Relay Unit | RU-518m |
| 6 | Humidifier | HM-103 |
| 7 | Output Tray | OT-511 |
| 8 | Post Inserter | PI-502 |
| 9 | Mount Kit | MK-732 |
| 10 | Punch Unit | PK-522 |
| 11 | Saddle Unit | SD-510 |
| 12 | Finisher/Sorter | FS-532/FS-532 PK/SD |
| 13 | Output Tray | OT-510 |
| 14 | Trimmer Unit | TU-503 |
| 15 | Saddle Unit | FD-504 |
| 16 | Saddle Unit | SD-506 |
| 17 | Perfect Binder | PB-503 |
| 18 | Other Option | MK-737 |
| 19 | Folding Unit | FD-503 |
| 20 | Large Capacity Stacker | LS-506 |
| 21 | Large Capacity Stacker | LS-507 |
| 22 | Other Option | LC-502 |

AccurioPress C3080

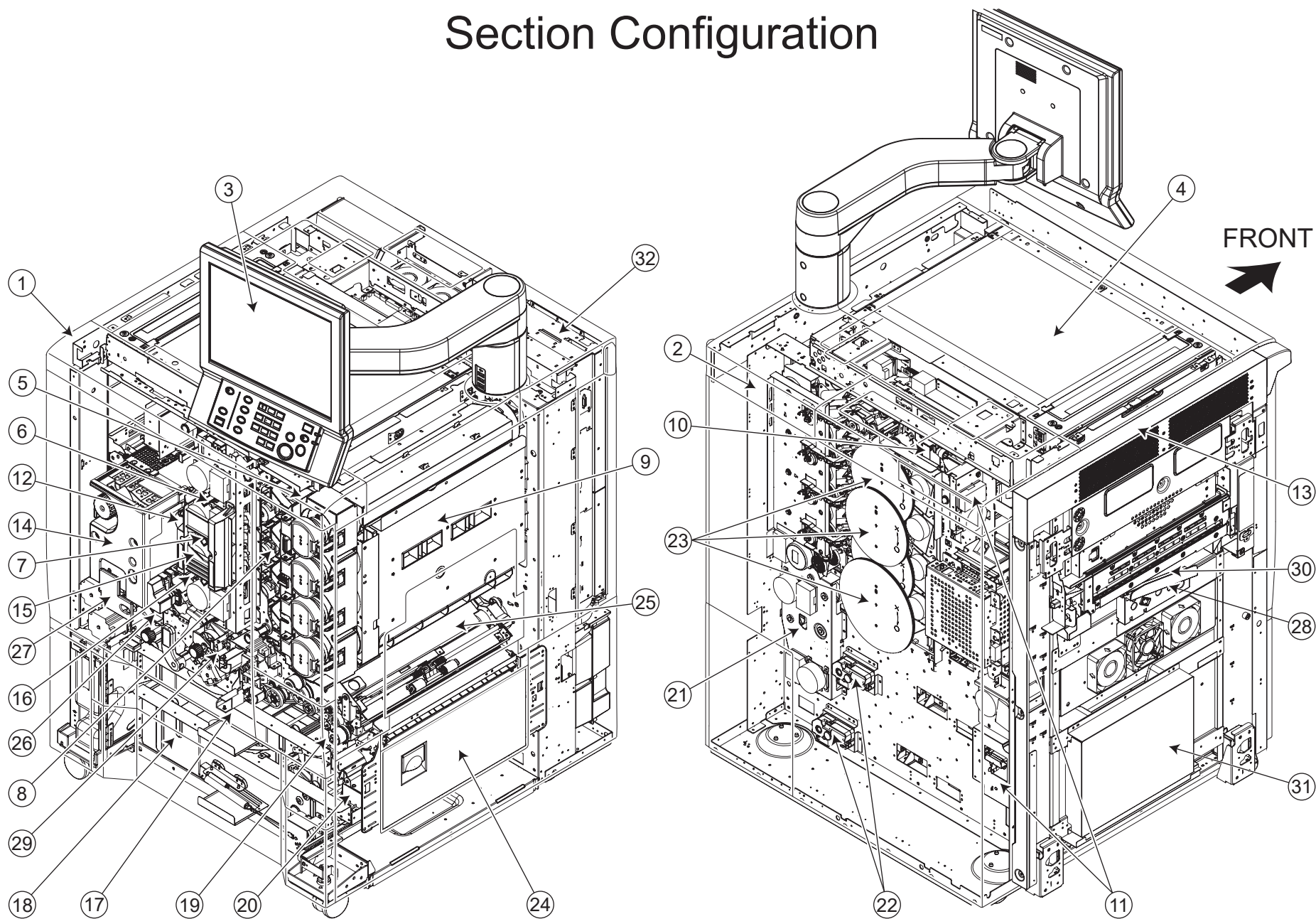
| No. | Description | Model |
|-----|---------------------|-----------------|
| 23 | Punch Unit | PK-511 |
| 24 | Punch Unit | PK-512 |
| 25 | Punch Unit | PK-513 |
| 26 | Punch Unit | GP-501 |
| 27 | Ring Binder | GP-502 |
| 28 | Finisher/Sorter | FS-612 |
| 29 | Finisher/Sorter | FS-531 |
| 30 | Saddle Unit | SD-513/SD-513/R |
| 31 | Saddle Unit | CR-101 |
| 32 | Original Cover | OC-511 |
| 33 | Document Feeder | DF-706 |
| 34 | Mount Kit | MK-744 |
| 35 | Envelop Fusing Unit | EF-103 |
| 36 | Working Table | WT-511 |
| 37 | Mount Kit | MK-746 |
| 38 | Heater | HT-503 |
| 39 | Heater | HT-515 |
| 40 | Paper Feeder | LU-202m |
| 41 | Heater | HT-504 |
| 42 | Heater | HT-505 |
| 43 | Image Controller | IC-417 |
| 44 | Video IF Kit | VI-511 |
| 45 | Image Controller | IC-605A |

AccurioPress C3080

| No. | Description | Model |
|-----|------------------|----------------|
| 46 | Image Controller | IC-313 |
| 47 | Image Controller | IC-314 |
| 48 | Other Option | UK-104 |
| 49 | Paper Feeder | PF-602/PF-602m |
| 50 | Bypass Tray | MB-508 |
| 51 | Mount Kit | MK-740/MK-740m |
| 52 | Paper Feeder | PF-707m |
| 53 | Other Option | FA-502 |
| 54 | Heater | HT-506 |
| 55 | Paper Feeder | LU-202XL |
| 56 | Paper Feeder | LU-202XLm |
| 57 | Bypass Tray | MB-506 |
| 58 | Other Option | UK-301 |
| 59 | Relay Unit | RU-702 |
| 60 | Video IF Kit | VI-509 |
| 61 | Video IF Kit | VI-513 |

AccurioPress C3080

Section Configuration



AccurioPress C3080

CONTENTS

| No. | DESCRIPTION | 名称 | PAGE No. |
|-----|----------------------------------|-----------|--|
| 1 | External Parts Section | 外装部 | P1 P2 P3 P4 |
| 2 | Main Frame Section | 骨格部 | P5 P6 P7 P8 P9 P10 P11 P12 P13 |
| 3 | Operation Panel Section | 操作部 | P14 P15 P16 |
| 4 | Scanner Section | スキャナー部 | P17 P18 P19 P20 |
| 5 | Write Section | 書き込み部 | P21 |
| 6 | Charging Section | 帯電部 | P22 |
| 7 | Photo Conductor Section | 感光体部 | P23 |
| 8 | Developing Section | 現像部 | P24 P25 P26 P27 |
| 9 | Toner Supply Section | トナー補給部 | P28 P29 P30 P31 P32 |
| 10 | Toner Collection Section | トナー回収部 | P33 P34 |
| 11 | Toner Collection Driving Section | トナー回収駆動部 | P35 |
| 12 | Intermediate Transfer Section | 中間転写部 | P36 P37 P38 P39 P40 P41 |
| 13 | Color Resist Section | 画像補正ユニット部 | P42 |
| 14 | Fusing Section | 定着部 | P43 P44 P45 P46 P47 P48 P49 P50 P51 |
| 15 | Process Carriage Section | プロセス架台部 | P52 P53 P54 P55 P56 P57 P58 |
| 16 | Secondary Transfer Section | 2次転写部 | P59 |
| 17 | Tray 1 Section | トレイ1 | P60 P61 P62 P63 |
| 18 | Tray 2 Section | トレイ2 | P64 P65 P66 P67 |
| 19 | Tray 1 Paper Feed Section | トレイ1 給紙部 | P68 P69 P70 |
| 20 | Tray 2 Paper Feed Section | トレイ2 給紙部 | P71 P72 P73 |
| 21 | Paper Feed Driving Section | 給紙駆動部 | P74 |
| 22 | Tray Driving Section | トレイ駆動部 | P75 |
| 23 | Drum Driving Section | ドラム駆動部 | P76 P77 P78 P79 |
| 24 | Vertical Conveyance Section | 垂直搬送部 | P80 P81 |
| 25 | Duplex Carriage Section | 両面架台部 | P82 P83 |
| 26 | Duplex Section | 両面部 | P84 P85 P86 P87 P88 P89 P90 P91 P92 P93 P94 P95 P96 |
| 27 | Duplex Swing Section | 両面揺動部 | P97 P98 |
| 28 | Reverse Section | 反転 | P99 P100 P101 |
| 29 | Resist Section | レジスト部 | P102 P103 P104 |
| 30 | Exit Section | 排紙部 | P105 P106 |
| 31 | Charge Control Section | 電荷制御部 | P107 P108 P109 |
| 32 | Rear Electrical Section | 背面電気部 | P110 P111 P112 P113 P114 P115 |
| 33 | Wiring | 束線 | P116 P117 P118 P119 |
| 34 | Service Tool | サービスツール | P120 |
| 35 | Accessory Parts | 同梱部品 | P121 P122 |

INDEX

| Parts No. | Page No. |
|------------|----------|
| 00GR00020 | 120-5 |
| 00GR00220 | 120-6 |
| 00GR00260 | 120-4 |
| 00VC-2-00 | 120-12 |
| 00VD-1000 | 120-13 |
| 059076510 | 70-1 |
| 059076510 | 73-1 |
| 07BA12352 | 29-1 |
| 07BA12352 | 44-2 |
| 07BA15871 | 37-2 |
| 07BA15871 | 39-1 |
| 08AA45230 | 41-1 |
| 1154467001 | 90-1 |
| 120A97110 | 120-21 |
| 12QR86011 | 28-2 |
| 12QV40650 | 38-1 |
| 12QV40650 | 74-1 |
| 12QV40650 | 76-2 |
| 12QV40650 | 77-2 |
| 12QV40650 | 78-2 |
| 12QV40650 | 79-1 |
| 12QV40650 | 84-3 |
| 12QV40650 | 87-2 |
| 12QV40650 | 102-2 |
| 12QV40650 | 109-1 |
| 13NG45200 | 9-1 |
| 13QA40610 | 35-3 |
| 13QA40610 | 52-1 |
| 13QA40610 | 99-3 |
| 13QA40610 | 106-2 |
| 13QA85511 | 85-1 |
| 13QA85511 | 101-1 |
| 13QA85511 | 103-1 |
| 14GE45470 | 83-1 |
| 14GE45470 | 99-4 |
| 14GE45470 | 102-3 |
| 192141710 | 99-1 |
| 20AL48470G | 43-1 |
| 20ER73110E | 114-20 |
| 25AA10091F | 10-1 |

| Parts No. | Page No. |
|------------|----------|
| 25AA40100 | 70-2 |
| 25AA40100 | 73-2 |
| 25AA47500 | 87-3 |
| 25AA50080 | 90-3 |
| 25AA77730 | 81-2 |
| 25BA77171 | 31-2 |
| 25SA40960 | 68-1 |
| 25SA40960 | 70-3 |
| 25SA40960 | 71-1 |
| 25SA40960 | 73-3 |
| 25SA88461 | 111-1 |
| 26NA17580 | 33-1 |
| 26NA32660 | 32-1 |
| 26NA32870 | 29-2 |
| 26NA42061 | 68-2 |
| 26NA42061 | 71-2 |
| 26NA42560 | 68-3 |
| 26NA42560 | 71-3 |
| 26NA42560 | 80-1 |
| 26NA47070 | 62-1 |
| 26NA47070 | 66-1 |
| 26NA53712 | 46-2 |
| 26NA53712 | 49-1 |
| 26NA54230 | 83-2 |
| 26NA82513 | 7-2 |
| 26TA32970 | 29-3 |
| 26TA32990 | 29-4 |
| 4004457301 | 34-1 |
| 4036307501 | 18-1 |
| 4038254001 | 35-2 |
| 4038351102 | 7-1 |
| 4040078001 | 122-1 |
| 40AA30270 | 2-1 |
| 40AA30270 | 100-2 |
| 40AA32320 | 7-3 |
| 40AA32320 | 31-3 |
| 40AA32320 | 33-2 |
| 40AA32320 | 35-4 |
| 40AA32320 | 39-2 |
| 40AA32320 | 41-2 |

| Parts No. | Page No. |
|------------|----------|
| 40AA32320 | 53-1 |
| 40AA32320 | 62-2 |
| 40AA32320 | 66-2 |
| 40AA32320 | 74-2 |
| 40AA46261 | 100-3 |
| 40AA77550 | 84-4 |
| 40AA77550 | 100-4 |
| 40AA85011 | 28-3 |
| 40AA98020D | 84-5 |
| 40LA73840 | 115-2 |
| 4109553001 | 69-1 |
| 4109553001 | 72-1 |
| 4109553001 | 91-1 |
| 4131253701 | 90-2 |
| 4131253701 | 91-2 |
| 4131253701 | 92-1 |
| 4131253701 | 96-2 |
| 4131253701 | 104-1 |
| 4131353202 | 84-1 |
| 4131353202 | 102-1 |
| 4139M10001 | 98-1 |
| 4470402401 | 8-1 |
| 4470402401 | 28-1 |
| 4470402401 | 34-2 |
| 4470402401 | 37-1 |
| 4470402401 | 44-1 |
| 4470402401 | 46-1 |
| 4470402401 | 54-1 |
| 4470402401 | 61-1 |
| 4470402401 | 63-1 |
| 4470402401 | 65-1 |
| 4470402401 | 76-1 |
| 4470402401 | 77-1 |
| 4470402401 | 78-1 |
| 4470402401 | 81-1 |
| 4470402401 | 84-2 |
| 4470402401 | 88-1 |
| 4470402401 | 89-1 |
| 4470402401 | 91-3 |
| 4470402401 | 93-1 |

| Parts No. | Page No. |
|------------|----------|
| 4470402401 | 95-1 |
| 4470402401 | 96-3 |
| 4470402401 | 97-1 |
| 4470402401 | 99-2 |
| 4470402401 | 100-1 |
| 4470402401 | 106-1 |
| 4470402401 | 108-1 |
| 4581162501 | 19-1 |
| 462076010 | 87-1 |
| 466076020 | 31-1 |
| 466076020 | 35-1 |
| 466076020 | 96-1 |
| 50GA250100 | 33-3 |
| 55FA40320 | 70-4 |
| 55FA40320 | 73-4 |
| 55GA75031 | 50-1 |
| 55GA77050 | 35-5 |
| 55VA15541 | 86-1 |
| 55VA20520 | 48-1 |
| 55VA20680 | 81-3 |
| 55VA32480 | 114-1 |
| 55VA32530 | 61-2 |
| 55VA32530 | 65-2 |
| 55VA40600 | 62-3 |
| 55VA40930 | 61-3 |
| 55VA40930 | 65-3 |
| 55VA42120 | 38-2 |
| 55VA42120 | 69-2 |
| 55VA42120 | 70-5 |
| 55VA42120 | 72-2 |
| 55VA42120 | 73-5 |
| 55VA42120 | 81-4 |
| 55VA42120 | 87-4 |
| 55VA47840 | 34-4 |
| 55VA48500 | 49-2 |
| 55VA75540 | 69-3 |
| 55VA75540 | 72-3 |
| 55VA79030 | 68-4 |
| 55VA79030 | 71-4 |
| 55VA90840 | 2-2 |

| Parts No. | Page No. |
|------------|----------|
| 56AA10300 | 8-2 |
| 56AA10300 | 9-2 |
| 56AA12140 | 28-4 |
| 56AA12160 | 28-5 |
| 56AA12241 | 2-3 |
| 56AA12270 | 34-5 |
| 56AA17090 | 86-2 |
| 56AA17121 | 69-4 |
| 56AA17121 | 72-4 |
| 56AA17321 | 38-3 |
| 56AA17321 | 91-5 |
| 56AA17321 | 100-5 |
| 56AA17321 | 104-2 |
| 56AA17490 | 93-3 |
| 56AA17510 | 68-5 |
| 56AA17510 | 70-6 |
| 56AA17510 | 71-5 |
| 56AA17510 | 73-6 |
| 56AA17551 | 99-5 |
| 56AA17551 | 100-6 |
| 56AA17630 | 10-4 |
| 56AA17640 | 10-5 |
| 56AA17700 | 106-3 |
| 56AA17760 | 69-5 |
| 56AA17760 | 70-7 |
| 56AA17760 | 72-5 |
| 56AA17760 | 73-7 |
| 56AA20940D | 41-3 |
| 56AA40010E | 68-6 |
| 56AA40010E | 71-6 |
| 56AA40032E | 69-6 |
| 56AA40032E | 72-6 |
| 56AA40032F | 69-6 |
| 56AA40032F | 72-6 |
| 56AA40070 | 70-8 |
| 56AA40070 | 73-8 |
| 56AA40100G | 69-7 |
| 56AA40100G | 72-7 |
| 56AA40120 | 69-8 |
| 56AA40120 | 72-8 |

| Parts No. | Page No. | Parts No. | Page No. | Parts No. | Page No. | Parts No. | Page No. | Parts No. | Page No. |
|-----------|----------|------------|----------|------------|----------|------------|----------|------------|----------|
| 56AA40171 | 69-9 | 56AA42690 | 43-2 | 56QA80570 | 113-3 | 65AA45230 | 84-7 | 65AA77410 | 35-8 |
| 56AA40171 | 72-9 | 56AA42690 | 44-3 | 56QE88261E | 110-1 | 65AA47120D | 65-4 | 65AA77540 | 86-5 |
| 56AA40190 | 69-10 | 56AA42690 | 83-3 | 56UA70330 | 14-2 | 65AA47131E | 62-4 | 65AA78040 | 30-4 |
| 56AA40190 | 72-10 | 56AA42690 | 86-3 | 56UA77280 | 35-6 | 65AA47310E | 61-4 | 65AA80112 | 88-4 |
| 56AA40230 | 69-11 | 56AA42690 | 87-5 | 56UA77710 | 35-7 | 65AA47310E | 65-5 | 65AA80112 | 95-5 |
| 56AA40230 | 72-11 | 56AA42690 | 88-2 | 57AA15600 | 9-3 | 65AA47320 | 61-5 | 65AA80112 | 102-4 |
| 56AA40300 | 70-9 | 56AA42690 | 92-2 | 57AA15600 | 112-1 | 65AA47320 | 65-6 | 65AA88010 | 48-2 |
| 56AA40300 | 73-9 | 56AA42690 | 93-5 | 57AA40420 | 68-17 | 65AA47360 | 75-2 | 65AA91100 | 28-6 |
| 56AA40310 | 69-12 | 56AA42690 | 95-3 | 57AA40420 | 71-17 | 65AA47370 | 75-3 | 65AA97440 | 55-1 |
| 56AA40310 | 72-12 | 56AA42690 | 99-6 | 65AA-9091E | 79-3 | 65AA47390 | 75-4 | 65AA97450 | 56-1 |
| 56AA40360 | 68-7 | 56AA50670 | 87-6 | 65AA-9920 | 120-3 | 65AA47550 | 63-2 | 65AA97460 | 57-1 |
| 56AA40360 | 71-7 | 56AA50800 | 87-7 | 65AA10190 | 11-1 | 65AA47550 | 67-1 | 65AA97470 | 58-1 |
| 56AA40370 | 69-13 | 56AA73560 | 113-2 | 65AA10470 | 9-4 | 65AA47600E | 62-5 | 65AA99500 | 120-11 |
| 56AA40370 | 72-13 | 56AA77330 | 31-4 | 65AA11300 | 5-2 | 65AA47600E | 66-4 | 65AAR72700 | 108-2 |
| 56AA40380 | 70-10 | 56AA77530 | 87-8 | 65AA11300 | 37-3 | 65AA47630 | 63-3 | 65AAR73200 | 55-2 |
| 56AA40380 | 73-10 | 56AA77590 | 70-12 | 65AA11430 | 5-3 | 65AA47630 | 67-2 | 65AAR73200 | 56-2 |
| 56AA40390 | 69-14 | 56AA77590 | 73-12 | 65AA15210 | 76-3 | 65AA47700D | 62-6 | 65AAR73200 | 57-2 |
| 56AA40390 | 72-14 | 56AA77720E | 69-18 | 65AA15210 | 77-3 | 65AA47700D | 66-5 | 65AAR73200 | 58-2 |
| 56AA40430 | 68-8 | 56AA77720E | 72-18 | 65AA15210 | 78-3 | 65AA47710 | 75-5 | 65AAR74600 | 109-2 |
| 56AA40430 | 71-8 | 56AA77730 | 69-19 | 65AA15210 | 79-2 | 65AA47740E | 62-7 | 65GE97400 | 70-15 |
| 56AA40440 | 68-9 | 56AA77730 | 72-19 | 65AA20060 | 41-5 | 65AA47740E | 63-4 | 65GE97400 | 73-15 |
| 56AA40440 | 71-9 | 56AA80551 | 89-2 | 65AA20300 | 41-6 | 65AA47740E | 66-6 | 65GE97490 | 62-8 |
| 56AA40481 | 68-10 | 56AA82012 | 69-20 | 65AA26380 | 39-3 | 65AA47740E | 67-3 | 65GE97490 | 66-7 |
| 56AA40481 | 71-10 | 56AA82012 | 70-13 | 65AA26600 | 39-4 | 65AA47820 | 61-6 | 65LA48530 | 105-1 |
| 56AA40490 | 32-2 | 56AA82012 | 72-20 | 65AA26600D | 39-5 | 65AA47820 | 65-7 | 9313100072 | 5-1 |
| 56AA40490 | 41-4 | 56AA82012 | 73-13 | 65AA26840 | 41-7 | 65AA47860 | 61-7 | 9313110033 | 113-1 |
| 56AA40490 | 70-11 | 56AA82012 | 81-5 | 65AA26870 | 38-4 | 65AA47860 | 65-8 | 9335140051 | 34-3 |
| 56AA40490 | 73-11 | 56AA82012 | 87-9 | 65AA26900D | 39-6 | 65AA47900E | 63-5 | 9335140071 | 91-4 |
| 56AA40490 | 82-1 | 56AA97140 | 110-16 | 65AA27090D | 41-8 | 65AA47970 | 75-6 | 9335140071 | 95-2 |
| 56AA40490 | 84-6 | 56GA76010 | 86-4 | 65AA27240 | 38-5 | 65AA48360 | 106-4 | 9335140071 | 96-4 |
| 56AA40490 | 90-4 | 56QA40080 | 68-13 | 65AA27320 | 41-9 | 65AA48460 | 106-5 | 9381410131 | 122-1 |
| 56AA40490 | 104-3 | 56QA40080 | 71-13 | 65AA33310F | 52-2 | 65AA49410 | 100-7 | 9J03M10000 | 8-5 |
| 56AA40500 | 69-16 | 56QA40250 | 68-14 | 65AA40010 | 69-21 | 65AA50400 | 9-5 | 9J03M10000 | 10-7 |
| 56AA40500 | 72-16 | 56QA40250 | 71-14 | 65AA40010 | 72-21 | 65AA509900 | 8-3 | 9J03M10000 | 105-2 |
| 56AA40520 | 69-17 | 56QA40270 | 68-15 | 65AA40080E | 70-14 | 65AA51510 | 90-5 | 9J06M10000 | 111-2 |
| 56AA40520 | 72-17 | 56QA40270 | 71-15 | 65AA40080E | 73-14 | 65AA51730 | 88-3 | 9J06N30000 | 122-1 |
| 56AA40530 | 68-11 | 56QA40550 | 68-16 | 65AA42370 | 99-7 | 65AA53560 | 50-2 | 9J06PJG100 | 120-22 |
| 56AA40530 | 71-11 | 56QA40550 | 71-16 | 65AA44200 | 81-6 | 65AA53991 | 50-3 | 9J06PJP100 | 120-15 |
| 56AA40540 | 68-12 | 56QA80570 | 10-6 | 65AA44350 | 81-7 | 65AA75010E | 16-1 | 9J06PJP200 | 120-16 |
| 56AA40540 | 71-12 | 56QA80570 | 95-4 | 65AA44440 | 81-8 | 65AA77390 | 32-3 | 9J07500201 | 31-5 |

| Parts No. | Page No. | Parts No. | Page No. | Parts No. | Page No. | Parts No. | Page No. | Parts No. | Page No. |
|------------|----------|------------|----------|------------|----------|------------|----------|------------|----------|
| A00FM20000 | 32-4 | A034M50000 | 37-4 | A03U560500 | 73-17 | A03U842800 | 95-8 | A03X565001 | 87-15 |
| A00J169100 | 121-15 | A03N621800 | 66-8 | A03U621200 | 63-6 | A03U843500 | 90-13 | A03X565611 | 68-20 |
| A00J211200 | 105-3 | A03TM50000 | 106-7 | A03U621200 | 67-4 | A03U844200 | 96-5 | A03X565611 | 71-20 |
| A00J265300 | 17-1 | A03U118301 | 11-2 | A03U723301 | 50-4 | A03U844300 | 96-6 | A03X622000 | 103-2 |
| A00J617800 | 39-7 | A03U190500 | 16-2 | A03U724200 | 44-6 | A03U844700 | 96-7 | A03X622101 | 67-5 |
| A00J617800 | 44-4 | A03U190600 | 16-3 | A03U728000 | 50-5 | A03U844802 | 96-8 | A03X622201 | 67-6 |
| A00J617800 | 53-2 | A03U190700 | 16-4 | A03U734500 | 44-7 | A03U844901 | 96-9 | A03X656203 | 61-8 |
| A00J617800 | 84-8 | A03U190802 | 16-5 | A03U734500 | 46-3 | A03U845100 | 94-2 | A03X656203 | 65-9 |
| A00J617800 | 90-6 | A03U190900 | 15-1 | A03U734500 | 47-1 | A03U845301 | 92-4 | A043909901 | 105-7 |
| A00J617800 | 100-8 | A03U191100 | 16-6 | A03U734500 | 48-3 | A03U845301 | 94-3 | A07R813801 | 109-3 |
| A00J617800 | 106-6 | A03U191201 | 16-7 | A03U734500 | 51-2 | A03U845601 | 85-3 | A07TM60100 | 110-3 |
| A00J617900 | 38-6 | A03U191300 | 16-8 | A03U734800 | 50-6 | A03U845601 | 95-9 | A0ED271200 | 20-1 |
| A00J617900 | 83-4 | A03U191400 | 15-2 | A03U734900 | 50-7 | A03U845601 | 101-2 | A0ED271300 | 20-2 |
| A00J617900 | 87-10 | A03U191500 | 15-3 | A03U808400 | 44-8 | A03U845700 | 95-10 | A0ED273600 | 19-2 |
| A00J617900 | 92-3 | A03U191600 | 15-4 | A03U809500 | 49-5 | A03U845902 | 95-11 | A0ED273600 | 20-3 |
| A00J617900 | 93-6 | A03U191700 | 15-5 | A03U811600 | 90-7 | A03U848100 | 94-4 | A0ED274200 | 20-4 |
| A00J617900 | 99-8 | A03U191800 | 15-6 | A03U811800 | 90-8 | A03U849701 | 90-14 | A0ED274300 | 20-5 |
| A00J663200 | 68-18 | A03U191900 | 15-7 | A03U812800 | 62-9 | A03U850101 | 68-19 | A0ED274400 | 20-6 |
| A00J663200 | 69-22 | A03U192000 | 15-8 | A03U812800 | 66-9 | A03U850101 | 71-19 | A0ED276301 | 19-3 |
| A00J663200 | 70-16 | A03U192100 | 15-9 | A03U812800 | 69-23 | A03U850101 | 80-2 | A0EDM10500 | 113-4 |
| A00J663200 | 71-18 | A03U192200 | 15-10 | A03U812800 | 70-18 | A03U850101 | 91-6 | A0G6191600 | 14-3 |
| A00J663200 | 72-22 | A03U192300 | 16-9 | A03U812800 | 72-23 | A03U850101 | 104-5 | A0G6192400 | 14-4 |
| A00J663200 | 73-16 | A03U193400 | 15-11 | A03U812800 | 73-18 | A03U859400 | 95-12 | A0G6192500 | 14-5 |
| A00J945401 | 4-1 | A03U193600 | 15-12 | A03U812800 | 81-9 | A03U859500 | 95-13 | A0G6192700 | 14-6 |
| A00JM12100 | 30-3 | A03U193700 | 15-13 | A03U812800 | 86-7 | A03U892300 | 105-4 | A0G6192900 | 14-7 |
| A00JM60300 | 110-2 | A03U195302 | 16-10 | A03U812800 | 87-12 | A03U892400 | 105-5 | A0G6193100 | 14-8 |
| A00TM10000 | 98-2 | A03U195400 | 16-11 | A03U812800 | 88-5 | A03U892701 | 106-8 | A0G6193200 | 14-9 |
| A00V240600 | 38-7 | A03U195500 | 16-12 | A03U812800 | 93-7 | A03U893000 | 106-9 | A0G6193400 | 14-10 |
| A00V240600 | 43-3 | A03U259600 | 76-4 | A03U812800 | 102-6 | A03U893101 | 106-10 | A0G6193500 | 14-11 |
| A00V240600 | 44-5 | A03U259600 | 77-4 | A03U812800 | 104-4 | A03U893200 | 106-11 | A0G6193700 | 14-12 |
| A00V240600 | 49-3 | A03U259600 | 78-4 | A03U813601 | 90-9 | A03U893502 | 106-12 | A0G6193800 | 14-13 |
| A00V240600 | 53-3 | A03U259600 | 79-4 | A03U814100 | 90-10 | A03U909502 | 106-13 | A0G6193900 | 14-14 |
| A00V240600 | 74-3 | A03U259900 | 76-5 | A03U814200 | 90-11 | A03U909900 | 105-6 | A0G6194000 | 14-15 |
| A00V240600 | 86-6 | A03U259900 | 77-5 | A03U814300 | 90-12 | A03UF19100 | 16-13 | A0G6411200 | 5-6 |
| A00V240600 | 87-11 | A03U259900 | 78-5 | A03U815700 | 86-8 | A03UF84300 | 96-10 | A0G6739300 | 109-4 |
| A00V240600 | 95-6 | A03U259900 | 79-5 | A03U838900 | 87-13 | A03UM15802 | 5-5 | A0G6H06000 | 14-16 |
| A00V240600 | 97-2 | A03U512300 | 38-8 | A03U839000 | 86-9 | A03UM15802 | 8-6 | A0G6N18400 | 14-18 |
| A00V240600 | 102-5 | A03U515100 | 37-5 | A03U842600 | 94-1 | A03UM20100 | 87-14 | A0GD944100 | 121-16 |
| A02E262300 | 114-2 | A03U555400 | 41-10 | A03U842700 | 85-2 | A03UN23200 | 45-1 | A0GD944200 | 121-17 |
| A034M50000 | 5-4 | A03U560500 | 70-17 | A03U842700 | 95-7 | A03UN23200 | 48-4 | A0P0144300 | 91-7 |

| Parts No. | Page No. | Parts No. | Page No. | Parts No. | Page No. | Parts No. | Page No. | Parts No. | Page No. |
|------------|----------|------------|----------|------------|----------|------------|----------|------------|----------|
| A0P0663600 | 84-9 | A161281100 | 19-12 | A1RF214100 | 77-6 | A1RG681400 | 87-16 | A50U104401 | 10-10 |
| A0P0M50400 | 5-4 | A161281300 | 19-13 | A1RF214100 | 78-6 | A1RJ732100 | 40-7 | A50U104500 | 13-3 |
| A0P0M50400 | 37-4 | A161281600 | 18-7 | A1RF214100 | 79-6 | A1RJ818800 | 100-10 | A50U104600 | 9-8 |
| A0P0M73100 | 14-1 | A161626800 | 60-1 | A1RF301400 | 12-1 | A1RJ825100 | 97-4 | A50U104700 | 8-11 |
| A0TK341200 | 97-3 | A161626800 | 64-1 | A1RF363500 | 34-6 | A1RJ825800 | 97-5 | A50U104801 | 112-2 |
| A0TKH00200 | 24-1 | A161940602 | 3-7 | A1RF363801 | 34-7 | A1TVM10100 | 89-3 | A50U104901 | 7-8 |
| A0TKH00200 | 25-1 | A161M10200 | 35-9 | A1RF368500 | 35-10 | A1TVM10100 | 105-8 | A50U105000 | 13-4 |
| A0TKH00200 | 26-1 | A161M50A00 | 19-14 | A1RF372300 | 35-11 | A1UD210500 | 35-13 | A50U105100 | 8-12 |
| A0TKH00200 | 27-1 | A161N14000 | 20-18 | A1RF441500 | 29-5 | A1UDM50100 | 62-10 | A50U105201 | 8-13 |
| A0VDM50500 | 103-3 | A161N14201 | 19-15 | A1RF501700 | 38-11 | A1UDM50100 | 66-10 | A50U105600 | 8-14 |
| A0Y5M15101 | 11-3 | A161R72200 | 17-6 | A1RF508000 | 40-4 | A1UDM50200 | 19-16 | A50U105800 | 9-9 |
| A11PM10200 | 38-9 | A1DU111101 | 7-4 | A1RF508100 | 40-5 | A2X0M12101 | 75-7 | A50U106300 | 10-11 |
| A11PM10200 | 43-4 | A1DU163402 | 3-1 | A1RF508200 | 40-6 | A2XKM10300 | 31-6 | A50U106300 | 13-5 |
| A161261902 | 18-3 | A1DU190101 | 16-14 | A1RF508900 | 109-5 | A2XKM10300 | 74-4 | A50U106502 | 11-4 |
| A161262002 | 18-4 | A1DU504203 | 38-35 | A1RF509000 | 109-6 | A4EU138000 | 114-21 | A50U106600 | 11-5 |
| A161262200 | 19-4 | A1DU622200 | 75-8 | A1RF517300 | 38-12 | A4EU190413 | 14-20 | A50U106700 | 11-6 |
| A161263000 | 19-5 | A1DU622200 | 113-5 | A1RF517300 | 106-14 | A4EU194100 | 14-21 | A50U106800 | 7-9 |
| A161268200 | 17-2 | A1DU736200 | 43-5 | A1RF620301 | 68-22 | A4EU194200 | 14-22 | A50U107000 | 9-10 |
| A161268300 | 17-3 | A1DU764000 | 7-5 | A1RF620301 | 71-22 | A4EU265000 | 43-8 | A50U107101 | 9-11 |
| A161270102 | 20-7 | A1DU942900 | 103-4 | A1RF701700 | 80-3 | A4EU265000 | 47-3 | A50U107501 | 8-15 |
| A161270600 | 20-8 | A1DUF62100 | 63-7 | A1RF758100 | 43-6 | A4EU538400 | 30-5 | A50U107600 | 8-16 |
| A161271000 | 20-9 | A1DUF62100 | 67-7 | A1RF758100 | 47-2 | A4EUM60000 | 5-7 | A50U107801 | 8-17 |
| A161271100 | 20-10 | A1DUH11000 | 16-15 | A1RF809400 | 43-7 | A4EUM60401 | 110-4 | A50U108001 | 11-7 |
| A161273113 | 20-11 | A1DUPJG100 | 120-14 | A1RF815702 | 8-7 | A4EUM75800 | 14-23 | A50U108200 | 11-8 |
| A161273401 | 20-12 | A1DUR71200 | 52-3 | A1RF820000 | 44-9 | A4EUM77000 | 115-17 | A50U108900 | 7-10 |
| A161273500 | 20-13 | A1DUR71600 | 42-1 | A1RF820000 | 92-5 | A4EUN28500 | 14-24 | A50U109101 | 6-1 |
| A161273701 | 20-14 | A1DUR71900 | 39-8 | A1RF820000 | 93-8 | A4EUPP0000 | 120-7 | A50U109300 | 75-9 |
| A161273800 | 20-15 | A1DUR71C00 | 41-11 | A1RF820000 | 98-3 | A4F3744400 | 10-28 | A50U109400 | 8-18 |
| A161274500 | 20-16 | A1DUR71D00 | 41-12 | A1RF820000 | 99-9 | A50U101602 | 9-6 | A50U109900 | 8-22 |
| A161274600 | 20-17 | A1DUR71J00 | 70-19 | A1RF820000 | 109-7 | A50U102704 | 9-7 | A50U110000 | 10-12 |
| A161275300 | 19-6 | A1DUR71J00 | 73-19 | A1RF847400 | 94-5 | A50U102801 | 7-6 | A50U112901 | 75-10 |
| A161275400 | 19-7 | A1DUR71K00 | 68-21 | A1RF863800 | 100-9 | A50U102900 | 5-8 | A50U112901 | 113-6 |
| A161275500 | 19-8 | A1DUR71K00 | 71-21 | A1RF945501 | 38-37 | A50U103200 | 8-8 | A50U120100 | 110-5 |
| A161275600 | 19-9 | A1DUR73500 | 38-10 | A1RF945501 | 121-1 | A50U103301 | 10-8 | A50U120200 | 110-6 |
| A161276000 | 19-10 | A1DUR73E00 | 95-14 | A1RF946000 | 65-10 | A50U103403 | 8-9 | A50U120300 | 8-23 |
| A161276500 | 19-11 | A1DUR73K00 | 86-10 | A1RFM15100 | 114-3 | A50U103500 | 8-10 | A50U120600 | 5-9 |
| A161278600 | 17-4 | A1DUR73P00 | 95-15 | A1RFM51000 | 46-4 | A50U103602 | 7-7 | A50U120700 | 113-7 |
| A161278900 | 17-5 | A1DUR75200 | 70-20 | A1RFN28300 | 14-19 | A50U103800 | 10-9 | A50U120900 | 11-9 |
| A161280211 | 18-5 | A1DUR75200 | 73-20 | A1RG569900 | 33-4 | A50U104000 | 12-2 | A50U121003 | 5-10 |
| A161280300 | 18-6 | A1RF214100 | 76-6 | A1RG569900 | 35-12 | A50U104300 | 13-2 | A50U121300 | 5-11 |

| Parts No. | Page No. | Parts No. | Page No. | Parts No. | Page No. | Parts No. | Page No. | Parts No. | Page No. |
|------------|----------|------------|----------|------------|----------|------------|----------|------------|----------|
| A50U121500 | 21-1 | A50U128700 | 6-16 | A50U160500 | 2-5 | A50U212100 | 77-8 | A50U335600 | 56-3 |
| A50U121601 | 5-12 | A50U128801 | 11-20 | A50U161501 | 2-7 | A50U212100 | 78-8 | A50U335600 | 57-3 |
| A50U121800 | 11-10 | A50U128900 | 11-21 | A50U161502 | 2-7 | A50U212100 | 79-8 | A50U335600 | 58-3 |
| A50U121900 | 11-11 | A50U129100 | 11-22 | A50U161601 | 2-8 | A50U212600 | 76-9 | A50U337101 | 53-7 |
| A50U122103 | 5-13 | A50U129200 | 8-24 | A50U161700 | 2-9 | A50U212600 | 77-9 | A50U337200 | 54-3 |
| A50U122400 | 113-9 | A50U129300 | 11-23 | A50U161800 | 2-10 | A50U212600 | 78-9 | A50U337300 | 54-4 |
| A50U122701 | 12-3 | A50U129401 | 11-24 | A50U161900 | 2-11 | A50U212600 | 79-9 | A50U337400 | 53-8 |
| A50U122900 | 11-12 | A50U129801 | 11-25 | A50U162701 | 1-1 | A50U220501 | 52-6 | A50U340301 | 55-4 |
| A50U123200 | 6-2 | A50U130300 | 115-3 | A50U162900 | 1-2 | A50U220700 | 53-4 | A50U340301 | 56-4 |
| A50U123300 | 6-3 | A50U130502 | 114-4 | A50U163700 | 4-2 | A50U221500 | 52-7 | A50U340301 | 57-4 |
| A50U123400 | 6-4 | A50U131002 | 112-3 | A50U164000 | 5-24 | A50U221701 | 52-8 | A50U340301 | 58-4 |
| A50U123500 | 6-5 | A50U131100 | 113-10 | A50U164100 | 2-12 | A50U221800 | 53-5 | A50U340501 | 54-5 |
| A50U123600 | 6-6 | A50U131200 | 113-11 | A50U164200 | 2-13 | A50U252100 | 74-5 | A50U340700 | 8-25 |
| A50U123700 | 5-14 | A50U131300 | 113-12 | A50U164901 | 2-14 | A50U252300 | 74-6 | A50U340902 | 54-6 |
| A50U123800 | 5-15 | A50U131400 | 112-4 | A50U165500 | 2-15 | A50U252400 | 74-7 | A50U341002 | 52-9 |
| A50U123900 | 6-7 | A50U131503 | 110-7 | A50U165600 | 2-16 | A50U252500 | 74-8 | A50U341200 | 58-5 |
| A50U124000 | 6-8 | A50U131600 | 110-8 | A50U166100 | 2-17 | A50U252600 | 74-9 | A50U341301 | 54-7 |
| A50U124100 | 5-16 | A50U131700 | 110-9 | A50U166200 | 2-18 | A50U252700 | 74-10 | A50U341401 | 54-8 |
| A50U124900 | 5-17 | A50U131800 | 110-10 | A50U166800 | 28-7 | A50U252800 | 74-11 | A50U341600 | 54-9 |
| A50U125000 | 11-13 | A50U131900 | 112-5 | A50U167201 | 2-19 | A50U308100 | 12-5 | A50U341800 | 6-17 |
| A50U125101 | 11-14 | A50U132100 | 113-13 | A50U167301 | 3-8 | A50U308200 | 12-6 | A50U341900 | 55-5 |
| A50U125200 | 5-18 | A50U132301 | 111-3 | A50U167500 | 2-20 | A50U308300 | 12-7 | A50U341900 | 56-5 |
| A50U125500 | 11-15 | A50U132400 | 110-11 | A50U167601 | 2-21 | A50U308400 | 12-8 | A50U341900 | 57-5 |
| A50U125600 | 11-16 | A50U132600 | 113-14 | A50U167801 | 4-3 | A50U308500 | 12-9 | A50U341900 | 58-6 |
| A50U125800 | 11-17 | A50U132701 | 11-26 | A50U167901 | 5-25 | A50U314300 | 12-10 | A50U342000 | 55-6 |
| A50U125901 | 5-19 | A50U132800 | 11-27 | A50U169002 | 52-4 | A50U314800 | 9-13 | A50U342000 | 56-6 |
| A50U126200 | 6-9 | A50U133101 | 112-6 | A50U169602 | 52-5 | A50U318101 | 21-2 | A50U342000 | 57-6 |
| A50U126300 | 11-18 | A50U133201 | 7-11 | A50U169900 | 2-22 | A50U318201 | 21-3 | A50U342000 | 58-7 |
| A50U126400 | 11-19 | A50U133302 | 114-22 | A50U171500 | 28-8 | A50U318300 | 21-4 | A50U342200 | 6-18 |
| A50U126500 | 5-20 | A50U133400 | 115-4 | A50U172100 | 5-26 | A50U318500 | 12-11 | A50U342300 | 55-7 |
| A50U126600 | 5-21 | A50U133500 | 114-23 | A50U172200 | 5-27 | A50U318601 | 12-12 | A50U342300 | 56-7 |
| A50U126800 | 6-10 | A50U133600 | 114-24 | A50U172300 | 5-29 | A50U318700 | 21-5 | A50U342300 | 57-7 |
| A50U127000 | 12-4 | A50U133700 | 110-12 | A50U175001 | 3-5 | A50U318700 | 28-10 | A50U342300 | 58-8 |
| A50U127201 | 6-11 | A50U133800 | 110-13 | A50U179000 | 28-9 | A50U318800 | 12-13 | A50U342400 | 6-19 |
| A50U127300 | 6-12 | A50U133902 | 115-5 | A50U179500 | 5-30 | A50U318900 | 21-6 | A50U342502 | 54-10 |
| A50U127401 | 5-22 | A50U134701 | 115-6 | A50U210600 | 76-7 | A50U319301 | 21-7 | A50U342600 | 54-11 |
| A50U127500 | 6-13 | A50U134801 | 115-7 | A50U210600 | 77-7 | A50U333500 | 23-1 | A50U342900 | 8-26 |
| A50U127800 | 6-14 | A50U136303 | 115-8 | A50U210600 | 78-7 | A50U333600 | 23-2 | A50U343000 | 54-12 |
| A50U127901 | 5-23 | A50U136403 | 111-4 | A50U210600 | 79-7 | A50U335600 | 54-2 | A50U343100 | 58-9 |
| A50U128000 | 6-15 | A50U136501 | 9-12 | A50U212100 | 76-8 | A50U335600 | 55-3 | A50U343301 | 58-10 |

| Parts No. | Page No. | Parts No. | Page No. | Parts No. | Page No. | Parts No. | Page No. | Parts No. | Page No. |
|------------|----------|------------|----------|------------|----------|------------|----------|------------|----------|
| A50U343400 | 54-13 | A50U374102 | 26-4 | A50U410200 | 29-10 | A50U462900 | 57-15 | A50U505700 | 39-15 |
| A50U343500 | 54-14 | A50U374102 | 27-4 | A50U420300 | 31-11 | A50U462900 | 58-19 | A50U505800 | 39-16 |
| A50U343600 | 122-2 | A50U374501 | 24-5 | A50U420400 | 32-9 | A50U463000 | 55-16 | A50U505901 | 38-25 |
| A50U343700 | 58-11 | A50U374501 | 25-5 | A50U420800 | 32-10 | A50U463000 | 56-16 | A50U506101 | 38-26 |
| A50U343800 | 54-15 | A50U374501 | 26-5 | A50U420900 | 31-12 | A50U463000 | 57-16 | A50U506200 | 37-10 |
| A50U343900 | 54-16 | A50U374501 | 27-5 | A50U421000 | 31-13 | A50U463000 | 58-20 | A50U506300 | 37-11 |
| A50U344100 | 54-17 | A50U376002 | 24-6 | A50U421000 | 32-11 | A50U463100 | 55-17 | A50U506500 | 122-4 |
| A50U344200 | 54-18 | A50U376002 | 25-6 | A50U440301 | 29-11 | A50U463100 | 56-17 | A50U506701 | 38-27 |
| A50U360700 | 35-14 | A50U376002 | 26-6 | A50U440601 | 29-12 | A50U463100 | 57-17 | A50U506900 | 39-17 |
| A50U361200 | 35-15 | A50U376002 | 27-6 | A50U442100 | 28-15 | A50U463100 | 58-21 | A50U507000 | 38-28 |
| A50U361401 | 35-16 | A50U376801 | 24-7 | A50U462101 | 55-8 | A50U500401 | 38-13 | A50U507600 | 39-18 |
| A50U361900 | 33-5 | A50U376801 | 25-7 | A50U462101 | 56-8 | A50U500800 | 37-6 | A50U507801 | 39-19 |
| A50U362200 | 35-17 | A50U376801 | 26-7 | A50U462101 | 57-8 | A50U501201 | 39-9 | A50U507900 | 39-20 |
| A50U362300 | 33-6 | A50U376801 | 27-7 | A50U462101 | 58-12 | A50U501401 | 40-8 | A50U508001 | 39-21 |
| A50U363200 | 34-8 | A50U377201 | 24-8 | A50U462201 | 55-9 | A50U501702 | 40-9 | A50U508102 | 39-22 |
| A50U363300 | 33-7 | A50U377201 | 25-8 | A50U462201 | 56-9 | A50U501900 | 39-10 | A50U508301 | 7-12 |
| A50U363400 | 34-9 | A50U377201 | 26-8 | A50U462201 | 57-9 | A50U502100 | 40-10 | A50U508600 | 37-12 |
| A50U363701 | 34-10 | A50U377201 | 27-8 | A50U462201 | 58-13 | A50U502500 | 38-14 | A50U508800 | 37-13 |
| A50U363900 | 9-14 | A50U377301 | 24-9 | A50U462400 | 55-10 | A50U502600 | 38-15 | A50U509100 | 38-29 |
| A50U365400 | 33-8 | A50U377301 | 25-9 | A50U462400 | 56-10 | A50U502700 | 40-11 | A50U509300 | 7-13 |
| A50U365600 | 35-18 | A50U377301 | 26-9 | A50U462400 | 57-10 | A50U502801 | 122-3 | A50U510100 | 39-23 |
| A50U365800 | 35-19 | A50U377301 | 27-9 | A50U462400 | 58-14 | A50U502900 | 40-12 | A50U510200 | 39-24 |
| A50U366601 | 9-15 | A50U400201 | 29-18 | A50U462501 | 55-11 | A50U503001 | 40-13 | A50U510400 | 7-14 |
| A50U366800 | 34-11 | A50U400503 | 32-5 | A50U462501 | 56-11 | A50U503200 | 39-11 | A50U515200 | 42-2 |
| A50U367001 | 35-20 | A50U400600 | 28-11 | A50U462501 | 57-11 | A50U503500 | 40-15 | A50U515500 | 42-3 |
| A50U367100 | 34-12 | A50U400900 | 28-12 | A50U462501 | 58-15 | A50U503600 | 37-7 | A50U516800 | 42-4 |
| A50U367400 | 34-13 | A50U401200 | 32-6 | A50U462600 | 55-12 | A50U503700 | 37-8 | A50U516900 | 42-5 |
| A50U368000 | 9-16 | A50U401301 | 32-7 | A50U462600 | 56-12 | A50U503900 | 38-16 | A50U517000 | 42-6 |
| A50U368400 | 34-14 | A50U401401 | 28-13 | A50U462600 | 57-12 | A50U504000 | 38-17 | A50U517100 | 42-7 |
| A50U369900 | 34-15 | A50U404000 | 31-7 | A50U462600 | 58-16 | A50U504400 | 38-18 | A50U517300 | 38-30 |
| A50U372901 | 24-2 | A50U404200 | 31-8 | A50U462700 | 55-13 | A50U504500 | 38-19 | A50U520001 | 59-1 |
| A50U372901 | 25-2 | A50U404600 | 31-9 | A50U462700 | 56-13 | A50U504600 | 38-20 | A50U520601 | 84-10 |
| A50U372901 | 26-2 | A50U406400 | 31-10 | A50U462700 | 57-13 | A50U504700 | 38-21 | A50U520700 | 84-11 |
| A50U372901 | 27-2 | A50U407300 | 13-6 | A50U462700 | 58-17 | A50U505000 | 38-22 | A50U520900 | 84-12 |
| A50U373100 | 24-3 | A50U407600 | 32-8 | A50U462801 | 55-14 | A50U505100 | 38-23 | A50U521301 | 84-15 |
| A50U373100 | 25-3 | A50U408101 | 28-14 | A50U462801 | 56-14 | A50U505202 | 37-9 | A50U521500 | 84-16 |
| A50U373100 | 26-3 | A50U408501 | 29-6 | A50U462801 | 57-14 | A50U505300 | 38-24 | A50U521900 | 84-17 |
| A50U373100 | 27-3 | A50U408600 | 29-7 | A50U462801 | 58-18 | A50U505401 | 39-12 | A50U522001 | 84-18 |
| A50U374102 | 24-4 | A50U408700 | 29-8 | A50U462900 | 55-15 | A50U505500 | 39-13 | A50U522400 | 84-19 |
| A50U374102 | 25-4 | A50U408900 | 29-9 | A50U462900 | 56-15 | A50U505601 | 39-14 | A50U522900 | 84-20 |

| Parts No. | Page No. | Parts No. | Page No. | Parts No. | Page No. | Parts No. | Page No. | Parts No. | Page No. |
|------------|----------|------------|----------|------------|----------|------------|----------|------------|----------|
| A50U523001 | 84-21 | A50U622101 | 66-16 | A50U626702 | 65-17 | A50U631600 | 65-26 | A50U700200 | 81-10 |
| A50U523100 | 84-22 | A50U622300 | 62-20 | A50U627002 | 64-2 | A50U631700 | 66-31 | A50U700300 | 81-11 |
| A50U523200 | 84-23 | A50U622400 | 62-21 | A50U627200 | 64-3 | A50U631800 | 66-32 | A50U700400 | 81-12 |
| A50U523400 | 84-24 | A50U622400 | 66-17 | A50U627501 | 62-29 | A50U631900 | 66-33 | A50U700500 | 81-13 |
| A50U524100 | 84-25 | A50U622600 | 61-10 | A50U627501 | 66-24 | A50U632300 | 66-34 | A50U700600 | 81-14 |
| A50U524500 | 84-26 | A50U622600 | 65-12 | A50U627601 | 61-17 | A50U633002 | 60-2 | A50U700901 | 80-5 |
| A50U524600 | 84-27 | A50U622802 | 61-11 | A50U627601 | 65-18 | A50U633002 | 64-4 | A50U701000 | 81-15 |
| A50U524700 | 84-28 | A50U622802 | 65-13 | A50U627701 | 61-18 | A50U633200 | 60-3 | A50U701113 | 80-6 |
| A50U525900 | 59-2 | A50U623201 | 62-22 | A50U627701 | 65-19 | A50U633200 | 64-5 | A50U704400 | 81-16 |
| A50U531400 | 41-13 | A50U623201 | 66-18 | A50U628001 | 10-17 | A50U633301 | 60-4 | A50U704700 | 81-17 |
| A50U531500 | 41-14 | A50U623300 | 62-23 | A50U628100 | 62-30 | A50U633400 | 60-5 | A50U704801 | 81-18 |
| A50U531601 | 41-15 | A50U623300 | 66-19 | A50U628200 | 61-19 | A50U633400 | 64-6 | A50U704900 | 81-19 |
| A50U560901 | 69-24 | A50U623600 | 62-24 | A50U628200 | 63-12 | A50U633601 | 64-7 | A50U705000 | 81-20 |
| A50U560901 | 72-24 | A50U623701 | 62-25 | A50U628200 | 65-20 | A50U633702 | 60-6 | A50U705100 | 80-7 |
| A50U561200 | 69-25 | A50U623900 | 66-20 | A50U628200 | 67-12 | A50U633702 | 64-8 | A50U705200 | 80-8 |
| A50U561200 | 72-25 | A50U624000 | 9-17 | A50U628300 | 63-13 | A50U633800 | 60-7 | A50U705400 | 81-21 |
| A50U562400 | 69-26 | A50U624113 | 10-15 | A50U628300 | 67-13 | A50U633800 | 64-9 | A50U705500 | 81-22 |
| A50U562400 | 72-26 | A50U624201 | 66-21 | A50U628400 | 62-31 | A50U633900 | 60-8 | A50U705600 | 81-23 |
| A50U564500 | 69-27 | A50U624300 | 10-16 | A50U628400 | 66-25 | A50U633900 | 64-10 | A50U705701 | 80-9 |
| A50U564500 | 72-27 | A50U624503 | 9-18 | A50U629001 | 65-21 | A50U634200 | 10-18 | A50U706000 | 80-10 |
| A50U565100 | 69-28 | A50U624600 | 63-9 | A50U629100 | 75-11 | A50U634300 | 60-9 | A50U706800 | 81-24 |
| A50U565100 | 72-28 | A50U624600 | 67-9 | A50U629202 | 65-22 | A50U634300 | 64-11 | A50U706900 | 80-11 |
| A50U620602 | 62-11 | A50U624700 | 63-10 | A50U629300 | 61-20 | A50U635400 | 66-35 | A50U707002 | 81-25 |
| A50U620801 | 62-12 | A50U624700 | 67-10 | A50U629401 | 67-14 | A50U635500 | 66-36 | A50U707300 | 81-26 |
| A50U620801 | 66-11 | A50U624904 | 9-19 | A50U629502 | 63-14 | A50U637002 | 60-10 | A50U707400 | 81-27 |
| A50U620902 | 62-13 | A50U625000 | 61-12 | A50U629502 | 67-15 | A50U637600 | 63-18 | A50U707600 | 80-12 |
| A50U621001 | 61-9 | A50U625100 | 63-11 | A50U629702 | 63-15 | A50U637700 | 63-19 | A50U710101 | 102-7 |
| A50U621001 | 65-11 | A50U625100 | 67-11 | A50U629702 | 67-16 | A50U640100 | 67-18 | A50U710300 | 104-6 |
| A50U621200 | 63-8 | A50U625400 | 62-26 | A50U629801 | 63-16 | A50U640200 | 10-19 | A50U710901 | 104-7 |
| A50U621200 | 67-8 | A50U625500 | 62-27 | A50U629801 | 67-17 | A50U640400 | 10-20 | A50U711001 | 104-8 |
| A50U621301 | 62-14 | A50U625701 | 61-13 | A50U629901 | 63-17 | A50U640700 | 66-37 | A50U711101 | 102-8 |
| A50U621301 | 66-12 | A50U625701 | 65-14 | A50U630203 | 61-21 | A50U640800 | 62-32 | A50U711200 | 104-9 |
| A50U621400 | 62-15 | A50U626000 | 66-22 | A50U630203 | 65-23 | A50U641500 | 61-22 | A50U711300 | 104-10 |
| A50U621400 | 66-13 | A50U626100 | 62-28 | A50U630602 | 66-26 | A50U641500 | 65-27 | A50U711400 | 102-9 |
| A50U621800 | 62-16 | A50U626100 | 66-23 | A50U630902 | 66-27 | A50U642000 | 62-33 | A50U711602 | 104-11 |
| A50U621900 | 62-17 | A50U626502 | 61-14 | A50U631000 | 66-28 | A50U642000 | 66-38 | A50U712001 | 103-5 |
| A50U621900 | 66-14 | A50U626502 | 65-15 | A50U631100 | 66-29 | A50U642300 | 47-4 | A50U712200 | 91-8 |
| A50U622001 | 62-18 | A50U626601 | 61-15 | A50U631200 | 65-24 | A50U642300 | 67-19 | A50U712200 | 104-12 |
| A50U622001 | 66-15 | A50U626601 | 65-16 | A50U631301 | 65-25 | A50U642300 | 99-10 | A50U712300 | 91-9 |
| A50U622101 | 62-19 | A50U626702 | 61-16 | A50U631500 | 66-30 | A50U700101 | 80-4 | A50U712300 | 104-13 |

| Parts No. | Page No. | Parts No. | Page No. | Parts No. | Page No. | Parts No. | Page No. | Parts No. | Page No. |
|------------|----------|------------|----------|------------|----------|------------|----------|------------|----------|
| A50U712400 | 91-10 | A50U716500 | 104-25 | A50U737401 | 114-7 | A50U748506 | 44-19 | A50U761500 | 50-20 |
| A50U712400 | 104-14 | A50U717001 | 103-6 | A50U737601 | 114-8 | A50U748701 | 50-10 | A50U761601 | 50-21 |
| A50U712700 | 104-15 | A50U717100 | 103-7 | A50U737700 | 114-9 | A50U749200 | 44-20 | A50U761700 | 50-22 |
| A50U713000 | 102-10 | A50U717200 | 103-8 | A50U737800 | 7-18 | A50U749300 | 44-21 | A50U761800 | 50-23 |
| A50U713100 | 104-16 | A50U717901 | 102-17 | A50U738001 | 7-19 | A50U749401 | 114-10 | A50U761900 | 50-24 |
| A50U713200 | 102-11 | A50U718200 | 103-9 | A50U738100 | 7-20 | A50U749502 | 114-11 | A50U762000 | 50-25 |
| A50U713302 | 88-7 | A50U718300 | 103-10 | A50U738700 | 51-11 | A50U749600 | 114-12 | A50U762100 | 50-26 |
| A50U713401 | 88-8 | A50U718400 | 91-16 | A50U738900 | 7-21 | A50U749700 | 114-13 | A50U762200 | 50-27 |
| A50U713403 | 88-8 | A50U718400 | 104-26 | A50U739000 | 7-22 | A50U749801 | 114-14 | A50U762300 | 50-28 |
| A50U713500 | 88-9 | A50U718500 | 91-17 | A50U739811 | 49-8 | A50U751002 | 43-21 | A50U762400 | 50-29 |
| A50U713600 | 102-12 | A50U718500 | 104-27 | A50U739900 | 49-9 | A50U751003 | 43-21 | A50U763000 | 51-15 |
| A50U713700 | 88-10 | A50U719300 | 103-11 | A50U742901 | 43-13 | A50U751101 | 43-22 | A50U763600 | 51-16 |
| A50U713800 | 88-11 | A50U719400 | 103-12 | A50U743100 | 43-14 | A50U751200 | 43-23 | A50U763800 | 50-30 |
| A50U713900 | 88-12 | A50U719800 | 102-19 | A50U743200 | 43-15 | A50U751301 | 43-24 | A50U763900 | 50-31 |
| A50U714201 | 104-17 | A50U721502 | 51-3 | A50U743302 | 44-11 | A50U752000 | 44-22 | A50U765000 | 49-14 |
| A50U714300 | 102-13 | A50U722100 | 48-5 | A50U743600 | 44-12 | A50U752200 | 44-23 | A50U765500 | 46-15 |
| A50U714400 | 102-14 | A50U722202 | 48-6 | A50U743700 | 44-13 | A50U752300 | 44-24 | A50U783400 | 49-15 |
| A50U714500 | 104-18 | A50U722700 | 51-4 | A50U743900 | 44-14 | A50U752600 | 43-25 | A50U785000 | 47-10 |
| A50U714601 | 91-11 | A50U723812 | 48-7 | A50U744000 | 49-10 | A50U752700 | 46-9 | A50U787003 | 47-11 |
| A50U714601 | 104-19 | A50U723911 | 48-8 | A50U744100 | 49-11 | A50U753100 | 114-15 | A50U787500 | 45-4 |
| A50U714800 | 88-13 | A50U725001 | 49-7 | A50U744400 | 49-12 | A50U754700 | 44-25 | A50U787600 | 45-5 |
| A50U714900 | 88-14 | A50U725200 | 48-9 | A50U744601 | 44-15 | A50U754901 | 47-9 | A50U787700 | 46-16 |
| A50U715003 | 88-15 | A50U726611 | 48-10 | A50U744700 | 47-5 | A50U755100 | 46-10 | A50U788000 | 47-12 |
| A50U715004 | 88-15 | A50U728500 | 48-11 | A50U744912 | 44-16 | A50U755301 | 46-11 | A50U788102 | 47-13 |
| A50U715100 | 88-16 | A50U728800 | 48-12 | A50U745100 | 45-2 | A50U755900 | 43-26 | A50U788602 | 46-17 |
| A50U715200 | 88-17 | A50U730900 | 48-13 | A50U745400 | 47-6 | A50U756002 | 43-27 | A50U788900 | 46-18 |
| A50U715300 | 91-12 | A50U731002 | 48-14 | A50U745501 | 44-17 | A50U756300 | 46-13 | A50U789100 | 46-19 |
| A50U715300 | 104-20 | A50U731102 | 48-15 | A50U745600 | 43-16 | A50U756300 | 49-13 | A50U792901 | 47-14 |
| A50U715400 | 93-9 | A50U731700 | 7-15 | A50U745700 | 43-17 | A50U756500 | 43-28 | A50U794800 | 47-15 |
| A50U715600 | 91-13 | A50U731900 | 7-16 | A50U746200 | 45-3 | A50U757000 | 43-29 | A50U799200 | 47-16 |
| A50U715600 | 104-21 | A50U732000 | 51-5 | A50U746400 | 44-18 | A50U757100 | 43-30 | A50U799601 | 47-17 |
| A50U715800 | 91-14 | A50U732100 | 44-10 | A50U746500 | 50-9 | A50U758201 | 46-14 | A50U799700 | 47-18 |
| A50U715800 | 104-22 | A50U732200 | 43-9 | A50U746700 | 47-7 | A50U760400 | 50-11 | A50U799800 | 47-19 |
| A50U715900 | 102-15 | A50U732300 | 43-10 | A50U746800 | 46-5 | A50U760600 | 50-12 | A50U800100 | 98-4 |
| A50U716200 | 102-16 | A50U732400 | 43-11 | A50U747101 | 47-8 | A50U760701 | 50-13 | A50U800300 | 97-6 |
| A50U716301 | 104-23 | A50U732500 | 43-12 | A50U747803 | 46-6 | A50U760802 | 50-14 | A50U800400 | 97-7 |
| A50U716400 | 104-24 | A50U733500 | 48-16 | A50U747900 | 46-7 | A50U761100 | 50-16 | A50U800700 | 97-8 |
| A50U716500 | 59-3 | A50U734100 | 114-5 | A50U748200 | 46-8 | A50U761200 | 50-17 | A50U800800 | 97-9 |
| A50U716500 | 84-29 | A50U737201 | 7-17 | A50U748403 | 43-18 | A50U761300 | 50-18 | A50U801400 | 97-10 |
| A50U716500 | 91-15 | A50U737302 | 114-6 | A50U748404 | 43-18 | A50U761400 | 50-19 | A50U801500 | 97-11 |

| Parts No. | Page No. | Parts No. | Page No. | Parts No. | Page No. | Parts No. | Page No. | Parts No. | Page No. |
|------------|----------|------------|----------|------------|----------|------------|----------|------------|----------|
| A50U801602 | 97-12 | A50U817700 | 13-10 | A50U834500 | 91-28 | A50U841800 | 96-14 | A50U853001 | 92-19 |
| A50U802002 | 97-13 | A50U817800 | 91-22 | A50U834600 | 91-29 | A50U841901 | 94-9 | A50U853100 | 93-21 |
| A50U802100 | 98-5 | A50U818001 | 86-15 | A50U834700 | 91-30 | A50U842000 | 95-17 | A50U853200 | 92-20 |
| A50U802211 | 97-14 | A50U818201 | 91-23 | A50U834802 | 84-30 | A50U842300 | 95-18 | A50U853200 | 93-22 |
| A50U802700 | 98-6 | A50U818400 | 91-24 | A50U835001 | 82-9 | A50U842301 | 95-18 | A50U853400 | 96-23 |
| A50U802801 | 98-7 | A50U818501 | 87-19 | A50U835302 | 86-16 | A50U842900 | 83-8 | A50U853700 | 92-21 |
| A50U802900 | 98-8 | A50U818601 | 91-25 | A50U835400 | 86-17 | A50U842900 | 96-15 | A50U854100 | 96-24 |
| A50U803101 | 98-9 | A50U818700 | 82-3 | A50U835601 | 88-19 | A50U843601 | 96-16 | A50U854200 | 92-22 |
| A50U803300 | 98-10 | A50U818800 | 82-4 | A50U835900 | 86-18 | A50U843801 | 96-17 | A50U854302 | 92-23 |
| A50U803400 | 98-11 | A50U818900 | 82-5 | A50U836000 | 86-19 | A50U843900 | 90-22 | A50U854400 | 84-31 |
| A50U803500 | 98-12 | A50U819201 | 82-6 | A50U836100 | 88-20 | A50U844100 | 90-23 | A50U854400 | 92-24 |
| A50U803600 | 98-13 | A50U819302 | 82-7 | A50U836200 | 91-31 | A50U844400 | 96-18 | A50U854600 | 66-39 |
| A50U803700 | 98-14 | A50U819500 | 83-6 | A50U836300 | 89-10 | A50U844501 | 96-19 | A50U854600 | 93-23 |
| A50U803800 | 98-15 | A50U819600 | 99-12 | A50U836400 | 86-20 | A50U844601 | 96-20 | A50U854800 | 84-32 |
| A50U804001 | 97-15 | A50U819700 | 88-18 | A50U836500 | 86-21 | A50U844800 | 94-10 | A50U854800 | 85-4 |
| A50U804200 | 97-16 | A50U819812 | 89-7 | A50U836801 | 93-11 | A50U845400 | 95-19 | A50U854800 | 92-25 |
| A50U804701 | 98-16 | A50U819900 | 89-8 | A50U837001 | 82-10 | A50U846000 | 96-21 | A50U854800 | 94-13 |
| A50U805200 | 98-17 | A50U830200 | 87-20 | A50U837101 | 82-11 | A50U846102 | 92-9 | A50U855200 | 9-20 |
| A50U805300 | 97-17 | A50U830300 | 87-21 | A50U837300 | 82-12 | A50U846304 | 92-10 | A50U855601 | 94-14 |
| A50U810302 | 90-15 | A50U830400 | 87-22 | A50U837700 | 89-11 | A50U847200 | 95-20 | A50U855702 | 82-13 |
| A50U810400 | 90-16 | A50U830501 | 87-23 | A50U838500 | 89-12 | A50U848000 | 94-11 | A50U855800 | 84-33 |
| A50U810502 | 86-11 | A50U830600 | 87-24 | A50U838700 | 89-13 | A50U848302 | 94-12 | A50U855900 | 86-23 |
| A50U811300 | 13-7 | A50U830700 | 87-25 | A50U838701 | 89-13 | A50U850201 | 95-21 | A50U856201 | 92-26 |
| A50U811500 | 13-8 | A50U830800 | 87-26 | A50U838800 | 99-14 | A50U850201 | 96-22 | A50U856501 | 96-25 |
| A50U812100 | 86-12 | A50U831000 | 87-27 | A50U839200 | 86-22 | A50U850700 | 93-12 | A50U858101 | 84-34 |
| A50U812202 | 87-17 | A50U831100 | 87-28 | A50U839200 | 87-31 | A50U851400 | 92-11 | A50U858200 | 82-14 |
| A50U813700 | 13-9 | A50U831200 | 87-29 | A50U839900 | 83-7 | A50U851500 | 92-12 | A50U858300 | 82-15 |
| A50U814401 | 89-4 | A50U831300 | 89-9 | A50U840303 | 92-6 | A50U851500 | 93-13 | A50U858400 | 82-16 |
| A50U814500 | 89-5 | A50U831400 | 90-18 | A50U840400 | 96-11 | A50U851700 | 92-13 | A50U858500 | 82-17 |
| A50U815101 | 89-6 | A50U831900 | 87-30 | A50U840501 | 94-20 | A50U851901 | 93-15 | A50U858600 | 86-24 |
| A50U815800 | 90-17 | A50U832100 | 8-27 | A50U840602 | 94-21 | A50U852000 | 92-15 | A50U858703 | 93-24 |
| A50U816103 | 86-13 | A50U832201 | 10-22 | A50U840704 | 94-6 | A50U852102 | 93-16 | A50U859000 | 87-34 |
| A50U816403 | 93-10 | A50U832600 | 90-19 | A50U840715 | 94-6 | A50U852200 | 93-17 | A50U859400 | 87-35 |
| A50U816700 | 91-18 | A50U832700 | 90-20 | A50U840802 | 92-7 | A50U852300 | 93-18 | A50U859500 | 92-27 |
| A50U816801 | 91-19 | A50U832901 | 82-8 | A50U841100 | 95-16 | A50U852301 | 93-18 | A50U859800 | 92-28 |
| A50U816900 | 91-20 | A50U833000 | 8-28 | A50U841301 | 96-12 | A50U852400 | 93-19 | A50U859900 | 95-22 |
| A50U817300 | 87-18 | A50U833400 | 91-26 | A50U841402 | 92-8 | A50U852501 | 92-16 | A50U860104 | 99-15 |
| A50U817300 | 99-11 | A50U833500 | 91-27 | A50U841501 | 94-7 | A50U852501 | 93-20 | A50U860202 | 100-11 |
| A50U817400 | 86-14 | A50U834200 | 90-21 | A50U841600 | 94-8 | A50U852701 | 92-17 | A50U860501 | 99-16 |
| A50U817601 | 91-21 | A50U834304 | 99-13 | A50U841700 | 96-13 | A50U852904 | 92-18 | A50U860600 | 100-12 |

| Parts No. | Page No. | Parts No. | Page No. | Parts No. | Page No. | Parts No. | Page No. | Parts No. | Page No. |
|------------|----------|------------|----------|------------|----------|------------|----------|------------|----------|
| A50U861006 | 99-17 | A50U869800 | 100-28 | A50U890102 | 106-15 | A50U945301 | 66-40 | A50UM15401 | 11-28 |
| A50U861100 | 100-13 | A50U880103 | 92-29 | A50U890201 | 106-16 | A50U945601 | 2-24 | A50UM30101 | 55-18 |
| A50U861601 | 100-14 | A50U880201 | 94-15 | A50U890300 | 106-17 | A50U945601 | 54-19 | A50UM30101 | 56-18 |
| A50U861900 | 101-3 | A50U880702 | 86-25 | A50U890500 | 105-9 | A50U945601 | 59-4 | A50UM30101 | 57-18 |
| A50U862600 | 101-4 | A50U880800 | 91-32 | A50U890600 | 106-18 | A50U945702 | 60-11 | A50UM30101 | 58-22 |
| A50U863000 | 101-5 | A50U881300 | 92-30 | A50U890700 | 106-19 | A50U945702 | 64-12 | A50UM32A00 | 46-20 |
| A50U864200 | 100-15 | A50U881400 | 92-31 | A50U890802 | 106-20 | A50U946000 | 61-23 | A50UM32E00 | 46-20 |
| A50U864300 | 100-16 | A50U881500 | 8-29 | A50U891001 | 105-10 | A50U946300 | 62-35 | A50UM32F00 | 46-20 |
| A50U865011 | 101-6 | A50U881601 | 91-34 | A50U891201 | 105-11 | A50U946300 | 66-41 | A50UM40100 | 112-7 |
| A50U865101 | 100-17 | A50U881700 | 91-35 | A50U891302 | 106-21 | A50U946400 | 63-20 | A50UM40201 | 113-15 |
| A50U865200 | 101-7 | A50U882100 | 91-36 | A50U891500 | 106-22 | A50U946400 | 67-20 | A50UM45206 | 111-5 |
| A50U865300 | 99-19 | A50U882100 | 93-25 | A50U891600 | 106-23 | A50U946503 | 2-25 | A50UM50100 | 42-8 |
| A50U865401 | 100-18 | A50U882300 | 88-21 | A50U891900 | 106-24 | A50U948001 | 52-10 | A50UM50200 | 42-9 |
| A50U865601 | 100-19 | A50U882401 | 102-20 | A50U892001 | 106-25 | A50U949600 | 5-32 | A50UM50600 | 48-17 |
| A50U865703 | 99-20 | A50U882600 | 88-22 | A50U892101 | 106-26 | A50U949600 | 43-32 | A50UM51000 | 8-30 |
| A50U865901 | 99-21 | A50U882701 | 83-9 | A50U892201 | 105-12 | A50U949600 | 52-11 | A50UM51000 | 28-17 |
| A50U865902 | 99-21 | A50U882801 | 83-10 | A50U892502 | 105-13 | A50U949700 | 52-12 | A50UM51000 | 34-16 |
| A50U866400 | 99-22 | A50U882900 | 93-26 | A50U893201 | 106-27 | A50U949700 | 53-9 | A50UM51000 | 81-28 |
| A50U866900 | 99-23 | A50U883001 | 93-27 | A50U893300 | 105-14 | A50U949700 | 54-20 | A50UM51000 | 108-3 |
| A50U867100 | 100-20 | A50U883101 | 93-28 | A50U894000 | 106-28 | A50UF12000 | 5-33 | A50UM60300 | 5-34 |
| A50U867200 | 99-24 | A50U883200 | 93-29 | A50U895000 | 105-15 | A50UF16000 | 2-26 | A50UN10903 | 43-33 |
| A50U867312 | 99-25 | A50U883300 | 88-23 | A50U895101 | 105-16 | A50UF16101 | 2-27 | A50UN11801 | 34-17 |
| A50U867400 | 99-26 | A50U883400 | 93-30 | A50U899700 | 106-29 | A50UF16201 | 2-28 | A50UN12000 | 34-18 |
| A50U867500 | 99-27 | A50U883501 | 88-24 | A50U899801 | 106-30 | A50UF16301 | 2-29 | A50UN12101 | 28-18 |
| A50U867600 | 99-28 | A50U883600 | 91-37 | A50U943201 | 91-42 | A50UF16400 | 2-30 | A50UN12203 | 32-12 |
| A50U867700 | 100-21 | A50U883600 | 93-31 | A50U943301 | 104-29 | A50UF21100 | 76-10 | A50UN12500 | 54-21 |
| A50U867802 | 99-29 | A50U883701 | 93-32 | A50U943401 | 102-21 | A50UF21100 | 77-10 | A50UN12602 | 5-35 |
| A50U868000 | 100-22 | A50U884000 | 93-33 | A50U943502 | 43-31 | A50UF21100 | 78-10 | A50UN12702 | 118-1 |
| A50U868200 | 101-8 | A50U884202 | 83-11 | A50U943601 | 100-29 | A50UF36500 | 33-9 | A50UN12900 | 112-8 |
| A50U868301 | 101-9 | A50U884300 | 93-34 | A50U943701 | 50-32 | A50UF41500 | 28-16 | A50UN13203 | 39-25 |
| A50U868401 | 100-23 | A50U884600 | 84-35 | A50U943801 | 99-32 | A50UF50700 | 7-23 | A50UN13600 | 10-23 |
| A50U868500 | 101-10 | A50U884700 | 84-36 | A50U943901 | 96-26 | A50UF70800 | 80-13 | A50UN14001 | 67-21 |
| A50U868600 | 101-11 | A50U885100 | 86-26 | A50U944001 | 94-16 | A50UF70900 | 80-14 | A50UN14100 | 63-21 |
| A50U868702 | 100-24 | A50U886300 | 91-38 | A50U944200 | 82-18 | A50UF80500 | 97-18 | A50UN14201 | 69-29 |
| A50U869100 | 101-12 | A50U886700 | 93-35 | A50U944302 | 5-31 | A50UF81401 | 88-25 | A50UN14201 | 72-29 |
| A50U869300 | 100-25 | A50U886800 | 92-32 | A50U944500 | 29-13 | A50UF82200 | 86-27 | A50UN14400 | 81-29 |
| A50U869400 | 99-30 | A50U886900 | 93-36 | A50U944600 | 29-14 | A50UF83702 | 83-12 | A50UN15101 | 113-16 |
| A50U869501 | 99-31 | A50U887100 | 91-39 | A50U944700 | 29-15 | A50UF84800 | 95-23 | A50UN15301 | 105-18 |
| A50U869601 | 100-26 | A50U887200 | 91-40 | A50U944800 | 29-16 | A50UM15300 | 7-24 | A50UN15400 | 8-31 |
| A50U869700 | 100-27 | A50U887300 | 91-41 | A50U945301 | 62-34 | A50UM15300 | 105-17 | A50UN15500 | 82-19 |

| Parts No. | Page No. |
|------------|----------|
| A50UN15800 | 102-22 |
| A50UN15900 | 93-37 |
| A50UN16000 | 89-14 |
| A50UN16300 | 95-24 |
| A50UN16400 | 95-25 |
| A50UN16600 | 103-13 |
| A50UN16700 | 103-14 |
| A50UN16800 | 103-15 |
| A50UN16900 | 89-15 |
| A50UN17100 | 97-19 |
| A50UN17200 | 86-28 |
| A50UN17400 | 112-9 |
| A50UN17502 | 101-13 |
| A50UN17601 | 100-30 |
| A50UN17700 | 98-18 |
| A50UN17900 | 91-43 |
| A50UN18100 | 93-38 |
| A50UN18203 | 88-26 |
| A50UN18401 | 100-31 |
| A50UN18700 | 82-20 |
| A50UN18900 | 88-27 |
| A50UN20001 | 42-10 |
| A50UN23200 | 112-10 |
| A50UN23300 | 112-11 |
| A50UN23400 | 112-12 |
| A50UN23500 | 112-13 |
| A50UN23600 | 112-14 |
| A50UN23700 | 112-15 |
| A50UN23800 | 112-16 |
| A50UN23900 | 112-17 |
| A50UN24100 | 112-18 |
| A50UN24200 | 112-19 |
| A50UN24300 | 112-20 |
| A50UN24400 | 113-17 |
| A50UN24501 | 38-31 |
| A50UN24600 | 113-18 |
| A50UN24701 | 38-32 |
| A50UN24800 | 113-19 |
| A50UN24901 | 38-33 |
| A50UN25000 | 113-20 |

| Parts No. | Page No. |
|------------|----------|
| A50UN25200 | 113-21 |
| A50UN25300 | 113-22 |
| A50UN25400 | 86-29 |
| A50UN25500 | 113-23 |
| A50UN25600 | 86-30 |
| A50UN27002 | 12-14 |
| A50UN29012 | 15-14 |
| A50UN29101 | 15-15 |
| A50UN29201 | 115-9 |
| A50UN29900 | 114-25 |
| A50UPJG100 | 120-9 |
| A50UPJG200 | 120-10 |
| A50UPJG300 | 120-8 |
| A50UPP0100 | 120-1 |
| A50UR70115 | 34-19 |
| A50UR70244 | 24-10 |
| A50UR70244 | 25-10 |
| A50UR70244 | 26-10 |
| A50UR70244 | 27-10 |
| A50UR70323 | 22-1 |
| A50UR70323 | 22-1 |
| A50UR70500 | 59-5 |
| A50UR70655 | 36-1 |
| A50UR70655 | 36-1 |
| A50UR70A12 | 11-29 |
| A50UR70B00 | 59-6 |
| A50UR70D01 | 104-30 |
| A50UR70E22 | 45-6 |
| A50UR70F00 | 48-18 |
| A50UR70G01 | 82-21 |
| A50UR70H00 | 12-15 |
| A50UR70K22 | 41-16 |
| A50UR70K22 | 41-16 |
| A50UR70Q00 | 79-10 |
| A50UR70S11 | 74-12 |
| A50UR70V00 | 33-10 |
| A50UR70Y11 | 35-21 |
| A50UR71111 | 33-12 |
| A50UR71200 | 35-22 |
| A50UR71711 | 42-11 |

| Parts No. | Page No. |
|------------|----------|
| A50UR71G00 | 110-14 |
| A50UR71J00 | 110-14 |
| A50UR71K00 | 76-11 |
| A50UR71K00 | 77-11 |
| A50UR71K00 | 78-11 |
| A50UR71M00 | 79-11 |
| A50UR71P22 | 36-2 |
| A50UR71Q00 | 59-7 |
| A50UR71R11 | 59-8 |
| A50UR71S11 | 59-9 |
| A50UR71U01 | 13-11 |
| A50UR71V01 | 13-12 |
| A50UR71W01 | 13-13 |
| A50UR71X00 | 7-25 |
| A50UR71Y00 | 7-26 |
| A50UR72100 | 38-34 |
| A50UR72400 | 93-39 |
| A50UR72500 | 93-40 |
| A50UR72600 | 91-44 |
| A50UR72600 | 93-41 |
| A50UR72711 | 100-32 |
| A50UR72811 | 99-33 |
| A50UR72C00 | 84-37 |
| A50UR72E00 | 87-36 |
| A50UR72F00 | 88-28 |
| A50UR72G00 | 88-29 |
| A50UR72H00 | 88-30 |
| A50UR72J00 | 7-27 |
| A50UR72K00 | 54-22 |
| A50UR72R00 | 97-20 |
| A50UR72S00 | 82-22 |
| A50UR72U11 | 50-33 |
| A50UR72X01 | 76-12 |
| A50UR72X01 | 77-12 |
| A50UR72X01 | 78-12 |
| A50UR72X01 | 79-12 |
| A50UR72Y00 | 45-7 |
| A50UR73100 | 80-15 |
| A50UR73700 | 110-14 |
| A50UR73F00 | 113-24 |

| Parts No. | Page No. |
|------------|----------|
| A50UR73J00 | 40-17 |
| A50UR73K00 | 40-18 |
| A55C712000 | 80-16 |
| A55D941100 | 3-9 |
| A5AW162000 | 2-37 |
| A5AW510400 | 109-8 |
| A5AW744900 | 49-16 |
| A5AW745000 | 49-17 |
| A5AWM15101 | 7-28 |
| A5AWM15101 | 107-1 |
| A5AWP00100 | 120-2 |
| A5C1263300 | 19-17 |
| A5C1263400 | 19-18 |
| A5C1280101 | 18-8 |
| A5C1M10A00 | 19-19 |
| A5C1M50100 | 18-9 |
| A5C1M50100 | 19-20 |
| A5C1N14300 | 19-21 |
| A61FM31100 | 20-19 |
| A61FM90200 | 18-10 |
| A65U186600 | 107-2 |
| A782945003 | 120-19 |
| A795167800 | 3-10 |
| A795273900 | 20-20 |
| A795275700 | 19-22 |
| A796H01A00 | 18-11 |
| A799190100 | 14-25 |
| A799190200 | 14-26 |
| A799190301 | 14-27 |
| A799H04001 | 14-28 |
| A799M45300 | 111-6 |
| A799M72000 | 114-26 |
| A79JM11300 | 52-13 |
| A79JPJP000 | 120-17 |
| A79JPJP100 | 120-18 |
| A7PU169900 | 122-11 |
| A7PUN14600 | 17-7 |
| A7PUR71133 | 17-8 |
| A85C102000 | 10-24 |
| A85C108100 | 111-7 |

| Parts No. | Page No. |
|------------|----------|
| A85C130700 | 115-10 |
| A85C136200 | 115-11 |
| A85C137100 | 114-16 |
| A85C213100 | 79-13 |
| A85C409600 | 29-17 |
| A85C635200 | 70-21 |
| A85C635200 | 73-21 |
| A85C635300 | 70-22 |
| A85C635300 | 73-22 |
| A85C635400 | 69-30 |
| A85C635400 | 72-30 |
| A85C635401 | 69-30 |
| A85C635401 | 72-30 |
| A85C757801 | 50-34 |
| A85C758100 | 50-35 |
| A85C764100 | 50-36 |
| A85C789200 | 48-27 |
| A85C789300 | 48-28 |
| A85C877100 | 101-14 |
| A85C877200 | 94-17 |
| A85C895300 | 109-9 |
| A85C895400 | 109-10 |
| A85C895500 | 106-31 |
| A85C895800 | 109-11 |
| A85C895900 | 109-12 |
| A85C896300 | 109-13 |
| A85C896301 | 109-13 |
| A85C896400 | 109-14 |
| A85C896501 | 108-21 |
| A85C896600 | 108-22 |
| A85C896601 | 108-22 |
| A85C896800 | 109-15 |
| A85C896900 | 109-16 |
| A85C897101 | 105-28 |
| A85C897201 | 109-17 |
| A85C897300 | 109-18 |
| A85C897400 | 108-4 |
| A85C897700 | 109-19 |
| A85C897800 | 109-20 |
| A85C897900 | 108-5 |

| Parts No. | Page No. | Parts No. | Page No. | Parts No. | Page No. | Parts No. | Page No. | Parts No. | Page No. |
|------------|----------|------------|----------|------------|----------|------------|----------|------------|----------|
| A85C898701 | 107-3 | A85CN21300 | 108-7 | A8AK941001 | 121-2 | A9VE162100 | 1-4 | A9VE521100 | 84-49 |
| A85C898800 | 107-4 | A85CN21400 | 108-8 | A8AK941200 | 121-3 | A9VE162200 | 1-5 | A9VE521200 | 84-50 |
| A85C898801 | 107-4 | A85CN21600 | 107-5 | A8AK941301 | 109-34 | A9VE162300 | 4-5 | A9VE522500 | 84-39 |
| A85C899100 | 109-22 | A85CN21700 | 108-9 | A8AKN10501 | 109-35 | A9VE162400 | 3-3 | A9VE526200 | 84-40 |
| A85CH01104 | 115-12 | A85CN26500 | 21-8 | A8AKR70511 | 109-36 | A9VE162500 | 1-6 | A9VE560100 | 69-15 |
| A85CH10003 | 115-15 | A85CN27400 | 114-17 | A8AW106900 | 108-14 | A9VE162800 | 1-7 | A9VE560100 | 72-15 |
| A85CM10100 | 79-14 | A85CN27800 | 18-13 | A8AW160401 | 108-15 | A9VE163001 | 4-6 | A9VE620701 | 64-14 |
| A85CM10200 | 76-13 | A85CN29700 | 114-27 | A8AW161911 | 105-26 | A9VE163200 | 1-8 | A9VE625800 | 75-1 |
| A85CM10200 | 77-13 | A85CN29800 | 114-28 | A8AW162500 | 108-17 | A9VE163500 | 4-7 | A9VE628400 | 60-13 |
| A85CM10200 | 78-13 | A85CR70C22 | 76-16 | A8AW162600 | 108-18 | A9VE163600 | 4-8 | A9VE628400 | 64-15 |
| A85CM40100 | 108-6 | A85CR70D11 | 17-9 | A8AW941002 | 108-19 | A9VE163800 | 4-9 | A9VE628500 | 60-14 |
| A85CM55500 | 91-45 | A85CR70G22 | 68-23 | A8WC707100 | 120-20 | A9VE163900 | 3-4 | A9VE630701 | 60-15 |
| A85CM55500 | 99-34 | A85CR70G22 | 71-23 | A92W943100 | 111-13 | A9VE164800 | 2-35 | A9VE633100 | 60-16 |
| A85CM55500 | 106-32 | A85CR70P33 | 36-3 | A92WH51003 | 111-8 | A9VE168000 | 122-6 | A9VE633100 | 64-16 |
| A85CM55600 | 37-14 | A85CR70R11 | 36-4 | A92WR70T00 | 109-38 | A9VE168800 | 3-6 | A9VE634400 | 60-17 |
| A85CM55600 | 44-26 | A85CR70U00 | 110-14 | A9CE955000 | 121-4 | A9VE168800 | 121-6 | A9VE634400 | 64-17 |
| A85CM55600 | 54-23 | A85CR71000 | 97-23 | A9CE955100 | 121-5 | A9VE169000 | 121-7 | A9VE641600 | 10-25 |
| A85CM55600 | 61-24 | A8AK100401 | 107-6 | A9JT170601 | 3-11 | A9VE169500 | 4-10 | A9VE641700 | 10-27 |
| A85CM55600 | 63-22 | A8AK101201 | 108-10 | A9JT942401 | 4-4 | A9VE193100 | 16-16 | A9VE700200 | 80-17 |
| A85CM55600 | 65-28 | A8AK101503 | 108-11 | A9JT944200 | 2-38 | A9VE193200 | 16-17 | A9VE701300 | 80-18 |
| A85CM55600 | 69-31 | A8AK101700 | 108-12 | A9PJ138400 | 17-10 | A9VE193300 | 15-16 | A9VE715700 | 104-31 |
| A85CM55600 | 72-31 | A8AK103200 | 109-23 | A9PJ138500 | 17-11 | A9VE193500 | 15-17 | A9VE720300 | 49-33 |
| A85CM55600 | 76-14 | A8AK103502 | 109-24 | A9VE110100 | 10-2 | A9VE193800 | 15-18 | A9VE720500 | 49-19 |
| A85CM55600 | 77-14 | A8AK103601 | 109-25 | A9VE110100 | 13-1 | A9VE193900 | 16-18 | A9VE722800 | 51-17 |
| A85CM55600 | 78-14 | A8AK103702 | 109-26 | A9VE110200 | 10-3 | A9VE194000 | 15-19 | A9VE723500 | 49-20 |
| A85CM55600 | 81-30 | A8AK104100 | 109-27 | A9VE133000 | 112-21 | A9VE194100 | 15-20 | A9VE723600 | 49-21 |
| A85CM55600 | 84-38 | A8AK106101 | 105-19 | A9VE139100 | 114-18 | A9VE194200 | 122-7 | A9VE724100 | 49-22 |
| A85CM55600 | 88-31 | A8AK106200 | 105-20 | A9VE160100 | 2-31 | A9VE194300 | 122-8 | A9VE726800 | 49-23 |
| A85CM55600 | 89-16 | A8AK106300 | 105-21 | A9VE160200 | 2-32 | A9VE195000 | 14-30 | A9VE727500 | 50-37 |
| A85CM55600 | 93-42 | A8AK106400 | 105-22 | A9VE160300 | 2-33 | A9VE197100 | 15-21 | A9VE727600 | 51-18 |
| A85CM55600 | 97-21 | A8AK106800 | 105-23 | A9VE160400 | 82-23 | A9VE205000 | 14-30 | A9VE727700 | 50-38 |
| A85CM55600 | 100-33 | A8AK107100 | 108-13 | A9VE160600 | 2-34 | A9VE205100 | 14-30 | A9VE728300 | 49-24 |
| A85CM90400 | 115-13 | A8AK107200 | 105-24 | A9VE160700 | 60-12 | A9VE205200 | 14-30 | A9VE728400 | 48-21 |
| A85CM91100 | 18-12 | A8AK108001 | 109-28 | A9VE160800 | 64-13 | A9VE205300 | 14-30 | A9VE731500 | 51-19 |
| A85CN10202 | 117-1 | A8AK108100 | 109-29 | A9VE161000 | 3-2 | A9VE220500 | 52-14 | A9VE733000 | 49-25 |
| A85CN10400 | 117-2 | A8AK108200 | 109-30 | A9VE161100 | 3-12 | A9VE220600 | 53-10 | A9VE733100 | 49-26 |
| A85CN12800 | 7-29 | A8AK108302 | 109-31 | A9VE161200 | 3-13 | A9VE222000 | 53-6 | A9VE733400 | 48-22 |
| A85CN19000 | 76-15 | A8AK108400 | 109-32 | A9VE161301 | 3-14 | A9VE400200 | 29-18 | A9VE739400 | 7-30 |
| A85CN19100 | 79-15 | A8AK108500 | 109-33 | A9VE161400 | 3-15 | A9VE500100 | 38-35 | A9VE741600 | 45-8 |
| A85CN19900 | 122-5 | A8AK162701 | 105-25 | A9VE162000 | 1-3 | A9VE500200 | 38-36 | A9VE741700 | 46-21 |

| Parts No. | Page No. |
|------------|----------|
| A9VE741800 | 46-22 |
| A9VE741900 | 47-20 |
| A9VE742000 | 47-21 |
| A9VE742400 | 44-27 |
| A9VE742500 | 43-34 |
| A9VE742800 | 43-35 |
| A9VE743000 | 43-36 |
| A9VE743500 | 49-27 |
| A9VE743800 | 44-28 |
| A9VE744300 | 44-29 |
| A9VE745800 | 45-9 |
| A9VE747200 | 44-30 |
| A9VE747301 | 44-31 |
| A9VE749401 | 45-9 |
| A9VE758000 | 50-39 |
| A9VE758400 | 47-22 |
| A9VE758600 | 47-23 |
| A9VE760312 | 50-40 |
| A9VE760900 | 50-8 |
| A9VE764200 | 50-41 |
| A9VE769001 | 48-23 |
| A9VE769300 | 51-20 |
| A9VE769600 | 51-21 |
| A9VE784200 | 48-27 |
| A9VE784300 | 48-28 |
| A9VE785400 | 49-28 |
| A9VE785500 | 49-29 |
| A9VE818100 | 86-31 |
| A9VE819100 | 88-32 |
| A9VE839100 | 86-32 |
| A9VE841000 | 94-19 |
| A9VE841300 | 88-6 |
| A9VE851800 | 92-14 |
| A9VE851800 | 93-14 |
| A9VE866100 | 99-35 |
| A9VE866200 | 99-36 |
| A9VE866201 | 99-36 |
| A9VE867900 | 99-37 |
| A9VE870100 | 85-5 |
| A9VE870200 | 85-6 |

| Parts No. | Page No. |
|------------|----------|
| A9VE870300 | 85-7 |
| A9VE870400 | 85-8 |
| A9VE870500 | 85-9 |
| A9VE870600 | 85-10 |
| A9VE870800 | 84-42 |
| A9VE870900 | 84-43 |
| A9VE871200 | 84-44 |
| A9VE871300 | 84-45 |
| A9VE871600 | 91-46 |
| A9VE871700 | 84-46 |
| A9VE871800 | 84-47 |
| A9VE871900 | 85-11 |
| A9VE872000 | 91-47 |
| A9VE890400 | 106-33 |
| A9VE890900 | 106-34 |
| A9VE892800 | 106-35 |
| A9VE942102 | 108-20 |
| A9VE942200 | 121-8 |
| A9VE942301 | 4-12 |
| A9VE942500 | 103-16 |
| A9VE942600 | 4-11 |
| A9VE942700 | 52-15 |
| A9VE943100 | 82-2 |
| A9VE944100 | 83-5 |
| A9VE944901 | 2-36 |
| A9VE945400 | 60-18 |
| A9VE945500 | 64-18 |
| A9VE945900 | 121-18 |
| A9VE946300 | 121-9 |
| A9VE947000 | 82-24 |
| A9VE949000 | 50-42 |
| A9VEF62104 | 64-19 |
| A9VEF63104 | 60-19 |
| A9VEF75114 | 50-43 |
| A9VEF84100 | 94-18 |
| A9VEF89001 | 105-27 |
| A9VEH02000 | 115-14 |
| A9VEH03005 | 112-22 |
| A9VEH03017 | 112-22 |
| A9VEH05001 | 86-33 |

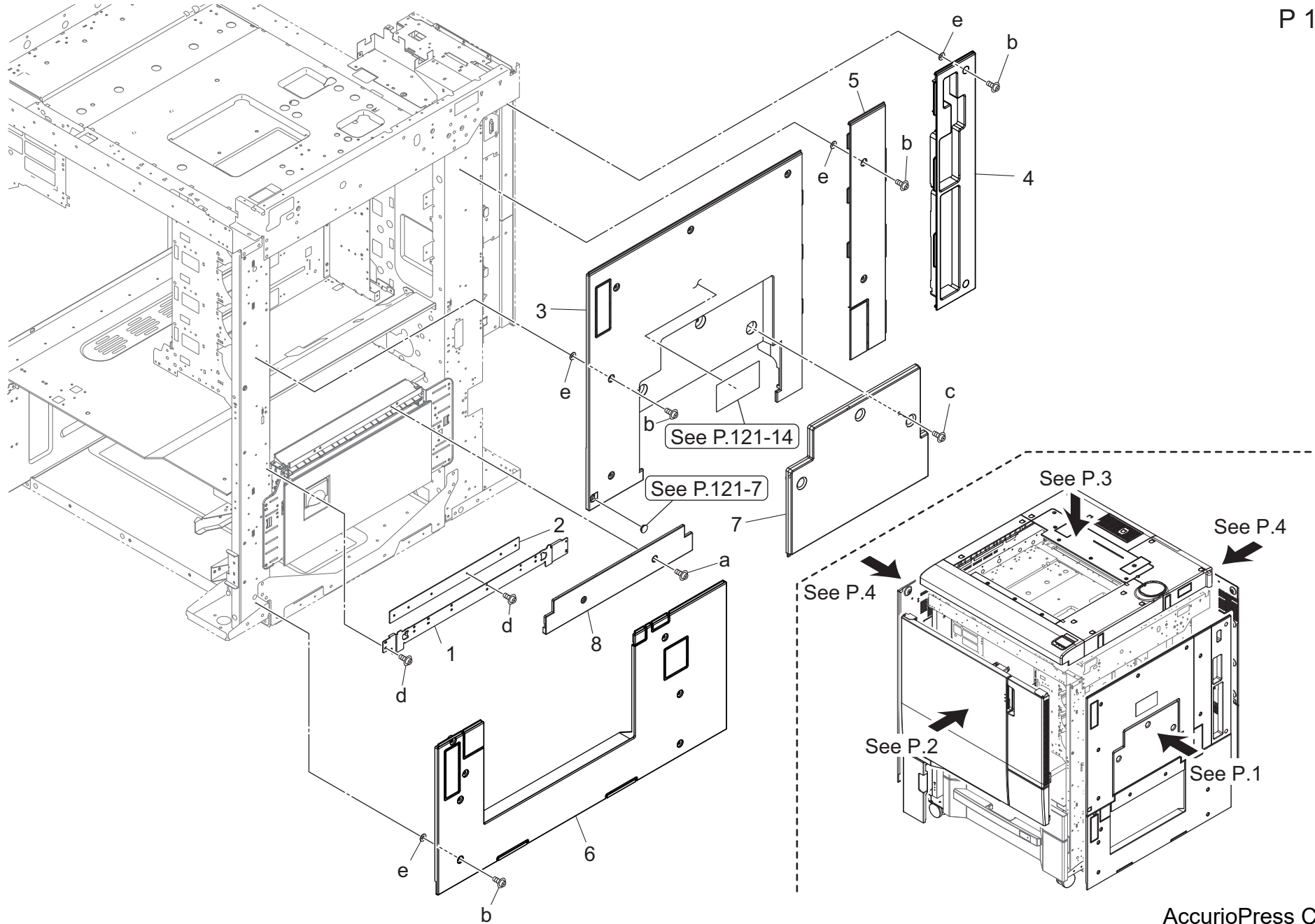
| Parts No. | Page No. |
|------------|----------|
| A9VEM10100 | 44-32 |
| A9VEM31A00 | 49-30 |
| A9VEM31E00 | 49-30 |
| A9VEM31F00 | 49-30 |
| A9VEM33A00 | 49-31 |
| A9VEM33E00 | 49-31 |
| A9VEM33F00 | 49-31 |
| A9VEM55100 | 103-17 |
| A9VEM75500 | 14-17 |
| A9VEN10300 | 118-2 |
| A9VEN10500 | 119-1 |
| A9VEN10601 | 48-24 |
| A9VEN10700 | 44-33 |
| A9VEN10A00 | 116-1 |
| A9VEN10F00 | 116-1 |
| A9VEN11000 | 48-25 |
| A9VEN11300 | 114-19 |
| A9VEN11400 | 111-9 |
| A9VEN11500 | 112-23 |
| A9VEN11601 | 111-10 |
| A9VEN11700 | 110-15 |
| A9VEN11F00 | 111-11 |
| A9VEN12400 | 52-16 |
| A9VEN13300 | 39-26 |
| A9VEN13400 | 39-27 |
| A9VEN15000 | 86-34 |
| A9VEN15200 | 106-36 |
| A9VEN15601 | 86-35 |
| A9VEN16100 | 89-17 |
| A9VEN16200 | 85-12 |
| A9VEN16200 | 91-48 |
| A9VEN16500 | 88-33 |
| A9VEN18801 | 86-36 |
| A9VEP12100 | 5-36 |
| A9VEP12200 | 5-37 |
| A9VER70144 | 43-37 |
| A9VER70244 | 43-37 |
| A9VER70311 | 43-37 |
| A9VER70344 | 43-37 |
| A9VER70422 | 49-32 |

| Parts No. | Page No. |
|------------|----------|
| A9VER70422 | 49-32 |
| A9VER70511 | 36-3 |
| A9VER70600 | 14-29 |
| A9VER70700 | 52-17 |
| A9VER70800 | 80-19 |
| A9VER70900 | 51-22 |
| A9VER71000 | 102-23 |
| A9VER71100 | 98-19 |
| A9VER71200 | 113-25 |
| A9VER71300 | 21-9 |
| A9VER71400 | 84-48 |
| A9VER71600 | 34-19 |
| A9VER71700 | 30-2 |
| A9VER71800 | 33-11 |
| A9VER71900 | 30-1 |
| A9VER72000 | 30-1 |
| A9VER72100 | 30-1 |
| A9VER72200 | 30-1 |
| A9VER72300 | 110-14 |
| A9VER72400 | 36-3 |
| A9VER72400 | 36-3 |
| AAK7R90200 | 114-26 |
| AC57719200 | 102-18 |
| AC57740000 | 51-24 |
| AC57761000 | 50-15 |
| AC57784600 | 51-23 |
| AC57805500 | 97-22 |
| AC57849100 | 87-32 |
| AC57849200 | 87-33 |
| AC57861800 | 99-18 |
| AC57870700 | 84-41 |
| AC57884400 | 83-13 |
| AC57884500 | 83-14 |
| AC57899000 | 109-21 |
| AC57R75400 | 50-44 |
| SP00-0210 | 48-26 |
| SP00-0220 | 45-10 |
| V114040604 | 121-10 |
| V118045503 | 8-4 |
| V121030604 | 121-11 |

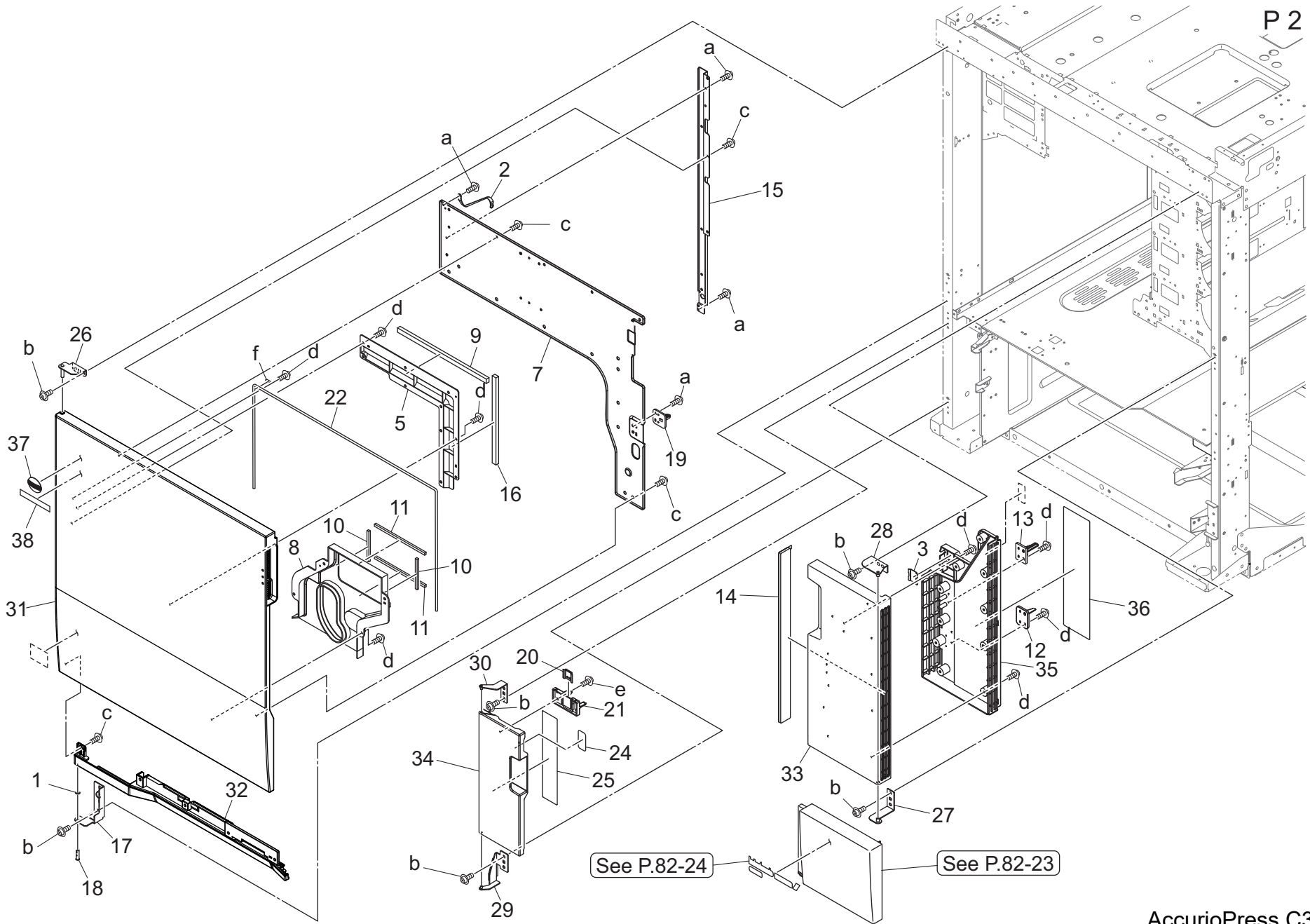
| Parts No. | Page No. |
|------------|----------|
| V127030516 | 121-12 |
| V127030604 | 121-13 |
| V217040003 | 122-9 |
| V221050050 | 10-29 |
| V234200850 | 10-26 |
| V234201250 | 93-2 |
| V234201450 | 66-3 |
| V234201450 | 93-4 |
| V502010033 | 44-34 |
| V502010033 | 111-12 |
| V502010033 | 111-14 |
| V502010065 | 115-16 |
| V503010002 | 115-1 |
| V590040002 | 122-10 |
| V865300088 | 115-19 |
| V865300110 | 115-18 |

External Parts Section

P 1

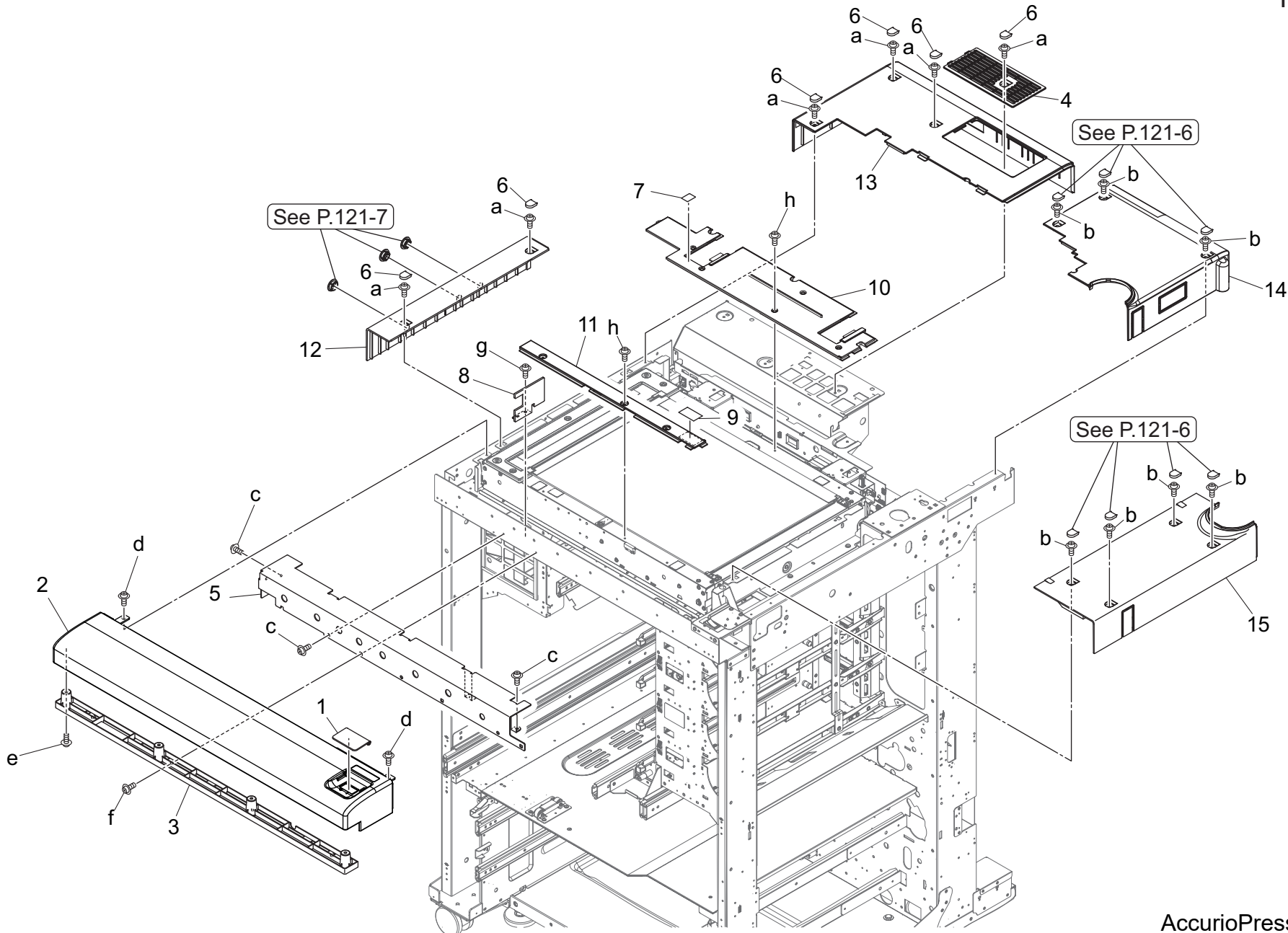


External Parts Section

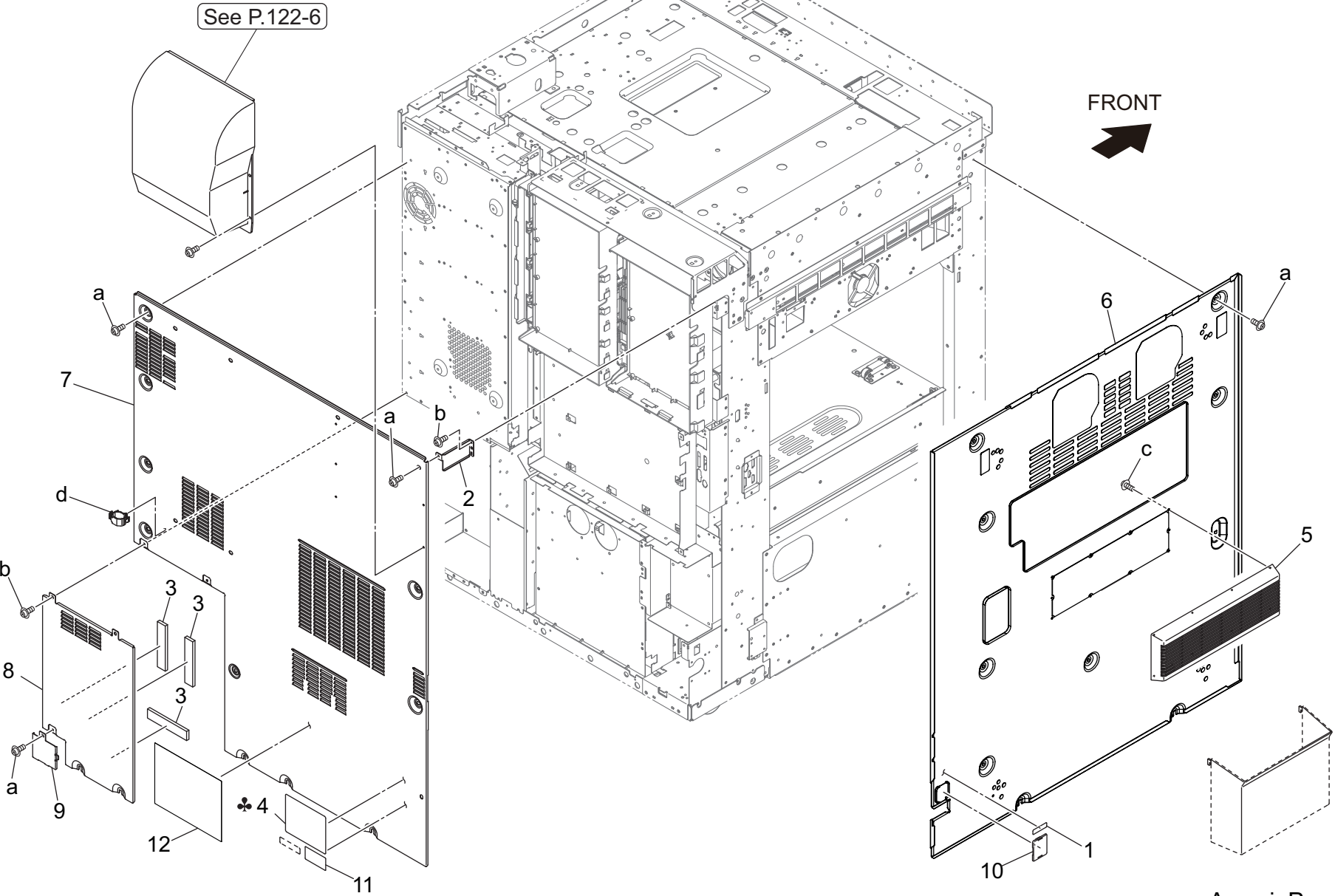


| Key | Part No. | Description | Destinations | Class | QTY | Standard parts |
|-----|---------------|---|--------------|-------|-----|----------------|
| 1 | 40AA30270 | DEVELOPING SPACER | | C | 1 | a-V127030604 |
| 2 | 55VA90840 | MAIN EARTH WIRE | | D | 1 | b-V127040603 |
| 3 | 56AA12241 | EXTERNAL LOCK PLATE | | D | 1 | c-V158030803 |
| 5 | A50U160500 | Fixing Plate | | D | 1 | d-V158030804 |
| 7 | A50U161501Old | Reinforce Door /Right | | D | 1 | e-V158031003 |
| 7 | A50U161502 | Reinforce Door /Right | | D | 1 | f-V234201450 |
| 8 | A50U161601 | Cover Duct /Front | | D | 1 | |
| 9 | A50U161700 | Sealing Cushion /1 | | D | 1 | |
| 10 | A50U161800 | Sealing Cushion /Right | | D | 2 | |
| 11 | A50U161900 | Sealing Cushion /Left | | D | 2 | |
| 12 | A50U164100 | Detecting Actuator | | D | 1 | |
| 13 | A50U164200 | Detecting Part | | D | 1 | |
| 14 | A50U164901 | Suction Dust-proof Filter | | A | 1 | |
| 15 | A50U165500 | Reinforce Hinge | | D | 1 | |
| 16 | A50U165600 | Sealing Cushion /2 | | D | 1 | |
| 17 | A50U166100 | Hinge /Lower | | D | 1 | |
| 18 | A50U166200 | Support Shaft /Lower | | D | 1 | |
| 19 | A50U167201 | Lock Cover | | D | 1 | |
| 20 | A50U167500 | Lock Plate | | D | 1 | |
| 21 | A50U167601 | Detecting Part | | D | 1 | |
| 22 | A50U169900 | Reinforce Wire | | D | 1 | |
| 24 | A50U945601 | Operation Label | | D | 1 | |
| 25 | A50U946503 | Operation Label /A | | D | 1 | |
| 26 | A50UF16000 | Left Door Support Plate / Upper Caulking | | D | 1 | |
| 27 | A50UF16101 | Right Door Support Plate / Lower Caulking | | D | 1 | |
| 28 | A50UF16201 | Right Door Support Plate / Upper Caulking | | D | 1 | |
| 29 | A50UF16301 | Collection Box Door Support Plate / L | | D | 1 | |
| 30 | A50UF16400 | Collection Box Door Support Plate / Upper | | D | 1 | |
| 31 | A9VE160100 | Door /Front | | D | 1 | |
| 32 | A9VE160200 | Door /Lower | | D | 1 | |
| 33 | A9VE160300 | Toner supply Door | | D | 1 | |
| 34 | A9VE160600 | Collection Door | | D | 1 | |
| 35 | A9VE164800 | Toner supply Duct | | D | 1 | |
| 36 | A9VE944901 | Toner supply Label | | D | 1 | |
| 37 | A5AW162000 | Indicating Plate | | C | 1 | |
| 38 | A9JT944200 | Label /KONICA MINOLTA | | D | 1 | |
| | | | | | | |
| | | | | | | |

External Parts Section



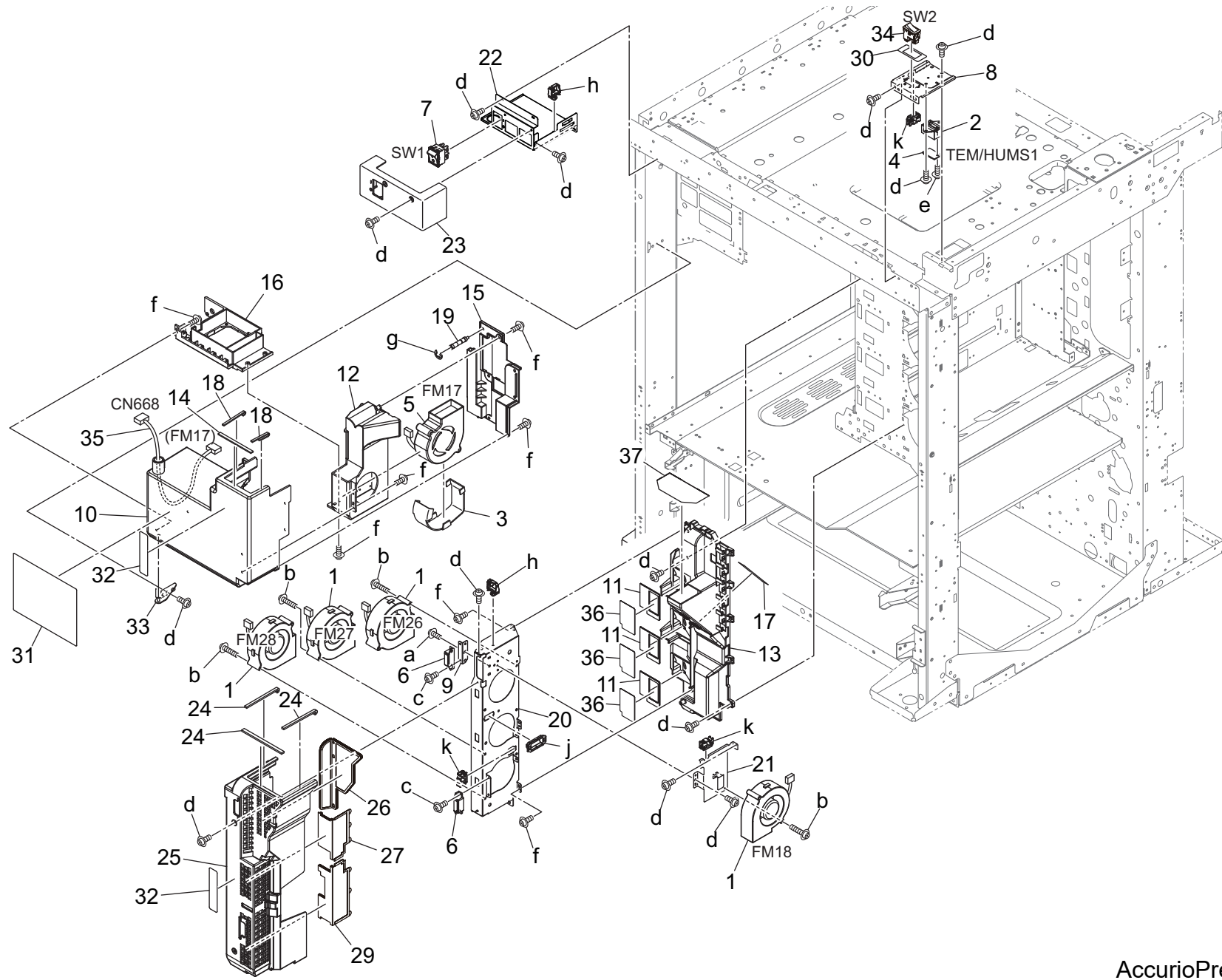
External Parts Section



AccurioPress C3080

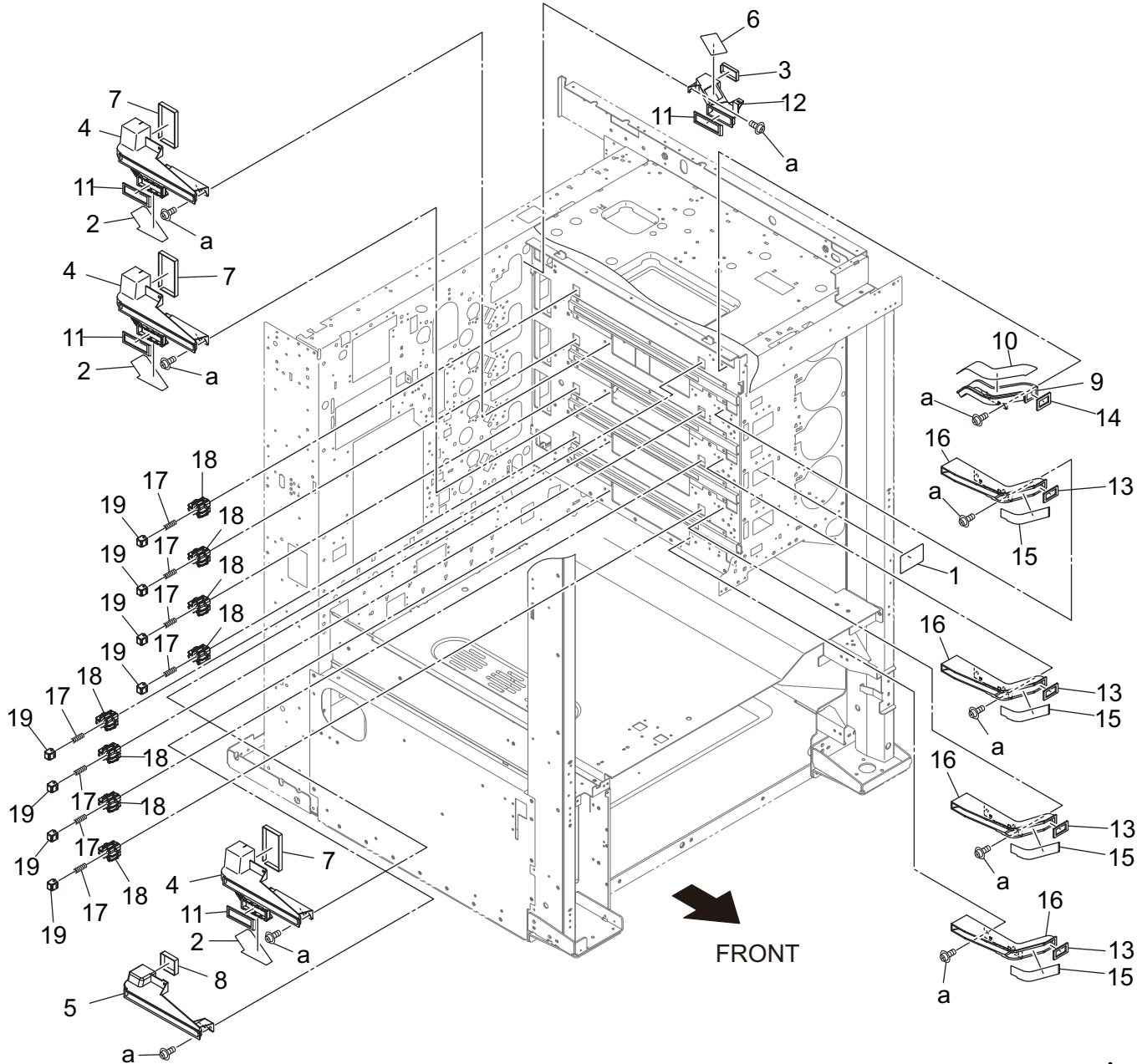
Main Frame Section

P 5



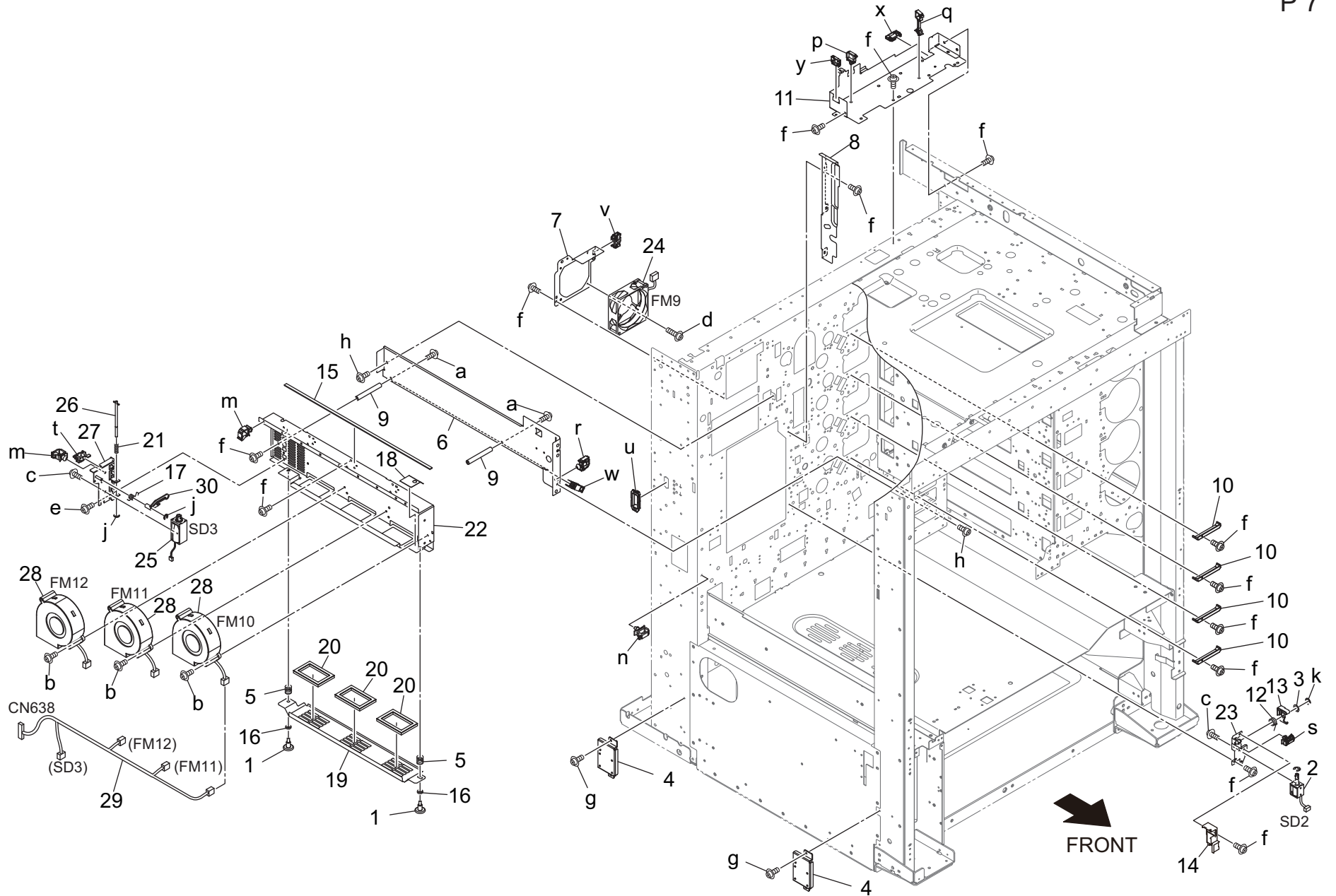
| Key | Part No. | Description | Destinations | Class | QTY | Standard parts |
|-----|---------------|---|---------------------|-------|-----|----------------|
| 1 | 9313100072 | FAN MOTOR | | C | 4 | a-V116030803 |
| 2 | 65AA11300 | Support Part | | D | 1 | b-V118033503 |
| 3 | 65AA11430 | FAN SEALING PART 3 | | C | 1 | c-V126030603 |
| 4 | A034M50000Old | Humidity sensor | | C | 1 | d-V127030604 |
| 4 | A0P0M50400 | Humidity sensor | | C | 1 | e-V151030803 |
| 5 | A03UM15802 | Main body Cooling Fan | | C | 1 | f-V158030803 |
| 6 | A0G6411200 | Magnet /X | | D | 2 | g-V217060003 |
| 7 | A4EUM60000 | Power source Switch | | C | 1 | h-V500020098 |
| 8 | A50U102900 | Mounting Plate | | D | 1 | j-V570010037 |
| 9 | A50U120600 | Fixing Plate | | D | 1 | k-V570010056 |
| 10 | A50U121003 | Duct | | D | 1 | |
| 11 | A50U121300 | Cooling Seal /Front | | D | 3 | |
| 12 | A50U121601 | Duct | | D | 1 | |
| 13 | A50U122103 | Cooling Duct | | D | 1 | |
| 14 | A50U123700 | Cooling Seal /B | | D | 1 | |
| 15 | A50U123800 | Cover | | D | 1 | |
| 16 | A50U124100 | Duct | | D | 1 | |
| 17 | A50U124900 | Cover Sheet | | D | 1 | |
| 18 | A50U125200 | Cooling Seal /A | | D | 2 | |
| 19 | A50U125901 | Fixing Screw | | D | 1 | |
| 20 | A50U126500 | Mounting Plate | | D | 1 | |
| 21 | A50U126600 | Mounting Plate | | D | 1 | |
| 22 | A50U127401 | Mounting Plate | | D | 1 | |
| 23 | A50U127901 | Cover | | D | 1 | |
| 24 | A50U164000 | Cooling Seal /1 | | D | 3 | |
| 25 | A50U167901 | Cooling Cover | | D | 1 | |
| 26 | A50U172100 | PH Dust-proof Filter | | B | 1 | |
| 27 | A50U172200 | Deve. Dust-proof Filter/1 | | B | 1 | |
| 29 | A50U172300 | Deve. Dust-proof Filter/2 | | B | 1 | |
| 30 | A50U179500 | Protection Sheet | | D | 1 | |
| 31 | A50U944302 | Processing Label /2 | | D | 1 | |
| 32 | A50U949600 | Replacement Label | | D | 2 | |
| 33 | A50UF12000 | Fusing Front Cooling Duct Support Shaft | | D | 1 | |
| 34 | A50UM60300 | Power source Switch | | C | 1 | |
| 35 | A50UN12602 | Cooling Relay harness /1 | | D | 1 | |
| 36 | A9VEP12100 | Filter /G | (Service Part Only) | C | 3 | |
| 37 | A9VEP12200 | Filter /H | (Service Part Only) | C | 1 | |
| | | | | | | |
| | | | | | | |
| | | | | | | |

Main Frame Section



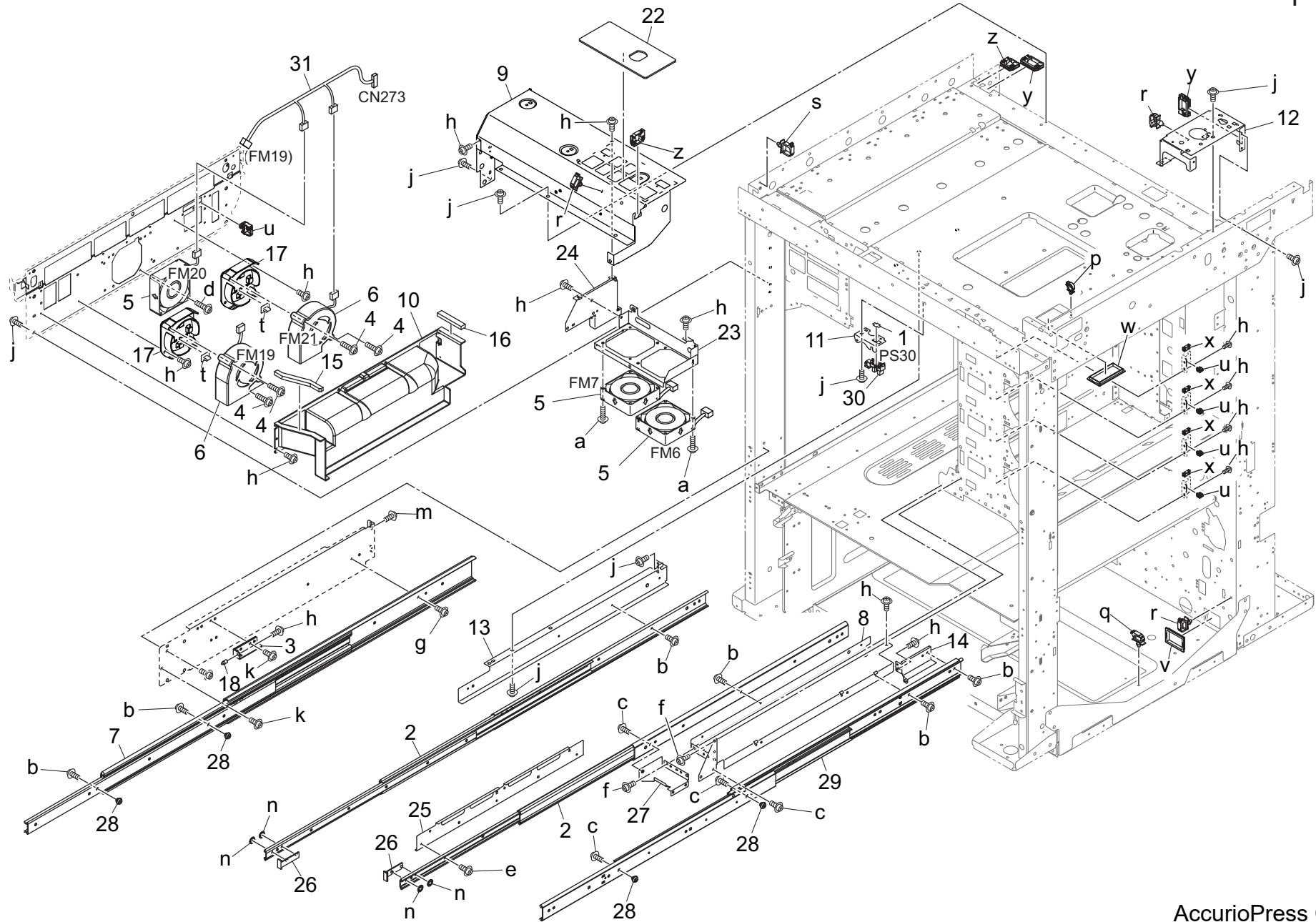
Main Frame Section

P 7

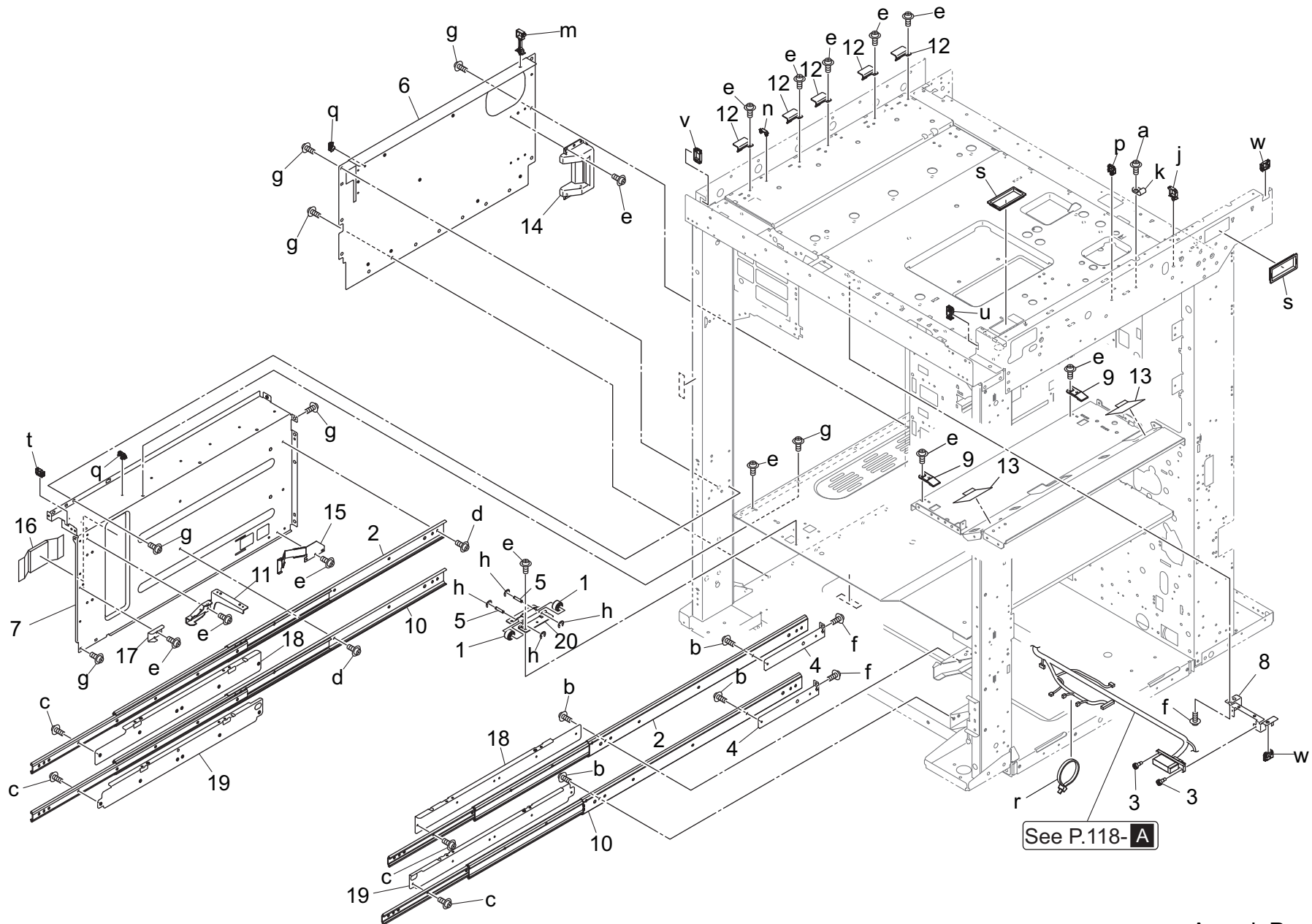


AccurioPress C3080

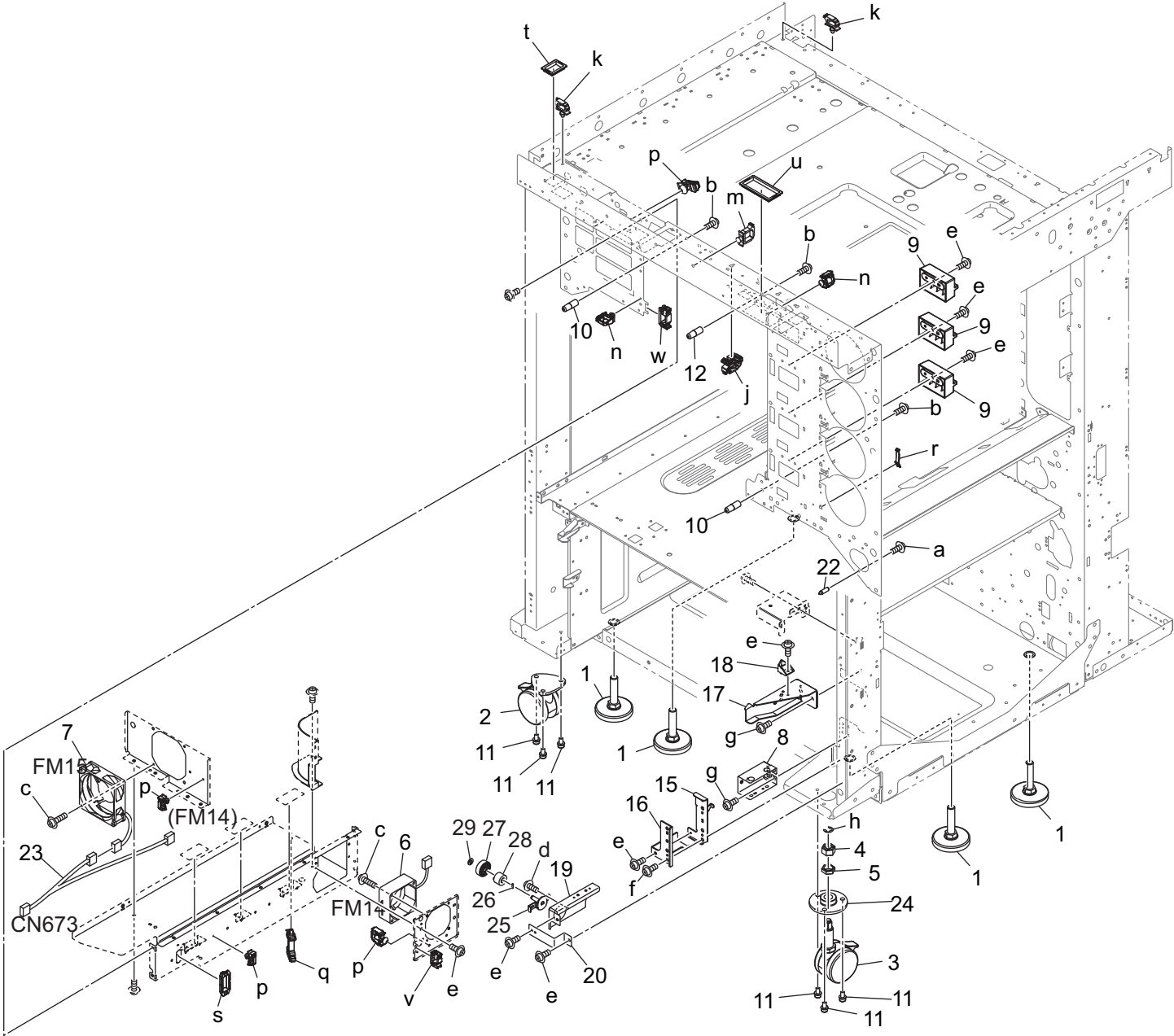
Main Frame Section



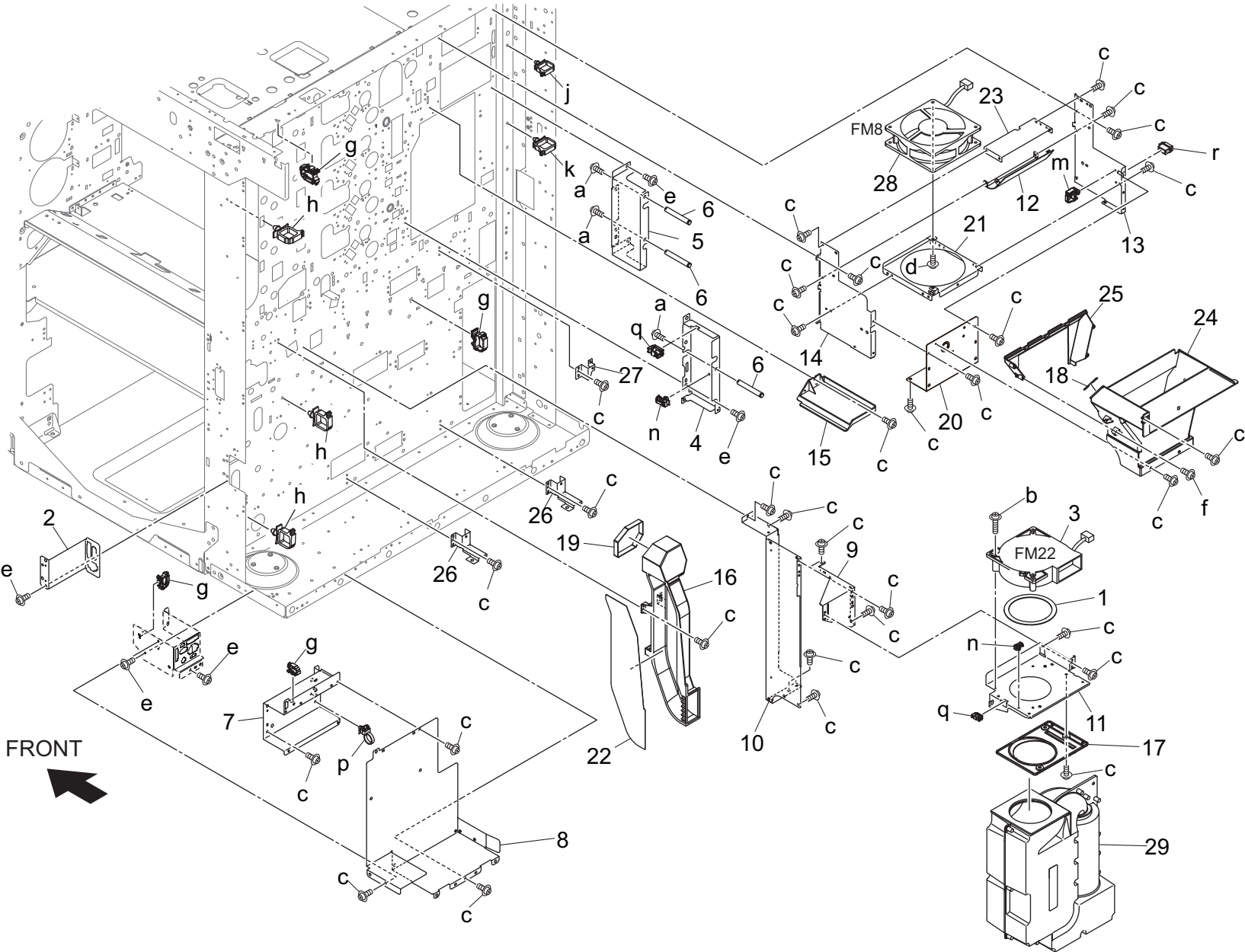
Main Frame Section



Main Frame Section

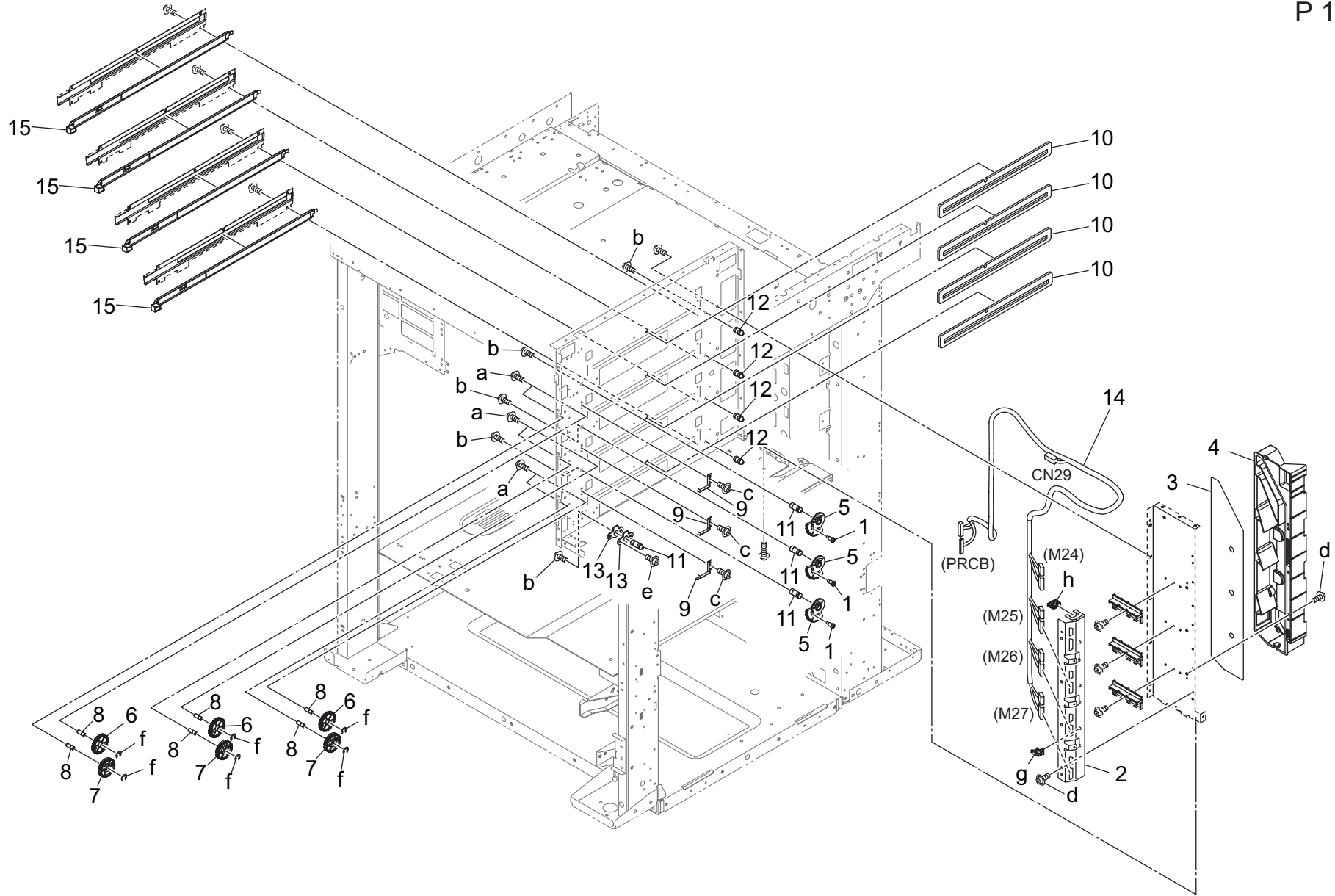


Main Frame Section

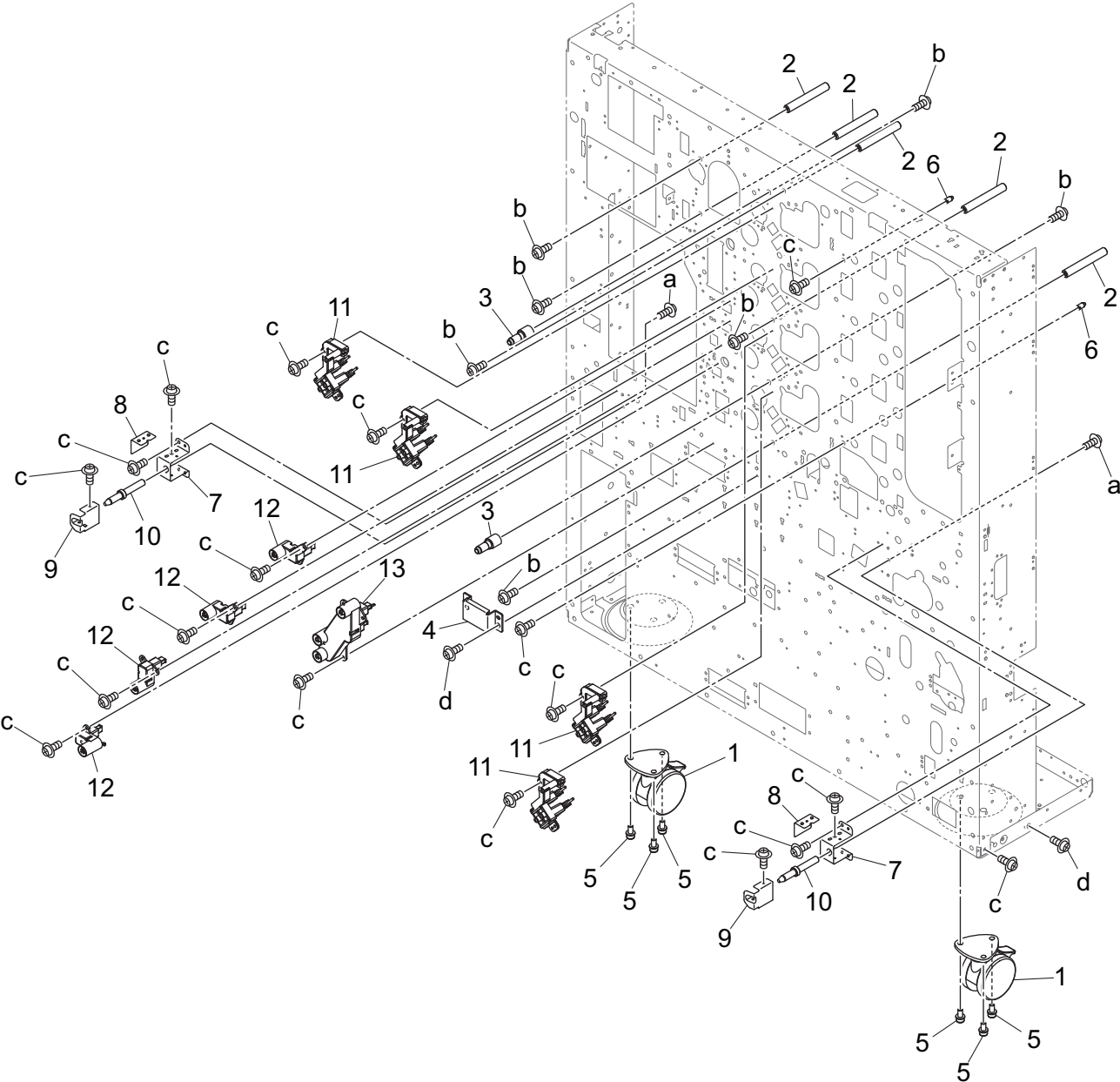


| Key | Part No. | Description | Destinations | Class | QTY | Standard parts |
|-----|------------|----------------------------|--------------|-------|-----|----------------|
| 1 | 65AA10190 | FAN SEALING PART 1 | | C | 1 | a-V116040803 |
| 2 | A03U118301 | PFU Power supply Panel | | D | 1 | b-V118033503 |
| 3 | A0Y5M15101 | Suction Fan motor | | C | 1 | c-V127030604 |
| 4 | A50U106502 | Fusing Plate | | D | 1 | d-V127031203 |
| 5 | A50U106600 | Fusing Plate /B | | D | 1 | e-V127040603 |
| 6 | A50U106700 | Swing Shaft | | D | 3 | f-V151030803 |
| 7 | A50U108001 | Protection Plate /P | | D | 1 | g-V500010071 |
| 8 | A50U108200 | Guide Part /Rear | | D | 1 | h-V500010083 |
| 9 | A50U120900 | Mounting Frame /2 | | D | 1 | j-V500010084 |
| 10 | A50U121800 | Mounting Frame /Right Rear | | D | 1 | k-V500010085 |
| 11 | A50U121900 | Fixing Plate /1 | | D | 1 | m-V500020098 |
| 12 | A50U122900 | Fusing Duct /4 | | D | 1 | n-V500020099 |
| 13 | A50U125000 | Fusing Duct /2 | | D | 1 | p-V501010018 |
| 14 | A50U125101 | Fusing Duct /1 | | D | 1 | q-V570010056 |
| 15 | A50U125500 | Heat blocking Plate | | D | 1 | r-V651010003 |
| 16 | A50U125600 | Suction Duct /Lower | | D | 1 | |
| 17 | A50U125800 | Connecting Duct | | D | 1 | |
| 18 | A50U126300 | Cooling Seal | | D | 1 | |
| 19 | A50U126400 | Suction Seal | | D | 1 | |
| 20 | A50U128801 | Fusing Duct /3 | | D | 1 | |
| 21 | A50U128900 | Fusing Duct /5 | | D | 1 | |
| 22 | A50U129100 | Suction Cover /Lower | | D | 1 | |
| 23 | A50U129300 | Fusing Duct /6 | | D | 1 | |
| 24 | A50U129401 | Fusing Duct | | D | 1 | |
| 25 | A50U129801 | Fusing Duct /7 | | D | 1 | |
| 26 | A50U132701 | Mounting Plate /Lower | | D | 2 | |
| 27 | A50U132800 | Mounting Plate /Right | | D | 1 | |
| 28 | A50UM15401 | Fan motor /3 | | C | 1 | |
| 29 | A50UR70A12 | Filter Box | | B | 1 | |
| | | | | | | |
| | | | | | | |
| | | | | | | |
| | | | | | | |
| | | | | | | |
| | | | | | | |
| | | | | | | |
| | | | | | | |
| | | | | | | |

Main Frame Section

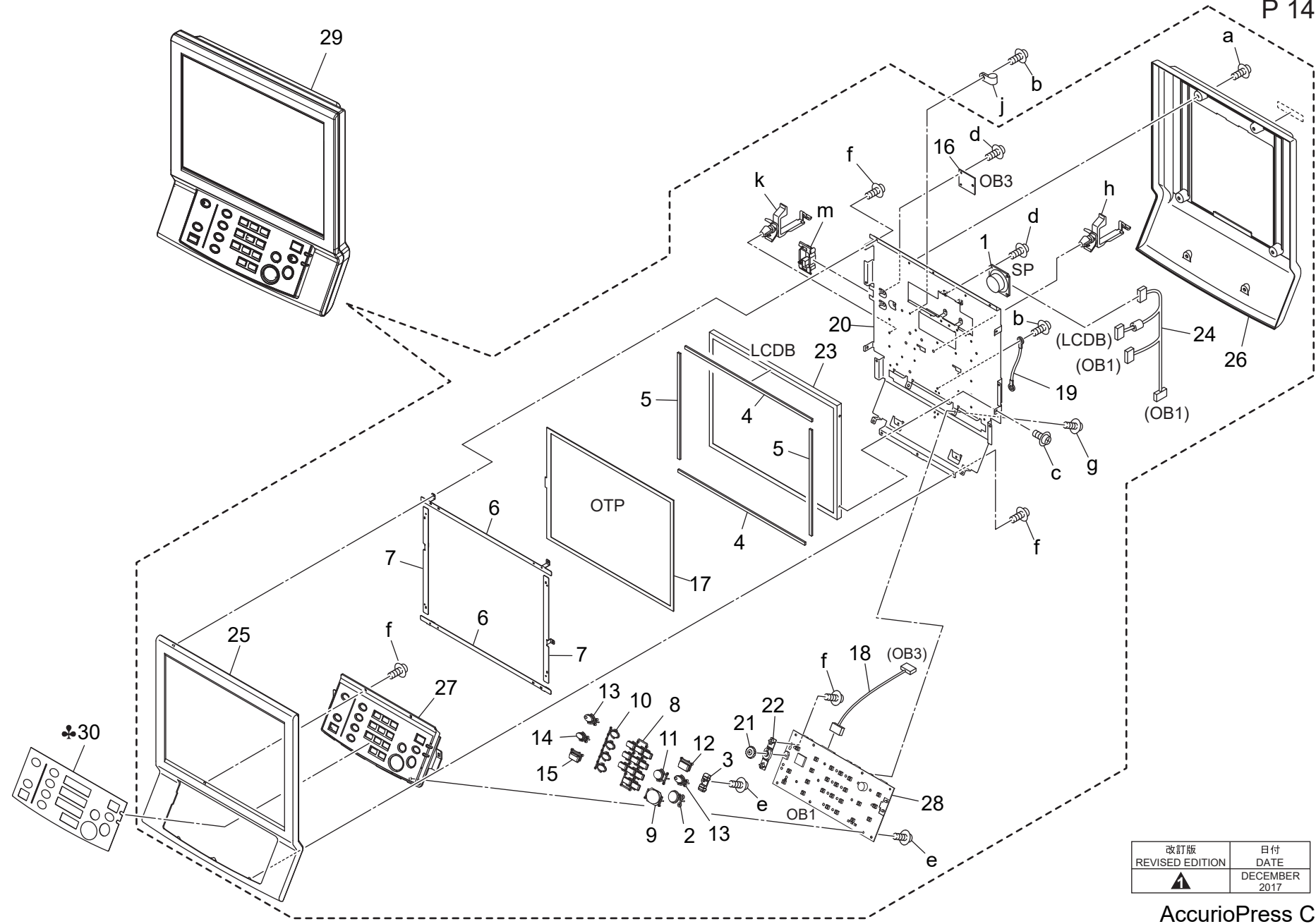



Main Frame Section



Operation Panel Section

P 14



| | |
|---|------------------|
| 改訂版 REVISED EDITION | 日付 DATE |
|  | DECEMBER 2017 |

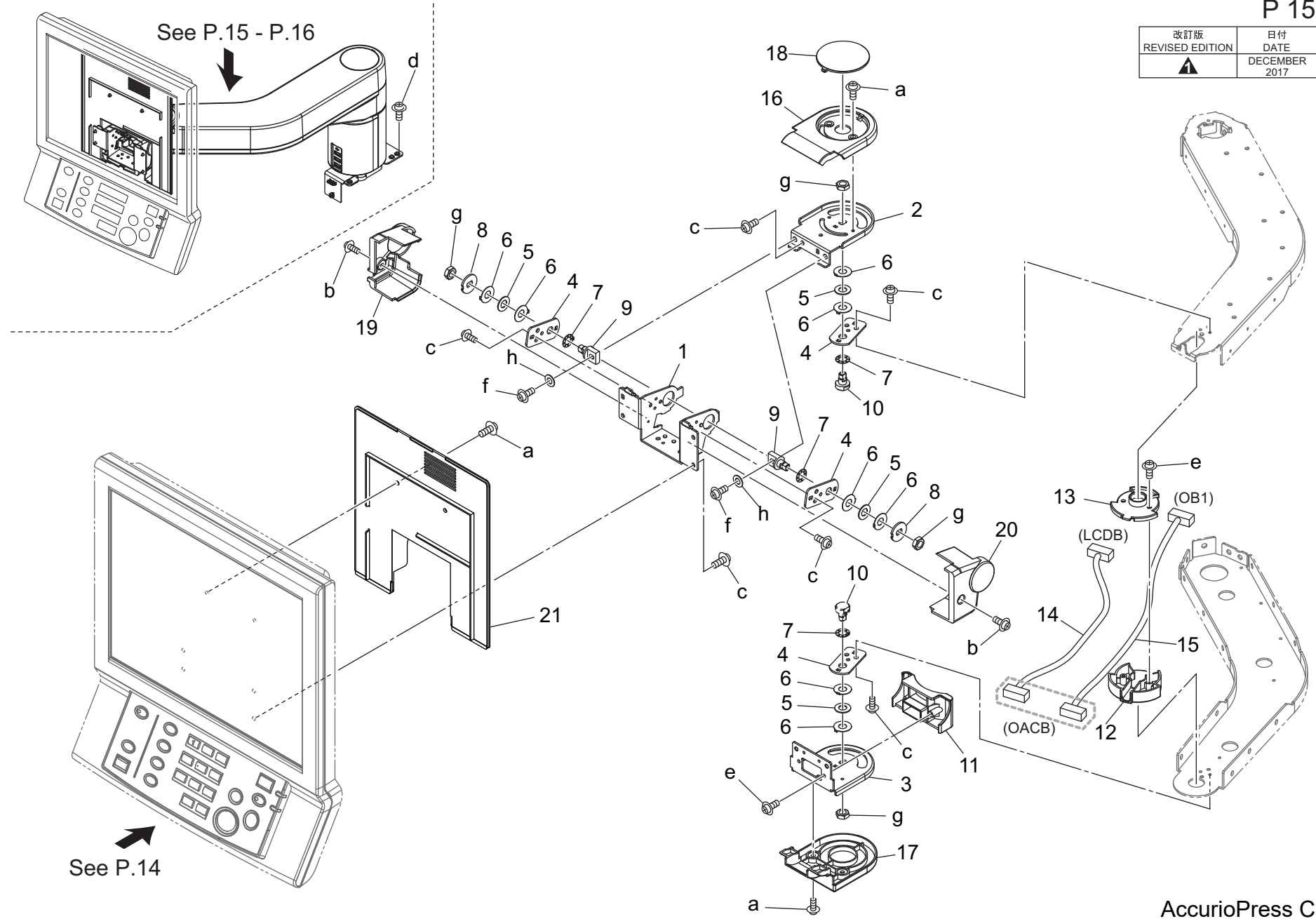
AccurioPress C3080

| Key | Part No. | Description | Destinations | Class | QTY | Standard parts |
|-----|------------|-----------------------------|---|-------|-----|----------------|
| 1 | A0P0M73100 | Speaker | | D | 1 | a-V114040604 |
| 2 | 56UA70330 | Ope. Unit Button /S | | C | 1 | b-V116040603 |
| 3 | A0G6191600 | Indicating Part /1 | | D | 1 | c-V118030404 |
| 4 | A0G6192400 | Holding Cushion /Upper | | C | 2 | d-V118030603 |
| 5 | A0G6192500 | Holding Cushion /Right | | C | 2 | e-V151030603 |
| 6 | A0G6192700 | Ground Plate /1 | | D | 2 | f-V151030803 |
| 7 | A0G6192900 | Ground Plate /2 | | D | 2 | g-V151031003 |
| 8 | A0G6193100 | Operation Button /1 | | C | 1 | h-V500010082 |
| 9 | A0G6193200 | Operation Button /2 | | C | 1 | j-V500020069 |
| 10 | A0G6193400 | Operation Button /4 | | C | 1 | k-V500020099 |
| 11 | A0G6193500 | Operation Button /5 | | C | 1 | m-V570010063 |
| 12 | A0G6193700 | Operation Button /7 | | C | 1 | |
| 13 | A0G6193800 | Operation Button /10 | | C | 2 | |
| 14 | A0G6193900 | Operation Button /8 | | C | 1 | |
| 15 | A0G6194000 | Operation Button /9 | | C | 1 | |
| 16 | A0G6H06000 | Operation Board /3 Assy | | C | 1 | |
| 17 | A9VEM75500 | Ope. Unit Touch Panel | | C | 1 | |
| 18 | A0G6N18400 | Ope.Unit Control Harness /3 | | D | 1 | |
| 19 | A1RFN28300 | Ope.unit Wiring /1 | | D | 1 | |
| 20 | A4EU190413 | Operation Plate | | D | 1 | |
| 21 | A4EU194100 | Operation Knob /1 | | D | 1 | |
| 22 | A4EU194200 | Fixing Holder | | D | 1 | |
| 23 | A4EUM75800 | Ope.unit LCD | | C | 1 | |
| 24 | A4EUN28500 | Ope.unit Wiring /4 | | D | 1 | |
| 25 | A799190100 | Operation Cover /Front | | D | 1 | |
| 26 | A799190200 | Operation Cover /Rear | | D | 1 | |
| 27 | A799190301 | Operation Casing /1 | | D | 1 | |
| 28 | A799H04001 | Operation Board /1 ASSY | | I | 1 | |
| 29 | A9VER70600 | Operation Unit | | I | 1 | |
| 30 | A9VE205000 | Operation Sheet | B,D1,D3,E,F2,G1,G2, I(Except SOUTH AFRI CA) | D | 1 | |
| 30 | A9VE205200 | Operation Sheet | | D | 1 | |
| 30 | A9VE205300 | Operation Sheet | | D | 1 | |
| 30 | A9VE195000 | Operation Sheet | | D | 1 | |
| 30 | A9VE205100 | Operation Sheet | | D | 1 | |
| | | | | | | |
| | | | | | | |
| | | | | | | |
| | | | | | | |
| | | | | | | |

Operation Panel Section

P 15

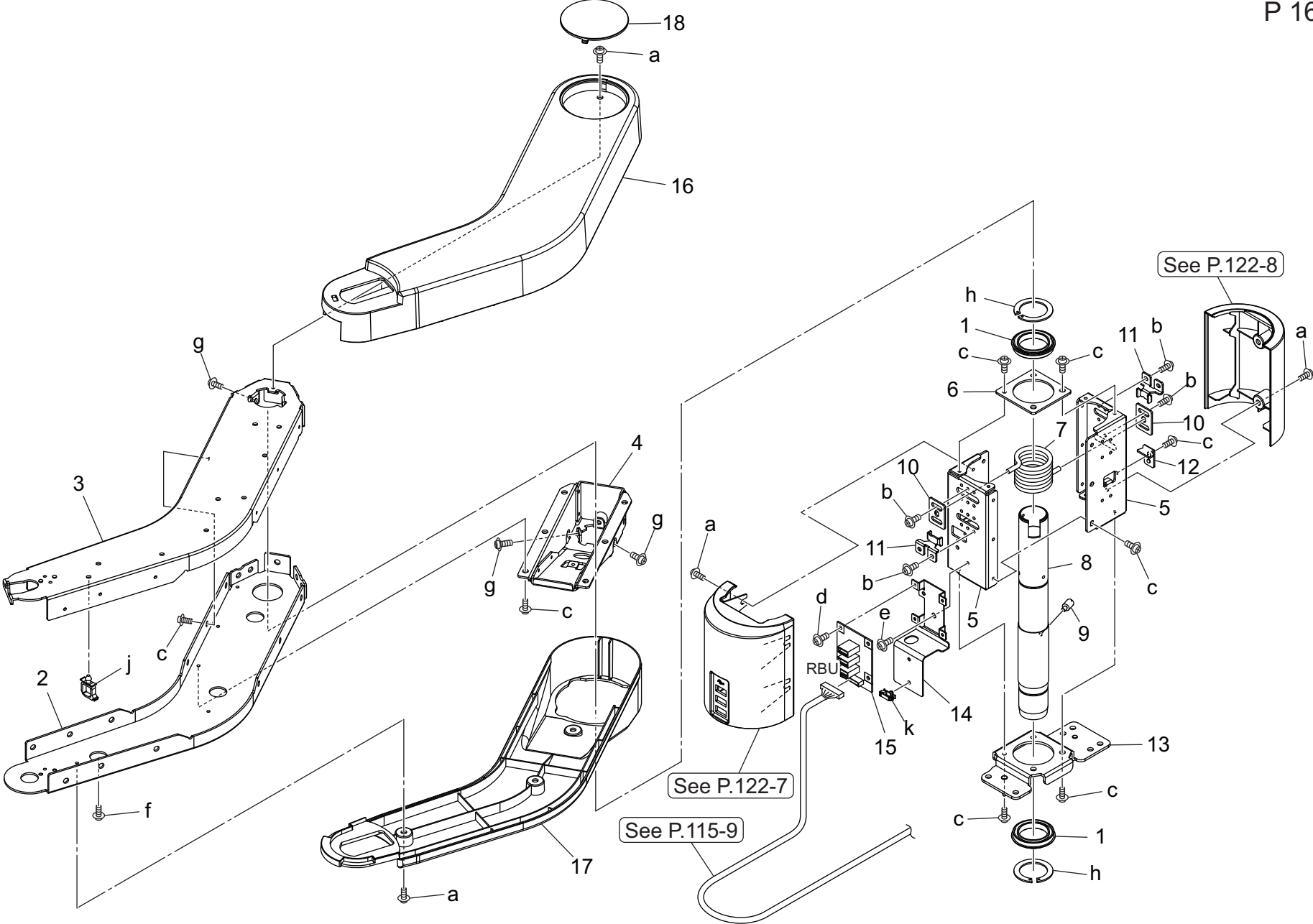
| | |
|------------------------|------------------|
| 改訂版 REVISED EDITION | 日付 DATE |
| ▲ | DECEMBER 2017 |



See P.15 - P.16

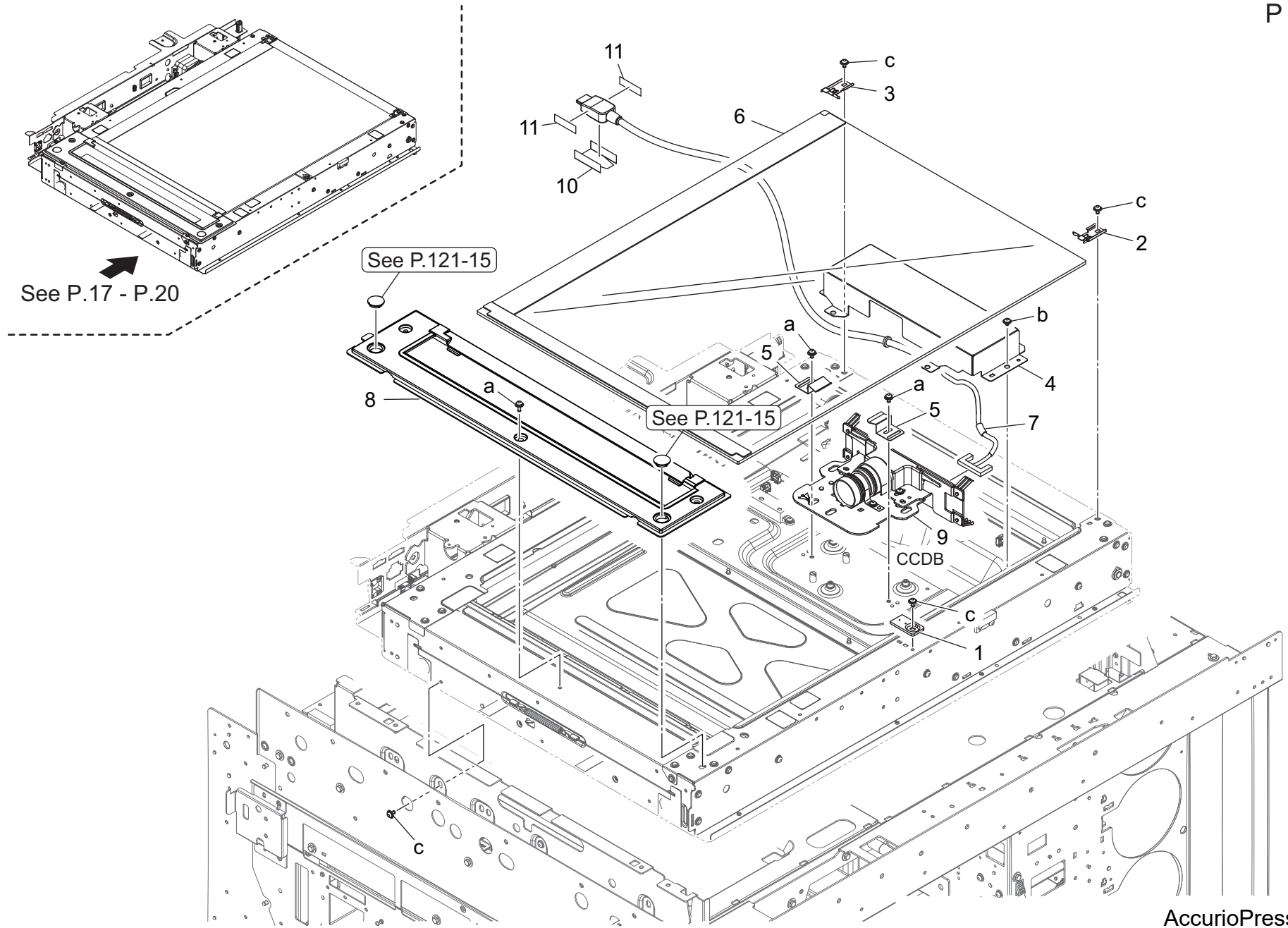
See P.14

Operation Panel Section

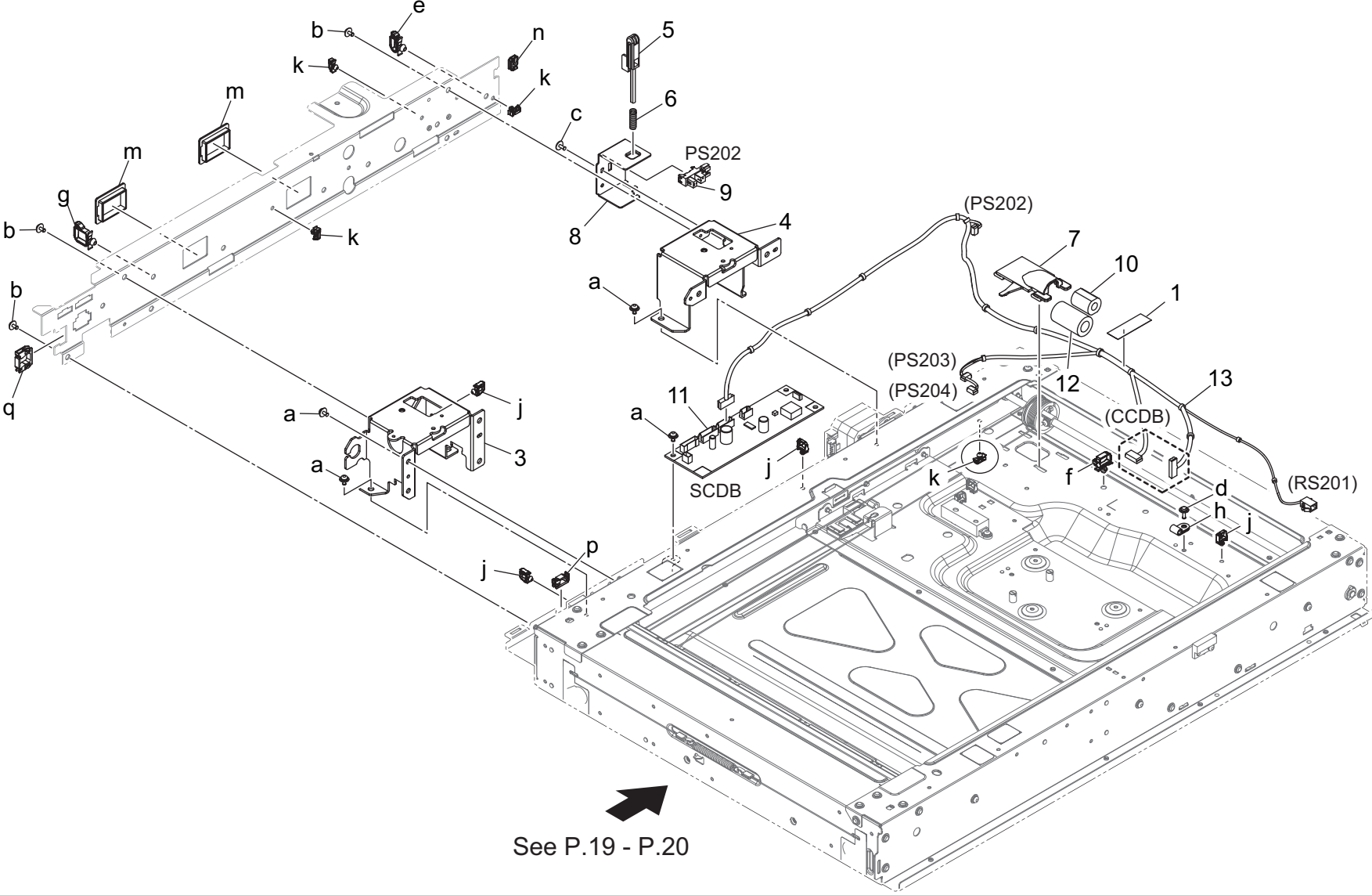


Scanner Section

P 17




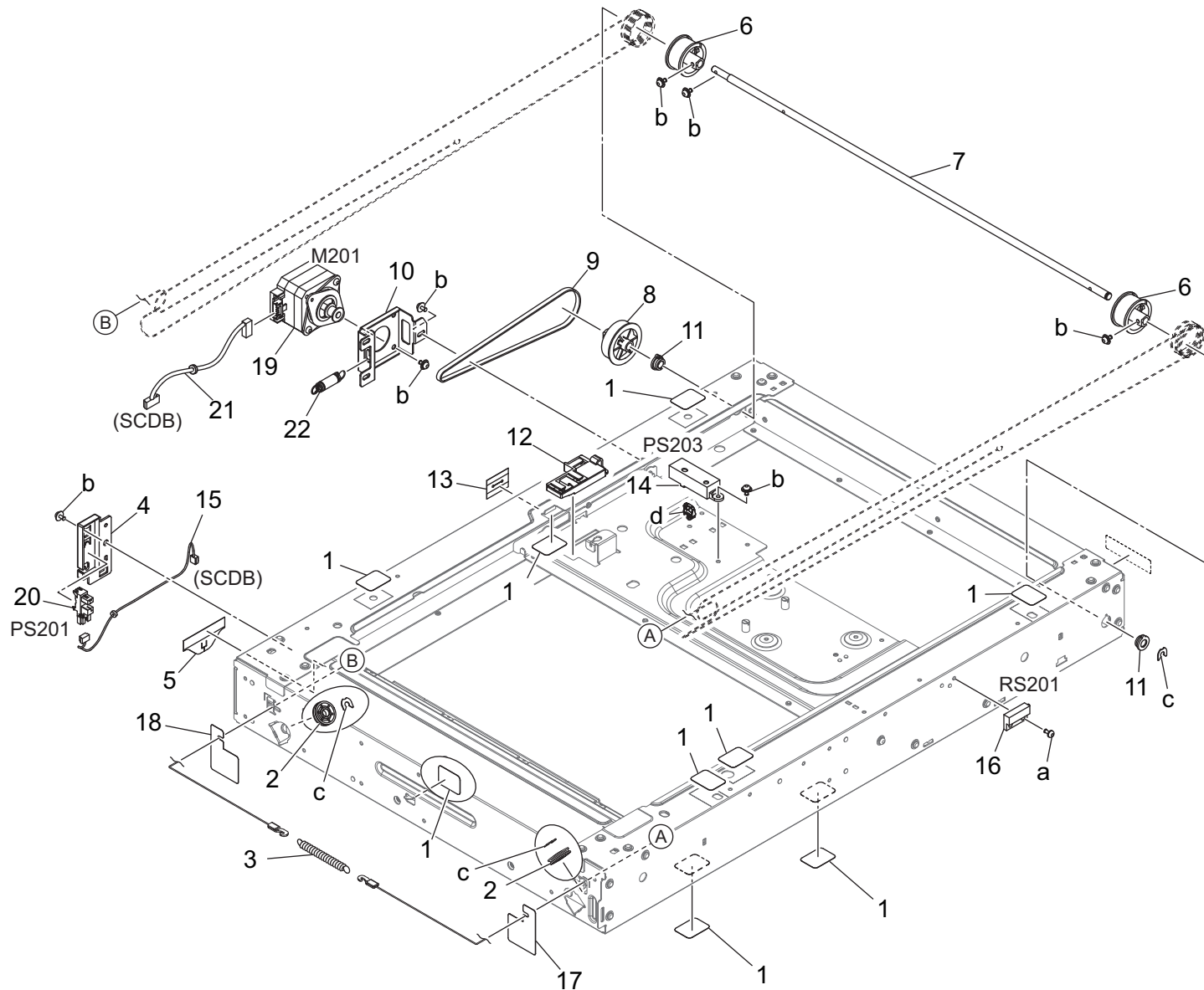
AccurioPress C3080



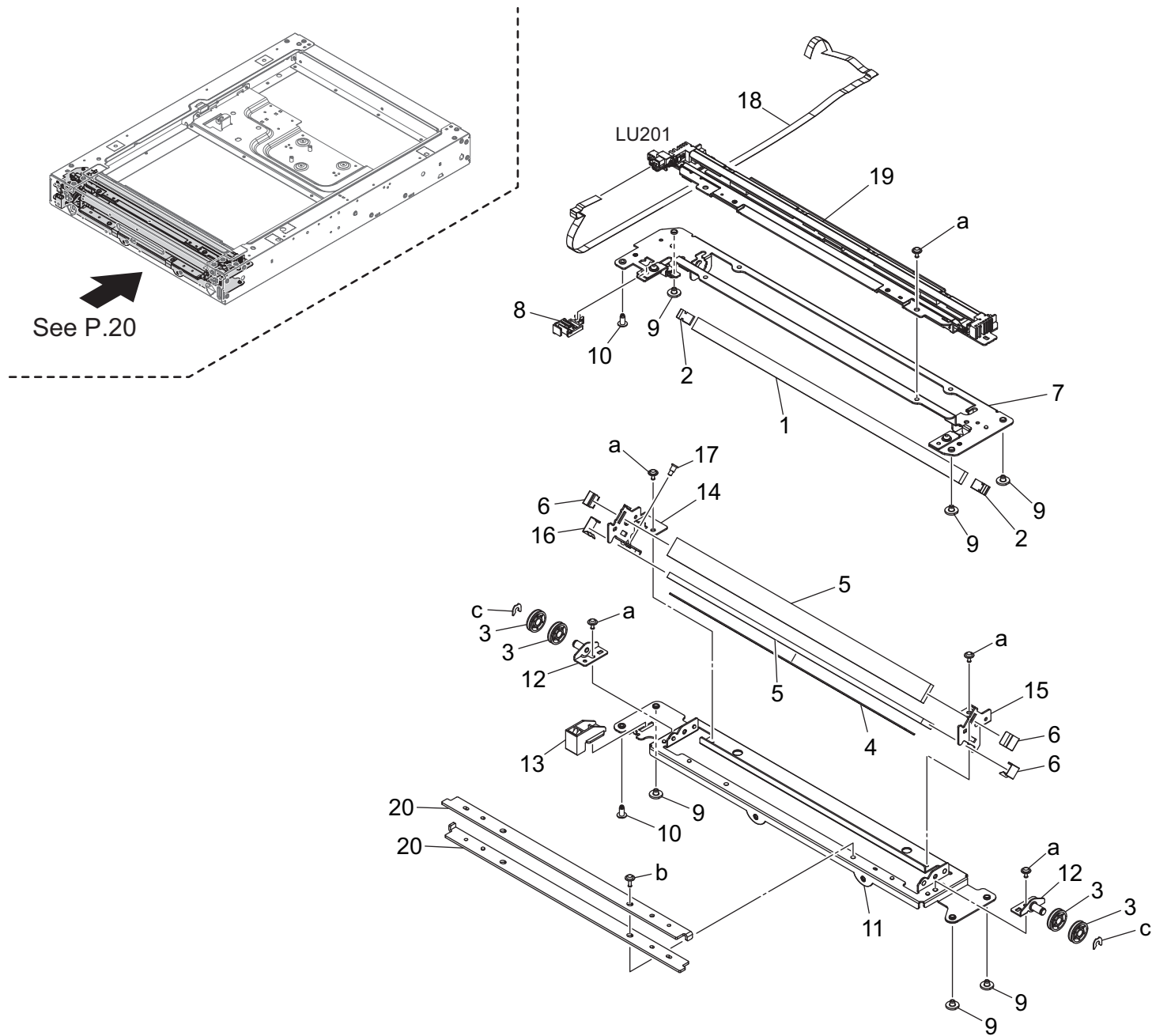
See P.19 - P.20

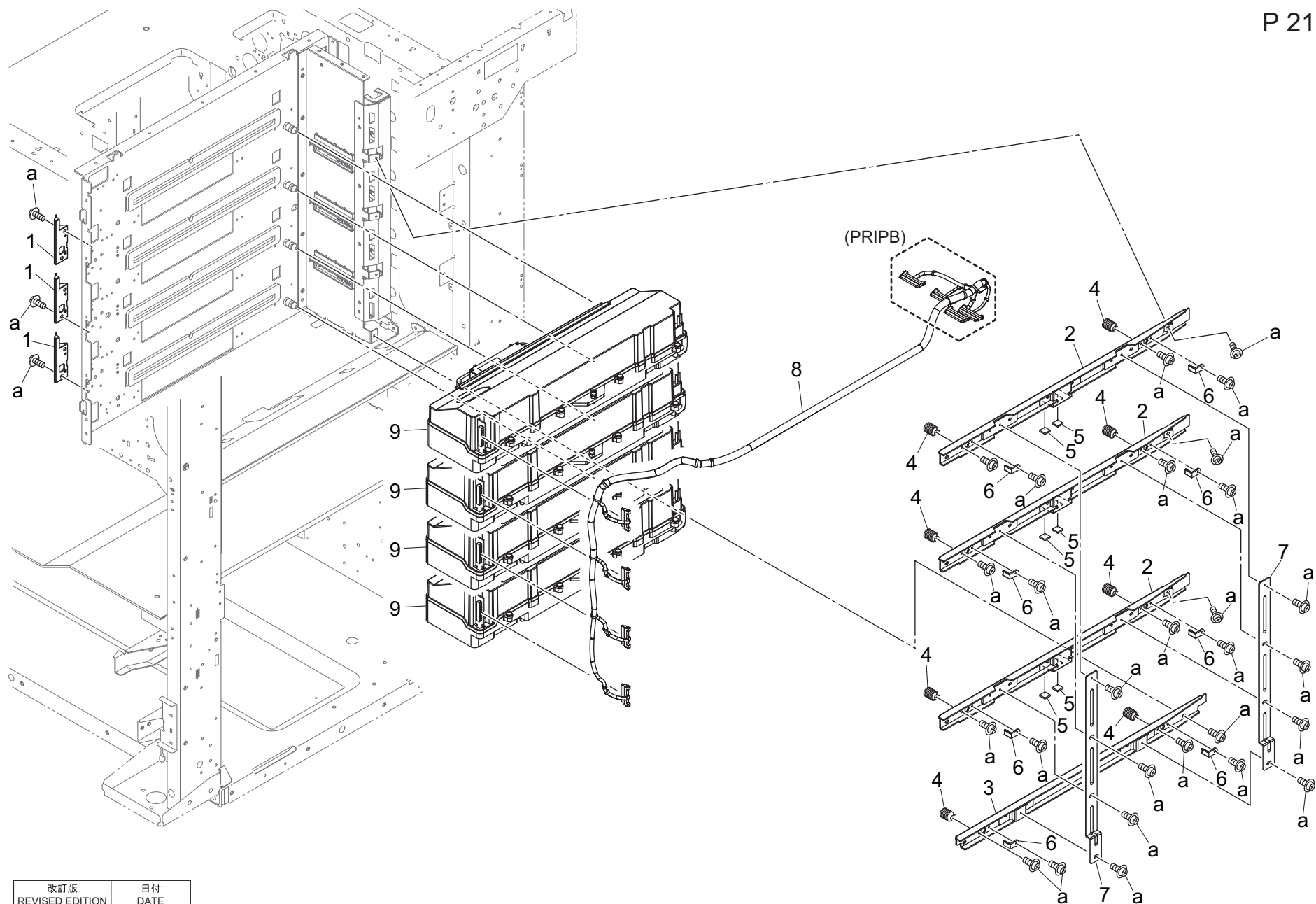
Scanner Section

| | |
|---|------------------|
| 改訂版 REVISED EDITION | 日付 DATE |
|  | NOVEMBER 2018 |



Scanner Section





| | |
|---|------------------|
| 改訂版 REVISED EDITION | 日付 DATE |
|  | NOVEMBER 2017 |

Order here
8 (495) 646-0426
ПЯТЫЙ ПАРТНЕР www.km-shop.ru

Charging Section

YELLOW
MAGENTA
CYAN
BLACK

P 22

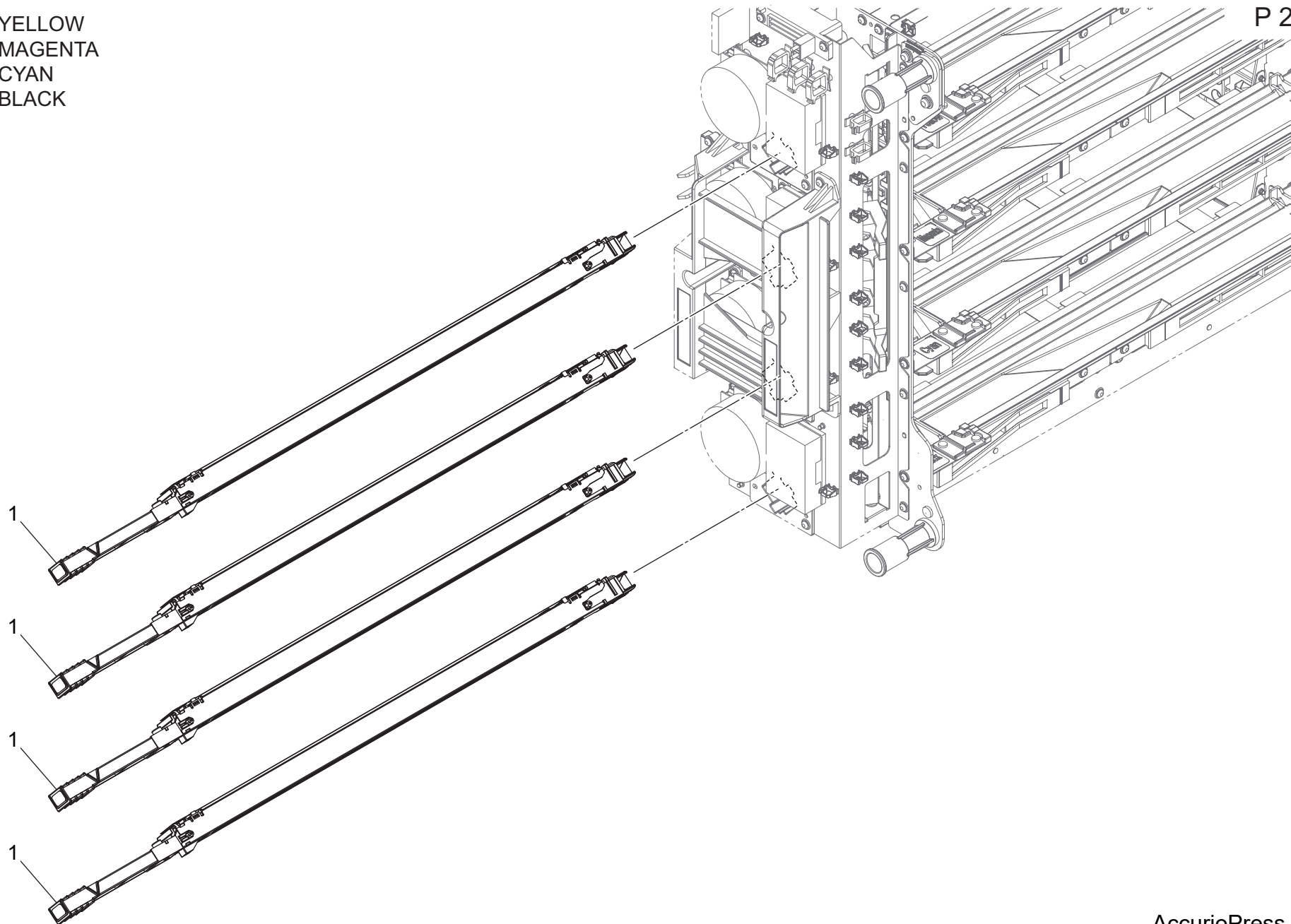
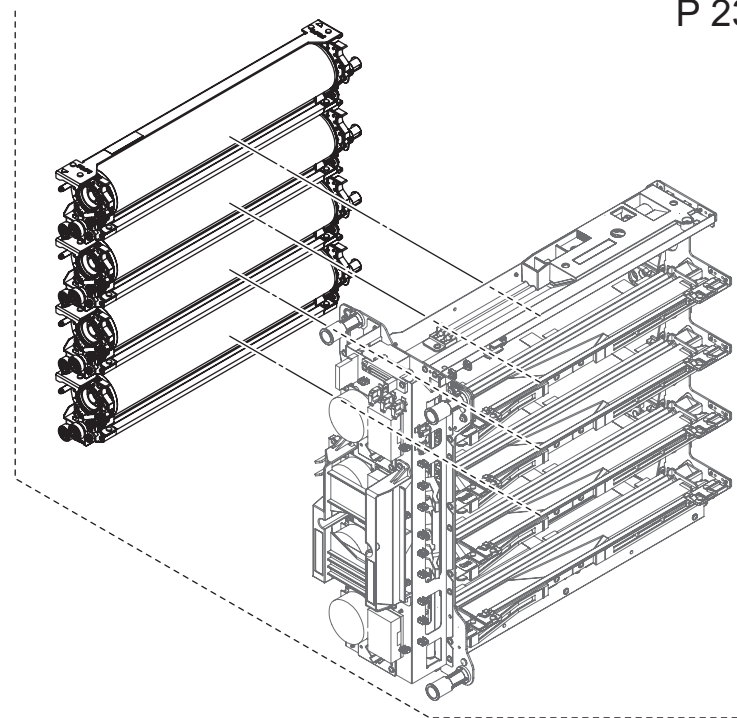
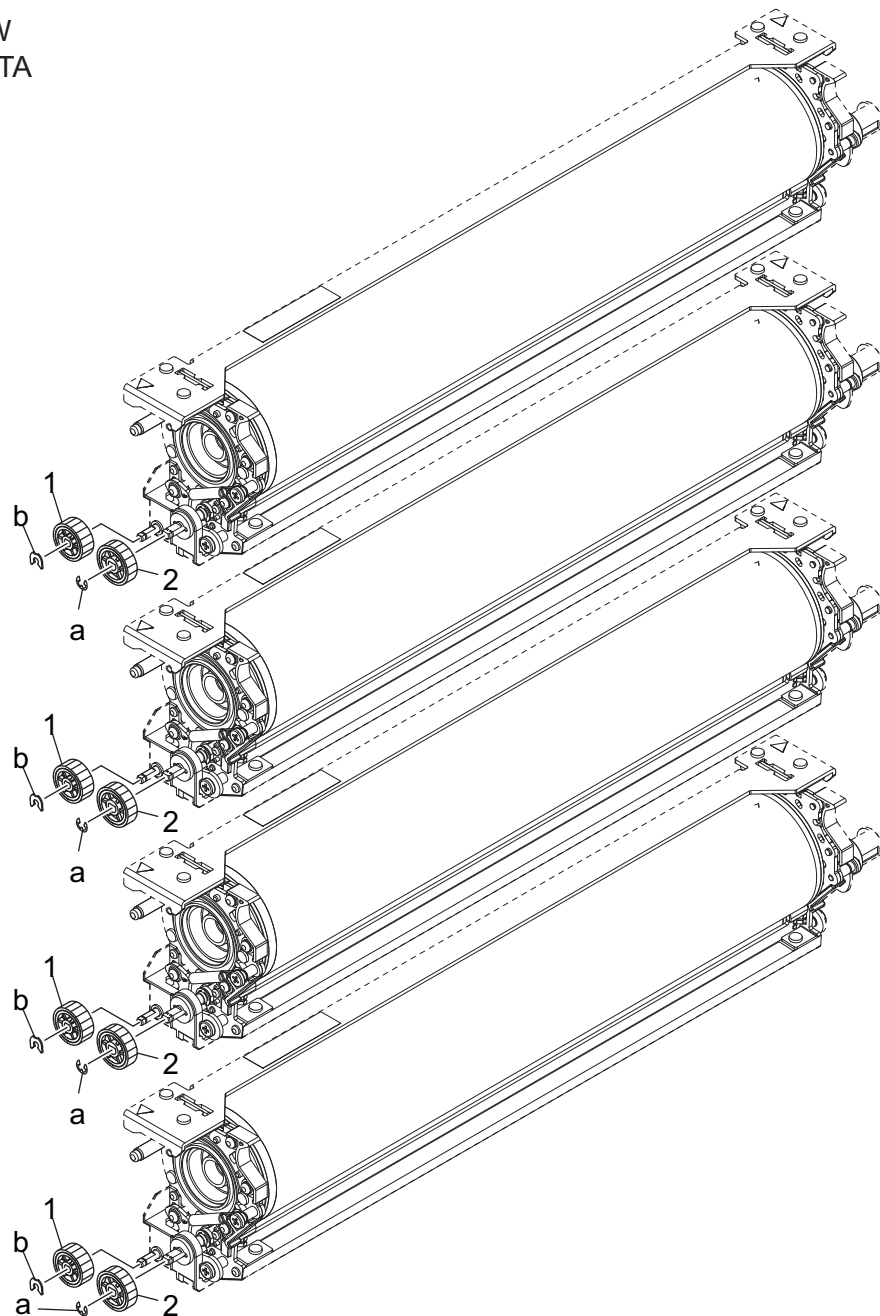


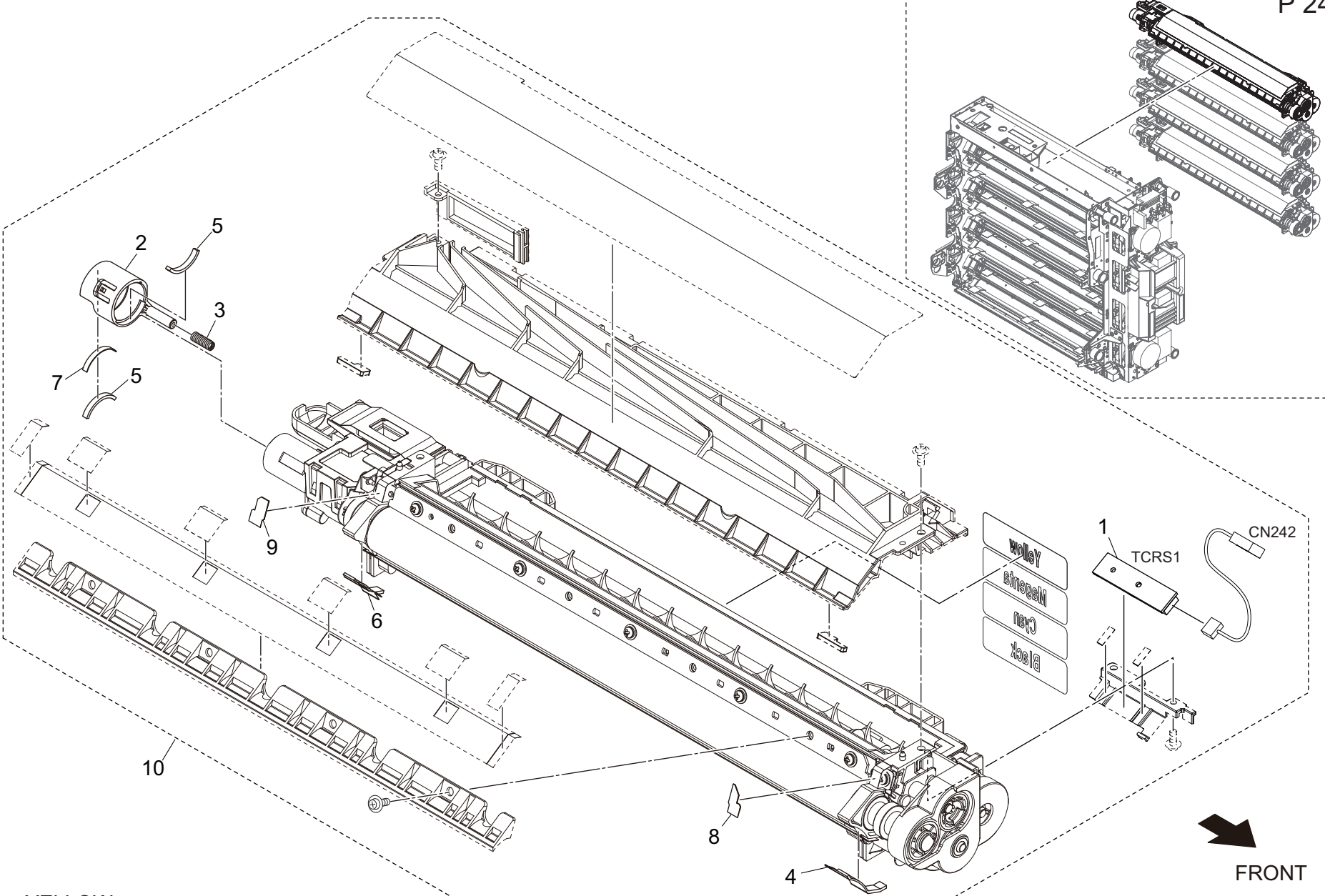
Photo Conductor Section

YELLOW
MAGENTA
CYAN
BLACK



P 23

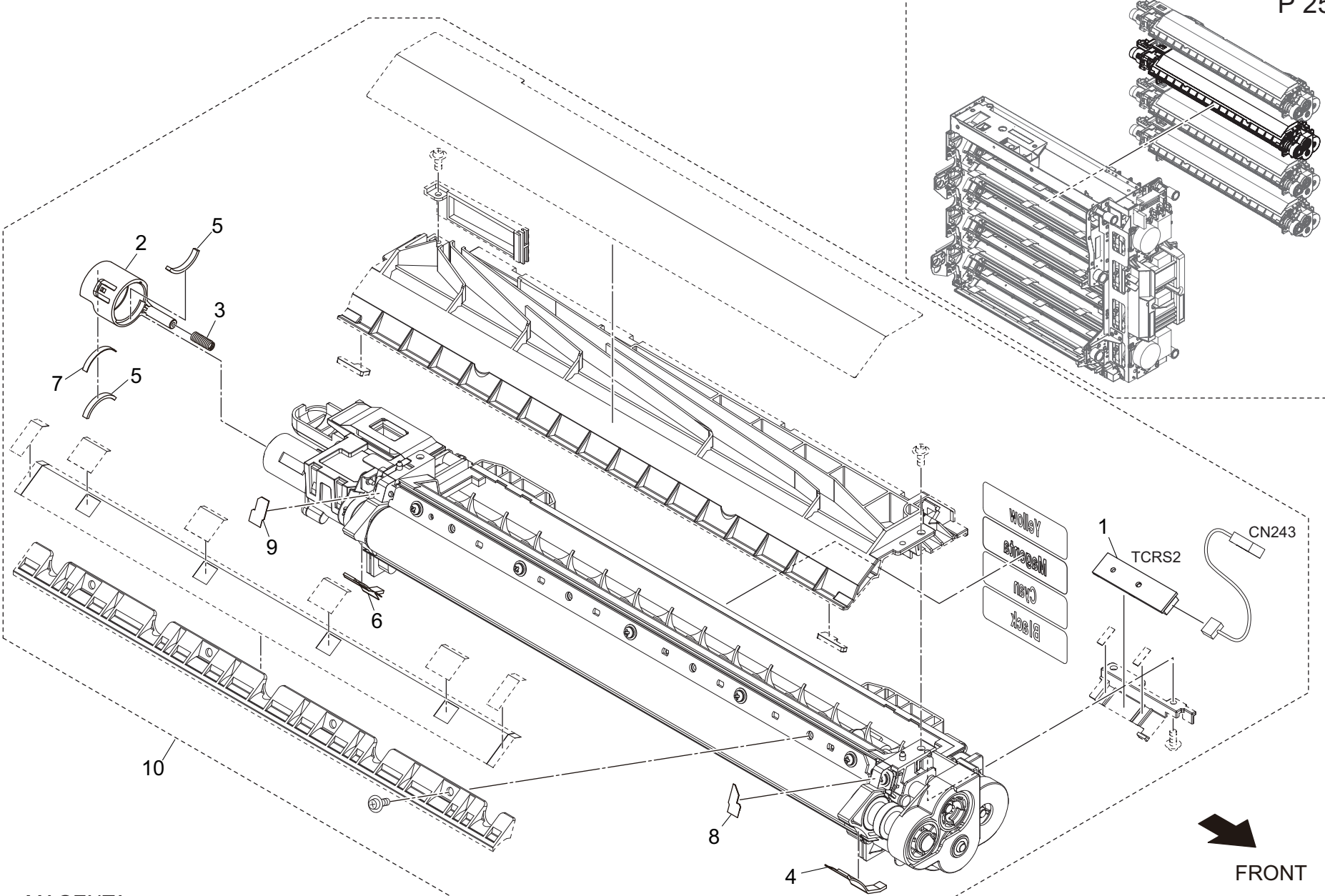
Developing Section



YELLOW

FRONT
AccurioPress C3080

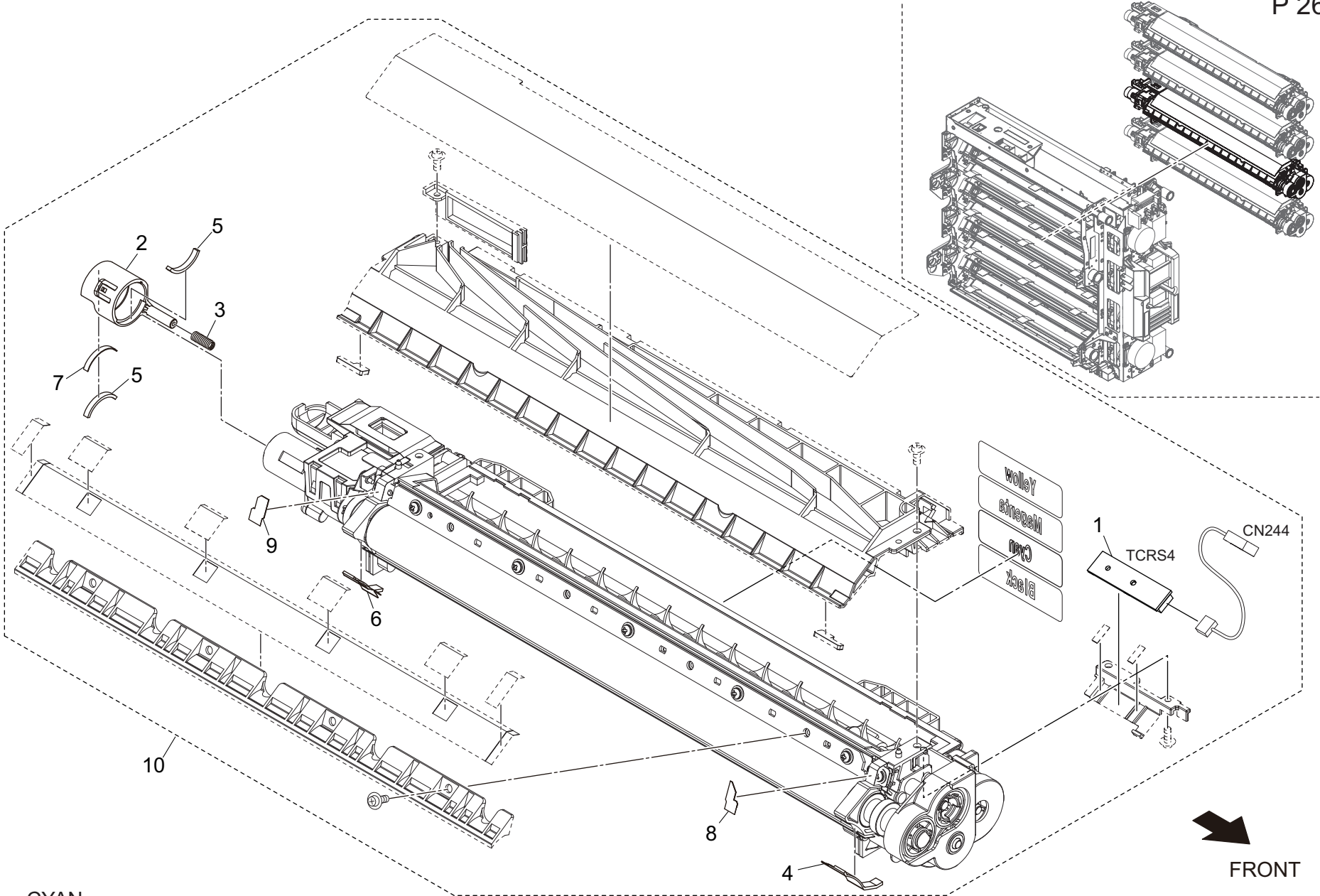
Developing Section



MAGENTA

FRONT
AccurioPress C3080

Developing Section

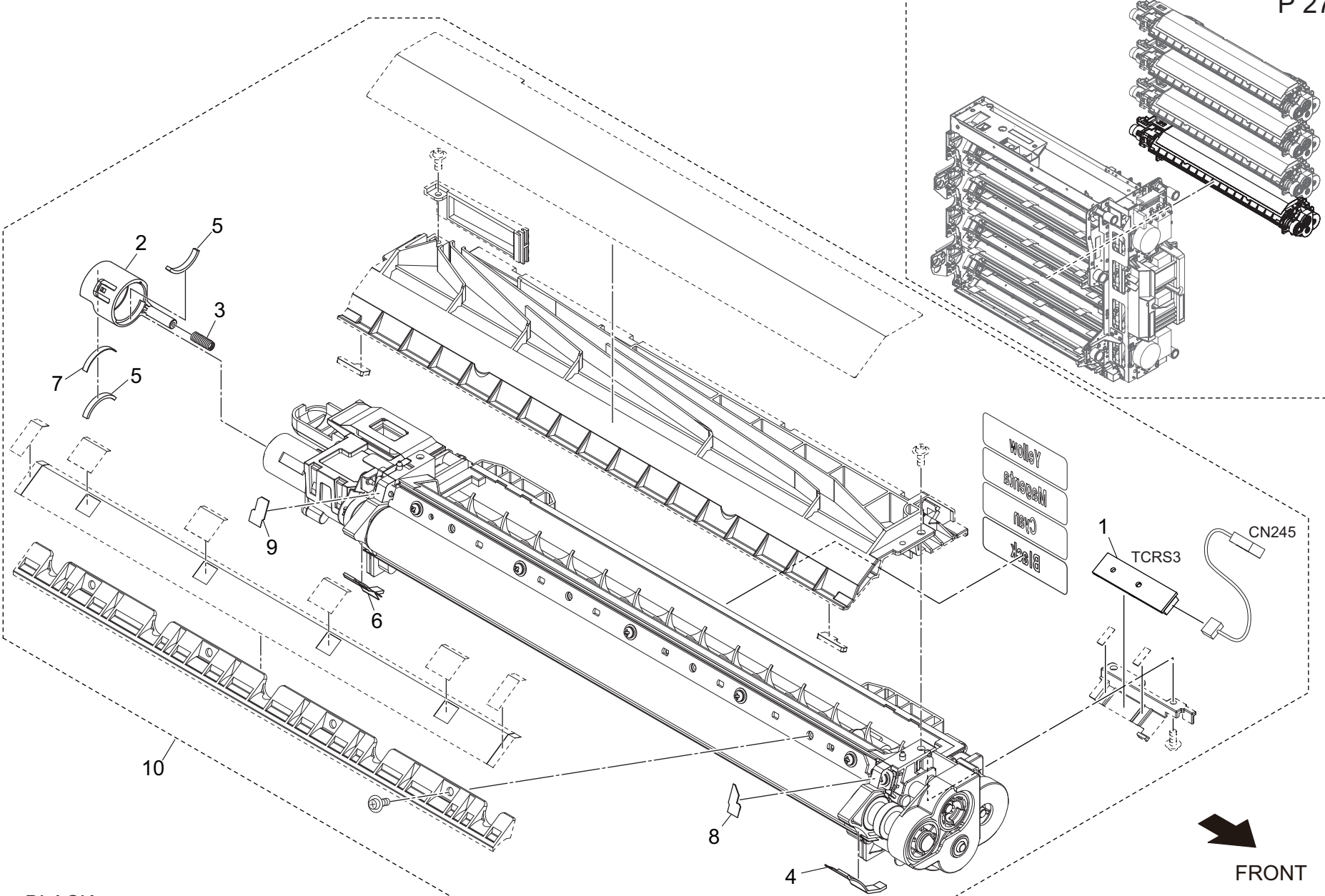


CYAN

FRONT

AccurioPress C3080

Developing Section

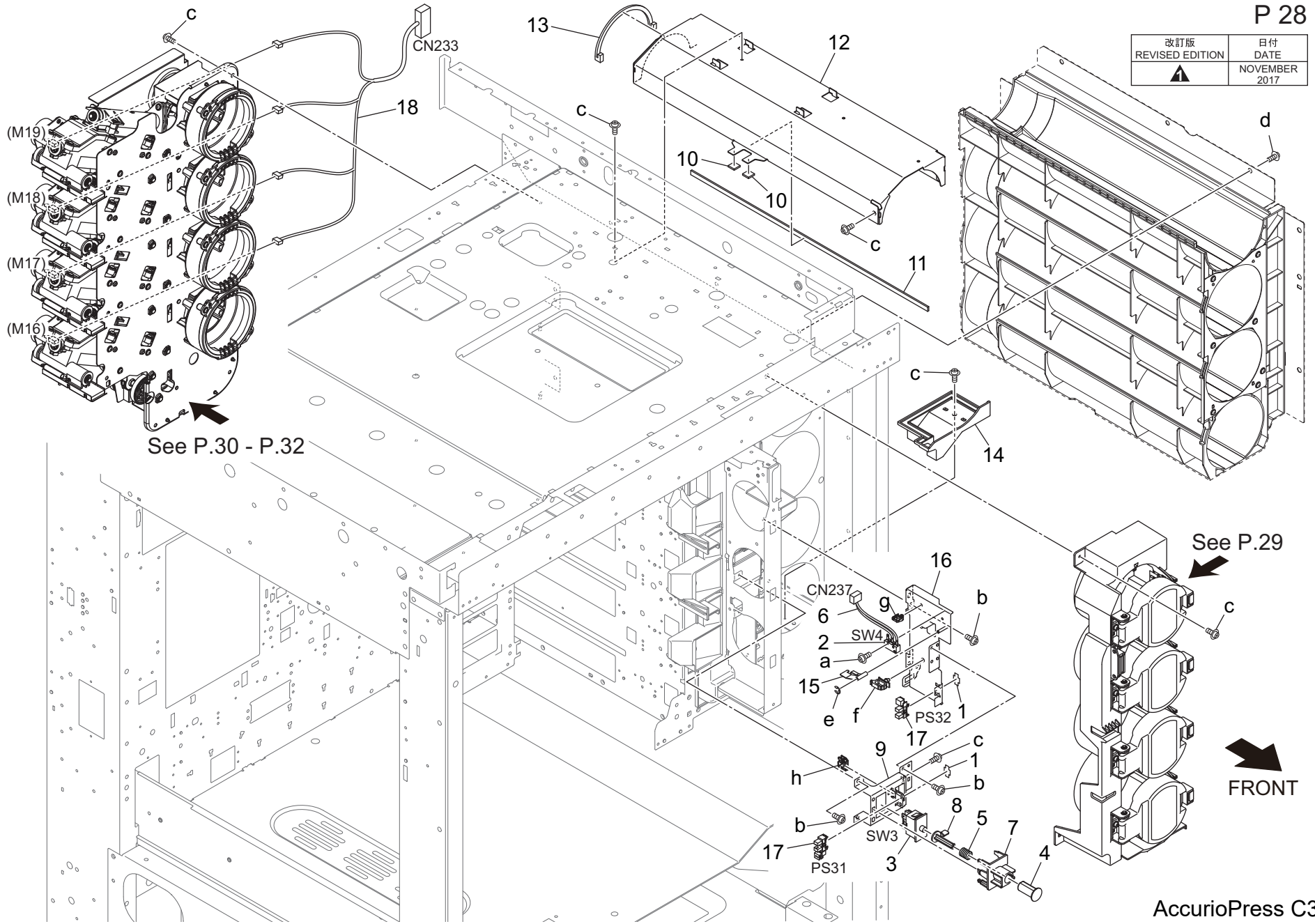


BLACK

FRONT
AccurioPress C3080

Toner Supply Section

| | |
|------------------------|------------------|
| 改訂版 REVISED EDITION | 日付 DATE |
| ▲ | NOVEMBER 2017 |



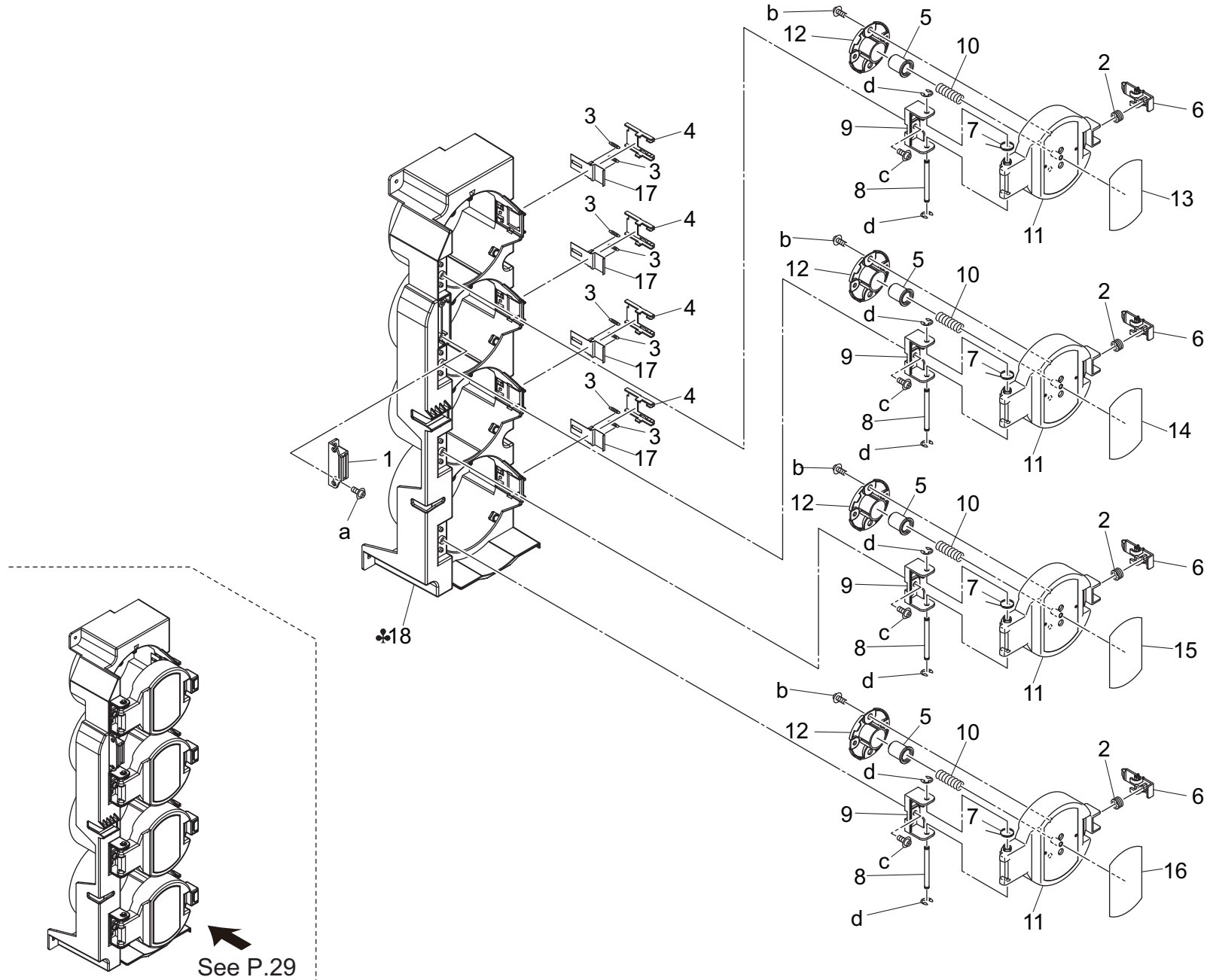
See P.30 - P.32

See P.29

FRONT

AccurioPress C3080

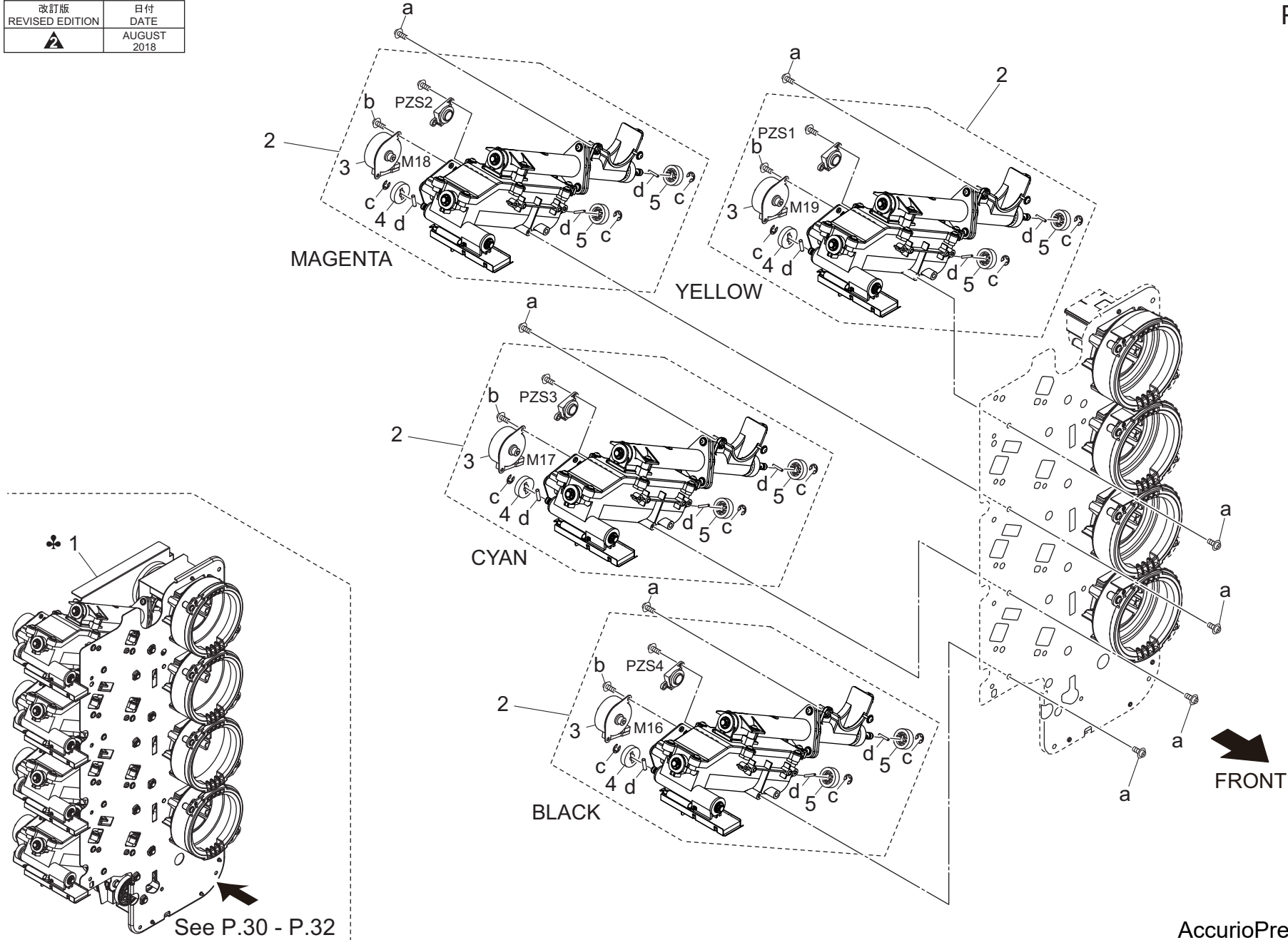
Toner Supply Section



FRONT

Toner Supply Section

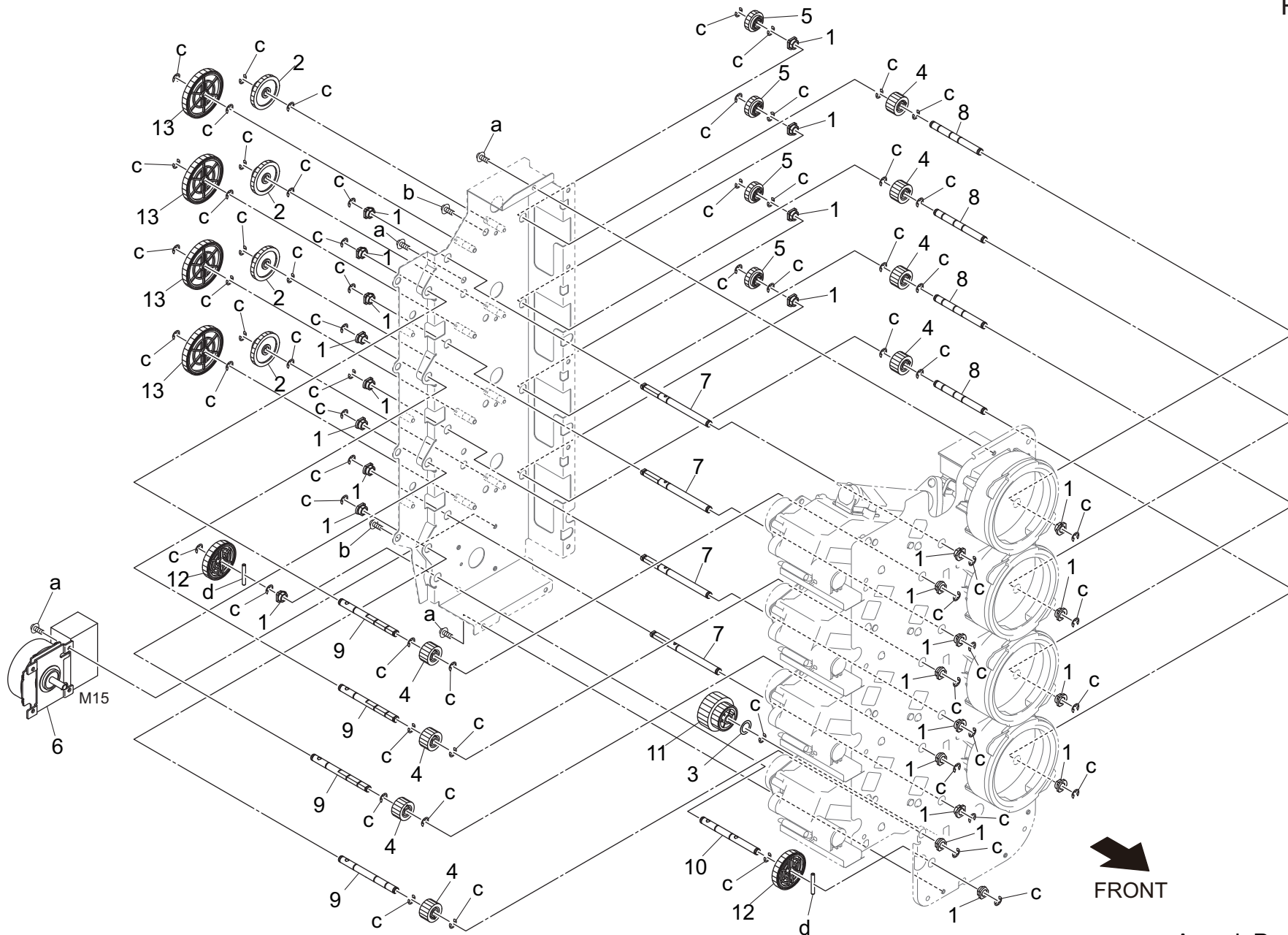
| | |
|------------------------|----------------|
| 改訂版 REVISED EDITION | 日付 DATE |
| | AUGUST 2018 |



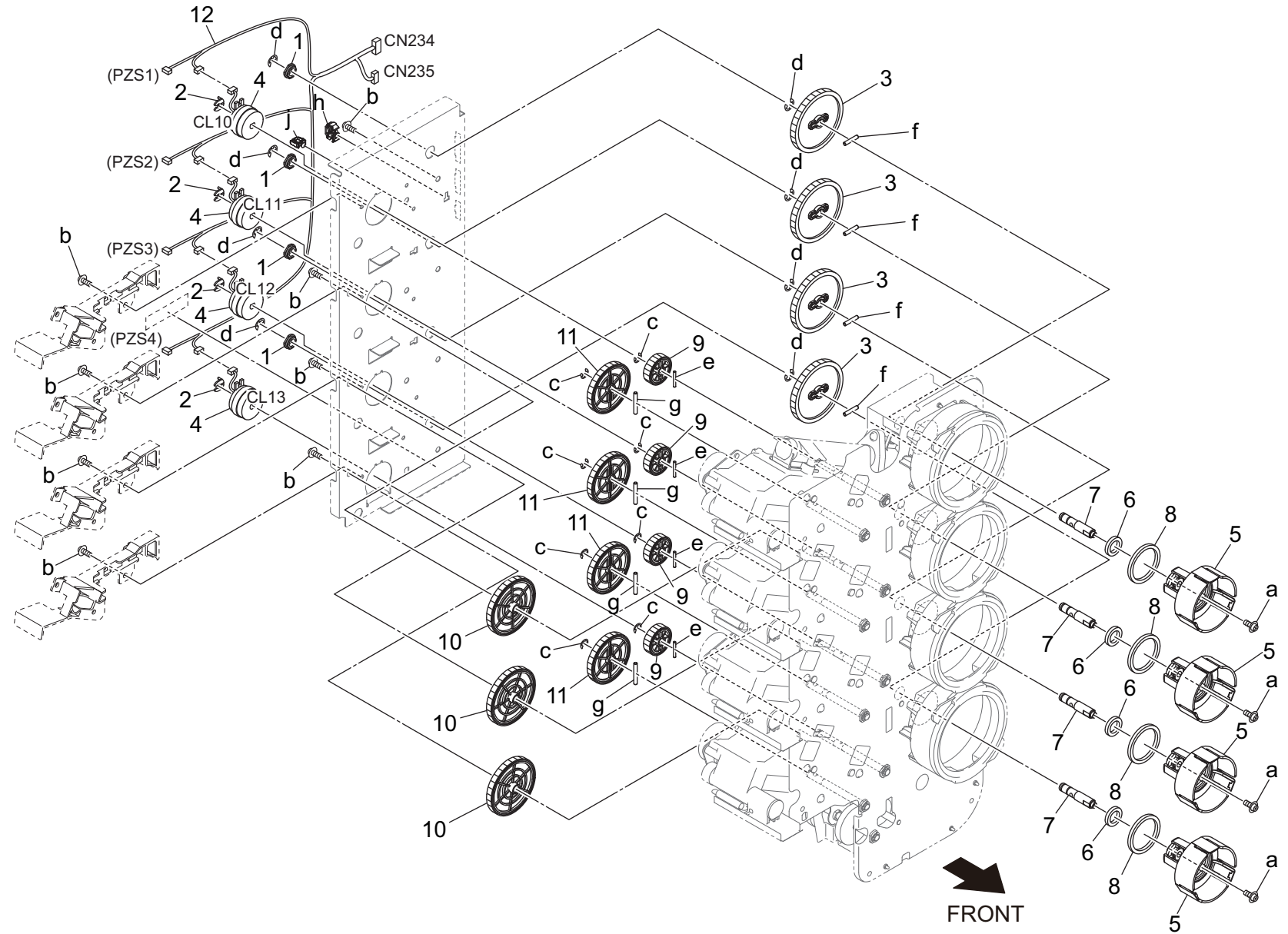
See P.30 - P.32

AccurioPress C3080

Toner Supply Section

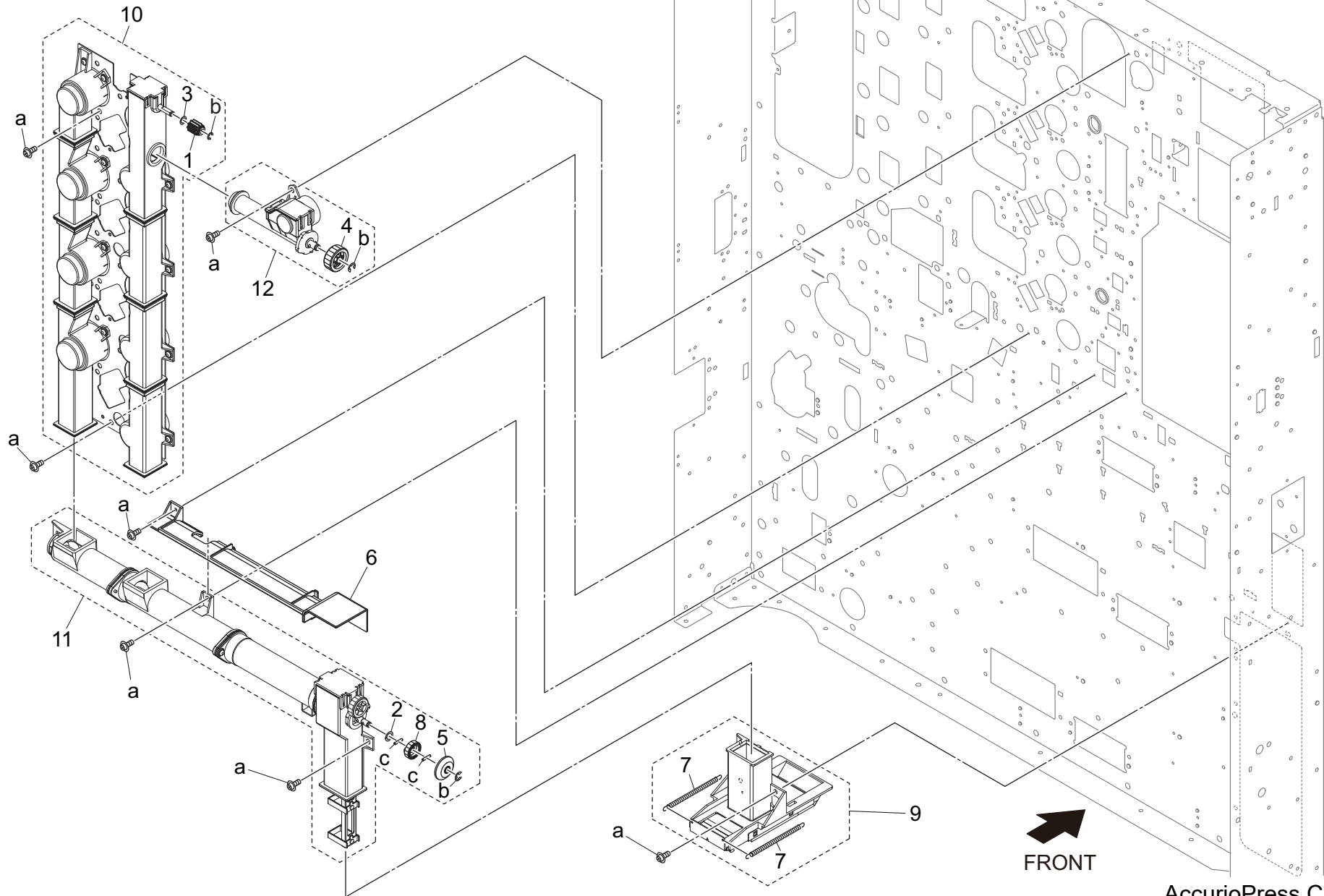


Toner Supply Section

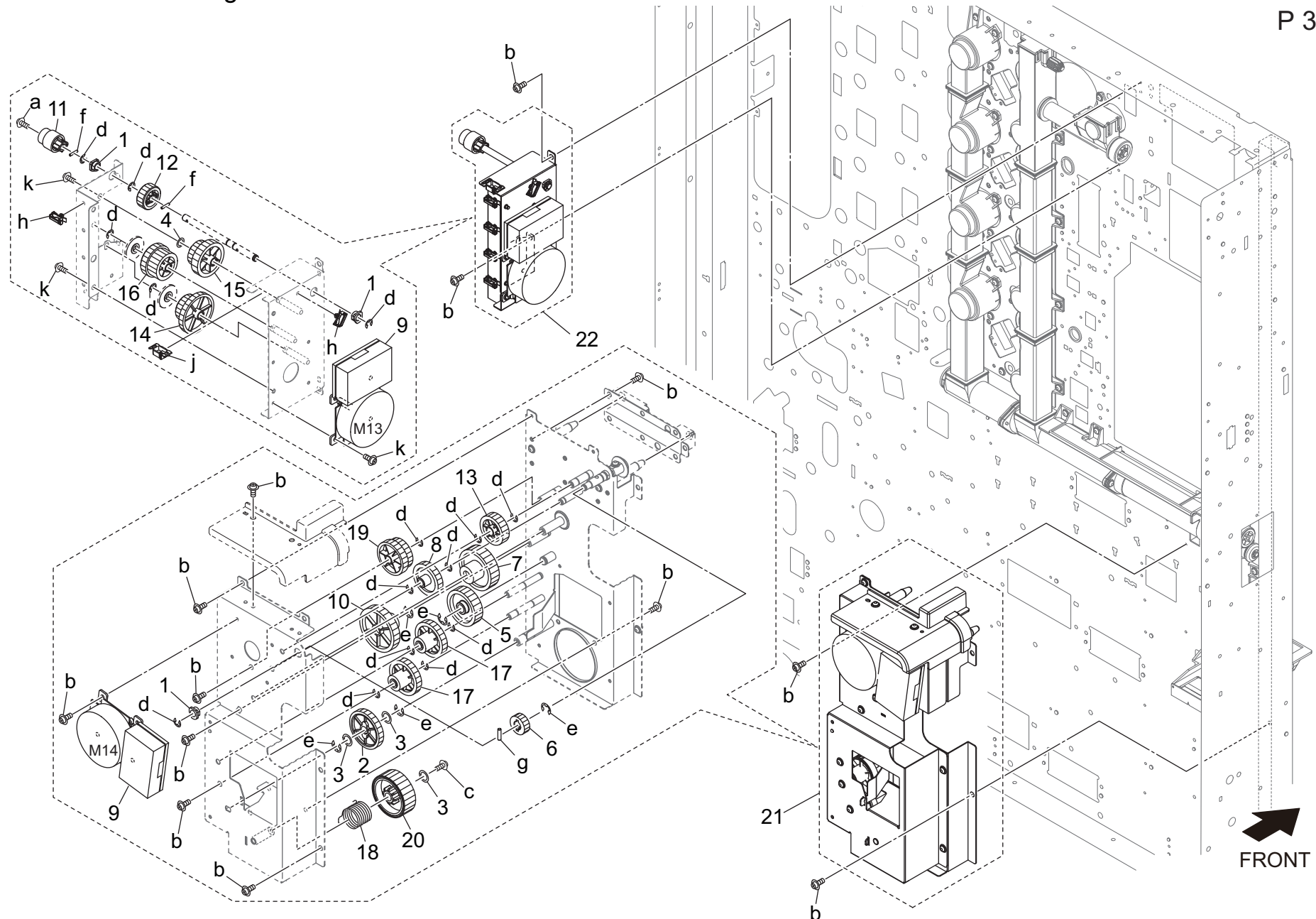


AccurioPress C3080

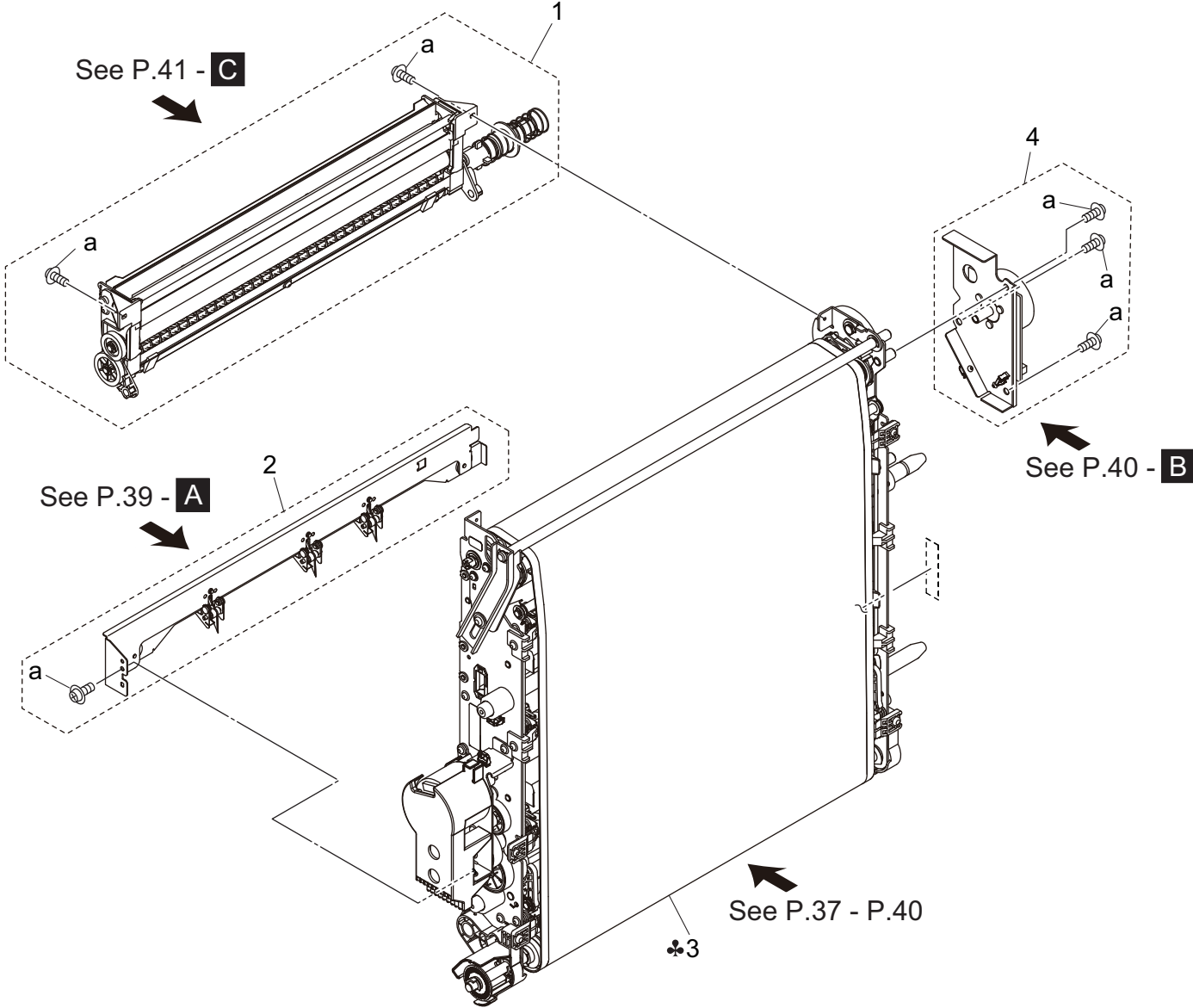
Toner Collection Section



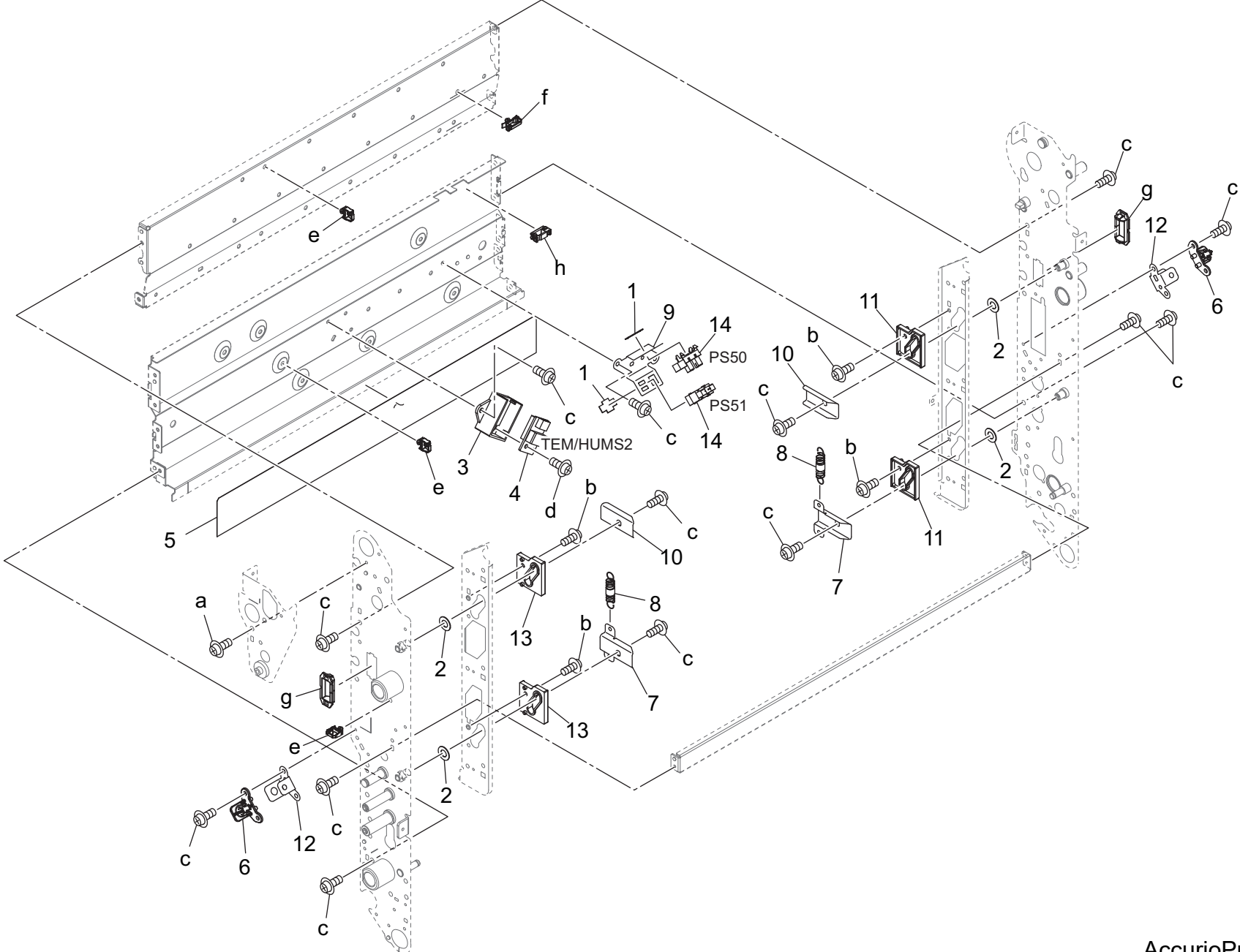
Toner Collection Driving Section



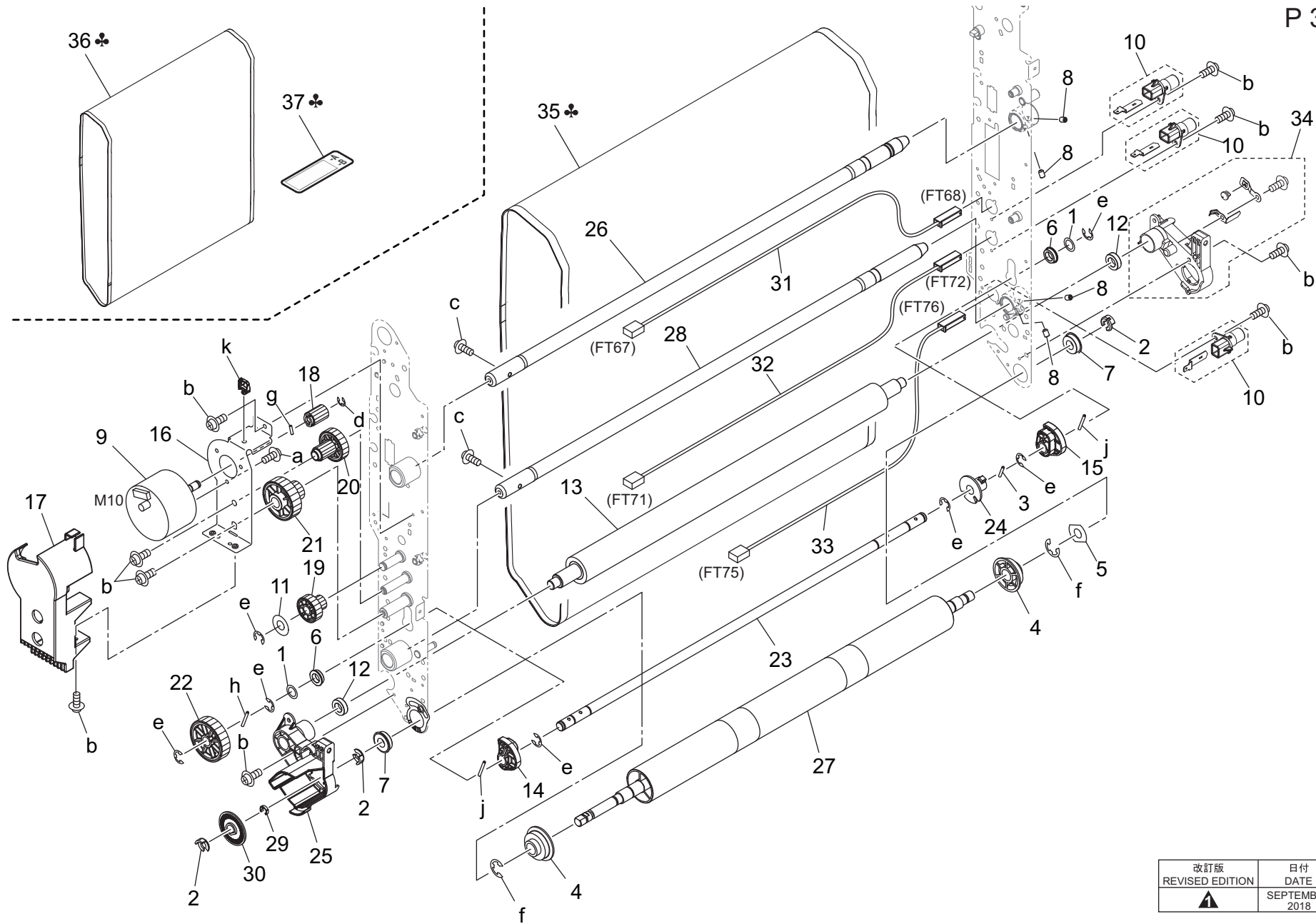
Intermediate Transfer Section



Intermediate Transfer Section



Intermediate Transfer Section

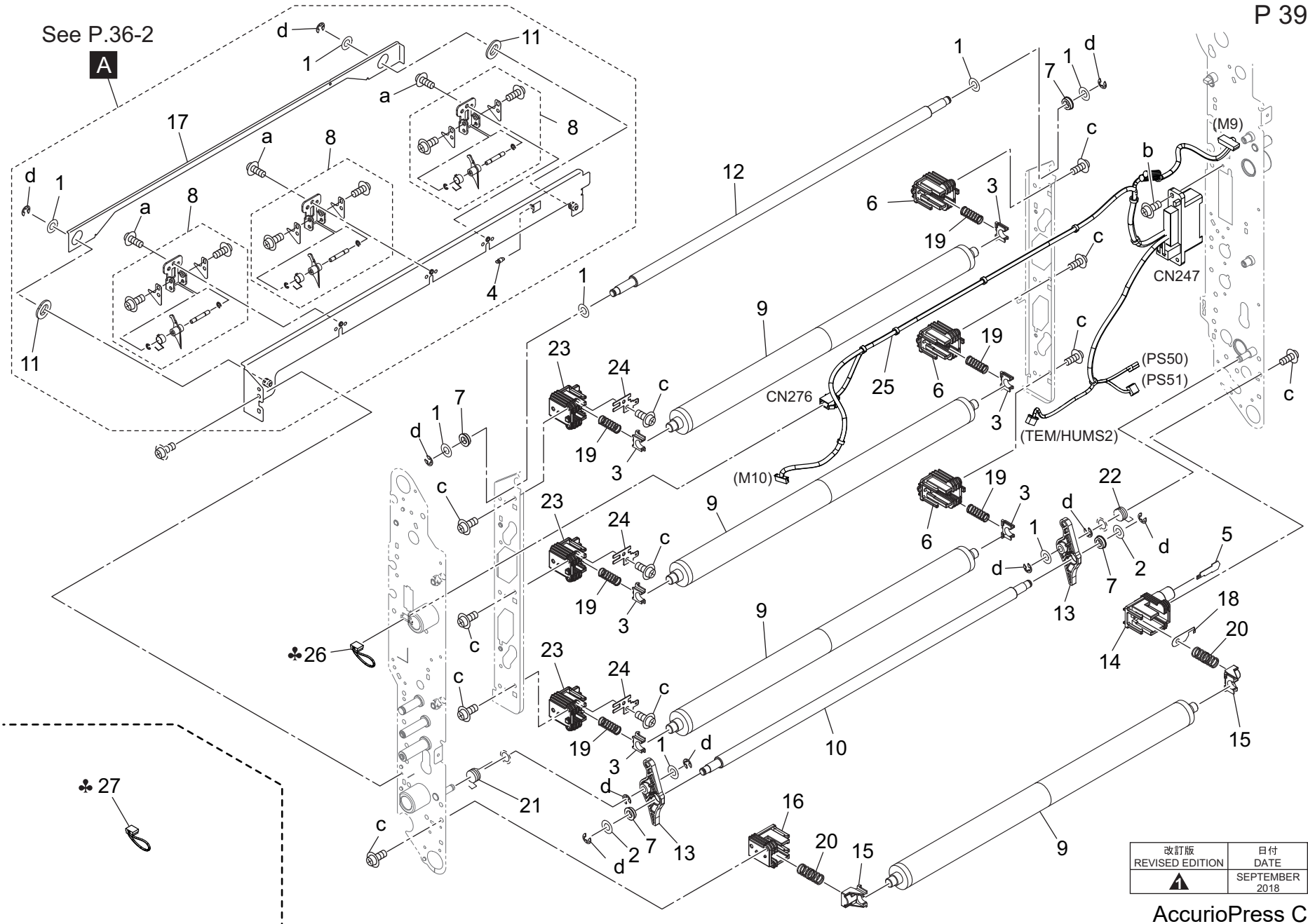


| | |
|------------------------|-------------------|
| 改訂版 REVISED EDITION | 日付 DATE |
| ▲ | SEPTEMBER 2018 |

AccurioPress C3080

| Key | Part No. | Description | Destinations | Class | QTY | Standard parts |
|-----|------------|-------------------------------|--------------|-------|-----|---|
| 1 | 12QV40650 | Spacer | | B | 2 | a-V121030403 |
| 2 | 55VA42120 | Shaft Stopper | | C | 3 | b-V127030604 |
| 3 | 56AA17321 | PIN A D2X12 | | B | 1 | c-V127040803 |
| 4 | 65AA26870 | REGULATING COLLAR | | C | 2 | d-V217040003 |
| 5 | 65AA27240 | SPACER A | | C | 1 | e-V217060003 |
| 6 | A00J617900 | Ball Bearing | | B | 2 | f-V217080003 |
| 7 | A00V240600 | Ball Bearing | | B | 2 | g-V234200850 |
| 8 | A03U512300 | Fixing Screw | | C | 4 | h-V234201850 |
| 9 | A11PM10200 | DC Brushless motor /12 | | C | 1 | j-V237201850 |
| 10 | A1DUR73500 | Power Supply Block / A Assy | | D | 3 | k-V500020098 |
| 11 | A1RF501700 | Slide Spacer /A | | D | 1 | |
| 12 | A1RF517300 | bearing | | C | 2 | |
| 13 | A50U500401 | 2nd Transfer Roller/Up | | A | 1 | |
| 14 | A50U502500 | Transfer Release Cam /C | | D | 1 | |
| 15 | A50U502600 | Transfer Release Cam /C | | D | 1 | |
| 16 | A50U503900 | Drive Plate /2 | | D | 1 | |
| 17 | A50U504000 | Cover | | D | 1 | |
| 18 | A50U504400 | Pressure Gear /M 18T | | C | 1 | |
| 19 | A50U504500 | Compressing Gear /1 35/18T | | C | 1 | |
| 20 | A50U504600 | Pressure Gear /2 43/18T | | C | 1 | |
| 21 | A50U504700 | Pressure Gear /3 56/18T | | C | 1 | |
| 22 | A50U505000 | Pressure Gear /4 44T | | C | 1 | |
| 23 | A50U505100 | Pressure Shaft | | D | 1 | |
| 24 | A50U505300 | Light blocking Plate | | D | 1 | |
| 25 | A50U505901 | Insulating Holder /Front | | D | 1 | |
| 26 | A50U506101 | Positioning Shaft /Upper | | D | 1 | |
| 27 | A50U506701 | Idler Roller | | C | 1 | |
| 28 | A50U507000 | Positioning Shaft /Lower | | D | 1 | |
| 29 | A50U509100 | Lifting Collar /8 | | D | 1 | |
| 30 | A50U517300 | Control Plate | | D | 1 | |
| 31 | A50UN24501 | HV Relay harness /1 | | D | 1 | |
| 32 | A50UN24701 | HV Relay harness /2 | | D | 1 | |
| 33 | A50UN24901 | HV Relay harness /3 | | D | 1 | |
| 34 | A50UR72100 | Insulating Holder / Rear Assy | | D | 1 | |
| 35 | A9VE500100 | Transfer Belt /H | | A | 1 | |
| 35 | A1DU504203 | Transfer Belt 862L | | A | 1 | B,C,G2,I(only SOUTH AFRICA) |
| 36 | A9VE500200 | Transfer Belt / C | | A | 1 | A,D1,D3,E,F2,G1,H,I (Except SOUTH AFRICA),J,K (Service Part Only) |
| 37 | A1RF945501 | Replacement Label /5 | | D | 1 | (Service Part Only) |
| | | | | | | |
| | | | | | | |
| | | | | | | |

Intermediate Transfer Section

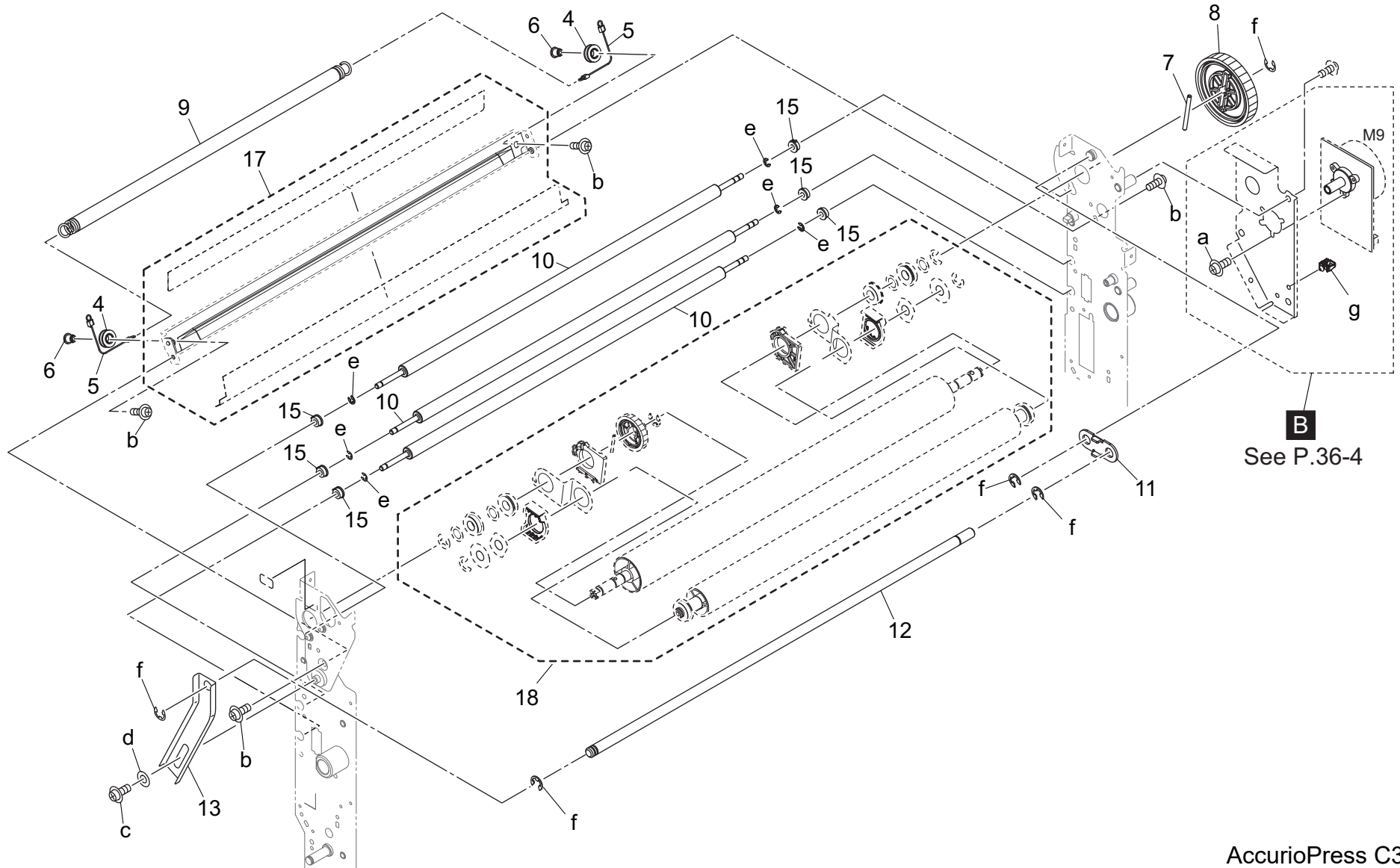


| | |
|------------------------|-------------------|
| 改訂版 REVISED EDITION | 日付 DATE |
| | SEPTEMBER 2018 |

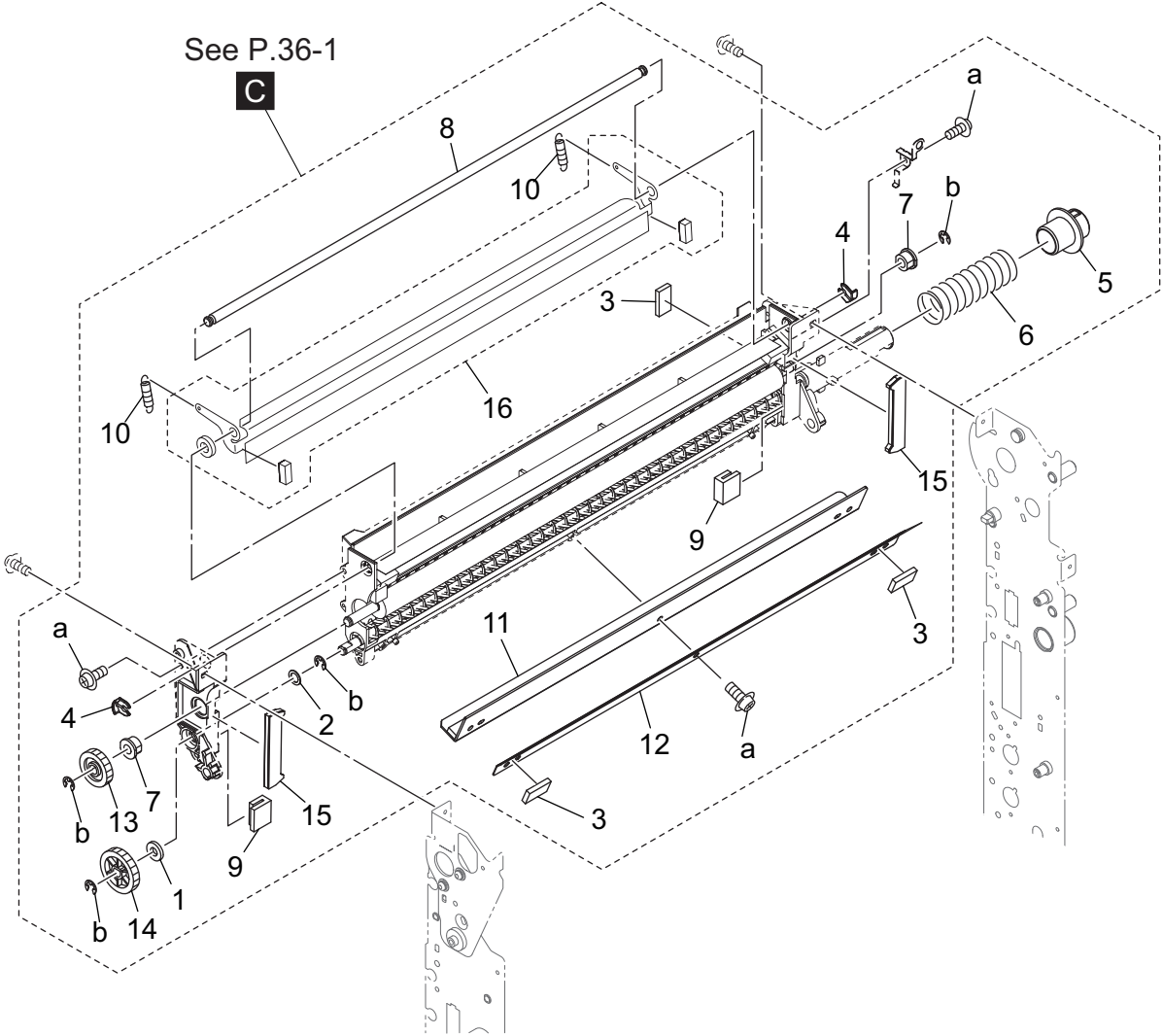
AccurioPress C3080

Intermediate Transfer Section

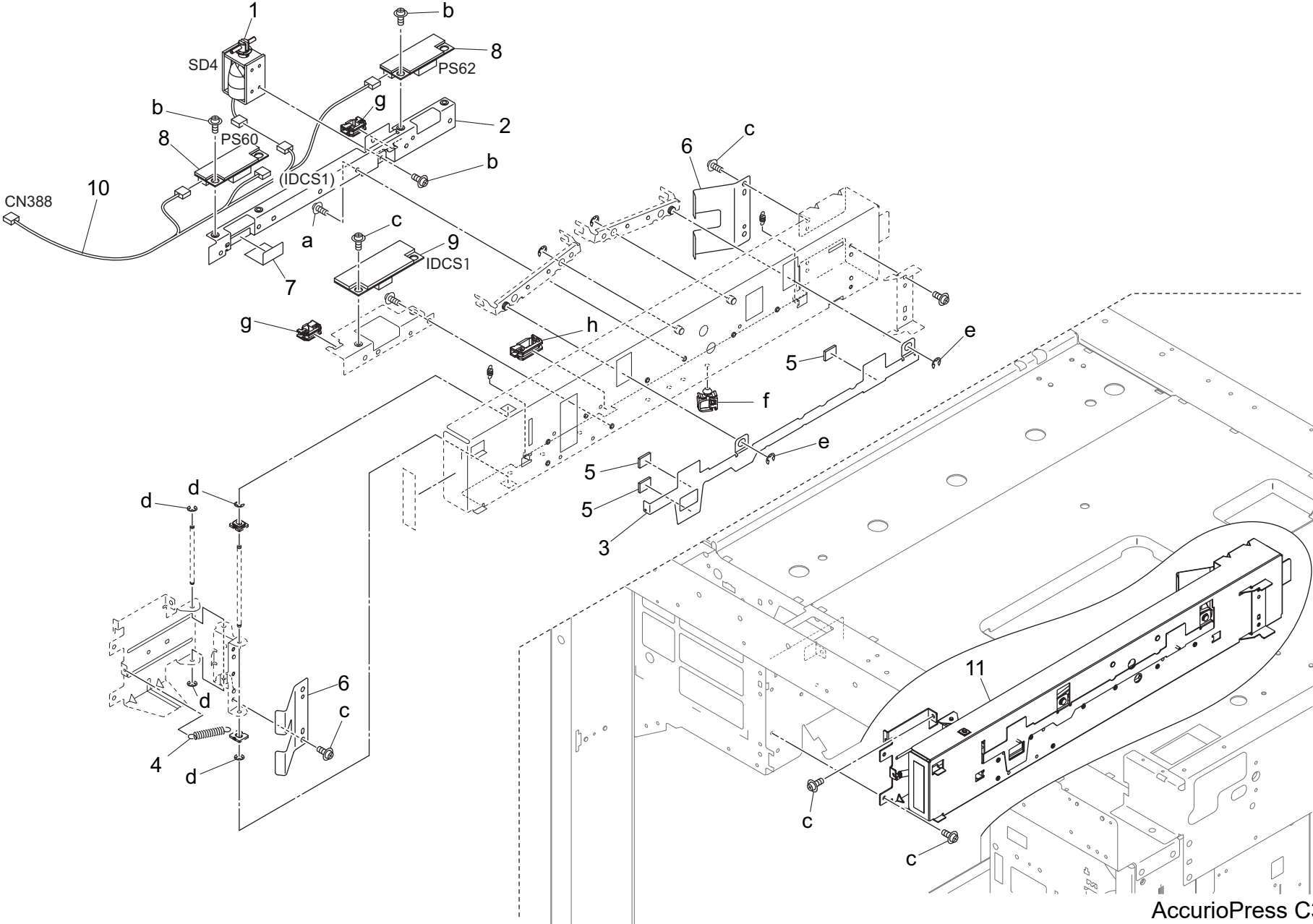
| | |
|------------------------|------------------|
| 改訂版 REVISED EDITION | 日付 DATE |
| ▲ | DECEMBER 2018 |



Intermediate Transfer Section

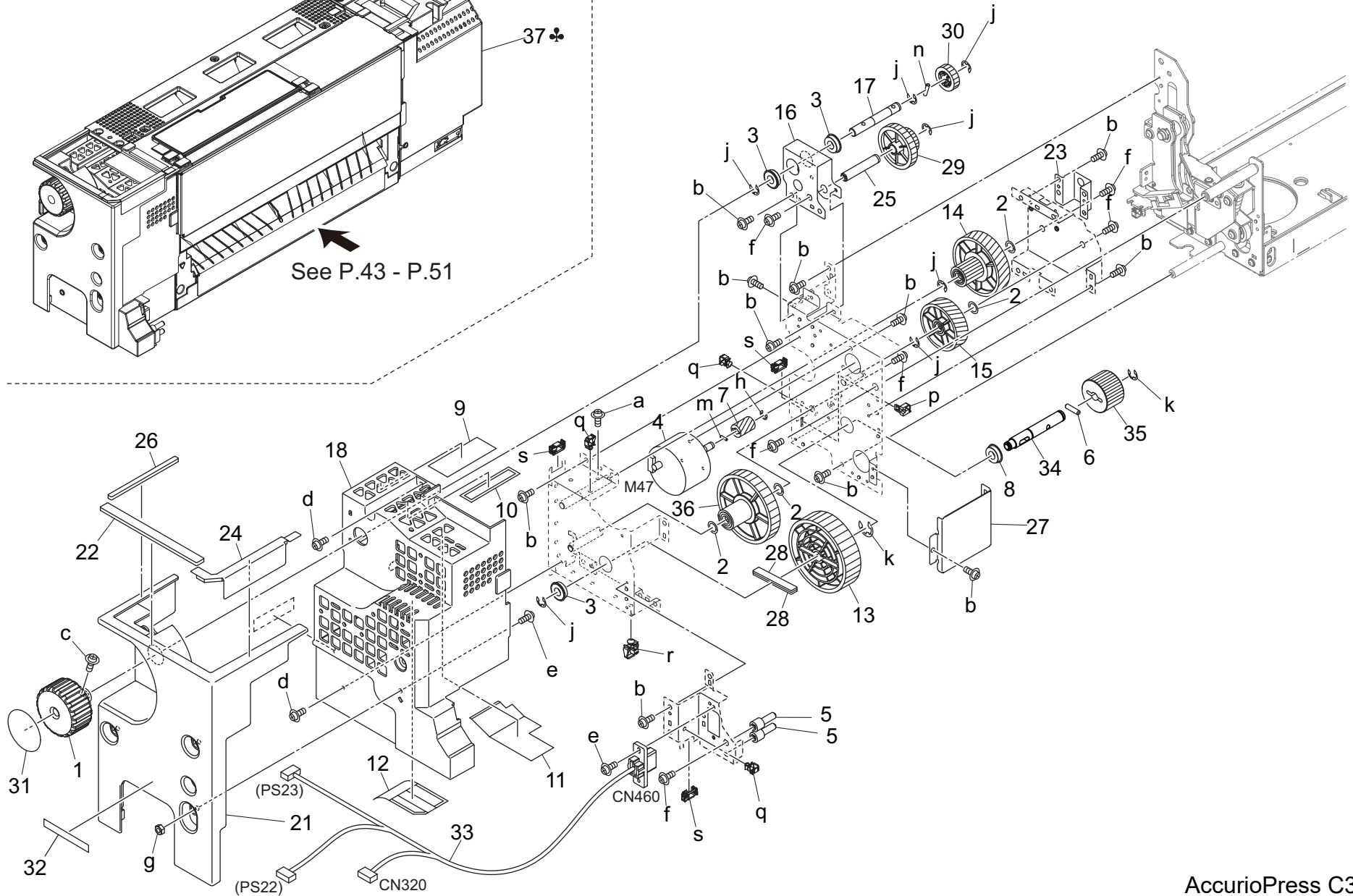
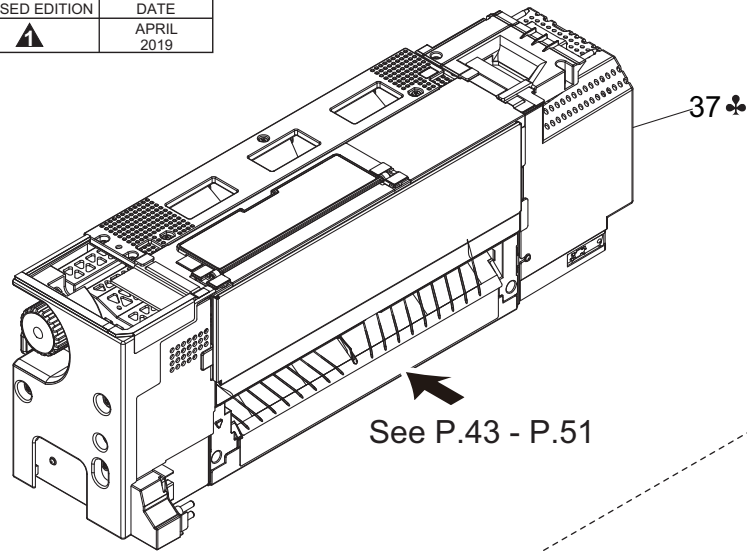


Color Resist Section



Fusing Section

| | |
|------------------------|---------------|
| 改訂版 REVISED EDITION | 日付 DATE |
| ▲ | APRIL 2019 |

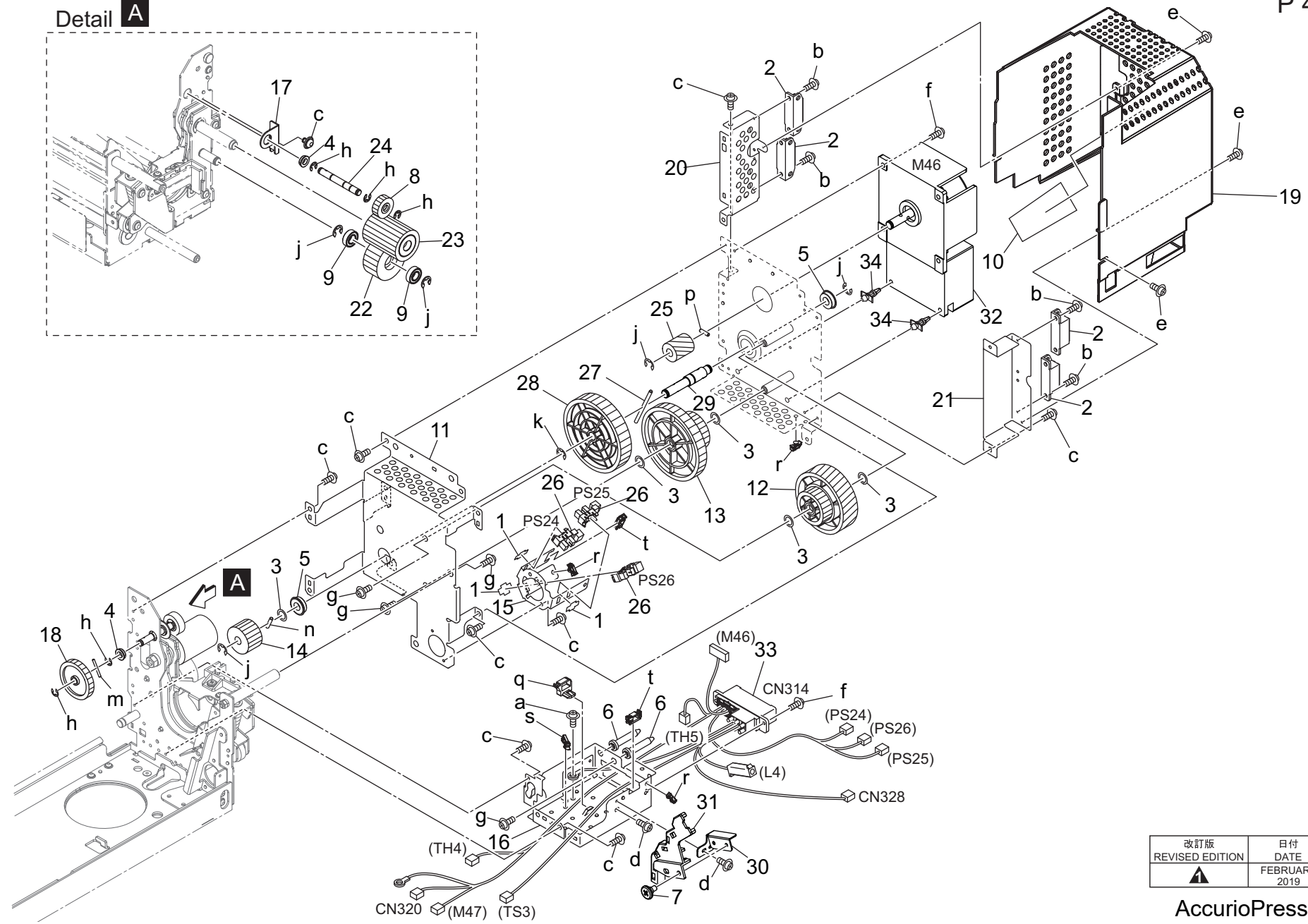
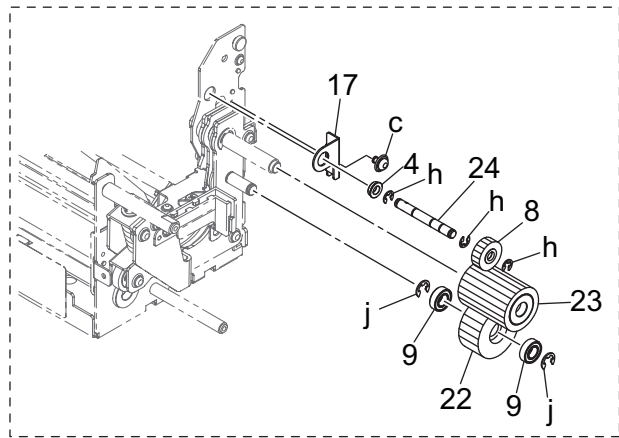


AccurioPress C3080

| Key | Part No. | Description | Destinations | Class | QTY | Standard parts |
|-----|---------------|---------------------------|---------------------------|-------|-----|----------------|
| 1 | 20AL48470G | Jam Release Knob | | C | 1 | a-V116030603 |
| 2 | 56AA42690 | By-Pass Spacer | | C | 4 | b-V121030403 |
| 3 | A00V240600 | Ball Bearing | | B | 3 | c-V121041003 |
| 4 | A11PM10200 | DC Brushless motor /12 | | C | 1 | d-V127030604 |
| 5 | A1DU736200 | Positioning Shaft | | D | 2 | e-V127030803 |
| 6 | A1RF758100 | Pin /B | | D | 1 | f-V127040603 |
| 7 | A1RF809400 | Pressure Gear /1 22T | | C | 1 | g-V195030003 |
| 8 | A4EU265000 | Ball bearing | | B | 1 | h-V217040003 |
| 9 | A50U732200 | Protection Seal /2 | | D | 1 | j-V217060003 |
| 10 | A50U732300 | Protection Seal /3 | | D | 1 | k-V217080003 |
| 11 | A50U732400 | Protection Seal /4 | | D | 1 | m-V234200850 |
| 12 | A50U732500 | Protection Seal /5 | | D | 1 | n-V234301450 |
| 13 | A50U742901 | Pressure Gear /2 90T | | C | 1 | p-V500010057 |
| 14 | A50U743100 | Pressure Gear /4 23/110T | | C | 1 | q-V500010074 |
| 15 | A50U743200 | Pressure Gear /5 87T | | C | 1 | r-V500020098 |
| 16 | A50U745600 | Fixing Plate /1 | | D | 1 | s-V570010057 |
| 17 | A50U745700 | Processing Shaft /A | | D | 1 | |
| 18 | A50U748403Old | Fusing Cover /Front | | D | 1 | |
| 18 | A50U748404 | Fusing Cover /Front | | D | 1 | |
| 21 | A50U751002Old | Fusing Cover /1 | | D | 1 | |
| 21 | A50U751003 | Fusing Cover /1 | | D | 1 | |
| 22 | A50U751101 | Spacer /1 | | D | 1 | |
| 23 | A50U751200 | Positioning Plate /A | | D | 1 | |
| 24 | A50U751301 | Spacer /2 | | D | 1 | |
| 25 | A50U752600 | Processing Shaft | | D | 1 | |
| 26 | A50U755900 | Spacer /3 | | D | 1 | |
| 27 | A50U756002 | Auxiliary Side plate | | D | 1 | |
| 28 | A50U756500 | Part /1 | | D | 2 | |
| 29 | A50U757000 | Connecting Gear /A 41/22T | | C | 1 | |
| 30 | A50U757100 | Idling Gear /A 22T | | C | 1 | |
| 31 | A50U943502 | Release Label /5 | | D | 1 | |
| 32 | A50U949600 | Replacement Label | | D | 1 | |
| 33 | A50UN10903 | Fixing Wiring /5 | | D | 1 | |
| 34 | A9VE742500 | Pressure Shaft /B | | D | 1 | |
| 35 | A9VE742800 | Pressure Gear /1 31T | | C | 1 | |
| 36 | A9VE743000 | Pressure Gear /3 23/85T | | C | 1 | |
| 37 | A9VER70244 | Fusing Unit (208V) | B,G2 | I | 1 | |
| 37 | A9VER70344 | Fusing Unit (220V) | C | I | 1 | |
| 37 | A9VER70144 | Fusing Unit (200V) | A | I | 1 | |
| 37 | A9VER70311 | Fusing Unit (220V) | D1,D3,E,F2,G1,H,I,J ,K | I | 1 | |
| | | | | | | |
| | | | | | | |
| | | | | | | |

Fusing Section

Detail **A**



| | |
|------------------------|------------------|
| 改訂版 REVISED EDITION | 日付 DATE |
| | FEBRUARY 2019 |

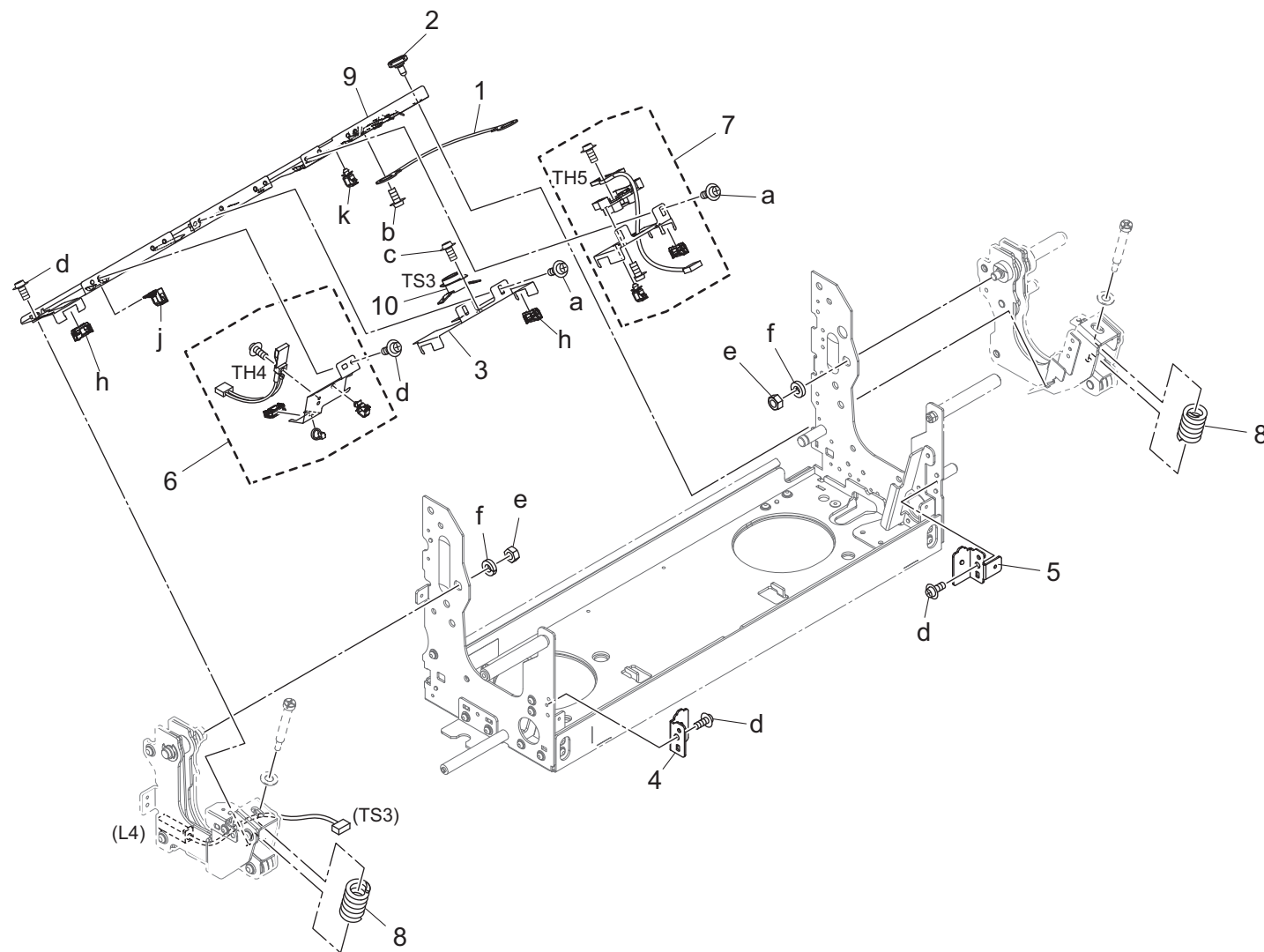
AccurioPress C3080

Order here
8 (495) 646-0426
www.km-shop.ru

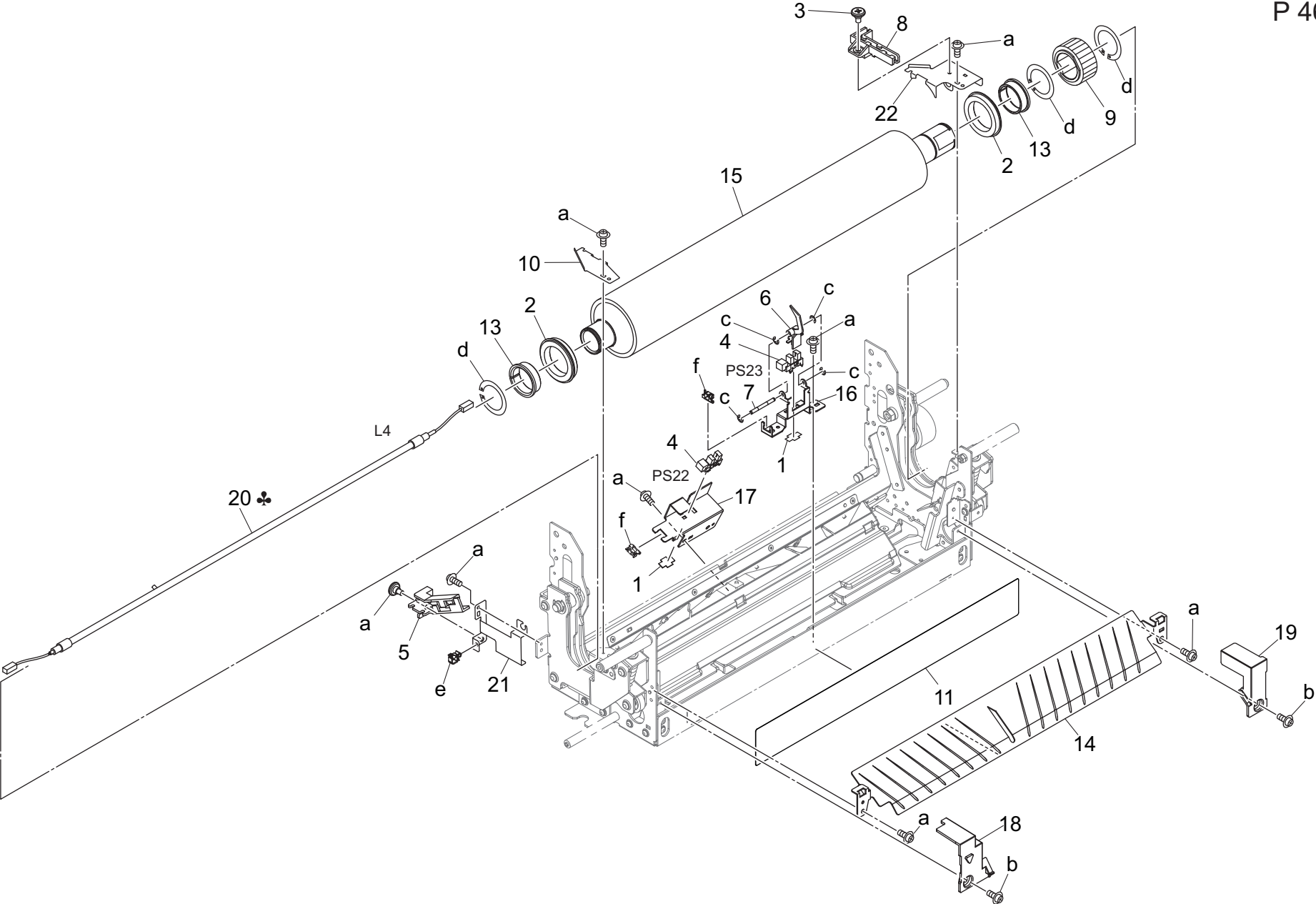


ПЯТЫЙ ПАРТНЕР

| Key | Part No. | Description | Destinations | Class | QTY | Standard parts |
|-----|------------|--------------------------|--------------|-------|-----|----------------|
| 1 | 4470402401 | Stopper | | D | 3 | a-V116040603 |
| 2 | 07BA12352 | Magnet Catch | | C | 4 | b-V118030603 |
| 3 | 56AA42690 | By-Pass Spacer | | C | 5 | c-V121030403 |
| 4 | A00J617800 | Ball Bearing | | B | 2 | d-V127030516 |
| 5 | A00V240600 | Ball Bearing | | B | 2 | e-V127030604 |
| 6 | A03U724200 | Positioning Shaft | | D | 2 | f-V127030803 |
| 7 | A03U734500 | Support Screw /A | | C | 1 | g-V127040603 |
| 8 | A03U808400 | FIXING DRIVE GEAR /D 19T | | B | 1 | h-V217040003 |
| 9 | A1RF820000 | Ball Bearing | | C | 2 | j-V217060003 |
| 10 | A50U732100 | Protection Seal /1 | | D | 1 | k-V217080003 |
| 11 | A50U743302 | Drive Plate /4 | | D | 1 | m-V234201850 |
| 12 | A50U743600 | Drive Gear /2 33/58T | | C | 1 | n-V234301450 |
| 13 | A50U743700 | Drive Gear /3 36/74T | | C | 1 | p-V237301150 |
| 14 | A50U743900 | Drive Gear /5 26T | | C | 1 | q-V500010021 |
| 15 | A50U744601 | Plate | | D | 1 | r-V500020099 |
| 16 | A50U744912 | Mounting Plate /4 | | D | 1 | s-V500020100 |
| 17 | A50U745501 | Paper exit Plate /1 | | D | 1 | t-V570010057 |
| 18 | A50U746400 | Paper exit Gear /A 37T | | C | 1 | |
| 19 | A50U748506 | Fusing Cover /Rear | | D | 1 | |
| 20 | A50U749200 | Mounting Plate /1 | | D | 1 | |
| 21 | A50U749300 | Mounting Plate /2 | | D | 1 | |
| 22 | A50U752000 | Drive Gear /C 36T | | D | 1 | |
| 23 | A50U752200 | Fusing Gear/3 30T | | B | 1 | |
| 24 | A50U752300 | Paper exit Shaft /A | | D | 1 | |
| 25 | A50U754700 | Fusing Gear /6 16T | | C | 1 | |
| 26 | A85CM55600 | Photo Sensor | | C | 3 | |
| 27 | A9VE742400 | Pin /4 | | D | 1 | |
| 28 | A9VE743800 | Drive Gear /4 74T | | C | 1 | |
| 29 | A9VE744300 | Drive Shaft /2 | | D | 1 | |
| 30 | A9VE747200 | Hold Plate /2 | | D | 1 | |
| 31 | A9VE747301 | Wiring Part /5 | | D | 1 | |
| 32 | A9VEM10100 | Brushless motor /50 | | C | 1 | |
| 33 | A9VEN10700 | Fixing Wiring /2 | | D | 1 | |
| 34 | V502010033 | Circuit Board Spacer | | D | 2 | |
| | | | | | | |
| | | | | | | |
| | | | | | | |
| | | | | | | |

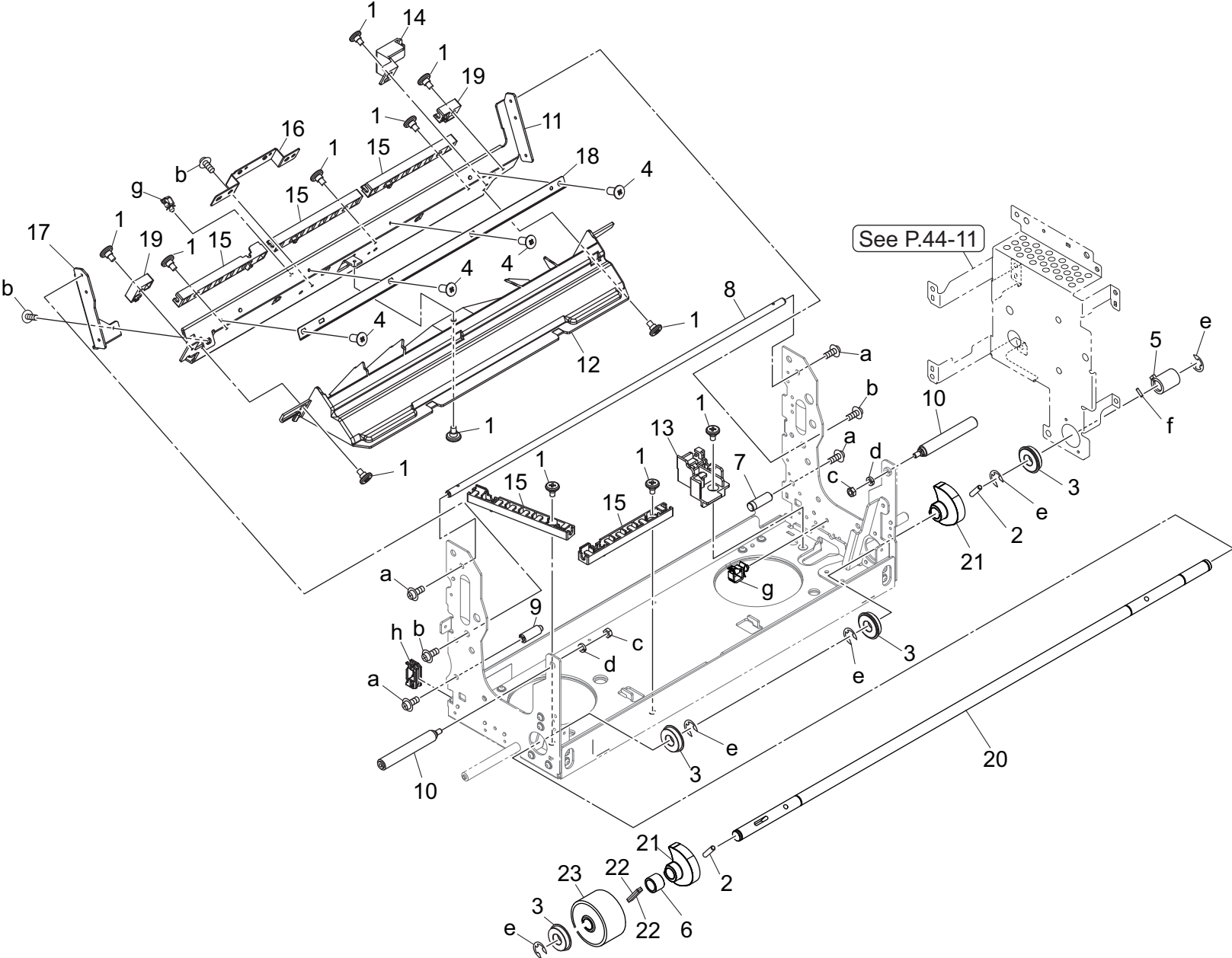


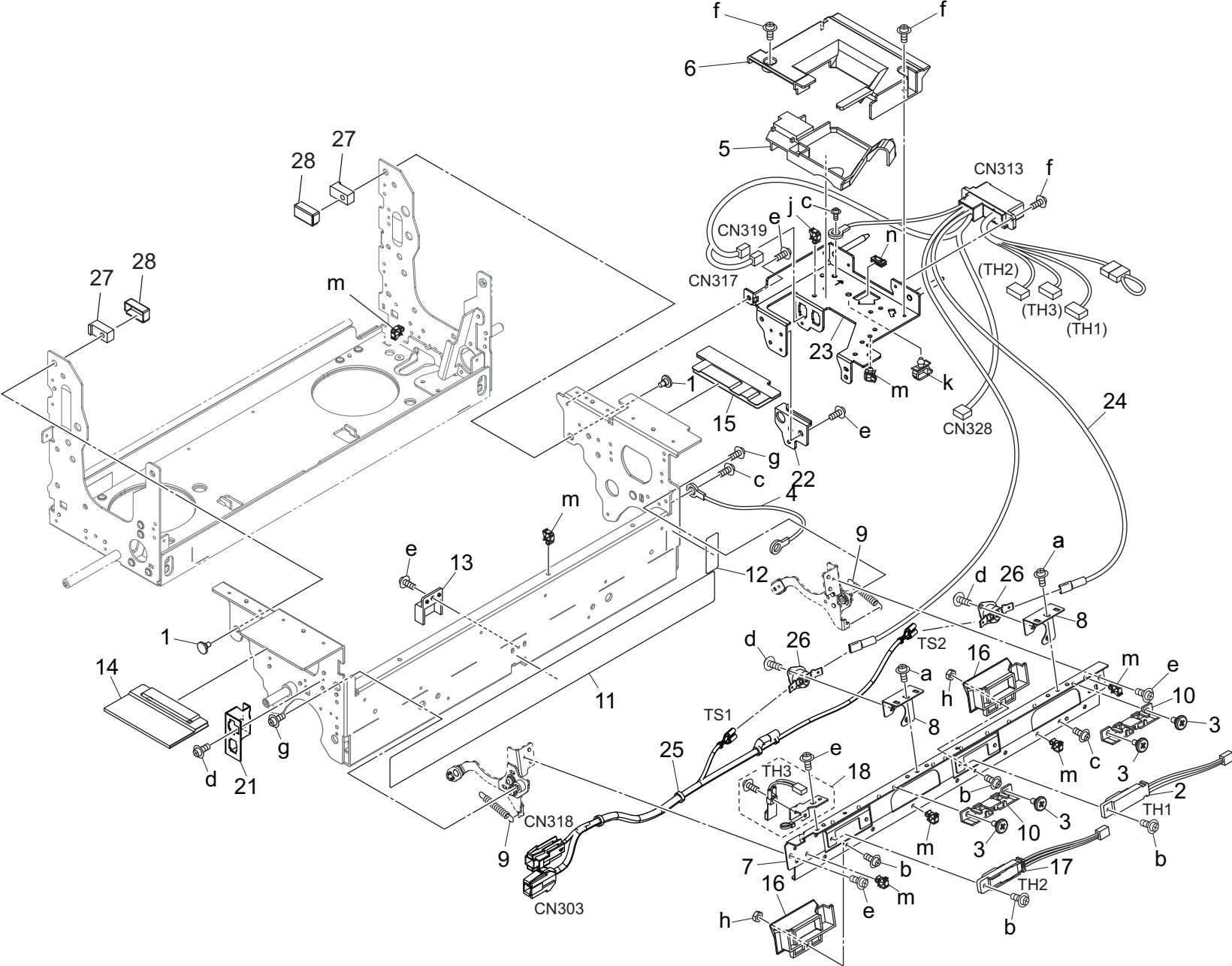
Fusing Section



| Key | Part No. | Description | Destinations | Class | QTY | Standard parts |
|-----|------------|-----------------------------|----------------------------|-------|-----|--|
| 1 | 4470402401 | Stopper | | D | 2 | a-V121030403 b-V127030604 c-V217020003 d-V223260017 e-V500010074 f-V570010025 |
| 2 | 26NA53712 | BALL BEARING | | A | 2 | |
| 3 | A03U734500 | Support Screw /A | | C | 1 | |
| 4 | A1RFM51000 | Photointerrupter /H | | C | 2 | |
| 5 | A50U746800 | Wiring Part /3 | | D | 1 | |
| 6 | A50U747803 | Actuator /A | | D | 1 | |
| 7 | A50U747900 | Shaft /1 | | D | 1 | |
| 8 | A50U748200 | Wiring Part /1 | | D | 1 | |
| 9 | A50U752700 | Fusing Gear/1 38T | | B | 1 | |
| 10 | A50U755100 | Holding Part /F | | D | 1 | |
| 11 | A50U755301 | Sheet /L | | D | 1 | |
| 13 | A50U756300 | Insulating Sleeve /Lower | | B | 2 | |
| 14 | A50U758201 | Guide Plate /B | | D | 1 | |
| 15 | A50U765500 | Fusing Roller /Lw | | B | 1 | |
| 16 | A50U787700 | Sensor Plate /Front | | D | 1 | |
| 17 | A50U788602 | Sensor Plate /Rear | | D | 1 | |
| 18 | A50U788900 | Insulating Plate /Front | | D | 1 | |
| 19 | A50U789100 | Insulating Plate /Rear | | D | 1 | |
| 20 | A50UM32E00 | Fusing Heater Lamp/4 (208V) | B,G2 | I | 1 | |
| 20 | A50UM32F00 | Fusing Heater Lamp/4 (220V) | C,D1,D3,E,F2,G1,H,I J,K | I | 1 | |
| 20 | A50UM32A00 | Fusing Heater Lamp/4 (200V) | A | I | 1 | |
| 21 | A9VE741700 | Hold Plate /1 | | D | 1 | |
| 22 | A9VE741800 | Hold Plate /2 | | D | 1 | |
| | | | | | | |
| | | | | | | |
| | | | | | | |
| | | | | | | |
| | | | | | | |
| | | | | | | |
| | | | | | | |
| | | | | | | |
| | | | | | | |
| | | | | | | |

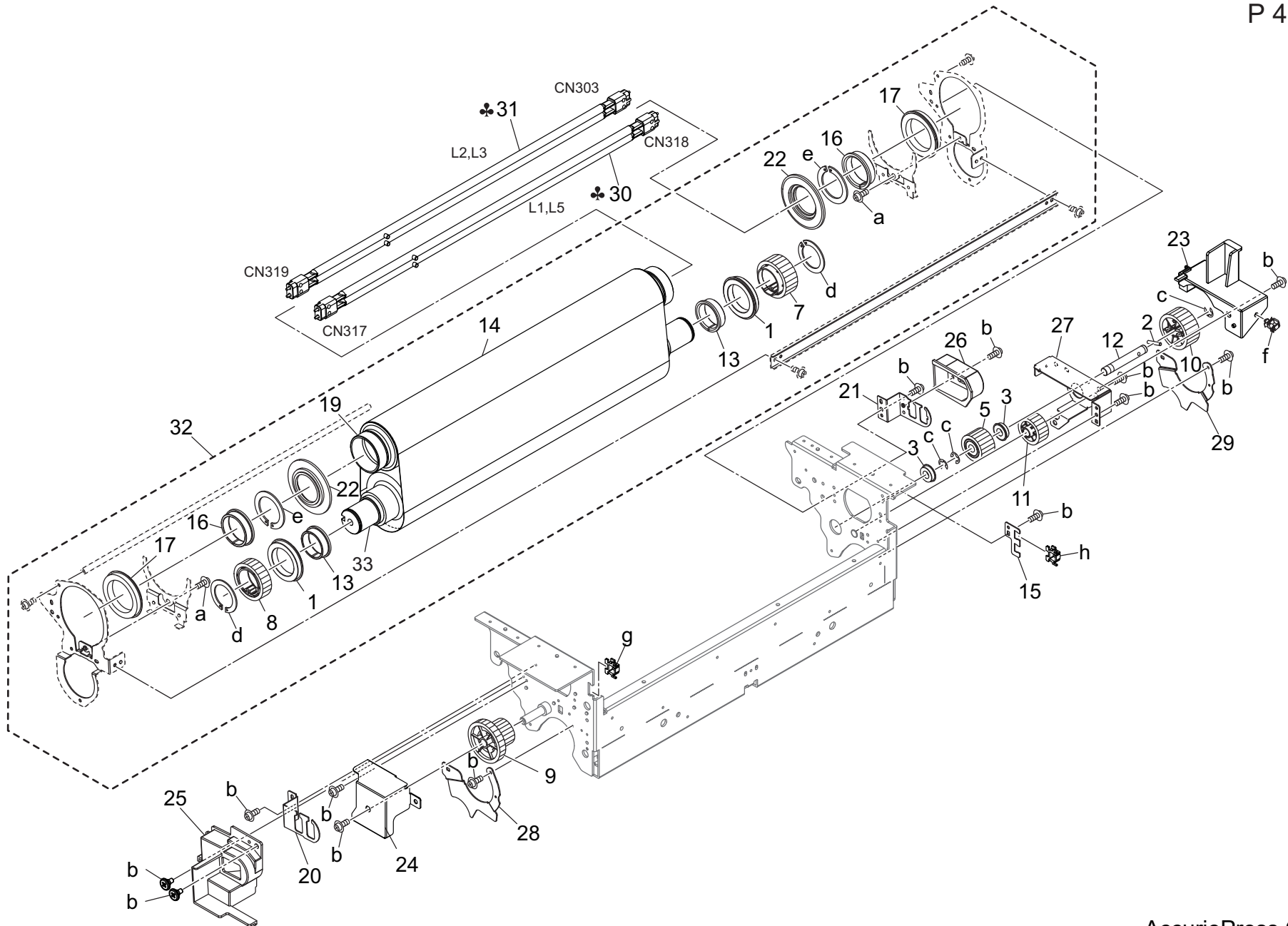
Fusing Section





| Key | Part No. | Description | Destinations | Class | QTY | Standard parts |
|-----|---------------|-----------------------------|--------------|-------|-----|----------------|
| 1 | 55VA20520 | Cleaner Locking Screw | | C | 2 | a-V116030603 |
| 2 | 65AA88010 | Temperature Sensor /1 | | B | 1 | b-V116030803 |
| 3 | A03U734500 | Support Screw /A | | C | 4 | c-V116040603 |
| 4 | A03UN23200 | Grounding Wiring /F | | D | 1 | d-V118030303 |
| 5 | A50U722100 | Fusing Cover /1 | | D | 1 | e-V121030403 |
| 6 | A50U722202 | Fusing Cover /2 | | D | 1 | f-V127030604 |
| 7 | A50U723812 | Stay /1 | | D | 1 | g-V127040603 |
| 8 | A50U723911 | Stay /2 | | D | 2 | h-V195030003 |
| 9 | A50U725200 | Tension Spring /1 | | D | 2 | j-V500010070 |
| 10 | A50U726611 | Guide Part /2 | | D | 2 | k-V500010073 |
| 11 | A50U728500 | Insulating Sheet /A | | D | 1 | m-V500010074 |
| 12 | A50U728800 | Insulating Sheet /D | | D | 1 | n-V570010057 |
| 13 | A50U730900 | Cover Part /1 | | D | 1 | |
| 14 | A50U731002 | Insulating Sheet /F | | D | 1 | |
| 15 | A50U731102 | Insulating Sheet /G | | D | 1 | |
| 16 | A50U733500 | Protection Part /1 | | D | 2 | |
| 17 | A50UM50600 | Fusing Temperature Sensor/2 | | C | 1 | |
| 18 | A50UR70F00 | Fusing Temperature Sensor/3 | | B | 1 | |
| 21 | A9VE728400 | Mounting Plate /B | | D | 1 | |
| 22 | A9VE733400 | Protection Cover /A | | D | 1 | |
| 23 | A9VE769001 | Fusing Stay /2 | | D | 1 | |
| 24 | A9VEN10601 | Fixing Wiring /1 | | D | 1 | |
| 25 | A9VEN11000 | Fixing Relay harness /1 | | D | 1 | |
| 26 | SP00-0210 | Thermostat /Upper | | I | 2 | |
| 27 | A9VE784200Old | Fixing Plate | | D | 2 | |
| 27 | A85C789200 | Hold Part /A | | D | 2 | |
| 28 | A9VE784300Old | Cover | | D | 2 | |
| 28 | A85C789300 | Insulating Sheet /F | | D | 2 | |
| | | | | | | |
| | | | | | | |
| | | | | | | |
| | | | | | | |
| | | | | | | |
| | | | | | | |
| | | | | | | |

Fusing Section



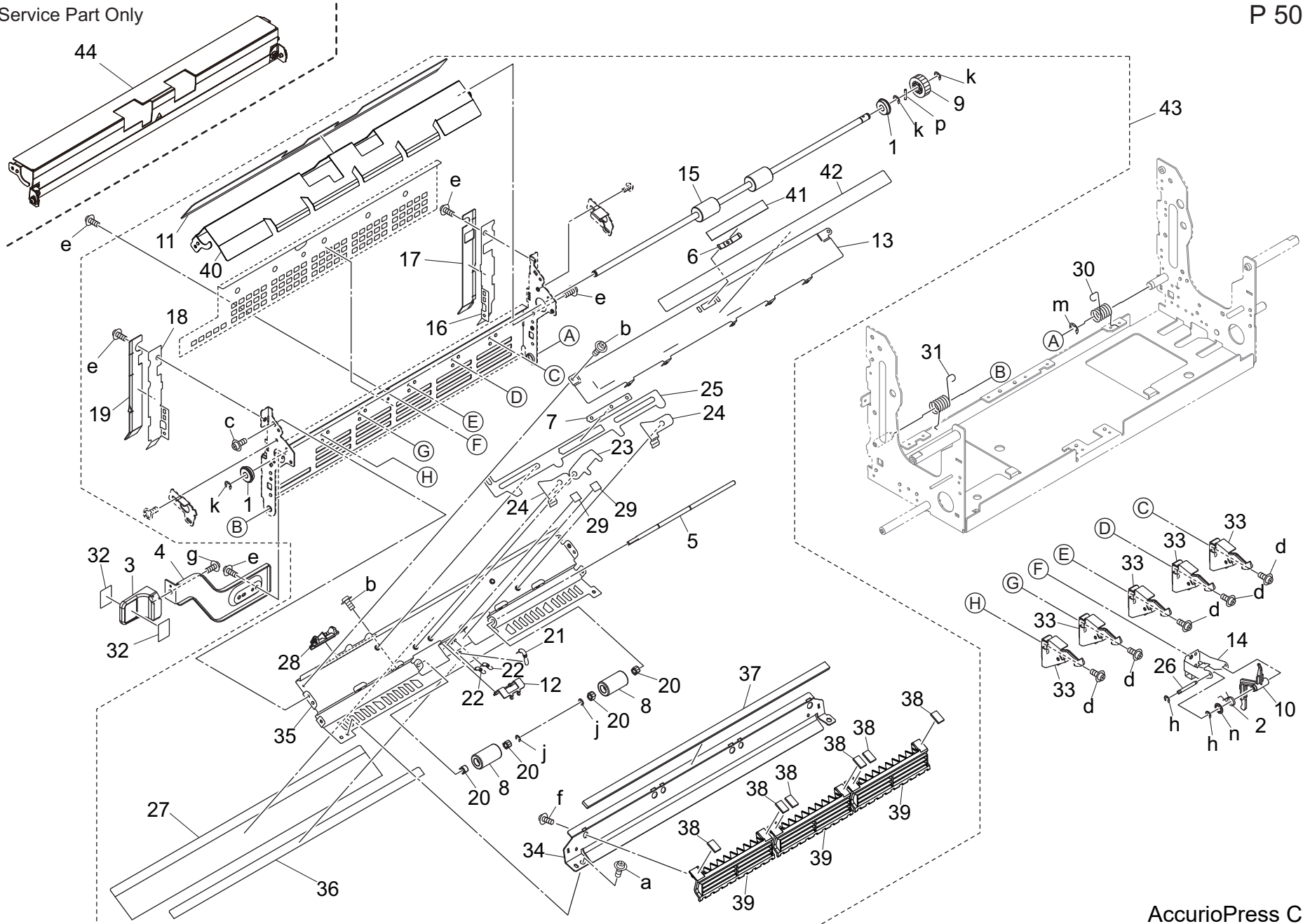
Fusing Section

| Key | Part No. | Description | Destinations | Class | QTY | Standard parts |
|-----|------------|---------------------------------------|--------------------------|-------|-----|--|
| 1 | 26NA53712 | BALL BEARING | | A | 2 | a-V116030503 b-V121030403 c-V217060003 d-V223260017 e-V223400017 f-V500010074 g-V500020096 h-V570010025 |
| 2 | 55VA48500 | PARALLEL PIN D3X18 | | D | 1 | |
| 3 | A00V240600 | Ball Bearing | | B | 2 | |
| 5 | A03U809500 | FIXING DRIVE GEAR /O 26T | | A | 1 | |
| 7 | A50U725001 | Drive Gear /Upper 38T | | C | 1 | |
| 8 | A50U739811 | Drive Gear /Front 38T | | C | 1 | |
| 9 | A50U739900 | Connecting Gear /A 42/25T | | C | 1 | |
| 10 | A50U744000 | Drive Gear /6 36T | | C | 1 | |
| 11 | A50U744100 | Drive Gear /7 27T | | C | 1 | |
| 12 | A50U744400 | Drive Shaft /3 | | D | 1 | |
| 13 | A50U756300 | Insulating Sleeve /Lower | | B | 2 | |
| 14 | A50U765000 | Fusing Belt | | B | 1 | |
| 15 | A50U783400 | Hold Plate | | D | 1 | |
| 16 | A5AW744900 | Heat Insulating Sleeve/1 | | B | 2 | |
| 17 | A5AW745000 | Fusing Bearing/1 | | B | 2 | |
| 19 | A9VE720500 | Fusing Roller /2 | | B | 1 | |
| 20 | A9VE723500 | Support Plate /1 | | D | 1 | |
| 21 | A9VE723600 | Support Plate /2 | | D | 1 | |
| 22 | A9VE724100 | Regulating Sleeve /1 | | B | 2 | |
| 23 | A9VE726800 | Guide Part /3 | | D | 1 | |
| 24 | A9VE728300 | Support Plate /11 | | D | 1 | |
| 25 | A9VE733000 | Cover /Front | | D | 1 | |
| 26 | A9VE733100 | Cover /Rear | | D | 1 | |
| 27 | A9VE743500 | Drive Plate /6 | | D | 1 | |
| 28 | A9VE785400 | Stopper Stopper /A | | D | 1 | |
| 29 | A9VE785500 | Stopper Stopper /B | | D | 1 | |
| 30 | A9VEM31E00 | Fusing Heater Lamp Assy 1 /Up (208V) | B,G2 | B | 1 | |
| 30 | A9VEM31F00 | Fusing Heater Lamp Assy 1 /Up (220V) | C,D1,D3,E,F2,G1,H,I ,J,K | B | 1 | |
| 30 | A9VEM31A00 | Fusing Heater Lamp Assy 1 /Up (200V) | A | B | 1 | |
| 31 | A9VEM33E00 | Fusing Heater Lamp Assy 2 /Up (208V) | B,G2 | B | 1 | |
| 31 | A9VEM33F00 | Fusing Heater Lamp Assy 2 /Up (220V) | C,D1,D3,E,F2,G1,H,I ,J,K | B | 1 | |
| 31 | A9VEM33A00 | Fusing Heater Lamp Assy 2 /Up (200V) | A | B | 1 | |
| 32 | A9VER70422 | Fusing Belt Assy | | B | 1 | |
| 32 | A9VER70422 | Fusing Belt Assy | | B | 1 | |
| 33 | A9VE720300 | Fusing Roller /1 | | B | 1 | |
| | | | | | | |
| | | | | | | |
| | | | | | | |

Fusing Section

Service Part Only

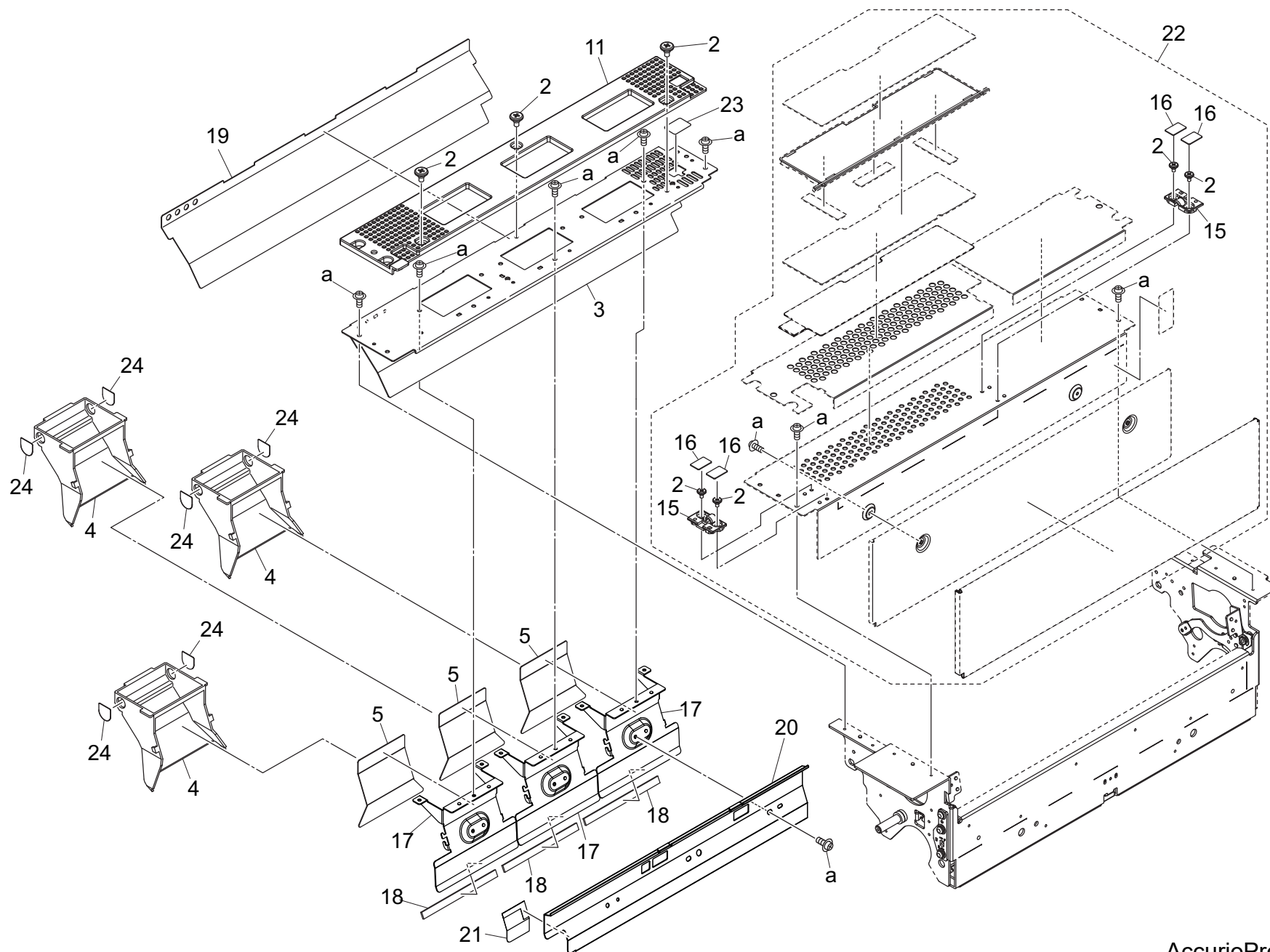
P 50



| Key | Part No. | Description | Destinations | Class | QTY | Standard parts |
|-----|------------|----------------------------------|------------------|-------|-----|---------------------|
| 1 | 55GA75031 | BALL BEARING | 軸受 | A | 2 | a-V116030603 |
| 2 | 65AA53560 | PAPER EXIT DETECTING SPRING | 排紙検知バネ | C | 1 | b-V118020403 |
| 3 | 65AA53991 | Fixing Papaer Exit Lever | 定着排紙レバー | C | 1 | c-V118030403 |
| 4 | A03U723301 | Open/close Lever | 開閉レバー | C | 1 | d-V127030516 |
| 5 | A03U728000 | PAPER EXIT SHAFT | 排紙軸 | D | 1 | e-V127030604 |
| 6 | A03U734800 | Positioning Plate spring /1 | 位置決め板ばね / 1 | C | 1 | f-V151030803 |
| 7 | A03U734900 | Positioning Plate | 位置決め板 | D | 1 | g-V151040803 |
| 8 | A9VE760900 | Paper exit Roll | 排紙ころ | B | 2 | h-V217020003 |
| 9 | A50U746500 | Paper exit Gear /B 20T | 排紙ギア / B 20 T | C | 1 | j-V217030003 |
| 10 | A50U748701 | Paper exit Actuator | 排紙アクチュエータ | D | 1 | k-V217040003 |
| 11 | A50U760400 | Insulating Sheet | 断熱シート | D | 1 | m-V217060003 |
| 12 | A50U760600 | Pressing Cam /1 | 押圧カム / 1 | D | 1 | n-V226060050 |
| 13 | A50U760701 | Holding Plate | 押さえ板 | D | 1 | p-V234201250 |
| 14 | A50U760802 | Support Plate | 支持板 | D | 1 | |
| 15 | AC57761000 | Fixing Paper exit Roller | 定着排紙ローラ | C | 1 | |
| 16 | A50U761100 | Heat blocking Plate /Rear | 遮熱板 / 奥 | D | 1 | |
| 17 | A50U761200 | Insulating Sheet /Rear | 断熱シート / 後 | D | 1 | |
| 18 | A50U761300 | Heat blocking Plate /Front | 遮熱板 / 前 | D | 1 | |
| 19 | A50U761400 | Insulating Sheet /Front | 断熱シート / 前 | D | 1 | |
| 20 | A50U761500 | Fixing Paper exit Bearing | 定着排紙軸受 | C | 4 | |
| 21 | A50U761601 | Paper exit Spring /1 | 排紙ばね / 1 | D | 1 | |
| 22 | A50U761700 | Paper exit Spring /2 | 排紙ばね / 2 | D | 2 | |
| 23 | A50U761800 | Pressing Cam /2 | 押圧カム / 2 | D | 1 | |
| 24 | A50U761900 | Release Lever | 解除レバー | D | 2 | |
| 25 | A50U762000 | Slide Plate | スライド板 | D | 1 | |
| 26 | A50U762100 | Paper exit Detecting Shaft | 排紙検知軸 | D | 1 | |
| 27 | A50U762200 | Protection Film | 保護フィルム | D | 1 | |
| 28 | A50U762300 | Slide Knob | スライドつまみ | D | 1 | |
| 29 | A50U762400 | Fusing Spacer /2 | 定着スペーサ / 2 | D | 2 | |
| 30 | A50U763800 | Paper exit Open/shut Spring /B | 排紙開閉バネ / B | D | 1 | |
| 31 | A50U763900 | Paper exit Open/shut Spring /A | 排紙開閉バネ / A | D | 1 | |
| 32 | A50U943701 | Release Label /7 | 解除ラベル / 7 | D | 2 | |
| 33 | A50UR72U11 | Fusing Separating Claw Assy | 定着分離爪 A s s y | B | 5 | |
| 34 | A85C757801 | Guide Plate /E | ガイド板 / E | D | 1 | |
| 35 | A85C758100 | Paper exit Plate /Upper | 排紙板 / 上 | D | 1 | |
| 36 | A85C764100 | Holding Sheet /A | 押さえシート / A | D | 1 | |
| 37 | A9VE727500 | Guide Seal /A | ガイドシール / A | D | 1 | |
| 38 | A9VE727700 | Guide Seal /C | ガイドシール / C | D | 6 | |
| 39 | A9VE758000 | Separating Cell /11 | 分離セル / 1 1 | D | 3 | |
| 40 | A9VE760312 | Paper exit Plate /Lower | 排紙板 / 下 | D | 1 | |
| 41 | A9VE764200 | Protection Film /B | 保護フィルム / B | D | 1 | |
| 42 | A9VE949000 | Caution Label | 注意ラベル | D | 1 | |
| 43 | A9VEF75114 | Fusing Paper Exit Door Duct Assy | 定着排紙扉ダクト A s s y | D | 1 | |
| 44 | AC57R75400 | Fusing Separating Plate Assy | 定着分離板 A s s y | C | 1 | (Service Part Only) |
| | | | | | | |
| | | | | | | |

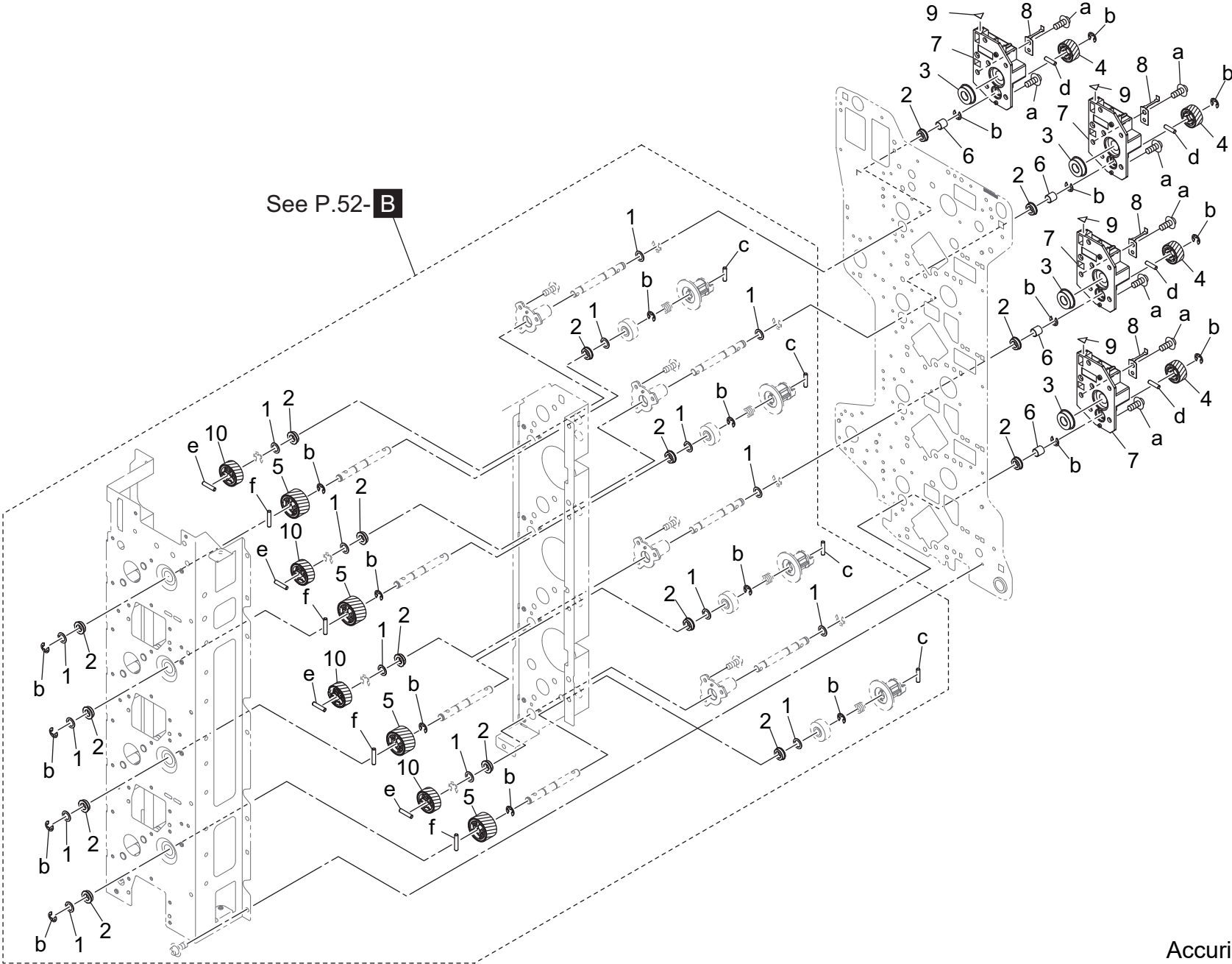
Fusing Section

P 51

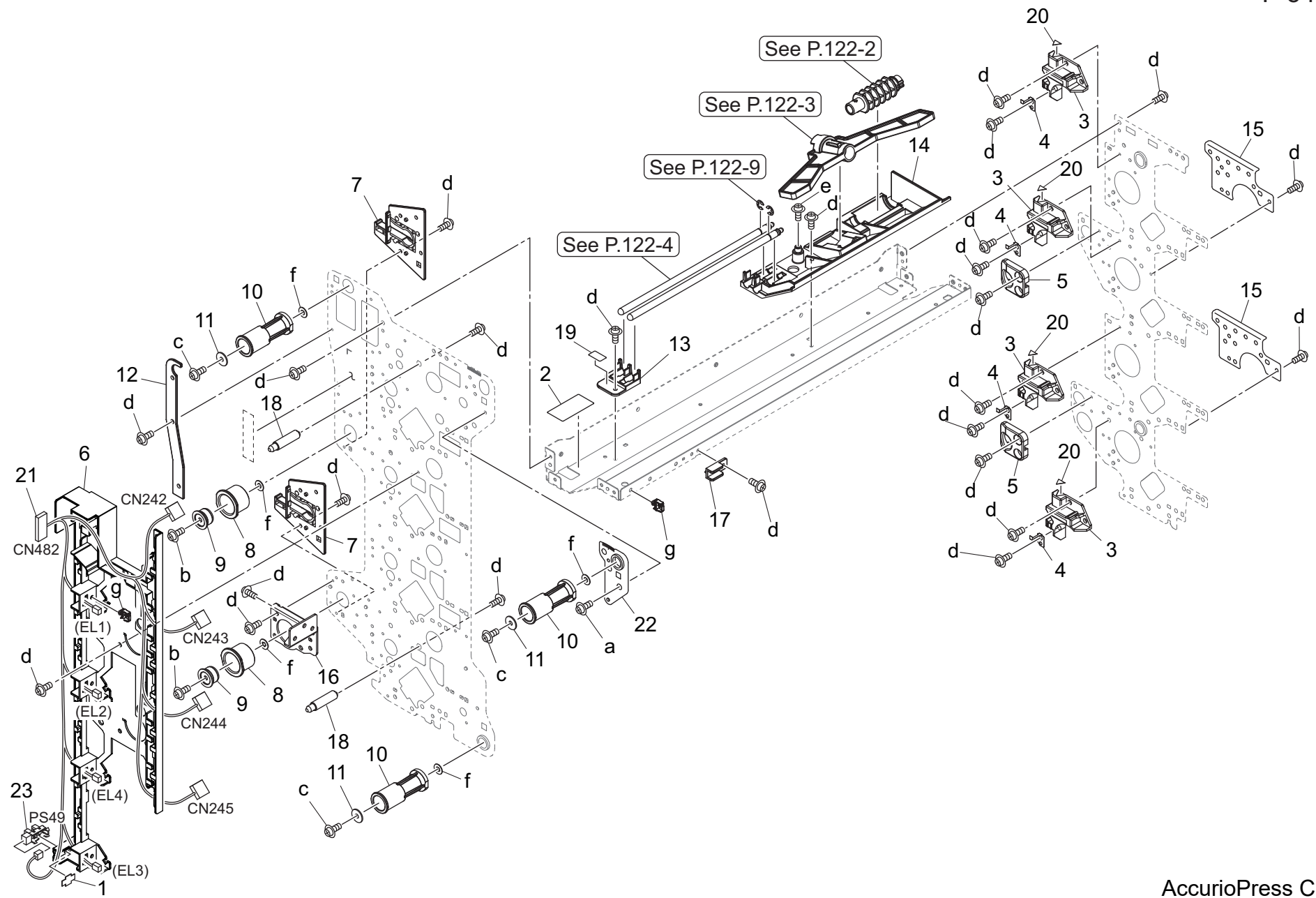


| Key | Part No. | Description | Destinations | Class | QTY | Standard parts | |
|-----|------------|-------------------------|--------------|-------|-----|----------------|--|
| 2 | A03U734500 | Support Screw /A | | C | 7 | a-V121030403 | |
| 3 | A50U721502 | Fusing Frame /Upper | | D | 1 | | |
| 4 | A50U722700 | Fusing Duct /3 | | D | 3 | | |
| 5 | A50U732000 | Insulating Sheet /N | | D | 3 | | |
| 11 | A50U738700 | Cover Part /A | | D | 1 | | |
| 15 | A50U763000 | Support Plate | | D | 2 | | |
| 16 | A50U763600 | Insulating Sheet /6 | | D | 4 | | |
| 17 | A9VE722800 | Fusing Duct /4 | | D | 3 | | |
| 18 | A9VE727600 | Guide Seal /B | | D | 3 | | |
| 19 | A9VE731500 | Insulating Sheet /L | | D | 1 | | |
| 20 | A9VE769300 | Reflecting Plate /3 | | D | 1 | | |
| 21 | A9VE769600 | Holding Sheet /Front | | D | 1 | | |
| 22 | A9VER70900 | Fusing Stay/ Upper Assy | | D | 1 | | |
| 23 | AC57784600 | Protection Sheet /A | | D | 1 | | |
| 24 | AC57740000 | Separating Seal | | D | 6 | | |
| | | | | | | | |
| | | | | | | | |
| | | | | | | | |
| | | | | | | | |
| | | | | | | | |
| | | | | | | | |
| | | | | | | | |
| | | | | | | | |
| | | | | | | | |
| | | | | | | | |
| | | | | | | | |
| | | | | | | | |
| | | | | | | | |
| | | | | | | | |

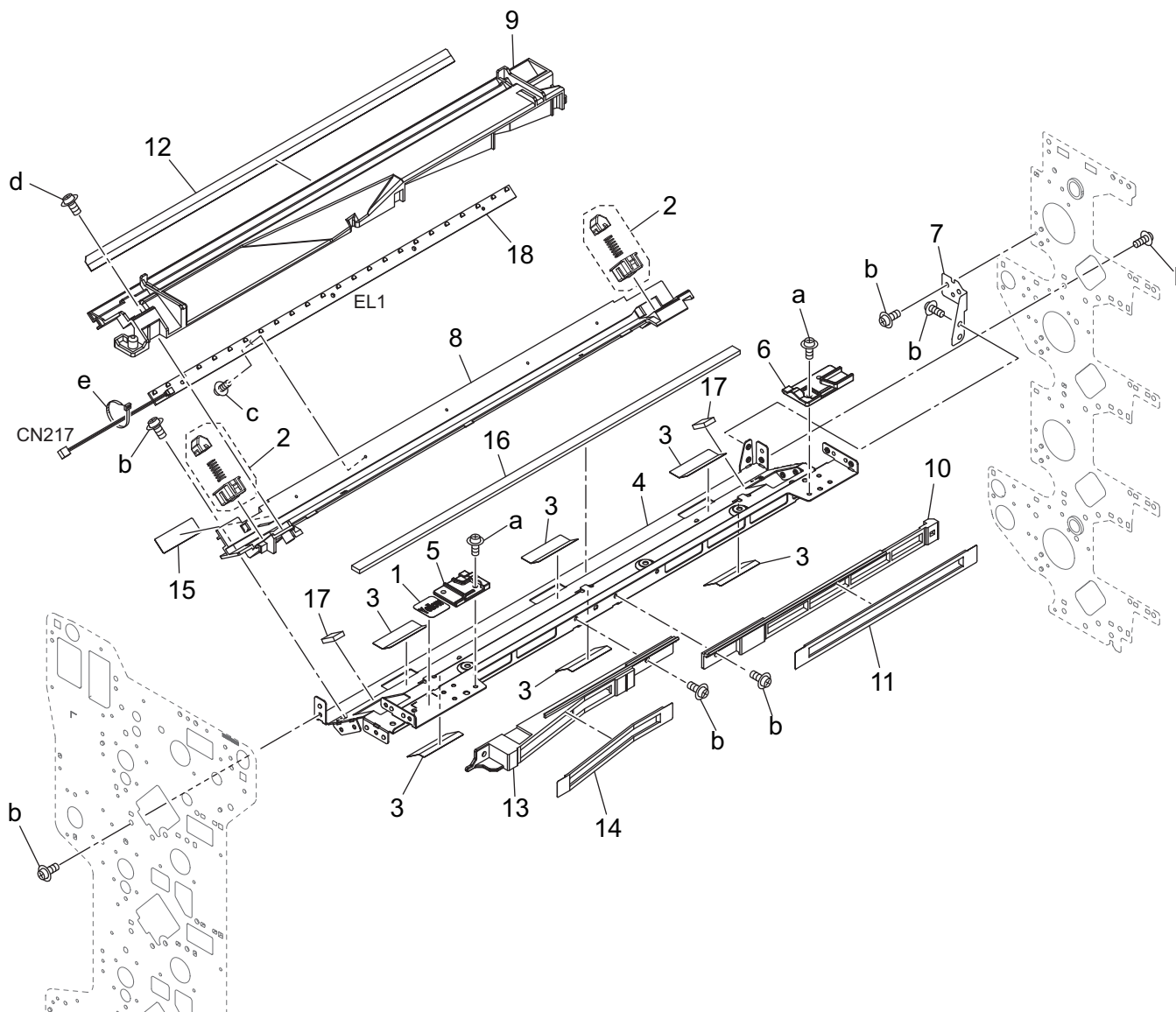
Process Carriage Section



Process Carriage Section

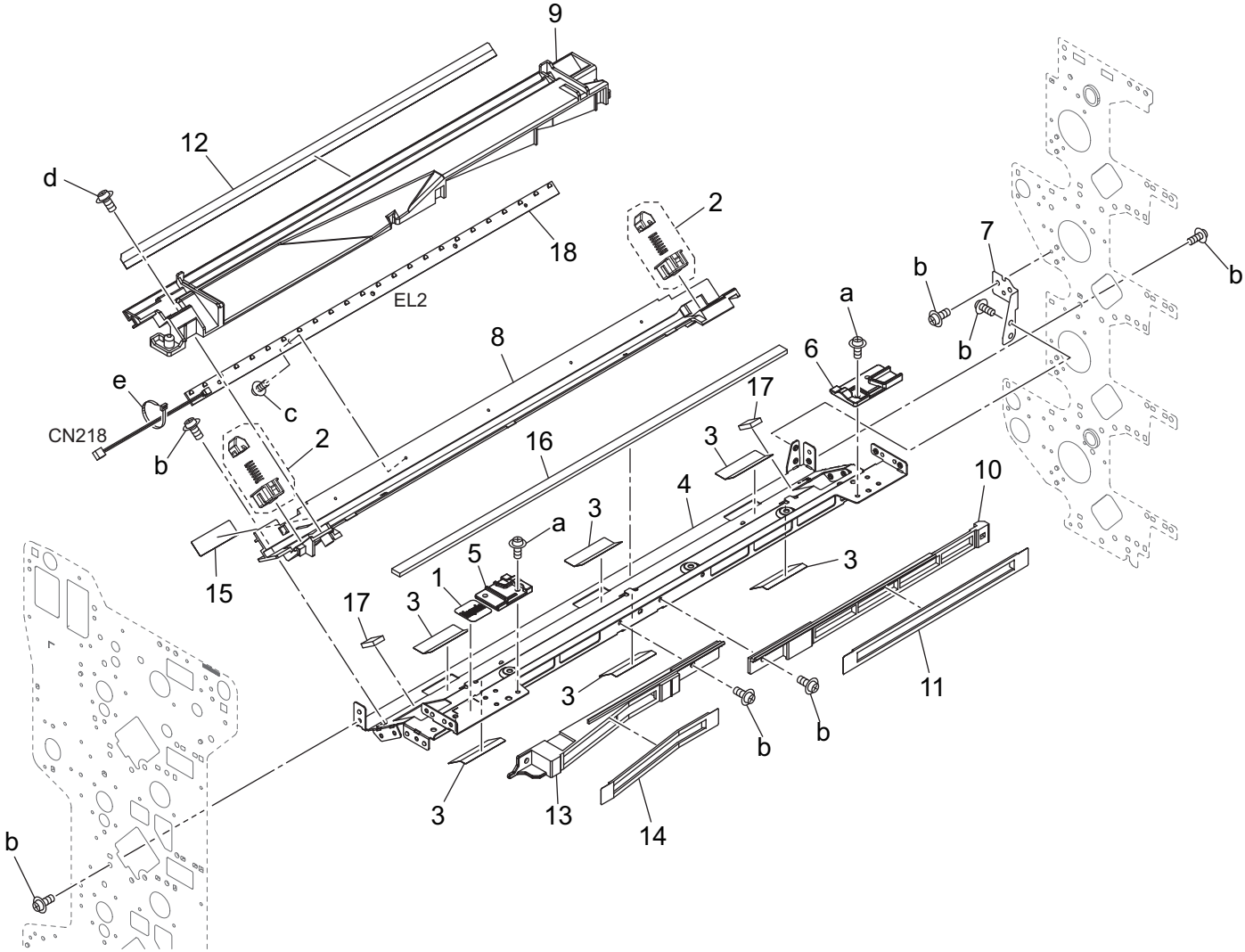


Process Carriage Section



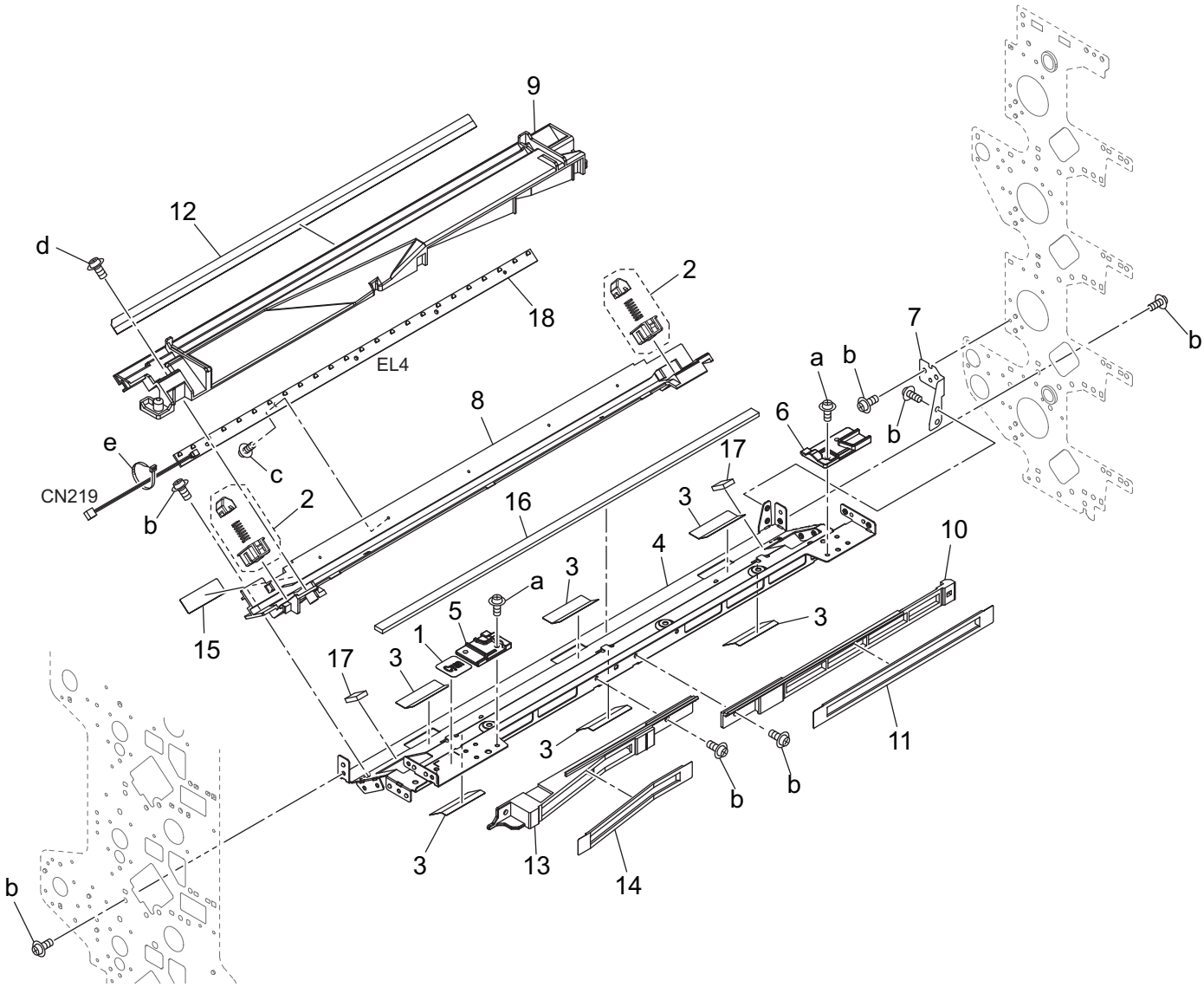
| Key | Part No. | Description | Destinations | Class | QTY | Standard parts |
|-----|------------|--------------------------------|--------------|-------|-----|--|
| 1 | 65AA97440 | Developing Exchanging Label /Y | | D | 1 | a-V118030403 b-V127030604 c-V151020603 d-V151030803 e-V501010002 |
| 2 | 65AAR73200 | CHARGE PRESSING ASSY | | C | 2 | |
| 3 | A50U335600 | Cleaning Seal /A | | D | 6 | |
| 4 | A50U340301 | Fixing Stay /1 | | D | 1 | |
| 5 | A50U341900 | Developing Rail /Front | | D | 1 | |
| 6 | A50U342000 | Developing Rail /Rear | | D | 1 | |
| 7 | A50U342300 | Reinforce Plate | | D | 1 | |
| 8 | A50U462101 | Charging Rail | | D | 1 | |
| 9 | A50U462201 | Charging Rail /2 | | D | 1 | |
| 10 | A50U462400 | Charging Duct /3 | | D | 1 | |
| 11 | A50U462501 | Charging Seal /1 | | D | 1 | |
| 12 | A50U462600 | Charging Seal | | D | 1 | |
| 13 | A50U462700 | Charging Duct | | D | 1 | |
| 14 | A50U462801 | Charging Seal | | D | 1 | |
| 15 | A50U462900 | Auxiliary Seal /A | | D | 1 | |
| 16 | A50U463000 | Charging Seal /2 | | D | 1 | |
| 17 | A50U463100 | Charging Seal /3 | | D | 2 | |
| 18 | A50UM30101 | LED array | | D | 1 | |
| | | | | | | |
| | | | | | | |
| | | | | | | |
| | | | | | | |
| | | | | | | |
| | | | | | | |
| | | | | | | |
| | | | | | | |
| | | | | | | |

Process Carriage Section



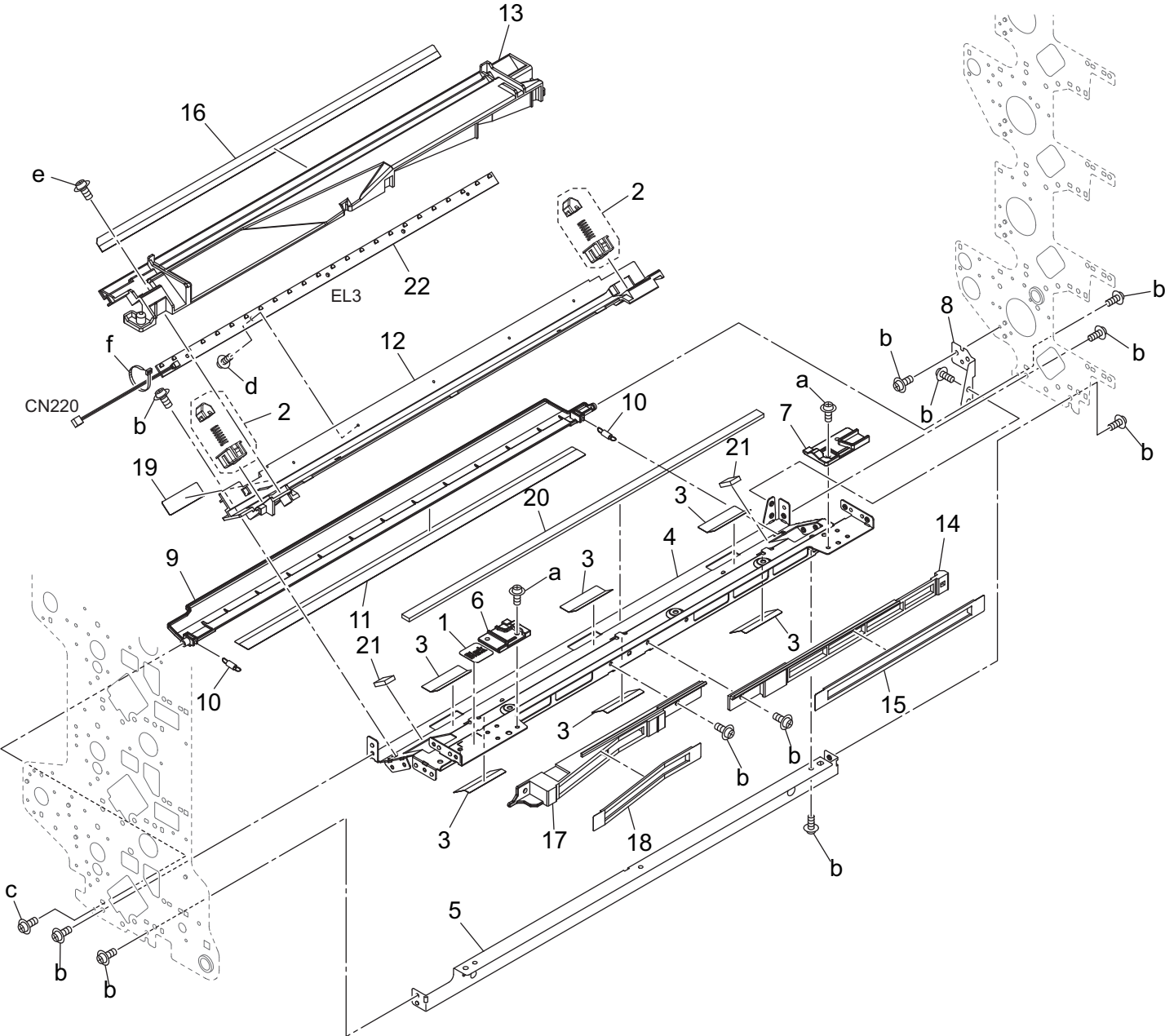
| Key | Part No. | Description | Destinations | Class | QTY | Standard parts |
|-----|------------|--------------------------------|--------------|-------|-----|--|
| 1 | 65AA97450 | Developing Exchanging Label /M | | D | 1 | a-V118030403 b-V127030604 c-V151020603 d-V151030803 e-V501010002 |
| 2 | 65AAR73200 | CHARGE PRESSING ASSY | | C | 2 | |
| 3 | A50U335600 | Cleaning Seal /A | | D | 6 | |
| 4 | A50U340301 | Fixing Stay /1 | | D | 1 | |
| 5 | A50U341900 | Developing Rail /Front | | D | 1 | |
| 6 | A50U342000 | Developing Rail /Rear | | D | 1 | |
| 7 | A50U342300 | Reinforce Plate | | D | 1 | |
| 8 | A50U462101 | Charging Rail | | D | 1 | |
| 9 | A50U462201 | Charging Rail /2 | | D | 1 | |
| 10 | A50U462400 | Charging Duct /3 | | D | 1 | |
| 11 | A50U462501 | Charging Seal /1 | | D | 1 | |
| 12 | A50U462600 | Charging Seal | | D | 1 | |
| 13 | A50U462700 | Charging Duct | | D | 1 | |
| 14 | A50U462801 | Charging Seal | | D | 1 | |
| 15 | A50U462900 | Auxiliary Seal /A | | D | 1 | |
| 16 | A50U463000 | Charging Seal /2 | | D | 1 | |
| 17 | A50U463100 | Charging Seal /3 | | D | 2 | |
| 18 | A50UM30101 | LED array | | D | 1 | |
| | | | | | | |
| | | | | | | |
| | | | | | | |
| | | | | | | |
| | | | | | | |
| | | | | | | |
| | | | | | | |
| | | | | | | |
| | | | | | | |
| | | | | | | |

Process Carriage Section

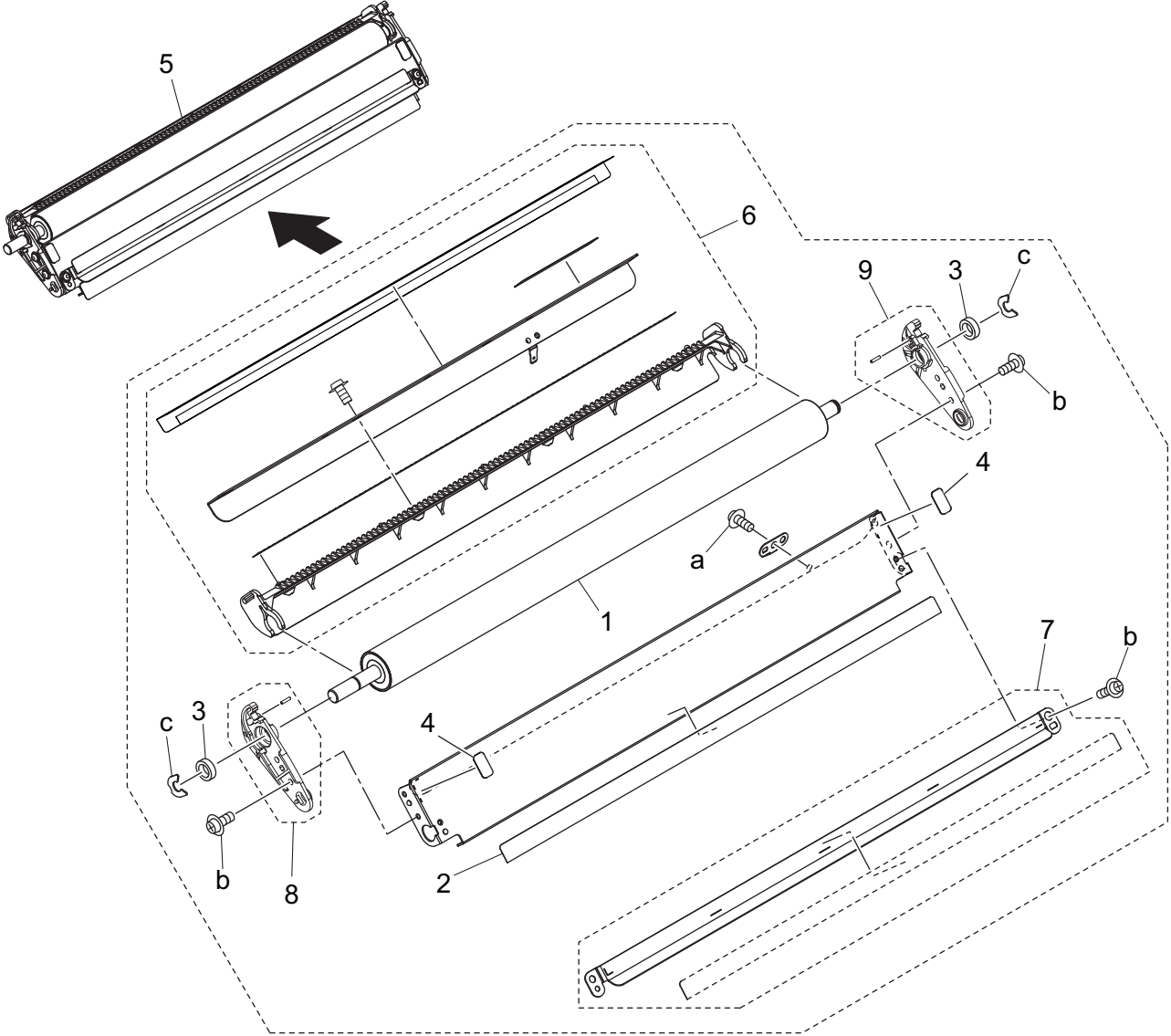


| Key | Part No. | Description | Destinations | Class | QTY | Standard parts |
|-----|------------|--------------------------------|--------------|-------|-----|--|
| 1 | 65AA97460 | Developing Exchanging Label /C | | D | 1 | a-V118030403 b-V127030604 c-V151020603 d-V151030803 e-V501010002 |
| 2 | 65AAR73200 | CHARGE PRESSING ASSY | | C | 2 | |
| 3 | A50U335600 | Cleaning Seal /A | | D | 6 | |
| 4 | A50U340301 | Fixing Stay /1 | | D | 1 | |
| 5 | A50U341900 | Developing Rail /Front | | D | 1 | |
| 6 | A50U342000 | Developing Rail /Rear | | D | 1 | |
| 7 | A50U342300 | Reinforce Plate | | D | 1 | |
| 8 | A50U462101 | Charging Rail | | D | 1 | |
| 9 | A50U462201 | Charging Rail /2 | | D | 1 | |
| 10 | A50U462400 | Charging Duct /3 | | D | 1 | |
| 11 | A50U462501 | Charging Seal /1 | | D | 1 | |
| 12 | A50U462600 | Charging Seal | | D | 1 | |
| 13 | A50U462700 | Charging Duct | | D | 1 | |
| 14 | A50U462801 | Charging Seal | | D | 1 | |
| 15 | A50U462900 | Auxiliary Seal /A | | D | 1 | |
| 16 | A50U463000 | Charging Seal /2 | | D | 1 | |
| 17 | A50U463100 | Charging Seal /3 | | D | 2 | |
| 18 | A50UM30101 | LED array | | D | 1 | |
| | | | | | | |
| | | | | | | |
| | | | | | | |
| | | | | | | |
| | | | | | | |
| | | | | | | |
| | | | | | | |
| | | | | | | |
| | | | | | | |
| | | | | | | |

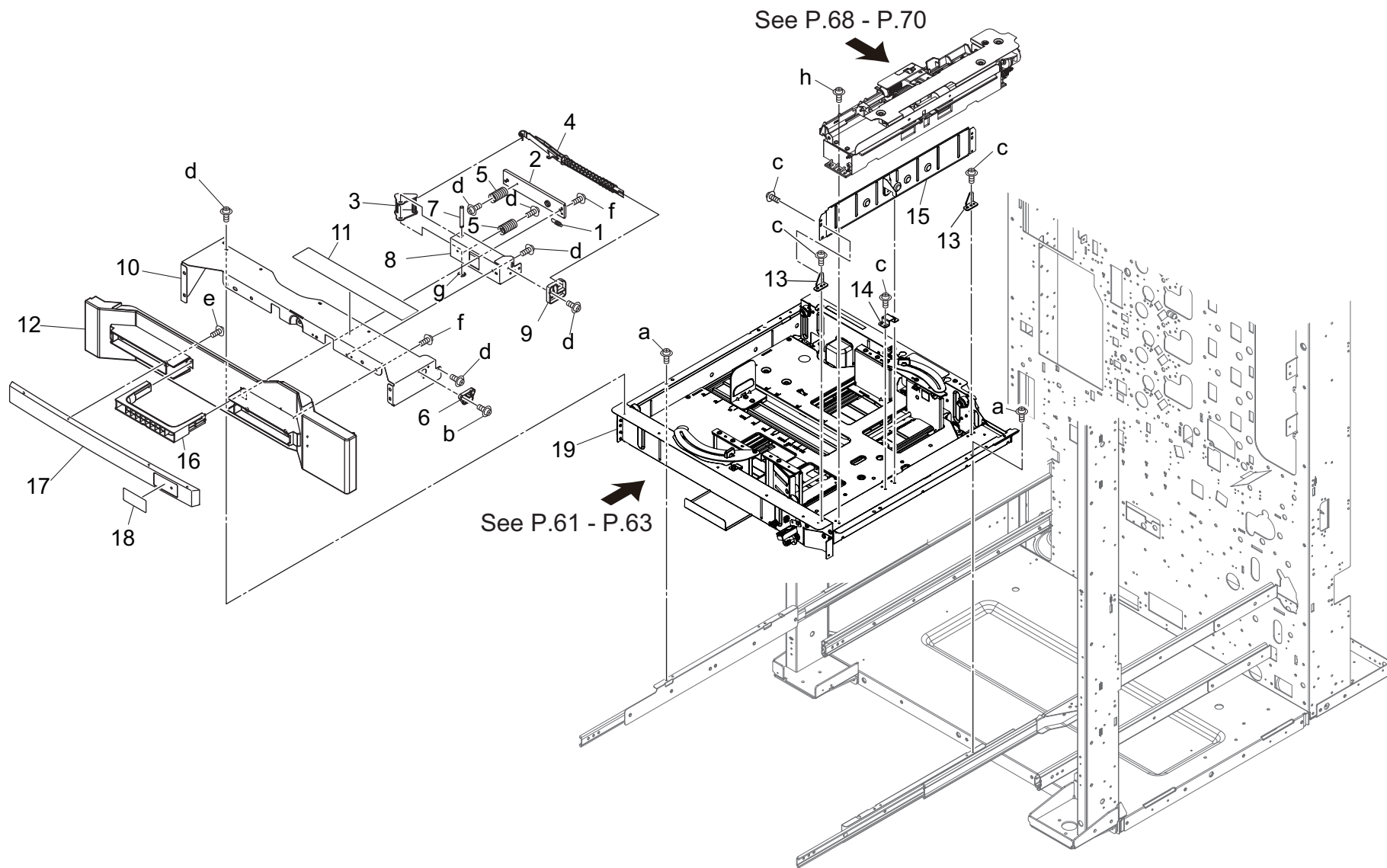
Process Carriage Section



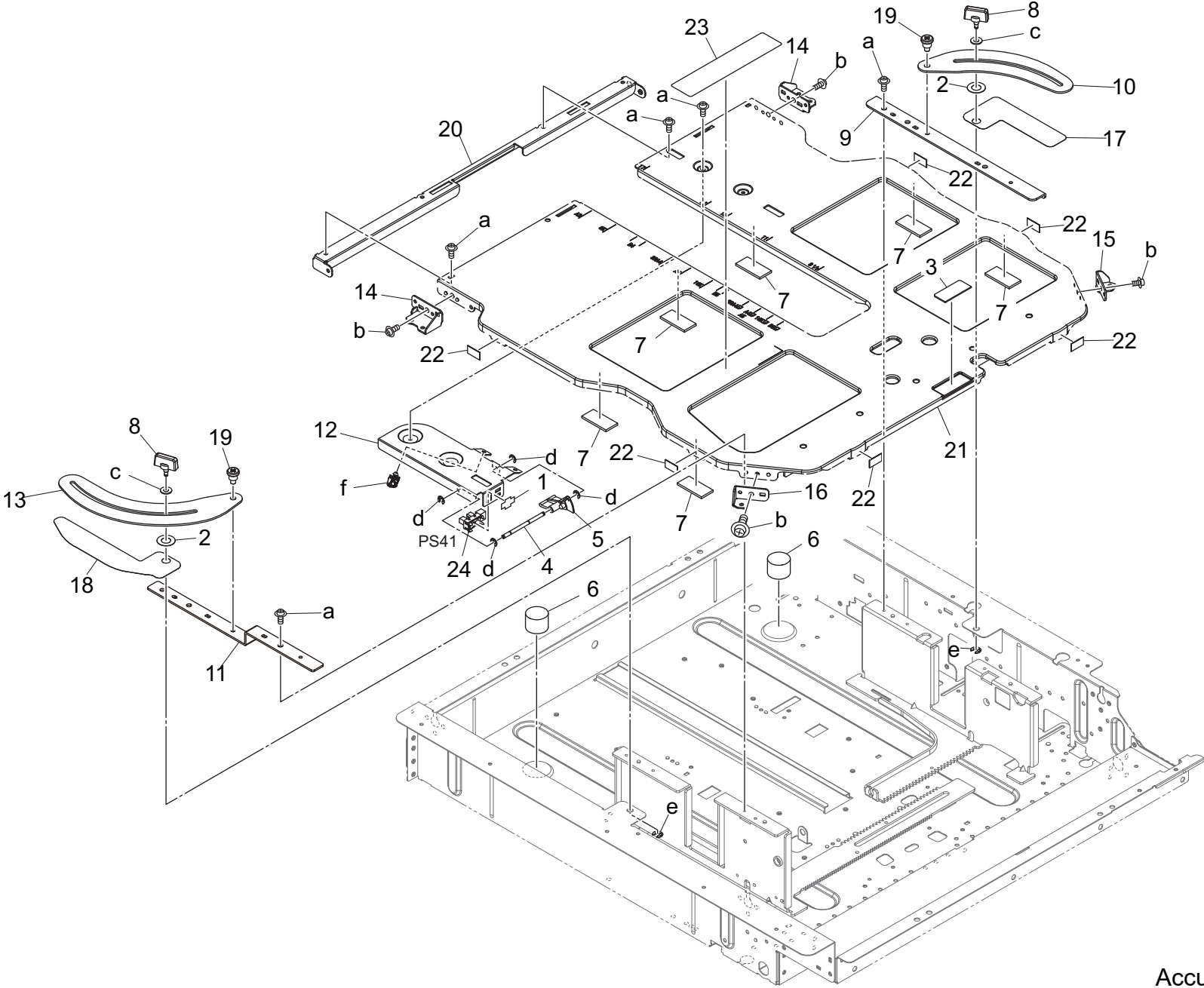
Secondary Transfer Section



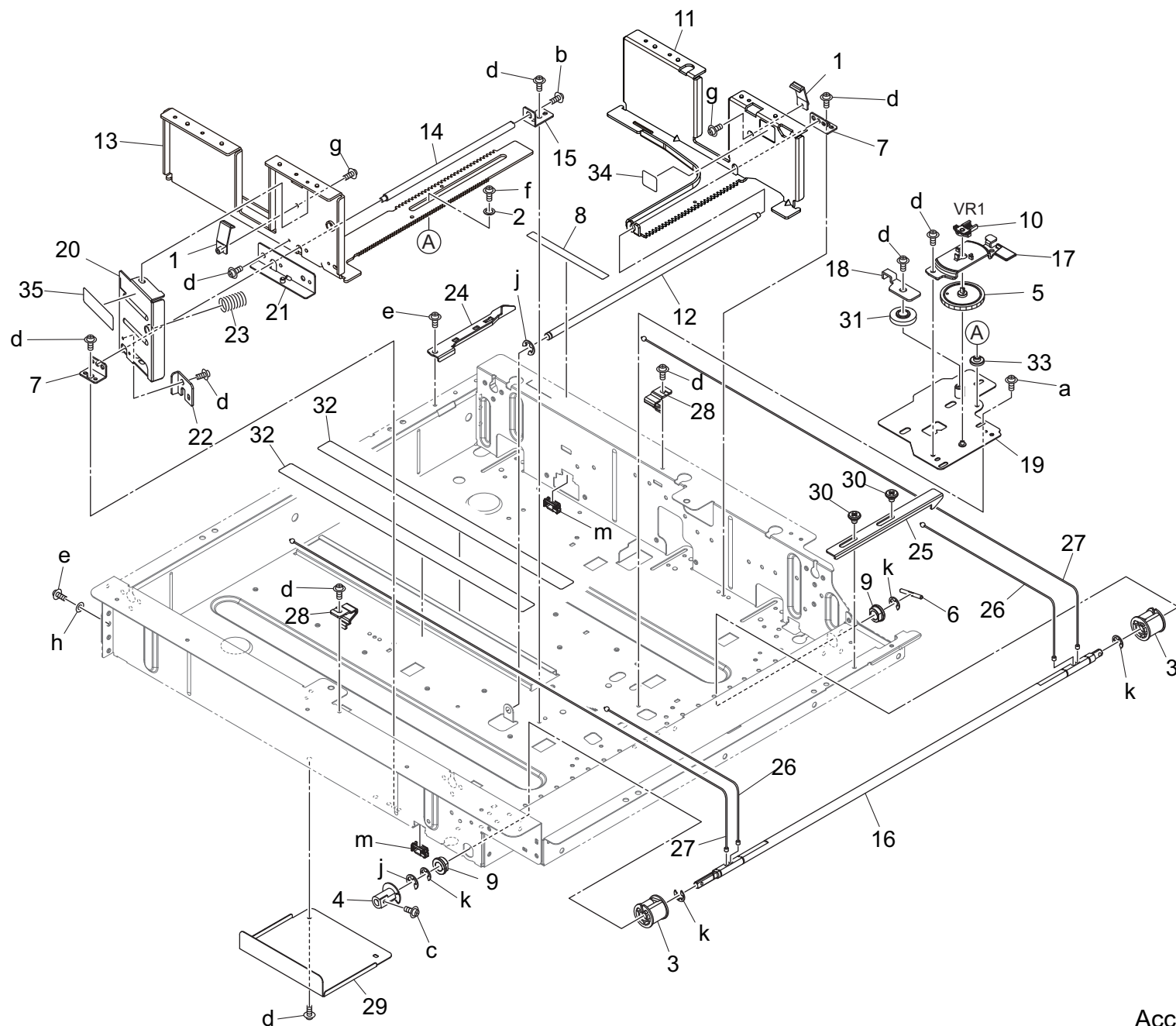
Tray 1 Section



Tray 1 Section

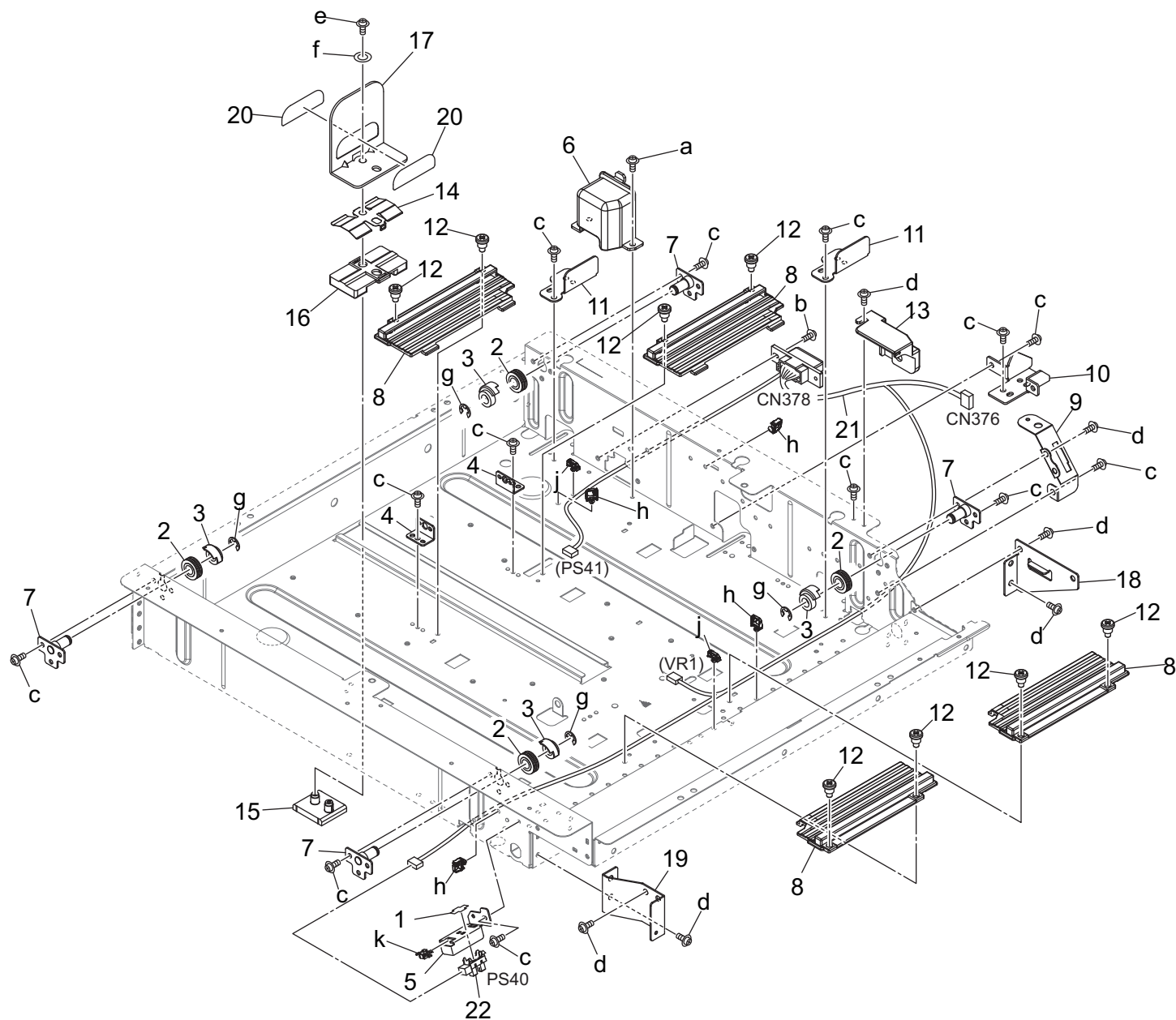


Tray 1 Section

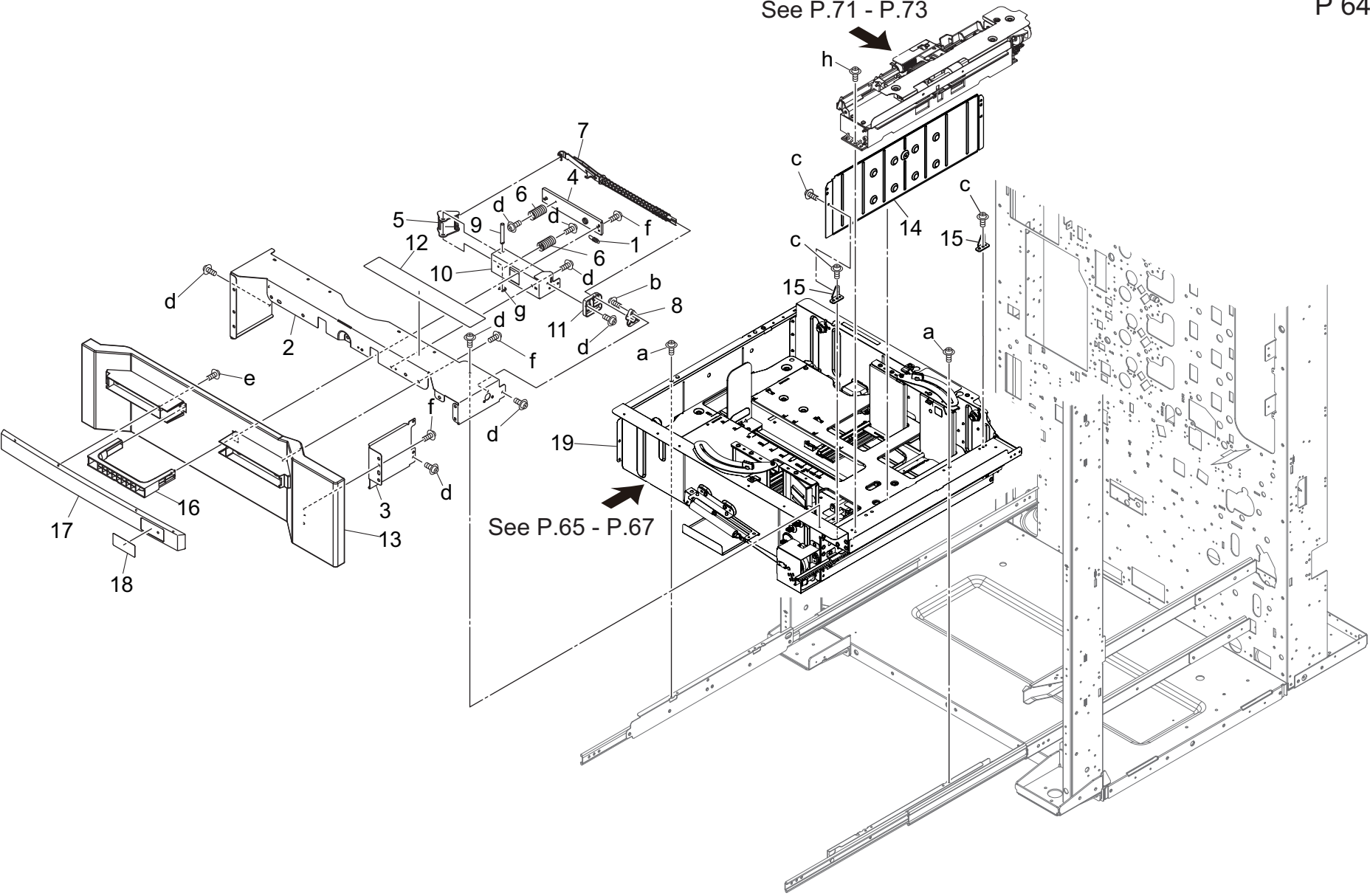


| Key | Part No. | Description | Destinations | Class | QTY | Standard parts |
|-----|------------|--------------------------|--------------|-------|-----|----------------|
| 1 | 26NA47070 | PAPER REGULATING CLAW | | C | 2 | a-V116030503 |
| 2 | 40AA32320 | Toner Supply Spacer | | C | 1 | b-V116030603 |
| 3 | 55VA40600 | Driving Up /Down Pulley | | B | 2 | c-V121030603 |
| 4 | 65AA47131E | Paper Detecting Actuator | | C | 1 | d-V127030516 |
| 5 | 65AA47600E | Detecting Gear 45T | | C | 1 | e-V127030604 |
| 6 | 65AA47700D | Up/down Pin | | D | 1 | f-V127030803 |
| 7 | 65AA47740E | Shaft Mounting Plate | | D | 2 | g-V147030803 |
| 8 | 65GE97490 | CASSETTE GUIDE LABEL | | D | 1 | h-V207030003 |
| 9 | A03U812800 | Slide Shaft Holder | | B | 2 | j-V217040003 |
| 10 | A1UDM50100 | Volume | | D | 1 | k-V217060003 |
| 11 | A50U620602 | Guide Rack /Rear | | D | 1 | m-V570010057 |
| 12 | A50U620801 | Regulating Shaft | | D | 1 | |
| 13 | A50U620902 | Guide Rack /Front | | D | 1 | |
| 14 | A50U621301 | Stopper Shaft | | D | 1 | |
| 15 | A50U621400 | Mounting Plate | | D | 1 | |
| 16 | A50U621800 | Lifting Shaft | | D | 1 | |
| 17 | A50U621900 | Mounting Plate | | D | 1 | |
| 18 | A50U622001 | Stopper Plate | | D | 1 | |
| 19 | A50U622101 | Positioning Plate | | D | 1 | |
| 20 | A50U622300 | Brake Knob | | D | 1 | |
| 21 | A50U622400 | Support Plate | | D | 1 | |
| 22 | A50U623201 | Lock Claw | | D | 1 | |
| 23 | A50U623300 | Slide Spring /1 | | D | 1 | |
| 24 | A50U623600 | Lock Claw | | D | 1 | |
| 25 | A50U623701 | Lock Claw | | D | 1 | |
| 26 | A50U625400 | Up/down Wire /1 | | D | 2 | |
| 27 | A50U625500 | Up/down Wire /2 | | D | 2 | |
| 28 | A50U626100 | Protection Plate | | D | 2 | |
| 29 | A50U627501 | Reinforce Stay | | D | 1 | |
| 30 | A50U628100 | Shoulder Screw | | D | 2 | |
| 31 | A50U628400 | Pinion | | C | 1 | |
| 32 | A50U640800 | Sheet | | D | 2 | |
| 33 | A50U642000 | Guide Spacer | | D | 1 | |
| 34 | A50U945301 | Regulating Label | | D | 1 | |
| 35 | A50U946300 | Lock Label /2 | | D | 1 | |
| | | | | | | |
| | | | | | | |
| | | | | | | |
| | | | | | | |

Tray 1 Section

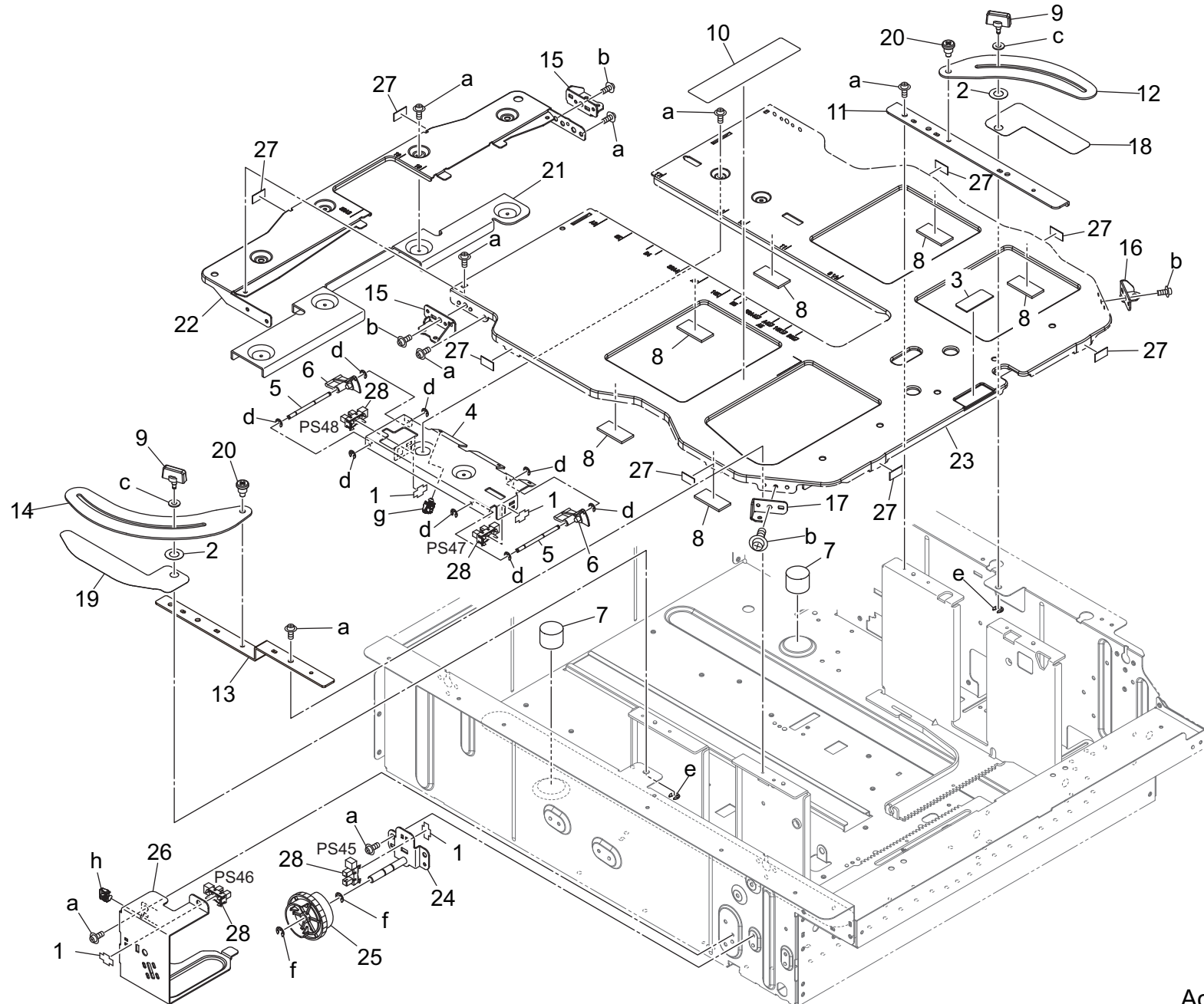


Tray 2 Section



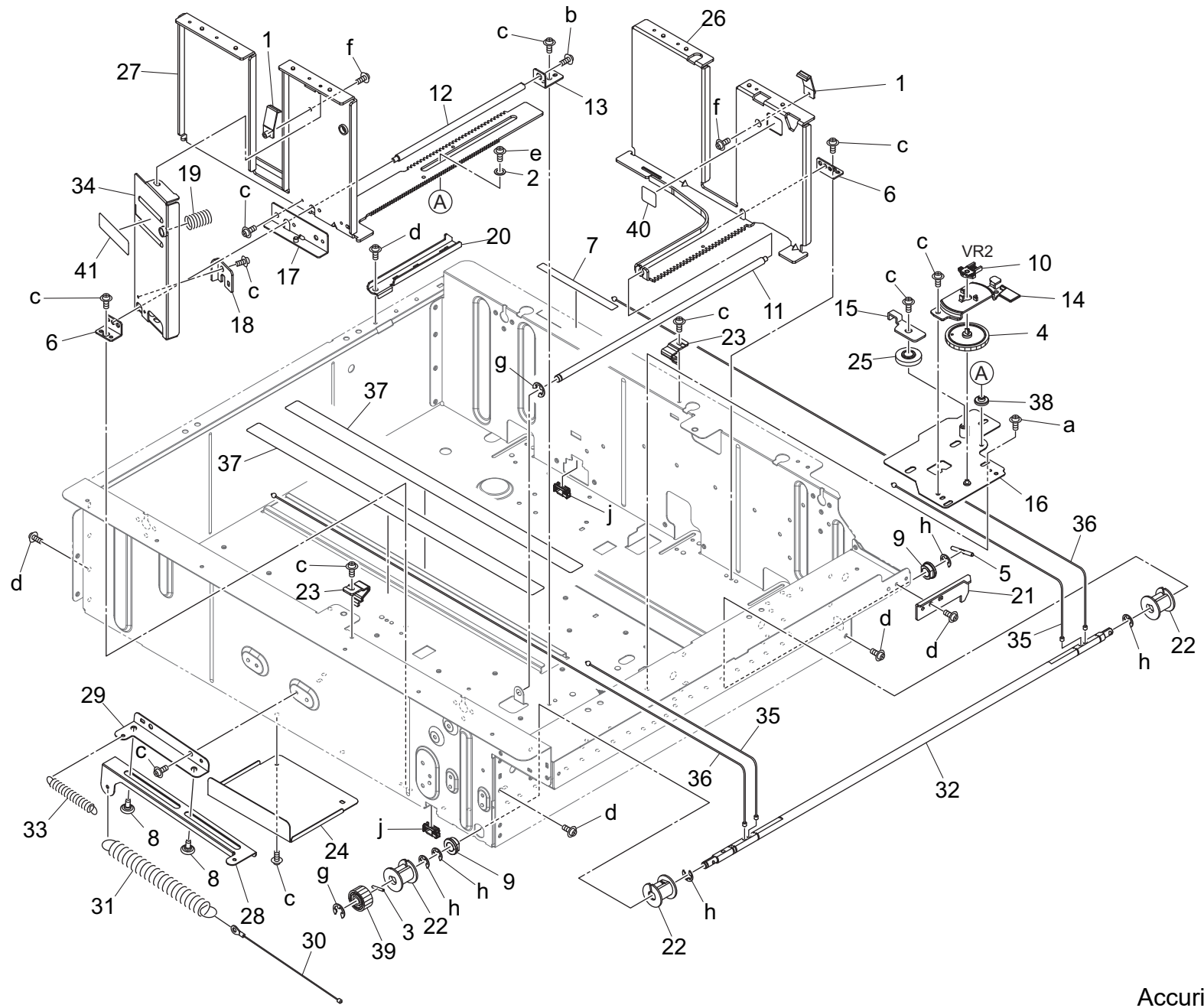
Tray 2 Section

P 65



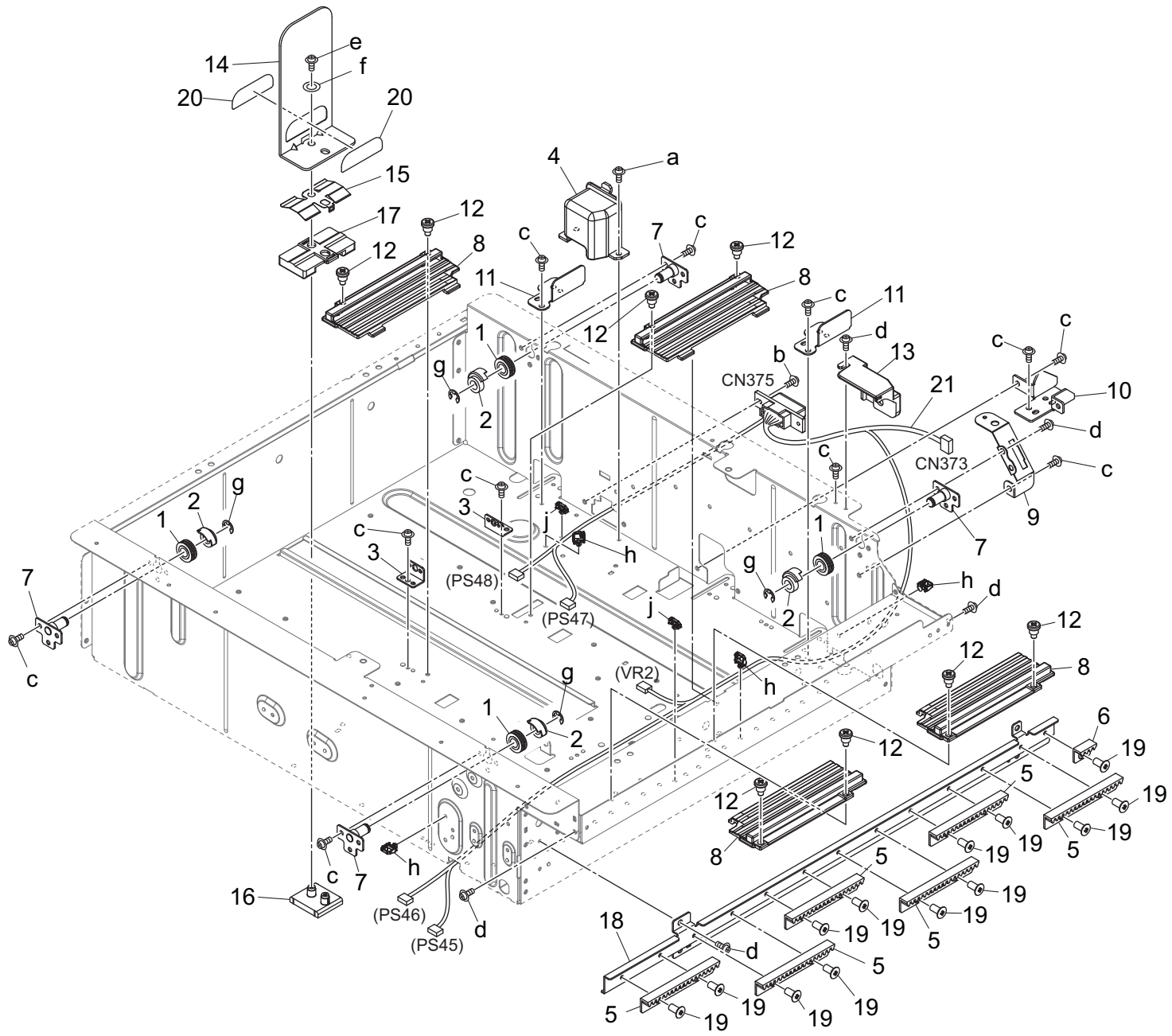
AccurioPress C3080

Tray 2 Section



| Key | Part No. | Description | Destinations | Class | QTY | Standard parts |
|-----|------------|-----------------------|--------------|-------|-----|----------------|
| 1 | 26NA47070 | PAPER REGULATING CLAW | | C | 2 | a-V116030503 |
| 2 | 40AA32320 | Toner Supply Spacer | | C | 1 | b-V116030603 |
| 3 | V234201450 | Pin | | V | 1 | c-V127030516 |
| 4 | 65AA47600E | Detecting Gear 45T | | C | 1 | d-V127030604 |
| 5 | 65AA47700D | Up/down Pin | | D | 1 | e-V127030803 |
| 6 | 65AA47740E | Shaft Mounting Plate | | D | 2 | f-V147030803 |
| 7 | 65GE97490 | CASSETTE GUIDE LABEL | | D | 1 | g-V217040003 |
| 8 | A03N621800 | Slide Shoulder screw | | C | 2 | h-V217060003 |
| 9 | A03U812800 | Slide Shaft Holder | | B | 2 | j-V570010057 |
| 10 | A1UDM50100 | Volume | | D | 1 | |
| 11 | A50U620801 | Regulating Shaft | | D | 1 | |
| 12 | A50U621301 | Stopper Shaft | | D | 1 | |
| 13 | A50U621400 | Mounting Plate | | D | 1 | |
| 14 | A50U621900 | Mounting Plate | | D | 1 | |
| 15 | A50U622001 | Stopper Plate | | D | 1 | |
| 16 | A50U622101 | Positioning Plate | | D | 1 | |
| 17 | A50U622400 | Support Plate | | D | 1 | |
| 18 | A50U623201 | Lock Claw | | D | 1 | |
| 19 | A50U623300 | Slide Spring /1 | | D | 1 | |
| 20 | A50U623900 | Lock Claw | | D | 1 | |
| 21 | A50U624201 | Lock Part | | D | 1 | |
| 22 | A50U626000 | Pulley | | C | 3 | |
| 23 | A50U626100 | Protection Plate | | D | 2 | |
| 24 | A50U627501 | Reinforce Stay | | D | 1 | |
| 25 | A50U628400 | Pinion | | C | 1 | |
| 26 | A50U630602 | Guide Rack /Rear | | D | 1 | |
| 27 | A50U630902 | Guide Rack /Front | | D | 1 | |
| 28 | A50U631000 | Slide Plate | | D | 1 | |
| 29 | A50U631100 | Mounting Plate | | D | 1 | |
| 30 | A50U631500 | Auxiliary Wire | | D | 1 | |
| 31 | A50U631700 | Slide Spring /1 | | D | 1 | |
| 32 | A50U631800 | Up/down Shaft | | D | 1 | |
| 33 | A50U631900 | Slide Spring /1 | | D | 1 | |
| 34 | A50U632300 | Brake Knob | | D | 1 | |
| 35 | A50U635400 | Up/down Wire /1 | | D | 2 | |
| 36 | A50U635500 | Up/down Wire /2 | | D | 2 | |
| 37 | A50U640700 | Sheet | | D | 2 | |
| 38 | A50U642000 | Guide Spacer | | D | 1 | |
| 39 | A50U854600 | Release Gear /1 24T | | C | 1 | |
| 40 | A50U945301 | Regulating Label | | D | 1 | |
| 41 | A50U946300 | Lock Label /2 | | D | 1 | |

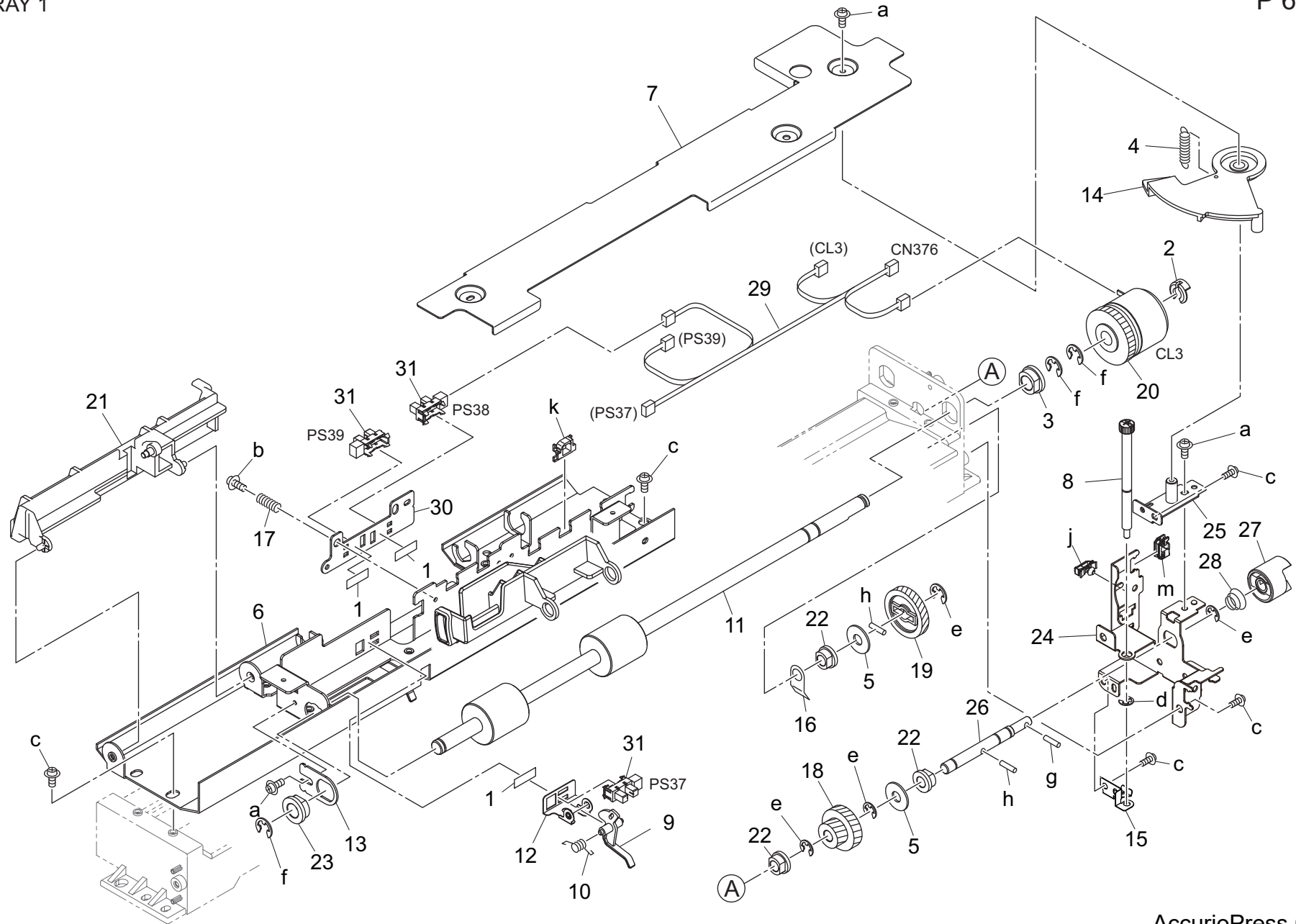
Tray 2 Section



Tray 1 Paper Feed Section

TRAY 1

P 69



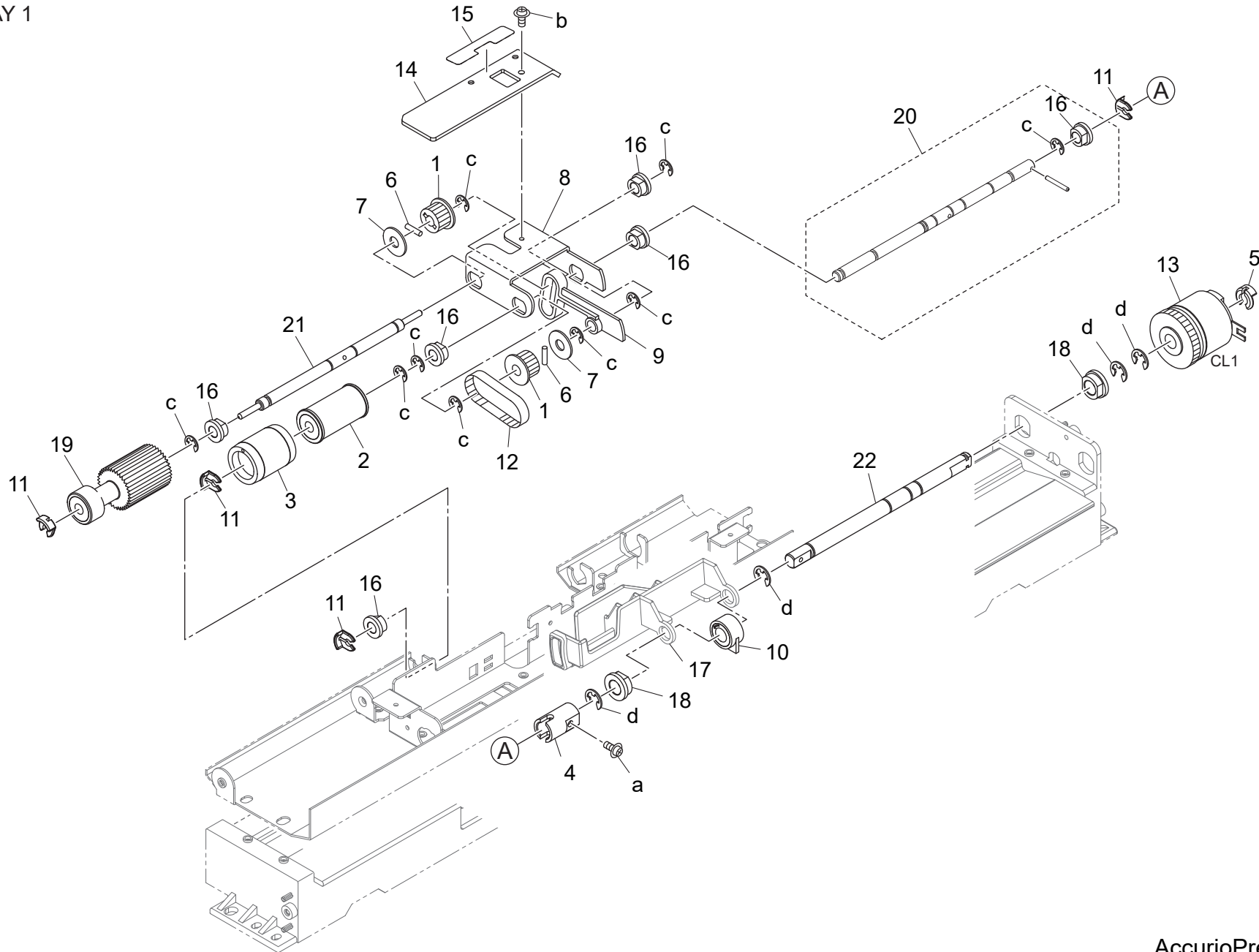
Tray 1 Paper Feed Section

| Key | Part No. | Description | Destinations | Class | QTY | Standard parts |
|-----|---------------|-----------------------------------|--------------|-------|-----|----------------|
| 1 | 4109553001 | Stopper | | C | 3 | a-V121030603 |
| 2 | 55VA42120 | Shaft Stopper | | C | 1 | b-V127030604 |
| 3 | 55VA75540 | PAPER FEED SHAFT HOLDER B | | B | 1 | c-V153030803 |
| 4 | 56AA17121 | SEPARATE SPRING UPPER | | C | 1 | d-V217030003 |
| 5 | 56AA17760 | COLLAR | | C | 2 | e-V217040003 |
| 6 | 56AA40032EOld | Paper Feed Guide Plate /Upper | | C | 1 | f-V217060003 |
| 6 | 56AA40032F | Paper Feed Guide Plate /Upper | | C | 1 | g-V234301250 |
| 7 | 56AA40100G | Wiring Protection Cover | | D | 1 | h-V234301450 |
| 8 | 56AA40120 | PAPER FEED HOLDING SCREW | | C | 1 | j-V500020099 |
| 9 | 56AA40171 | PAPER FEED DETECTING ACTUATOR | | C | 1 | k-V570010050 |
| 10 | 56AA40190 | PRESSING SPRING | | C | 1 | m-V570010056 |
| 11 | 56AA40230 | PAPER FEED REGISTRATION ROLLER | | C | 1 | |
| 12 | 56AA40310 | MOUNTING PLATE | | D | 1 | |
| 13 | 56AA40370 | ADJUSTING PLATE | | D | 1 | |
| 14 | 56AA40390 | CAM PLATE | | C | 1 | |
| 15 | A9VE560100 | Ground Plate | | C | 1 | |
| 16 | 56AA40500 | SHAFT HOLDER EARTH PLATE | | C | 1 | |
| 17 | 56AA40520 | EARTH SPRING | | C | 1 | |
| 18 | 56AA77720E | Paper Feed Reverse Gear /1 16/22T | | C | 1 | |
| 19 | 56AA77730 | PAPER FEED REVERSING GEAR 2 33T | | C | 1 | |
| 20 | 56AA82012 | Paper Feed Drive Clutch | | B | 1 | |
| 21 | 65AA40010 | Regulating Plate | | D | 1 | |
| 22 | A00J663200 | Bushing | | B | 3 | |
| 23 | A03U812800 | Slide Shaft Holder | | B | 1 | |
| 24 | A50U560901 | Drive Side plate /1 | | D | 1 | |
| 25 | A50U561200 | Drive Side plate /Assy | | D | 1 | |
| 26 | A50U562400 | Input Shaft | | D | 1 | |
| 27 | A50U564500 | Paper feed Coupling | | B | 1 | |
| 28 | A50U565100 | Pressing Spring | | D | 1 | |
| 29 | A50UN14201 | Paperfeed Wiring /1 | | D | 1 | |
| 30 | A85C635400Old | Adjusting Plate | | D | 1 | |
| 30 | A85C635401 | Adjusting Plate | | D | 1 | |
| 31 | A85CM55600 | Photo Sensor | | C | 3 | |
| | | | | | | |
| | | | | | | |
| | | | | | | |
| | | | | | | |
| | | | | | | |

Tray 1 Paper Feed Section

TRAY 1

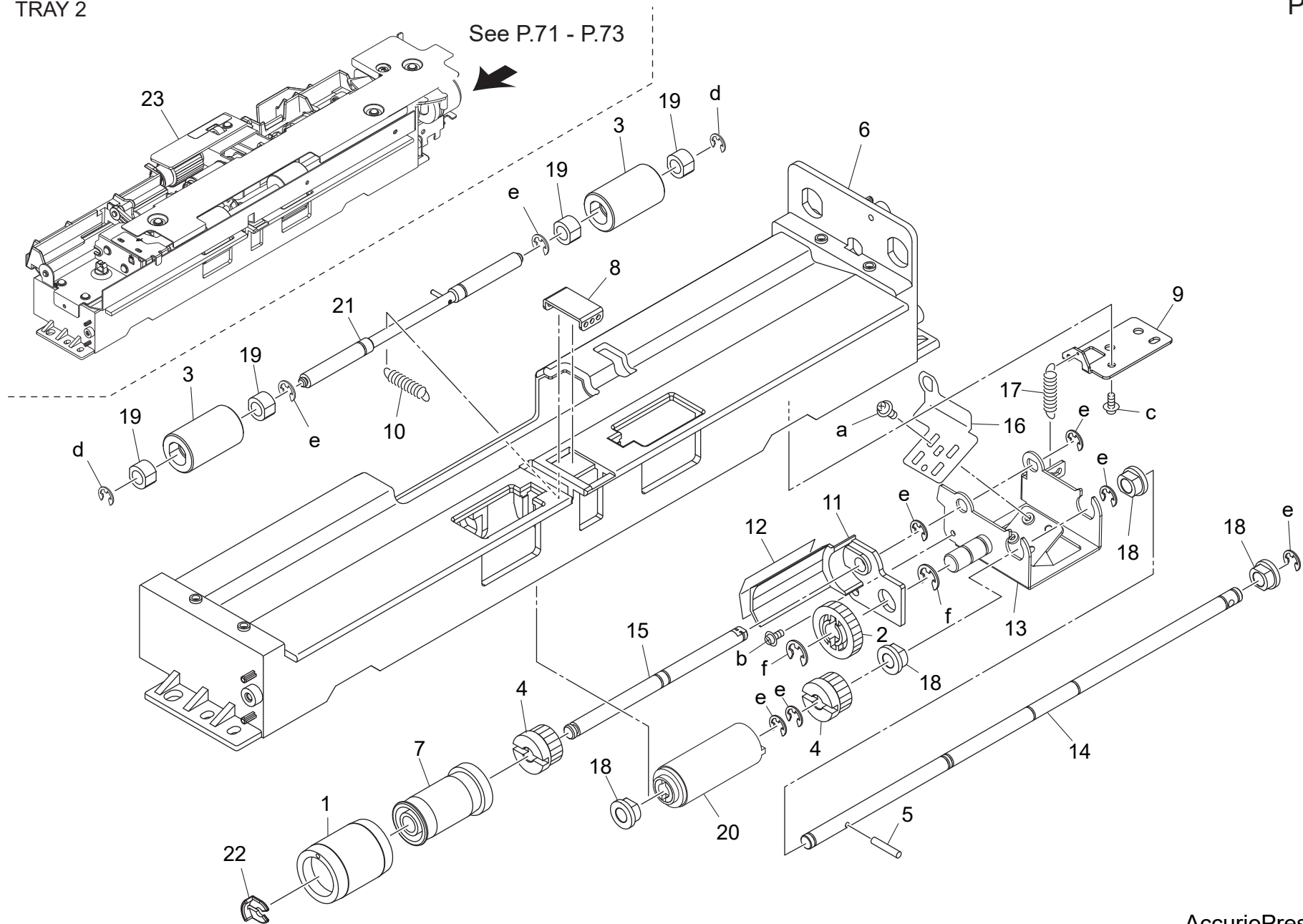
P 70



Tray 2 Paper Feed Section

TRAY 2

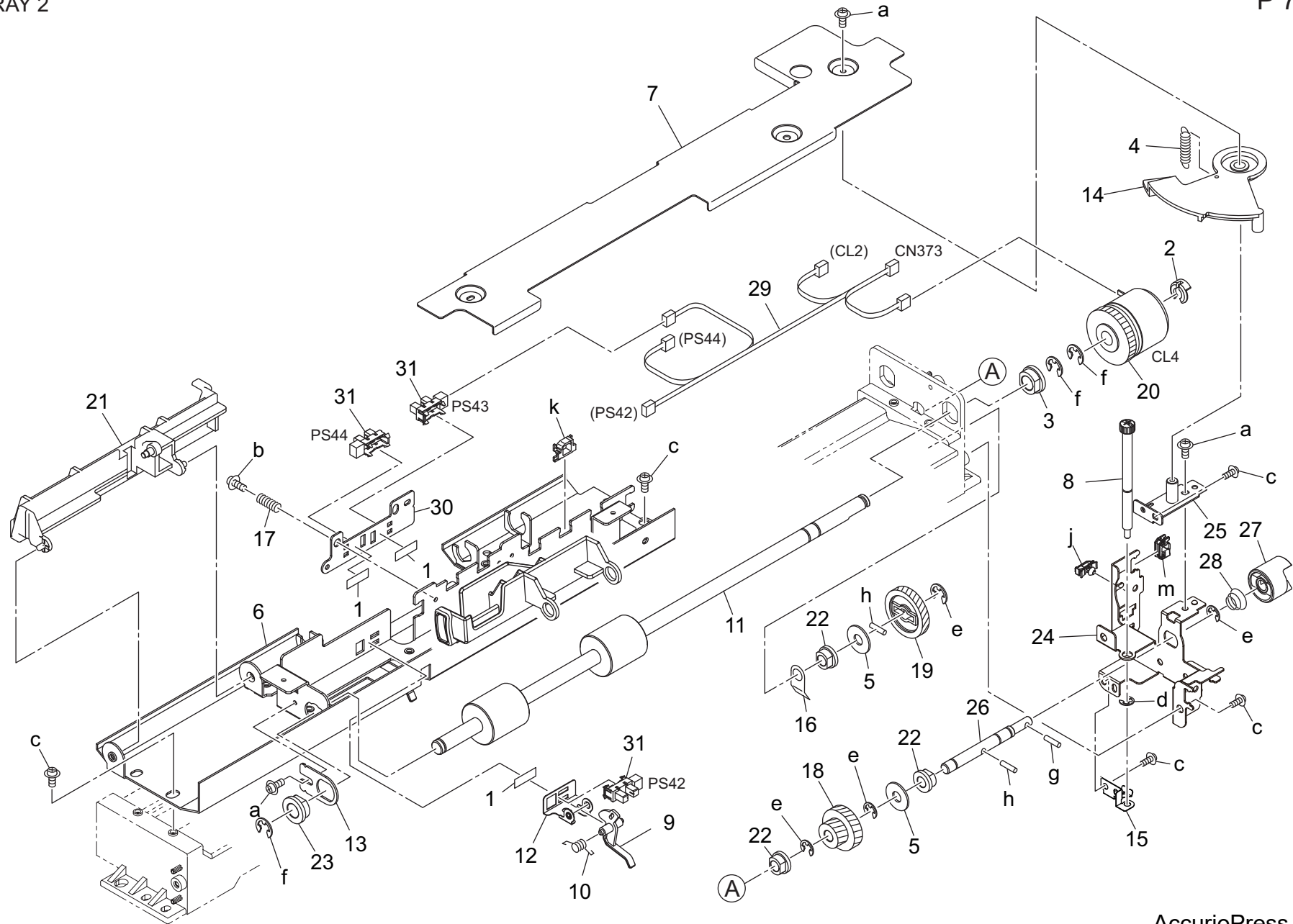
P 71



Tray 2 Paper Feed Section

TRAY 2

P 72



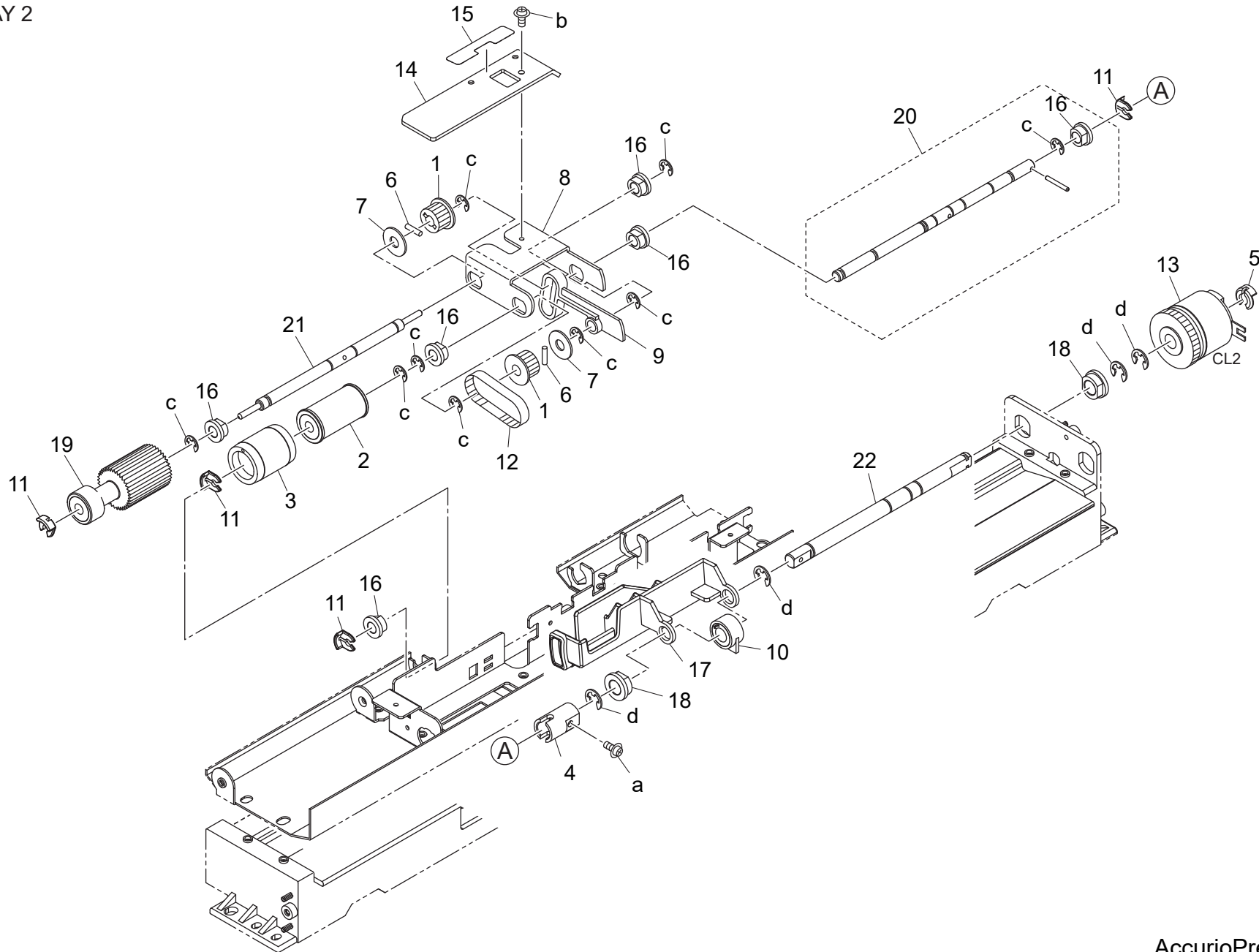
Tray 2 Paper Feed Section

| Key | Part No. | Description | Destinations | Class | QTY | Standard parts |
|-----|---------------|-----------------------------------|--------------|-------|-----|----------------|
| 1 | 4109553001 | Stopper | | C | 3 | a-V121030603 |
| 2 | 55VA42120 | Shaft Stopper | | C | 1 | b-V127030604 |
| 3 | 55VA75540 | PAPER FEED SHAFT HOLDER B | | B | 1 | c-V153030803 |
| 4 | 56AA17121 | SEPARATE SPRING UPPER | | C | 1 | d-V217030003 |
| 5 | 56AA17760 | COLLAR | | C | 2 | e-V217040003 |
| 6 | 56AA40032EOld | Paper Feed Guide Plate /Upper | | C | 1 | f-V217060003 |
| 6 | 56AA40032F | Paper Feed Guide Plate /Upper | | C | 1 | g-V234301250 |
| 7 | 56AA40100G | Wiring Protection Cover | | D | 1 | h-V234301450 |
| 8 | 56AA40120 | PAPER FEED HOLDING SCREW | | C | 1 | j-V500020099 |
| 9 | 56AA40171 | PAPER FEED DETECTING ACTUATOR | | C | 1 | k-V570010050 |
| 10 | 56AA40190 | PRESSING SPRING | | C | 1 | m-V570010056 |
| 11 | 56AA40230 | PAPER FEED REGISTRATION ROLLER | | C | 1 | |
| 12 | 56AA40310 | MOUNTING PLATE | | D | 1 | |
| 13 | 56AA40370 | ADJUSTING PLATE | | D | 1 | |
| 14 | 56AA40390 | CAM PLATE | | C | 1 | |
| 15 | A9VE560100 | Ground Plate | | C | 1 | |
| 16 | 56AA40500 | SHAFT HOLDER EARTH PLATE | | C | 1 | |
| 17 | 56AA40520 | EARTH SPRING | | C | 1 | |
| 18 | 56AA77720E | Paper Feed Reverse Gear /1 16/22T | | C | 1 | |
| 19 | 56AA77730 | PAPER FEED REVERSING GEAR 2 33T | | C | 1 | |
| 20 | 56AA82012 | Paper Feed Drive Clutch | | B | 1 | |
| 21 | 65AA40010 | Regulating Plate | | D | 1 | |
| 22 | A00J663200 | Bushing | | B | 3 | |
| 23 | A03U812800 | Slide Shaft Holder | | B | 1 | |
| 24 | A50U560901 | Drive Side plate /1 | | D | 1 | |
| 25 | A50U561200 | Drive Side plate /Assy | | D | 1 | |
| 26 | A50U562400 | Input Shaft | | D | 1 | |
| 27 | A50U564500 | Paper feed Coupling | | B | 1 | |
| 28 | A50U565100 | Pressing Spring | | D | 1 | |
| 29 | A50UN14201 | Paperfeed Wiring /1 | | D | 1 | |
| 30 | A85C635400Old | Adjusting Plate | | D | 1 | |
| 30 | A85C635401 | Adjusting Plate | | D | 1 | |
| 31 | A85CM55600 | Photo Sensor | | C | 3 | |
| | | | | | | |
| | | | | | | |
| | | | | | | |
| | | | | | | |
| | | | | | | |

Tray 2 Paper Feed Section

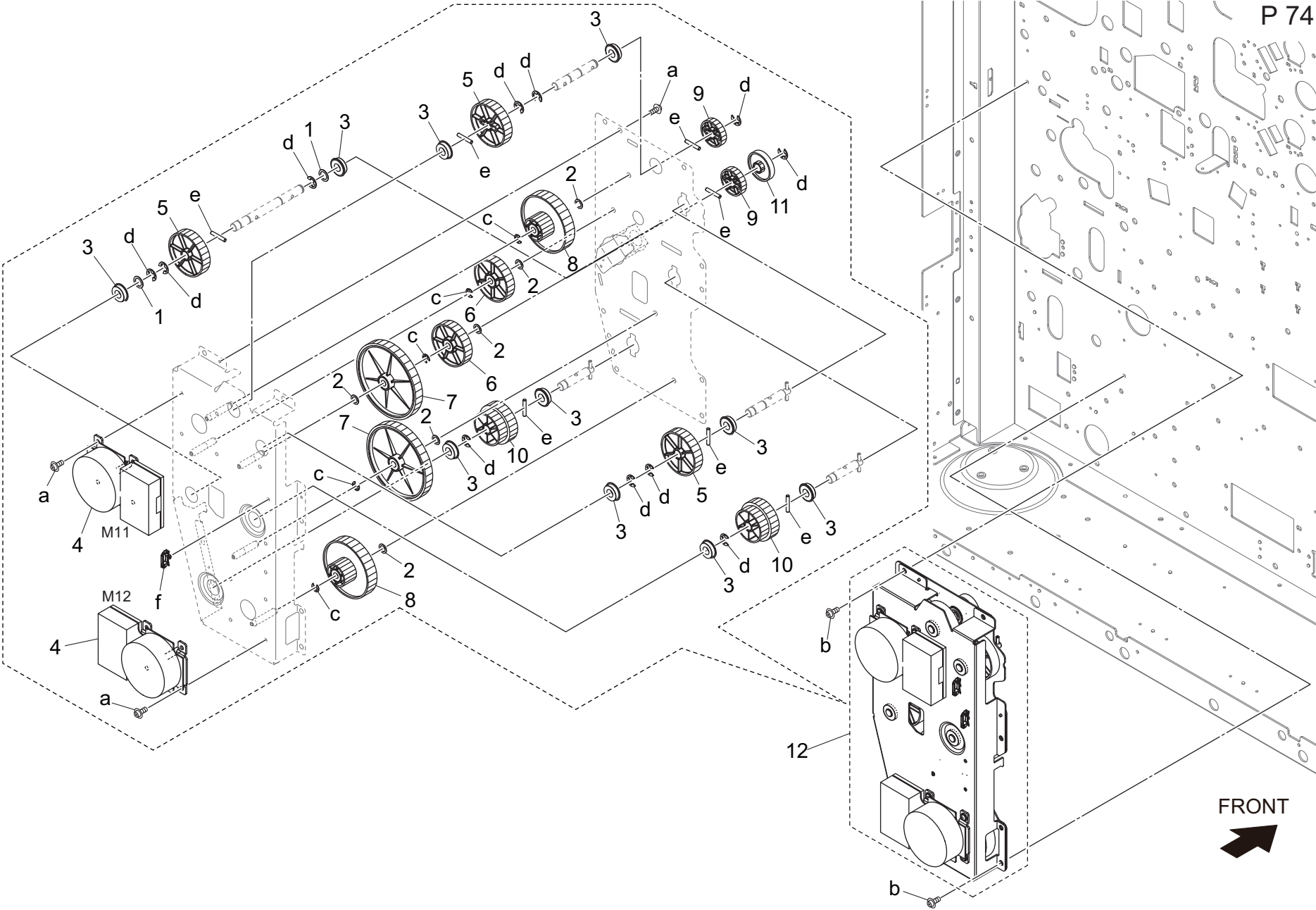
TRAY 2

P 73



Paper Feed Driving Section

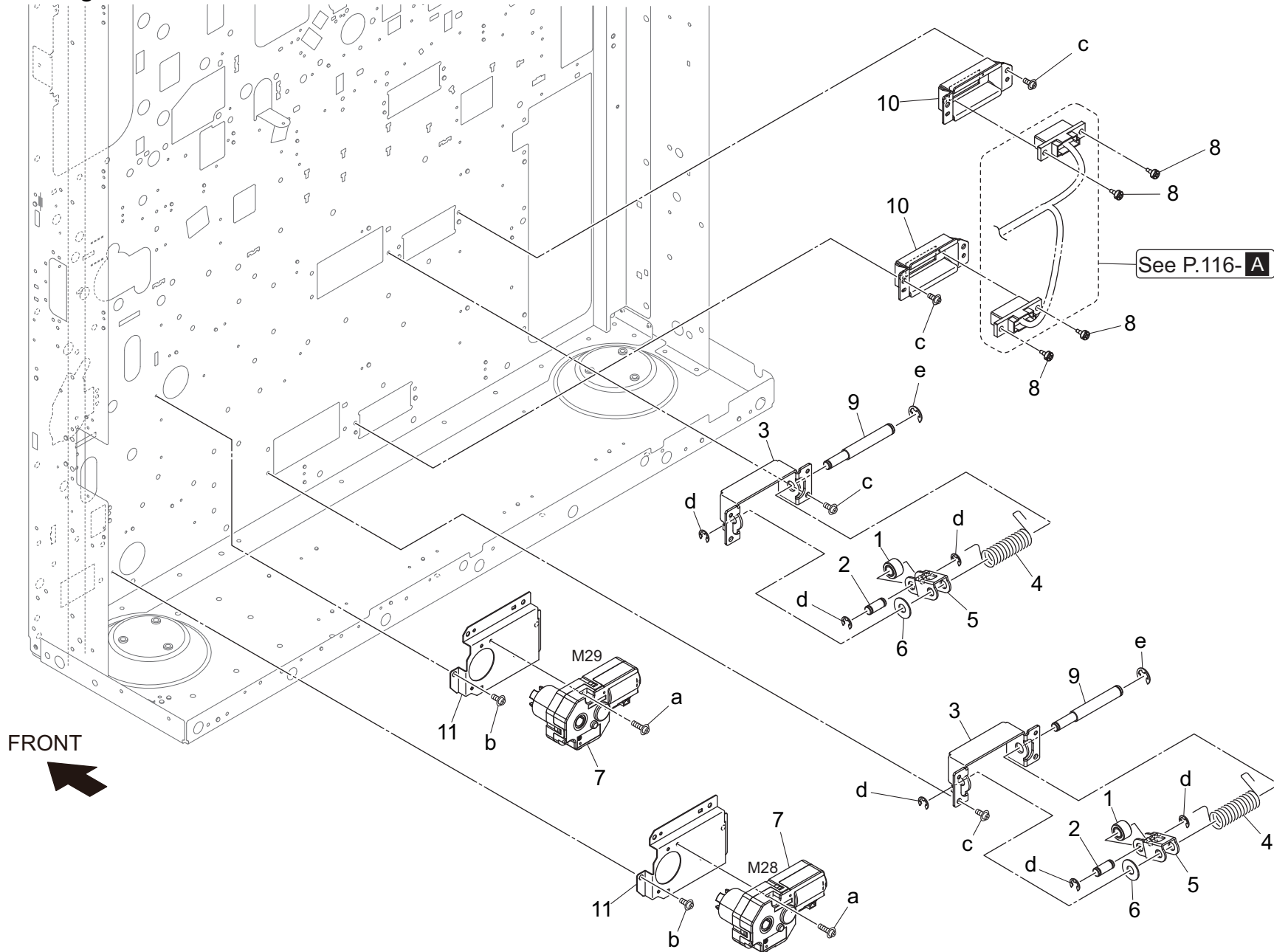
P 74



FRONT


AccurioPress C3080

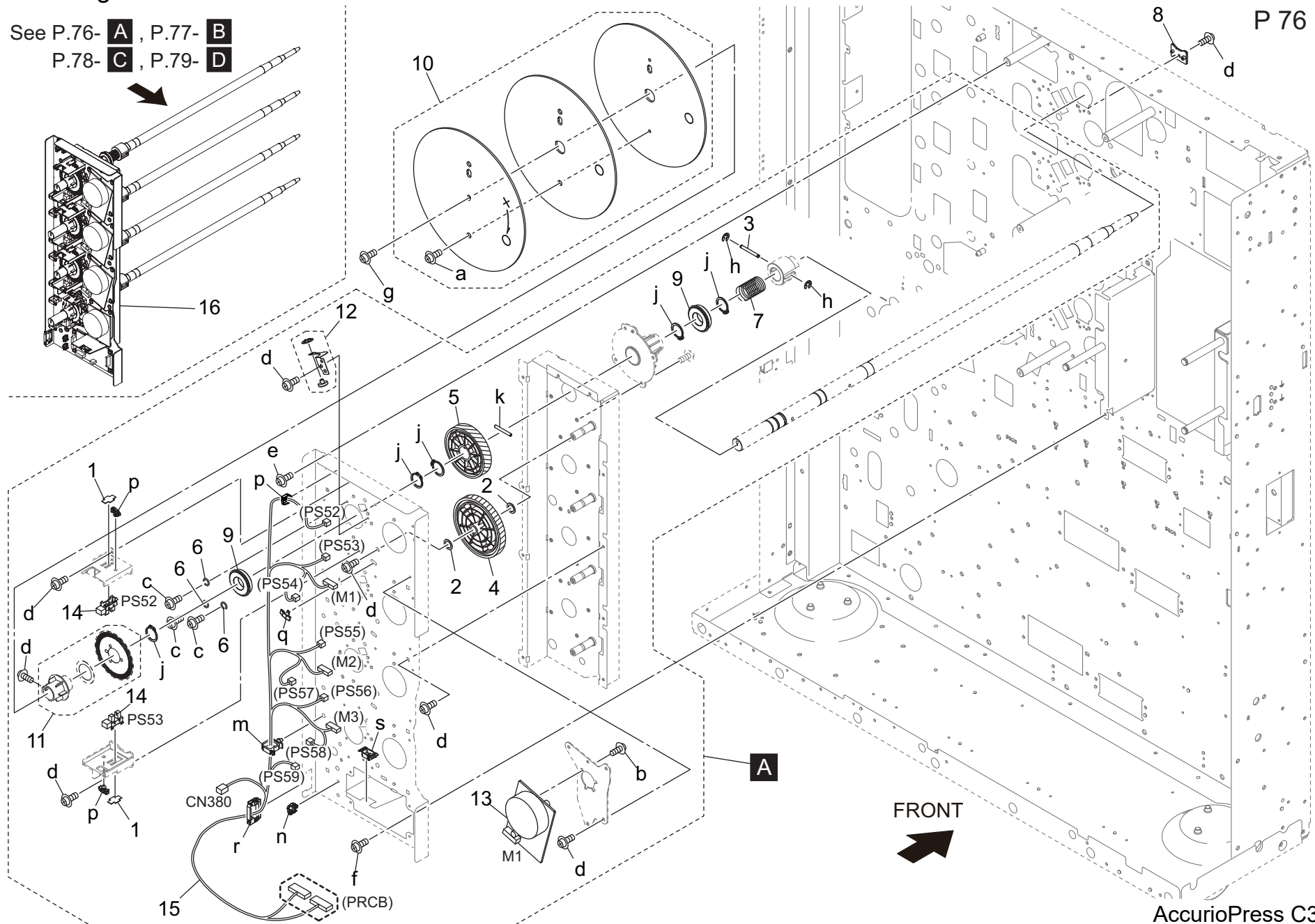
Tray Driving Section



FRONT
➔

Drum Driving Section

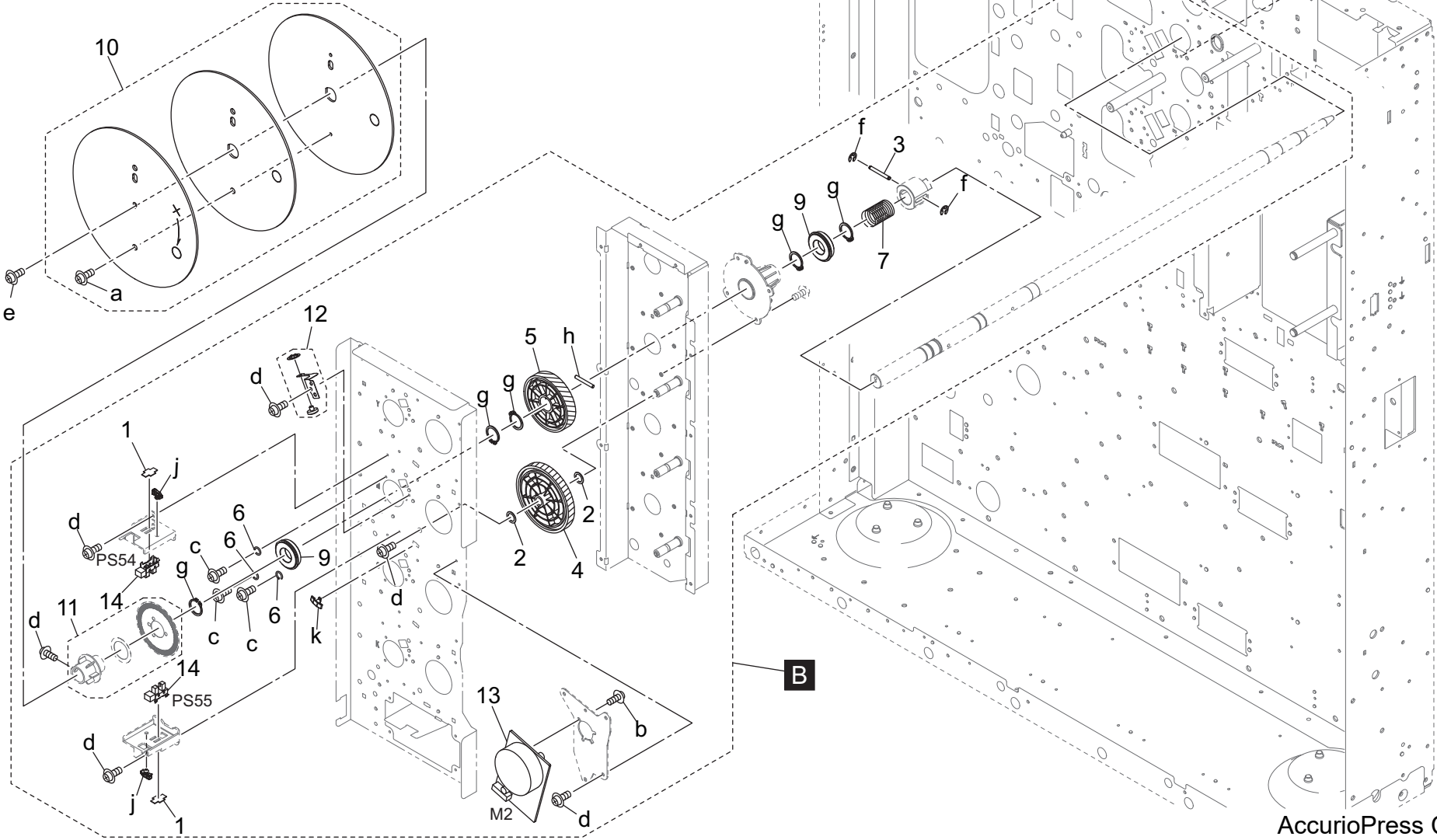
See P.76- **A** , P.77- **B**
 P.78- **C** , P.79- **D**



Drum Driving Section

P 77

FRONT



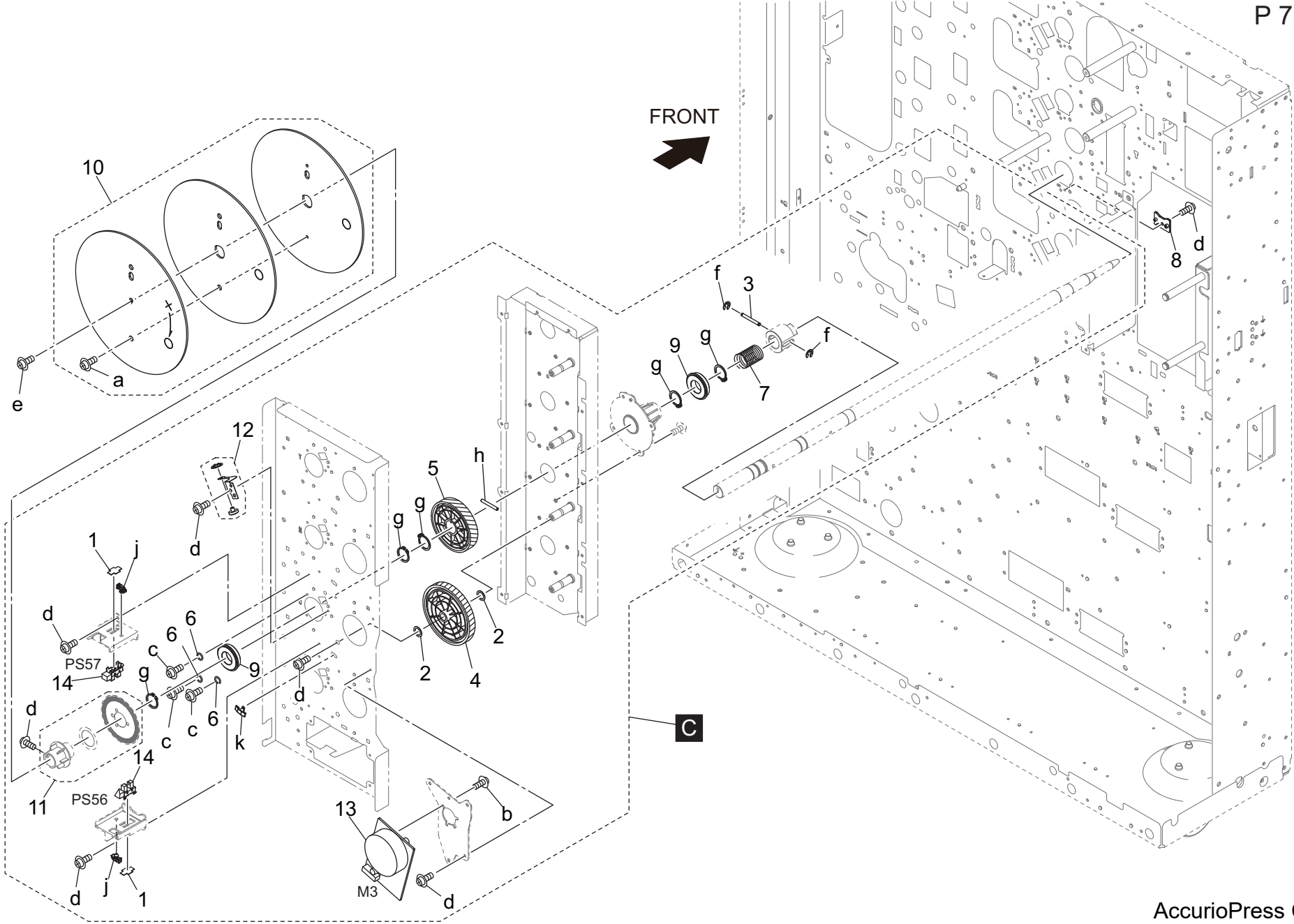
AccurioPress C3080



Order here
8 (495) 646-0426
www.km-shop.ru

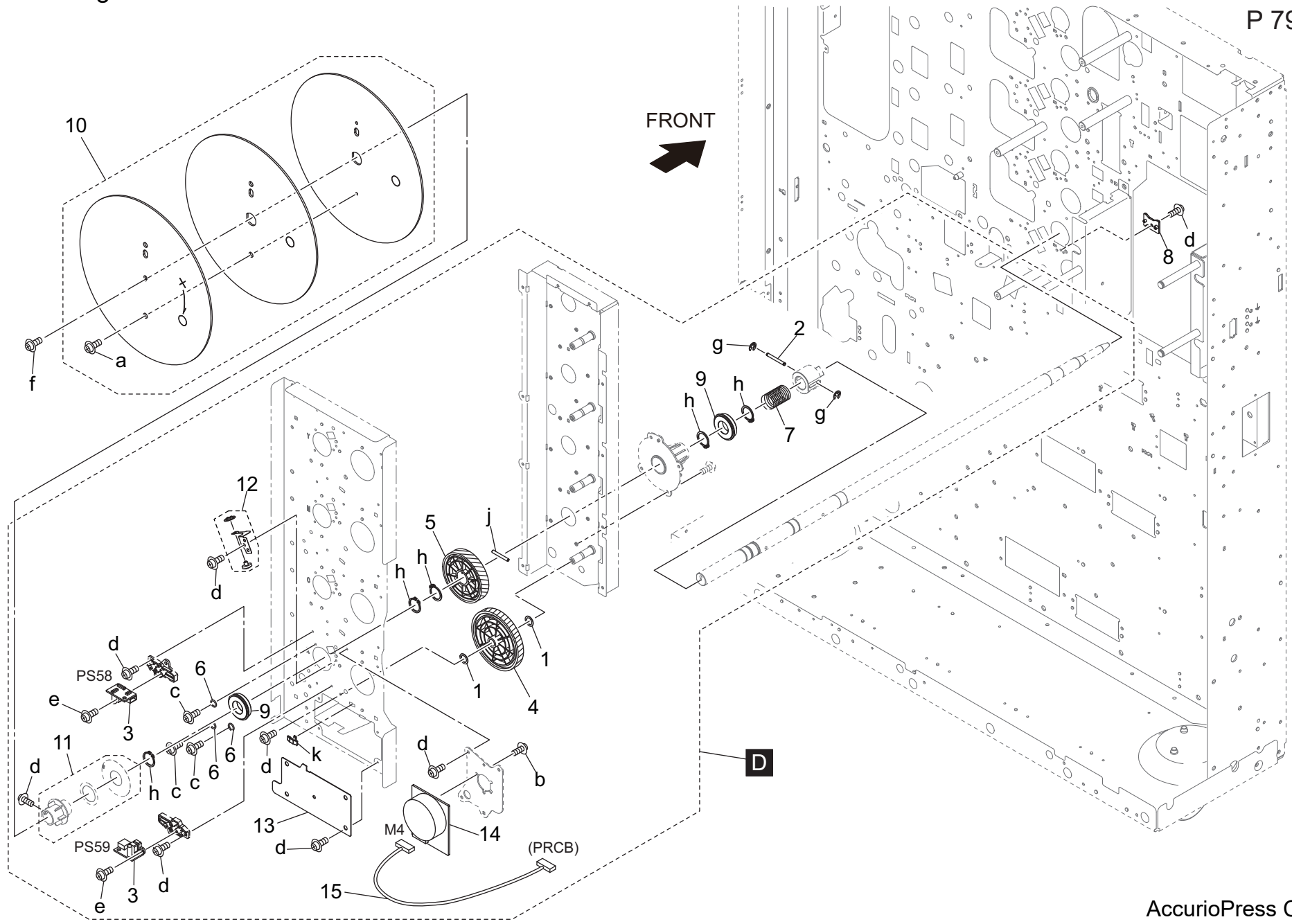
ПЯТЫЙ ПАРТНЕР

Drum Driving Section



Drum Driving Section

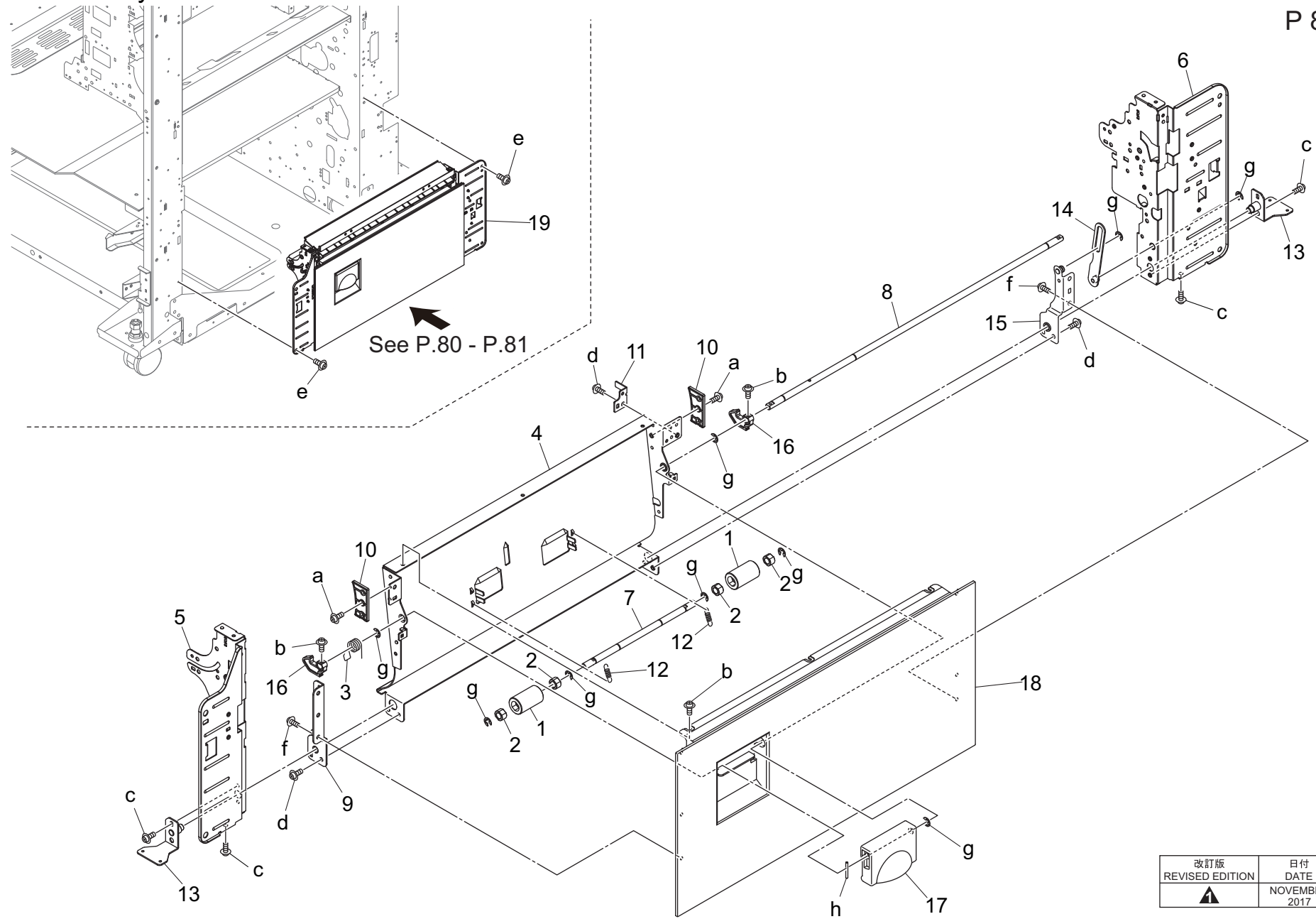
P 79



AccurioPress C3080

Vertical Conveyance Section

P 80



See P.80 - P.81

| | |
|------------------------|------------------|
| 改訂版 REVISED EDITION | 日付 DATE |
| ▲ | NOVEMBER 2017 |

AccurioPress C3080

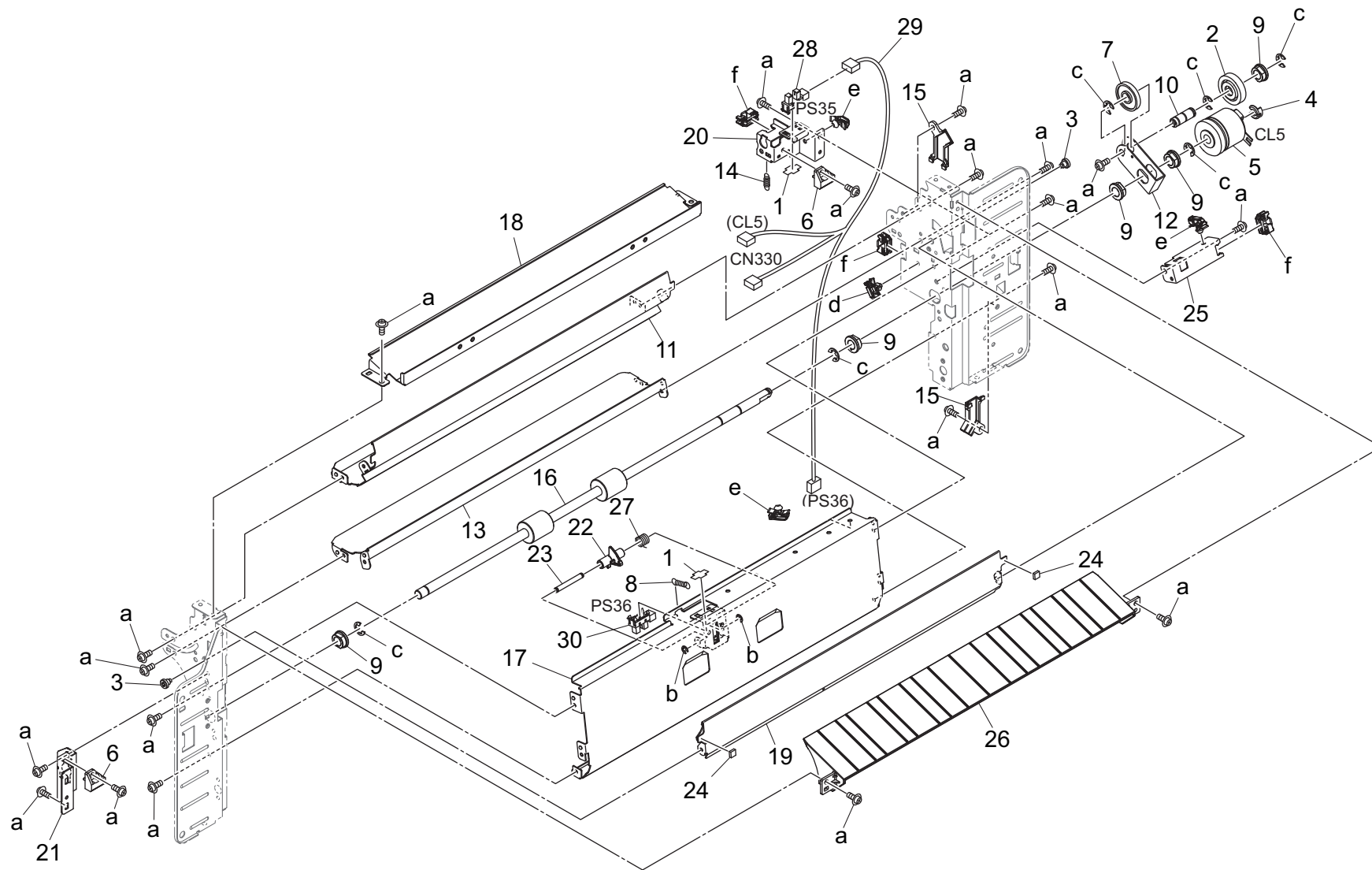
Order here
8 (495) 646-0426
ПЯТЫЙ ПАРТНЕР www.km-shop.ru

Vertical Conveyance Section

| Key | Part No. | Description | Destinations | Class | QTY | Standard parts |
|-----|------------|----------------------------|--------------|-------|-----|--|
| 1 | 26NA42560 | By-Pass Idler Roller | | C | 2 | a-V112030603 b-V118030603 c-V121030403 d-V127030604 e-V127040603 f-V158030803 g-V217040003 h-V234201850 |
| 2 | A03U850101 | Slide Bushing | | C | 4 | |
| 3 | A1RF701700 | Lock Spring /Front | | D | 1 | |
| 4 | A50U700101 | Guide Plate Outside | | D | 1 | |
| 5 | A50U700901 | Side plate /1 | | D | 1 | |
| 6 | A50U701113 | Side plate /2 | | D | 1 | |
| 7 | A50U705100 | Idler Shaft | | D | 1 | |
| 8 | A50U705200 | Open/close Shaft | | D | 1 | |
| 9 | A50U705701 | Support Plate /3 | | D | 1 | |
| 10 | A50U706000 | Regulating Plate /Front | | D | 2 | |
| 11 | A50U706900 | Detecting Plate | | D | 1 | |
| 12 | A50U707600 | Idler Spring | | D | 2 | |
| 13 | A50UF70800 | Support Plate / 1 Caulking | | D | 2 | |
| 14 | A50UF70900 | Connecting Plate Caulking | | D | 1 | |
| 15 | A50UR73100 | Support Plate /2 Caulking | | D | 1 | |
| 16 | A55C712000 | Lock Claw | | D | 2 | |
| 17 | A9VE700200 | Conveyance Handle | | D | 1 | |
| 18 | A9VE701300 | Cover Door | | D | 1 | |
| 19 | A9VER70800 | Vertical Conveyance Assy | | S | 1 | |
| | | | | | | |
| | | | | | | |
| | | | | | | |
| | | | | | | |
| | | | | | | |
| | | | | | | |
| | | | | | | |
| | | | | | | |
| | | | | | | |

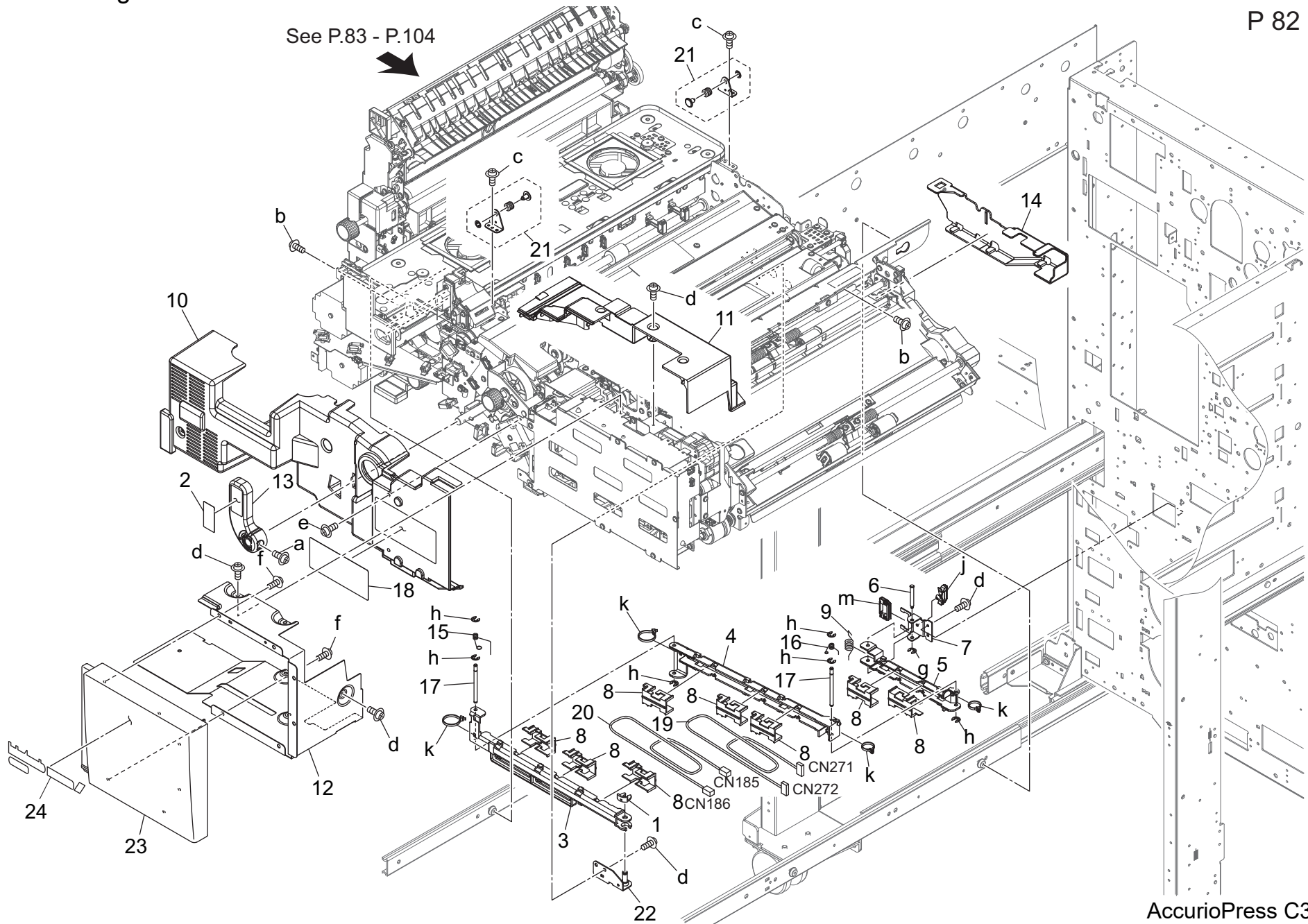
Vertical Conveyance Section

P 81

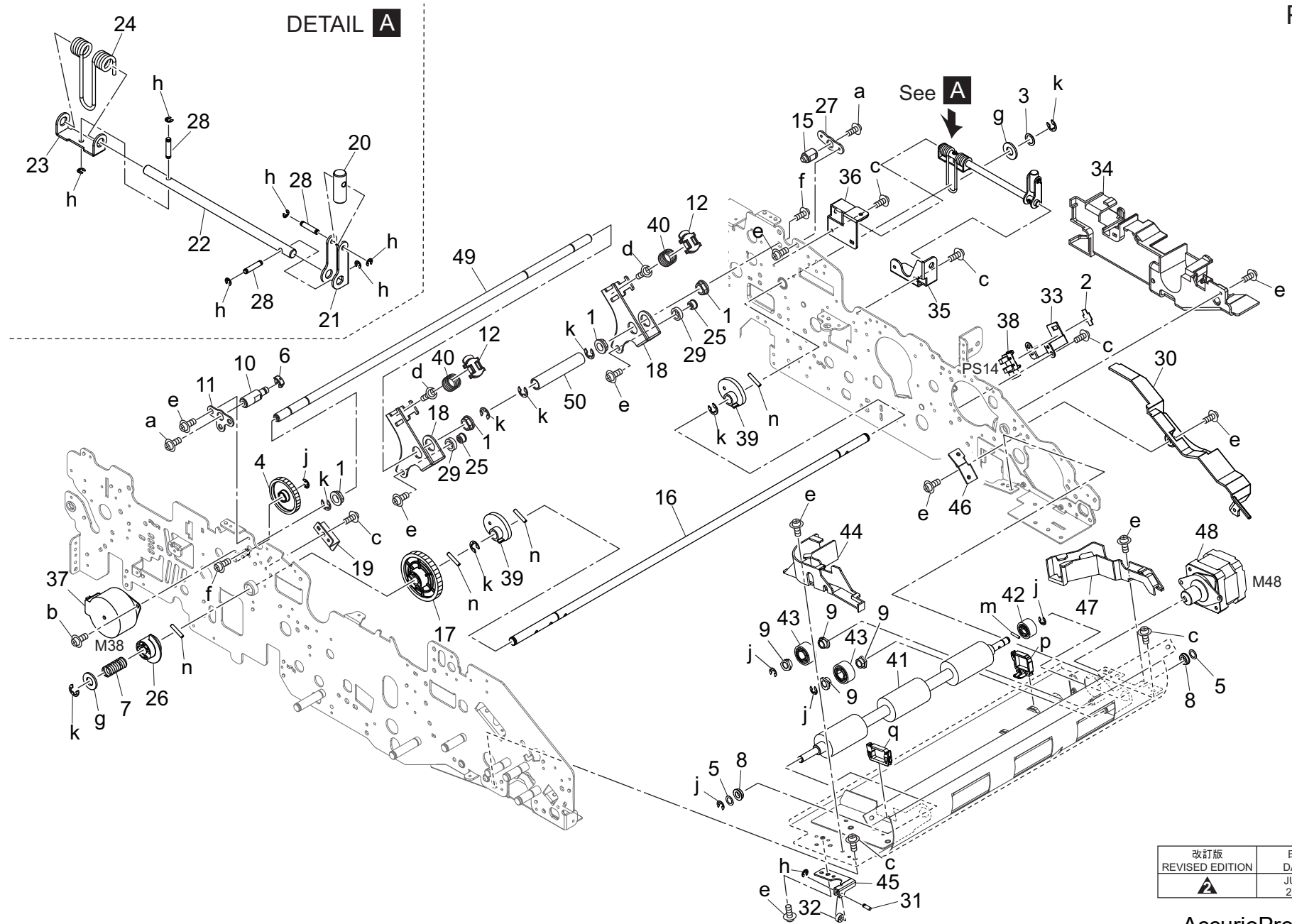


Duplex Carriage Section

See P.83 - P.104



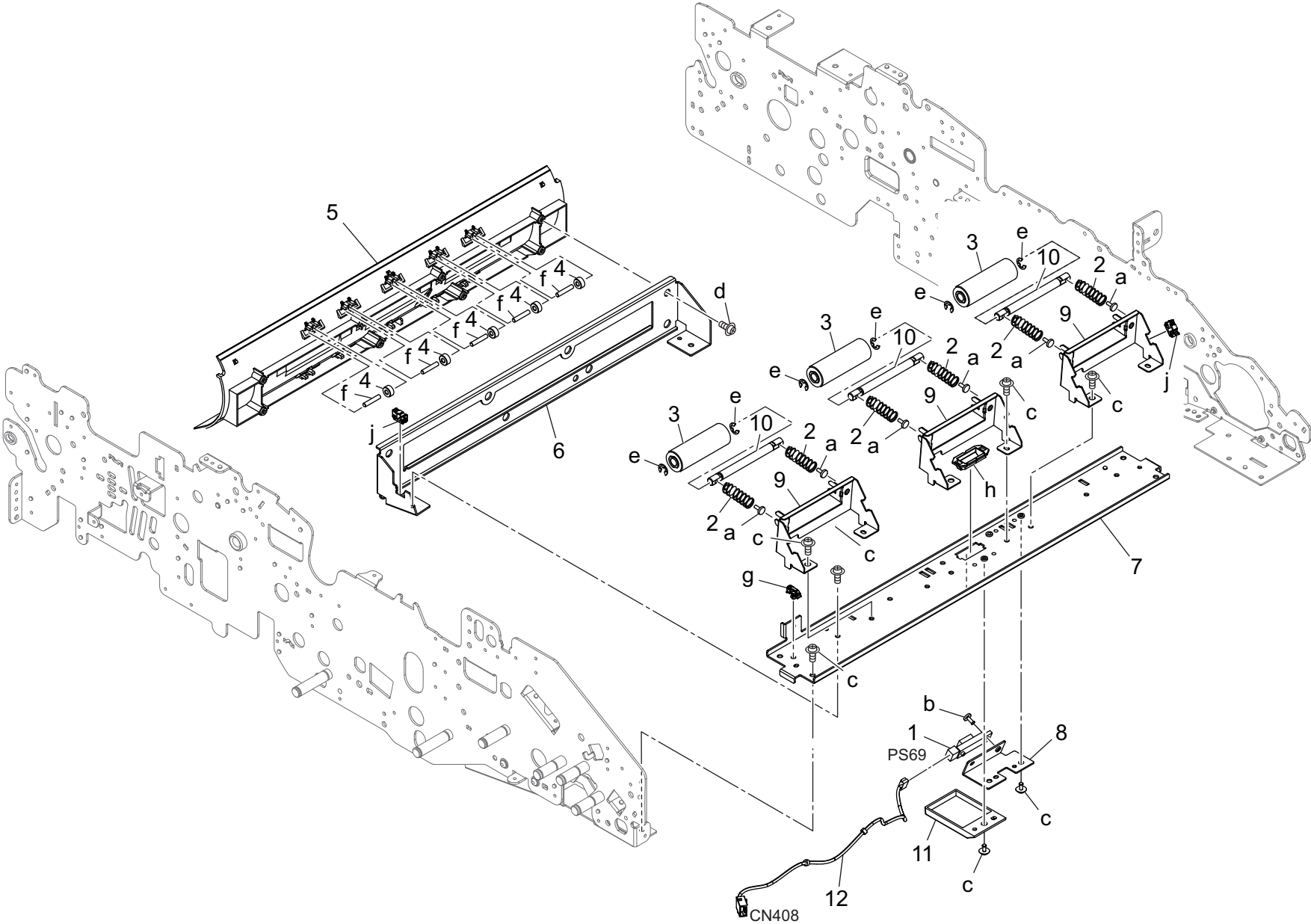
Duplex Section



| | |
|---|--------------|
| 改訂版 REVISED EDITION | 日付 DATE |
|  | JUNE 2018 |

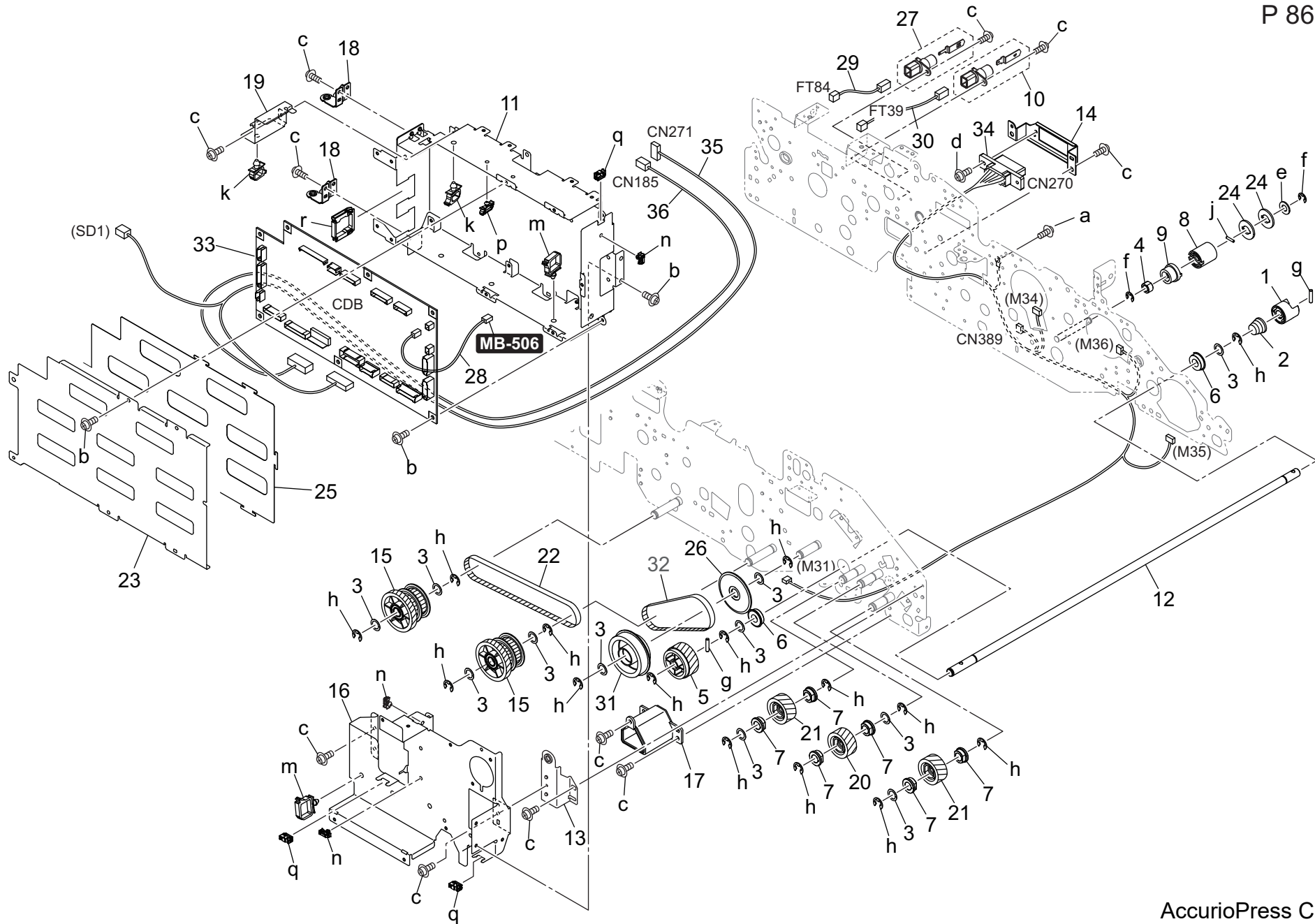
AccurioPress C3080

| Key | Part No. | Description | Destinations | Class | QTY | Standard parts |
|-----|------------|------------------------------|--------------|-------|-----|----------------|
| 1 | 4131353202 | BUSHING | | C | 4 | a-V116050803 |
| 2 | 4470402401 | Stopper | | D | 1 | b-V118030403 |
| 3 | 12QV40650 | Spacer | | B | 1 | c-V121030403 |
| 4 | 40AA77550 | Mirror Drive Gear /2 14/70T | | C | 1 | d-V121040403 |
| 5 | 40AA98020D | Paper exit Spacer | | D | 2 | e-V127030604 |
| 6 | 56AA40490 | Shaft Stopper /4 | | C | 1 | f-V127040803 |
| 7 | 65AA45230 | CAM PULLING SPRING | | C | 1 | g-V207080003 |
| 8 | A00J617800 | Ball Bearing | | B | 2 | h-V217020003 |
| 9 | A0P0663600 | Bushing | | C | 4 | j-V217040003 |
| 10 | A50U520601 | Support Shaft /Front | | D | 1 | k-V217060003 |
| 11 | A50U520700 | Adjusting Plate /Front | | D | 1 | m-V234201050 |
| 12 | A50U520900 | Pressing Cover | | D | 2 | n-V234301650 |
| 15 | A50U521301 | Support Shaft /Rear | | D | 1 | p-V500010079 |
| 16 | A50U521500 | Drive Shaft | | D | 1 | q-V570010059 |
| 17 | A50U521900 | Pressure Gear /3 47T | | C | 1 | |
| 18 | A50U522001 | Rotation Arm | | D | 2 | |
| 19 | A50U522400 | Holding Plate | | D | 1 | |
| 20 | A50U522900 | Rotation Shaft | | D | 1 | |
| 21 | A50U523001 | Release Arm | | D | 1 | |
| 22 | A50U523100 | Support Shaft | | D | 1 | |
| 23 | A50U523200 | Rotation Cover | | D | 1 | |
| 24 | A50U523400 | Torsion Coil spring | | D | 1 | |
| 25 | A50U524100 | Receiving Shaft | | D | 2 | |
| 26 | A50U524500 | Transfer Actuator | | D | 1 | |
| 27 | A50U524600 | Adjusting Plate /Rear | | D | 1 | |
| 28 | A50U524700 | Support Shaft | | D | 3 | |
| 29 | A50U716500 | Ball Bearing | | C | 2 | |
| 30 | A50U834802 | Cover Side plate /Right rear | | D | 1 | |
| 31 | A50U854400 | Fixing Shaft | | D | 1 | |
| 32 | A50U854800 | Conveyance Roll | | D | 1 | |
| 33 | A50U855800 | Drive Side plate /2 | | D | 1 | |
| 34 | A50U858101 | Cover Box | | D | 1 | |
| 35 | A50U884600 | Support Plate /1 | | D | 1 | |
| 36 | A50U884700 | Support Plate /2 | | D | 1 | |
| 37 | A50UR72C00 | Drive Motor / 1 Assy | | C | 1 | |
| 38 | A85CM55600 | Photo Sensor | | C | 1 | |
| 39 | A9VE522500 | Transfer Cam | | C | 2 | |
| 40 | A9VE526200 | Pressing Spring | | D | 2 | |
| 41 | AC57870700 | Conveyance Roller | | C | 1 | |
| 42 | A9VE870800 | Drive Gear /1 20T | | C | 1 | |
| 43 | A9VE870900 | Idling Gear 24T | | C | 2 | |
| 44 | A9VE871200 | Wiring Guide /1 | | D | 1 | |
| 45 | A9VE871300 | Support Plate | | D | 1 | |
| 46 | A9VE871700 | Mounting Plate /5 | | D | 1 | |
| 47 | A9VE871800 | Wiring Guide /2 | | D | 1 | |
| 48 | A9VER71400 | Stepping Motor Assy | | C | 1 | |
| 49 | A9VE521100 | Pressing Shaft /1 | | D | 1 | |
| 50 | A9VE521200 | Transfer Collar /1 | | D | 1 | |



Duplex Section

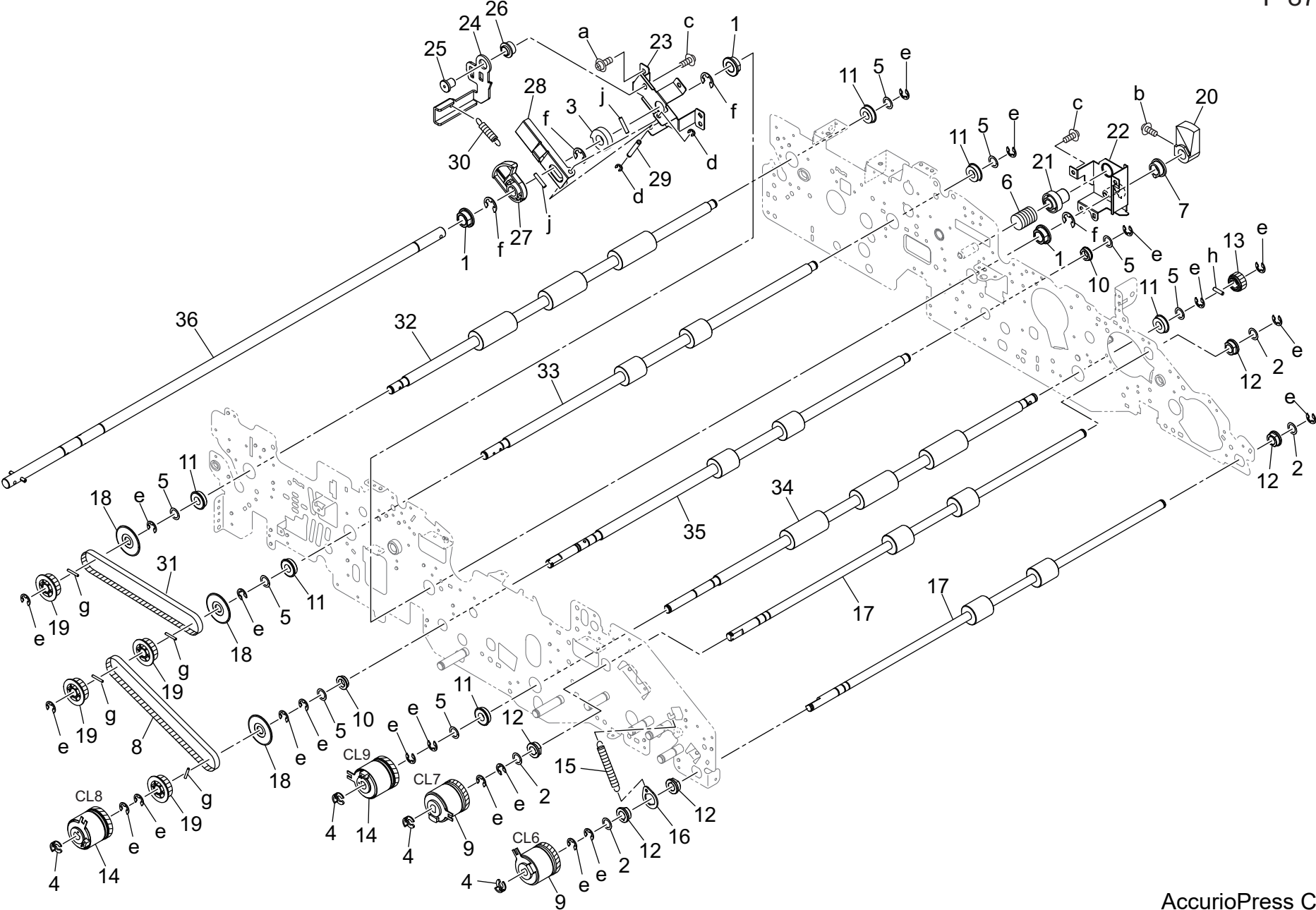
P 86



AccurioPress C3080

| Key | Part No. | Description | Destinations | Class | QTY | Standard parts |
|-----|------------|-------------------------------|-------------------------|-------|-----|----------------|
| 1 | 55VA15541 | CLEANER COUPLING PART | クリーナーカップリング部材 | C | 1 | a-V116030603 |
| 2 | 56AA17090 | Pressing Spring | 押圧バネ | C | 1 | b-V127030603 |
| 3 | 56AA42690 | By-Pass Spacer | 手差しスペーサー | C | 11 | c-V127030604 |
| 4 | 56GA76010 | Slide Bearing /2 | すべり軸受 / 2 | C | 1 | d-V127030803 |
| 5 | 65AA77540 | PAPER FEED GEAR 2 29T | 給紙歯車 2 29 T | C | 1 | e-V207060003 |
| 6 | A00V240600 | Ball Bearing | ボールベアリング | B | 2 | f-V217050003 |
| 7 | A03U812800 | Slide Shaft Holder | すべり軸受 | B | 6 | g-V234301450 |
| 8 | A03U815700 | Torque Limiter | トルクリミッター | B | 1 | h-V217060003 |
| 9 | A03U839000 | BRAKE GEAR /1 21T | ブレーキギア / 1 21 T | C | 1 | j-V234201050 |
| 10 | A1DUR73K00 | Powering Block A Assy | 給電ブロック / A 部組 | C | 1 | k-V500010082 |
| 11 | A50U810502 | Mounting Board /1 | 取付基板 / 1 | D | 1 | m-V500010084 |
| 12 | A50U812100 | Drive Input Shaft | 駆動入力軸 | D | 1 | n-V500020099 |
| 13 | A50U816103 | Positioning Side plate /Right | 位置決め側板 / 右 | D | 1 | p-V500020100 |
| 14 | A50U817400 | Mounting Side plate /1 | 取付側板 / 1 | D | 1 | q-V570010056 |
| 15 | A50U818001 | Drive Gear /1 38/29/29T | 駆動ギア / 1 38 / 29 / 29 T | C | 2 | r-V570010058 |
| 16 | A50U835302 | Mounting Board /2 | 取付基板 / 2 | D | 1 | |
| 17 | A50U835400 | Guide Part /Front | ガイド部材 / 前 | D | 1 | |
| 18 | A50U835900 | Support Plate | 支点板 (基板) | D | 2 | |
| 19 | A50U836000 | Cover | カバー (基板) | D | 1 | |
| 20 | A50U836400 | Conveyance Idler /Right | 搬送アイドラ / 右 | D | 1 | |
| 21 | A50U836500 | Conveyance Idler /Right | 搬送アイドラ / 右 | D | 2 | |
| 22 | A50U839200 | Belt /3 342L | ベルト / 3 342 L | C | 1 | |
| 23 | A50U855900 | Cover Board /Left Front | カバー基板 / 左前 (基板) | D | 1 | |
| 24 | A50U858600 | Stopper Plate | ストッパ板 | D | 2 | |
| 25 | A50U880702 | Packing Board /Front | 包装基板 / 前 | D | 1 | |
| 26 | A50U885100 | Drive Spacer | 駆動スペーサ | D | 1 | |
| 27 | A50UF82200 | Power Supply Block / B ASSY | 給電ブロック / B ASSY | D | 1 | |
| 28 | A50UN17200 | ADU Drive harness /7 | ADU 駆動束線 / 7 | D | 1 | |
| 29 | A50UN25400 | HV Relay harness /5 | 高圧中継束線 / 5 | D | 1 | |
| 30 | A50UN25600 | HV Relay harness /6 | 高圧中継束線 / 6 | D | 1 | |
| 31 | A9VE818100 | Drive Gear /1 39T | 駆動ギア / 1 39 T | C | 1 | |
| 32 | A9VE839100 | Belt /4 | ベルト / 4 | D | 1 | |
| 33 | A9VEH05001 | Conveyance Drive Board ASSY | 搬送駆動基板 ASSY | I | 1 | |
| 34 | A9VEN15000 | ADU Drive harness /1 | ADU 駆動束線 / 1 | D | 1 | |
| 35 | A9VEN15601 | ADU Control harness /1 | ADU 制御束線 / 1 | D | 1 | |
| 36 | A9VEN18801 | ADU Control harness /2 | ADU 制御束線 / 2 | D | 1 | |
| | | | | | | |
| | | | | | | |
| | | | | | | |
| | | | | | | |

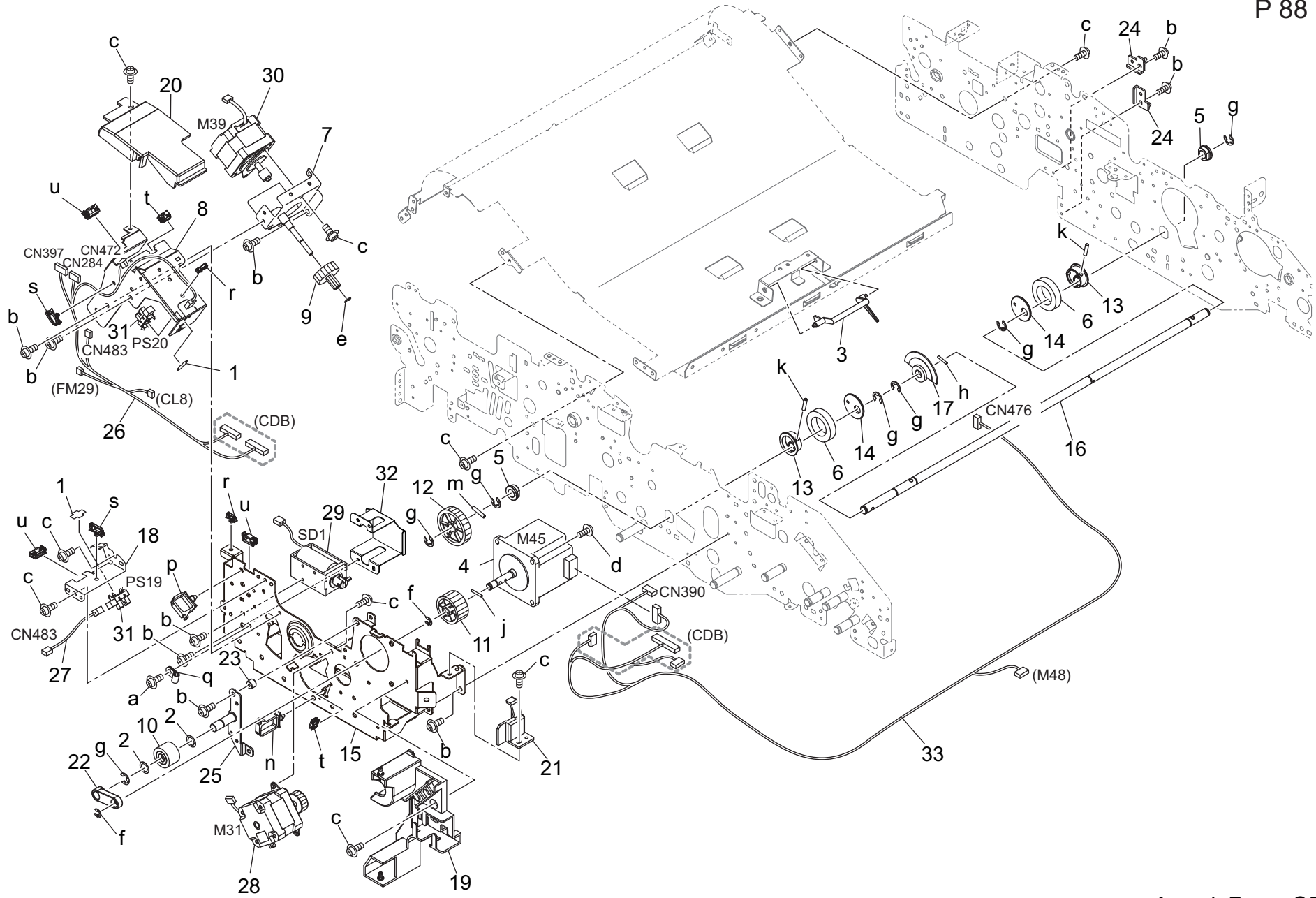
Duplex Section



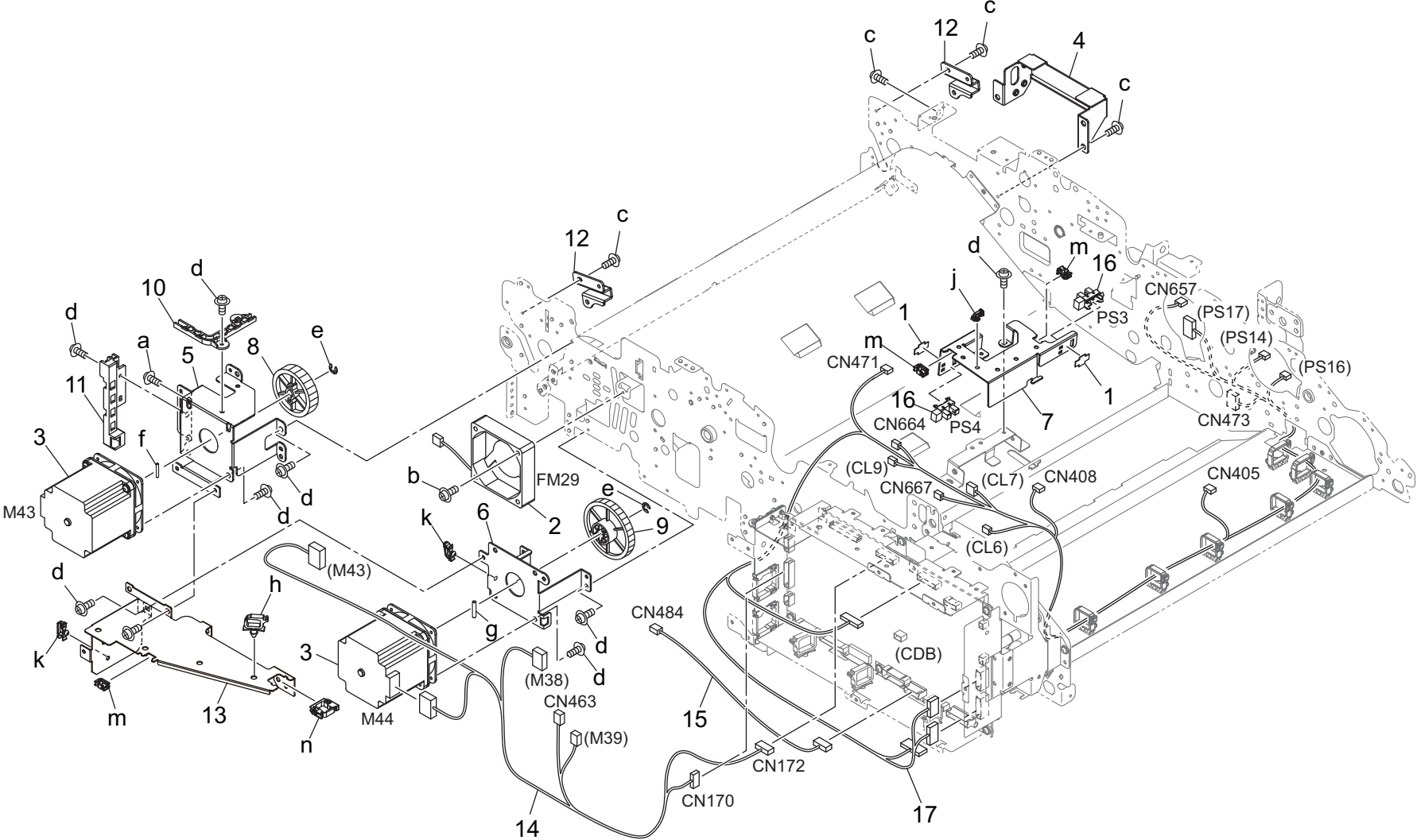
| Key | Part No. | Description | Destinations | Class | QTY | Standard parts |
|-----|------------|-------------------------------|-------------------|-------|-----|----------------|
| 1 | 462076010 | Driving Slide Shaft Holder A | 駆動滑り軸受 A | C | 3 | a-V121030403 |
| 2 | 12QV40650 | Spacer | スペーサー | B | 4 | b-V121041203 |
| 3 | 25AA47500 | Carriage Lock Claw /B | 架台ロック爪 / B | C | 1 | c-V127030604 |
| 4 | 55VA42120 | Shaft Stopper | 軸ストッパー | C | 4 | d-V217030003 |
| 5 | 56AA42690 | By-Pass Spacer | 手差しスペーサー | C | 8 | e-V217060003 |
| 6 | 56AA50670 | Cam Stopper Spring | カムストッパバネ | C | 1 | f-V217080003 |
| 7 | 56AA50800 | LEVER SUPPORT SHAFT HOLDER | レバー支持軸受 | C | 1 | g-V234201450 |
| 8 | 56AA77530 | Paper Feed Drive Belt /1 336L | 給紙駆動ベルト / 1 336 L | C | 1 | h-V234301250 |
| 9 | 56AA82012 | Paper Feed Drive Clutch | 給紙駆動クラッチ | B | 2 | j-V234301650 |
| 10 | A00J617900 | Ball Bearing | ボールベアリング | B | 2 | |
| 11 | A00V240600 | Ball Bearing | ボールベアリング | B | 6 | |
| 12 | A03U812800 | Slide Shaft Holder | すべり軸受 | B | 5 | |
| 13 | A03U838900 | Brake Gear /2 24T | ブレーキギア / 2 24 T | C | 1 | |
| 14 | A03UM20100 | Clutch /1 | クラッチ / 1 | B | 2 | |
| 15 | A03X565001 | Swing Spring | 首振りばね | C | 1 | |
| 16 | A1RG681400 | Brake Plate /8 | ブレーキ板 / 8 | D | 1 | |
| 17 | A50U812202 | ADU Conveying Roller /Right | A D U 搬送ローラ / 右 | C | 2 | |
| 18 | A50U817300 | Holding Collar | 押さえカラー | D | 3 | |
| 19 | A50U818501 | Pulley /2 | プーリ / 2 | D | 4 | |
| 20 | A50U830200 | Positioning Part /Rear | 位置決め部材 / 奥 | D | 1 | |
| 21 | A50U830300 | Regulating Part /Rear | 規制部材 / 奥 | D | 1 | |
| 22 | A50U830400 | Hold Plate /Assy | 保持板 / A s s y | D | 1 | |
| 23 | A50U830501 | Reinforce Plate /1 | 補強板 / 1 | D | 1 | |
| 24 | A50U830600 | Lock Plate | ロック板 | D | 1 | |
| 25 | A50U830700 | Support Shaft | 支持軸 | D | 1 | |
| 26 | A50U830800 | Lock Bushing | ロックすべり軸受 | D | 1 | |
| 27 | A50U831000 | Release Cam | 解除カム | D | 1 | |
| 28 | A50U831100 | Release Plate | 解除板 | D | 1 | |
| 29 | A50U831200 | Release Shaft /1 | 解除軸 / 1 | D | 1 | |
| 30 | A50U831900 | Pulling Spring | 引張りばね (ロックレバー) | D | 1 | |
| 31 | A50U839200 | Belt /3 342L | ベルト / 3 342 L | C | 1 | |
| 32 | AC57849100 | Roller /1 | ローラ / 1 | C | 1 | |
| 33 | AC57849200 | Roller /2 | ローラ / 2 | C | 1 | |
| 34 | A50U859000 | Roller | ローラ | C | 1 | |
| 35 | A50U859400 | Roller /3 | ローラ / 3 | C | 1 | |
| 36 | A50UR72E00 | Release Shaft Pin Assy | 解除軸ピン A s s y | D | 1 | |
| | | | | | | |
| | | | | | | |
| | | | | | | |

Duplex Section

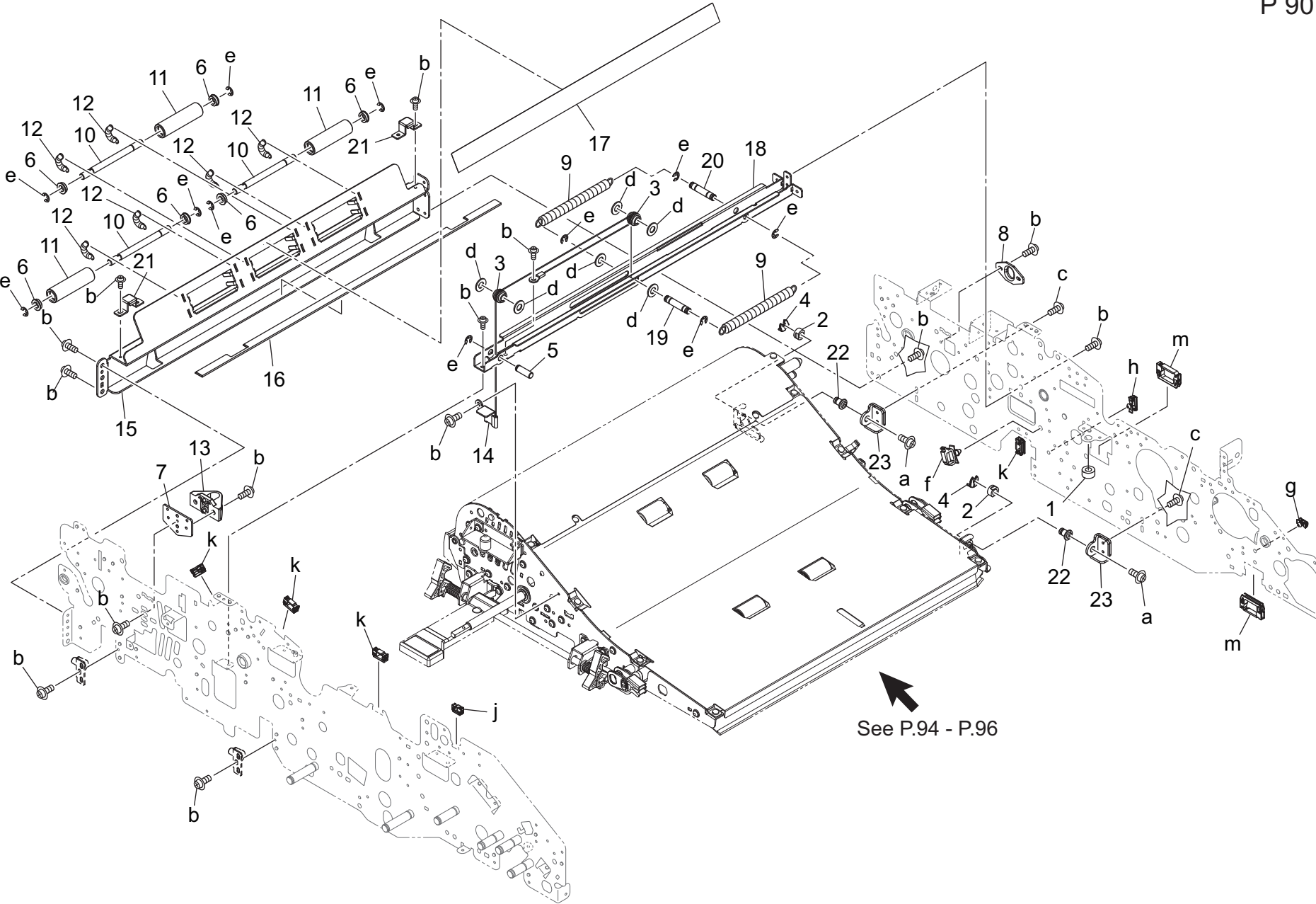
P 88



| Key | Part No. | Description | Destinations | Class | QTY | Standard parts |
|-----|---------------|----------------------------------|--------------|-------|-----|----------------|
| 1 | 4470402401 | Stopper | | D | 2 | a-V116030603 |
| 2 | 56AA42690 | By-Pass Spacer | | C | 2 | b-V121030403 |
| 3 | 65AA51730 | ADU 2 | | C | 1 | c-V127030604 |
| 4 | 65AA80112 | HB Motor /50 | | B | 1 | d-V127030803 |
| 5 | A03U812800 | Slide Shaft Holder | | B | 2 | e-V217030003 |
| 6 | A9VE841300 | Ball bearing | | C | 2 | f-V217040003 |
| 7 | A50U713302 | Swing Side plate /ASSY | | D | 1 | g-V217060003 |
| 8 | A50U713401Old | Swing Side plate /2 | | D | 1 | h-V234201250 |
| 8 | A50U713403 | Swing Side plate /2 | | D | 1 | j-V234201450 |
| 9 | A50U713500 | Swing Gear /1 18/51T | | C | 1 | k-V234301450 |
| 10 | A50U713700 | Registration Idler /1 | | B | 1 | m-V234301650 |
| 11 | A50U713800 | Registration Gear /1 56T | | C | 1 | n-V500010013 |
| 12 | A50U713900 | Registration Gear /2 48T | | C | 1 | p-V500010084 |
| 13 | A50U714800 | Pressure Cam | | D | 2 | q-V500020069 |
| 14 | A50U714900 | Spacer | | D | 2 | r-V500020099 |
| 15 | A50U715003Old | Mounting Lever /1 | | D | 1 | s-V500020100 |
| 15 | A50U715004 | Mounting Lever /1 | | D | 1 | t-V570010056 |
| 16 | A50U715100 | Pressure Shaft /2 | | D | 1 | u-V570010057 |
| 17 | A50U715200 | Pressure Actuator | | D | 1 | |
| 18 | A50U819700 | Cover | | D | 1 | |
| 19 | A50U835601 | Drive Cover | | D | 1 | |
| 20 | A50U836100 | Cover | | D | 1 | |
| 21 | A50U882300 | Protection Cover | | D | 1 | |
| 22 | A50U882600 | Registration ring /Front | | D | 1 | |
| 23 | A50U883300 | Idling Shaft /1 | | D | 1 | |
| 24 | A50U883501 | Protection Plate | | D | 2 | |
| 25 | A50UF81401 | Adjusting Plate Caulking | | D | 1 | |
| 26 | A50UN18203 | ADU Drive harness /12 | | D | 1 | |
| 27 | A50UN18900 | ADU Detection harness /14 | | D | 1 | |
| 28 | A50UR72F00 | Motor Assy | | C | 1 | |
| 29 | A50UR72G00 | ADU Connecting Solenoid Pin Assy | | C | 1 | |
| 30 | A50UR72H00 | Stepping Motor / 3 Assy | | C | 1 | |
| 31 | A85CM55600 | Photo Sensor | | C | 2 | |
| 32 | A9VE819100 | Regulating Plate | | D | 1 | |
| 33 | A9VEN16500 | ADU Drive harness /6 | | D | 1 | |
| | | | | | | |
| | | | | | | |
| | | | | | | |
| | | | | | | |



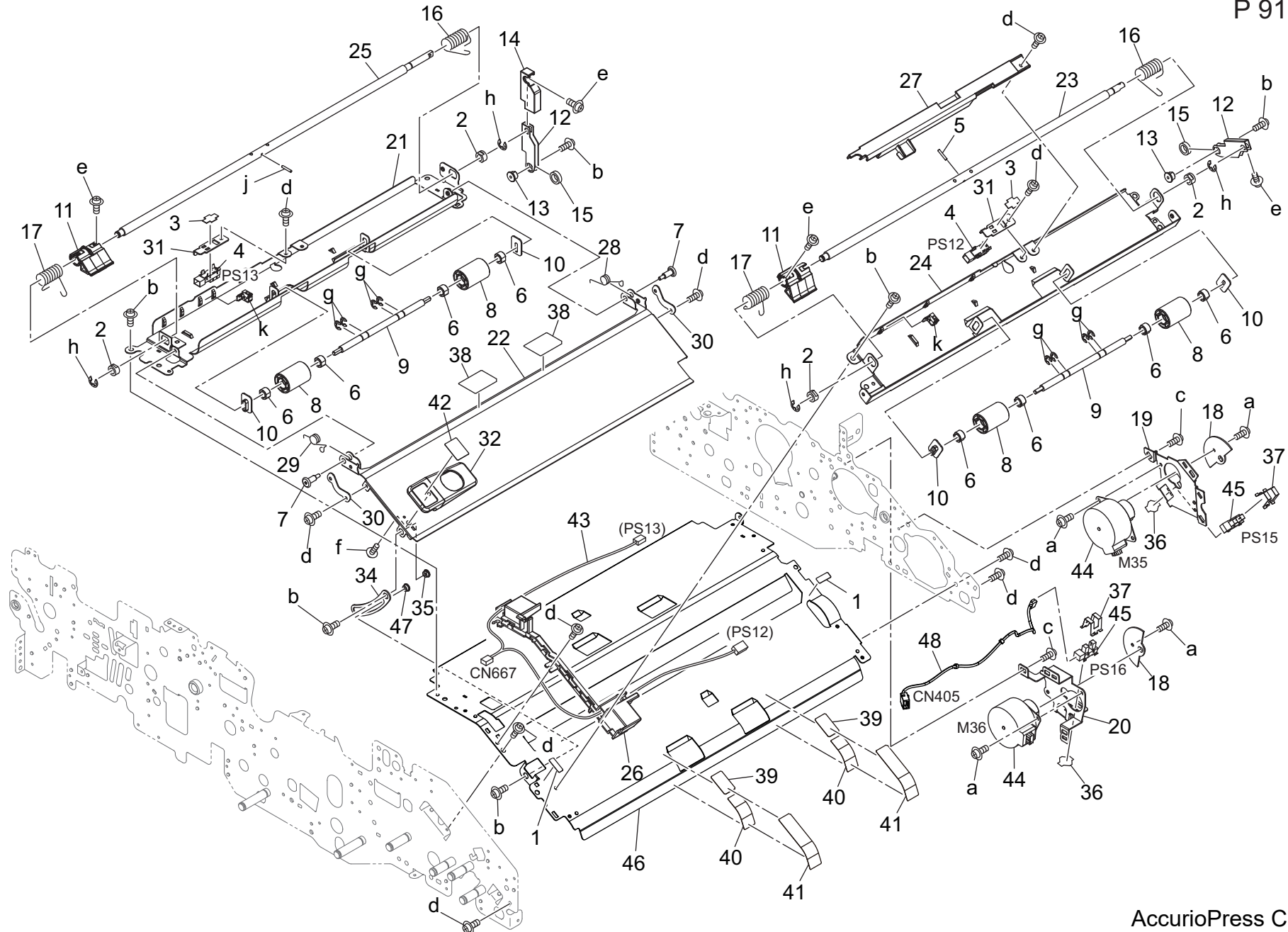
Duplex Section



See P.94 - P.96

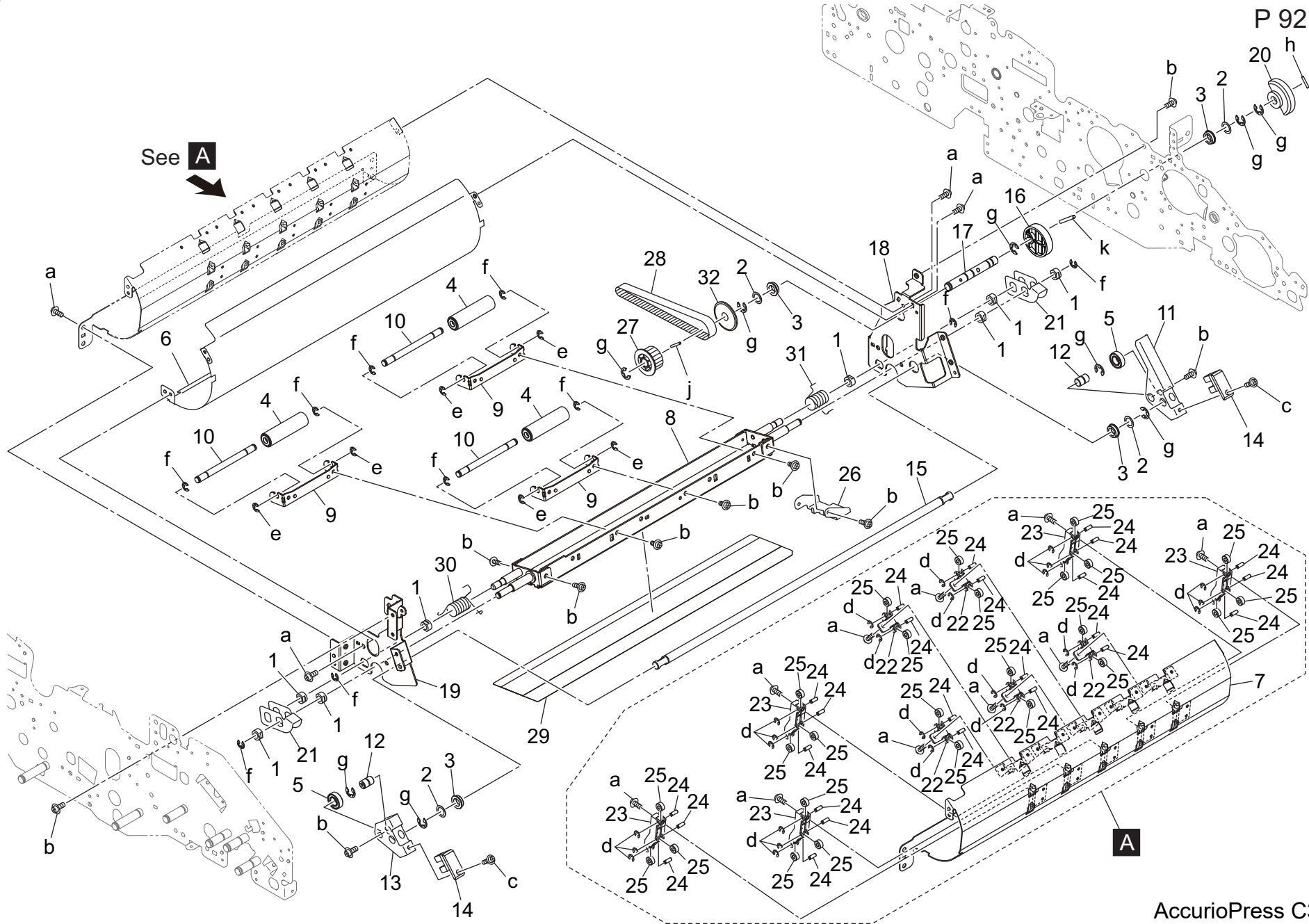
Duplex Section

P 91



| Key | Part No. | Description | Destinations | Class | QTY | Standard parts |
|-----|------------|---------------------------|-------------------|-------|-----|----------------|
| 1 | 4109553001 | Stopper | ストッパー | C | 2 | a-V118030403 |
| 2 | 4131253701 | BUSHING | 軸受 | C | 4 | b-V121030303 |
| 3 | 4470402401 | Stopper | ストッパー | D | 2 | c-V121030403 |
| 4 | 9335140071 | Solid State Switch | 反射型フォトスイッチ | B | 2 | d-V127030604 |
| 5 | 56AA17321 | PIN A D2X12 | ピン A D 2 X 1 2 | B | 1 | e-V127030803 |
| 6 | A03U850101 | Slide Bushing | すべり軸受 | C | 8 | f-V151040803 |
| 7 | A0P0144300 | Shoulder screw | 段ねじ (HDD) | D | 2 | g-V217040003 |
| 8 | A50U712200 | Idler Roll /1 | 従動ころ / 1 | D | 4 | h-V217050003 |
| 9 | A50U712300 | Idler Shaft /1 | 従動軸 / 1 | D | 2 | j-V234201250 |
| 10 | A50U712400 | Receiving Shaft /1 | 受け軸 / 1 | D | 4 | k-V500010057 |
| 11 | A50U714601 | Lever | レバー | D | 2 | |
| 12 | A50U715300 | Pressure Lever /25 | 圧着レバー / 2 5 | D | 2 | |
| 13 | A50U715600 | Support Shaft /2 | 支点軸 / 2 | D | 2 | |
| 14 | A50U715800 | Protection Cover | 保護カバー | D | 1 | |
| 15 | A50U716500 | Ball Bearing | ボールベアリング | C | 2 | |
| 16 | A50U718400 | Pressing Spring /Rear | 押圧ばね / 奥 | D | 2 | |
| 17 | A50U718500 | Pressing Spring /Front | 押圧ばね / 前 | D | 2 | |
| 18 | A50U816700 | Light blocking Plate /1 | 遮光板 / 1 | D | 2 | |
| 19 | A50U816801 | Drive Side plate /1 | 駆動側板 / 1 | D | 1 | |
| 20 | A50U816900 | Drive Side plate /2 | 駆動側板 / 2 | D | 1 | |
| 21 | A50U817601 | Guide Plate | ガイド板 | D | 1 | |
| 22 | A50U817800 | Guide Plate /Middle | ガイド板 / 中 | D | 1 | |
| 23 | A50U818201 | Release Shaft /1 | 解除軸 / 1 | D | 1 | |
| 24 | A50U818400 | Guide Plate /Right | ガイド板 / 右 | D | 1 | |
| 25 | A50U818601 | Release Shaft /2 | 解除軸 / 2 | D | 1 | |
| 26 | A50U833400 | Protection Cover /1 | 保護カバー / 1 | D | 1 | |
| 27 | A50U833500 | Protection Cover /2 | 保護カバー / 2 | D | 1 | |
| 28 | A50U834500 | Pressing Spring /Left | 押圧バネ / 左 | D | 1 | |
| 29 | A50U834600 | Pressing Spring /Right | 押圧バネ / 右 | D | 1 | |
| 30 | A50U834700 | Reinforce Plate /A | 補強板 / A | D | 2 | |
| 31 | A50U836200 | Plate /23 | センサ板 / 2 3 | D | 2 | |
| 32 | A50U880800 | Processing Lever | 処理レバー | D | 1 | |
| 34 | A50U881601 | Processing Guide /1 | 処理ガイド / 1 | D | 1 | |
| 35 | A50U881700 | Support Screw /A | 支持ねじ / A | D | 1 | |
| 36 | A50U882100 | Stopper Plate | ストッパ板 (センサー) | D | 2 | |
| 37 | A50U883600 | Guide /1 | センサガイド / 1 | D | 2 | |
| 38 | A50U886300 | Sheet | シート | D | 2 | |
| 39 | A50U887100 | Conductive Tape /4 | 導電性テープ / 4 | D | 2 | |
| 40 | A50U887200 | Duplex Tape | 両面テープ | D | 2 | |
| 41 | A50U887300 | Conveyance Guide /3 | 搬送ガイド / 3 | D | 2 | |
| 42 | A50U943201 | Release Label /2 | 解除ラベル / 2 | D | 1 | |
| 43 | A50UN17900 | ADU Detection harness /13 | ADU 検知束線 / 1 3 | D | 1 | |
| 44 | A50UR72600 | Drive Motor / 1 Assy | 駆動モータ / 1 A s s y | C | 2 | |
| 45 | A85CM55500 | Photo Sensor | フォトセンサ | C | 2 | |
| 46 | A9VE871600 | Conveyance Guide /Lower | 搬送ガイド / 下 | D | 1 | |
| 47 | A9VE872000 | Support Screw /A | 支持ねじ / A | D | 1 | |
| 48 | A9VEN16200 | ADU Detection harness /16 | ADU 検知束線 / 1 6 | D | 1 | |

Duplex Section

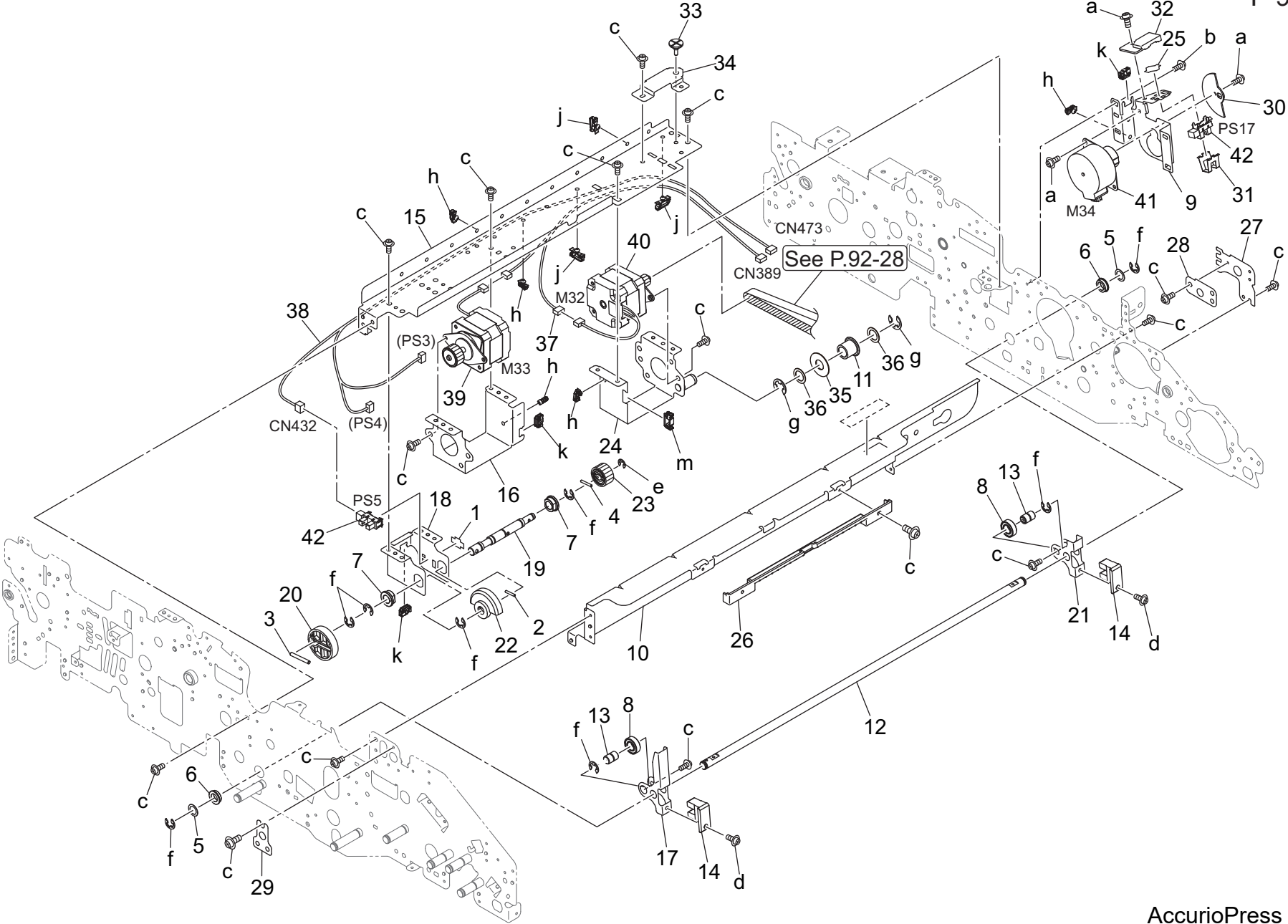


AccurioPress C3080

| Key | Part No. | Description | Destinations | Class | QTY | Standard parts |
|-----|------------|----------------------|--------------|-------|-----|----------------|
| 1 | 4131253701 | BUSHING | | C | 8 | a-V121030403 |
| 2 | 56AA42690 | By-Pass Spacer | | C | 4 | b-V127030604 |
| 3 | A00J617900 | Ball Bearing | | B | 4 | c-V127030803 |
| 4 | A03U845301 | Idler Roller /1 | | C | 3 | d-V217020003 |
| 5 | A1RF820000 | Ball Bearing | | C | 2 | e-V217030003 |
| 6 | A50U840303 | Guide Plate /3 | | D | 1 | f-V217040003 |
| 7 | A50U840802 | Guide Plate /2 | | D | 1 | g-V217060003 |
| 8 | A50U841402 | Release Plate /10 | | D | 1 | h-V234201250 |
| 9 | A50U846102 | Mounting Plate /5 | | D | 3 | j-V234201650 |
| 10 | A50U846304 | Idler Shaft /F | | D | 3 | k-V234302550 |
| 11 | A50U851400 | Release Plate /Rear | | D | 1 | |
| 12 | A50U851500 | Shaft | | D | 2 | |
| 13 | A50U851700 | Release Plate | | D | 1 | |
| 14 | A9VE851800 | Reinforce Block | | D | 2 | |
| 15 | A50U852000 | Release Shaft /4 | | D | 1 | |
| 16 | A50U852501 | Cam | | D | 1 | |
| 17 | A50U852701 | Release Shaft /3 | | D | 1 | |
| 18 | A50U852904 | Release Plate /4 | | D | 1 | |
| 19 | A50U853001 | Release Plate /5 | | D | 1 | |
| 20 | A50U853200 | Pressure Actuator | | D | 1 | |
| 21 | A50U853700 | Release Plate /7 | | D | 2 | |
| 22 | A50U854200 | Roller Base frame /2 | | D | 5 | |
| 23 | A50U854302 | Roller Base frame /1 | | D | 5 | |
| 24 | A50U854400 | Fixing Shaft | | D | 25 | |
| 25 | A50U854800 | Conveyance Roll | | D | 25 | |
| 26 | A50U856201 | Support Plate | | D | 1 | |
| 27 | A50U859500 | Pulley /2 | | D | 1 | |
| 28 | A50U859800 | Belt /1 280L | | C | 1 | |
| 29 | A50U880103 | Conveyance Guide /1 | | D | 1 | |
| 30 | A50U881300 | Torsion Coil spring | | D | 1 | |
| 31 | A50U881400 | Torsion Coil spring | | D | 1 | |
| 32 | A50U886800 | Regulating Spacer | | D | 1 | |
| | | | | | | |
| | | | | | | |
| | | | | | | |
| | | | | | | |
| | | | | | | |

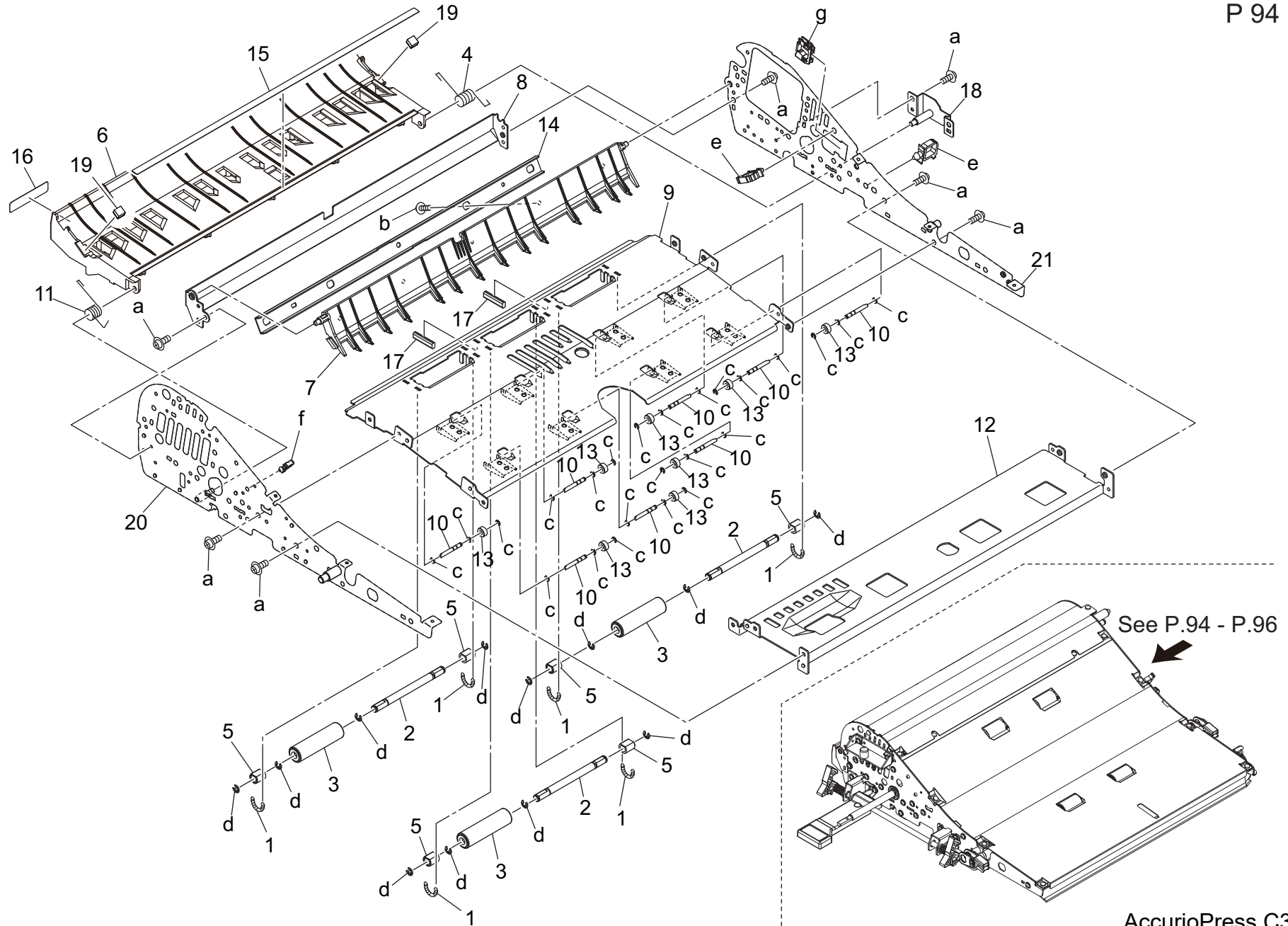
Duplex Section

P 93

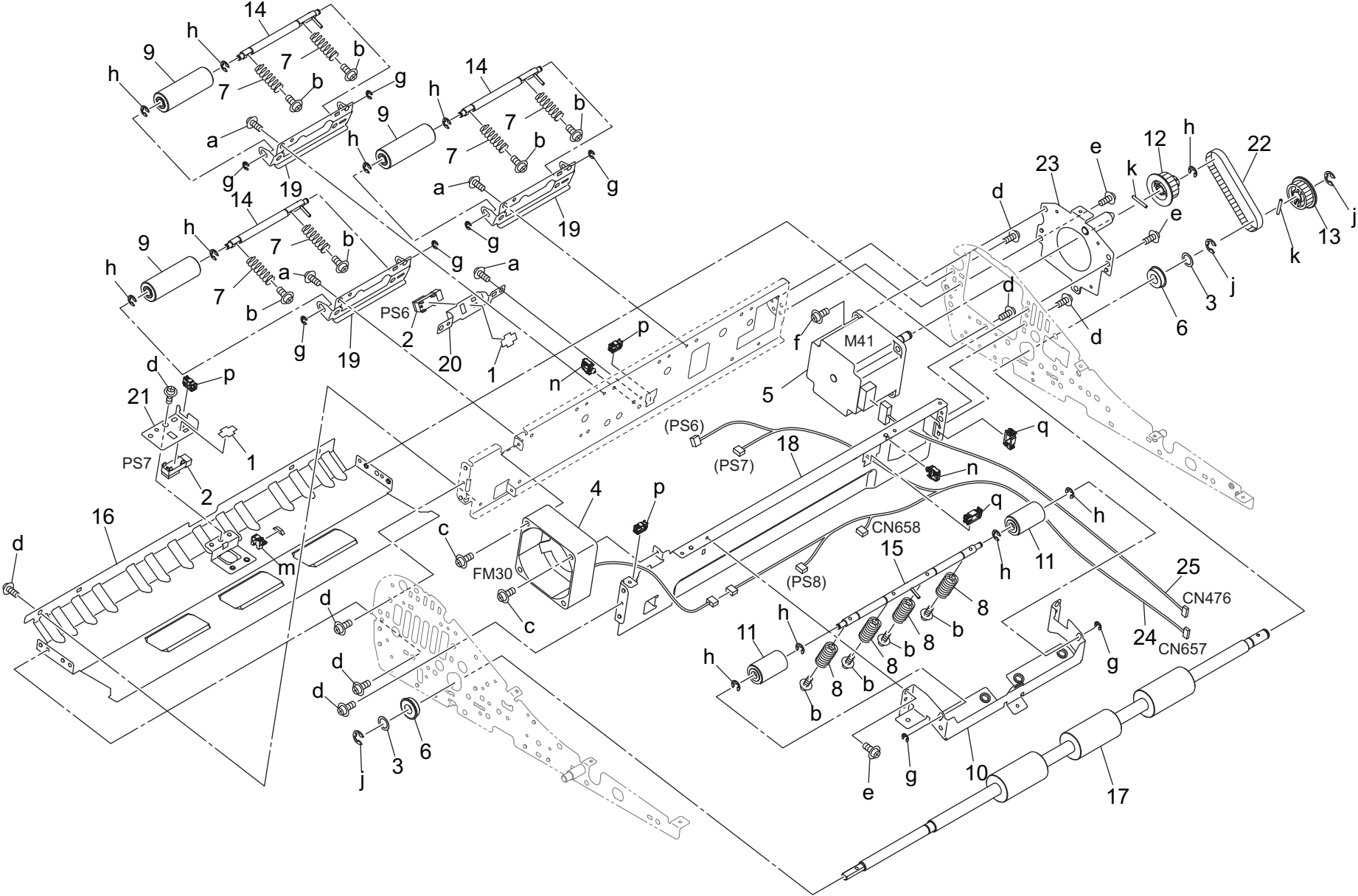


| Key | Part No. | Description | Destinations | Class | QTY | Standard parts |
|-----|---------------|------------------------------|--------------|-------|-----|----------------|
| 1 | 4470402401 | Stopper | | D | 1 | a-V118030403 |
| 2 | V234201250 | Pin | | V | 1 | b-V121030403 |
| 3 | 56AA17490 | Pin | | C | 1 | c-V127030604 |
| 4 | V234201450 | Pin | | V | 1 | d-V127030803 |
| 5 | 56AA42690 | By-Pass Spacer | | C | 2 | e-V217040003 |
| 6 | A00J617900 | Ball Bearing | | B | 2 | f-V217060003 |
| 7 | A03U812800 | Slide Shaft Holder | | B | 2 | g-V217080003 |
| 8 | A1RF820000 | Ball Bearing | | C | 2 | h-V500020099 |
| 9 | A50U715400 | Pressure Side plate /1 | | D | 1 | j-V500020100 |
| 10 | A50U816403 | Hold Stay /Right | | D | 1 | k-V570010056 |
| 11 | A50U836801 | Tension Pulley /B | | D | 1 | m-V570010057 |
| 12 | A50U850700 | Release Shaft /2 | | D | 1 | |
| 13 | A50U851500 | Shaft | | D | 2 | |
| 14 | A9VE851800 | Reinforce Block | | D | 2 | |
| 15 | A50U851901 | Mounting Plate /1 | | D | 1 | |
| 16 | A50U852102 | Mounting Plate /2 | | D | 1 | |
| 17 | A50U852200 | Release Plate /3 | | D | 1 | |
| 18 | A50U852300Old | Mounting Plate /3 | | D | 1 | |
| 18 | A50U852301 | Mounting Plate /3 | | D | 1 | |
| 19 | A50U852400 | Release Shaft /1 | | D | 1 | |
| 20 | A50U852501 | Cam | | D | 1 | |
| 21 | A50U853100 | Release Plate /6 | | D | 1 | |
| 22 | A50U853200 | Pressure Actuator | | D | 1 | |
| 23 | A50U854600 | Release Gear /1 24T | | C | 1 | |
| 24 | A50U858703 | Mounting Plate /3 | | D | 1 | |
| 25 | A50U882100 | Stopper Plate | | D | 1 | |
| 26 | A50U882900 | Handle | | D | 1 | |
| 27 | A50U883001 | Positioning Side plate /Rear | | D | 1 | |
| 28 | A50U883101 | Positioning Plate /Rear | | D | 1 | |
| 29 | A50U883200 | Positioning Plate /Front | | D | 1 | |
| 30 | A50U883400 | Light blocking Plate | | D | 1 | |
| 31 | A50U883600 | Guide /1 | | D | 1 | |
| 32 | A50U883701 | Protection Cover /1 | | D | 1 | |
| 33 | A50U884000 | Registration Screw | | D | 1 | |
| 34 | A50U884300 | Registration Plate | | D | 1 | |
| 35 | A50U886700 | Holding Collar | | D | 1 | |
| 36 | A50U886900 | Spacer | | D | 2 | |
| 37 | A50UN15900 | ADU Drive harness /3 | | D | 1 | |
| 38 | A50UN18100 | ADU Detection harness /10 | | D | 1 | |
| 39 | A50UR72400 | Stepping Motor /2 Assy | | C | 1 | |
| 40 | A50UR72500 | Stepping Motor /1 Assy | | C | 1 | |
| 41 | A50UR72600 | Drive Motor /1 Assy | | C | 1 | |
| 42 | A85CM55600 | Photo Sensor | | C | 2 | |

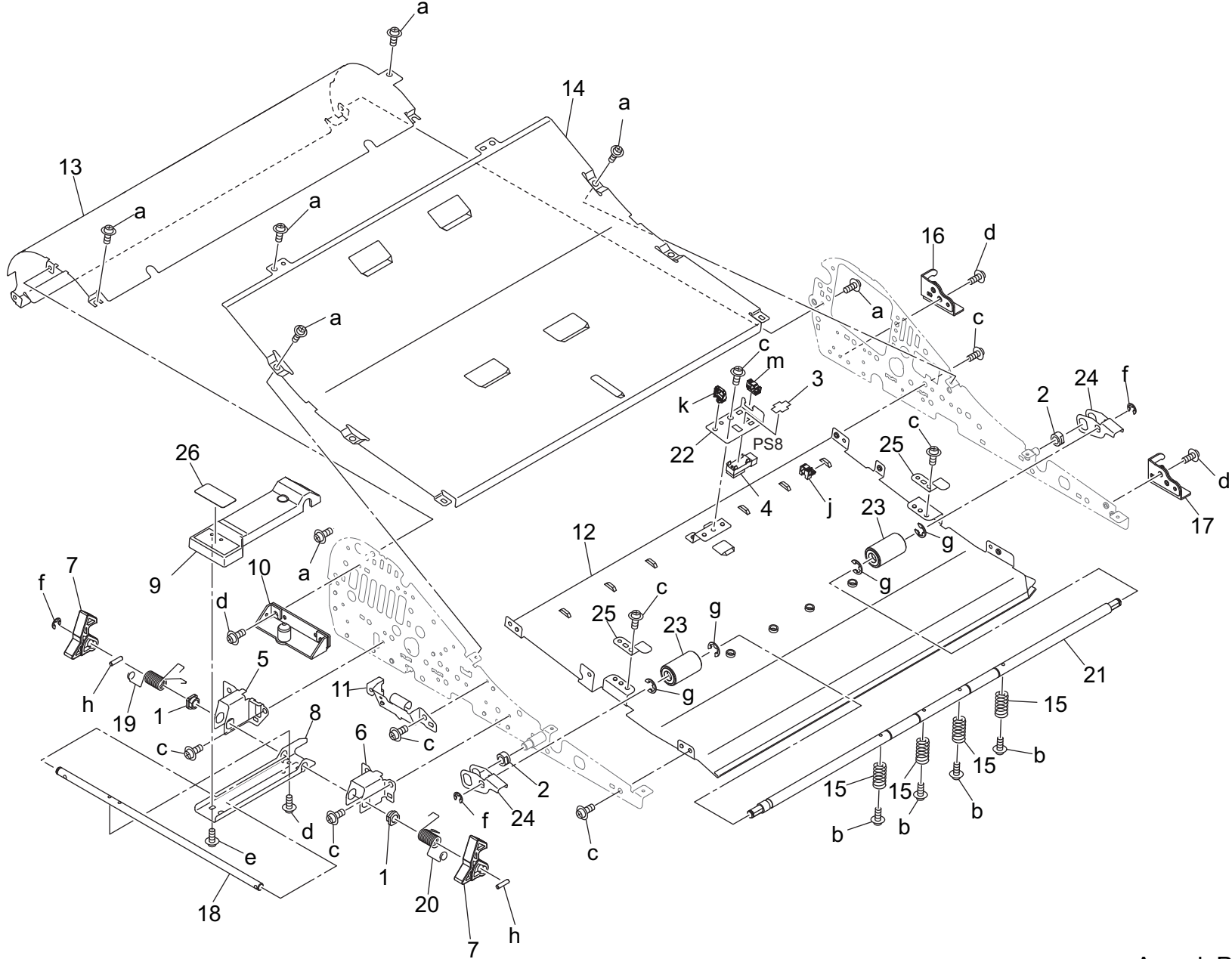
Duplex Section



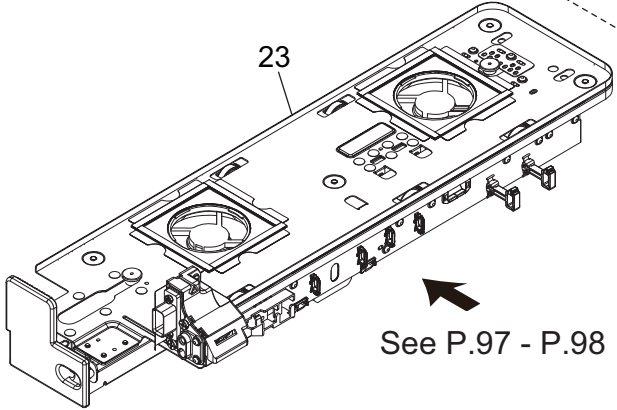
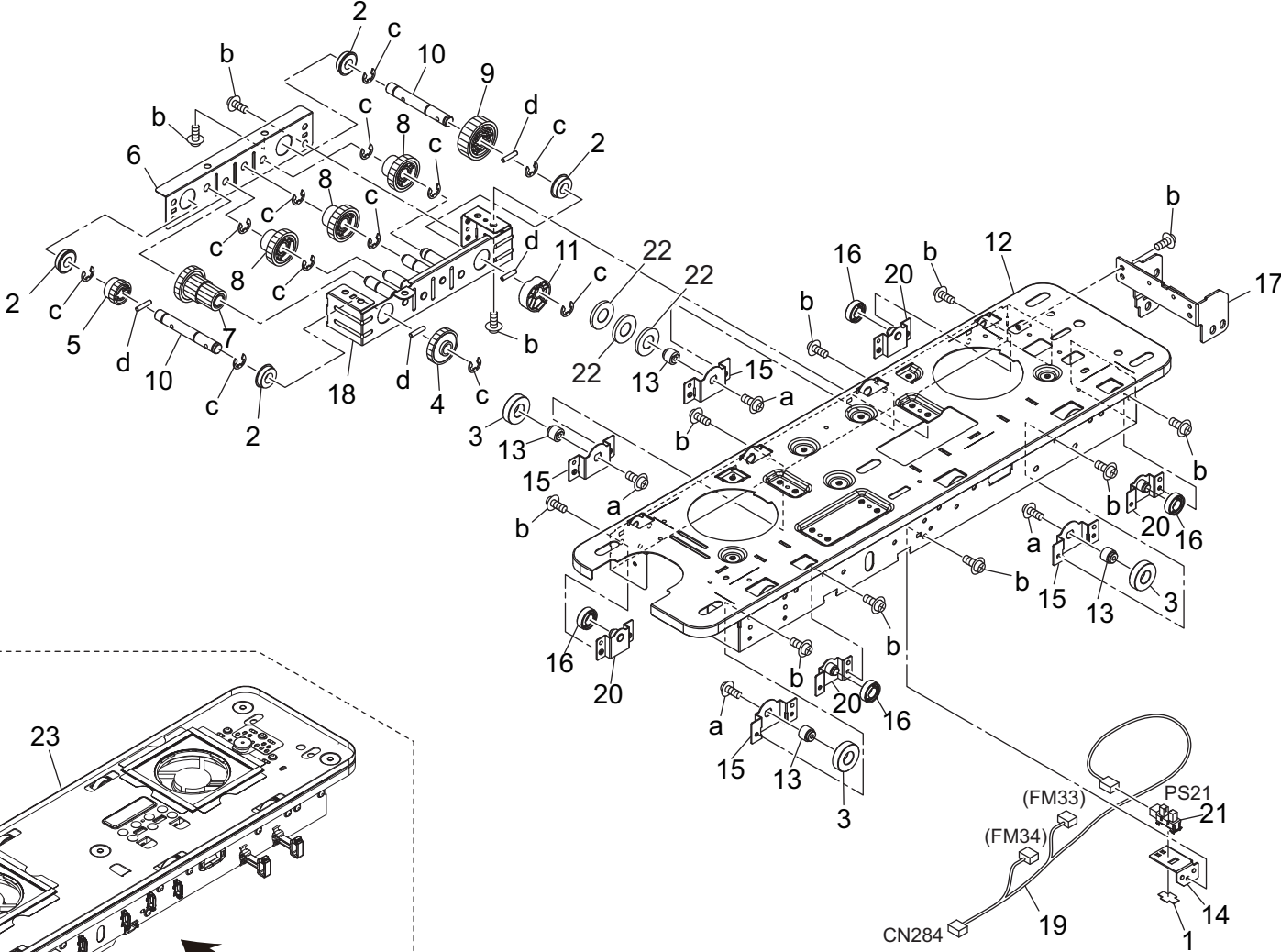
Duplex Section



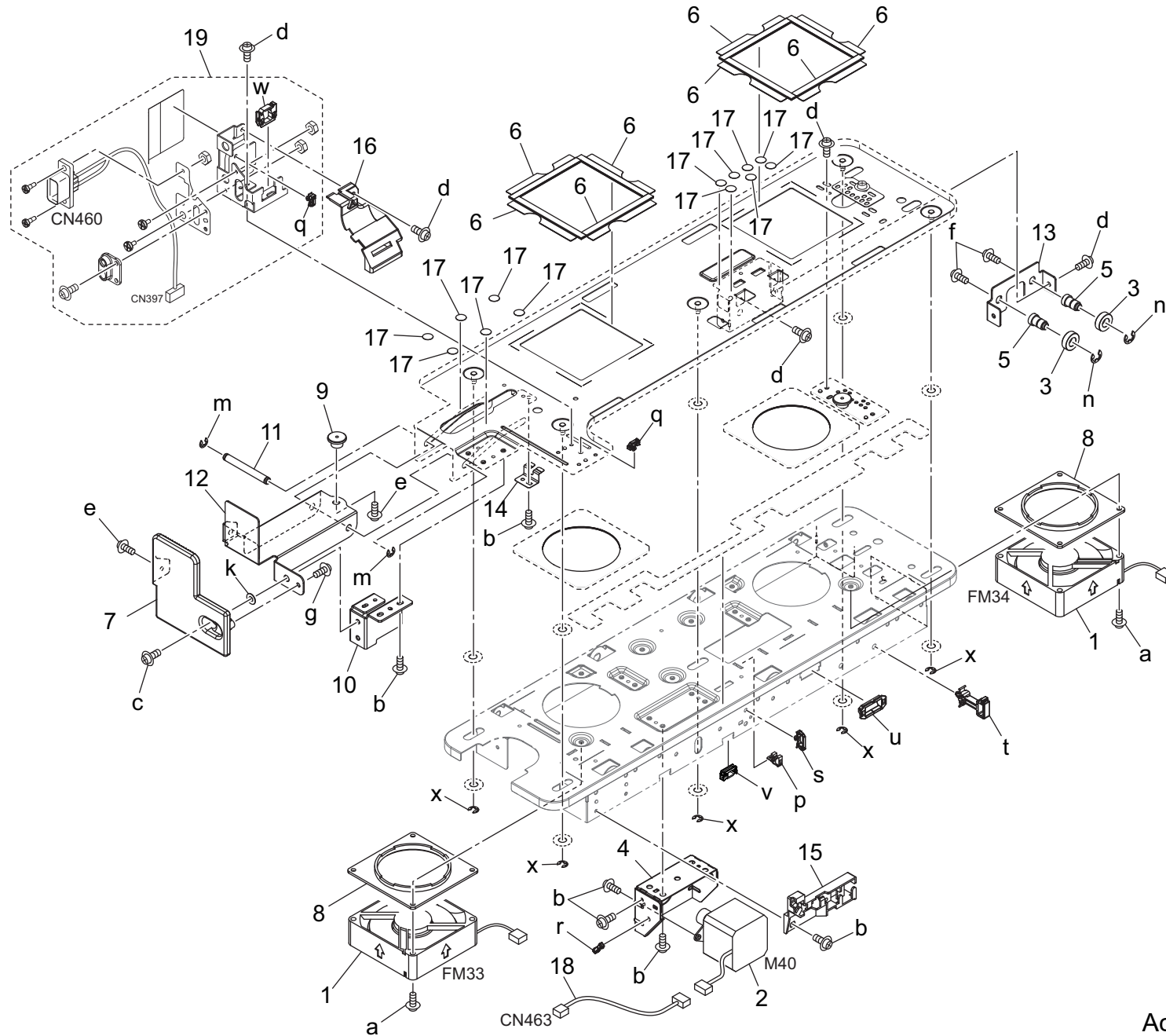
Duplex Section



Duplex Swing Section

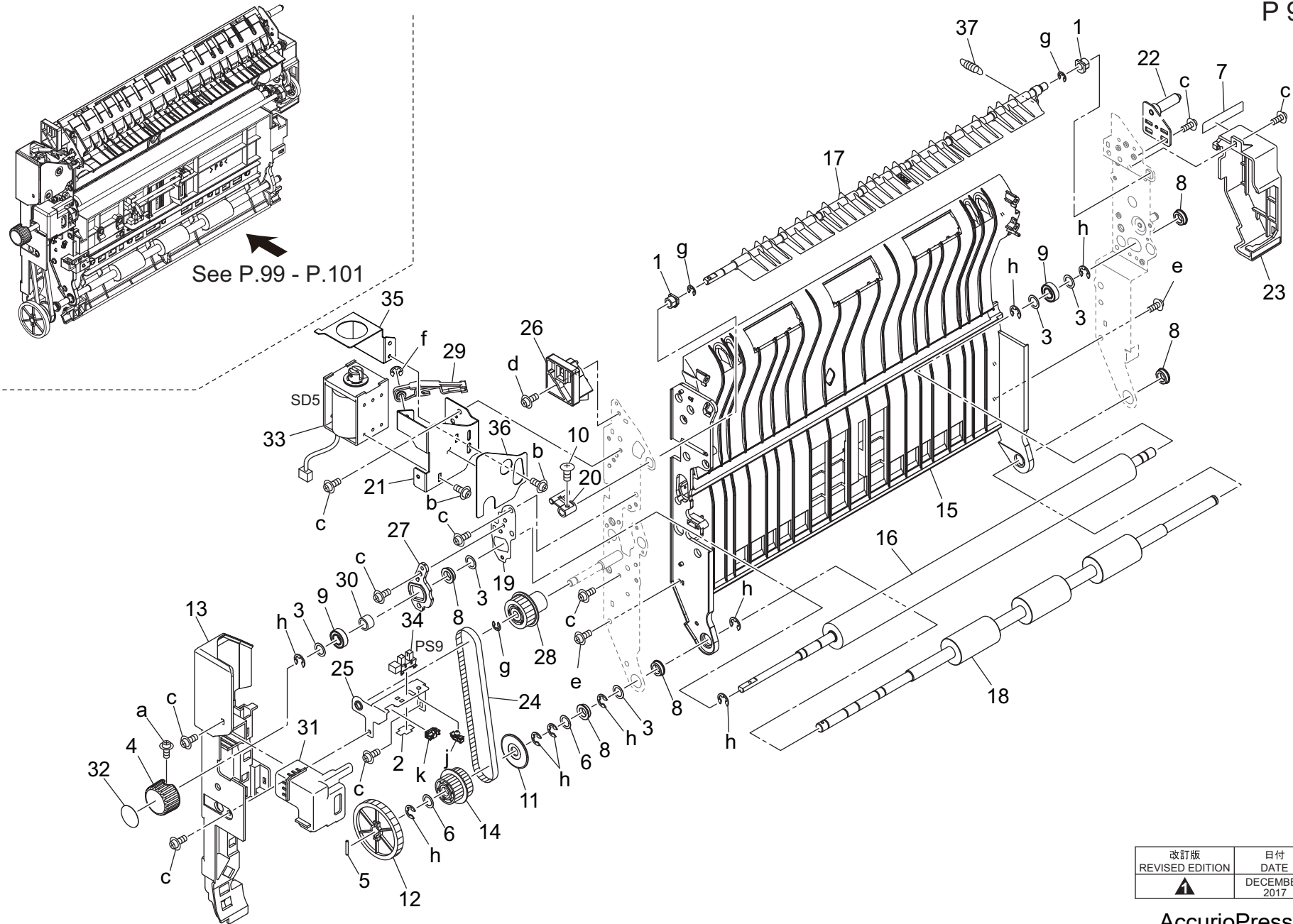


Duplex Swing Section



Reverse Section

P 99



See P.99 - P.101

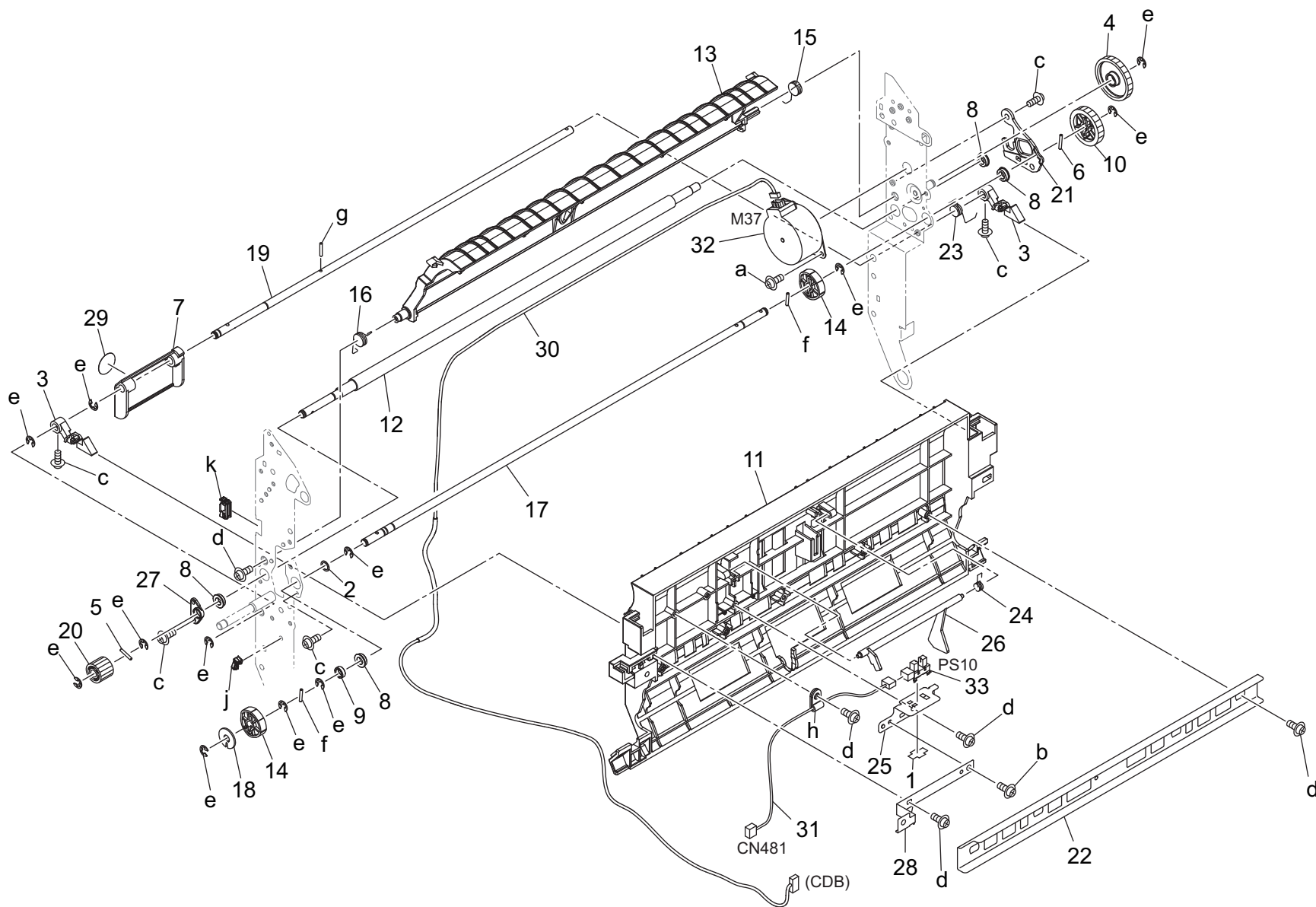
| | |
|---|------------------|
| 改訂版 REVISED EDITION | 日付 DATE |
|  | DECEMBER 2017 |

AccurioPress C3080

| Key | Part No. | Description | Destinations | Class | QTY | Standard parts |
|-----|---------------|-----------------------------|--------------|-------|-----|----------------|
| 1 | 192141710 | PAPER LIFT UP LEVER BUSHING | | B | 2 | a-V118030603 |
| 2 | 4470402401 | Stopper | | D | 1 | b-V121030403 |
| 3 | 13QA40610 | Gear Spacer | | C | 5 | c-V127030604 |
| 4 | 14GE45470 | Rotation Knob | | C | 1 | d-V127031203 |
| 5 | 56AA17551 | PIN A | | C | 1 | e-V151030803 |
| 6 | 56AA42690 | By-Pass Spacer | | C | 2 | f-V217030003 |
| 7 | 65AA42370 | SLIDE PART 1 | | D | 1 | g-V217040003 |
| 8 | A00J617900 | Ball Bearing | | B | 5 | h-V217060003 |
| 9 | A1RF820000 | Ball Bearing | | C | 2 | j-V500020099 |
| 10 | A50U642300 | Mounting Screw | | D | 1 | k-V570010056 |
| 11 | A50U817300 | Holding Collar | | D | 1 | |
| 12 | A50U819600 | Reverse/Exit Gear /2 50T | | C | 1 | |
| 13 | A50U834304 | Cover Part /2 | | D | 1 | |
| 14 | A50U838800 | Drive Idler /1 | | D | 1 | |
| 15 | A50U860104 | Guide Plate /A | | D | 1 | |
| 16 | A50U860501 | Decurler Roller | | A | 1 | |
| 17 | A50U861006 | Swing Part | | D | 1 | |
| 18 | AC57861800 | Reverse/Exit Roller /Lower | | C | 1 | |
| 19 | A50U865300 | Holding Plate | | D | 1 | |
| 20 | A50U865703 | Swing Arm | | D | 1 | |
| 21 | A50U865901Old | Support Plate | | D | 1 | |
| 21 | A50U865902 | Support Plate | | D | 1 | |
| 22 | A50U866400 | Positioning Plate /2 | | D | 1 | |
| 23 | A50U866900 | Drive Cover /1 | | D | 1 | |
| 24 | A50U867200 | Belt /A 324L | | C | 1 | |
| 25 | A50U867312 | Fixing Plate /1 | | D | 1 | |
| 26 | A50U867400 | Positioning Part | | D | 1 | |
| 27 | A50U867500 | Fixing Plate /1 | | D | 1 | |
| 28 | A50U867600 | Reverse/Exit Gear /1 20T | | C | 1 | |
| 29 | A50U867802 | Positioning Plate /1 | | D | 1 | |
| 30 | A50U869400 | Collar | | D | 1 | |
| 31 | A50U869501 | Cover | | D | 1 | |
| 32 | A50U943801 | Release Label /8 | | D | 1 | |
| 33 | A50UR72811 | ADU Solenoid Pin Assy | | C | 1 | |
| 34 | A85CM55500 | Photo Sensor | | C | 1 | |
| 35 | A9VE866100 | Receiving Plate /1 | | D | 1 | |
| 36 | A9VE866200Old | Insulating Sheet /1 | | D | 1 | |
| 36 | A9VE866201 | Insulating Sheet /1 | | D | 1 | |
| 37 | A9VE867900 | Open/close Spring | | D | 1 | |
| | | | | | | |
| | | | | | | |
| | | | | | | |

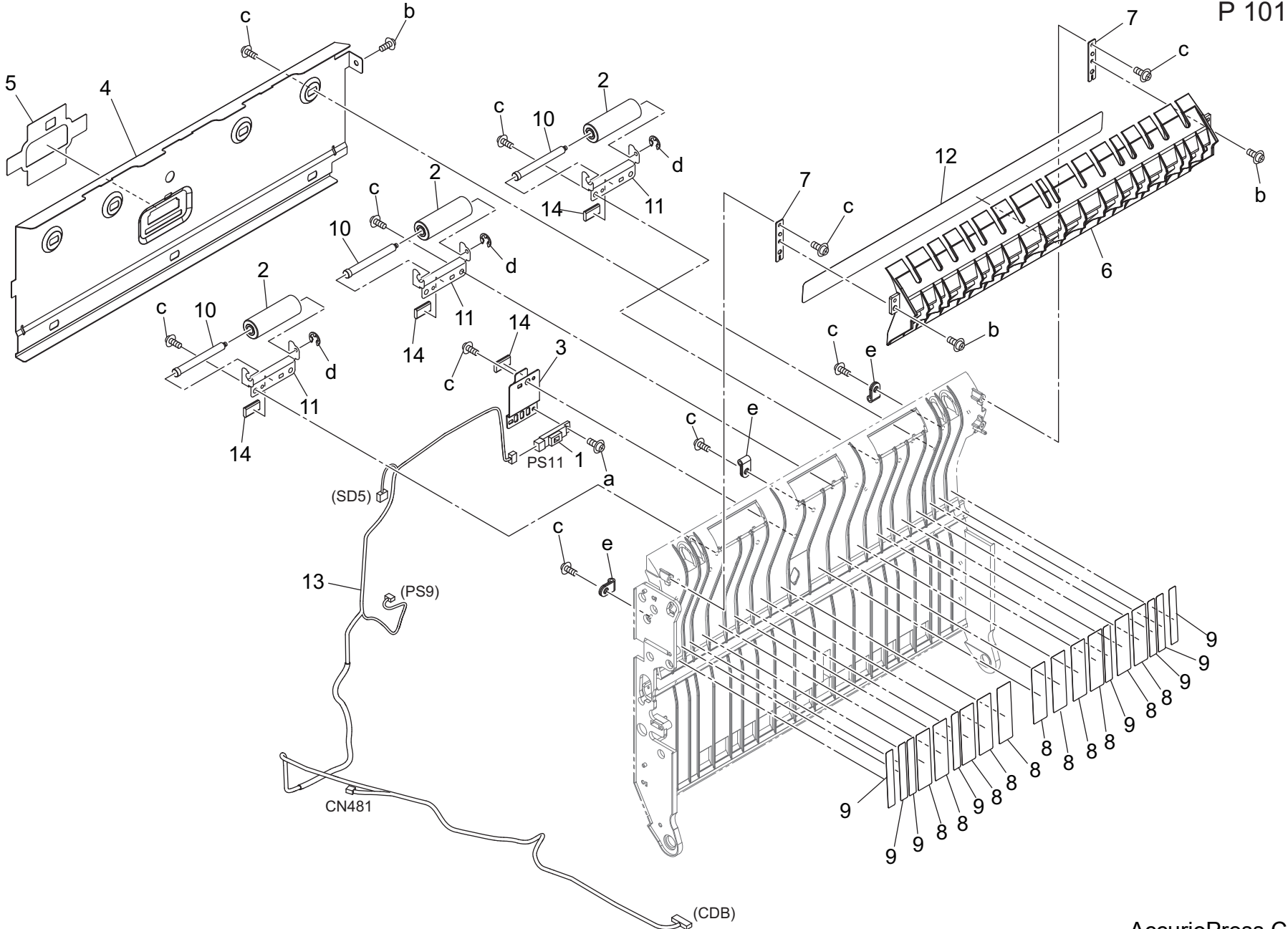
Reverse Section

P 100




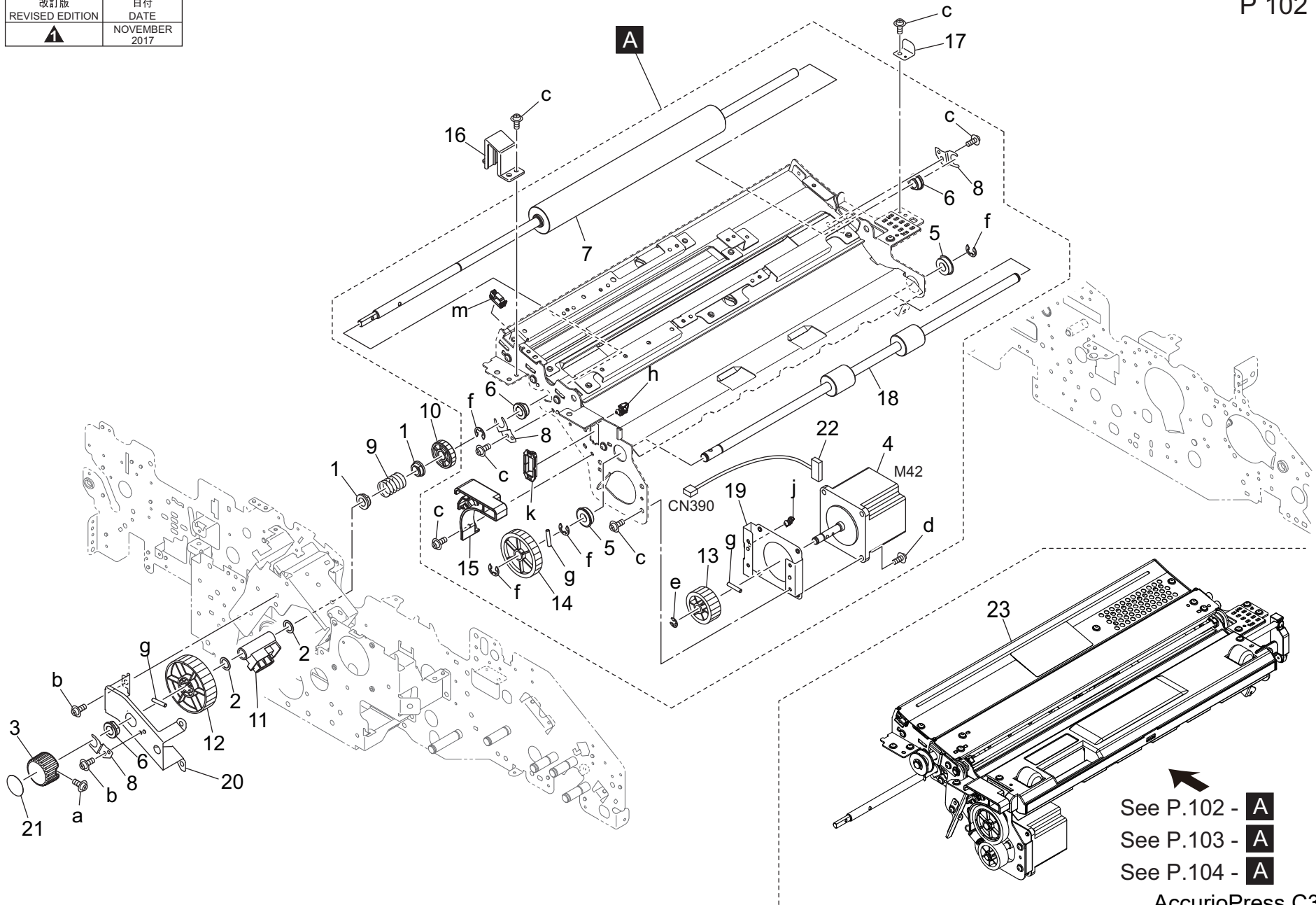
| Key | Part No. | Description | Destinations | Class | QTY | Standard parts |
|-----|------------|-----------------------------|--------------|-------|-----|----------------|
| 1 | 4470402401 | Stopper | | D | 1 | a-V118030403 |
| 2 | 40AA30270 | DEVELOPING SPACER | | C | 1 | b-V127030603 |
| 3 | 40AA46261 | Lock Claw /F | | B | 2 | c-V127030604 |
| 4 | 40AA77550 | Mirror Drive Gear /2 14/70T | | C | 1 | d-V151030803 |
| 5 | 56AA17321 | PIN A D2X12 | | B | 1 | e-V217040003 |
| 6 | 56AA17551 | PIN A | | C | 1 | f-V234200850 |
| 7 | 65AA49410 | Paper Exit Handle | | C | 1 | g-V234201250 |
| 8 | A00J617800 | Ball Bearing | | B | 4 | h-V500020002 |
| 9 | A1RF863800 | Collar | | D | 1 | j-V500020099 |
| 10 | A1RJ818800 | Drive Gear /8 29T | | C | 1 | k-V570010057 |
| 11 | A50U860202 | Guide Plate /B | | D | 1 | |
| 12 | A50U860600 | Riverse/exit Shaft | | D | 1 | |
| 13 | A50U861100 | Guide Plate /4 | | D | 1 | |
| 14 | A50U861601 | Positioning Cam | | D | 2 | |
| 15 | A50U864200 | Reverse/Exit Spring /Rear | | D | 1 | |
| 16 | A50U864300 | Reverse/Exit Spring /Front | | D | 1 | |
| 17 | A50U865101 | Pressing Shaft | | D | 1 | |
| 18 | A50U865401 | Positioning | | D | 1 | |
| 19 | A50U865601 | Lock Shaft /A | | D | 1 | |
| 20 | A50U867100 | Reverse/Exit Gear /A 20T | | C | 1 | |
| 21 | A50U867700 | Fixing Plate /2 | | D | 1 | |
| 22 | A50U868000 | Reinforce Plate /A | | D | 1 | |
| 23 | A50U868401 | Open/close Spring /1 | | D | 1 | |
| 24 | A50U868702 | Spring /1 | | D | 1 | |
| 25 | A50U869300 | Mounting Stay | | D | 1 | |
| 26 | A50U869601 | Arm /1 | | D | 1 | |
| 27 | A50U869700 | Fixing Collar /1 | | D | 1 | |
| 28 | A50U869800 | Ground Plate /1 | | D | 1 | |
| 29 | A50U943601 | Release Label /6 | | D | 1 | |
| 30 | A50UN17601 | ADU Drive harness /8 | | D | 1 | |
| 31 | A50UN18401 | ADU Detection harness /12 | | D | 1 | |
| 32 | A50UR72711 | Drive Motor / 1 Assy | | C | 1 | |
| 33 | A85CM55600 | Photo Sensor | | C | 1 | |
| | | | | | | |
| | | | | | | |
| | | | | | | |
| | | | | | | |
| | | | | | | |

Reverse Section



Resist Section

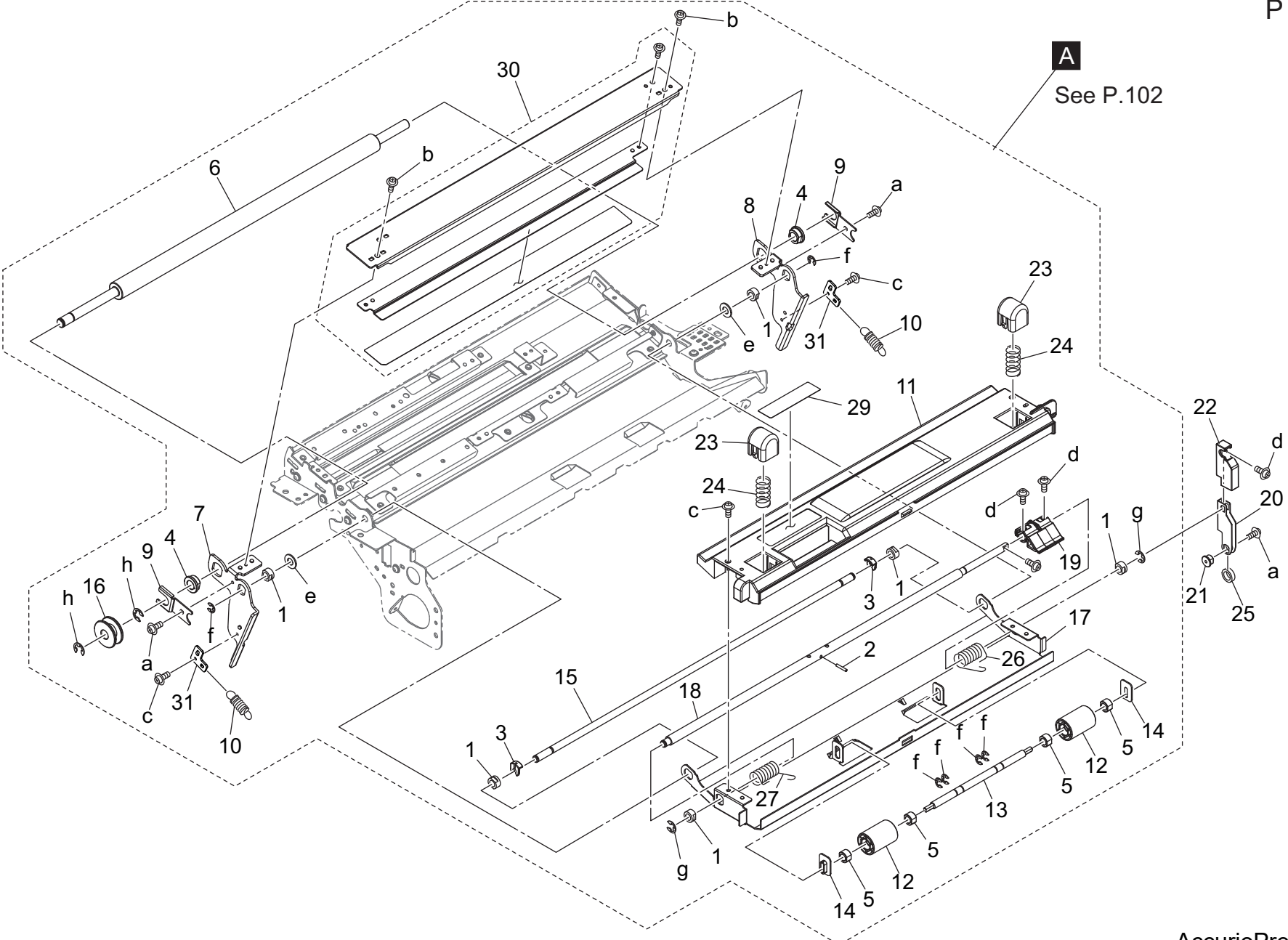
| | |
|---|------------------|
| 改訂版 REVISED EDITION | 日付 DATE |
|  | NOVEMBER 2017 |



See P.102 - **A**
 See P.103 - **A**
 See P.104 - **A**

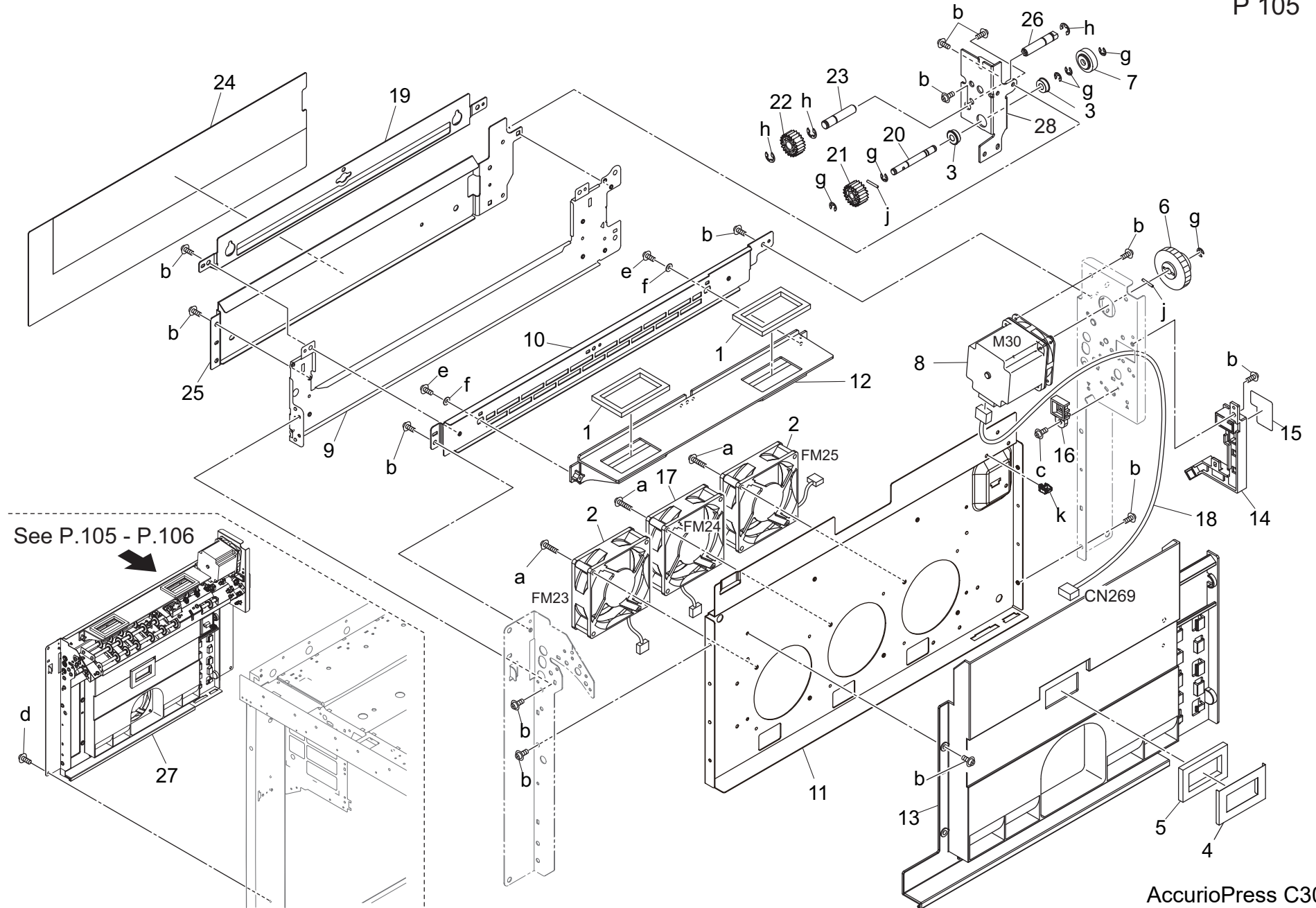
AccurioPress C3080

Resist Section



Exit Section

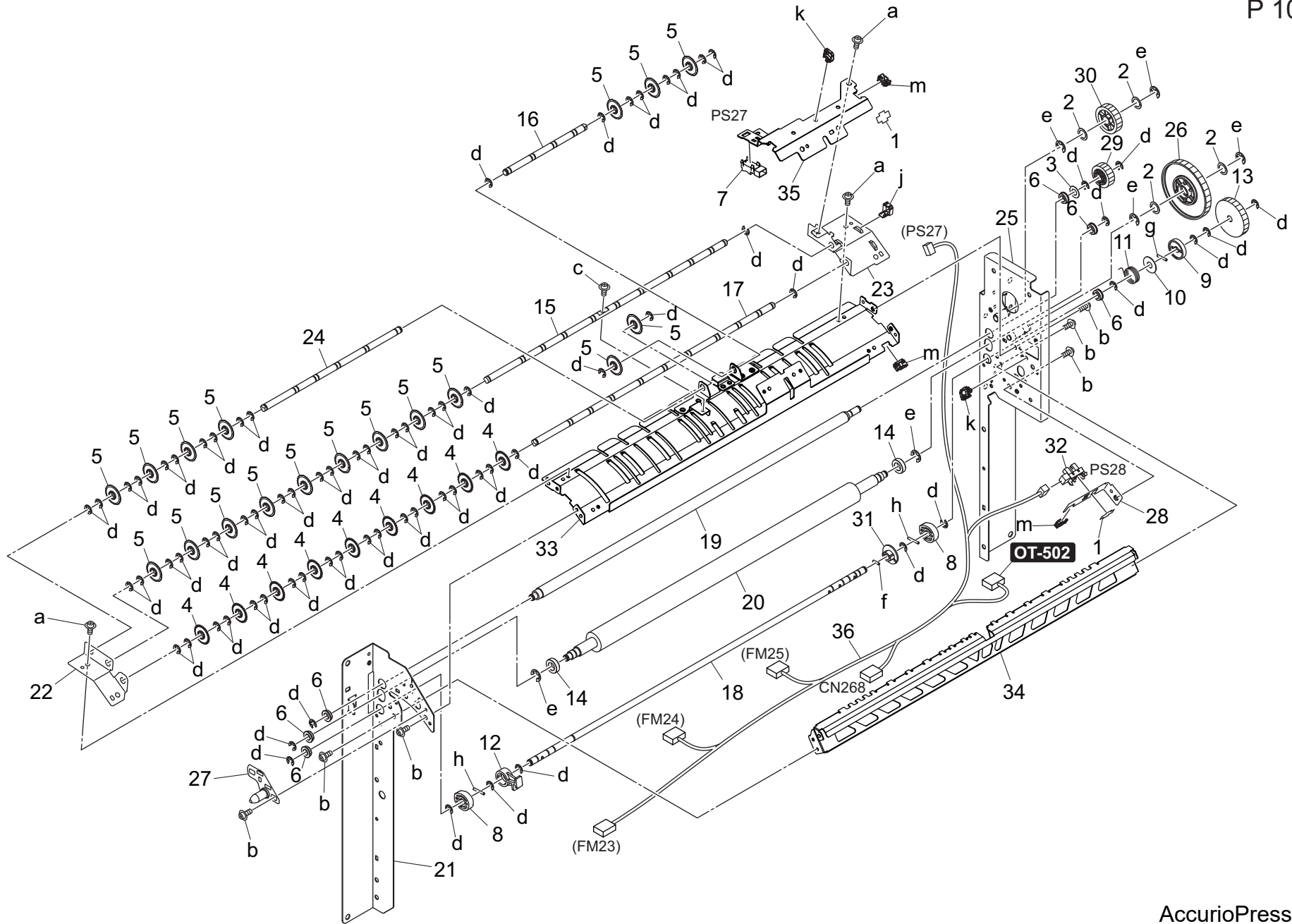
P 105



AccurioPress C3080

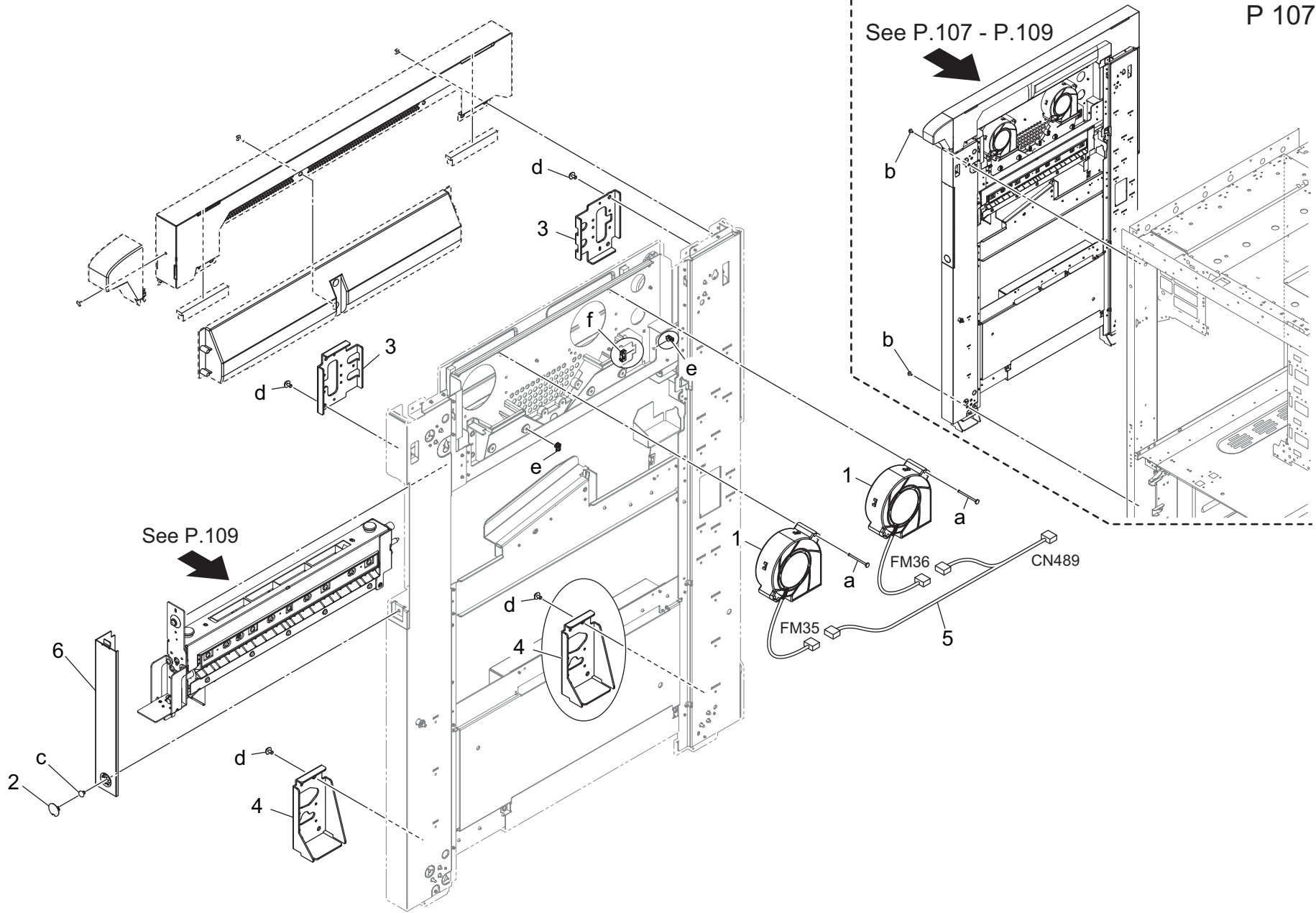
| Key | Part No. | Description | Destinations | Class | QTY | Standard parts |
|-----|------------|--------------------------------|--------------|-------|-----|----------------|
| 1 | 65LA48530 | DUCT SEAL 1 | | D | 2 | a-V118033003 |
| 2 | 9J03M10000 | FAN MOTOR | | B | 2 | b-V127030604 |
| 3 | A00J211200 | Ball Bearing | | C | 2 | c-V127030803 |
| 4 | A03U892300 | Sheet | | C | 1 | d-V127040603 |
| 5 | A03U892400 | Seal | | C | 1 | e-V145030803 |
| 6 | A03U909900 | Paper exit Gear /1 22/44T | | C | 1 | f-V207030003 |
| 7 | A043909901 | PAPER EXIT GEAR /6 23T | | B | 1 | g-V217040003 |
| 8 | A1TVM10100 | Stepping motor /50 | | B | 1 | h-V217060003 |
| 9 | A50U890500 | Reinforce Plate /Left | | D | 1 | j-V234201450 |
| 10 | A50U891001 | Guide Plate /Left | | D | 1 | k-V500020098 |
| 11 | A50U891201 | Paper exit Plate | | D | 1 | |
| 12 | A50U892201 | Cooling Duct /2 | | D | 1 | |
| 13 | A50U892502 | Paper exit Duct | | D | 1 | |
| 14 | A50U893300 | Guide Cover /1 | | D | 1 | |
| 15 | A50U895000 | Wiring Sheet | | D | 1 | |
| 16 | A50U895101 | Positioning Part | | D | 1 | |
| 17 | A50UM15300 | Fan motor /2 | | C | 1 | |
| 18 | A50UN15301 | Drive harness /2 | | D | 1 | |
| 19 | A8AK106101 | Paper Exit Guide /Upper | | C | 1 | |
| 20 | A8AK106200 | Drive Shaft | | D | 1 | |
| 21 | A8AK106300 | Drive Gear /B 20T | | C | 1 | |
| 22 | A8AK106400 | Drive Gear /C 21T | | C | 1 | |
| 23 | A8AK106800 | Idling Shaft | | D | 1 | |
| 24 | A8AK107200 | Thermal insulation Sheet /4 | | D | 1 | |
| 25 | A8AK162701 | Paper exit Guide /Lower | | D | 1 | |
| 26 | A8AW161911 | Idling Shaft /2 | | D | 1 | |
| 27 | A9VEF89001 | Main Body Paper Exit Unit Assy | | D | 1 | |
| 28 | A85C897101 | Drive Plate /D | | D | 1 | |
| | | | | | | |
| | | | | | | |
| | | | | | | |
| | | | | | | |
| | | | | | | |
| | | | | | | |
| | | | | | | |
| | | | | | | |

Exit Section

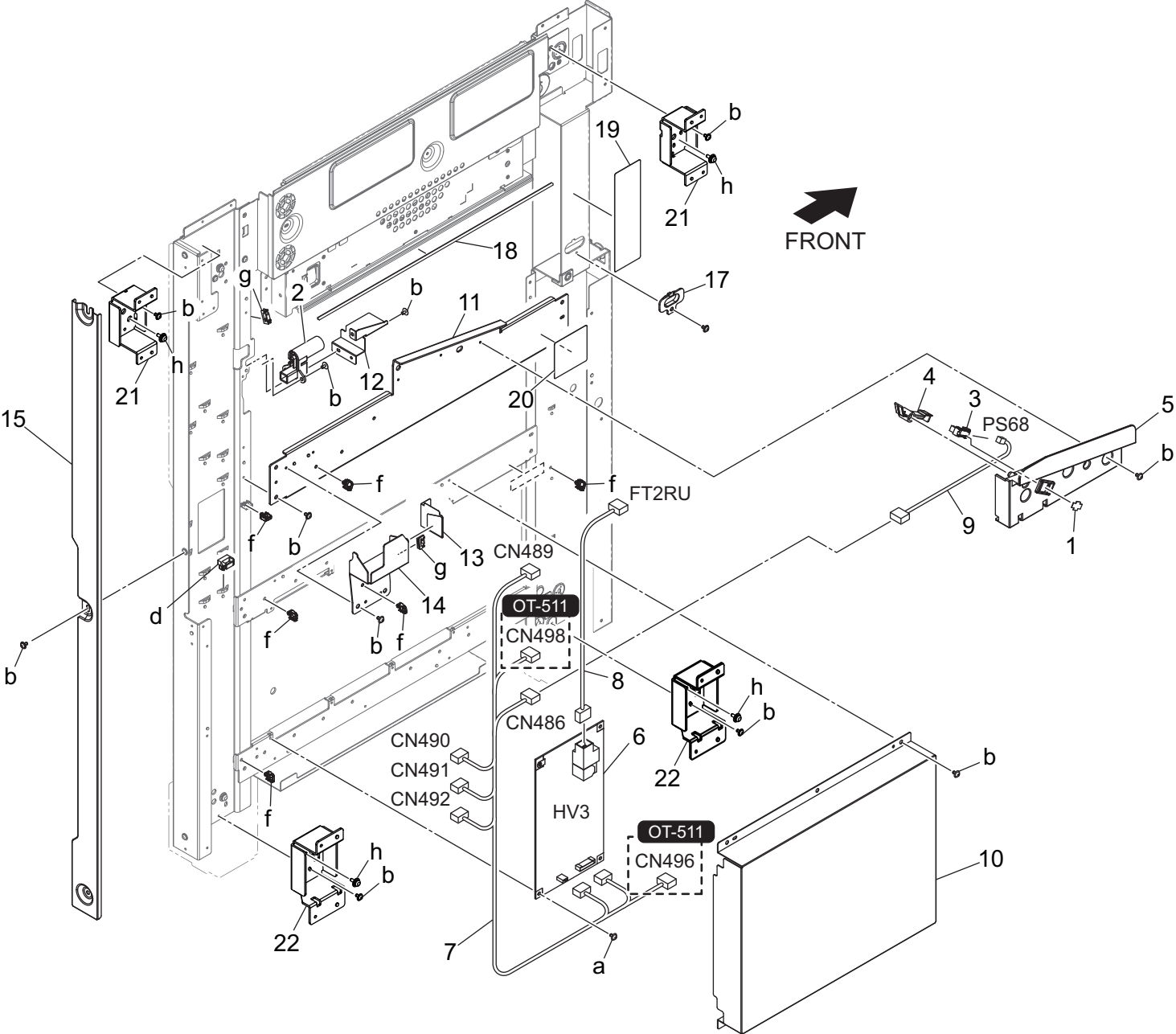


| Key | Part No. | Description | Destinations | Class | QTY | Standard parts |
|-----|------------|---------------------------|--------------|-------|-----|----------------|
| 1 | 4470402401 | Stopper | | D | 2 | a-V121030303 |
| 2 | 13QA40610 | Gear Spacer | | C | 4 | b-V127030604 |
| 3 | 56AA17700 | Spacer /B | | C | 1 | c-V127030803 |
| 4 | 65AA48360 | Paper Holding Part /1 | | C | 9 | d-V217040003 |
| 5 | 65AA48460 | PAPER HOLDING PART 2 | | C | 18 | e-V217060003 |
| 6 | A00J617800 | Ball Bearing | | B | 6 | f-V234200850 |
| 7 | A03TM50000 | Photorelector | | I | 1 | g-V234201250 |
| 8 | A03U892701 | Positioning Cam | | C | 2 | h-V234201450 |
| 9 | A03U893000 | Slide Plate | | C | 1 | j-V500010057 |
| 10 | A03U893101 | Spacer /Rear | | C | 1 | k-V500020098 |
| 11 | A03U893200 | Stopper Spring | | C | 1 | m-V570010056 |
| 12 | A03U893502 | Regulating Cam | | C | 1 | |
| 13 | A03U909502 | PAPER EXIT GEAR /5 40T | | C | 1 | |
| 14 | A1RF517300 | bearing | | C | 2 | |
| 15 | A50U890102 | Fixing Shaft /2 | | D | 1 | |
| 16 | A50U890201 | Fixing Shaft /6 | | D | 1 | |
| 17 | A50U890300 | Fixing Shaft /1 | | D | 1 | |
| 18 | A50U890600 | Regulating Shaft | | D | 1 | |
| 19 | A50U890700 | Paper exit Shaft | | D | 1 | |
| 20 | A50U890802 | Paper exit Roller /B | | C | 1 | |
| 21 | A50U891302 | Paper exit Plate /Front | | D | 1 | |
| 22 | A50U891500 | Support Side plate /Front | | D | 1 | |
| 23 | A50U891600 | Support Side plate /Rear | | D | 1 | |
| 24 | A50U891900 | Fixing Shaft /5 | | D | 1 | |
| 25 | A50U892001 | Paper exit Plate /Rear | | D | 1 | |
| 26 | A50U892101 | Idling Gear /1 68T | | C | 1 | |
| 27 | A50U893201 | Adjusting Plate /1 | | D | 1 | |
| 28 | A50U894000 | Plate /Rear | | D | 1 | |
| 29 | A50U899700 | Paper exit Gear /3 23T | | B | 1 | |
| 30 | A50U899801 | Paper exit Gear /2 29T | | C | 1 | |
| 31 | A85C895500 | Positioning Roll | | D | 1 | |
| 32 | A85CM55500 | Photo Sensor | | C | 1 | |
| 33 | A9VE890400 | Guide Plate /Upper | | D | 1 | |
| 34 | A9VE890900 | Guide Plate /Lower | | D | 1 | |
| 35 | A9VE892800 | Support Plate /A | | D | 1 | |
| 36 | A9VEN15200 | Drive Wiring /3 | | D | 1 | |
| | | | | | | |
| | | | | | | |
| | | | | | | |

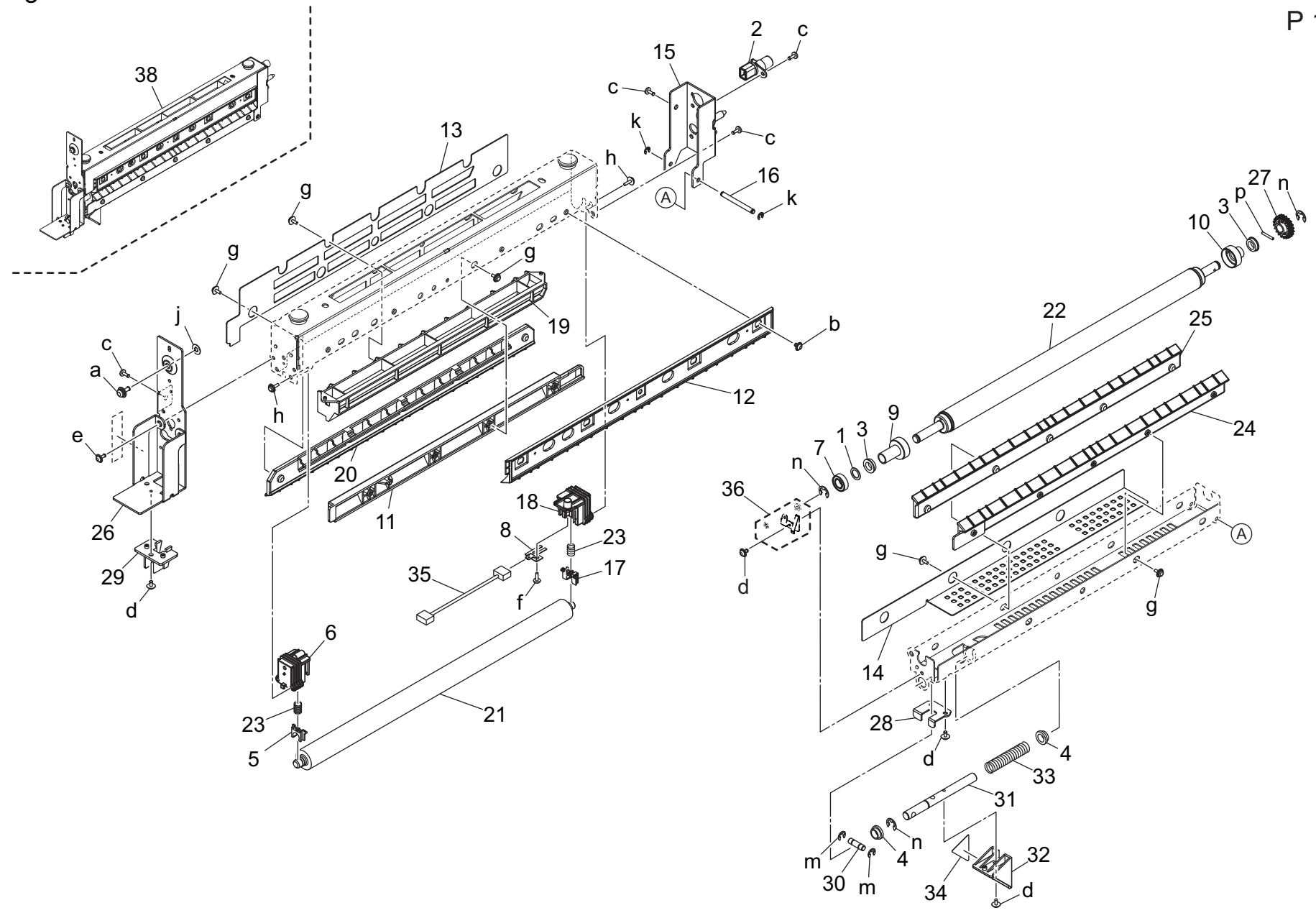
Charge Control Section



Charge Control Section



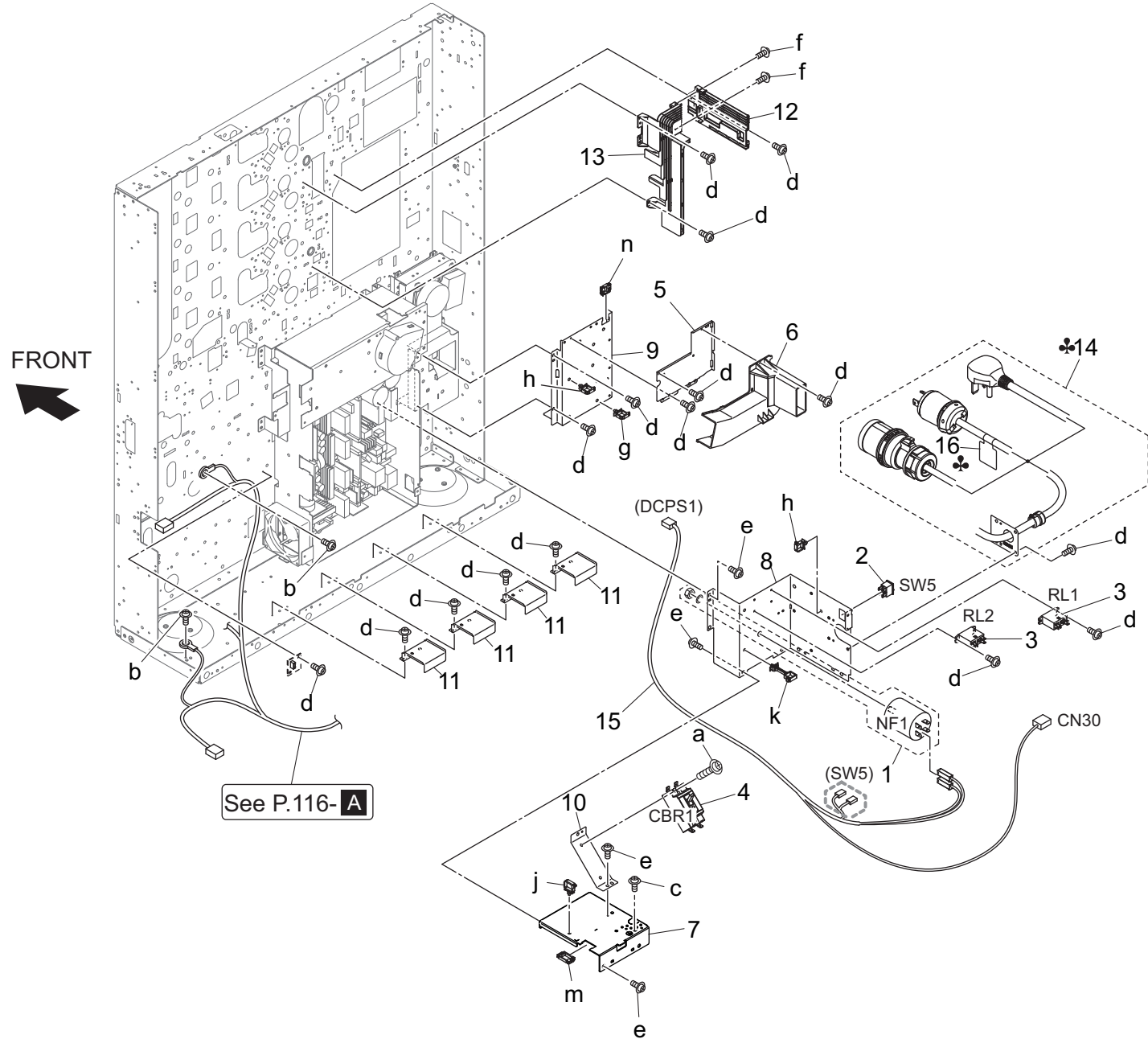
Charge Control Section



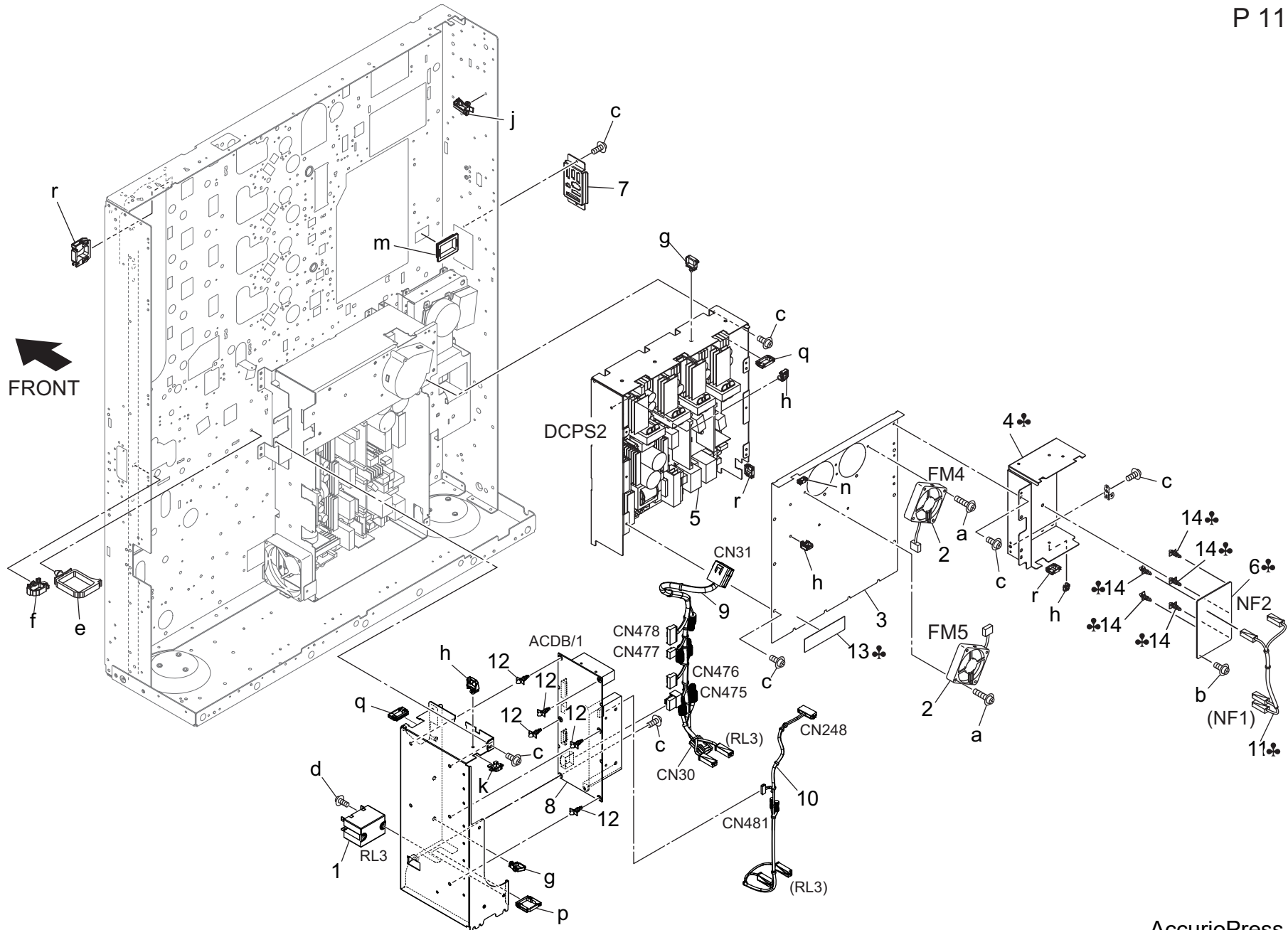
| Key | Part No. | Description | Destinations | Class | QTY | Standard parts |
|-----|---------------|--------------------------------|---------------|-------|-----|----------------|
| 1 | 12QV40650 | Spacer | | B | 1 | a-V116041003 |
| 2 | 65AAR74600 | Powering Block /A Assy | 給電ブロック / A 部組 | C | 1 | b-V121030403 |
| 3 | A07R813801 | Roller Bearing /A | ころがり軸受 / A | C | 2 | c-V126030803 |
| 4 | A0G6739300 | Operation Bushing /Front | 操作軸受 / 前 | C | 2 | d-V127030604 |
| 5 | A1RF508900 | Transfer Powering Bearing | 転写給電軸受 | B | 1 | e-V127030803 |
| 6 | A1RF509000 | Power supply Block /C | 給電ブロック / C | D | 1 | f-V149030803 |
| 7 | A1RF820000 | Ball Bearing | ボールベアリング | C | 1 | g-V153030604 |
| 8 | A5AW510400 | Transfer Powering Plate /Front | 転写給電板 / 前 | D | 1 | h-V153030803 |
| 9 | A85C895300 | Insulating Collar /Front | 絶縁カラー / 前 | D | 1 | j-V211040080 |
| 10 | A85C895400 | Insulating Collar /Rear | 絶縁カラー / 奥 | D | 1 | k-V217030003 |
| 11 | A85C895800 | Cover Guide | カバーガイド | D | 1 | m-V217040003 |
| 12 | A85C895900 | Conveyance Guide /1 | 搬送ガイド / 1 | D | 1 | n-V217060003 |
| 13 | A85C896300Old | Thermal insulation Sheet /1 | 防熱シート / 1 | D | 1 | p-V234201450 |
| 13 | A85C896301 | Thermal insulation Sheet /1 | 防熱シート / 1 | D | 1 | |
| 14 | A85C896400 | Thermal insulation Sheet /3 | 防熱シート / 3 | D | 1 | |
| 15 | A85C896800 | Fixing Plate | 固定板 | D | 1 | |
| 16 | A85C896900 | Support Shaft | 支点軸 | D | 1 | |
| 17 | A85C897201 | Charging Roller Bushing /Fr | 帯電ローラー軸受 / Fr | B | 1 | |
| 18 | A85C897300 | High voltage Powering Block /C | 高圧給電ブロック / C | D | 1 | |
| 19 | A85C897700 | Insulating Duct /Middle | 断熱ダクト / 中 | D | 1 | |
| 20 | A85C897800 | Conveyance Guide /2 | 搬送ガイド / 2 | D | 1 | |
| 21 | AC57899000 | Charging Roller /Up | 帯電ローラー / Up | A | 1 | |
| 22 | A85C899100 | Neutralizing Roller /Lower | 除電ローラー / 下 | D | 1 | |
| 23 | A8AK103200 | Power supply Spring | 給電ばね | C | 2 | |
| 24 | A8AK103502 | Conveyance Guide /1 | 搬送ガイド / 1 | D | 1 | |
| 25 | A8AK103601 | Conveyance Guide /2 | 搬送ガイド / 2 | D | 1 | |
| 26 | A8AK103702 | Mounting Plate /Front | 取付板 / 前 | D | 1 | |
| 27 | A8AK104100 | Drive Gear 20T | 駆動ギア 20 T | C | 1 | |
| 28 | A8AK108001 | Holding Plate | 押さえ板 | D | 1 | |
| 29 | A8AK108100 | Guide Block | ガイド ブロック | D | 1 | |
| 30 | A8AK108200 | Guide Shaft | ガイド軸 | D | 1 | |
| 31 | A8AK108302 | Positioning Shaft | 位置決め軸 | D | 1 | |
| 32 | A8AK108400 | Lock Handle | ロック取手 | C | 1 | |
| 33 | A8AK108500 | Lock Spring | ロックばね | D | 1 | |
| 34 | A8AK941301 | Processing Label /1 | 処理ラベル / 1 | C | 1 | |
| 35 | A8AKN10501 | HV Wiring /2 | 高圧束線 / 2 | D | 1 | |
| 36 | A8AKR70511 | Lower Roller Contact Assy | 下ローラー接点 Assy | C | 1 | |
| 38 | A92WR70T00 | Charging Roller Assy | 帯電ローラー Assy | D | 1 | |
| | | | | | | |
| | | | | | | |
| | | | | | | |

Rear Electrical Section

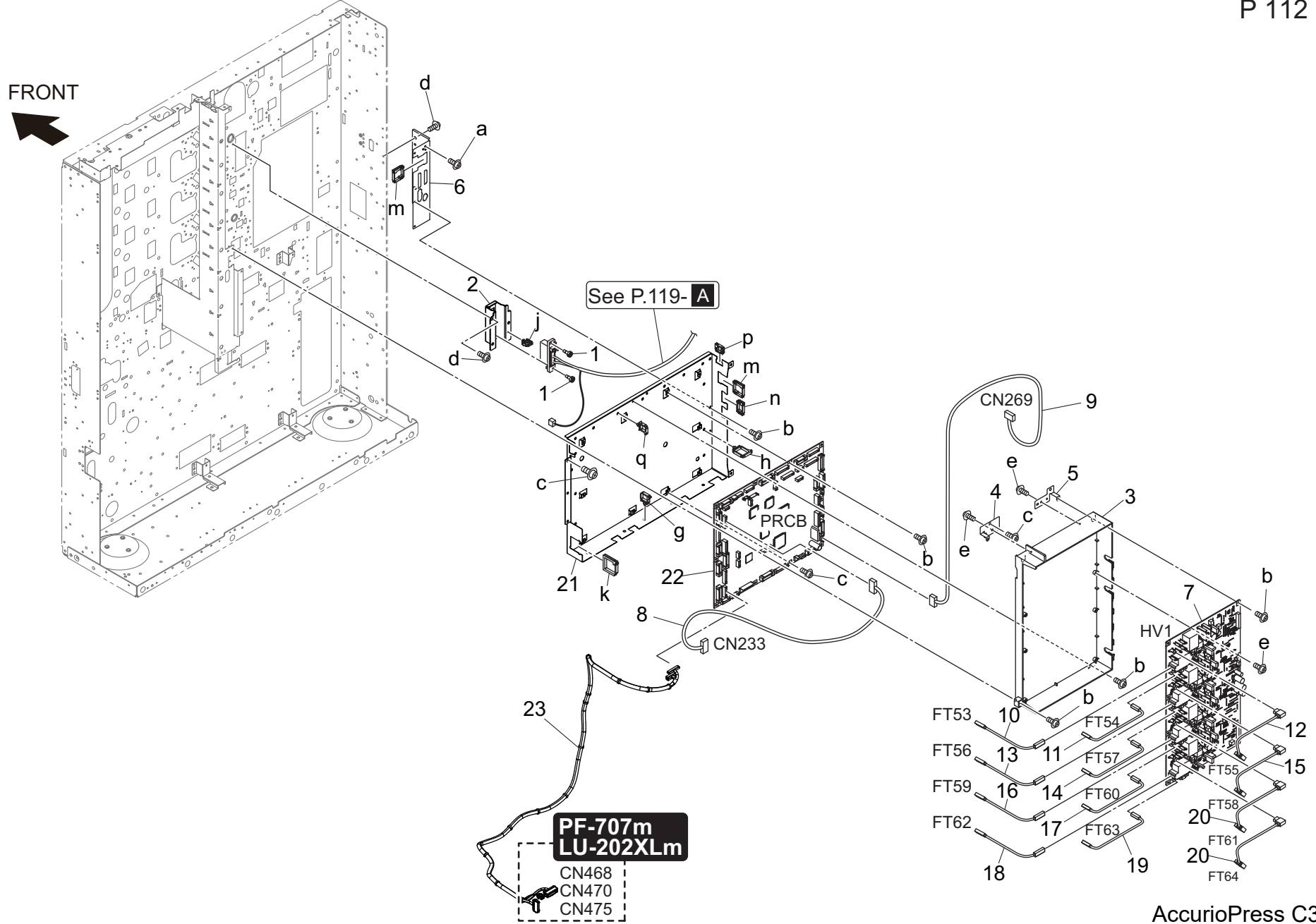
P 110



Rear Electrical Section

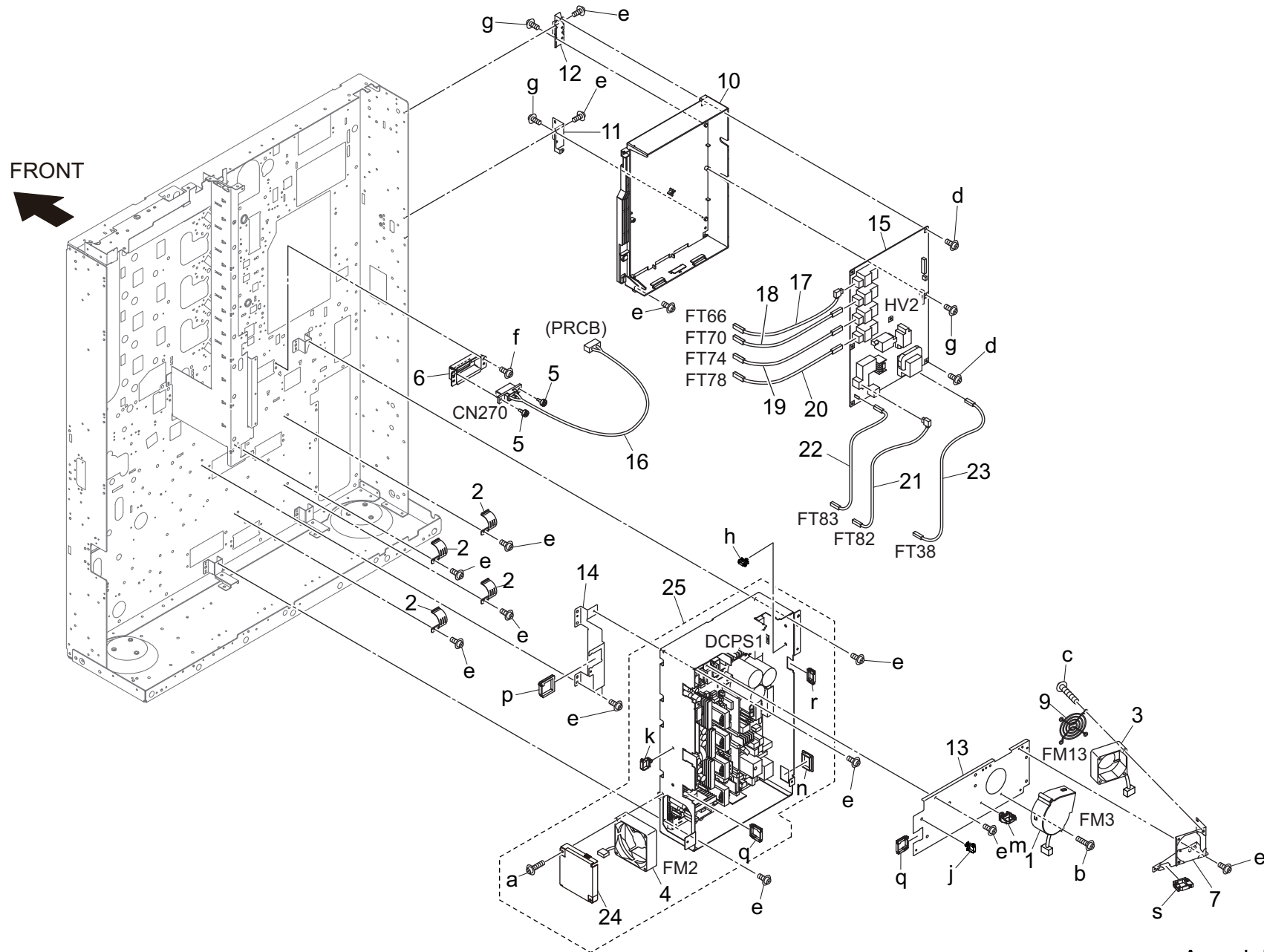


Rear Electrical Section



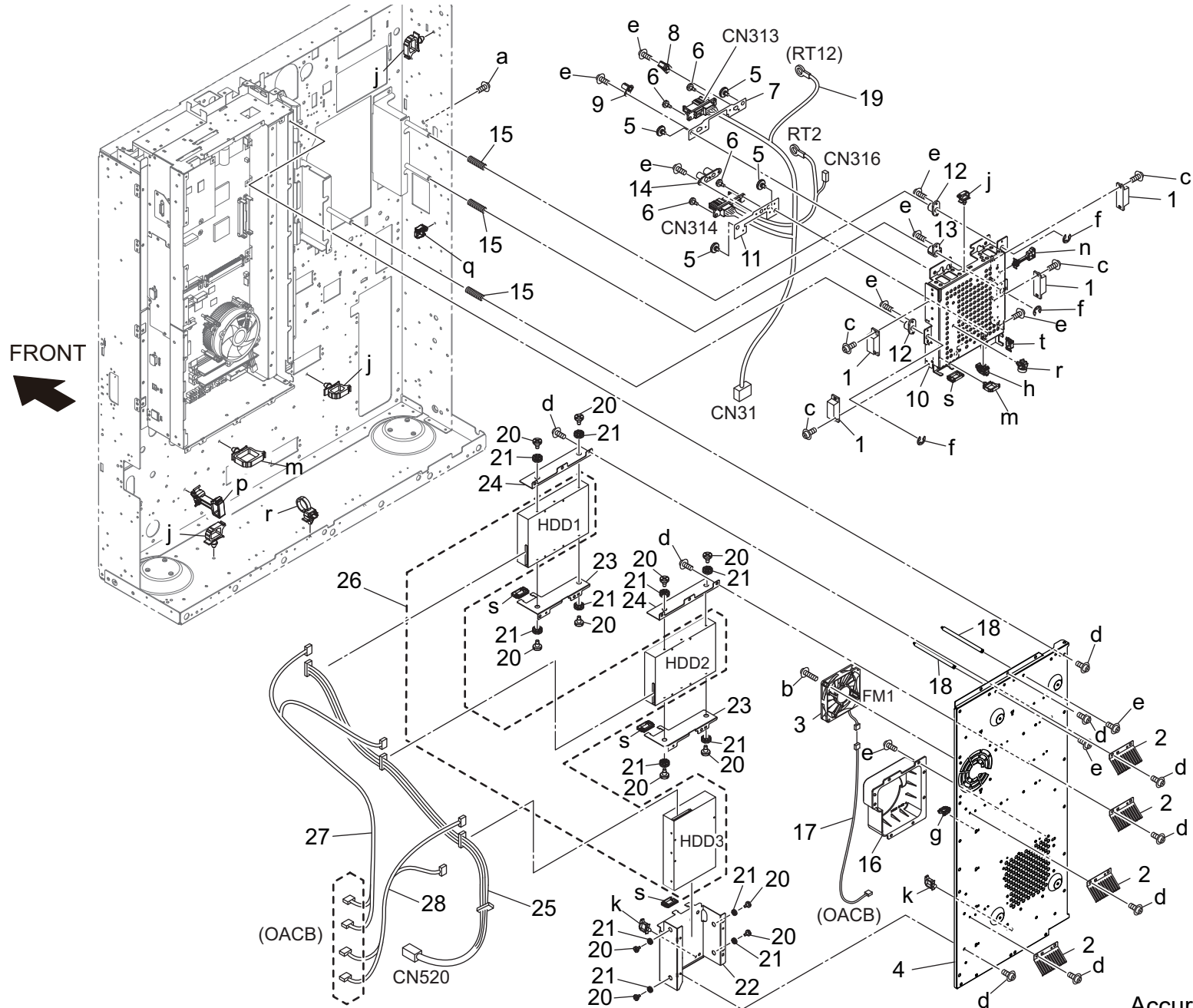
Rear Electrical Section

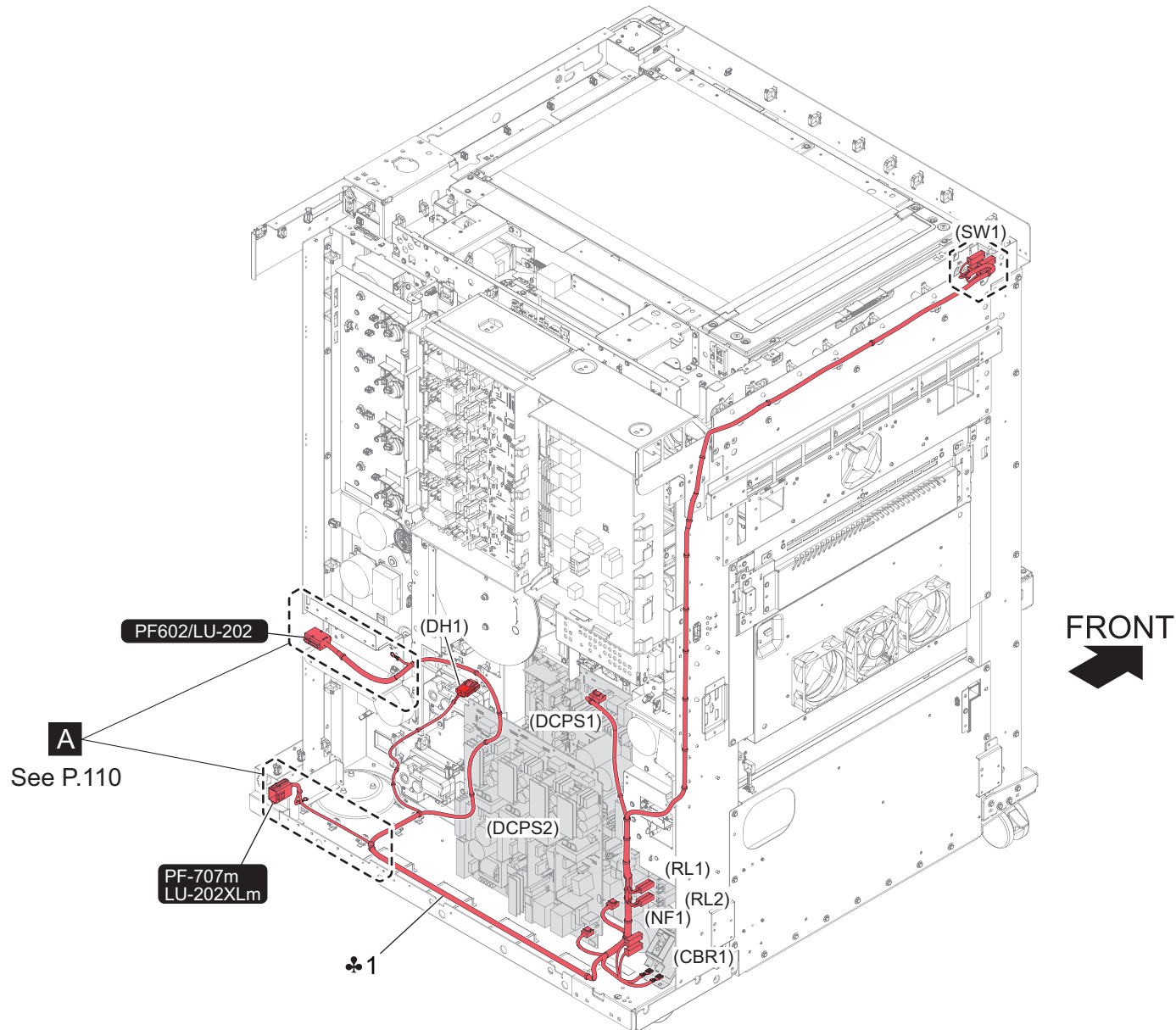
P 113

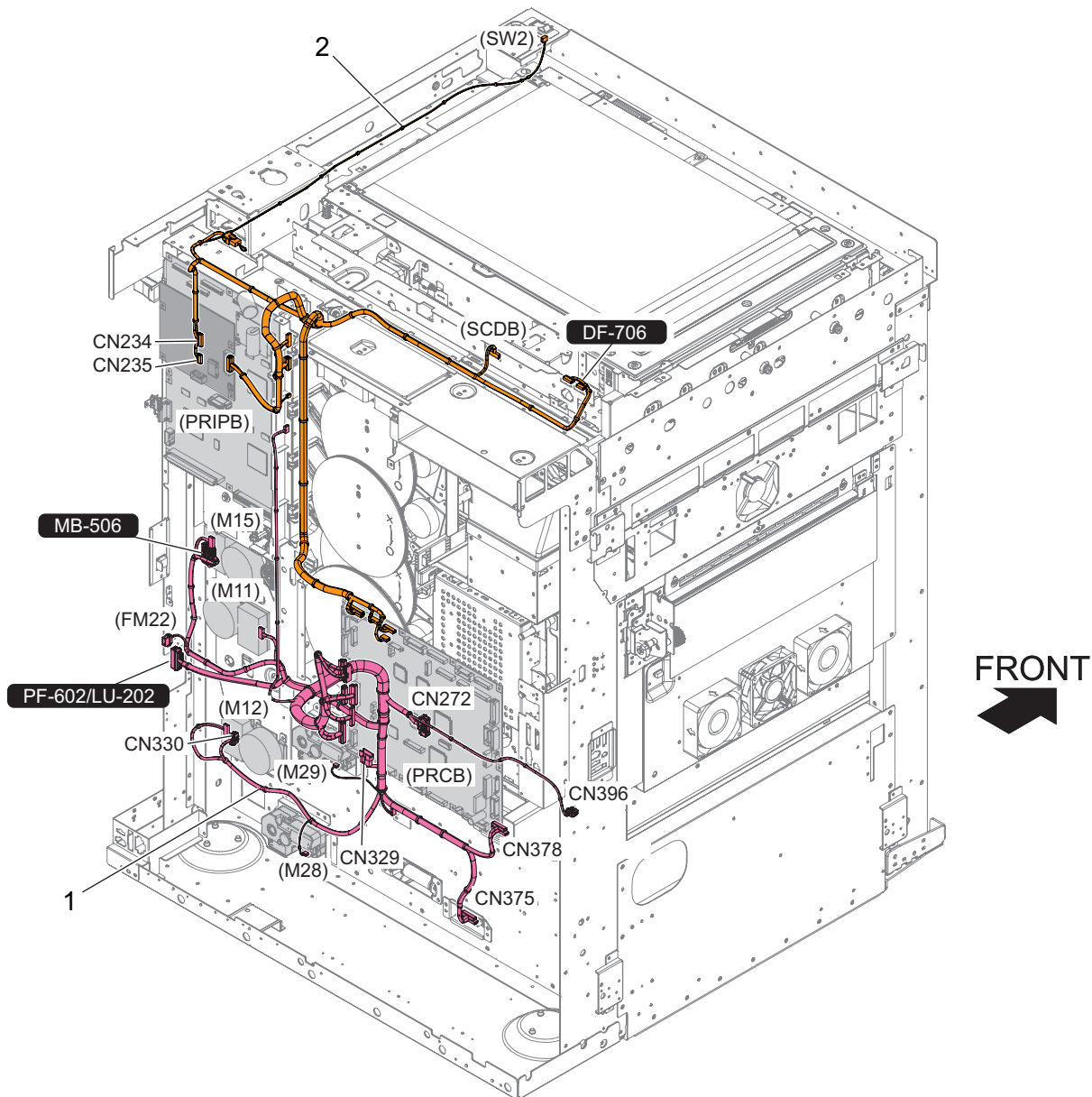


AccurioPress C3080

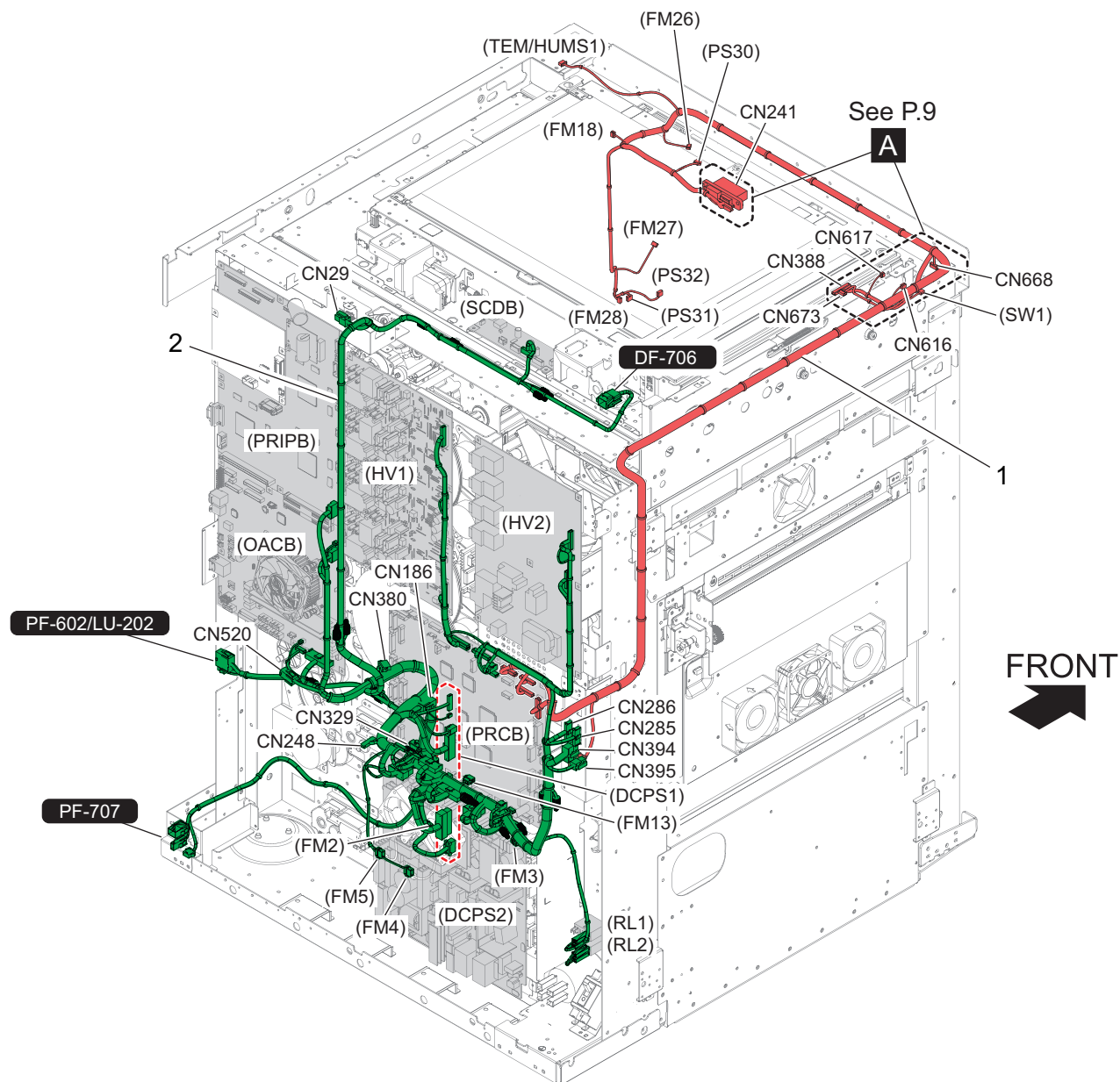
Rear Electrical Section



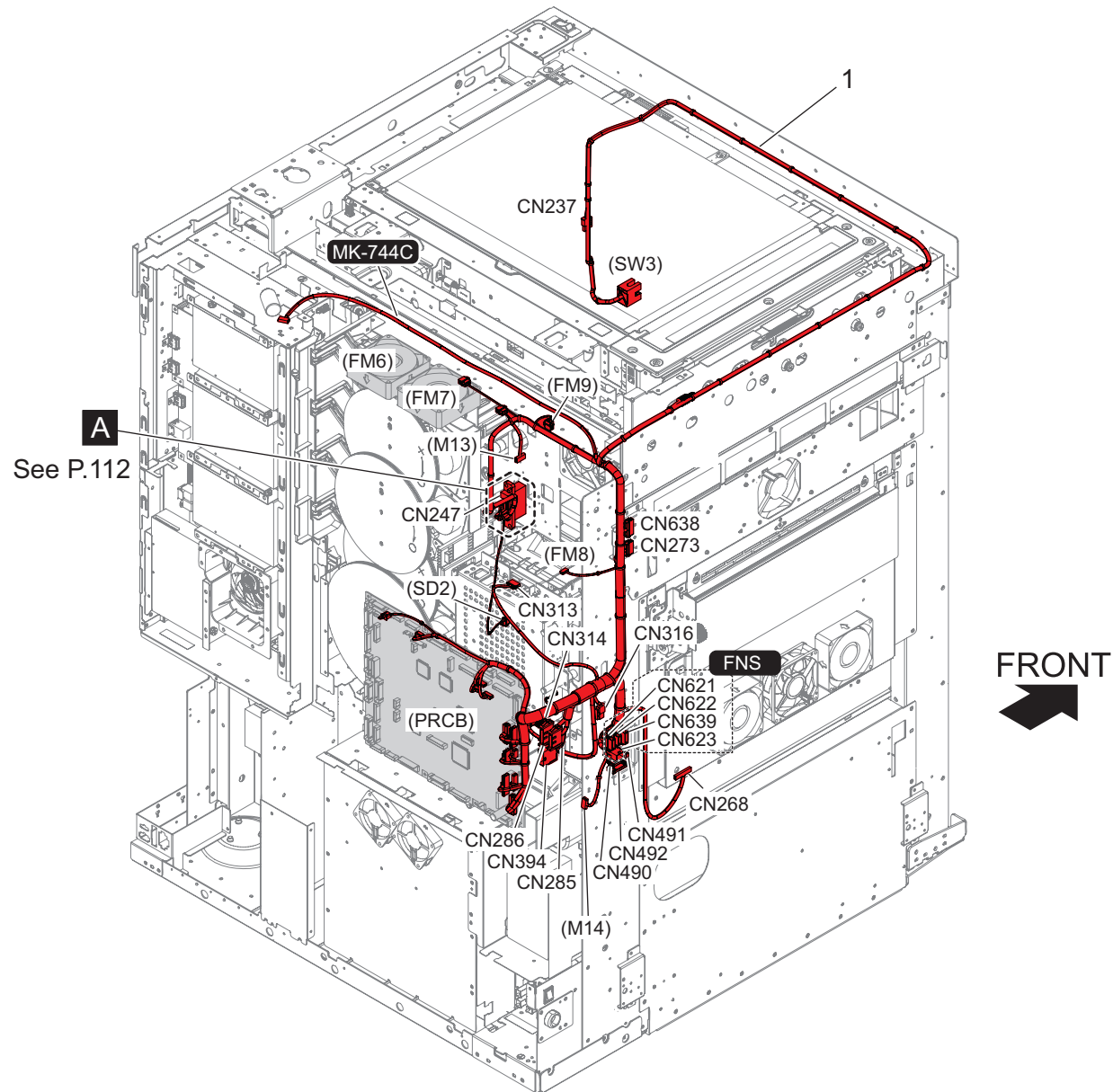




| Key | Part No. | Description | Destinations | Class | QTY | Standard parts |
|-----|------------|---------------------|--------------|-------|-----|----------------|
| 1 | A85CN10202 | Main body Wiring /1 | | D | 1 | |
| 2 | A85CN10400 | Main body Wiring /2 | | D | 1 | |
| | | | | | | |
| | | | | | | |
| | | | | | | |
| | | | | | | |
| | | | | | | |
| | | | | | | |
| | | | | | | |
| | | | | | | |
| | | | | | | |
| | | | | | | |



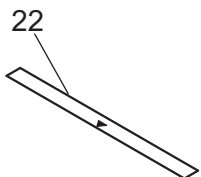
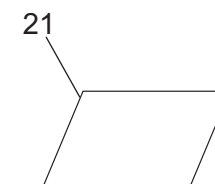
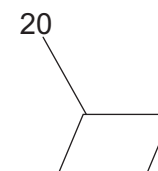
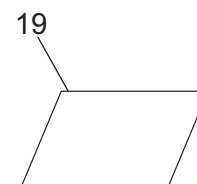
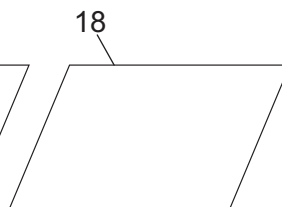
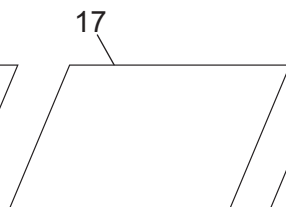
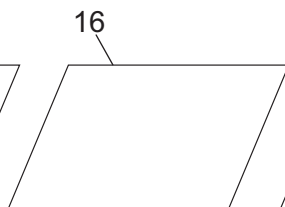
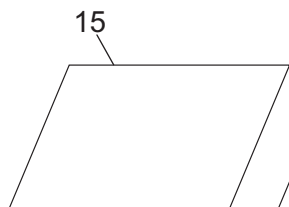
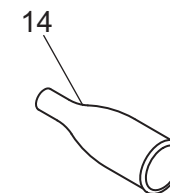
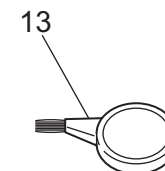
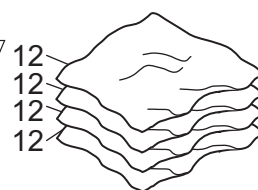
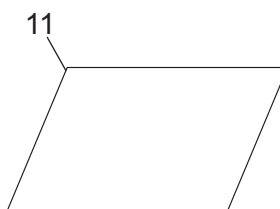
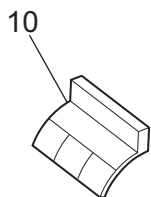
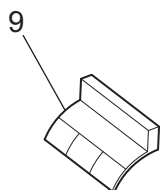
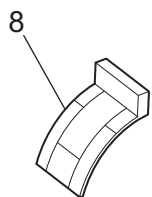
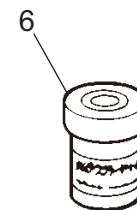
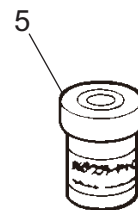
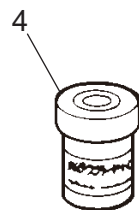
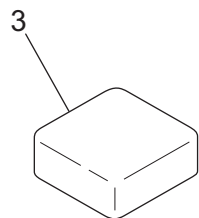
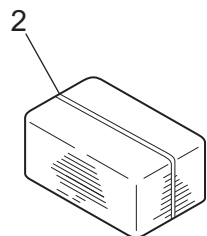
| Key | Part No. | Description | Destinations | Class | QTY | Standard parts |
|-----|------------|----------------------------|--------------|-------|-----|----------------|
| 1 | A50UN12702 | Main body Wiring /4 | | D | 1 | |
| 2 | A9VEN10300 | DC Power source harness /1 | | D | 1 | |
| | | | | | | |
| | | | | | | |
| | | | | | | |
| | | | | | | |
| | | | | | | |
| | | | | | | |
| | | | | | | |
| | | | | | | |
| | | | | | | |
| | | | | | | |

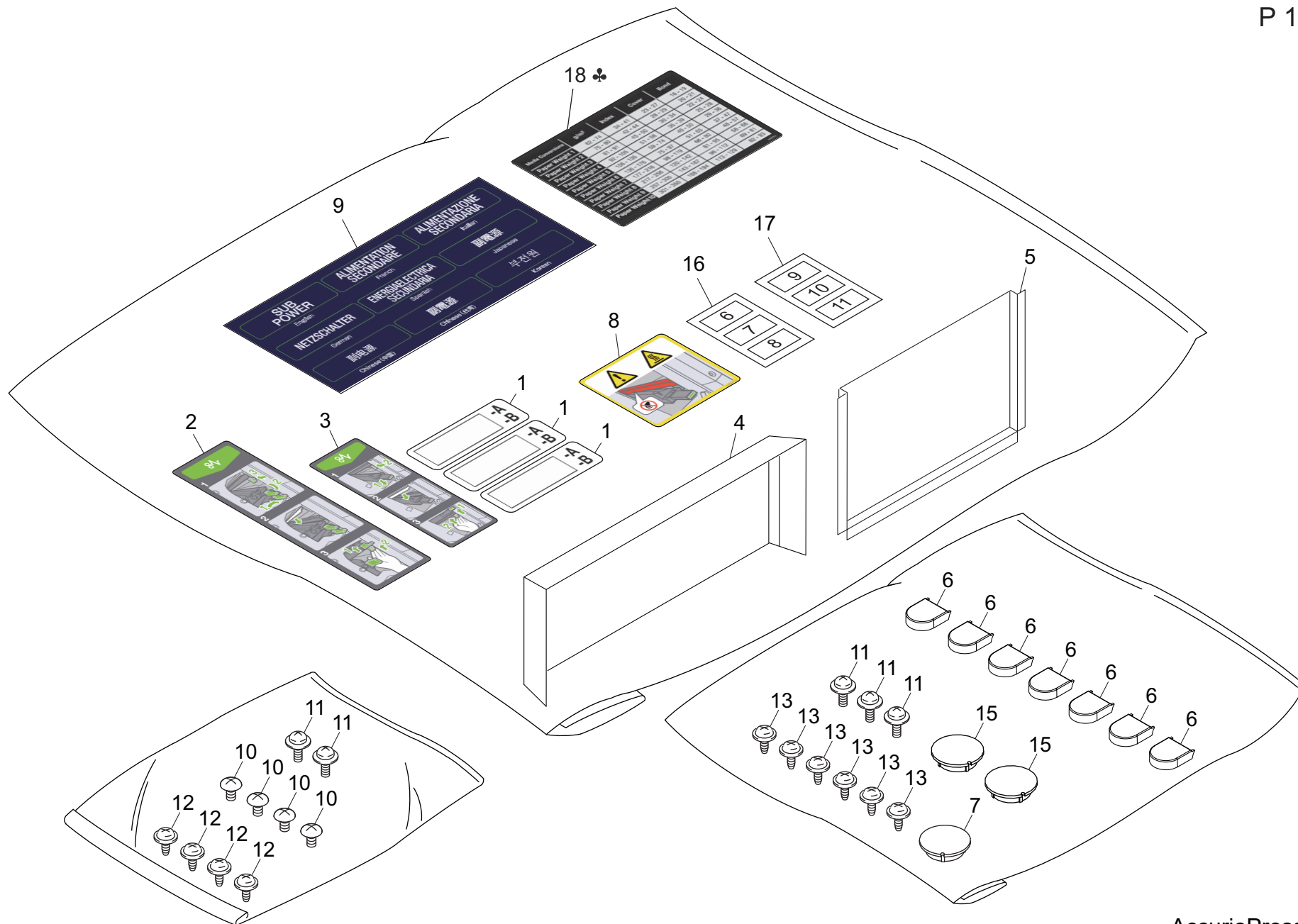


FRONT
➔

Service Tool

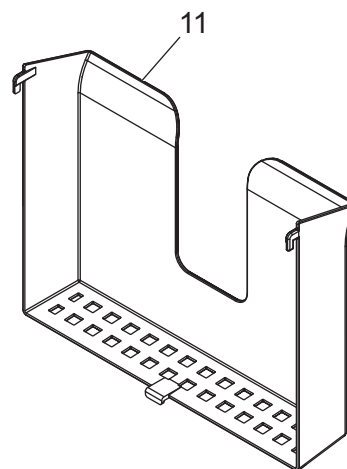
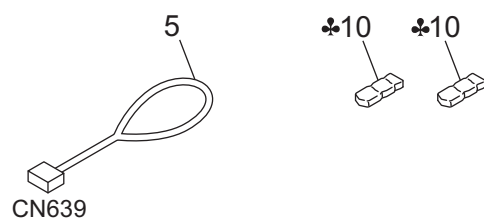
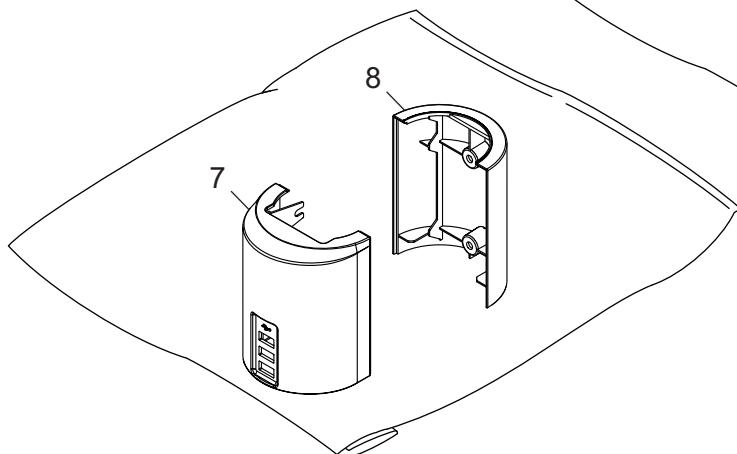
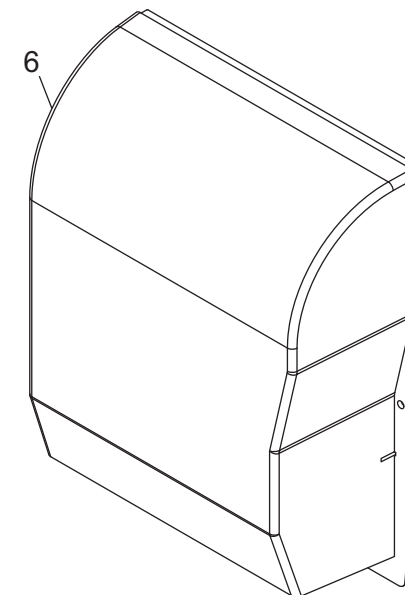
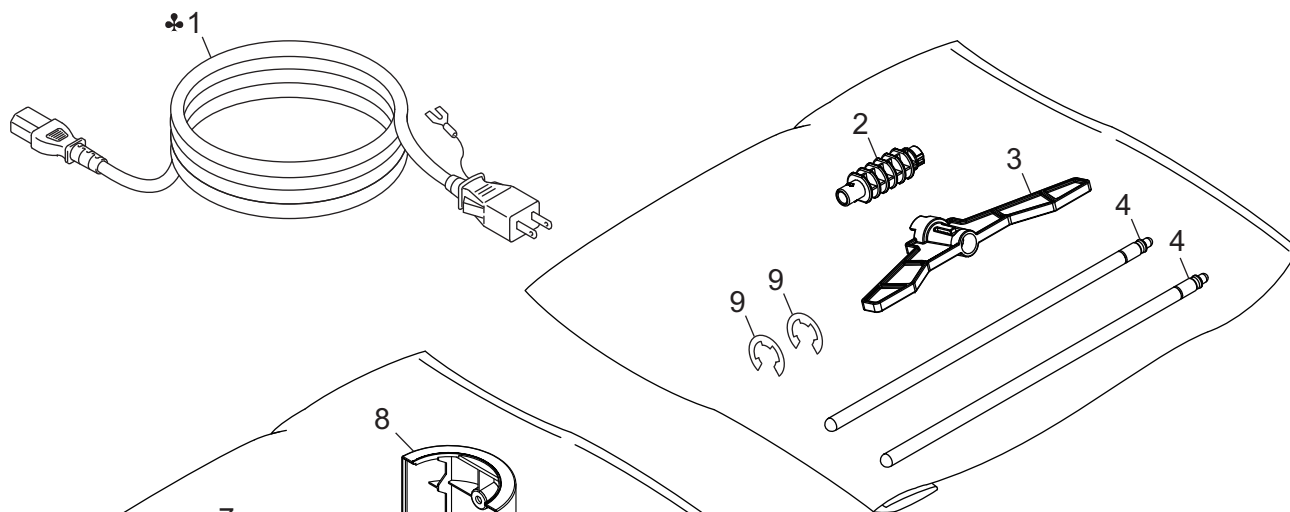
P 120



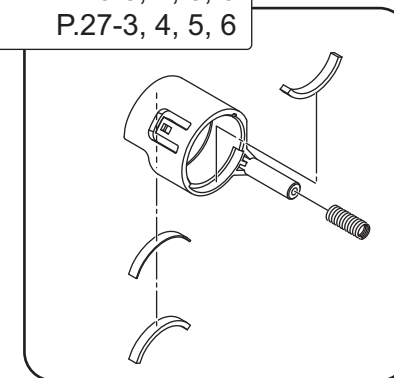


Accessory Parts

P 122



See P.24-3, 4, 5, 6
P.25-3, 4, 5, 6
P.26-3, 4, 5, 6
P.27-3, 4, 5, 6



AccurioPress C3080

MAINTENANCE LIST

● The items with no Page/Key numbers are not handled as spare parts.

| No. | Section | PM Parts Description | Maintenance Cycle (K=1,000) | | Parts No. | Destinations | Page/Key | Note |
|-----|-------------------------------|-----------------------------------|-----------------------------|---------|------------|--|---------------|--|
| | | | QTY | Replace | | | | |
| 1 | External section | Filter box | 1 | 400K | A50UR70A12 | | P11-29 | *1 |
| 2 | External section | Developing dust-proof filter/1 | 1 | 600K | A50U172200 | | P5-27 | *1 |
| 3 | | Developing dust-proof filter/2 | 1 | 600K | A50U172300 | | P5-29 | *1 |
| 4 | | PH dust-proof filter | 1 | 600K | A50U172100 | | P5-26 | *1 |
| 5 | | Electric component cooling filter | 1 | 600K | A50U109900 | | P8-22 | *1 |
| 6 | | suction dust-proof filter | 1 | 600K | A50U164901 | | P2-14 | *1 |
| 7 | Paper feed section | Paper feed roller rubber | 2 | 125K | 25SA40960 | | P70-3/P73-3 | |
| 8 | | Separation roller rubber | 2 | 125K | 25SA40960 | | P68-1/P71-1 | |
| 9 | Toner collection section | Waste toner box | 1 | 130K | A9VER71600 | B,C,D1,D3,E,F2,G1,G A | P34-19 | *2 |
| 10 | | Waste toner box | 1 | 130K | A9VER71600 | | P34-19 | *2 |
| 11 | Charging section | Charging corona/Y | 1 | 210K | A50UR70323 | | P22-1 | *1 |
| 12 | | Charging corona/M | 1 | 210K | A50UR70323 | | P22-1 | *1 |
| 13 | | Charging corona/C | 1 | 210K | A50UR70323 | | P22-1 | *1 |
| 14 | | Charging corona/K | 1 | 210K | A50UR70323 | | P22-1 | *1 |
| 15 | Intermediate transfer section | Toner collection sheet | 1 | 222K | A1DUR71C00 | | P41-11 | *1 |
| 16 | | Transfer belt cleaning blade | 1 | 222K | A50UR70K22 | | P41-16 | *1 |
| 17 | | Side seal | 2 | 222K | A50U531601 | | P41-15 | *1 |
| 18 | REVERSE AND EXIT SEC- | Reverse de-curler roller | 1 | 400K | A50U860501 | | P99-16 | |
| 19 | Intermediate transfer section | 1st transfer roller/Y | 1 | 444K | A50U501201 | | P39-9 | *1 |
| 20 | | 1st transfer roller/M | 1 | 444K | A50U501201 | | P39-9 | *1 |
| 21 | | 1st transfer roller/C | 1 | 444K | A50U501201 | | P39-9 | *1 |
| 22 | | 1st transfer roller/K | 1 | 444K | A50U501201 | | P39-9 | *1 |
| 23 | | 2nd transfer roller/Up | 1 | 444K | A50U500401 | | P38-13 | *1 |
| 24 | | Intermediate transfer belt | 1 | 444K | A1DU504203 | A,D1,D3,E,F2,G1,H,I, B,C,G2,I(only SOUTH (Service Part Only) | P38-35 | *1,*3 |
| 25 | | Intermediate transfer belt/H | 1 | 444K | A9VE500100 | | P38-35 | *1,*3 |
| 26 | | Intermediate transfer belt/C | 1 | 444K | A9VE500200 | | P38-36 | *1,*3 |
| 27 | Photo conductor section | Drum unit/Y | 1 | 460K | | | | *4 |
| 28 | | Drum unit/M | 1 | 460K | | | | *4 |
| 29 | | Drum unit/C | 1 | 460K | | | | *4 |
| 30 | | Drum unit/K | 1 | 460K | | | | *4 |
| 31 | Intermediate transfer section | 2nd transfer roller/Lw | 1 | 468K | A50U520001 | | P59-1 | *1 |
| 32 | | Separate Discharging Unit | 1 | 468K | A50UR70B00 | | P59-6 | *1 |
| 33 | Registration section | Registration cleaning sheet assy | 1 | 600K | A50UR70D01 | | P104-30 | |
| 34 | Fusing section | Heat insulating sleeve/Lw | 2 | 600K | A50U756300 | | P46-13 | Service tool: Fluotribo MH Service tool: Fluotribo MH Service tool: Fluotribo MH |
| 35 | | Fusing gear/1 | 1 | 600K | A50U752700 | | P46-9 | |
| 36 | | Fusing gear/3 | 1 | 600K | A50U752200 | | P44-23 | |
| 37 | | Fusing belt assy | 1 | 600K | A9VER70422 | | P49-32 | |
| 38 | Charge control section | Charging roller/Up | 1 | 750K | AC57899000 | | P109-21 | *1 |
| 39 | Paper feed section | Pick-up roller | 2 | 800K | A1DUR71J00 | | P70-19/P73-19 | |
| 40 | Intermediate transfer section | Transfer belt cleaning unit | 1 | 880K | A50UR70655 | | P36-1 | *1 |
| 41 | | Transfer belt separation claw | 3 | 880K | A1DUR71900 | | P39-8 | |
| 42 | REVERSE AND EXIT SEC- | Paper Exit Decurler Roller | 1 | 1,000K | A50U890802 | | P106-20 | |
| 43 | | Paper exit drive gear /1 | 1 | 1,000K | A03U909502 | | P106-13 | |
| 44 | | Paper exit gear | 1 | 1,000K | A50U899700 | | P106-29 | |
| 45 | Charge control section | Paper exit drive gear/2 | 1 | 1,000K | A043909901 | | P105-7 | |
| 46 | Fusing section | Fusing paper exit roller/Up | 2 | 1200K | A9VE760900 | | P50-8 | Service tool: Fluotribo MH Service tool: Fluotribo MH |
| 47 | | Fusing Bearing/Lw | 2 | 1200K | 26NA53712 | | P46-2 | |
| 48 | | Fusing gear/2 | 1 | 1200K | A03U809500 | | P49-5 | |
| 49 | | Fusing Roller/Lw | 1 | 1200K | A50U765500 | | P46-15 | |
| 50 | | Fusing separating claw assy | 5 | 1200K | A50UR72U11 | | P50-33 | |

| No. | Section | PM Parts Description | Maintenance Cycle (K=1,000) | | Parts No. | Destinations | Page/Key | Note |
|-----|-------------------------------|--|-----------------------------|---------|------------|-----------------------|---------------|------|
| | | | QTY | Replace | | | | |
| 51 | Developing section | Developer/Y | 1 | 1,350K | | | | *5 |
| 52 | | Developer/M | 1 | 1,350K | | | | *5 |
| 53 | | Developer/C | 1 | 1,350K | | | | *5 |
| 54 | | Developer/K | 1 | 1,350K | | | | *5 |
| 55 | | Developing unit/Y | 1 | 1,350K | A50UR70244 | | P24-10 | *1 |
| 56 | | Developing unit/M | 1 | 1,350K | A50UR70244 | | P25-10 | *1 |
| 57 | | Developing unit/C | 1 | 1,350K | A50UR70244 | | P26-10 | *1 |
| 58 | | Developing unit/K | 1 | 1,350K | A50UR70244 | | P27-10 | *1 |
| 59 | Registration section | Registration roller | 1 | 1,400K | A50U710101 | | P102-7 | |
| 60 | | Registration Roller Bearing | 2 | 1,400K | A03U812800 | | P102-6 | |
| 61 | Intermediate transfer section | Belt separation claw solenoid (SD2) | 1 | 1,776K | 26NA82513 | | P7-2 | |
| 62 | Intermediate transfer section | 2nd transfer earth plate assy | 2 | 1,872K | A50UR70G01 | | P82-21 | *1 |
| 63 | | C-clip | 2 | 1,872K | V218060086 | | P59-c | *1 |
| 64 | Paper feed section | Paper feed clutch | 2 | 2,000K | 56AA82012 | | P70-13/P73-13 | |
| 65 | | Pre-registration clutch | 2 | 2,000K | 56AA82012 | | P69-20/P72-20 | |
| 66 | Vertical conveyance section | Intermediate conveyance clutch/1 (CL5) | 1 | 2,000K | 56AA82012 | | P81-5 | |
| 67 | Duplex section | Intermediate conveyance clutch/2 (CL6) | 1 | 2,000K | 56AA82012 | | P87-9 | |
| 68 | | Intermediate conveyance clutch/3 (CL7) | 1 | 2,000K | 56AA82012 | | P87-9 | |
| 69 | Registration section | Registration idler gear | 1 | 2,800K | A50U713700 | | P88-10 | |
| 70 | Fusing section | Fusing heater lamp 1 assy/Up (Japan) | 1 | 3,000K | A9VEM31A00 | A | P49-30 | |
| 71 | | Fusing heater lamp 1 assy/Up (North America) | 1 | 3,000K | A9VEM31E00 | B,G2 | P49-30 | |
| 72 | | Fusing heater lamp 1 assy/Up (Europe) | 1 | 3,000K | A9VEM31F00 | C,D1,D3,E,F2,G1,H,I,J | P49-30 | |
| 73 | | Fusing heater lamp 2 assy/Up (Japan) | 1 | 3,000K | A9VEM33A00 | A | P49-31 | |
| 74 | | Fusing heater lamp 2 assy/Up (North America) | 1 | 3,000K | A9VEM33E00 | B,G2 | P49-31 | |
| 75 | | Fusing heater lamp 2 assy/Up (Europe) | 1 | 3,000K | A9VEM33F00 | C,D1,D3,E,F2,G1,H,I,J | P49-31 | |
| 76 | | Fusing temperature sensor/3 (TH3) | 1 | 3,000K | A50UR70F00 | | P48-18 | |
| 77 | | Fusing temperature sensor/4 (TH4) | 1 | 3,000K | A50UR70E22 | | P45-6 | |
| 78 | Charge control section | Charging roller bearing/Fr | 1 | 3,150K | A1RF508900 | | P109-5 | |
| 79 | | Charging roller bearing/Rr | 1 | 3,150K | A85C897201 | | P109-17 | |
| 80 | Intermediate transfer section | Transfer roller bearing/Y, transfer roller bearing/M and | 6 | 3,552K | 65AA26380 | | P39-3 | |
| 81 | | Transfer Roller Bearing/K | 2 | 3,552K | A50U505700 | | P39-15 | |

*1: Actual replacement: 100% (special parts counter) (See Service Manual F-3 LIFE VALUE.)

*2: The sensor detects its full automatically.

*3: You can distinguish by the color of the connectors.

*4: Actual replacement: 460,000 counts (quantity) or 100% (distance), whichever is earlier (See Service Manual F-3 LIFE VALUE.)

*5: Be sure to replace it together with the developing unit at the same time.

*: The part names used in this page follow the part name of Service Manual and they are occasionally different from part names written in other pages.

メンテナンスリスト

● ページ / キーナンバーのないものは、アフターサービス部品ではありません。

| No. | 区分 | PM 部品名称 | サイクル (K=1,000) | | 部品番号 | 仕向地 | 頁 / キー | 備考 |
|-----|----------|-----------------|----------------|--------|------------|-------------------------|---------------|-------------------|
| | | | 員数 | 交換 | | | | |
| 1 | 外装部 | フィルターボックス | 1 | 400K | A50UR70A12 | | P11-29 | *1 |
| 2 | 外装部 | 現像防塵フィルター /1 | 1 | 600K | A50U172200 | | P5-27 | *1 |
| 3 | | 現像防塵フィルター /2 | 1 | 600K | A50U172300 | | P5-29 | *1 |
| 4 | | PH 防塵フィルター | 1 | 600K | A50U172100 | | P5-26 | *1 |
| 5 | | 電装冷却フィルター | 1 | 600K | A50U109900 | | P8-22 | *1 |
| 6 | | 吸気防塵フィルター | 1 | 600K | A50U164901 | | P2-14 | *1 |
| 7 | 給紙部 | 給紙ローラーゴム | 2 | 125K | 25SA40960 | | P70-3/P73-3 | |
| 8 | | 分離ローラーゴム | 2 | 125K | 25SA40960 | | P68-1/P71-1 | |
| 9 | トナー回収部 | 廃棄トナーボックス | 1 | 130K | A9VER71600 | B,C,D1,D3,E,F2,G1,G2,H, | P34-19 | *2 |
| 10 | | 廃棄トナーボックス | 1 | 130K | A9VER71600 | A | P34-19 | *2 |
| 11 | 帯電部 | 帯電極 /Y | 1 | 210K | A50UR70323 | | P22-1 | *1 |
| 12 | | 帯電極 /M | 1 | 210K | A50UR70323 | | P22-1 | *1 |
| 13 | | 帯電極 /C | 1 | 210K | A50UR70323 | | P22-1 | *1 |
| 14 | | 帯電極 /K | 1 | 210K | A50UR70323 | | P22-1 | *1 |
| 15 | 中間転写部 | トナー回収シート | 1 | 222K | A1DUR71C00 | | P41-11 | *1 |
| 16 | | 転写ベルトクリーニングブレード | 1 | 222K | A50UR70K22 | | P41-16 | *1 |
| 17 | | サイドシール | 2 | 222K | A50U531601 | | P41-15 | *1 |
| 18 | 反転 / 排紙部 | 反転デカラーローラー | 1 | 400K | A50U860501 | | P99-16 | |
| 19 | 中間転写部 | 1次転写ローラー /Y | 1 | 444K | A50U501201 | | P39-9 | *1 |
| 20 | | 1次転写ローラー /M | 1 | 444K | A50U501201 | | P39-9 | *1 |
| 21 | | 1次転写ローラー /C | 1 | 444K | A50U501201 | | P39-9 | *1 |
| 22 | | 1次転写ローラー /K | 1 | 444K | A50U501201 | | P39-9 | *1 |
| 23 | | 2次転写ローラー /Up | 1 | 444K | A50U500401 | | P38-13 | *1 |
| 24 | | 中間転写ベルト | 1 | 444K | A1DU504203 | A,D1,D3,E,F2,G1,H,I(Exc | P38-35 | *1、*3 |
| 25 | | 中間転写ベルト /H | 1 | 444K | A9VE500100 | B,C,G2,I(only SOUTH | P38-35 | *1、*3 |
| 26 | | 中間転写ベルト /C | 1 | 444K | A9VE500200 | (Service Part Only) | P38-36 | *1、*3 |
| 27 | 感光体部 | ドラムユニット /Y | 1 | 460K | | | | *4 |
| 28 | | ドラムユニット /M | 1 | 460K | | | | *4 |
| 29 | | ドラムユニット /C | 1 | 460K | | | | *4 |
| 30 | | ドラムユニット /K | 1 | 460K | | | | *4 |
| 31 | 中間転写部 | 2次転写ローラー /Lw | 1 | 468K | A50U520001 | | P59-1 | *1 |
| 32 | | 分離放電板ユニット | 1 | 468K | A50UR70B00 | | P59-6 | *1 |
| 33 | レジスト部 | レジスト清掃シート Assy | 1 | 600K | A50UR70D01 | | P104-30 | |
| 34 | 定着部 | 断熱スリーブ /Lw | 2 | 600K | A50U756300 | | P46-13 | サービスツール：フルトライボ MH |
| 35 | | 定着ギア /1 | 1 | 600K | A50U752700 | | P46-9 | サービスツール：フルトライボ MH |
| 36 | | 定着ギア /3 | 1 | 600K | A50U752200 | | P44-23 | サービスツール：フルトライボ MH |
| 37 | | 定着ベルト Assy | 1 | 600K | A9VER70422 | | P49-32 | |
| 38 | 電荷制御部 | 帯電ローラー /Up | 1 | 750K | AC57899000 | | P109-21 | *1 |
| 39 | 給紙部 | ピックアップローラー | 2 | 800K | A1DUR71J00 | | P70-19/P73-19 | |
| 40 | 中間転写部 | 転写ベルトクリーニングユニット | 1 | 880K | A50UR70655 | | P36-1 | *1 |
| 41 | 中間転写部 | 転写ベルト分離爪 | 3 | 880K | A1DUR71900 | | P39-8 | |
| 42 | 反転 / 排紙部 | 排紙デカラーローラー | 1 | 1,000K | A50U890802 | | P106-20 | |
| 43 | | 排紙駆動ギア /1 | 1 | 1,000K | A03U909502 | | P106-13 | |
| 44 | | 排紙ギア | 1 | 1,000K | A50U899700 | | P106-29 | |
| 45 | 電荷制御部 | 排紙駆動ギア /2 | 1 | 1,000K | A043909901 | | P105-7 | |
| 46 | 定着部 | 定着排紙ローラー /Up | 2 | 1200K | A9VE760900 | | P50-8 | |
| 47 | | 定着軸受 /Lw | 2 | 1200K | 26NA53712 | | P46-2 | サービスツール：フルトライボ MH |
| 48 | | 定着ギア /2 | 1 | 1200K | A03U809500 | | P49-5 | サービスツール：フルトライボ MH |
| 49 | | 定着ローラー /Lw | 1 | 1200K | A50U765500 | | P46-15 | |
| 50 | | 定着分離爪 Assy | 5 | 1200K | A50UR72U11 | | P50-33 | |
| | | | | | | | | |

| No. | 区分 | PM 部品名称 | サイクル (K=1,000) | | 部品番号 | 仕向地 | 頁/キー | 備考 |
|-----|-------|--------------------------|----------------|--------|------------|-------------------------|---------------|----|
| | | | 員数 | 交換 | | | | |
| 51 | 現像部 | 現像剤 /Y | 1 | 1,350K | | | | *5 |
| 52 | | 現像剤 /M | 1 | 1,350K | | | | *5 |
| 53 | | 現像剤 /C | 1 | 1,350K | | | | *5 |
| 54 | | 現像剤 /K | 1 | 1,350K | | | | *5 |
| 55 | | 現像ユニット /Y | 1 | 1,350K | A50UR70244 | | P24-10 | *1 |
| 56 | | 現像ユニット /M | 1 | 1,350K | A50UR70244 | | P25-10 | *1 |
| 57 | | 現像ユニット /C | 1 | 1,350K | A50UR70244 | | P26-10 | *1 |
| 58 | | 現像ユニット /K | 1 | 1,350K | A50UR70244 | | P27-10 | *1 |
| 59 | レジスト部 | レジストローラー | 1 | 1,400K | A50U710101 | | P102-7 | |
| 60 | | レジストローラー軸受 | 2 | 1,400K | A03U812800 | | P102-6 | |
| 61 | 中間転写部 | ベルト分離爪ソレノイド (SD2) | 1 | 1,776K | 26NA82513 | | P7-2 | |
| 62 | 中間転写部 | 2次転写アース板 Assy | 2 | 1,872K | A50UR70G01 | | P82-21 | *1 |
| 63 | | Cクリップ | 2 | 1,872K | V218060086 | | P59-c | *1 |
| 64 | 給紙部 | 給紙クラッチ | 2 | 2,000K | 56AA82012 | | P70-13/P73-13 | |
| 65 | | プレレジストクラッチ | 2 | 2,000K | 56AA82012 | | P69-20/P72-20 | |
| 66 | 垂直搬送部 | 中間搬送クラッチ /1 (CL5) | 1 | 2,000K | 56AA82012 | | P81-5 | |
| 67 | 両面部 | 中間搬送クラッチ /2 (CL6) | 1 | 2,000K | 56AA82012 | | P87-9 | |
| 68 | | 中間搬送クラッチ /3 (CL7) | 1 | 2,000K | 56AA82012 | | P87-9 | |
| 69 | レジスト部 | レジストアイドローギア | 1 | 2,800K | A50U713700 | | P88-10 | |
| 70 | 定着部 | 定着ヒーターランプ 1 Assy/Up (国内) | 1 | 3,000K | A9VEM31A00 | A | P49-30 | |
| 71 | | 定着ヒーターランプ 1 Assy/Up (北米) | 1 | 3,000K | A9VEM31E00 | B,G2 | P49-30 | |
| 72 | | 定着ヒーターランプ 1 Assy/Up (欧州) | 1 | 3,000K | A9VEM31F00 | C,D1,D3,E,F2,G1,H,I,J,K | P49-30 | |
| 73 | | 定着ヒーターランプ 2 Assy/Up (国内) | 1 | 3,000K | A9VEM33A00 | A | P49-31 | |
| 74 | | 定着ヒーターランプ 2 Assy/Up (北米) | 1 | 3,000K | A9VEM33E00 | B,G2 | P49-31 | |
| 75 | | 定着ヒーターランプ 2 Assy/Up (欧州) | 1 | 3,000K | A9VEM33F00 | C,D1,D3,E,F2,G1,H,I,J,K | P49-31 | |
| 76 | | 定着温度センサー /3 (TH3) | 1 | 3,000K | A50UR70F00 | | P48-18 | |
| 77 | | 定着温度センサー /4 (TH4) | 1 | 3,000K | A50UR70E22 | | P45-6 | |
| 78 | 電荷制御部 | 帯電ローラー軸受 /Fr | 1 | 3,150K | A1RF508900 | | P109-5 | |
| 79 | | 帯電ローラー軸受 /Rr | 1 | 3,150K | A85C897201 | | P109-17 | |
| 80 | 中間転写部 | 転写ローラー軸受 /Y、/M、/C | 6 | 3,552K | 65AA26380 | | P39-3 | |
| 81 | | 転写ローラー軸受 /K | 2 | 3,552K | A50U505700 | | P39-15 | |

*1: 実質交換 : 100% (固定パーツカウンター) (サービスマニュアル「F.3 ライフ値の考え方」参照)

*2: フル検知はセンサーにより自動検知

*3: コネクタの色により、識別可能。

*4: 実質交換 : 460,000 カウント (枚数)、または 100% (距離) いずれか早いタイミング (サービスマニュアル「F.3 ライフ値の考え方」参照)

*5: 現像ユニットと同時に交換すること。

*: ここに記載されている部品名称はサービスマニュアルで使用されている部品名称であり、他のページに記載されている部品名称とは異なる場合があります。

DESTINATION

| Destination No. | | Destinations | | V | Hz | Model No. |
|-----------------|----|--|---|---------|-------|---------------------|
| A | A1 | JAPAN | | 200 | 50/60 | A9VE001 |
| | A2 | JAPAN | | 200 | 50/60 | A9VE001 |
| B | | USA, CANADA | | 208-240 | 60 | A9VE011 |
| C | | EUROPEAN TYPE | | 220-240 | 50/60 | A9VE021 |
| D | D1 | S.E ASIA TYPE | THAILAND, SRI LANKA, SINGAPORE, MALAYSIA, HONG KONG, PAKISTAN, INDIA, BANGLADESH, INDONESIA | 220-240 | 50/60 | A9VE041/ A9VE0T1 |
| | D3 | OCEANIA TYPE | AUSTRALIA, NEW ZEALAND | 220-240 | 50/60 | A9VE051 |
| E | | PHILIPPINES | | 220-240 | 50/60 | A9VE041 |
| F | F1 | SAUDI ARABIA | | | | |
| | F2 | SAUDI ARABIA | | 220-240 | 50/60 | A9VE041 |
| G | G1 | C.S AMERICA | | 220-240 | 50/60 | A9VE041 |
| | G2 | C.S AMERICA | | 208-240 | 60 | A9VE011 |
| H | | TAIWAN | | 220-240 | 50/60 | A9VE041 |
| I | | JORDAN, LEBANON, SYRIA, SOUTH AFRICA, IRAQ, IRAN, N.YEMEN, CAMEROON, UAE, BAHRAIN, OMAN, QATAR, KUWAIT, KENYA, TUNISIA, IVORY COAST, MOROCCO | | 220-240 | 50/60 | A9VE021/ A9VE041 |
| J | | CHINA | | 220 | 50/60 | A9VE081 |
| K | | KOREA | | 220-240 | 50/60 | A9VE041 |

AccurioPress C3080