

KONICA MINOLTA

PARTS GUIDE MANUAL

SEPTEMBER 2020

AccurioPress C3080P *AAC2*

INFORMATION FOR PARTS GUIDE MANUAL

To find correct Parts No., refer to the "HOW TO MAKE THE BEST USE OF THIS MANUAL" in the following page.

HOW TO MAKE THE BEST USE OF THIS MANUAL

- 1 When you order, please check the proper figures beforehand that are on Our Parts Guide Manual, and order with the appropriate figures.
- 2 For screws, Nuts, Washers, retaining rings and Pins which are used in this model, one letter is shown on the Standard parts column of Parts list and exploded diagrams.
- 3 In order to maintain safety of the product, some specific parts composed of this product are set up as "essential safety parts".
- 4 The assigned parts number for the "essential safety parts" is indicated as "SP00-****".
When replacing these parts, follow precautions for disassembling and installing which are listed in the Service Manual.
Do not use any parts that are not set up as
- 5 ♣ means that there are exclusive parts for each destination.
Please check the appropriate destination when you order.
- 6 All rights reserved. (any reprints or quotations are prohibited.)
Use of this parts guide manual should be strictly supervised to avoid disclosure of confidential information.

パーツガイドマニュアルのご案内

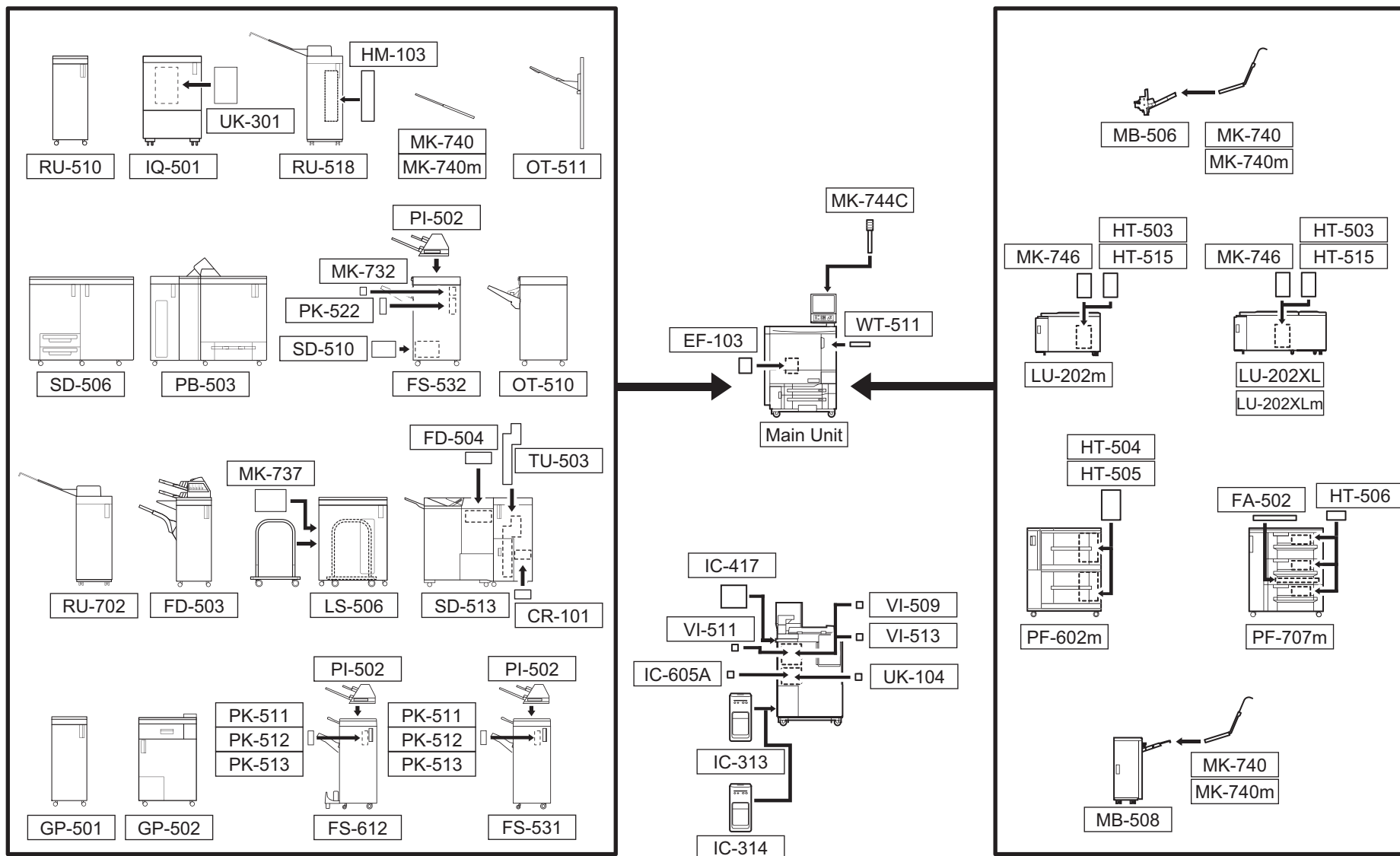
サービス部品をご発注の際には、下記に示す“パーツガイドマニュアルの活用にあたって”をご参照の上、正しい部品番号にてお願い致します。

パーツガイドマニュアルの活用にあたって

- 1 部品発注の際には、掲載されている部品番号の桁数を確認し、掲載されている桁数で発注願います。
- 2 この製品に使用されているネジ、ナット、ワッシャー、止め輪、ピンなどは、リストの右側の Standard parts 欄に a,b,c,…… で表示し、イラストにも a,b,c,…… 表示してあります。
- 3 製品の安全性を維持する為に、製品に使用される特定の部品を「重要保安部品」として設定しています。
- 4 重要保安部品の部品番号は、“SP00-****”と記載されていますので、部品交換時は、サービスマニュアル記載の分解・組み立ての注意事項に従って作業をして下さい。
また、指定以外の部品は一切使用しないで下さい。
- 5 本文に ♣ が表示されている部品は、仕向け地毎に専用部品がある事を意味しています。
オーダーされる時は、仕向け地を確認して下さい。
- 6 著作権所有（無断転載及び無断引用の禁止）
本パーツガイドマニュアルについては、機密保持等その扱いには十分注意して下さい。万一取り扱いを誤った場合には、法律で処罰される場合があります。

11/21/2017

System Configuration



AccurioPress C3080P

GENERAL CONTENTS

No.	Description	Model
1	Mount Kit	MK-744
2	Digital MFP Color	AccurioPress C3080P
3	Bypass Tray	MB-506
4	Paper Feeder	LU-202m
5	Paper Feeder	LU-202XL
6	Paper Feeder	LU-202XLm
7	Heater	HT-505
8	Paper Feeder	PF-602/PF-602m
9	Paper Feeder	PF-707m
10	Heater	HT-506
11	Other Option	FA-502
12	Heater	HT-504
13	Mount Kit	MK-746
14	Heater	HT-515
15	Heater	HT-503
16	Mount Kit	MK-740/MK-740m
17	Bypass Tray	MB-508
18	Envelop Fusing Unit	EF-103
19	Working Table	WT-511
20	Relay Unit	RU-510
21	Intelligent Quality Optimizer	IQ-501
22	Relay Unit	RU-518

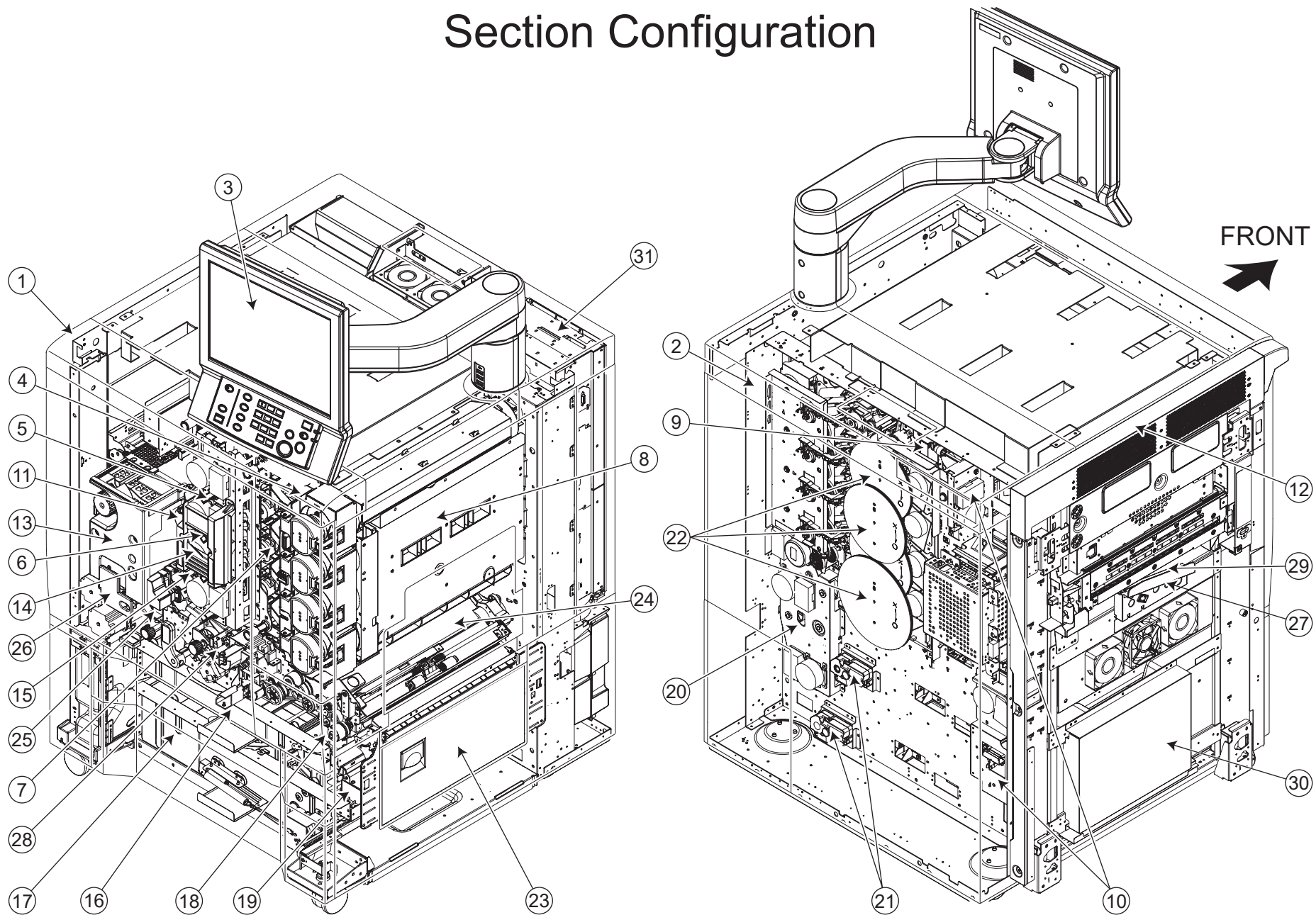
AccurioPress C3080P

No.	Description	Model
23	Humidifier	HM-103
24	Output Tray	OT-511
25	Post Inserter	PI-502
26	Mount Kit	MK-732
27	Punch Unit	PK-522
28	Saddle Unit	SD-510
29	Finisher/Sorter	FS-532/FS-532 PK/SD
30	Output Tray	OT-510
31	Trimmer Unit	TU-503
32	Saddle Unit	FD-504
33	Saddle Unit	SD-506
34	Perfect Binder	PB-503
35	Other Option	MK-737
36	Folding Unit	FD-503
37	Large Capacity Stacker	LS-506
38	Punch Unit	PK-511
39	Punch Unit	PK-512
40	Punch Unit	PK-513
41	Punch Unit	GP-501
42	Ring Binder	GP-502
43	Finisher/Sorter	FS-612
44	Finisher/Sorter	FS-531
45	Saddle Unit	SD-513/SD-513/R

AccurioPress C3080P

No.	Description	Model
46	Saddle Unit	CR-101
47	Other Option	UK-301
48	Relay Unit	RU-702
49	Image Controller	IC-417
50	Video IF Kit	VI-511
51	Image Controller	IC-605A
52	Image Controller	IC-313
53	Image Controller	IC-314
54	Other Option	UK-104
55	Video IF Kit	VI-509
56	Video IF Kit	VI-513

Section Configuration



AccurioPress C3080P

CONTENTS

No.	DESCRIPTION	名称	PAGE No.
1	External Parts Section	外装部	P1 P2 P3 P4
2	Main Frame Section	骨格部	P5 P6 P7 P8 P9 P10 P11 P12 P13
3	Operation Panel Section	操作部	P14 P15 P16
4	Write Section	書き込み部	P17
5	Charging Section	帯電部	P18
6	Photo Conductor Section	感光体部	P19
7	Developing Section	現像部	P20 P21 P22 P23
8	Toner Supply Section	トナー補給部	P24 P25 P26 P27 P28
9	Toner Collection Section	トナー回収部	P29 P30
10	Toner Collection Driving Section	トナー回収駆動部	P31
11	Intermediate Transfer Section	中間転写部	P32 P33 P34 P35 P36 P37
12	Color Resist Section	画像補正ユニット部	P38
13	Fusing Section	定着部	P39 P40 P41 P42 P43 P44 P45 P46 P47
14	Process Carriage Section	プロセス架台部	P48 P49 P50 P51 P52 P53 P54
15	Secondary Transfer Section	2次転写部	P55
16	Tray 1 Section	トレイ1	P56 P57 P58 P59
17	Tray 2 Section	トレイ2	P60 P61 P62 P63
18	Tray 1 Paper Feed Section	トレイ1 給紙部	P64 P65 P66
19	Tray 2 Paper Feed Section	トレイ2 給紙部	P67 P68 P69
20	Paper Feed Driving Section	給紙駆動部	P70
21	Tray Driving Section	トレイ駆動部	P71
22	Drum Driving Section	ドラム駆動部	P72 P73 P74 P75
23	Vertical Conveyance Section	垂直搬送部	P76 P77
24	Duplex Carriage Section	両面架台部	P78 P79
25	Duplex Section	両面部	P80 P81 P82 P83 P84 P85 P86 P87 P88 P89 P90 P91 P92
26	Duplex Swing Section	両面揺動部	P93 P94
27	Reverse Section	反転	P95 P96 P97
28	Resist Section	レジスト部	P98 P99 P100
29	Exit Section	排紙部	P101 P102
30	Charge Control Section	電荷制御部	P103 P104 P105
31	Rear Electrical Section	背面電気部	P106 P107 P108 P109 P110 P111
32	Wiring	束線	P112 P113 P114 P115
33	Service Tool	サービスツール	P116
34	Accessory Parts	同梱部品	P117 P118

INDEX

Parts No.	Page No.
00GR00020	116-5
00GR00220	116-6
00GR00260	116-4
00VC-2-00	116-12
00VD-1000	116-13
059076510	66-1
059076510	69-1
07BA12352	25-1
07BA12352	40-2
07BA15871	33-2
07BA15871	35-1
08AA45230	37-1
1154467001	86-1
12QR86011	24-2
12QV40650	34-1
12QV40650	70-1
12QV40650	72-2
12QV40650	73-2
12QV40650	74-2
12QV40650	75-1
12QV40650	80-3
12QV40650	83-2
12QV40650	98-2
12QV40650	105-1
13NG45200	9-1
13QA40610	31-3
13QA40610	48-1
13QA40610	95-3
13QA40610	102-2
13QA85511	81-1
13QA85511	97-1
13QA85511	99-1
14GE45470	79-1
14GE45470	95-4
14GE45470	98-3
192141710	95-1
20AL48470G	39-1
25AA10091F	10-1
25AA40100	66-2
25AA40100	69-2

Parts No.	Page No.
25AA47500	83-3
25AA50080	86-3
25AA77730	77-2
25BA77171	27-2
25SA40960	64-1
25SA40960	66-3
25SA40960	67-1
25SA40960	69-3
25SA88461	107-1
26NA17580	29-1
26NA32660	28-1
26NA32870	25-2
26NA42061	64-2
26NA42061	67-2
26NA42560	64-3
26NA42560	67-3
26NA42560	76-1
26NA47070	58-1
26NA47070	62-1
26NA53712	42-2
26NA53712	45-1
26NA54230	79-2
26NA82513	7-2
26TA32970	25-3
26TA32990	25-4
4004457301	30-1
4038254001	31-2
4038351102	7-1
4040078001	118-1
40AA30270	2-1
40AA30270	96-2
40AA32320	7-3
40AA32320	27-3
40AA32320	29-2
40AA32320	31-4
40AA32320	35-2
40AA32320	37-2
40AA32320	49-1
40AA32320	58-2
40AA32320	62-2

Parts No.	Page No.
40AA32320	70-2
40AA46261	96-3
40AA77550	80-4
40AA77550	96-4
40AA85011	24-3
40AA98020D	80-5
40LA73840	111-2
4109553001	65-1
4109553001	68-1
4109553001	87-1
4131253701	86-2
4131253701	87-2
4131253701	88-1
4131253701	92-2
4131253701	100-1
4131353202	80-1
4131353202	98-1
4139M10001	94-1
4470402401	8-1
4470402401	24-1
4470402401	30-2
4470402401	33-1
4470402401	40-1
4470402401	42-1
4470402401	50-1
4470402401	57-1
4470402401	59-1
4470402401	61-1
4470402401	72-1
4470402401	73-1
4470402401	74-1
4470402401	77-1
4470402401	80-2
4470402401	84-1
4470402401	85-1
4470402401	87-3
4470402401	89-1
4470402401	91-1
4470402401	92-3
4470402401	93-1

Parts No.	Page No.
4470402401	95-2
4470402401	96-1
4470402401	102-1
4470402401	104-1
462076010	83-1
466076020	27-1
466076020	31-1
466076020	92-1
50GA250100	29-3
55FA40320	66-4
55FA40320	69-4
55GA75031	46-1
55GA77050	31-5
55VA15541	82-1
55VA20520	44-1
55VA20680	77-3
55VA32480	110-1
55VA32530	57-2
55VA32530	61-2
55VA40600	58-3
55VA40930	57-3
55VA40930	61-3
55VA42120	34-2
55VA42120	65-2
55VA42120	66-5
55VA42120	68-2
55VA42120	69-5
55VA42120	77-4
55VA42120	83-4
55VA47840	30-4
55VA48500	45-2
55VA75540	65-3
55VA75540	68-3
55VA79030	64-4
55VA79030	67-4
55VA90840	2-2
56AA10300	8-2
56AA10300	9-2
56AA12140	24-4
56AA12160	24-5

Parts No.	Page No.
56AA12241	2-3
56AA12270	30-5
56AA17090	82-2
56AA17121	65-4
56AA17121	68-4
56AA17321	34-3
56AA17321	87-5
56AA17321	96-5
56AA17321	100-2
56AA17490	89-3
56AA17510	64-5
56AA17510	66-6
56AA17510	67-5
56AA17510	69-6
56AA17531	47-1
56AA17551	95-5
56AA17551	96-6
56AA17630	10-4
56AA17640	10-5
56AA17700	102-3
56AA17760	65-5
56AA17760	66-7
56AA17760	68-5
56AA17760	69-7
56AA20940D	37-3
56AA40010E	64-6
56AA40010E	67-6
56AA40032E	65-6
56AA40032E	68-6
56AA40032F	65-6
56AA40032F	68-6
56AA40070	66-8
56AA40070	69-8
56AA40100G	65-7
56AA40100G	68-7
56AA40120	65-8
56AA40120	68-8
56AA40171	65-9
56AA40171	68-9
56AA40190	65-10

Parts No.	Page No.	Parts No.	Page No.	Parts No.	Page No.	Parts No.	Page No.	Parts No.	Page No.
56AA40190	68-10	56AA42690	82-3	56UA77280	31-6	65AA47310E	57-4	65AA80112	84-4
56AA40230	65-11	56AA42690	83-5	56UA77710	31-7	65AA47310E	61-5	65AA80112	91-5
56AA40230	68-11	56AA42690	84-2	57AA15600	9-3	65AA47320	57-5	65AA80112	98-4
56AA40300	66-9	56AA42690	88-2	57AA15600	108-1	65AA47320	61-6	65AA88010	44-2
56AA40300	69-9	56AA42690	89-5	57AA40420	64-17	65AA47360	71-2	65AA91100	24-6
56AA40310	65-12	56AA42690	91-3	57AA40420	67-17	65AA47370	71-3	65AA97440	51-1
56AA40310	68-12	56AA42690	95-6	65AA-9091E	75-3	65AA47390	71-4	65AA97450	52-1
56AA40360	64-7	56AA50670	83-6	65AA-9920	116-3	65AA47550	59-2	65AA97460	53-1
56AA40360	67-7	56AA50800	83-7	65AA10190	11-1	65AA47550	63-1	65AA97470	54-1
56AA40370	65-13	56AA73560	109-2	65AA10470	9-4	65AA47600E	58-5	65AA99500	116-11
56AA40370	68-13	56AA77330	27-4	65AA11300	5-2	65AA47600E	62-4	65AAR72700	104-2
56AA40380	66-10	56AA77530	83-8	65AA11300	33-3	65AA47630	59-3	65AAR73200	51-2
56AA40380	69-10	56AA77590	66-12	65AA11430	5-3	65AA47630	63-2	65AAR73200	52-2
56AA40390	65-14	56AA77590	69-12	65AA15210	72-3	65AA47700D	58-6	65AAR73200	53-2
56AA40390	68-14	56AA77720E	65-18	65AA15210	73-3	65AA47700D	62-5	65AAR73200	54-2
56AA40430	64-8	56AA77720E	68-18	65AA15210	74-3	65AA47710	71-5	65AAR74600	105-2
56AA40430	67-8	56AA77730	65-19	65AA15210	75-2	65AA47740E	58-7	65GE97400	66-15
56AA40440	64-9	56AA77730	68-19	65AA20060	37-5	65AA47740E	59-4	65GE97400	69-15
56AA40440	67-9	56AA80551	85-2	65AA20300	37-6	65AA47740E	62-6	65GE97490	58-8
56AA40481	64-10	56AA82012	65-20	65AA26380	35-3	65AA47740E	63-3	65GE97490	62-7
56AA40481	67-10	56AA82012	66-13	65AA26600	35-4	65AA47820	57-6	65LA48530	101-1
56AA40490	28-2	56AA82012	68-20	65AA26690D	35-5	65AA47820	61-7	9313100072	5-1
56AA40490	37-4	56AA82012	69-13	65AA26840	37-7	65AA47860	57-7	9313110033	109-1
56AA40490	66-11	56AA82012	77-5	65AA26870	34-4	65AA47860	61-8	9335140051	30-3
56AA40490	69-11	56AA82012	83-9	65AA26900D	35-6	65AA47900E	59-5	9335140071	87-4
56AA40490	78-1	56AA97140	106-16	65AA27090D	37-8	65AA47970	71-6	9335140071	91-2
56AA40490	80-6	56GA76010	82-4	65AA27240	34-5	65AA48360	102-4	9335140071	92-4
56AA40490	86-4	56QA40080	64-13	65AA27320	37-9	65AA48460	102-5	9381410131	118-1
56AA40490	100-3	56QA40080	67-13	65AA33310F	48-2	65AA49410	96-7	9J03M10000	8-5
56AA40500	65-16	56QA40250	64-14	65AA40010	65-21	65AA50400	9-5	9J03M10000	10-7
56AA40500	68-16	56QA40250	67-14	65AA40010	68-21	65AA509900	8-3	9J03M10000	101-2
56AA40520	65-17	56QA40270	64-15	65AA40080E	66-14	65AA51510	86-5	9J06M10000	107-2
56AA40520	68-17	56QA40270	67-15	65AA40080E	69-14	65AA51730	84-3	9J06N30000	118-1
56AA40530	64-11	56QA40550	64-16	65AA42370	95-7	65AA53560	46-2	9J07500201	27-5
56AA40530	67-11	56QA40550	67-16	65AA44200	77-6	65AA53991	46-3	A00FM20000	28-4
56AA40540	64-12	56QA80570	10-6	65AA44350	77-7	65AA75010E	16-1	A00J211200	101-3
56AA40540	67-12	56QA80570	91-4	65AA44440	77-8	65AA77390	28-3	A00J617800	35-7
56AA42690	39-2	56QA80570	109-3	65AA45230	80-7	65AA77410	31-8	A00J617800	40-4
56AA42690	40-3	56QE88261E	106-1	65AA47120D	61-4	65AA77540	82-5	A00J617800	49-2
56AA42690	79-3	56UA70330	14-2	65AA47131E	58-4	65AA78040	26-4	A00J617800	80-8

Parts No.	Page No.	Parts No.	Page No.	Parts No.	Page No.	Parts No.	Page No.	Parts No.	Page No.
A00J617800	86-6	A03U190900	15-1	A03U734500	43-1	A03U845301	88-4	A043909901	101-7
A00J617800	96-8	A03U191100	16-6	A03U734500	44-3	A03U845301	90-3	A07R813801	105-3
A00J617800	102-6	A03U191201	16-7	A03U734500	47-2	A03U845601	81-3	A07TM60100	106-3
A00J617900	34-6	A03U191300	16-8	A03U734800	46-6	A03U845601	91-9	A0EDM10500	109-4
A00J617900	79-4	A03U191400	15-2	A03U734900	46-7	A03U845601	97-2	A0G6191600	14-3
A00J617900	83-10	A03U191500	15-3	A03U808400	40-8	A03U845700	91-10	A0G6192400	14-4
A00J617900	88-3	A03U191600	15-4	A03U809500	45-5	A03U845902	91-11	A0G6192500	14-5
A00J617900	89-6	A03U191700	15-5	A03U811600	86-7	A03U848100	90-4	A0G6192700	14-6
A00J617900	95-8	A03U191800	15-6	A03U811800	86-8	A03U849701	86-14	A0G6192900	14-7
A00J663200	64-18	A03U191900	15-7	A03U812800	58-9	A03U850101	64-19	A0G6193100	14-8
A00J663200	65-22	A03U192000	15-8	A03U812800	62-9	A03U850101	67-19	A0G6193200	14-9
A00J663200	66-16	A03U192100	15-9	A03U812800	65-23	A03U850101	76-2	A0G6193400	14-10
A00J663200	67-18	A03U192200	15-10	A03U812800	66-18	A03U850101	87-6	A0G6193800	14-13
A00J663200	68-22	A03U192300	16-9	A03U812800	68-23	A03U850101	100-5	A0G6193900	14-14
A00J663200	69-16	A03U193400	15-11	A03U812800	69-18	A03U859400	91-12	A0G6194000	14-15
A00J945401	4-1	A03U193600	15-12	A03U812800	77-9	A03U859500	91-13	A0G6411200	5-6
A00JM12100	26-3	A03U193700	15-13	A03U812800	82-7	A03U892300	101-4	A0G6739300	105-4
A00JM60300	106-2	A03U195302	16-10	A03U812800	83-12	A03U892400	101-5	A0G6H06000	14-16
A00TM10000	94-2	A03U195400	16-11	A03U812800	84-5	A03U892701	102-8	A0G6N18400	14-18
A00V240600	34-7	A03U195500	16-12	A03U812800	89-7	A03U893000	102-9	A0GD944100	117-15
A00V240600	39-3	A03U259600	72-4	A03U812800	98-6	A03U893101	102-10	A0GD944200	117-16
A00V240600	40-5	A03U259600	73-4	A03U812800	100-4	A03U893200	102-11	A0P0144300	87-7
A00V240600	45-3	A03U259600	74-4	A03U813601	86-9	A03U893502	102-12	A0P0663600	80-9
A00V240600	49-3	A03U259600	75-4	A03U814100	86-10	A03U909502	102-13	A0P0M73100	14-1
A00V240600	70-3	A03U259900	72-5	A03U814200	86-11	A03U909900	101-6	A0TK341200	93-3
A00V240600	82-6	A03U259900	73-5	A03U814300	86-12	A03UF19100	16-13	A0TK341300	84-6
A00V240600	83-11	A03U259900	74-5	A03U815700	82-8	A03UF84300	92-10	A0TKH00200	20-1
A00V240600	91-6	A03U259900	75-5	A03U838900	83-13	A03UM15802	5-5	A0TKH00200	21-1
A00V240600	93-2	A03U512300	34-8	A03U839000	82-9	A03UM15802	8-6	A0TKH00200	22-1
A00V240600	98-5	A03U515100	33-5	A03U842600	90-1	A03UM20100	83-14	A0TKH00200	23-1
A02E262300	110-2	A03U555400	37-10	A03U842700	81-2	A03UN23200	41-1	A0VDM50500	99-3
A034M50000	5-4	A03U560500	66-17	A03U842700	91-7	A03UN23200	44-4	A0Y5M15101	11-3
A034M50000	33-4	A03U560500	69-17	A03U842800	91-8	A03X565001	83-15	A11PM10200	34-9
A03N621800	62-8	A03U621200	59-6	A03U843500	86-13	A03X565611	64-20	A11PM10200	39-4
A03TM50000	102-7	A03U621200	63-4	A03U844200	92-5	A03X565611	67-20	A161626800	56-1
A03U118301	11-2	A03U723301	46-4	A03U844300	92-6	A03X622000	99-2	A161626800	60-1
A03U190500	16-2	A03U724200	40-6	A03U844700	92-7	A03X622101	63-5	A161M10200	31-9
A03U190600	16-3	A03U728000	46-5	A03U844802	92-8	A03X622201	63-6	A1DU111101	7-4
A03U190700	16-4	A03U734500	40-7	A03U844901	92-9	A03X656203	57-8	A1DU163402	3-1
A03U190802	16-5	A03U734500	42-3	A03U845100	90-2	A03X656203	61-9	A1DU190101	16-14

Parts No.	Page No.	Parts No.	Page No.	Parts No.	Page No.	Parts No.	Page No.	Parts No.	Page No.
A1DU504203	34-35	A1RF517300	102-14	A4EU265000	39-8	A50U107101	9-11	A50U124000	6-8
A1DU736200	39-5	A1RF620301	64-22	A4EU265000	43-3	A50U107501	8-15	A50U124100	5-16
A1DU764000	7-5	A1RF620301	67-22	A4EU538400	26-5	A50U107600	8-16	A50U124900	5-17
A1DU942900	99-4	A1RF701700	76-3	A4EUM60000	5-7	A50U107801	8-17	A50U125000	11-13
A1DUF62100	59-7	A1RF758100	39-6	A4EUM60401	106-4	A50U108001	11-7	A50U125101	11-14
A1DUF62100	63-7	A1RF758100	43-2	A4EUM75800	14-23	A50U108200	11-8	A50U125200	5-18
A1DUH11000	16-15	A1RF809400	39-7	A4EUM77000	111-15	A50U108900	7-10	A50U125500	11-15
A1DUPJG100	116-14	A1RF815702	8-7	A4EUN28500	14-24	A50U109101	6-1	A50U125600	11-16
A1DUR71200	48-3	A1RF820000	40-9	A4EUPP0000	116-7	A50U109201	71-8	A50U125800	11-17
A1DUR71600	38-1	A1RF820000	88-5	A4F3744400	10-28	A50U109201	109-5	A50U125901	5-19
A1DUR71900	35-8	A1RF820000	89-8	A50U101600	9-6	A50U109300	71-9	A50U126200	6-9
A1DUR71C00	37-11	A1RF820000	94-3	A50U102703	9-7	A50U109400	8-18	A50U126300	11-18
A1DUR71D00	37-12	A1RF820000	95-9	A50U102800	7-6	A50U109900	8-22	A50U126400	11-19
A1DUR71J00	66-19	A1RF820000	105-7	A50U102900	5-8	A50U110000	10-12	A50U126500	5-20
A1DUR71J00	69-19	A1RF847400	90-5	A50U103200	8-8	A50U112901	71-10	A50U126600	5-21
A1DUR71K00	64-21	A1RF863800	96-9	A50U103301	10-8	A50U112901	109-6	A50U126800	6-10
A1DUR71K00	67-21	A1RF945501	34-37	A50U103403	8-9	A50U120100	106-5	A50U127000	12-4
A1DUR73500	34-10	A1RF945501	117-1	A50U103500	8-10	A50U120200	106-6	A50U127201	6-11
A1DUR73E00	91-14	A1RF946000	61-10	A50U103602	7-7	A50U120300	8-23	A50U127300	6-12
A1DUR73K00	82-10	A1RFM15100	110-3	A50U103800	10-9	A50U120600	5-9	A50U127401	5-22
A1DUR73P00	91-15	A1RFM51000	42-4	A50U104000	12-2	A50U120700	109-7	A50U127500	6-13
A1DUR75200	66-20	A1RFN28300	14-19	A50U104300	13-2	A50U120900	11-9	A50U127800	6-14
A1DUR75200	69-20	A1RG569900	29-4	A50U104401	10-10	A50U121003	5-10	A50U127901	5-23
A1RF214100	72-6	A1RG569900	31-12	A50U104500	13-3	A50U121300	5-11	A50U128000	6-15
A1RF214100	73-6	A1RG681400	83-16	A50U104600	9-8	A50U121500	17-1	A50U128700	6-16
A1RF214100	74-6	A1RJ732100	36-7	A50U104700	8-11	A50U121601	5-12	A50U128801	11-20
A1RF214100	75-6	A1RJ818800	96-10	A50U104800	108-2	A50U121800	11-10	A50U128900	11-21
A1RF301400	12-1	A1RJ825100	93-4	A50U104901	7-8	A50U121900	11-11	A50U129100	11-22
A1RF363500	30-6	A1RJ825800	93-5	A50U105000	13-4	A50U122103	5-13	A50U129200	8-24
A1RF363801	30-7	A1TVM10100	85-3	A50U105100	8-12	A50U122400	109-9	A50U129300	11-23
A1RF368500	31-10	A1TVM10100	101-8	A50U105201	8-13	A50U122701	12-3	A50U129401	11-24
A1RF372300	31-11	A1UD210500	31-13	A50U105600	8-14	A50U122900	11-12	A50U129801	11-25
A1RF441500	25-5	A1UDM50100	58-10	A50U105800	9-9	A50U123200	6-2	A50U130300	111-3
A1RF501700	34-11	A1UDM50100	62-10	A50U106300	10-11	A50U123300	6-3	A50U130502	110-4
A1RF508000	36-4	A2X0M12101	71-7	A50U106300	13-5	A50U123400	6-4	A50U131002	108-3
A1RF508100	36-5	A2XKM10300	27-6	A50U106502	11-4	A50U123500	6-5	A50U131100	109-10
A1RF508200	36-6	A2XKM10300	70-4	A50U106600	11-5	A50U123600	6-6	A50U131200	109-11
A1RF508900	105-5	A4EU190413	14-20	A50U106700	11-6	A50U123700	5-14	A50U131300	109-12
A1RF509000	105-6	A4EU194100	14-21	A50U106800	7-9	A50U123800	5-15	A50U131400	108-4
A1RF517300	34-12	A4EU194200	14-22	A50U107000	9-10	A50U123900	6-7	A50U131503	106-7

Parts No.	Page No.	Parts No.	Page No.	Parts No.	Page No.	Parts No.	Page No.	Parts No.	Page No.
A50U131600	106-8	A50U167201	2-19	A50U308200	12-6	A50U341900	51-5	A50U365600	31-18
A50U131700	106-9	A50U167500	2-20	A50U308300	12-7	A50U341900	52-5	A50U365800	31-19
A50U131800	106-10	A50U167601	2-21	A50U308400	12-8	A50U341900	53-5	A50U366601	9-15
A50U131900	108-5	A50U167801	4-3	A50U308500	12-9	A50U341900	54-6	A50U366800	30-11
A50U132100	109-13	A50U167901	5-25	A50U314300	12-10	A50U342000	51-6	A50U367001	31-20
A50U132301	107-3	A50U169002	48-4	A50U314800	9-13	A50U342000	52-6	A50U367100	30-12
A50U132400	106-11	A50U169602	48-5	A50U318101	17-2	A50U342000	53-6	A50U367400	30-13
A50U132600	109-14	A50U169900	2-22	A50U318201	17-3	A50U342000	54-7	A50U368000	9-16
A50U132701	11-26	A50U171500	24-8	A50U318300	17-4	A50U342200	6-18	A50U368400	30-14
A50U132800	11-27	A50U172100	5-26	A50U318500	12-11	A50U342300	51-7	A50U369900	30-15
A50U133101	108-6	A50U172200	5-27	A50U318601	12-12	A50U342300	52-7	A50U372901	20-2
A50U133201	7-11	A50U172300	5-29	A50U318700	17-5	A50U342300	53-7	A50U372901	21-2
A50U133400	111-4	A50U175001	3-5	A50U318700	24-10	A50U342300	54-8	A50U372901	22-2
A50U133700	106-12	A50U179000	24-9	A50U318800	12-13	A50U342400	6-19	A50U372901	23-2
A50U133800	106-13	A50U179500	5-30	A50U318900	17-6	A50U342502	50-10	A50U373100	20-3
A50U133902	111-5	A50U210600	72-7	A50U319301	17-7	A50U342600	50-11	A50U373100	21-3
A50U134701	111-6	A50U210600	73-7	A50U333500	19-1	A50U342900	8-26	A50U373100	22-3
A50U134801	111-7	A50U210600	74-7	A50U333600	19-2	A50U343000	50-12	A50U373100	23-3
A50U136303	111-8	A50U210600	75-7	A50U335600	50-2	A50U343100	54-9	A50U374102	20-4
A50U136403	107-4	A50U212100	72-8	A50U335600	51-3	A50U343301	54-10	A50U374102	21-4
A50U136501	9-12	A50U212100	73-8	A50U335600	52-3	A50U343400	50-13	A50U374102	22-4
A50U160500	2-5	A50U212100	74-8	A50U335600	53-3	A50U343500	50-14	A50U374102	23-4
A50U161501	2-7	A50U212100	75-8	A50U335600	54-3	A50U343600	118-2	A50U374501	20-5
A50U161502	2-7	A50U212600	72-9	A50U337101	49-7	A50U343700	54-11	A50U374501	21-5
A50U161601	2-8	A50U212600	73-9	A50U337200	50-3	A50U343800	50-15	A50U374501	22-5
A50U161700	2-9	A50U212600	74-9	A50U337300	50-4	A50U343900	50-16	A50U374501	23-5
A50U161800	2-10	A50U212600	75-9	A50U337400	49-8	A50U344100	50-17	A50U376002	20-6
A50U161900	2-11	A50U220501	48-6	A50U340301	51-4	A50U344200	50-18	A50U376002	21-6
A50U162701	1-1	A50U220700	49-4	A50U340301	52-4	A50U360700	31-14	A50U376002	22-6
A50U162900	1-2	A50U221500	48-7	A50U340301	53-4	A50U361200	31-15	A50U376002	23-6
A50U163700	4-2	A50U221701	48-8	A50U340301	54-4	A50U361401	31-16	A50U376801	20-7
A50U164000	5-24	A50U221800	49-5	A50U340501	50-5	A50U361900	29-5	A50U376801	21-7
A50U164100	2-12	A50U252100	70-5	A50U340700	8-25	A50U362200	31-17	A50U376801	22-7
A50U164200	2-13	A50U252300	70-6	A50U340902	50-6	A50U362300	29-6	A50U376801	23-7
A50U164901	2-14	A50U252400	70-7	A50U341002	48-9	A50U363200	30-8	A50U377201	20-8
A50U165500	2-15	A50U252500	70-8	A50U341200	54-5	A50U363300	29-7	A50U377201	21-8
A50U165600	2-16	A50U252600	70-9	A50U341301	50-7	A50U363400	30-9	A50U377201	22-8
A50U166100	2-17	A50U252700	70-10	A50U341401	50-8	A50U363701	30-10	A50U377201	23-8
A50U166200	2-18	A50U252800	70-11	A50U341600	50-9	A50U363900	9-14	A50U377301	20-9
A50U166800	24-7	A50U308100	12-5	A50U341800	6-17	A50U365400	29-8	A50U377301	21-9

Parts No.	Page No.	Parts No.	Page No.	Parts No.	Page No.	Parts No.	Page No.	Parts No.	Page No.
A50U377301	22-9	A50U462400	53-10	A50U502801	118-3	A50U510100	35-23	A50U565100	65-28
A50U377301	23-9	A50U462400	54-14	A50U502900	36-12	A50U510200	35-24	A50U565100	68-28
A50U400201	25-18	A50U462501	51-11	A50U503001	36-13	A50U510400	7-14	A50U620602	58-11
A50U400503	28-5	A50U462501	52-11	A50U503200	35-11	A50U515200	38-2	A50U620801	58-12
A50U400600	24-11	A50U462501	53-11	A50U503500	36-15	A50U515500	38-3	A50U620801	62-11
A50U400900	24-12	A50U462501	54-15	A50U503600	33-7	A50U516800	38-4	A50U620902	58-13
A50U401200	28-6	A50U462600	51-12	A50U503700	33-8	A50U516900	38-5	A50U621001	57-9
A50U401301	28-7	A50U462600	52-12	A50U503900	34-16	A50U517000	38-6	A50U621001	61-11
A50U401401	24-13	A50U462600	53-12	A50U504000	34-17	A50U517100	38-7	A50U621200	59-8
A50U404000	27-7	A50U462600	54-16	A50U504400	34-18	A50U517300	34-30	A50U621200	63-8
A50U404200	27-8	A50U462700	51-13	A50U504500	34-19	A50U520001	55-1	A50U621301	58-14
A50U404600	27-9	A50U462700	52-13	A50U504600	34-20	A50U520601	80-10	A50U621301	62-12
A50U406400	27-10	A50U462700	53-13	A50U504700	34-21	A50U520700	80-11	A50U621400	58-15
A50U407300	13-6	A50U462700	54-17	A50U505000	34-22	A50U520900	80-12	A50U621400	62-13
A50U407600	28-8	A50U462801	51-14	A50U505100	34-23	A50U521301	80-15	A50U621800	58-16
A50U408101	24-14	A50U462801	52-14	A50U505202	33-9	A50U521500	80-16	A50U621900	58-17
A50U408501	25-6	A50U462801	53-14	A50U505300	34-24	A50U521900	80-17	A50U621900	62-14
A50U408600	25-7	A50U462801	54-18	A50U505401	35-12	A50U522001	80-18	A50U622001	58-18
A50U408700	25-8	A50U462900	51-15	A50U505500	35-13	A50U522400	80-19	A50U622001	62-15
A50U408900	25-9	A50U462900	52-15	A50U505601	35-14	A50U522900	80-20	A50U622101	58-19
A50U410200	25-10	A50U462900	53-15	A50U505700	35-15	A50U523001	80-21	A50U622101	62-16
A50U420300	27-11	A50U462900	54-19	A50U505800	35-16	A50U523100	80-22	A50U622300	58-20
A50U420400	28-9	A50U463000	51-16	A50U505901	34-25	A50U523200	80-23	A50U622400	58-21
A50U420800	28-10	A50U463000	52-16	A50U506101	34-26	A50U523400	80-24	A50U622400	62-17
A50U420900	27-12	A50U463000	53-16	A50U506200	33-10	A50U524100	80-25	A50U622600	57-10
A50U421000	27-13	A50U463000	54-20	A50U506300	33-11	A50U524500	80-26	A50U622600	61-12
A50U421000	28-11	A50U463100	51-17	A50U506500	118-4	A50U524600	80-27	A50U622802	57-11
A50U440301	25-11	A50U463100	52-17	A50U506701	34-27	A50U524700	80-28	A50U622802	61-13
A50U440601	25-12	A50U463100	53-17	A50U506900	35-17	A50U525900	55-2	A50U623201	58-22
A50U442100	24-15	A50U463100	54-21	A50U507000	34-28	A50U531400	37-13	A50U623201	62-18
A50U462101	51-8	A50U500401	34-13	A50U507600	35-18	A50U531500	37-14	A50U623300	58-23
A50U462101	52-8	A50U500800	33-6	A50U507801	35-19	A50U531601	37-15	A50U623300	62-19
A50U462101	53-8	A50U501201	35-9	A50U507900	35-20	A50U560901	65-24	A50U623600	58-24
A50U462101	54-12	A50U501401	36-8	A50U508001	35-21	A50U560901	68-24	A50U623701	58-25
A50U462201	51-9	A50U501702	36-9	A50U508102	35-22	A50U561200	65-25	A50U623900	62-20
A50U462201	52-9	A50U501900	35-10	A50U508301	7-12	A50U561200	68-25	A50U624000	9-17
A50U462201	53-9	A50U502100	36-10	A50U508600	33-12	A50U562400	65-26	A50U624113	10-15
A50U462201	54-13	A50U502500	34-14	A50U508800	33-13	A50U562400	68-26	A50U624201	62-21
A50U462400	51-10	A50U502600	34-15	A50U509100	34-29	A50U564500	65-27	A50U624300	10-16
A50U462400	52-10	A50U502700	36-11	A50U509300	7-13	A50U564500	68-27	A50U624503	9-18

Parts No.	Page No.	Parts No.	Page No.	Parts No.	Page No.	Parts No.	Page No.	Parts No.	Page No.
A50U624600	59-9	A50U629100	71-11	A50U634300	56-9	A50U706800	77-24	A50U714800	84-13
A50U624600	63-9	A50U629202	61-22	A50U634300	60-11	A50U706900	76-11	A50U714900	84-14
A50U624700	59-10	A50U629300	57-20	A50U635400	62-35	A50U707002	77-25	A50U715003	84-15
A50U624700	63-10	A50U629401	63-14	A50U635500	62-36	A50U707300	77-26	A50U715004	84-15
A50U624904	9-19	A50U629502	59-14	A50U637002	56-10	A50U707400	77-27	A50U715100	84-16
A50U625000	57-12	A50U629502	63-15	A50U637600	59-18	A50U707600	76-12	A50U715200	84-17
A50U625100	59-11	A50U629702	59-15	A50U637700	59-19	A50U710101	98-7	A50U715300	87-12
A50U625100	63-11	A50U629702	63-16	A50U640100	63-18	A50U710300	100-6	A50U715300	100-20
A50U625400	58-26	A50U629801	59-16	A50U640200	10-19	A50U710901	100-7	A50U715400	89-9
A50U625500	58-27	A50U629801	63-17	A50U640400	10-20	A50U711001	100-8	A50U715600	87-13
A50U625701	57-13	A50U629901	59-17	A50U640700	62-37	A50U711101	98-8	A50U715600	100-21
A50U625701	61-14	A50U630203	57-21	A50U640800	58-32	A50U711200	100-9	A50U715800	87-14
A50U626000	62-22	A50U630203	61-23	A50U641500	57-22	A50U711300	100-10	A50U715800	100-22
A50U626100	58-28	A50U630602	62-26	A50U641500	61-27	A50U711400	98-9	A50U715900	98-15
A50U626100	62-23	A50U630902	62-27	A50U642000	58-33	A50U711602	100-11	A50U716200	98-16
A50U626502	57-14	A50U631000	62-28	A50U642000	62-38	A50U712001	99-5	A50U716301	100-23
A50U626502	61-15	A50U631100	62-29	A50U642300	43-4	A50U712200	87-8	A50U716400	100-24
A50U626601	57-15	A50U631200	61-24	A50U642300	63-19	A50U712200	100-12	A50U716500	55-3
A50U626601	61-16	A50U631301	61-25	A50U642300	95-10	A50U712300	87-9	A50U716500	80-29
A50U626702	57-16	A50U631500	62-30	A50U700101	76-4	A50U712300	100-13	A50U716500	87-15
A50U626702	61-17	A50U631600	61-26	A50U700200	77-10	A50U712400	87-10	A50U716500	100-25
A50U627002	60-2	A50U631700	62-31	A50U700300	77-11	A50U712400	100-14	A50U717001	99-6
A50U627200	60-3	A50U631800	62-32	A50U700400	77-12	A50U712700	100-15	A50U717100	99-7
A50U627501	58-29	A50U631900	62-33	A50U700500	77-13	A50U713000	98-10	A50U717200	99-8
A50U627501	62-24	A50U632300	62-34	A50U700600	77-14	A50U713100	100-16	A50U717901	98-17
A50U627601	57-17	A50U633002	56-2	A50U700901	76-5	A50U713200	98-11	A50U718200	99-9
A50U627601	61-18	A50U633002	60-4	A50U701000	77-15	A50U713302	84-7	A50U718300	99-10
A50U627701	57-18	A50U633200	56-3	A50U701113	76-6	A50U713401	84-8	A50U718400	87-16
A50U627701	61-19	A50U633200	60-5	A50U704400	77-16	A50U713403	84-8	A50U718400	100-26
A50U628001	10-17	A50U633301	56-4	A50U704700	77-17	A50U713500	84-9	A50U718500	87-17
A50U628100	58-30	A50U633400	56-5	A50U704801	77-18	A50U713600	98-12	A50U718500	100-27
A50U628200	57-19	A50U633400	60-6	A50U704900	77-19	A50U713700	84-10	A50U719300	99-11
A50U628200	59-12	A50U633601	60-7	A50U705000	77-20	A50U713800	84-11	A50U719400	99-12
A50U628200	61-20	A50U633702	56-6	A50U705100	76-7	A50U713900	84-12	A50U719800	98-19
A50U628200	63-12	A50U633702	60-8	A50U705200	76-8	A50U714201	100-17	A50U721502	47-3
A50U628300	59-13	A50U633800	56-7	A50U705400	77-21	A50U714300	98-13	A50U722100	44-5
A50U628300	63-13	A50U633800	60-9	A50U705500	77-22	A50U714400	98-14	A50U722202	44-6
A50U628400	58-31	A50U633900	56-8	A50U705600	77-23	A50U714500	100-18	A50U722700	47-4
A50U628400	62-25	A50U633900	60-10	A50U705701	76-9	A50U714601	87-11	A50U723812	44-7
A50U629001	61-21	A50U634200	10-18	A50U706000	76-10	A50U714601	100-19	A50U723911	44-8

Parts No.	Page No.	Parts No.	Page No.	Parts No.	Page No.	Parts No.	Page No.	Parts No.	Page No.
A50U725001	45-7	A50U743100	39-14	A50U751200	39-23	A50U763800	46-30	A50U803700	94-14
A50U725200	44-9	A50U743200	39-15	A50U751301	39-24	A50U763900	46-31	A50U803800	94-15
A50U726611	44-10	A50U743302	40-11	A50U752000	40-22	A50U765000	45-14	A50U804001	93-15
A50U728500	44-11	A50U743600	40-12	A50U752200	40-23	A50U765500	42-15	A50U804200	93-16
A50U728800	44-12	A50U743700	40-13	A50U752300	40-24	A50U783400	45-15	A50U804701	94-16
A50U730900	44-13	A50U743900	40-14	A50U752600	39-25	A50U785000	43-10	A50U805200	94-17
A50U731002	44-14	A50U744000	45-10	A50U752700	42-9	A50U787003	43-11	A50U805300	93-17
A50U731102	44-15	A50U744100	45-11	A50U753100	110-15	A50U787500	41-4	A50U810302	86-15
A50U731700	7-15	A50U744400	45-12	A50U754700	40-25	A50U787600	41-5	A50U810400	86-16
A50U731900	7-16	A50U744601	40-15	A50U754901	43-9	A50U787700	42-16	A50U810502	82-11
A50U732000	47-5	A50U744700	43-5	A50U755100	42-10	A50U788000	43-12	A50U811300	13-7
A50U732100	40-10	A50U744912	40-16	A50U755301	42-11	A50U788102	43-13	A50U811500	13-8
A50U732200	39-9	A50U745100	41-2	A50U755900	39-26	A50U788602	42-17	A50U812100	82-12
A50U732300	39-10	A50U745400	43-6	A50U756002	39-27	A50U788900	42-18	A50U812202	83-17
A50U732400	39-11	A50U745501	40-17	A50U756300	42-13	A50U789100	42-19	A50U813700	13-9
A50U732500	39-12	A50U745600	39-16	A50U756300	45-13	A50U792901	43-14	A50U814401	85-4
A50U733500	44-16	A50U745700	39-17	A50U756500	39-28	A50U794800	43-15	A50U814500	85-5
A50U734100	110-5	A50U746200	41-3	A50U757000	39-29	A50U799200	43-16	A50U815101	85-6
A50U737201	7-17	A50U746400	40-18	A50U757100	39-30	A50U799601	43-17	A50U815800	86-17
A50U737302	110-6	A50U746500	46-9	A50U758201	42-14	A50U799700	43-18	A50U816103	82-13
A50U737401	110-7	A50U746700	43-7	A50U760400	46-11	A50U799800	43-19	A50U816403	89-10
A50U737601	110-8	A50U746800	42-5	A50U760600	46-12	A50U800100	94-4	A50U816700	87-18
A50U737700	110-9	A50U747101	43-8	A50U760701	46-13	A50U800300	93-6	A50U816801	87-19
A50U737800	7-18	A50U747803	42-6	A50U760802	46-14	A50U800400	93-7	A50U816900	87-20
A50U738001	7-19	A50U747900	42-7	A50U761100	46-16	A50U800700	93-8	A50U817300	83-18
A50U738100	7-20	A50U748200	42-8	A50U761200	46-17	A50U800800	93-9	A50U817300	95-11
A50U738201	47-6	A50U748403	39-18	A50U761300	46-18	A50U801400	93-10	A50U817400	82-14
A50U738300	47-7	A50U748404	39-18	A50U761400	46-19	A50U801500	93-11	A50U817601	87-21
A50U738400	47-8	A50U748506	40-19	A50U761500	46-20	A50U801602	93-12	A50U817700	13-10
A50U738500	47-9	A50U748701	46-10	A50U761601	46-21	A50U802002	93-13	A50U817800	87-22
A50U738600	47-10	A50U749200	40-20	A50U761700	46-22	A50U802100	94-5	A50U818001	82-15
A50U738700	47-11	A50U749300	40-21	A50U761800	46-23	A50U802211	93-14	A50U818201	87-23
A50U738801	47-12	A50U749401	110-10	A50U761900	46-24	A50U802700	94-6	A50U818400	87-24
A50U738900	7-21	A50U749502	110-11	A50U762000	46-25	A50U802801	94-7	A50U818501	83-19
A50U739000	7-22	A50U749600	110-12	A50U762100	46-26	A50U802900	94-8	A50U818601	87-25
A50U739200	47-13	A50U749700	110-13	A50U762200	46-27	A50U803101	94-9	A50U818700	78-3
A50U739500	47-14	A50U749801	110-14	A50U762300	46-28	A50U803300	94-10	A50U818800	78-4
A50U739811	45-8	A50U751002	39-21	A50U762400	46-29	A50U803400	94-11	A50U818900	78-5
A50U739900	45-9	A50U751003	39-21	A50U763000	47-15	A50U803500	94-12	A50U819201	78-6
A50U742901	39-13	A50U751101	39-22	A50U763600	47-16	A50U803600	94-13	A50U819302	78-7

Parts No.	Page No.	Parts No.	Page No.	Parts No.	Page No.	Parts No.	Page No.	Parts No.	Page No.
A50U819500	79-6	A50U836300	85-10	A50U844601	92-20	A50U854800	80-32	A50U865401	96-18
A50U819600	95-12	A50U836400	82-20	A50U844800	90-10	A50U854800	81-4	A50U865601	96-19
A50U819700	84-18	A50U836500	82-21	A50U845400	91-19	A50U854800	88-25	A50U865703	95-20
A50U819812	85-7	A50U836801	89-11	A50U846000	92-21	A50U854800	90-13	A50U865901	95-21
A50U819900	85-8	A50U837001	78-10	A50U846102	88-9	A50U855200	9-20	A50U865902	95-21
A50U830200	83-20	A50U837101	78-11	A50U846304	88-10	A50U855601	90-14	A50U866400	95-22
A50U830300	83-21	A50U837300	78-12	A50U847200	91-20	A50U855702	78-13	A50U866900	95-23
A50U830400	83-22	A50U837700	85-11	A50U848000	90-11	A50U855800	80-33	A50U867100	96-20
A50U830501	83-23	A50U838500	85-12	A50U848302	90-12	A50U855900	82-23	A50U867200	95-24
A50U830600	83-24	A50U838700	85-13	A50U850201	91-21	A50U856201	88-26	A50U867312	95-25
A50U830700	83-25	A50U838701	85-13	A50U850201	92-22	A50U856501	92-25	A50U867400	95-26
A50U830800	83-26	A50U838800	95-14	A50U850700	89-12	A50U858101	80-34	A50U867500	95-27
A50U831000	83-27	A50U839200	82-22	A50U851400	88-11	A50U858200	78-14	A50U867600	95-28
A50U831100	83-28	A50U839200	83-31	A50U851500	88-12	A50U858300	78-15	A50U867700	96-21
A50U831200	83-29	A50U839900	79-7	A50U851500	89-13	A50U858400	78-16	A50U867802	95-29
A50U831300	85-9	A50U840303	88-6	A50U851700	88-13	A50U858500	78-17	A50U868000	96-22
A50U831400	86-18	A50U840400	92-11	A50U851901	89-15	A50U858600	82-24	A50U868200	97-8
A50U831900	83-30	A50U840501	90-20	A50U852000	88-15	A50U858703	89-24	A50U868301	97-9
A50U832100	8-27	A50U840602	90-21	A50U852102	89-16	A50U859000	83-34	A50U868401	96-23
A50U832201	10-22	A50U840704	90-6	A50U852200	89-17	A50U859400	83-35	A50U868500	97-10
A50U832600	86-19	A50U840715	90-6	A50U852300	89-18	A50U859500	88-27	A50U868600	97-11
A50U832700	86-20	A50U840802	88-7	A50U852301	89-18	A50U859800	88-28	A50U868702	96-24
A50U832901	78-8	A50U841100	91-16	A50U852400	89-19	A50U859900	91-22	A50U869100	97-12
A50U833000	8-28	A50U841301	92-12	A50U852500	88-16	A50U860104	95-15	A50U869300	96-25
A50U833400	87-26	A50U841402	88-8	A50U852500	89-20	A50U860202	96-11	A50U869400	95-30
A50U833500	87-27	A50U841501	90-7	A50U852701	88-17	A50U860501	95-16	A50U869501	95-31
A50U834200	86-21	A50U841600	90-8	A50U852904	88-18	A50U860600	96-12	A50U869601	96-26
A50U834304	95-13	A50U841700	92-13	A50U853001	88-19	A50U861006	95-17	A50U869700	96-27
A50U834500	87-28	A50U841800	92-14	A50U853100	89-21	A50U861100	96-13	A50U869800	96-28
A50U834600	87-29	A50U841901	90-9	A50U853200	88-20	A50U861601	96-14	A50U880103	88-29
A50U834700	87-30	A50U842000	91-17	A50U853200	89-22	A50U861900	97-3	A50U880201	90-15
A50U834802	80-30	A50U842300	91-18	A50U853400	92-23	A50U862600	97-4	A50U880702	82-25
A50U835001	78-9	A50U842900	79-8	A50U853700	88-21	A50U863000	97-5	A50U880800	87-32
A50U835302	82-16	A50U842900	92-15	A50U854100	92-24	A50U863100	2-23	A50U881300	88-30
A50U835400	82-17	A50U843601	92-16	A50U854200	88-22	A50U864200	96-15	A50U881400	88-31
A50U835601	84-19	A50U843801	92-17	A50U854302	88-23	A50U864300	96-16	A50U881500	8-29
A50U835900	82-18	A50U843900	86-22	A50U854400	80-31	A50U865011	97-6	A50U881601	87-34
A50U836000	82-19	A50U844100	86-23	A50U854400	88-24	A50U865101	96-17	A50U881700	87-35
A50U836100	84-20	A50U844400	92-18	A50U854600	62-39	A50U865200	97-7	A50U882100	87-36
A50U836200	87-31	A50U844501	92-19	A50U854600	89-23	A50U865300	95-19	A50U882100	89-25

Parts No.	Page No.
A50U882300	84-21
A50U882401	98-20
A50U882600	84-22
A50U882701	79-9
A50U882801	79-10
A50U882900	89-26
A50U883001	89-27
A50U883101	89-28
A50U883200	89-29
A50U883300	84-23
A50U883400	89-30
A50U883501	84-24
A50U883600	87-37
A50U883600	89-31
A50U883701	89-32
A50U884000	89-33
A50U884202	79-11
A50U884300	89-34
A50U884600	80-35
A50U884700	80-36
A50U885100	82-26
A50U886300	87-38
A50U886700	89-35
A50U886800	88-32
A50U886900	89-36
A50U887100	87-39
A50U887200	87-40
A50U887300	87-41
A50U890102	102-15
A50U890201	102-16
A50U890300	102-17
A50U890500	101-9
A50U890600	102-18
A50U890700	102-19
A50U890802	102-20
A50U891001	101-10
A50U891201	101-11
A50U891302	102-21
A50U891500	102-22
A50U891600	102-23

Parts No.	Page No.
A50U891900	102-24
A50U892001	102-25
A50U892101	102-26
A50U892201	101-12
A50U892502	101-13
A50U893201	102-27
A50U893300	101-14
A50U894000	102-28
A50U895000	101-15
A50U895101	101-16
A50U899700	102-29
A50U899801	102-30
A50U943201	87-42
A50U943301	100-29
A50U943401	98-21
A50U943502	39-31
A50U943601	96-29
A50U943701	46-32
A50U943801	95-32
A50U943901	92-26
A50U944001	90-16
A50U944200	78-18
A50U944302	5-31
A50U944500	25-13
A50U944600	25-14
A50U944700	25-15
A50U944800	25-16
A50U945301	58-34
A50U945301	62-40
A50U945601	2-24
A50U945601	50-19
A50U945601	55-4
A50U945702	56-11
A50U945702	60-12
A50U946000	57-23
A50U946300	58-35
A50U946300	62-41
A50U946400	59-20
A50U946400	63-20
A50U946503	2-25

Parts No.	Page No.
A50U948001	48-10
A50U949600	5-32
A50U949600	39-32
A50U949600	48-11
A50U949700	48-12
A50U949700	49-9
A50U949700	50-20
A50UF12000	5-33
A50UF16000	2-26
A50UF16101	2-27
A50UF16201	2-28
A50UF16301	2-29
A50UF16400	2-30
A50UF21100	72-10
A50UF21100	73-10
A50UF21100	74-10
A50UF36500	29-9
A50UF41500	24-16
A50UF50700	7-23
A50UF70800	76-13
A50UF70900	76-14
A50UF80500	93-18
A50UF81401	84-25
A50UF82200	82-27
A50UF83702	79-12
A50UF84800	91-23
A50UM15300	7-24
A50UM15300	101-17
A50UM15401	11-28
A50UM30101	51-18
A50UM30101	52-18
A50UM30101	53-18
A50UM30101	54-22
A50UM32A00	42-20
A50UM32E00	42-20
A50UM32F00	42-20
A50UM40100	108-7
A50UM40201	109-15
A50UM45200	107-5
A50UM50100	38-8

Parts No.	Page No.
A50UM50200	38-9
A50UM50600	44-17
A50UM51000	8-30
A50UM51000	24-17
A50UM51000	30-16
A50UM51000	77-28
A50UM51000	104-3
A50UM60300	5-34
A50UN10903	39-33
A50UN11801	30-17
A50UN12000	30-18
A50UN12101	24-18
A50UN12203	28-12
A50UN12500	50-21
A50UN12602	5-35
A50UN12702	114-1
A50UN12900	108-8
A50UN13203	35-25
A50UN13600	10-23
A50UN14001	63-21
A50UN14100	59-21
A50UN14201	65-29
A50UN14201	68-29
A50UN14400	77-29
A50UN15101	109-16
A50UN15301	101-18
A50UN15400	8-31
A50UN15500	78-19
A50UN15800	98-22
A50UN15900	89-37
A50UN16000	85-14
A50UN16300	91-24
A50UN16400	91-25
A50UN16600	99-13
A50UN16700	99-14
A50UN16800	99-15
A50UN16900	85-15
A50UN17100	93-19
A50UN17200	82-28
A50UN17400	108-9

Parts No.	Page No.
A50UN17502	97-13
A50UN17601	96-30
A50UN17700	94-18
A50UN17900	87-43
A50UN18100	89-38
A50UN18203	84-26
A50UN18401	96-31
A50UN18700	78-20
A50UN18900	84-27
A50UN20001	38-10
A50UN23200	108-10
A50UN23300	108-11
A50UN23400	108-12
A50UN23500	108-13
A50UN23600	108-14
A50UN23700	108-15
A50UN23800	108-16
A50UN23900	108-17
A50UN24100	108-18
A50UN24200	108-19
A50UN24300	108-20
A50UN24400	109-17
A50UN24501	34-31
A50UN24600	109-18
A50UN24701	34-32
A50UN24800	109-19
A50UN24901	34-33
A50UN25000	109-20
A50UN25200	109-21
A50UN25300	109-22
A50UN25400	82-29
A50UN25500	109-23
A50UN25600	82-30
A50UN27002	12-14
A50UN29012	15-14
A50UN29101	15-15
A50UN29201	111-9
A50UPJG100	116-9
A50UPJG200	116-10
A50UPJG300	116-8

Parts No.	Page No.
A50UPP0100	116-1
A50UR70115	30-19
A50UR70244	20-10
A50UR70244	21-10
A50UR70244	22-10
A50UR70244	23-10
A50UR70323	18-1
A50UR70323	18-1
A50UR70500	55-5
A50UR70655	32-1
A50UR70655	32-1
A50UR70A12	11-29
A50UR70B00	55-6
A50UR70D01	100-30
A50UR70E22	41-6
A50UR70F00	44-18
A50UR70G01	78-21
A50UR70H00	12-15
A50UR70K22	37-16
A50UR70K22	37-16
A50UR70Q00	75-10
A50UR70S11	70-12
A50UR70V00	29-10
A50UR70Y11	31-21
A50UR71100	29-12
A50UR71200	31-22
A50UR71711	38-11
A50UR71G00	106-14
A50UR71J00	106-14
A50UR71K00	72-11
A50UR71K00	73-11
A50UR71K00	74-11
A50UR71M00	75-11
A50UR71P22	32-2
A50UR71Q00	55-7
A50UR71R11	55-8
A50UR71S11	55-9
A50UR71U01	13-11
A50UR71V01	13-12
A50UR71W01	13-13

Parts No.	Page No.
A50UR71X00	7-25
A50UR71Y00	7-26
A50UR72100	34-34
A50UR72400	89-39
A50UR72500	89-40
A50UR72600	87-44
A50UR72600	89-41
A50UR72711	96-32
A50UR72811	95-33
A50UR72C00	80-37
A50UR72E00	83-36
A50UR72F00	84-28
A50UR72G00	84-29
A50UR72H00	84-30
A50UR72J00	7-27
A50UR72K00	50-22
A50UR72R00	93-20
A50UR72S00	78-22
A50UR72U11	46-33
A50UR72X01	72-12
A50UR72X01	73-12
A50UR72X01	74-12
A50UR72X01	75-12
A50UR72Y00	41-7
A50UR73100	76-15
A50UR73F00	109-24
A50UR73J00	36-17
A50UR73K00	36-18
A55C712000	76-16
A5AW162000	2-37
A5AW510400	105-8
A5AW744900	45-16
A5AW745000	45-17
A5AWM15101	7-28
A5AWM15101	103-1
A5AWP00100	116-2
A65U186600	103-2
A799190100	14-25
A799190200	14-26
A799H04001	14-28

Parts No.	Page No.
A799M45300	107-6
A79JM11300	48-13
A7PU169900	118-11
A85C102000	10-24
A85C108100	107-7
A85C130700	111-10
A85C136200	111-11
A85C137100	110-16
A85C213100	75-13
A85C409600	25-17
A85C635200	66-21
A85C635200	69-21
A85C635300	66-22
A85C635300	69-22
A85C635400	65-30
A85C635400	68-30
A85C635401	65-30
A85C635401	68-30
A85C757801	46-34
A85C758100	46-35
A85C764100	46-36
A85C789200	44-27
A85C789300	44-28
A85C877100	97-14
A85C877200	90-17
A85C895300	105-9
A85C895400	105-10
A85C895500	102-31
A85C895800	105-11
A85C895900	105-12
A85C896300	105-13
A85C896301	105-13
A85C896400	105-14
A85C896501	104-21
A85C896600	104-22
A85C896601	104-22
A85C896800	105-15
A85C896900	105-16
A85C897101	101-28
A85C897201	105-17

Parts No.	Page No.
A85C897300	105-18
A85C897400	104-4
A85C897700	105-19
A85C897800	105-20
A85C897900	104-5
A85C898701	103-3
A85C898800	103-4
A85C898801	103-4
A85C899100	105-22
A85CM10100	75-14
A85CM10200	72-13
A85CM10200	73-13
A85CM10200	74-13
A85CM40100	104-6
A85CM55500	87-45
A85CM55500	95-34
A85CM55500	102-32
A85CM55600	33-14
A85CM55600	40-26
A85CM55600	50-23
A85CM55600	57-24
A85CM55600	59-22
A85CM55600	61-28
A85CM55600	65-31
A85CM55600	68-31
A85CM55600	72-14
A85CM55600	73-14
A85CM55600	74-14
A85CM55600	77-30
A85CM55600	80-38
A85CM55600	84-31
A85CM55600	85-16
A85CM55600	89-42
A85CM55600	93-21
A85CM55600	96-33
A85CM90400	111-13
A85CN10202	113-1
A85CN10400	113-2
A85CN12800	7-29
A85CN19000	72-15

Parts No.	Page No.
A85CN19100	75-15
A85CN19900	118-5
A85CN21300	104-7
A85CN21400	104-8
A85CN21600	103-5
A85CN21700	104-9
A85CN26500	17-8
A85CN27400	110-17
A85CR70C11	72-16
A85CR70G22	64-23
A85CR70G22	67-23
A85CR70P33	32-3
A85CR70R11	32-4
A85CR71000	93-23
A85DH01104	111-12
A8AK100401	103-6
A8AK101201	104-10
A8AK101503	104-11
A8AK101700	104-12
A8AK103200	105-23
A8AK103502	105-24
A8AK103601	105-25
A8AK103702	105-26
A8AK104100	105-27
A8AK106101	101-19
A8AK106200	101-20
A8AK106300	101-21
A8AK106400	101-22
A8AK106800	101-23
A8AK107100	104-13
A8AK107200	101-24
A8AK108001	105-28
A8AK108100	105-29
A8AK108200	105-30
A8AK108302	105-31
A8AK108400	105-32
A8AK108500	105-33
A8AK162701	101-25
A8AK941001	117-2
A8AK941200	117-3

Parts No.	Page No.
A8AK941301	105-34
A8AKN10501	105-35
A8AKR70511	105-36
A8AW106900	104-14
A8AW160401	104-15
A8AW161911	101-26
A8AW162500	104-17
A8AW162600	104-18
A8AW941002	104-19
A92W943100	107-13
A92WH51003	107-8
A92WR70T00	105-38
A9CE955000	117-4
A9CE955100	117-5
A9JT942401	4-4
A9JT944200	2-38
A9JW190300	14-27
A9VE110100	10-2
A9VE110100	13-1
A9VE110200	10-3
A9VE133000	108-21
A9VE139100	110-18
A9VE160100	2-31
A9VE160200	2-32
A9VE160300	2-33
A9VE160400	78-23
A9VE160600	2-34
A9VE160700	56-12
A9VE160800	60-13
A9VE161000	3-2
A9VE162000	1-3
A9VE162100	1-4
A9VE162200	1-5
A9VE162300	4-5
A9VE162400	3-3
A9VE162500	1-6
A9VE162800	1-7
A9VE163001	4-6
A9VE163200	1-8
A9VE163500	4-7

Parts No.	Page No.
A9VE163600	4-8
A9VE163800	4-9
A9VE163900	3-4
A9VE164800	2-35
A9VE168000	118-6
A9VE168800	117-6
A9VE169000	117-7
A9VE169500	4-10
A9VE193100	16-16
A9VE193200	16-17
A9VE193300	15-16
A9VE193500	15-17
A9VE193800	15-18
A9VE193900	16-18
A9VE194000	15-19
A9VE194100	15-20
A9VE194200	118-7
A9VE194300	118-8
A9VE195100	14-30
A9VE197100	15-21
A9VE205400	14-30
A9VE220500	48-14
A9VE220600	49-10
A9VE222000	49-6
A9VE400200	25-18
A9VE500100	34-35
A9VE500200	34-36
A9VE521100	80-49
A9VE521200	80-50
A9VE522500	80-39
A9VE526200	80-40
A9VE560100	65-15
A9VE560100	68-15
A9VE620701	60-14
A9VE625800	71-1
A9VE628400	56-13
A9VE628400	60-15
A9VE628500	56-14
A9VE630701	56-15
A9VE633100	56-16

Parts No.	Page No.
A9VE633100	60-16
A9VE634400	56-17
A9VE634400	60-17
A9VE641600	10-25
A9VE641700	10-27
A9VE700200	76-17
A9VE701300	76-18
A9VE715700	100-31
A9VE720300	45-33
A9VE720500	45-19
A9VE722800	47-17
A9VE723500	45-20
A9VE723600	45-21
A9VE724100	45-22
A9VE726800	45-23
A9VE727500	46-37
A9VE727600	47-18
A9VE727700	46-38
A9VE728300	45-24
A9VE728400	44-21
A9VE731500	47-19
A9VE733000	45-25
A9VE733100	45-26
A9VE733400	44-22
A9VE739400	7-30
A9VE741600	41-8
A9VE741700	42-21
A9VE741800	42-22
A9VE741900	43-20
A9VE742000	43-21
A9VE742400	40-27
A9VE742500	39-34
A9VE742800	39-35
A9VE743000	39-36
A9VE743500	45-27
A9VE743800	40-28
A9VE744300	40-29
A9VE745800	41-9
A9VE747200	40-30
A9VE747301	40-31

Parts No.	Page No.
A9VE749401	41-9
A9VE758000	46-39
A9VE758400	43-22
A9VE758600	43-23
A9VE760312	46-40
A9VE760900	46-8
A9VE764200	46-41
A9VE769001	44-23
A9VE769300	47-20
A9VE769600	47-21
A9VE784200	44-27
A9VE784300	44-28
A9VE785400	45-28
A9VE785500	45-29
A9VE818100	82-31
A9VE819100	84-32
A9VE839100	82-32
A9VE841000	90-19
A9VE851800	88-14
A9VE851800	89-14
A9VE866100	95-35
A9VE866200	95-36
A9VE866201	95-36
A9VE867900	95-37
A9VE870100	81-5
A9VE870200	81-6
A9VE870300	81-7
A9VE870400	81-8
A9VE870500	81-9
A9VE870600	81-10
A9VE870800	80-42
A9VE870900	80-43
A9VE871200	80-44
A9VE871300	80-45
A9VE871600	87-46
A9VE871700	80-46
A9VE871800	80-47
A9VE871900	81-11
A9VE872000	87-47
A9VE890400	102-33

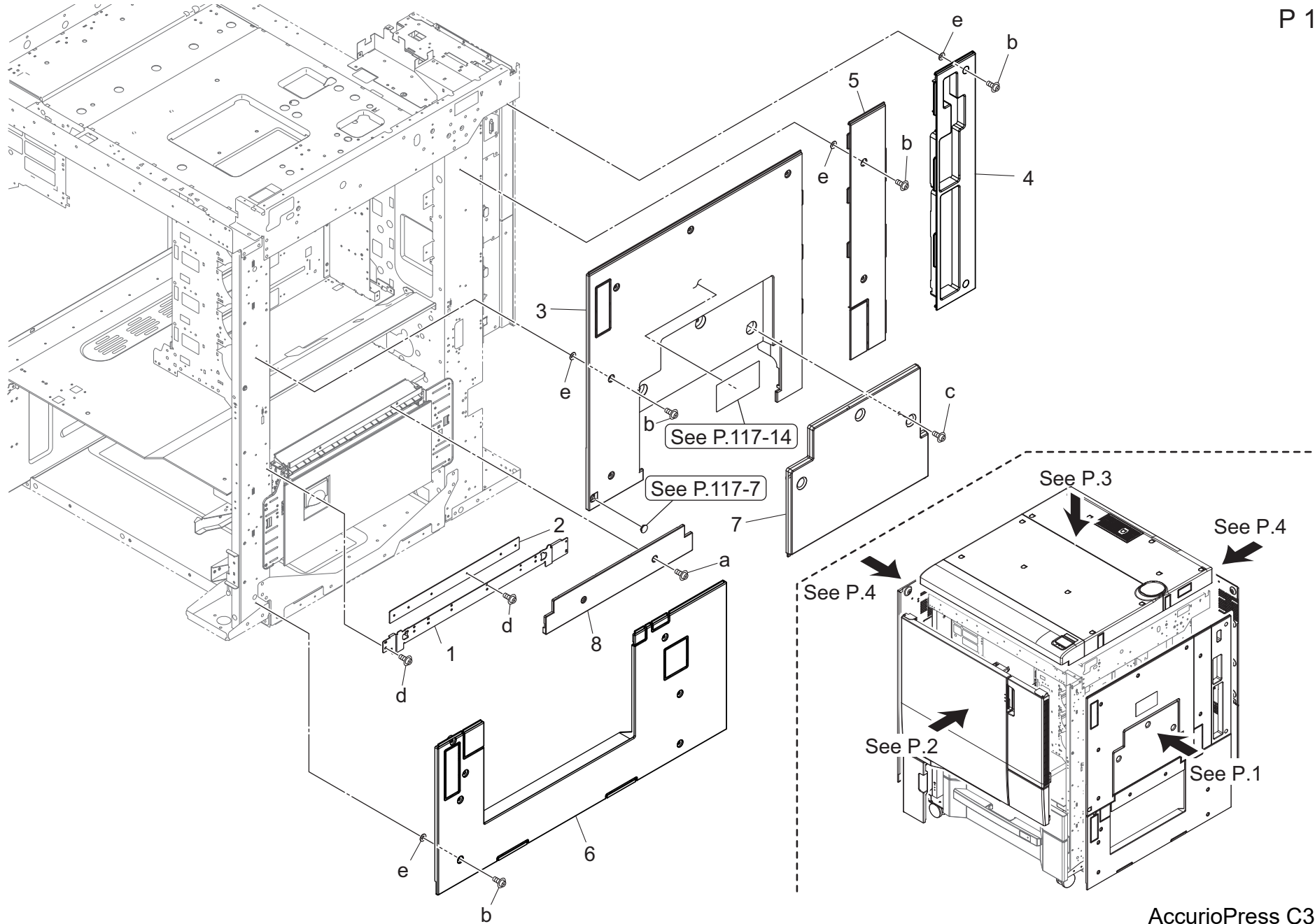
Parts No.	Page No.
A9VE890900	102-34
A9VE892800	102-35
A9VE942102	104-20
A9VE942200	117-8
A9VE942301	4-12
A9VE942500	99-16
A9VE942600	4-11
A9VE942700	48-15
A9VE943100	78-2
A9VE944100	79-5
A9VE944901	2-36
A9VE945400	56-18
A9VE945500	60-18
A9VE945900	117-17
A9VE946300	117-9
A9VE949000	46-42
A9VEF62102	60-19
A9VEF63102	56-19
A9VEF75114	46-43
A9VEF84100	90-18
A9VEF89001	101-27
A9VEH02000	111-14
A9VEH03005	108-22
A9VEH05001	82-33
A9VEM10100	40-32
A9VEM31A00	45-30
A9VEM31E00	45-30
A9VEM31F00	45-30
A9VEM33A00	45-31
A9VEM33E00	45-31
A9VEM33F00	45-31
A9VEM55100	99-17
A9VEM75500	14-17
A9VEN10300	114-2
A9VEN10500	115-1
A9VEN10601	44-24
A9VEN10700	40-33
A9VEN10A00	112-1
A9VEN10F00	112-1
A9VEN11000	44-25

Parts No.	Page No.
A9VEN11300	110-19
A9VEN11400	107-9
A9VEN11500	108-23
A9VEN11601	107-10
A9VEN11700	106-15
A9VEN11F00	107-11
A9VEN12400	48-16
A9VEN13300	35-26
A9VEN13400	35-27
A9VEN15000	82-34
A9VEN15200	102-36
A9VEN15601	82-35
A9VEN16100	85-17
A9VEN16200	81-12
A9VEN16200	87-48
A9VEN16500	84-33
A9VEN18801	82-36
A9VEP12100	5-36
A9VEP12200	5-37
A9VER70122	39-37
A9VER70211	39-37
A9VER70311	39-37
A9VER70322	39-37
A9VER70422	45-32
A9VER70422	45-32
A9VER70500	32-3
A9VER70700	48-17
A9VER70800	76-19
A9VER70900	47-22
A9VER71000	98-23
A9VER71100	94-19
A9VER71200	109-25
A9VER71300	17-9
A9VER71400	80-48
A9VER71600	30-19
A9VER71700	26-2
A9VER71800	29-11
A9VER71900	26-1
A9VER72000	26-1
A9VER72100	26-1

Parts No.	Page No.
A9VER72200	26-1
A9VER72300	106-14
AAC2160100	3-6
AAC2160201	3-7
AAC2947000	78-24
AAC2R70100	14-29
AC57719200	98-18
AC57761000	46-15
AC57805500	93-22
AC57849100	83-32
AC57849200	83-33
AC57861800	95-18
AC57870700	80-41
AC57899000	105-21
SP00-0210	44-26
SP00-0220	41-10
V114040604	117-10
V118045503	8-4
V121030604	117-11
V127030516	117-12
V127030604	117-13
V217040003	118-9
V221050050	10-29
V234200850	10-26
V234201250	89-2
V234201450	62-3
V234201450	89-4
V502010033	40-34
V502010033	107-12
V502010033	107-14
V503010002	111-1
V590040002	118-10
V865300087	111-16

External Parts Section

P 1

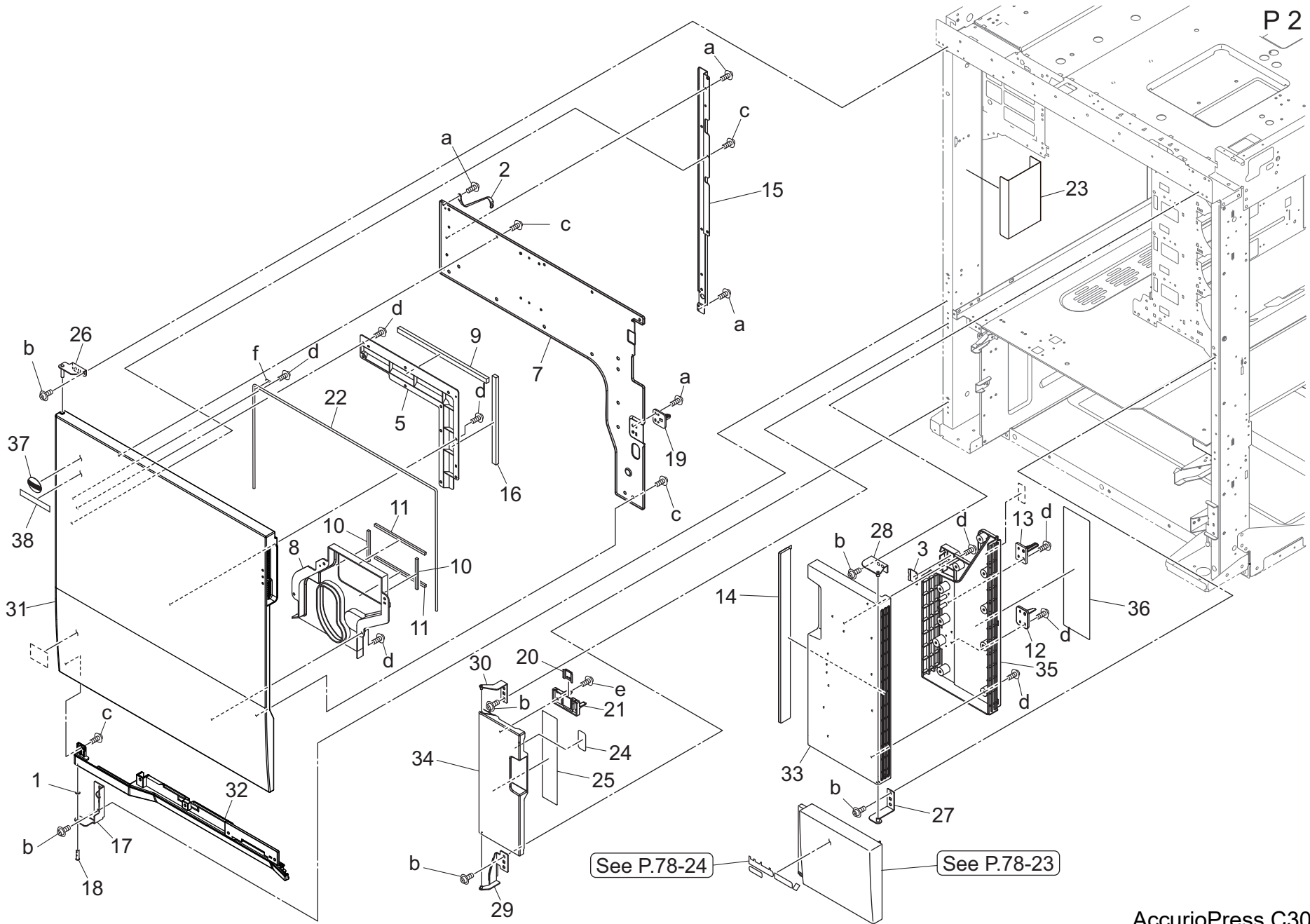


External Parts Section

Key	Part No.	Description	Destinations	Class	QTY	Standard parts
1	A50U162701	Reinforce Plate		D	1	a-V114040604 b-V114041004 c-V121031004 d-V127030604 e-V211040080
2	A50U162900	Reinforce Plate /2		D	1	
3	A9VE162000	Cover /Right		D	1	
4	A9VE162100	Protection Cover /1		D	1	
5	A9VE162200	Protection Cover /2		D	1	
6	A9VE162500	Protection Cover /Lower		D	1	
7	A9VE162800	Bypass Cover		D	1	
8	A9VE163200	Protection Cover		D	1	

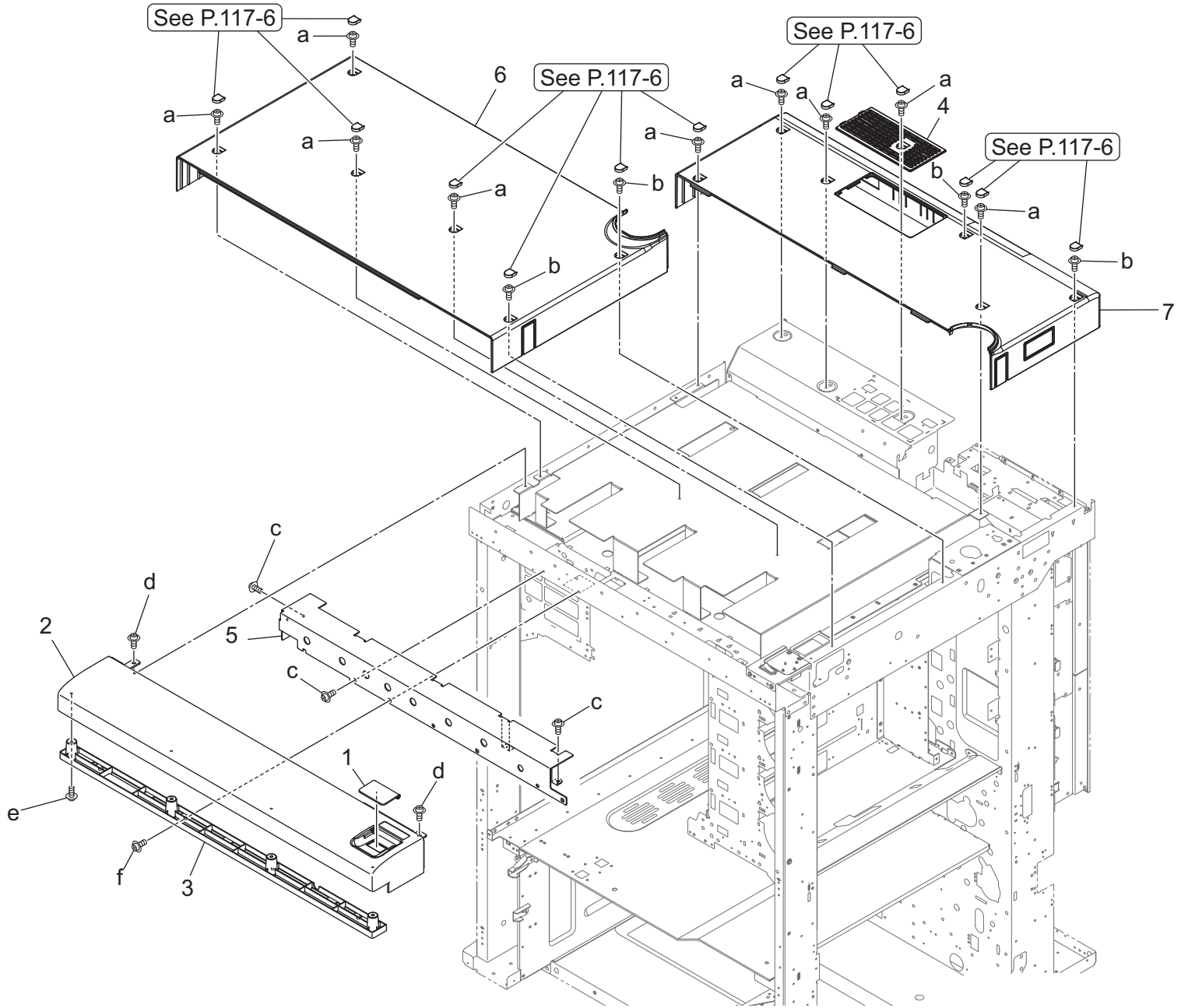
AccurioPress C3080P

External Parts Section



Key	Part No.	Description	Destinations	Class	QTY	Standard parts
1	40AA30270	DEVELOPING SPACER		C	1	a-V127030604
2	55VA90840	MAIN EARTH WIRE		D	1	b-V127040603
3	56AA12241	EXTERNAL LOCK PLATE		D	1	c-V158030803
5	A50U160500	Fixing Plate		D	1	d-V158030804
7	A50U161501Old	Reinforce Door /Right		D	1	e-V158031003
7	A50U161502	Reinforce Door /Right		D	1	f-V234201450
8	A50U161601	Cover Duct /Front		D	1	
9	A50U161700	Sealing Cushion /1		D	1	
10	A50U161800	Sealing Cushion /Right		D	2	
11	A50U161900	Sealing Cushion /Left		D	2	
12	A50U164100	Detecting Actuator		D	1	
13	A50U164200	Detecting Part		D	1	
14	A50U164901	Suction Dust-proof Filter		A	1	
15	A50U165500	Reinforce Hinge		D	1	
16	A50U165600	Sealing Cushion /2		D	1	
17	A50U166100	Hinge /Lower		D	1	
18	A50U166200	Support Shaft /Lower		D	1	
19	A50U167201	Lock Cover		D	1	
20	A50U167500	Lock Plate		D	1	
21	A50U167601	Detecting Part		D	1	
22	A50U169900	Reinforce Wire		D	1	
23	A50U863100	Sheet		D	1	
24	A50U945601	Operation Label		D	1	
25	A50U946503	Operation Label /A		D	1	
26	A50UF16000	Left Door Support Plate / Upper Caulking		D	1	
27	A50UF16101	Right Door Support Plate / Lower Caulkin		D	1	
28	A50UF16201	Right Door Support Plate / Upper Caulkin		D	1	
29	A50UF16301	Collection Box Door Support Plate / L		D	1	
30	A50UF16400	Collection Box Door Support Plate / Upper		D	1	
31	A9VE160100	Door /Front		D	1	
32	A9VE160200	Door /Lower		D	1	
33	A9VE160300	Toner supply Door		D	1	
34	A9VE160600	Collection Door		D	1	
35	A9VE164800	Toner supply Duct		D	1	
36	A9VE944901	Toner supply Label		D	1	
37	A5AW162000	Indicating Plate		C	1	
38	A9JT944200	Label /KONICA MINOLTA		D	1	

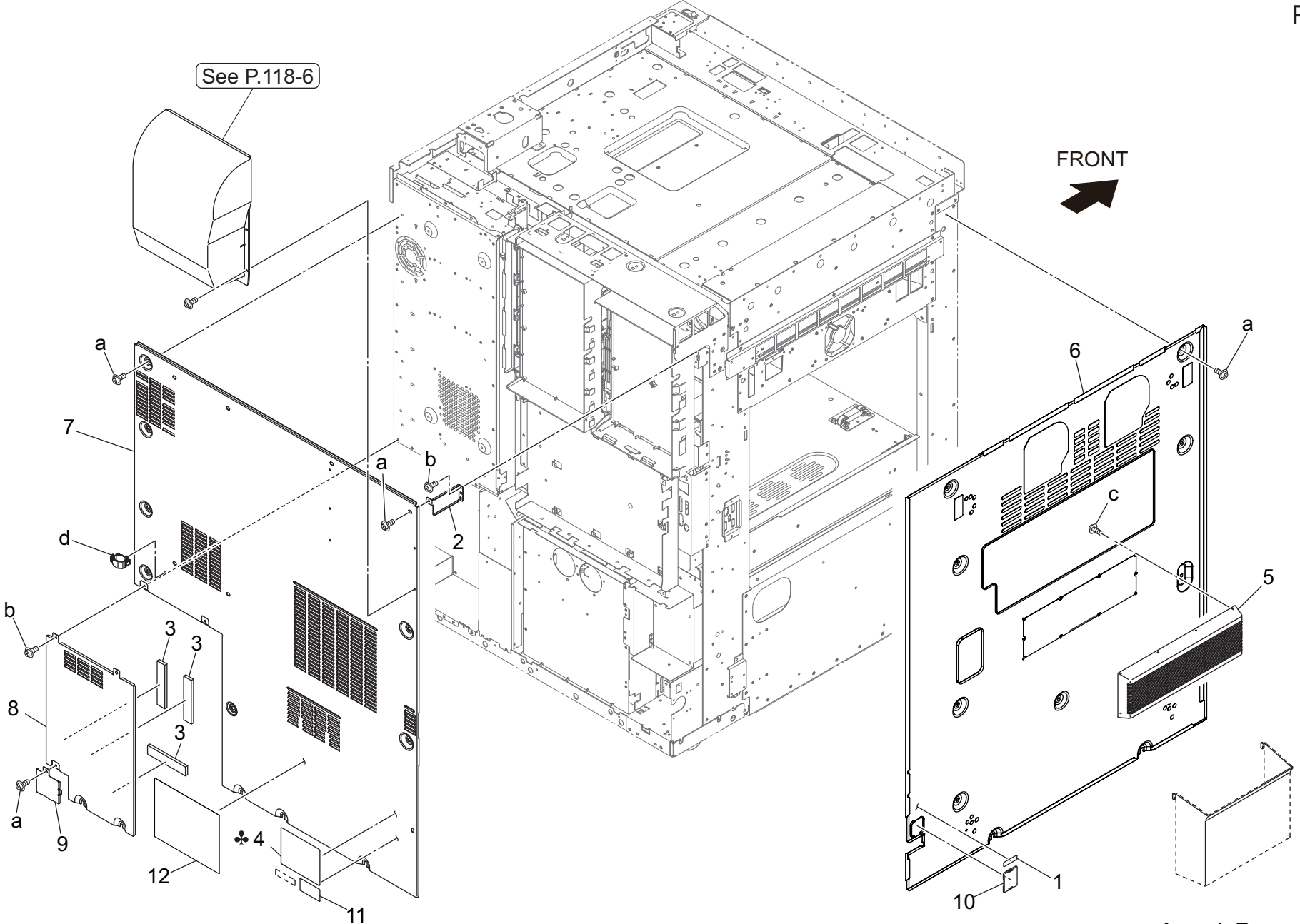
External Parts Section



External Parts Section

Key	Part No.	Description	Destinations	Class	QTY	Standard parts
1	A1DU163402	Protection Cover		D	1	a-V114040604 b-V114041004 c-V121040604 d-V127040603 e-V158030803 f-V114040804
2	A9VE161000	Cover Part		D	1	
3	A9VE162400	Cover Part /Inside		D	1	
4	A9VE163900	Replacement Cover		D	1	
5	A50U175001	Reinforce Plate		D	1	
6	AAC2160100	Read Cover /Middle		D	1	
7	AAC2160201	Read Cover /Rear		D	1	

External Parts Section

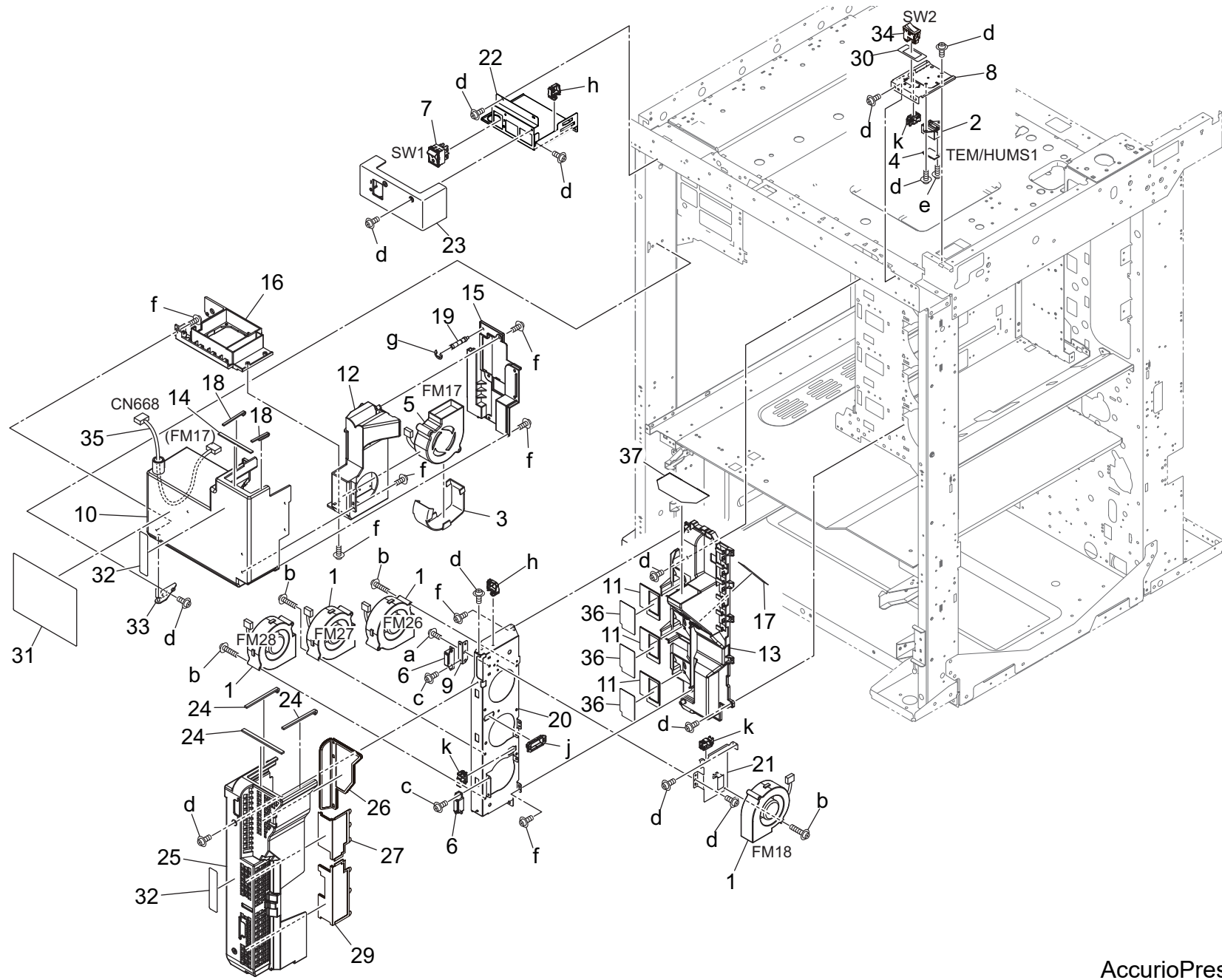


AccurioPress C3080P

Key	Part No.	Description	Destinations	Class	QTY	Standard parts
1	A00J945401	Label Dehumidifier SW.		C	1	a-V114040604 b-V127030604 c-V158030804 d-V500010075
2	A50U163700	Mounting Plate /Upper		D	1	
3	A50U167801	Holding Part		D	3	
4	A9JT942401	Caution Label		D	1	
5	A9VE162300	Paper exit Cover /2	C	D	1	
6	A9VE163001	Paper exit Cover /Left		D	1	
7	A9VE163500	Protection Cover /1		D	1	
8	A9VE163600	Cover /Rear		D	1	
9	A9VE163800	Entrance Plate		D	1	
10	A9VE169500	Cover /A		D	1	
11	A9VE942600	Caution Label		D	1	
12	A9VE942301	Caution Label		D	1	

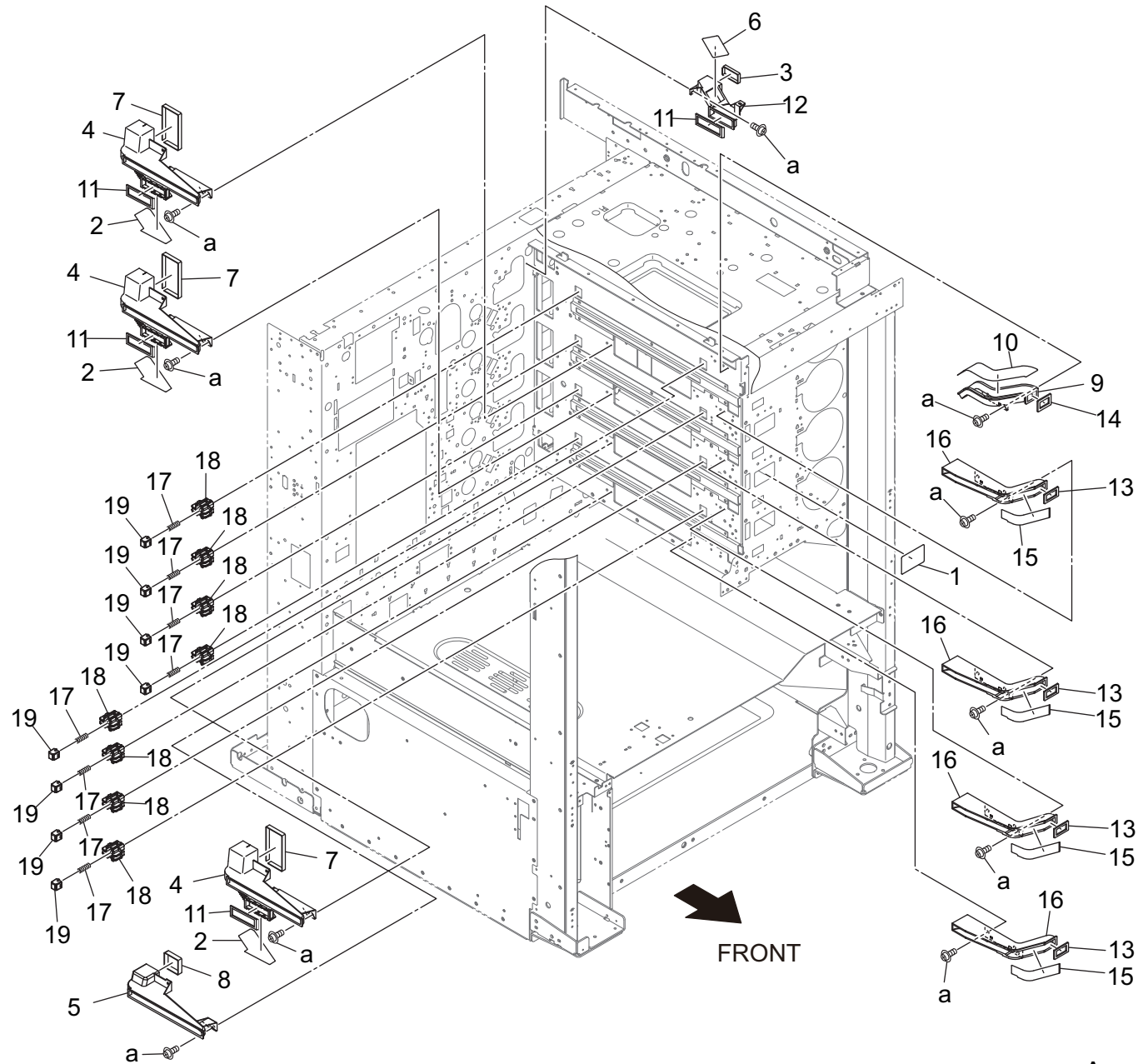
Main Frame Section

P 5



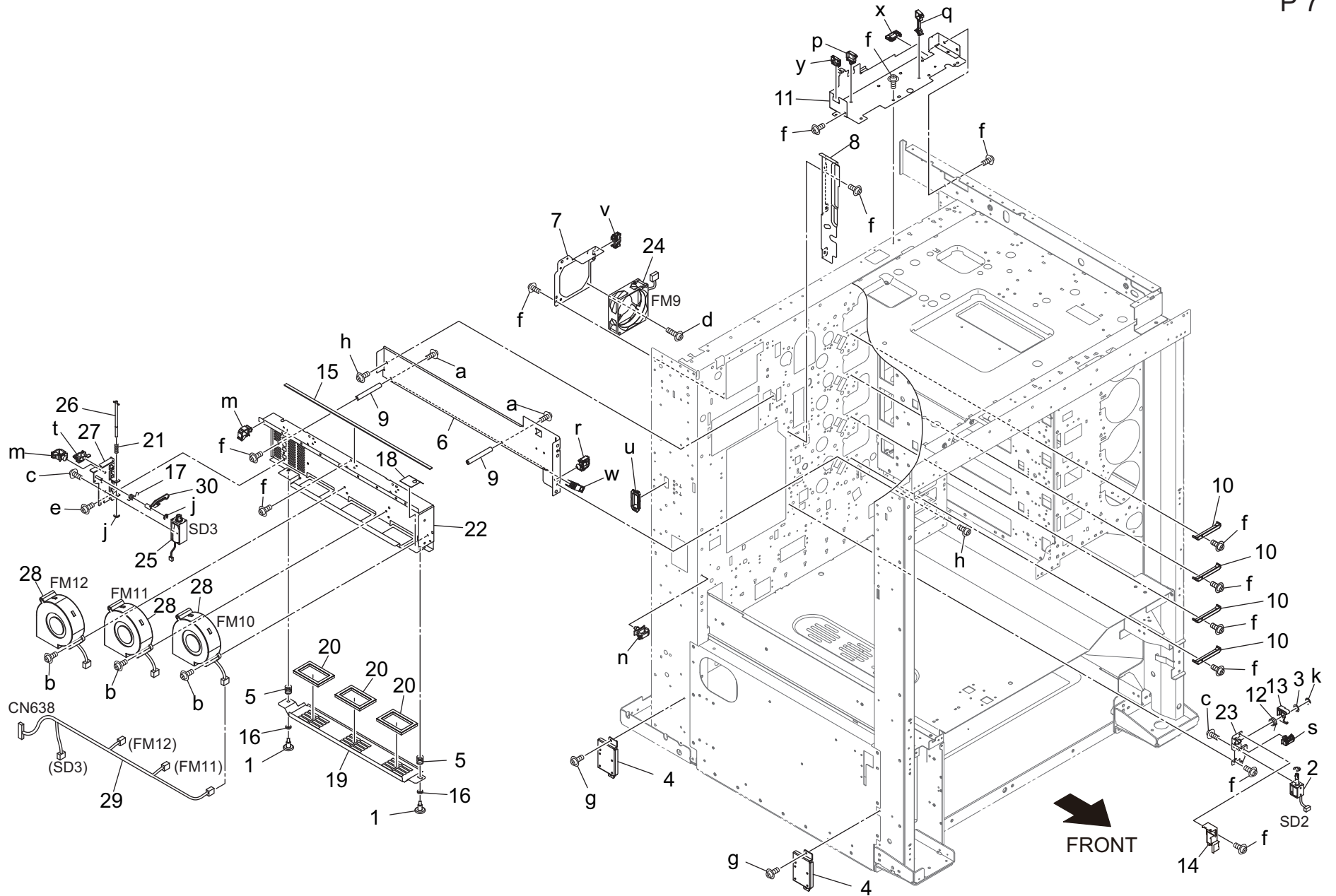
Key	Part No.	Description	Destinations	Class	QTY	Standard parts
1	9313100072	FAN MOTOR		C	4	a-V116030803
2	65AA11300	SUPPORT PART		D	1	b-V118033503
3	65AA11430	FAN SEALING PART 3		C	1	c-V126030603
4	A034M50000	Humidity sensor		C	1	d-V127030604
5	A03UM15802	Main body Cooling Fan		C	1	e-V151030803
6	A0G6411200	Magnet /X		D	2	f-V158030803
7	A4EUM60000	Power source Switch		C	1	g-V217060003
8	A50U102900	Mounting Plate		D	1	h-V500020098
9	A50U120600	Fixing Plate		D	1	j-V570010037
10	A50U121003	Duct		D	1	k-V570010056
11	A50U121300	Cooling Seal /Front		D	3	
12	A50U121601	Duct		D	1	
13	A50U122103	Cooling Duct		D	1	
14	A50U123700	Cooling Seal /B		D	1	
15	A50U123800	Cover		D	1	
16	A50U124100	Duct		D	1	
17	A50U124900	Cover Sheet		D	1	
18	A50U125200	Cooling Seal /A		D	2	
19	A50U125901	Fixing Screw		D	1	
20	A50U126500	Mounting Plate		D	1	
21	A50U126600	Mounting Plate		D	1	
22	A50U127401	Mounting Plate		D	1	
23	A50U127901	Cover		D	1	
24	A50U164000	Cooling Seal /1		D	3	
25	A50U167901	Cooling Cover		D	1	
26	A50U172100	PH Dust-proof Filter		B	1	
27	A50U172200	Deve. Dust-proof Filter/1		B	1	
29	A50U172300	Deve. Dust-proof Filter/2		B	1	
30	A50U179500	Protection Sheet		D	1	
31	A50U944302	Processing Label /2		D	1	
32	A50U949600	Replacement Label		D	2	
33	A50UF12000	Fusing Front Cooling Duct Support Shaft		D	1	
34	A50UM60300	Power source Switch		C	1	
35	A50UN12602	Cooling Relay harness /1		D	1	
36	A9VEP12100	Filter /G	(Service Part Only)	C	3	
37	A9VEP12200	Filter /H	(Service Part Only)	C	1	

Main Frame Section

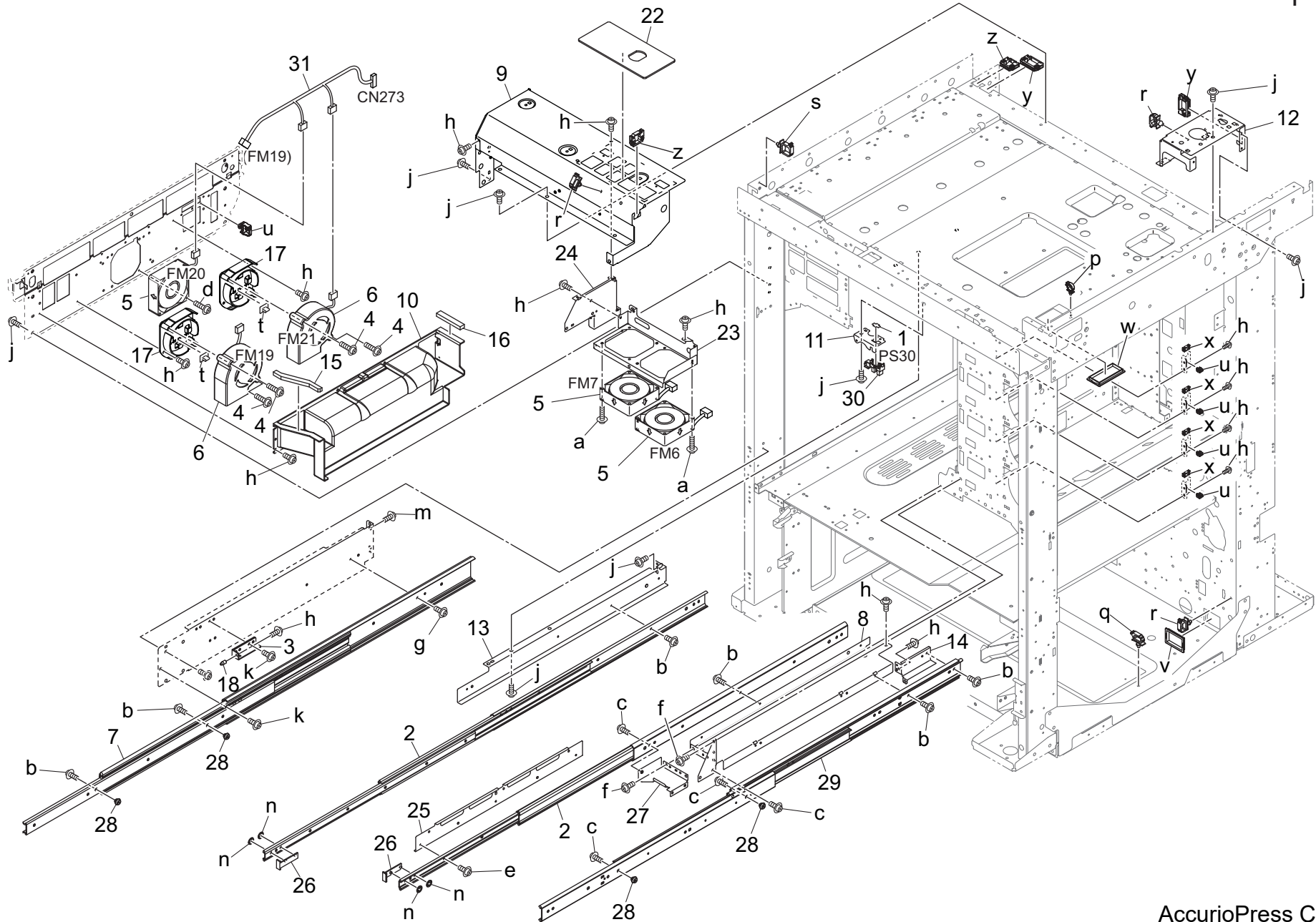


Main Frame Section

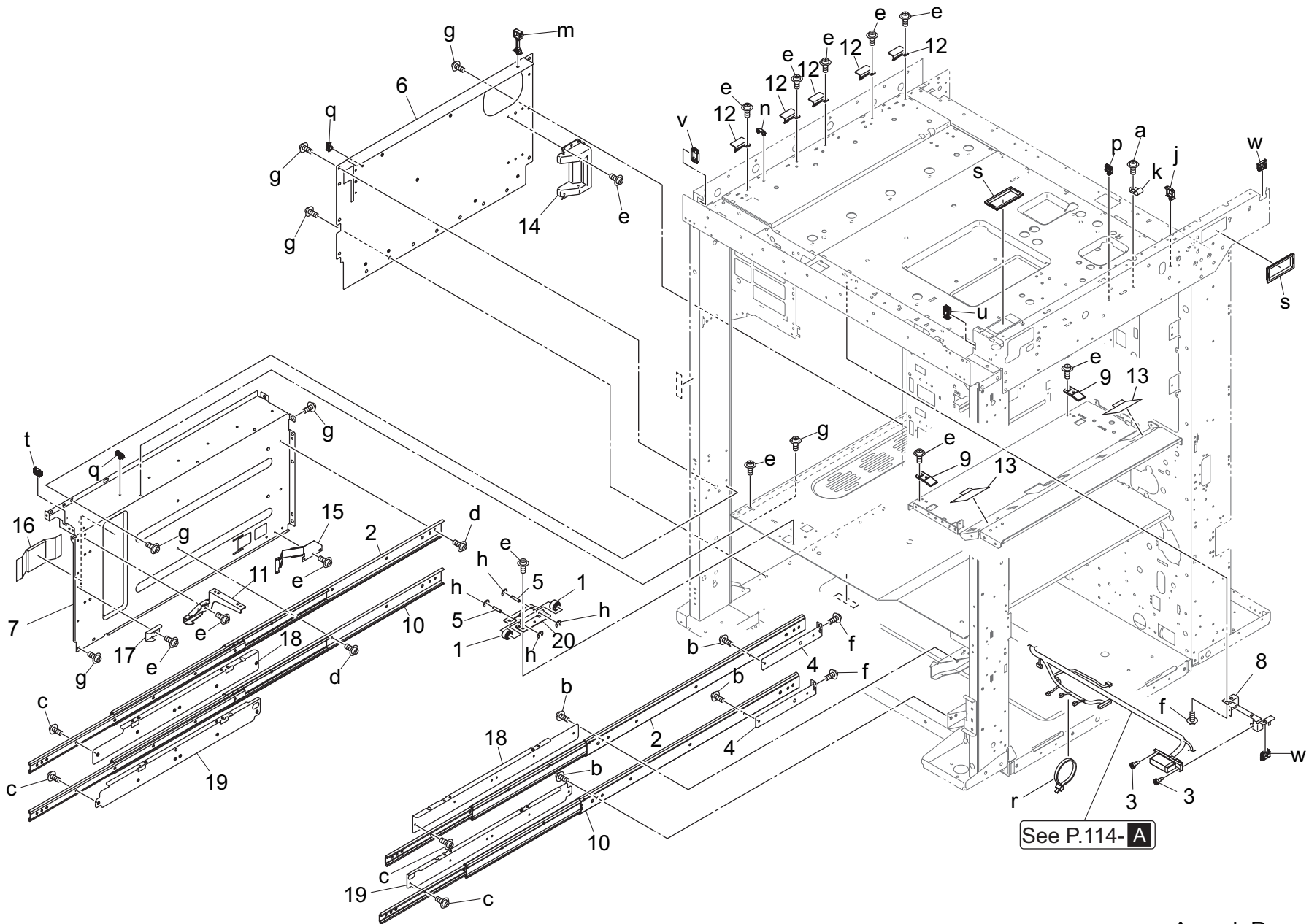
P 7



Main Frame Section

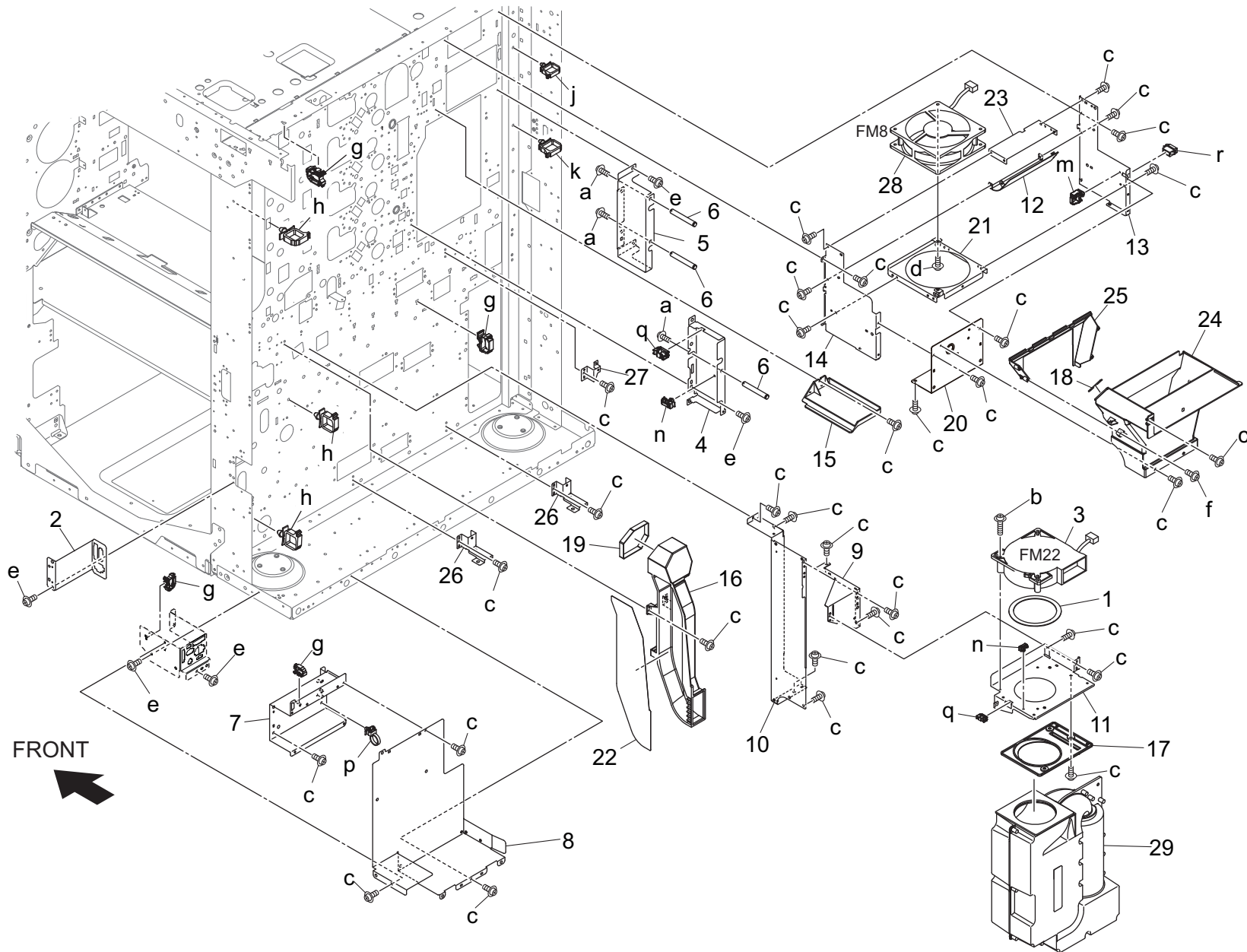


Main Frame Section



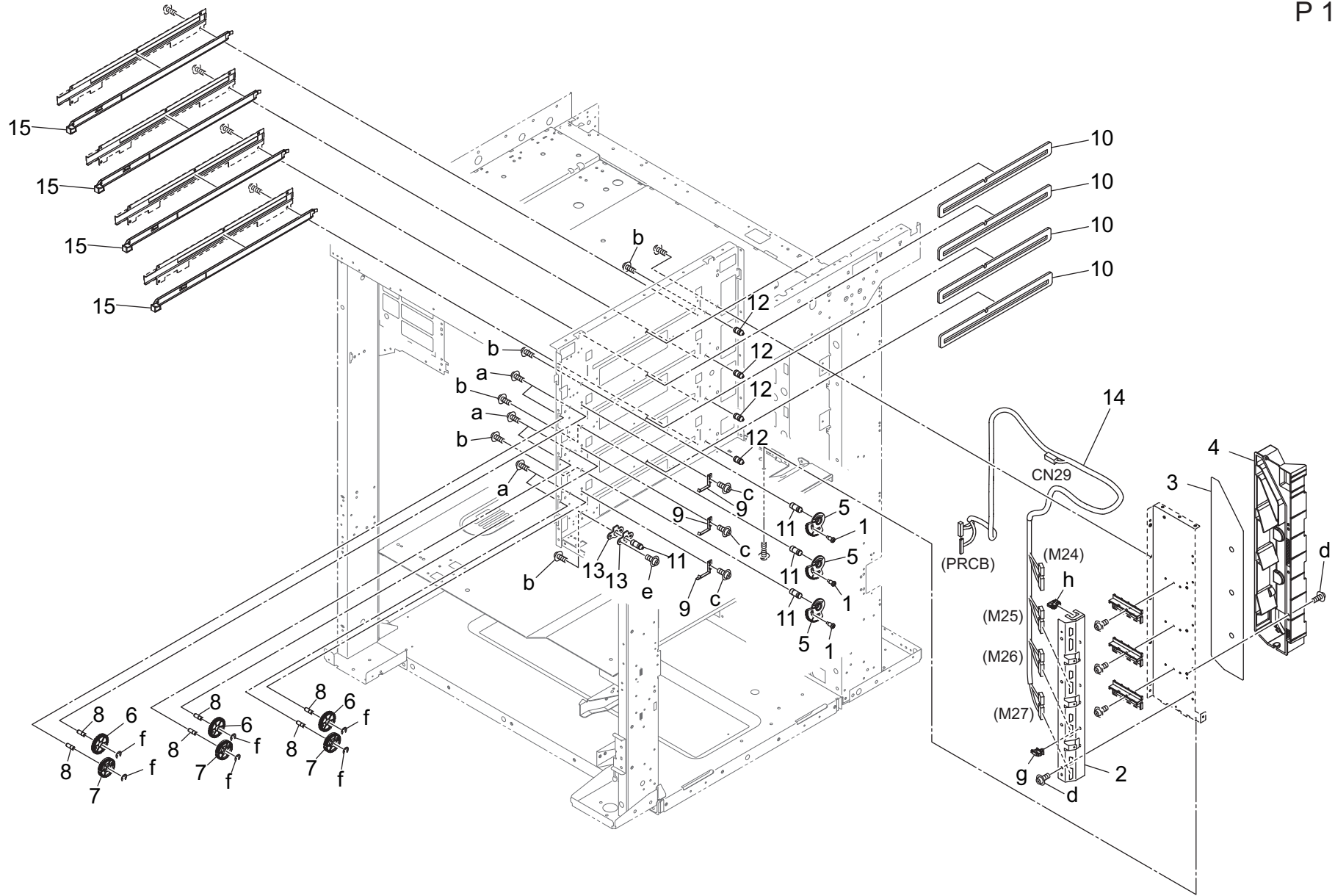
Key	Part No.	Description	Destinations	Class	QTY	Standard parts
1	25AA10091F	Mainbody Fixing Stopper		C	4	a-V116030803
2	A9VE110100	Castor /A		D	1	b-V116040803
3	A9VE110200	Castor /B		D	1	c-V118033003
4	56AA17630	ADJUSTING PART		C	1	d-V126030603
5	56AA17640	ADJUSTING PART 2		C	1	e-V127030604
6	56QA80570	Internal Cooling Fan		C	1	f-V127040603
7	9J03M10000	FAN MOTOR		B	1	g-V146040804
8	A50U103301	Support Part /Middle		D	1	h-V217080003
9	A50U103800	Guide Part /Front		D	3	j-V500010071
10	A50U104401	Positioning Shaft /Front		D	2	k-V500010081
11	A50U106300	Lock Screw		D	6	m-V500010083
12	A50U110000	Positioning Shaft /Upper		D	1	n-V500020098
15	A50U624113	Lock Part		D	1	p-V500020099
16	A50U624300	Reinforce Plate		D	1	q-V500020101
17	A50U628001	Lock Claw		D	1	r-V500020102
18	A50U634200	Lock Part		D	1	s-V570010037
19	A50U640200	Mounting Plate		D	1	t-V570010038
20	A50U640400	Reinforce Part		D	1	u-V570010040
22	A50U832201	Guide Pin /Right front		D	1	v-V570010056
23	A50UN13600	Cooling Relay harness /3		D	1	w-V570010057
24	A85C102000	Adjusting Part		C	1	
25	A9VE641600	Mounting Plate		D	1	
26	V234200850	Pin		V	1	
27	A9VE641700	Gear 15T		C	1	
28	A4F3744400	Torque limiter		C	1	
29	V221050050	G-ring		V	1	

Main Frame Section



Key	Part No.	Description	Destinations	Class	QTY	Standard parts
1	65AA10190	FAN SEALING PART 1		C	1	a-V116040803
2	A03U118301	PFU Power supply Panel		D	1	b-V118033503
3	A0Y5M15101	Suction Fan motor		C	1	c-V127030604
4	A50U106502	Fusing Plate		D	1	d-V127031203
5	A50U106600	Fusing Plate /B		D	1	e-V127040603
6	A50U106700	Swing Shaft		D	3	f-V151030803
7	A50U108001	Protection Plate /P		D	1	g-V500010071
8	A50U108200	Guide Part /Rear		D	1	h-V500010083
9	A50U120900	Mounting Frame /2	(PH 冷却ファン)	D	1	j-V500010084
10	A50U121800	Mounting Frame /Right Rear		D	1	k-V500010085
11	A50U121900	Fixing Plate /1		D	1	m-V500020098
12	A50U122900	Fusing Duct /4		D	1	n-V500020099
13	A50U125000	Fusing Duct /2		D	1	p-V501010018
14	A50U125101	Fusing Duct /1		D	1	q-V570010056
15	A50U125500	Heat blocking Plate		D	1	r-V651010003
16	A50U125600	Suction Duct /Lower		D	1	
17	A50U125800	Connecting Duct		D	1	
18	A50U126300	Cooling Seal		D	1	
19	A50U126400	Suction Seal		D	1	
20	A50U128801	Fusing Duct /3		D	1	
21	A50U128900	Fusing Duct /5		D	1	
22	A50U129100	Suction Cover /Lower		D	1	
23	A50U129300	Fusing Duct /6		D	1	
24	A50U129401	Fusing Duct		D	1	
25	A50U129801	Fusing Duct /7		D	1	
26	A50U132701	Mounting Plate /Lower		D	2	
27	A50U132800	Mounting Plate /Right		D	1	
28	A50UM15401	Fan motor /3		C	1	
29	A50UR70A12	Filter Box		B	1	

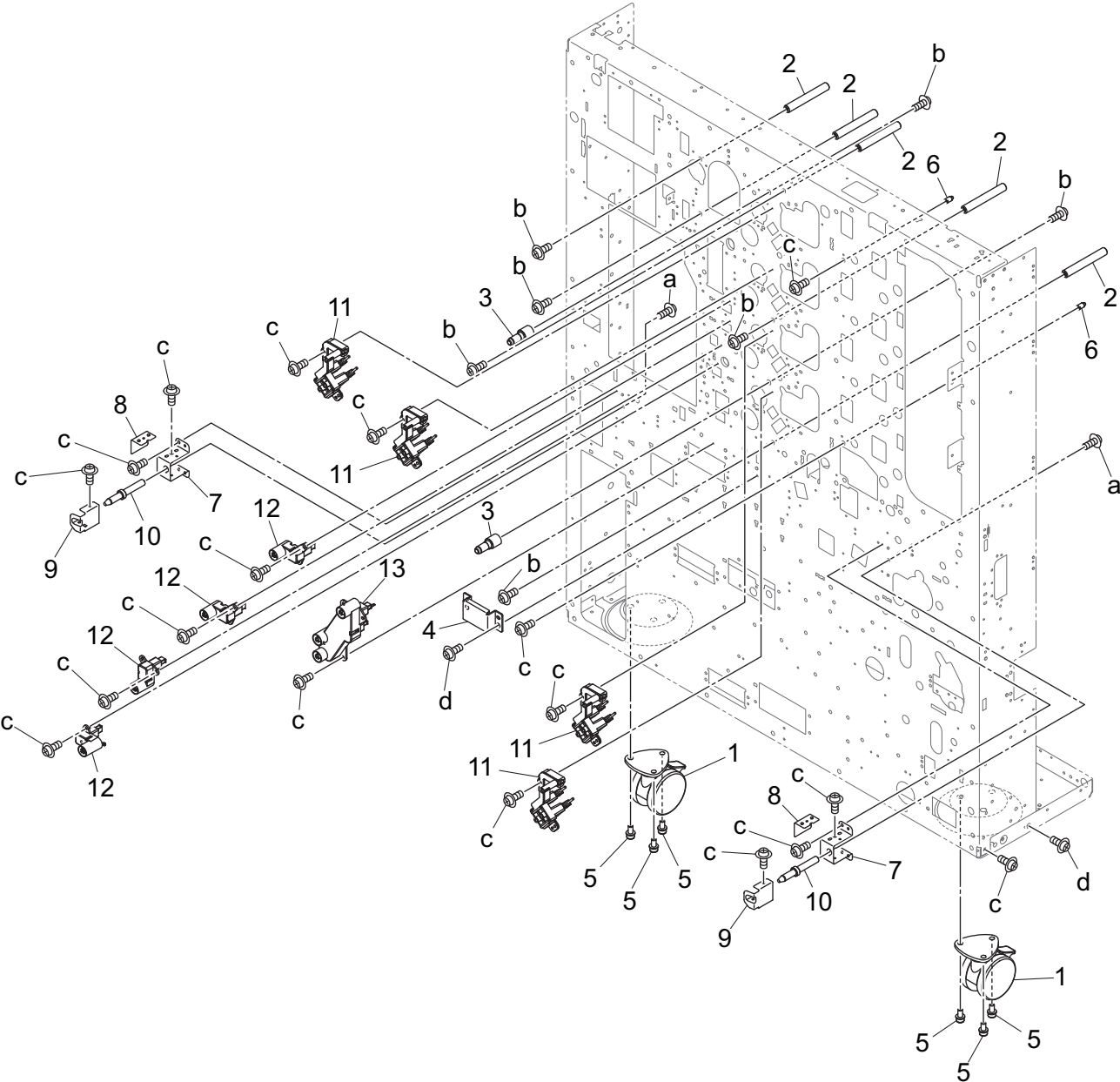
Main Frame Section



Main Frame Section

Key	Part No.	Description	Destinations	Class	QTY	Standard parts
1	A1RF301400	Guide Screw		D	3	a-V116030803 b-V116040803 c-V121030403 d-V127030604 e-V127030803 f-V217040003 g-V500010082 h-V570010060
2	A50U104000	Support Plate /P		D	1	
3	A50U122701	Suction Cover /Upper		D	1	
4	A50U127000	Suction Duct /Upper		D	1	
5	A50U308100	Adjusting Cam		D	3	
6	A50U308200	Idling Gear 36T		C	3	
7	A50U308300	Adjusting Gear 15T		C	3	
8	A50U308400	Idling Shaft		D	6	
9	A50U308500	Regulating Spring		D	3	
10	A50U314300	Seal /4		D	4	
11	A50U318500	Positioning Pin /Front		D	4	
12	A50U318601	Positioning Pin /Rear		D	4	
13	A50U318800	Stopper Plate /Black		D	2	
14	A50UN27002	Polygon Relay harness /1		D	1	
15	A50UR70H00	PH Protection Glass Assy		D	4	

Main Frame Section



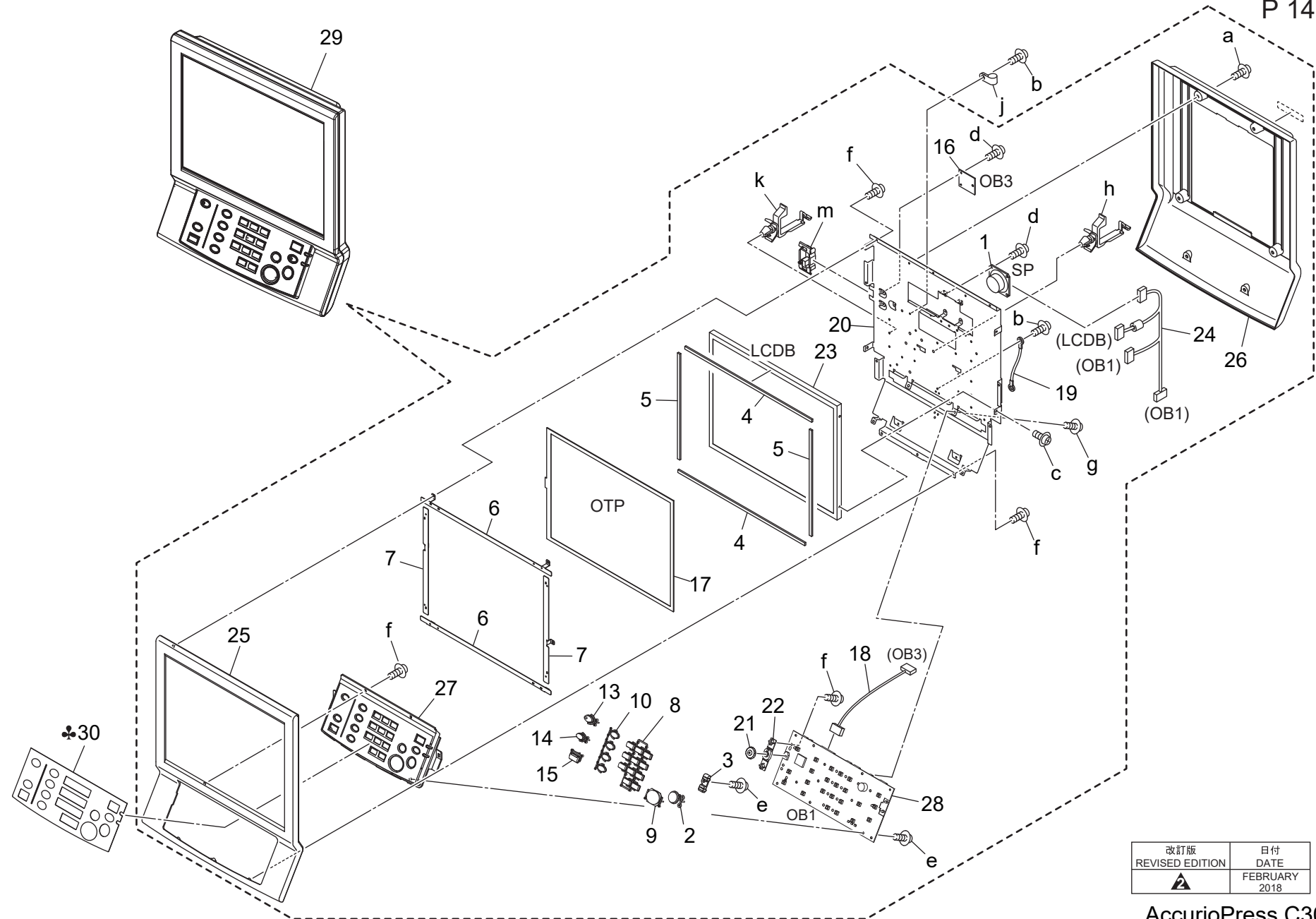
Main Frame Section

Key	Part No.	Description	Destinations	Class	QTY	Standard parts
1	A9VE110100	Castor /A		D	2	a-V116030803 b-V116040803 c-V127030604 d-V146040804
2	A50U104300	Drive Shaft		D	5	
3	A50U104500	Positioning Shaft /Rear		D	2	
4	A50U105000	Lock Plate		D	1	
5	A50U106300	Lock Screw		D	6	
6	A50U407300	Positioning Shaft /Rear		D	2	
7	A50U811300	Guide Holder /Rear		D	2	
8	A50U811500	Guide Holder /1		D	2	
9	A50U813700	Ground Plate		D	2	
10	A50U817700	Guide Pin /Right rear		D	2	
11	A50UR71U01	Terminal 1 Assy / HV		C	4	
12	A50UR71V01	Terminal 2 Assy / HV		C	4	
13	A50UR71W01	Terminal 3 Assy / HV		C	1	



Operation Panel Section

P 14

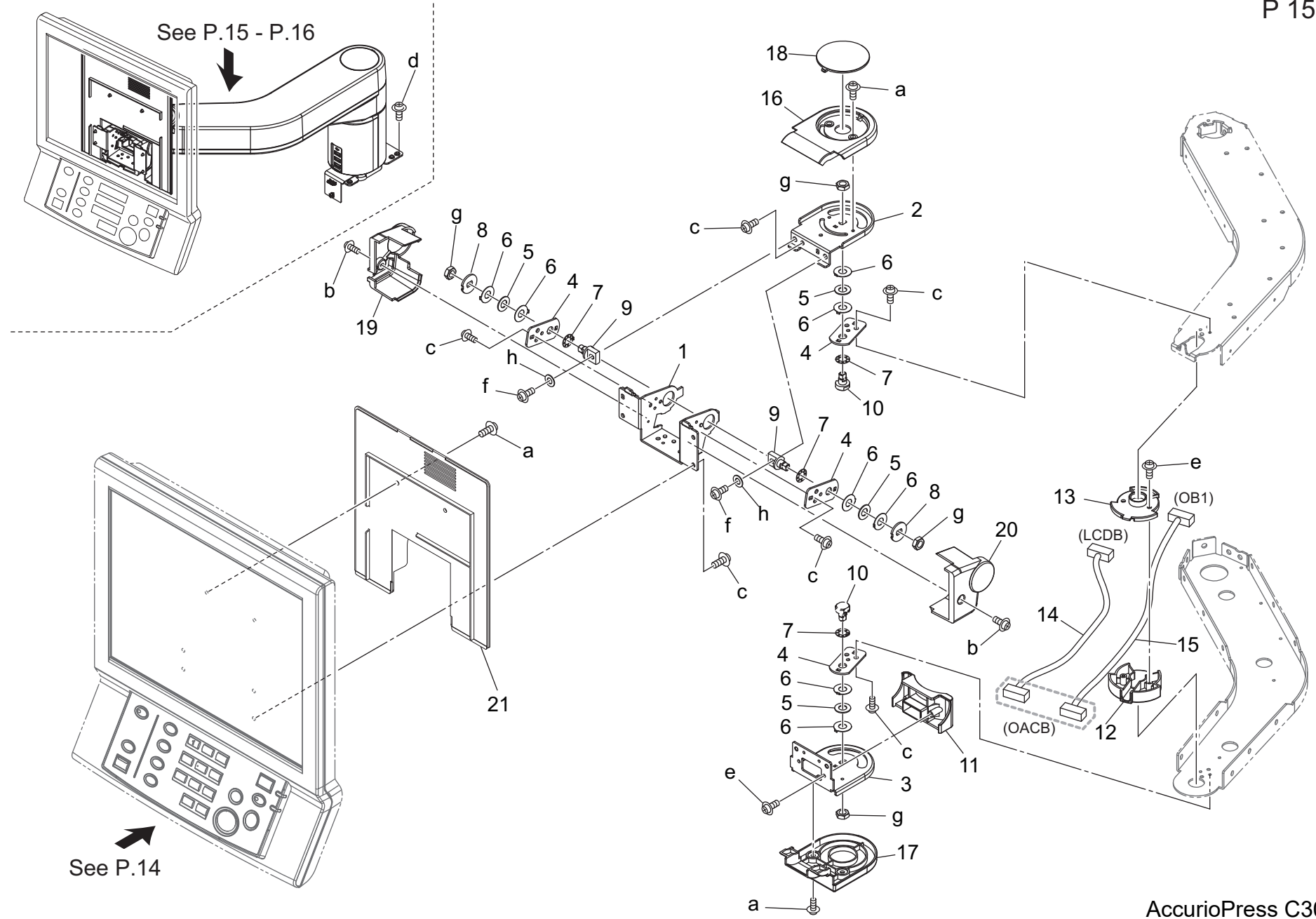


改訂版 REVISED EDITION	日付 DATE
	FEBRUARY 2018

AccurioPress C3080P

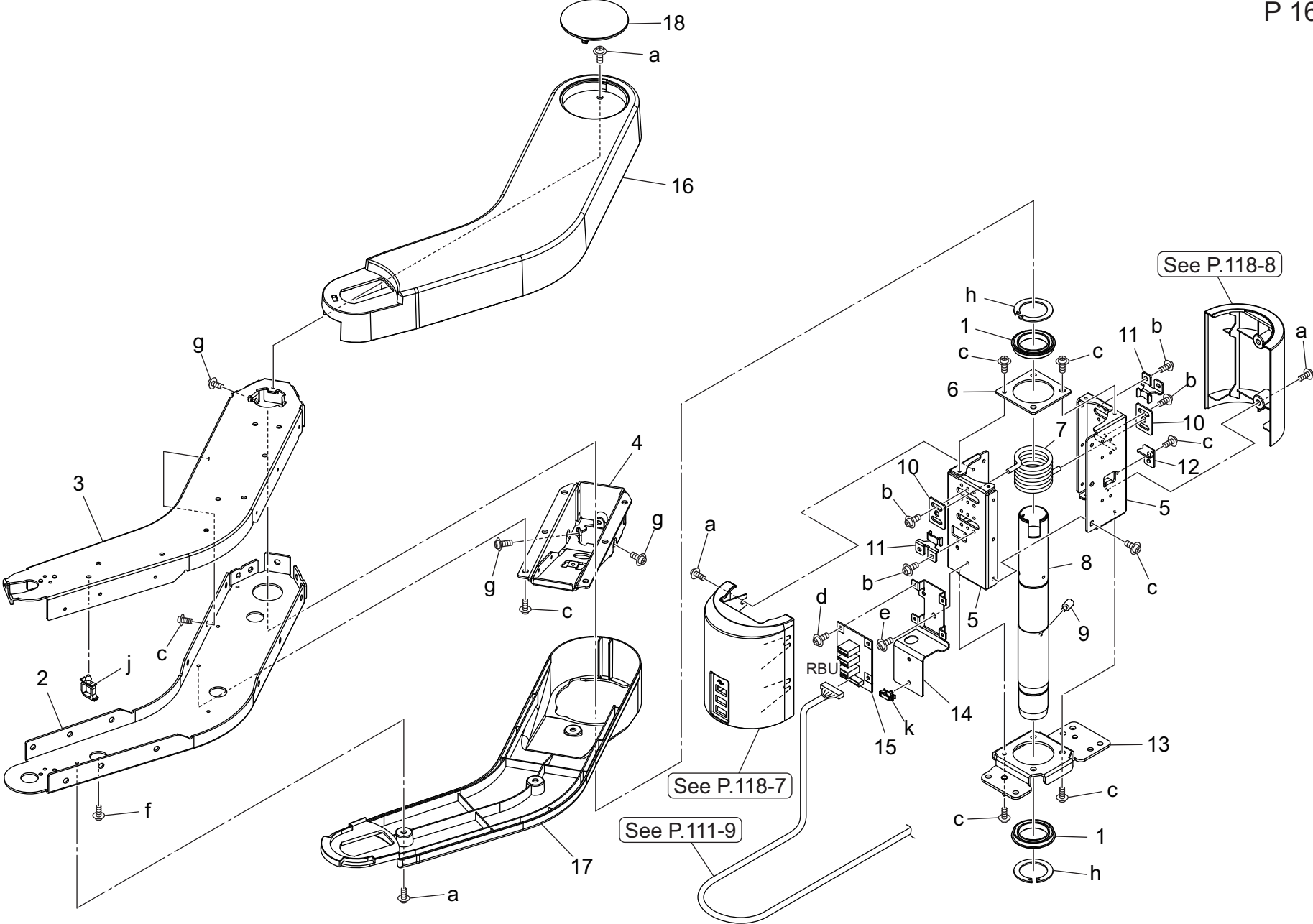
Key	Part No.	Description	Destinations	Class	QTY	Standard parts
1	A0P0M73100	Speaker		D	1	a-V114040604
2	56UA70330	OPERATION UNIT BUTTON S		C	1	b-V116040603
3	A0G6191600	Indicating Part /1		D	1	c-V118030404
4	A0G6192400	Holding Cushion /Upper		C	2	d-V118030603
5	A0G6192500	Holding Cushion /Right		C	2	e-V151030603
6	A0G6192700	Ground Plate /1		D	2	f-V151030803
7	A0G6192900	Ground Plate /2		D	2	g-V151031003
8	A0G6193100	Operation Button /1		C	1	h-V500010082
9	A0G6193200	Operation Button /2		C	1	j-V500020069
10	A0G6193400	Operation Button /4		C	1	k-V500020099
13	A0G6193800	Operation Button /10		C	1	m-V570010063
14	A0G6193900	Operation Button /8		C	1	
15	A0G6194000	Operation Button /9		C	1	
16	A0G6H06000	Operation Board /3 Assy		C	1	
17	A9VEM75500	Ope. Unit Touch Panel		C	1	
18	A0G6N18400	Ope.Unit Control Harness /3		D	1	
19	A1RFN28300	Ope.unit Wiring /1		D	1	
20	A4EU190413	Operation Plate		D	1	
21	A4EU194100	Operation Knob /1		D	1	
22	A4EU194200	Fixing Holder		D	1	
23	A4EUM75800	Ope.unit LCD		C	1	
24	A4EUN28500	Ope.unit Wiring /4		D	1	
25	A799190100	Operation Cover /Front		D	1	
26	A799190200	Operation Cover /Rear		D	1	
27	A9JW190300	Operation Casing /1		D	1	
28	A799H04001	Operation Board /1 ASSY		I	1	
29	AAC2R70100	Operation Unit		I	1	
30	A9VE205400	Operation Sheet	B,D1,E,G2,I(SOUTH A FRICA)	D	1	
30	A9VE195100	Operation Sheet	A	D	1	

Operation Panel Section

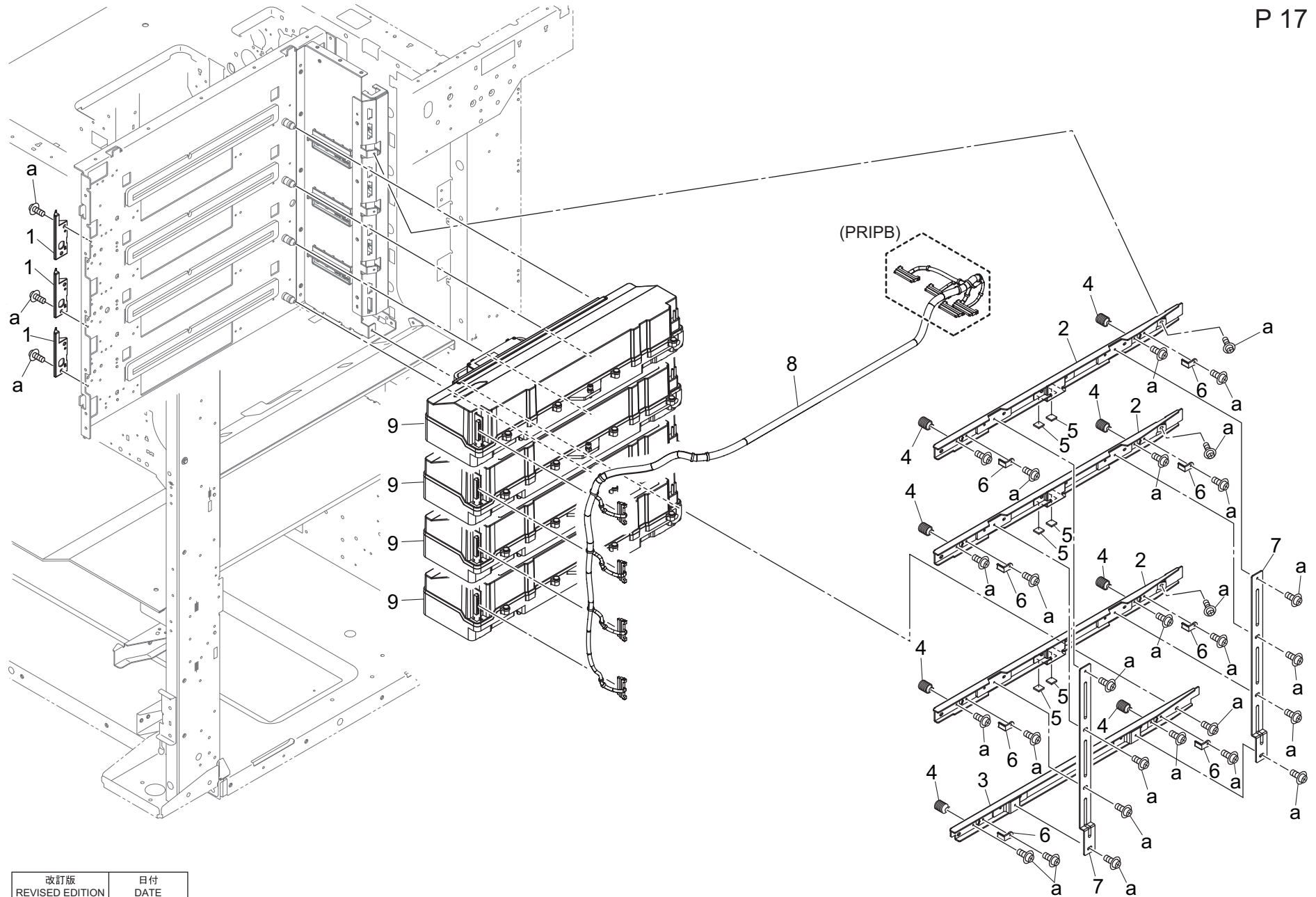



Key	Part No.	Description	Destinations	Class	QTY	Standard parts
1	A03U190900	Ope. unit Mounting Stay /1		D	1	a-V114040604
2	A03U191400	Support Plate /Upper		D	1	b-V121030603
3	A03U191500	Support Plate /Lower		D	1	c-V121040603
4	A03U191600	Mounting Plate /T		D	4	d-V127040803
5	A03U191700	Rotation Spring /T		D	4	e-V158030803
6	A03U191800	Rotation Spacer /1		D	8	f-V188051604
7	A03U191900	Rotation Spacer /2		D	4	g-V196080003
8	A03U192000	Fixing Part /T		D	2	h-V207050003
9	A03U192100	Fixing Shaft /U		D	2	
10	A03U192200	Rotation Shaft /T		D	2	
11	A03U193400	Operation Cover /E		C	1	
12	A03U193600	Swing Cover /Lower		C	1	
13	A03U193700	Swing Cover /Upper		C	1	
14	A50UN29012	Ope.unit Control harness /1		D	1	
15	A50UN29101	Ope.unit Control harness /2		D	1	
16	A9VE193300	Operation Cover /C		D	1	
17	A9VE193500	Operation Cover /D		D	1	
18	A9VE193800	Operation Cover /I		D	1	
19	A9VE194000	Operation Cover /F		D	1	
20	A9VE194100	Operation Cover /G		D	1	
21	A9VE197100	Operation Cover /R		D	1	

Operation Panel Section



Key	Part No.	Description	Destinations	Class	QTY	Standard parts
1	65AA75010E	DRUM SUPPORT BEARING		D	2	a-V114040604
2	A03U190500	Ope. unit Mounting Arm /Lower		D	1	b-V116040803
3	A03U190600	Ope. unit Mounting Arm /Upper		D	1	c-V121040603
4	A03U190700	Support Plate /1		D	1	d-V127030603
5	A03U190802	Support Plate /2		D	2	e-V127040603
6	A03U191100	Support Plate /3		D	1	f-V158030803
7	A03U191201	Support Spring		C	1	g-V185041203
8	A03U191300	Ope. unit Support Pipe		D	1	h-V223300017
9	A03U192300	Stopper Screw /A		C	1	j-V500010083
10	A03U195302	REGULATING PLATE		D	2	k-V500020100
11	A03U195400	Regulating Part		D	2	
12	A03U195500	Rotation Stopper		D	1	
13	A03UF19100	Main Body Attachment Caulking		D	1	
14	A1DU190101	Installing Plate		D	1	
15	A1DUH11000	Relay Board/U ASSY		C	1	
16	A9VE193100	Operation Cover /Upper		D	1	
17	A9VE193200	Operation Cover /Lower		D	1	
18	A9VE193900	Operation Cover /J		D	1	



改訂版 REVISED EDITION	日付 DATE
	NOVEMBER 2017

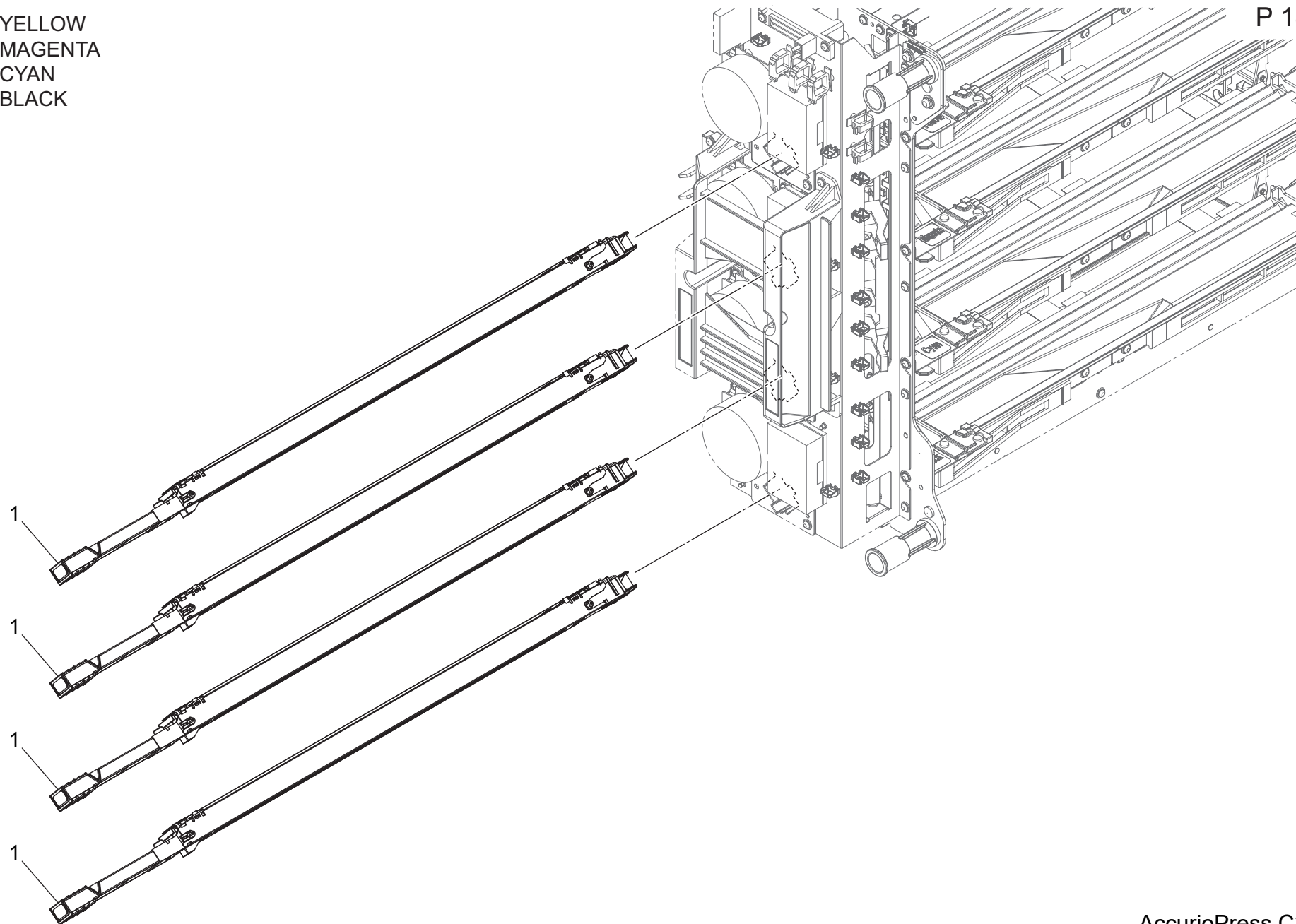
 Order here
8 (495) 646-0426
www.km-shop.ru

Key	Part No.	Description	Destinations	Class	QTY	Standard parts
1	A50U121500	Cooling Guide /Front		D	3	a-V127030604
2	A50U318101	Pressing Stay /Color		D	3	
3	A50U318201	Pressing Stay /Black		D	1	
4	A50U318300	Pressing Spring /R		D	8	
5	A50U318700	Auxiliary Pad		D	6	
6	A50U318900	Pressing Guide		D	8	
7	A50U319301	Connecting Plate /1		D	2	
8	A85CN26500	LD Wiring /1		D	1	
9	A9VER71300	PH Unit		I	4	

Charging Section

YELLOW
MAGENTA
CYAN
BLACK

P 18

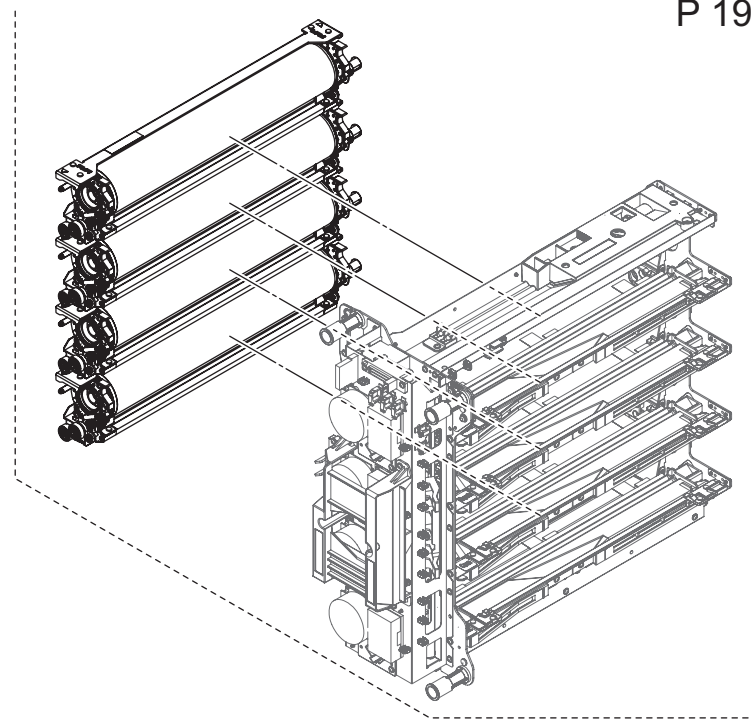
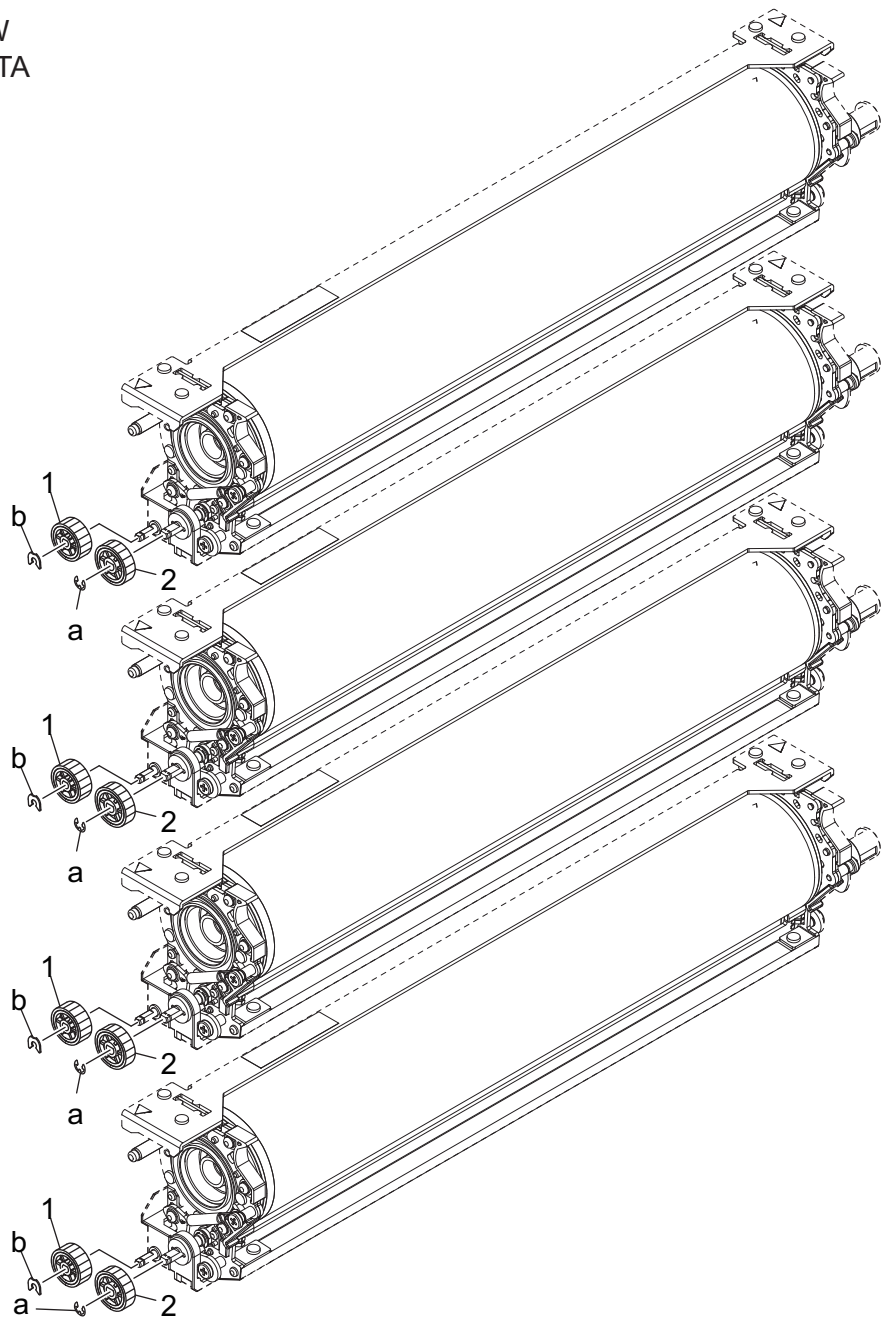


Charging Section

Key	Part No.	Description	Destinations	Class	QTY	Standard parts
1	A50UR70323	Charging Corona Unit	C	A	4	
1	A50UR70323	Charging Corona Unit	A,B,G2,D1,E,I	A	4	

Photo Conductor Section

YELLOW
MAGENTA
CYAN
BLACK



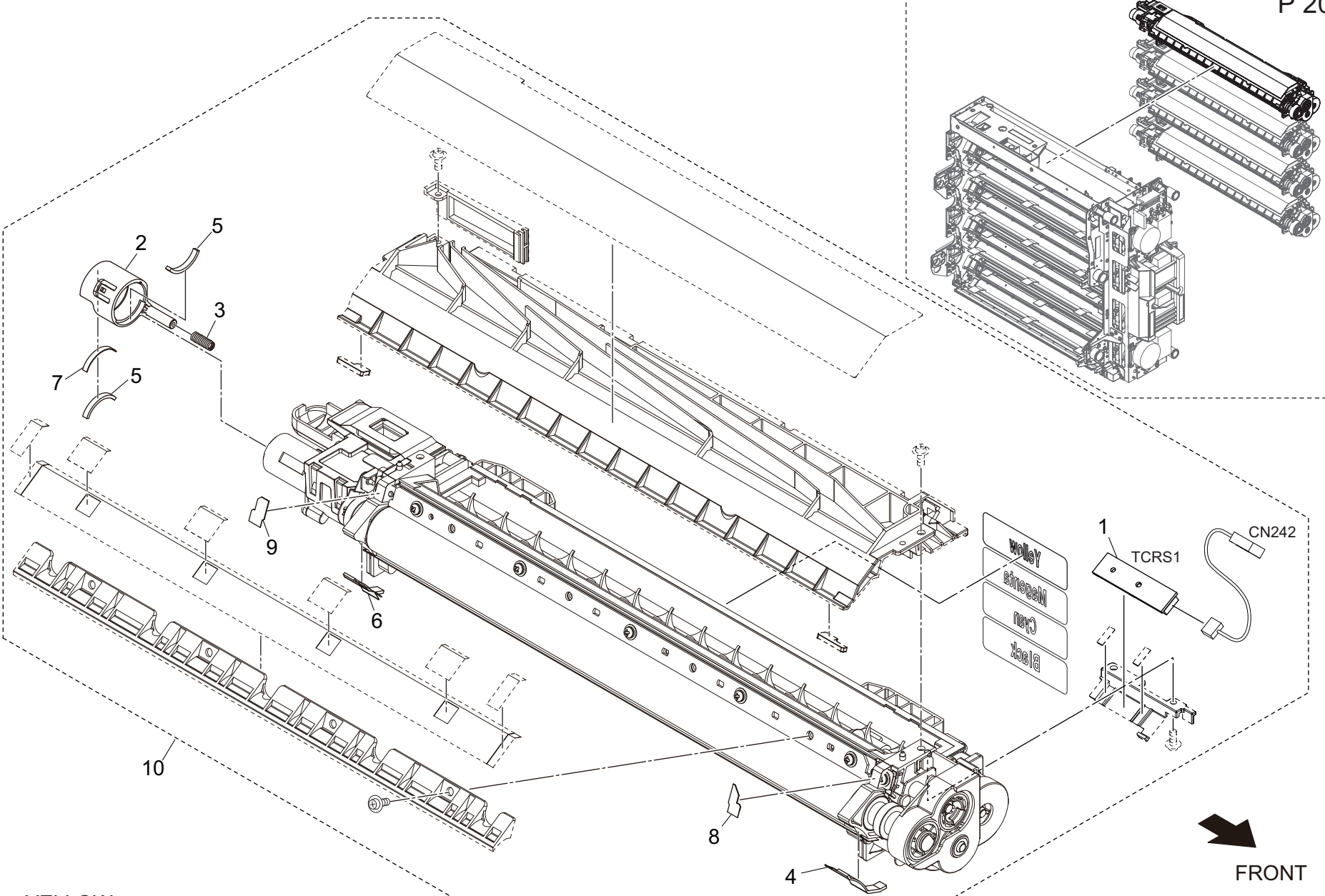
P 19

Photo Conductor Section

Key	Part No.	Description	Destinations	Class	QTY	Standard parts
1	A50U333500	Cleaning Gear /1 28T		C	4	a-V217030003 b-V218030086
2	A50U333600	Cleaning Gear /2 30T		C	4	

Developing Section

P 20



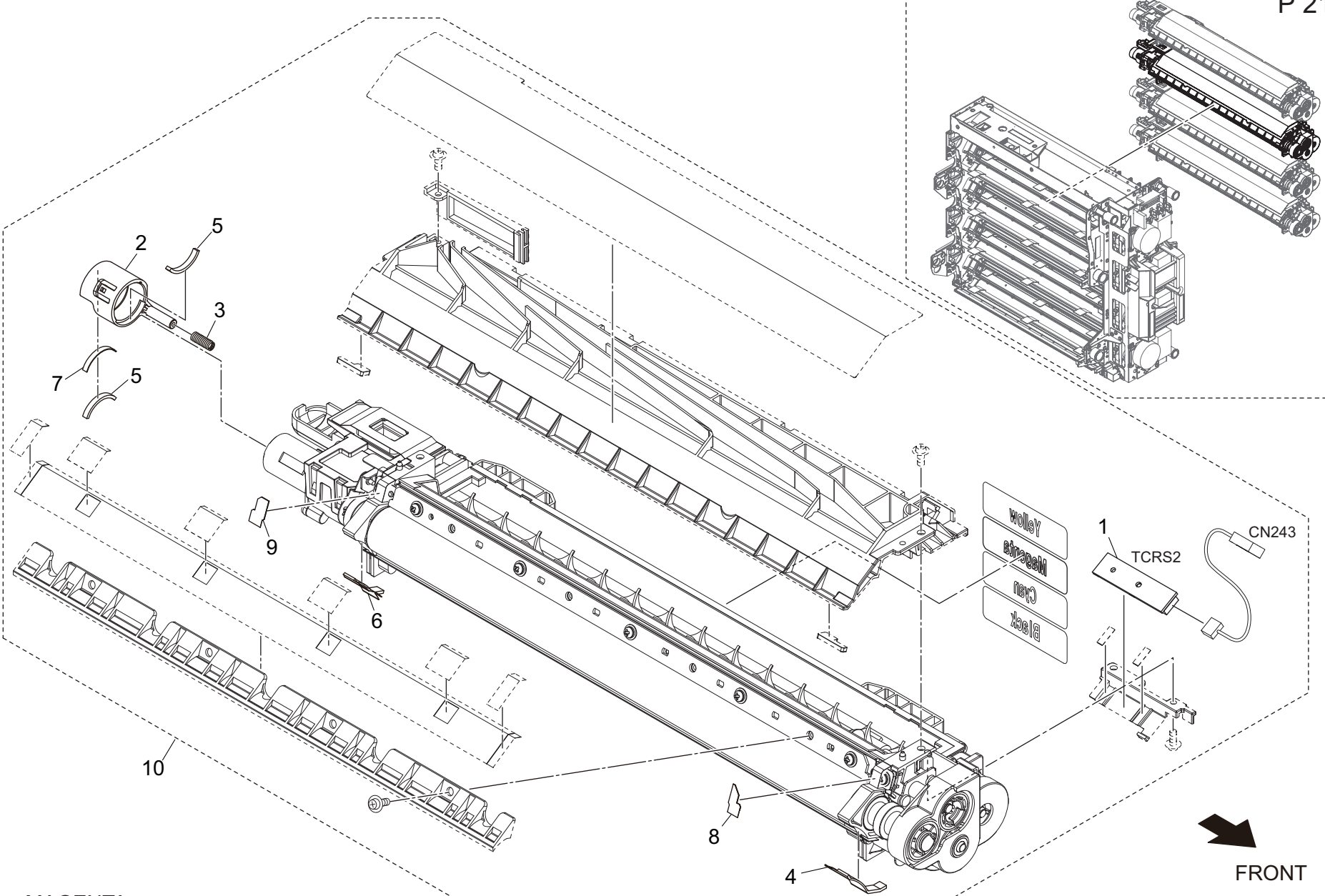
YELLOW

AccurioPress C3080P

Key	Part No.	Description		Destinations	Class	QTY	Standard parts
1	A0TKH00200	PWB Assembly(PWB-TCR ASSY)	基板 ASSY (PWB-TCR ASSY)		I	1	
2	A50U372901	Collection Cover	回収カバー		D	1	
3	A50U373100	Compressing Coil spring /1	圧縮コイルばね / 1		D	1	
4	A50U374102	Scatteringprevention Sheet /Side	飛散防止シート / サイド		D	1	
5	A50U374501	Seal /J	シール / J		D	2	
6	A50U376002	Scatteringprevention Sheet /Rear	飛散防止シート / 奥		D	1	
7	A50U376801	Seal /T	シール / T		D	1	
8	A50U377201	Auxiliary Seal /Front	補助シール / 前		D	1	
9	A50U377301	Auxiliary Seal /Rear	補助シール / 奥		D	1	
10	A50UR70244	Developing Unit	現像ユニット		B	1	

Developing Section

P 21

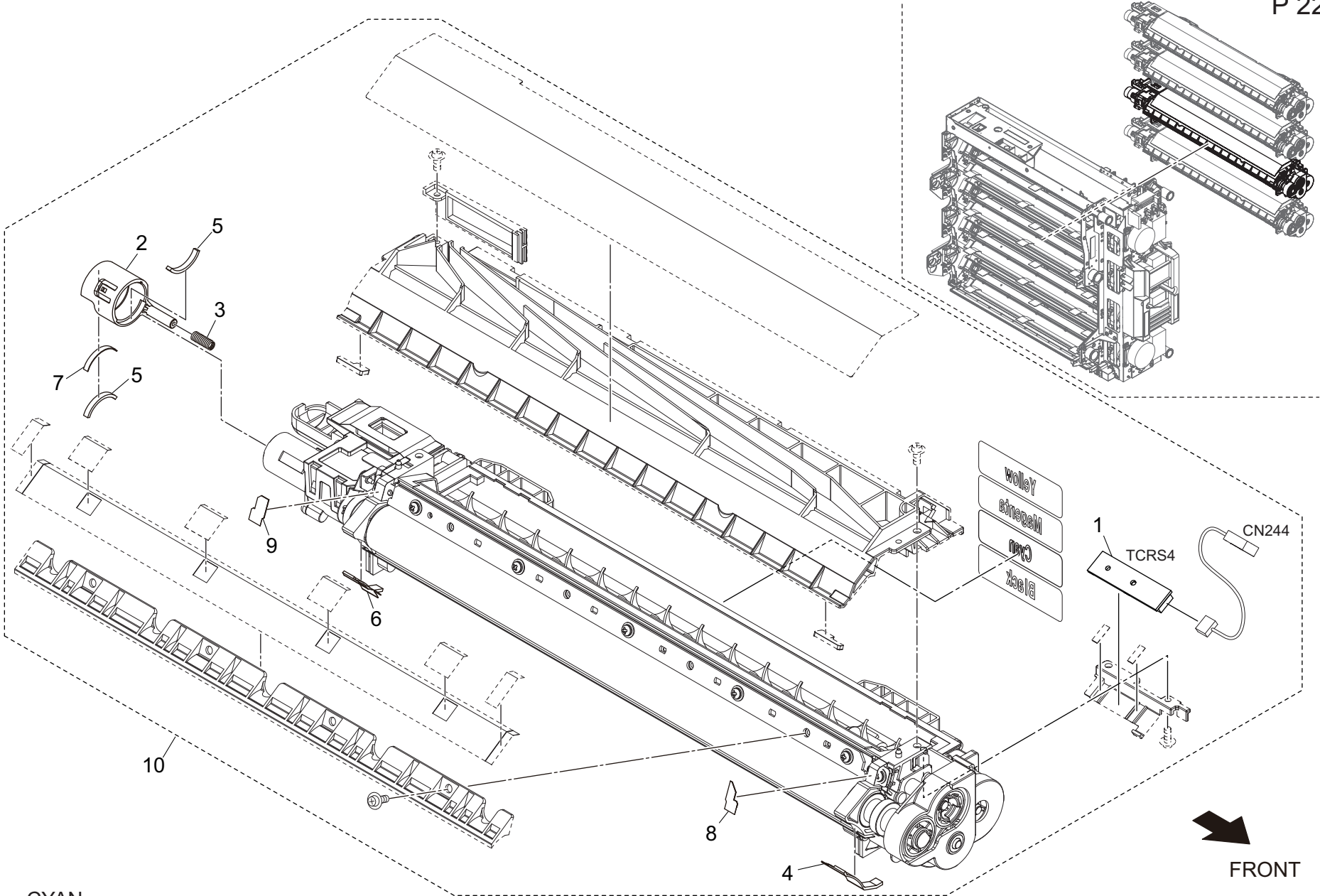


MAGENTA

AccurioPress C3080P

Key	Part No.	Description	Destinations	Class	QTY	Standard parts
1	A0TKH00200	PWB Assembly(PWB-TCR ASSY)	基板 A S S Y (P W B - T C R A S S Y)	I	1	
2	A50U372901	Collection Cover	回収カバー	D	1	
3	A50U373100	Compressing Coil spring /1	圧縮コイルばね / 1	D	1	
4	A50U374102	Scatteringprevention Sheet /Side	飛散防止シート / サイド	D	1	
5	A50U374501	Seal /J	シール / J	D	2	
6	A50U376002	Scatteringprevention Sheet /Rear	飛散防止シート / 奥	D	1	
7	A50U376801	Seal /T	シール / T	D	1	
8	A50U377201	Auxiliary Seal /Front	補助シール / 前	D	1	
9	A50U377301	Auxiliary Seal /Rear	補助シール / 奥	D	1	
10	A50UR70244	Developing Unit	現像ユニット	B	1	

Developing Section



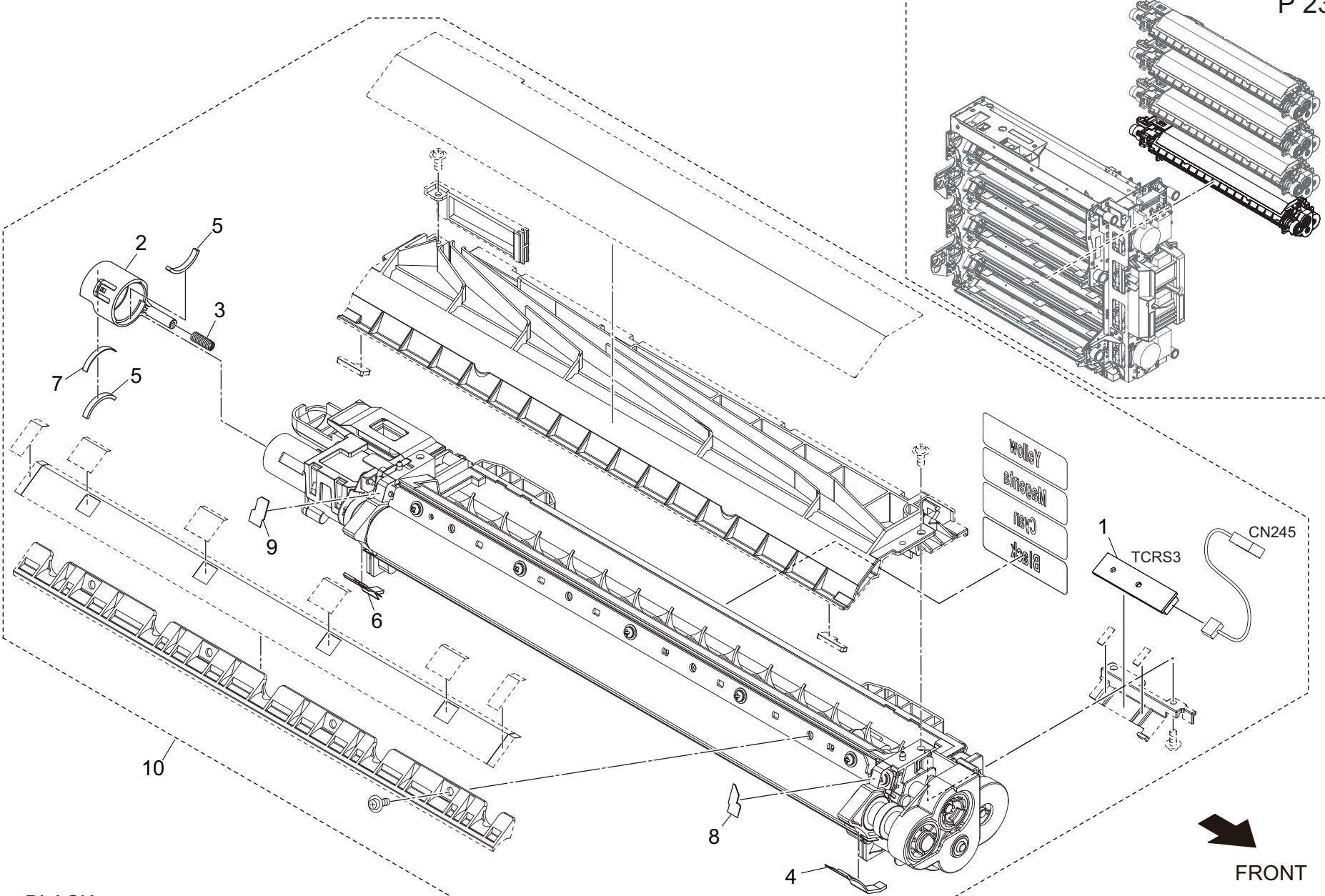
CYAN

FRONT

AccurioPress C3080P

Key	Part No.	Description	Destinations	Class	QTY	Standard parts
1	A0TKH00200	PWB Assembly(PWB-TCR ASSY)	基板 ASSY (PWB-TCR ASSY)	I	1	
2	A50U372901	Collection Cover	回収カバー	D	1	
3	A50U373100	Compressing Coil spring /1	圧縮コイルばね / 1	D	1	
4	A50U374102	Scatteringprevention Sheet /Side	飛散防止シート / サイド	D	1	
5	A50U374501	Seal /J	シール / J	D	2	
6	A50U376002	Scatteringprevention Sheet /Rear	飛散防止シート / 奥	D	1	
7	A50U376801	Seal /T	シール / T	D	1	
8	A50U377201	Auxiliary Seal /Front	補助シール / 前	D	1	
9	A50U377301	Auxiliary Seal /Rear	補助シール / 奥	D	1	
10	A50UR70244	Developing Unit	現像ユニット	B	1	

Developing Section



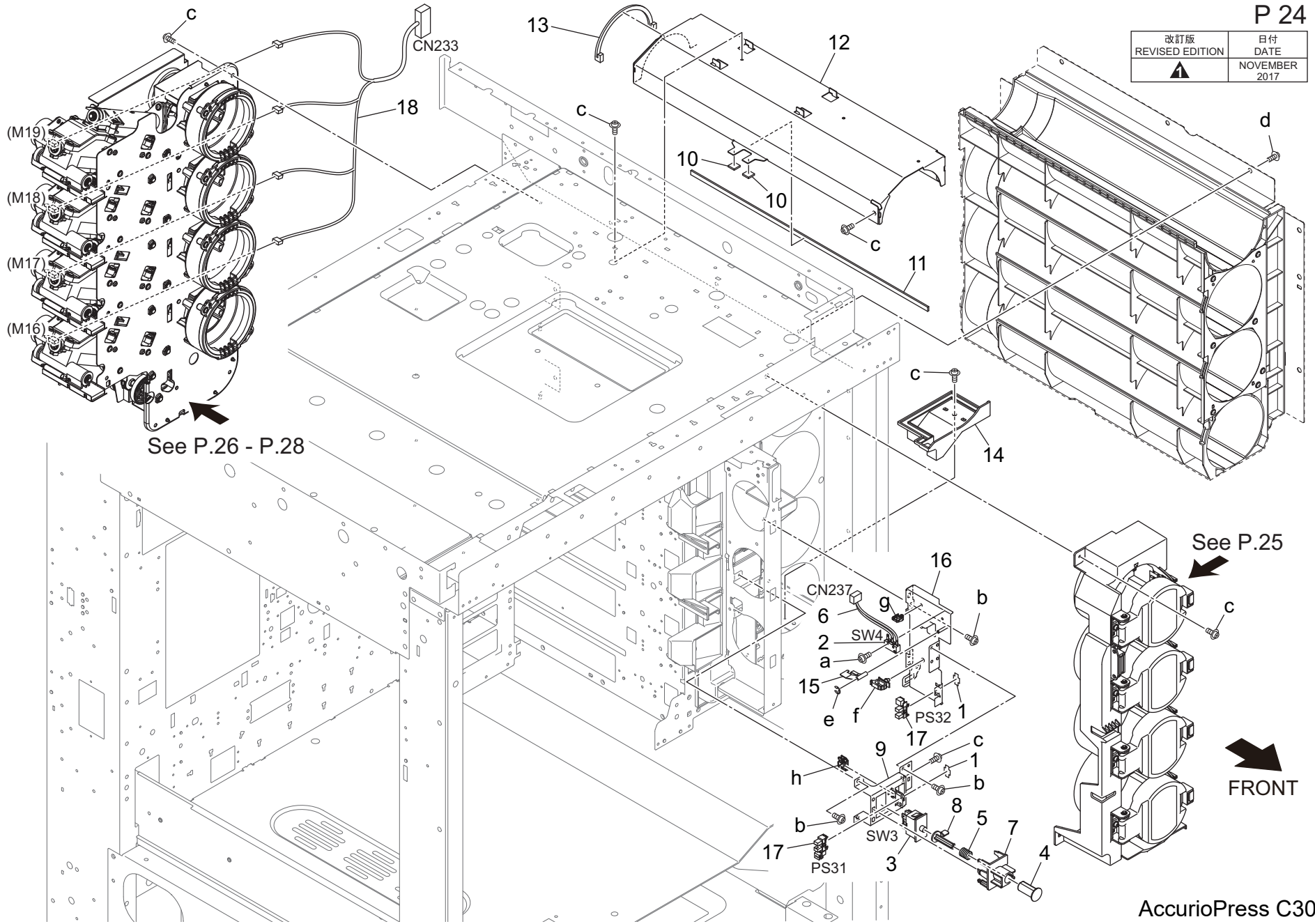
BLACK

AccurioPress C3080P

Key	Part No.	Description	Destinations	Class	QTY	Standard parts
1	A0TKH00200	PWB Assembly(PWB-TCR ASSY)	基板 ASSY (PWB-TCR ASSY)	I	1	
2	A50U372901	Collection Cover	回収カバー	D	1	
3	A50U373100	Compressing Coil spring /1	圧縮コイルばね / 1	D	1	
4	A50U374102	Scatteringprevention Sheet /Side	飛散防止シート / サイド	D	1	
5	A50U374501	Seal /J	シール / J	D	2	
6	A50U376002	Scatteringprevention Sheet /Rear	飛散防止シート / 奥	D	1	
7	A50U376801	Seal /T	シール / T	D	1	
8	A50U377201	Auxiliary Seal /Front	補助シール / 前	D	1	
9	A50U377301	Auxiliary Seal /Rear	補助シール / 奥	D	1	
10	A50UR70244	Developing Unit	現像ユニット	B	1	

Toner Supply Section

改訂版 REVISED EDITION	日付 DATE
▲	NOVEMBER 2017



See P.26 - P.28

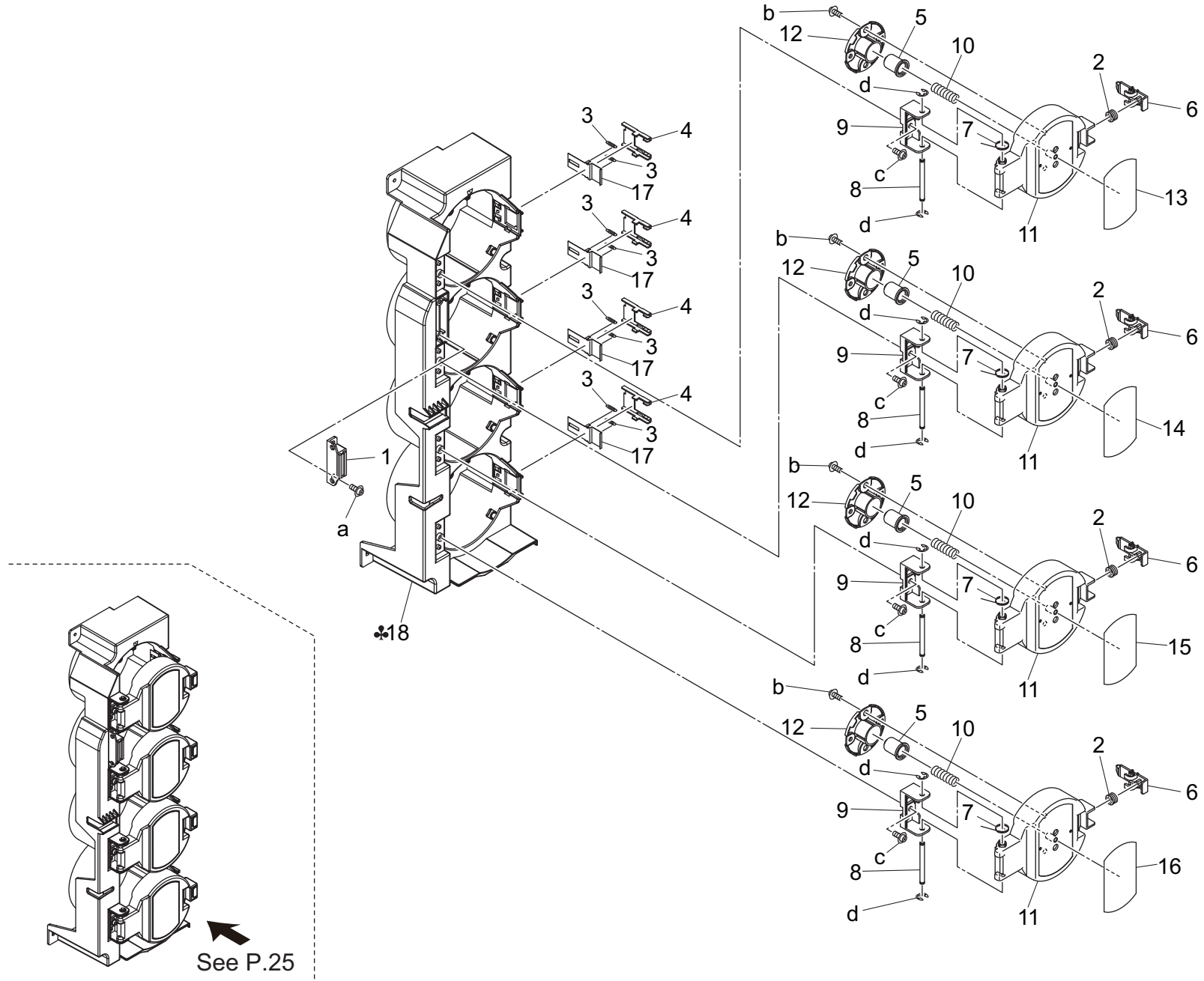
See P.25

FRONT

AccurioPress C3080P

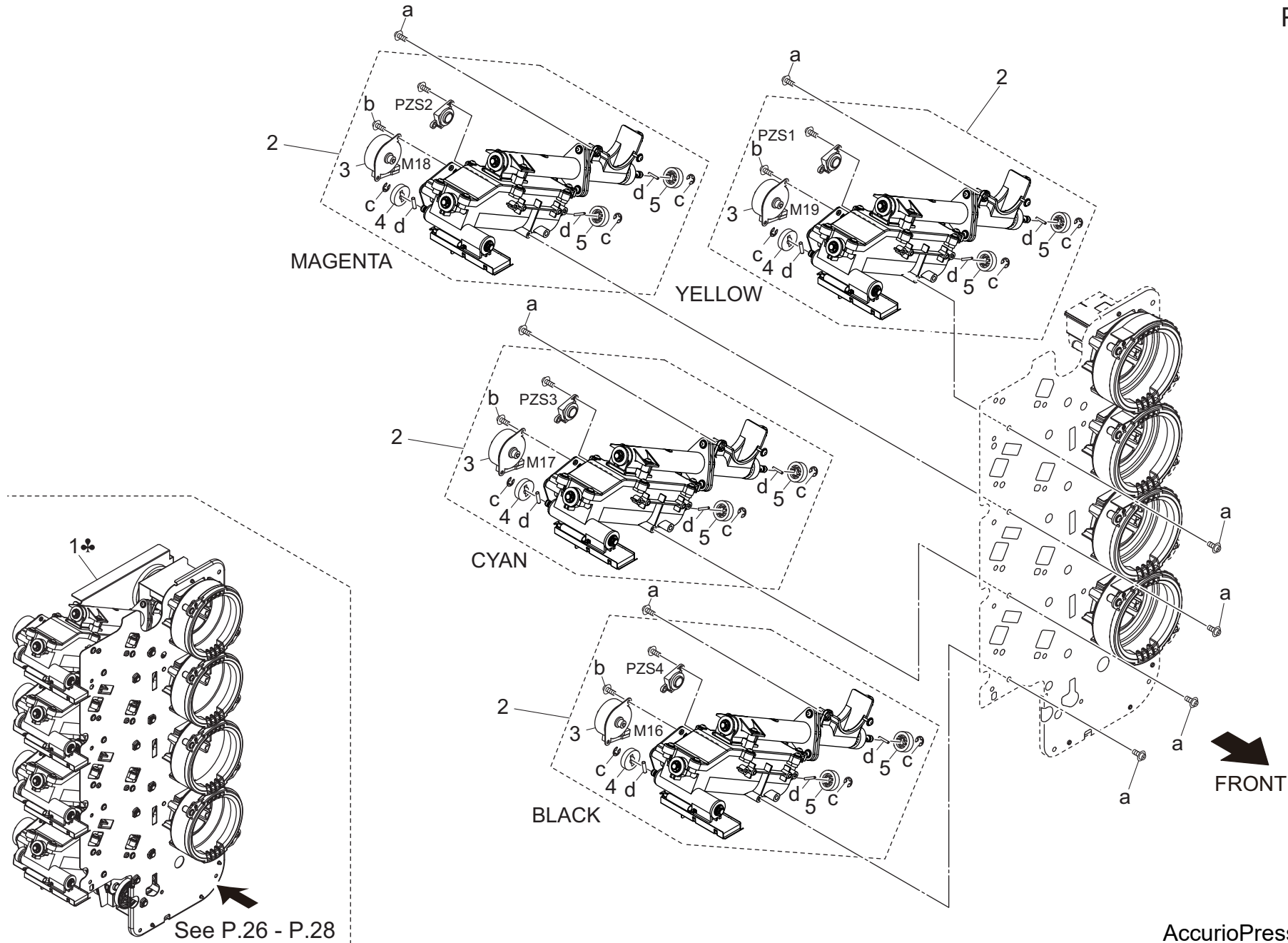
Key	Part No.	Description	Destinations	Class	QTY	Standard parts
1	4470402401	Stopper		D	2	a-V111020803 b-V127030516 c-V127030604 d-V127040603 e-V217020003 f-V500010081 g-V500020098 h-V570010056
2	12QR86011	Interlock Switch		B	1	
3	40AA85011	Door Switch		B	1	
4	56AA12140	Switch Connecting Actuator		C	1	
5	56AA12160	Contact Pressing Spring /1		C	1	
6	65AA91100	INTER LOCK WIRING		D	1	
7	A50U166800	Guide Part		D	1	
8	A50U171500	Pressing Actuator		C	1	
9	A50U179000	Plate		D	1	
10	A50U318700	Auxiliary Pad		D	2	
11	A50U400600	Toner supply Seal /Upper		D	1	
12	A50U400900	Toner supply Frame /Upper		D	1	
13	A50U401401	Seal /Rear		D	1	
14	A50U408101	Receiving Lower tray		D	1	
15	A50U442100	Switch Plate		D	1	
16	A50UF41500	Toner Supply Support Shaft Caulking ASSY		D	1	
17	A50UM51000	Photointerrupter		C	2	
18	A50UN12101	Toner Wiring /1		D	1	

Toner Supply Section



Key	Part No.	Description	Destinations	Class	QTY	Standard parts
1	07BA12352	Magnet Catch		C	1	a-V149030803 b-V151041003 c-V158030803 d-V217030003
2	26NA32870	CARTRIDGE PRESSING SPRING 2		C	4	
3	26TA32970	CARTRIDGE REGULATING SPRING		C	8	
4	26TA32990	COVER PART		C	4	
5	A1RF441500	Pressing Part /Front		D	4	
6	A50U408501	Pressing Handle		D	4	
7	A50U408600	Toner supply Open/close Spring /A		D	4	
8	A50U408700	Support Shaft		D	4	
9	A50U408900	Support Part		D	4	
10	A50U410200	Lock Spring		D	4	
11	A50U440301	Pressing Pedestal /Front		D	4	
12	A50U440601	Pressing Part /Rear		D	4	
13	A50U944500	Toner supply Label /Y		D	1	
14	A50U944600	Toner supply Label /M		D	1	
15	A50U944700	Toner supply Label /C		D	1	
16	A50U944800	Toner supply Label /K		D	1	
17	A85C409600	Regulating Plate		D	4	
18	A50U400201	Guide Part	A,B,G2	D	1	
18	A9VE400200	Guide Part	C	D	1	

Toner Supply Section



See P.26 - P.28

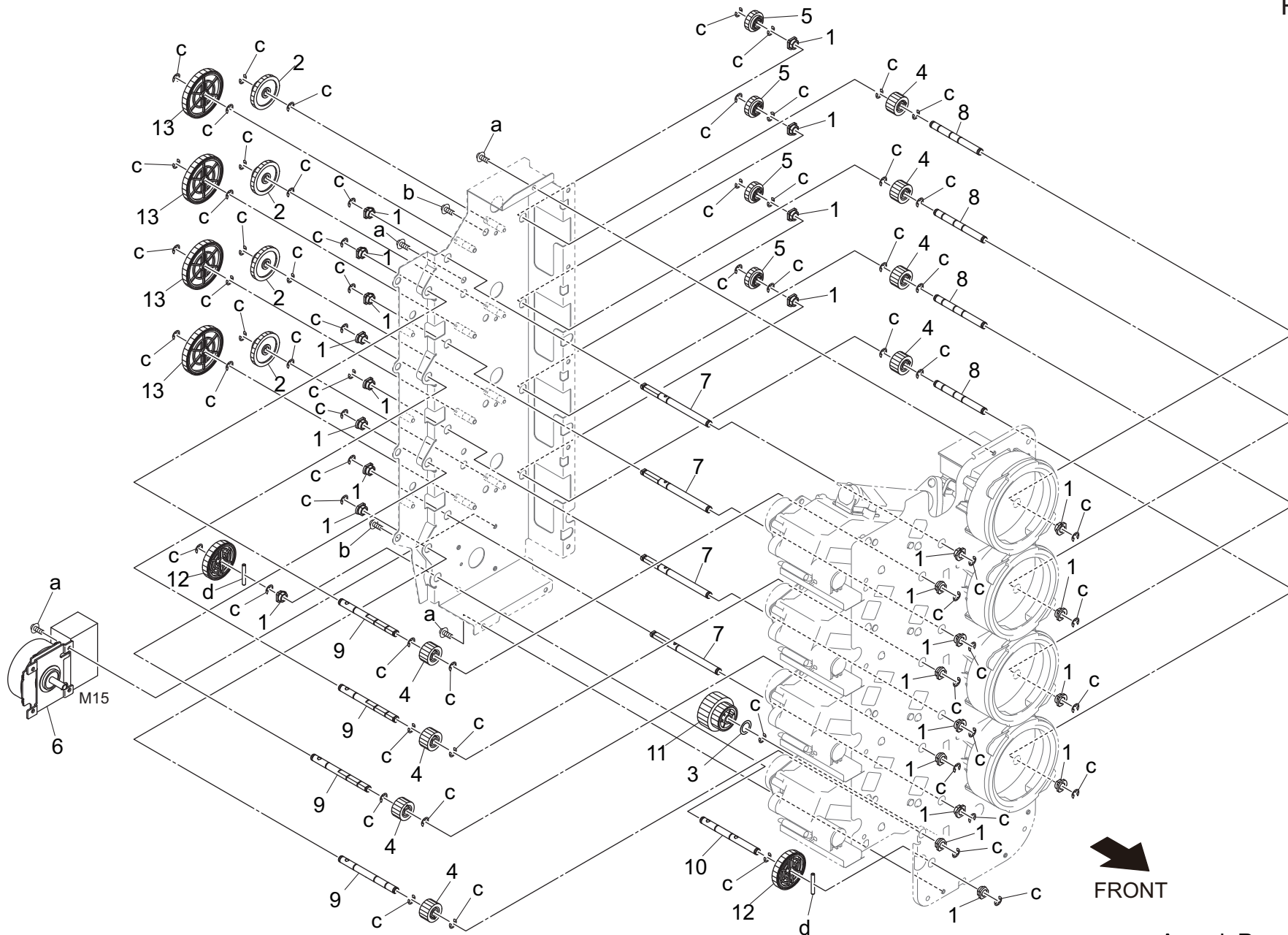
FRONT

AccurioPress C3080P

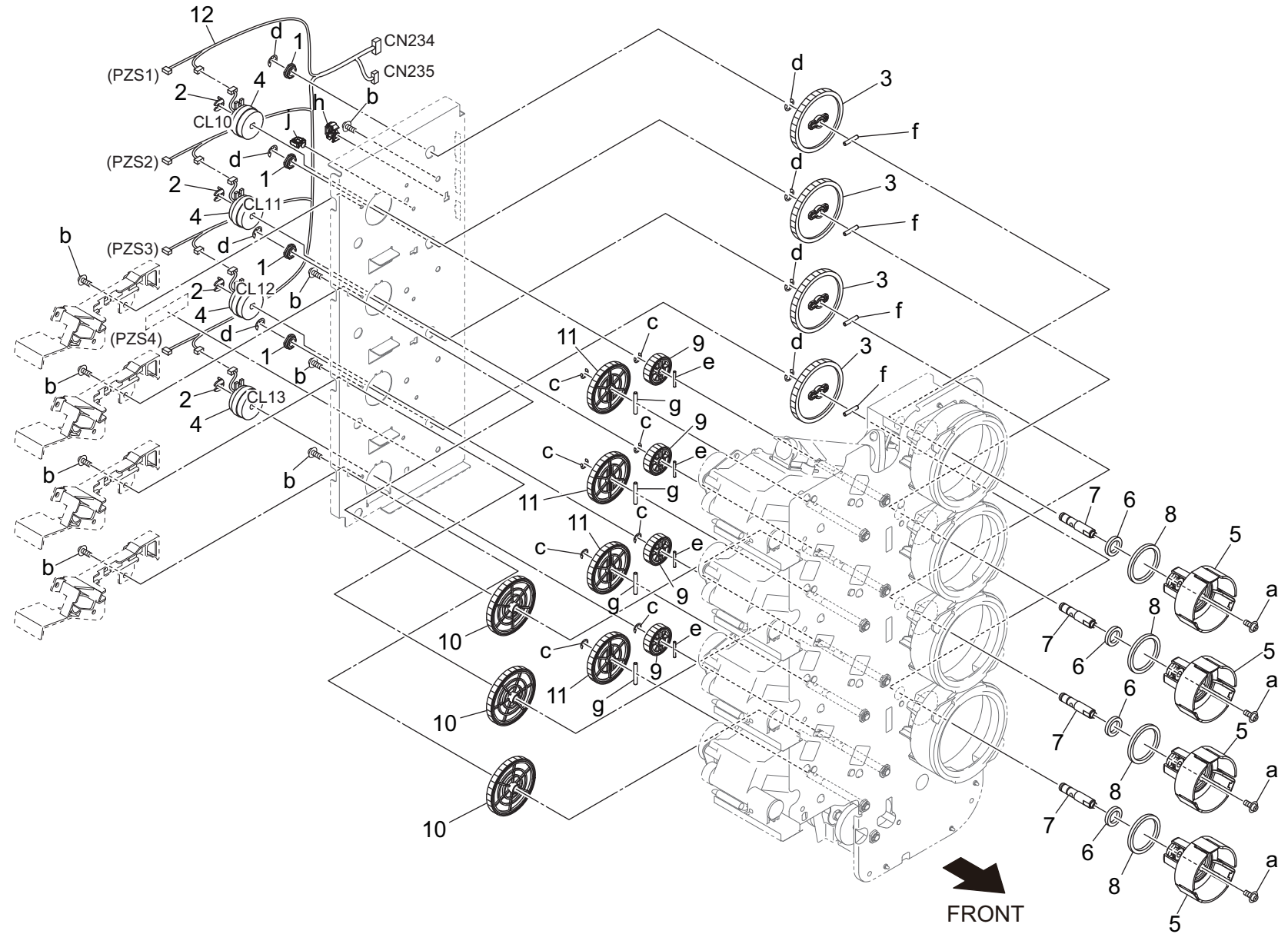
Toner Supply Section

Key	Part No.	Description	Destinations	Class	QTY	Standard parts
1	A9VER72000	Toner Supply Unit Assy (US)		S	1	a-V151030803 b-V158030803 c-V217040003 d-V234301250
1	A9VER72200	Toner Supply Unit Assy (EU)	B,G2	S	1	
1	A9VER72100	Toner Supply Unit Assy (EU)	C	S	1	
1	A9VER71900	Toner Supply Unit Assy (JP)	D1,E	S	1	
2	A9VER71700	Toner Conveyance Assy	A	S	1	
		トナー搬送 A s s y		D	4	
3	A00JM12100	Stepping motor		C	4	
4	65AA78040	AGITATING GEAR A 18T		C	4	
5	A4EU538400	Release Gear /4 15T		C	8	
		ステッピングモータ				
		攪拌歯車 A 18 T				
		解除ギア / 4 15 T				

Toner Supply Section

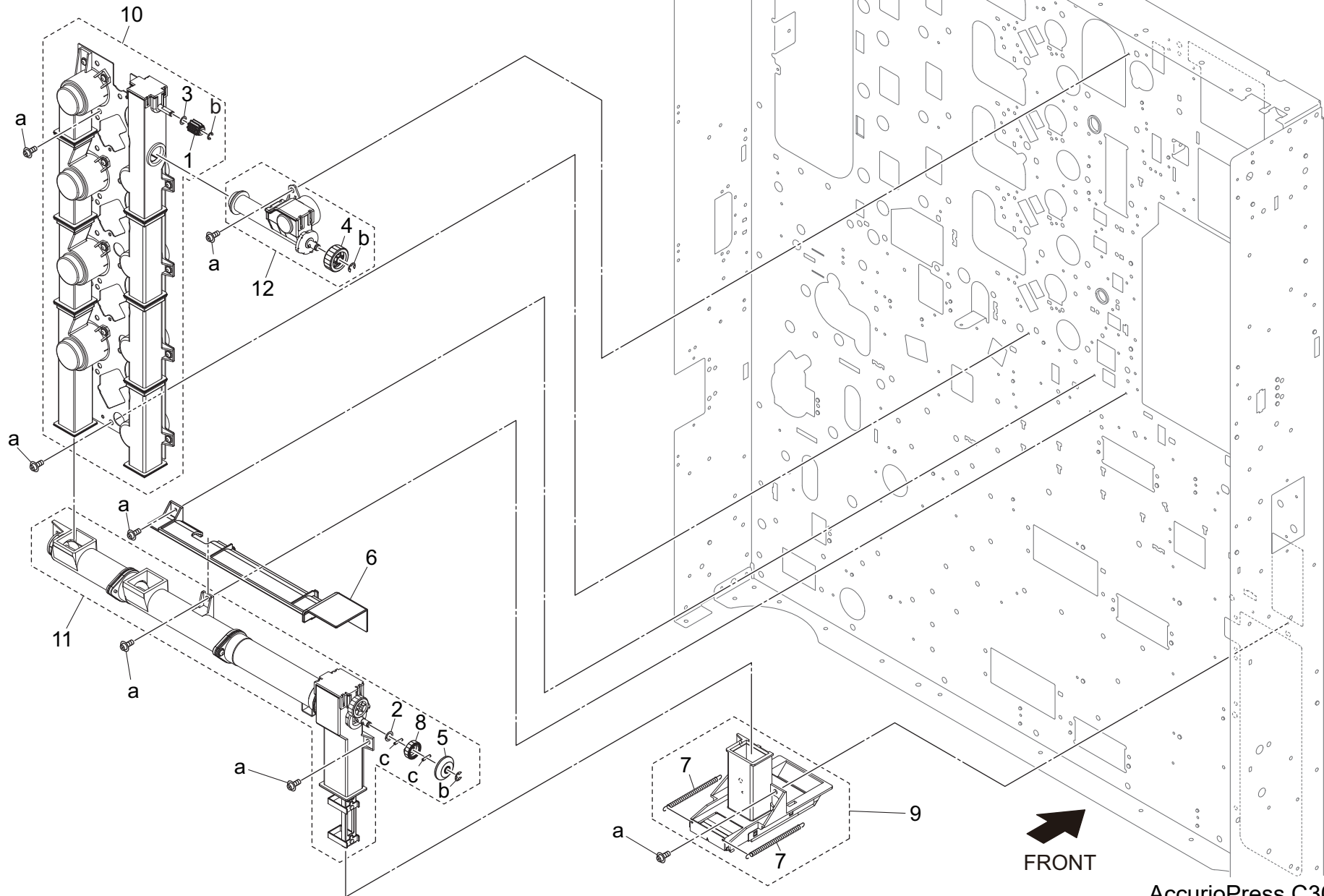


Key	Part No.	Description	Destinations	Class	QTY	Standard parts
1	466076020	Paper Feed Feeding Bearing		B	26	a-V127030604 b-V151030803 c-V217040003 d-V234302250
2	25BA77171	Toner Supply Gear /2 13/31T		C	4	
3	40AA32320	Toner Supply Spacer		C	1	
4	56AA77330	SCREW GEAR 15T		C	8	
5	9J07500201	GEAR 17T		C	4	
6	A2XKM10300	Brushless motor		I	1	
7	A50U404000	Drive Shaft /A		D	4	
8	A50U404200	Drive Shaft /C		D	4	
9	A50U404600	Drive Shaft /B		D	4	
10	A50U406400	Drive Shaft /D		D	1	
11	A50U420300	Toner supply Gear /3 25/65T		C	1	
12	A50U420900	Toner supply Gear /9 35T		C	2	
13	A50U421000	Toner supply Gear /10 45T		C	4	



AccurioPress C3080P

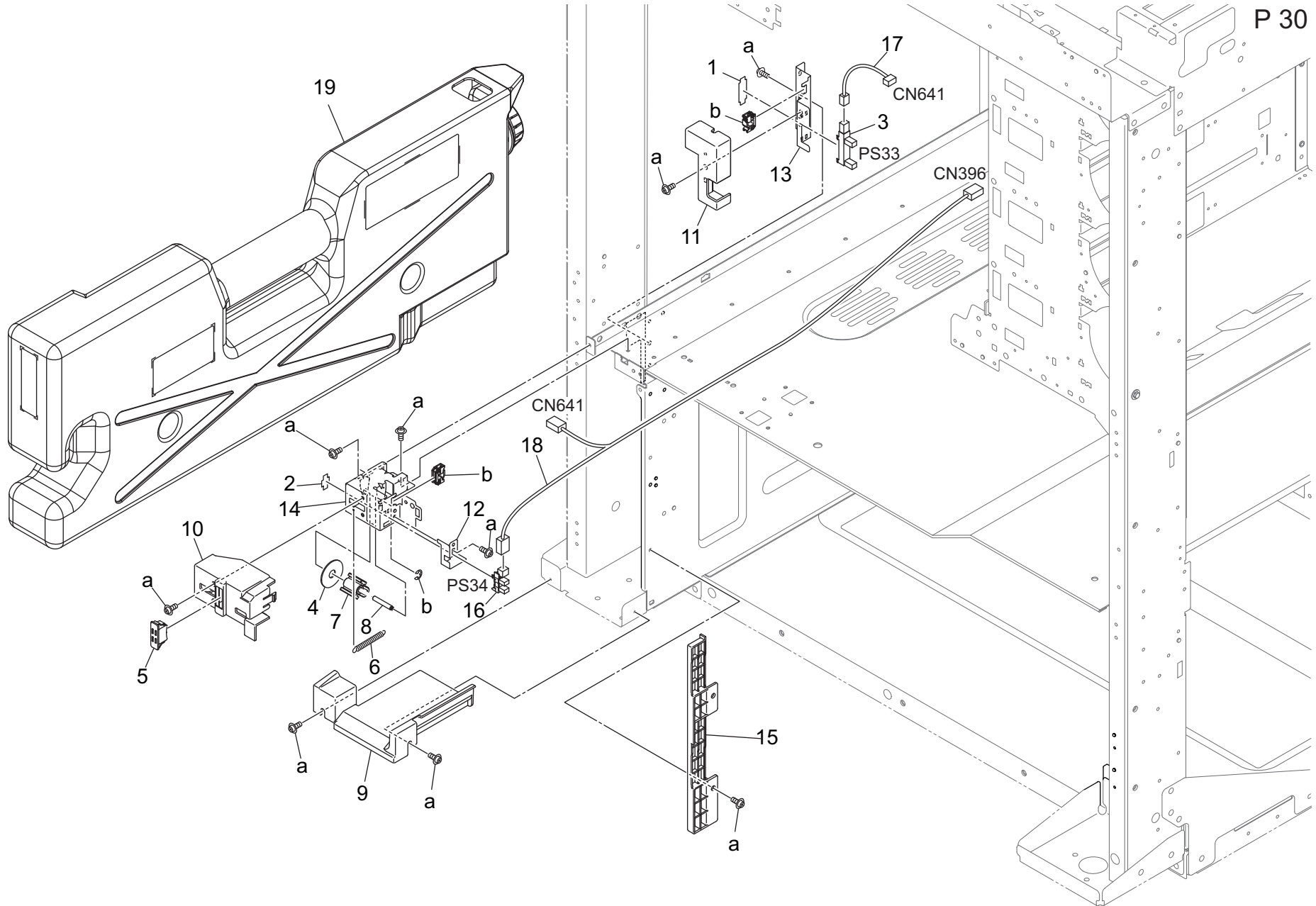
Toner Collection Section



Key	Part No.	Description	Destinations	Class	QTY	Standard parts
1	26NA17580	AGITATING COUPLING B		C	1	a-V127030604 b-V217040003 c-V234201050
2	40AA32320	Toner Supply Spacer		C	1	
3	50GA250100	SPACER		C	1	
4	A1RG569900	Suction Gear /2 21T		C	1	
5	A50U361900	Collection Gear /2 14T		C	1	
6	A50U362300	Insulating Cover		D	1	
7	A50U363300	Open/close Spring		D	2	
8	A50U365400	Collection Gear 19T		C	1	
9	A50UF36500	Toner Collection Gate ASSY		D	1	
10	A50UR70V00	Collection Pipe Assy		S	1	
11	A9VER71800	Toner Collection Conveyance Assy		S	1	
12	A50UR71100	Collection Pipe / 1 Assy		D	1	

Toner Collection Section

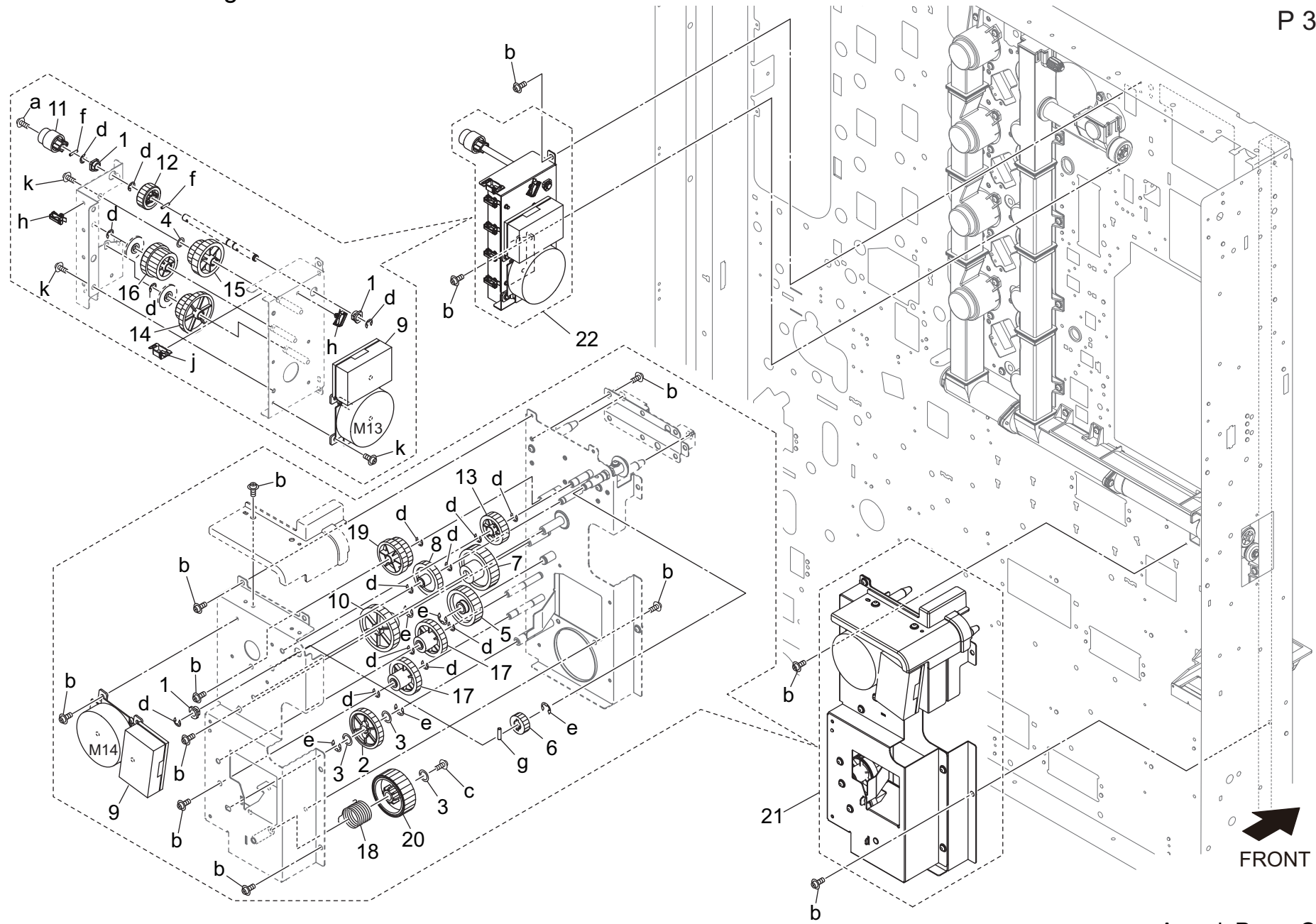
P 30



AccurioPress C3080P

Key	Part No.	Description	Destinations	Class	QTY	Standard parts
1	4004457301	Stopper		D	1	a-V127030604 b-V570010056
2	4470402401	Stopper		D	1	
3	9335140051	SOLID STATE SWITCH		B	1	
4	55VA47840	Belt Hold Part /3		D	1	
5	56AA12270	EXTERNAL LOCKING PART		C	1	
6	A1RF363500	Control Spring		C	1	
7	A1RF363801	Detecting Part /2		D	1	
8	A50U363200	Collection Shaft		D	1	
9	A50U363400	Protection Cover /Lower		D	1	
10	A50U363701	Cover Outside		D	1	
11	A50U366800	Cover /2		D	1	
12	A50U367100	Card		D	1	
13	A50U367400	Cover		D	1	
14	A50U368400	Cover		D	1	
15	A50U369900	Cover /Front		D	1	
16	A50UM51000	Photointerrupter		C	1	
17	A50UN11801	Detection Relay harness /3		D	1	
18	A50UN12000	Detection Relay harness /1		D	1	
19	A50UR70115	Waste Toner Box	B,C,D1,E,G2,I	A	1	
19	A9VER71600	Waste Toner Box	A	A	1	

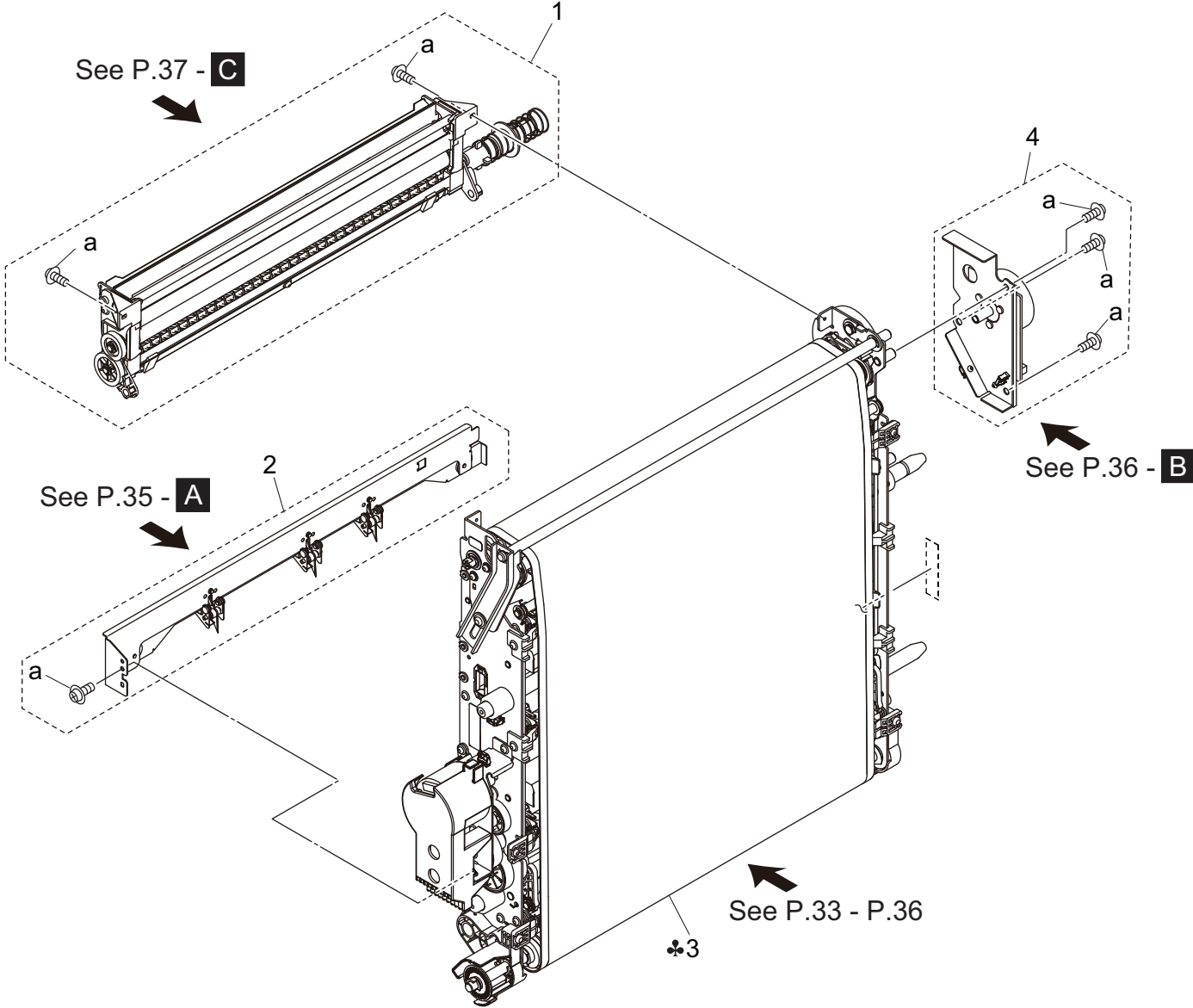
Toner Collection Driving Section



FRONT

AccurioPress C3080P

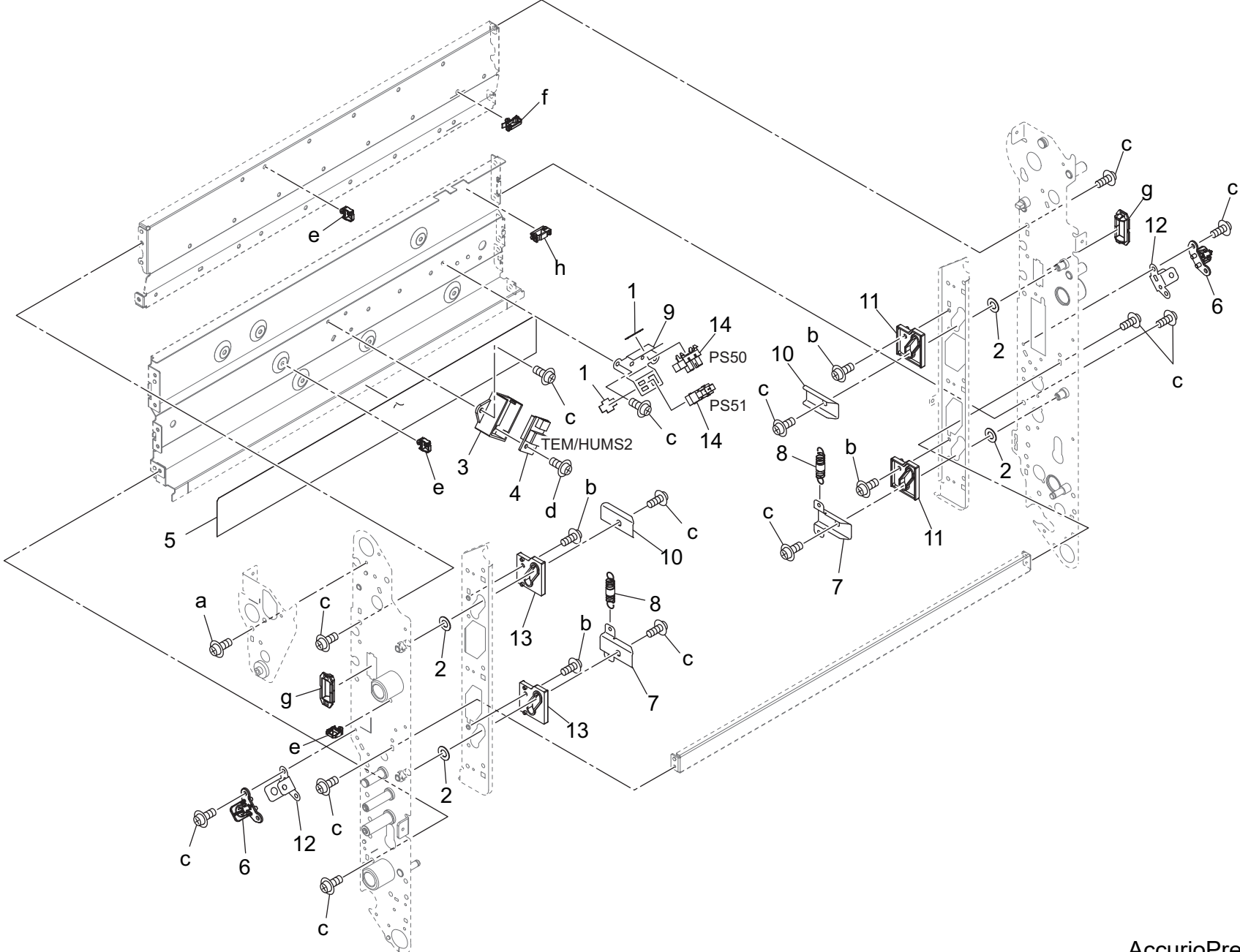
Intermediate Transfer Section



Intermediate Transfer Section

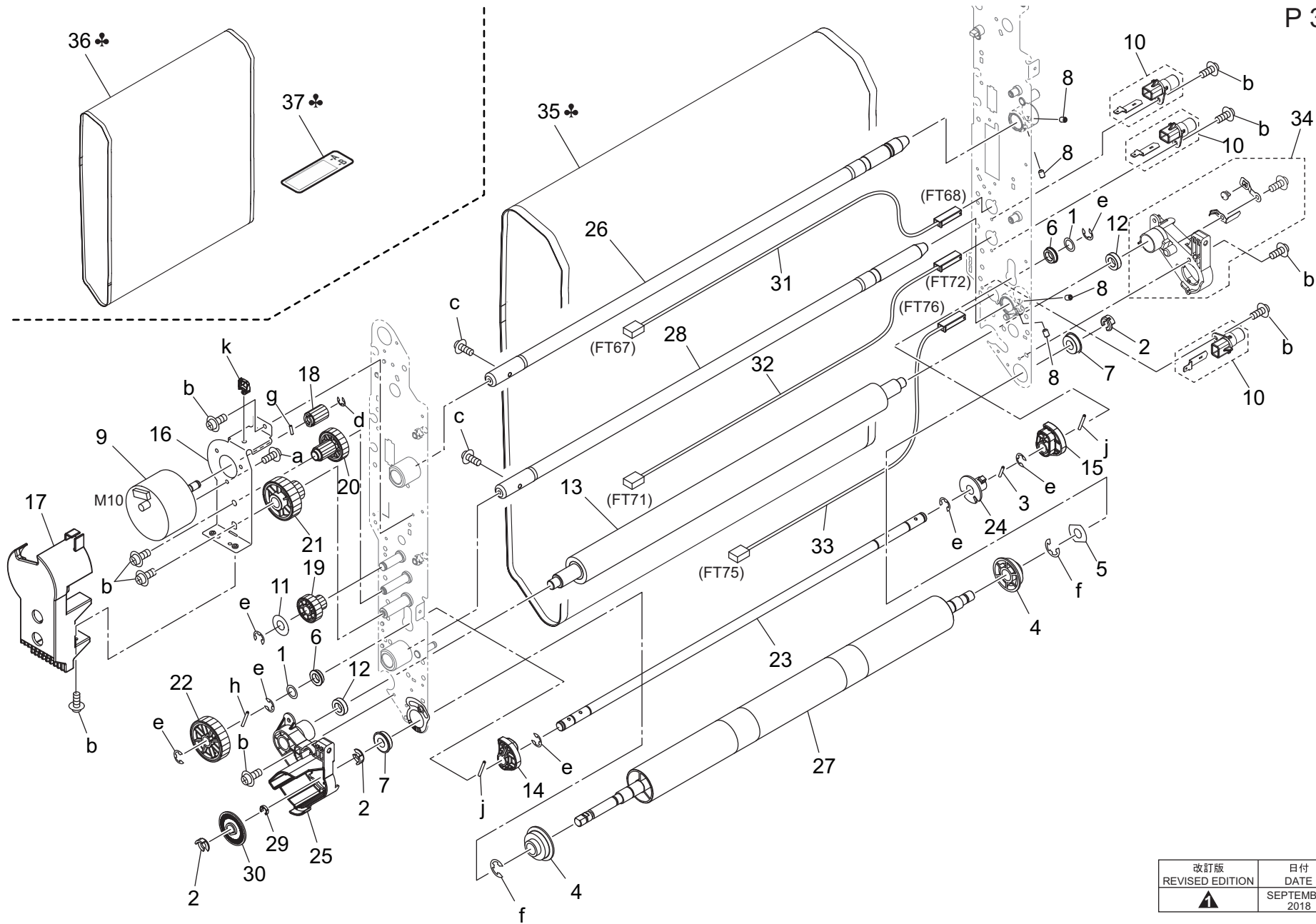
Key	Part No.	Description	Destinations	Class	QTY	Standard parts
1	A50UR70655	Transfer Belt Cleaning Unit	A,C,D1,E,G2,I	B	1	a-V127030604
1	A50UR70655	Transfer Belt Cleaning Unit	B	B	1	
2	A50UR71P22	Separating Claw Unit		I	1	
3	A9VER70500	Middle Transfer Assy /H	B,C,G2	I	1	
3	A85CR70P33	Middle Transfer Assy	A,D1,E	I	1	
4	A85CR70R11	Drive Plate Assy		C	1	

Intermediate Transfer Section



Key	Part No.	Description	Destinations	Class	QTY	Standard parts
1	4470402401	Stopper		D	2	a-V116030503 b-V121030403 c-V127030604 d-V158030803 e-V500020098 f-V500020100 g-V570010037 h-V570010057
2	07BA15871	SPACER A		C	4	
3	65AA11300	SUPPORT PART		D	1	
4	A034M50000	Humidity sensor		C	1	
5	A03U515100	Insulating Sheet		D	1	
6	A50U500800	Hold Part		D	2	
7	A50U503600	Stopper Plate		D	2	
8	A50U503700	Spring		D	2	
9	A50U505202	Plate		D	1	
10	A50U506200	Stopper Plate		D	2	
11	A50U506300	Transfer Bushing /Rear		D	2	
12	A50U508600	Transfer Support Plate		D	2	
13	A50U508800	Transfer Bushing /Front		D	2	
14	A85CM55600	Photo Sensor		C	2	

Intermediate Transfer Section

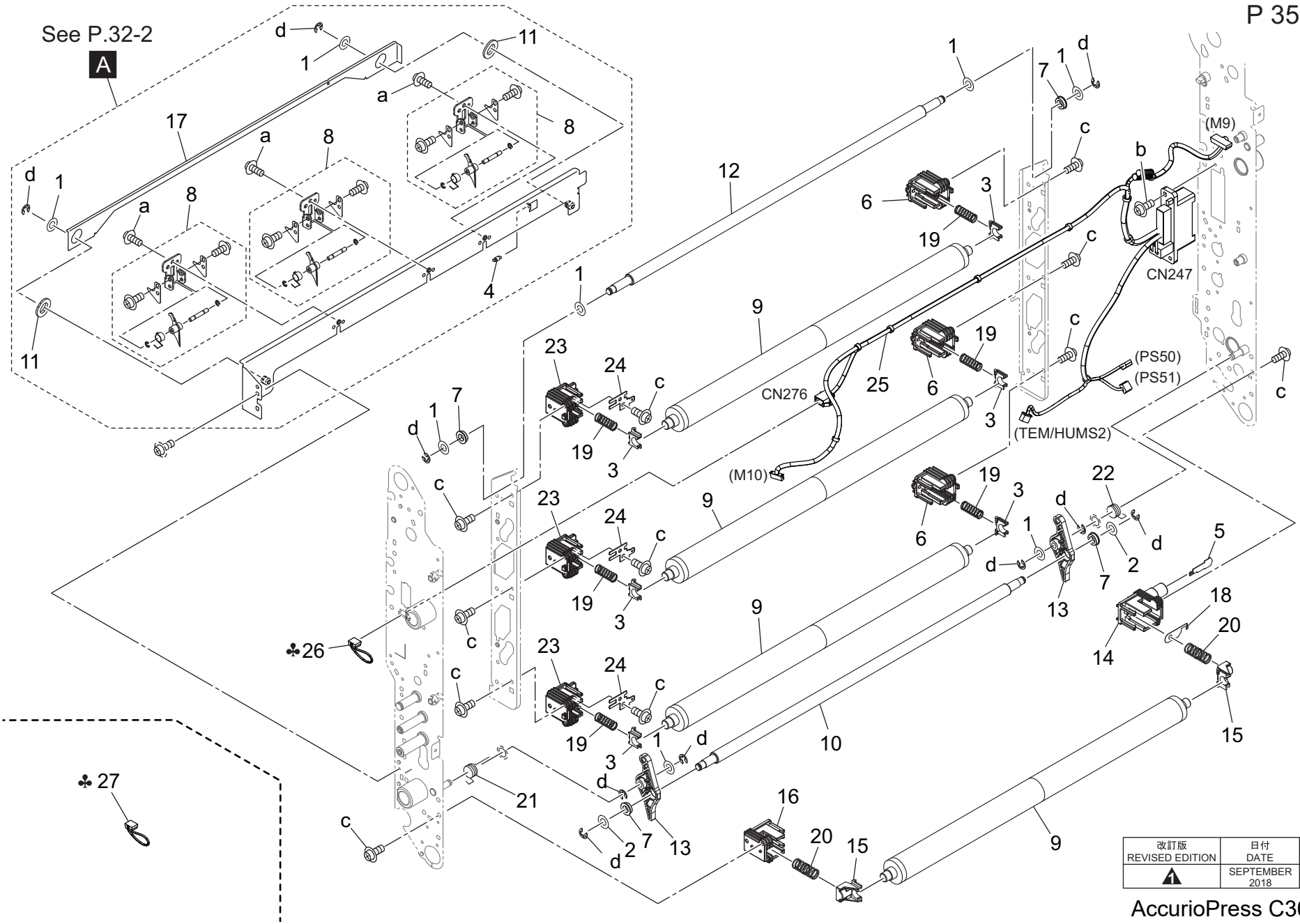


改訂版 REVISED EDITION	日付 DATE
▲	SEPTEMBER 2018

AccurioPress C3080P

Key	Part No.	Description	Destinations	Class	QTY	Standard parts
1	12QV40650	Spacer		B	2	a-V121030403
2	55VA42120	Shaft Stopper		C	3	b-V127030604
3	56AA17321	PIN A D2X12		B	1	c-V127040803
4	65AA26870	REGULATING COLLAR		C	2	d-V217040003
5	65AA27240	SPACER A		C	1	e-V217060003
6	A00J617900	Ball Bearing		B	2	f-V217080003
7	A00V240600	Ball Bearing		B	2	g-V234200850
8	A03U512300	Fixing Screw		C	4	h-V234201850
9	A11PM10200	DC Brushless motor /12		C	1	j-V237201850
10	A1DUR73500	Power Supply Block / A Assy		D	3	k-V500020098
11	A1RF501700	Slide Spacer /A		D	1	
12	A1RF517300	bearing		C	2	
13	A50U500401	2nd Transfer Roller/Up		A	1	
14	A50U502500	Transfer Release Cam /C		D	1	
15	A50U502600	Transfer Release Cam /C		D	1	
16	A50U503900	Drive Plate /2		D	1	
17	A50U504000	Cover		D	1	
18	A50U504400	Pressure Gear /M 18T		C	1	
19	A50U504500	Compressing Gear /1 35/18T		C	1	
20	A50U504600	Pressure Gear /2 43/18T		C	1	
21	A50U504700	Pressure Gear /3 56/18T		C	1	
22	A50U505000	Pressure Gear /4 44T		C	1	
23	A50U505100	Pressure Shaft		D	1	
24	A50U505300	Light blocking Plate		D	1	
25	A50U505901	Insulating Holder /Front		D	1	
26	A50U506101	Positioning Shaft /Upper		D	1	
27	A50U506701	Idler Roller		C	1	
28	A50U507000	Positioning Shaft /Lower		D	1	
29	A50U509100	Lifting Collar /8		D	1	
30	A50U517300	Control Plate		D	1	
31	A50UN24501	HV Relay harness /1		D	1	
32	A50UN24701	HV Relay harness /2		D	1	
33	A50UN24901	HV Relay harness /3		D	1	
34	A50UR72100	Insulating Holder / Rear Assy		D	1	
35	A9VE500100	Transfer Belt /H		A	1	
35	A1DU504203	Transfer Belt 862L		A	1	
36	A9VE500200	Transfer Belt / C		A	1	
37	A1RF945501	Replacement Label /5		D	1	

Intermediate Transfer Section



改訂版 REVISED EDITION	日付 DATE
	SEPTEMBER 2018

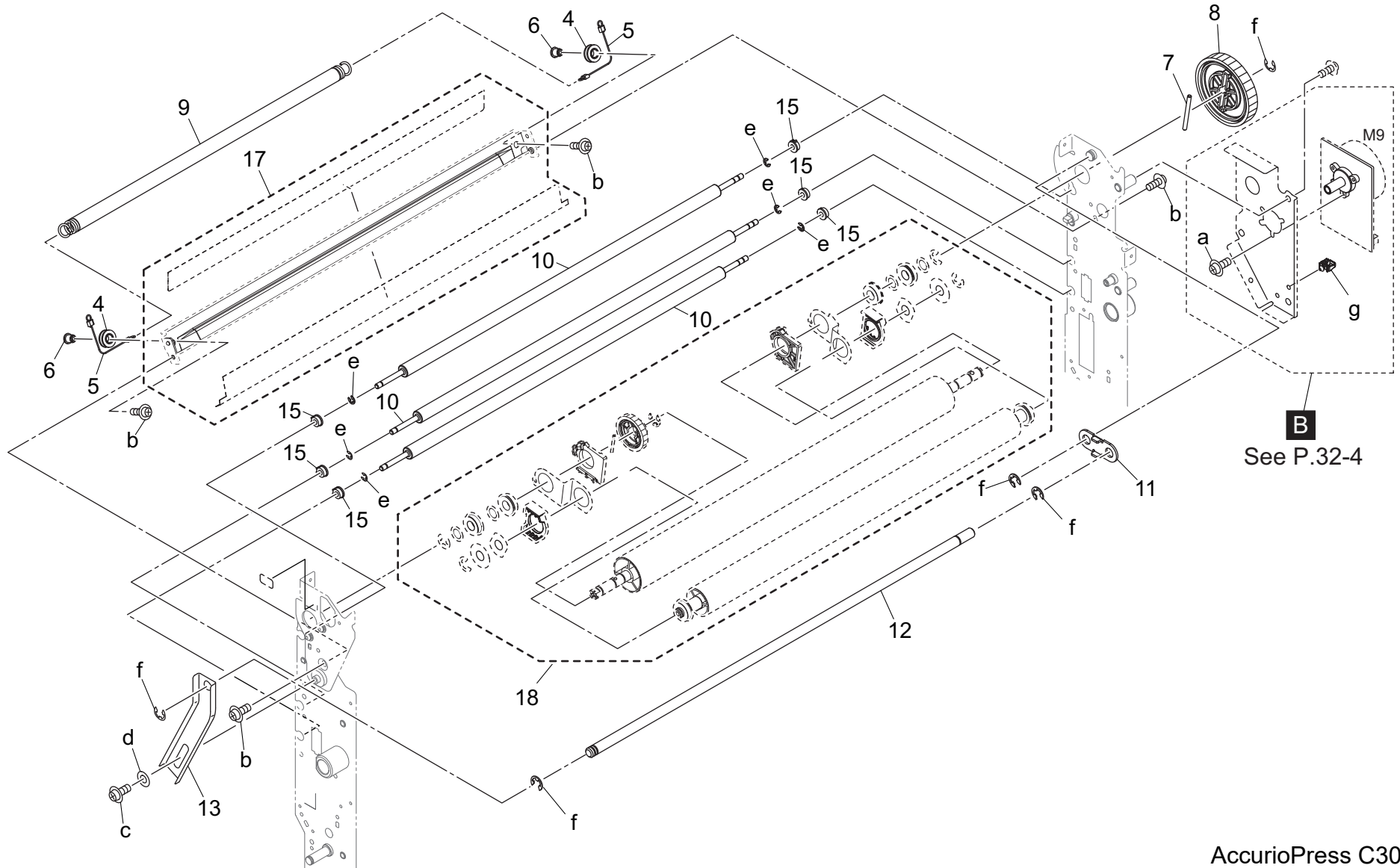
AccurioPress C3080P

Intermediate Transfer Section

Key	Part No.	Description	Destinations	Class	QTY	Standard parts
1	07BA15871	SPACER A		C	8	a-V121030403 b-V127030803 c-V158030803 d-V217040003
2	40AA32320	Toner Supply Spacer		C	2	
3	65AA26380	Transfer Powering Bushing		B	6	
4	65AA26600	SLIDE SPRING		C	1	
5	65AA26690D	Transfer Powering Plate /K		D	1	
6	65AA26900D	High voltage Powering Block /C		D	3	
7	A00J617800	Ball Bearing		B	4	
8	A1DUR71900	Separation Claw Assy		B	3	
9	A50U501201	1st Transfer Roller		A	4	
10	A50U501900	Transfer Pressure Roller /K		C	1	
11	A50U503200	Bushing		D	2	
12	A50U505401	Transfer Pressure Roller /Y		C	1	
13	A50U505500	Release Arm		D	2	
14	A50U505601	Power supply Block /D		D	1	
15	A50U505700	Transfer Roller Bearing /K		B	2	
16	A50U505800	High voltage Powering Block /B		D	1	
17	A50U506900	Release Plate		D	1	
18	A50U507600	Transfer Powering Plate /L		D	1	
19	A50U507801	Pressure Spring /C		D	6	
20	A50U507900	Pressure Spring /Black		D	2	
21	A50U508001	Pressing Spring /Front		D	1	
22	A50U508102	Pressing Spring /Rear		D	1	
23	A50U510100	High voltage Powering Block /C		D	3	
24	A50U510200	Transfer Powering Plate /Front		D	3	
25	A50UN13203	Transfer Drive harness /1		D	1	
26	A9VEN13300	Transfer Detection harness /1	B,C,G2	D	1	
27	A9VEN13400	Transfer Detection harness /2	(Service Part Only)	D	1	

Intermediate Transfer Section

改訂版 REVISED EDITION	日付 DATE
	DECEMBER 2018

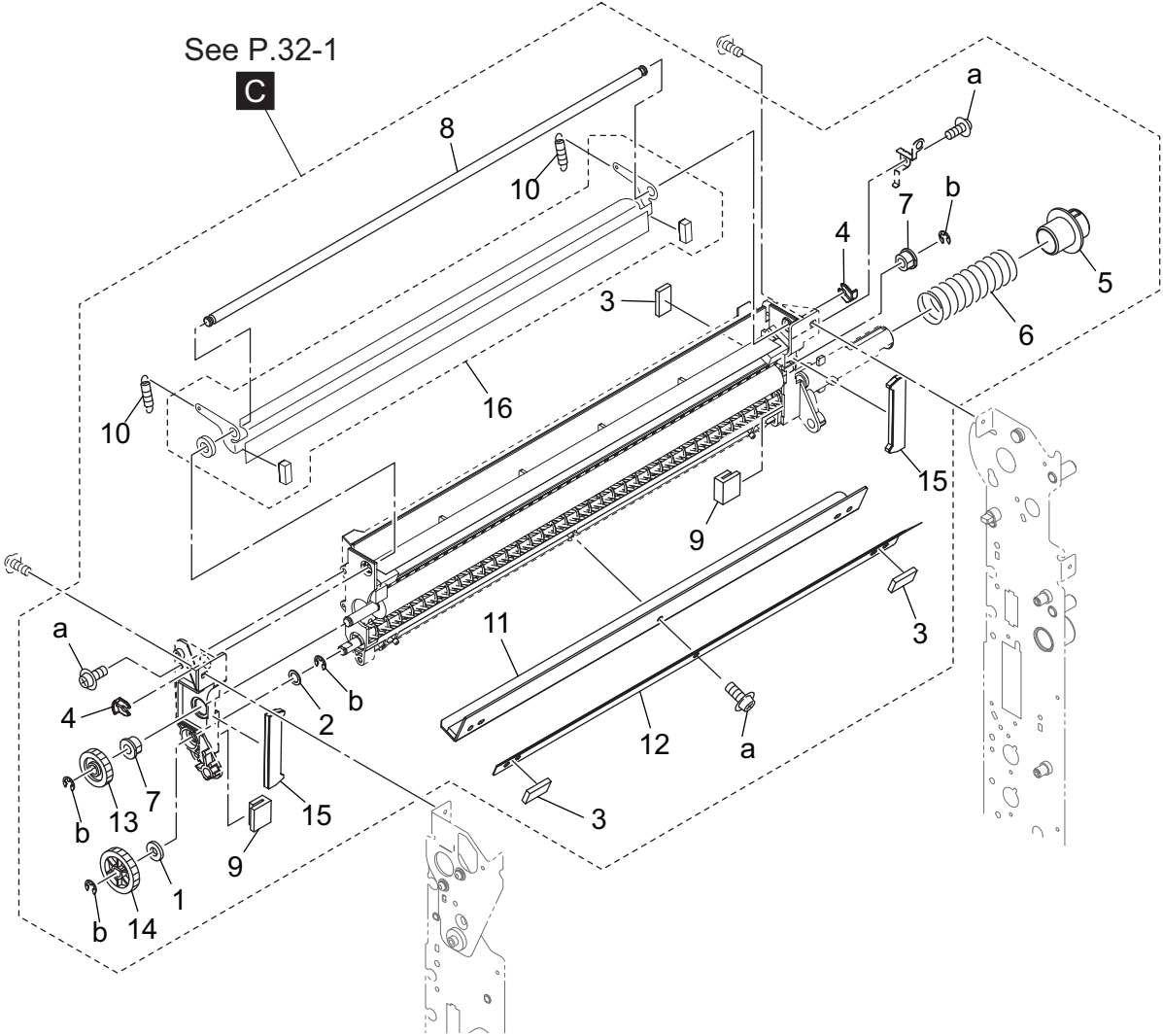


B
See P.32-4

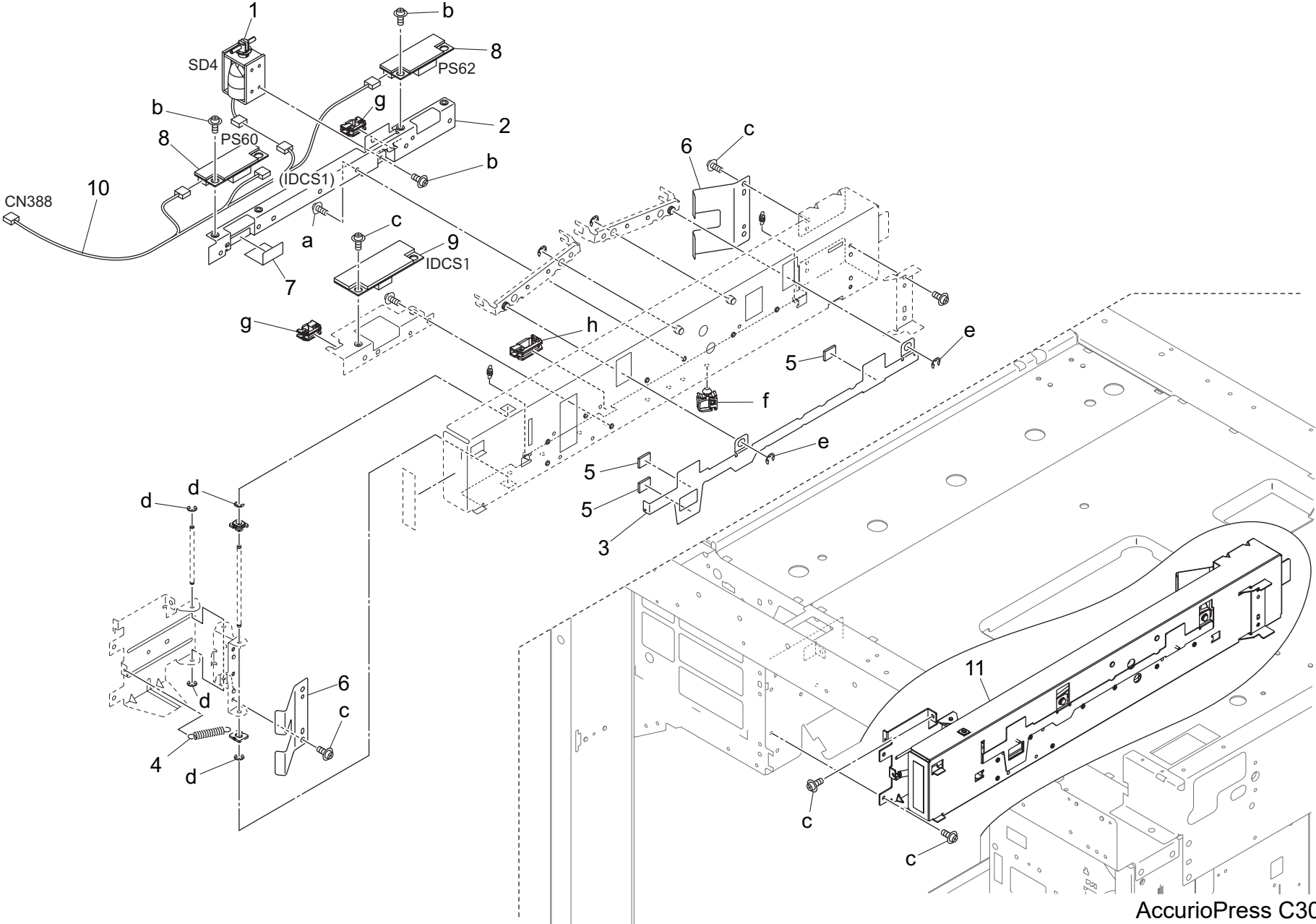
Intermediate Transfer Section

Key	Part No.	Description	Destinations	Class	QTY	Standard parts	
4	A1RF508000	Tension Pulley		D	2	a-V118030403 b-V127030604 c-V127040603 d-V207060003 e-V217030003 f-V217060003 g-V500020098	
5	A1RF508100	Pulling Wire		D	2		
6	A1RF508200	Tension Shaft		D	2		
7	A1RJ732100	Pin /2		C	1		
8	A50U501401	Drive Gear 108T		C	1		
9	A50U501702	Tension Spring		D	1		
10	A50U502100	Auxiliary Roller /1		C	3		
11	A50U502700	Handle /Rear		D	1		
12	A50U502900	Handle		D	1		
13	A50U503001	Mounting Plate		D	1		
15	A50U503500	Bushing		D	6		
17	A50UR73J00	Cleaning Sheet Assy		D	1		
18	A50UR73K00	Drive Roller Assy		C	1		

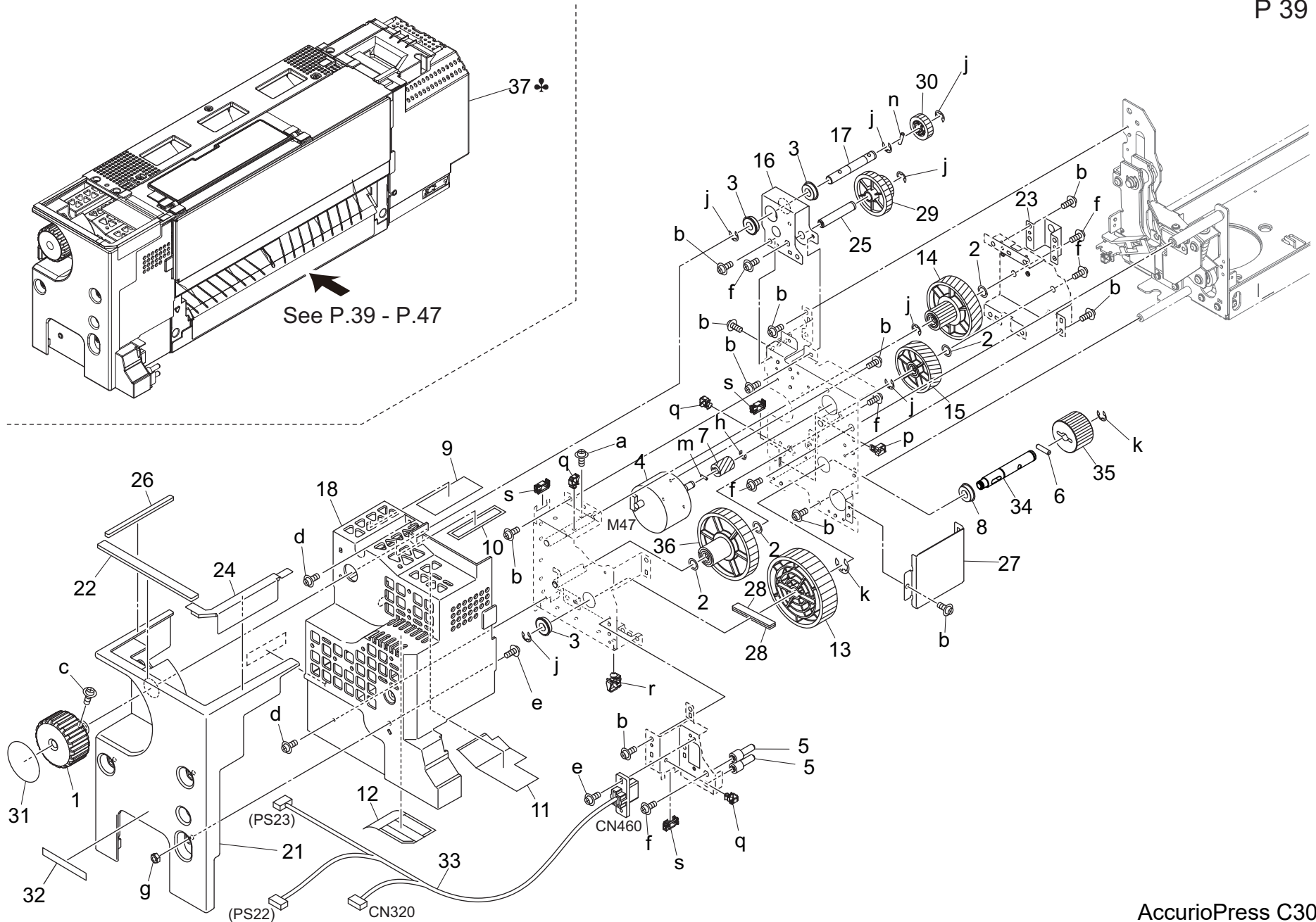
Intermediate Transfer Section



Color Resist Section



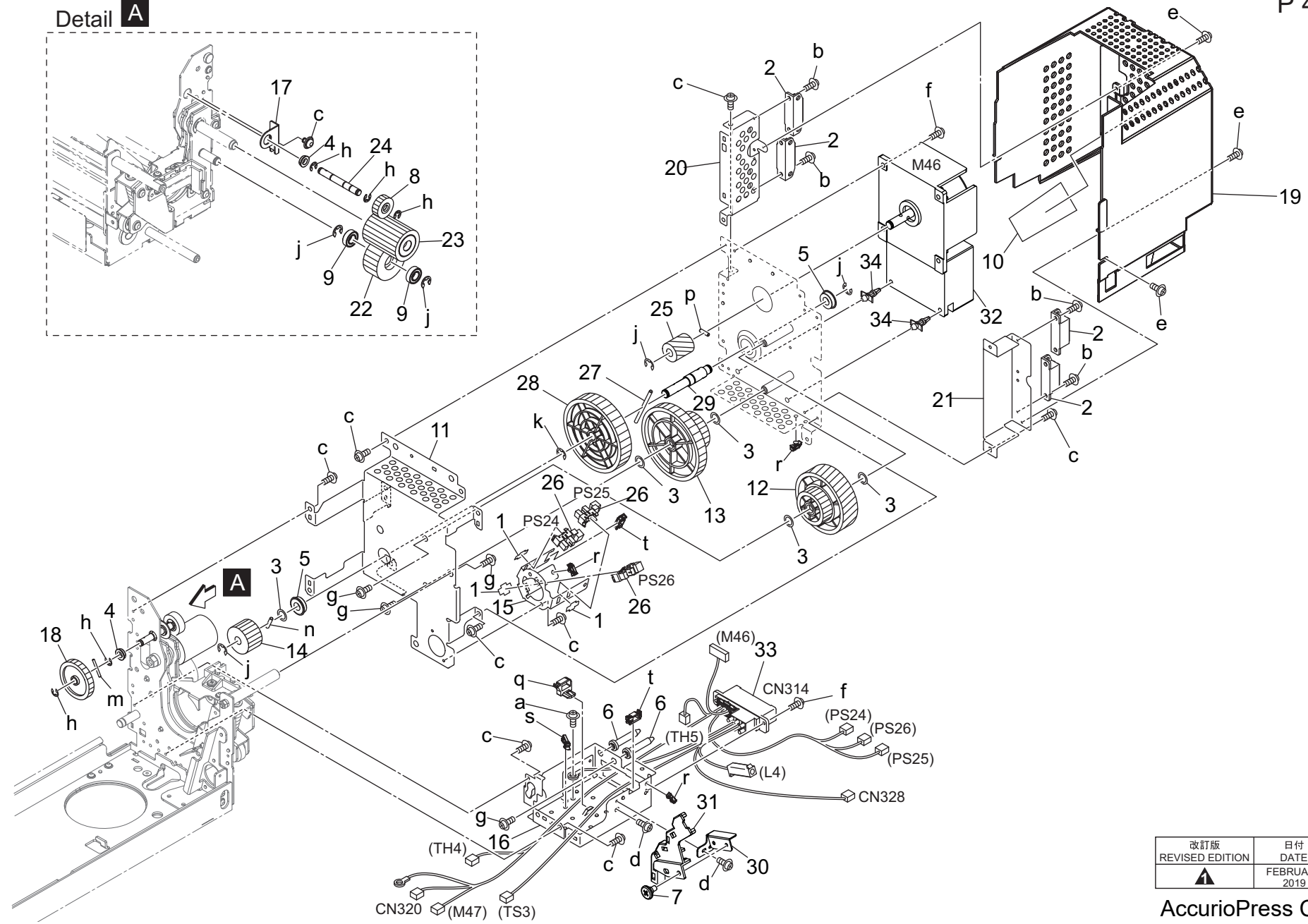
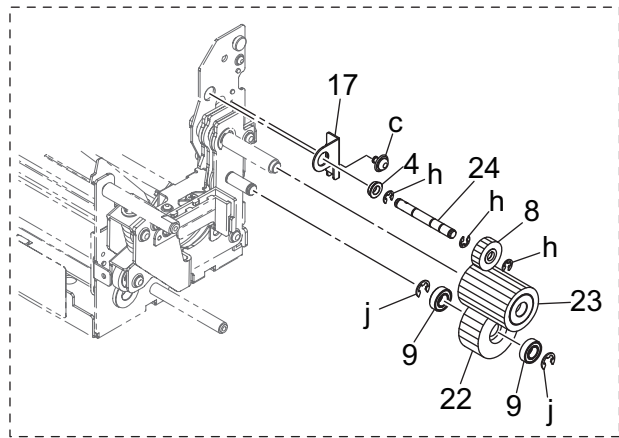
Fusing Section



Key	Part No.	Description	Destinations	Class	QTY	Standard parts
1	20AL48470G	Jam Release Knob		C	1	a-V116030603
2	56AA42690	BY-PASS SPACER		C	4	b-V121030403
3	A00V240600	Ball Bearing		B	3	c-V121041003
4	A11PM10200	DC Brushless motor /12		C	1	d-V127030604
5	A1DU736200	Positioning Shaft		D	2	e-V127030803
6	A1RF758100	Pin /B		D	1	f-V127040603
7	A1RF809400	Pressure Gear /1 22T		C	1	g-V195030003
8	A4EU265000	Ball bearing		B	1	h-V217040003
9	A50U732200	Protection Seal /2		D	1	j-V217060003
10	A50U732300	Protection Seal /3		D	1	k-V217080003
11	A50U732400	Protection Seal /4		D	1	m-V234200850
12	A50U732500	Protection Seal /5		D	1	n-V234301450
13	A50U742901	Pressure Gear /2 90T		C	1	p-V500010057
14	A50U743100	Pressure Gear /4 23/110T		C	1	q-V500010074
15	A50U743200	Pressure Gear /5 87T		C	1	r-V500020098
16	A50U745600	Fixing Plate /1		D	1	s-V570010057
17	A50U745700	Processing Shaft /A		D	1	
18	A50U748403Old	Fusing Cover /Front		D	1	
18	A50U748404	Fusing Cover /Front		D	1	
21	A50U751002Old	Fusing Cover /1		D	1	
21	A50U751003	Fusing Cover /1		D	1	
22	A50U751101	Spacer /1		D	1	
23	A50U751200	Positioning Plate /A		D	1	
24	A50U751301	Spacer /2		D	1	
25	A50U752600	Processing Shaft		D	1	
26	A50U755900	Spacer /3		D	1	
27	A50U756002	Auxiliary Side plate		D	1	
28	A50U756500	Part /1		D	2	
29	A50U757000	Connecting Gear /A 41/22T		C	1	
30	A50U757100	Idling Gear /A 22T		C	1	
31	A50U943502	Release Label /5		D	1	
32	A50U949600	Replacement Label		D	1	
33	A50UN10903	Fixing Wiring /5		D	1	
34	A9VE742500	Pressure Shaft /B		D	1	
35	A9VE742800	Pressure Gear /1 31T		C	1	
36	A9VE743000	Pressure Gear /3 23/85T		C	1	
37	A9VER70211	Fusing Unit (208V)		I	1	B,G2
37	A9VER70322	Fusing Unit (220V)		I	1	C
37	A9VER70122	Fusing Unit (200V)		I	1	A
37	A9VER70311	Fusing Unit (220V)		I	1	D1,E

Fusing Section

Detail **A**



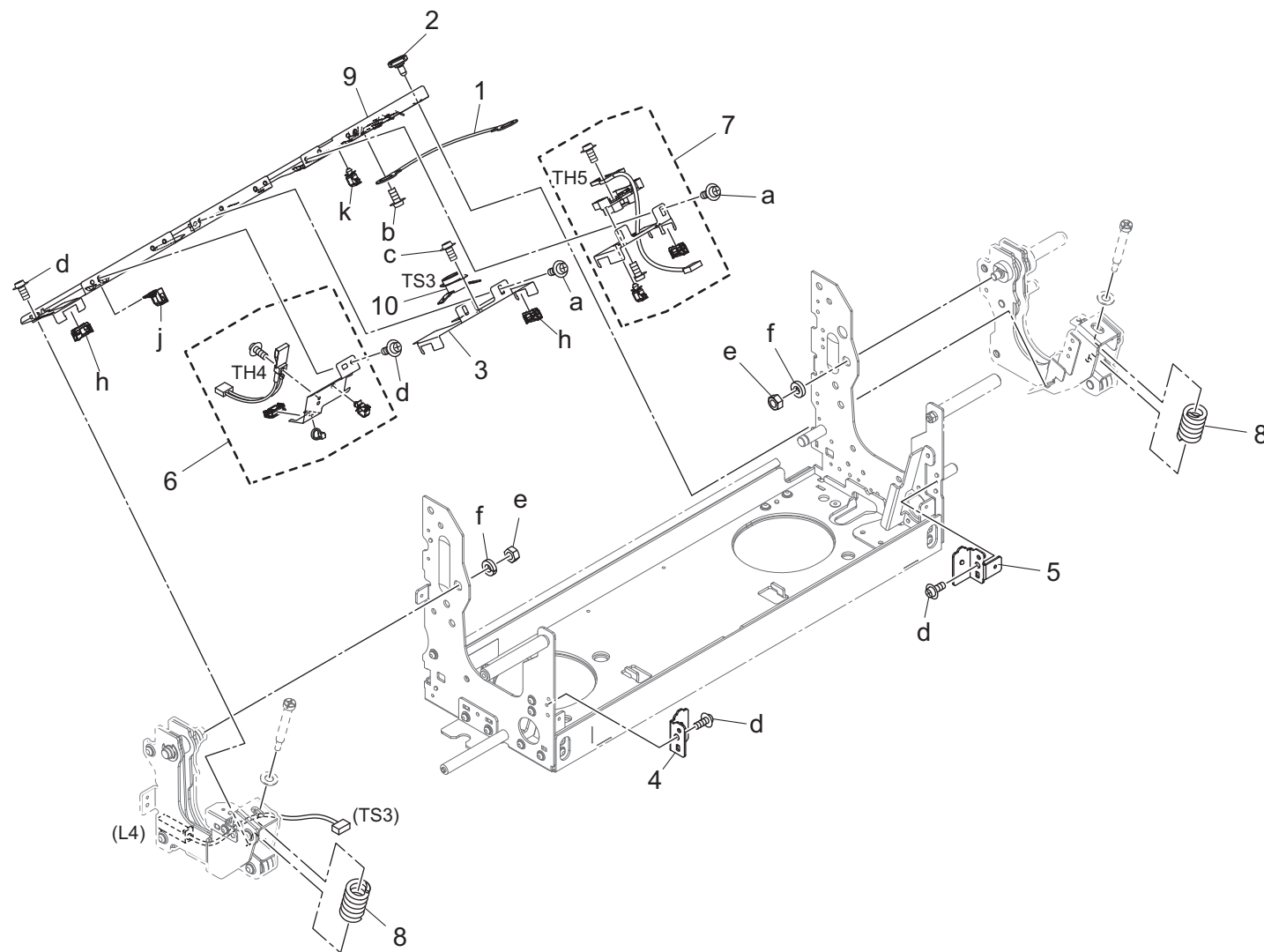
改訂版 REVISED EDITION	日付 DATE
	FEBRUARY 2019

AccurioPress C3080P

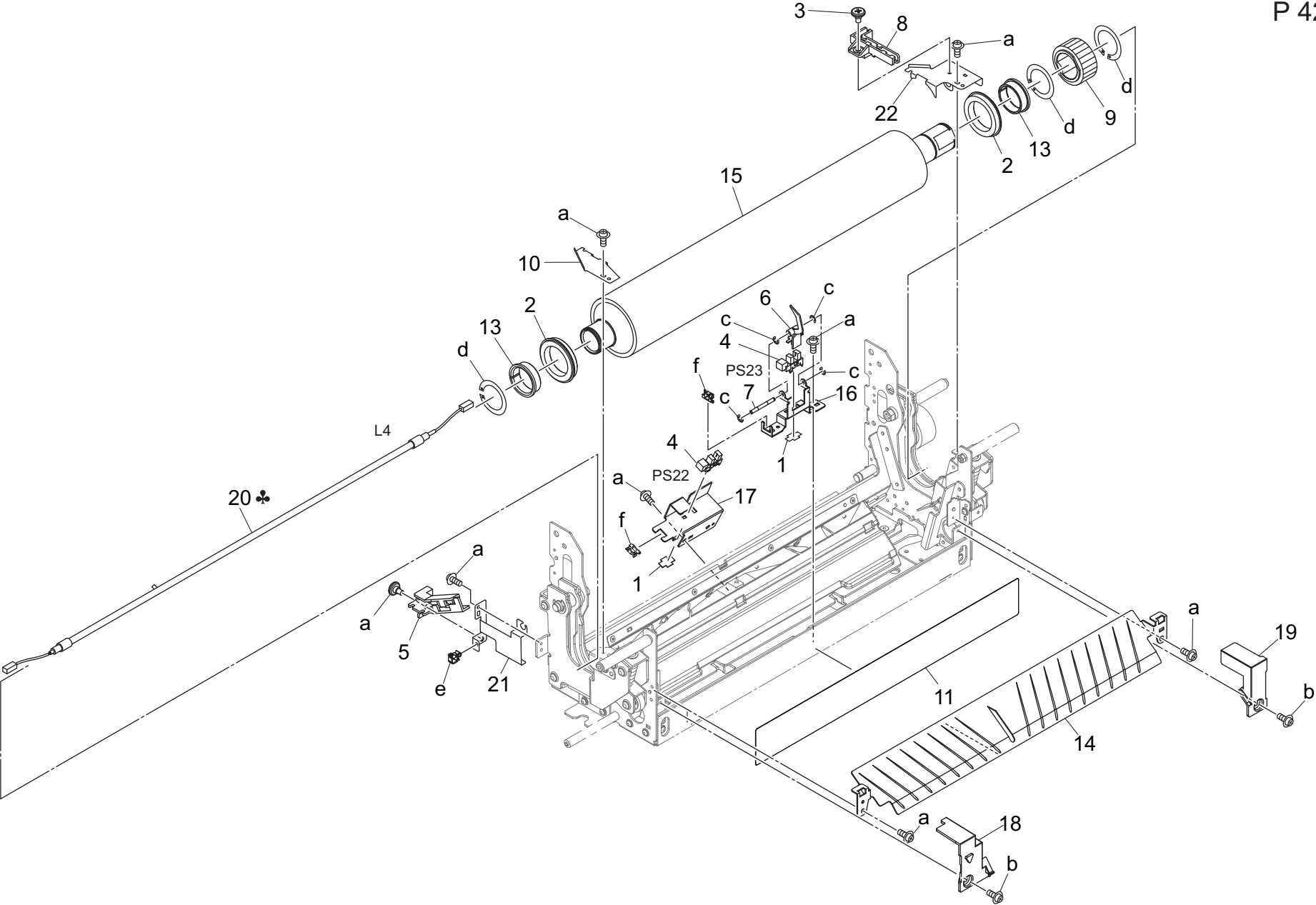
Order here
8 (495) 646-0426
www.km-shop.ru



Key	Part No.	Description	Destinations	Class	QTY	Standard parts
1	4470402401	Stopper		D	3	a-V116040603
2	07BA12352	Magnet Catch		C	4	b-V118030603
3	56AA42690	BY-PASS SPACER		C	5	c-V121030403
4	A00J617800	Ball Bearing		B	2	d-V127030516
5	A00V240600	Ball Bearing		B	2	e-V127030604
6	A03U724200	Positioning Shaft		D	2	f-V127030803
7	A03U734500	Support Screw /A		C	1	g-V127040603
8	A03U808400	FIXING DRIVE GEAR /D 19T		B	1	h-V217040003
9	A1RF820000	Ball Bearing		C	2	j-V217060003
10	A50U732100	Protection Seal /1		D	1	k-V217080003
11	A50U743302	Drive Plate /4		D	1	m-V234201850
12	A50U743600	Drive Gear /2 33/58T		C	1	n-V234301450
13	A50U743700	Drive Gear /3 36/74T		C	1	p-V237301150
14	A50U743900	Drive Gear /5 26T		C	1	q-V500010021
15	A50U744601	Plate		D	1	r-V500020099
16	A50U744912	Mounting Plate /4		D	1	s-V500020100
17	A50U745501	Paper exit Plate /1		D	1	t-V570010057
18	A50U746400	Paper exit Gear /A 37T		C	1	
19	A50U748506	Fusing Cover /Rear		D	1	
20	A50U749200	Mounting Plate /1		D	1	
21	A50U749300	Mounting Plate /2		D	1	
22	A50U752000	Drive Gear /C 36T		D	1	
23	A50U752200	Fusing Gear/3 30T		B	1	
24	A50U752300	Paper exit Shaft /A		D	1	
25	A50U754700	Fusing Gear /6 16T		C	1	
26	A85CM55600	Photo Sensor		C	3	
27	A9VE742400	Pin /4		D	1	
28	A9VE743800	Drive Gear /4 74T		C	1	
29	A9VE744300	Drive Shaft /2		D	1	
30	A9VE747200	Hold Plate /2		D	1	
31	A9VE747301	Wiring Part /5		D	1	
32	A9VEM10100	Brushless motor /50		C	1	
33	A9VEN10700	Fixing Wiring /2		D	1	
34	V502010033	Circuit Board Spacer		D	2	

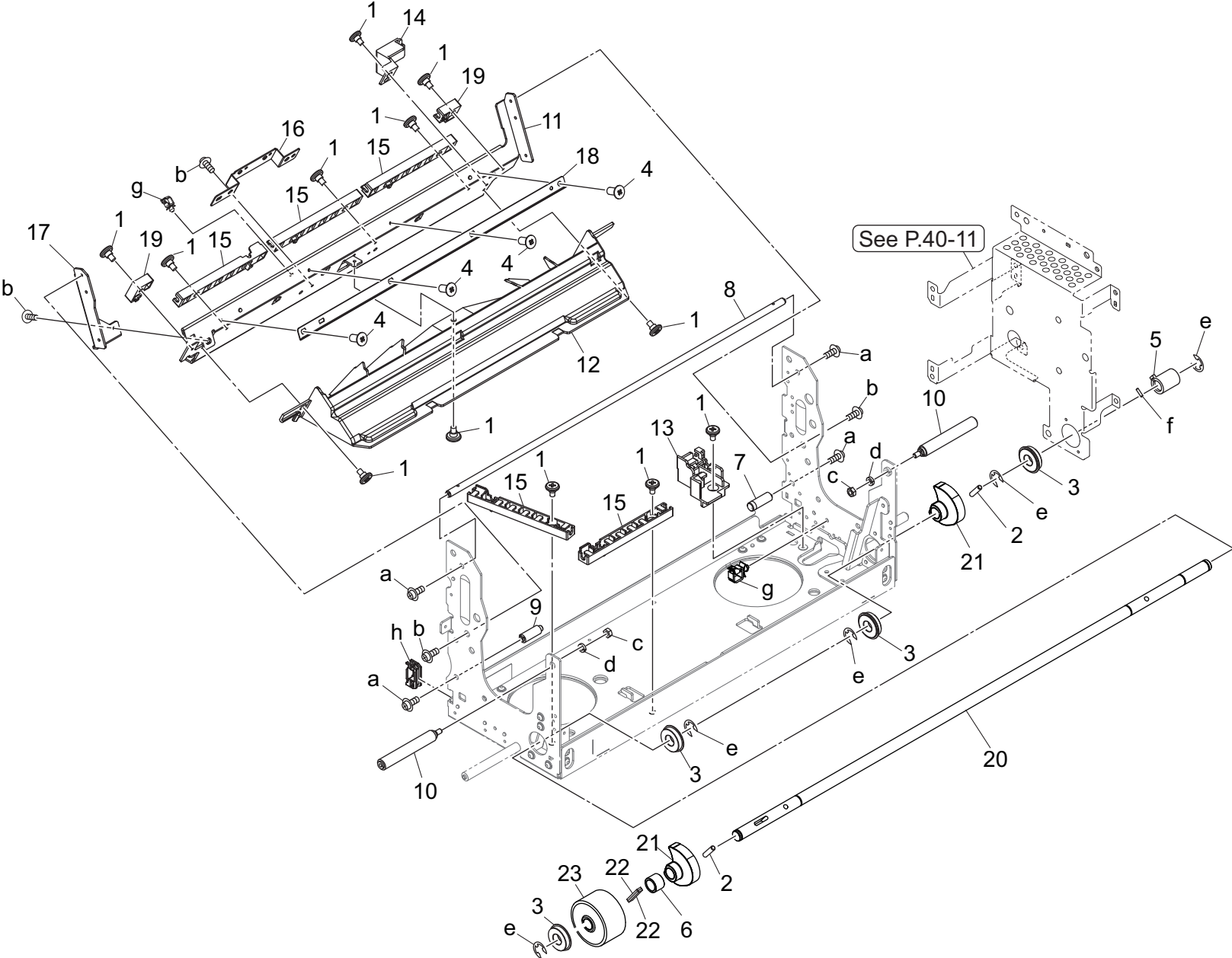


Fusing Section



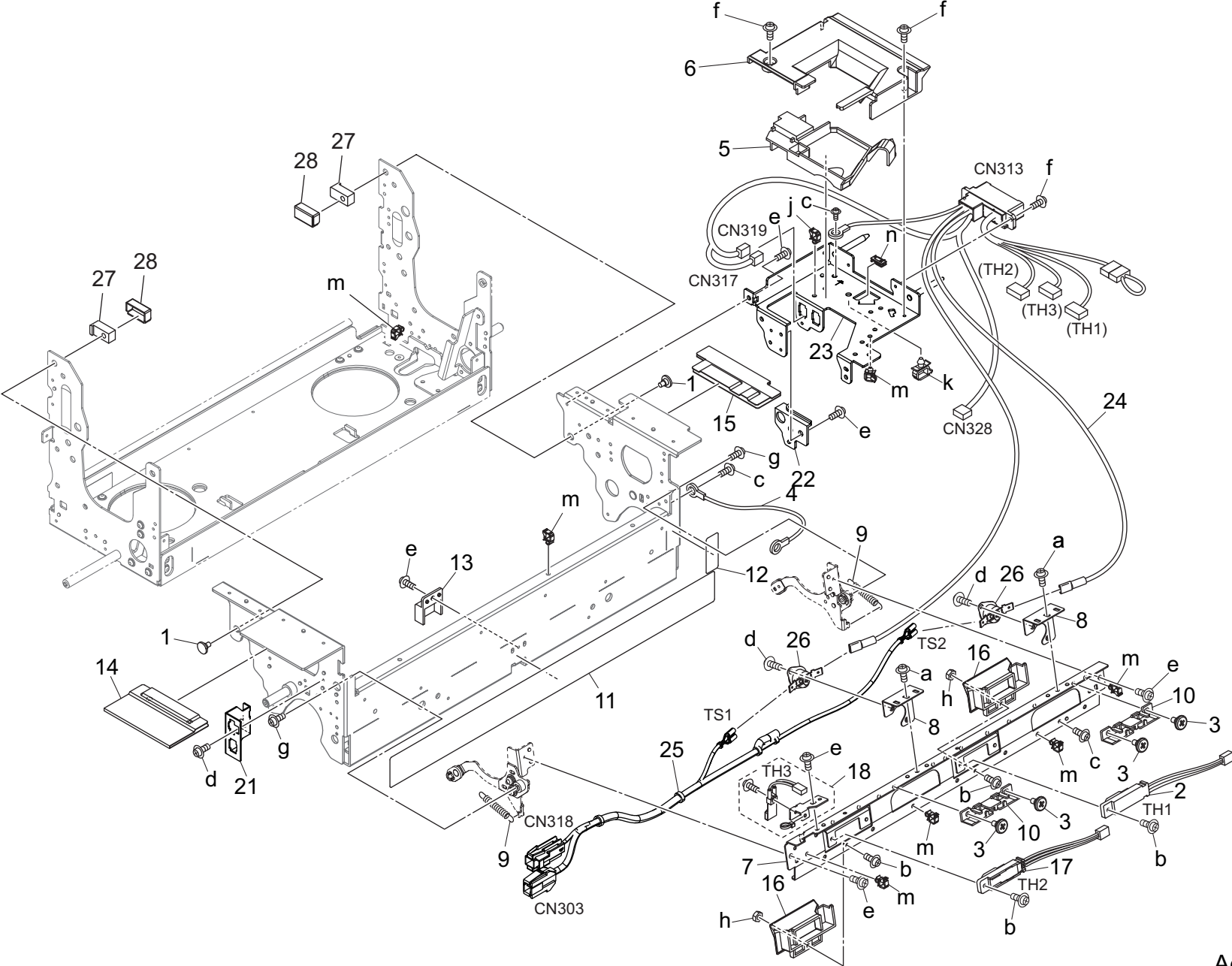
Key	Part No.	Description	Destinations	Class	QTY	Standard parts
1	4470402401	Stopper		D	2	a-V121030403 b-V127030604 c-V217020003 d-V223260017 e-V500010074 f-V570010025
2	26NA53712	BALL BEARING		A	2	
3	A03U734500	Support Screw /A		C	1	
4	A1RFM51000	Photointerrupter /H		C	2	
5	A50U746800	Wiring Part /3		D	1	
6	A50U747803	Actuator /A		D	1	
7	A50U747900	Shaft /1		D	1	
8	A50U748200	Wiring Part /1		D	1	
9	A50U752700	Fusing Gear/1 38T		B	1	
10	A50U755100	Holding Part /F		D	1	
11	A50U755301	Sheet /L		D	1	
13	A50U756300	Insulating Sleeve /Lower		B	2	
14	A50U758201	Guide Plate /B		D	1	
15	A50U765500	Fusing Roller /Lw		B	1	
16	A50U787700	Sensor Plate /Front		D	1	
17	A50U788602	Sensor Plate /Rear		D	1	
18	A50U788900	Insulating Plate /Front		D	1	
19	A50U789100	Insulating Plate /Rear		D	1	
20	A50UM32E00	Fusing Heater Lamp/4 (208V)	B,G2	I	1	
20	A50UM32F00	Fusing Heater Lamp/4 (220V)	C,D1,E	I	1	
20	A50UM32A00	Fusing Heater Lamp/4 (200V)	A	I	1	
21	A9VE741700	Hold Plate /1		D	1	
22	A9VE741800	Hold Plate /2		D	1	

Fusing Section



Key	Part No.	Description	Destinations	Class	QTY	Standard parts
1	A03U734500	Support Screw /A		C	12	a-V116030603 b-V121030403 c-V195040003 d-V205040003 e-V217080003 f-V234200850 g-V500010074 h-V500020096
2	A1RF758100	Pin /B		D	2	
3	A4EU265000	Ball bearing		B	4	
4	A50U642300	Mounting Screw		D	4	
5	A50U744700	Pressure Actuator /1		D	1	
6	A50U745400	Regulating Shaft /2		D	1	
7	A50U746700	Paper exit Fulcrum Shaft		D	1	
8	A50U747101	Stopper Shaft /1		D	1	
9	A50U754901	Paper exit Fulcrum Shaft		D	1	
10	A50U785000	Rotation Shaft /2		D	2	
11	A50U787003	Cover Plate		D	1	
12	A50U788000	Cooling Duct		D	1	
13	A50U788102	Wiring Part /2		D	1	
14	A50U792901	Wiring Part /D		D	1	
15	A50U794800	Wiring Part		D	5	
16	A50U799200	Mounting Plate		D	1	
17	A50U799601	Adjusting Plate		D	1	
18	A50U799700	Regulating Plate		D	1	
19	A50U799800	Wiring Part		D	2	
20	A9VE741900	Pressure Shaft /A		D	1	
21	A9VE742000	Pressure Cam /1		C	2	
22	A9VE758400	Drive Plate /2		D	2	
23	A9VE758600	Pressure Gear /5 4 2 T		C	1	

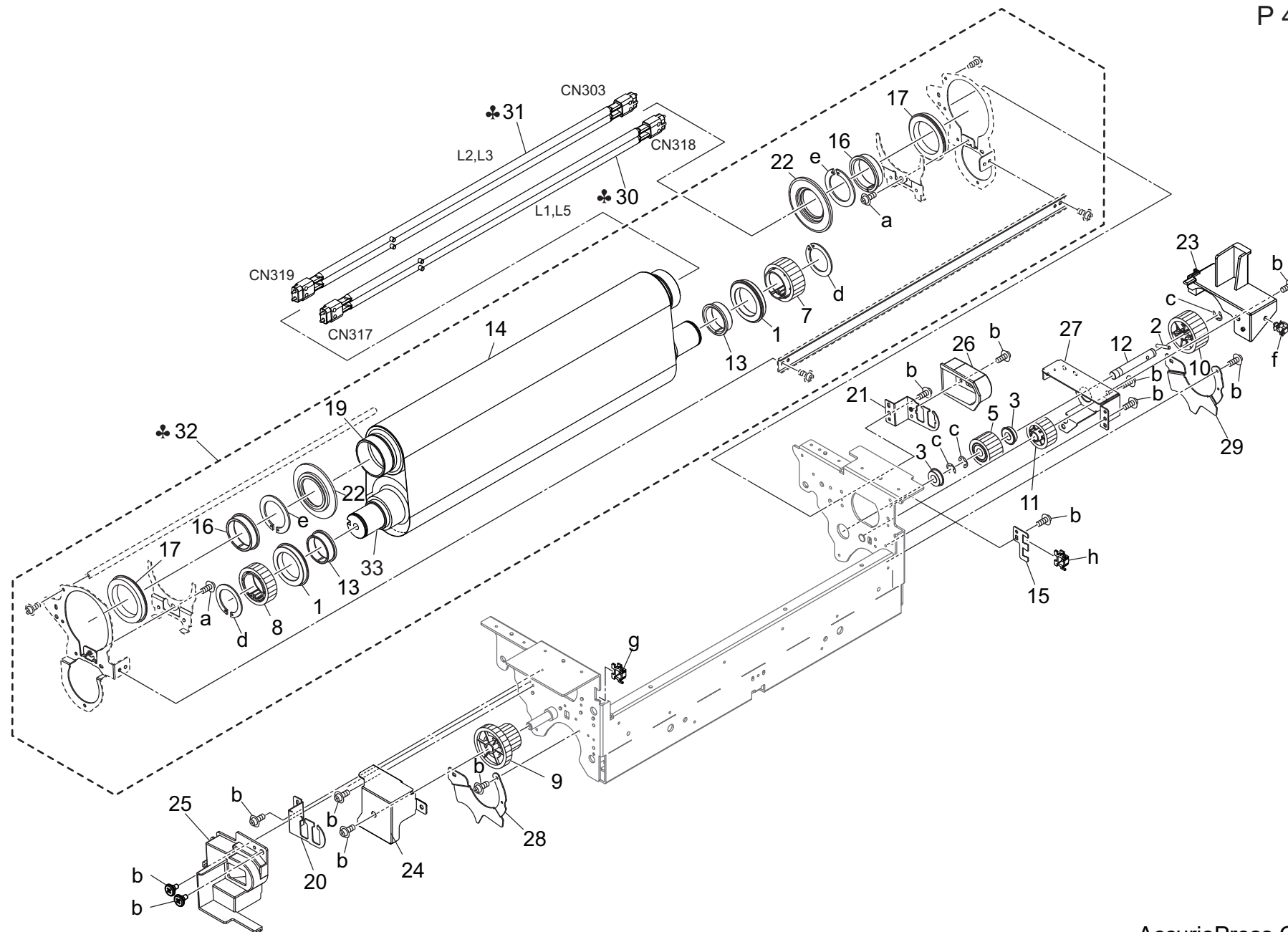
Fusing Section



Key	Part No.	Description	Destinations	Class	QTY	Standard parts
1	55VA20520	Cleaner Locking Screw		C	2	a-V116030603
2	65AA88010	Temperature Sensor /1		B	1	b-V116030803
3	A03U734500	Support Screw /A		C	4	c-V116040603
4	A03UN23200	Grounding Wiring /F		D	1	d-V118030303
5	A50U722100	Fusing Cover /1		D	1	e-V121030403
6	A50U722202	Fusing Cover /2		D	1	f-V127030604
7	A50U723812	Stay /1		D	1	g-V127040603
8	A50U723911	Stay /2		D	1	h-V195030003
9	A50U725200	Tension Spring /1		D	2	j-V500010070
10	A50U726611	Guide Part /2		D	2	k-V500010073
11	A50U728500	Insulating Sheet /A		D	1	m-V500010074
12	A50U728800	Insulating Sheet /D		D	1	n-V570010057
13	A50U730900	Cover Part /1		D	1	
14	A50U731002	Insulating Sheet /F		D	1	
15	A50U731102	Insulating Sheet /G		D	1	
16	A50U733500	Protection Part /1		D	2	
17	A50UM50600	Fusing Temperature Sensor/2		C	1	
18	A50UR70F00	Fusing Temperature Sensor/3		B	1	
21	A9VE728400	Mounting Plate /B		D	1	
22	A9VE733400	Protection Cover /A		D	1	
23	A9VE769001	Fusing Stay /2		D	1	
24	A9VEN10601	Fixing Wiring /1		D	1	
25	A9VEN11000	Fixing Relay harness /1		D	1	
26	SP00-0210	Thermostat /Upper		I	2	
27	A9VE784200Old	Fixing Plate		D	2	
27	A85C789200	Hold Part /A		D	2	
28	A9VE784300Old	Cover		D	2	
28	A85C789300	Insulating Sheet /F		D	2	


Fusing Section

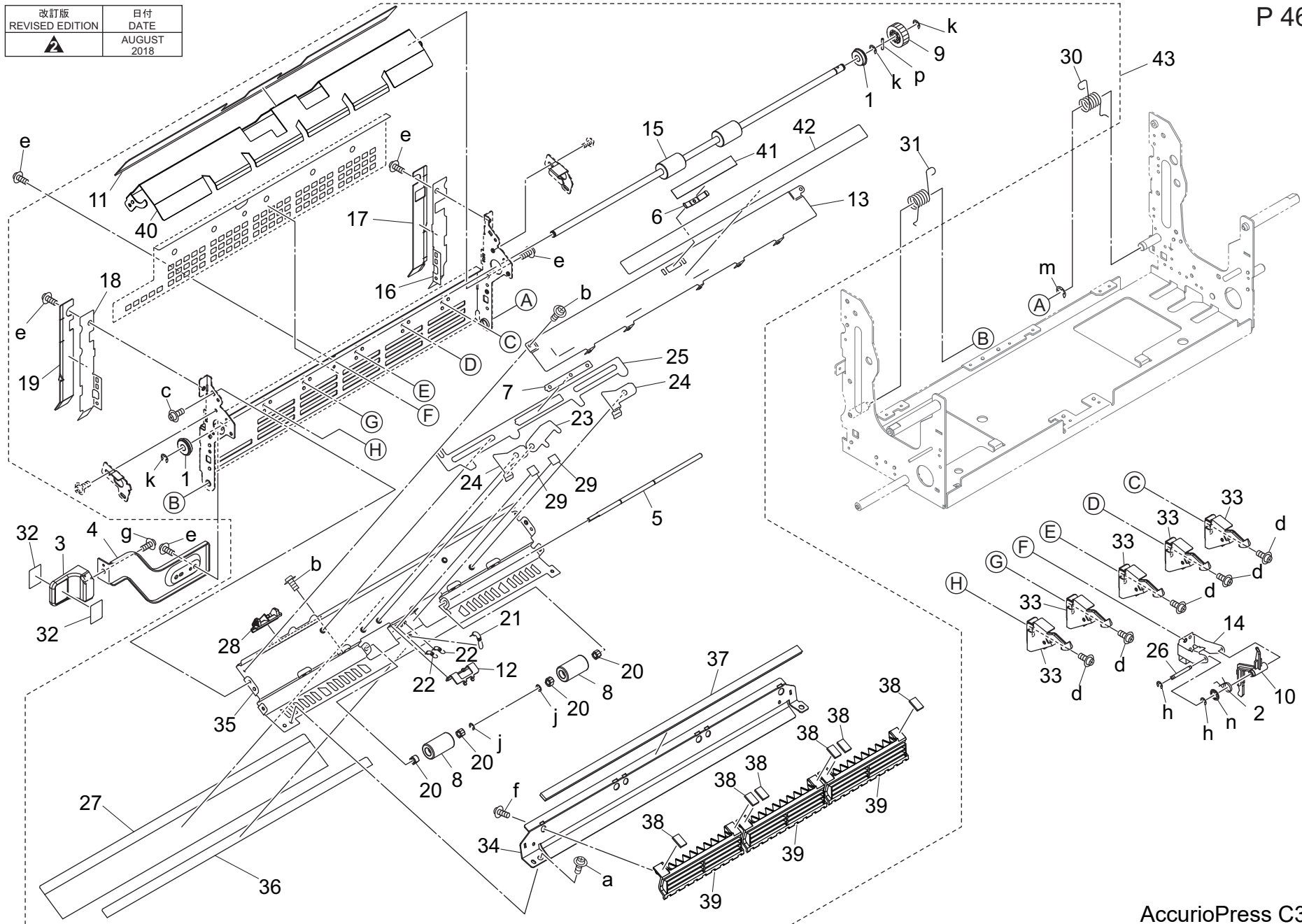
P 45



Key	Part No.	Description	Destinations	Class	QTY	Standard parts
1	26NA53712	BALL BEARING		A	2	a-V116030503
2	55VA48500	PARALLEL PIN D3X18		D	1	b-V121030403
3	A00V240600	Ball Bearing		B	2	c-V217060003
5	A03U809500	FIXING DRIVE GEAR /O 26T		A	1	d-V223260017
7	A50U725001	Drive Gear /Upper 38T		C	1	e-V223400017
8	A50U739811	Drive Gear /Front 38T		C	1	f-V500010074
9	A50U739900	Connecting Gear /A 42/25T		C	1	g-V500020096
10	A50U744000	Drive Gear /6 36T		C	1	h-V570010025
11	A50U744100	Drive Gear /7 27T		C	1	
12	A50U744400	Drive Shaft /3		D	1	
13	A50U756300	Insulating Sleeve /Lower		B	2	
14	A50U765000	Fusing Belt		B	1	
15	A50U783400	Hold Plate		D	1	
16	A5AW744900	Heat Insulating Sleeve/1		B	2	
17	A5AW745000	Fusing Bearing/1		B	2	
19	A9VE720500	Fusing Roller /2		B	1	
20	A9VE723500	Support Plate /1		D	1	
21	A9VE723600	Support Plate /2		D	1	
22	A9VE724100	Regulating Sleeve /1		B	2	
23	A9VE726800	Guide Part /3		D	1	
24	A9VE728300	Support Plate /11		D	1	
25	A9VE733000	Cover /Front		D	1	
26	A9VE733100	Cover /Rear		D	1	
27	A9VE743500	Drive Plate /6		D	1	
28	A9VE785400	Stopper Stopper /A		D	1	
29	A9VE785500	Stopper Stopper /B		D	1	
30	A9VEM31E00	Fusing Heater Lamp Assy 1 /Up (208V)	B,G2	B	1	
30	A9VEM31F00	Fusing Heater Lamp Assy 1 /Up (220V)		B	1	
30	A9VEM31A00	Fusing Heater Lamp Assy 1 /Up (200V)	A	B	1	
31	A9VEM33E00	Fusing Heater Lamp Assy 2 /Up (208V)	B,G2	B	1	
31	A9VEM33F00	Fusing Heater Lamp Assy 2 /Up (220V)		B	1	
31	A9VEM33A00	Fusing Heater Lamp Assy 2 /Up (200V)	A	B	1	
32	A9VER70422	Fusing Belt Assy		B	1	
32	A9VER70422	Fusing Belt Assy		B	1	
33	A9VE720300	Fusing Roller /1		B	1	

Fusing Section

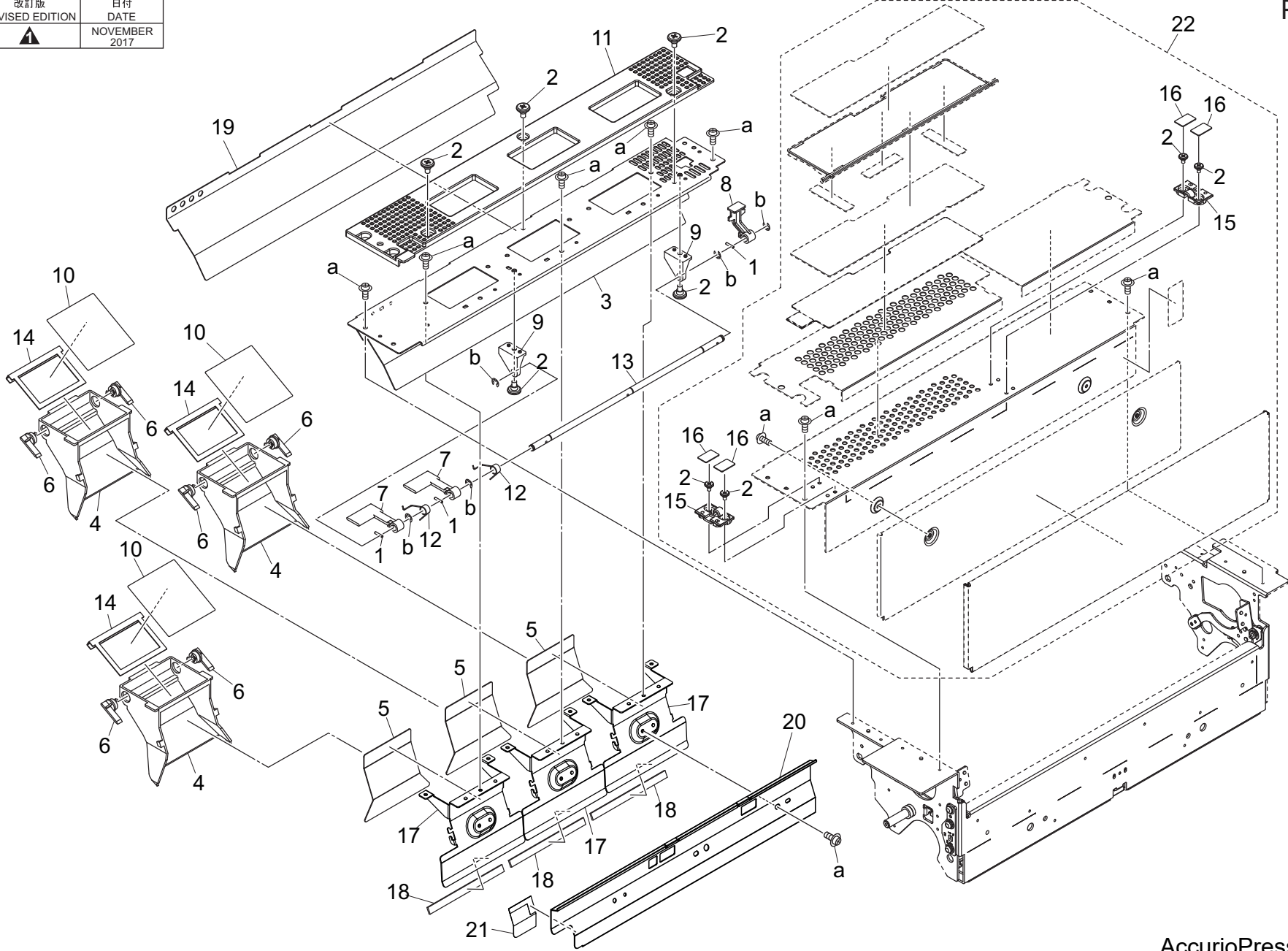
改訂版 REVISED EDITION	日付 DATE
	AUGUST 2018



Key	Part No.	Description	Destinations	Class	QTY	Standard parts
1	55GA75031	BALL BEARING		A	2	a-V116030603
2	65AA53560	PAPER EXIT DETECTING SPRING		C	1	b-V118020403
3	65AA53991	Fixing Papaer Exit Lever		C	1	c-V118030403
4	A03U723301	Open/close Lever		C	1	d-V127030516
5	A03U728000	PAPER EXIT SHAFT		D	1	e-V127030604
6	A03U734800	Positioning Plate spring /1		C	1	f-V151030803
7	A03U734900	Positioning Plate		D	1	g-V151040803
8	A9VE760900	Paper exit Roll		B	2	h-V217020003
9	A50U746500	Paper exit Gear /B 20T		C	1	j-V217030003
10	A50U748701	Paper exit Actuator		D	1	k-V217040003
11	A50U760400	Insulating Sheet		D	1	m-V217060003
12	A50U760600	Pressing Cam /1		D	1	n-V226060050
13	A50U760701	Holding Plate		D	1	p-V234201250
14	A50U760802	Support Plate		D	1	
15	AC57761000	Fixing Paper exit Roller		C	1	
16	A50U761100	Heat blocking Plate /Rear		D	1	
17	A50U761200	Insulating Sheet /Rear		D	1	
18	A50U761300	Heat blocking Plate /Front		D	1	
19	A50U761400	Insulating Sheet /Front		D	1	
20	A50U761500	Fixing Paper exit Bearing		C	4	
21	A50U761601	Paper exit Spring /1		D	1	
22	A50U761700	Paper exit Spring /2		D	2	
23	A50U761800	Pressing Cam /2		D	1	
24	A50U761900	Release Lever		D	2	
25	A50U762000	Slide Plate		D	1	
26	A50U762100	Paper exit Detecting Shaft		D	1	
27	A50U762200	Protection Film		D	1	
28	A50U762300	Slide Knob		D	1	
29	A50U762400	Fusing Spacer /2		D	2	
30	A50U763800	Paper exit Open/shut Spring /B		D	1	
31	A50U763900	Paper exit Open/shut Spring /A		D	1	
32	A50U943701	Release Label /7		D	2	
33	A50UR72U11	Fusing Separating Claw Assy		B	5	
34	A85C757801	Guide Plate /E		D	1	
35	A85C758100	Paper exit Plate /Upper		D	1	
36	A85C764100	Holding Sheet /A		D	1	
37	A9VE727500	Guide Seal /A		D	1	
38	A9VE727700	Guide Seal /C		D	6	
39	A9VE758000	Separating Cell /11		D	3	
40	A9VE760312	Paper exit Plate /Lower		D	1	
41	A9VE764200	Protection Film /B		D	1	
42	A9VE949000	Caution Label		D	1	
43	A9VEF75114	Fusing Paper Exit Door Duct Assy		D	1	

Fusing Section

改訂版 REVISED EDITION	日付 DATE
	NOVEMBER 2017



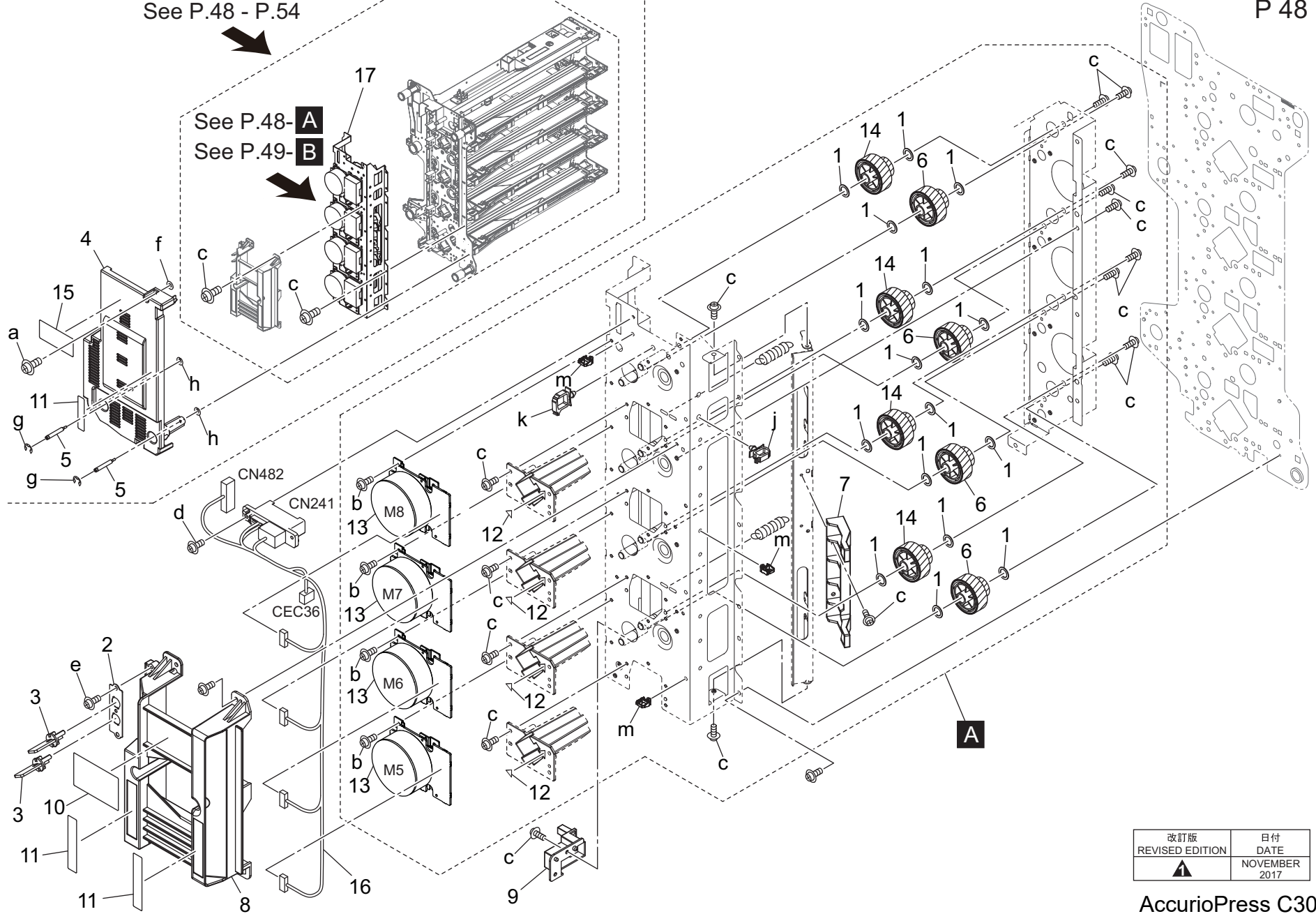
Key	Part No.	Description	Destinations	Class	QTY	Standard parts
1	56AA17531	PIN /A D2X10		C	3	a-V121030403 b-V217040003
2	A03U734500	Support Screw /A		C	9	
3	A50U721502	Fusing Frame /Upper		D	1	
4	A50U722700	Fusing Duct /3		D	3	
5	A50U732000	Insulating Sheet /N		D	3	
6	A50U738201	Support Part /1		D	6	
7	A50U738300	Lifting Arm /1		D	2	
8	A50U738400	Lifting Arm /2		D	1	
9	A50U738500	Support Part /A		D	2	
10	A50U738600	Holding Sheet /A		D	3	
11	A50U738700	Cover Part /A		D	1	
12	A50U738801	Lifting Spring /A		D	2	
13	A50U739200	Support Shaft /1		D	1	
14	A50U739500	Support Plate /A		D	3	
15	A50U763000	Support Plate		D	2	
16	A50U763600	Insulating Sheet /6		D	4	
17	A9VE722800	Fusing Duct /4		D	3	
18	A9VE727600	Guide Seal /B		D	3	
19	A9VE731500	Insulating Sheet /L		D	1	
20	A9VE769300	Reflecting Plate /3		D	1	
21	A9VE769600	Holding Sheet /Front		D	1	
22	A9VER70900	Fusing Stay/ Upper Assy		D	1	



Process Carriage Section

See P.48 - P.54

P 48



改訂版 REVISED EDITION	日付 DATE
▲	NOVEMBER 2017

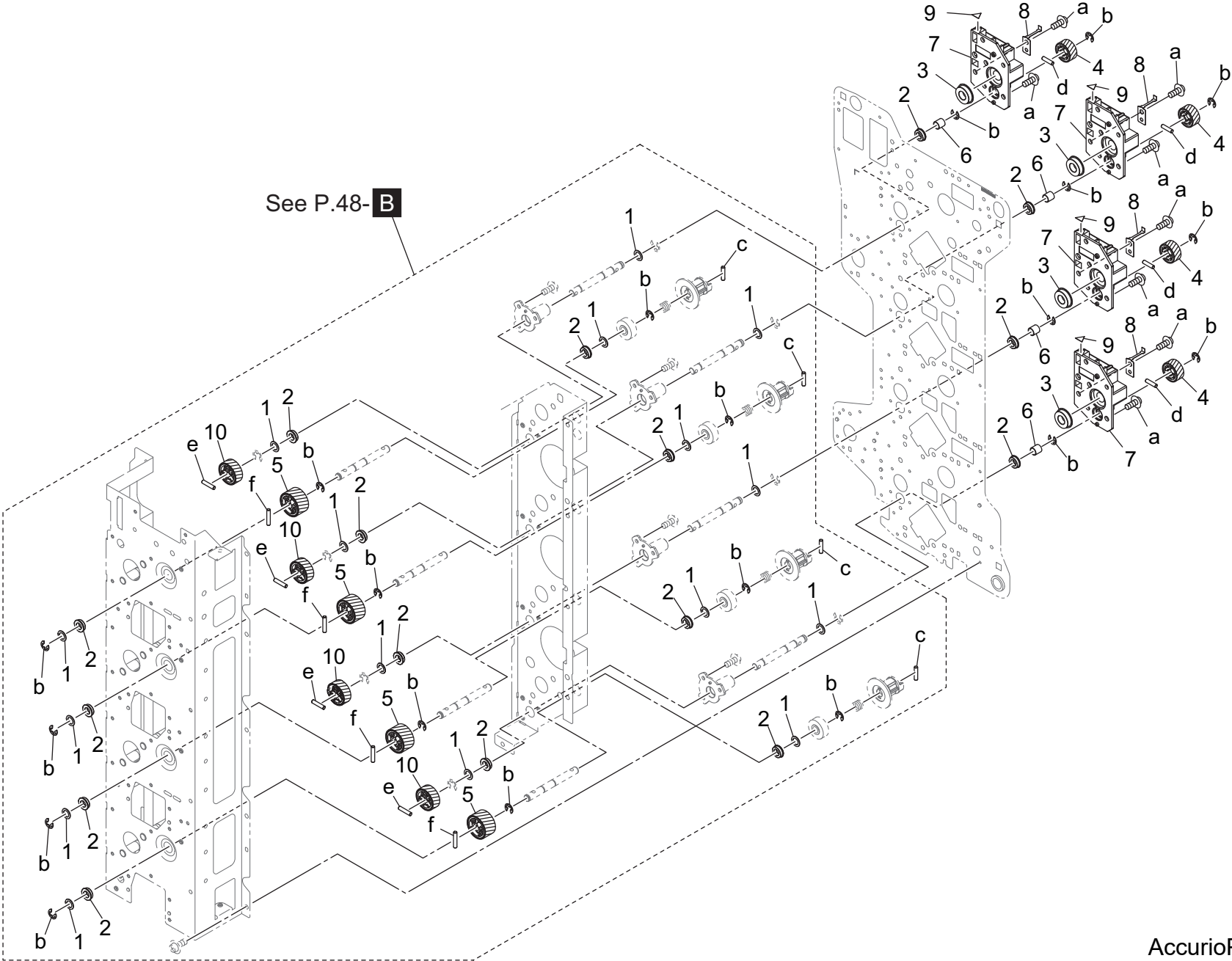
AccurioPress C3080P

Order here
8 (495) 646-0426
ПЯТЫЙ ПАРТНЕР www.km-shop.ru

Process Carriage Section

Key	Part No.	Description	Destinations	Class	QTY	Standard parts
1	13QA40610	Gear Spacer		C	16	a-V114041004
2	65AA33310F	Mounting Plate /2		D	1	b-V121030403
3	A1DUR71200	Chaging Cleaning Part Assy		B	2	c-V127030604
4	A50U169002	Cover Duct /B		D	1	d-V127030803
5	A50U169602	Mounting Screw		D	2	e-V151030803
6	A50U220501	Idling Gear /C 63/34T		C	4	f-V211040080
7	A50U221500	Release Lever		D	1	g-V217060003
8	A50U221701	Guide Handle		D	1	h-V221040050
9	A50U341002	Protection Cover /2		D	1	j-V500010082
10	A50U948001	Caution Label		D	1	k-V500010083
11	A50U949600	Replacement Label		D	3	m-V500020098
12	A50U949700	Replacement Label /1		D	4	
13	A79JM11300	DC Brushless motor /30		I	4	
14	A9VE220500	Idling Gear /C 35/62T		C	4	
15	A9VE942700	Caution Label		D	1	
16	A9VEN12400	Developing Wiring /1		D	1	
17	A9VER70700	Developing Drive Assy		S	1	

Process Carriage Section

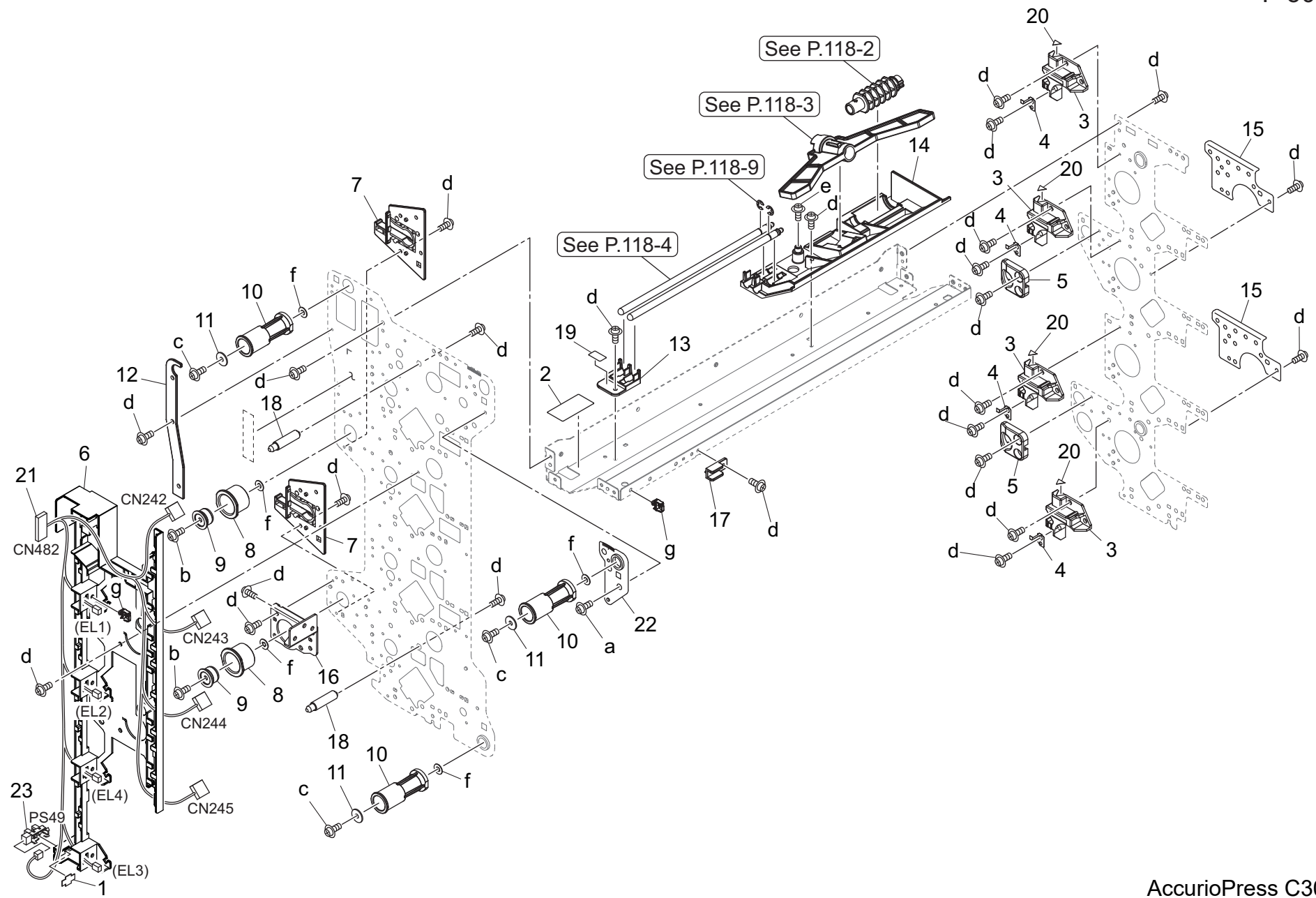


Order here
8 (495) 646-0426
www.km-shop.ru

Process Carriage Section

Key	Part No.	Description	Destinations	Class	QTY	Standard parts
1	40AA32320	Toner Supply Spacer		C	16	a-V127030604 b-V217040003 c-V234301050 d-V234301250 e-V234301450 f-V234301650
2	A00J617800	Ball Bearing		B	16	
3	A00V240600	Ball Bearing		B	4	
4	A50U220700	Coupling Gear /C 28T		C	4	
5	A50U221800	Drive Gear /D 40T		C	4	
6	A9VE222000	Collar		D	4	
7	A50U337101	Positioning Rail /1		D	4	
8	A50U337400	Ground Plate spring /Front		D	4	
9	A50U949700	Replacement Label /1		D	4	
10	A9VE220600	Drive Gear /C 36T		C	4	

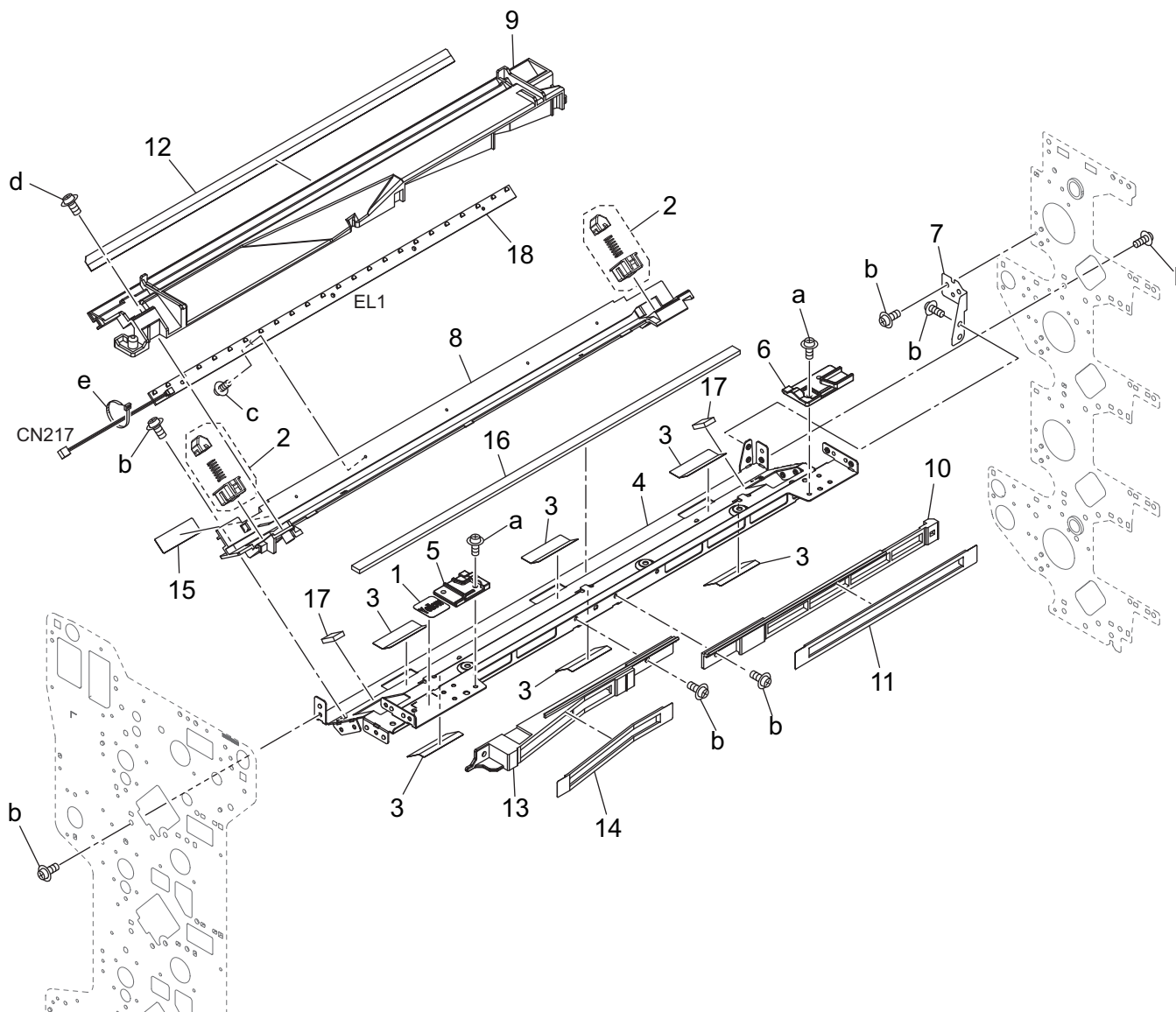
Process Carriage Section



Key	Part No.	Description	Destinations	Class	QTY	Standard parts
1	4470402401	Stopper		D	1	a-V116040803 b-V121041003 c-V121041403 d-V127030604 e-V127031203 f-V211040080 g-V500020098
2	A50U335600	Cleaning Seal /A		D	1	
3	A50U337200	Positioning Rail /2		D	4	
4	A50U337300	Ground Plate spring /Rear		D	4	
5	A50U340501	Transfer Hinge		D	2	
6	A50U340902	Protection Cover /1		D	1	
7	A50U341301	Positioning Block /1		D	2	
8	A50U341401	Positioning Collar /1		D	2	
9	A50U341600	Transfer Shaft		D	2	
10	A50U342502	Set Collar		D	3	
11	A50U342600	Collar		D	3	
12	A50U343000	Operation Cover		D	1	
13	A50U343400	Tray /Front		D	1	
14	A50U343500	Tray /Rear		D	1	
15	A50U343800	Transfer Plate		D	2	
16	A50U343900	Transfer Plate /2		D	1	
17	A50U344100	Developing Collar /Y		D	1	
18	A50U344200	Positioning Shaft		D	2	
19	A50U945601	Operation Label		D	1	
20	A50U949700	Replacement Label /1		D	4	
21	A50UN12500	Developing Wiring /2		D	1	
22	A50UR72K00	Adjusting Plate Caulking Assy		D	1	
23	A85CM55600	Photo Sensor		C	1	

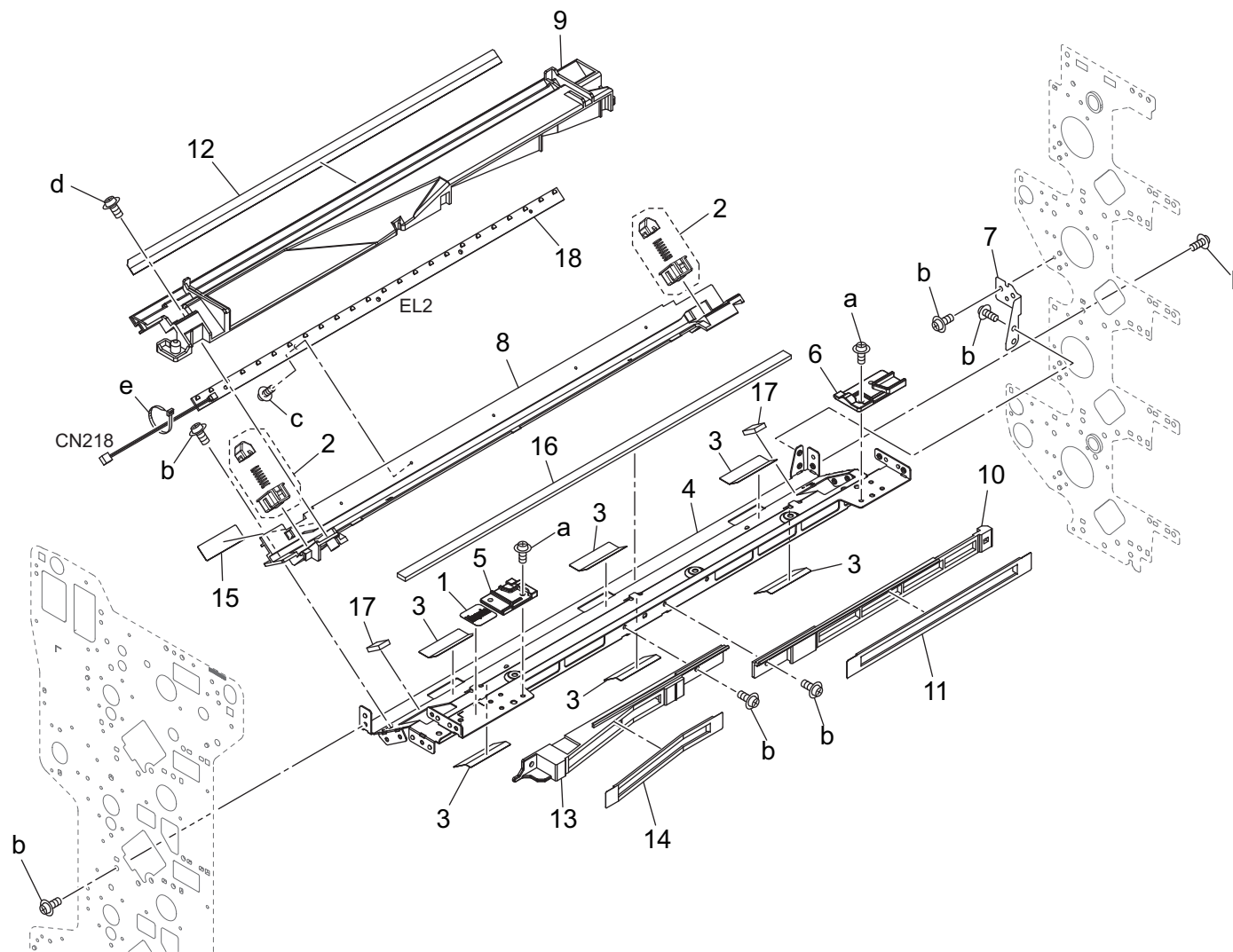
Process Carriage Section

P 51



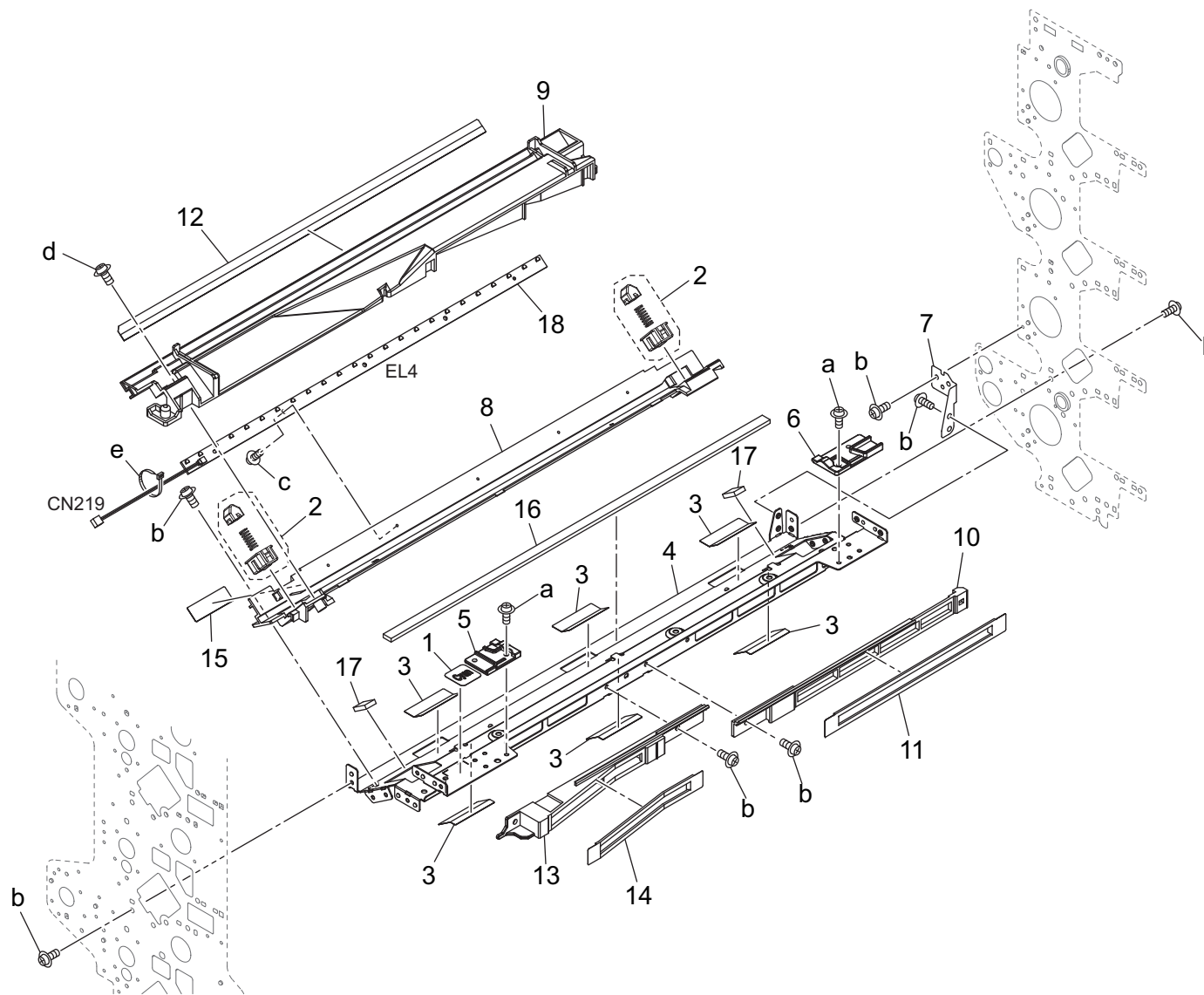
Key	Part No.	Description	Destinations	Class	QTY	Standard parts
1	65AA97440	Developing Exchanging Label /Y		D	1	a-V118030403 b-V127030604 c-V151020603 d-V151030803 e-V501010002
2	65AAR73200	CHARGE PRESSING ASSY		C	2	
3	A50U335600	Cleaning Seal /A		D	6	
4	A50U340301	Fixing Stay /1		D	1	
5	A50U341900	Developing Rail /Front		D	1	
6	A50U342000	Developing Rail /Rear		D	1	
7	A50U342300	Reinforce Plate		D	1	
8	A50U462101	Charging Rail		D	1	
9	A50U462201	Charging Rail /2		D	1	
10	A50U462400	Charging Duct /3		D	1	
11	A50U462501	Charging Seal /1		D	1	
12	A50U462600	Charging Seal		D	1	
13	A50U462700	Charging Duct		D	1	
14	A50U462801	Charging Seal		D	1	
15	A50U462900	Auxiliary Seal /A		D	1	
16	A50U463000	Charging Seal /2		D	1	
17	A50U463100	Charging Seal /3		D	2	
18	A50UM30101	LED array		D	1	

Process Carriage Section



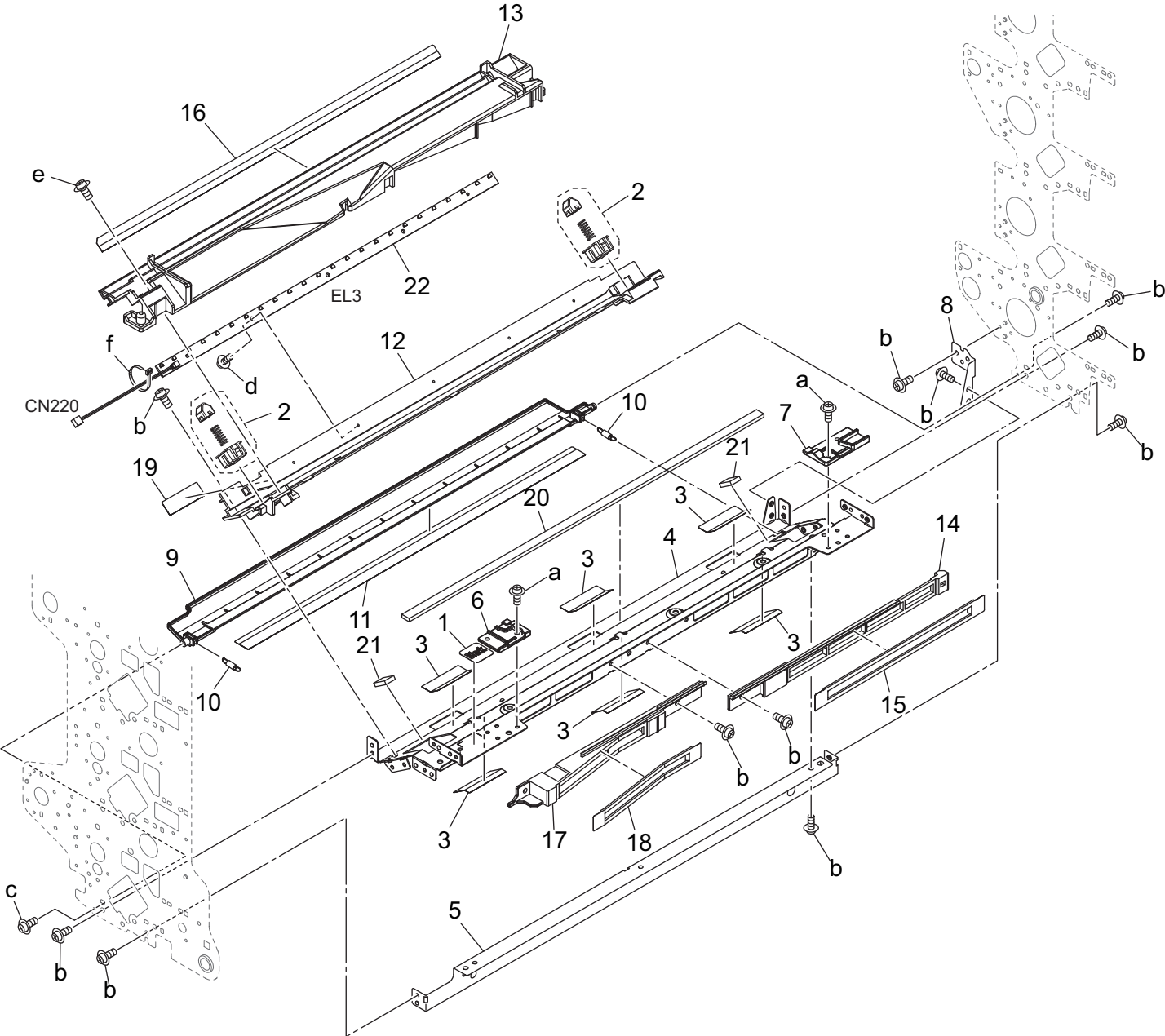
Key	Part No.	Description	Destinations	Class	QTY	Standard parts
1	65AA97450	Developing Exchanging Label /M		D	1	a-V118030403 b-V127030604 c-V151020603 d-V151030803 e-V501010002
2	65AAR73200	CHARGE PRESSING ASSY		C	2	
3	A50U335600	Cleaning Seal /A		D	6	
4	A50U340301	Fixing Stay /1		D	1	
5	A50U341900	Developing Rail /Front		D	1	
6	A50U342000	Developing Rail /Rear		D	1	
7	A50U342300	Reinforce Plate		D	1	
8	A50U462101	Charging Rail		D	1	
9	A50U462201	Charging Rail /2		D	1	
10	A50U462400	Charging Duct /3		D	1	
11	A50U462501	Charging Seal /1		D	1	
12	A50U462600	Charging Seal		D	1	
13	A50U462700	Charging Duct		D	1	
14	A50U462801	Charging Seal		D	1	
15	A50U462900	Auxiliary Seal /A		D	1	
16	A50U463000	Charging Seal /2		D	1	
17	A50U463100	Charging Seal /3		D	2	
18	A50UM30101	LED array		D	1	

Process Carriage Section



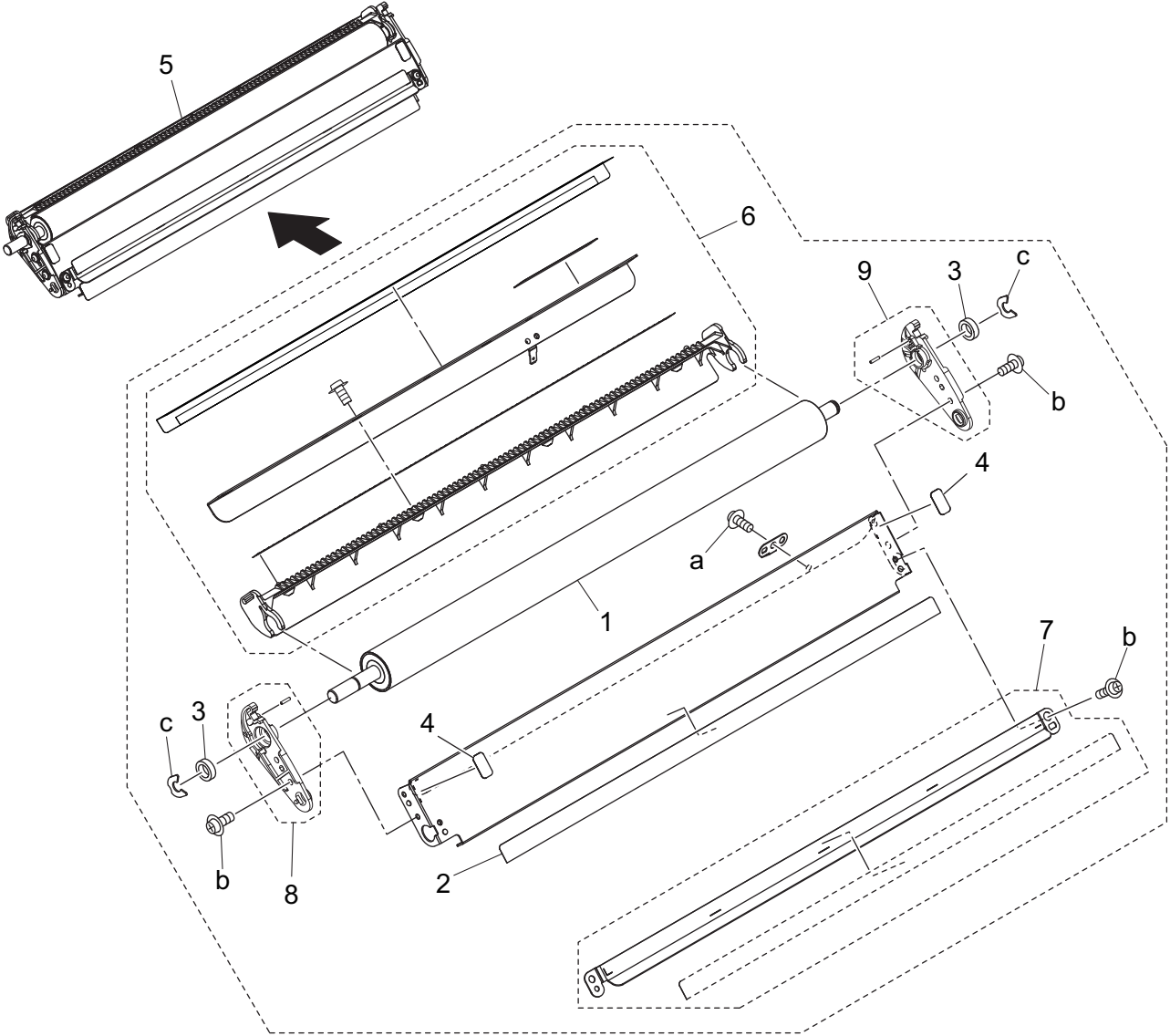
Key	Part No.	Description	Destinations	Class	QTY	Standard parts
1	65AA97460	Developing Exchanging Label /C		D	1	a-V118030403 b-V127030604 c-V151020603 d-V151030803 e-V501010002
2	65AAR73200	CHARGE PRESSING ASSY		C	2	
3	A50U335600	Cleaning Seal /A		D	6	
4	A50U340301	Fixing Stay /1		D	1	
5	A50U341900	Developing Rail /Front		D	1	
6	A50U342000	Developing Rail /Rear		D	1	
7	A50U342300	Reinforce Plate		D	1	
8	A50U462101	Charging Rail		D	1	
9	A50U462201	Charging Rail /2		D	1	
10	A50U462400	Charging Duct /3		D	1	
11	A50U462501	Charging Seal /1		D	1	
12	A50U462600	Charging Seal		D	1	
13	A50U462700	Charging Duct		D	1	
14	A50U462801	Charging Seal		D	1	
15	A50U462900	Auxiliary Seal /A		D	1	
16	A50U463000	Charging Seal /2		D	1	
17	A50U463100	Charging Seal /3		D	2	
18	A50UM30101	LED array		D	1	

Process Carriage Section



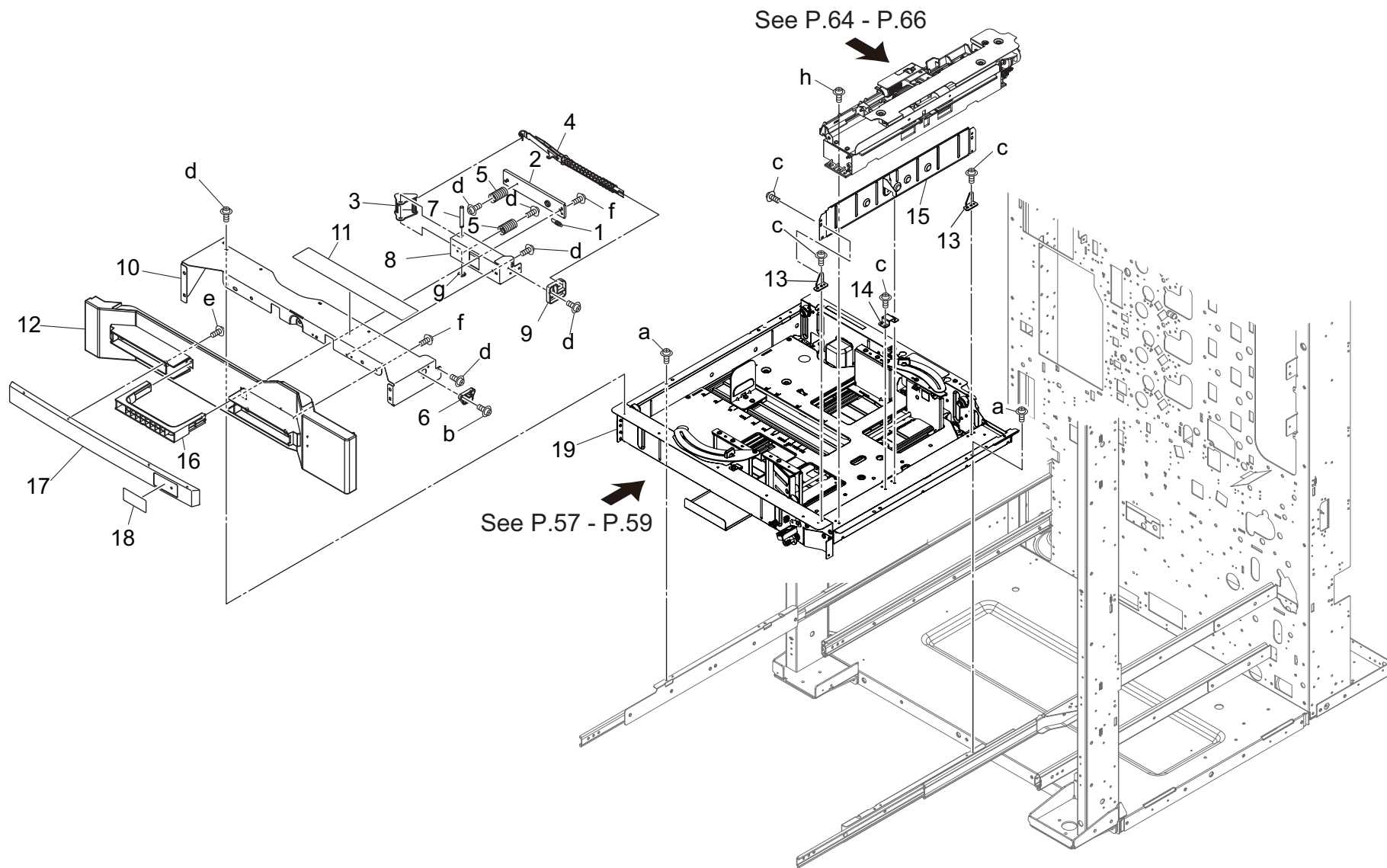
Key	Part No.	Description	Destinations	Class	QTY	Standard parts
1	65AA97470	Developing Exchanging Label /K		D	1	a-V118030403 b-V127030604 c-V127030803 d-V151020603 e-V151030803 f-V501010002
2	65AAR73200	CHARGE PRESSING ASSY		C	2	
3	A50U335600	Cleaning Seal /A		D	6	
4	A50U340301	Fixing Stay /1		D	1	
5	A50U341200	Fixing Stay /3		D	1	
6	A50U341900	Developing Rail /Front		D	1	
7	A50U342000	Developing Rail /Rear		D	1	
8	A50U342300	Reinforce Plate		D	1	
9	A50U343100	Cleaning Catch		D	1	
10	A50U343301	Receiving Spring		D	2	
11	A50U343700	Receiving Sheet		D	1	
12	A50U462101	Charging Rail		D	1	
13	A50U462201	Charging Rail /2		D	1	
14	A50U462400	Charging Duct /3		D	1	
15	A50U462501	Charging Seal /1		D	1	
16	A50U462600	Charging Seal		D	1	
17	A50U462700	Charging Duct		D	1	
18	A50U462801	Charging Seal		D	1	
19	A50U462900	Auxiliary Seal /A		D	1	
20	A50U463000	Charging Seal /2		D	1	
21	A50U463100	Charging Seal /3		D	2	
22	A50UM30101	LED array		D	1	

Secondary Transfer Section



Key	Part No.	Description	Destinations	Class	QTY	Standard parts
1	A50U520001	2nd Transfer Roller/L		A	1	a-V127030603 b-V127030604 c-V218060086
2	A50U525900	Entrance Sheet		D	1	
3	A50U716500	Ball Bearing		C	2	
4	A50U945601	Operation Label		D	2	
5	A50UR70500	2nd Transfer Unit		I	1	
6	A50UR70B00	Separation Discharging Unit		A	1	
7	A50UR71Q00	Transfer Guide / Upper Assy		D	1	
8	A50UR71R11	Transfer Side Plate / Front Assy		D	1	
9	A50UR71S11	Transfer Side Plate / Rear Assy		D	1	

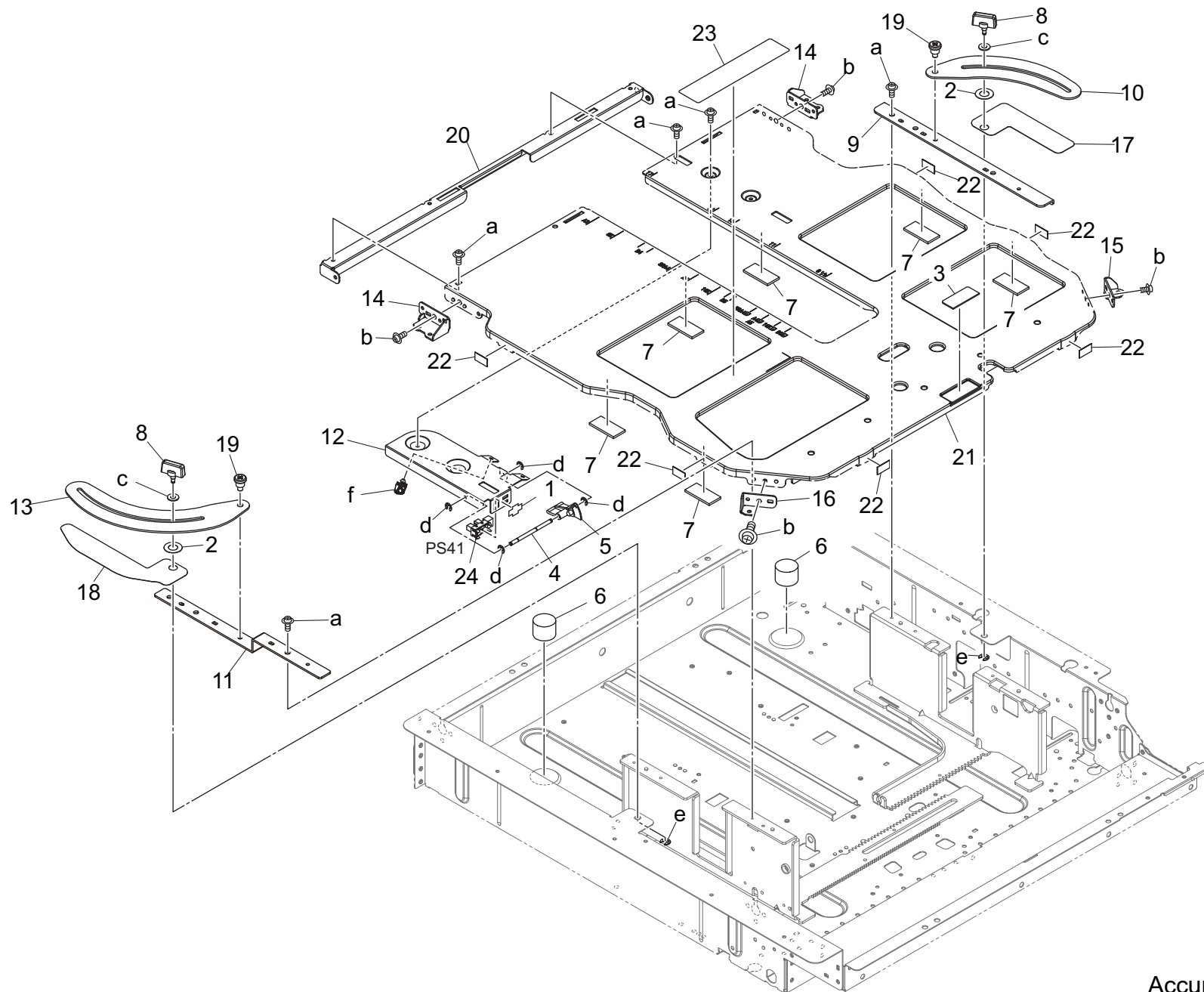
Tray 1 Section



Key	Part No.	Description	Destinations	Class	QTY	Standard parts
1	A161626800	Pulling Coil spring		C	1	a-V118030303 b-V126030603 c-V127030516 d-V127030604 e-V151041003 f-V158030803 g-V217040003 h-V125030803
2	A50U633002	Holding Handle		D	1	
3	A50U633200	Release Lever		D	1	
4	A50U633301	Lock Lever		D	1	
5	A50U633400	Stable Spring		D	2	
6	A50U633702	Receiving Guide /1		D	1	
7	A50U633800	Release Shaft /1		D	1	
8	A50U633900	Fixing Plate		D	1	
9	A50U634300	Receiving Guide /2		D	1	
10	A50U637002	Fixing Plate /1		D	1	
11	A50U945702	Operation Label /1		D	1	
12	A9VE160700	Cover Tray /1		D	1	
13	A9VE628400	Mounting Plate /1		D	2	
14	A9VE628500	Hold Part /1		D	1	
15	A9VE630701	Regulating Plate /Right		D	1	
16	A9VE633100	Handle /B		D	1	
17	A9VE634400	Paper feed Handle		D	1	
18	A9VE945400	Indicating Label /1		D	1	
19	A9VEF63102	500 Paper Cassette ASSY		S	1	

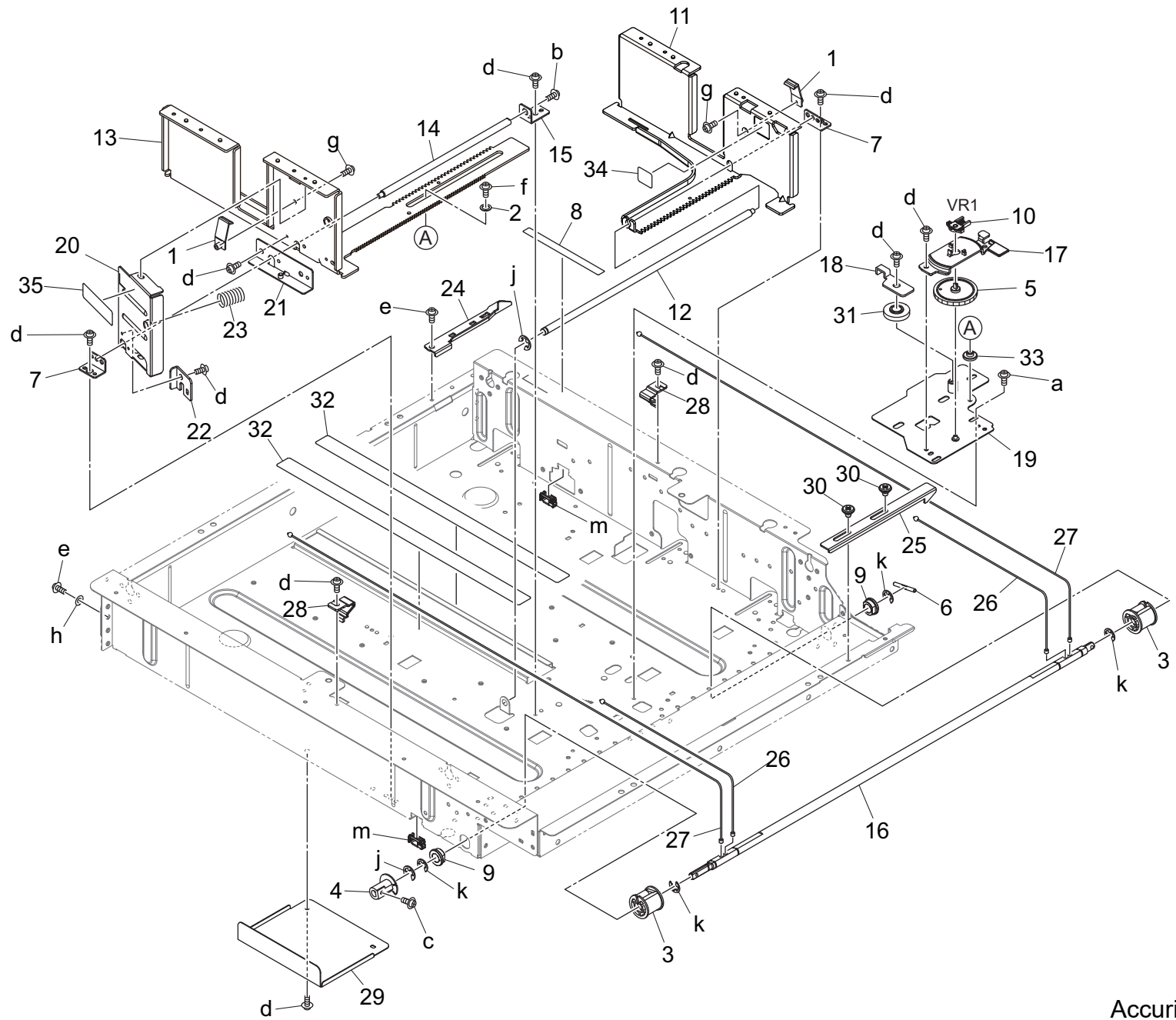
Tray 1 Section

P 57

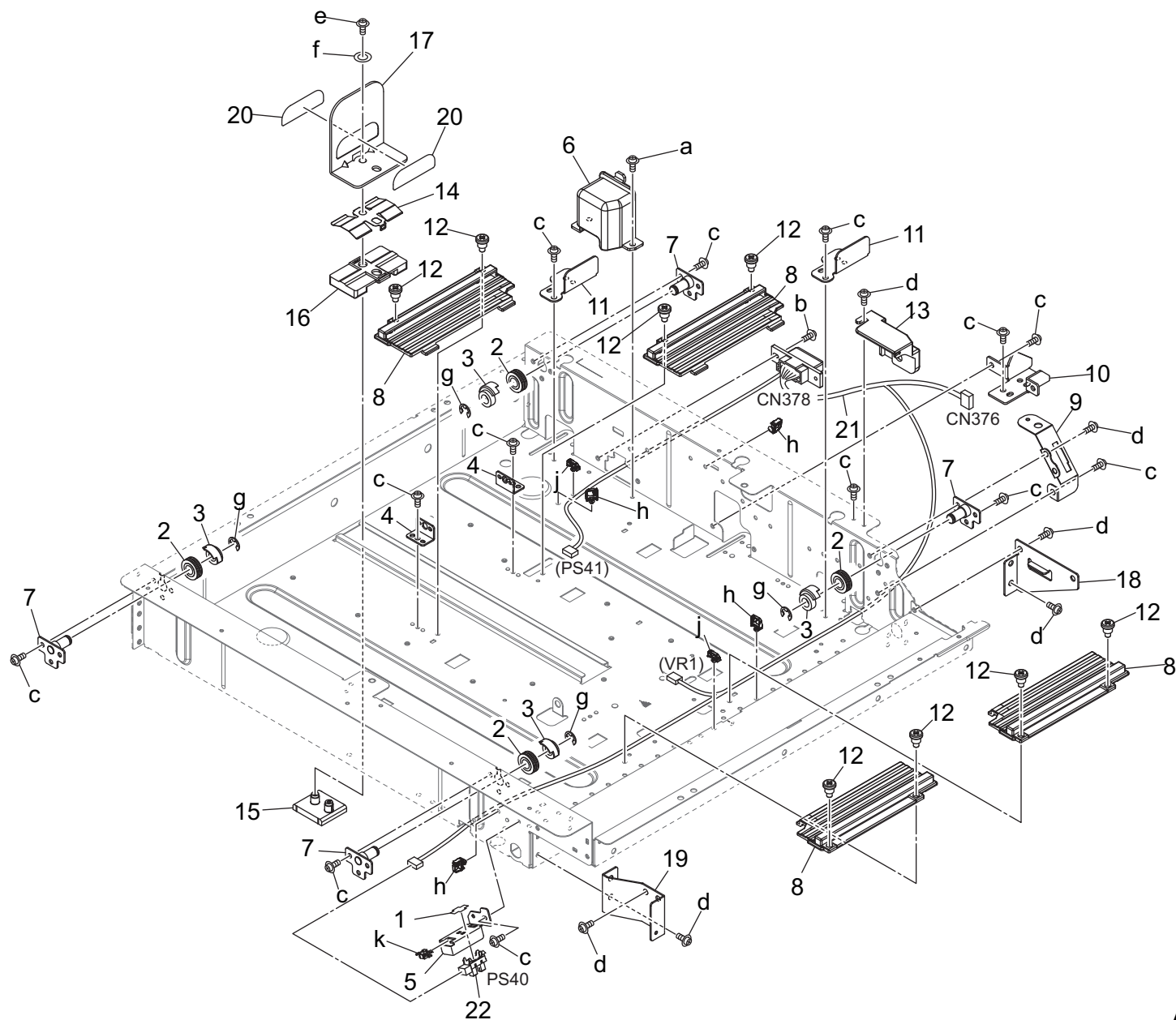


Key	Part No.	Description	Destinations	Class	QTY	Standard parts
1	4470402401	Stopper		D	1	a-V127030516
2	55VA32530	SPACER		C	2	b-V127030604
3	55VA40930	DOUBLE FEED PREVENTIVE PLATE		C	1	c-V207040003
4	65AA47310E	PAPER DETECTING SHAFT		D	1	d-V217020003
5	65AA47320	Paper Detecting Actuator		C	1	e-V217025050
6	65AA47820	REGULATING PART		C	2	f-V500020098
7	65AA47860	AUXILIARY SHEET		C	6	
8	A03X656203	Lock Screw		C	2	
9	A50U621001	Reinforce Plate /Rear		D	1	
10	A50U622600	Regulating Plate /Rear		D	1	
11	A50U622802	Reinforce Plate /Front		D	1	
12	A50U625000	Mounting Plate /2		D	1	
13	A50U625701	Regulating Plate /Front		D	1	
14	A50U626502	Support Plate /1		D	2	
15	A50U626601	Support Plate /2		D	1	
16	A50U626702	Support Plate /3		D	1	
17	A50U627601	Sheet		D	1	
18	A50U627701	Sheet		D	1	
19	A50U628200	Shoulder Screw		D	2	
20	A50U629300	Guide Base frame		D	1	
21	A50U630203	Lifting Plate		D	1	
22	A50U641500	Slide Sheet		D	6	
23	A50U946000	Paper feed Label		D	1	
24	A85CM55600	Photo Sensor		C	1	

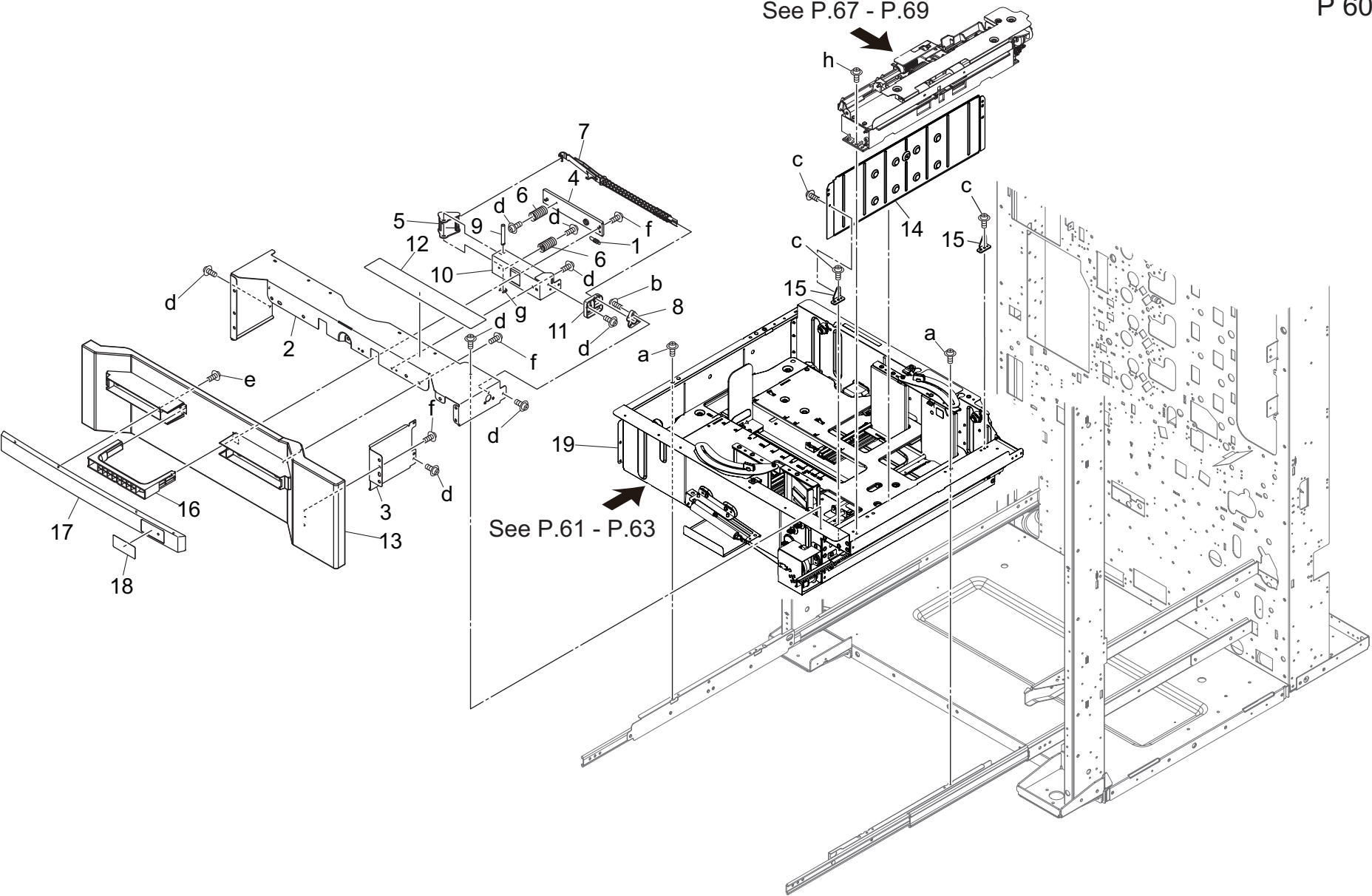
Tray 1 Section



Key	Part No.	Description	Destinations	Class	QTY	Standard parts
1	26NA47070	PAPER REGULATING CLAW		C	2	a-V116030503
2	40AA32320	Toner Supply Spacer		C	1	b-V116030603
3	55VA40600	Driving Up /Down Pulley		B	2	c-V121030603
4	65AA47131E	Paper Detecting Actuator		C	1	d-V127030516
5	65AA47600E	Detecting Gear 45T		C	1	e-V127030604
6	65AA47700D	Up/down Pin		D	1	f-V127030803
7	65AA47740E	Shaft Mounting Plate		D	2	g-V147030803
8	65GE97490	CASSETTE GUIDE LABEL		D	1	h-V207030003
9	A03U812800	Slide Shaft Holder		B	2	j-V217040003
10	A1UDM50100	VR		D	1	k-V217060003
11	A50U620602	Guide Rack /Rear		D	1	m-V570010057
12	A50U620801	Regulating Shaft		D	1	
13	A50U620902	Guide Rack /Front		D	1	
14	A50U621301	Stopper Shaft		D	1	
15	A50U621400	Mounting Plate		D	1	
16	A50U621800	Lifting Shaft		D	1	
17	A50U621900	Mounting Plate		D	1	
18	A50U622001	Stopper Plate		D	1	
19	A50U622101	Positioning Plate		D	1	
20	A50U622300	Brake Knob		D	1	
21	A50U622400	Support Plate		D	1	
22	A50U623201	Lock Claw		D	1	
23	A50U623300	Slide Spring /1		D	1	
24	A50U623600	Lock Claw		D	1	
25	A50U623701	Lock Claw		D	1	
26	A50U625400	Up/down Wire /1		D	2	
27	A50U625500	Up/down Wire /2		D	2	
28	A50U626100	Protection Plate		D	2	
29	A50U627501	Reinforce Stay		D	1	
30	A50U628100	Shoulder Screw		D	2	
31	A50U628400	Pinion		C	1	
32	A50U640800	Sheet		D	2	
33	A50U642000	Guide Spacer		D	1	
34	A50U945301	Regulating Label		D	1	
35	A50U946300	Lock Label /2		D	1	

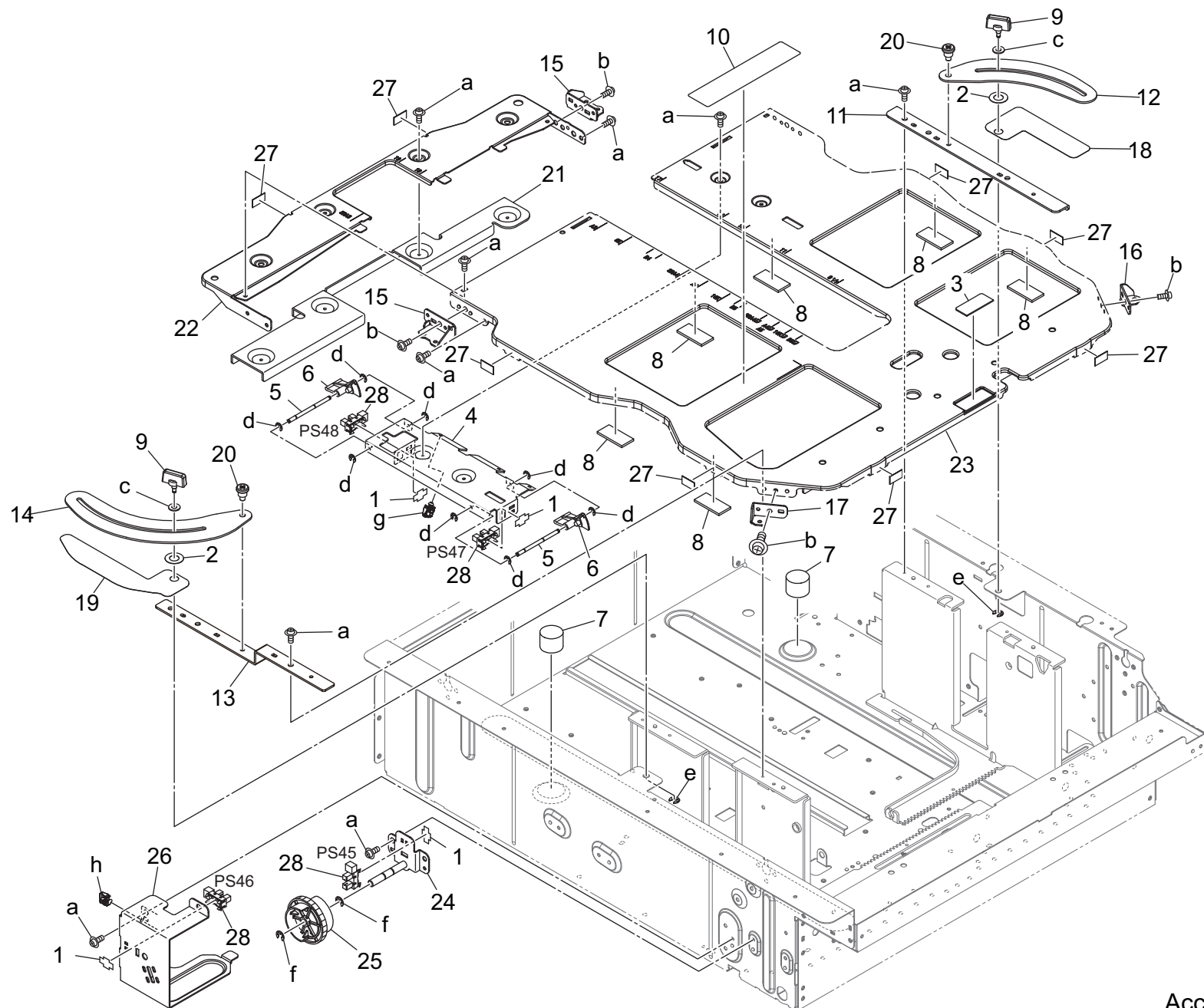


Tray 2 Section

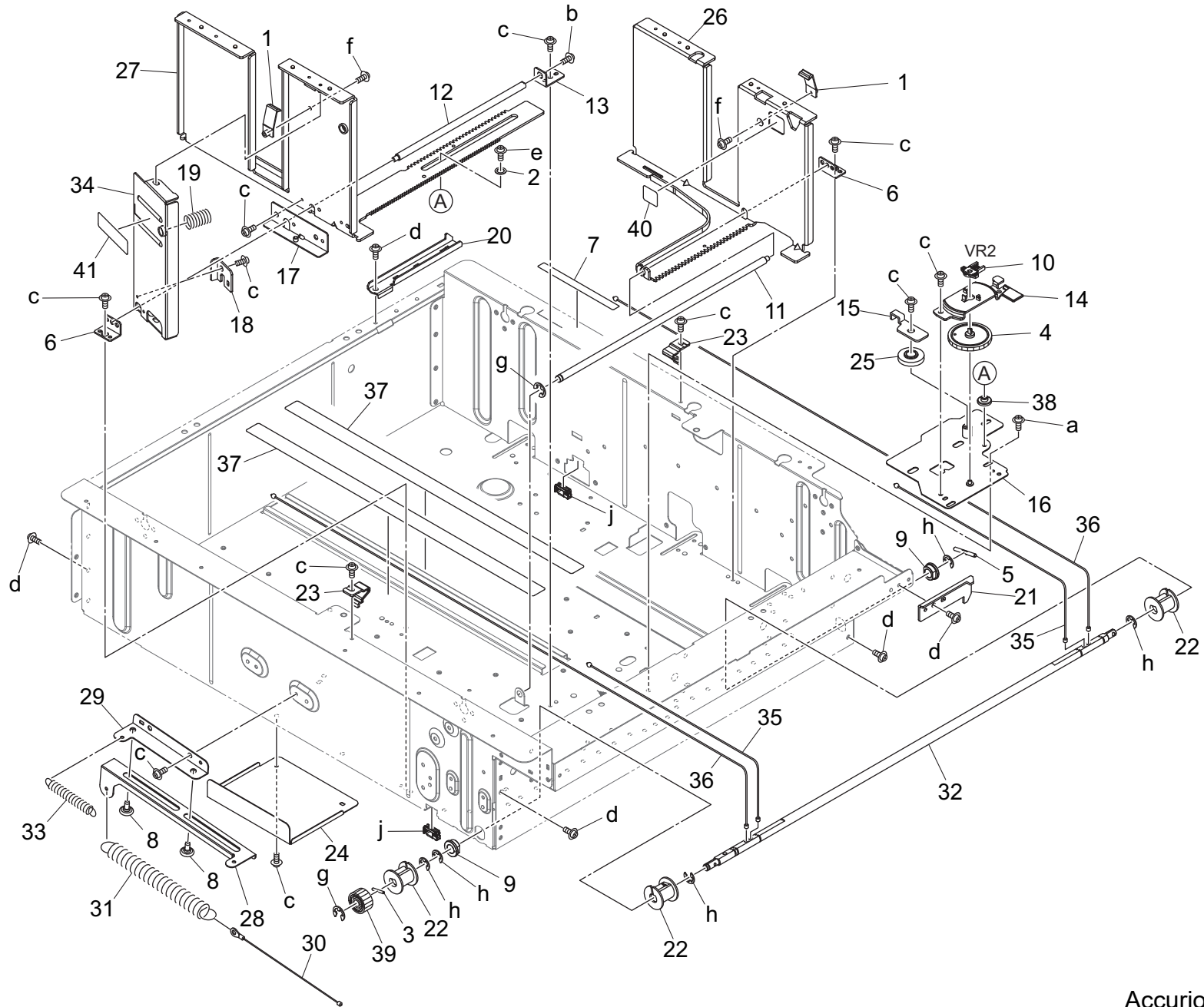


Tray 2 Section

P 61

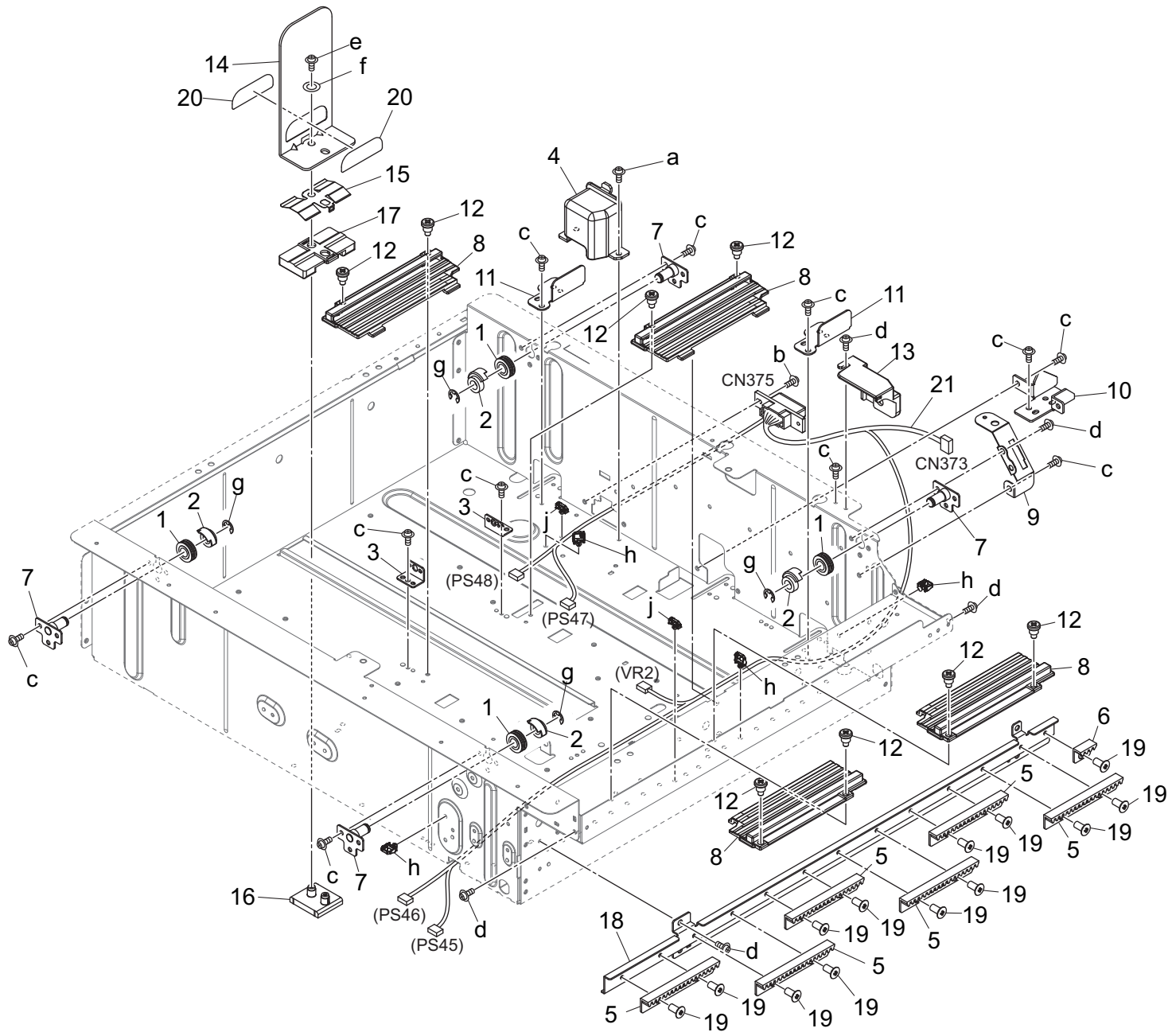


Tray 2 Section



Key	Part No.	Description	Destinations	Class	QTY	Standard parts
1	26NA47070	PAPER REGULATING CLAW		C	2	a-V116030503
2	40AA32320	Toner Supply Spacer		C	1	b-V116030603
3	V234201450	Pin		V	1	c-V127030516
4	65AA47600E	Detecting Gear 45T		C	1	d-V127030604
5	65AA47700D	Up/down Pin		D	1	e-V127030803
6	65AA47740E	Shaft Mounting Plate		D	2	f-V147030803
7	65GE97490	CASSETTE GUIDE LABEL		D	1	g-V217040003
8	A03N621800	Slide Shoulder screw		C	2	h-V217060003
9	A03U812800	Slide Shaft Holder		B	2	j-V570010057
10	A1UDM50100	VR		D	1	
11	A50U620801	Regulating Shaft		D	1	
12	A50U621301	Stopper Shaft		D	1	
13	A50U621400	Mounting Plate		D	1	
14	A50U621900	Mounting Plate		D	1	
15	A50U622001	Stopper Plate		D	1	
16	A50U622101	Positioning Plate		D	1	
17	A50U622400	Support Plate		D	1	
18	A50U623201	Lock Claw		D	1	
19	A50U623300	Slide Spring /1		D	1	
20	A50U623900	Lock Claw		D	1	
21	A50U624201	Lock Part		D	1	
22	A50U626000	Pulley		C	3	
23	A50U626100	Protection Plate		D	2	
24	A50U627501	Reinforce Stay		D	1	
25	A50U628400	Pinion		C	1	
26	A50U630602	Guide Rack /Rear		D	1	
27	A50U630902	Guide Rack /Front		D	1	
28	A50U631000	Slide Plate		D	1	
29	A50U631100	Mounting Plate		D	1	
30	A50U631500	Auxiliary Wire		D	1	
31	A50U631700	Slide Spring /1		D	1	
32	A50U631800	Up/down Shaft		D	1	
33	A50U631900	Slide Spring /1		D	1	
34	A50U632300	Brake Knob		D	1	
35	A50U635400	Up/down Wire /1		D	2	
36	A50U635500	Up/down Wire /2		D	2	
37	A50U640700	Sheet		D	2	
38	A50U642000	Guide Spacer		D	1	
39	A50U854600	Release Gear /1 24T		C	1	
40	A50U945301	Regulating Label		D	1	
41	A50U946300	Lock Label /2		D	1	

Tray 2 Section

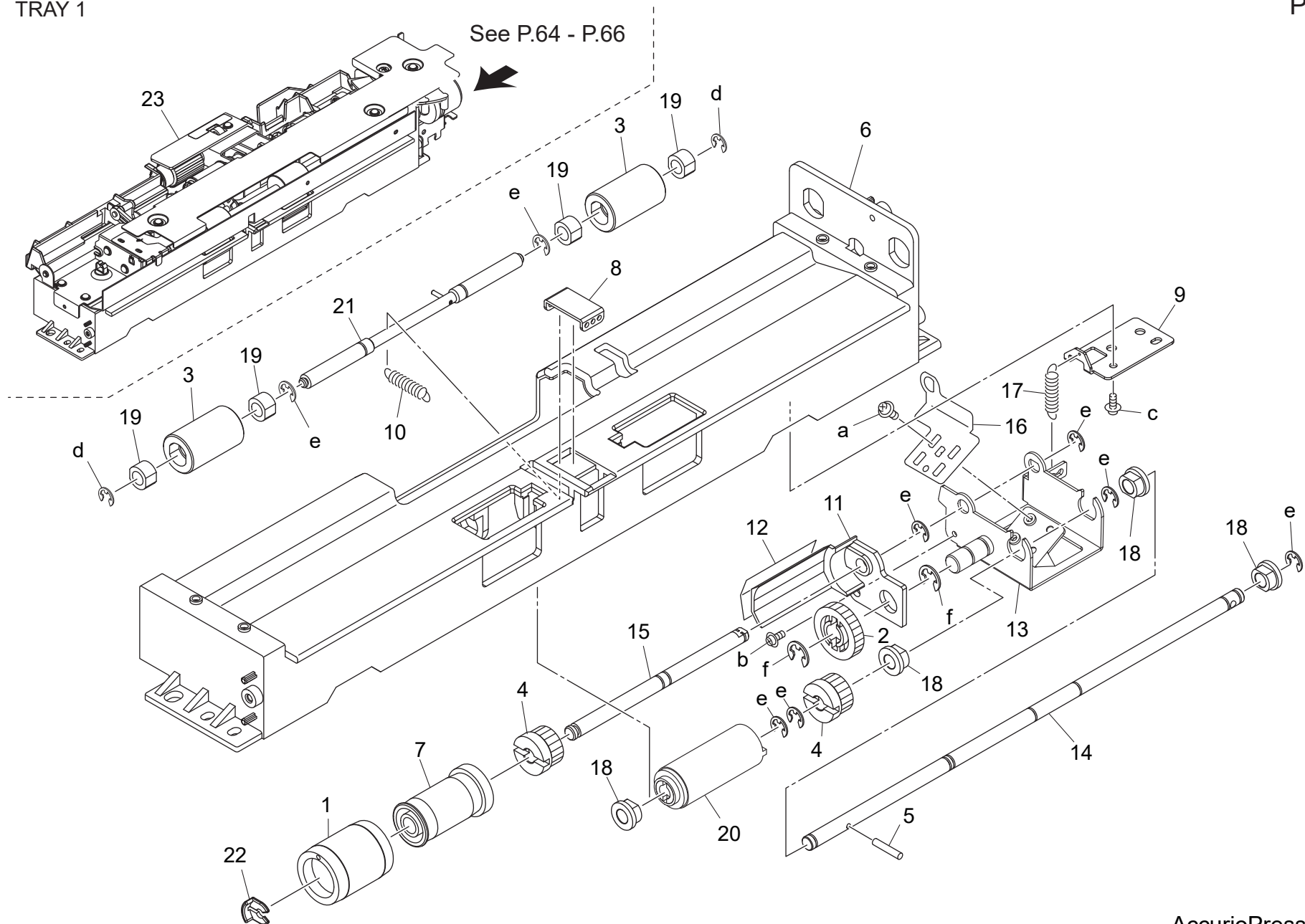


Key	Part No.	Description	Destinations	Class	QTY	Standard parts
1	65AA47550	WIRE ROLLER		C	4	a-V116030503
2	65AA47630	WIRE GUIDE PART		C	4	b-V121030603
3	65AA47740E	Shaft Mounting Plate		D	2	c-V127030516
4	A03U621200	GUIDE COVER		C	1	d-V127030604
5	A03X622101	REGULATING RACK /1		D	6	e-V158031003
6	A03X622201	REGULATING RACK /2		D	1	f-V207030003
7	A1DUF62100	PULLEY FULCRUM PLATE CAULKING		D	4	g-V217060003
8	A50U621200	Slide Guide		D	4	h-V500020098
9	A50U624600	Mounting Plate		D	1	j-V500020099
10	A50U624700	Fixing Cam		D	1	
11	A50U625100	Positioning Plate		D	2	
12	A50U628200	Shoulder Screw		D	8	
13	A50U628300	Cover		D	1	
14	A50U629401	Regulating Plate /Rear		D	1	
15	A50U629502	Plate spring		D	1	
16	A50U629702	Brake Part /Lower		D	1	
17	A50U629801	Brake Part		D	1	
18	A50U640100	Guide Rail		D	1	
19	A50U642300	Mounting Screw		D	13	
20	A50U946400	Lock Label /1		D	2	
21	A50UN14001	Paperfeed Wiring /2		D	1	

Tray 1 Paper Feed Section

TRAY 1

P 64



Tray 1 Paper Feed Section

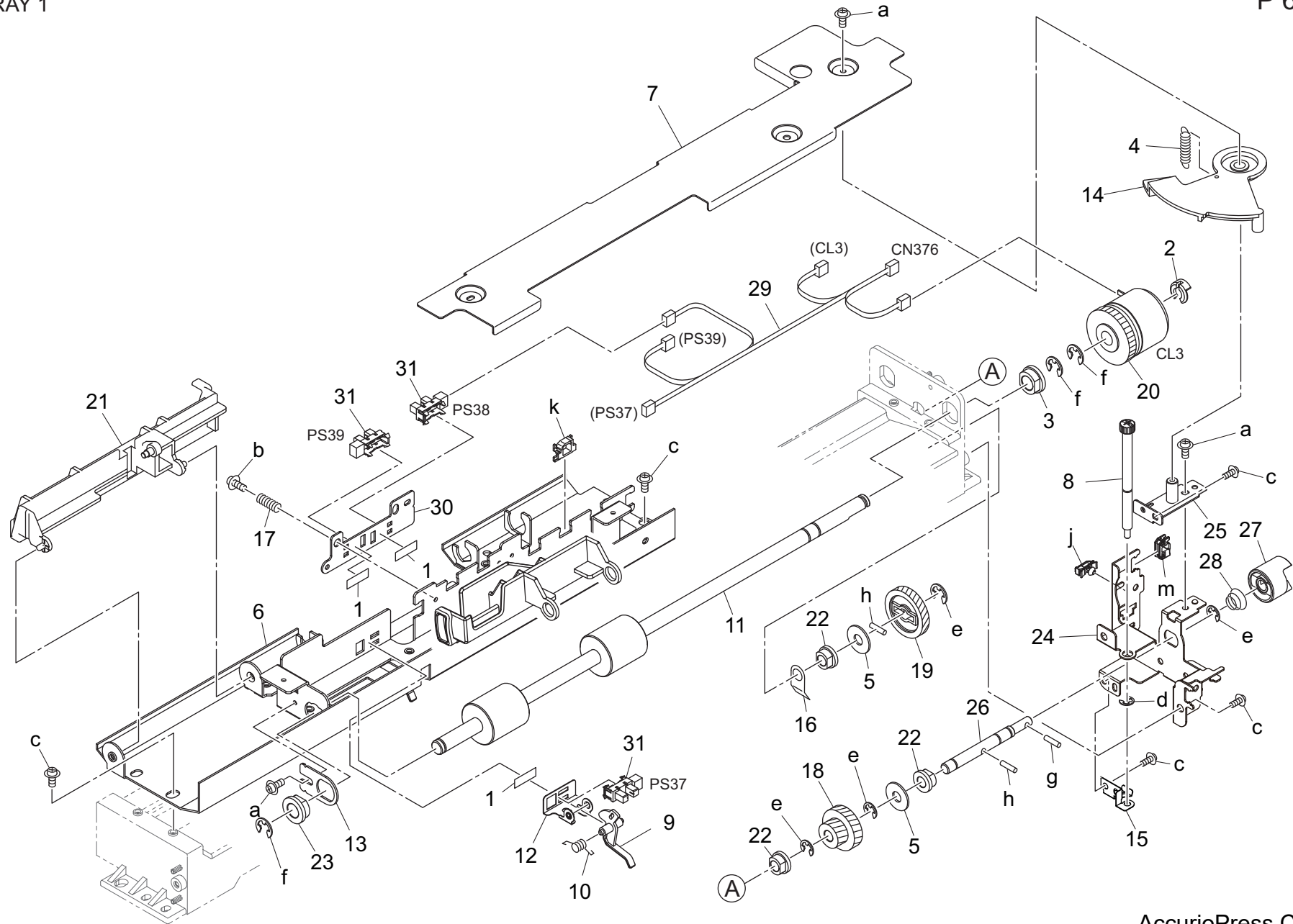
Key	Part No.	Description	Destinations	Class	QTY	Standard parts
1	25SA40960	DOUBLE FEED PREVENTION RUBBER	重送防止ゴム	A	1	a-V116030603 b-V121030603 c-V153030803 d-V217030003 e-V217040003 f-V217060003
2	26NA42061	BY PASS FEED CONVEYING GEAR 21T	手差し搬送ギア 21 T	B	1	
3	26NA42560	By-Pass Idler Roller	手差し従動ローラー	C	2	
4	55VA79030	Paper Feed Reversal Gear /C 14T	給紙逆転歯車 / C 14 T	B	2	
5	56AA17510	Pin /B	ピン / B	C	1	
6	56AA40010E	Paper feed Main body	給紙 本体	C	1	
7	56AA40360	Reverse Roller	逆転ローラー	C	1	
8	56AA40430	SPRING MOUNTING PLATE 1	バネ取り付け板 / 1	D	1	
9	56AA40440	SPRING MOUNTING PLATE 2	バネ取り付け板 / 2	D	1	
10	56AA40481	PAPERFEEDPRESSINGSRING	給紙押圧バネ	C	1	
11	56AA40530	ENTRANCE GUIDE PART	入口ガイド部材	D	1	
12	56AA40540	ENTRANCE GUIDE SHEET	入口ガイドシート	C	1	
13	56QA40080	Multi-feed Preventing Plate	重送防止板	C	1	
14	56QA40250	MULTI FEED SUPPORT SHAFT	重送支点軸	D	1	
15	56QA40270	MULTI FEED REVERSE SHAFT	重送逆転軸	D	1	
16	56QA40550	MULTI FEED ADJUSTMENT PLATE	重送調整板	D	1	
17	57AA40420	MULTI FEED PREVENTING SPRING	重送防止バネ	C	1	
18	A00J663200	Bushing	すべり軸受	B	4	
19	A03U850101	Slide Bushing	すべり軸受	C	4	
20	A03X565611	Torque Limiter /A	トルクリミッター / A	B	1	
21	A1DUR71K00	Paper Feed Driven Shaft Assy	給紙従動軸部組	D	1	
22	A1RF620301	Stopper Collar	ストップカラー	D	1	
23	A85CR70G22	Paper Feed Assy	給紙 A s s y	S	1	



Tray 1 Paper Feed Section

TRAY 1

P 65



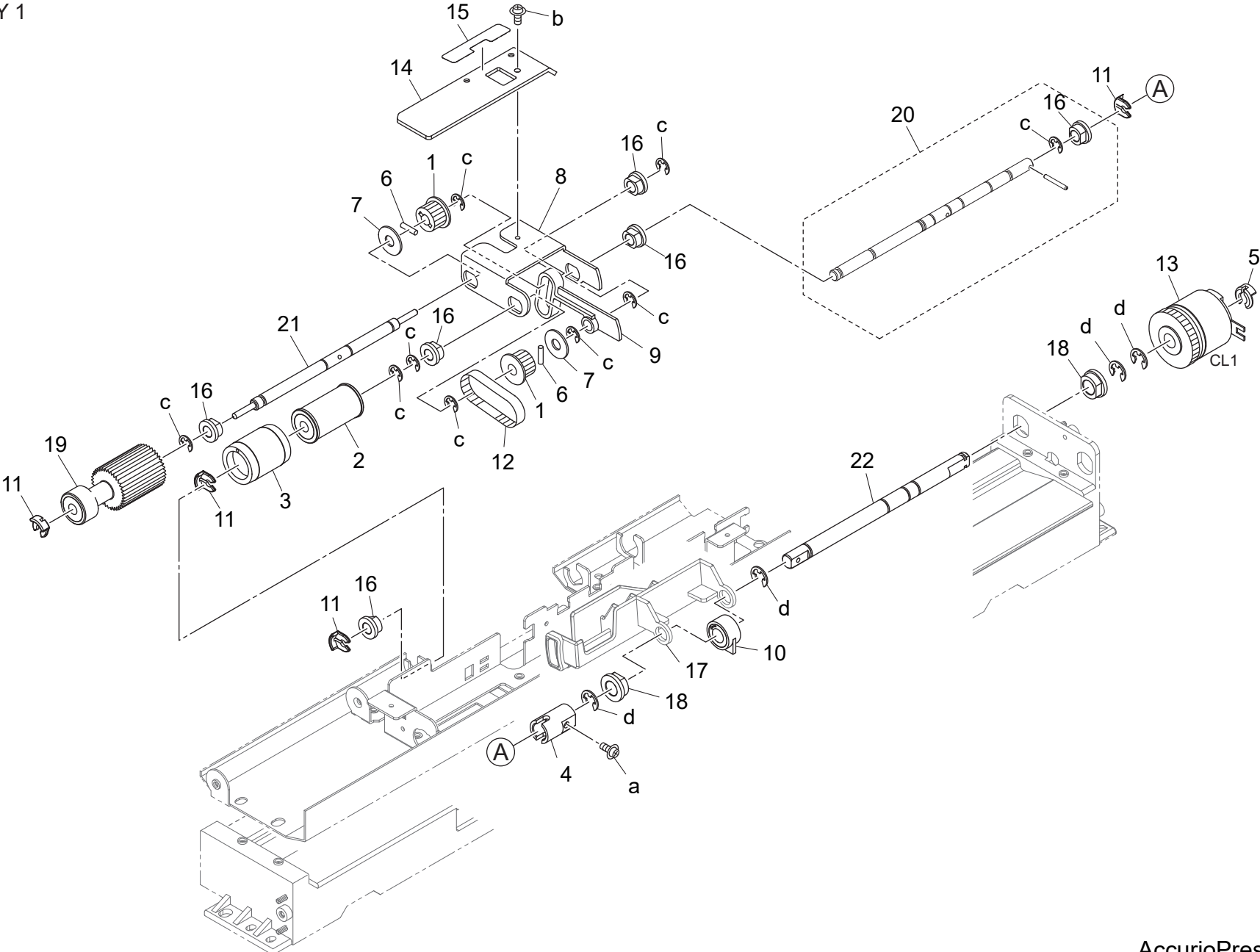
Tray 1 Paper Feed Section

Key	Part No.	Description	Destinations	Class	QTY	Standard parts
1	4109553001	Stopper		C	3	a-V121030603
2	55VA42120	Shaft Stopper		C	1	b-V127030604
3	55VA75540	PAPER FEED SHAFT HOLDER B		B	1	c-V153030803
4	56AA17121	SEPARATE SPRING UPPER		C	1	d-V217030003
5	56AA17760	COLLAR		C	2	e-V217040003
6	56AA40032EOld	Paper Feed Guide Plate /Upper		C	1	f-V217060003
6	56AA40032F	Paper Feed Guide Plate /Upper		C	1	g-V234301250
7	56AA40100G	Wiring Protection Cover		D	1	h-V234301450
8	56AA40120	PAPER FEED HOLDING SCREW		C	1	j-V500020099
9	56AA40171	PAPER FEED DETECTING ACTUATOR		C	1	k-V570010050
10	56AA40190	PRESSING SPRING		C	1	m-V570010056
11	56AA40230	PAPER FEED REGISTRATION ROLLER		C	1	
12	56AA40310	MOUNTING PLATE		D	1	
13	56AA40370	ADJUSTING PLATE		D	1	
14	56AA40390	CAM PLATE		C	1	
15	A9VE560100	Ground Plate		C	1	
16	56AA40500	SHAFT HOLDER EARTH PLATE		C	1	
17	56AA40520	EARTH SPRING		C	1	
18	56AA77720E	Paper Feed Reverse Gear /1 16/22T		C	1	
19	56AA77730	PAPER FEED REVERSING GEAR 2 33T		C	1	
20	56AA82012	Paper Feed Drive Clutch		B	1	
21	65AA40010	Regulating Plate		D	1	
22	A00J663200	Bushing		B	3	
23	A03U812800	Slide Shaft Holder		B	1	
24	A50U560901	Drive Side plate /1		D	1	
25	A50U561200	Drive Side plate /Assy		D	1	
26	A50U562400	Input Shaft		D	1	
27	A50U564500	Paper feed Coupling		B	1	
28	A50U565100	Pressing Spring		D	1	
29	A50UN14201	Paperfeed Wiring /1		D	1	
30	A85C635400Old	Adjusting Plate		D	1	
30	A85C635401	Adjusting Plate		D	1	
31	A85CM55600	Photo Sensor		C	3	

Tray 1 Paper Feed Section

TRAY 1

P 66



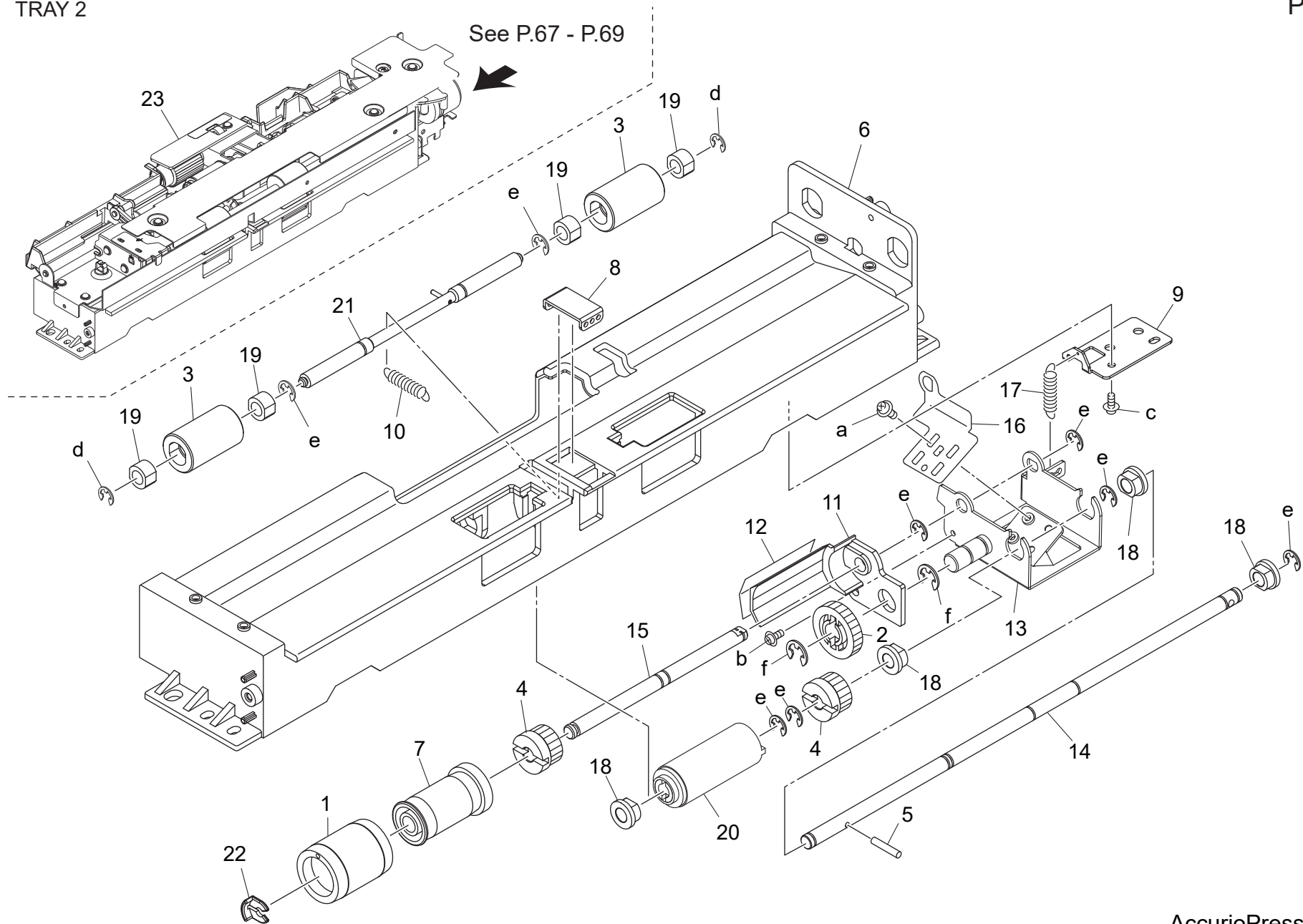
Tray 1 Paper Feed Section

Key	Part No.	Description	Destinations	Class	QTY	Standard parts
1	059076510	PULLEY 1 15T		C	2	a-V118030603 b-V121030603 c-V217040003 d-V217060003
2	25AA40100	Feeding Roller /B		B	1	
3	25SA40960	DOUBLE FEED PREVENTION RUBBER		A	1	
4	55FA40320	COUPLING		C	1	
5	55VA42120	Shaft Stopper		C	1	
6	56AA17510	Pin /B		C	2	
7	56AA17760	COLLAR		C	2	
8	56AA40070	Paper feed Swing Plate		D	1	
9	56AA40300	PAPER QUANTITY ACTUATOR		C	1	
10	56AA40380	PAPER FEED REGULATING BLOCK		B	1	
11	56AA40490	SHAFT STOPPER 4		C	4	
12	56AA77590	PAPER FEED ROCKING BELT 111L		C	1	
13	56AA82012	Paper Feed Drive Clutch		B	1	
14	65AA40080E	Paper feed Auxiliary Plate		D	1	
15	65GE97400	GUIDE LABEL /1		C	1	
16	A00J663200	Bushing		B	6	
17	A03U560500	Regulating Plate /Rear		C	1	
18	A03U812800	Slide Shaft Holder		B	2	
19	A1DUR71J00	Paper Feed Oscillate Roller		B	1	
20	A1DUR75200	Paper Feed Feeding Shaft Assy		D	1	
21	A85C635200	Swing Shaft		D	1	
22	A85C635300	Drive Shaft		D	1	

Tray 2 Paper Feed Section

TRAY 2

P 67



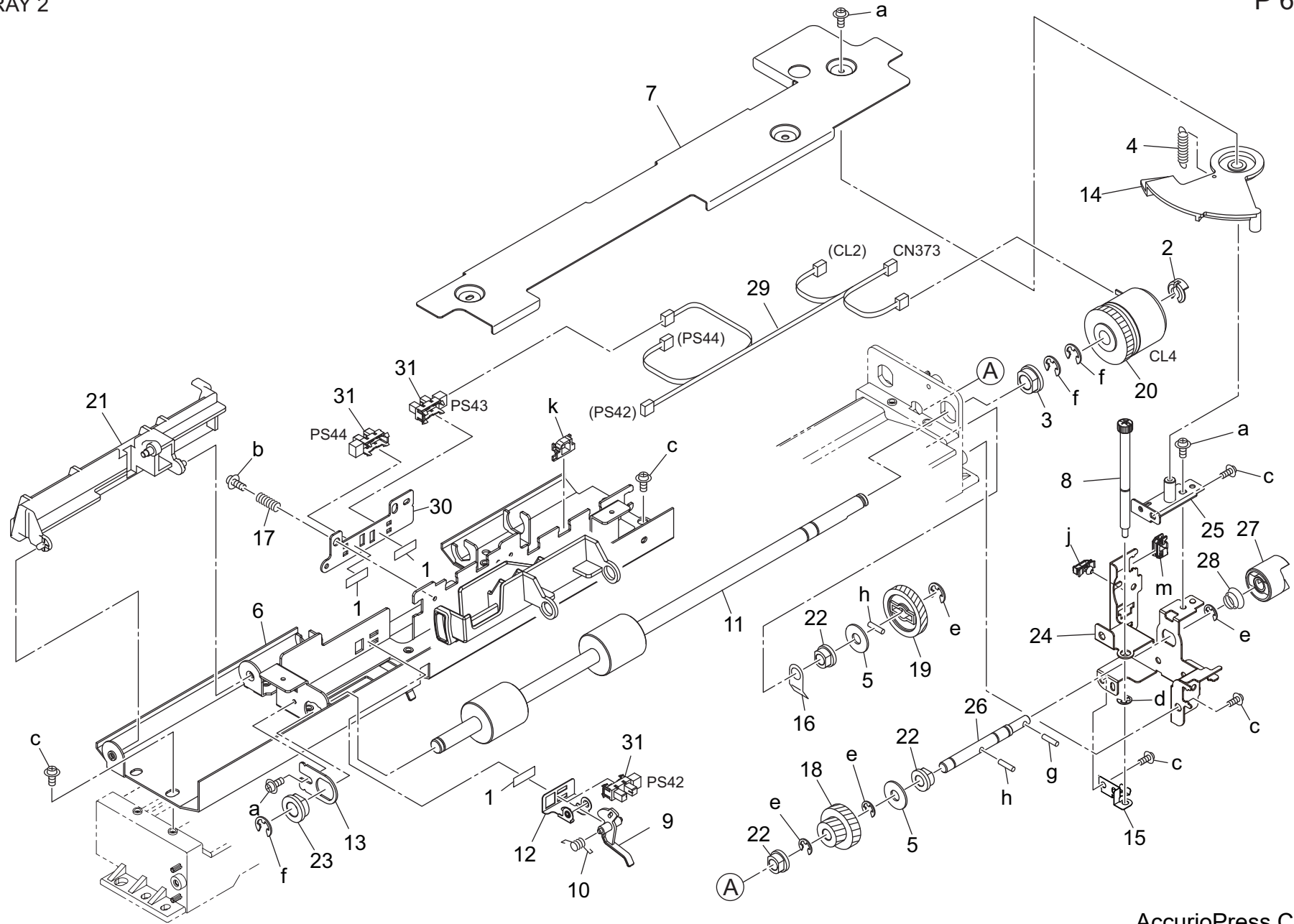
Tray 2 Paper Feed Section

Key	Part No.	Description	Destinations	Class	QTY	Standard parts
1	25SA40960	DOUBLE FEED PREVENTION RUBBER	重送防止ゴム	A	1	a-V116030603
2	26NA42061	BY PASS FEED CONVEYING GEAR 21T	手差し搬送ギア 21 T	B	1	b-V121030603
3	26NA42560	By-Pass Idler Roller	手差し従動ローラー	C	2	c-V153030803
4	55VA79030	Paper Feed Reversal Gear /C 14T	給紙逆転歯車 / C 14 T	B	2	d-V217030003
5	56AA17510	Pin /B	ピン / B	C	1	e-V217040003
6	56AA40010E	Paper feed Main body	給紙 本体	C	1	f-V217060003
7	56AA40360	Reverse Roller	逆転ローラー	C	1	
8	56AA40430	SPRING MOUNTING PLATE 1	バネ取り付け板 / 1	D	1	
9	56AA40440	SPRING MOUNTING PLATE 2	バネ取り付け板 / 2	D	1	
10	56AA40481	PAPERFEEDPRESSINGSRING	給紙押圧バネ	C	1	
11	56AA40530	ENTRANCE GUIDE PART	入口ガイド部材	D	1	
12	56AA40540	ENTRANCE GUIDE SHEET	入口ガイドシート	C	1	
13	56QA40080	Multi-feed Preventing Plate	重送防止板	C	1	
14	56QA40250	MULTI FEED SUPPORT SHAFT	重送支点軸	D	1	
15	56QA40270	MULTI FEED REVERSE SHAFT	重送逆転軸	D	1	
16	56QA40550	MULTI FEED ADJUSTMENT PLATE	重送調整板	D	1	
17	57AA40420	MULTI FEED PREVENTING SPRING	重送防止バネ	C	1	
18	A00J663200	Bushing	すべり軸受	B	4	
19	A03U850101	Slide Bushing	すべり軸受	C	4	
20	A03X565611	Torque Limiter /A	トルクリミッタ / A	B	1	
21	A1DUR71K00	Paper Feed Driven Shaft Assy	給紙従動軸部組	D	1	
22	A1RF620301	Stopper Collar	ストップカラー	D	1	
23	A85CR70G22	Paper Feed Assy	給紙 A s s y	S	1	

Tray 2 Paper Feed Section

TRAY 2

P 68



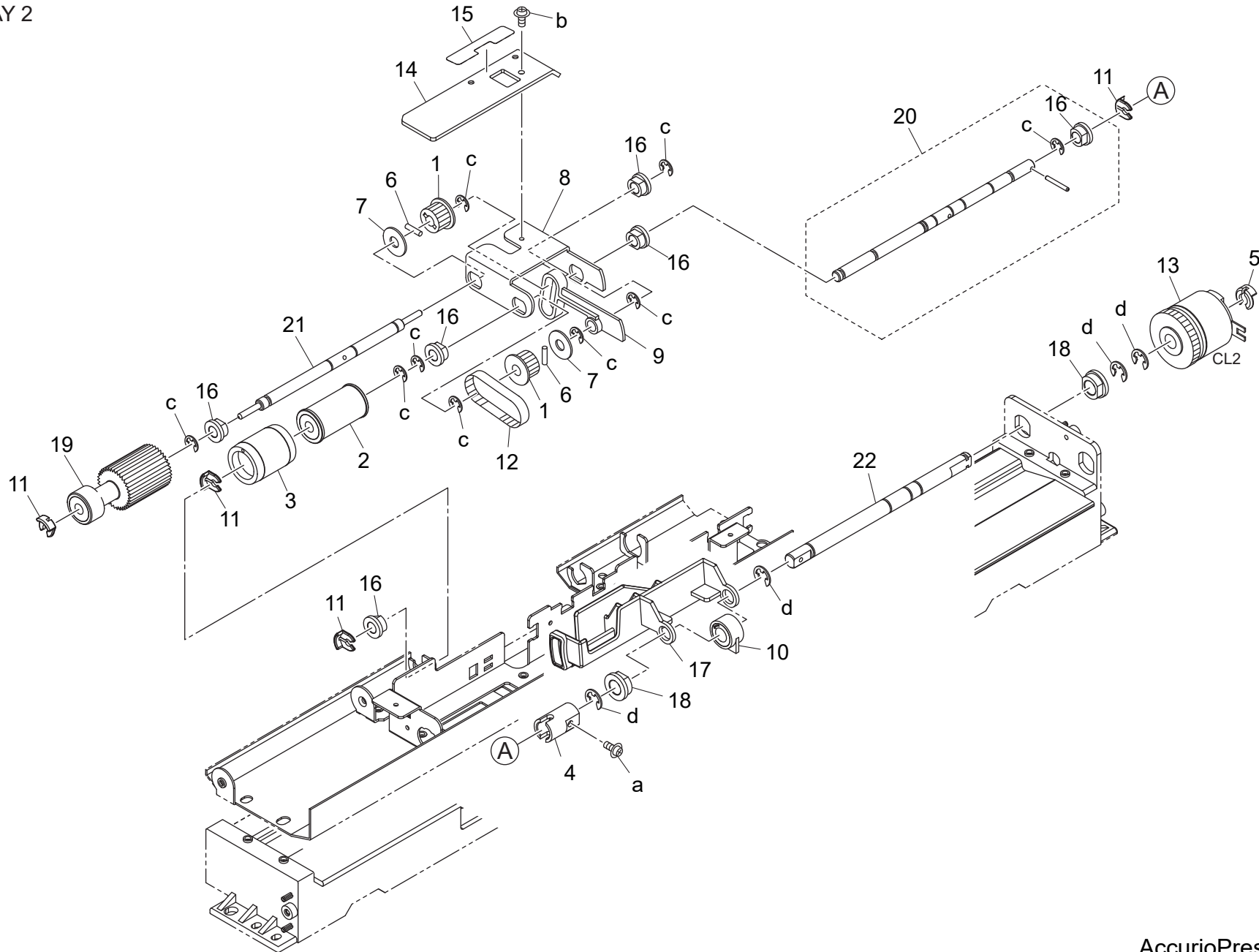
Tray 2 Paper Feed Section

Key	Part No.	Description	Destinations	Class	QTY	Standard parts
1	4109553001	Stopper	ストッパー	C	3	a-V121030603
2	55VA42120	Shaft Stopper	軸ストッパー	C	1	b-V127030604
3	55VA75540	PAPER FEED SHAFT HOLDER B	給紙軸受 B	B	1	c-V153030803
4	56AA17121	SEPARATE SPRING UPPER	分離バネ 上	C	1	d-V217030003
5	56AA17760	COLLAR	カラー	C	2	e-V217040003
6	56AA40032EOld	Paper Feed Guide Plate /Upper	給紙ガイド板 /上	C	1	f-V217060003
6	56AA40032F	Paper Feed Guide Plate /Upper	給紙ガイド板 /上	C	1	g-V234301250
7	56AA40100G	Wiring Protection Cover	束線保護カバー	D	1	h-V234301450
8	56AA40120	PAPER FEED HOLDING SCREW	給紙押えネジ	C	1	j-V500020099
9	56AA40171	PAPER FEED DETECTING ACTUATOR	給紙検知アクチュエタ	C	1	k-V570010050
10	56AA40190	PRESSING SPRING	センサ押圧バネ	C	1	m-V570010056
11	56AA40230	PAPER FEED REGISTRATION ROLLER	給紙レジストローラ	C	1	
12	56AA40310	MOUNTING PLATE	センサ取付け板	D	1	
13	56AA40370	ADJUSTING PLATE	調整板	D	1	
14	56AA40390	CAM PLATE	カム板	C	1	
15	A9VE560100	Ground Plate	アース板	C	1	
16	56AA40500	SHAFT HOLDER EARTH PLATE	軸受アース板	C	1	
17	56AA40520	EARTH SPRING	センサアースバネ	C	1	
18	56AA77720E	Paper Feed Reverse Gear /1 16/22T	給紙逆転歯車 / 1 16 / 22 T	C	1	
19	56AA77730	PAPER FEED REVERSING GEAR 2 33T	給紙逆転歯車 2 33 T	C	1	
20	56AA82012	Paper Feed Drive Clutch	給紙駆動クラッチ	B	1	
21	65AA40010	Regulating Plate	規制板	D	1	
22	A00J663200	Bushing	すべり軸受	B	3	
23	A03U812800	Slide Shaft Holder	すべり軸受	B	1	
24	A50U560901	Drive Side plate /1	駆動側板 / 1	D	1	
25	A50U561200	Drive Side plate /Assy	駆動側板 / A s s y	D	1	
26	A50U562400	Input Shaft	入力軸	D	1	
27	A50U564500	Paper feed Coupling	給紙カップリング	B	1	
28	A50U565100	Pressing Spring	押圧ばね	D	1	
29	A50UN14201	Paperfeed Wiring /1	給紙束線 / 1	D	1	
30	A85C635400Old	Adjusting Plate	調整板	D	1	
30	A85C635401	Adjusting Plate	調整板	D	1	
31	A85CM55600	Photo Sensor	フォトセンサ	C	3	

Tray 2 Paper Feed Section

TRAY 2

P 69



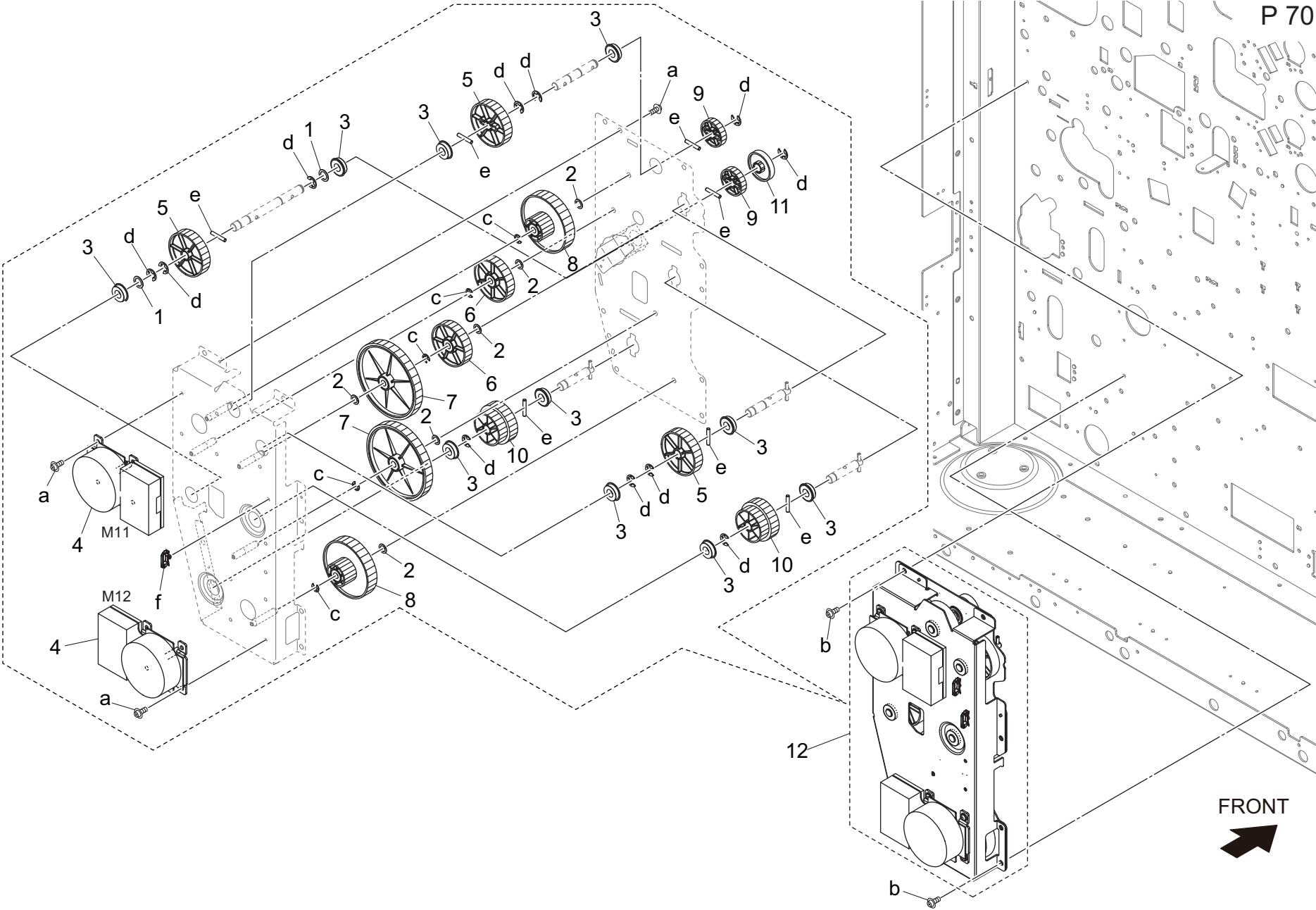
Tray 2 Paper Feed Section

Key	Part No.	Description	Destinations	Class	QTY	Standard parts
1	059076510	PULLEY 1 15T		C	2	a-V118030603 b-V121030603 c-V217040003 d-V217060003
2	25AA40100	Feeding Roller /B		B	1	
3	25SA40960	DOUBLE FEED PREVENTION RUBBER		A	1	
4	55FA40320	COUPLING		C	1	
5	55VA42120	Shaft Stopper		C	1	
6	56AA17510	Pin /B		C	2	
7	56AA17760	COLLAR		C	2	
8	56AA40070	Paper feed Swing Plate		D	1	
9	56AA40300	PAPER QUANTITY ACTUATOR		C	1	
10	56AA40380	PAPER FEED REGULATING BLOCK		B	1	
11	56AA40490	SHAFT STOPPER 4		C	4	
12	56AA77590	PAPER FEED ROCKING BELT 111L		C	1	
13	56AA82012	Paper Feed Drive Clutch		B	1	
14	65AA40080E	Paper feed Auxiliary Plate		D	1	
15	65GE97400	GUIDE LABEL /1		C	1	
16	A00J663200	Bushing		B	6	
17	A03U560500	Regulating Plate /Rear		C	1	
18	A03U812800	Slide Shaft Holder		B	2	
19	A1DUR71J00	Paper Feed Oscillate Roller		B	1	
20	A1DUR75200	Paper Feed Feeding Shaft Assy		D	1	
21	A85C635200	Swing Shaft		D	1	
22	A85C635300	Drive Shaft		D	1	



Paper Feed Driving Section

P 70



FRONT

AccurioPress C3080P

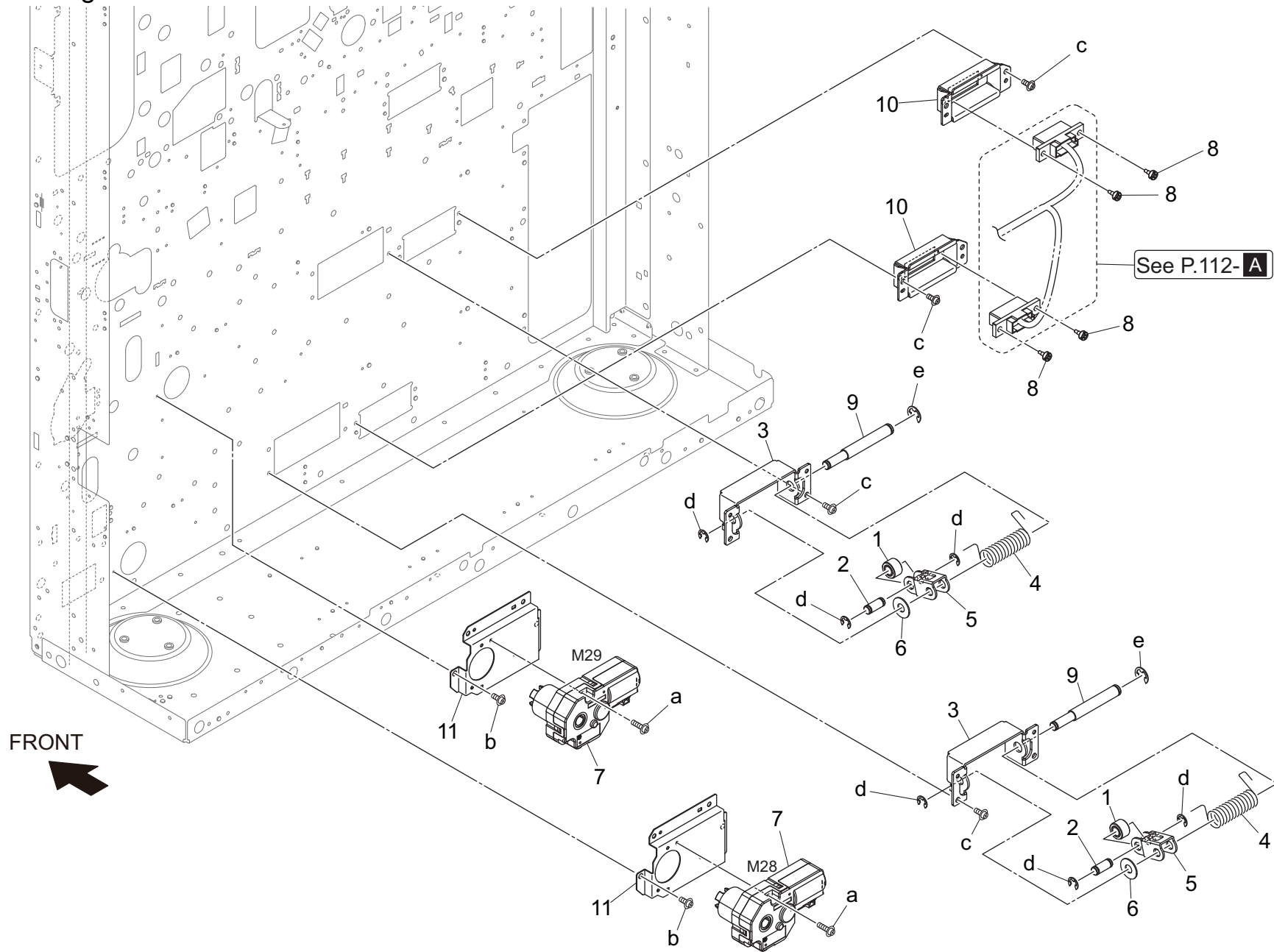
Paper Feed Driving Section

Key	Part No.	Description	Destinations	Class	QTY	Standard parts
1	12QV40650	Spacer		B	2	a-V121030403 b-V127030604 c-V217040003 d-V217060003 e-V234301850 f-V500020100
2	40AA32320	Toner Supply Spacer		C	6	
3	A00V240600	Ball Bearing		B	10	
4	A2XKM10300	Brushless motor		I	2	
5	A50U252100	Paper feed Gear /1 46T		C	3	
6	A50U252300	Paper feed Gear /3 45T		C	2	
7	A50U252400	Paper feed Gear /4 74T		C	2	
8	A50U252500	Paper feed Gear /5 47/60T		C	2	
9	A50U252600	Paper feed Gear /6 29T		C	2	
10	A50U252700	Paper feed Gear /2 35/41T		C	2	
11	A50U252800	Stopper Roll		D	1	
12	A50UR70S11	Paper Feed Drive Assy		S	1	

AccurioPress C3080P

Tray Driving Section

P 71



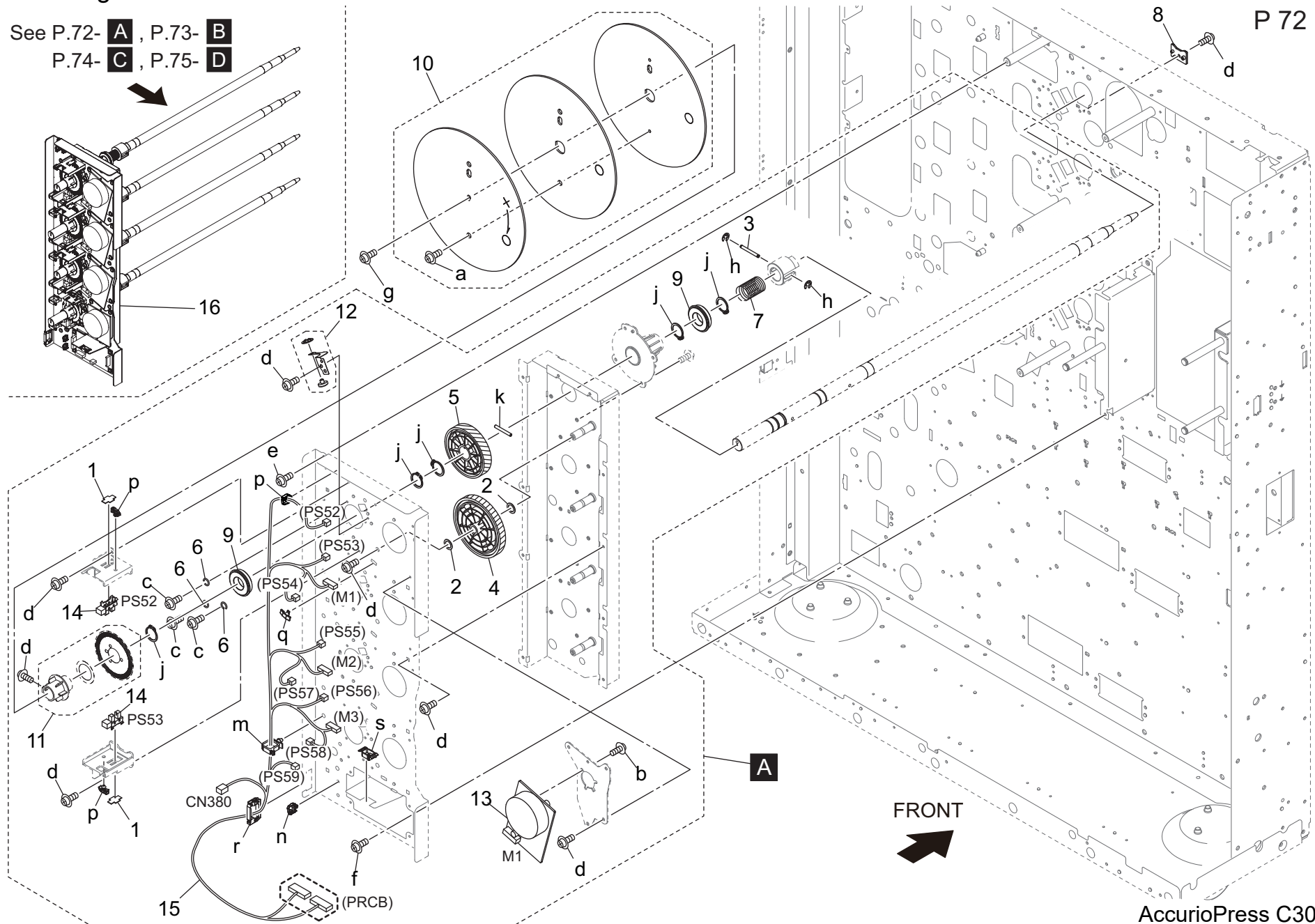
AccurioPress C3080P

Tray Driving Section

Key	Part No.	Description	Destinations	Class	QTY	Standard parts
1	A9VE625800	Roll		C	2	a-V118032003 b-V127030604 c-V146040804 d-V217060003 e-V217080003
2	65AA47360	CASSETTE LOCKING SHAFT		D	2	
3	65AA47370	FULCRUM PLATE		D	2	
4	65AA47390	GUIDE SPRING		C	2	
5	65AA47710	LOCKING PLATE		D	2	
6	65AA47970	SPACER		C	2	
7	A2X0M12101	Brush motor		B	2	
8	A50U109201	Mounting Screw		D	4	
9	A50U109300	Support Shaft		D	2	
10	A50U112901	Mounting Tray		D	2	
11	A50U629100	Mounting Plate		D	2	

Drum Driving Section

See P.72- **A** , P.73- **B**
 P.74- **C** , P.75- **D**



FRONT

AccurioPress C3080P

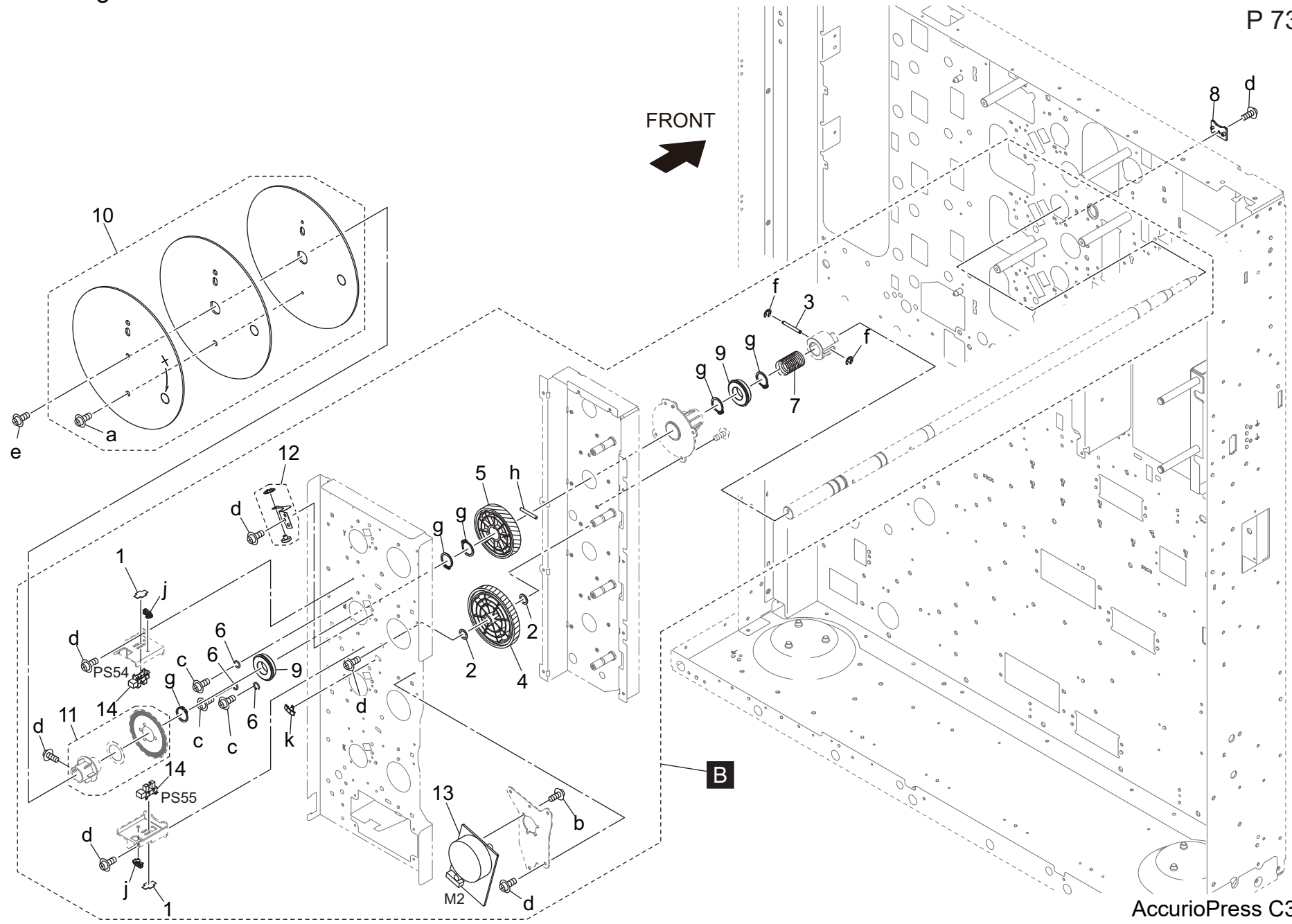
Drum Driving Section

Key	Part No.	Description	Destinations	Class	QTY	Standard parts
1	4470402401	Stopper		D	2	a-V116040803
2	12QV40650	Spacer		B	2	b-V118030403
3	65AA15210	COUPLING PIN		D	1	c-V118030603
4	A03U259600	Idling Gear 46/132T		C	1	d-V127030604
5	A03U259900	DRIVE GEAR 92T		C	1	e-V127040603
6	A1RF214100	Set Washer /1		D	3	f-V127040803
7	A50U210600	Pressing Spring		D	1	g-V185041003
8	A50U212100	Slide Part		D	1	h-V217020003
9	A50U212600	Ball Bearing /15		D	1	j-V223150017
10	A50UF21100	Drum Drive Fly Wheel / Y M C		C	2	k-V234302550
11	A50UR71K00	Encoder / YMC		D	1	m-V500010082
12	A50UR72X01	Drum Ground Assy		D	1	n-V500020098
13	A85CM10200	DC Brushless motor /20		C	1	p-V500020099
14	A85CM55600	Photo Sensor		C	2	q-V500020103
15	A85CN19000	Drive Wiring /1		D	1	r-V570010059
16	A85CR70C11	Drum Drive Assy		D	1	s-V570010063

Drum Driving Section

P 73

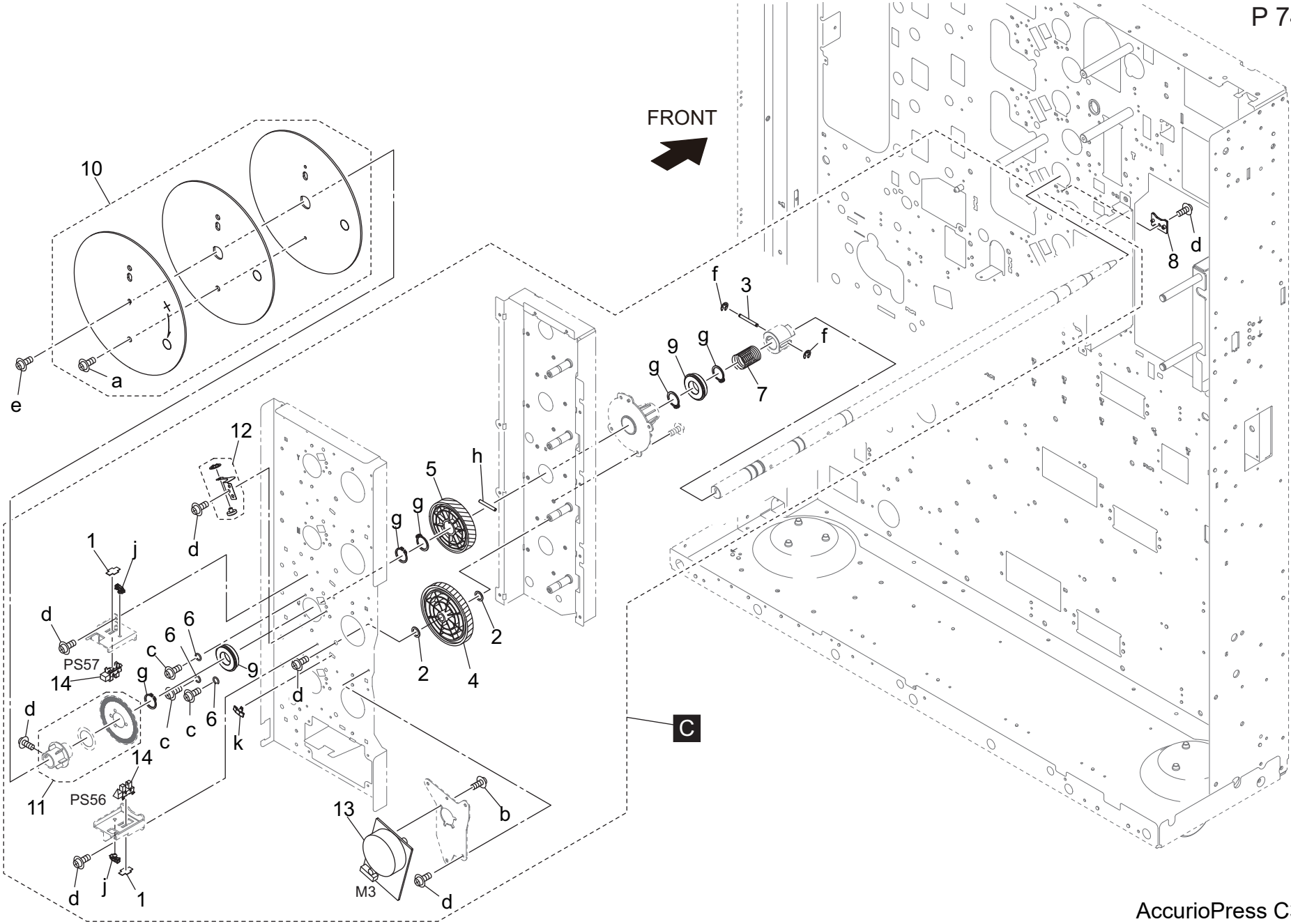
FRONT

AccurioPress C3080P

Key	Part No.	Description	Destinations	Class	QTY	Standard parts
1	4470402401	Stopper		D	2	a-V116040803
2	12QV40650	Spacer		B	2	b-V118030403
3	65AA15210	COUPLING PIN		D	1	c-V118030603
4	A03U259600	Idling Gear 46/132T		C	1	d-V127030604
5	A03U259900	DRIVE GEAR 92T		C	1	e-V185041003
6	A1RF214100	Set Washer /1		D	3	f-V217020003
7	A50U210600	Pressing Spring		D	1	g-V223150017
8	A50U212100	Slide Part		D	1	h-V234302550
9	A50U212600	Ball Bearing /15		C	2	j-V500020099
10	A50UF21100	Drum Drive Fly Wheel / Y M C		D	1	k-V500020103
11	A50UR71K00	Encoder / YMC		D	1	
12	A50UR72X01	Drum Ground Assy		D	1	
13	A85CM10200	DC Brushless motor /20		C	1	
14	A85CM55600	Photo Sensor		C	2	

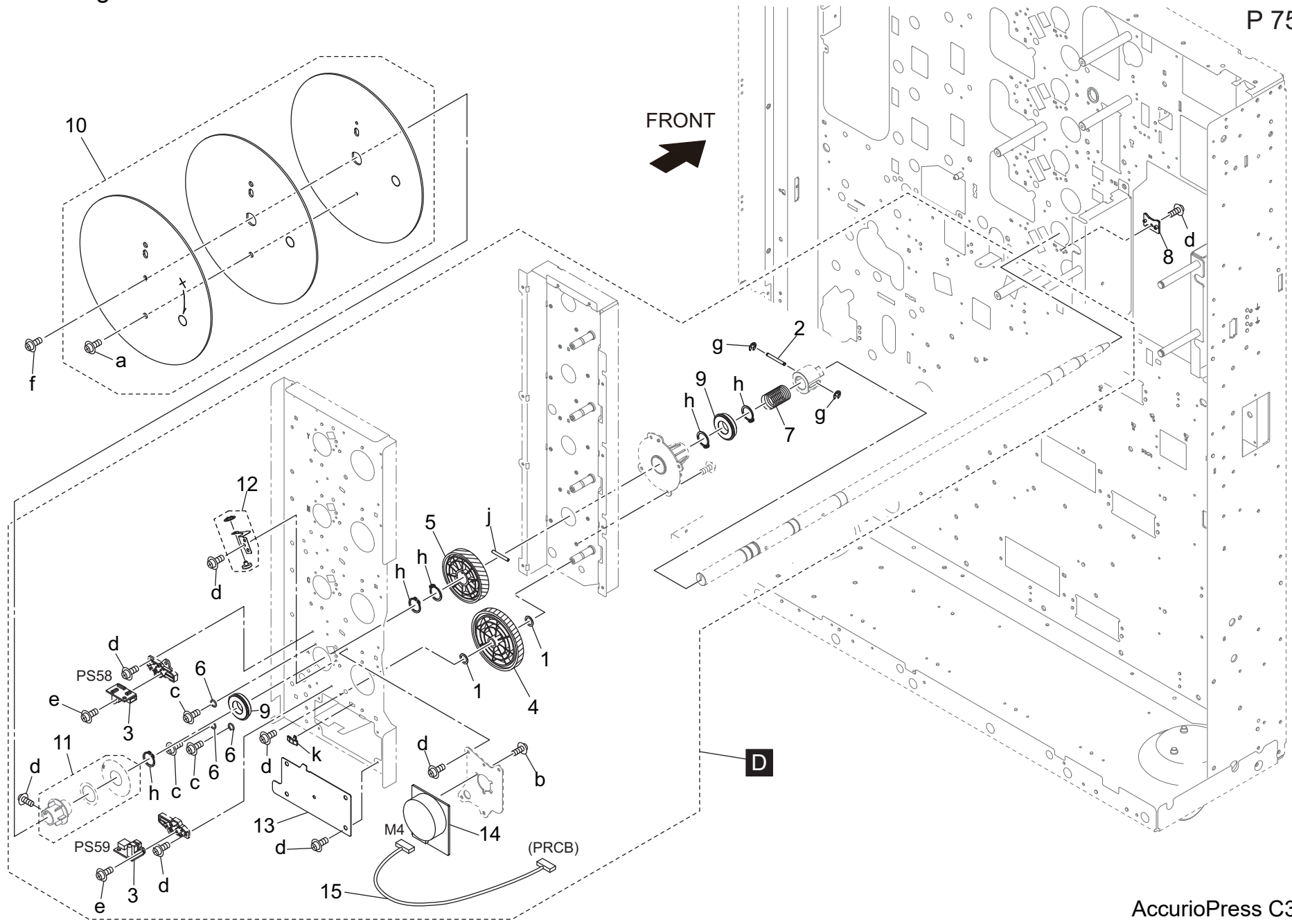
Drum Driving Section



AccurioPress C3080P

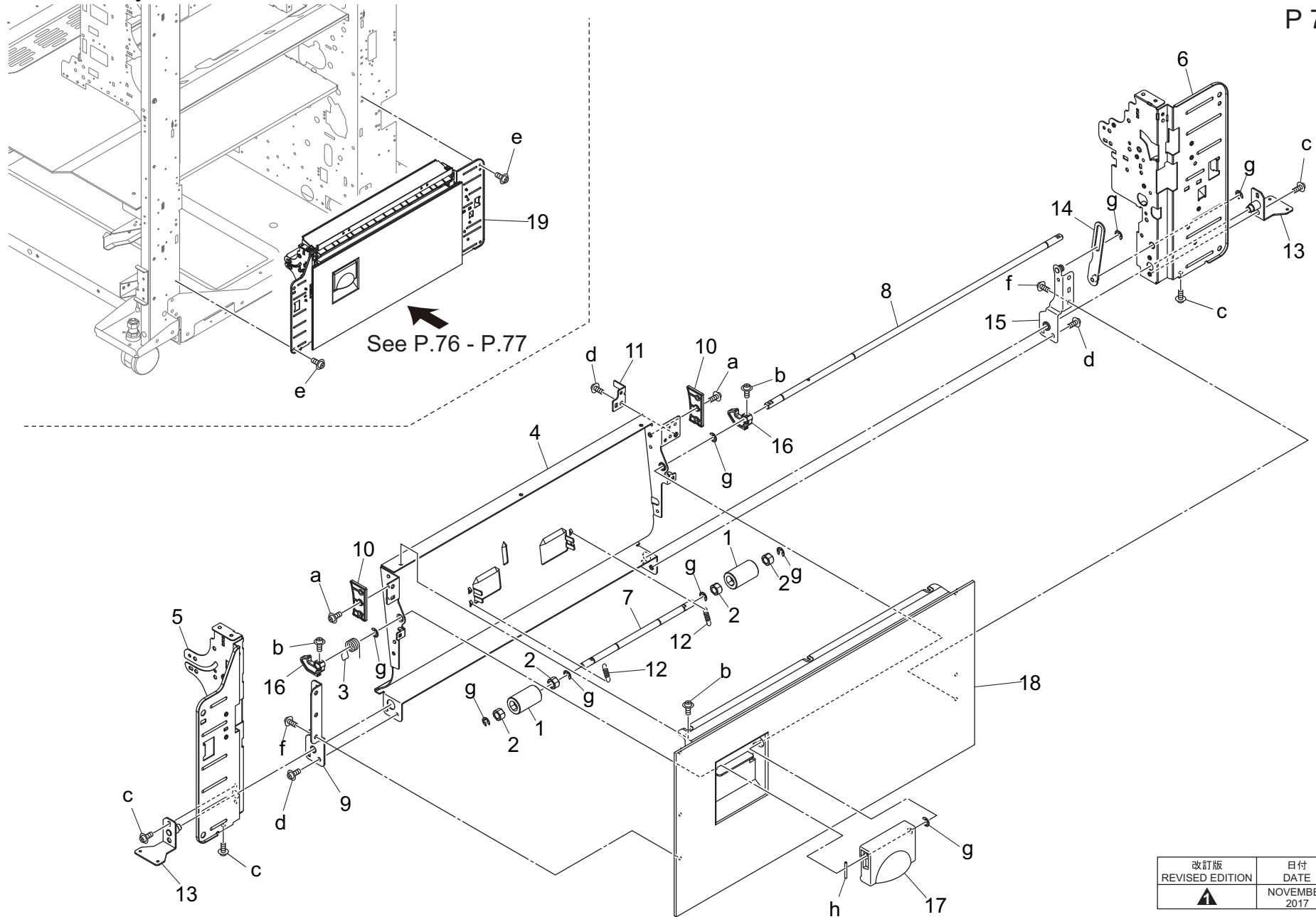
Drum Driving Section

P 75



Vertical Conveyance Section

P 76



改訂版 REVISED EDITION	日付 DATE
	NOVEMBER 2017

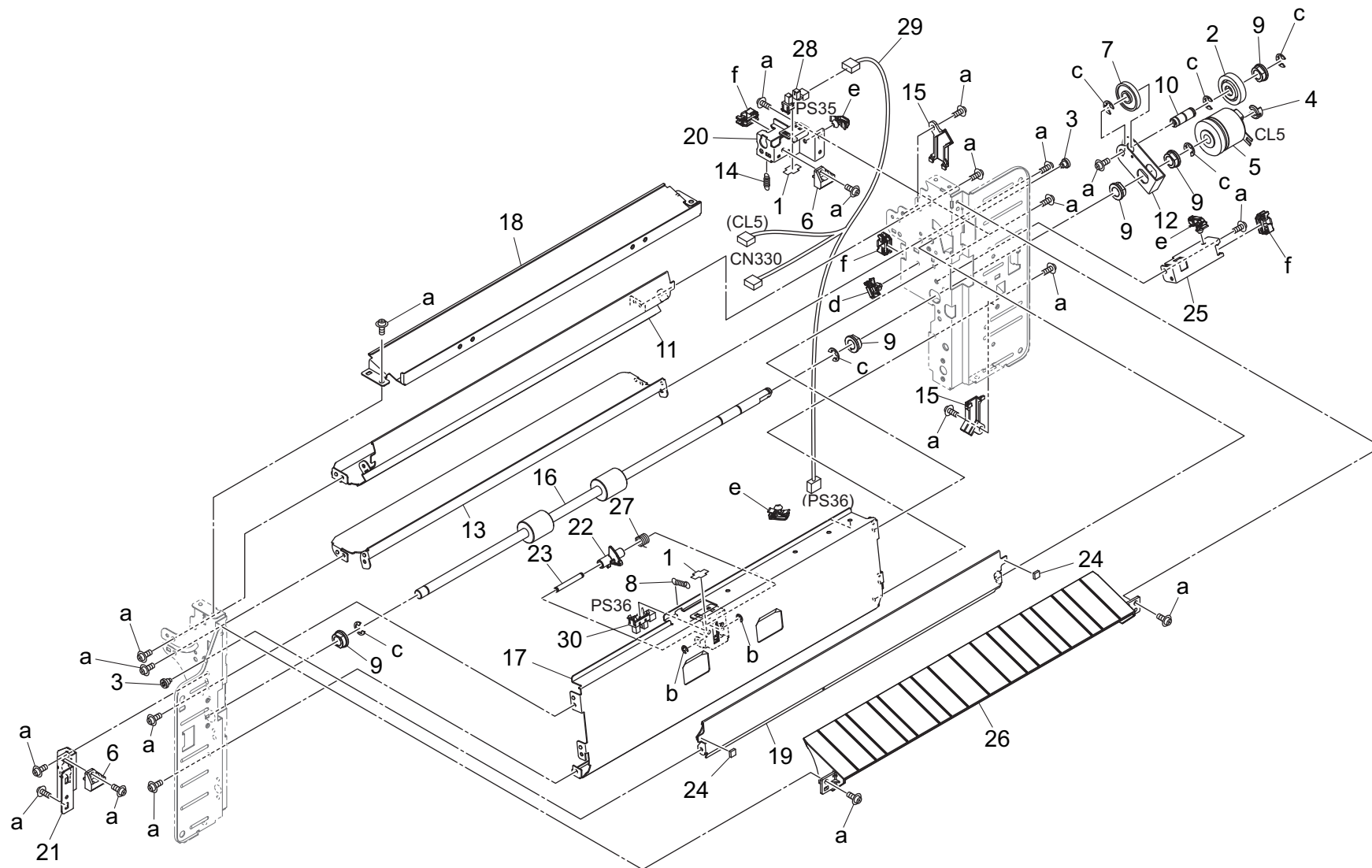
AccurioPress C3080P

Vertical Conveyance Section

Key	Part No.	Description	Destinations	Class	QTY	Standard parts
1	26NA42560	By-Pass Idler Roller		C	2	a-V112030603
2	A03U850101	Slide Bushing		C	4	b-V118030603
3	A1RF701700	Lock Spring /Front		D	1	c-V121030403
4	A50U700101	Guide Plate Outside		D	1	d-V127030604
5	A50U700901	Side plate /1		D	1	e-V127040603
6	A50U701113	Side plate /2		D	1	f-V158030803
7	A50U705100	Idler Shaft		D	1	g-V217040003
8	A50U705200	Open/close Shaft		D	1	h-V234201850
9	A50U705701	Support Plate /3		D	1	
10	A50U706000	Regulating Plate /Front		D	2	
11	A50U706900	Detecting Plate		D	1	
12	A50U707600	Idler Spring		D	2	
13	A50UF70800	Support Plate / 1 Caulking		D	2	
14	A50UF70900	Connecting Plate Caulking		D	1	
15	A50UR73100	Support Plate /2 Caulking		D	1	
16	A55C712000	Lock Claw		D	2	
17	A9VE700200	Conveyance Handle		D	1	
18	A9VE701300	Cover Door		D	1	
19	A9VER70800	Vertical Conveyance Assy		S	1	

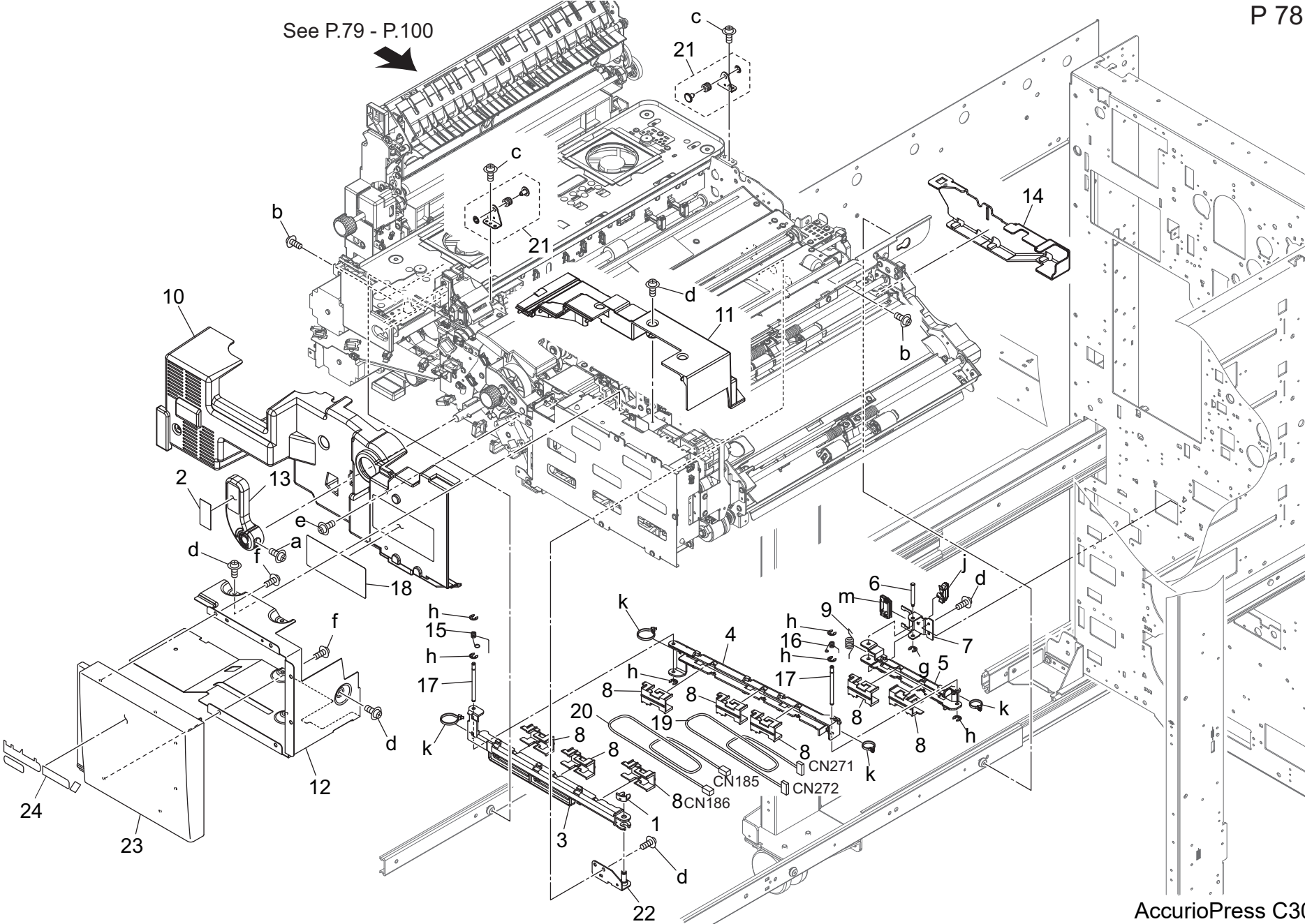
Vertical Conveyance Section

P 77



Key	Part No.	Description	Destinations	Class	QTY	Standard parts
1	4470402401	Stopper		D	2	a-V127030604 b-V217030003 c-V217060003 d-V500020098 e-V500020099 f-V570010056
2	25AA77730	CONVEYANCE IDLER RIGHT 24T	搬送アイドラ 右 24 T	C	1	
3	55VA20680	SEPARATION POSITIONING SCREW	分離位置決めネジ	C	2	
4	55VA42120	Shaft Stopper	軸ストッパー	C	1	
5	56AA82012	Paper Feed Drive Clutch	給紙駆動クラッチ	B	1	
6	65AA44200	LOCKING PLATE	ロック板	C	2	
7	65AA44350	STOPPER ROLLER	突き当てコロ	C	1	
8	65AA44440	OPEN SHUT SPRING	開閉バネ	C	1	
9	A03U812800	Slide Shaft Holder	すべり軸受	B	5	
10	A50U700200	Idling Shaft	アイドラ軸	D	1	
11	A50U700300	Guide Plate /Upper	ガイド板/上	D	1	
12	A50U700400	Rotation Plate	回転板	D	1	
13	A50U700500	Guide Plate /Inside	ガイド板/内	D	1	
14	A50U700600	Positioning Spring	位置決めばね	D	1	
15	A50U701000	Support Plate	支持板	D	2	
16	A50U704400	Conveyance Roller /1	搬送ローラ/1	C	1	
17	A50U704700	Guide Plate /Middle	ガイド板/中	D	1	
18	A50U704801	Guide Plate /2	ガイド板/2	D	1	
19	A50U704900	Open/shut Plate	開閉板	D	1	
20	A50U705000	Mounting Plate /Rear	取付板/奥	D	1	
21	A50U705400	Fixing Plate /1	固定板/1	D	1	
22	A50U705500	Detection Actuator	検知アクチュエータ	D	1	
23	A50U705600	Support Shaft	支点軸	D	1	
24	A50U706800	Cushion	クッション	D	2	
25	A50U707002	Lock Plate	ロック板	D	1	
26	A50U707300	Guide Plate	ガイド板	D	1	
27	A50U707400	Pressing Spring /1	押圧ばね/1	D	1	
28	A50UM51000	Photointerrupter	透過型センサ	C	1	
29	A50UN14400	Conveyance Wiring /1	搬送束線/1	D	1	
30	A85CM55600	Photo Sensor	フォトセンサ	C	1	

Duplex Carriage Section



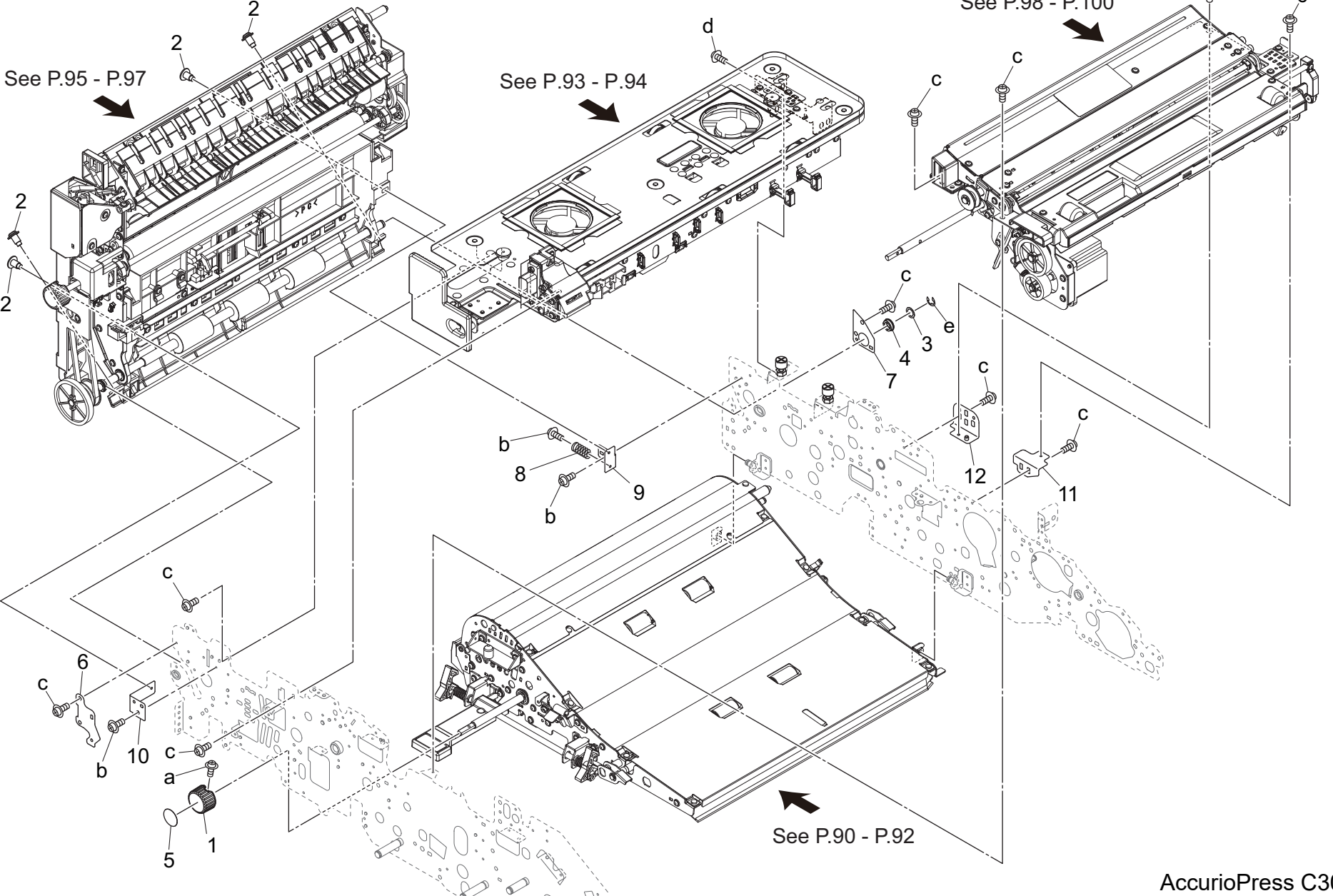
AccurioPress C3080P

Duplex Carriage Section

Key	Part No.	Description	Destinations	Class	QTY	Standard parts
1	56AA40490	SHAFT STOPPER 4		C	1	a-V116041203
2	A9VE943100	Release Label /1		D	1	b-V118040603
3	A50U818700	Wiring Guide /Front		D	1	c-V121030403
4	A50U818800	Wiring Guide /Middle		D	1	d-V127030604
5	A50U818900	Wiring Guide /Rear		D	1	e-V127030804
6	A50U819201	Support Shaft /Rear		D	1	f-V151030803
7	A50U819302	Support Plate /Rear		D	1	g-V217020003
8	A50U832901	Wiring Cover		D	8	h-V217030003
9	A50U835001	Torsion Coil spring		D	1	j-V500020100
10	A50U837001	Cover Part /1		D	1	k-V501010002
11	A50U837101	Cover Part /2		D	1	m-V570010059
12	A50U837300	Cover Part /3		D	1	
13	A50U855702	Pulling Lever (ADU 架台)		D	1	
14	A50U858200	Cover Cover		D	1	
15	A50U858300	Ground Spring /2		D	1	
16	A50U858400	Ground Spring /1		D	1	
17	A50U858500	Support Shaft /Middle		D	2	
18	A50U944200	Processing Label /1		D	1	
19	A50UN15500	ADU Relay harness /3		D	1	
20	A50UN18700	ADU Relay harness /6		D	1	
21	A50UR70G01	2nd Transfer Earth Plate Assy		B	2	
22	A50UR72S00	Support Plate / Front Caulking		D	1	
23	A9VE160400	Duplex Cover		D	1	
24	AAC2947000	Indicating Label		D	1	



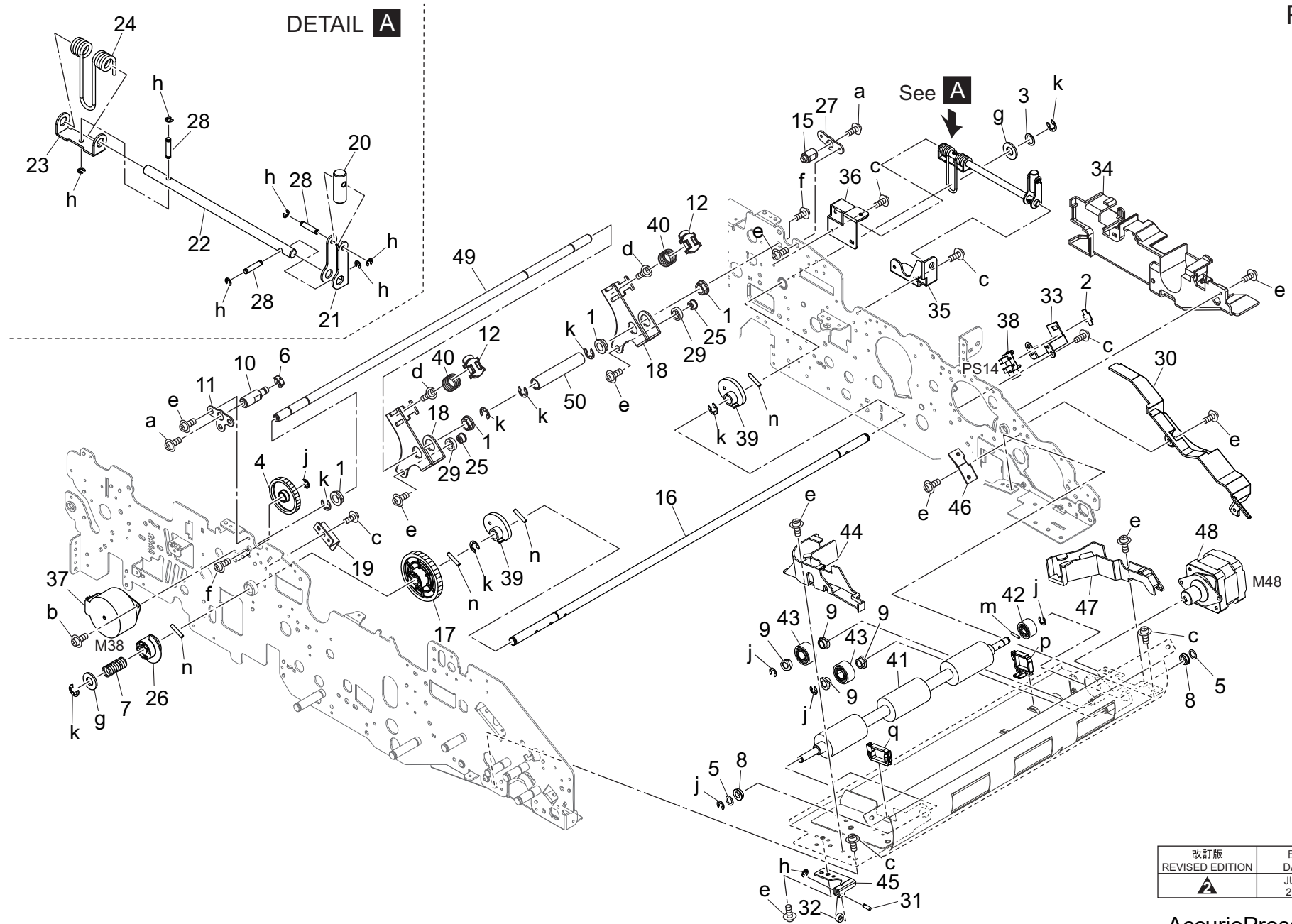
Duplex Carriage Section



Duplex Carriage Section

Key	Part No.	Description	Destinations	Class	QTY	Standard parts
1	14GE45470	Rotation Knob		C	1	a-V118030603 b-V121030403 c-V127030604 d-V127040803 e-V217060003
2	26NA54230	TERMINAL FIXING SCREW		C	4	
3	56AA42690	BY-PASS SPACER		C	1	
4	A00J617900	Ball Bearing		B	1	
5	A9VE944100	Release Label /11		D	1	
6	A50U819500	Connecting Plate		D	1	
7	A50U839900	Connecting Plate		D	1	
8	A50U842900	Conveyance Spring /5		D	1	
9	A50U882701	Reverse/Exit Joint /Rear		D	1	
10	A50U882801	Reverse/Exit Joint /Front		D	1	
11	A50U884202	Registration Base frame /2		D	1	
12	A50UF83702	Registration Base Frame / 1 Caulking		D	1	

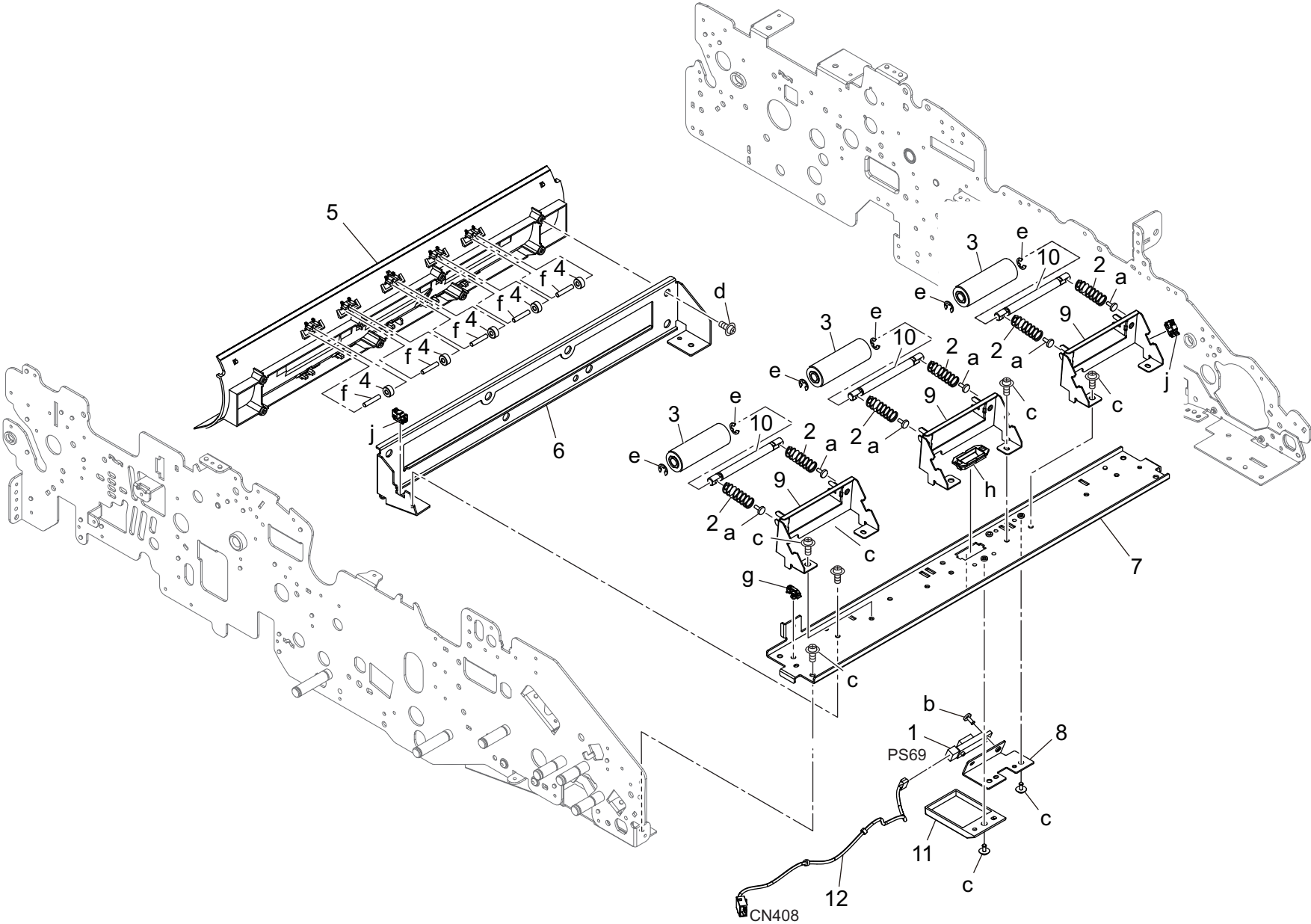
Duplex Section



改訂版 REVISED EDITION	日付 DATE
	JUNE 2018

AccurioPress C3080P

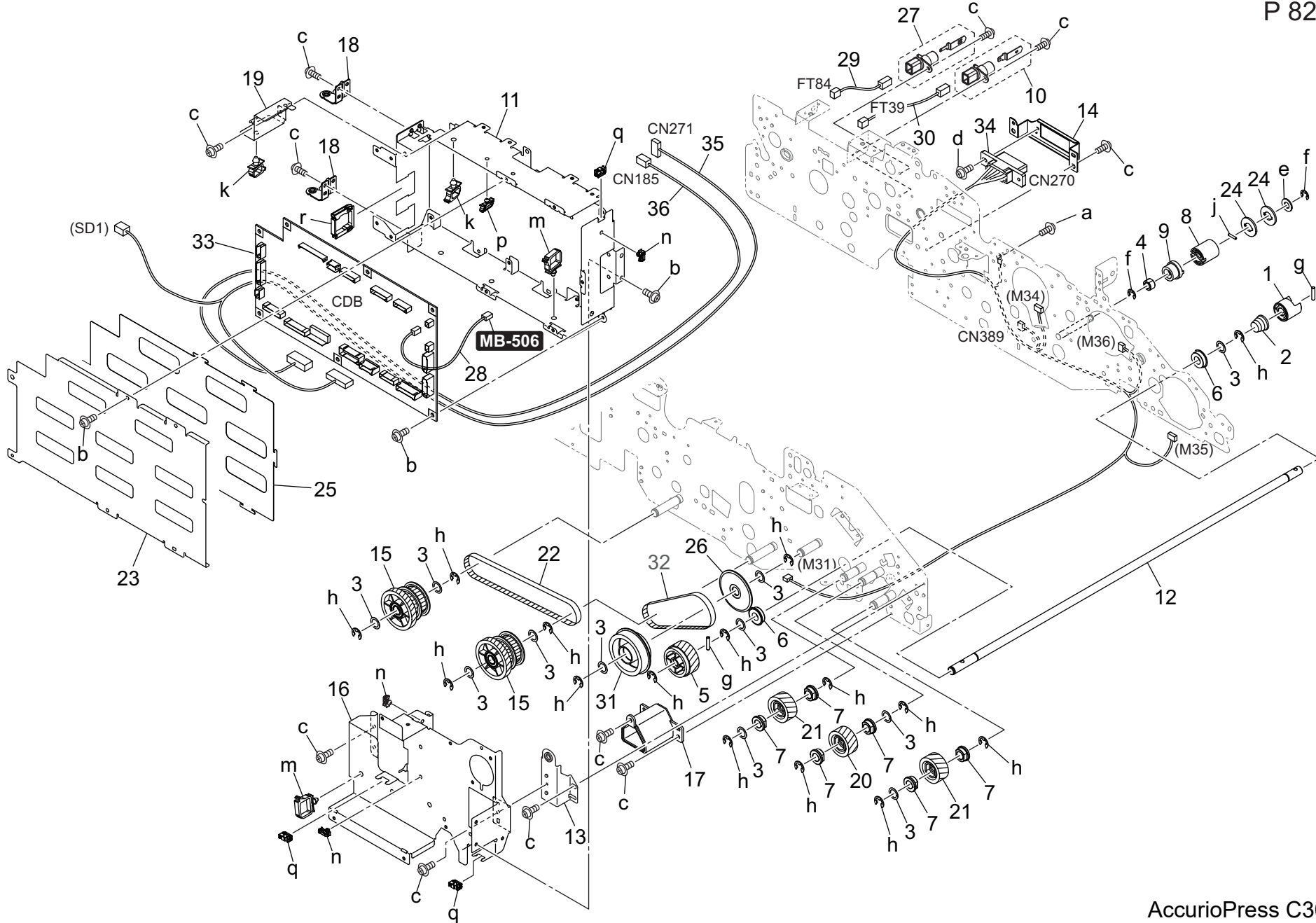
Key	Part No.	Description	Destinations	Class	QTY	Standard parts
1	4131353202	BUSHING		C	4	a-V116050803
2	4470402401	Stopper		D	1	b-V118030403
3	12QV40650	Spacer		B	1	c-V121030403
4	40AA77550	Mirror Drive Gear /2 14/70T		C	1	d-V121040403
5	40AA98020D	Paper exit Spacer		D	2	e-V127030604
6	56AA40490	SHAFT STOPPER 4		C	1	f-V127040803
7	65AA45230	CAM PULLING SPRING		C	1	g-V207080003
8	A00J617800	Ball Bearing		B	2	h-V217020003
9	A0P0663600	Bushing		C	4	j-V217040003
10	A50U520601	Support Shaft /Front		D	1	k-V217060003
11	A50U520700	Adjusting Plate /Front		D	1	m-V234201050
12	A50U520900	Pressing Cover		D	2	n-V234301650
15	A50U521301	Support Shaft /Rear		D	1	q-V500010079
16	A50U521500	Drive Shaft		D	1	
17	A50U521900	Pressure Gear /3 47T		C	1	
18	A50U522001	Rotation Arm		D	2	
19	A50U522400	Holding Plate		D	1	
20	A50U522900	Rotation Shaft		D	1	
21	A50U523001	Release Arm		D	1	
22	A50U523100	Support Shaft		D	1	
23	A50U523200	Rotation Cover		D	1	
24	A50U523400	Torsion Coil spring		D	1	
25	A50U524100	Receiving Shaft		D	2	
26	A50U524500	Transfer Actuator		D	1	
27	A50U524600	Adjusting Plate /Rear		D	1	
28	A50U524700	Support Shaft		D	3	
29	A50U716500	Ball Bearing		C	2	
30	A50U834802	Cover Side plate /Right rear		D	1	
31	A50U854400	Fixing Shaft		D	1	
32	A50U854800	Conveyance Roll		D	1	
33	A50U855800	Drive Side plate /2		D	1	
34	A50U858101	Cover Box		D	1	
35	A50U884600	Support Plate /1		D	1	
36	A50U884700	Support Plate /2		D	1	
37	A50UR72C00	Drive Motor / 1 Assy		C	1	
38	A85CM55600	Photo Sensor		C	1	
39	A9VE522500	Transfer Cam		C	2	
40	A9VE526200	Pressing Spring		D	2	
41	AC57870700	Conveyance Roller		C	1	
42	A9VE870800	Drive Gear /1 20T		C	1	
43	A9VE870900	Idling Gear 24T		C	2	
44	A9VE871200	Wiring Guide /1		D	1	
45	A9VE871300	Support Plate		D	1	
46	A9VE871700	Mounting Plate /5		D	1	
47	A9VE871800	Wiring Guide /2		D	1	
48	A9VER71400	Stepping Motor Assy		C	1	
49	A9VE521100	Pressing Shaft /1		D	1	
50	A9VE521200	Transfer Collar /1		D	1	



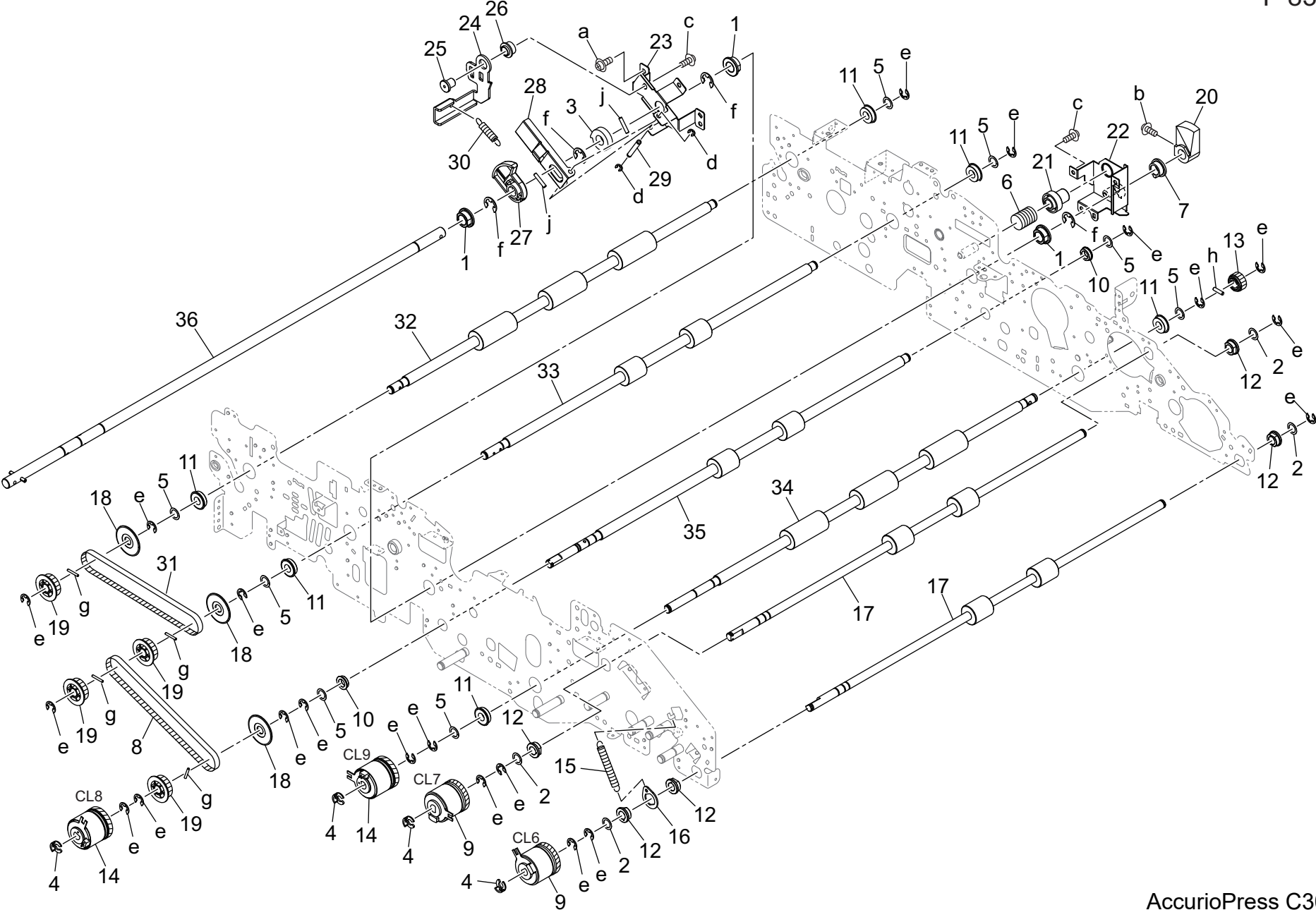
Duplex Section

Key	Part No.	Description	Destinations	Class	QTY	Standard parts
1	13QA85511	Sensor 1		B	1	a-V118030603
2	A03U842700	Conveyance Spring /3		C	6	b-V118030604
3	A03U845601	Idler Roller /2		C	3	c-V127030604
4	A50U854800	Conveyance Roll		D	5	d-V151030803
5	A9VE870100	Guide Plate		D	1	e-V217040003
6	A9VE870200	Mounting Plate /4		D	1	f-V234301650
7	A9VE870300	Mounting Plate /3		D	1	g-V500020099
8	A9VE870400	Sensor Plate		D	1	h-V570010037
9	A9VE870500	Idler Plate		D	3	j-V570010056
10	A9VE870600	Idler Shaft		D	3	
11	A9VE871900	Wiring Cover		D	1	
12	A9VEN16200	ADU Detection harness /16		D	1	

Duplex Section



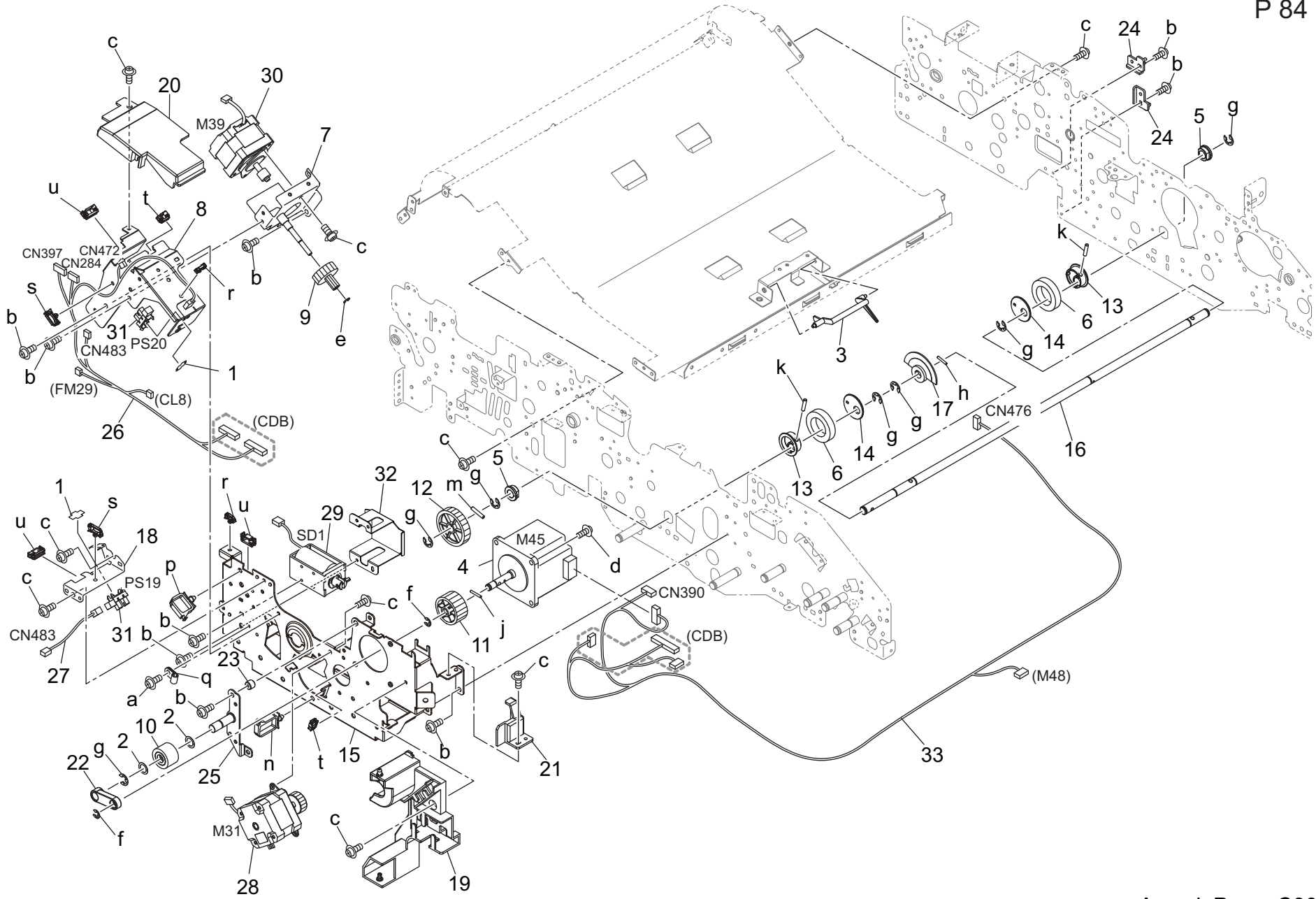
Key	Part No.	Description	Destinations	Class	QTY	Standard parts
1	55VA15541	CLEANER COUPLING PART	クリーナーカップリング部材	C	1	a-V116030603
2	56AA17090	Pressing Spring	押圧バネ	C	1	b-V127030603
3	56AA42690	BY-PASS SPACER	手差しスペーサー	C	11	c-V127030604
4	56GA76010	SLIDE SHAFT HOLDER 2	滑り軸受 2	C	1	d-V127030803
5	65AA77540	PAPER FEED GEAR 2 29T	給紙歯車 2 29 T	C	1	e-V207060003
6	A00V240600	Ball Bearing	ボールベアリング	B	2	f-V217050003
7	A03U812800	Slide Shaft Holder	すべり軸受	B	6	g-V234301450
8	A03U815700	Torque Limiter	トルクリミッター	B	1	h-V217060003
9	A03U839000	BRAKE GEAR /1 21T	ブレーキギア /1 21 T	C	1	j-V234201050
10	A1DUR73K00	Powering Block A Assy	給電ブロック / A 部組	C	1	k-V500010082
11	A50U810502	Mounting Board /1	取付基板 /1	D	1	m-V500010084
12	A50U812100	Drive Input Shaft	駆動入力軸	D	1	n-V500020099
13	A50U816103	Positioning Side plate /Right	位置決め側板 /右	D	1	p-V500020100
14	A50U817400	Mounting Side plate /1	取付側板 /1	D	1	q-V570010056
15	A50U818001	Drive Gear /1 38/29/29T	駆動ギア /1 38 / 29 / 29 T	C	2	r-V570010058
16	A50U835302	Mounting Board /2	取付基板 /2	D	1	
17	A50U835400	Guide Part /Front	ガイド部材 /前	D	1	
18	A50U835900	Support Plate	支点板 (基板)	D	2	
19	A50U836000	Cover	カバー (基板)	D	1	
20	A50U836400	Conveyance Idler /Right	搬送アイドラ /右	D	1	
21	A50U836500	Conveyance Idler /Right	搬送アイドラ /右	D	2	
22	A50U839200	Belt /3 342L	ベルト /3 342 L	C	1	
23	A50U855900	Cover Board /Left Front	カバー基板 /左前 (基板)	D	1	
24	A50U858600	Stopper Plate	ストッパ板	D	2	
25	A50U880702	Packing Board /Front	包装基板 /前	D	1	
26	A50U885100	Drive Spacer	駆動スペーサ	D	1	
27	A50UF82200	Power Supply Block / B ASSY	給電ブロック / B ASSY	D	1	
28	A50UN17200	ADU Drive harness /7	ADU 駆動束線 /7	D	1	
29	A50UN25400	HV Relay harness /5	高圧中継束線 /5	D	1	
30	A50UN25600	HV Relay harness /6	高圧中継束線 /6	D	1	
31	A9VE818100	Drive Gear /1 39T	駆動ギア /1 39 T	C	1	
32	A9VE839100	Belt /4	ベルト /4	D	1	
33	A9VEH05001	Conveyance Drive Board ASSY	搬送駆動基板 ASSY	I	1	
34	A9VEN15000	ADU Drive harness /1	ADU 駆動束線 /1	D	1	
35	A9VEN15601	ADU Control harness /1	ADU 制御束線 /1	D	1	
36	A9VEN18801	ADU Control harness /2	ADU 制御束線 /2	D	1	



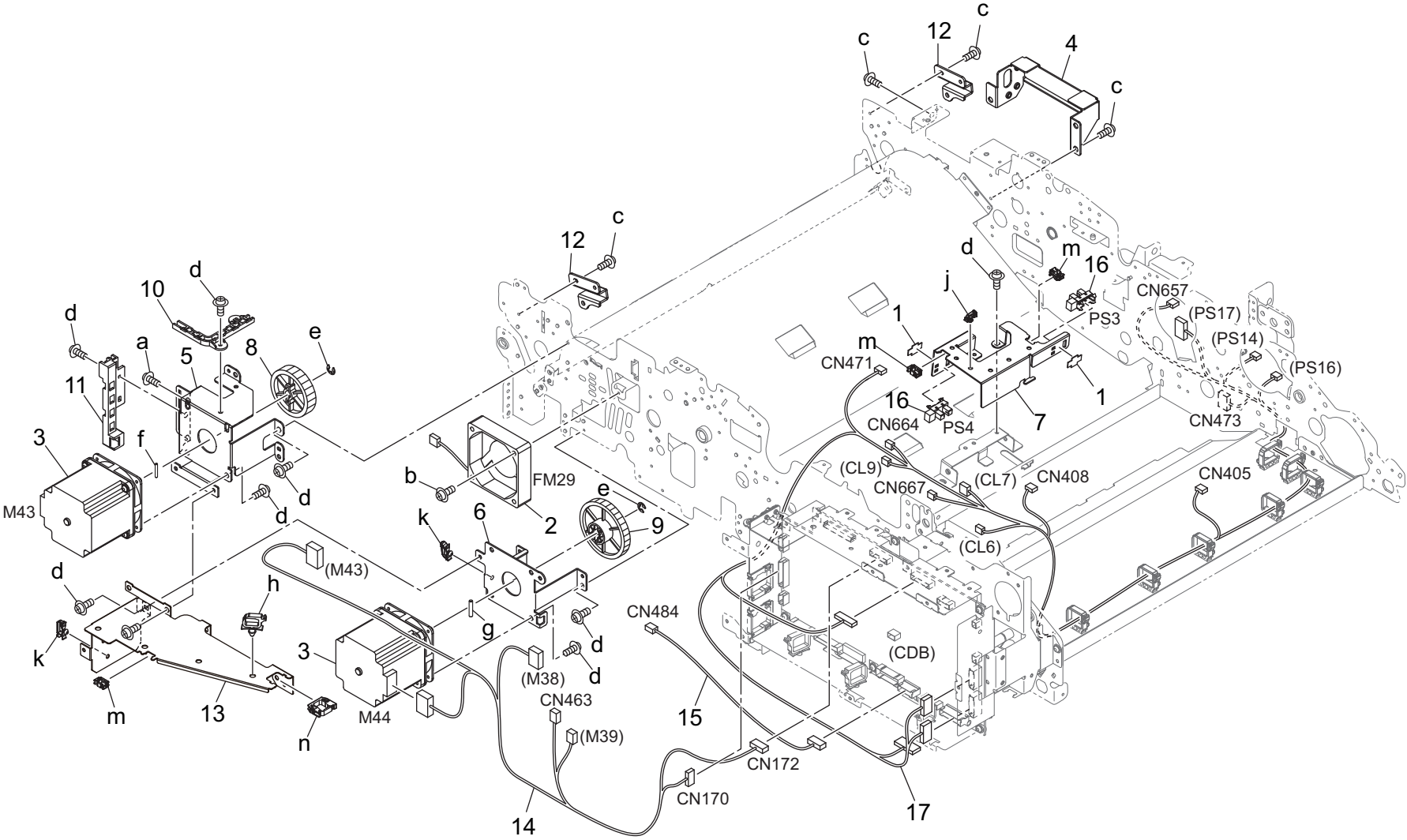
Key	Part No.	Description	Destinations	Class	QTY	Standard parts
1	462076010	Driving Slide Shaft Holder A	駆動滑り軸受 A	C	3	a-V121030403
2	12QV40650	Spacer	スペーサー	B	4	b-V121041203
3	25AA47500	Carriage Lock Claw B	架台ロック爪 B	C	1	c-V127030604
4	55VA42120	Shaft Stopper	軸ストッパー	C	4	d-V217030003
5	56AA42690	BY-PASS SPACER	手差しスペーサー	C	8	e-V217060003
6	56AA50670	Cam Stopper Spring	カムストッパバネ	C	1	f-V217080003
7	56AA50800	LEVER SUPPORT SHAFT HOLDER	レバー支持軸受	C	1	g-V234201450
8	56AA77530	Paper Feed Drive Belt /1 336L	給紙駆動ベルト / 1 336 L	C	1	h-V234301250
9	56AA82012	Paper Feed Drive Clutch	給紙駆動クラッチ	B	2	j-V234301650
10	A00J617900	Ball Bearing	ボールベアリング	B	2	
11	A00V240600	Ball Bearing	ボールベアリング	B	6	
12	A03U812800	Slide Shaft Holder	すべり軸受	B	5	
13	A03U838900	Brake Gear /2 24T	ブレーキギア / 2 24 T	C	1	
14	A03UM20100	Clutch /1	クラッチ / 1	B	2	
15	A03X565001	Swing Spring	首振りばね	C	1	
16	A1RG681400	Brake Plate /8	ブレーキ板 / 8	D	1	
17	A50U812202	ADU Conveying Roller /Right	A D U 搬送ローラ / 右	C	2	
18	A50U817300	Holding Collar	押さえカラー	D	3	
19	A50U818501	Pulley /2	プーリ / 2	D	4	
20	A50U830200	Positioning Part /Rear	位置決め部材 / 奥	D	1	
21	A50U830300	Regulating Part /Rear	規制部材 / 奥	D	1	
22	A50U830400	Hold Plate /Assy	保持板 / A s s y	D	1	
23	A50U830501	Reinforce Plate /1	補強板 / 1	D	1	
24	A50U830600	Lock Plate	ロック板	D	1	
25	A50U830700	Support Shaft	支持軸	D	1	
26	A50U830800	Lock Bushing	ロックすべり軸受	D	1	
27	A50U831000	Release Cam	解除カム	D	1	
28	A50U831100	Release Plate	解除板	D	1	
29	A50U831200	Release Shaft /1	解除軸 / 1	D	1	
30	A50U831900	Pulling Spring	引張りばね (ロックレバー)	D	1	
31	A50U839200	Belt /3 342L	ベルト / 3 342 L	C	1	
32	AC57849100	Roller /1	ローラ / 1	C	1	
33	AC57849200	Roller /2	ローラ / 2	C	1	
34	A50U859000	Roller	ローラ	C	1	
35	A50U859400	Roller /3	ローラ / 3	C	1	
36	A50UR72E00	Release Shaft Pin Assy	解除軸ピン A s s y	D	1	

Duplex Section

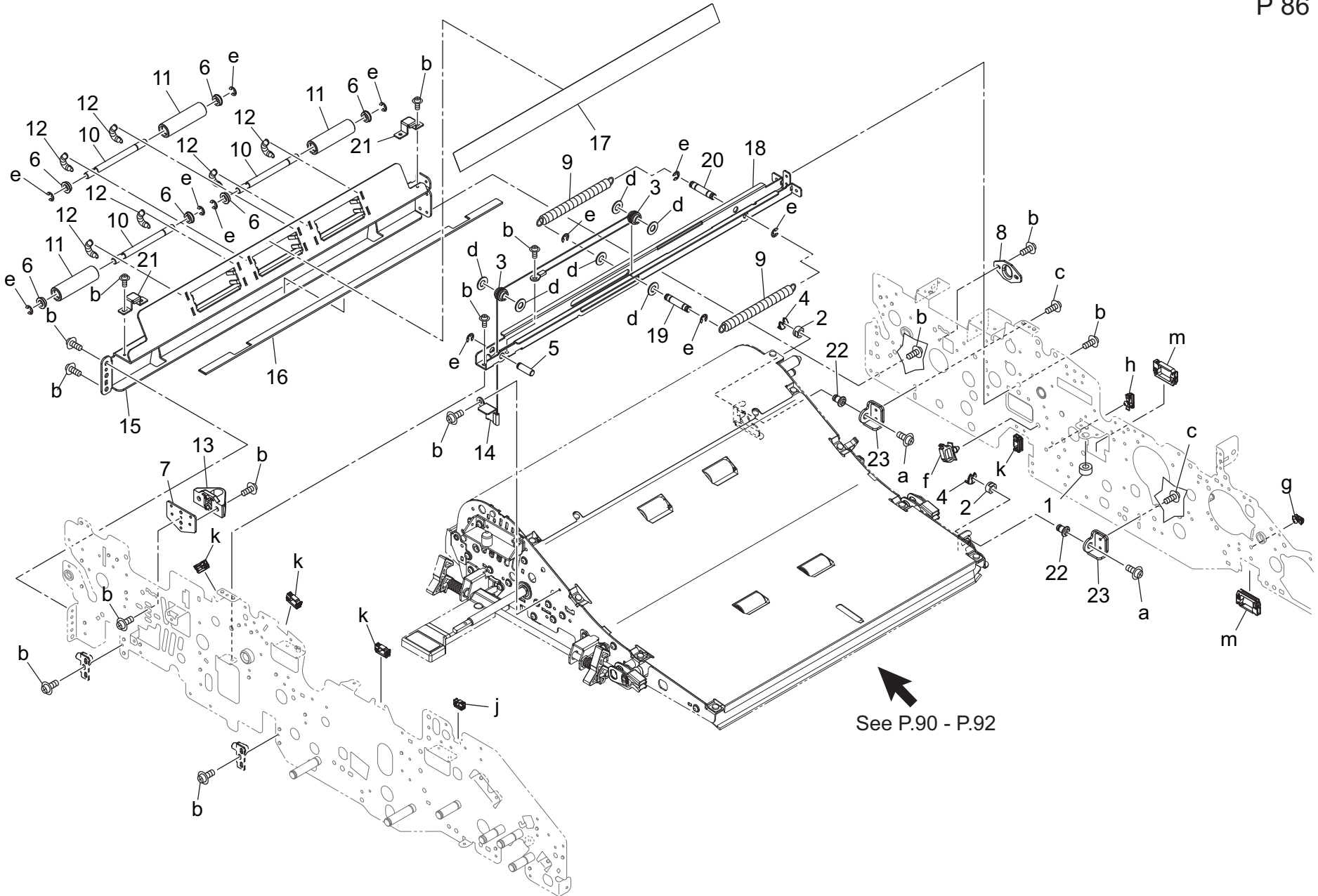
P 84



Key	Part No.	Description	Destinations	Class	QTY	Standard parts
1	4470402401	Stopper		D	2	a-V116030603
2	56AA42690	BY-PASS SPACER		C	2	b-V121030403
3	65AA51730	ADU 2		C	1	c-V127030604
4	65AA80112	HB Motor /50		B	1	d-V127030803
5	A03U812800	Slide Shaft Holder		B	2	e-V217030003
6	A0TK341300	Ball Bearing /Rear		C	2	f-V217040003
7	A50U713302	Swing Side plate /ASSY		D	1	g-V217060003
8	A50U713401Old	Swing Side plate /2		D	1	h-V234201250
8	A50U713403	Swing Side plate /2		D	1	j-V234201450
9	A50U713500	Swing Gear /1 18/51T		C	1	k-V234301450
10	A50U713700	Registration Idler /1		B	1	m-V234301650
11	A50U713800	Registration Gear /1 56T		C	1	n-V500010013
12	A50U713900	Registration Gear /2 48T		C	1	p-V500010084
13	A50U714800	Pressure Cam		D	2	q-V500020069
14	A50U714900	Spacer		D	2	r-V500020099
15	A50U715003Old	Mounting Lever /1		D	1	s-V500020100
15	A50U715004	Mounting Lever /1		D	1	t-V570010056
16	A50U715100	Pressure Shaft /2		D	1	u-V570010057
17	A50U715200	Pressure Actuator		D	1	
18	A50U819700	Cover		D	1	
19	A50U835601	Drive Cover		D	1	
20	A50U836100	Cover		D	1	
21	A50U882300	Protection Cover		D	1	
22	A50U882600	Registration ring /Front		D	1	
23	A50U883300	Idling Shaft /1		D	1	
24	A50U883501	Protection Plate		D	2	
25	A50UF81401	Adjusting Plate Caulking		D	1	
26	A50UN18203	ADU Drive harness /12		D	1	
27	A50UN18900	ADU Detection harness /14		D	1	
28	A50UR72F00	Motor Assy		C	1	
29	A50UR72G00	ADU Connecting Solenoid Pin Assy		C	1	
30	A50UR72H00	Stepping Motor / 3 Assy		C	1	
31	A85CM55600	Photo Sensor		C	2	
32	A9VE819100	Regulating Plate		D	1	
33	A9VEN16500	ADU Drive harness /6		D	1	



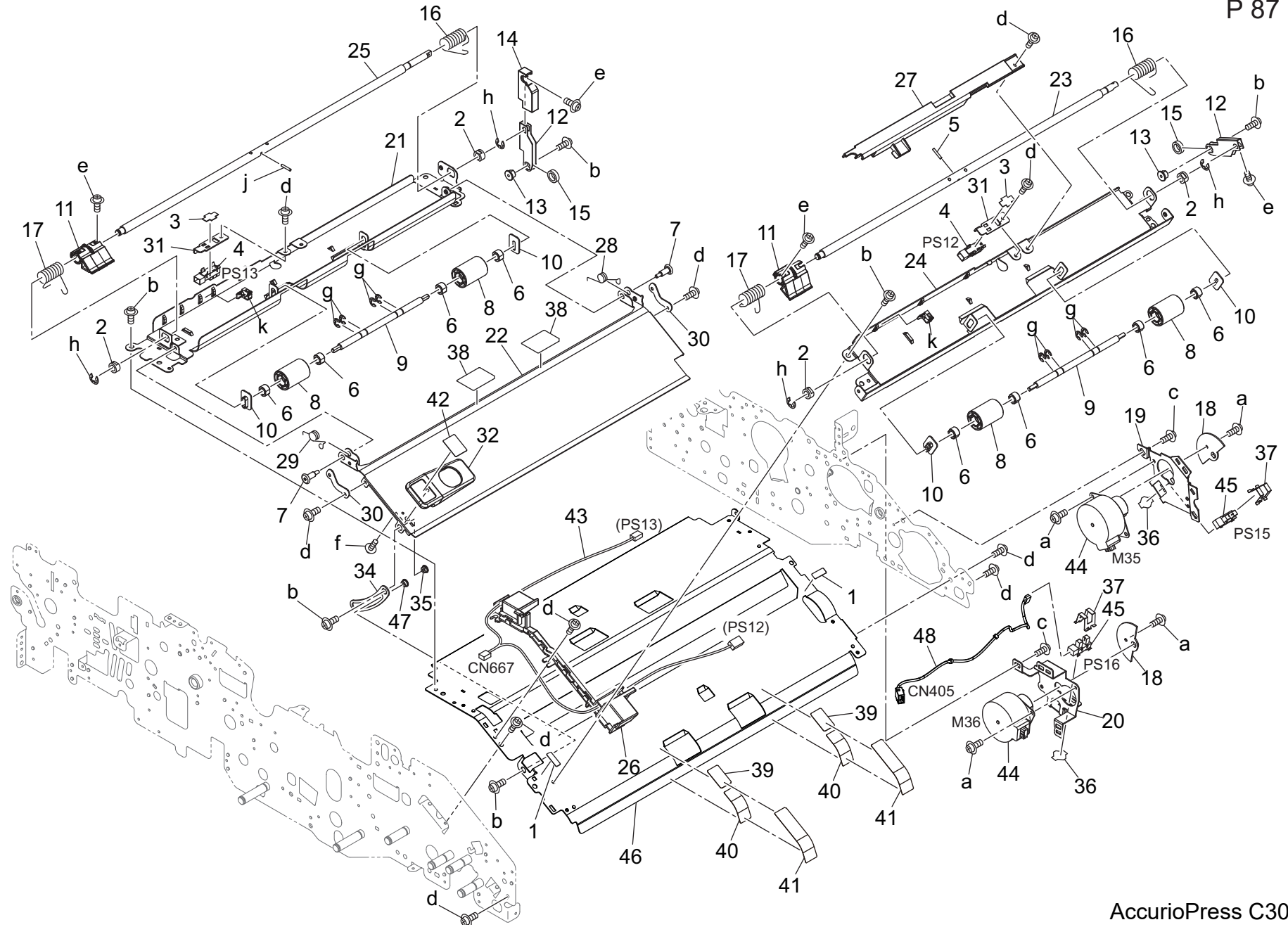
Duplex Section



See P.90 - P.92

Duplex Section

P 87

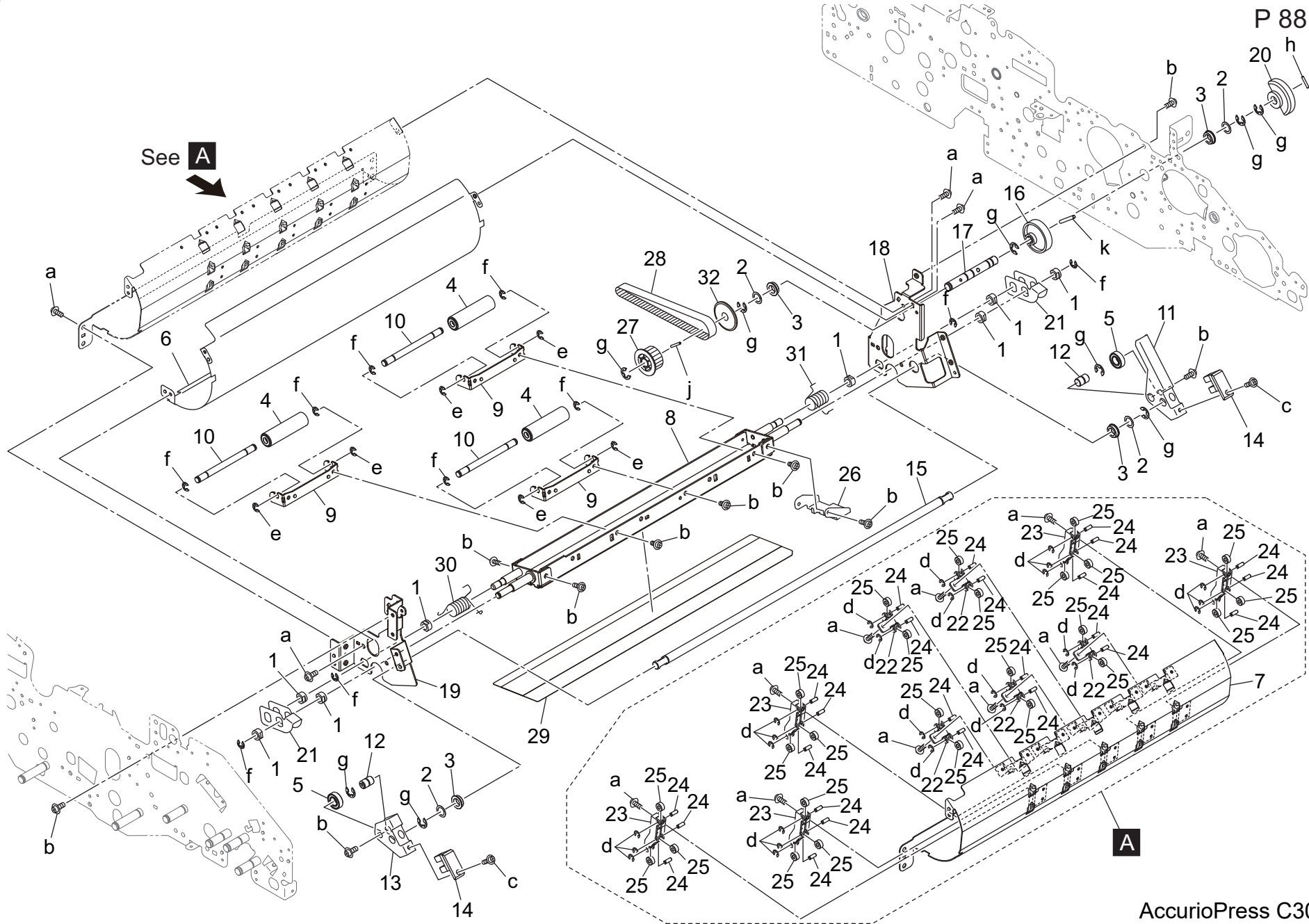


Order here
8 (495) 646-0426
ПЯТЫЙ ПАРТНЕР www.km-shop.ru

AccurioPress C3080P

Key	Part No.	Description	Destinations	Class	QTY	Standard parts
1	4109553001	Stopper		C	2	a-V118030403
2	4131253701	BUSHING	ストッパー	C	4	b-V121030303
3	4470402401	Stopper	軸受	D	2	c-V121030403
4	9335140071	Solid State Switch	ストッパー	B	2	d-V127030604
5	56AA17321	PIN A D2X12	反射型フォトスイッチ	B	1	e-V127030803
6	A03U850101	Slide Bushing	ピン A D 2 X 1 2	C	8	f-V151040803
7	A0P0144300	Shoulder screw	すべり軸受	D	2	g-V217040003
8	A50U712200	Idler Roll /1	段ねじ (HDD)	D	4	h-V217050003
9	A50U712300	Idler Shaft /1	従動ころ / 1	D	2	j-V234201250
10	A50U712400	Receiving Shaft /1	従動軸 / 1	D	4	k-V500010057
11	A50U714601	Lever	受け軸 / 1	D	2	
12	A50U715300	Pressure Lever /25	レバー	D	2	
13	A50U715600	Support Shaft /2	圧着レバー / 2 5	D	2	
14	A50U715800	Protection Cover	支点軸 / 2	D	1	
15	A50U716500	Ball Bearing	保護カバー	C	2	
16	A50U718400	Pressing Spring /Rear	ボールベアリング	D	2	
17	A50U718500	Pressing Spring /Front	押圧ばね / 奥	D	2	
18	A50U816700	Light blocking Plate /1	押圧ばね / 前	D	2	
19	A50U816801	Drive Side plate /1	遮光板 / 1	D	1	
20	A50U816900	Drive Side plate /2	駆動側板 / 1	D	1	
21	A50U817601	Guide Plate	駆動側板 / 2	D	1	
22	A50U817800	Guide Plate /Middle	ガイド板	D	1	
23	A50U818201	Release Shaft /1	ガイド板 / 中	D	1	
24	A50U818400	Guide Plate /Right	解除軸 / 1	D	1	
25	A50U818601	Release Shaft /2	ガイド板 / 右	D	1	
26	A50U833400	Protection Cover /1	解除軸 / 2	D	1	
27	A50U833500	Protection Cover /2	保護カバー / 1	D	1	
28	A50U834500	Pressing Spring /Left	保護カバー / 2	D	1	
29	A50U834600	Pressing Spring /Right	押圧バネ / 左	D	1	
30	A50U834700	Reinforce Plate /A	押圧バネ / 右	D	2	
31	A50U836200	Plate /23	補強板 / A	D	2	
32	A50U880800	Processing Lever	センサ板 / 2 3	D	1	
34	A50U881601	Processing Guide /1	処理レバー	D	1	
35	A50U881700	Support Screw /A	処理ガイド / 1	D	1	
36	A50U882100	Stopper Plate	支持ねじ / A	D	2	
37	A50U883600	Guide /1	ストッパ板 (センサー)	D	2	
38	A50U886300	Sheet	センサガイド / 1	D	2	
39	A50U887100	Conductive Tape /4	シート	D	2	
40	A50U887200	Duplex Tape	導電性テープ / 4	D	2	
41	A50U887300	Conveyance Guide /3	両面テープ	D	2	
42	A50U943201	Release Label /2	搬送ガイド / 3	D	1	
43	A50UN17900	ADU Detection harness /13	解除ラベル / 2	D	1	
44	A50UR72600	Drive Motor / 1 Assy	ADU 検知束線 / 1 3	C	2	
45	A85CM55500	Photo Sensor	駆動モータ / 1 A s s y	C	2	
46	A9VE871600	Conveyance Guide /Lower	フォトセンサ	D	1	
47	A9VE872000	Support Screw /A	搬送ガイド / 下	D	1	
48	A9VEN16200	ADU Detection harness /16	支持ねじ / A	D	1	
			ADU 検知束線 / 1 6	D	1	

Duplex Section

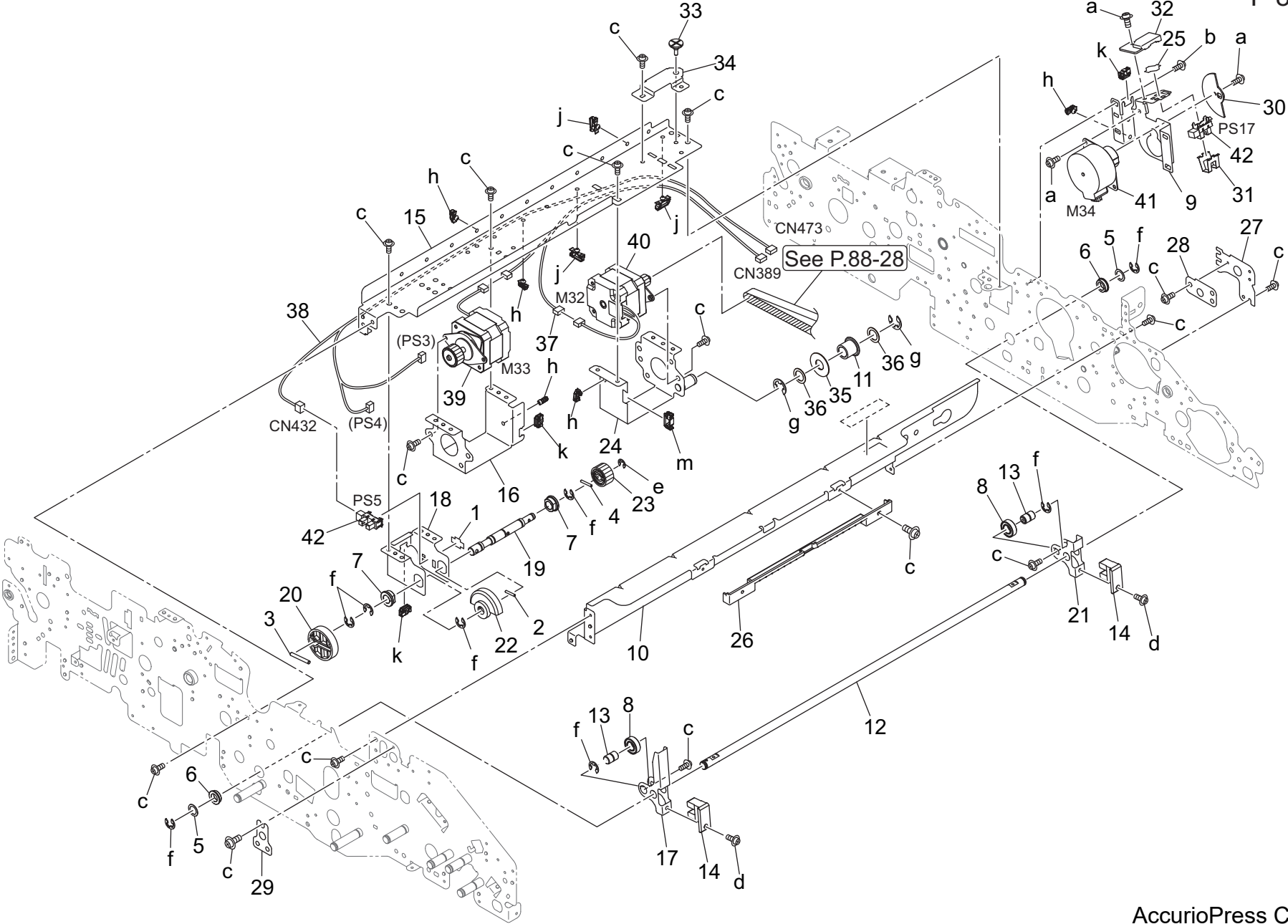


AccurioPress C3080P

Key	Part No.	Description	Destinations	Class	QTY	Standard parts
1	4131253701	BUSHING		C	8	a-V121030403
2	56AA42690	BY-PASS SPACER		C	4	b-V127030604
3	A00J617900	Ball Bearing		B	4	c-V127030803
4	A03U845301	Idler Roller /1		C	3	d-V217020003
5	A1RF820000	Ball Bearing		C	2	e-V217030003
6	A50U840303	Guide Plate /3		D	1	f-V217040003
7	A50U840802	Guide Plate /2		D	1	g-V217060003
8	A50U841402	Release Plate /10		D	1	h-V234201250
9	A50U846102	Mounting Plate /5		D	3	j-V234201650
10	A50U846304	Idler Shaft /F		D	3	k-V234302550
11	A50U851400	Release Plate /Rear		D	1	
12	A50U851500	Shaft		D	2	
13	A50U851700	Release Plate		D	1	
14	A9VE851800	Reinforce Block		D	2	
15	A50U852000	Release Shaft /4		D	1	
16	A50U852500	Cam		D	1	
17	A50U852701	Release Shaft /3		D	1	
18	A50U852904	Release Plate /4		D	1	
19	A50U853001	Release Plate /5		D	1	
20	A50U853200	Pressure Actuator		D	1	
21	A50U853700	Release Plate /7		D	2	
22	A50U854200	Roller Base frame /2		D	5	
23	A50U854302	Roller Base frame /1		D	5	
24	A50U854400	Fixing Shaft		D	25	
25	A50U854800	Conveyance Roll		D	25	
26	A50U856201	Support Plate		D	1	
27	A50U859500	Pulley /2		D	1	
28	A50U859800	Belt /1 280L		C	1	
29	A50U880103	Conveyance Guide /1		D	1	
30	A50U881300	Torsion Coil spring		D	1	
31	A50U881400	Torsion Coil spring		D	1	
32	A50U886800	Regulating Spacer		D	1	

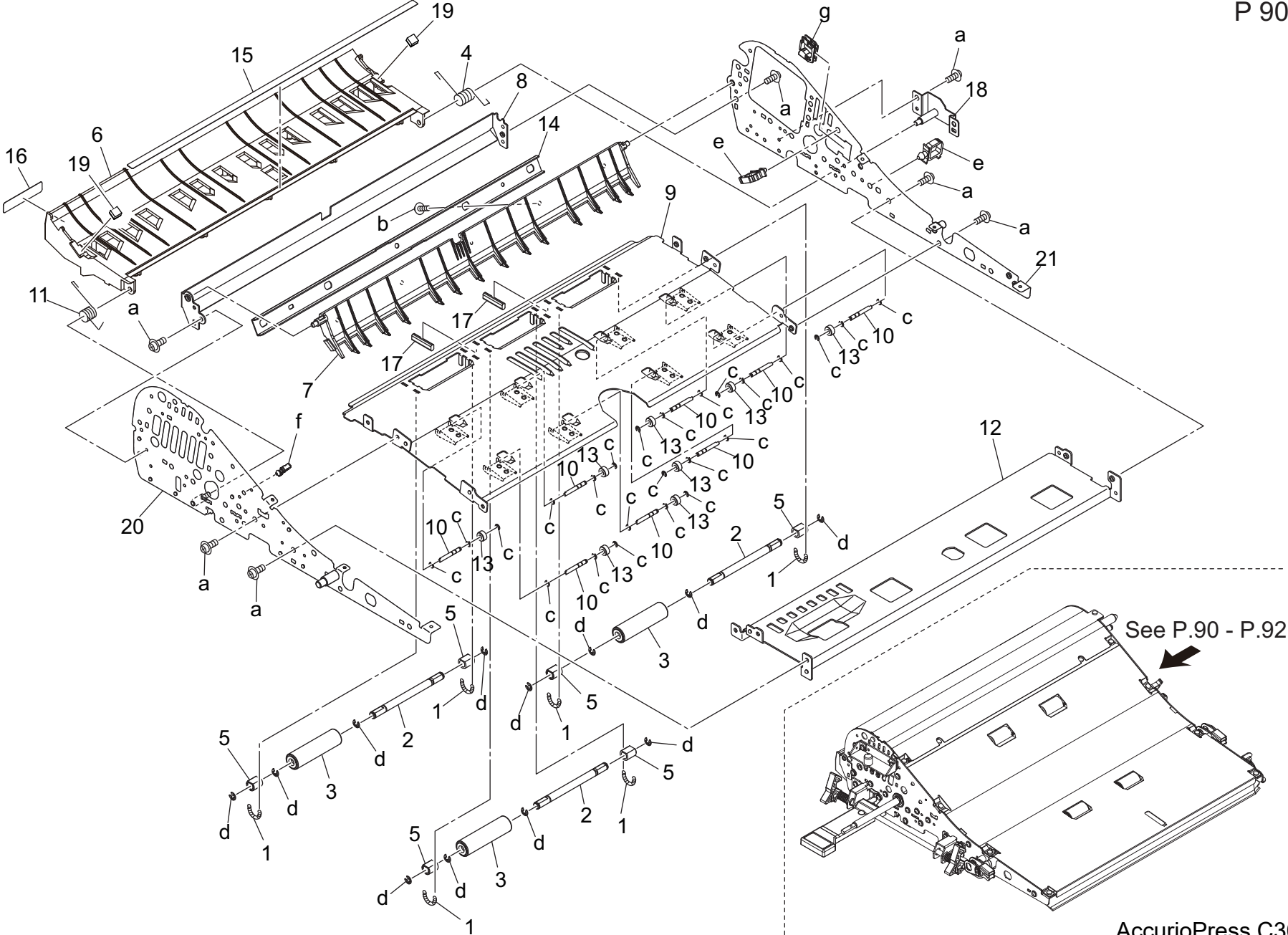


Duplex Section

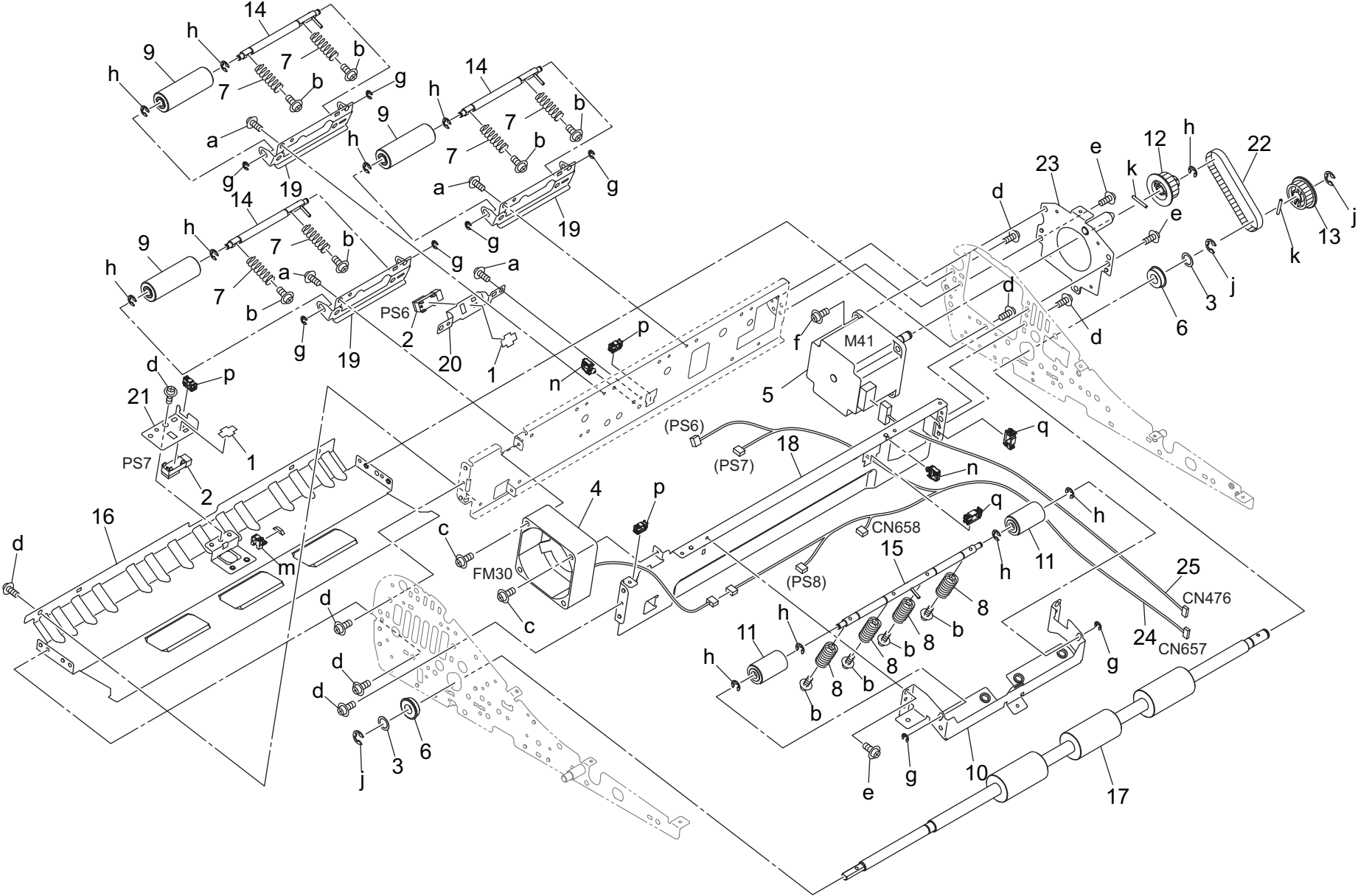


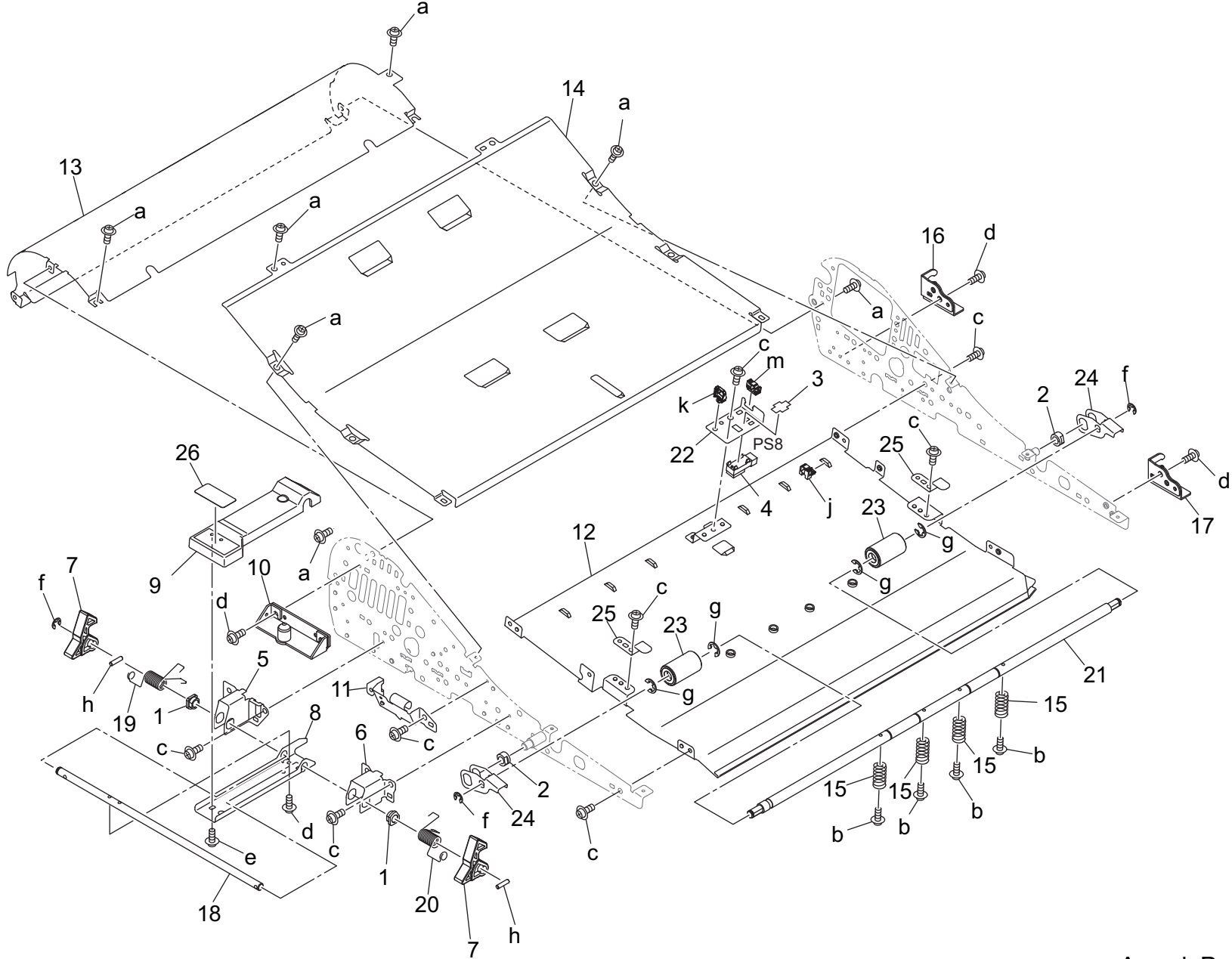
Key	Part No.	Description	Destinations	Class	QTY	Standard parts
1	4470402401	Stopper		D	1	a-V118030403
2	V234201250	Pin		V	1	b-V121030403
3	56AA17490	PIN		C	1	c-V127030604
4	V234201450	Pin		V	1	d-V127030803
5	56AA42690	BY-PASS SPACER		C	2	e-V217040003
6	A00J617900	Ball Bearing		B	2	f-V217060003
7	A03U812800	Slide Shaft Holder		B	2	g-V217080003
8	A1RF820000	Ball Bearing		C	2	h-V500020099
9	A50U715400	Pressure Side plate /1		D	1	j-V500020100
10	A50U816403	Hold Stay /Right		D	1	k-V570010056
11	A50U836801	Tension Pulley /B		D	1	m-V570010057
12	A50U850700	Release Shaft /2		D	1	
13	A50U851500	Shaft		D	2	
14	A9VE851800	Reinforce Block		D	2	
15	A50U851901	Mounting Plate /1		D	1	
16	A50U852102	Mounting Plate /2		D	1	
17	A50U852200	Release Plate /3		D	1	
18	A50U852300Old	Mounting Plate /3		D	1	
18	A50U852301	Mounting Plate /3		D	1	
19	A50U852400	Release Shaft /1		D	1	
20	A50U852500	Cam		D	1	
21	A50U853100	Release Plate /6		D	1	
22	A50U853200	Pressure Actuator		D	1	
23	A50U854600	Release Gear /1 24T		C	1	
24	A50U858703	Mounting Plate /3		D	1	
25	A50U882100	Stopper Plate		D	1	
26	A50U882900	Handle		D	1	
27	A50U883001	Positioning Side plate /Rear		D	1	
28	A50U883101	Positioning Plate /Rear		D	1	
29	A50U883200	Positioning Plate /Front		D	1	
30	A50U883400	Light blocking Plate		D	1	
31	A50U883600	Guide /1		D	1	
32	A50U883701	Protection Cover /1		D	1	
33	A50U884000	Registration Screw		D	1	
34	A50U884300	Registration Plate		D	1	
35	A50U886700	Holding Collar		D	1	
36	A50U886900	Spacer		D	2	
37	A50UN15900	ADU Drive harness /3		D	1	
38	A50UN18100	ADU Detection harness /10		D	1	
39	A50UR72400	Stepping Motor /2 Assy		C	1	
40	A50UR72500	Stepping Motor /1 Assy		C	1	
41	A50UR72600	Drive Motor /1 Assy		C	1	
42	A85CM55600	Photo Sensor		C	2	

Duplex Section

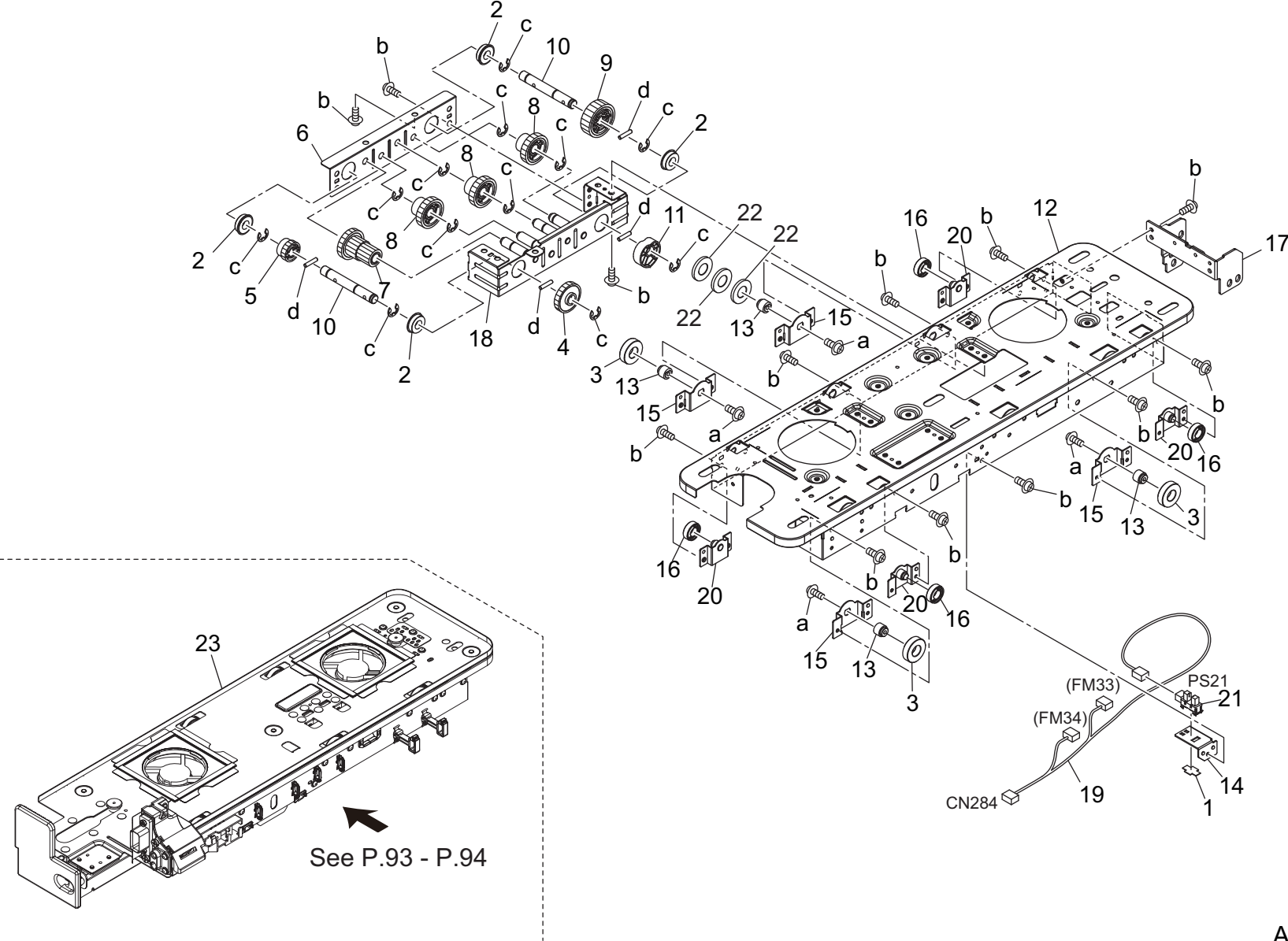


Duplex Section



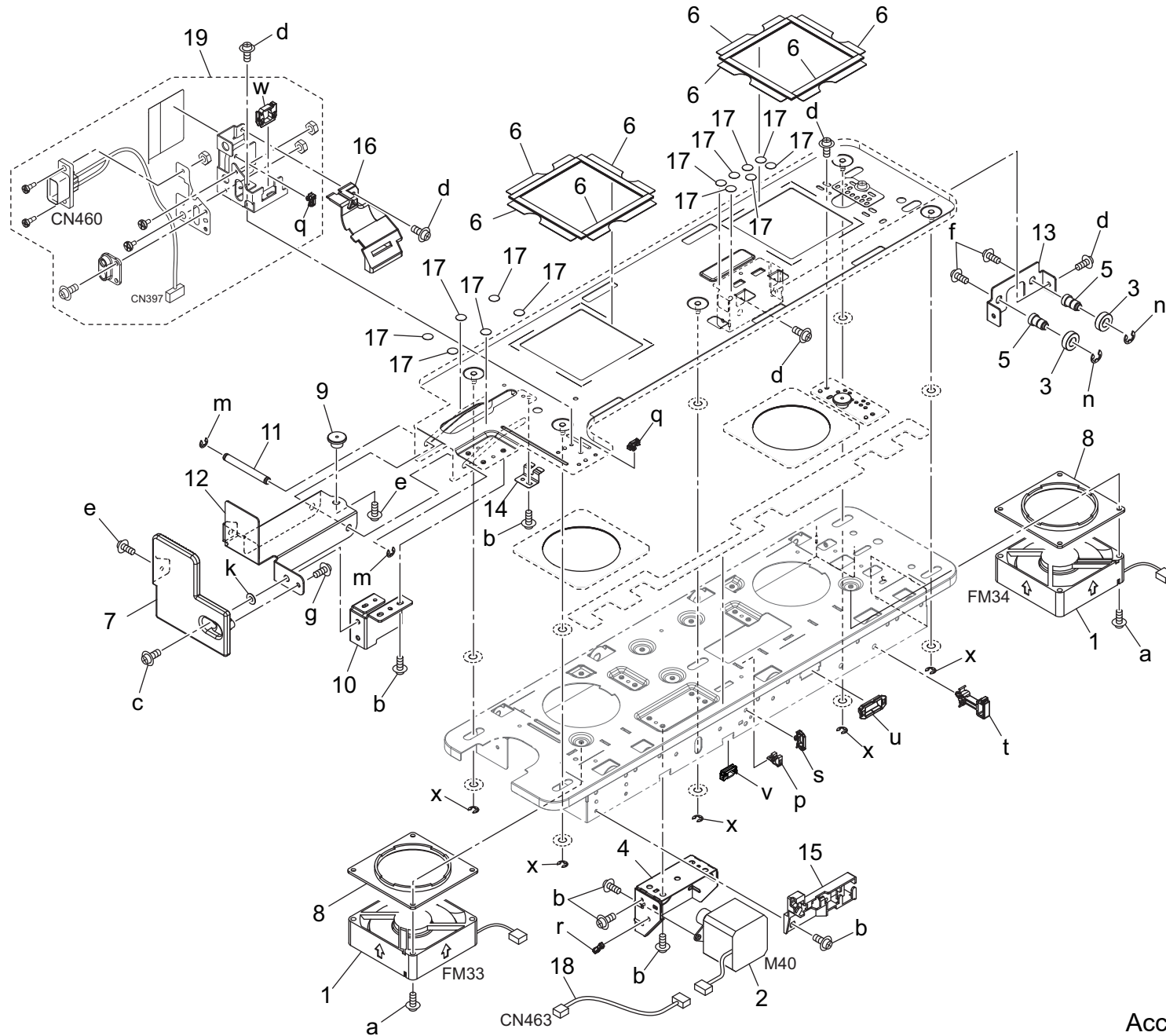


Duplex Swing Section



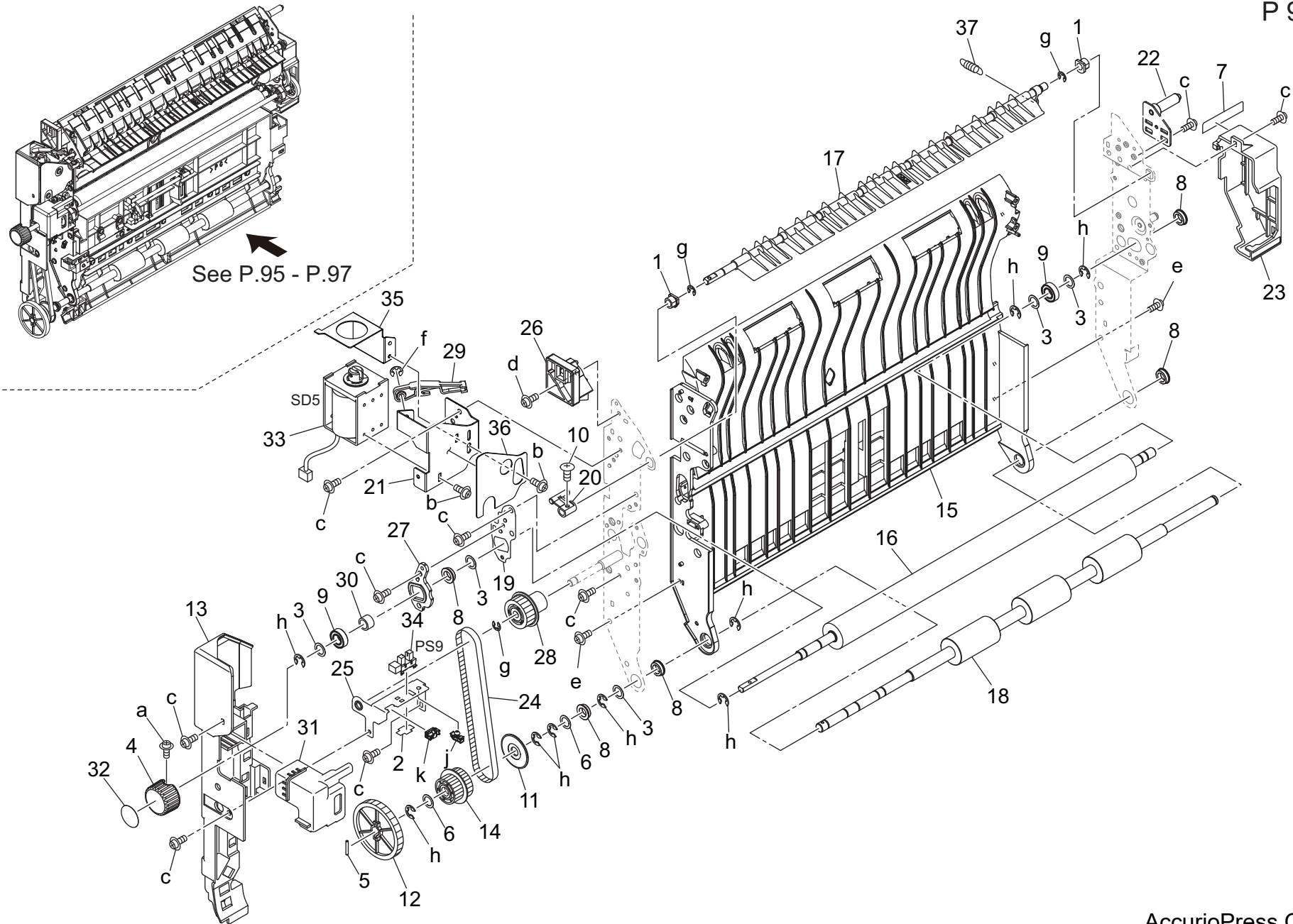
Key	Part No.	Description	Destinations	Class	QTY	Standard parts
1	4470402401	Stopper		D	1	a-V116040803 b-V121030403 c-V217060003 d-V234301450
2	A00V240600	Ball Bearing		B	4	
3	A0TK341200	Ball Bearing /Front		C	3	
4	A1RJ825100	Drive Gear /4 34T		C	1	
5	A1RJ825800	Drive Gear /5 14T		C	1	
6	A50U800300	Swing Frame /2		D	1	
7	A50U800400	Drive Gear /3 14/25T		C	1	
8	A50U800700	Drive Gear /6 14/25T		C	3	
9	A50U800800	Drive Gear /7 29T		C	1	
10	A50U801400	Drive Shaft		D	2	
11	A50U801500	Swing Cam		D	1	
12	A50U801602	Fixing Plate /ASSY		D	1	
13	A50U802002	Positioning Shaft /A		D	4	
14	A50U802211	Plate		D	1	
15	A50U804001	Fusing Rail /B		D	4	
16	A50U804200	Fusing Roll		D	4	
17	A50U805300	Mounting Plate /1		D	1	
18	A50UF80500	Swing Frame Caulking		D	1	
19	A50UN17100	ADU Detection harness /7		D	1	
20	A50UR72R00	Swing Rail Caulking		D	4	
21	A85CM55600	Photo Sensor		C	1	
22	AC57805500	Spacer /12		D	3	
23	A85CR71000	Fusing Swing Assy		D	1	

Duplex Swing Section



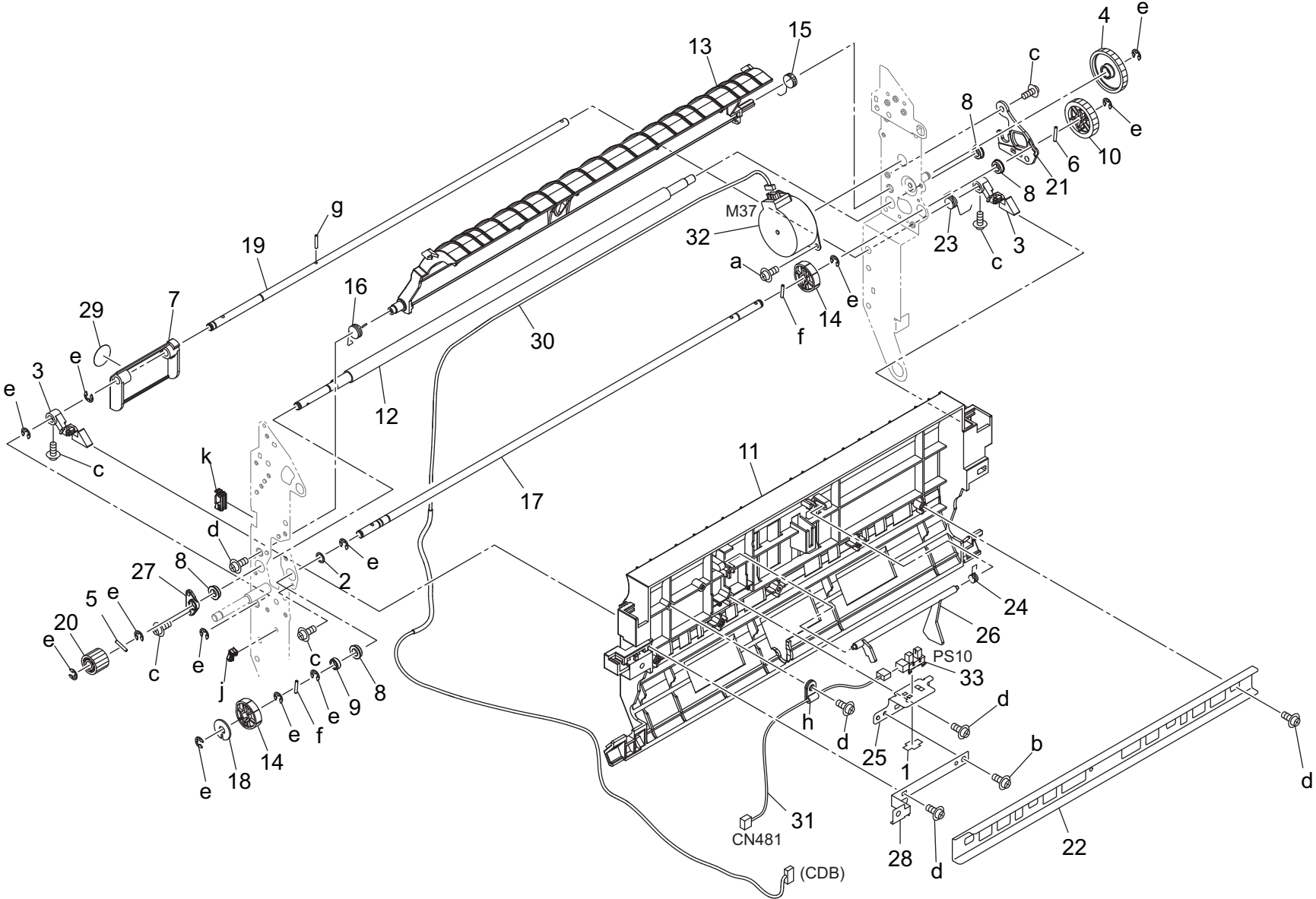
Reverse Section

P 95



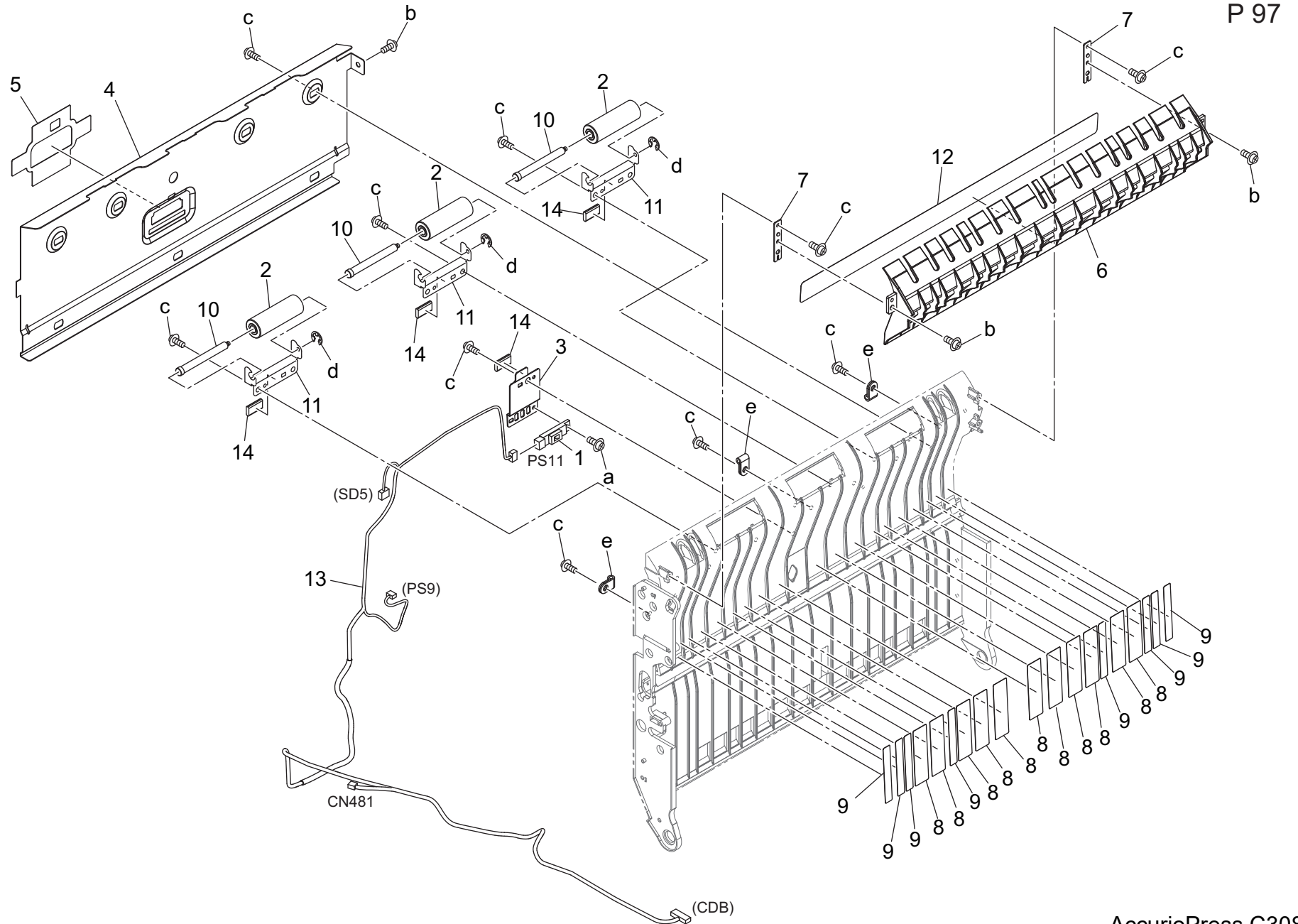
Key	Part No.	Description	Destinations	Class	QTY	Standard parts
1	192141710	PAPER LIFT UP LEVER BUSHING		B	2	a-V118030603
2	4470402401	Stopper		D	1	b-V121030403
3	13QA40610	Gear Spacer		C	5	c-V127030604
4	14GE45470	Rotation Knob		C	1	d-V127031203
5	56AA17551	PIN A		C	1	e-V151030803
6	56AA42690	BY-PASS SPACER		C	2	f-V217030003
7	65AA42370	SLIDE PART 1		D	1	g-V217040003
8	A00J617900	Ball Bearing		B	5	h-V217060003
9	A1RF820000	Ball Bearing		C	2	j-V500020099
10	A50U642300	Mounting Screw		D	1	k-V570010056
11	A50U817300	Holding Collar		D	1	
12	A50U819600	Reverse/Exit Gear /2 50 T		C	1	
13	A50U834304	Cover Part /2		D	1	
14	A50U838800	Drive Idler /1		D	1	
15	A50U860104	Guide Plate /A		D	1	
16	A50U860501	Decurler Roller		A	1	
17	A50U861006	Swing Part		D	1	
18	AC57861800	Reverse/Exit Roller /Lower		C	1	
19	A50U865300	Holding Plate		D	1	
20	A50U865703	Swing Arm		D	1	
21	A50U865901Old	Support Plate		D	1	
21	A50U865902	Support Plate		D	1	
22	A50U866400	Positioning Plate /2		D	1	
23	A50U866900	Drive Cover /1		D	1	
24	A50U867200	Belt /A 324L		C	1	
25	A50U867312	Fixing Plate /1		D	1	
26	A50U867400	Positioning Part		D	1	
27	A50U867500	Fixing Plate /1		D	1	
28	A50U867600	Reverse/Exit Gear /1 20 T		C	1	
29	A50U867802	Positioning Plate /1		D	1	
30	A50U869400	Collar		D	1	
31	A50U869501	Cover		D	1	
32	A50U943801	Release Label /8		D	1	
33	A50UR72811	ADU Solenoid Pin Assy		C	1	
34	A85CM55500	Photo Sensor		C	1	
35	A9VE866100	Receiving Plate /1		D	1	
36	A9VE866200Old	Insulating Sheet /1		D	1	
36	A9VE866201	Insulating Sheet /1		D	1	
37	A9VE867900	Open/close Spring		D	1	

Reverse Section



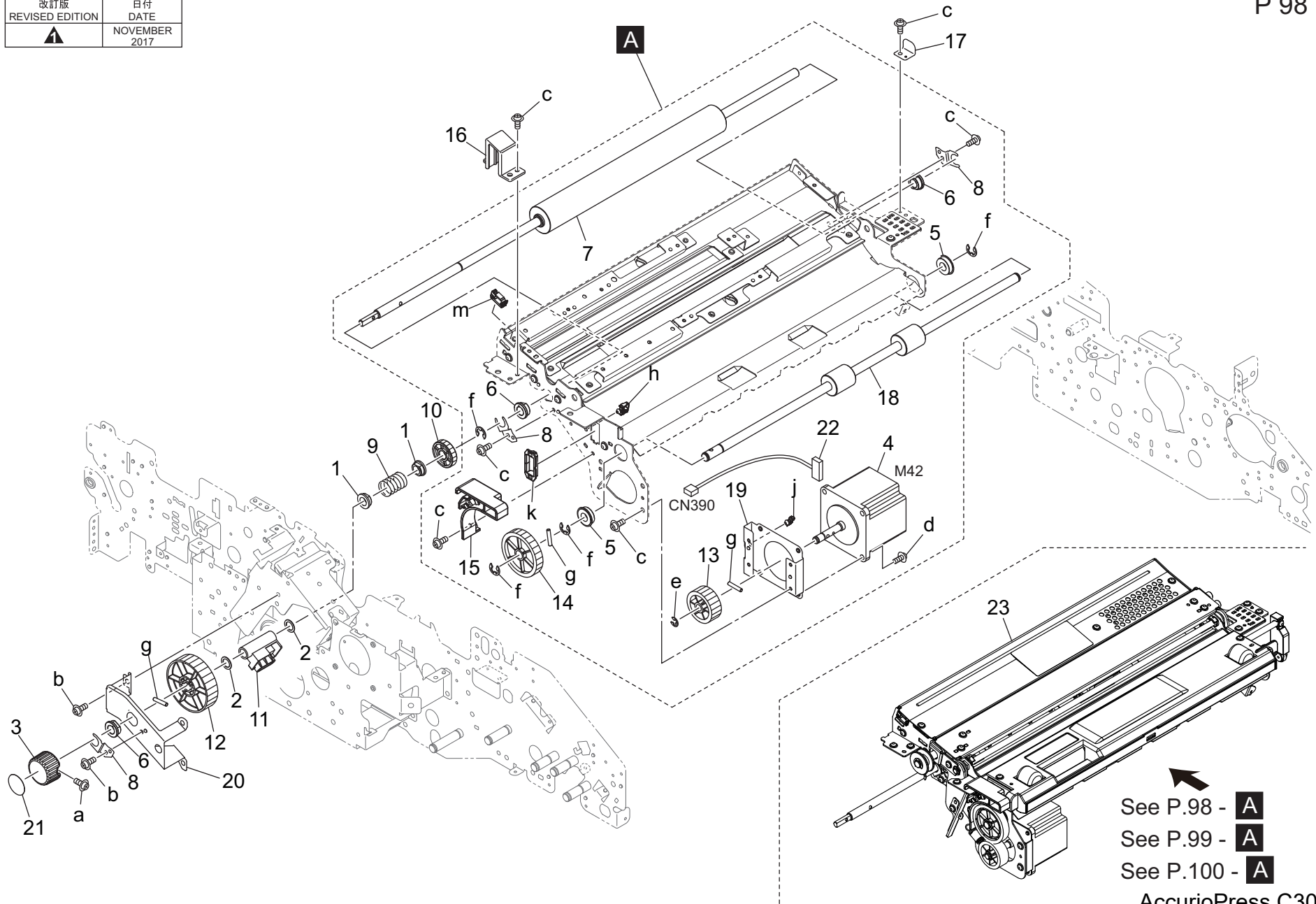
Key	Part No.	Description	Destinations	Class	QTY	Standard parts
1	4470402401	Stopper		D	1	a-V118030403
2	40AA30270	DEVELOPING SPACER		C	1	b-V127030603
3	40AA46261	LOCK CLAW F		B	2	c-V127030604
4	40AA77550	Mirror Drive Gear /2 14/70T		C	1	d-V151030803
5	56AA17321	PIN A D2X12		B	1	e-V217040003
6	56AA17551	PIN A		C	1	f-V234201250
7	65AA49410	Paper Exit Handle		C	1	h-V500020002
8	A00J617800	Ball Bearing		B	4	j-V500020099
9	A1RF863800	Collar		D	1	k-V570010057
10	A1RJ818800	Drive Gear /8 29T		C	1	
11	A50U860202	Guide Plate /B		D	1	
12	A50U860600	Riverse/exit Shaft		D	1	
13	A50U861100	Guide Plate /4		D	1	
14	A50U861601	Positioning Cam		D	2	
15	A50U864200	Reverse/Exit Spring /Rear		D	1	
16	A50U864300	Reverse/Exit Spring /Front		D	1	
17	A50U865101	Pressing Shaft		D	1	
18	A50U865401	Positioning		D	1	
19	A50U865601	Lock Shaft /A		D	1	
20	A50U867100	Reverse/Exit Gear /A 20T		C	1	
21	A50U867700	Fixing Plate /2		D	1	
22	A50U868000	Reinforce Plate /A		D	1	
23	A50U868401	Open/close Spring /1		D	1	
24	A50U868702	Spring /1		D	1	
25	A50U869300	Mounting Stay		D	1	
26	A50U869601	Arm /1		D	1	
27	A50U869700	Fixing Collar /1		D	1	
28	A50U869800	Ground Plate /1		D	1	
29	A50U943601	Release Label /6		D	1	
30	A50UN17601	ADU Drive harness /8		D	1	
31	A50UN18401	ADU Detection harness /12		D	1	
32	A50UR72711	Drive Motor / 1 Assy		C	1	
33	A85CM55600	Photo Sensor		C	1	

Reverse Section



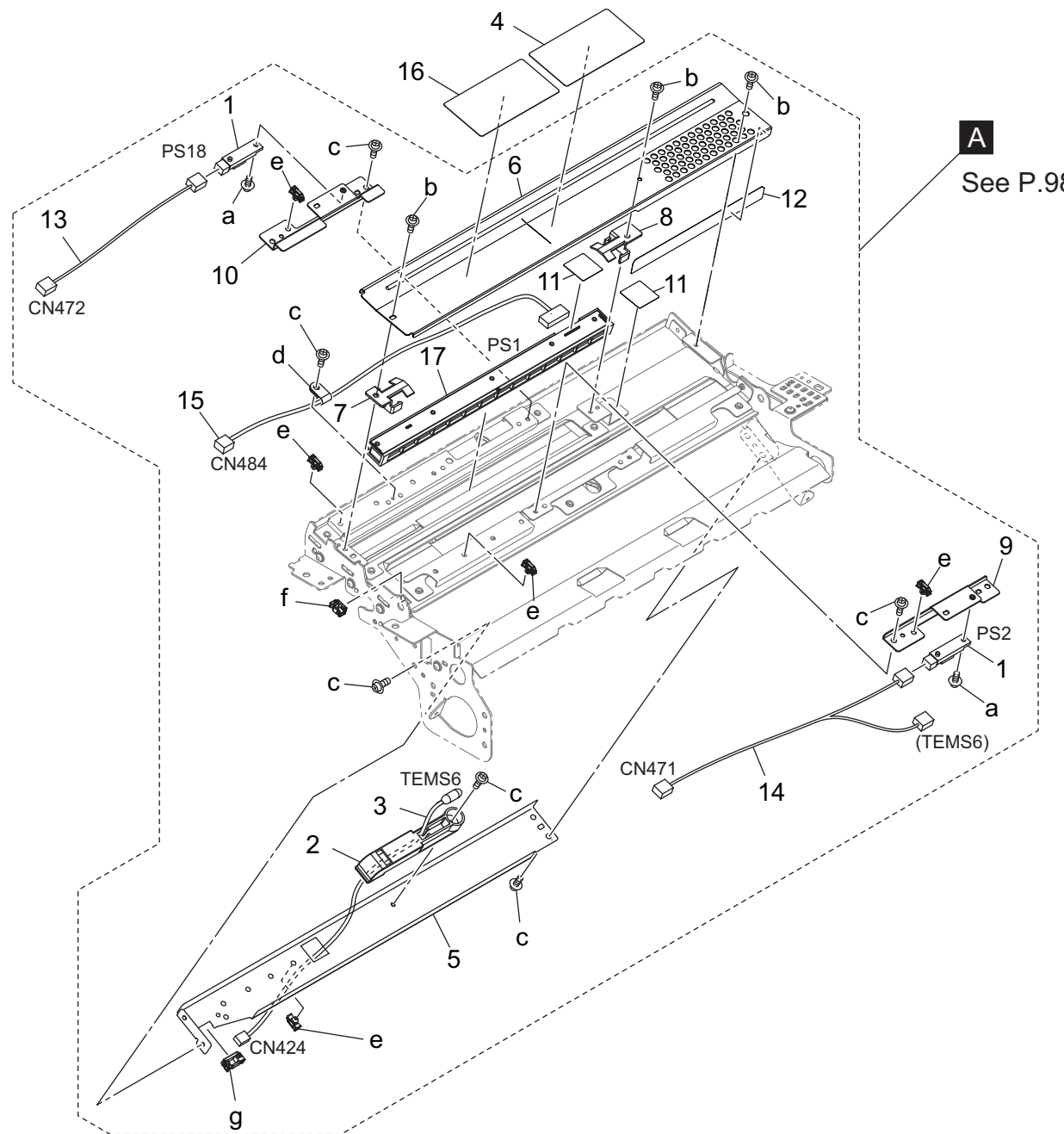
Resist Section

改訂版 REVISED EDITION	日付 DATE
	NOVEMBER 2017



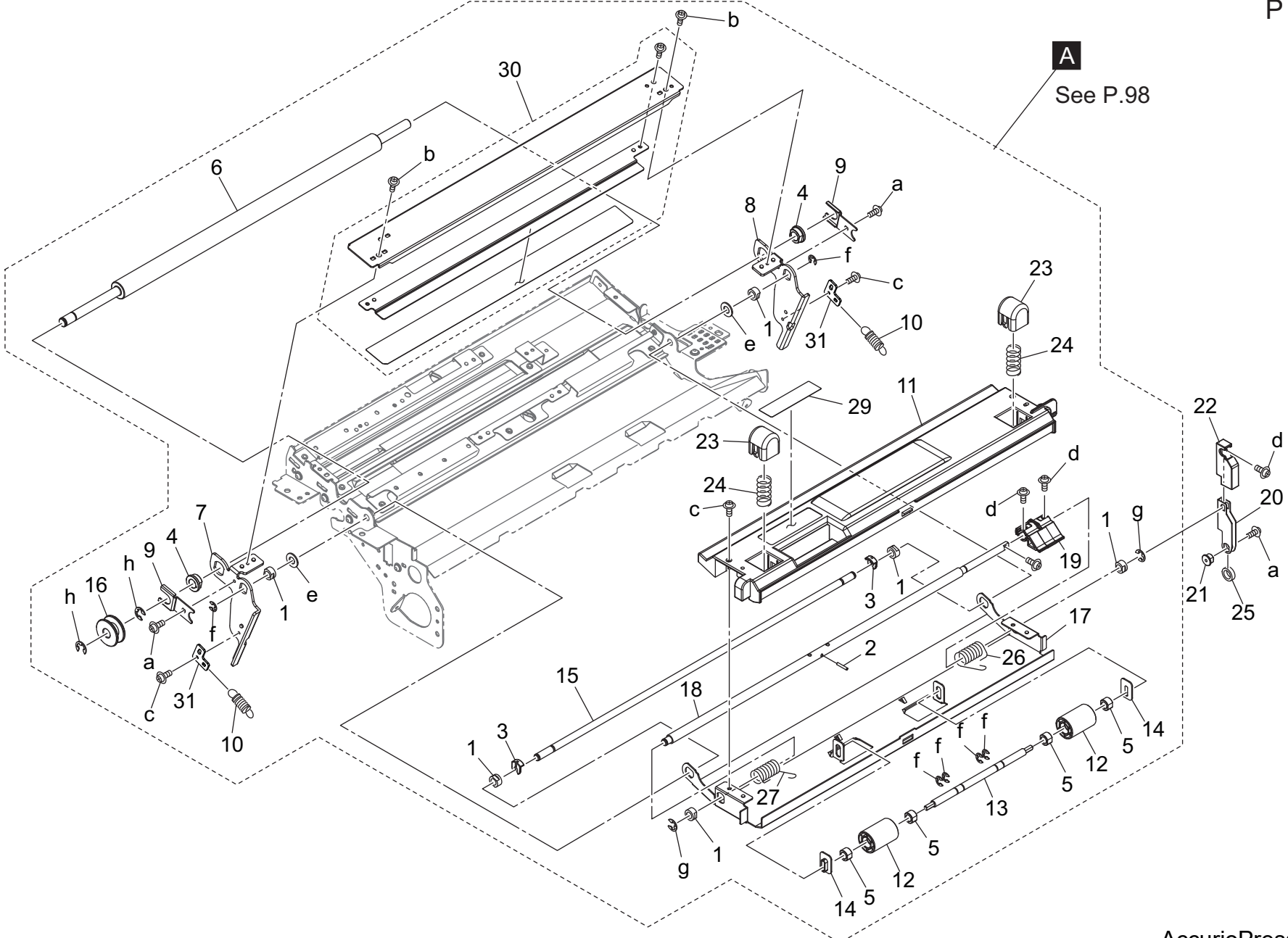
See P.98 - **A**
 See P.99 - **A**
 See P.100 - **A**

AccurioPress C3080P



A
See P.98

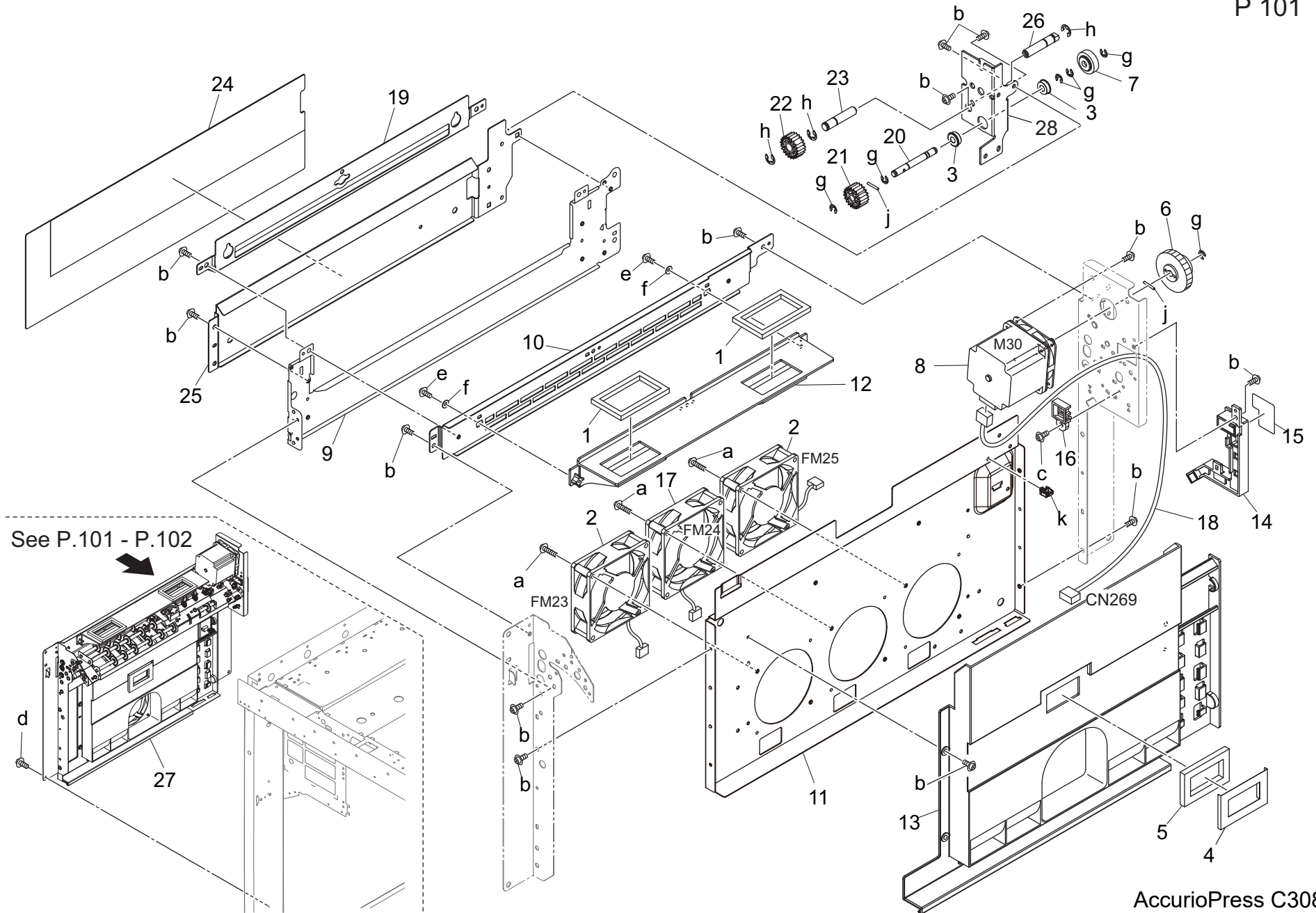
Resist Section



Key	Part No.	Description	Destinations	Class	QTY	Standard parts
1	4131253701	BUSHING		C	6	a-V121030403
2	56AA17321	PIN A D2X12		B	1	b-V127030603
3	56AA40490	SHAFT STOPPER 4		C	2	c-V127030604
4	A03U812800	Slide Shaft Holder		B	2	d-V127030803
5	A03U850101	Slide Bushing		C	4	e-V207060003
6	A50U710300	Idler Roller		D	1	f-V217040003
7	A50U710901	Pressure Lever /1		D	1	g-V217050003
8	A50U711001	Pressure Lever /2		D	1	h-V217060003
9	A50U711200	Holding Plate /2		D	2	
10	A50U711300	Pressure Spring		D	2	
11	A50U711602	Open/close Holder		D	1	
12	A50U712200	Idler Roll /1		D	2	
13	A50U712300	Idler Shaft /1		D	1	
14	A50U712400	Receiving Shaft /1		D	2	
15	A50U712700	Pressure Shaft /1		D	1	
16	A50U713100	Roll /2		D	1	
17	A50U714201	Open/close Guide		D	1	
18	A50U714500	Release Shaft		D	1	
19	A50U714601	Lever		D	1	
20	A50U715300	Pressure Lever /25		D	1	
21	A50U715600	Support Shaft /2		D	1	
22	A50U715800	Protection Cover		D	1	
23	A50U716301	Pressing Block		D	2	
24	A50U716400	Compressing Coil spring		D	2	
25	A50U716500	Ball Bearing		C	1	
26	A50U718400	Pressing Spring /Rear		D	1	
27	A50U718500	Pressing Spring /Front		D	1	
29	A50U943301	Release Label /3		D	1	
30	A50UR70D01	Registration Cleaning Sheet Assy		B	1	
31	A9VE715700	Pulling Plate /1		D	2	

Exit Section

P 101

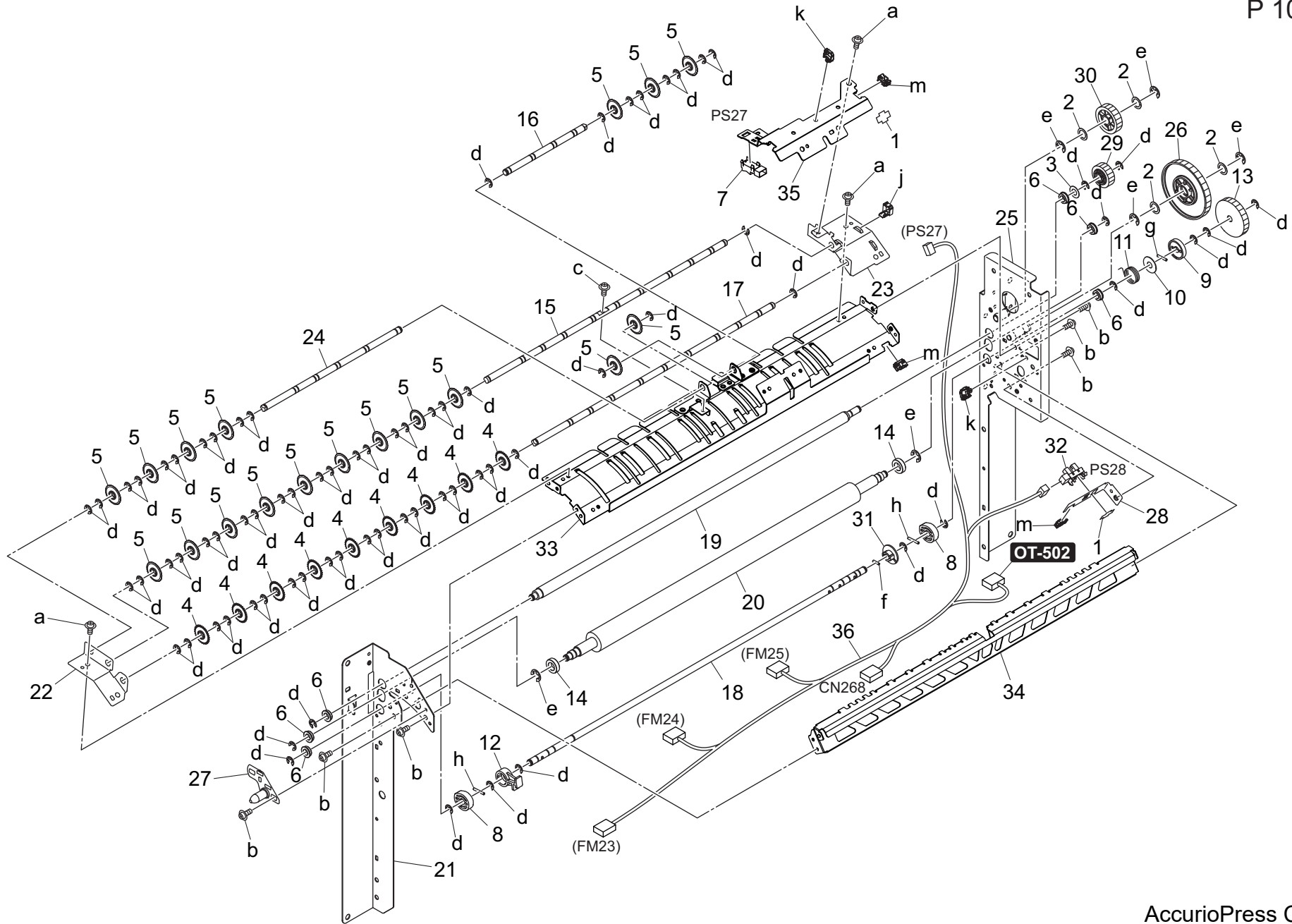


AccurioPress C3080P

Key	Part No.	Description	Destinations	Class	QTY	Standard parts
1	65LA48530	DUCT SEAL 1		D	2	a-V118033003
2	9J03M10000	FAN MOTOR		B	2	b-V127030604
3	A00J211200	Ball Bearing		C	2	c-V127030803
4	A03U892300	Sheet		C	1	d-V127040603
5	A03U892400	Seal		C	1	e-V145030803
6	A03U909900	Paper exit Gear /1 22/44T		C	1	f-V207030003
7	A043909901	PAPER EXIT GEAR /6 23T		B	1	g-V217040003
8	A1TVM10100	Stepping motor /50		B	1	h-V217060003
9	A50U890500	Reinforce Plate /Left		D	1	j-V234201450
10	A50U891001	Guide Plate /Left		D	1	k-V500020098
11	A50U891201	Paper exit Plate		D	1	
12	A50U892201	Cooling Duct /2		D	1	
13	A50U892502	Paper exit Duct		D	1	
14	A50U893300	Guide Cover /1		D	1	
15	A50U895000	Wiring Sheet		D	1	
16	A50U895101	Positioning Part		D	1	
17	A50UM15300	Fan motor /2		C	1	
18	A50UN15301	Drive harness /2		D	1	
19	A8AK106101	Paper Exit Guide /Upper		C	1	
20	A8AK106200	Drive Shaft		D	1	
21	A8AK106300	Drive Gear /B 20T		C	1	
22	A8AK106400	Drive Gear /C 21T		C	1	
23	A8AK106800	Idling Shaft		D	1	
24	A8AK107200	Thermal insulation Sheet /4		D	1	
25	A8AK162701	Paper exit Guide /Lower		D	1	
26	A8AW161911	Idling Shaft /2		D	1	
27	A9VEF89001	Main Body Paper Exit Unit Assy		D	1	
28	A85C897101	Drive Plate /D		D	1	

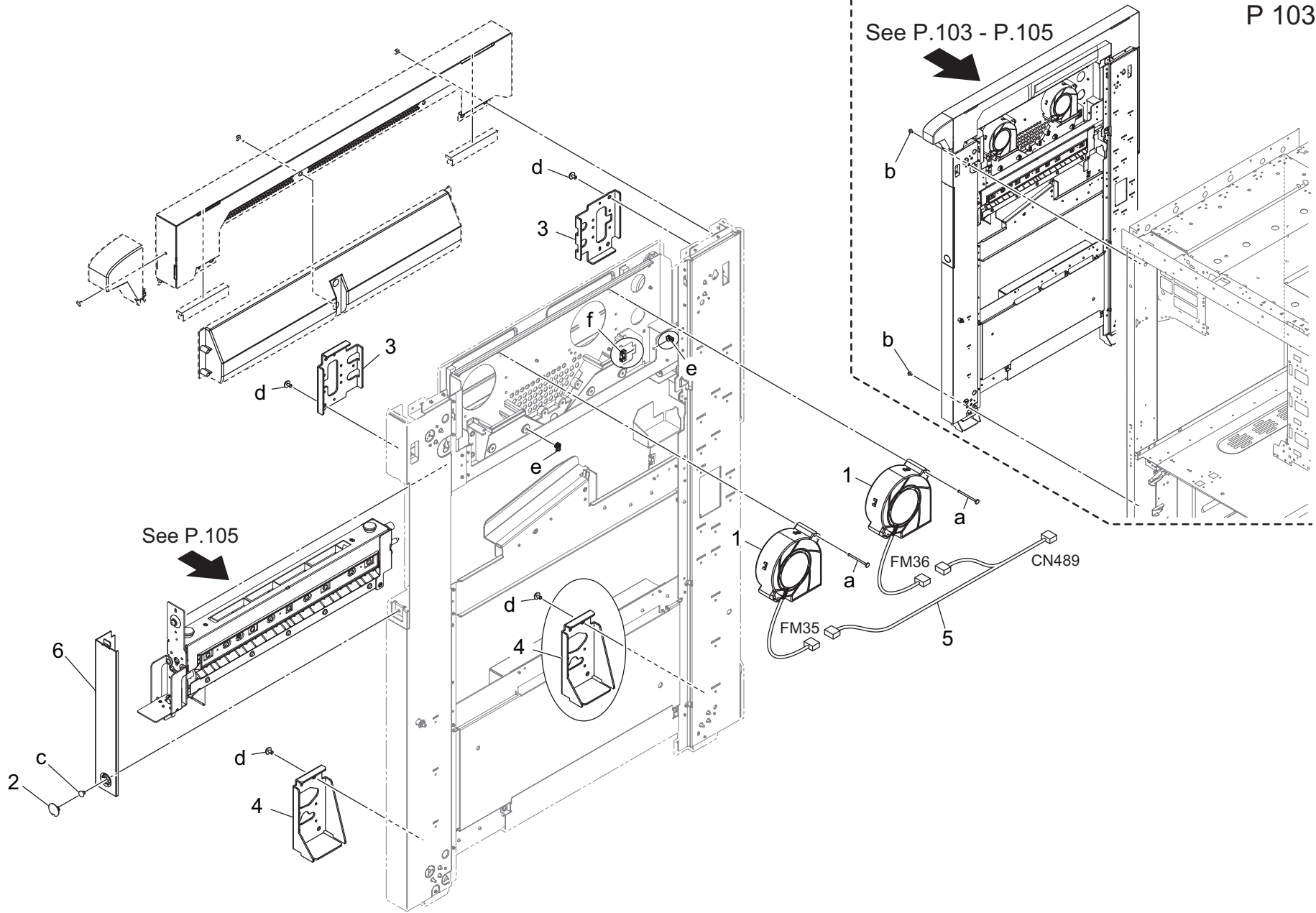
Exit Section

P 102

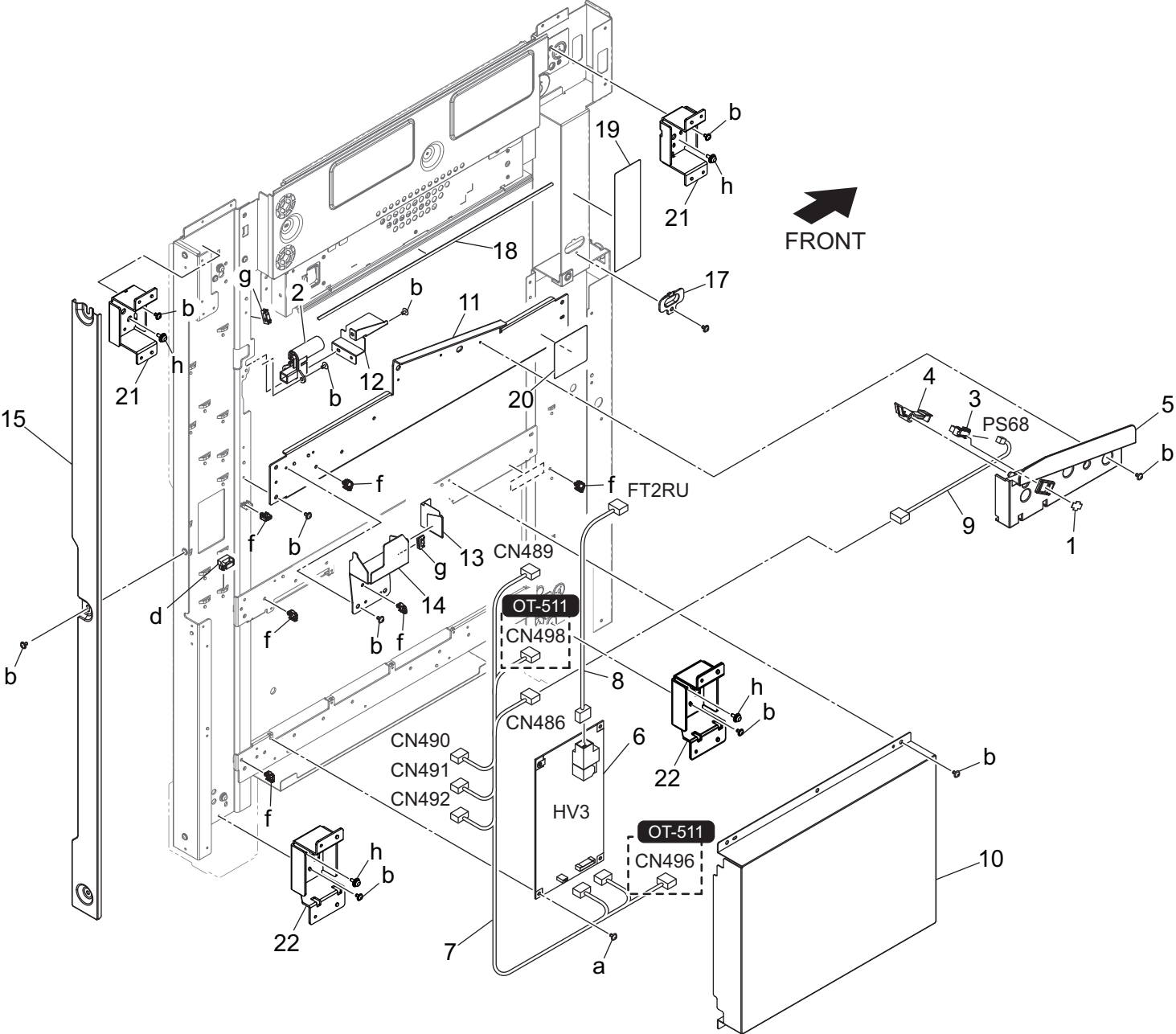


Key	Part No.	Description	Destinations	Class	QTY	Standard parts
1	4470402401	Stopper		D	2	a-V121030303
2	13QA40610	Gear Spacer		C	4	b-V127030604
3	56AA17700	Spacer /B		C	1	c-V127030803
4	65AA48360	Paper Holding Part /1		C	9	d-V217040003
5	65AA48460	PAPER HOLDING PART 2		C	18	e-V217060003
6	A00J617800	Ball Bearing		B	6	f-V234201250
7	A03TM50000	Photorelector		I	1	h-V234201450
8	A03U892701	Positioning Cam		C	2	j-V500010057
9	A03U893000	Slide Plate		C	1	k-V500020098
10	A03U893101	Spacer /Rear		C	1	m-V570010056
11	A03U893200	Stopper Spring		C	1	
12	A03U893502	Regulating Cam		C	1	
13	A03U909502	PAPER EXIT GEAR /5 40 T		C	1	
14	A1RF517300	bearing		C	2	
15	A50U890102	Fixing Shaft /2		D	1	
16	A50U890201	Fixing Shaft /6		D	1	
17	A50U890300	Fixing Shaft /1		D	1	
18	A50U890600	Regulating Shaft		D	1	
19	A50U890700	Paper exit Shaft		D	1	
20	A50U890802	Paper exit Roller /B		C	1	
21	A50U891302	Paper exit Plate /Front		D	1	
22	A50U891500	Support Side plate /Front		D	1	
23	A50U891600	Support Side plate /Rear		D	1	
24	A50U891900	Fixing Shaft /5		D	1	
25	A50U892001	Paper exit Plate /Rear		D	1	
26	A50U892101	Idling Gear /1 68 T		C	1	
27	A50U893201	Adjusting Plate /1		D	1	
28	A50U894000	Plate /Rear		D	1	
29	A50U899700	Paper exit Gear /3 23 T		B	1	
30	A50U899801	Paper exit Gear /2 29 T		C	1	
31	A85C895500	Positioning Roll		D	1	
32	A85CM55500	Photo Sensor		C	1	
33	A9VE890400	Guide Plate /Upper		D	1	
34	A9VE890900	Guide Plate /Lower		D	1	
35	A9VE892800	Support Plate /A		D	1	
36	A9VEN15200	Drive Wiring /3		D	1	

Charge Control Section

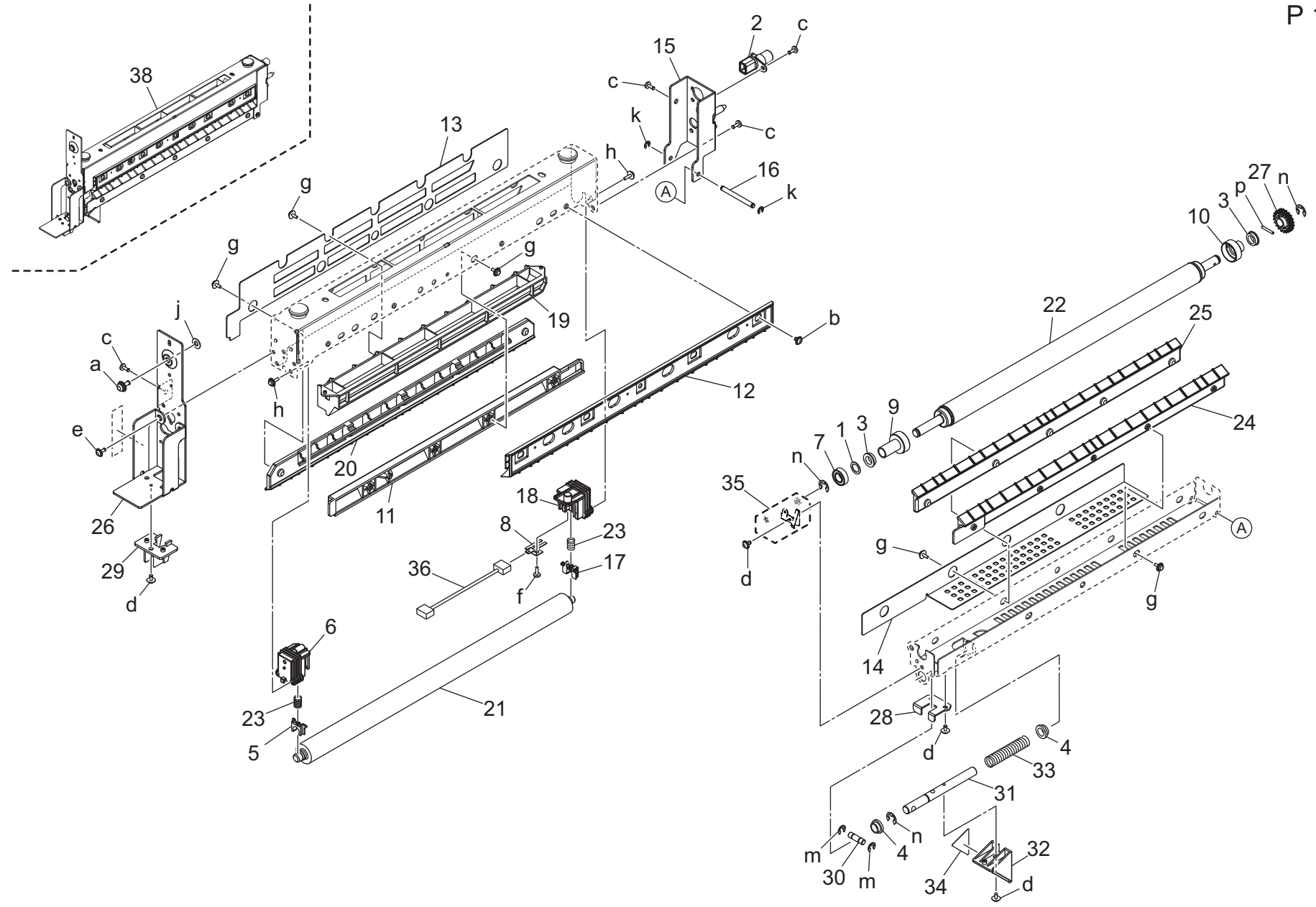


Charge Control Section



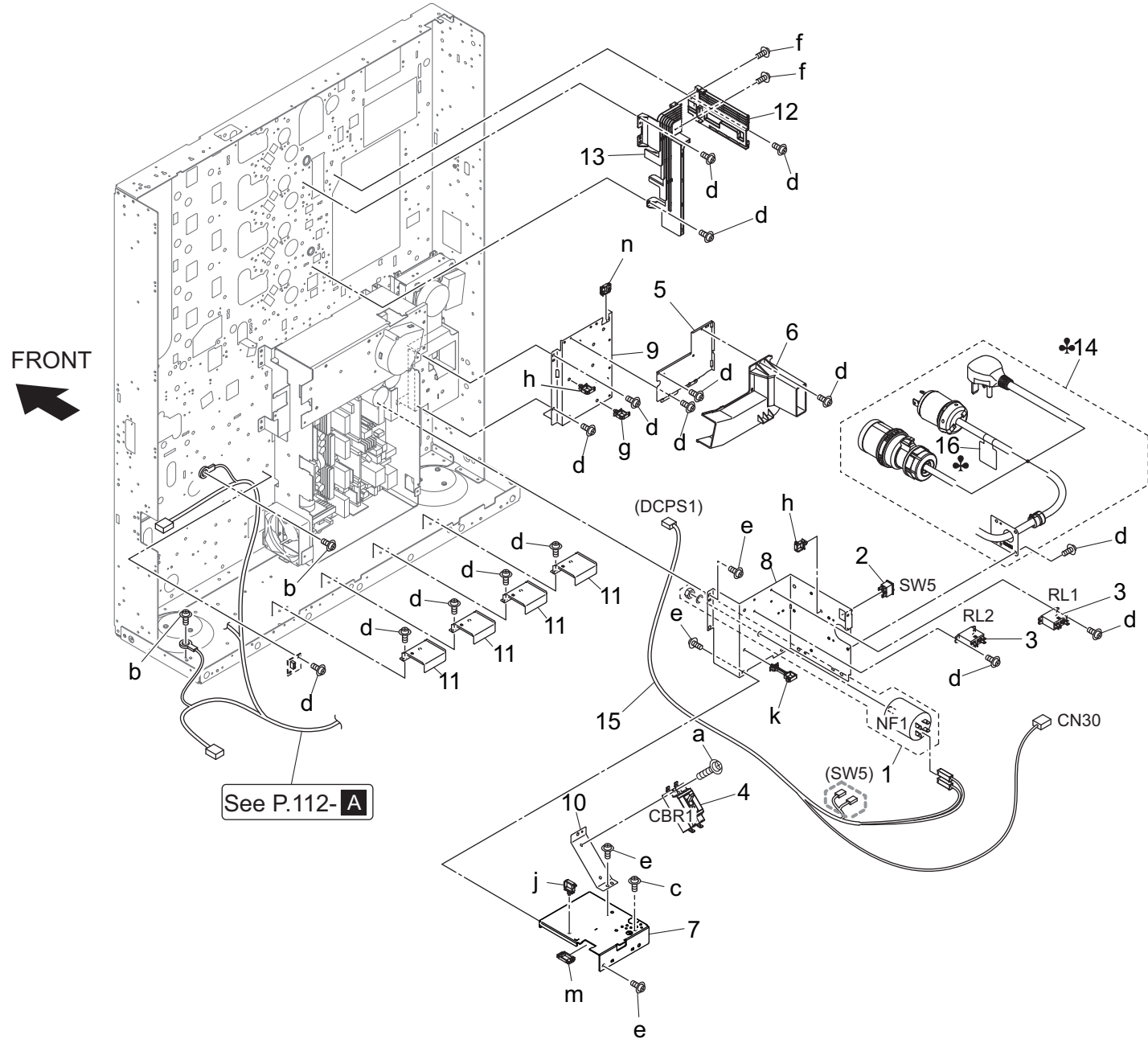
Key	Part No.	Description	Destinations	Class	QTY	Standard parts
1	4470402401	Stopper		D	1	a-V127030603 b-V127030604 d-V500010021 f-V500020098 g-V570010046 h-V125041001
2	65AAR72700	Powering Block /1 Assy		C	1	
3	A50UM51000	Photointerrupter		C	1	
4	A85C897400	Sensor Actuator /1		D	1	
5	A85C897900	Sensor Cover /1		D	1	
6	A85CM40100	HV Board /3		I	1	
7	A85CN21300	Relay Wiring /3		D	1	
8	A85CN21400	HV Wiring /20		D	1	
9	A85CN21700	Relay Wiring /7		D	1	
10	A8AK101201	Protection Cover		D	1	
11	A8AK101503	Stay /Middle		D	1	
12	A8AK101700	Protection Plate /1		D	1	
13	A8AK107100	Protection Cover /2		D	1	
14	A8AW106900	Drive Cover		D	1	
15	A8AW160401	Cover /Rear		C	1	
17	A8AW162500	Lock Guide		D	1	
18	A8AW162600	Thermal insulation Sheet /1		D	1	
19	A8AW941002	Processing Label		C	1	
20	A9VE942102	Caution Label		D	1	
21	A85C896501	Connecting Plate /1		D	2	
22	A85C896600Old	Connecting Plate /3		D	2	
22	A85C896601	Connecting Plate /3		D	2	

Charge Control Section

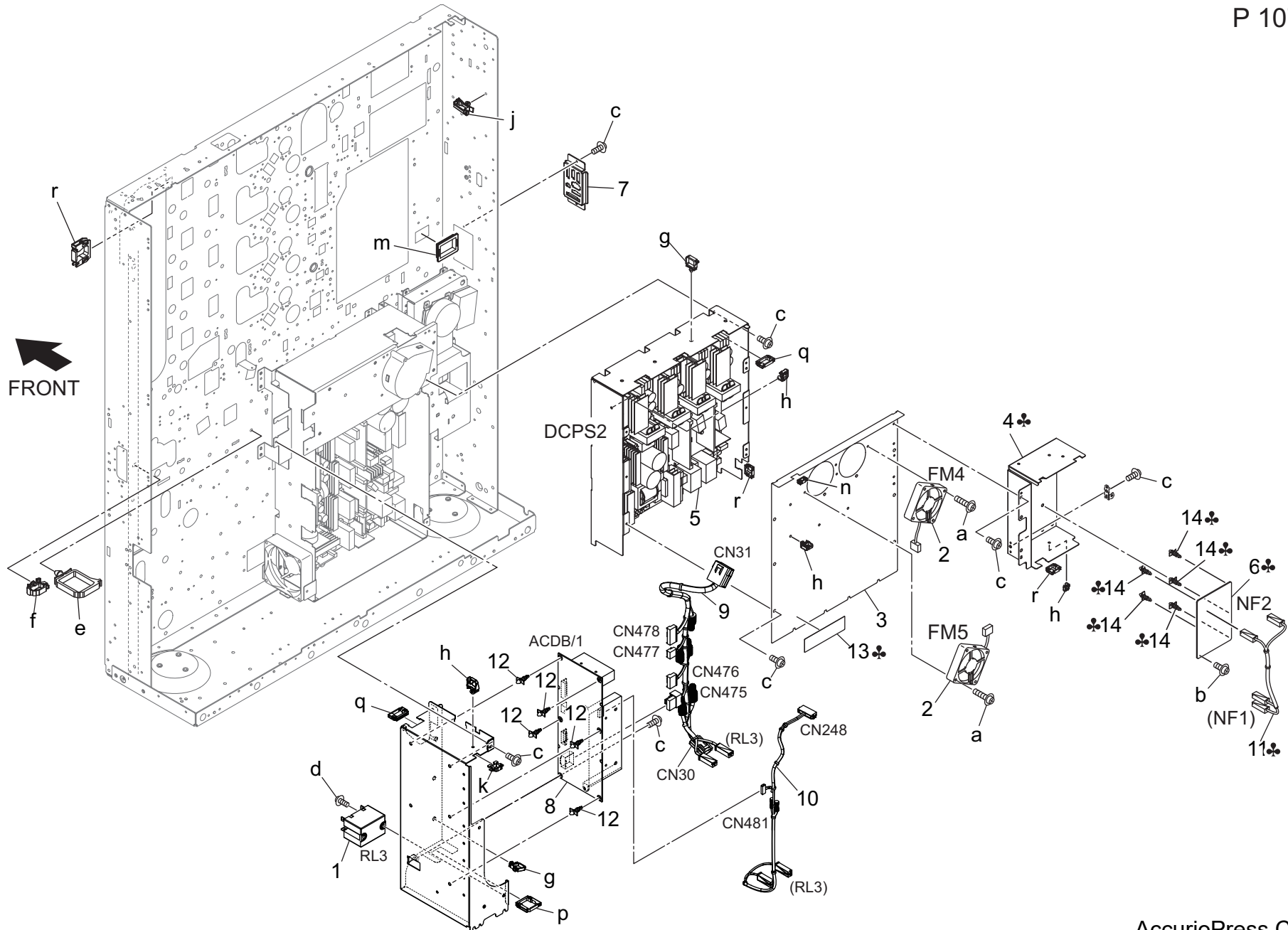


Key	Part No.	Description	Destinations	Class	QTY	Standard parts
1	12QV40650	Spacer		B	1	a-V116041003
2	65AAR74600	POWERING BLOCK A ASSY	給電ブロック A 部組	C	1	b-V121030403
3	A07R813801	Roller Bearing /A	ころがり軸受 / A	C	2	c-V126030803
4	A0G6739300	Operation Bushing /Front	操作軸受 / 前	C	2	d-V127030604
5	A1RF508900	Transfer Powering Bearing	転写給電軸受	B	1	e-V127030803
6	A1RF509000	Power supply Block /C	給電ブロック / C	D	1	f-V149030803
7	A1RF820000	Ball Bearing	ボールベアリング	C	1	g-V153030604
8	A5AW510400	Transfer Powering Plate /Front	転写給電板 / 前	D	1	h-V153030803
9	A85C895300	Insulating Collar /Front	絶縁カラー / 前	D	1	j-V211040080
10	A85C895400	Insulating Collar /Rear	絶縁カラー / 奥	D	1	k-V217030003
11	A85C895800	Cover Guide	カバーガイド	D	1	m-V217040003
12	A85C895900	Conveyance Guide /1	搬送ガイド / 1	D	1	n-V217060003
13	A85C896300Old	Thermal insulation Sheet /1	防熱シート / 1	D	1	p-V234201450
13	A85C896301	Thermal insulation Sheet /1	防熱シート / 1	D	1	
14	A85C896400	Thermal insulation Sheet /3	防熱シート / 3	D	1	
15	A85C896800	Fixing Plate	固定板	D	1	
16	A85C896900	Support Shaft	支点軸	D	1	
17	A85C897201	Charging Roller Bushing /Fr	帯電ローラー軸受 / Fr	B	1	
18	A85C897300	High voltage Powering Block /C	高圧給電ブロック / C	D	1	
19	A85C897700	Insulating Duct /Middle	断熱ダクト / 中	D	1	
20	A85C897800	Conveyance Guide /2	搬送ガイド / 2	D	1	
21	AC57899000	Charging Roller /Up	帯電ローラー / Up	A	1	
22	A85C899100	Neutralizing Roller /Lower	除電ローラー / 下	D	1	
23	A8AK103200	Power supply Spring	給電ばね	C	2	
24	A8AK103502	Conveyance Guide /1	搬送ガイド / 1	D	1	
25	A8AK103601	Conveyance Guide /2	搬送ガイド / 2	D	1	
26	A8AK103702	Mounting Plate /Front	取付板 / 前	D	1	
27	A8AK104100	Drive Gear 20T	駆動ギア 20 T	C	1	
28	A8AK108001	Holding Plate	押さえ板	D	1	
29	A8AK108100	Guide Block	ガイド ブロック	D	1	
30	A8AK108200	Guide Shaft	ガイド軸	D	1	
31	A8AK108302	Positioning Shaft	位置決め軸	D	1	
32	A8AK108400	Lock Handle	ロック取手	C	1	
33	A8AK108500	Lock Spring	ロックばね	D	1	
34	A8AK941301	Processing Label /1	処理ラベル / 1	C	1	
35	A8AKN10501	HV Wiring /2	高圧束線 / 2	D	1	
36	A8AKR70511	Lower Roller Contact Assy	下ローラー接点 Assy	C	1	
38	A92WR70T00	Charging Roller Assy	帯電ローラー Assy	D	1	

Rear Electrical Section

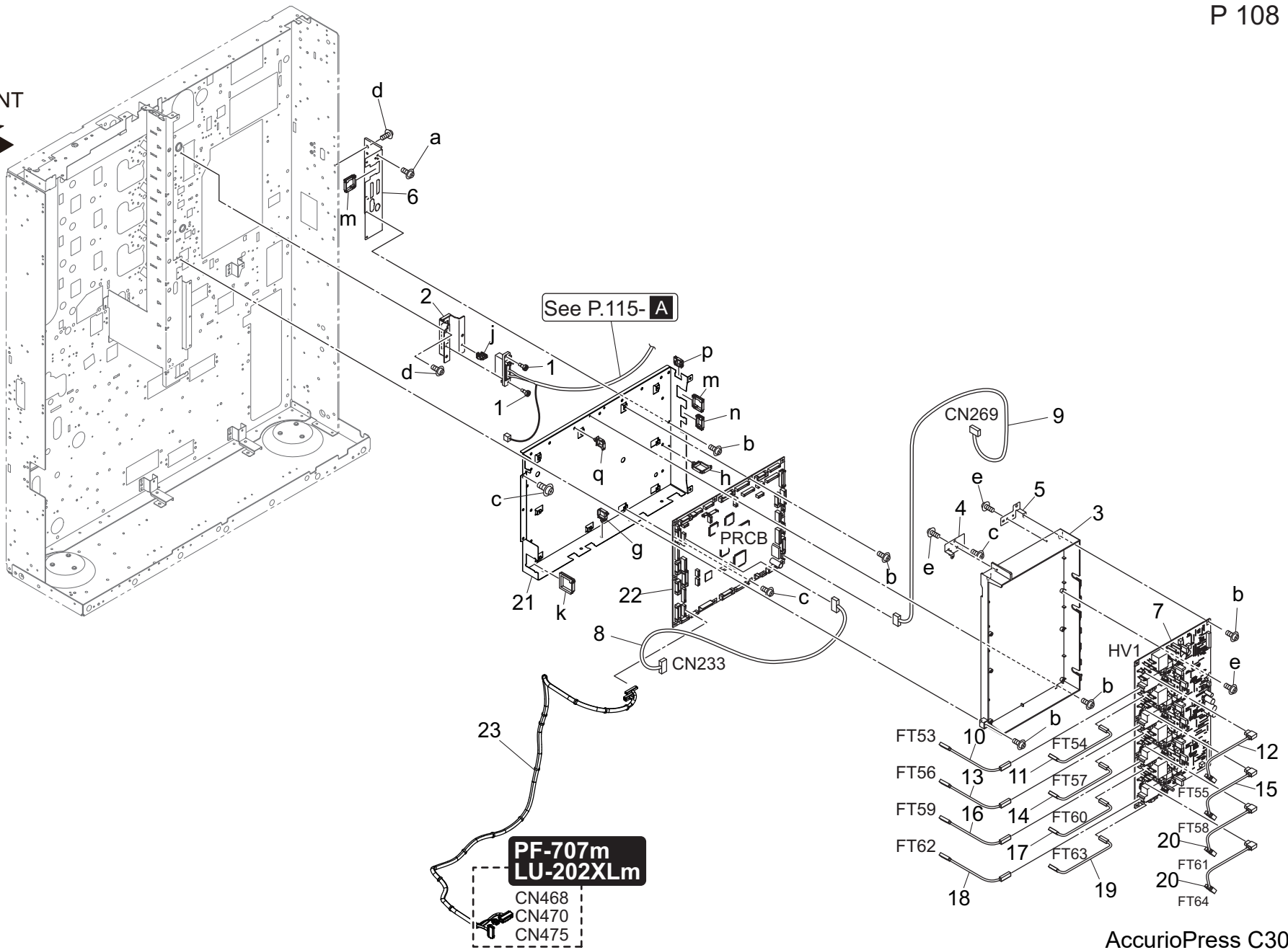


Rear Electrical Section



Rear Electrical Section

FRONT



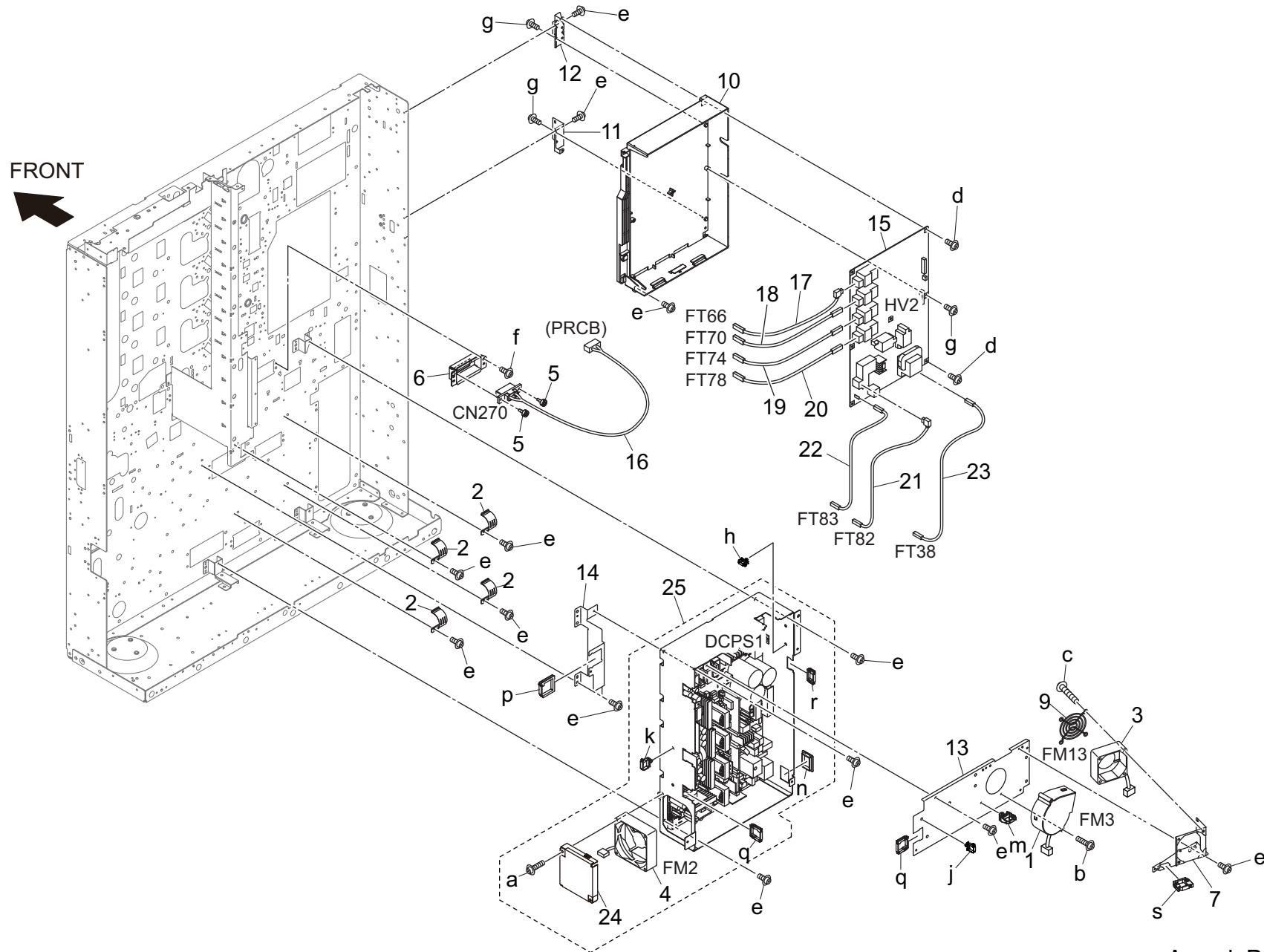
**PF-707m
 LU-202XLm**
 CN468
 CN470
 CN475

AccurioPress C3080P

Rear Electrical Section

Key	Part No.	Description	Destinations	Class	QTY	Standard parts
1	57AA15600	ELECTRIC MOUNTING SCREW		C	2	a-V116040603
2	A50U104800	Connecting Frame		D	1	b-V127030603
3	A50U131002	Casing /1		D	1	c-V127030604
4	A50U131400	Ground Plate /1		D	1	d-V127040603
5	A50U131900	Ground Plate /2		D	1	e-V158030803
6	A50U133101	Support Plate /B		D	1	g-V500010084
7	A50UM40100	HV Board /1		D	1	h-V500010085
8	A50UN12900	Toner Relay harness /1		D	1	j-V500020099
9	A50UN17400	Drive Relay harness /2		D	1	k-V570010048
10	A50UN23200	HV Wiring /3		D	1	m-V570010058
11	A50UN23300	HV Wiring /4		D	1	n-V570010059
12	A50UN23400	HV Wiring /5		D	1	p-V570010060
13	A50UN23500	HV Wiring /6		D	1	q-V500010082
14	A50UN23600	HV Wiring /7		D	1	
15	A50UN23700	HV Wiring /8		D	1	
16	A50UN23800	HV Wiring /9		D	1	
17	A50UN23900	HV Wiring /10		D	1	
18	A50UN24100	HV Wiring /12		D	1	
19	A50UN24200	HV Wiring /13		D	1	
20	A50UN24300	HV Wiring /14		D	2	
21	A9VE133000	Support Plate		D	1	
22	A9VEH03005	Printer Control Board ASSY		I	1	
23	A9VEN11500	Main body Wiring /5		D	1	

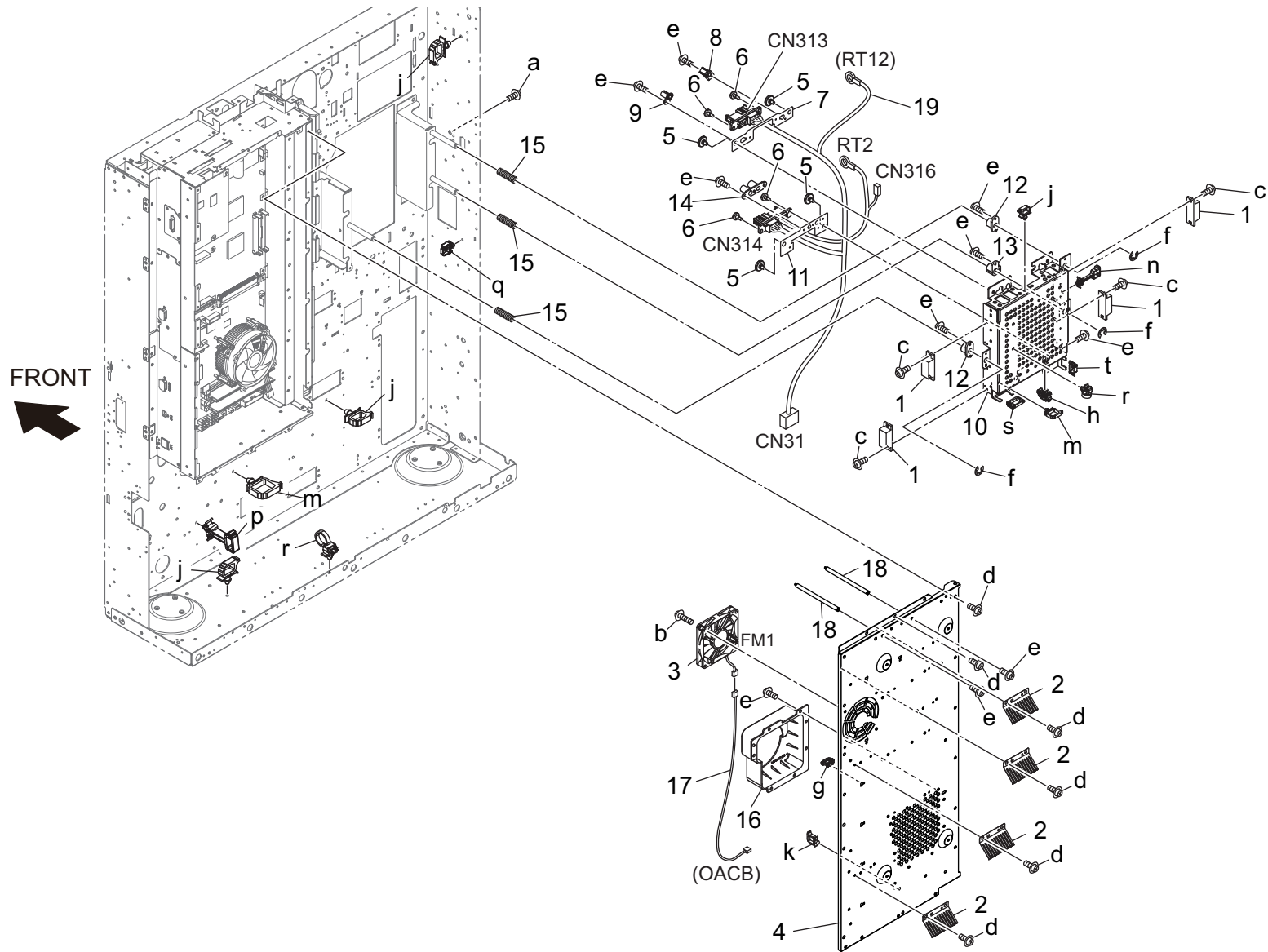
Rear Electrical Section



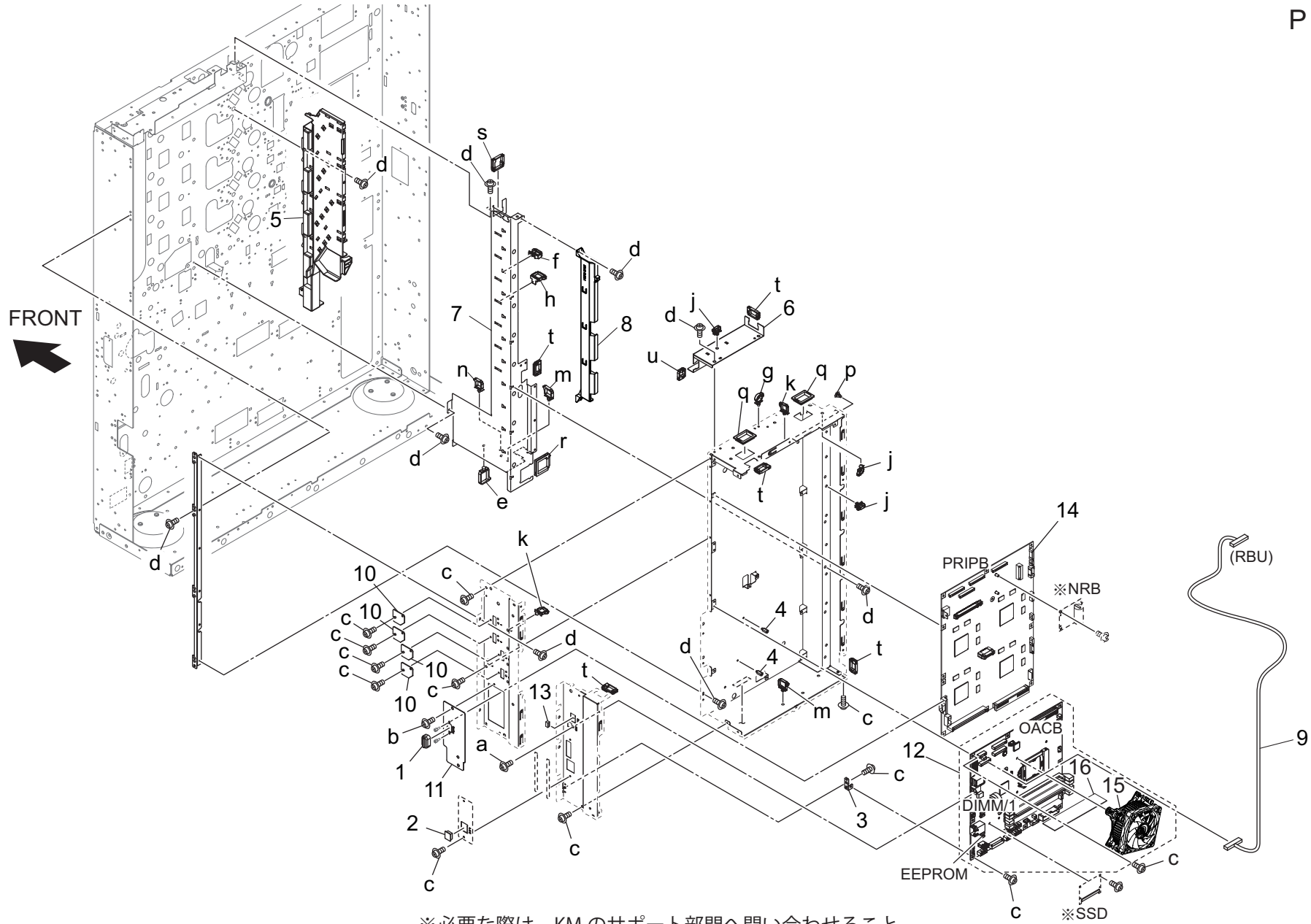
AccurioPress C3080P

Rear Electrical Section

P 110

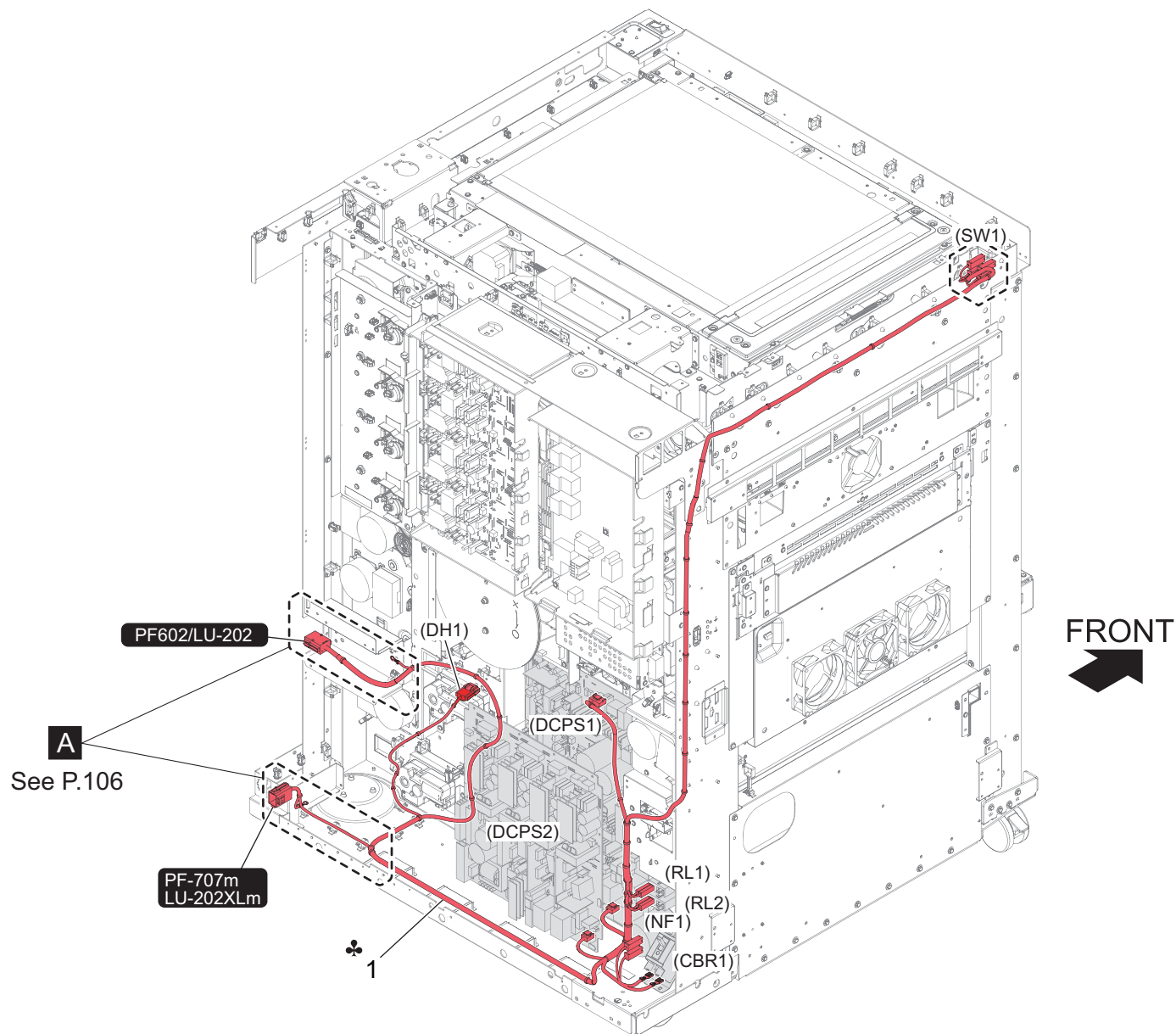


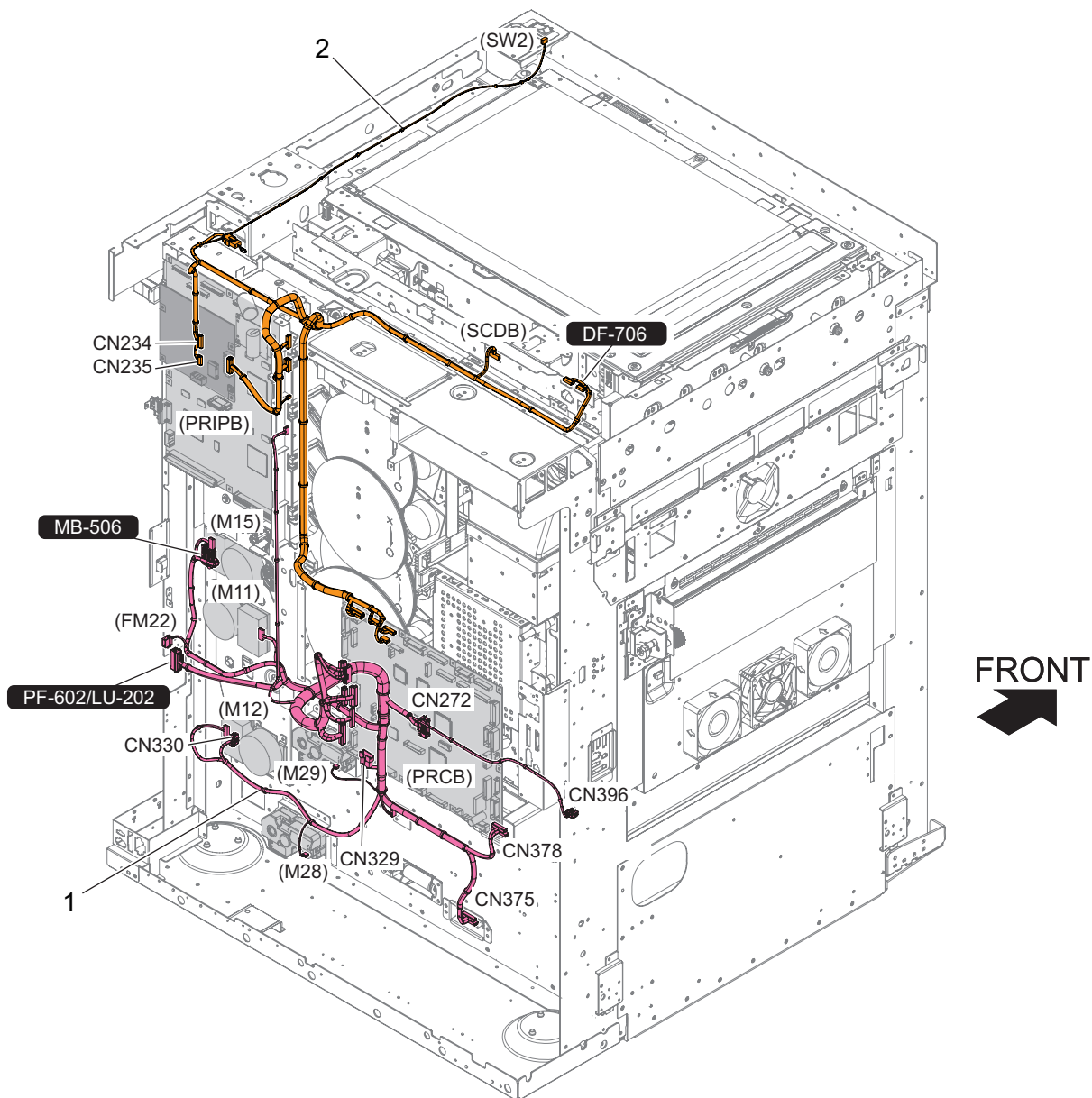
Rear Electrical Section



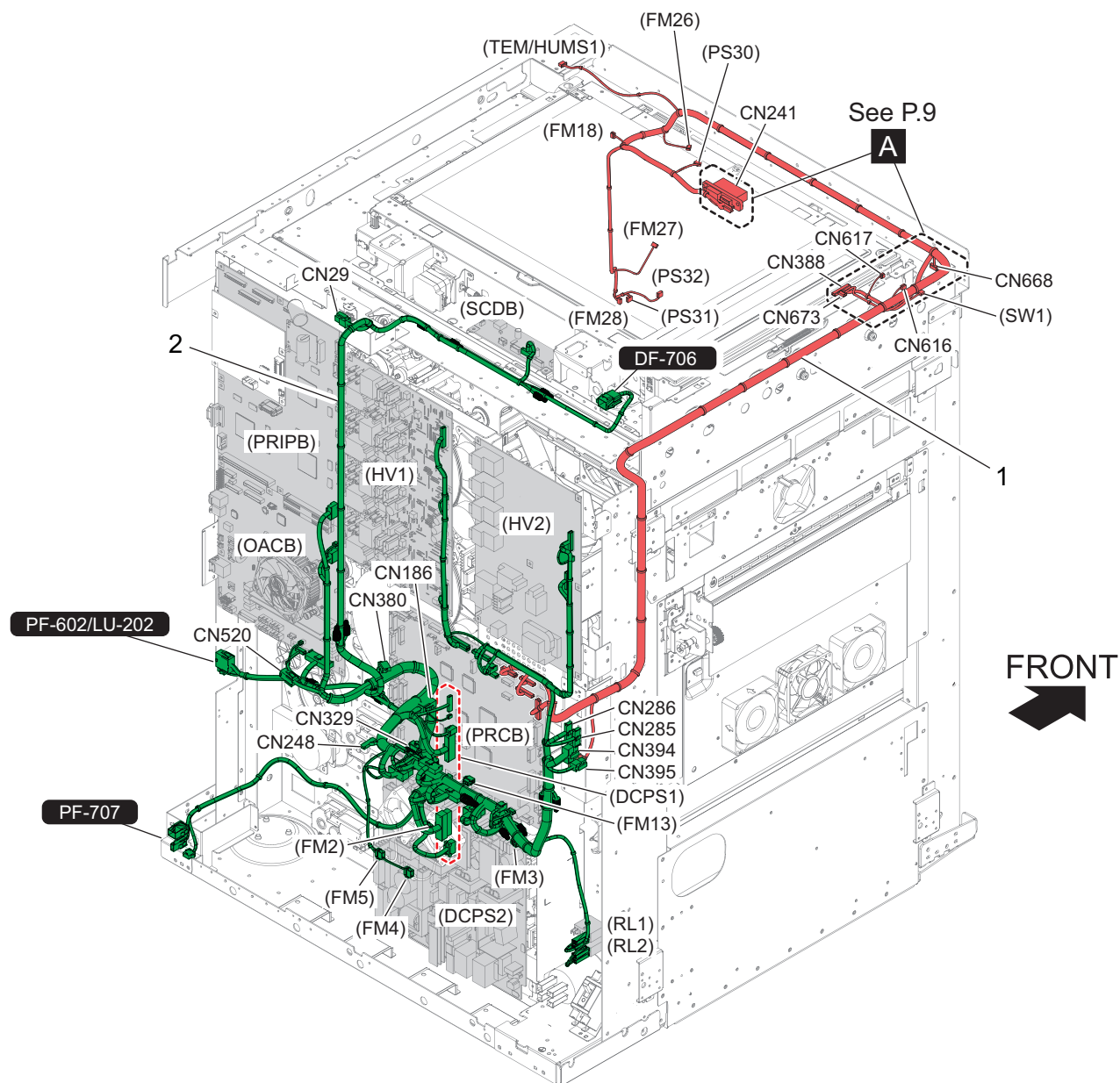
※必要な際は、KM のサポート部門へ問い合わせること。
 ※Contact KONICA MINOLTA technical support if needed.

AccurioPress C3080P



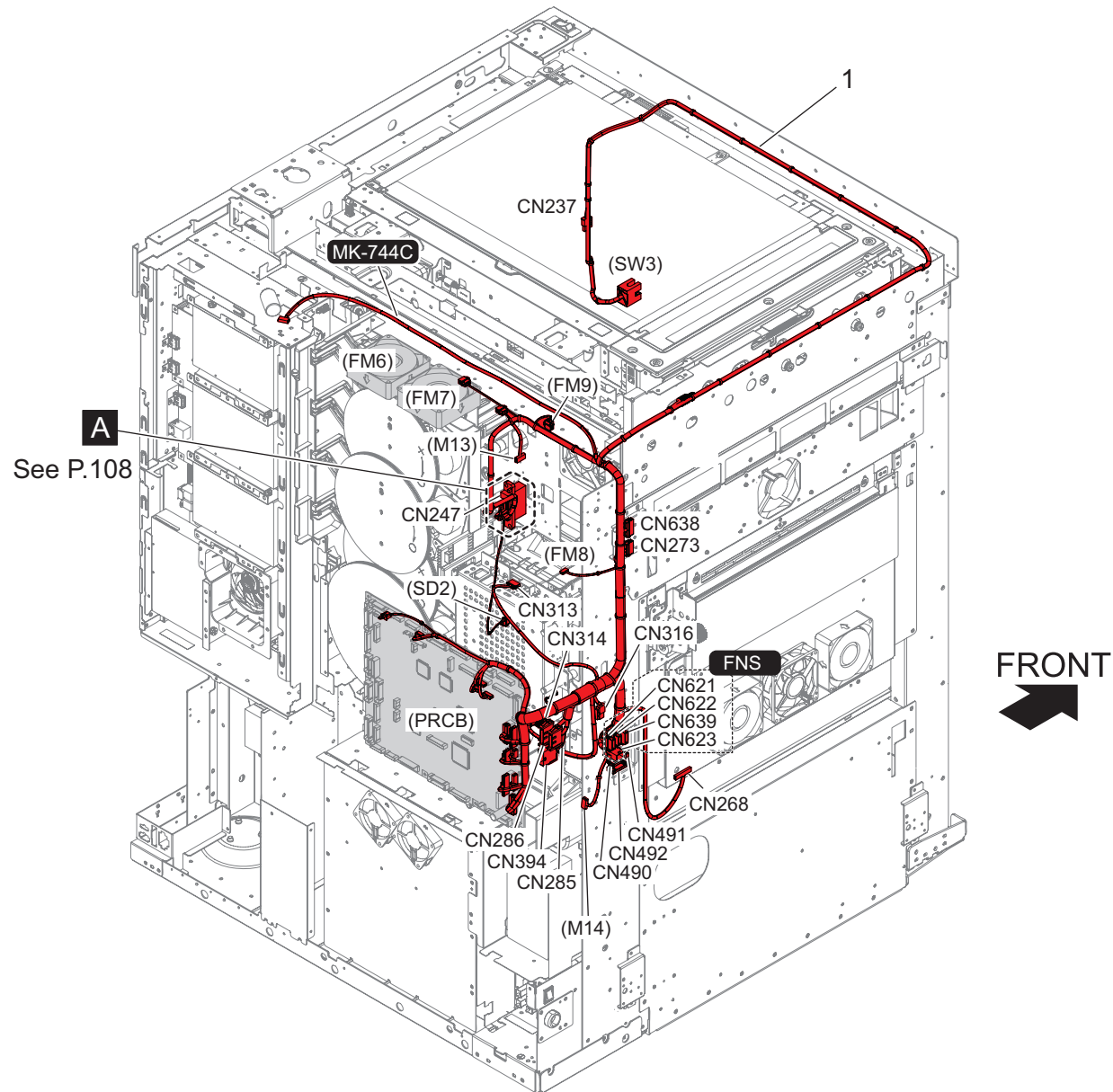


Key	Part No.	Description	Destinations	Class	QTY	Standard parts
1	A85CN10202	Main body Wiring /1		D	1	
2	A85CN10400	Main body Wiring /2		D	1	



FRONT

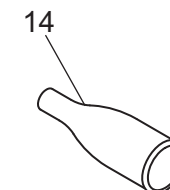
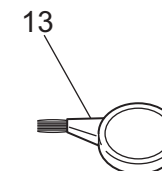
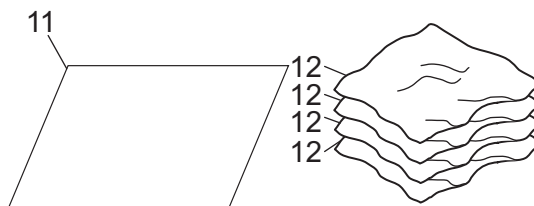
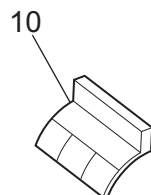
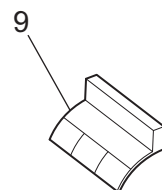
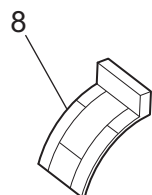
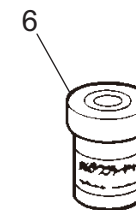
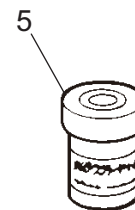
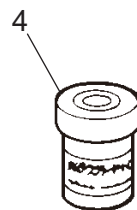
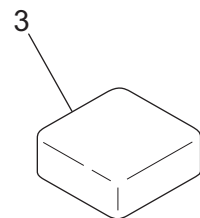
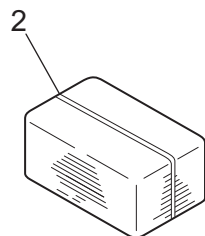
Key	Part No.	Description	Destinations	Class	QTY	Standard parts
1	A50UN12702	Main body Wiring /4		D	1	
2	A9VEN10300	DC Power source harness /1		D	1	



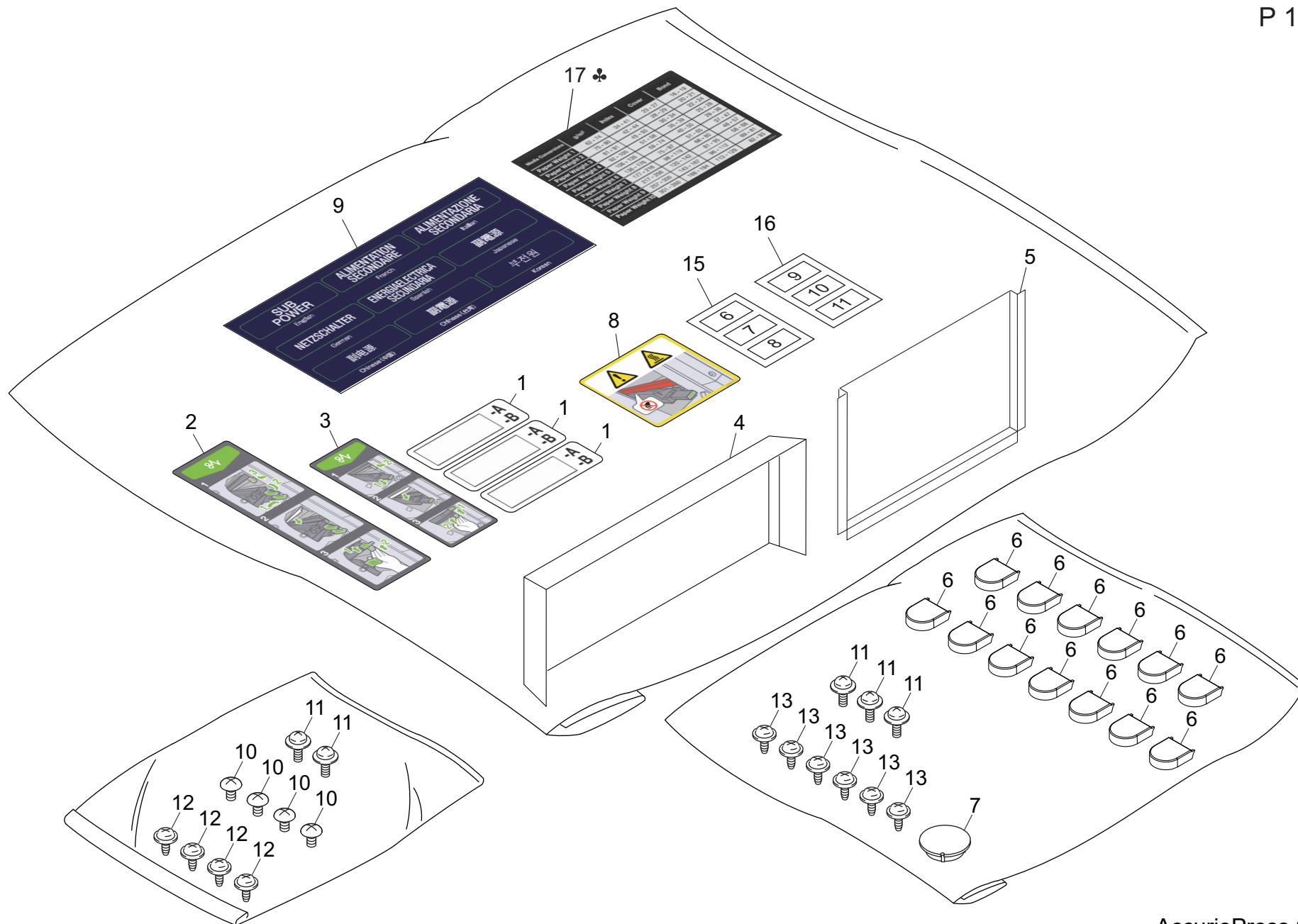
FRONT
➔

Service Tool

P 116



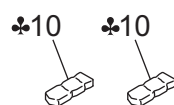
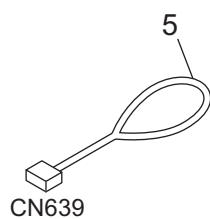
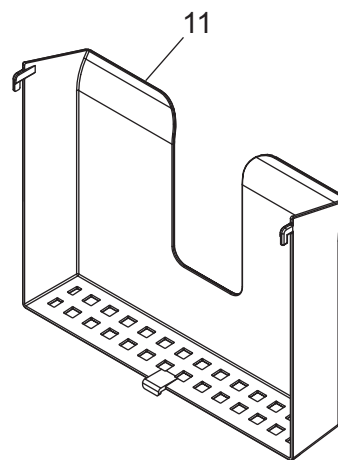
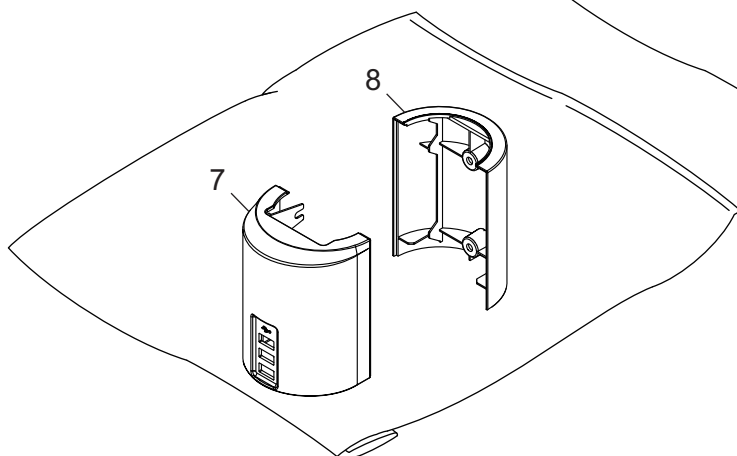
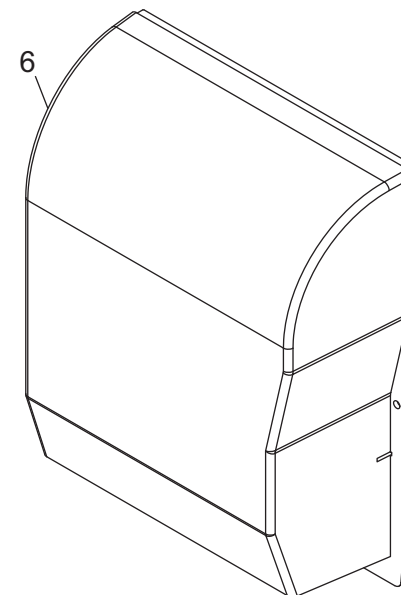
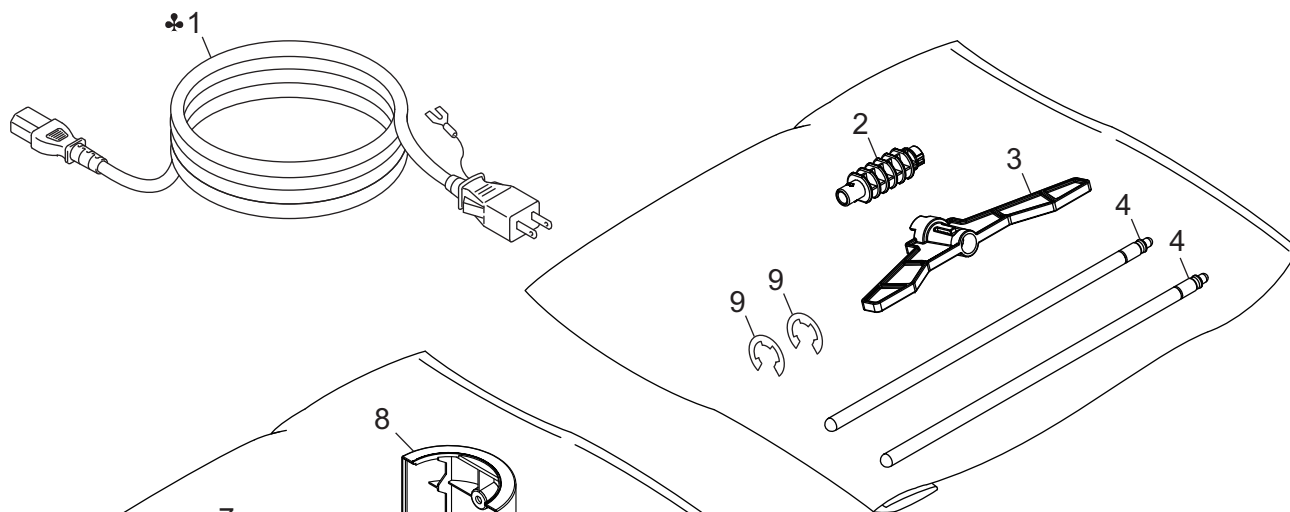
Key	Part No.	Description	Destinations	Class	QTY	Standard parts
1	A50UPP0100	Setting Toner No.2		S	1	
2	A5AWP00100	Cleaning Pad		S	1	
3	65AA-9920	HYDROWIPE		S	1	
4	00GR00260	Grease(Multemp FF-RM)		S	1	
5	00GR00020	Grease(Plas Guard No.1)		S	1	
6	00GR00220	Grease(Molykote EM-30L Grease)		S	1	
7	A4EUPP0000	MHSURF FT-240	C,D1,E,G2,I	S	1	
8	A50UPJG300	Positioning Jig /C (Temperature Sensor)		S	1	
9	A50UPJG100	Positioning Jig /A (TS1/2)		S	1	
10	A50UPJG200	Positioning Jig /B (TS3)		S	1	
11	65AA99500	AJUST PAPER FOR FIXING UNIT(16SHEET S)		S	1	
12	00VC-2-00	Drum Cover		S	4	
13	00VD-1000	Blower Brush		S	1	
14	A1DUPJG100	Cleaning Jig		S	1	



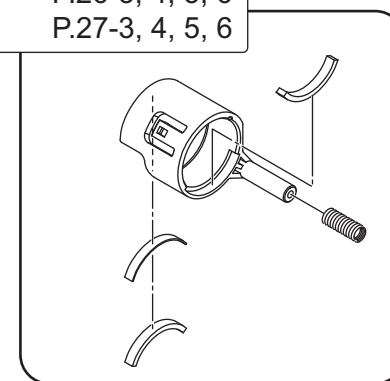
Key	Part No.	Description	Destinations	Class	QTY	Standard parts
1	A1RF945501	Replacement Label /5		D	3	
2	A8AK941001	Processing Label /2		C	1	
3	A8AK941200	Processing Label /3		C	1	
4	A9CE955000	Heat blocking Plate /1		D	1	
5	A9CE955100	Heat blocking Plate /2		D	1	
6	A9VE168800	Click Cover		D	13	
7	A9VE169000	Cover		D	1	
8	A9VE942200	Caution Label		D	1	
9	A9VE946300	Input Label		D	1	
10	V114040604	Screw		V	4	
11	V121030604	Screw		V	5	
12	V127030516	Screw		V	4	
13	V127030604	Screw		V	6	
15	A0GD944100	Indicating Label /6		D	1	
16	A0GD944200	Indicating Label /9		D	1	
17	A9VE945900	Paper feed Label /3	B,G2 (Service Part Only)	D	1	

Accessory Parts

P 118



See P.24-3, 4, 5, 6
 P.25-3, 4, 5, 6
 P.26-3, 4, 5, 6
 P.27-3, 4, 5, 6



AccurioPress C3080P

MAINTENANCE LIST

● The items with no Page/Key numbers are not handled as spare parts.

No.	Section	PM Parts Description	Maintenance Cycle (K=1,000)		Parts No.	Destinations	Page/Key	Note
			QTY	Replace				
1	External section	Filter box	1	400K	A50UR70A12		P11-29	*1
2	External section	Developing dust-proof filter/1	1	600K	A50U172200		P5-27	*1
3		Developing dust-proof filter/2	1	600K	A50U172300		P5-29	*1
4		PH dust-proof filter	1	600K	A50U172100		P5-26	*1
5		Electric component cooling filter	1	600K	A50U109900		P8-22	*1
6		suction dust-proof filter	1	600K	A50U164901		P2-14	*1
7	Paper feed section	Paper feed roller rubber	2	125K	25SA40960		P66-3/P69-3	
8		Separation roller rubber	2	125K	25SA40960		P64-1/P67-1	
9	Toner collection section	Waste toner box	1	130K	A50UR70115	B,C,D1,D3,E,F2,G1,G A	P30-19	*2
10		Waste toner box	1	130K	A9VER71600		P30-19	*2
11	Charging section	Charging corona/Y	1	210K	A50UR70323		P18-1	*1
12		Charging corona/M	1	210K	A50UR70323		P18-1	*1
13		Charging corona/C	1	210K	A50UR70323		P18-1	*1
14		Charging corona/K	1	210K	A50UR70323		P18-1	*1
15	Intermediate transfer section	Toner collection sheet	1	222K	A1DUR71C00		P37-11	*1
16		Transfer belt cleaning blade	1	222K	A50UR70K22		P37-16	*1
17		Side seal	2	222K	A50U531601		P37-15	*1
18	REVERSE AND EXIT SEC-	Reverse de-curler roller	1	400K	A50U860501		P95-16	
19	Intermediate transfer section	1st transfer roller/Y	1	444K	A50U501201		P35-9	*1
20		1st transfer roller/M	1	444K	A50U501201		P35-9	*1
21		1st transfer roller/C	1	444K	A50U501201		P35-9	*1
22		1st transfer roller/K	1	444K	A50U501201		P35-9	*1
23		2nd transfer roller/Up	1	444K	A50U500401		P34-13	*1
24		Intermediate transfer belt	1	444K	A1DU504203	A,D1,E B,C,G2 (Service Part Only)	P34-35	*1,*3
25		Intermediate transfer belt/H	1	444K	A9VE500100		P34-35	*1,*3
26		Intermediate transfer belt/C	1	444K	A9VE500200		P34-36	*1,*3
27	Photo conductor section	Drum unit/Y	1	460K				*4
28		Drum unit/M	1	460K				*4
29		Drum unit/C	1	460K				*4
30		Drum unit/K	1	460K				*4
31	Intermediate transfer section	2nd transfer roller/Lw	1	468K	A50U520001		P55-1	*1
32		Separate Discharging Unit	1	468K	A50UR70B00		P55-6	*1
33	Registration section	Registration cleaning sheet assy	1	600K	A50UR70D01		P100-30	
34	Fusing section	Heat insulating sleeve/Lw	2	600K	A50U756300		P42-13	Service tool: Fluotribo MH
35		Fusing gear/1	1	600K	A50U752700		P42-9	Service tool: Fluotribo MH
36		Fusing gear/3	1	600K	A50U752200		P40-23	Service tool: Fluotribo MH
37		Fusing belt assy	1	600K	A9VER70422		P45-32	
38	Charge control section	Charging roller/Up	1	750K	AC57899000		P105-21	*1
39	Paper feed section	Pick-up roller	2	800K	A1DUR71J00		P66-19/P69-19	
40	Intermediate transfer section	Transfer belt cleaning unit	1	880K	A50UR70655		P32-1	*1
41		Transfer belt separation claw	3	880K	A1DUR71900		P35-8	
42	REVERSE AND EXIT SEC-	Paper Exit Decurler Roller	1	1,000K	A50U890802		P102-20	
43		Paper exit drive gear /1	1	1,000K	A03U909502		P102-13	
44		Paper exit gear	1	1,000K	A50U899700		P102-29	
45	Charge control section	Paper exit drive gear/2	1	1,000K	A043909901		P101-7	
46	Fusing section	Fusing paper exit roller/Up	2	1200K	A9VE760900		P46-8	
47		Fusing Bearing/Lw	2	1200K	26NA53712		P42-2	Service tool: Fluotribo MH
48		Fusing gear/2	1	1200K	A03U809500		P45-5	Service tool: Fluotribo MH
49		Fusing Roller/Lw	1	1200K	A50U765500		P42-15	
50		Fusing separating claw assy	5	1200K	A50UR72U11		P46-33	

No.	Section	PM Parts Description	Maintenance Cycle (K=1,000)		Parts No.	Destinations	Page/Key	Note
			QTY	Replace				
51	Developing section	Developer/Y	1	1,350K				*5
52		Developer/M	1	1,350K				*5
53		Developer/C	1	1,350K				*5
54		Developer/K	1	1,350K				*5
55		Developing unit/Y	1	1,350K	A50UR70244		P20-10	*1
56		Developing unit/M	1	1,350K	A50UR70244		P21-10	*1
57		Developing unit/C	1	1,350K	A50UR70244		P22-10	*1
58		Developing unit/K	1	1,350K	A50UR70244		P23-10	*1
59	Registration section	Registration roller	1	1,400K	A50U710101		P98-7	
60		Registration Roller Bearing	2	1,400K	A03U812800		P98-6	
61	Intermediate transfer section	Belt separation claw solenoid (SD2)	1	1,776K	26NA82513		P7-2	
62	Intermediate transfer section	2nd transfer earth plate assy	2	1,872K	A50UR70G01		P78-21	*1
63		C-clip	2	1,872K	V218060086		P55-c	*1
64	Paper feed section	Paper feed clutch	2	2,000K	56AA82012		P66-13/P69-13	
65		Pre-registration clutch	2	2,000K	56AA82012		P65-20/P68-20	
66	Vertical conveyance section	Intermediate conveyance clutch/1 (CL5)	1	2,000K	56AA82012		P77-5	
67	Duplex section	Intermediate conveyance clutch/2 (CL6)	1	2,000K	56AA82012		P83-9	
68		Intermediate conveyance clutch/3 (CL7)	1	2,000K	56AA82012		P83-9	
69	Registration section	Registration idler gear	1	2,800K	A50U713700		P84-10	
70	Fusing section	Fusing heater lamp 1 assy/Up (Japan)	1	3,000K	A9VEM31A00	A	P45-30	
71		Fusing heater lamp 1 assy/Up (North America)	1	3,000K	A9VEM31E00	B,G2	P45-30	
72		Fusing heater lamp 1 assy/Up (Europe)	1	3,000K	A9VEM31F00	C,D1,E	P45-30	
73		Fusing heater lamp 2 assy/Up (Japan)	1	3,000K	A9VEM33A00	A	P45-31	
74		Fusing heater lamp 2 assy/Up (North America)	1	3,000K	A9VEM33E00	B,G2	P45-31	
75		Fusing heater lamp 2 assy/Up (Europe)	1	3,000K	A9VEM33F00	C,D1,E	P45-31	
76		Fusing temperature sensor/3 (TH3)	1	3,000K	A50UR70F00		P44-18	
77		Fusing temperature sensor/4 (TH4)	1	3,000K	A50UR70E22		P41-6	
78	Charge control section	Charging roller bearing/Fr	1	3,150K	A1RF508900		P105-5	
79		Charging roller bearing/Rr	1	3,150K	A85C897201		P105-17	
80	Intermediate transfer section	Transfer roller bearing/Y, transfer roller bearing/M and	6	3,552K	65AA26380		P35-3	
81		Transfer Roller Bearing/K	2	3,552K	A50U505700		P35-15	

*1: Actual replacement: 100% (special parts counter) (See Service Manual F-3 LIFE VALUE.)

*2: The sensor detects its full automatically.

*3: You can distinguish by the color of the connectors.

*4: Actual replacement: 460,000 counts (quantity) or 100% (distance), whichever is earlier (See Service Manual F-3 LIFE VALUE.)

*5: Be sure to replace it together with the developing unit at the same time.

*: The part names used in this page follow the part name of Service Manual and they are occasionally different from part names written in other pages.

メンテナンスリスト

● ページ / キーナンバーのないものは、アフターサービス部品ではありません。

No.	区分	PM 部品名称	サイクル (K=1,000)		部品番号	仕向地	頁 / キー	備考
			員数	交換				
1	外装部	フィルターボックス	1	400K	A50UR70A12		P11-29	*1
2	外装部	現像防塵フィルター /1	1	600K	A50U172200		P5-27	*1
3		現像防塵フィルター /2	1	600K	A50U172300		P5-29	*1
4		PH 防塵フィルター	1	600K	A50U172100		P5-26	*1
5		電装冷却フィルター	1	600K	A50U109900		P8-22	*1
6		吸気防塵フィルター	1	600K	A50U164901		P2-14	*1
7	給紙部	給紙ローラーゴム	2	125K	25SA40960		P66-3/P69-3	
8		分離ローラーゴム	2	125K	25SA40960		P64-1/P67-1	
9	トナー回収部	廃棄トナーボックス	1	130K	A50UR70115	B,C,D1,D3,E,F2,G1,G2,H,	P30-19	*2
10		廃棄トナーボックス	1	130K	A9VER71600	A	P30-19	*2
11	帯電部	帯電極 /Y	1	210K	A50UR70323		P18-1	*1
12		帯電極 /M	1	210K	A50UR70323		P18-1	*1
13		帯電極 /C	1	210K	A50UR70323		P18-1	*1
14		帯電極 /K	1	210K	A50UR70323		P18-1	*1
15	中間転写部	トナー回収シート	1	222K	A1DUR71C00		P37-11	*1
16		転写ベルトクリーニングブレード	1	222K	A50UR70K22		P37-16	*1
17		サイドシール	2	222K	A50U531601		P37-15	*1
18	反転 / 排紙部	反転デカラーローラー	1	400K	A50U860501		P95-16	
19	中間転写部	1次転写ローラー /Y	1	444K	A50U501201		P35-9	*1
20		1次転写ローラー /M	1	444K	A50U501201		P35-9	*1
21		1次転写ローラー /C	1	444K	A50U501201		P35-9	*1
22		1次転写ローラー /K	1	444K	A50U501201		P35-9	*1
23		2次転写ローラー /Up	1	444K	A50U500401		P34-13	*1
24		中間転写ベルト	1	444K	A1DU504203	A,D1,E	P34-35	*1、*3
25		中間転写ベルト /H	1	444K	A9VE500100	B,C,G2	P34-35	*1、*3
26		中間転写ベルト /C	1	444K	A9VE500200	(Service Part Only)	P34-36	*1、*3
27	感光体部	ドラムユニット /Y	1	460K				*4
28		ドラムユニット /M	1	460K				*4
29		ドラムユニット /C	1	460K				*4
30		ドラムユニット /K	1	460K				*4
31	中間転写部	2次転写ローラー /Lw	1	468K	A50U520001		P55-1	*1
32		分離放電板ユニット	1	468K	A50UR70B00		P55-6	*1
33	レジスト部	レジスト清掃シート Assy	1	600K	A50UR70D01		P100-30	
34	定着部	断熱スリーブ /Lw	2	600K	A50U756300		P42-13	サービスツール：フルトライボ MH
35		定着ギア /1	1	600K	A50U752700		P42-9	サービスツール：フルトライボ MH
36		定着ギア /3	1	600K	A50U752200		P40-23	サービスツール：フルトライボ MH
37		定着ベルト Assy	1	600K	A9VER70422		P45-32	
38	電荷制御部	帯電ローラー /Up	1	750K	AC57899000		P105-21	*1
39	給紙部	ピックアップローラー	2	800K	A1DUR71J00		P66-19/P69-19	
40	中間転写部	転写ベルトクリーニングユニット	1	880K	A50UR70655		P32-1	*1
41	中間転写部	転写ベルト分離爪	3	880K	A1DUR71900		P35-8	
42	反転 / 排紙部	排紙デカラーローラー	1	1,000K	A50U890802		P102-20	
43		排紙駆動ギア /1	1	1,000K	A03U909502		P102-13	
44		排紙ギア	1	1,000K	A50U899700		P102-29	
45	電荷制御部	排紙駆動ギア /2	1	1,000K	A043909901		P101-7	
46	定着部	定着排紙ローラー /Up	2	1200K	A9VE760900		P46-8	
47		定着軸受 /Lw	2	1200K	26NA53712		P42-2	サービスツール：フルトライボ MH
48		定着ギア /2	1	1200K	A03U809500		P45-5	サービスツール：フルトライボ MH
49		定着ローラー /Lw	1	1200K	A50U765500		P42-15	
50		定着分離爪 Assy	5	1200K	A50UR72U11		P46-33	

No.	区分	PM 部品名称	サイクル (K=1,000)		部品番号	仕向地	頁/キー	備考
			員数	交換				
51	現像部	現像剤 /Y	1	1,350K				*5
52		現像剤 /M	1	1,350K				*5
53		現像剤 /C	1	1,350K				*5
54		現像剤 /K	1	1,350K				*5
55		現像ユニット /Y	1	1,350K	A50UR70244		P20-10	*1
56		現像ユニット /M	1	1,350K	A50UR70244		P21-10	*1
57		現像ユニット /C	1	1,350K	A50UR70244		P22-10	*1
58		現像ユニット /K	1	1,350K	A50UR70244		P23-10	*1
59	レジスト部	レジストローラー	1	1,400K	A50U710101		P98-7	
60		レジストローラー軸受	2	1,400K	A03U812800		P98-6	
61	中間転写部	ベルト分離爪ソレノイド (SD2)	1	1,776K	26NA82513		P7-2	
62	中間転写部	2次転写アース板 Assy	2	1,872K	A50UR70G01		P78-21	*1
63		Cクリップ	2	1,872K	V218060086		P55-c	*1
64	給紙部	給紙クラッチ	2	2,000K	56AA82012		P66-13/P69-13	
65		プレレジストクラッチ	2	2,000K	56AA82012		P65-20/P68-20	
66	垂直搬送部	中間搬送クラッチ /1 (CL5)	1	2,000K	56AA82012		P77-5	
67	両面部	中間搬送クラッチ /2 (CL6)	1	2,000K	56AA82012		P83-9	
68		中間搬送クラッチ /3 (CL7)	1	2,000K	56AA82012		P83-9	
69	レジスト部	レジストアイドローギア	1	2,800K	A50U713700		P84-10	
70	定着部	定着ヒーターランプ 1 Assy/Up (国内)	1	3,000K	A9VEM31A00	A	P45-30	
71		定着ヒーターランプ 1 Assy/Up (北米)	1	3,000K	A9VEM31E00	B,G2	P45-30	
72		定着ヒーターランプ 1 Assy/Up (欧州)	1	3,000K	A9VEM31F00	C,D1,E	P45-30	
73		定着ヒーターランプ 2 Assy/Up (国内)	1	3,000K	A9VEM33A00	A	P45-31	
74		定着ヒーターランプ 2 Assy/Up (北米)	1	3,000K	A9VEM33E00	B,G2	P45-31	
75		定着ヒーターランプ 2 Assy/Up (欧州)	1	3,000K	A9VEM33F00	C,D1,E	P45-31	
76		定着温度センサー /3 (TH3)	1	3,000K	A50UR70F00		P44-18	
77		定着温度センサー /4 (TH4)	1	3,000K	A50UR70E22		P41-6	
78	電荷制御部	帯電ローラー軸受 /Fr	1	3,150K	A1RF508900		P105-5	
79		帯電ローラー軸受 /Rr	1	3,150K	A85C897201		P105-17	
80	中間転写部	転写ローラー軸受 /Y、/M、/C	6	3,552K	65AA26380		P35-3	
81		転写ローラー軸受 /K	2	3,552K	A50U505700		P35-15	

*1: 実質交換 : 100% (固定パーツカウンター) (サービスマニュアル「F.3 ライフ値の考え方」参照)

*2: フル検知はセンサーにより自動検知

*3: コネクタの色により、識別可能。

*4: 実質交換 : 460,000 カウント (枚数)、または 100% (距離) いずれか早いタイミング (サービスマニュアル「F.3 ライフ値の考え方」参照)

*5: 現像ユニットと同時に交換すること。

*: ここに記載されている部品名称はサービスマニュアルで使用されている部品名称であり、他のページに記載されている部品名称とは異なる場合があります。

DESTINATION

Destination No.		Destinations		V	Hz	Model No.
A	A1	JAPAN		200	50/60	AAC2001
	A2	JAPAN		200	50/60	AAC2001
B		USA, CANADA		208-240	60	AAC2011
C		EUROPEAN TYPE		220-240	50/60	AAC2021
D	D1	S.E ASIA TYPE	THAILAND, SRI LANKA, SINGAPORE, MALAYSIA, HONG KONG, PAKISTAN, INDIA, BANGLADESH, INDONESIA	220-240	50/60	AAC2041
	D3	OCEANIA TYPE	AUSTRALIA, NEW ZEALAND			
E		PHILIPPINES		220-240	50/60	AAC2041
F	F1	SAUDI ARABIA				
	F2	SAUDI ARABIA				
G	G1	C.S AMERICA				
	G2	C.S AMERICA		208-240	60	AAC2011
H		TAIWAN				
I		JORDAN, LEBANON, SYRIA, SOUTH AFRICA, IRAQ, IRAN, N.YEMEN, CAMEROON, UAE, BAHRAIN, OMAN, QATAR, KUWAIT, KENYA, TUNISIA, IVORY COAST, MOROCCO				
J		CHINA				
K		KOREA				

AccurioPress C3080P