

KONICA MINOLTA

# *PARTS GUIDE MANUAL*

---

*JUNE 2020*

# *AccurioPress C6085 A92Y*

## INFORMATION FOR PARTS GUIDE MANUAL

To find correct Parts No., refer to the "HOW TO MAKE THE BEST USE OF THIS MANUAL" in the following page.

### HOW TO MAKE THE BEST USE OF THIS MANUAL

- 1 When you order, please check the proper figures beforehand that are on Our Parts Guide Manual, and order with the appropriate figures.
- 2 For screws, Nuts, Washers, retaining rings and Pins which are used in this model, one letter is shown on the Standard parts column of Parts list and exploded diagrams.
- 3 In order to maintain safety of the product, some specific parts composed of this product are set up as "essential safety parts".
- 4 The assigned parts number for the "essential safety parts" is indicated as "SP00-\*\*\*\*".  
When replacing these parts, follow precautions for disassembling and installing which are listed in the Service Manual.  
Do not use any parts that are not set up as
- 5 ♣ means that there are exclusive parts for each destination.  
Please check the appropriate destination when you order.
- 6 All rights reserved. (any reprints or quotations are prohibited.)  
Use of this parts guide manual should be strictly supervised to avoid disclosure of confidential information.

## パーツガイドマニュアルのご案内

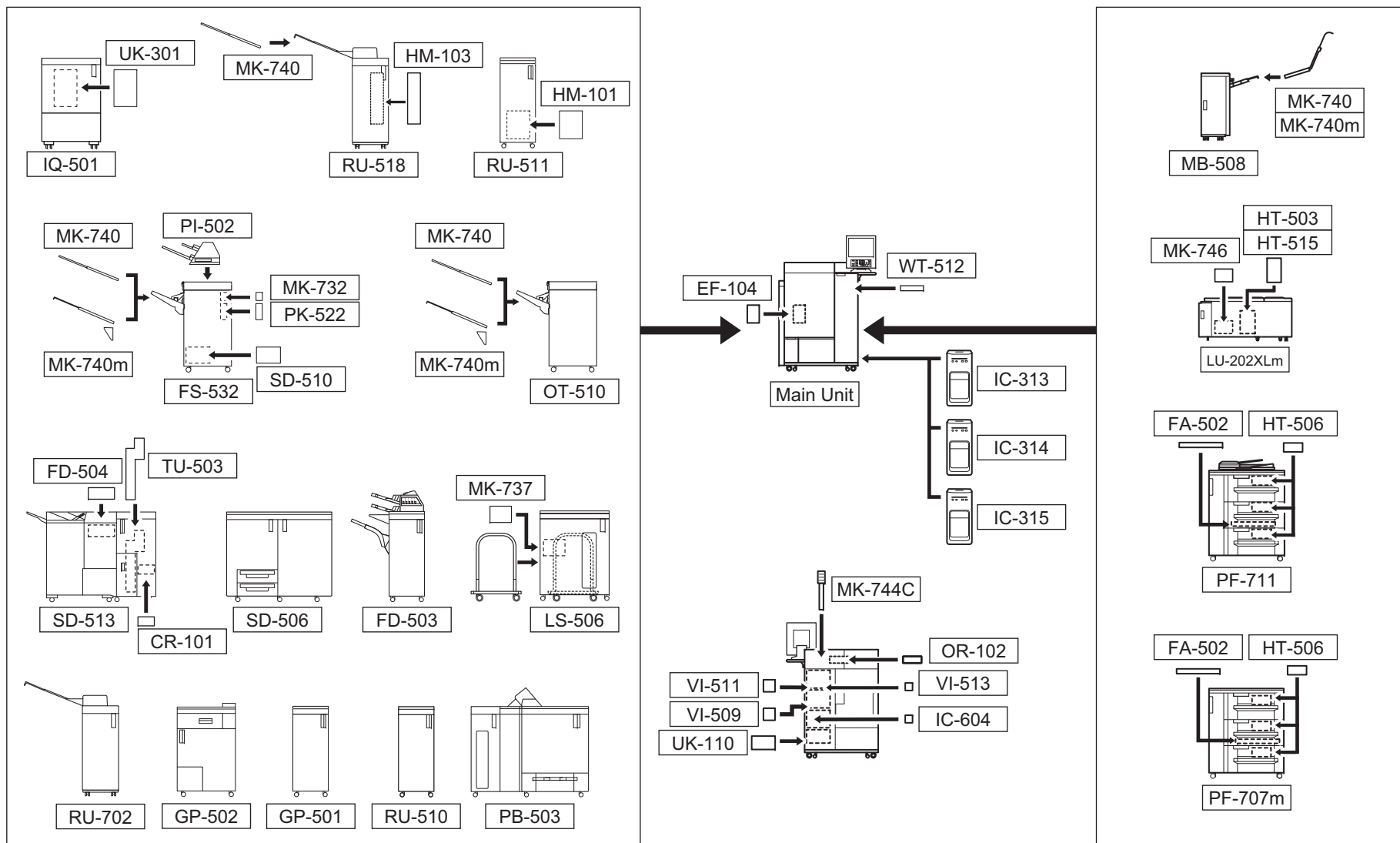
サービス部品をご発注の際には、下記に示す“パーツガイドマニュアルの活用にあたって”をご参照の上、正しい部品番号にてお願い致します。

### パーツガイドマニュアルの活用にあたって

- 1 部品発注の際には、掲載されている部品番号の桁数を確認し、掲載されている桁数で発注願います。
- 2 この製品に使用されているネジ、ナット、ワッシャー、止め輪、ピンなどは、リストの右側の Standard parts 欄に a,b,c,…… で表示し、イラストにも a,b,c,…… 表示してあります。
- 3 製品の安全性を維持する為に、製品に使用される特定の部品を「重要保安部品」として設定しています。
- 4 重要保安部品の部品番号は、“SP00-\*\*\*\*”と記載されていますので、部品交換時は、サービスマニュアル記載の分解・組み立ての注意事項に従って作業をして下さい。  
また、指定以外の部品は一切使用しないで下さい。
- 5 本文に ♣ が表示されている部品は、仕向け地毎に専用部品がある事を意味しています。  
オーダーされる時は、仕向け地を確認して下さい。
- 6 著作権所有（無断転載及び無断引用の禁止）  
本パーツガイドマニュアルについては、機密保持等その扱いには十分注意して下さい。万一取り扱いを誤った場合には、法律で処罰される場合があります。

03/31/2017

# System Configuration



AccurioPress C6085

# GENERAL CONTENTS

No.	Description	Model
1	Digital MFP Color	AccurioPress C6085
2	Bypass Tray	MB-508
3	Mount Kit	MK-746
4	Heater	HT-503
5	Heater	HT-515
6	Paper Feeder	LU-202XLm
7	Paper Feeder	PF-711
8	Other Option	FA-502
9	Heater	HT-506
10	Paper Feeder	PF-707m
11	Intelligent Quality Optimizer	IQ-501
12	Mount Kit	MK-740/MK-740m
13	Saddle Unit	FD-504
14	Trimmer Unit	TU-503
15	Relay Unit	RU-518
16	Humidifier	HM-103
17	Humidifier	HM-101
18	Relay Unit	RU-511
19	Mount Kit	MK-732
20	Punch Unit	PK-522
21	Saddle Unit	SD-510
22	Finisher/Sorter	FS-532/FS-532 PK/SD

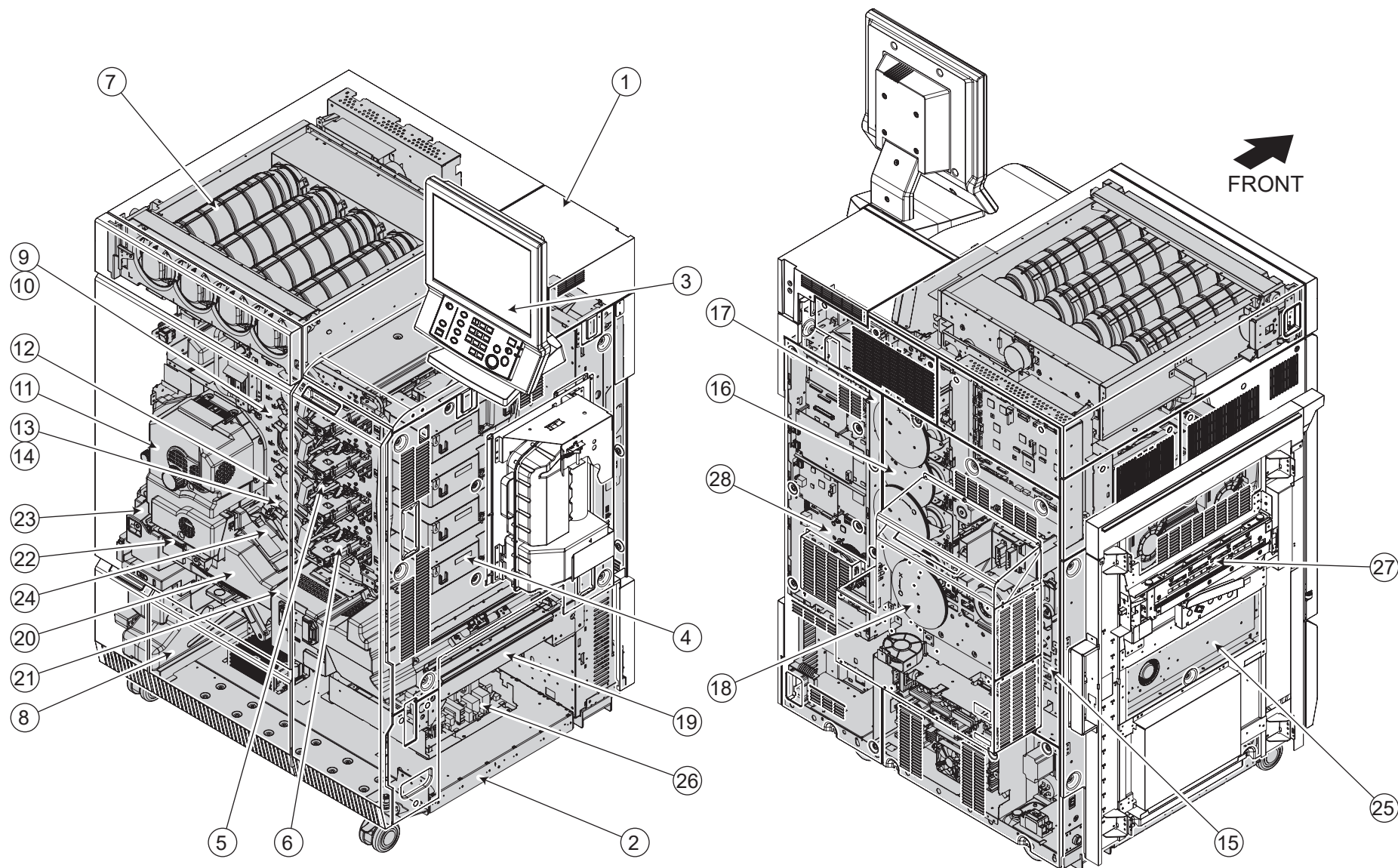
AccurioPress C6085

No.	Description	Model
23	Saddle Unit	SD-513/SD-513/R
24	Saddle Unit	CR-101
25	Saddle Unit	SD-506
26	Folding Unit	FD-503
27	Ring Binder	GP-502
28	Punch Unit	GP-501
29	Relay Unit	RU-510
30	Perfect Binder	PB-503
31	Large Capacity Stacker	LS-506
32	Other Option	MK-737
33	Output Tray	OT-510
34	Post Inserter	PI-502
35	2nd Fusing Unit	EF-104
36	Other Option	UK-110
37	Video IF Kit	VI-509
38	Video IF Kit	VI-511
39	Mount Kit	MK-744C
40	Other Option	OR-102
41	Image Controller	IC-604
42	Image Controller	IC-315
43	Image Controller	IC-314
44	Image Controller	IC-313
45	Working Table	WT-512

AccurioPress C6085

<b>No.</b>	<b>Description</b>	<b>Model</b>
46	Video IF Kit	VI-513
47	Relay Unit	RU-702
48	Other Option	UK-301

# Section Configuration



AccurioPress C6085

# CONTENTS

No.	DESCRIPTION	名称	PAGE No.
1	External Parts	外装	P1 P2 P3
2	Main Frame	骨格	P4 P5 P6 P7 P8 P9 P10 P11 P12 P13 P14 P15 P16 P17 P18
3	Operation Panel Section	操作部	P19 P20 P21
4	Write Section	書き込み部	P22
5	Charging Section	帯電部	P23
6	Developing Section	現像部	P24
7	Toner Supply Section	トナー補給部	P25 P26 P27 P28 P29 P30 P31 P32 P33 P34 P35 P36
8	Toner Collection Section	トナー回収部	P37 P38
9	Intermediate Transfer Section	中間転写部	P39 P40 P41 P42 P43 P44
10	Intermediate Transfer Section (Emboss)	中間転写部 (エンボス)	P45 P46 P47 P48 P49 P50
11	Fusing Section	定着部	P51 P52 P53 P54 P55 P56 P57 P58 P59 P60
12	Process Carriage Section	プロセス架台部	P61 P62 P63 P64 P65 P66 P67 P68
13	Secondary Transfer Section	2次転写部	P69 P70 P71 P72 P73 P74
14	Secondary Transfer Section (Emboss)	2次転写部 (エンボス)	P75 P76 P77 P78 P79
15	Toner Collection Driving Section	トナー回収駆動部	P80
16	Drum Driving Section	ドラム駆動部	P81 P82 P83 P84 P85
17	Developing Drive Section	現像駆動部	P86 P87
18	Intermediate Transfer Belt Driving Section	中間転写ベルト駆動部	P88
19	Vertical Conveyance Section	垂直搬送部	P89
20	ADU Carriage	ADU 架台	P90 P91
21	ADU Duplex Section	ADU 両面部	P92 P93 P94 P95 P96 P97 P98 P99 P100 P101 P102 P103 P104 P105 P106 P107 P108 P109 P110
22	ADU Swing Section	ADU 揺動部	P111 P112
23	ADU Reverse And Exit Section	ADU 反転／排紙部	P113 P114 P115
24	ADU Resist Section	ADU レジスト部	P116 P117 P118
25	Reverse And Exit Section	反転／排紙部	P119 P120
26	Electrical Section	電気部	P121
27	Charge Control Section	電荷制御部	P122 P123 P124
28	Rear Electrical Section	背面電気部	P125 P126 P127 P128 P129
29	Wiring	束線	P130 P131 P132
30	Service Tool	サービスツール	P133 P134
31	Accessory Parts	同梱部品	P135 P136 P137



# INDEX

Parts No.	Page No.
000V-19-0	133-5
00GR00020	133-11
00GR00220	133-12
00GR00260	133-10
00VC-2-00	133-1
00VD-1000	133-3
08AA77360	32-1
120A97110	134-5
12AJ45850	89-1
12AJ45850	118-1
12QR86011	29-1
12QV40650	30-1
12QV40650	56-1
12QV40650	57-1
12QV40650	115-1
12QV40650	116-1
12QV40650	124-1
13GQ45490	120-1
13NG45200	1-1
13NG45200	90-1
13NT80511	17-1
13QA40610	82-1
13QA40610	83-1
13QA40610	84-1
13QA40610	85-1
13QA85511	89-2
13QA85511	95-1
13QA85511	99-1
13QA85511	105-1
13QA85511	108-1
13QA85511	117-1
13QA85511	118-2
13QA85511	119-1
13QA85521	106-1
13QA85521	118-3
14GE45470	91-1
14GE45470	109-1
20AL48470G	51-1
25AA10091F	6-1
25AA47500	103-1

Parts No.	Page No.
25AA50080	101-1
25SA77180	72-1
25SA77180	77-1
25SA77470	80-1
26MA74040	63-1
26NA17580	86-1
26NA21440	111-1
26NA42040	32-2
26NA42560	99-2
26NA42560	107-1
26NA42560	108-2
26NA42560	109-2
26NA42560	118-4
26NA50920	41-1
26NA50920	47-1
26NA50920	86-2
26NA54230	105-2
322076010	27-1
322076010	32-3
322076010	35-1
322076010	80-2
4004457301	38-1
4025228301	125-2
4036248701	8-1
40AA30270	40-1
40AA30270	46-1
40AA32320	44-1
40AA32320	50-1
40AA32320	71-1
40AA32320	72-2
40AA32320	74-1
40AA32320	76-1
40AA32320	77-2
40AA32320	79-1
40AA32320	88-1
40AA32320	112-1
40AA46261	115-2
40AA77660	33-1
40AA85011	104-29
40AA88031	33-2

Parts No.	Page No.
40LA73840	125-3
4109553001	52-1
4109553001	53-1
4109553001	57-2
4109553001	58-1
4120550302	53-2
4120550302	54-1
4120550302	55-1
4470402401	2-1
4470402401	4-1
4470402401	8-2
4470402401	18-1
4470402401	29-2
4470402401	38-2
4470402401	43-1
4470402401	49-1
4470402401	64-1
4470402401	65-1
4470402401	66-1
4470402401	67-1
4470402401	68-1
4470402401	70-1
4470402401	72-3
4470402401	75-1
4470402401	77-3
4470402401	82-2
4470402401	83-2
4470402401	84-2
4470402401	85-2
4470402401	87-1
4470402401	94-1
4470402401	103-2
4470402401	104-1
4470402401	112-2
4470402401	113-1
4470402401	123-1
454078030	58-2
462076010	103-3
4658351602	100-1
466076020	110-1

Parts No.	Page No.
55GA77050	80-3
55TA84561E	128-1
55VA20680	33-3
55VA32480	17-2
55VA32530	87-2
55VA32530	102-1
55VA42120	27-2
55VA42120	91-2
55VA42120	116-2
55VA47840	38-3
55VA77290	35-2
55VA79200	100-2
56AA12270	38-4
56AA15490	98-1
56AA17490	53-3
56AA17490	81-1
56AA17510	57-3
56AA17630	4-2
56AA17640	4-3
56AA269900	108-3
56AA40450	114-1
56AA40490	43-2
56AA40490	49-2
56AA40490	91-3
56AA40510	114-2
56AA41711	2-2
56AA42690	53-4
56AA42690	56-2
56AA42690	71-2
56AA42690	76-2
56AA50520	15-1
56AA50530	15-2
56AA50700	103-4
56AA68220D	127-1
56AA76530	105-3
56AA76530	114-3
56AA77220	60-1
56AA77330	35-3
56AA77330	36-1
56AA77940	33-4

Parts No.	Page No.
56AA80112	93-1
56AA82012	27-3
56AA97140	128-17
56GA76010	107-2
56GA76010	108-4
56GA76010	109-3
56GA76010	118-5
56QA80570	103-5
56QA80570	107-3
56QA80570	127-2
56QE88261E	128-2
56QF84551	128-3
56UA25280	99-3
56UA70330	20-1
56UA75050	58-3
56UA75070	40-2
56UA75070	46-2
56UA77280	80-4
56UA77430	32-4
56UA77700	32-5
56UA77710	80-5
56UA97321G	3-2
56UA97920	64-2
56UA97920	65-2
56UA97920	66-2
56UA97920	67-2
57AA15600	5-1
57AA30260	74-2
57AA30260	79-2
57AA40610	87-3
57AA50760	90-2
65AA-0750	15-3
65AA-9091E	82-8
65AA-9091E	83-8
65AA-9091E	84-8
65AA-9091E	85-9
65AA-9920	133-4
65AA10230D	15-4
65AA10260	15-5
65AA10480	15-6

Parts No.	Page No.	Parts No.	Page No.	Parts No.	Page No.	Parts No.	Page No.	Parts No.	Page No.
65AA10520	18-2	65AA26050D	42-1	65AA49510F	92-1	65AA88020	54-2	A00J363000	8-3
65AA10740D	14-1	65AA26050D	48-1	65AA49510F	108-5	65AA97440	62-7	A00J612100	98-2
65AA10740D	18-3	65AA26141F	43-3	65AA49510F	110-2	65AA97440	64-4	A00J617800	7-1
65AA10740D	82-3	65AA26141F	49-3	65AA49510F	113-2	65AA97450	62-8	A00J617800	18-10
65AA10740D	83-3	65AA26600	41-2	65AA49520	108-6	65AA97450	65-4	A00J617800	40-5
65AA10740D	84-3	65AA26600	47-2	65AA50160	99-4	65AA97460	62-9	A00J617800	43-5
65AA10740D	85-3	65AA26690D	42-2	65AA50250	93-2	65AA97460	66-4	A00J617800	46-5
65AA10840	15-7	65AA26690D	48-2	65AA50320	103-6	65AA97470	62-10	A00J617800	49-5
65AA11140	126-1	65AA26750	43-4	65AA50350	103-7	65AA97470	67-4	A00J617800	61-2
65AA11300	5-2	65AA26750	49-4	65AA50370D	103-8	65AA99500	134-6	A00J617800	63-3
65AA11300	61-1	65AA26810D	42-3	65AA50400	1-2	65AAR72300	82-9	A00J617800	86-3
65AA11590	15-8	65AA26810D	48-3	65AA50400	90-3	65AAR72300	83-9	A00J617800	87-4
65AA15100D	82-4	65AA26840	44-2	65AA50420	103-9	65AAR72300	84-9	A00J617800	96-1
65AA15100D	83-4	65AA26840	50-2	65AA50630	101-2	65AAR72300	85-10	A00J617800	97-1
65AA15100D	84-4	65AA26920E	40-3	65AA50740	90-4	65AAR72700	6-2	A00J617800	100-3
65AA15100D	85-4	65AA26920E	46-4	65AA50810	103-10	65AAR72700	123-2	A00J617800	105-5
65AA15190D	82-5	65AA26930D	40-4	65AA51510	101-3	65AAR74600	42-6	A00J617800	109-4
65AA15190D	83-5	65AA26950D	42-4	65AA75081	63-2	65AAR74600	48-6	A00J617800	113-3
65AA15190D	84-5	65AA26950D	48-4	65AA75081	85-8	65AAR74600	104-3	A00J617800	115-4
65AA15190D	85-5	65AA27180	42-5	65AA77380	26-3	65AAR74600	124-2	A00J617800	120-3
65AA15200	82-6	65AA27180	48-5	65AA77380	32-6	65AAR75300	41-3	A00J617900	94-2
65AA15200	83-6	65AA30890	9-1	65AA77380	35-4	65AAR75300	47-3	A00J623300	2-3
65AA15200	84-6	65AA30900	9-2	65AA77410	73-1	65AAR75600	44-3	A00J663000	2-4
65AA15200	85-6	65AA30910	9-3	65AA77410	78-1	65AAR75600	50-3	A00J945401	6-3
65AA15210	82-7	65AA33280	26-1	65AA77410	80-7	65AAR77900	70-2	A00JM12100	8-4
65AA15210	83-7	65AA33360	26-2	65AA77640	120-2	65AAR77900	75-2	A00JM12100	68-2
65AA15210	84-7	65AA44350	118-6	65AA77830	37-4	9313100072	34-1	A00JM12100	72-4
65AA15210	85-7	65AA45180	71-3	65AA77900	18-8	9313100072	119-2	A00JM12100	77-4
65AA17100	18-4	65AA45180	76-3	65AA80112	18-9	9335140051	38-5	A00JM60300	128-4
65AA17130	18-5	65AA45190D	71-4	65AA80112	93-3	9381410131	136-9	A00TM10000	43-6
65AA17180	18-6	65AA45190D	76-4	65AA80112	95-2	9J06M10000	13-3	A00TM10000	49-6
65AA17240	18-7	65AA45220	102-2	65AA80112	104-2	9J06M10000	53-5	A00TM10000	112-3
65AA22260	62-1	65AA45241	102-3	65AA80112	107-4	9J06M10000	121-1	A00V240600	41-4
65AA22290	62-2	65AA46180	116-3	65AA80112	116-5	9J06PJP100	134-7	A00V240600	43-7
65AA22680	13-1	65AA47970	116-4	65AA80590	11-1	9J06PJP100	134-1	A00V240600	47-4
65AA22680	62-3	65AA49410	115-3	65AA83070	64-3	9J06PJP200	134-2	A00V240600	49-7
65AA22750	62-4	65AA49410	118-7	65AA83070	65-3	A00J211200	53-6	A00V240600	57-4
65AA22820	62-5	65AA49470	105-4	65AA83070	66-3	A00J211200	56-3	A00V240600	60-3
65AA22830D	13-2	65AA49500	80-6	65AA83070	67-3	A00J211200	60-2	A00V240600	62-11
65AA22830D	62-6	65AA49510F	89-3	65AA88010	58-4	A00J211200	118-8	A00V240600	82-10

Parts No.	Page No.	Parts No.	Page No.	Parts No.	Page No.	Parts No.	Page No.	Parts No.	Page No.
A00V240600	83-10	A03U712100	120-6	A07R813801	124-3	A0GD522500	96-2	A1RF109101	13-7
A00V240600	84-10	A03U724200	52-2	A07TM60100	128-5	A0GD522500	97-2	A1RF109400	13-8
A00V240600	85-11	A03U724200	57-5	A0E7946700	125-25	A0H0911500	99-6	A1RF109700	4-8
A00V240600	86-4	A03U734500	52-3	A0G6190101	19-2	A0H0911500	105-9	A1RF109801	15-10
A00V240600	98-3	A03U734500	54-3	A0G6190200	19-3	A0HR734600	118-9	A1RF111100	11-4
A00V240600	102-4	A03U734500	58-5	A0G6190301	20-2	A0P0666301	120-7	A1RF111200	11-5
A00V240600	104-4	A03U734500	59-2	A0G6191600	20-3	A0P0M50400	5-4	A1RF111300	11-6
A00V240600	105-6	A03U734500	112-5	A0G6192400	19-4	A0P0M50400	61-3	A1RF111400	11-7
A00V240600	109-5	A03U811600	92-17	A0G6192500	19-5	A0P0M73100	19-1	A1RF113100	11-8
A00V240600	112-4	A03U811800	93-4	A0G6192700	19-6	A0TK397501	8-6	A1RF113200	11-9
A00V240600	113-4	A03U812800	56-5	A0G6192900	19-7	A0TKH00200	24-1	A1RF113300	11-10
A00V240600	114-4	A03U812800	91-4	A0G6193100	20-4	A0Y5M15101	10-2	A1RF114101	15-11
A00V240600	116-6	A03U812800	98-4	A0G6193200	20-5	A11P905000	53-7	A1RF114402	11-11
A00V240600	120-4	A03U812800	103-11	A0G6193400	20-6	A11P905000	55-2	A1RF114700	8-11
A011M10101	63-4	A03U815301	104-5	A0G6193500	20-7	A11PM10200	57-6	A1RF114800	8-12
A011M10101	120-5	A03U816000	90-5	A0G6193700	20-8	A11PM10200	72-5	A1RF115001	17-4
A034500800	117-2	A03U843500	92-2	A0G6193800	20-9	A11PM10200	77-5	A1RF115101	17-5
A03N211100	56-4	A03U843700	106-2	A0G6193900	20-10	A11PM10200	93-5	A1RF115200	4-9
A03TM50000	59-1	A03U843900	106-3	A0G6194000	20-11	A11PM10200	102-6	A1RF115301	17-6
A03U119000	5-3	A03U845301	108-7	A0G6195000	19-21	A11PM10200	104-7	A1RF115700	8-13
A03U136500	125-4	A03U845902	105-7	A0G6205000	19-21	A11PM10200	106-4	A1RF120300	11-12
A03U170800	18-11	A03U850101	94-3	A0G6205100	19-21	A1DU622200	5-5	A1RF120600	16-1
A03U191600	21-1	A03U850101	95-3	A0G6205200	19-21	A1DU764000	8-7	A1RF120700	14-2
A03U191700	21-2	A03U850101	99-5	A0G6205300	19-21	A1DUPJG100	133-6	A1RF121201	14-3
A03U191800	21-3	A03U889600	104-6	A0G6243900	92-4	A1RF101001	12-2	A1RF121300	14-4
A03U191900	21-4	A03U889600	105-8	A0G6243900	108-8	A1RF102000	15-9	A1RF121400	14-5
A03U192000	21-5	A03UM15201	7-2	A0G6243900	114-6	A1RF103400	5-6	A1RF121500	16-2
A03U192100	21-6	A03UM15201	10-1	A0G6301700	40-6	A1RF103700	11-3	A1RF121601	16-3
A03U259600	82-11	A03UM15201	11-2	A0G6301700	46-6	A1RF105402	9-4	A1RF121700	16-4
A03U259600	83-11	A03UM15300	8-5	A0G6411200	17-3	A1RF105502	1-3	A1RF121700	18-14
A03U259600	84-11	A03UM15802	7-3	A0G6411200	31-1	A1RF105700	4-4	A1RF121800	14-6
A03U259600	85-12	A03UM15802	119-3	A0G6411200	90-6	A1RF105800	4-5	A1RF121900	16-5
A03U259700	18-12	A03UM50500	12-1	A0G6739300	124-4	A1RF105900	4-6	A1RF121900	18-15
A03U259900	81-2	A03UM50500	117-3	A0G6739700	117-5	A1RF106000	4-7	A1RF122000	18-16
A03U347201	61-17	A03X105800	6-4	A0G6H06000	19-8	A1RF107700	8-8	A1RF122100	18-17
A03U402100	29-3	A03X622000	117-4	A0G6J30F00	128-7	A1RF107800	8-9	A1RF122200	14-7
A03U513300	41-5	A03X712000	95-4	A0G6J30M00	128-7	A1RF108000	8-10	A1RF122200	18-18
A03U513300	47-5	A03X712000	107-5	A0G6M70E00	128-6	A1RF108800	13-4	A1RF122300	14-8
A03U524000	102-5	A075481200	109-6	A0G6N18400	19-10	A1RF108901	13-5	A1RF130100	126-2
A03U712100	114-5	A07R813701	92-3	A0G6N30A01	128-7	A1RF109000	13-6	A1RF130501	126-3

Parts No.	Page No.	Parts No.	Page No.	Parts No.	Page No.	Parts No.	Page No.	Parts No.	Page No.
A1RF130800	128-8	A1RF166000	9-7	A1RF210303	82-13	A1RF239900	88-10	A1RF349103	62-17
A1RF131500	126-4	A1RF166000	10-4	A1RF210303	84-13	A1RF240200	18-22	A1RF349200	62-18
A1RF132600	126-5	A1RF166000	13-9	A1RF210403	83-13	A1RF240400	18-23	A1RF349302	61-10
A1RF133700	125-5	A1RF166000	125-7	A1RF210403	85-13	A1RF242000	18-24	A1RF350700	64-8
A1RF134000	3-3	A1RF166300	2-6	A1RF210600	82-14	A1RF242101	18-25	A1RF350700	65-8
A1RF134800	127-3	A1RF166401	1-12	A1RF210600	83-14	A1RF249401	18-26	A1RF350700	66-8
A1RF135200	125-6	A1RF167900	5-8	A1RF210600	84-14	A1RF249600	18-27	A1RF350700	67-8
A1RF135502	126-6	A1RF167900	13-10	A1RF210600	85-14	A1RF249700	18-28	A1RF350800	62-19
A1RF135801	3-4	A1RF168000	1-13	A1RF210700	82-15	A1RF249800	18-29	A1RF361900	38-6
A1RF160403	1-4	A1RF168500	4-14	A1RF210700	83-15	A1RF249900	18-30	A1RF362400	80-9
A1RF160500	136-1	A1RF168600	1-14	A1RF210700	84-15	A1RF314700	13-11	A1RF362400	82-19
A1RF160602	1-5	A1RF168900	3-8	A1RF210700	85-15	A1RF341300	62-12	A1RF362400	83-19
A1RF160802	2-5	A1RF169000	3-9	A1RF210800	82-16	A1RF341400	62-13	A1RF362400	84-19
A1RF161202	137-1	A1RF169100	3-10	A1RF210800	83-16	A1RF344000	61-4	A1RF362400	85-20
A1RF161300	3-5	A1RF169200	3-11	A1RF210800	84-16	A1RF344201	61-5	A1RF363500	38-7
A1RF161400	137-2	A1RF169300	3-12	A1RF210800	85-16	A1RF345800	63-5	A1RF363801	38-8
A1RF161700	3-6	A1RF169400	3-13	A1RF210900	82-17	A1RF345900	63-6	A1RF364100	37-1
A1RF161801	3-7	A1RF171400	18-19	A1RF210900	83-17	A1RF346700	61-6	A1RF364201	80-10
A1RF162601	7-9	A1RF190100	19-11	A1RF210900	84-17	A1RF347300	62-14	A1RF366200	38-9
A1RF162700	9-5	A1RF190201	19-12	A1RF210900	85-17	A1RF347500	62-15	A1RF366300	9-8
A1RF163200	1-6	A1RF190300	21-7	A1RF212600	82-18	A1RF347600	64-5	A1RF366601	38-10
A1RF163300	1-7	A1RF190400	19-13	A1RF212600	83-18	A1RF347600	65-5	A1RF367000	9-9
A1RF163400	4-10	A1RF190500	21-8	A1RF212600	84-18	A1RF347600	66-5	A1RF367100	9-10
A1RF163500	1-8	A1RF190601	21-9	A1RF212600	85-18	A1RF347600	67-5	A1RF367201	9-11
A1RF164200	4-11	A1RF190900	21-10	A1RF213402	85-19	A1RF347700	64-6	A1RF367300	9-12
A1RF164402	90-7	A1RF191000	21-11	A1RF219900	81-3	A1RF347700	65-6	A1RF367400	9-13
A1RF164501	90-8	A1RF191100	21-12	A1RF220302	86-6	A1RF347700	66-6	A1RF367500	9-14
A1RF164600	90-9	A1RF191200	21-13	A1RF220400	86-7	A1RF347700	67-6	A1RF367601	9-15
A1RF164902	1-9	A1RF191300	21-14	A1RF229600	86-8	A1RF348002	63-7	A1RF368300	80-11
A1RF165001	1-10	A1RF191400	21-15	A1RF229800	86-9	A1RF348103	64-7	A1RF368301	80-11
A1RF165103	1-11	A1RF191500	21-16	A1RF230100	88-2	A1RF348103	65-7	A1RF368500	80-12
A1RF165800	1-31	A1RF191600	21-17	A1RF230200	88-3	A1RF348103	66-7	A1RF368600	80-13
A1RF165900	4-12	A1RF191700	21-18	A1RF231201	88-4	A1RF348103	67-7	A1RF369100	80-14
A1RF165900	5-7	A1RF191800	21-19	A1RF231600	18-20	A1RF348300	68-3	A1RF369600	80-15
A1RF165900	6-5	A1RF192000	21-20	A1RF231700	18-21	A1RF348400	68-4	A1RF369700	80-16
A1RF165900	9-6	A1RF192100	21-21	A1RF231804	88-5	A1RF348500	68-5	A1RF379400	9-16
A1RF165900	10-3	A1RF192200	21-22	A1RF232000	88-6	A1RF348601	68-6	A1RF379502	13-12
A1RF165900	126-7	A1RF210101	82-12	A1RF232100	88-7	A1RF348800	62-16	A1RF403313	27-5
A1RF166000	4-13	A1RF210101	83-12	A1RF232300	88-8	A1RF349000	63-8	A1RF403400	27-6
A1RF166000	6-6	A1RF210101	84-12	A1RF232900	88-9	A1RF349103	61-9	A1RF403400	112-6

Parts No.	Page No.
A1RF403500	26-4
A1RF403600	27-7
A1RF403700	28-1
A1RF404000	26-5
A1RF404100	27-8
A1RF404200	27-9
A1RF404200	35-6
A1RF404500	27-10
A1RF404500	35-7
A1RF405300	27-11
A1RF406700	34-2
A1RF406901	30-2
A1RF407001	30-3
A1RF407101	28-2
A1RF407200	28-3
A1RF407401	28-4
A1RF407502	28-5
A1RF407701	28-6
A1RF407803	28-7
A1RF408100	28-8
A1RF408100	36-2
A1RF411100	35-8
A1RF411700	35-9
A1RF411900	35-10
A1RF413101	36-3
A1RF413201	36-4
A1RF413301	36-5
A1RF413601	28-9
A1RF413601	36-6
A1RF413700	36-7
A1RF413800	36-8
A1RF413900	28-10
A1RF413900	36-9
A1RF414401	36-10
A1RF414501	36-11
A1RF414601	36-12
A1RF414700	36-13
A1RF414900	36-14
A1RF415600	33-5
A1RF415600	56-6

Parts No.	Page No.
A1RF415700	28-11
A1RF415700	36-15
A1RF416200	32-8
A1RF419101	33-6
A1RF419301	36-16
A1RF423401	36-17
A1RF432301	26-6
A1RF432402	25-3
A1RF432602	29-4
A1RF434300	31-2
A1RF434500	1-15
A1RF434702	31-3
A1RF434800	31-4
A1RF434902	31-5
A1RF435000	31-6
A1RF435201	35-11
A1RF435300	35-12
A1RF435400	35-13
A1RF435500	4-15
A1RF435500	31-7
A1RF435900	35-14
A1RF437203	34-3
A1RF437400	34-4
A1RF437500	34-5
A1RF437600	34-6
A1RF437900	34-7
A1RF438101	62-20
A1RF439002	30-4
A1RF440101	29-5
A1RF440201	29-6
A1RF440501	29-7
A1RF440602	29-8
A1RF440700	29-9
A1RF440900	29-10
A1RF441100	29-11
A1RF441200	29-12
A1RF441500	29-13
A1RF441600	29-14
A1RF441701	29-15
A1RF441800	29-16

Parts No.	Page No.
A1RF441900	29-17
A1RF442101	29-18
A1RF442300	29-19
A1RF442400	29-20
A1RF442600	29-21
A1RF442900	29-22
A1RF443000	29-23
A1RF443100	29-24
A1RF443200	29-25
A1RF444200	29-26
A1RF445301	31-8
A1RF445301	90-10
A1RF445402	30-5
A1RF446100	29-27
A1RF500400	40-7
A1RF500901	42-7
A1RF500901	48-7
A1RF501200	43-9
A1RF501200	49-9
A1RF501500	42-8
A1RF501500	48-8
A1RF501600	40-8
A1RF502000	41-6
A1RF502000	47-6
A1RF502400	43-10
A1RF502400	49-10
A1RF502500	40-9
A1RF502500	46-7
A1RF502803	42-9
A1RF502803	48-9
A1RF502900	40-10
A1RF502900	46-8
A1RF503714	41-7
A1RF503714	47-7
A1RF503811	41-8
A1RF503811	47-8
A1RF504101	43-11
A1RF504101	49-11
A1RF504201	43-12
A1RF504201	49-12

Parts No.	Page No.
A1RF504403	8-14
A1RF504403	43-13
A1RF504403	49-13
A1RF504500	43-14
A1RF504500	49-14
A1RF504900	41-9
A1RF504900	47-9
A1RF505002	43-15
A1RF505002	49-15
A1RF505300	43-16
A1RF505300	49-16
A1RF506000	40-11
A1RF506000	46-9
A1RF507200	40-12
A1RF507200	46-10
A1RF507700	43-17
A1RF507700	49-17
A1RF507800	43-18
A1RF507800	49-18
A1RF507900	43-19
A1RF507900	49-19
A1RF508000	41-10
A1RF508000	47-10
A1RF508100	41-11
A1RF508100	47-11
A1RF508200	41-12
A1RF508200	47-12
A1RF508900	42-10
A1RF508900	48-10
A1RF508900	124-5
A1RF509000	42-11
A1RF509000	48-11
A1RF509000	124-6
A1RF509600	43-20
A1RF509600	49-20
A1RF509700	43-21
A1RF509700	49-21
A1RF509800	43-22
A1RF509800	49-22
A1RF511400	44-4

Parts No.	Page No.
A1RF511400	50-4
A1RF511700	44-5
A1RF511700	50-5
A1RF512000	44-6
A1RF512000	50-6
A1RF512100	44-7
A1RF512100	50-7
A1RF512200	44-8
A1RF512200	50-8
A1RF513100	41-13
A1RF513300	41-14
A1RF515000	44-9
A1RF515000	50-9
A1RF515700	44-10
A1RF515700	50-10
A1RF517100	40-13
A1RF517100	41-15
A1RF517100	42-12
A1RF517100	46-11
A1RF517100	47-13
A1RF517100	48-12
A1RF517100	100-4
A1RF517200	44-11
A1RF517200	50-11
A1RF517200	72-6
A1RF517200	77-6
A1RF517300	40-14
A1RF517300	46-12
A1RF519800	44-12
A1RF519800	50-12
A1RF519901	44-13
A1RF519901	50-13
A1RF520100	74-18
A1RF520100	79-18
A1RF520200	74-16
A1RF520200	79-16
A1RF520400	74-3
A1RF520400	79-3
A1RF520700	71-5
A1RF520700	76-5

Parts No.	Page No.	Parts No.	Page No.	Parts No.	Page No.	Parts No.	Page No.	Parts No.	Page No.
A1RF520901	71-6	A1RF529400	41-16	A1RF711601	116-8	A1RF812001	90-13	A1RF822001	90-16
A1RF520901	76-6	A1RF529400	47-14	A1RF711700	116-9	A1RF812101	90-14	A1RF823000	93-6
A1RF522201	74-4	A1RF529400	74-12	A1RF711800	116-10	A1RF812802	92-5	A1RF823104	90-17
A1RF522201	79-4	A1RF529400	79-12	A1RF711900	116-11	A1RF812911	101-5	A1RF823300	101-10
A1RF523201	71-7	A1RF529600	72-10	A1RF712100	118-14	A1RF813511	101-6	A1RF824100	98-6
A1RF523201	76-7	A1RF529600	77-10	A1RF712200	118-15	A1RF813711	101-7	A1RF824700	112-9
A1RF523401	74-5	A1RF529701	73-3	A1RF712500	118-16	A1RF813800	101-8	A1RF825000	98-7
A1RF523401	79-5	A1RF529701	78-3	A1RF712700	118-17	A1RF814100	100-5	A1RF825200	104-9
A1RF523600	74-6	A1RF529800	71-13	A1RF712803	118-18	A1RF814200	100-6	A1RF825300	104-10
A1RF523600	79-6	A1RF529800	76-13	A1RF712902	118-19	A1RF814800	102-28	A1RF827000	102-16
A1RF523800	71-8	A1RF529900	71-14	A1RF713300	118-20	A1RF815000	102-7	A1RF828200	90-18
A1RF523800	76-8	A1RF529900	76-14	A1RF713600	117-6	A1RF815601	15-12	A1RF829500	102-17
A1RF523900	74-17	A1RF530400	71-15	A1RF714100	116-12	A1RF815702	9-17	A1RF829800	92-8
A1RF523900	79-17	A1RF530400	76-15	A1RF714200	118-21	A1RF815801	101-9	A1RF829900	92-9
A1RF524300	72-7	A1RF530500	71-16	A1RF719800	116-13	A1RF816100	102-8	A1RF833500	100-9
A1RF524300	77-7	A1RF530500	76-16	A1RF724401	53-8	A1RF816200	102-9	A1RF833600	100-10
A1RF524400	72-8	A1RF530500	115-5	A1RF738101	58-6	A1RF816300	102-10	A1RF835001	99-9
A1RF524400	77-8	A1RF531600	72-11	A1RF738300	58-7	A1RF816300	111-2	A1RF835101	100-11
A1RF526000	71-9	A1RF531600	77-11	A1RF746300	57-7	A1RF816400	102-11	A1RF835200	99-10
A1RF526000	76-9	A1RF532800	73-4	A1RF749600	56-8	A1RF816400	111-3	A1RF835300	101-11
A1RF526100	71-10	A1RF532800	78-4	A1RF750300	58-8	A1RF816500	92-6	A1RF837900	100-12
A1RF526100	76-10	A1RF533700	71-17	A1RF750400	58-9	A1RF816711	102-12	A1RF838000	100-13
A1RF526200	71-11	A1RF533700	76-17	A1RF758000	56-9	A1RF816801	102-13	A1RF838701	102-18
A1RF526200	76-11	A1RF535100	74-13	A1RF758100	56-10	A1RF817811	102-29	A1RF839600	98-8
A1RF526700	74-7	A1RF535100	79-13	A1RF758100	57-8	A1RF819100	69-1	A1RF839700	104-11
A1RF526700	79-7	A1RF539700	73-5	A1RF759700	112-7	A1RF819100	111-4	A1RF841011	110-3
A1RF526900	72-9	A1RF539700	78-5	A1RF765600	101-4	A1RF819200	102-27	A1RF841500	108-9
A1RF526900	77-9	A1RF539900	56-7	A1RF807400	53-9	A1RF819300	102-14	A1RF841900	110-4
A1RF527100	74-8	A1RF703200	118-10	A1RF807500	53-10	A1RF819800	99-8	A1RF842503	109-7
A1RF527100	79-8	A1RF710200	118-11	A1RF807700	60-4	A1RF820000	92-7	A1RF842602	95-5
A1RF527200	74-9	A1RF710900	70-3	A1RF808600	57-9	A1RF820000	98-5	A1RF842602	107-6
A1RF527200	79-9	A1RF710900	71-18	A1RF808900	57-10	A1RF820000	100-7	A1RF843401	106-5
A1RF529100	71-12	A1RF710900	73-6	A1RF809100	57-11	A1RF820000	104-8	A1RF844100	101-12
A1RF529100	73-2	A1RF710900	75-3	A1RF809400	57-12	A1RF820000	112-8	A1RF844200	101-13
A1RF529100	74-10	A1RF710900	76-18	A1RF809800	56-11	A1RF820000	114-8	A1RF844402	110-5
A1RF529100	76-12	A1RF710900	78-6	A1RF809900	56-12	A1RF820000	124-7	A1RF844500	110-6
A1RF529100	78-2	A1RF710900	114-7	A1RF810302	93-17	A1RF820801	102-15	A1RF844801	110-7
A1RF529100	79-10	A1RF711300	118-12	A1RF810603	99-7	A1RF821200	100-8	A1RF844901	110-8
A1RF529300	74-11	A1RF711400	118-13	A1RF811801	90-11	A1RF821402	111-5	A1RF845100	110-9
A1RF529300	79-11	A1RF711500	116-7	A1RF811902	90-12	A1RF821902	90-15	A1RF845200	110-10

Parts No.	Page No.
A1RF845300	108-10
A1RF845401	108-11
A1RF845500	107-7
A1RF845600	107-8
A1RF845700	109-8
A1RF845800	109-9
A1RF845900	110-11
A1RF846200	108-12
A1RF846400	108-13
A1RF846400	118-22
A1RF846701	109-10
A1RF846800	109-11
A1RF847000	107-9
A1RF847000	108-14
A1RF847000	109-12
A1RF847100	109-13
A1RF847300	109-14
A1RF847400	108-15
A1RF847600	110-12
A1RF847700	110-13
A1RF847800	91-5
A1RF847900	91-6
A1RF848212	110-14
A1RF849600	107-10
A1RF849701	93-7
A1RF849701	104-12
A1RF849701	106-6
A1RF849800	109-15
A1RF849900	109-16
A1RF850501	95-6
A1RF850600	92-18
A1RF851600	7-4
A1RF851800	110-15
A1RF852001	108-16
A1RF852600	106-7
A1RF853100	109-17
A1RF853100	114-9
A1RF855400	107-11
A1RF855500	107-12
A1RF855700	109-18

Parts No.	Page No.
A1RF860501	115-6
A1RF862200	105-10
A1RF863800	113-5
A1RF868000	105-11
A1RF869300	102-19
A1RF869801	105-12
A1RF869801	114-10
A1RF869900	105-13
A1RF870600	115-7
A1RF870802	115-8
A1RF873700	113-6
A1RF873800	115-9
A1RF877000	115-10
A1RF877201	115-11
A1RF878100	113-7
A1RF878401	113-8
A1RF879001	105-14
A1RF879001	114-11
A1RF879900	113-9
A1RF890201	120-8
A1RF893100	119-4
A1RF895002	120-9
A1RF895101	114-12
A1RF895101	120-10
A1RF897000	119-5
A1RF897300	119-6
A1RF909400	120-11
A1RF942201	117-7
A1RF942300	69-2
A1RF942600	13-13
A1RF943100	90-19
A1RF943300	118-23
A1RF943400	51-2
A1RF943500	115-12
A1RF943600	59-3
A1RF943700	91-7
A1RF943801	110-16
A1RF943900	110-17
A1RF944000	109-19
A1RF944100	109-20

Parts No.	Page No.
A1RF944701	1-16
A1RF944800	135-1
A1RF945101	43-23
A1RF945101	49-23
A1RF945101	62-21
A1RF945101	69-3
A1RF945101	92-10
A1RF945501	135-2
A1RF945701	43-24
A1RF945701	49-24
A1RF946100	135-8
A1RFF12300	16-6
A1RFF34500	62-22
A1RFF34600	62-23
A1RFF80500	52-4
A1RFF84312	108-17
A1RFF84501	110-18
A1RFH07003	31-9
A1RFH11002	19-14
A1RFM15100	125-8
A1RFM15200	129-1
A1RFM15500	17-7
A1RFM40400	129-2
A1RFM40500	129-3
A1RFM50200	54-4
A1RFM51000	52-5
A1RFM51000	53-11
A1RFM51000	57-13
A1RFM51000	58-10
A1RFM90200	3-14
A1RFM90300	3-15
A1RFM90700	13-14
A1RFM90800	19-15
A1RFN12000	127-4
A1RFN12900	5-9
A1RFN13200	18-31
A1RFN13200	80-17
A1RFN13200	86-10
A1RFN13200	92-11
A1RFN13900	13-15

Parts No.	Page No.
A1RFN14002	27-12
A1RFN14101	31-10
A1RFN14202	31-11
A1RFN14304	31-12
A1RFN14400	32-9
A1RFN14900	29-28
A1RFN15201	63-9
A1RFN15900	82-20
A1RFN15900	83-20
A1RFN15900	84-20
A1RFN15900	85-21
A1RFN16100	88-11
A1RFN16800	38-11
A1RFN16900	132-1
A1RFN17100	126-8
A1RFN17200	126-9
A1RFN17300	126-10
A1RFN17400	129-4
A1RFN17500	129-5
A1RFN17600	129-6
A1RFN17700	129-7
A1RFN17800	129-8
A1RFN18300	127-5
A1RFN18400	42-13
A1RFN18400	48-13
A1RFN18600	129-9
A1RFN19001	29-29
A1RFN20200	71-19
A1RFN20200	76-19
A1RFN20400	71-20
A1RFN20400	76-20
A1RFN21700	99-11
A1RFN23100	106-8
A1RFN23400	105-15
A1RFN24300	102-20
A1RFN25500	128-9
A1RFN26500	6-7
A1RFN28300	19-16
A1RFN30E03	128-7
A1RFPJG100	133-14

Parts No.	Page No.
A1RFPP0000	133-8
A1RFR70300	34-8
A1RFR70500	70-4
A1RFR70500	75-4
A1RFR71900	70-5
A1RFR71900	75-5
A1RFR72000	70-6
A1RFR72000	75-6
A1RFR72900	71-21
A1RFR72900	76-21
A1RFR74000	12-3
A1RFR74111	110-19
A1RFR74300	32-10
A1RFR74300	53-12
A1RFR74300	105-16
A1RFR74400	137-3
A1RFR74500	3-16
A1RFR74600	82-21
A1RFR74600	83-21
A1RFR74600	84-21
A1RFR74600	85-22
A1RFR74711	64-9
A1RFR74711	65-9
A1RFR74711	66-9
A1RFR74711	67-9
A1RFR74800	62-24
A1RFR75800	103-12
A1RFR76100	40-15
A1RFR76100	46-13
A1RFR76211	42-14
A1RFR76211	48-14
A1RFR76800	118-24
A1RFR76900	85-23
A1RFR77100	5-10
A1RFR77200	15-13
A1RFR77600	1-17
A1RFR77700	82-22
A1RFR77700	83-22
A1RFR77700	84-22
A1RFR78000	18-32

Parts No.	Page No.	Parts No.	Page No.	Parts No.	Page No.	Parts No.	Page No.	Parts No.	Page No.
A1RFR78300	68-7	A1RFR7N600	77-13	A50U212600	40-17	A5AW116001	17-9	A5AW342200	61-11
A1RFR78400	62-25	A1RFR7N700	72-14	A50U212600	46-15	A5AW116601	7-5	A5AW344100	63-11
A1RFR78800	68-8	A1RFR7N700	77-14	A50U212600	82-23	A5AW117501	6-12	A5AW351200	68-9
A1RFR79200	25-2	A1RFR7N800	72-15	A50U212600	83-23	A5AW118000	4-19	A5AW352000	61-12
A1RFR79311	29-30	A1RFR7N800	77-15	A50U212600	84-23	A5AW119002	10-7	A5AW352100	63-12
A1RFR79411	29-31	A1RFR7P100	61-16	A50U212600	85-24	A5AW119100	10-8	A5AW352201	63-13
A1RFR79500	29-32	A1RFRX0101	133-13	A50U401200	26-7	A5AW119400	8-18	A5AW352300	63-14
A1RFR79600	27-13	A1RG101600	6-8	A50U405401	26-8	A5AW119500	8-19	A5AW352601	64-10
A1RFR7A500	41-17	A1RG105300	6-9	A50U407600	26-9	A5AW130700	128-10	A5AW352601	65-10
A1RFR7A500	47-15	A1RG105900	104-13	A50U409300	26-10	A5AW132500	121-8	A5AW352601	66-10
A1RFR7A800	44-14	A1RG110100	12-4	A50U504400	8-17	A5AW133800	125-10	A5AW352700	62-26
A1RFR7A800	50-14	A1RG681400	98-9	A50U504400	72-16	A5AW134500	127-6	A5AW359600	63-15
A1RFR7B200	70-7	A1RJ169300	122-1	A50U504400	77-16	A5AW135101	127-15	A5AW359700	63-16
A1RFR7B200	75-7	A1RJ817200	109-21	A50U510100	42-15	A5AW137500	129-18	A5AW359800	61-13
A1RFR7B300	70-8	A1RJ817200	115-13	A50U510100	48-15	A5AW161000	2-8	A5AW359900	61-14
A1RFR7B300	75-8	A1RJ818800	60-5	A50U755000	58-12	A5AW161500	137-4	A5AW400600	32-11
A1RFR7B700	71-22	A1RJ824800	114-13	A50U833000	9-19	A5AW161600	3-17	A5AW400600	35-15
A1RFR7B700	76-22	A1TT715812	96-3	A50U833000	15-14	A5AW161901	3-18	A5AW400700	27-14
A1RFR7C300	118-25	A1TT715812	97-3	A50U854800	96-4	A5AW162000	1-18	A5AW400800	32-12
A1RFR7D900	103-13	A2XK742001	55-3	A50U854800	97-4	A5AW162102	3-19	A5AW400800	80-18
A1RFR7F000	81-4	A4EU105100	6-10	A50U854800	99-12	A5AW165300	137-5	A5AW401400	34-9
A1RFR7F400	106-9	A4EU190413	19-17	A50U854800	120-12	A5AW165400	3-20	A5AW402400	34-10
A1RFR7G200	40-16	A4EU194100	20-12	A50UM45200	121-3	A5AW165500	1-19	A5AW407600	28-12
A1RFR7G200	46-14	A4EU194200	20-13	A50UM51000	2-7	A5AW166600	3-21	A5AW410300	28-13
A1RFR7G300	70-9	A4EU252000	8-15	A50UM51000	4-17	A5AW166802	2-9	A5AW417000	32-13
A1RFR7G300	75-9	A4EU265000	56-13	A50UM51000	29-33	A5AW166901	3-22	A5AW417800	32-14
A1RFR7G400	100-14	A4EU265000	57-14	A50UM51000	38-12	A5AW167700	137-6	A5AW428100	80-19
A1RFR7G500	81-5	A4EU265000	58-11	A50UM51000	104-14	A5AW168200	137-7	A5AW432200	26-11
A1RFR7G600	88-12	A4EU560000	8-16	A50UM51000	123-3	A5AW211000	82-24	A5AW432700	26-12
A1RFR7G700	43-25	A4EU604000	93-8	A50UPP0100	133-9	A5AW211000	83-24	A5AW445100	30-6
A1RFR7G700	49-25	A4EUM60000	9-18	A57V660401	136-2	A5AW211000	84-24	A5AW500400	40-18
A1RFR7H000	71-23	A4EUM60401	128-18	A5AW101900	9-20	A5AW211000	85-25	A5AW500400	46-16
A1RFR7H000	76-23	A4EUM75800	19-18	A5AW104000	12-5	A5AW219000	88-13	A5AW500501	40-19
A1RFR7N300	74-14	A4EUM77000	125-26	A5AW104100	5-11	A5AW219900	85-26	A5AW500501	46-17
A1RFR7N300	79-14	A4EUPP0000	133-7	A5AW104800	13-16	A5AW229602	86-11	A5AW500600	43-26
A1RFR7N400	74-15	A4F3905000	115-14	A5AW105100	4-18	A5AW229602	92-12	A5AW500600	49-26
A1RFR7N400	79-15	A50U106300	4-16	A5AW114000	15-15	A5AW229700	86-12	A5AW500700	39-1
A1RFR7N500	72-12	A50U106300	6-11	A5AW114000	17-20	A5AW239700	88-14	A5AW500700	45-1
A1RFR7N500	77-12	A50U132301	121-2	A5AW115800	17-19	A5AW239800	88-15	A5AW500800	41-18
A1RFR7N600	72-13	A50U133400	125-9	A5AW115900	17-8	A5AW342100	63-10	A5AW500800	47-16



Parts No.	Page No.	Parts No.	Page No.	Parts No.	Page No.	Parts No.	Page No.	Parts No.	Page No.
A5AW501000	43-8	A5AW509401	47-28	A5AW720401	58-13	A5AW742100	56-16	A5AW809000	57-21
A5AW501000	49-8	A5AW510400	42-20	A5AW720700	53-13	A5AW742200	56-17	A5AW809600	56-19
A5AW501100	43-27	A5AW510400	48-17	A5AW720800	53-14	A5AW742500	58-17	A5AW809700	56-20
A5AW501100	49-27	A5AW510400	124-8	A5AW720900	52-6	A5AW742600	58-18	A5AW810902	111-13
A5AW501200	40-20	A5AW510500	44-15	A5AW721000	57-15	A5AW742801	58-19	A5AW811400	99-13
A5AW501200	46-18	A5AW510500	50-15	A5AW721700	55-7	A5AW743000	56-18	A5AW811500	99-14
A5AW501301	40-21	A5AW510900	44-16	A5AW721700	58-14	A5AW743300	58-28	A5AW812200	98-10
A5AW501301	46-19	A5AW510900	50-16	A5AW721800	58-15	A5AW743400	58-27	A5AW812300	98-11
A5AW502002	42-16	A5AW511500	44-17	A5AW722000	53-15	A5AW744000	2-10	A5AW812600	99-15
A5AW502100	42-17	A5AW511500	50-17	A5AW722101	54-5	A5AW744900	55-20	A5AW813300	100-15
A5AW502200	41-19	A5AW512400	44-18	A5AW722200	52-7	A5AW745000	55-21	A5AW813400	94-4
A5AW502200	47-17	A5AW512400	50-18	A5AW723400	54-6	A5AW745200	55-22	A5AW814400	99-16
A5AW504601	43-28	A5AW517400	41-31	A5AW724800	55-8	A5AW746500	58-20	A5AW814700	94-5
A5AW504601	49-28	A5AW517400	47-29	A5AW725000	54-7	A5AW747000	58-21	A5AW815900	94-6
A5AW505900	43-29	A5AW526500	71-24	A5AW725201	55-9	A5AW749900	57-16	A5AW816600	98-12
A5AW505900	49-29	A5AW527300	70-10	A5AW725301	55-10	A5AW750100	57-17	A5AW817000	98-13
A5AW506100	42-18	A5AW539300	73-7	A5AW725400	55-11	A5AW750200	57-18	A5AW817101	90-24
A5AW506100	48-16	A5AW539300	78-7	A5AW725500	55-12	A5AW758200	52-12	A5AW817202	90-25
A5AW507000	41-20	A5AW539400	71-25	A5AW725802	54-8	A5AW760100	60-6	A5AW818202	69-4
A5AW507000	47-18	A5AW539400	76-24	A5AW726100	55-13	A5AW761700	59-4	A5AW818400	111-6
A5AW507200	41-21	A5AW539500	70-11	A5AW726300	55-14	A5AW762501	59-5	A5AW818500	111-7
A5AW507200	47-19	A5AW539500	75-10	A5AW726400	55-15	A5AW762800	60-7	A5AW818800	93-10
A5AW507301	41-22	A5AW539900	73-8	A5AW726800	55-16	A5AW781000	59-6	A5AW818800	95-7
A5AW507301	47-20	A5AW539900	78-8	A5AW727201	54-9	A5AW782501	57-19	A5AW818800	104-15
A5AW507400	41-23	A5AW710301	118-26	A5AW727500	55-17	A5AW782501	112-10	A5AW818900	98-14
A5AW507400	47-21	A5AW710800	116-14	A5AW727600	55-18	A5AW782600	52-13	A5AW819000	104-16
A5AW507800	41-24	A5AW711200	116-15	A5AW727900	54-10	A5AW782700	53-17	A5AW819101	104-17
A5AW507800	47-22	A5AW712300	116-16	A5AW729501	51-3	A5AW782800	53-18	A5AW819900	97-5
A5AW507900	41-25	A5AW712400	118-27	A5AW729601	51-4	A5AW783200	52-14	A5AW819900	98-15
A5AW507900	47-23	A5AW713700	117-8	A5AW734700	55-19	A5AW783300	52-15	A5AW820200	111-8
A5AW508000	41-26	A5AW713800	117-9	A5AW735103	52-8	A5AW789800	55-23	A5AW820500	111-9
A5AW508000	47-24	A5AW714000	117-10	A5AW735202	52-9	A5AW789900	58-22	A5AW820600	111-14
A5AW508100	41-27	A5AW714300	118-28	A5AW735800	52-10	A5AW807300	60-8	A5AW820700	112-11
A5AW508100	47-25	A5AW714500	118-29	A5AW735900	52-11	A5AW808000	58-23	A5AW820900	94-7
A5AW508400	41-28	A5AW714900	118-30	A5AW736000	53-16	A5AW808100	55-24	A5AW821400	94-8
A5AW508400	47-26	A5AW715000	118-31	A5AW736401	51-5	A5AW808200	55-25	A5AW821500	94-9
A5AW509000	42-19	A5AW719900	93-9	A5AW738101	54-11	A5AW808300	53-19	A5AW822000	99-17
A5AW509301	41-29	A5AW720100	55-4	A5AW740500	58-16	A5AW808500	55-26	A5AW822300	102-21
A5AW509301	47-27	A5AW720200	55-5	A5AW740800	56-14	A5AW808700	53-20	A5AW823000	94-10
A5AW509401	41-30	A5AW720301	55-6	A5AW740900	56-15	A5AW808800	57-20	A5AW823200	112-12

Parts No.	Page No.	Parts No.	Page No.	Parts No.	Page No.	Parts No.	Page No.	Parts No.	Page No.
A5AW823500	112-13	A5AW848900	108-23	A5AW859500	96-15	A5AW872600	115-23	A5AWM10101	82-25
A5AW823700	111-16	A5AW849001	108-24	A5AW859701	90-20	A5AW878203	91-8	A5AWM10101	83-25
A5AW823800	111-15	A5AW849700	108-25	A5AW859900	96-16	A5AW878300	91-9	A5AWM10101	84-25
A5AW824300	94-11	A5AW849700	110-22	A5AW860100	113-12	A5AW878400	91-10	A5AWM10101	85-27
A5AW824602	99-20	A5AW849800	108-26	A5AW860302	113-13	A5AW890301	120-14	A5AWM10201	53-21
A5AW824900	111-17	A5AW850300	95-9	A5AW860500	113-14	A5AW890400	120-15	A5AWM10201	88-16
A5AW825000	100-16	A5AW851002	95-10	A5AW860600	114-14	A5AW890702	120-16	A5AWM10201	92-13
A5AW825101	112-14	A5AW851100	98-16	A5AW860701	114-15	A5AW890800	120-17	A5AWM15101	8-20
A5AW825204	112-15	A5AW851200	98-17	A5AW860802	114-16	A5AW890901	120-18	A5AWM15101	11-13
A5AW825400	112-16	A5AW851800	96-5	A5AW860901	114-17	A5AW891400	120-19	A5AWM15101	111-11
A5AW825500	112-17	A5AW851800	97-6	A5AW861000	114-18	A5AW892300	119-7	A5AWM15200	129-11
A5AW825700	112-18	A5AW851901	97-7	A5AW861100	113-15	A5AW892400	119-8	A5AWM34A00	55-27
A5AW825800	112-19	A5AW852100	110-23	A5AW861300	114-19	A5AW892500	119-9	A5AWM34E00	55-27
A5AW825900	112-20	A5AW852200	110-24	A5AW861400	113-24	A5AW892600	119-10	A5AWM34F00	55-27
A5AW826300	111-10	A5AW852300	95-11	A5AW861601	60-9	A5AW892700	119-11	A5AWM40600	127-7
A5AW826501	69-5	A5AW852300	107-13	A5AW861802	115-17	A5AW892800	119-12	A5AWM60200	5-12
A5AW826800	111-18	A5AW853300	110-25	A5AW861900	104-18	A5AW893100	120-20	A5AWN10200	128-11
A5AW827200	99-18	A5AW853600	110-26	A5AW862202	113-16	A5AW893301	120-21	A5AWN10400	128-12
A5AW827400	100-21	A5AW855300	108-27	A5AW862300	115-18	A5AW893501	120-22	A5AWN10600	17-11
A5AW827501	100-17	A5AW855901	108-28	A5AW862400	113-17	A5AW893600	120-23	A5AWN11001	53-22
A5AW827601	94-12	A5AW856001	96-6	A5AW862700	115-19	A5AW894000	120-24	A5AWN11100	53-23
A5AW827700	94-13	A5AW856001	97-8	A5AW863100	113-18	A5AW894100	120-25	A5AWN11500	17-12
A5AW828100	100-18	A5AW856001	113-10	A5AW863800	104-19	A5AW894300	120-26	A5AWN12800	88-17
A5AW829100	100-19	A5AW856001	115-15	A5AW864000	104-20	A5AW894400	120-27	A5AWN13000	17-13
A5AW829200	101-14	A5AW856001	117-11	A5AW864200	114-20	A5AW909800	120-28	A5AWN13700	4-20
A5AW830500	99-21	A5AW856001	120-13	A5AW864300	105-17	A5AW943200	99-19	A5AWN14500	10-5
A5AW836000	103-14	A5AW856100	96-7	A5AW864601	105-21	A5AW943301	110-27	A5AWN15100	31-13
A5AW840300	106-10	A5AW856300	96-8	A5AW864800	104-21	A5AW943400	110-28	A5AWN15400	62-27
A5AW840402	108-18	A5AW856400	96-9	A5AW864901	105-22	A5AW945000	1-20	A5AWN15600	40-22
A5AW840602	110-20	A5AW856501	97-9	A5AW865001	114-21	A5AW945900	1-21	A5AWN15600	46-20
A5AW840901	108-19	A5AW856701	96-10	A5AW865100	104-22	A5AW946300	90-21	A5AWN15800	68-10
A5AW841300	109-22	A5AW858102	109-26	A5AW865200	113-19	A5AW947000	30-7	A5AWN16200	89-4
A5AW841400	109-23	A5AW858200	113-11	A5AW865500	115-20	A5AW947103	30-7	A5AWN16300	18-33
A5AW841801	108-20	A5AW858200	115-16	A5AW865700	115-21	A5AW947200	17-18	A5AWN16400	8-21
A5AW842200	108-21	A5AW858302	96-11	A5AW870401	105-18	A5AW949000	135-3	A5AWN16500	7-6
A5AW845000	109-24	A5AW858400	96-12	A5AW870500	105-19	A5AWH53000	129-10	A5AWN16600	120-29
A5AW845500	95-8	A5AW858701	97-10	A5AW870601	105-20	A5AWH54001	17-10	A5AWN16700	119-13
A5AW847600	108-22	A5AW858801	108-29	A5AW872300	113-25	A5AWH78001	125-11	A5AWN17001	82-26
A5AW848100	109-25	A5AW859300	96-13	A5AW872400	113-20	A5AWH80000	57-22	A5AWN17001	83-26
A5AW848200	110-21	A5AW859400	96-14	A5AW872500	115-22	A5AWJ30X01	128-7	A5AWN17001	84-26

Parts No.	Page No.	Parts No.	Page No.	Parts No.	Page No.	Parts No.	Page No.	Parts No.	Page No.
A5AWN17001	85-28	A5AWN28600	125-13	A5AWR72A00	120-30	A85C896301	124-11	A8AK101201	123-11
A5AWN17900	81-6	A5AWN28701	125-14	A5AWR72B00	107-16	A85C896400	124-12	A8AK101502	123-12
A5AWN18000	81-7	A5AWN29800	129-13	A5AWR72C00	109-27	A85C896800	124-13	A8AK101700	123-13
A5AWN18100	81-8	A5AWP00100	133-2	A5AWR72C00	110-29	A85C896900	124-14	A8AK103200	124-21
A5AWN18200	81-9	A5AWR70500	68-11	A5AWR72D00	10-9	A85C897201	124-15	A8AK103502	124-22
A5AWN18700	127-8	A5AWR70E11	55-28	A5AWR72E00	42-22	A85C897300	124-16	A8AK103601	124-23
A5AWN18801	127-9	A5AWR70F00	52-16	A5AWR72E00	48-19	A85C897400	123-6	A8AK103702	124-24
A5AWN20100	104-23	A5AWR70G00	60-10	A5AWR72G00	111-12	A85C897700	124-17	A8AK104100	124-25
A5AWN20301	104-24	A5AWR70P11	44-19	A5AWR72J00	1-22	A85C897800	124-18	A8AK105000	119-14
A5AWN20500	90-22	A5AWR70P11	50-19	A5AWR72M00	70-12	A85C897900	123-7	A8AK105101	119-17
A5AWN20600	102-22	A5AWR70Q00	42-21	A5AWR72M00	75-11	A85C899100	124-20	A8AK105300	119-15
A5AWN20700	102-23	A5AWR70Q00	48-18	A5AWR72R00	116-19	A85C942300	3-23	A8AK105301	119-15
A5AWN20800	104-25	A5AWR70R00	118-33	A5AWR72T00	137-8	A85CM40100	123-8	A8AK105500	119-16
A5AWN20900	104-26	A5AWR70S00	73-9	A5AWR72U00	112-21	A85CM55600	8-22	A8AK106901	123-14
A5AWN21600	93-11	A5AWR70S00	78-9	A5AWR72V00	41-32	A85CM55600	18-34	A8AK107000	123-15
A5AWN21900	95-12	A5AWR70T00	54-12	A5AWR72W00	135-4	A85CM55600	43-30	A8AK107100	123-16
A5AWN22601	118-32	A5AWR70V00	6-13	A5AWR72X00	135-5	A85CM55600	49-30	A8AK108001	124-26
A5AWN22700	116-17	A5AWR70W00	14-9	A5AWR72Y00	103-15	A85CM55600	64-11	A8AK108100	124-27
A5AWN22800	107-14	A5AWR71300	81-10	A5AWR73011	33-7	A85CM55600	65-11	A8AK108200	124-28
A5AWN22900	107-15	A5AWR71400	81-11	A5AWR73111	33-8	A85CM55600	66-11	A8AK108302	124-29
A5AWN23501	113-21	A5AWR71500	81-12	A5AWR73200	106-12	A85CM55600	67-10	A8AK108400	124-30
A5AWN23600	104-27	A5AWR71700	88-18	A5AWR73300	72-17	A85CM55600	68-13	A8AK108500	124-31
A5AWN23801	57-23	A5AWR71A00	62-28	A5AWR73300	77-17	A85CM55600	70-13	A8AK941001	135-7
A5AWN23900	58-24	A5AWR71B00	37-2	A5AWR73500	135-6	A85CM55600	72-18	A8AK941301	124-32
A5AWN24000	59-7	A5AWR71D00	37-3	A5AWR73600	106-13	A85CM55600	75-12	A8AKN10501	124-33
A5AWN24700	93-12	A5AWR71K22	116-18	A5AWR74200	115-24	A85CM55600	77-18	A8AKR70200	122-4
A5AWN24800	104-28	A5AWR71R11	58-26	A5AWRX0011	133-15	A85CM55600	82-27	A8AKR70300	122-5
A5AWN24900	93-13	A5AWR71S11	69-6	A5C1122600	123-4	A85CM55600	83-27	A8AKR70500	124-34
A5AWN25100	5-13	A5AWR71T11	106-11	A65U186600	122-2	A85CM55600	84-27	A8WC707100	134-9
A5AWN26200	7-7	A5AWR71U00	113-22	A782945003	134-8	A85CM55600	85-29	A92W107100	17-21
A5AWN26300	10-6	A5AWR71X00	35-16	A799196000	19-22	A85CM55600	87-5	A92W107200	17-15
A5AWN26800	17-14	A5AWR71Y22	40-23	A799H04001	20-14	A85CM55600	94-14	A92W107401	1-23
A5AWN27200	9-21	A5AWR71Y22	46-21	A799M45300	128-13	A85CM55600	103-16	A92W113100	5-14
A5AWN27300	129-12	A5AWR72300	68-12	A79JJP000	134-3	A85CM55600	112-22	A92W116500	8-23
A5AWN27400	121-4	A5AWR72400	26-13	A79JJP100	134-4	A85CM55600	113-23	A92W116700	8-24
A5AWN27500	9-22	A5AWR72500	56-21	A85C136200	125-15	A85CN21400	123-9	A92W116800	8-25
A5AWN27700	7-8	A5AWR72600	59-8	A85C895300	124-9	A85CN21700	123-10	A92W116900	8-26
A5AWN28100	125-12	A5AWR72700	60-11	A85C895400	124-10	A8AK100314	123-18	A92W117000	8-27
A5AWN28200	21-23	A5AWR72800	100-20	A85C896100	123-5	A8AK100401	122-3	A92W117100	8-28
A5AWN28500	19-19	A5AWR72900	108-30	A85C896300	124-11	A8AK100500	136-3	A92W117200	8-29

Parts No.	Page No.
A92W117800	11-15
A92W119600	17-16
A92W120800	14-10
A92W120900	14-11
A92W124301	2-11
A92W124401	2-12
A92W124500	2-13
A92W124900	2-14
A92W125000	14-12
A92W125100	14-13
A92W125200	2-15
A92W130400	125-16
A92W130600	125-17
A92W130700	125-18
A92W137100	125-19
A92W137500	125-20
A92W160100	1-24
A92W160300	1-25
A92W160700	1-26
A92W162600	1-27
A92W165200	1-28
A92W220900	87-6
A92W223000	87-7
A92W223100	87-8
A92W223200	87-9
A92W223300	87-10
A92W223400	87-11
A92W223500	87-12
A92W223600	87-13
A92W225100	87-14
A92W226200	87-15
A92W226300	86-13
A92W345700	68-14
A92W410100	31-14
A92W432400	25-3
A92W511200	44-20
A92W511200	50-20
A92W511600	44-21
A92W511600	50-21
A92W518300	41-33

Parts No.	Page No.
A92W518300	47-30
A92W529500	73-10
A92W529500	78-10
A92W539100	73-11
A92W539100	78-11
A92W539200	73-12
A92W539200	78-12
A92W704500	89-5
A92W704600	89-6
A92W816900	92-14
A92W817300	69-7
A92W819700	92-15
A92W821100	92-19
A92W822100	90-23
A92W829600	92-16
A92W829800	98-19
A92W836200	98-18
A92W838000	103-17
A92W838800	102-24
A92W862100	95-13
A92W863900	105-24
A92W867200	105-23
A92W890900	122-6
A92W891200	120-31
A92W909300	120-32
A92W942400	51-6
A92W942700	5-15
A92W942900	1-29
A92W943100	121-5
A92W943100	129-14
A92W944300	29-34
A92W944400	29-35
A92W944500	29-36
A92W944600	29-37
A92W945300	43-31
A92W945300	49-31
A92W948000	1-30
A92WH01101	125-21
A92WH02002	125-22
A92WH05002	126-11


Parts No.	Page No.
A92WH06002	102-25
A92WH25000	88-19
A92WH51000	127-10
A92WM10600	56-22
A92WM31A00	55-29
A92WM31E00	55-29
A92WM31F00	55-29
A92WM35A00	55-30
A92WM35E00	55-30
A92WM35F00	55-30
A92WM40301	126-12
A92WM60100	128-14
A92WN10100	130-1
A92WN10300	132-2
A92WN10501	127-11
A92WN10800	52-17
A92WN10901	53-24
A92WN11700	132-3
A92WN11800	121-6
A92WN12100	126-13
A92WN12300	131-1
A92WN12400	131-2
A92WN12500	126-14
A92WN12600	87-16
A92WN12700	132-4
A92WN13400	87-17
A92WN14701	62-29
A92WN14800	63-17
A92WN15000	68-15
A92WN15500	43-32
A92WN15700	62-30
A92WN16001	8-30
A92WN16001	112-23
A92WN19100	126-15
A92WN19700	2-16
A92WN21101	102-26
A92WN21400	93-14
A92WN22100	72-19
A92WN23200	93-15
A92WN23700	93-16

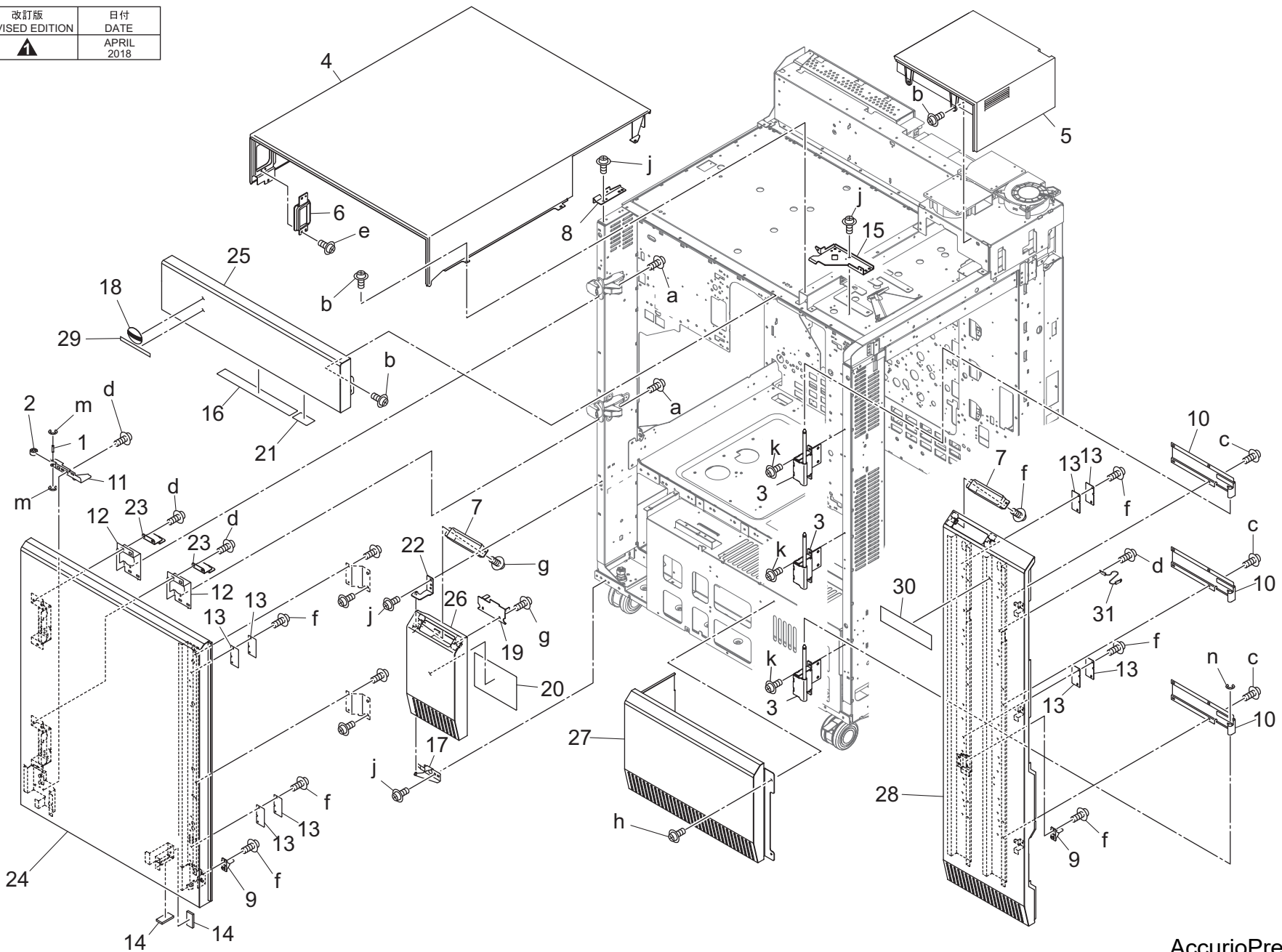
Parts No.	Page No.
A92WN25600	129-15
A92WN27000	123-17
A92WN27600	125-23
A92WN29200	131-3
A92WN29400	125-24
A92WP50400	46-22
A92WP50700	46-23
A92WP50800	46-24
A92WP50900	47-31
A92WP51000	48-20
A92WP51100	47-32
A92WP51200	47-33
A92WP51300	48-21
A92WP51400	48-22
A92WP51500	46-25
A92WP51500	75-13
A92WP51600	46-3
A92WP55100	75-14
A92WP55200	76-25
A92WPJG100	133-16
A92WPN2100	77-19
A92WPN5500	49-32
A92WR70100	38-13
A92WR70211	137-9
A92WR70211	137-9
A92WR70311	23-1
A92WR70311	23-1
A92WR70400	72-20
A92WR70400	77-20
A92WR70511	39-2
A92WR70511	39-2
A92WR70600	39-3
A92WR70600	45-2
A92WR70700	69-8
A92WR70800	70-14
A92WR70800	75-15
A92WR70922	51-7
A92WR70A22	51-7
A92WR70B22	51-7
A92WR70B22	51-7

Parts No.	Page No.
A92WR70C00	41-34
A92WR70C00	47-34
A92WR70E11	75-16
A92WR70G22	45-3
A92WR70K22	24-2
A92WR70K22	24-2
A92WR70N00	121-7
A92WR70P00	127-12
A92WR70Q00	86-14
A92WR70R00	87-18
A92WR70S00	61-15
A92WR70T00	124-35
A92WR70U00	22-1
A92WR70V00	25-1
A92WR70W00	25-1
A92WR70X00	25-1
A92WR70Y00	89-7
A92WR71100	51-8
A92WR71200	52-18
A92WR71500	19-20
A92WR71700	51-9
A92WR71800	2-17
A92WR71900	54-13
A92WR71A00	129-16
A92WR71B00	25-1
A92WR71D00	58-25
A92WR71E00	69-6
A92WR71F00	38-13
A92WR71G00	80-20
A92WR71H00	30-8
A92WR90300	24-4
A92WR90400	24-5
A92YN12200	130-2
A9JTM10200	18-13
A9JTM10200	32-7
A9JTM10200	35-5
A9JTM10200	80-8
A9JTM10300	27-4
A9JTM10300	86-5
A9VE942600	3-1

Parts No.	Page No.
A9VEM75500	19-9
AC0CP75100	133-17
AC57899000	124-19
V114040804	136-4
V118030404	136-5
V118030604	136-6
V121041003	136-7
V127030604	136-8
V502010006	11-14
V502010032	17-17
V502010032	127-13
V502010032	129-17
V502010033	128-15
V502010036	128-16
V502010041	127-14
V503010002	125-1
V865300088	125-27

# External Parts

改訂版 REVISED EDITION	日付 DATE
	APRIL 2018

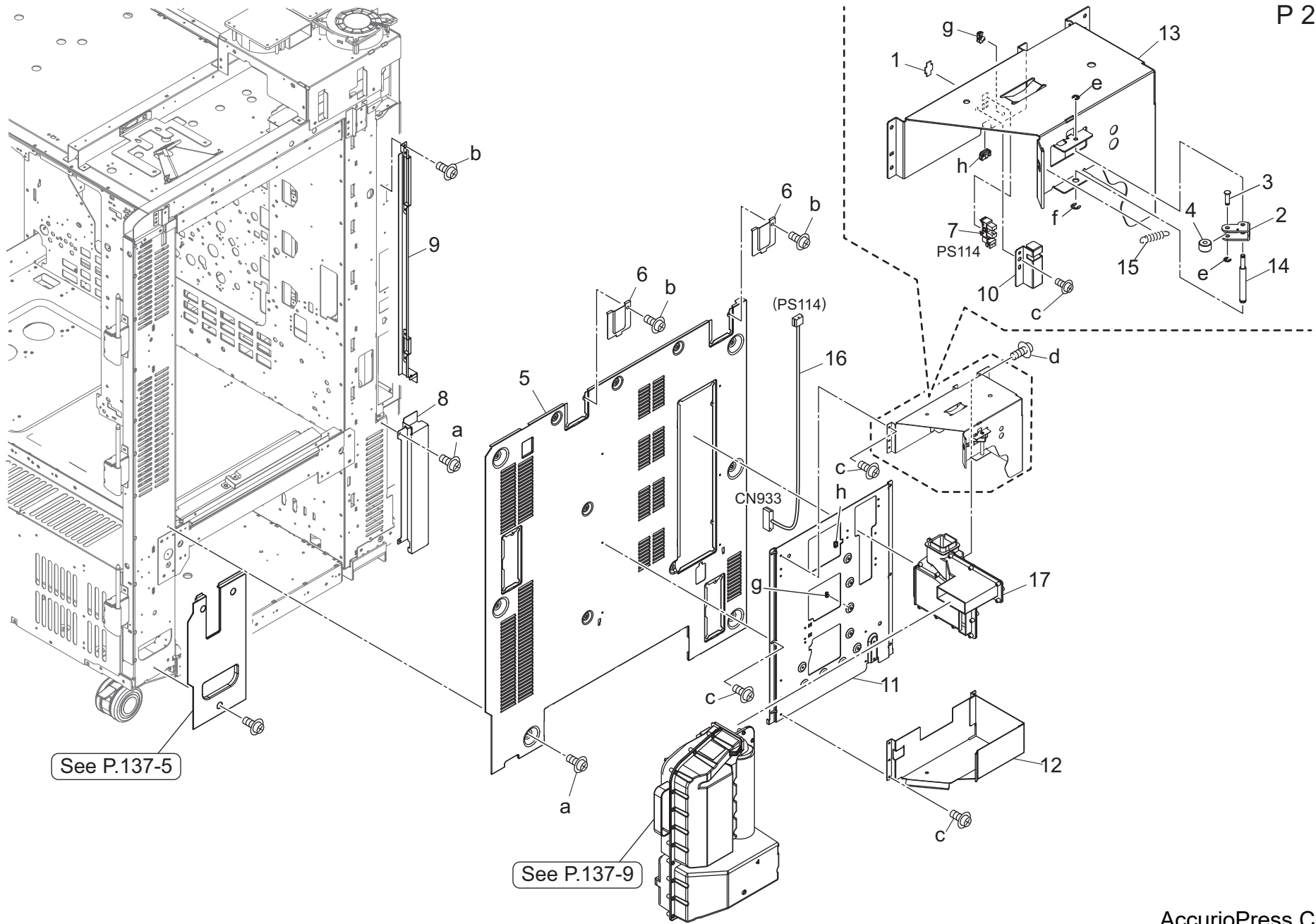


AccurioPress C6085



# External Parts

P 2



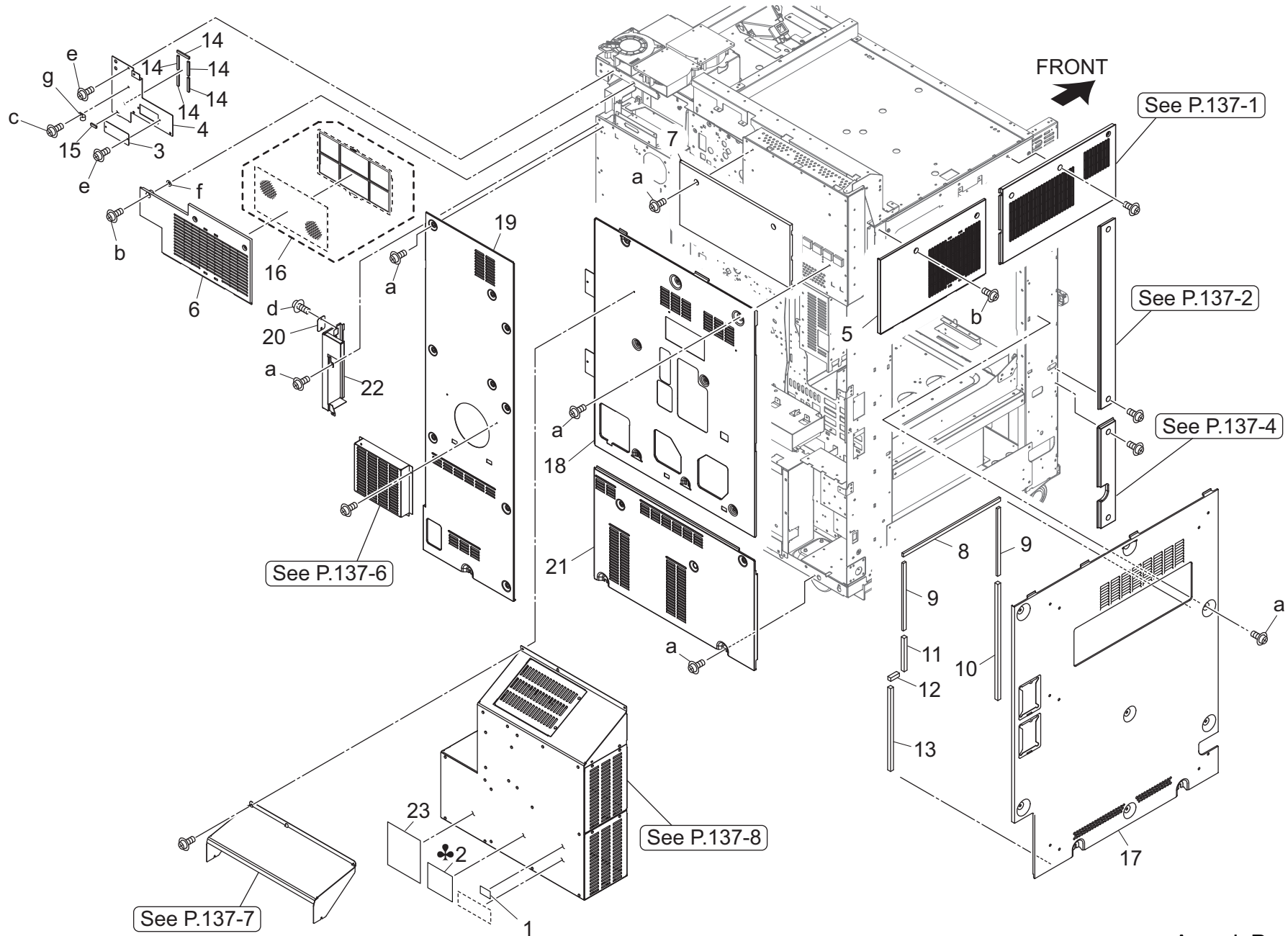
See P.137-5

See P.137-9





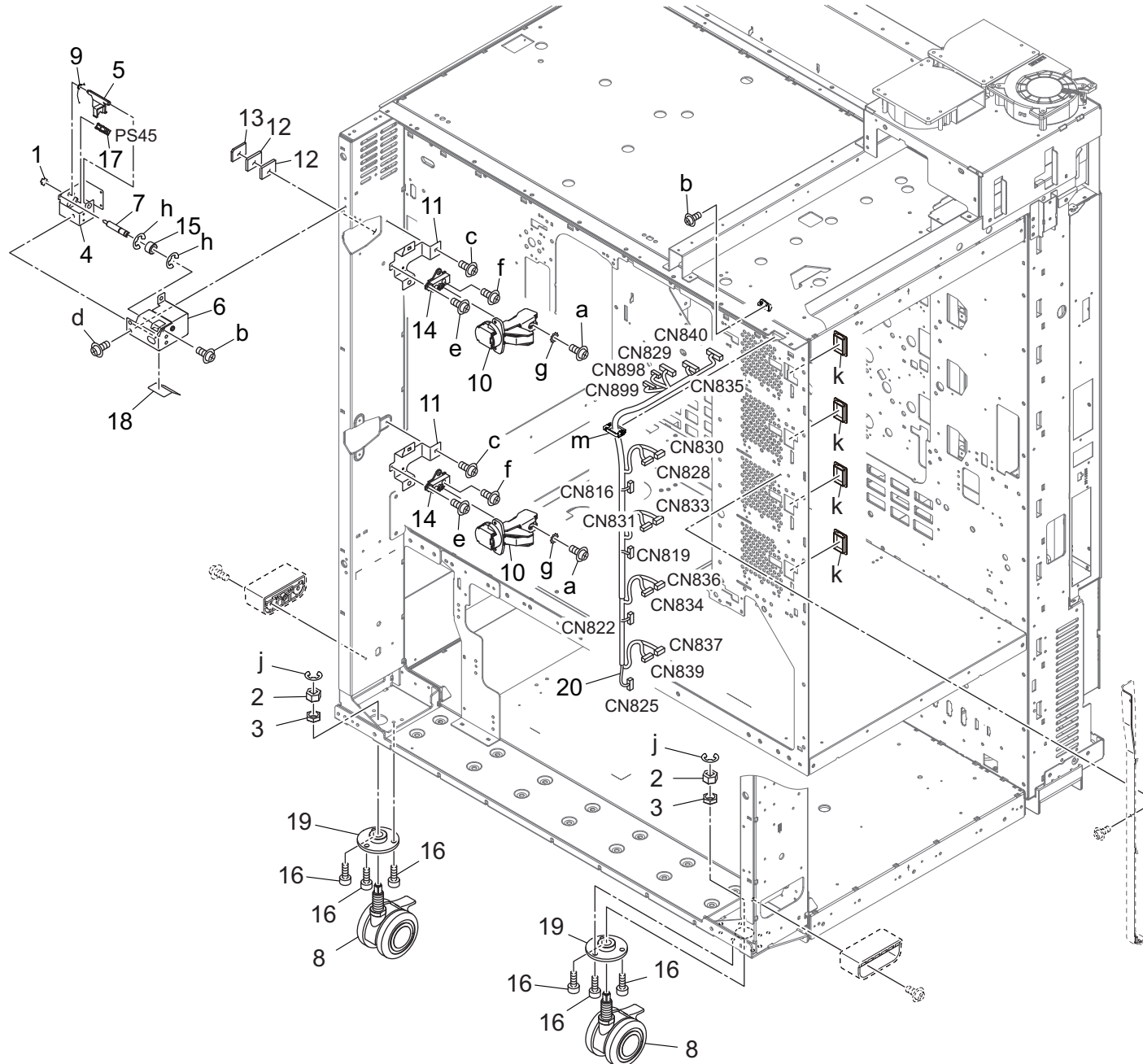
# External Parts



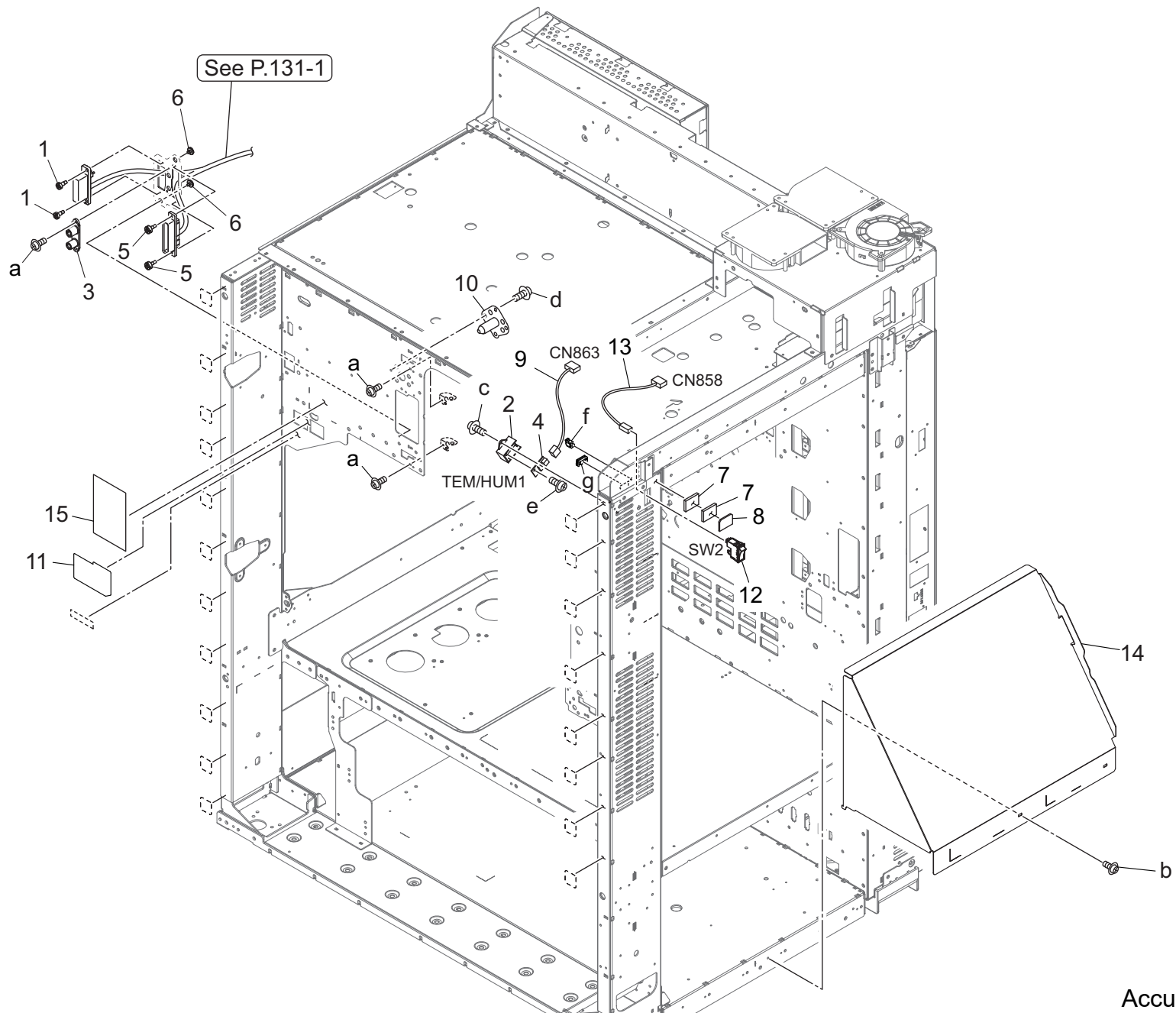


# Main Frame

P 4



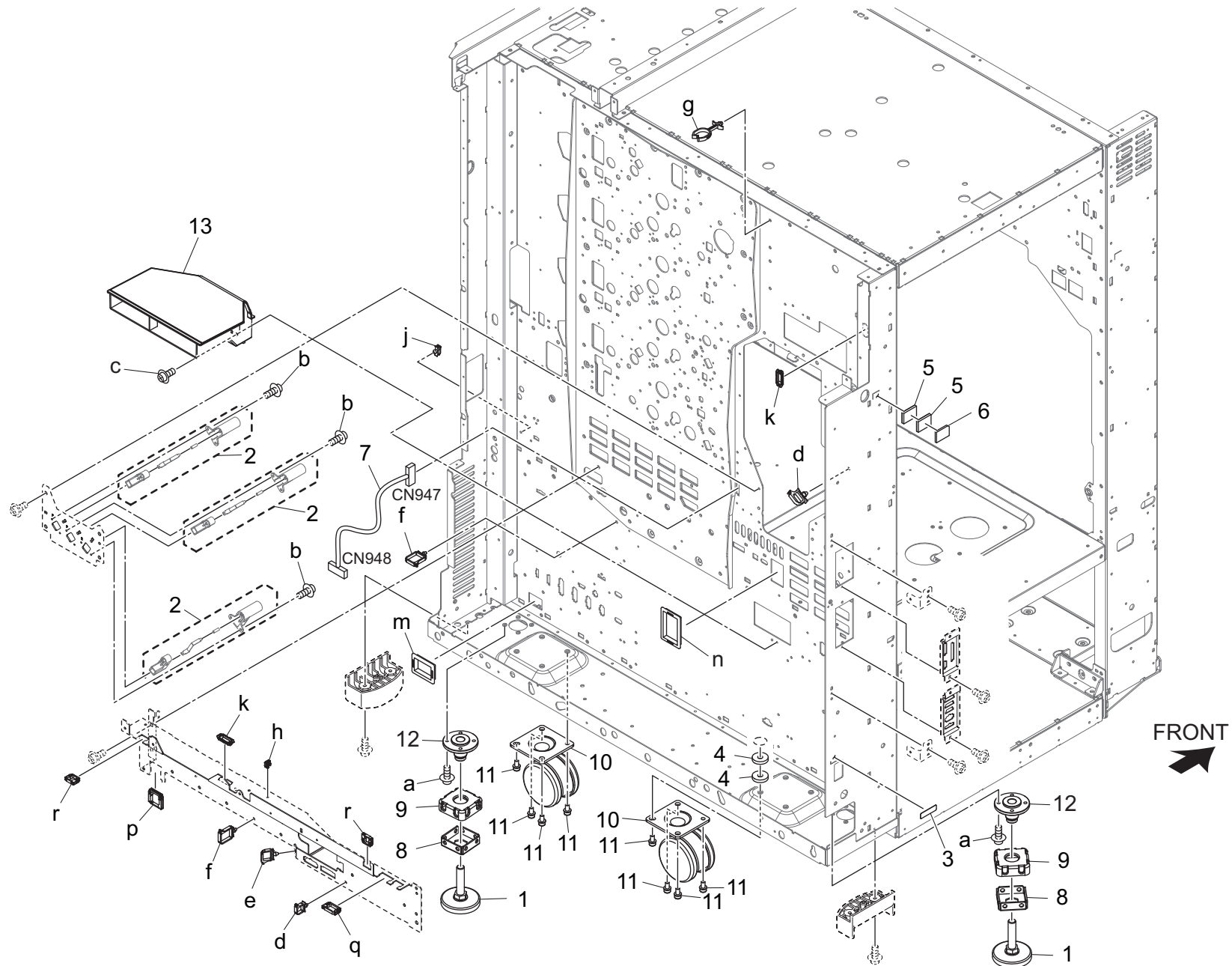






# Main Frame

P 6




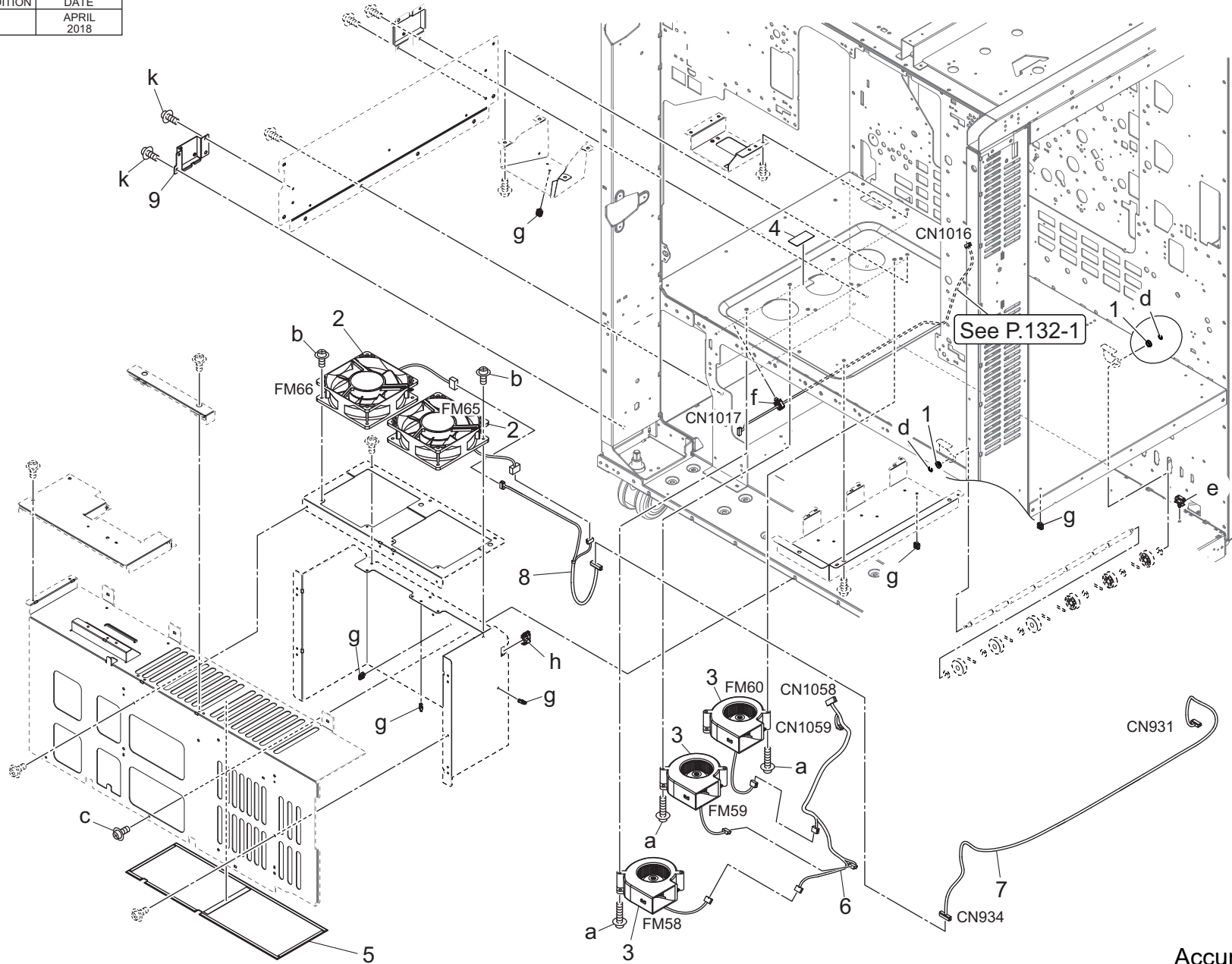


Key	Part No.	Description	Destinations	Class	QTY	Standard parts
1	25AA10091F	Mainbody Fixing Stopper		C	2	a-V116042003
2	65AAR72700	Powering Block /1 Assy		C	3	b-V146030603
3	A00J945401	Label Dehumidifier SW.		C	1	c-V146040803
4	A03X105800	Cover Seal		C	2	d-V500010007
5	A1RF165900	Protection Rubber /1		D	2	e-V500010008
6	A1RF166000	Protection Rubber /2		D	1	f-V500010015
7	A1RFN26500	Memory Detection harness /2		D	1	g-V500020026
8	A1RG101600	Adjusting Plate		D	2	h-V500020098
9	A1RG105300	Guide Part		D	2	j-V500020100
10	A4EU105100	Castor		D	2	k-V570010037
11	A50U106300	Lock Screw		D	8	m-V570010038
12	A5AW117501	Mounting Shaft		D	2	n-V570010039
13	A5AWR70V00	Paper Cooling Duct Assy		D	1	p-V570010058 q-V570010059 r-V570010060



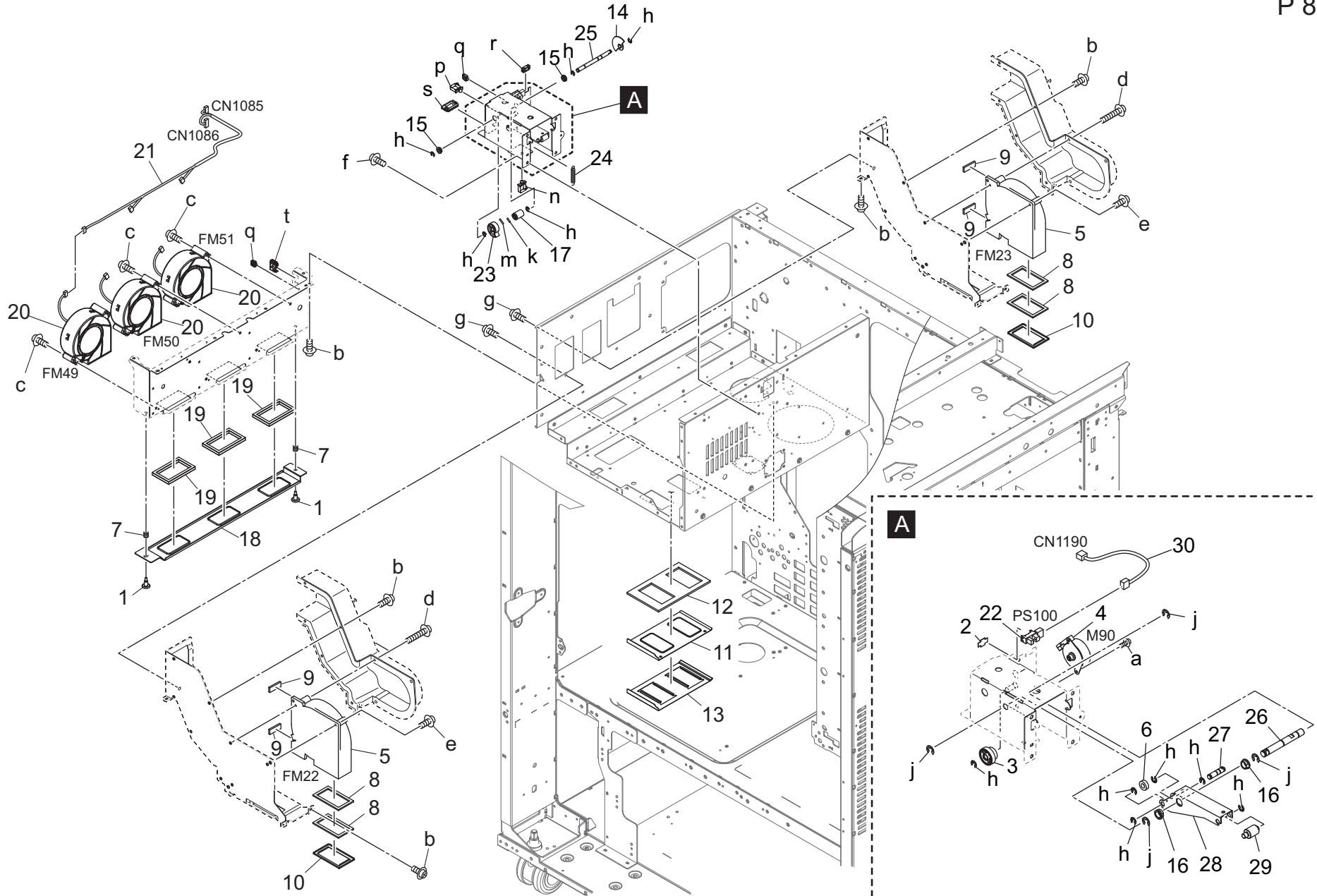
# Main Frame

改訂版 REVISED EDITION	日付 DATE
	APRIL 2018



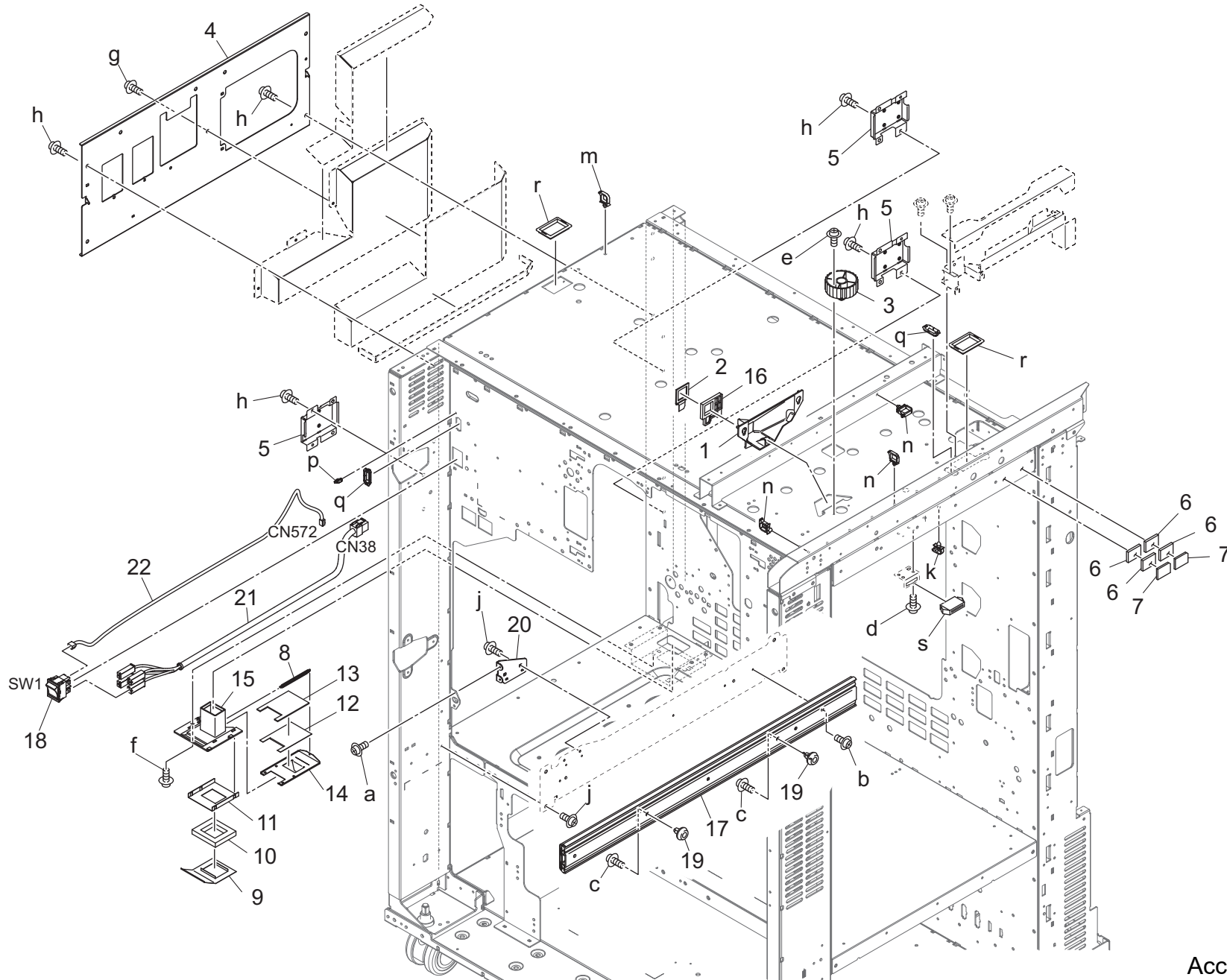
Key	Part No.	Description	Destinations	Class	QTY	Standard parts
1	A00J617800	Ball Bearing		B	2	a-V118044003
2	A03UM15201	Main body Fan motor		B	2	b-V127030803
3	A03UM15802	Main body Cooling Fan		C	3	c-V127040803
4	A1RF851600	Auxiliary Sheet		D	1	d-V217040001
5	A5AW116601	Filter		C	1	e-V500010005 f-V500010020
6	A5AWN16500	Cooling Wiring /A		D	1	g-V500020098
7	A5AWN26200	Cooling Wiring /K		D	1	h-V570010060
8	A5AWN27700	Cooling Relay harness /2		D	1	k-V146040803
9	A1RF162601	Cover Spacer /1		D	1	

# Main Frame

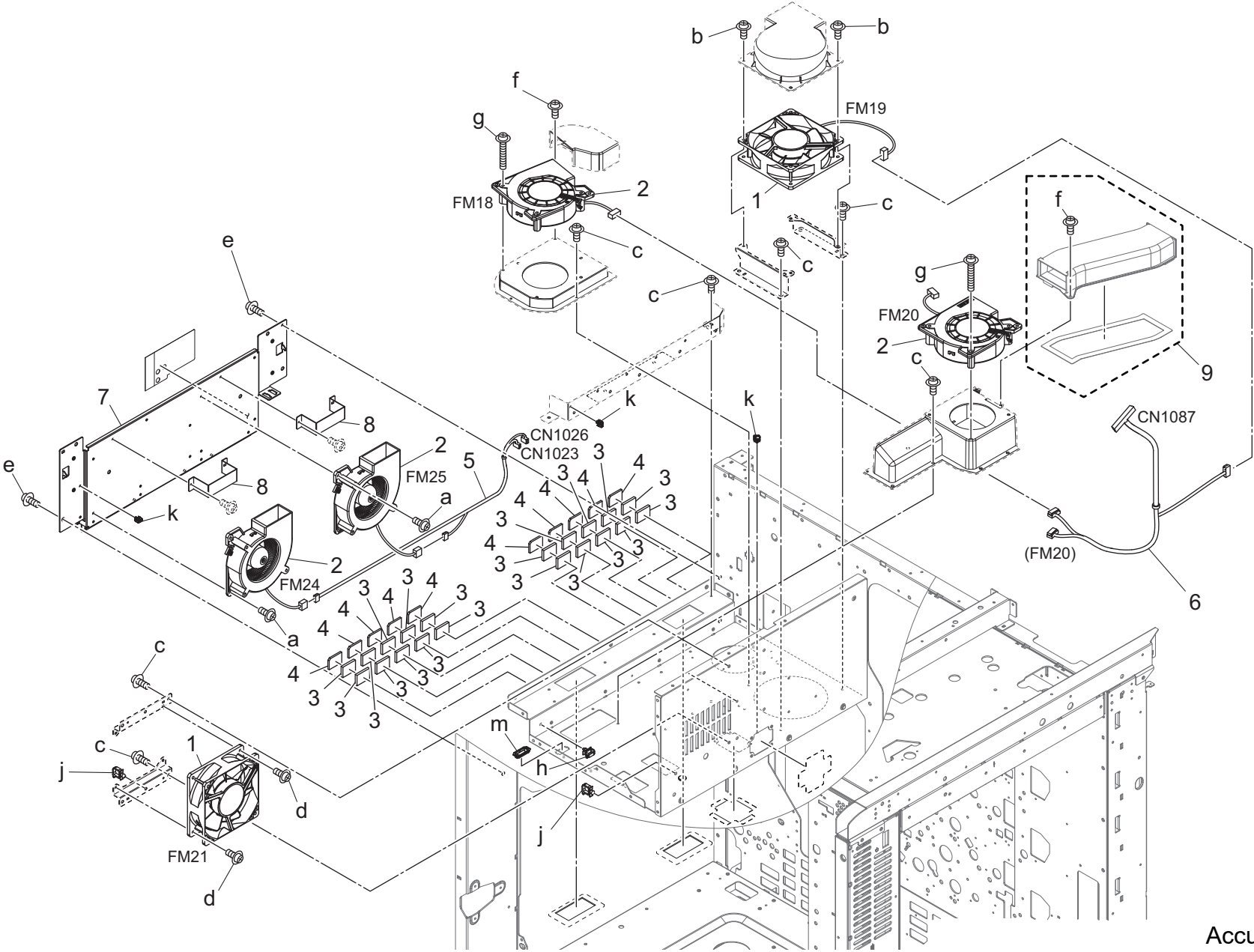


Key	Part No.	Description	Destinations	Class	QTY	Standard parts
1	4036248701	SHOULDER SCREW		C	2	a-V118030403
2	4470402401	Stopper		D	1	b-V121030603
3	A00J363000	Gear 38/35T		C	1	c-V121030803
4	A00JM12100	Stepping motor		C	1	d-V121034003
5	A03UM15300	Fixing Cooling Fan		C	2	e-V121040803
6	A0TK397501	Ball bearing		C	1	f-V127030604
7	A1DU764000	Spring		D	2	g-V146030603
8	A1RF107700	Fusing Seal /1		D	4	h-V217040001
9	A1RF107800	Fusing Seal /2		D	4	j-V217060001
10	A1RF108000	Sealing Sheet		D	2	k-V234200850
11	A1RF114700	Sealing Plate		D	1	m-V234201050
12	A1RF114800	Insulating Seal		D	1	n-V500010008
13	A1RF115700	Slide Sheet		D	1	p-V500010083
14	A1RF504403	Index Plate /S		D	1	q-V500020098
15	A4EU252000	Drive Ball bearing /6		B	2	r-V570010057
16	A4EU560000	Drive Bushing		C	2	s-V570010060
17	A50U504400	Pressure Gear /M 18T		C	1	
18	A5AW119400	Separating Shutter		D	1	
19	A5AW119500	Separating Cushion		D	3	
20	A5AWM15101	Cooling Fan		B	3	
21	A5AWN16400	Cooling Wiring /S		D	1	
22	A85CM55600	Photo Sensor		C	1	
23	A92W116500	Pressure Cam		D	1	
24	A92W116700	Spring /3		D	1	
25	A92W116800	Pressure Shaft /A		D	1	
26	A92W116900	Support Shaft		D	1	
27	A92W117000	Drive Shaft /1		D	1	
28	A92W117100	Drive Plate		D	1	
29	A92W117200	Drive Shaft		D	1	
30	A92WN16001	Relay Wiring /1		D	1	

# Main Frame



Key	Part No.	Description	Destinations	Class	QTY	Standard parts
1	65AA30890	Cartridge Cover		D	1	a-V118030604
2	65AA30900	Cartridge Protection Pad		D	1	b-V118040603
3	65AA30910	DEVELOPING ROTARY JIG		D	1	c-V118040604
4	A1RF105402	Mounting Plate /5		D	1	d-V121030603
5	A1RF162700	Cover Spacer /2		D	3	e-V121030803
6	A1RF165900	Protection Rubber /1		D	4	f-V121040803
7	A1RF166000	Protection Rubber /2		D	2	g-V127030603
8	A1RF366300	Collection Spring		D	1	h-V146040803
9	A1RF367000	Collection Sheet		D	1	j-V146040804
10	A1RF367100	Collection Pad		D	1	k-V500010005
11	A1RF367201	Collection Rail		D	1	m-V500010007
12	A1RF367300	Collection Sheet		D	1	n-V500010008
13	A1RF367400	Collection Pad		D	1	p-V500020098
14	A1RF367500	Collection Shutter		D	1	q-V570010037
15	A1RF367601	Collection Part		D	1	r-V570010039
16	A1RF379400	Stopper Spacer		D	1	s-V651010025
17	A1RF815702	Slide Rail /Left		D	1	
18	A4EUM60000	Power source Switch		C	1	
19	A50U833000	Mounting Collar /1		C	2	
20	A5AW101900	Reinforce Plate /2		D	1	
21	A5AWN27200	AC Power source harness /8	A C 電源束線 / 8	D	1	
22	A5AWN27500	DC Power source harness /4	D C 電源束線 / 4	D	1	

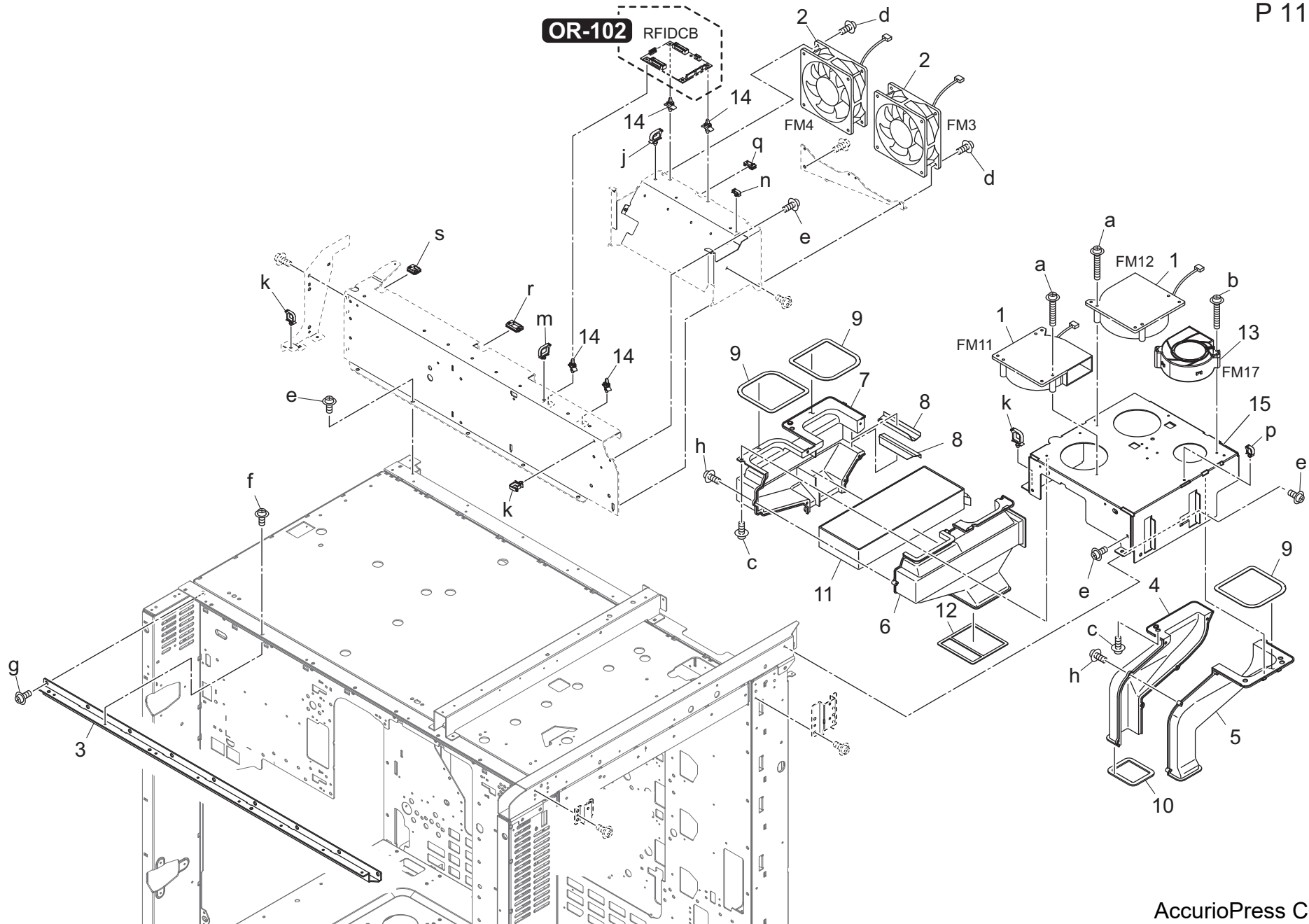




Key	Part No.	Description	Destinations	Class	QTY	Standard parts
1	A03UM15201	Main body Fan motor		B	2	a-V118030803
2	A0Y5M15101	Suction Fan motor		C	4	b-V121041203
3	A1RF165900	Protection Rubber /1		D	20	c-V127030603
4	A1RF166000	Protection Rubber /2		D	10	d-V127041003
5	A5AWN14500	Cooling Wiring /H		D	1	e-V146040803
6	A5AWN26300	Cooling Wiring /B		D	1	f-V153040803
7	A5AW119002	Paper exit Plate /1		D	1	g-V153044503
8	A5AW119100	Duct /1		D	2	h-V500010005
9	A5AWR72D00	Duct Assy		D	1	j-V500010007
						k-V500020098
						m-V570010037

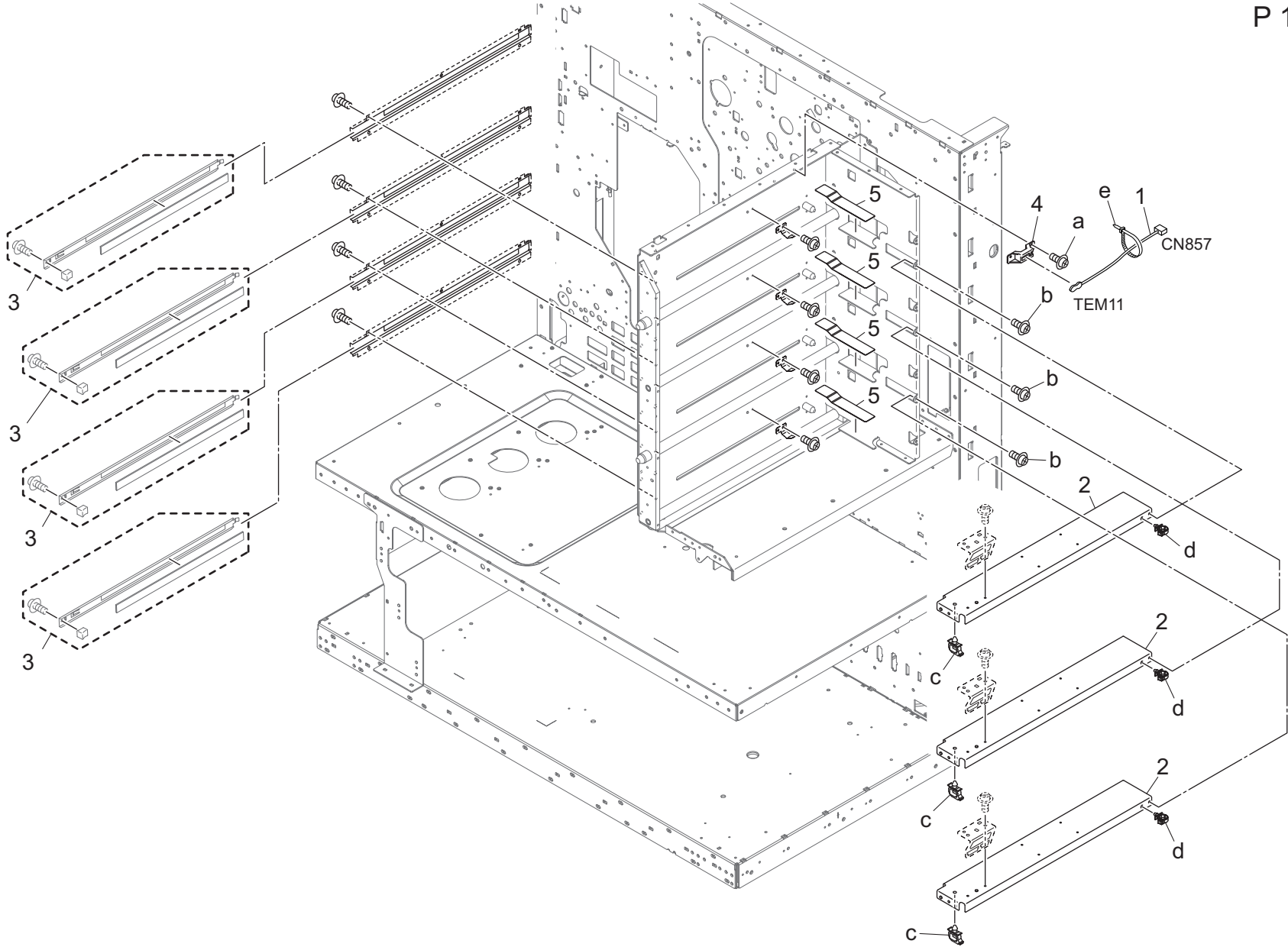
# Main Frame

P 11



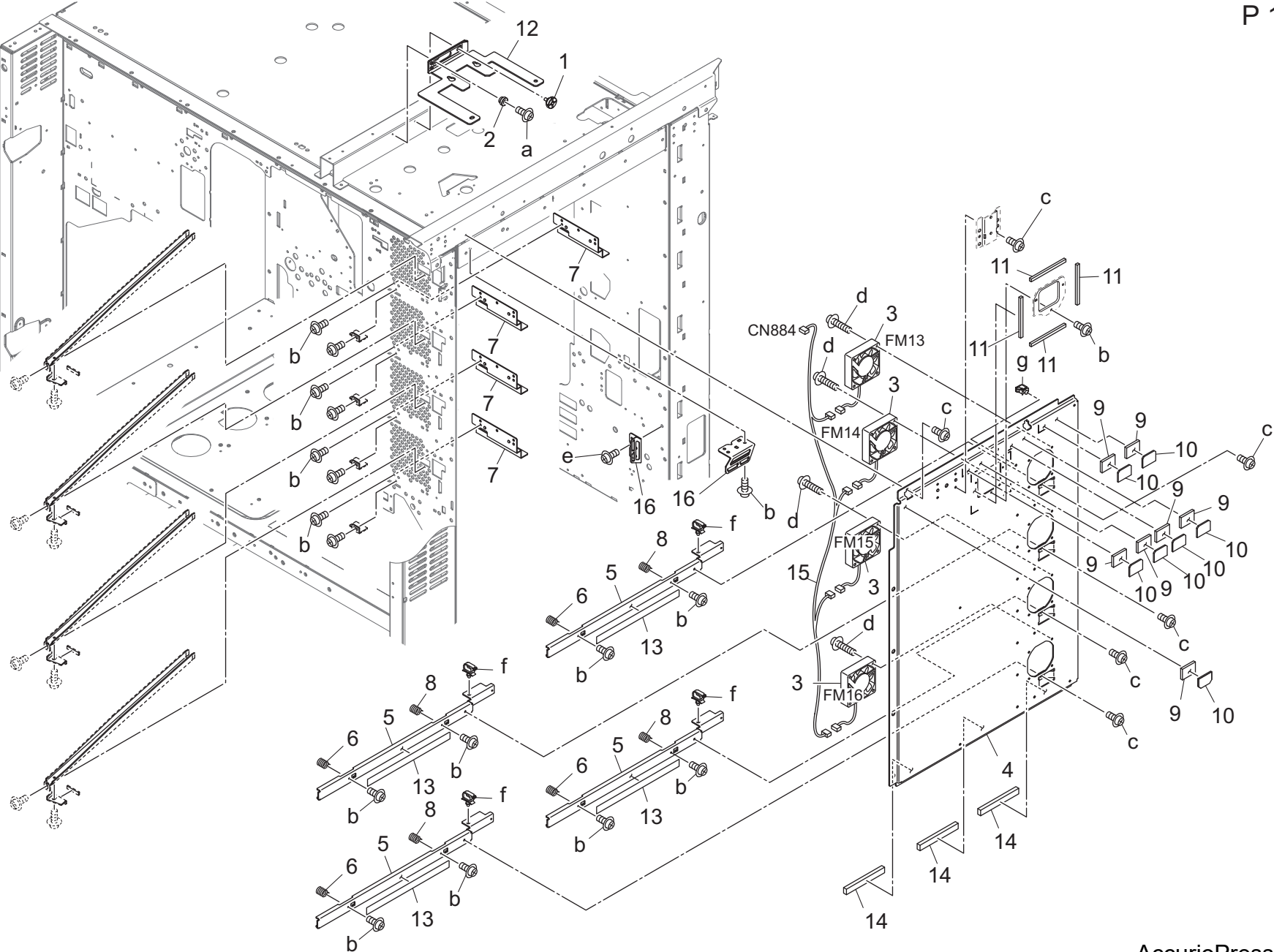
Key	Part No.	Description	Destinations	Class	QTY	Standard parts
1	65AA80590	MAIN BODY FAN		C	2	a-V118043503
2	A03UM15201	Main body Fan motor		B	2	b-V118044003
3	A1RF103700	Reinforce Stay /Upper		D	1	c-V121040603
4	A1RF111100	Scatter Duct /A		D	1	d-V121041003
5	A1RF111200	Scatter Duct /B		D	1	e-V146040803
6	A1RF111300	Ozone Duct /A		D	1	f-V146040804
7	A1RF111400	Ozone Duct /B		D	1	g-V146041404
8	A1RF113100	Scatteringprevention Seal /D		D	2	h-V153030803
9	A1RF113200	Scatteringprevention Seal /A		D	3	j-V500010005
10	A1RF113300	Scatteringprevention Seal /B		D	1	k-V500010007
11	A1RF114402	Ozone Filter /A		A	1	m-V500010008
12	A1RF120300	Ozone Seal /1		D	1	n-V500010046
13	A5AWM15101	Cooling Fan		B	1	p-V500020098
14	V502010006	spacer		D	4	q-V570010057
15	A92W117800	Support Frame		D	1	r-V570010059
						s-V570010060

Main Frame



Key	Part No.	Description	Destinations	Class	QTY	Standard parts
1	A03UM50500	Temperature Sensor /5		C	1	a-V146030603 b-V146040803 c-V500010005 d-V500010076 e-V501010002
2	A1RF101001	Writing Stay		D	3	
3	A1RFR74000	GLASS CASE ASSY		D	4	
4	A1RG110100	Support Part		D	1	
5	A5AW104000	Writing Spacer		D	4	

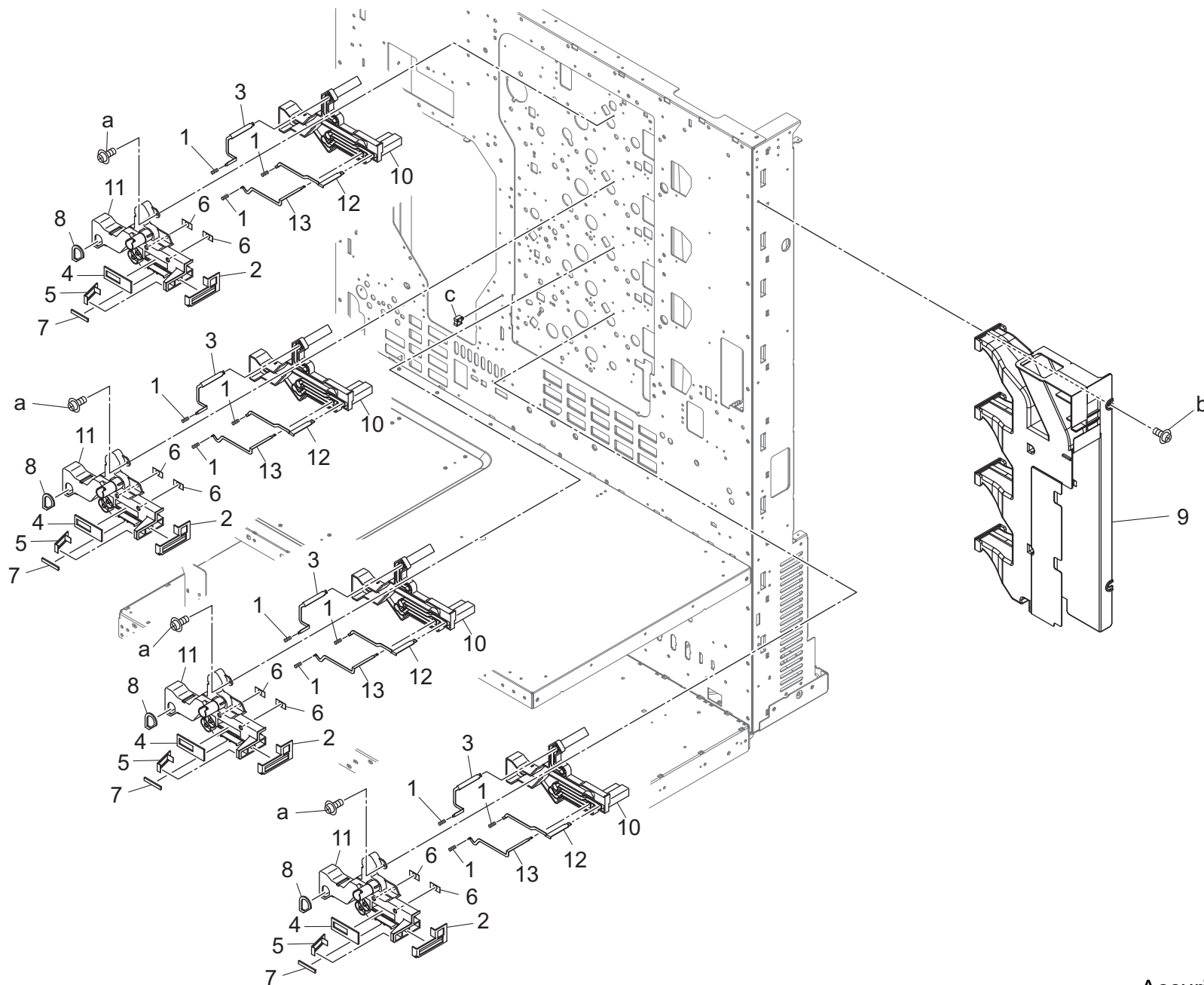
Main Frame



Key	Part No.	Description	Destinations	Class	QTY	Standard parts
1	65AA22680	CARTRIDGE SUPPORT SCREW		C	1	a-V118030803
2	65AA22830D	Mounting Spacer		D	1	b-V121030603
3	9J06M10000	Fan motor		C	4	c-V121040603
4	A1RF108800	Mounting Plate /1		D	1	d-V121041803
5	A1RF108901	Pressing Plate		D	4	e-V146030603
6	A1RF109000	Pressing Spring /R		D	4	f-V500010005
7	A1RF109101	Installing Rail /Front		D	4	g-V500010020
8	A1RF109400	Pressing Spring /S		C	4	
9	A1RF166000	Protection Rubber /2		D	7	
10	A1RF167900	Protection Rubber /3		D	7	
11	A1RF314700	Seal /12		D	4	
12	A1RF379502	Supply Stay		D	1	
13	A1RF942600	Caution Label /6		D	4	
14	A1RFM90700	Gasket /7		D	3	
15	A1RFN13900	Polygon Drive harness /5		D	1	
16	A5AW104800	Wiring Plate /30		D	2	

# Main Frame


P 14



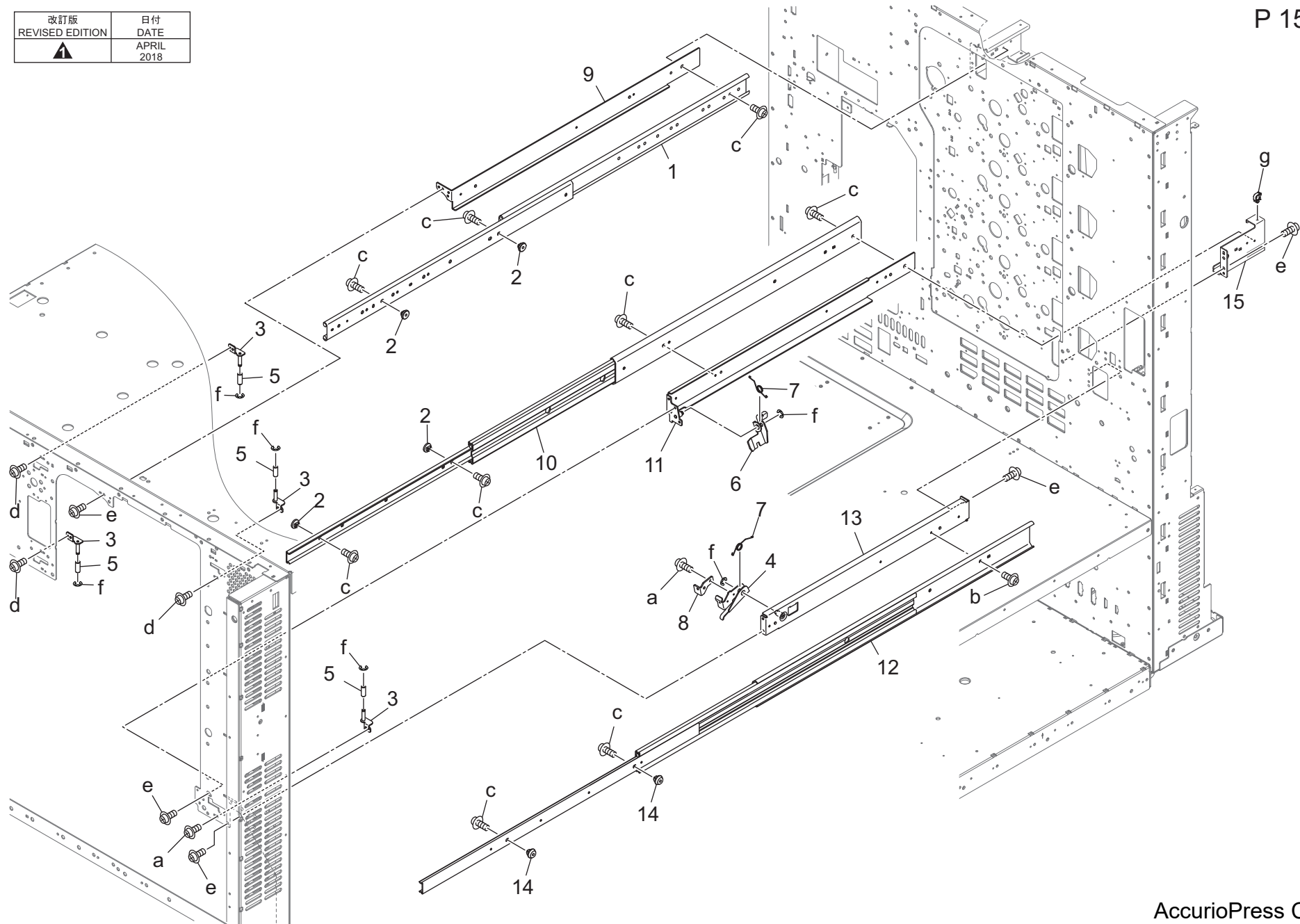


Key	Part No.	Description	Destinations	Class	QTY	Standard parts
1	65AA10740D	High voltage Powering Spring		D	12	a-V146030603 b-V146040803 c-V500020099
2	A1RF120700	Ozone Seal /3		D	4	
3	A1RF121201	Power supply Plate /3		D	4	
4	A1RF121300	Ozone Seal /4		D	4	
5	A1RF121400	Ozone Seal /B		D	4	
6	A1RF121800	Suction Sheet		D	8	
7	A1RF122200	Scatter Seal /10		D	4	
8	A1RF122300	Ozone Seal /Side		D	4	
9	A5AWR70W00	Scattering Prevention Duct Assy		D	1	
10	A92W120800	Power supply Block /1		D	4	
11	A92W120900	Power supply Cover /1		D	4	
12	A92W125000	Power supply Plate /1		D	4	
13	A92W125100	Power supply Plate /2		D	4	

# Main Frame

改訂版 REVISED EDITION	日付 DATE
	APRIL 2018

P 15



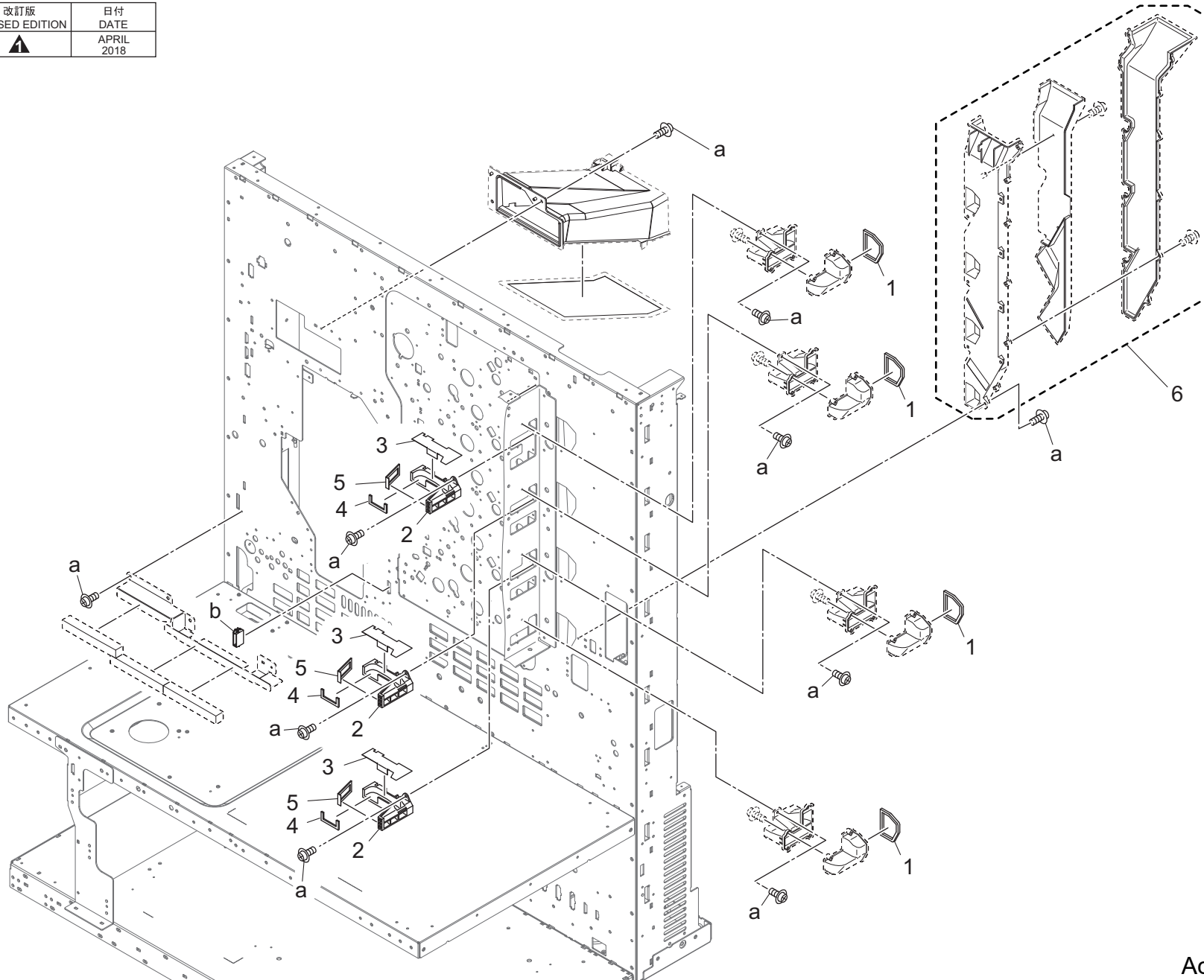
AccurioPress C6085

Key	Part No.	Description	Destinations	Class	QTY	Standard parts
1	56AA50520	SLIDE RAIL D		C	1	a-V118030403
2	56AA50530	ADU MOUNTING COLLAR		C	4	b-V118040603
3	65AA-0750	LOCKING SHAFT CAULKING		C	4	c-V118040604
4	65AA10230D	LOCKING LEVER /1		C	1	d-V121030603
5	65AA10260	LOCKING ROLLER		D	4	e-V146040803
6	65AA10480	Locking Lever /2		C	1	f-V217040001
7	65AA10840	CARRIAGE LOCKING SPRING		C	2	g-V500020098
8	65AA11590	LEVER REINFORCE PLATE		D	1	
9	A1RF102000	Support Stay /C		D	1	
10	A1RF109801	Slide Rail /B		D	1	
11	A1RF114101	Support Stay /D		D	1	
12	A1RF815601	Slide Rail /Right		D	1	
13	A1RFR77200	SUPPORT STAY/E CALKING		D	1	
14	A50U833000	Mounting Collar /1		C	2	
15	A5AW114000	Mounting Plate /2		D	1	

# Main Frame

改訂版 REVISED EDITION	日付 DATE
▲	APRIL 2018

P 16

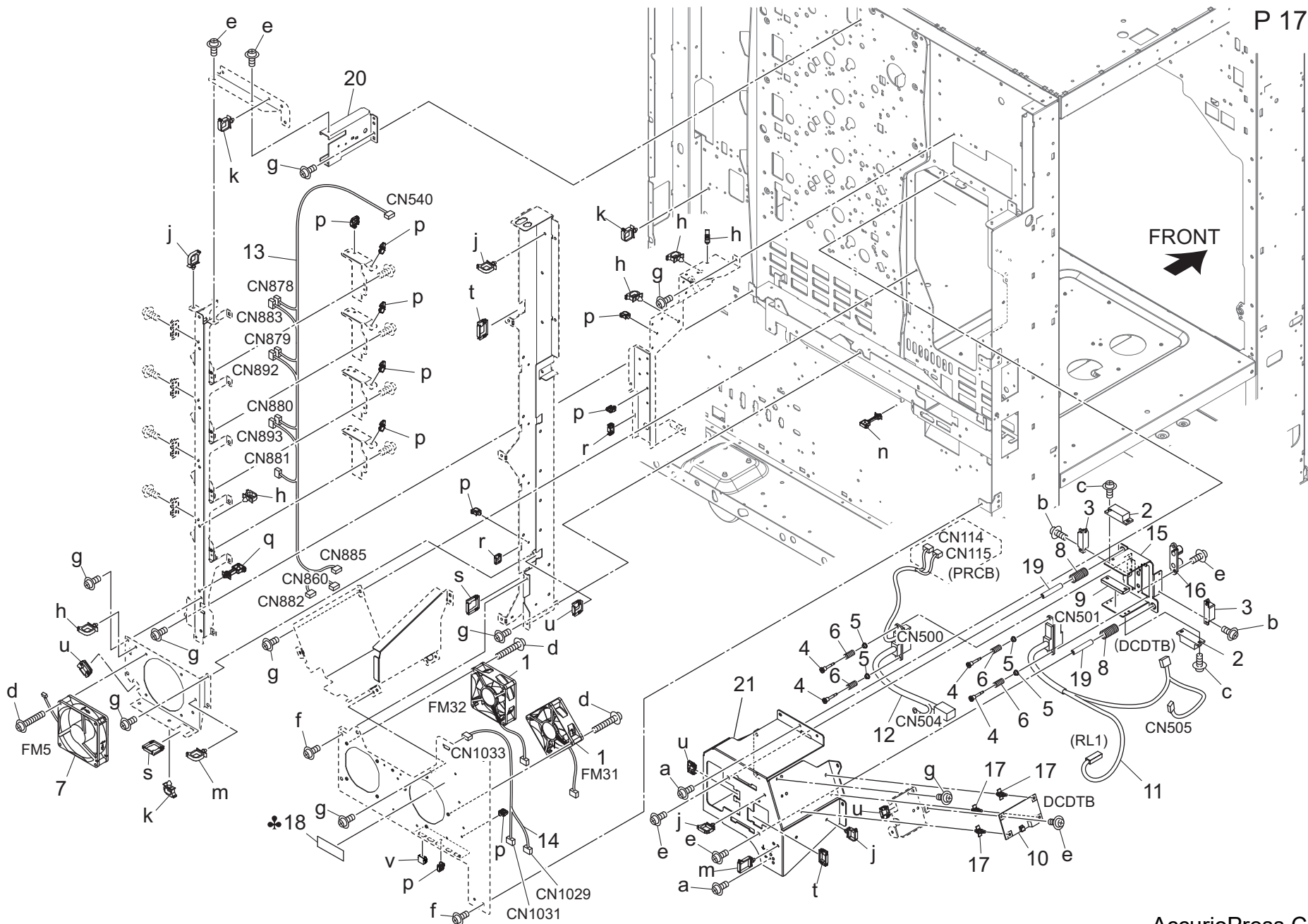


Key	Part No.	Description	Destinations	Class	QTY	Standard parts
1	A1RF120600	Ozone Seal /2		D	4	a-V146030603 b-V651010007
2	A1RF121500	Scatter Duct /1		D	3	
3	A1RF121601	Scatter Sheet /1		D	3	
4	A1RF121700	Scatter Seal /1		D	3	
5	A1RF121900	Scatter Seal /2		D	3	
6	A1RFF12300	Ozone Duct/1 Assy		D	1	

# Main Frame

P 17

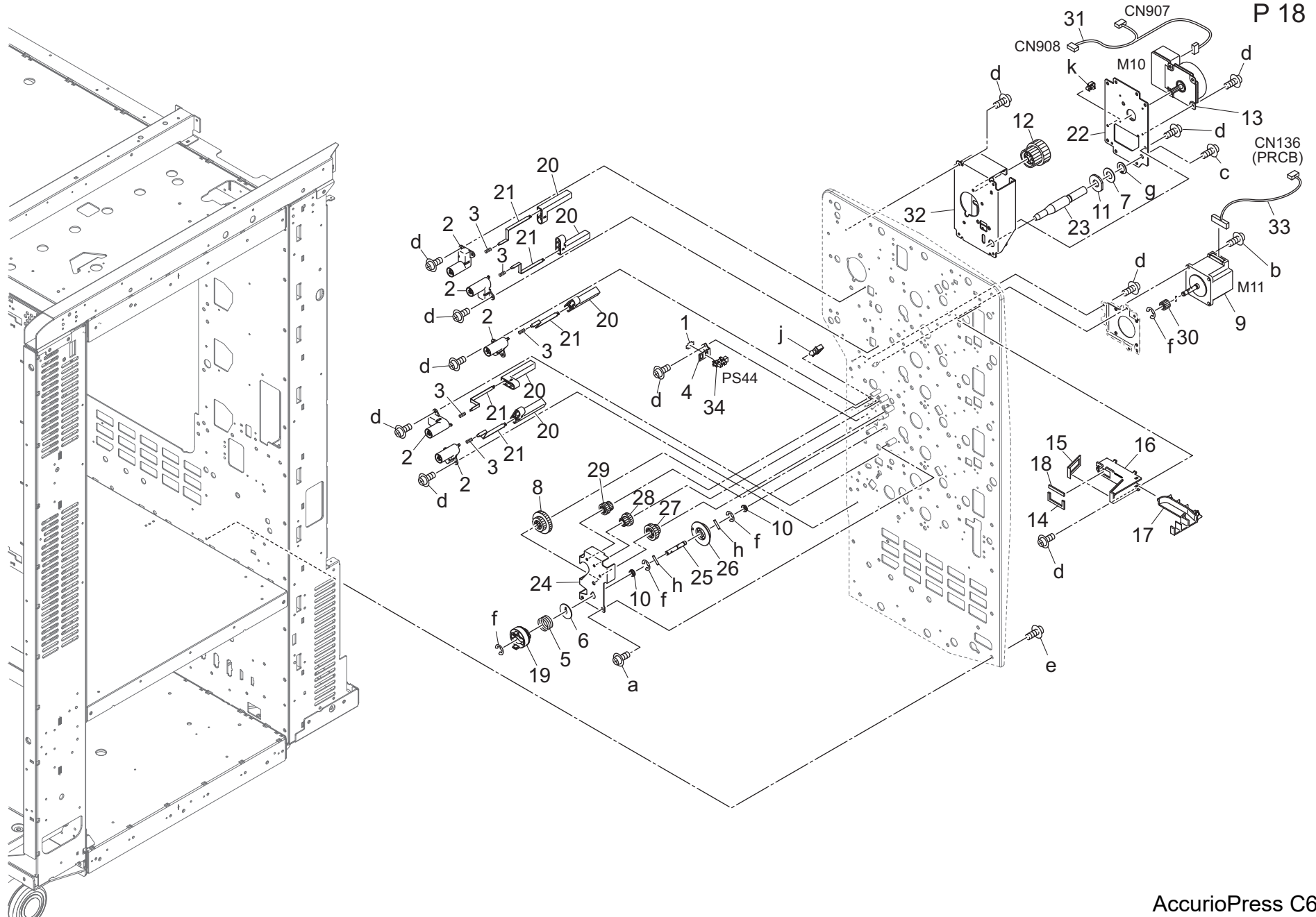
FRONT  
➔



# Main Frame

Key	Part No.	Description	Destinations	Class	QTY	Standard parts
1	13NT80511	Fan Motor /1		C	2	a-V116040803
2	55VA32480	MAGNET CATCH		C	2	b-V118030403
3	A0G6411200	Magnet /X		D	2	c-V118030603
4	A1RF115001	Fixing Screw		D	4	d-V118043003
5	A1RF115101	Slide Spacer		D	4	e-V121030603
6	A1RF115301	Pressing Spring /D		D	4	f-V121040803
7	A1RFM15500	Fan motor /5		C	1	g-V146040803
8	A5AW115900	Pressing Spring		D	2	h-V500010005
9	A5AW116001	Protection Sheet		D	1	j-V500010007
10	A5AWH54001	DC Detection board ASSY		D	1	k-V500010008
11	A5AWN10600	AC Power source harness /5		I	1	m-V500010015
12	A5AWN11500	AC Power source harness /7		D	1	n-V500020085
13	A5AWN13000	Developing Drive harness		D	1	p-V500020098
14	A5AWN26800	Cooling Relay harness /3		D	1	q-V500020104
15	A92W107200	Swing Plate /Upper		D	1	r-V570010057
16	A92W119600	Positioning Sleeve		D	1	s-V570010058
17	V502010032	Circuit Board Spacer		D	3	t-V570010059
18	A5AW947200	Caution Label /B	B,G2	D	1	u-V570010060
19	A5AW115800	Guide Shaft		D	2	v-V651010003
20	A5AW114000	Mounting Plate /2		D	1	
21	A92W107100	Mounting Plate /Rear		D	1	

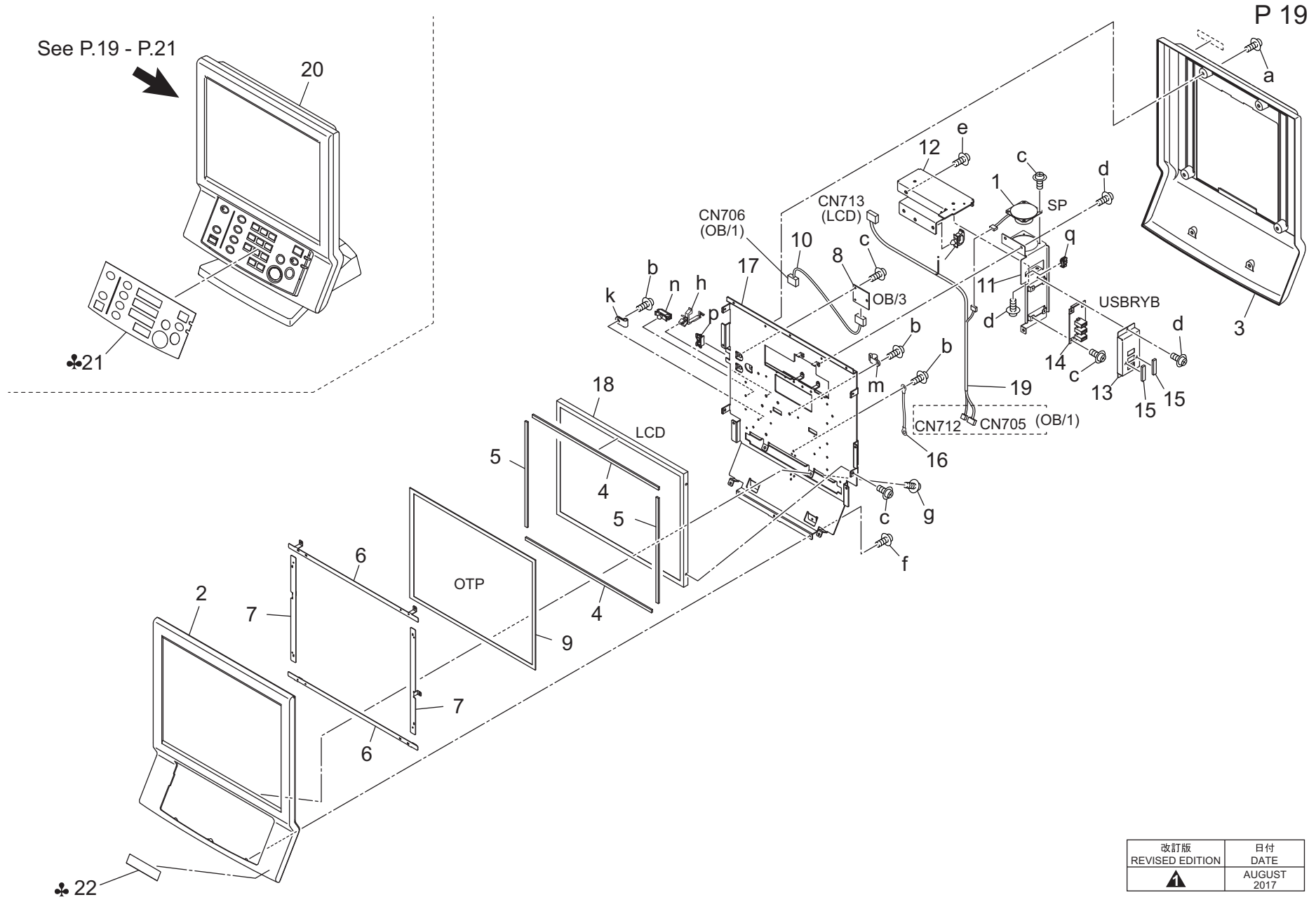
# Main Frame





Key	Part No.	Description	Destinations	Class	QTY	Standard parts
1	4470402401	Stopper		D	1	a-V121030603
2	65AA10520	High Voltage Powering Cover /2	高圧給電カバー / 2	D	5	b-V121030803
3	65AA10740D	High voltage Powering Spring	高圧給電バネ	D	5	c-V121040803
4	65AA17100	FIXING PLATE B	センサ固定板 / B	D	1	d-V146030603
5	65AA17130	PRESSING SPRING	押圧バネ	C	1	e-V146040804
6	65AA17180	SPACER	スペーサー	C	1	f-V223120004
7	65AA17240	PRESSING SPACER A	押圧スペーサー / A	D	1	h-V234301650
8	65AA77900	TRANSFER CONTROL GEAR 3 45T/22T	転写制御ギア 3 45 T / 22 T	C	1	j-V500010005
9	65AA80112	HB Motor /50	HB モーター / 50	B	1	k-V500010020
10	A00J617800	Ball Bearing	ボールベアリング	B	2	
11	A03U170800	Reinforce Spacer	補強スペーサ	D	1	
12	A03U259700	Drive Gear /1 56/72T	駆動ギア / 1 56 / 72 T	C	1	
13	A9JTM10200	Drum Motor	ドラムモーター	B	1	
14	A1RF121700	Scatter Seal /1	飛散シール / 1	D	1	
15	A1RF121900	Scatter Seal /2	飛散シール / 2	D	1	
16	A1RF122000	Scatter Duct /2	飛散ダクト / 2	D	1	
17	A1RF122100	Scatter Duct /3	飛散ダクト / 3	D	1	
18	A1RF122200	Scatter Seal /10	飛散シール / 10	D	1	
19	A1RF171400	Transfer Coupling	転写 カップリング	C	1	
20	A1RF231600	Power supply Block	給電ブロック	D	5	
21	A1RF231700	Power supply Plate	給電板	D	5	
22	A1RF240200	Drive Panel /Rear	駆動パネル / 奥	D	1	
23	A1RF240400	Positioning Pin	位置決めピン	D	1	
24	A1RF242000	Drive Panel	駆動パネル	D	1	
25	A1RF242101	Drive Shaft /3	駆動軸 / 3	C	1	
26	A1RF249401	Control Gear /6 20 T	制御ギア / 6 20 T	C	1	
27	A1RF249600	Control Gear /4 18/31T	制御ギア / 4 18 / 31 T	C	1	
28	A1RF249700	Control Gear /3 16/33T	制御ギア / 3 16 / 33 T	C	1	
29	A1RF249800	Control Gear /2 23/29T	制御ギア / 2 23 / 29 T	C	1	
30	A1RF249900	Control Gear /1 21T	制御ギア / 1 21 T	C	1	
31	A1RFN13200	Drive Relay harness /1	駆動中継束線 / 1	D	1	
32	A1RFR78000	DRIVING UNIT PANEL/FRONT CALKING	駆動パネル / 前カシメ	D	1	
33	A5AWN16300	Drive Wiring /1	駆動束線 / 1	D	1	
34	A85CM55600	Photo Sensor	フォトセンサ	C	1	

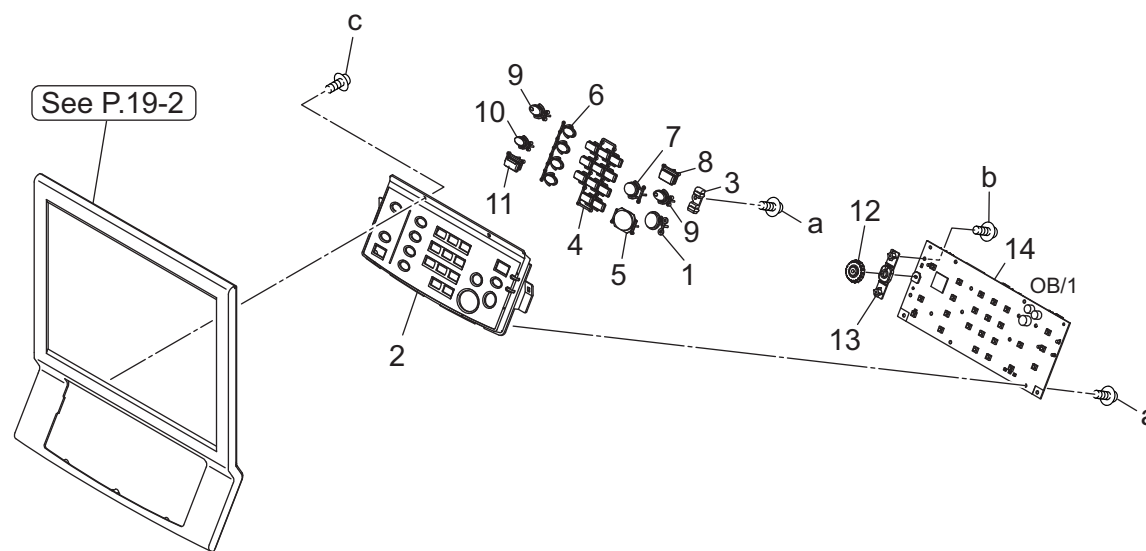
# Operation Panel Section



改訂版 REVISED EDITION	日付 DATE
▲	AUGUST 2017

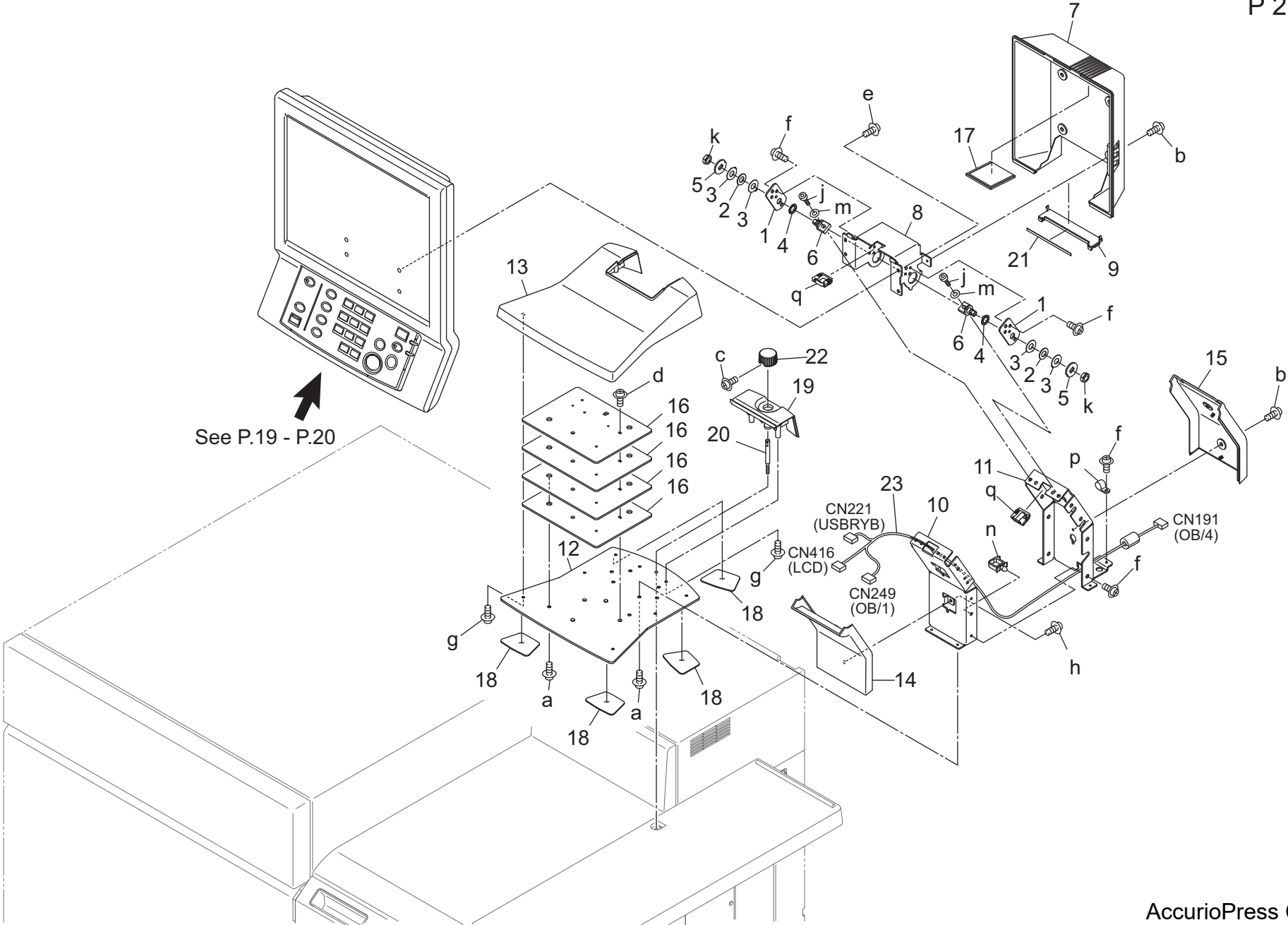
AccurioPress C6085

Key	Part No.	Description	Destinations	Class	QTY	Standard parts
1	A0P0M73100	Speaker		D	1	a-V114040604
2	A0G6190101	Operation Cover /Front		C	1	b-V116040803
3	A0G6190200	Operation Cover /Rear		C	1	c-V118030403
4	A0G6192400	Holding Cushion /Upper		C	2	d-V121030603
5	A0G6192500	Holding Cushion /Right		C	2	e-V121040603
6	A0G6192700	Ground Plate /1		D	2	f-V153030803
7	A0G6192900	Ground Plate /2		D	2	g-V153031003
8	A0G6H06000	Operation Board /3 Assy		C	1	h-V500010005
9	A9VEM75500	Ope. Unit Touch Panel		C	1	j-V500010007
10	A0G6N18400	Ope.Unit Control Harness /3		D	1	k-V500020018
11	A1RF190100	Mounting Stay /1	取付ステー / 1 (操作部)	D	1	m-V500020025
12	A1RF190201	Mounting Stay /2	取付ステー / 2 (操作部)	D	1	n-V500020099
13	A1RF190400	Shield Cover	シールドカバー (操作部)	D	1	p-V570010023
14	A1RFH11002	Relay Board /U ASSY	中継基板 / U A s s y	I	1	q-V570010056
15	A1RFM90800	Gasket /8	ガスケット / 8	D	2	
16	A1RFN28300	Ope.unit Wiring /1	操作部束線 / 1	D	1	
17	A4EU190413	Operation Plate	操作板	D	1	
18	A4EUM75800	Ope.unit LCD	操作部 L C D	C	1	
19	A5AWN28500	Ope.unit Wiring /3	操作部束線 / 3	D	1	
20	A92WR71500	Operation Panel Unit	操作部ユニット	I	1	
21	A0G6195000	Operation Sheet	操作シート (日本語)	A	1	
21	A0G6205000	Operation Sheet	操作シート (英語)	B,D1,D3,E,F2,G1,G2, H,I	1	
21	A0G6205300	Operation Sheet	操作シート (韓国語)	K	1	
21	A0G6205200	Operation Sheet	操作シート (台湾語)	H	1	
21	A0G6205100	Operation Sheet	操作シート (英語 / 中国語)	J	1	
22	A799196000	Label	ラベル ( D a t a )	D	1	

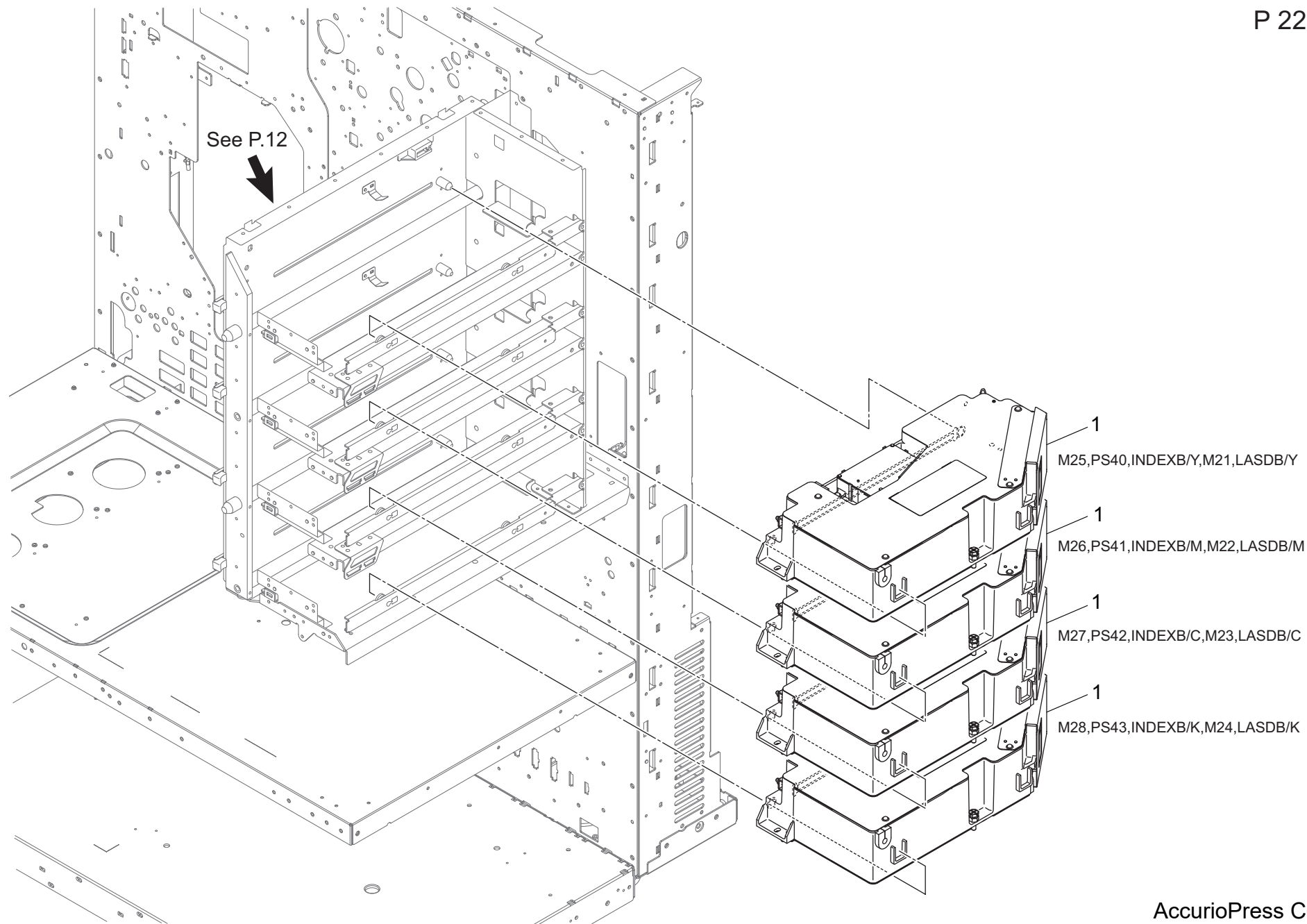


Key	Part No.	Description	Destinations	Class	QTY	Standard parts
1	56UA70330	OPERATION UNIT BUTTON S		C	1	a-V151030603 b-V151030803 c-V153030603
2	A0G6190301	Operation Casing /1		C	1	
3	A0G6191600	Indicating Part /1		D	1	
4	A0G6193100	Operation Button /1		C	1	
5	A0G6193200	Operation Button /2		C	1	
6	A0G6193400	Operation Button /4		C	1	
7	A0G6193500	Operation Button /5		C	1	
8	A0G6193700	Operation Button /7		C	1	
9	A0G6193800	Operation Button /10		C	2	
10	A0G6193900	Operation Button /8		C	1	
11	A0G6194000	Operation Button /9		C	1	
12	A4EU194100	Operation Knob /1		D	1	
13	A4EU194200	Fixing Holder		D	1	
14	A799H04001	Operation Board /1 ASSY		I	1	

Operation Panel Section



Key	Part No.	Description	Destinations	Class	QTY	Standard parts
1	A03U191600	Mounting Plate /T		D	2	a-V112040803
2	A03U191700	Rotation Spring /T		D	2	b-V114040604
3	A03U191800	Rotation Spacer /1		D	4	c-V118030603
4	A03U191900	Rotation Spacer /2		D	2	d-V121031203
5	A03U192000	Fixing Part /T		D	2	e-V121040603
6	A03U192100	Fixing Shaft /U		D	2	f-V146040803
7	A1RF190300	Cover /1		D	1	g-V147031003
8	A1RF190500	Mounting Stay /3		D	1	h-V153030803
9	A1RF190601	Cover /2		D	1	j-V188041409
10	A1RF190900	Support Stay /1		D	1	k-V196080003
11	A1RF191000	Support Stay /2		D	1	m-V207040003
12	A1RF191100	Bottom plate		D	1	n-V500010007
13	A1RF191200	Cover /4		D	1	p-V500020040
14	A1RF191300	Cover /5		D	1	q-V570010060
15	A1RF191400	Cover /6		D	1	
16	A1RF191500	Weight		D	4	
17	A1RF191600	Filter		D	1	
18	A1RF191700	Pad		D	4	
19	A1RF191800	Cover /7		D	1	
20	A1RF192000	Fixing Screw		D	1	
21	A1RF192100	Pressing Cushion		D	1	
22	A1RF192200	Rotation Knob		D	1	
23	A5AWN28200	Ope.unit Control harness /2		C	1	

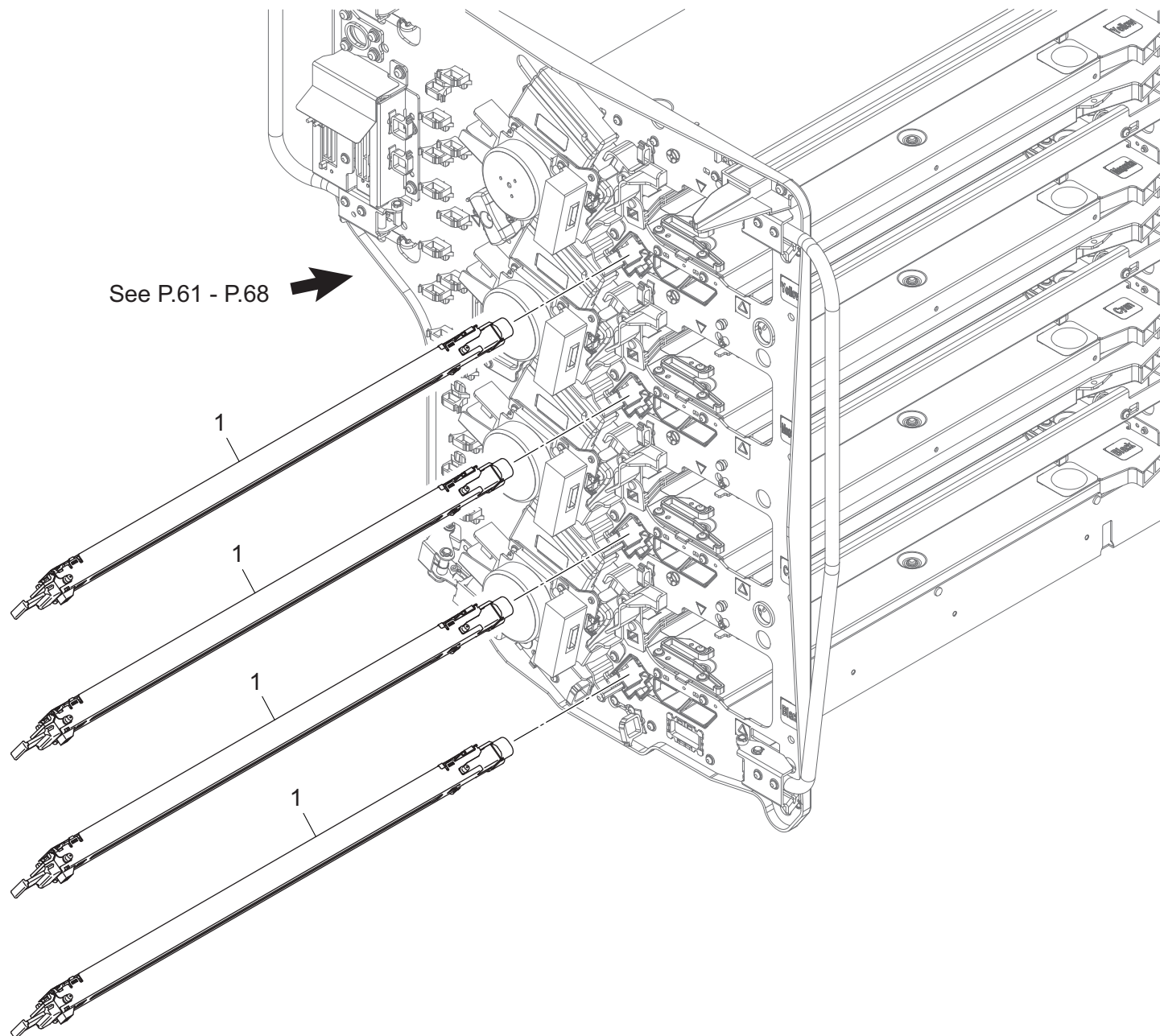




Key	Part No.	Description	Destinations	Class	QTY	Standard parts
1	A92WR70U00	PH Unit	PH ユニット	I	4	

# Charging Section

P 23

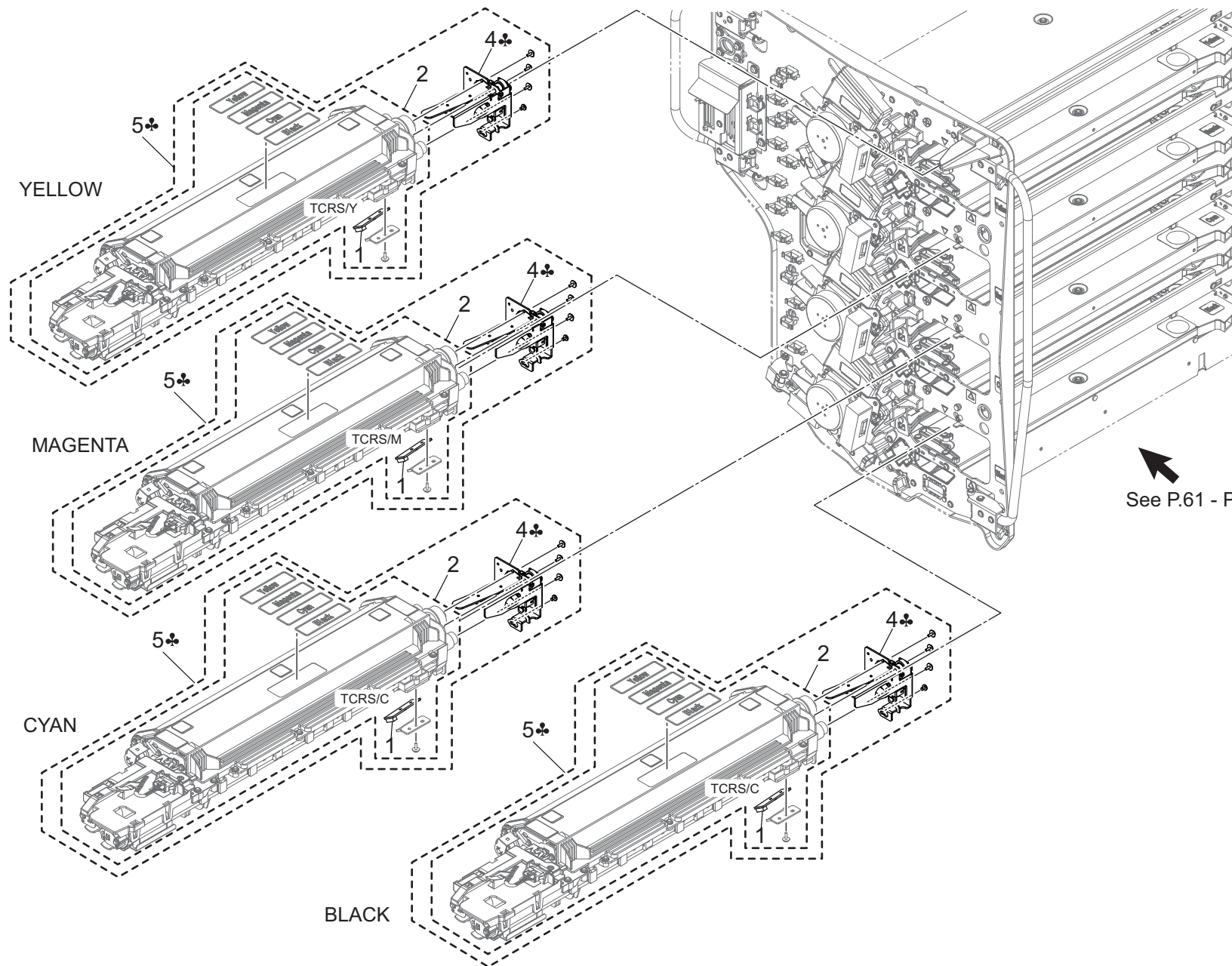


# Charging Section

Key	Part No.	Description	Destinations	Class	QTY	Standard parts
1	A92WR70311	Charging Corona Unit	D1,D3,E,F2,H,I,J,K	A	4	
1	A92WR70311	Charging Corona Unit	A,B,C,G1,G2	A	4	

# Developing Section

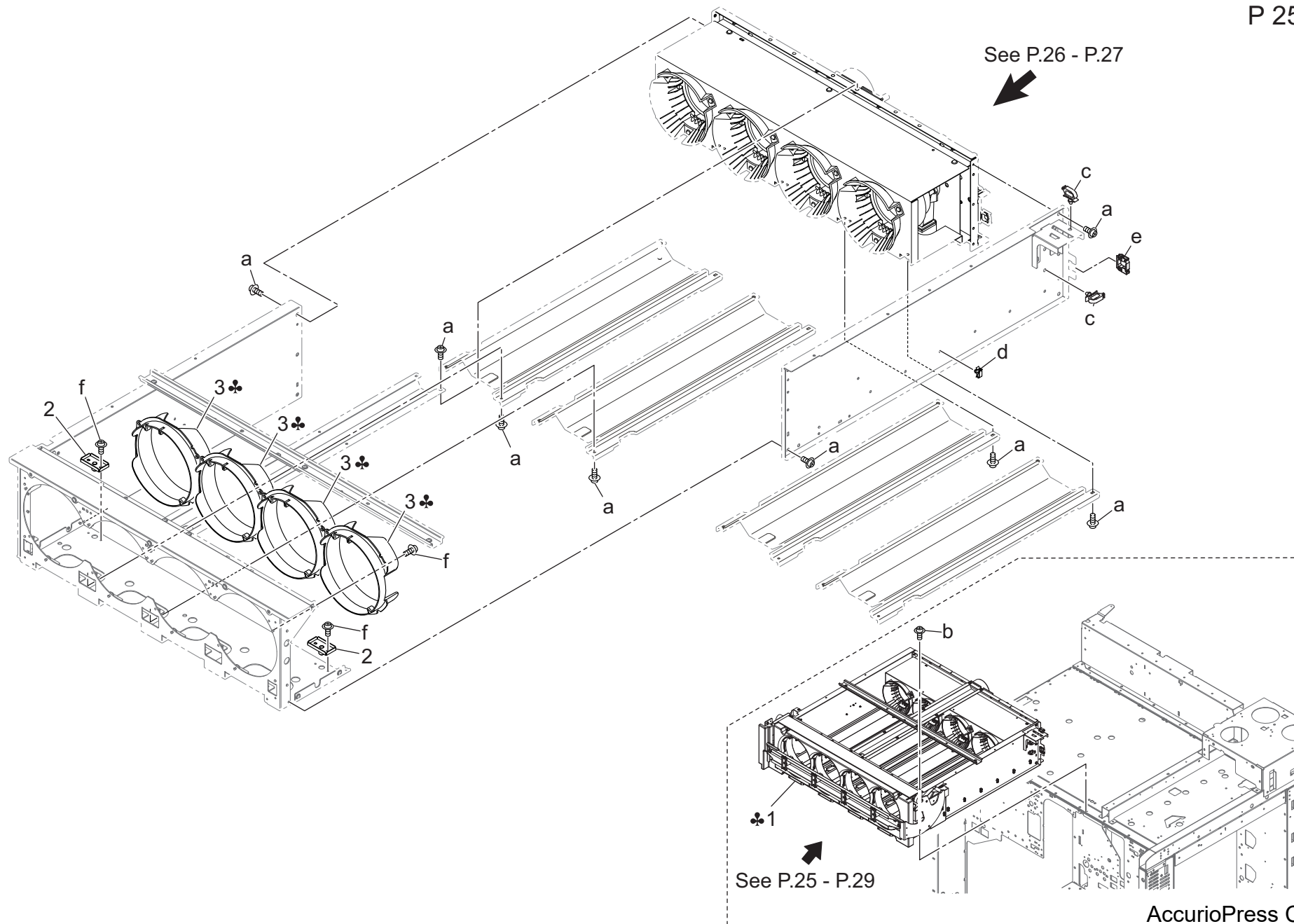
P 24



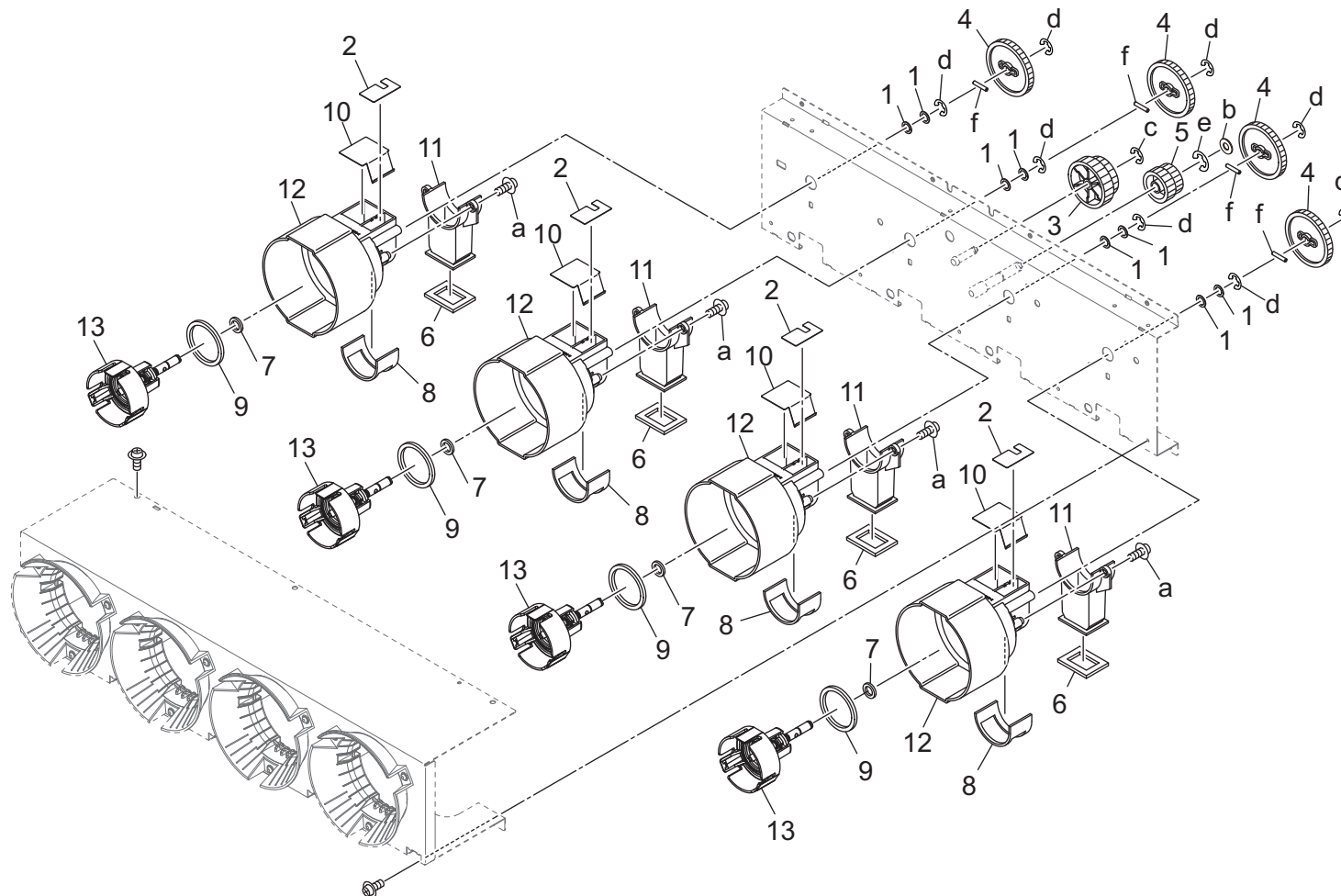
Key	Part No.	Description		Destinations	Class	QTY	Standard parts
1	A0TKH00200	PWB Assembly(PWB-TCR ASSY)			I	4	
2	A92WR70K22	Developing Unit	基板 A S S Y ( P W B - T C R A S S Y )	C	B	4	
2	A92WR70K22	Developing Unit	現像ユニット	B, D1, D3, E, F2, G1, G2, H, I, J, K	B	4	
4	A92WR90300	Vibrate Assy	加振 A s s y	(Service Part Only)	B	4	
5	A92WR90400	Developing Unit	現像ユニット	A	B	4	

# Toner Supply Section

P 25



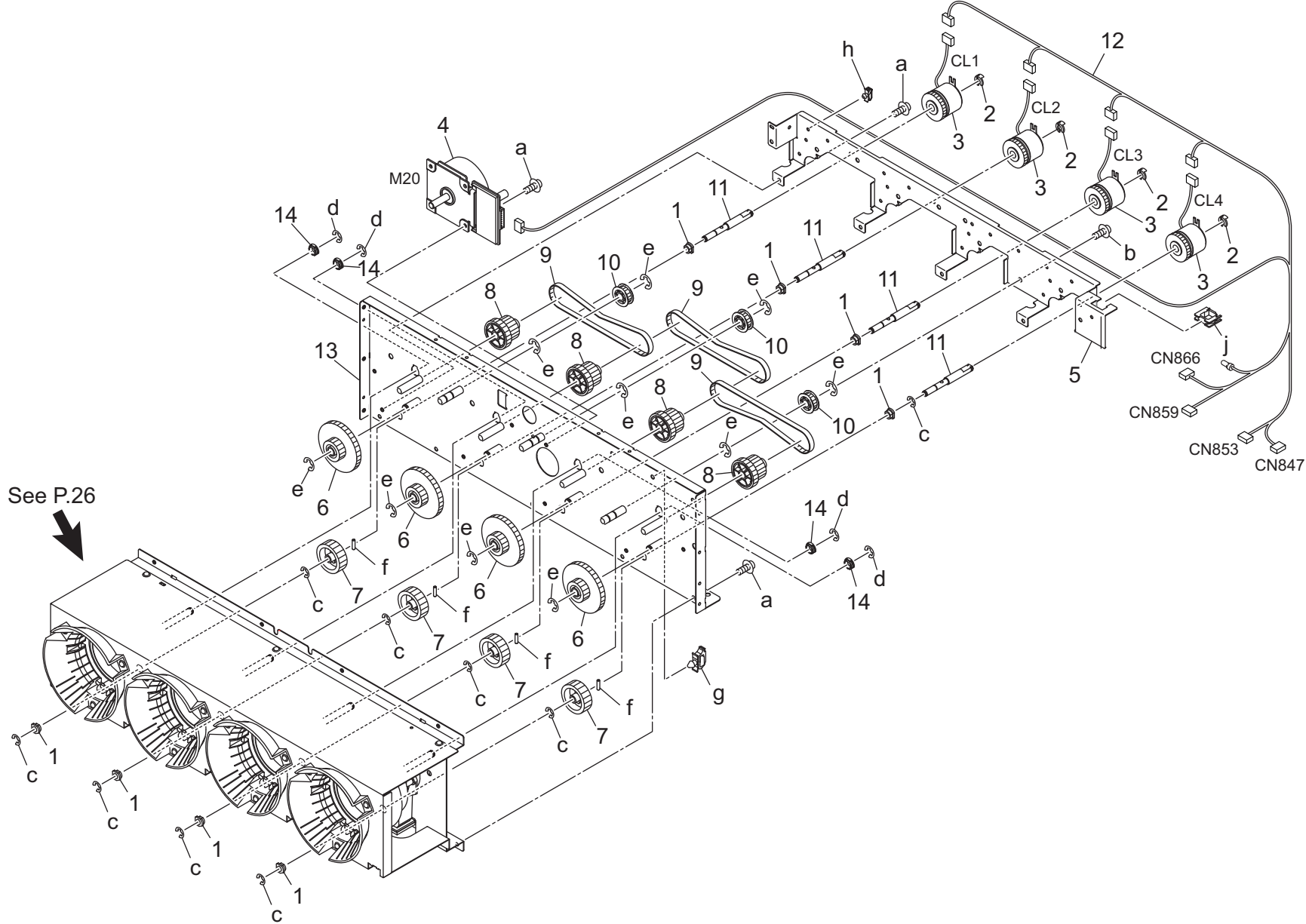
Key	Part No.	Description	Destinations	Class	QTY	Standard parts
1	A92WR70V00	Toner Supply/Upper Unit	A	I	1	a-V127030603 b-V146040803 c-V500010003 d-V500020098 e-V570010060 f-V121030603
1	A92WR70W00	Toner Supply/Upper Unit	B,G2	I	1	
1	A92WR70X00	Toner Supply/Upper Unit	C,I(SOUTH AFRICA)	I	1	
1	A92WR71B00	Toner Supply/Upper Unit	D1,D3,E,F2,G1,H,I,J ,K	I	1	
2	A1RFR79200	TONER SUPPLY UNIT POSITIONING/UPPER CALK		D	2	
3	A1RF432402	Guide Part /Front	A,B,D1,D3,E,F2,G1,G 2,H,I,J,K	D	4	
3	A92W432400	Guide Part /Front	C	D	4	





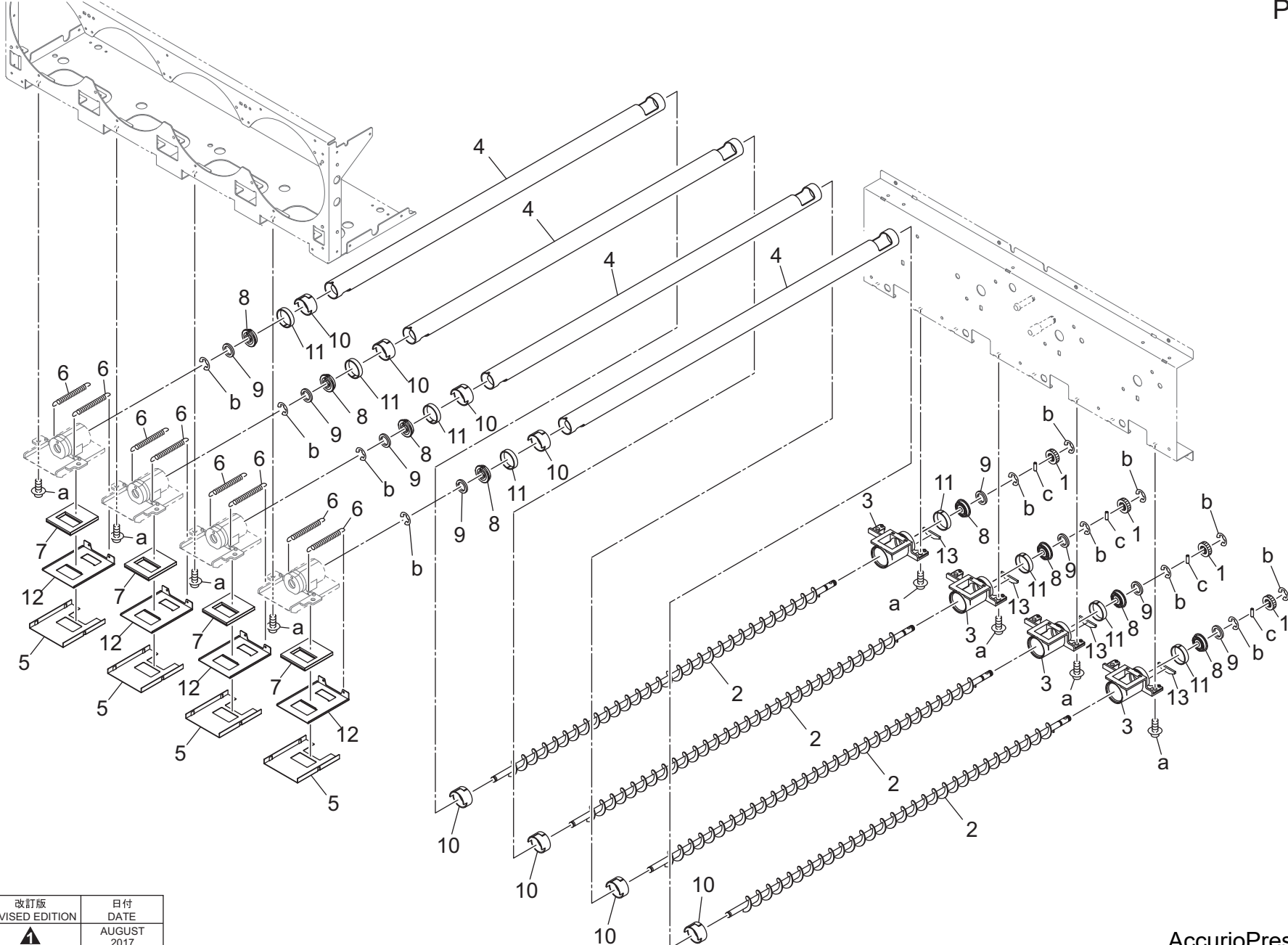
Key	Part No.	Description	Destinations	Class	QTY	Standard parts
1	65AA33280	TONER SUPPLY SPACER		D	8	a-V153030803 b-V207050003 c-V217040001 d-V217050001 e-V217060001 f-V234301650
2	65AA33360	SEALING PART		D	4	
3	65AA77380	TONER SUPPLY GEAR A 82T/34T		C	1	
4	A1RF403500	Toner Supply Gear /B 50T		C	4	
5	A1RF404000	Toner Supply Gear /3 24/28T		C	1	
6	A1RF432301	Toner Supply Seal		D	4	
7	A50U401200	Holding Seal /A		D	4	
8	A50U405401	Conveying Seal		D	4	
9	A50U407600	Toner supply Holding Seal /A		D	4	
10	A50U409300	Sealing Part /H		D	4	
11	A5AW432200	Connecting Part		D	4	
12	A5AW432700	Toner supply Guide Part /A		D	4	
13	A5AWR72400	Holder Main Body Assy		D	4	

Toner Supply Section



Key	Part No.	Description	Destinations	Class	QTY	Standard parts
1	322076010	PAPER LIFT UP LEVER SHAFT HOLDER		B	8	a-V121030603
2	55VA42120	Shaft Stopper		C	4	b-V121030803
3	56AA82012	Paper Feed Drive Clutch		B	4	c-V217040001
4	A9JTM10300	Developing Screw Motor		B	1	d-V217050001
5	A1RF403313	Wiring Plate		D	1	e-V217060001
6	A1RF403400	Toner Supply Gear /A 22/55T	トナー補給ギア / A 22 / 55 T	C	4	f-V234301250
7	A1RF403600	Gear 32T	ギア (トナー補給) 32 T	C	4	g-V500010003
8	A1RF404100	Toner supply Pulley /1	トナー補給プーリ / 1	C	4	h-V500020099
9	A1RF404200	Toner Supply Belt 327L	トナー補給ベルト 327 L	C	3	j-V570010060
10	A1RF404500	Toner supply Pulley /3	トナー補給プーリ / 3	C	3	
11	A1RF405300	Toner supply Shaft	トナー補給軸	D	4	
12	A1RFN14002	TONER Drive harness /5	トナー駆動束線 / 5	D	1	
13	A1RFR79600	TONER SUPPLY UNIT PLATE/REAR CALKIN G	トナー補給板 / 奥カシメ	D	1	
14	A5AW400700	Toner supply Bushing	トナー補給すべり軸受	D	4	

# Toner Supply Section



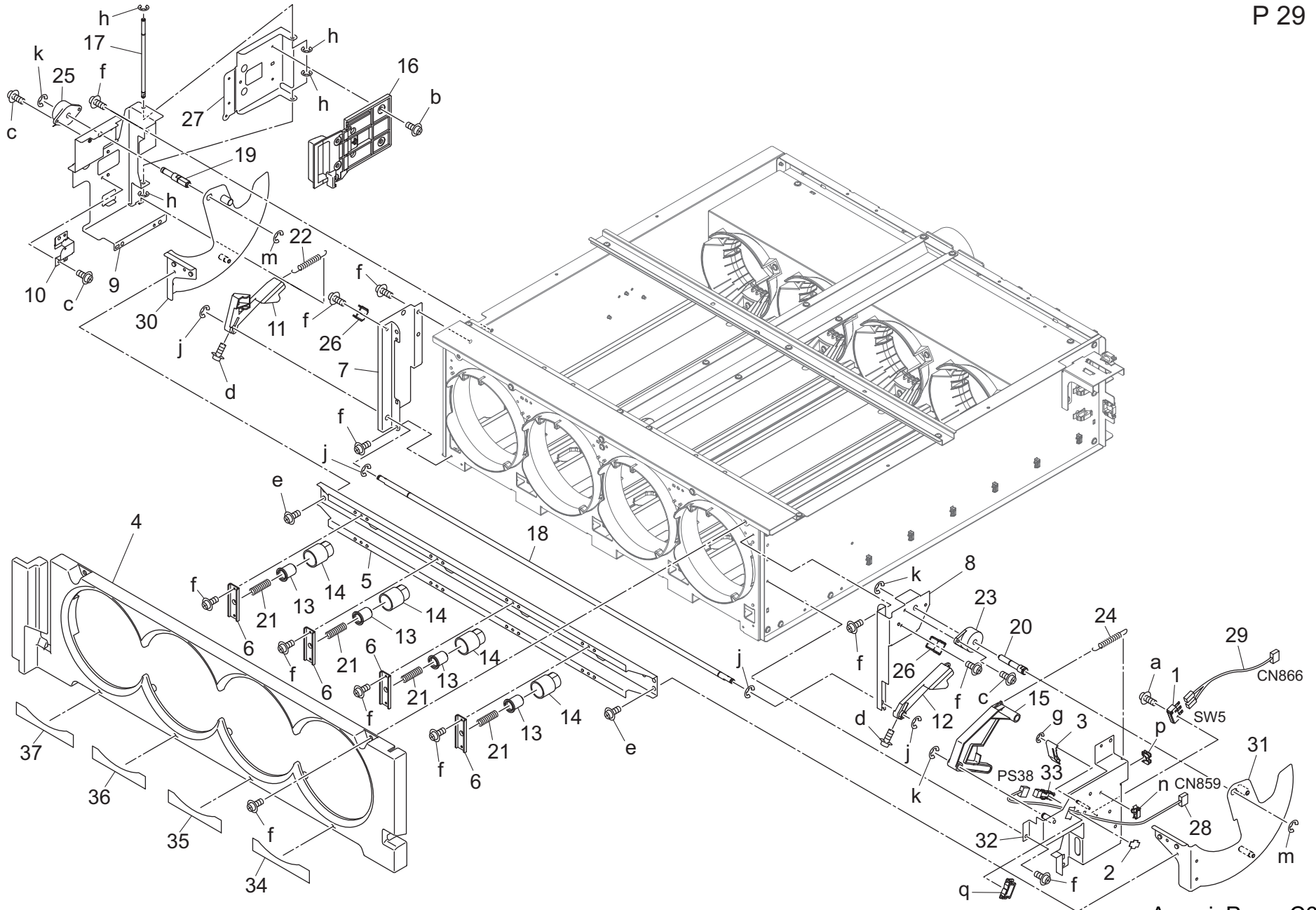
改訂版 REVISED EDITION	日付 DATE
▲	AUGUST 2017

Order here  
8 (495) 646-0426  
ПЯТЫЙ ПАРТНЕР www.km-shop.ru

# Toner Supply Section

Key	Part No.	Description	Destinations	Class	QTY	Standard parts
1	A1RF403700	Toner Supply Gear /3 16T		C	4	a-V127030603 b-V217040001 c-V234301050
2	A1RF407101	Conveyance Screw /1		D	4	
3	A1RF407200	Conveyance Joint /1		D	4	
4	A1RF407401	Conveyance Pipe /A		D	4	
5	A1RF407502	Open/close Cover		D	4	
6	A1RF407701	Toner supply Spring		D	8	
7	A1RF407803	Toner Supply Seal		D	4	
8	A1RF408100	Toner supply Bushing /1		C	8	
9	A1RF413601	Sealing Part		D	8	
10	A1RF413900	Toner supply Seal		D	8	
11	A1RF415700	Toner Supply Seal		D	8	
12	A5AW407600	Supply Shutter		D	4	
13	A5AW410300	Supply Seal /Rear		D	4	

# Toner Supply Section

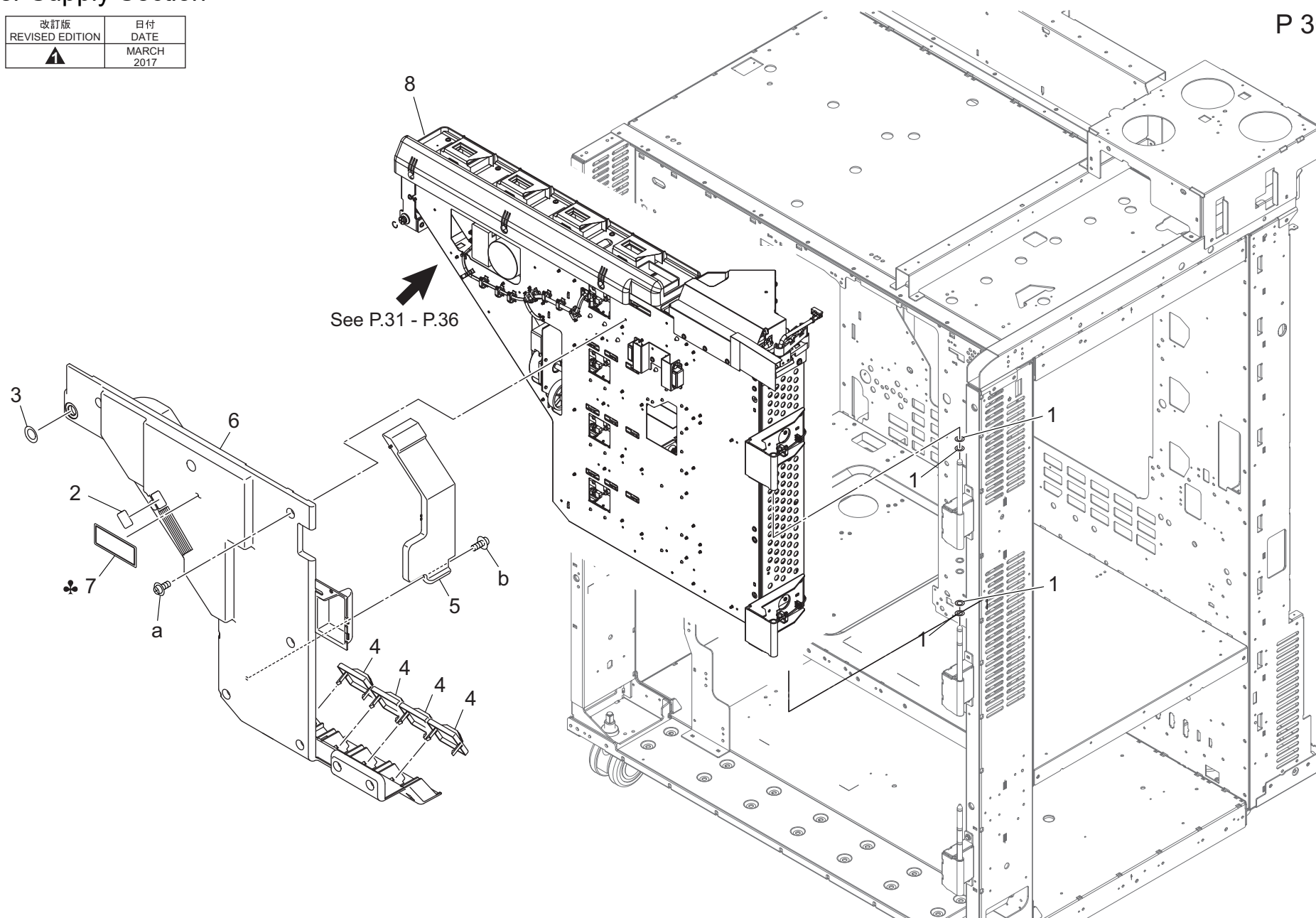


AccurioPress C6085

Key	Part No.	Description	Destinations	Class	QTY	Standard parts
1	12QR86011	Interlock Switch		B	1	a-V118020803
2	4470402401	Stopper		D	1	b-V121030403
3	A03U402100	SWITCH PLATE		D	1	c-V121030603
4	A1RF432602	Guide Cover /Front		D	1	d-V121031403
5	A1RF440101	Pressing Plate		D	1	e-V121040603
6	A1RF440201	Receiving Plate		D	4	f-V127030603
7	A1RF440501	Support Plate /Left		D	1	g-V217020001
8	A1RF440602	Support Plate /Right		D	1	h-V217030001
9	A1RF440700	Open/close Plate		D	1	j-V217040001
10	A1RF440900	Regulating Plate		D	1	k-V217050001
11	A1RF441100	Lock Claw /Left		D	1	m-V217060001
12	A1RF441200	Lock Claw /Right		D	1	n-V500010046
13	A1RF441500	Pressing Part /Front		D	4	p-V570010021
14	A1RF441600	Pressing Part /Rear		D	4	q-V570010023
15	A1RF441701	Open/close Actuator		D	1	
16	A1RF441800	Release Button /Left front		D	1	
17	A1RF441900	Lock Shaft		D	1	
18	A1RF442101	Open/close Shaft		D	1	
19	A1RF442300	Swing Shaft /Left		D	1	
20	A1RF442400	Swing Shaft /Right		D	1	
21	A1RF442600	Installing Spring		D	4	
22	A1RF442900	Lock Spring		D	1	
23	A1RF443000	Limiter		D	1	
24	A1RF443100	Detecting Spring		D	1	
25	A1RF443200	Limiter		D	1	
26	A1RF444200	Stopper Plate		D	2	
27	A1RF446100	Reinforce Plate		D	1	
28	A1RFN14900	Toner Drive harness /6		D	1	
29	A1RFN19001	Toner Drive Harness /7		D	1	
30	A1RFR79311	LIFTING ARM /LEFT CALKING		D	1	
31	A1RFR79411	LIFTING ARM /RIGHT CALKING		D	1	
32	A1RFR79500	DETECTING PLATE CALKING		D	1	
33	A50UM51000	Photointerrupter		C	1	
34	A92W944300	Toner Supply Label /Y		D	1	
35	A92W944400	Toner Supply Label /M		D	1	
36	A92W944500	Toner Supply Label /C		D	1	
37	A92W944600	Toner Supply Label /K		D	1	

# Toner Supply Section

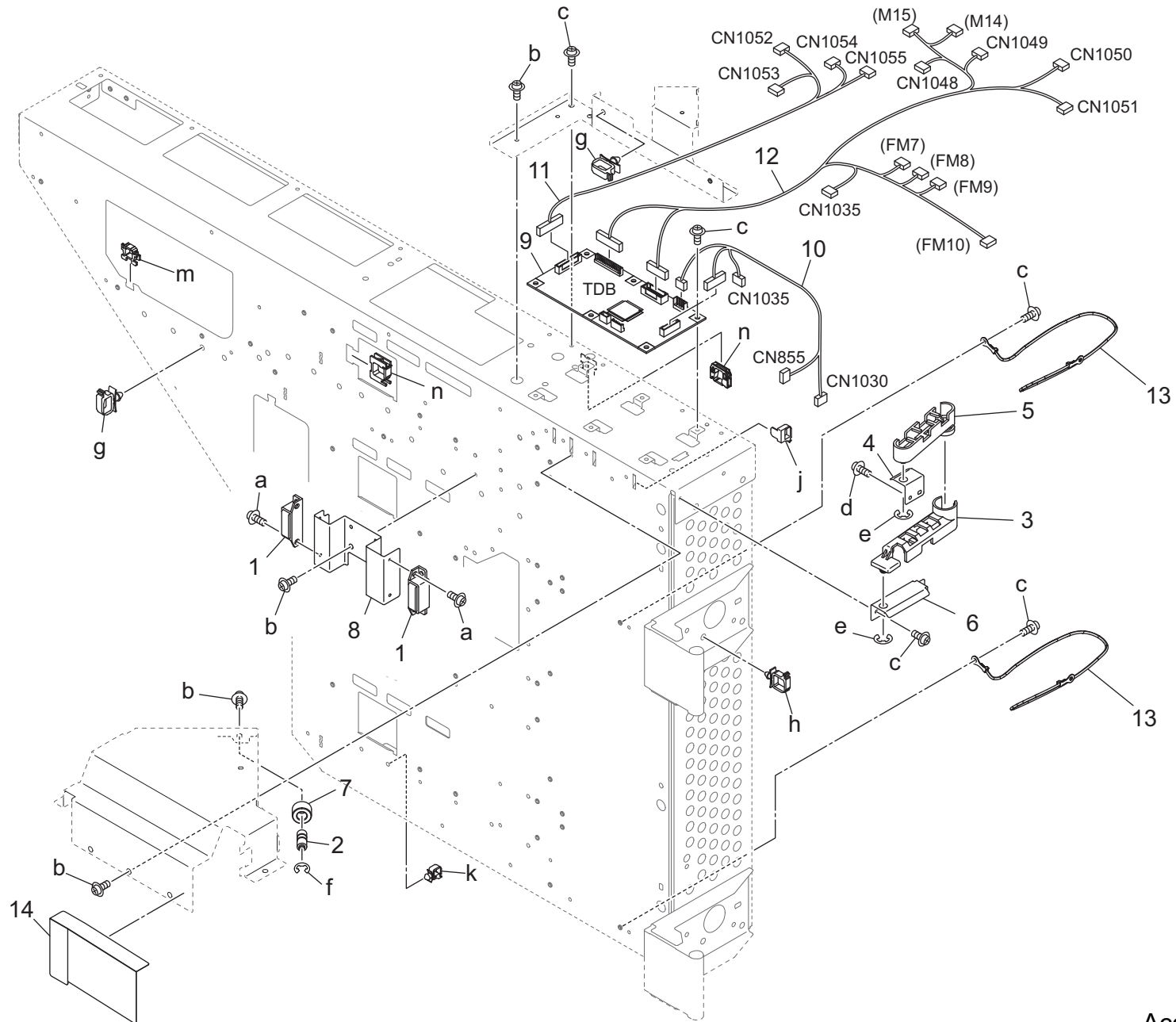
改訂版 REVISED EDITION	日付 DATE
▲	MARCH 2017





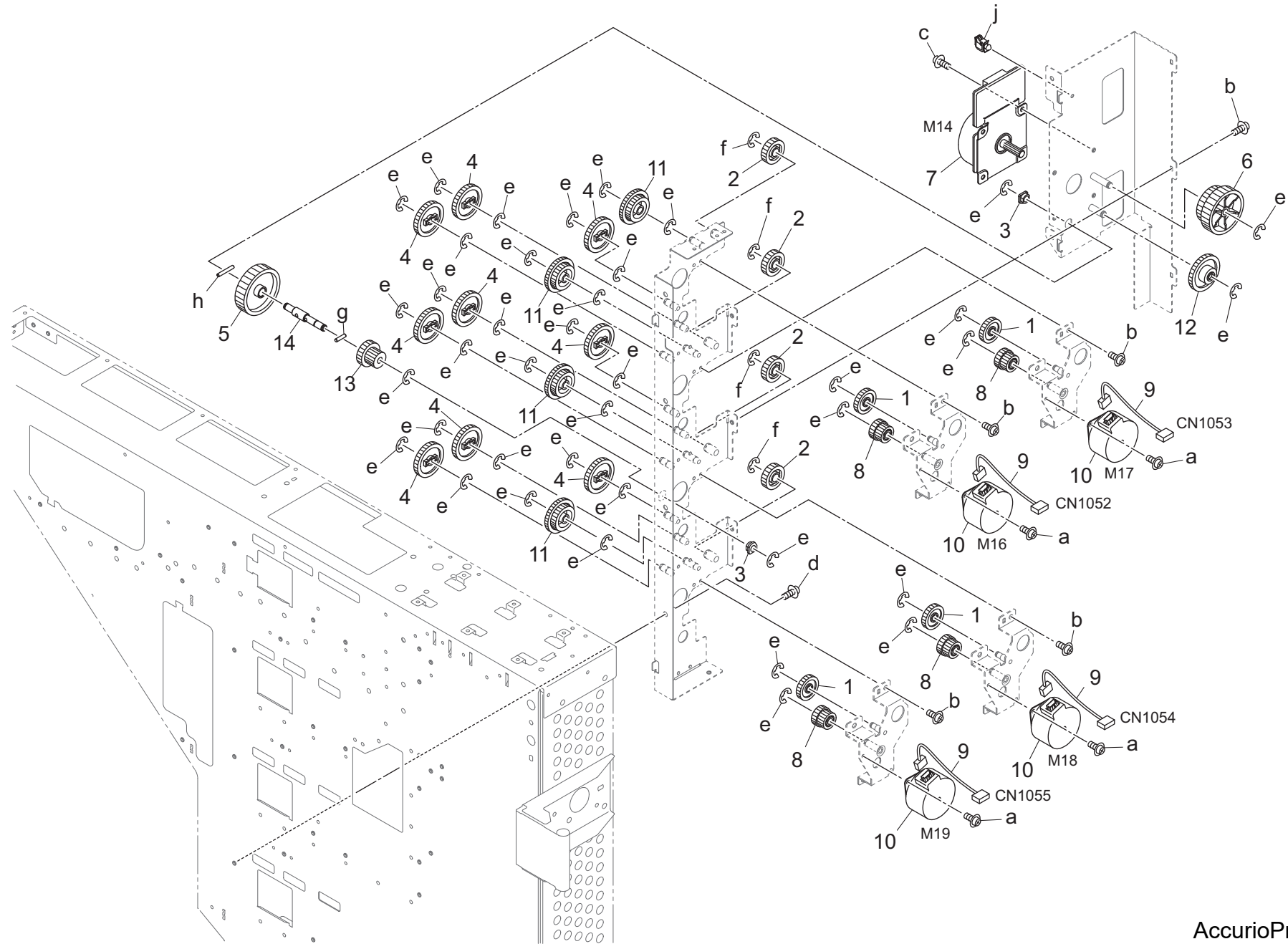
Key	Part No.	Description	Destinations	Class	QTY	Standard parts
1	12QV40650	Spacer		B	4	a-V121030603 b-V153030803
2	A1RF406901	Operation Label /1		D	1	
3	A1RF407001	Operation Label /2		D	1	
4	A1RF439002	Cover		D	4	
5	A1RF445402	Cover		D	1	
6	A5AW445100	Drive Cover		D	1	
7	A5AW947000	Caution Label /Assy	A	D	1	
7	A5AW947103	Caution Label /2	B,C,D1,D3,E,F2,G1,G 2,H,I,J,K	D	1	
8	A92WR71H00	Toner Supply/Lower Assy		S	1	

# Toner Supply Section



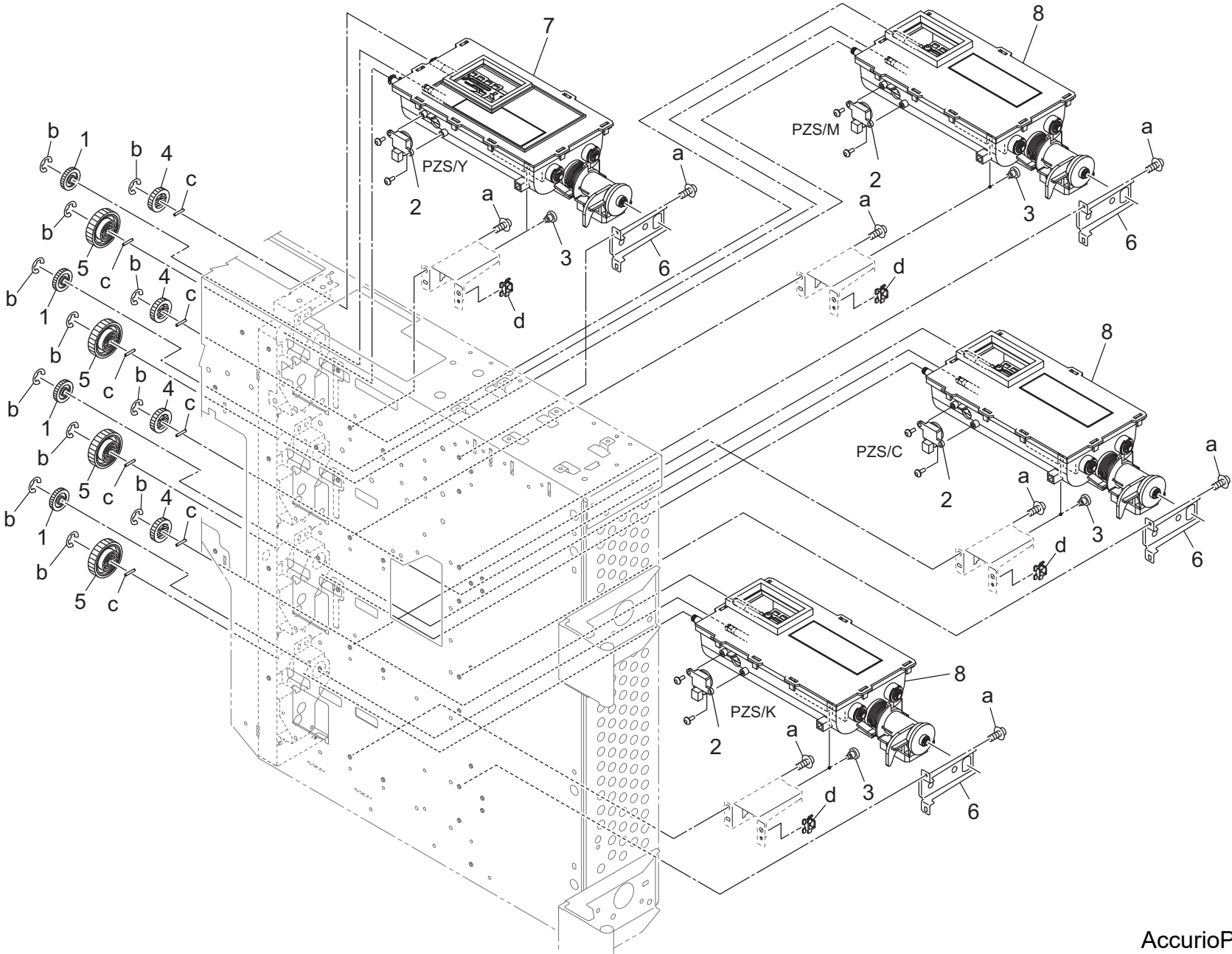
Key	Part No.	Description	Destinations	Class	QTY	Standard parts
1	A0G6411200	Magnet /X		D	2	a-V118030503
2	A1RF434300	Fixing Shaft /A		D	1	b-V121030604
3	A1RF434702	Guide		D	1	c-V127030603
4	A1RF434800	Hold Plate		D	1	d-V146030603
5	A1RF434902	Guide		D	1	e-V217040001
6	A1RF435000	Hold Plate		D	1	f-V217060001
7	A1RF435500	Open/close Bushing Outside		C	1	g-V500010005
8	A1RF445301	Cover Plate		D	1	h-V500010007
9	A1RFH07003	Toner Drive Board Assy		I	1	j-V500010021
10	A1RFN14101	Toner Relay Harness		D	1	k-V500020098
11	A1RFN14202	Toner Drive Harness /1		D	1	m-V570010025
12	A1RFN14304	Toner Drive Harness /2		D	1	n-V570010060
13	A5AWN15100	Toner Drive harness /8		D	2	
14	A92W410100	Cover Part		D	1	

# Toner Supply Section



Key	Part No.	Description	Destinations	Class	QTY	Standard parts
1	08AA77360	TONER SUPPLY GEAR F 24T		C	4	a-V118030603
2	26NA42040	MANUAL FEED IDLER GEAR LOWER 22T		C	4	b-V121030603
3	322076010	PAPER LIFT UP LEVER SHAFT HOLDER		B	2	c-V121040403
4	56UA77430	Toner Agitating Gear 32T		C	9	d-V127030603
5	56UA77700	Toner Supply Drive Gear /A 45T		C	1	e-V217040001
6	65AA77380	TONER SUPPLY GEAR A 82T/34T		C	1	f-V217050001
7	A9JTM10200	Drum Motor		B	1	g-V234301250
8	A1RF416200	Toner Supply Gear /C 22/31T		C	4	h-V234302050
9	A1RFN14400	Toner Drive harness /3		D	4	j-V500020098
10	A1RFR74300	Drive Motor ASSY		C	4	
11	A5AW400600	Idling Gear /C 23/32T		C	4	
12	A5AW400800	Idling Gear 14/34T		C	1	
13	A5AW417000	Gear 14T		C	1	
14	A5AW417800	Drive Shaft /K		D	1	

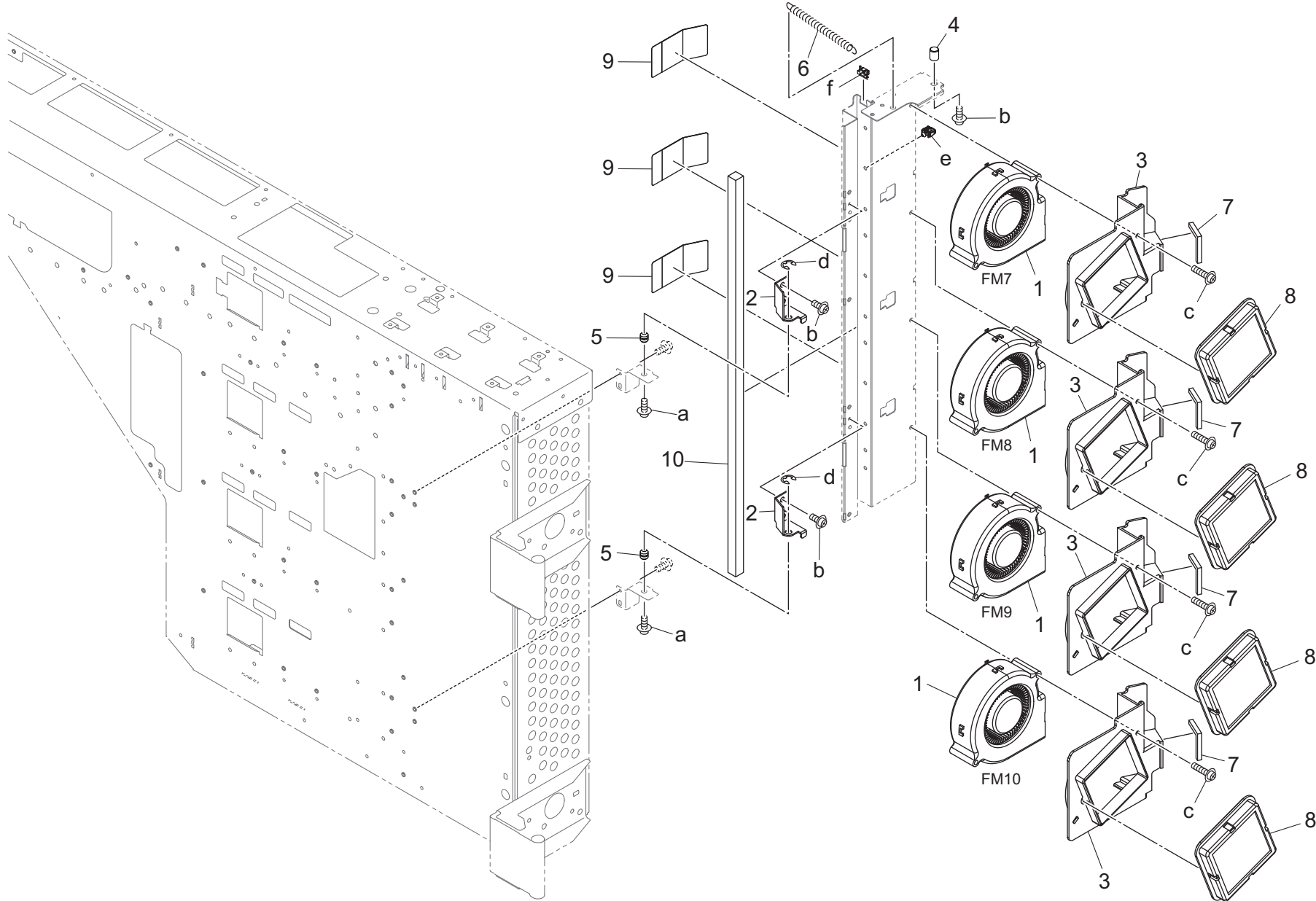
Toner Supply Section



# Toner Supply Section

Key	Part No.	Description	Destinations	Class	QTY	Standard parts
1	40AA77660	TONER SUPPLY GEAR F 28T		C	4	a-V127030603 b-V217040001 c-V234201450 d-V570010025
2	40AA88031	Level Detection Sensor		C	4	
3	55VA20680	SEPARATION POSITIONING SCREW		C	4	
4	56AA77940	IDLING GEAR G 20T		C	4	
5	A1RF415600	Toner Supply Gear 33T		D	4	
6	A1RF419101	Receiving Plate		D	4	
7	A5AWR73011	Hopper/Upper Assy		C	1	
8	A5AWR73111	Hopper/Lower Assy		C	3	

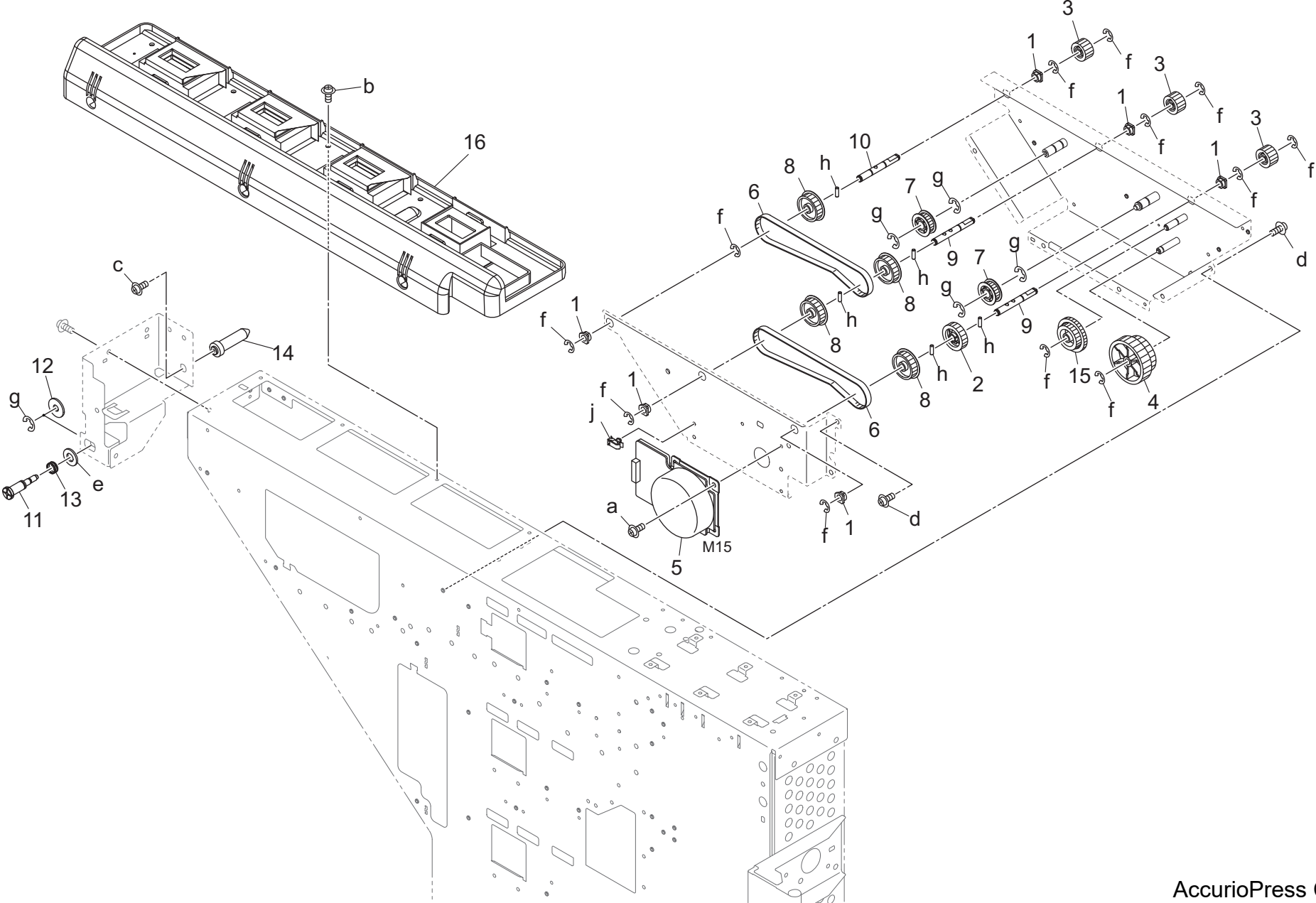
Toner Supply Section





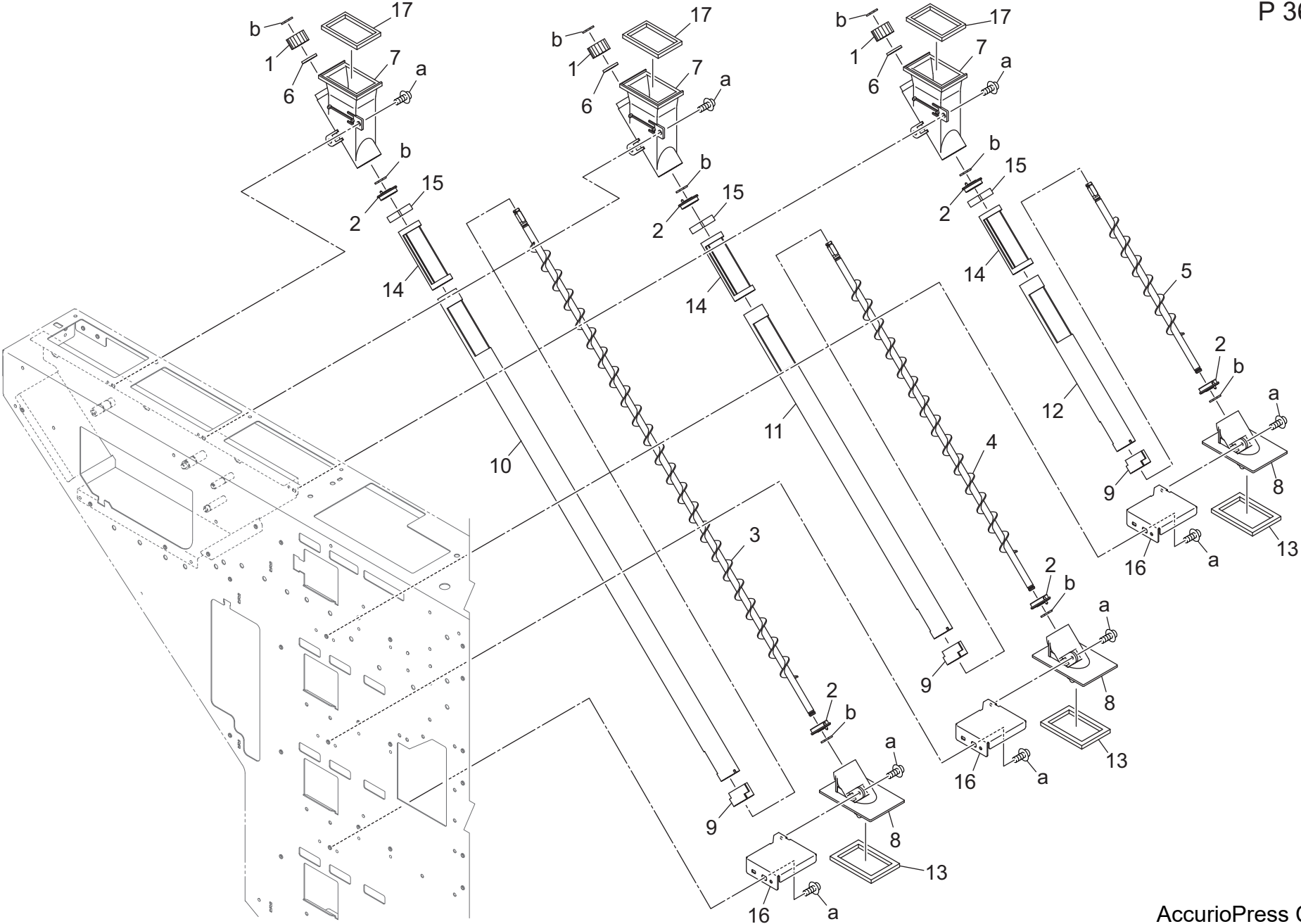
Key	Part No.	Description	Destinations	Class	QTY	Standard parts
1	9313100072	FAN MOTOR		C	4	a-V121030403 b-V121030603 c-V121043503 d-V217040001 e-V500020098 f-V570010025
2	A1RF406700	Support Plate		D	2	
3	A1RF437203	Cooling Plate		D	4	
4	A1RF437400	Stopper Shaft		D	1	
5	A1RF437500	Cooling Shaft		D	2	
6	A1RF437600	Cooling Spring		D	1	
7	A1RF437900	Cooling Seal		D	4	
8	A1RFR70300	Fancover Assy		A	4	
9	A5AW401400	Thermal insulation Sheet		D	3	
10	A5AW402400	Preventing Part		D	1	

Toner Supply Section



Key	Part No.	Description	Destinations	Class	QTY	Standard parts
1	322076010	PAPER LIFT UP LEVER SHAFT HOLDER		B	6	a-V121030403
2	55VA77290	TONER CONVEYANCE GEAR B 24T		C	1	b-V121030604
3	56AA77330	SCREW GEAR 15T		C	3	c-V121040803
4	65AA77380	TONER SUPPLY GEAR A 82T/34T		C	1	d-V127030603
5	A9JTM10200	Drum Motor		B	1	e-V207080003
6	A1RF404200	Toner Supply Belt 327L		C	2	f-V217040001
7	A1RF404500	Toner supply Pulley /3		C	2	g-V217060001
8	A1RF411100	Toner supply Pulley /2		C	4	h-V234301050
9	A1RF411700	Drive Shaft /6		D	2	j-V500020099
10	A1RF411900	Drive Shaft /4		D	1	
11	A1RF435201	Lock Screw /1		D	1	
12	A1RF435300	Fixing Washer		D	1	
13	A1RF435400	Release Spring		C	1	
14	A1RF435900	Positioning Shaft /3		D	1	
15	A5AW400600	Idling Gear /C 23/32T		C	1	
16	A5AWR71X00	Dust Preventing Plate Assy		D	1	


Toner Supply Section

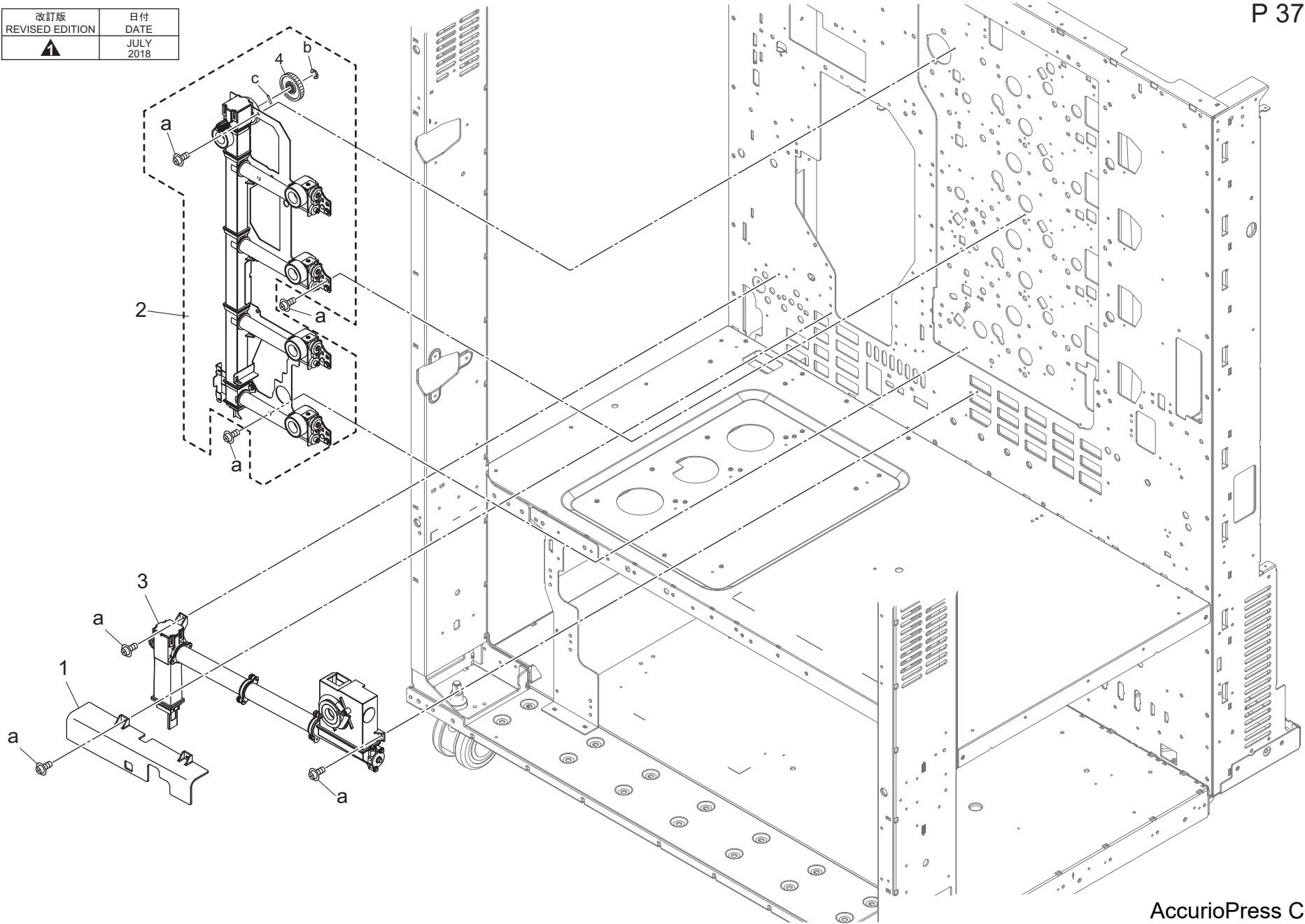


# Toner Supply Section

Key	Part No.	Description	Destinations	Class	QTY	Standard parts
1	56AA77330	SCREW GEAR 15T		C	3	a-V127030603 b-V217040001
2	A1RF408100	Toner supply Bushing /1		C	6	
3	A1RF413101	Conveyance Screw /2		D	1	
4	A1RF413201	Conveyance Screw /3		D	1	
5	A1RF413301	Conveyance Screw /4		D	1	
6	A1RF413601	Sealing Part		D	3	
7	A1RF413700	Conveyance Catch /Upper		D	3	
8	A1RF413800	Conveyance Catch /Lower		D	3	
9	A1RF413900	Toner supply Seal		D	3	
10	A1RF414401	Conveyance Pipe /K		D	1	
11	A1RF414501	Conveyance Pipe /C		D	1	
12	A1RF414601	Conveyance Pipe /M		D	1	
13	A1RF414700	Toner Supply Seal		D	3	
14	A1RF414900	Toner supply Seal		D	3	
15	A1RF415700	Toner Supply Seal		D	3	
16	A1RF419301	Fixing Plate /C		D	3	
17	A1RF423401	Toner Supply Seal		D	3	

# Toner Collection Section

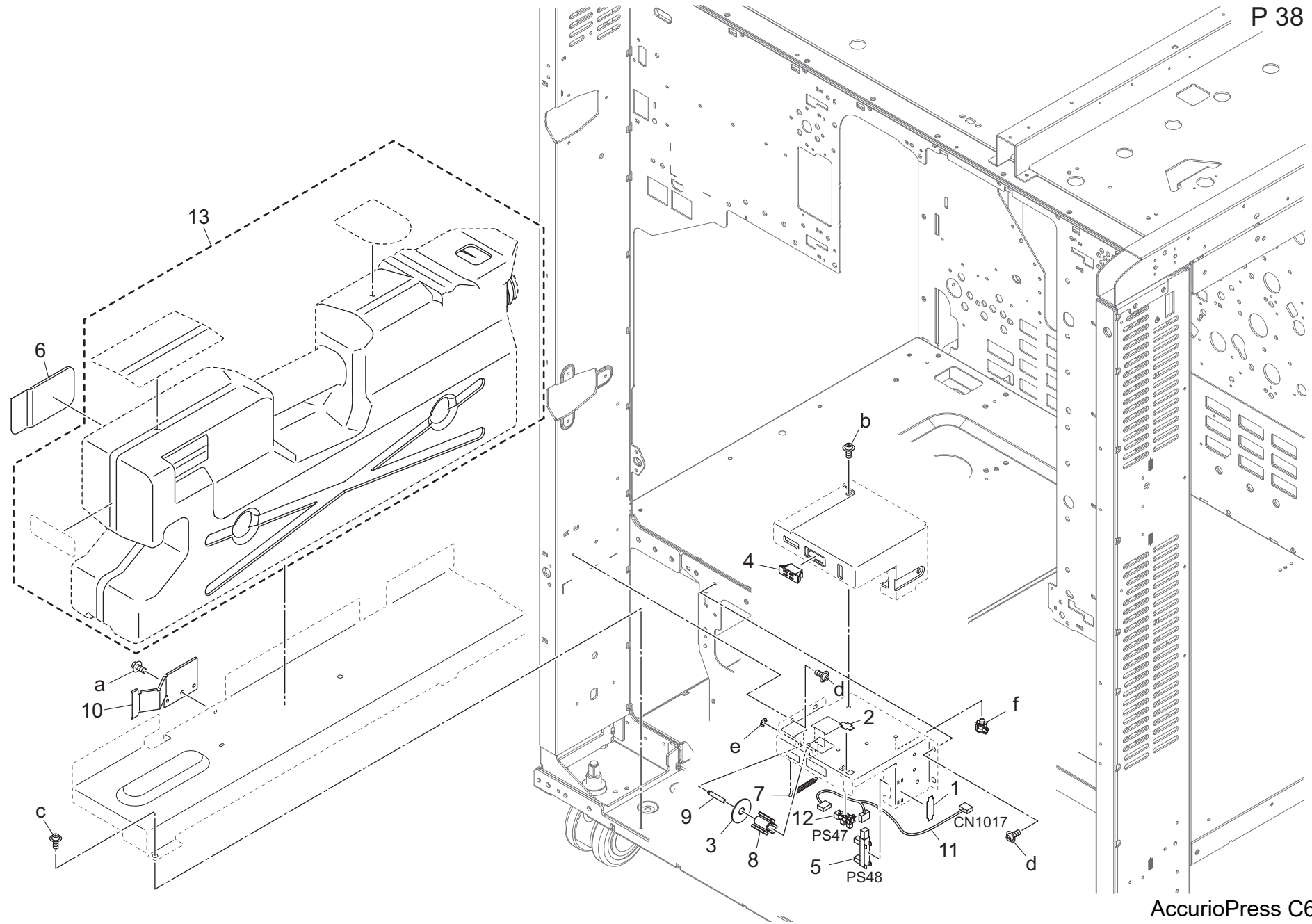
改訂版 REVISED EDITION	日付 DATE
	JULY 2018



# Toner Collection Section

Key	Part No.	Description	Destinations	Class	QTY	Standard parts
1	A1RF364100	Insulating Cover /Right		D	1	a-V146030603 b-V217040050 c-V237201250
2	A5AWR71B00	Toner Collection/1 Assy		I	1	
3	A5AWR71D00	Toner Collection Horizontal Conveyance A		I	1	
4	65AA77830	TONER COLLECTING GEAR 1 66T		C	1	

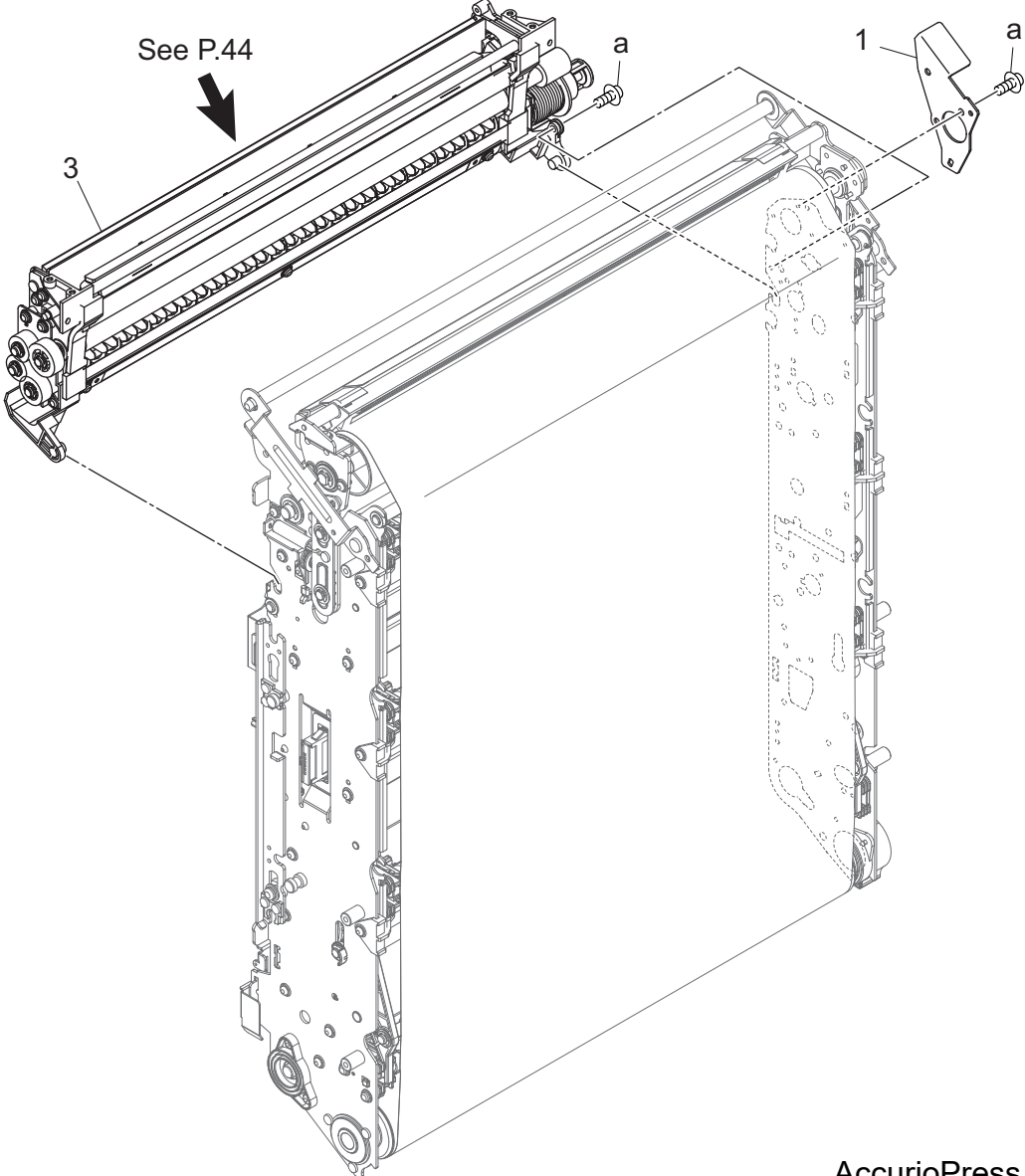
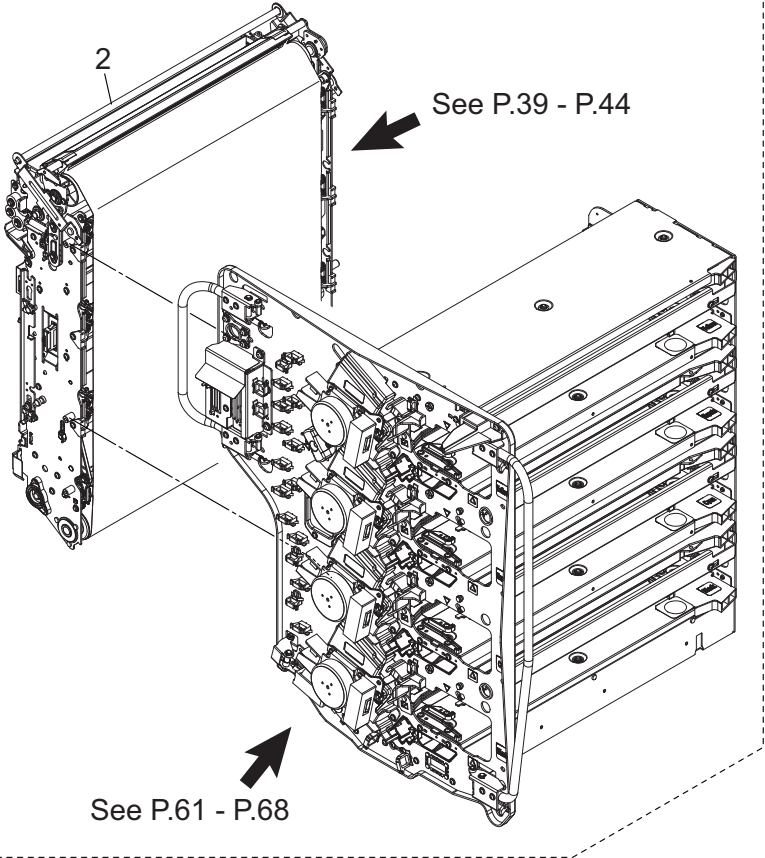
# Toner Collection Section





Key	Part No.	Description	Destinations	Class	QTY	Standard parts
1	4004457301	Stopper		D	1	a-V121030803 b-V121040603 c-V127040803 d-V146040803 e-V217020001 f-V500020098
2	4470402401	Stopper		D	1	
3	55VA47840	Belt Hold Part /3		D	1	
4	56AA12270	EXTERNAL LOCKING PART		C	1	
5	9335140051	SOLID STATE SWITCH		B	1	
6	A1RF361900	Collection Seal /Side		C	1	
7	A1RF363500	Control Spring		C	1	
8	A1RF363801	Detecting Part /2		D	1	
9	A1RF366200	Collection Shaft		D	1	
10	A1RF366601	Regulating Plate Spring		D	1	
11	A1RFN16800	Toner Detection harness /Front		D	1	
12	A50UM51000	Photointerrupter		C	1	
13	A92WR70100	Waste Toner Box	B,C,D1,D3,E,F2,G1,G 2,H,I,J,K	A	1	
13	A92WR71F00	Waste Toner Box	A	A	1	

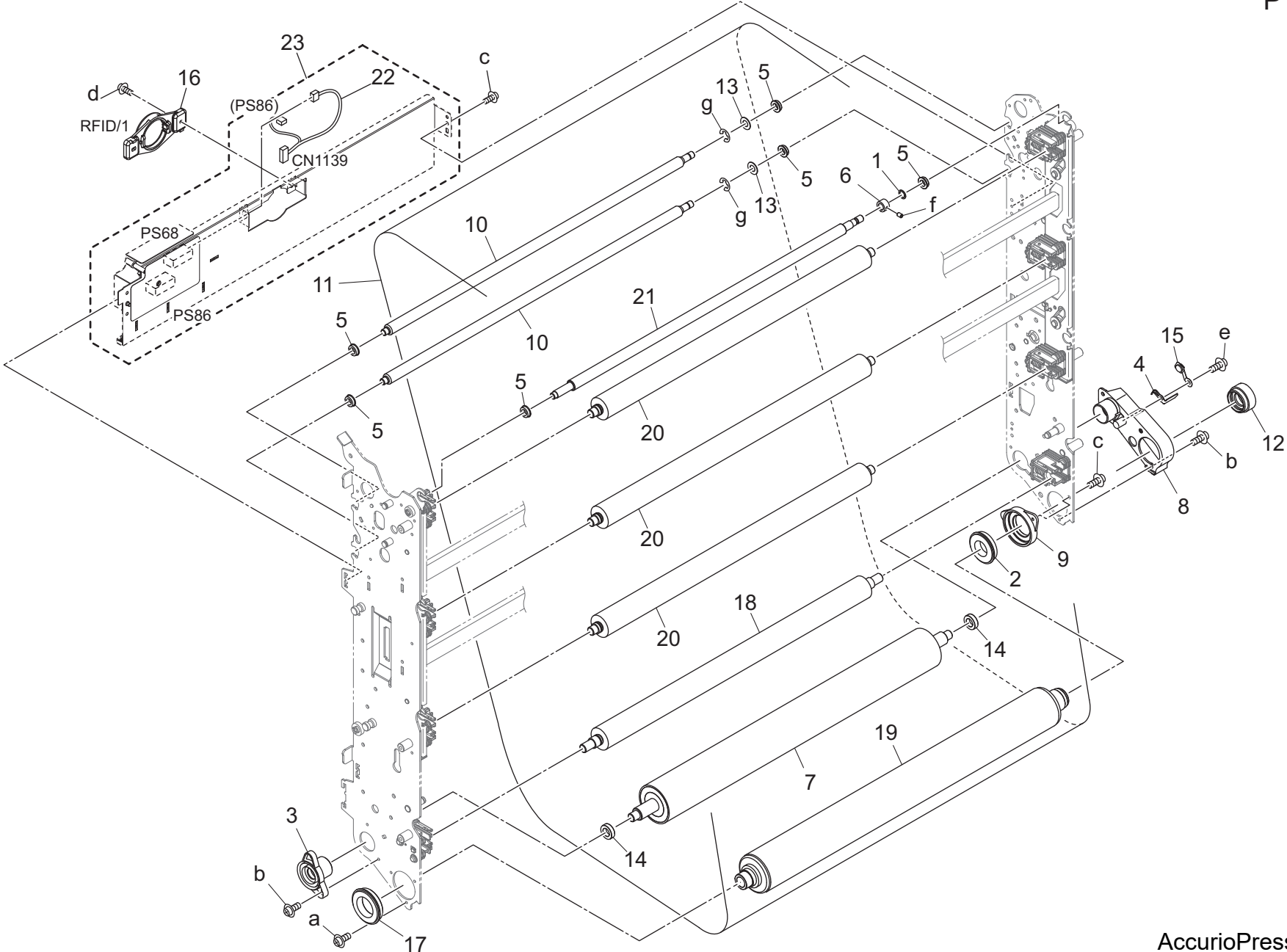
# Intermediate Transfer Section



# Intermediate Transfer Section

Key	Part No.	Description	Destinations	Class	QTY	Standard parts
1	A5AW500700	Mounting Plate /C	取付板 / C	D	1	a-V121030603
2	A92WR70511	Intermediate Transfer Unit	中間転写ユニット	S	1	
2	A92WR70511	Intermediate Transfer Unit	中間転写ユニット	S	1	
3	A92WR70600	Transfer Belt Cleaning Unit	転写ベルトクリーニングユニット	B	1	

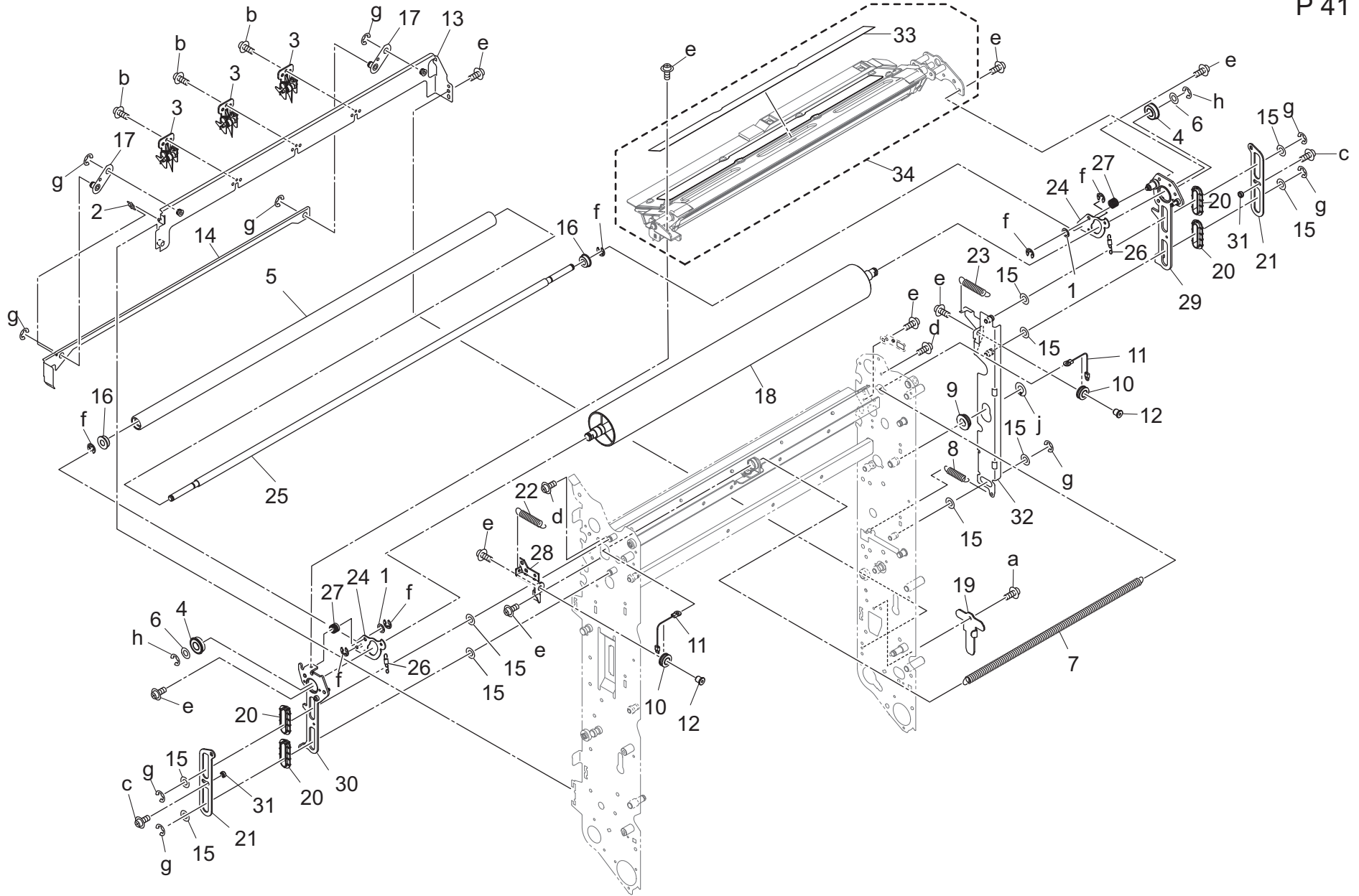
Intermediate Transfer Section



Key	Part No.	Description	Destinations	Class	QTY	Standard parts
1	40AA30270	DEVELOPING SPACER		C	1	a-V118030403
2	56UA75070	FIXING BEARING		A	1	b-V121030403
3	65AA26920E	High voltage Powering Collar /Front		C	1	c-V121030603
4	65AA26930D	Powering Plate /No.1		D	1	d-V127030603
5	A00J617800	Ball Bearing		B	6	e-V153030803
6	A0G6301700	Regulating Stopper		D	1	f-V193030304
7	A1RF500400	Transfer Roller		A	1	g-V217040001
8	A1RF501600	Power supply Cover		D	1	
9	A1RF502500	Support Block		D	1	
10	A1RF502900	Auxiliary Roller		D	2	
11	A1RF506000	Transfer Belt 1066L		A	1	
12	A1RF507200	Connecting Flange		D	1	
13	A1RF517100	Spacer /A		D	2	
14	A1RF517300	bearing		C	2	
15	A1RFR76100	POWER SUPPLY PLATE/NO2		D	1	
16	A1RFR7G200	Case		C	1	
17	A50U212600	Ball Bearing /15		C	1	
18	A5AW500400	1st Transfer Roller/K		B	1	
19	A5AW500501	Drive Roller /ASSY		C	1	
20	A5AW501200	1st Transfer Roller/YCM		B	3	
21	A5AW501301	Nip Formation Roller/Up		A	1	
22	A5AWN15600	Transfer Wiring /5		D	1	
23	A5AWR71Y22	Mounting Plate D Assy		I	1	

# Intermediate Transfer Section

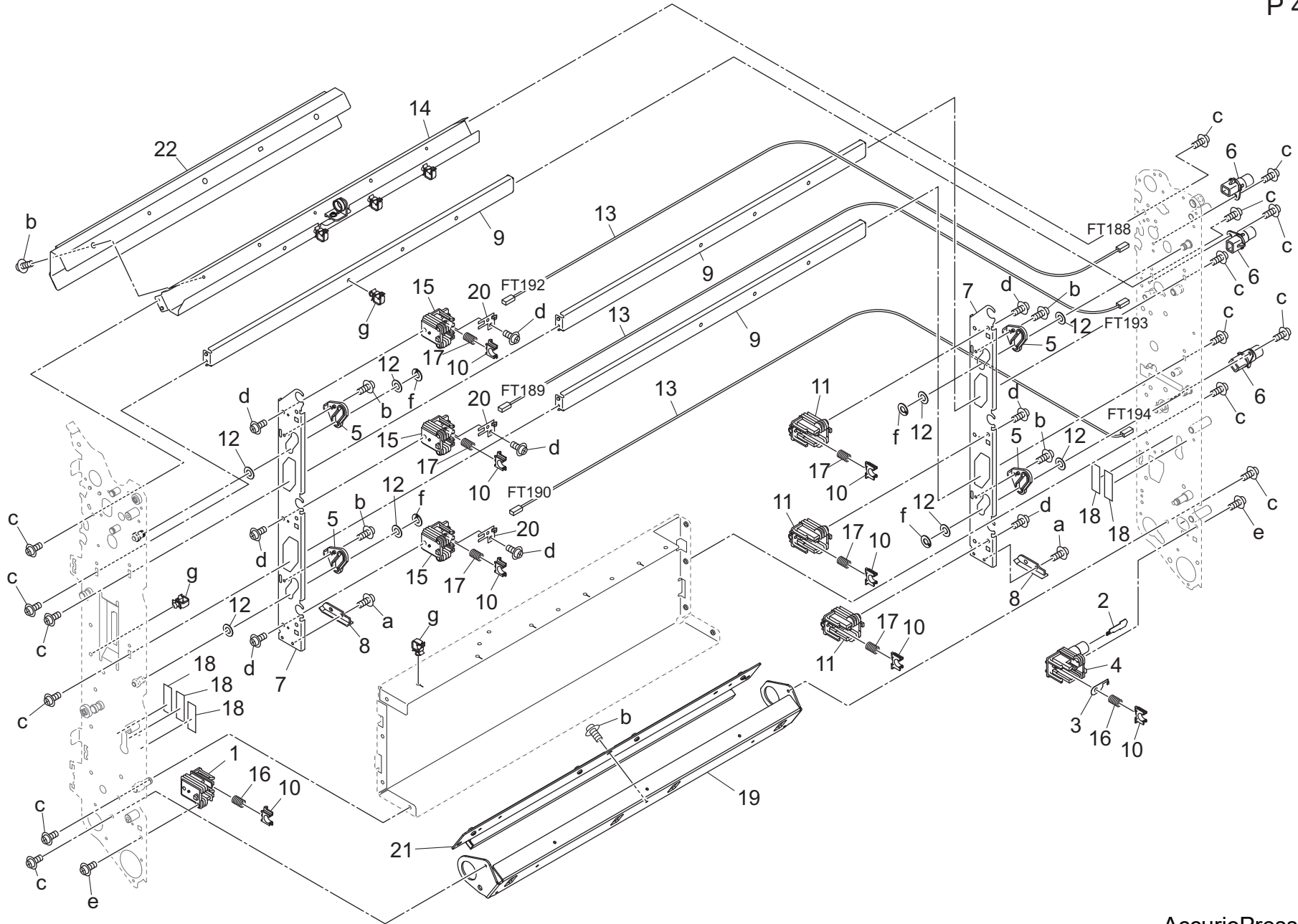
P 41



Key	Part No.	Description	Destinations	Class	QTY	Standard parts
1	26NA50920	REVERSAL SPACER		C	2	a-V116030603
2	65AA26600	SLIDE SPRING		C	1	b-V118030403
3	65AAR75300	Separate Claw Assy		B	3	c-V118030603
4	A00V240600	Ball Bearing		B	2	d-V118031003
5	A03U513300	Roller		D	1	e-V121030603
6	A1RF502000	Slide Spacer /B		D	2	f-V217030001
7	A1RF503714	Tension Spring		D	1	g-V217040001
8	A1RF503811	Pressing Spring		D	1	h-V217060001
9	A1RF504900	Bushing		C	1	j-V223080050
10	A1RF508000	Tension Pulley		D	2	
11	A1RF508100	Pulling Wire		D	2	
12	A1RF508200	Tension Shaft		D	2	
13	A1RF513100	Positioning Plate		D	1	
14	A1RF513300	Release Plate		D	1	
15	A1RF517100	Spacer /A		D	10	
16	A1RF529400	Guide Ball bearing		C	2	
17	A1RFR7A500	SEPARATION RELEASE PLATE CALKING		D	2	
18	A5AW500800	Tension Roller		C	1	
19	A5AW502200	Rotation Jig /1		D	1	
20	A5AW507000	Bushing		D	4	
21	A5AW507200	Tension Panel /1		D	2	
22	A5AW507301	Pressing Spring		D	1	
23	A5AW507400	Pressing Spring /Rear		C	1	
24	A5AW507800	Pressing Arm		D	2	
25	A5AW507900	Support Shaft		D	1	
26	A5AW508000	Pressing Spring		C	2	
27	A5AW508100	Support Spring		C	2	
28	A5AW508400	Support Plate /2		D	1	
29	A5AW509301	Tension Arm /Rear		D	1	
30	A5AW509401	Tension Arm /Front		D	1	
31	A5AW517400	Shaft /2		D	2	
32	A5AWR72V00	Swing Arm Calking		D	1	
33	A92W518300	Scatteringprevention Sheet /3		D	1	
34	A92WR70C00	Auxiliary Cleaner Assy		B	1	

# Intermediate Transfer Section

P 42

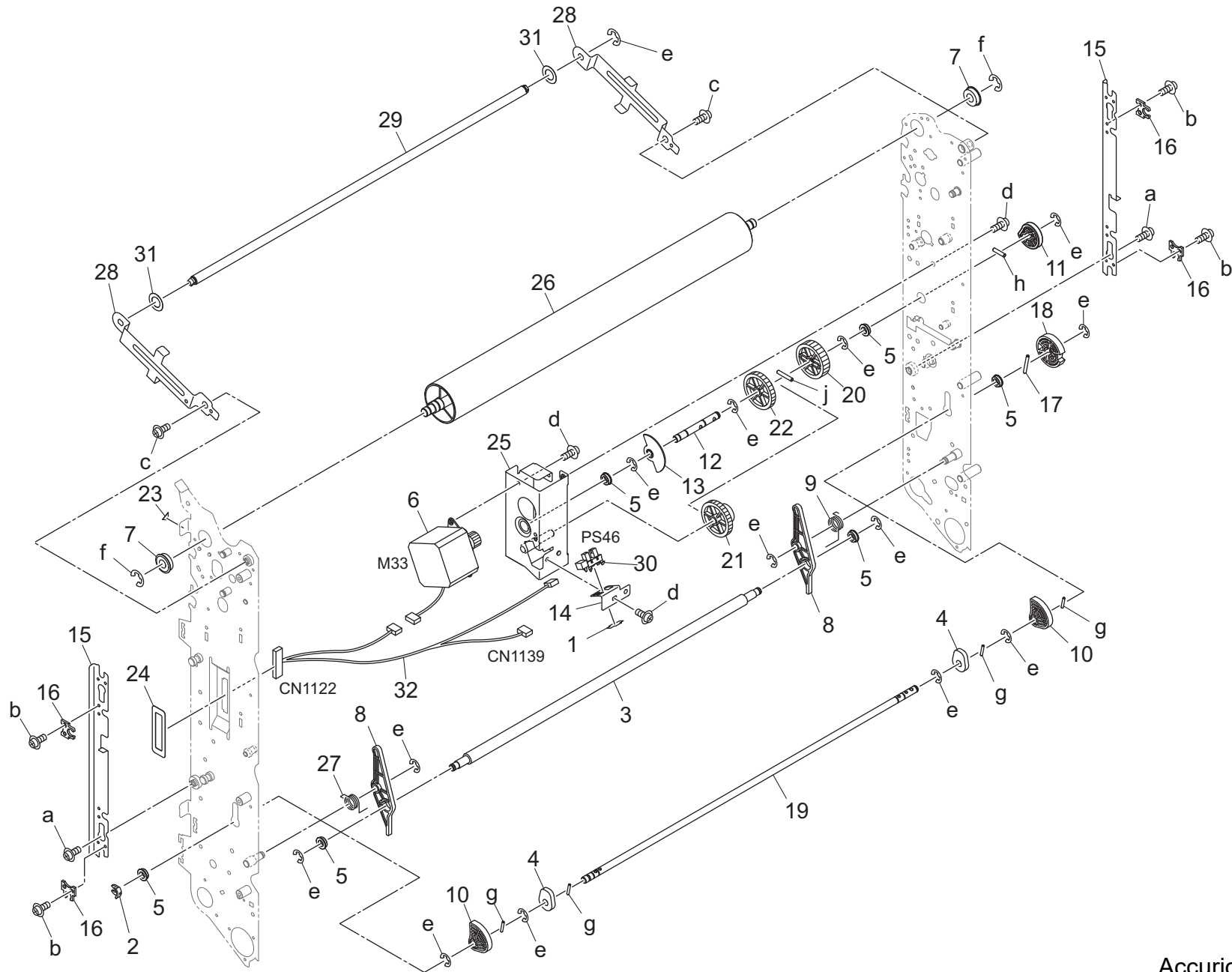




Key	Part No.	Description	Destinations	Class	QTY	Standard parts
1	65AA26050D	High voltage Powering Block /B	高圧給電ブロック / B	D	1	a-V118030403
2	65AA26690D	Transfer Powering Plate /K	転写給電板 / K	D	1	b-V121030403
3	65AA26810D	Transfer Powering Plate /L	転写給電板 / L	D	1	c-V121030603
4	65AA26950D	High voltage Powering Block /D	高圧給電ブロック / D	D	1	d-V149030803
5	65AA27180	Transfer Slide Bushing	転写スライド軸受け	C	4	e-V153030803
6	65AAR74600	POWERING BLOCK A ASSY	給電ブロック A 部組	C	3	f-V223060009
7	A1RF500901	Release Plate /Color	解除板 / カラー	D	2	g-V500020098
8	A1RF501500	Slide Part	すべり部材	D	2	
9	A1RF502803	Reinforce Plate /2	補強板 / 2	D	3	
10	A1RF508900	Transfer Powering Bearing	転写給電軸受	B	8	
11	A1RF509000	Power supply Block /C	給電ブロック / C	D	3	
12	A1RF517100	Spacer /A	スペーサ / A	D	8	
13	A1RFN18400	HV Wiring /18	高圧束線 / 18	D	3	
14	A1RFR76211	Cleaning Sheet	クリーニングシート	D	1	
15	A50U510100	High voltage Powering Block /C	高圧給電ブロック / C	D	3	
16	A5AW502002	Power supply Spring /B	給電ばね / B	D	2	
17	A5AW502100	Power supply Spring /C	給電ばね / C	D	6	
18	A5AW506100	Slide Sheet	すべりシート	C	5	
19	A5AW509000	Mounting Stay	取付ステー	D	1	
20	A5AW510400	Transfer Powering Plate /Front	転写給電板 / 前	D	3	
21	A5AWR70Q00	Thick Paper Trans. Backup Guide	中間転写厚紙バックアップガイド	B	1	
22	A5AWR72E00	Cleaning Base Frame Assy	クリーニング台板 A s s y	D	1	

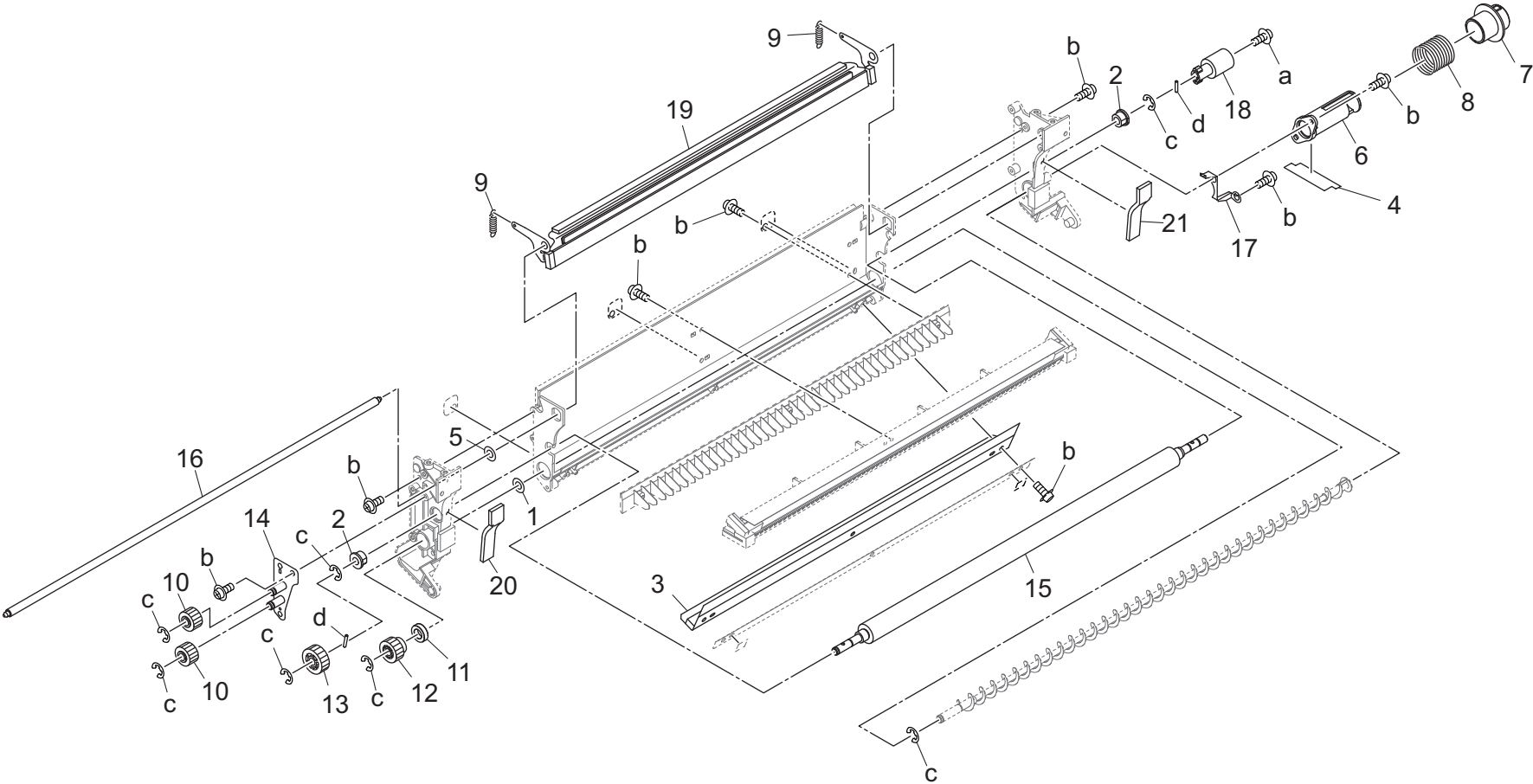
# Intermediate Transfer Section

P 43



Key	Part No.	Description	Destinations	Class	QTY	Standard parts
1	4470402401	Stopper		D	1	a-V116040803
2	56AA40490	SHAFT STOPPER 4		C	1	b-V118030403
3	65AA26141F	Transfer Pressure Roller /K		C	1	c-V118040603
4	65AA26750	TRANSFER RELEASE CAM K		C	2	d-V121030603
5	A00J617800	Ball Bearing		B	6	e-V217040001
6	A00TM10000	Stepping motor		B	1	f-V217060001
7	A00V240600	Ball Bearing		B	2	g-V234201250
8	A5AW501000	Release Arm /Black		D	2	h-V234301450
9	A1RF501200	Pressing Spring /Rear		D	1	j-V234301850
10	A1RF502400	Transfer Release Cam /C		D	2	
11	A1RF504101	Swing Cam		D	1	
12	A1RF504201	Drive Shaft /S		D	1	
13	A1RF504403	Index Plate /S		D	1	
14	A1RF504500	Stay		D	1	
15	A1RF505002	Support Leg		D	2	
16	A1RF505300	Lock Claw		D	4	
17	A1RF507700	Pin /Z		D	1	
18	A1RF507800	Transfer Driving Coupling /Front		D	1	
19	A1RF507900	Pressure Shaft		D	1	
20	A1RF509600	Drive Gear /2 40T		C	1	
21	A1RF509700	Idling Gear /2 20/40T		C	1	
22	A1RF509800	Idling Gear /1 20/44T		C	1	
23	A1RF945101	Replacement Label /1		D	1	
24	A1RF945701	Replacement Label /7		D	1	
25	A1RFR7G700	Drive Unit Panel Calking		D	1	
26	A5AW500600	Driven Roller		C	1	
27	A5AW501100	Pressing Spring /Front		D	1	
28	A5AW504601	Lifting Arm		D	2	
29	A5AW505900	Handle		D	1	
30	A85CM55600	Photo Sensor		C	1	
31	A92W945300	Replacement Label /3		D	2	
32	A92WN15500	Transfer Wiring /4		D	1	

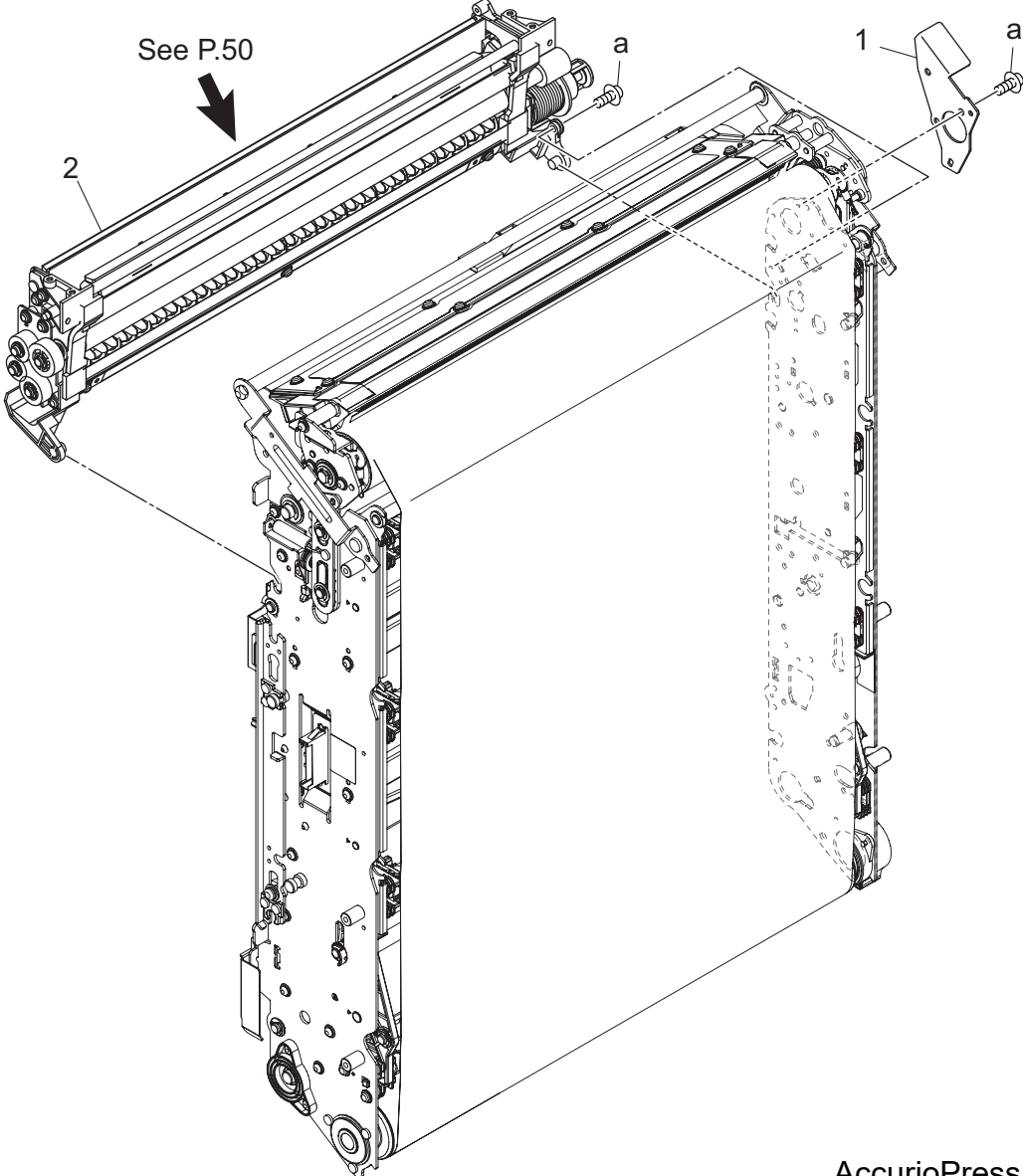
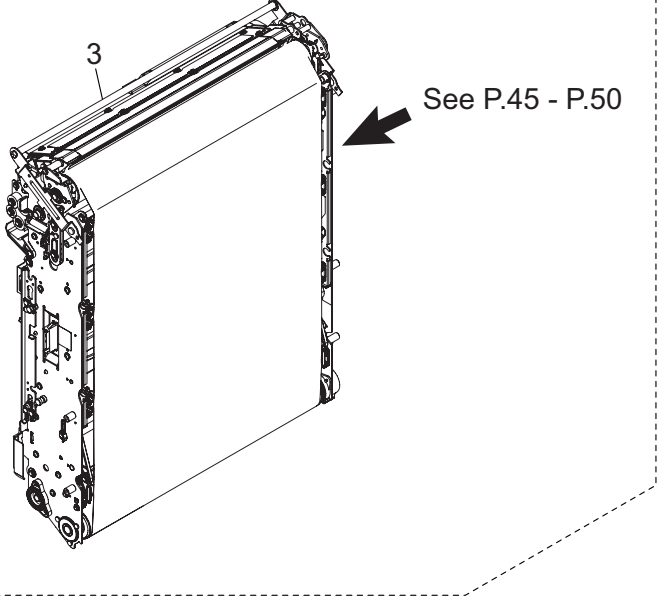
Intermediate Transfer Section



Key	Part No.	Description	Destinations	Class	QTY	Standard parts
1	40AA32320	Toner Supply Spacer		C	1	a-V121030603 b-V153030803 c-V217040001 d-V234201050
2	65AA26840	Cleaner Bushing /Front		C	2	
3	65AAR75600	SHEET 1 ASSY		A	1	
4	A1RF511400	Collection Seal /2		D	1	
5	A1RF511700	Regulating Seal		D	1	
6	A1RF512000	Collection Pipe		D	1	
7	A1RF512100	Collection Shutter		D	1	
8	A1RF512200	Collection Spring		D	1	
9	A1RF515000	Cleaning Spring		C	2	
10	A1RF515700	Idling Gear /4 14T		C	2	
11	A1RF517200	Collection Seal		D	1	
12	A1RF519800	Collection Gear /B 16T		C	1	
13	A1RF519901	Collection Gear /A 23T		C	1	
14	A1RFR7A800	DRIVING UNIT BASE FRAME/2 CALKING		D	1	
15	A5AW510500	Auxiliary Roller		C	1	
16	A5AW510900	Blade Fulcrum Shaft		D	1	
17	A5AW511500	Power supply Plate		D	1	
18	A5AW512400	Collection Coupling		D	1	
19	A5AWR70P11	Belt Cleaning Blade		A	1	
20	A92W511200	Sealing Pad /C		A	1	
21	A92W511600	Sealing Pad /E		A	1	

# Intermediate Transfer Section (Emboss)

EMBOSS

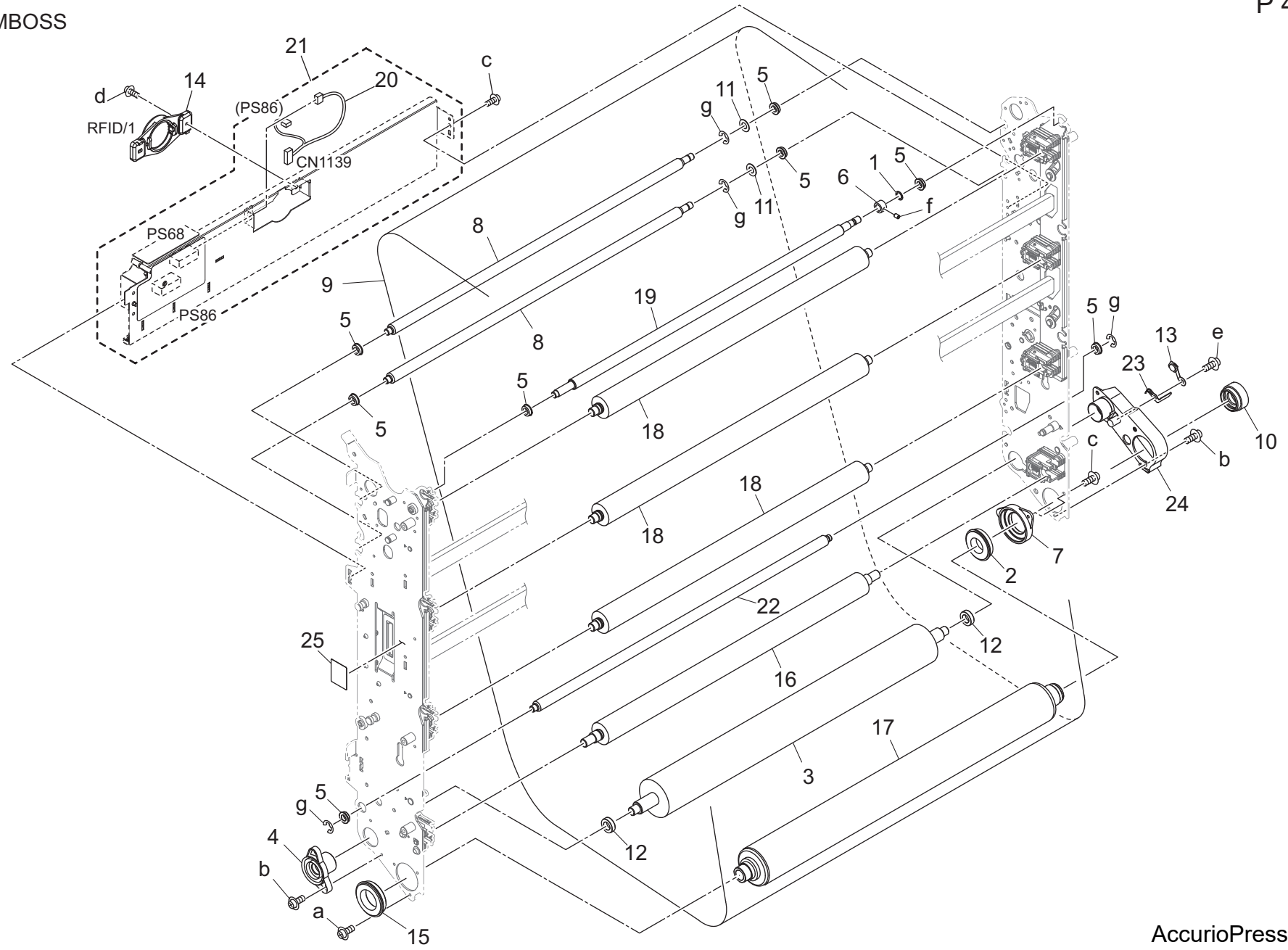


# Intermediate Transfer Section (Emboss)

Key	Part No.	Description	Destinations	Class	QTY	Standard parts	
1	A5AW500700	Mounting Plate /C		D	1	a-V121030603	
2	A92WR70600	Transfer Belt Cleaning Unit		B	1		
3	A92WR70G22	EMBOSS Intermediate Transfer Unit		I	1		

# Intermediate Transfer Section (Emboss)

EMBOSS





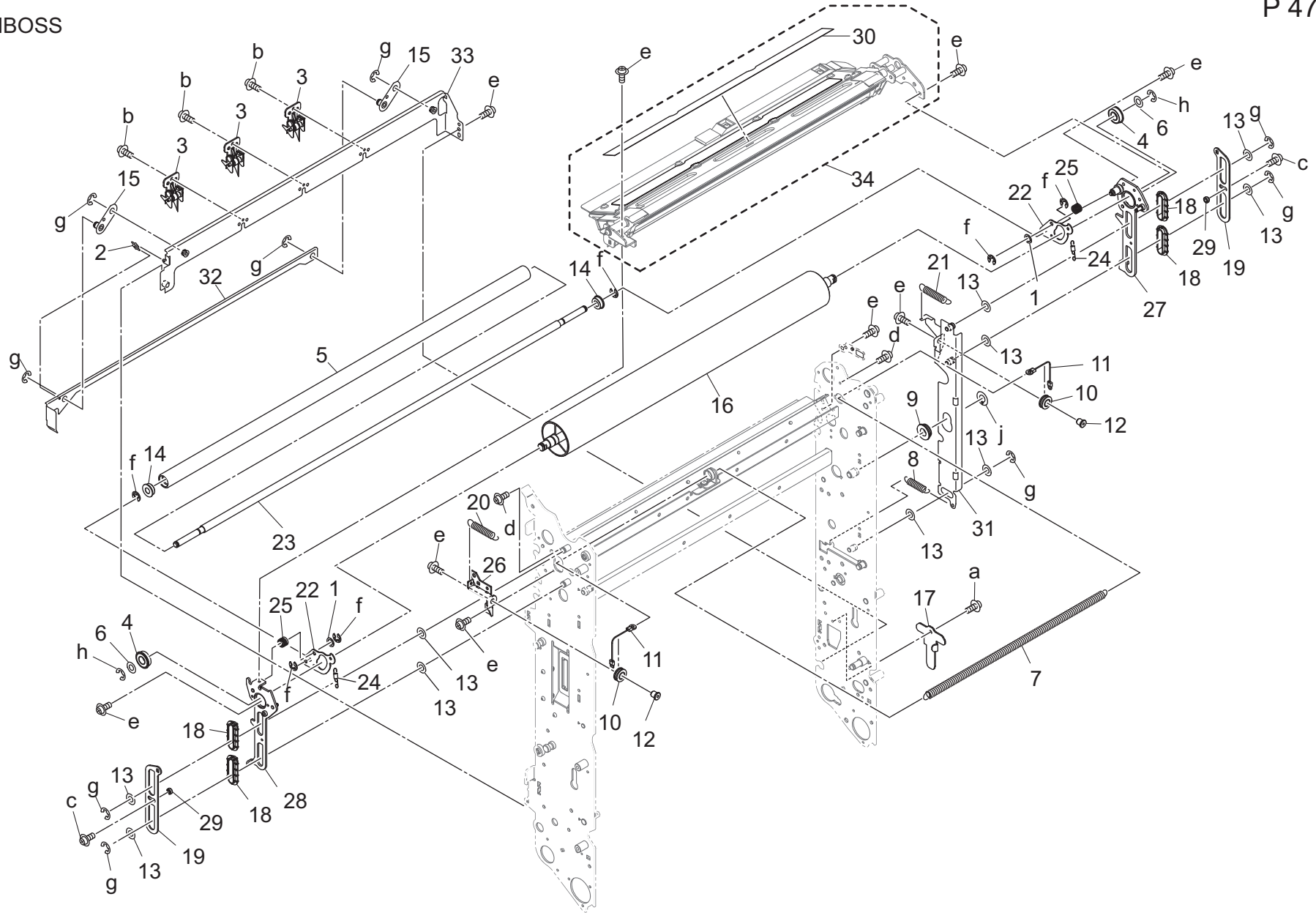
# Intermediate Transfer Section (Emboss)

Key	Part No.	Description	Destinations	Class	QTY	Standard parts
1	40AA30270	DEVELOPING SPACER		C	1	a-V118030403
2	56UA75070	FIXING BEARING		A	1	b-V121030403
3	A92WP51600	Transfer Roller /Lower		C	1	c-V121030603
4	65AA26920E	High voltage Powering Collar /Front		C	1	d-V127030603
5	A00J617800	Ball Bearing		B	8	e-V153030803
6	A0G6301700	Regulating Stopper		D	1	f-V193030304
7	A1RF502500	Support Block		D	1	g-V217040001
8	A1RF502900	Auxiliary Roller		D	2	
9	A1RF506000	Transfer Belt 1066L		A	1	
10	A1RF507200	Connecting Flange		D	1	
11	A1RF517100	Spacer /A		D	2	
12	A1RF517300	bearing		C	2	
13	A1RFR76100	POWER SUPPLY PLATE/NO2		D	1	
14	A1RFR7G200	Case		C	1	
15	A50U212600	Ball Bearing /15		C	1	
16	A5AW500400	1st Transfer Roller/K		B	1	
17	A5AW500501	Drive Roller /ASSY		C	1	
18	A5AW501200	1st Transfer Roller/YCM		B	3	
19	A5AW501301	Nip Formation Roller/Up		A	1	
20	A5AWN15600	Transfer Wiring /5		D	1	
21	A5AWR71Y22	Mounting Plate D Assy		I	1	
22	A92WP50400	Guide Shaft		D	1	
23	A92WP50700	Powering Plate /No.1		D	1	
24	A92WP50800	Power supply Cover		D	1	
25	A92WP51500	Label /E		D	1	

# Intermediate Transfer Section (Emboss)

P 47

EMBOSS

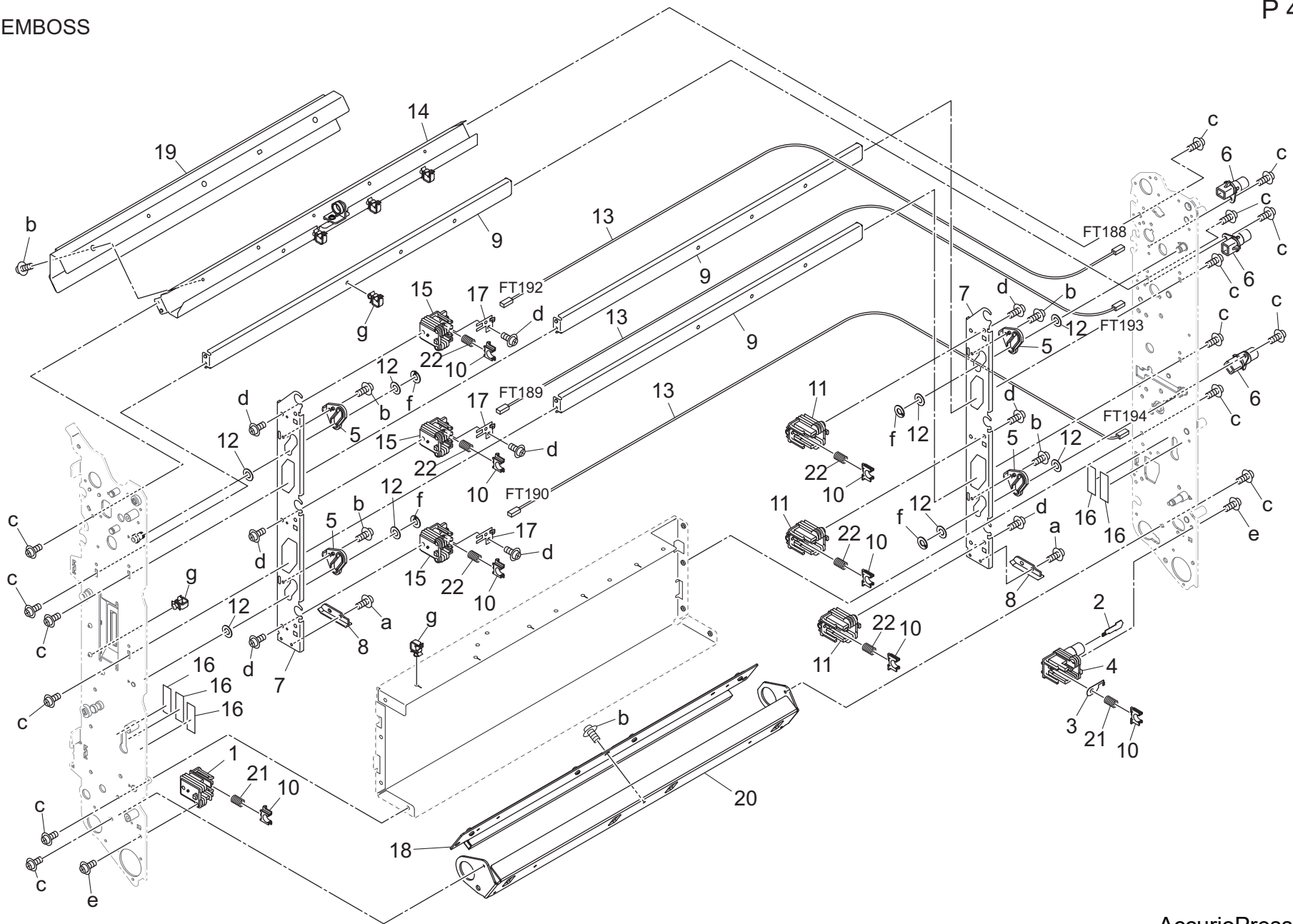


## Intermediate Transfer Section (Emboss)

Key	Part No.	Description	Destinations	Class	QTY	Standard parts
1	26NA50920	REVERSAL SPACER		C	2	a-V116030603
2	65AA26600	SLIDE SPRING		C	1	b-V118030403
3	65AAR75300	Separate Claw Assy		B	3	c-V118030603
4	A00V240600	Ball Bearing		B	2	d-V118031003
5	A03U513300	Roller		D	1	e-V121030603
6	A1RF502000	Slide Spacer /B		D	2	f-V217030001
7	A1RF503714	Tension Spring		D	1	g-V217040001
8	A1RF503811	Pressing Spring		D	1	h-V217060001
9	A1RF504900	Bushing		C	1	j-V223080050
10	A1RF508000	Tension Pulley		D	2	
11	A1RF508100	Pulling Wire		D	2	
12	A1RF508200	Tension Shaft		D	2	
13	A1RF517100	Spacer /A		D	10	
14	A1RF529400	Guide Ball bearing		C	2	
15	A1RFR7A500	SEPARATION RELEASE PLATE CALKING		D	2	
16	A5AW500800	Tension Roller		C	1	
17	A5AW502200	Rotation Jig /1		D	1	
18	A5AW507000	Bushing		D	4	
19	A5AW507200	Tension Panel /1		D	2	
20	A5AW507301	Pressing Spring		D	1	
21	A5AW507400	Pressing Spring /Rear		C	1	
22	A5AW507800	Pressing Arm		D	2	
23	A5AW507900	Support Shaft		D	1	
24	A5AW508000	Pressing Spring		C	2	
25	A5AW508100	Support Spring		C	2	
26	A5AW508400	Support Plate /2		D	1	
27	A5AW509301	Tension Arm /Rear		D	1	
28	A5AW509401	Tension Arm /Front		D	1	
29	A5AW517400	Shaft /2		D	2	
30	A92W518300	Scatteringprevention Sheet /3		D	1	
31	A92WP50900	Positioning Holder		D	1	
32	A92WP51100	Release Plate		D	1	
33	A92WP51200	Positioning Plate		D	1	
34	A92WR70C00	Auxiliary Cleaner Assy		B	1	

# Intermediate Transfer Section (Emboss)

EMBOSS

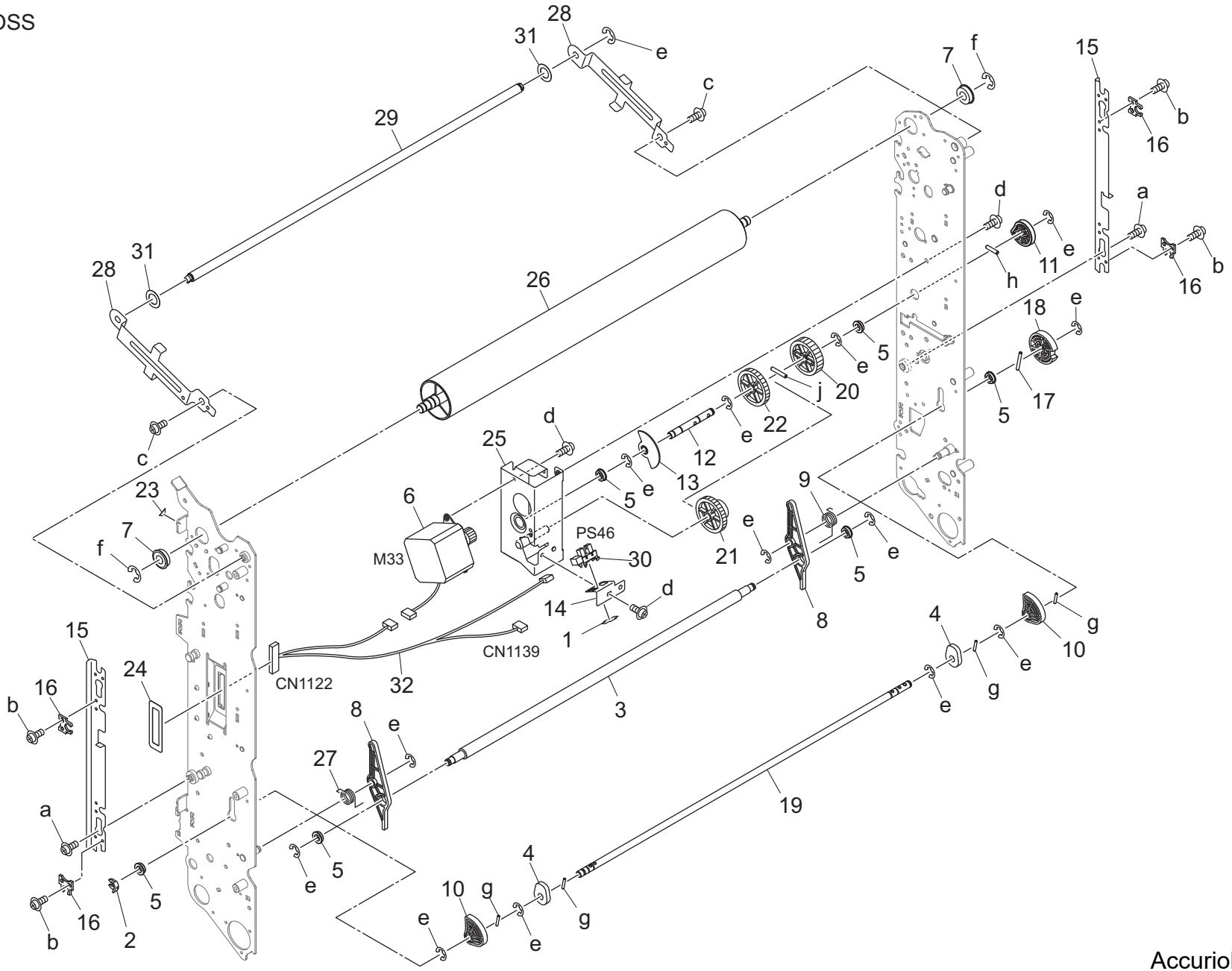


Intermediate Transfer Section (Emboss)

Key	Part No.	Description	Destinations	Class	QTY	Standard parts
1	65AA26050D	High voltage Powering Block /B	高圧給電ブロック / B	D	1	a-V118030403 b-V121030403 c-V121030603 d-V149030803 e-V153030803 f-V223060004 g-V500020098
2	65AA26690D	Transfer Powering Plate /K	転写給電板 / K	D	1	
3	65AA26810D	Transfer Powering Plate /L	転写給電板 / L	D	1	
4	65AA26950D	High voltage Powering Block /D	高圧給電ブロック / D	D	1	
5	65AA27180	Transfer Slide Bushing	転写スライド軸受け	C	4	
6	65AAR74600	POWERING BLOCK A ASSY	給電ブロック A 部組	C	3	
7	A1RF500901	Release Plate /Color	解除板 / カラー	D	2	
8	A1RF501500	Slide Part	すべり部材	D	2	
9	A1RF502803	Reinforce Plate /2	補強板 / 2	D	3	
10	A1RF508900	Transfer Powering Bearing	転写給電軸受	B	8	
11	A1RF509000	Power supply Block /C	給電ブロック / C	D	3	
12	A1RF517100	Spacer /A	スペーサ / A	D	8	
13	A1RFN18400	HV Wiring /18	高圧束線 / 18	D	3	
14	A1RFR76211	Cleaning Sheet	クリーニングシート	D	1	
15	A50U510100	High voltage Powering Block /C	高圧給電ブロック / C	D	3	
16	A5AW506100	Slide Sheet	すべりシート	C	5	
17	A5AW510400	Transfer Powering Plate /Front	転写給電板 /前	D	3	
18	A5AWR70Q00	Thick Paper Trans. Backup Guide	中間転写厚紙バックアップガイド	B	1	
19	A5AWR72E00	Cleaning Base Frame Assy	クリーニング台板 A s s y	D	1	
20	A92WP51000	Mounting Stay	取付ステー	D	1	
21	A92WP51300	Power Supply Spring /B	給電ばね / B	D	2	
22	A92WP51400	Power Supply Spring /C	給電ばね / C	D	6	

# Intermediate Transfer Section (Emboss)

EMBOSS

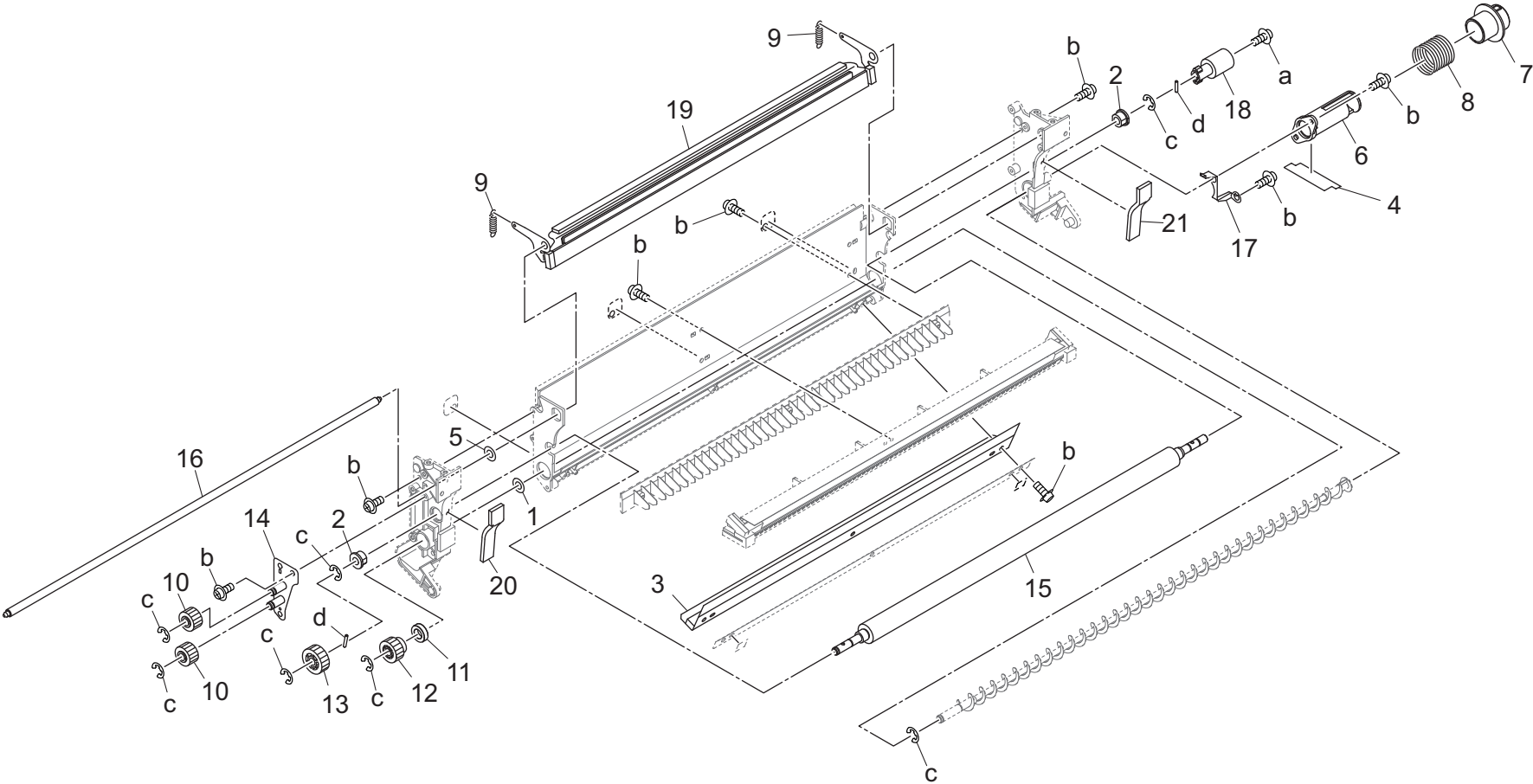


## Intermediate Transfer Section (Emboss)

Key	Part No.	Description	Destinations	Class	QTY	Standard parts
1	4470402401	Stopper		D	1	a-V116040803
2	56AA40490	SHAFT STOPPER 4		C	1	b-V118030403
3	65AA26141F	Transfer Pressure Roller /K		C	1	c-V118040603
4	65AA26750	TRANSFER RELEASE CAM K		C	2	d-V121030603
5	A00J617800	Ball Bearing		B	6	e-V217040001
6	A00TM10000	Stepping motor		B	1	f-V217060001
7	A00V240600	Ball Bearing		B	2	g-V234201250
8	A5AW501000	Release Arm /Black		D	2	h-V234301450
9	A1RF501200	Pressing Spring /Rear		D	1	j-V234301850
10	A1RF502400	Transfer Release Cam /C		D	2	
11	A1RF504101	Swing Cam		D	1	
12	A1RF504201	Drive Shaft /S		D	1	
13	A1RF504403	Index Plate /S		D	1	
14	A1RF504500	Stay		D	1	
15	A1RF505002	Support Leg		D	2	
16	A1RF505300	Lock Claw		D	4	
17	A1RF507700	Pin /Z		D	1	
18	A1RF507800	Transfer Driving Coupling /Front		D	1	
19	A1RF507900	Pressure Shaft		D	1	
20	A1RF509600	Drive Gear /2 40T		C	1	
21	A1RF509700	Idling Gear /2 20/40T		C	1	
22	A1RF509800	Idling Gear /1 20/44T		C	1	
23	A1RF945101	Replacement Label /1		D	1	
24	A1RF945701	Replacement Label /7		D	1	
25	A1RFR7G700	Drive Unit Panel Calking		D	1	
26	A5AW500600	Driven Roller		C	1	
27	A5AW501100	Pressing Spring /Front		D	1	
28	A5AW504601	Lifting Arm		D	2	
29	A5AW505900	Handle		D	1	
30	A85CM55600	Photo Sensor		C	1	
31	A92W945300	Replacement Label /3		D	2	
32	A92WPN5500	Transfer Harness /Y		D	1	

# Intermediate Transfer Section (Emboss)

EMBOSS

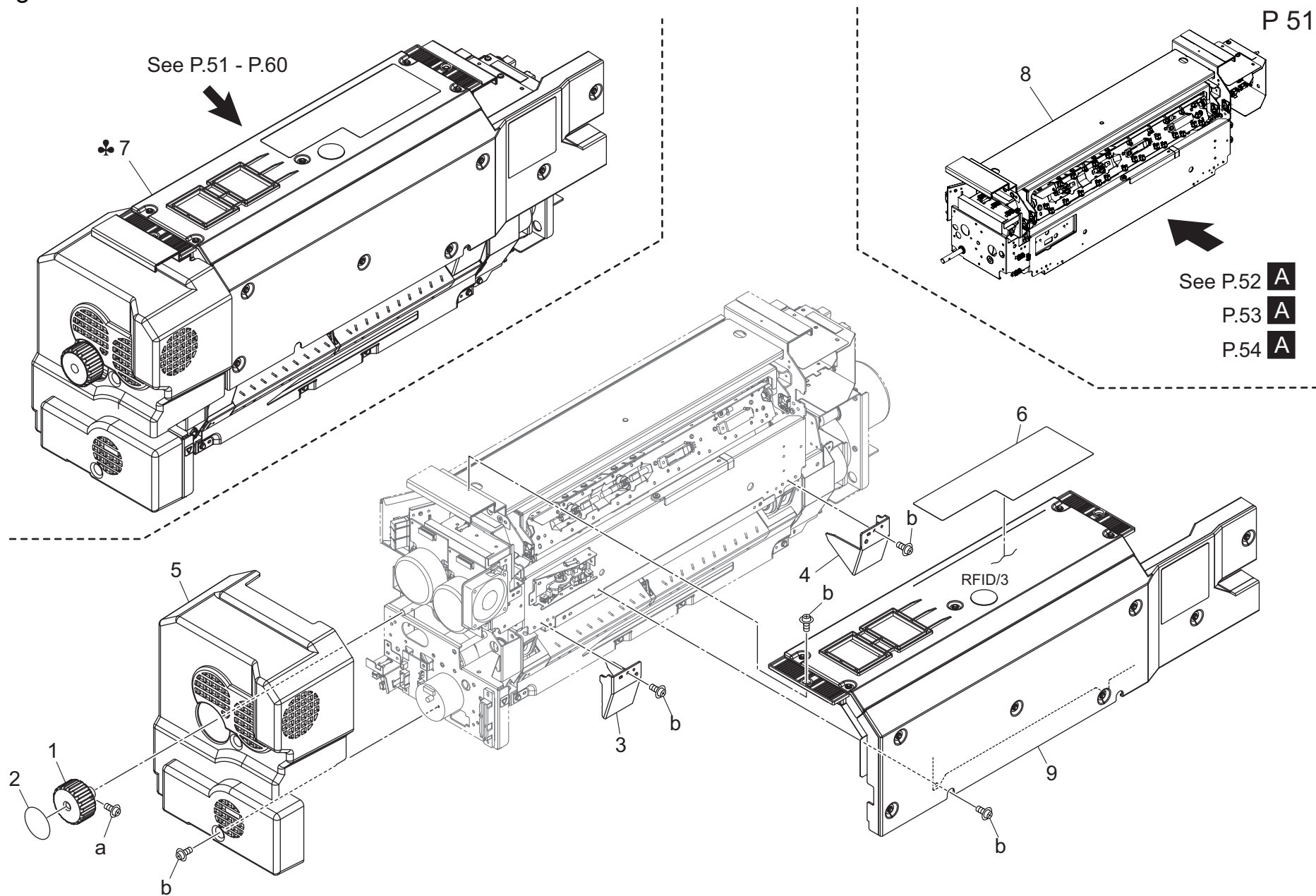




## Intermediate Transfer Section (Emboss)

Key	Part No.	Description	Destinations	Class	QTY	Standard parts
1	40AA32320	Toner Supply Spacer		C	1	a-V121030603 b-V153030803 c-V217040001 d-V234201050
2	65AA26840	Cleaner Bushing /Front		C	2	
3	65AAR75600	SHEET 1 ASSY		A	1	
4	A1RF511400	Collection Seal /2		D	1	
5	A1RF511700	Regulating Seal		D	1	
6	A1RF512000	Collection Pipe		D	1	
7	A1RF512100	Collection Shutter		D	1	
8	A1RF512200	Collection Spring		D	1	
9	A1RF515000	Cleaning Spring		C	2	
10	A1RF515700	Idling Gear /4 14T		C	2	
11	A1RF517200	Collection Seal		D	1	
12	A1RF519800	Collection Gear /B 16T		C	1	
13	A1RF519901	Collection Gear /A 23T		C	1	
14	A1RFR7A800	DRIVING UNIT BASE FRAME/2 CALKING		D	1	
15	A5AW510500	Auxiliary Roller		C	1	
16	A5AW510900	Blade Fulcrum Shaft		D	1	
17	A5AW511500	Power supply Plate		D	1	
18	A5AW512400	Collection Coupling		D	1	
19	A5AWR70P11	Belt Cleaning Blade		A	1	
20	A92W511200	Sealing Pad /C		A	1	
21	A92W511600	Sealing Pad /E		A	1	

# Fusing Section



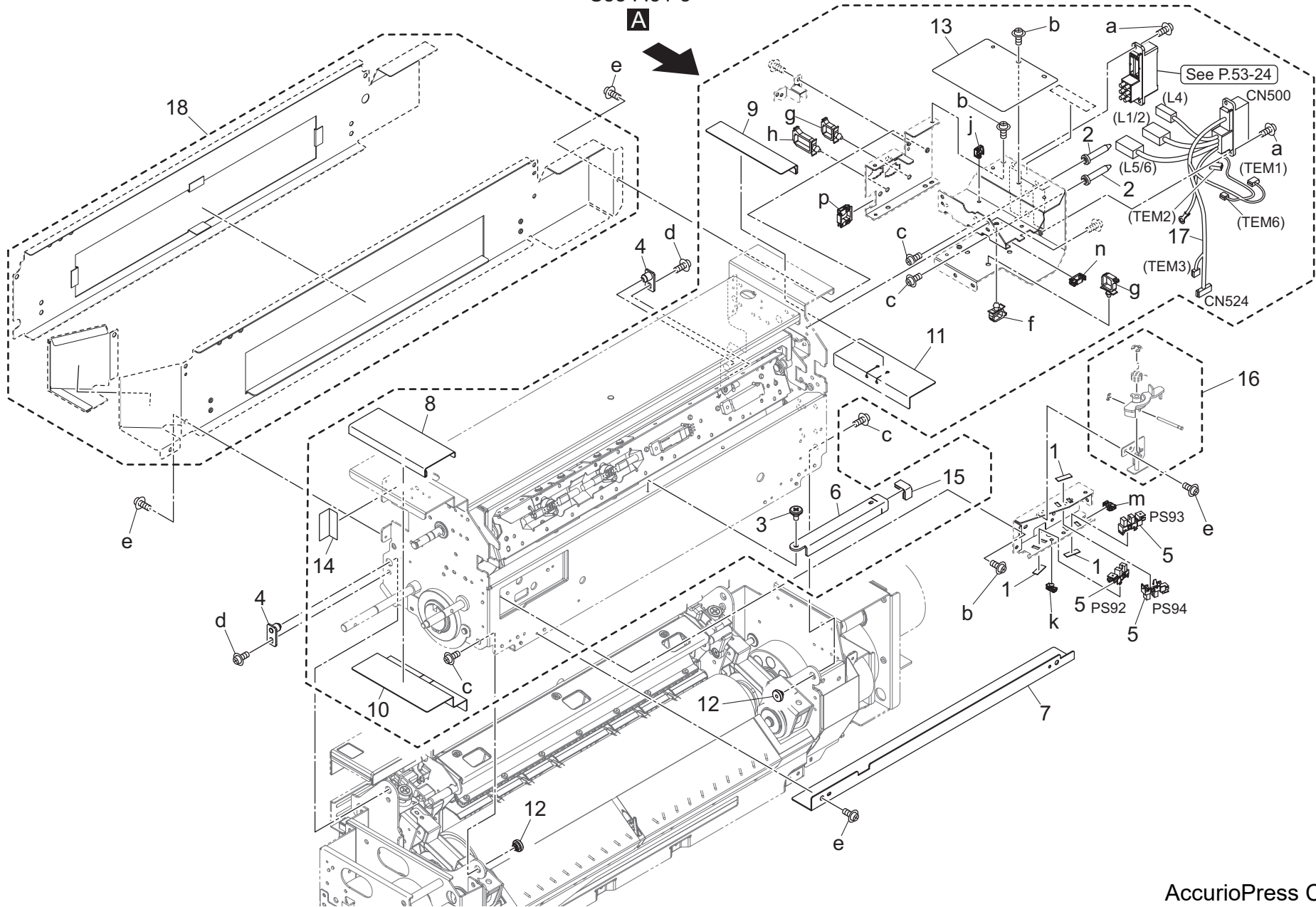
AccurioPress C6085

Key	Part No.	Description	Destinations	Class	QTY	Standard parts
1	20AL48470G	Jam Release Knob		C	1	a-V116041203 b-V182030603
2	A1RF943400	Release Label /4		D	1	
3	A5AW729501	Fusing Cover /Front		D	1	
4	A5AW729601	Fusing Cover /Rear		D	1	
5	A5AW736401	Fusing Cover		D	1	
6	A92W942400	Caution Label /4		D	1	
7	A92WR70922	Fusing Unit (200V)	A	I	1	
7	A92WR70A22	Fusing Unit (208V)	B,G2	I	1	
7	A92WR70B22	Fusing Unit (220V)	D1,D3,E,F2,G1,H,I,J ,K	I	1	
7	A92WR70B22	Fusing Unit (220V)	C	I	1	
8	A92WR71100	Fusing Main Body/Upper Assy		D	1	
9	A92WR71700	Fusing Top Plate Assy		D	1	

# Fusing Section

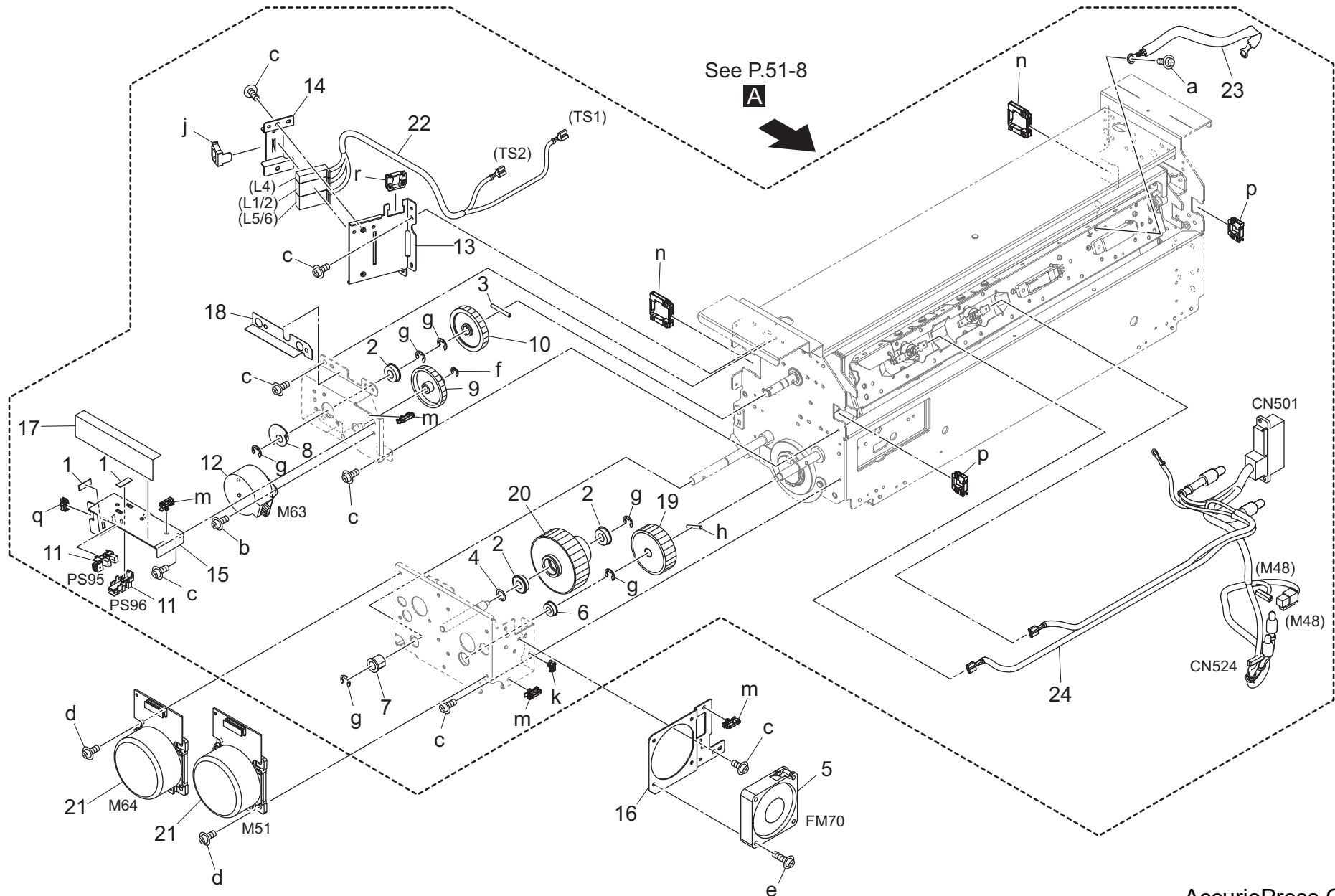
See P.51-8

**A**



Key	Part No.	Description	Destinations	Class	QTY	Standard parts
1	4109553001	Stopper		C	3	a-V116030803
2	A03U724200	Positioning Shaft		D	2	b-V121030403
3	A03U734500	Support Screw /A		C	1	c-V121040803
4	A1RFF80500	Open/Close Plate Caulking		D	2	d-V125041003
5	A1RFM51000	Photointerrupter /H		C	3	e-V182030603 f-V500010005
6	A5AW720900	Auxiliary Plate		D	1	g-V500010007
7	A5AW722200	Entrance Plate		D	1	h-V500010013
8	A5AW735103	Lifting Handle /Front		D	1	j-V500020098
9	A5AW735202	Lifting Handle /Rear		D	1	k-V500020099
10	A5AW735800	Lifting Handle /A		D	1	m-V570010056 n-V570010057
11	A5AW735900	Lifting Handle /B		D	1	p-V570010060
12	A5AW758200	Open/close Shaft		D	2	
13	A5AW782600	Cover Sheet /1		D	1	
14	A5AW783200	Cover Sheet /4		D	1	
15	A5AW783300	Protection Sheet /8		D	1	
16	A5AWR70F00	Fusing Steering Actuator Assy		B	1	
17	A92WN10800	Fixing Wiring /1		D	1	
18	A92WR71200	Reinforce Stay/2 Assy		D	1	

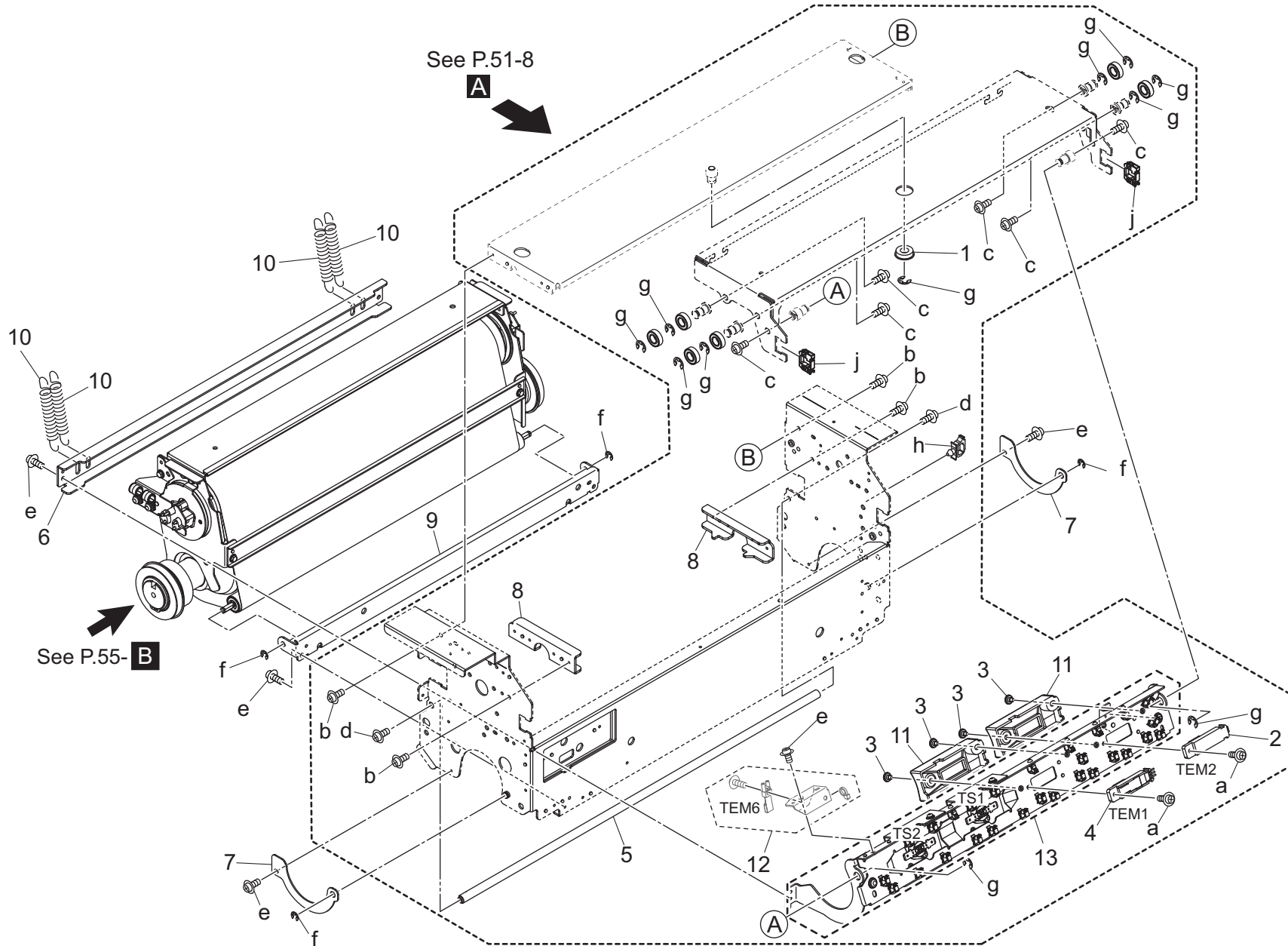
# Fusing Section



Key	Part No.	Description	Destinations	Class	QTY	Standard parts
1	4109553001	Stopper	ストッパー	C	2	a-V116050803
2	4120550302	BALL BEARING	ボールベアリング	A	3	b-V118030403
3	56AA17490	PIN	ピン	C	1	c-V121030403
4	56AA42690	BY-PASS SPACER	手差しスペーサー	C	1	d-V121030803
5	9J06M10000	Fan motor	ファンモーター	C	1	e-V121031803
6	A00J211200	Ball Bearing	ボールベアリング	C	1	f-V217040001
7	A11P905000	Bushing /A	すべり軸受 / A	C	1	g-V217060001
8	A1RF724401	Release Actuator	解除アクチュエータ	D	1	h-V234302050
9	A1RF807400	Release Gear /1 14/80T	解除ギア / 1 14 / 80 T	C	1	j-V500010021
10	A1RF807500	Release Gear /2 42T	解除ギア / 2 42 T	C	1	k-V500020099
11	A1RFM51000	Photointerrupter /H	透過型センサ / H	C	2	m-V500020100
12	A1RFR74300	Drive Motor ASSY	駆動モーター A s s y	C	1	n-V500020105
13	A5AW720700	Mounting Plate /2	取付板 / 2	D	1	p-V500020106
14	A5AW720800	Fixing Plate	固定板	D	1	q-V570010056
15	A5AW722000	Detecting Plate /B	検出板 / B	D	1	r-V570010060
16	A5AW736000	Mounting Plate /F	取付板 / F	D	1	
17	A5AW782700	Cover Sheet /2	カバーシート / 2	D	1	
18	A5AW782800	Cover Sheet /3	カバーシート / 3	D	1	
19	A5AW808300	Drive Gear /2 44T	駆動ギア / 2 44 T	C	1	
20	A5AW808700	Drive Gear /1 25/110T	駆動ギア / 1 25 / 110 T	C	1	
21	A5AWM10201	DC Brushless motor /B	DC ブラシレスモーター / B	C	2	
22	A5AWN11001	Fixing Wiring /3	定着束線 / 3	D	1	
23	A5AWN11100	Fixing Wiring /4	定着束線 / 4	D	1	
24	A92WN10901	Fixing Wiring /2	定着束線 / 2	D	1	



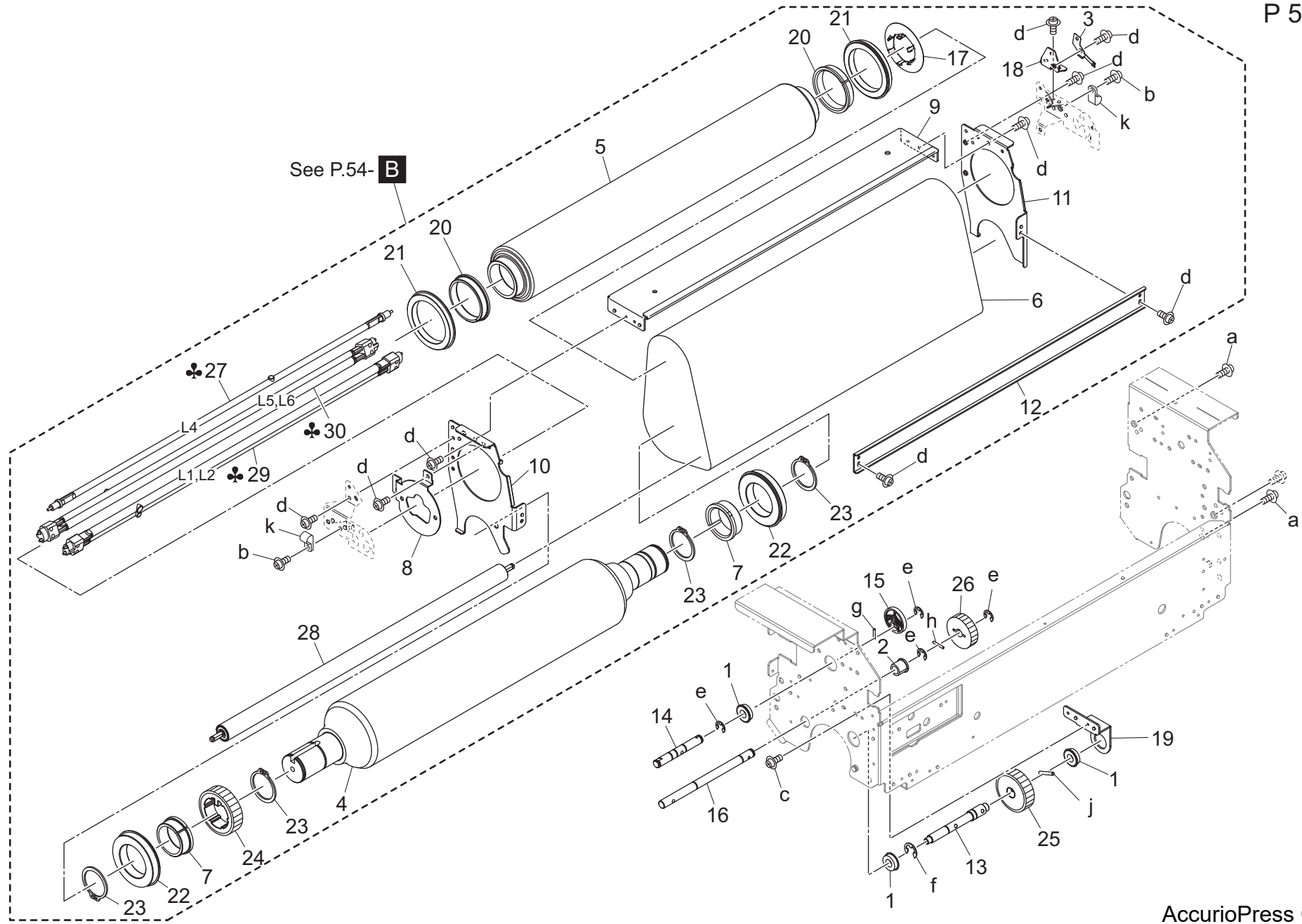
# Fusing Section





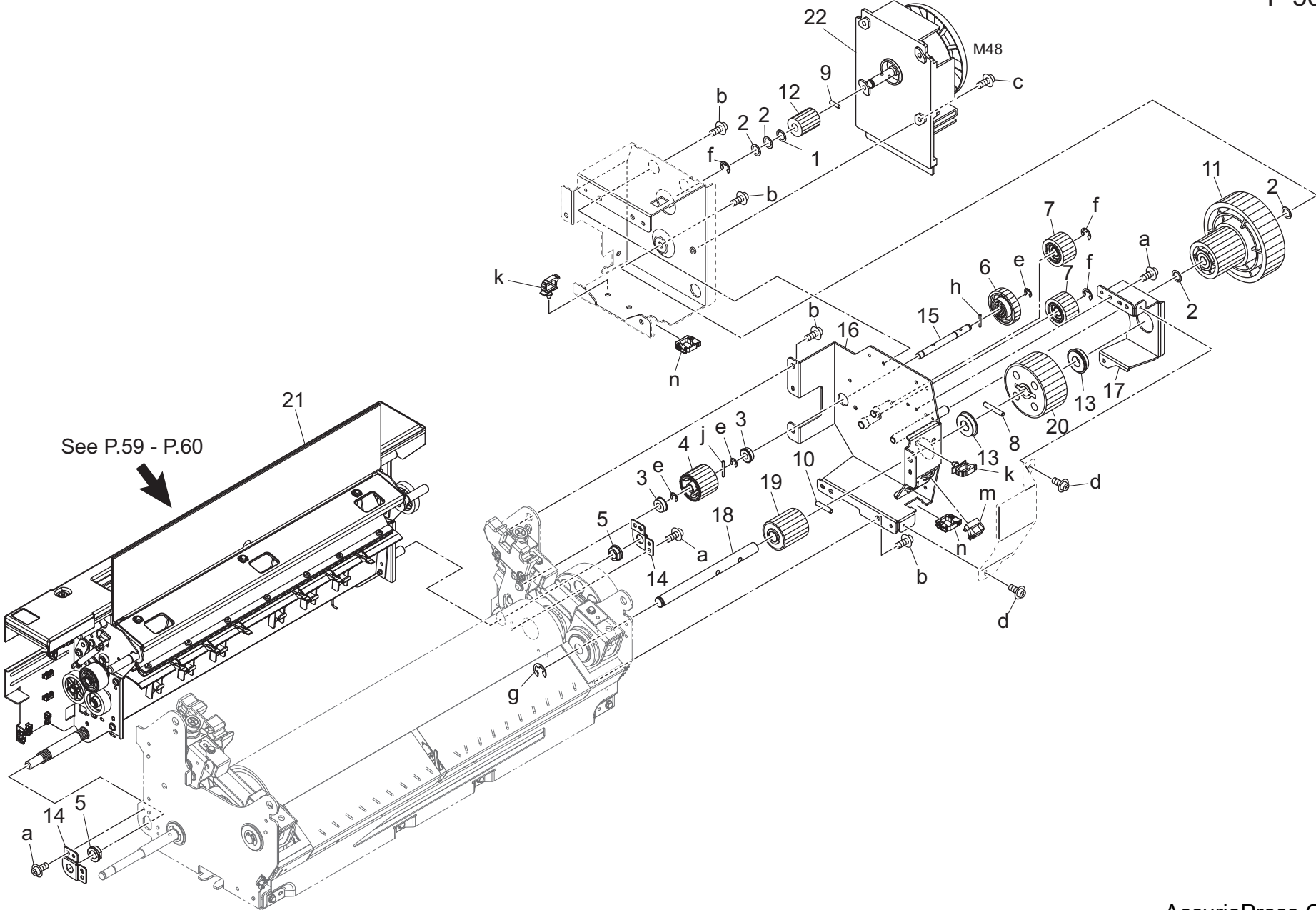
Key	Part No.	Description	Destinations	Class	QTY	Standard parts
1	4120550302	BALL BEARING		A	1	a-V116030803
2	65AA88020	Temperature Sensor /2		B	1	b-V121030403
3	A03U734500	Support Screw /A		C	4	c-V121040803
4	A1RFM50200	Temperature Sensor /2		I	1	d-V125041003
5	A5AW722101	Reinforce Shaft		D	1	e-V182030603
6	A5AW723400	Fixing Stay		D	1	f-V217040001
7	A5AW725000	Hold Plate		D	2	g-V217060001
8	A5AW725802	Guide Plate		D	2	h-V500010005
9	A5AW727201	Fixing Plate		D	1	j-V500020106
10	A5AW727900	Belt Tension Spring		D	4	
11	A5AW738101	Protection Cover		D	2	
12	A5AWR70T00	Fusing Belt Temp. Sensor/Fr		B	1	
13	A92WR71900	Upper Sensor SUB Assy		C	1	

# Fusing Section



Key	Part No.	Description	Destinations	Class	QTY	Standard parts
1	4120550302	BALL BEARING		A	3	a-V116040603
2	A11P905000	Bushing /A		C	1	b-V116040803
3	A2XK742001	Contact		D	1	c-V121030603
4	A5AW720100	Upper Pressure Roller		B	1	d-V182030603
5	A5AW720200	Heating Roller		B	1	e-V217060001
6	A5AW720301	Fusing Belt		B	1	f-V217080001
7	A5AW721700	Heat Insulating Sleeve/Lw		B	2	g-V234201250
8	A5AW724800	Heat blocking Plate /1		D	1	h-V234201450
9	A5AW725201	Positioning Stay /1		D	1	j-V234302050
10	A5AW725301	Hold Plate /Front		D	1	k-V500020031
11	A5AW725400	Hold Plate /Rear		D	1	
12	A5AW725500	Positioning Stay /2		D	1	
13	A5AW726100	Drive Shaft /1		D	1	
14	A5AW726300	Release Shaft		D	1	
15	A5AW726400	Release Cam		D	1	
16	A5AW726800	Processing Shaft		D	1	
17	A5AW727500	Ground Plate		D	1	
18	A5AW727600	Mounting Plate		D	1	
19	A5AW734700	Support Plate /1		D	1	
20	A5AW744900	Heat Insulating Sleeve/1		B	2	
21	A5AW745000	Fusing Bearing/1		B	2	
22	A5AW745200	Fusing Bearing/2		B	2	
23	A5AW789800	Mounting Ring		D	4	
24	A5AW808100	Fusing Gear /A 45T		C	1	
25	A5AW808200	Idling Gear /3 39T		C	1	
26	A5AW808500	Processing Gear 31T		C	1	
27	A5AWM34A00	Fusing Heater Lamp/4 (200V)	A	B	1	
27	A5AWM34E00	Fusing Heater Lamp/4 (208V)	B,G2	B	1	
27	A5AWM34F00	Fusing Heater Lamp/4 (220V)	C,D1,D3,E,F2,G1,H,I ,J,K	B	1	
28	A5AWR70E11	Fusing Inlet Roller Assy		B	1	
29	A92WM31A00	Fixing Heater /1 (200V)	A	B	1	
29	A92WM31E00	Fixing Heater /1 (208V)	B,G2	B	1	
29	A92WM31F00	Fixing Heater /1 (220V)	C,D1,D3,E,F2,G1,H,I ,J,K	B	1	
30	A92WM35A00	Fixing Heater /5 (200V)	A	B	1	
30	A92WM35E00	Fixing Heater /5 (208V)	B,G2	B	1	
30	A92WM35F00	Fixing Heater /5 (220V)	C,D1,D3,E,F2,G1,H,I ,J,K	B	1	

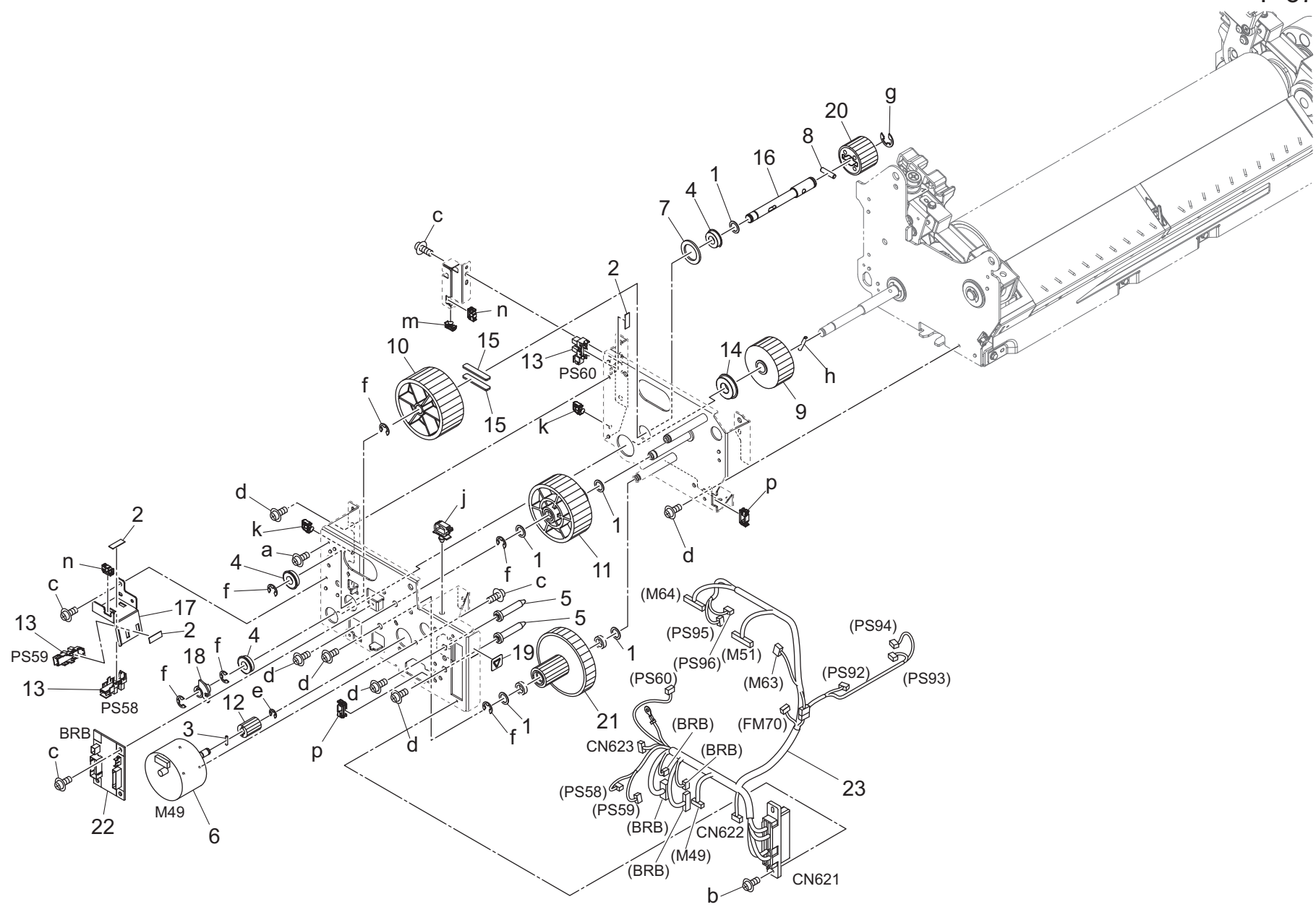
Fusing Section



Key	Part No.	Description	Destinations	Class	QTY	Standard parts
1	12QV40650	Spacer		B	1	a-V121030403
2	56AA42690	BY-PASS SPACER		C	4	b-V121040603
3	A00J211200	Ball Bearing		C	2	c-V127041003
4	A03N211100	Gear 26T		C	1	d-V182030603
5	A03U812800	Slide Shaft Holder		B	2	e-V217040001
6	A1RF415600	Toner Supply Gear 33T		D	1	f-V217060001
7	A1RF539900	Idling Gear /4 26T		D	2	g-V217080001
8	A1RF749600	Pin /1		D	1	h-V234201450
9	A1RF758000	Pin /A		D	1	j-V234201850
10	A1RF758100	Pin /B		D	1	k-V500010005
11	A1RF809800	Fusing Gear /2 36/76T		B	1	m-V500010021
12	A1RF809900	Fusing Gear /6 16T		C	1	n-V570010060
13	A4EU265000	Ball bearing		B	2	
14	A5AW740800	Fixing Plate		D	2	
15	A5AW740900	Drive Shaft /4		D	1	
16	A5AW742100	Drive Panel /B		D	1	
17	A5AW742200	Drive Panel /C		D	1	
18	A5AW743000	Drive Shaft /3		D	1	
19	A5AW809600	Fusing Gear /4 47T		C	1	
20	A5AW809700	Fusing Gear /3 54T		C	1	
21	A5AWR72500	Paper Exit Unit		S	1	
22	A92WM10600	DC Brushless Motor /F		C	1	


# Fusing Section

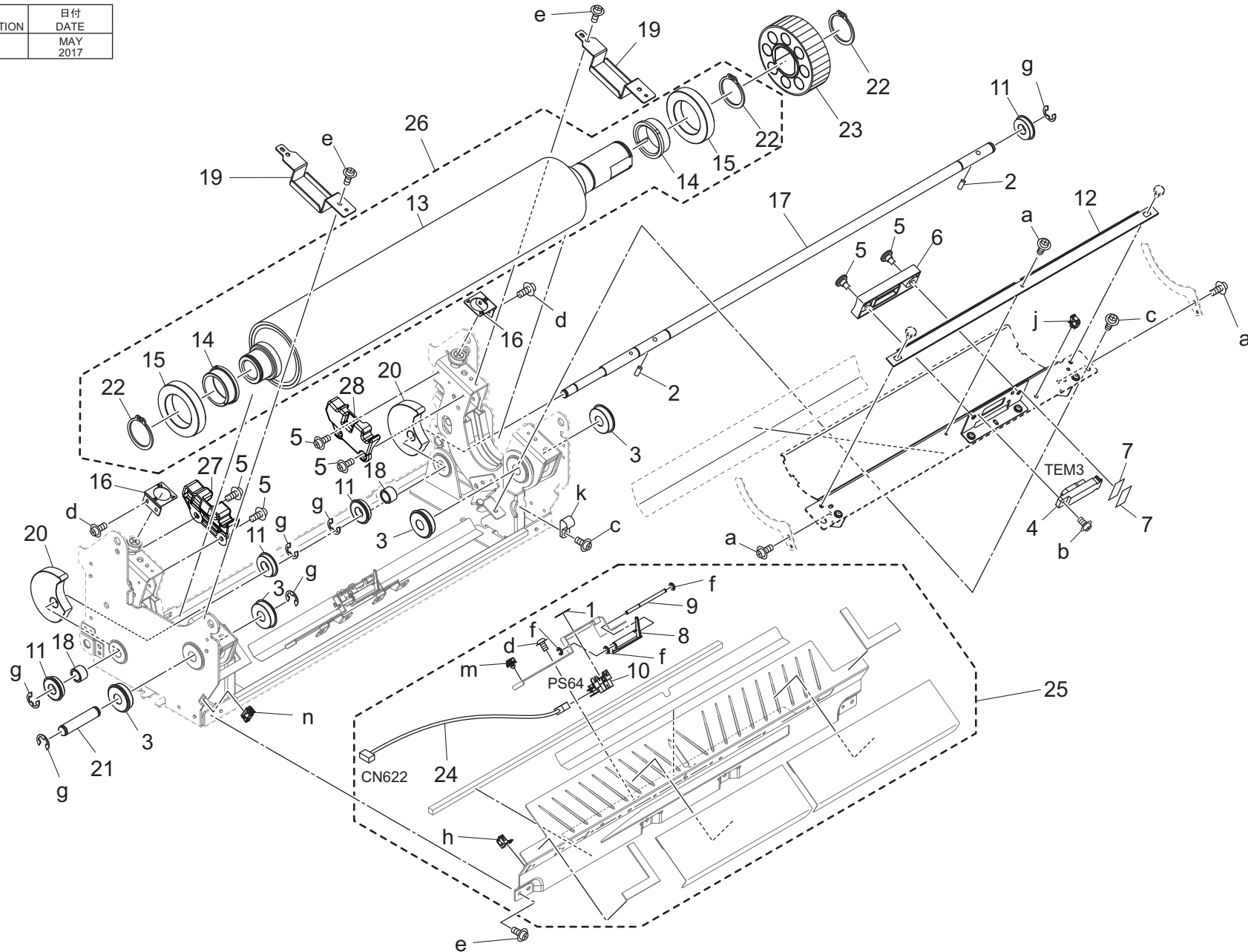
P 57



Key	Part No.	Description	Destinations	Class	QTY	Standard parts
1	12QV40650	Spacer		B	5	a-V116030603
2	4109553001	Stopper		C	3	b-V116030803
3	56AA17510	Pin /B		C	1	c-V121030403
4	A00V240600	Ball Bearing		B	3	d-V121040603
5	A03U724200	Positioning Shaft		D	2	e-V217040001
6	A11PM10200	DC Brushless motor /12	DC ブラシレスモータ / 1 2	C	1	f-V217060001
7	A1RF746300	Spacer /1	スペーサ / 1	D	1	g-V217080001
8	A1RF758100	Pin /B	ピン / B	D	1	h-V234302050
9	A1RF808600	Pressure Gear /5 42T	圧着ギア / 5 4 2 T	C	1	j-V500010005
10	A1RF808900	Pressure Gear /4 60T	圧着ギア / 4 6 0 T	C	1	k-V500020098
11	A1RF809100	Pressure Gear /2 18/110T	圧着ギア / 2 1 8 / 1 1 0 T	C	1	m-V500020099
12	A1RF809400	Pressure Gear /1 22T	圧着ギア / 1 2 2 T	C	1	n-V570010056
13	A1RFM51000	Photointerrupter /H	透過型センサ / H	C	3	p-V570010057
14	A4EU265000	Ball bearing	ボールベアリング (読取駆動)	B	1	
15	A5AW721000	Part /1	部材 / 1	D	2	
16	A5AW749900	Drive Shaft /2	駆動軸 / 2	D	1	
17	A5AW750100	Detecting Plate /C	検出板 / C	D	1	
18	A5AW750200	Release Actuator	解除アクチュエーター	C	1	
19	A5AW782501	Fusing Label /3	定着ラベル / 3	D	1	
20	A5AW808800	Pressure Gear /5 28T	圧着ギア / 5 2 8 T	C	1	
21	A5AW809000	Pressure Gear /3 18/63T	圧着ギア / 3 1 8 / 6 3 T	C	1	
22	A5AWH80000	BR Board /T Assy	BR 基板 / T A s s y	I	1	
23	A5AWN23801	Fixing Drive harness /1	定着駆動束線 / 1	D	1	

# Fusing Section

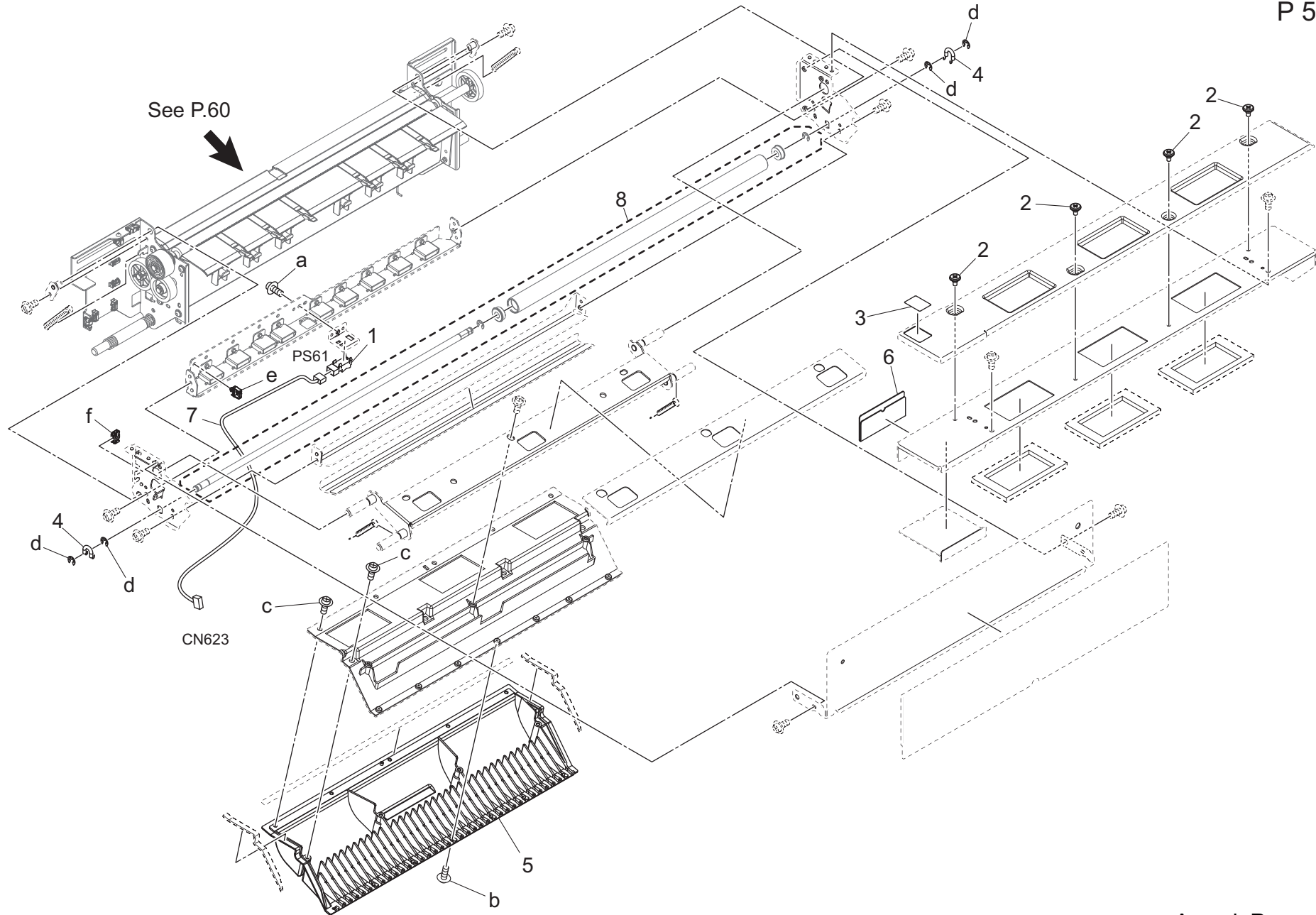
改訂版 REVISED EDITION	日付 DATE
	MAY 2017





Key	Part No.	Description	Destinations	Class	QTY	Standard parts
1	4109553001	Stopper		C	1	a-V116030603
2	454078030	PARALLEL PIN		C	2	b-V116030803
3	56UA75050	ADU Roller Bearing		C	4	c-V116040803
4	65AA88010	Temperature Sensor /1		B	1	d-V121030403
5	A03U734500	Support Screw /A		C	6	e-V182030603
6	A1RF738101	Protection Cover		D	1	f-V217020001
7	A1RF738300	Protection Sheet /F		D	2	g-V217080001
8	A1RF750300	Actuator /2		D	1	h-V500010057
9	A1RF750400	Fixing Shaft /6		D	1	j-V500010074
10	A1RFM51000	Photointerrupter /H		C	1	k-V500020029
11	A4EU265000	Ball bearing		B	4	m-V500020099
12	A50U755000	Neutralizing Brush		D	1	n-V570010057
13	A5AW720401	Lower Pressure Roller		B	1	
14	A5AW721700	Heat Insulating Sleeve/Lw		B	2	
15	A5AW721800	Fusing Bearing/Lw		B	2	
16	A5AW740500	Adjusting Plate		D	2	
17	A5AW742500	Pressure Shaft /A		D	1	
18	A5AW742600	Pressure Spacer		D	2	
19	A5AW742801	Holding Plate /1		D	2	
20	A5AW746500	Pressure Cam		D	2	
21	A5AW747000	Support Shaft /Front		D	1	
22	A5AW789900	C type retaining ring		D	3	
23	A5AW808000	Fusing Gear 120T		C	1	
24	A5AWN23900	Fixing Drive harness /2		D	1	
25	A92WR71D00	Entrance Guide Assy		D	1	
26	A5AWR71R11	Fusing Roller Assy		B	1	
27	A5AW743400	Regulating Guide /Rear		D	1	
28	A5AW743300	Regulating Guide /Front		D	1	

# Fusing Section

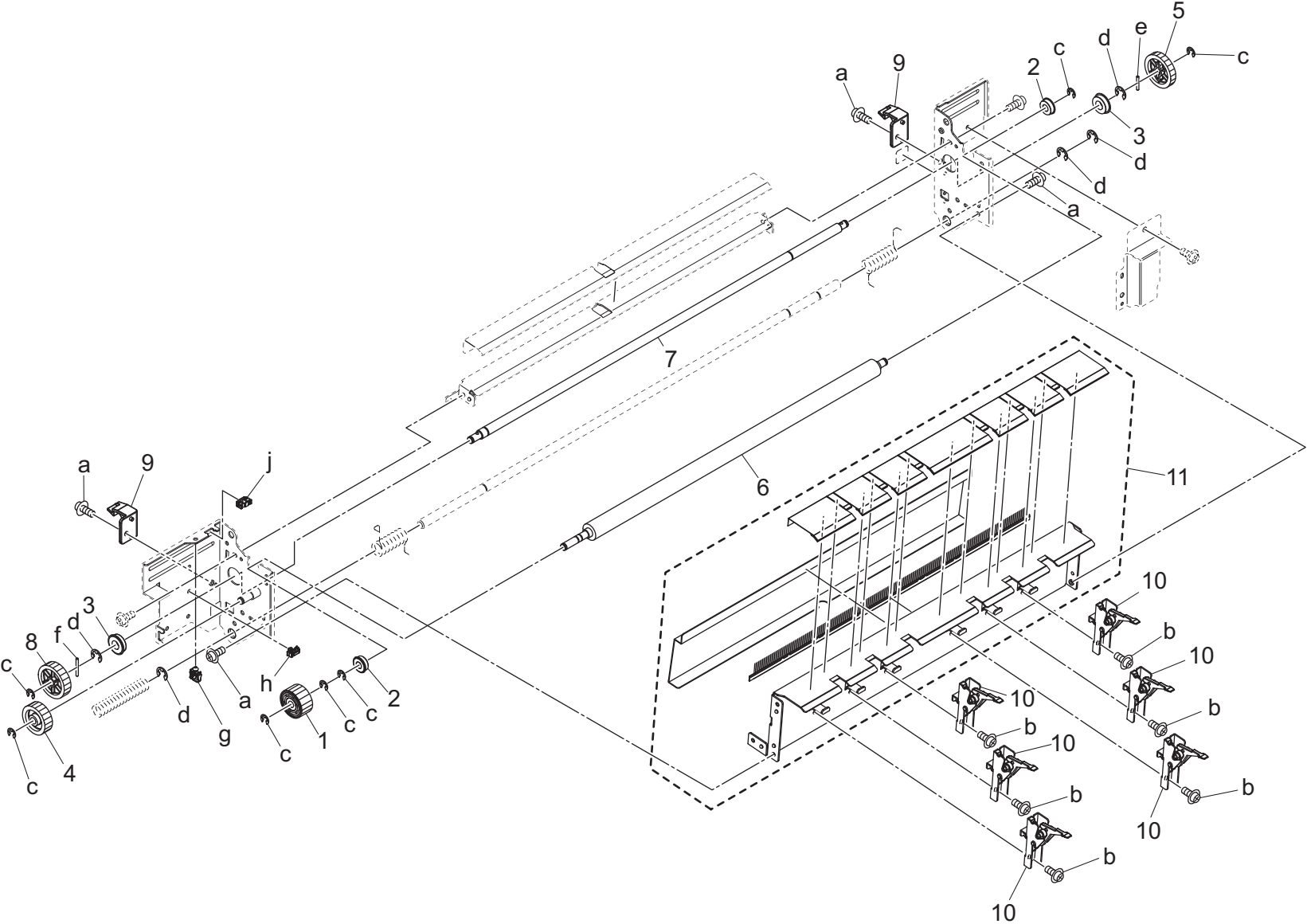


# Fusing Section

Key	Part No.	Description	Destinations	Class	QTY	Standard parts
1	A03TM50000	Photoreflector		I	1	a-V121030603
2	A03U734500	Support Screw /A		C	4	b-V149020804
3	A1RF943600	Release Label /6		D	1	c-V153030803
4	A5AW761700	Paper exit Spring		D	2	d-V217040001
5	A5AW762501	Separating Duct /1		D	1	e-V500020098
6	A5AW781000	Insulating Sheet /1		D	1	f-V570010056
7	A5AWN24000	Fixing Drive harness /3		D	1	
8	A5AWR72600	Fusing Paper Exit Roller Assy/Up		B	1	

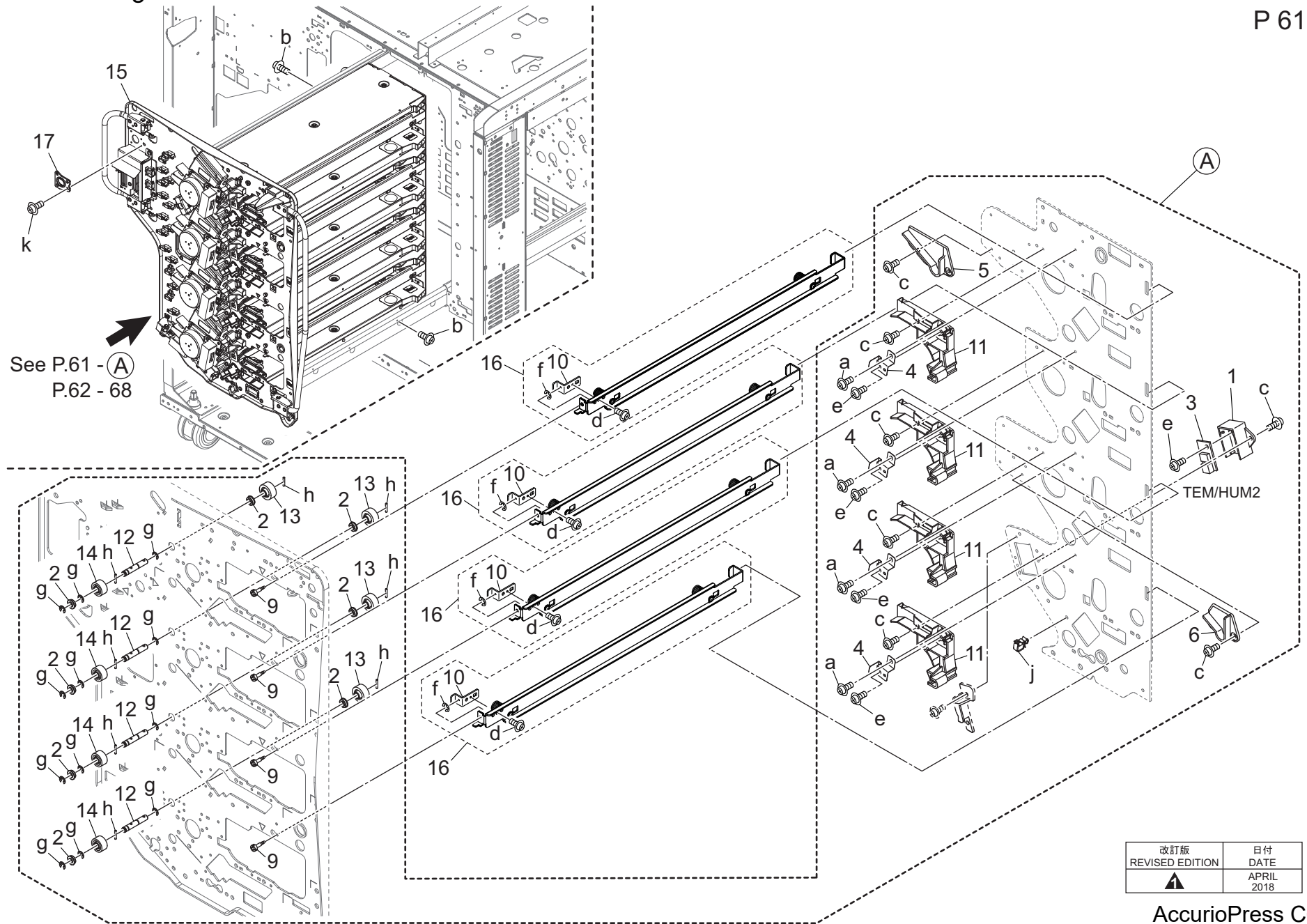


Fusing Section



Key	Part No.	Description	Destinations	Class	QTY	Standard parts
1	56AA77220	PAPER EXIT DRIVING GEAR 1 24T		B	1	a-V121030603
2	A00J211200	Ball Bearing		C	2	b-V182030603
3	A00V240600	Ball Bearing		B	2	c-V217040001
4	A1RF807700	Idling Gear /3 25T		C	1	d-V217060001
5	A1RJ818800	Drive Gear /8 29T		C	1	e-V234201450
6	A5AW760100	Fusing Paper Exit Roller/Lw		B	1	f-V234201850
7	A5AW762800	Support Shaft /2		D	1	g-V500020098
8	A5AW807300	Regulating Gear 29T		C	1	h-V500020099
9	A5AW861601	Fixing Block /Upper		D	2	j-V570010056
10	A5AWR70G00	Fusing Claw Assy		B	6	
11	A5AWR72700	Fusing Claw Plate Assy		D	1	

# Process Carriage Section



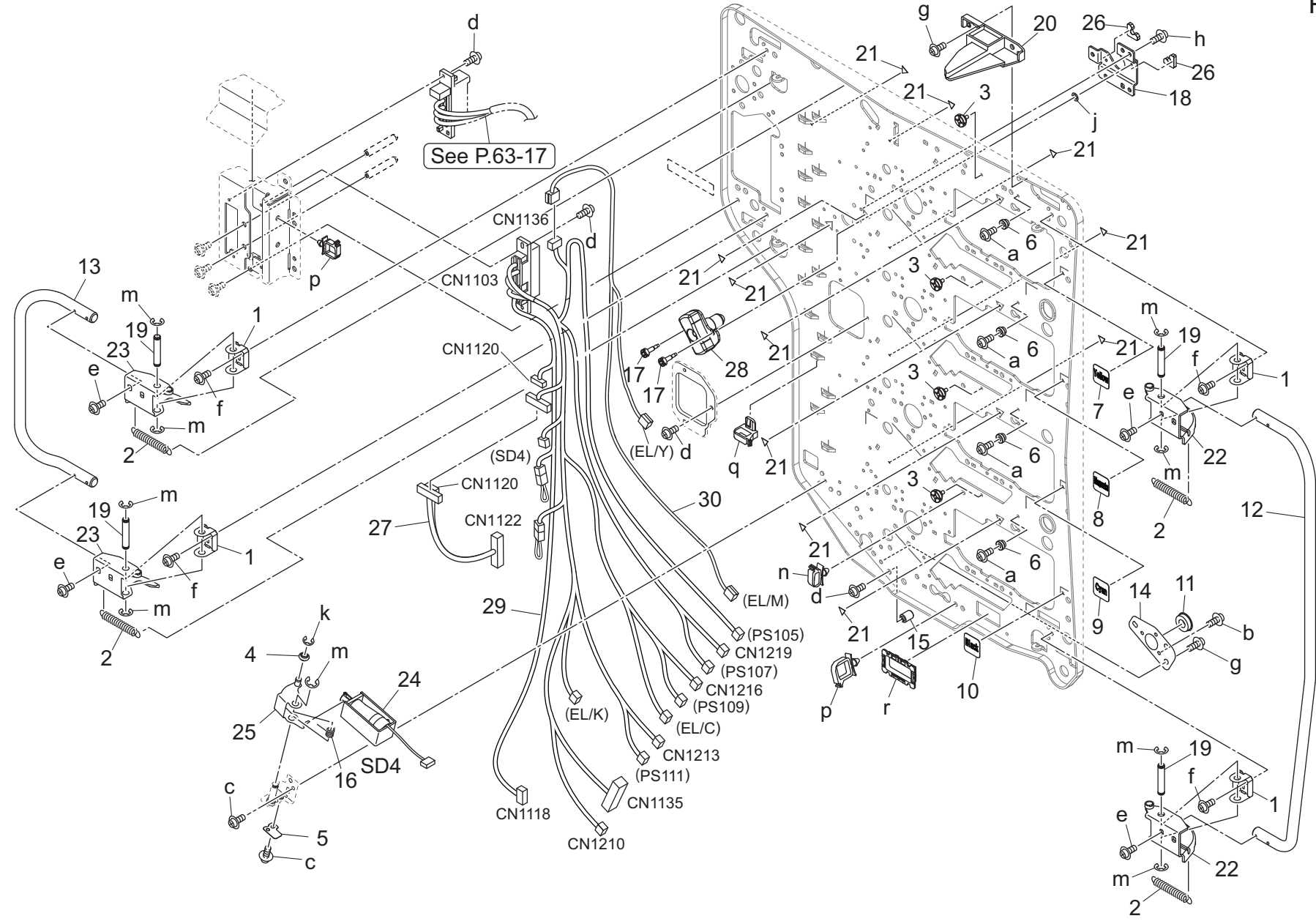
See P.61 - (A)  
P.62 - 68

改訂版 REVISED EDITION	日付 DATE
	APRIL 2018

AccurioPress C6085

Key	Part No.	Description	Destinations	Class	QTY	Standard parts
1	65AA11300	SUPPORT PART		D	1	a-V116030603
2	A00J617800	Ball Bearing		B	8	b-V118040603
3	A0P0M50400	Humidity sensor		C	1	c-V121030403
4	A1RF344000	Photoconductor Spring /2		D	4	d-V121030603
5	A1RF344201	Support Block /Rear		D	1	e-V153030803
6	A1RF346700	Support Block /Rear		D	1	f-V211030080
9	A1RF349103	Fixing Screw		D	4	g-V217040001
10	A1RF349302	Receiving Plate		D	4	h-V237201250
11	A5AW342200	Mounting Block /Rear		D	4	j-V500020098
12	A5AW352000	Idling Shaft /1		D	4	k-V116040803
13	A5AW359800	Drive Gear /2 16T		C	4	
14	A5AW359900	Drive Gear /1 30T		C	4	
15	A92WR70S00	Process Carriage Assy		I	1	
16	A1RFR7P100	Developing Pressing Assy		D	4	
17	A03U347201	Carriage Positioning Plate /Left		D	1	

# Process Carriage Section



AccurioPress C6085

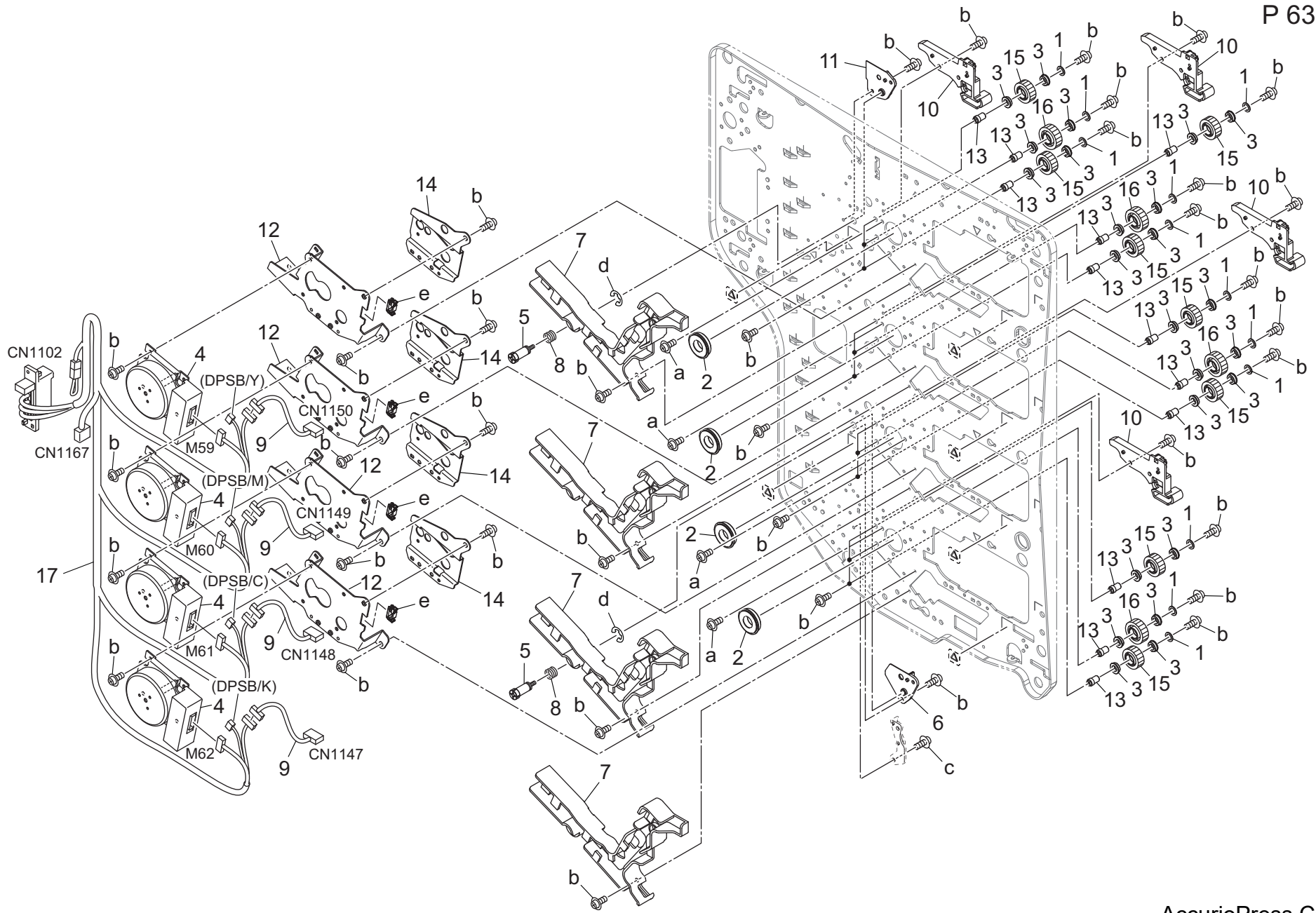


Process Carriage Section

Key	Part No.	Description	Destinations	Class	QTY	Standard parts
1	65AA22260	HINGE PLATE A	ヒンジ板 / A	D	4	a-V118030803
2	65AA22290	LEVER OPEN SHUT SPRING	レバー開閉バネ	C	4	b-V118040403
3	65AA22680	CARTRIDGE SUPPORT SCREW	カートリッジ支持ネジ	C	4	c-V121030403
4	65AA22750	SEPARATION PRESSURE ROLLER	分離圧着コロ	C	1	d-V121030603
5	65AA22820	SOLENOID SUPPORT PLATE	ソレノイド支持板	D	1	e-V121031203
6	65AA22830D	Mounting Spacer	取り付けスペーサー	D	4	f-V121040403
7	65AA97440	Developing Exchanging Label /Y	現像交換ラベル / Y	D	1	g-V121040603
8	65AA97450	Developing Exchanging Label /M	現像交換ラベル / M	D	1	h-V127030603
9	65AA97460	Developing Exchanging Label /C	現像交換ラベル / C	D	1	j-V211030080
10	65AA97470	Developing Exchanging Label /K	現像交換ラベル K	D	1	k-V217030001
11	A00V240600	Ball Bearing	ボールベアリング	B	1	m-V217040001
12	A1RF341300	Open/close Handle /Right	開閉取手 / 右	D	1	n-V500010003
13	A1RF341400	Open/close Handle /Left	開閉取手 / 左	D	1	p-V500010007
14	A1RF347300	Support Plate /A	支持板 / A	D	1	q-V500010021
15	A1RF347500	Guide Shaft /B	ガイド軸 / B	D	1	r-V570010047
16	A1RF348800	Release Spring	解除ばね	D	1	
17	A1RF349103	Fixing Screw	固定ねじ	D	2	
18	A1RF349200	Fixing Plate	固定板	D	1	
19	A1RF350800	Lock Shaft	ロック軸	D	4	
20	A1RF438101	Guide Part	ガイド部材	D	1	
21	A1RF945101	Replacement Label /1	交換ラベル / 1 (ORU)	D	11	
22	A1RFF34500	Lock Plate/Right Calking	ロック板 / 右カシメ	D	2	
23	A1RFF34600	Lock Plate/Left Calking	ロック板 / 左カシメ	D	2	
24	A1RFR74800	SOLENOID	ソレノイド	B	1	
25	A1RFR78400	SUPPORT PLATE CALKING	支点板カシメ	D	1	
26	A5AW352700	Protection Cushion	保護クッション	D	2	
27	A5AWN15400	Transfer Wiring /3	転写束線 / 3	D	1	
28	A5AWR71A00	Positioning Handle Assy	位置決め取手 A s s y	D	1	
29	A92WN14701	Transfer Wiring /1	転写束線 / 1	D	1	
30	A92WN15700	Transfer Wiring /6	転写束線 / 6	D	1	

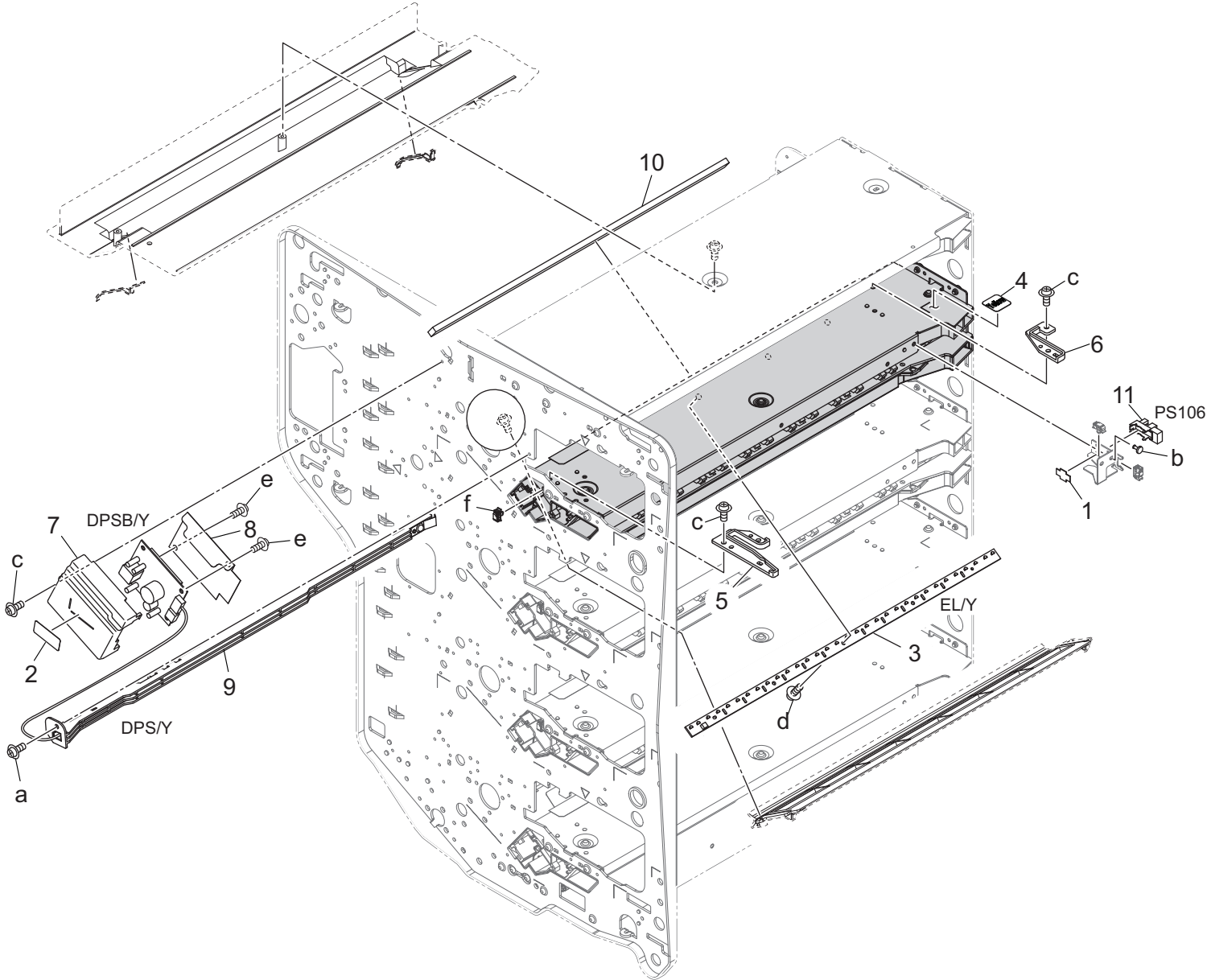
# Process Carriage Section

P 63



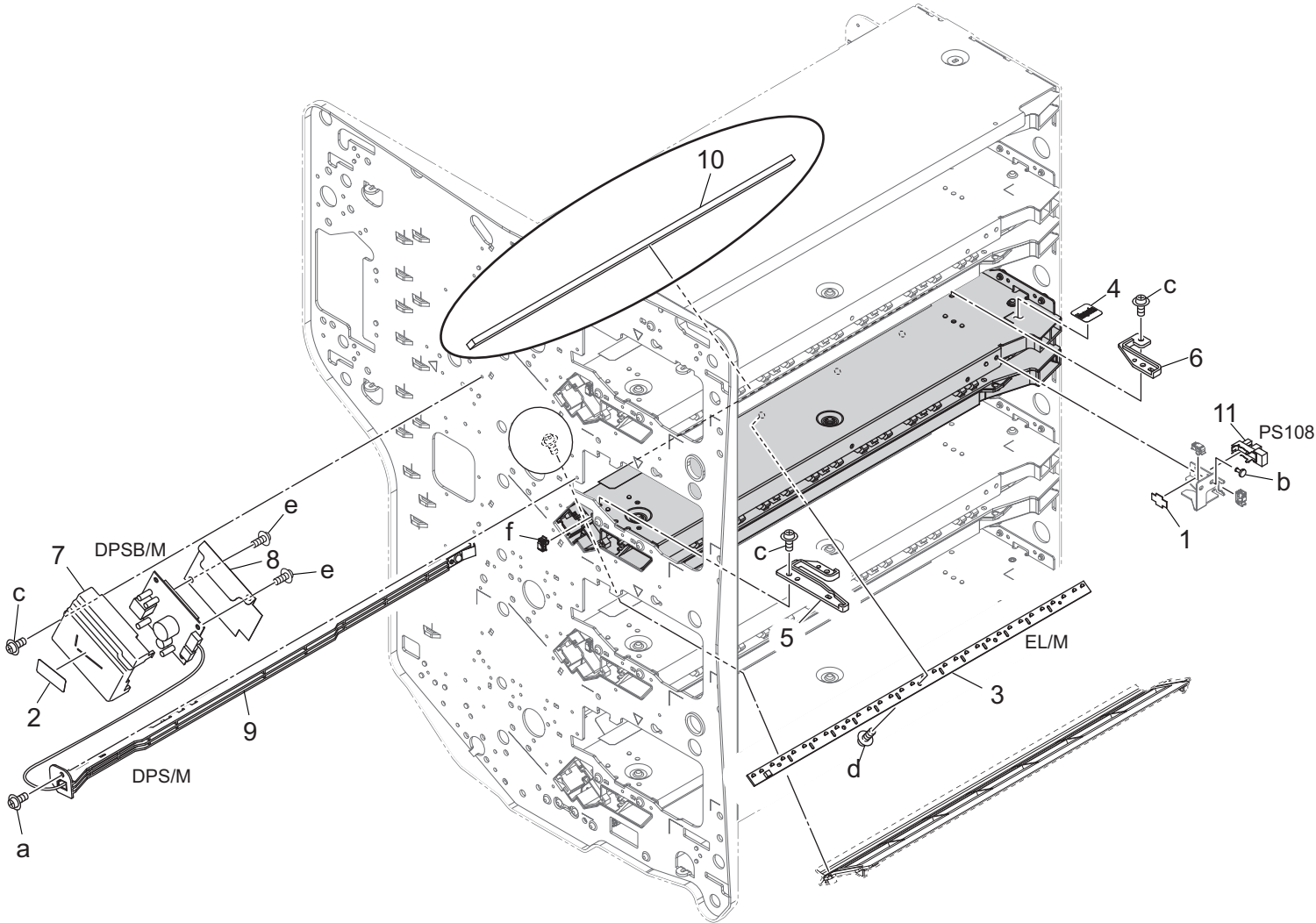
Key	Part No.	Description	Destinations	Class	QTY	Standard parts
1	26MA74040	WASHER		C	12	a-V118040403 b-V121030403 c-V121030603 d-V217060001 e-V570010057
2	65AA75081	DRUM SUPPORT BEARING /2		C	4	
3	A00J617800	Ball Bearing		B	24	
4	A011M10101	BRUSHLESS MOTOR /20		B	4	
5	A1RF345800	Fixing Screw		D	2	
6	A1RF345900	Support Block /Front		D	1	
7	A1RF348002	Guide Cover		D	4	
8	A1RF349000	Release Spring		D	2	
9	A1RFN15201	Toner Detection Harness /2		D	4	
10	A5AW342100	Mounting Block /Front		D	4	
11	A5AW344100	Support Block /Front		D	1	
12	A5AW352100	Drive Plate /A		D	4	
13	A5AW352201	Idling Shaft /2		D	12	
14	A5AW352300	Drive Plate /B		D	4	
15	A5AW359600	Drive Gear /4 18T		C	8	
16	A5AW359700	Drive Gear /3 20T		C	4	
17	A92WN14800	Transfer Wiring /2		D	1	

Process Carriage Section



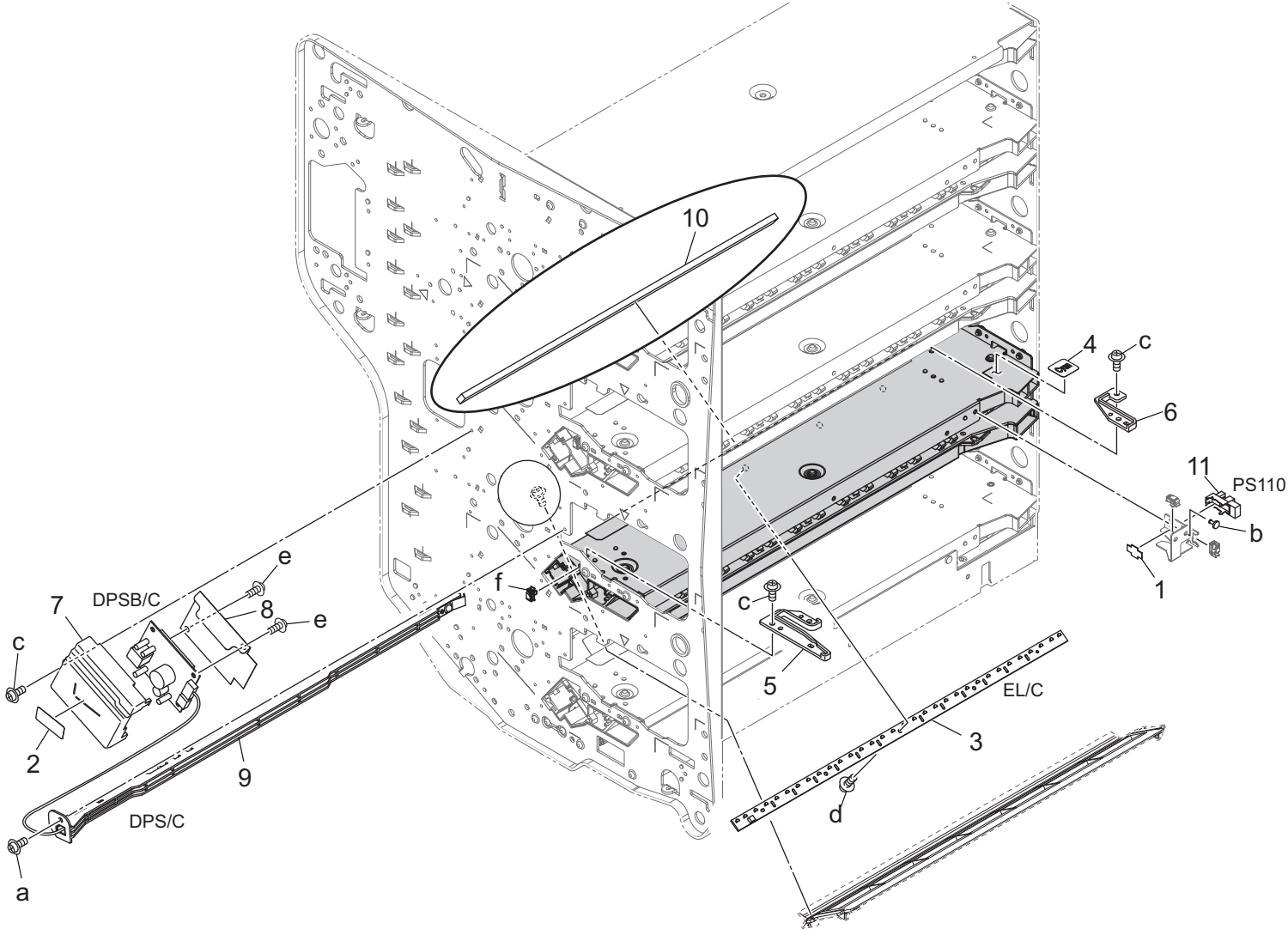
Key	Part No.	Description	Destinations	Class	QTY	Standard parts
1	4470402401	Stopper		D	1	a-V118030403
2	56UA97920	HIGE VOLTAGE CAUTION LABEL		C	1	b-V118030603
3	65AA83070	PCL		B	1	c-V121030603
4	65AA97440	Developing Exchanging Label /Y		D	1	d-V153020503
5	A1RF347600	Guide Block /Front		D	1	e-V153030803
6	A1RF347700	Guide Block /Rear		D	1	f-V500020077
7	A1RF348103	Insulating Cover		D	1	
8	A1RF350700	Base plate Cover		D	1	
9	A1RFR74711	Surface Electric Potential Assy		C	1	
10	A5AW352601	Scatteringprevention Seal		D	1	
11	A85CM55600	Photo Sensor		C	1	

Process Carriage Section



Key	Part No.	Description	Destinations	Class	QTY	Standard parts
1	4470402401	Stopper		D	1	a-V118030403 b-V118030603 c-V121030603 d-V153020503 e-V153030803 f-V500020077
2	56UA97920	HIGE VOLTAGE CAUTION LABEL		C	1	
3	65AA83070	PCL		B	1	
4	65AA97450	Developing Exchanging Label /M		D	1	
5	A1RF347600	Guide Block /Front		D	1	
6	A1RF347700	Guide Block /Rear		D	1	
7	A1RF348103	Insulating Cover		D	1	
8	A1RF350700	Base plate Cover		D	1	
9	A1RFR74711	Surface Electric Potential Assy		C	1	
10	A5AW352601	Scatteringprevention Seal		D	1	
11	A85CM55600	Photo Sensor		C	1	

Process Carriage Section

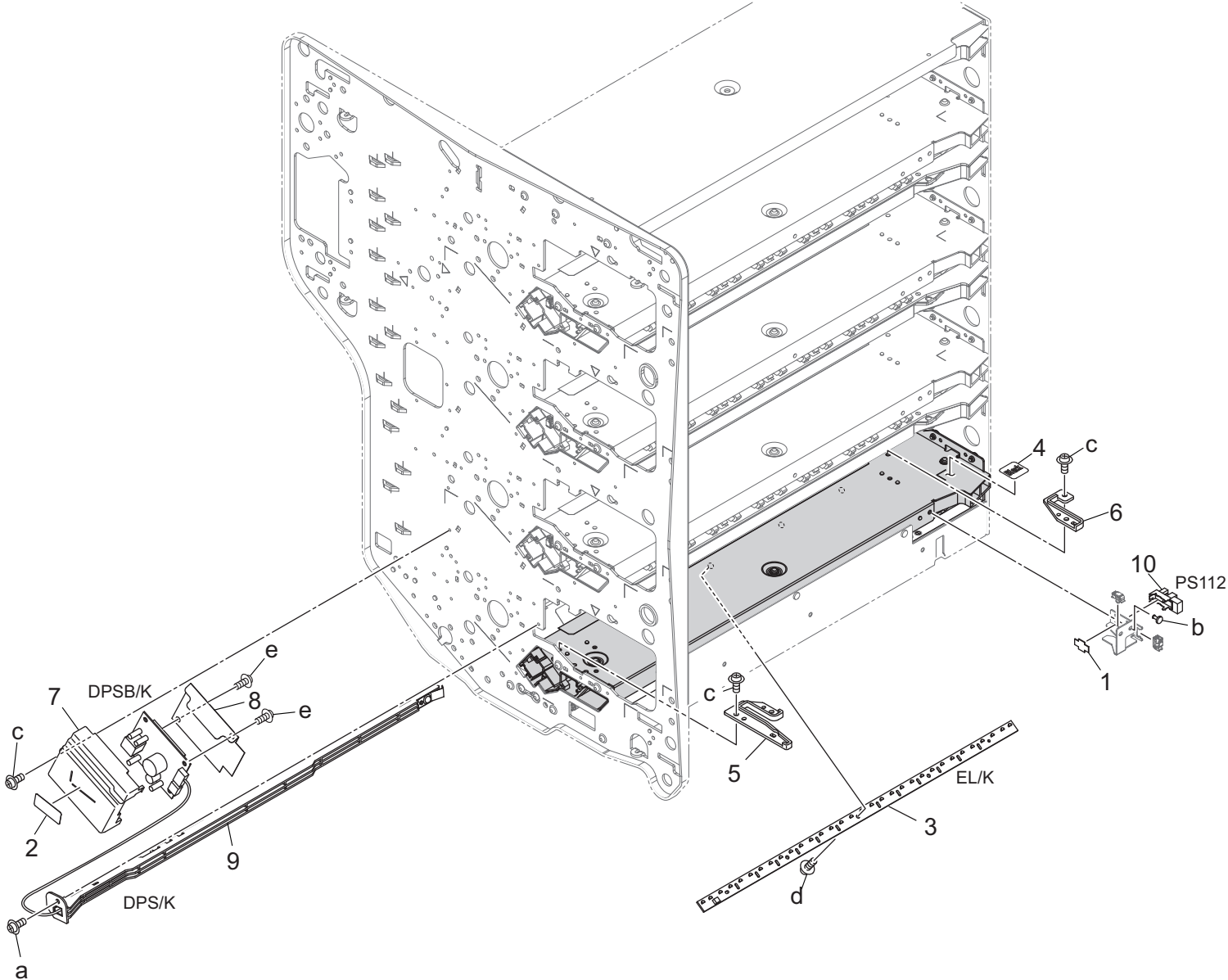




# Process Carriage Section

Key	Part No.	Description	Destinations	Class	QTY	Standard parts
1	4470402401	Stopper		D	1	a-V118030403 b-V118030603 c-V121030603 d-V153020503 e-V153030803 f-V500020077
2	56UA97920	HIGE VOLTAGE CAUTION LABEL		C	1	
3	65AA83070	PCL		B	1	
4	65AA97460	Developing Exchanging Label /C		D	1	
5	A1RF347600	Guide Block /Front		D	1	
6	A1RF347700	Guide Block /Rear		D	1	
7	A1RF348103	Insulating Cover		D	1	
8	A1RF350700	Base plate Cover		D	1	
9	A1RFR74711	Surface Electric Potential Assy		C	1	
10	A5AW352601	Scatteringprevention Seal		D	1	
11	A85CM55600	Photo Sensor		C	1	

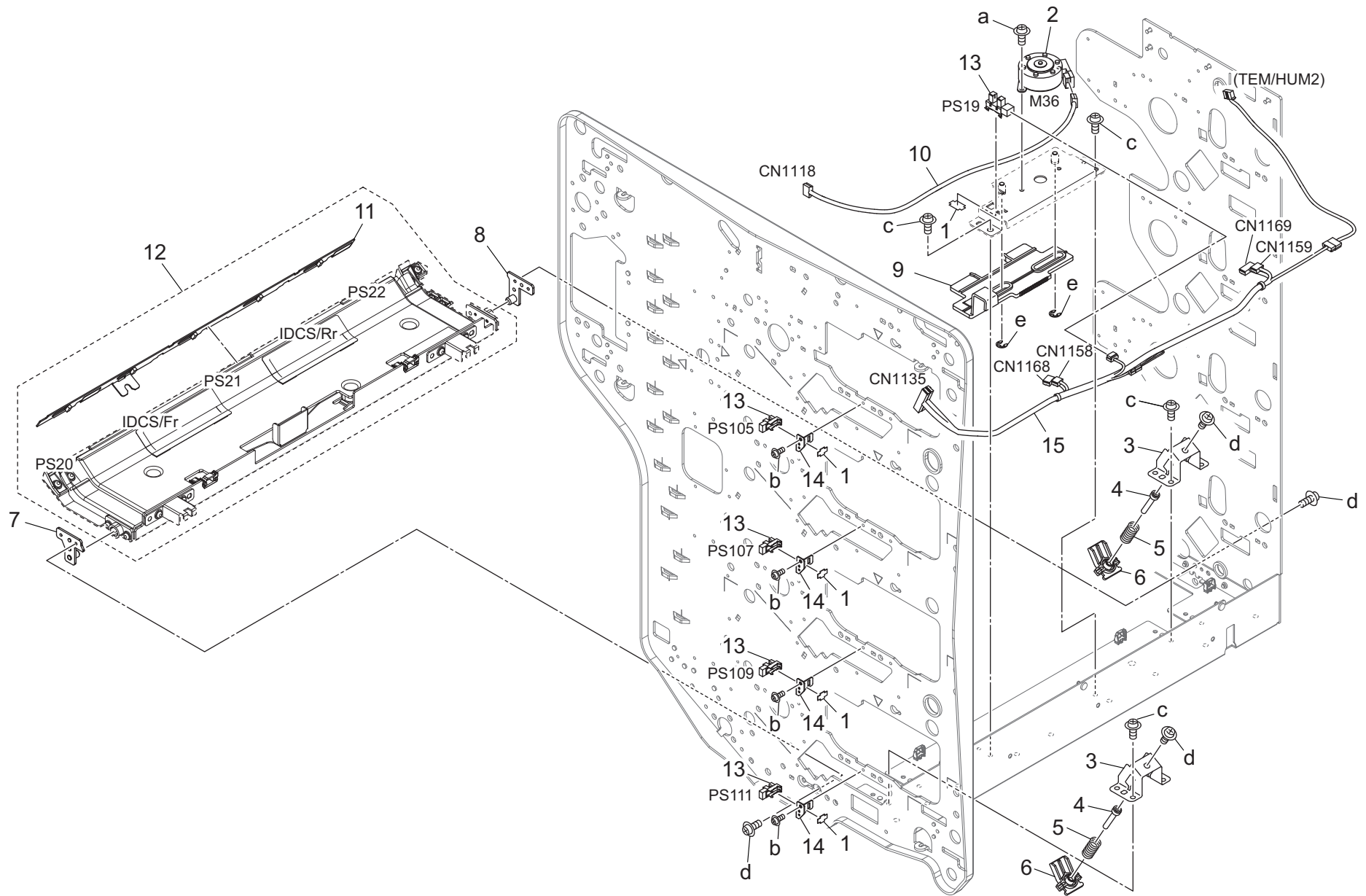
Process Carriage Section



Key	Part No.	Description	Destinations	Class	QTY	Standard parts
1	4470402401	Stopper		D	1	a-V118030403 b-V118030603 c-V121030603 d-V153020503 e-V153030803
2	56UA97920	HIGE VOLTAGE CAUTION LABEL		C	1	
3	65AA83070	PCL		B	1	
4	65AA97470	Developing Exchanging Label /K		D	1	
5	A1RF347600	Guide Block /Front		D	1	
6	A1RF347700	Guide Block /Rear		D	1	
7	A1RF348103	Insulating Cover		D	1	
8	A1RF350700	Base plate Cover		D	1	
9	A1RFR74711	Surface Electric Potential Assy		C	1	
10	A85CM55600	Photo Sensor		C	1	

# Process Carriage Section

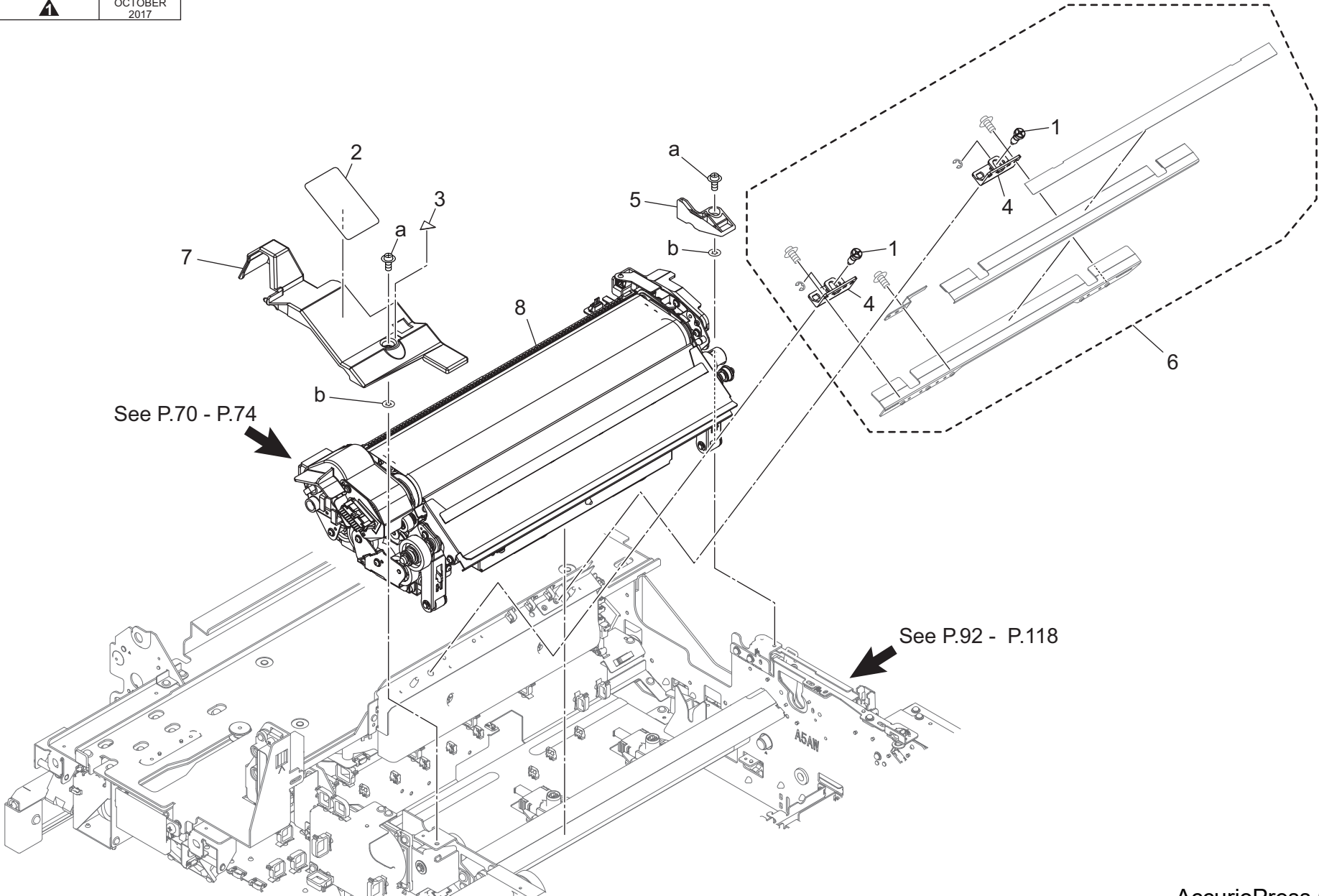
P 68



Key	Part No.	Description	Destinations	Class	QTY	Standard parts
1	4470402401	Stopper		D	5	a-V118030403 b-V118030603 c-V121030403 d-V121030603 e-V217040001
2	A00JM12100	Stepping motor		C	1	
3	A1RF348300	Pressing Plate		D	2	
4	A1RF348400	Guide Shaft		D	2	
5	A1RF348500	Pressing Spring		D	2	
6	A1RF348601	Pressing Block		D	2	
7	A1RFR78300	SEPARATING PLATE / CALKING		D	1	
8	A1RFR78800	SEPARATING PLATE /REAR CALKING		D	1	
9	A5AW351200	Drive Rack		D	1	
10	A5AWN15800	Transfer Wiring /7		D	1	
11	A5AWR70500	Sensor Shutter		B	1	
12	A5AWR72300	Sensor Stay/Lower Assy		D	1	
13	A85CM55600	Photo Sensor		C	5	
14	A92W345700	Sensor Stay /Front		D	4	
15	A92WN15000	Compensating Wiring /1		D	1	

# Secondary Transfer Section

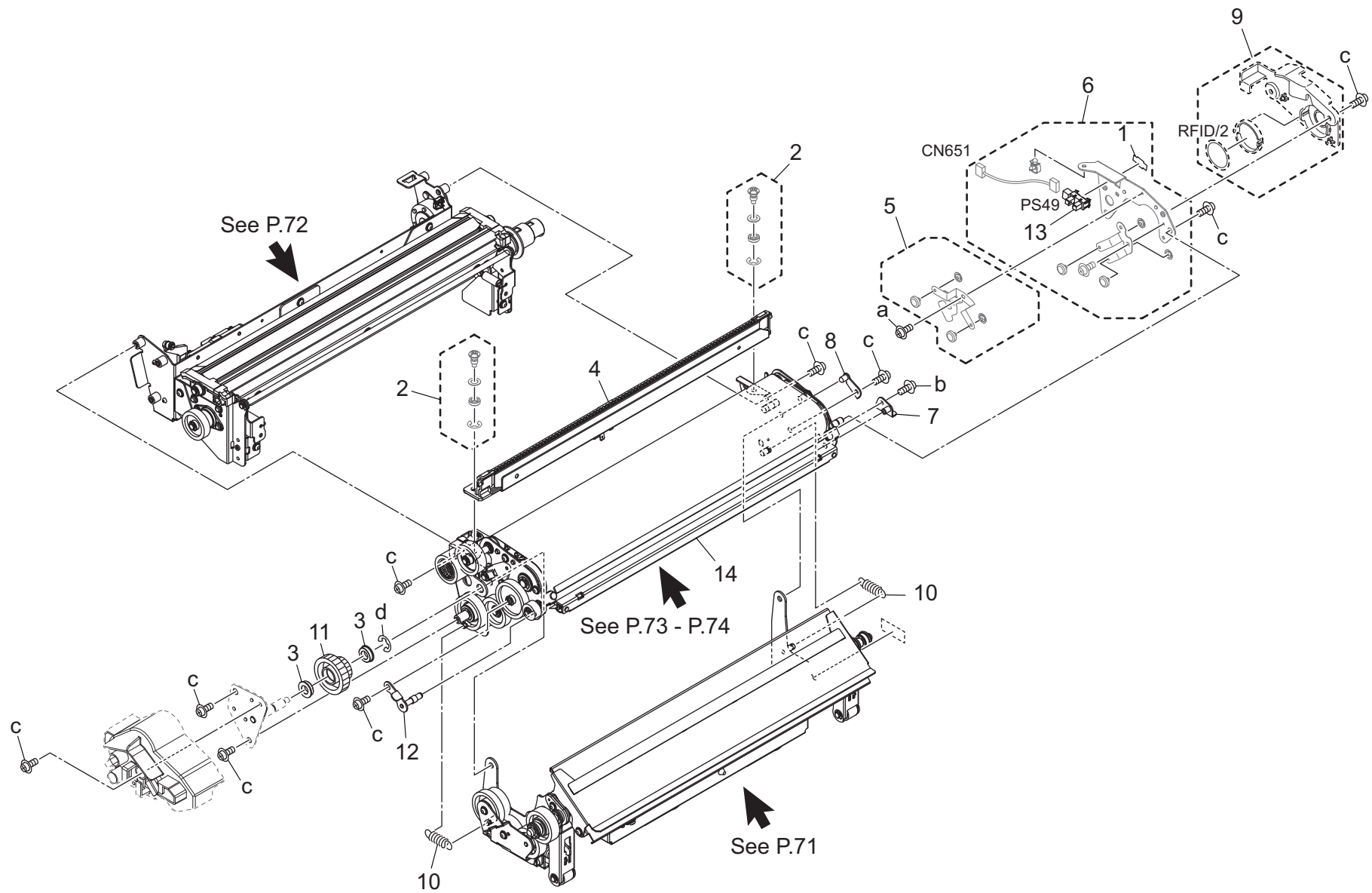
改訂版 REVISED EDITION	日付 DATE
	OCTOBER 2017



Key	Part No.	Description	Destinations	Class	QTY	Standard parts
1	A1RF819100	Mounting Shoulder screw		D	2	a-V121030803 b-V211030080
2	A1RF942300	Caution Label /3		D	1	
3	A1RF945101	Replacement Label /1		D	1	
4	A5AW818202	Holding Part		D	2	
5	A5AW826501	Holding Cover /Rear		D	1	
6	A5AWR71S11Old	Fusing Front Guide Assy		I	1	
6	A92WR71E00	Fusing Front Guide Assy		D	1	
7	A92W817300	Holding Cover /Front		D	1	
8	A92WR70700	2nd Transfer Unit		B	1	

# Secondary Transfer Section

P 70

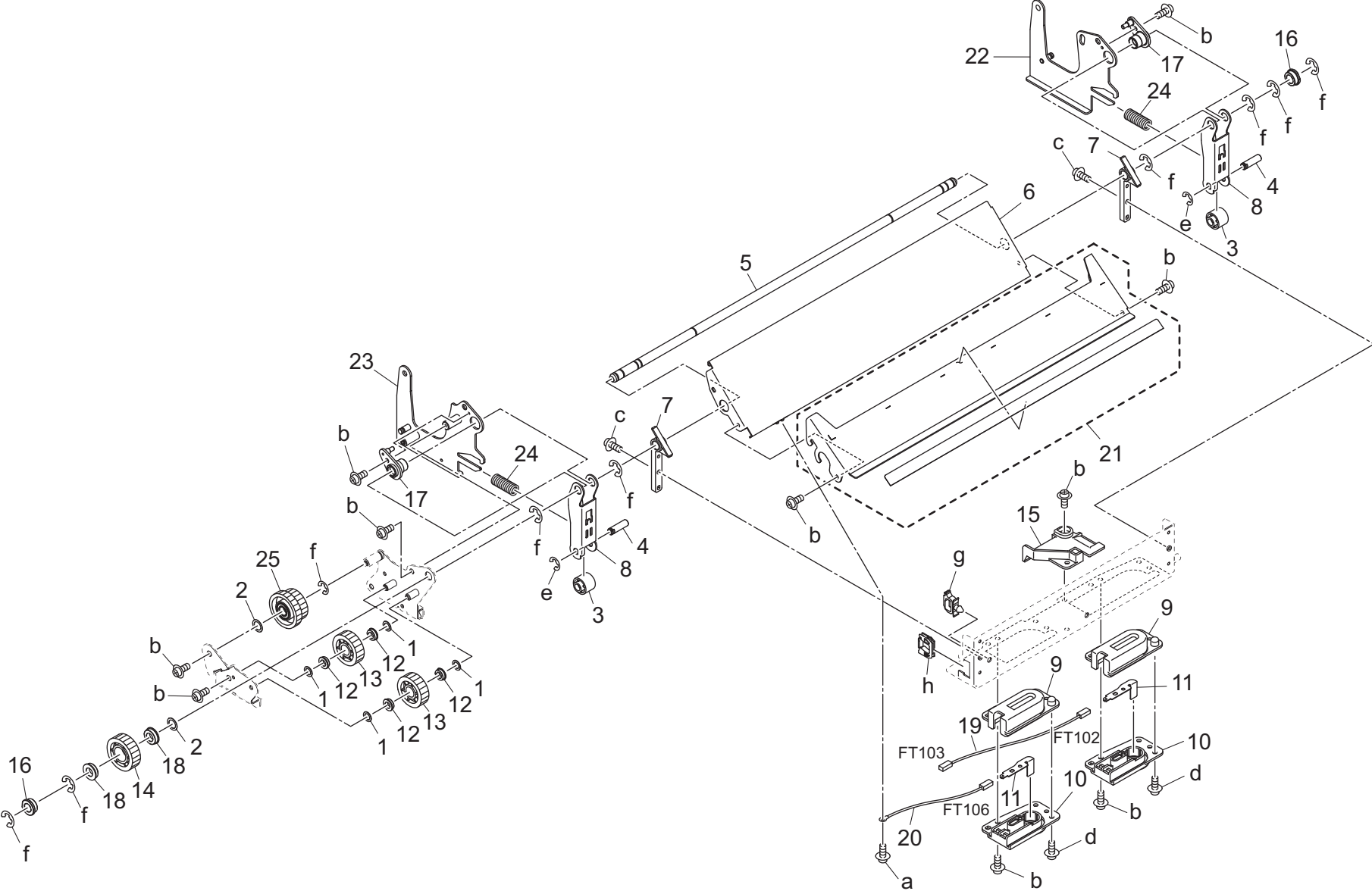




# Secondary Transfer Section

Key	Part No.	Description	Destinations	Class	QTY	Standard parts
1	4470402401	Stopper		D	1	a-V121030403 b-V121030404 c-V121030603 d-V217060001
2	65AAR77900	SEPARATING MT SCREW		C	2	
3	A1RF710900	Ball bearing /1		C	2	
4	A1RFR70500	Neutralizing Holde		A	1	
5	A1RFR71900	Ground Plate/1		B	1	
6	A1RFR72000	Ground Plate/2		B	1	
7	A1RFR7B200	POSITIONING PLATE /REAR CALKING		D	1	
8	A1RFR7B300	HOLDING PLATE/REAR CALKING		D	1	
9	A1RFR7G300	Transfer Cover/Rear		C	1	
10	A5AW527300	Swing Spring		D	2	
11	A5AW539500	Transfer Gear /C 19/32T		C	1	
12	A5AWR72M00	Positioning Plate/Front Caulking		D	1	
13	A85CM55600	Photo Sensor		C	1	
14	A92WR70800	2nd Transfer Belt Assy		B	1	

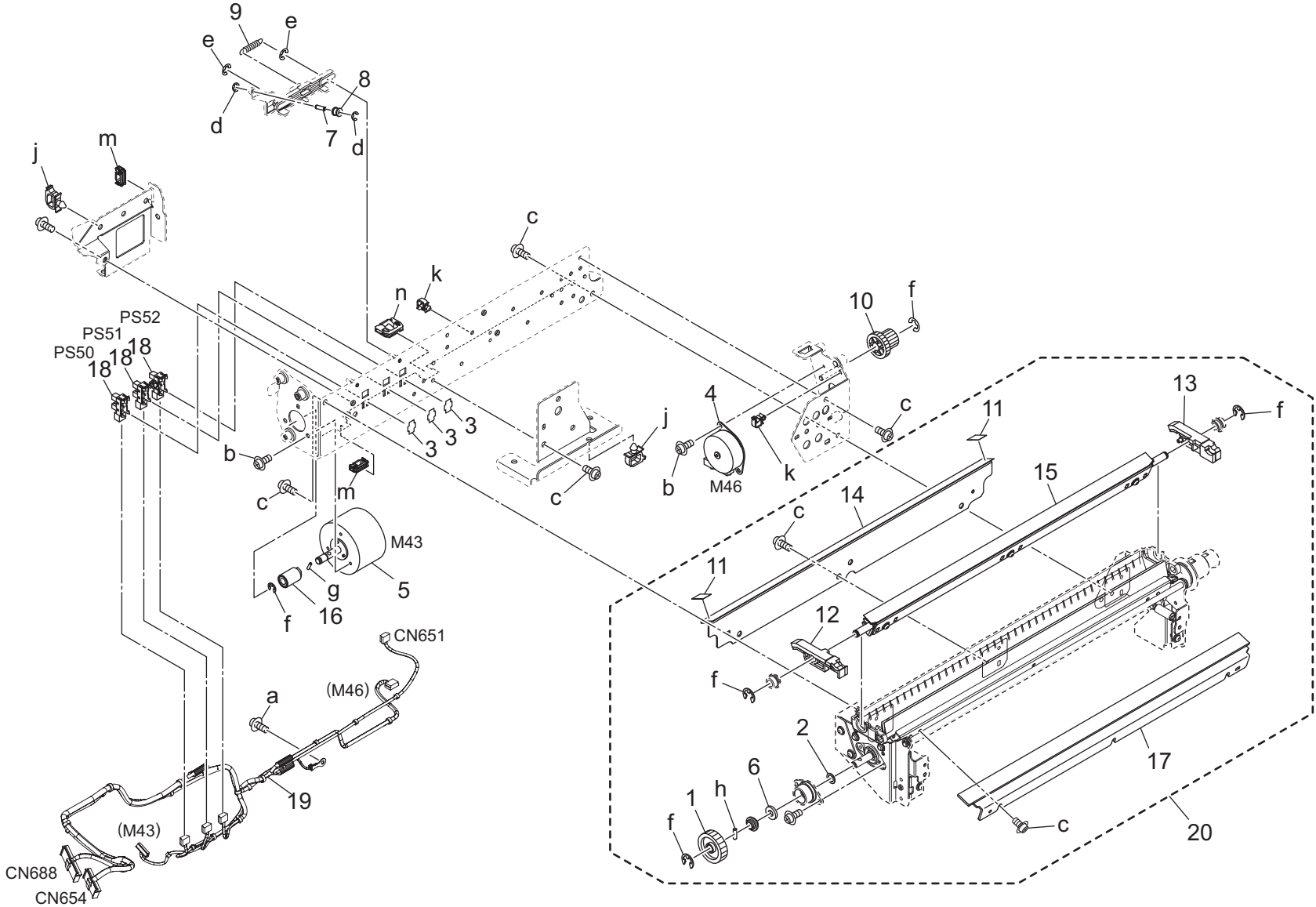
Secondary Transfer Section



# Secondary Transfer Section

Key	Part No.	Description	Destinations	Class	QTY	Standard parts
1	40AA32320	Toner Supply Spacer		C	4	a-V116030603
2	56AA42690	BY-PASS SPACER		C	2	b-V121030603
3	65AA45180	TRANSFER PRESSURE ROLLER		C	2	c-V121030803
4	65AA45190D	Fulcrum Shaft /2		D	2	d-V153030803
5	A1RF520700	Transfer Shaft		D	1	e-V217040001
6	A1RF520901	Transfer Guide /Lower		D	1	f-V217060001
7	A1RF523201	Hold Stay		D	2	g-V500010005
8	A1RF523800	Pressure Lever		D	2	h-V570010060
9	A1RF526000	Power supply Block /A		D	2	
10	A1RF526100	Power supply Block /B		D	2	
11	A1RF526200	Power supply Plate /2		D	2	
12	A1RF529100	Drive Ball bearing		C	4	
13	A1RF529800	Idling Gear /2 28T		D	2	
14	A1RF529900	Idling Gear /1 30T		D	1	
15	A1RF530400	Protection Guide		D	1	
16	A1RF530500	Support Bushing		D	2	
17	A1RF533700	Support Guide		D	2	
18	A1RF710900	Ball bearing /1		C	2	
19	A1RFN20200	HV Wiring /2		D	1	
20	A1RFN20400	HV Wiring /4		D	1	
21	A1RFR72900	TRANSFER GUIDE /UPPER ASSY		A	1	
22	A1RFR7B700	TRANSFER SIDE PLATE/REAR CALKING		D	1	
23	A1RFR7H000	TRANSFER SIDE PLATE/FRONT CALKING		D	1	
24	A5AW526500	Transfer Spring		D	2	
25	A5AW539400	Transfer Gear /B 27/31T		C	1	

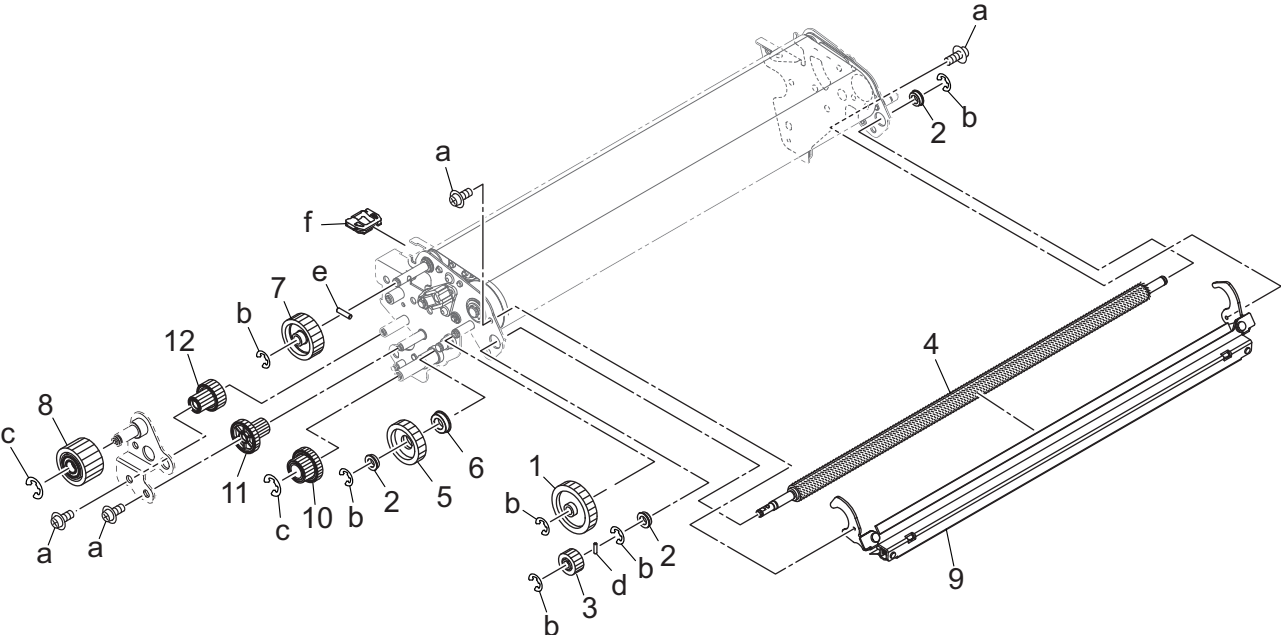
# Secondary Transfer Section



# Secondary Transfer Section

Key	Part No.	Description	Destinations	Class	QTY	Standard parts
1	25SA77180	TONER CONVEYANCE GEAR B 26T	トナー搬送歯車 B 26 T	C	1	a-V116030603 b-V118030403 c-V121030603 d-V217020001 e-V217030001 f-V217040001 g-V234200850 h-V234301050 j-V500010005 k-V500020098 m-V570010057 n-V570010060
2	40AA32320	Toner Supply Spacer	トナー補給スペーサー	C	1	
3	4470402401	Stopper	ストッパー	D	3	
4	A00JM12100	Stepping motor	ステッピングモータ	C	1	
5	A11PM10200	DC Brushless motor /12	DC ブラシレスモータ / 1 2	C	1	
6	A1RF517200	Collection Seal	回収シール	D	1	
7	A1RF524300	Detecting Shaft /2	検出軸 / 2	D	1	
8	A1RF524400	Roll	ころ	D	1	
9	A1RF526900	Detecting Spring	検出ばね	D	1	
10	A1RF529600	Control Gear 14/56T	制御ギア 1 4 / 5 6 T	D	1	
11	A1RF531600	Scattering Prevention Sheet/1	飛散防止シート / 1	A	2	
12	A1RFR7N500	Cleaning Side Seal Plate/Fr	クリーニングサイドシール取付板 / F r	A	1	
13	A1RFR7N600	Cleaning Side Seal Plate/Rr	クリーニングサイドシール取付板 / R r	A	1	
14	A1RFR7N700	Scatter. Prevent. Sheet Plate/1	飛散防止シート取付板 / 1	A	1	
15	A1RFR7N800	2nd Trans. Assist Scraper Assy	2次転写補助スクレーパー A s s y	A	1	
16	A50U504400	Pressure Gear /M 18T	圧着ギア / M 1 8 T	C	1	
17	A5AWR73300	2nd Transfer Cleaning Blade	2次転写クリーニングブレード	A	1	
18	A85CM55600	Photo Sensor	フォトセンサ	C	3	
19	A92WN22100	Transfer Relay Harness /1	転写中継束線 / 1	D	1	
20	A92WR70400	2nd Transfer Cleaning Unit	2次転写クリーニングユニット	C	1	

Secondary Transfer Section

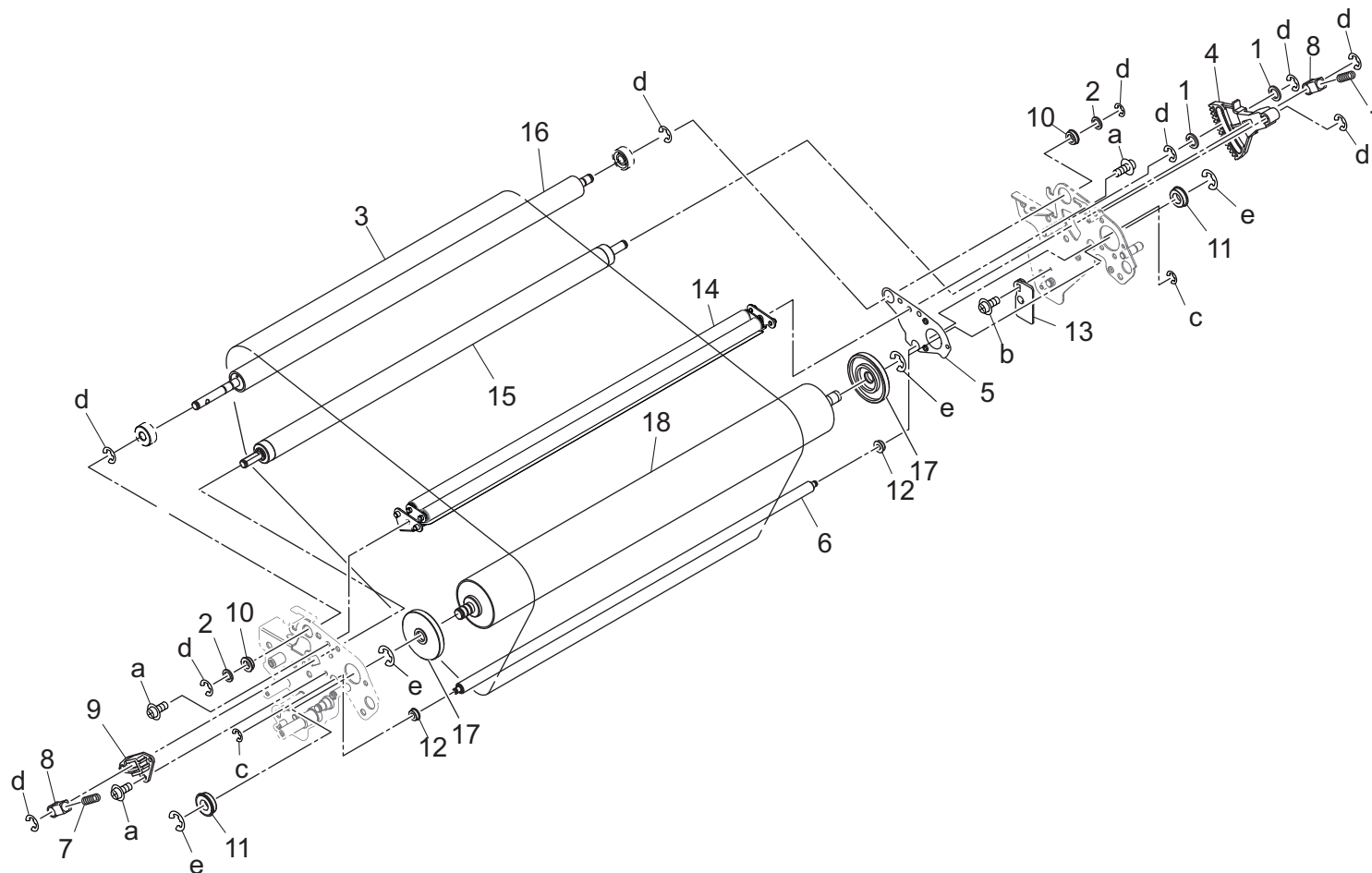


# Secondary Transfer Section

Key	Part No.	Description	Destinations	Class	QTY	Standard parts
1	65AA77410	TONER SUPPLY GEAR D 31T		C	1	a-V121030603 b-V217040001 c-V217060001 d-V234200850 e-V234301250 f-V570010060
2	A1RF529100	Drive Ball bearing	トナー補給ギア D 31 T	C	3	
3	A1RF529701	Cleaning Gear 14T	駆動ボールベアリング	C	1	
4	A1RF532800	Auxiliary Brush	クリーニングギア 14 T	A	1	
5	A1RF539700	Idling Gear /6 28T	補助ブラシ	C	1	
6	A1RF710900	Ball bearing /1	アイドルギア /6 28 T	C	1	
7	A5AW539300	Transfer Gear /A 27T	ボールベアリング /1	C	1	
8	A5AW539900	Transfer Gear /D 25T	転写ギア / A 27 T	C	1	
9	A5AWR70S00	2nd Transfer Process Blade Assy	転写ギア / D 25 T	A	1	
10	A92W529500	Idling Gear /B 15/38T	2次転写処理ブレード Assy	C	1	
11	A92W539100	Idling Gear /C 17/37T	アイドルギア / B 15 / 38 T	C	1	
12	A92W539200	Idling Gear /A 18/31T	アイドルギア / C 17 / 37 T	C	1	
			アイドルギア / A 18 / 31 T			

# Secondary Transfer Section

改訂版 REVISED EDITION	日付 DATE
	OCTOBER 2018





Key	Part No.	Description	Destinations	Class	QTY	Standard parts
1	40AA32320	Toner Supply Spacer		C	2	a-V121030603 b-V127030803 c-V217030001 d-V217040001 e-V217060001
2	57AA30260	Developing Agitating Spacer		C	2	
3	A1RF520400	Transfer Belt		A	1	
4	A1RF522201	Control Arm		D	1	
5	A1RF523401	Mounting Plate /Rear		D	1	
6	A1RF523600	Guide Roller		D	1	
7	A1RF526700	Tension Spring		D	2	
8	A1RF527100	Tension Block /1		D	2	
9	A1RF527200	Tension Block /2		D	1	
10	A1RF529100	Drive Ball bearing		C	2	
11	A1RF529300	Ball bearing		C	2	
12	A1RF529400	Guide Ball bearing		C	2	
13	A1RF535100	Guide Block		D	1	
14	A1RFR7N300	Connecting Stay Assy		A	1	
15	A1RFR7N400	Tension Roller		C	1	
16	A1RF520200	Drive Roller		C	1	
17	A1RF523900	Transfer Collar		D	2	
18	A1RF520100	Transfer Roller		D	1	



# Secondary Transfer Section (Emboss)

P 75

EMBOSS

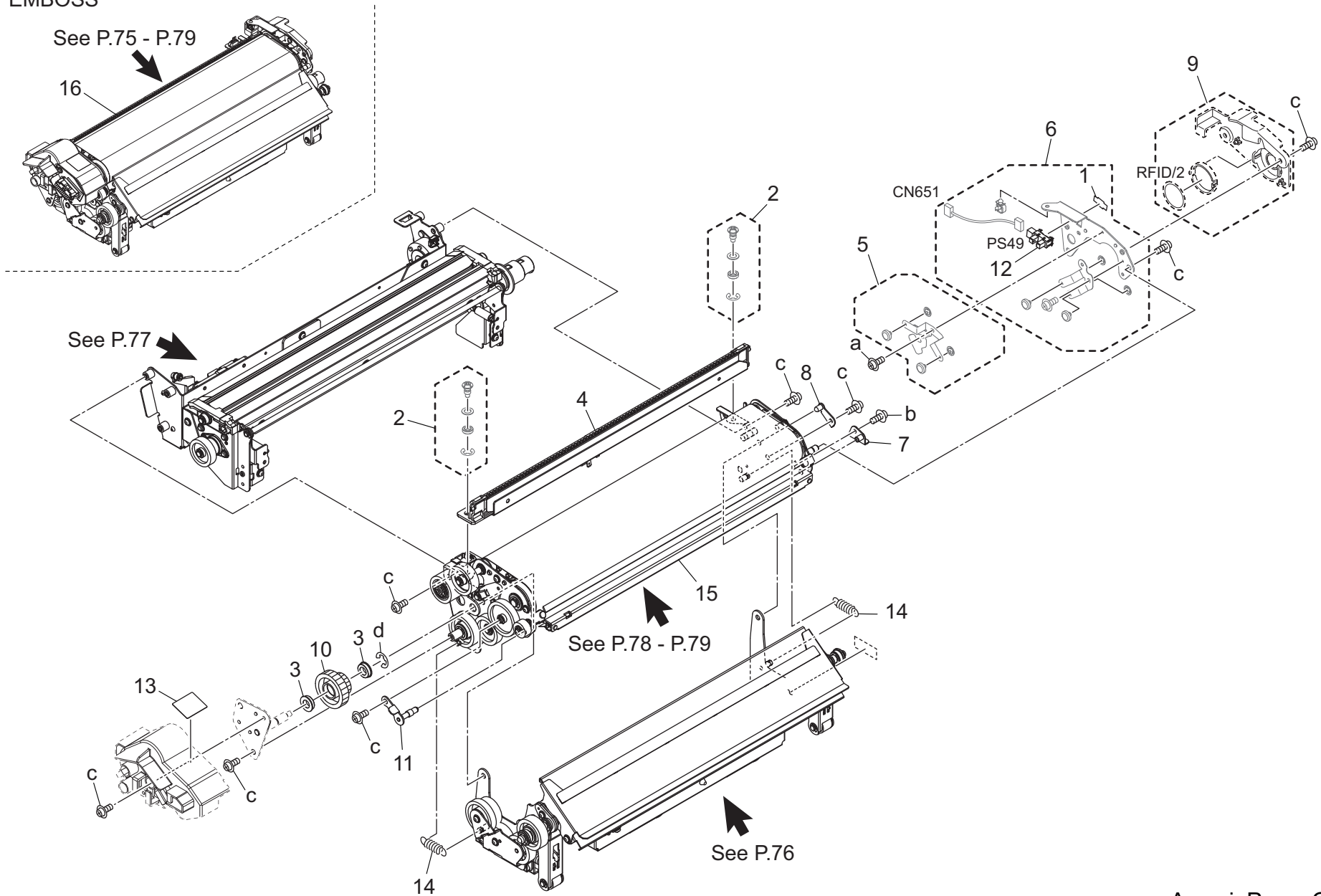
See P.75 - P.79

16

See P.77

See P.78 - P.79

See P.76



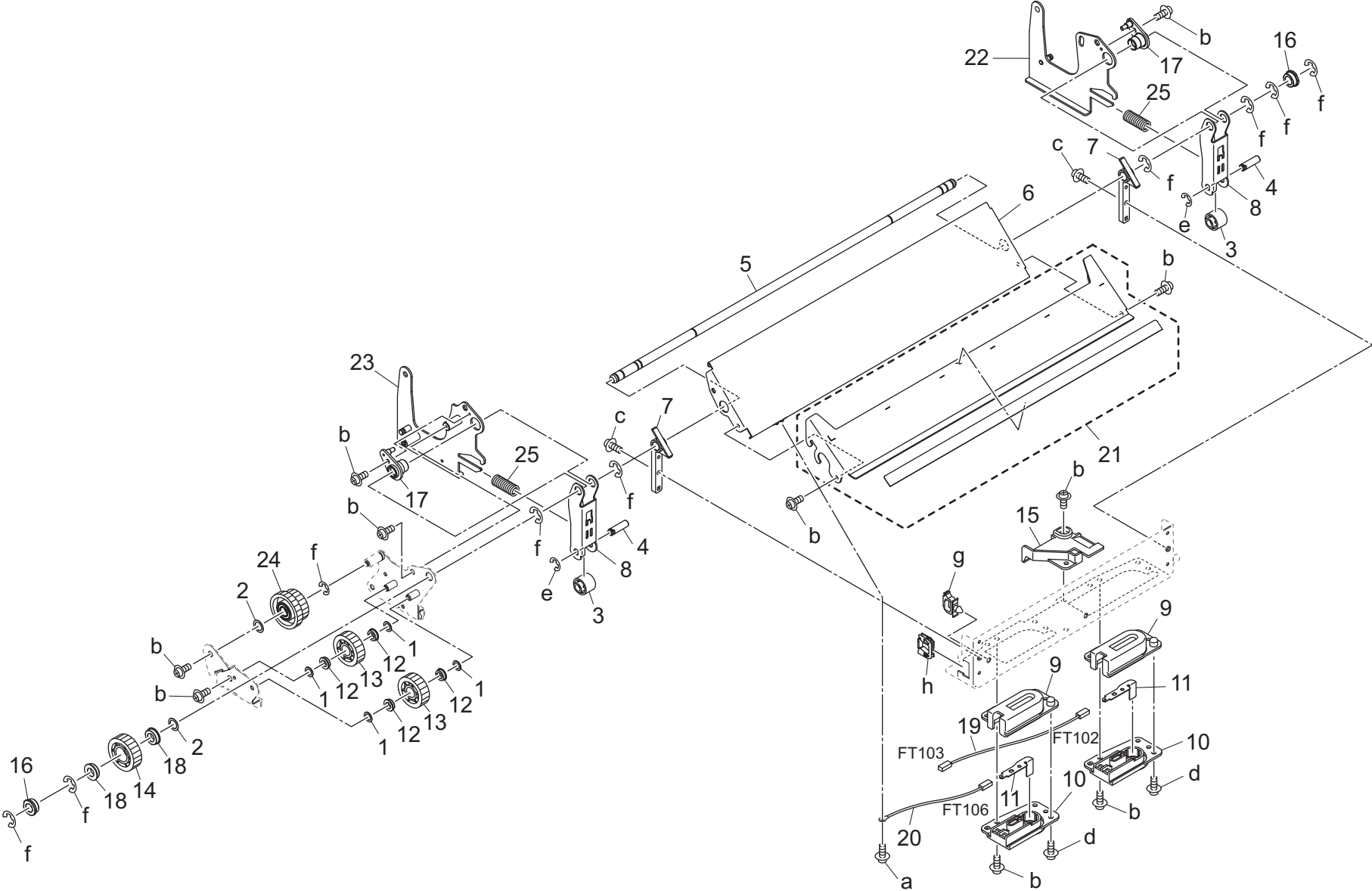
# Secondary Transfer Section (Emboss)

Key	Part No.	Description	Destinations	Class	QTY	Standard parts
1	4470402401	Stopper		D	1	a-V121030403 b-V121030404 c-V121030603 d-V217060001
2	65AAR77900	SEPARATING MT SCREW		C	2	
3	A1RF710900	Ball bearing /1		C	2	
4	A1RFR70500	Neutralizing Holde		A	1	
5	A1RFR71900	Ground Plate/1		B	1	
6	A1RFR72000	Ground Plate/2		B	1	
7	A1RFR7B200	POSITIONING PLATE /REAR CALKING		D	1	
8	A1RFR7B300	HOLDING PLATE/REAR CALKING		D	1	
9	A1RFR7G300	Transfer Cover/Rear		C	1	
10	A5AW539500	Transfer Gear /C 19/32T		C	1	
11	A5AWR72M00	Positioning Plate/Front Caulking		D	1	
12	A85CM55600	Photo Sensor		C	1	
13	A92WP51500	Label /E		D	1	
14	A92WP55100	Swing Spring /E		D	2	
15	A92WR70800	2nd Transfer Belt Assy		B	1	
16	A92WR70E11	EMBOSS 2nd Transfer Unit		B	1	

# Secondary Transfer Section (Emboss)

EMBOSS

P 76

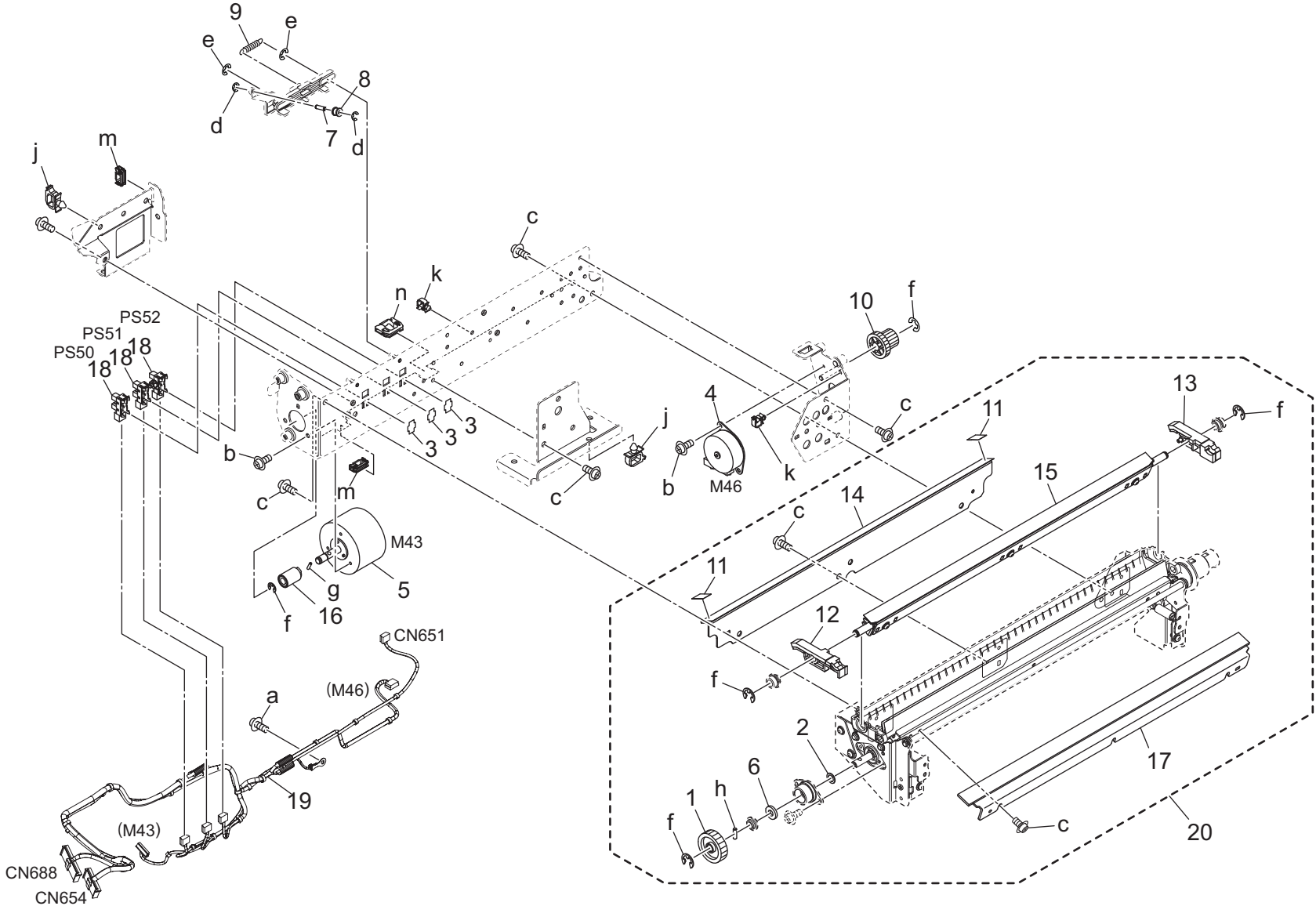


## Secondary Transfer Section (Emboss)

Key	Part No.	Description	Destinations	Class	QTY	Standard parts
1	40AA32320	Toner Supply Spacer		C	4	a-V116030603
2	56AA42690	BY-PASS SPACER		C	2	b-V121030603
3	65AA45180	TRANSFER PRESSURE ROLLER		C	2	c-V121030803
4	65AA45190D	Fulcrum Shaft /2		D	2	d-V153030803
5	A1RF520700	Transfer Shaft		D	1	e-V217040001
6	A1RF520901	Transfer Guide /Lower		D	1	f-V217060001
7	A1RF523201	Hold Stay		D	2	g-V500010005
8	A1RF523800	Pressure Lever		D	2	h-V570010060
9	A1RF526000	Power supply Block /A		D	2	
10	A1RF526100	Power supply Block /B		D	2	
11	A1RF526200	Power supply Plate /2		D	2	
12	A1RF529100	Drive Ball bearing		C	4	
13	A1RF529800	Idling Gear /2 28T		D	2	
14	A1RF529900	Idling Gear /1 30T		D	1	
15	A1RF530400	Protection Guide		D	1	
16	A1RF530500	Support Bushing		D	2	
17	A1RF533700	Support Guide		D	2	
18	A1RF710900	Ball bearing /1		C	2	
19	A1RFN20200	HV Wiring /2		D	1	
20	A1RFN20400	HV Wiring /4		D	1	
21	A1RFR72900	TRANSFER GUIDE /UPPER ASSY		A	1	
22	A1RFR7B700	TRANSFER SIDE PLATE/REAR CALKING		D	1	
23	A1RFR7H000	TRANSFER SIDE PLATE/FRONT CALKING		D	1	
24	A5AW539400	Transfer Gear /B 27/31T		C	1	
25	A92WP55200	Transfer Spring /E		D	2	

# Secondary Transfer Section (Emboss)

EMBOSS

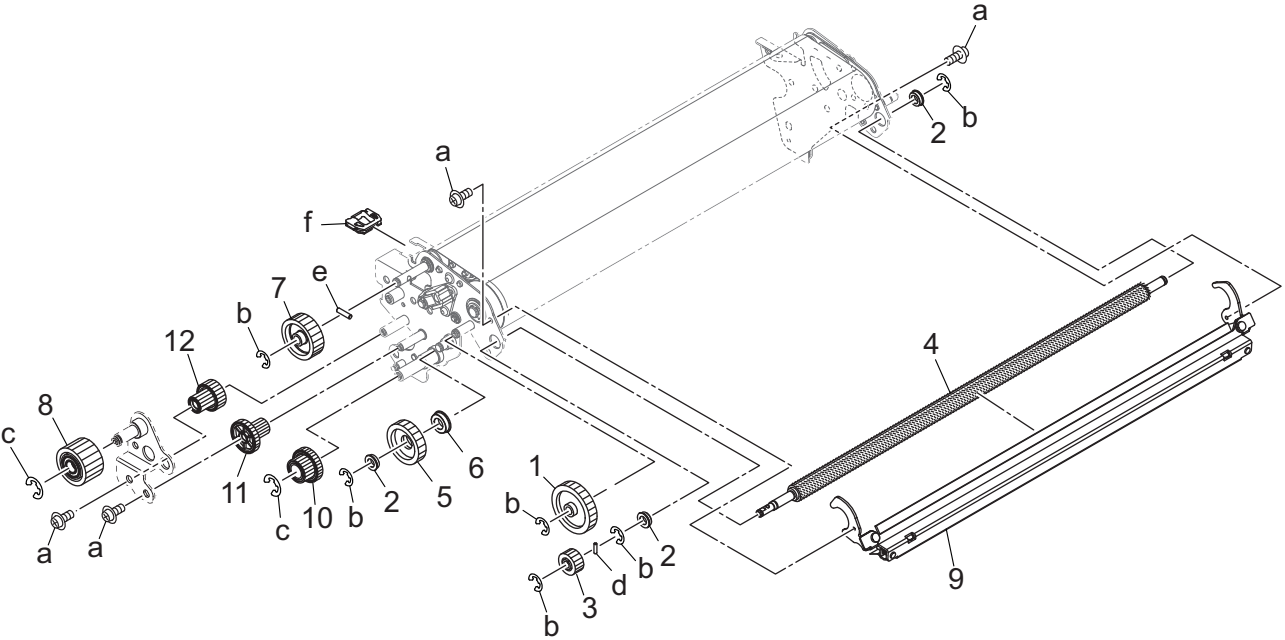


## Secondary Transfer Section (Emboss)

Key	Part No.	Description	Destinations	Class	QTY	Standard parts
1	25SA77180	TONER CONVEYANCE GEAR B 26T	トナー搬送歯車 B 26 T	C	1	a-V116030603
2	40AA32320	Toner Supply Spacer	トナー補給スペーサー	C	1	b-V118030403
3	4470402401	Stopper	ストッパ	D	3	c-V121030603
4	A00JM12100	Stepping motor	ステッピングモータ	C	1	d-V217020001
5	A11PM10200	DC Brushless motor /12	DC ブラシレスモータ / 1 2	C	1	e-V217030001
6	A1RF517200	Collection Seal	回収シール	D	1	f-V217040001
7	A1RF524300	Detecting Shaft /2	検出軸 / 2	D	1	g-V234200850
8	A1RF524400	Roll	ころ	D	1	h-V234301050
9	A1RF526900	Detecting Spring	検出ばね	D	1	j-V500010005
10	A1RF529600	Control Gear 14/56T	制御ギア 1 4 / 5 6 T	D	1	k-V500020098
11	A1RF531600	Scattering Prevention Sheet/1	飛散防止シート / 1	A	2	m-V570010057
12	A1RFR7N500	Cleaning Side Seal Plate/Fr	クリーニングサイドシール取付板 / F r	A	1	n-V570010060
13	A1RFR7N600	Cleaning Side Seal Plate/Rr	クリーニングサイドシール取付板 / R r	A	1	
14	A1RFR7N700	Scatter. Prevent. Sheet Plate/1	飛散防止シート取付板 / 1	A	1	
15	A1RFR7N800	2nd Trans. Assist Scraper Assy	2次転写補助スクレーパー A s s y	A	1	
16	A50U504400	Pressure Gear /M 18T	圧着ギア / M 1 8 T	C	1	
17	A5AWR73300	2nd Transfer Cleaning Blade	2次転写クリーニングブレード	A	1	
18	A85CM55600	Photo Sensor	フォトセンサ	C	3	
19	A92WPN2100	Transfer Relay Harness /Y	転写中継束線 / Y	D	1	
20	A92WR70400	2nd Transfer Cleaning Unit	2次転写クリーニングユニット	C	1	

Secondary Transfer Section (Emboss)

EMBOSS






## Secondary Transfer Section (Emboss)

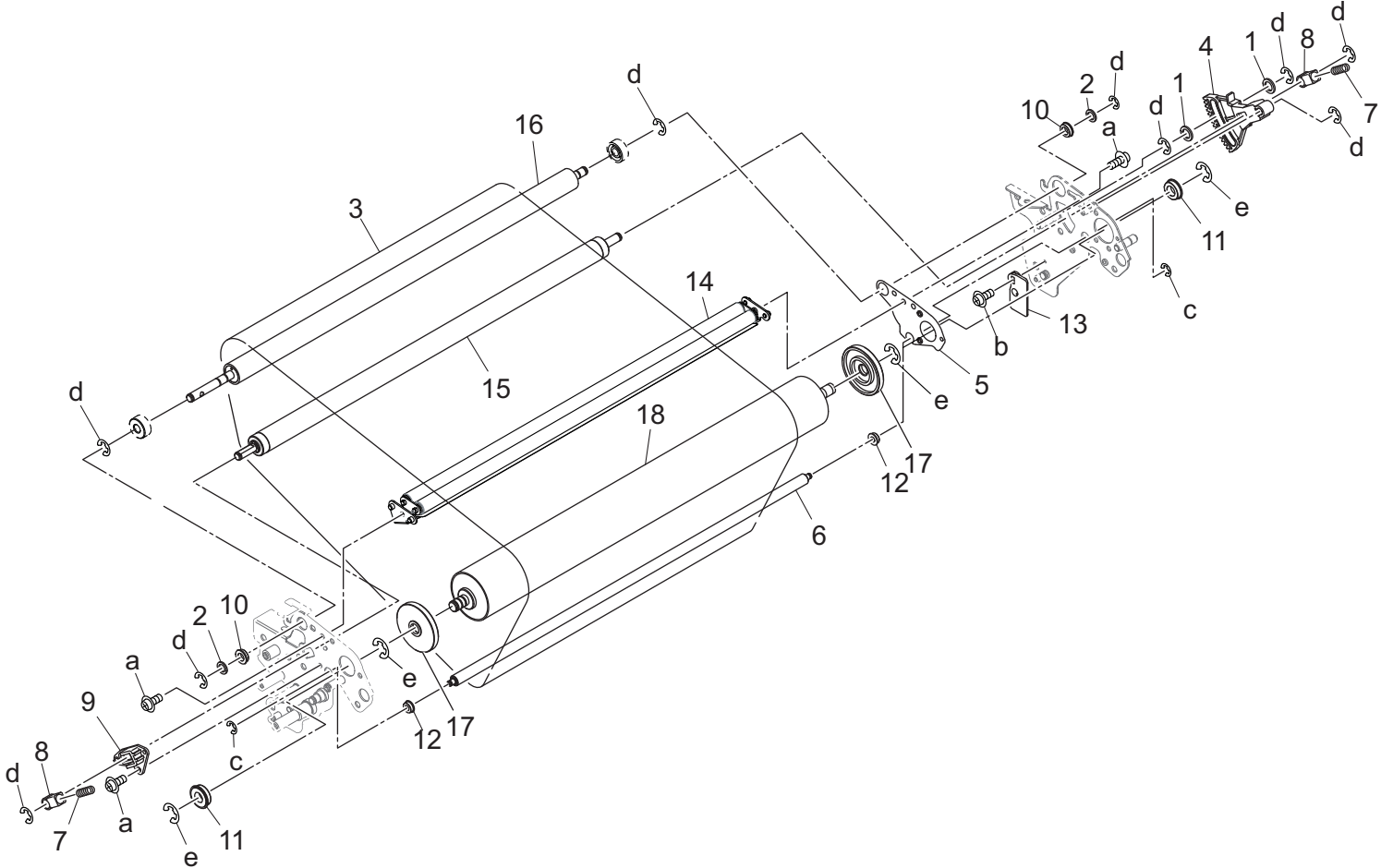
Key	Part No.	Description	Destinations	Class	QTY	Standard parts
1	65AA77410	TONER SUPPLY GEAR D 31T		C	1	a-V121030603 b-V217040001 c-V217060001 d-V234200850 e-V234301250 f-V570010060
2	A1RF529100	Drive Ball bearing	トナー補給ギア D 31 T	C	3	
3	A1RF529701	Cleaning Gear 14T	駆動ボールベアリング	C	1	
4	A1RF532800	Auxiliary Brush	クリーニングギア 14 T	A	1	
5	A1RF539700	Idling Gear /6 28T	補助ブラシ	C	1	
6	A1RF710900	Ball bearing /1	アイドルギア /6 28 T	C	1	
7	A5AW539300	Transfer Gear /A 27T	ボールベアリング /1	C	1	
8	A5AW539900	Transfer Gear /D 25T	転写ギア / A 27 T	C	1	
9	A5AWR70S00	2nd Transfer Process Blade Assy	転写ギア / D 25 T	A	1	
10	A92W529500	Idling Gear /B 15/38T	2次転写処理ブレード Assy	C	1	
11	A92W539100	Idling Gear /C 17/37T	アイドルギア / B 15 / 38 T	C	1	
12	A92W539200	Idling Gear /A 18/31T	アイドルギア / C 17 / 37 T	C	1	
			アイドルギア / A 18 / 31 T			

# Secondary Transfer Section (Emboss)

EMBOSS

P 79

改訂版 REVISED EDITION	日付 DATE
	OCTOBER 2018

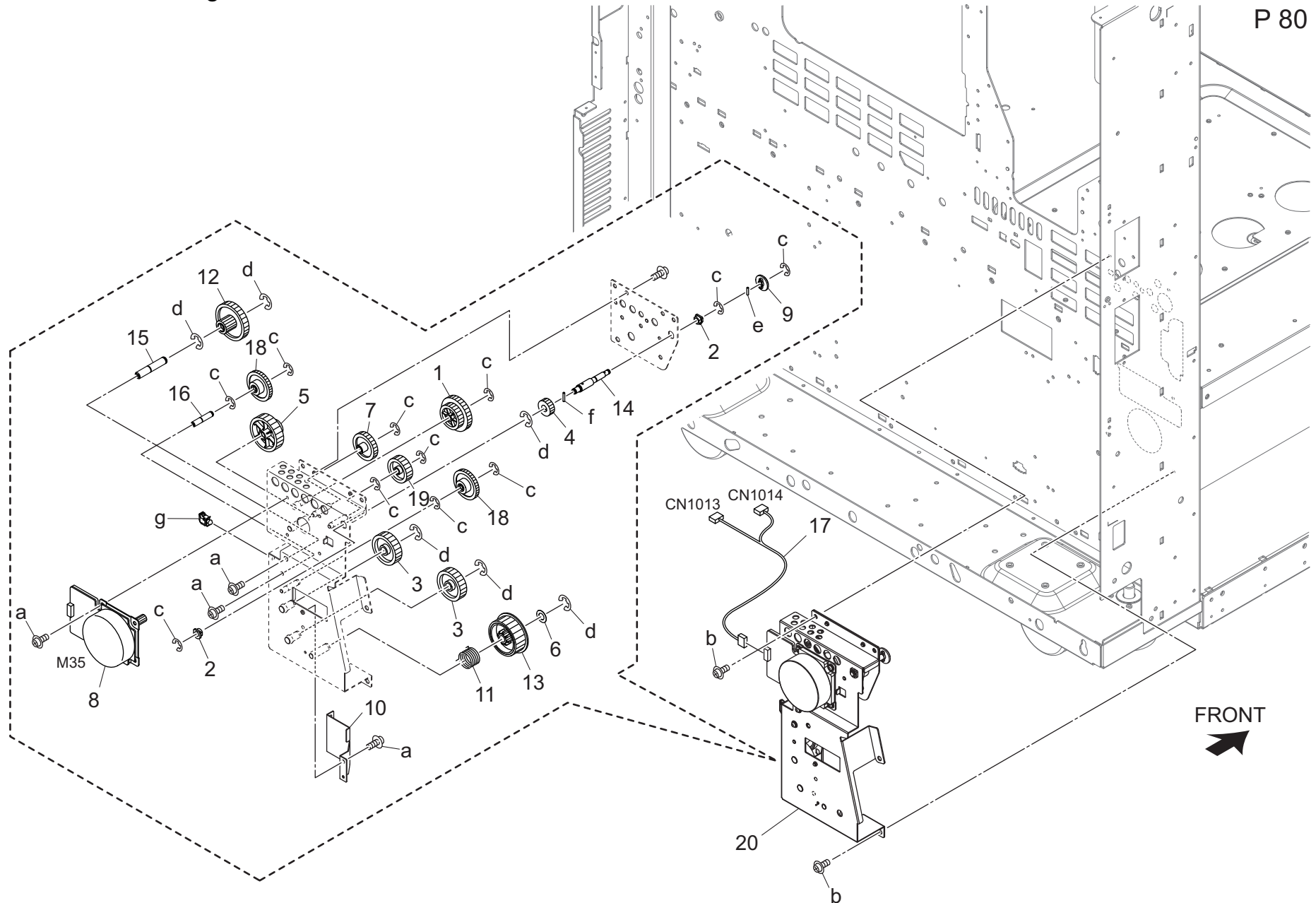


# Secondary Transfer Section (Emboss)

Key	Part No.	Description	Destinations	Class	QTY	Standard parts
1	40AA32320	Toner Supply Spacer		C	2	a-V121030603 b-V127030803 c-V217030001 d-V217040001 e-V217060001
2	57AA30260	Developing Agitating Spacer		C	2	
3	A1RF520400	Transfer Belt		A	1	
4	A1RF522201	Control Arm		D	1	
5	A1RF523401	Mounting Plate /Rear		D	1	
6	A1RF523600	Guide Roller		D	1	
7	A1RF526700	Tension Spring		D	2	
8	A1RF527100	Tension Block /1		D	2	
9	A1RF527200	Tension Block /2		D	1	
10	A1RF529100	Drive Ball bearing		C	2	
11	A1RF529300	Ball bearing		C	2	
12	A1RF529400	Guide Ball bearing		C	2	
13	A1RF535100	Guide Block		D	1	
14	A1RFR7N300	Connecting Stay Assy		A	1	
15	A1RFR7N400	Tension Roller		C	1	
16	A1RF520200	Drive Roller		C	1	
17	A1RF523900	Transfer Collar		D	2	
18	A1RF520100	Transfer Roller		D	1	

# Toner Collection Driving Section

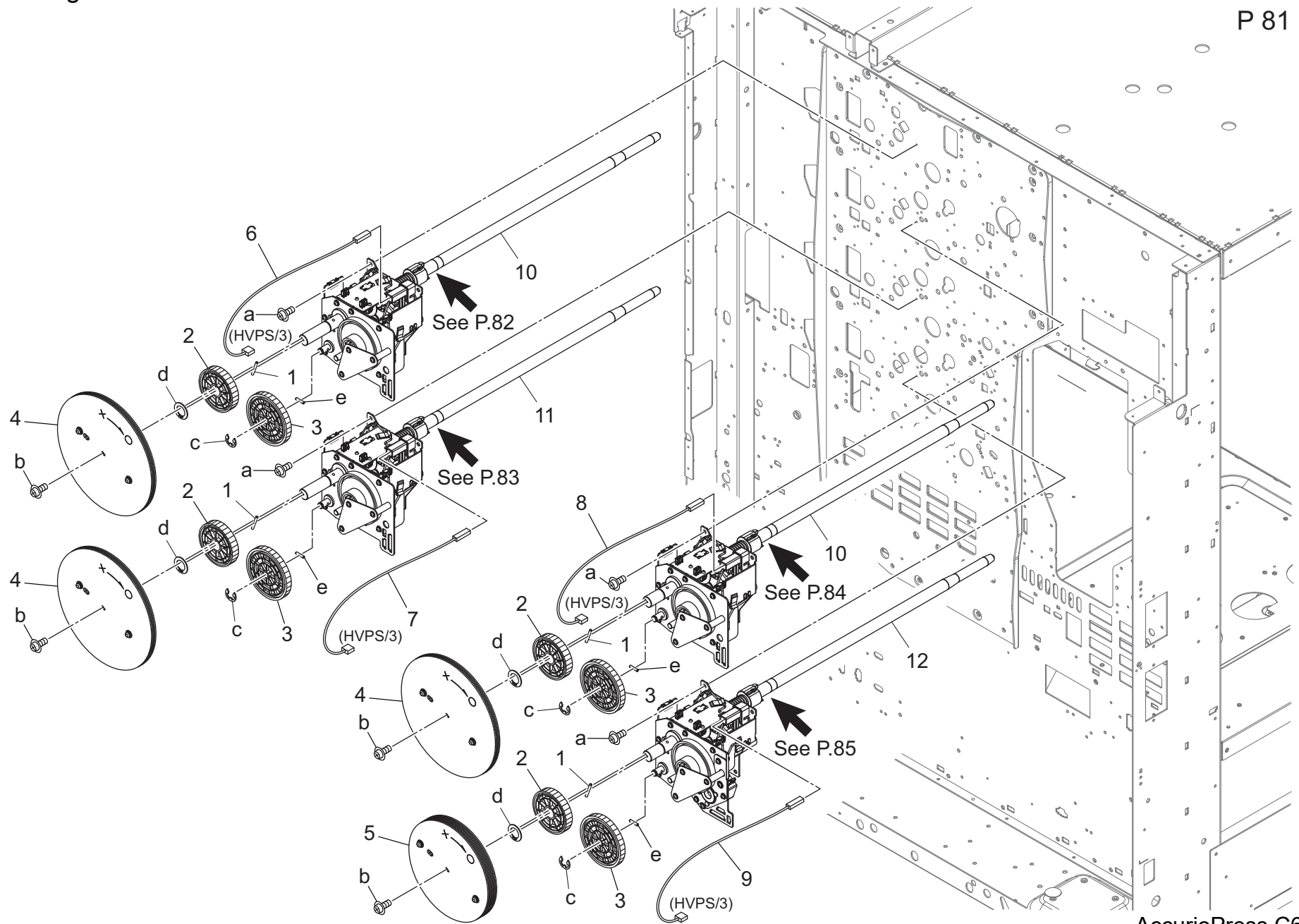
P 80



FRONT  
➔

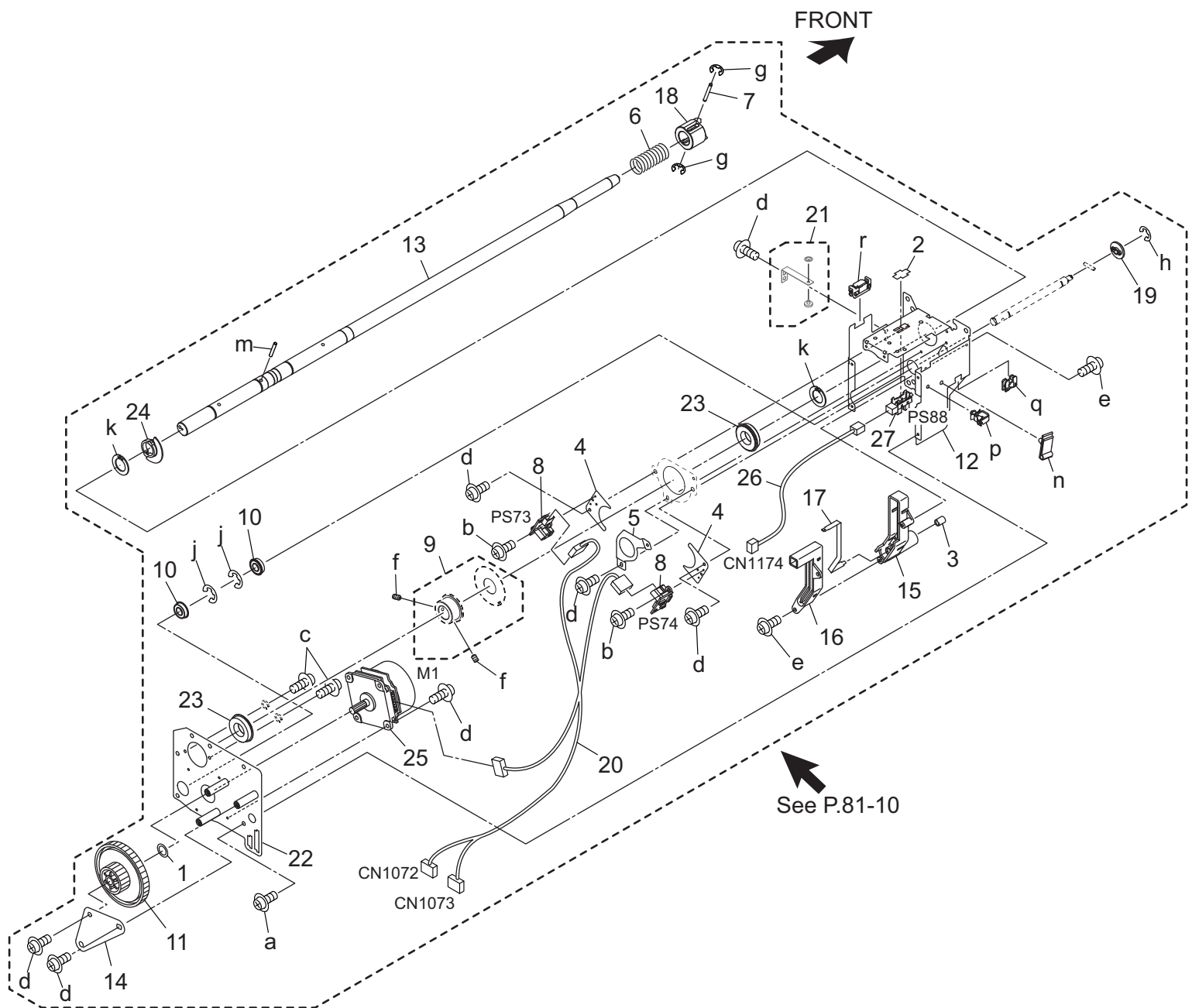
Key	Part No.	Description	Destinations	Class	QTY	Standard parts
1	25SA77470	Idler Gear /A 76T 28T	アイドル歯車 / A 76 T 28 T	C	1	a-V116030603 b-V146040803 c-V217040001 d-V217060001 e-V234201050 f-V234201250 g-V500020100
2	322076010	PAPER LIFT UP LEVER SHAFT HOLDER	ペーパー押しレバー軸受け	B	2	
3	55GA77050	Conveyance Drive Gear /2 35T	搬送駆動歯車 / 2 35 T	B	2	
4	56UA77280	ADU CONVEYANCE GEAR 17T	ADU 搬送歯車 17 T	C	1	
5	56UA77710	TONER SUPPLY DRIVE GEAR /B 16/40T	トナー補給駆動歯車 / B 16 / 40 T	C	1	
6	65AA49500	PAPER EXIT SPACER 1	排紙スペーサー 1	C	1	
7	65AA77410	TONER SUPPLY GEAR D 31T	トナー補給ギア D 31 T	C	1	
8	A9JTM10200	Drum Motor	ドラムモーター	B	1	
9	A1RF362400	Collection Gear /2 14T	回収ギア / 2 14 T	C	1	
10	A1RF364201	Reinforce Plate /1	補強板 / 1	D	1	
11	A1RF368300Old	Collection Spring	回収ばね	D	1	
11	A1RF368301	Collection Spring	回収ばね	D	1	
12	A1RF368500	Collection Gear 14/43T	回収ギア 14 / 43 T	C	1	
13	A1RF368600	Collection Coupling	回収カップリング	D	1	
14	A1RF369100	Collection Shaft /R	回収軸 / R	D	1	
15	A1RF369600	Collection Shaft /W	回収軸 / W	D	1	
16	A1RF369700	Collection Shaft /X	回収軸 / X	D	1	
17	A1RFN13200	Drive Relay harness /1	駆動中継束線 / 1	D	1	
18	A5AW400800	Idling Gear 14/34T	アイドルギア 14 / 34 T	C	2	
19	A5AW428100	Gear /U 28T	ギア / U 28 T	C	1	
20	A92WR71G00	Toner Collection Drive Assy	トナー回収駆動 Assy	S	1	

# Drum Driving Section



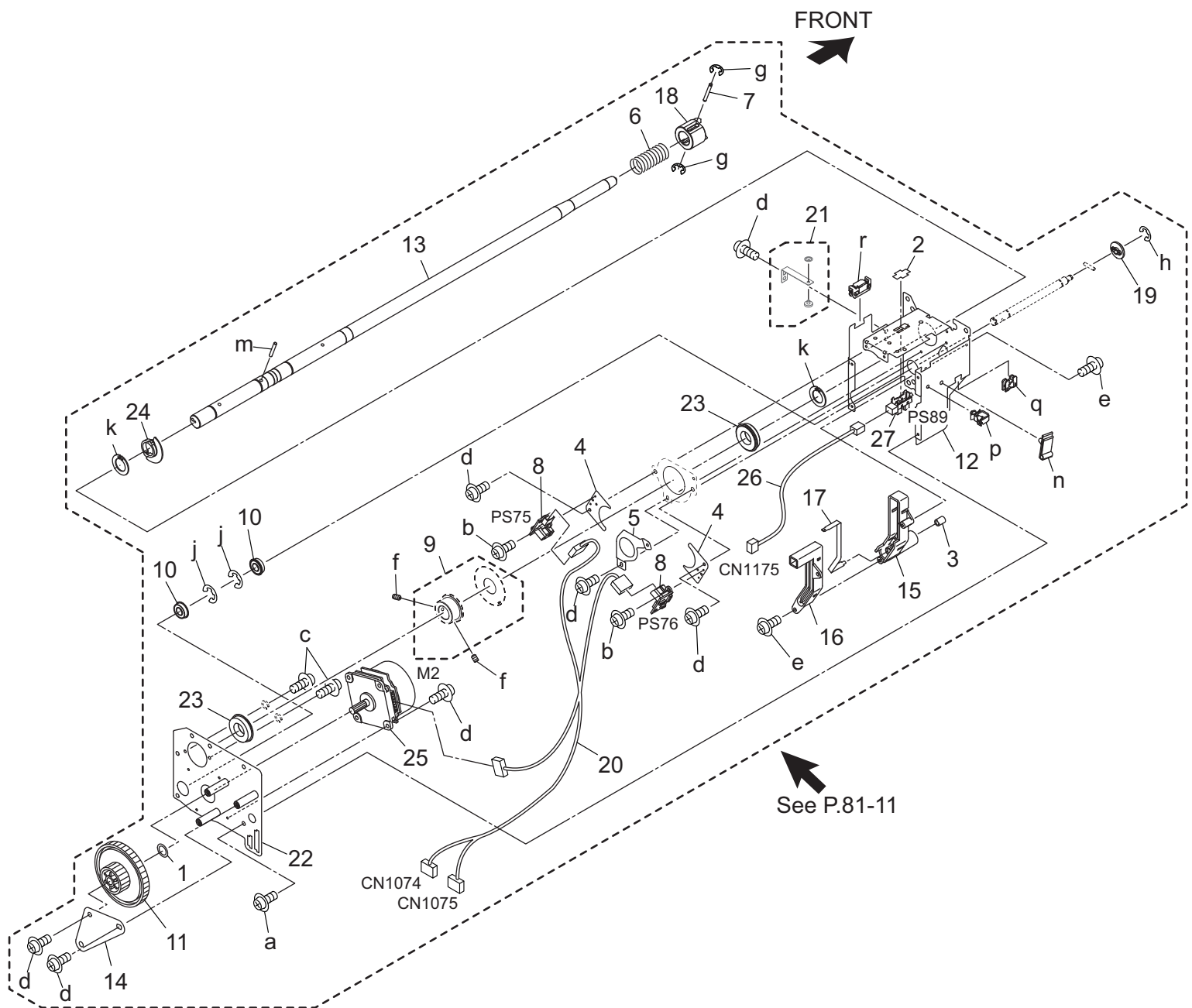
Key	Part No.	Description	Destinations	Class	QTY	Standard parts
1	56AA17490	PIN		C	4	a-V146030603 b-V185041003 c-V217060001 d-V223150004 e-V234301450
2	A03U259900	DRIVE GEAR 92T		C	4	
3	A1RF219900	Drive Gear /A 132T		C	4	
4	A1RFR7F000	Flywheel(YMC)		D	3	
5	A1RFR7G500	Flywheel(K)		D	1	
6	A5AWN17900	HV Wiring /13		D	1	
7	A5AWN18000	HV Wiring /14		D	1	
8	A5AWN18100	HV Wiring /15		D	1	
9	A5AWN18200	HV Wiring /16		D	1	
10	A5AWR71300	Drum Drive /YC Assy		I	2	
11	A5AWR71400	Drum Drive /M Assy		I	1	
12	A5AWR71500	Drum Drive /K Assy		I	1	

Drum Driving Section



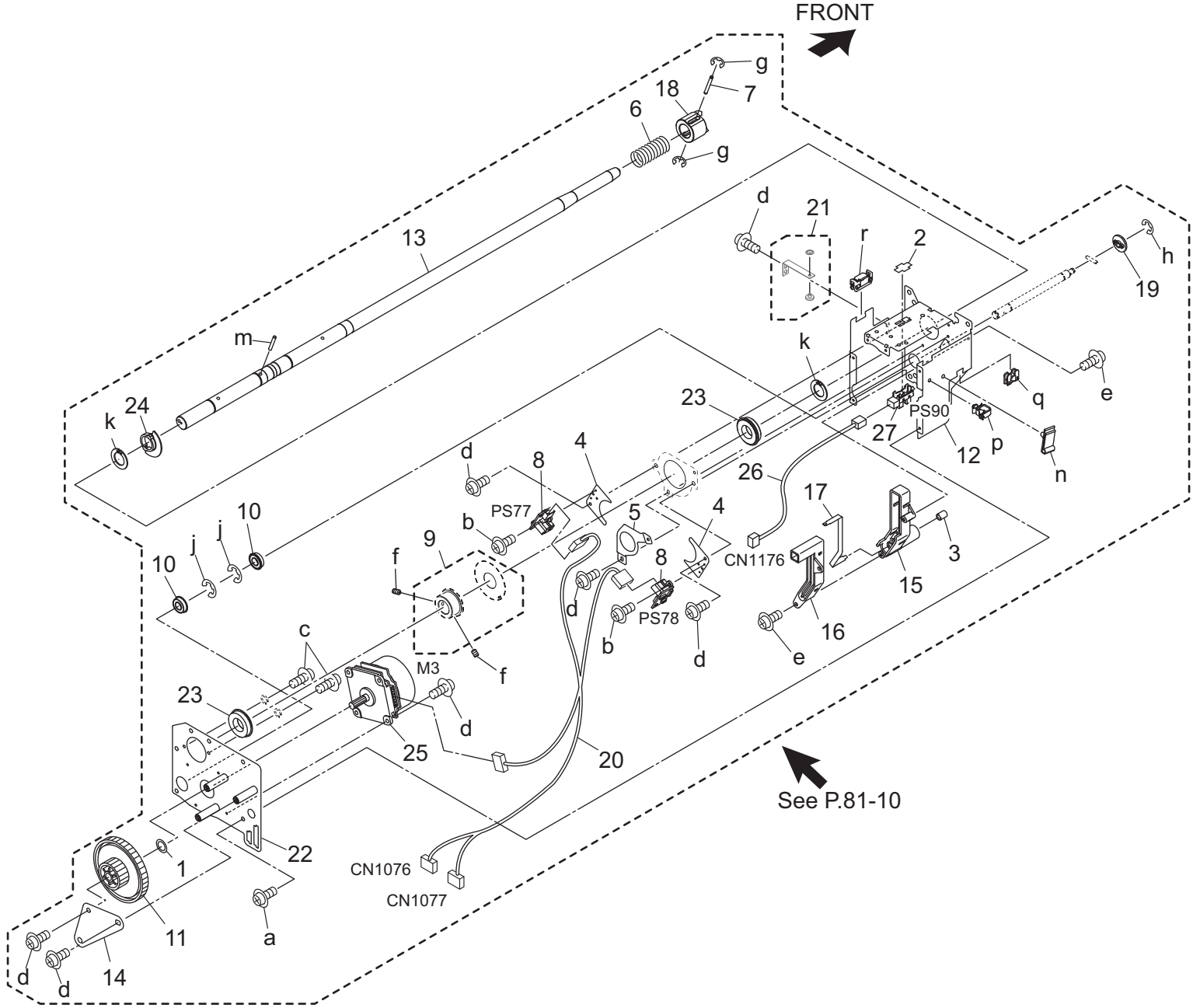


Key	Part No.	Description	Destinations	Class	QTY	Standard parts
1	13QA40610	Gear Spacer		C	1	a-V116030603
2	4470402401	Stopper		D	1	b-V118020403
3	65AA10740D	High voltage Powering Spring		D	1	c-V118040603
4	65AA15100D	Mounting Plate		D	2	d-V121030403
5	65AA15190D	Shaft holder Holding Plate		C	1	e-V153030803
6	65AA15200	PRESSING SPRING		C	1	f-V193040604
7	65AA15210	COUPLING PIN		D	1	g-V217020001
8	65AA-9091E	Sensor Board Assy		B	2	h-V217030001
9	65AAR72300	ENCORDER ASSY		D	1	j-V217060001
10	A00V240600	Ball Bearing		B	2	k-V223150004
11	A03U259600	Idling Gear 46/132T		C	1	m-V234301850
12	A1RF210101	Drive Panel /1		D	1	n-V500020033
13	A1RF210303	Drive Shaft /1		D	1	p-V500020098
14	A1RF210600	Idling Panel		D	1	q-V570010021
15	A1RF210700	High voltage Powering Cover /2		D	1	r-V570010057
16	A1RF210800	High voltage Powering Block /2		D	1	
17	A1RF210900	Power supply Plate /4		D	1	
18	A1RF212600	Coupling		D	1	
19	A1RF362400	Collection Gear /2 14T		C	1	
20	A1RFN15900	Drive Relay harness /2		D	1	
21	A1RFR74600	GROUND SPRING ASSY		D	1	
22	A1RFR77700	DRUM DRIVE UNIT PANEL(YMC) CALKING		D	1	
23	A50U212600	Ball Bearing /15		C	2	
24	A5AW211000	Pressure Actuator		C	1	
25	A5AWM10101	DC Brushless motor /D		C	1	
26	A5AWN17001	Drive Relay harness /3		D	1	
27	A85CM55600	Photo Sensor		C	1	



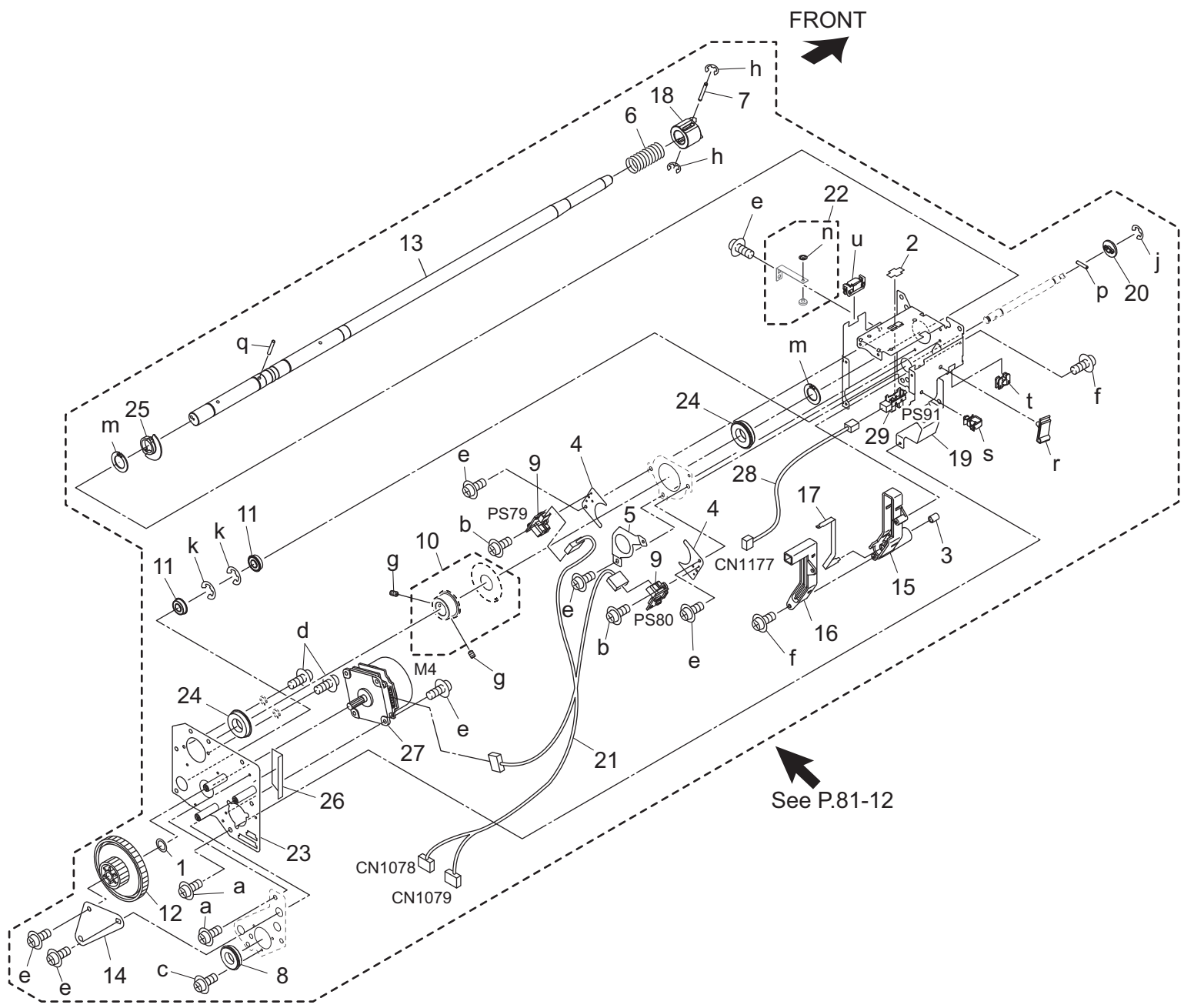
Key	Part No.	Description	Destinations	Class	QTY	Standard parts
1	13QA40610	Gear Spacer		C	1	a-V116030603
2	4470402401	Stopper		D	1	b-V118020403
3	65AA10740D	High voltage Powering Spring		D	1	c-V118040603
4	65AA15100D	Mounting Plate		D	2	d-V121030403
5	65AA15190D	Shaft holder Holding Plate		C	1	e-V153030803
6	65AA15200	PRESSING SPRING		C	1	f-V193040604
7	65AA15210	COUPLING PIN		D	1	g-V217020001
8	65AA-9091E	Sensor Board Assy		B	2	h-V217030001
9	65AAR72300	ENCORDER ASSY		D	1	j-V217060001
10	A00V240600	Ball Bearing		B	2	k-V223150004
11	A03U259600	Idling Gear 46/132T		C	1	m-V234301850
12	A1RF210101	Drive Panel /1		D	1	n-V500020033
13	A1RF210403	Drive Shaft /2		D	1	p-V500020098
14	A1RF210600	Idling Panel		D	1	q-V570010021
15	A1RF210700	High voltage Powering Cover /2		D	1	r-V570010057
16	A1RF210800	High voltage Powering Block /2		D	1	
17	A1RF210900	Power supply Plate /4		D	1	
18	A1RF212600	Coupling		D	1	
19	A1RF362400	Collection Gear /2 14T		C	1	
20	A1RFN15900	Drive Relay harness /2		D	1	
21	A1RFR74600	GROUND SPRING ASSY		D	1	
22	A1RFR77700	DRUM DRIVE UNIT PANEL(YMC) CALKING		D	1	
23	A50U212600	Ball Bearing /15		C	2	
24	A5AW211000	Pressure Actuator		C	1	
25	A5AWM10101	DC Brushless motor /D		C	1	
26	A5AWN17001	Drive Relay harness /3		D	1	
27	A85CM55600	Photo Sensor		C	1	

Drum Driving Section



Key	Part No.	Description	Destinations	Class	QTY	Standard parts
1	13QA40610	Gear Spacer		C	1	a-V116030603
2	4470402401	Stopper		D	1	b-V118020403
3	65AA10740D	High voltage Powering Spring		D	1	c-V118040603
4	65AA15100D	Mounting Plate		D	2	d-V121030403
5	65AA15190D	Shaft holder Holding Plate		C	1	e-V153030803
6	65AA15200	PRESSING SPRING		C	1	f-V193040604
7	65AA15210	COUPLING PIN		D	1	g-V217020001
8	65AA-9091E	Sensor Board Assy		B	2	h-V217030001
9	65AAR72300	ENCORDER ASSY		D	1	j-V217060001
10	A00V240600	Ball Bearing		B	2	k-V223150004
11	A03U259600	Idling Gear 46/132T		C	1	m-V234301850
12	A1RF210101	Drive Panel /1		D	1	n-V500020033
13	A1RF210303	Drive Shaft /1		D	1	p-V500020098
14	A1RF210600	Idling Panel		D	1	q-V570010021
15	A1RF210700	High voltage Powering Cover /2		D	1	r-V570010057
16	A1RF210800	High voltage Powering Block /2		D	1	
17	A1RF210900	Power supply Plate /4		D	1	
18	A1RF212600	Coupling		D	1	
19	A1RF362400	Collection Gear /2 14T		C	1	
20	A1RFN15900	Drive Relay harness /2		D	1	
21	A1RFR74600	GROUND SPRING ASSY		D	1	
22	A1RFR77700	DRUM DRIVE UNIT PANEL(YMC) CALKING		D	1	
23	A50U212600	Ball Bearing /15		C	2	
24	A5AW211000	Pressure Actuator		C	1	
25	A5AWM10101	DC Brushless motor /D		C	1	
26	A5AWN17001	Drive Relay harness /3		D	1	
27	A85CM55600	Photo Sensor		C	1	

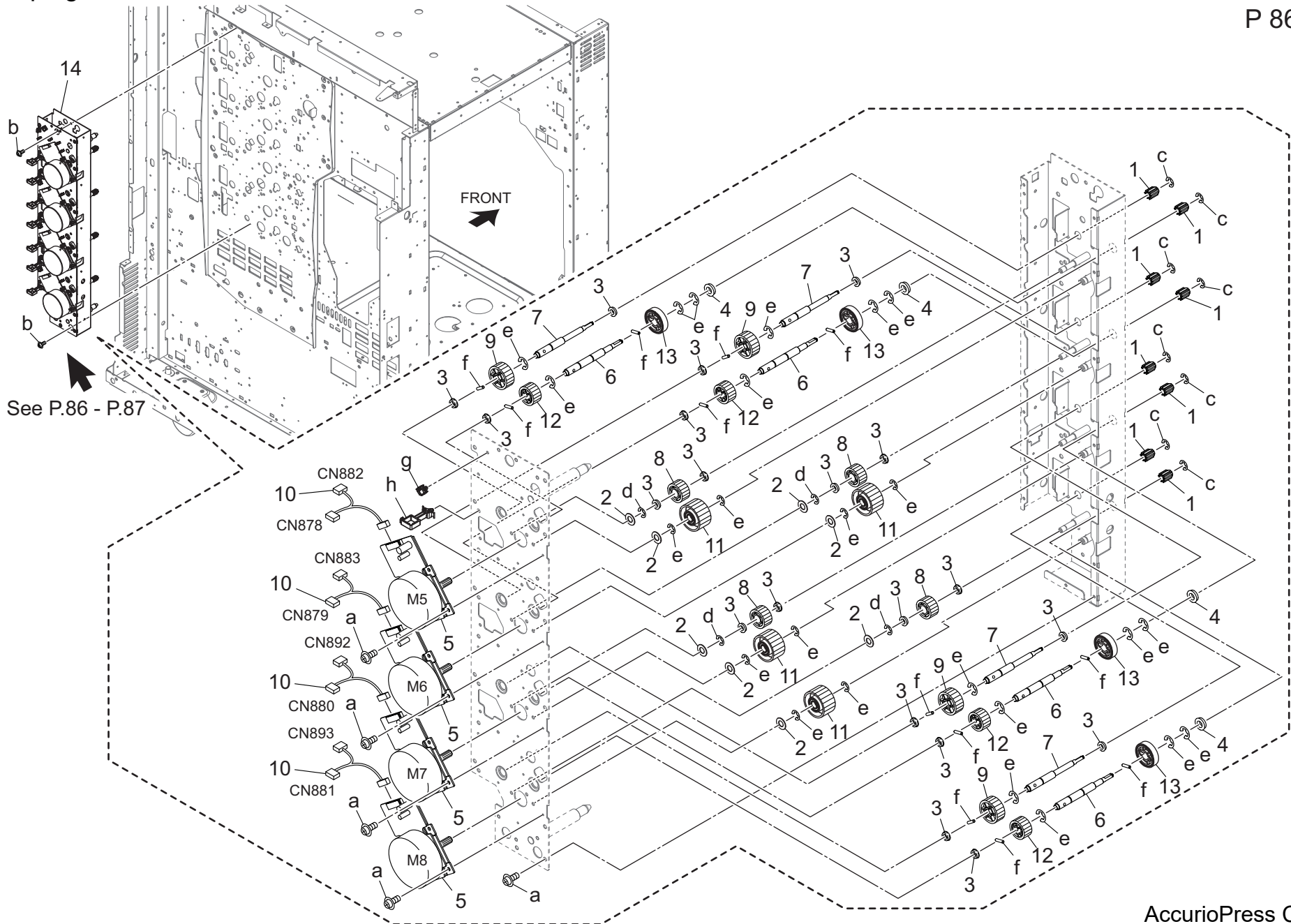
# Drum Driving Section



# Drum Driving Section

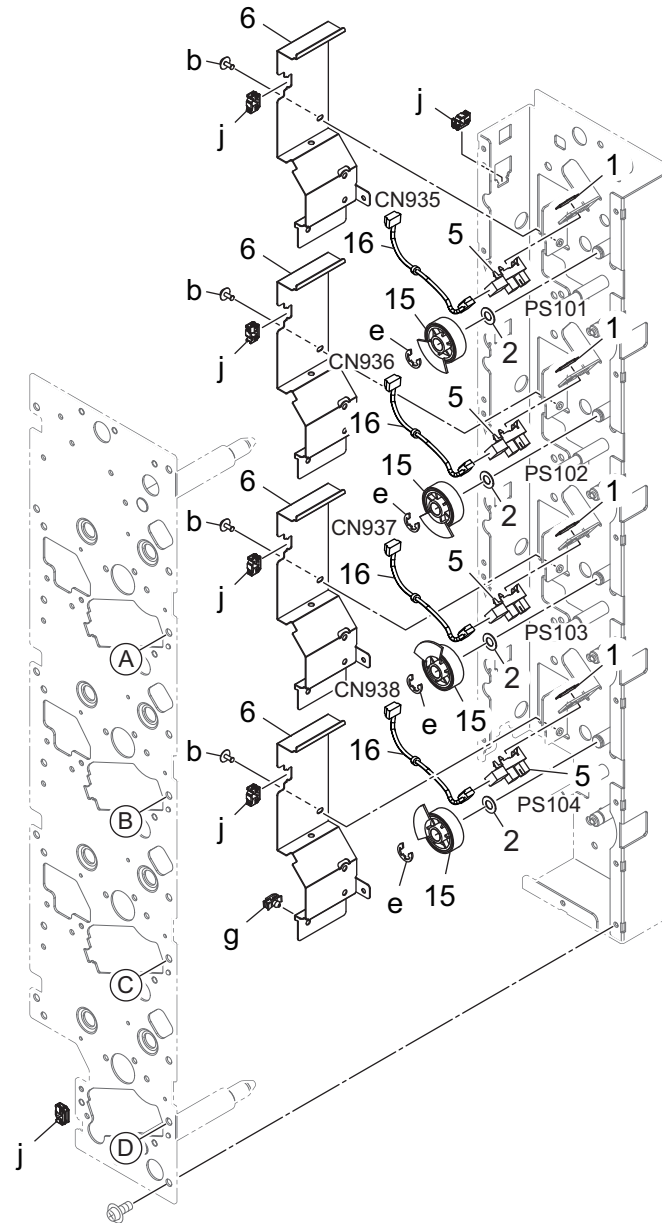
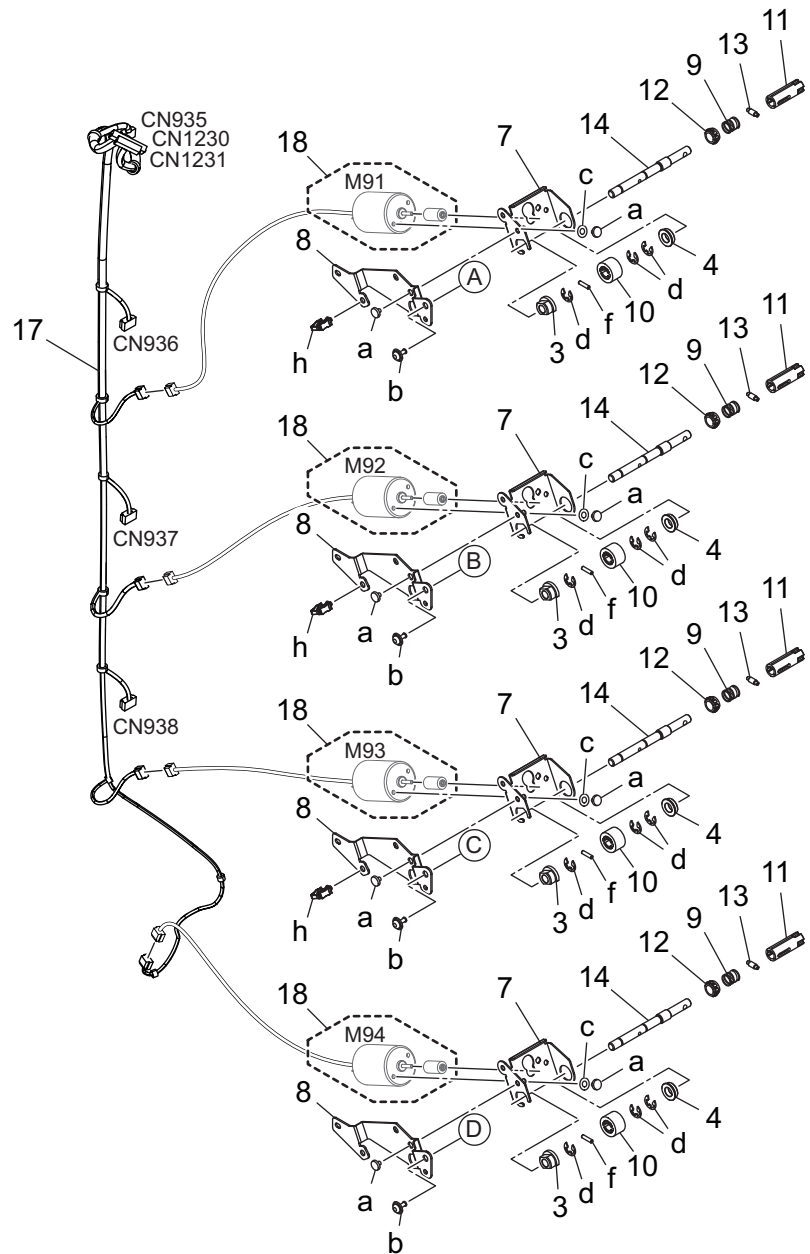
Key	Part No.	Description	Destinations	Class	QTY	Standard parts
1	13QA40610	Gear Spacer	ギアスペーサー	C	1	a-V116030603
2	4470402401	Stopper	ストッパー	D	1	b-V118020403
3	65AA10740D	High voltage Powering Spring	高圧給電バネ	D	1	c-V118030403
4	65AA15100D	Mounting Plate	センサ取り付け板	D	2	d-V118040603
5	65AA15190D	Shaft holder Holding Plate	軸受押さえ板	C	1	e-V121030403
6	65AA15200	PRESSING SPRING	押圧バネ	C	1	f-V153030803
7	65AA15210	COUPLING PIN	カップリングピン	D	1	g-V193040604
8	65AA75081	DRUM SUPPORT BEARING /2	ドラム支持軸受 / 2	C	1	h-V217020001
9	65AA-9091E	Sensor Board Assy	センサ基板部組	B	2	j-V217030001
10	65AAR72300	ENCORDER ASSY	エンコーダ部組	D	1	k-V217060001
11	A00V240600	Ball Bearing	ボールベアリング	B	2	m-V223150004
12	A03U259600	Idling Gear 46/132T	アイドラギア 46 / 132 T	C	1	n-V226024050
13	A1RF210403	Drive Shaft /2	駆動軸 / 2	D	1	p-V234201050
14	A1RF210600	Idling Panel	アイドラパネル	D	1	q-V234301850
15	A1RF210700	High voltage Powering Cover /2	高圧給電カバー / 2	D	1	r-V500020033
16	A1RF210800	High voltage Powering Block /2	高圧給電ブロック / 2	D	1	s-V500020098
17	A1RF210900	Power supply Plate /4	給電板 / 4	D	1	t-V570010021
18	A1RF212600	Coupling	カップリング	D	1	
19	A1RF213402	Drive Panel /A	駆動パネル / A	D	1	
20	A1RF362400	Collection Gear /2 14T	回収ギア / 2 14 T	C	1	
21	A1RFN15900	Drive Relay harness /2	駆動中継束線 / 2	D	1	
22	A1RFR74600	GROUND SPRING ASSY	アースばね部組	D	1	
23	A1RFR76900	DRUM DRIVING UNIT PANEL CALKING	ドラム駆動パネルカシメ (K)	D	1	
24	A50U212600	Ball Bearing /15	ボールベアリング / 15	C	2	
25	A5AW211000	Pressure Actuator	圧着アクチュエーター	C	1	
26	A5AW219900	Protection Seal /K	保護シール / K	D	1	
27	A5AWM10101	DC Brushless motor /D	DC ブラシレスモーター / D	C	1	
28	A5AWN17001	Drive Relay harness /3	駆動中継束線 / 3	D	1	
29	A85CM55600	Photo Sensor	フォトセンサ	C	1	

# Developing Drive Section





Key	Part No.	Description	Destinations	Class	QTY	Standard parts
1	26NA17580	AGITATING COUPLING B		C	8	a-V121030603
2	26NA50920	REVERSAL SPACER		C	8	b-V146030603
3	A00J617800	Ball Bearing		B	20	c-V217030001
4	A00V240600	Ball Bearing		B	4	d-V217040001
5	A9JTM10300	Developing Screw Motor		B	4	e-V217060001
6	A1RF220302	Drive Shaft /1		D	4	f-V237301250
7	A1RF220400	Drive Shaft /2		D	4	g-V500020098
8	A1RF229600	Idling Gear /2 42T		C	4	h-V500020104
9	A1RF229800	Agitating Gear /2 52T		C	4	
10	A1RFN13200	Drive Relay harness /1		D	4	
11	A5AW229602	Transfer Gear /C		C	4	
12	A5AW229700	Developing Gear /2 39T		C	4	
13	A92W226300	Rotation Gear /1 29T		C	4	
14	A92WR70Q00	Developing Drive Assy		D	1	

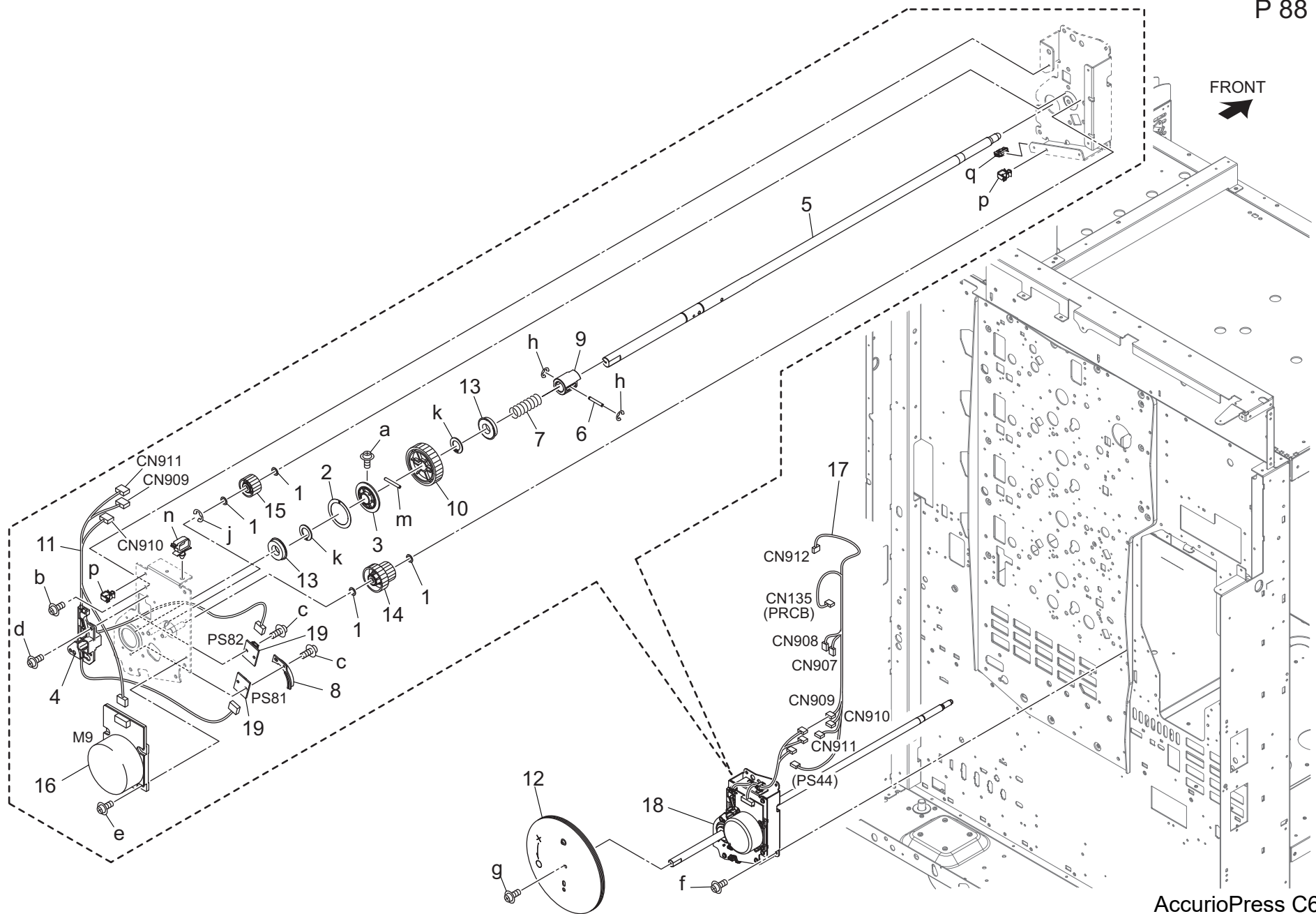


Key	Part No.	Description	Destinations	Class	QTY	Standard parts
1	4470402401	Stopper		D	4	a-V118030303 b-V121030603 c-V207030003 d-V217040001 e-V217060001 f-V234200850 g-V500020077 h-V500020098 j-V570010056
2	55VA32530	SPACER		C	4	
3	57AA40610	SLIDE SHAFT HOLDER		C	4	
4	A00J617800	Ball Bearing		B	4	
5	A85CM55600	Photo Sensor		C	4	
6	A92W220900	Auxiliary Partition		D	4	
7	A92W223000	Drive Pedestal /1		D	4	
8	A92W223100	Drive Pedestal /2		D	4	
9	A92W223200	Charging Spring		D	4	
10	A92W223300	Charging Gear 20T		C	4	
11	A92W223400	Charging Coupling /2		D	4	
12	A92W223500	Holding Collar		D	4	
13	A92W223600	Coupling Pin		D	4	
14	A92W225100	Drive Shaft		D	4	
15	A92W226200	Rotation Gear /2 31T		C	4	
16	A92WN12600	Developing Drive Harness /4		D	4	
17	A92WN13400	Developing Drive Harness /3		D	1	
18	A92WR70R00	Cleaning Motor Worm Assy		D	4	

# Intermediate Transfer Belt Driving Section

P 88

FRONT  

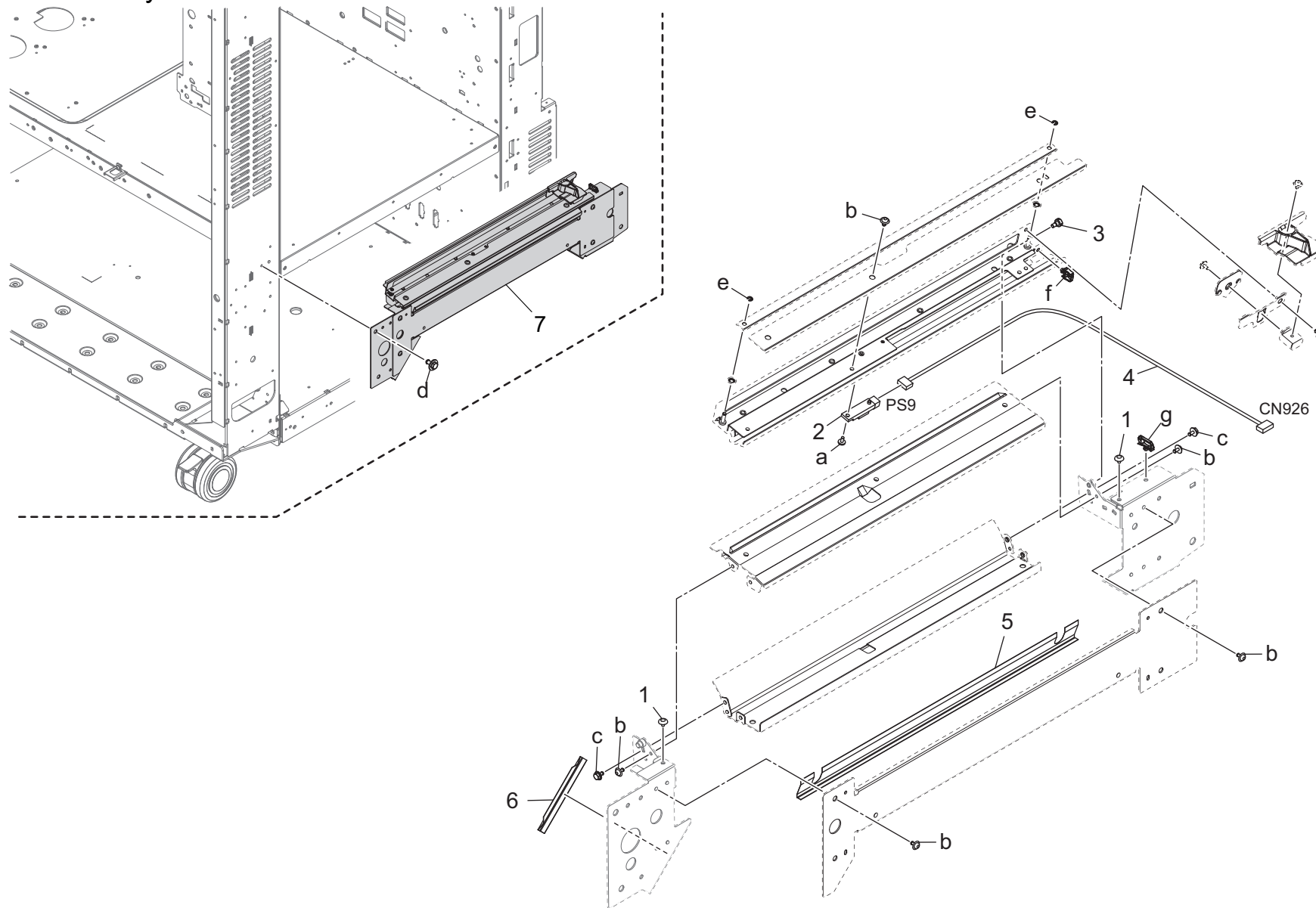



AccurioPress C6085

## Intermediate Transfer Belt Driving Section

Key	Part No.	Description	Destinations	Class	QTY	Standard parts
1	40AA32320	Toner Supply Spacer		C	4	a-V118030603
2	A1RF230100	Reflecting Plate		D	1	b-V116030603
3	A1RF230200	Mounting Part		D	1	c-V118030603
4	A1RF231201	Guide Part		D	1	d-V121030403
5	A1RF231804	Drive Shaft		D	1	e-V121030603
6	A1RF232000	Coupling Pin		D	1	f-V146030603
7	A1RF232100	Pressing Spring		D	1	g-V185041003
8	A1RF232300	Scattering prevention Partition		D	1	h-V217020001
9	A1RF232900	Drive Coupling		D	1	j-V217040001
10	A1RF239900	Drive Gear /1 88T		C	1	k-V223120004
11	A1RFN16100	Detection harness /B		D	1	m-V234302550
12	A1RFR7G600	FLYWHEEL(BELT)		D	1	n-V500010005
13	A5AW219000	Support Ball bearing /1		C	2	p-V500020098
14	A5AW239700	Idling Gear /1 44/60T		C	1	q-V570010056
15	A5AW239800	Idling Gear /2 44T		C	1	
16	A5AWM10201	DC Brushless motor /B		C	1	
17	A5AWN12800	Main body Wiring /8		D	1	
18	A5AWR71700	Belt Drive Assy		I	1	
19	A92WH25000	Sensor board /E Assy		I	2	

# Vertical Conveyance Section



# Vertical Conveyance Section

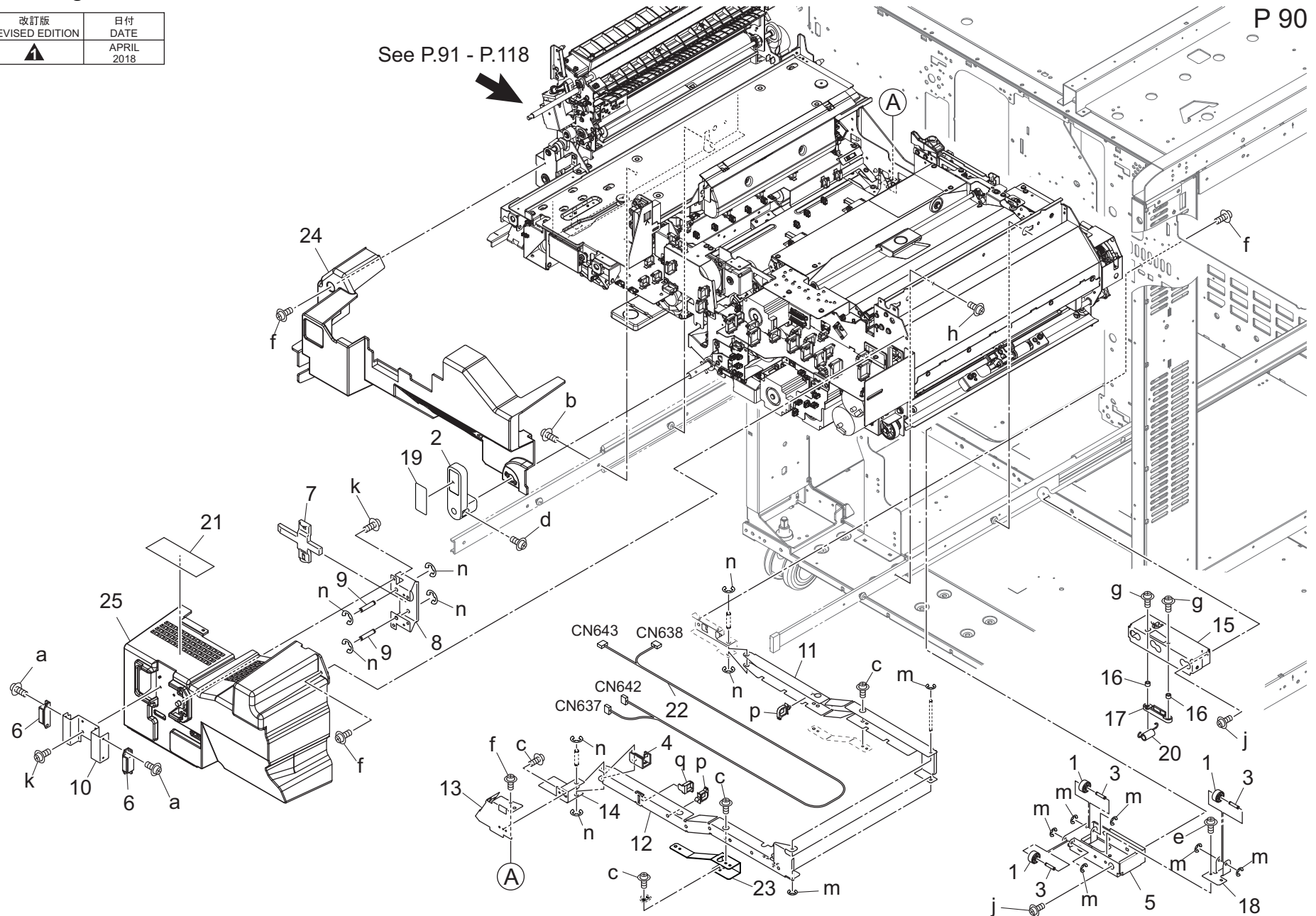
Key	Part No.	Description	Destinations	Class	QTY	Standard parts
1	12AJ45850	Stopper Rubber		C	2	a-V126030603 b-V127030603 c-V146030603 d-V146040803 e-V217020001 f-V500020098 g-V500020100
2	13QA85511	Sensor 1		B	1	
3	65AA49510F	FIXING SCREW /1		C	1	
4	A5AWN16200	Paperfeed Wiring /1		D	1	
5	A92W704500	Protection Sheet /1		D	1	
6	A92W704600	Protection Sheet /2		D	1	
7	A92WR70Y00	Vertical Conveyance Assy		D	1	

# ADU Carriage

改訂版 REVISED EDITION	日付 DATE
▲	APRIL 2018

See P.91 - P.118

P 90



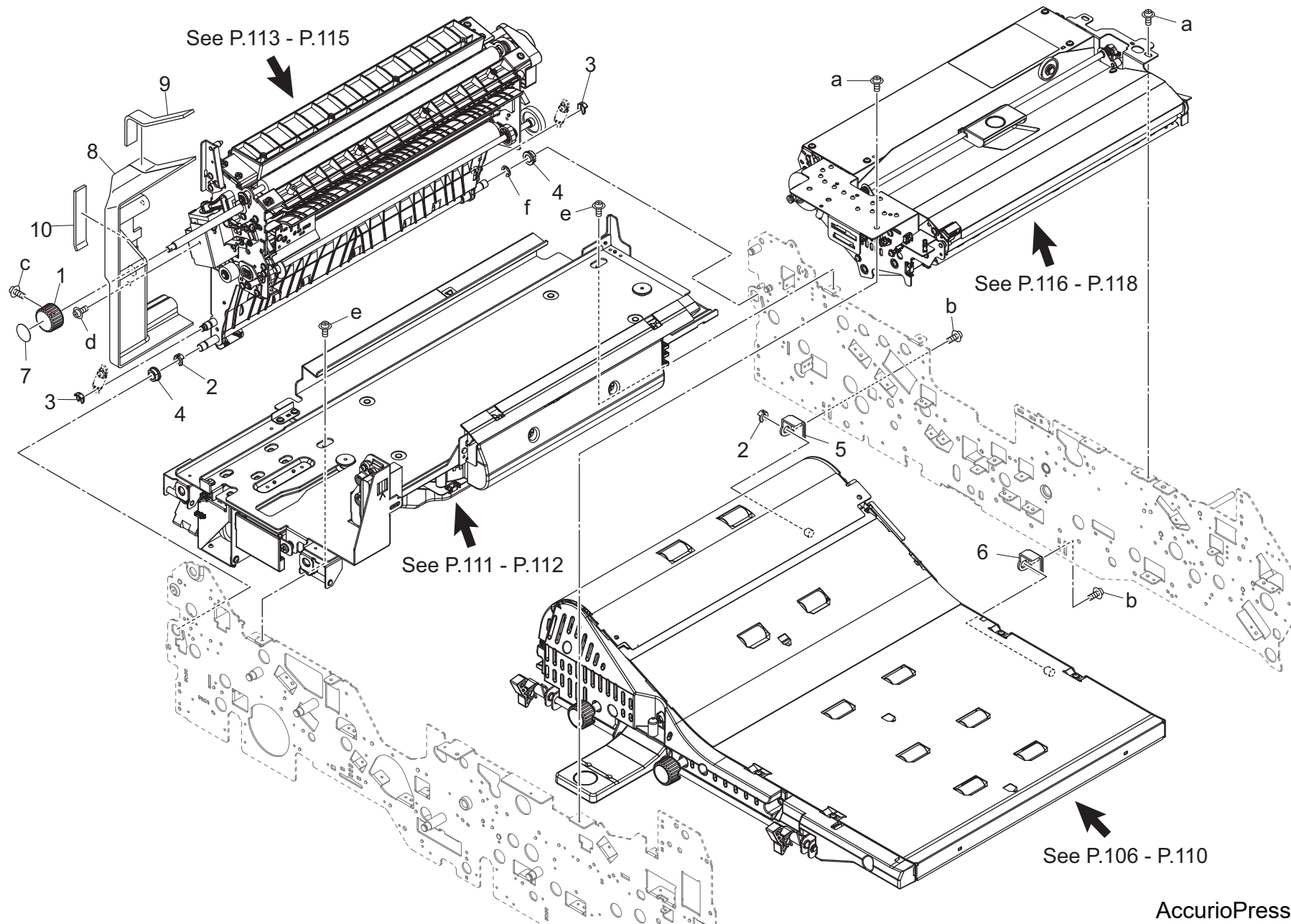
AccurioPress C6085



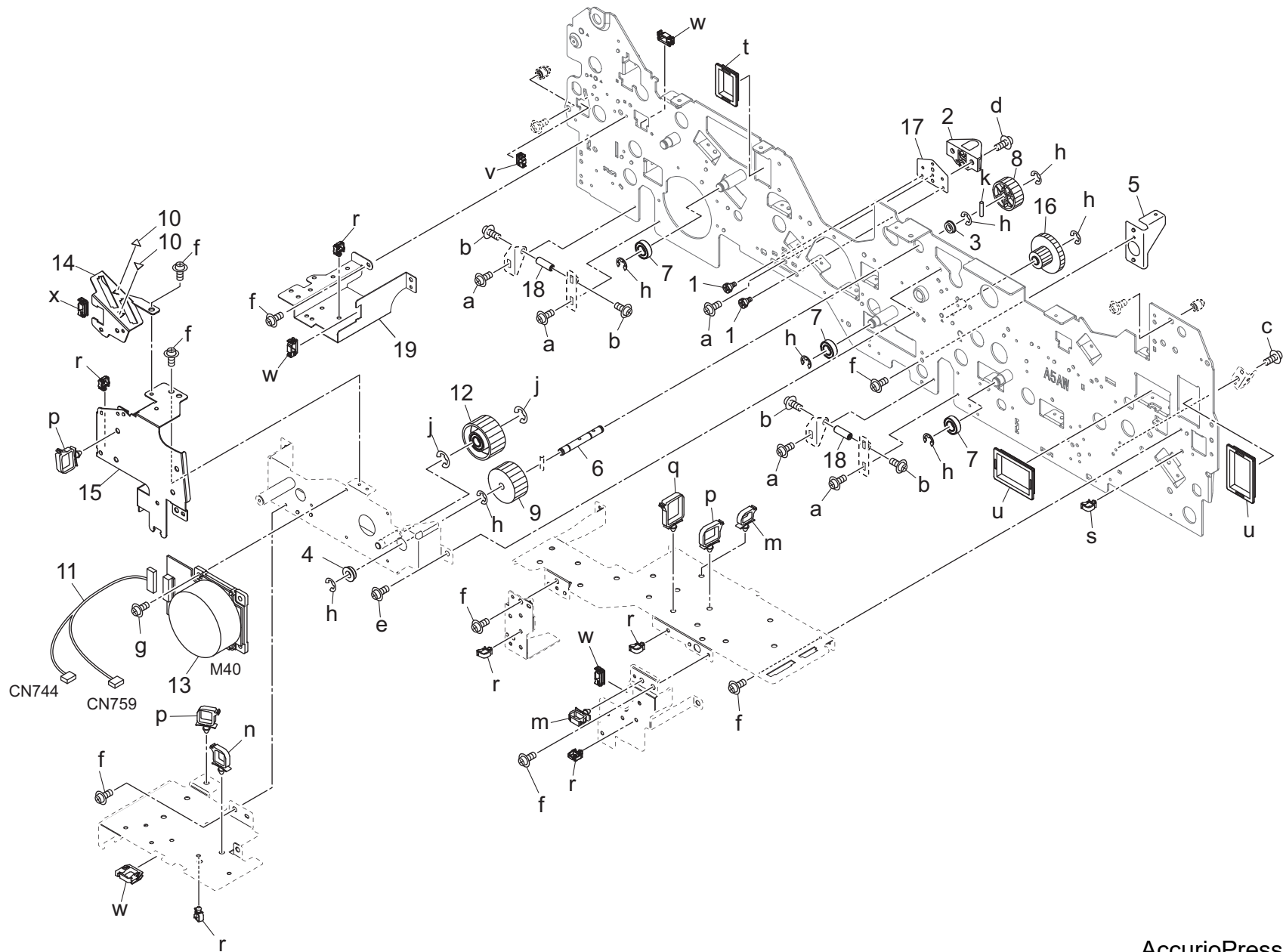
Key	Part No.	Description	Destinations	Class	QTY	Standard parts
1	13NG45200	Conveyance Driven Roller		C	3	a-V118030403
2	57AA50760	CARRIAGE PULLING LEVER		C	1	b-V118040603
3	65AA50400	Guide Shaft		D	3	c-V121030403
4	65AA50740	Wiring Cover /1		C	1	d-V121041003
5	A03U816000	FIXING PLATE /FRONT		D	1	e-V127030603
6	A0G6411200	Magnet /X		D	2	f-V127030604
7	A1RF164402	Cover Lock /1		D	1	g-V127030803
8	A1RF164501	Cover Lock /2		D	1	h-V127040603
9	A1RF164600	Cover Lock /3		D	2	j-V146041404
10	A1RF445301	Cover Plate		D	1	k-V153030803
11	A1RF811801	Wiring Arm /Upper		D	1	m-V217030001
12	A1RF811902	Wiring Arm /Lower		D	1	n-V217040001
13	A1RF812001	Power supply Plate /Right rear		D	1	p-V500010007
14	A1RF812101	Support Plate /Front		D	1	q-V500010022
15	A1RF821902	Fixing Part /A		D	1	
16	A1RF822001	Positioning Shaft /1		D	2	
17	A1RF823104	Fixing Part /B		D	1	
18	A1RF828200	Receiving Plate /5		D	1	
19	A1RF943100	Release Label /1		D	1	
20	A5AW859701	Stopper Spring /1		D	1	
21	A5AW946300	Release Label /12		D	1	
22	A5AWN20500	ADU Control harness /1		D	1	
23	A92W822100	Support Plate /1		D	1	
24	A5AW817101	Conveyance Cover /Left		D	1	
25	A5AW817202	Conveyance Cover /Right		D	1	

# ADU Carriage

P 91



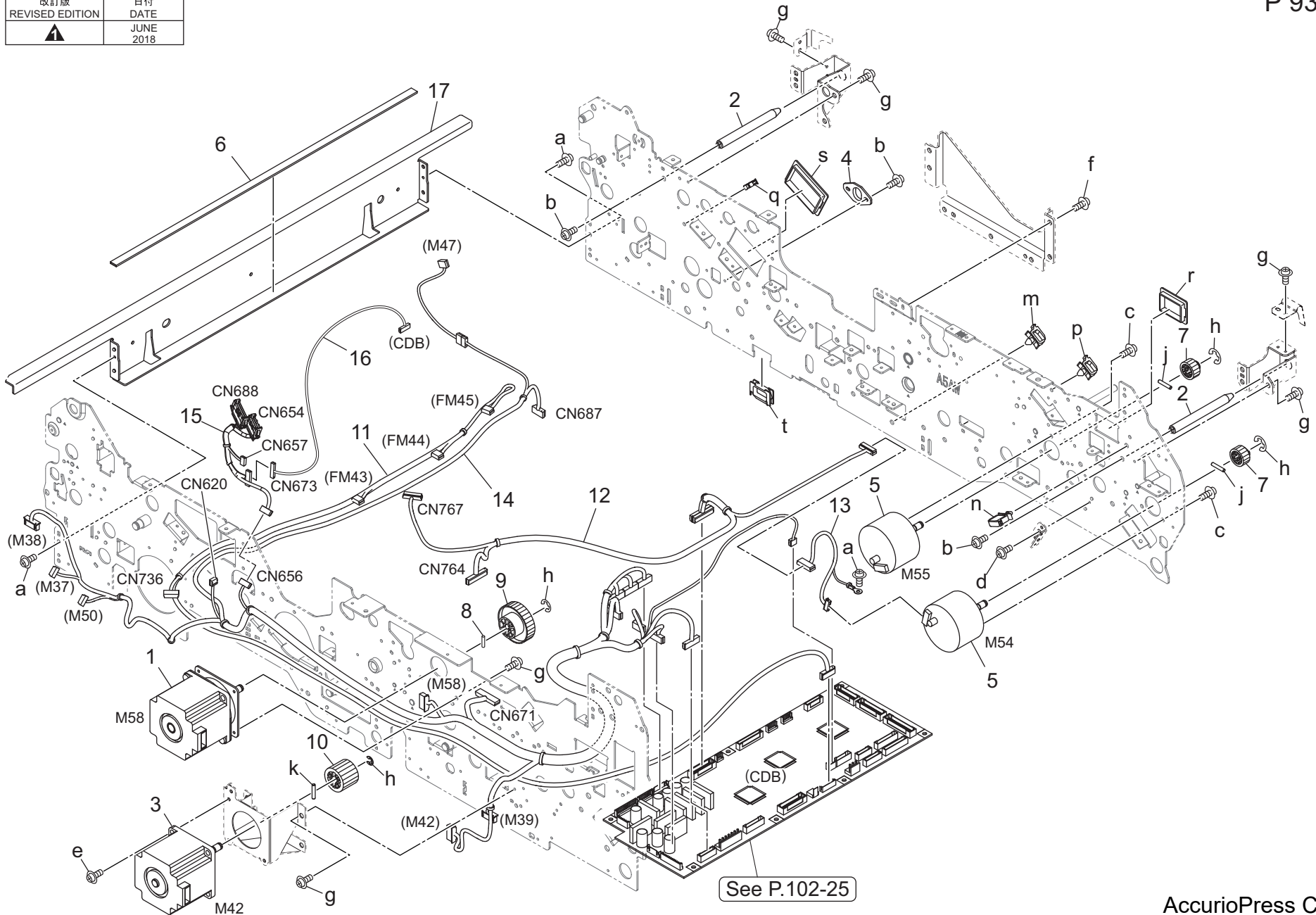
Key	Part No.	Description	Destinations	Class	QTY	Standard parts
1	14GE45470	Rotation Knob		C	1	a-V116030618
2	55VA42120	Shaft Stopper		C	2	b-V116030803
3	56AA40490	SHAFT STOPPER 4		C	2	c-V118030603
4	A03U812800	Slide Shaft Holder		B	2	d-V121030603
5	A1RF847800	Support Plate /A		D	1	e-V121040603
6	A1RF847900	Support Plate /B		D	1	f-V217060001
7	A1RF943700	Release Label /7		D	1	
8	A5AW878203	Protection Cover		D	1	
9	A5AW878300	Thermal insulation Seal /Upper		C	1	
10	A5AW878400	Thermal insulation Seal /Lower		C	1	



Key	Part No.	Description	Destinations	Class	QTY	Standard parts
1	65AA49510F	FIXING SCREW /1		C	2	a-V116030603
2	A03U843500	Positioning Part		D	1	b-V118030403
3	A07R813701	Roller Bearing /B		C	1	c-V121030403
4	A0G6243900	Ball Bearing		C	1	d-V121030603
5	A1RF812802	Reinforce Plate /1		D	1	e-V121040403
6	A1RF816500	Drive Shaft /B		D	1	f-V127030603
7	A1RF820000	Ball Bearing		C	3	g-V127030803
8	A1RF829800	Transfer Gear /B 30T		C	1	h-V217040001
9	A1RF829900	Transfer Gear /A 60T		C	1	j-V217060001
10	A1RF945101	Replacement Label /1		D	2	k-V234201250
11	A1RFN13200	Drive Relay harness /1		D	1	m-V500010005
12	A5AW229602	Transfer Gear /C		C	1	n-V500010007
13	A5AWM10201	DC Brushless motor /B		C	1	p-V500010008
14	A92W816900	Mounting Plate /B		D	1	q-V500010015
15	A92W819700	Wiring Guide /3		D	1	r-V500020098
16	A92W829600	Transfer Gear /Assy 14/73T		C	1	s-V500020099
17	A03U811600	ADU Positioning Plate /1		D	1	t-V570010038
18	A1RF850600	Adjusting Shaft /Front		D	2	u-V570010039
19	A92W821100	Wiring Guide		D	1	v-V570010056
						w-V570010057
						x-V570010060

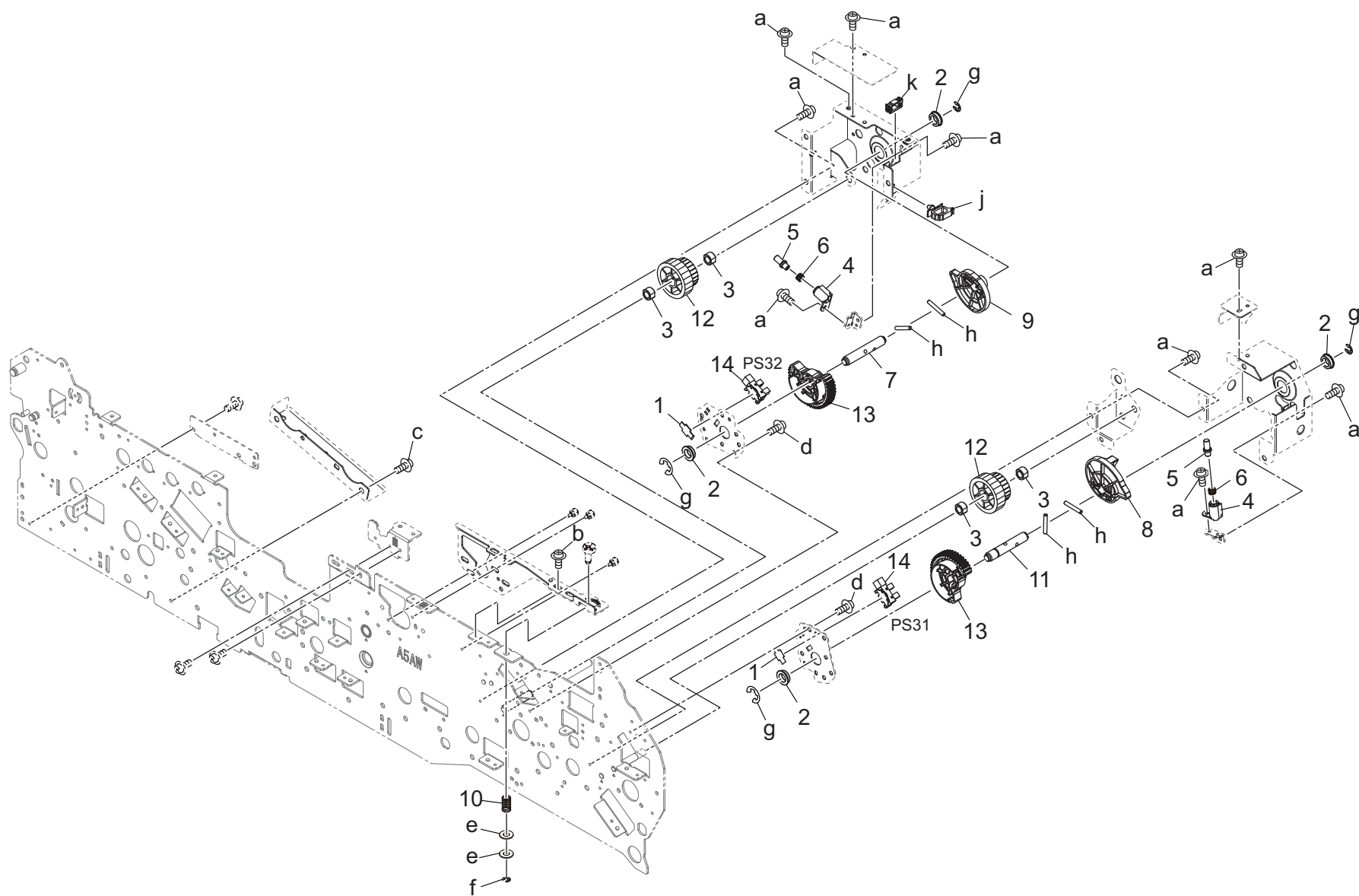
# ADU Duplex Section

改訂版 REVISED EDITION	日付 DATE
	JUNE 2018



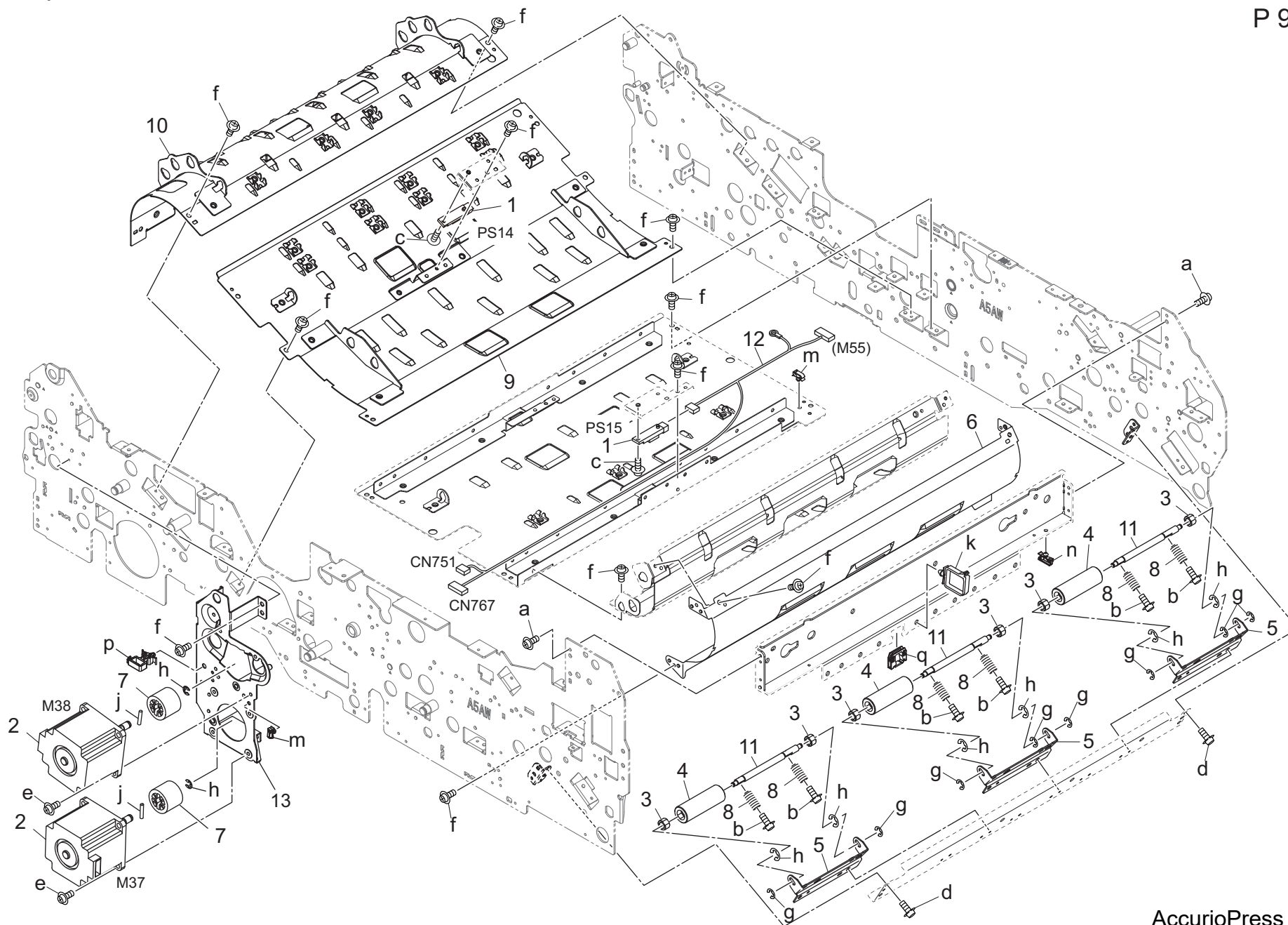
See P.102-25

Key	Part No.	Description	Destinations	Class	QTY	Standard parts
1	56AA80112	Paper Exit Drive Motor		B	1	a-V116030603
2	65AA50250	CARRIGE GUIDE PIN REAR		D	2	b-V116030803
3	65AA80112	HB Motor /50		B	1	c-V118030403
4	A03U811800	ADU Positioning Plate /2		C	1	d-V121030403
5	A11PM10200	DC Brushless motor /12		C	2	e-V121030803
6	A1RF823000	Protection Tape		D	1	f-V121040403
7	A1RF849701	Gear /1 16T		C	2	g-V127030603
8	A4EU604000	Input Pin		D	1	h-V217040001
9	A5AW719900	Registration Gear 40T		D	1	j-V234201250
10	A5AW818800	Drive Gear /1 22T		C	1	k-V234301650
11	A5AWN21600	ADU Drive harness /3		D	1	m-V500010005
12	A5AWN24700	ADU Drive harness /10		D	1	n-V500010007
13	A5AWN24900	ADU Drive harness /12		D	1	p-V500020077
14	A92WN21400	ADU Drive Harness /1		D	1	q-V500020098
15	A92WN23200	Transfer Relay Harness /6		D	1	r-V570010038
16	A92WN23700	Transfer Relay Harness /7		D	1	s-V570010039
17	A1RF810302	Conveyance Stay /Left		D	1	t-V570010059





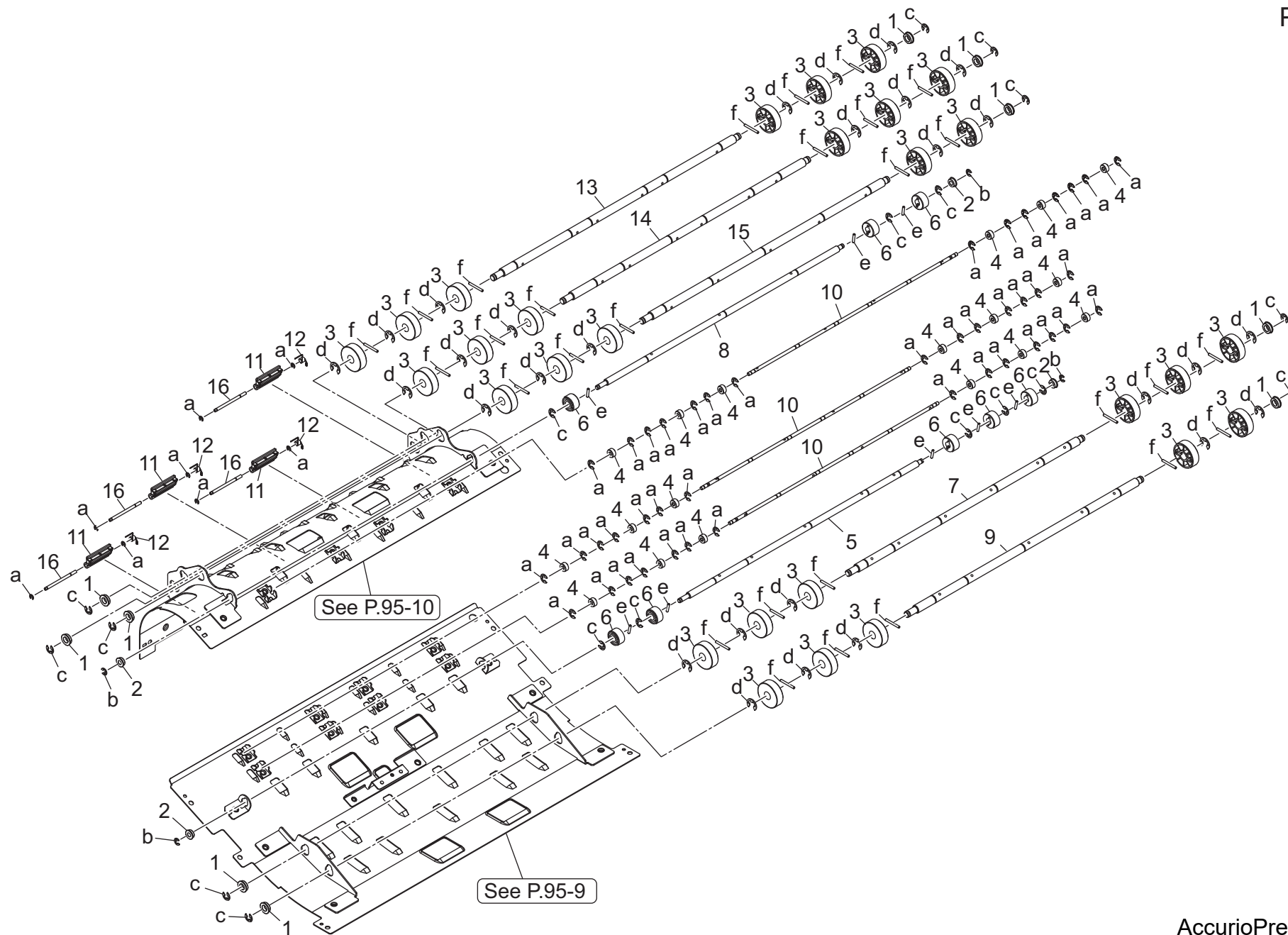
Key	Part No.	Description	Destinations	Class	QTY	Standard parts
1	4470402401	Stopper		D	2	a-V116030603 b-V116030618 c-V121040403 d-V127030603 e-V207050003 f-V217030001 g-V217040001 h-V234302050 j-V500010005 k-V570010057
2	A00J617900	Ball Bearing		B	4	
3	A03U850101	Slide Bushing		C	4	
4	A5AW813400	Lifting Casing		D	2	
5	A5AW814700	Slide Guide /1		D	2	
6	A5AW815900	Pressing Spring /I		D	2	
7	A5AW820900	Release Shaft /B		D	1	
8	A5AW821400	Release Cam /1		D	1	
9	A5AW821500	Release Cam /2		D	1	
10	A5AW823000	Pressing Spring /5		D	1	
11	A5AW824300	Release Shaft /1		D	1	
12	A5AW827601	Idling Gear /1 22/30T		C	2	
13	A5AW827700	Release Gear 48T		C	2	
14	A85CM55600	Photo Sensor		C	2	



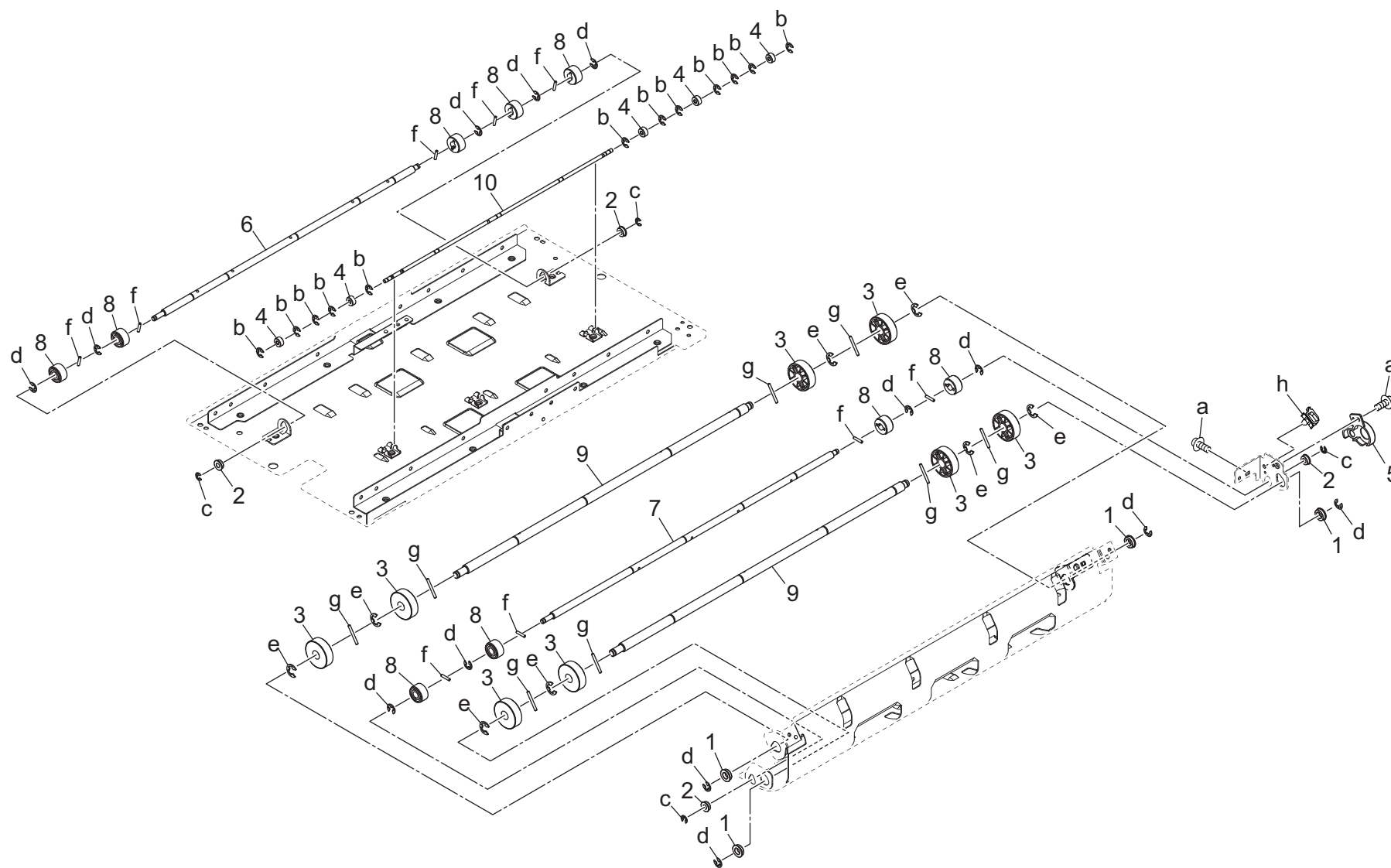
# ADU Duplex Section

Key	Part No.	Description	Destinations	Class	QTY	Standard parts
1	13QA85511	Sensor 1		B	2	a-V116030603
2	65AA80112	HB Motor /50		B	2	b-V118030403
3	A03U850101	Slide Bushing		C	6	c-V118030603
4	A03X712000	Idler Roller		C	3	d-V121030403
5	A1RF842602	Hold Plate /1		D	3	e-V121030803
6	A1RF850501	Guide Plate /E		D	1	f-V127030603
7	A5AW818800	Drive Gear /1 22T		C	2	g-V217030001
8	A5AW845500	Conveyance Spring /3		D	6	h-V217040001
9	A5AW850300	Guide Plate /C		D	1	j-V234301650
10	A5AW851002	Guide Plate /ASSY		D	1	k-V500010015
11	A5AW852300	Idler Shaft /B		D	3	m-V500020099
12	A5AWN21900	Relay harness /3		D	1	n-V500020100
13	A92W862100	Drive Plate /ASSY		D	1	p-V500020108
						q-V570010060



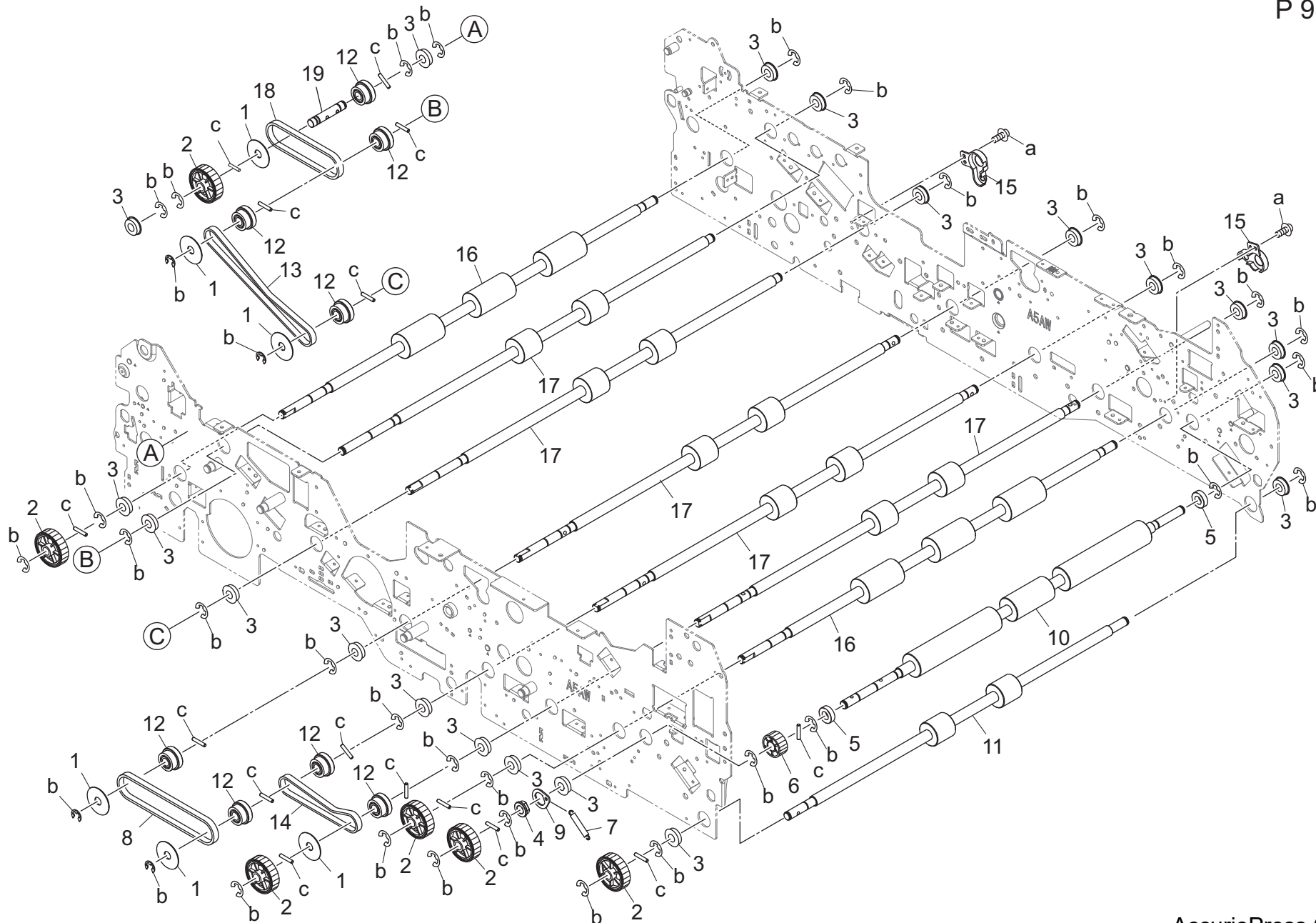


Key	Part No.	Description	Destinations	Class	QTY	Standard parts
1	A00J617800	Ball Bearing		B	10	a-V217020001 b-V217030001 c-V217040001 d-V217060001 e-V234201050 f-V234201850
2	A0GD522500	Roller Bearing /B		C	4	
3	A1TT715812	Guide Roll /B		C	28	
4	A50U854800	Conveyance Roll		D	18	
5	A5AW851800	Guide Shaft		D	1	
6	A5AW856001	Guide Roll		D	8	
7	A5AW856100	Guide Shaft		D	1	
8	A5AW856300	Guide Shaft		D	1	
9	A5AW856400	Guide Shaft		D	1	
10	A5AW856701	Slide Shaft		D	3	
11	A5AW858302	Conveyance Guide		C	4	
12	A5AW858400	Torsion Spring		D	4	
13	A5AW859300	Guide Shaft /A		D	1	
14	A5AW859400	Guide Shaft /B		D	1	
15	A5AW859500	Guide Shaft /C		D	1	
16	A5AW859900	Support Shaft /A		D	4	



Key	Part No.	Description	Destinations	Class	QTY	Standard parts
1	A00J617800	Ball Bearing		B	4	a-V127030603 b-V217020001 c-V217030001 d-V217040001 e-V217060001 f-V234201050 g-V234201850 h-V500020099
2	A0GD522500	Roller Bearing /B		C	4	
3	A1TT715812	Guide Roll /B		C	8	
4	A50U854800	Conveyance Roll		D	5	
5	A5AW819900	Protection Cover		D	1	
6	A5AW851800	Guide Shaft		D	1	
7	A5AW851901	Guide Shaft		D	1	
8	A5AW856001	Guide Roll		D	9	
9	A5AW856501	Guide Shaft		D	2	
10	A5AW858701	Slide Shaft		D	1	

# ADU Duplex Section

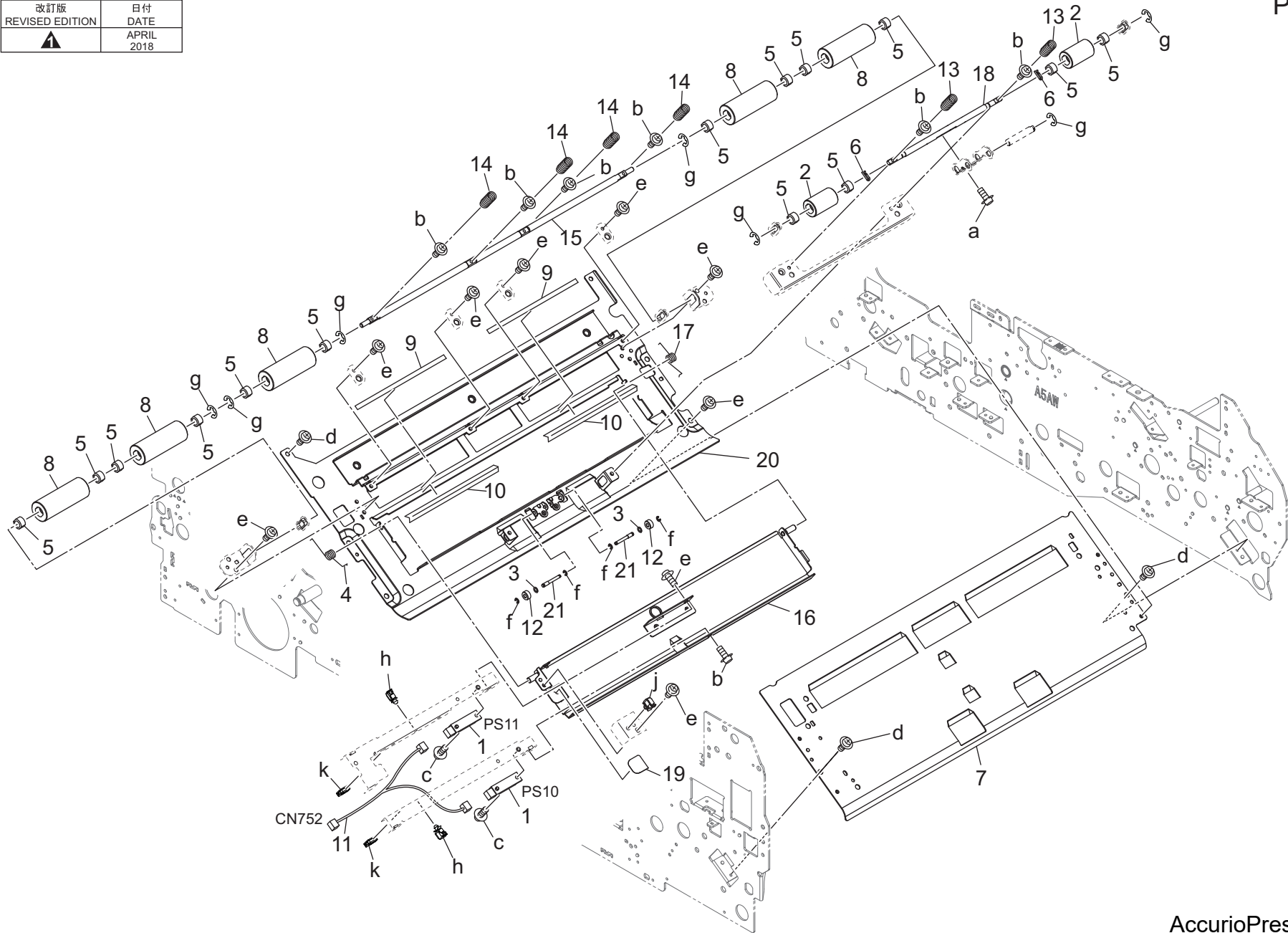




Key	Part No.	Description	Destinations	Class	QTY	Standard parts
1	56AA15490	PULLEY GUIDE PLATE		B	6	a-V127030603 b-V217060001 c-V234301650
2	A00J612100	Gear 32T		C	6	
3	A00V240600	Ball Bearing		B	20	
4	A03U812800	Slide Shaft Holder		B	1	
5	A1RF820000	Ball Bearing		C	2	
6	A1RF824100	Gear /2 25T		C	1	
7	A1RF825000	Pulling Spring /3		D	1	
8	A1RF839600	Conveyance Belt /6 276L		C	1	
9	A1RG681400	Brake Plate /8		D	1	
10	A5AW812200	Roller /2		C	1	
11	A5AW812300	Roller /1		C	1	
12	A5AW816600	Pulley /2		D	8	
13	A5AW817000	Conveyance Belt /2 324L		C	1	
14	A5AW818900	Conveyance Belt /3 228L		C	1	
15	A5AW819900	Protection Cover		D	2	
16	A5AW851100	Roller /B		C	2	
17	A5AW851200	Roller /E		C	5	
18	A92W836200	Conveyance Belt /A 159L		C	1	
19	A92W829800	Rotation Shaft /1		D	1	


# ADU Duplex Section

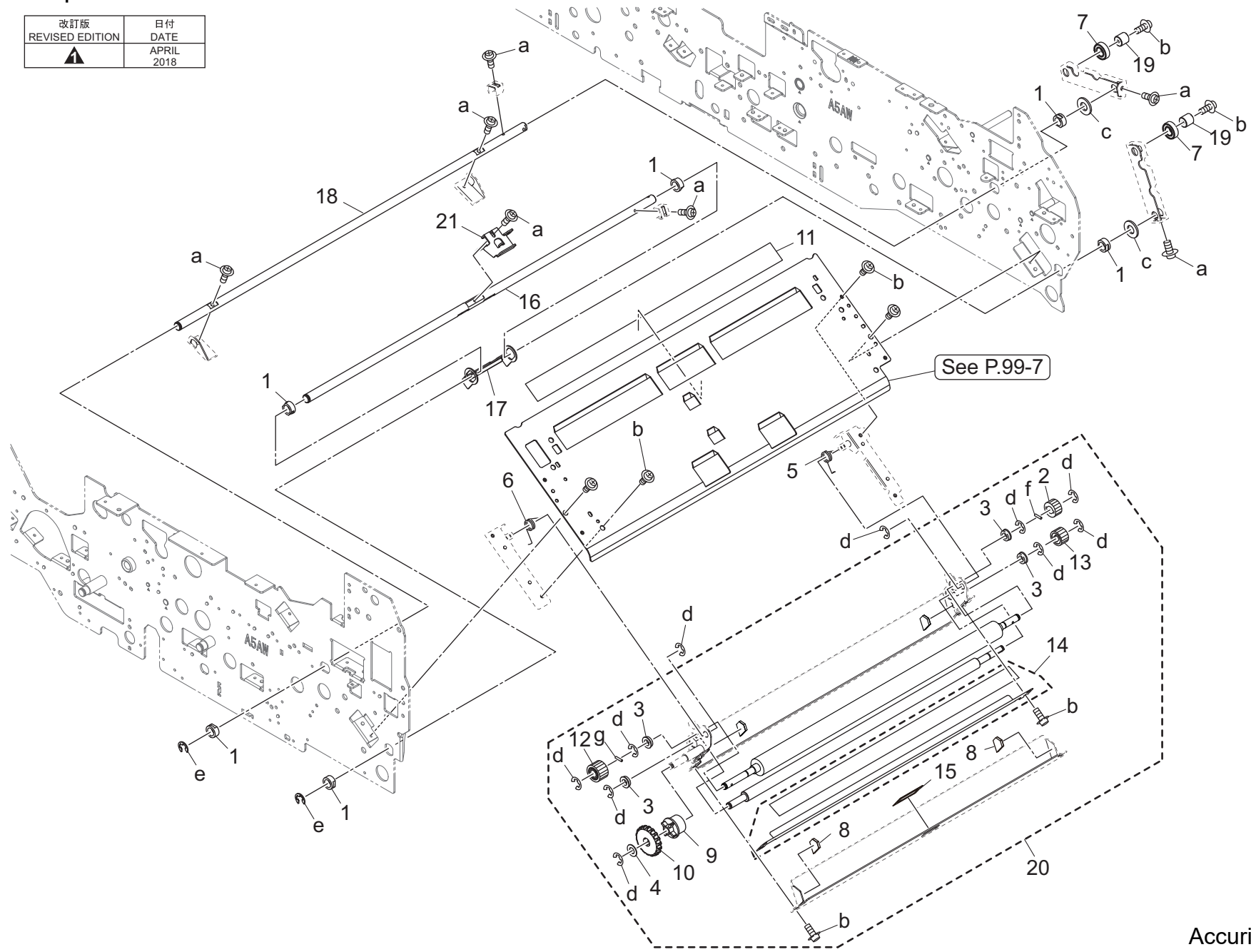
改訂版 REVISED EDITION	日付 DATE
▲	APRIL 2018



Key	Part No.	Description	Destinations	Class	QTY	Standard parts
1	13QA85511	Sensor 1		B	2	a-V116031003
2	26NA42560	By-Pass Idler Roller		C	2	b-V118030403
3	56UA25280	Charge Cleaning Spacer		C	2	c-V118030603
4	65AA50160	Pressing Spring /Left		C	1	d-V121030403
5	A03U850101	Slide Bushing		C	14	e-V127030603
6	A0H0911500	Fixing Part /6		C	2	f-V217020001
7	A1RF810603	Conveyance Plate /Lower		D	1	g-V217040001
8	A1RF819800	Roller /C		D	5	h-V500010020
9	A1RF835001	Conveyance Sheet /Upper		D	2	j-V500020098
10	A1RF835200	Cover Sheet /Upper		D	2	k-V570010056
11	A1RFN21700	Relay Harness /1		D	1	
12	A50U854800	Conveyance Roll		D	2	
13	A5AW811400	Conveyance Spring /5		D	2	
14	A5AW811500	Conveyance Spring /6		D	4	
15	A5AW812600	Shaft /A		D	1	
16	A5AW814400	Conveyance Plate /Middle		D	1	
17	A5AW822000	Pressing Spring /Rear		D	1	
18	A5AW827200	Idler Shaft /1		D	1	
19	A5AW943200	Release Label /2		D	1	
20	A5AW824602	Conveyance Plate /Upper		D	1	
21	A5AW830500	Support Shaft		D	2	

# ADU Duplex Section

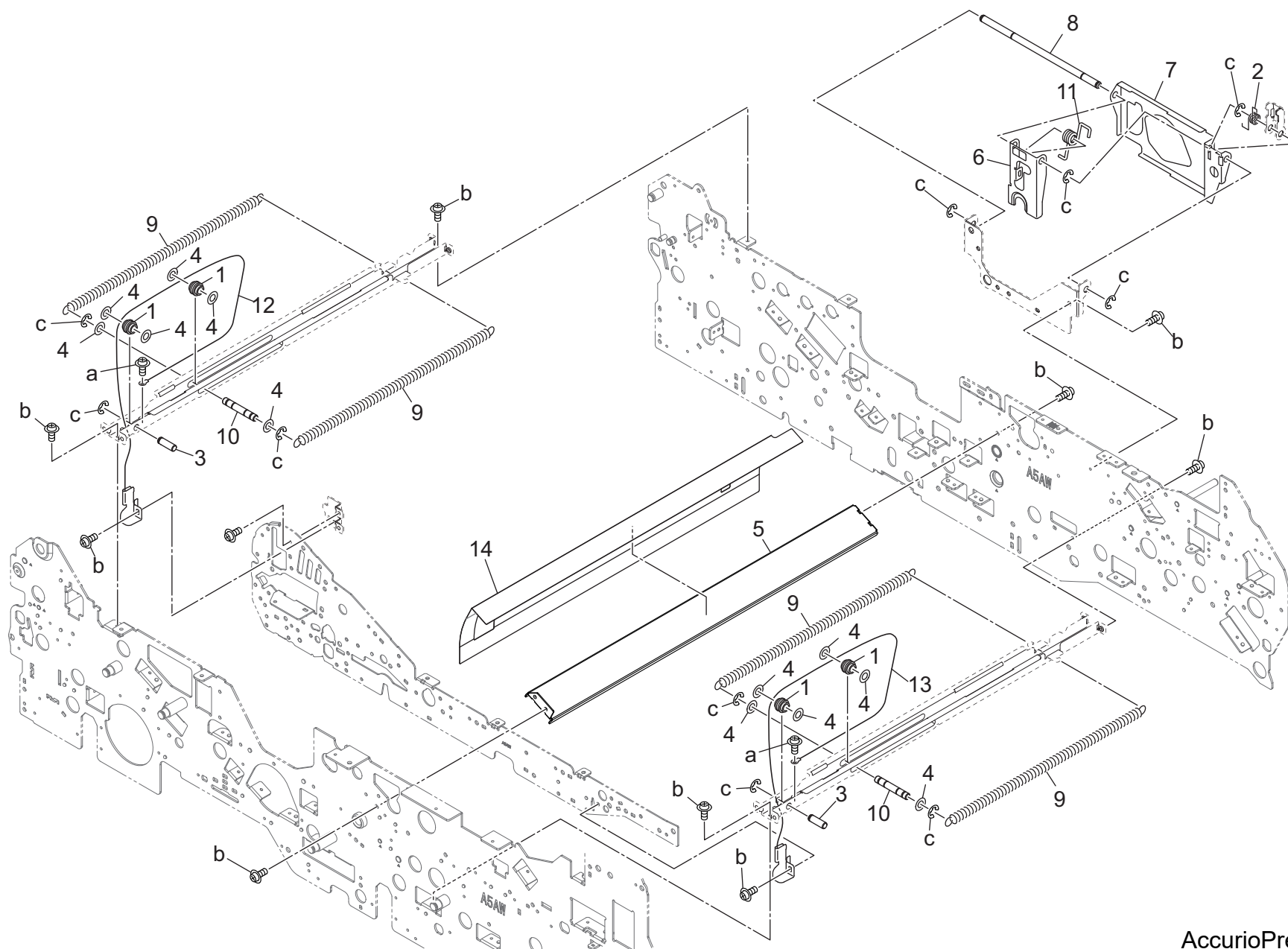
改訂版 REVISED EDITION	日付 DATE
	APRIL 2018



Key	Part No.	Description	Destinations	Class	QTY	Standard parts
1	4658351602	Bushing 軸受		C	6	a-V116031003
2	55VA79200	Cleaner Driving Gear /A 16T クリーナー駆動ギア / A 1 6 T		B	1	b-V127030603
3	A00J617800	Ball Bearing ボールベアリング		B	4	c-V207080003
4	A1RF517100	Spacer /A スパーサ / A		D	1	d-V217040001
5	A1RF814100	Pressing Spring /Rear 押圧ばね / 奥		D	1	e-V217060001
6	A1RF814200	Pressing Spring /Front 押圧ばね / 前		D	1	f-V234200850
7	A1RF820000	Ball Bearing ボールベアリング		C	2	
8	A1RF821200	Scatteringprevention Seal 飛散防止シール		D	2	
9	A1RF833500	Conveyance Gear 15T 搬送ギア 1 5 T		C	1	
10	A1RF833600	Rotation Knob 回転ノブ		C	1	
11	A1RF835101	Conveyance Sheet /Lower 搬送シート / 下		D	1	
12	A1RF837900	Gear /1 15T ギア / 1 1 5 T		C	1	
13	A1RF838000	Gear 16T ギア 1 6 T		C	1	
14	A1RFR7G400	Cleaning Sheet Assy クリーニングシート部組		B	1	
15	A5AW813300	Cover Seal カバーシール		D	1	
16	A5AW825000	Release Shaft /1 解除軸 / 1		D	1	
17	A5AW827501	Support Plate /3 支持板 / 3		D	1	
18	A5AW828100	Release Shaft /2 解除軸 / 2		D	1	
19	A5AW829100	Support Shaft 支点軸		D	2	
20	A5AWR72800	Cleaning Roller Assy クリーニングローラー A s s y		I	1	
21	A5AW827400	Support Plate /2 支持板 / 2		D	1	


# ADU Duplex Section

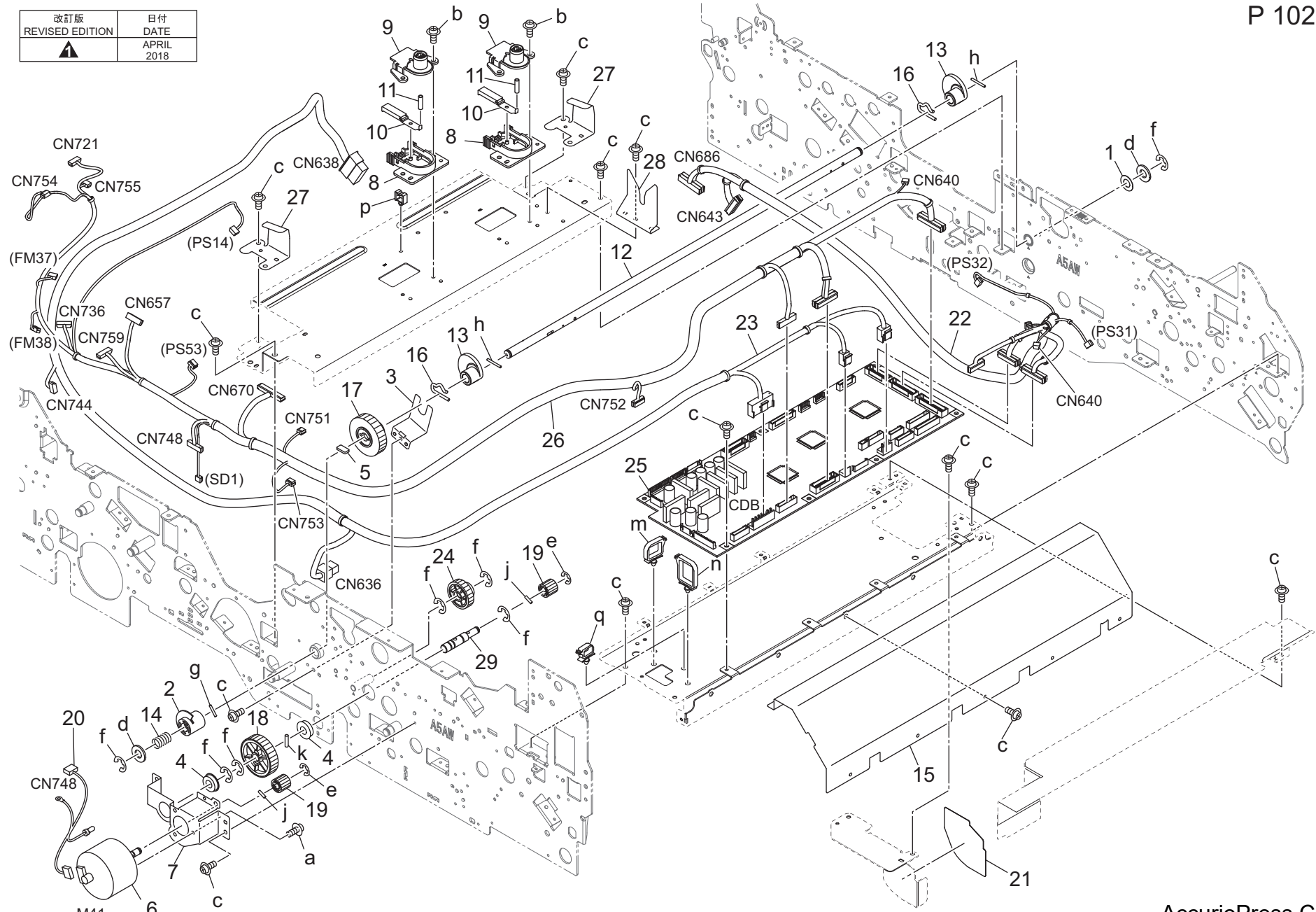
P 101



Key	Part No.	Description	Destinations	Class	QTY	Standard parts
1	25AA50080	WIRE PULLEY		C	4	a-V121030603 b-V127030603 c-V217040001
2	65AA50630	CAM STOPPER SPRING 2		C	1	
3	65AA51510	ADU OPEN SHUT SHAFT 3		D	2	
4	A1RF765600	Washer		D	12	
5	A1RF812911	Reinforce Plate /2		D	1	
6	A1RF813511	Release Plate /Left		D	1	
7	A1RF813711	Release Lever /Rear		D	1	
8	A1RF813800	Release Shaft /Rear		D	1	
9	A1RF815801	Open/close Spring		D	4	
10	A1RF823300	ADU Open/shut Shaft /1		D	2	
11	A1RF835300	Stopper Spring /1		C	1	
12	A1RF844100	Wire /Left		D	1	
13	A1RF844200	Wire /Right		D	1	
14	A5AW829200	Scatteringprevention Sheet		D	1	

# ADU Duplex Section

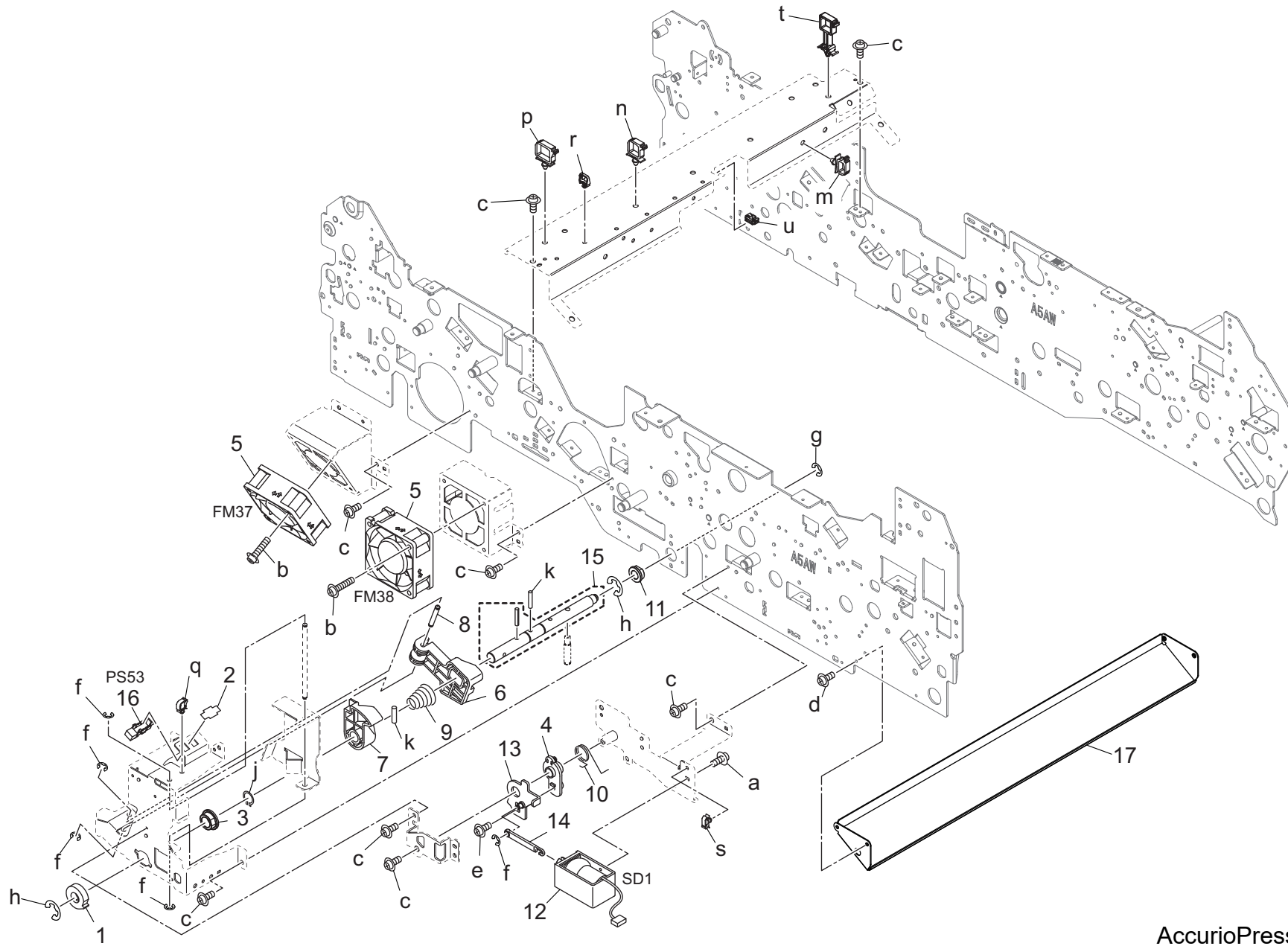
改訂版 REVISED EDITION	日付 DATE
	APRIL 2018



AccurioPress C6085




Key	Part No.	Description	Destinations	Class	QTY	Standard parts
1	55VA32530	SPACER		C	1	a-V118030403
2	65AA45220	Transfer Pressure Actuator		C	1	b-V121030803
3	65AA45241	GEAR REGULATING PLATE		D	1	c-V127030603
4	A00V240600	Ball Bearing		B	2	d-V207080003
5	A03U524000	Drive Plate /1		D	1	e-V217040001
6	A11PM10200	DC Brushless motor /12		C	1	f-V217060001
7	A1RF815000	bracket		D	1	g-V234201250
8	A1RF816100	Power supply Block /A		D	2	h-V234201850
9	A1RF816200	Power supply Block /B		D	2	j-V234301050
10	A1RF816300	Power supply Plate		D	2	k-V234301450
11	A1RF816400	Power supply Spring		D	2	m-V500010008
12	A1RF816711	Release Shaft		D	1	n-V500010015
13	A1RF816801	Pressure Cam		D	2	p-V500020098
14	A1RF819300	Slide Spring		D	1	q-V502010064
15	A1RF820801	Wiring Cover /Right		D	1	
16	A1RF827000	Fixing Part		D	2	
17	A1RF829500	Transfer Gear /2 38T		C	1	
18	A1RF838701	Transfer Gear /1 38T		C	1	
19	A1RF869300	Conveyance Gear /3 16T		C	2	
20	A1RFN24300	ADU Drive harness /6		D	1	
21	A5AW822300	Protection Film		D	1	
22	A5AWN20600	ADU Control harness /2		D	1	
23	A5AWN20700	ADU Power source harness /1		D	1	
24	A92W838800	Drive Gear /Assy 26/25T		C	1	
25	A92WH06002	Conveyance Drive board ASSY		I	1	
26	A92WN21101	ADU Wiring /2		D	1	
27	A1RF819200	Stopper Plate		D	2	
28	A1RF814800	Mounting Guide		D	1	
29	A1RF817811	Idling Shaft		D	1	

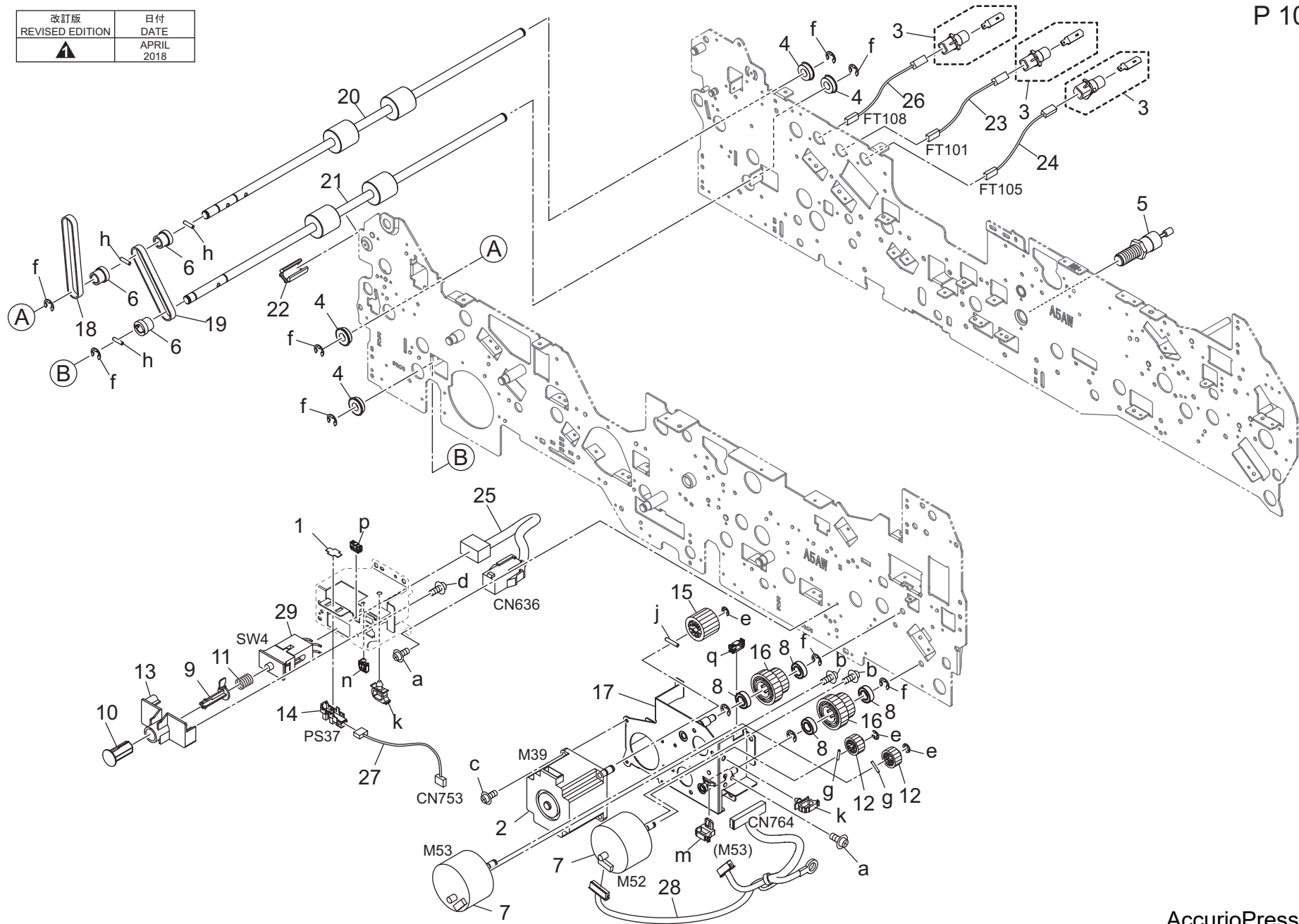


AccurioPress C6085

Key	Part No.	Description	Destinations	Class	QTY	Standard parts
1	25AA47500	Carriage Lock Claw B	架台ロック爪 B	C	1	a-V118030403
2	4470402401	Stopper	ストッパー	D	1	b-V121033003
3	462076010	Driving Slide Shaft Holder A	駆動滑り軸受 A	C	1	c-V127030603
4	56AA50700	LEVER LOCKING PART	レバーロック部材	C	1	d-V127030604
5	56QA80570	Internal Cooling Fan	機内冷却ファン	C	2	e-V153040803
6	65AA50320	Locking Cam	ロックカム	C	1	f-V217030001
7	65AA50350	Release Cam	解除カム	C	1	g-V217040001
8	65AA50370D	Cam Fulcrum Shaft	カム支点軸	D	1	h-V217080001
9	65AA50420	CAM HOLDING SPRING	カム押えバネ	C	1	j-V223150004
10	65AA50810	LOCKING SPRING RIGHT	ロックバネ 右	C	1	k-V234301650
11	A03U812800	Slide Shaft Holder	すべり軸受	B	1	m-V500010005
12	A1RFR75800	RELEASE SOLENOID PIN ASSY	解除ソレノイドピン打ち	C	1	n-V500010007
13	A1RFR7D900	LEVER LOCK PLATE CALKING	レバーロック板カシメ	D	1	p-V500010008
14	A5AW836000	Pulling Lever	引張りレバー	D	1	q-V500010020
15	A5AWR72Y00	Pulling Shaft Pin Assy	引張り軸ピン打ち	D	1	r-V500020098
16	A85CM55600	Photo Sensor	フォトセンサ	C	1	s-V500020099
17	A92W838000	Guide Plate /Upper	ガイド板/上	C	1	t-V500020104
						u-V500020104

# ADU Duplex Section


改訂版 REVISED EDITION	日付 DATE
	APRIL 2018

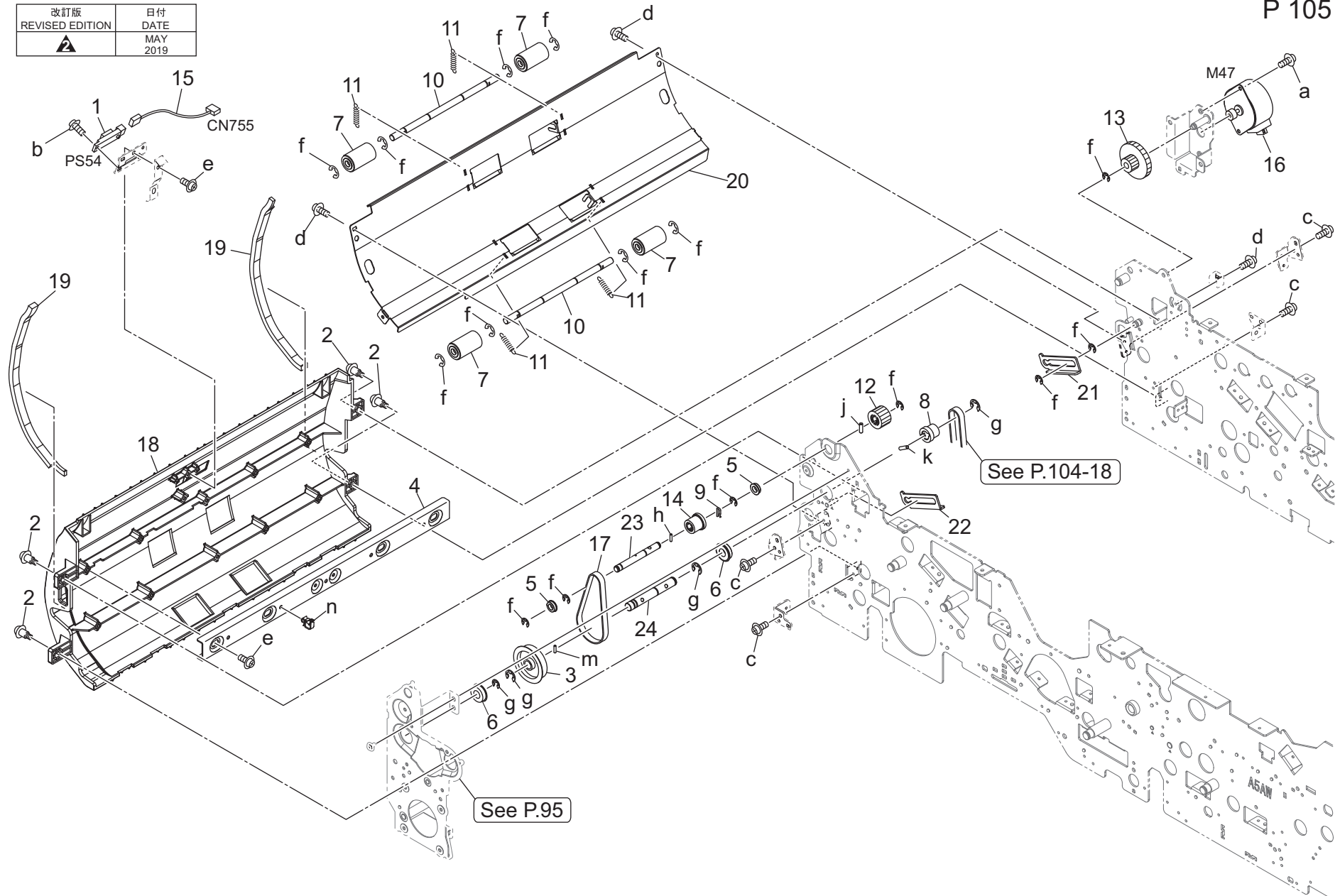


Key	Part No.	Description	Destinations	Class	QTY	Standard parts
1	4470402401	Stopper		D	1	a-V116030603
2	65AA80112	HB Motor /50		B	1	b-V118030403
3	65AAR74600	POWERING BLOCK A ASSY		C	3	c-V121030803
4	A00V240600	Ball Bearing		B	4	d-V153030603
5	A03U815301	Slide Dumper /2		C	1	e-V217040001
6	A03U889600	CONVEYANCE PULLEY 20T		C	3	f-V217060001
7	A11PM10200	DC Brushless motor /12		C	2	g-V234201250
8	A1RF820000	Ball Bearing		C	4	h-V234301250
9	A1RF825200	Pressing Actuator		C	1	j-V234301650
10	A1RF825300	Connecting Actuator		C	1	k-V500010005
11	A1RF839700	Cover Spring		D	1	m-V500010021
12	A1RF849701	Gear /1 16T		C	2	n-V500020098
13	A1RG105900	Guide Part		D	1	p-V570010056
14	A50UM51000	Photointerrupter		C	1	q-V570010057
15	A5AW818800	Drive Gear /1 22T		C	1	
16	A5AW819000	Conveyance Gear /3 22/29T		C	2	
17	A5AW819101	Drive Base frame /C		D	1	
18	A5AW861900	Drive Belt 140L		C	1	
19	A5AW863800	Drive Belt 164L		C	1	
20	A5AW864000	Conveyance Roller /2		C	1	
21	A5AW864800	Conveyance Roller /2		C	1	
22	A5AW865100	Collar		D	1	
23	A5AWN20100	HV Wiring /1		D	1	
24	A5AWN20301	HV Wiring /3		D	1	
25	A5AWN20800	ADU Power source harness /2		D	1	
26	A5AWN20900	HV Wiring /25		D	1	
27	A5AWN23600	Relay harness /4		D	1	
28	A5AWN24800	ADU Drive harness /11		D	1	
29	40AA85011	Door Switch		B	1	

# ADU Duplex Section

P 105

改訂版 REVISED EDITION	日付 DATE
	MAY 2019

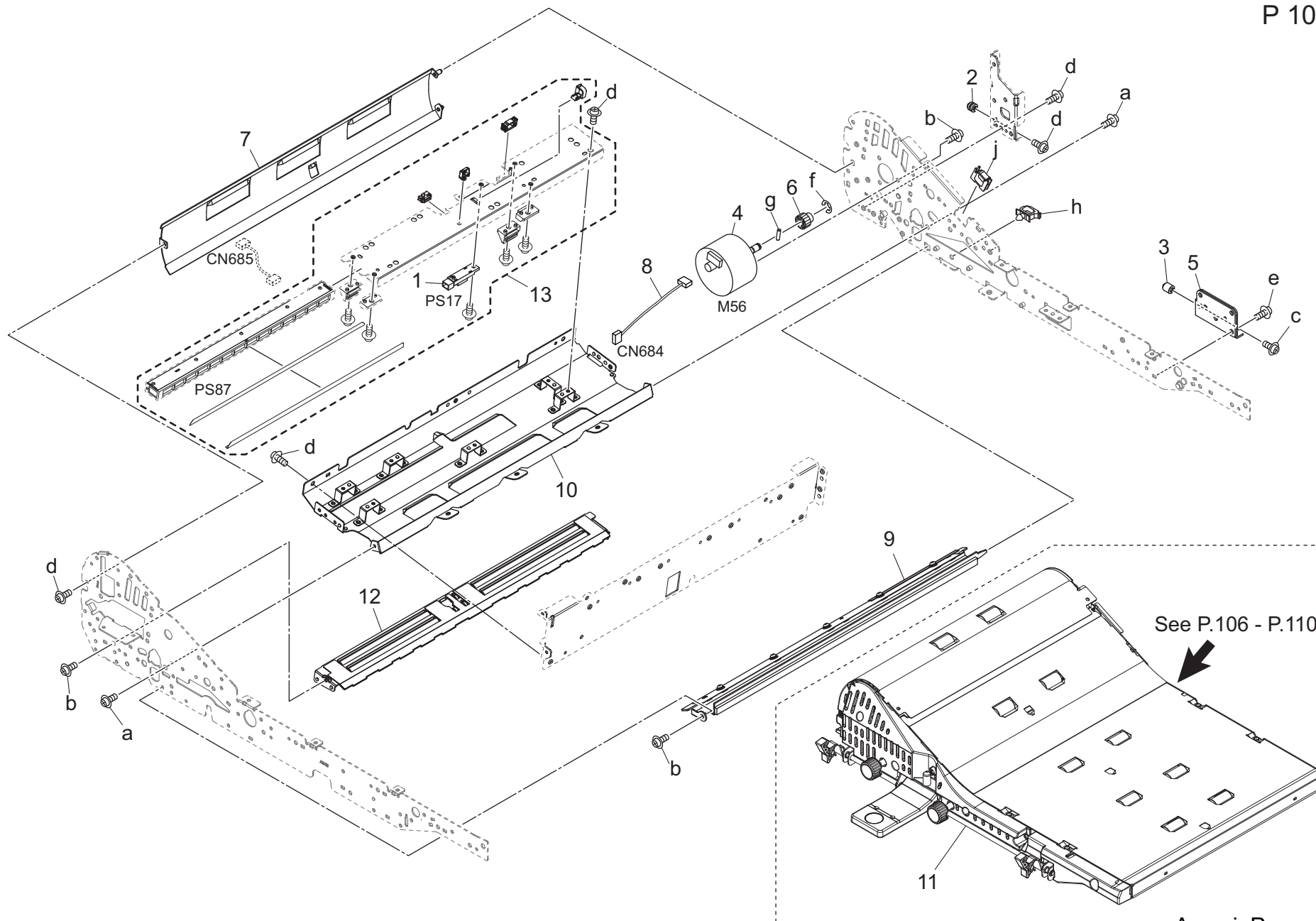


AccurioPress C6085

Key	Part No.	Description	Destinations	Class	QTY	Standard parts
1	13QA85511	Sensor 1		B	1	a-V118030403
2	26NA54230	TERMINAL FIXING SCREW		C	4	b-V118030603
3	56AA76530	Paper Feed Driving Pulley 36T		C	1	c-V121030603
4	65AA49470	PAPER EXIT REINFORCE PLATE 5		D	1	d-V127030603
5	A00J617800	Ball Bearing		B	2	e-V153030603
6	A00V240600	Ball Bearing		B	2	f-V217040001
7	A03U845902	Idler Roller /3		C	4	g-V217060001
8	A03U889600	CONVEYANCE PULLEY 20T		C	1	h-V234200850
9	A0H0911500	Fixing Part /6		C	1	j-V234301050
10	A1RF862200	Fixing Shaft /A		D	2	k-V234301250
11	A1RF868000	Conveyance Spring /1		D	4	m-V234301450
12	A1RF869801	Conveyance Gear /1 16T		C	1	n-V500020098
13	A1RF869900	Pressure Gear /1 14/70T		C	1	
14	A1RF879001	Conveyance Pulley /B 15T		C	1	
15	A1RFN23400	ADU Relay harness /7		D	1	
16	A1RFR74300	Drive Motor ASSY		C	1	
17	A5AW864300	Drive Belt 186L		C	1	
18	A5AW870401	Guide Plate /I		D	1	
19	A5AW870500	Cooling Seal /I		D	2	
20	A5AW870601	Conveyance Guide /Lower		D	1	
21	A5AW864601	Hold Plate /1		D	1	
22	A5AW864901	Hold Plate /2		D	1	
23	A92W867200	Rotation Shaft /3		D	1	
24	A92W863900	Rotation Shaft /2		D	1	

# ADU Duplex Section

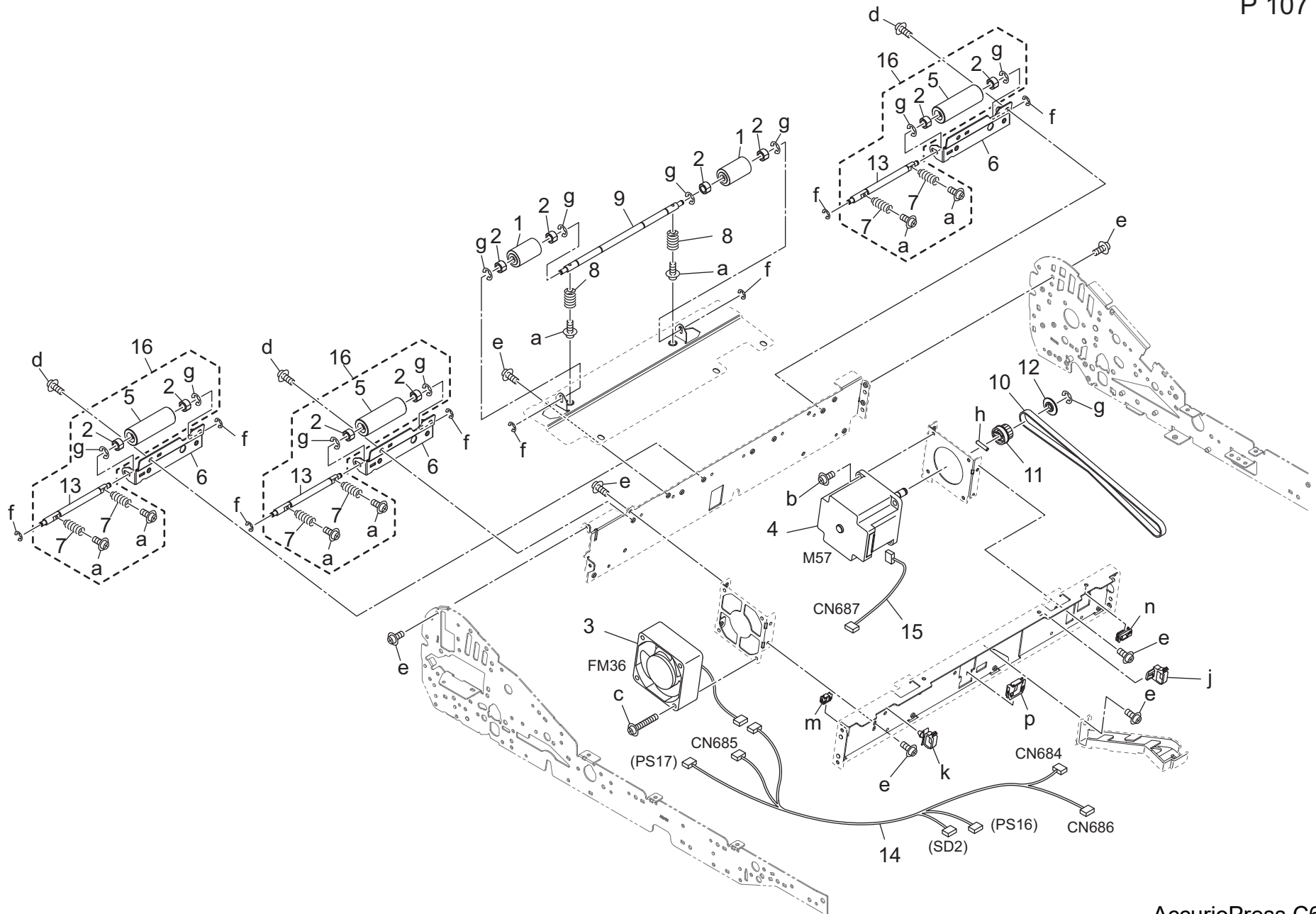
P 106





ADU Duplex Section

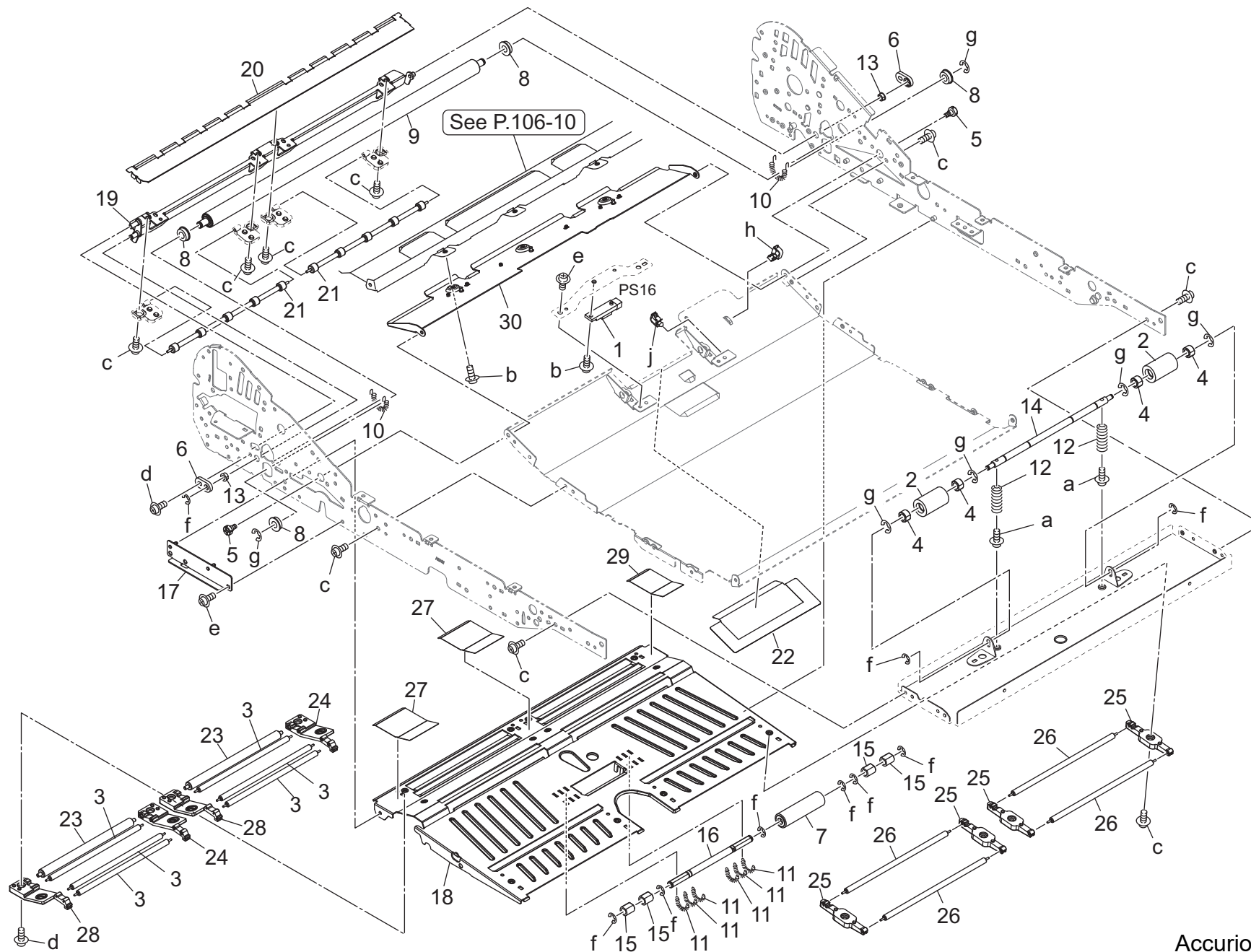
Key	Part No.	Description	Destinations	Class	QTY	Standard parts
1	13QA85521	Sensor /2		B	1	a-V116030603
2	A03U843700	Support Shaft /Left		D	1	b-V118030403
3	A03U843900	Support Shaft /Right		D	1	c-V121030603
4	A11PM10200	DC Brushless motor /12		C	1	d-V127030603
5	A1RF843401	Support Plate /1		D	1	e-V127030803
6	A1RF849701	Gear /1 16T		C	1	f-V217040001
7	A1RF852600	Guide Plate /8		D	1	g-V234301250
8	A1RFN23100	ADU Relay harness /4		D	1	h-V500010005
9	A1RFR7F400	Cleaning Sheet/4 Assy		B	1	j-V570010060
10	A5AW840300	Guide Plate /1		D	1	
11	A5AWR71T11	ADU Unit		D	1	
12	A5AWR73200	Guide Plate/D Assy		D	1	
13	A5AWR73600	ADU Deflection Sensor Assy		C	1	



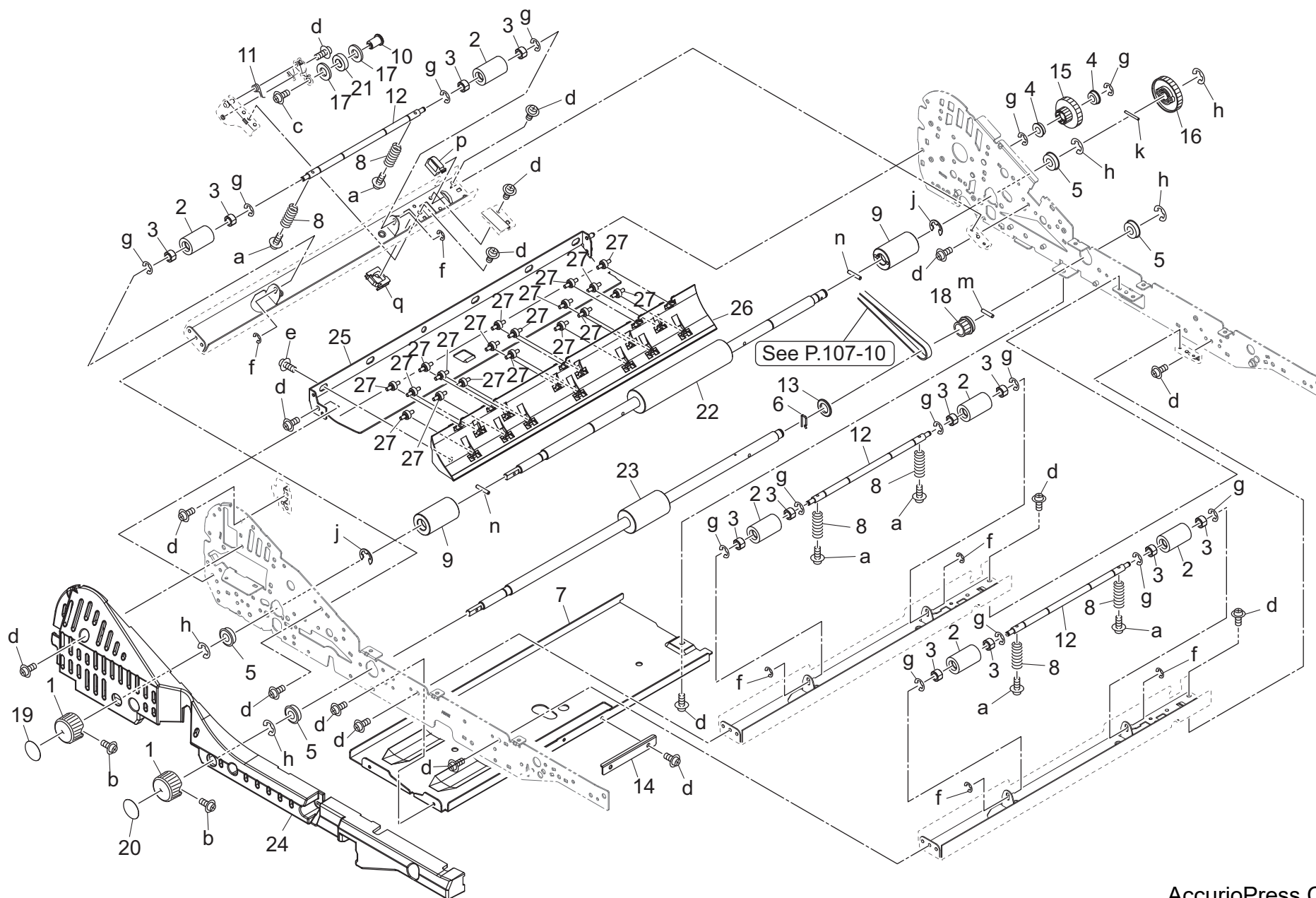
Key	Part No.	Description	Destinations	Class	QTY	Standard parts
1	26NA42560	By-Pass Idler Roller		C	2	a-V118030403
2	56GA76010	SLIDE SHAFT HOLDER 2		C	10	b-V121030803
3	56QA80570	Internal Cooling Fan		C	1	c-V121033003
4	65AA80112	HB Motor /50		B	1	d-V127030516
5	A03X712000	Idler Roller		C	3	e-V127030603
6	A1RF842602	Hold Plate /1		D	3	f-V217030001
7	A1RF845500	Conveyance Spring /3		D	6	g-V217040001
8	A1RF845600	Conveyance Spring /4		D	2	h-V234301450
9	A1RF847000	Idler Shaft /D		D	1	j-V500010057
10	A1RF849600	Belt /1 399L		C	1	k-V500020098
11	A1RF855400	Pulley /3 16T		C	1	m-V570010056
12	A1RF855500	Guide Collar		D	1	n-V570010057
13	A5AW852300	Idler Shaft /B		D	3	p-V570010060
14	A5AWN22800	ADU Relay harness /1		D	1	
15	A5AWN22900	ADU Relay harness /2		D	1	
16	A5AWR72B00	Roller/4 Assy		C	3	

# ADU Duplex Section

P 108



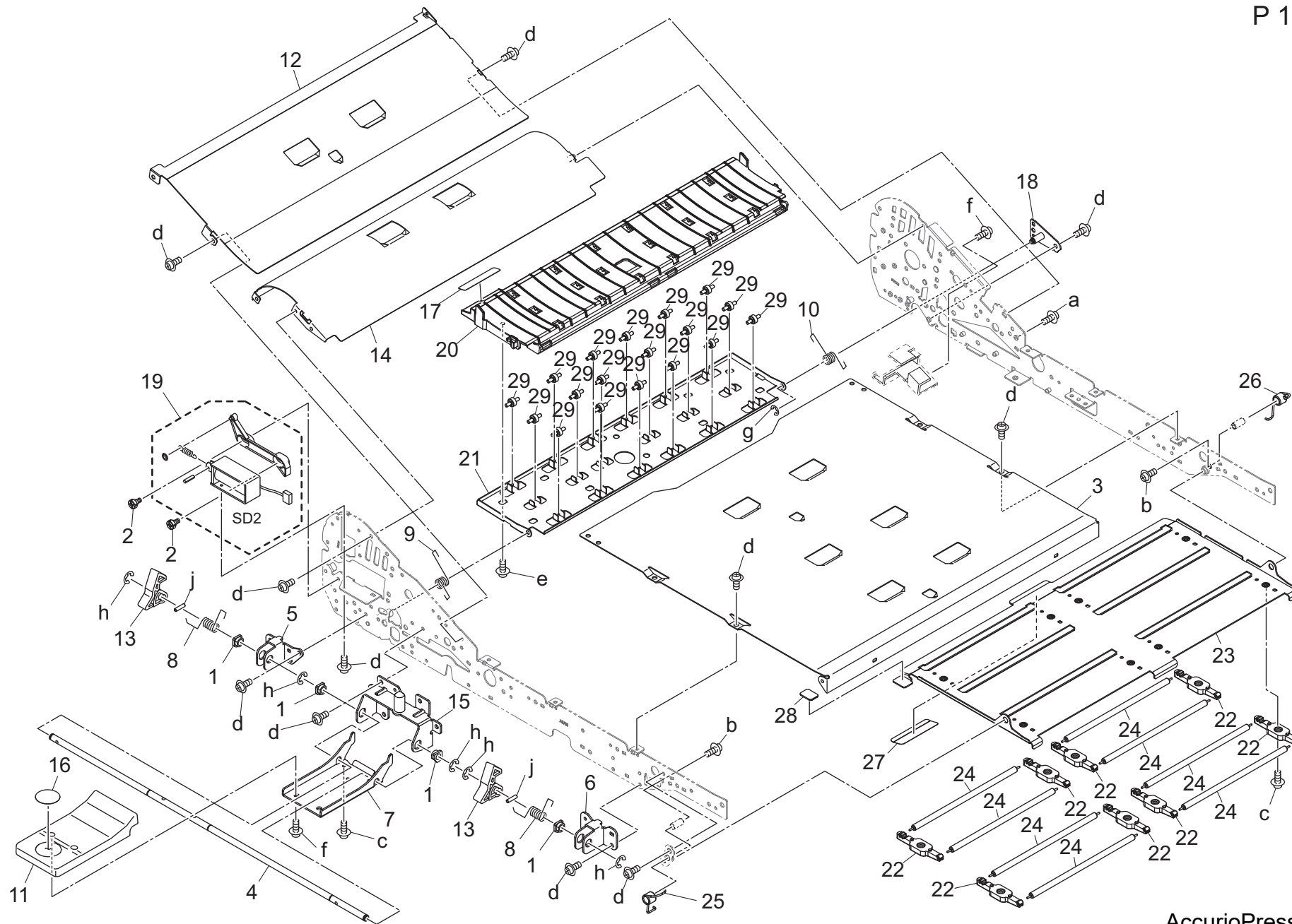
Key	Part No.	Description	Destinations	Class	QTY	Standard parts
1	13QA85511	Sensor 1		B	1	a-V118030403
2	26NA42560	By-Pass Idler Roller		C	2	b-V118030603
3	56AA269900	Transfer Roll		C	6	c-V121030403
4	56GA76010	SLIDE SHAFT HOLDER 2		C	4	d-V121030603
5	65AA49510F	FIXING SCREW /1		C	2	e-V127030603
6	65AA49520	PAPER EXIT MOUNTING SPACER		C	2	f-V217040001
7	A03U845301	Idler Roller /1		C	1	g-V500010057
8	A0G6243900	Ball Bearing		C	4	h-V500020098
9	A1RF841500	Roller		D	1	
10	A1RF845300	Conveyance Spring /1		D	2	
11	A1RF845401	Conveyance Spring /2		D	6	
12	A1RF846200	Conveyance Spring /7		D	2	
13	A1RF846400	Bushing /A		C	2	
14	A1RF847000	Idler Shaft /D		D	1	
15	A1RF847400	Collar /1		D	4	
16	A1RF852001	Idler Shaft /A		D	1	
17	A1RFF84312	Mounting Plate/5 Calking		D	1	
18	A5AW840402	Guide Plate /2		C	1	
19	A5AW840901	Guide Plate /C		D	1	
20	A5AW841801	Guide Plate /G		D	1	
21	A5AW842200	Transfer Roll		D	2	
22	A5AW847600	Holding Film		D	1	
23	A5AW848900	Transfer Roll		D	2	
24	A5AW849001	Conveyance Guide /2		D	2	
25	A5AW849700	Hold Part /3		D	4	
26	A5AW849800	Conveyance Roll		D	4	
27	A5AW855300	Sheet /Middle		C	2	
28	A5AW855901	Conveyance Guide /1		D	2	
29	A5AW858801	Sheet		C	1	
30	A5AWR72900	Guide Plate/H Assy		D	1	



Key	Part No.	Description	Destinations	Class	QTY	Standard parts
1	14GE45470	Rotation Knob		C	2	a-V118030403
2	26NA42560	By-Pass Idler Roller		C	6	b-V118030603
3	56GA76010	SLIDE SHAFT HOLDER 2		C	12	c-V121030403
4	A00J617800	Ball Bearing		B	2	d-V127030603
5	A00V240600	Ball Bearing		B	4	e-V153030803
6	A075481200	Fixing Part		D	1	f-V217030001
7	A1RF842503	Reinforce Plate /1		D	1	g-V217040001
8	A1RF845700	Conveyance Spring /5		D	6	h-V217060001
9	A1RF845800	Idler Roller /L		C	2	j-V217080001
10	A1RF846701	Swing Shaft /3		D	1	k-V234201850
11	A1RF846800	Support Spring		D	1	m-V234301450
12	A1RF847000	Idler Shaft /D		D	3	n-V234301650
13	A1RF847100	Flange		D	1	p-V500010021
14	A1RF847300	Mounting Plate		D	1	q-V570010060
15	A1RF849800	Gear /2 17/32T		C	1	
16	A1RF849900	Gear /3 37T		C	1	
17	A1RF853100	Guide Collar		D	2	
18	A1RF855700	Pulley /4 16T		C	1	
19	A1RF944000	Release Label /10		D	1	
20	A1RF944100	Release Label /11		D	1	
21	A1RJ817200	Ball bearing /8		C	1	
22	A5AW841300	Roller /1		C	1	
23	A5AW841400	Roller /2		C	1	
24	A5AW845000	Cover /Front		D	1	
25	A5AW848100	Guide Plate /K		D	1	
26	A5AW858102	Guide Plate /3		D	1	
27	A5AWR72C00	Roll (Diameter 8 Bearing) Assy		C	18	

# ADU Duplex Section

P 110



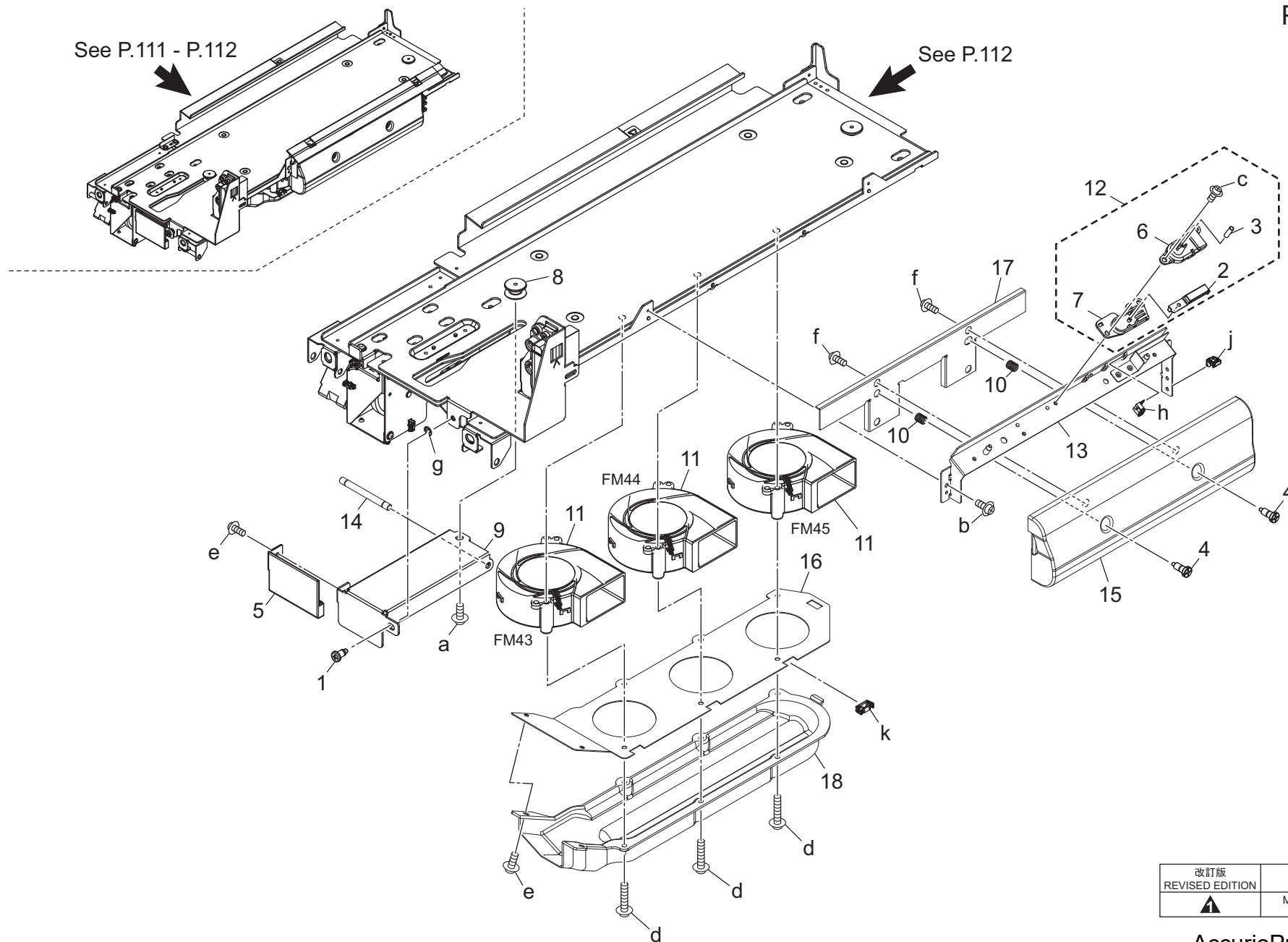
AccurioPress C6085



Key	Part No.	Description	Destinations	Class	QTY	Standard parts
1	466076020	Paper Feed Feeding Bearing		B	4	a-V116030603
2	65AA49510F	FIXING SCREW /1		C	2	b-V118030403
3	A1RF841011	Guide Plate /7		D	1	c-V121030403
4	A1RF841900	Lock Shaft		D	1	d-V127030603
5	A1RF844402	Support Plate /2		D	1	e-V153030603
6	A1RF844500	Support Plate /3		D	1	f-V153030803
7	A1RF844801	Lever /Front		D	1	g-V217030001
8	A1RF844901	Open/close Spring /1		D	2	h-V217040001
9	A1RF845100	Open/close Spring /3		D	1	j-V234301250
10	A1RF845200	Open/close Spring /4		D	1	
11	A1RF845900	Open/close Lever		D	1	
12	A1RF847600	Guide Plate /9		D	1	
13	A1RF847700	Lock Claw		D	2	
14	A1RF848212	Guide Plate /10		D	1	
15	A1RF851800	Support Plate /4		D	1	
16	A1RF943801	Release Label /8		D	1	
17	A1RF943900	Release Label /9		D	1	
18	A1RFF84501	Fixing Plate/1 Calking		D	1	
19	A1RFR74111	Adu Solenoid Assy		C	1	
20	A5AW840602	Guide Plate /4		C	1	
21	A5AW848200	Reinforce Plate /A		D	1	
22	A5AW849700	Hold Part /3		D	8	
23	A5AW852100	Guide Plate /A		D	1	
24	A5AW852200	Conveyance Shaft		D	8	
25	A5AW853300	Open/close Spring /2		D	1	
26	A5AW853600	Open/close Spring /3		D	1	
27	A5AW943301	Release Label /12		D	1	
28	A5AW943400	Auxiliary Label		D	1	
29	A5AWR72C00	Roll (Diameter 8 Bearing) Assy		C	18	

# ADU Swing Section

P 111



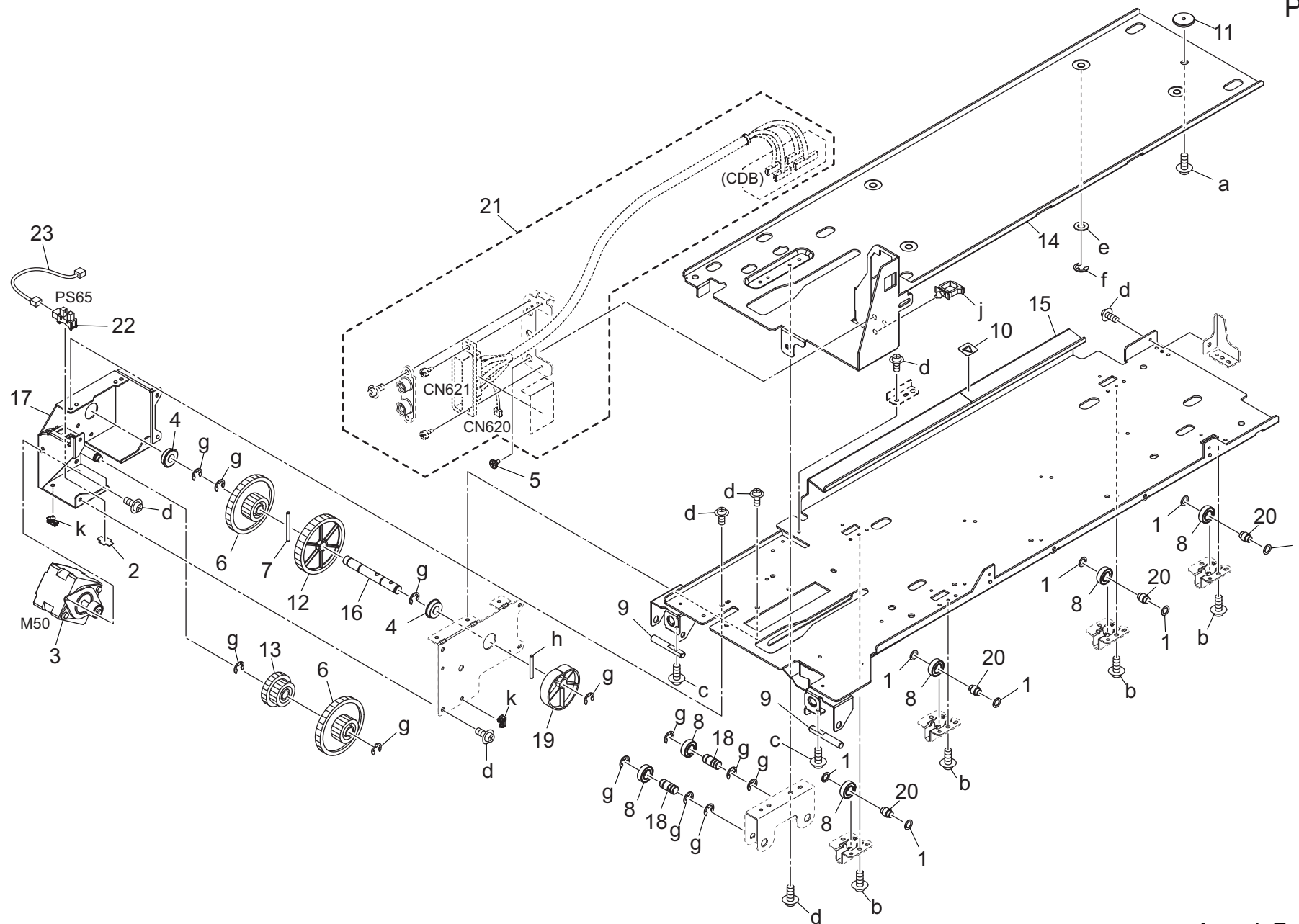
改訂版 REVISED EDITION	日付 DATE
▲	MARCH 2018

AccurioPress C6085

Key	Part No.	Description	Destinations	Class	QTY	Standard parts
1	26NA21440	Cartridge Screw		C	1	a-V116040803
2	A1RF816300	Power supply Plate		D	1	b-V118030403
3	A1RF816400	Power supply Spring		D	1	c-V118030603
4	A1RF819100	Mounting Shoulder screw		D	2	d-V121034003
5	A1RF821402	Positioning Plate /3		D	1	e-V127030603
6	A5AW818400	Power supply Part /B		D	1	f-V153030803
7	A5AW818500	Power supply Part /A		D	1	g-V217040001
8	A5AW820200	Guide Pin /Front		D	1	h-V500010057
9	A5AW820500	Positioning Plate /2		D	1	j-V500020098
10	A5AW826300	Stopper Spring		D	2	k-V570010057
11	A5AWM15101	Cooling Fan		B	3	
12	A5AWR72G00	Power Supply Part Assy		D	1	
13	A5AW810902	Suction Stay		D	1	
14	A5AW820600	Positioning Shaft /1		D	1	
15	A5AW823800	Cooling Duct /2		D	1	
16	A5AW823700	Cooling Duct /1		D	1	
17	A5AW824900	Cooling Duct /3		D	1	
18	A5AW826800	Cooling Duct /3		D	1	

# ADU Swing Section

P 112

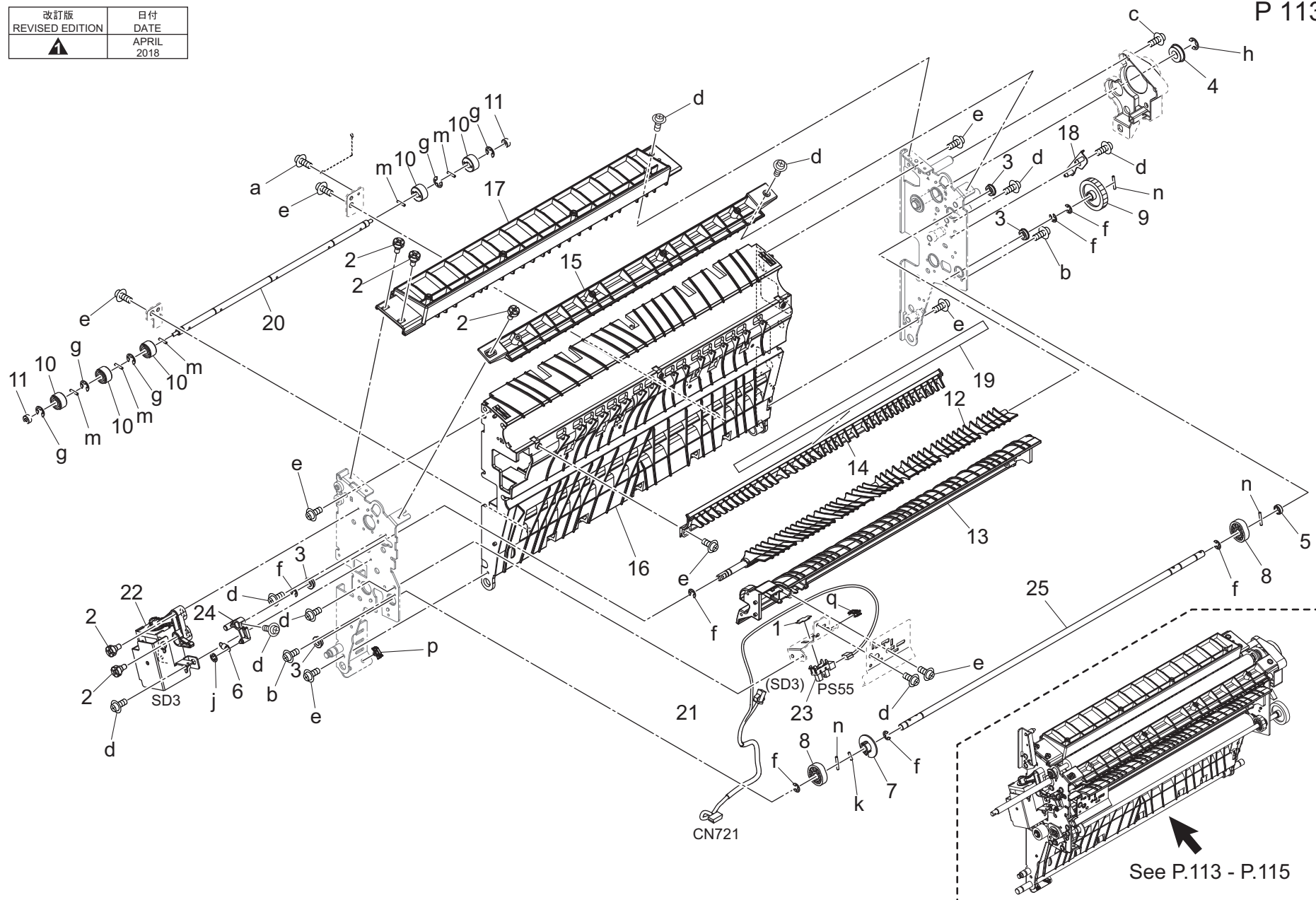


Key	Part No.	Description	Destinations	Class	QTY	Standard parts
1	40AA32320	Toner Supply Spacer		C	8	a-V116040803
2	4470402401	Stopper		D	1	b-V118030403
3	A00TM10000	Stepping motor		B	1	c-V121030803
4	A00V240600	Ball Bearing		B	2	d-V127030603
5	A03U734500	Support Screw /A		C	1	e-V207060003
6	A1RF403400	Toner Supply Gear /A 22/55T		C	2	f-V217040001
7	A1RF759700	Pin /1		D	1	g-V217060001
8	A1RF820000	Ball Bearing		C	6	h-V234302550
9	A1RF824700	Adjusting Shaft /Front		D	2	j-V500010007
10	A5AW782501	Fusing Label /3		D	1	k-V500020099
11	A5AW820700	Guide Pin /Rear		D	1	
12	A5AW823200	Drive Gear 55T		C	1	
13	A5AW823500	Idling Gear 22/40T		C	1	
14	A5AW825101	Fusing Positioning Rail		D	1	
15	A5AW825204	Fusing Rail		D	1	
16	A5AW825400	Drive Shaft		D	1	
17	A5AW825500	Drive Panel /1		D	1	
18	A5AW825700	Rotation Shaft		D	2	
19	A5AW825800	Swing Cam		D	1	
20	A5AW825900	Hold Shaft		D	4	
21	A5AWR72U00	Power Supply Guide Assy		D	1	
22	A85CM55600	Photo Sensor		C	1	
23	A92WN16001	Relay Wiring /1		D	1	

# ADU Reverse And Exit Section

P 113

改訂版 REVISED EDITION	日付 DATE
	APRIL 2018



See P.113 - P.115

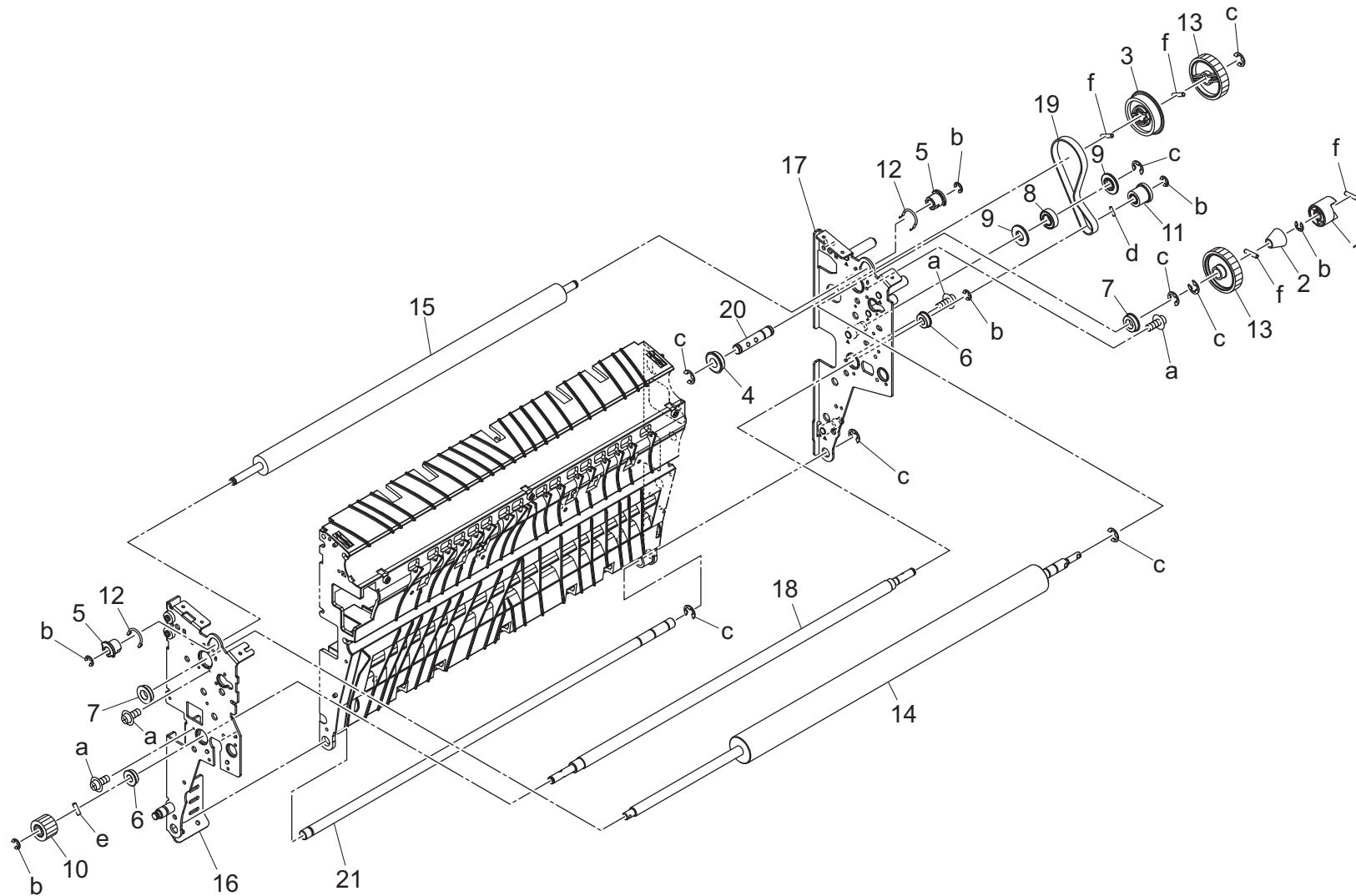
AccurioPress C6085

# ADU Reverse And Exit Section

Key	Part No.	Description	Destinations	Class	QTY	Standard parts
1	4470402401	Stopper		D	1	a-V116030603
2	65AA49510F	FIXING SCREW /1		C	5	b-V121030404
3	A00J617800	Ball Bearing		B	4	c-V121030603
4	A00V240600	Ball Bearing		B	1	d-V127030603
5	A1RF863800	Collar		D	1	e-V153030803
6	A1RF873700	Swing Spring /1		D	1	f-V217040001
7	A1RF878100	Positioning Roll		D	1	g-V217050001
8	A1RF878401	Positioning Cam		D	2	h-V217060001
9	A1RF879900	Positioning Gear /1 29T		C	1	j-V226020050
10	A5AW856001	Guide Roll		D	5	k-V234200850
11	A5AW858200	Ball bearing /A		C	2	m-V234201050
12	A5AW860100	Reverse/Exit Guide /G		D	1	n-V234201450
13	A5AW860302	Guide Plate /K		D	1	p-V500020099
14	A5AW860500	Guide Plate /N		D	1	q-V570010056
15	A5AW861100	Guide Plate /M		D	1	
16	A5AW862202	Conveyance Guide /I		D	1	
17	A5AW862400	Conveyance Guide /J		D	1	
18	A5AW863100	Holding Plate		D	1	
19	A5AW865200	Guide Sheet /N		D	1	
20	A5AW872400	Guide Shaft /10		D	1	
21	A5AWN23501	ADU Relay harness /8		D	1	
22	A5AWR71U00	Swing Solenoid Assy		C	1	
23	A85CM55600	Photo Sensor		C	1	
24	A5AW861400	Mounting Arm		D	1	
25	A5AW872300	Regulating Shaft		D	1	

# ADU Reverse And Exit Section

P 114

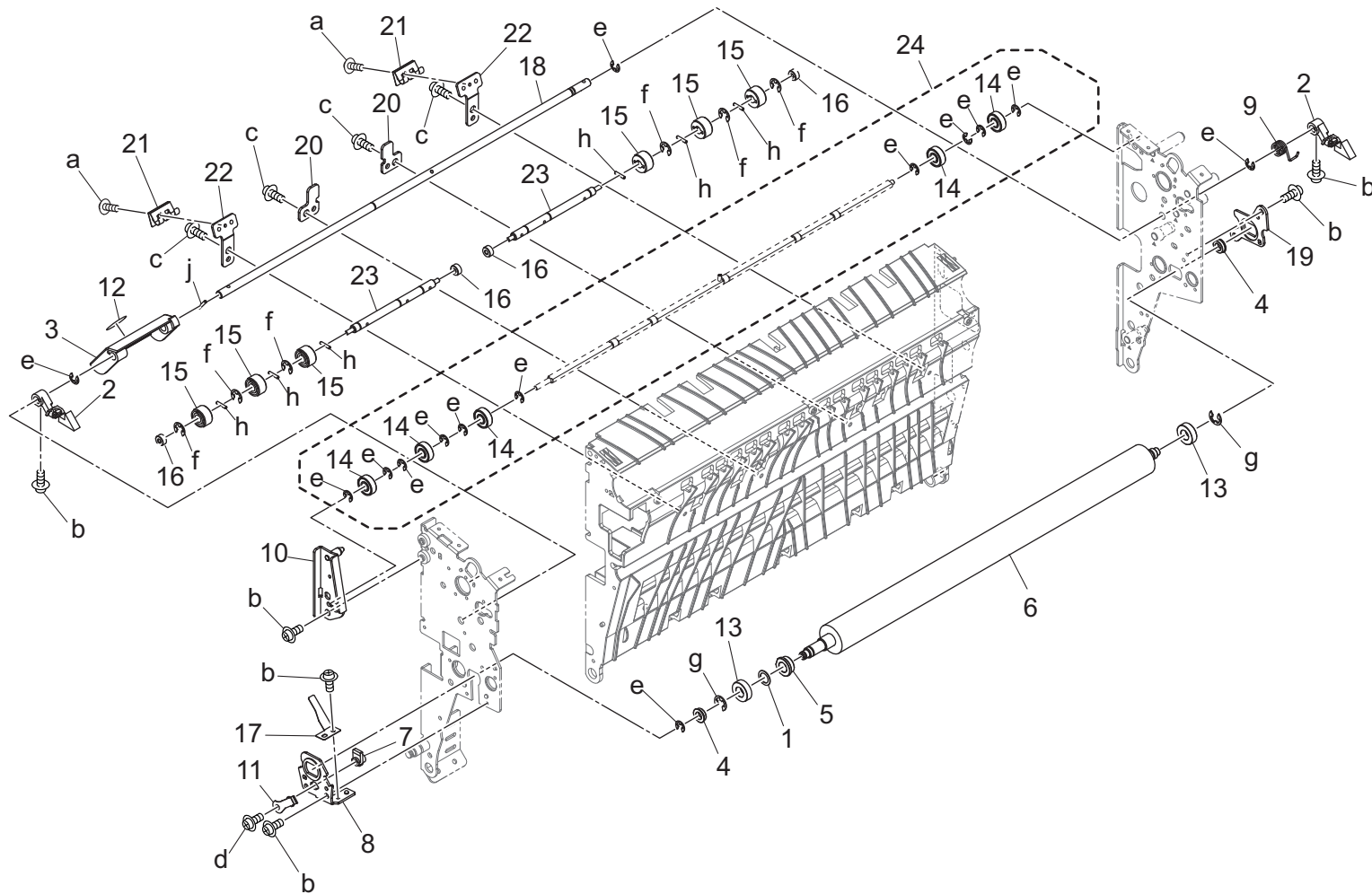




Key	Part No.	Description	Destinations	Class	QTY	Standard parts
1	56AA40450	Paper Feed Coupling Part		C	1	a-V127030603 b-V217040001 c-V217060001 d-V234200850 e-V234301050 f-V234301450
2	56AA40510	Pressing Spring		C	1	
3	56AA76530	Paper Feed Driving Pulley 36T		C	1	
4	A00V240600	Ball Bearing		B	1	
5	A03U712100	Registration Bushing		C	2	
6	A0G6243900	Ball Bearing		C	2	
7	A1RF710900	Ball bearing /1		C	2	
8	A1RF820000	Ball Bearing		C	1	
9	A1RF853100	Guide Collar		D	2	
10	A1RF869801	Conveyance Gear /1 16T		C	1	
11	A1RF879001	Conveyance Pulley /B 15T		C	1	
12	A1RF895101	Paper exit Spring /2		D	2	
13	A1RJ824800	Drive Gear /1 35T		C	2	
14	A5AW860600	Conveyance Roller /1		C	1	
15	A5AW860701	Paper Exit Driven Roller		B	1	
16	A5AW860802	Support Plate /Front		D	1	
17	A5AW860901	Support Plate /Rear		D	1	
18	A5AW861000	Conveyance Shaft		D	1	
19	A5AW861300	Drive Belt 207L		C	1	
20	A5AW864200	Drive Shaft /A		D	1	
21	A5AW865001	Support Shaft		D	1	

# ADU Reverse And Exit Section

P 115

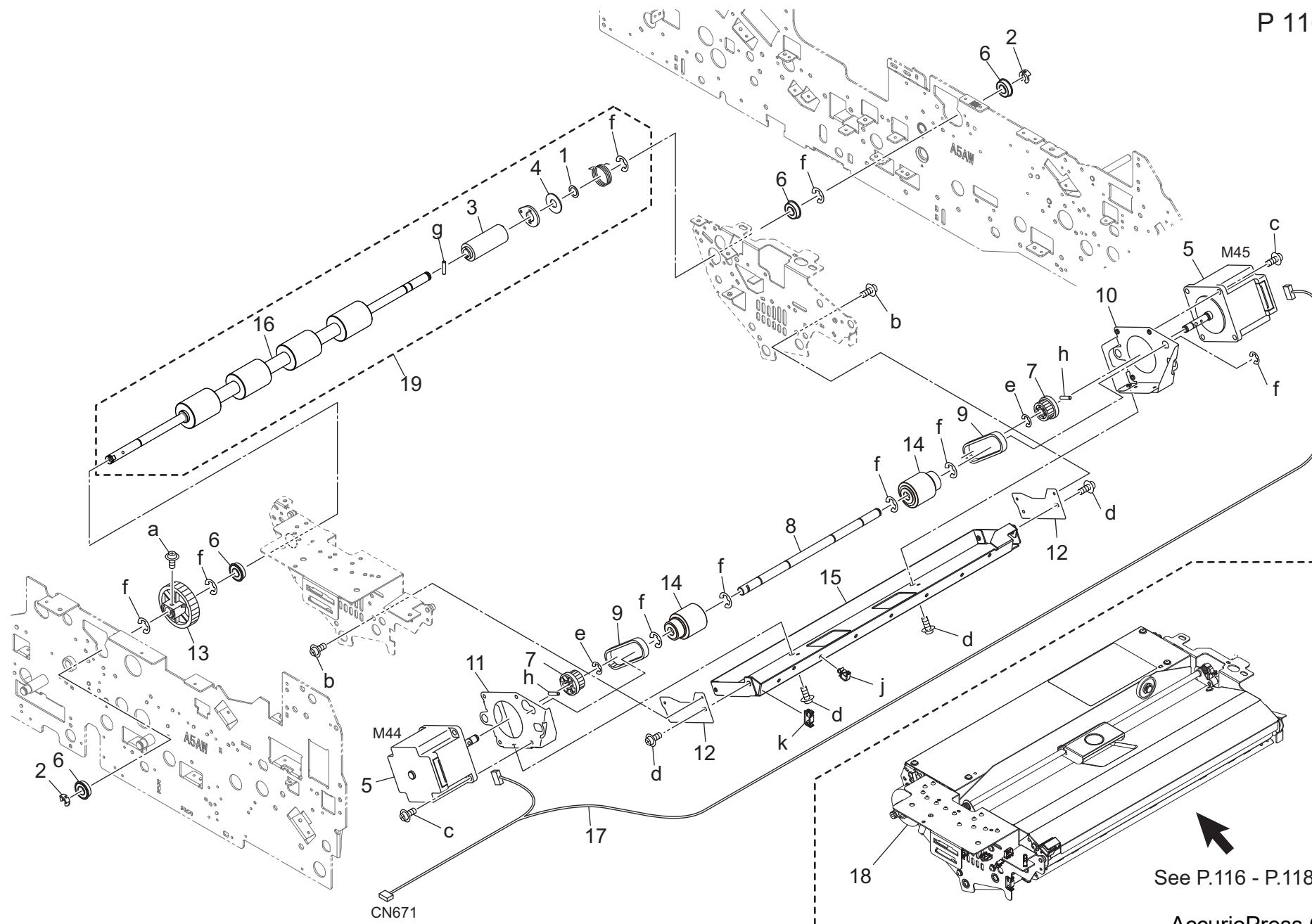


Key	Part No.	Description	Destinations	Class	QTY	Standard parts
1	12QV40650	Spacer		B	1	a-V116030403
2	40AA46261	LOCK CLAW F		B	2	b-V127030603
3	65AA49410	Paper Exit Handle		C	1	c-V153030603
4	A00J617800	Ball Bearing		B	2	d-V153030803
5	A1RF530500	Support Bushing		D	1	e-V217040001
6	A1RF860501	Pressure Roller /A		B	1	f-V217050001
7	A1RF870600	Fixing Part		D	1	g-V217060001
8	A1RF870802	Support Plate /Front		D	1	h-V234201050
9	A1RF873800	Open/close Spring /Upper		D	1	j-V234201250
10	A1RF877000	Ground Plate /1		D	1	
11	A1RF877201	Ground Plate /2		D	1	
12	A1RF943500	Release Label /5		D	1	
13	A1RJ817200	Ball bearing /8		C	2	
14	A4F3905000	Ball Bearing		D	5	
15	A5AW856001	Guide Roll		D	6	
16	A5AW858200	Ball bearing /A		C	4	
17	A5AW861802	Holding Plate /Front		D	1	
18	A5AW862300	Lock Shaft /Upper		D	1	
19	A5AW862700	Support Plate /Rear		D	1	
20	A5AW865500	Holding Plate /2		D	2	
21	A5AW865700	Ground Plate		D	2	
22	A5AW872500	Holding Plate		D	2	
23	A5AW872600	Guide Shaft /11		D	2	
24	A5AWR74200	Guide Roll /12 Assy		C	1	



# ADU Resist Section

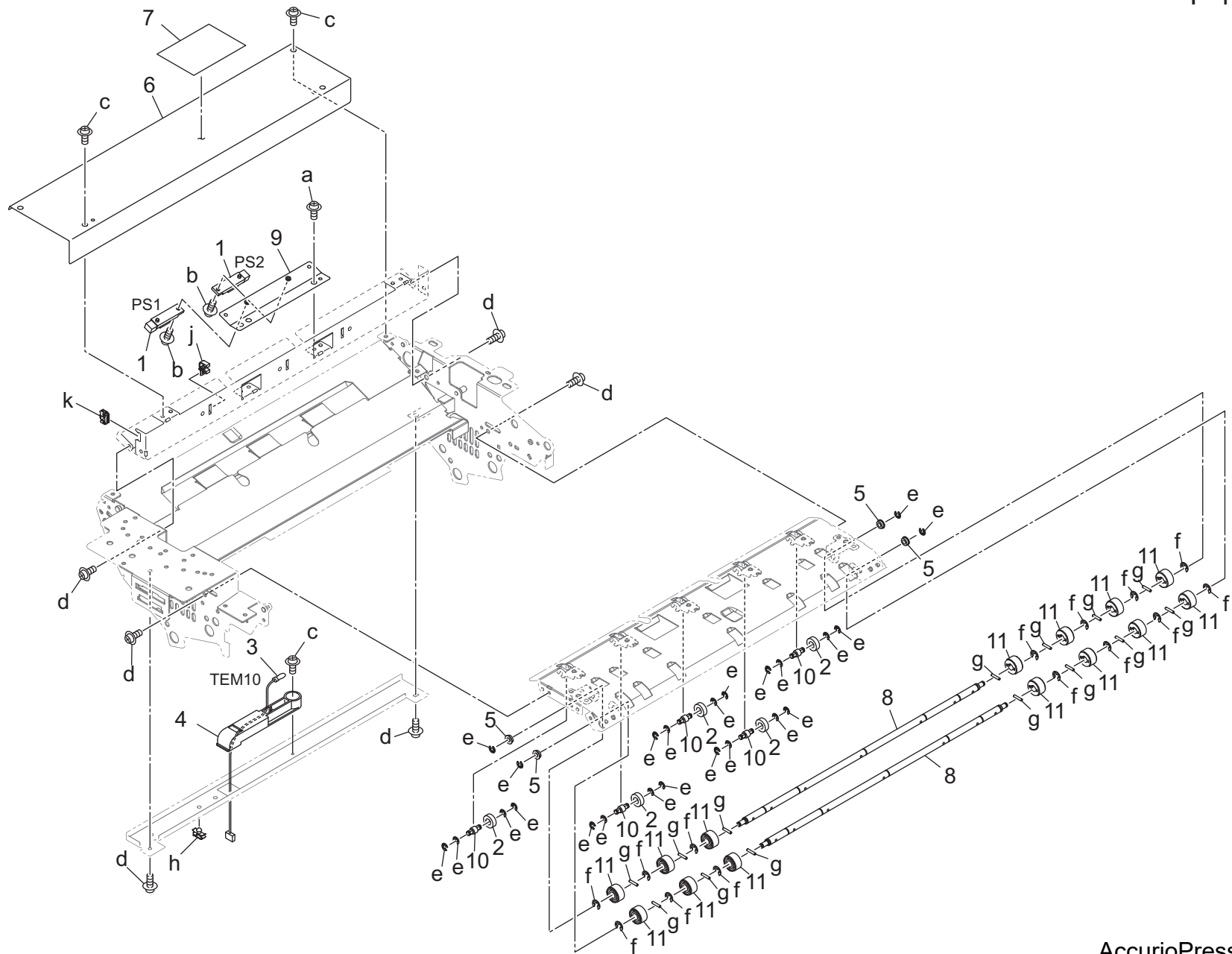
P 116



See P.116 - P.118


AccurioPress C6085

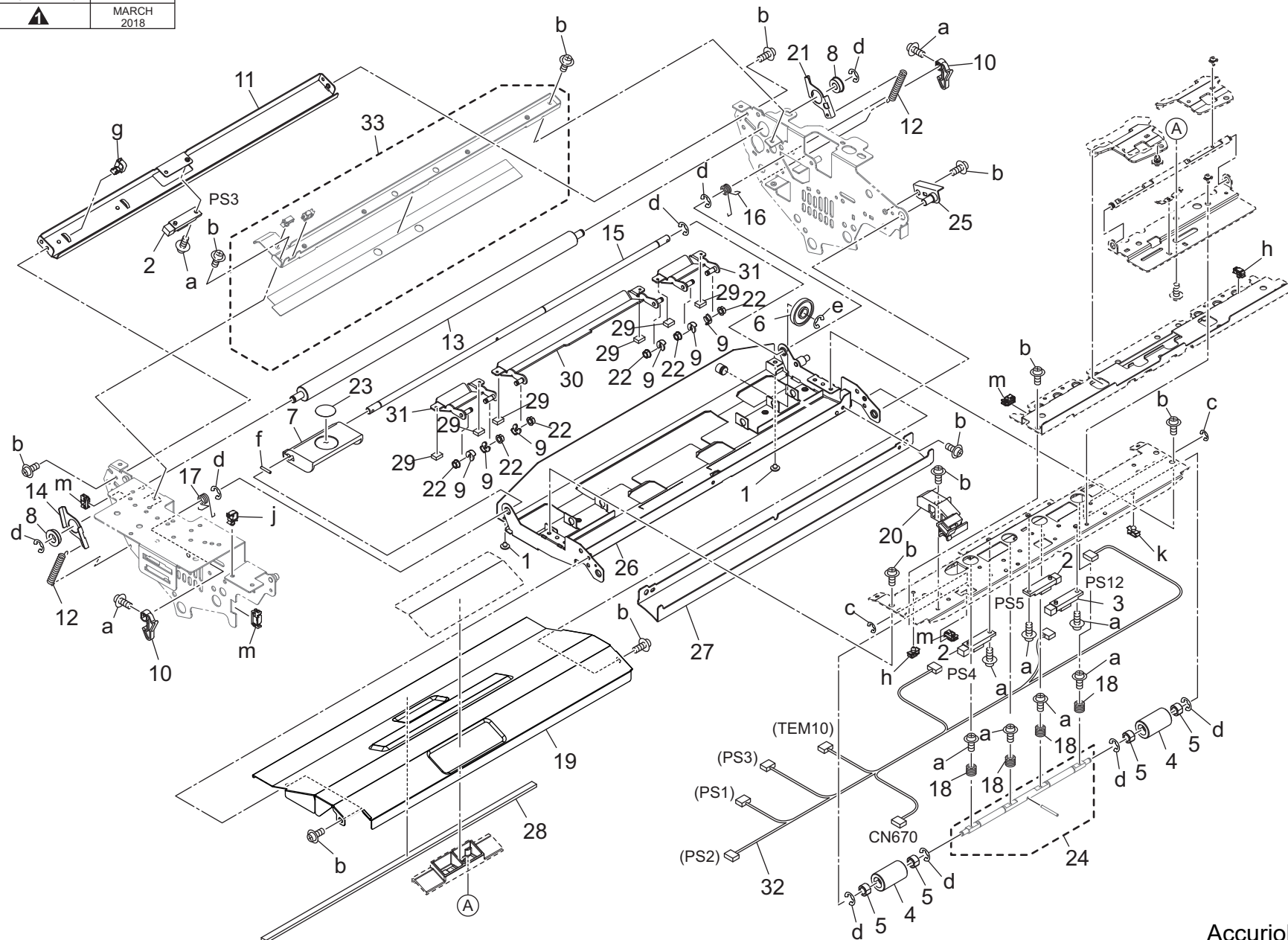
Key	Part No.	Description	Destinations	Class	QTY	Standard parts
1	12QV40650	Spacer		B	1	a-V116030603
2	55VA42120	Shaft Stopper		C	2	b-V116030803
3	65AA46180	Torque Limiter		B	1	c-V121030803
4	65AA47970	SPACER		C	1	d-V127030603
5	65AA80112	HB Motor /50		B	2	e-V217040001
6	A00V240600	Ball Bearing		B	4	f-V217060001
7	A1RF711500	Pulley /1		C	2	g-V234201050
8	A1RF711601	Support Shaft /A		D	1	h-V234301450
9	A1RF711700	Drive Belt /1 144L		C	2	j-V500020098
10	A1RF711800	Hold Plate /Rear		D	1	k-V570010057
11	A1RF711900	Hold Plate /Front		D	1	
12	A1RF714100	Holding Plate /M		D	2	
13	A1RF719800	Conveyance Gear /40T		C	1	
14	A5AW710800	Conveyance Roller /Assy		C	2	
15	A5AW711200	Hold Stay		D	1	
16	A5AW712300	Registration Roller		B	1	
17	A5AWN22700	ADU Relay harness /6		D	1	
18	A5AWR71K22	Registration Assy		S	1	
19	A5AWR72R00	Registration Roller Assy		C	1	



Key	Part No.	Description	Destinations	Class	QTY	Standard parts
1	13QA85511	Sensor 1		B	2	a-V116030603
2	A034500800	Ball Bearing		C	5	b-V118030603
3	A03UM50500	Temperature Sensor /5		C	1	c-V121030603
4	A03X622000	Detecting Cover		C	1	d-V127030603
5	A0G6739700	Guide Bearing /Lower		C	4	e-V217030001
6	A1RF713600	Cover Plate /Left		D	1	f-V217040001
7	A1RF942201	Caution Label /2		D	1	g-V234201050
8	A5AW713700	Guide Shaft /A		D	2	h-V500010046
9	A5AW713800	Adjusting Plate		D	1	j-V500010057
10	A5AW714000	Guide Shaft /B		D	5	k-V570010056
11	A5AW856001	Guide Roll		D	14	

# ADU Resist Section

改訂版 REVISED EDITION	日付 DATE
	MARCH 2018




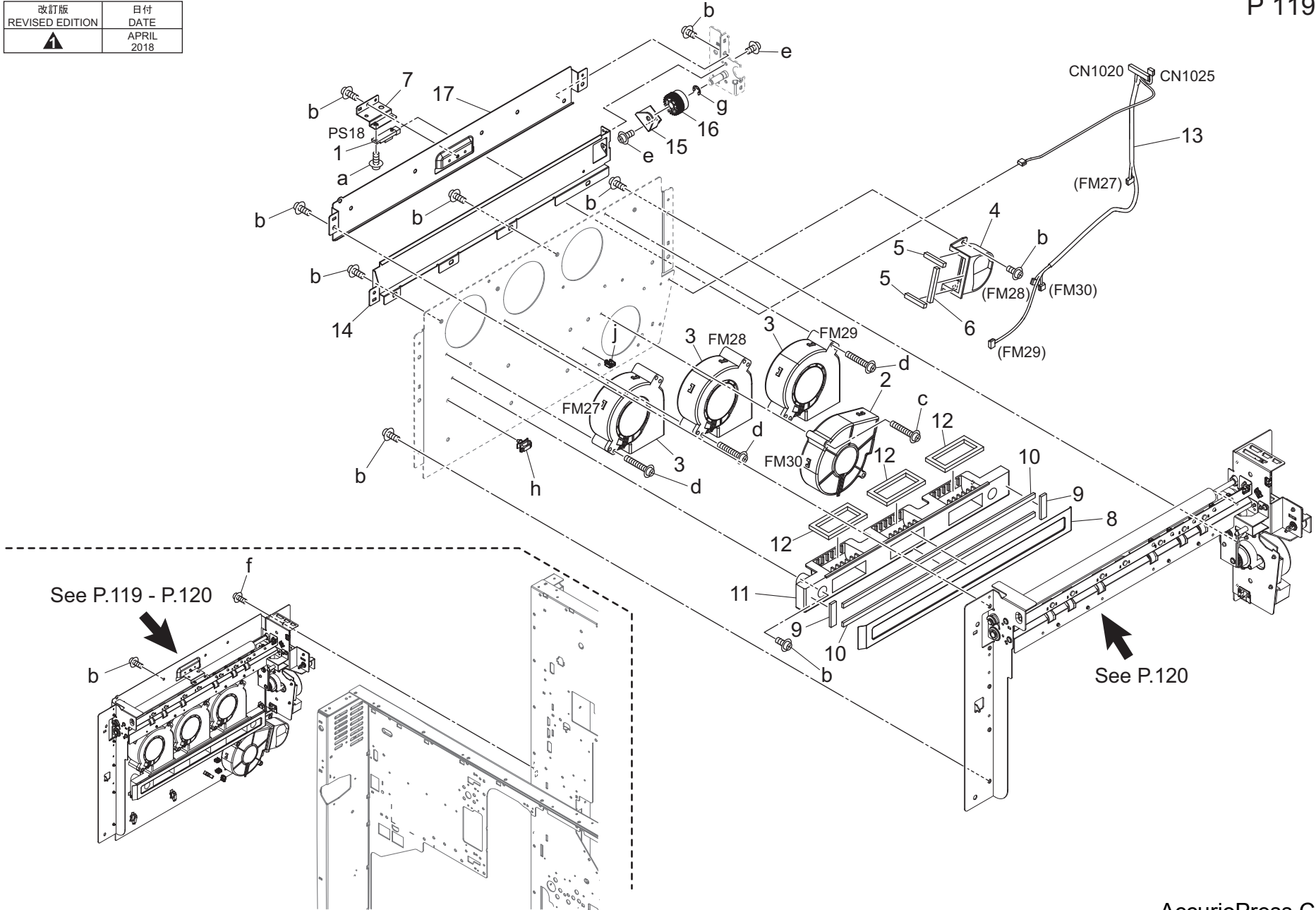


Key	Part No.	Description	Destinations	Class	QTY	Standard parts
1	12AJ45850	Stopper Rubber		C	2	a-V118030603
2	13QA85511	Sensor 1		B	3	b-V127030603
3	13QA85521	Sensor /2		B	1	c-V217030001
4	26NA42560	By-Pass Idler Roller		C	2	d-V217040001
5	56GA76010	SLIDE SHAFT HOLDER 2		C	4	e-V217060001
6	65AA44350	STOPPER ROLLER		C	1	f-V234201250
7	65AA49410	Paper Exit Handle		C	1	g-V500010057
8	A00J211200	Ball Bearing		C	2	h-V500020077
9	A0HR734600	Stopper		C	6	j-V500020098
10	A1RF703200	Lock Claw		D	2	k-V500020099
11	A1RF710200	Guide Plate /Left		D	1	m-V570010056
12	A1RF711300	Registration Spring /1		D	2	
13	A1RF711400	Idler Roller		D	1	
14	A1RF712100	Pressing Part /Front		D	1	
15	A1RF712200	Lock Shaft		D	1	
16	A1RF712500	Lock Spring /Rear		D	1	
17	A1RF712700	Lock Spring /Front		D	1	
18	A1RF712803	Conveyance Spring /5		D	4	
19	A1RF712902	Cover Plate /Right		D	1	
20	A1RF713300	Guide Bridge		D	1	
21	A1RF714200	Pressing Part /Rear		D	1	
22	A1RF846400	Bushing /A		C	6	
23	A1RF943300	Release Label /3		D	1	
24	A1RFR76800	IDLING SHAFT/1 ASSY		D	1	
25	A1RFR7C300	FIXING PART/REAR CALKING		D	1	
26	A5AW710301	Guide Plate /Right		D	1	
27	A5AW712400	Guide Part /1		D	1	
28	A5AW714300	Stopper Pad /1		D	1	
29	A5AW714500	Stopper Pad /2		D	6	
30	A5AW714900	Support Plate /1		D	1	
31	A5AW715000	Support Plate /2		D	2	
32	A5AWN22601	ADU Relay harness /5		D	1	
33	A5AWR70R00	Registration Cleaning Sheet Assy		B	1	

# Reverse And Exit Section

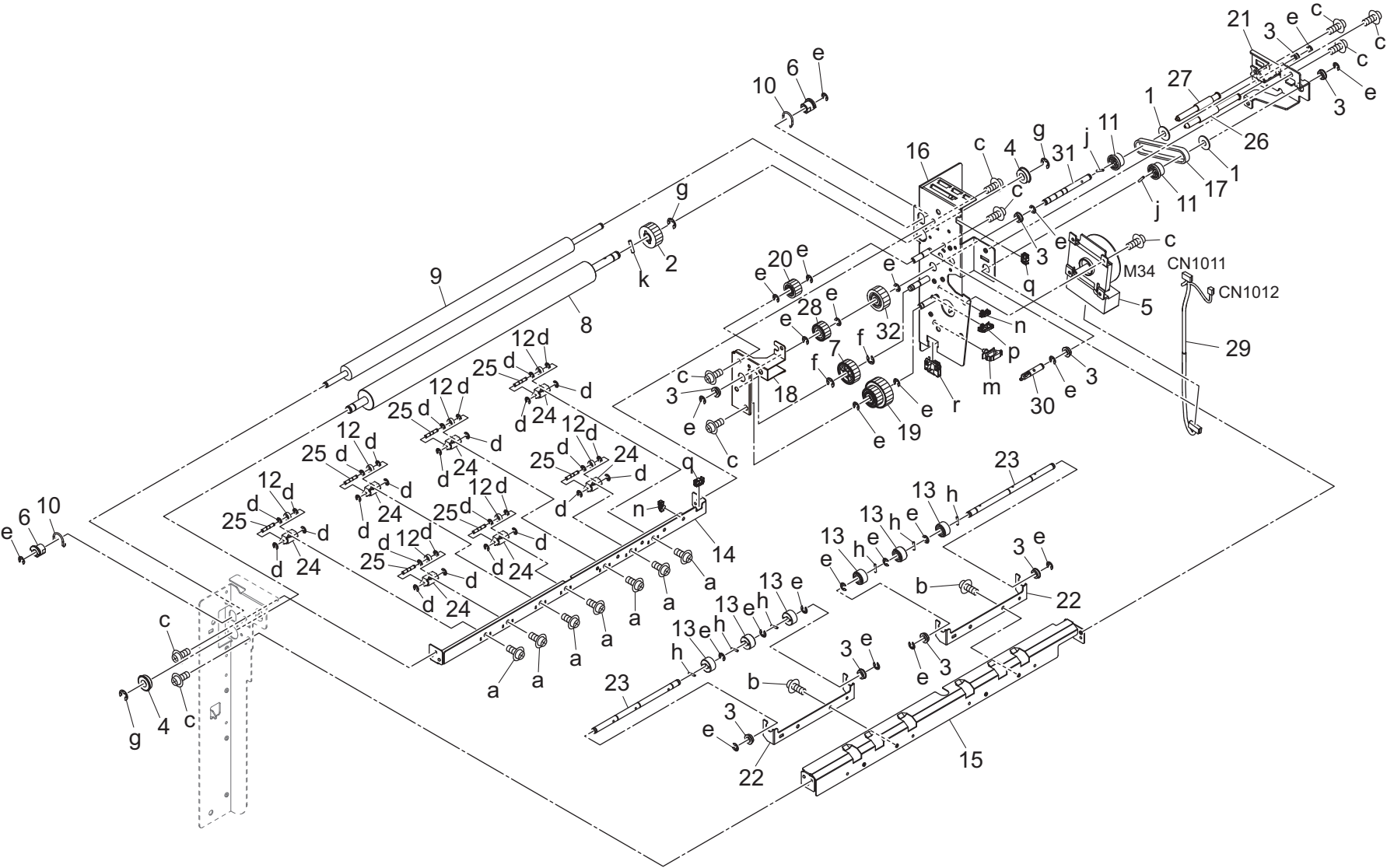
P 119

改訂版 REVISED EDITION	日付 DATE
	APRIL 2018




Key	Part No.	Description	Destinations	Class	QTY	Standard parts
1	13QA85511	Sensor 1		B	1	a-V118030603
2	9313100072	FAN MOTOR		C	1	b-V121030603
3	A03UM15802	Main body Cooling Fan		C	3	c-V121033503
4	A1RF893100	Cooling Duct /2		D	1	d-V121034003
5	A1RF897000	Sealing Part /3		D	2	e-V127030604
6	A1RF897300	Sealing Part /4		D	1	f-V146040803
7	A5AW892300	Fixing Plate /4		D	1	g-V217060001
8	A5AW892400	Sealing Plate /2		D	1	h-V500010003
9	A5AW892500	Sealing Part /4		D	2	j-V500020098
10	A5AW892600	Sealing Part /5		D	2	
11	A5AW892700	Cooling Duct		D	1	
12	A5AW892800	Sealing Part /6		D	3	
13	A5AWN16700	Drive Relay harness /S		D	1	
14	A8AK105000	Guide Plate /Lower		D	1	
15	A8AK105300Old	Reinforce Plate /3		D	1	
15	A8AK105301	Reinforce Plate /3		D	1	
16	A8AK105500	Idling Gear /1 22T/24T		C	1	
17	A8AK105101	Guide Plate /Upper		C	1	

Reverse And Exit Section

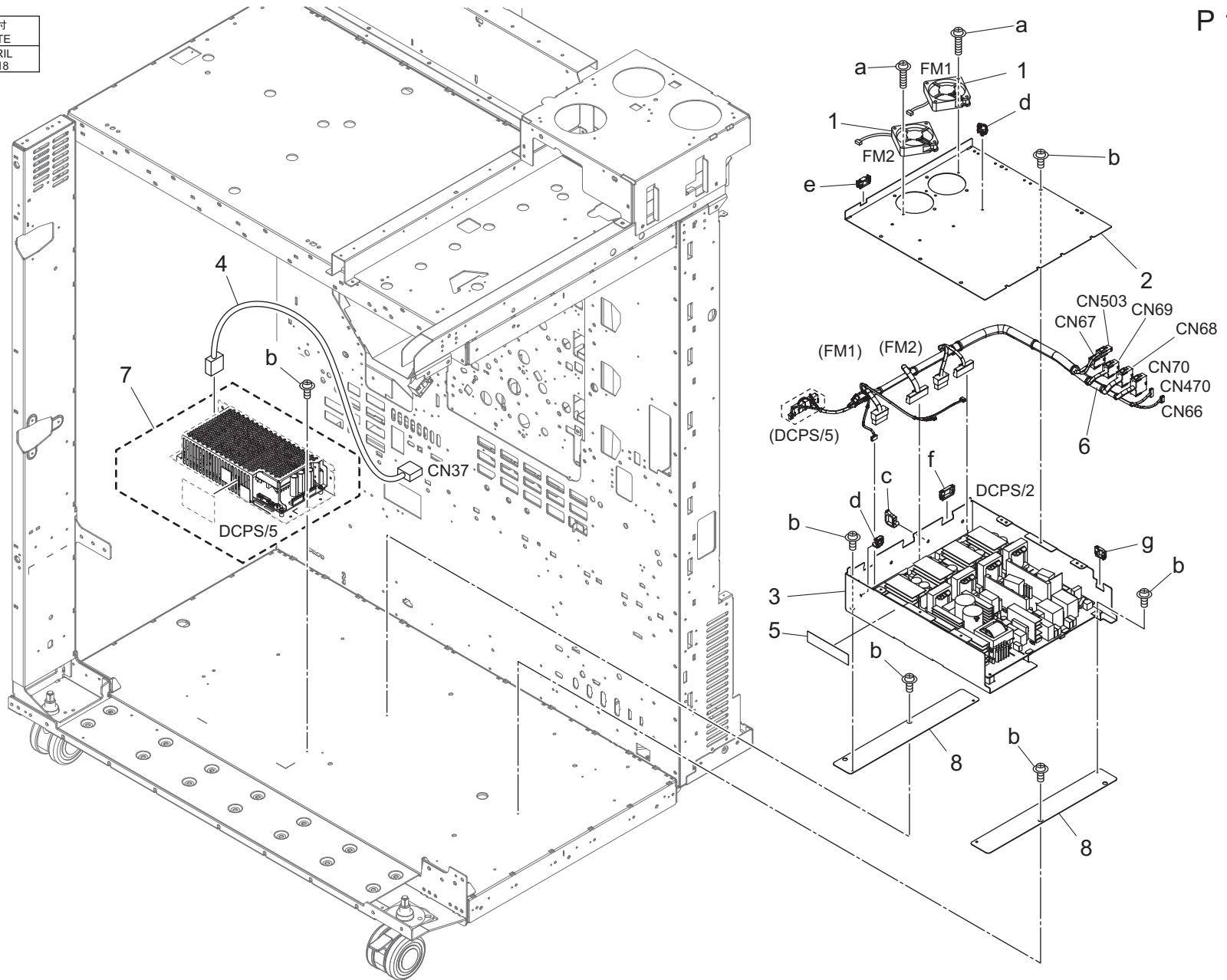


Key	Part No.	Description	Destinations	Class	QTY	Standard parts
1	13GQ45490	COLLAR B		C	2	a-V118030403
2	65AA77640	Paper Exit Driving Gear /2 22T	排紙駆動歯車 / 2 22 T	C	1	b-V121030403
3	A00J617800	Ball Bearing	ボールベアリング	B	9	c-V121030603
4	A00V240600	Ball Bearing	ボールベアリング	B	2	d-V217020001
5	A011M10101	BRUSHLESS MOTOR /20	ブラシレスモータ / 20	B	1	e-V217040001
6	A03U712100	Registration Bushing	レジスト軸受	C	2	f-V217050001
7	A0P0666301	Idling Gear 23T	アイドラギア 23 T	C	1	g-V217060001
8	A1RF890201	Paper exit Roller	排紙ローラ	C	1	h-V234201050
9	A1RF895002	Idler Roller /E	従動ローラ / E	B	1	j-V234201250
10	A1RF895101	Paper exit Spring /2	排紙ばね / 2	D	2	k-V234301450
11	A1RF909400	Paper exit Pulley	排紙プーリ	C	2	m-V500010003
12	A50U854800	Conveyance Roll	搬送ころ	D	7	n-V500020099
13	A5AW856001	Guide Roll	ガイドころ (φ 15)	D	6	p-V500020100
14	A5AW890301	Guide Plate /Upper	ガイド板 / 上	D	1	q-V570010056
15	A5AW890400	Guide Plate /Lower	ガイド板 / 下	D	1	r-V570010060
16	A5AW890702	Paper exit Plate /Rear	排紙板 / 奥	D	1	
17	A5AW890800	Paper exit Timing belt 59L	排紙タイミングベルト 59 L	C	1	
18	A5AW890901	Fixing Plate /1	固定板 / 1	D	1	
19	A5AW891400	Paper exit Gear /1 20/58T	排紙ギア / 1 20 / 58 T	C	1	
20	A5AW893100	Gear 15T	ギア (ドッキング) 15 T	C	1	
21	A5AW893301	Fixing Plate /1	固定板 / 1	D	1	
22	A5AW893501	Hold Plate	保持板	D	2	
23	A5AW893600	Guide Shaft	ガイド軸	D	2	
24	A5AW894000	Positioning Plate /A	位置決め板 / A	D	7	
25	A5AW894100	Positioning Shaft	位置決め軸	D	7	
26	A5AW894300	Positioning Shaft /Rear	位置決め軸 / 奥	D	1	
27	A5AW894400	Positioning Shaft /A	位置決め軸 / A	D	1	
28	A5AW909800	Drive Gear /5 17T	駆動ギア / 5 17 T	C	1	
29	A5AWN16600	Drive Relay harness /4	駆動中継束線 / 4	D	1	
30	A5AWR72A00	Drive Shaft/1 Assy	駆動軸 / 1 A s s y	D	1	
31	A92W891200	Drive Shaft /2	駆動軸 / 2	D	1	
32	A92W909300	Paper Exit Gear /2 22T	排紙ギア / 2 22 T	D	1	

# Electrical Section

改訂版 REVISED EDITION	日付 DATE
	APRIL 2018

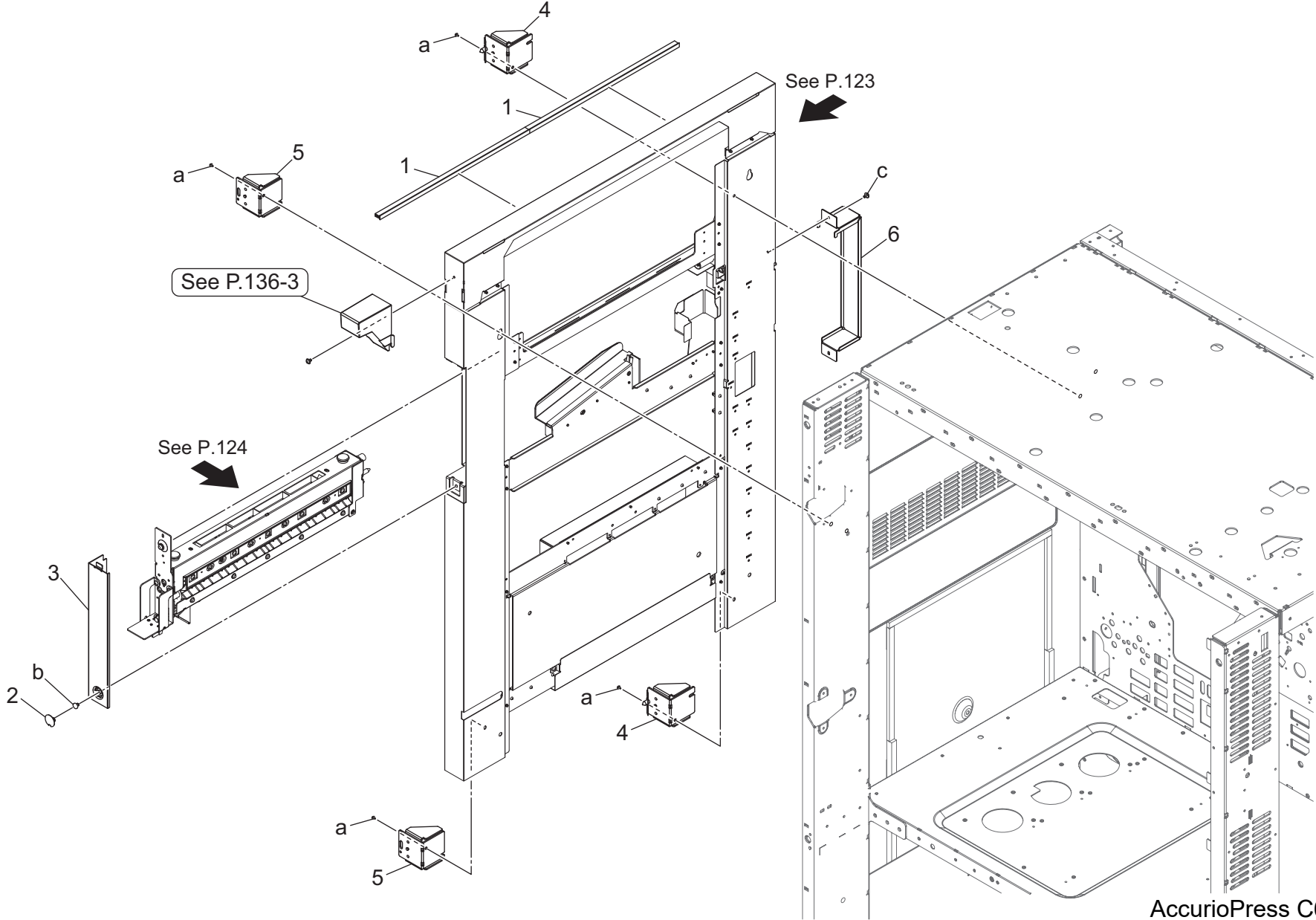
P 121



Key	Part No.	Description	Destinations	Class	QTY	Standard parts
1	9J06M10000	Fan motor		C	2	a-V121031803 b-V127030603 c-V500010008 d-V500020098 e-V570010057 f-V570010059 g-V570010060
2	A50U132301	Cover /2		D	1	
3	A50UM45200	DC Power source /2		I	1	
4	A5AWN27400	AC Power source harness /10		D	1	
5	A92W943100	Caution Label /B		D	1	
6	A92WN11800	DC Power source Harness /3		D	1	
7	A92WR70N00	DC Power Source/5 Assy		I	1	
8	A5AW132500	Mounting Plate		D	2	



Charge Control Section

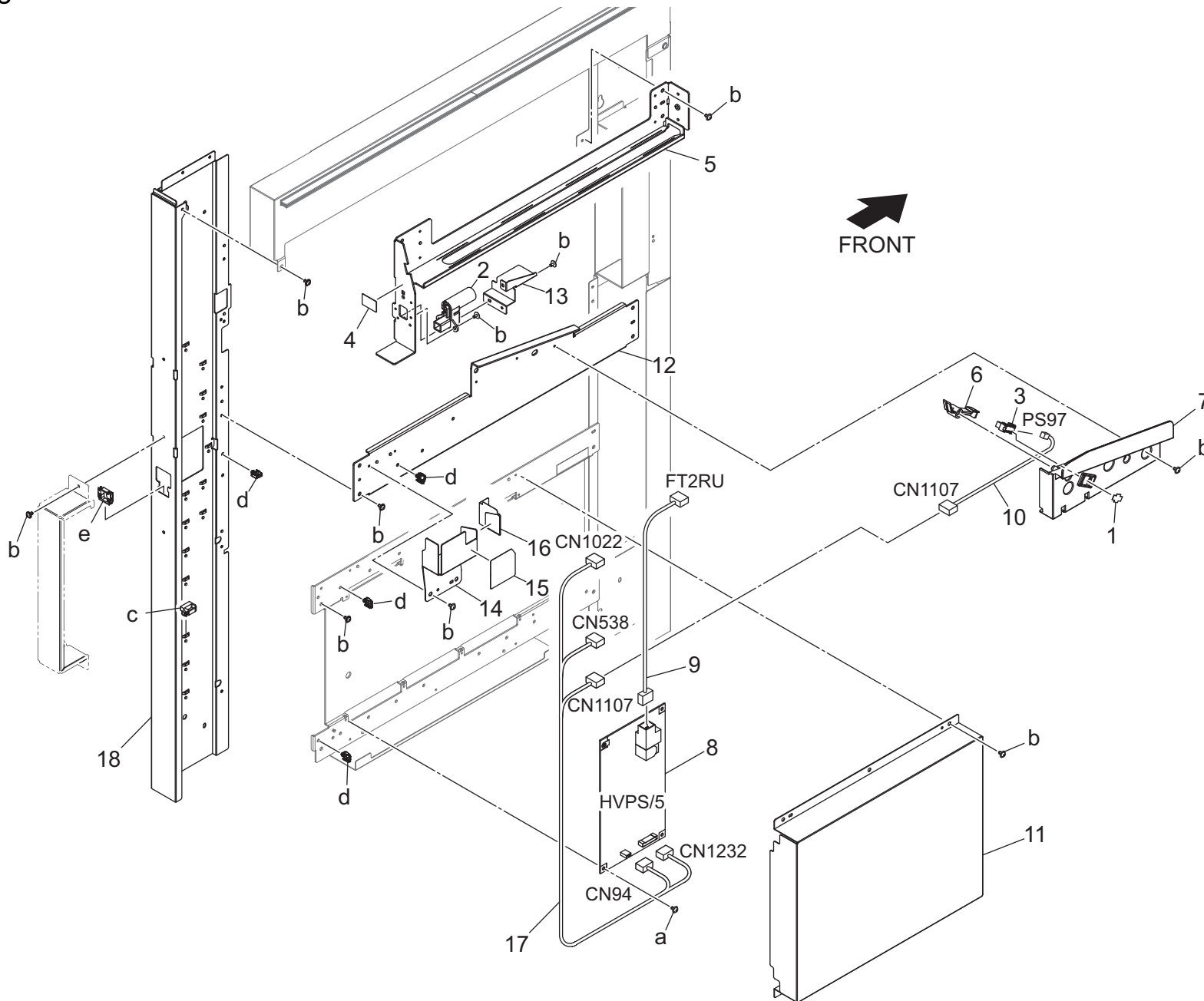


AccurioPress C6085



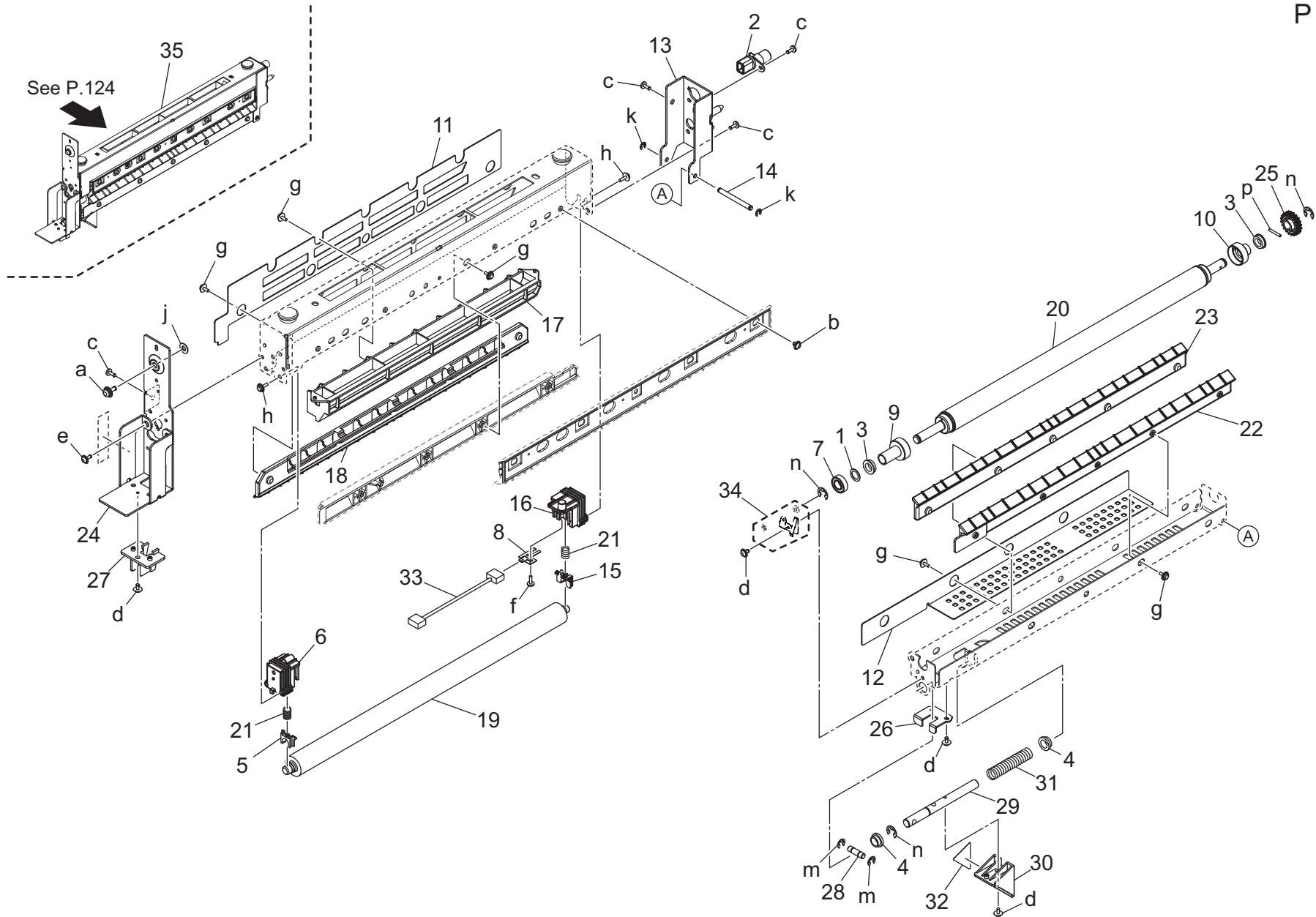
Key	Part No.	Description	Destinations	Class	QTY	Standard parts
1	A1RJ169300	Seal /P		C	2	a-V114040804 b-V126040603 c-V127030604
2	A65U186600	Cover Part /2		D	1	
3	A8AK100401	Cover /Middle		C	1	
4	A8AKR70200	Connecting Plate /Rear Assy		D	2	
5	A8AKR70300	Connecting Plate /Front Assy		D	2	
6	A92W890900	Protection Cover		D	1	

# Charge Control Section



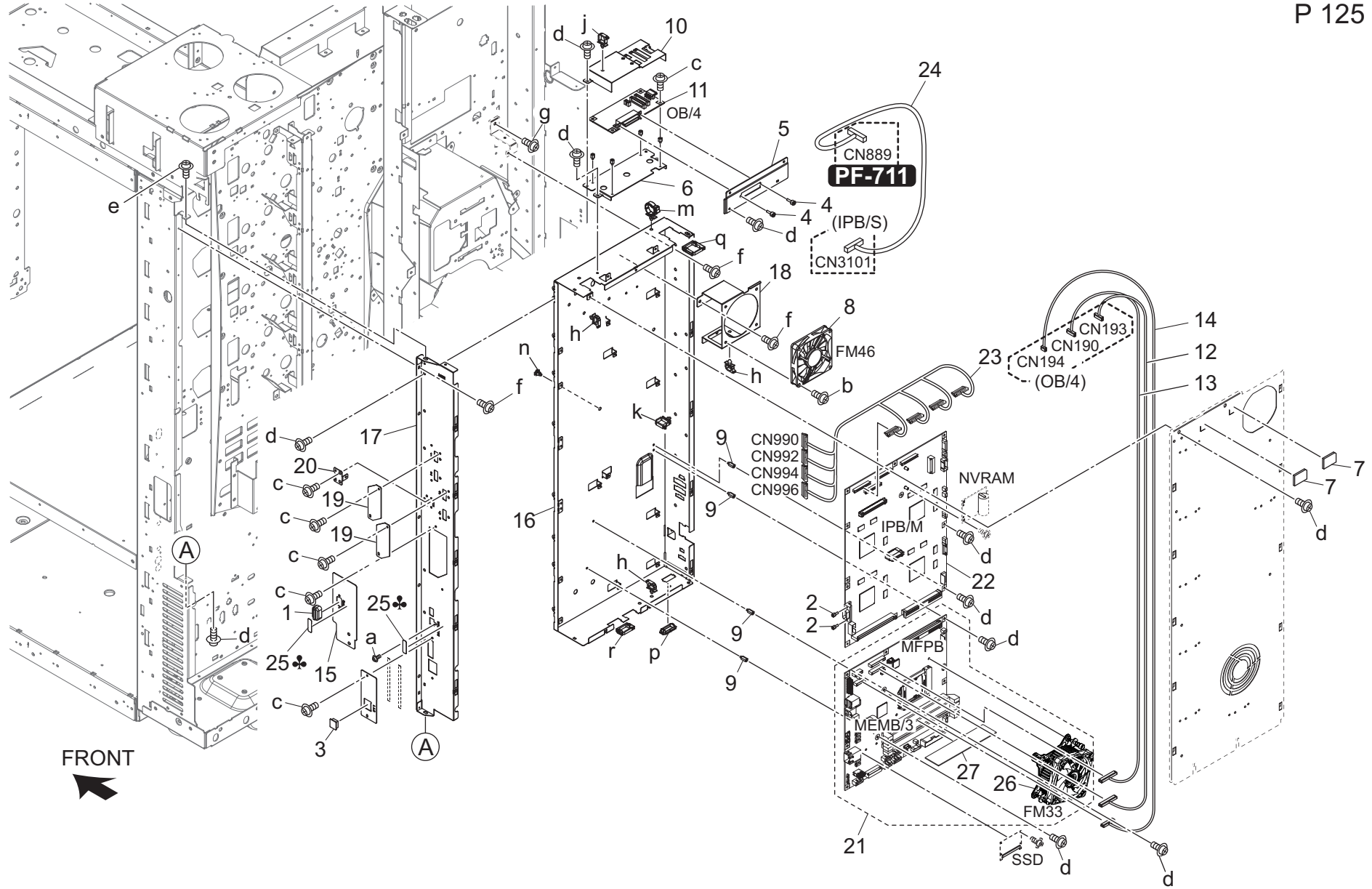
Key	Part No.	Description	Destinations	Class	QTY	Standard parts
1	4470402401	Stopper		D	1	a-V127030603 b-V127030604 c-V500010057 d-V500020098 e-V570010060
2	65AAR72700	Powering Block /1 Assy		C	1	
3	A50UM51000	Photointerrupter		C	1	
4	A5C1122600	Spacer		D	1	
5	A85C896100	Guide Rail		D	1	
6	A85C897400	Sensor Actuator /1		D	1	
7	A85C897900	Sensor Cover /1		D	1	
8	A85CM40100	HV Board /3		I	1	
9	A85CN21400	HV Wiring /20		D	1	
10	A85CN21700	Relay Wiring /7		D	1	
11	A8AK101201	Protection Cover		D	1	
12	A8AK101502	Stay /Middle		D	1	
13	A8AK101700	Protection Plate /1		D	1	
14	A8AK106901	Drive Cover		D	1	
15	A8AK107000	Protection Cover		D	1	
16	A8AK107100	Protection Cover /2		D	1	
17	A92WN27000	Relay Wiring /3		D	1	
18	A8AK100314	Cover /Rear		C	1	

# Charge Control Section



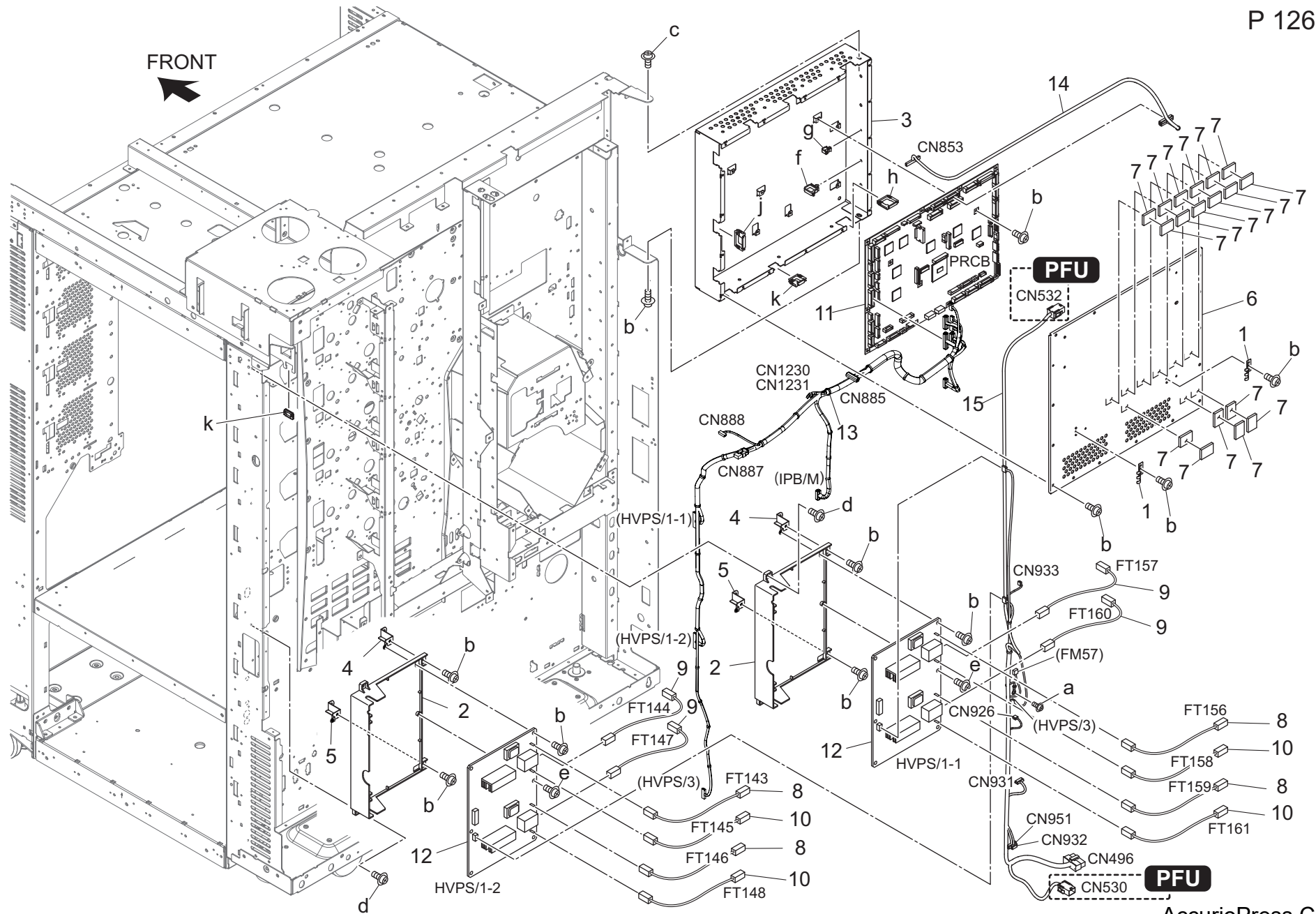
Key	Part No.	Description	Destinations	Class	QTY	Standard parts
1	12QV40650	Spacer		B	1	a-V116041003
2	65AAR74600	POWERING BLOCK A ASSY		C	1	b-V121030403
3	A07R813801	Roller Bearing /A		C	2	c-V126030803
4	A0G6739300	Operation Bushing /Front		C	2	d-V127030604
5	A1RF508900	Transfer Powering Bearing		B	1	e-V127030803
6	A1RF509000	Power supply Block /C		D	1	f-V149030803
7	A1RF820000	Ball Bearing		C	1	g-V153030604
8	A5AW510400	Transfer Powering Plate /Front		D	1	h-V153030803
9	A85C895300	Insulating Collar /Front		D	1	j-V211040080
10	A85C895400	Insulating Collar /Rear		D	1	k-V217030001
11	A85C896300Old	Thermal insulation Sheet /1		D	1	m-V217040001
11	A85C896301	Thermal insulation Sheet /1		D	1	n-V217060001
12	A85C896400	Thermal insulation Sheet /3		D	1	p-V234201450
13	A85C896800	Fixing Plate		D	1	
14	A85C896900	Support Shaft		D	1	
15	A85C897201	Charging Roller Bushing /Fr		B	1	
16	A85C897300	High voltage Powering Block /C		D	1	
17	A85C897700	Insulating Duct /Middle		D	1	
18	A85C897800	Conveyance Guide /2		D	1	
19	AC57899000	Charging Roller /Up		A	1	
20	A85C899100	Neutralizing Roller /Lower		D	1	
21	A8AK103200	Power supply Spring		C	2	
22	A8AK103502	Conveyance Guide /1		D	1	
23	A8AK103601	Conveyance Guide /2		D	1	
24	A8AK103702	Mounting Plate /Front		D	1	
25	A8AK104100	Drive Gear 20T		C	1	
26	A8AK108001	Holding Plate		D	1	
27	A8AK108100	Guide Block		D	1	
28	A8AK108200	Guide Shaft		D	1	
29	A8AK108302	Positioning Shaft		D	1	
30	A8AK108400	Lock Handle		C	1	
31	A8AK108500	Lock Spring		D	1	
32	A8AK941301	Processing Label /1		C	1	
33	A8AKN10501	HV Wiring /2		D	1	
34	A8AKR70500	Lower Roller Contact Assy		C	1	
35	A92WR70T00	Charging Roller Assy		D	1	

# Rear Electrical Section



Key	Part No.	Description	Destinations	Class	QTY	Standard parts
1	V503010002	Connector Cover		D	1	a-V111030603
2	4025228301	SCREW		D	2	b-V116042003
3	40LA73840	Contact Protection Cover		D	1	c-V121030403
4	A03U136500	Set Screw /A		C	2	d-V121030603
5	A1RF133700	Mounting Plate		D	1	e-V121031203
6	A1RF135200	Mounting Plate /2		D	1	f-V127030603
7	A1RF166000	Protection Rubber /2		D	2	g-V146040803
8	A1RFM15100	Fan motor /1		C	1	h-V500010005
9	A50U133400	Mounting Screw /B		D	4	j-V500010007
10	A5AW133800	Shield Cover		D	1	k-V500010008
11	A5AWH78001	Operation Board /4 ASSY		I	1	m-V500020107
12	A5AWN28100	Ope.unit Control harness /1		D	1	n-V502010062
13	A5AWN28600	Ope.unit Control harness /3		D	1	p-V570010037
14	A5AWN28701	Ope.unit Control harness /4		D	1	q-V570010058
15	A85C136200	Cover /2		D	1	r-V570010059
16	A92W130400	Support Plate /A		D	1	
17	A92W130600	Support Plate /F		D	1	
18	A92W130700	Support Plate		D	1	
19	A92W137100	Cover /3		D	2	
20	A92W137500	Support Plate /B		D	1	
21	A92WH01101	Main Body Control Board assy		I	1	
22	A92WH02002	Image Processing Board /M ASSY		I	1	
23	A92WN27600	LD Relay Harness		D	1	
24	A92WN29400	Scanner Relay Harness		D	1	
25	A0E7946700	Caution Label	H	C	2	
26	A4EUM77000	Radiator /1		D	1	
27	V865300088	Memory Modules		C	1	

# Rear Electrical Section



AccurioPress C6085

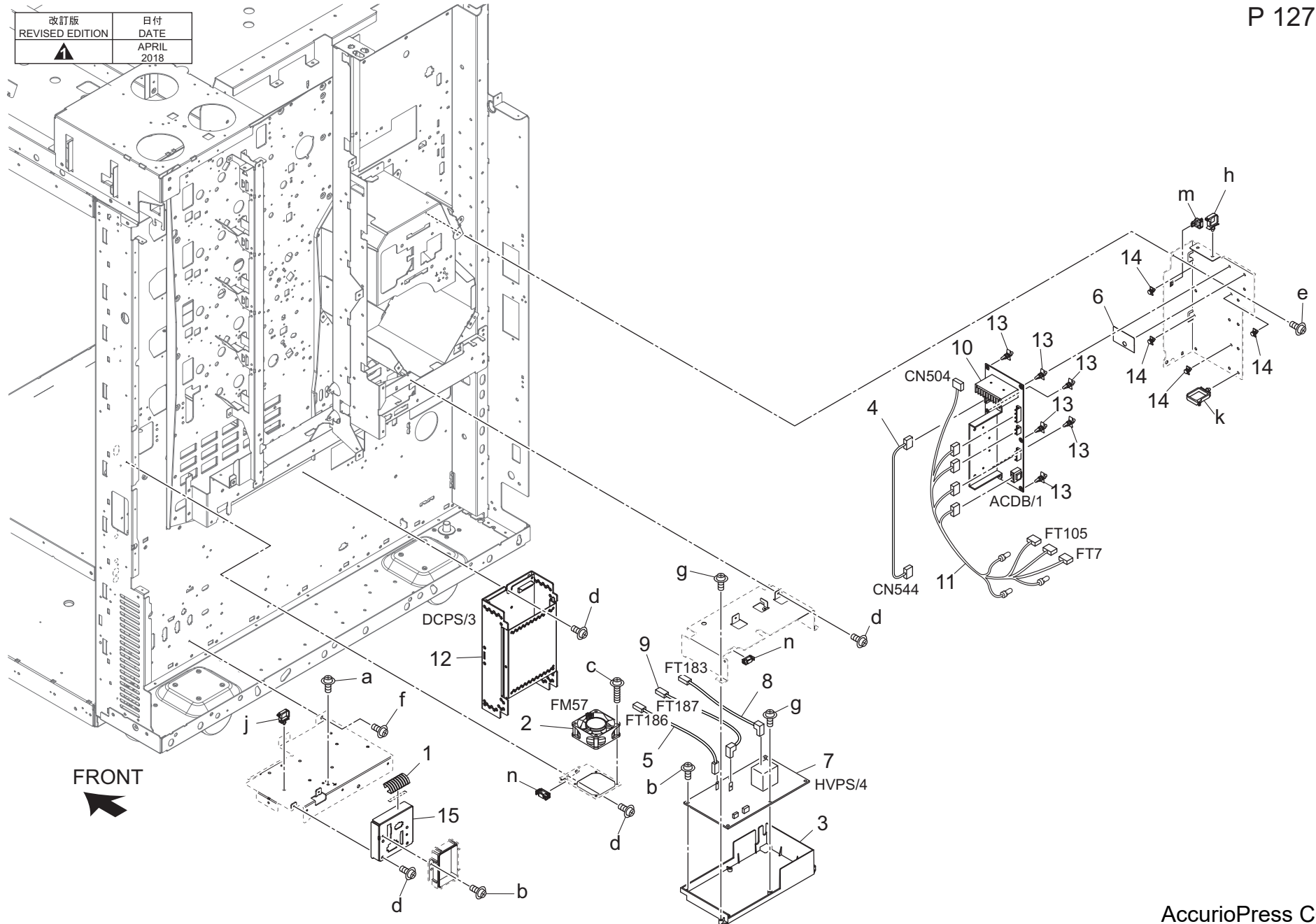


# Rear Electrical Section

Key	Part No.	Description	Destinations	Class	QTY	Standard parts
1	65AA11140	Earth Plate		D	2	a-V116040803
2	A1RF130100	Support Case /1		D	2	b-V121030603
3	A1RF130501	Support Plate /P		D	1	c-V121031203
4	A1RF131500	Ground Plate /A		D	2	d-V146040803
5	A1RF132600	Ground Plate /D		D	2	e-V153030803
6	A1RF135502	Shield Cover		D	1	f-V500010008
7	A1RF165900	Protection Rubber /1		D	18	g-V500020098
8	A1RFN17100	HV Wiring /5		D	4	h-V570010058
9	A1RFN17200	HV Wiring /6		D	4	j-V570010059
10	A1RFN17300	HV Wiring /7		D	4	k-V570010060
11	A92WH05002	Printer Control board ASSY		I	1	
12	A92WM40301	HV Power source /1		D	2	
13	A92WN12100	Main body Wiring /1		D	1	
14	A92WN12500	Main body Wiring /5		D	1	
15	A92WN19100	HV Relay Harness /2		D	1	

# Rear Electrical Section

改訂版 REVISED EDITION	日付 DATE
	APRIL 2018



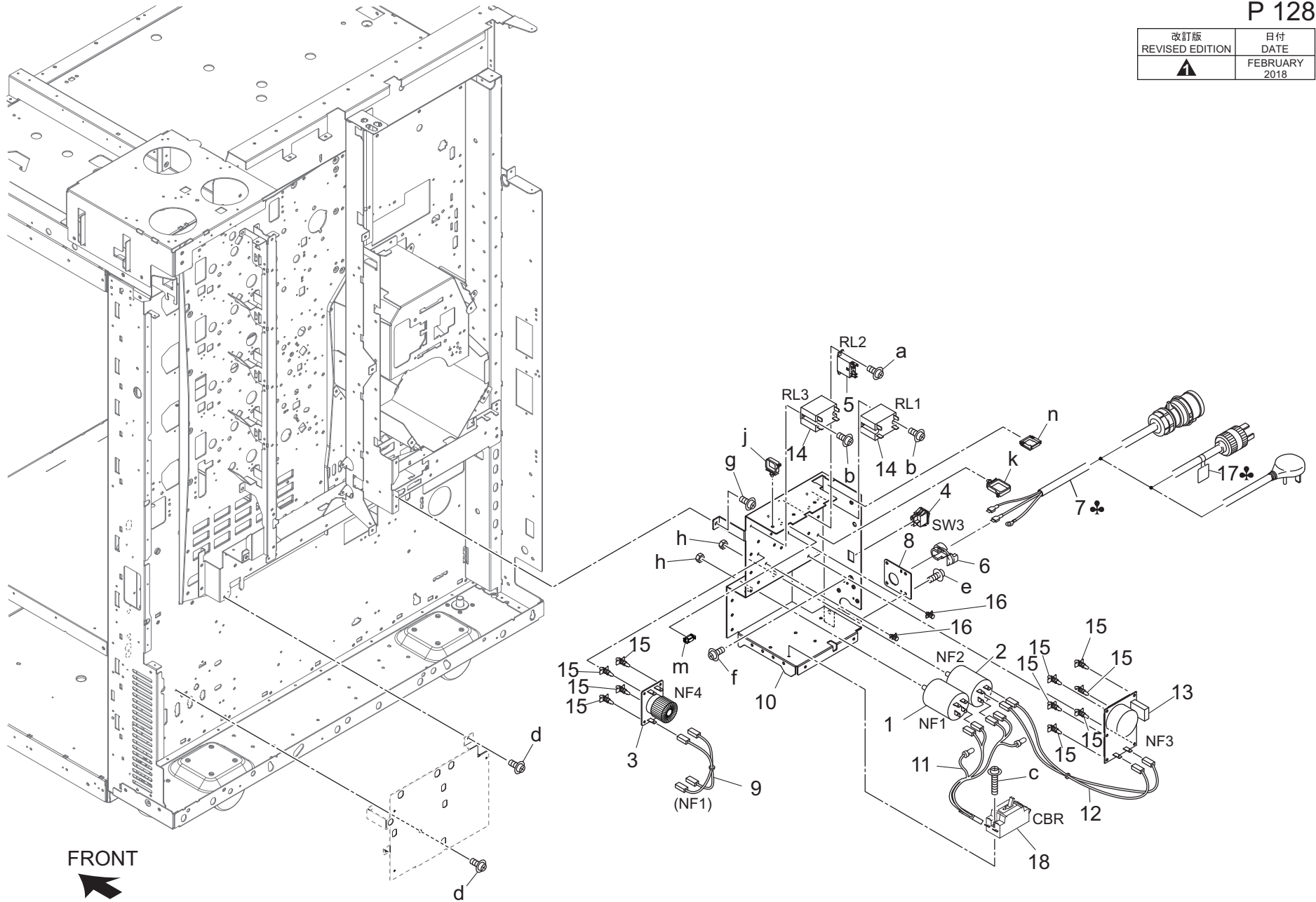
Key	Part No.	Description	Destinations	Class	QTY	Standard parts
1	56AA68220D	Ground Spring		D	1	a-V116040803
2	56QA80570	Internal Cooling Fan		C	1	b-V121030603
3	A1RF134800	Support Case /4		D	1	c-V121033003
4	A1RFN12000	AC Drive harness /2		D	1	d-V146030603
5	A1RFN18300	HV Wiring /17		D	1	e-V146040803
6	A5AW134500	Cover Sheet		D	1	f-V146040804
7	A5AWM40600	HV Power source /4		I	1	g-V153030803
8	A5AWN18700	HV Wiring /19		D	1	h-V500010007
9	A5AWN18801	HV Wiring /20		D	1	j-V500010008
10	A92WH51000	AC Drive board /1 Assy		I	1	k-V500010015
11	A92WN10501	AC Power source harness /4		D	1	m-V500010021
12	A92WR70P00	DC Power Source/3 Assy		I	1	n-V570010057
13	V502010032	Circuit Board Spacer		D	6	
14	V502010041	BUSHING		D	4	
15	A5AW135101	Connecting Panel		D	1	



# Rear Electrical Section

P 128

改訂版 REVISED EDITION	日付 DATE
▲	FEBRUARY 2018



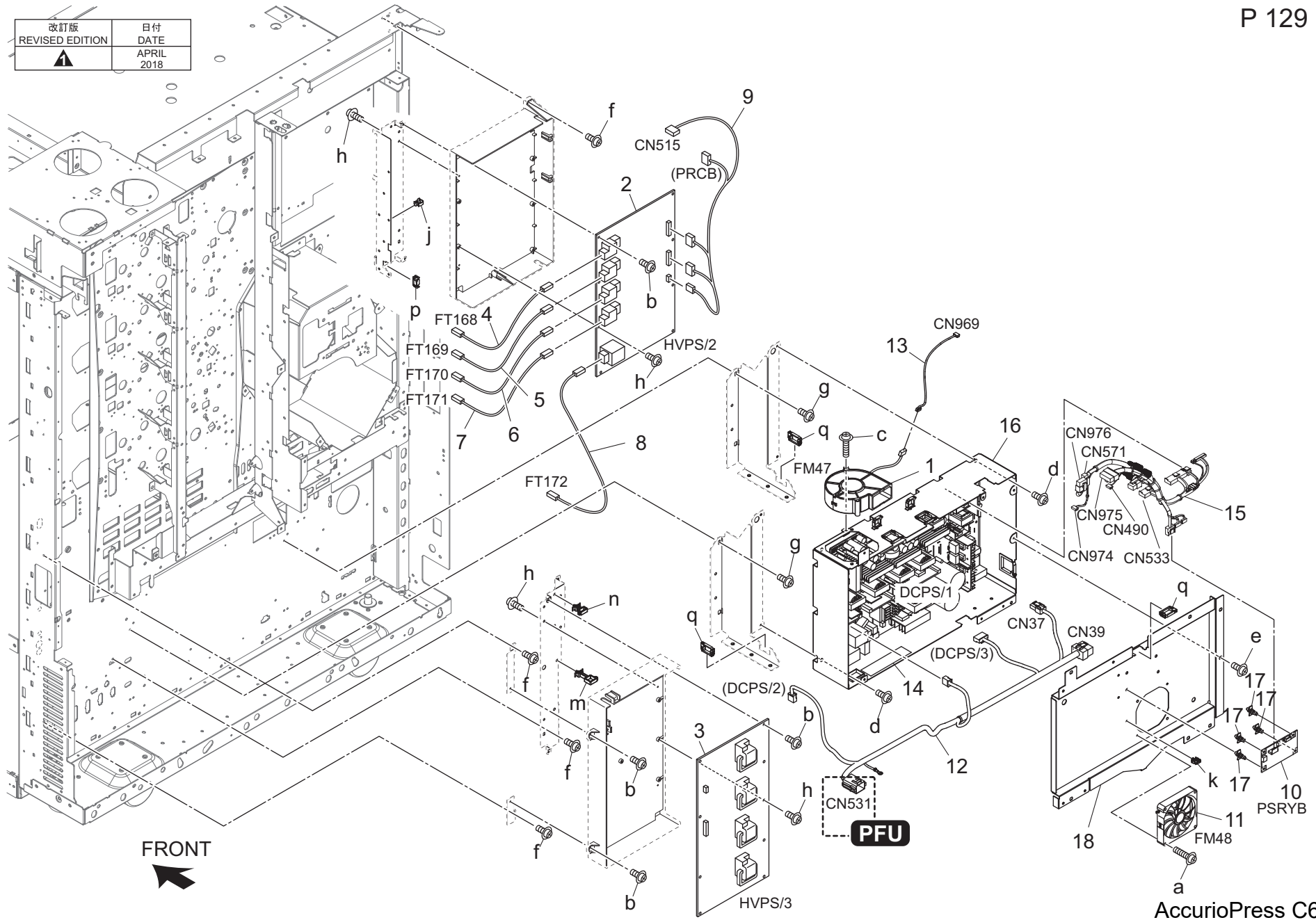
FRONT



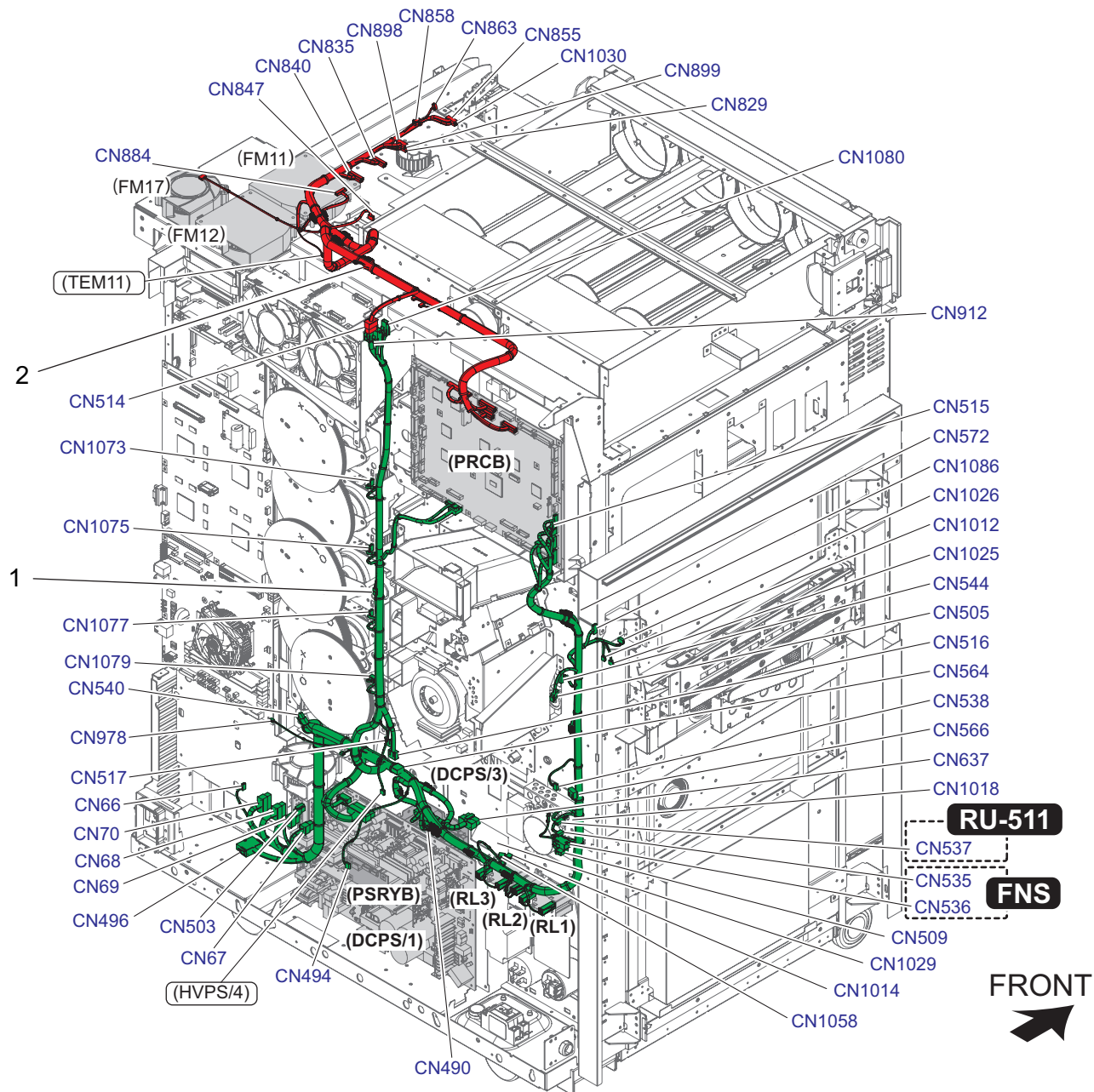
Key	Part No.	Description	Destinations	Class	QTY	Standard parts
1	55TA84561E	Noise filter		C	1	a-V111030603
2	56QE88261E	Noise filter		D	1	b-V111041003
3	56QF84551	Coil /2	C,D1,D3,E,F2,G1,H,I ,J,K	D	1	c-V111042003
4	A00JM60300	Rocker switch		C	1	d-V115040803
5	A07TM60100	Power source Relay		C	1	e-V116041003
6	A0G6M70E00	Power Source Code Holder		D	1	f-V116050803
7	A0G6J30F00	Power source Cord ASSY	電源コード ASSY	D	1	g-V127040803
7	A0G6N30A01	Power Source Cord	電源コード	A	1	h-V195080003
7	A1RFN30E03	Power Source Cord (US)	電源コード (北米)	B,G2	1	j-V500010008
7	A5AWJ30X01	Power source Cord ASSY	電源コード ASSY (インド)	D1(INDIA)	1	k-V500010015
7	A0G6J30M00	Power source Cord ASSY	電源コード ASSY (オセアニア)	D3	1	m-V570010057
8	A1RF130800	Mounting Plate /D	取付板 / D (電源コード)	D	1	n-V570010058
9	A1RFN25500	AC Power source harness /7	AC 電源束線 / 7	D	1	
10	A5AW130700	Mounting Plate /C	取付板 / C	D	1	
11	A5AWN10200	AC Power source harness /1	AC 電源束線 / 1	D	1	
12	A5AWN10400	AC Power source harness /3	AC 電源束線 / 3	D	1	
13	A799M45300	Noise filter	ノイズフィルター	D	1	
14	A92WM60100	Relay	リレー	D	2	
15	V502010033	Circuit Board Spacer	サーキットボードスペーサー	D	10	
16	V502010036	spacer	サーキットボードスペーサー	D	2	
17	56AA97140	CORD LABEL	コードラベル	B,G2	1	
18	A4EUM60401	Breaker	漏電ブレーカ	D	1	

# Rear Electrical Section

改訂版 REVISED EDITION	日付 DATE
	APRIL 2018



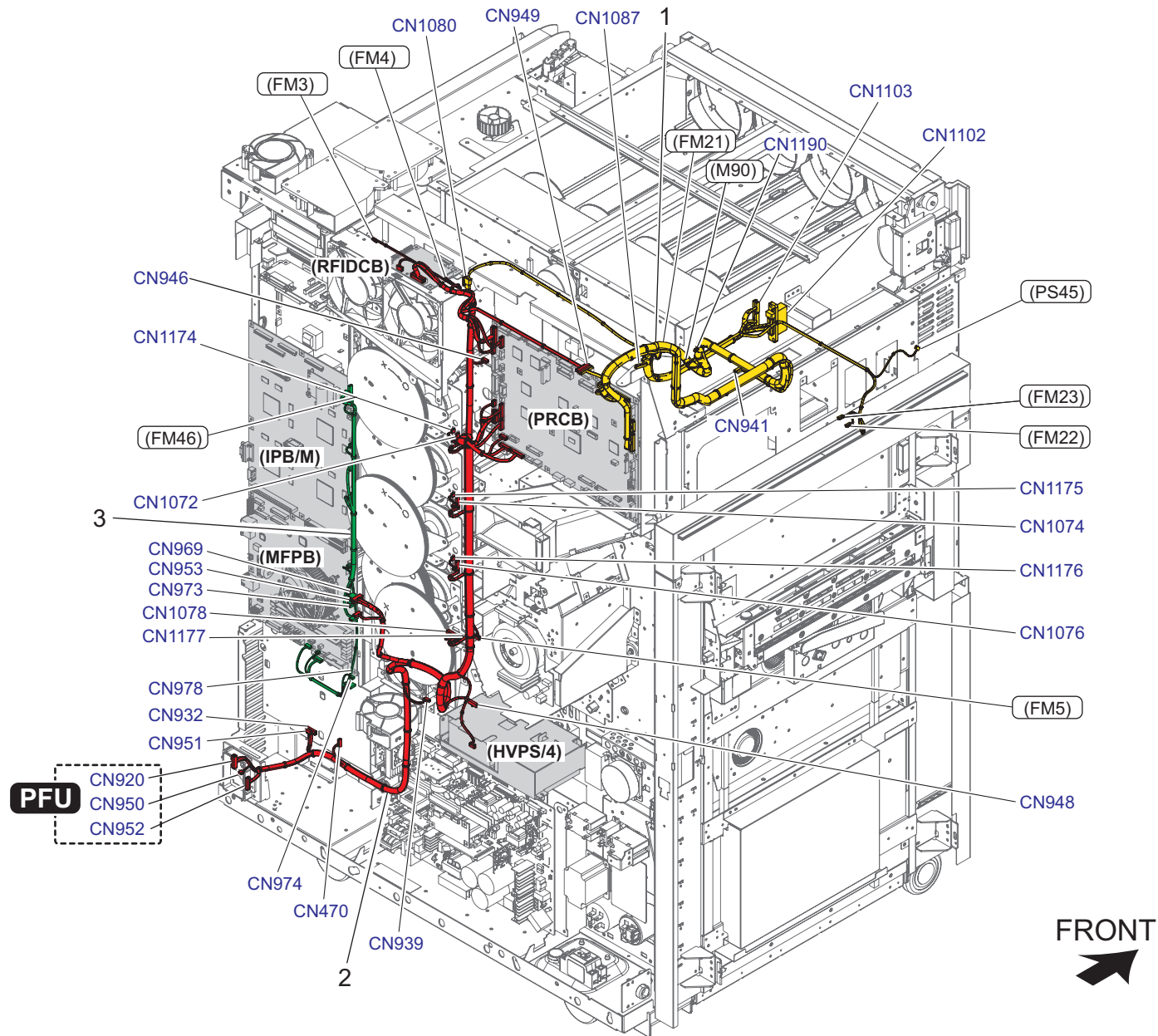
Key	Part No.	Description	Destinations	Class	QTY	Standard parts
1	A1RFM15200	Fan motor /2		C	1	a-V118031803
2	A1RFM40400	HV Power source /2		I	1	b-V121030603
3	A1RFM40500	HV Power source /3		I	1	c-V121033503
4	A1RFN17400	HV Wiring /8		D	1	d-V121040603
5	A1RFN17500	HV Wiring /9		D	1	e-V127030603
6	A1RFN17600	HV Wiring /10		D	1	f-V146040803
7	A1RFN17700	HV Wiring /11		D	1	g-V146040804
8	A1RFN17800	HV Wiring /12		D	1	h-V153030803
9	A1RFN18600	HV Relay harness /1		D	1	j-V500010020
10	A5AWH53000	Power source Relay board Assy		I	1	k-V500020098
11	A5AWM15200	Fan motor /2		C	1	m-V500020104
12	A5AWN27300	AC Power source harness /9		D	1	n-V500020108
13	A5AWN29800	Relay Wiring /F		D	1	p-V570010057
14	A92W943100	Caution Label /B		D	1	q-V570010059
15	A92WN25600	DC Power source Harness /2		D	1	
16	A92WR71A00	DC Power Source/1 Assy		I	1	
17	V502010032	Circuit Board Spacer		D	4	
18	A5AW137500	Cover /1		D	1	



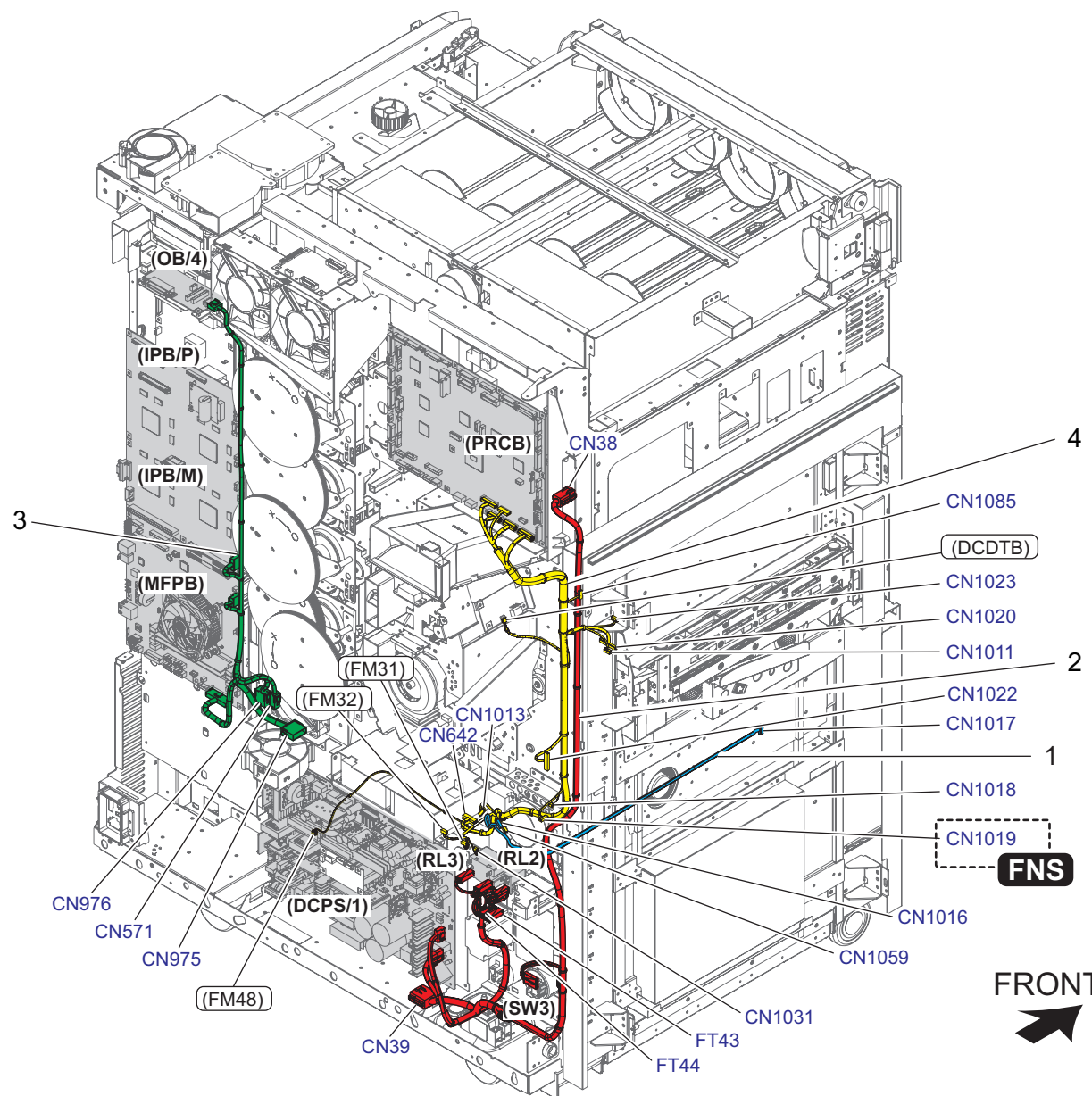
AccurioPress C6085



Key	Part No.	Description	Destinations	Class	QTY	Standard parts
1	A92WN10100	DC Power source Harness /1		D	1	
2	A92YN12200	Main Body Wiring /2		D	1	



Key	Part No.	Description	Destinations	Class	QTY	Standard parts
1	A92WN12300	Main Body Wiring /3		D	1	
2	A92WN12400	Main body Wiring /4		D	1	
3	A92WN29200	ImageProcessing Relay Harness / 2		D	1	

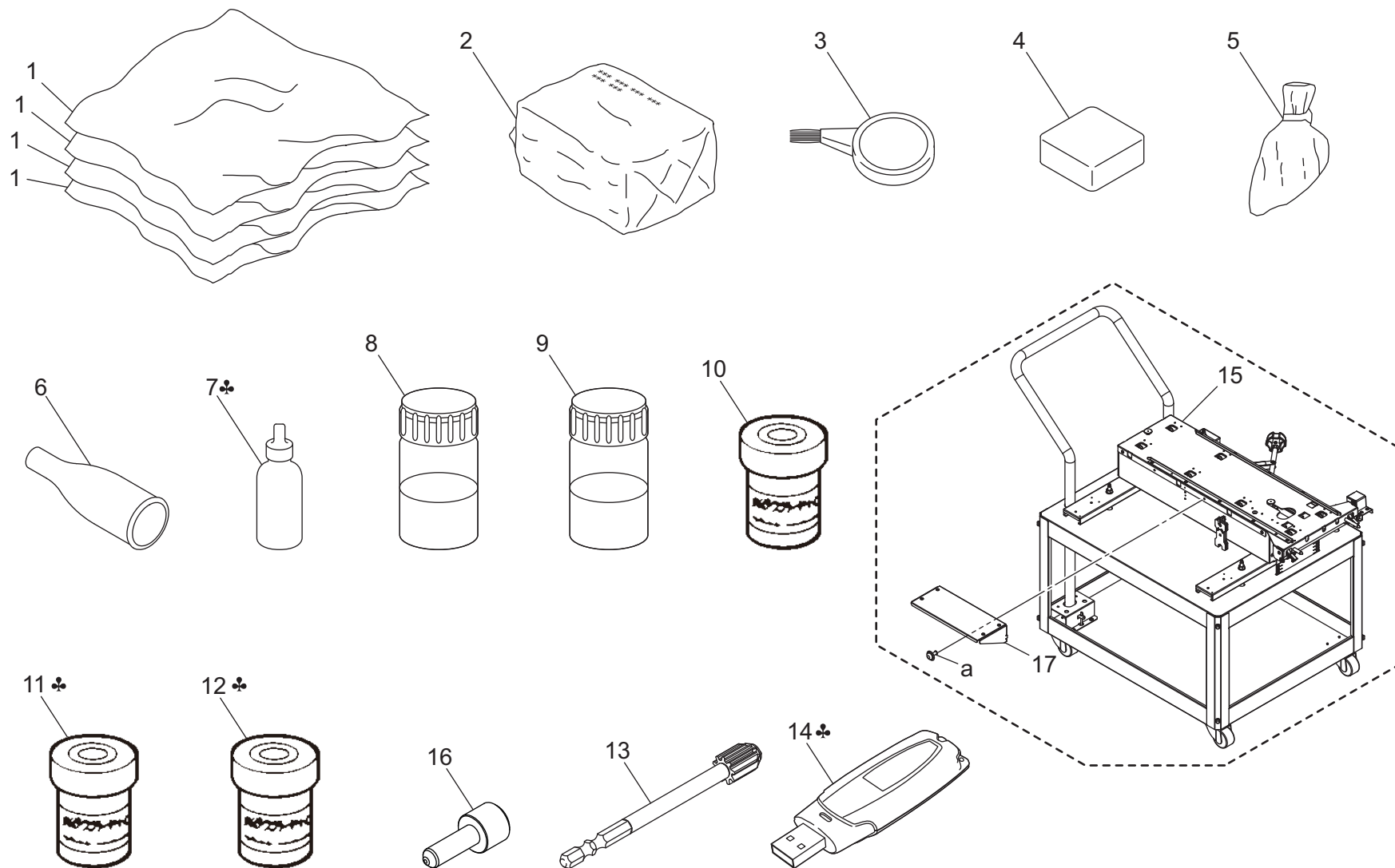


AccurioPress C6085

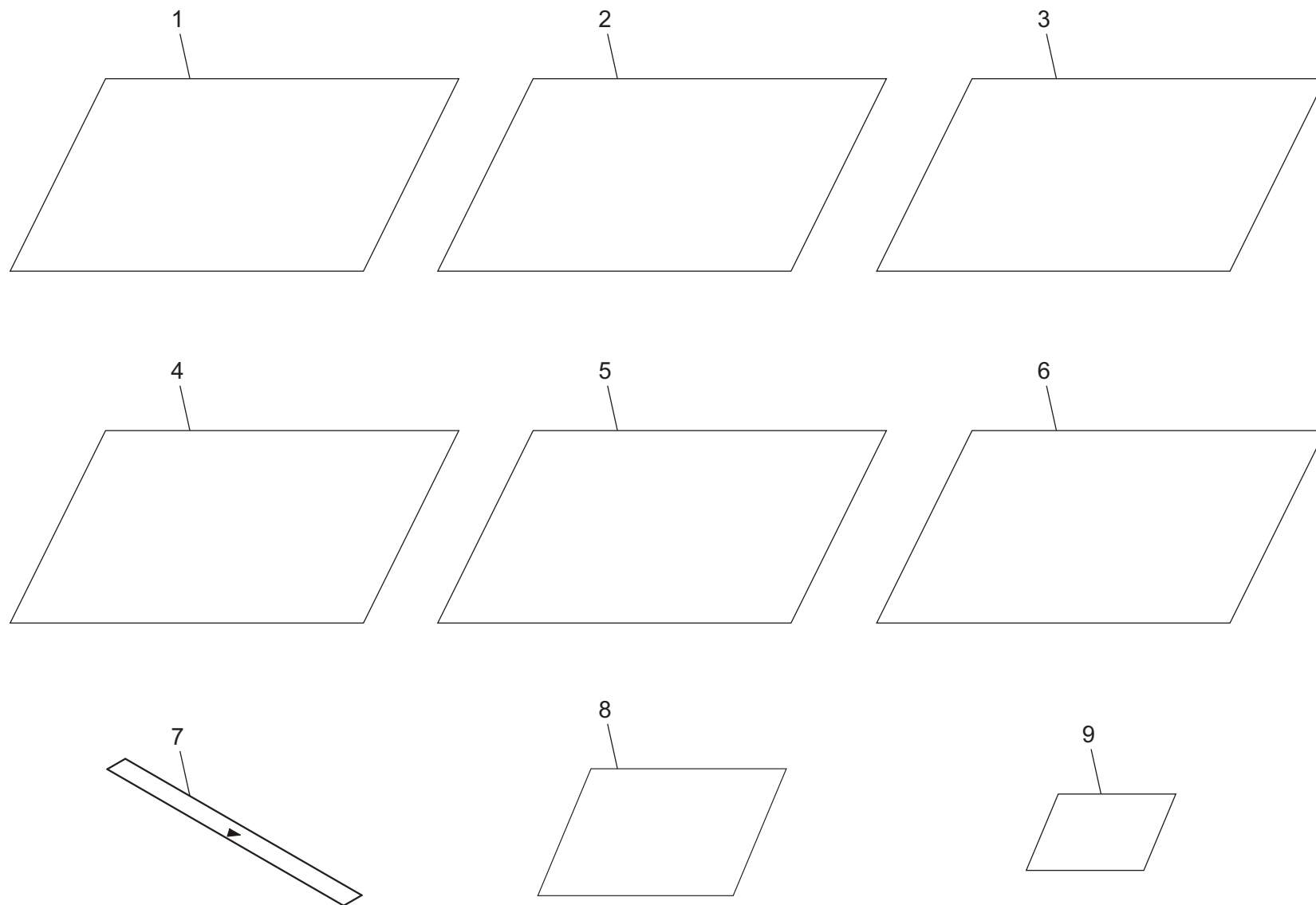
Key	Part No.	Description	Destinations	Class	QTY	Standard parts
1	A1RFN16900	Toner Detection Harness /Middle		D	1	
2	A92WN10300	AC Power source Harness /2		D	1	
3	A92WN11700	ImageProcessing Power source Harness		D	1	
4	A92WN12700	Main body Wiring /7		D	1	

# Service Tool

P 133

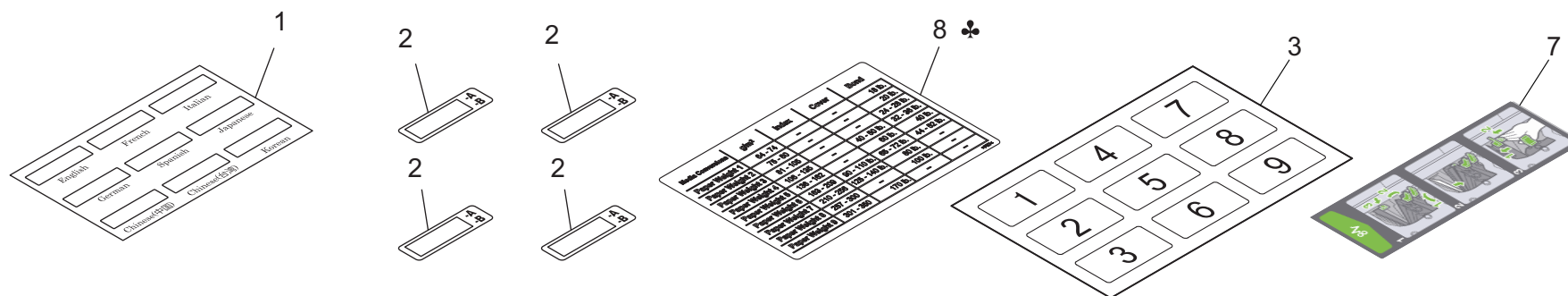
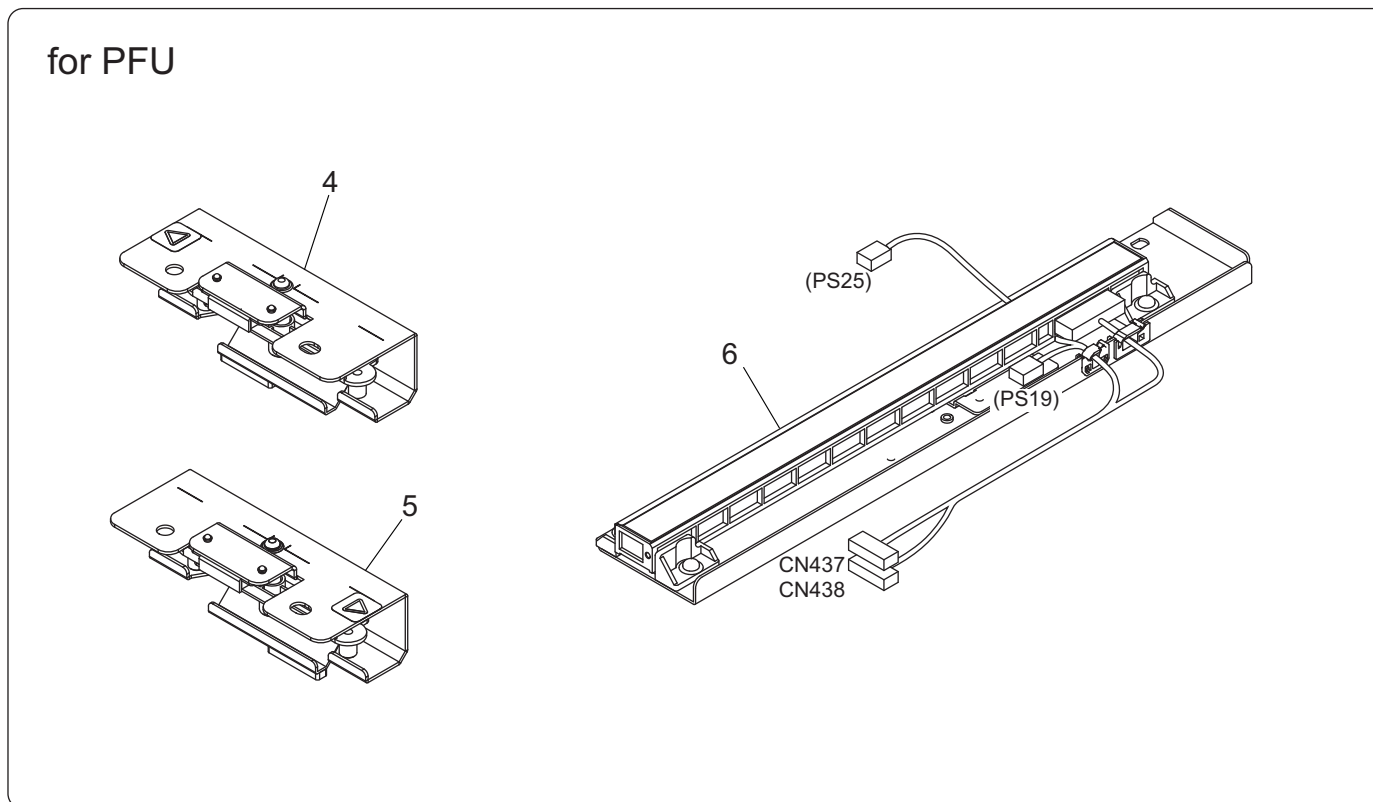


Key	Part No.	Description	Destinations	Class	QTY	Standard parts
1	00VC-2-00	Drum Cover		S	4	a-V121030603
2	A5AWP00100	Cleaning Pad		S	1	
3	00VD-1000	Blower Brush		S	1	
4	65AA-9920	HYDROWIPE		S	1	
5	000V-19-0	Setting Powder		S	1	
6	A1DUPJG100	Cleaning Jig		S	1	
7	A4EUPP0000	MHSURF FT-240	A,C,D1,D3(only NEW ZEALAND),F2,G1,G2,H,I,J	S	1	
8	A1RFPP0000	Setting Toner		S	1	
9	A50UPP0100	Setting Toner No.2		S	1	
10	00GR00260	Grease(Multemp FF-RM)		S	1	
11	00GR00020	Grease(Plas Guard No.1)		S	1	
12	00GR00220	Grease(Molykote EM-30L Grease)		S	1	
13	A1RFRX0101	Developer Ejection Jig		S	1	
14	A1RFPJG100	RFID Reader Writer	A,B,D3	S	1	
15	A5AWRX0011	Loading Wagon For Fusing Unit		S	1	
16	A92WPJG100	Positioning Jig		S	1	
17	AC0CP75100	Hold Plate /1		S	1	





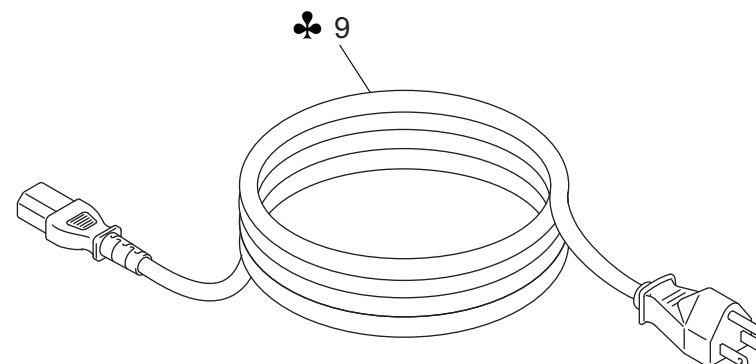
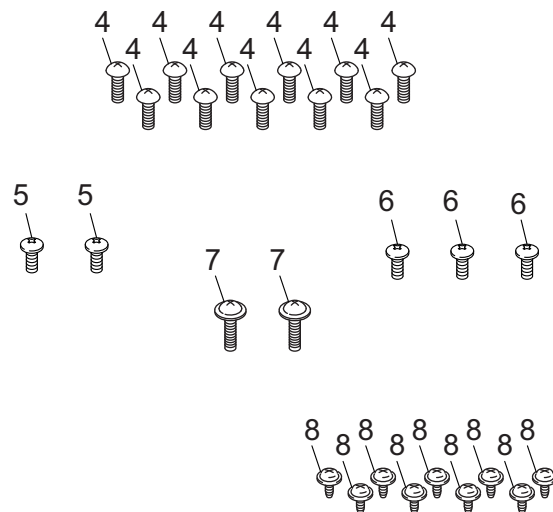
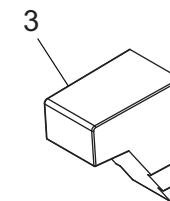
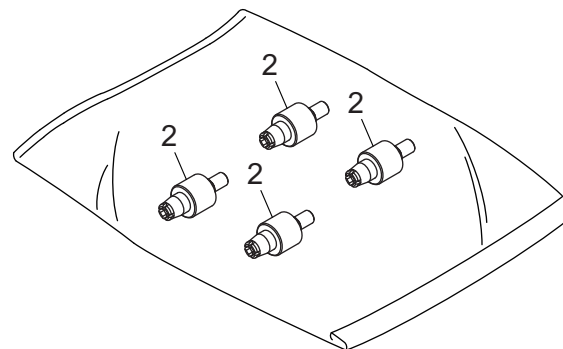
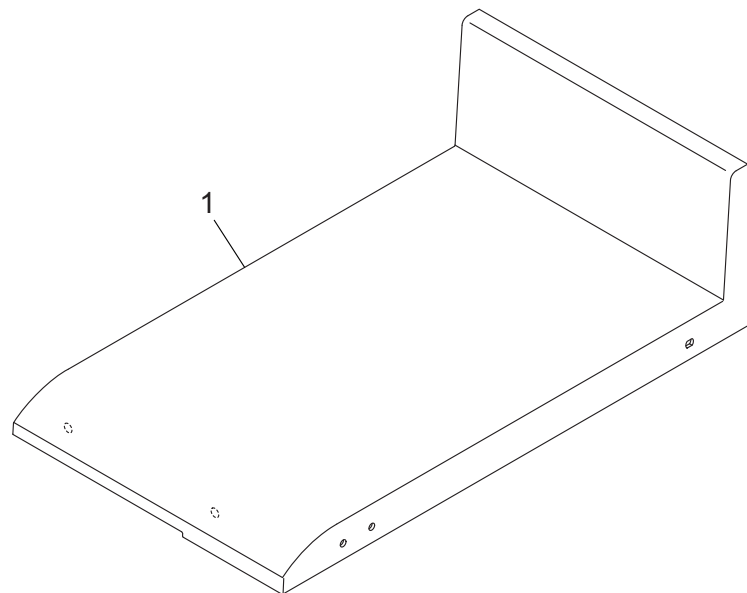






# Accessory Parts

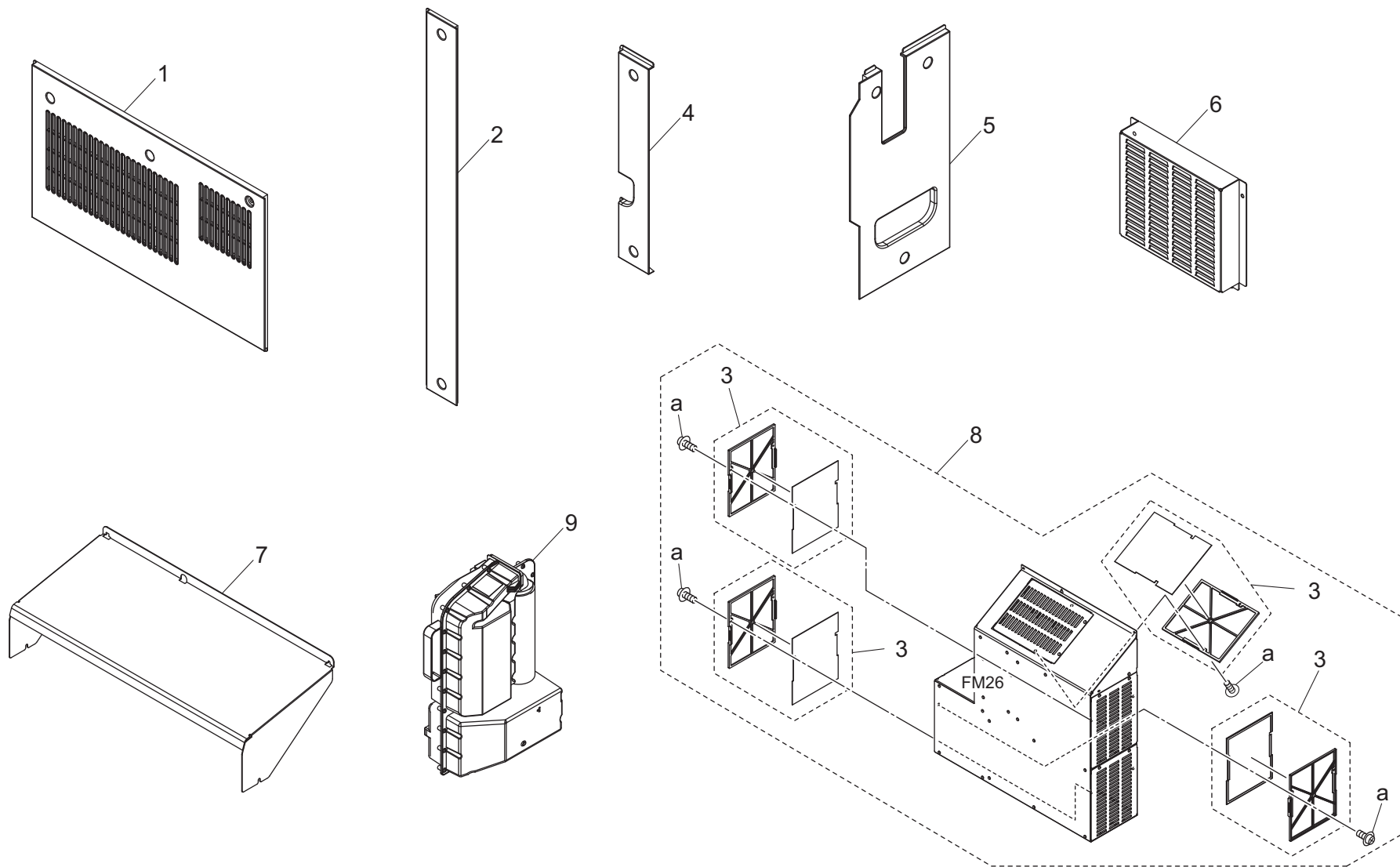
P 136





# Accessory Parts

P 137





# MAINTENANCE LIST

● The items with no Page/Key numbers are not handled as spare parts.

No.	Section	PM Parts Description	Maintenance Cycle (K=1,000)		Parts No.	Destinations	Page/Key	Note
			QTY	Replace				
1	External section	Ozone filter	1	700K	A1RF114402		P11-11	
2		Cyclone box	1	2,140K	A92WR70211		P137-9	*1
3		Dust-proof filter/Rr1	1	700K	A1RFR74500		P3-16	*1
4		Dust-proof filter/Lt	1	700K	A1RFR74400		P137-3	*1
5		Dust-proof filter/Rr2	1	700K	A1RFR74400		P137-3	*1
6		Dust-proof filter/Rr3	1	700K	A1RFR74400		P137-3	*1
7		Dust-proof filter/Rr4	1	700K	A1RFR74400		P137-3	*1
8	Photo conductor section	Drum unit/Y	1	350K				*1
9		Drum unit/M	1	350K				*1
10		Drum unit/C	1	350K				*1
11		Drum unit/K	1	350K				*1
12	Charging section	Charging corona/Y	1	350K	A92WR70311		P23-1	*1
13		Charging corona/M	1	350K	A92WR70311		P23-1	*1
14		Charging corona/C	1	350K	A92WR70311		P23-1	*1
15		Charging corona/K	1	350K	A92WR70311		P23-1	*1
20	Developing section	Developer/Y	1	850K				*1
21		Developer/M	1	850K				*1
22		Developer/C	1	850K				*1
23		Developer/K	1	850K				*1
24		Developing unit/Y	1	3,400K	A92WR90400	A	P24-2	*1
24		Developing unit/Y	1	3,400K	A92WR70K22	B,C,D1,D3,E,F2,G1,G	P24-2	*1
25		Developing unit/M	1	3,400K	A92WR90400	A	P24-2	*1
25		Developing unit/M	1	3,400K	A92WR70K22	B,C,D1,D3,E,F2,G1,G	P24-2	*1
26		Developing unit/C	1	3,400K	A92WR90400	A	P24-2	*1
26		Developing unit/C	1	3,400K	A92WR70K22	B,C,D1,D3,E,F2,G1,G	P24-2	*1
27	Developing unit/K	1	3,400K	A92WR90400	A	P24-2	*1	
27	Developing unit/K	1	3,400K	A92WR70K22	B,C,D1,D3,E,F2,G1,G	P24-2	*1	
28	Toner supply section	Developing charge filter/Y	1	700K	A1RFR70300		P34-8	
29		Developing charge filter/M	1	700K	A1RFR70300		P34-8	
30		Developing charge filter/C	1	700K	A1RFR70300		P34-8	
31		Developing charge filter/K	1	700K	A1RFR70300		P34-8	
32	Intermediate transfer section	Toner collection sheet	1	350K	65AAR75600		P44-3	
33		Transfer belt cleaning seal/Fr	1	350K	A92W511200		P44-20	
34		Transfer belt cleaning seal/Rr	1	350K	A92W511600		P44-21	
35		Nip formation roller/Up	1	700K	A5AW501301		P40-21	
36		1st transfer roller/Y	1	700K	A5AW501200		P40-20	
37		1st transfer roller/M	1	700K	A5AW501200		P40-20	
38		1st transfer roller/C	1	700K	A5AW501200		P40-20	
39		1st transfer roller/K	1	700K	A5AW500400		P40-18	
40		Thick paper transfer backup guide	1	700K	A5AWR70Q00		P42-21	
41		2nd transfer roller/Up	1	700K	A1RF500400		P40-7	
42		Sensor shutter	1	700K	A5AWR70500		P68-11	
43		Auxiliary cleaner assy	1	700K	A92WR70C00		P41-34	
44		Intermediate transfer belt	1	1,050K	A1RF506000		P40-11	
45		Transfer belt cleaning unit	1	1,050K	A92WR70600		P39-3	
46		Intermediate transfer separation claw solenoid	1	2,975K	A1RFR74800		P62-24	
47		Transfer belt separation claw	3	3,150K	65AAR75300		P41-3	
48		Transfer roller bearing	8	3,150K	A1RF508900		P42-10	
49	Transfer belt cleaning blade	1	350K	A5AWR70P11		P44-19	*1	





No.	Section	PM Parts Description	Maintenance Cycle (K=1,000)		Parts No.	Destinations	Page/Key	Note
			QTY	Replace				
97	EMBOSS Intermediate transfer	EMBOSS Toner collection sheet	1	350K	65AAR75600		P50-3	
98		EMBOSS Transfer belt cleaning seal/Fr	1	350K	A92W511200		P50-20	
99		EMBOSS 2nd transfer roller/Up	1	350K	A1RF500400		P40-7	
100		EMBOSS Transfer belt cleaning seal/Rr	1	350K	A92W511600		P50-21	
101		EMBOSS 1st transfer roller/Y	1	350K	A5AW501200		P46-18	
102		EMBOSS 1st transfer roller/M	1	350K	A5AW501200		P46-18	
103		EMBOSS 1st transfer roller/C	1	350K	A5AW501200		P46-18	
104		EMBOSS 1st transfer roller/K	1	350K	A5AW500400		P46-16	
105		EMBOSS Thick paper transfer backup guide	1	700K	A5AWR70Q00		P48-18	
106		EMBOSS Nip formation roller/Up	1	700K	A5AW501301		P46-19	
107		Sensor shutter	1	700K	A5AWR70500		P68-11	
108		EMBOSS Auxiliary cleaner assy	1	700K	A92WR70C00		P47-34	
109		EMBOSS Intermediate transfer belt	1	1,050K	A1RF506000		P46-9	
110		EMBOSS Transfer belt cleaning unit	1	1,050K	A92WR70600		P45-2	
111	Intermediate transfer separation claw solenoid	1	2,975K	A1RFR74800		P62-24		
112	EMBOSS Transfer belt separation claw	3	3,150K	65AAR75300		P47-3		
113	EMBOSS Transfer roller bearing	8	3,150K	A1RF508900		P48-10		
114	EMBOSS Belt cleaning blade	1	350K	A5AWR70P11		P50-19	*1	
115	EMBOSS 2nd transfer section	EMBOSS Scattering prevention sheet plate/1	1	350K	A1RFR7N700		P77-14	
116		EMBOSS Cleaning side seal plate/Fr	1	350K	A1RFR7N500		P77-12	
117		EMBOSS Cleaning side seal plate/Rr	1	350K	A1RFR7N600		P77-13	
118		EMBOSS 2nd transfer assist scraper assy	1	350K	A1RFR7N800		P77-15	
119		EMBOSS 2nd transfer process blade assy	1	350K	A5AWR70S00		P78-9	
120		EMBOSS Scattering prevention sheet/1	2	350K	A1RF531600		P77-11	
121		EMBOSS 2nd transfer belt	1	350K	A1RF520400		P79-3	
122		EMBOSS 2nd transfer cleaning brush	1	350K	A1RF532800		P78-4	
123		EMBOSS Connecting stay assy	1	350K	A1RFR7N300		P79-14	
124		EMBOSS Separation discharging assy	1	700K	A1RFR70500		P75-4	
125		EMBOSS 2nd transfer entrance guide/Up	1	700K	A1RFR72900		P76-21	
126		EMBOSS 2nd transfer belt assy	1	700K	A92WR70800		P75-15	
127		EMBOSS 2nd transfer ground plate/1	1	1,400K	A1RFR71900		P75-5	
128		EMBOSS 2nd transfer ground plate/2	1	1,400K	A1RFR72000		P75-6	
129	EMBOSS 2nd transfer unit	1	3,500K	A92WR70E11		P75-16		
130	EMBOSS 2nd transfer cleaning blade	1	350K	A5AWR73300		P77-17	*1	

\*1: See Service Manual F-4 LIFE VALUE.

# メンテナンスリスト

● ページ / キーナンバーのないものは、アフターサービス部品ではありません。

No.	区分	PM 部品名称	サイクル (K=1,000)		部品番号	仕向地	頁 / キー	備考
			員数	交換				
1	外装部	オゾンフィルター	1	700K	A1RF114402		P11-11	
2		サイクロンボックス	1	2,140K	A92WR70211		P137-9	*1
3		防塵フィルター /Rr1	1	700K	A1RFR74500		P3-16	*1
4		防塵フィルター /Lt	1	700K	A1RFR74400		P137-3	*1
5		防塵フィルター /Rr2	1	700K	A1RFR74400		P137-3	*1
6		防塵フィルター /Rr3	1	700K	A1RFR74400		P137-3	*1
7		防塵フィルター /Rr4	1	700K	A1RFR74400		P137-3	*1
8	感光体部	ドラムユニット /Y	1	350K				*1
9		ドラムユニット /M	1	350K				*1
10		ドラムユニット /C	1	350K				*1
11		ドラムユニット /K	1	350K				*1
12	帯電部	帯電極 /Y	1	350K	A92WR70311		P23-1	*1
13		帯電極 /M	1	350K	A92WR70311		P23-1	*1
14		帯電極 /C	1	350K	A92WR70311		P23-1	*1
15		帯電極 /K	1	350K	A92WR70311		P23-1	*1
20	現像部	現像剤 /Y	1	850K				*1
21		現像剤 /M	1	850K				*1
22		現像剤 /C	1	850K				*1
23		現像剤 /K	1	850K				*1
24		現像ユニット /Y	1	3,400K	A92WR90400	A	P24-2	*1
24		現像ユニット /Y	1	3,400K	A92WR70K22	B,C,D1,D3,E,F2,G1,G2,H,	P24-2	*1
25		現像ユニット /M	1	3,400K	A92WR90400	A	P24-2	*1
25		現像ユニット /M	1	3,400K	A92WR70K22	B,C,D1,D3,E,F2,G1,G2,H,	P24-2	*1
26		現像ユニット /C	1	3,400K	A92WR90400	A	P24-2	*1
26		現像ユニット /C	1	3,400K	A92WR70K22	B,C,D1,D3,E,F2,G1,G2,H,	P24-2	*1
27	現像ユニット /K	1	3,400K	A92WR90400	A	P24-2	*1	
27	現像ユニット /K	1	3,400K	A92WR70K22	B,C,D1,D3,E,F2,G1,G2,H,	P24-2	*1	
28	トナー補給部	現像帯電フィルター /Y	1	700K	A1RFR70300		P34-8	
29		現像帯電フィルター /M	1	700K	A1RFR70300		P34-8	
30		現像帯電フィルター /C	1	700K	A1RFR70300		P34-8	
31		現像帯電フィルター /K	1	700K	A1RFR70300		P34-8	
32	中間転写部	トナー回収シート	1	350K	65AAR75600		P44-3	
33		転写ベルトクリーニングシール /Fr	1	350K	A92W511200		P44-20	
34		転写ベルトクリーニングシール /Rr	1	350K	A92W511600		P44-21	
35		ニップ形成ローラー /Up	1	700K	A5AW501301		P40-21	
36		1次転写ローラー /Y	1	700K	A5AW501200		P40-20	
37		1次転写ローラー /M	1	700K	A5AW501200		P40-20	
38		1次転写ローラー /C	1	700K	A5AW501200		P40-20	
39		1次転写ローラー /K	1	700K	A5AW500400		P40-18	
40		中間転写厚紙バックアップガイド	1	700K	A5AWR70Q00		P42-21	
41		2次転写ローラー /Up	1	700K	A1RF500400		P40-7	
42		センサーシャッター	1	700K	A5AWR70500		P68-11	
43		補助クリーナー Assy	1	700K	A92WR70C00		P41-34	
44		中間転写ベルト	1	1,050K	A1RF506000		P40-11	
45		転写ベルトクリーニングユニット	1	1,050K	A92WR70600		P39-3	
46		中間転写分離爪ソレノイド	1	2,975K	A1RFR74800		P62-24	
47		転写ベルト分離爪	3	3,150K	65AAR75300		P41-3	
48		転写ローラー軸受	8	3,150K	A1RF508900		P42-10	
49	転写ベルトクリーニングブレード	1	350K	A5AWR70P11		P44-19	*1	



No.	区分	PM 部品名称	サイクル (K=1,000)		部品番号	仕向地	頁/キー	備考
			員数	交換				
97	エンボス中間転写部	エンボストナー回収シート	1	350K	65AAR75600		P50-3	
98		エンボス転写ベルトクリーニングシール / Fr	1	350K	A92W511200		P50-20	
99		エンボス 2次転写ローラー /Up	1	350K	A1RF500400		P40-7	
100		エンボス転写ベルトクリーニングシール /Rr	1	350K	A92W511600		P50-21	
101		エンボス 1次転写ローラー /Y	1	350K	A5AW501200		P46-18	
102		エンボス 1次転写ローラー /M	1	350K	A5AW501200		P46-18	
103		エンボス 1次転写ローラー /C	1	350K	A5AW501200		P46-18	
104		エンボス 1次転写ローラー /K	1	350K	A5AW500400		P46-16	
105		エンボス中間転写厚紙バックアップガイド	1	700K	A5AWR70Q00		P48-18	
106		エンボスニップ形成ローラー /Up	1	700K	A5AW501301		P46-19	
107		センサーシャッター	1	700K	A5AWR70500		P68-11	
108		エンボス補助クリーナー Assy	1	700K	A92WR70C00		P47-34	
109		エンボス中間転写ベルト	1	1,050K	A1RF506000		P46-9	
110		エンボス転写ベルトクリーニングユニット	1	1,050K	A92WR70600		P45-2	
111	中間転写分離爪ソレノイド	1	2,975K	A1RFR74800		P62-24		
112	エンボス転写ベルト分離爪	3	3,150K	65AAR75300		P47-3		
113	エンボス転写ローラー軸受	8	3,150K	A1RF508900		P48-10		
114	エンボス転写ベルトクリーニングブレード	1	350K	A5AWR70P11		P50-19	*1	
115	エンボス 2次転写部	エンボス飛散防止シート取付板 /1	1	350K	A1RFR7N700		P77-14	
116		エンボスクリーニングサイドシール取付板 /Fr	1	350K	A1RFR7N500		P77-12	
117		エンボスクリーニングサイドシール取付板 /Rr	1	350K	A1RFR7N600		P77-13	
118		エンボス 2次転写補助スクレーパー Assy	1	350K	A1RFR7N800		P77-15	
119		エンボス 2次転写処理ブレード Assy	1	350K	A5AWR70S00		P78-9	
120		エンボス飛散防止シート /1	2	350K	A1RF531600		P77-11	
121		エンボス 2次転写ベルト	1	350K	A1RF520400		P79-3	
122		エンボス 2次転写クリーニングブラシ	1	350K	A1RF532800		P78-4	
123		エンボス連結ステー Assy	1	350K	A1RFR7N300		P79-14	
124		エンボス分離放電板 Assy	1	700K	A1RFR70500		P75-4	
125		エンボス 2次転写進入ガイド板 /Up	1	700K	A1RFR72900		P76-21	
126		エンボス 2次転写ベルト Assy	1	700K	A92WR70800		P75-15	
127		エンボス 2次転写アース板 /1	1	1,400K	A1RFR71900		P75-5	
128		エンボス 2次転写アース板 /2	1	1,400K	A1RFR72000		P75-6	
129		エンボス 2次転写ユニット	1	3,500K	A92WR70E11		P75-16	
130		エンボス 2次転写クリーニングブレード	1	350K	A5AWR73300		P77-17	*1

\*1: サービスマニュアル F-4 「ライフ値の考え方」 参照

## DESTINATION

Destination No.		Destinations		V	Hz	Model No.
A	A1	JAPAN		200	50/60	A92Y001
	A2	JAPAN		200	50/60	A92Y001
B		USA, CANADA		208-240	60	A92Y011
C		EUROPEAN TYPE		220-240	50/60	A92Y021
D	D1	S.E ASIA TYPE	THAILAND, SRI LANKA, SINGAPORE, MALAYSIA, HONG KONG, PAKISTAN, INDIA, BANGLADESH, INDONESIA			
	D3	OCEANIA TYPE	AUSTRALIA, NEW ZEALAND			
E		PHILIPPINES				
F	F1	SAUDI ARABIA				
	F2	SAUDI ARABIA				
G	G1	C.S AMERICA				
	G2	C.S AMERICA				
H		TAIWAN				
I		JORDAN, LEBANON, SYRIA, SOUTH AFRICA, IRAQ, IRAN, N.YEMEN, CAMEROON, UAE, BAHRAIN, OMAN, QATAR, KUWAIT, KENYA, TUNISIA, IVORY COAST, MOROCCO		220-240	50/60	A92Y021
J		CHINA				
K		KOREA				

AccurioPress C6085