

KONICA MINOLTA

PARTS GUIDE MANUAL

JUNE 2021

*AccurioPress C6100
A92W*

INFORMATION FOR PARTS GUIDE MANUAL

To find correct Parts No., refer to the "HOW TO MAKE THE BEST USE OF THIS MANUAL" in the following page.

HOW TO MAKE THE BEST USE OF THIS MANUAL

- 1 When you order, please check the proper figures beforehand that are on Our Parts Guide Manual, and order with the appropriate figures.
- 2 For screws, Nuts, Washers, retaining rings and Pins which are used in this model, one letter is shown on the Standard parts column of Parts list and exploded diagrams.
- 3 In order to maintain safety of the product, some specific parts composed of this product are set up as "essential safety parts".
- 4 The assigned parts number for the "essential safety parts" is indicated as "SP00-****".
When replacing these parts, follow precautions for disassembling and installing which are listed in the Service Manual.
Do not use any parts that are not set up as
- 5 ♣ means that there are exclusive parts for each destination.
Please check the appropriate destination when you order.
- 6 All rights reserved. (any reprints or quotations are prohibited.)
Use of this parts guide manual should be strictly supervised to avoid disclosure of confidential information.

パーツガイド マニュアルのご案内

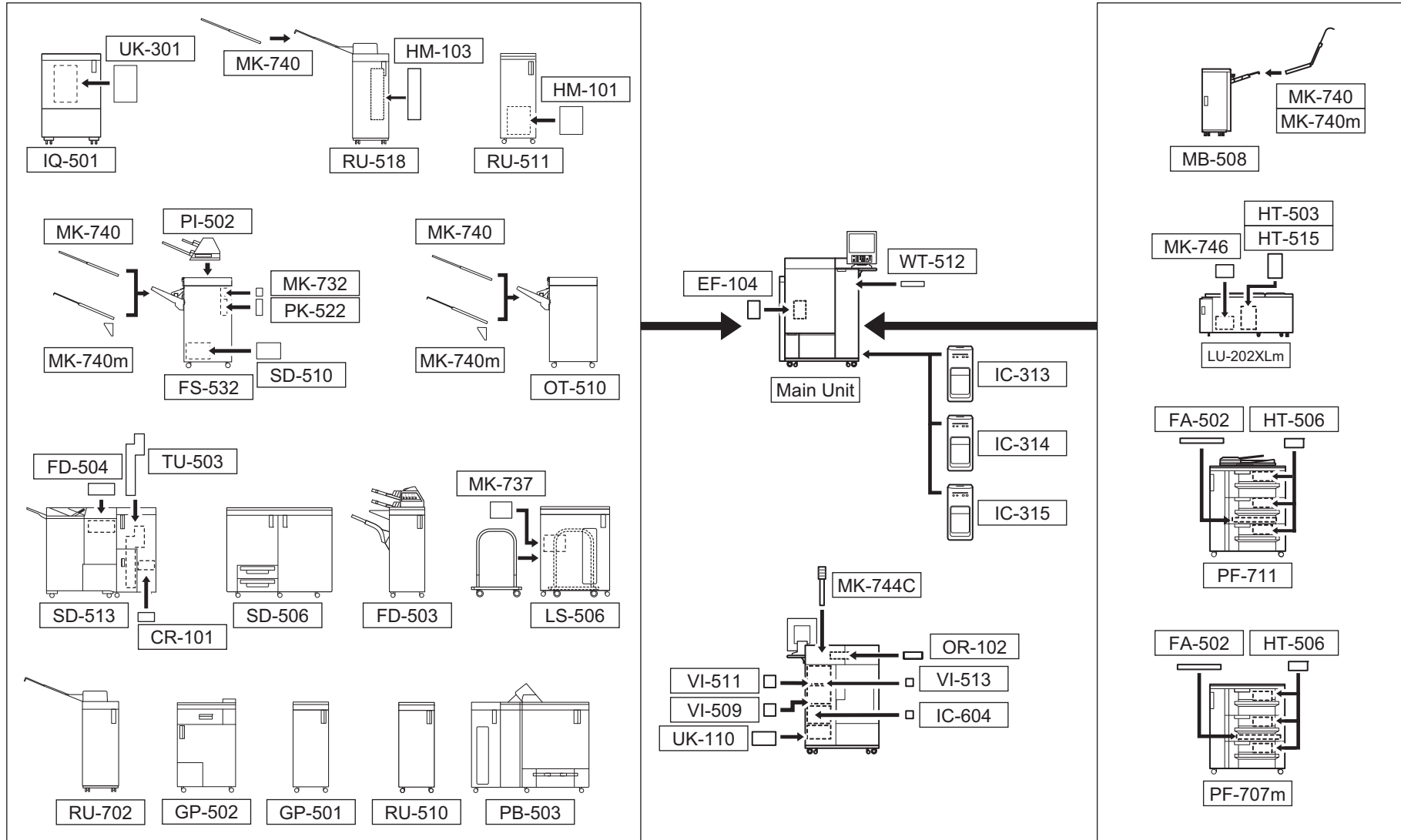
サービス部品をご発注の際には、下記に示す“パーツガイド マニュアルの活用にあたって”をご参照の上、正しい部品番号にてお願い致します。

パーツガイド マニュアルの活用にあたって

- 1 部品発注の際には、掲載されている部品番号の桁数を確認し、掲載されている桁数で発注願います。
- 2 この製品に使用されているネジ、ナット、ワッシャー、止め輪、ピンなどは、リストの右側の Standard parts 欄に a,b,c,…… で表示し、イラストにも a,b,c,…… 表示してあります。
- 3 製品の安全性を維持する為に、製品に使用される特定の部品を「重要保安部品」として設定しています。
- 4 重要保安部品の部品番号は、“SP00-****”と記載されていますので、部品交換時は、サービスマニュアル記載の分解・組み立ての注意事項に従って作業をして下さい。
また、指定以外の部品は一切使用しないで下さい。
- 5 本文に ♣ が表示されている部品は、仕向け地毎に専用部品がある事を意味しています。
オーダーされる時は、仕向け地を確認して下さい。
- 6 著作権所有（無断転載及び無断引用の禁止）
本パーツガイド マニュアルについては、機密保持等その扱いには十分注意して下さい。万一取り扱いを誤った場合には、法律で処罰される場合があります。

03/31/2017

System Configuration



AccurioPress C6100

GENERAL CONTENTS

No.	Description	Model
1	Digital MFP Color	AccurioPress C6100
2	Bypass Tray	MB-508
3	Mount Kit	MK-746
4	Heater	HT-503
5	Heater	HT-515
6	Paper Feeder	LU-202XLm
7	Paper Feeder	PF-711
8	Other Option	FA-502
9	Heater	HT-506
10	Paper Feeder	PF-707m
11	Intelligent Quality Optimizer	IQ-501
12	Mount Kit	MK-740/MK-740m
13	Saddle Unit	FD-504
14	Trimmer Unit	TU-503
15	Relay Unit	RU-518
16	Humidifier	HM-103
17	Humidifier	HM-101
18	Relay Unit	RU-511
19	Mount Kit	MK-732
20	Punch Unit	PK-522
21	Saddle Unit	SD-510
22	Finisher/Sorter	FS-532/FS-532 PK/SD

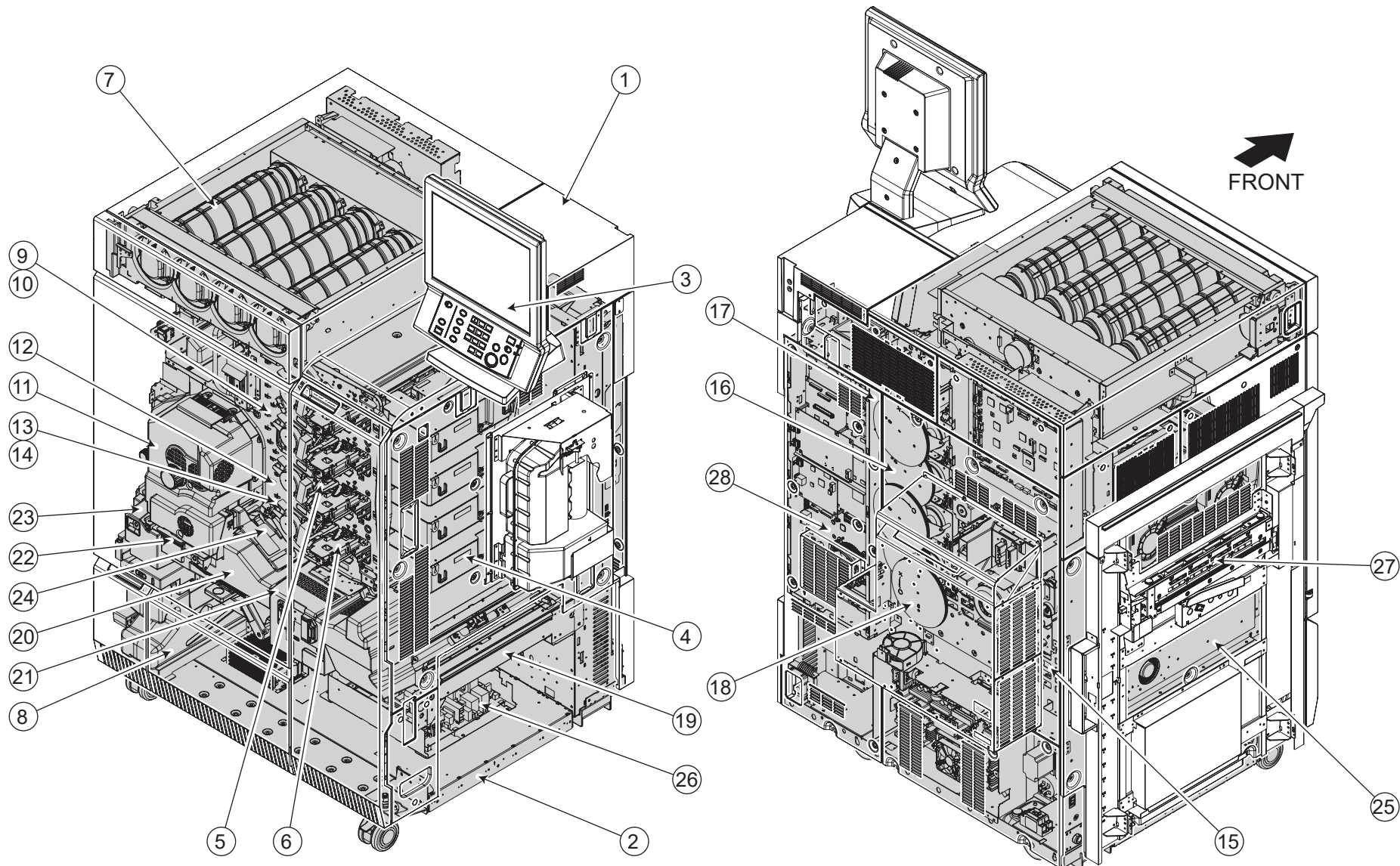
AccurioPress C6100

No.	Description	Model
23	Saddle Unit	SD-513/SD-513/R
24	Saddle Unit	CR-101
25	Saddle Unit	SD-506
26	Folding Unit	FD-503
27	Ring Binder	GP-502
28	Punch Unit	GP-501
29	Relay Unit	RU-510
30	Perfect Binder	PB-503
31	Large Capacity Stacker	LS-506
32	Other Option	MK-737
33	Output Tray	OT-510
34	Post Inserter	PI-502
35	2nd Fusing Unit	EF-104
36	Other Option	UK-110
37	Video IF Kit	VI-509
38	Video IF Kit	VI-511
39	Mount Kit	MK-744C
40	Other Option	OR-102
41	Image Controller	IC-604
42	Image Controller	IC-315
43	Image Controller	IC-314
44	Image Controller	IC-313
45	Working Table	WT-512

AccurioPress C6100

No.	Description	Model
46	Video IF Kit	VI-513
47	Relay Unit	RU-702
48	Other Option	UK-301

Section Configuration



AccurioPress C6100

CONTENTS

No.	DESCRIPTION	名称	PAGE No.
1	External Parts	外装	P1 P2 P3
2	Main Frame	骨格	P4 P5 P6 P7 P8 P9 P10 P11 P12 P13 P14 P15 P16 P17 P18
3	Operation Panel Section	操作部	P19 P20 P21
4	Write Section	書き込み部	P22
5	Charging Section	帯電部	P23
6	Developing Section	現像部	P24
7	Toner Supply Section	トナー補給部	P25 P26 P27 P28 P29 P30 P31 P32 P33 P34 P35 P36
8	Toner Collection Section	トナー回収部	P37 P38
9	Intermediate Transfer Section	中間転写部	P39 P40 P41 P42 P43 P44
10	Intermediate Transfer Section (Emboss)	中間転写部 (エンボス)	P45 P46 P47 P48 P49 P50
11	Fusing Section	定着部	P51 P52 P53 P54 P55 P56 P57 P58 P59 P60
12	Process Carriage Section	プロセス架台部	P61 P62 P63 P64 P65 P66 P67 P68
13	Secondary Transfer Section	2次転写部	P69 P70 P71 P72 P73 P74
14	Secondary Transfer Section (Emboss)	2次転写部 (エンボス)	P75 P76 P77 P78 P79
15	Toner Collection Driving Section	トナー回収駆動部	P80
16	Drum Driving Section	ドラム駆動部	P81 P82 P83 P84 P85
17	Developing Drive Section	現像駆動部	P86 P87
18	Intermediate Transfer Belt Driving Section	中間転写ベルト 駆動部	P88
19	Vertical Conveyance Section	垂直搬送部	P89
20	ADU Carriage	ADU 架台	P90 P91
21	ADU Duplex Section	ADU 両面部	P92 P93 P94 P95 P96 P97 P98 P99 P100 P101 P102 P103 P104 P105 P106 P107 P108 P109 P110
22	ADU Swing Section	ADU 揺動部	P111 P112
23	ADU Reverse And Exit Section	ADU 反転/排紙部	P113 P114 P115
24	ADU Resist Section	ADU レジスト部	P116 P117 P118
25	Reverse And Exit Section	反転/排紙部	P119 P120
26	Electrical Section	電気部	P121
27	Charge Control Section	電荷制御部	P122 P123 P124
28	Rear Electrical Section	背面電気部	P125 P126 P127 P128 P129
29	Wiring	束線	P130 P131 P132
30	Service Tool	サービスツール	P133 P134
31	Accessory Parts	同梱部品	P135 P136 P137

INDEX

Parts No.	Page No.	Parts No.	Page No.	Parts No.	Page No.	Parts No.	Page No.	Parts No.	Page No.
000V-19-0	133-5	25AA50080	101-1	40LA73840	125-3	55GA77050	80-3	56AA80112	93-1
00GR00020	133-11	25SA77180	72-1	4109553001	52-1	55TA84561E	128-1	56AA82012	27-3
00GR00220	133-12	25SA77180	77-1	4109553001	53-1	55VA20680	33-3	56AA97140	128-17
00GR00260	133-10	25SA77470	80-1	4109553001	57-2	55VA32480	17-2	56GA76010	107-2
00VC-2-00	133-1	26MA74040	63-1	4109553001	58-1	55VA32530	87-2	56GA76010	108-4
00VD-1000	133-3	26NA17580	86-1	4120550302	53-2	55VA32530	102-1	56GA76010	109-3
08AA77360	32-1	26NA21440	111-1	4120550302	54-1	55VA42120	27-2	56GA76010	118-5
120A97110	134-5	26NA42040	32-2	4120550302	55-1	55VA42120	91-2	56QA80570	103-5
12AJ45850	89-1	26NA42560	99-2	4470402401	2-1	55VA42120	116-2	56QA80570	107-3
12AJ45850	118-1	26NA42560	107-1	4470402401	4-1	55VA47840	38-3	56QA80570	127-2
12QR86011	29-1	26NA42560	108-2	4470402401	8-2	55VA77290	35-2	56QE88261E	128-2
12QV40650	30-1	26NA42560	109-2	4470402401	18-1	55VA79200	100-2	56QF84551	128-3
12QV40650	56-1	26NA42560	118-4	4470402401	29-2	56AA12270	38-4	56UA25280	99-3
12QV40650	57-1	26NA50920	41-1	4470402401	38-2	56AA15490	98-1	56UA70330	20-1
12QV40650	115-1	26NA50920	47-1	4470402401	43-1	56AA17490	53-3	56UA75050	58-3
12QV40650	116-1	26NA50920	86-2	4470402401	49-1	56AA17490	81-1	56UA75070	40-2
12QV40650	124-1	26NA54230	105-2	4470402401	64-1	56AA17510	57-3	56UA75070	46-2
13GQ45490	120-1	322076010	27-1	4470402401	65-1	56AA17630	4-2	56UA77280	80-4
13NG45200	1-1	322076010	32-3	4470402401	66-1	56AA17640	4-3	56UA77430	32-4
13NG45200	90-1	322076010	35-1	4470402401	67-1	56AA269900	108-3	56UA77700	32-5
13NT80511	17-1	322076010	80-2	4470402401	68-1	56AA40450	114-1	56UA77710	80-5
13QA40610	82-1	4004457301	38-1	4470402401	70-1	56AA40490	43-2	56UA97321G	3-2
13QA40610	83-1	4025228301	125-2	4470402401	72-3	56AA40490	49-2	56UA97920	64-2
13QA40610	84-1	4036248701	8-1	4470402401	75-1	56AA40490	91-3	56UA97920	65-2
13QA40610	85-1	40AA30270	40-1	4470402401	77-3	56AA40510	114-2	56UA97920	66-2
13QA85511	89-2	40AA30270	46-1	4470402401	82-2	56AA41711	2-2	56UA97920	67-2
13QA85511	95-1	40AA32320	44-1	4470402401	83-2	56AA42690	53-4	57AA15600	5-1
13QA85511	99-1	40AA32320	50-1	4470402401	84-2	56AA42690	56-2	57AA30260	74-2
13QA85511	105-1	40AA32320	71-1	4470402401	85-2	56AA42690	71-2	57AA30260	79-2
13QA85511	108-1	40AA32320	72-2	4470402401	87-1	56AA42690	76-2	57AA40610	87-3
13QA85511	117-1	40AA32320	74-1	4470402401	94-1	56AA50520	15-1	57AA50760	90-2
13QA85511	118-2	40AA32320	76-1	4470402401	103-2	56AA50530	15-2	65AA-0750	15-3
13QA85511	119-1	40AA32320	77-2	4470402401	104-1	56AA50700	103-4	65AA-9091E	82-8
13QA85521	106-1	40AA32320	79-1	4470402401	112-2	56AA68220D	127-1	65AA-9091E	83-8
13QA85521	118-3	40AA32320	88-1	4470402401	113-1	56AA76530	105-3	65AA-9091E	84-8
14GE45470	91-1	40AA32320	112-1	4470402401	123-1	56AA76530	114-3	65AA-9091E	85-9
14GE45470	109-1	40AA46261	115-2	454078030	58-2	56AA77220	60-1	65AA-9920	133-4
20AL48470G	51-1	40AA77660	33-1	462076010	103-3	56AA77330	35-3	65AA10230D	15-4
25AA10091F	6-1	40AA85011	104-29	4658351602	100-1	56AA77330	36-1	65AA10260	15-5
25AA47500	103-1	40AA88031	33-2	466076020	110-1	56AA77940	33-4	65AA10480	15-6

Parts No.	Page No.	Parts No.	Page No.	Parts No.	Page No.	Parts No.	Page No.	Parts No.	Page No.
65AA10520	18-2	65AA26050D	42-1	65AA49510F	92-1	65AA88020	54-2	A00J363000	8-3
65AA10740D	14-1	65AA26050D	48-1	65AA49510F	108-5	65AA97440	62-7	A00J612100	98-2
65AA10740D	18-3	65AA26141F	43-3	65AA49510F	110-2	65AA97440	64-4	A00J617800	7-1
65AA10740D	82-3	65AA26141F	49-3	65AA49510F	113-2	65AA97450	62-8	A00J617800	18-10
65AA10740D	83-3	65AA26600	41-2	65AA49520	108-6	65AA97450	65-4	A00J617800	40-5
65AA10740D	84-3	65AA26600	47-2	65AA50160	99-4	65AA97460	62-9	A00J617800	43-5
65AA10740D	85-3	65AA26690D	42-2	65AA50250	93-2	65AA97460	66-4	A00J617800	46-5
65AA10840	15-7	65AA26690D	48-2	65AA50320	103-6	65AA97470	62-10	A00J617800	49-5
65AA11140	126-1	65AA26750	43-4	65AA50350	103-7	65AA97470	67-4	A00J617800	61-2
65AA11300	5-2	65AA26750	49-4	65AA50370D	103-8	65AA99500	134-6	A00J617800	63-3
65AA11300	61-1	65AA26810D	42-3	65AA50400	1-2	65AAR72300	82-9	A00J617800	86-3
65AA11590	15-8	65AA26810D	48-3	65AA50400	90-3	65AAR72300	83-9	A00J617800	87-4
65AA15100D	82-4	65AA26840	44-2	65AA50420	103-9	65AAR72300	84-9	A00J617800	96-1
65AA15100D	83-4	65AA26840	50-2	65AA50630	101-2	65AAR72300	85-10	A00J617800	97-1
65AA15100D	84-4	65AA26920E	40-3	65AA50740	90-4	65AAR72700	6-2	A00J617800	100-3
65AA15100D	85-4	65AA26920E	46-4	65AA50810	103-10	65AAR72700	123-2	A00J617800	105-5
65AA15190D	82-5	65AA26930D	40-4	65AA51510	101-3	65AAR74600	42-6	A00J617800	109-4
65AA15190D	83-5	65AA26950D	42-4	65AA75081	63-2	65AAR74600	48-6	A00J617800	113-3
65AA15190D	84-5	65AA26950D	48-4	65AA75081	85-8	65AAR74600	104-3	A00J617800	115-4
65AA15190D	85-5	65AA27180	42-5	65AA77380	26-3	65AAR74600	124-2	A00J617800	120-3
65AA15200	82-6	65AA27180	48-5	65AA77380	32-6	65AAR75300	41-3	A00J617900	94-2
65AA15200	83-6	65AA30890	9-1	65AA77380	35-4	65AAR75300	47-3	A00J623300	2-3
65AA15200	84-6	65AA30900	9-2	65AA77410	73-1	65AAR75600	44-3	A00J663000	2-4
65AA15200	85-6	65AA30910	9-3	65AA77410	78-1	65AAR75600	50-3	A00J945401	6-3
65AA15210	82-7	65AA33280	26-1	65AA77410	80-7	65AAR77900	70-2	A00JM12100	8-4
65AA15210	83-7	65AA33360	26-2	65AA77640	120-2	65AAR77900	75-2	A00JM12100	68-2
65AA15210	84-7	65AA44350	118-6	65AA77830	37-4	9313100072	34-1	A00JM12100	72-4
65AA15210	85-7	65AA45180	71-3	65AA77900	18-8	9313100072	119-2	A00JM12100	77-4
65AA17100	18-4	65AA45180	76-3	65AA80112	18-9	9335140051	38-5	A00JM60300	128-4
65AA17130	18-5	65AA45190D	71-4	65AA80112	93-3	9381410131	136-9	A00TM10000	43-6
65AA17180	18-6	65AA45190D	76-4	65AA80112	95-2	9J06M10000	13-3	A00TM10000	49-6
65AA17240	18-7	65AA45220	102-2	65AA80112	104-2	9J06M10000	53-5	A00TM10000	112-3
65AA22260	62-1	65AA45241	102-3	65AA80112	107-4	9J06M10000	121-1	A00V240600	41-4
65AA22290	62-2	65AA46180	116-3	65AA80112	116-5	9J06PJP100	134-7	A00V240600	43-7
65AA22680	13-1	65AA47970	116-4	65AA80590	11-1	9J06PJP100	134-1	A00V240600	47-4
65AA22680	62-3	65AA49410	115-3	65AA83070	64-3	9J06PJP200	134-2	A00V240600	49-7
65AA22750	62-4	65AA49410	118-7	65AA83070	65-3	A00J211200	53-6	A00V240600	57-4
65AA22820	62-5	65AA49470	105-4	65AA83070	66-3	A00J211200	56-3	A00V240600	60-3
65AA22830D	13-2	65AA49500	80-6	65AA83070	67-3	A00J211200	60-2	A00V240600	62-11
65AA22830D	62-6	65AA49510F	89-3	65AA88010	58-4	A00J211200	118-8	A00V240600	82-10

Parts No.	Page No.	Parts No.	Page No.	Parts No.	Page No.	Parts No.	Page No.	Parts No.	Page No.
A00V240600	83-10	A03U712100	120-6	A07R813801	124-3	A0GD522500	96-2	A1RF109000	13-6
A00V240600	84-10	A03U724200	52-2	A07TM60100	128-5	A0GD522500	97-2	A1RF109101	13-7
A00V240600	85-11	A03U724200	57-5	A0E7946700	125-25	A0H0911500	99-6	A1RF109400	13-8
A00V240600	86-4	A03U734500	52-3	A0G6190101	19-2	A0H0911500	105-9	A1RF109700	4-8
A00V240600	98-3	A03U734500	54-3	A0G6190200	19-3	A0HR734600	118-9	A1RF109801	15-10
A00V240600	102-4	A03U734500	58-5	A0G6190301	20-2	A0P0666301	120-7	A1RF111100	11-4
A00V240600	104-4	A03U734500	59-2	A0G6191600	20-3	A0P0M50400	5-4	A1RF111200	11-5
A00V240600	105-6	A03U734500	112-5	A0G6192400	19-4	A0P0M50400	61-3	A1RF111300	11-6
A00V240600	109-5	A03U811600	92-17	A0G6192500	19-5	A0P0M73100	19-1	A1RF111400	11-7
A00V240600	112-4	A03U811800	93-4	A0G6192700	19-6	A0TK397501	8-6	A1RF113100	11-8
A00V240600	113-4	A03U812800	56-5	A0G6192900	19-7	A0TKH00200	24-1	A1RF113200	11-9
A00V240600	114-4	A03U812800	91-4	A0G6193100	20-4	A0Y5M15101	10-2	A1RF113300	11-10
A00V240600	116-6	A03U812800	98-4	A0G6193200	20-5	A0Y5M15101	137-10	A1RF114101	15-11
A00V240600	120-4	A03U812800	103-11	A0G6193400	20-6	A11P905000	53-7	A1RF114402	11-11
A011M10101	63-4	A03U815301	104-5	A0G6193500	20-7	A11P905000	55-2	A1RF114700	8-11
A011M10101	120-5	A03U816000	90-5	A0G6193700	20-8	A11PM10200	57-6	A1RF114800	8-12
A034500800	117-2	A03U843500	92-2	A0G6193800	20-9	A11PM10200	72-5	A1RF115001	17-4
A03N211100	56-4	A03U843700	106-2	A0G6193900	20-10	A11PM10200	77-5	A1RF115101	17-5
A03TM50000	59-1	A03U843900	106-3	A0G6194000	20-11	A11PM10200	93-5	A1RF115200	4-9
A03U119000	5-3	A03U845301	108-7	A0G6195000	19-21	A11PM10200	102-6	A1RF115301	17-6
A03U136500	125-4	A03U845902	105-7	A0G6205000	19-21	A11PM10200	104-7	A1RF115700	8-13
A03U170800	18-11	A03U850101	94-3	A0G6205100	19-21	A11PM10200	106-4	A1RF120300	11-12
A03U191600	21-1	A03U850101	95-3	A0G6205200	19-21	A1DU622200	5-5	A1RF120600	16-1
A03U191700	21-2	A03U850101	99-5	A0G6205300	19-21	A1DU764000	8-7	A1RF120700	14-2
A03U191800	21-3	A03U889600	104-6	A0G6243900	92-4	A1DUPJG100	133-6	A1RF121201	14-3
A03U191900	21-4	A03U889600	105-8	A0G6243900	108-8	A1RF101001	12-2	A1RF121300	14-4
A03U192000	21-5	A03UM15201	7-2	A0G6243900	114-6	A1RF102000	15-9	A1RF121400	14-5
A03U192100	21-6	A03UM15201	10-1	A0G6301700	40-6	A1RF103400	5-6	A1RF121500	16-2
A03U259600	82-11	A03UM15201	11-2	A0G6301700	46-6	A1RF103700	11-3	A1RF121601	16-3
A03U259600	83-11	A03UM15300	8-5	A0G6411200	17-3	A1RF105402	9-4	A1RF121700	16-4
A03U259600	84-11	A03UM15802	7-3	A0G6411200	31-1	A1RF105502	1-3	A1RF121700	18-14
A03U259600	85-12	A03UM15802	119-3	A0G6411200	90-6	A1RF105700	4-4	A1RF121800	14-6
A03U259700	18-12	A03UM50500	12-1	A0G6739300	124-4	A1RF105800	4-5	A1RF121900	16-5
A03U259900	81-2	A03UM50500	117-3	A0G6739700	117-5	A1RF105900	4-6	A1RF121900	18-15
A03U347201	61-17	A03X105800	6-4	A0G6H06000	19-8	A1RF106000	4-7	A1RF122000	18-16
A03U402100	29-3	A03X622000	117-4	A0G6J30F00	128-7	A1RF107700	8-8	A1RF122100	18-17
A03U513300	41-5	A03X712000	95-4	A0G6J30M00	128-7	A1RF107800	8-9	A1RF122200	14-7
A03U513300	47-5	A03X712000	107-5	A0G6M70E00	128-6	A1RF108000	8-10	A1RF122200	18-18
A03U524000	102-5	A075481200	109-6	A0G6N18400	19-10	A1RF108800	13-4	A1RF122300	14-8
A03U712100	114-5	A07R813701	92-3	A0G6N30A01	128-7	A1RF108901	13-5	A1RF130100	126-2

Parts No.	Page No.	Parts No.	Page No.	Parts No.	Page No.	Parts No.	Page No.	Parts No.	Page No.
A1RF130501	126-3	A1RF166000	6-6	A1RF210101	84-12	A1RF232900	88-9	A1RF349103	61-9
A1RF130800	128-8	A1RF166000	9-7	A1RF210303	82-13	A1RF239900	88-10	A1RF349103	62-17
A1RF131500	126-4	A1RF166000	10-4	A1RF210303	84-13	A1RF240200	18-22	A1RF349200	62-18
A1RF132600	126-5	A1RF166000	13-9	A1RF210403	83-13	A1RF240400	18-23	A1RF349302	61-10
A1RF133700	125-5	A1RF166000	125-7	A1RF210403	85-13	A1RF242000	18-24	A1RF350700	64-8
A1RF134000	3-3	A1RF166300	2-6	A1RF210600	82-14	A1RF242101	18-25	A1RF350700	65-8
A1RF134800	127-3	A1RF166401	1-12	A1RF210600	83-14	A1RF249401	18-26	A1RF350700	66-8
A1RF135200	125-6	A1RF167900	5-8	A1RF210600	84-14	A1RF249600	18-27	A1RF350700	67-8
A1RF135502	126-6	A1RF167900	13-10	A1RF210600	85-14	A1RF249700	18-28	A1RF350800	62-19
A1RF135801	3-4	A1RF168000	1-13	A1RF210700	82-15	A1RF249800	18-29	A1RF361900	38-6
A1RF160403	1-4	A1RF168500	4-14	A1RF210700	83-15	A1RF249900	18-30	A1RF362400	80-9
A1RF160500	136-1	A1RF168600	1-14	A1RF210700	84-15	A1RF314700	13-11	A1RF362400	82-19
A1RF160602	1-5	A1RF168900	3-8	A1RF210700	85-15	A1RF341300	62-12	A1RF362400	83-19
A1RF160802	2-5	A1RF169000	3-9	A1RF210800	82-16	A1RF341400	62-13	A1RF362400	84-19
A1RF161202	137-1	A1RF169100	3-10	A1RF210800	83-16	A1RF344000	61-4	A1RF362400	85-20
A1RF161300	3-5	A1RF169200	3-11	A1RF210800	84-16	A1RF344201	61-5	A1RF363500	38-7
A1RF161400	137-2	A1RF169300	3-12	A1RF210800	85-16	A1RF345800	63-5	A1RF363801	38-8
A1RF161700	3-6	A1RF169400	3-13	A1RF210900	82-17	A1RF345900	63-6	A1RF364100	37-1
A1RF161801	3-7	A1RF171400	18-19	A1RF210900	83-17	A1RF346700	61-6	A1RF364201	80-10
A1RF162601	7-9	A1RF190100	19-11	A1RF210900	84-17	A1RF347300	62-14	A1RF366200	38-9
A1RF162700	9-5	A1RF190201	19-12	A1RF210900	85-17	A1RF347500	62-15	A1RF366300	9-8
A1RF163200	1-6	A1RF190300	21-7	A1RF212600	82-18	A1RF347600	64-5	A1RF366601	38-10
A1RF163300	1-7	A1RF190400	19-13	A1RF212600	83-18	A1RF347600	65-5	A1RF367000	9-9
A1RF163400	4-10	A1RF190500	21-8	A1RF212600	84-18	A1RF347600	66-5	A1RF367100	9-10
A1RF163500	1-8	A1RF190601	21-9	A1RF212600	85-18	A1RF347600	67-5	A1RF367201	9-11
A1RF164200	4-11	A1RF190900	21-10	A1RF213402	85-19	A1RF347700	64-6	A1RF367300	9-12
A1RF164402	90-7	A1RF191000	21-11	A1RF219900	81-3	A1RF347700	65-6	A1RF367400	9-13
A1RF164501	90-8	A1RF191100	21-12	A1RF220302	86-6	A1RF347700	66-6	A1RF367500	9-14
A1RF164600	90-9	A1RF191200	21-13	A1RF220400	86-7	A1RF347700	67-6	A1RF367601	9-15
A1RF164902	1-9	A1RF191300	21-14	A1RF229600	86-8	A1RF348002	63-7	A1RF368300	80-11
A1RF165001	1-10	A1RF191400	21-15	A1RF229800	86-9	A1RF348103	64-7	A1RF368301	80-11
A1RF165103	1-11	A1RF191500	21-16	A1RF230100	88-2	A1RF348103	65-7	A1RF368500	80-12
A1RF165800	1-31	A1RF191600	21-17	A1RF230200	88-3	A1RF348103	66-7	A1RF368600	80-13
A1RF165900	4-12	A1RF191700	21-18	A1RF231201	88-4	A1RF348103	67-7	A1RF369100	80-14
A1RF165900	5-7	A1RF191800	21-19	A1RF231600	18-20	A1RF348300	68-3	A1RF369600	80-15
A1RF165900	6-5	A1RF192000	21-20	A1RF231700	18-21	A1RF348400	68-4	A1RF369700	80-16
A1RF165900	9-6	A1RF192100	21-21	A1RF231804	88-5	A1RF348500	68-5	A1RF379400	9-16
A1RF165900	10-3	A1RF192200	21-22	A1RF232000	88-6	A1RF348601	68-6	A1RF379502	13-12
A1RF165900	126-7	A1RF210101	82-12	A1RF232100	88-7	A1RF348800	62-16	A1RF389200	24-6
A1RF166000	4-13	A1RF210101	83-12	A1RF232300	88-8	A1RF349000	63-8	A1RF403313	27-5

Parts No.	Page No.	Parts No.	Page No.	Parts No.	Page No.	Parts No.	Page No.	Parts No.	Page No.
A1RF403400	27-6	A1RF415600	33-5	A1RF441701	29-15	A1RF504201	43-12	A1RF509800	49-22
A1RF403400	112-6	A1RF415600	56-6	A1RF441800	29-16	A1RF504201	49-12	A1RF511400	44-4
A1RF403500	26-4	A1RF415700	28-11	A1RF441900	29-17	A1RF504403	8-14	A1RF511400	50-4
A1RF403600	27-7	A1RF415700	36-15	A1RF442101	29-18	A1RF504403	43-13	A1RF511700	44-5
A1RF403700	28-1	A1RF416200	32-8	A1RF442300	29-19	A1RF504403	49-13	A1RF511700	50-5
A1RF404000	26-5	A1RF419101	33-6	A1RF442400	29-20	A1RF504500	43-14	A1RF512000	44-6
A1RF404100	27-8	A1RF419301	36-16	A1RF442600	29-21	A1RF504500	49-14	A1RF512000	50-6
A1RF404200	27-9	A1RF423401	36-17	A1RF442900	29-22	A1RF504900	41-9	A1RF512100	44-7
A1RF404200	35-6	A1RF432301	26-6	A1RF443000	29-23	A1RF504900	47-9	A1RF512100	50-7
A1RF404500	27-10	A1RF432402	25-3	A1RF443100	29-24	A1RF505002	43-15	A1RF512200	44-8
A1RF404500	35-7	A1RF432602	29-4	A1RF443200	29-25	A1RF505002	49-15	A1RF512200	50-8
A1RF405300	27-11	A1RF434300	31-2	A1RF444200	29-26	A1RF505300	43-16	A1RF513100	41-13
A1RF406700	34-2	A1RF434500	1-15	A1RF445301	31-8	A1RF505300	49-16	A1RF513300	41-14
A1RF406901	30-2	A1RF434702	31-3	A1RF445301	90-10	A1RF506000	40-11	A1RF515000	44-9
A1RF407001	30-3	A1RF434800	31-4	A1RF445402	30-5	A1RF506000	46-9	A1RF515000	50-9
A1RF407101	28-2	A1RF434902	31-5	A1RF446100	29-27	A1RF507200	40-12	A1RF515700	44-10
A1RF407200	28-3	A1RF435000	31-6	A1RF500400	40-7	A1RF507200	46-10	A1RF515700	50-10
A1RF407401	28-4	A1RF435201	35-11	A1RF500901	42-7	A1RF507700	43-17	A1RF517100	40-13
A1RF407502	28-5	A1RF435300	35-12	A1RF500901	48-7	A1RF507700	49-17	A1RF517100	41-15
A1RF407701	28-6	A1RF435400	35-13	A1RF501200	43-9	A1RF507800	43-18	A1RF517100	42-12
A1RF407803	28-7	A1RF435500	4-15	A1RF501200	49-9	A1RF507800	49-18	A1RF517100	46-11
A1RF408100	28-8	A1RF435500	31-7	A1RF501500	42-8	A1RF507900	43-19	A1RF517100	47-13
A1RF408100	36-2	A1RF435900	35-14	A1RF501500	48-8	A1RF507900	49-19	A1RF517100	48-12
A1RF411100	35-8	A1RF437203	34-3	A1RF501600	40-8	A1RF508000	41-10	A1RF517100	100-4
A1RF411700	35-9	A1RF437400	34-4	A1RF502000	41-6	A1RF508000	47-10	A1RF517200	44-11
A1RF411900	35-10	A1RF437500	34-5	A1RF502000	47-6	A1RF508100	41-11	A1RF517200	50-11
A1RF413101	36-3	A1RF437600	34-6	A1RF502400	43-10	A1RF508100	47-11	A1RF517200	72-6
A1RF413201	36-4	A1RF437900	34-7	A1RF502400	49-10	A1RF508200	41-12	A1RF517200	77-6
A1RF413301	36-5	A1RF438101	62-20	A1RF502500	40-9	A1RF508200	47-12	A1RF517300	40-14
A1RF413601	28-9	A1RF439002	30-4	A1RF502500	46-7	A1RF508900	42-10	A1RF517300	46-12
A1RF413601	36-6	A1RF440101	29-5	A1RF502803	42-9	A1RF508900	48-10	A1RF519800	44-12
A1RF413700	36-7	A1RF440201	29-6	A1RF502803	48-9	A1RF508900	124-5	A1RF519800	50-12
A1RF413800	36-8	A1RF440501	29-7	A1RF502900	40-10	A1RF509000	42-11	A1RF519901	44-13
A1RF413900	28-10	A1RF440602	29-8	A1RF502900	46-8	A1RF509000	48-11	A1RF519901	50-13
A1RF413900	36-9	A1RF440700	29-9	A1RF503714	41-7	A1RF509000	124-6	A1RF520100	74-18
A1RF414401	36-10	A1RF440900	29-10	A1RF503714	47-7	A1RF509600	43-20	A1RF520100	79-18
A1RF414501	36-11	A1RF441100	29-11	A1RF503811	41-8	A1RF509600	49-20	A1RF520200	74-16
A1RF414601	36-12	A1RF441200	29-12	A1RF503811	47-8	A1RF509700	43-21	A1RF520200	79-16
A1RF414700	36-13	A1RF441500	29-13	A1RF504101	43-11	A1RF509700	49-21	A1RF520400	74-3
A1RF414900	36-14	A1RF441600	29-14	A1RF504101	49-11	A1RF509800	43-22	A1RF520400	79-3

Parts No.	Page No.	Parts No.	Page No.	Parts No.	Page No.	Parts No.	Page No.	Parts No.	Page No.
A1RF520700	71-5	A1RF529300	74-11	A1RF711400	118-13	A1RF811801	90-11	A1RF821402	111-5
A1RF520700	76-5	A1RF529300	79-11	A1RF711500	116-7	A1RF811902	90-12	A1RF821902	90-15
A1RF520901	71-6	A1RF529400	41-16	A1RF711601	116-8	A1RF812001	90-13	A1RF822001	90-16
A1RF520901	76-6	A1RF529400	47-14	A1RF711700	116-9	A1RF812101	90-14	A1RF823000	93-6
A1RF522201	74-4	A1RF529400	74-12	A1RF711800	116-10	A1RF812802	92-5	A1RF823104	90-17
A1RF522201	79-4	A1RF529400	79-12	A1RF711900	116-11	A1RF812911	101-5	A1RF823300	101-10
A1RF523201	71-7	A1RF529600	72-10	A1RF712100	118-14	A1RF813511	101-6	A1RF824100	98-6
A1RF523201	76-7	A1RF529600	77-10	A1RF712200	118-15	A1RF813711	101-7	A1RF824700	112-9
A1RF523401	74-5	A1RF529701	73-3	A1RF712500	118-16	A1RF813800	101-8	A1RF825000	98-7
A1RF523401	79-5	A1RF529701	78-3	A1RF712700	118-17	A1RF814100	100-5	A1RF825200	104-9
A1RF523600	74-6	A1RF529800	71-13	A1RF712803	118-18	A1RF814200	100-6	A1RF825300	104-10
A1RF523600	79-6	A1RF529800	76-13	A1RF712902	118-19	A1RF814800	102-28	A1RF827000	102-16
A1RF523800	71-8	A1RF529900	71-14	A1RF713300	118-20	A1RF815000	102-7	A1RF828200	90-18
A1RF523800	76-8	A1RF529900	76-14	A1RF713600	117-6	A1RF815601	15-12	A1RF829500	102-17
A1RF523900	74-17	A1RF530400	71-15	A1RF714100	116-12	A1RF815702	9-17	A1RF829800	92-8
A1RF523900	79-17	A1RF530400	76-15	A1RF714200	118-21	A1RF815801	101-9	A1RF829900	92-9
A1RF524300	72-7	A1RF530500	71-16	A1RF719800	116-13	A1RF816100	102-8	A1RF833500	100-9
A1RF524300	77-7	A1RF530500	76-16	A1RF724401	53-8	A1RF816200	102-9	A1RF833600	100-10
A1RF524400	72-8	A1RF530500	115-5	A1RF738101	58-6	A1RF816300	102-10	A1RF835001	99-9
A1RF524400	77-8	A1RF531600	72-11	A1RF738300	58-7	A1RF816300	111-2	A1RF835101	100-11
A1RF526000	71-9	A1RF531600	77-11	A1RF746300	57-7	A1RF816400	102-11	A1RF835200	99-10
A1RF526000	76-9	A1RF532800	73-4	A1RF749600	56-8	A1RF816400	111-3	A1RF835300	101-11
A1RF526100	71-10	A1RF532800	78-4	A1RF750300	58-8	A1RF816500	92-6	A1RF837900	100-12
A1RF526100	76-10	A1RF533700	71-17	A1RF750400	58-9	A1RF816711	102-12	A1RF838000	100-13
A1RF526200	71-11	A1RF533700	76-17	A1RF758000	56-9	A1RF816801	102-13	A1RF838701	102-18
A1RF526200	76-11	A1RF535100	74-13	A1RF758100	56-10	A1RF817811	102-29	A1RF839600	98-8
A1RF526700	74-7	A1RF535100	79-13	A1RF758100	57-8	A1RF819100	69-1	A1RF839700	104-11
A1RF526700	79-7	A1RF539700	73-5	A1RF759700	112-7	A1RF819100	111-4	A1RF841011	110-3
A1RF526900	72-9	A1RF539700	78-5	A1RF765600	101-4	A1RF819200	102-27	A1RF841500	108-9
A1RF526900	77-9	A1RF539900	56-7	A1RF807400	53-9	A1RF819300	102-14	A1RF841900	110-4
A1RF527100	74-8	A1RF703200	118-10	A1RF807500	53-10	A1RF819800	99-8	A1RF842503	109-7
A1RF527100	79-8	A1RF710200	118-11	A1RF807700	60-4	A1RF820000	92-7	A1RF842602	95-5
A1RF527200	74-9	A1RF710900	70-3	A1RF808600	57-9	A1RF820000	98-5	A1RF842602	107-6
A1RF527200	79-9	A1RF710900	71-18	A1RF808900	57-10	A1RF820000	100-7	A1RF843401	106-5
A1RF529100	71-12	A1RF710900	73-6	A1RF809100	57-11	A1RF820000	104-8	A1RF844100	101-12
A1RF529100	73-2	A1RF710900	75-3	A1RF809400	57-12	A1RF820000	112-8	A1RF844200	101-13
A1RF529100	74-10	A1RF710900	76-18	A1RF809800	56-11	A1RF820000	114-8	A1RF844402	110-5
A1RF529100	76-12	A1RF710900	78-6	A1RF809900	56-12	A1RF820000	124-7	A1RF844500	110-6
A1RF529100	78-2	A1RF710900	114-7	A1RF810302	93-17	A1RF820801	102-15	A1RF844801	110-7
A1RF529100	79-10	A1RF711300	118-12	A1RF810603	99-7	A1RF821200	100-8	A1RF844901	110-8

Parts No.	Page No.	Parts No.	Page No.	Parts No.	Page No.	Parts No.	Page No.	Parts No.	Page No.
A1RF845100	110-9	A1RF855500	107-12	A1RF944000	109-19	A1RFN13200	92-11	A1RFN30E03	128-7
A1RF845200	110-10	A1RF855700	109-18	A1RF944100	109-20	A1RFN13900	13-15	A1RFP72800	133-19
A1RF845300	108-10	A1RF860501	115-6	A1RF944701	1-16	A1RFN14002	27-12	A1RFP73500	133-20
A1RF845401	108-11	A1RF862200	105-10	A1RF944800	135-1	A1RFN14101	31-10	A1RFP75400	133-21
A1RF845500	107-7	A1RF863800	113-5	A1RF945101	43-23	A1RFN14202	31-11	A1RFPJG100	133-14
A1RF845600	107-8	A1RF868000	105-11	A1RF945101	49-23	A1RFN14304	31-12	A1RFPPO000	133-8
A1RF845700	109-8	A1RF869300	102-19	A1RF945101	62-21	A1RFN14400	32-9	A1RFR70300	34-8
A1RF845800	109-9	A1RF869801	105-12	A1RF945101	69-3	A1RFN14900	29-28	A1RFR70500	70-4
A1RF845900	110-11	A1RF869801	114-10	A1RF945101	92-10	A1RFN15201	63-9	A1RFR70500	75-4
A1RF846200	108-12	A1RF869900	105-13	A1RF945501	135-2	A1RFN15900	82-20	A1RFR71900	70-5
A1RF846400	108-13	A1RF870600	115-7	A1RF945701	43-24	A1RFN15900	83-20	A1RFR71900	75-5
A1RF846400	118-22	A1RF870802	115-8	A1RF945701	49-24	A1RFN15900	84-20	A1RFR72000	70-6
A1RF846701	109-10	A1RF873700	113-6	A1RF946100	135-8	A1RFN15900	85-21	A1RFR72000	75-6
A1RF846800	109-11	A1RF873800	115-9	A1RFF12300	16-6	A1RFN16100	88-11	A1RFR72900	71-21
A1RF847000	107-9	A1RF877000	115-10	A1RFF34500	62-22	A1RFN16800	38-11	A1RFR72900	76-21
A1RF847000	108-14	A1RF877201	115-11	A1RFF34600	62-23	A1RFN16900	132-1	A1RFR74000	12-3
A1RF847000	109-12	A1RF878100	113-7	A1RFF80500	52-4	A1RFN17100	126-8	A1RFR74111	110-19
A1RF847100	109-13	A1RF878401	113-8	A1RFF84312	108-17	A1RFN17200	126-9	A1RFR74300	32-10
A1RF847300	109-14	A1RF879001	105-14	A1RFF84501	110-18	A1RFN17300	126-10	A1RFR74300	53-12
A1RF847400	108-15	A1RF879001	114-11	A1RFH07003	31-9	A1RFN17400	129-4	A1RFR74300	105-16
A1RF847600	110-12	A1RF879900	113-9	A1RFH11002	19-14	A1RFN17500	129-5	A1RFR74400	137-3
A1RF847700	110-13	A1RF890201	120-8	A1RFM15100	125-8	A1RFN17600	129-6	A1RFR74500	3-16
A1RF847800	91-5	A1RF893100	119-4	A1RFM15200	129-1	A1RFN17700	129-7	A1RFR74600	82-21
A1RF847900	91-6	A1RF895002	120-9	A1RFM15500	17-7	A1RFN17800	129-8	A1RFR74600	83-21
A1RF848212	110-14	A1RF895101	114-12	A1RFM40400	129-2	A1RFN18300	127-5	A1RFR74600	84-21
A1RF849600	107-10	A1RF895101	120-10	A1RFM40500	129-3	A1RFN18400	42-13	A1RFR74600	85-22
A1RF849701	93-7	A1RF897000	119-5	A1RFM50200	54-4	A1RFN18400	48-13	A1RFR74711	64-9
A1RF849701	104-12	A1RF897300	119-6	A1RFM51000	52-5	A1RFN18600	129-9	A1RFR74711	65-9
A1RF849701	106-6	A1RF909400	120-11	A1RFM51000	53-11	A1RFN19001	29-29	A1RFR74711	66-9
A1RF849800	109-15	A1RF942201	117-7	A1RFM51000	57-13	A1RFN20200	71-19	A1RFR74711	67-9
A1RF849900	109-16	A1RF942300	69-2	A1RFM51000	58-10	A1RFN20200	76-19	A1RFR74800	62-24
A1RF850501	95-6	A1RF942600	13-13	A1RFM90200	3-14	A1RFN20400	71-20	A1RFR75800	103-12
A1RF850600	92-18	A1RF943100	90-19	A1RFM90300	3-15	A1RFN20400	76-20	A1RFR76100	40-15
A1RF851600	7-4	A1RF943300	118-23	A1RFM90700	13-14	A1RFN21700	99-11	A1RFR76100	46-13
A1RF851800	110-15	A1RF943400	51-2	A1RFM90800	19-15	A1RFN23100	106-8	A1RFR76211	42-14
A1RF852001	108-16	A1RF943500	115-12	A1RFN12000	127-4	A1RFN23400	105-15	A1RFR76211	48-14
A1RF852600	106-7	A1RF943600	59-3	A1RFN12900	5-9	A1RFN24300	102-20	A1RFR76800	118-24
A1RF853100	109-17	A1RF943700	91-7	A1RFN13200	18-31	A1RFN25500	128-9	A1RFR76900	85-23
A1RF853100	114-9	A1RF943801	110-16	A1RFN13200	80-17	A1RFN26500	6-7	A1RFR77100	5-10
A1RF855400	107-11	A1RF943900	110-17	A1RFN13200	86-10	A1RFN28300	19-16	A1RFR77200	15-13

Parts No.	Page No.	Parts No.	Page No.	Parts No.	Page No.	Parts No.	Page No.	Parts No.	Page No.
A1RFR77600	1-17	A1RFR7N400	74-15	A4F3905000	115-14	A5AW105100	4-18	A5AW229602	92-12
A1RFR77700	82-22	A1RFR7N400	79-15	A50U106300	4-16	A5AW114000	15-15	A5AW229700	86-12
A1RFR77700	83-22	A1RFR7N500	72-12	A50U106300	6-11	A5AW114000	17-20	A5AW239700	88-14
A1RFR77700	84-22	A1RFR7N500	77-12	A50U132301	121-2	A5AW115800	17-19	A5AW239800	88-15
A1RFR78000	18-32	A1RFR7N600	72-13	A50U133400	125-9	A5AW115900	17-8	A5AW342100	63-10
A1RFR78300	68-7	A1RFR7N600	77-13	A50U212600	40-17	A5AW116001	17-9	A5AW342200	61-11
A1RFR78400	62-25	A1RFR7N700	72-14	A50U212600	46-15	A5AW116601	7-5	A5AW344100	63-11
A1RFR78800	68-8	A1RFR7N700	77-14	A50U212600	82-23	A5AW117501	6-12	A5AW351200	68-9
A1RFR79200	25-2	A1RFR7N800	72-15	A50U212600	83-23	A5AW118000	4-19	A5AW352000	61-12
A1RFR79311	29-30	A1RFR7N800	77-15	A50U212600	84-23	A5AW119002	10-7	A5AW352100	63-12
A1RFR79411	29-31	A1RFR7P100	61-16	A50U212600	85-24	A5AW119100	10-8	A5AW352201	63-13
A1RFR79500	29-32	A1RFRX0101	133-13	A50U401200	26-7	A5AW119400	8-18	A5AW352300	63-14
A1RFR79600	27-13	A1RG101600	6-8	A50U405401	26-8	A5AW119500	8-19	A5AW352601	64-10
A1RFR7A500	41-17	A1RG105300	6-9	A50U407600	26-9	A5AW130700	128-10	A5AW352601	65-10
A1RFR7A500	47-15	A1RG105900	104-13	A50U409300	26-10	A5AW132500	121-8	A5AW352601	66-10
A1RFR7A800	44-14	A1RG110100	12-4	A50U504400	8-17	A5AW133800	125-10	A5AW352700	62-26
A1RFR7A800	50-14	A1RG681400	98-9	A50U504400	72-16	A5AW134500	127-6	A5AW359600	63-15
A1RFR7B200	70-7	A1RJ169300	122-1	A50U504400	77-16	A5AW135101	127-15	A5AW359700	63-16
A1RFR7B200	75-7	A1RJ817200	109-21	A50U510100	42-15	A5AW137500	129-18	A5AW359800	61-13
A1RFR7B300	70-8	A1RJ817200	115-13	A50U510100	48-15	A5AW161000	2-8	A5AW359900	61-14
A1RFR7B300	75-8	A1RJ818800	60-5	A50U755000	58-12	A5AW161500	137-4	A5AW389800	24-7
A1RFR7B700	71-22	A1RJ824800	114-13	A50U833000	9-19	A5AW161600	3-17	A5AW400600	32-11
A1RFR7B700	76-22	A1TT715812	96-3	A50U833000	15-14	A5AW161901	3-18	A5AW400600	35-15
A1RFR7C300	118-25	A1TT715812	97-3	A50U854800	96-4	A5AW162000	1-18	A5AW400700	27-14
A1RFR7D900	103-13	A2XK742001	55-3	A50U854800	97-4	A5AW162102	3-19	A5AW400800	32-12
A1RFR7F000	81-4	A4EU105100	6-10	A50U854800	99-12	A5AW165300	137-5	A5AW400800	80-18
A1RFR7F400	106-9	A4EU190413	19-17	A50U854800	120-12	A5AW165400	3-20	A5AW401400	34-9
A1RFR7G200	40-16	A4EU194100	20-12	A50UM45206	121-3	A5AW165500	1-19	A5AW402400	34-10
A1RFR7G200	46-14	A4EU194200	20-13	A50UM51000	2-7	A5AW166600	3-21	A5AW407600	28-12
A1RFR7G300	70-9	A4EU252000	8-15	A50UM51000	4-17	A5AW166802	2-9	A5AW410300	28-13
A1RFR7G300	75-9	A4EU265000	56-13	A50UM51000	29-33	A5AW166901	3-22	A5AW417000	32-13
A1RFR7G400	100-14	A4EU265000	57-14	A50UM51000	38-12	A5AW167700	137-6	A5AW417800	32-14
A1RFR7G500	81-5	A4EU265000	58-11	A50UM51000	104-14	A5AW168200	137-7	A5AW428100	80-19
A1RFR7G600	88-12	A4EU560000	8-16	A50UM51000	123-3	A5AW211000	82-24	A5AW432200	26-11
A1RFR7G700	43-25	A4EU604000	93-8	A50UPP0100	133-9	A5AW211000	83-24	A5AW432700	26-12
A1RFR7G700	49-25	A4EUM60000	9-18	A57V660401	136-2	A5AW211000	84-24	A5AW445100	30-6
A1RFR7H000	71-23	A4EUM60401	128-18	A5AW101900	9-20	A5AW211000	85-25	A5AW500400	40-18
A1RFR7H000	76-23	A4EUM75800	19-18	A5AW104000	12-5	A5AW219000	88-13	A5AW500400	46-16
A1RFR7N300	74-14	A4EUM77000	125-26	A5AW104100	5-11	A5AW219900	85-26	A5AW500501	40-19
A1RFR7N300	79-14	A4EUPP0000	133-7	A5AW104800	13-16	A5AW229602	86-11	A5AW500501	46-17

Parts No.	Page No.	Parts No.	Page No.	Parts No.	Page No.	Parts No.	Page No.	Parts No.	Page No.
A5AW500600	43-26	A5AW508400	41-28	A5AW719900	93-9	A5AW738101	54-11	A5AW808100	55-24
A5AW500600	49-26	A5AW508400	47-26	A5AW720100	55-4	A5AW740500	58-16	A5AW808200	55-25
A5AW500700	39-1	A5AW509000	42-19	A5AW720200	55-5	A5AW740800	56-14	A5AW808300	53-19
A5AW500700	45-1	A5AW509301	41-29	A5AW720301	55-6	A5AW740900	56-15	A5AW808500	55-26
A5AW500800	41-18	A5AW509301	47-27	A5AW720401	58-13	A5AW742100	56-16	A5AW808700	53-20
A5AW500800	47-16	A5AW509401	41-30	A5AW720700	53-13	A5AW742200	56-17	A5AW808800	57-20
A5AW501000	43-8	A5AW509401	47-28	A5AW720800	53-14	A5AW742500	58-17	A5AW809000	57-21
A5AW501000	49-8	A5AW510400	42-20	A5AW720900	52-6	A5AW742600	58-18	A5AW809600	56-19
A5AW501100	43-27	A5AW510400	48-17	A5AW721000	57-15	A5AW742801	58-19	A5AW809700	56-20
A5AW501100	49-27	A5AW510400	124-8	A5AW721700	55-7	A5AW743000	56-18	A5AW810902	111-13
A5AW501200	40-20	A5AW510900	44-16	A5AW721700	58-14	A5AW743300	58-28	A5AW811400	99-13
A5AW501200	46-18	A5AW510900	50-16	A5AW721800	58-15	A5AW743400	58-27	A5AW811500	99-14
A5AW501301	40-21	A5AW511500	44-17	A5AW722000	53-15	A5AW744000	2-10	A5AW812200	98-10
A5AW501301	46-19	A5AW511500	50-17	A5AW722101	54-5	A5AW744900	55-20	A5AW812300	98-11
A5AW502002	42-16	A5AW512400	44-18	A5AW722200	52-7	A5AW745000	55-21	A5AW812600	99-15
A5AW502100	42-17	A5AW512400	50-18	A5AW723400	54-6	A5AW745200	55-22	A5AW813300	100-15
A5AW502200	41-19	A5AW517400	41-31	A5AW724800	55-8	A5AW746500	58-20	A5AW813400	94-4
A5AW502200	47-17	A5AW517400	47-29	A5AW725000	54-7	A5AW747000	58-21	A5AW814400	99-16
A5AW504601	43-28	A5AW526500	71-24	A5AW725201	55-9	A5AW749900	57-16	A5AW814700	94-5
A5AW504601	49-28	A5AW527300	70-10	A5AW725301	55-10	A5AW750100	57-17	A5AW815900	94-6
A5AW505900	43-29	A5AW539300	73-7	A5AW725400	55-11	A5AW750200	57-18	A5AW816600	98-12
A5AW505900	49-29	A5AW539300	78-7	A5AW725500	55-12	A5AW758200	52-12	A5AW817000	98-13
A5AW506100	42-18	A5AW539400	71-25	A5AW725802	54-8	A5AW760100	60-6	A5AW817101	90-24
A5AW506100	48-16	A5AW539400	76-24	A5AW726100	55-13	A5AW760501	59-10	A5AW817202	90-25
A5AW507000	41-20	A5AW539500	70-11	A5AW726300	55-14	A5AW761700	59-4	A5AW818202	69-4
A5AW507000	47-18	A5AW539500	75-10	A5AW726400	55-15	A5AW762501	59-5	A5AW818400	111-6
A5AW507200	41-21	A5AW539900	73-8	A5AW726800	55-16	A5AW762800	60-7	A5AW818500	111-7
A5AW507200	47-19	A5AW539900	78-8	A5AW727201	54-9	A5AW781000	59-6	A5AW818800	93-10
A5AW507301	41-22	A5AW710301	118-26	A5AW727500	55-17	A5AW781501	59-9	A5AW818800	95-7
A5AW507301	47-20	A5AW710800	116-14	A5AW727600	55-18	A5AW782501	57-19	A5AW818800	104-15
A5AW507400	41-23	A5AW711200	116-15	A5AW727900	54-10	A5AW782501	112-10	A5AW818900	98-14
A5AW507400	47-21	A5AW712300	116-16	A5AW729501	51-3	A5AW782600	52-13	A5AW819000	104-16
A5AW507800	41-24	A5AW712400	118-27	A5AW729601	51-4	A5AW782700	53-17	A5AW819101	104-17
A5AW507800	47-22	A5AW713700	117-8	A5AW734700	55-19	A5AW782800	53-18	A5AW819900	97-5
A5AW507900	41-25	A5AW713800	117-9	A5AW735103	52-8	A5AW783200	52-14	A5AW819900	98-15
A5AW507900	47-23	A5AW714000	117-10	A5AW735202	52-9	A5AW783300	52-15	A5AW820200	111-8
A5AW508000	41-26	A5AW714300	118-28	A5AW735800	52-10	A5AW789800	55-23	A5AW820500	111-9
A5AW508000	47-24	A5AW714500	118-29	A5AW735900	52-11	A5AW789900	58-22	A5AW820600	111-14
A5AW508100	41-27	A5AW714900	118-30	A5AW736000	53-16	A5AW807300	60-8	A5AW820700	112-11
A5AW508100	47-25	A5AW715000	118-31	A5AW736401	51-5	A5AW808000	58-23	A5AW820900	94-7


Parts No.	Page No.	Parts No.	Page No.	Parts No.	Page No.	Parts No.	Page No.	Parts No.	Page No.
A5AW821400	94-8	A5AW842200	108-21	A5AW858302	96-11	A5AW870401	105-18	A5AW949000	135-3
A5AW821500	94-9	A5AW845000	109-24	A5AW858400	96-12	A5AW870500	105-19	A5AWH53000	129-10
A5AW822000	99-17	A5AW845500	95-8	A5AW858701	97-10	A5AW870601	105-20	A5AWH54001	17-10
A5AW822300	102-21	A5AW847600	108-22	A5AW858801	108-29	A5AW872300	113-25	A5AWH78001	125-11
A5AW823000	94-10	A5AW848100	109-25	A5AW859300	96-13	A5AW872400	113-20	A5AWH80000	57-22
A5AW823200	112-12	A5AW848200	110-21	A5AW859400	96-14	A5AW872500	115-22	A5AWM10101	82-25
A5AW823500	112-13	A5AW848900	108-23	A5AW859500	96-15	A5AW872600	115-23	A5AWM10101	83-25
A5AW823700	111-16	A5AW849001	108-24	A5AW859701	90-20	A5AW878203	91-8	A5AWM10101	84-25
A5AW823800	111-15	A5AW849700	108-25	A5AW859900	96-16	A5AW878300	91-9	A5AWM10101	85-27
A5AW824300	94-11	A5AW849700	110-22	A5AW860100	113-12	A5AW878400	91-10	A5AWM10201	53-21
A5AW824602	99-20	A5AW849800	108-26	A5AW860302	113-13	A5AW890301	120-14	A5AWM10201	88-16
A5AW824900	111-17	A5AW850300	95-9	A5AW860500	113-14	A5AW890400	120-15	A5AWM10201	92-13
A5AW825000	100-16	A5AW851002	95-10	A5AW860600	114-14	A5AW890702	120-16	A5AWM15101	8-20
A5AW825101	112-14	A5AW851100	98-16	A5AW860701	114-15	A5AW890800	120-17	A5AWM15101	11-13
A5AW825204	112-15	A5AW851200	98-17	A5AW860802	114-16	A5AW890901	120-18	A5AWM15101	111-11
A5AW825400	112-16	A5AW851800	96-5	A5AW860901	114-17	A5AW891400	120-19	A5AWM15200	129-11
A5AW825500	112-17	A5AW851800	97-6	A5AW861000	114-18	A5AW892300	119-7	A5AWM34A00	55-27
A5AW825700	112-18	A5AW851901	97-7	A5AW861100	113-15	A5AW892400	119-8	A5AWM34E00	55-27
A5AW825800	112-19	A5AW852100	110-23	A5AW861300	114-19	A5AW892500	119-9	A5AWM34F00	55-27
A5AW825900	112-20	A5AW852200	110-24	A5AW861400	113-24	A5AW892600	119-10	A5AWM40600	127-7
A5AW826300	111-10	A5AW852300	95-11	A5AW861601	60-9	A5AW892700	119-11	A5AWM60200	5-12
A5AW826501	69-5	A5AW852300	107-13	A5AW861802	115-17	A5AW892800	119-12	A5AWN10200	128-11
A5AW826800	111-18	A5AW853300	110-25	A5AW861900	104-18	A5AW893100	120-20	A5AWN10400	128-12
A5AW827200	99-18	A5AW853600	110-26	A5AW862202	113-16	A5AW893301	120-21	A5AWN10600	17-11
A5AW827400	100-21	A5AW855300	108-27	A5AW862300	115-18	A5AW893501	120-22	A5AWN11001	53-22
A5AW827501	100-17	A5AW855901	108-28	A5AW862400	113-17	A5AW893600	120-23	A5AWN11100	53-23
A5AW827601	94-12	A5AW856001	96-6	A5AW862700	115-19	A5AW894000	120-24	A5AWN11500	17-12
A5AW827700	94-13	A5AW856001	97-8	A5AW863100	113-18	A5AW894100	120-25	A5AWN12800	88-17
A5AW828100	100-18	A5AW856001	113-10	A5AW863800	104-19	A5AW894300	120-26	A5AWN13000	17-13
A5AW829100	100-19	A5AW856001	115-15	A5AW864000	104-20	A5AW894400	120-27	A5AWN13700	4-20
A5AW829200	101-14	A5AW856001	117-11	A5AW864200	114-20	A5AW909800	120-28	A5AWN14500	10-5
A5AW830500	99-21	A5AW856001	120-13	A5AW864300	105-17	A5AW943200	99-19	A5AWN15100	31-13
A5AW836000	103-14	A5AW856100	96-7	A5AW864601	105-21	A5AW943301	110-27	A5AWN15400	62-27
A5AW840300	106-10	A5AW856300	96-8	A5AW864800	104-21	A5AW943400	110-28	A5AWN15600	40-22
A5AW840402	108-18	A5AW856400	96-9	A5AW864901	105-22	A5AW945000	1-20	A5AWN15600	46-20
A5AW840602	110-20	A5AW856501	97-9	A5AW865001	114-21	A5AW945900	1-21	A5AWN15800	68-10
A5AW840901	108-19	A5AW856701	96-10	A5AW865100	104-22	A5AW946300	90-21	A5AWN16200	89-4
A5AW841300	109-22	A5AW858102	109-26	A5AW865200	113-19	A5AW947000	30-7	A5AWN16300	18-33
A5AW841400	109-23	A5AW858200	113-11	A5AW865500	115-20	A5AW947103	30-7	A5AWN16400	8-21
A5AW841801	108-20	A5AW858200	115-16	A5AW865700	115-21	A5AW947200	17-18	A5AWN16500	7-6

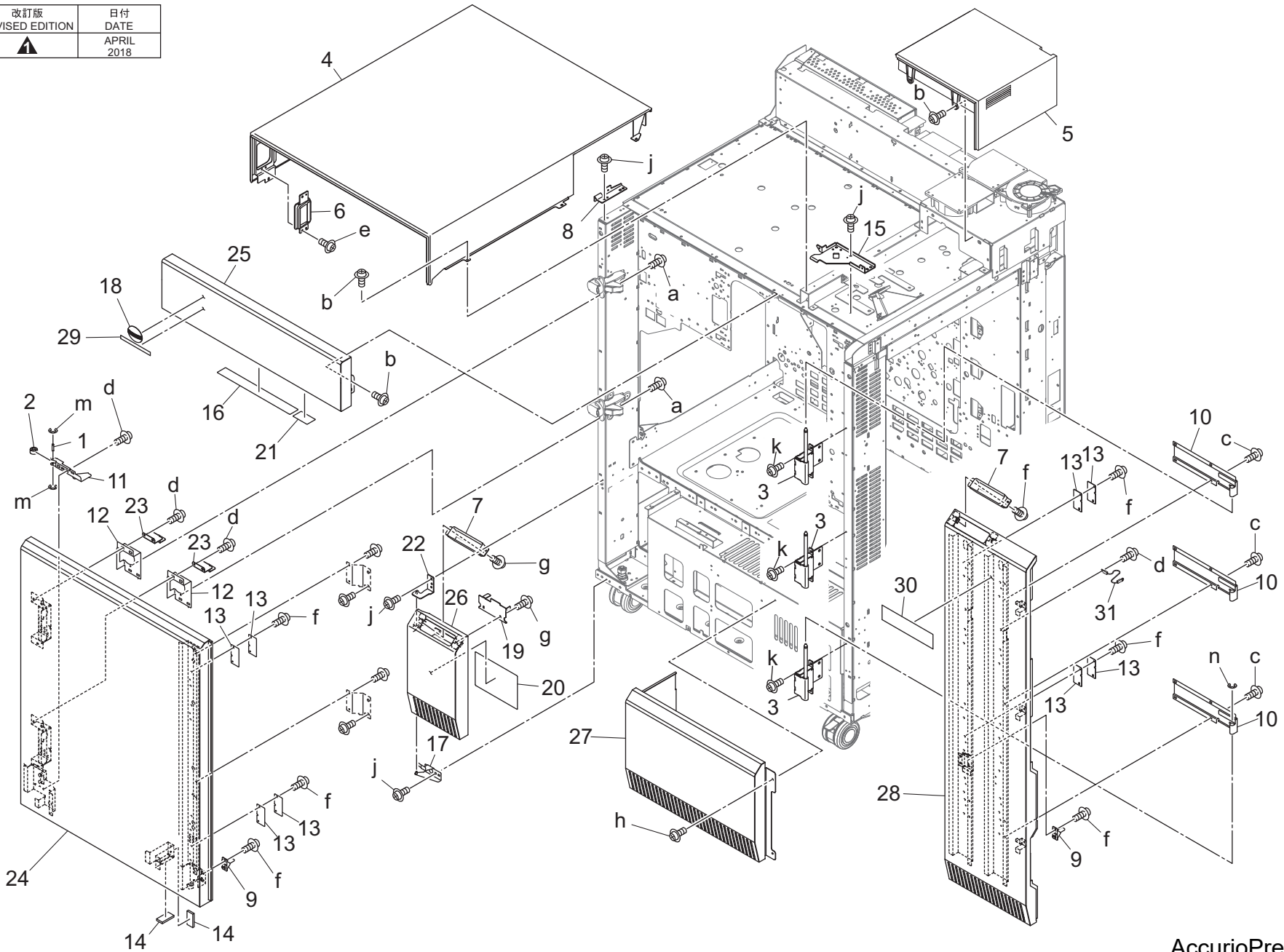
Parts No.	Page No.	Parts No.	Page No.	Parts No.	Page No.	Parts No.	Page No.	Parts No.	Page No.
A5AWN16600	120-29	A5AWN27500	9-22	A5AWR72300	68-12	A79JJP000	134-3	A85CM55600	112-22
A5AWN16700	119-13	A5AWN27700	7-8	A5AWR72400	26-13	A79JJP100	134-4	A85CM55600	113-23
A5AWN17001	82-26	A5AWN28100	125-12	A5AWR72500	56-21	A85C136200	125-15	A85CN21400	123-9
A5AWN17001	83-26	A5AWN28200	21-23	A5AWR72600	59-8	A85C895300	124-9	A85CN21700	123-10
A5AWN17001	84-26	A5AWN28300	21-23	A5AWR72700	60-11	A85C895400	124-10	A8AK100314	123-18
A5AWN17001	85-28	A5AWN28500	19-19	A5AWR72800	100-20	A85C896100	123-5	A8AK100401	122-3
A5AWN17900	81-6	A5AWN28600	125-13	A5AWR72900	108-30	A85C896300	124-11	A8AK100500	136-3
A5AWN18000	81-7	A5AWN28701	125-14	A5AWR72A00	120-30	A85C896301	124-11	A8AK101201	123-11
A5AWN18100	81-8	A5AWN29800	129-13	A5AWR72B00	107-16	A85C896400	124-12	A8AK101503	123-12
A5AWN18200	81-9	A5AWP00100	133-2	A5AWR72C00	109-27	A85C896800	124-13	A8AK101700	123-13
A5AWN18700	127-8	A5AWP73400	133-18	A5AWR72C00	110-29	A85C896900	124-14	A8AK103200	124-21
A5AWN18801	127-9	A5AWR70500	68-11	A5AWR72D00	10-9	A85C897201	124-15	A8AK103502	124-22
A5AWN20100	104-23	A5AWR70E11	55-28	A5AWR72E00	42-22	A85C897300	124-16	A8AK103601	124-23
A5AWN20301	104-24	A5AWR70F00	52-16	A5AWR72E00	48-19	A85C897400	123-6	A8AK103702	124-24
A5AWN20500	90-22	A5AWR70G00	60-10	A5AWR72G00	111-12	A85C897700	124-17	A8AK104100	124-25
A5AWN20600	102-22	A5AWR70P11	44-19	A5AWR72J00	1-22	A85C897800	124-18	A8AK105000	119-14
A5AWN20700	102-23	A5AWR70P11	50-19	A5AWR72M00	70-12	A85C897900	123-7	A8AK105101	119-17
A5AWN20800	104-25	A5AWR70Q00	42-21	A5AWR72M00	75-11	A85C899100	124-20	A8AK105300	119-15
A5AWN20900	104-26	A5AWR70Q00	48-18	A5AWR72R00	116-19	A85C942300	3-23	A8AK105301	119-15
A5AWN21600	93-11	A5AWR70R00	118-33	A5AWR72T00	137-8	A85CM40100	123-8	A8AK105500	119-16
A5AWN21900	95-12	A5AWR70S00	73-9	A5AWR72U00	112-21	A85CM55600	8-22	A8AK106901	123-14
A5AWN22601	118-32	A5AWR70S00	78-9	A5AWR72V00	41-32	A85CM55600	18-34	A8AK107000	123-15
A5AWN22700	116-17	A5AWR70T00	54-12	A5AWR72W00	135-4	A85CM55600	43-30	A8AK107100	123-16
A5AWN22800	107-14	A5AWR70V00	6-13	A5AWR72X00	135-5	A85CM55600	49-30	A8AK108001	124-26
A5AWN22900	107-15	A5AWR70W00	14-9	A5AWR72Y00	103-15	A85CM55600	64-11	A8AK108100	124-27
A5AWN23501	113-21	A5AWR71300	81-10	A5AWR73011	33-7	A85CM55600	65-11	A8AK108200	124-28
A5AWN23600	104-27	A5AWR71400	81-11	A5AWR73111	33-8	A85CM55600	66-11	A8AK108302	124-29
A5AWN23801	57-23	A5AWR71500	81-12	A5AWR73200	106-12	A85CM55600	67-10	A8AK108400	124-30
A5AWN23900	58-24	A5AWR71700	88-18	A5AWR73300	72-17	A85CM55600	68-13	A8AK108500	124-31
A5AWN24000	59-7	A5AWR71A00	62-28	A5AWR73300	77-17	A85CM55600	70-13	A8AK941001	135-7
A5AWN24700	93-12	A5AWR71B00	37-2	A5AWR73500	135-6	A85CM55600	72-18	A8AK941301	124-32
A5AWN24800	104-28	A5AWR71D00	37-3	A5AWR73600	106-13	A85CM55600	75-12	A8AKN10501	124-33
A5AWN24900	93-13	A5AWR71K22	116-18	A5AWR74200	115-24	A85CM55600	77-18	A8AKR70200	122-4
A5AWN25100	5-13	A5AWR71R11	58-26	A5AWRX0011	133-15	A85CM55600	82-27	A8AKR70300	122-5
A5AWN26200	7-7	A5AWR71S11	69-6	A5C1122600	123-4	A85CM55600	83-27	A8AKR70511	124-34
A5AWN26300	10-6	A5AWR71T11	106-11	A65U186600	122-2	A85CM55600	84-27	A8WC707100	134-9
A5AWN26800	17-14	A5AWR71U00	113-22	A782945003	134-8	A85CM55600	85-29	A92W107100	17-21
A5AWN27200	9-21	A5AWR71X00	35-16	A799196000	19-22	A85CM55600	87-5	A92W107200	17-15
A5AWN27300	129-12	A5AWR71Y22	40-23	A799H04001	20-14	A85CM55600	94-14	A92W107401	1-23
A5AWN27400	121-4	A5AWR71Y22	46-21	A799M45300	128-13	A85CM55600	103-16	A92W113100	5-14

Parts No.	Page No.	Parts No.	Page No.	Parts No.	Page No.	Parts No.	Page No.	Parts No.	Page No.
A92W116500	8-23	A92W343000	64-12	A92W909300	120-32	A92WN12600	87-16	A92WR70211	137-9
A92W116700	8-24	A92W343000	65-12	A92W942400	51-6	A92WN12700	132-4	A92WR70211	137-9
A92W116800	8-25	A92W343000	66-12	A92W942700	5-15	A92WN13400	87-17	A92WR70311	23-1
A92W116900	8-26	A92W343000	67-11	A92W942900	1-29	A92WN14701	62-29	A92WR70311	23-1
A92W117000	8-27	A92W345400	64-13	A92W943000	1-30	A92WN14800	63-17	A92WR70400	72-20
A92W117100	8-28	A92W345400	65-13	A92W943100	121-5	A92WN15000	68-15	A92WR70400	77-20
A92W117200	8-29	A92W345400	66-13	A92W943100	129-14	A92WN15500	43-32	A92WR70511	39-2
A92W117800	11-15	A92W345400	67-12	A92W944300	29-34	A92WN15700	62-30	A92WR70511	39-2
A92W119600	17-16	A92W345700	68-14	A92W944400	29-35	A92WN16001	8-30	A92WR70600	39-3
A92W120800	14-10	A92W410100	31-14	A92W944500	29-36	A92WN16001	112-23	A92WR70600	45-2
A92W120900	14-11	A92W432400	25-3	A92W944600	29-37	A92WN19100	126-15	A92WR70700	69-8
A92W124301	2-11	A92W511200	44-20	A92W945300	43-31	A92WN19700	2-16	A92WR70800	70-14
A92W124401	2-12	A92W511200	50-20	A92W945300	49-31	A92WN21101	102-26	A92WR70800	75-15
A92W124500	2-13	A92W511600	44-21	A92WH01101	125-21	A92WN21400	93-14	A92WR70922	51-7
A92W124900	2-14	A92W511600	50-21	A92WH02002	125-22	A92WN22100	72-19	A92WR70A22	51-7
A92W125000	14-12	A92W518300	41-33	A92WH05002	126-11	A92WN23200	93-15	A92WR70B22	51-7
A92W125100	14-13	A92W518300	47-30	A92WH06002	102-25	A92WN23700	93-16	A92WR70B22	51-7
A92W125200	2-15	A92W529500	73-10	A92WH25000	88-19	A92WN25600	129-15	A92WR70C00	41-34
A92W130400	125-16	A92W529500	78-10	A92WH51003	127-10	A92WN27000	123-17	A92WR70C00	47-34
A92W130600	125-17	A92W539100	73-11	A92WM10600	56-22	A92WN27600	125-23	A92WR70E11	75-16
A92W130700	125-18	A92W539100	78-11	A92WM31A00	55-29	A92WN29200	131-3	A92WR70G22	45-3
A92W130800	128-8	A92W539200	73-12	A92WM31E00	55-29	A92WN29400	125-24	A92WR70K22	24-2
A92W137100	125-19	A92W539200	78-12	A92WM31F00	55-29	A92WP50400	46-22	A92WR70K22	24-2
A92W137500	125-20	A92W704500	89-5	A92WM35A00	55-30	A92WP50700	46-23	A92WR70N00	121-7
A92W160100	1-24	A92W704600	89-6	A92WM35E00	55-30	A92WP50800	46-24	A92WR70P00	127-12
A92W160300	1-25	A92W816900	92-14	A92WM35F00	55-30	A92WP50900	47-31	A92WR70Q00	86-14
A92W160700	1-26	A92W817300	69-7	A92WM40301	126-12	A92WP51000	48-20	A92WR70R00	87-18
A92W162600	1-27	A92W819700	92-15	A92WM60100	128-14	A92WP51100	47-32	A92WR70S00	61-15
A92W165200	1-28	A92W821100	92-19	A92WN10100	130-1	A92WP51200	47-33	A92WR70T00	124-35
A92W220900	87-6	A92W822100	90-23	A92WN10300	132-2	A92WP51300	48-21	A92WR70U00	22-1
A92W223000	87-7	A92W829600	92-16	A92WN10501	127-11	A92WP51400	48-22	A92WR70V00	25-1
A92W223100	87-8	A92W829800	98-19	A92WN10800	52-17	A92WP51500	46-25	A92WR70W00	25-1
A92W223200	87-9	A92W836200	98-18	A92WN10901	53-24	A92WP51500	75-13	A92WR70X00	25-1
A92W223300	87-10	A92W838000	103-17	A92WN11700	132-3	A92WP51600	46-3	A92WR70Y00	89-7
A92W223400	87-11	A92W838800	102-24	A92WN11800	121-6	A92WP55100	75-14	A92WR71100	51-8
A92W223500	87-12	A92W862100	95-13	A92WN12100	126-13	A92WP55200	76-25	A92WR71200	52-18
A92W223600	87-13	A92W863900	105-24	A92WN12200	130-2	A92WPJG100	133-16	A92WR71500	19-20
A92W225100	87-14	A92W867200	105-23	A92WN12300	131-1	A92WPN2100	77-19	A92WR71700	51-9
A92W226200	87-15	A92W890900	122-6	A92WN12400	131-2	A92WPN5500	49-32	A92WR71800	2-17
A92W226300	86-13	A92W891200	120-31	A92WN12500	126-14	A92WR70100	38-13	A92WR71900	54-13

Parts No.	Page No.
A92WR71A00	129-16
A92WR71B00	25-1
A92WR71D00	58-25
A92WR71E00	69-6
A92WR71F00	38-13
A92WR71G00	80-20
A92WR71H00	30-8
A92WR90300	24-4
A92WR90400	24-5
A9JTM10200	18-13
A9JTM10200	32-7
A9JTM10200	35-5
A9JTM10200	80-8
A9JTM10300	27-4
A9JTM10300	86-5
A9VE942600	3-1
A9VEM75500	19-9
AC0C510600	44-15
AC0C510600	50-15
AC0CN30X00	128-7
AC0CP75100	133-17
AC57899000	124-19
V114040804	136-4
V118030404	136-5
V118030604	136-6
V121041003	136-7
V127030604	136-8
V502010006	11-14
V502010032	17-17
V502010032	127-13
V502010032	129-17
V502010033	128-15
V502010036	128-16
V502010041	127-14
V865300088	125-27

External Parts

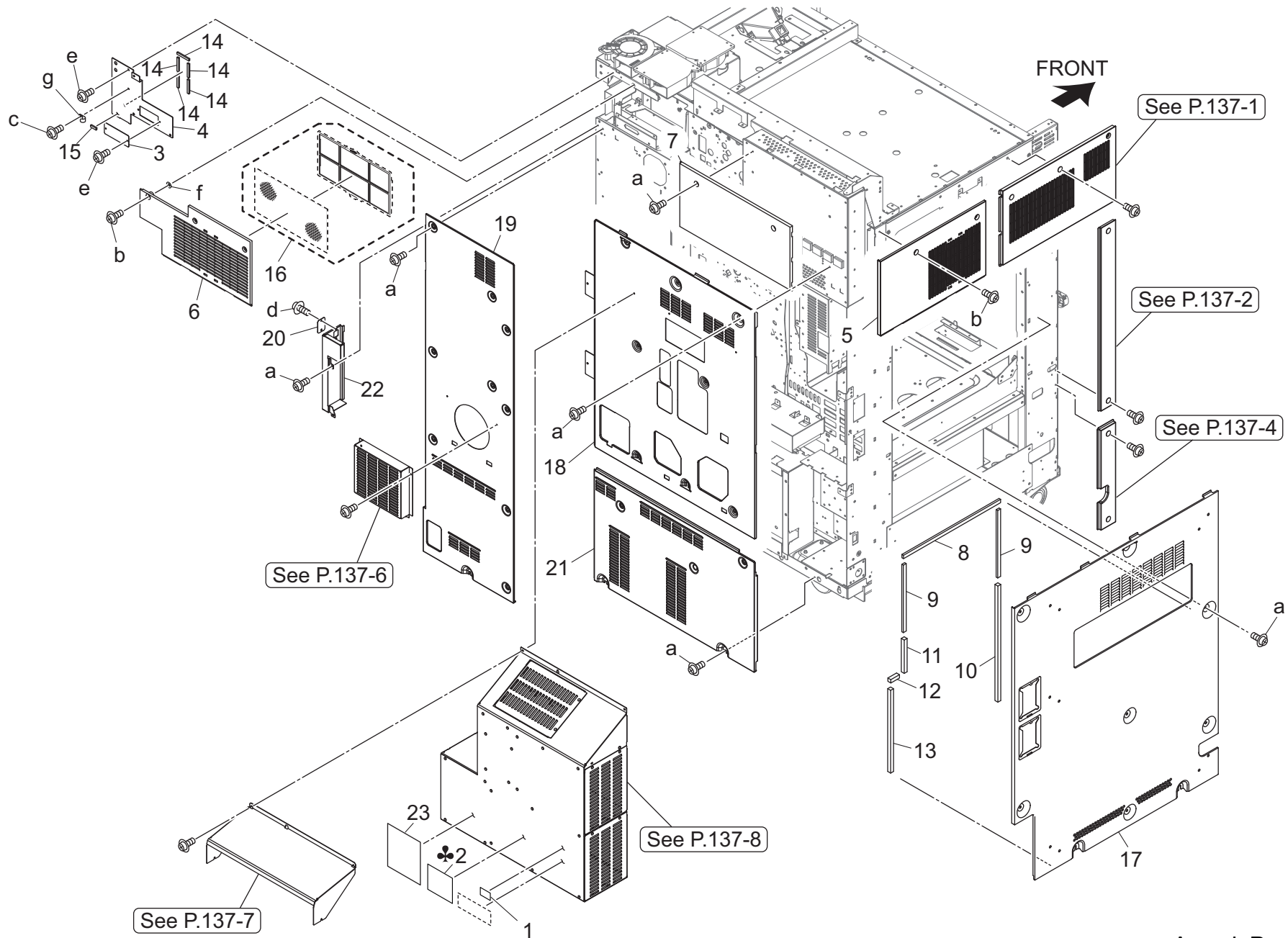
改訂版 REVISED EDITION	日付 DATE
	APRIL 2018



AccurioPress C6100

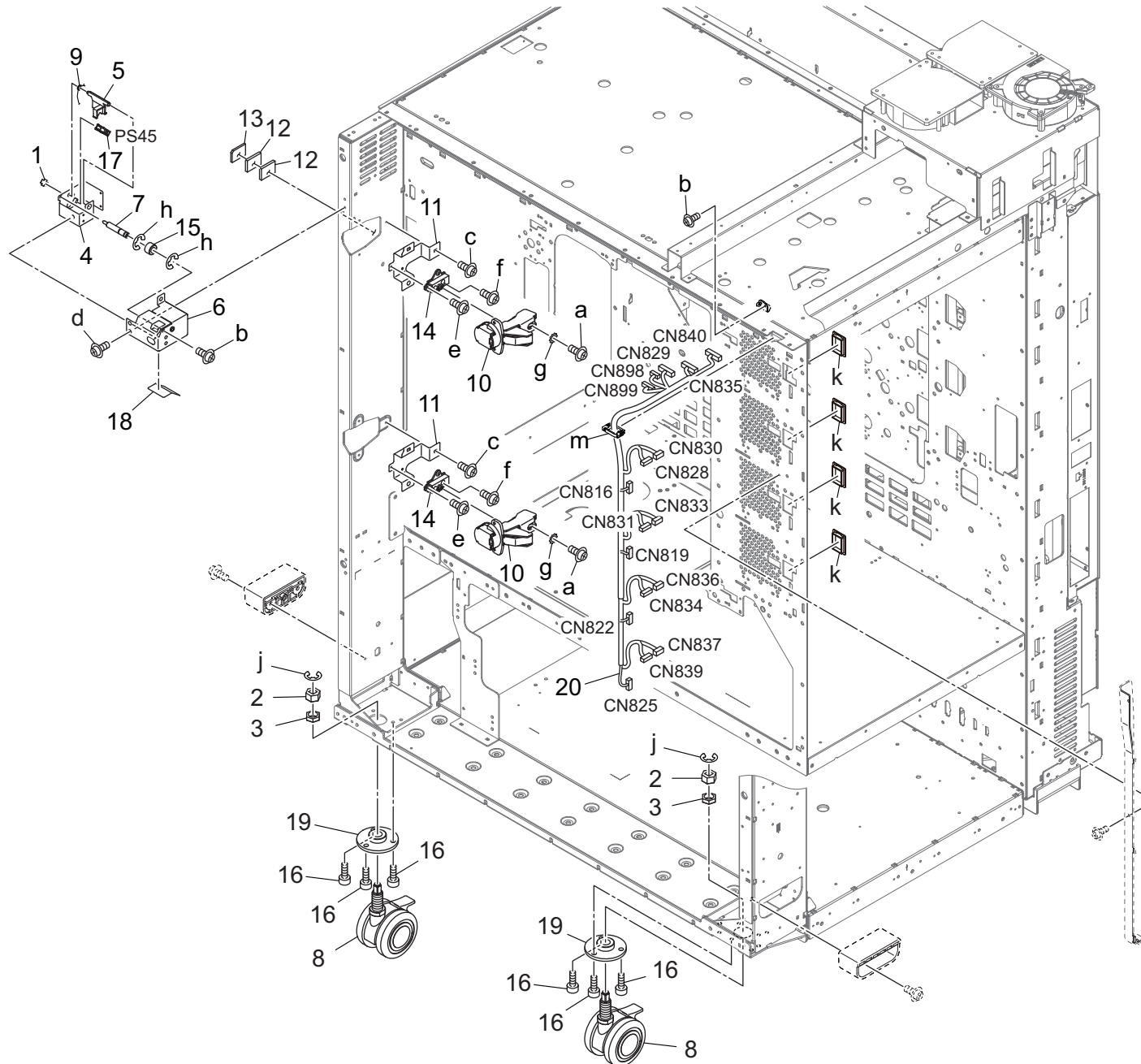
Key	Part No.	Description	Destinations	Class	QTY	Standard parts
1	13NG45200	Conveyance Driven Roller		C	1	a-V112040803
2	65AA50400	Guide Shaft		D	1	b-V114040804
3	A1RF105502	Toner Supply Hinge		D	3	c-V116030604
4	A1RF160403	Cover Top plate /Left		D	1	d-V116040804
5	A1RF160602	Cover Top plate /Right		D	1	e-V121030603
6	A1RF163200	Cover Guide		D	1	f-V121030604
7	A1RF163300	Cover Handle		D	2	g-V127030604
8	A1RF163500	Cover Leg		D	1	h-V127040803
9	A1RF164902	Cover Lock /4		D	2	j-V146040803
10	A1RF165001	Cover Arm /Right		D	3	k-V146040804
11	A1RF165103	Support Plate		D	1	m-V217030001
12	A1RF166401	Support Plate		D	2	n-V217060001
13	A1RF168000	Adjusting Plate		D	8	
14	A1RF168600	Protection Pad /Inside		D	2	
15	A1RF434500	Fixing Plate /A		D	1	
16	A1RF944701	Toner supply Label /1		D	1	
17	A1RFR77600	COVER HINGE/UPPER CALKING		D	1	
18	A5AW162000	Indicating Plate		C	1	
19	A5AW165500	Release Plate		D	1	
20	A5AW945000	Taking out Label /B		D	1	
21	A5AW945900	Caution Label		D	1	
22	A5AWR72J00	Cover Hinge/Upper Caulking		I	1	
23	A92W107401	Protection Plate /1		D	2	
24	A92W160100	Cover Door /Left		D	1	
25	A92W160300	Cover Door /Upper		D	1	
26	A92W160700	Cover Bottom Plate /C		D	1	
27	A92W162600	Fixing Cover /C		D	1	
28	A92W165200	Cover Door /Right		D	1	
29	A92W942900	Indicating Plate		D	1	
30	A92W943000	Indicating Label (C6100)		D	1	
31	A1RF165800	Regulating Wire		D	1	

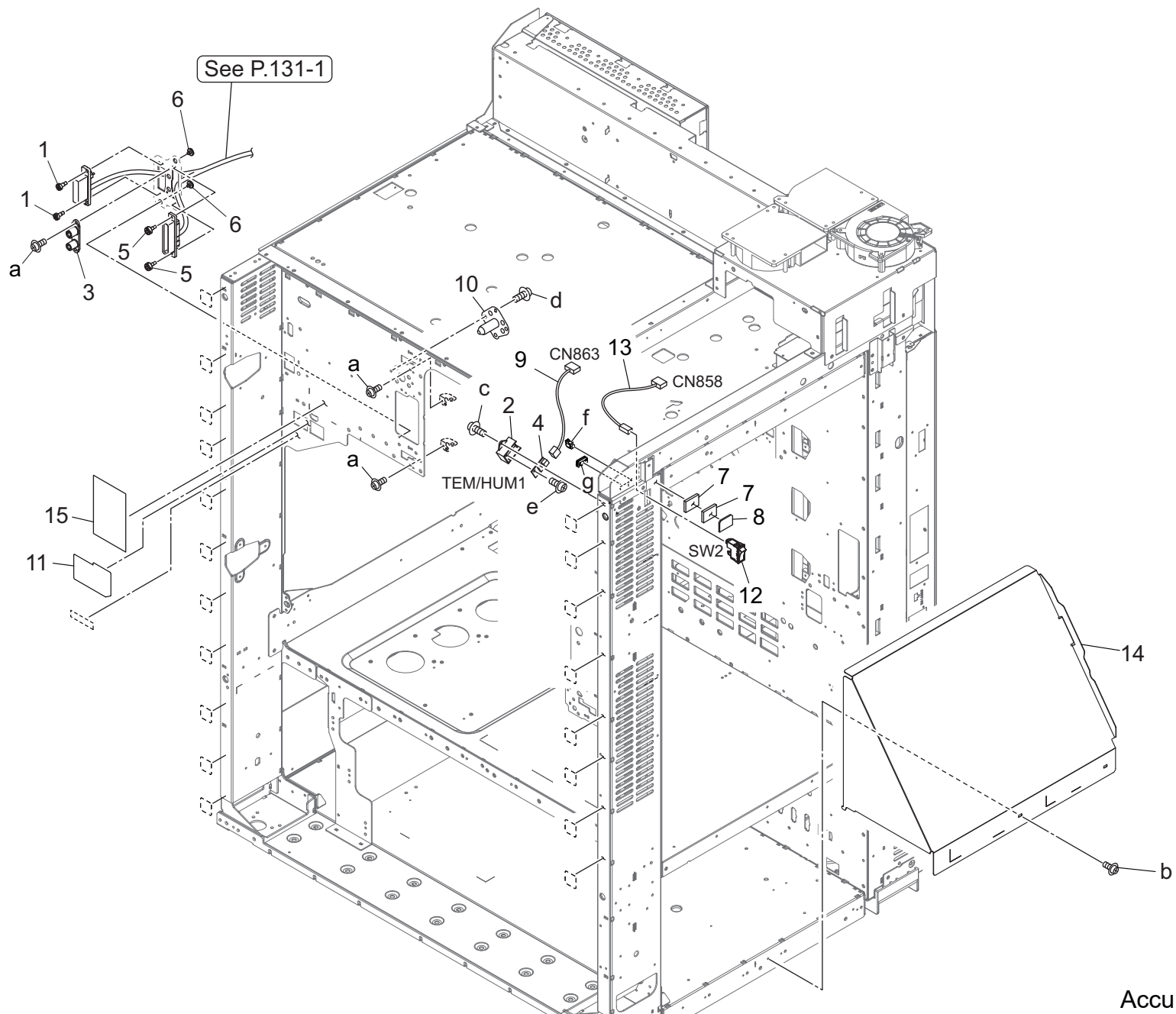
External Parts



Main Frame

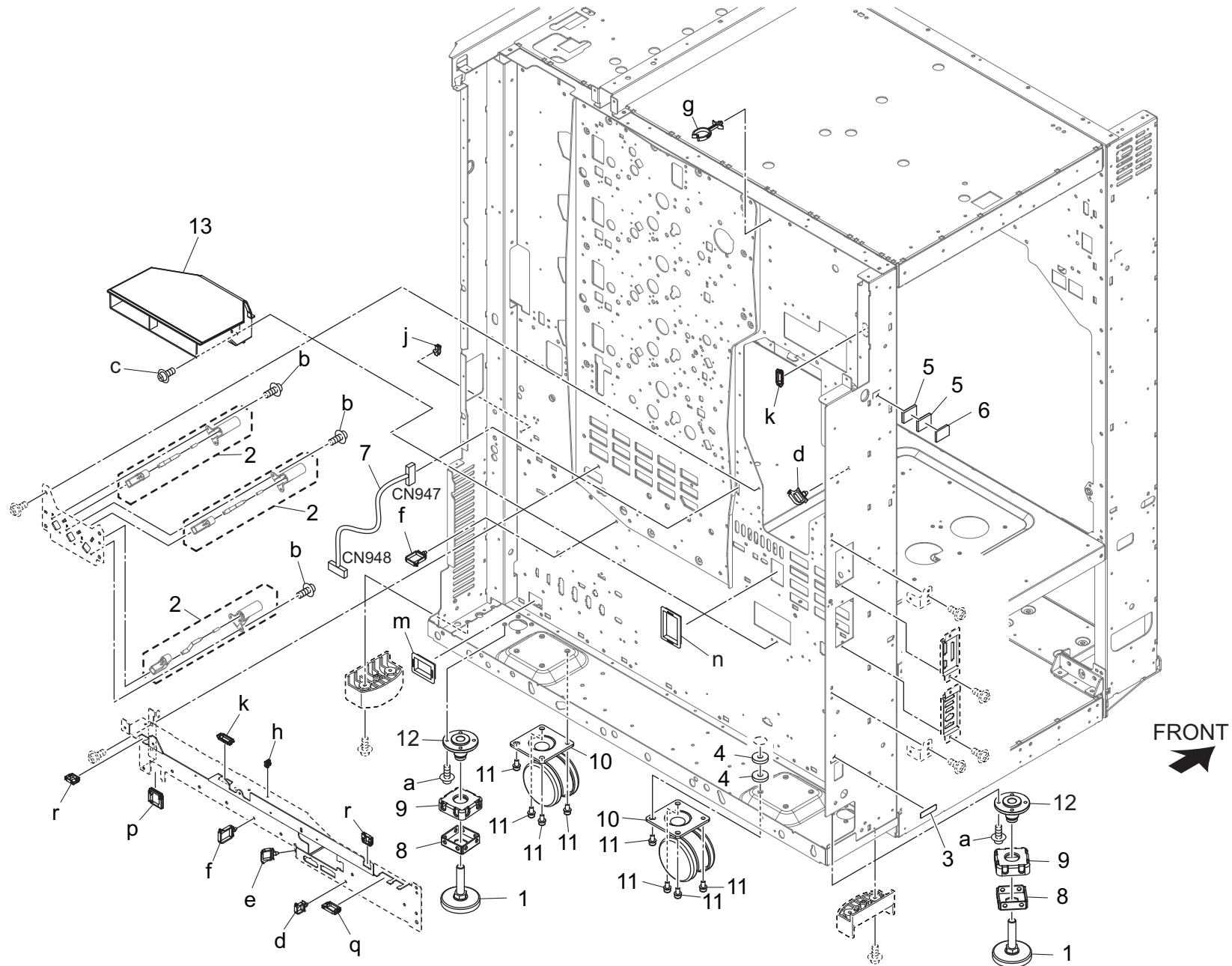
P 4





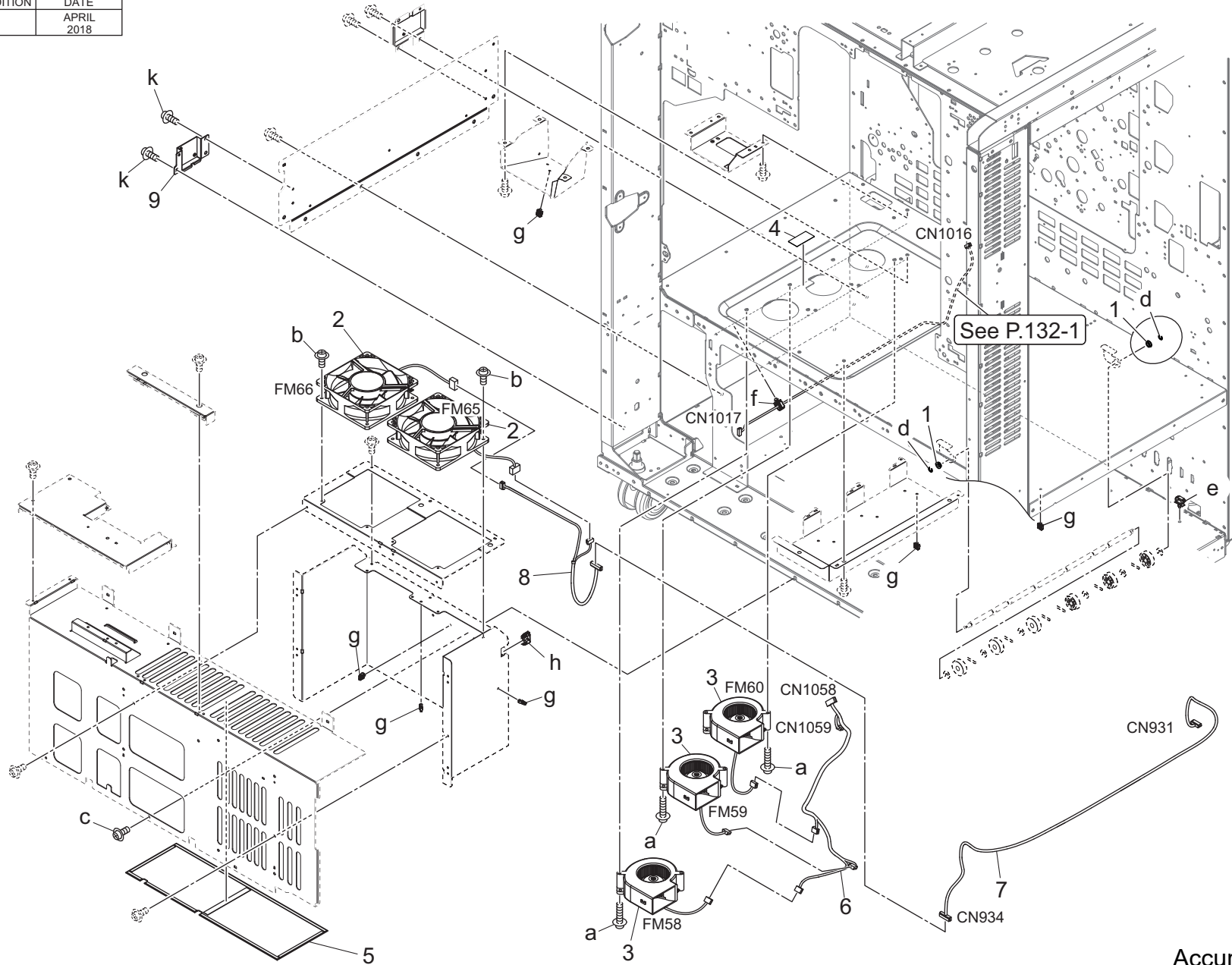
Main Frame

P 6

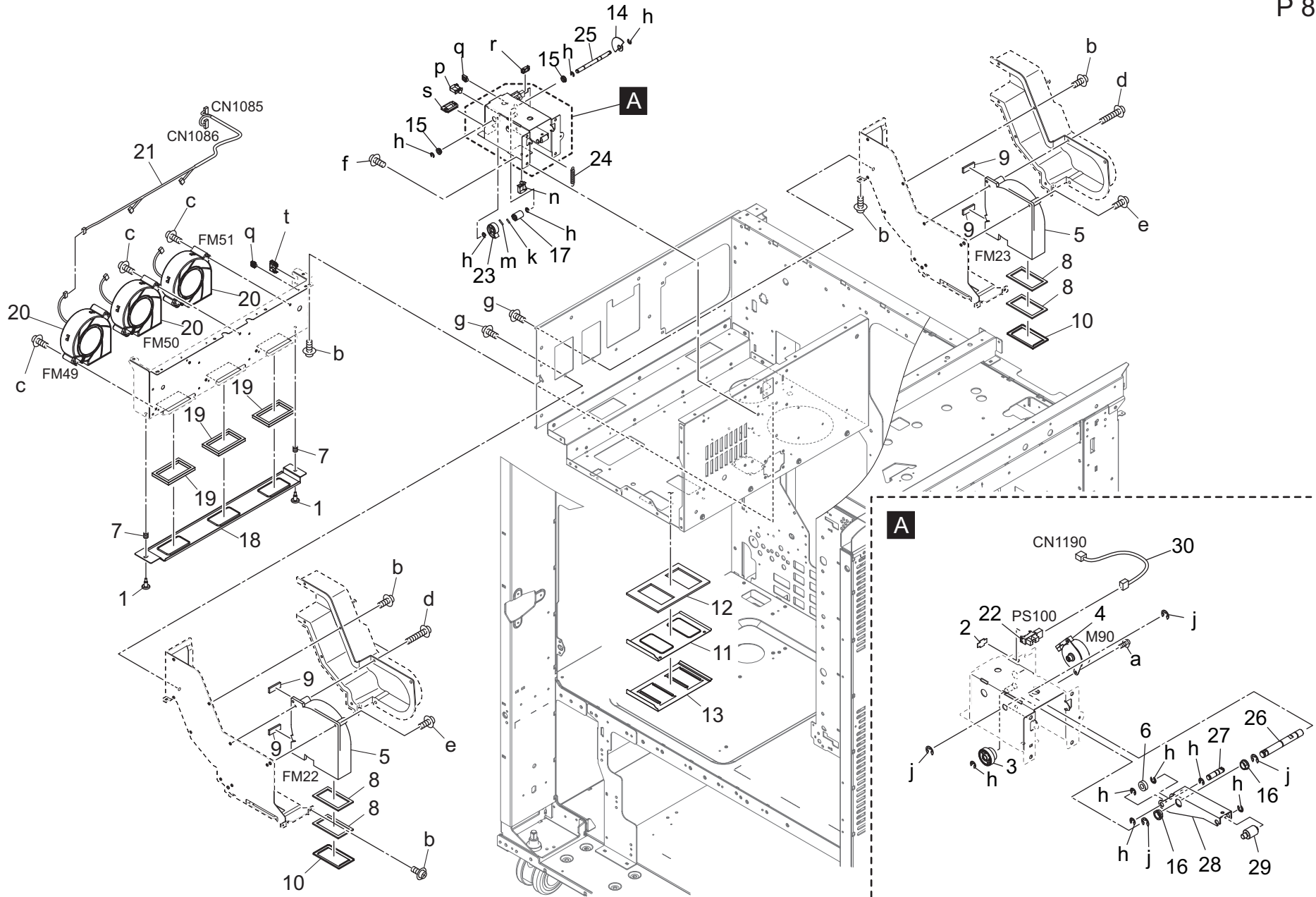


Main Frame

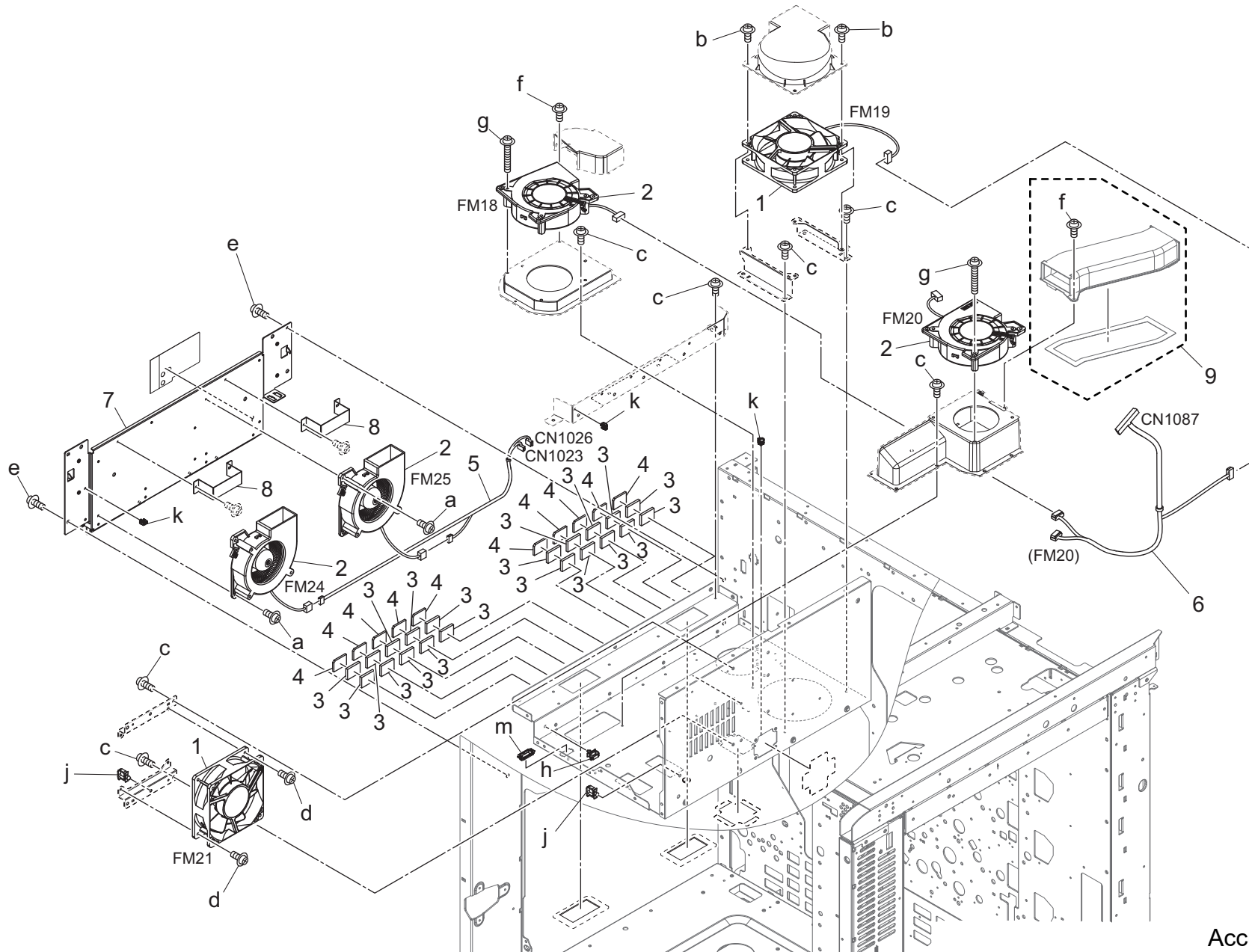
改訂版 REVISED EDITION	日付 DATE
	APRIL 2018



Main Frame

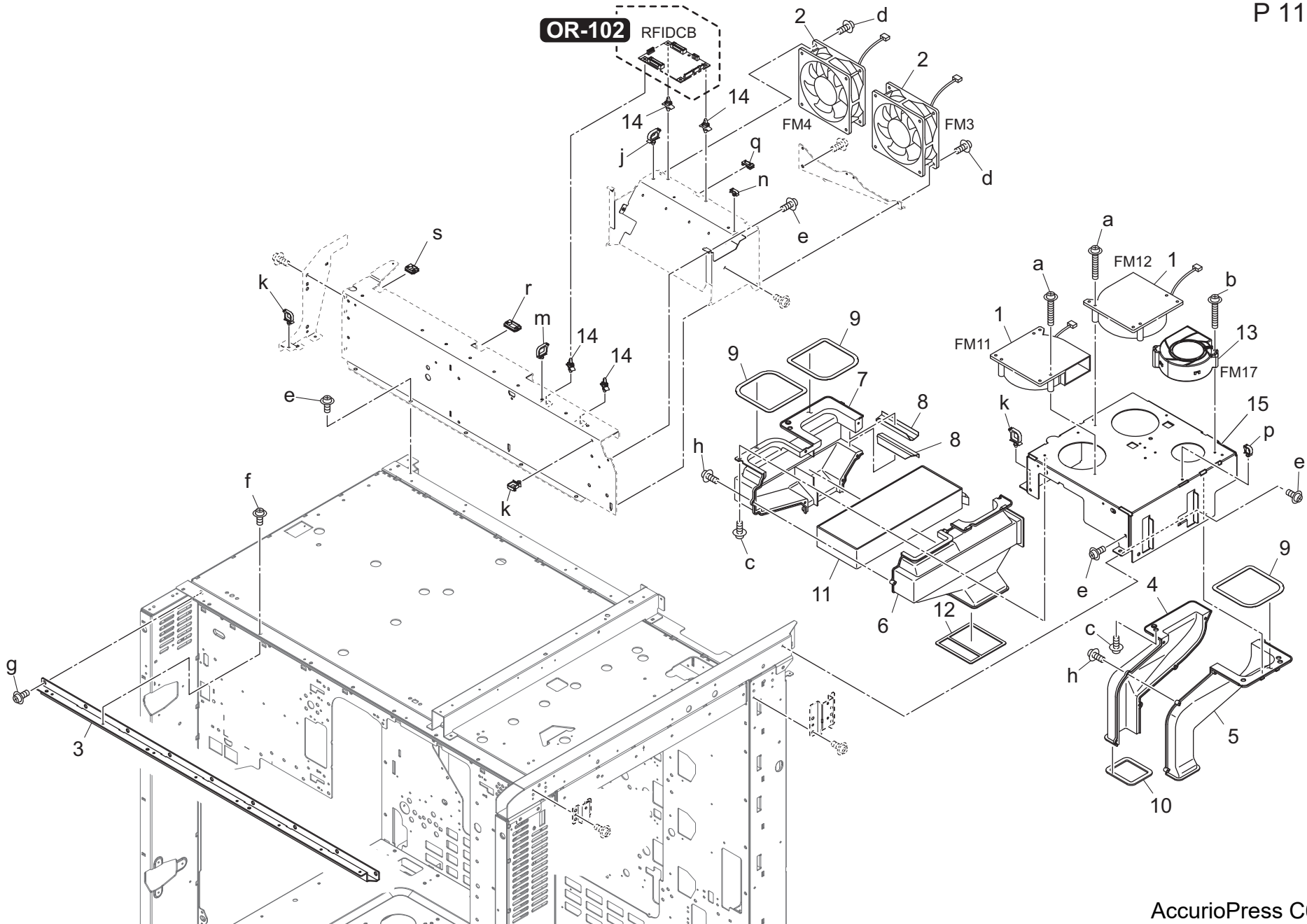


AccurioPress C6100

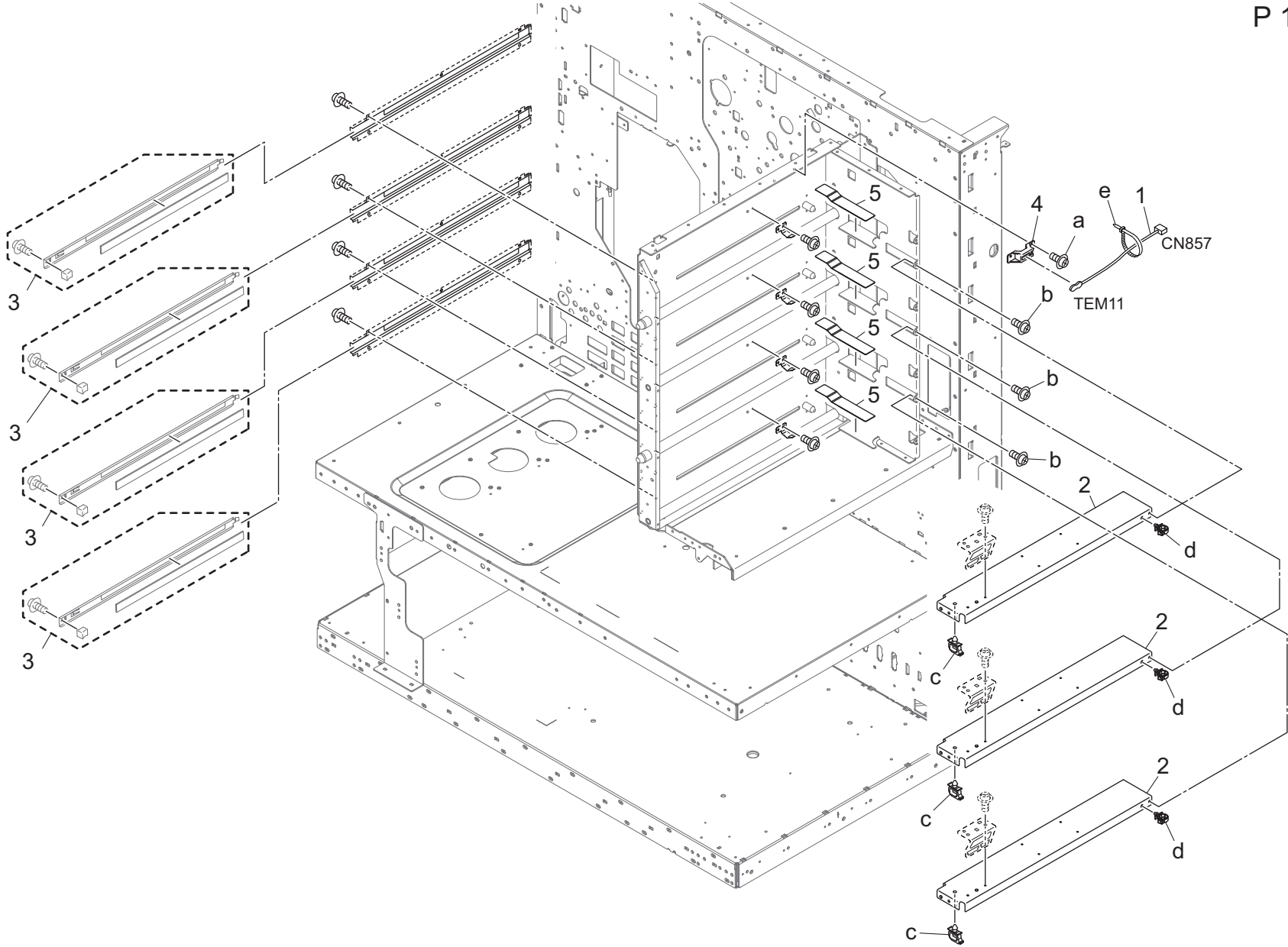


Main Frame

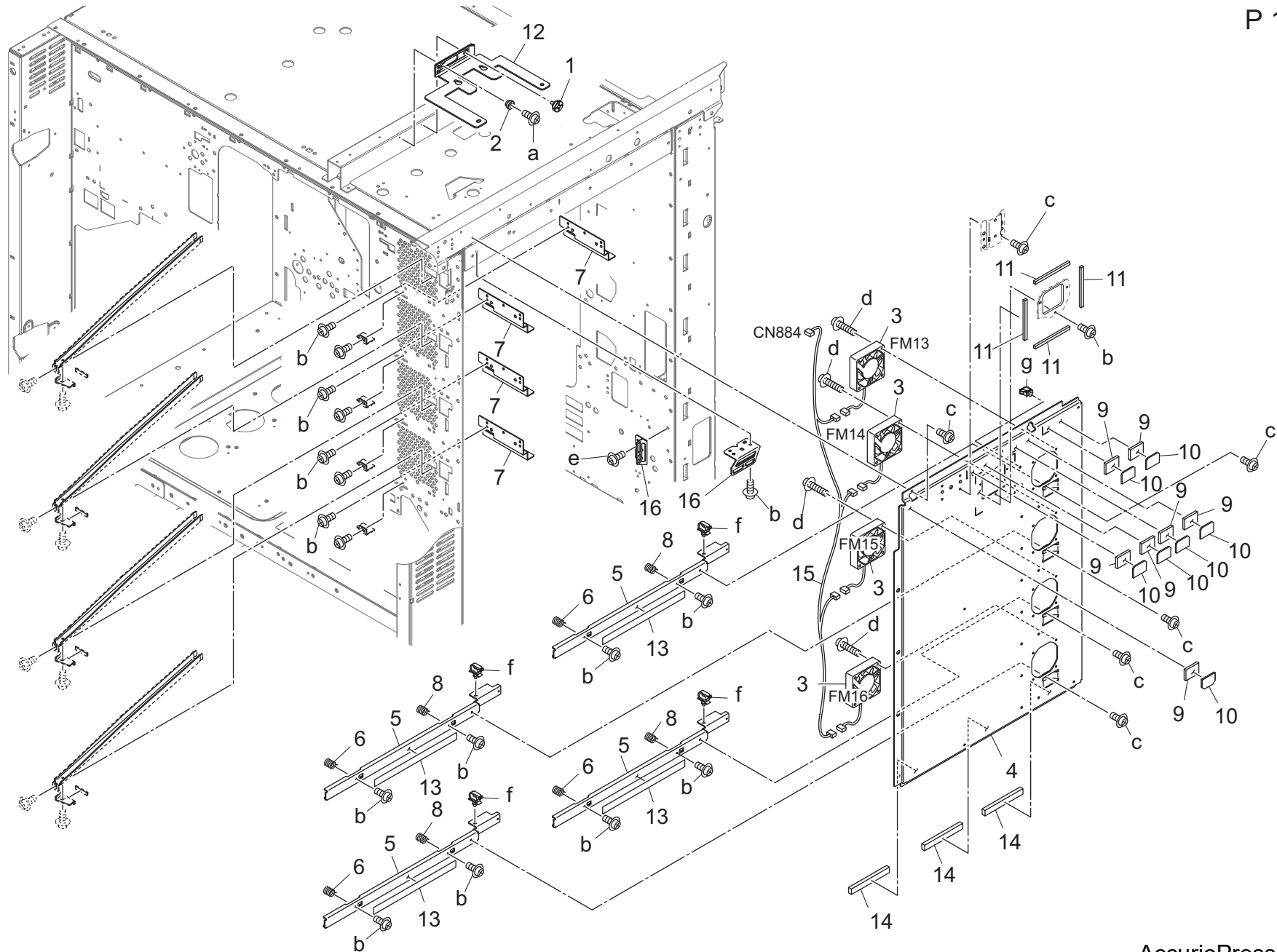
P 11



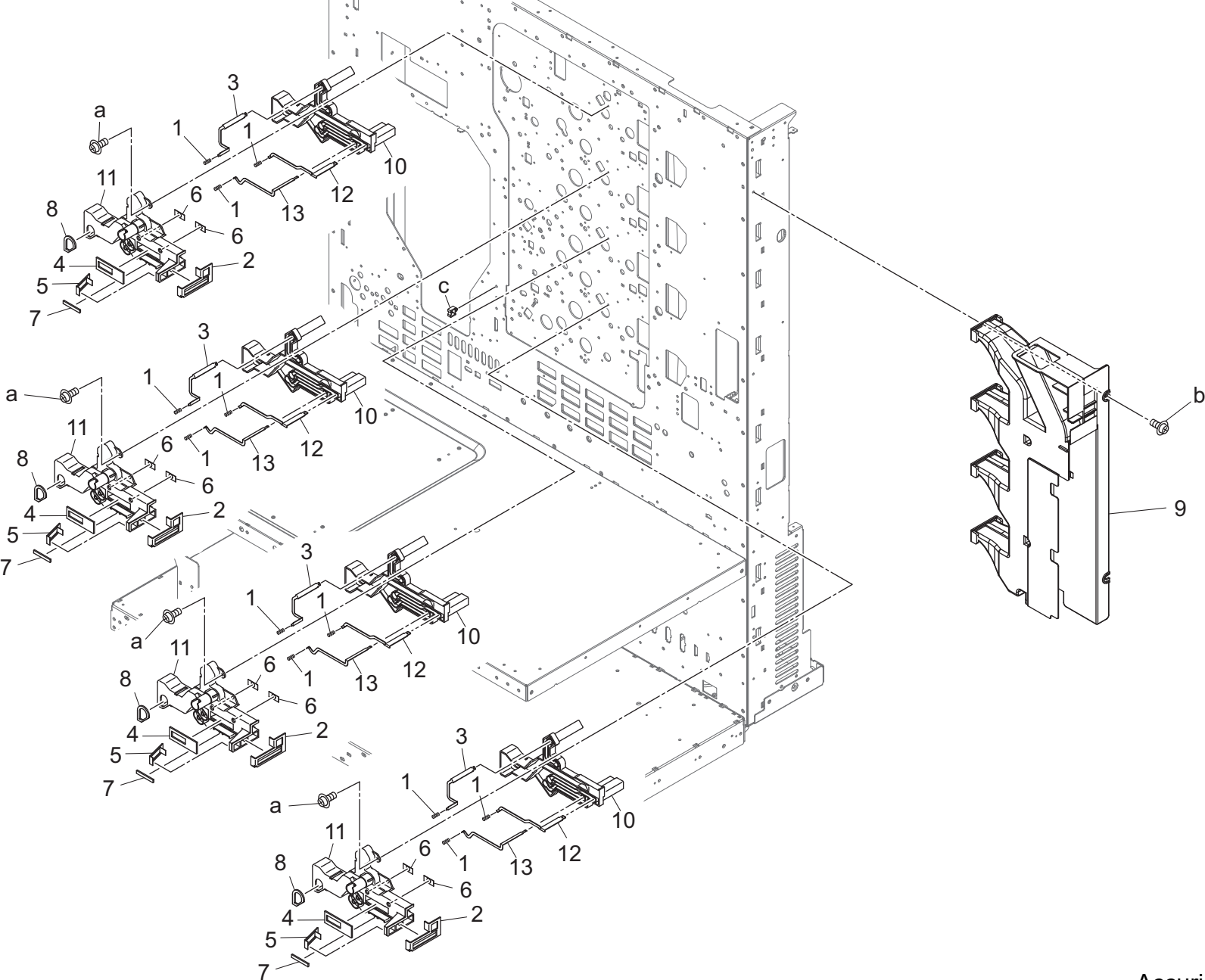
Main Frame




Main Frame



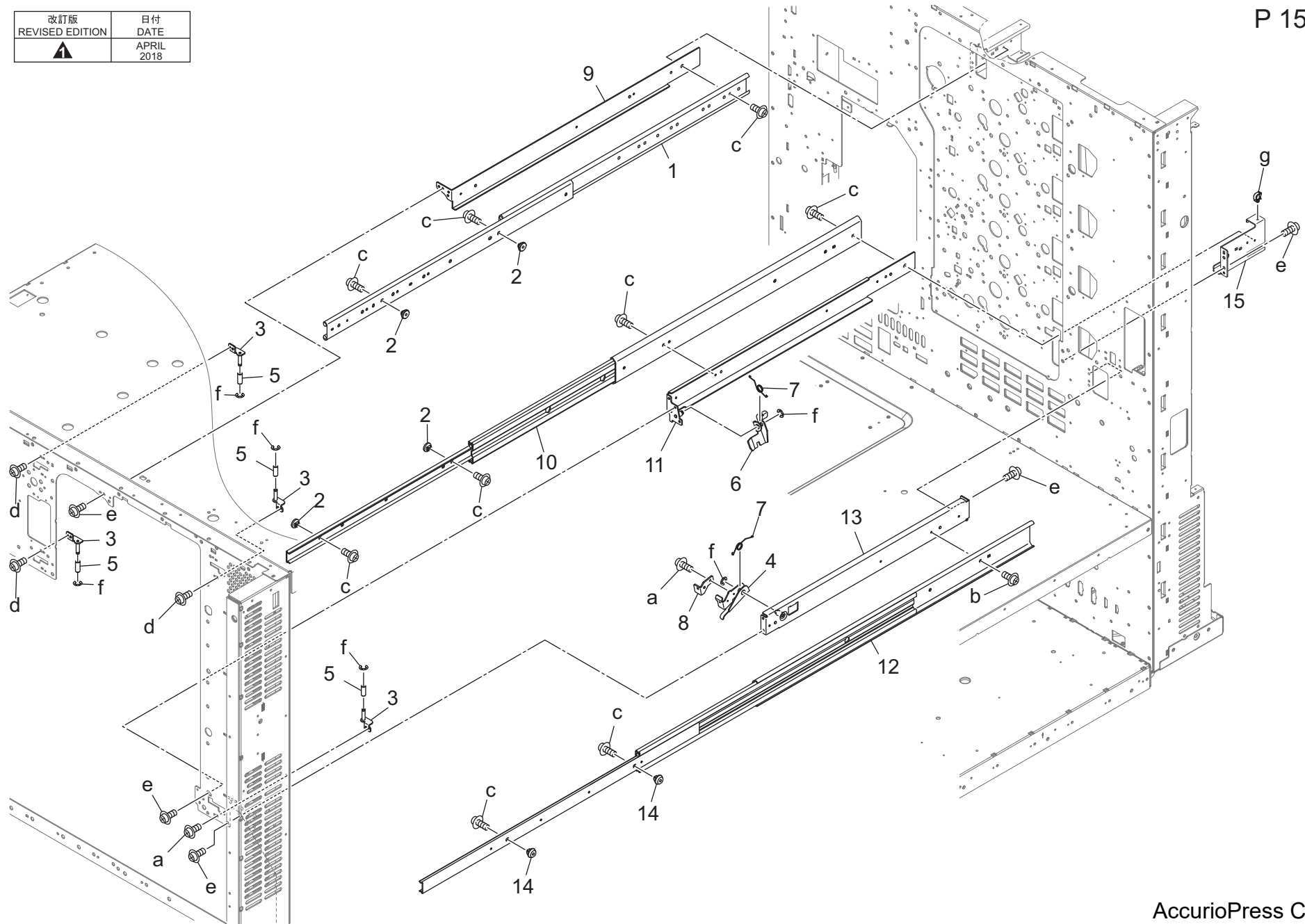
Main Frame



Main Frame

改訂版 REVISED EDITION	日付 DATE
	APRIL 2018

P 15



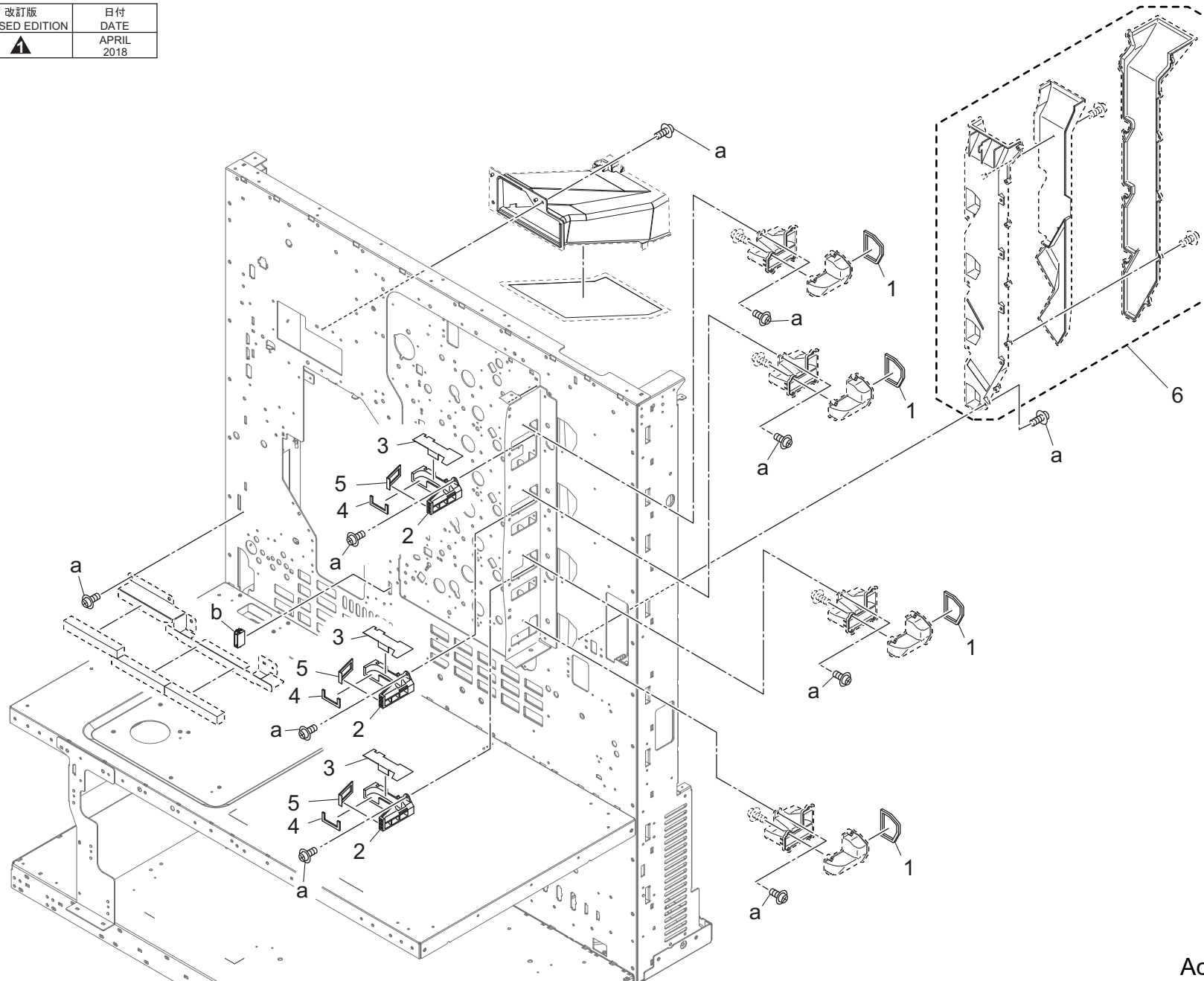
AccurioPress C6100

Key	Part No.	Description	Destinations	Class	QTY	Standard parts
1	56AA50520	Slide Rail /D		C	1	a-V118030403 b-V118040603 c-V118040604 d-V121030603 e-V146040803 f-V217040001 g-V500020098
2	56AA50530	ADU Mounting Collar	A D U 取り付けカラー	C	4	
3	65AA-0750	LOCKING SHAFT CAULKING	ロック軸カシメ	C	4	
4	65AA10230D	LOCKING LEVER /1	ロックレバー／1	C	1	
5	65AA10260	LOCKING ROLLER	ロックコロ	D	4	
6	65AA10480	Locking Lever /2	ロックレバー／2	C	1	
7	65AA10840	CARRIAGE LOCKING SPRING	架台ロックバネ	C	2	
8	65AA11590	LEVER REINFORCE PLATE	レバー補強板	D	1	
9	A1RF102000	Support Stay /C	支持ステー／C (P 架台上)	D	1	
10	A1RF109801	Slide Rail /B	スライドレール／B (P 架台下)	D	1	
11	A1RF114101	Support Stay /D	支持ステー／D (P 架台下)	D	1	
12	A1RF815601	Slide Rail /Right	スライドレール／右	D	1	
13	A1RFR77200	SUPPORT STAY/E CALKING	支持ステー／E かしめ部組	D	1	
14	A50U833000	Mounting Collar /1	取付カラー／1	C	2	
15	A5AW114000	Mounting Plate /2	取付板／2	D	1	

Main Frame

改訂版 REVISED EDITION	日付 DATE
▲	APRIL 2018

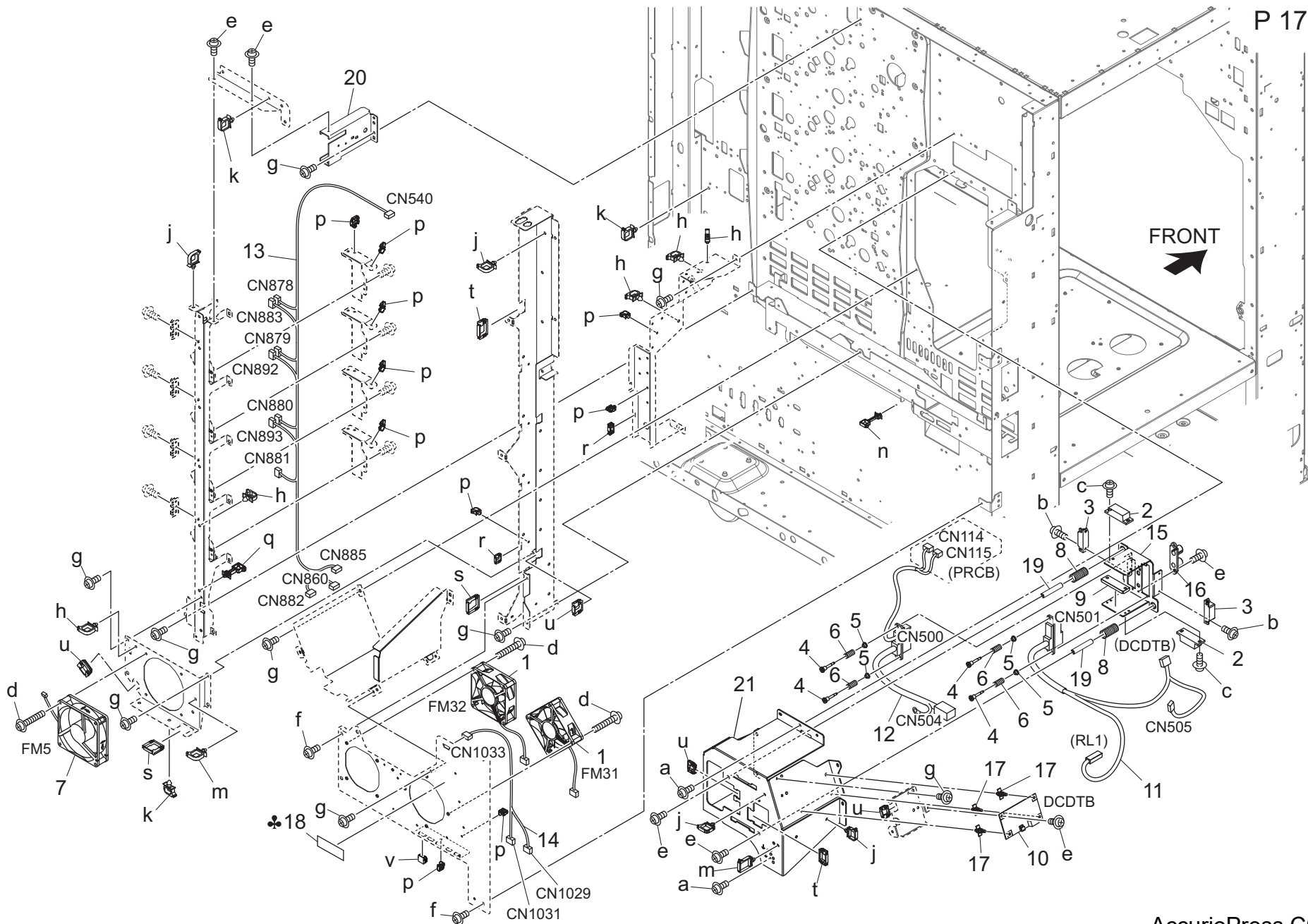
P 16



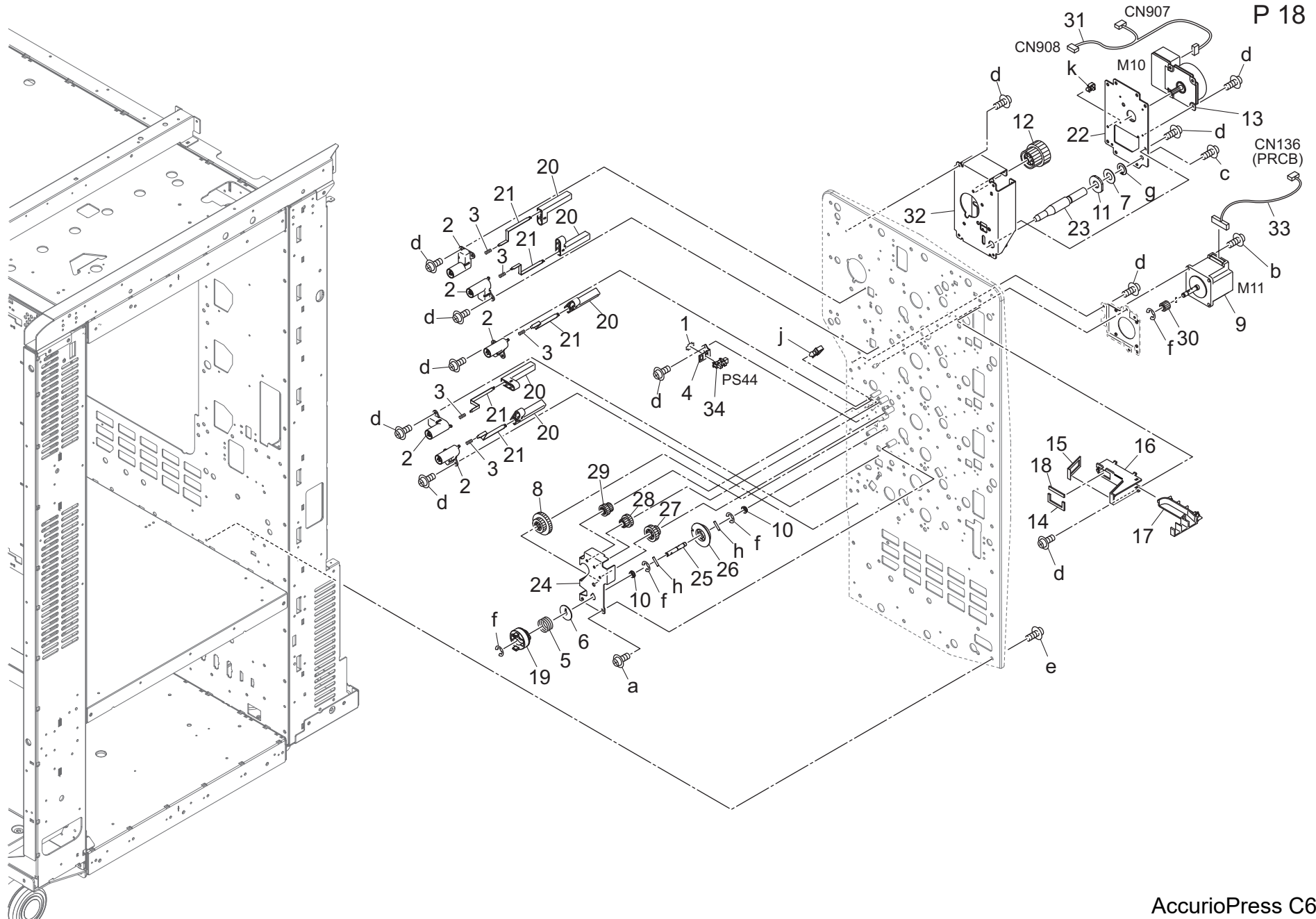
Main Frame

P 17

FRONT
➔

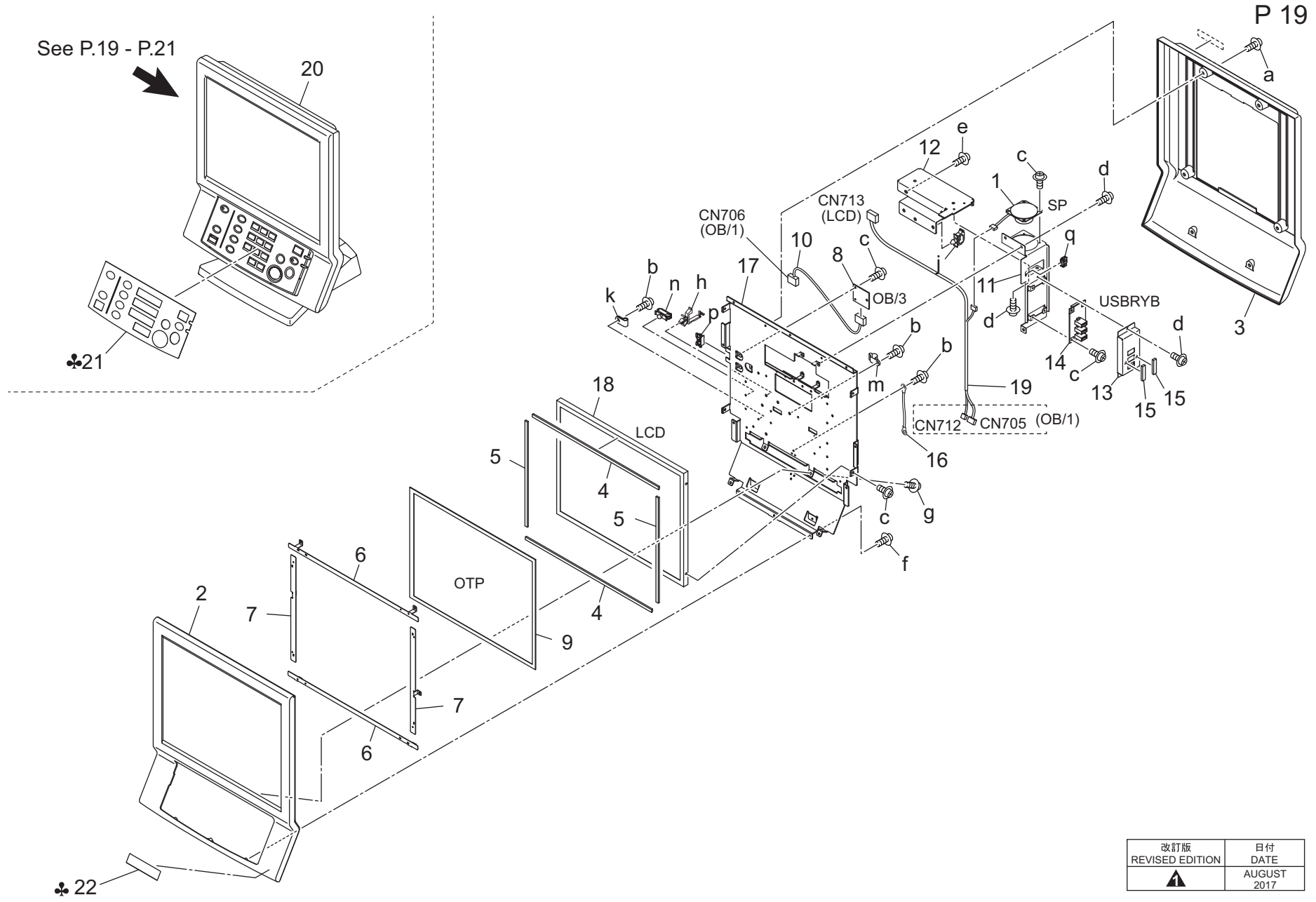


Main Frame



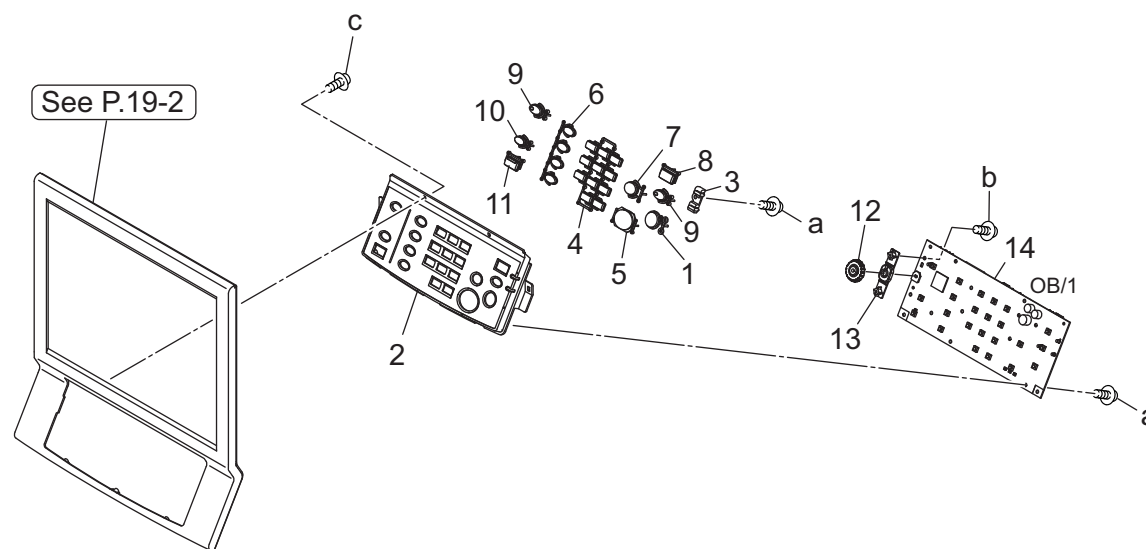
Key	Part No.	Description	Destinations	Class	QTY	Standard parts
1	4470402401	Stopper		D	1	a-V121030603
2	65AA10520	High Voltage Powering Cover /2	高圧給電カバー /2	D	5	b-V121030803
3	65AA10740D	High voltage Powering Spring	高圧給電バネ	D	5	c-V121040803
4	65AA17100	FIXING PLATE B	センサ固定板 / B	D	1	d-V146030603
5	65AA17130	PRESSING SPRING	押圧バネ	C	1	e-V146040804
6	65AA17180	SPACER	スペーサー	C	1	f-V217040001
7	65AA17240	PRESSING SPACER A	押圧スペーサー / A	D	1	g-V223120004
8	65AA77900	TRANSFER CONTROL GEAR 3 45T/22T	転写制御ギア 3 45 T / 2 2 T	C	1	h-V234301650
9	65AA80112	HB Motor /50	H B モーター / 5 0	B	1	j-V500010005
10	A00J617800	Ball Bearing	ボールベアリング	B	2	k-V500010020
11	A03U170800	Reinforce Spacer	補強スペーサ	D	1	
12	A03U259700	Drive Gear /1 56/72T	駆動ギア /1 5 6 / 7 2 T	C	1	
13	A9JTM10200	Drum Motor	ドラムモーター	B	1	
14	A1RF121700	Scatter Seal /1	飛散シール /1	D	1	
15	A1RF121900	Scatter Seal /2	飛散シール /2	D	1	
16	A1RF122000	Scatter Duct /2	飛散ダクト /2	D	1	
17	A1RF122100	Scatter Duct /3	飛散ダクト /3	D	1	
18	A1RF122200	Scatter Seal /10	飛散シール /1 0	D	1	
19	A1RF171400	Transfer Coupling	転写 カップリング	C	1	
20	A1RF231600	Power supply Block	給電ブロック	D	5	
21	A1RF231700	Power supply Plate	給電板	D	5	
22	A1RF240200	Drive Panel /Rear	駆動パネル /奥	D	1	
23	A1RF240400	Positioning Pin	位置決めピン	D	1	
24	A1RF242000	Drive Panel	駆動パネル	D	1	
25	A1RF242101	Drive Shaft /3	駆動軸 /3	C	1	
26	A1RF249401	Control Gear /6 20T	制御ギア /6 2 0 T	C	1	
27	A1RF249600	Control Gear /4 18/31T	制御ギア /4 1 8 / 3 1 T	C	1	
28	A1RF249700	Control Gear /3 16/33T	制御ギア /3 1 6 / 3 3 T	C	1	
29	A1RF249800	Control Gear /2 23/29T	制御ギア /2 2 3 / 2 9 T	C	1	
30	A1RF249900	Control Gear /1 21T	制御ギア /1 2 1 T	C	1	
31	A1RFN13200	Drive Relay harness /1	駆動中継束線 /1	D	1	
32	A1RFR78000	DRIVING UNIT PANEL/FRONT CALKING	駆動パネル /前カシメ	D	1	
33	A5AWN16300	Drive Wiring /1	駆動束線 /1	D	1	
34	A85CM55600	Photo Sensor	フォトセンサ	C	1	

Operation Panel Section



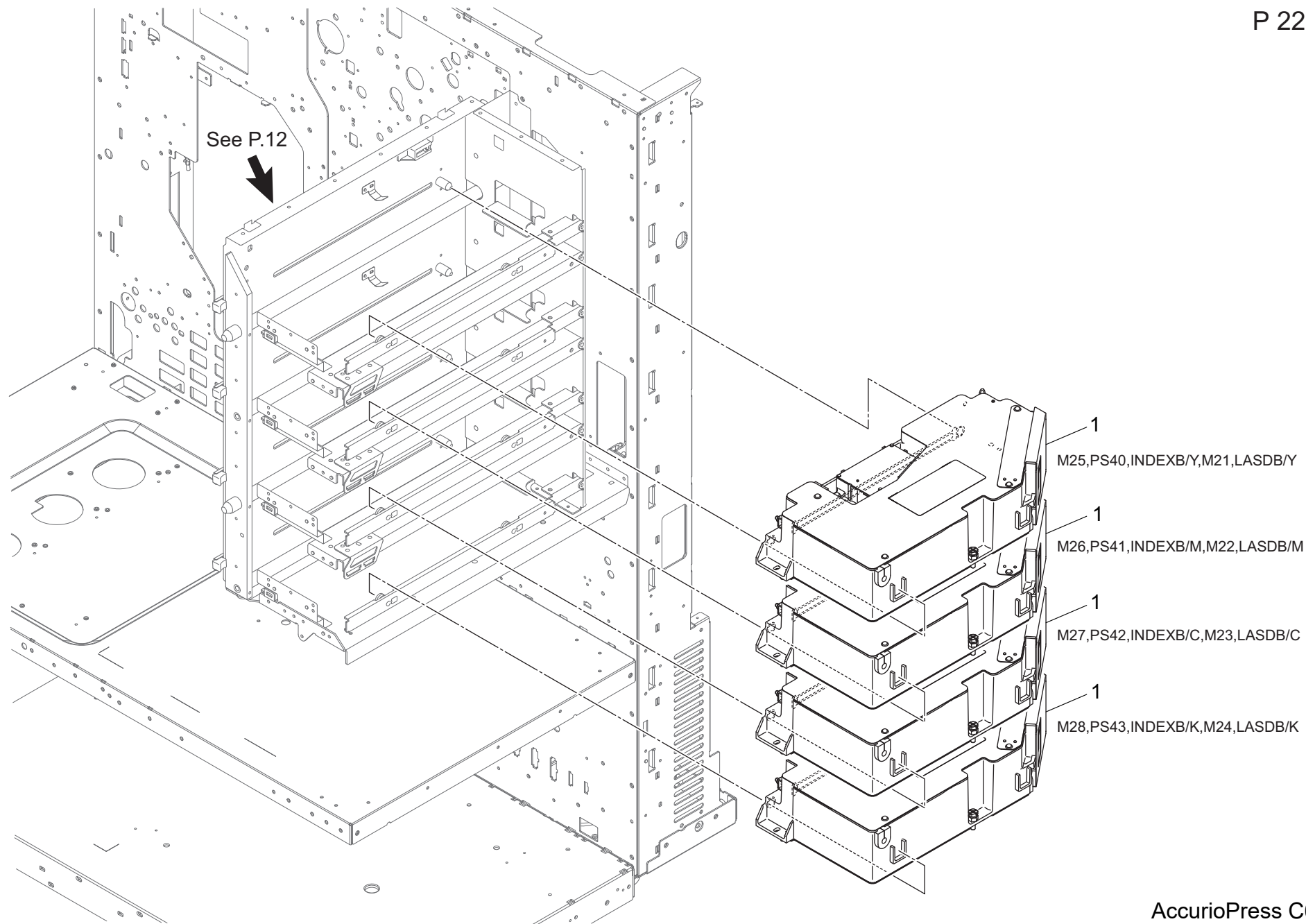
改訂版 REVISED EDITION	日付 DATE
	AUGUST 2017

AccurioPress C6100



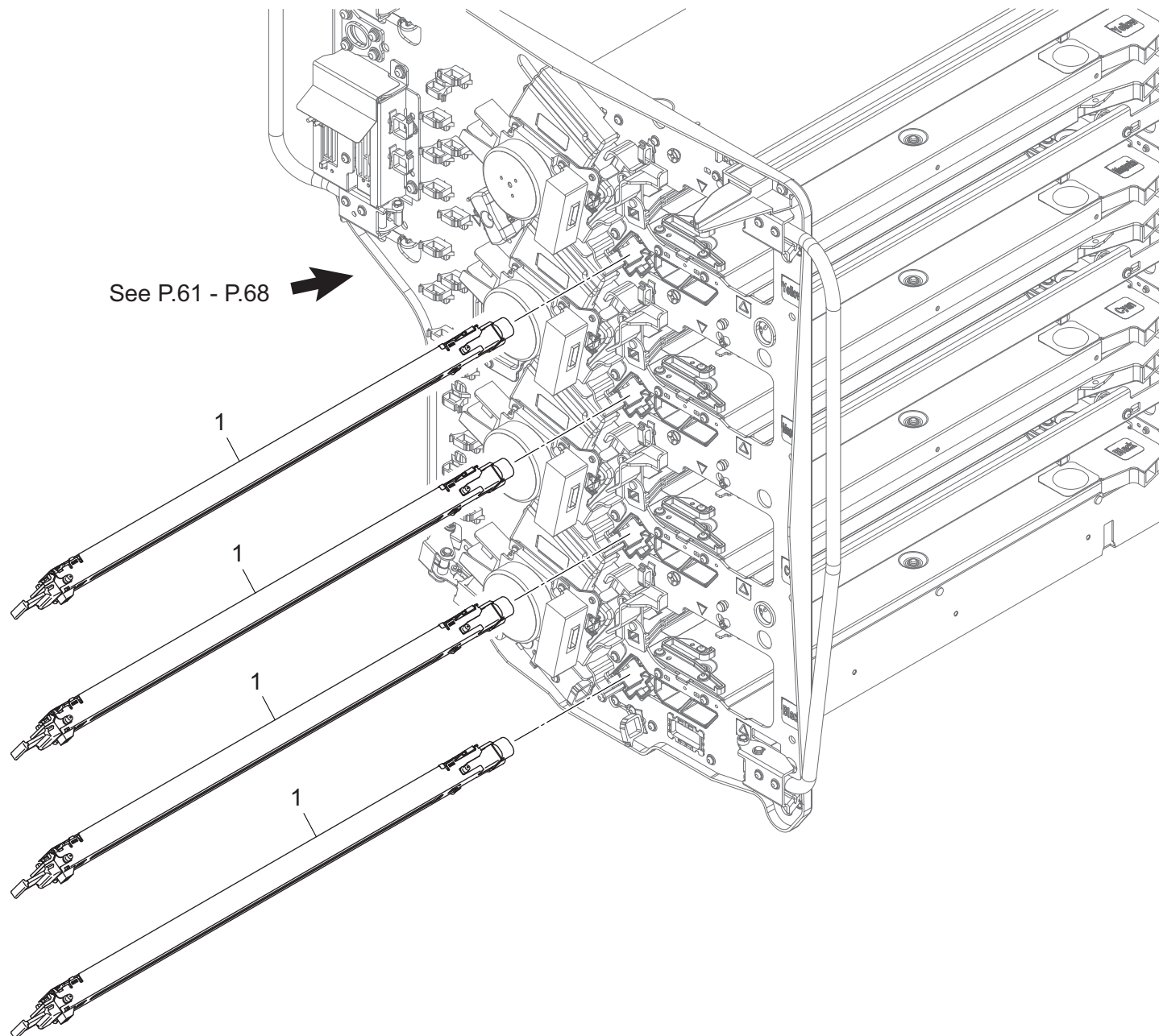
Key	Part No.	Description	Destinations	Class	QTY	Standard parts
1	56UA70330	Ope. Unit Button /S		C	1	a-V151030603 b-V151030803 c-V153030603
2	A0G6190301	Operation Casing /1		C	1	
3	A0G6191600	Indicating Part /1		D	1	
4	A0G6193100	Operation Button /1		C	1	
5	A0G6193200	Operation Button /2		C	1	
6	A0G6193400	Operation Button /4		C	1	
7	A0G6193500	Operation Button /5		C	1	
8	A0G6193700	Operation Button /7		C	1	
9	A0G6193800	Operation Button /10		C	2	
10	A0G6193900	Operation Button /8		C	1	
11	A0G6194000	Operation Button /9		C	1	
12	A4EU194100	Operation Knob /1		D	1	
13	A4EU194200	Fixing Holder		D	1	
14	A799H04001	Operation Board /1 ASSY		I	1	

Key	Part No.	Description	Destinations	Class	QTY	Standard parts
1	A03U191600	Mounting Plate /T		D	2	a-V112040803
2	A03U191700	Rotation Spring /T		D	2	b-V114040604
3	A03U191800	Rotation Spacer /1		D	4	c-V118030603
4	A03U191900	Rotation Spacer /2		D	2	d-V121031203
5	A03U192000	Fixing Part /T		D	2	e-V121040603
6	A03U192100	Fixing Shaft /U		D	2	f-V146040803
7	A1RF190300	Cover /1		D	1	g-V147031003
8	A1RF190500	Mounting Stay /3		D	1	h-V153030803
9	A1RF190601	Cover /2		D	1	j-V188041409
10	A1RF190900	Support Stay /1		D	1	k-V196080003
11	A1RF191000	Support Stay /2		D	1	m-V207040003
12	A1RF191100	Bottom plate		D	1	n-V500010007
13	A1RF191200	Cover /4		D	1	p-V500020040Old
14	A1RF191300	Cover /5		D	1	p-V500020041
15	A1RF191400	Cover /6		D	1	q-V570010060
16	A1RF191500	Weight		D	4	
17	A1RF191600	Filter		D	1	
18	A1RF191700	Pad		D	4	
19	A1RF191800	Cover /7		D	1	
20	A1RF192000	Fixing Screw		D	1	
21	A1RF192100	Pressing Cushion		D	1	
22	A1RF192200	Rotation Knob		D	1	
23	A5AWN28200Old	Ope.unit Control harness /2		C	1	
23	A5AWN28300	Ope. Unit Control Harness /2		C	1	



Charging Section

P 23

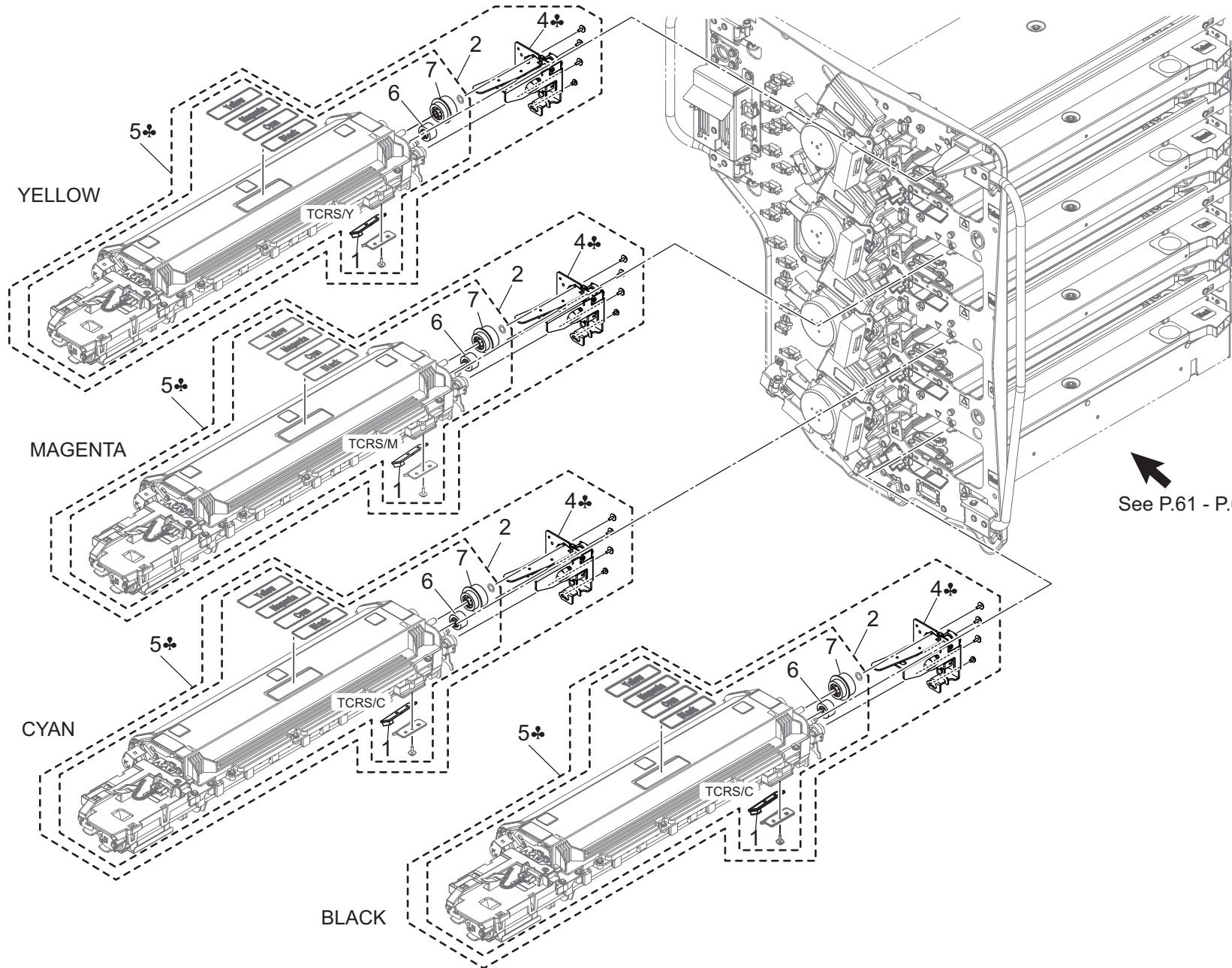


Charging Section

Key	Part No.	Description	Destinations	Class	QTY	Standard parts
1	A92WR70311	Charging Corona Unit	D1,D3,E,F2,H,I,J,K	A	4	
1	A92WR70311	Charging Corona Unit	A,B,C,G1,G2	A	4	

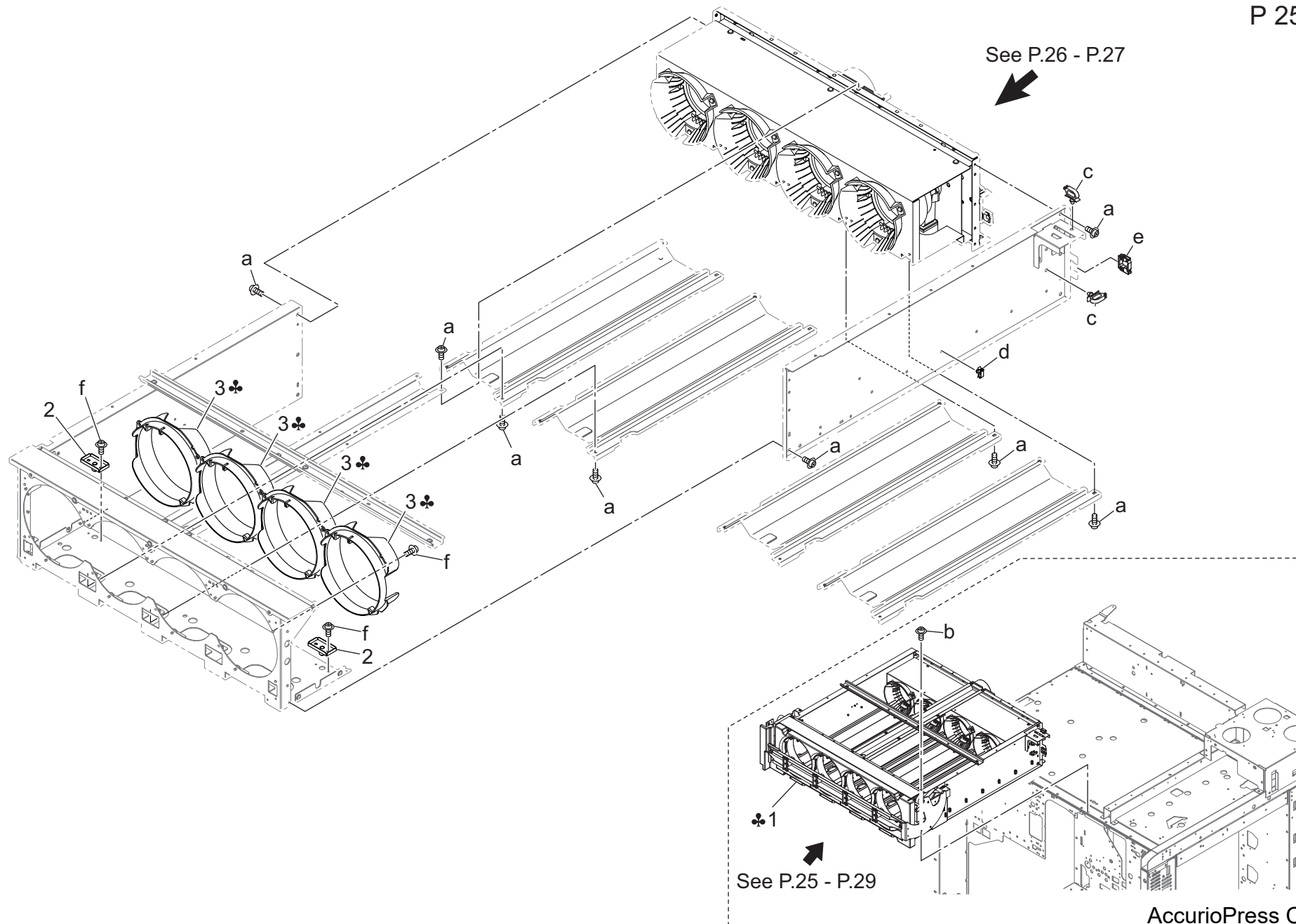
Developing Section

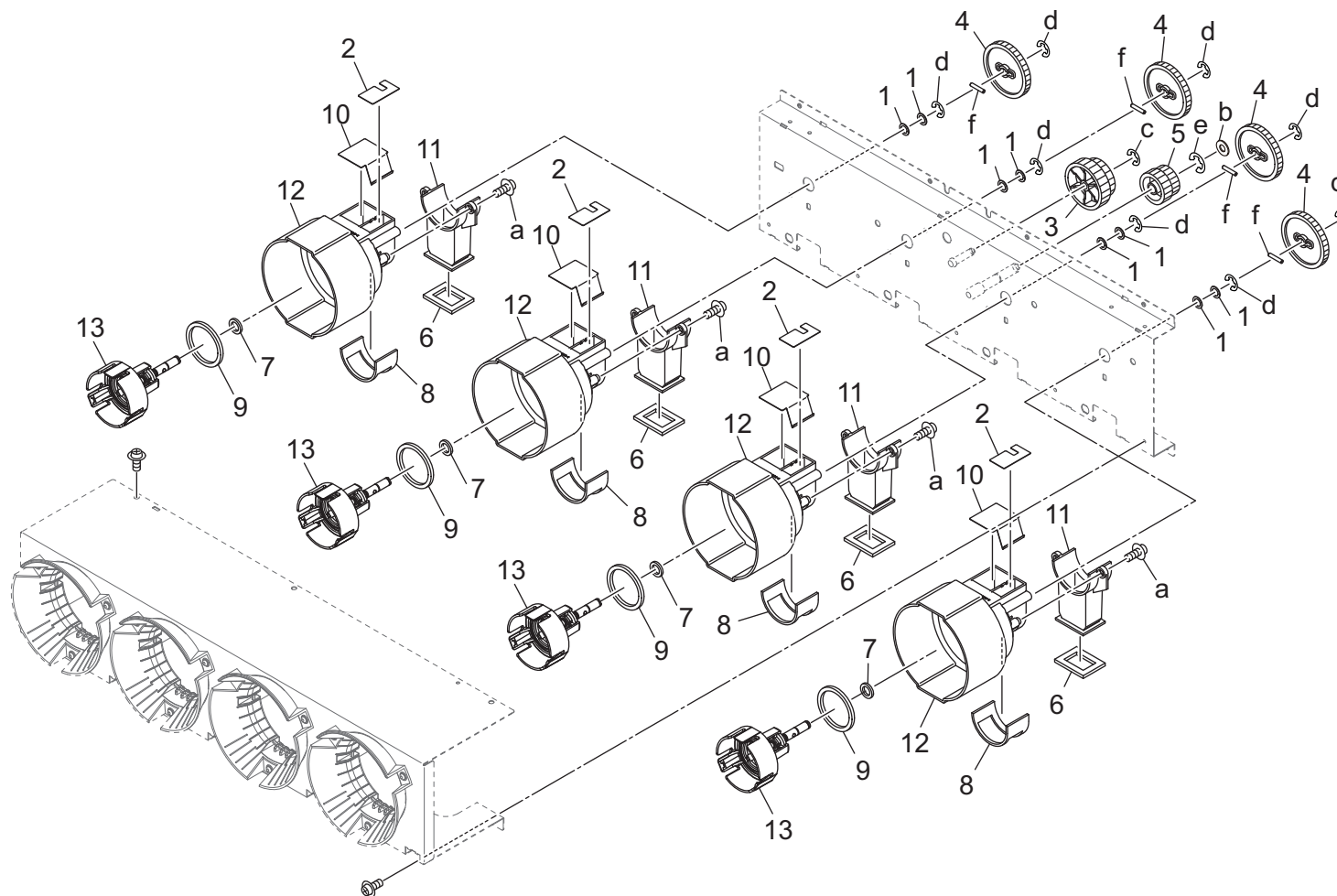
P 24



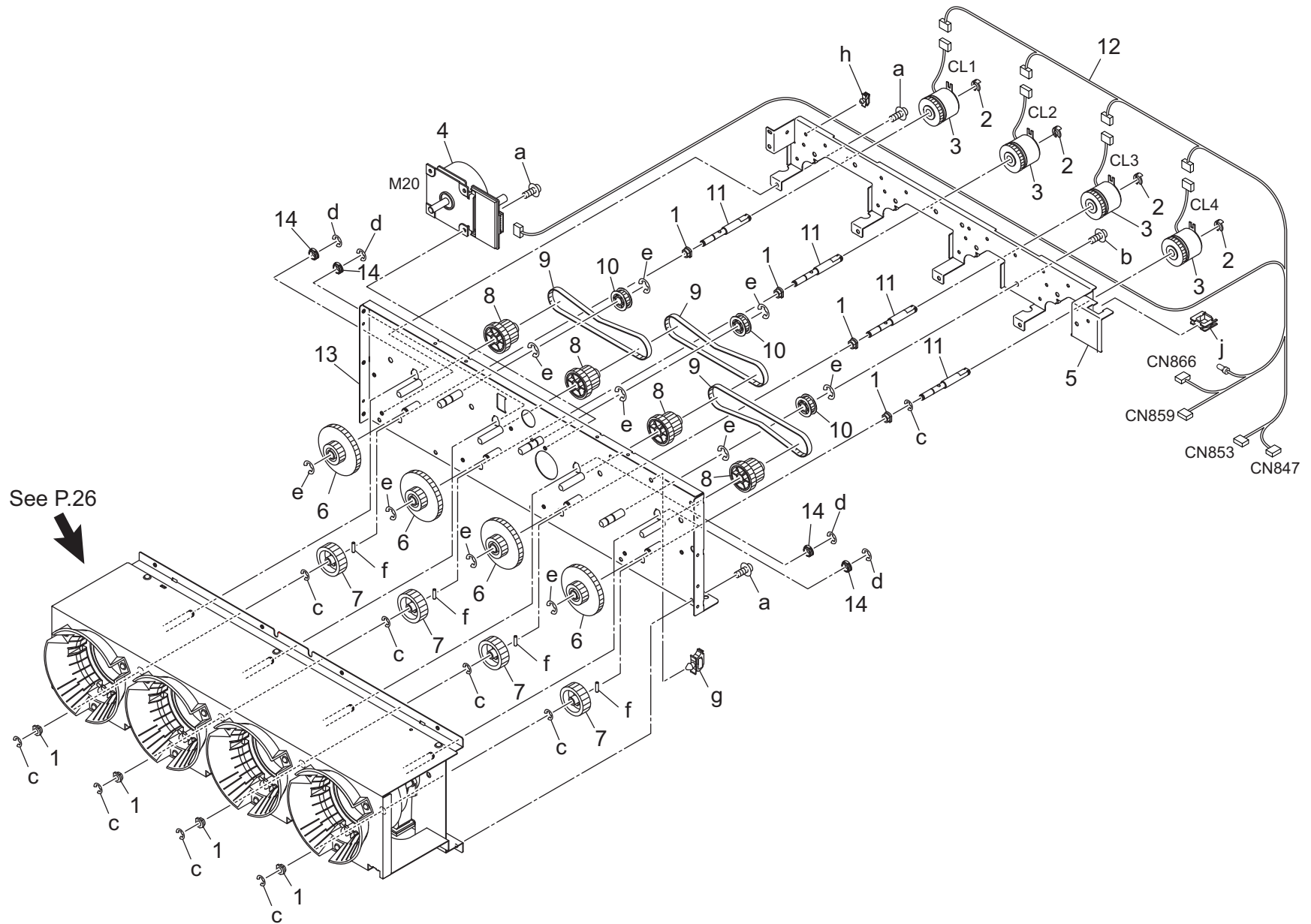
Toner Supply Section

P 25



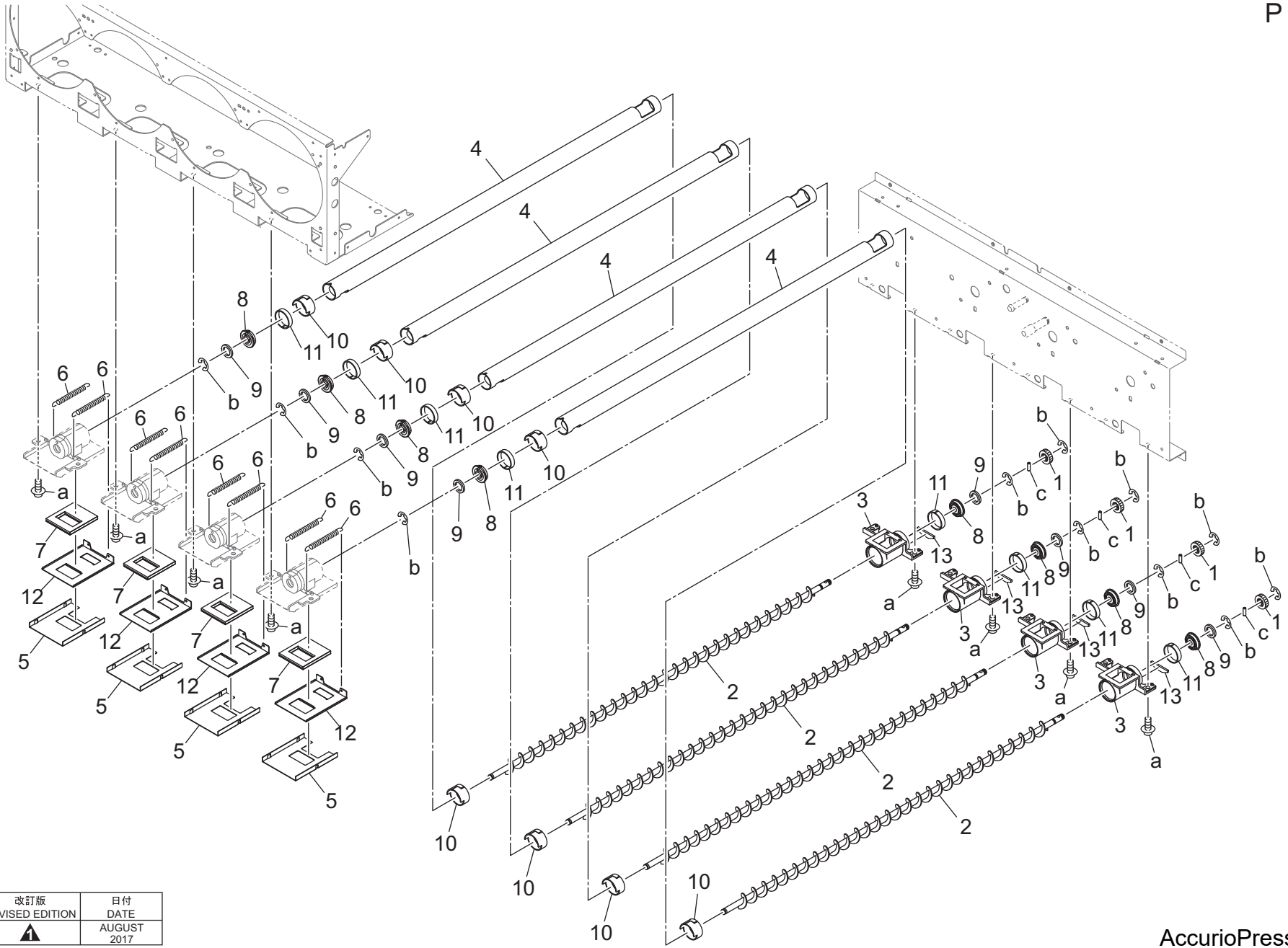


Toner Supply Section



Key	Part No.	Description	Destinations	Class	QTY	Standard parts
1	322076010	PAPER LIFT UP LEVER SHAFT HOLDER		B	8	a-V121030603 b-V121030803 c-V217040001 d-V217050001 e-V217060001 f-V234301250 g-V500010003 h-V500020099 j-V570010060
2	55VA42120	Shaft Stopper		C	4	
3	56AA82012	Paper Feed Drive Clutch		B	4	
4	A9JTM10300	Developing Screw Motor		B	1	
5	A1RF403313	Wiring Plate		D	1	
6	A1RF403400	Toner Supply Gear /A 22/55T		C	4	
7	A1RF403600	Gear 32T		C	4	
8	A1RF404100	Toner supply Pulley /1		C	4	
9	A1RF404200	Toner Supply Belt 327L		C	3	
10	A1RF404500	Toner supply Pulley /3		C	3	
11	A1RF405300	Toner supply Shaft		D	4	
12	A1RFN14002	Toner Drive harness /5		D	1	
13	A1RFR79600	TONER SUPPLY UNIT PLATE/REAR CALKIN G		D	1	
14	A5AW400700	Toner supply Bushing		D	4	

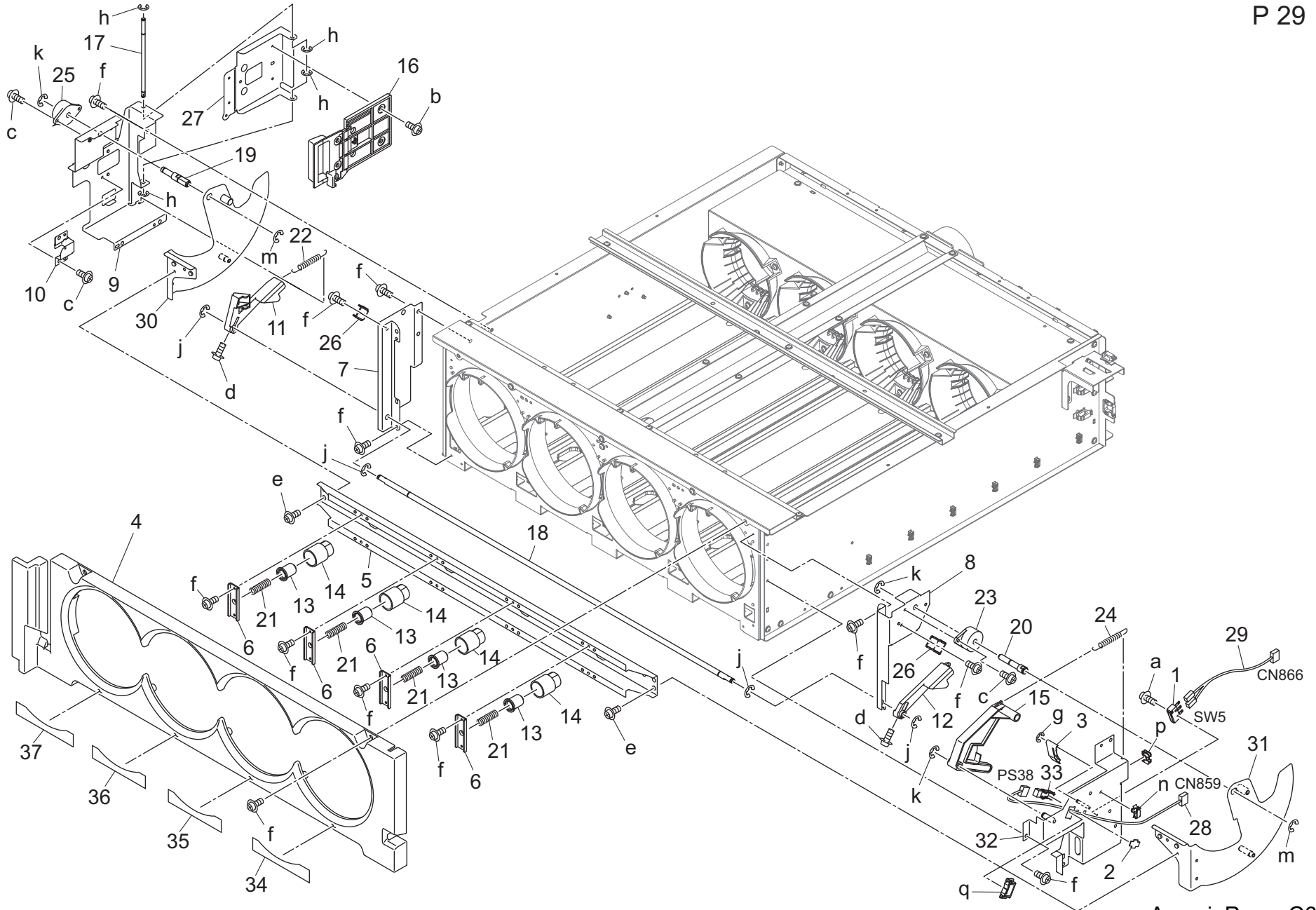
Toner Supply Section



改訂版 REVISED EDITION	日付 DATE
▲	AUGUST 2017

Order here
8 (495) 646-0426
www.km-shop.ru

Toner Supply Section

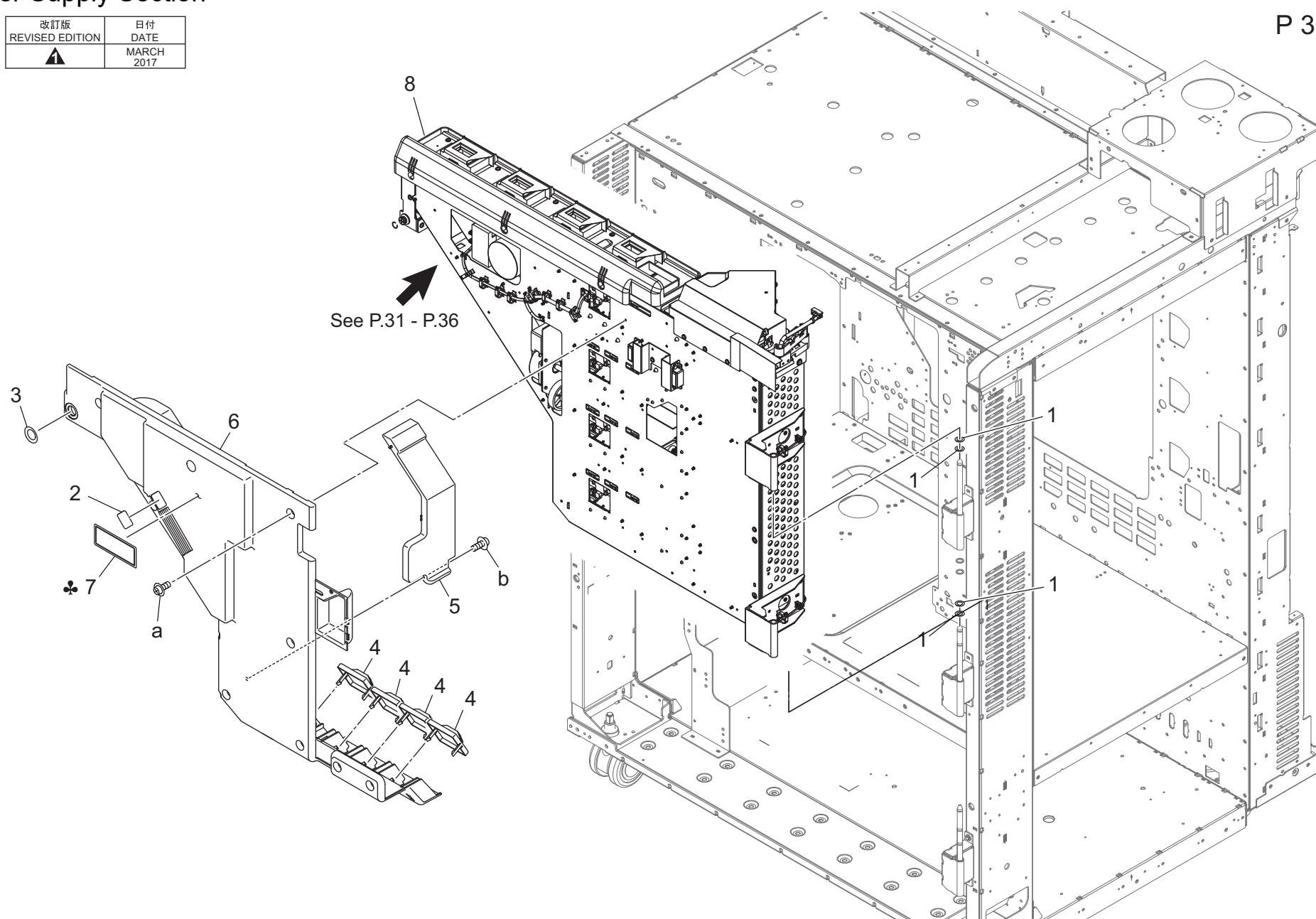


AccurioPress C6100

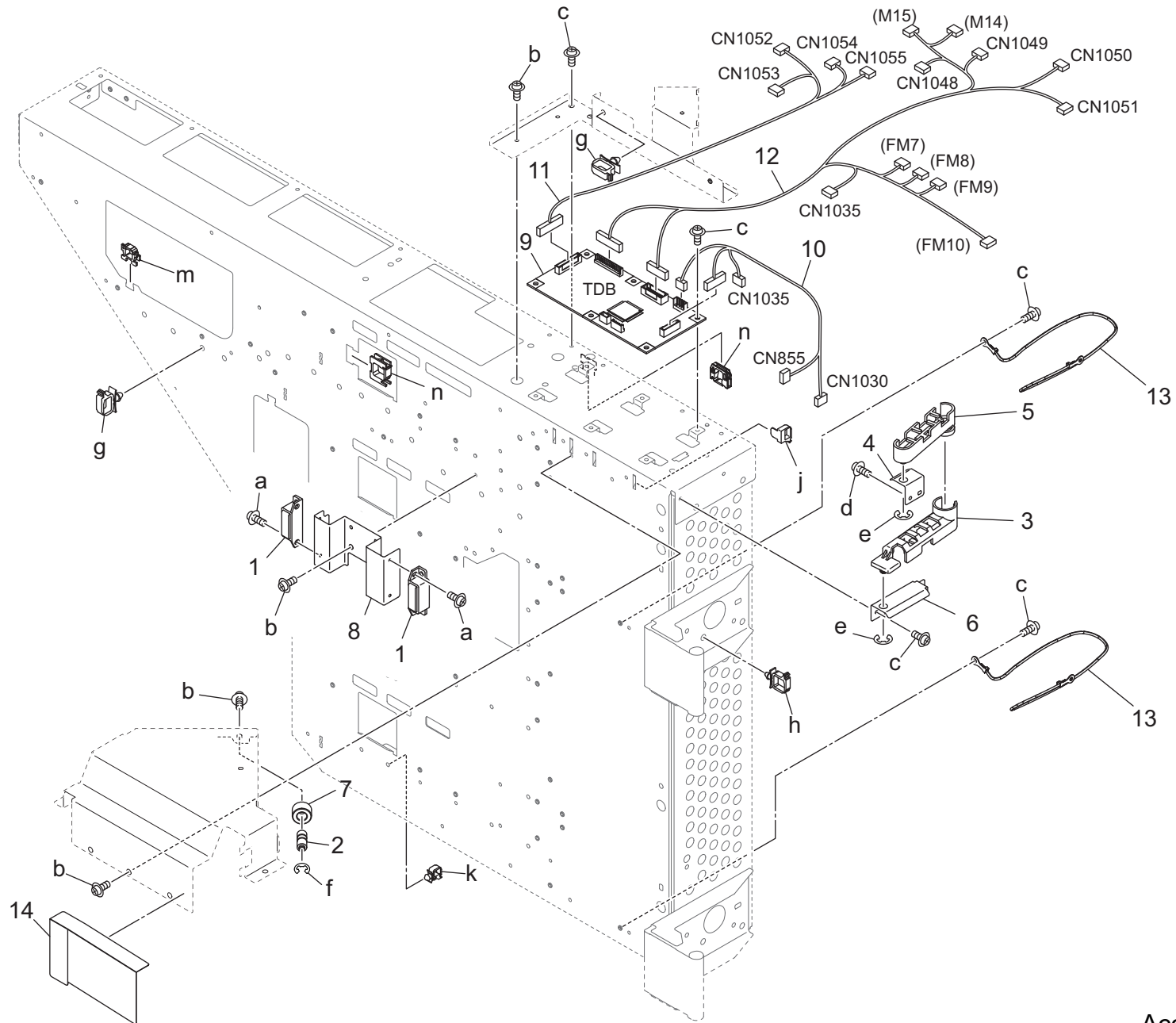
Key	Part No.	Description	Destinations	Class	QTY	Standard parts
1	12QR86011	Interlock Switch		B	1	a-V118020803
2	4470402401	Stopper		D	1	b-V121030403
3	A03U402100	SWITCH PLATE		D	1	c-V121030603
4	A1RF432602	Guide Cover /Front		D	1	d-V121031403
5	A1RF440101	Pressing Plate		D	1	e-V121040603
6	A1RF440201	Receiving Plate		D	4	f-V127030603
7	A1RF440501	Support Plate /Left		D	1	g-V217020001
8	A1RF440602	Support Plate /Right		D	1	h-V217030001
9	A1RF440700	Open/close Plate		D	1	j-V217040001
10	A1RF440900	Regulating Plate		D	1	k-V217050001
11	A1RF441100	Lock Claw /Left		D	1	m-V217060001
12	A1RF441200	Lock Claw /Right		D	1	n-V500010046
13	A1RF441500	Pressing Part /Front		D	4	p-V570010021
14	A1RF441600	Pressing Part /Rear		D	4	q-V570010023
15	A1RF441701	Open/close Actuator		D	1	
16	A1RF441800	Release Button /Left front		D	1	
17	A1RF441900	Lock Shaft		D	1	
18	A1RF442101	Open/close Shaft		D	1	
19	A1RF442300	Swing Shaft /Left		D	1	
20	A1RF442400	Swing Shaft /Right		D	1	
21	A1RF442600	Installing Spring		D	4	
22	A1RF442900	Lock Spring		D	1	
23	A1RF443000	Limiter		D	1	
24	A1RF443100	Detecting Spring		D	1	
25	A1RF443200	Limiter		D	1	
26	A1RF444200	Stopper Plate		D	2	
27	A1RF446100	Reinforce Plate		D	1	
28	A1RFN14900	Toner Drive harness /6		D	1	
29	A1RFN19001	Toner Drive Harness /7		D	1	
30	A1RFR79311	LIFTING ARM /LEFT CALKING		D	1	
31	A1RFR79411	LIFTING ARM /RIGHT CALKING		D	1	
32	A1RFR79500	DETECTING PLATE CALKING		D	1	
33	A50UM51000	Photointerrupter		C	1	
34	A92W944300	Toner Supply Label /Y		D	1	
35	A92W944400	Toner Supply Label /M		D	1	
36	A92W944500	Toner Supply Label /C		D	1	
37	A92W944600	Toner Supply Label /K		D	1	

Toner Supply Section

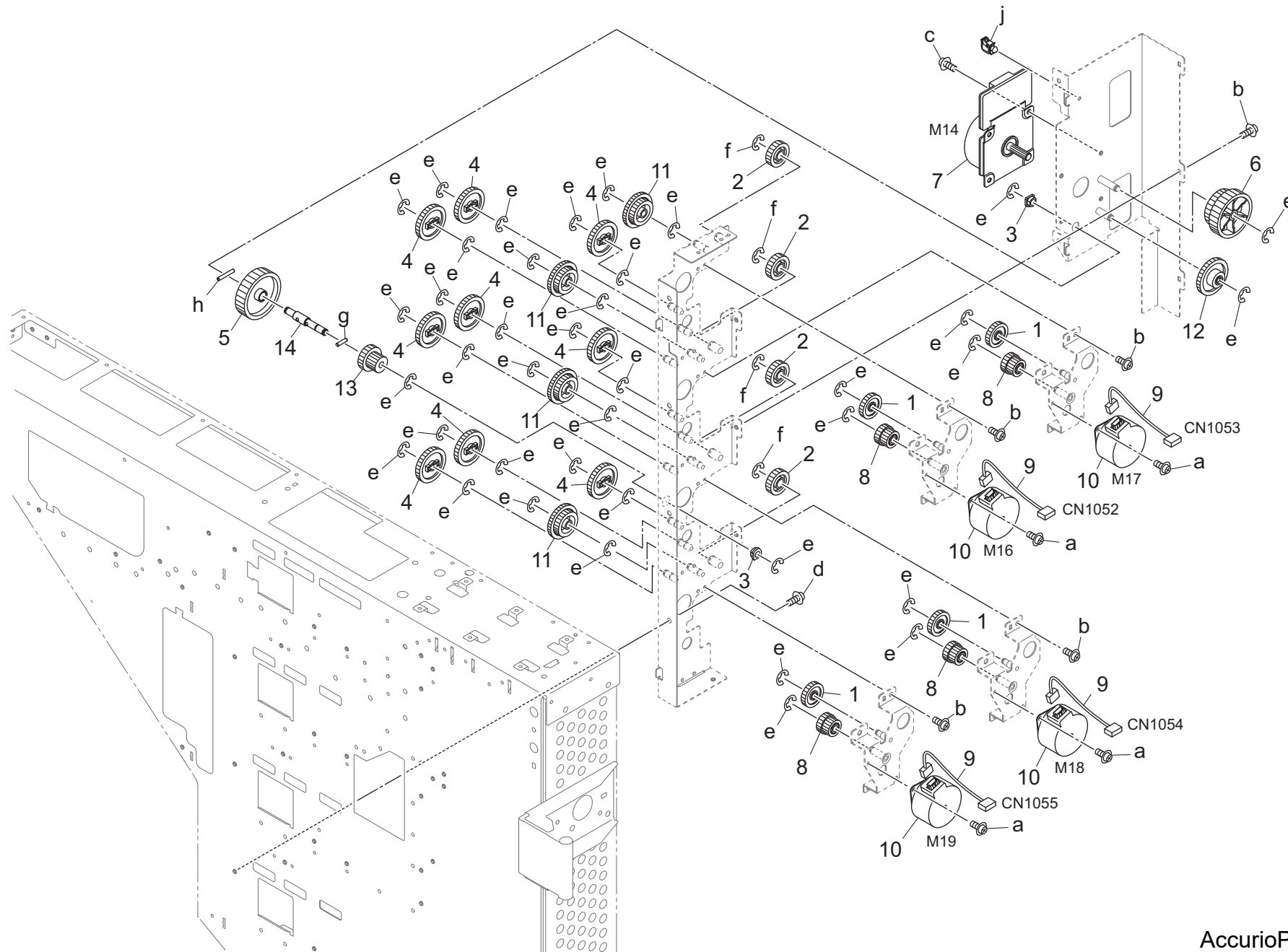
改訂版 REVISED EDITION	日付 DATE
▲	MARCH 2017



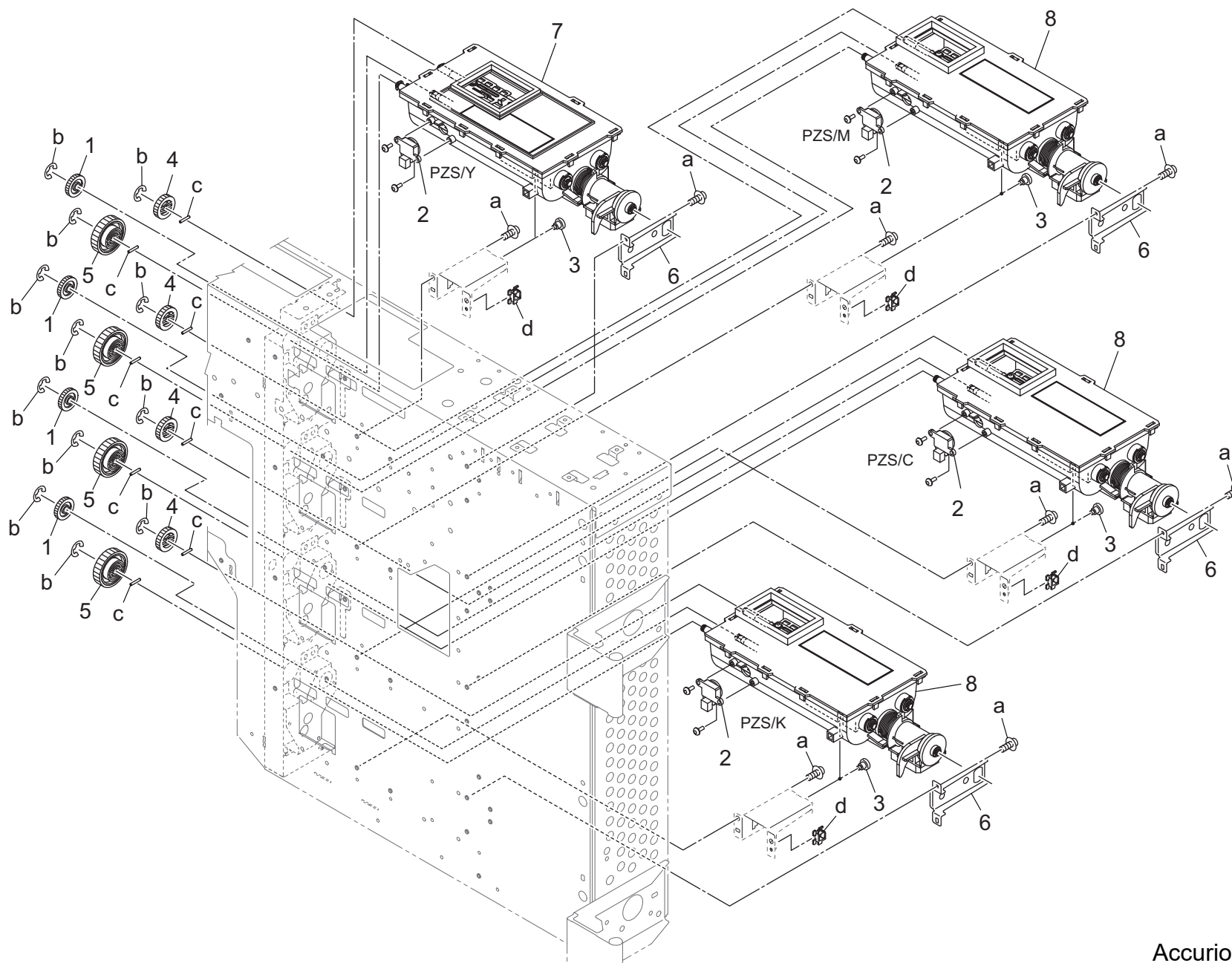
Toner Supply Section



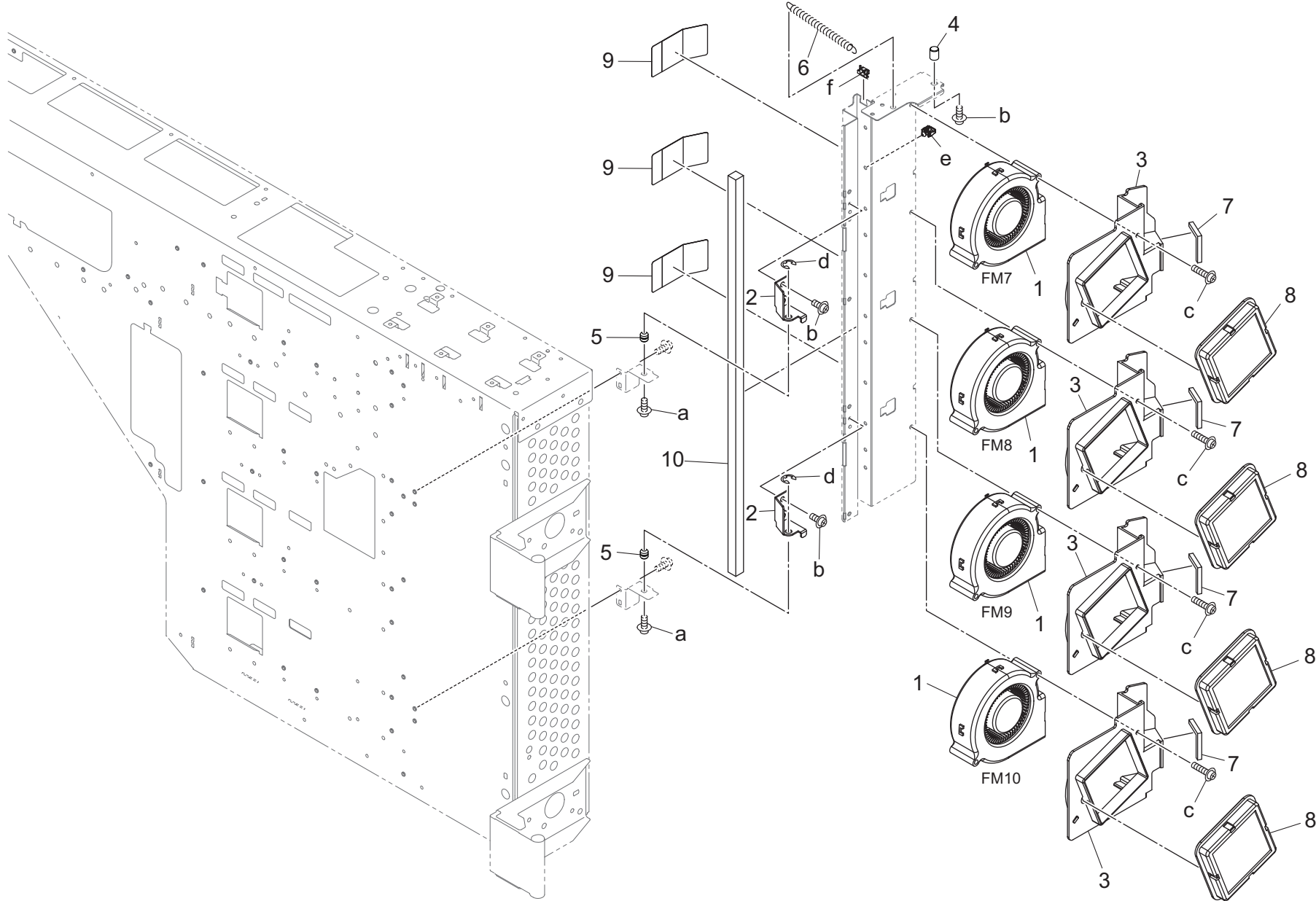
Toner Supply Section



Toner Supply Section

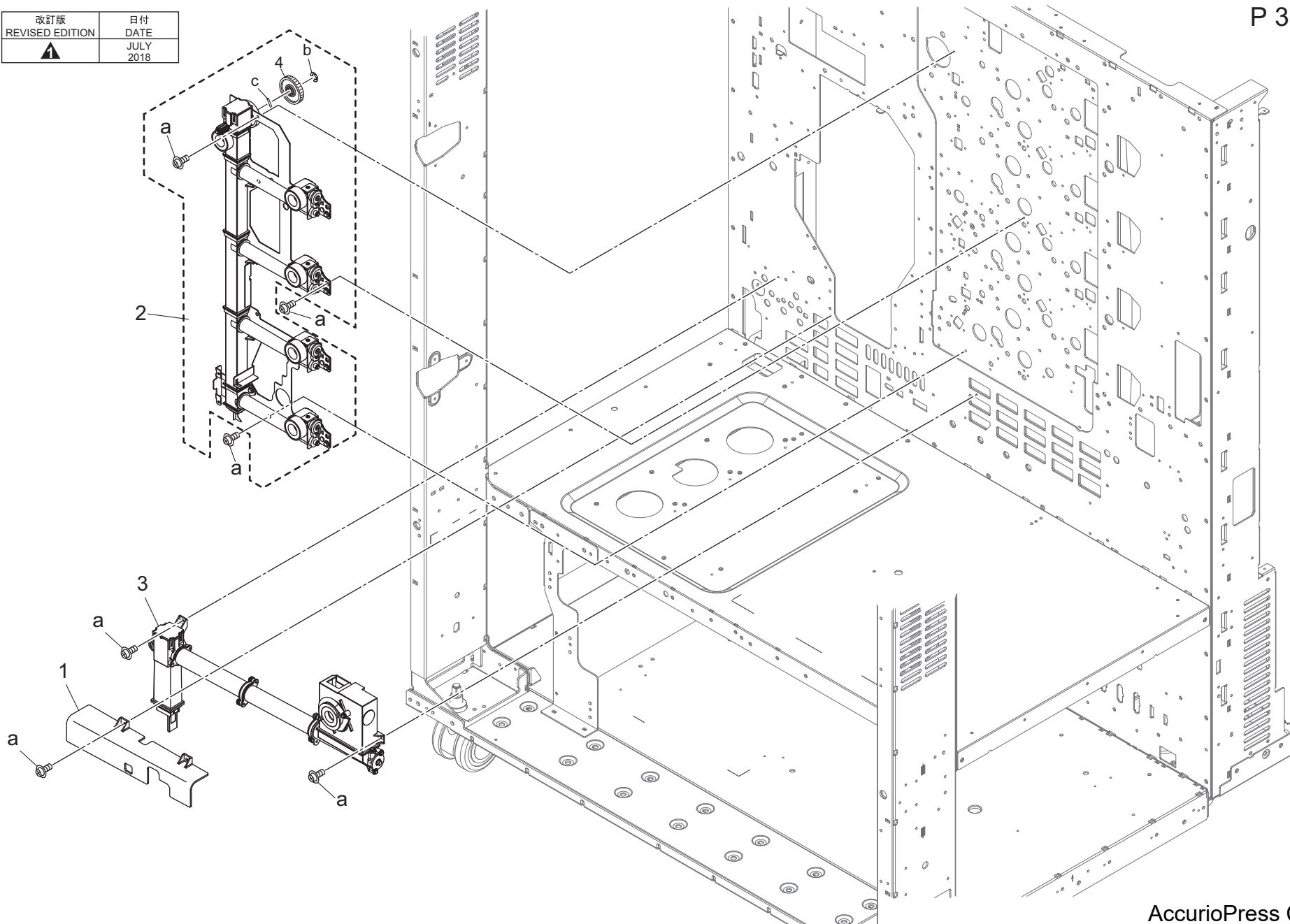


Toner Supply Section

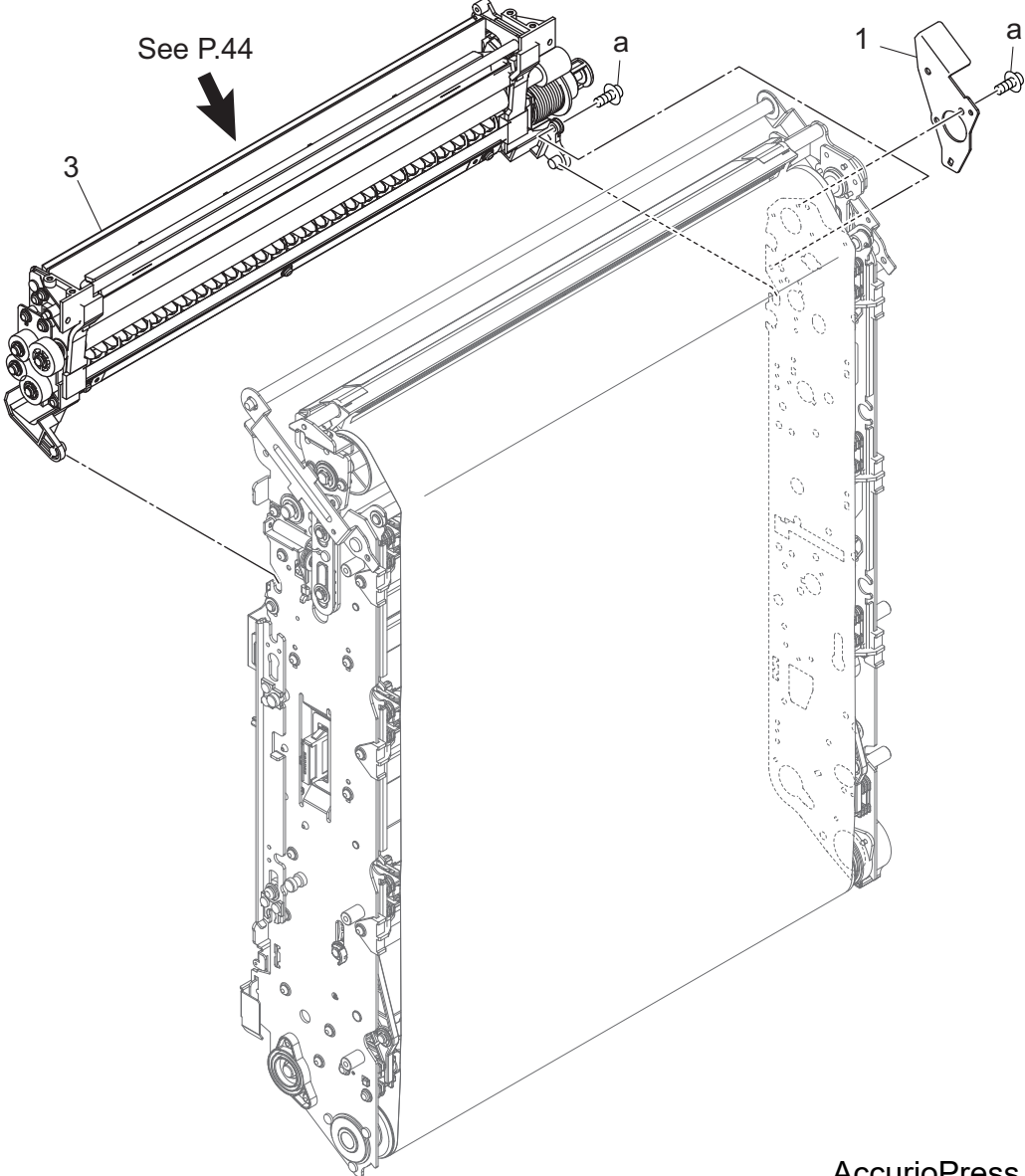
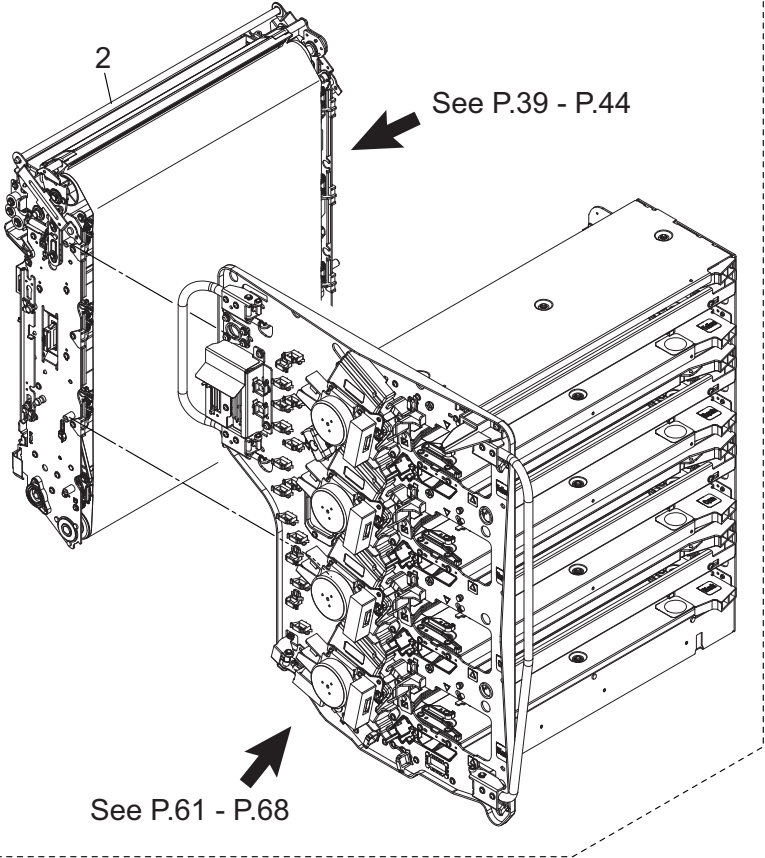


Toner Collection Section

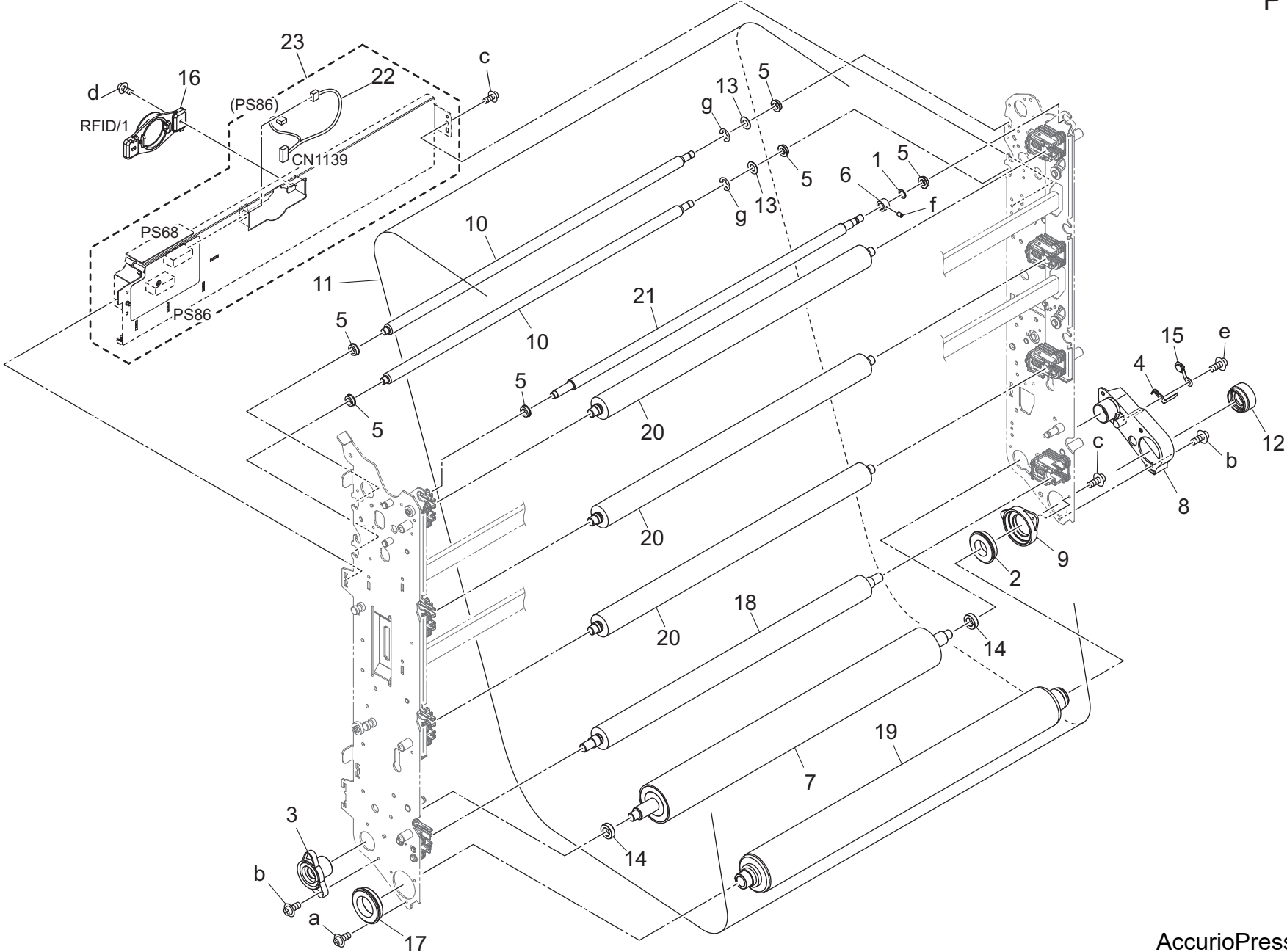
改訂版 REVISED EDITION	日付 DATE
	JULY 2018



Intermediate Transfer Section

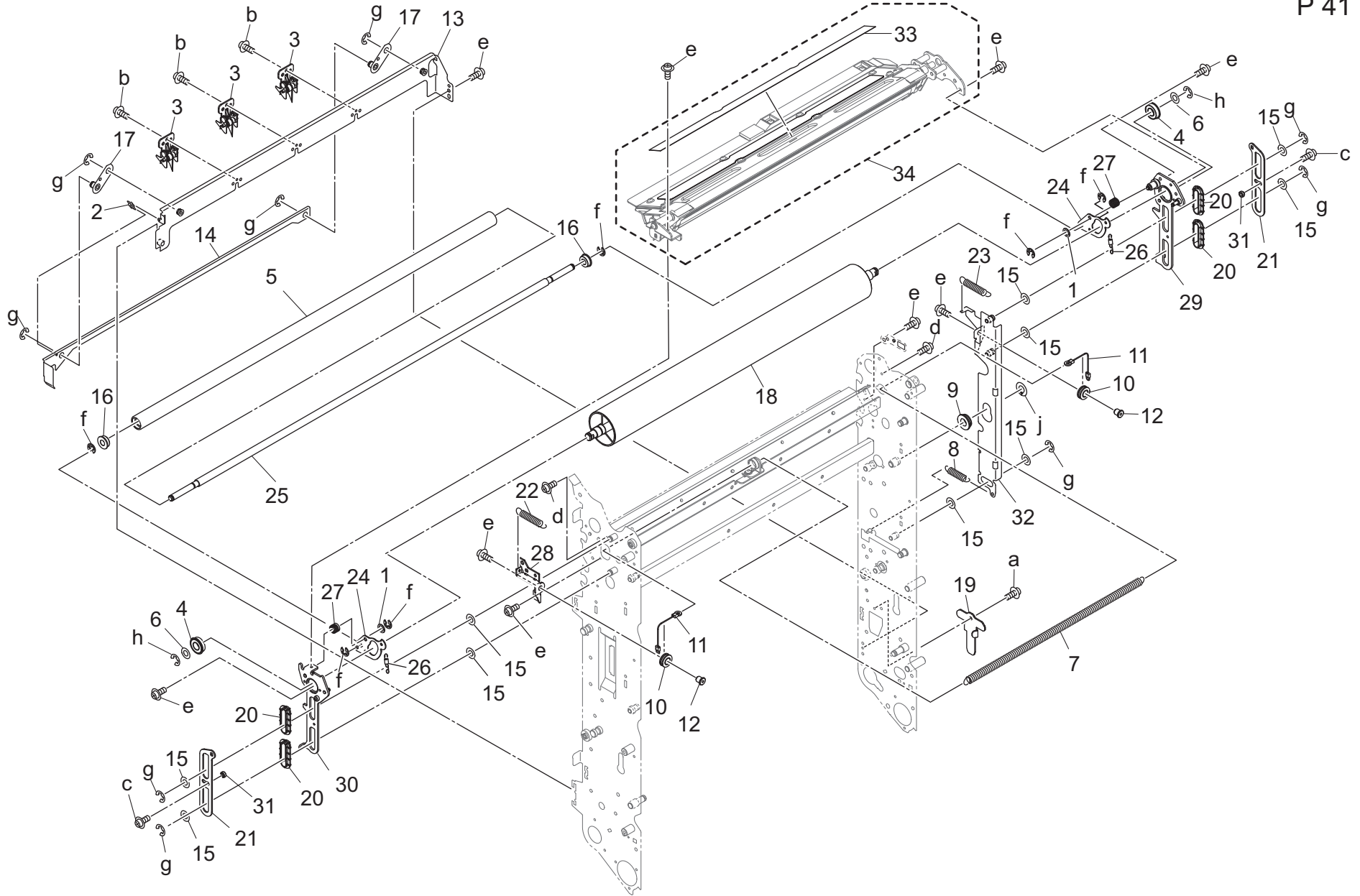


Intermediate Transfer Section



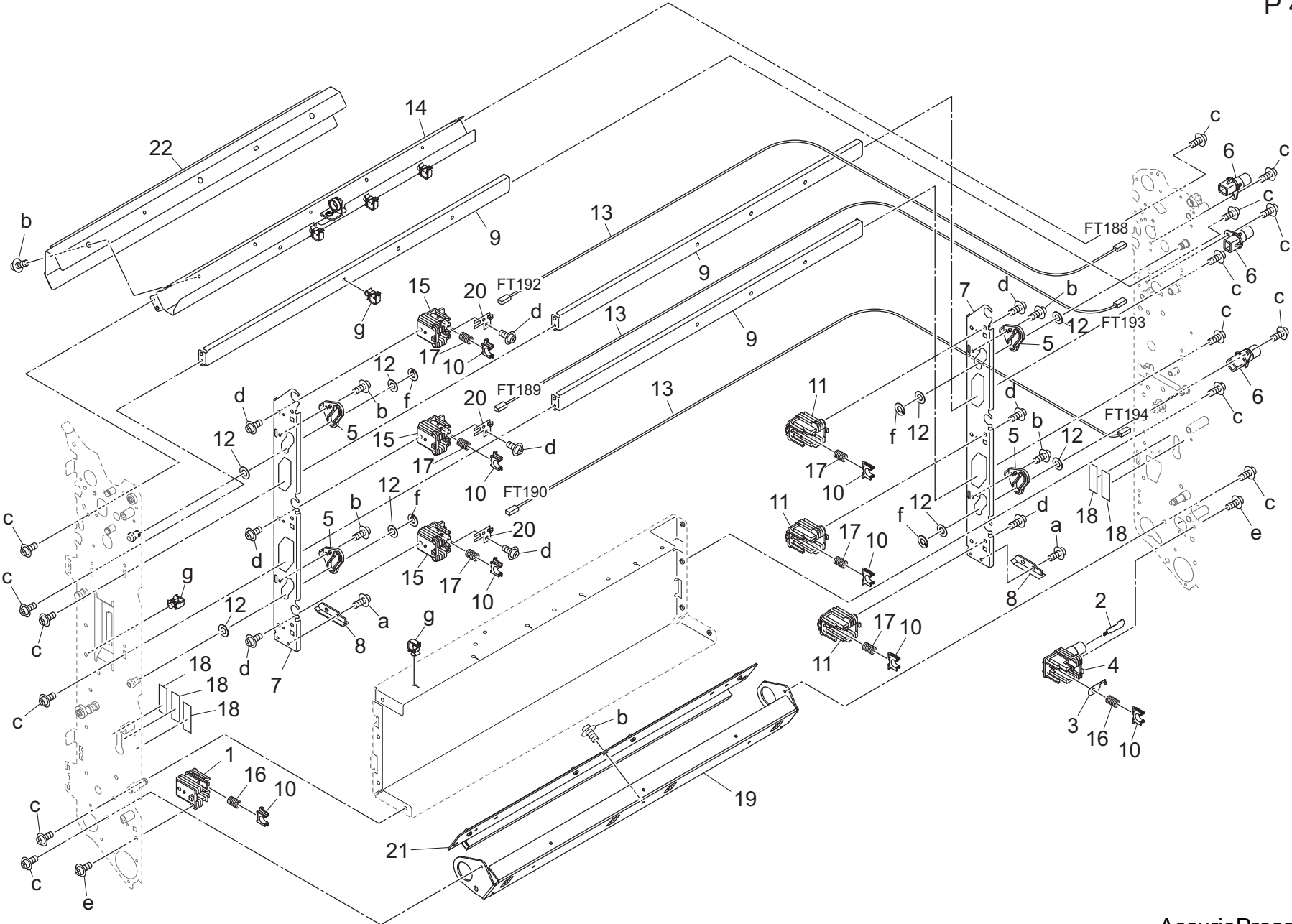
Intermediate Transfer Section

P 41

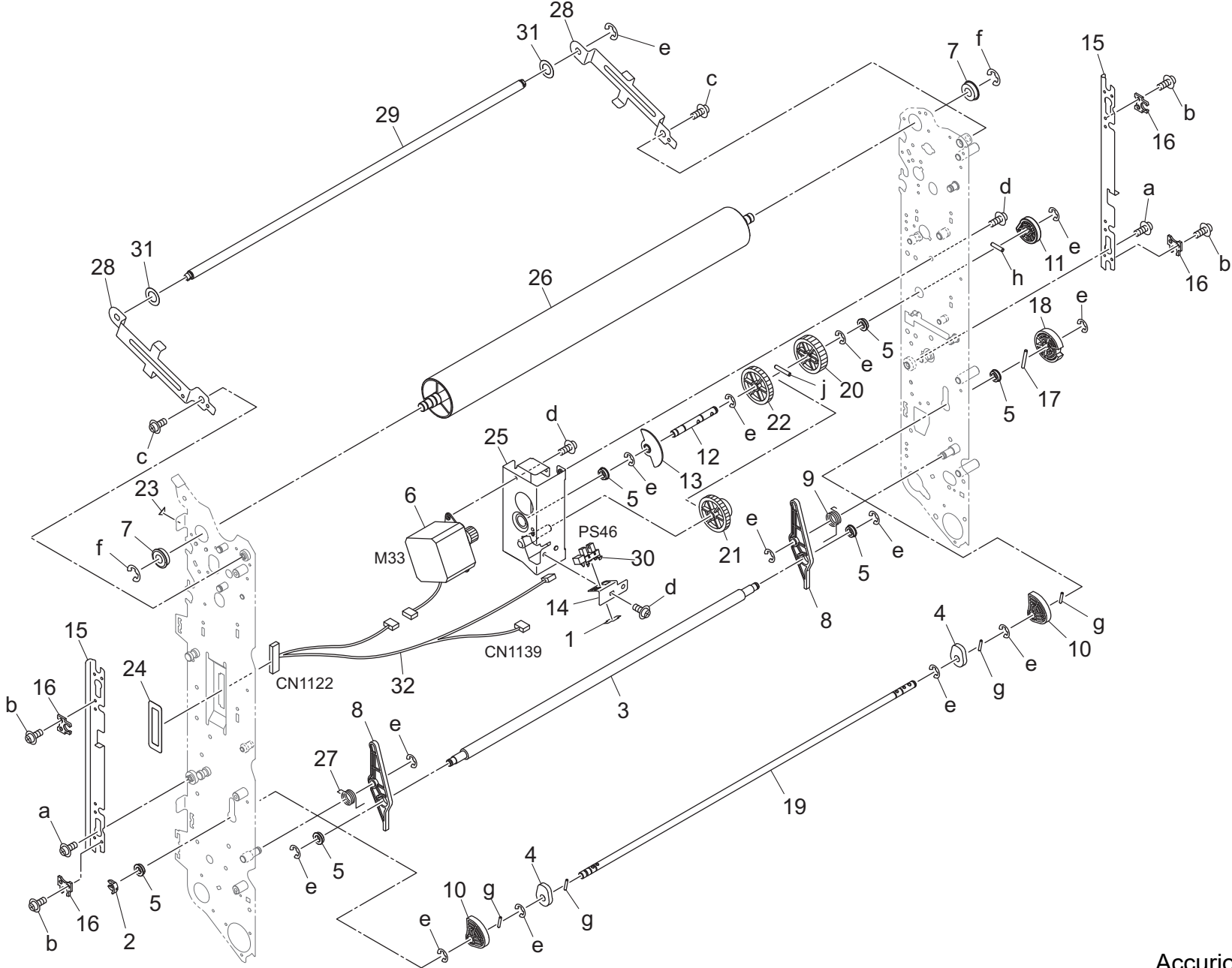


Key	Part No.	Description	Destinations	Class	QTY	Standard parts
1	26NA50920	REVERSAL SPACER		C	2	a-V116030603
2	65AA26600	Slide Spring		C	1	b-V118030403
3	65AAR75300	Separate Claw Assy		B	3	c-V118030603
4	A00V240600	Ball Bearing		B	2	d-V118031003
5	A03U513300	Roller		D	1	e-V121030603
6	A1RF502000	Slide Spacer /B		D	2	f-V217030001
7	A1RF503714	Tension Spring		D	1	g-V217040001
8	A1RF503811	Pressing Spring		D	1	h-V217060001
9	A1RF504900	Bushing		C	1	j-V223080050
10	A1RF508000	Tension Pulley		D	2	
11	A1RF508100	Pulling Wire		D	2	
12	A1RF508200	Tension Shaft		D	2	
13	A1RF513100	Positioning Plate		D	1	
14	A1RF513300	Release Plate		D	1	
15	A1RF517100	Spacer /A		D	10	
16	A1RF529400	Guide Ball bearing		C	2	
17	A1RFR7A500	Separation Release Plate Calking		D	2	
18	A5AW500800	Tension Roller		C	1	
19	A5AW502200	Rotation Jig /1		D	1	
20	A5AW507000	Bushing		D	4	
21	A5AW507200	Tension Panel /1		D	2	
22	A5AW507301	Pressing Spring		D	1	
23	A5AW507400	Pressing Spring /Rear		C	1	
24	A5AW507800	Pressing Arm		D	2	
25	A5AW507900	Support Shaft		D	1	
26	A5AW508000	Pressing Spring		C	2	
27	A5AW508100	Support Spring		C	2	
28	A5AW508400	Support Plate /2		D	1	
29	A5AW509301	Tension Arm /Rear		D	1	
30	A5AW509401	Tension Arm /Front		D	1	
31	A5AW517400	Shaft /2		D	2	
32	A5AWR72V00	Swing Arm Calking		D	1	
33	A92W518300	Scatteringprevention Sheet /3		D	1	
34	A92WR70C00	Auxiliary Cleaner Assy		B	1	

Intermediate Transfer Section

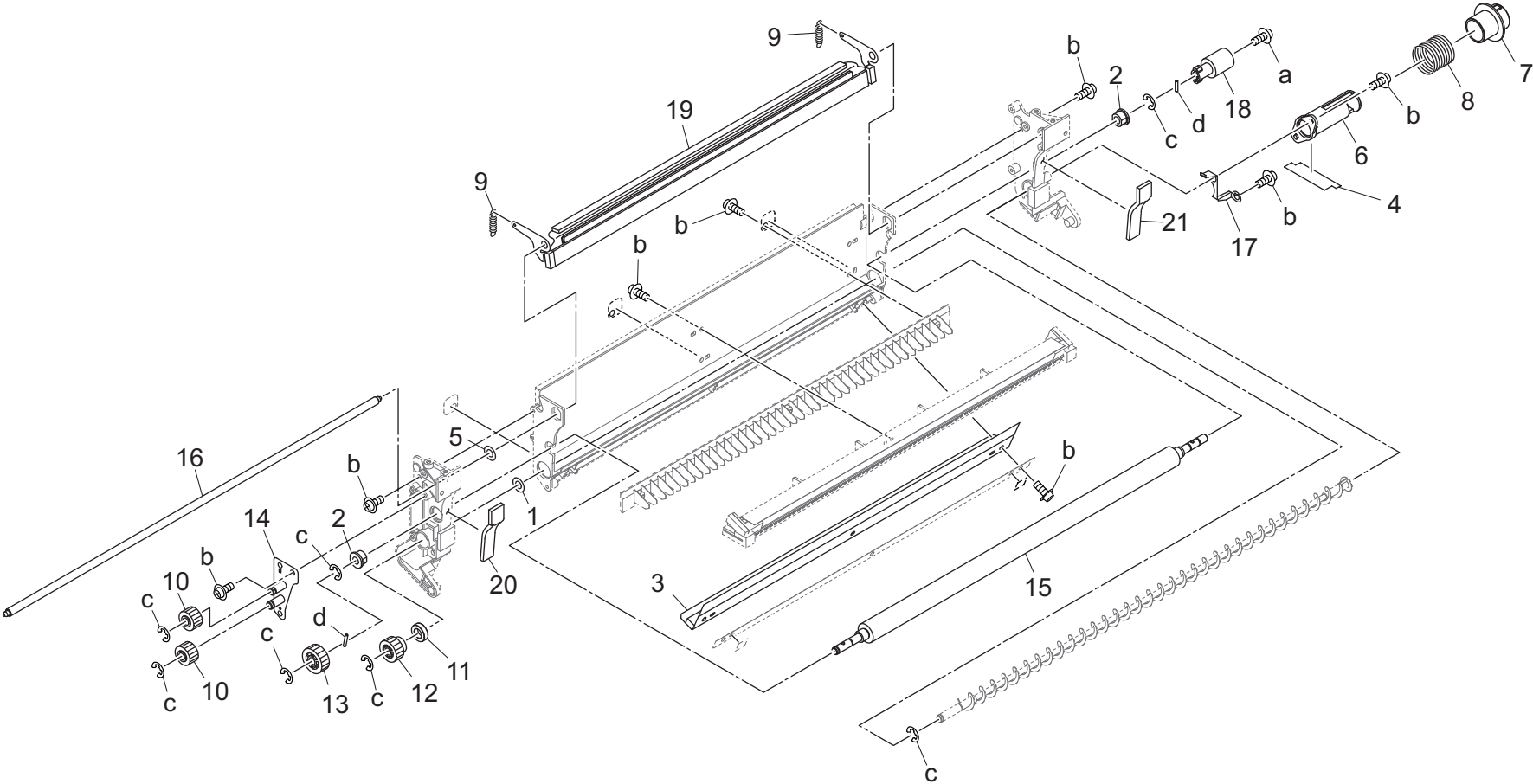


Intermediate Transfer Section



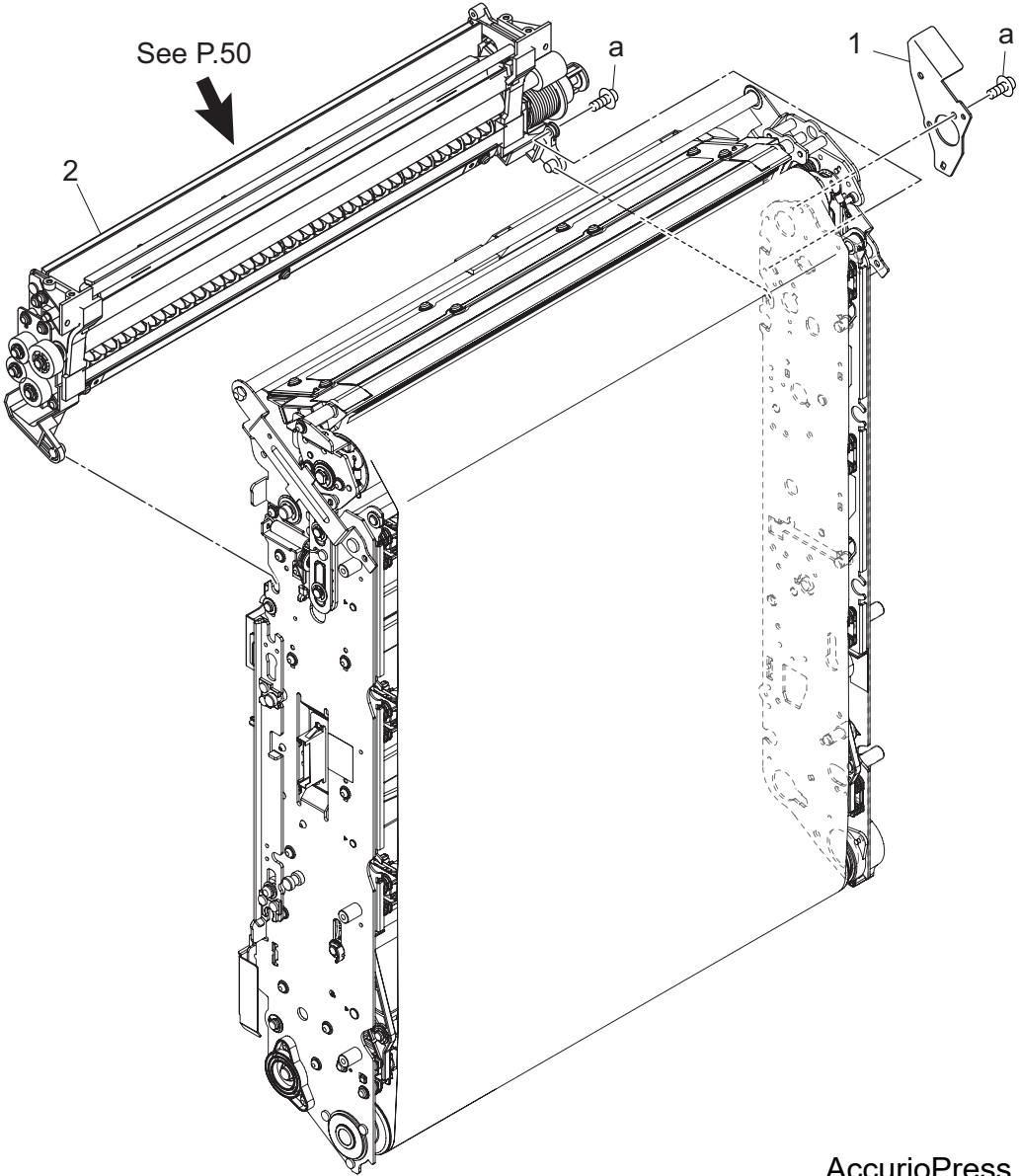
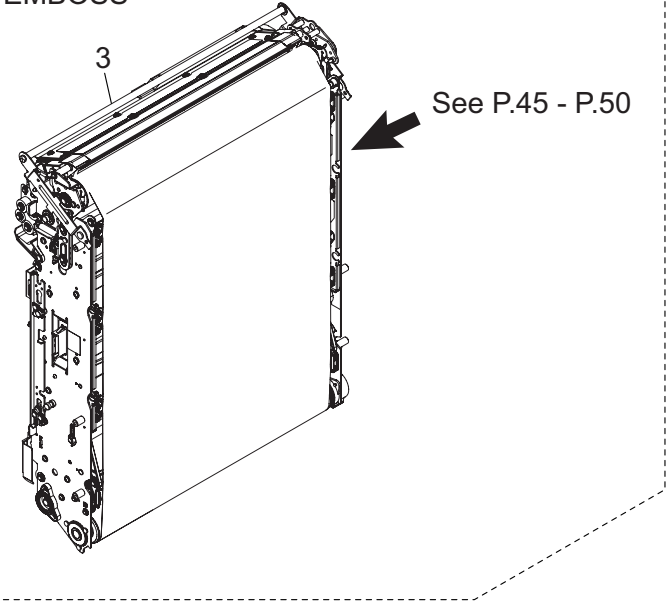
Key	Part No.	Description	Destinations	Class	QTY	Standard parts
1	4470402401	Stopper		D	1	a-V116040803
2	56AA40490	Shaft Stopper /4	軸 ストップバ/4	C	1	b-V118030403
3	65AA26141F	Transfer Pressure Roller /K	転写圧着ローラ/K	C	1	c-V118040603
4	65AA26750	TRANSFER RELEASE CAM K	転写解除カム K	C	2	d-V121030603
5	A00J617800	Ball Bearing	ボールベアリング	B	6	e-V217040001
6	A00TM10000	Stepping motor	ステッピングモータ	B	1	f-V217060001
7	A00V240600	Ball Bearing	ボールベアリング	B	2	g-V234201250
8	A5AW501000	Release Arm /Black	解除アーム/黒	D	2	h-V234301450
9	A1RF501200	Pressing Spring /Rear	押圧ばね/奥	D	1	j-V234301850
10	A1RF502400	Transfer Release Cam /C	転写解除カム/C	D	2	
11	A1RF504101	Swing Cam	揺動カム	D	1	
12	A1RF504201	Drive Shaft /S	駆動軸/S	D	1	
13	A1RF504403	Index Plate /S	インデックスプレート/S	D	1	
14	A1RF504500	Stay	センサステー	D	1	
15	A1RF505002	Support Leg	支持脚	D	2	
16	A1RF505300	Lock Claw	ロック爪	D	4	
17	A1RF507700	Pin /Z	ピン/Z	D	1	
18	A1RF507800	Transfer Driving Coupling /Front	転写駆動カップリング/前	D	1	
19	A1RF507900	Pressure Shaft	圧着軸	D	1	
20	A1RF509600	Drive Gear /2 40T	駆動ギア/2 40T	C	1	
21	A1RF509700	Idling Gear /2 20/40T	アイドルギア/2 20/40T	C	1	
22	A1RF509800	Idling Gear /1 20/44T	アイドルギア/1 20/44T	C	1	
23	A1RF945101	Replacement Label /1	交換ラベル/1 (ORU)	D	1	
24	A1RF945701	Replacement Label /7	交換ラベル/7 (ORU)	D	1	
25	A1RFR7G700	Drive Unit Panel Calking	駆動パネルカシメ	D	1	
26	A5AW500600	Driven Roller	従動ローラー	C	1	
27	A5AW501100	Pressing Spring /Front	押圧ばね/前	D	1	
28	A5AW504601	Lifting Arm	持ち上げアーム	D	2	
29	A5AW505900	Handle	取手	D	1	
30	A85CM55600	Photo Sensor	フォトセンサ	C	1	
31	A92W945300	Replacement Label /3	交換ラベル/3 (ORU)	D	2	
32	A92WN15500	Transfer Wiring /4	転写束線/4	D	1	

Intermediate Transfer Section



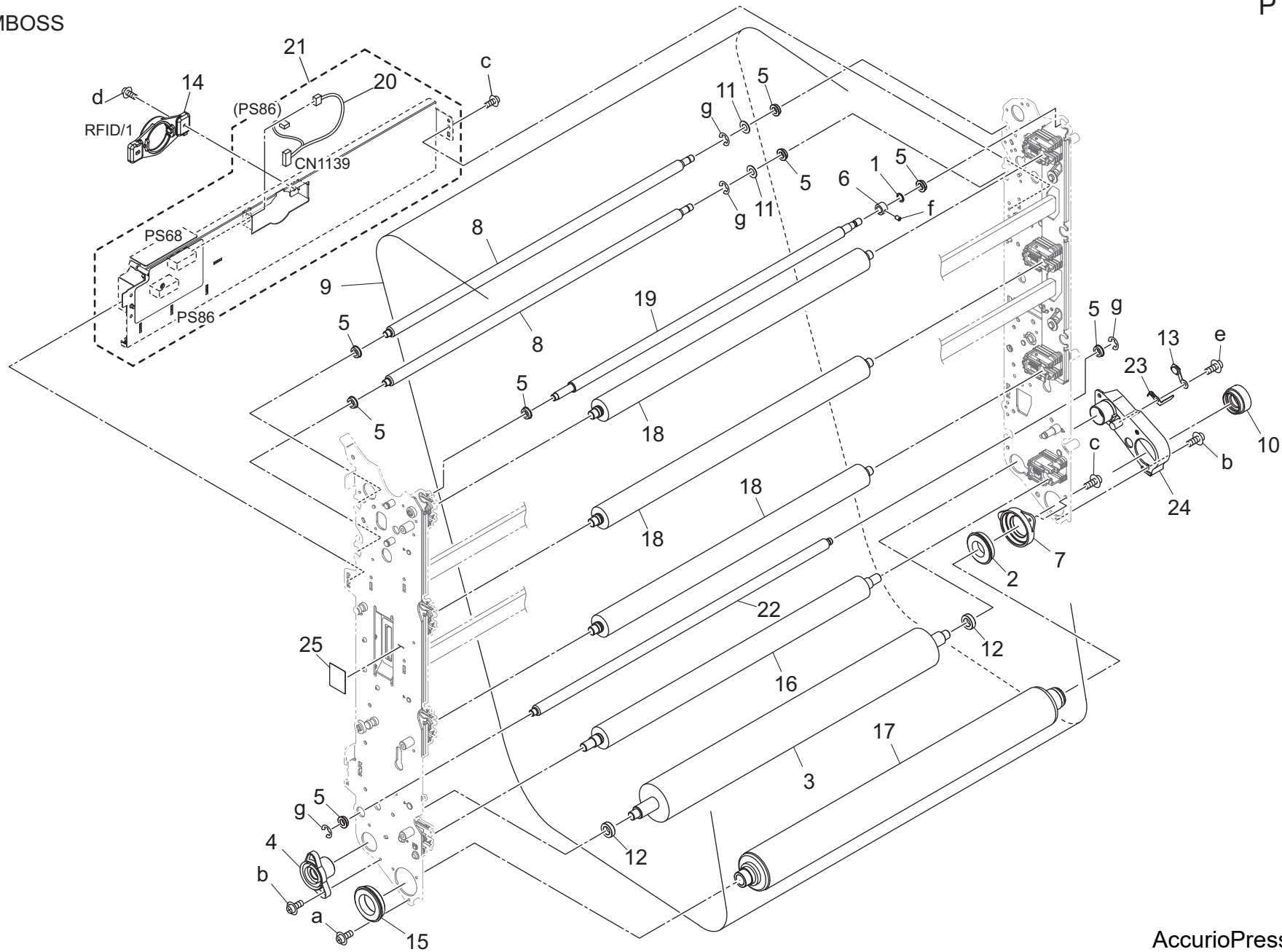
Intermediate Transfer Section (Emboss)

EMBOSS



Intermediate Transfer Section (Emboss)

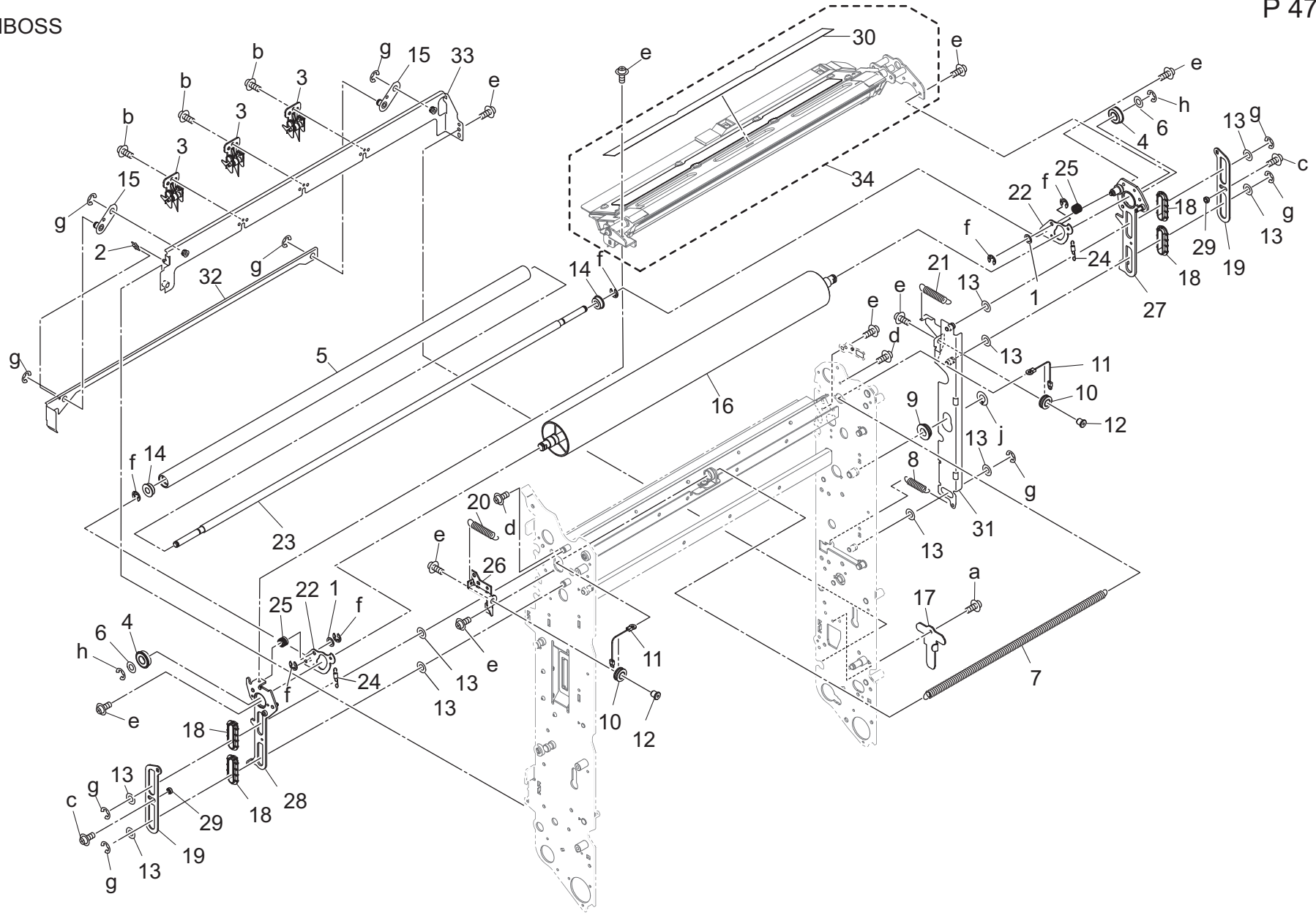
EMBOSS



Intermediate Transfer Section (Emboss)

P 47

EMBOSS

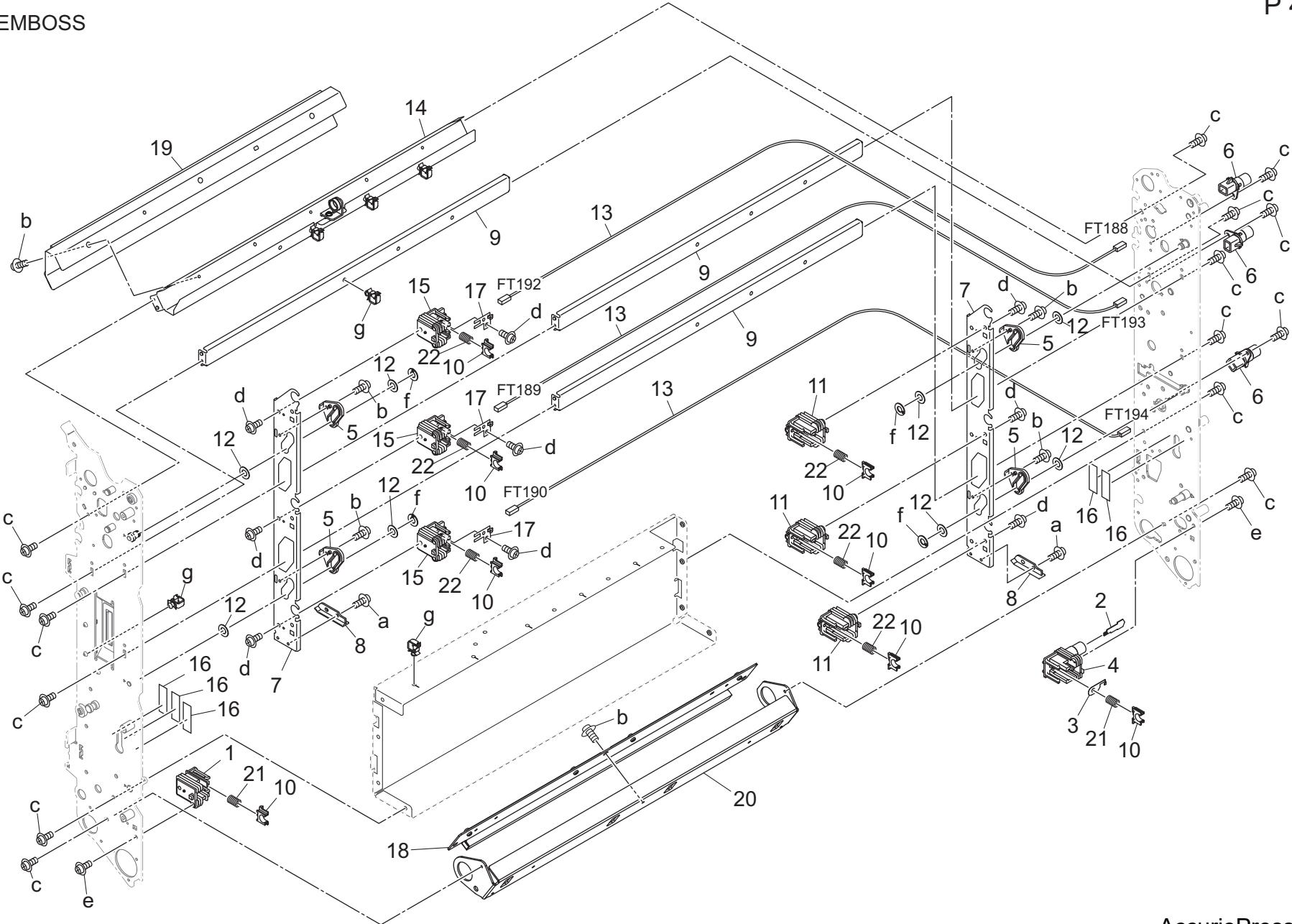


Intermediate Transfer Section (Emboss)

Key	Part No.	Description	Destinations	Class	QTY	Standard parts
1	26NA50920	REVERSAL SPACER		C	2	a-V116030603
2	65AA26600	Slide Spring		C	1	b-V118030403
3	65AAR75300	Separate Claw Assy		B	3	c-V118030603
4	A00V240600	Ball Bearing		B	2	d-V118031003
5	A03U513300	Roller		D	1	e-V121030603
6	A1RF502000	Slide Spacer /B		D	2	f-V217030001
7	A1RF503714	Tension Spring		D	1	g-V217040001
8	A1RF503811	Pressing Spring		D	1	h-V217060001
9	A1RF504900	Bushing		C	1	j-V223080050
10	A1RF508000	Tension Pulley		D	2	
11	A1RF508100	Pulling Wire		D	2	
12	A1RF508200	Tension Shaft		D	2	
13	A1RF517100	Spacer /A		D	10	
14	A1RF529400	Guide Ball bearing		C	2	
15	A1RFR7A500	Separation Release Plate Calking		D	2	
16	A5AW500800	Tension Roller		C	1	
17	A5AW502200	Rotation Jig /1		D	1	
18	A5AW507000	Bushing		D	4	
19	A5AW507200	Tension Panel /1		D	2	
20	A5AW507301	Pressing Spring		D	1	
21	A5AW507400	Pressing Spring /Rear		C	1	
22	A5AW507800	Pressing Arm		D	2	
23	A5AW507900	Support Shaft		D	1	
24	A5AW508000	Pressing Spring		C	2	
25	A5AW508100	Support Spring		C	2	
26	A5AW508400	Support Plate /2		D	1	
27	A5AW509301	Tension Arm /Rear		D	1	
28	A5AW509401	Tension Arm /Front		D	1	
29	A5AW517400	Shaft /2		D	2	
30	A92W518300	Scatteringprevention Sheet /3		D	1	
31	A92WP50900	Positioning Holder		D	1	
32	A92WP51100	Release Plate		D	1	
33	A92WP51200	Positioning Plate		D	1	
34	A92WR70C00	Auxiliary Cleaner Assy		B	1	

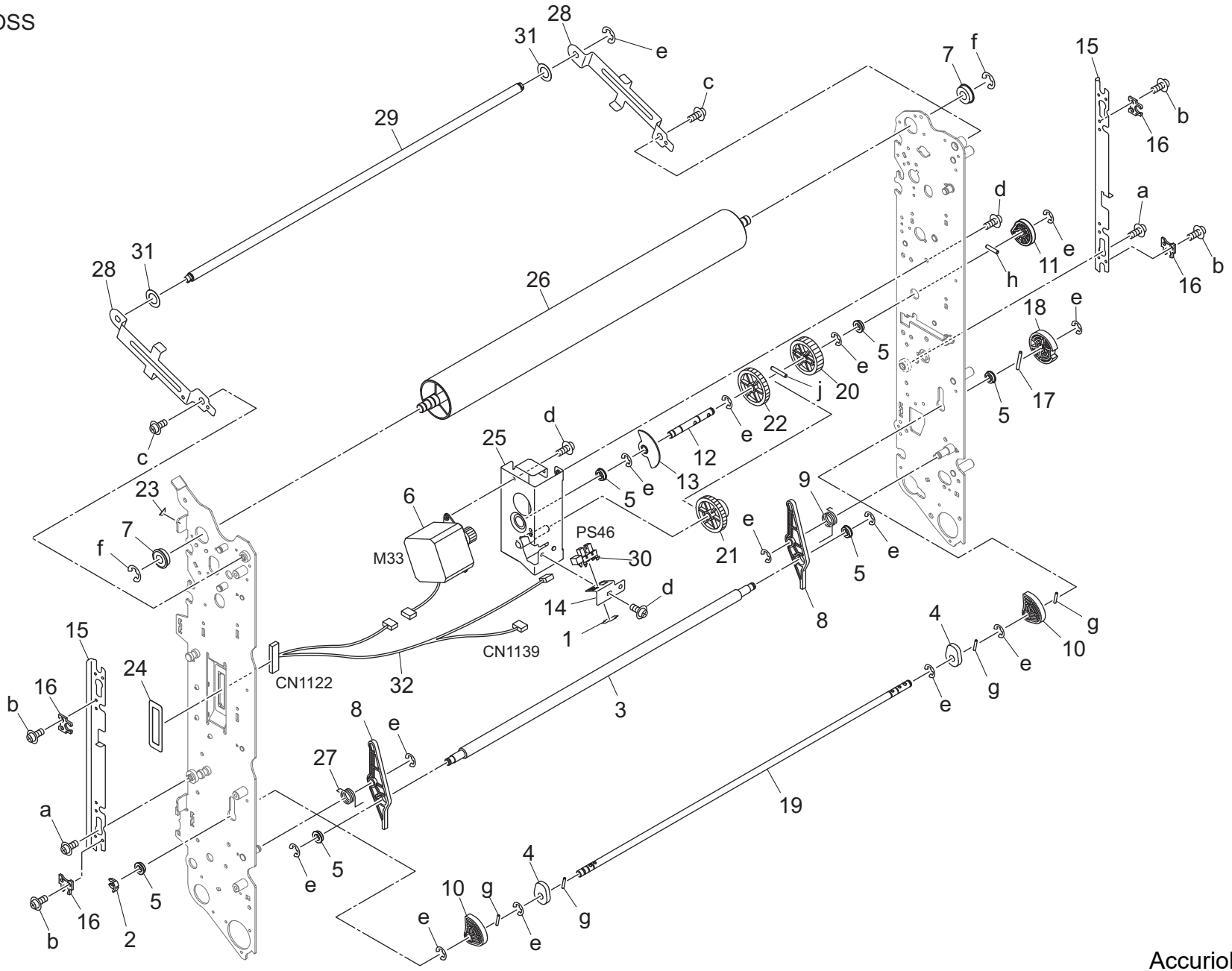
Intermediate Transfer Section (Emboss)

EMBOSS



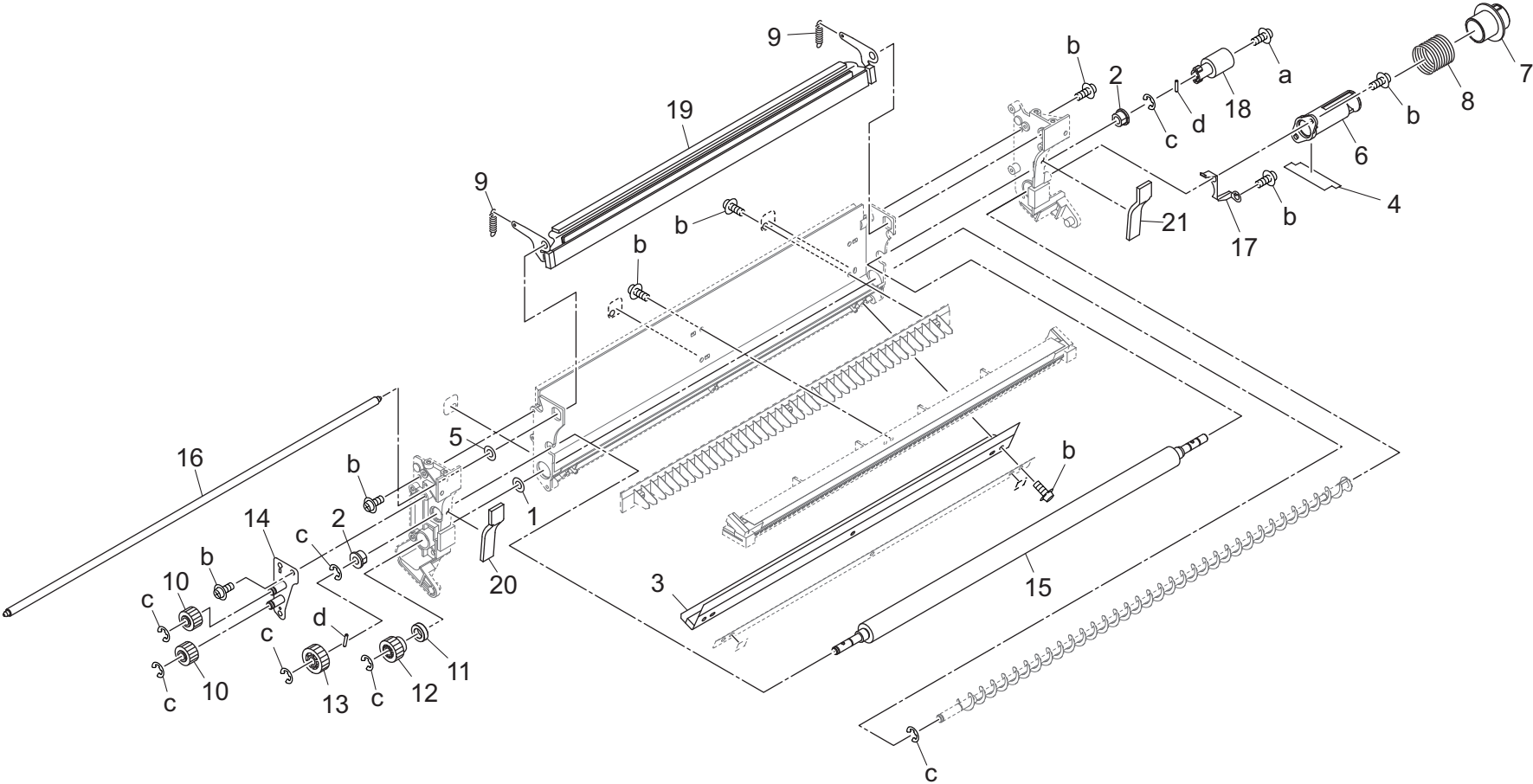
Intermediate Transfer Section (Emboss)

EMBOSS

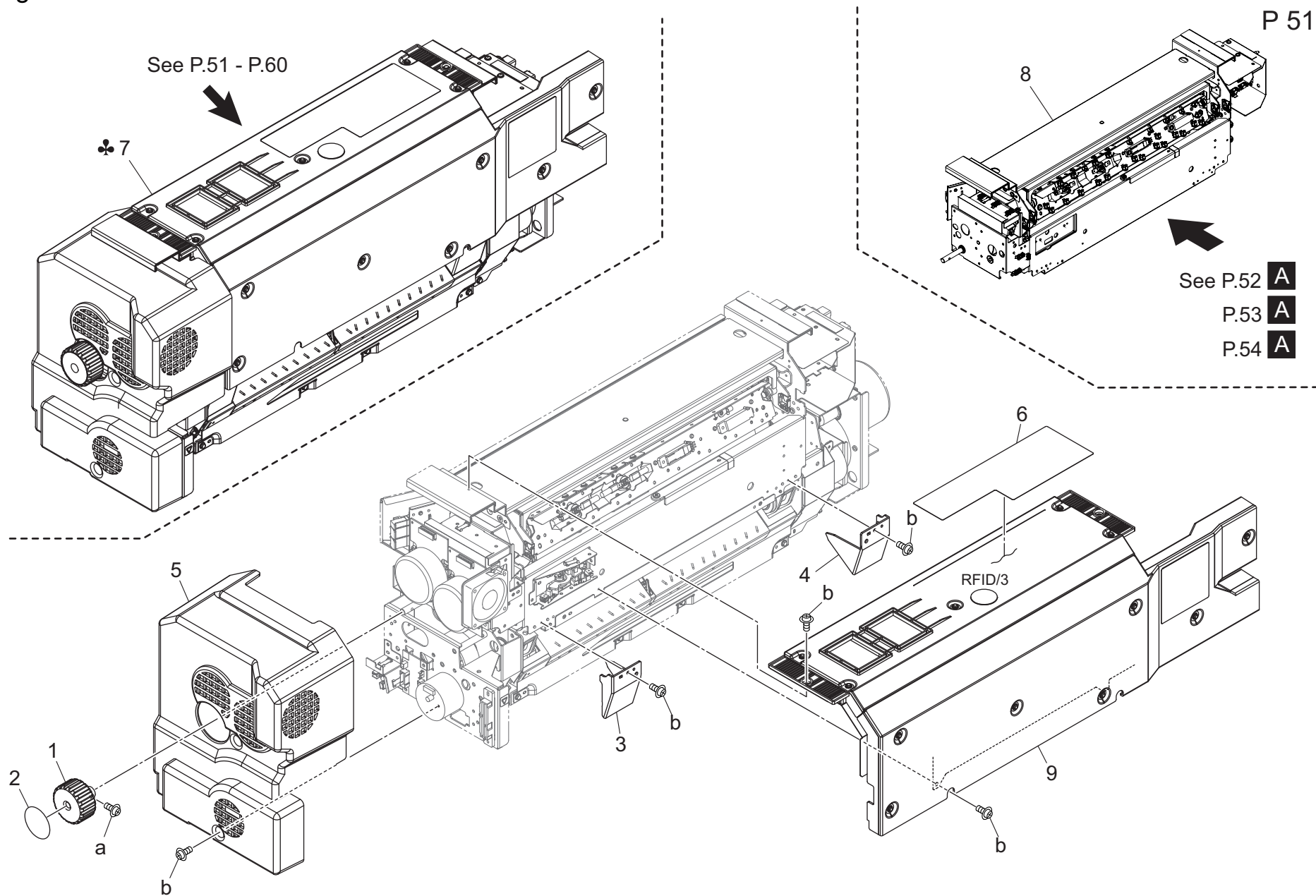


Intermediate Transfer Section (Emboss)

EMBOSS



Fusing Section

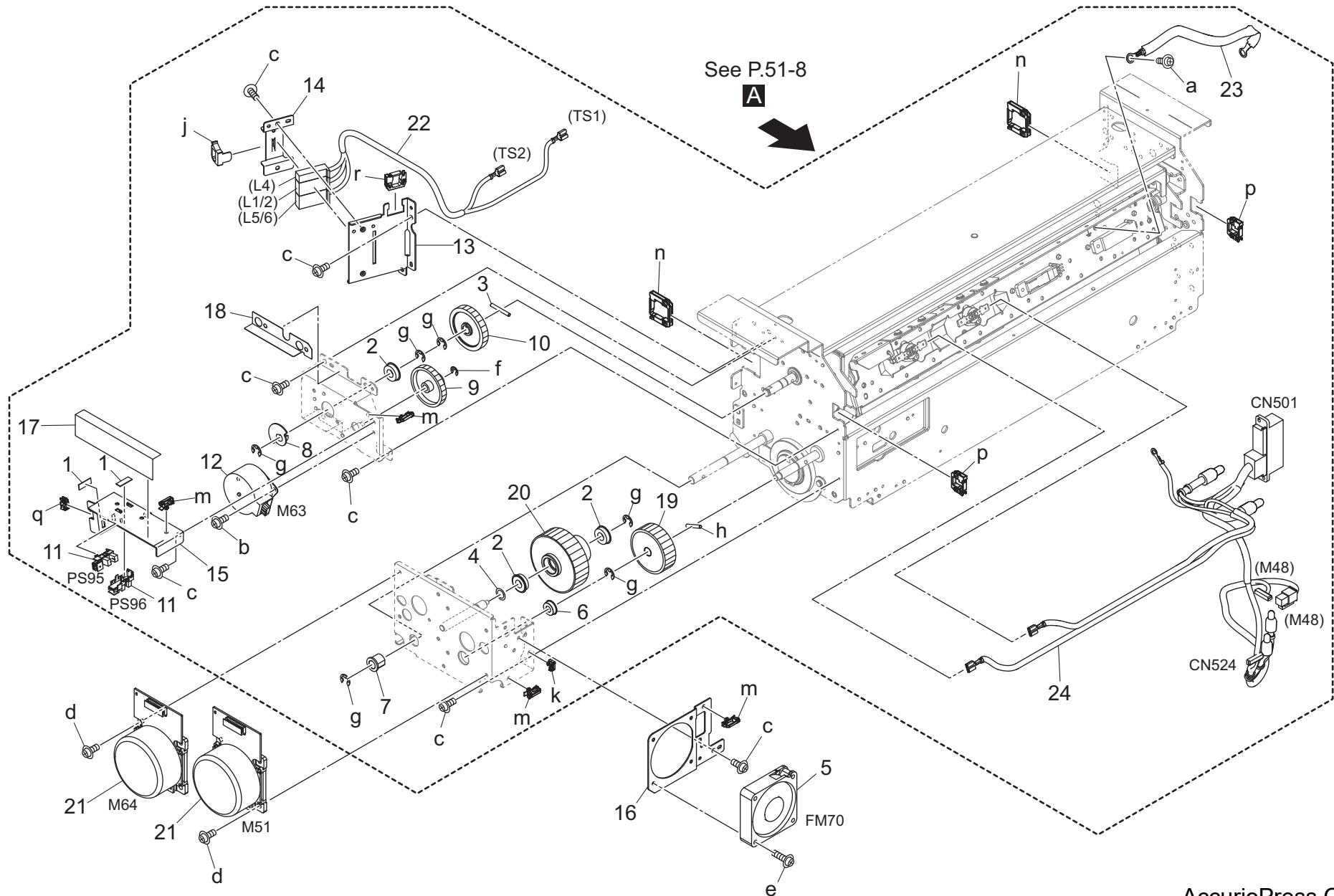


AccurioPress C6100

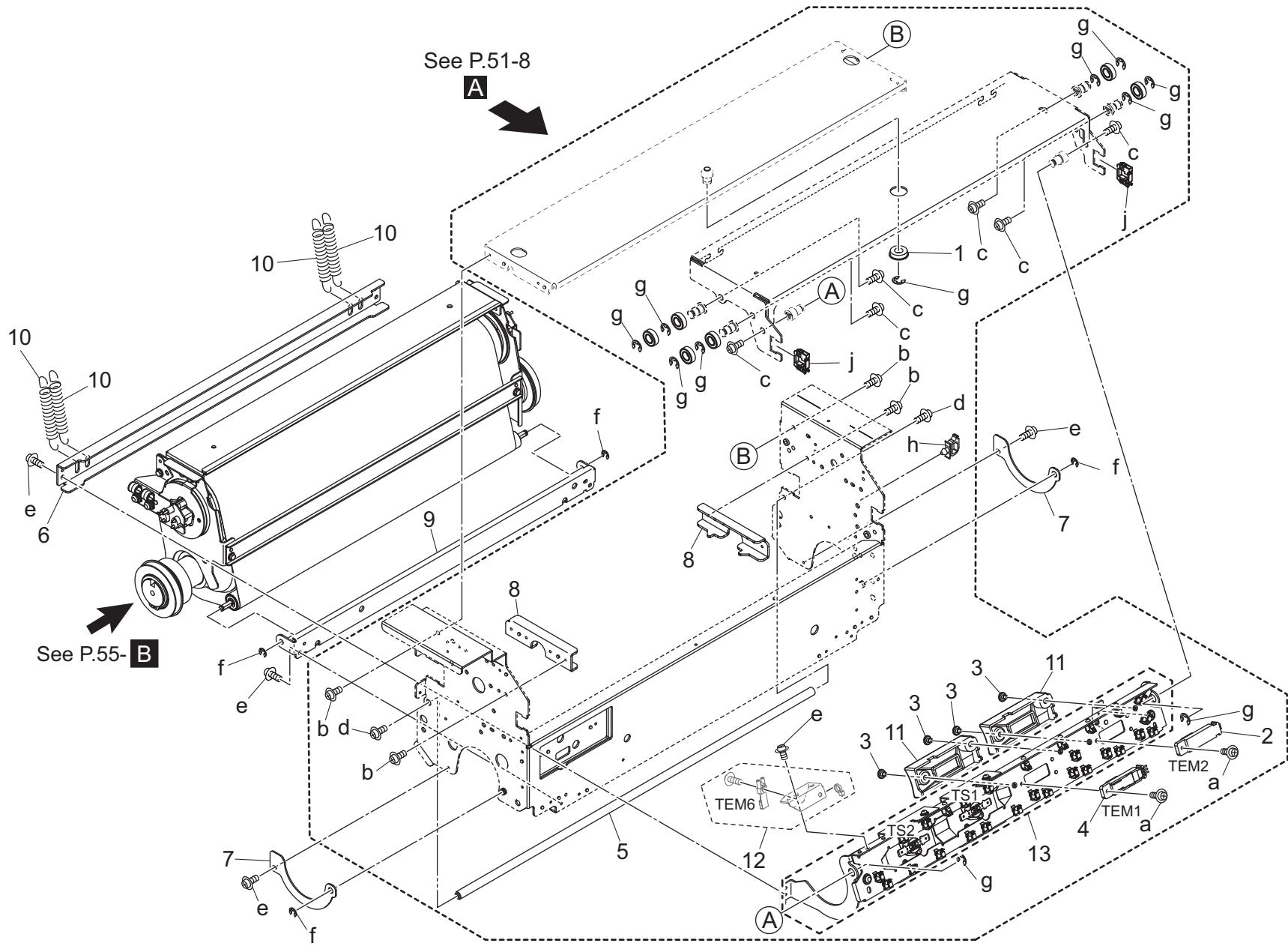
Fusing Section

Key	Part No.	Description	Destinations	Class	QTY	Standard parts
1	20AL48470G	Jam Release Knob		C	1	a-V116041203 b-V182030603
2	A1RF943400	Release Label /4		D	1	
3	A5AW729501	Fusing Cover /Front		D	1	
4	A5AW729601	Fusing Cover /Rear		D	1	
5	A5AW736401	Fusing Cover		D	1	
6	A92W942400	Caution Label /4		D	1	
7	A92WR70922	Fusing Unit (200V)	A	I	1	
7	A92WR70A22	Fusing Unit (208V)	B,G2	I	1	
7	A92WR70B22	Fusing Unit (220V)	D1,D3,E,F2,G1,H,I,J ,K	I	1	
7	A92WR70B22	Fusing Unit (220V)	C	I	1	
8	A92WR71100	Fusing Main Body/Upper Assy		D	1	
9	A92WR71700	Fusing Top Plate Assy		D	1	

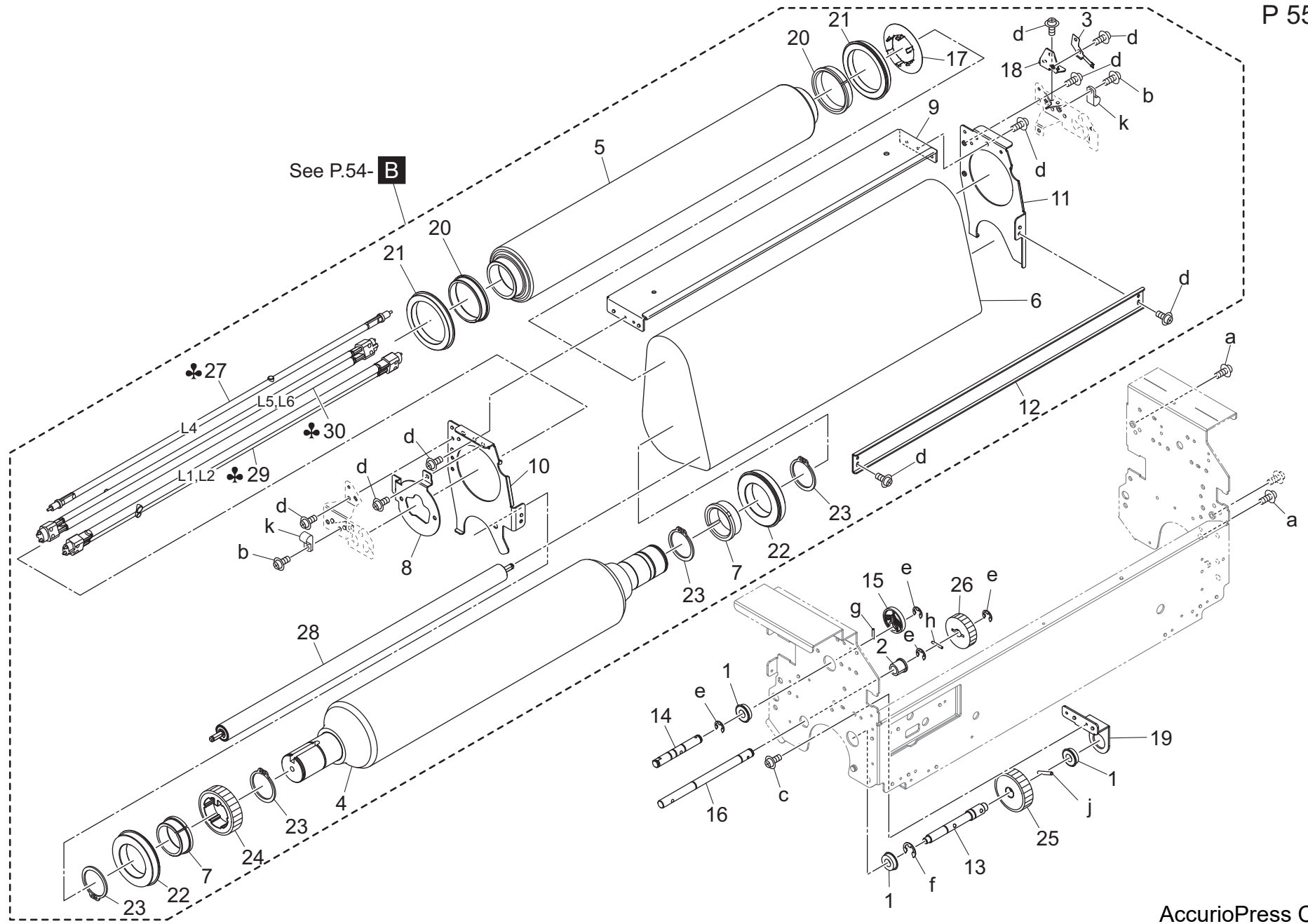
Fusing Section



Fusing Section

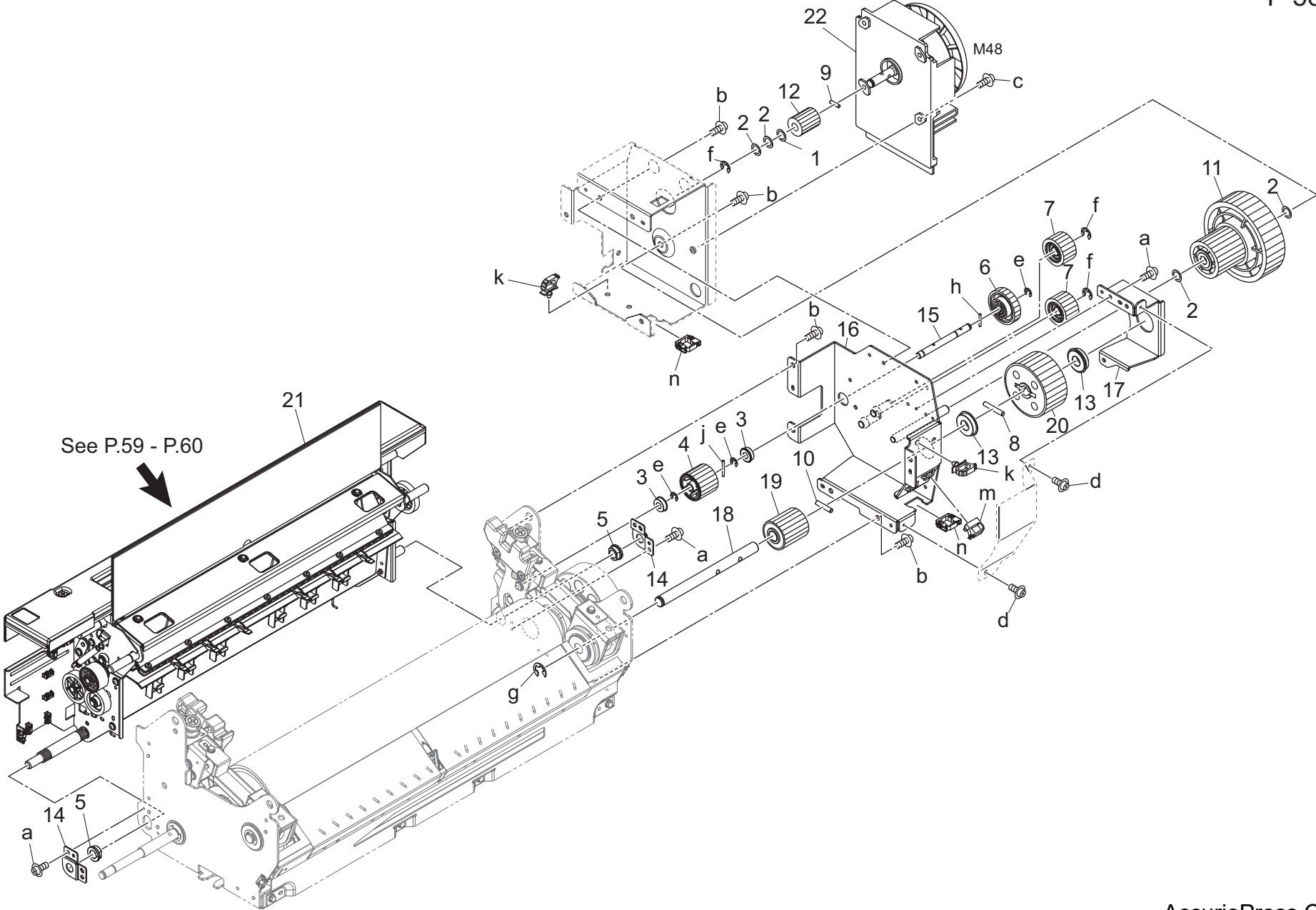


Fusing Section



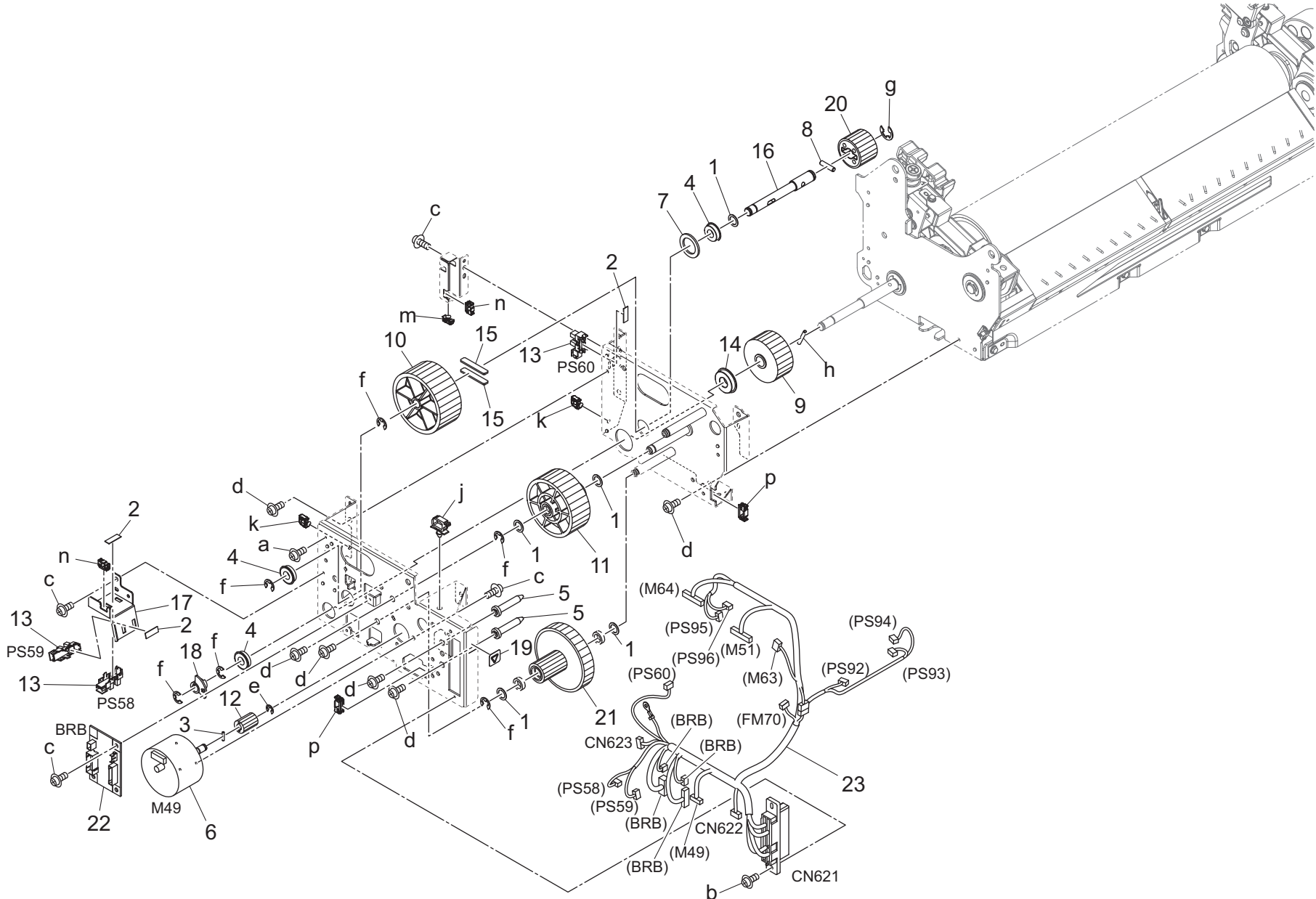
Key	Part No.	Description	Destinations	Class	QTY	Standard parts
1	4120550302	Ball Bearing		A	3	a-V116040603
2	A11P905000	Bushing /A		C	1	b-V116040803
3	A2XK742001	Contact		D	1	c-V121030603
4	A5AW720100	Upper Pressure Roller		B	1	d-V182030603
5	A5AW720200	Heating Roller		B	1	e-V217060001
6	A5AW720301	Fusing Belt		B	1	f-V217080001
7	A5AW721700	Heat Insulating Sleeve/Lw		B	2	g-V234201250
8	A5AW724800	Heat blocking Plate /1		D	1	h-V234201450
9	A5AW725201	Positioning Stay /1		D	1	j-V234302050
10	A5AW725301	Hold Plate /Front		D	1	k-V500020031
11	A5AW725400	Hold Plate /Rear		D	1	
12	A5AW725500	Positioning Stay /2		D	1	
13	A5AW726100	Drive Shaft /1		D	1	
14	A5AW726300	Release Shaft		D	1	
15	A5AW726400	Release Cam		D	1	
16	A5AW726800	Processing Shaft		D	1	
17	A5AW727500	Ground Plate		D	1	
18	A5AW727600	Mounting Plate		D	1	
19	A5AW734700	Support Plate /1		D	1	
20	A5AW744900	Heat Insulating Sleeve/1		B	2	
21	A5AW745000	Fusing Bearing/1		B	2	
22	A5AW745200	Fusing Bearing/2		B	2	
23	A5AW789800	Mounting Ring		D	4	
24	A5AW808100	Fusing Gear /A 45T		C	1	
25	A5AW808200	Idling Gear /3 39T		C	1	
26	A5AW808500	Processing Gear 31T		C	1	
27	A5AWM34A00	Fusing Heater Lamp/4 (200V)	A	B	1	
27	A5AWM34E00	Fusing Heater Lamp/4 (208V)	B,G2	B	1	
27	A5AWM34F00	Fusing Heater Lamp/4 (220V)	C,D1,D3,E,F2,G1,H,I ,J,K	B	1	
28	A5AWR70E11	Fusing Inlet Roller Assy		B	1	
29	A92WM31A00	Fixing Heater /1 (200V)	A	B	1	
29	A92WM31E00	Fixing Heater /1 (208V)	B,G2	B	1	
29	A92WM31F00	Fixing Heater /1 (220V)	C,D1,D3,E,F2,G1,H,I ,J,K	B	1	
30	A92WM35A00	Fixing Heater /5 (200V)	A	B	1	
30	A92WM35E00	Fixing Heater /5 (208V)	B,G2	B	1	
30	A92WM35F00	Fixing Heater /5 (220V)	C,D1,D3,E,F2,G1,H,I ,J,K	B	1	

Fusing Section




Fusing Section

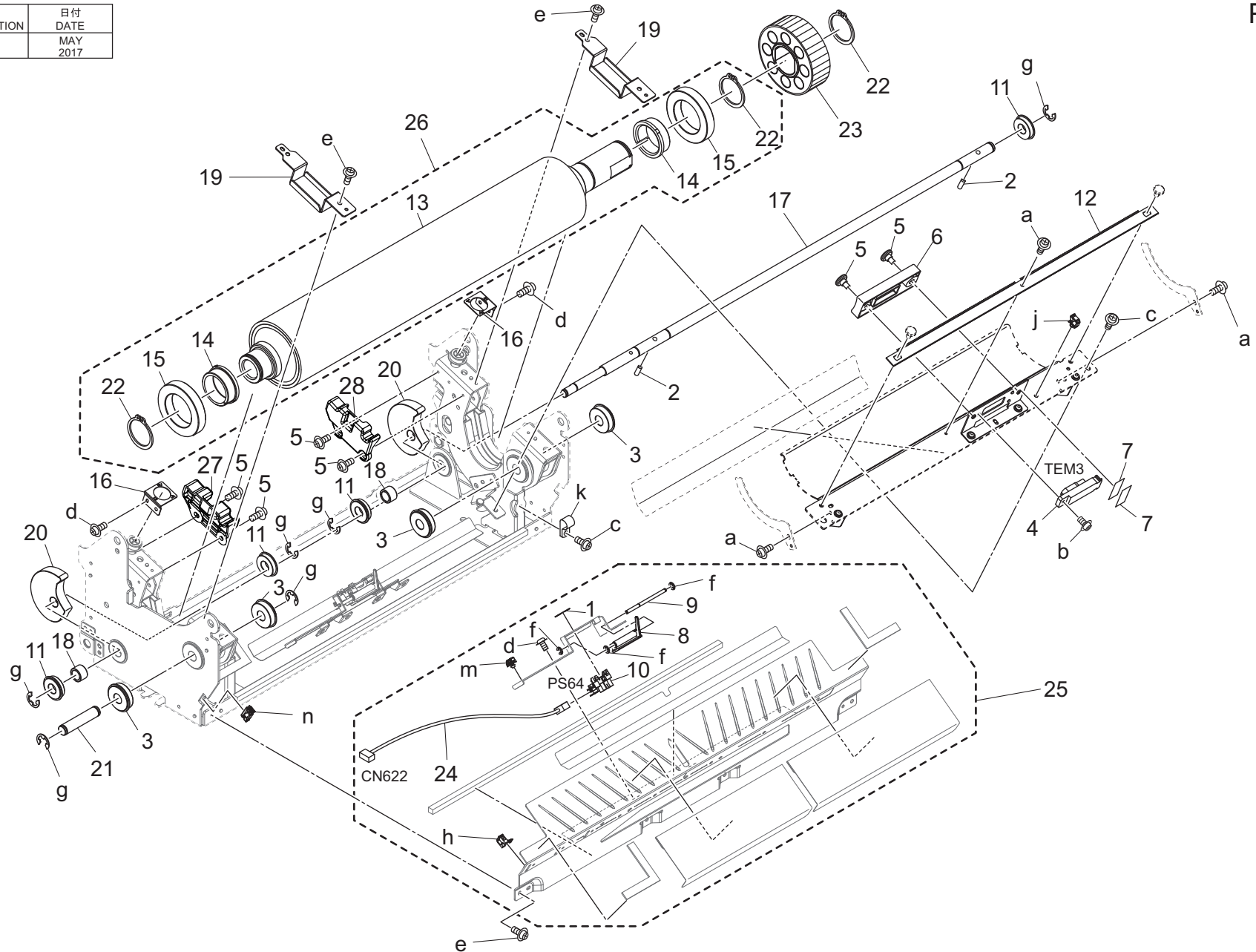
P 57



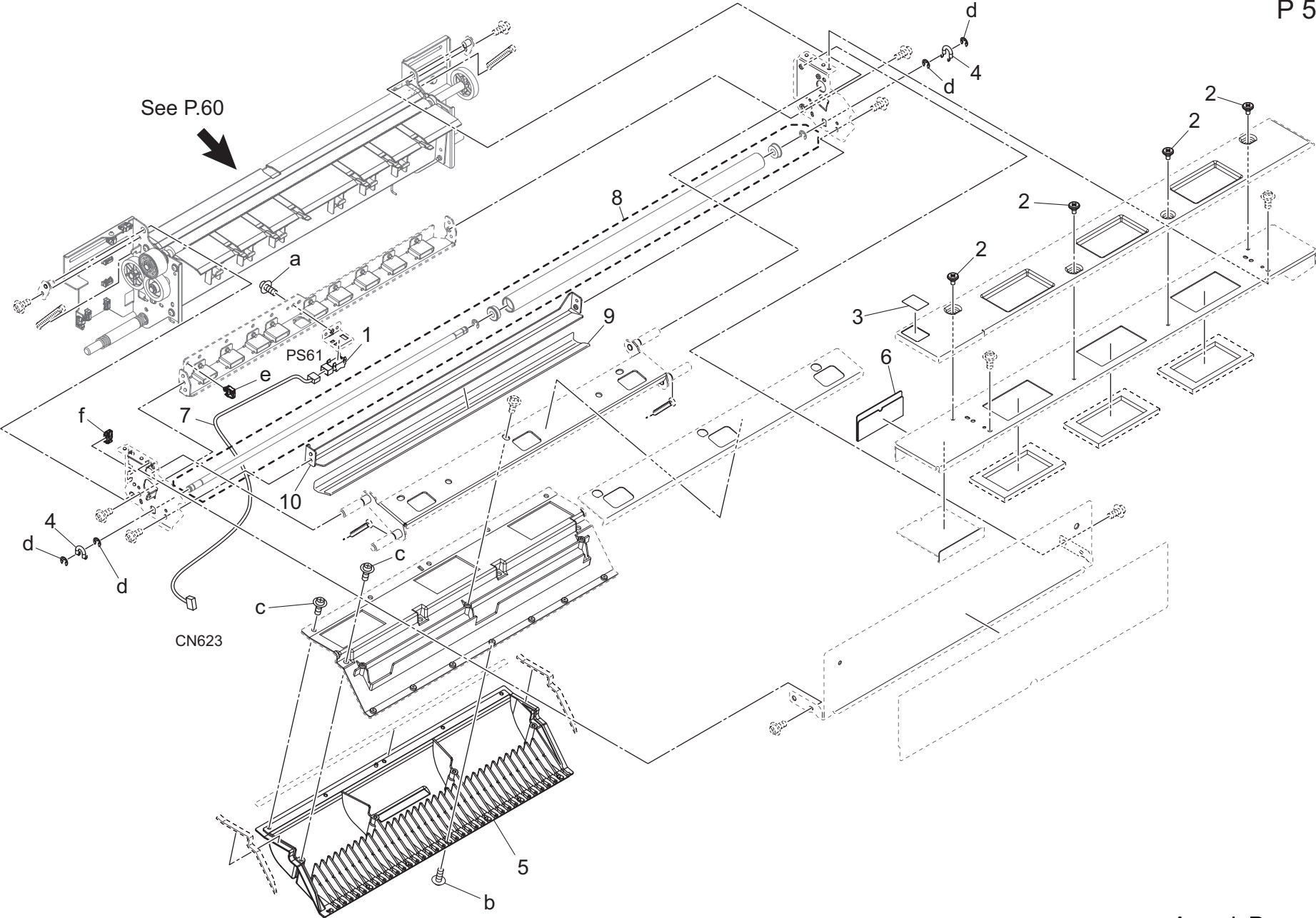
AccurioPress C6100

Fusing Section

改訂版 REVISED EDITION	日付 DATE
	MAY 2017



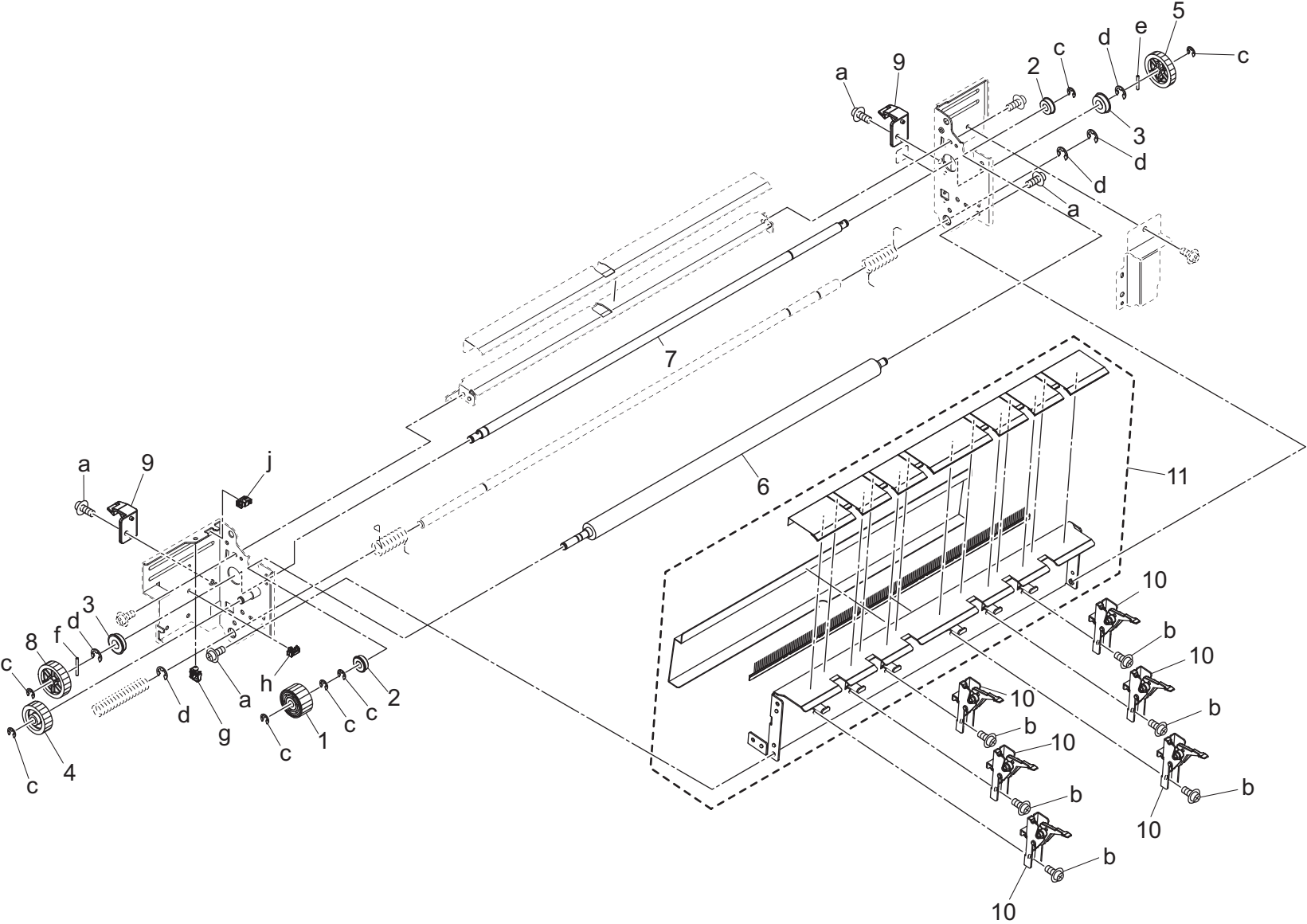
Fusing Section



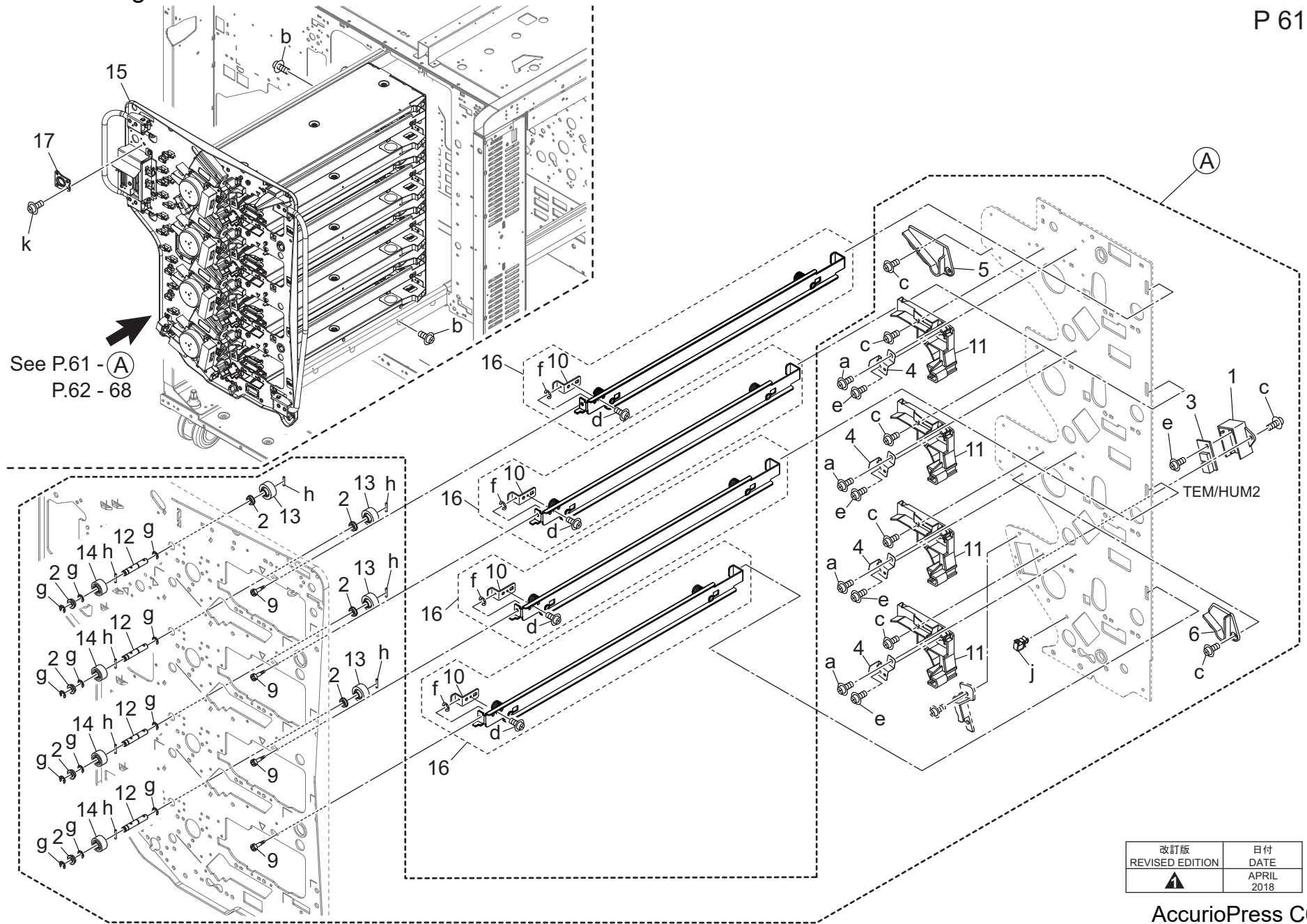
Fusing Section

Key	Part No.	Description	Destinations	Class	QTY	Standard parts
1	A03TM50000	Photoreflector		I	1	a-V121030603 b-V149020804 c-V153030803 d-V217040001 e-V500020098 f-V570010056
2	A03U734500	Support Screw /A		C	4	
3	A1RF943600	Release Label /6		D	1	
4	A5AW761700	Paper exit Spring		D	2	
5	A5AW762501	Separating Duct /1		D	1	
6	A5AW781000	Insulating Sheet /1		D	1	
7	A5AWN24000	Fixing Drive harness /3		D	1	
8	A5AWR72600	Fusing Paper Exit Roller Assy/Up		B	1	
9	A5AW781501	Protection Sheet /3		D	1	
10	A5AW760501	Paper exit Plate /1		D	1	

Fusing Section



Process Carriage Section

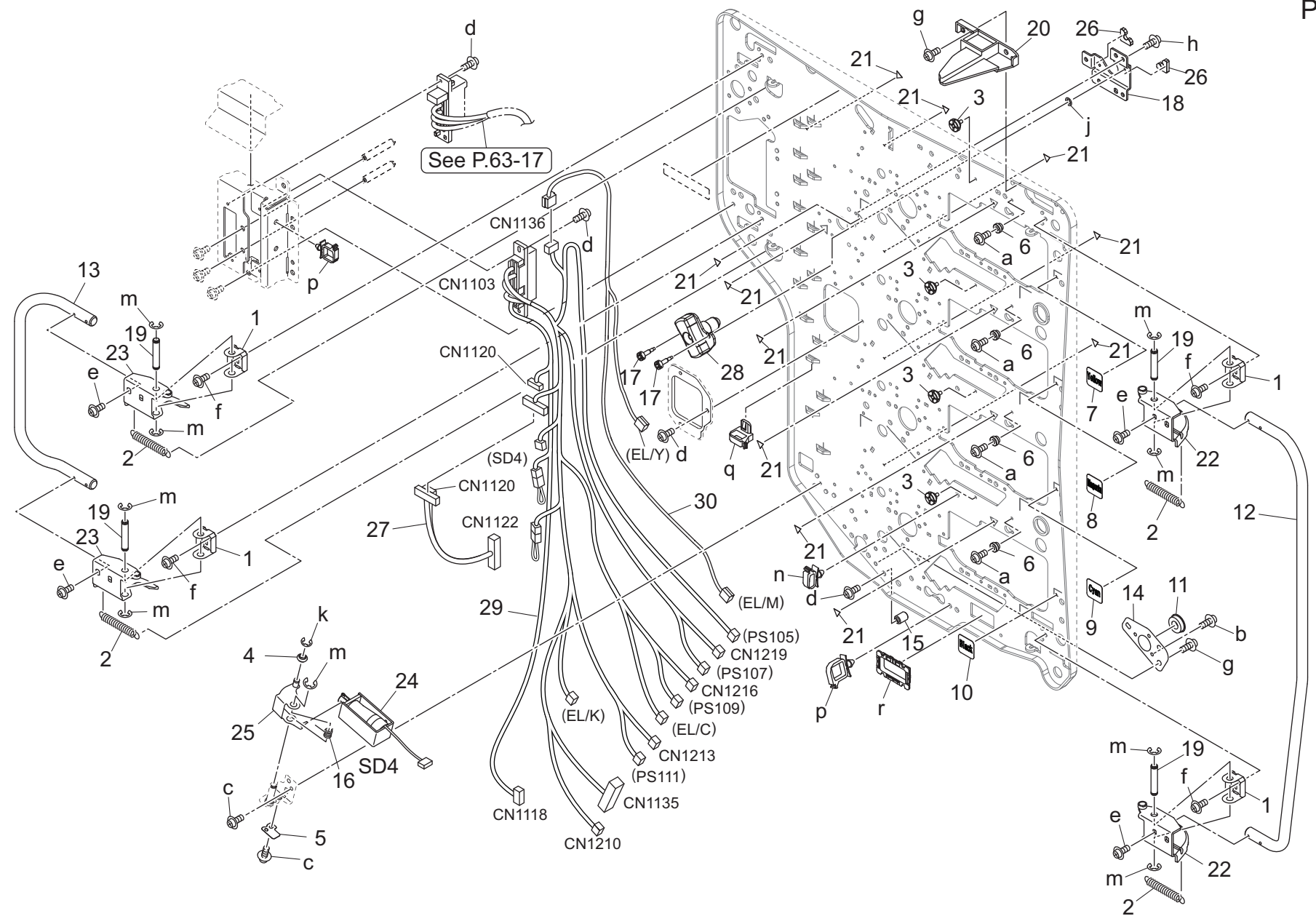


See P.61 - (A)
P.62 - 68

改訂版 REVISED EDITION	日付 DATE
	APRIL 2018

AccurioPress C6100

Process Carriage Section

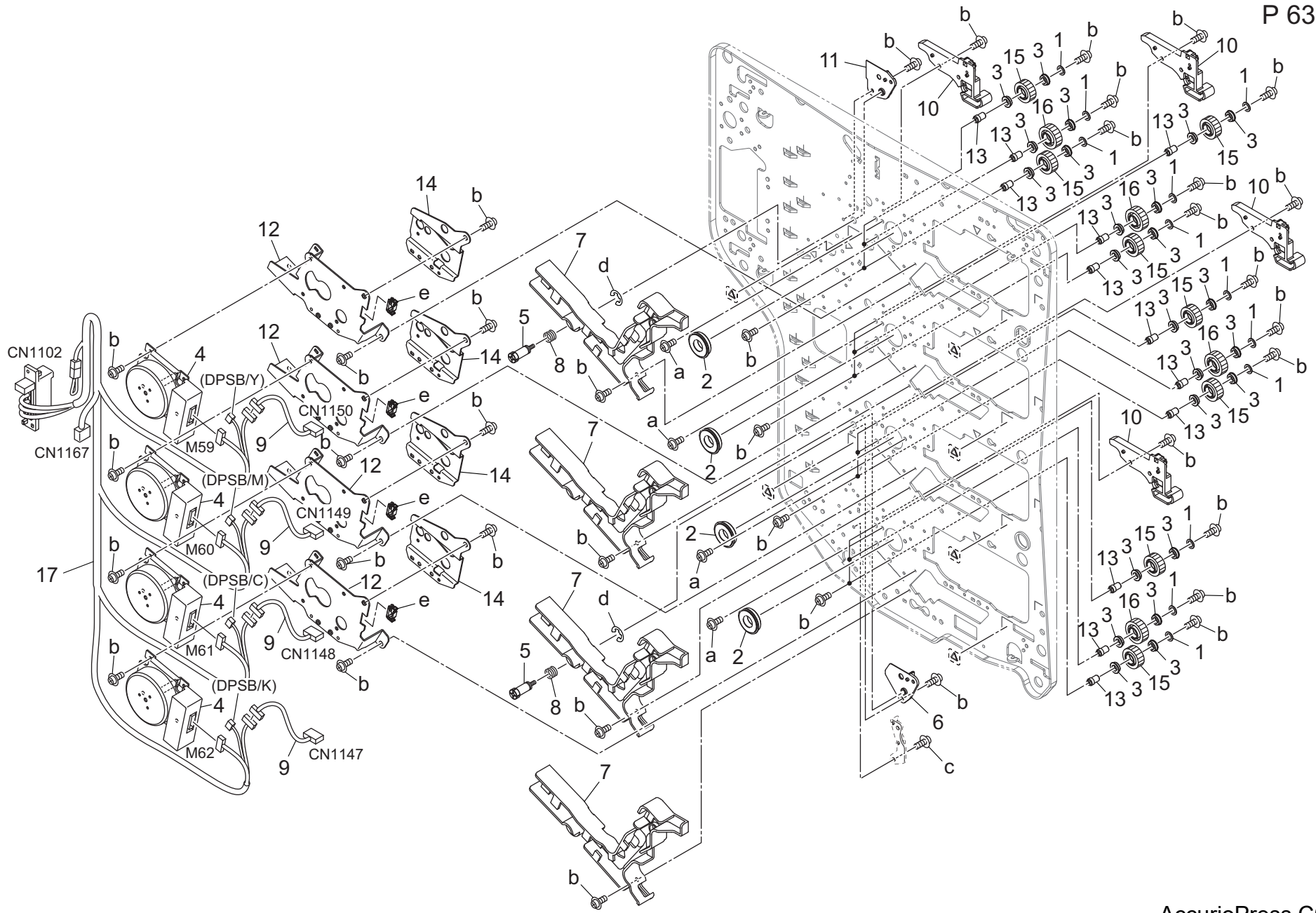


AccurioPress C6100

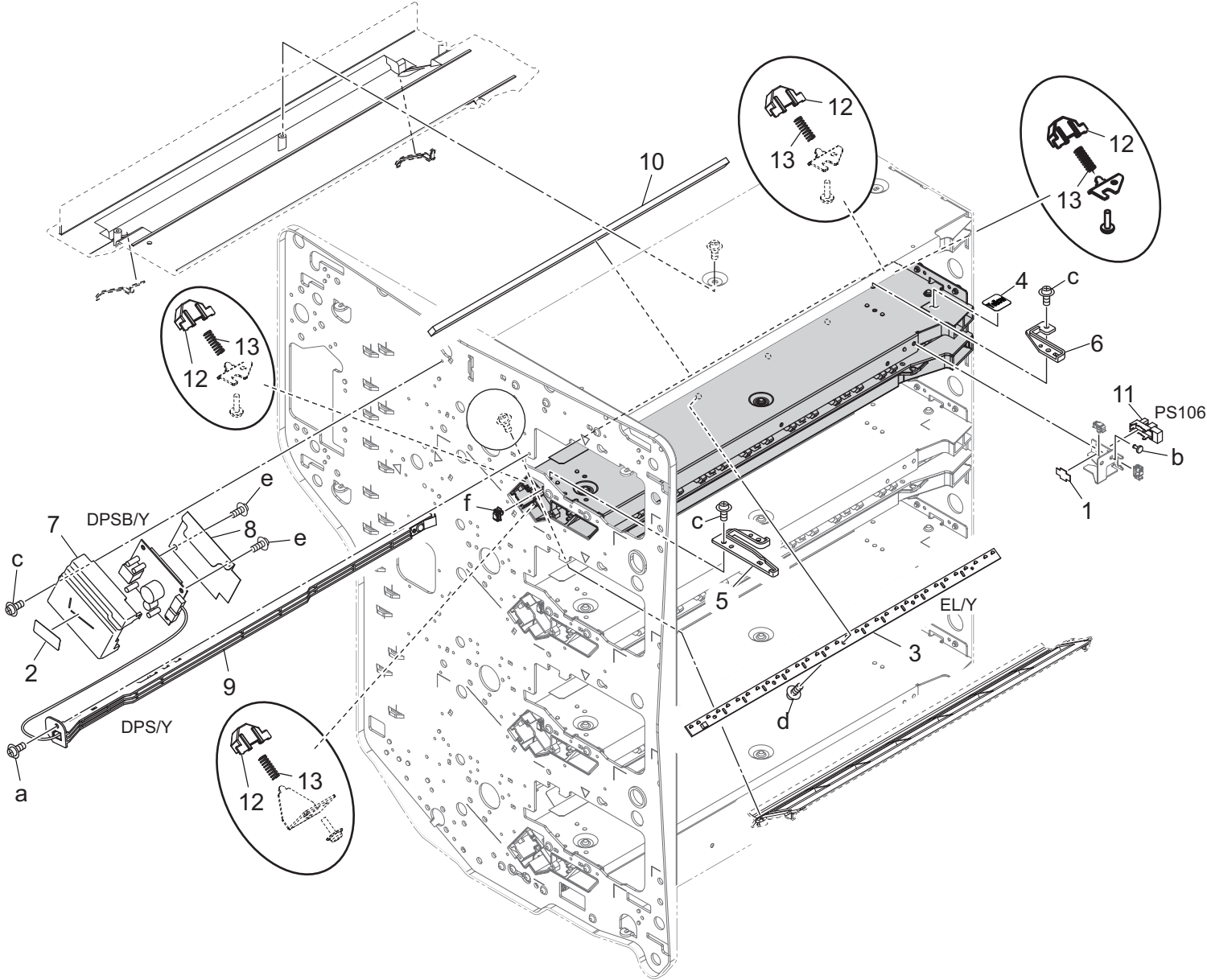
Key	Part No.	Description	Destinations	Class	QTY	Standard parts
1	65AA22260	HINGE PLATE A	ヒンジ板/A	D	4	a-V118030803
2	65AA22290	LEVER OPEN SHUT SPRING	レバー開閉バネ	C	4	b-V118040403
3	65AA22680	CARTRIDGE SUPPORT SCREW	カートリッジ支持ネジ	C	4	c-V121030403
4	65AA22750	Separation Pressure Roller	分離圧着コロ	C	1	d-V121030603
5	65AA22820	SOLENOID SUPPORT PLATE	ソレノイド支持板	D	1	e-V121031203
6	65AA22830D	Mounting Spacer	取り付けスペーサー	D	4	f-V121040403
7	65AA97440	Developing Exchanging Label /Y	現像交換ラベル/Y	D	1	g-V121040603
8	65AA97450	Developing Exchanging Label /M	現像交換ラベル/M	D	1	h-V127030603
9	65AA97460	Developing Exchanging Label /C	現像交換ラベル/C	D	1	j-V211030080
10	65AA97470	Developing Exchanging Label /K	現像交換ラベル/K	D	1	k-V217030001
11	A00V240600	Ball Bearing	ボールベアリング	B	1	m-V217040001
12	A1RF341300	Open/close Handle /Right	開閉取手/右	D	1	n-V500010003
13	A1RF341400	Open/close Handle /Left	開閉取手/左	D	1	p-V500010007
14	A1RF347300	Support Plate /A	支持板/A	D	1	q-V500010021
15	A1RF347500	Guide Shaft /B	ガイド軸/B	D	1	r-V570010047
16	A1RF348800	Release Spring	解除ばね	D	1	
17	A1RF349103	Fixing Screw	固定ねじ	D	2	
18	A1RF349200	Fixing Plate	固定板	D	1	
19	A1RF350800	Lock Shaft	ロック軸	D	4	
20	A1RF438101	Guide Part	ガイド部材	D	1	
21	A1RF945101	Replacement Label /1	交換ラベル/1 (ORU)	D	11	
22	A1RFF34500	Lock Plate/Right Calking	ロック板/右カシメ	D	2	
23	A1RFF34600	Lock Plate/Left Calking	ロック板/左カシメ	D	2	
24	A1RFR74800	Solenoid	ソレノイド	B	1	
25	A1RFR78400	Support Plate Calking	支点板カシメ	D	1	
26	A5AW352700	Protection Cushion	保護クッション	D	2	
27	A5AWN15400	Transfer Wiring /3	転写束線/3	D	1	
28	A5AWR71A00	Positioning Handle Assy	位置決め取手 Assy	D	1	
29	A92WN14701	Transfer Wiring /1	転写束線/1	D	1	
30	A92WN15700	Transfer Wiring /6	転写束線/6	D	1	

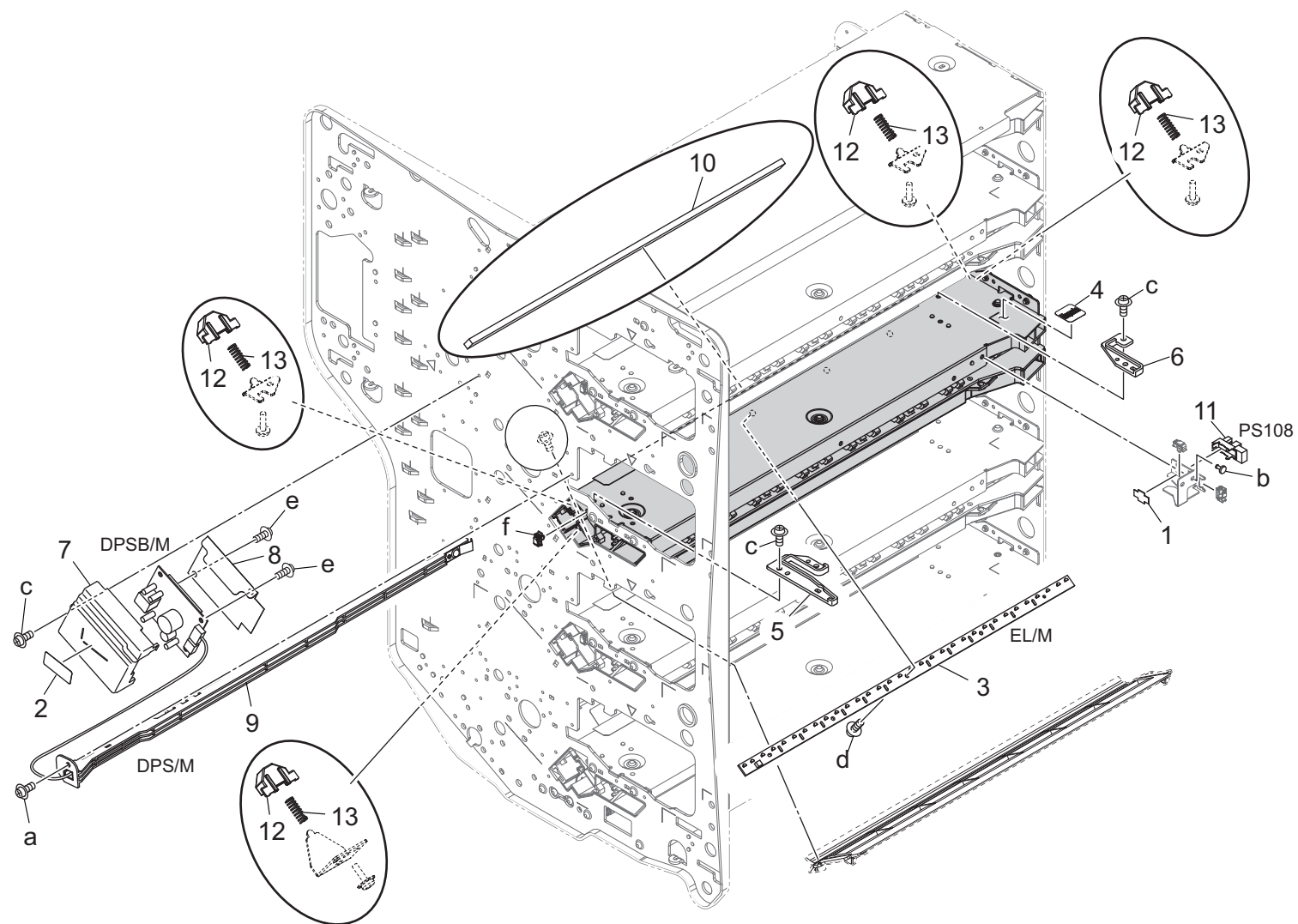
Process Carriage Section

P 63

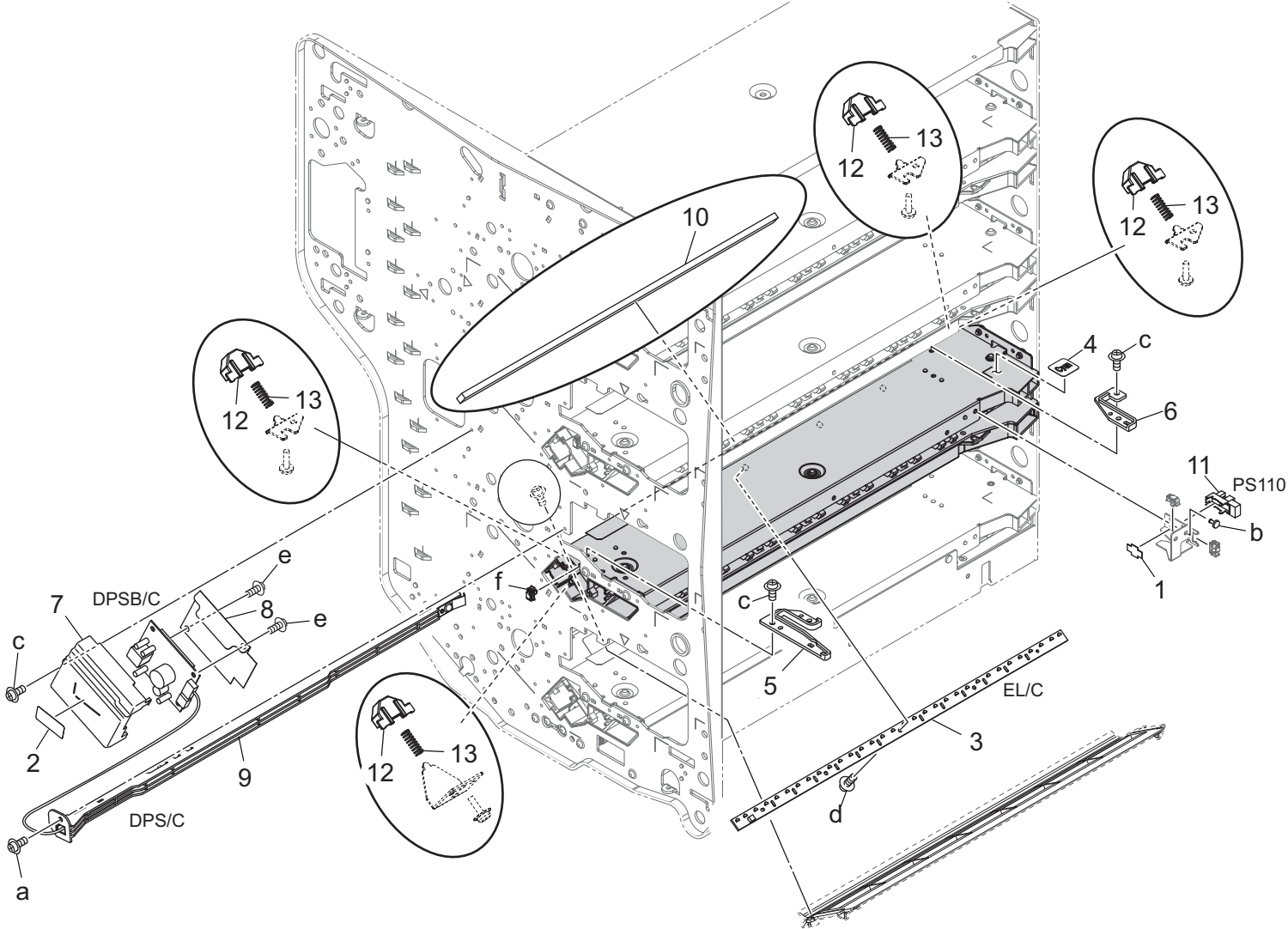


Process Carriage Section

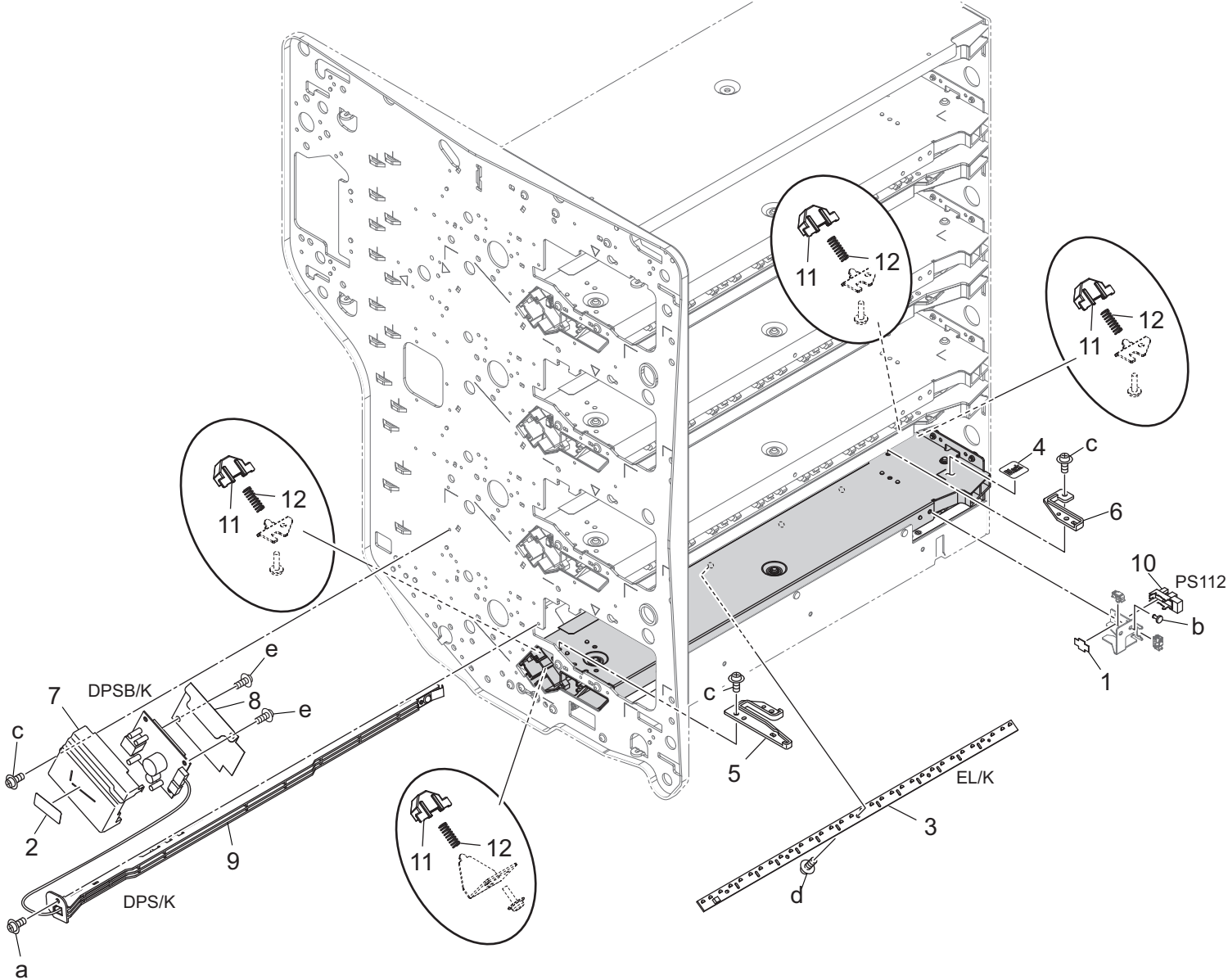




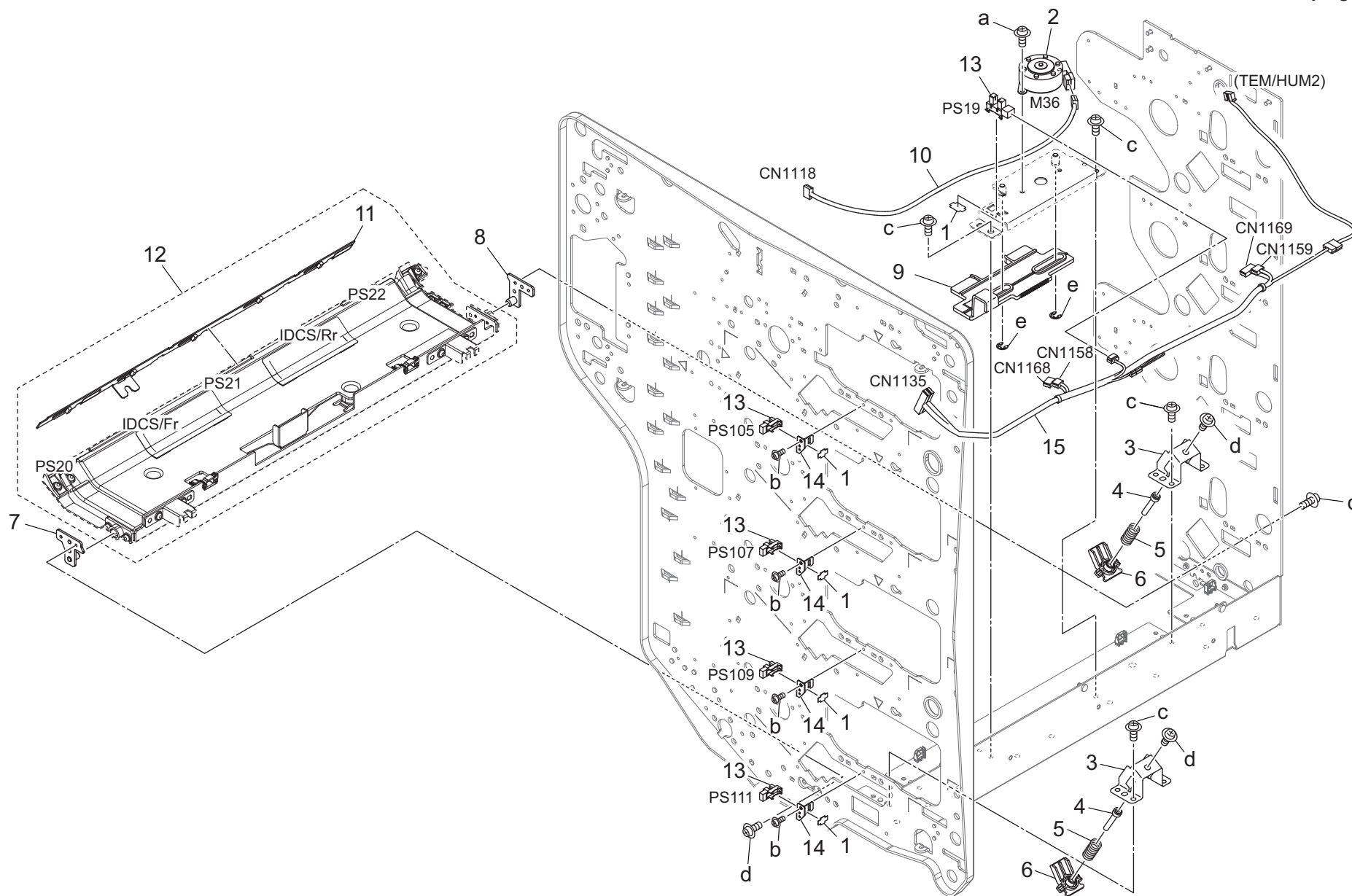
Process Carriage Section



Process Carriage Section



Process Carriage Section



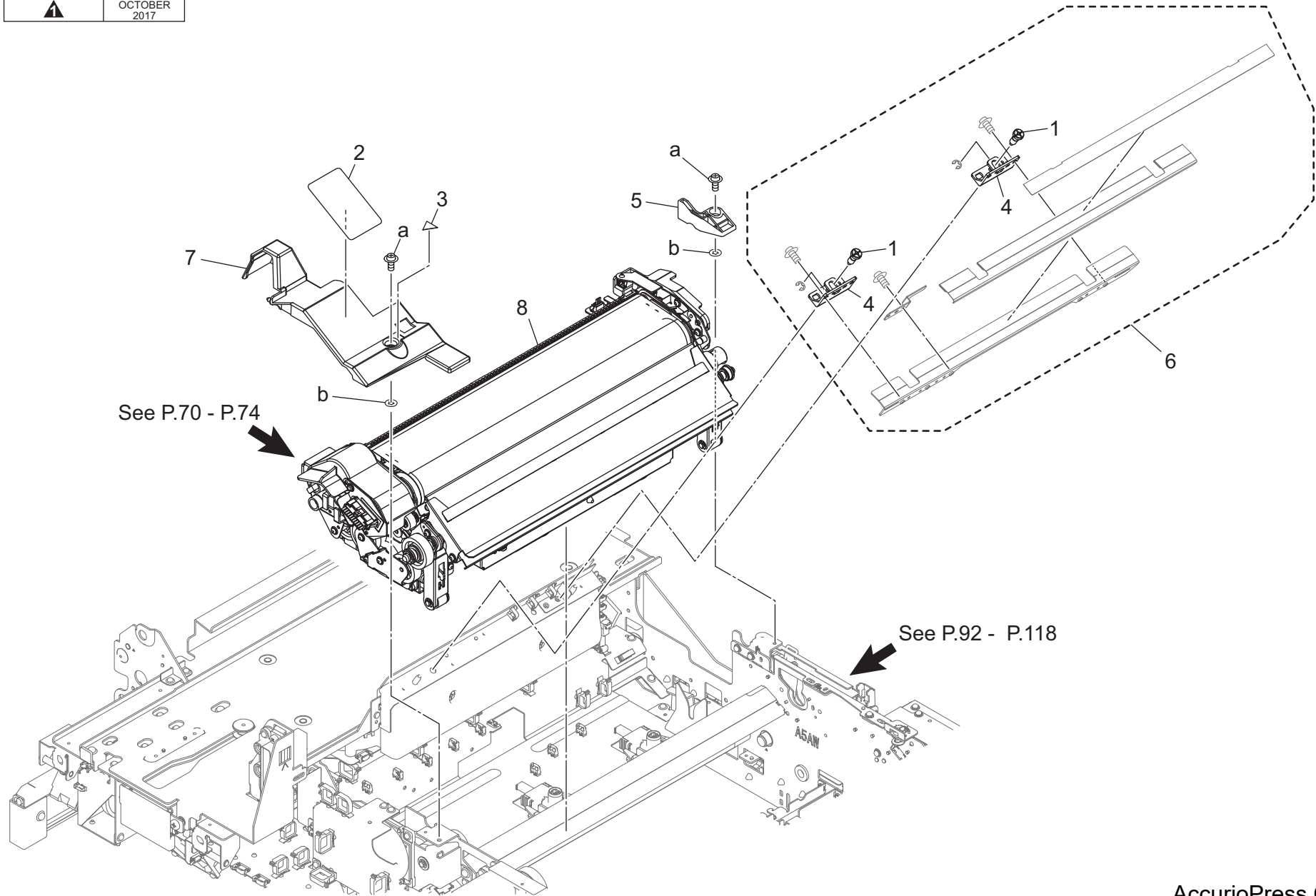
Process Carriage Section

Key	Part No.	Description	Destinations	Class	QTY	Standard parts
1	4470402401	Stopper		D	5	a-V118030403 b-V118030603 c-V121030403 d-V121030603 e-V217040001
2	A00JM12100	Stepping motor		C	1	
3	A1RF348300	Pressing Plate		D	2	
4	A1RF348400	Guide Shaft		D	2	
5	A1RF348500	Pressing Spring		D	2	
6	A1RF348601	Pressing Block		D	2	
7	A1RFR78300	SEPARATING PLATE / CALKING		D	1	
8	A1RFR78800	SEPARATING PLATE /REAR CALKING		D	1	
9	A5AW351200	Drive Rack		D	1	
10	A5AWN15800	Transfer Wiring /7		D	1	
11	A5AWR70500	Sensor Shutter		B	1	
12	A5AWR72300	Sensor Stay/Lower Assy		D	1	
13	A85CM55600	Photo Sensor		C	5	
14	A92W345700	Sensor Stay /Front		D	4	
15	A92WN15000	Compensating Wiring /1		D	1	

Secondary Transfer Section

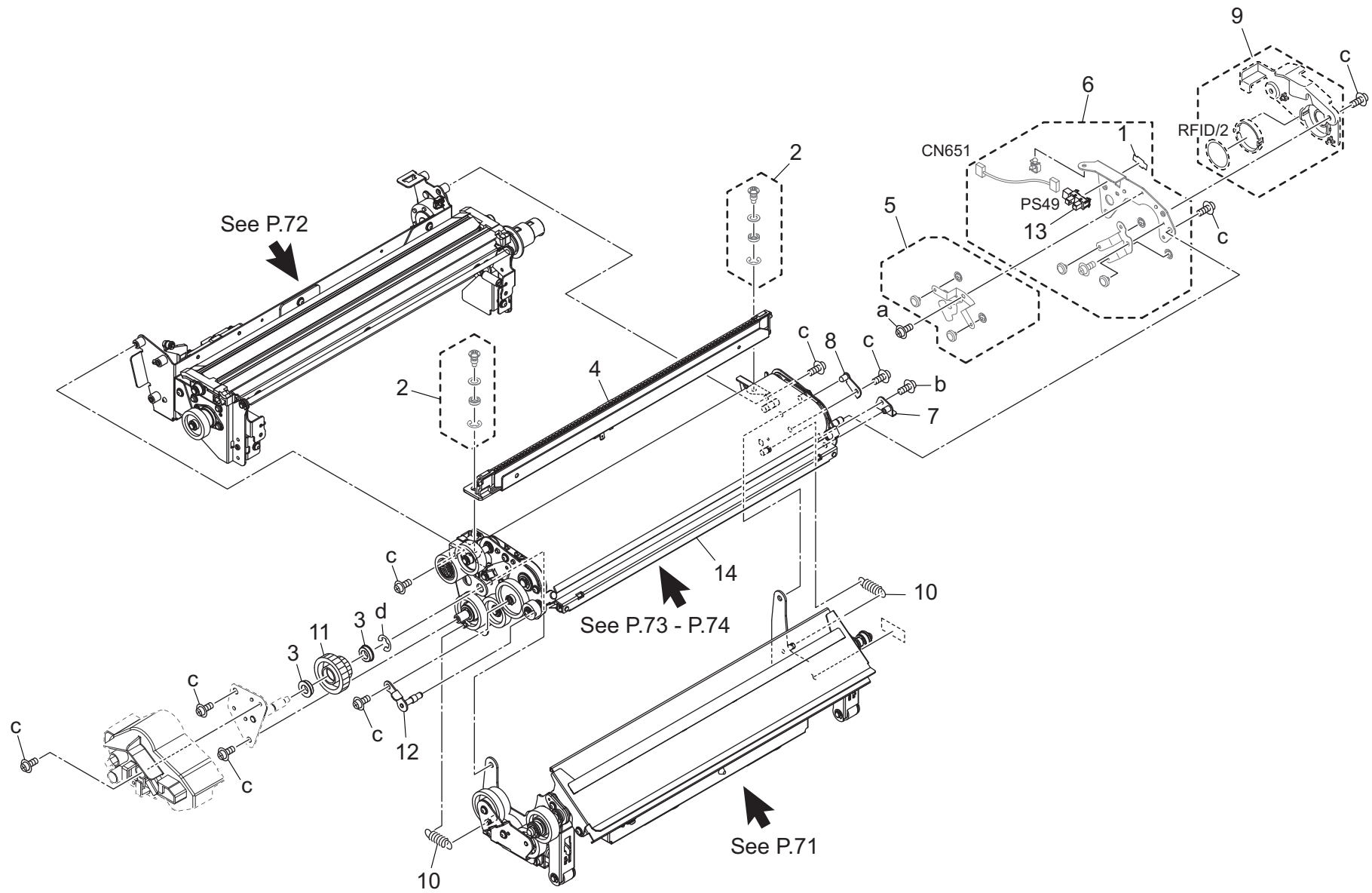
改訂版 REVISED EDITION	日付 DATE
▲	OCTOBER 2017

P 69

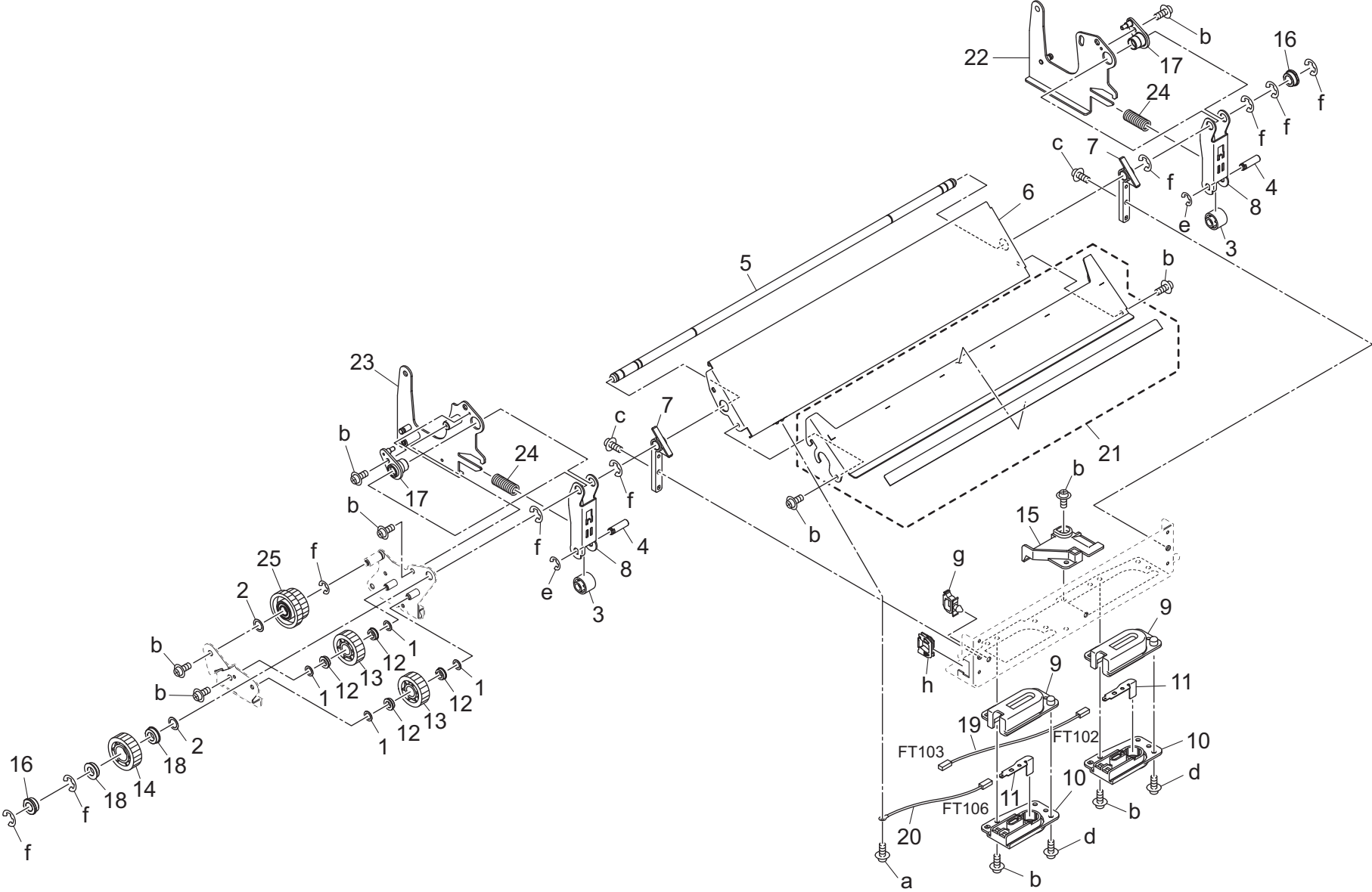


Secondary Transfer Section

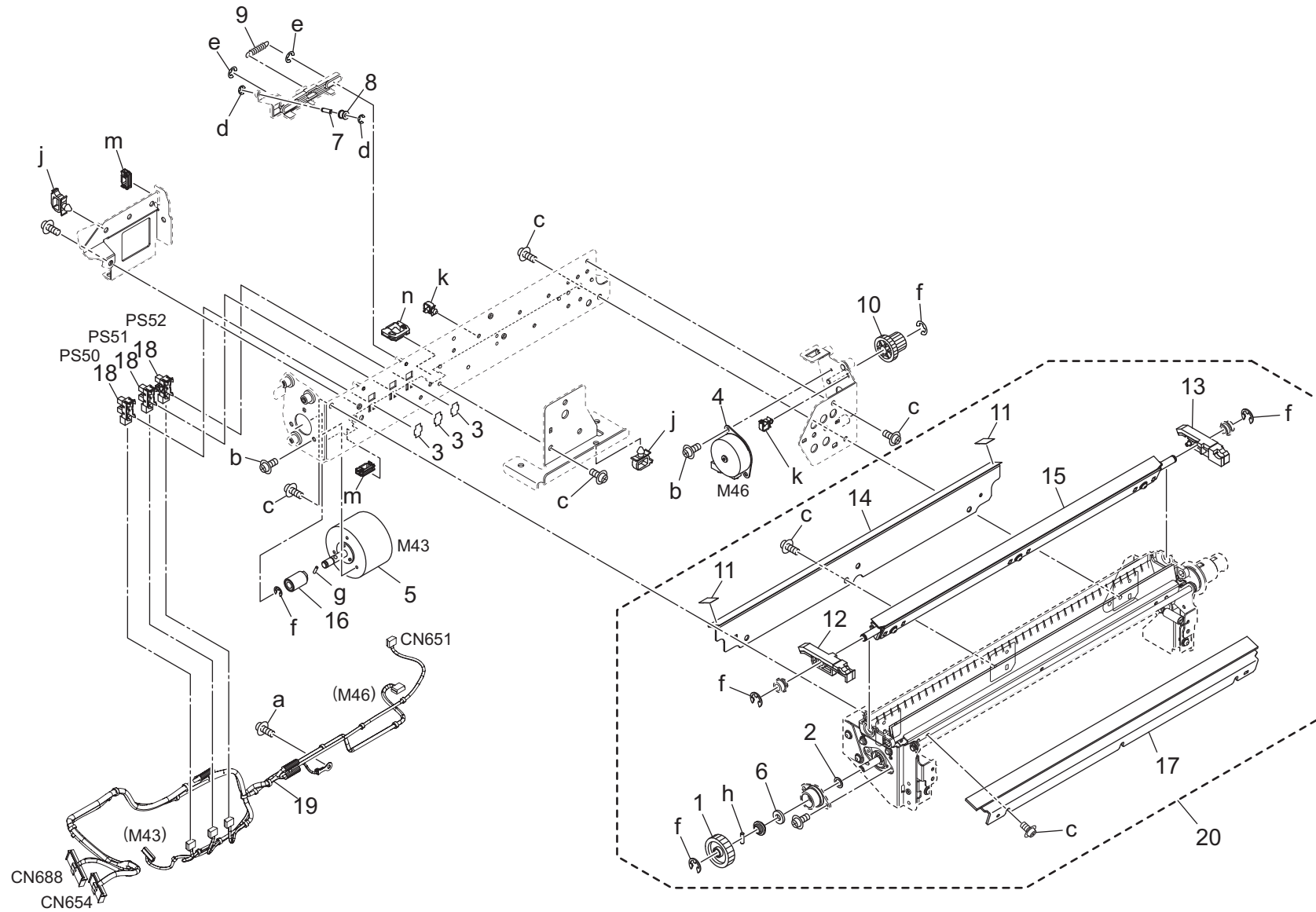
P 70



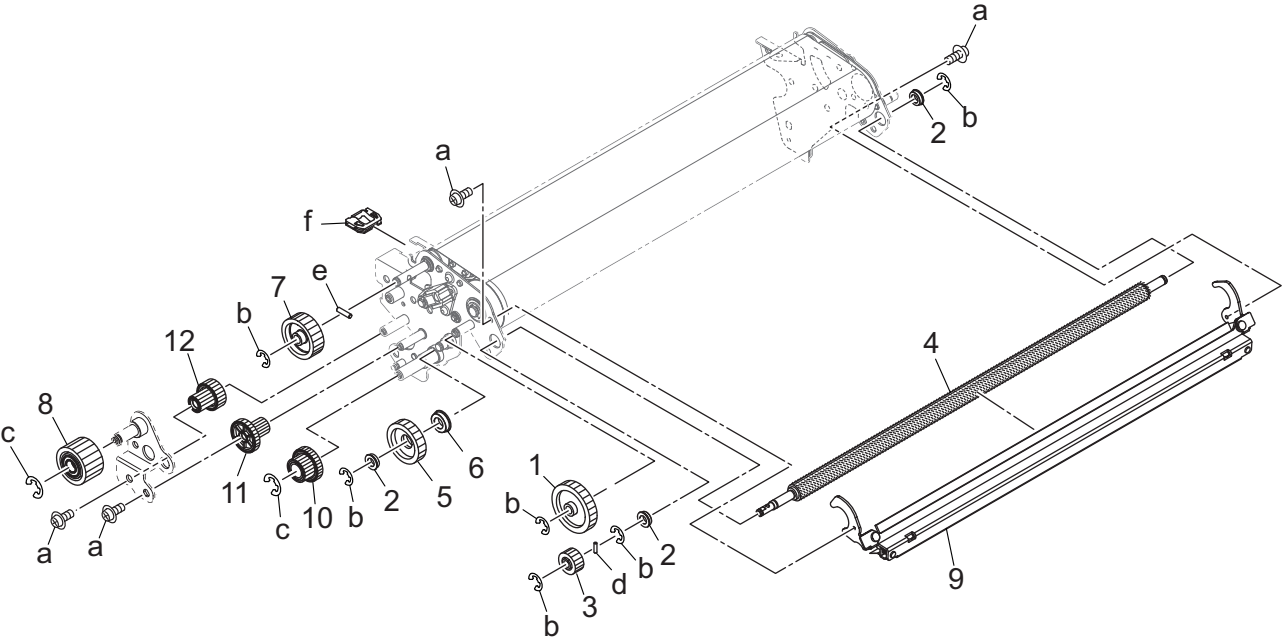
Secondary Transfer Section



Secondary Transfer Section

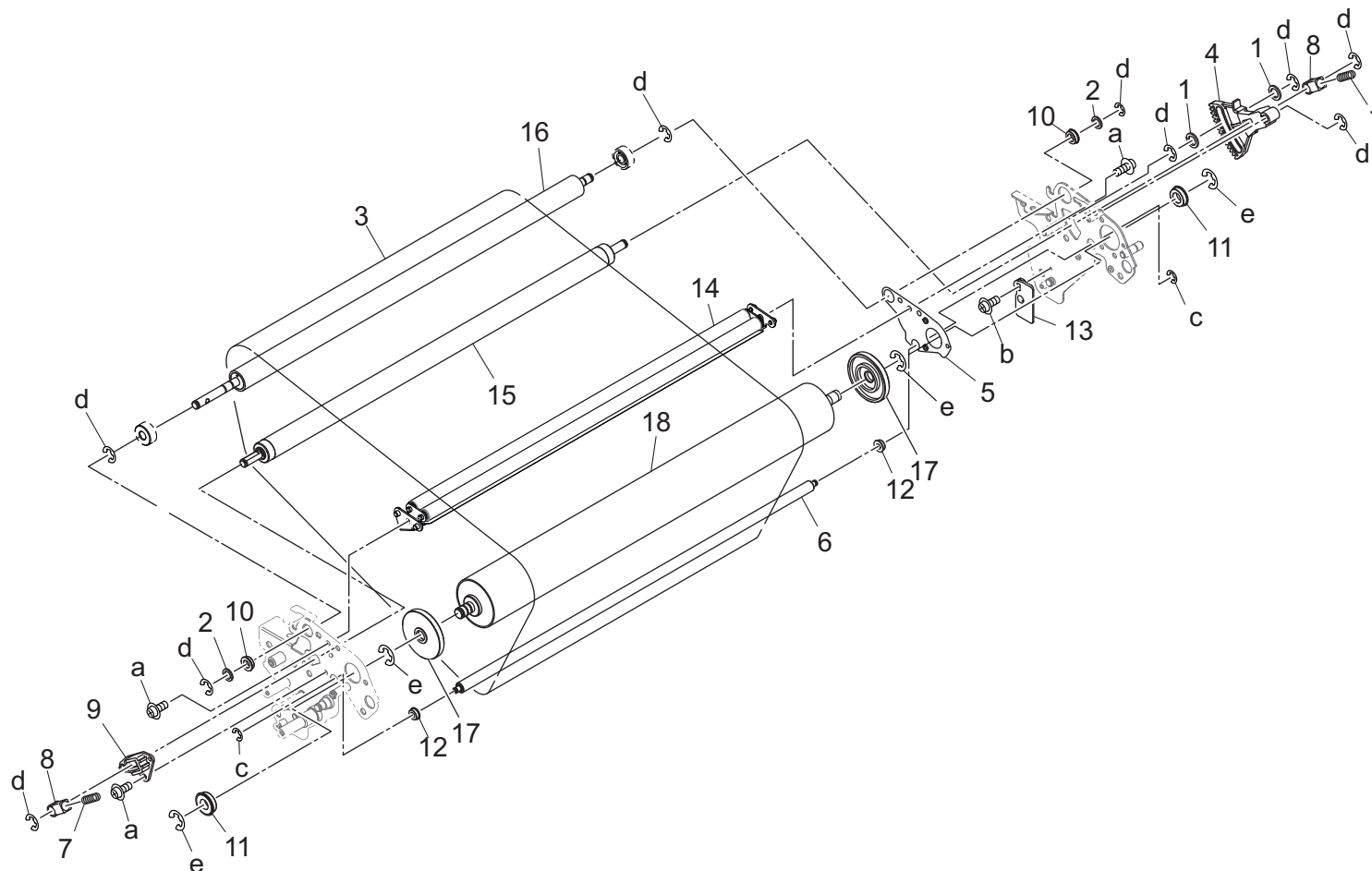


Secondary Transfer Section



Secondary Transfer Section

改訂版 REVISED EDITION	日付 DATE
	OCTOBER 2018



Secondary Transfer Section

Key	Part No.	Description	Destinations	Class	QTY	Standard parts
1	40AA32320	Toner Supply Spacer		C	2	a-V121030603 b-V127030803 c-V217030001 d-V217040001 e-V217060001
2	57AA30260	Developing Agitating Spacer		C	2	
3	A1RF520400	Transfer Belt		A	1	
4	A1RF522201	Control Arm		D	1	
5	A1RF523401	Mounting Plate /Rear		D	1	
6	A1RF523600	Guide Roller		D	1	
7	A1RF526700	Tension Spring		D	2	
8	A1RF527100	Tension Block /1		D	2	
9	A1RF527200	Tension Block /2		D	1	
10	A1RF529100	Drive Ball bearing		C	2	
11	A1RF529300	Ball bearing		C	2	
12	A1RF529400	Guide Ball bearing		C	2	
13	A1RF535100	Guide Block		D	1	
14	A1RFR7N300	Connecting Stay Assy		A	1	
15	A1RFR7N400	Tension Roller		C	1	
16	A1RF520200	Drive Roller		C	1	
17	A1RF523900	Transfer Collar		D	2	
18	A1RF520100	Transfer Roller		D	1	

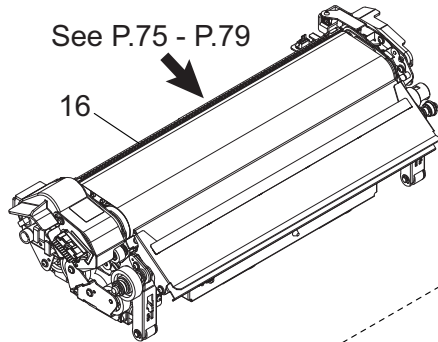
Secondary Transfer Section (Emboss)

P 75

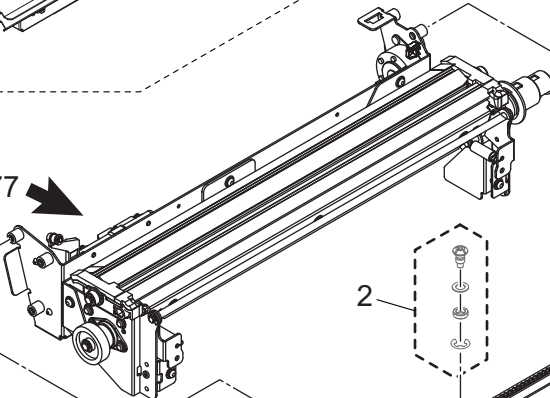
EMBOSS

See P.75 - P.79

16



See P.77



2

4

2

CN651

5

12

6

9

RFID/2

C

C

8

C

7

b

7

C

10

3

d

See P.78 - P.79

15

13

C

C

C

11

14

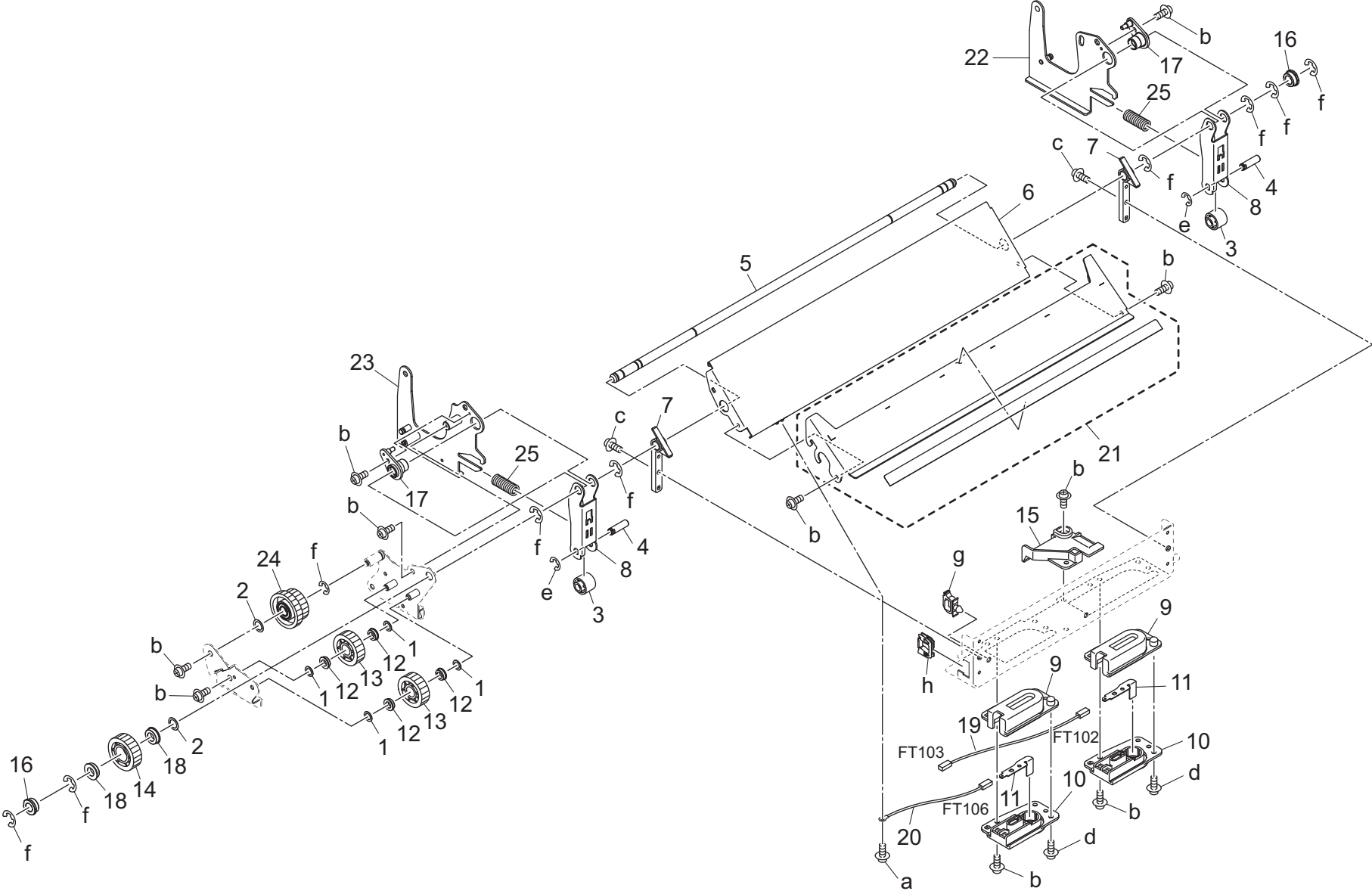
14

See P.76

Secondary Transfer Section (Emboss)

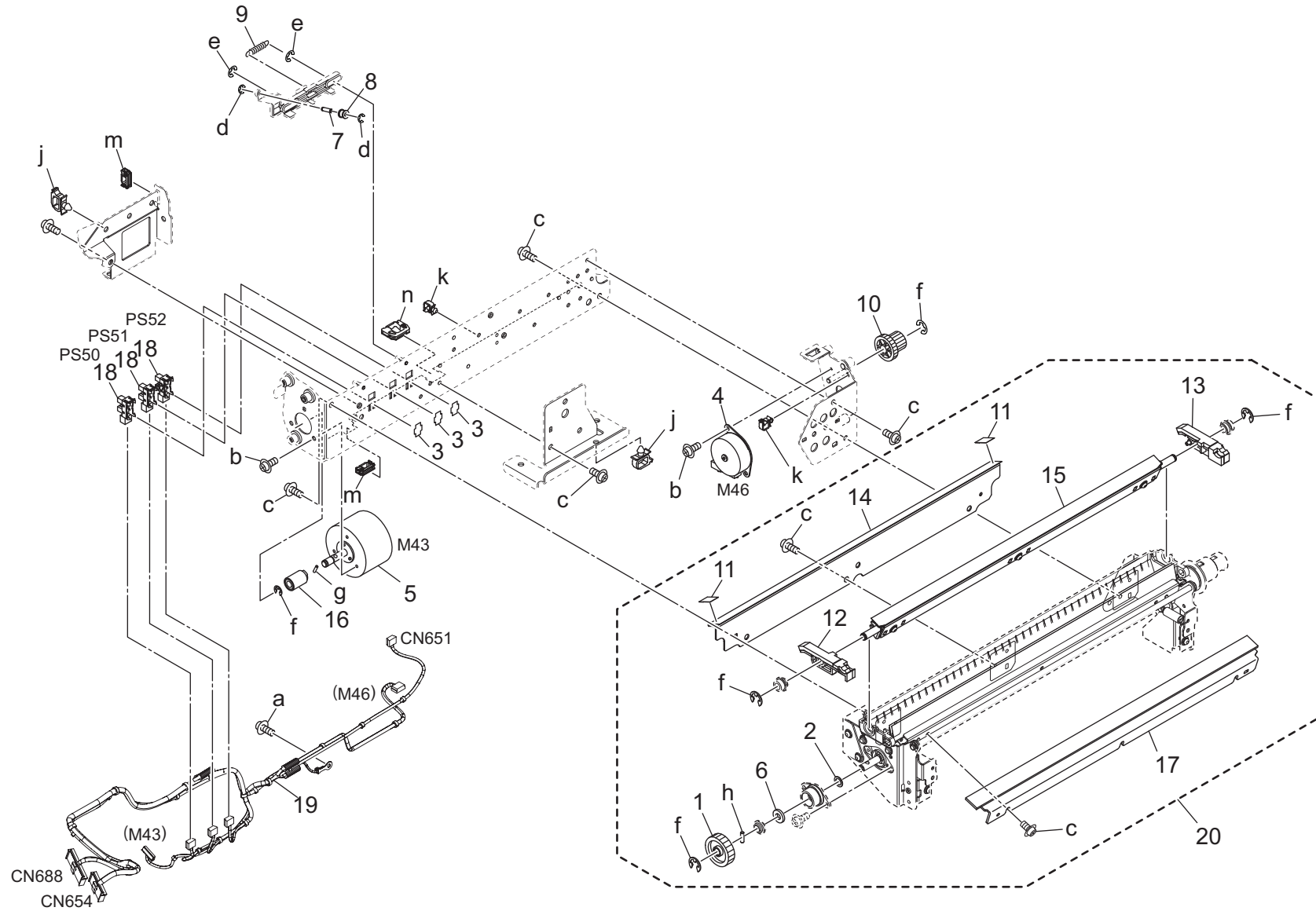
EMBOSS

P 76



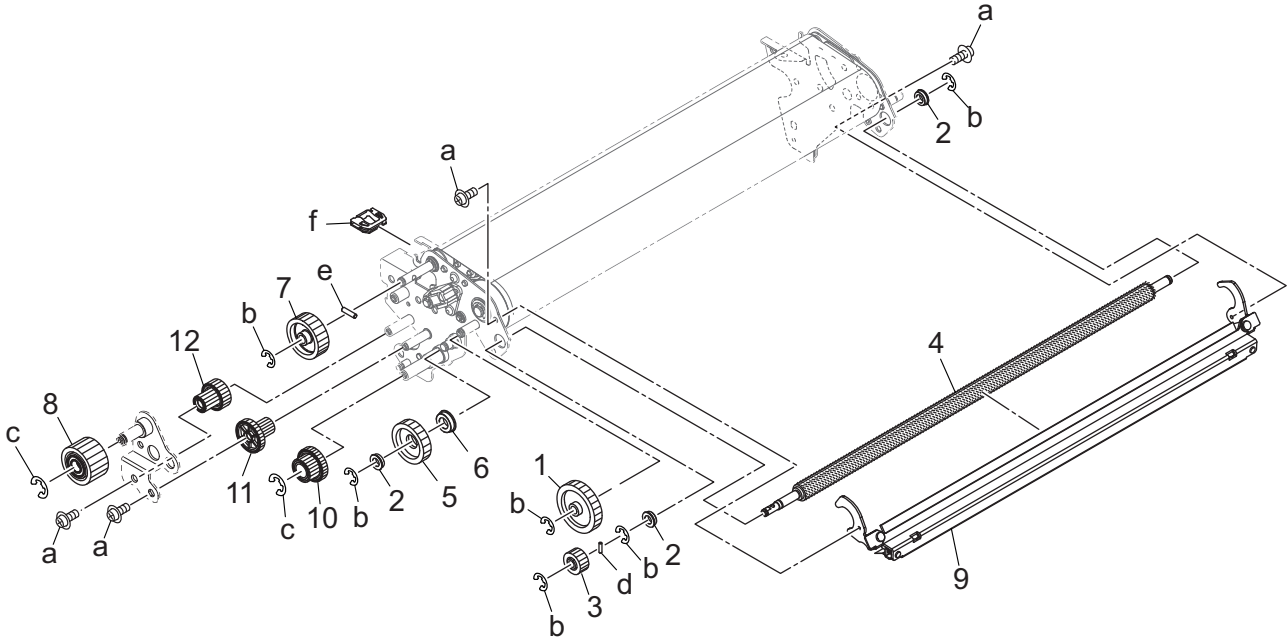
Secondary Transfer Section (Emboss)

EMBOSS



Secondary Transfer Section (Emboss)

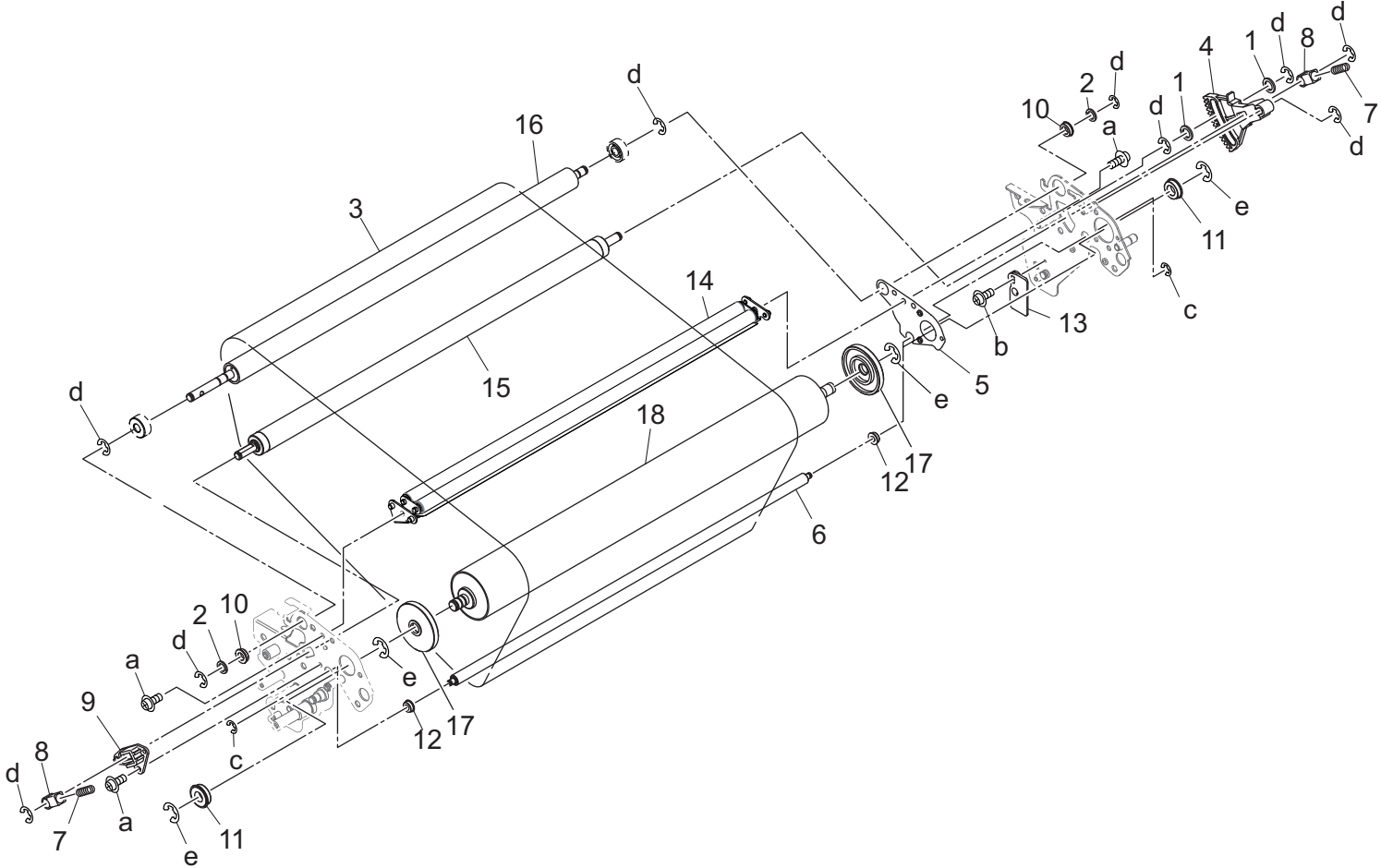
EMBOSS



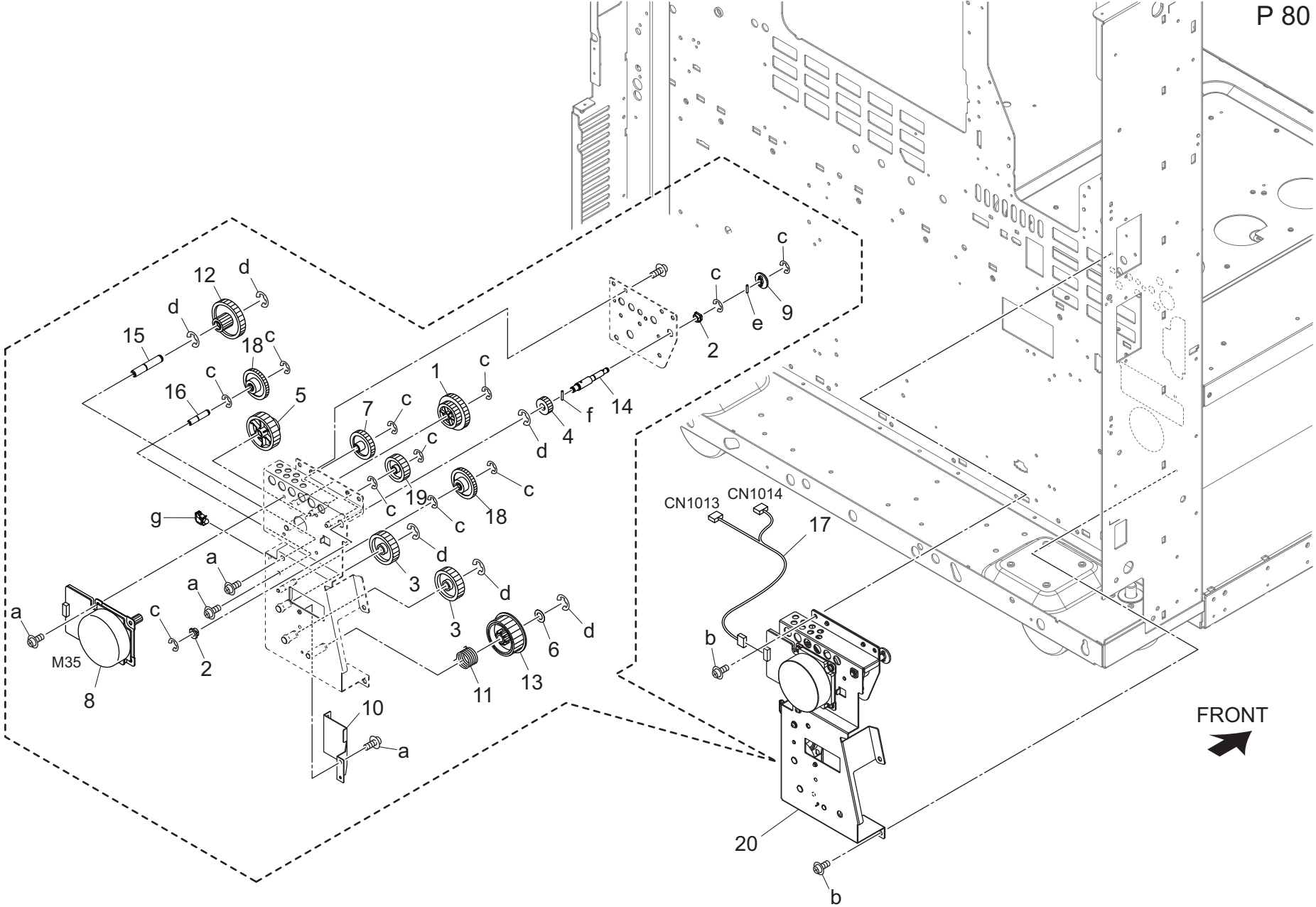
Secondary Transfer Section (Emboss)

EMBOSS

改訂版 REVISED EDITION	日付 DATE
▲	OCTOBER 2018



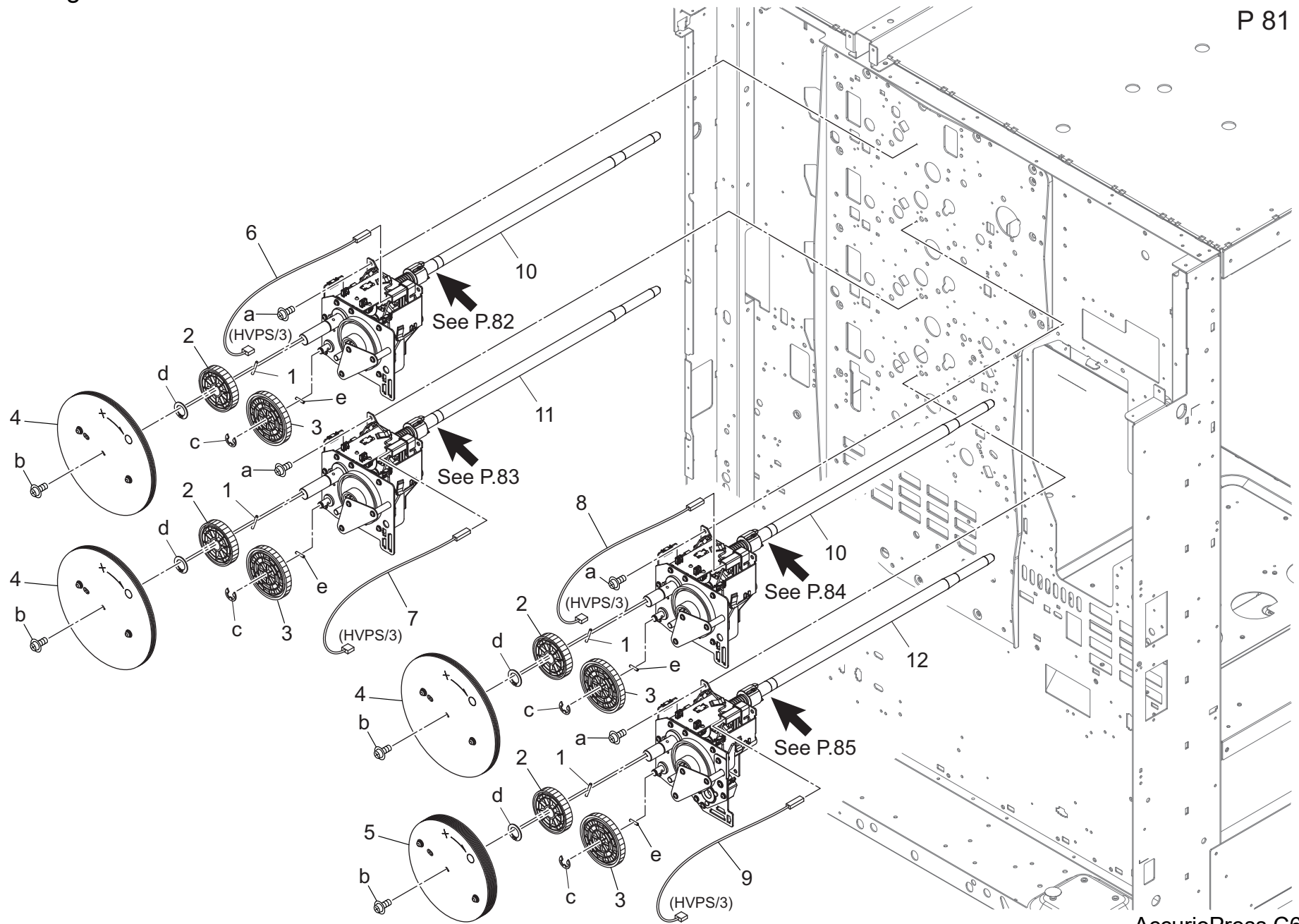
Toner Collection Driving Section



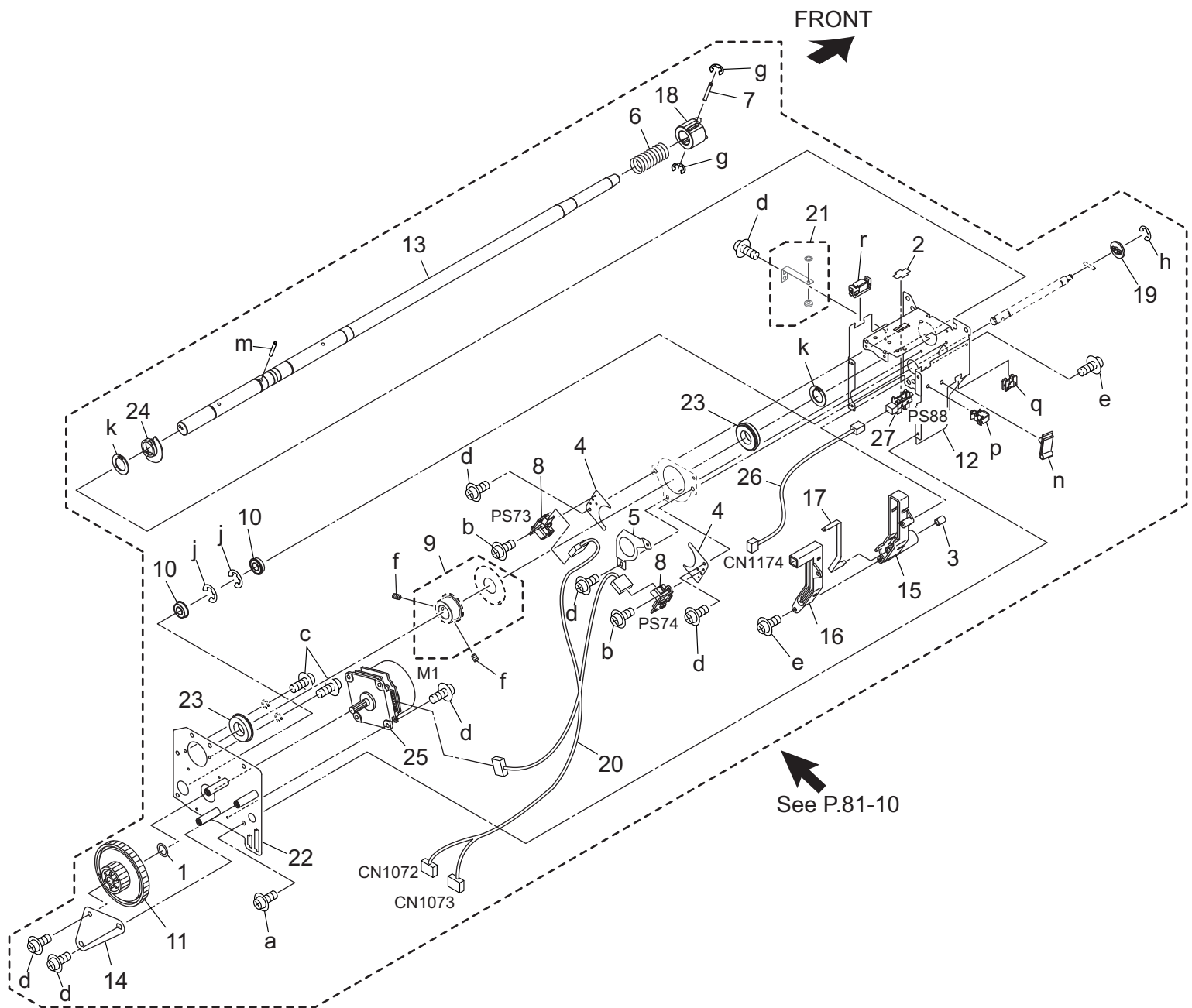
Toner Collection Driving Section

Key	Part No.	Description	Destinations	Class	QTY	Standard parts
1	25SA77470	Idler Gear /A 76/28T	アイドル歯車/A 76/28 T	C	1	a-V116030603 b-V146040803 c-V217040001 d-V217060001 e-V234201050 f-V234201250 g-V500020100
2	322076010	PAPER LIFT UP LEVER SHAFT HOLDER	ペーパー押しレバー軸受け	B	2	
3	55GA77050	Conveyance Drive Gear /2 35T	搬送駆動歯車/2 35 T	B	2	
4	56UA77280	ADU Conveyance Gear 17T	ADU 搬送歯車 17 T	C	1	
5	56UA77710	Toner Supply Drive Gear /B 16/40T	トナー補給駆動歯車/B 16/40 T	C	1	
6	65AA49500	Paper Exit Spacer /1	排紙 スペース/1	C	1	
7	65AA77410	Toner Supply Gear /D 31T	トナー補給 ギア/D 31 T	C	1	
8	A9JTM10200	Drum Motor	ドラムモーター	B	1	
9	A1RF362400	Collection Gear /2 14T	回収ギア/2 14 T	C	1	
10	A1RF364201	Reinforce Plate /1	補強板/1	D	1	
11	A1RF368300Old	Collection Spring	回収ばね	D	1	
11	A1RF368301	Collection Spring	回収ばね	D	1	
12	A1RF368500	Collection Gear 14/43T	回収ギア 14/43 T	C	1	
13	A1RF368600	Collection Coupling	回収カップリング	D	1	
14	A1RF369100	Collection Shaft /R	回収軸/R	D	1	
15	A1RF369600	Collection Shaft /W	回収軸/W	D	1	
16	A1RF369700	Collection Shaft /X	回収軸/X	D	1	
17	A1RFN13200	Drive Relay harness /1	駆動中継束線/1	D	1	
18	A5AW400800	Idling Gear 14/34T	アイドルギア 14/34 T	C	2	
19	A5AW428100	Gear /U 28T	ギア/U 28 T	C	1	
20	A92WR71G00	Toner Collection Drive Assy	トナー回収駆動 Assy	S	1	

Drum Driving Section

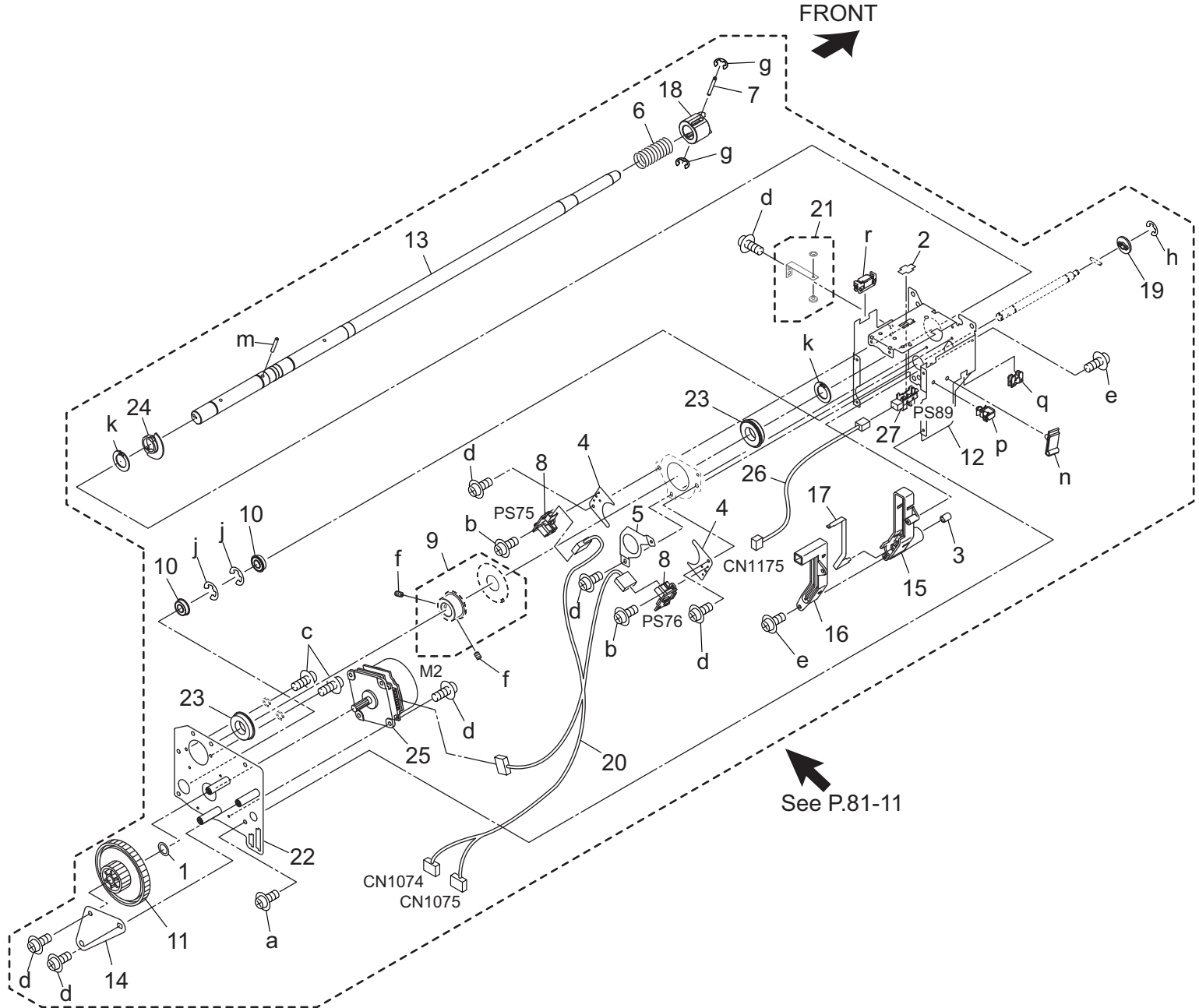


Drum Driving Section



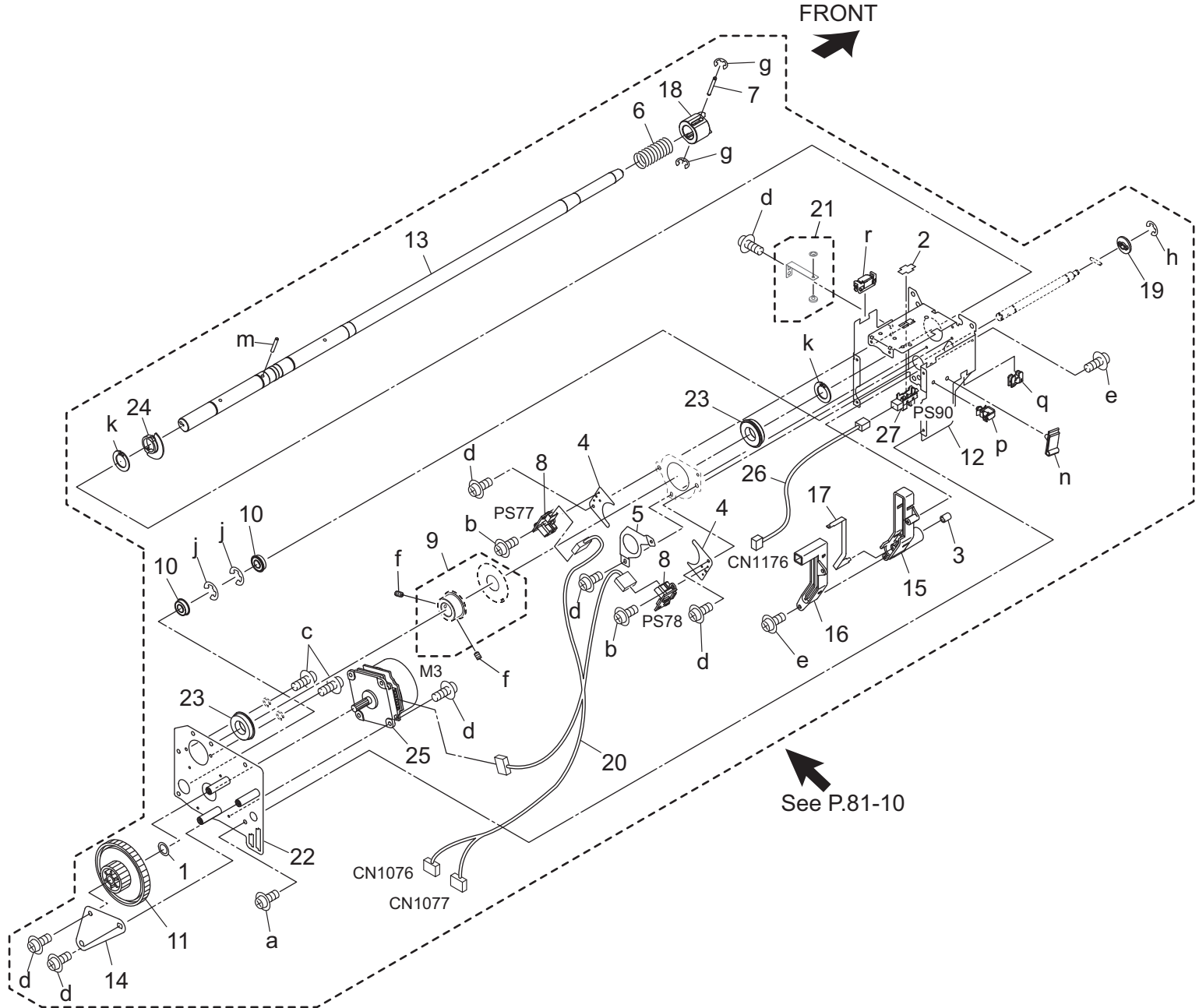
Key	Part No.	Description	Destinations	Class	QTY	Standard parts
1	13QA40610	Gear Spacer		C	1	a-V116030603
2	4470402401	Stopper		D	1	b-V118020403
3	65AA10740D	High voltage Powering Spring		D	1	c-V118040603
4	65AA15100D	Mounting Plate		D	2	d-V121030403
5	65AA15190D	Shaft holder Holding Plate		C	1	e-V153030803
6	65AA15200	Pressing Spring		C	1	f-V193040604
7	65AA15210	Coupling Pin		D	1	g-V217020001
8	65AA-9091E	Sensor Board Assy		B	2	h-V217030001
9	65AAR72300	ENCORDER ASSY		D	1	j-V217060001
10	A00V240600	Ball Bearing		B	2	k-V223150004
11	A03U259600	Idling Gear 46/132T		C	1	m-V234301850
12	A1RF210101	Drive Panel /1		D	1	n-V500020033
13	A1RF210303	Drive Shaft /1		D	1	p-V500020098
14	A1RF210600	Idling Panel		D	1	q-V570010021
15	A1RF210700	High voltage Powering Cover /2		D	1	r-V570010057
16	A1RF210800	High voltage Powering Block /2		D	1	
17	A1RF210900	Power supply Plate /4		D	1	
18	A1RF212600	Coupling		D	1	
19	A1RF362400	Collection Gear /2 14T		C	1	
20	A1RFN15900	Drive Relay harness /2		D	1	
21	A1RFR74600	Ground Spring Assy		D	1	
22	A1RFR77700	DRUM DRIVE UNIT PANEL(YMC) CALKING		D	1	
23	A50U212600	Ball Bearing /15		C	2	
24	A5AW211000	Pressure Actuator		C	1	
25	A5AWM10101	DC Brushless motor /D		C	1	
26	A5AWN17001	Drive Relay harness /3		D	1	
27	A85CM55600	Photo Sensor		C	1	

Drum Driving Section



Key	Part No.	Description	Destinations	Class	QTY	Standard parts
1	13QA40610	Gear Spacer		C	1	a-V116030603
2	4470402401	Stopper		D	1	b-V118020403
3	65AA10740D	High voltage Powering Spring		D	1	c-V118040603
4	65AA15100D	Mounting Plate		D	2	d-V121030403
5	65AA15190D	Shaft holder Holding Plate		C	1	e-V153030803
6	65AA15200	Pressing Spring		C	1	f-V193040604
7	65AA15210	Coupling Pin		D	1	g-V217020001
8	65AA-9091E	Sensor Board Assy		B	2	h-V217030001
9	65AAR72300	ENCORDER ASSY		D	1	j-V217060001
10	A00V240600	Ball Bearing		B	2	k-V223150004
11	A03U259600	Idling Gear 46/132T	アイドルギア 46 / 132 T	C	1	m-V234301850
12	A1RF210101	Drive Panel /1	駆動パネル / 1	D	1	n-V500020033
13	A1RF210403	Drive Shaft /2	駆動軸 / 2	D	1	p-V500020098
14	A1RF210600	Idling Panel	アイドルパネル	D	1	q-V570010021
15	A1RF210700	High voltage Powering Cover /2	高圧給電カバー / 2	D	1	r-V570010057
16	A1RF210800	High voltage Powering Block /2	高圧給電ブロック / 2	D	1	
17	A1RF210900	Power supply Plate /4	給電板 / 4	D	1	
18	A1RF212600	Coupling	カップリング	D	1	
19	A1RF362400	Collection Gear /2 14T	回収ギア / 2 14 T	C	1	
20	A1RFN15900	Drive Relay harness /2	駆動中継束線 / 2	D	1	
21	A1RFR74600	Ground Spring Assy	アースばね部組	D	1	
22	A1RFR77700	DRUM DRIVE UNIT PANEL(YMC) CALKING	ドラム駆動パネルカシメ (Y MC)	D	1	
23	A50U212600	Ball Bearing /15	ボールベアリング / 15	C	2	
24	A5AW211000	Pressure Actuator	圧着アクチュエーター	C	1	
25	A5AWM10101	DC Brushless motor /D	DC ブラシレスモーター / D	C	1	
26	A5AWN17001	Drive Relay harness /3	駆動中継束線 / 3	D	1	
27	A85CM55600	Photo Sensor	フォトセンサ	C	1	

Drum Driving Section

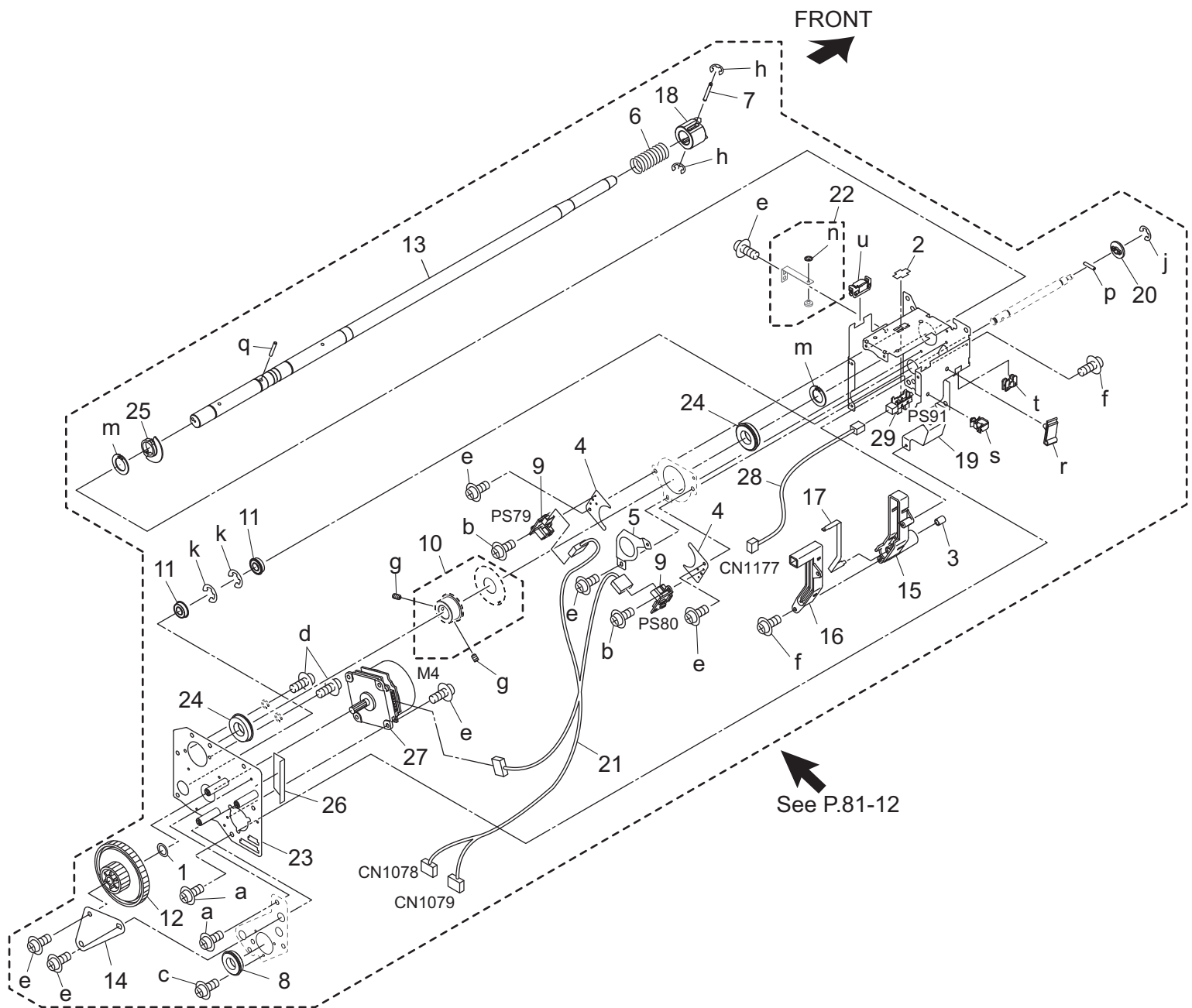


Order here
8 (495) 646-0426
www.km-shop.ru

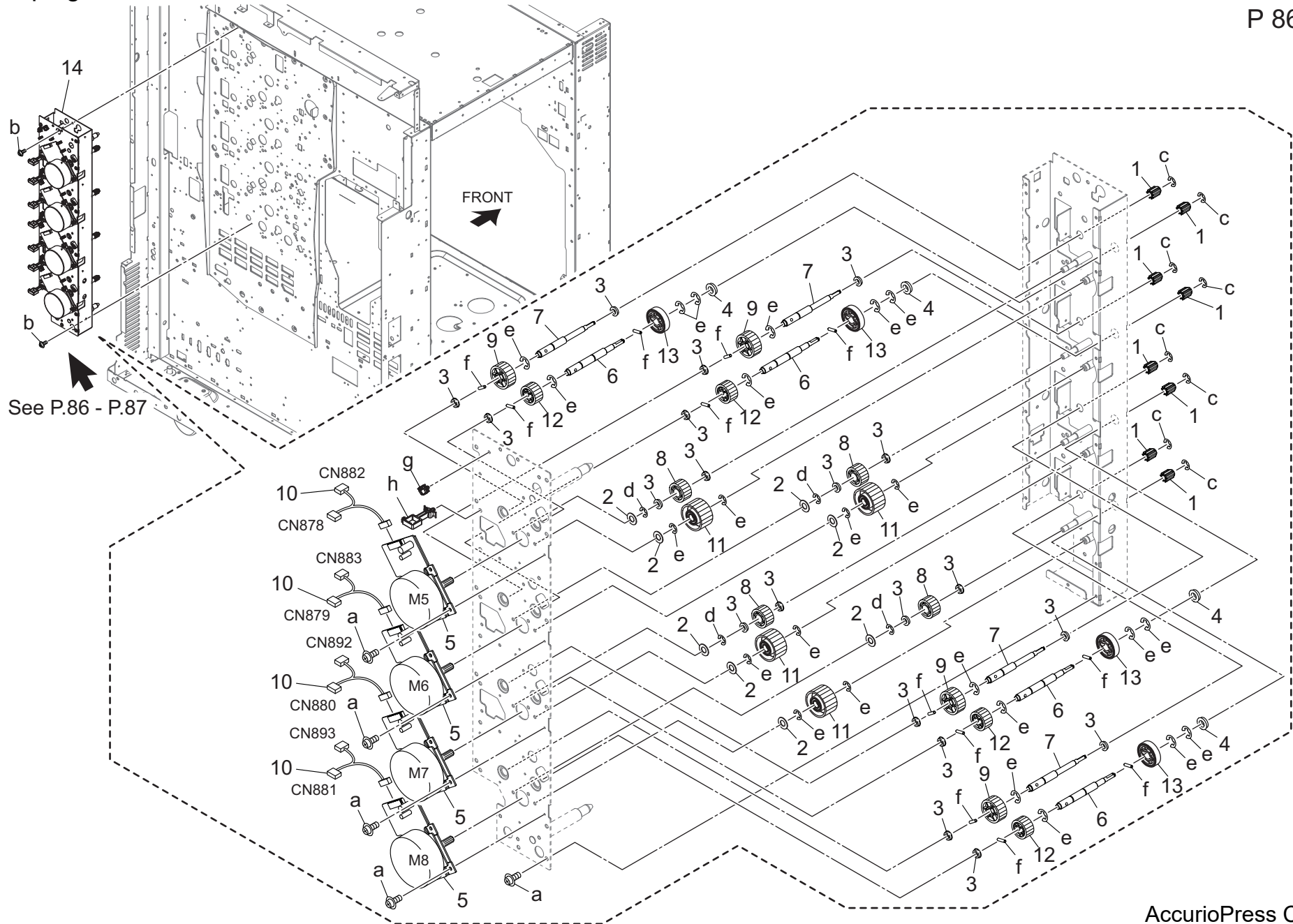
ПЯТЫЙ ПАРТНЕР

Key	Part No.	Description	Destinations	Class	QTY	Standard parts
1	13QA40610	Gear Spacer		C	1	a-V116030603
2	4470402401	Stopper		D	1	b-V118020403
3	65AA10740D	High voltage Powering Spring		D	1	c-V118040603
4	65AA15100D	Mounting Plate		D	2	d-V121030403
5	65AA15190D	Shaft holder Holding Plate		C	1	e-V153030803
6	65AA15200	Pressing Spring		C	1	f-V193040604
7	65AA15210	Coupling Pin		D	1	g-V217020001
8	65AA-9091E	Sensor Board Assy		B	2	h-V217030001
9	65AAR72300	ENCORDER ASSY		D	1	j-V217060001
10	A00V240600	Ball Bearing		B	2	k-V223150004
11	A03U259600	Idling Gear 46/132T	アイドラギア 46 / 132 T	C	1	m-V234301850
12	A1RF210101	Drive Panel /1	駆動パネル / 1	D	1	n-V500020033
13	A1RF210303	Drive Shaft /1	駆動軸 / 1	D	1	p-V500020098
14	A1RF210600	Idling Panel	アイドラパネル	D	1	q-V570010021
15	A1RF210700	High voltage Powering Cover /2	高圧給電カバー / 2	D	1	r-V570010057
16	A1RF210800	High voltage Powering Block /2	高圧給電ブロック / 2	D	1	
17	A1RF210900	Power supply Plate /4	給電板 / 4	D	1	
18	A1RF212600	Coupling	カップリング	D	1	
19	A1RF362400	Collection Gear /2 14T	回収ギア / 2 14 T	C	1	
20	A1RFN15900	Drive Relay harness /2	駆動中継束線 / 2	D	1	
21	A1RFR74600	Ground Spring Assy	アースばね部組	D	1	
22	A1RFR77700	DRUM DRIVE UNIT PANEL(YMC) CALKING	ドラム駆動パネルカシメ (Y MC)	D	1	
23	A50U212600	Ball Bearing /15	ボールベアリング / 15	C	2	
24	A5AW211000	Pressure Actuator	圧着アクチュエーター	C	1	
25	A5AWM10101	DC Brushless motor /D	DC ブラシレスモーター / D	C	1	
26	A5AWN17001	Drive Relay harness /3	駆動中継束線 / 3	D	1	
27	A85CM55600	Photo Sensor	フォトセンサ	C	1	

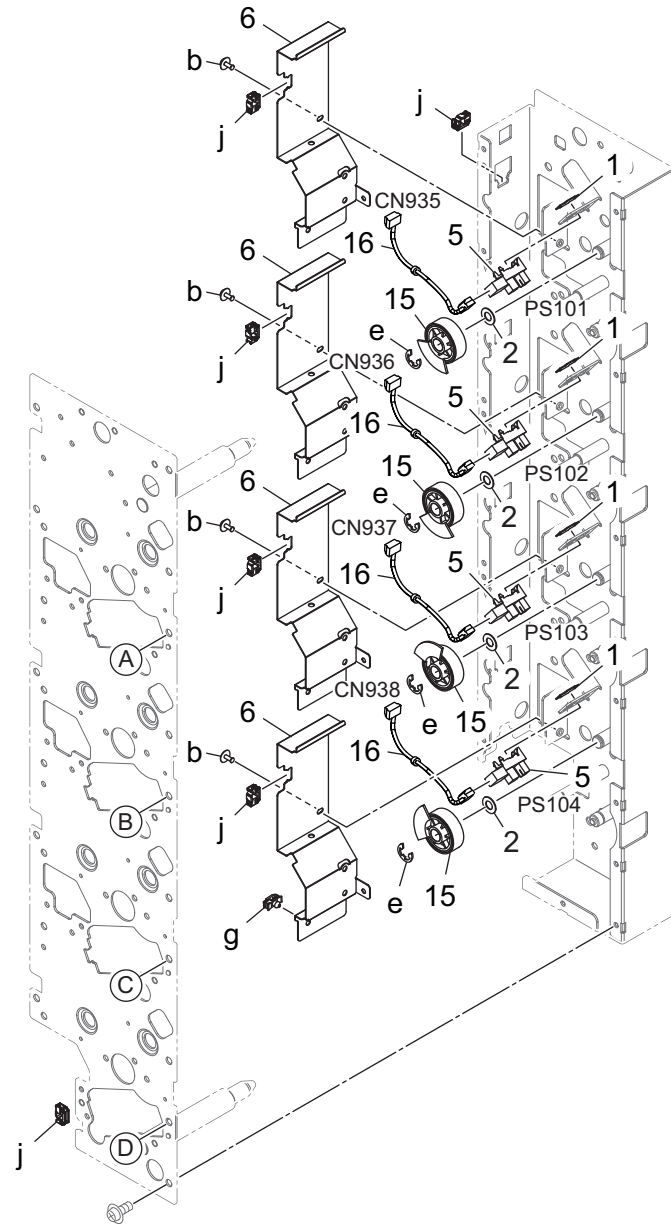
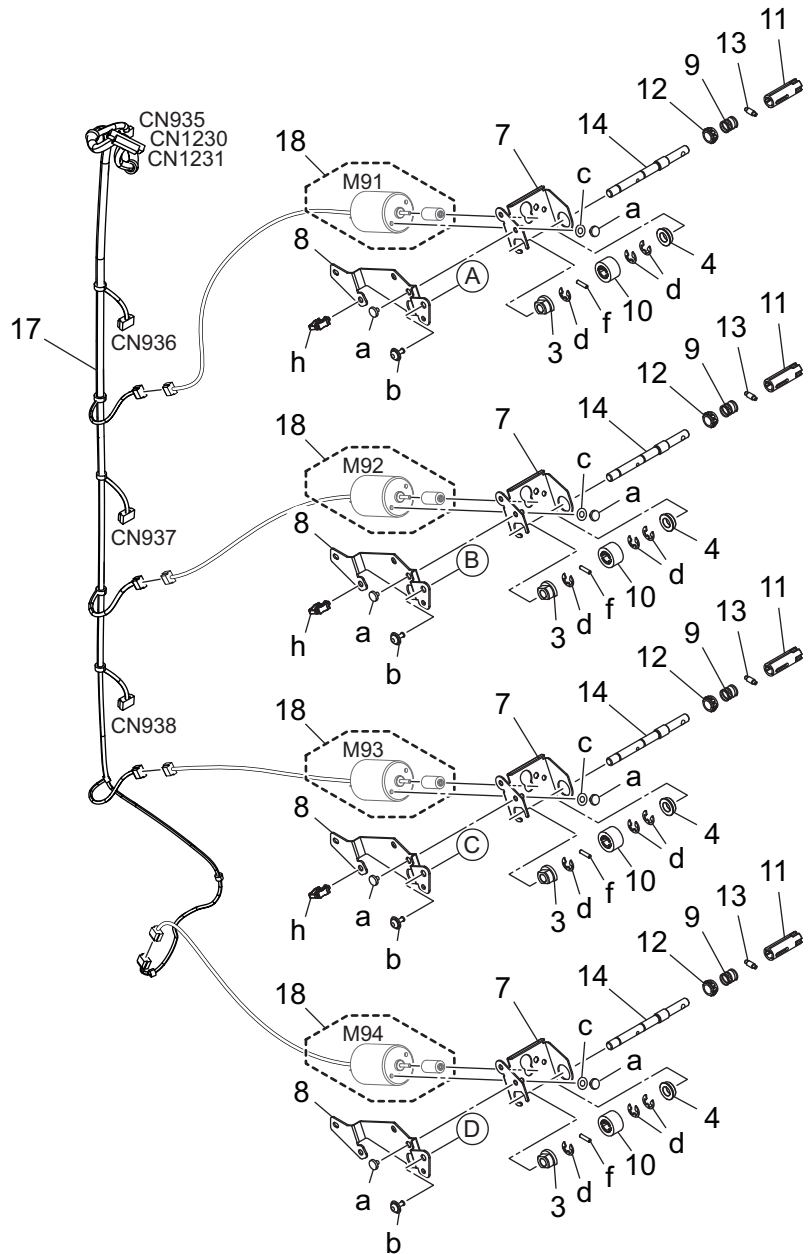
Drum Driving Section



Developing Drive Section



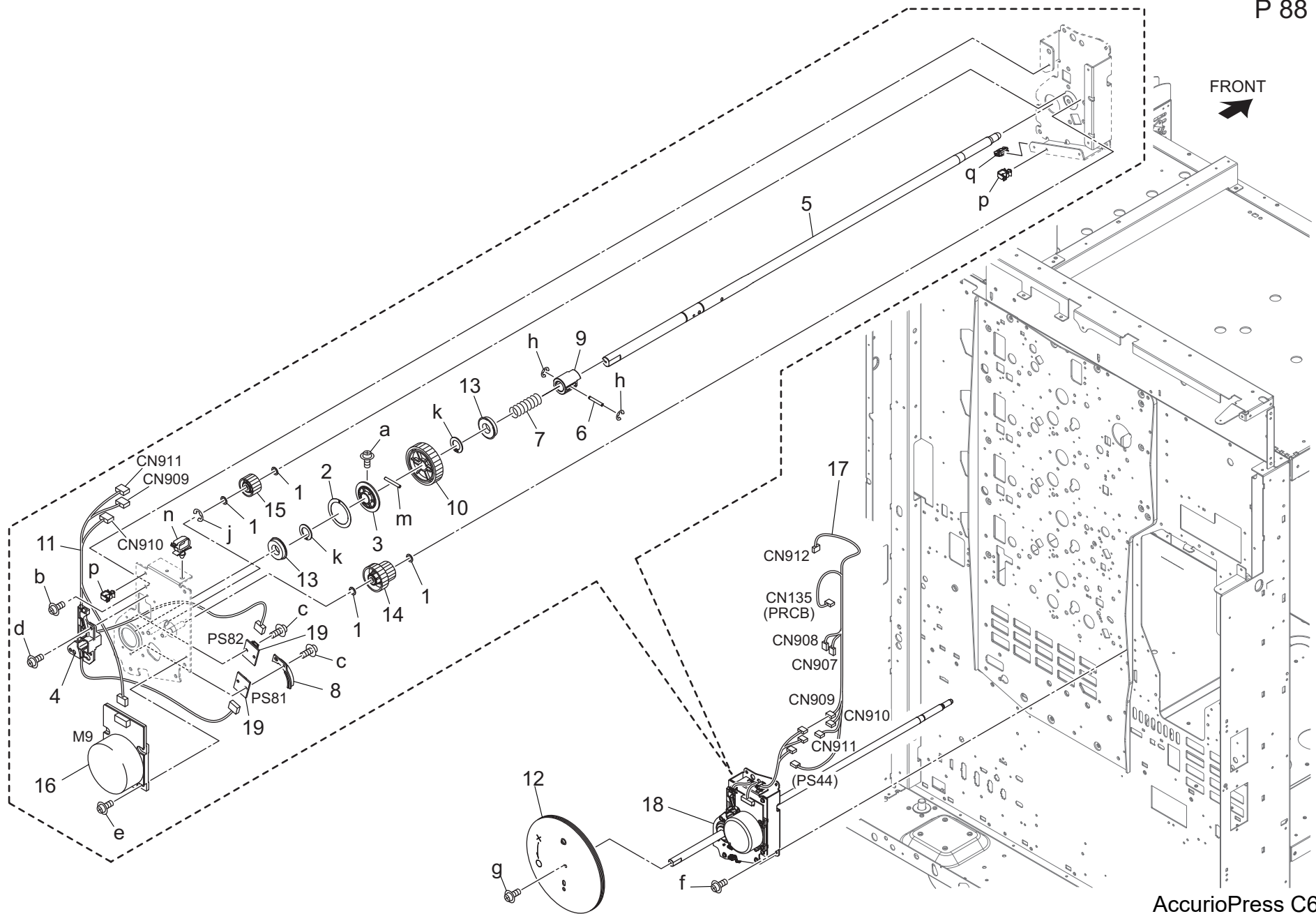
Key	Part No.	Description	Destinations	Class	QTY	Standard parts
1	26NA17580	Agitating Coupling /B		C	8	a-V121030603 b-V146030603 c-V217030001 d-V217040001 e-V217060001 f-V237301250 g-V500020098 h-V500020104
2	26NA50920	REVERSAL SPACER		C	8	
3	A00J617800	Ball Bearing		B	20	
4	A00V240600	Ball Bearing		B	4	
5	A9JTM10300	Developing Screw Motor		B	4	
6	A1RF220302	Drive Shaft /1		D	4	
7	A1RF220400	Drive Shaft /2		D	4	
8	A1RF229600	Idling Gear /2 42T		C	4	
9	A1RF229800	Agitating Gear /2 52T		C	4	
10	A1RFN13200	Drive Relay harness /1		D	4	
11	A5AW229602	Transfer Gear /C		C	4	
12	A5AW229700	Developing Gear /2 39T		C	4	
13	A92W226300	Rotation Gear /1 29T		C	4	
14	A92WR70Q00	Developing Drive Assy		D	1	



Intermediate Transfer Belt Driving Section

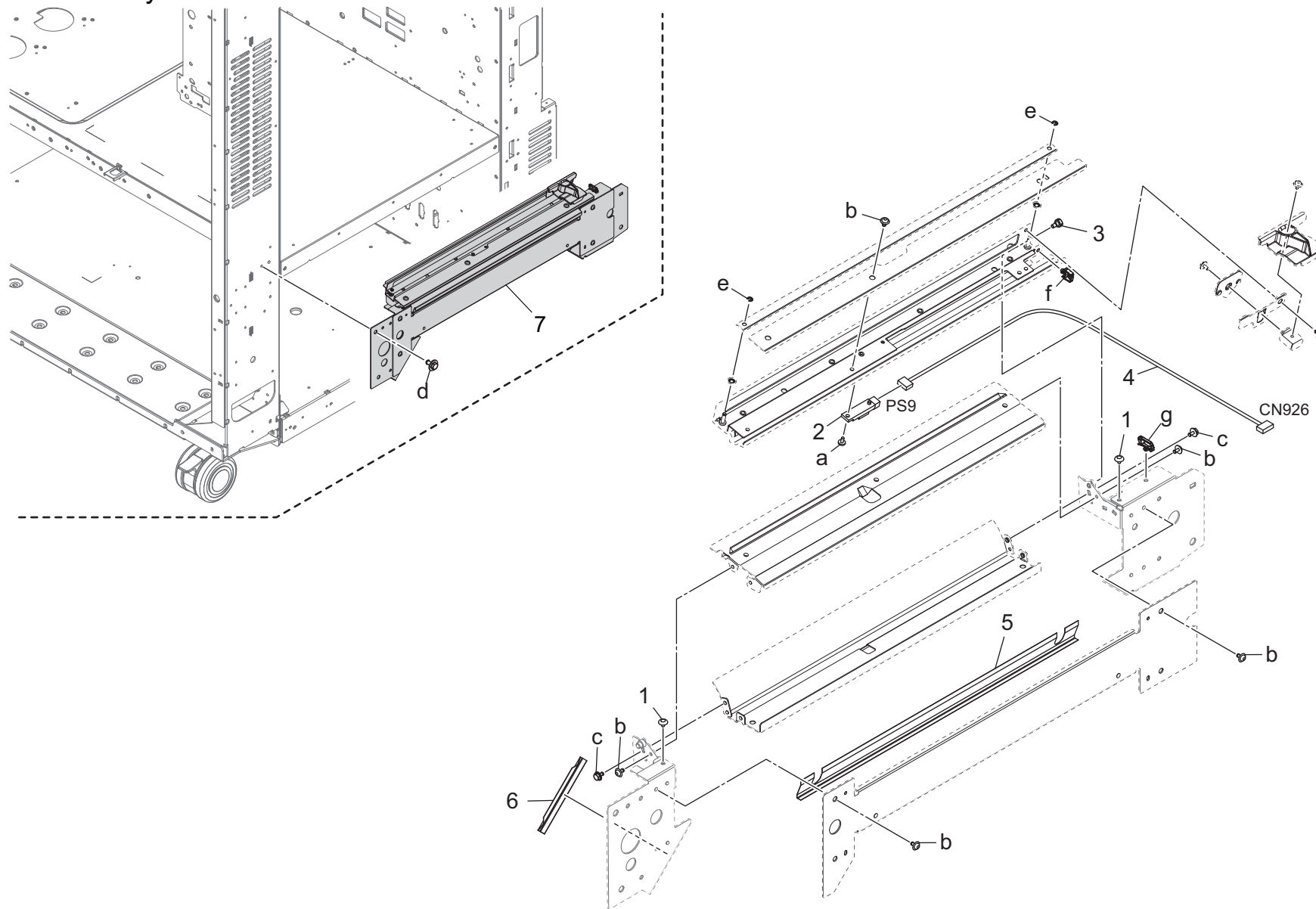
P 88

FRONT

AccurioPress C6100

Vertical Conveyance Section

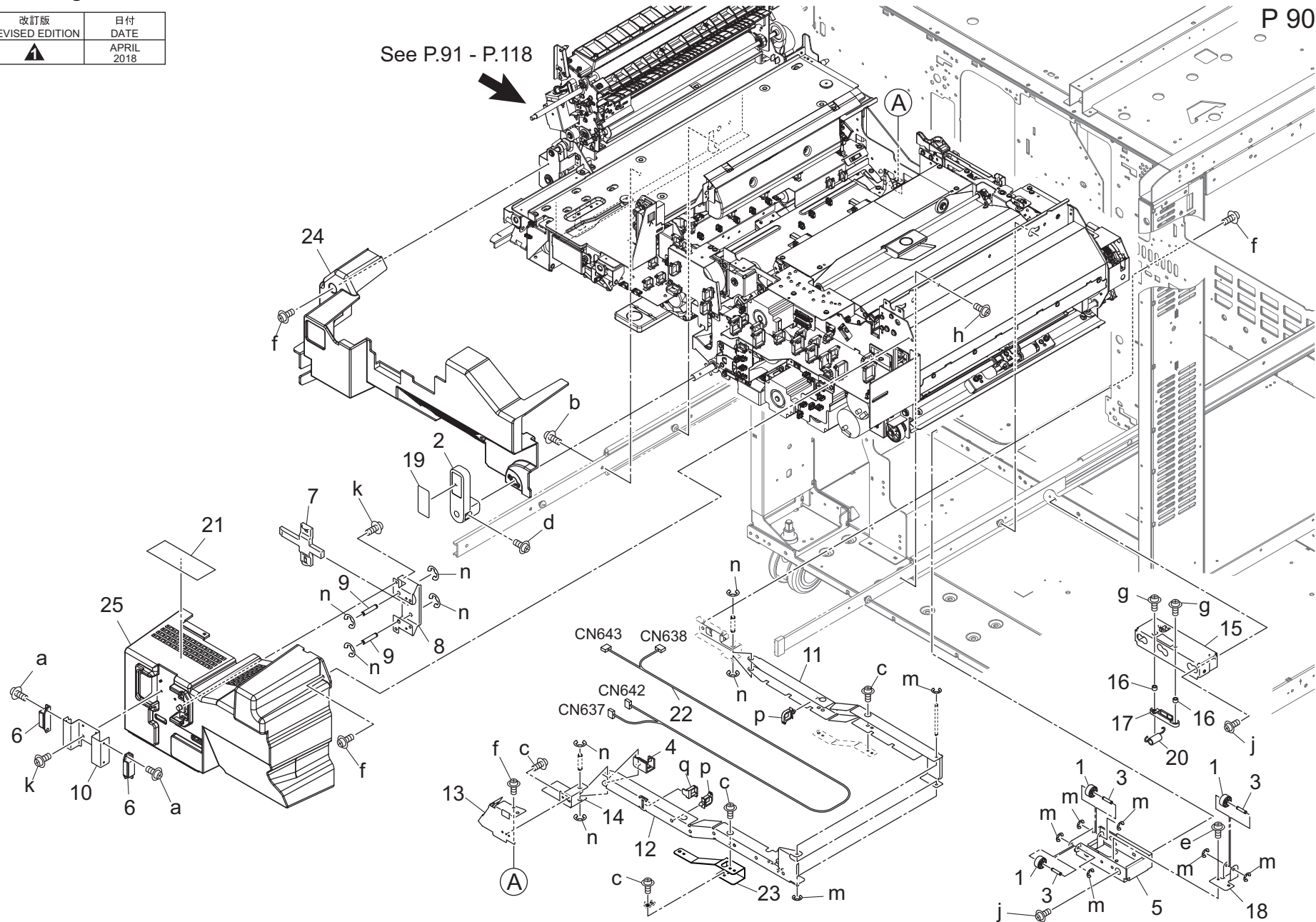


ADU Carriage

改訂版 REVISED EDITION	日付 DATE
▲	APRIL 2018

See P.91 - P.118

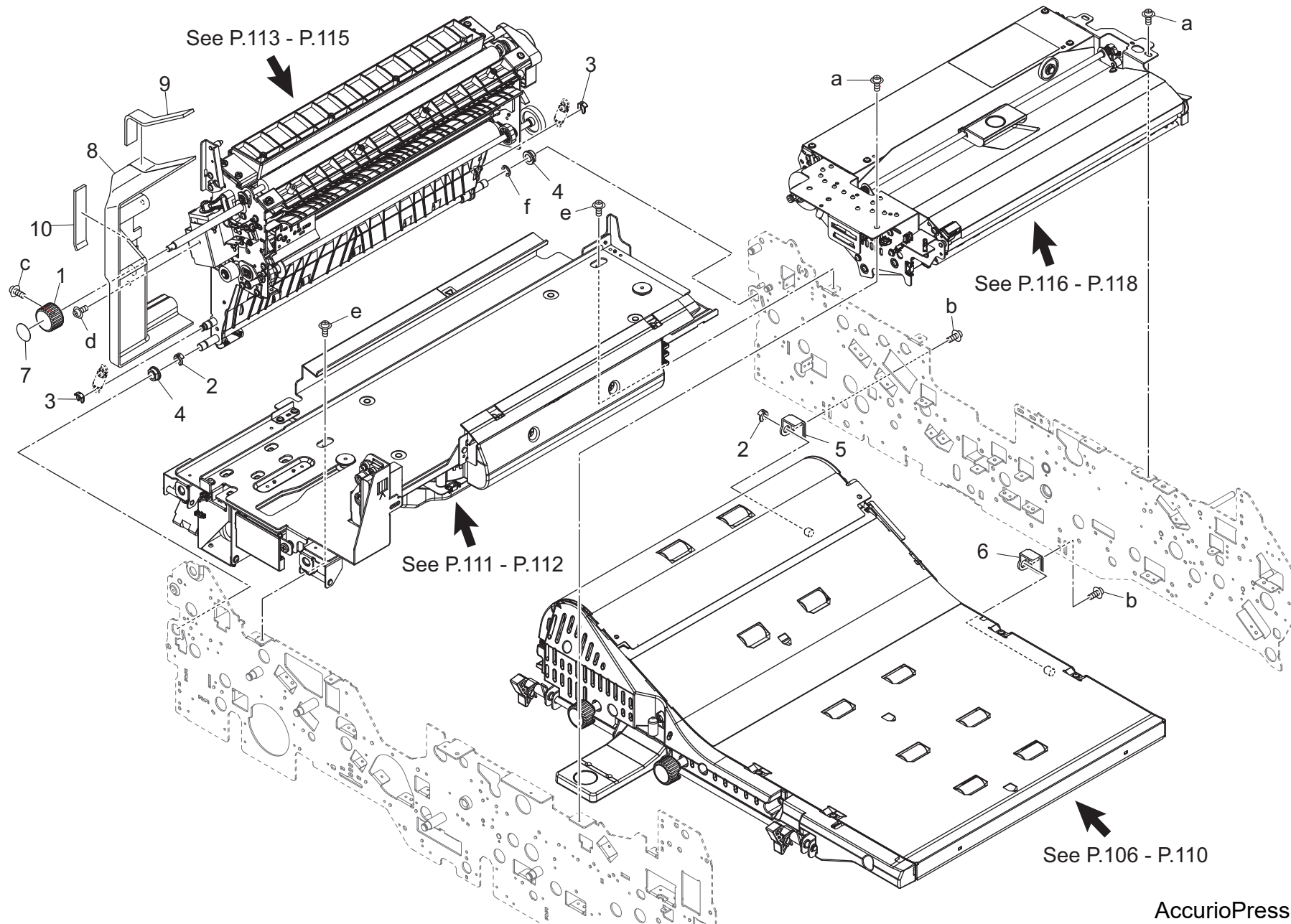
P 90

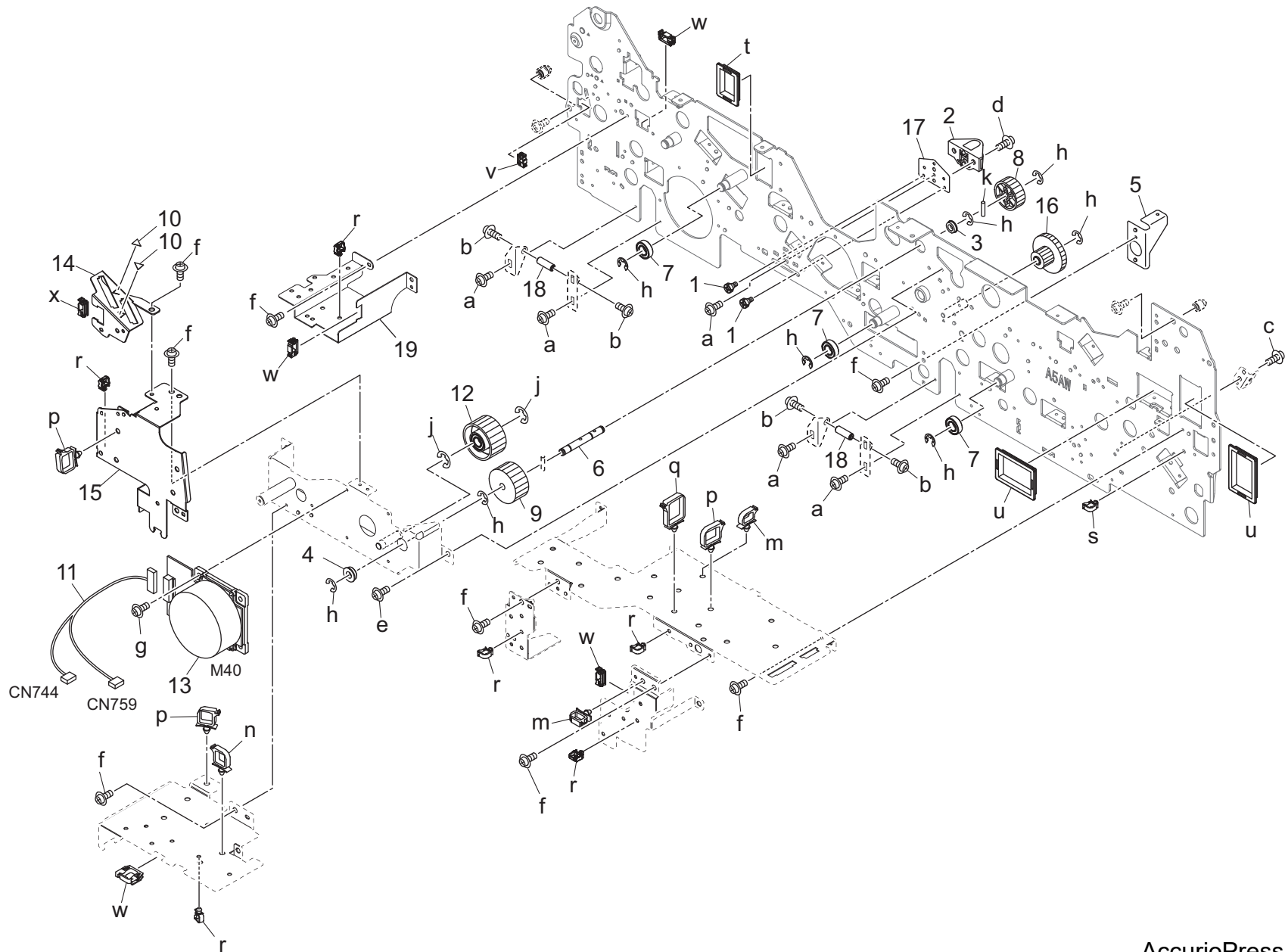


AccurioPress C6100

ADU Carriage


P 91

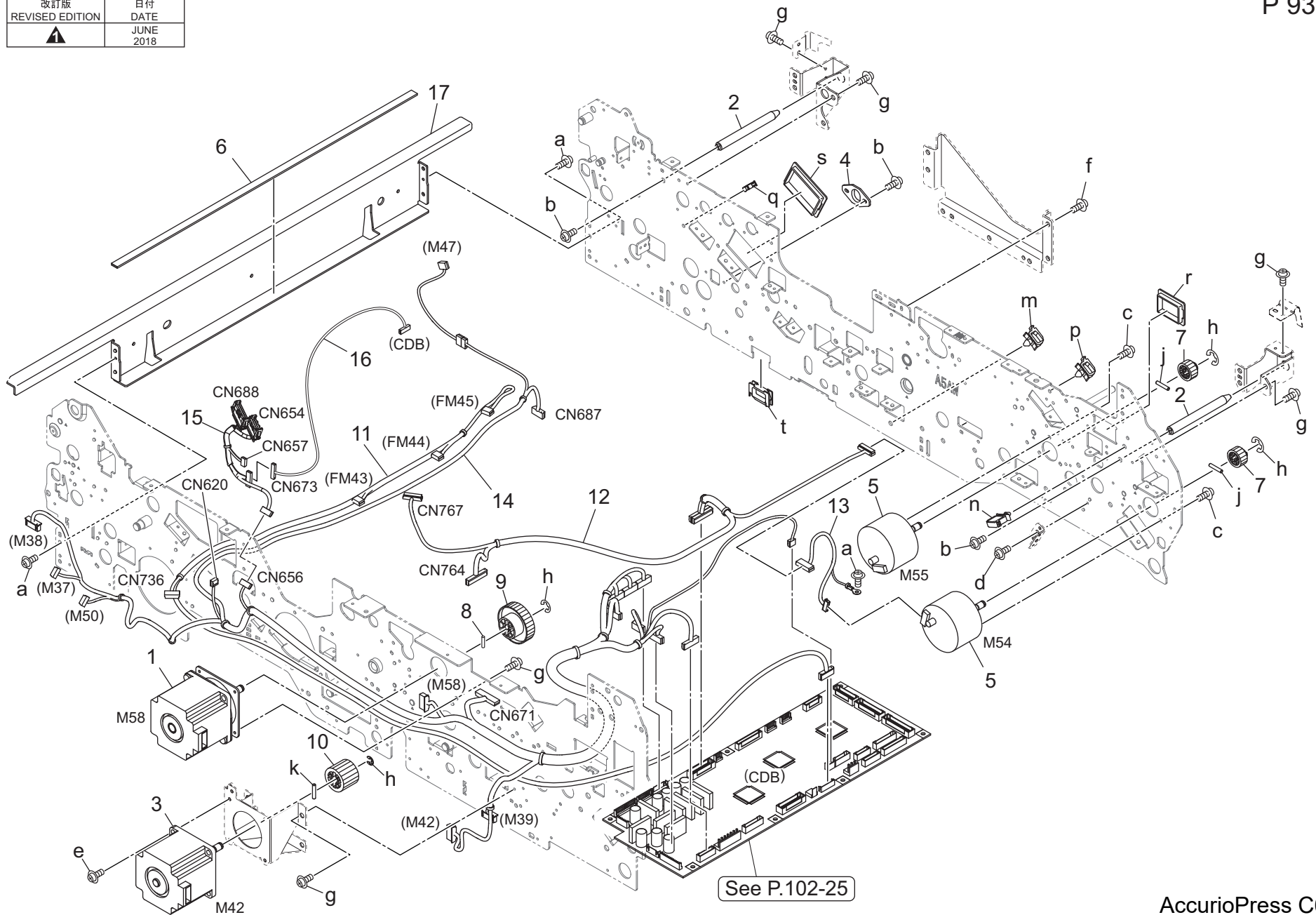




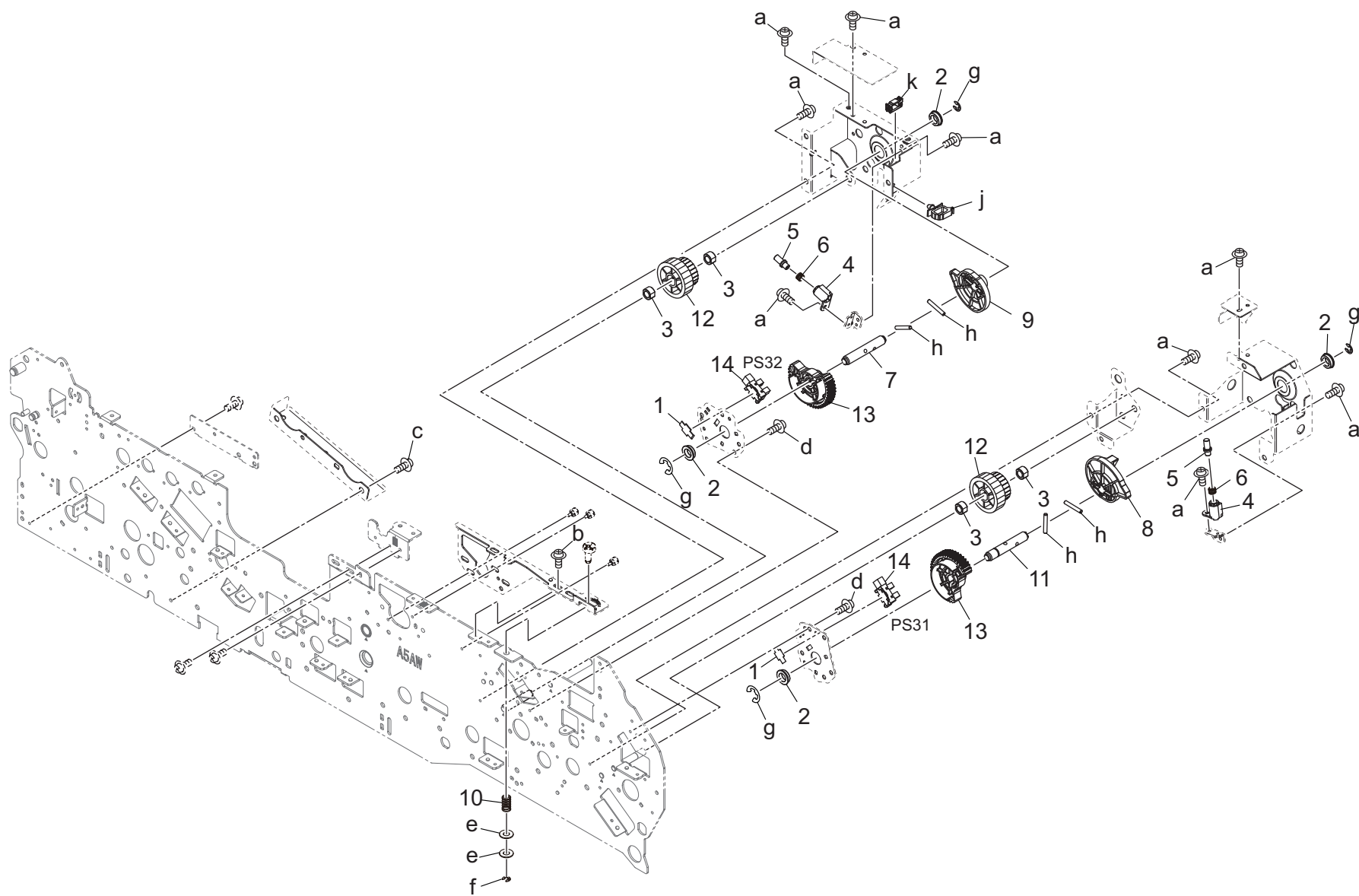
Key	Part No.	Description	Destinations	Class	QTY	Standard parts
1	65AA49510F	Fixing Screw /1		C	2	a-V116030603
2	A03U843500	Positioning Part		D	1	b-V118030403
3	A07R813701	Roller Bearing /B		C	1	c-V121030403
4	A0G6243900	Ball Bearing		C	1	d-V121030603
5	A1RF812802	Reinforce Plate /1		D	1	e-V121040403
6	A1RF816500	Drive Shaft /B		D	1	f-V127030603
7	A1RF820000	Ball Bearing		C	3	g-V127030803
8	A1RF829800	Transfer Gear /B 30T		C	1	h-V217040001
9	A1RF829900	Transfer Gear /A 60T		C	1	j-V217060001
10	A1RF945101	Replacement Label /1		D	2	k-V234201250
11	A1RFN13200	Drive Relay harness /1		D	1	m-V500010005
12	A5AW229602	Transfer Gear /C		C	1	n-V500010007
13	A5AWM10201	DC Brushless motor /B		C	1	p-V500010008
14	A92W816900	Mounting Plate /B		D	1	q-V500010015
15	A92W819700	Wiring Guide /3		D	1	r-V500020098
16	A92W829600	Transfer Gear /Assy 14/73T		C	1	s-V500020099
17	A03U811600	ADU Positioning Plate /1		D	1	t-V570010038
18	A1RF850600	Adjusting Shaft /Front		D	2	u-V570010039
19	A92W821100	Wiring Guide		D	1	v-V570010056
						w-V570010057
						x-V570010060

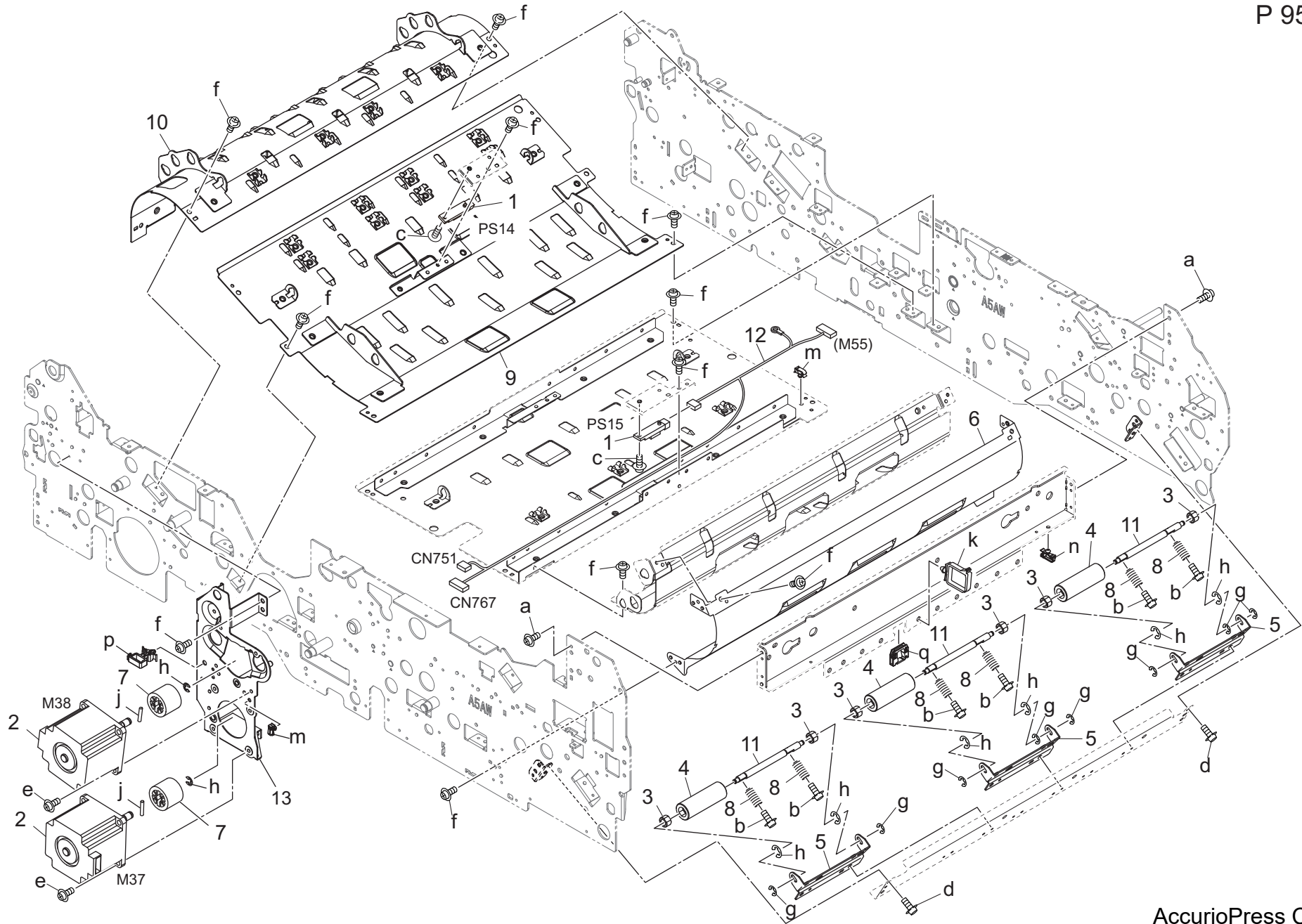
ADU Duplex Section

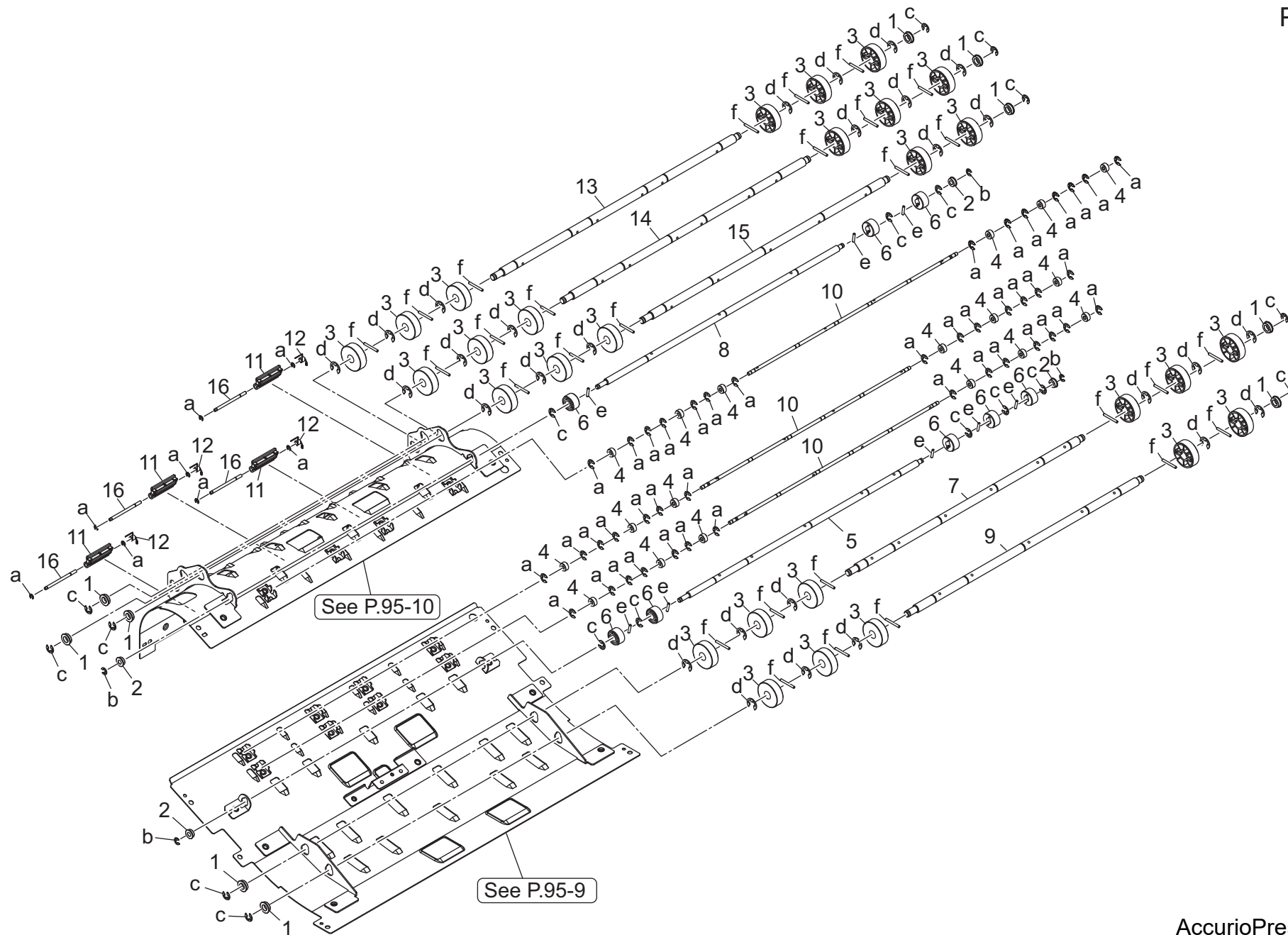
改訂版 REVISED EDITION	日付 DATE
	JUNE 2018

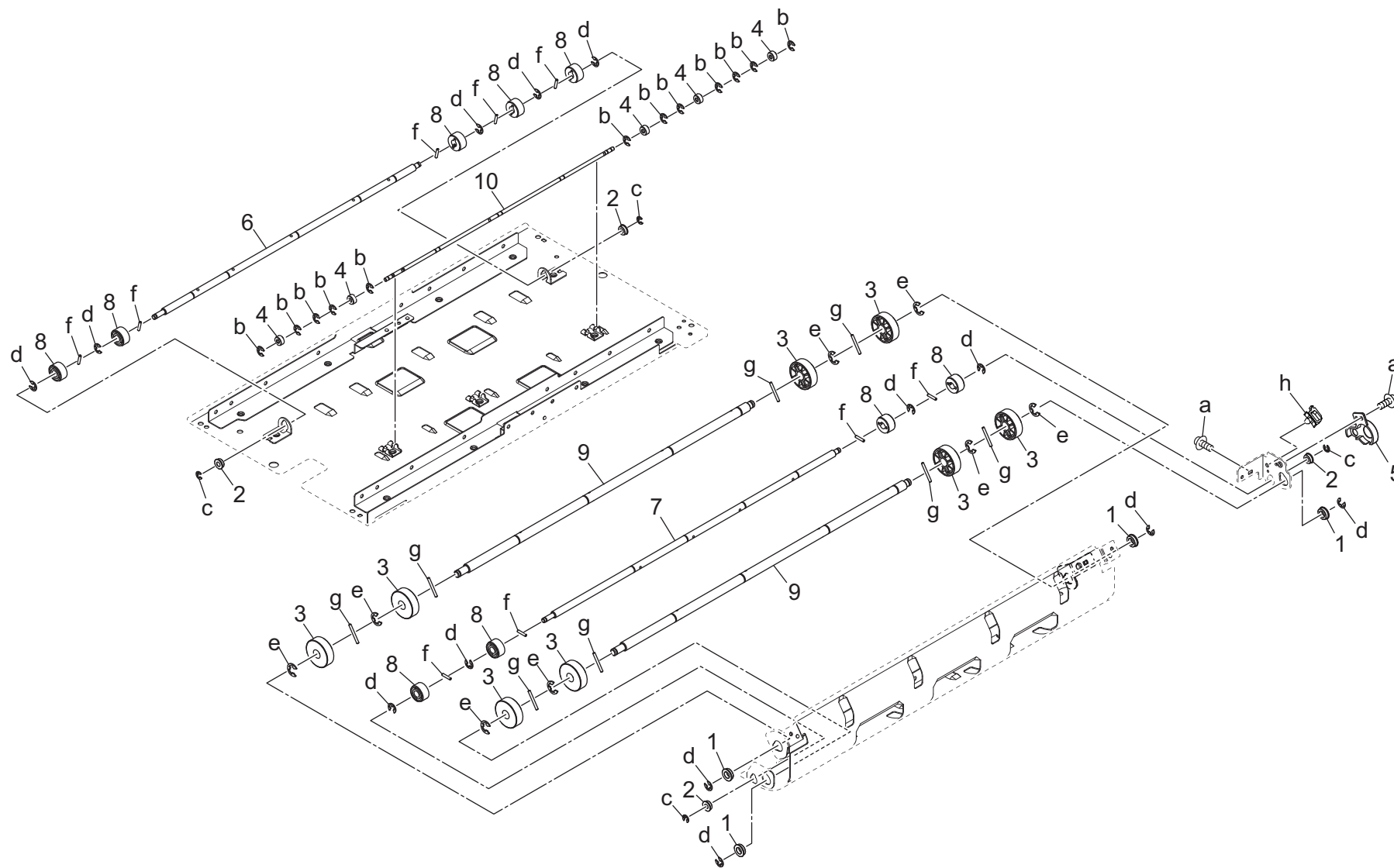


See P.102-25



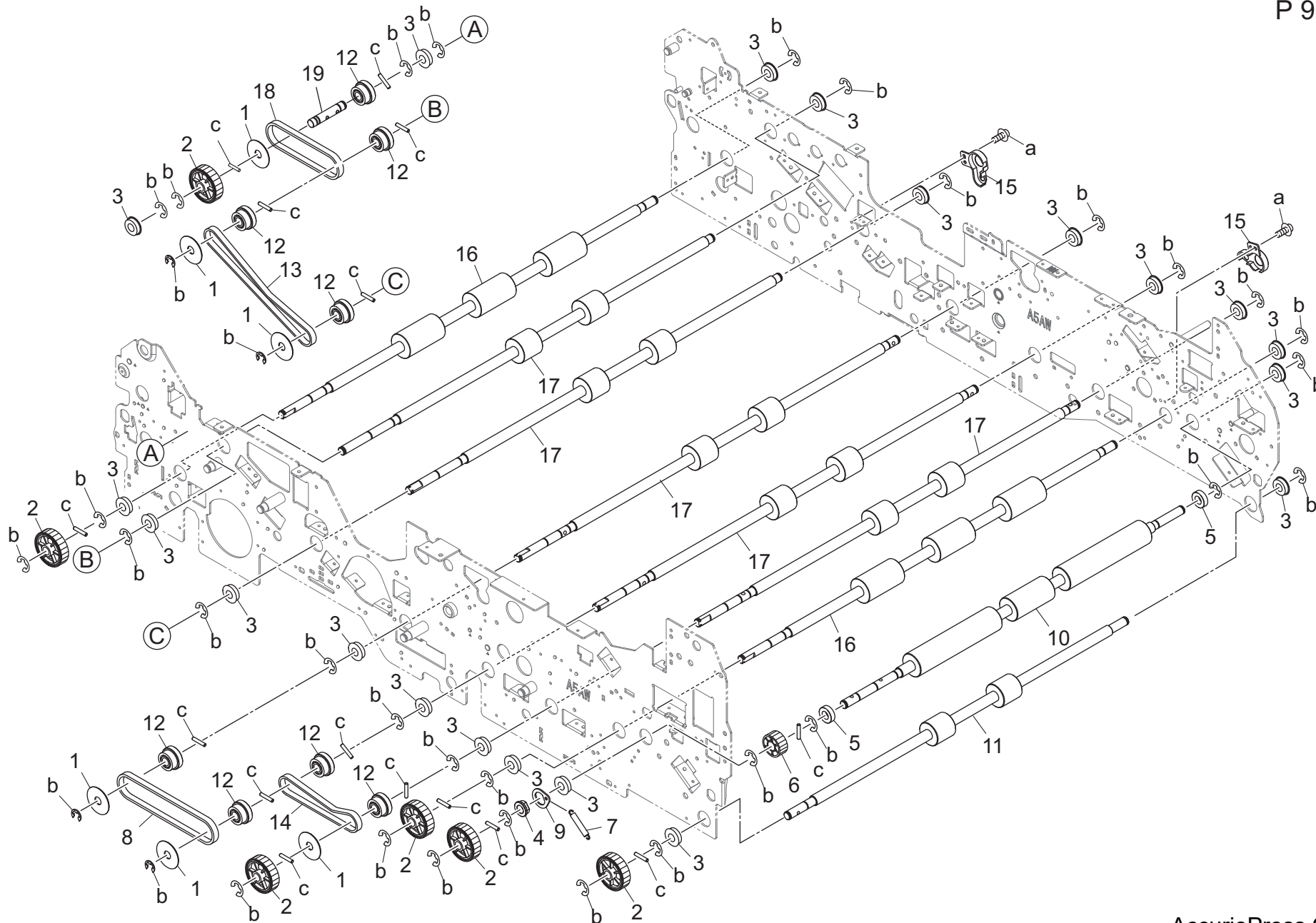






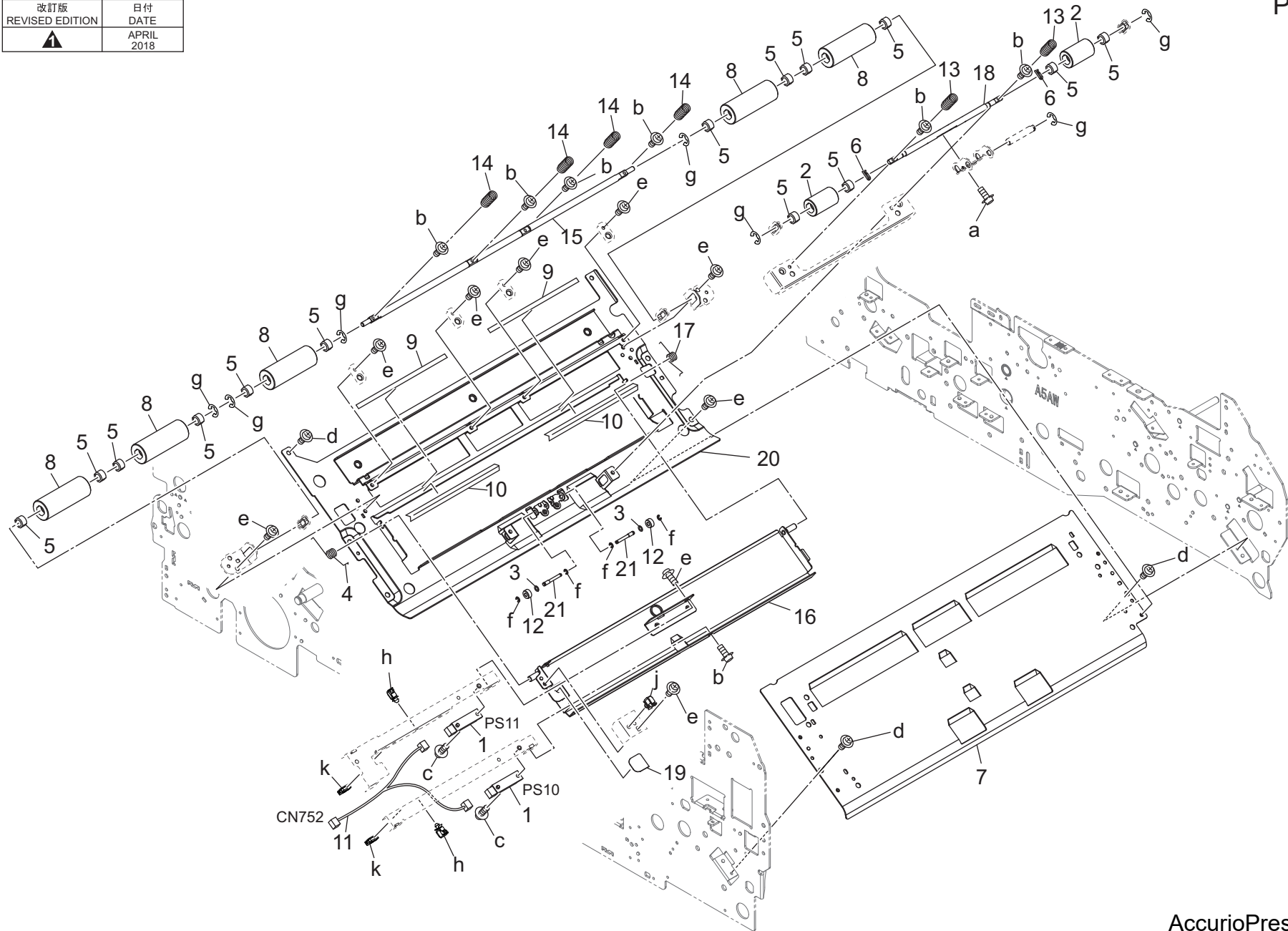
ADU Duplex Section

P 98




ADU Duplex Section

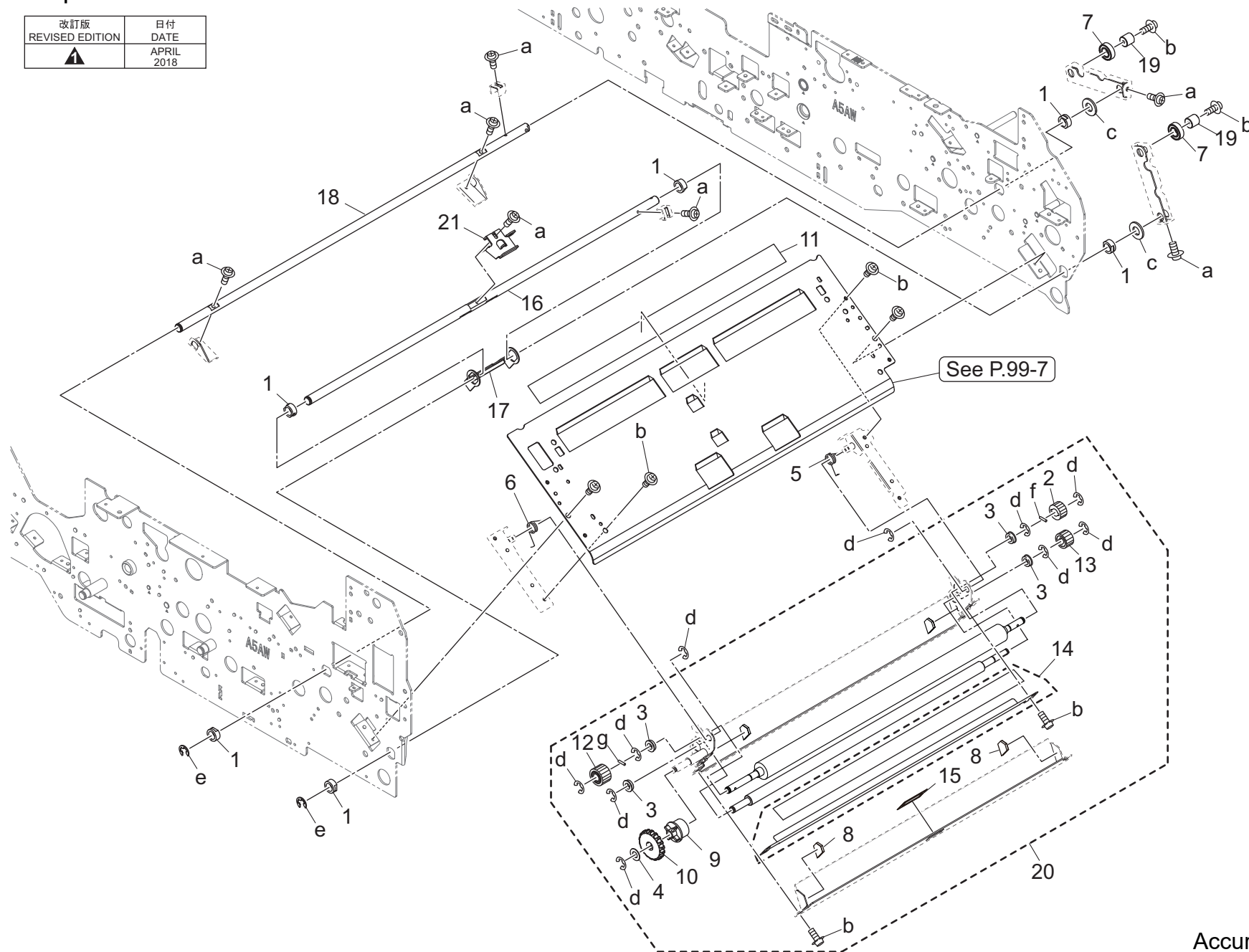
改訂版 REVISED EDITION	日付 DATE
▲	APRIL 2018



ADU Duplex Section

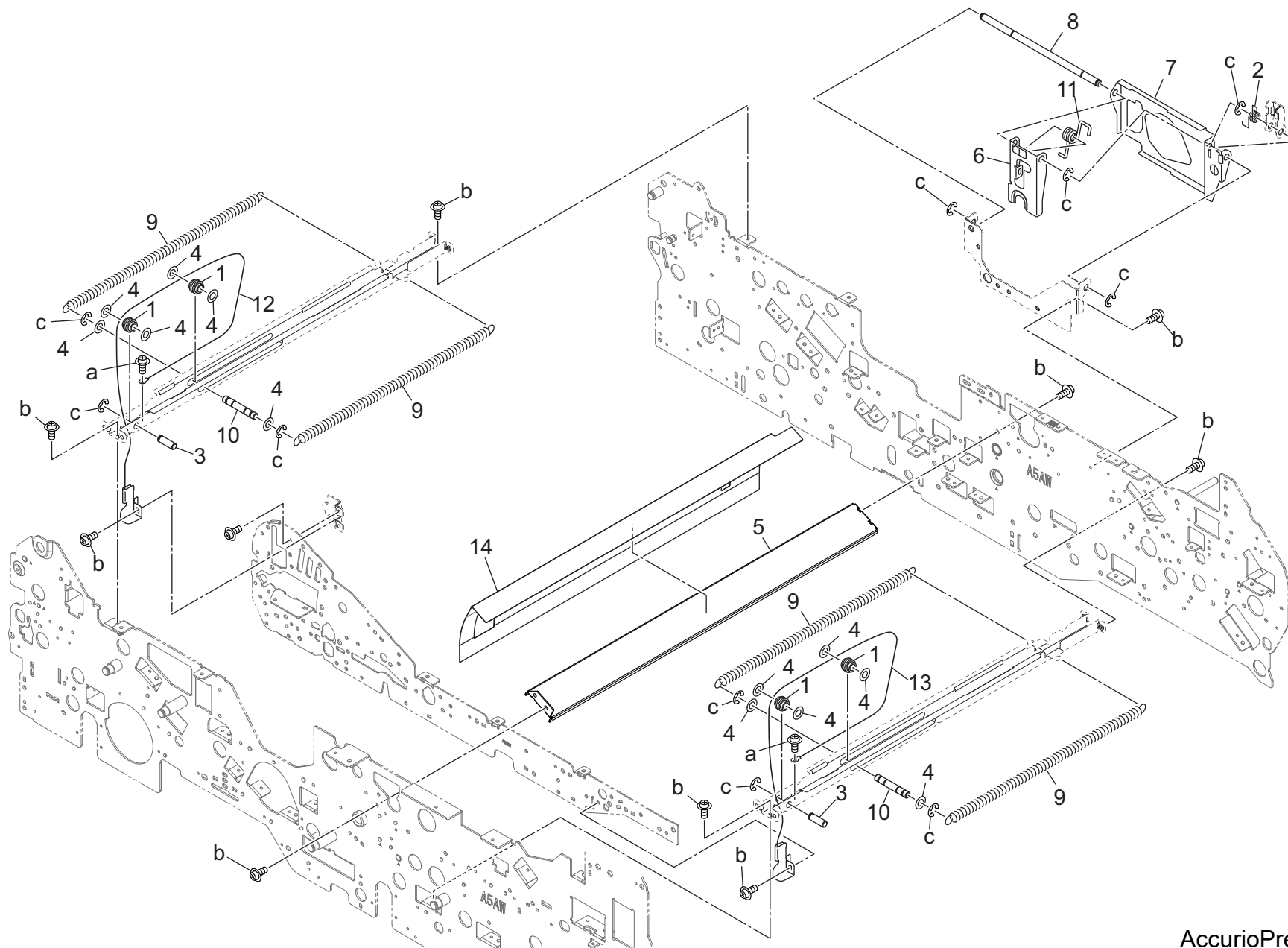
P 100

改訂版 REVISED EDITION	日付 DATE
	APRIL 2018



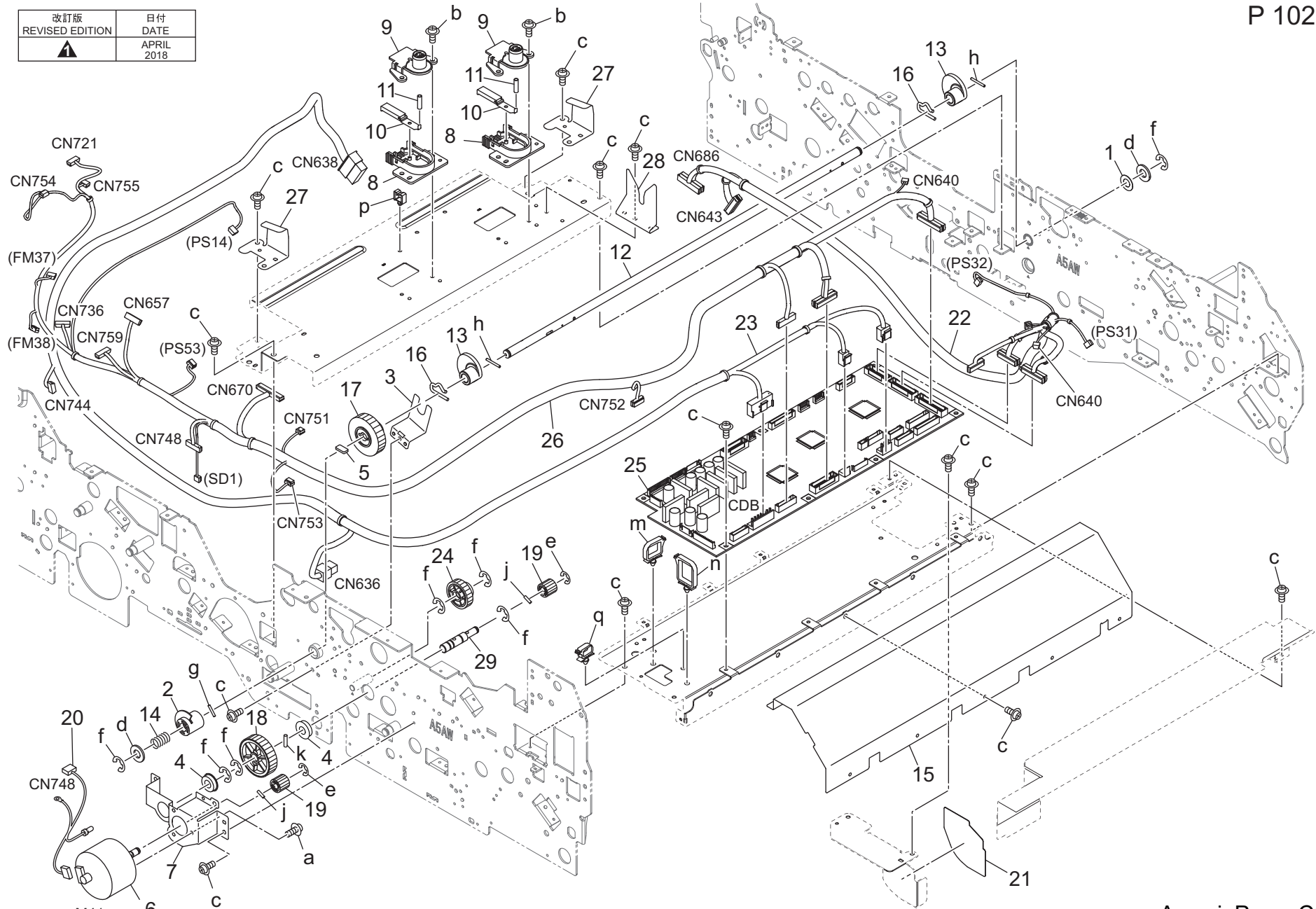
ADU Duplex Section

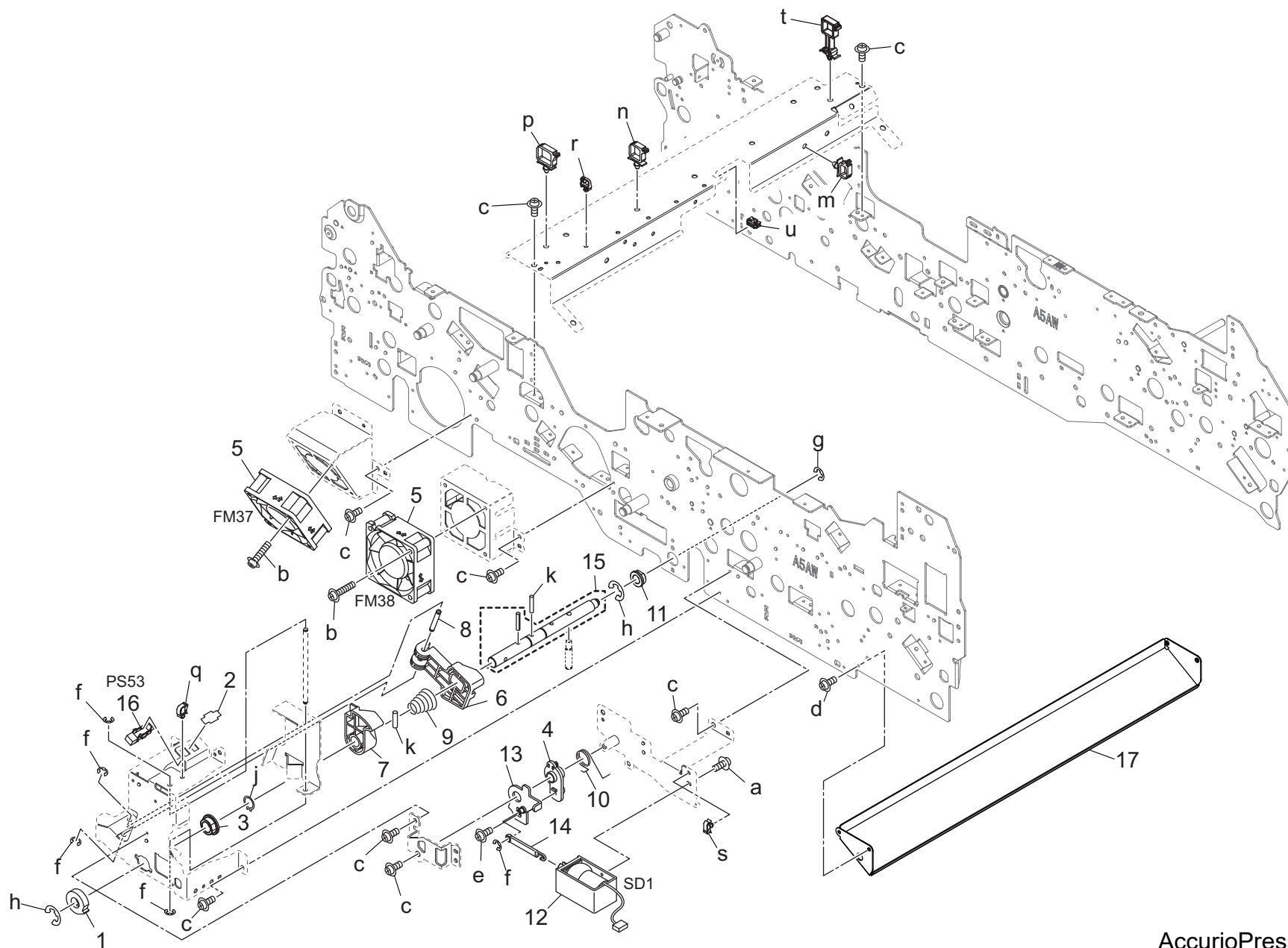
P 101



ADU Duplex Section

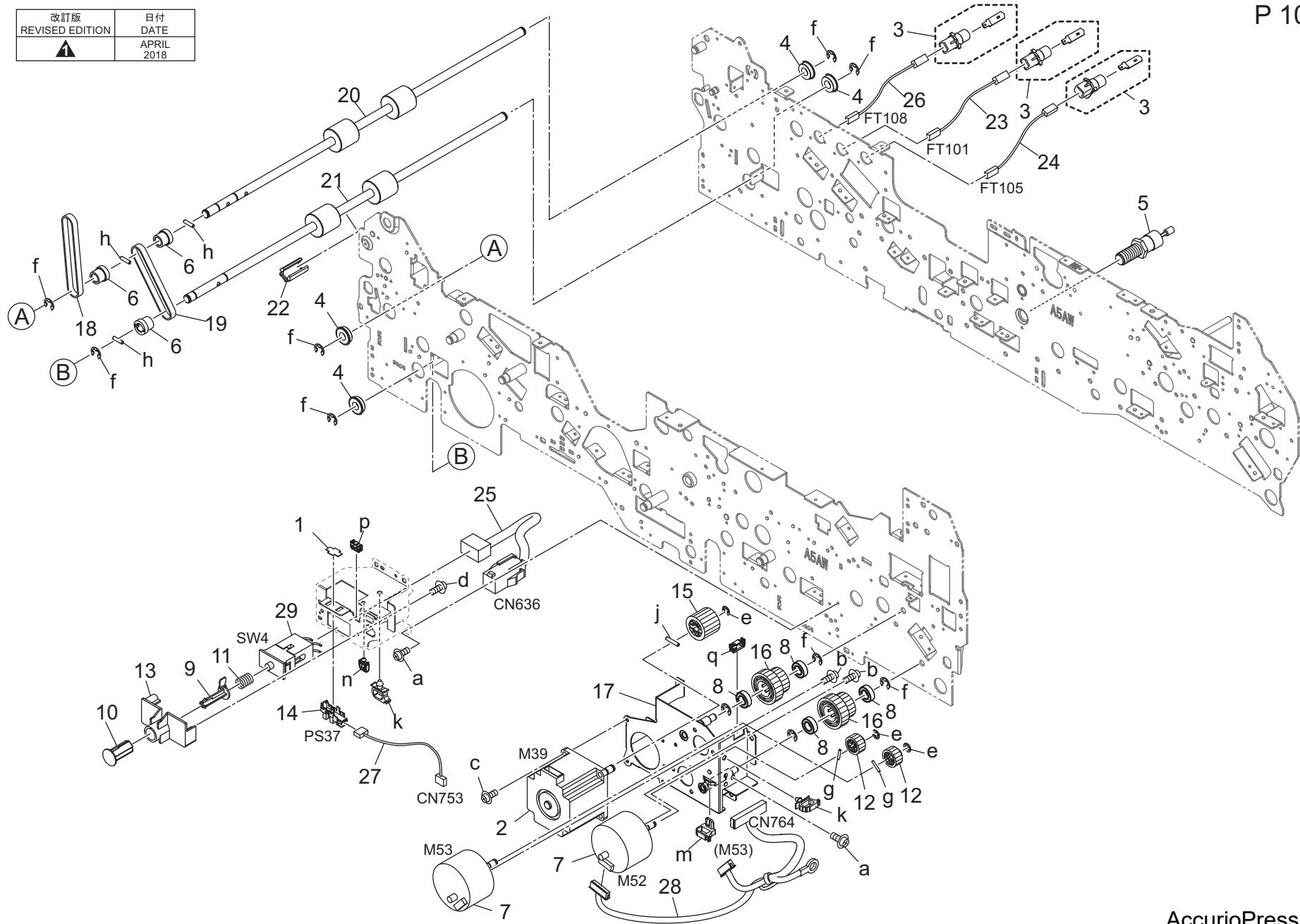
改訂版 REVISED EDITION	日付 DATE
	APRIL 2018





ADU Duplex Section

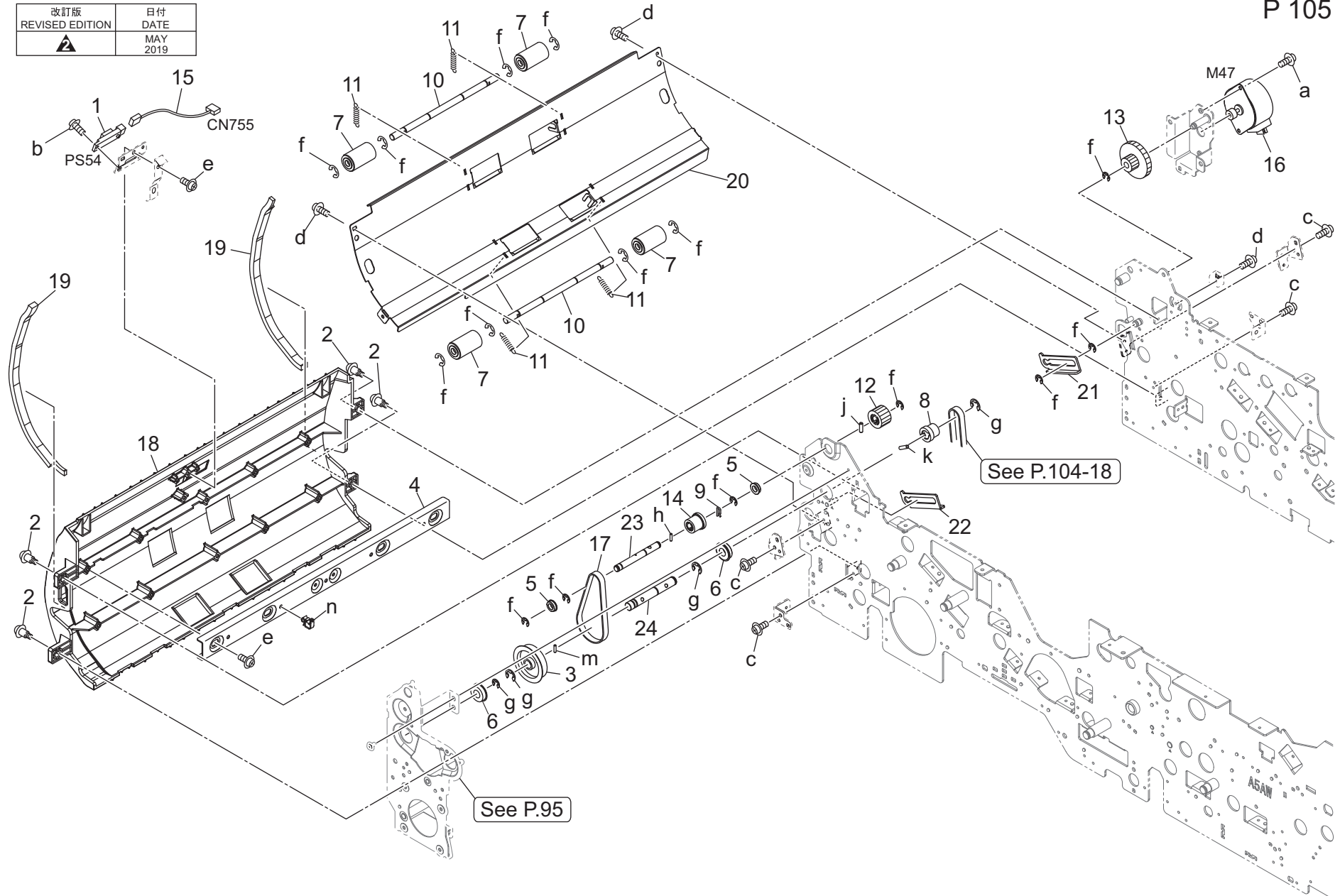
改訂版 REVISED EDITION	日付 DATE
	APRIL 2018



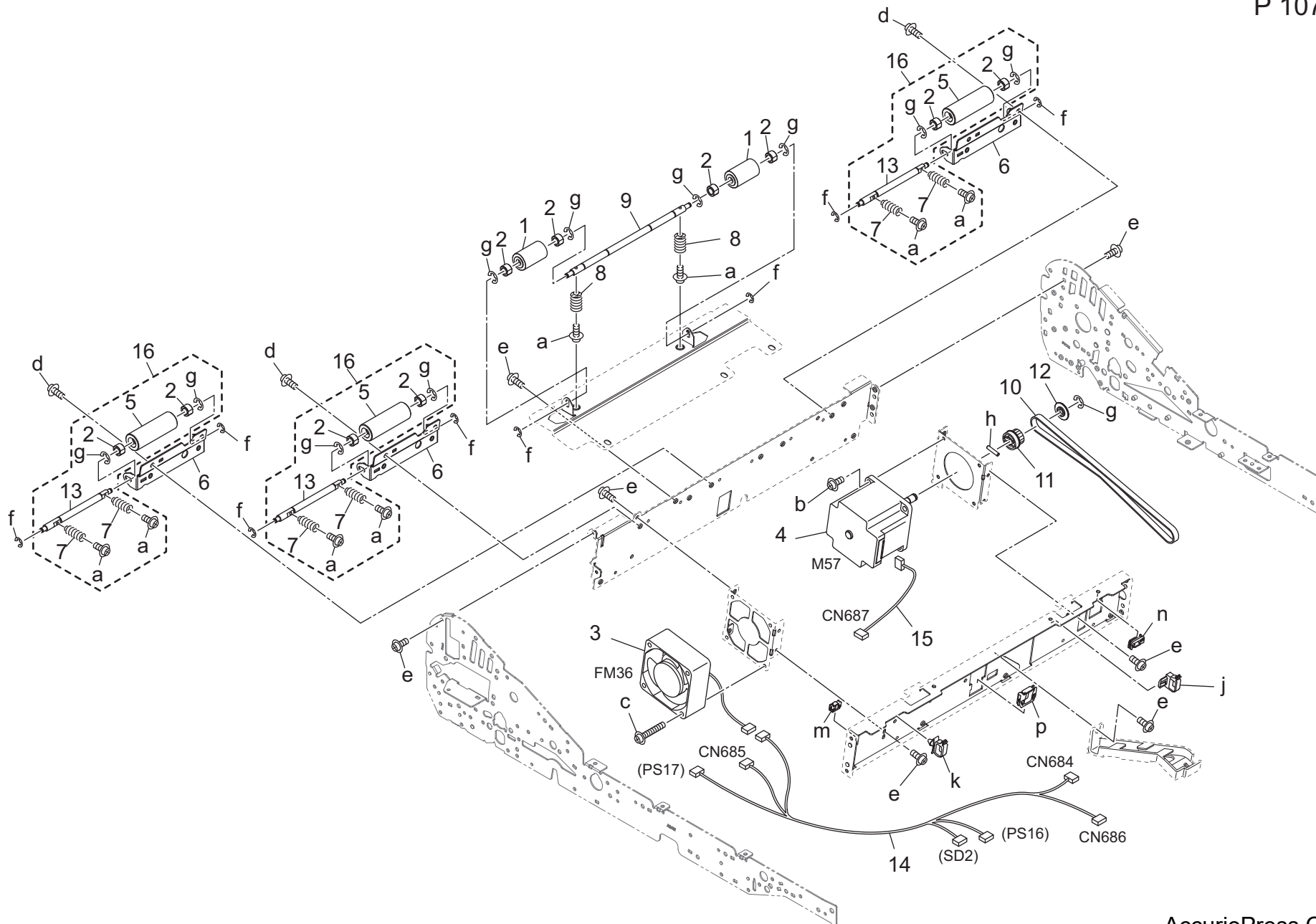
ADU Duplex Section

P 105

改訂版 REVISED EDITION	日付 DATE
	MAY 2019

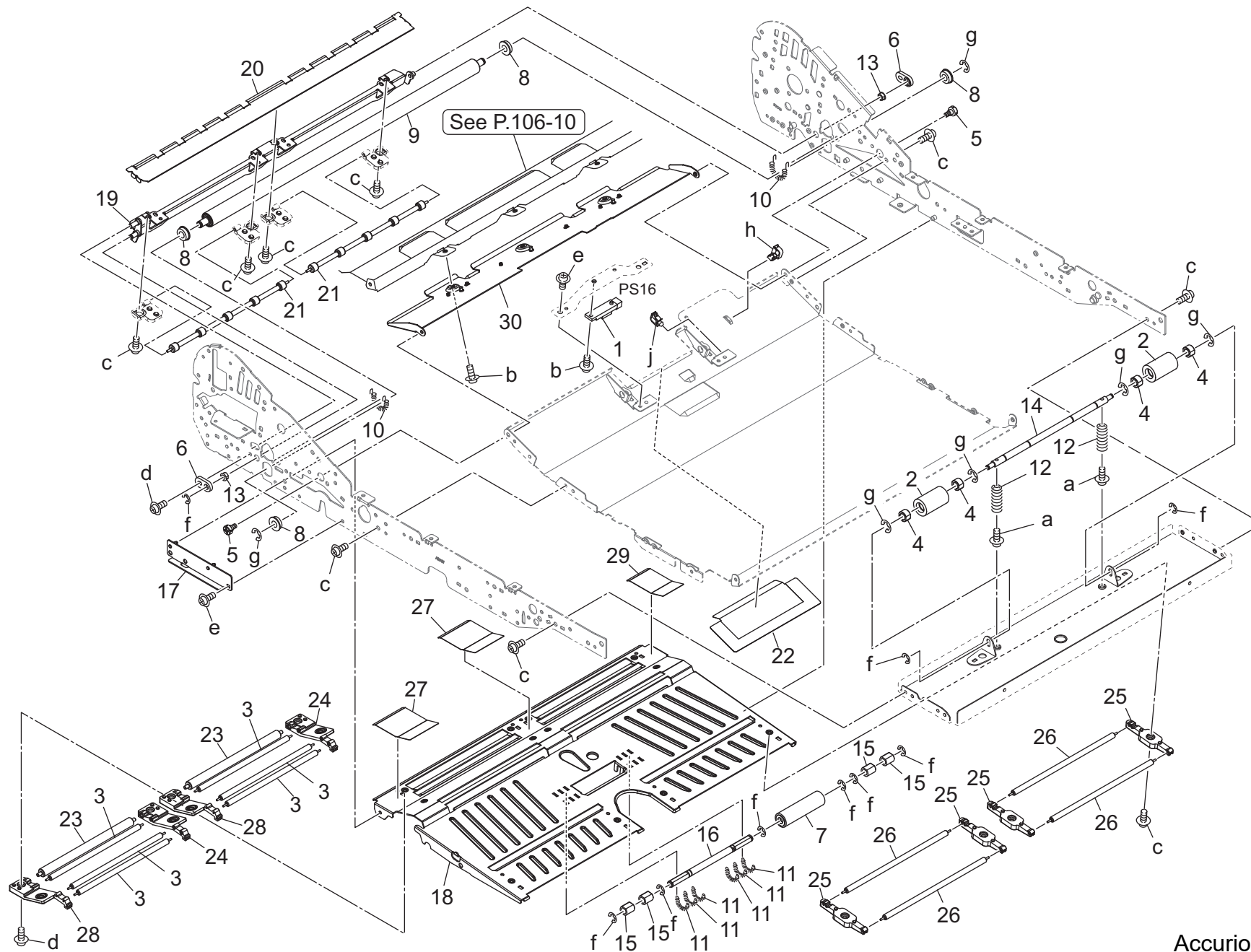


AccurioPress C6100



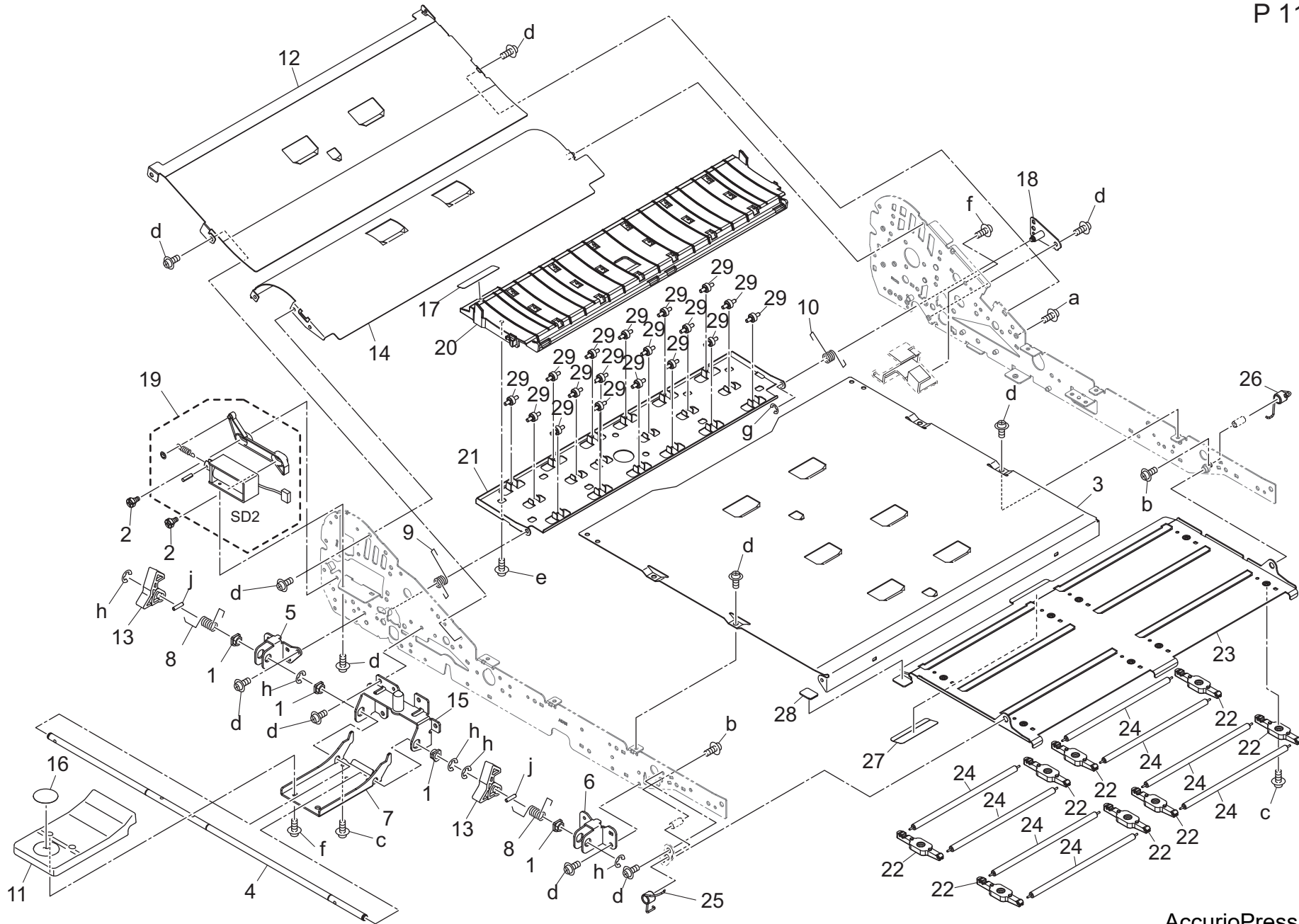
ADU Duplex Section

P 108



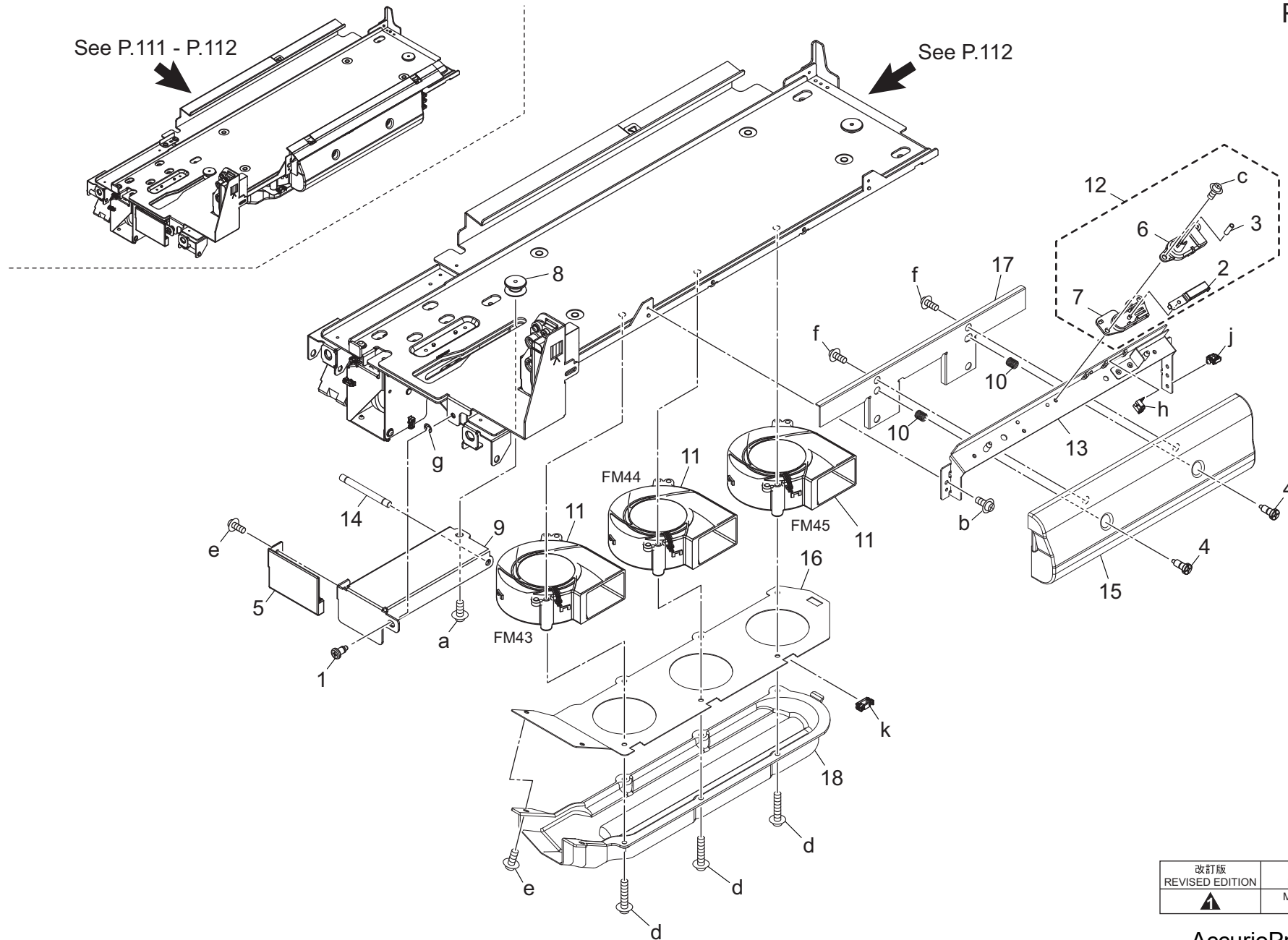
ADU Duplex Section

P 110



ADU Swing Section

P 111

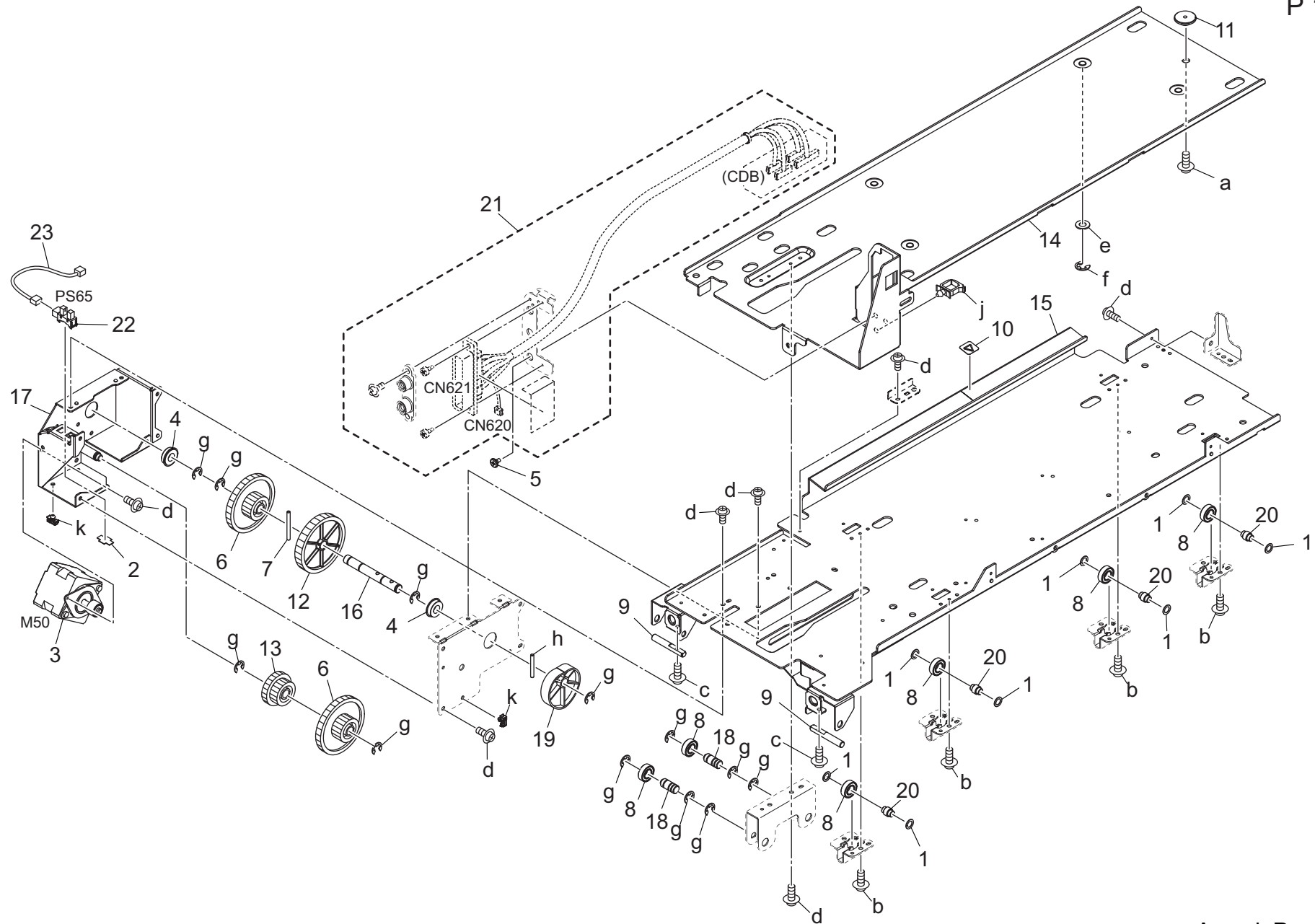


改訂版 REVISED EDITION	日付 DATE
▲	MARCH 2018


AccurioPress C6100

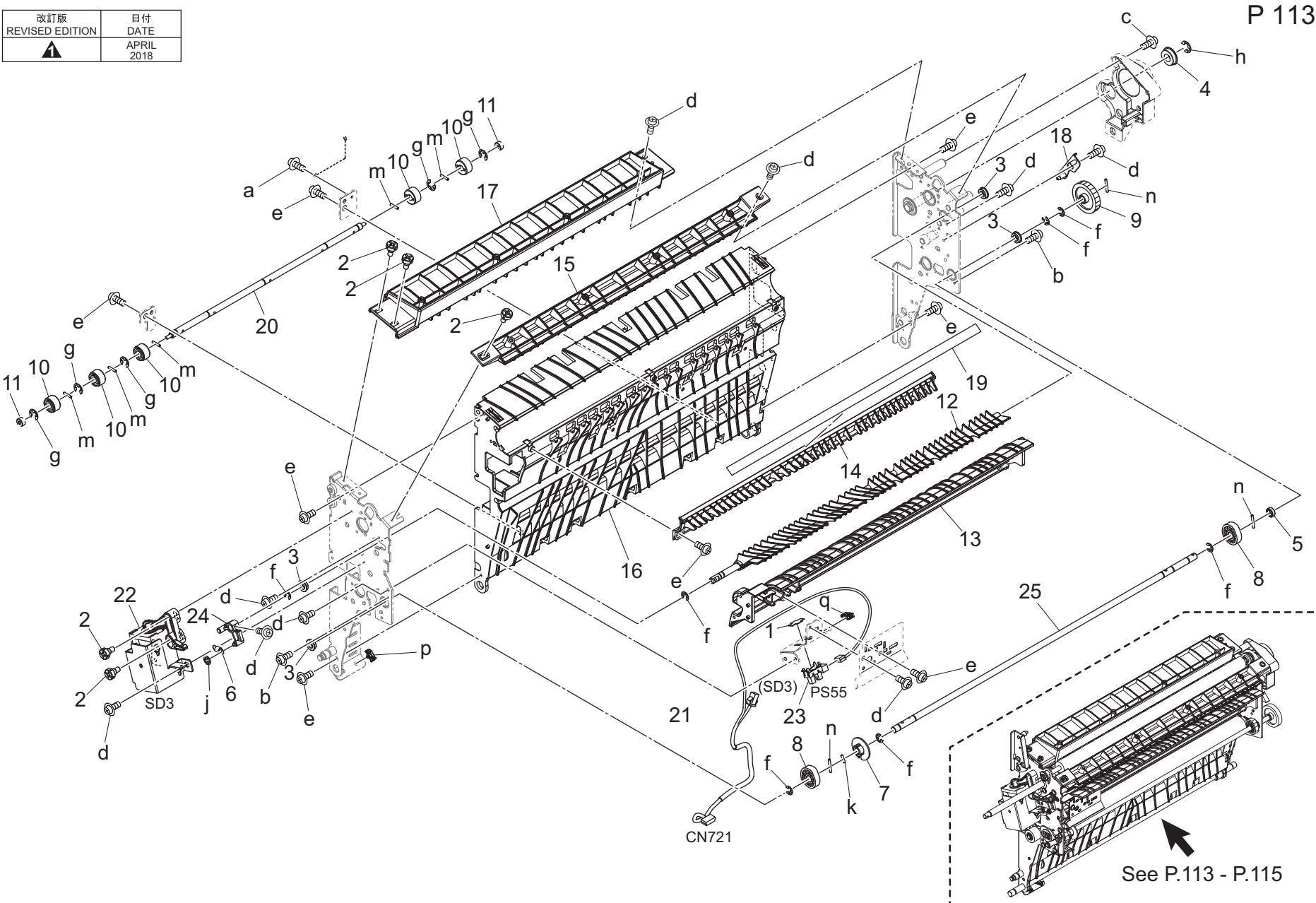
ADU Swing Section

P 112



ADU Reverse And Exit Section

改訂版 REVISED EDITION	日付 DATE
	APRIL 2018



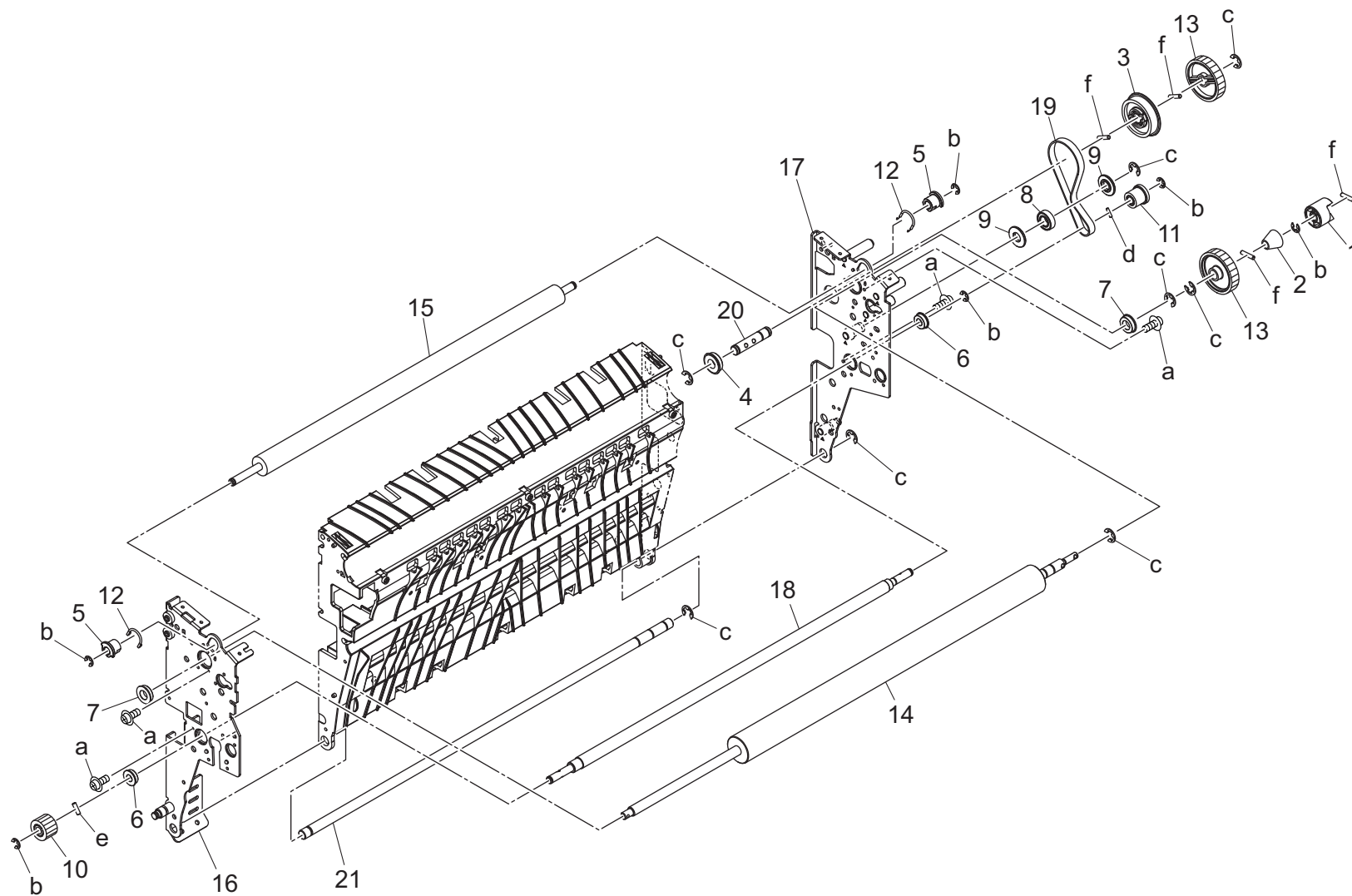
P 113

See P.113 - P.115

AccurioPress C6100

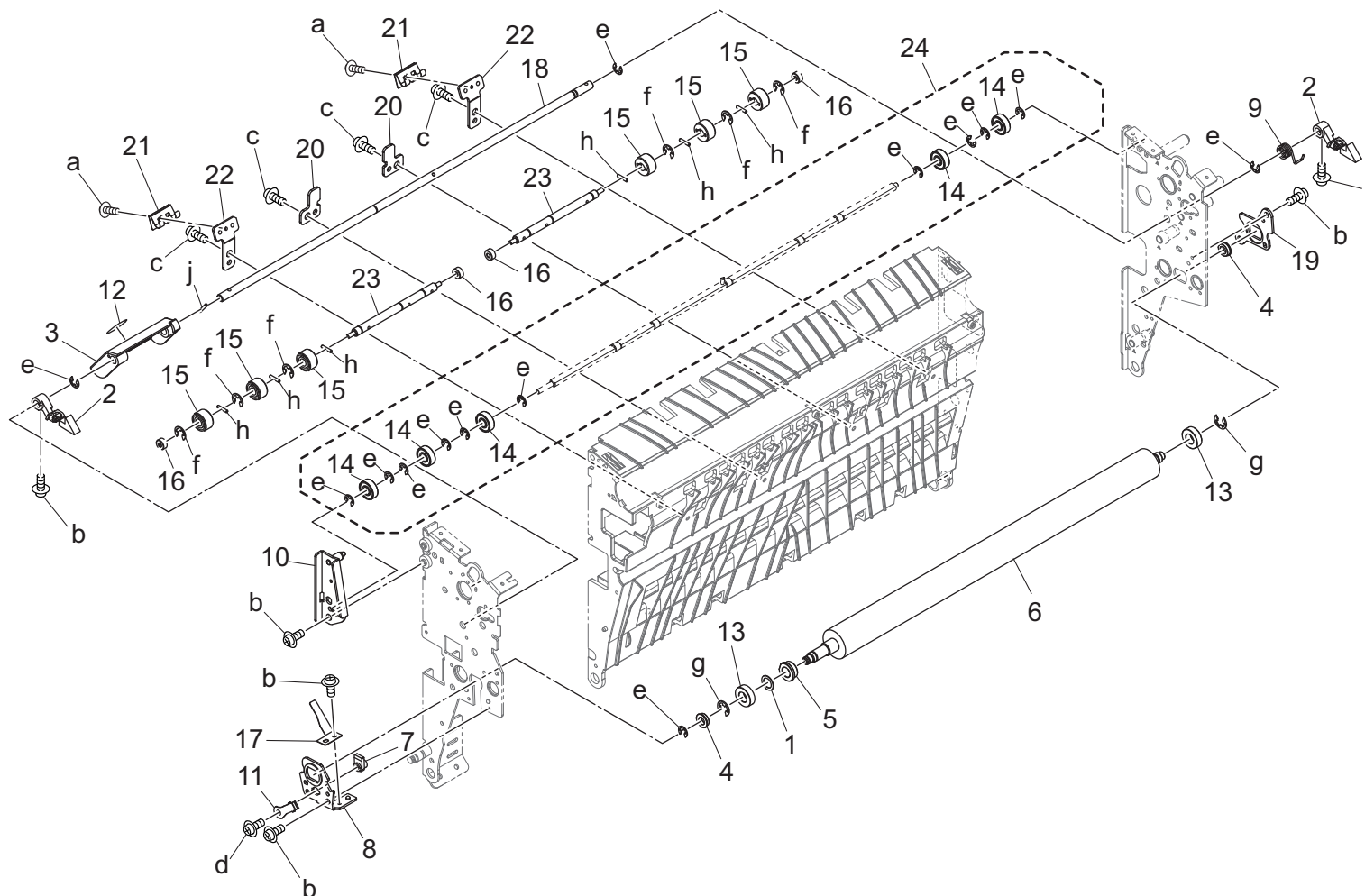
ADU Reverse And Exit Section

P 114



ADU Reverse And Exit Section

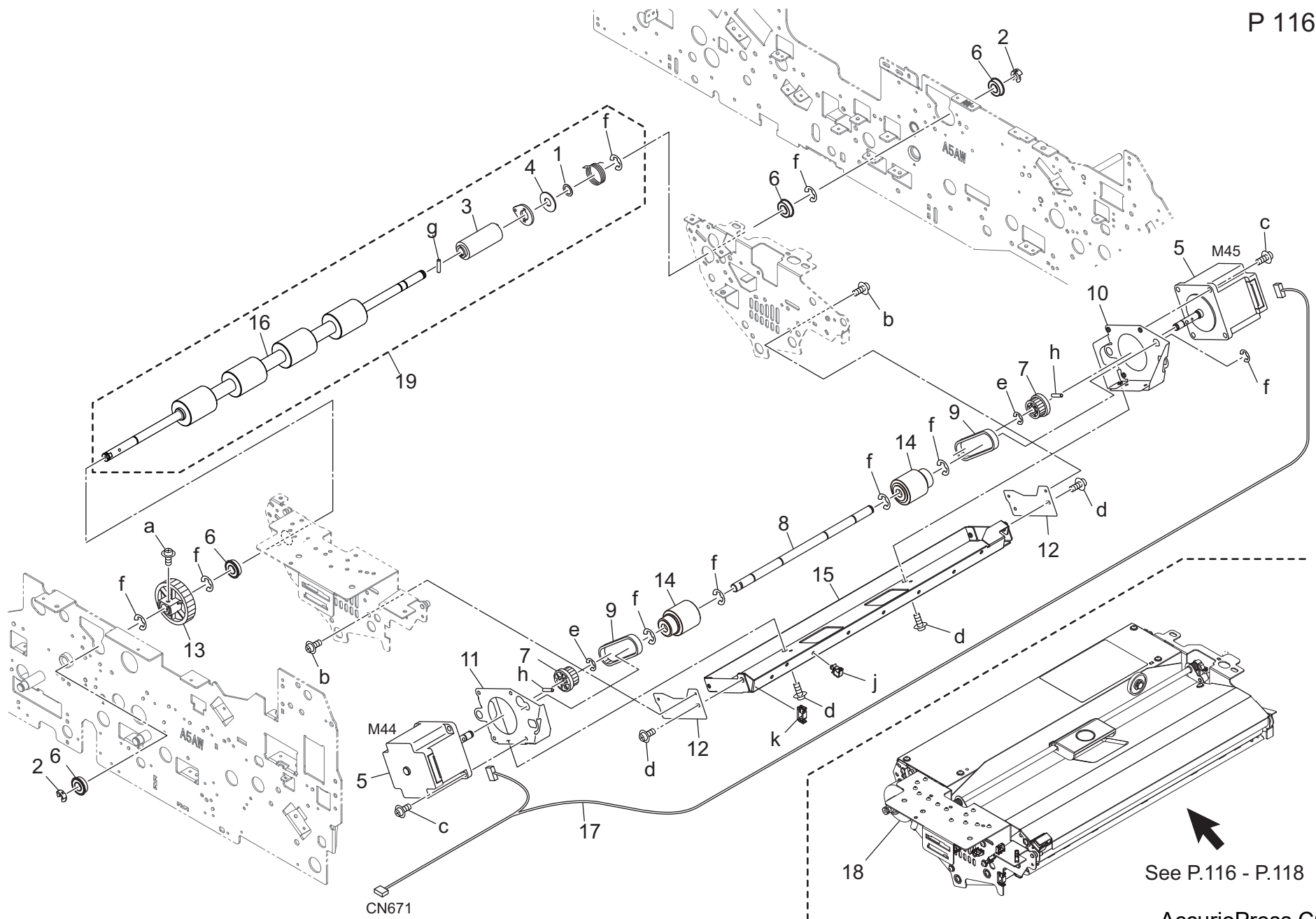
P 115



Key	Part No.	Description	Destinations	Class	QTY	Standard parts
1	12QV40650	Spacer		B	1	a-V116030403
2	40AA46261	Lock Claw /F		B	2	b-V127030603
3	65AA49410	Paper Exit Handle		C	1	c-V153030603
4	A00J617800	Ball Bearing		B	2	d-V153030803
5	A1RF530500	Support Bushing		D	1	e-V217040001
6	A1RF860501	Pressure Roller /A		B	1	f-V217050001
7	A1RF870600	Fixing Part		D	1	g-V217060001
8	A1RF870802	Support Plate /Front		D	1	h-V234201050
9	A1RF873800	Open/close Spring /Upper		D	1	j-V234201250
10	A1RF877000	Ground Plate /1		D	1	
11	A1RF877201	Ground Plate /2		D	1	
12	A1RF943500	Release Label /5		D	1	
13	A1RJ817200	Ball bearing /8		C	2	
14	A4F3905000	Ball Bearing		D	5	
15	A5AW856001	Guide Roll		D	6	
16	A5AW858200	Ball bearing /A		C	4	
17	A5AW861802	Holding Plate /Front		D	1	
18	A5AW862300	Lock Shaft /Upper		D	1	
19	A5AW862700	Support Plate /Rear		D	1	
20	A5AW865500	Holding Plate /2		D	2	
21	A5AW865700	Ground Plate		D	2	
22	A5AW872500	Holding Plate		D	2	
23	A5AW872600	Guide Shaft /11		D	2	
24	A5AWR74200	Guide Roll /12 Assy		C	1	

ADU Resist Section

P 116

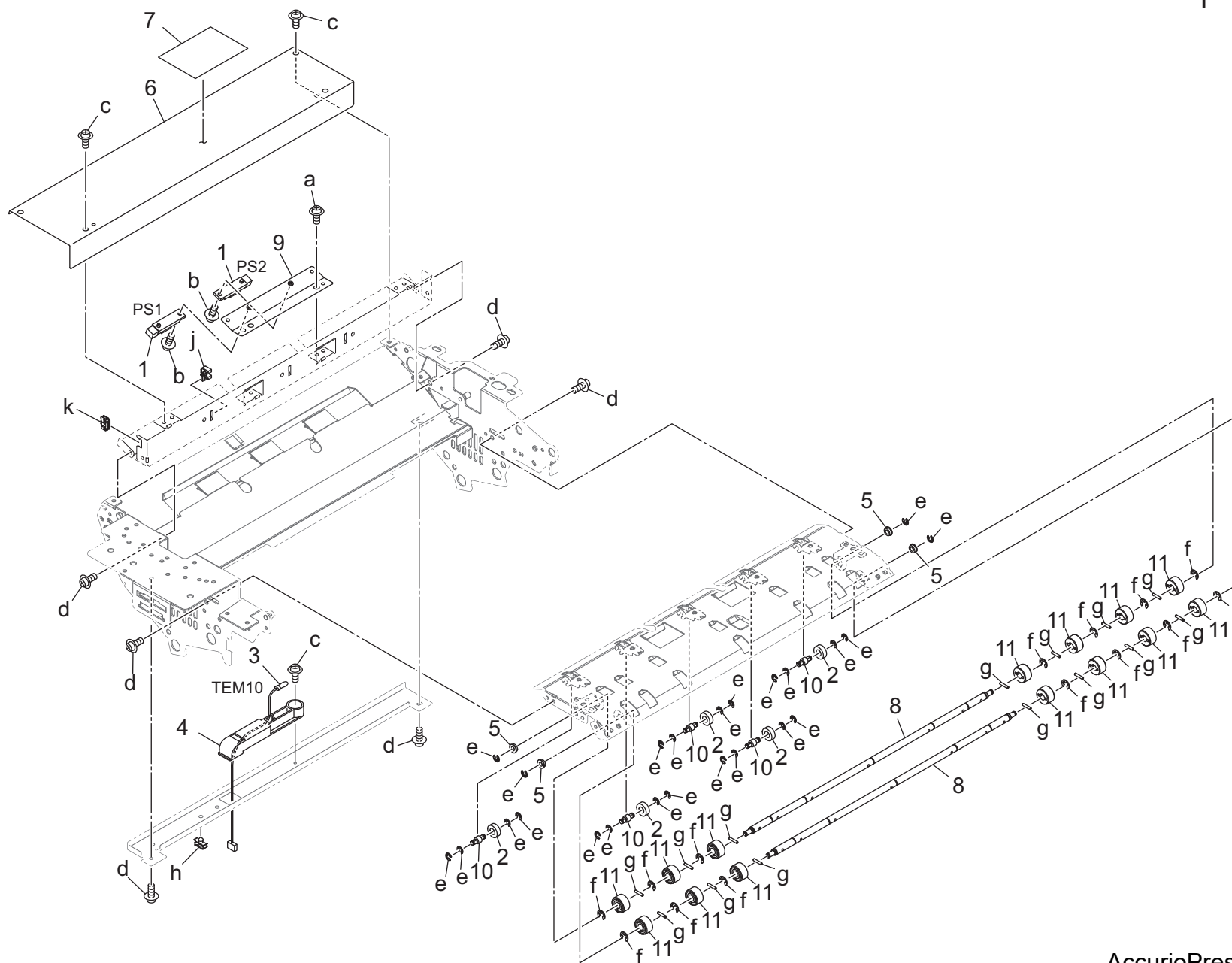


See P.116 - P.118


AccurioPress C6100

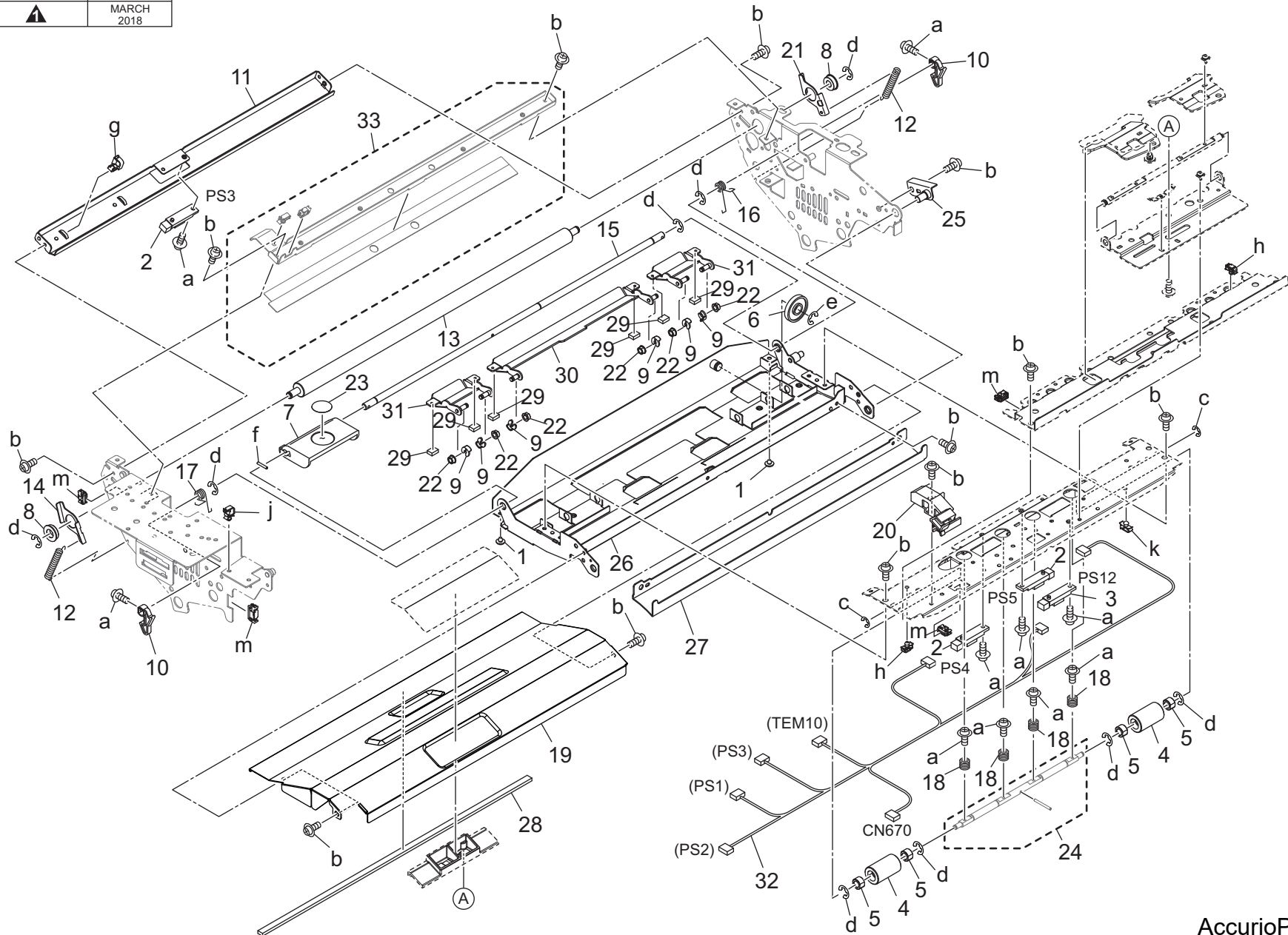
ADU Resist Section

P 117



ADU Resist Section

改訂版 REVISED EDITION	日付 DATE
	MARCH 2018

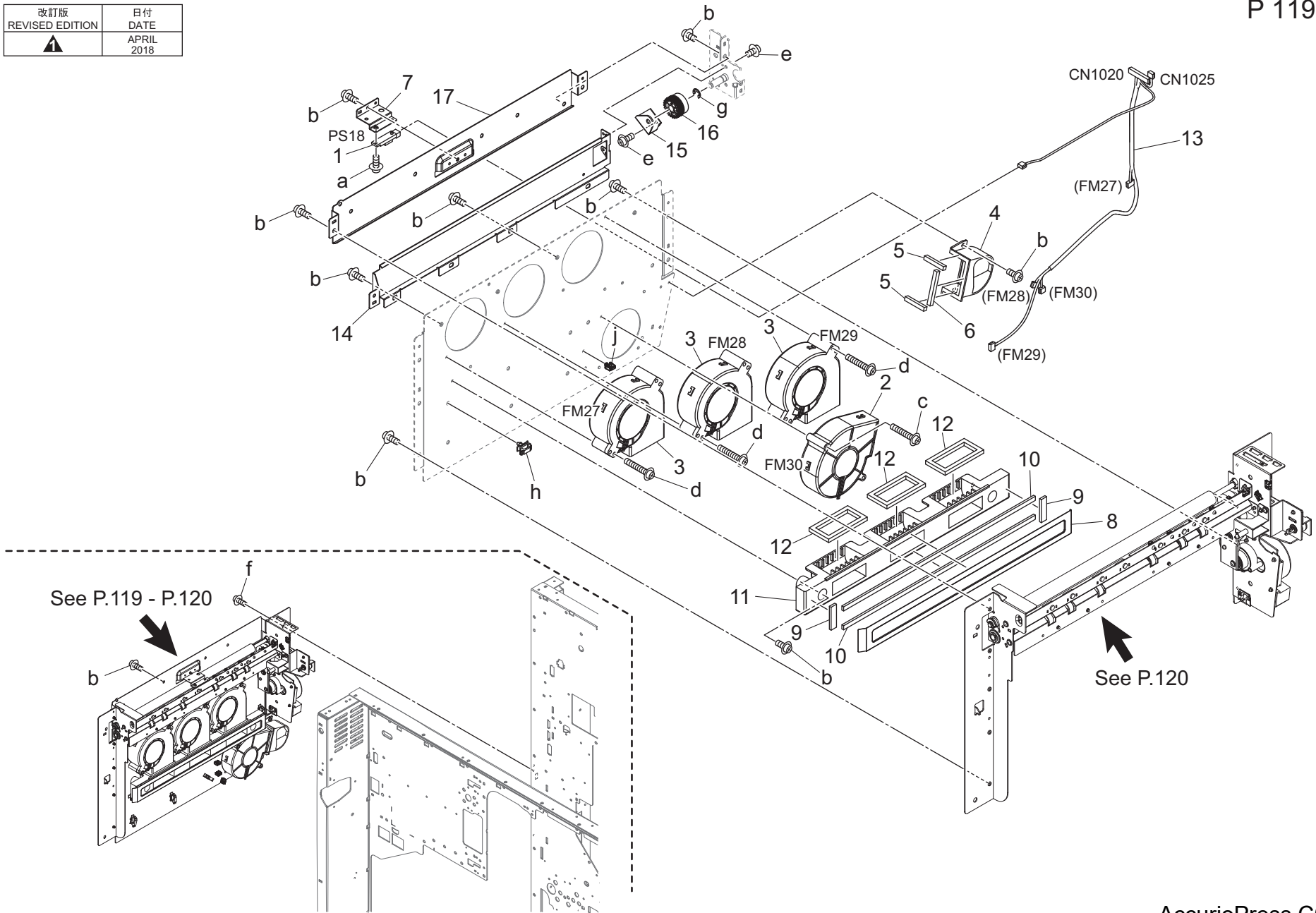


Key	Part No.	Description	Destinations	Class	QTY	Standard parts
1	12AJ45850	Stopper Rubber		C	2	a-V118030603
2	13QA85511	Sensor /1		B	3	b-V127030603
3	13QA85521	Sensor /2		B	1	c-V217030001
4	26NA42560	By-Pass Idler Roller		C	2	d-V217040001
5	56GA76010	Slide Bearing /2		C	4	e-V217060001
6	65AA44350	Stopper Roller		C	1	f-V234201250
7	65AA49410	Paper Exit Handle		C	1	g-V500010057
8	A00J211200	Ball Bearing		C	2	h-V500020077
9	A0HR734600	Stopper		C	6	j-V500020098
10	A1RF703200	Lock Claw		D	2	k-V500020099
11	A1RF710200	Guide Plate /Left		D	1	m-V570010056
12	A1RF711300	Registration Spring /1		D	2	
13	A1RF711400	Idler Roller		D	1	
14	A1RF712100	Pressing Part /Front		D	1	
15	A1RF712200	Lock Shaft		D	1	
16	A1RF712500	Lock Spring /Rear		D	1	
17	A1RF712700	Lock Spring /Front		D	1	
18	A1RF712803	Conveyance Spring /5		D	4	
19	A1RF712902	Cover Plate /Right		D	1	
20	A1RF713300	Guide Bridge		D	1	
21	A1RF714200	Pressing Part /Rear		D	1	
22	A1RF846400	Bushing /A		C	6	
23	A1RF943300	Release Label /3		D	1	
24	A1RFR76800	IDLING SHAFT/1 ASSY		D	1	
25	A1RFR7C300	Fixing Part/Rear Calking		D	1	
26	A5AW710301	Guide Plate /Right		D	1	
27	A5AW712400	Guide Part /1		D	1	
28	A5AW714300	Stopper Pad /1		D	1	
29	A5AW714500	Stopper Pad /2		D	6	
30	A5AW714900	Support Plate /1		D	1	
31	A5AW715000	Support Plate /2		D	2	
32	A5AWN22601	ADU Relay harness /5		D	1	
33	A5AWR70R00	Registration Cleaning Sheet Assy		B	1	

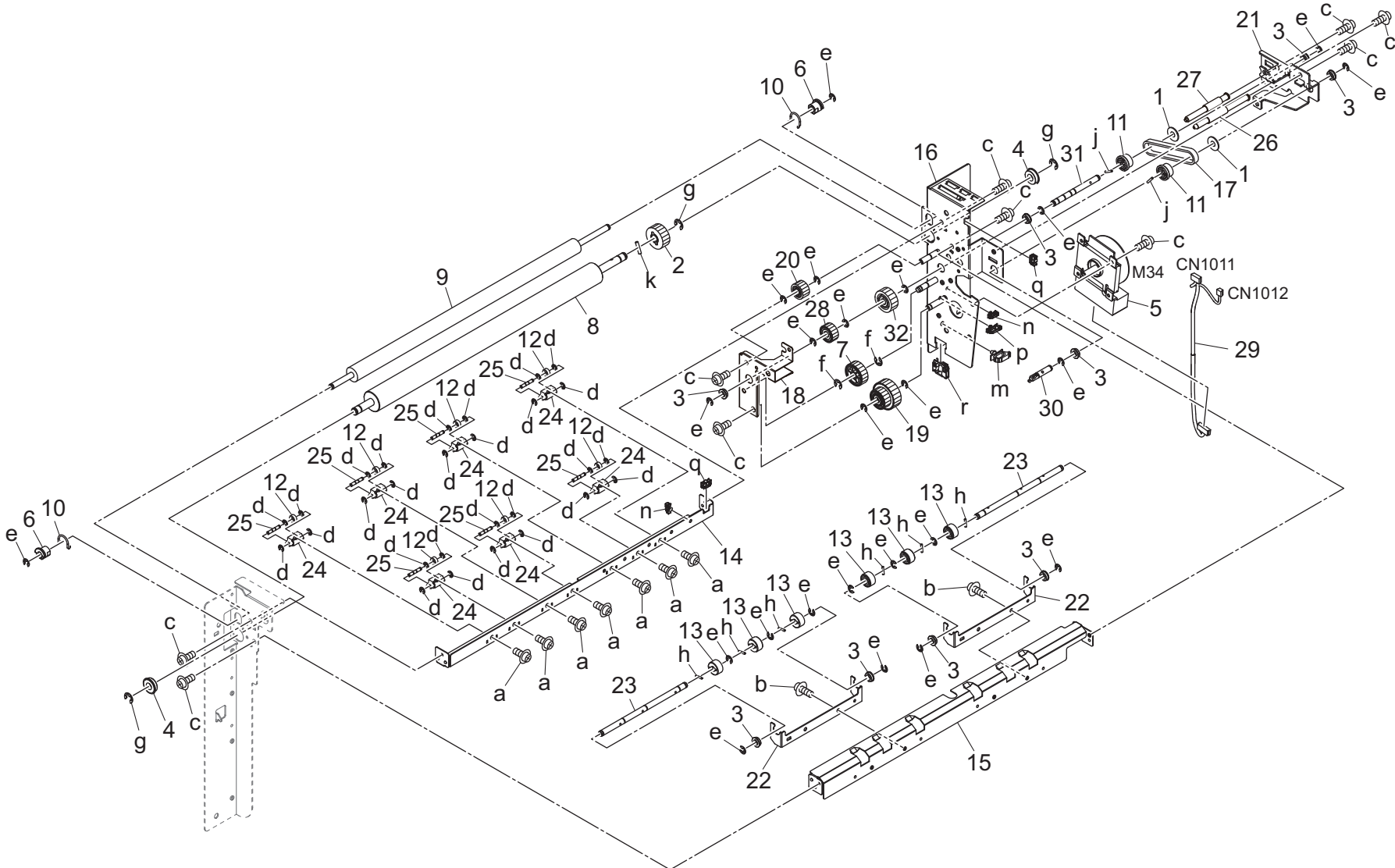
Reverse And Exit Section

P 119

改訂版 REVISED EDITION	日付 DATE
	APRIL 2018



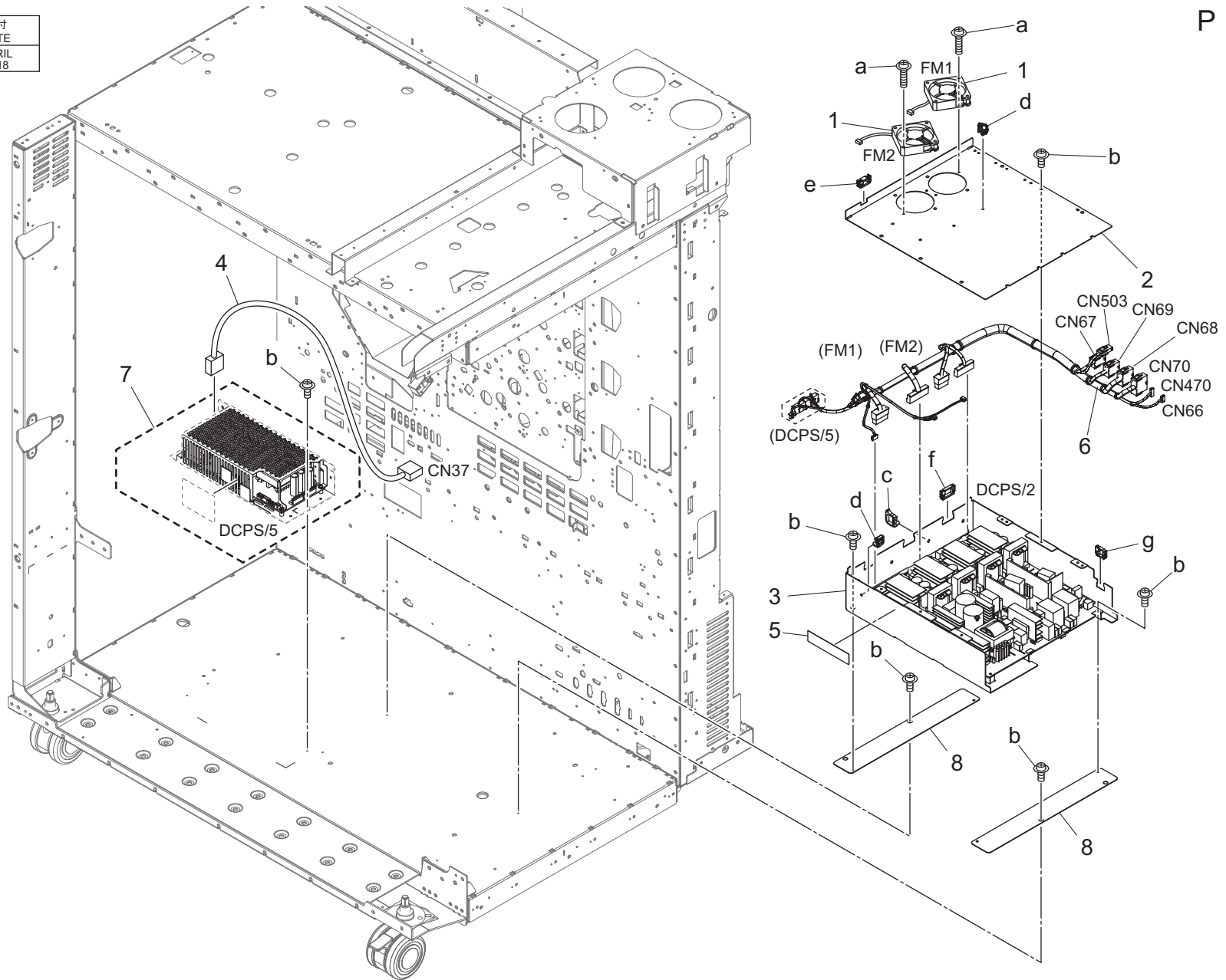
Reverse And Exit Section



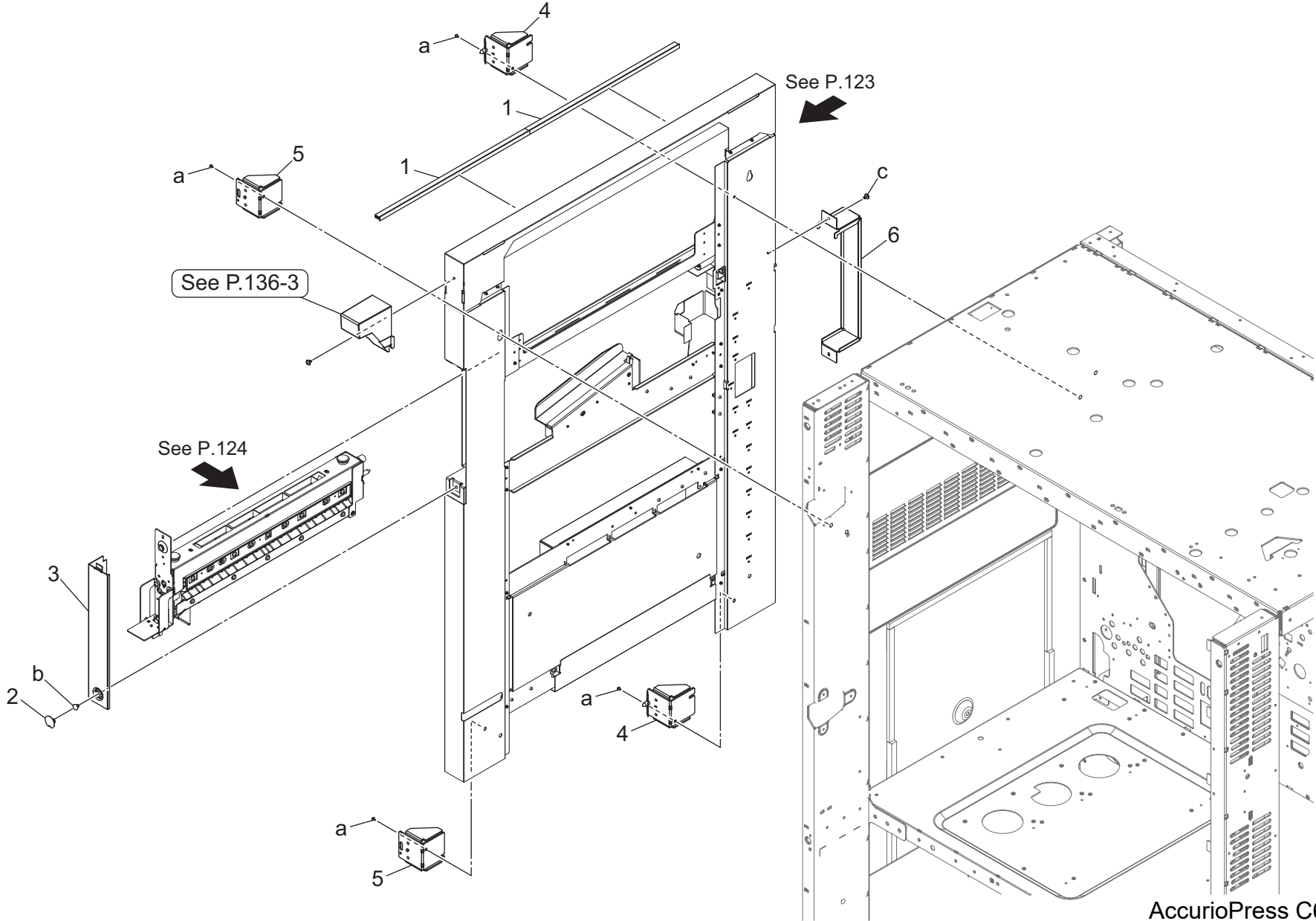
Key	Part No.	Description	Destinations	Class	QTY	Standard parts
1	13GQ45490	Collar /B	カラー/B	C	2	a-V118030403
2	65AA77640	Paper Exit Driving Gear /2 22T	排紙駆動歯車/2 22 T	C	1	b-V121030403
3	A00J617800	Ball Bearing	ボールベアリング	B	9	c-V121030603
4	A00V240600	Ball Bearing	ボールベアリング	B	2	d-V217020001
5	A011M10101	Brushless Motor /20	ブラシレスモータ/20	B	1	e-V217040001
6	A03U712100	Registration Bushing	レジスト軸受	C	2	f-V217050001
7	A0P0666301	Idling Gear 23T	アイドルギア 23 T	C	1	g-V217060001
8	A1RF890201	Paper exit Roller	排紙ローラ	C	1	h-V234201050
9	A1RF895002	Idler Roller /E	従動ローラ/E	B	1	j-V234201250
10	A1RF895101	Paper exit Spring /2	排紙ばね/2	D	2	k-V234301450
11	A1RF909400	Paper exit Pulley	排紙プーリ	C	2	m-V500010003
12	A50U854800	Conveyance Roll	搬送ころ	D	7	n-V500020099
13	A5AW856001	Guide Roll	ガイドころ (φ15)	D	6	p-V500020100
14	A5AW890301	Guide Plate /Upper	ガイド板/上	D	1	q-V570010056
15	A5AW890400	Guide Plate /Lower	ガイド板/下	D	1	r-V570010060
16	A5AW890702	Paper exit Plate /Rear	排紙板/奥	D	1	
17	A5AW890800	Paper exit Timing belt 59L	排紙タイミングベルト 59 L	C	1	
18	A5AW890901	Fixing Plate /1	固定板/1	D	1	
19	A5AW891400	Paper exit Gear /1 20/58T	排紙ギア/1 20/58 T	C	1	
20	A5AW893100	Gear 15T	ギア (ドッキング) 15 T	C	1	
21	A5AW893301	Fixing Plate /1	固定板/1	D	1	
22	A5AW893501	Hold Plate	保持板	D	2	
23	A5AW893600	Guide Shaft	ガイド軸	D	2	
24	A5AW894000	Positioning Plate /A	位置決め板/A	D	7	
25	A5AW894100	Positioning Shaft	位置決め軸	D	7	
26	A5AW894300	Positioning Shaft /Rear	位置決め軸/奥	D	1	
27	A5AW894400	Positioning Shaft /A	位置決め軸/A	D	1	
28	A5AW909800	Drive Gear /5 17T	駆動ギア/5 17 T	C	1	
29	A5AWN16600	Drive Relay harness /4	駆動中継束線/4	D	1	
30	A5AWR72A00	Drive Shaft/1 Assy	駆動軸/1 Assy	D	1	
31	A92W891200	Drive Shaft /2	駆動軸/2	D	1	
32	A92W909300	Paper Exit Gear /2 22T	排紙ギア/2 22 T	D	1	

Electrical Section

改訂版 REVISED EDITION	日付 DATE
	APRIL 2018

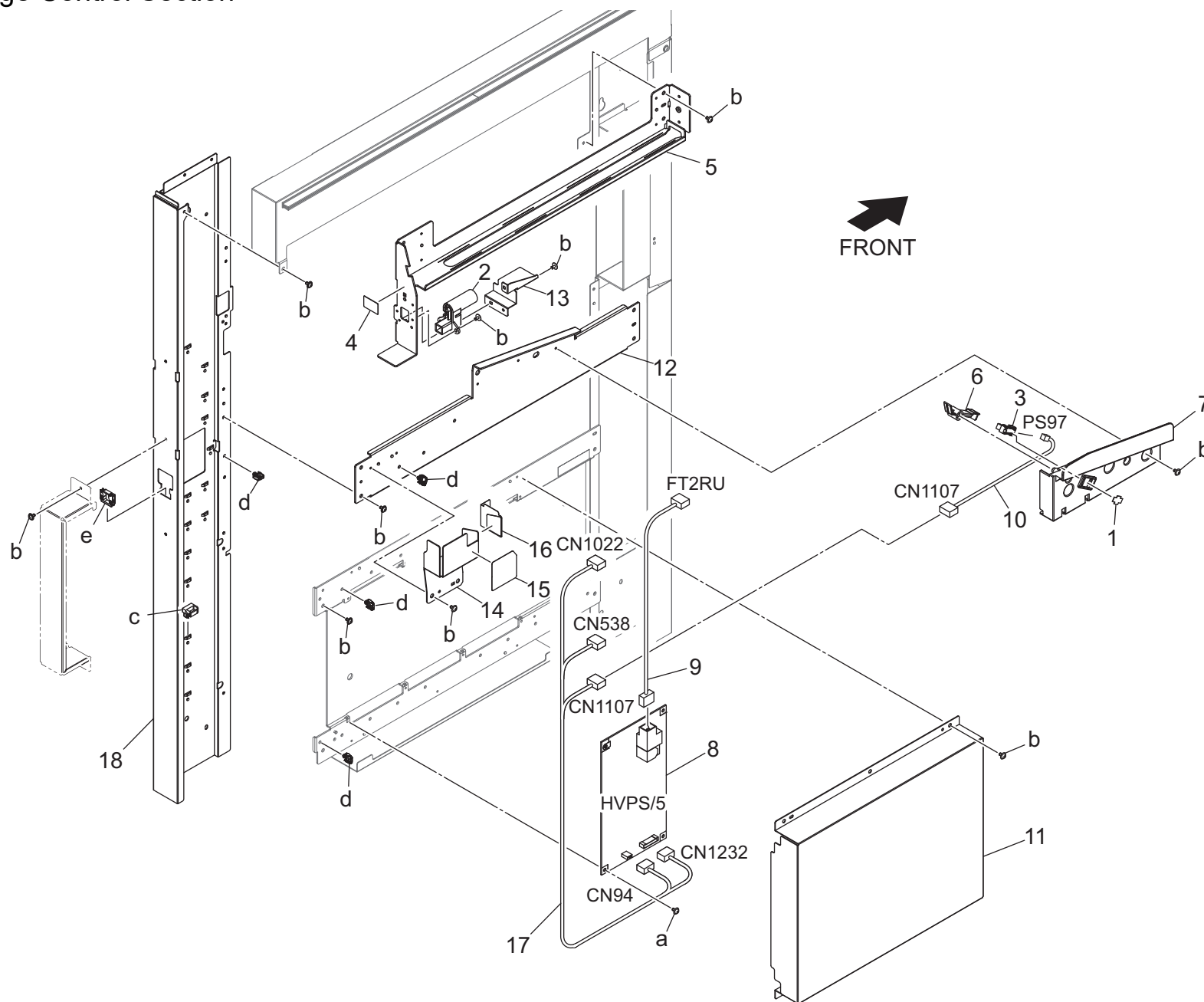


Charge Control Section



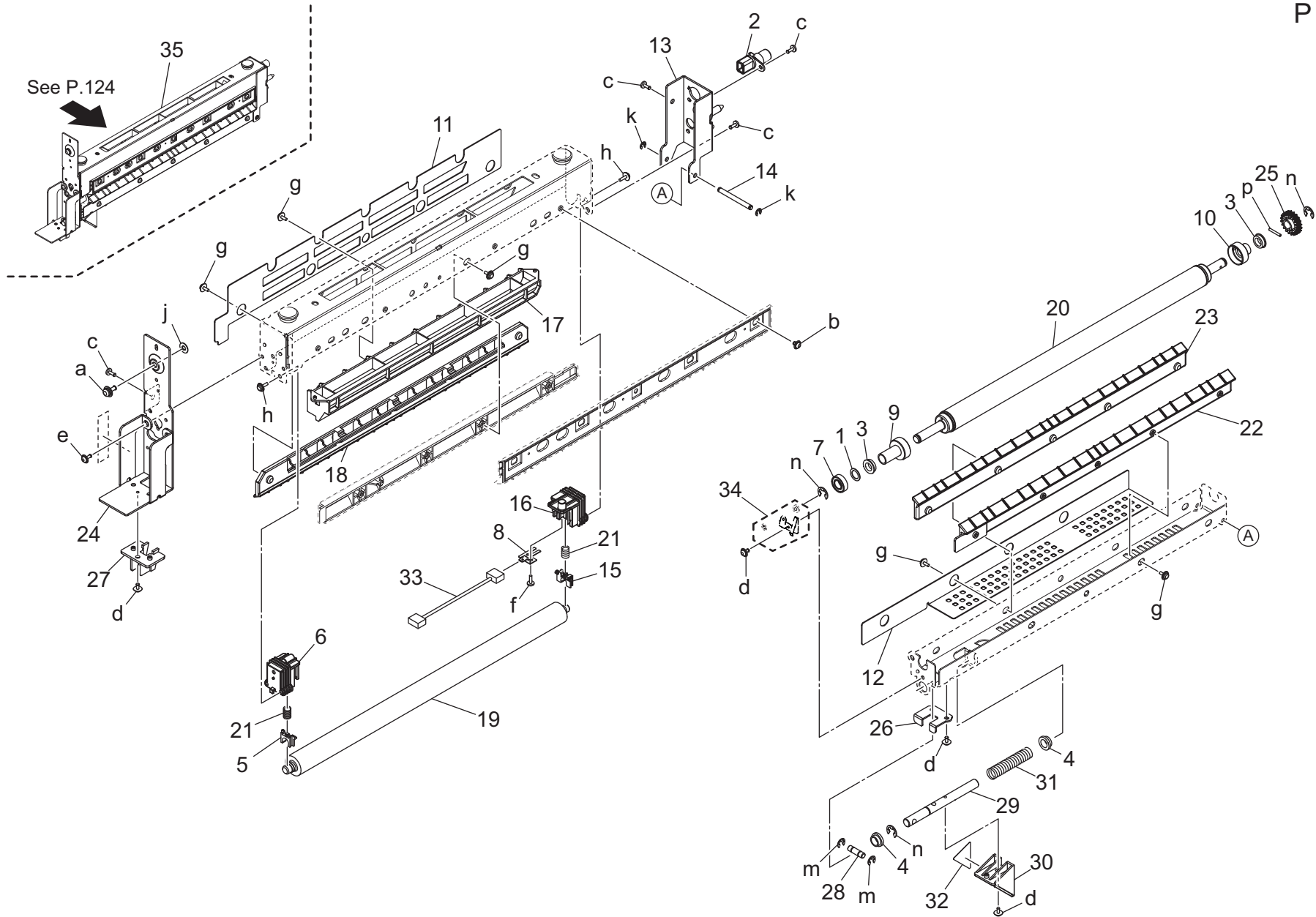
AccurioPress C6100

Charge Control Section



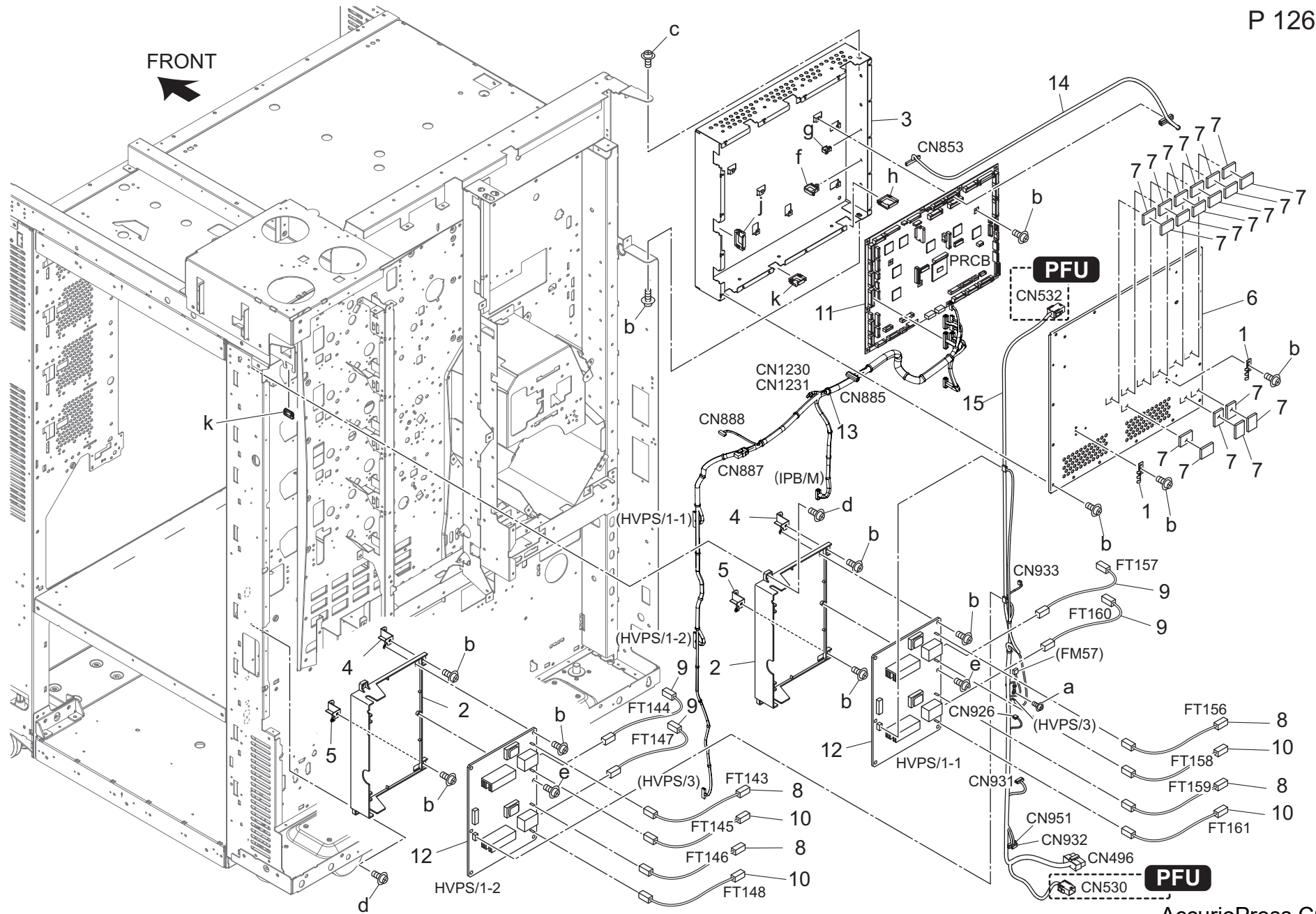
Charge Control Section

P 124



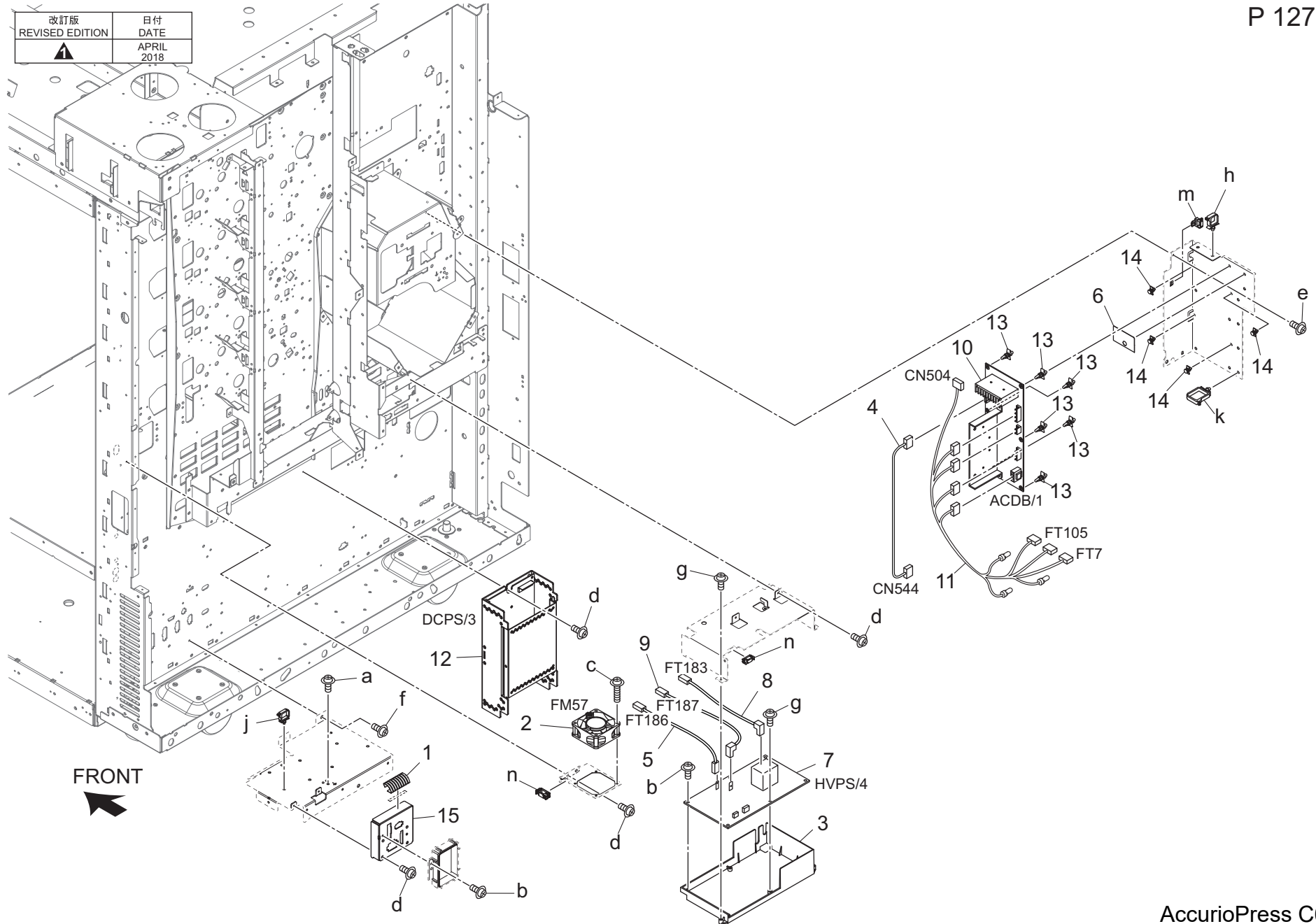
Key	Part No.	Description	Destinations	Class	QTY	Standard parts
1	12QV40650	Spacer		B	1	a-V116041003
2	65AAR74600	Powering Block /A Assy		C	1	b-V121030403
3	A07R813801	Roller Bearing /A		C	2	c-V126030803
4	A0G6739300	Operation Bushing /Front		C	2	d-V127030604
5	A1RF508900	Transfer Powering Bearing		B	1	e-V127030803
6	A1RF509000	Power supply Block /C		D	1	f-V149030803
7	A1RF820000	Ball Bearing		C	1	g-V153030604
8	A5AW510400	Transfer Powering Plate /Front		D	1	h-V153030803
9	A85C895300	Insulating Collar /Front		D	1	j-V211040080
10	A85C895400	Insulating Collar /Rear		D	1	k-V217030001
11	A85C896300Old	Thermal insulation Sheet /1		D	1	m-V217040001
11	A85C896301	Thermal insulation Sheet /1		D	1	n-V217060001
12	A85C896400	Thermal insulation Sheet /3		D	1	p-V234201450
13	A85C896800	Fixing Plate		D	1	
14	A85C896900	Support Shaft		D	1	
15	A85C897201	Charging Roller Bushing /Fr		B	1	
16	A85C897300	High voltage Powering Block /C		D	1	
17	A85C897700	Insulating Duct /Middle		D	1	
18	A85C897800	Conveyance Guide /2		D	1	
19	AC57899000	Charging Roller /Up		A	1	
20	A85C899100	Neutralizing Roller /Lower		D	1	
21	A8AK103200	Power supply Spring		C	2	
22	A8AK103502	Conveyance Guide /1		D	1	
23	A8AK103601	Conveyance Guide /2		D	1	
24	A8AK103702	Mounting Plate /Front		D	1	
25	A8AK104100	Drive Gear 20T		C	1	
26	A8AK108001	Holding Plate		D	1	
27	A8AK108100	Guide Block		D	1	
28	A8AK108200	Guide Shaft		D	1	
29	A8AK108302	Positioning Shaft		D	1	
30	A8AK108400	Lock Handle		C	1	
31	A8AK108500	Lock Spring		D	1	
32	A8AK941301	Processing Label /1		C	1	
33	A8AKN10501	HV Wiring /2		D	1	
34	A8AKR70511	Lower Roller Contact Assy		C	1	
35	A92WR70T00	Charging Roller Assy		D	1	

Rear Electrical Section



Rear Electrical Section

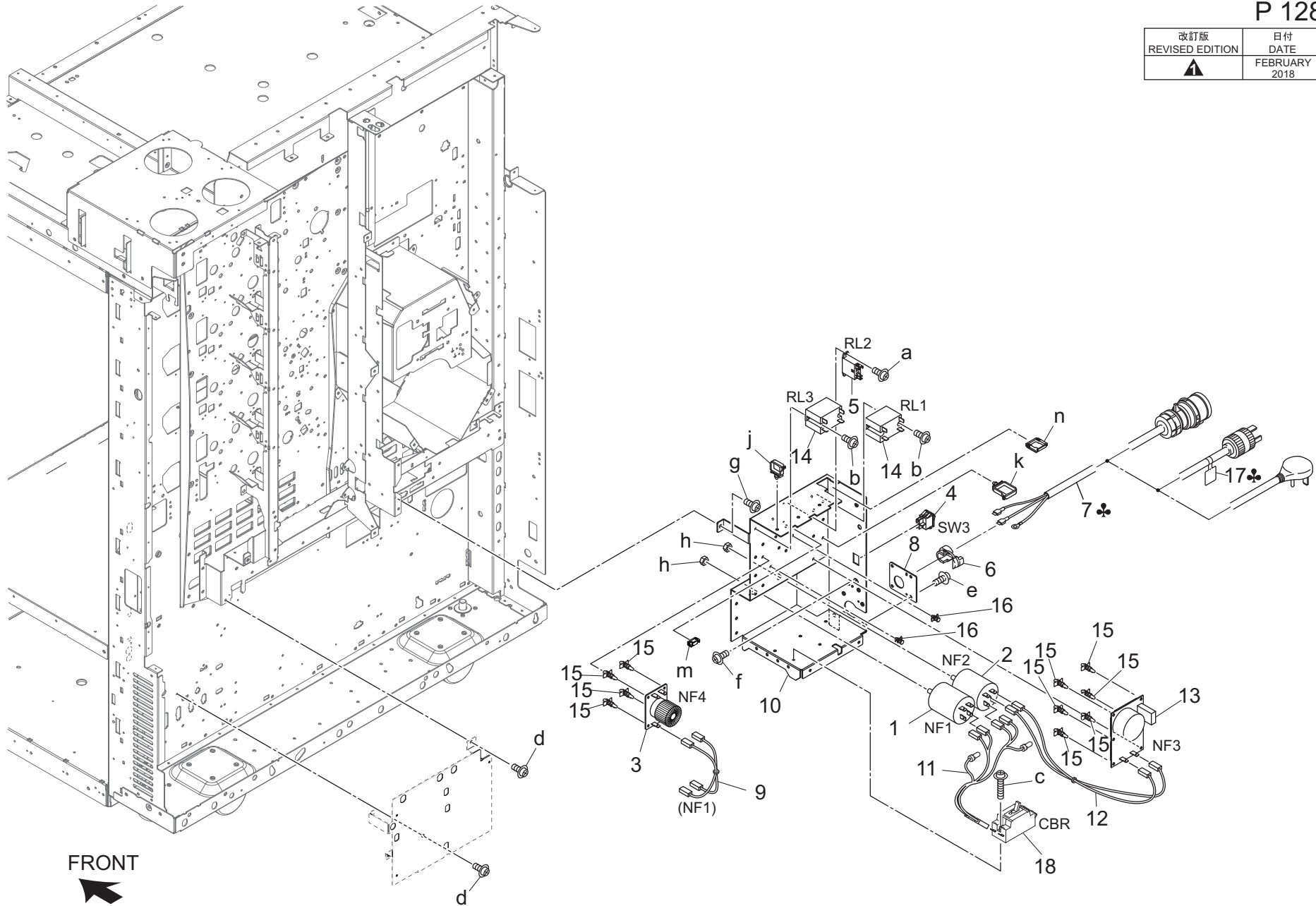
改訂版 REVISED EDITION	日付 DATE
	APRIL 2018



Rear Electrical Section

P 128

改訂版 REVISED EDITION	日付 DATE
▲	FEBRUARY 2018



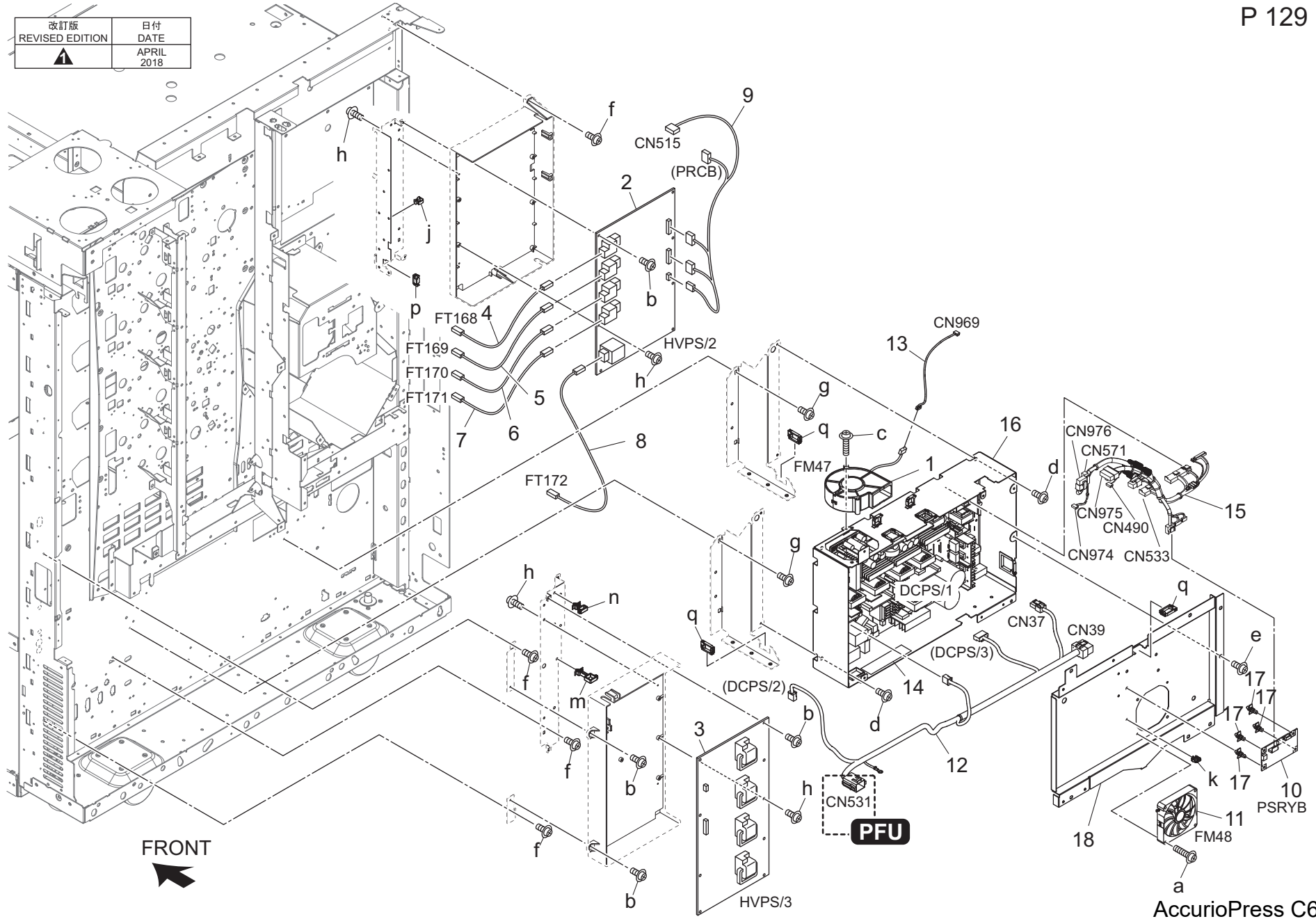
FRONT

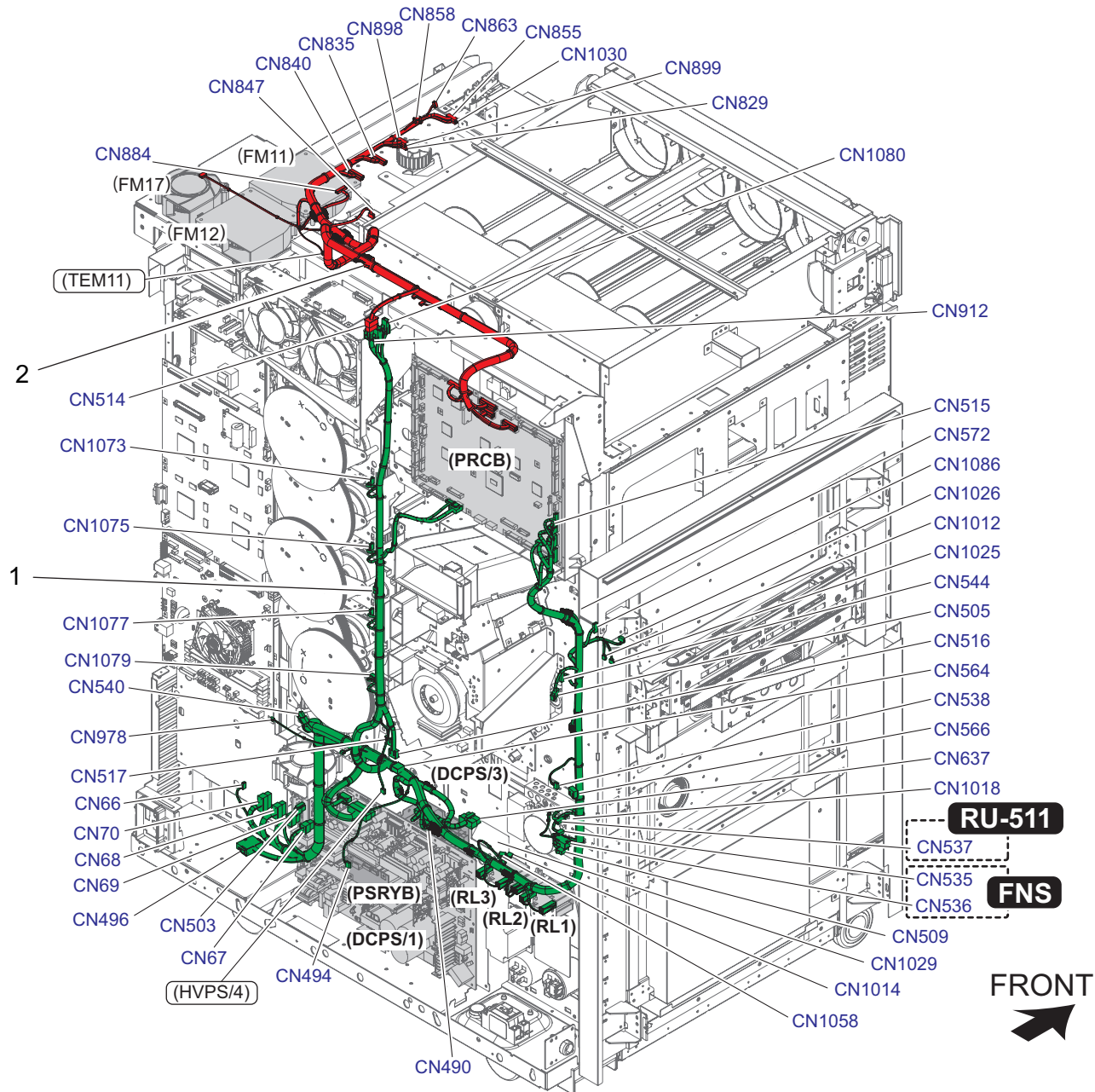


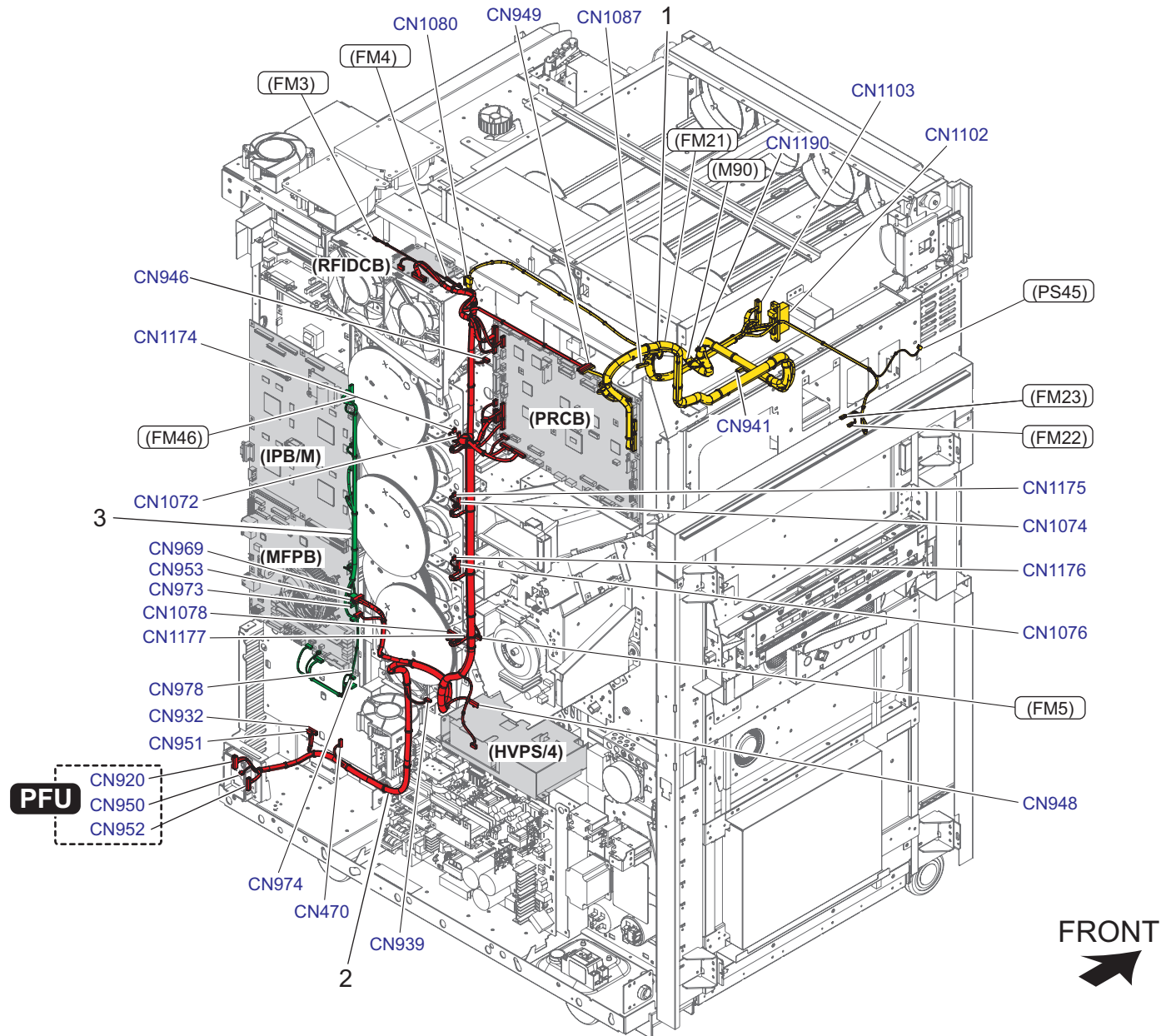
AccurioPress C6100

Rear Electrical Section

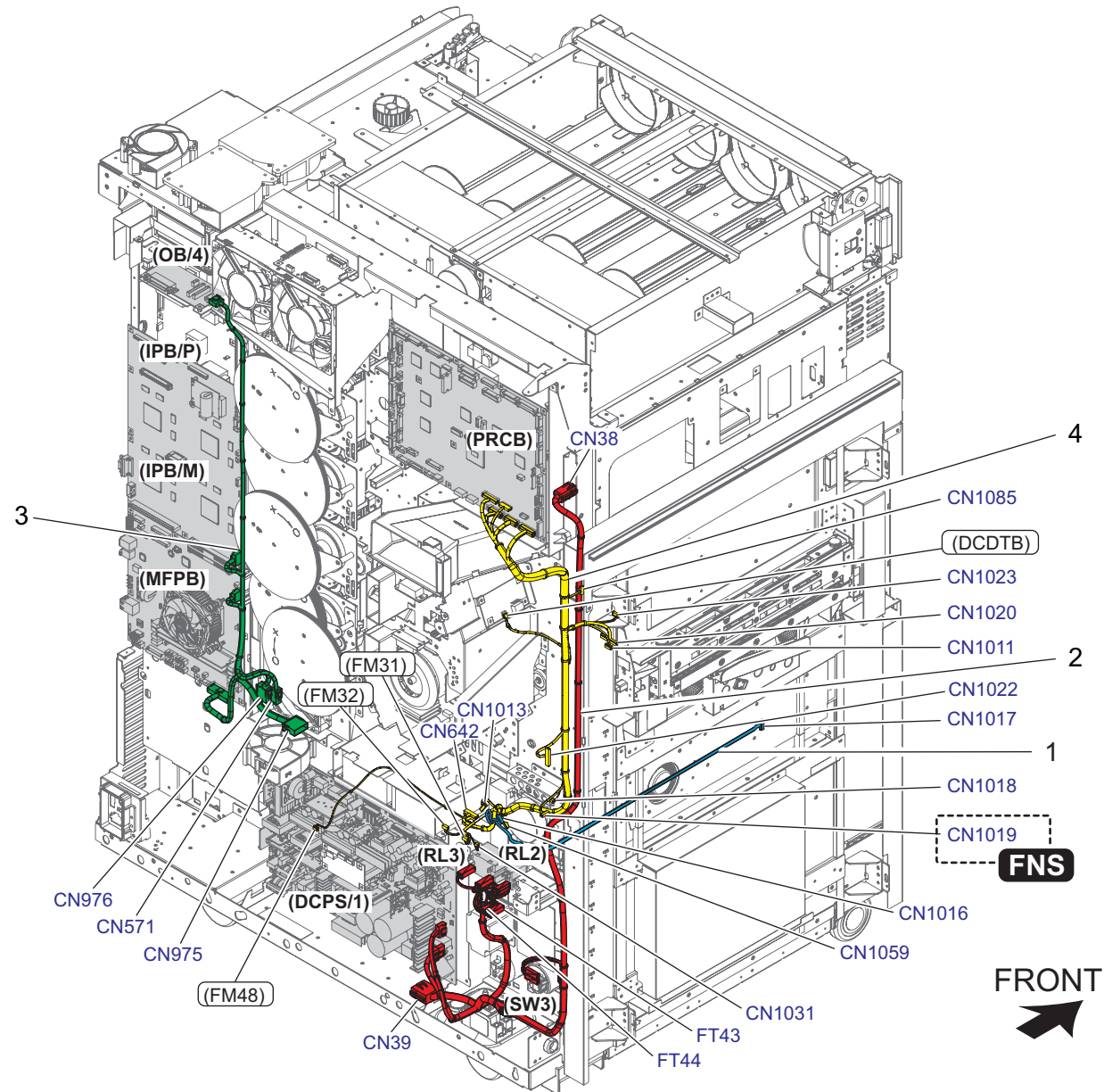
改訂版 REVISED EDITION	日付 DATE
▲	APRIL 2018







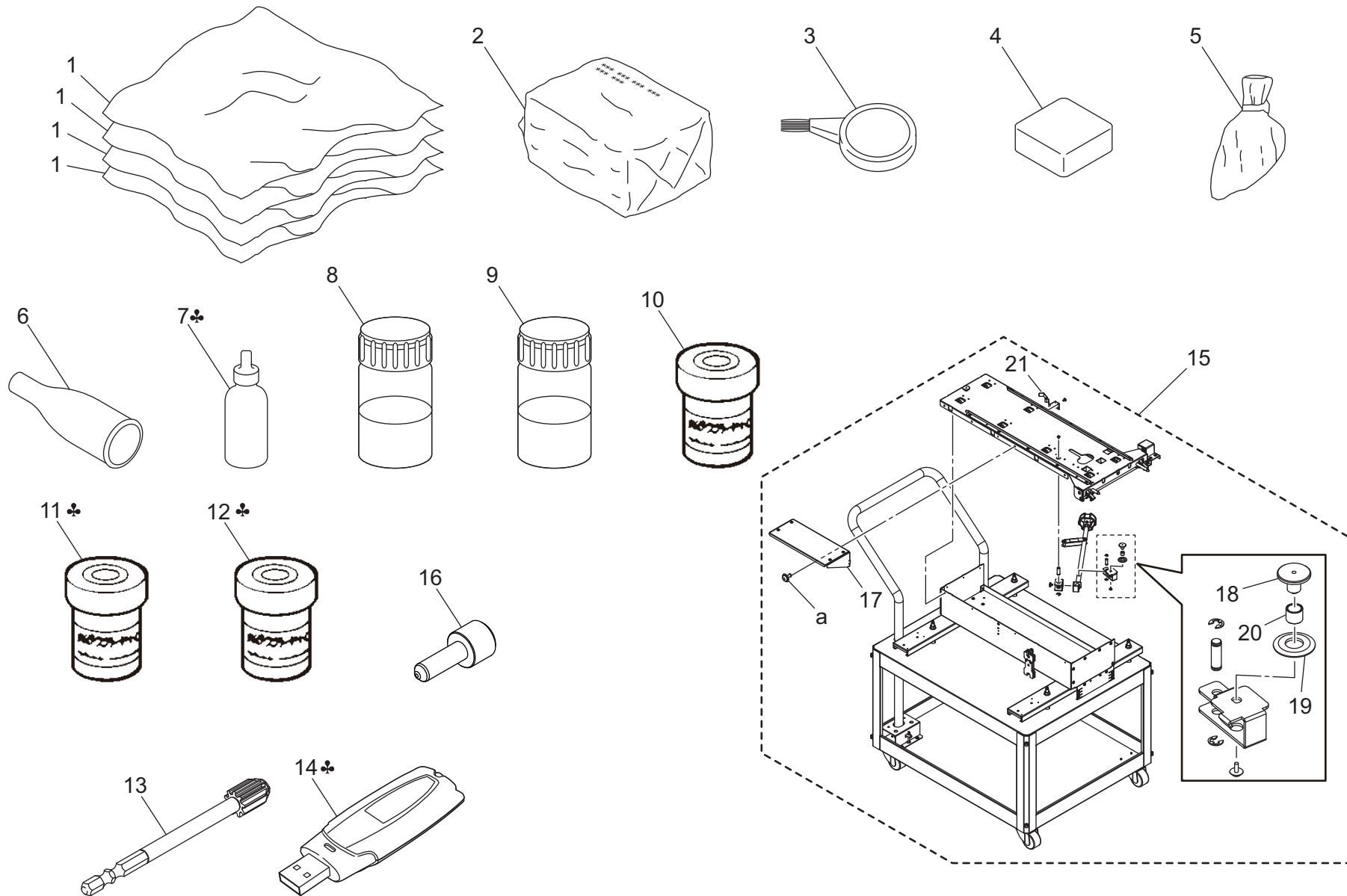
AccurioPress C6100



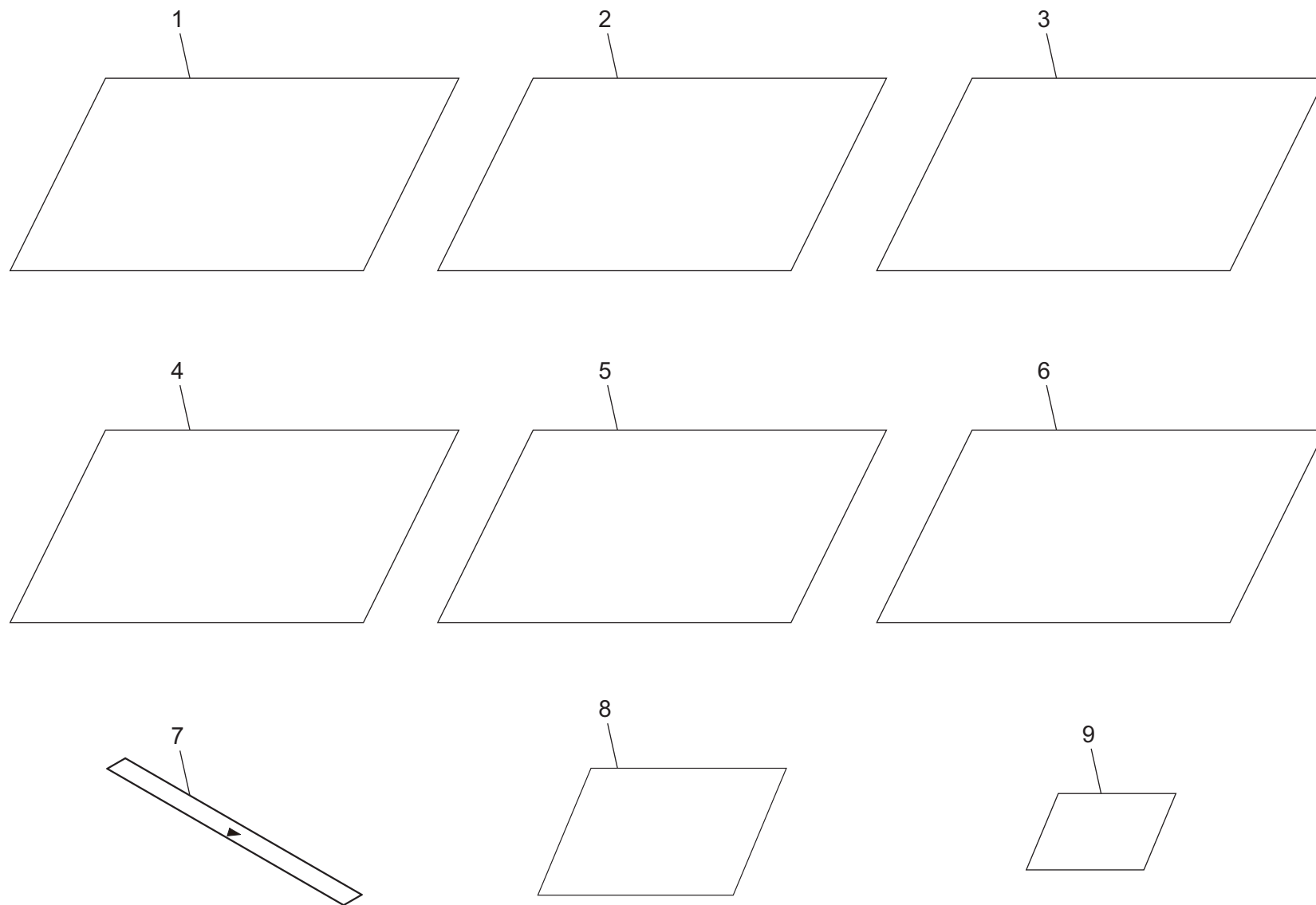
AccurioPress C6100

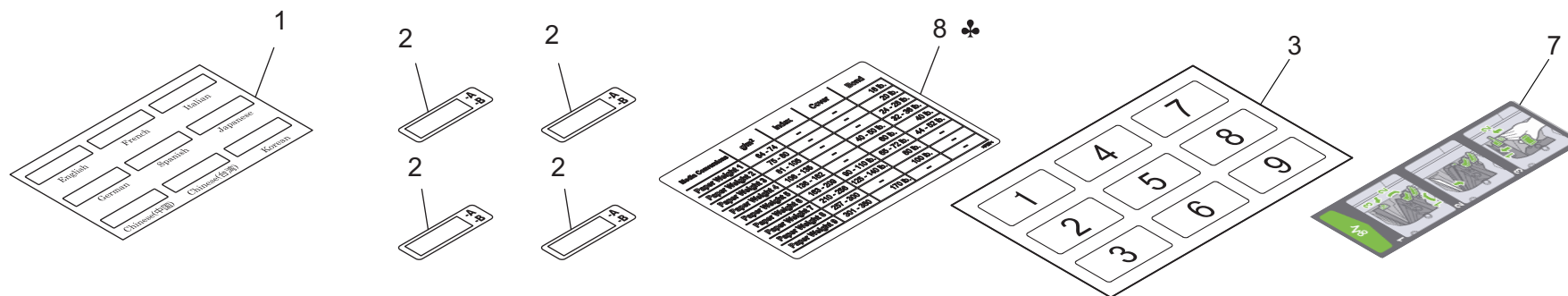
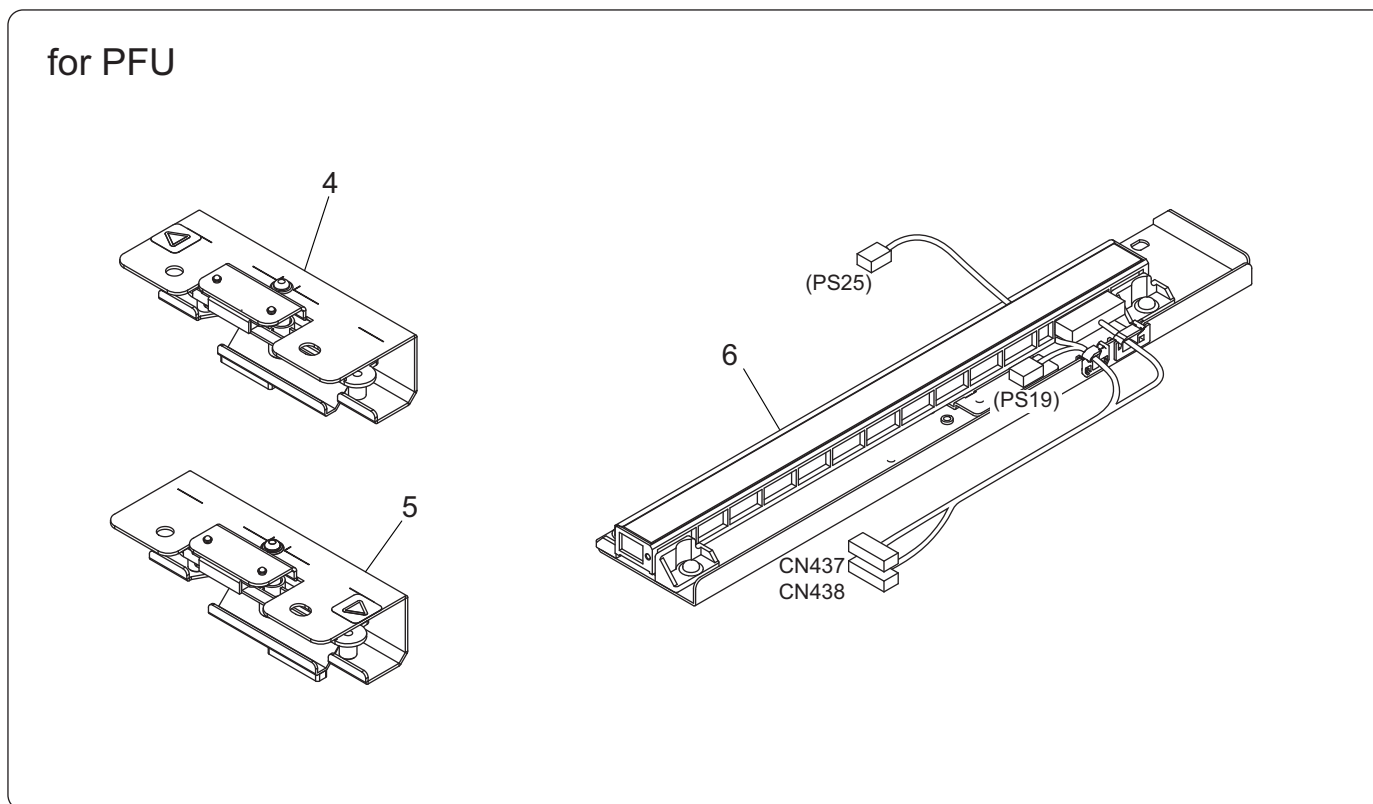
Service Tool

P 133



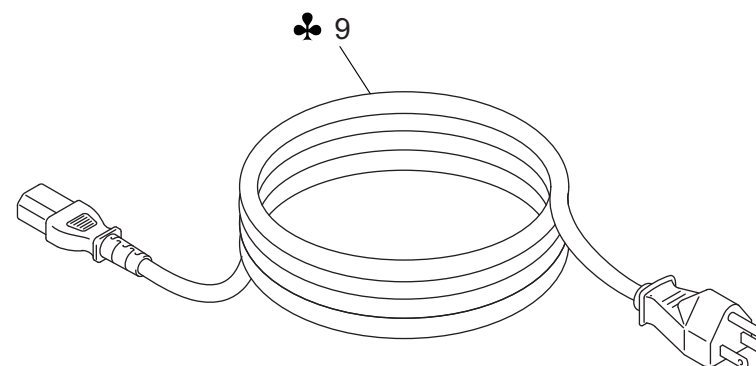
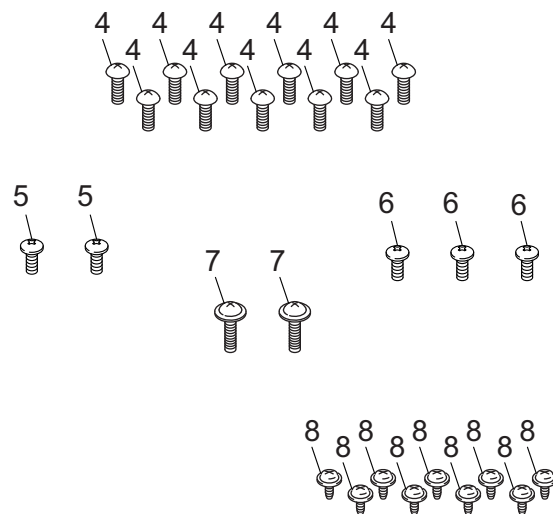
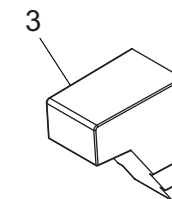
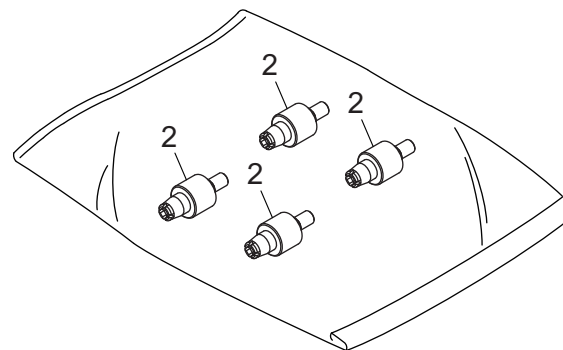
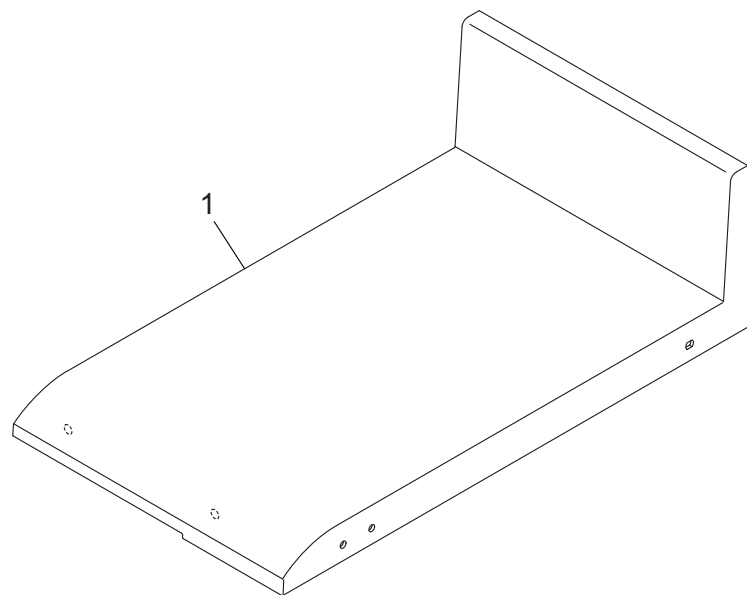
AccurioPress C6100





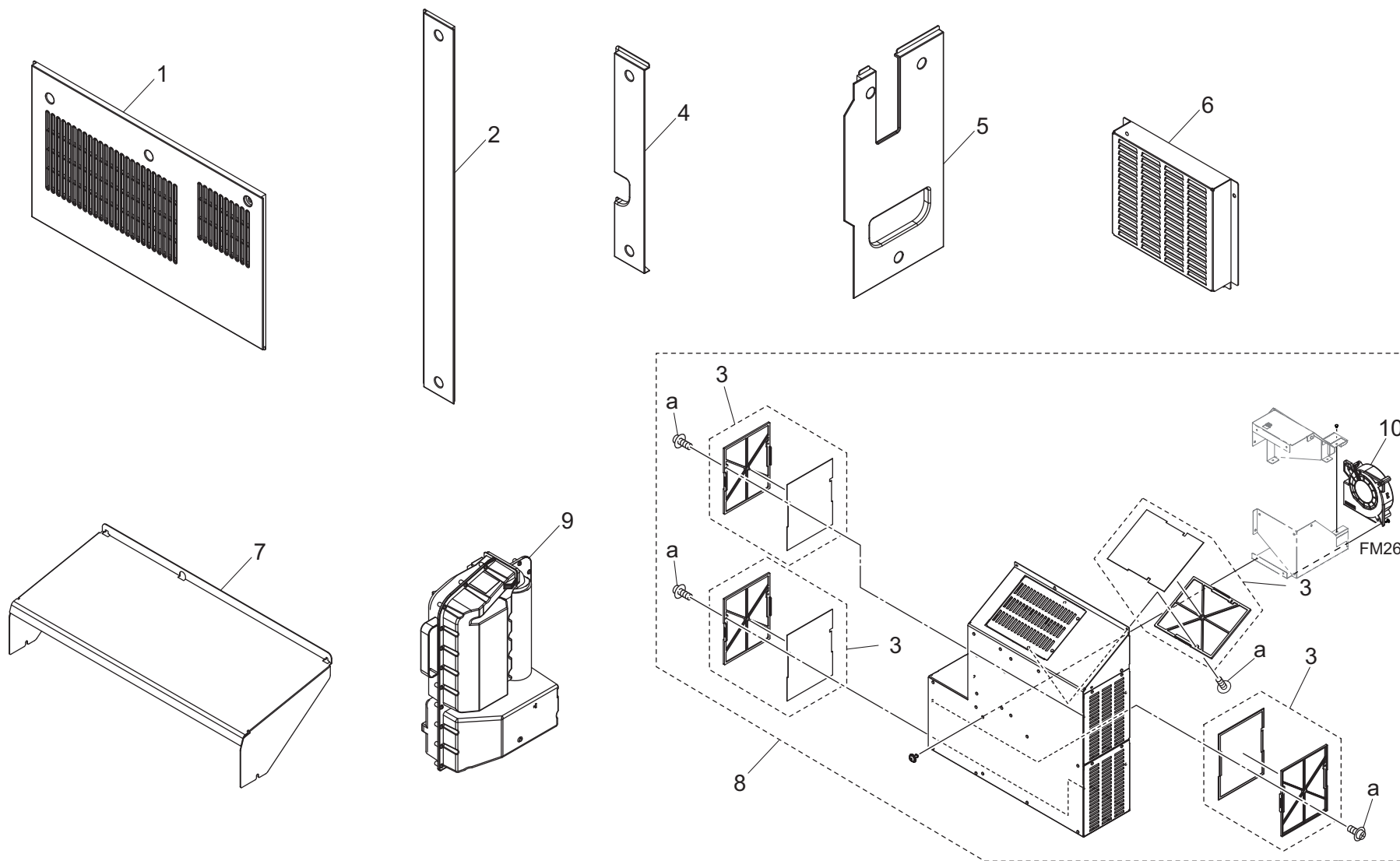
Accessory Parts

P 136



Accessory Parts

P 137



MAINTENANCE LIST

● The items with no Page/Key numbers are not handled as spare parts.

No.	Section	PM Parts Description	Maintenance Cycle (K=1,000)		Parts No.	Destinations	Page/Key	Note
			QTY	Replace				
1	External section	Ozone filter	1	700K	A1RF114402		P11-11	
2		Cyclone box	1	2,140K	A92WR70211		P137-9	*1
3		Dust-proof filter/Rr1	1	700K	A1RFR74500		P3-16	*1
4		Dust-proof filter/Lt	1	700K	A1RFR74400		P137-3	*1
5		Dust-proof filter/Rr2	1	700K	A1RFR74400		P137-3	*1
6		Dust-proof filter/Rr3	1	700K	A1RFR74400		P137-3	*1
7		Dust-proof filter/Rr4	1	700K	A1RFR74400		P137-3	*1
8	Photo conductor section	Drum unit/Y	1	350K				*1
9		Drum unit/M	1	350K				*1
10		Drum unit/C	1	350K				*1
11		Drum unit/K	1	350K				*1
12	Charging section	Charging corona/Y	1	350K	A92WR70311		P23-1	*1
13		Charging corona/M	1	350K	A92WR70311		P23-1	*1
14		Charging corona/C	1	350K	A92WR70311		P23-1	*1
15		Charging corona/K	1	350K	A92WR70311		P23-1	*1
20	Developing section	Developer/Y	1	850K				*1
21		Developer/M	1	850K				*1
22		Developer/C	1	850K				*1
23		Developer/K	1	850K				*1
24		Developing unit/Y	1	3,400K	A92WR90400	A	P24-2	*1
24		Developing unit/Y	1	3,400K	A92WR70K22	B,C,D1,D3,E,F2,G1,G	P24-2	*1
25		Developing unit/M	1	3,400K	A92WR90400	A	P24-2	*1
25		Developing unit/M	1	3,400K	A92WR70K22	B,C,D1,D3,E,F2,G1,G	P24-2	*1
26		Developing unit/C	1	3,400K	A92WR90400	A	P24-2	*1
26		Developing unit/C	1	3,400K	A92WR70K22	B,C,D1,D3,E,F2,G1,G	P24-2	*1
27	Developing unit/K	1	3,400K	A92WR90400	A	P24-2	*1	
27	Developing unit/K	1	3,400K	A92WR70K22	B,C,D1,D3,E,F2,G1,G	P24-2	*1	
28	Toner supply section	Developing charge filter/Y	1	700K	A1RFR70300		P34-8	
29		Developing charge filter/M	1	700K	A1RFR70300		P34-8	
30		Developing charge filter/C	1	700K	A1RFR70300		P34-8	
31		Developing charge filter/K	1	700K	A1RFR70300		P34-8	
32	Intermediate transfer section	Toner collection sheet	1	350K	65AAR75600		P44-3	
33		Transfer belt cleaning seal/Fr	1	350K	A92W511200		P44-20	
34		Transfer belt cleaning seal/Rr	1	350K	A92W511600		P44-21	
35		Nip formation roller/Up	1	700K	A5AW501301		P40-21	
36		1st transfer roller/Y	1	700K	A5AW501200		P40-20	
37		1st transfer roller/M	1	700K	A5AW501200		P40-20	
38		1st transfer roller/C	1	700K	A5AW501200		P40-20	
39		1st transfer roller/K	1	700K	A5AW500400		P40-18	
40		Thick paper transfer backup guide	1	700K	A5AWR70Q00		P42-21	
41		2nd transfer roller/Up	1	700K	A1RF500400		P40-7	
42		Sensor shutter	1	700K	A5AWR70500		P68-11	
43		Auxiliary cleaner assy	1	700K	A92WR70C00		P41-34	
44		Intermediate transfer belt	1	1,050K	A1RF506000		P40-11	
45		Transfer belt cleaning unit	1	1,050K	A92WR70600		P39-3	
46		Intermediate transfer separation claw solenoid	1	2,975K	A1RFR74800		P62-24	
47		Transfer belt separation claw	3	3,150K	65AAR75300		P41-3	
48		Transfer roller bearing	8	3,150K	A1RF508900		P42-10	
49	Transfer belt cleaning blade	1	350K	A5AWR70P11		P44-19	*1	

No.	Section	PM Parts Description	Maintenance Cycle (K=1,000)		Parts No.	Destinations	Page/Key	Note
			QTY	Replace				
97	EMBOSS Intermediate transfer	EMBOSS Toner collection sheet	1	350K	65AAR75600		P50-3	
98		EMBOSS Transfer belt cleaning seal/Fr	1	350K	A92W511200		P50-20	
99		EMBOSS 2nd transfer roller/Up	1	350K	A1RF500400		P40-7	
100		EMBOSS Transfer belt cleaning seal/Rr	1	350K	A92W511600		P50-21	
101		EMBOSS 1st transfer roller/Y	1	350K	A5AW501200		P46-18	
102		EMBOSS 1st transfer roller/M	1	350K	A5AW501200		P46-18	
103		EMBOSS 1st transfer roller/C	1	350K	A5AW501200		P46-18	
104		EMBOSS 1st transfer roller/K	1	350K	A5AW500400		P46-16	
105		EMBOSS Thick paper transfer backup guide	1	700K	A5AWR70Q00		P48-18	
106		EMBOSS Nip formation roller/Up	1	700K	A5AW501301		P46-19	
107		Sensor shutter	1	700K	A5AWR70500		P68-11	
108		EMBOSS Auxiliary cleaner assy	1	700K	A92WR70C00		P47-34	
109		EMBOSS Intermediate transfer belt	1	1,050K	A1RF506000		P46-9	
110		EMBOSS Transfer belt cleaning unit	1	1,050K	A92WR70600		P45-2	
111	Intermediate transfer separation claw solenoid	1	2,975K	A1RFR74800		P62-24		
112	EMBOSS Transfer belt separation claw	3	3,150K	65AAR75300		P47-3		
113	EMBOSS Transfer roller bearing	8	3,150K	A1RF508900		P48-10		
114	EMBOSS Belt cleaning blade	1	350K	A5AWR70P11		P50-19	*1	
115	EMBOSS 2nd transfer section	EMBOSS Scattering prevention sheet plate/1	1	350K	A1RFR7N700		P77-14	
116		EMBOSS Cleaning side seal plate/Fr	1	350K	A1RFR7N500		P77-12	
117		EMBOSS Cleaning side seal plate/Rr	1	350K	A1RFR7N600		P77-13	
118		EMBOSS 2nd transfer assist scraper assy	1	350K	A1RFR7N800		P77-15	
119		EMBOSS 2nd transfer process blade assy	1	350K	A5AWR70S00		P78-9	
120		EMBOSS Scattering prevention sheet/1	2	350K	A1RF531600		P77-11	
121		EMBOSS 2nd transfer belt	1	350K	A1RF520400		P79-3	
122		EMBOSS 2nd transfer cleaning brush	1	350K	A1RF532800		P78-4	
123		EMBOSS Connecting stay assy	1	350K	A1RFR7N300		P79-14	
124		EMBOSS Separation discharging assy	1	700K	A1RFR70500		P75-4	
125		EMBOSS 2nd transfer entrance guide/Up	1	700K	A1RFR72900		P76-21	
126		EMBOSS 2nd transfer belt assy	1	700K	A92WR70800		P75-15	
127		EMBOSS 2nd transfer ground plate/1	1	1,400K	A1RFR71900		P75-5	
128		EMBOSS 2nd transfer ground plate/2	1	1,400K	A1RFR72000		P75-6	
129		EMBOSS 2nd transfer unit	1	3,500K	A92WR70E11		P75-16	
130		EMBOSS 2nd transfer cleaning blade	1	350K	A5AWR73300		P77-17	*1

*1: See Service Manual F-4 LIFE VALUE.

メンテナンスリスト

● ページ / キーナンバーのないものは、アフターサービス部品ではありません。

No.	区分	P M 部品名称	サイクル (K=1,000)		部品番号	仕向地	頁 / キー	備考
			員数	交換				
1	外装部	オゾンフィルター	1	700K	A1RF114402		P11-11	
2		サイクロンボックス	1	2,140K	A92WR70211		P137-9	*1
3		防塵フィルター /Rr1	1	700K	A1RFR74500		P3-16	*1
4		防塵フィルター /Lt	1	700K	A1RFR74400		P137-3	*1
5		防塵フィルター /Rr2	1	700K	A1RFR74400		P137-3	*1
6		防塵フィルター /Rr3	1	700K	A1RFR74400		P137-3	*1
7		防塵フィルター /Rr4	1	700K	A1RFR74400		P137-3	*1
8	感光体部	ドラムユニット /Y	1	350K				*1
9		ドラムユニット /M	1	350K				*1
10		ドラムユニット /C	1	350K				*1
11		ドラムユニット /K	1	350K				*1
12	帯電部	帯電極 /Y	1	350K	A92WR70311		P23-1	*1
13		帯電極 /M	1	350K	A92WR70311		P23-1	*1
14		帯電極 /C	1	350K	A92WR70311		P23-1	*1
15		帯電極 /K	1	350K	A92WR70311		P23-1	*1
20	現像部	現像剤 /Y	1	850K				*1
21		現像剤 /M	1	850K				*1
22		現像剤 /C	1	850K				*1
23		現像剤 /K	1	850K				*1
24		現像ユニット /Y	1	3,400K	A92WR90400	A	P24-2	*1
24		現像ユニット /Y	1	3,400K	A92WR70K22	B,C,D1,D3,E,F2,G1,G2,H,	P24-2	*1
25		現像ユニット /M	1	3,400K	A92WR90400	A	P24-2	*1
25		現像ユニット /M	1	3,400K	A92WR70K22	B,C,D1,D3,E,F2,G1,G2,H,	P24-2	*1
26		現像ユニット /C	1	3,400K	A92WR90400	A	P24-2	*1
26		現像ユニット /C	1	3,400K	A92WR70K22	B,C,D1,D3,E,F2,G1,G2,H,	P24-2	*1
27		現像ユニット /K	1	3,400K	A92WR90400	A	P24-2	*1
27	現像ユニット /K	1	3,400K	A92WR70K22	B,C,D1,D3,E,F2,G1,G2,H,	P24-2	*1	
28	トナー補給部	現像帯電フィルター /Y	1	700K	A1RFR70300		P34-8	
29		現像帯電フィルター /M	1	700K	A1RFR70300		P34-8	
30		現像帯電フィルター /C	1	700K	A1RFR70300		P34-8	
31		現像帯電フィルター /K	1	700K	A1RFR70300		P34-8	
32	中間転写部	トナー回収シート	1	350K	65AAR75600		P44-3	
33		転写ベルト クリーニングシール /Fr	1	350K	A92W511200		P44-20	
34		転写ベルト クリーニングシール /Rr	1	350K	A92W511600		P44-21	
35		ニップ形成ローラー /Up	1	700K	A5AW501301		P40-21	
36		1次転写ローラー /Y	1	700K	A5AW501200		P40-20	
37		1次転写ローラー /M	1	700K	A5AW501200		P40-20	
38		1次転写ローラー /C	1	700K	A5AW501200		P40-20	
39		1次転写ローラー /K	1	700K	A5AW500400		P40-18	
40		中間転写厚紙バックアップガイド	1	700K	A5AWR70Q00		P42-21	
41		2次転写ローラー /Up	1	700K	A1RF500400		P40-7	
42		センサーシャッター	1	700K	A5AWR70500		P68-11	
43		補助クリーナー Assy	1	700K	A92WR70C00		P41-34	
44		中間転写ベルト	1	1,050K	A1RF506000		P40-11	
45		転写ベルト クリーニングユニット	1	1,050K	A92WR70600		P39-3	
46		中間転写分離爪ソレノイド	1	2,975K	A1RFR74800		P62-24	
47		転写ベルト 分離爪	3	3,150K	65AAR75300		P41-3	
48		転写ローラー軸受	8	3,150K	A1RF508900		P42-10	
49	転写ベルト クリーニングブレード	1	350K	A5AWR70P11		P44-19	*1	

No.	区分	P M 部品名称	サイクル (K=1,000)		部品番号	仕向地	頁 / キー	備考
			員数	交換				
97	エンボス中間転写部	エンボストナー回収シート	1	350K	65AAR75600		P50-3	
98		エンボス転写ベルト クリーニングシール / Fr	1	350K	A92W511200		P50-20	
99		エンボス 2次転写ローラー /Up	1	350K	A1RF500400		P40-7	
100		エンボス転写ベルト クリーニングシール /Rr	1	350K	A92W511600		P50-21	
101		エンボス 1次転写ローラー /Y	1	350K	A5AW501200		P46-18	
102		エンボス 1次転写ローラー /M	1	350K	A5AW501200		P46-18	
103		エンボス 1次転写ローラー /C	1	350K	A5AW501200		P46-18	
104		エンボス 1次転写ローラー /K	1	350K	A5AW500400		P46-16	
105		エンボス中間転写厚紙バックアップガイド	1	700K	A5AWR70Q00		P48-18	
106		エンボスニップ形成ローラー /Up	1	700K	A5AW501301		P46-19	
107		センサーシャッター	1	700K	A5AWR70500		P68-11	
108		エンボス補助クリーナー Assy	1	700K	A92WR70C00		P47-34	
109		エンボス中間転写ベルト	1	1,050K	A1RF506000		P46-9	
110		エンボス転写ベルト クリーニングユニット	1	1,050K	A92WR70600		P45-2	
111	中間転写分離爪ソレノイド	1	2,975K	A1RFR74800		P62-24		
112	エンボス転写ベルト 分離爪	3	3,150K	65AAR75300		P47-3		
113	エンボス転写ローラー軸受	8	3,150K	A1RF508900		P48-10		
114	エンボス転写ベルト クリーニングブレード	1	350K	A5AWR70P11		P50-19	*1	
115	エンボス 2次転写部	エンボス飛散防止シート 取付板 /1	1	350K	A1RFR7N700		P77-14	
116		エンボスクリーニングサイドシール取付板 /Fr	1	350K	A1RFR7N500		P77-12	
117		エンボスクリーニングサイドシール取付板 /Rr	1	350K	A1RFR7N600		P77-13	
118		エンボス 2次転写補助スクレーパー Assy	1	350K	A1RFR7N800		P77-15	
119		エンボス 2次転写処理ブレード Assy	1	350K	A5AWR70S00		P78-9	
120		エンボス飛散防止シート /1	2	350K	A1RF531600		P77-11	
121		エンボス 2次転写ベルト	1	350K	A1RF520400		P79-3	
122		エンボス 2次転写クリーニングブラシ	1	350K	A1RF532800		P78-4	
123		エンボス連結ステー Assy	1	350K	A1RFR7N300		P79-14	
124		エンボス分離放電板 Assy	1	700K	A1RFR70500		P75-4	
125		エンボス 2次転写進入ガイド板 /Up	1	700K	A1RFR72900		P76-21	
126		エンボス 2次転写ベルト Assy	1	700K	A92WR70800		P75-15	
127		エンボス 2次転写アース板 /1	1	1,400K	A1RFR71900		P75-5	
128		エンボス 2次転写アース板 /2	1	1,400K	A1RFR72000		P75-6	
129		エンボス 2次転写ユニット	1	3,500K	A92WR70E11		P75-16	
130		エンボス 2次転写クリーニングブレード	1	350K	A5AWR73300		P77-17	*1

*1: サービスマニュアル F-4「ライフ値の考え方」参照

DESTINATION

Destination No.		Destinations		V	Hz	Model No.
A	A1	JAPAN		200	50/60	A92W001
	A2	JAPAN		200	50/60	A92W001
B		USA, CANADA		208-240	60	A92W011/ A92W012
C		EUROPEAN TYPE		220-240	50/60	A92W021
D	D1	S.E ASIA TYPE	THAILAND, SRI LANKA, SINGAPORE, MALAYSIA, HONG KONG, PAKISTAN, INDIA, BANGLADESH, INDONESIA	220-240	50/60	A92W041/ A92W0T1
	D3	OCEANIA TYPE	AUSTRALIA, NEW ZEALAND	220-240	50/60	A92W051
E		PHILIPPINES		220-240	50/60	A92W041
F	F1	SAUDI ARABIA				
	F2	SAUDI ARABIA		220-240	50/60	A92W041
G	G1	C.S AMERICA		220-240	50/60	A92W041
	G2	C.S AMERICA		208-240	60	A92W011
H		TAIWAN		220-240	50/60	A92W041
I		JORDAN, LEBANON, SYRIA, SOUTH AFRICA, IRAQ, IRAN, N.YEMEN, CAMEROON, UAE, BAHRAIN, OMAN, QATAR, KUWAIT, KENYA, TUNISIA, IVORY COAST, MOROCCO		220-240	50/60	A92W021/ A92W041
J		CHINA		220-240	50/60	A92W081
K		KOREA		220-240	50/60	A92W041

AccurioPress C6100