

KONICA MINOLTA

# *PARTS GUIDE MANUAL*

---

*JULY 2022*

# *AccurioPress C7090* *ACW3*

## INFORMATION FOR PARTS GUIDE MANUAL

To find correct Parts No., refer to the "HOW TO MAKE THE BEST USE OF THIS MANUAL" in the following page.

### HOW TO MAKE THE BEST USE OF THIS MANUAL

- 1 When you order, please check the proper figures beforehand that are on Our Parts Guide Manual, and order with the appropriate figures.
- 2 For screws, Nuts, Washers, retaining rings and Pins which are used in this model, one letter is shown on the Standard parts column of Parts list and exploded diagrams.
- 3 In order to maintain safety of the product, some specific parts composed of this product are set up as "essential safety parts".
- 4 The assigned parts number for the "essential safety parts" is indicated as "SP00-\*\*\*\*".  
When replacing these parts, follow precautions for disassembling and installing which are listed in the Service Manual.  
Do not use any parts that are not set up as
- 5 ♣ means that there are exclusive parts for each destination.  
Please check the appropriate destination when you order.
- 6 Revision Mark  
Marked as ▲ on the illustration shows that the revision has been made.
- 7 All rights reserved. (any reprints or quotations are prohibited.)  
Use of this parts guide manual should be strictly supervised to avoid disclosure of confidential information.

## パーツガイドマニュアルのご案内

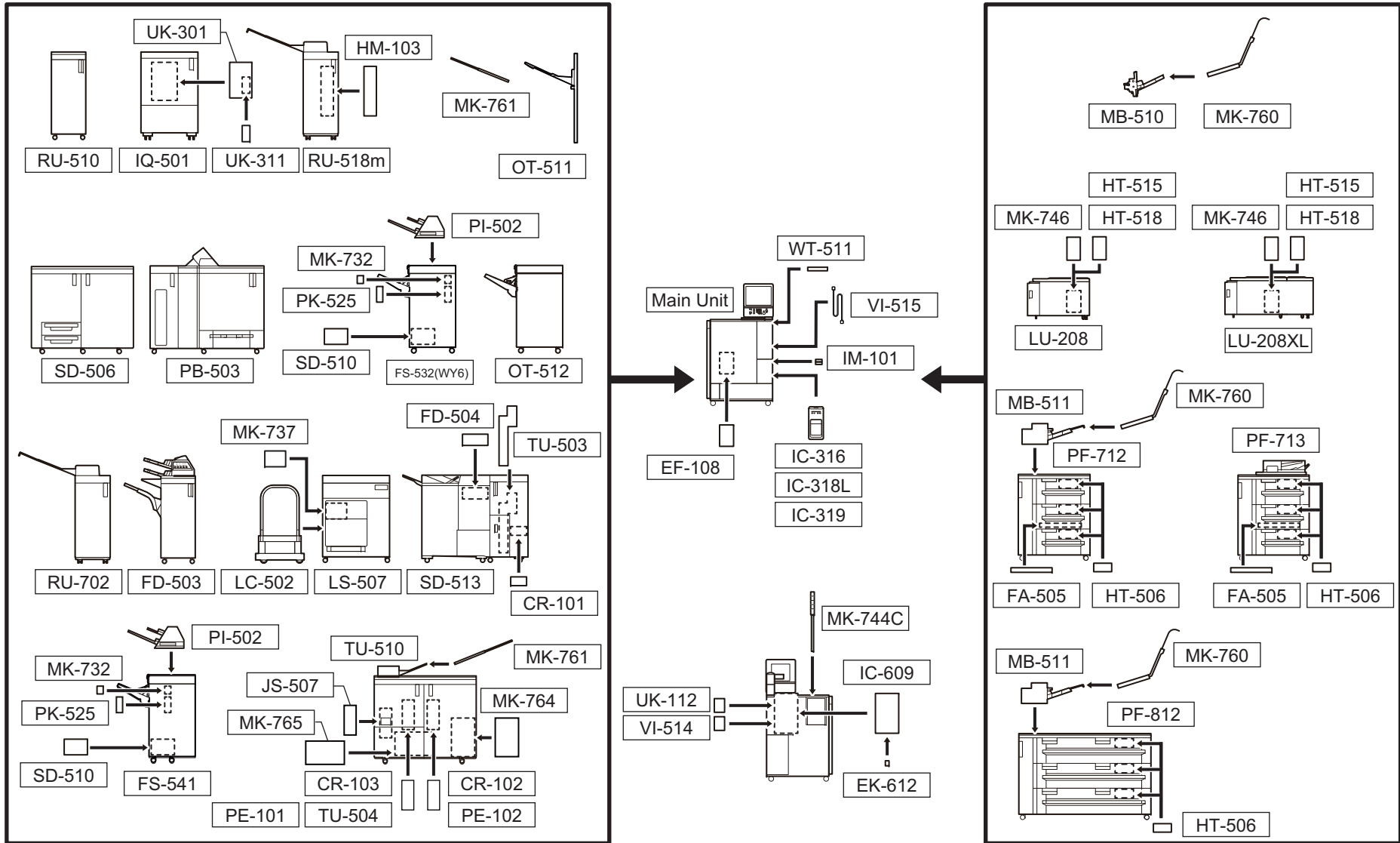
サービス部品をご発注の際には、下記に示す“パーツガイドマニュアルの活用にあたって”をご参照の上、正しい部品番号にてお願い致します。

### パーツガイドマニュアルの活用にあたって

- 1 部品発注の際には、掲載されている部品番号の桁数を確認し、掲載されている桁数で発注願います。
- 2 この製品に使用されているネジ、ナット、ワッシャー、止め輪、ピンなどは、リストの右側の Standard parts 欄に a,b,c,……で表示し、イラストにも a,b,c,……表示してあります。
- 3 製品の安全性を維持する為に、製品に使用される特定の部品を「重要保安部品」として設定しています。
- 4 重要保安部品の部品番号は、“SP00-\*\*\*\*”と記載されていますので、部品交換時は、サービスマニュアル記載の分解・組み立ての注意事項に従って作業をして下さい。  
また、指定以外の部品は一切使用しないで下さい。
- 5 本文に ♣ が表示されている部品は、仕向け地毎に専用部品がある事を意味しています。  
オーダーされる時は、仕向け地を確認して下さい。
- 6 改訂記号について  
イラスト上に▲印が表示されている部分は、改訂された事を表します。
- 7 著作権所有（無断転載及び無断引用の禁止）  
本パーツガイドマニュアルについては、機密保持等その扱いには十分注意して下さい。万一取り扱いを誤った場合には、法律で処罰されることがあります。

02/01/2021

# System Configuration



AccurioPress C7090

# GENERAL CONTENTS

No.	Description	Model
1	Digital MFP Color	AccurioPress C7090
2	Working Table	WT-511
3	Output Tray	OT-511
4	Humidifier	HM-103
5	Relay Unit	RU-518m
6	Post Inserter	PI-502
7	Saddle Unit	SD-510
8	Finisher/Sorter	FS-532(WY6)
9	Output Tray	OT-512
10	Saddle Unit	FD-504
11	Saddle Unit	SD-513
12	Trimmer Unit	TU-510
13	Other Option	JS-507
14	Mount Kit	MK-764
15	Other Option	MK-765
16	Other Option	CR-102
17	Other Option	PE-102
18	Other Option	CR-103
19	Trimmer Unit	TU-504
20	Other Option	PE-101
21	Mount Kit	MK-761
22	Large Capacity Stacker	LS-507

AccurioPress C7090

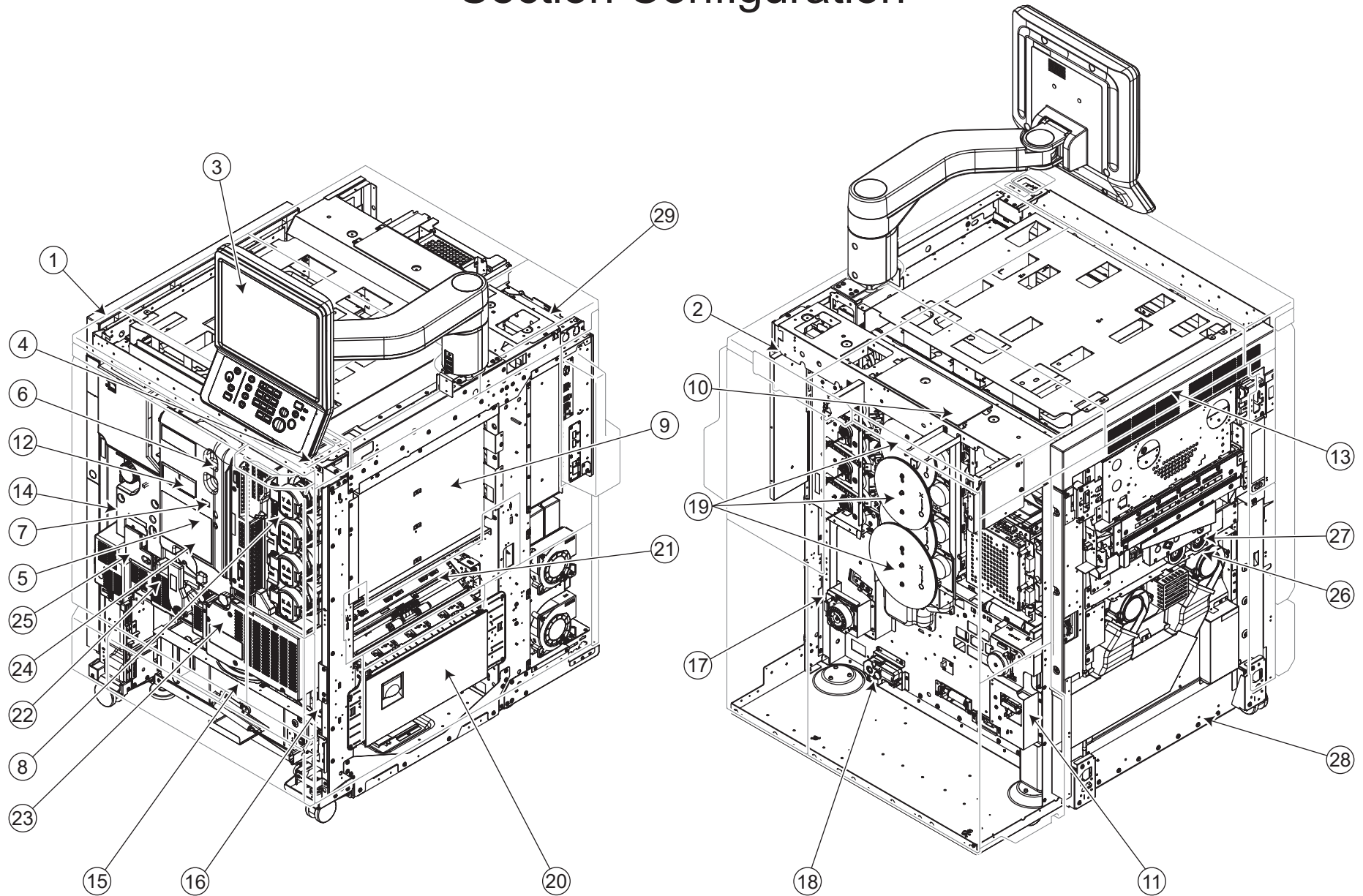
<b>No.</b>	<b>Description</b>	<b>Model</b>
23	Other Option	LC-502
24	Other Option	MK-737
25	Folding Unit	FD-503
26	Relay Unit	RU-702
27	Trimmer Unit	TU-503
28	Saddle Unit	CR-101
29	Perfect Binder	PB-503
30	Saddle Unit	SD-506
31	Other Option	UK-301
32	Intelligent Quality Optimizer	IQ-501
33	Other Option	UK-311
34	Relay Unit	RU-510
35	Image Controller	IC-316
36	Image Controller	IC-318L
37	Image Controller	IC-319
38	Mount Kit	MK-744C
39	Other Option	UK-112
40	Video IF Kit	VI-514
41	Image Controller	IC-609
42	Other Option	EK-612
43	Video IF Kit	VI-515
44	Other Option	IM-101
45	Mount Kit	MK-746

AccurioPress C7090

No.	Description	Model
46	Heater	HT-515
47	Heater	HT-518
48	Paper Feeder	LU-208
49	Paper Feeder	LU-208XL
50	Mount Kit	MK-760
51	Bypass Tray	MB-511
52	Envelop Fusing Unit	EF-108
53	Paper Feeder	FA-505
54	Heater	HT-506
55	Paper Feeder	PF-713
56	Paper Feeder	PF-712
57	Paper Feeder	PF-812
58	Bypass Tray	MB-510
59	Mount Kit	MK-732
60	Punch Unit	PK-525
61	Finisher/Sorter	FS-541

AccurioPress C7090

# Section Configuration



AccurioPress C7090

# CONTENTS

No.	DESCRIPTION	名称	PAGE No.
1	External Parts Section	外装部	P1 P2 P3 P4
2	Main Frame Section	骨格部	P5 P6 P7 P8 P9 P10 P11 P12 P13 P14
3	Operation Panel Section	操作部	P15 P16 P17 P18
4	Write Section	書き込み部	P19
5	Process Carriage Section	プロセス架台部	P20 P21 P22 P23 P24 P25 P26 P27 P28
6	Charging Section	帯電部	P29
7	Photo Conductor Section	感光体部	P30
8	Developing Section	現像部	P31 P32
9	Toner Supply Section	トナー補給部	P33 P34 P35 P36 P37 P38 P39
10	Toner Collection Section	トナー回収部	P40 P41
11	Toner Collection Driving Section	トナー回収駆動部	P42 P43
12	Intermediate Transfer Section	中間転写部	P44 P45 P46 P47 P48 P49 P50 P51
13	Color Resist Section	画像補正部	P52
14	Fusing Section	定着部	P53 P54 P55 P56 P57 P58 P59 P60 P61 P62
15	Tray Section	トレイ部	P63 P64 P65 P66
16	Tray Paper Feed Section	トレイ給紙部	P67 P68 P69 P70
17	Paper Feed Driving Section	給紙駆動部	P71
18	Tray Driving Section	トレイ駆動部	P72
19	Drum Driving Section	ドラム駆動部	P73 P74 P75 P76 P77
20	Vertical Conveyance Section	垂直搬送部	P78 P79 P80
21	Duplex Carriage Section	両面架台部	P81 P82
22	Duplex Section	両面部	P83 P84 P85 P86 P87 P88 P89 P90 P91 P92 P93 P94 P95 P96 P97 P98 P99 P100 P101 P102 P103
23	Resist Section	レジスト部	P104 P105 P106 P107 P108 P109 P110 P111
24	Secondary Transfer Section	2次転写	P112 P113 P114
25	Duplex Swing Section	両面揺動部	P115 P116
26	Reverse Section	反転部	P117 P118 P119 P120 P121 P122
27	Exit Section	排紙部	P123 P124 P125 P126
28	Charge Control Section	電荷制御部	P127 P128 P129 P130
29	Rear Electrical Section	背面電気部	P131 P132 P133 P134 P135 P136
30	Wiring	束線	P137 P138 P139
31	Wiring Accessories	配線部品	P140 P141
32	Service Tool	サービスツール	P142
33	Accessory Parts	同梱部品	P143 P144



# INDEX

Parts No.	Page No.
00GR00020	142-5
00GR00220	142-6
00GR00260	142-4
00VC-2-00	142-12
00VD-1000	142-13
059076510	70-1
07BA12352	1-1
07BA12352	34-1
07BA12352	55-2
07BA15871	45-1
07BA15871	51-1
08AA76060	71-1
12QR86011	5-1
12QV40650	22-1
12QV40650	49-5
12QV40650	49-8
12QV40650	50-2
12QV40650	68-1
12QV40650	70-2
12QV40650	74-4
12QV40650	75-4
12QV40650	76-4
12QV40650	77-4
12QV40650	82-21
12QV40650	84-7
12QV40650	85-16
12QV40650	89-1
12QV40650	90-1
12QV40650	100-1
12QV40650	105-1
12QV40650	108-1
12QV40650	110-1
12QV40650	111-1
12QV40650	113-1
12QV40650	114-1
12QV40650	117-1
12QV40650	126-17
12QV40650	130-19
13NG45200	11-1
13NT80511	116-1

Parts No.	Page No.
13QA10330	69-1
13QA10330	71-2
13QA10330	126-2
13QA40610	43-2
13QA40610	71-3
13QA40610	117-2
13QA40610	126-1
13QA85511	87-8
13QA85511	107-1
13QA85511	119-1
14GE45470	82-16
14GE45470	110-2
14GE45470	117-3
15AG57620	113-2
15AG57620	114-2
190040922E	107-2
20AL48470G	54-1
25AA10091F	11-2
25AA40100	70-3
25AA47500	83-13
25AA50080	95-1
25BA77171	37-1
25SA40960	67-1
25SA40960	70-4
26NA32660	38-1
26NA32870	34-5
26NA42061	67-2
26NA42560	67-3
26NA42560	79-2
26NA47070	65-1
26NA53712	57-2
26NA53712	60-1
26NA54230	82-1
26NA82513	13-1
26TA32970	34-2
26TA32990	34-3
4004457301	41-4
4025228301	132-1
4038254001	43-3
4038351102	14-1

Parts No.	Page No.
40AA30270	117-4
40AA30270	118-1
40AA32320	1-4
40AA32320	13-2
40AA32320	22-2
40AA32320	23-1
40AA32320	27-1
40AA32320	28-1
40AA32320	35-4
40AA32320	42-3
40AA32320	46-1
40AA32320	49-1
40AA32320	50-1
40AA32320	50-3
40AA32320	51-21
40AA32320	52-1
40AA32320	65-2
40AA32320	74-5
40AA32320	75-5
40AA32320	76-5
40AA32320	77-5
40AA32320	98-11
40AA32320	105-2
40AA46261	118-2
40AA77550	118-3
40AA88031	35-5
4109553001	68-2
4131253701	82-2
4131253701	85-17
4131253701	89-2
4131253701	106-1
4131353202	110-3
4139300301	23-2
4470402401	5-2
4470402401	27-2
4470402401	28-2
4470402401	41-10
4470402401	48-1
4470402401	55-1
4470402401	57-1

Parts No.	Page No.
4470402401	64-1
4470402401	80-10
4470402401	84-8
4470402401	85-18
4470402401	90-2
4470402401	94-1
4470402401	96-1
4470402401	98-1
4470402401	99-1
4470402401	114-3
4470402401	115-1
4470402401	117-5
4470402401	122-1
4470402401	125-13
4470402401	126-7
4470402401	128-4
462076010	83-1
462076010	92-1
4658351602	84-9
4658351602	85-19
4658351602	105-3
4658351701	112-1
4658351701	114-4
466076020	36-1
466076020	39-1
466076020	42-4
466076020	43-14
466076020	98-2
55FA40320	70-5
55GA77050	43-4
55VA15190	50-6
55VA15570	71-4
55VA20520	59-1
55VA32480	14-2
55VA40930	64-3
55VA42120	49-2
55VA42120	68-3
55VA42120	70-6
55VA48500	60-2
55VA79030	67-4

Parts No.	Page No.
56AA10300	8-1
56AA12241	1-2
56AA17121	68-4
56AA17461	83-14
56AA17461	112-2
56AA17461	114-5
56AA17510	67-5
56AA17510	70-7
56AA17630	11-5
56AA17640	11-6
56AA17760	70-8
56AA17760	71-5
56AA20940D	47-1
56AA40010E	67-6
56AA40070	70-9
56AA40100G	68-5
56AA40171	68-6
56AA40190	68-7
56AA40300	70-10
56AA40310	68-9
56AA40360	67-7
56AA40370	68-10
56AA40380	70-11
56AA40430	67-9
56AA40440	67-10
56AA40481	67-11
56AA40490	36-2
56AA40490	47-2
56AA40490	50-24
56AA40490	70-12
56AA40490	81-11
56AA40490	82-3
56AA40490	106-2
56AA40490	112-3
56AA40520	68-11
56AA40530	67-12
56AA40540	67-13
56AA42690	54-2
56AA42690	55-3
56AA50670	83-2

Parts No.	Page No.	Parts No.	Page No.	Parts No.	Page No.	Parts No.	Page No.	Parts No.	Page No.
56AA50800	83-3	65AA47360	72-1	9335140051	41-5	A00TM10000	116-2	A03U195302	17-10
56AA77330	39-2	65AA47370	72-2	9335140071	80-11	A00V240600	49-7	A03U195400	17-11
56AA77590	70-13	65AA47390	72-3	9335140071	84-10	A00V240600	54-3	A03U195500	17-12
56AA80551	93-1	65AA47550	66-1	9335140071	85-20	A00V240600	55-5	A03U259900	74-6
56AA97140	134-11	65AA47600E	65-3	9335140071	96-2	A00V240600	60-3	A03U259900	75-6
56GA76600E	71-6	65AA47630	66-2	9335140071	98-3	A00V240600	71-8	A03U259900	76-6
56QA40080	67-14	65AA47700D	65-4	9335140071	99-3	A00V240600	80-2	A03U259900	77-6
56QA40270	67-15	65AA47710	72-4	9335140071	122-2	A00V240600	82-4	A03U560500	70-18
56QA40550	67-16	65AA47740E	65-5	9J03M10000	9-1	A00V240600	88-4	A03U621200	66-5
56UA25280	23-3	65AA47820	64-6	9J03M10000	11-8	A00V240600	92-4	A03U723301	61-3
56UA47980	71-7	65AA47860	64-7	9J06M60100	5-6	A00V240600	93-4	A03U724200	55-6
56UA70330	18-16	65AA47970	72-5	9J06PJP100	142-15	A00V240600	99-4	A03U734500	11-9
56UA77280	43-18	65AA48360	125-10	9J06PJP200	142-16	A00V240600	111-4	A03U734500	55-7
56UA77710	36-3	65AA48460	125-1	A00J211200	61-2	A00V240600	115-2	A03U734500	57-12
56UA77710	43-5	65AA49500	64-2	A00J211200	124-16	A00V240600	126-19	A03U734500	58-1
57AA15600	5-3	65AA50400	11-7	A00J617800	22-3	A02E262300	132-2	A03U734500	59-3
57AA15600	10-1	65AA509900	8-3	A00J617800	23-4	A02EM20200	36-4	A03U734500	62-1
57AA40420	67-17	65AA51510	95-2	A00J617800	26-1	A03N621800	65-7	A03U808400	55-8
57GA61560	86-1	65AA53991	61-1	A00J617800	49-6	A03TM50000	125-14	A03U809500	60-5
65AA-9091E	77-16	65AA75010E	17-1	A00J617800	50-4	A03U190500	17-2	A03U811600	93-2
65AA-9920	142-3	65AA77390	38-2	A00J617800	51-2	A03U190600	17-3	A03U811800	95-4
65AA10470	8-2	65AA77410	43-6	A00J617800	55-4	A03U190700	17-4	A03U812800	65-8
65AA11300	5-4	65AA78040	35-6	A00J617800	94-3	A03U190802	17-5	A03U812800	68-12
65AA11300	48-2	65AA80112	80-1	A00J617800	95-3	A03U190900	16-1	A03U812800	70-19
65AA15210	74-11	65AA80112	91-7	A00J617800	118-4	A03U191100	17-6	A03U812800	82-5
65AA15210	75-15	65AA80112	92-2	A00J617800	124-9	A03U191201	17-7	A03U812800	100-2
65AA15210	76-14	65AA80112	93-13	A00J617800	126-3	A03U191301	17-8	A03U812800	106-3
65AA15210	77-23	65AA80112	94-2	A00J617900	50-5	A03U191400	16-2	A03U812800	108-3
65AA20060	46-2	65AA80112	99-2	A00J617900	89-3	A03U191500	16-3	A03U812800	110-4
65AA20300	46-3	65AA80112	111-2	A00J617900	90-3	A03U191600	16-4	A03U814100	95-5
65AA26600	45-2	65AA91101E	5-5	A00J617900	111-3	A03U191700	16-5	A03U814300	95-6
65AA26690D	49-3	65AA99500	142-11	A00J617900	114-6	A03U191800	16-6	A03U839700	71-9
65AA26870	49-4	65AAR72700	129-5	A00J617900	117-6	A03U191900	16-7	A03U842700	87-14
65AA40010	70-14	65AAR74600	130-34	A00J663200	67-18	A03U192000	16-8	A03U842700	99-5
65AA40080E	70-15	65GE97400	70-16	A00J663200	69-2	A03U192100	16-9	A03U842800	99-6
65AA44200	80-4	65GE97490	65-6	A00J663200	70-17	A03U192200	16-10	A03U843500	93-5
65AA45230	112-4	65LA48530	124-3	A00J663200	94-4	A03U192300	17-9	A03U844200	98-4
65AA47120D	64-25	9313150021	91-10	A00J945401	4-18	A03U193400	16-11	A03U844300	98-5
65AA47310E	64-4	9313150021	92-12	A00JM12100	35-7	A03U193600	16-12	A03U844700	98-6
65AA47320	64-5	9313150021	108-2	A00JM60300	134-1	A03U193700	16-13	A03U844802	98-7

Parts No.	Page No.	Parts No.	Page No.	Parts No.	Page No.	Parts No.	Page No.	Parts No.	Page No.
A03U844901	98-8	A0G6J30M00	134-4	A1DUR73E00	99-12	A1RF820000	130-22	A4EUM75800	18-11
A03U845601	87-15	A0G6N18400	18-4	A1DUR73P00	99-13	A1RF827000	84-12	A4EUN28500	18-12
A03U845601	99-7	A0GD522500	96-3	A1DUR75200	70-21	A1RF827000	85-22	A4EUPP0000	142-7
A03U845902	98-9	A0GD522500	97-1	A1RF165800	1-3	A1RF827000	100-4	A4F3744400	63-21
A03U845902	99-8	A0GD522500	99-11	A1RF212600	74-12	A1RF827000	105-5	A4FC725100	118-7
A03U850101	67-19	A0GD522500	109-3	A1RF212600	75-16	A1RF827000	108-7	A50U101602	9-2
A03U850101	69-3	A0H0911500	98-12	A1RF212600	76-15	A1RF827000	110-6	A50U102704	11-10
A03U850101	79-3	A0P0144300	85-1	A1RF212600	77-24	A1RF827000	111-6	A50U102900	5-10
A03U850101	84-11	A0P0M50400	5-7	A1RF214100	74-16	A1RF846400	100-5	A50U103301	8-6
A03U850101	85-21	A0P0M50400	48-3	A1RF214100	75-20	A1RF863800	118-5	A50U103800	12-1
A03U850101	105-4	A0P0M73100	18-9	A1RF214100	76-19	A1RF945501	144-2	A50U104401	12-2
A03U859400	99-9	A0TK341200	115-3	A1RF214100	77-14	A1RF946000	64-9	A50U104500	13-3
A03U859500	99-10	A0TK397501	71-11	A1RF368500	43-7	A1RFM15400	86-3	A50U104901	13-4
A03U892701	126-14	A0TKH00200	32-1	A1RF372300	42-2	A1RFM15400	110-7	A50U105000	13-5
A03UF19100	17-13	A0VDM50500	108-5	A1RF441500	34-6	A1RFM15400	124-6	A50U105100	10-2
A03UF84300	98-10	A0Y5M10400	90-4	A1RF508000	48-5	A1RFM15400	128-5	A50U105201	8-7
A03UN23200	56-1	A0Y5M10400	111-5	A1RF508100	48-6	A1RFM51000	57-4	A50U105800	12-3
A03UN23200	59-4	A0Y5M15101	7-1	A1RF508200	48-7	A1RFN28300	18-5	A50U106300	11-11
A03X565611	67-20	A161210200	74-7	A1RF508900	130-15	A1RG569900	42-9	A50U106502	10-3
A03X622000	108-4	A161210200	75-7	A1RF509000	130-16	A1RJ730800	108-8	A50U106600	10-4
A03X622101	66-6	A161210200	76-7	A1RF517300	49-9	A1RJ730800	110-8	A50U106700	10-5
A03X622201	66-7	A161210200	77-7	A1RF517300	126-4	A1RJ818800	118-6	A50U108400	10-21
A03X656203	64-8	A161626800	63-2	A1RF529300	26-2	A1RJ825100	115-5	A50U109300	72-8
A043909901	124-17	A1DU163402	3-1	A1RF529400	113-3	A1RJ825800	115-6	A50U110000	12-4
A07R813801	130-20	A1DU190101	17-14	A1RF529701	124-10	A1TVM10100	93-14	A50U112901	72-9
A07TM60100	134-2	A1DU622200	5-11	A1RF620301	67-22	A1UD210500	43-8	A50U120600	1-5
A0EDM50100	107-3	A1DU622200	13-6	A1RF701700	79-4	A1UDM50100	65-9	A50U120600	5-12
A0G6192400	18-6	A1DU622200	72-7	A1RF710900	108-6	A2X0M12101	72-6	A50U121300	5-13
A0G6192500	18-7	A1DU764000	14-3	A1RF710900	110-5	A2Y1729000	112-5	A50U121500	6-1
A0G6192700	18-2	A1DU942900	107-4	A1RF719901	80-3	A4EU190413	18-10	A50U126200	6-2
A0G6192900	18-3	A1DUF62101	66-3	A1RF755600	94-5	A4EU194200	18-19	A50U126800	6-3
A0G6193700	18-17	A1DUH11000	17-15	A1RF758100	54-6	A4EU252000	61-4	A50U127401	5-14
A0G6194000	18-18	A1DUPJG100	142-14	A1RF758100	58-2	A4EU265000	54-8	A50U127500	6-4
A0G6227300	71-10	A1DUR71600	52-2	A1RF809400	54-7	A4EU265000	55-11	A50U127800	6-5
A0G6243900	100-3	A1DUR71900	45-3	A1RF815702	8-4	A4EU265000	58-3	A50U128700	6-6
A0G6411200	5-8	A1DUR71C00	47-4	A1RF820000	55-9	A4EU538400	35-3	A50U130600	10-6
A0G6712800	109-1	A1DUR71D00	47-5	A1RF820000	89-4	A4EU560000	70-22	A50U131800	134-5
A0G6712900	109-2	A1DUR71J00	70-20	A1RF820000	106-4	A4EU603400	117-8	A50U133400	4-1
A0G6739300	130-21	A1DUR71K00	67-21	A1RF820000	115-4	A4EUM60000	5-9	A50U136501	10-20
A0G6H06000	18-8	A1DUR73500	48-4	A1RF820000	117-7	A4EUM60401	134-3	A50U164000	5-15

Parts No.	Page No.	Parts No.	Page No.	Parts No.	Page No.	Parts No.	Page No.	Parts No.	Page No.
A50U164100	1-6	A50U361401	42-6	A50U503200	45-4	A50U623201	65-18	A50U633400	63-5
A50U164200	1-7	A50U361900	40-5	A50U503500	49-11	A50U623300	65-19	A50U633601	63-6
A50U164901	1-8	A50U362200	43-11	A50U504500	49-12	A50U623900	65-20	A50U633702	63-7
A50U165600	1-9	A50U363300	40-8	A50U505202	48-10	A50U624000	8-8	A50U633800	63-8
A50U167201	1-10	A50U363400	41-1	A50U505901	49-13	A50U624201	65-21	A50U634300	63-9
A50U167801	4-2	A50U363701	41-2	A50U506101	49-15	A50U624600	66-9	A50U635400	65-36
A50U179500	5-17	A50U363900	9-3	A50U506500	25-3	A50U624700	66-10	A50U635500	65-37
A50U210600	74-13	A50U365400	40-6	A50U506701	49-16	A50U624904	65-22	A50U640100	66-18
A50U210600	75-17	A50U365600	43-15	A50U506900	45-5	A50U625100	66-11	A50U640200	63-10
A50U210600	76-16	A50U366011	43-13	A50U507000	49-17	A50U625701	64-13	A50U640400	63-11
A50U210600	77-19	A50U366601	11-12	A50U508001	50-11	A50U626000	65-23	A50U640700	65-38
A50U212600	74-14	A50U366800	41-6	A50U508102	50-12	A50U626502	64-14	A50U641500	64-23
A50U212600	75-18	A50U367001	43-16	A50U508301	13-8	A50U626601	64-15	A50U642000	65-39
A50U212600	76-17	A50U367400	41-7	A50U508600	48-11	A50U626702	64-16	A50U642300	58-4
A50U212600	77-15	A50U368000	11-13	A50U508700	88-1	A50U627501	65-25	A50U642300	66-19
A50U314800	12-6	A50U369900	41-3	A50U509100	49-18	A50U627601	64-17	A50U642300	117-9
A50U318300	19-4	A50U372902	32-2	A50U509300	13-9	A50U627701	64-18	A50U705000	80-19
A50U318601	12-7	A50U373100	32-3	A50U510400	13-10	A50U628200	64-19	A50U705100	79-5
A50U318700	12-8	A50U374501	32-5	A50U516800	52-3	A50U628200	66-12	A50U705200	79-6
A50U318700	19-5	A50U400503	38-3	A50U516900	52-4	A50U628300	66-13	A50U705400	80-5
A50U318900	19-6	A50U401200	38-4	A50U517300	49-19	A50U628400	65-26	A50U705701	79-7
A50U319301	19-3	A50U404200	39-3	A50U520601	112-6	A50U629001	64-20	A50U706900	79-8
A50U337101	26-3	A50U407600	38-5	A50U524100	113-4	A50U629100	72-10	A50U707600	79-9
A50U337200	26-4	A50U408101	12-12	A50U524500	112-7	A50U629202	64-21	A50U710300	106-5
A50U337300	26-5	A50U408501	34-7	A50U524700	114-7	A50U629401	66-14	A50U711101	82-6
A50U337400	26-6	A50U408600	34-4	A50U525600	112-8	A50U629502	66-15	A50U711101	94-6
A50U340501	26-7	A50U410200	34-8	A50U564500	69-4	A50U629702	66-16	A50U711101	108-9
A50U341002	25-1	A50U420400	36-5	A50U565100	69-5	A50U629801	66-17	A50U711101	110-9
A50U341301	26-8	A50U421000	36-6	A50U620105	65-10	A50U630203	64-22	A50U711200	106-6
A50U341800	6-7	A50U440301	34-9	A50U620801	65-11	A50U630602	65-27	A50U711400	110-10
A50U342200	6-8	A50U440601	34-10	A50U621001	64-10	A50U630902	65-28	A50U712200	84-13
A50U342300	24-5	A50U442100	5-18	A50U621200	66-8	A50U631000	65-29	A50U712200	85-23
A50U342400	6-9	A50U463100	7-23	A50U621301	65-12	A50U631100	65-30	A50U712300	84-14
A50U342502	21-1	A50U500800	48-8	A50U621400	65-13	A50U631500	65-31	A50U712300	85-24
A50U342600	21-2	A50U501702	48-9	A50U621900	65-14	A50U631700	65-32	A50U712400	84-15
A50U342900	20-1	A50U501900	50-7	A50U622001	65-15	A50U631800	65-33	A50U712400	85-25
A50U343301	24-6	A50U502700	50-8	A50U622101	65-16	A50U631900	65-34	A50U712400	98-13
A50U343800	26-9	A50U502801	1-11	A50U622400	65-17	A50U632300	65-35	A50U712400	105-6
A50U344200	26-10	A50U502900	50-9	A50U622600	64-11	A50U633002	63-3	A50U712700	106-7
A50U361200	42-5	A50U503001	50-10	A50U622802	64-12	A50U633200	63-4	A50U713000	110-11

Parts No.	Page No.	Parts No.	Page No.	Parts No.	Page No.	Parts No.	Page No.	Parts No.	Page No.
A50U713100	106-8	A50U733500	59-16	A50U755301	57-11	A50U802700	116-4	A50U842301	99-14
A50U714601	84-16	A50U734100	14-5	A50U755900	54-26	A50U802801	116-5	A50U842900	82-7
A50U714601	85-26	A50U737302	14-6	A50U756002	54-27	A50U802900	116-6	A50U842900	98-14
A50U714601	100-6	A50U737800	14-7	A50U756300	57-13	A50U803101	116-7	A50U843601	100-8
A50U714601	105-7	A50U738001	14-8	A50U756300	60-13	A50U803300	116-8	A50U843801	98-15
A50U715200	90-5	A50U739811	60-8	A50U756500	54-28	A50U803400	116-9	A50U843900	82-18
A50U716301	105-8	A50U739900	60-9	A50U757000	54-29	A50U803500	116-10	A50U844100	82-19
A50U716400	105-9	A50U742901	54-13	A50U757100	54-30	A50U803600	115-16	A50U844400	98-16
A50U716500	84-17	A50U743100	54-14	A50U761100	61-6	A50U803700	116-11	A50U844501	98-17
A50U716500	85-13	A50U743200	54-15	A50U761200	61-7	A50U804001	115-17	A50U844601	98-18
A50U716500	100-7	A50U743900	55-14	A50U761300	61-8	A50U804200	55-34	A50U850201	98-19
A50U716500	105-10	A50U744000	60-10	A50U761400	61-9	A50U804200	115-18	A50U850201	99-15
A50U716500	108-10	A50U744100	60-11	A50U763000	62-2	A50U804701	116-12	A50U851400	89-6
A50U716500	110-12	A50U744400	60-12	A50U763600	62-3	A50U805100	116-13	A50U851500	89-7
A50U716500	112-9	A50U744912	55-16	A50U763800	61-10	A50U805200	116-14	A50U851700	89-8
A50U716500	113-5	A50U745100	56-2	A50U763900	61-11	A50U810302	95-7	A50U852501	90-6
A50U717100	107-5	A50U745501	55-17	A50U765000	60-14	A50U810400	95-8	A50U853700	89-9
A50U717200	107-6	A50U745600	54-16	A50U783400	60-15	A50U814500	93-6	A50U854600	65-40
A50U717901	111-7	A50U745700	54-17	A50U785000	58-10	A50U816403	83-4	A50U854800	87-1
A50U718400	84-18	A50U746200	56-3	A50U787500	56-4	A50U817300	82-22	A50U855200	11-14
A50U718400	85-27	A50U746400	55-18	A50U787600	56-5	A50U818501	71-12	A50U861601	118-8
A50U718500	84-19	A50U746500	61-5	A50U788102	58-13	A50U830200	83-5	A50U864200	118-9
A50U718500	85-28	A50U748200	57-8	A50U788900	57-18	A50U830300	83-6	A50U864300	118-10
A50U719300	107-7	A50U748506	55-19	A50U789100	57-19	A50U830700	83-15	A50U865101	118-11
A50U719400	107-8	A50U749200	55-20	A50U792901	58-14	A50U830800	83-16	A50U865300	117-11
A50U722100	59-5	A50U749300	55-21	A50U794800	37-2	A50U831000	83-17	A50U865401	118-12
A50U723911	59-8	A50U749600	14-9	A50U794800	58-15	A50U831200	83-18	A50U865703	117-12
A50U725001	60-7	A50U749700	14-10	A50U799200	58-16	A50U831900	83-7	A50U865902	117-13
A50U725200	59-9	A50U751003	54-21	A50U799700	58-18	A50U832100	8-9	A50U866400	118-13
A50U726611	59-10	A50U751101	54-22	A50U799800	58-19	A50U832600	95-9	A50U866900	117-14
A50U728500	59-11	A50U751200	54-23	A50U800100	116-3	A50U832700	95-10	A50U867200	117-15
A50U728800	59-12	A50U751301	54-24	A50U800300	115-7	A50U833000	81-25	A50U867312	117-16
A50U731002	59-14	A50U752000	55-22	A50U800400	115-8	A50U833500	85-14	A50U867400	117-17
A50U731102	59-15	A50U752200	55-23	A50U800700	115-9	A50U834200	95-11	A50U867500	117-18
A50U731900	14-4	A50U752300	55-24	A50U800800	115-10	A50U834304	117-10	A50U867700	118-14
A50U732100	55-10	A50U752600	54-25	A50U801400	115-11	A50U836100	81-14	A50U867802	117-19
A50U732200	54-9	A50U752700	57-9	A50U801500	115-12	A50U836200	85-29	A50U868401	118-15
A50U732300	54-10	A50U753100	14-11	A50U802002	115-13	A50U838500	86-4	A50U869400	117-20
A50U732400	54-11	A50U754700	55-25	A50U802100	115-14	A50U838500	91-4	A50U869501	117-21
A50U732500	54-12	A50U755100	57-10	A50U802211	115-15	A50U838800	82-23	A50U880103	89-10

Parts No.	Page No.	Parts No.	Page No.	Parts No.	Page No.	Parts No.	Page No.	Parts No.	Page No.
A50U881300	89-11	A50U949700	22-4	A50UR72K00	26-12	A85C895500	126-15	A85CM55600	94-7
A50U881400	89-12	A50U949700	26-11	A50UR72R00	115-20	A85C895800	130-2	A85CM55600	104-1
A50U882801	82-8	A50UF21100	73-2	A50UR72X01	74-1	A85C895900	130-3	A85CM55600	108-11
A50U882900	83-8	A50UF36500	40-7	A50UR72X01	75-1	A85C896100	129-7	A85CM55600	111-8
A50U883501	87-2	A50UF50700	13-11	A50UR72X01	76-1	A85C896301	130-4	A85CM55600	114-8
A50U884000	82-9	A50UF70800	79-1	A50UR72X01	77-1	A85C896400	130-23	A85CM55600	115-22
A50U884000	83-9	A50UF70900	79-10	A50UR72Y00	56-7	A85C896501	129-1	A85CN21700	128-8
A50U890102	125-5	A50UF80416	116-15	A50UR73100	79-11	A85C896601	129-2	A85CR70U00	134-4
A50U890201	125-9	A50UF80500	115-19	A50UR73J00	48-12	A85C896800	130-12	A8AK100401	127-3
A50U890300	125-11	A50UM15201	5-20	A55C219600	80-6	A85C896900	130-1	A8AK101700	129-8
A50U891500	125-2	A50UM30101	27-3	A55C712000	79-12	A85C897101	124-18	A8AK103200	130-10
A50U891600	125-3	A50UM30101	28-3	A5AW162000	1-12	A85C897201	130-8	A8AK103502	130-24
A50U891900	125-7	A50UM32A00	57-20	A5AW229602	126-22	A85C897300	130-9	A8AK103601	130-25
A50U892101	126-5	A50UM32E00	57-20	A5AW510400	130-7	A85C897400	128-7	A8AK103702	130-13
A50U894000	126-8	A50UM51000	5-21	A5AW744900	60-16	A85C897700	130-5	A8AK104100	130-26
A50U895101	126-20	A50UM51000	41-11	A5AW856001	96-4	A85C897800	130-6	A8AK106200	124-19
A50U899700	126-6	A50UM51000	80-20	A5AW856001	99-17	A85C898701	129-3	A8AK106300	124-20
A50U899801	126-21	A50UM51000	128-6	A5AW858200	101-2	A85C898801	129-4	A8AK106400	124-21
A50U943201	85-7	A50UM60300	5-22	A5AW858200	120-1	A85CM10200	74-20	A8AK106800	124-22
A50U943301	105-11	A50UN11801	41-8	A5AW858200	121-1	A85CM10200	75-24	A8AK107100	129-15
A50U943401	110-13	A50UN14001	66-21	A5AW858200	122-3	A85CM10200	76-23	A8AK108001	130-27
A50U943502	54-31	A50UN16400	99-16	A5AWM15101	14-12	A85CM10200	77-22	A8AK108100	130-14
A50U943601	118-16	A50UN17700	115-21	A5AWP00100	142-2	A85CM55500	117-24	A8AK108200	130-31
A50U943701	61-12	A50UN24501	48-13	A5C1122600	129-6	A85CM55500	126-9	A8AK108302	130-32
A50U943801	117-22	A50UN24701	48-14	A5C1M92100	132-5	A85CM55600	22-5	A8AK108400	130-28
A50U943901	98-20	A50UN24901	48-15	A65U186600	127-2	A85CM55600	24-7	A8AK108500	130-29
A50U944001	101-1	A50UPJG100	142-9	A65U222000	71-13	A85CM55600	25-4	A8AK941001	144-3
A50U944200	81-15	A50UPJG200	142-10	A65Y513100	97-2	A85CM55600	27-4	A8AK941301	130-30
A50U944302	20-2	A50UPJG300	142-8	A797897000	71-14	A85CM55600	28-4	A8AKN10501	130-11
A50U945301	65-41	A50UPP0100	142-1	A799H04001	18-20	A85CM55600	48-16	A8AKR70511	130-33
A50U945601	5-19	A50UR70E22	56-6	A79J146400	132-17	A85CM55600	55-26	A8AW106900	129-16
A50U945601	20-4	A50UR70F00	59-18	A79JJP000	142-17	A85CM55600	57-3	A8AW161911	124-23
A50U945601	21-3	A50UR70G01	112-35	A79JJP100	142-18	A85CM55600	64-24	A8AW162500	129-11
A50U945601	25-12	A50UR70Q00	73-3	A7AH281600	117-23	A85CM55600	68-14	A8AW162600	129-9
A50U945601	112-10	A50UR70W23	40-4	A85C102000	11-23	A85CM55600	74-18	A8AW941002	129-12
A50U945702	63-23	A50UR71111	42-8	A85C409600	34-11	A85CM55600	75-22	A92W223200	23-6
A50U946300	65-42	A50UR71G00	134-4	A85C635200	70-23	A85CM55600	76-21	A92W223400	23-7
A50U946400	66-20	A50UR71P22	44-1	A85C635401	68-13	A85CM55600	77-20	A92W223600	23-8
A50U948001	20-3	A50UR72100	49-14	A85C789200	59-19	A85CM55600	90-7	A92W343000	27-5
A50U949600	54-32	A50UR72722	118-17	A85C789300	59-20	A85CM55600	92-7	A92W343000	28-5

Parts No.	Page No.	Parts No.	Page No.	Parts No.	Page No.	Parts No.	Page No.	Parts No.	Page No.
A92W345400	27-6	A9VE560100	68-15	A9VE942500	107-9	A9VP122100	5-27	A9VP131600	134-6
A92W345400	28-6	A9VE620701	63-13	A9VE942600	4-5	A9VP122201	7-2	A9VP131701	134-7
A92WM60100	136-1	A9VE625800	72-11	A9VE943100	81-16	A9VP122301	7-3	A9VP131800	131-1
A93EM10600	5-24	A9VE628400	63-14	A9VE944100	82-17	A9VP122401	7-4	A9VP132101	135-3
A93EM10600	26-13	A9VE633100	63-15	A9VE944901	1-14	A9VP122501	7-5	A9VP132400	133-4
A9CE716000	23-9	A9VE641600	63-12	A9VE945900	144-11	A9VP122601	7-6	A9VP132600	135-4
A9CE716000	46-4	A9VE641700	63-22	A9VE946300	144-4	A9VP122700	6-10	A9VP132601	135-4
A9CE716000	74-8	A9VE700200	79-13	A9VEM55100	107-10	A9VP123200	6-11	A9VP132700	136-2
A9CE716000	75-8	A9VE701300	79-14	A9VEM75500	18-13	A9VP123300	6-12	A9VP132800	133-5
A9CE716000	76-8	A9VE720300	60-18	A9VEN11000	59-25	A9VP123400	6-13	A9VP133000	136-3
A9CE716000	77-8	A9VE720500	60-19	A9VEN16200	87-17	A9VP123500	6-14	A9VP133100	136-4
A9CE716300	125-20	A9VE724100	60-22	A9VER70422	60-6	A9VP123600	6-15	A9VP133501	135-5
A9CEM10100	128-10	A9VE726800	60-23	A9VER70900	62-4	A9VP123700	7-7	A9VP133600	135-6
A9JT942401	4-16	A9VE728300	60-24	A9VER72300	134-4	A9VP123900	6-21	A9VP133700	135-7
A9JT944200	1-13	A9VE728400	59-21	A9VP102200	10-7	A9VP124200	6-16	A9VP133800	135-8
A9JTM10200	22-6	A9VE733000	60-25	A9VP102700	10-8	A9VP125000	7-8	A9VP133901	135-9
A9JTM10200	42-10	A9VE733100	60-26	A9VP103102	11-24	A9VP125200	7-9	A9VP135000	136-5
A9JTM10200	43-19	A9VE733400	59-22	A9VP103200	8-5	A9VP125600	6-17	A9VP135200	135-10
A9JTM10200	77-9	A9VE741800	57-22	A9VP103405	10-9	A9VP125800	7-10	A9VP136000	133-6
A9JTM10300	71-15	A9VE742400	55-27	A9VP103600	10-10	A9VP126001	5-28	A9VP136400	133-7
A9JTM10300	126-23	A9VE742500	54-34	A9VP103700	12-9	A9VP126502	5-29	A9VP136500	135-11
A9JTM10400	75-9	A9VE742800	54-19	A9VP104300	10-11	A9VP127000	7-11	A9VP136800	133-8
A9JTM40100	135-1	A9VE743000	54-20	A9VP104600	5-25	A9VP127101	7-12	A9VP136901	133-9
A9VE110100	11-3	A9VE743500	60-27	A9VP104800	10-12	A9VP127201	6-18	A9VP137200	136-6
A9VE110200	11-4	A9VE743800	55-28	A9VP105300	11-15	A9VP127300	6-19	A9VP139501	133-10
A9VE169000	3-10	A9VE745800	56-9	A9VP105401	12-10	A9VP128000	6-20	A9VP139700	132-6
A9VE169000	144-1	A9VE758400	58-22	A9VP106800	14-13	A9VP128100	7-13	A9VP160101	1-15
A9VE193100	17-16	A9VE758600	58-17	A9VP106900	8-10	A9VP128200	7-14	A9VP160201	3-3
A9VE193200	17-17	A9VE769001	59-23	A9VP107901	10-13	A9VP128900	7-15	A9VP160300	1-16
A9VE193300	16-16	A9VE851800	89-13	A9VP108100	9-4	A9VP129100	7-16	A9VP160401	1-17
A9VE193500	16-17	A9VE866201	117-25	A9VP108200	10-14	A9VP129200	7-17	A9VP160500	1-18
A9VE193800	16-18	A9VE867900	117-26	A9VP108500	10-15	A9VP129401	7-18	A9VP160601	1-19
A9VE193900	17-18	A9VE870100	87-10	A9VP108900	19-10	A9VP129500	5-30	A9VP160800	63-16
A9VE194000	16-19	A9VE870200	87-11	A9VP109600	10-16	A9VP129700	10-18	A9VP161001	3-4
A9VE194100	16-20	A9VE870400	87-12	A9VP109800	9-5	A9VP129800	7-19	A9VP161203	3-5
A9VE194200	143-2	A9VE870600	87-16	A9VP109900	10-17	A9VP130300	133-1	A9VP161302	3-6
A9VE194300	143-3	A9VE871900	87-13	A9VP111100	9-6	A9VP130600	133-2	A9VP161400	3-7
A9VE197100	143-4	A9VE892800	125-15	A9VP118100	19-7	A9VP130800	133-3	A9VP161500	1-20
A9VE222000	26-14	A9VE942102	129-18	A9VP118200	19-1	A9VP131001	135-2	A9VP161600	1-21
A9VE500200	49-20	A9VE942301	4-4	A9VP121000	5-26	A9VP131002	135-2	A9VP161700	1-22

Parts No.	Page No.	Parts No.	Page No.	Parts No.	Page No.	Parts No.	Page No.	Parts No.	Page No.
A9VP161900	1-23	A9VP172300	5-35	A9VP221600	22-8	A9VP345700	22-13	A9VP348700	27-24
A9VP162001	2-1	A9VP172400	5-36	A9VP221800	23-15	A9VP345800	24-12	A9VP348700	28-24
A9VP162300	2-2	A9VP178001	143-6	A9VP222100	23-16	A9VP346201	26-16	A9VP348900	27-25
A9VP162400	3-8	A9VP179100	5-37	A9VP222200	22-9	A9VP346400	20-5	A9VP348900	28-25
A9VP162501	2-3	A9VP179200	5-38	A9VP222300	22-10	A9VP346400	21-13	A9VP349001	25-9
A9VP162600	2-5	A9VP210301	75-19	A9VP222402	23-17	A9VP346602	20-6	A9VP349100	27-26
A9VP162700	2-4	A9VP210301	77-18	A9VP222500	23-18	A9VP346701	20-7	A9VP349100	28-26
A9VP162901	1-24	A9VP210401	74-15	A9VP222600	23-19	A9VP346800	20-8	A9VP349200	27-27
A9VP163101	1-25	A9VP210401	76-18	A9VP222700	23-20	A9VP346800	21-14	A9VP349200	28-27
A9VP163202	4-6	A9VP210800	74-9	A9VP222800	23-21	A9VP346900	20-9	A9VP349301	25-10
A9VP163302	4-7	A9VP210800	75-10	A9VP222900	23-22	A9VP347100	27-9	A9VP349400	24-13
A9VP163601	4-8	A9VP210800	76-9	A9VP223000	21-4	A9VP347100	28-9	A9VP349500	24-14
A9VP163700	4-9	A9VP210800	77-10	A9VP223100	21-5	A9VP347200	27-10	A9VP349600	27-8
A9VP163900	3-9	A9VP211200	74-17	A9VP223201	21-6	A9VP347200	28-10	A9VP349600	28-8
A9VP164002	10-19	A9VP211200	75-21	A9VP223300	21-7	A9VP347300	27-11	A9VP360400	43-17
A9VP164300	4-10	A9VP211200	76-20	A9VP223401	21-8	A9VP347300	28-11	A9VP360500	40-9
A9VP164400	1-26	A9VP211300	74-19	A9VP223500	21-9	A9VP347400	27-12	A9VP360600	43-12
A9VP164500	1-27	A9VP211300	75-23	A9VP223600	21-10	A9VP347400	28-12	A9VP360700	43-9
A9VP164801	1-28	A9VP211300	76-22	A9VP223700	21-11	A9VP347500	27-13	A9VP360800	43-10
A9VP165300	4-11	A9VP211400	77-21	A9VP223900	23-23	A9VP347500	28-13	A9VP361100	42-7
A9VP165401	4-12	A9VP211500	77-17	A9VP224000	23-24	A9VP347601	27-14	A9VP361800	40-11
A9VP165501	1-29	A9VP213300	74-10	A9VP224200	22-11	A9VP347601	28-14	A9VP361900	11-25
A9VP165601	1-30	A9VP213300	75-11	A9VP224300	21-12	A9VP347801	27-15	A9VP363300	41-12
A9VP165701	1-31	A9VP213300	76-10	A9VP224400	22-12	A9VP347801	28-15	A9VP363400	41-13
A9VP165800	1-32	A9VP213400	75-12	A9VP251500	71-16	A9VP347900	27-16	A9VP363500	41-14
A9VP165900	1-33	A9VP213400	76-11	A9VP253000	71-17	A9VP347900	28-16	A9VP401000	35-1
A9VP166000	1-34	A9VP213500	76-12	A9VP253200	71-18	A9VP348000	27-17	A9VP401800	38-6
A9VP167000	1-35	A9VP213600	75-13	A9VP333501	30-1	A9VP348000	28-17	A9VP401900	36-7
A9VP167500	1-36	A9VP213600	76-13	A9VP333600	30-2	A9VP348100	27-18	A9VP402300	36-8
A9VP167900	5-31	A9VP213700	75-14	A9VP339600	30-3	A9VP348100	28-18	A9VP402700	5-39
A9VP168000	143-5	A9VP213900	77-11	A9VP340300	27-7	A9VP348200	27-19	A9VP402800	36-9
A9VP168100	143-10	A9VP214000	77-12	A9VP340300	28-7	A9VP348200	28-19	A9VP403100	34-12
A9VP168200	143-11	A9VP214300	77-13	A9VP340700	24-8	A9VP348300	27-20	A9VP403200	38-7
A9VP168300	143-12	A9VP220401	23-10	A9VP341200	24-9	A9VP348300	28-20	A9VP403800	37-3
A9VP168400	4-13	A9VP220500	23-11	A9VP343601	25-5	A9VP348400	27-21	A9VP404000	36-10
A9VP168502	4-14	A9VP220600	22-7	A9VP343900	25-6	A9VP348400	28-21	A9VP404400	37-4
A9VP169100	3-2	A9VP220701	26-15	A9VP345200	25-7	A9VP348500	27-22	A9VP404500	39-5
A9VP172000	5-32	A9VP220900	23-12	A9VP345300	25-8	A9VP348500	28-22	A9VP404600	36-11
A9VP172100	5-33	A9VP221100	23-13	A9VP345400	24-10	A9VP348611	27-23	A9VP404700	36-12
A9VP172200	5-34	A9VP221400	23-14	A9VP345500	24-11	A9VP348611	28-23	A9VP404800	39-6



Parts No.	Page No.	Parts No.	Page No.	Parts No.	Page No.	Parts No.	Page No.	Parts No.	Page No.
A9VP404900	39-4	A9VP512000	51-19	A9VP524800	112-22	A9VP545600	46-14	A9VP701900	80-14
A9VP406800	38-6	A9VP512300	50-20	A9VP524901	114-11	A9VP545700	46-15	A9VP702000	80-15
A9VP500400	49-21	A9VP513200	50-21	A9VP525000	113-11	A9VP545800	46-16	A9VP704400	80-7
A9VP500800	48-17	A9VP513300	50-22	A9VP525100	113-12	A9VP545900	46-17	A9VP704701	80-13
A9VP501200	49-22	A9VP513400	51-20	A9VP525200	113-13	A9VP546000	46-18	A9VP704801	80-8
A9VP501200	51-3	A9VP513600	48-19	A9VP525301	113-14	A9VP546100	46-19	A9VP707300	80-9
A9VP501400	50-13	A9VP515200	52-5	A9VP525401	113-15	A9VP546200	46-20	A9VP708800	107-11
A9VP502101	49-23	A9VP515300	52-6	A9VP525700	113-16	A9VP546300	46-21	A9VP708900	94-8
A9VP502500	50-14	A9VP515400	52-7	A9VP526100	114-12	A9VP546400	46-22	A9VP708900	104-2
A9VP502600	50-15	A9VP515500	52-8	A9VP526300	114-13	A9VP546500	46-23	A9VP709000	108-12
A9VP503900	49-24	A9VP515600	52-9	A9VP526700	114-14	A9VP546600	46-24	A9VP709100	108-13
A9VP504400	49-25	A9VP515900	52-10	A9VP526800	114-15	A9VP546700	46-25	A9VP709500	105-12
A9VP504600	49-26	A9VP516401	52-15	A9VP526900	114-16	A9VP546800	46-26	A9VP709600	105-13
A9VP504700	49-27	A9VP516500	52-16	A9VP527000	114-17	A9VP546900	46-27	A9VP709700	108-14
A9VP505000	50-16	A9VP516600	52-17	A9VP527100	114-18	A9VP547100	46-28	A9VP709800	111-9
A9VP505100	50-17	A9VP516700	52-18	A9VP527200	114-19	A9VP547900	46-29	A9VP710100	110-14
A9VP505300	50-18	A9VP516800	52-19	A9VP527300	114-20	A9VP560900	68-16	A9VP710200	107-12
A9VP505400	51-4	A9VP516901	52-20	A9VP527400	114-21	A9VP561000	69-6	A9VP710300	111-10
A9VP505500	50-19	A9VP517000	52-11	A9VP527500	114-22	A9VP561200	68-17	A9VP710600	109-4
A9VP505600	49-28	A9VP517800	48-20	A9VP527600	113-17	A9VP562400	69-7	A9VP710700	107-13
A9VP505700	49-29	A9VP517900	50-26	A9VP527800	114-23	A9VP620702	1-37	A9VP710800	107-14
A9VP505700	51-5	A9VP518000	49-35	A9VP527900	112-23	A9VP621600	69-9	A9VP710900	106-9
A9VP505800	49-30	A9VP520000	112-11	A9VP528001	113-18	A9VP622500	69-10	A9VP711000	106-10
A9VP506300	51-6	A9VP520700	112-12	A9VP528501	112-24	A9VP622700	68-18	A9VP711300	106-11
A9VP507600	49-31	A9VP520900	113-6	A9VP528700	114-24	A9VP622901	68-19	A9VP711601	105-14
A9VP507900	49-32	A9VP521100	113-7	A9VP534900	46-5	A9VP623000	70-24	A9VP711700	111-11
A9VP507900	51-7	A9VP521200	113-8	A9VP535000	46-6	A9VP623400	67-8	A9VP711800	104-3
A9VP510100	51-8	A9VP521300	112-13	A9VP535100	46-7	A9VP623500	68-20	A9VP713000	108-15
A9VP510200	51-9	A9VP521500	114-9	A9VP535200	46-8	A9VP623800	69-11	A9VP713100	109-5
A9VP510800	51-10	A9VP521700	112-14	A9VP536600	47-6	A9VP624100	8-11	A9VP713200	111-12
A9VP511100	49-33	A9VP521800	112-15	A9VP536700	47-7	A9VP624400	68-21	A9VP713400	92-3
A9VP511100	51-11	A9VP521901	112-16	A9VP540100	47-8	A9VP624800	69-12	A9VP713600	110-15
A9VP511200	49-34	A9VP522400	112-17	A9VP543600	47-9	A9VP625200	69-8	A9VP713700	92-5
A9VP511200	51-12	A9VP522500	114-10	A9VP543700	47-10	A9VP627000	63-17	A9VP713800	92-13
A9VP511400	51-13	A9VP522800	112-18	A9VP544001	47-14	A9VP627200	63-18	A9VP713901	105-15
A9VP511500	51-14	A9VP522900	112-19	A9VP545100	46-9	A9VP633900	63-19	A9VP714100	109-6
A9VP511600	51-15	A9VP523001	112-20	A9VP545200	46-10	A9VP634400	63-20	A9VP714202	106-12
A9VP511700	51-16	A9VP523900	113-9	A9VP545302	46-11	A9VP700100	79-15	A9VP714501	105-16
A9VP511800	51-17	A9VP524300	113-10	A9VP545400	46-12	A9VP700800	80-12	A9VP714600	105-17
A9VP511900	51-18	A9VP524600	112-21	A9VP545500	46-13	A9VP700800	96-5	A9VP714900	109-7

Parts No.	Page No.
A9VP715000	92-6
A9VP715200	105-18
A9VP715500	107-15
A9VP715600	111-13
A9VP715700	107-16
A9VP715801	107-17
A9VP715901	111-14
A9VP716001	109-8
A9VP716200	105-19
A9VP716301	111-15
A9VP716401	105-20
A9VP716501	105-21
A9VP716600	111-16
A9VP716700	111-17
A9VP716901	110-16
A9VP717100	110-17
A9VP717202	105-22
A9VP717300	92-15
A9VP717300	108-16
A9VP717500	104-4
A9VP717601	109-9
A9VP717800	109-10
A9VP717900	111-18
A9VP718101	109-11
A9VP718300	107-18
A9VP718800	109-12
A9VP718900	109-13
A9VP719000	109-14
A9VP719200	108-17
A9VP719300	107-19
A9VP719400	109-15
A9VP719500	110-18
A9VP719600	105-23
A9VP719600	107-20
A9VP721500	62-5
A9VP722200	59-6
A9VP723500	60-20
A9VP723600	60-21
A9VP723800	59-7
A9VP727500	62-6

Parts No.	Page No.
A9VP727600	62-7
A9VP727700	62-8
A9VP731501	62-9
A9VP734200	62-10
A9VP734300	62-11
A9VP735100	14-14
A9VP735200	14-15
A9VP735400	14-16
A9VP735500	14-17
A9VP735600	14-18
A9VP735700	14-19
A9VP735800	14-20
A9VP738100	14-21
A9VP738701	62-12
A9VP739000	14-22
A9VP740100	57-15
A9VP741600	56-8
A9VP741700	57-21
A9VP742000	58-21
A9VP743600	55-12
A9VP743700	55-13
A9VP744300	55-29
A9VP746700	58-7
A9VP746800	57-5
A9VP747100	58-8
A9VP747800	57-6
A9VP747900	57-7
A9VP748400	54-18
A9VP748700	61-13
A9VP749400	14-23
A9VP754900	58-9
A9VP757700	55-35
A9VP757800	62-13
A9VP758000	62-14
A9VP758701	61-14
A9VP758800	61-15
A9VP759701	61-16
A9VP759800	61-17
A9VP760301	61-18
A9VP760400	61-19

Parts No.	Page No.
A9VP760800	61-20
A9VP761000	61-21
A9VP762100	61-22
A9VP762200	61-23
A9VP762500	62-15
A9VP762600	62-16
A9VP764100	61-24
A9VP764300	61-25
A9VP764500	61-26
A9VP764700	61-27
A9VP765200	61-28
A9VP765300	62-20
A9VP767300	55-36
A9VP767400	58-6
A9VP768701	62-17
A9VP768800	59-13
A9VP768900	62-18
A9VP769300	62-19
A9VP782000	56-11
A9VP785400	60-28
A9VP785500	60-29
A9VP787000	58-11
A9VP787700	57-16
A9VP788000	58-12
A9VP788600	57-17
A9VP788700	56-12
A9VP794800	57-23
A9VP803801	115-23
A9VP805300	115-24
A9VP810500	91-11
A9VP811100	81-17
A9VP811200	96-6
A9VP811300	96-7
A9VP811400	97-3
A9VP811500	96-8
A9VP812200	88-2
A9VP812300	90-15
A9VP812400	90-16
A9VP812600	90-17
A9VP812700	90-18

Parts No.	Page No.
A9VP812900	90-19
A9VP813000	97-4
A9VP813100	97-5
A9VP813200	97-6
A9VP813401	97-7
A9VP813600	95-12
A9VP813700	87-3
A9VP814300	94-9
A9VP814400	94-10
A9VP815100	93-7
A9VP816200	85-2
A9VP816300	94-11
A9VP816700	94-12
A9VP816700	104-5
A9VP817100	90-8
A9VP817300	86-5
A9VP817400	86-6
A9VP817500	81-1
A9VP817601	84-20
A9VP817700	81-2
A9VP817800	90-9
A9VP817900	86-12
A9VP818000	86-7
A9VP818201	85-30
A9VP818300	86-8
A9VP818400	94-13
A9VP818601	84-21
A9VP818700	81-3
A9VP818800	81-4
A9VP819000	81-18
A9VP819200	81-5
A9VP819300	81-6
A9VP819700	92-8
A9VP819800	81-7
A9VP819900	93-8
A9VP820100	88-3
A9VP820100	93-3
A9VP820201	81-19
A9VP820700	84-22
A9VP830400	83-10

Parts No.	Page No.
A9VP830501	83-19
A9VP830700	11-16
A9VP830900	94-14
A9VP831100	83-20
A9VP831200	83-21
A9VP831300	93-9
A9VP831400	95-13
A9VP831500	94-15
A9VP831700	94-16
A9VP831801	81-20
A9VP831900	97-8
A9VP832000	91-8
A9VP832000	92-9
A9VP832000	93-15
A9VP832000	94-17
A9VP832200	95-14
A9VP832300	85-15
A9VP832400	94-18
A9VP832800	94-19
A9VP833100	90-10
A9VP833200	87-18
A9VP833300	82-24
A9VP833600	81-12
A9VP833700	90-11
A9VP833800	91-1
A9VP833900	92-10
A9VP834400	91-2
A9VP834500	85-3
A9VP834901	85-8
A9VP835300	91-9
A9VP836200	84-23
A9VP836500	88-5
A9VP836500	93-16
A9VP836900	96-9
A9VP836900	97-9
A9VP837001	82-10
A9VP837101	81-21
A9VP837300	81-22
A9VP837400	91-3
A9VP837500	94-20

Parts No.	Page No.
A9VP837600	88-6
A9VP837800	94-21
A9VP838000	84-1
A9VP838100	94-22
A9VP838300	94-23
A9VP838400	94-24
A9VP838700	93-10
A9VP839801	85-31
A9VP840101	96-10
A9VP840300	89-14
A9VP840400	98-21
A9VP840500	99-18
A9VP840600	99-19
A9VP840701	101-3
A9VP840801	90-20
A9VP841100	99-20
A9VP841201	100-9
A9VP841300	98-22
A9VP841400	100-10
A9VP841501	100-11
A9VP841600	100-12
A9VP841700	98-23
A9VP841800	98-24
A9VP841900	98-25
A9VP842000	99-21
A9VP842101	109-16
A9VP842400	99-22
A9VP843300	99-23
A9VP843500	100-13
A9VP843600	100-14
A9VP843700	100-15
A9VP843800	101-4
A9VP844000	101-5
A9VP844100	101-6
A9VP844200	101-7
A9VP844300	101-8
A9VP844400	101-9
A9VP844500	98-26
A9VP844600	98-27
A9VP844700	98-28

Parts No.	Page No.
A9VP844800	98-29
A9VP844900	100-16
A9VP845000	100-17
A9VP845400	99-24
A9VP845700	99-25
A9VP846000	100-18
A9VP846900	101-10
A9VP847000	101-11
A9VP847100	101-12
A9VP847200	101-13
A9VP847200	120-2
A9VP847200	121-2
A9VP847200	122-4
A9VP847300	100-19
A9VP847400	101-14
A9VP847500	99-26
A9VP847800	101-15
A9VP847900	101-16
A9VP848000	101-17
A9VP848400	98-30
A9VP848700	100-20
A9VP848800	99-27
A9VP848800	101-18
A9VP849100	88-7
A9VP849200	93-11
A9VP849600	100-21
A9VP849700	95-15
A9VP849800	100-22
A9VP849900	100-23
A9VP850100	94-25
A9VP850200	86-9
A9VP850400	93-12
A9VP850500	86-13
A9VP851100	84-2
A9VP851100	86-2
A9VP851201	83-11
A9VP851300	84-24
A9VP851300	85-9
A9VP851500	89-15
A9VP851700	82-11

Parts No.	Page No.
A9VP851900	95-16
A9VP852000	89-16
A9VP852700	90-12
A9VP852900	89-17
A9VP853000	89-5
A9VP853700	87-4
A9VP853800	87-5
A9VP854100	100-24
A9VP854400	11-17
A9VP854700	94-26
A9VP855000	83-22
A9VP855100	85-4
A9VP855200	90-13
A9VP855400	84-3
A9VP855500	93-17
A9VP855600	99-28
A9VP855701	81-23
A9VP855800	90-14
A9VP855901	91-5
A9VP856600	97-10
A9VP856700	97-11
A9VP857000	11-18
A9VP857100	84-4
A9VP857200	87-6
A9VP857301	81-24
A9VP857400	97-12
A9VP857500	96-11
A9VP857600	97-13
A9VP857800	97-14
A9VP857900	96-12
A9VP858000	84-5
A9VP858100	86-10
A9VP858200	86-11
A9VP858500	81-8
A9VP858900	88-8
A9VP859000	88-9
A9VP859100	95-17
A9VP859200	87-9
A9VP859400	88-10
A9VP859500	95-18

Parts No.	Page No.
A9VP859700	101-19
A9VP859800	100-25
A9VP859900	99-29
A9VP860102	119-2
A9VP860200	118-18
A9VP860302	118-19
A9VP860600	118-20
A9VP861011	117-27
A9VP861100	118-21
A9VP861300	119-3
A9VP861400	119-4
A9VP861700	117-28
A9VP861800	117-29
A9VP861900	119-5
A9VP862000	119-6
A9VP862100	119-7
A9VP862200	121-3
A9VP862300	119-8
A9VP862400	119-9
A9VP862800	120-3
A9VP862800	122-18
A9VP862900	119-10
A9VP863000	119-11
A9VP863200	120-4
A9VP863200	121-4
A9VP863300	120-5
A9VP863400	120-6
A9VP863500	122-5
A9VP863800	122-6
A9VP863900	122-7
A9VP864000	122-8
A9VP864100	122-9
A9VP864400	121-5
A9VP864500	121-6
A9VP864500	122-10
A9VP864600	122-11
A9VP864700	122-12
A9VP865100	122-13
A9VP865300	122-14
A9VP865400	122-15

Parts No.	Page No.
A9VP865500	118-22
A9VP865600	118-23
A9VP866500	118-30
A9VP866600	118-31
A9VP867000	121-7
A9VP868000	118-24
A9VP868500	119-12
A9VP868600	119-13
A9VP869300	118-32
A9VP869300	122-19
A9VP869400	118-25
A9VP869601	100-26
A9VP869601	121-8
A9VP869601	122-16
A9VP869800	118-26
A9VP870200	11-19
A9VP870200	96-13
A9VP870200	97-15
A9VP871000	117-30
A9VP871100	87-7
A9VP871400	122-17
A9VP872501	117-31
A9VP872600	118-28
A9VP872700	80-16
A9VP872700	84-25
A9VP872700	85-10
A9VP872700	90-21
A9VP872700	105-24
A9VP872700	107-21
A9VP872700	118-27
A9VP880701	91-6
A9VP881500	8-12
A9VP882700	82-12
A9VP883000	84-6
A9VP883400	85-11
A9VP883500	85-12
A9VP883600	85-5
A9VP883700	85-6
A9VP884101	82-13
A9VP884300	97-16

Parts No.	Page No.
A9VP884400	83-12
A9VP890401	125-12
A9VP890600	126-16
A9VP893200	126-10
A9VP893700	126-24
A9VP893800	126-26
A9VP893900	124-11
A9VP894000	126-27
A9VP894100	124-12
A9VP894200	124-13
A9VP894400	128-1
A9VP894500	9-7
A9VP894700	124-1
A9VP894811	124-24
A9VP894900	124-2
A9VP895000	124-4
A9VP895200	124-5
A9VP895300	124-7
A9VP895400	124-8
A9VP895501	125-8
A9VP895601	125-21
A9VP895700	125-22
A9VP895801	125-23
A9VP895901	125-6
A9VP896000	125-24
A9VP896101	125-17
A9VP896201	125-18
A9VP896300	125-19
A9VP896400	125-16
A9VP896500	125-4
A9VP899900	126-11
A9VP900000	123-1
A9VP900100	128-15
A9VP900701	129-19
A9VP901200	128-11
A9VP902100	123-2
A9VP902200	123-3
A9VP902900	123-4
A9VP903700	128-9
A9VP903900	128-12

Parts No.	Page No.
A9VP904800	128-2
A9VP905000	128-3
A9VP905100	128-17
A9VP909400	126-12
A9VP909500	126-13
A9VP909900	126-25
A9VP944200	20-10
A9VP944900	34-17
A9VP945400	144-5
A9VP946400	47-11
A9VP946500	1-38
A9VP972200	81-13
A9VPH01103	132-14
A9VPH03005	136-7
A9VPH05002	91-12
A9VPM10500	55-32
A9VPM15100	128-18
A9VPM31A00	60-30
A9VPM31E00	60-30
A9VPM33A00	60-4
A9VPM33E00	60-4
A9VPM40600	135-29
A9VPM40700	135-30
A9VPM50100	59-2
A9VPM50200	59-17
A9VPM90100	4-15
A9VPM90200	4-17
A9VPM90300	132-7
A9VPM90400	144-6
A9VPM10000	134-8
A9VPM10100	137-1
A9VPM10201	138-2
A9VPM10400	137-2
A9VPM10502	138-1
A9VPM10600	59-24
A9VPM10700	55-33
A9VPM10900	54-33
A9VPM10A00	133-11
A9VPM10B00	133-12
A9VPM11300	14-24

Parts No.	Page No.
A9VPM11500	135-12
A9VPM11600	136-8
A9VPM11900	36-13
A9VPM11A00	133-13
A9VPM11B00	133-14
A9VPM12001	41-9
A9VPM12100	35-8
A9VPM12200	36-14
A9VPM12301	25-11
A9VPM12400	21-16
A9VPM12500	22-14
A9VPM12600	28-28
A9VPM12700	9-9
A9VPM12800	14-25
A9VPM12900	136-9
A9VPM13000	22-15
A9VPM13200	48-18
A9VPM13300	27-28
A9VPM13600	9-8
A9VPM13800	136-10
A9VPM13900	7-21
A9VPM14200	68-22
A9VPM14300	80-17
A9VPM14400	80-18
A9VPM14500	136-11
A9VPM14601	11-20
A9VPM14701	11-21
A9VPM14900	124-15
A9VPM15200	126-18
A9VPM15500	81-9
A9VPM15600	102-1
A9VPM15700	117-33
A9VPM15800	86-14
A9VPM16000	93-18
A9VPM16101	103-1
A9VPM16300	100-29
A9VPM16500	94-27
A9VPM16600	107-22
A9VPM16700	107-23
A9VPM16800	107-24

Parts No.	Page No.
A9VPM16900	91-13
A9VPM17001	114-26
A9VPM17100	115-25
A9VPM17200	107-25
A9VPM17400	136-12
A9VPM17500	102-2
A9VPM17600	118-29
A9VPM17800	85-32
A9VPM17901	84-26
A9VPM18000	104-6
A9VPM18100	104-7
A9VPM18200	103-2
A9VPM18300	111-19
A9VPM18600	94-28
A9VPM18700	81-10
A9VPM18800	103-3
A9VPM18900	111-20
A9VPM19000	74-21
A9VPM20000	52-13
A9VPM21300	128-16
A9VPM21400	129-13
A9VPM23100	135-13
A9VPM23200	135-14
A9VPM23300	135-15
A9VPM23400	135-16
A9VPM23500	135-17
A9VPM23600	135-18
A9VPM23700	135-19
A9VPM23800	135-20
A9VPM23900	131-2
A9VPM24000	131-3
A9VPM24100	131-4
A9VPM24200	131-5
A9VPM24300	131-6
A9VPM24401	131-7
A9VPM24500	131-8
A9VPM24600	131-9
A9VPM24700	135-21
A9VPM24800	135-22
A9VPM24900	135-23

Parts No.	Page No.
A9VPM25000	135-24
A9VPM25100	135-25
A9VPM25200	135-26
A9VPM25300	135-27
A9VPM25400	112-32
A9VPM25600	112-33
A9VPM26500	19-2
A9VPM26600	19-11
A9VPM27000	19-9
A9VPM29001	16-14
A9VPM29101	16-15
A9VPM29201	132-9
A9VPM12000	4-19
A9VPM12400	4-20
A9VPM70100	41-15
A9VPM70200	7-20
A9VPM70300	29-1
A9VPM70311	29-1
A9VPM70311	29-1
A9VPM70444	31-1
A9VPM70444	31-1
A9VPM70444	31-1
A9VPM70444	31-1
A9VPM70500	112-27
A9VPM70600	112-31
A9VPM70700	114-25
A9VPM70800	112-26
A9VPM70900	112-29
A9VPM71011	53-1
A9VPM71111	53-1
A9VPM71200	100-27
A9VPM71300	61-29
A9VPM71422	44-2
A9VPM71511	44-3
A9VPM71600	47-12
A9VPM71800	112-25
A9VPM71900	52-12
A9VPM72011	19-8
A9VPM72111	123-5
A9VPM72200	63-1

Parts No.	Page No.
A9VPR72300	43-1
A9VPR72500	42-1
A9VPR72600	74-3
A9VPR72600	75-3
A9VPR72600	76-3
A9VPR72700	73-1
A9VPR72800	71-19
A9VPR72900	78-1
A9VPR73000	61-30
A9VPR73100	33-1
A9VPR73200	77-2
A9VPR73300	21-15
A9VPR73400	112-30
A9VPR73511	44-4
A9VPR73600	50-25
A9VPR73700	112-34
A9VPR73800	47-13
A9VPR73900	33-1
A9VPR74000	57-14
A9VPR74100	106-13
A9VPR74200	12-11
A9VPR74300	40-1
A9VPR74400	40-2
A9VPR74500	13-12
A9VPR74600	13-7
A9VPR74700	13-13
A9VPR74800	40-3
A9VPR74900	35-2
A9VPR75000	40-10
A9VPR75200	74-2
A9VPR75200	75-2
A9VPR75200	76-2
A9VPR75300	77-3
A9VPR75400	23-5
A9VPR75500	82-15
A9VPR75600	83-23
A9VPR75700	92-16
A9VPR75800	127-1
A9VPR75900	50-23
A9VPR76000	82-14

Parts No.	Page No.
A9VPR76100	116-16
A9VPR76200	100-28
A9VPR76300	92-11
A9VPR76400	117-32
A9VPR76500	41-15
A9VPR76600	82-20
A9VPR76700	124-14
A9VPR76800	112-28
A9VPR76900	108-18
A9VPR77000	92-14
A9VPR77100	134-4
A9VPR77200	33-1
A9VPR77300	33-1
A9VPR77400	61-31
A9VPR77600	4-21
A9VPRA0500	61-32
AA2JM10500	132-3
AAPKM45202	133-15
AC0C115200	5-40
AC0C115300	5-23
AC0C131301	131-10
AC0C135901	131-11
AC0C137301	132-10
AC0C137601	132-11
AC0C138100	132-12
AC0C138200	132-13
AC0C167601	143-7
AC0C307001	20-11
AC0C716100	106-14
AC0C716200	84-27
AC0C716200	85-33
AC0C716200	105-25
AC0C716300	84-28
AC0C716300	85-34
AC0C716300	100-30
AC0C716300	105-26
AC0C716500	111-21
AC0C716600	94-29
AC0C716600	111-22
AC0C717100	111-23

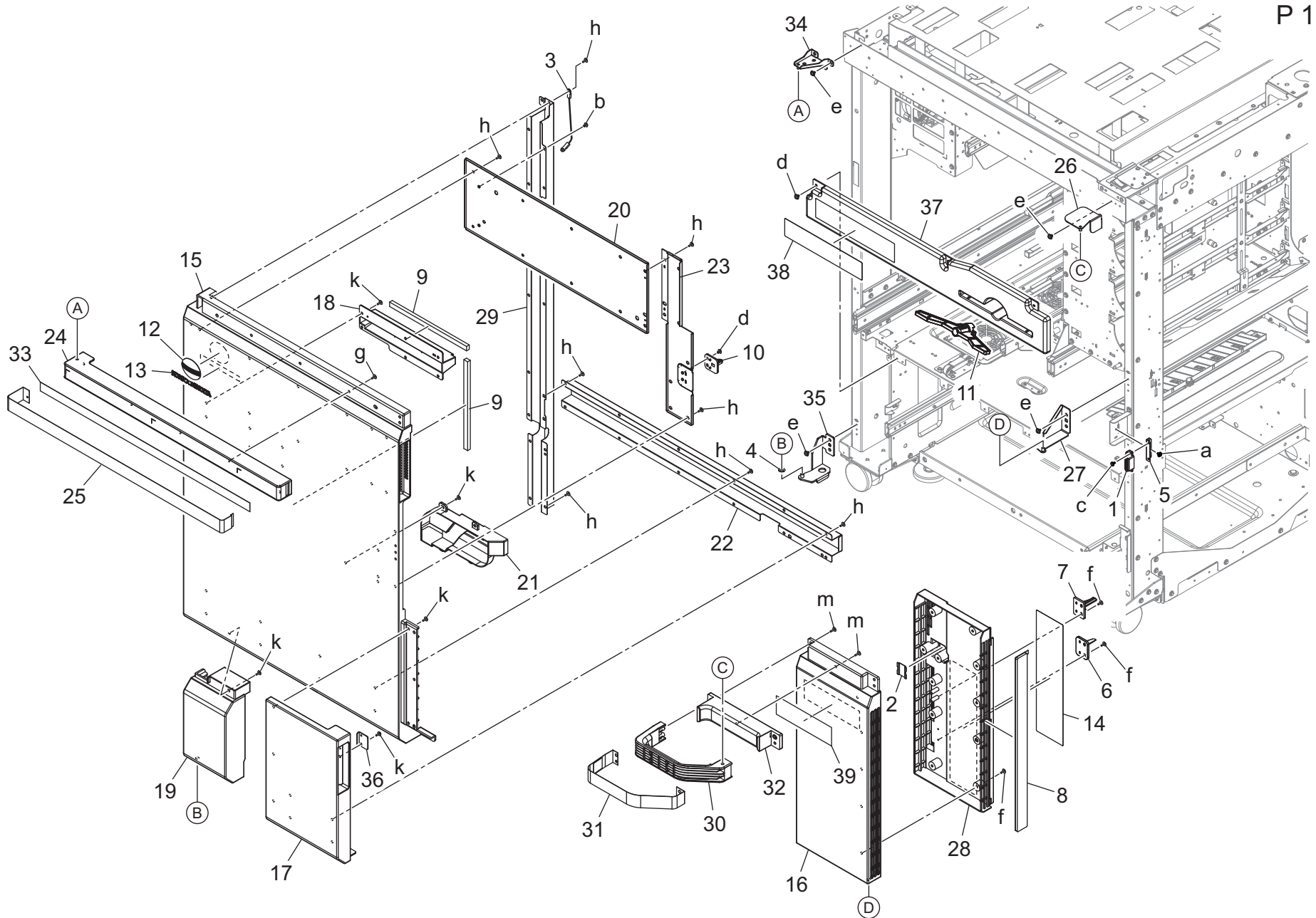
Parts No.	Page No.
AC0C718700	105-27
AC0C835500	111-24
AC0C838500	94-30
AC0C893100	130-17
AC0CH08000	86-15
AC0CH09000	86-16
AC0CM10400	114-27
AC0CM40300	131-12
AC0CM40401	135-28
AC0CM45000	133-17
AC0CM45302	133-16
AC0CM45811	133-18
AC0CM46301	134-9
AC0CN19700	132-15
AC4GM10100	49-36
AC4GM10100	94-31
AC4GM10100	104-8
AC57130400	128-13
AC57130400	132-4
AC57135800	132-8
AC57190102	18-14
AC57190201	18-15
AC57190301	18-1
AC57193100	18-22
AC57193200	18-23
AC57193400	18-24
AC57193500	18-25
AC57193600	18-26
AC57193800	18-27
AC57193900	18-28
AC57194101	18-21
AC57195001	15-1
AC57205001	15-1
AC57205101	15-1
AC57205201	15-1
AC57205300	15-1
AC57314300	12-5
AC57343102	24-15
AC57400500	38-3
AC57401200	38-4

Parts No.	Page No.
AC57504000	49-10
AC57533200	47-15
AC57533300	47-16
AC57533400	47-3
AC57736201	54-5
AC57741900	58-20
AC57744600	55-15
AC57744700	58-5
AC57745000	60-17
AC57747200	55-30
AC57747301	55-31
AC57768600	55-37
AC57805500	115-26
AC57860500	117-34
AC57884400	82-25
AC57884500	82-26
AC57890800	126-28
AC57896001	129-17
AC57898000	129-14
AC57899000	130-18
AC57974400	24-1
AC57M10300	22-16
AC57M10300	54-4
AC57M10600	36-15
AC57M15000	99-30
AC57M15300	136-13
AC57M15400	7-22
AC57M15800	9-10
AC57M15800	11-22
AC57M20000	70-25
AC57M20200	68-8
AC57M40900	128-14
AC57M46100	133-19
AC57M50200	52-14
AC57R70500	16-21
AC57R74300	57-24
ACW3947000	1-39
ACW3N10302	139-1
SP00-0210	59-26
SP00-0220	56-10

Parts No.	Page No.
V121031004	143-8
V121031004	144-7
V127030604	144-8
V127040803	144-9
V211030080	143-9
V500010013	140-1
V500010051	140-2
V500010055	140-3
V500010057	140-4
V500010063	140-5
V500010068	140-6
V500010071	140-7
V500010072	140-8
V500010074	140-9
V500010075	144-10
V500010076	140-11
V500010081	140-12
V500010082	140-13
V500010083	140-14
V500010084	140-15
V500010085	140-16
V500020069	140-17
V500020077	140-18
V500020085	140-19
V500020089	140-20
V500020092	140-21
V500020098	140-22
V500020099	140-23
V500020100	140-24
V500020101	140-25
V500020107	140-26
V501010002	140-27
V501010006	140-28
V501010018	140-29
V502010033	133-20
V502010033	134-10
V570010037	140-31
V570010038	140-32
V570010039	140-33
V570010040	140-34

Parts No.	Page No.
V570010046	140-35
V570010048	140-36
V570010050	140-37
V570010056	140-38
V570010057	140-39
V570010058	140-40
V570010059	141-1
V570010060	141-2
V570010063	140-10

# External Parts Section

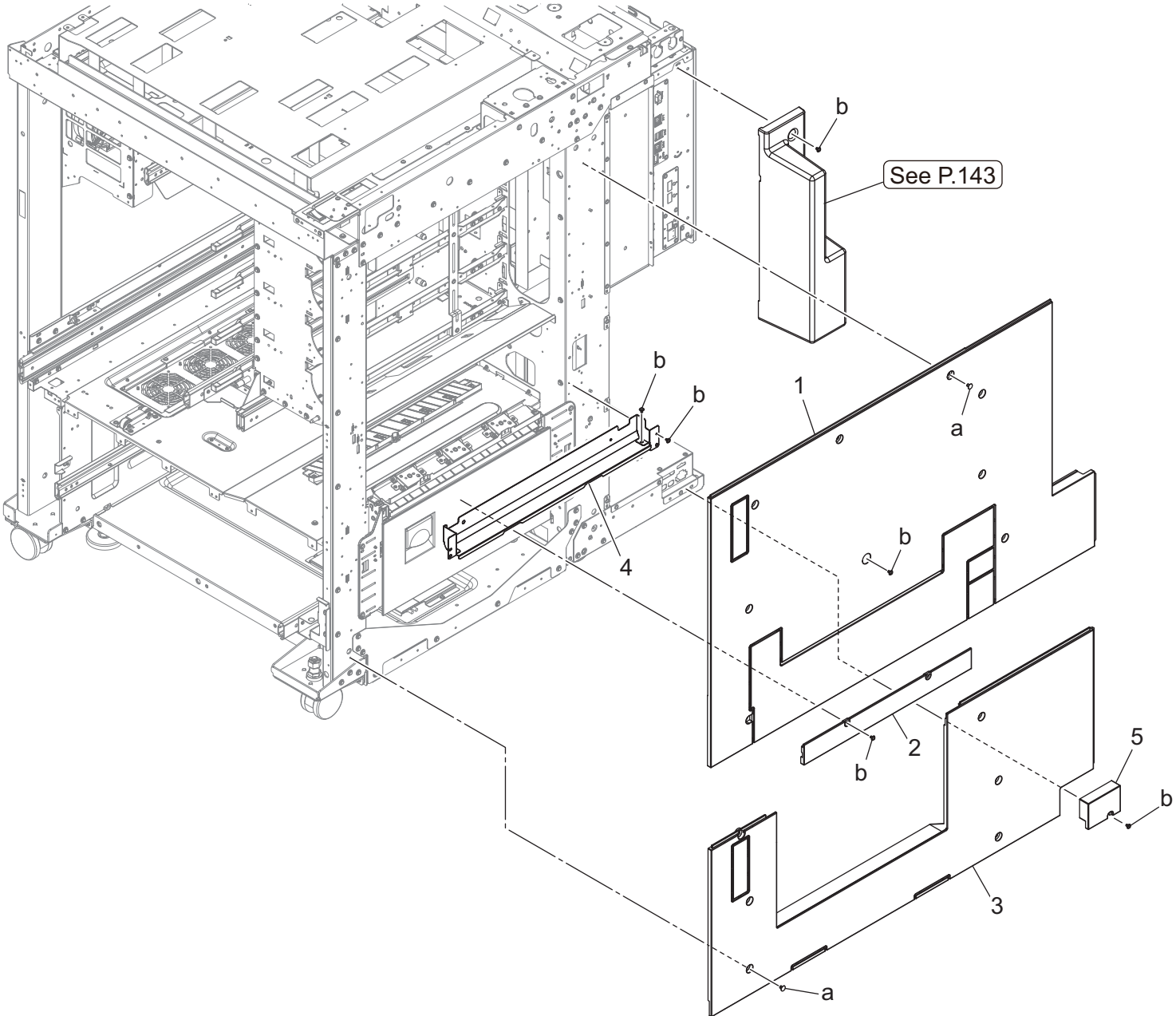


P 1

Key	Part No.	Description	Destinations	Class	QTY	Standard parts
1	07BA12352	Magnet Catch		C	1	a-V116030603
2	56AA12241	EXTERNAL LOCK PLATE		D	1	b-V121030603
3	A1RF165800	Regulating Wire		D	1	c-V126030603
4	40AA32320	Toner Supply Spacer		C	1	d-V127030604
5	A50U120600	Fixing Plate		D	1	e-V127040603
6	A50U164100	Detecting Actuator		D	1	f-V153030804
7	A50U164200	Detecting Part		D	1	g-V153031004
8	A50U164901	Suction Dust-proof Filter		A	1	h-V158030803
9	A50U165600	Sealing Cushion /2		D	2	k-V158030804
10	A50U167201	Lock Cover		D	1	m-V153031204
11	A50U502801	Hold Guide		D	1	
12	A5AW162000	Indicating Plate		C	1	
13	A9JT944200	Label /KONICA MINOLTA		D	1	
14	A9VE944901	Toner supply Label		D	1	
15	A9VP160101	Open/close Door /Front		D	1	
16	A9VP160300	Toner supply Door		D	1	
17	A9VP160401	Duplex Cover		D	1	
18	A9VP160500	Fixing Plate		D	1	
19	A9VP160601	Collection Door		D	1	
20	A9VP161500	Reinforce Door /Right		D	1	
21	A9VP161600	Cooling Duct /Inside		D	1	
22	A9VP161700	Reinforce Hinge /2		D	1	
23	A9VP161900	Reinforce Plate /Right		D	1	
24	A9VP162901	Open/close Door /Upper		D	1	
25	A9VP163101	Cover Plate /Left		D	1	
26	A9VP164400	Support Plate /Upper		D	1	
27	A9VP164500	Support Plate /Lower		D	1	
28	A9VP164801	Toner supply Duct		D	1	
29	A9VP165501	Reinforce Hinge		D	1	
30	A9VP165601	Handle /Right		D	1	
31	A9VP165701	Cover Plate /Right		D	1	
32	A9VP165800	Handle /2		D	1	
33	A9VP165900	Mounting Tape		D	1	
34	A9VP166000	Support Plate /Upper		D	1	
35	A9VP167000	Fixing Plate /Lower		D	1	
36	A9VP167500	Fixing Plate		D	1	
37	A9VP620702	Cover Cover		D	1	
38	A9VP946500	Collection Label		D	1	
39	ACW3947000	Indicating Label		D	1	



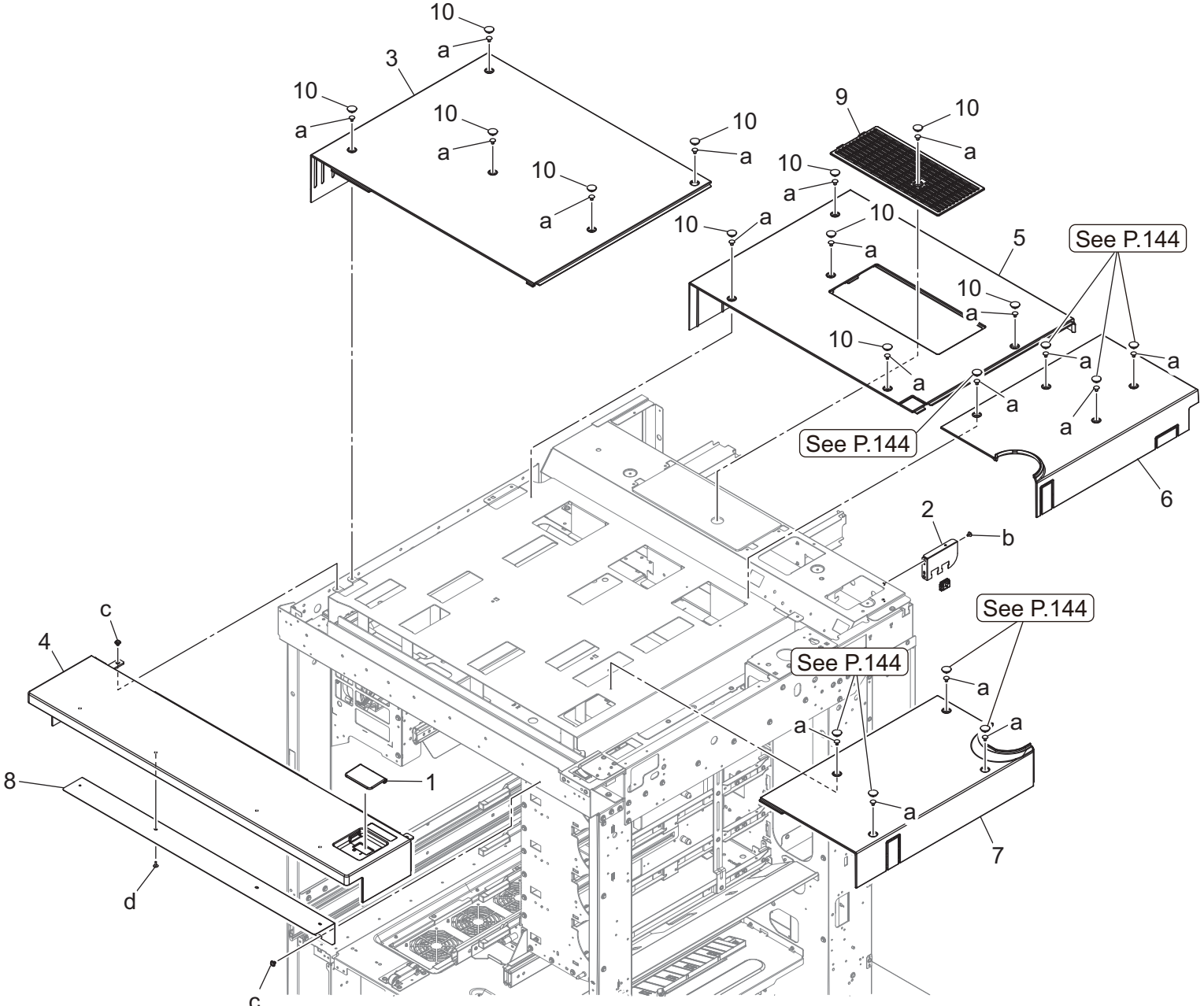
External Parts Section



See P.143



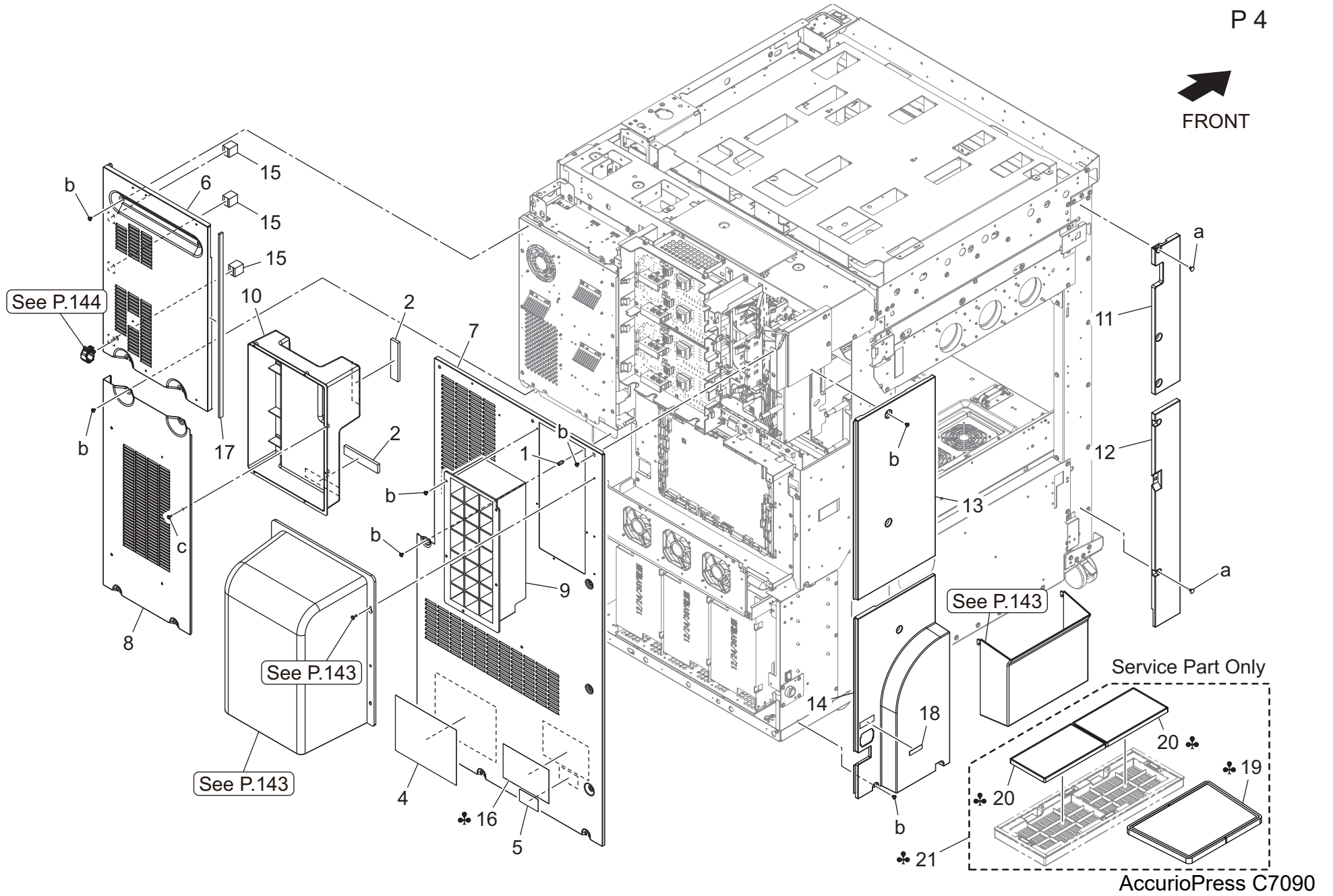
External Parts Section





# External Parts Section

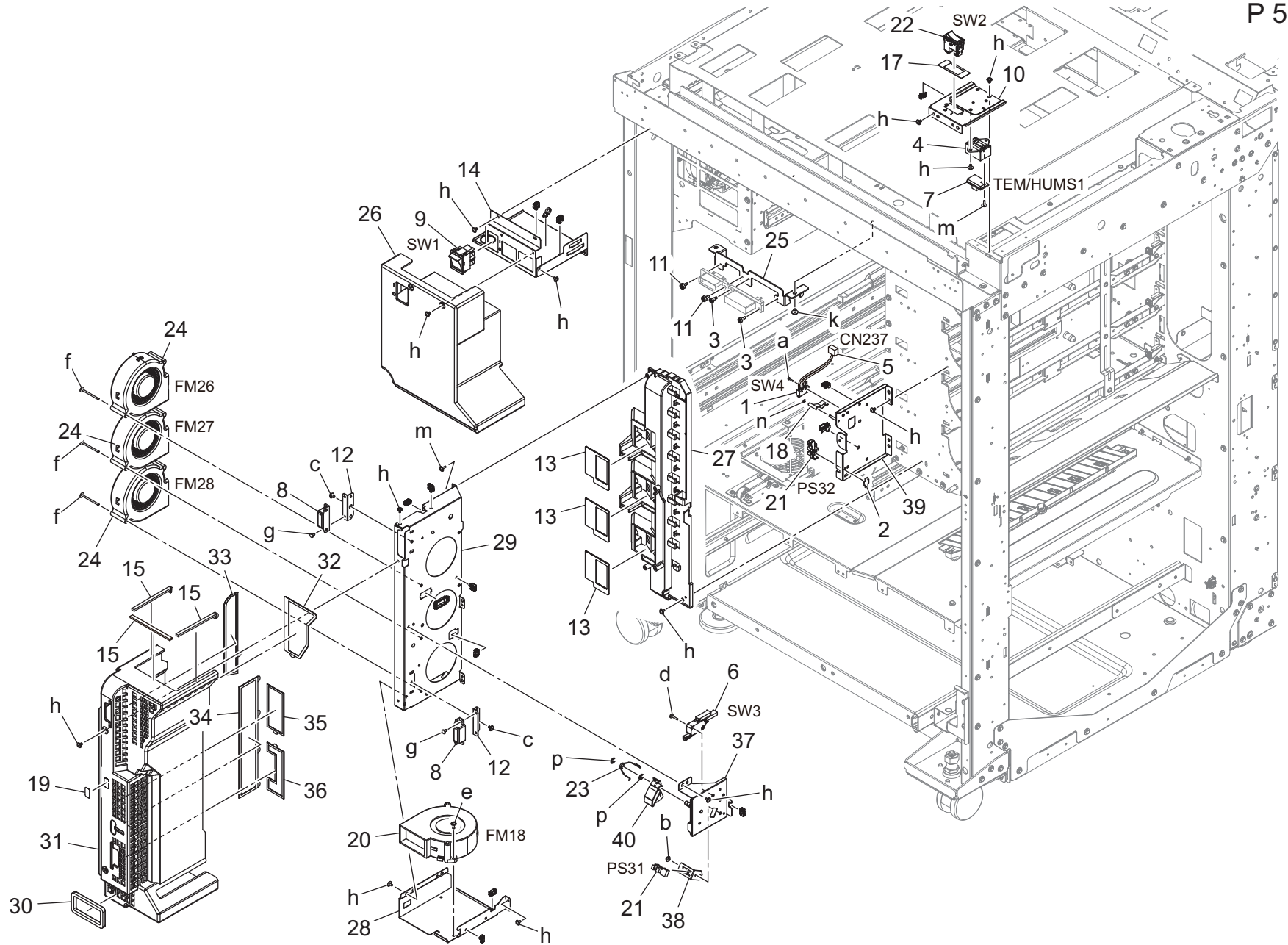
P 4





# Main Frame Section

P 5



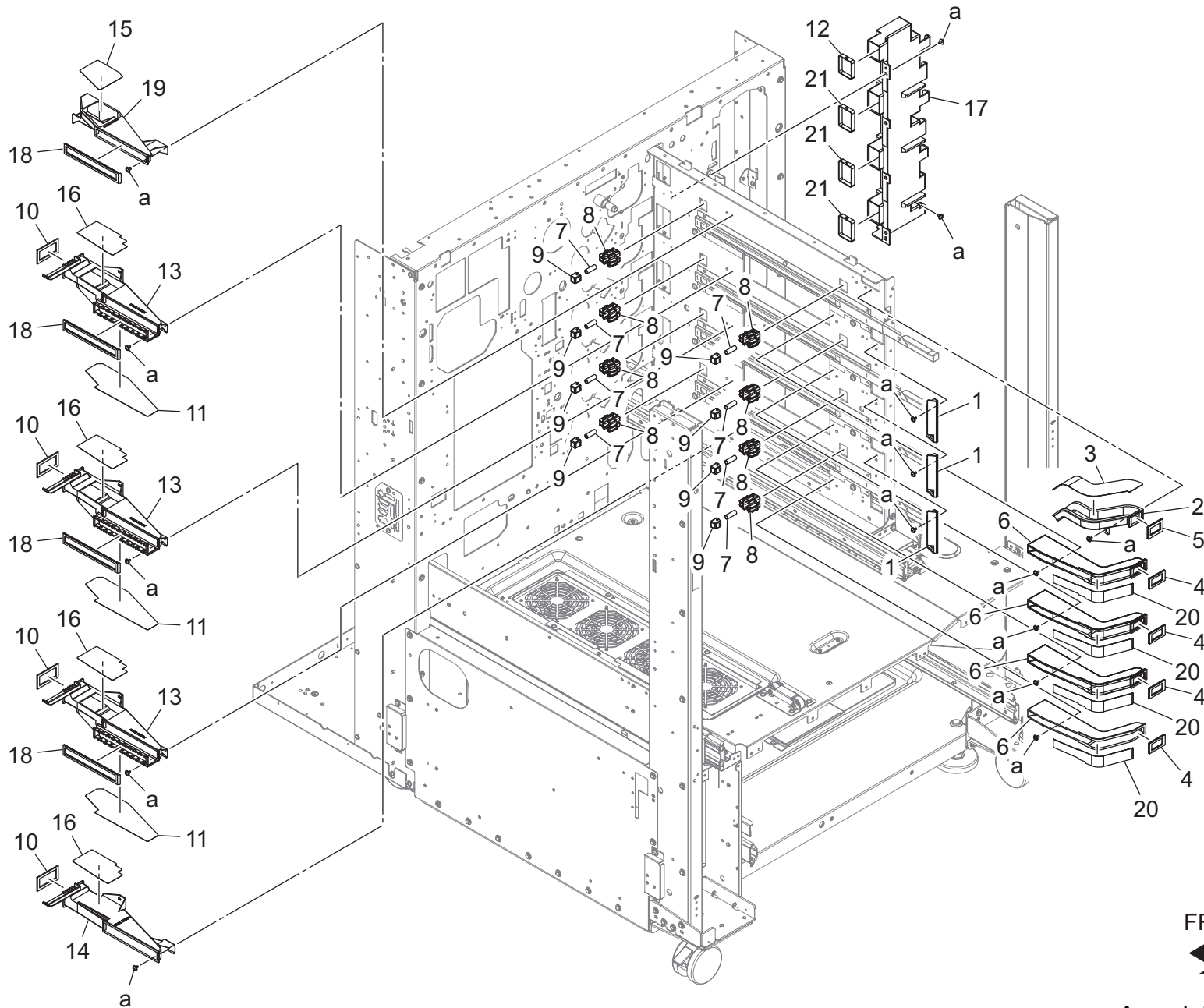
AccurioPress C7090

Key	Part No.	Description	Destinations	Class	QTY	Standard parts
1	12QR86011	Interlock Switch	インターロックスイッチ	B	1	a-V111020803
2	4470402401	Stopper	ストッパー	D	1	b-V116030403
3	57AA15600	Electric Mounting Screw	電装取り付けネジ	C	2	c-V116030603
4	65AA11300	Support Part	センサ支持部材	D	1	d-V118031203
5	65AA91101E	INTER LOCK WIRING	インターロック束線	D	1	e-V121030803
6	9J06M60100	Micro Switch	マイクロスイッチ	C	1	f-V121033503
7	A0P0M50400	Humidity sensor	温湿度センサ	C	1	g-V126030603
8	A0G6411200	Magnet /X	マグネット /X	D	2	h-V127030604
9	A4EUM60000	Power source Switch	電源スイッチ	C	1	m-V153030803
10	A50U102900	Mounting Plate	取付板	D	1	n-V217020003
11	A1DU622200	Mounting Screw	取付ねじ	D	2	p-V217040003
12	A50U120600	Fixing Plate	固定板 (マグネットキャッチ)	D	2	
13	A50U121300	Cooling Seal /Front	冷却シール/前 (現像)	D	3	
14	A50U127401	Mounting Plate	取付板	D	1	
15	A50U164000	Cooling Seal /1	冷却シール/1 (現像 /PH ダクト)	D	3	
17	A50U179500	Protection Sheet	保護シート	D	1	
18	A50U442100	Switch Plate	スイッチ板	D	1	
19	A50U945601	Operation Label	操作ラベル (ORU)	D	1	
20	A50UM15201	Fan motor	ファンモーター	C	1	
21	A50UM51000	Photointerrupter	透過型センサ	C	2	
22	A50UM60300	Power source Switch	電源スイッチ	C	1	
23	AC0C115300	Sensor Coil Spring /L	センサコイルばね /L	D	1	
24	A93EM10600	Fan motor	ファンモーター	C	3	
25	A9VP104600	Mounting Plate /Front	取付板 /前	D	1	
26	A9VP121000	Duct	ダクト (定着上)	D	1	
27	A9VP122100	Cooling Duct	冷却ダクト (現像 /PH)	D	1	
28	A9VP126001	Mounting Plate /Front	取付板 /前	D	1	
29	A9VP126502	Mounting Plate	取付板 (現像 /PH 冷却ファン)	D	1	
30	A9VP129500	Connecting Seal /1	連結シール /1	D	1	
31	A9VP167900	Cooling Cover	冷却カバー (現像 /PH)	D	1	
32	A9VP172000	Deve. Dust-proof Filter/1	現像防塵フィルター /1	A	1	
33	A9VP172100	Deve. Dust-proof Filter/2	現像防塵フィルター /2	A	1	
34	A9VP172200	Deve. Dust-proof Filter/3	現像防塵フィルター /3	A	1	
35	A9VP172300	Deve. Dust-proof Filter/4	現像防塵フィルター /4	A	1	
36	A9VP172400	Deve. Dust-proof Filter/5	現像防塵フィルター /5	A	1	
37	A9VP179100	Support Plate	支点板	D	1	
38	A9VP179200	Mounting Plate /A	取付板 /A	D	1	
39	A9VP402700	Mounting Plate	取付板	D	1	
40	AC0C115200	Actuator /Upper	アクチュエータ /上	D	1	



# Main Frame Section

P 6



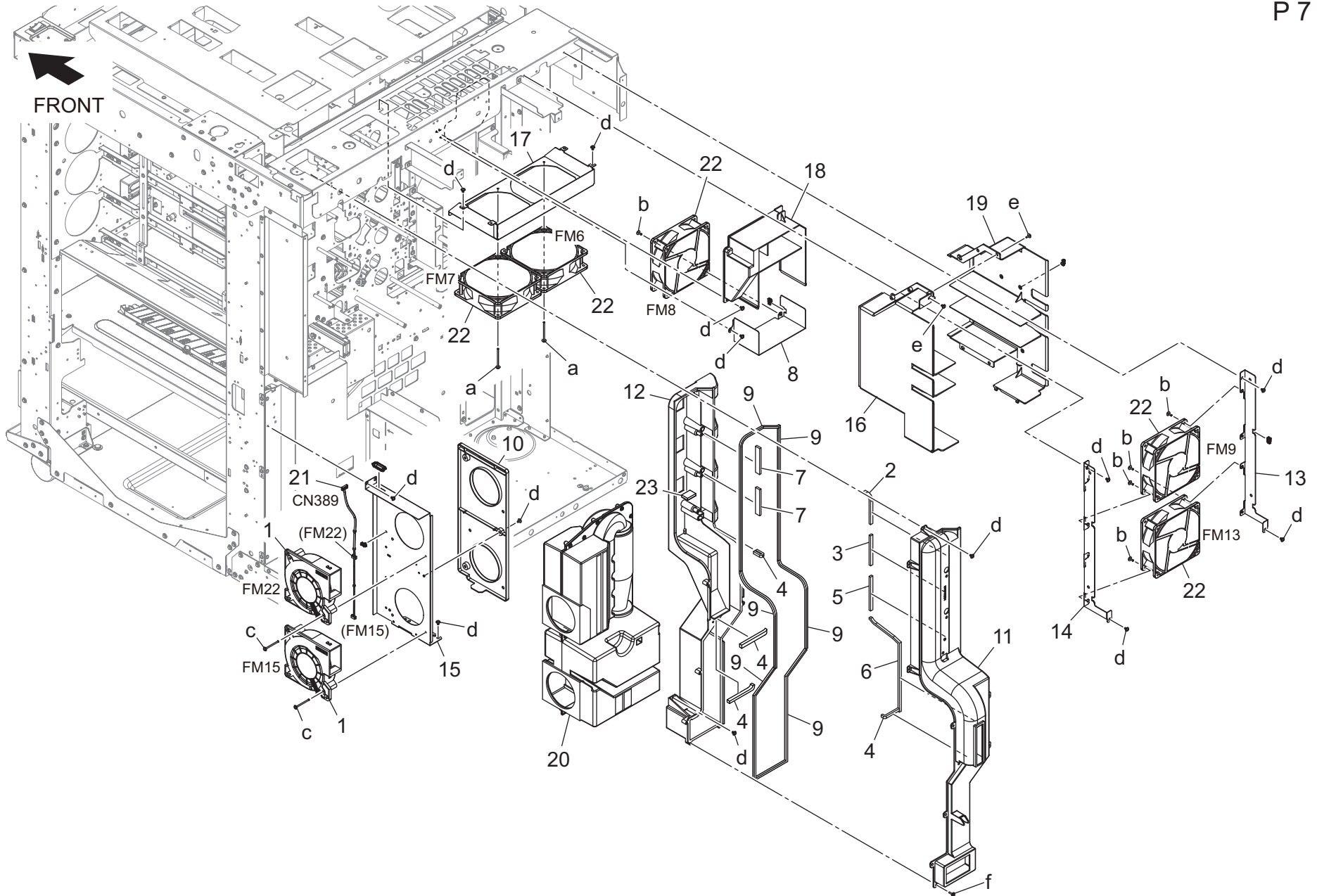
FRONT



AccurioPress C7090

Key	Part No.	Description	Destinations	Class	QTY	Standard parts
1	A50U121500	Cooling Guide /Front	冷却ガイド/前 (現像/PH)	D	3	a-V127030604
2	A50U126200	Duct	ダクト (現像冷却/Y)	D	1	
3	A50U126800	Sheet /1	シート /1 (現像 PH 冷却ダクト /Y)	D	1	
4	A50U127500	Seal	シール (現像/PHダクト)	D	4	
5	A50U127800	Seal	シール (現像/PHダクト)	D	1	
6	A50U128700	Duct /1	ダクト /1 (現像 PH 冷却ダクト)	D	4	
7	A50U341800	Pressing Spring /D	押圧ばね/D	D	8	
8	A50U342200	Pressing Pedestal	押圧台	D	8	
9	A50U342400	Charge Pressing Block	帯電押圧ブロック	D	8	
10	A9VP122700	Ventilation Seal	通気シール	D	4	
11	A9VP123200	Ozone Seal	オゾンシール	D	3	
12	A9VP123300	Suction Seal /Y	サクショシール/Y	D	1	
13	A9VP123400	Duct /Cyan	ダクト /シアン (サクション/冷却)	D	3	
14	A9VP123500	Duct	ダクト (冷却/オゾン)	D	1	
15	A9VP123600	Suction Cover	サクション蓋 (現像/Y)	D	1	
16	A9VP124200	Ozone Cover	オゾン蓋	D	4	
17	A9VP125600	Suction Duct	サクションダクト (PH空間内/1)	D	1	
18	A9VP127201	Suction Seal /Rear	サクショシール/奥 (現像)	D	4	
19	A9VP127300	Suction Duct	サクションダクト (現像/Y)	D	1	
20	A9VP128000	Sheet /2	シート /2 (現像 PH 冷却ダクト /Y MC)	D	4	
21	A9VP123900	Suction Seal	サクショシール	D	3	

# Main Frame Section

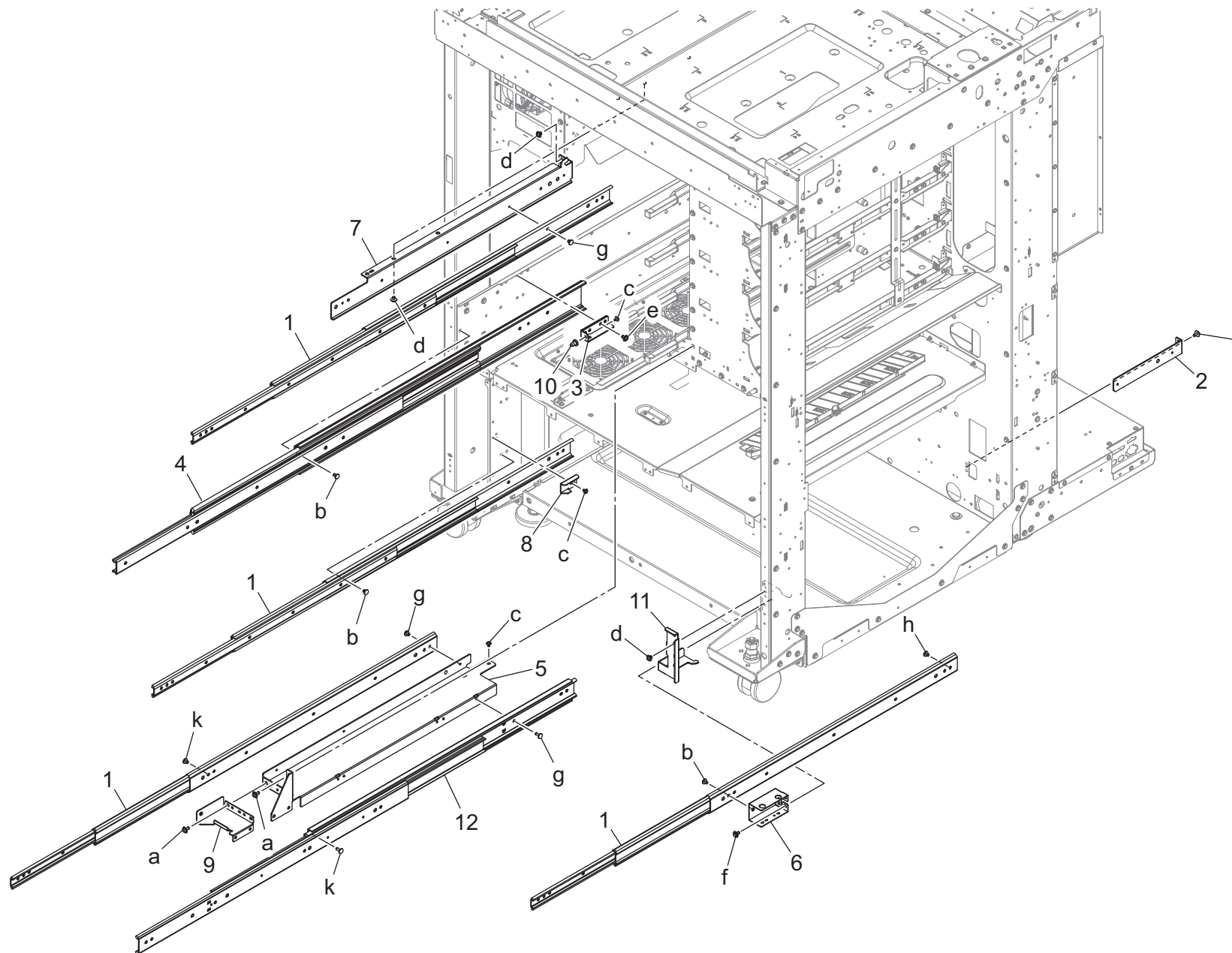


# Main Frame Section

Key	Part No.	Description	Destinations	Class	QTY	Standard parts
1	A0Y5M15101	Suction Fan motor		C	2	a-V116034303
2	A9VP122201	Sealing Part /5		D	1	b-V121030803
3	A9VP122301	Sealing Part /6		D	1	c-V121033503
4	A9VP122401	Sealing Part /9		D	4	d-V127030604
5	A9VP122501	Sealing Part /7		D	1	e-V153030803
6	A9VP122601	Sealing Part /8		D	1	f-V153031004
7	A9VP123700	Sealing Part /10		D	2	
8	A9VP125000	Fusing Duct /2		D	1	
9	A9VP125200	Sealing Part /1		D	6	
10	A9VP125800	Connecting Duct		D	1	
11	A9VP127000	Suction Duct /Inside		D	1	
12	A9VP127101	Suction Duct Outside		D	1	
13	A9VP128100	Support Plate /Left		D	1	
14	A9VP128200	Support Plate /Right		D	1	
15	A9VP128900	Fixing Plate /1		D	1	
16	A9VP129100	Fusing Duct /3		D	1	
17	A9VP129200	Fixing Plate		D	1	
18	A9VP129401	Fusing Duct		D	1	
19	A9VP129800	Fusing Duct /2		D	1	
20	A9VPR70200	Filter Box		A	1	
21	A9VPN13900	Cooling Relay Harness /6		D	1	
22	AC57M15400	Cooling Fan		C	5	
23	A50U463100	Charging Seal /3		D	1	

# Main Frame Section

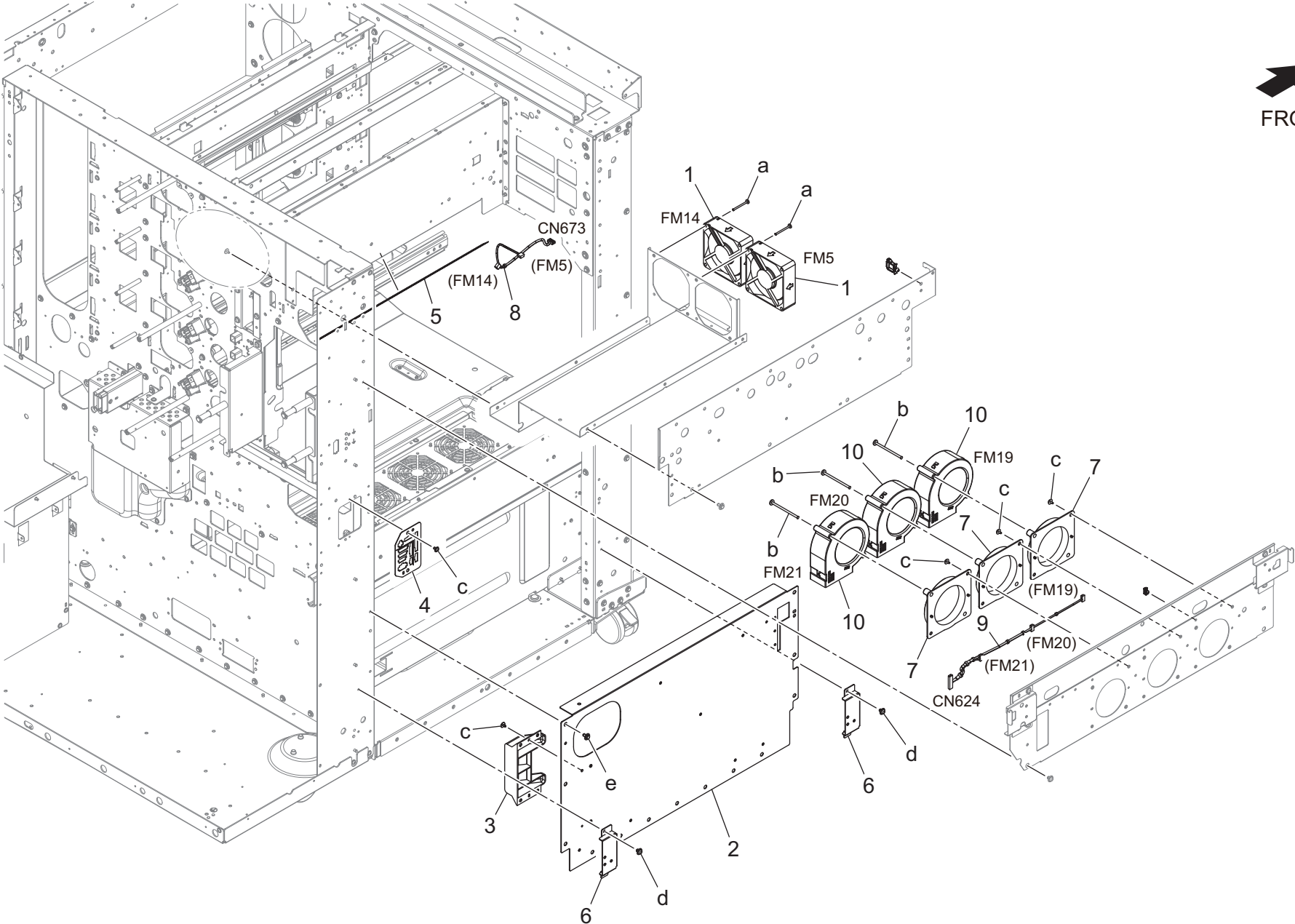
P 8



Key	Part No.	Description	Destinations	Class	QTY	Standard parts
1	56AA10300	Slide Rail /A		C	4	a-V121040803
2	65AA10470	Mounting Plate /4		D	1	b-V126040603
3	65AA509900	Mounting Plate /Left		D	1	c-V127030604
4	A1RF815702	Slide Rail /Left		D	1	d-V127040603
5	A9VP103200	Reinforce Rail		D	1	e-V127040803
6	A50U103301	Support Part /Middle		D	1	f-V146040804
7	A50U105201	Support Rail /Front		D	1	g-V118040604
8	A50U624000	Lock Claw		D	1	h-V118040603
9	A50U832100	Reinforce Rail /A		D	1	k-V118040804
10	A9VP106900	Guide Pin /Left		D	1	
11	A9VP624100	Lock Part		D	1	
12	A9VP881500	Slide Rail		D	1	

# Main Frame Section

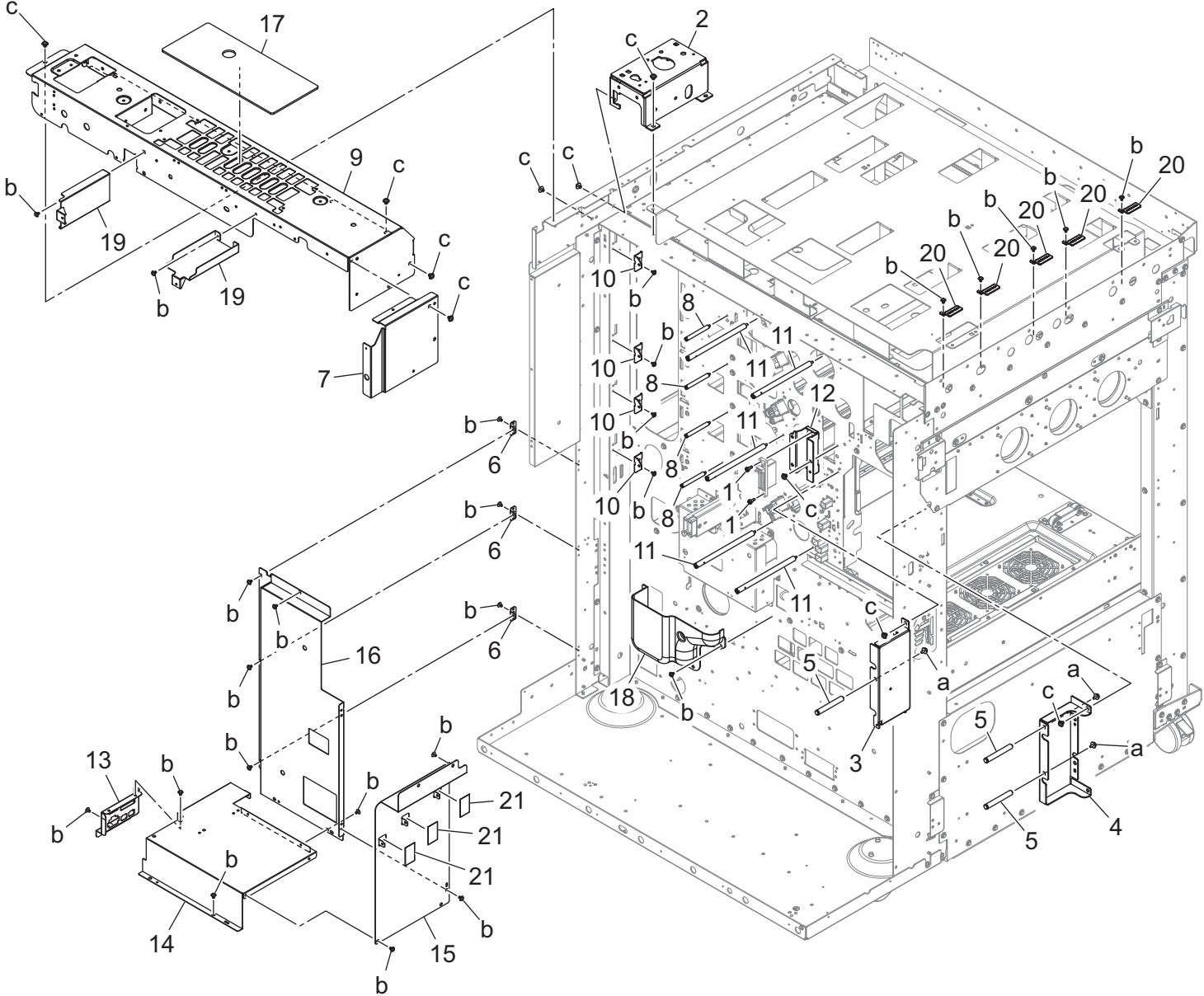
P 9



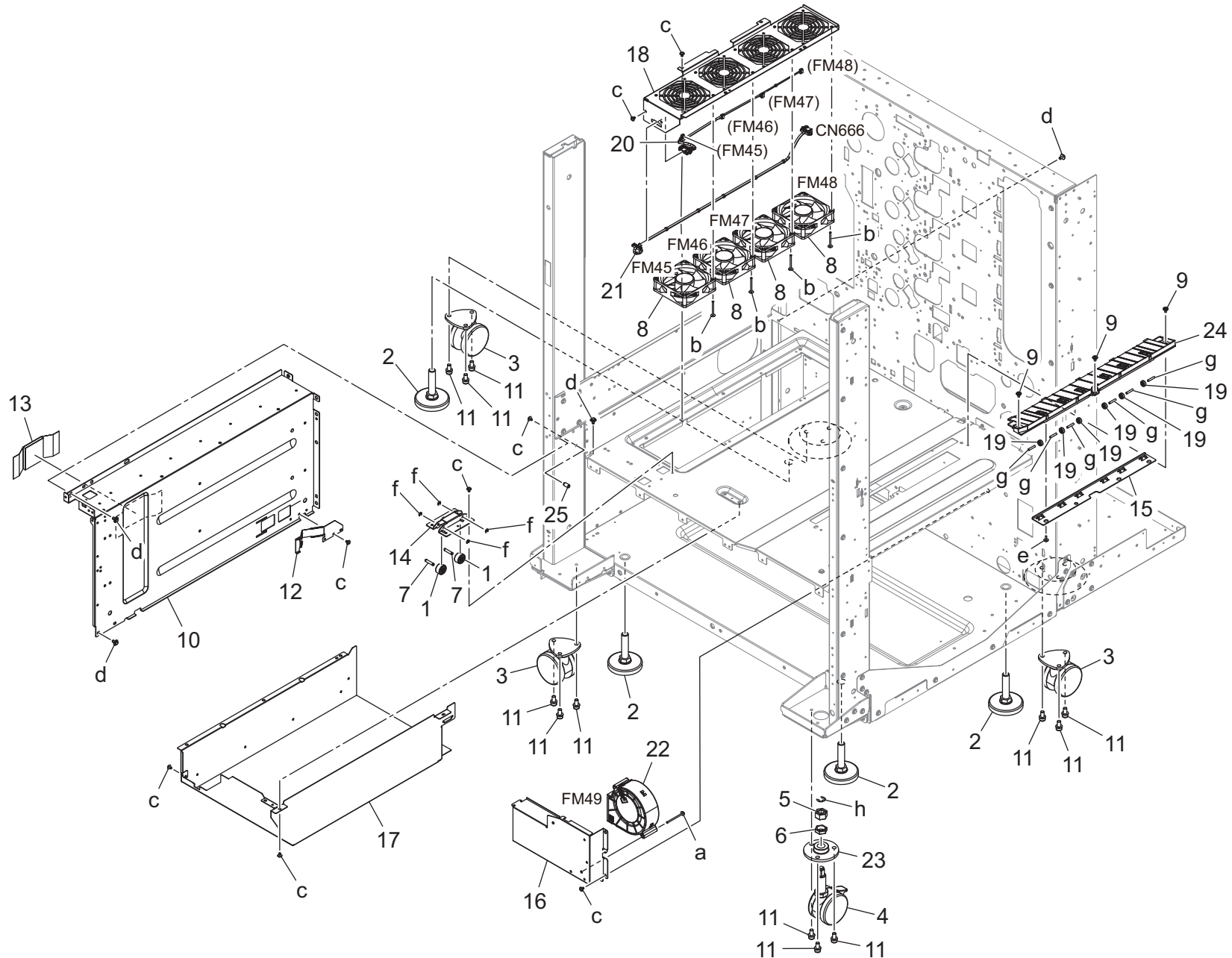
Key	Part No.	Description	Destinations	Class	QTY	Standard parts
1	9J03M10000	FAN MOTOR		B	2	a-V118033003 b-V118045503 c-V127030604 d-V127040603 e-V146040804
2	A50U101602	Auxiliary Plate /Left ファンモータ 補助板 /左		D	1	
3	A50U363900	Collection Guide 回収ガイド		D	1	
4	A9VP108100	Power supply Panel /F 給電パネル /F		D	1	
5	A9VP109800	Protection Film 保護フィルム		D	1	
6	A9VP111100	Connecting Plate /F 連結板 /F		D	2	
7	A9VP894500	Paper exit Duct /Upper 排紙ダクト /上		D	3	
8	A9VPN13600	Cooling Relay Harness /3 冷却中継束線 /3		D	1	
9	A9VPN12700	Cooling Relay Harness /7 冷却中継束線 /7		D	1	
10	AC57M15800	Cooling Fan 冷却ファン (φ 95 P.W.M)		C	3	



Main Frame Section

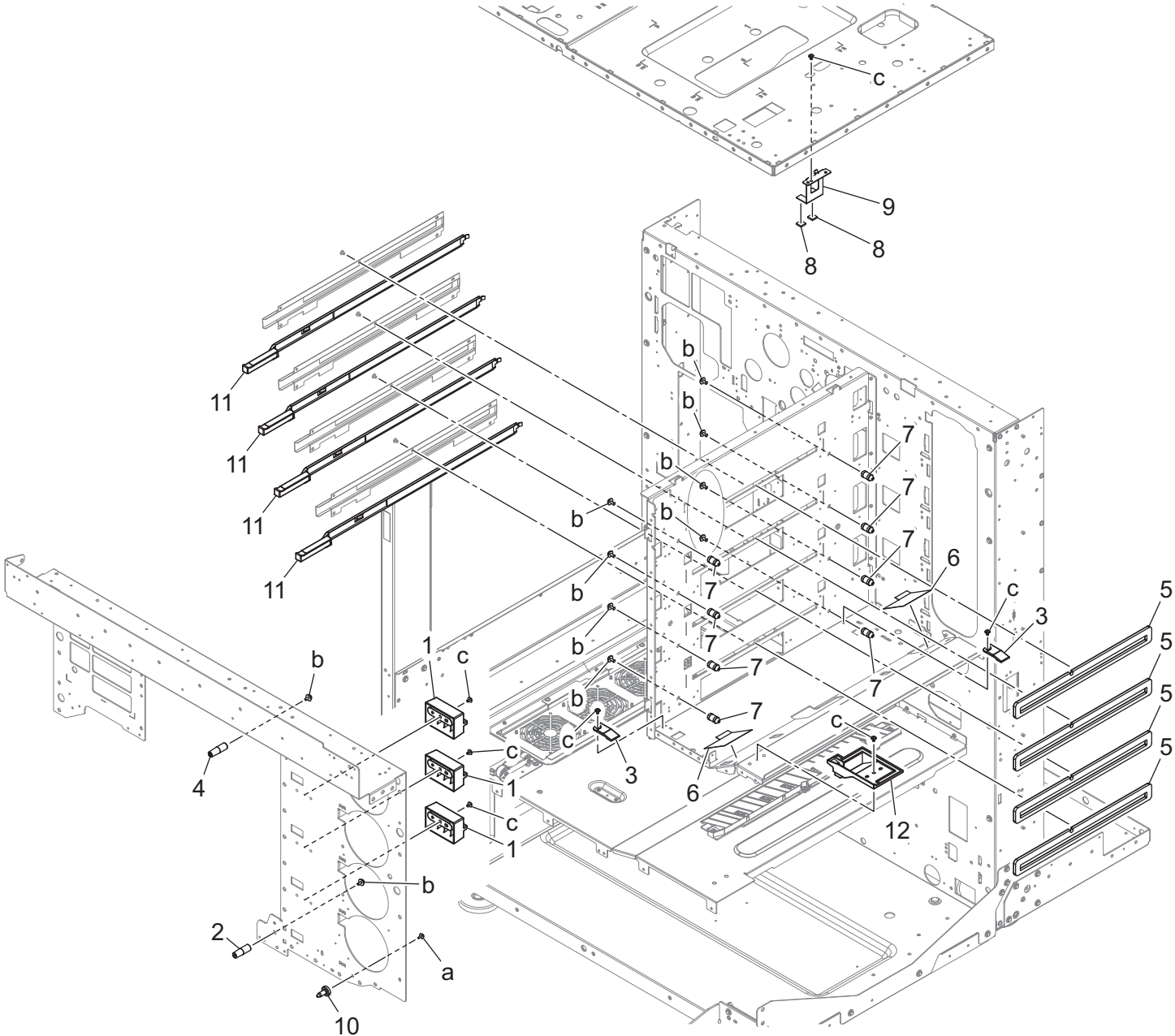


Key	Part No.	Description	Destinations	Class	QTY	Standard parts
1	57AA15600	Electric Mounting Screw		C	2	a-V116040803 b-V127030604 c-V127040603
2	A50U105100	Support Plate /A		D	1	
3	A50U106502	Fusing Plate		D	1	
4	A50U106600	Fusing Plate /B		D	1	
5	A50U106700	Swing Shaft		D	3	
6	A50U130600	Mounting Plate Outside		D	3	
7	A9VP102200	Support Plate /Left rear		D	1	
8	A9VP102700	Fixing Pin		D	4	
9	A9VP103405	Fixing Plate /Left rear		D	1	
10	A9VP103600	Fixing Plate		D	4	
11	A9VP104300	Fixing Pin		D	5	
12	A9VP104800	Connecting Frame		D	1	
13	A9VP107901	Input Plate		D	1	
14	A9VP108200	Guide Part /Rear		D	1	
15	A9VP108500	Guide Part /Rear		D	1	
16	A9VP109600	Guide Panel /Rear		D	1	
17	A9VP109900	Electric Comp. Cooling Filter		A	1	
18	A9VP129700	Drive Duct		D	1	
19	A9VP164002	Fixing Plate /B		D	2	
20	A50U136501	Cover		D	5	
21	A50U108400	Thermal insulation Seal		D	3	





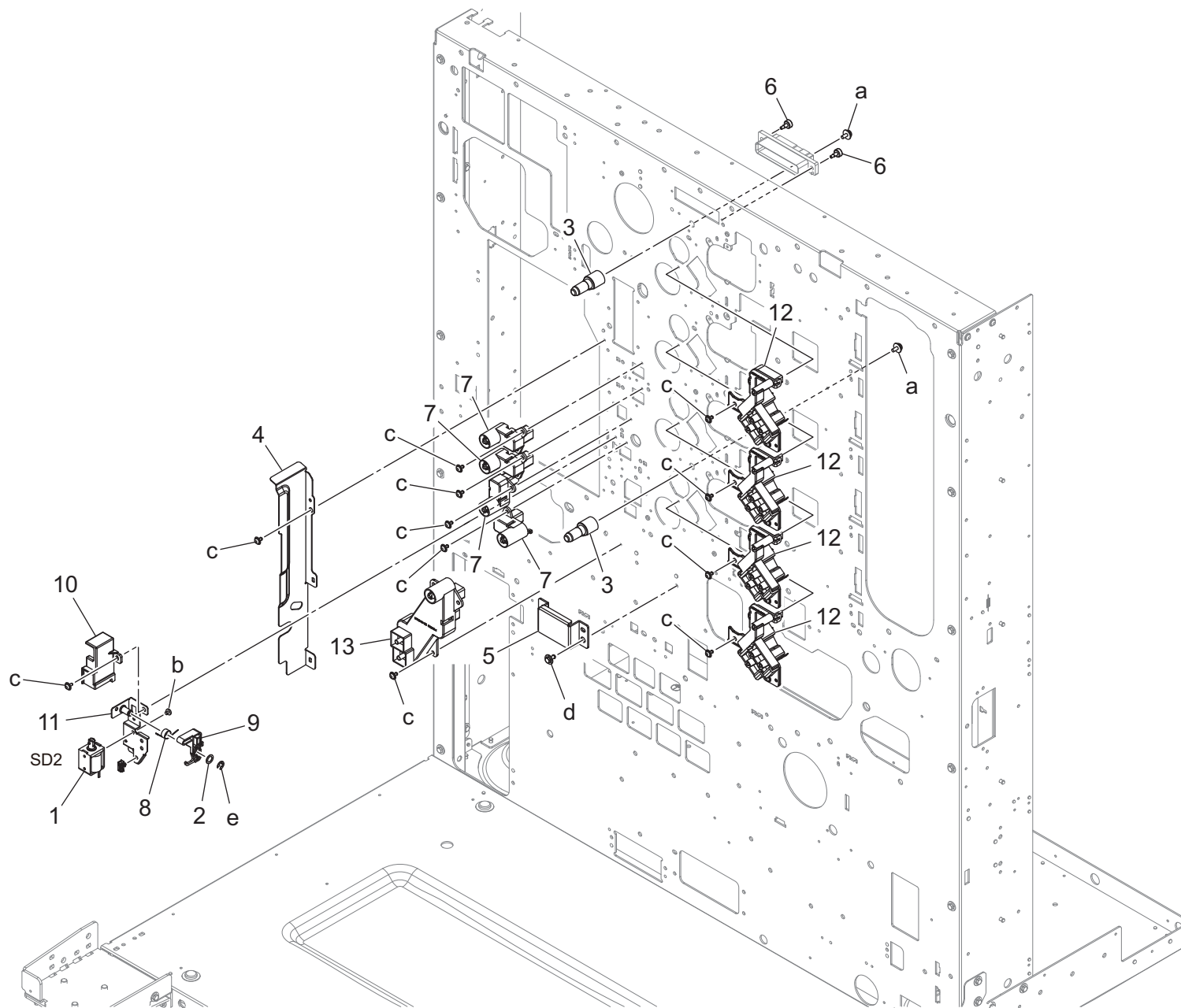
Main Frame Section



# Main Frame Section

Key	Part No.	Description	Destinations	Class	QTY	Standard parts
1	A50U103800	Guide Part /Front		D	3	a-V116030803 b-V116040803 c-V127030604
2	A50U104401	Positioning Shaft /Front		D	1	
3	A50U105800	Writing Guide /Front		D	2	
4	A50U110000	Positioning Shaft /Upper		D	1	
5	AC57314300	Seal /4		D	4	
6	A50U314800	Receiving Sheet		D	2	
7	A50U318601	Positioning Pin /Rear		D	8	
8	A50U318700	Auxiliary Pad		D	2	
9	A9VP103700	Pressing Part		D	1	
10	A9VP105401	Guide Pin /Right front		D	1	
11	A9VPR74200	PH Protection Glass Assy		D	4	
12	A50U408101	Receiving Lower tray		D	1	

# Main Frame Section

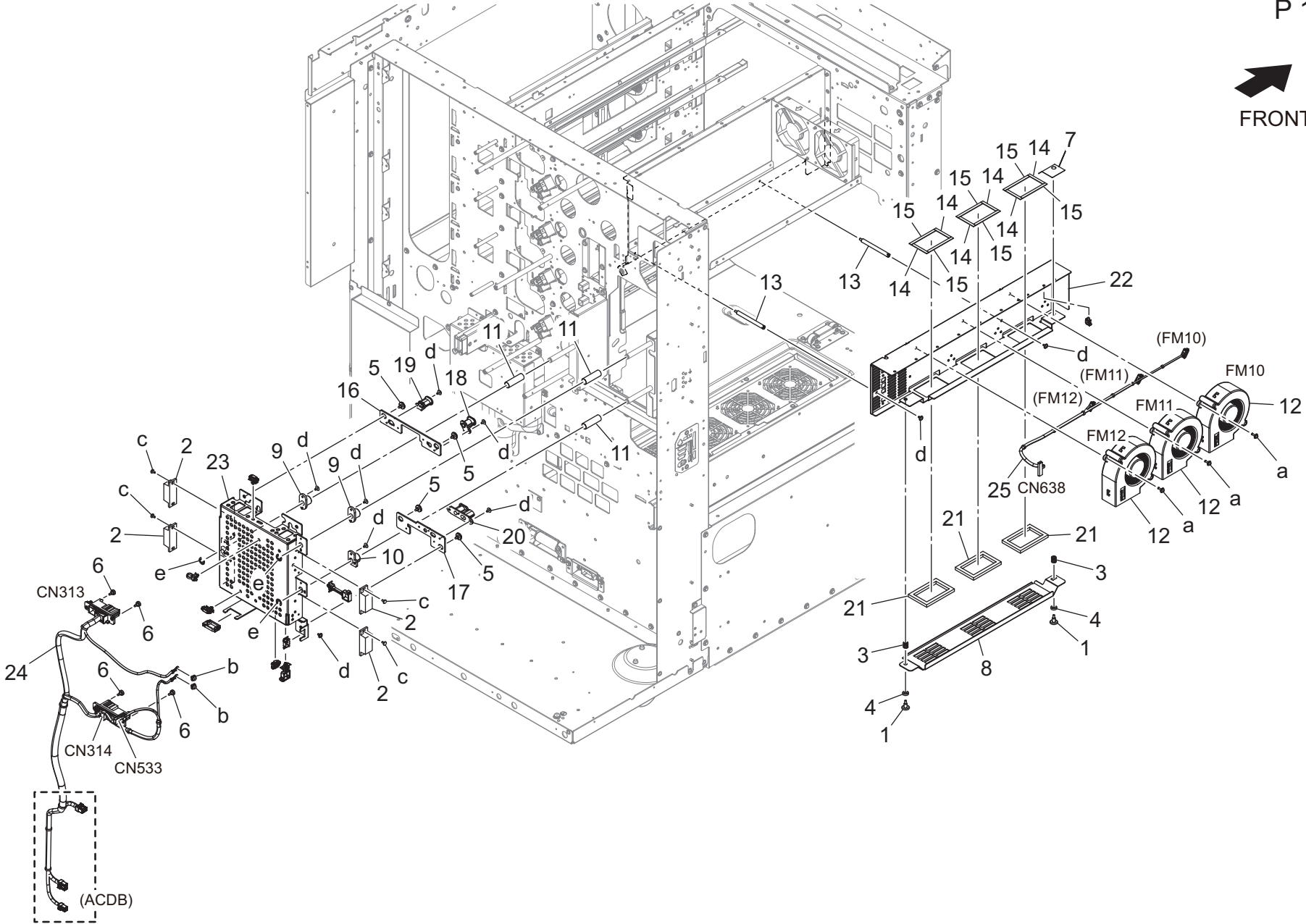


Key	Part No.	Description	Destinations	Class	QTY	Standard parts
1	26NA82513	Paper Feed Solenoid		B	1	a-V116040803
2	40AA32320	Toner Supply Spacer		C	1	b-V118030303
3	A50U104500	Positioning Shaft /Rear		D	2	c-V127030604
4	A50U104901	Inner partition		D	1	d-V146040804
5	A50U105000	Lock Plate		D	1	e-V217040003
6	A1DU622200	Mounting Screw		D	2	
7	A9VPR74600	HV Power Supply / 2 Assy		D	4	
8	A50U508301	Solenoid Release Spring		D	1	
9	A50U509300	Separating Cam		D	1	
10	A50U510400	Cover		D	1	
11	A50UF50700	Mounting Stay Caulking		D	1	
12	A9VPR74500	HV Power Supply / 1 Assy		D	4	
13	A9VPR74700	HV Power Supply / 3 Assy		D	1	



# Main Frame Section

P 14

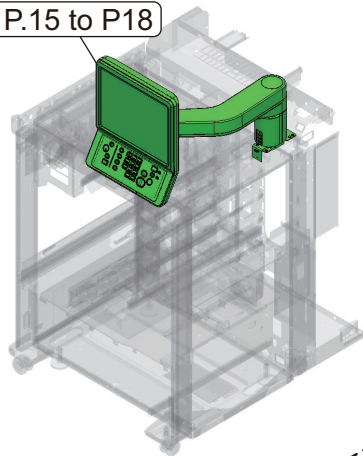


AccurioPress C7090

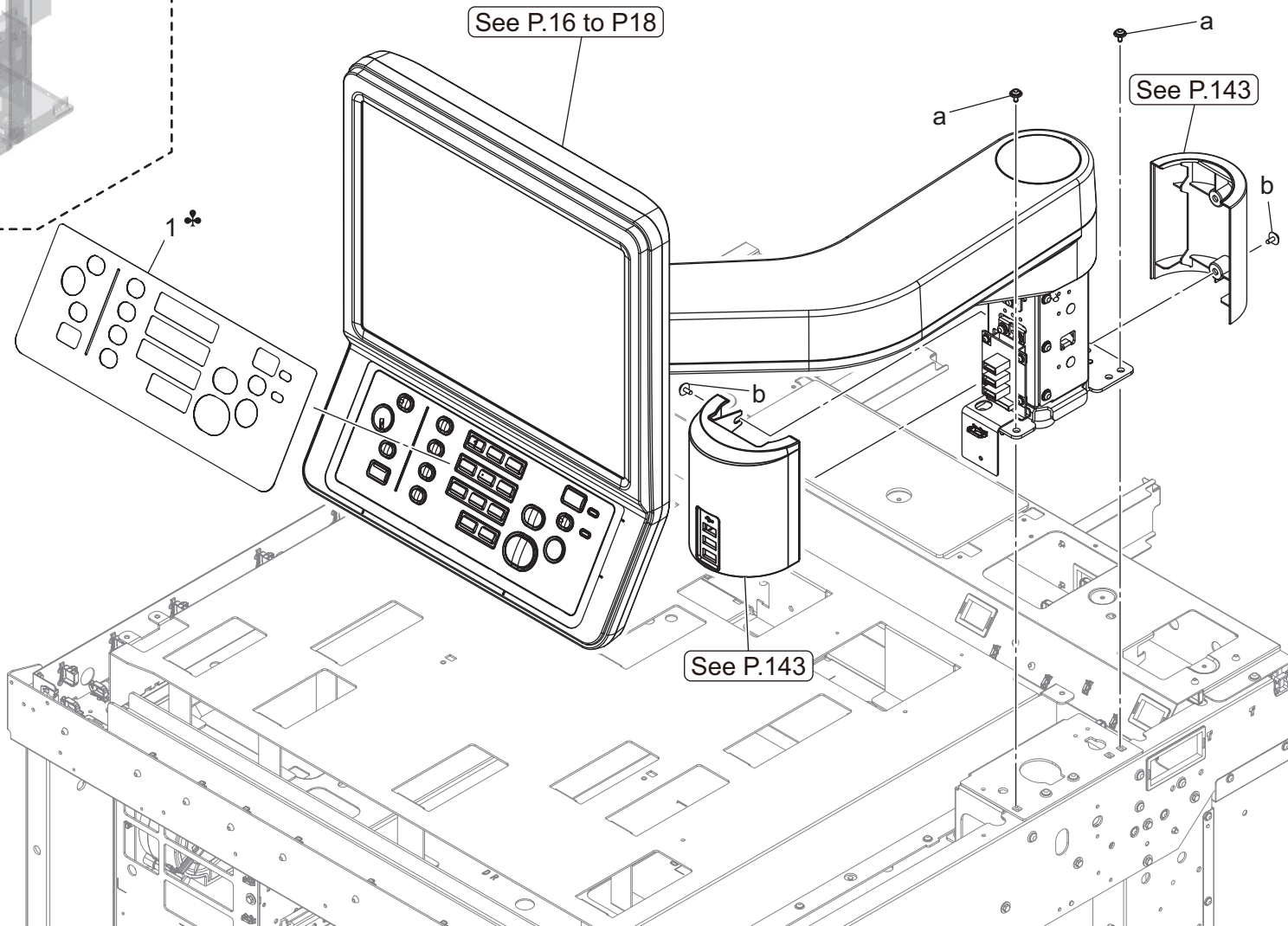
Key	Part No.	Description	Destinations	Class	QTY	Standard parts
1	4038351102	SHOULDER SCREW		C	2	a-V116031003
2	55VA32480	MAGNET CATCH		C	4	b-V116040603
3	A1DU764000	Spring		D	2	c-V126030603
4	A50U731900	Lifting Spacer /1		D	2	d-V127030604
5	A50U734100	Guide Screw		D	4	e-V217060003
6	A50U737302	Fixing Screw /1		D	4	
7	A50U737800	Protection Sheet /1		D	1	
8	A50U738001	Shutter		D	1	
9	A50U749600	Idler Sleeve /1		D	2	
10	A50U749700	Idler Sleeve /2		D	1	
11	A50U753100	Pressing Spring		D	3	
12	A5AWM15101	Cooling Fan		B	3	
13	A9VP106800	Fixing Shaft		D	2	
14	A9VP735100	Auxiliary Seal /A		D	6	
15	A9VP735200	Auxiliary Seal /B		D	6	
16	A9VP735400	Mounting Stay /4		D	1	
17	A9VP735500	Mounting Stay /3		D	1	
18	A9VP735600	Guide Part /13		D	1	
19	A9VP735700	Guide Part /14		D	1	
20	A9VP735800	Positioning Sleeve /4		D	1	
21	A9VP738100	Cushion		D	3	
22	A9VP739000	Mounting Plate		D	1	
23	A9VP749400	Mounting Stay /Rear		D	1	
24	A9VPN11300	Fusing Relay Harness /D		D	1	
25	A9VPN12800	Fusing Relay Harness /2		D	1	

# Operation Panel Section

See P.15 to P18



See P.16 to P18

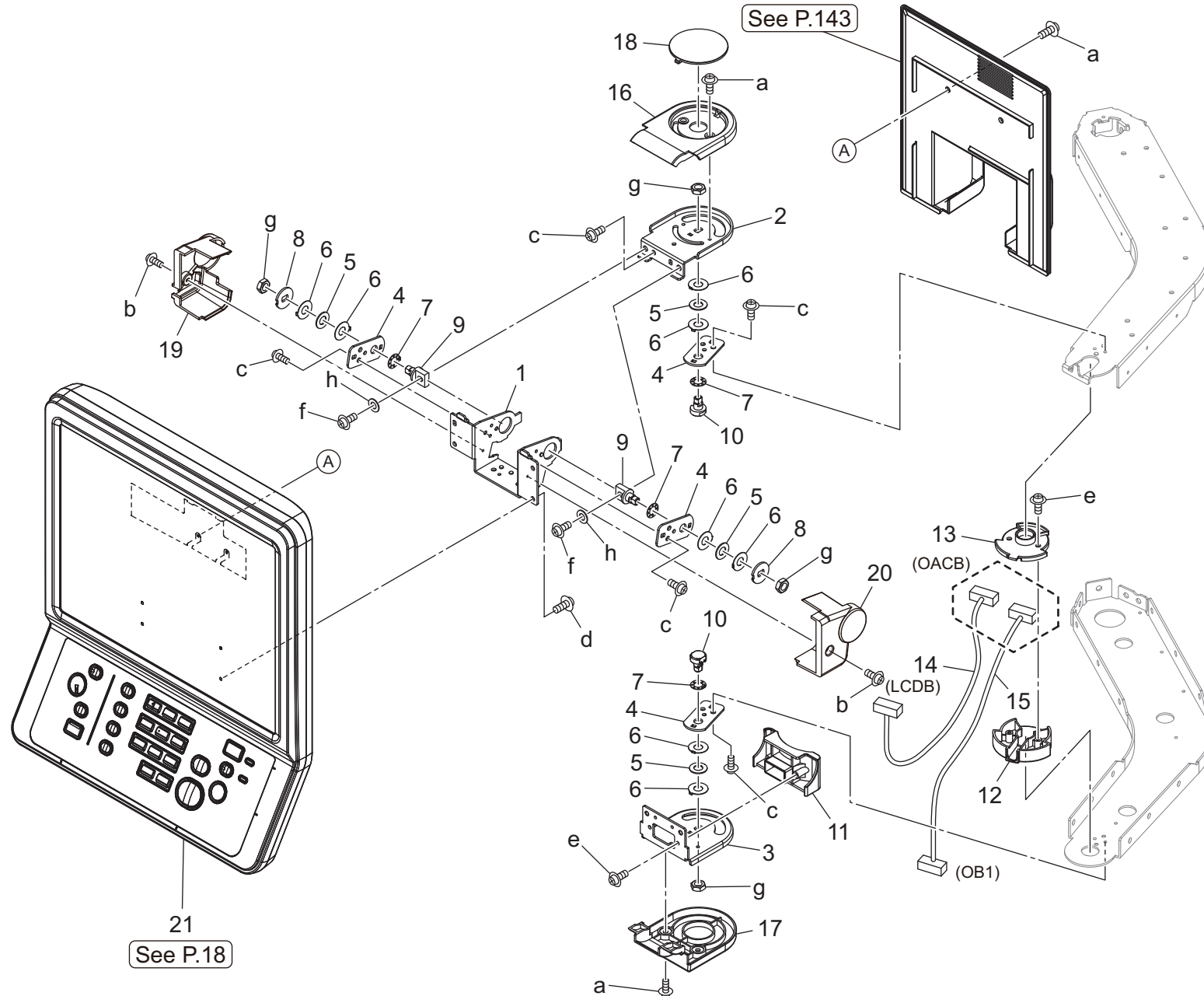


AccurioPress C7090

# Operation Panel Section

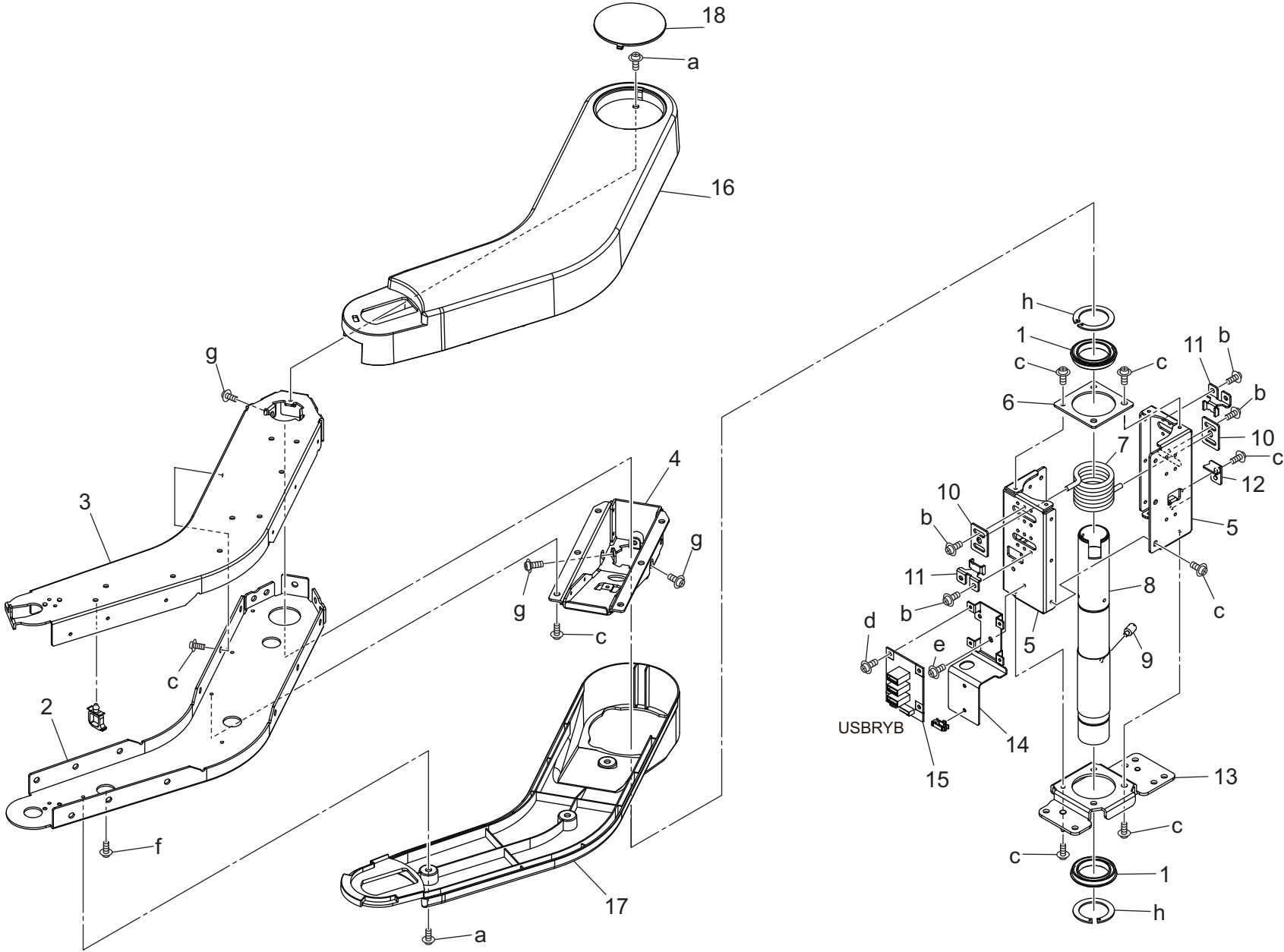
Key	Part No.	Description	Destinations	Class	QTY	Standard parts
1	AC57195001	Operation Sheet	操作シート (日本語)	A	1	a-V127040803 b-V114040604
1	AC57205001	Operation Sheet	操作シート (英語)	B, D1, D3, E, F2, G1, G2, I (Except SOUTH AFRI CA)	1	
1	AC57205101	Operation Sheet	操作シート (中国語 / 英語)	J	1	
1	AC57205300	Operation Sheet	操作シート (韓国語)	K	1	
1	AC57205201	Operation Sheet	操作シート (台湾語)	H	1	

# Operation Panel Section



Key	Part No.	Description	Destinations	Class	QTY	Standard parts
1	A03U190900	Ope. unit Mounting Stay /1		D	1	a-V114040604 b-V121030603 c-V121040603 d-V127040603 e-V158030803 f-V188051604 g-V196080003 h-V207050003
2	A03U191400	Support Plate /Upper		D	1	
3	A03U191500	Support Plate /Lower		D	1	
4	A03U191600	Mounting Plate /T		D	4	
5	A03U191700	Rotation Spring /T		D	4	
6	A03U191800	Rotation Spacer /1		D	8	
7	A03U191900	Rotation Spacer /2		D	4	
8	A03U192000	Fixing Part /T		D	2	
9	A03U192100	Fixing Shaft /U		D	2	
10	A03U192200	Rotation Shaft /T		D	2	
11	A03U193400	Operation Cover /E		C	1	
12	A03U193600	Swing Cover /Lower		C	1	
13	A03U193700	Swing Cover /Upper		C	1	
14	A9VPN29001	Ope. Unit Control Harness /1		D	1	
15	A9VPN29101	Ope. Unit Control Harness /2		D	1	
16	A9VE193300	Operation Cover /C		D	1	
17	A9VE193500	Operation Cover /D		D	1	
18	A9VE193800	Operation Cover /I		D	1	
19	A9VE194000	Operation Cover /F		D	1	
20	A9VE194100	Operation Cover /G		D	1	
21	AC57R70500	OPE.UNIT ASSY		I	1	

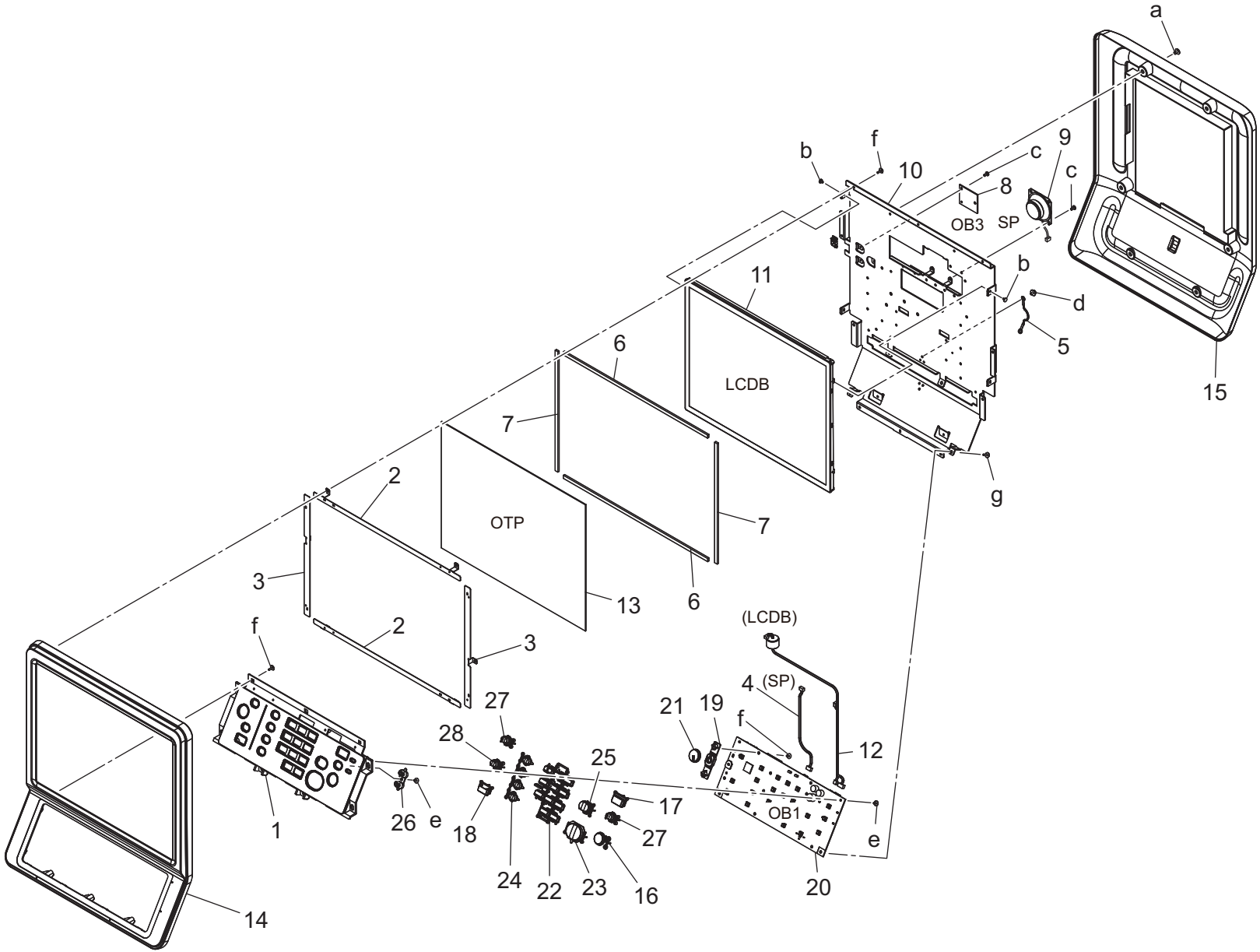
Operation Panel Section



Key	Part No.	Description	Destinations	Class	QTY	Standard parts
1	65AA75010E	DRUM SUPPORT BEARING		D	2	a-V114040604 b-V116040803 c-V121040603 d-V127030604 e-V127040603 f-V158030803 g-V121040603 h-V223300017
2	A03U190500	Ope. unit Mounting Arm /Lower		D	1	
3	A03U190600	Ope. unit Mounting Arm /Upper		D	1	
4	A03U190700	Support Plate /1		D	1	
5	A03U190802	Support Plate /2		D	2	
6	A03U191100	Support Plate /3		D	1	
7	A03U191201	Support Spring		C	1	
8	A03U191301	Ope. unit Support Pipe		D	1	
9	A03U192300	Stopper Screw /A		C	1	
10	A03U195302	REGULATING PLATE		D	2	
11	A03U195400	Regulating Part		D	2	
12	A03U195500	Rotation Stopper		D	1	
13	A03UF19100	Main Body Attachment Caulking		D	1	
14	A1DU190101	Installing Plate		D	1	
15	A1DUH11000	Relay Board/U ASSY		C	1	
16	A9VE193100	Operation Cover /Upper		D	1	
17	A9VE193200	Operation Cover /Lower		D	1	
18	A9VE193900	Operation Cover /J		D	1	

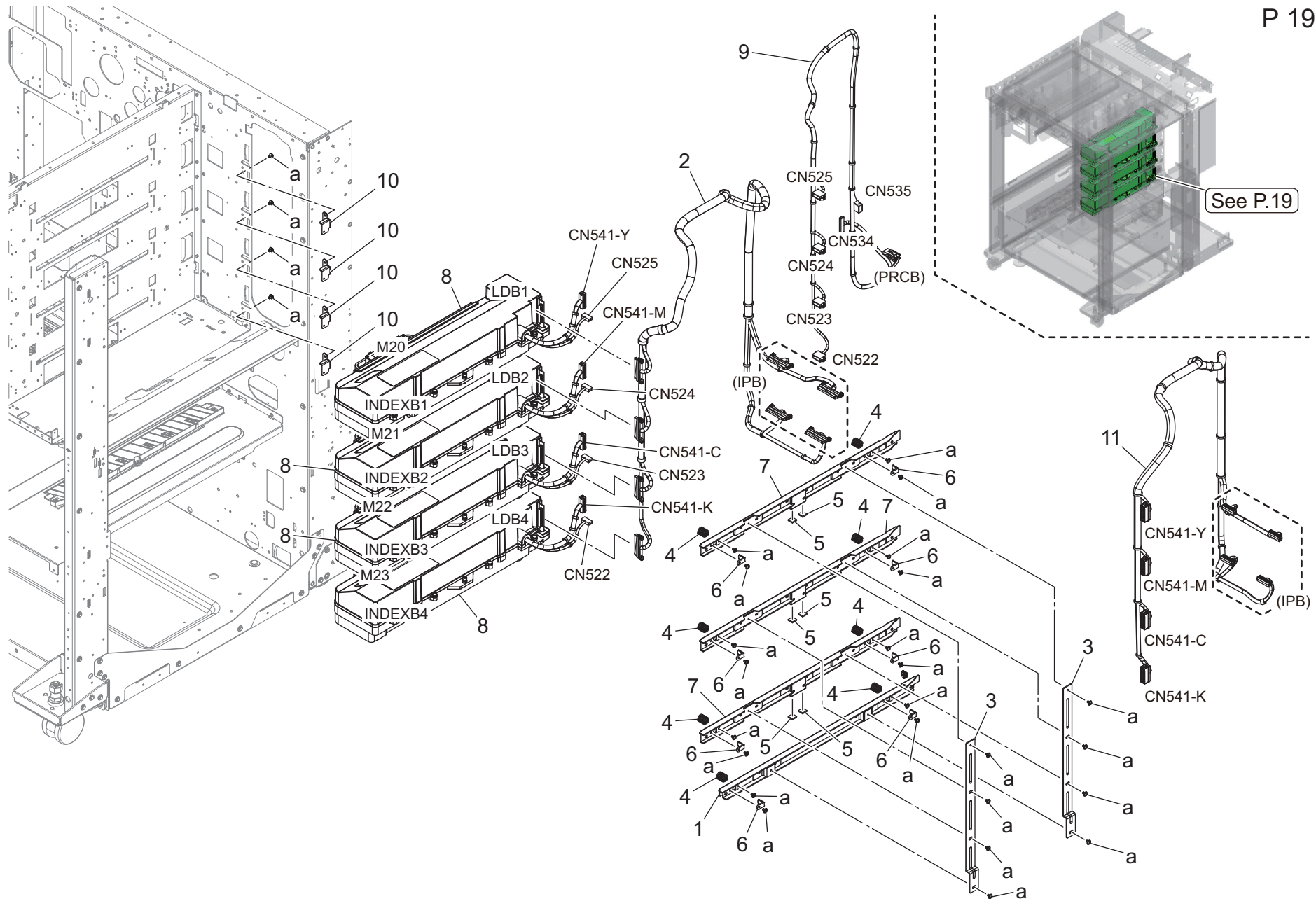


Operation Panel Section



Key	Part No.	Description	Destinations	Class	QTY	Standard parts
1	AC57190301	Operation Casing /1		D	1	a-V114040604 b-V118030404 c-V118030603 d-V116040603 e-V153030603 f-V153030803 g-V153031003
2	A0G6192700	Ground Plate /1		D	2	
3	A0G6192900	Ground Plate /2		D	2	
4	A0G6N18400	Ope.Unit Control Harness /3		D	1	
5	A1RFN28300	Ope.unit Wiring /1		D	1	
6	A0G6192400	Holding Cushion /Upper		C	2	
7	A0G6192500	Holding Cushion /Right		C	2	
8	A0G6H06000	Operation Board /3 Assy		C	1	
9	A0P0M73100	Speaker		D	1	
10	A4EU190413	Operation Plate		D	1	
11	A4EUM75800	Ope.unit LCD		C	1	
12	A4EUN28500	Ope.unit Wiring /4		D	1	
13	A9VEM75500	Ope. Unit Touch Panel		C	1	
14	AC57190102	Operation Cover /Front		D	1	
15	AC57190201	Operation Cover /Rear		D	1	
16	56UA70330	Ope. Unit Button /S		C	1	
17	A0G6193700	Operation Button /7		C	1	
18	A0G6194000	Operation Button /9		C	1	
19	A4EU194200	Fixing Holder		D	1	
20	A799H04001	Operation Board /1 ASSY		I	1	
21	AC57194101	Operation Knob /1		D	1	
22	AC57193100	Operation Button /1		D	1	
23	AC57193200	Operation Button /2		D	1	
24	AC57193400	Operation Button /4		D	1	
25	AC57193500	Operation Button /5		D	1	
26	AC57193600	Indicating Part /1		D	1	
27	AC57193800	Operation Button /10		D	2	
28	AC57193900	Operation Button /8		D	1	

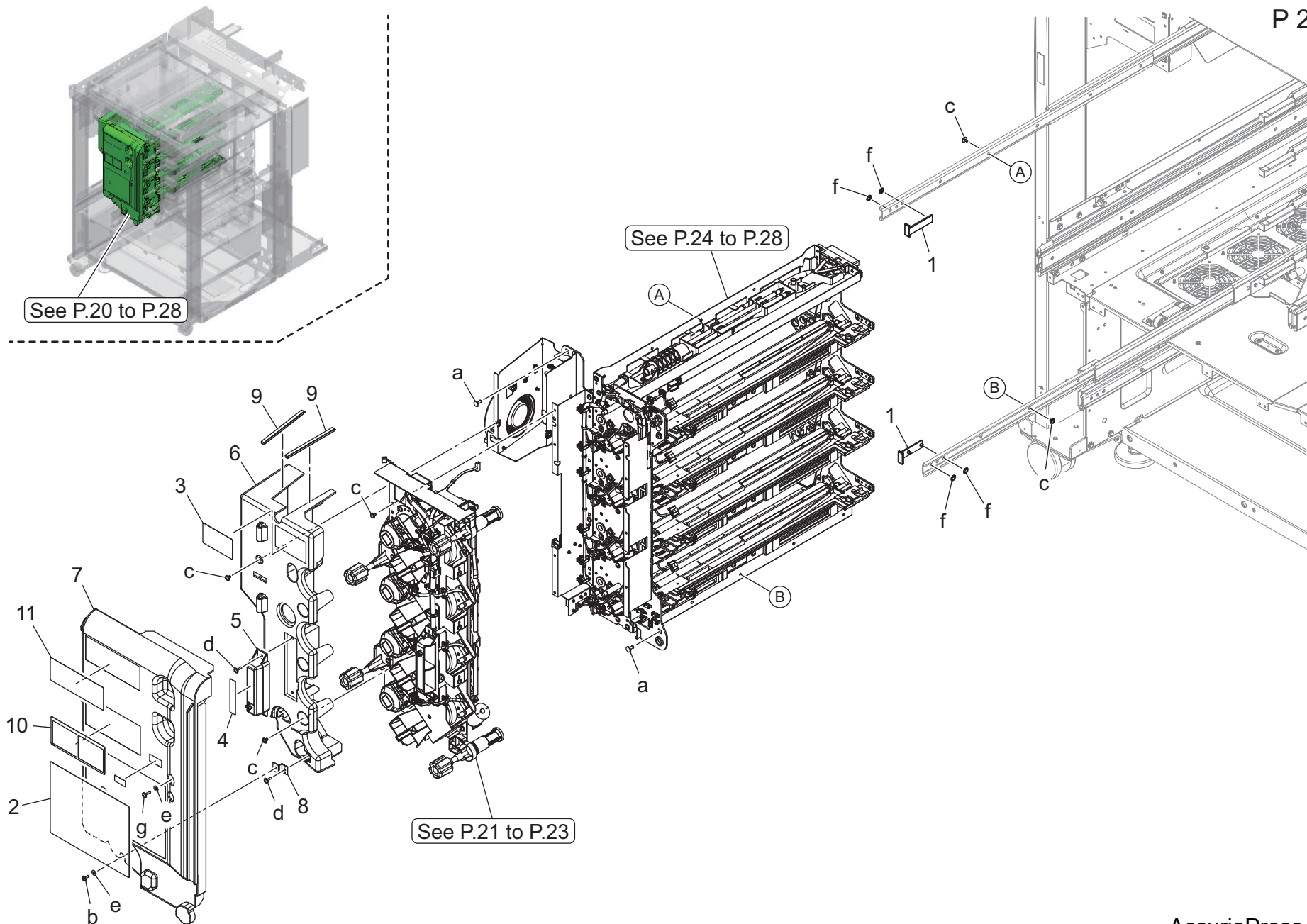
# Write Section



Key	Part No.	Description	Destinations	Class	QTY	Standard parts
1	A9VP118200	Pressing Stay /Black		D	1	a-V127030604
2	A9VPN26500	LD Harness /1		D	1	
3	A50U319301	Connecting Plate /1		D	2	
4	A50U318300	Pressing Spring /R		D	8	
5	A50U318700	Auxiliary Pad		D	6	
6	A50U318900	Pressing Guide		D	8	
7	A9VP118100	Pressing Stay /Color		D	3	
8	A9VPR72011	PH Unit		I	4	
9	A9VPN27000	Polygon Relay Harness /1		D	1	
10	A9VP108900	Fixing Plate		D	4	
11	A9VPN26600	LD Harness /2		D	1	

# Process Carriage Section

P 20



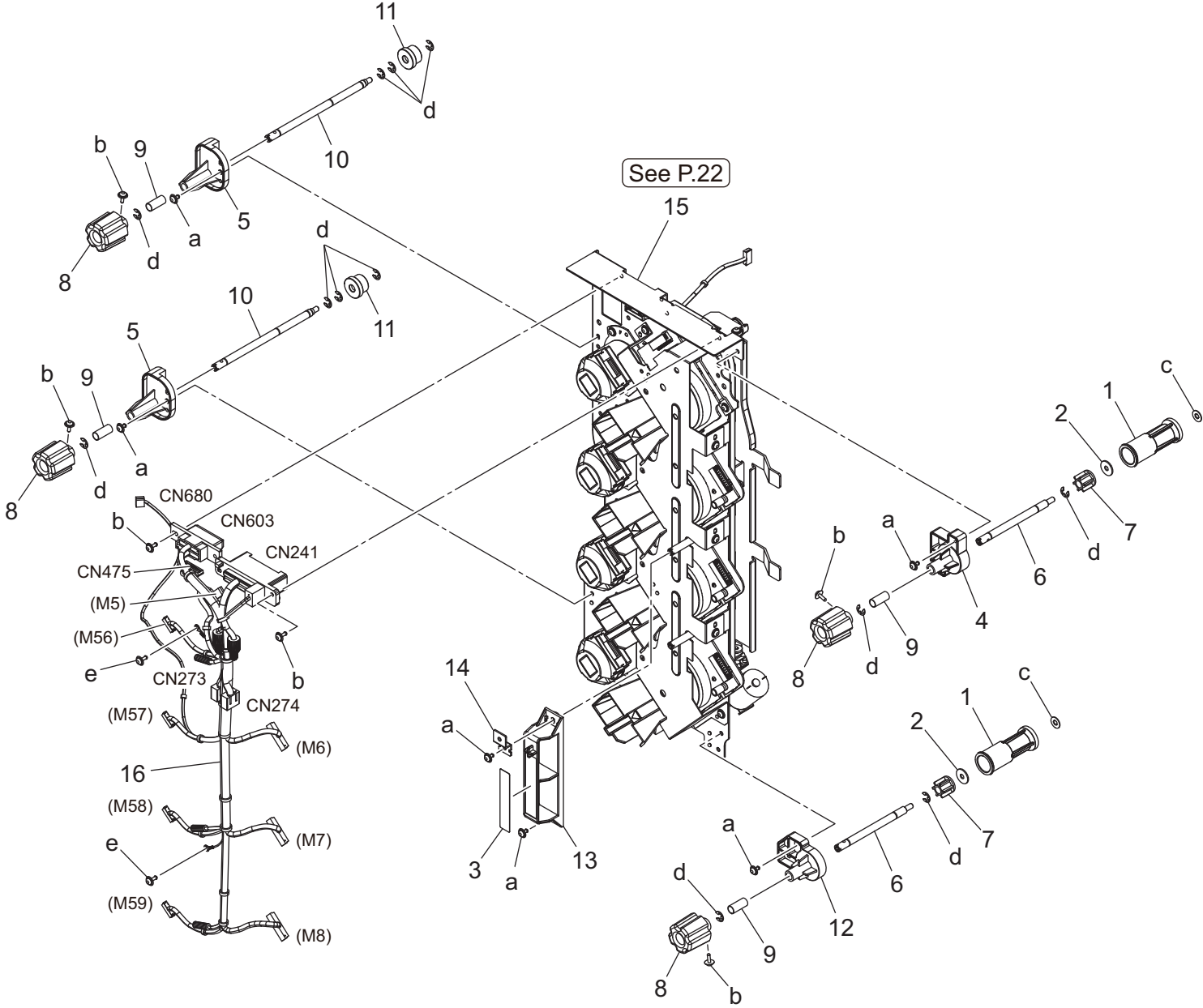
AccurioPress C7090

# Process Carriage Section

Key	Part No.	Description	Destinations	Class	QTY	Standard parts
1	A50U342900	Protection Cover		D	2	a-V118040804 b-V121030804 c-V127030604 d-V153031003 e-V211030080 f-V226040050 g-V121031204
2	A50U944302	Processing Label /2		D	1	
3	A50U948001	Caution Label		D	1	
4	A50U945601	Operation Label		D	1	
5	A9VP346400	Operation Handle		D	1	
6	A9VP346602	Cover Duct /B		D	1	
7	A9VP346701	Open/close Cover		D	1	
8	A9VP346800	Mounting Plate		D	1	
9	A9VP346900	Suction Seal		D	2	
10	A9VP944200	Processing Label /1		D	1	
11	AC0C307001	Caution Label /2		D	1	



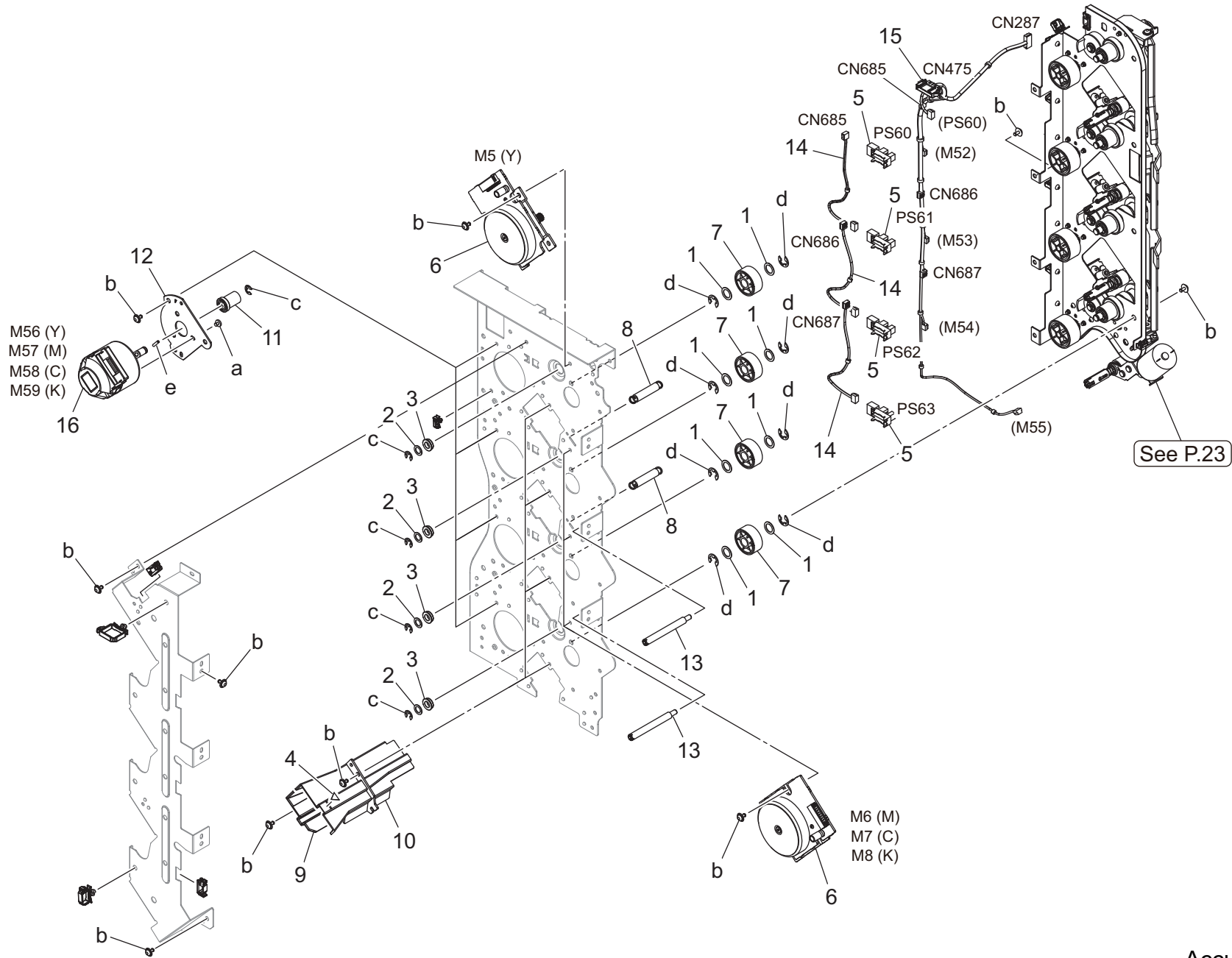
# Process Carriage Section



Key	Part No.	Description	Destinations	Class	QTY	Standard parts
1	A50U342502	Set Collar		D	2	a-V127030604 b-V127030804 c-V211040080 d-V217040003 e-V116030803
2	A50U342600	Collar		D	2	
3	A50U945601	Operation Label		D	1	
4	A9VP223000	Positioning Guide		D	1	
5	A9VP223100	Transfer Guide		D	2	
6	A9VP223201	Fixing Screw		D	2	
7	A9VP223300	Release Spacer		D	2	
8	A9VP223401	Fixing Knob		D	4	
9	A9VP223500	Operation Coil spring		D	4	
10	A9VP223600	Fixing Screw		D	2	
11	A9VP223700	Transfer Shaft		D	2	
12	A9VP224300	Pressing Guide		D	1	
13	A9VP346400	Operation Handle		D	1	
14	A9VP346800	Mounting Plate		D	1	
15	A9VPR73300	Developing Drive Assy		S	1	
16	A9VPN12400	Developing Harness /1		D	1	



# Process Carriage Section



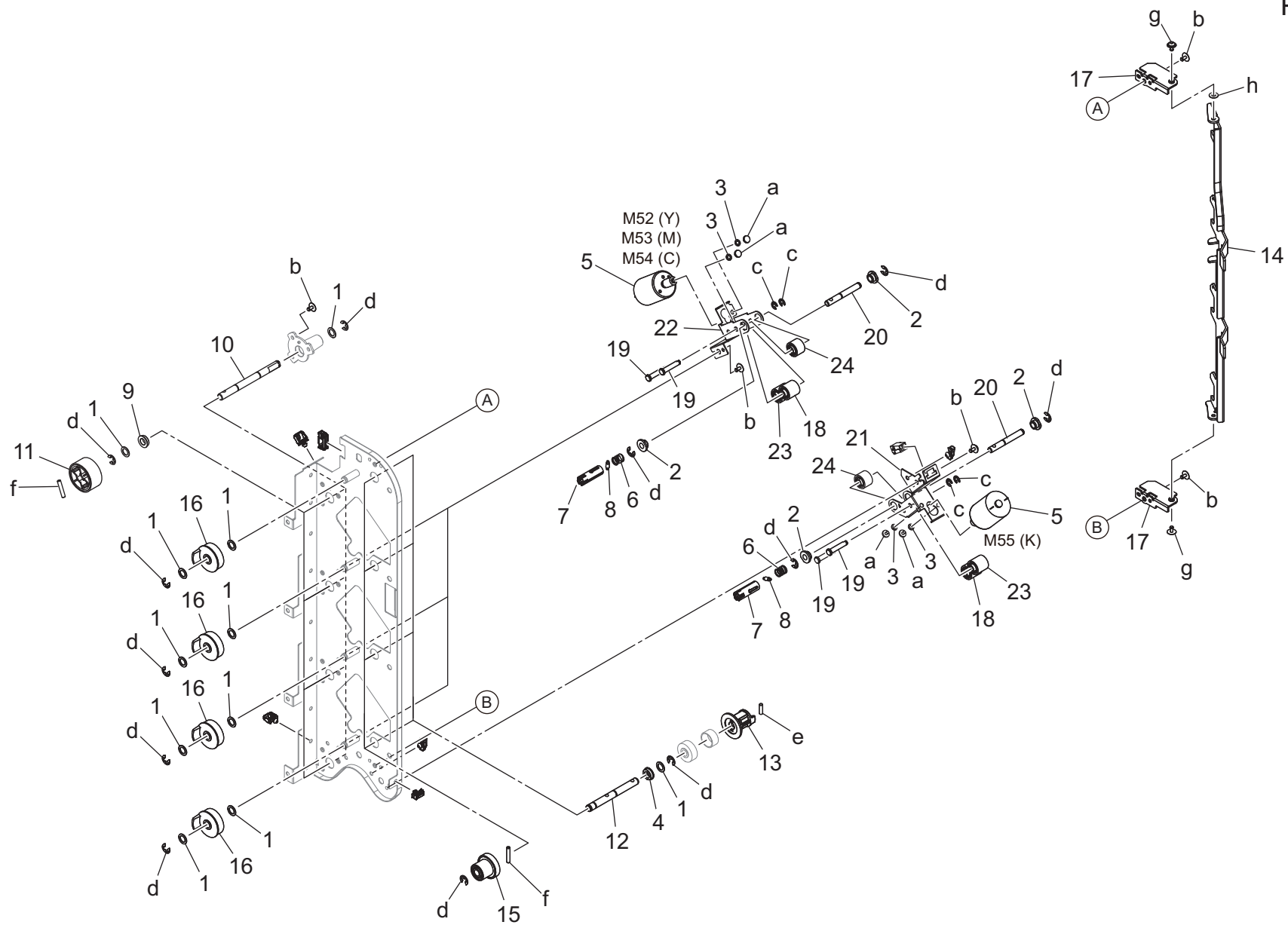
See P.23

# Process Carriage Section

Key	Part No.	Description	Destinations	Class	QTY	Standard parts
1	12QV40650	Spacer		B	8	a-V118030303 b-V127030604 c-V217040003 d-V217060003 e-V234201050
2	40AA32320	Toner Supply Spacer		C	4	
3	A00J617800	Ball Bearing		A	4	
4	A50U949700	Replacement Label /1		D	4	
5	A85CM55600	Photo Sensor		C	4	
6	A9JTM10200	Drum Motor		B	4	
7	A9VP220600	Developing Idler /1 45T		C	4	
8	A9VP221600	Release Spring /2		D	2	
9	A9VP222200	Charging Rail /2		D	4	
10	A9VP222300	Charging Rail /1		D	4	
11	A9VP224200	Supply Gear 19T		C	4	
12	A9VP224400	Mounting Plate		C	4	
13	A9VP345700	Positioning Shaft		D	2	
14	A9VPN12500	Developing Detection Harness /1		D	3	
15	A9VPN13000	Drive Relay Harness /2		D	1	
16	AC57M10300	DC Brushless Motor /25		C	4	

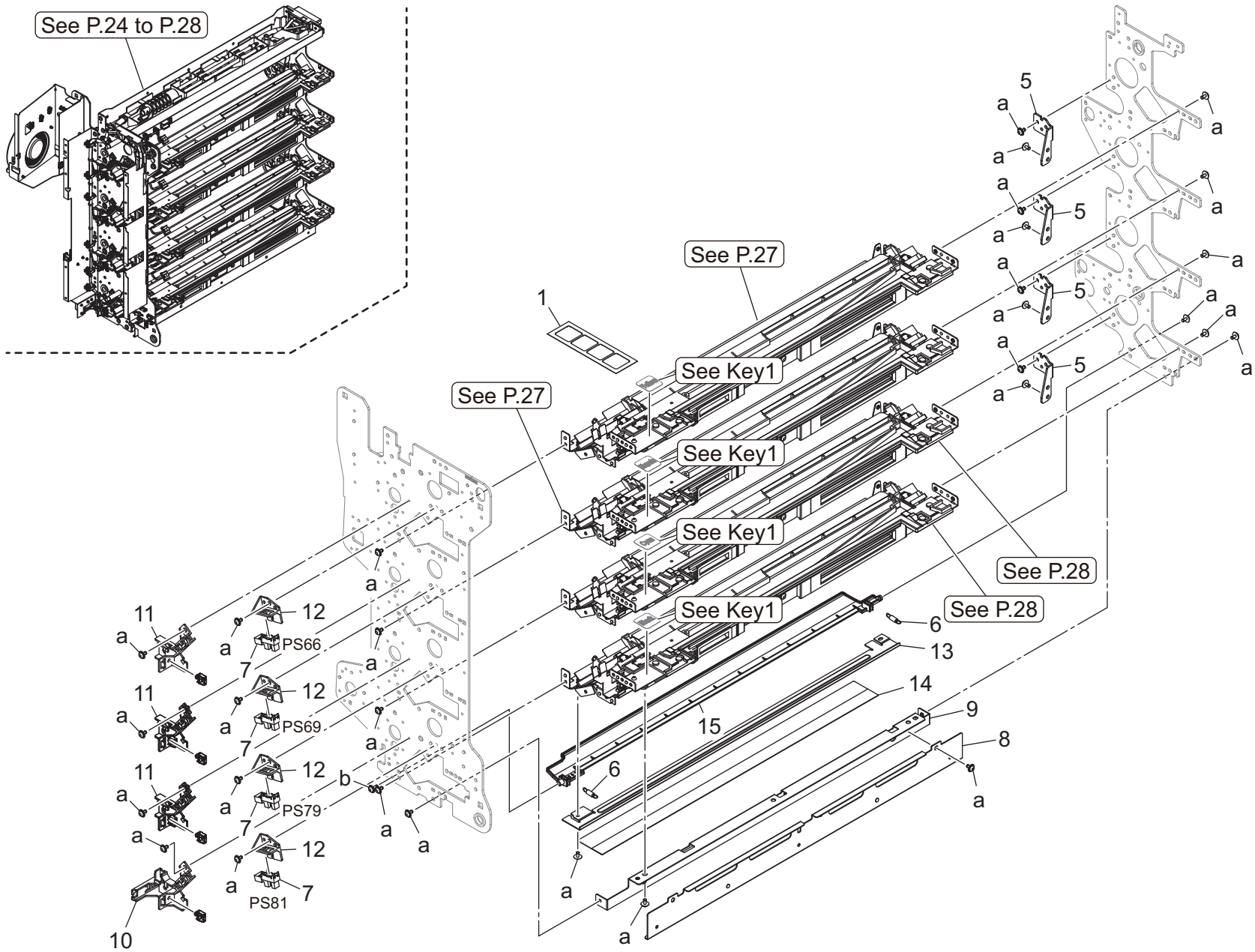
# Process Carriage Section

P 23



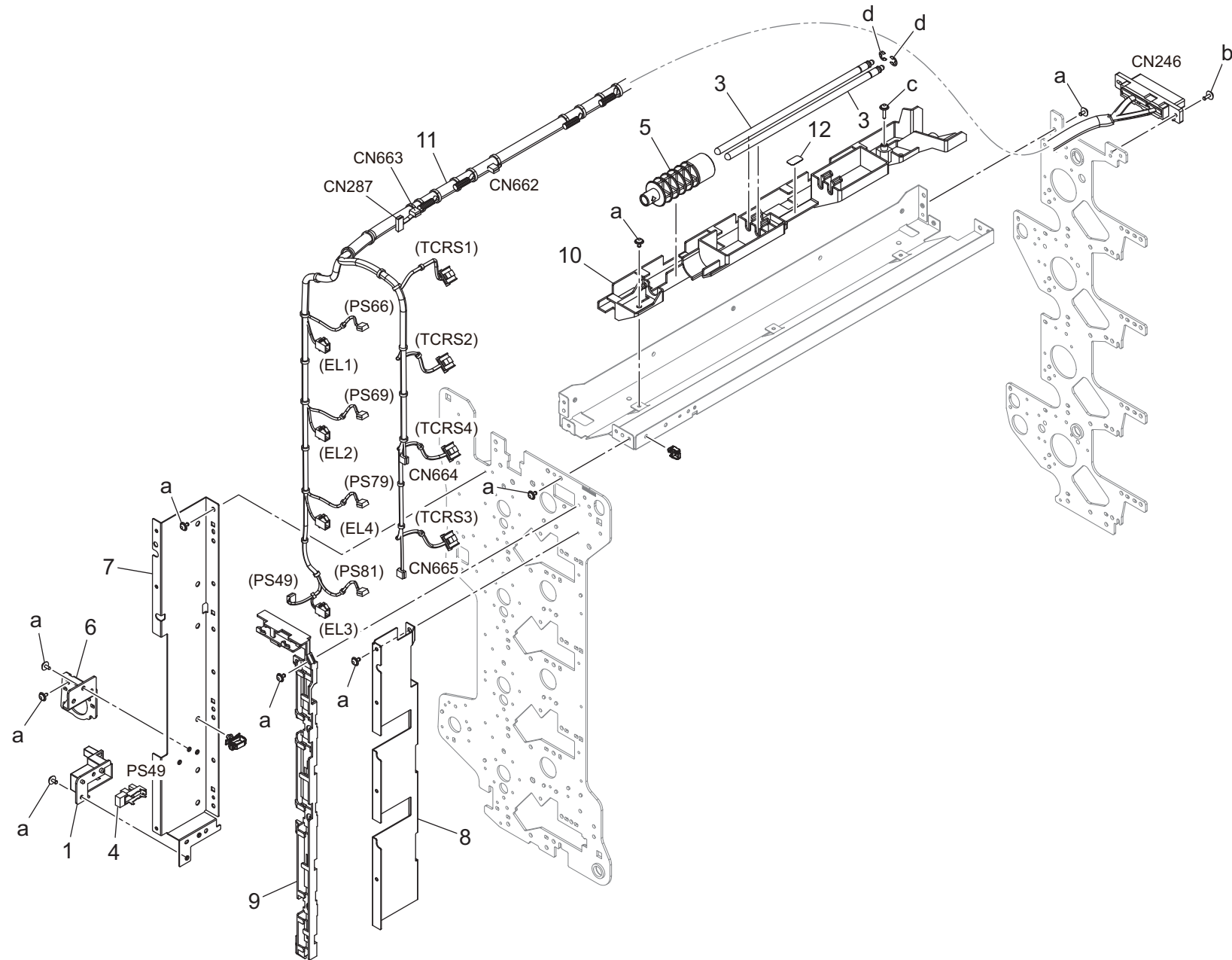
Key	Part No.	Description	Destinations	Class	QTY	Standard parts
1	40AA32320	Toner Supply Spacer		C	20	a-V118030303 b-V127030604 c-V217030003 d-V217040003 e-V234301050 f-V234301650 g-V127030803 h-V207030003
2	4139300301	BUSHING		C	8	
3	56UA25280	Charge Cleaning Spacer		C	8	
4	A00J617800	Ball Bearing		A	4	
5	A9VPR75400	Cleaning Motor Worm Assy		C	4	
6	A92W223200	Charging Spring		D	4	
7	A92W223400	Charging Coupling /2		D	4	
8	A92W223600	Coupling Pin		D	4	
9	A9CE716000	Ball bearing /S		C	4	
10	A9VP220401	Coupling Shaft /C		D	4	
11	A9VP220500	Idling Gear 50T		C	4	
12	A9VP220900	Coupling Shaft /D		D	4	
13	A9VP221100	Coupling /D		D	4	
14	A9VP221400	Release Plate		D	1	
15	A9VP221800	Input Gear 27/40T		C	4	
16	A9VP222100	Detecting Gear 43T		C	4	
17	A9VP222402	Support Plate		D	2	
18	A9VP222500	Charging Idler 20T		C	4	
19	A9VP222600	Drive Shaft		D	8	
20	A9VP222700	Drive Shaft		D	4	
21	A9VP222800	Drive Pedestal /Black		D	1	
22	A9VP222900	Drive Pedestal /1		D	3	
23	A9VP223900	Charging Idler /1 20T		C	4	
24	A9VP224000	Charging Gear 20T		C	4	

# Process Carriage Section



Key	Part No.	Description	Destinations	Class	QTY	Standard parts	
1	AC57974400	Replacement Label		D	1	a-V127030604 b-V127030804	
5	A50U342300	Reinforce Plate		D	4		
6	A50U343301	Receiving Spring		D	2		
7	A85CM55600	Photo Sensor		C	4		
8	A9VP340700	Mounting Rail		D	1		
9	A9VP341200	Fixing Stay /3		D	1		
10	A9VP345400	Protection Cover /Lower		D	1		
11	A9VP345500	Protection Cover /Color		D	3		
12	A9VP345800	Mounting Plate		D	4		
13	A9VP349400	Positioning Plate		D	1		
14	A9VP349500	Receiving Film		D	1		
15	AC57343102	Cleaning Catch		C	1		

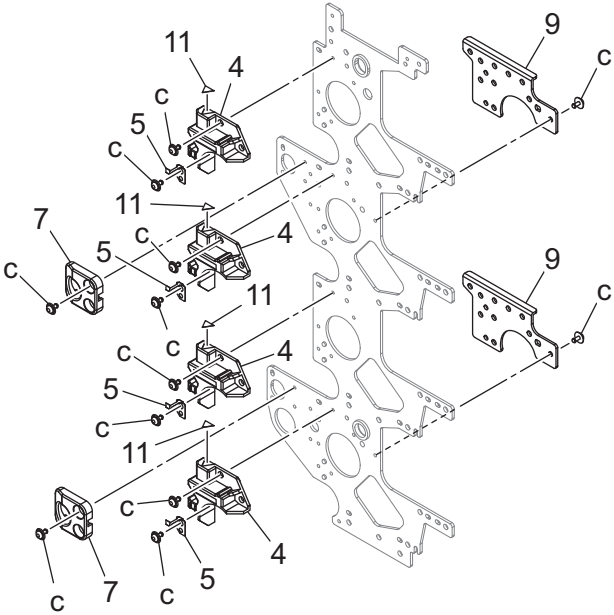
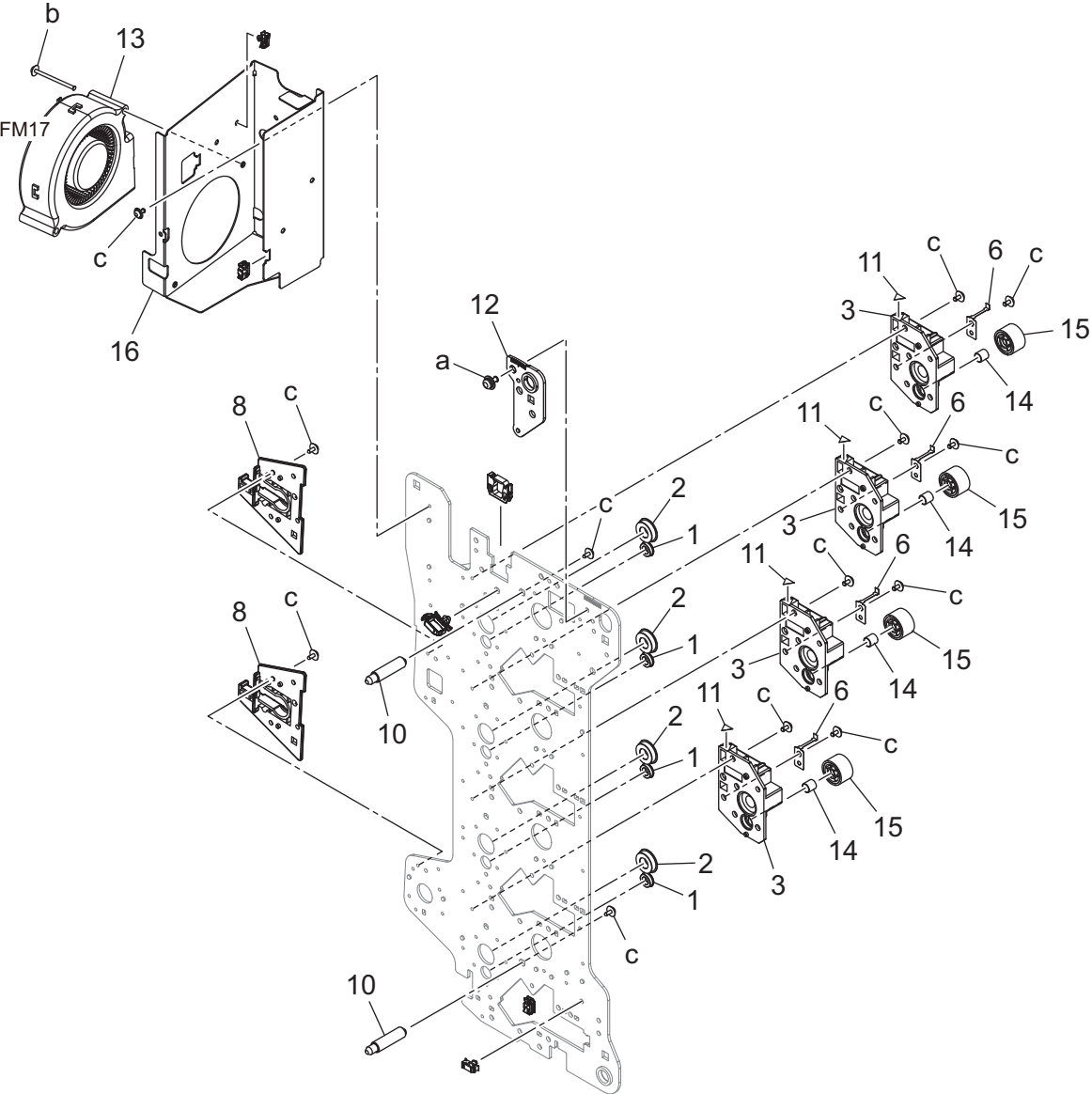
# Process Carriage Section



Key	Part No.	Description	Destinations	Class	QTY	Standard parts
1	A50U341002	Protection Cover /2		D	1	a-V127030604 b-V127030804 c-V127031203 d-V217040003
3	A50U506500	Support Shaft		D	2	
4	A85CM55600	Photo Sensor		C	1	
5	A9VP343601	Rotation Knob		D	1	
6	A9VP343900	Transfer Plate /2		D	1	
7	A9VP345200	Mounting Plate /3		D	1	
8	A9VP345300	Mounting Plate /2		D	1	
9	A9VP349001	Wiring Guide		D	1	
10	A9VP349301	Guide Case		D	1	
11	A9VPN12301	Developing Harness /3		D	1	
12	A50U945601	Operation Label		D	1	



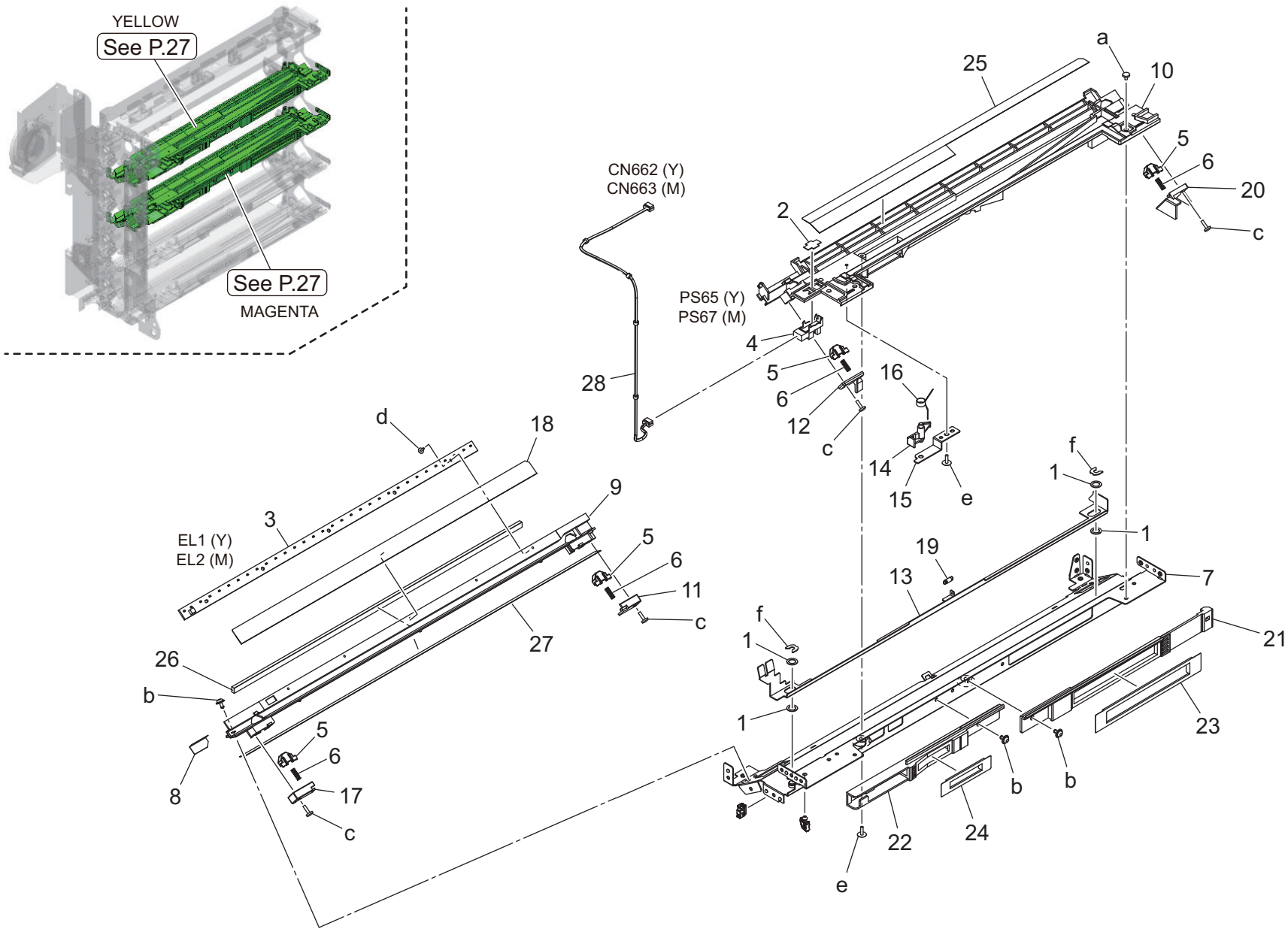
# Process Carriage Section



Key	Part No.	Description	Destinations	Class	QTY	Standard parts
1	A00J617800	Ball Bearing		A	4	a-V116040803 b-V121033503 c-V127030604
2	A1RF529300	Ball bearing		C	4	
3	A50U337101	Positioning Rail /1		D	4	
4	A50U337200	Positioning Rail /2		D	4	
5	A50U337300	Ground Plate spring /Rear		D	4	
6	A50U337400	Ground Plate spring /Front		D	4	
7	A50U340501	Transfer Hinge		D	2	
8	A50U341301	Positioning Block /1		D	2	
9	A50U343800	Transfer Plate		D	2	
10	A50U344200	Positioning Shaft		D	2	
11	A50U949700	Replacement Label /1		D	8	
12	A50UR72K00	Adjusting Plate Caulking Assy		D	1	
13	A93EM10600	Fan motor		C	1	
14	A9VE222000	Collar		D	4	
15	A9VP220701	Coupling Gear /C 28T		C	4	
16	A9VP346201	Mounting Plate		D	1	

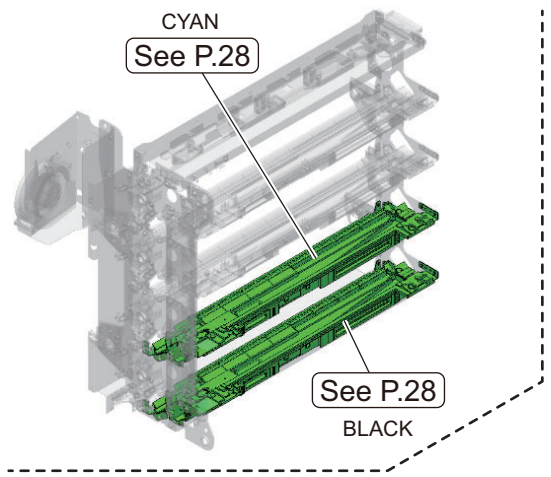
# Process Carriage Section

P 27



Key	Part No.	Description	Destinations	Class	QTY	Standard parts
1	40AA32320	Toner Supply Spacer		C	8	a-V118030403 b-V127030604 c-V149030803 d-V151020503 e-V153030803 f-V218040086
2	4470402401	Stopper		D	2	
3	A50UM30101	LED array		D	2	
4	A85CM55600	Photo Sensor		C	2	
5	A92W343000	Pressing Block		D	8	
6	A92W345400	Pressing Spring		D	8	
7	A9VP340300	Positioning Plate		D	2	
8	A9VP349600	Guide Seal		D	2	
9	A9VP347100	Guide Rail		D	2	
10	A9VP347200	Guide Rail		D	2	
11	A9VP347300	Holding Plate /Rear		D	2	
12	A9VP347400	Holding Plate /Front		D	2	
13	A9VP347500	Detecting Lever		D	2	
14	A9VP347601	Detecting Actuator /Front		D	2	
15	A9VP347801	Mounting Plate		D	2	
16	A9VP347900	Torsion Coil spring		D	2	
17	A9VP348000	Holding Plate /Front		D	2	
18	A9VP348100	Charging Seal /Lower		D	2	
19	A9VP348200	Pulling Coil spring		D	2	
20	A9VP348300	Holding Plate /Front		D	2	
21	A9VP348400	Charging Duct /Rear		D	2	
22	A9VP348500	Charging Duct /Front		D	2	
23	A9VP348611	Charging Seal /Rear		D	2	
24	A9VP348700	Charging Seal /Front		D	2	
25	A9VP348900	Charging Seal /Upper		D	2	
26	A9VP349100	Charging Seal /Lower		D	2	
27	A9VP349200	Charging Seal		D	2	
28	A9VPN13300	Detection Relay Harness /2		D	2	

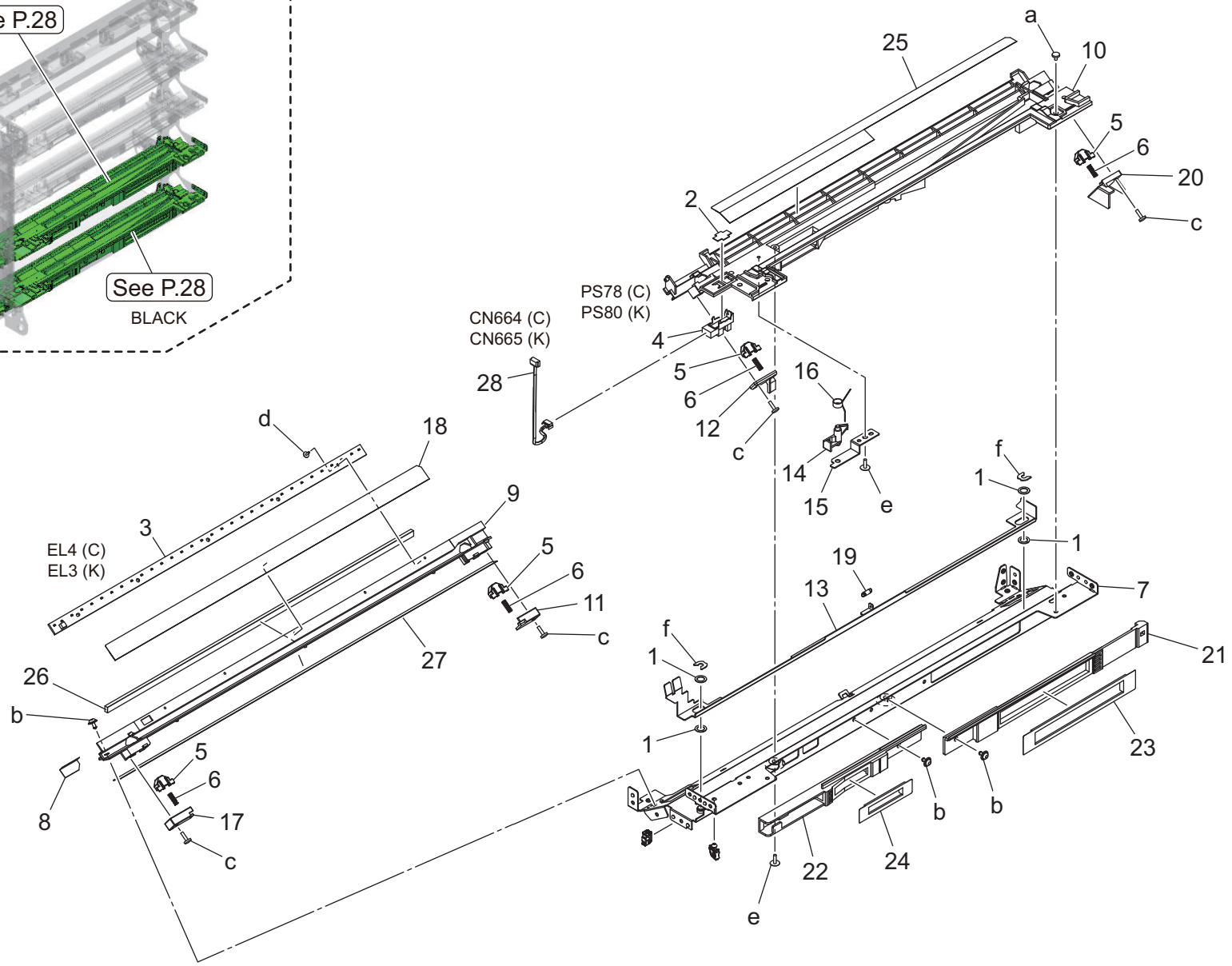
# Process Carriage Section



CYAN  
See P.28

See P.28

BLACK



EL4 (C)  
EL3 (K)

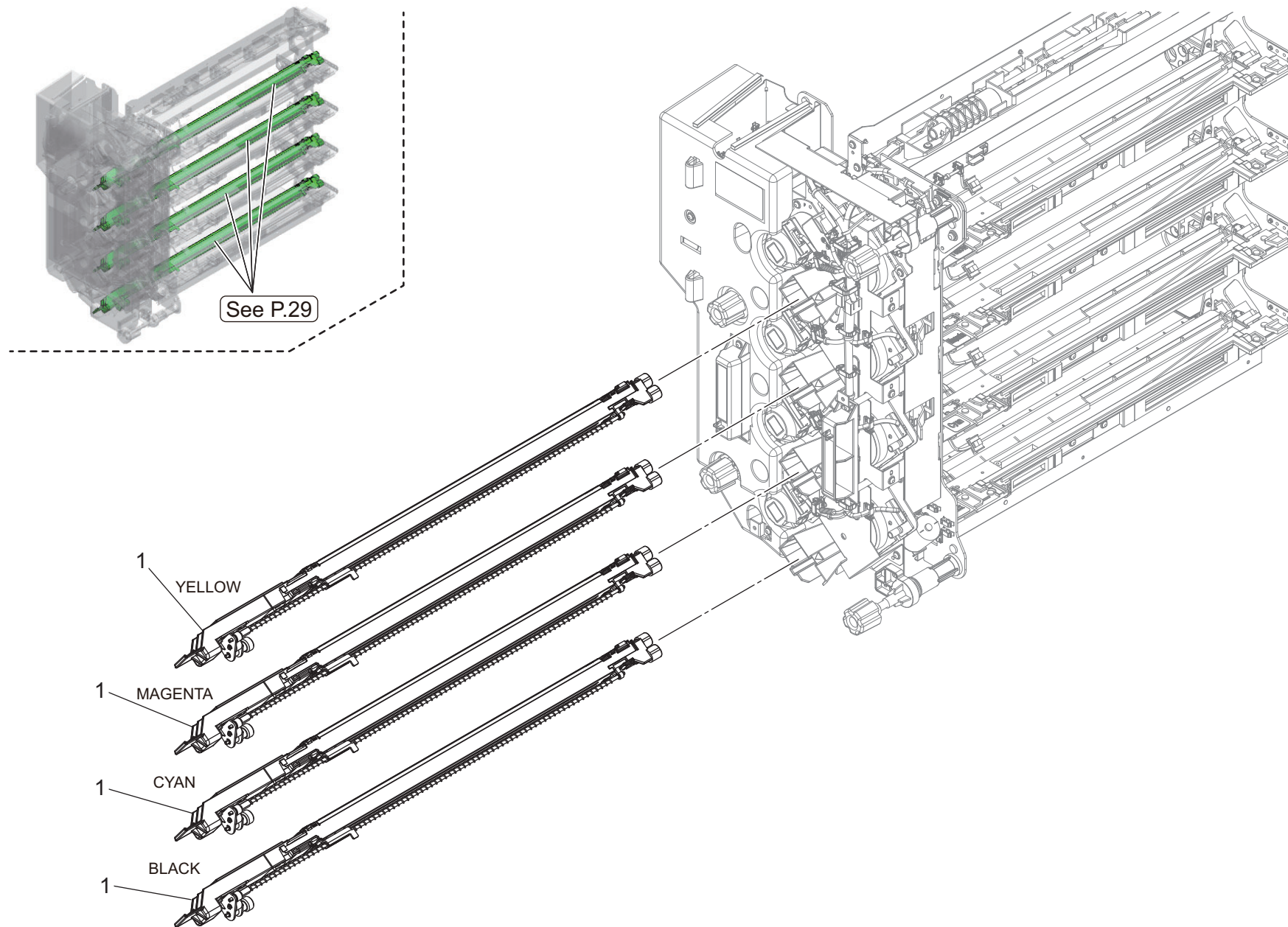
CN664 (C)  
CN665 (K)

PS78 (C)  
PS80 (K)

Key	Part No.	Description	Destinations	Class	QTY	Standard parts
1	40AA32320	Toner Supply Spacer		C	8	a-V118030403 b-V127030604 c-V149030803 d-V151020503 e-V153030803 f-V218040086
2	4470402401	Stopper		D	2	
3	A50UM30101	LED array		D	2	
4	A85CM55600	Photo Sensor		C	2	
5	A92W343000	Pressing Block		D	8	
6	A92W345400	Pressing Spring		D	8	
7	A9VP340300	Positioning Plate		D	2	
8	A9VP349600	Guide Seal		D	2	
9	A9VP347100	Guide Rail		D	2	
10	A9VP347200	Guide Rail		D	2	
11	A9VP347300	Holding Plate /Rear		D	2	
12	A9VP347400	Holding Plate /Front		D	2	
13	A9VP347500	Detecting Lever		D	2	
14	A9VP347601	Detecting Actuator /Front		D	2	
15	A9VP347801	Mounting Plate		D	2	
16	A9VP347900	Torsion Coil spring		D	2	
17	A9VP348000	Holding Plate /Front		D	2	
18	A9VP348100	Charging Seal /Lower		D	2	
19	A9VP348200	Pulling Coil spring		D	2	
20	A9VP348300	Holding Plate /Front		D	2	
21	A9VP348400	Charging Duct /Rear		D	2	
22	A9VP348500	Charging Duct /Front		D	2	
23	A9VP348611	Charging Seal /Rear		D	2	
24	A9VP348700	Charging Seal /Front		D	2	
25	A9VP348900	Charging Seal /Upper		D	2	
26	A9VP349100	Charging Seal /Lower		D	2	
27	A9VP349200	Charging Seal		D	2	
28	A9VPN12600	Detection Relay Harness /1		D	2	

# Charging Section

P 29

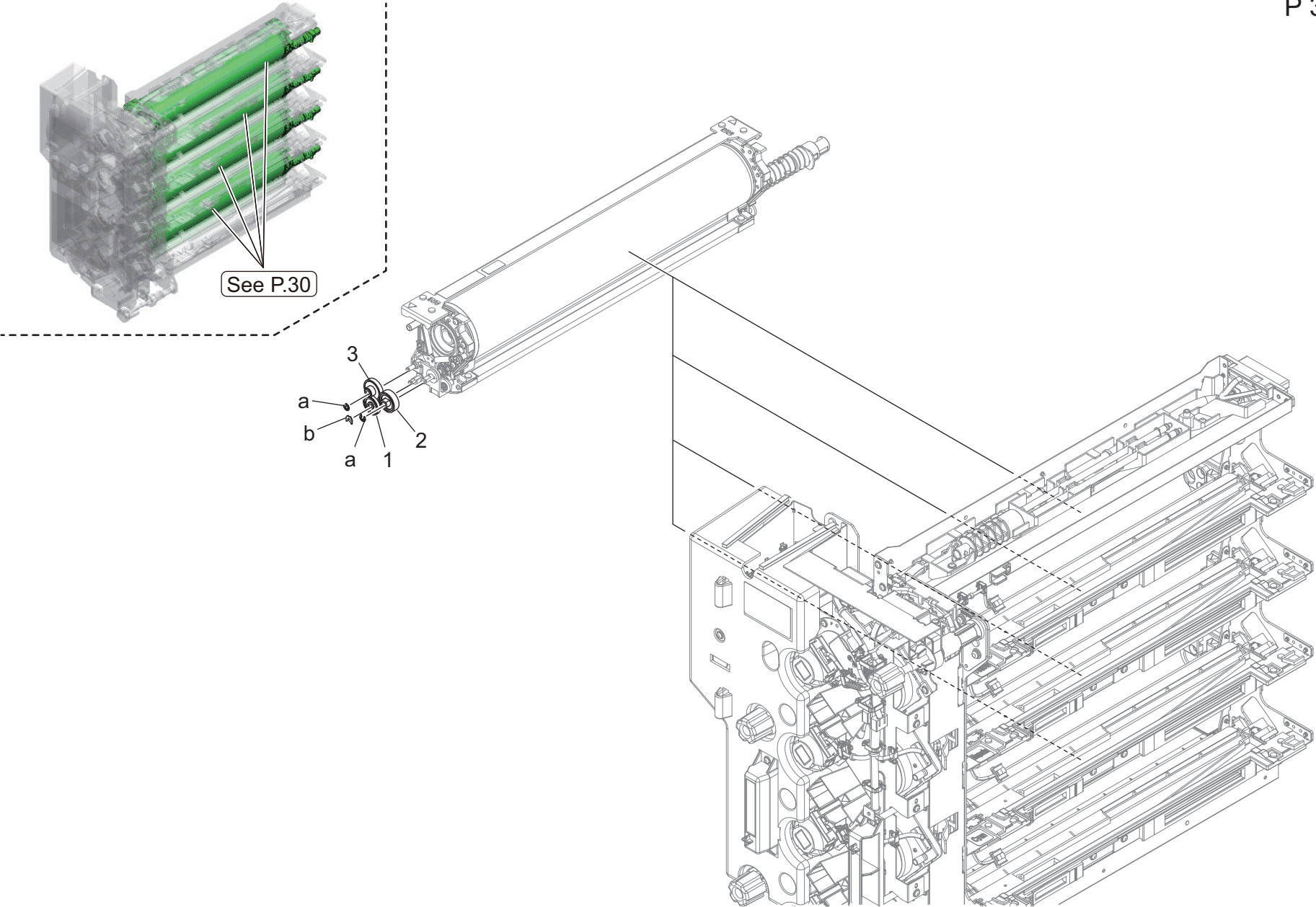


# Charging Section

Key	Part No.	Description	Destinations	Class	QTY	Standard parts
1	A9VPR70300	Charging Corona	B,C	A	4	
1	A9VPR70311	Charging Corona	A	A	4	
1	A9VPR70311	Charging Corona	D1,D3,E,F2,G1,G2,H, I,J,K	A	4	



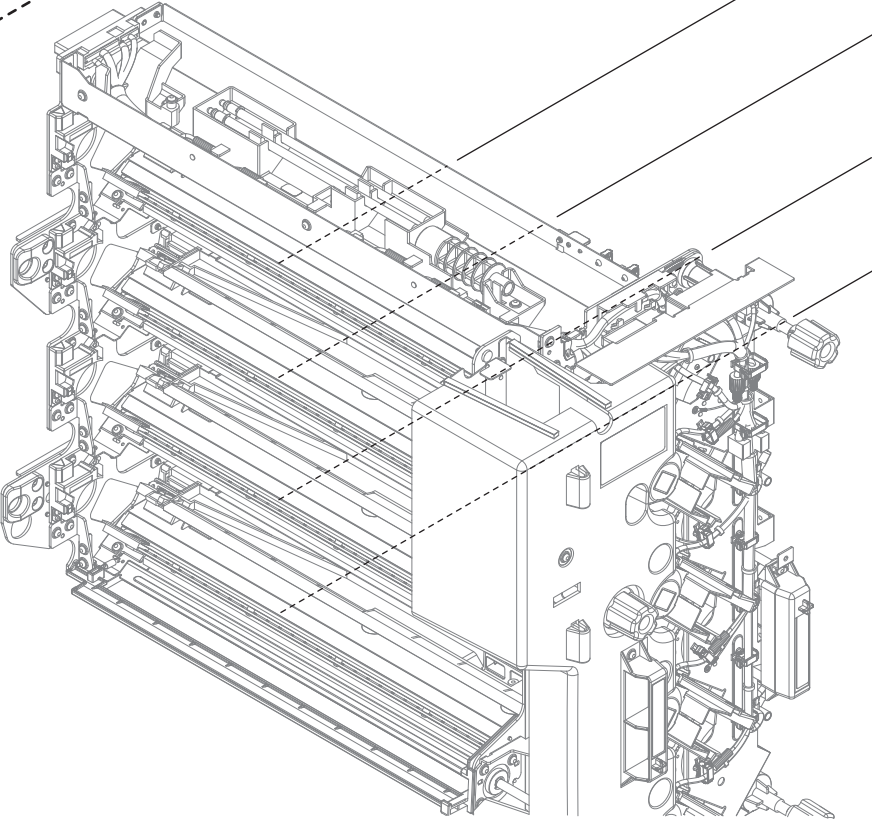
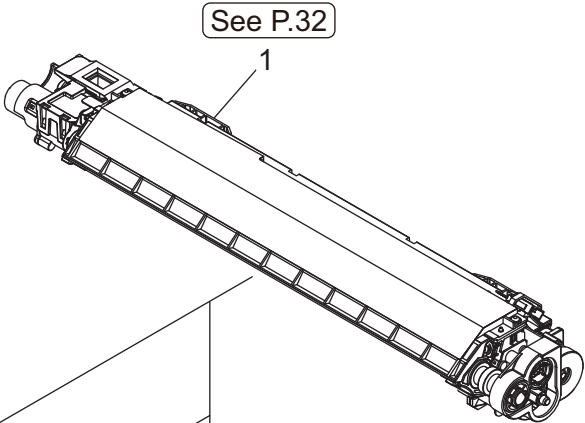
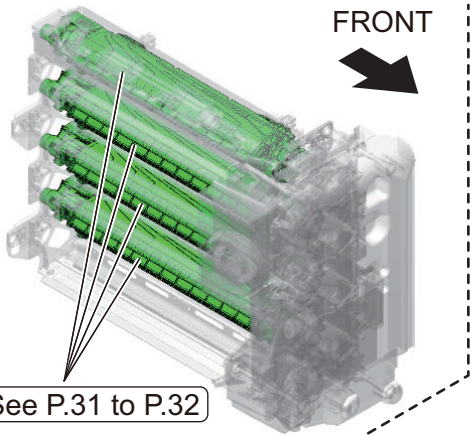
Photo Conductor Section



Key	Part No.	Description	Destinations	Class	QTY	Standard parts
1	A9VP333501	Collection Gear 34T		C	4	a-V217030003 b-V218030086
2	A9VP333600	Cleaning Gear /2 30T		C	4	
3	A9VP339600	Cleaning Idler 31/16T		C	4	



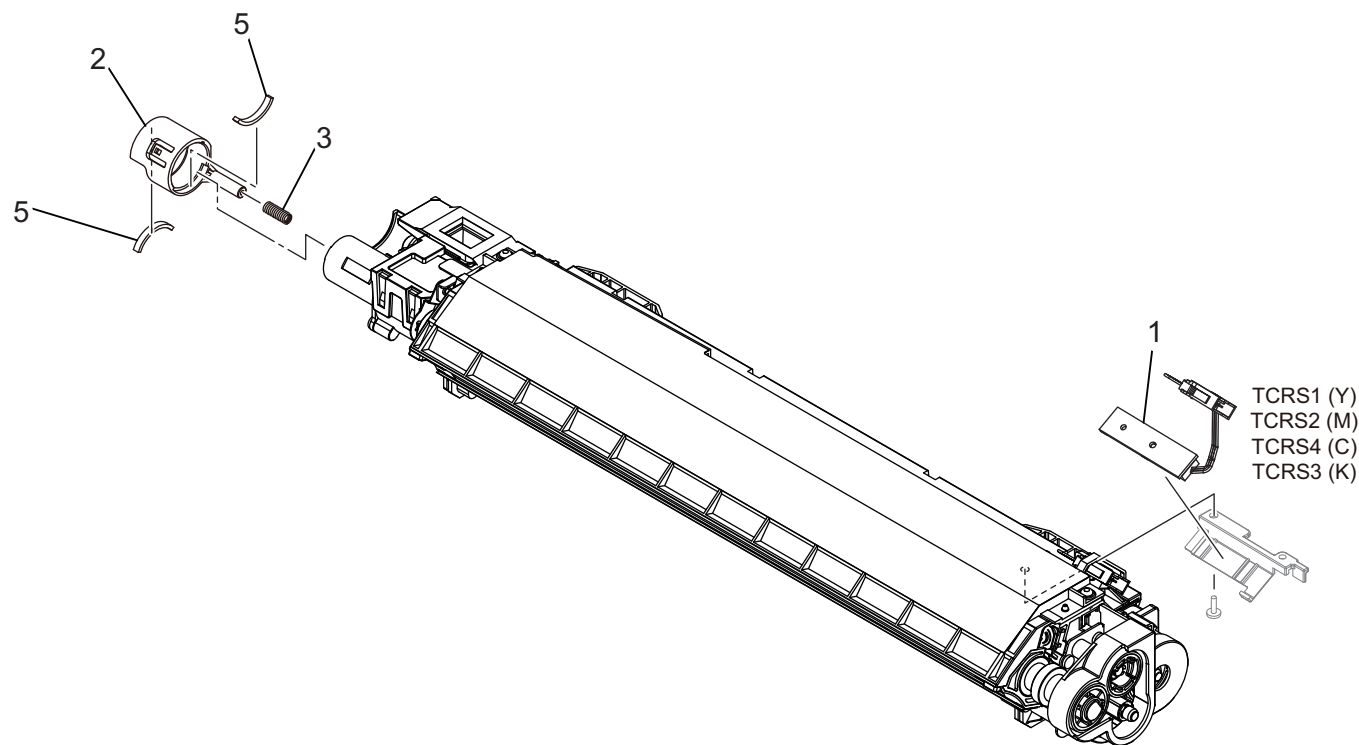
Developing Section



FRONT  
↓

AccurioPress C7090

Key	Part No.	Description	Destinations	Class	QTY	Standard parts
1	A9VPR70444	Developing Unit	A	B	4	
1	A9VPR70444	Developing Unit	B	B	4	
1	A9VPR70444	Developing Unit	C	B	4	
1	A9VPR70444	Developing Unit	D1,D3,E,F2,G1,G2,H, I,J,K	B	4	



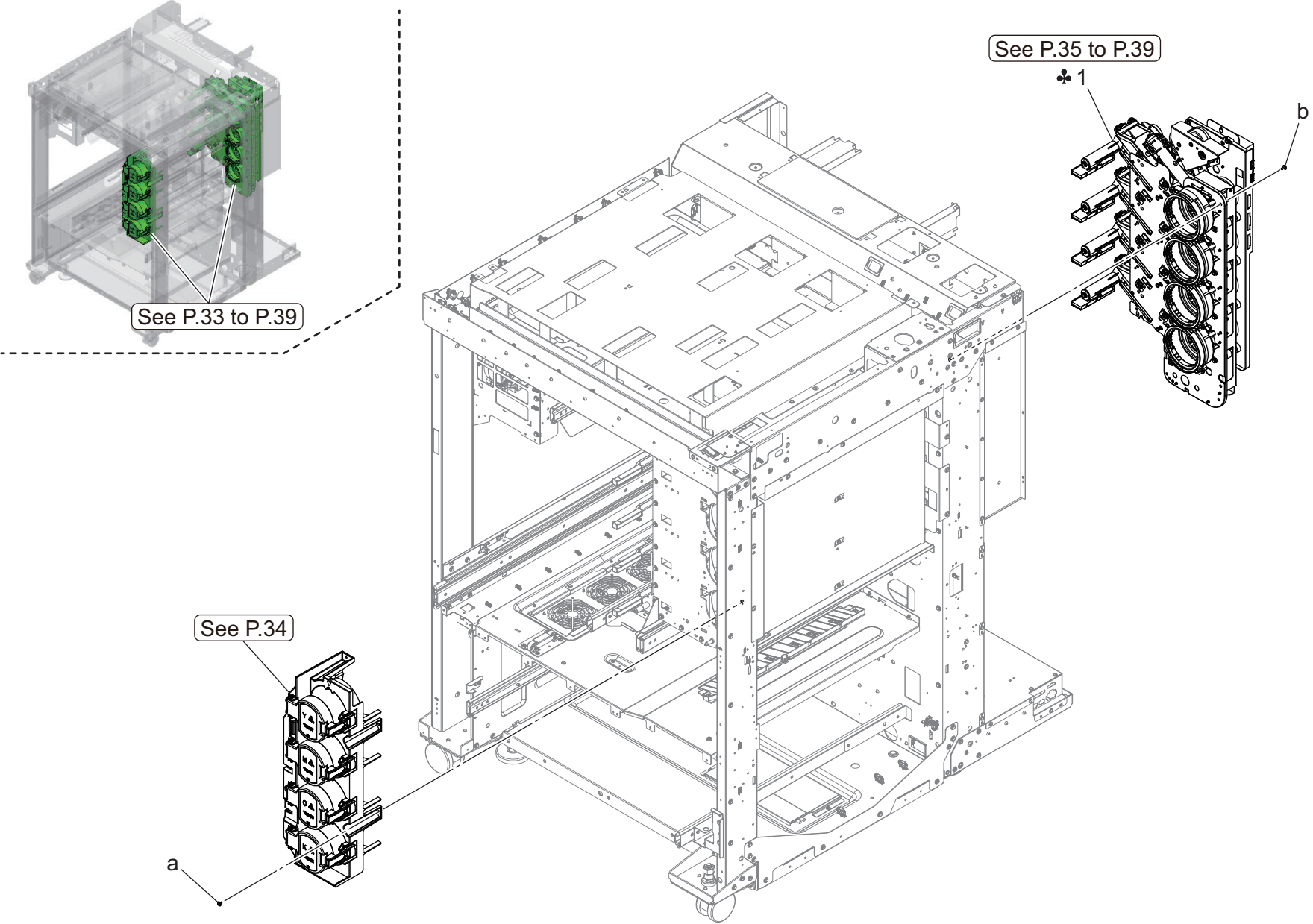
FRONT



AccurioPress C7090

Key	Part No.	Description	Destinations	Class	QTY	Standard parts
1	A0TKH00200	PWB Assembly(PWB-TCR ASSY)	基板 ASSY (PWB-TCR ASSY)	I	4	
2	A50U372902	Collection Cover	回収カバー	D	4	
3	A50U373100	Compressing Coil spring /1	圧縮コイルばね /1	D	4	
5	A50U374501	Seal /J	シール / J	D	8	

# Toner Supply Section

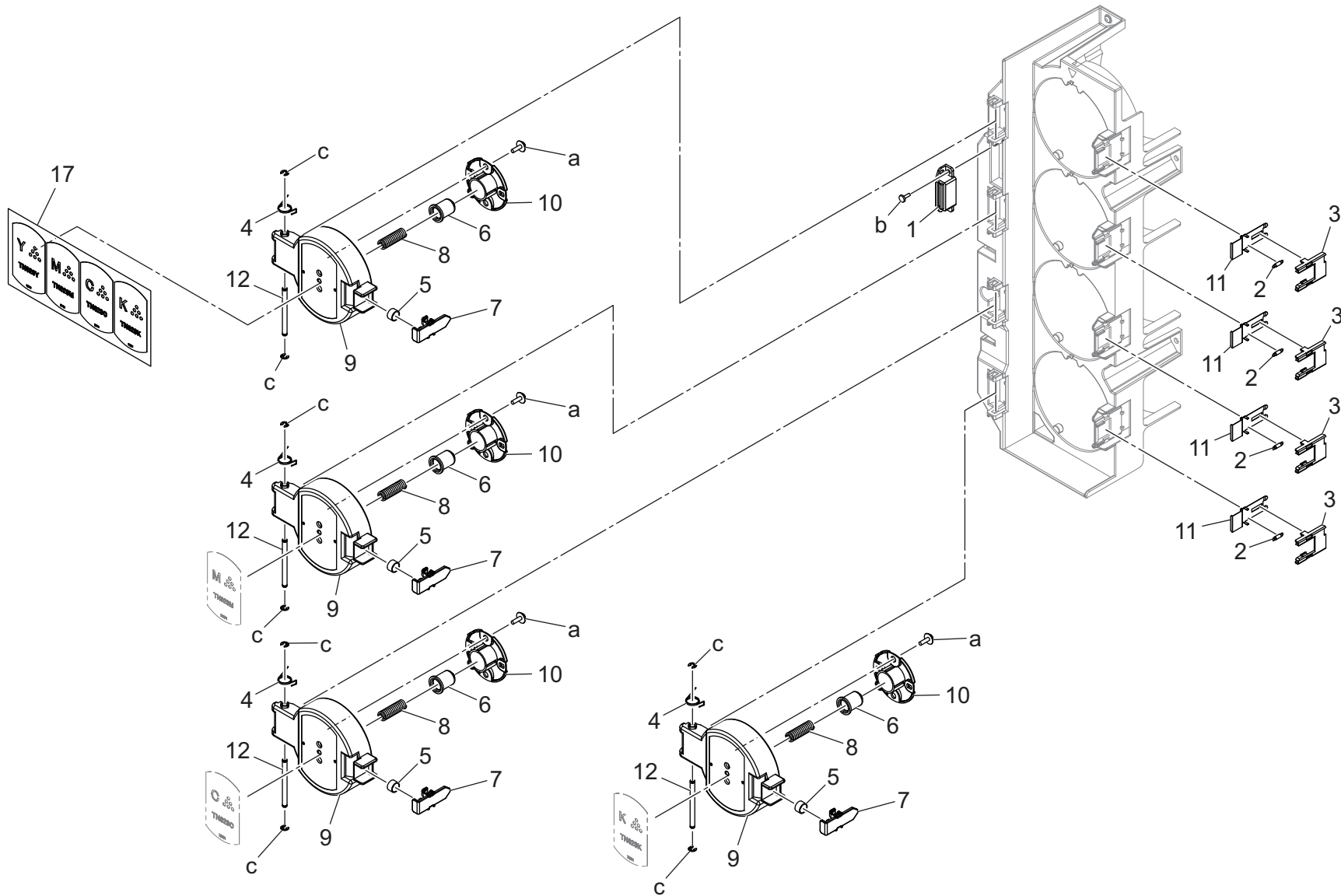


# Toner Supply Section

Key	Part No.	Description	Destinations	Class	QTY	Standard parts
1	A9VPR73100	Toner Supply Unit Assy (JP/EU) トナー補給ユニット A s s y (日本 / 欧州)	A,C,I (SOUTH AFRICA )	S	1	a-V127030604 b-V127030803
1	A9VPR73900	Toner Supply Unit Assy (US) トナー補給ユニット A s s y (北米)	B	S	1	
1	A9VPR77200	Toner Supply Unit Assy トナー補給ユニット A s s y ( A P )	D1,D3,E,F2,G1,G2,H, I(Except SOUTH AFRI CA),K	S	1	
1	A9VPR77300	Toner Supply Unit Assy トナー補給ユニット A s s y (中国)	J	S	1	



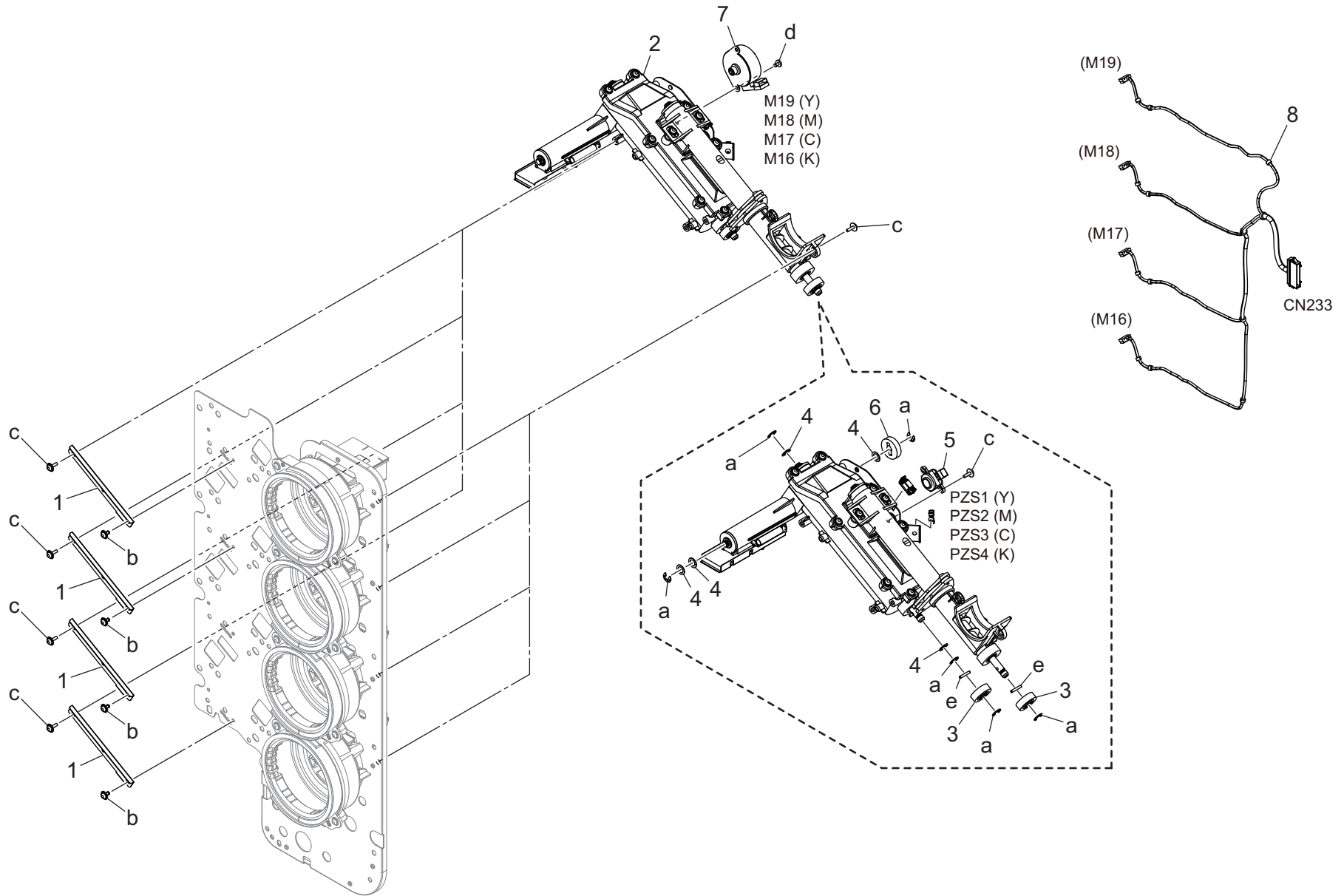
# Toner Supply Section



Key	Part No.	Description	Destinations	Class	QTY	Standard parts	
1	07BA12352	Magnet Catch		C	1	a-V153041003 b-V149030803 c-V217030003	
2	26TA32970	CARTRIDGE REGULATING SPRING		C	4		
3	26TA32990	COVER PART		C	4		
4	A50U408600	Toner supply Open/close Spring /A		D	4		
5	26NA32870	CARTRIDGE PRESSING SPRING 2		C	4		
6	A1RF441500	Pressing Part /Front		D	4		
7	A50U408501	Pressing Handle		D	4		
8	A50U410200	Lock Spring		D	4		
9	A50U440301	Pressing Pedestal /Front		D	4		
10	A50U440601	Pressing Part /Rear		D	4		
11	A85C409600	Regulating Plate		D	4		
12	A9VP403100	Support Shaft		D	4		
17	A9VP944900	Toner supply Label		D	1		



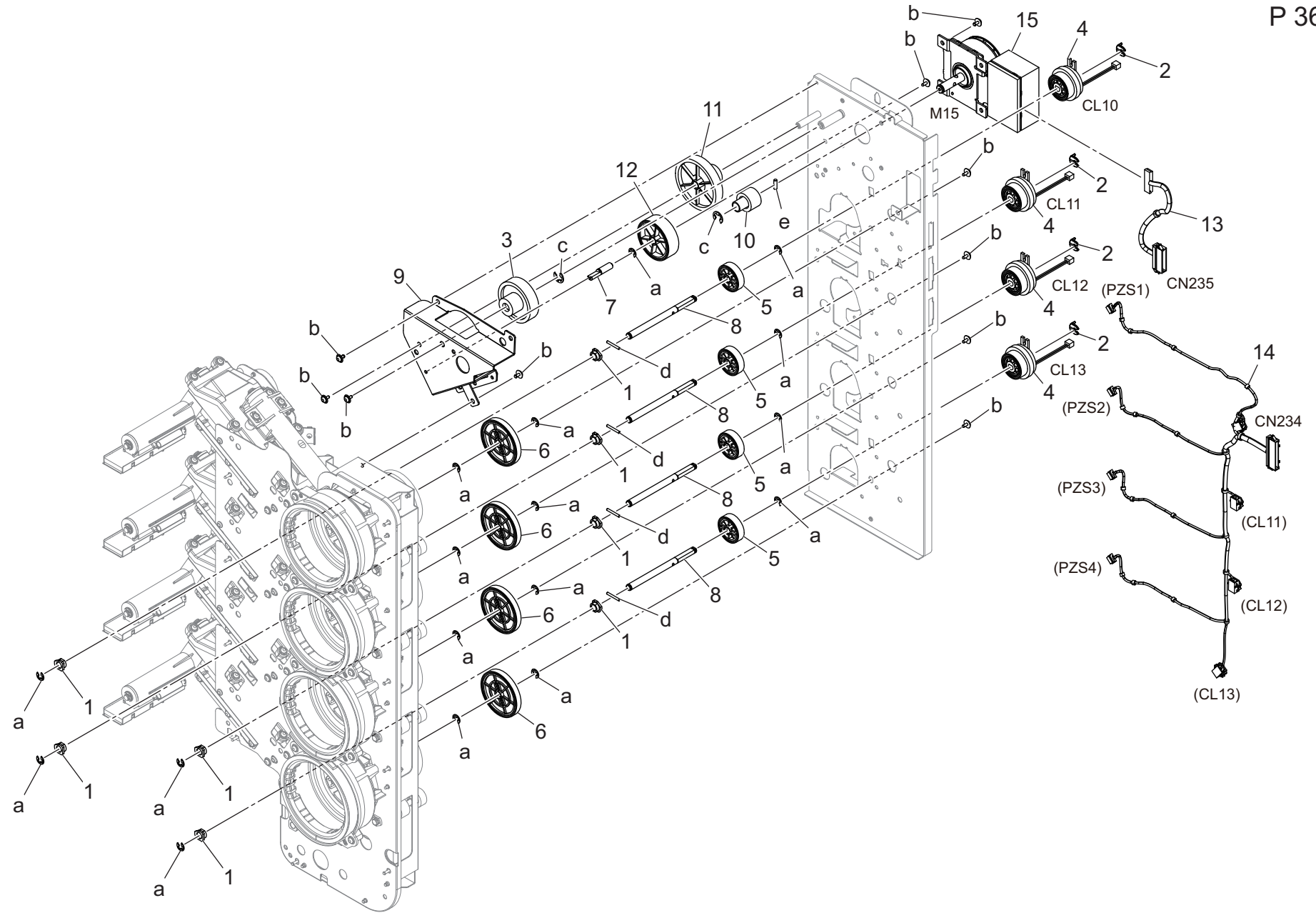
# Toner Supply Section



# Toner Supply Section

Key	Part No.	Description	Destinations	Class	QTY	Standard parts
1	A9VP401000	Fixing Plate		D	4	a-V217040003 b-V127030604 c-V158030803 d-V118030403 e-V234201250
2	A9VPR74900	Toner Conveyance Assy		D	4	
3	A4EU538400	Release Gear /4 15T		C	8	
4	40AA32320	Toner Supply Spacer		C	20	
5	40AA88031	Level Detection Sensor		C	4	
6	65AA78040	AGITATING GEAR A 18T		C	4	
7	A00JM12100	Stepping motor		C	4	
8	A9VPN12100	Toner Harness /1		D	1	

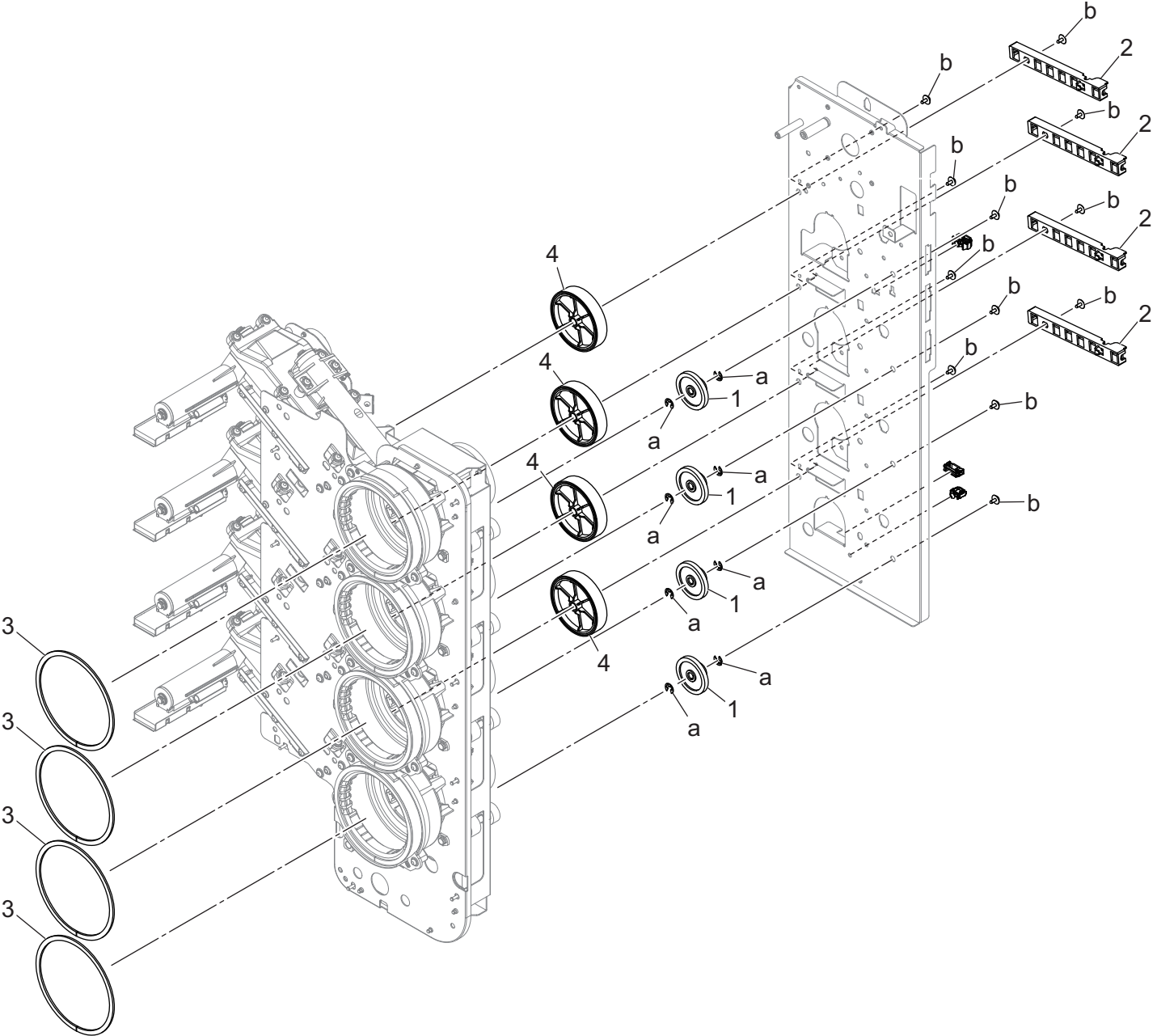
# Toner Supply Section



AccurioPress C7090

Key	Part No.	Description	Destinations	Class	QTY	Standard parts
1	466076020	Paper Feed Feeding Bearing		B	8	a-V217040003 b-V127030604 c-V217060003 d-V234201650 e-V234301050
2	56AA40490	Shaft Stopper /4		C	4	
3	56UA77710	Toner Supply Drive Gear /B 16/40T		C	1	
4	A02EM20200	Clutch		B	4	
5	A50U420400	Toner supply Gear /4 25T		C	4	
6	A50U421000	Toner supply Gear /10 45T		C	4	
7	A9VP401900	Drive Shaft		D	1	
8	A9VP402300	Idler Shaft		D	4	
9	A9VP402800	Support Plate		D	1	
10	A9VP404000	Gear 17T		C	1	
11	A9VP404600	Toner supply Gear /4 17/51T		C	1	
12	A9VP404700	Toner supply Gear /6 39T		C	1	
13	A9VPN11900	Toner Harness /3		D	1	
14	A9VPN12200	Toner Harness /2		D	1	
15	AC57M10600	DC Brushless Motor /50		C	1	

Toner Supply Section

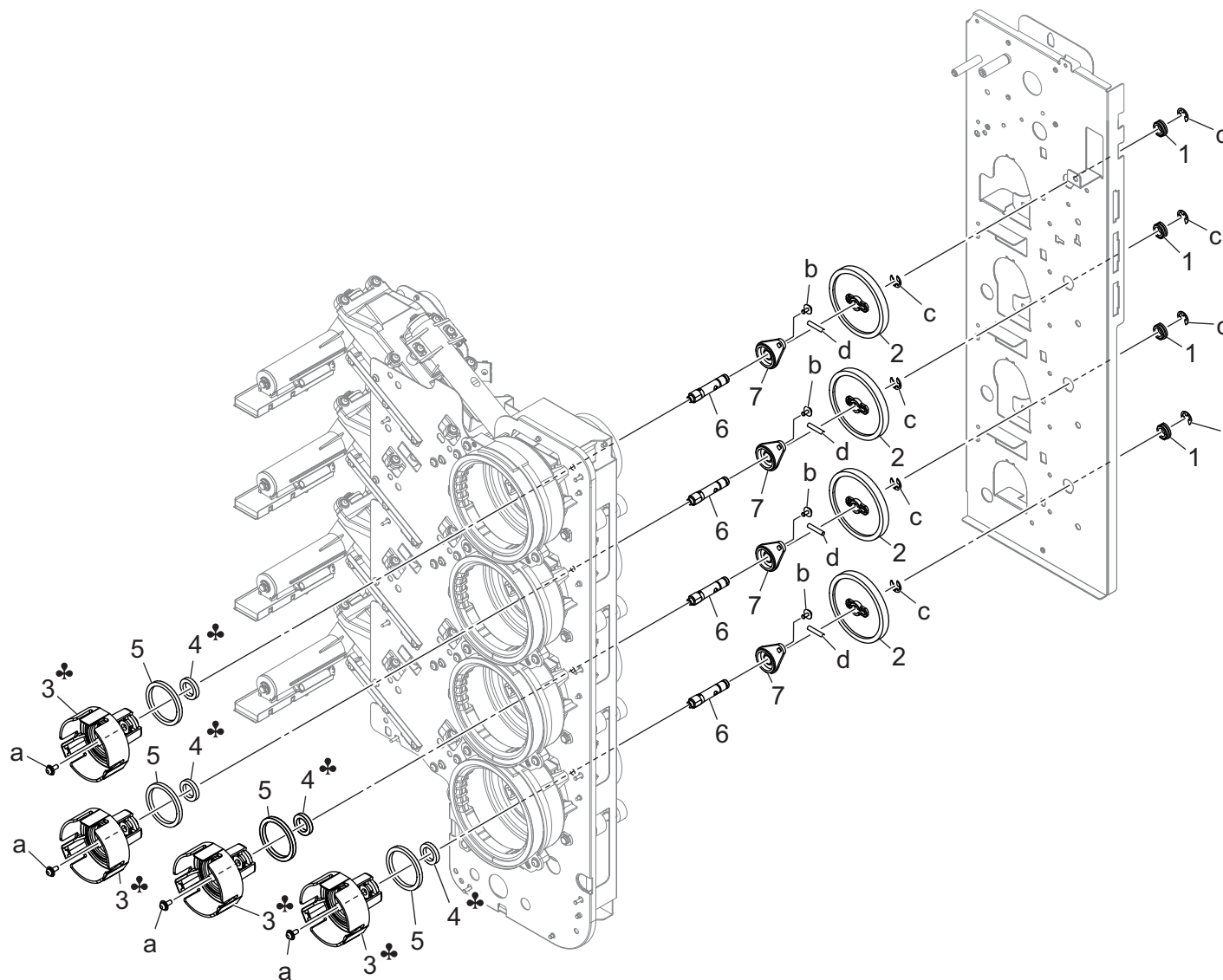


# Toner Supply Section

Key	Part No.	Description	Destinations	Class	QTY	Standard parts
1	25BA77171	Toner Supply Gear /2 13/31T		C	4	a-V217040003 b-V127030604
2	A50U794800	Wiring Part		D	4	
3	A9VP403800	Seal /Rear		D	4	
4	A9VP404400	Toner supply Gear /8 52T		C	4	

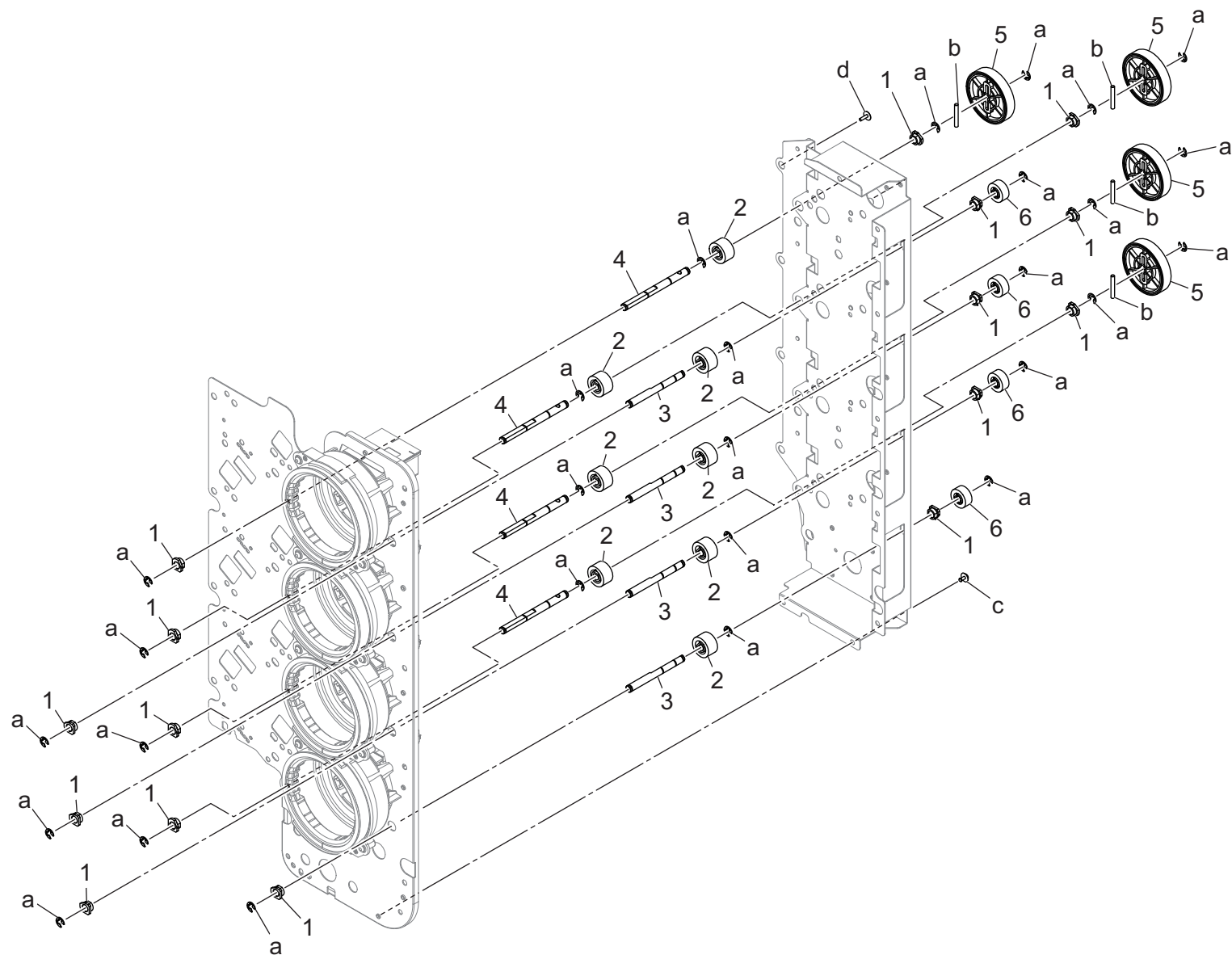


# Toner Supply Section



Key	Part No.	Description	Destinations	Class	QTY	Standard parts
1	26NA32660	TONER SUPPLY SHAFT HOLDER		C	4	a-V116030803 b-V127030604 c-V217050003 d-V234301650
2	65AA77390	Toner Supply Gear /B 56T		C	4	
3	A50U400503	Toner supply Coupling	トナー補給軸受 トナー補給 ギア / B 56 T トナー補給カップリング	D	4	
3	AC57400500	Toner supply Coupling	トナー補給カップリング (CN)	D	4	
4	A50U401200	Holding Seal /A	ホルダシール / A	D	4	
4	AC57401200	Seal	シール	D	4	
5	A50U407600	Toner supply Holding Seal /A	トナー補給ホルダシール / A	D	4	
6	A9VP401800	Connecting Shaft	連結軸	D	4	
6	A9VP406800	Connecting Shaft	連結軸	D	4	
7	A9VP403200	Bushing	すべり軸受	D	4	

# Toner Supply Section

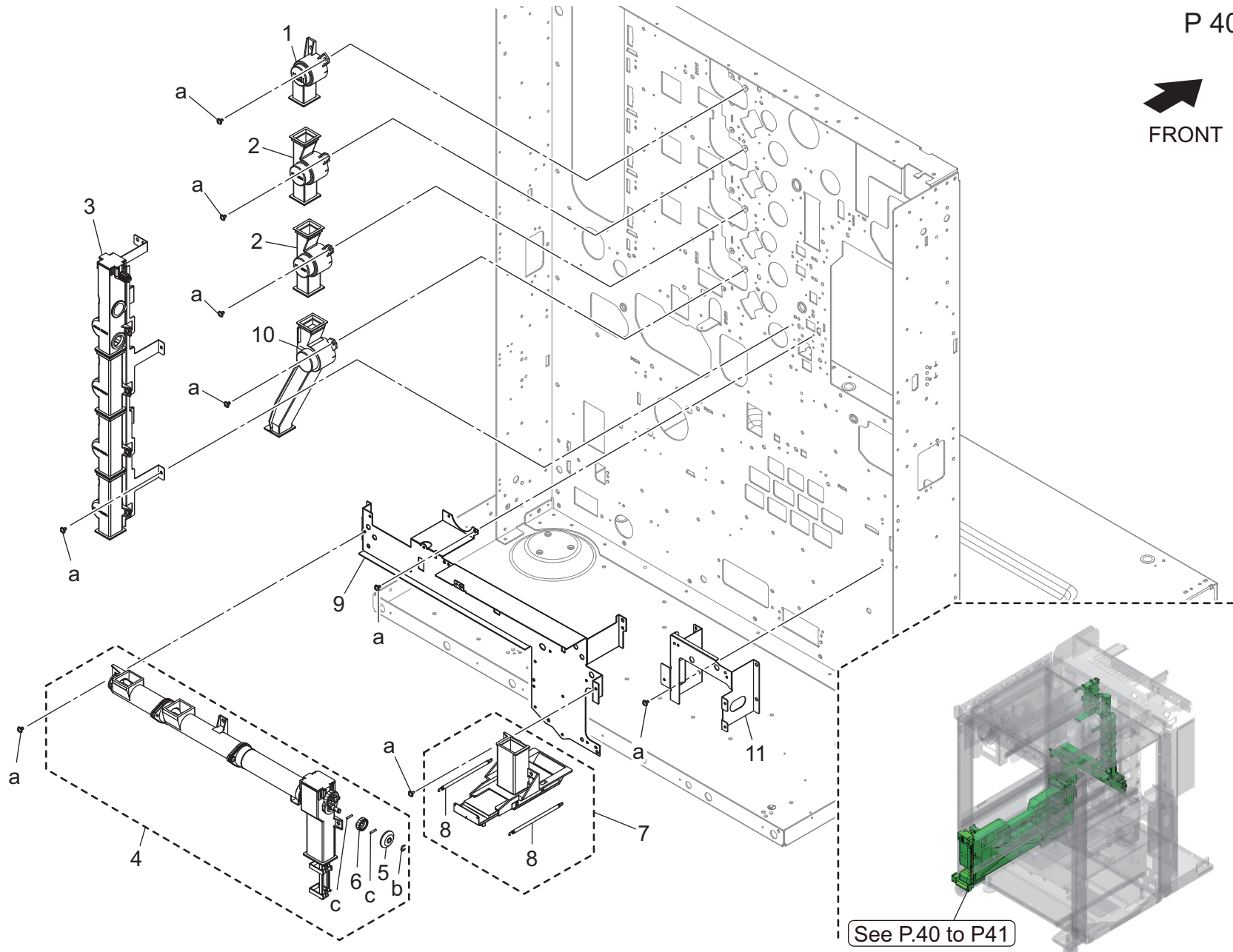


# Toner Supply Section

Key	Part No.	Description	Destinations	Class	QTY	Standard parts
1	466076020	Paper Feed Feeding Bearing		B	16	a-V217040003 b-V234302250 c-V127030604 d-V158030803
2	56AA77330	Screw Gear 15T		C	8	
3	A50U404200	Drive Shaft /C		D	4	
4	A9VP404900	Drive Shaft		D	4	
5	A9VP404500	Toner supply Gear /10 45T		C	4	
6	A9VP404800	Gear 15T		C	4	

# Toner Collection Section

P 40

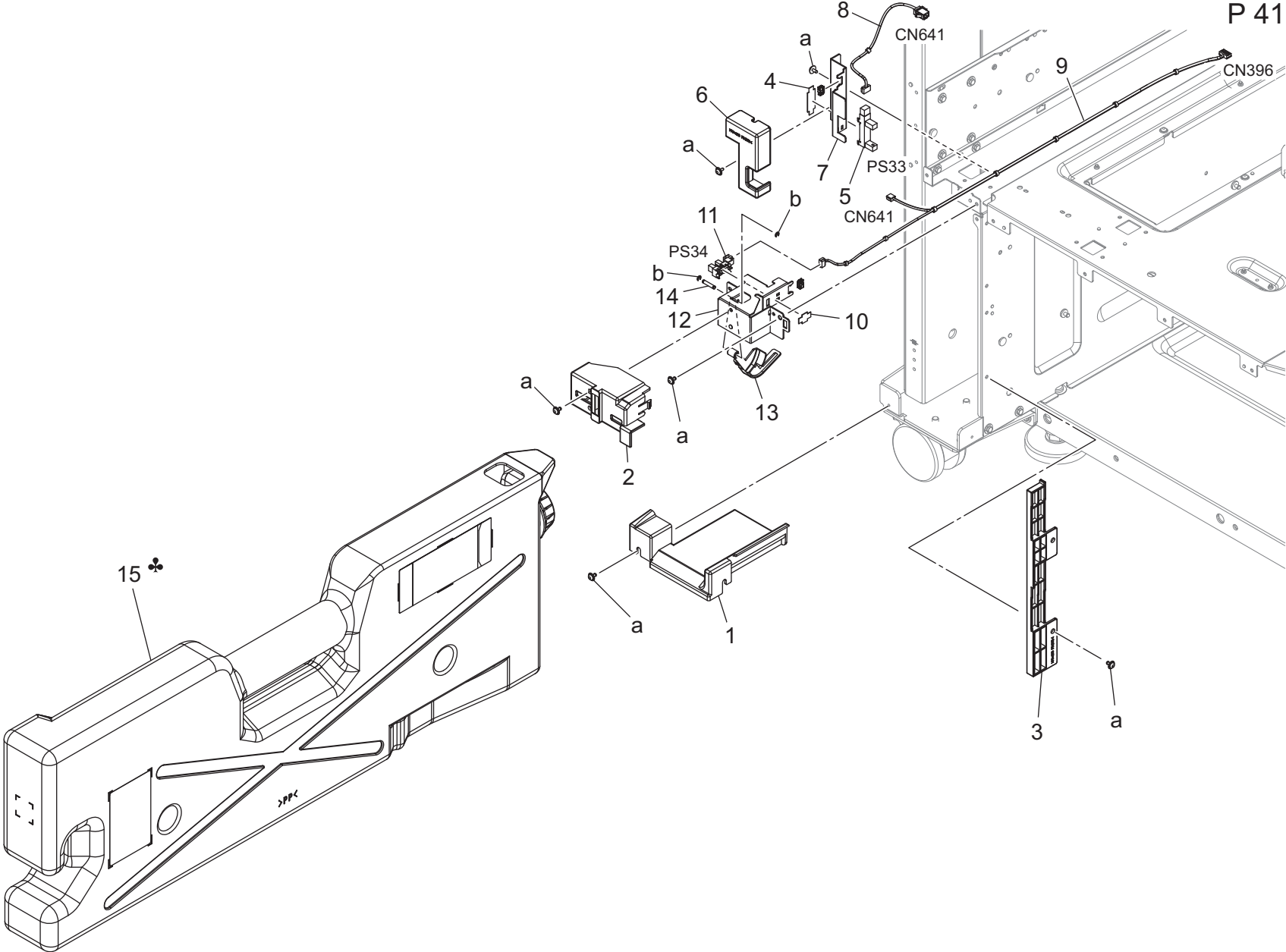


See P.40 to P41

AccurioPress C7090

Key	Part No.	Description	Destinations	Class	QTY	Standard parts
1	A9VPR74300	Collection Pipe / 4 Assy		D	1	a-V127030604 b-V217040003 c-V234201050
2	A9VPR74400	Collection Pipe / 6 Assy		D	2	
3	A9VPR74800	Collection Pipe Assy		D	1	
4	A50UR70W23	Toner Collection Conveyance Assy		S	1	
5	A50U361900	Collection Gear / 2 14T		C	1	
6	A50U365400	Collection Gear 19T		C	1	
7	A50UF36500	Toner Collection Gate ASSY		D	1	
8	A50U363300	Open/close Spring		D	2	
9	A9VP360500	Collection Plate		D	1	
10	A9VPR75000	Collection Pipe / 5 Assy		D	1	
11	A9VP361800	Support Plate		D	1	

# Toner Collection Section



AccurioPress C7090

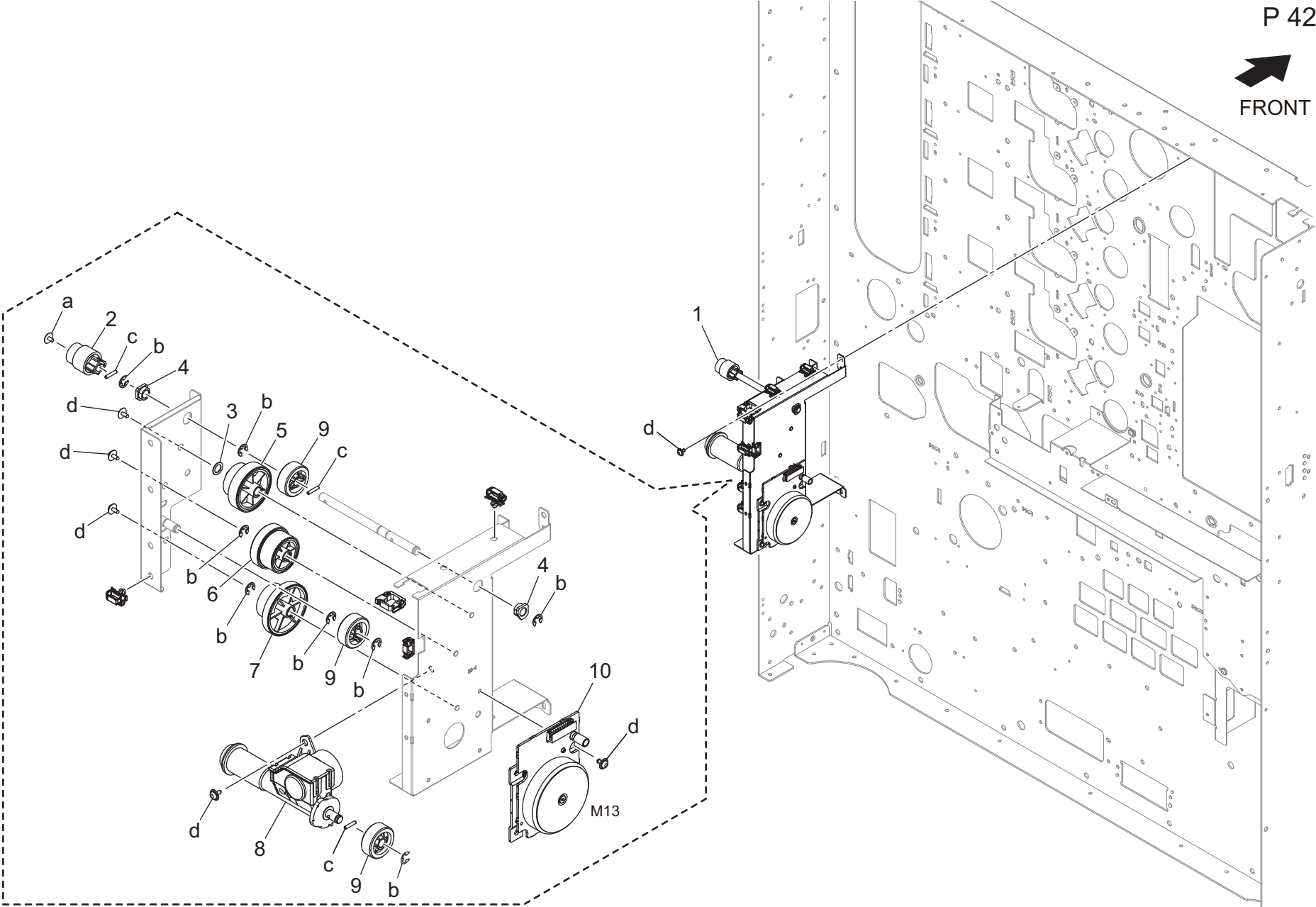
Toner Collection Section

Key	Part No.	Description	Destinations	Class	QTY	Standard parts
1	A50U363400	Protection Cover /Lower		D	1	a-V127030604 b-V217020003
2	A50U363701	Cover Outside		D	1	
3	A50U369900	Cover /Front		D	1	
4	4004457301	Stopper		D	1	
5	9335140051	Solid State Switch		B	1	
6	A50U366800	Cover /2		D	1	
7	A50U367400	Cover		D	1	
8	A50UN11801	Detection Relay harness /3		D	1	
9	A9VPN12001	Detection Relay Harness /1		D	1	
10	4470402401	Stopper		D	1	
11	A50UM51000	Photointerrupter		C	1	B,C,D1,D3,E,F2,G1,G 2,H,I,K,J
12	A9VP363300	Support Plate		D	1	
13	A9VP363400	Detecting Part		D	1	
14	A9VP363500	Collection Shaft		D	1	
15	A9VPR70100	Waste Toner Box		A	1	
15	A9VPR76500	Waste Toner Box		A	1	



# Toner Collection Driving Section

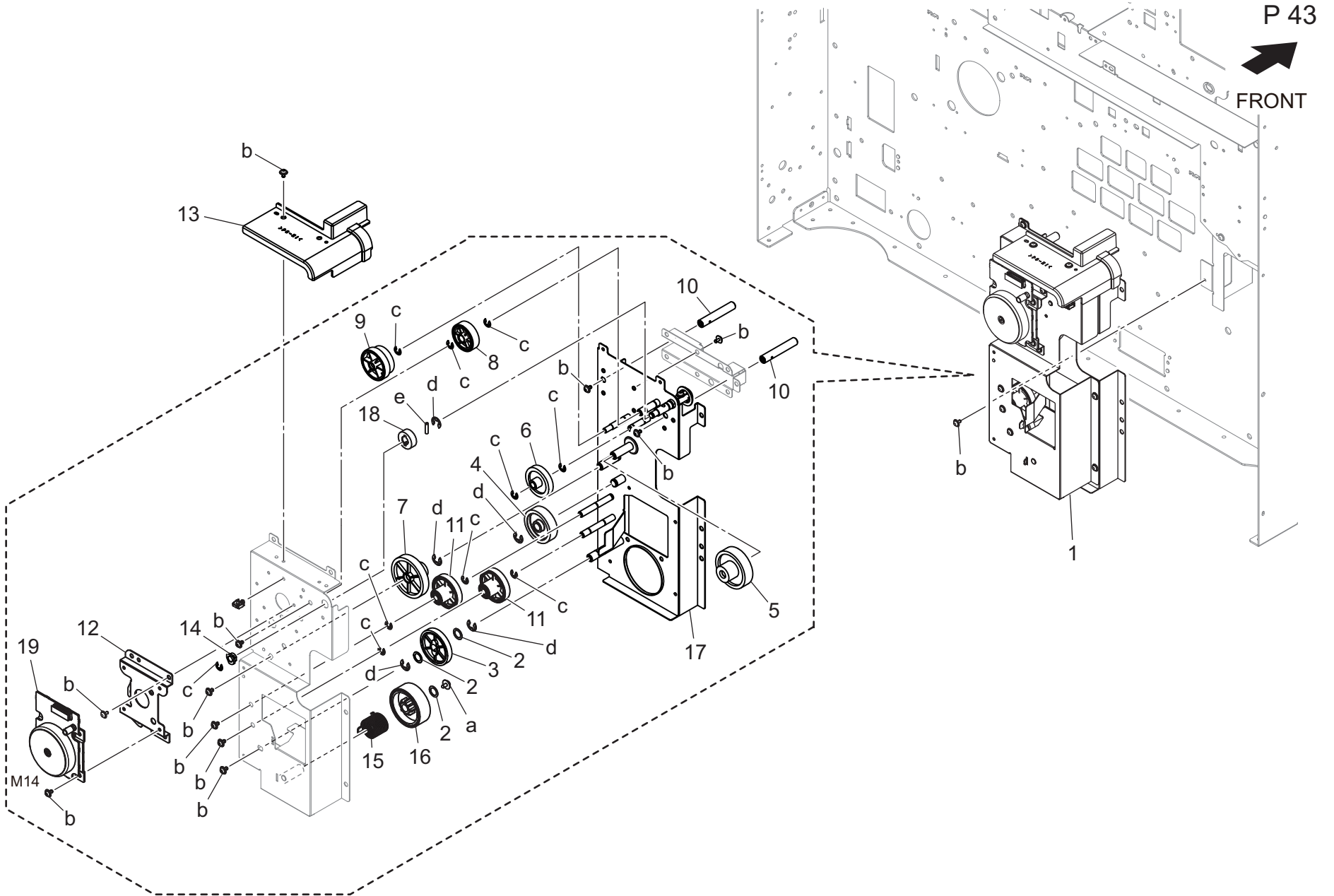
P 42



AccurioPress C7090

Key	Part No.	Description	Destinations	Class	QTY	Standard parts
1	A9VPR72500	Collection Drive Assy		S	1	a-V121030403 b-V217040003 c-V234201050 d-V127030604
2	A1RF372300	Agitating Coupling /1		D	1	
3	40AA32320	Toner Supply Spacer		C	1	
4	466076020	Paper Feed Feeding Bearing		B	2	
5	A50U361200	Collection Gear /3 32/22T		C	1	
6	A50U361401	Collection Gear /2 29/25T		C	1	
7	A9VP361100	Collection Gear /1 73/23T		C	1	
8	A50UR71111	Collection Pipe / 1 Assy		D	1	
9	A1RG569900	Suction Gear /2 21T		C	3	
10	A9JTM10200	Drum Motor		B	1	

# Toner Collection Driving Section



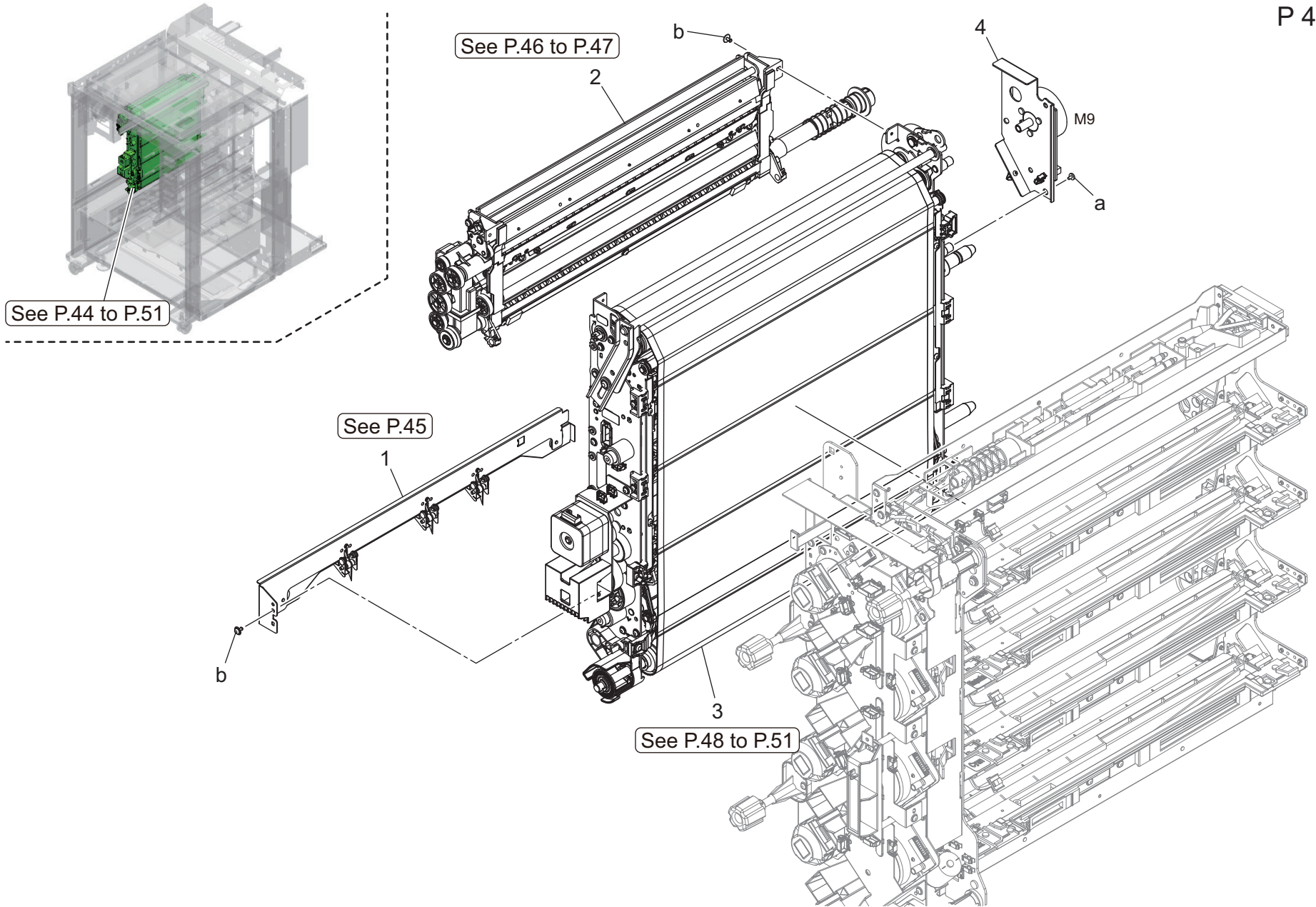
AccurioPress C7090

# Toner Collection Driving Section

Key	Part No.	Description	Destinations	Class	QTY	Standard parts
1	A9VPR72300	Toner Collection Drive Assy		S	1	a-V127030604 b-V127040603 c-V217040003 d-V217060003 e-V234301250
2	13QA40610	Gear Spacer		C	3	
3	4038254001	GEAR 37T		C	1	
4	55GA77050	Conveyance Drive Gear /2 35T		B	1	
5	56UA77710	Toner Supply Drive Gear /B 16/40T		C	1	
6	65AA77410	Toner Supply Gear /D 31T		C	1	
7	A1RF368500	Collection Gear 14/43T		C	1	
8	A1UD210500	Gear 28T		C	1	
9	A9VP360700	Collection Gear /1 62/28T		C	1	
10	A9VP360800	Positioning Shaft		D	2	
11	A50U362200	Gear /1 34/14T		C	2	
12	A9VP360600	Drive Plate		D	1	
13	A50U366011	Protection Cover		D	1	
14	466076020	Paper Feed Feeding Bearing		B	1	
15	A50U365600	Collection Spring		D	1	
16	A50U367001	Collection Coupling		D	1	
17	A9VP360400	Mounting Plate		D	1	
18	56UA77280	ADU Conveyance Gear 17T		C	1	
19	A9JTM10200	Drum Motor		B	1	

# Intermediate Transfer Section

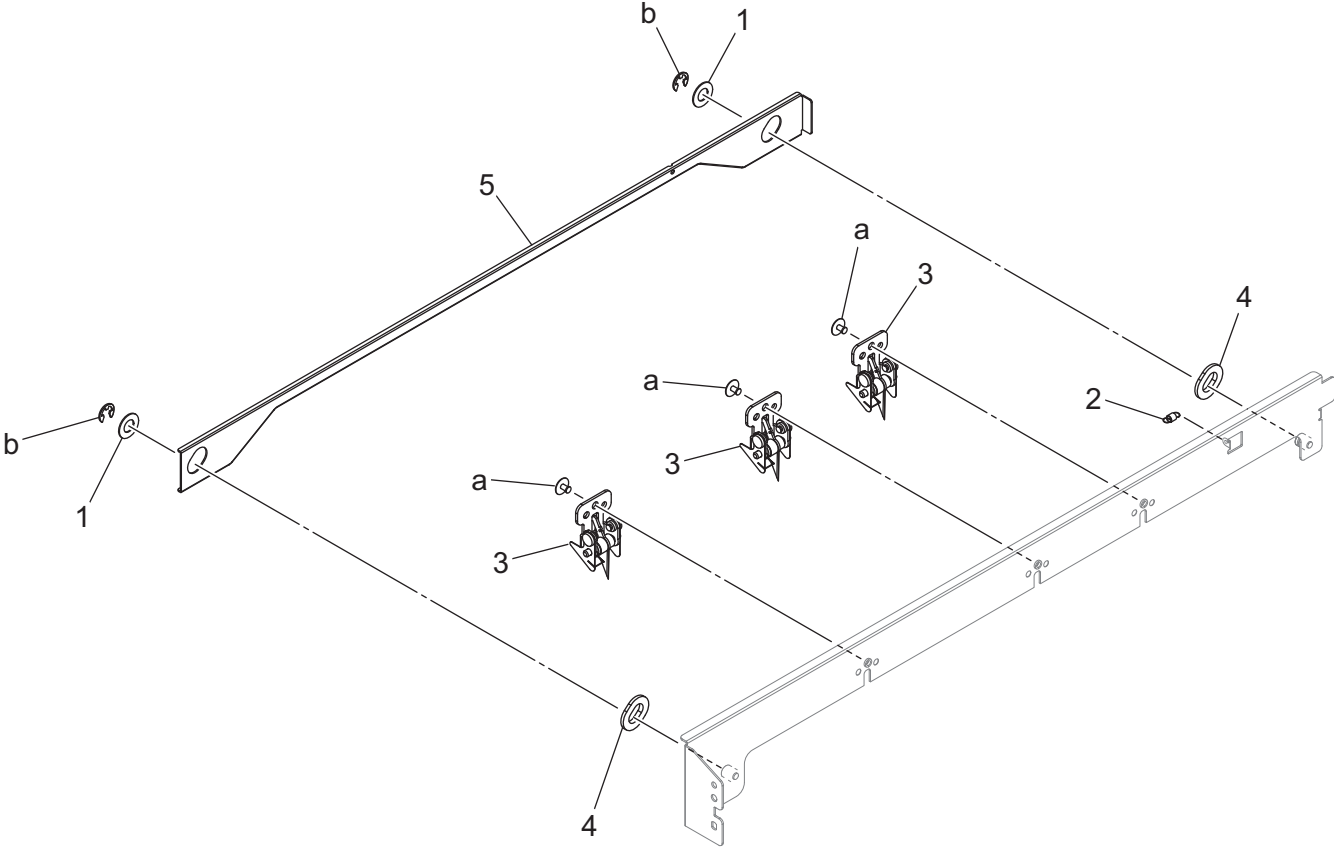
P 44



Intermediate Transfer Section

Key	Part No.	Description	Destinations	Class	QTY	Standard parts
1	A50UR71P22	Separating Claw Unit 分離爪ユニット		I	1	a-V118030403 b-V127030604
2	A9VPR71422	Transfer Belt Cleaning Unit 転写ベルトクリーニングユニット		A	1	
3	A9VPR71511	Middle Transfer Assy 中間転写 A s s y		I	1	
4	A9VPR73511	Drive Motor Assy 駆動モータ A s s y		C	1	

Intermediate Transfer Section



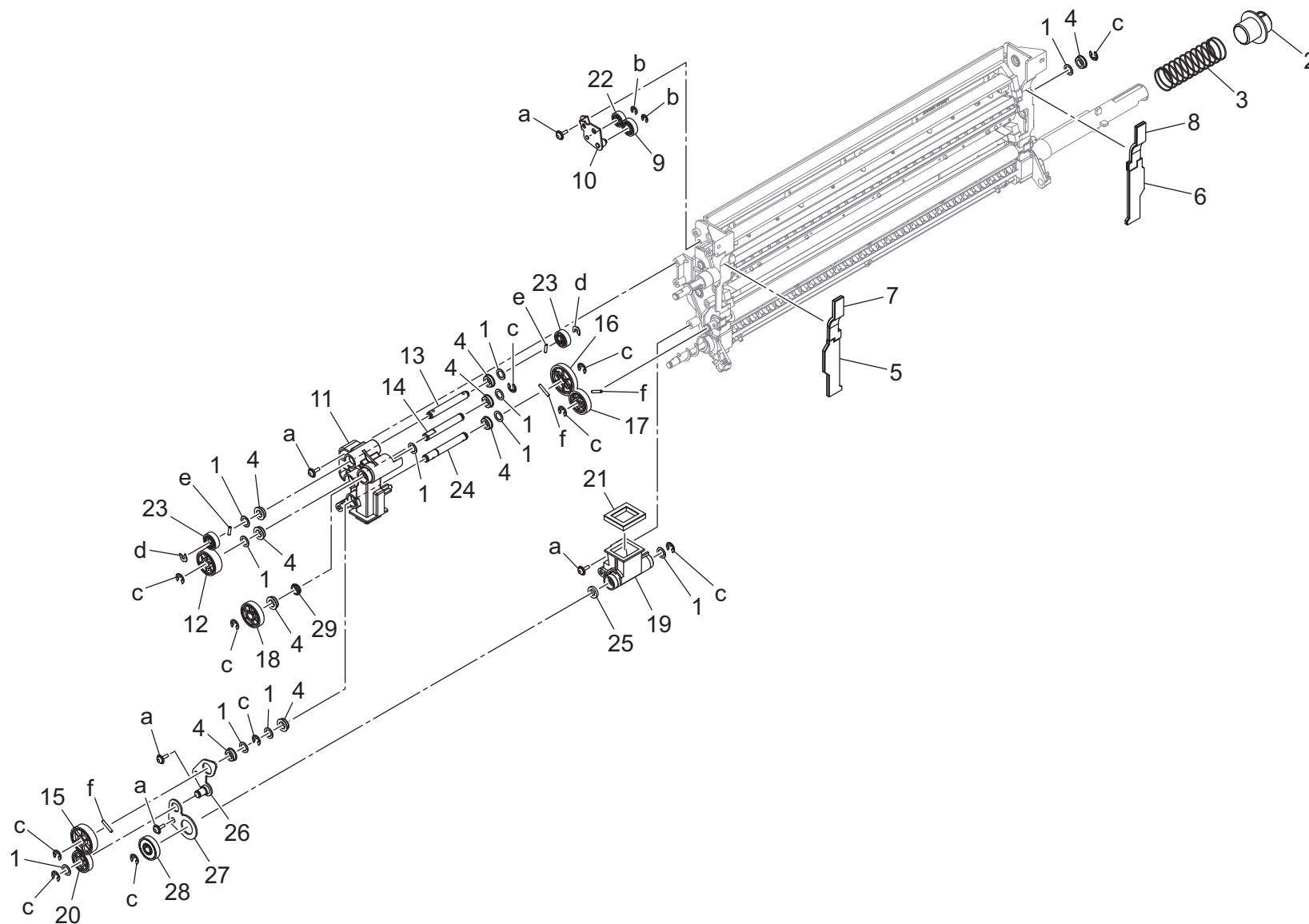
# Intermediate Transfer Section

Key	Part No.	Description	Destinations	Class	QTY	Standard parts
1	07BA15871	Spacer /A		C	2	a-V121030403 b-V217040003
2	65AA26600	Slide Spring		C	1	
3	A1DUR71900	Separation Claw Assy		B	3	
4	A50U503200	Bushing		D	2	
5	A50U506900	Release Plate		D	1	



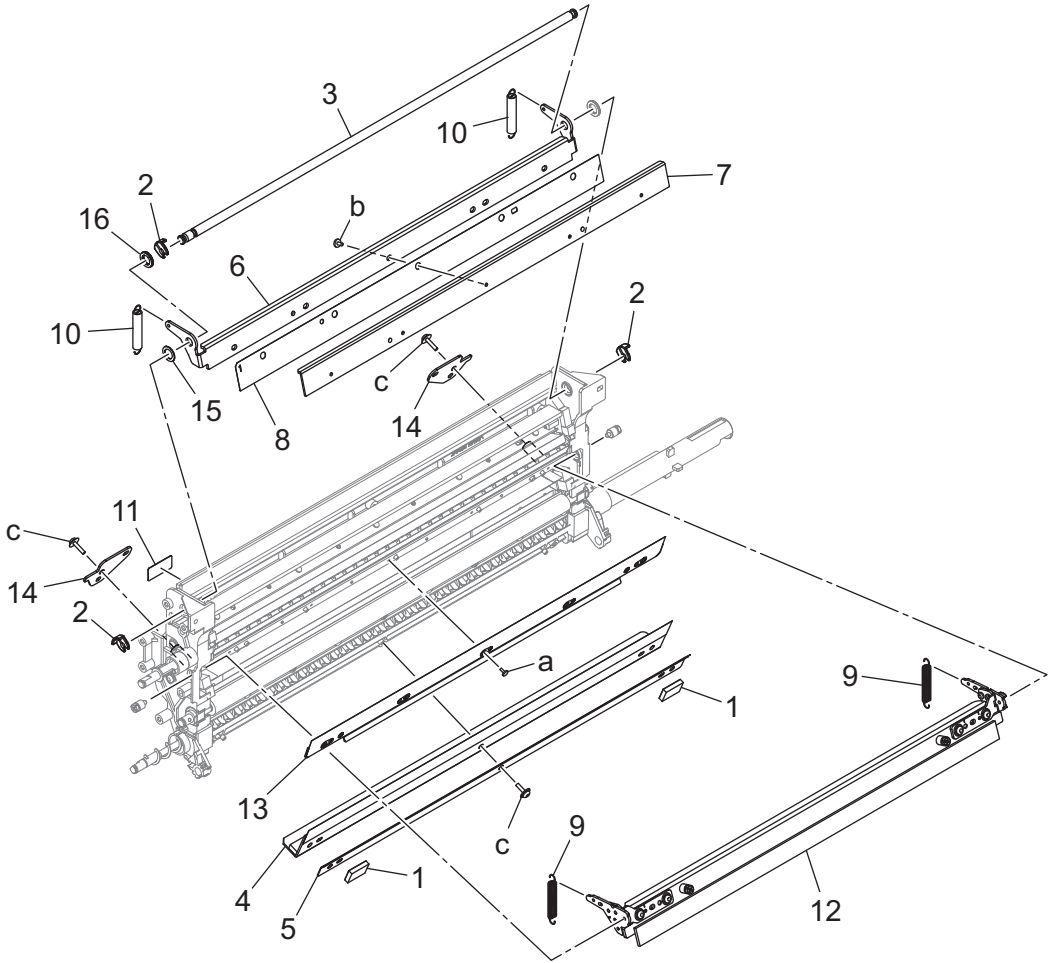
# Intermediate Transfer Section

P 46



Key	Part No.	Description	Destinations	Class	QTY	Standard parts
1	40AA32320	Toner Supply Spacer		C	11	a-V158030803 b-V217030003 c-V217040003 d-V218030086 e-V234200850 f-V234201250
2	65AA20060	COLLECTING COVER		C	1	
3	65AA20300	TONER COLLECTING SPRING		C	1	
4	A9CE716000	Ball bearing /S		C	9	
5	A9VP534900	Lower Side Seal/Fr		A	1	
6	A9VP535000	Lower Side Seal/Rr		A	1	
7	A9VP535100	Upper Side Seal/Fr		A	1	
8	A9VP535200	Upper Side Seal/Rr		A	1	
9	A9VP545100	Gear /1 22T		C	1	
10	A9VP545200	Mounting Plate		D	1	
11	A9VP545302	Collection Pipe /Upper		D	1	
12	A9VP545400	Gear /2 35T		C	1	
13	A9VP545500	Drive Shaft /1		D	1	
14	A9VP545600	Drive Shaft /6		D	1	
15	A9VP545700	Gear /3 40T		C	1	
16	A9VP545800	Gear /4 33T		C	1	
17	A9VP545900	Gear /5 25T		C	1	
18	A9VP546000	Gear /7 35T		C	1	
19	A9VP546100	Collection Pipe /Lower		D	1	
20	A9VP546200	Gear /6 31T		C	1	
21	A9VP546300	Collection Seal /1		D	1	
22	A9VP546400	Gear /1 19T		C	1	
23	A9VP546500	Gear /2 22T		C	2	
24	A9VP546600	Drive Shaft /4		D	1	
25	A9VP546700	Cleaning Seal /2		D	1	
26	A9VP546800	Positioning Lever		D	1	
27	A9VP546900	Positioning Lever /1		D	1	
28	A9VP547100	Gear /8 32T		C	1	
29	A9VP547900	Rotation Roll		D	1	

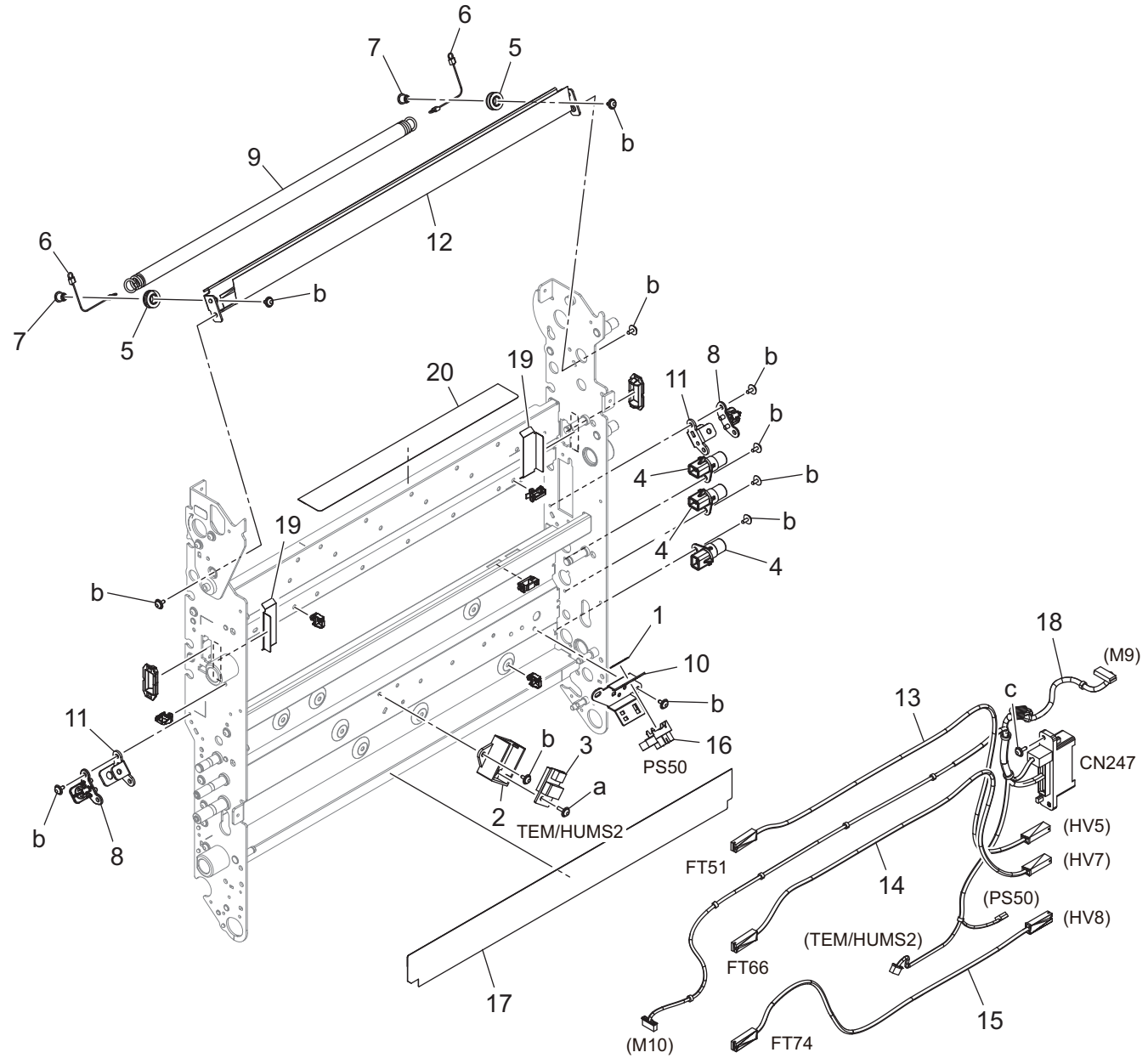
Intermediate Transfer Section



Intermediate Transfer Section

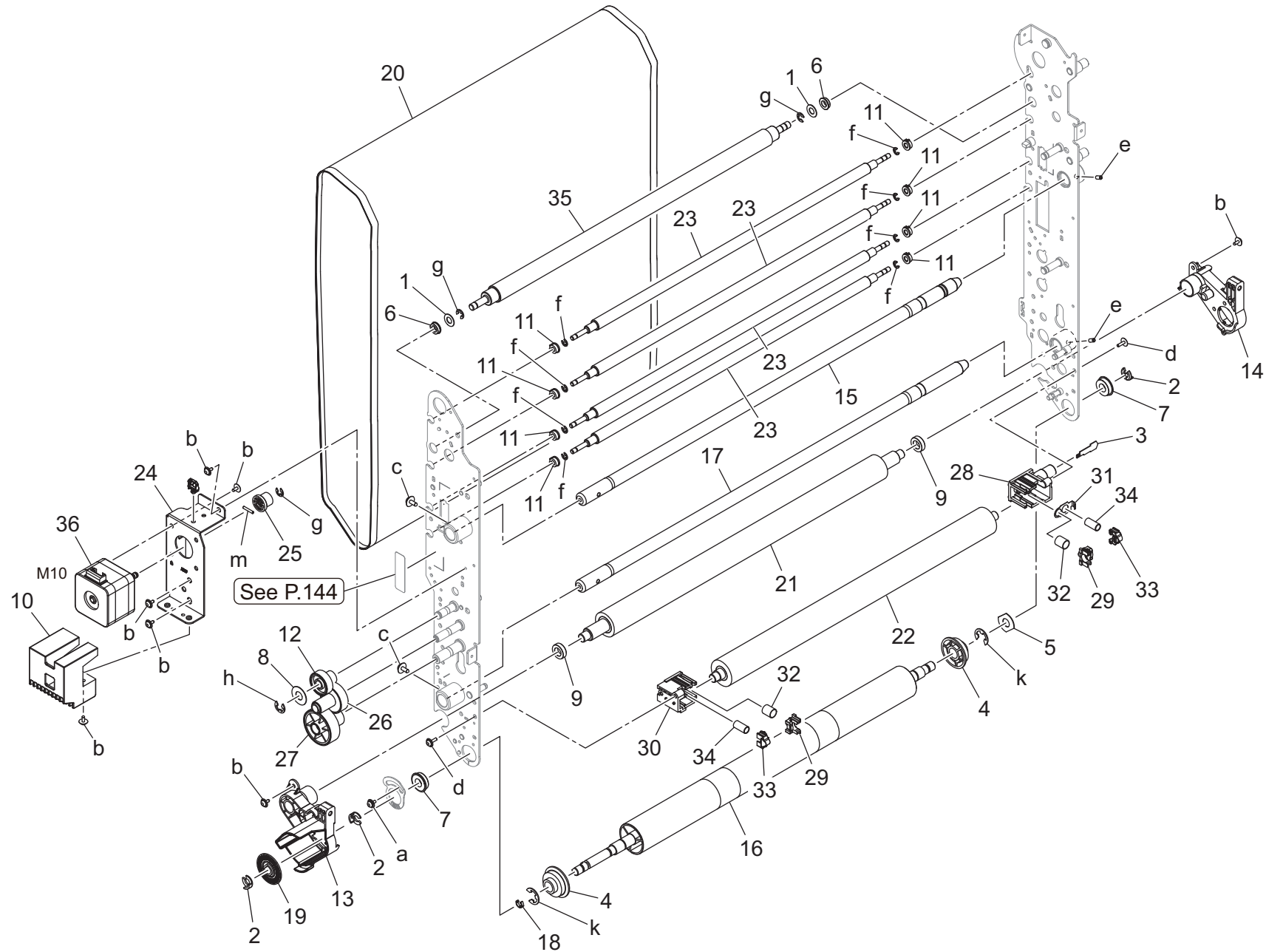
Key	Part No.	Description	Destinations	Class	QTY	Standard parts
1	56AA20940D	Toner Dust-proof Seal /D		D	2	a-V118020403 b-V118260403 c-V158031003
2	56AA40490	Shaft Stopper /4		C	3	
3	AC57533400	Blade Fulcrum Shaft		D	1	
4	A1DUR71C00	Sheet /1 Assy		A	1	
5	A1DUR71D00	Sheet /2 Assy		C	1	
6	A9VP536600	Pressing Plate		D	1	
7	A9VP536700	Holding Plate		D	1	
8	A9VP540100	Collection Scraper/C		A	1	
9	A9VP543600	Pulling Coil spring /C		D	2	
10	A9VP543700	Transfer Spring /C		D	2	
11	A9VP946400	ID Label		D	1	
12	A9VPR71600	Belt Cleaning Blade /C		A	1	
13	A9VPR73800	Positioning Plate Assy /C		A	1	
14	A9VP544001	Holding Part /1		D	2	
15	AC57533200	Spacer		D	1	
16	AC57533300	Regulating Seal		D	1	

# Intermediate Transfer Section



Key	Part No.	Description	Destinations	Class	QTY	Standard parts
1	4470402401	Stopper		D	1	a-V158030803 b-V127030604 c-V127030803
2	65AA11300	Support Part		D	1	
3	A0P0M50400	Humidity sensor		C	1	
4	A1DUR73500	Power Supply Block / A Assy		D	3	
5	A1RF508000	Tension Pulley		D	2	
6	A1RF508100	Pulling Wire		D	2	
7	A1RF508200	Tension Shaft		D	2	
8	A50U500800	Hold Part		D	2	
9	A50U501702	Tension Spring		D	1	
10	A50U505202	Plate		D	1	
11	A50U508600	Transfer Support Plate		D	2	
12	A50UR73J00	Cleaning Sheet Assy		D	1	
13	A50UN24501	HV Relay harness /1		D	1	
14	A50UN24701	HV Relay harness /2		D	1	
15	A50UN24901	HV Relay harness /3		D	1	
16	A85CM55600	Photo Sensor		C	1	
17	A9VP500800	Insulating Sheet		D	1	
18	A9VPN13200	Transfer Drive Harness /1		D	1	
19	A9VP513600	Protection Sheet /2		D	2	
20	A9VP517800	Protection Sheet /3		D	1	

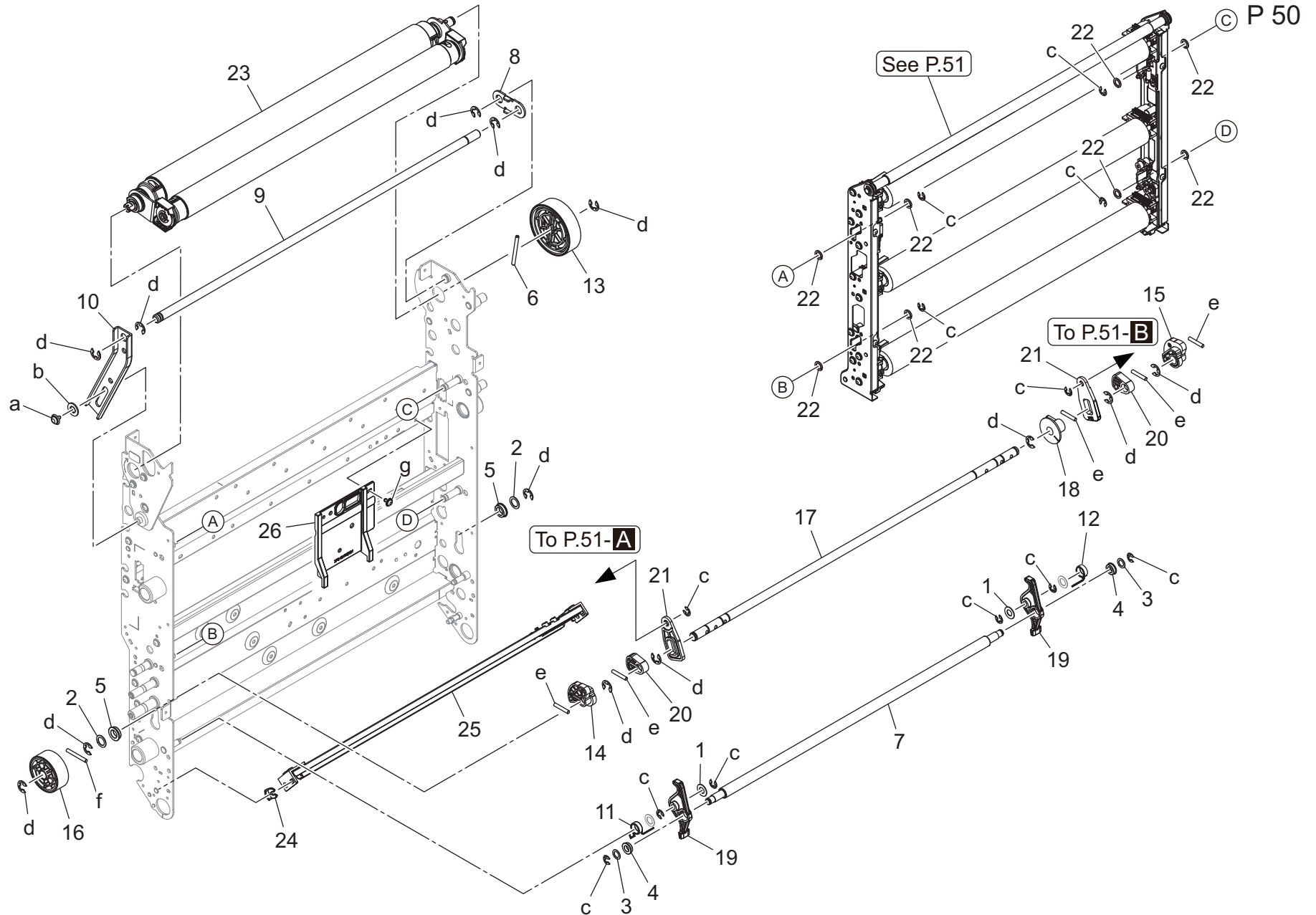
# Intermediate Transfer Section



Key	Part No.	Description	Destinations	Class	QTY	Standard parts
1	40AA32320	Toner Supply Spacer		C	2	a-V116030603
2	55VA42120	Shaft Stopper		C	3	b-V127030604
3	65AA26690D	Transfer Powering Plate /K		D	1	c-V127040803
4	65AA26870	REGULATING COLLAR		C	2	d-V158030803
5	12QV40650	Spacer		B	1	e-V193040604
6	A00J617800	Ball Bearing		A	2	f-V217030003
7	A00V240600	Ball Bearing		B	2	g-V217040003
8	12QV40650	Spacer		B	1	h-V217060003
9	A1RF517300	bearing		C	2	k-V217080003
10	AC57504000	Cover		D	1	m-V234201250
11	A50U503500	Bushing		D	8	
12	A50U504500	Compressing Gear /1 35/18T		C	1	
13	A50U505901	Insulating Holder /Front		D	1	
14	A50UR72100	Insulating Holder / Rear Assy		D	1	
15	A50U506101	Positioning Shaft /Upper		D	1	
16	A50U506701	Idler Roller		C	1	
17	A50U507000	Positioning Shaft /Lower		D	1	
18	A50U509100	Lifting Collar /8		D	1	
19	A50U517300	Control Plate		D	1	
20	A9VE500200	Transfer Belt / C		A	1	
21	A9VP500400	2nd Transfer Roller/Up		B	1	
22	A9VP501200	1st Transfer Roller		B	1	
23	A9VP502101	Auxiliary Roller /C		C	4	
24	A9VP503900	Drive Plate /2		D	1	
25	A9VP504400	Pressure Gear /M 18T		C	1	
26	A9VP504600	Pressure Gear /2 43/18T		C	1	
27	A9VP504700	Pressure Gear /3 56/18T		C	1	
28	A9VP505600	Power supply Block /D		D	1	
29	A9VP505700	Transfer Roller Bushing		B	2	
30	A9VP505800	Power supply Block /B		D	1	
31	A9VP507600	Transfer Powering Plate /L		D	1	
32	A9VP507900	Spring /1		D	2	
33	A9VP511100	Transfer Bushing /2		D	2	
34	A9VP511200	Spring /2		D	2	
35	A9VP518000	Auxiliary Roller /1		C	1	
36	AC4GM10100	HB Stepping Motor /40		C	1	



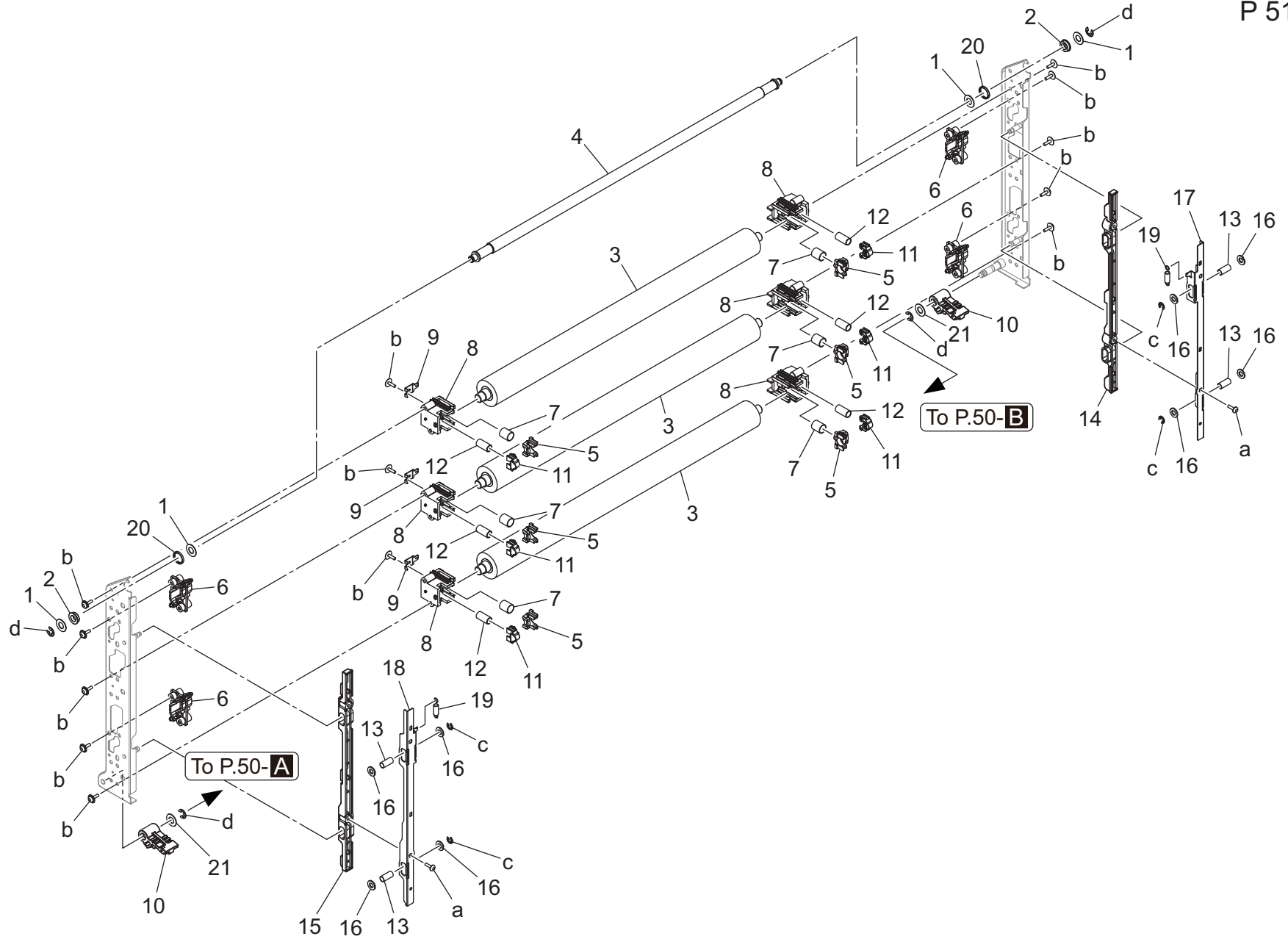
# Intermediate Transfer Section



Key	Part No.	Description	Destinations	Class	QTY	Standard parts
1	40AA32320	Toner Supply Spacer		C	2	a-V127040603 b-V207060003 c-V217040003 d-V217060003 e-V234301850 f-V234302550 g-V127030604
2	12QV40650	Spacer	トナー補給スペーサー	B	2	
3	40AA32320	Toner Supply Spacer	スペーサー	C	2	
4	A00J617800	Ball Bearing	トナー補給スペーサー	A	2	
5	A00J617900	Ball Bearing	ボールベアリング	B	2	
6	55VA15190	Fixing Drive Pin	ボールベアリング	B	1	
7	A50U501900	Transfer Pressure Roller /K	定着駆動ピン	C	1	
8	A50U502700	Handle /Rear	転写圧着ローラ /K	D	1	
9	A50U502900	Handle	取手 /奥	D	1	
10	A50U503001	Mounting Plate	把手	D	1	
11	A50U508001	Pressing Spring /Front	取付板	D	1	
12	A50U508102	Pressing Spring /Rear	押圧ばね /前	D	1	
13	A9VP501400	Drive Gear 96T	押圧ばね /奥	D	1	
14	A9VP502500	Release Cam /Front	駆動ギア 96 T	C	1	
15	A9VP502600	Release Cam /Rear	解除カム /前	D	1	
16	A9VP505000	Pressure Gear /4 44T	解除カム /奥	D	1	
17	A9VP505100	Pressure Shaft	圧着ギア /4 44 T	C	1	
18	A9VP505300	Light blocking Plate	圧着軸	D	1	
19	A9VP505500	Release Arm	遮光板	D	1	
20	A9VP512300	Slide Cam /Color	解除アーム	D	2	
21	A9VP513200	Positioning Hook	すべりカム /カラー	D	2	
22	A9VP513300	Conductive Collar	位置決めフック	D	8	
23	A9VPR75900	Drive Roller Assy	導電性カラー	D	1	
24	56AA40490	Shaft Stopper /4	駆動ローラ Assy	C	1	
25	A9VPR73600	Transfer Belt Guide /C	軸 ストップ /4	C	1	
26	A9VP517900	Guide Cover	転写ベルトガイド /C	B	1	
			ガイドカバー	D	1	

# Intermediate Transfer Section

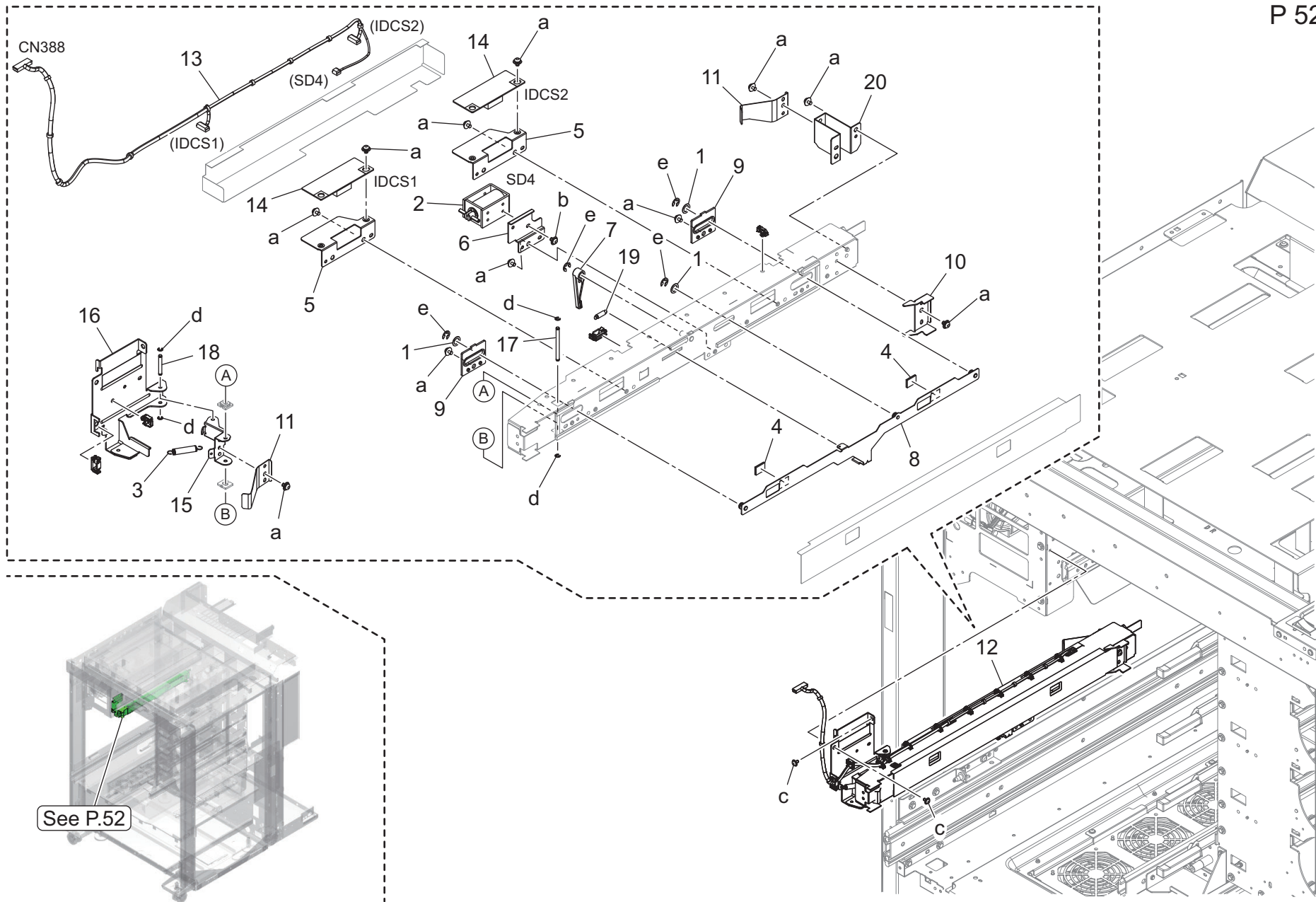
P 51



## Intermediate Transfer Section

Key	Part No.	Description	Destinations	Class	QTY	Standard parts
1	07BA15871	Spacer /A		C	4	a-V145030803 b-V158030803 c-V217030003 d-V217040003
2	A00J617800	Ball Bearing		A	2	
3	A9VP501200	1st Transfer Roller		B	3	
4	A9VP505400	Transfer Pressure Roller /Y		C	1	
5	A9VP505700	Transfer Roller Bushing		B	6	
6	A9VP506300	Transfer Bushing		D	4	
7	A9VP507900	Spring /1		D	6	
8	A9VP510100	Power supply Block /Color		D	6	
9	A9VP510200	Power supply Plate /Front		D	3	
10	A9VP510800	Release Arm		D	2	
11	A9VP511100	Transfer Bushing /2		D	6	
12	A9VP511200	Spring /2		D	6	
13	A9VP511400	Collar		D	4	
14	A9VP511500	Slide Cam /Rear		D	1	
15	A9VP511600	Slide Cam /Front		D	1	
16	A9VP511700	Conductive Collar		D	8	
17	A9VP511800	Regulating Rail /Rear		D	1	
18	A9VP511900	Regulating Rail /Front		D	1	
19	A9VP512000	Auxiliary Spring		D	2	
20	A9VP513400	Stopper		D	2	
21	40AA32320	Toner Supply Spacer		C	2	

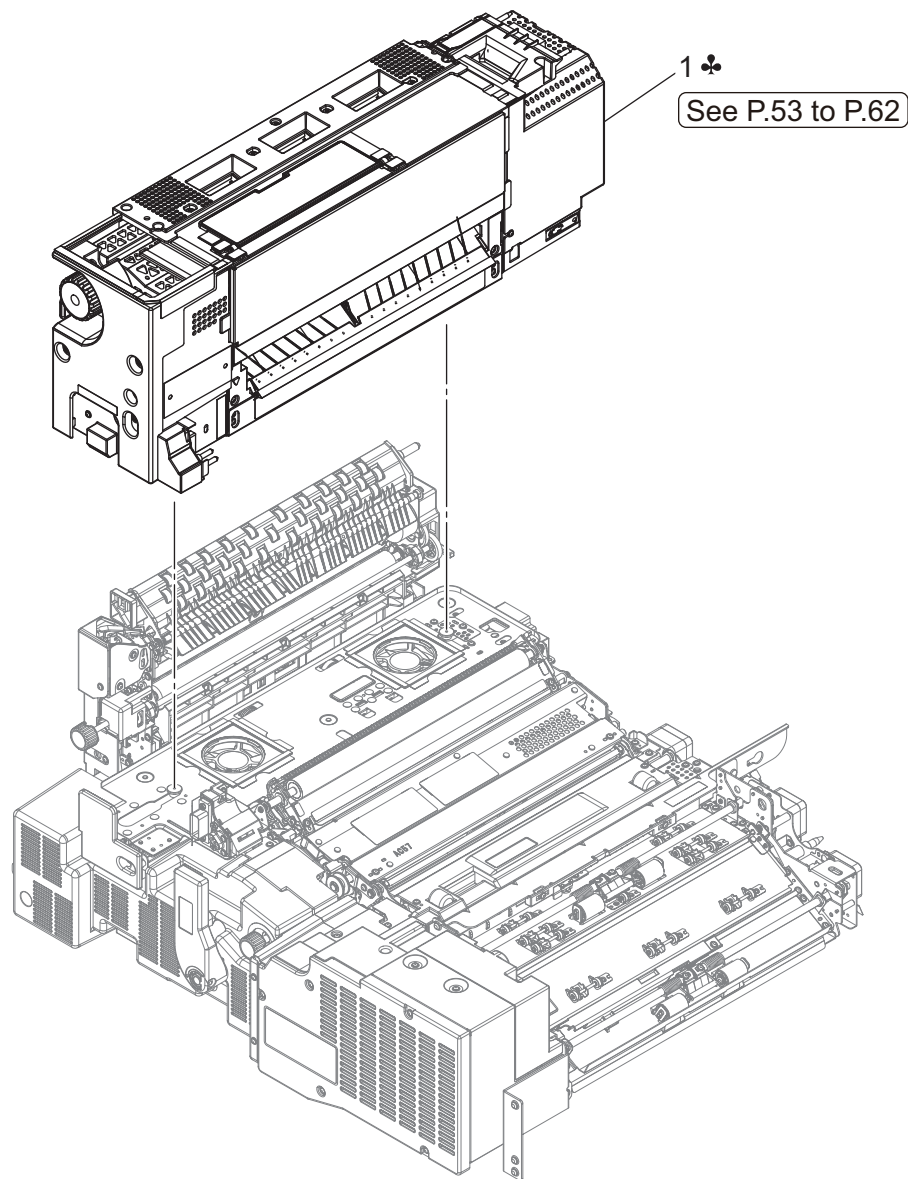
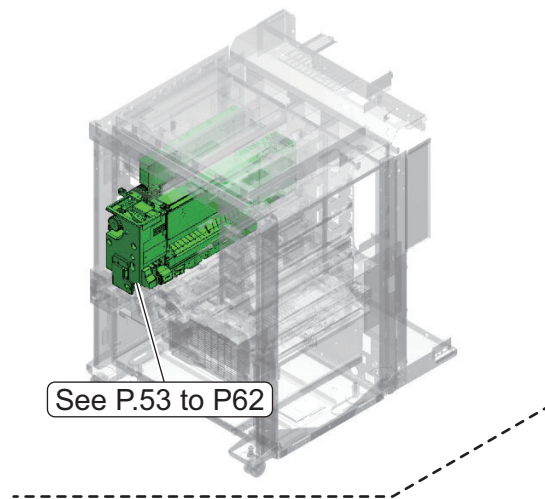
# Color Resist Section



See P.52

Key	Part No.	Description	Destinations	Class	QTY	Standard parts
1	40AA32320	Toner Supply Spacer		C	3	a-V116030503 b-V121030403 c-V127030604 d-V217020003 e-V217040003
2	A1DUR71600	Solenoid Assy		C	1	
3	A50U516800	Spring		D	1	
4	A50U516900	Scatteringprevention Pad		D	2	
5	A9VP515200	Mounting Plate		D	2	
6	A9VP515300	Mounting Plate		D	1	
7	A9VP515400	Lever		D	1	
8	A9VP515500	Open/close Shutter /ASSY		D	1	
9	A9VP515600	Bushing		D	2	
10	A9VP515900	Positioning Plate		D	1	
11	A9VP517000	Pressing Spring /Rear		D	2	
12	A9VPR71900	Color Registration Unit		S	1	
13	A9VPN20000	Sensor Harness /1		D	1	
14	AC57M50200	Photo Sensing Element		I	2	
15	A9VP516401	Hinge		D	1	
16	A9VP516500	Fixing Plate		D	1	
17	A9VP516600	Shaft /1		D	1	
18	A9VP516700	Shaft /2		D	1	
19	A9VP516800	Pulling Spring		D	1	
20	A9VP516901	Mounting Plate		D	1	

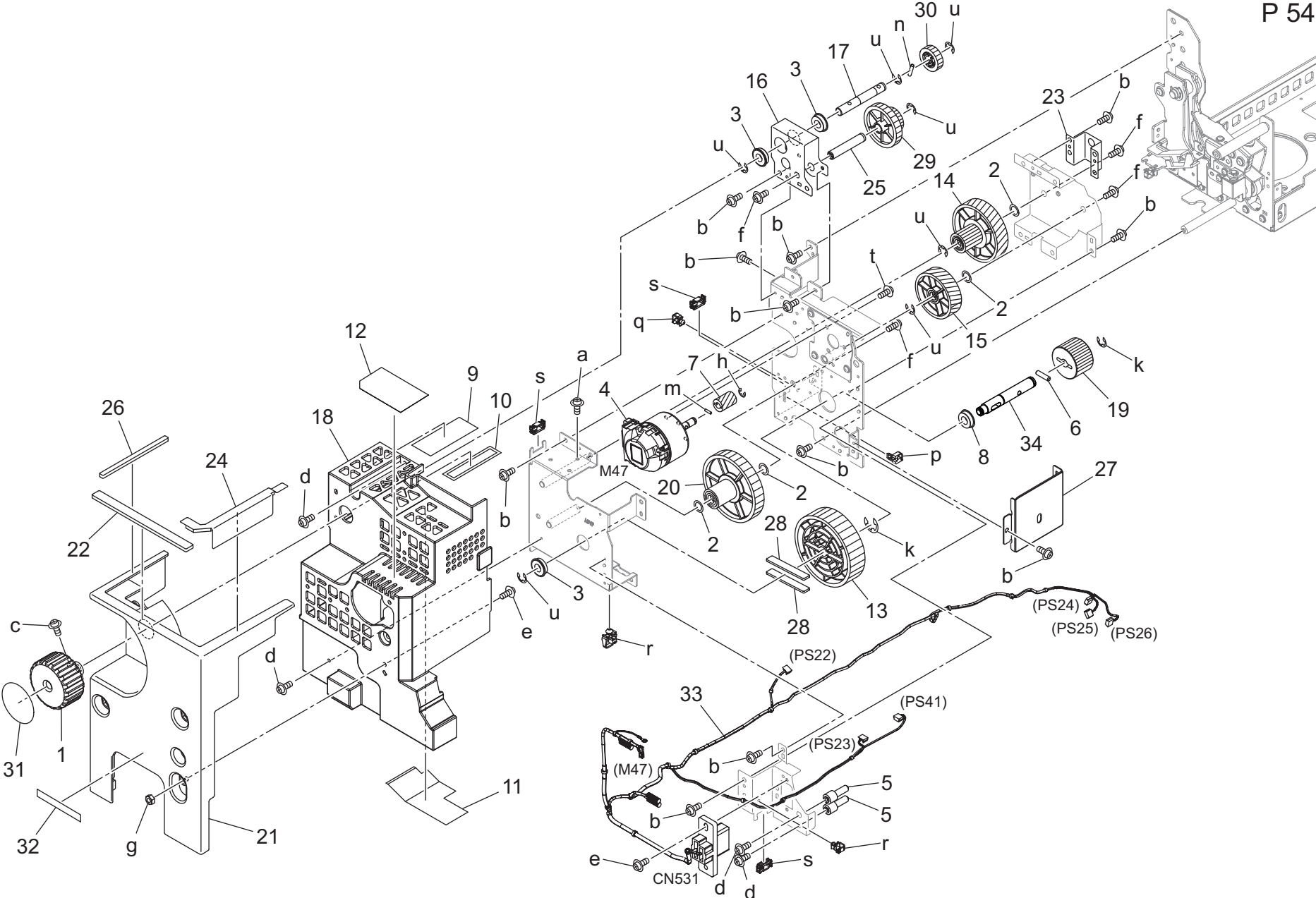
# Fusing Section



Key	Part No.	Description	Destinations	Class	QTY	Standard parts
1	A9VPR71011	Fusing Unit (200V)	A	B	1	
1	A9VPR71111	Fusing Unit (208-240V)	B,C,D1,D3,E,F2,G1,G 2,H,I,K,J	B	1	

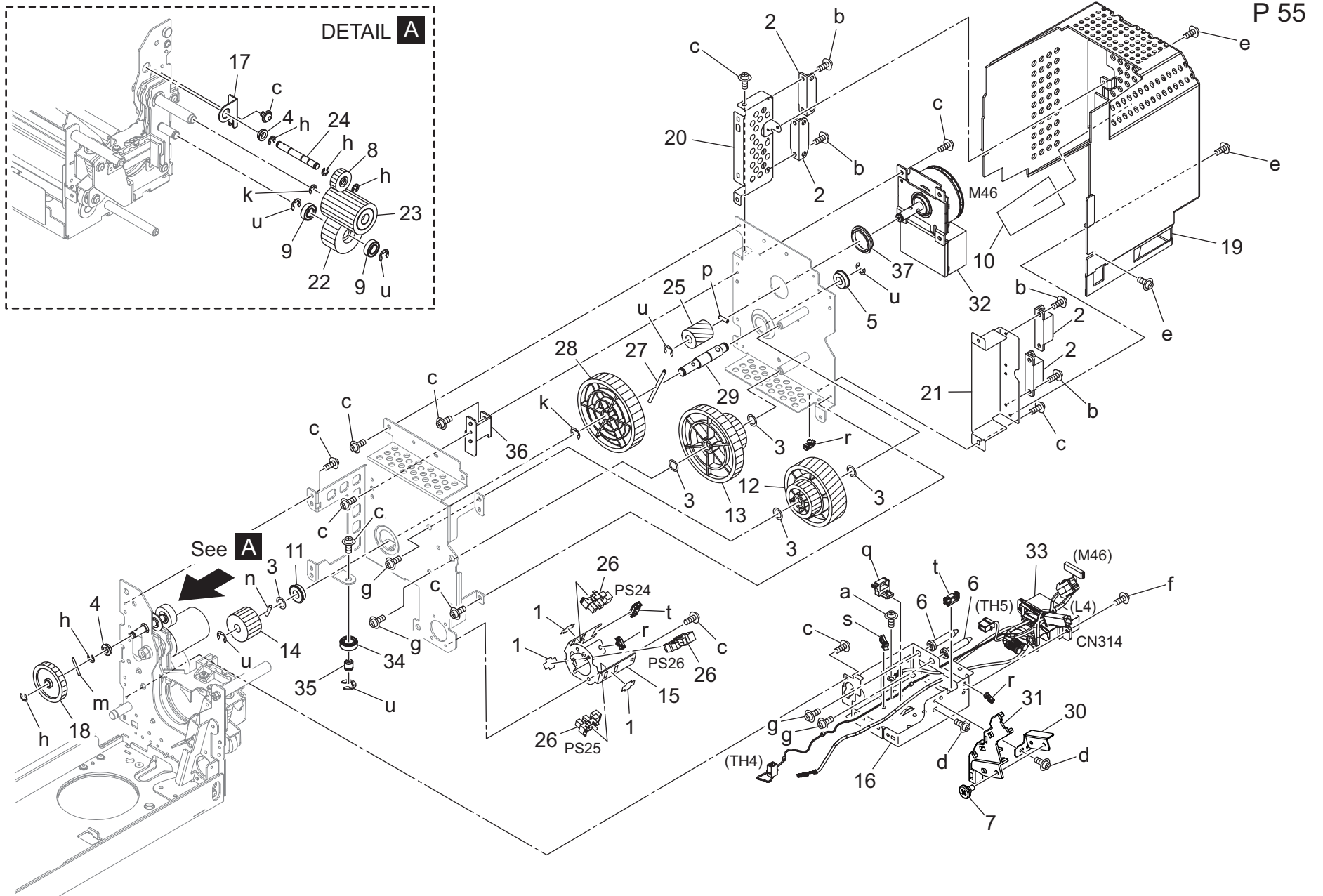


# Fusing Section

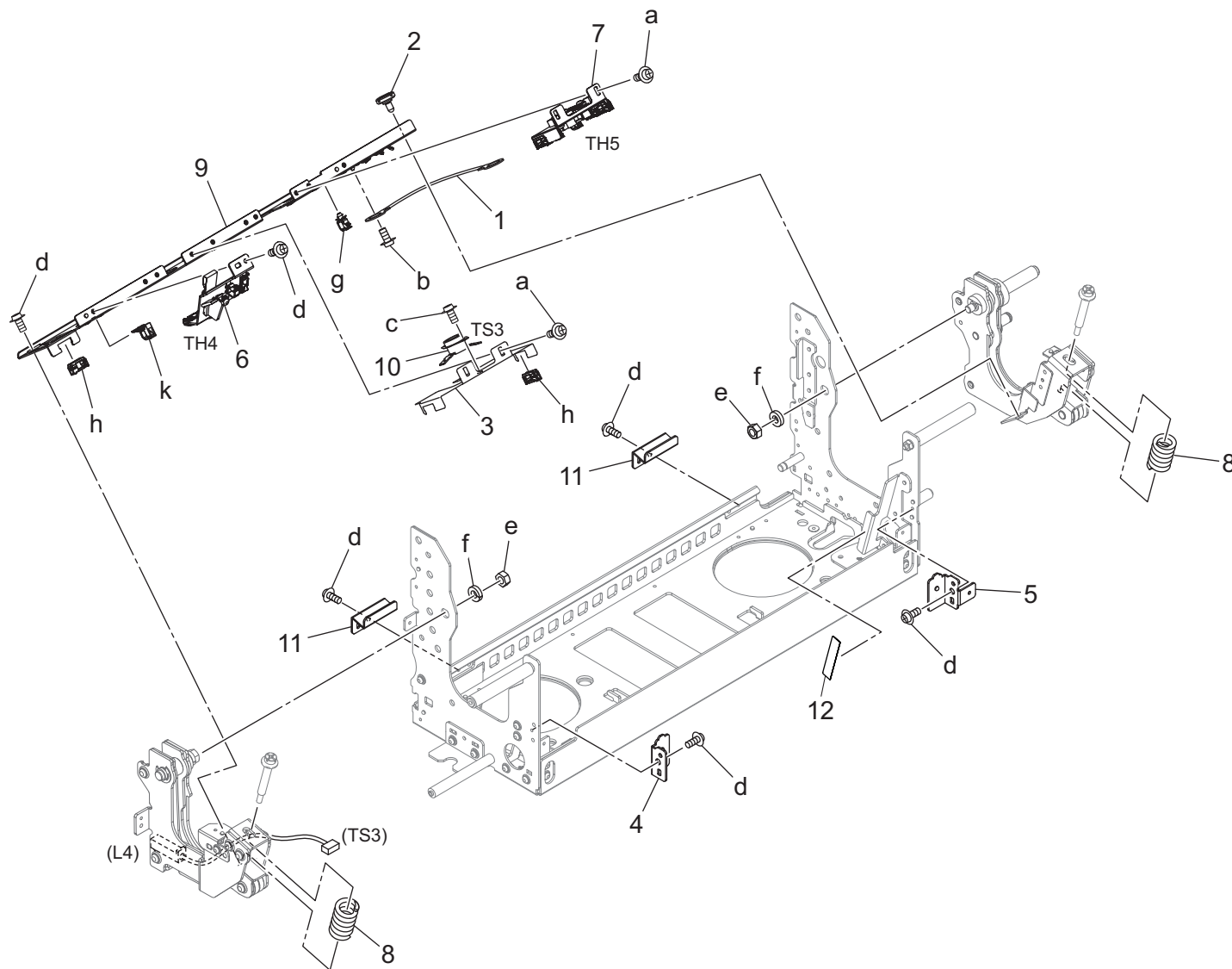


Key	Part No.	Description	Destinations	Class	QTY	Standard parts
1	20AL48470G	Jam Release Knob		C	1	a-V116030603
2	56AA42690	By-Pass Spacer		C	4	b-V121030403
3	A00V240600	Ball Bearing		B	3	c-V121041003
4	AC57M10300	DC Brushless Motor /25		C	1	d-V127030604
5	AC57736201	Positioning Shaft /11		D	2	e-V127030803
6	A1RF758100	Pin /B		D	1	f-V127040603
7	A1RF809400	Pressure Gear /1 22T		C	1	g-V195030003
8	A4EU265000	Ball bearing		B	1	h-V217040003
9	A50U732200	Protection Seal /2		D	1	k-V217080003
10	A50U732300	Protection Seal /3		D	1	m-V234200850
11	A50U732400	Protection Seal /4		D	1	n-V234301450
12	A50U732500	Protection Seal /5		D	1	p-V500010057
13	A50U742901	Pressure Gear /2 90T		C	1	q-V500010074
14	A50U743100	Pressure Gear /4 23/110T		C	1	r-V500020098
15	A50U743200	Pressure Gear /5 87T		C	1	s-V570010057
16	A50U745600	Fixing Plate /1		D	1	t-V118030303
17	A50U745700	Processing Shaft /A		D	1	u-V217060003
18	A9VP748400	Fusing Cover /Front		D	1	
19	A9VE742800	Pressure Gear /1 31T		C	1	
20	A9VE743000	Pressure Gear /3 23/85T		C	1	
21	A50U751003	Fusing Cover /1		D	1	
22	A50U751101	Spacer /1		D	1	
23	A50U751200	Positioning Plate /A		D	1	
24	A50U751301	Spacer /2		D	1	
25	A50U752600	Processing Shaft		D	1	
26	A50U755900	Spacer /3		D	1	
27	A50U756002	Auxiliary Side plate		D	1	
28	A50U756500	Part /1		D	2	
29	A50U757000	Connecting Gear /A 41/22T		C	1	
30	A50U757100	Idling Gear /A 22T		C	1	
31	A50U943502	Release Label /5		D	1	
32	A50U949600	Replacement Label		D	1	
33	A9VPN10900	Fusing Harness /5		D	1	
34	A9VE742500	Pressure Shaft /B		D	1	

# Fusing Section



Key	Part No.	Description	Destinations	Class	QTY	Standard parts
1	4470402401	Stopper		D	3	a-V116040603
2	07BA12352	Magnet Catch		C	4	b-V118030603
3	56AA42690	By-Pass Spacer		C	5	c-V121030403
4	A00J617800	Ball Bearing		A	2	d-V127030516
5	A00V240600	Ball Bearing		B	1	e-V127030604
6	A03U724200	Positioning Shaft		D	2	f-V127030803
7	A03U734500	Support Screw /A		C	1	g-V127040603
8	A03U808400	FIXING DRIVE GEAR /D 19T		B	1	h-V217040003
9	A1RF820000	Ball Bearing		C	2	k-V217080003
10	A50U732100	Protection Seal /1		D	1	m-V234201850
11	A4EU265000	Ball bearing		B	1	n-V234301450
12	A9VP743600	Drive Gear /2 38/53T		C	1	p-V237301150
13	A9VP743700	Drive Gear /3 41/67T		C	1	q-V500010021
14	A50U743900	Drive Gear /5 26T		C	1	r-V500020099
15	AC57744600	Sensor Plate		D	1	s-V500020100
16	A50U744912	Mounting Plate /4		D	1	t-V570010057
17	A50U745501	Paper exit Plate /1		D	1	u-V217060003
18	A50U746400	Paper exit Gear /A 37T		C	1	
19	A50U748506	Fusing Cover /Rear		D	1	
20	A50U749200	Mounting Plate /1		D	1	
21	A50U749300	Mounting Plate /2		D	1	
22	A50U752000	Drive Gear /C 36T		D	1	
23	A50U752200	Fusing Gear/3 30T		B	1	
24	A50U752300	Paper exit Shaft /A		D	1	
25	A50U754700	Fusing Gear /6 16T		C	1	
26	A85CM55600	Photo Sensor		C	3	
27	A9VE742400	Pin /4		D	1	
28	A9VE743800	Drive Gear /4 74T		C	1	
29	A9VP744300	Drive Shaft /2		D	1	
30	AC57747200	Hold Plate /2		D	1	
31	AC57747301	Wiring Part /5		D	1	
32	A9VPM10500	Brushless Motor		C	1	
33	A9VPN10700	Fusing Harness /2		D	1	
34	A50U804200	Fusing Roll		D	1	
35	A9VP757700	Mounting Shaft /1		D	1	
36	A9VP767300	Fixing Plate /11		D	1	
37	AC57768600	Guide Collar		D	1	

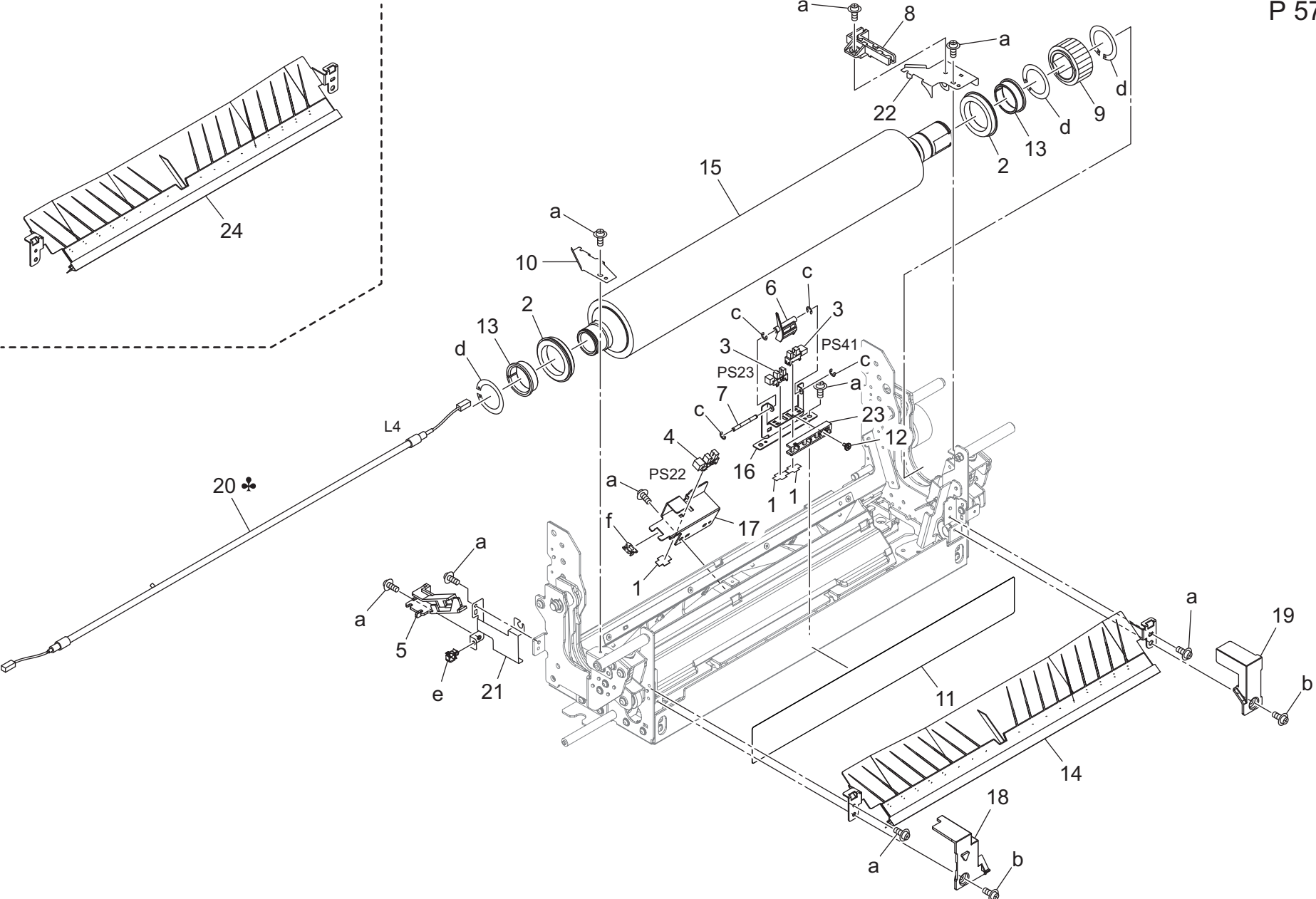


# Fusing Section

Key	Part No.	Description	Destinations	Class	QTY	Standard parts
1	A03UN23200	Grounding Wiring /F		D	1	a-V116030603 b-V116040603 c-V118030403 d-V121030403 e-V195060003 f-V205060003 g-V500010074 h-V500020096 k-V500020097
2	A50U745100	Guide Screw		D	1	
3	A50U746200	Stay /2		D	1	
4	A50U787500	Hold Arm /Front		D	1	
5	A50U787600	Hold Arm /Rear		D	1	
6	A50UR70E22	Fusing Temperature Sensor/4		B	1	
7	A50UR72Y00	Fusing Temperature Sensor/5		C	1	
8	A9VP741600	Pressure Spring /11		D	2	
9	A9VE745800	Sensor Stay /4		D	1	
10	SP00-0220	Thermostat /Lower		I	1	
11	A9VP782000	Stopper Part /Left		D	2	
12	A9VP788700	Protection Sheet /1		D	1	

AccurioPress C7090

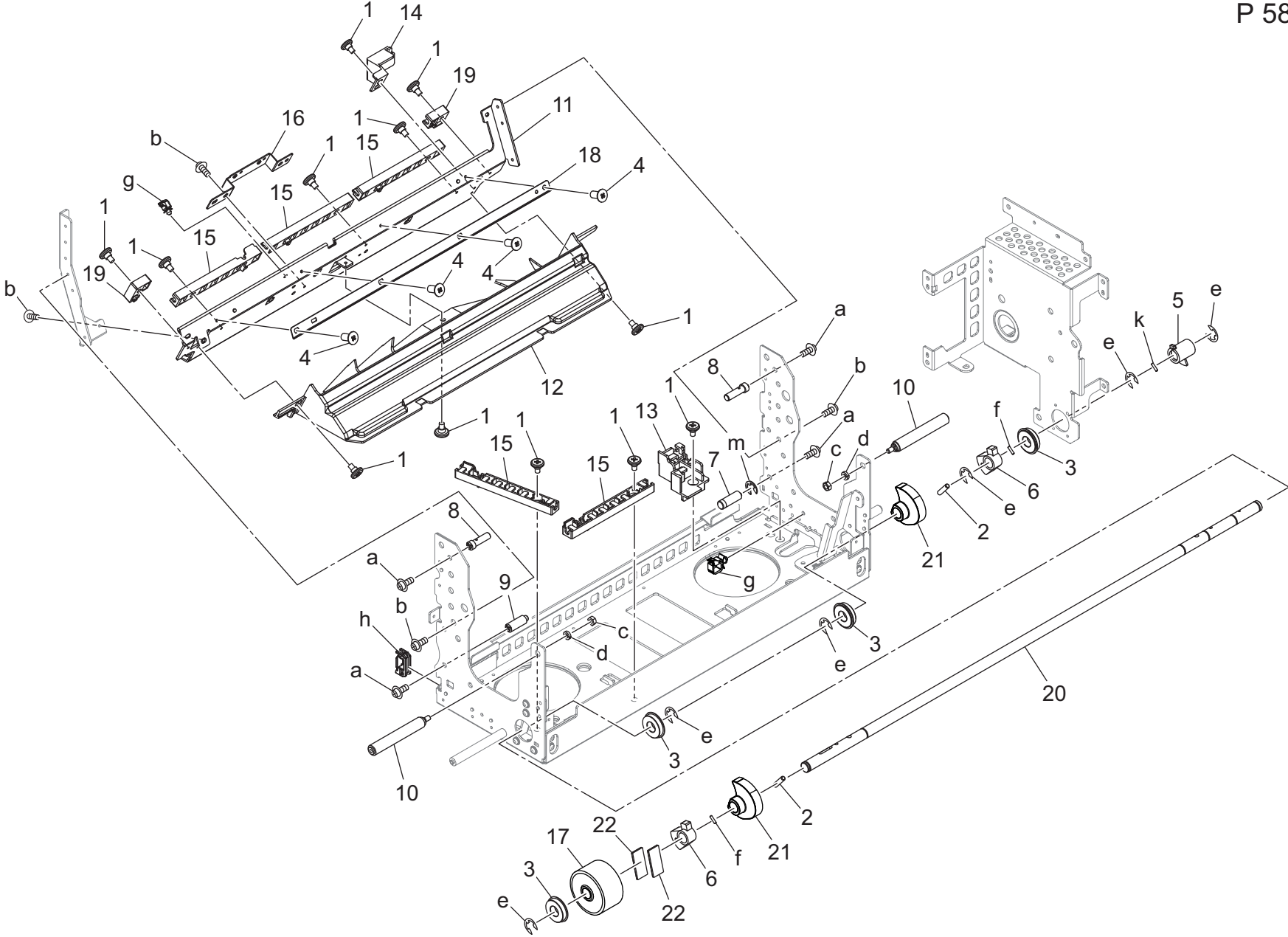
# Fusing Section



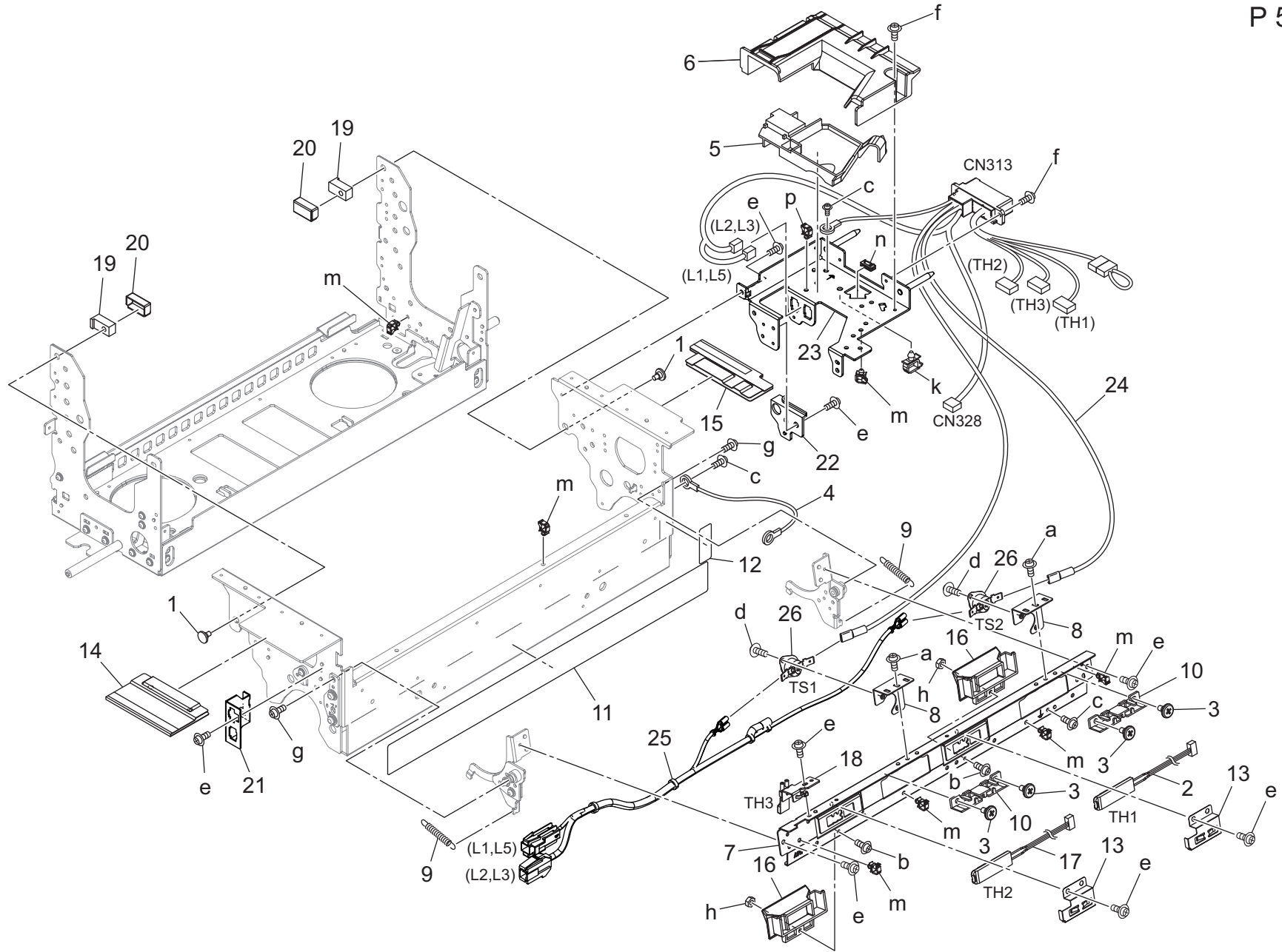
Key	Part No.	Description	Destinations	Class	QTY	Standard parts
1	4470402401	Stopper		D	3	a-V121030403 b-V127030604 c-V217020003 d-V223260017 e-V500010074 f-V570010025
2	26NA53712	BALL BEARING		A	2	
3	A85CM55600	Photo Sensor		C	2	
4	A1RFM51000	Photointerrupter /H		C	1	
5	A9VP746800	Wiring Part /3		D	1	
6	A9VP747800	Actuator /A		D	1	
7	A9VP747900	Sensor Shaft /1		D	1	
8	A50U748200	Wiring Part /1		D	1	
9	A50U752700	Fusing Gear/1 38T		B	1	
10	A50U755100	Holding Part /F		D	1	
11	A50U755301	Sheet /L		D	1	
12	A03U734500	Support Screw /A		C	1	
13	A50U756300	Insulating Sleeve /Lower		B	2	
14	A9VPR74000	Fusing Guide Plate Assy		D	1	
15	A9VP740100	Lower Pressure Roller		B	1	
16	A9VP787700	Sensor Plate /Front		D	1	
17	A9VP788600	Sensor Plate /Rear		D	1	
18	A50U788900	Insulating Plate /Front		D	1	
19	A50U789100	Insulating Plate /Rear		D	1	
20	A50UM32A00	Fusing Heater Lamp/4 (200V)	A	I	1	
20	A50UM32E00	Fusing Heater Lamp/4 (208V)	B,C,D1,D3,E,F2,G1,G 2,H,I,K,J	I	1	
21	A9VP741700	Hold Plate /1		D	1	
22	A9VE741800	Hold Plate /2		D	1	
23	A9VP794800	Wiring Part /B		D	1	
24	AC57R74300	Guide Plate Assy	(Service Part Only)	D	1	



Fusing Section



Key	Part No.	Description	Destinations	Class	QTY	Standard parts
1	A03U734500	Support Screw /A		C	12	a-V116030603 b-V121030403 c-V195040003 d-V205040003 e-V217080003 f-V234301050 g-V500010074 h-V500020096 k-V234200850 m-V217050003
2	A1RF758100	Pin /B		D	2	
3	A4EU265000	Ball bearing		B	4	
4	A50U642300	Mounting Screw		D	4	
5	AC57744700	Pressure Actuator /1		C	1	
6	A9VP767400	Pressure Cam /2		C	2	
7	A9VP746700	Support Shaft /Rear		D	1	
8	A9VP747100	Stopper Shaft /1		D	2	
9	A9VP754900	Support Shaft /Front		D	1	
10	A50U785000	Rotation Shaft /2		D	2	
11	A9VP787000	Cover Plate		D	1	
12	A9VP788000	Cooling Duct		D	1	
13	A50U788102	Wiring Part /2		D	1	
14	A50U792901	Wiring Part /D		D	1	
15	A50U794800	Wiring Part		D	5	
16	A50U799200	Mounting Plate		D	1	
17	A9VE758600	Pressure Gear /5 42T		C	1	
18	A50U799700	Regulating Plate		D	1	
19	A50U799800	Wiring Part		D	2	
20	AC57741900	Pressure Shaft /A		D	1	
21	A9VP742000	Pressure Cam /1		C	2	
22	A9VE758400	Drive Plate /2		D	2	

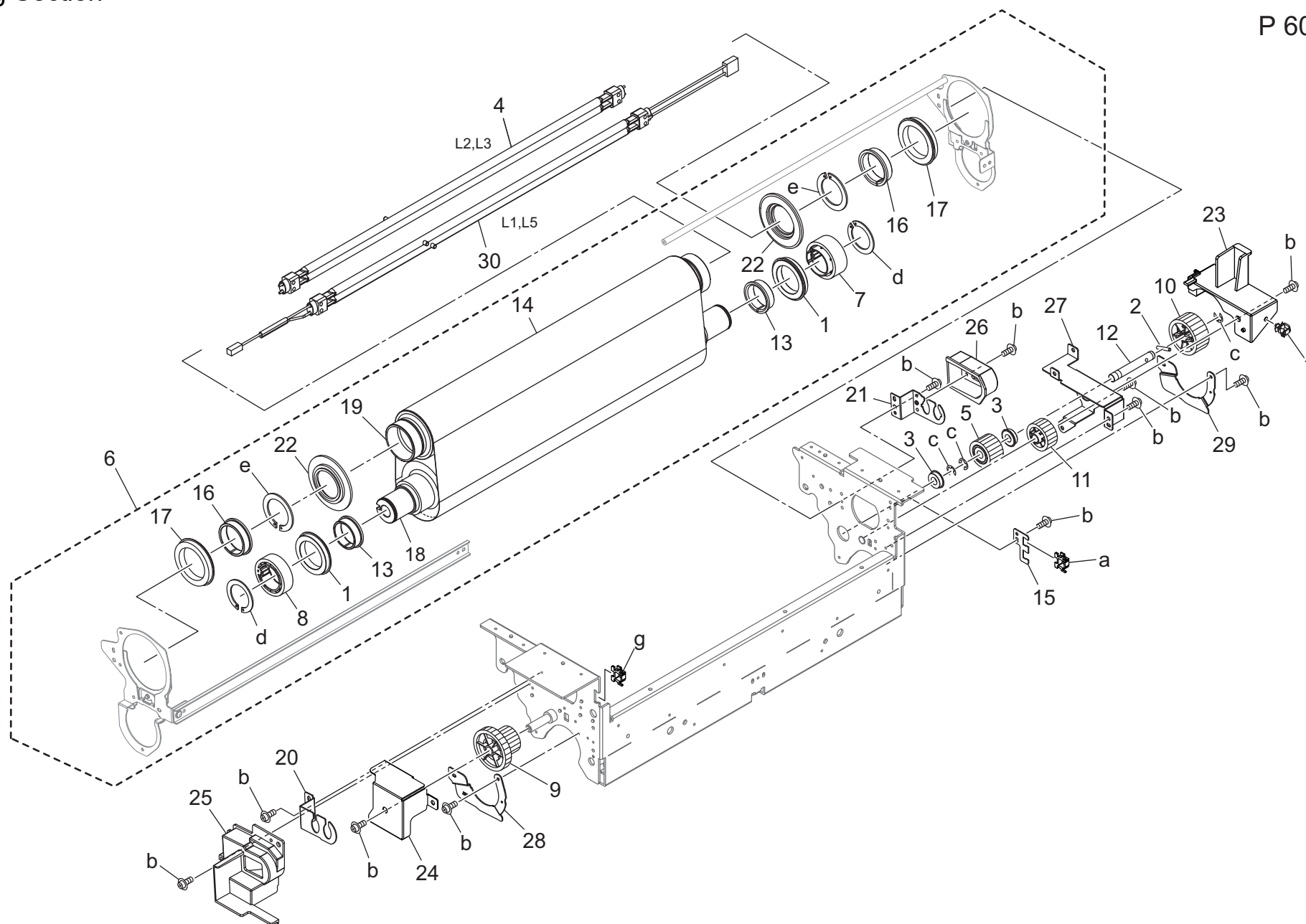


# Fusing Section

Key	Part No.	Description	Destinations	Class	QTY	Standard parts
1	55VA20520	Cleaner Locking Screw		C	2	a-V116030603
2	A9VPM50100	Temperature Sensor /1		C	1	b-V116030803
3	A03U734500	Support Screw /A		C	4	c-V116040603
4	A03UN23200	Grounding Wiring /F		D	1	d-V118030303
5	A50U722100	Fusing Cover /1		D	1	e-V121030403
6	A9VP722200	Fusing Cover /2		D	1	f-V127030604
7	A9VP723800	Sensor Stay /1		D	1	g-V127040603
8	A50U723911	Stay /2		D	2	h-V195030003
9	A50U725200	Tension Spring /1		D	2	k-V500010073
10	A50U726611	Guide Part /2		D	2	m-V500010074
11	A50U728500	Insulating Sheet /A		D	1	n-V570010057
12	A50U728800	Insulating Sheet /D		D	1	p-V500010070
13	A9VP768800	Holding Spring /11		D	2	
14	A50U731002	Insulating Sheet /F		D	1	
15	A50U731102	Insulating Sheet /G		D	1	
16	A50U733500	Protection Part /1		D	2	
17	A9VPM50200	Temperature Sensor /2		C	1	
18	A50UR70F00	Fusing Temperature Sensor/3		B	1	
19	A85C789200	Hold Part /A		D	2	
20	A85C789300	Insulating Sheet /F		D	2	
21	A9VE728400	Mounting Plate /B		D	1	
22	A9VE733400	Protection Cover /A		D	1	
23	A9VE769001	Fusing Stay /2		D	1	
24	A9VPN10600	Fusing Harness /1		D	1	
25	A9VEN11000	Fixing Relay harness /1		D	1	
26	SP00-0210	Thermostat /Upper		I	2	

# Fusing Section

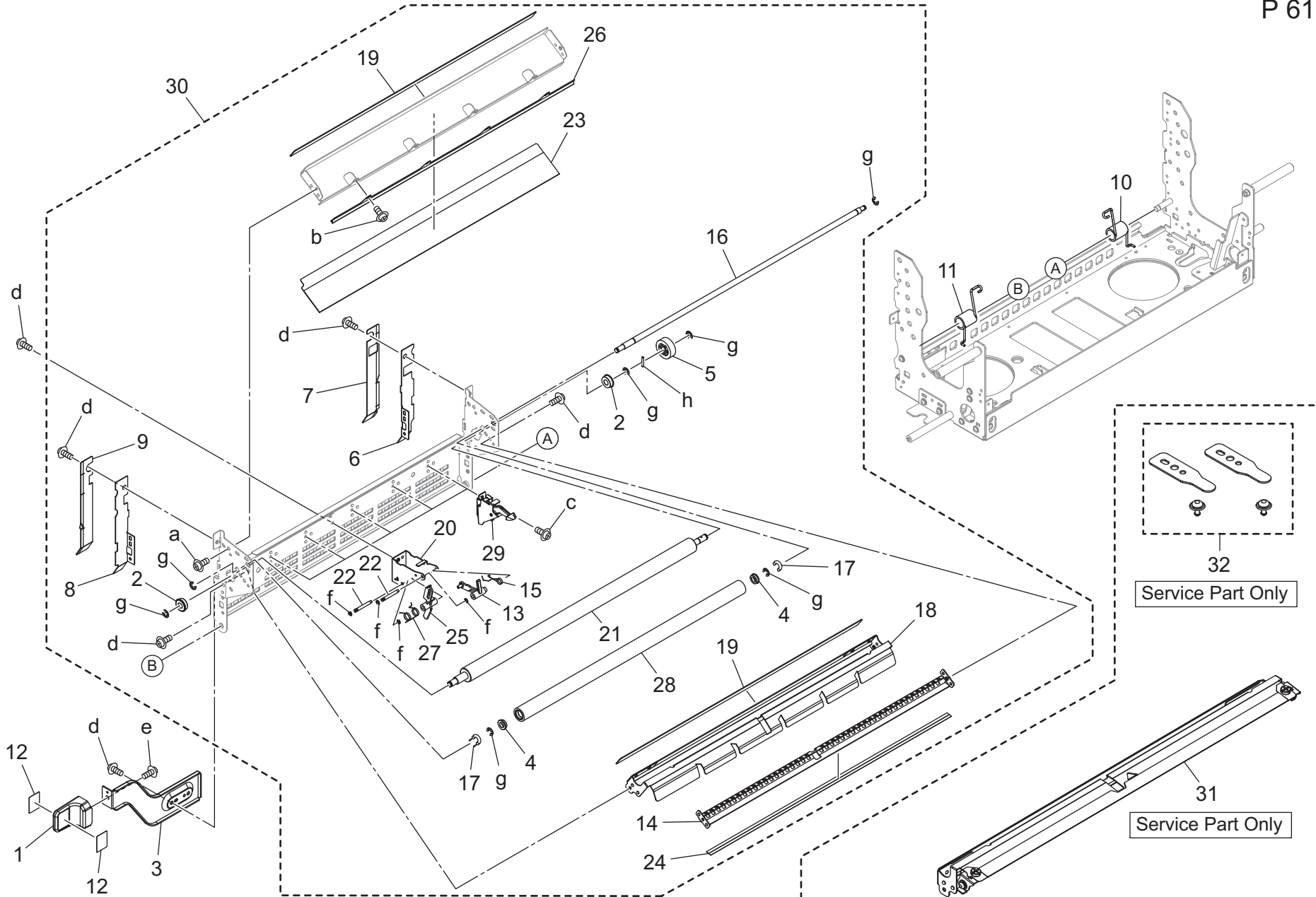
P 60



Key	Part No.	Description	Destinations	Class	QTY	Standard parts
1	26NA53712	BALL BEARING		A	2	a-V570010025
2	55VA48500	PARALLEL PIN D3X18		D	1	b-V121030403
3	A00V240600	Ball Bearing		B	2	c-V217060003
4	A9VPM33A00	Fusing Heater /3 (200V)		B	1	d-V223260017
4	A9VPM33E00	Fusing Heater /3 (208-240V)	A B,C,D1,D3,E,F2,G1,G 2,H,I,K,J	B	1	e-V223400017 f-V500010074 g-V500020096
5	A03U809500	FIXING DRIVE GEAR /O 26T		A	1	
6	A9VER70422	Fusing Belt Assy		B	1	
7	A50U725001	Drive Gear /Upper 38T		C	1	
8	A50U739811	Drive Gear /Front 38T		C	1	
9	A50U739900	Connecting Gear /A 42/25T		C	1	
10	A50U744000	Drive Gear /6 36T		C	1	
11	A50U744100	Drive Gear /7 27T		C	1	
12	A50U744400	Drive Shaft /3		D	1	
13	A50U756300	Insulating Sleeve /Lower		B	2	
14	A50U765000	Fusing Belt		B	1	
15	A50U783400	Hold Plate		D	1	
16	A5AW744900	Heat Insulating Sleeve/1		B	2	
17	AC57745000	Fusing Ball bearing /Upper		A	2	
18	A9VE720300	Fusing Roller /1		B	1	
19	A9VE720500	Fusing Roller /2		B	1	
20	A9VP723500	Support Plate /1		D	1	
21	A9VP723600	Support Plate /2		D	1	
22	A9VE724100	Regulating Sleeve /1		B	2	
23	A9VE726800	Guide Part /3		D	1	
24	A9VE728300	Support Plate /11		D	1	
25	A9VE733000	Cover /Front		D	1	
26	A9VE733100	Cover /Rear		D	1	
27	A9VE743500	Drive Plate /6		D	1	
28	A9VP785400	Stopper Stopper /A		D	1	
29	A9VP785500	Stopper Stopper /B		D	1	
30	A9VPM31A00	Fusing Heater /1 (200V)		B	1	
30	A9VPM31E00	Fusing Heater /1 (208-240V)	A B,C,D1,D3,E,F2,G1,G 2,H,I,K,J	B	1	

# Fusing Section

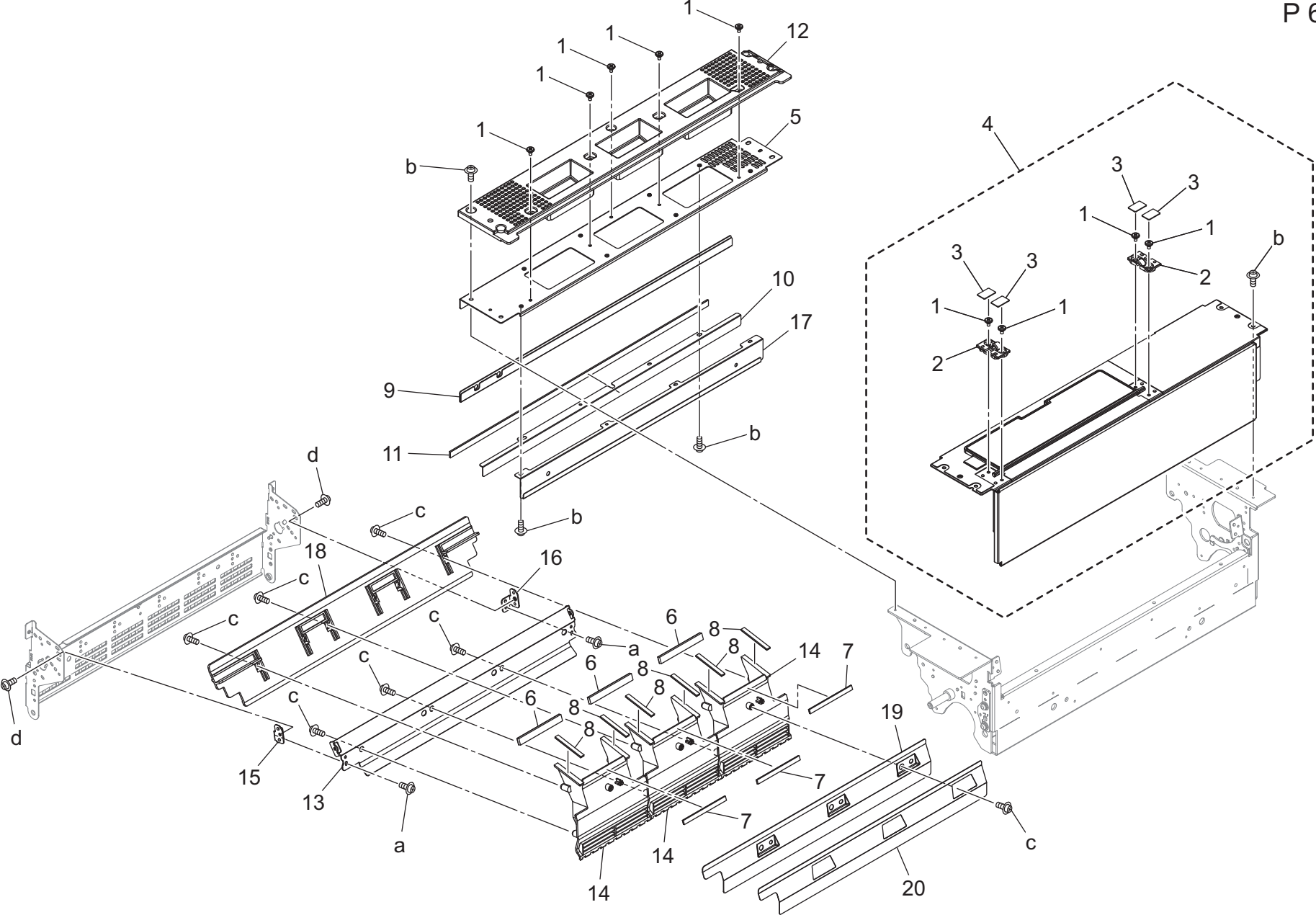
P 61



Key	Part No.	Description	Destinations	Class	QTY	Standard parts
1	65AA53991	Fixing Papaer Exit Lever		C	1	a-V118030403
2	A00J211200	Ball Bearing		C	2	b-V121030403
3	A03U723301	Open/close Lever		C	1	c-V127030516
4	A4EU252000	Drive Ball bearing /6		B	2	d-V127030604
5	A50U746500	Paper exit Gear /B 20T		C	1	e-V153040803
6	A50U761100	Heat blocking Plate /Rear		D	1	f-V217020003
7	A50U761200	Insulating Sheet /Rear		D	1	g-V217040003
8	A50U761300	Heat blocking Plate /Front		D	1	h-V234201250
9	A50U761400	Insulating Sheet /Front		D	1	
10	A50U763800	Paper exit Open/shut Spring /B		D	1	
11	A50U763900	Paper exit Open/shut Spring /A		D	1	
12	A50U943701	Release Label /7		D	2	
13	A9VP748700	Paper exit Actuator		D	1	
14	A9VP758701	Paper exit Plate /2		D	1	
15	A9VP758800	Holding Spring /2		D	1	
16	A9VP759701	Support Shaft /1		D	1	
17	A9VP759800	Paper exit Spring		D	2	
18	A9VP760301	Paper exit Plate /Lower		D	1	
19	A9VP760400	Insulating Sheet /11		D	2	
20	A9VP760800	Support Plate		D	1	
21	A9VP761000	Fusing Paper Exit Roller/Lw		B	1	
22	A9VP762100	Support Shaft /11		D	2	
23	A9VP762200	Protection Film		D	1	
24	A9VP764100	Holding Sheet /A		D	1	
25	A9VP764300	Paper exit Actuator /2		D	1	
26	A9VP764500	Guide Sheet /A		D	1	
27	A9VP764700	Holding Spring /4		D	1	
28	A9VP765200	Fusing Paper Exit Roller/Up		A	1	
29	A9VPR71300	Fusing Separating Claw Assy		B	5	
30	A9VPR73000	Fusing Paper Exit Door Duct Assy		D	1	
31	A9VPR77400	Fusing Separating Plate Assy	(Service Part Only)	D	1	
32	A9VPRA0500	Support Plate /D ASSY	(Service Part Only)	D	1	

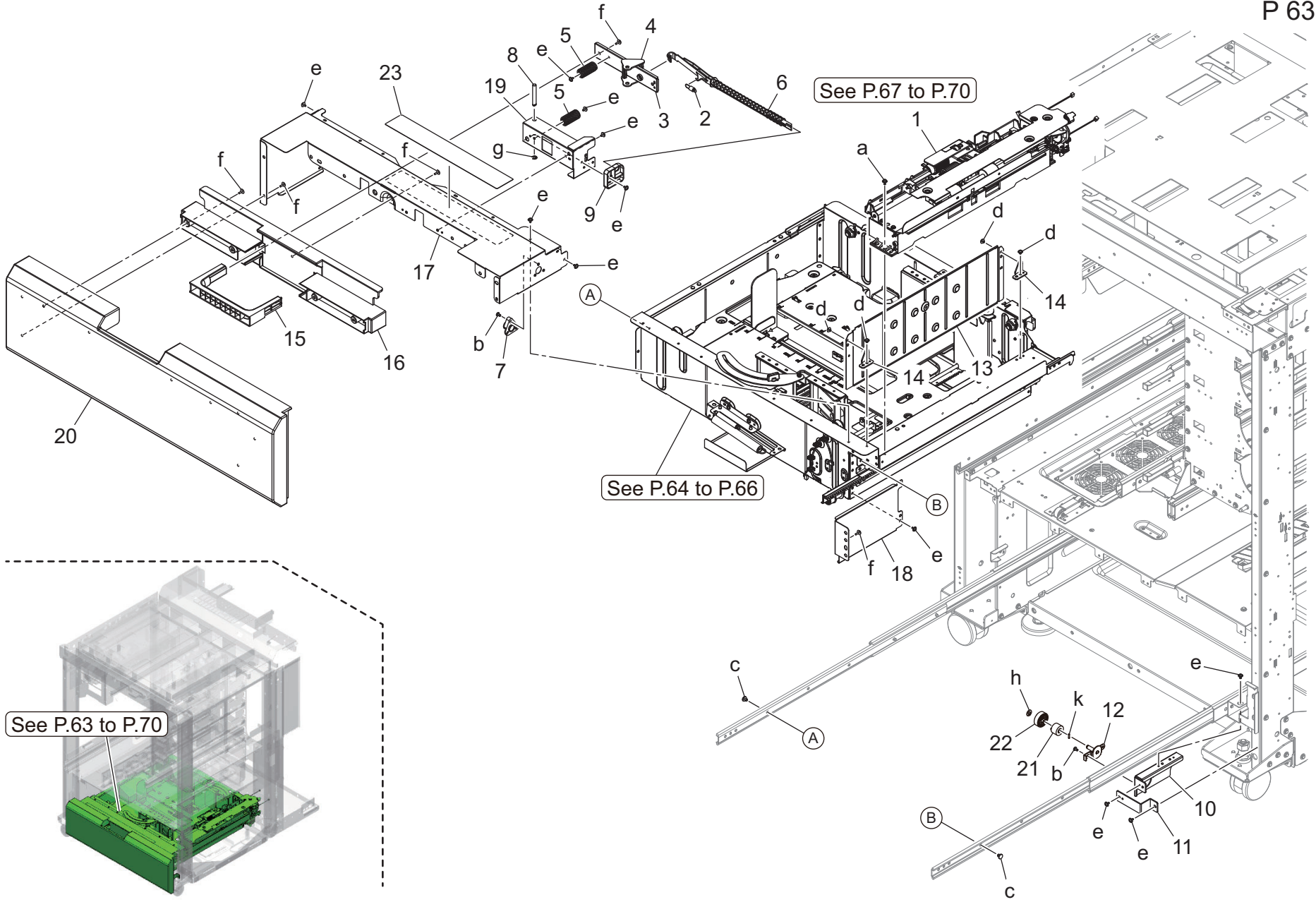


Fusing Section



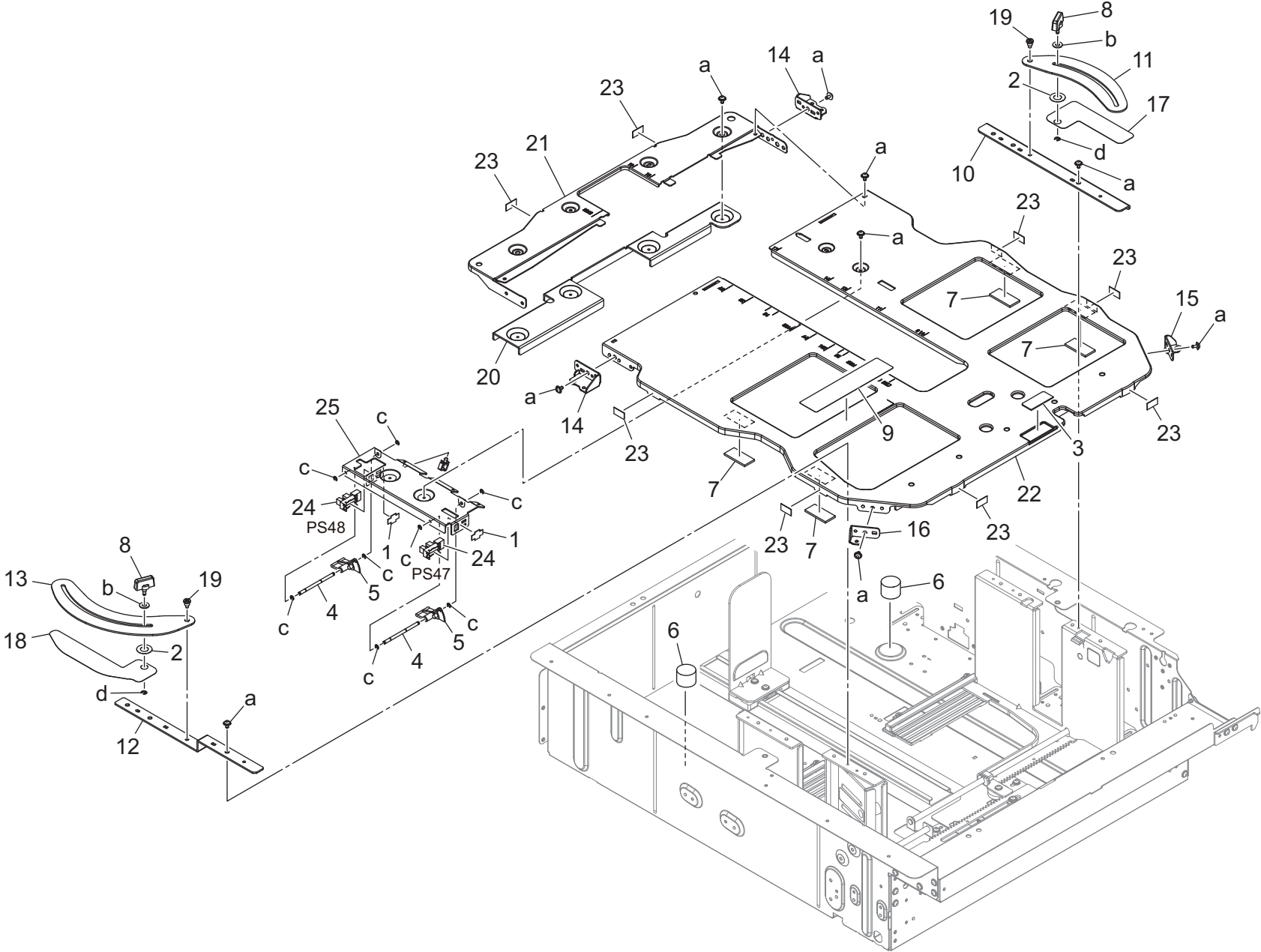
Key	Part No.	Description	Destinations	Class	QTY	Standard parts
1	A03U734500	Support Screw /A		C	9	a-V116030603 b-V121030403 c-V153030803 d-V118030403
2	A50U763000	Support Plate		D	2	
3	A50U763600	Insulating Sheet /6		D	4	
4	A9VER70900	Fusing Stay/ Upper Assy		D	1	
5	A9VP721500	Fusing Frame /Upper		D	1	
6	A9VP727500	Guide Seal /A		D	3	
7	A9VP727600	Guide Seal /B		D	3	
8	A9VP727700	Guide Seal /C		D	6	
9	A9VP731501	Insulating Sheet /L		D	1	
10	A9VP734200	Preventing Part /11		D	1	
11	A9VP734300	Preventing Seal /11		D	1	
12	A9VP738701	Cover Part /A		D	1	
13	A9VP757800	Guide Plate /E		D	1	
14	A9VP758000	Separating Cell /11		D	3	
15	A9VP762500	Positioning Plate /Front		D	1	
16	A9VP762600	Positioning Plate /Rear		D	1	
17	A9VP768701	Reflecting Plate /4		D	1	
18	A9VP768900	Separating Duct /11		D	1	
19	A9VP769300	Reflecting Plate /3		D	1	
20	A9VP765300	Insulating Sheet /12		D	1	

# Tray Section



Key	Part No.	Description	Destinations	Class	QTY	Standard parts
1	A9VPR72200	Paper Feed Assy		S	1	a-V125030803
2	A161626800	Pulling Coil spring		C	1	b-V126030603
3	A50U633002	Holding Handle		D	1	c-V118040604
4	A50U633200	Release Lever		D	1	d-V127030516
5	A50U633400	Stable Spring		D	2	e-V127030604
6	A50U633601	Lock Lever		D	1	f-V158030803
7	A50U633702	Receiving Guide /1		D	1	g-V217040003
8	A50U633800	Release Shaft /1		D	1	h-V221050050
9	A50U634300	Receiving Guide /2		D	1	k-V234200850
10	A50U640200	Mounting Plate		D	1	
11	A50U640400	Reinforce Part		D	1	
12	A9VE641600	Mounting Plate		D	1	
13	A9VE620701	Regulating Plate /Right		D	1	
14	A9VE628400	Mounting Plate /1		D	2	
15	A9VE633100	Handle /B		D	1	
16	A9VP160800	Cover Tray /2		D	1	
17	A9VP627000	Fixing Plate /2		D	1	
18	A9VP627200	Fixing Plate /3		D	1	
19	A9VP633900	Fixing Plate		D	1	
20	A9VP634400	Paper feed Handle		D	1	
21	A4F3744400	Torque limiter		C	1	
22	A9VE641700	Gear 15T		C	1	
23	A50U945702	Operation Label /1		D	1	

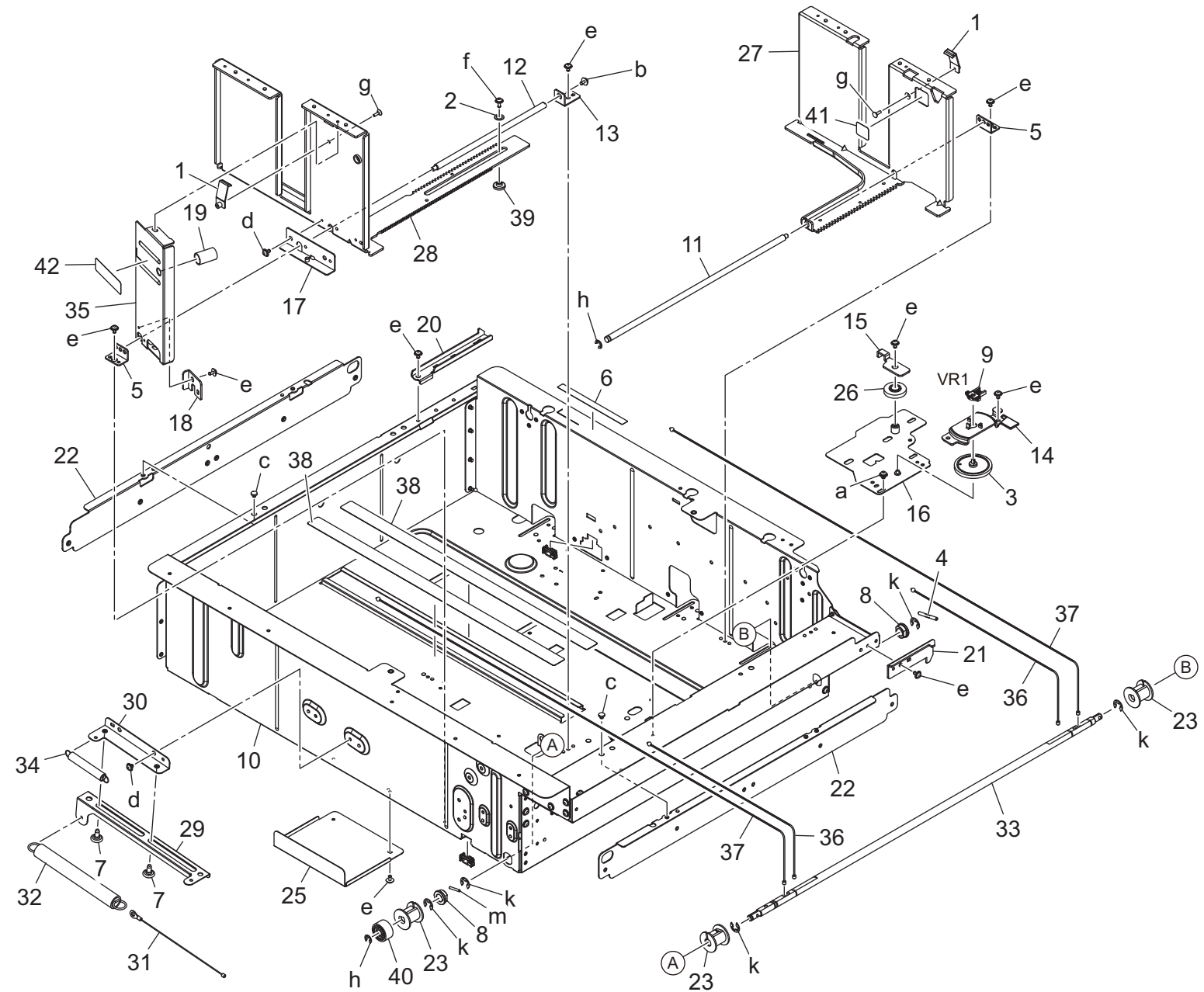
Tray Section



# Tray Section

Key	Part No.	Description	Destinations	Class	QTY	Standard parts
1	4470402401	Stopper		D	2	a-V127030604 b-V207040003 c-V217020003 d-V217025003
2	65AA49500	Paper Exit Spacer /1		C	2	
3	55VA40930	DOUBLE FEED PREVENTIVE PLATE		C	1	
4	65AA47310E	PAPER DETECTING SHAFT		D	2	
5	65AA47320	Paper Detecting Actuator		C	2	
6	65AA47820	REGULATING PART		C	2	
7	65AA47860	AUXILIARY SHEET		C	4	
8	A03X656203	Lock Screw		C	2	
9	A1RF946000	Paper feed Label /1		D	1	
10	A50U621001	Reinforce Plate /Rear		D	1	
11	A50U622600	Regulating Plate /Rear		D	1	
12	A50U622802	Reinforce Plate /Front		D	1	
13	A50U625701	Regulating Plate /Front		D	1	
14	A50U626502	Support Plate /1		D	2	
15	A50U626601	Support Plate /2		D	1	
16	A50U626702	Support Plate /3		D	1	
17	A50U627601	Sheet		D	1	
18	A50U627701	Sheet		D	1	
19	A50U628200	Shoulder Screw		D	2	
20	A50U629001	Reinforce Stay		D	1	
21	A50U629202	Up/down Plate /Rear		D	1	
22	A50U630203	Lifting Plate		D	1	
23	A50U641500	Slide Sheet		D	8	
24	A85CM55600	Photo Sensor		C	2	
25	65AA47120D	Mounting Plate		D	1	

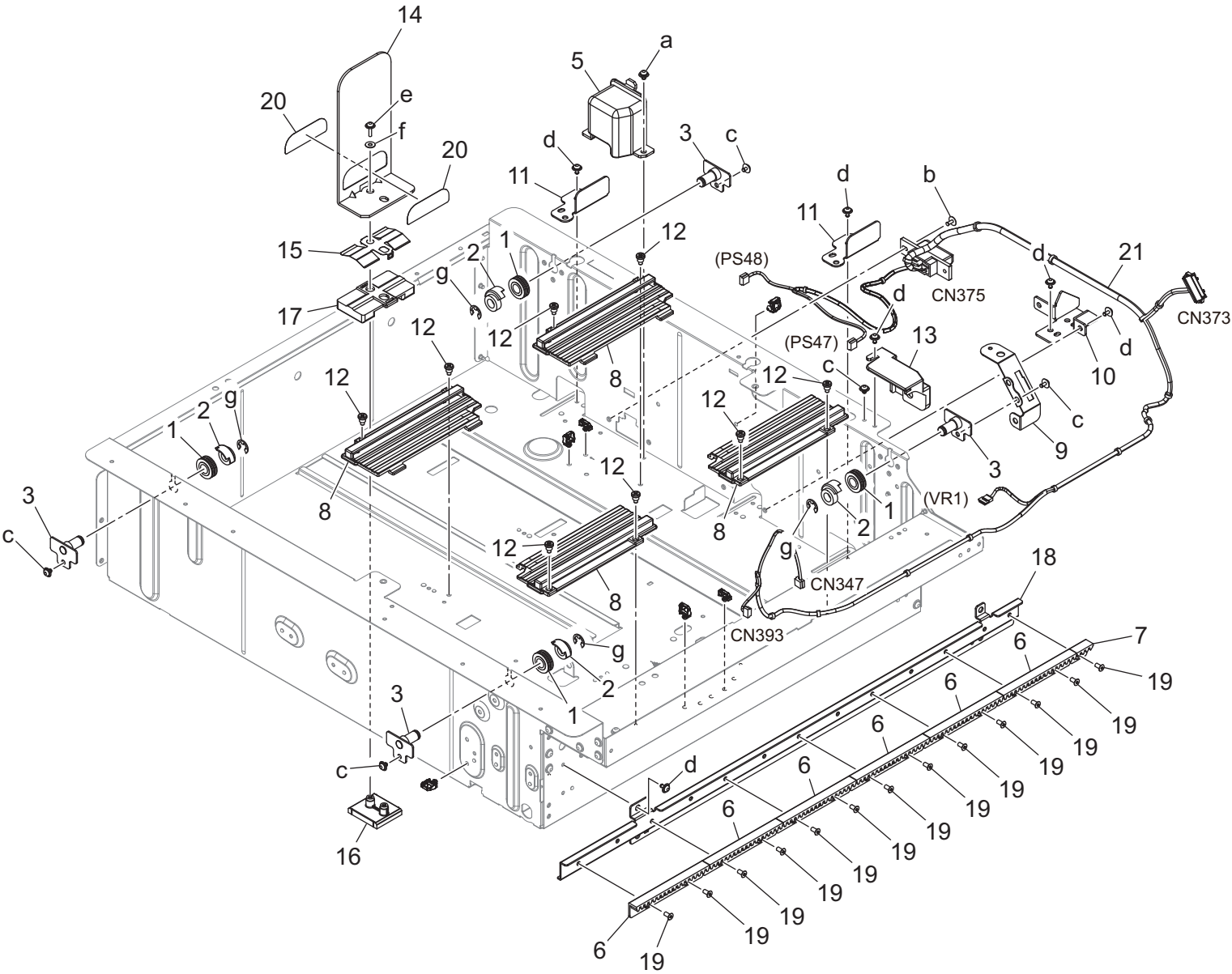
Tray Section



Key	Part No.	Description	Destinations	Class	QTY	Standard parts
1	26NA47070	PAPER REGULATING CLAW		C	2	a-V116030503
2	40AA32320	Toner Supply Spacer		C	1	b-V116030603
3	65AA47600E	Detecting Gear 45T		C	1	c-V118030303
4	65AA47700D	Up/down Pin		D	1	d-V127030516
5	65AA47740E	Shaft Mounting Plate		D	2	e-V127030604
6	65GE97490	CASSETTE GUIDE LABEL		D	1	f-V127030803
7	A03N621800	Slide Shoulder screw		C	2	h-V217040003
8	A03U812800	Slide Shaft Holder		B	2	k-V217060003
9	A1UDM50100	Volume		D	1	m-V234201450
10	A50U620105	Paper feed Cassette		D	1	
11	A50U620801	Regulating Shaft		D	1	
12	A50U621301	Stopper Shaft		D	1	
13	A50U621400	Mounting Plate		D	1	
14	A50U621900	Mounting Plate		D	1	
15	A50U622001	Stopper Plate		D	1	
16	A50U622101	Positioning Plate		D	1	
17	A50U622400	Support Plate		D	1	
18	A50U623201	Lock Claw		D	1	
19	A50U623300	Slide Spring /1		D	1	
20	A50U623900	Lock Claw		D	1	
21	A50U624201	Lock Part		D	1	
22	A50U624904	Support Stay /2		D	2	
23	A50U626000	Pulley		C	3	
25	A50U627501	Reinforce Stay		D	1	
26	A50U628400	Pinion		C	1	
27	A50U630602	Guide Rack /Rear		D	1	
28	A50U630902	Guide Rack /Front		D	1	
29	A50U631000	Slide Plate		D	1	
30	A50U631100	Mounting Plate		D	1	
31	A50U631500	Auxiliary Wire		D	1	
32	A50U631700	Slide Spring /1		D	1	
33	A50U631800	Up/down Shaft		D	1	
34	A50U631900	Slide Spring /1		D	1	
35	A50U632300	Brake Knob		D	1	
36	A50U635400	Up/down Wire /1		D	2	
37	A50U635500	Up/down Wire /2		D	2	
38	A50U640700	Sheet		D	2	
39	A50U642000	Guide Spacer		D	1	
40	A50U854600	Release Gear /1 24T		C	1	
41	A50U945301	Regulating Label		D	1	
42	A50U946300	Lock Label /2		D	1	

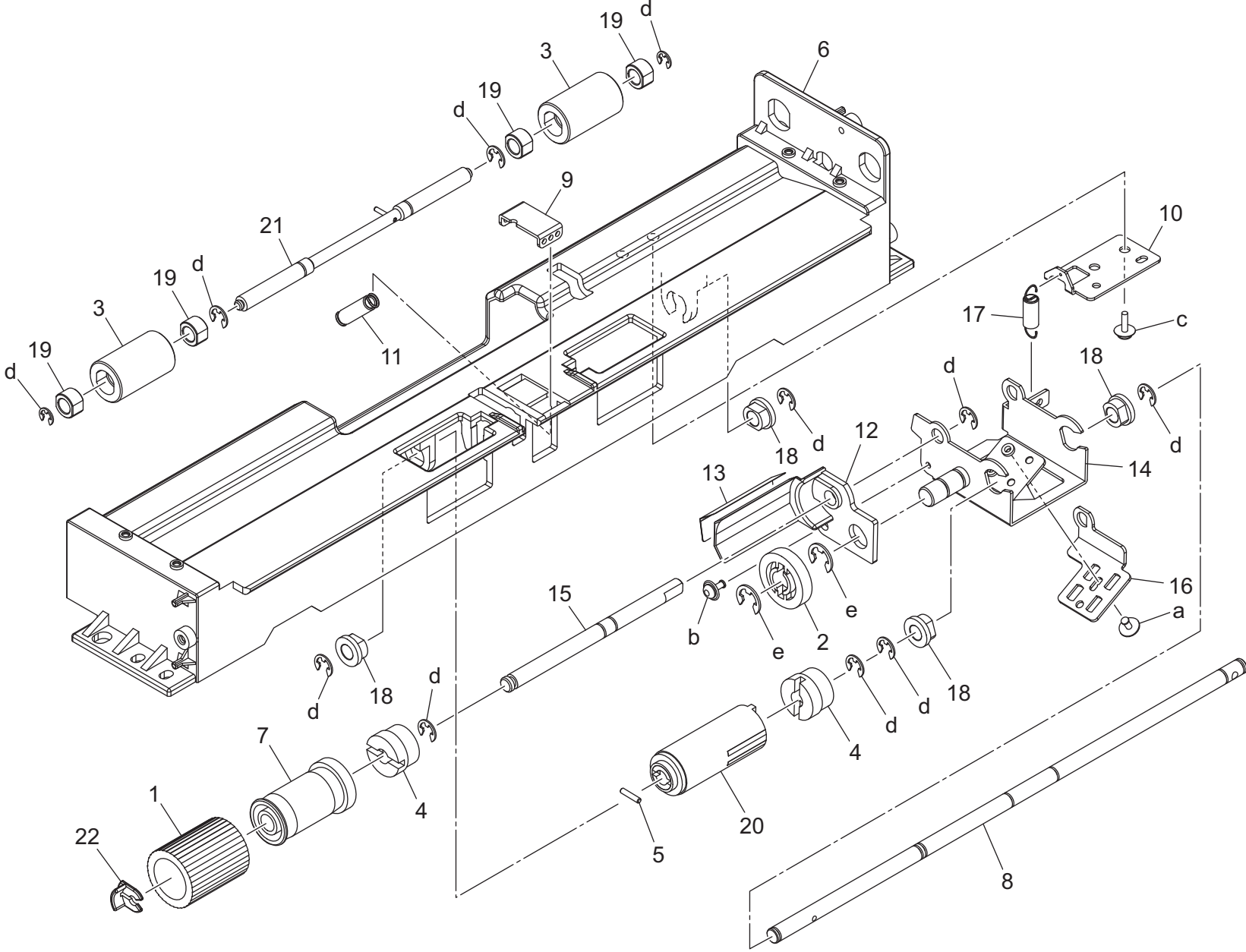


Tray Section



Key	Part No.	Description	Destinations	Class	QTY	Standard parts
1	65AA47550	WIRE ROLLER	ワイヤーコロ	C	4	a-V116030503 b-V121030603 c-V127030516 d-V127030604 e-V158031003 f-V207030003 g-V217060003
2	65AA47630	WIRE GUIDE PART	ワイヤーガイド部材	C	4	
3	A1DUF62101	PULLEY FULCRUM PLATE CAULKING	プーリ支点板カシメ	D	4	
5	A03U621200	GUIDE COVER	ガイドカバー	C	1	
6	A03X622101	REGULATING RACK /1	規制ラック /1	D	6	
7	A03X622201	REGULATING RACK /2	規制ラック /2	D	1	
8	A50U621200	Slide Guide	スライドガイド	D	4	
9	A50U624600	Mounting Plate	取付板	D	1	
10	A50U624700	Fixing Cam	固定カム	D	1	
11	A50U625100	Positioning Plate	位置決め板	D	2	
12	A50U628200	Shoulder Screw	段ねじ	D	8	
13	A50U628300	Cover	カバー (ハーネス)	D	1	
14	A50U629401	Regulating Plate /Rear	規制板 /後	D	1	
15	A50U629502	Plate spring	板ばね	D	1	
16	A50U629702	Brake Part /Lower	ブレーキ部材 /下	D	1	
17	A50U629801	Brake Part	ブレーキ部材	D	1	
18	A50U640100	Guide Rail	ガイドレール	D	1	
19	A50U642300	Mounting Screw	取付ねじ	D	13	
20	A50U946400	Lock Label /1	ロックラベル /1	D	2	
21	A50UN14001	Paperfeed Wiring /2	給紙束線 /2	D	1	

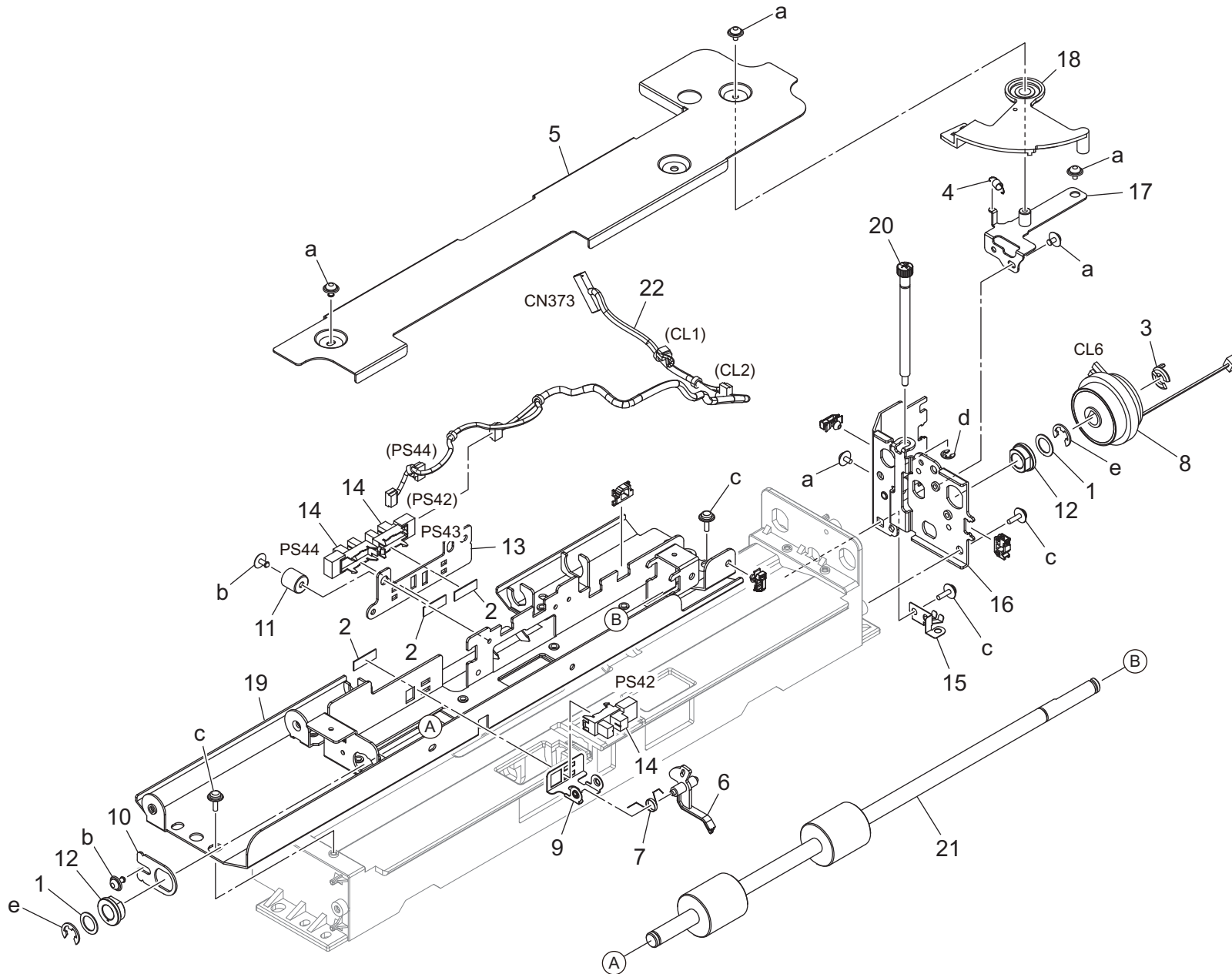
Tray Paper Feed Section



# Tray Paper Feed Section

Key	Part No.	Description	Destinations	Class	QTY	Standard parts
1	25SA40960	DOUBLE FEED PREVENTION RUBBER	重送防止ゴム	A	1	a-V116030603 b-V121030603 c-V153030803 d-V217040003 e-V217060003
2	26NA42061	BY PASS FEED CONVEYING GEAR 21T	手差し搬送ギア 21 T	B	1	
3	26NA42560	By-Pass Idler Roller	手差し従動ローラー	C	2	
4	55VA79030	Paper Feed Reversal Gear /C 14T	給紙逆転歯車 /C 14 T	B	2	
5	56AA17510	Pin /B	ピン /B	C	1	
6	56AA40010E	Paper feed Main body	給紙 本体	C	1	
7	56AA40360	Reverse Roller	逆転ローラー	C	1	
8	A9VP623400	Support Shaft	支点軸	D	1	
9	56AA40430	SPRING MOUNTING PLATE 1	バネ取り付け板 /1	D	1	
10	56AA40440	SPRING MOUNTING PLATE 2	バネ取り付け板 /2	D	1	
11	56AA40481	PAPERFEEDPRESSINGSRING	給紙押圧バネ	C	1	
12	56AA40530	ENTRANCE GUIDE PART	入口ガイド部材	D	1	
13	56AA40540	ENTRANCE GUIDE SHEET	入口ガイドシート	C	1	
14	56QA40080	Multi-feed Preventing Plate	重送防止板	C	1	
15	56QA40270	MULTI FEED REVERSE SHAFT	重送逆転軸	D	1	
16	56QA40550	MULTI FEED ADJUSTMENT PLATE	重送調整板	D	1	
17	57AA40420	MULTI FEED PREVENTING SPRING	重送防止バネ	C	1	
18	A00J663200	Bushing	すべり軸受	B	4	
19	A03U850101	Slide Bushing	すべり軸受	C	4	
20	A03X565611	Torque Limiter /A	トルクリミッタ /A	B	1	
21	A1DUR71K00	Paper Feed Driven Shaft Assy	給紙従動軸部組	D	1	
22	A1RF620301	Stopper Collar	ストップカラー	D	1	

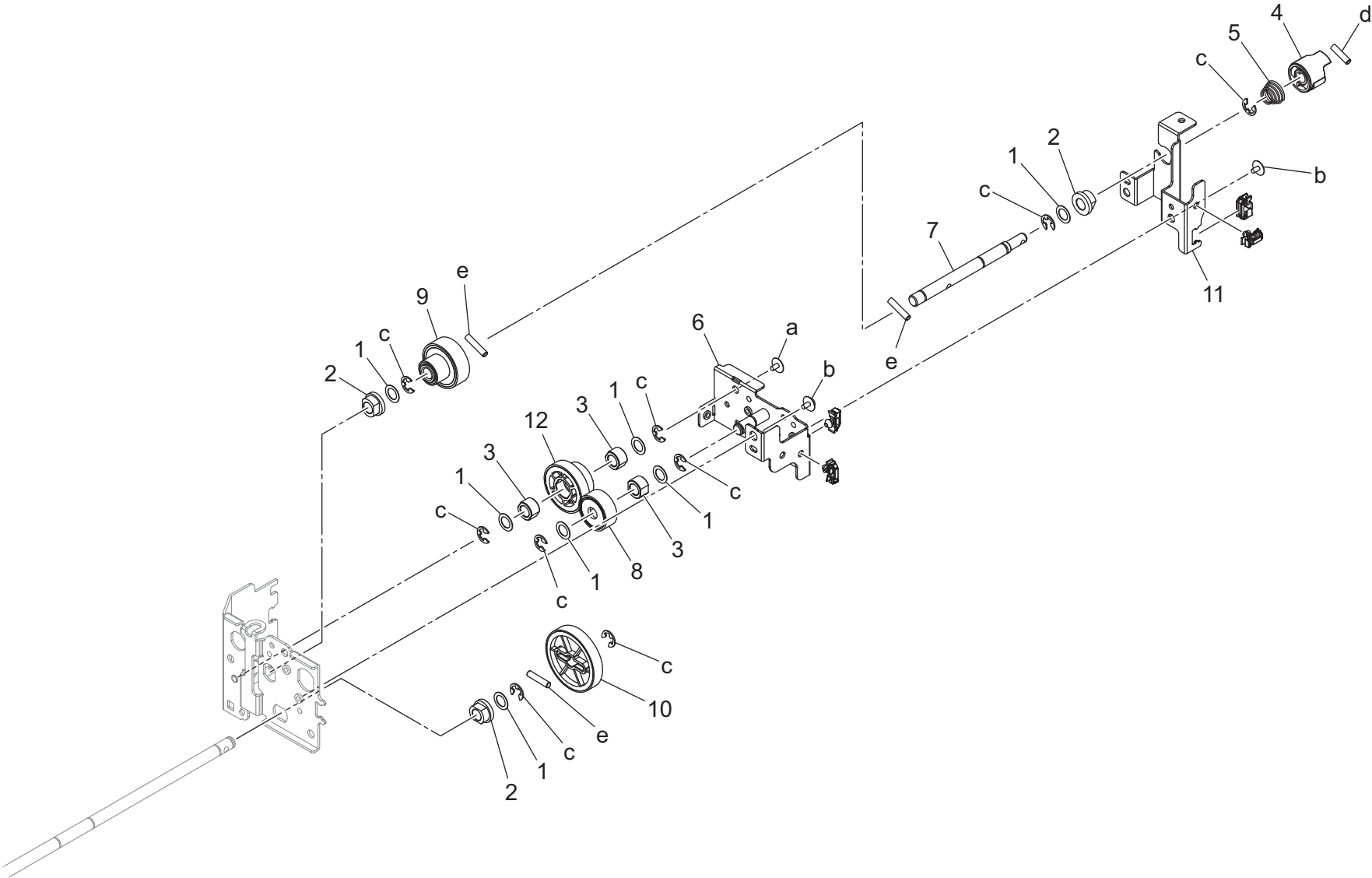
# Tray Paper Feed Section



Key	Part No.	Description	Destinations	Class	QTY	Standard parts
1	12QV40650	Spacer		B	2	a-V121030403 b-V127030604 c-V153030803 d-V217030003 e-V217060003
2	4109553001	Stopper		C	3	
3	55VA42120	Shaft Stopper		C	1	
4	56AA17121	SEPARATE SPRING UPPER		C	1	
5	56AA40100G	Wiring Protection Cover		D	1	
6	56AA40171	PAPER FEED DETECTING ACTUATOR		C	1	
7	56AA40190	PRESSING SPRING		C	1	
8	AC57M20200	Conveyance Clutch		B	1	
9	56AA40310	MOUNTING PLATE		D	1	
10	56AA40370	ADJUSTING PLATE		D	1	
11	56AA40520	EARTH SPRING		C	1	
12	A03U812800	Slide Shaft Holder		B	2	
13	A85C635401	Adjusting Plate		D	1	
14	A85CM55600	Photo Sensor		C	3	
15	A9VE560100	Ground Plate		C	1	
16	A9VP560900	Support Plate		D	1	
17	A9VP561200	Drive Side plate /ASSY		D	1	
18	A9VP622700	Rotation Plate		D	1	
19	A9VP622901	Paper feed Guide /Upper		D	1	
20	A9VP623500	Paper feed Screw		D	1	
21	A9VP624400	Paper feed Roller		C	1	
22	A9VPN14200	Paper Feed Harness /1		D	1	

# Tray Paper Feed Section

P 69

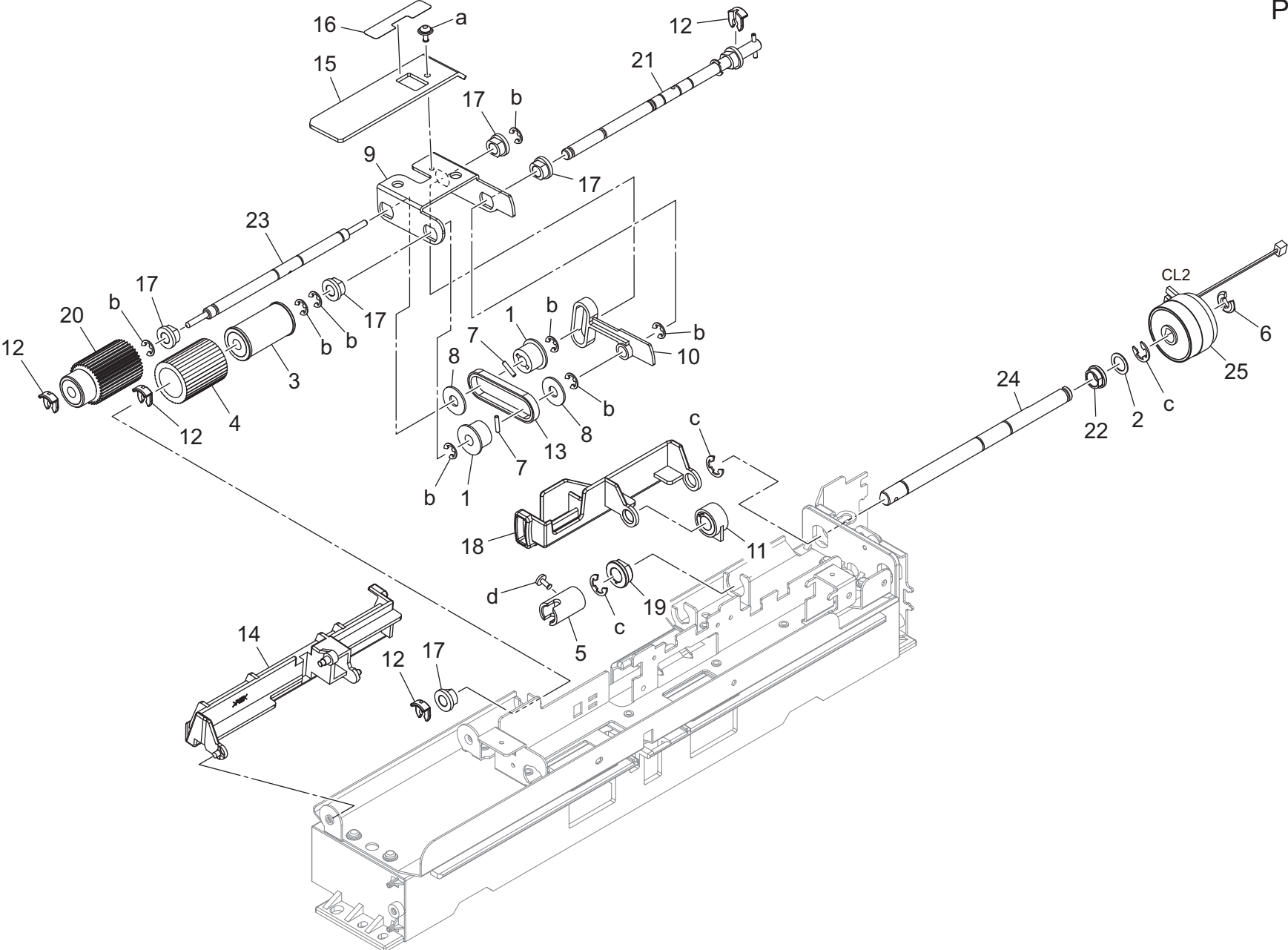


Key	Part No.	Description	Destinations	Class	QTY	Standard parts
1	13QA10330	SHAFT SPACER		C	7	a-V153030803 b-V121030403 c-V217040003 d-V234301250 e-V234301450
2	A00J663200	Bushing		B	3	
3	A03U850101	Slide Bushing		C	3	
4	A50U564500	Paper feed Coupling		B	1	
5	A50U565100	Pressing Spring		D	1	
6	A9VP561000	Support Plate /ASSY		D	1	
7	A9VP562400	Input Shaft		D	1	
8	A9VP625200	Idling Gear 17T		C	1	
9	A9VP621600	Drive Gear 22/15T		C	1	
10	A9VP622500	Idler Gear 41T		C	1	
11	A9VP623800	Support Plate /2		D	1	
12	A9VP624800	Idling Gear 24/16T		C	1	



Tray Paper Feed Section

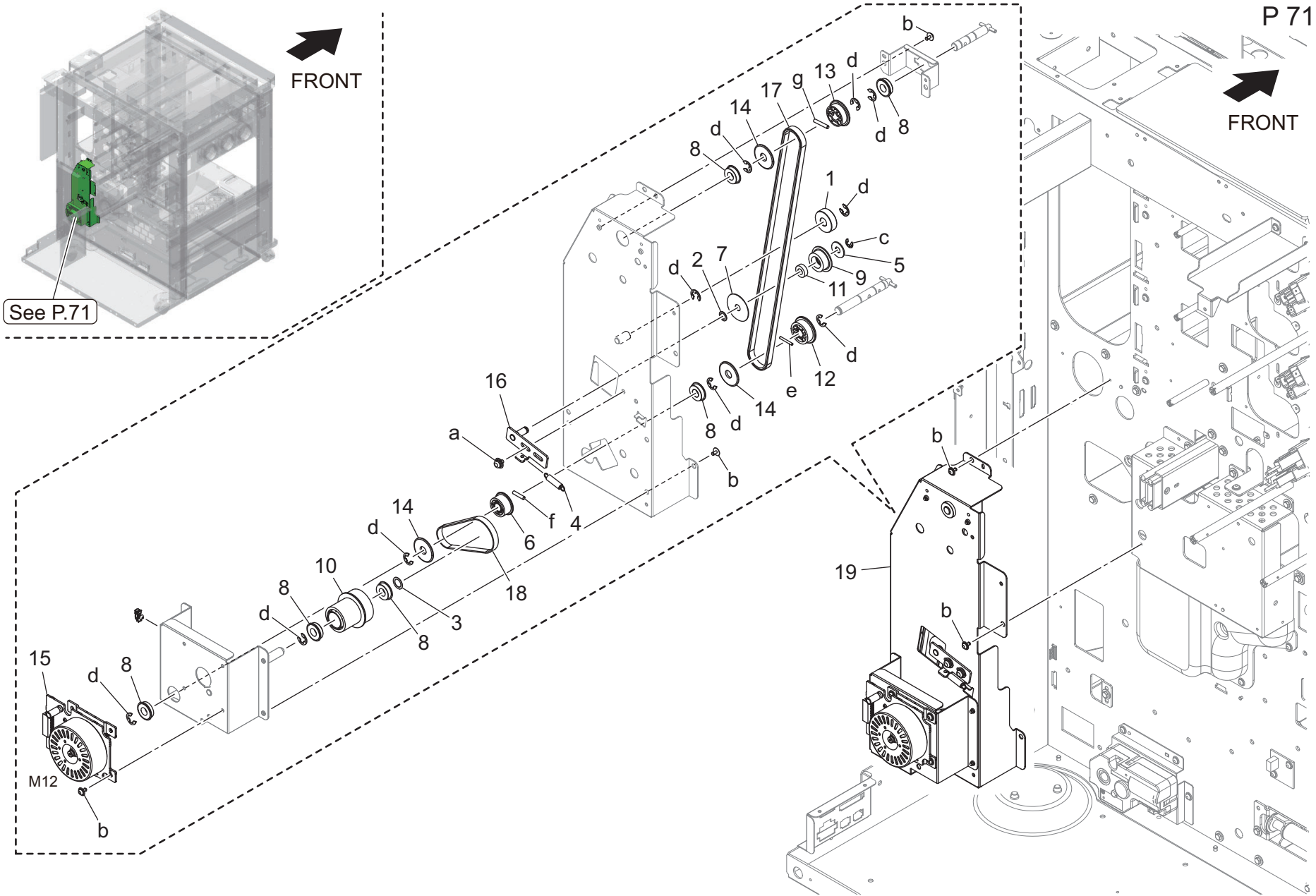
P 70



# Tray Paper Feed Section

Key	Part No.	Description	Destinations	Class	QTY	Standard parts
1	059076510	PULLEY 1 15T	プーリー 1 15 T	C	2	a-V121030603 b-V217040003 c-V217060003 d-V118030603
2	12QV40650	Spacer	スペーサー	B	1	
3	25AA40100	Feeding Roller /B	送り出しローラー /B	B	1	
4	25SA40960	DOUBLE FEED PREVENTION RUBBER	重送防止ゴム	A	1	
5	55FA40320	COUPLING	カップリング	C	1	
6	55VA42120	Shaft Stopper	軸ストッパー	C	1	
7	56AA17510	Pin /B	ピン /B	C	2	
8	56AA17760	COLLAR	カラー	C	2	
9	56AA40070	Paper feed Swing Plate	給紙首振り板	D	1	
10	56AA40300	PAPER QUANTITY ACTUATOR	紙残検アクチュエータ	C	1	
11	56AA40380	PAPER FEED REGULATING BLOCK	給紙規制ブロック	B	1	
12	56AA40490	Shaft Stopper /4	軸 ストッパー /4	C	4	
13	56AA77590	PAPER FEED ROCKING BELT 111L	給紙首振りベルト 111 L	C	1	
14	65AA40010	Regulating Plate	規制板	D	1	
15	65AA40080E	Paper feed Auxiliary Plate	給紙補助板	D	1	
16	65GE97400	GUIDE LABEL /1	案内ラベル /1	C	1	
17	A00J663200	Bushing	すべり軸受	B	5	
18	A03U560500	Regulating Plate /Rear	規制板 /奥	C	1	
19	A03U812800	Slide Shaft Holder	すべり軸受	B	1	
20	A1DUR71J00	Paper Feed Oscillate Roller	給紙首振りローラ部組	B	1	
21	A1DUR75200	Paper Feed Feeding Shaft Assy	給紙送り出し軸 A s s y	D	1	
22	A4EU560000	Drive Bushing	駆動すべり軸受	C	1	
23	A85C635200	Swing Shaft	首振り軸	D	1	
24	A9VP623000	Drive Shaft	駆動軸	D	1	
25	AC57M20000	Conveyance Clutch	搬送クラッチ (5 k g)	A	1	

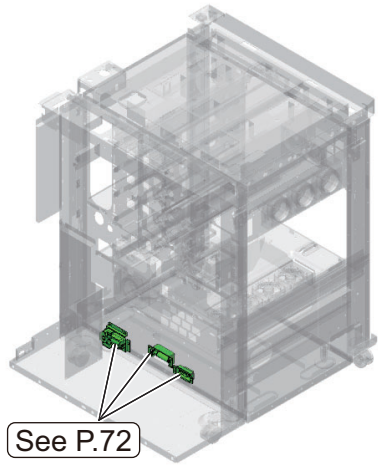
# Paper Feed Driving Section



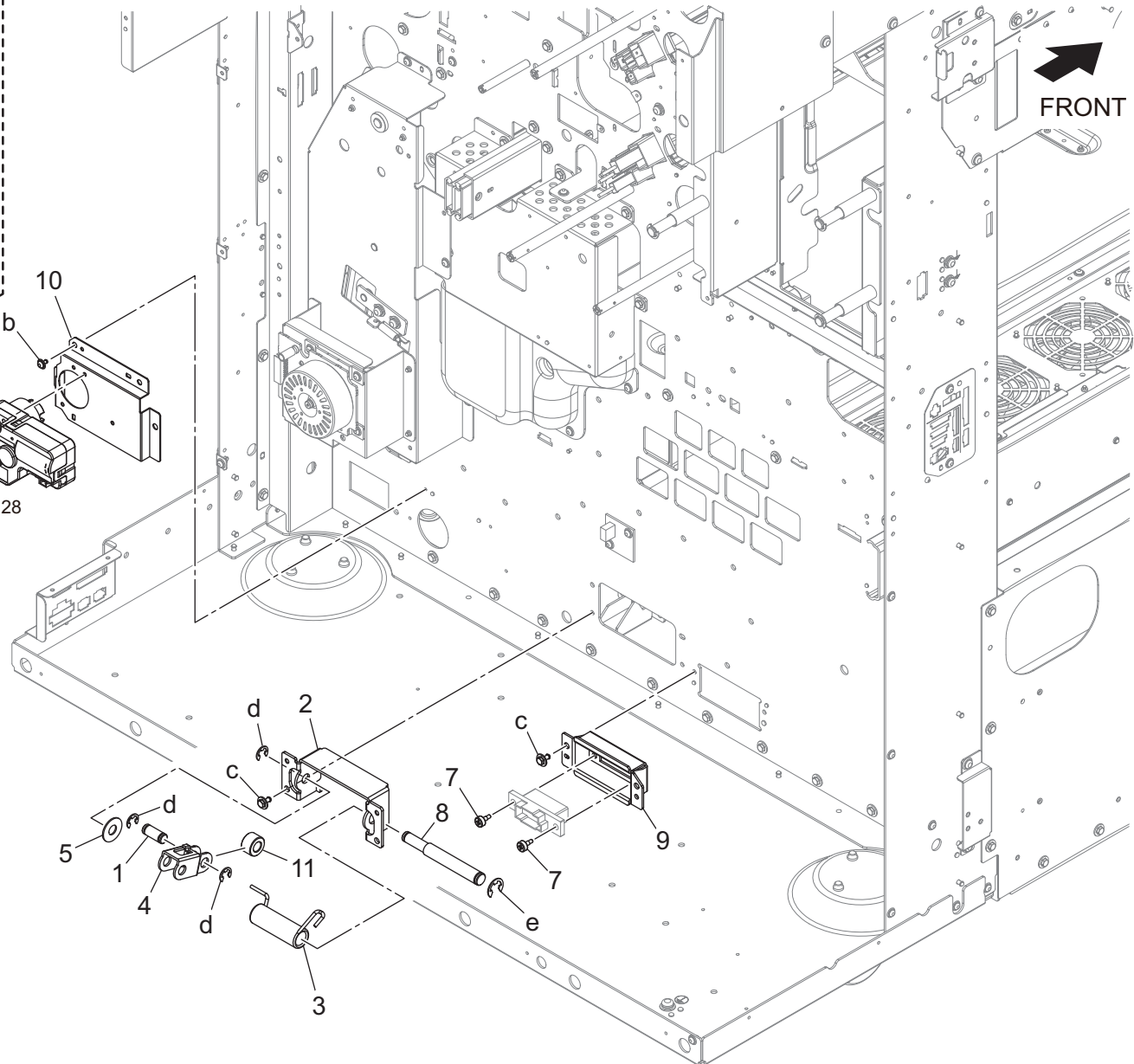
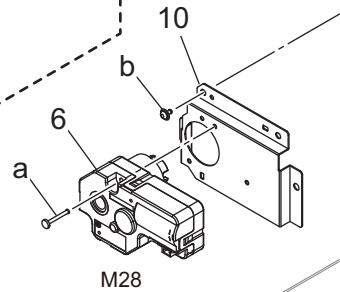
AccurioPress C7090

Key	Part No.	Description	Destinations	Class	QTY	Standard parts
1	08AA76060	Fixing Bearing /Lower		B	1	a-V116040603 b-V127030604 c-V217040003 d-V217060003 e-V234201650 f-V234301450 g-V234301850
2	13QA10330	SHAFT SPACER		C	1	
3	13QA40610	Gear Spacer		C	1	
4	55VA15570	PAPER EXIT TENSION SPRING		B	1	
5	56AA17760	COLLAR		C	1	
6	56GA76600E	Cleaner Driving Pulley 21T		C	1	
7	56UA47980	Belt Holding Part /M		D	1	
8	A00V240600	Ball Bearing		B	6	
9	A03U839700	IDLING PULLEY 21T		C	1	
10	A0G6227300	Idling Pulley /3		C	1	
11	A0TK397501	Ball bearing		C	1	
12	A50U818501	Pulley /2		D	1	
13	A65U222000	Drive Pulley		C	1	
14	A797897000	Collar		C	3	
15	A9JTM10300	Developing Screw Motor		B	1	
16	A9VP251500	Tension Shaft /ASSY		D	1	
17	A9VP253000	Conveyance Belt /2 211L		C	1	
18	A9VP253200	Conveyance Belt /1 64L		C	1	
19	A9VPR72800	Paper Feed Drive Assy		S	1	

# Tray Driving Section



FRONT

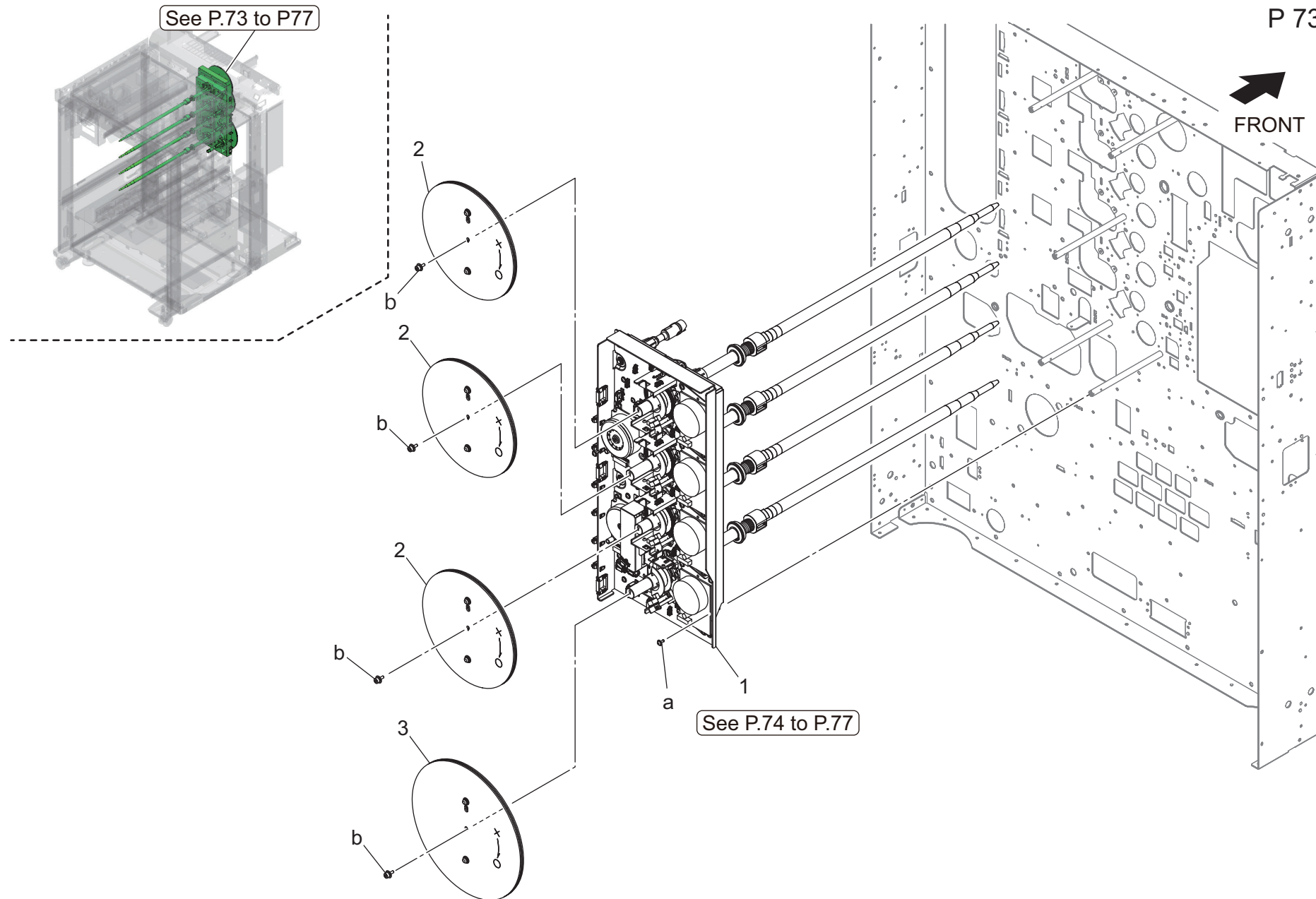


P 72

FRONT

Key	Part No.	Description	Destinations	Class	QTY	Standard parts
1	65AA47360	CASSETTE LOCKING SHAFT		D	1	a-V118032003 b-V127030604 c-V146040804 d-V217060003 e-V217080003
2	65AA47370	FULCRUM PLATE		D	1	
3	65AA47390	GUIDE SPRING		C	1	
4	65AA47710	LOCKING PLATE		D	1	
5	65AA47970	SPACER		C	1	
6	A2X0M12101	Brush motor		B	1	
7	A1DU622200	Mounting Screw		D	2	
8	A50U109300	Support Shaft		D	1	
9	A50U112901	Mounting Tray		D	1	
10	A50U629100	Mounting Plate		D	1	
11	A9VE625800	Roll		C	1	

# Drum Driving Section



AccurioPress C7090

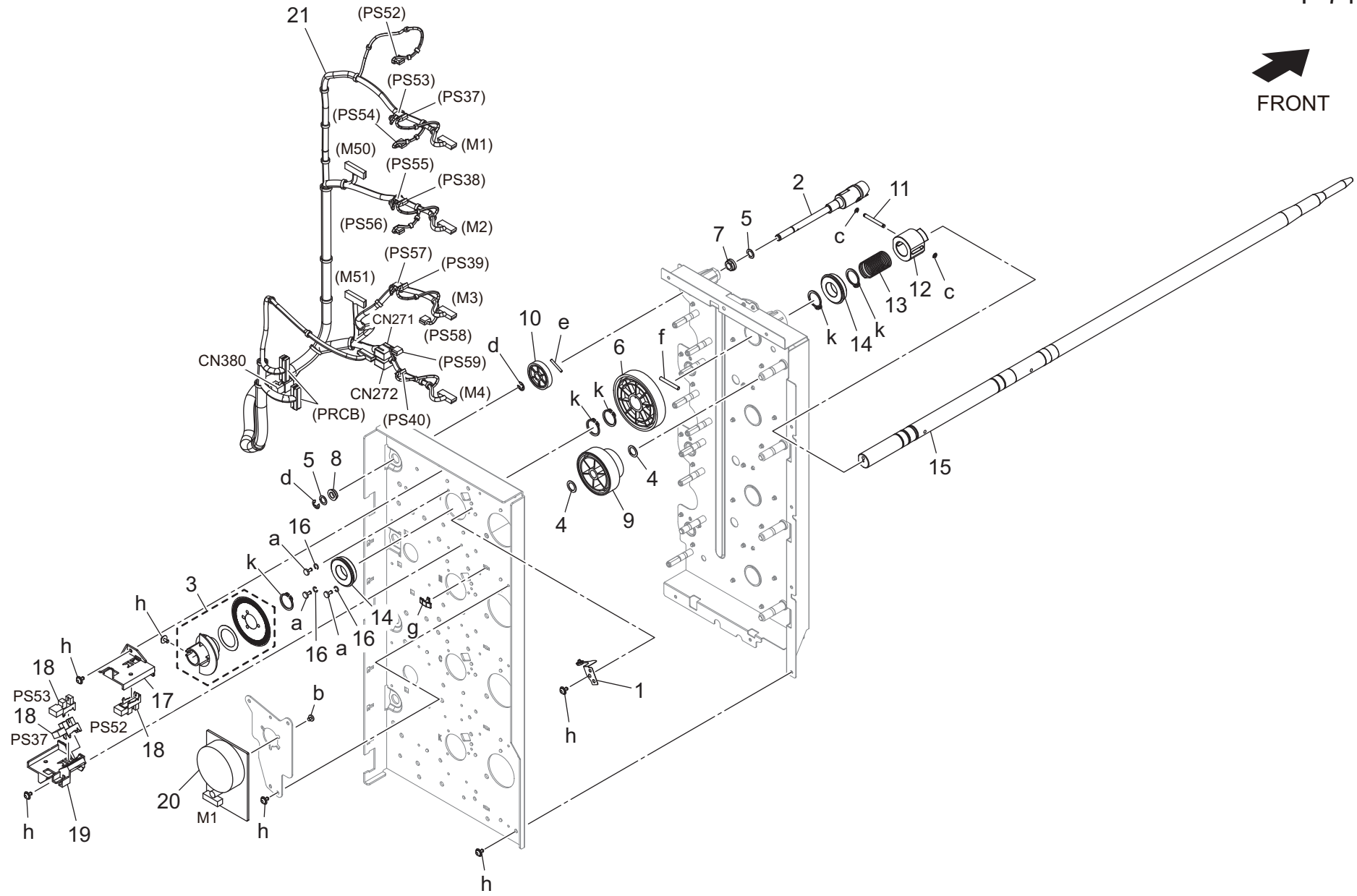
# Drum Driving Section

Key	Part No.	Description	Destinations	Class	QTY	Standard parts
1	A9VPR72700	Drum Drive Assy		S	1	a-V127030803 b-V185041003
2	A50UF21100	Drum Drive Fly Wheel / Y M C		D	3	
3	A50UR70Q00	Drum Drive Fly Wheel / K		D	1	



# Drum Driving Section

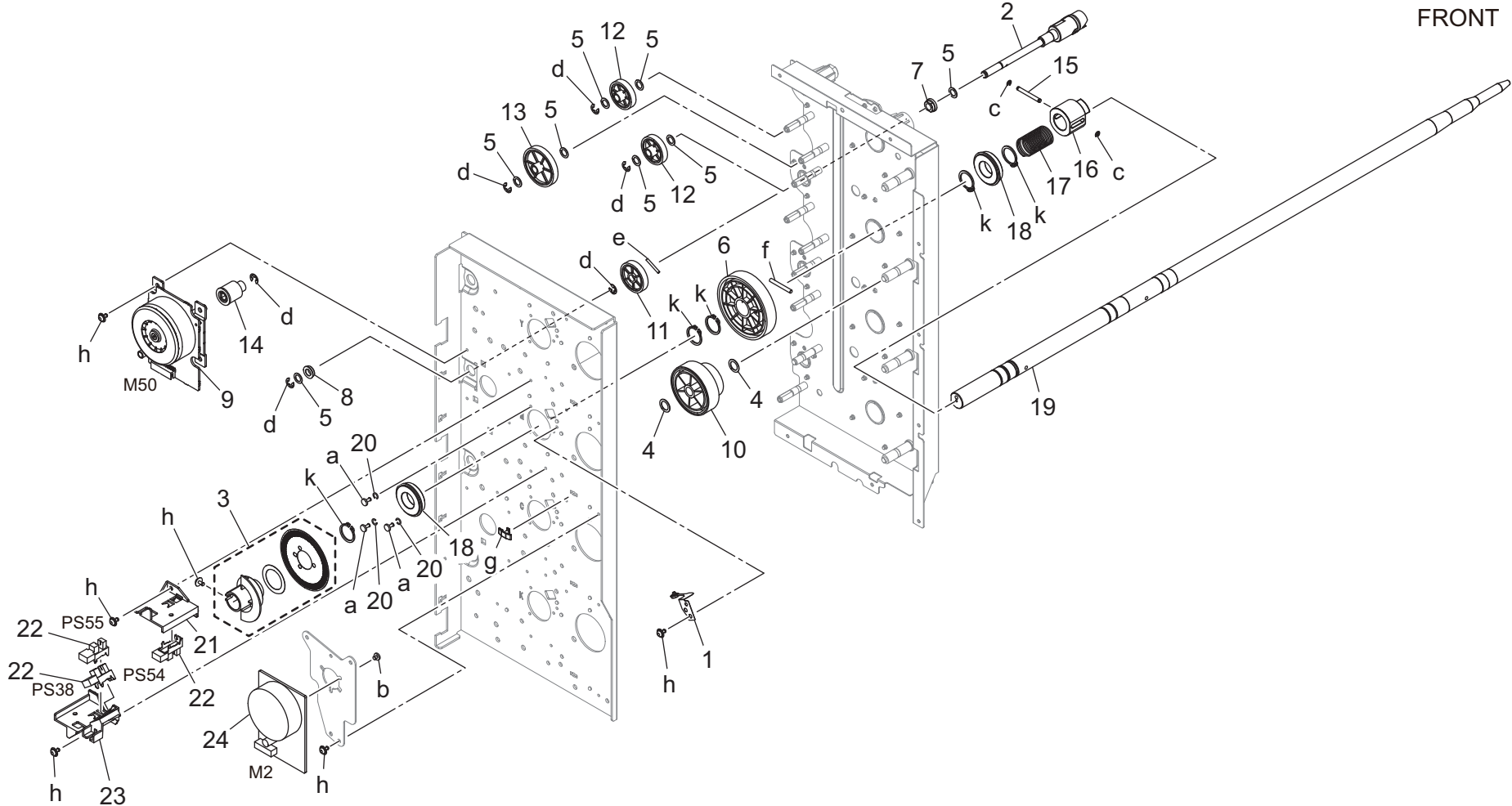
P 74



Key	Part No.	Description	Destinations	Class	QTY	Standard parts
1	A50UR72X01	Drum Ground Assy		D	1	a-V118030603
2	A9VPR75200	Developing Screw Drive Shaft Assy (YMC)		D	1	b-V118030403
3	A9VPR72600	Encoder /YMC		D	1	c-V217020003
4	12QV40650	Spacer		B	2	d-V217040003
5	40AA32320	Toner Supply Spacer		C	2	e-V234201650
6	A03U259900	DRIVE GEAR 92T		C	1	f-V234302550
7	A161210200	Bushing		D	1	g-V500020103
8	A9CE716000	Ball bearing /S		C	1	h-V127030604
9	A9VP210800	Idling Gear 84/46T		C	1	k-V223150017
10	A9VP213300	Developing Gear 31T		C	1	
11	65AA15210	Coupling Pin		D	1	
12	A1RF212600	Coupling		D	1	
13	A50U210600	Pressing Spring		D	1	
14	A50U212600	Ball Bearing /15		C	2	
15	A9VP210401	Base Shaft /2		D	1	
16	A1RF214100	Set Washer /1		D	3	
17	A9VP211200	Sensor Pedestal /Color		D	1	
18	A85CM55600	Photo Sensor		C	3	
19	A9VP211300	Sensor Pedestal /Color		D	1	
20	A85CM10200	DC Brushless motor /20		C	1	
21	A9VPN19000	Drive Harness /1		D	1	

# Drum Driving Section

P 75



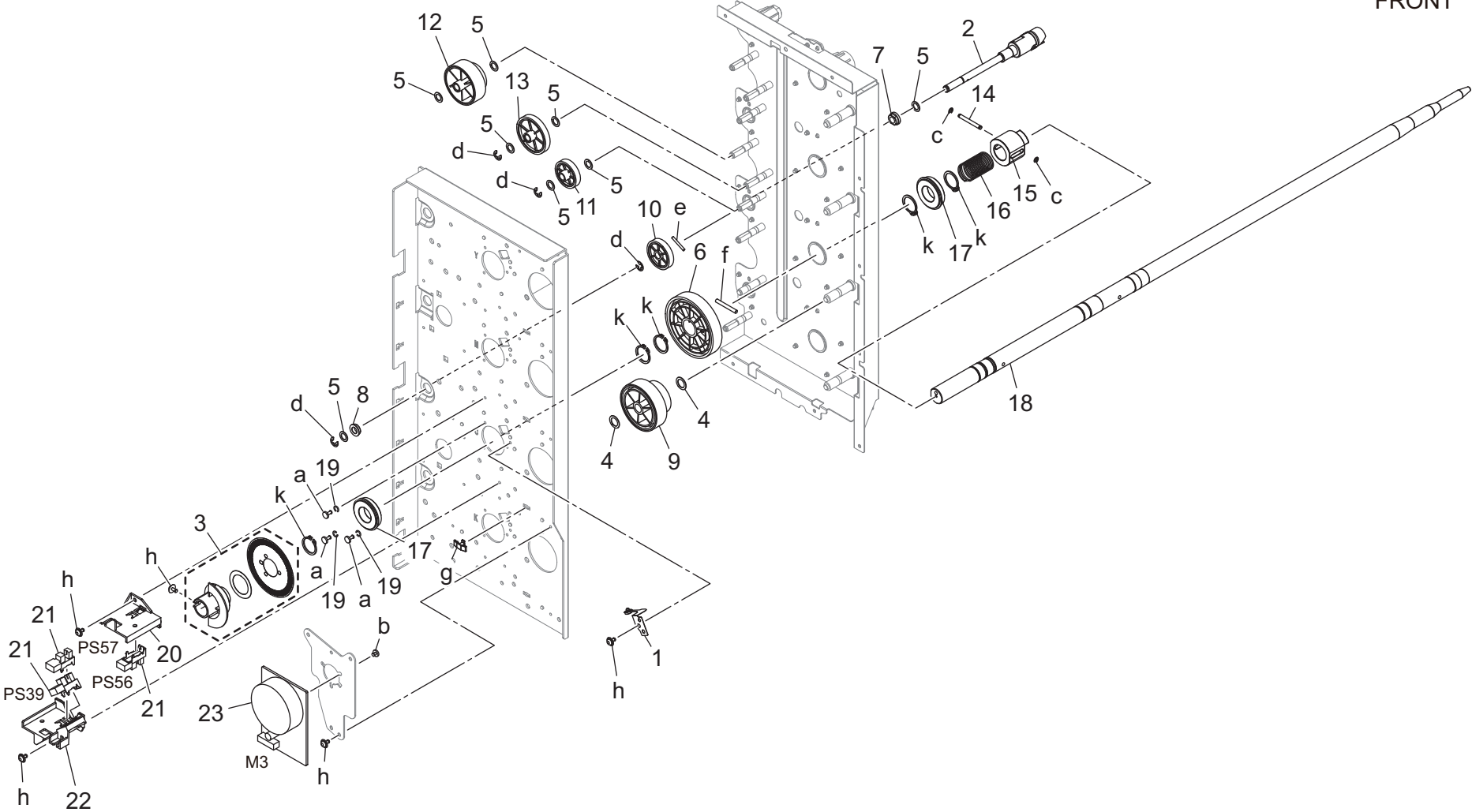
# Drum Driving Section

Key	Part No.	Description	Destinations	Class	QTY	Standard parts
1	A50UR72X01	Drum Ground Assy	ドラムアース Assy	D	1	a-V118030603 b-V118030403 c-V217020003 d-V217040003 e-V234201650 f-V234302550 g-V500020103 h-V127030604 k-V223150017
2	A9VPR75200	Developing Screw Drive Shaft Assy ( YMC)	現像スクリュー駆動軸 Assy ( YMC)	D	1	
3	A9VPR72600	Encoder /YMC	エンコーダ / YMC	D	1	
4	12QV40650	Spacer	スペーサー	B	2	
5	40AA32320	Toner Supply Spacer	トナー補給スペーサー	C	8	
6	A03U259900	DRIVE GEAR 92T	駆動ギア 92 T	C	1	
7	A161210200	Bushing	すべり軸受	D	1	
8	A9CE716000	Ball bearing /S	ボールベアリング / S (樹脂)	C	1	
9	A9JTM10400	Developing Motor	現像モーター	B	1	
10	A9VP210800	Idling Gear 84/46T	アイドルギア 84 / 46 T	C	1	
11	A9VP213300	Developing Gear 31T	現像ギア 31 T	C	1	
12	A9VP213400	Developing Idler 29T	現像アイドル 29 T	C	2	
13	A9VP213600	Developing Idler 41T	現像アイドル 41 T	C	1	
14	A9VP213700	Developing Gear 27T	現像ギア 27 T	C	1	
15	65AA15210	Coupling Pin	カップリングピン	D	1	
16	A1RF212600	Coupling	カップリング	D	1	
17	A50U210600	Pressing Spring	押圧バネ	D	1	
18	A50U212600	Ball Bearing /15	ボールベアリング / 15	C	2	
19	A9VP210301	Base Shaft /1	基準軸 / 1	D	1	
20	A1RF214100	Set Washer /1	セットワッシャー / 1	D	3	
21	A9VP211200	Sensor Pedestal /Color	センサ台 / カラー (1)	D	1	
22	A85CM55600	Photo Sensor	フォトセンサ	C	3	
23	A9VP211300	Sensor Pedestal /Color	センサ台 / カラー (2)	D	1	
24	A85CM10200	DC Brushless motor /20	DC ブラシレスモーター / 20	C	1	



Drum Driving Section

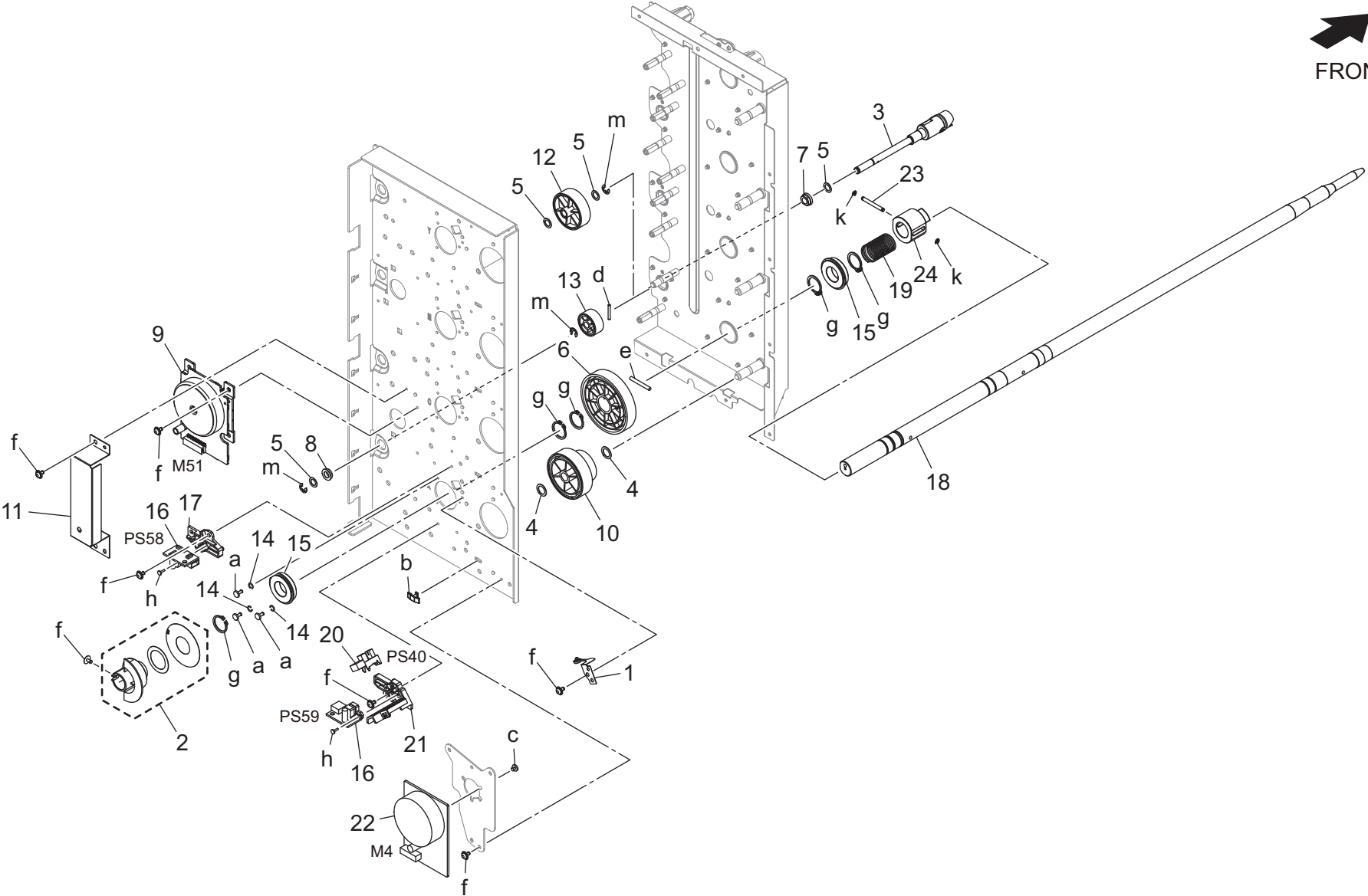
P 76





Drum Driving Section

P 77



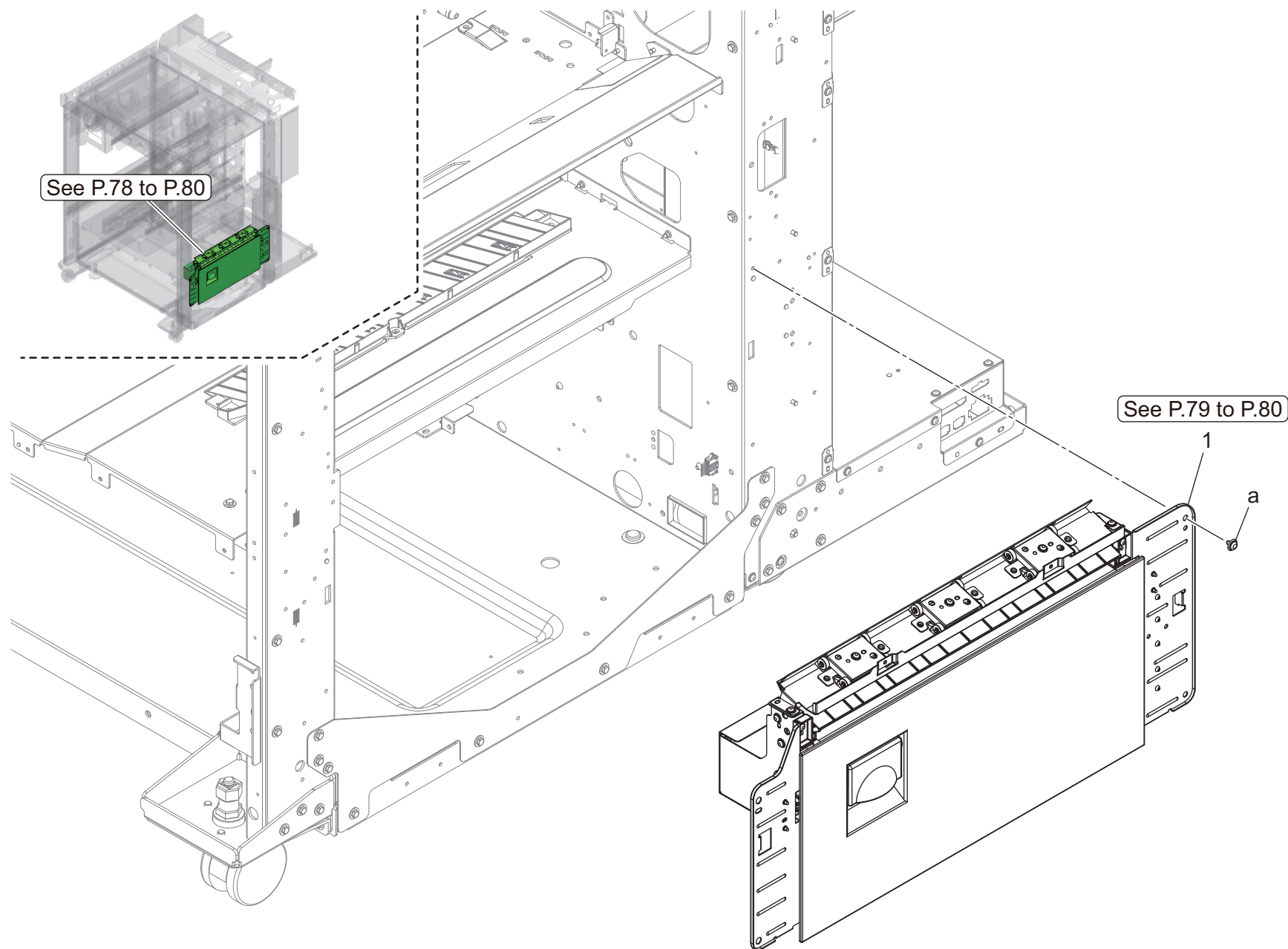
# Drum Driving Section

Key	Part No.	Description	Destinations	Class	QTY	Standard parts
1	A50UR72X01	Drum Ground Assy		D	1	a-V118030603
2	A9VPR73200	Encoder /K		D	1	b-V500020103
3	A9VPR75300	Developing Screw Drive Shaft Assy (K)		D	1	c-V118030403
4	12QV40650	Spacer		B	2	d-V234201650
5	40AA32320	Toner Supply Spacer		C	4	e-V234302550
6	A03U259900	DRIVE GEAR 92T		C	1	f-V127030604
7	A161210200	Bushing		D	1	g-V223150017
8	A9CE716000	Ball bearing /S		C	1	h-V149020603
9	A9JTM10200	Drum Motor		B	1	k-V217020003
10	A9VP210800	Idling Gear 84/46T		C	1	m-V217040003
11	A9VP213900	Mounting Plate		D	1	
12	A9VP214000	Developing Idler /Black 67T		C	1	
13	A9VP214300	Developing Gear 41T		C	1	
14	A1RF214100	Set Washer /1		D	3	
15	A50U212600	Ball Bearing /15		C	2	
16	65AA-9091E	Sensor Board Assy		B	2	
17	A9VP211500	Sensor Pedestal /Black		D	1	
18	A9VP210301	Base Shaft /1		D	1	
19	A50U210600	Pressing Spring		D	1	
20	A85CM55600	Photo Sensor		C	1	
21	A9VP211400	Sensor Pedestal /Black		D	1	
22	A85CM10200	DC Brushless motor /20		C	1	
23	65AA15210	Coupling Pin		D	1	
24	A1RF212600	Coupling		D	1	



# Vertical Conveyance Section

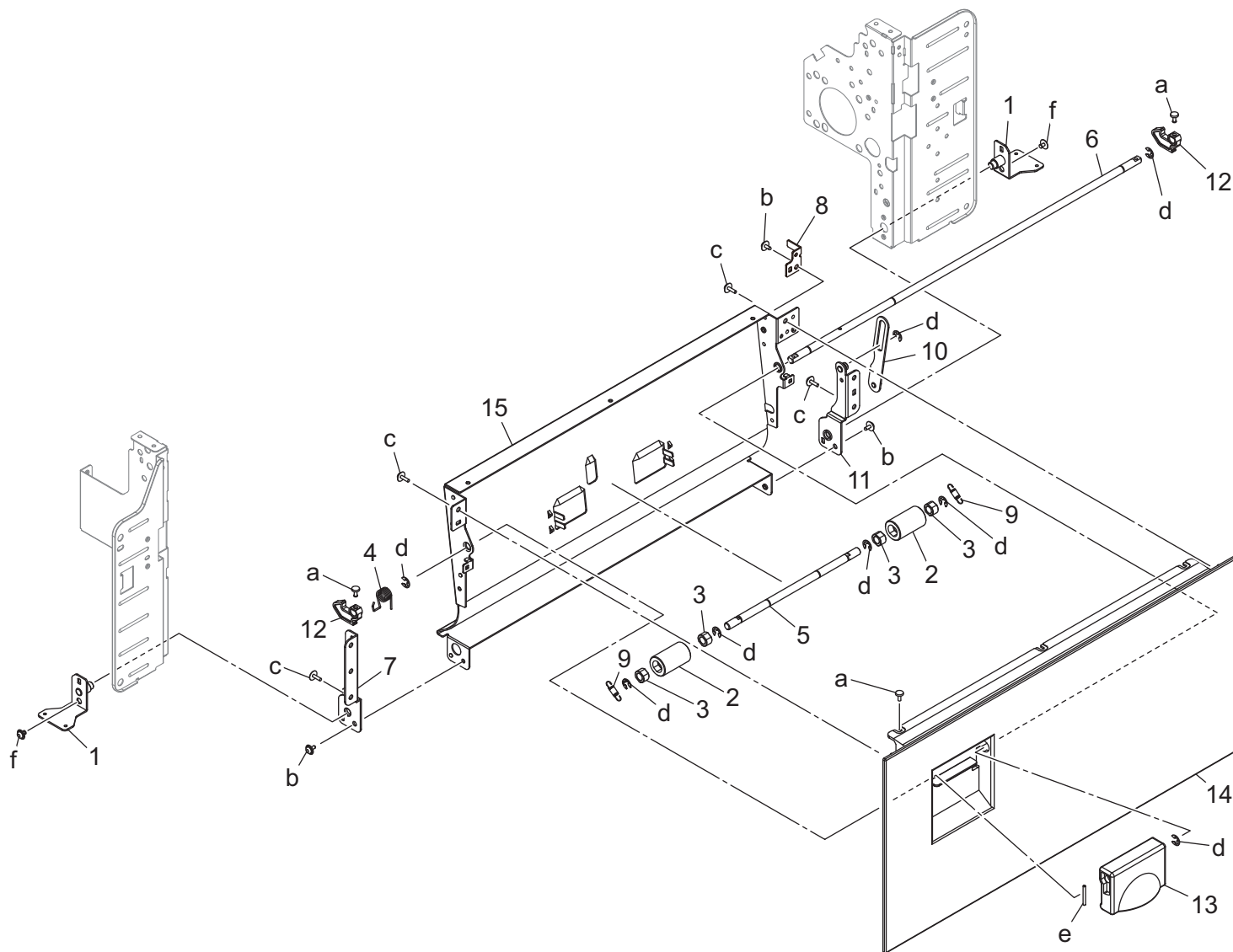
P 78





# Vertical Conveyance Section

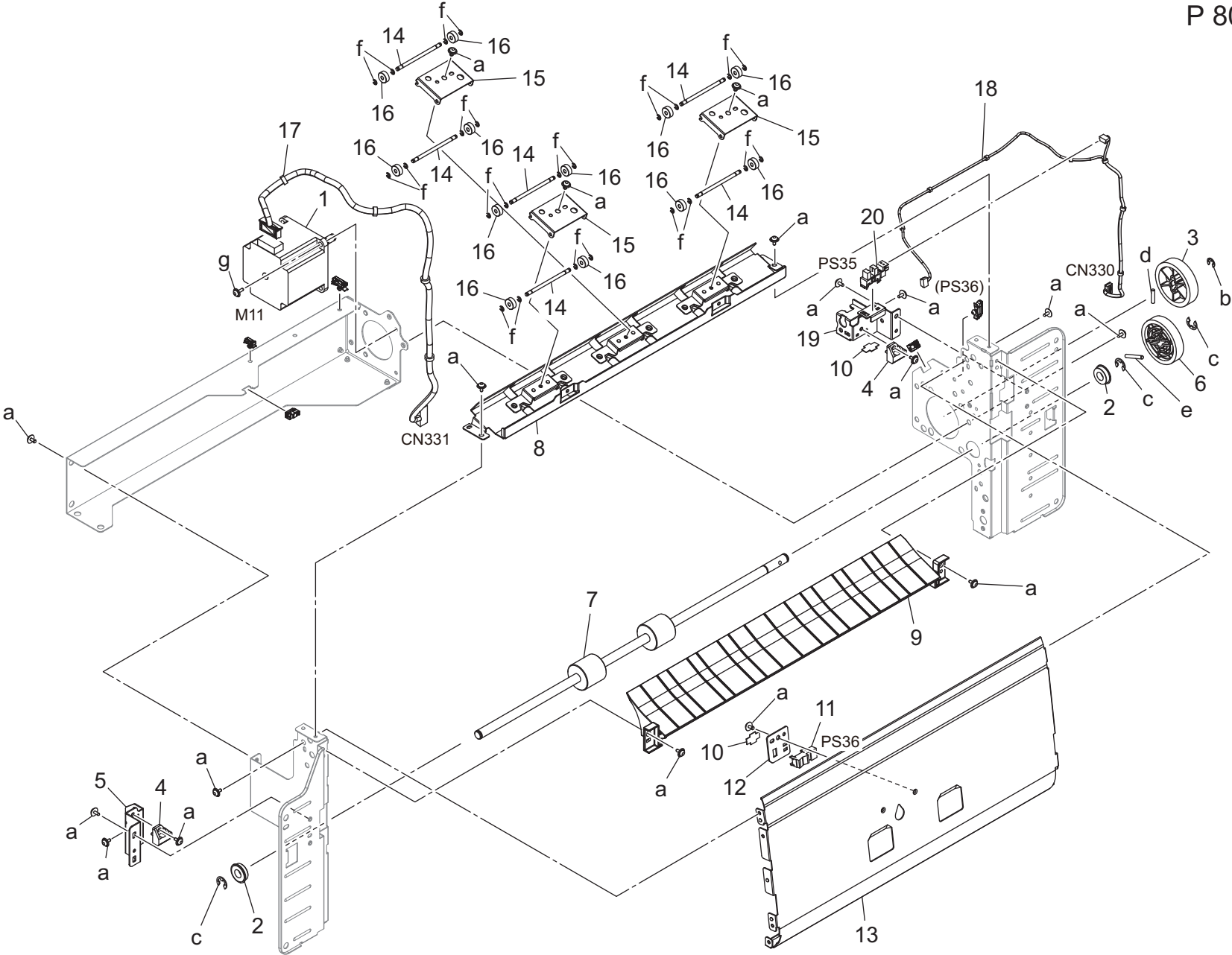
P 79



# Vertical Conveyance Section

Key	Part No.	Description	Destinations	Class	QTY	Standard parts
1	A50UF70800	Support Plate / 1 Caulking		D	2	a-V118030603 b-V127030604 c-V158030803 d-V217040003 e-V234201850 f-V121030403
2	26NA42560	By-Pass Idler Roller		C	2	
3	A03U850101	Slide Bushing		C	4	
4	A1RF701700	Lock Spring /Front		D	1	
5	A50U705100	Idler Shaft		D	1	
6	A50U705200	Open/close Shaft		D	1	
7	A50U705701	Support Plate /3		D	1	
8	A50U706900	Detecting Plate		D	1	
9	A50U707600	Idler Spring		D	2	
10	A50UF70900	Connecting Plate Caulking		D	1	
11	A50UR73100	Support Plate /2 Caulking		D	1	
12	A55C712000	Lock Claw		D	2	
13	A9VE700200	Conveyance Handle		D	1	
14	A9VE701300	Cover Door		D	1	
15	A9VP700100	Guide Plate Outside		D	1	

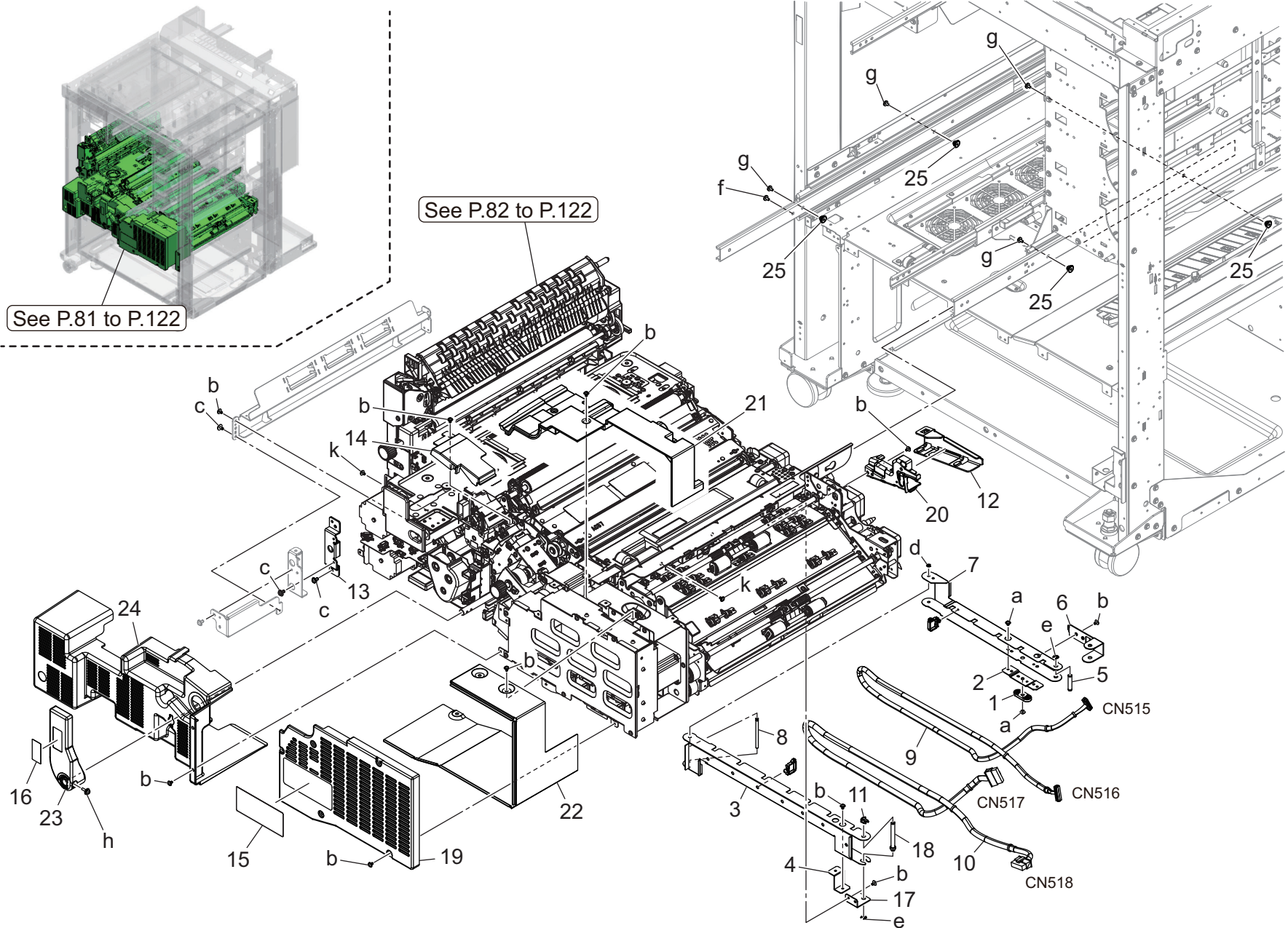
# Vertical Conveyance Section



Key	Part No.	Description	Destinations	Class	QTY	Standard parts
1	65AA80112	HB Motor /50		B	1	a-V127030604
2	A00V240600	Ball Bearing		B	2	b-V217040003
3	A1RF719901	Registration Gear 40T		C	1	c-V217060003
4	65AA44200	LOCKING PLATE		C	2	d-V234301450
5	A50U705400	Fixing Plate /1		D	1	e-V234302250
6	A55C219600	Drive Gear /14 40T		C	1	f-V217020003
7	A9VP704400	Conveyance Roller /1		C	1	g-V121030803
8	A9VP704801	Guide Plate /A		D	1	
9	A9VP707300	Guide Plate		D	1	
10	4470402401	Stopper		D	2	
11	9335140071	Solid State Switch		B	1	
12	A9VP700800	Mounting Plate /F		D	1	
13	A9VP704701	Guide Plate /Middle		D	1	
14	A9VP701900	Slide Shaft		D	6	
15	A9VP702000	Receiving Plate /B		D	3	
16	A9VP872700	Ball bearing /10		D	12	
17	A9VPN14300	Conveyance Relay Harness /1		D	1	
18	A9VPN14400	Conveyance Harness /1		D	1	
19	A50U705000	Mounting Plate /Rear		D	1	
20	A50UM51000	Photointerrupter		C	1	

# Duplex Carriage Section

P 81



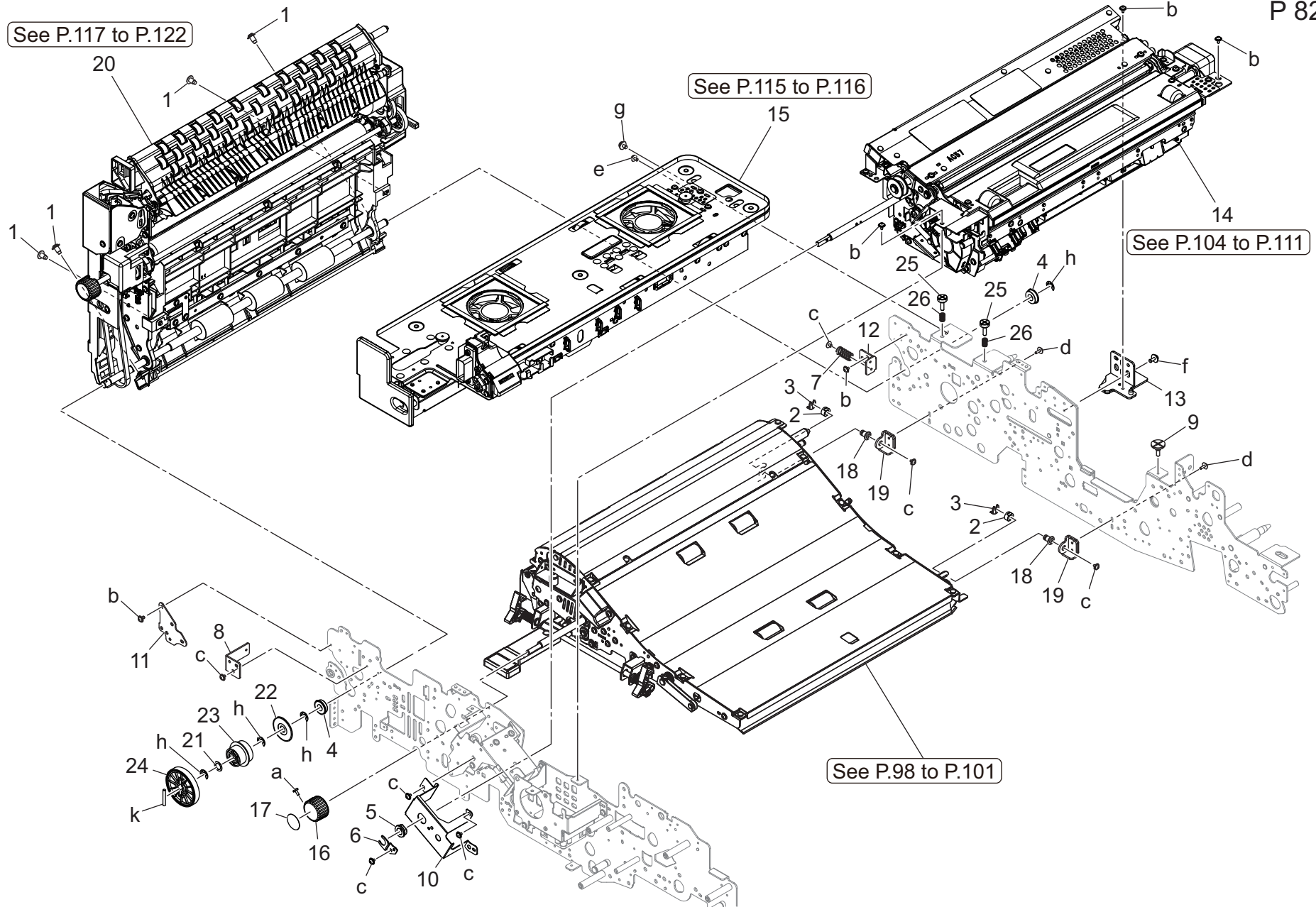
# Duplex Carriage Section

Key	Part No.	Description	Destinations	Class	QTY	Standard parts
1	A9VP817500	Lifting Block		D	1	a-V121030403 b-V127030604 c-V127040803 d-V217030003 e-V217040003 f-V118040604 g-V126040603 h-V116041203 k-V118040603
2	A9VP817700	Positioning Plate		D	1	
3	A9VP818700	Wiring Arm /Lower		D	1	
4	A9VP818800	Reinforce Plate		D	1	
5	A9VP819200	Hinge Fulcrum Shaft /1		D	1	
6	A9VP819300	Support Plate /Rear		D	1	
7	A9VP819800	Wiring Arm /Upper		D	1	
8	A9VP858500	Hinge Fulcrum Shaft /1		D	1	
9	A9VPN15500	ADU Relay Harness /3		D	1	
10	A9VPN18700	ADU Relay Harness /6		D	1	
11	56AA40490	Shaft Stopper /4		C	1	
12	A9VP833600	Guide Part /3		D	1	
13	A9VP972200	Mounting Plate		D	1	
14	A50U836100	Cover		D	1	
15	A50U944200	Processing Label /1		D	1	
16	A9VE943100	Release Label /1		D	1	
17	A9VP811100	Support Plate /Front		D	1	
18	A9VP819000	Support Shaft /Front		D	1	
19	A9VP820201	Duplex Cover		D	1	
20	A9VP831801	Guide Part /2		D	1	
21	A9VP837101	Cover Part /2		D	1	
22	A9VP837300	Cover Plate		D	1	
23	A9VP855701	Pulling Lever		D	1	
24	A9VP857301	Cover Part /1		D	1	
25	A50U833000	Mounting Collar /1		C	4	



# Duplex Carriage Section

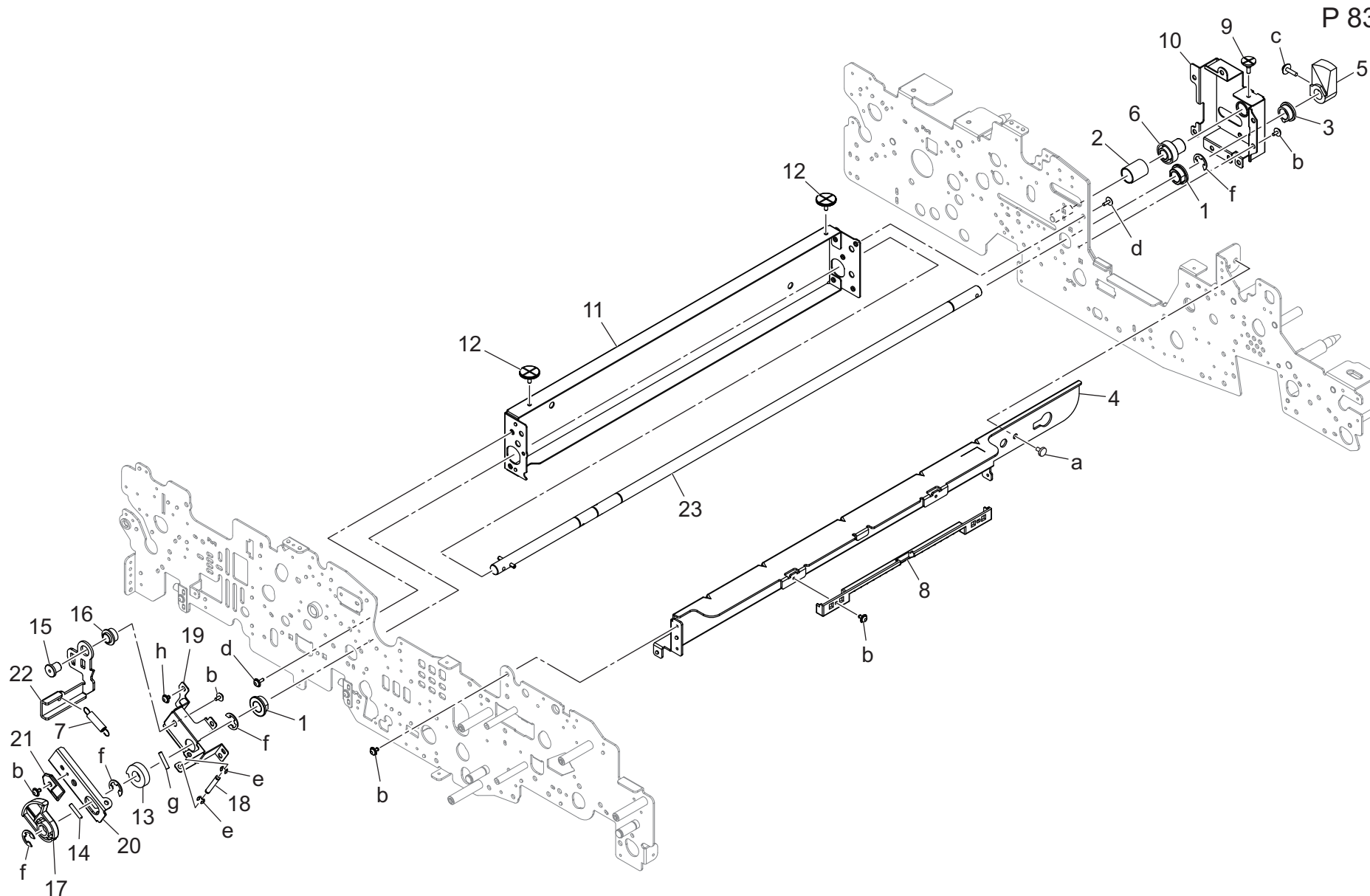
P 82



Key	Part No.	Description	Destinations	Class	QTY	Standard parts
1	26NA54230	Terminal Fixing Screw	端子固定ネジ	C	4	a-V118030603
2	4131253701	BUSHING	軸受	C	2	b-V127030604
3	56AA40490	Shaft Stopper /4	軸 ストップ /4	C	2	c-V121030403
4	A00V240600	Ball Bearing	ボールベアリング	B	2	d-V127030803
5	A03U812800	Slide Shaft Holder	すべり軸受	B	1	e-V116030603
6	A50U711101	Holding Plate /1	押さえ板 /1	D	1	f-V125040803
7	A50U842900	Conveyance Spring /5	搬送ばね /5	D	1	h-V217060003
8	A50U882801	Reverse/Exit Joint /Front	反転排紙ジョイント /前	D	1	k-V234302250
9	A50U884000	Registration Screw	レジストねじ	D	1	
10	A9VP837001	Registration Side plate /Front	レジスト側板 /前	D	1	
11	A9VP851700	Reinforce Plate	補強板	D	1	
12	A9VP882700	Reverse/Exit Joint /Rear	反転排紙ジョイント /奥	D	1	
13	A9VP884101	Fixing Plate /1	固定板 /1	D	1	
14	A9VPR76000	Registration Assy	レジスト Assy	S	1	
15	A9VPR75500	Fusing Swing Assy	定着揺動 Assy	D	1	
16	14GE45470	Rotation Knob	回転ノブ	C	1	
17	A9VE944100	Release Label /11	解除ラベル /1 1	D	1	
18	A50U843900	Support Shaft /Right	支点軸 /右	D	2	
19	A50U844100	Support Plate /B	支点板 /B	D	2	
20	A9VPR76600	Reverse Exit Assy	反転排紙 Assy	S	1	
21	12QV40650	Spacer	スペーサー	B	1	
22	A50U817300	Holding Collar	押さえカラー	D	1	
23	A50U838800	Drive Idler /1	駆動アイドル /1	D	1	
24	A9VP833300	Reverse/Exit Gear /2 46T	反転排紙ギア /2 46 T	C	1	
25	AC57884400	Fusing Screw /Rear	定着ねじ /奥 (高さ調整)	D	2	
26	AC57884500	Compressing Coil spring	圧縮コイルばね	D	2	

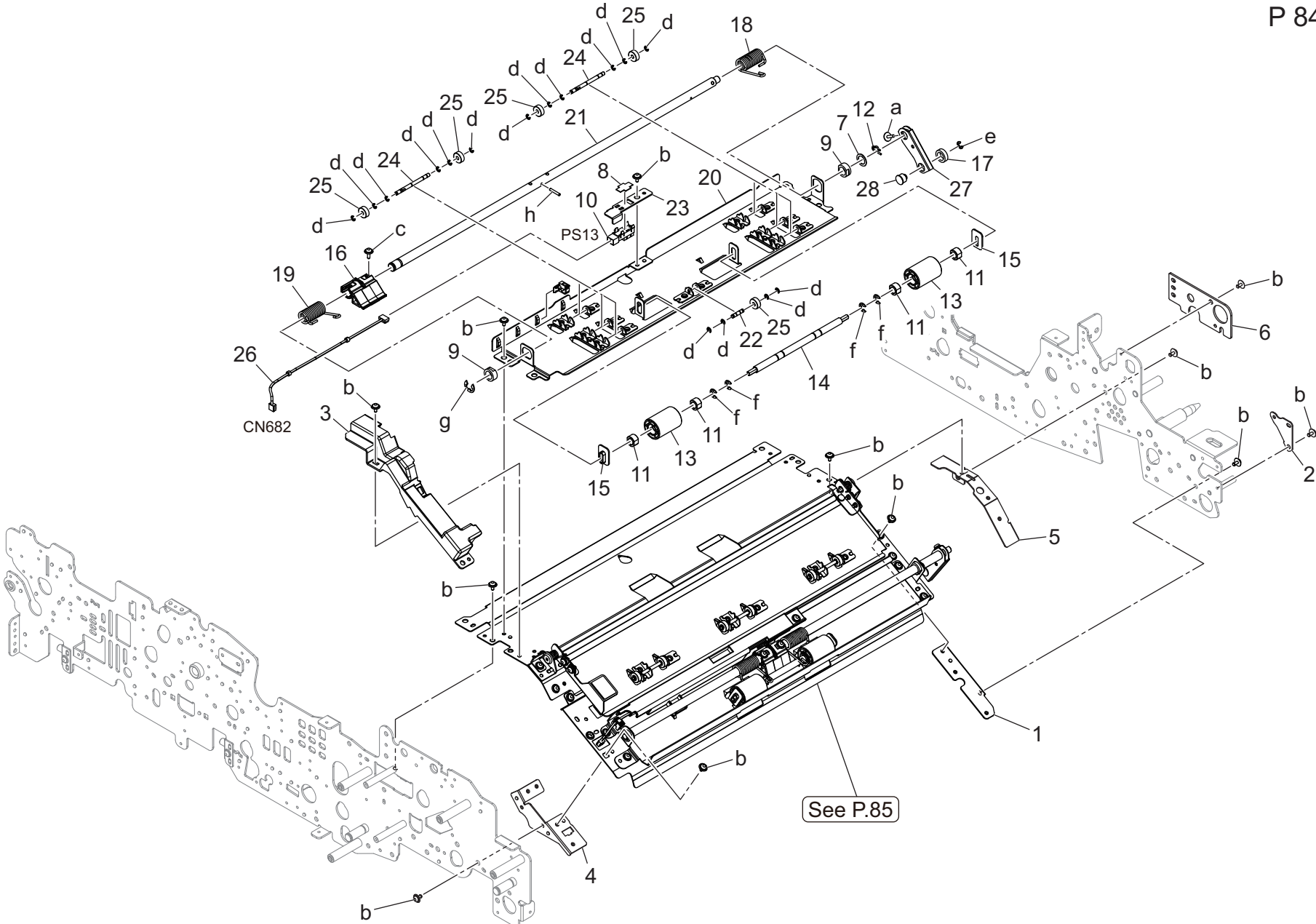
# Duplex Section

P 83



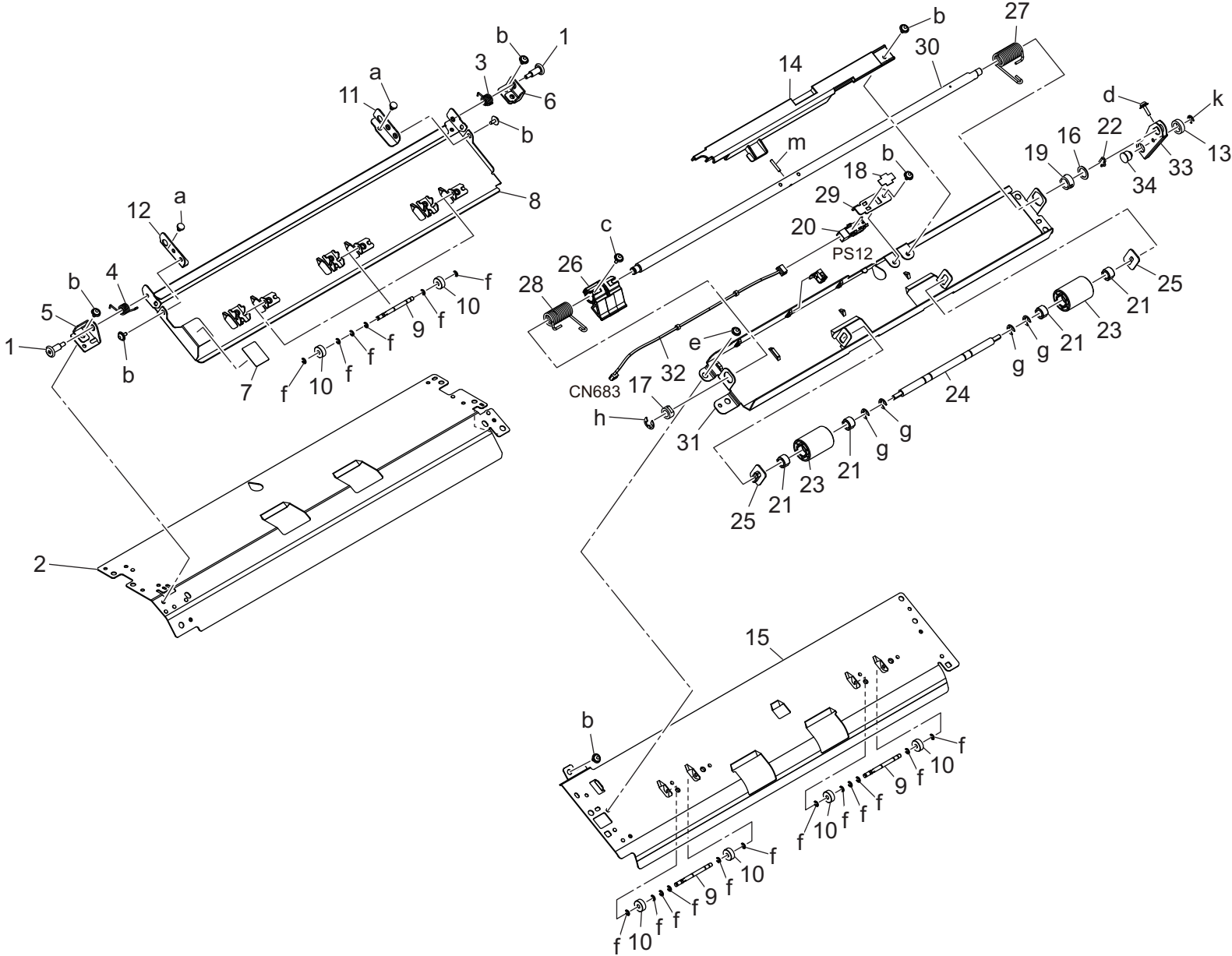


Duplex Section



Key	Part No.	Description	Destinations	Class	QTY	Standard parts
1	A9VP838000	Plate /1		D	1	a-V116031003
2	A9VP851100	Adjusting Plate		D	1	b-V127030604
3	A9VP855400	Protection Cover /1		D	1	c-V127030803
4	A9VP857100	Mounting Plate /2		D	1	d-V217020003
5	A9VP858000	Mounting Plate		D	1	e-V217030003
6	A9VP883000	Positioning Side plate /Rear		D	1	f-V217040003
7	12QV40650	Spacer		B	1	g-V217060003
8	4470402401	Stopper		D	1	h-V234201250
9	4658351602	Bushing		C	2	
10	9335140071	Solid State Switch		B	1	
11	A03U850101	Slide Bushing		C	4	
12	A1RF827000	Fixing Part		D	1	
13	A50U712200	Idler Roll /1		D	2	
14	A50U712300	Idler Shaft /1		D	1	
15	A50U712400	Receiving Shaft /1		D	2	
16	A50U714601	Lever		D	1	
17	A50U716500	Ball Bearing		C	1	
18	A50U718400	Pressing Spring /Rear		D	1	
19	A50U718500	Pressing Spring /Front		D	1	
20	A9VP817601	Guide Plate /ASSY		D	1	
21	A9VP818601	Release Shaft /2		D	1	
22	A9VP820700	Slide Shaft /5		D	1	
23	A9VP836200	Sensor Plate /23		D	1	
24	A9VP851300	Slide Shaft /7		D	6	
25	A9VP872700	Ball bearing /10		D	13	
26	A9VPN17901	ADU Detection Harness /13		D	1	
27	AC0C716200	Release Arm /R		D	1	
28	AC0C716300	Support Shaft		D	1	

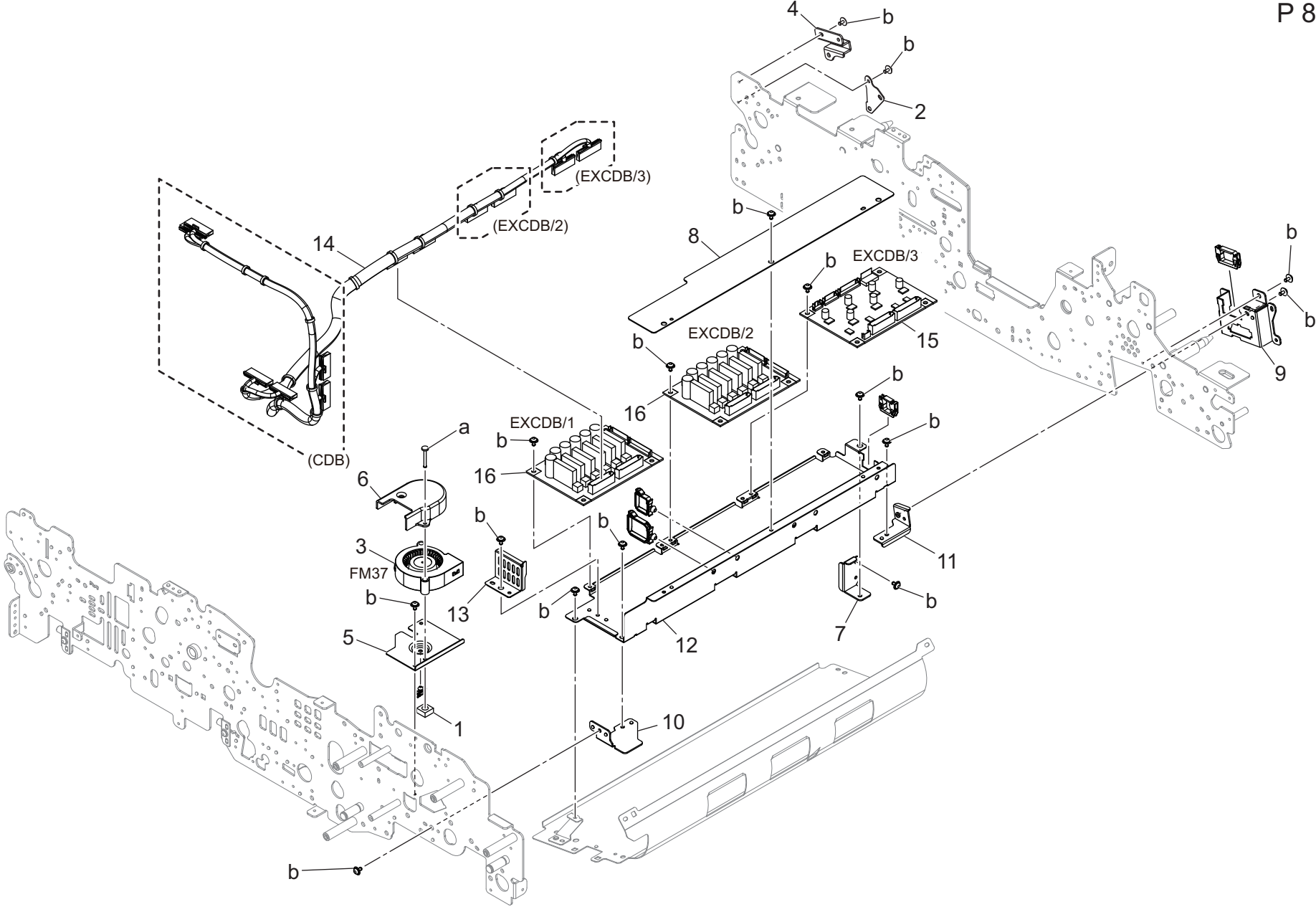
Duplex Section



Key	Part No.	Description	Destinations	Class	QTY	Standard parts
1	A0P0144300	Shoulder screw		D	2	a-V118030403
2	A9VP816200	Conveyance Guide		D	1	b-V127030604
3	A9VP834500	Pressing Spring /Rear		D	1	c-V127030803
4	A9VP855100	Pressing Spring /Front		D	1	d-V116031003
5	A9VP883600	Reinforce Plate		D	1	e-V121030303
6	A9VP883700	Support Plate		D	1	f-V217020003
7	A50U943201	Release Label /2		D	1	g-V217040003
8	A9VP834901	Guide Plate /Middle		D	1	h-V217050003
9	A9VP851300	Slide Shaft /7		D	5	k-V217030003
10	A9VP872700	Ball bearing /10		D	10	m-V234201250
11	A9VP883400	Reinforce Plate		D	1	
12	A9VP883500	Reinforce Plate		D	1	
13	A50U716500	Ball Bearing		C	1	
14	A50U833500	Protection Cover /2		D	1	
15	A9VP832300	Guide Plate /ASSY		D	1	
16	12QV40650	Spacer		B	1	
17	4131253701	BUSHING		C	1	
18	4470402401	Stopper		D	1	
19	4658351602	Bushing		C	1	
20	9335140071	Solid State Switch		B	1	
21	A03U850101	Slide Bushing		C	4	
22	A1RF827000	Fixing Part		D	1	
23	A50U712200	Idler Roll /1		D	2	
24	A50U712300	Idler Shaft /1		D	1	
25	A50U712400	Receiving Shaft /1		D	2	
26	A50U714601	Lever		D	1	
27	A50U718400	Pressing Spring /Rear		D	1	
28	A50U718500	Pressing Spring /Front		D	1	
29	A50U836200	Plate /23		D	1	
30	A9VP818201	Release Shaft /1		D	1	
31	A9VP839801	Guide Plate /Right		D	1	
32	A9VPN17800	ADU Detection Harness /12		D	1	
33	AC0C716200	Release Arm /R		D	1	
34	AC0C716300	Support Shaft		D	1	

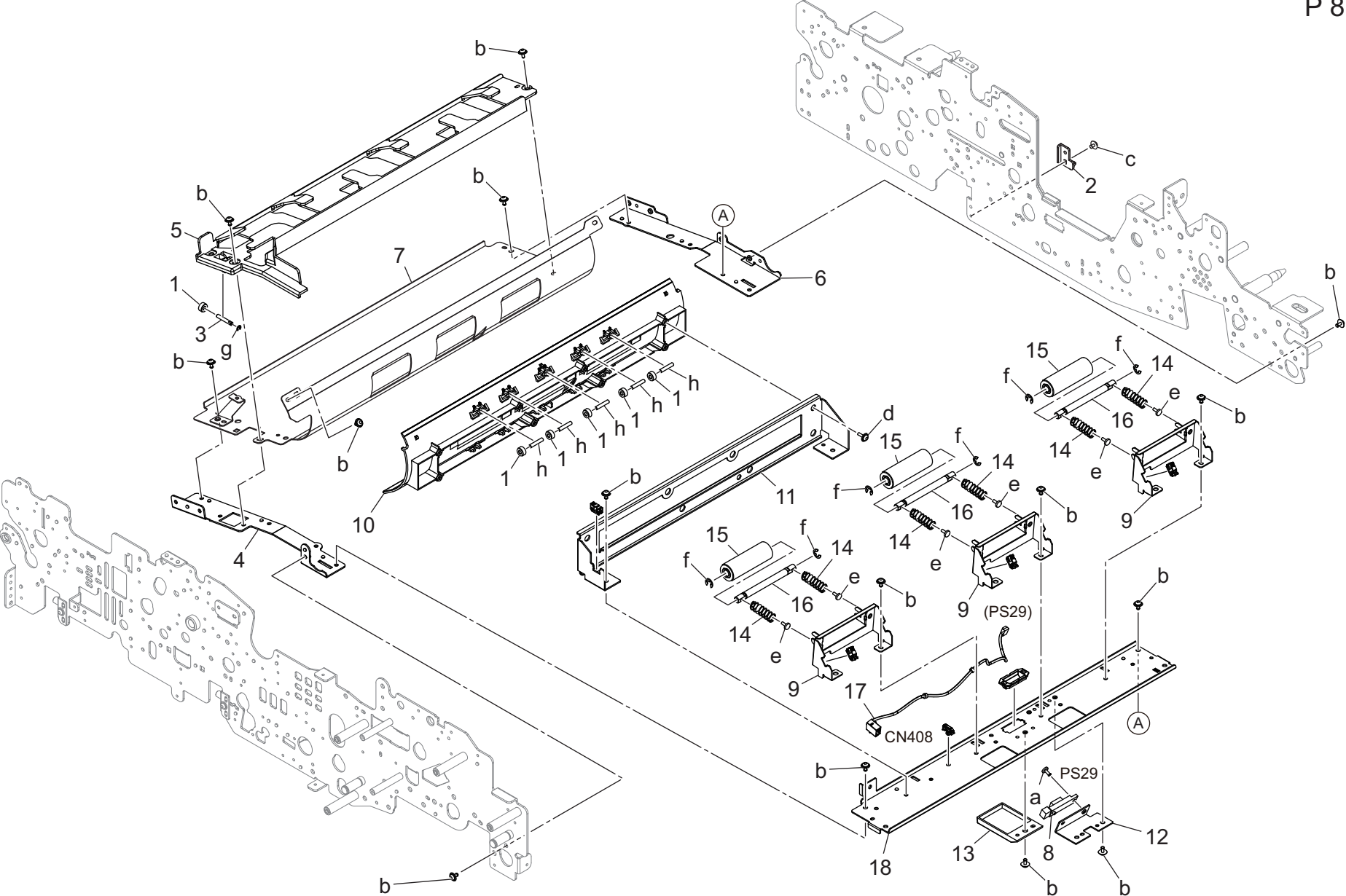


Duplex Section



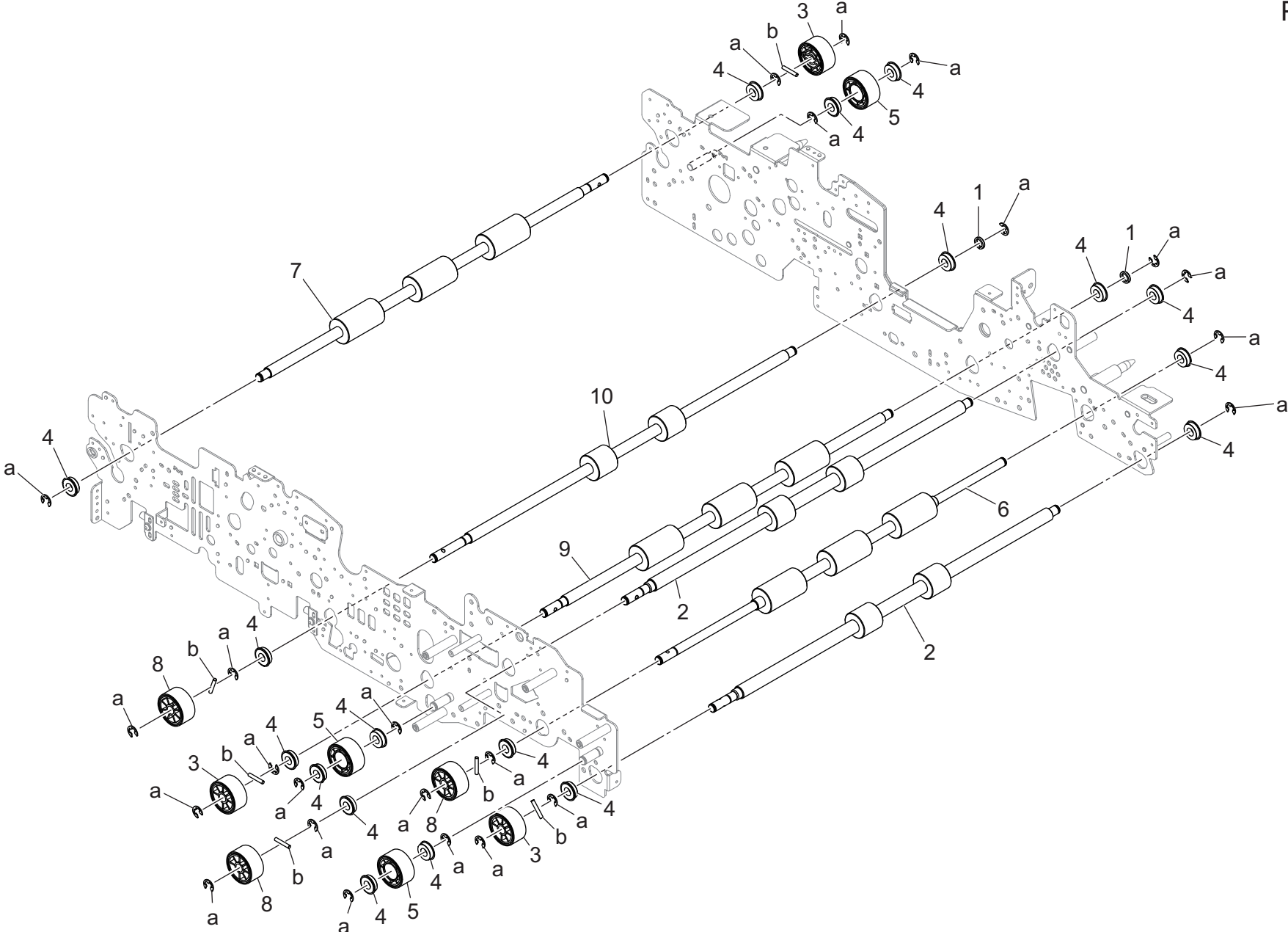
Key	Part No.	Description	Destinations	Class	QTY	Standard parts
1	57GA61560	SCREW PROTECTION CUSHION/1		C	1	a-V118032003 b-V127030604
2	A9VP851100	Adjusting Plate		D	1	
3	A1RFM15400	Fan motor /4		C	1	
4	A50U838500	Mounting Handle /Left		D	1	
5	A9VP817300	Mounting Plate /1		D	1	
6	A9VP817400	Duct /A		D	1	
7	A9VP818000	Mounting Plate /Left rear		D	1	
8	A9VP818300	Mounting Plate		D	1	
9	A9VP850200	Mounting Plate		D	1	
10	A9VP858100	Plate /2		D	1	
11	A9VP858200	Plate /1		D	1	
12	A9VP817900	Hold Part		D	1	
13	A9VP850500	Mounting Plate /A		D	1	
14	A9VPN15800	ADU Control Harness /3		D	1	
15	AC0CH08000	Conveyance Drive Board/B Assy		I	1	
16	AC0CH09000	Conveyance Drive Board/U Assy		I	2	

Duplex Section



Key	Part No.	Description	Destinations	Class	QTY	Standard parts
1	A50U854800	Conveyance Roll		D	6	a-V118030604 b-V127030604 c-V121030403 d-V153030803 e-V118030603 f-V217040003 g-V217020003 h-V234301650
2	A50U883501	Protection Plate		D	1	
3	A9VP813700	Fixing Shaft		D	1	
4	A9VP853700	Mounting Plate /2		D	1	
5	A9VP853800	Guide Part /1		D	1	
6	A9VP857200	Mounting Plate		D	1	
7	A9VP871100	Conveyance Guide		D	1	
8	13QA85511	Sensor /1		B	1	
9	A9VP859200	Idler Plate		D	3	
10	A9VE870100	Guide Plate		D	1	
11	A9VE870200	Mounting Plate /4		D	1	
12	A9VE870400	Sensor Plate		D	1	
13	A9VE871900	Wiring Cover		D	1	
14	A03U842700	Conveyance Spring /3		C	6	
15	A03U845601	Idler Roller /2		C	3	
16	A9VE870600	Idler Shaft		D	3	
17	A9VEN16200	ADU Detection harness /16		D	1	
18	A9VP833200	Mounting Plate /3		D	1	

Duplex Section



Key	Part No.	Description	Destinations	Class	QTY	Standard parts
1	A50U508700	Spacer		D	2	a-V217060003 b-V234301850
2	A9VP812200	ADU Conveying Roller /Right		C	2	
3	A9VP820100	Drive Gear /3 29T		C	3	
4	A00V240600	Ball Bearing		B	18	
5	A9VP836500	Drive Gear /2 29T		C	3	
6	A9VP837600	Conveyance Roller		C	1	
7	A9VP849100	Roller /1		C	1	
8	A9VP858900	Drive Gear /4 29T		C	3	
9	A9VP859000	Roller		C	1	
10	A9VP859400	Roller /3		C	1	

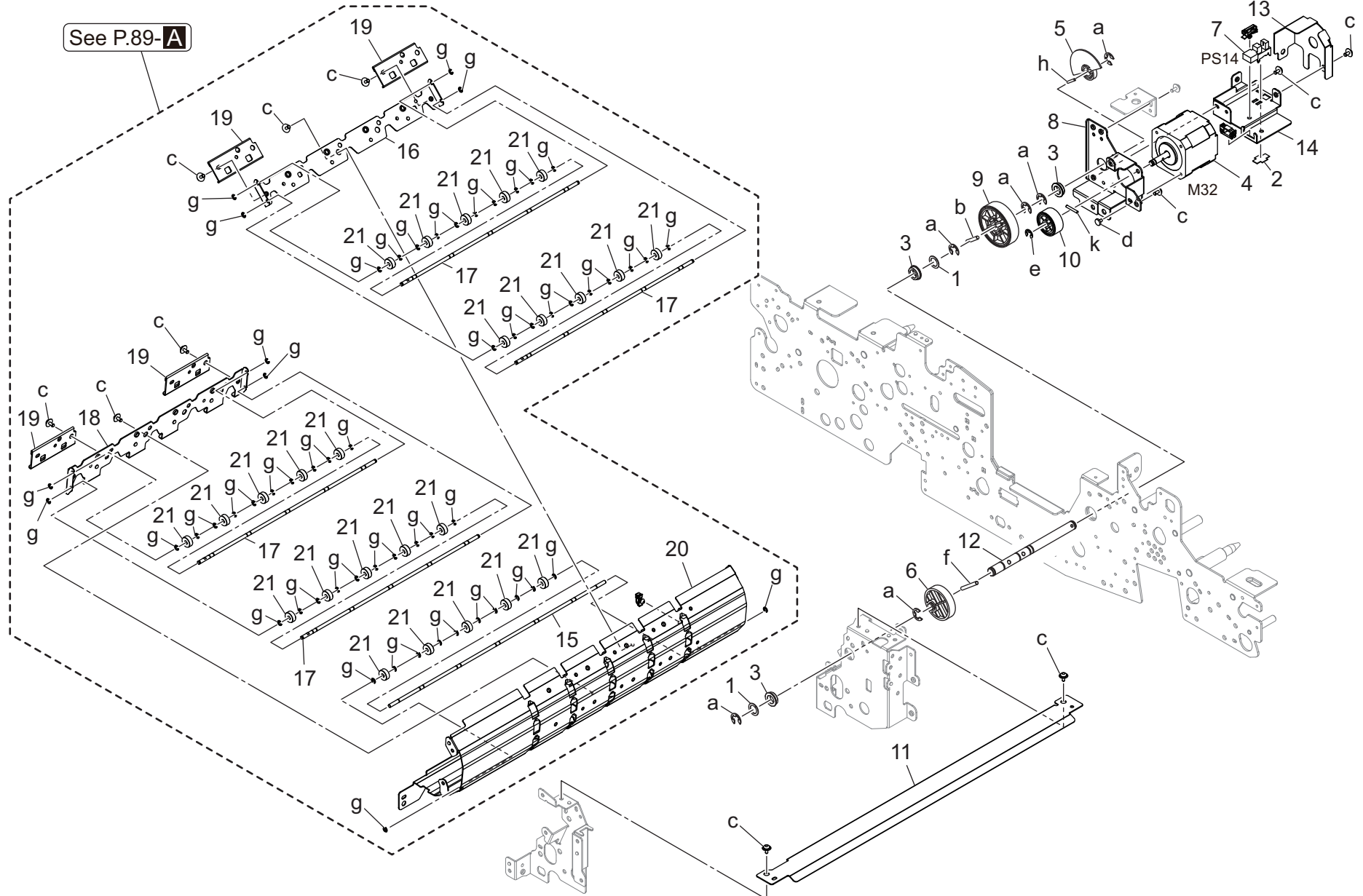


Key	Part No.	Description	Destinations	Class	QTY	Standard parts
1	12QV40650	Spacer		B	2	a-V121030403 b-V217060003 c-V127030604 d-V127030803 e-V217040003
2	4131253701	BUSHING		C	8	
3	A00J617900	Ball Bearing		B	2	
4	A1RF820000	Ball Bearing		C	2	
5	A9VP853000	Release Plate /5		D	1	
6	A50U851400	Release Plate /Rear		D	1	
7	A50U851500	Shaft		D	1	
8	A50U851700	Release Plate		D	1	
9	A50U853700	Release Plate /7		D	2	
10	A50U880103	Conveyance Guide /1		D	1	
11	A50U881300	Torsion Coil spring		D	1	
12	A50U881400	Torsion Coil spring		D	1	
13	A9VE851800	Reinforce Block		D	2	
14	A9VP840300	Guide Plate /3		D	1	
15	A9VP851500	Shaft		D	1	
16	A9VP852000	Release Shaft /4		D	1	
17	A9VP852900	Release Plate /4		D	1	



# Duplex Section

P 90

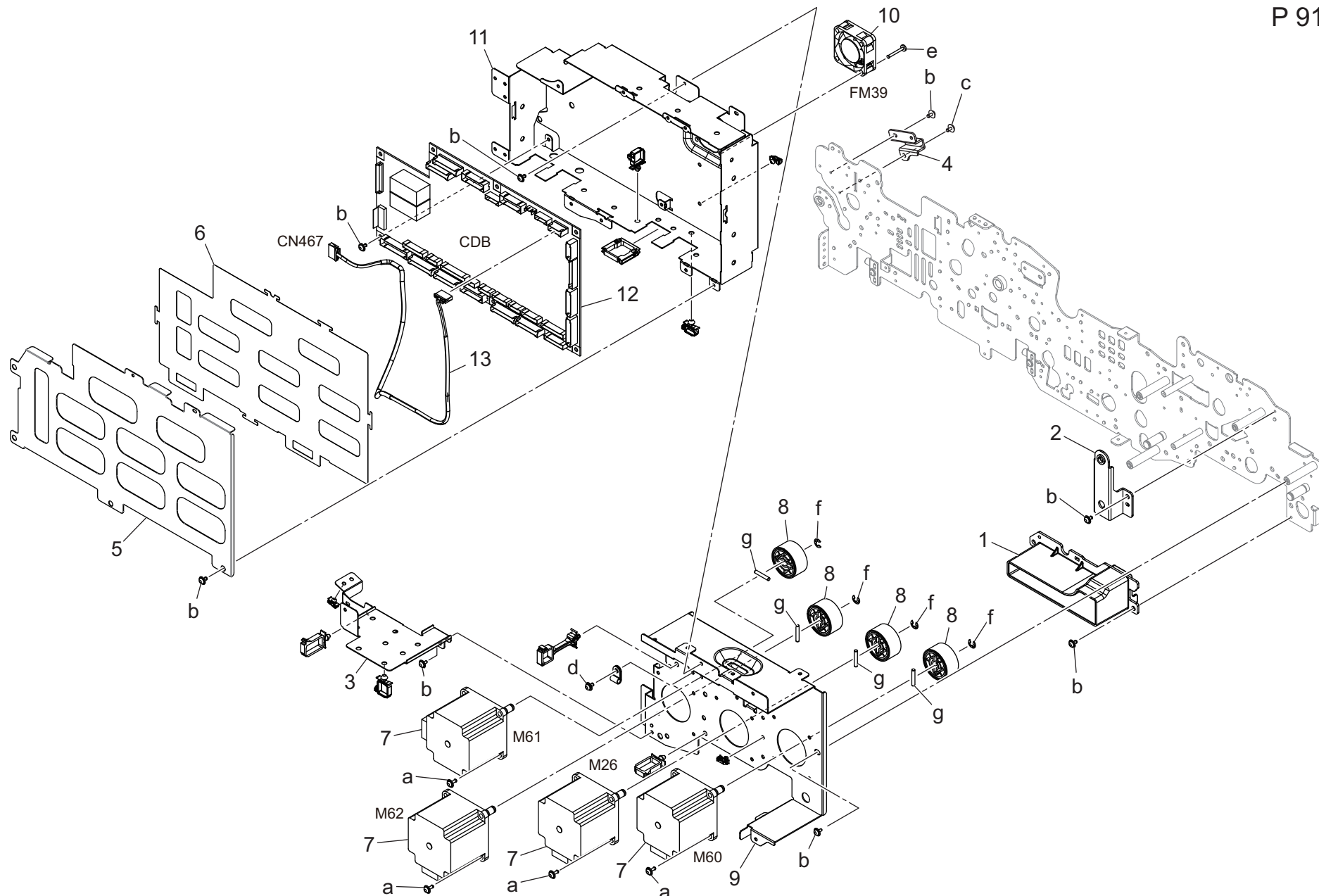


See P.89-A



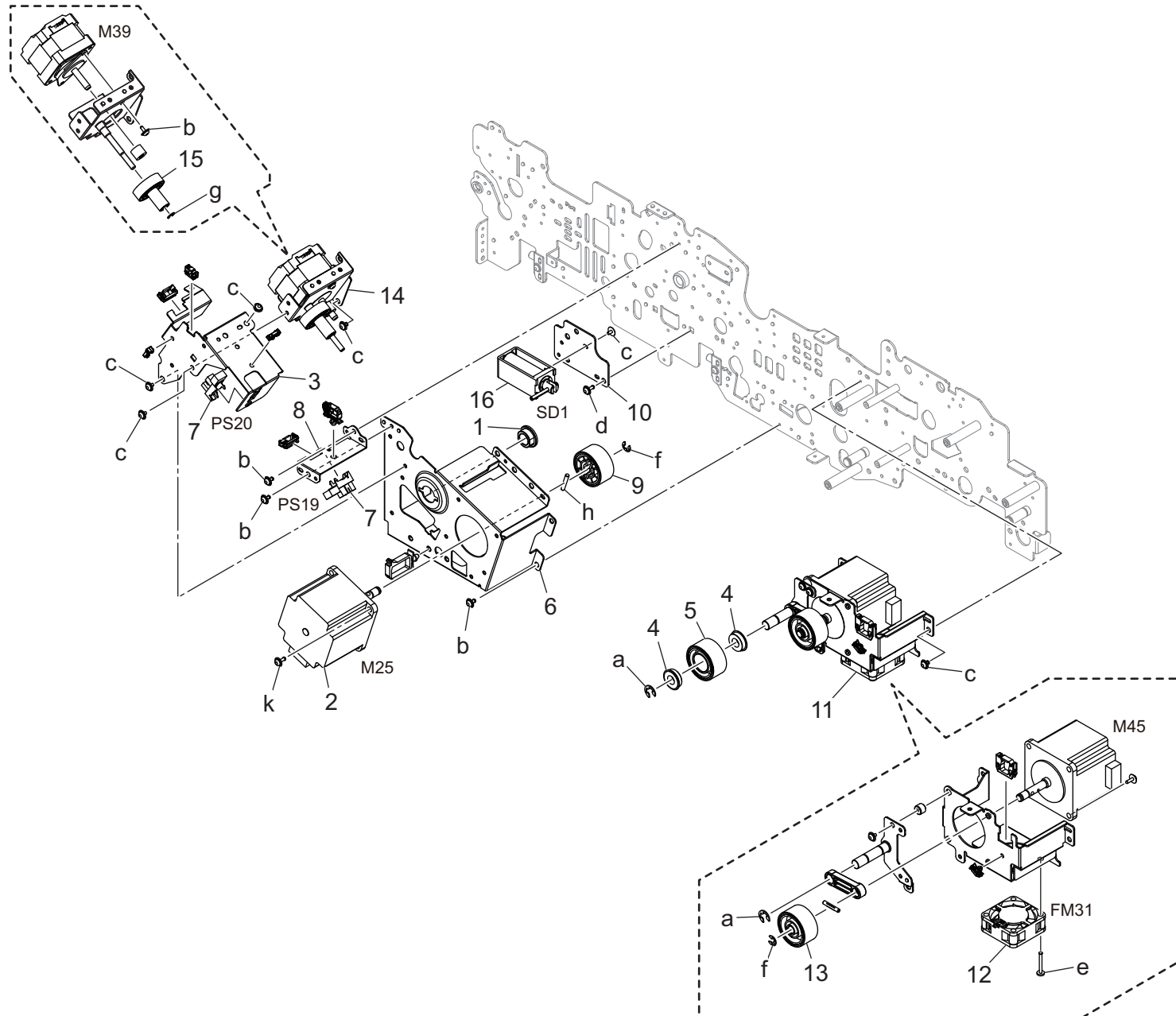
# Duplex Section

P 91



Key	Part No.	Description	Destinations	Class	QTY	Standard parts
1	A9VP833800	Guide Part /Front		D	1	a-V127030804 b-V127030604 c-V121030403 d-V116030603 e-V118032003 f-V217040003 g-V234301850
2	A9VP834400	Positioning Side plate /Right		D	1	
3	A9VP837400	Guide Plate		D	1	
4	A50U838500	Mounting Handle /Left		D	1	
5	A9VP855901	Mounting Cover		D	1	
6	A9VP880701	Packing Board /Front		D	1	
7	65AA80112	HB Motor /50		B	4	
8	A9VP832000	Drive Gear /1 29T		C	4	
9	A9VP835300	Mounting Plate		D	1	
10	9313150021	FAN MOTOR		C	1	
11	A9VP810500	Mounting Plate		D	1	
12	A9VPH05002	Conveyance Drive Board ASSY		I	1	
13	A9VPN16900	ADU Detection Harness /15		D	1	

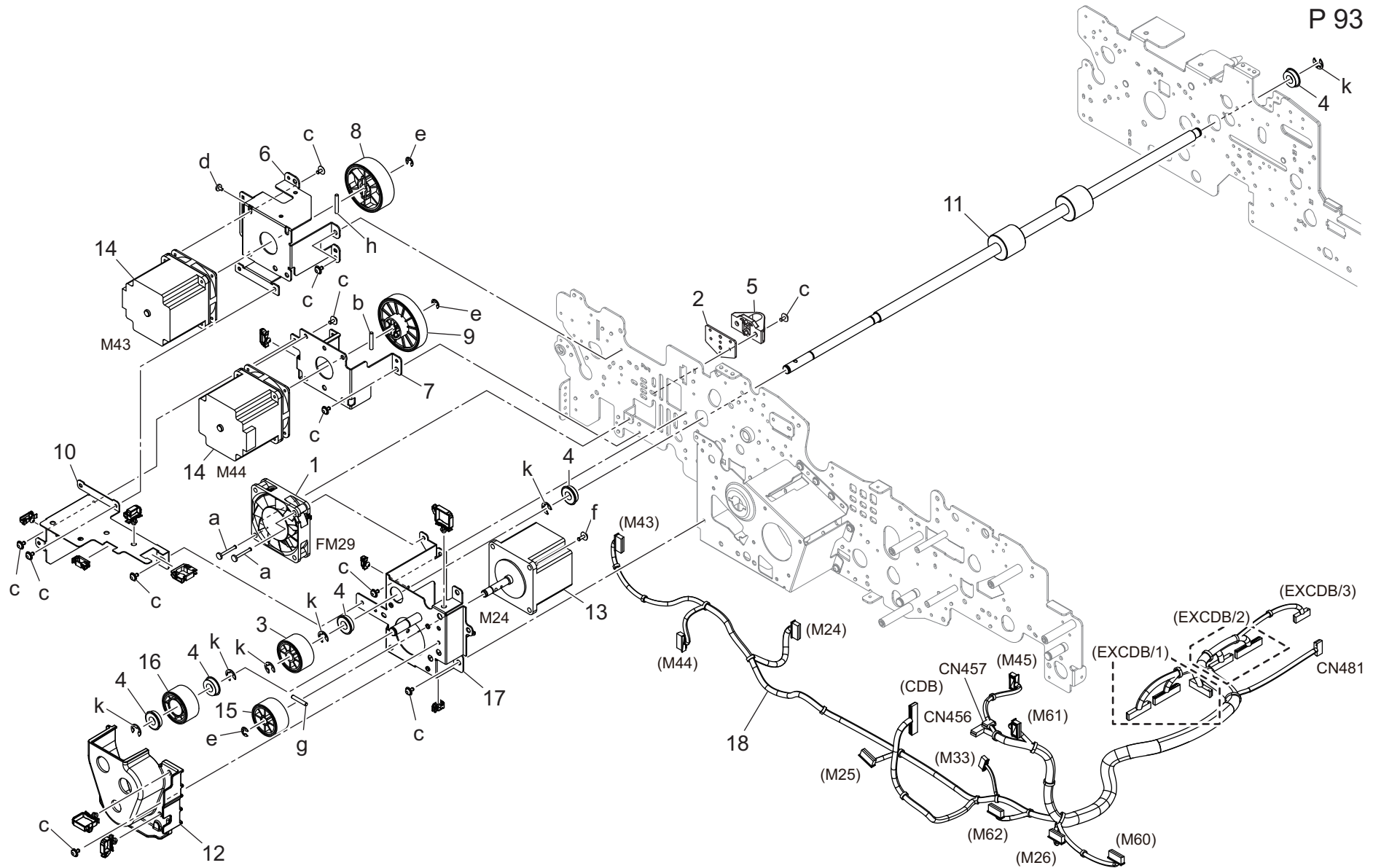
# Duplex Section



Key	Part No.	Description	Destinations	Class	QTY	Standard parts
1	462076010	Driving Slide Shaft Holder A		C	1	a-V217060003
2	65AA80112	HB Motor /50		B	1	b-V127030604
3	A9VP713400	Swing Side plate /2		D	1	c-V121030403
4	A00V240600	Ball Bearing		B	2	d-V127030804
5	A9VP713700	Idling Gear 30T		C	1	e-V118032003
6	A9VP715000	Mounting Lever /1		D	1	f-V217040003
7	A85CM55600	Photo Sensor		C	2	g-V217030003
8	A9VP819700	Sensor Cover		D	1	h-V234301850
9	A9VP832000	Drive Gear /1 29T		C	1	k-V127030803
10	A9VP833900	Regulating Plate		D	1	
11	A9VPR76300	Registration Drive Motor Assy		C	1	
12	9313150021	FAN MOTOR		C	1	
13	A9VP713800	Drive Gear /1 30T		C	1	
14	A9VPR77000	Swing Motor Assy		C	1	
15	A9VP717300	Swing Gear /1 18/51T		C	1	
16	A9VPR75700	ADU Connecting Solenoid Pin Assy		C	1	

# Duplex Section

P 93



AccurioPress C7090

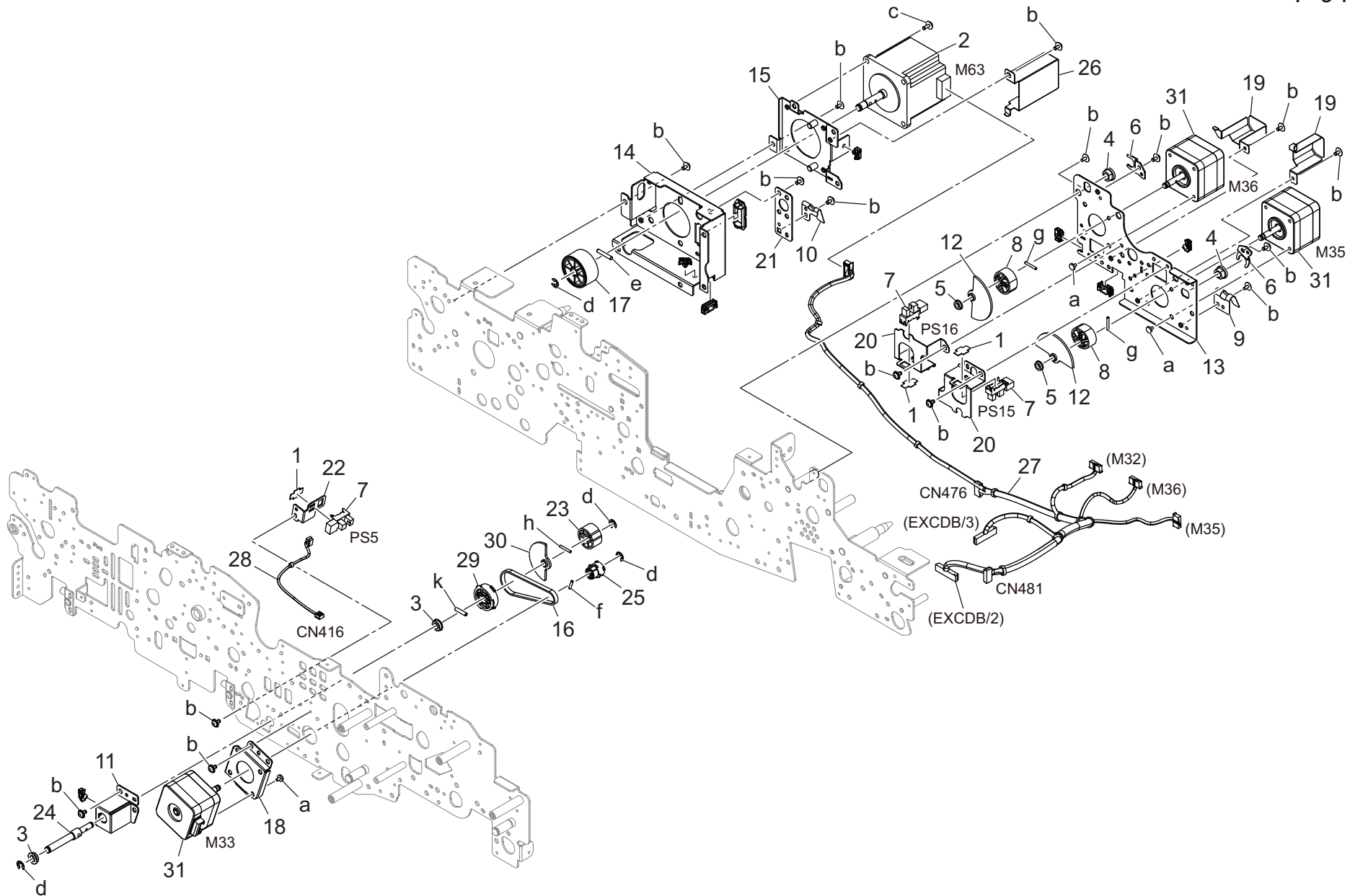
Key	Part No.	Description	Destinations	Class	QTY	Standard parts
1	56AA80551	Fan Motor /2		B	1	a-V118032003
2	A03U811600	ADU Positioning Plate /1		D	1	b-V234301850
3	A9VP820100	Drive Gear /3 29T		C	1	c-V127030604
4	A00V240600	Ball Bearing		B	5	d-V118030403
5	A03U843500	Positioning Part		D	1	e-V217040003
6	A50U814500	Positioning Plate /Upper		D	1	f-V127030804
7	A9VP815100	Positioning Plate /Lower		D	1	g-V234301850
8	A9VP819900	Riverse/exit Gear /1 46T		C	1	h-V234302050
9	A9VP831300	Preventing Gear /1 57T		C	1	k-V217060003
10	A9VP838700	Reverse/Exit Plate /Left front		D	1	
11	A9VP849200	Roller /2		C	1	
12	A9VP850400	Drive Cover		D	1	
13	65AA80112	HB Motor /50		B	1	
14	A1TVM10100	Stepping motor /50		B	2	
15	A9VP832000	Drive Gear /1 29T		C	1	
16	A9VP836500	Drive Gear /2 29T		C	1	
17	A9VP855500	Support Plate /ASSY		D	1	
18	A9VPN16000	ADU Drive Harness /4		D	1	

AccurioPress C7090



# Duplex Section

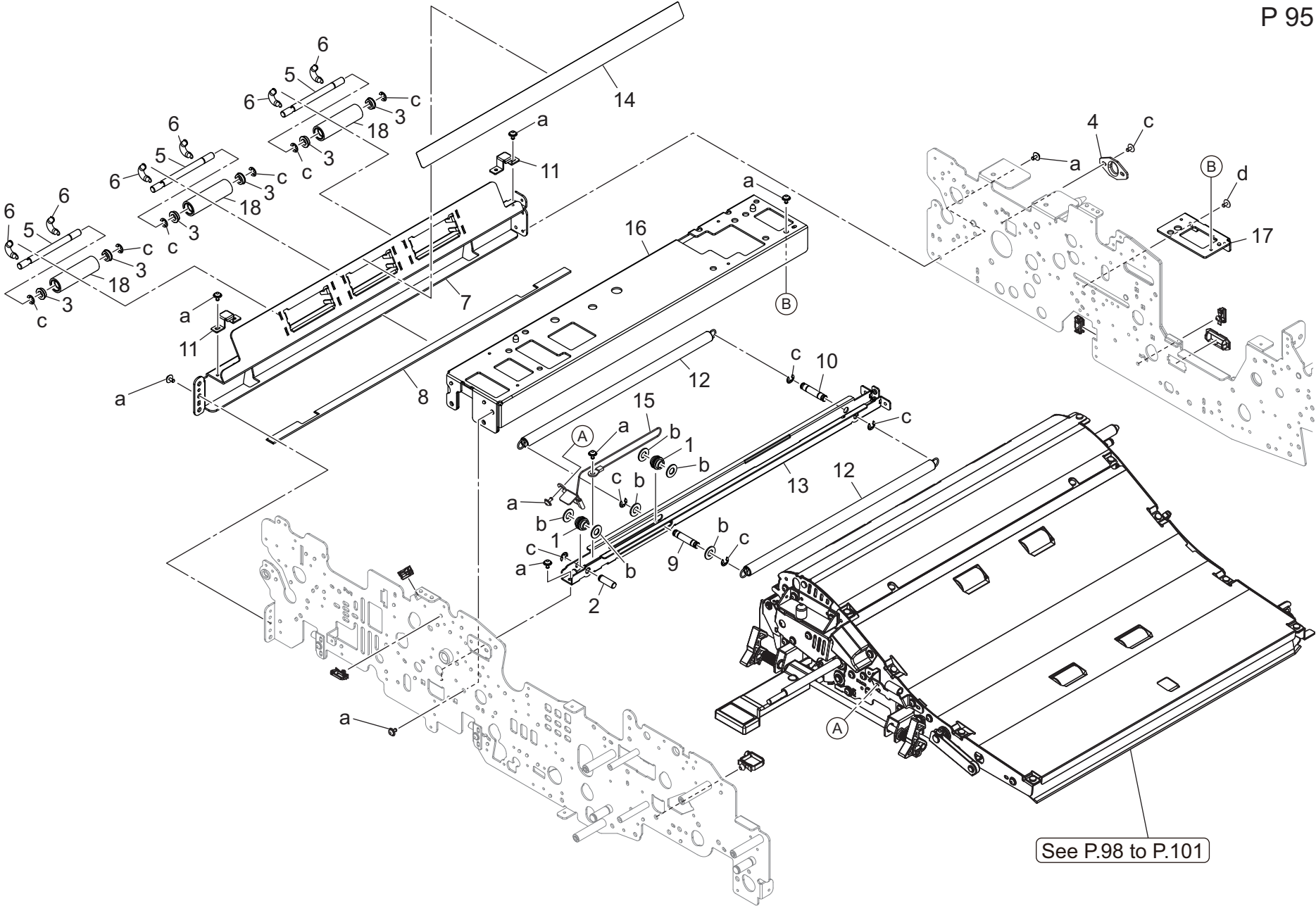
P 94



AccurioPress C7090

Key	Part No.	Description	Destinations	Class	QTY	Standard parts
1	4470402401	Stopper		D	3	a-V118030403
2	65AA80112	HB Motor /50		B	1	b-V127030604
3	A00J617800	Ball Bearing		A	2	c-V127030803
4	A00J663200	Bushing		B	2	d-V217040003
5	A1RF755600	Tension Ball Bearing		C	2	e-V234301850
6	A50U711101	Holding Plate /1		D	2	f-V234201450
7	A85CM55600	Photo Sensor		C	3	g-V234201450
8	A9VP708900	Release Cam		D	2	h-V234201450
9	A9VP814300	Ground Plate		D	1	k-V234301450
10	A9VP814400	Ground Plate		D	1	
11	A9VP816300	Mounting Plate		D	1	
12	A9VP816700	Light blocking Plate /1		D	2	
13	A9VP818400	Mounting Plate /1		D	1	
14	A9VP830900	Reinforce Plate		D	1	
15	A9VP831500	Mounting Plate /5		D	1	
16	A9VP831700	Belt 164L		C	1	
17	A9VP832000	Drive Gear /1 29T		C	1	
18	A9VP832400	Mounting Plate		D	1	
19	A9VP832800	Cover Plate /1		D	2	
20	A9VP837500	Positioning Plate /M		D	2	
21	A9VP837800	Positioning Plate /1		D	1	
22	A9VP838100	Mounting Plate /1		D	1	
23	A9VP838300	Release Cam /2		D	1	
24	A9VP838400	Drive Shaft /A		D	1	
25	A9VP850100	Pulley /S		D	1	
26	A9VP854700	Protection Cover /1		D	1	
27	A9VPN16500	ADU Drive Harness /6		D	1	
28	A9VPN18600	ADU Relay Harness /9		D	1	
29	AC0C716600	Pulley /3		C	1	
30	AC0C838500	Light Blocking Plate /M		D	1	
31	AC4GM10100	HB Stepping Motor /40		C	3	

Duplex Section

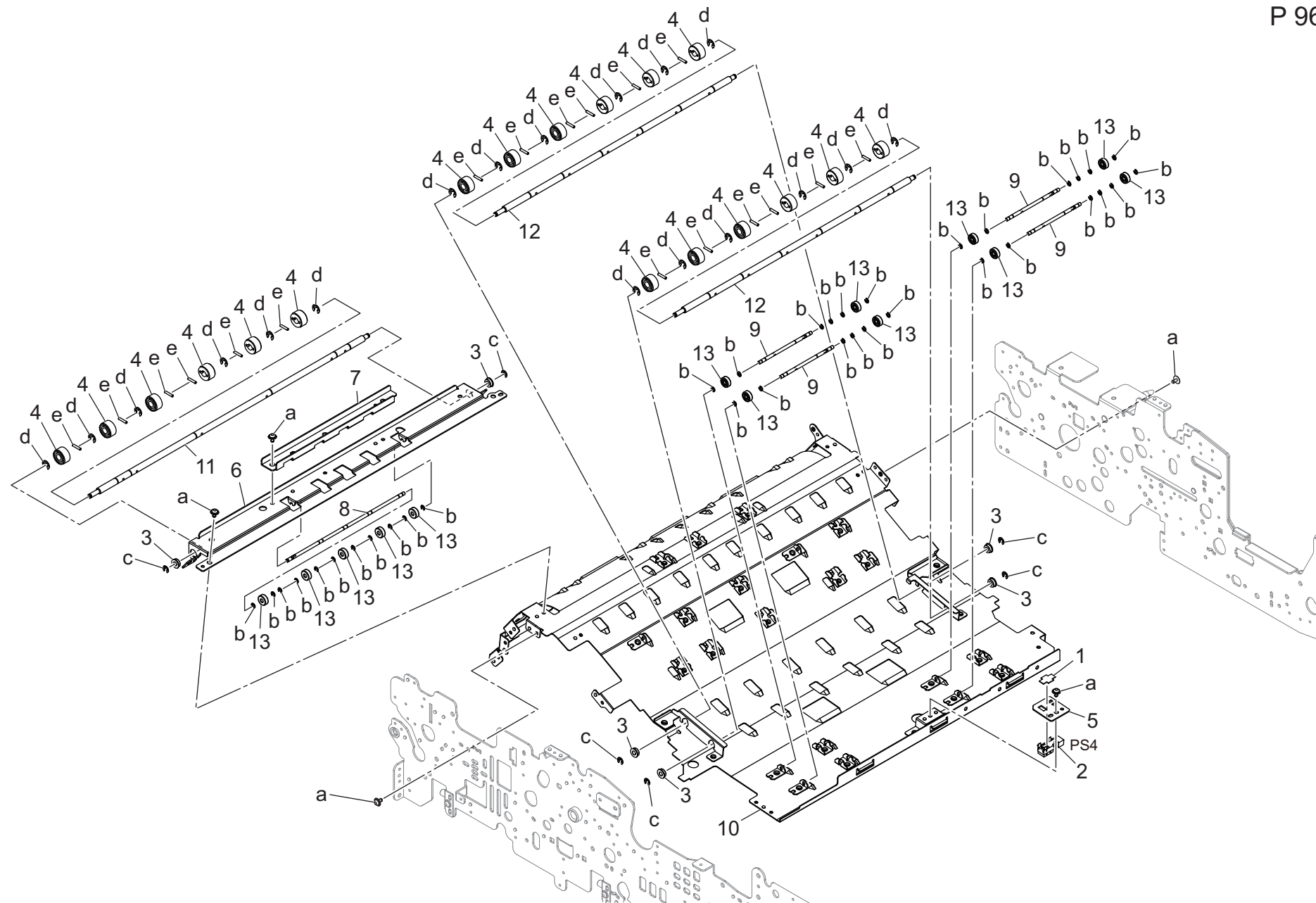


See P.98 to P.101

Key	Part No.	Description	Destinations	Class	QTY	Standard parts
1	25AA50080	Wire Pulley		C	2	a-V127030604 b-V207060003 c-V217040003 d-V127030804
2	65AA51510	ADU Open/Shut Shaft /3		D	1	
3	A00J617800	Ball Bearing		A	6	
4	A03U811800	ADU Positioning Plate /2		C	1	
5	A03U814100	Idler Shaft /Lower		D	3	
6	A03U814300	Conveyance Spring		C	6	
7	A50U810302	Hold Stay /Left		D	1	
8	A50U810400	Protection Sheet		D	1	
9	A50U832600	Open/close Shaft /1		D	1	
10	A50U832700	Open/close Shaft /2		D	1	
11	A50U834200	Reverse/Exit Stopper		D	2	
12	A9VP813600	Open/close Spring /Upper		D	2	
13	A9VP831400	Open/close Plate		D	1	
14	A9VP832200	Guide Sheet /A		D	1	
15	A9VP849700	Wire /Right		D	1	
16	A9VP851900	Cover Plate		D	1	
17	A9VP859100	Transfer Base frame /1		D	1	
18	A9VP859500	Conveyance Roller		B	3	

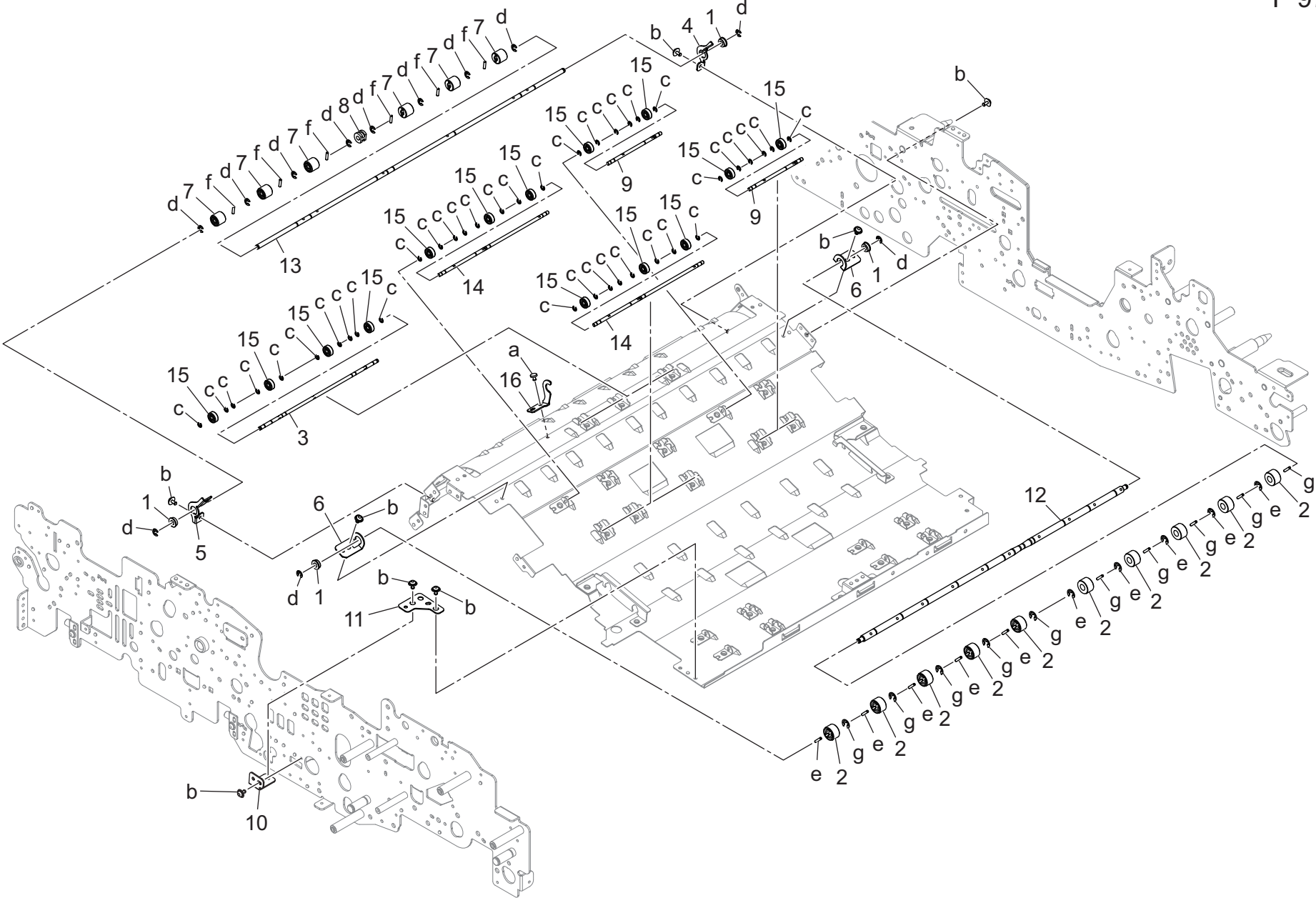
# Duplex Section

P 96





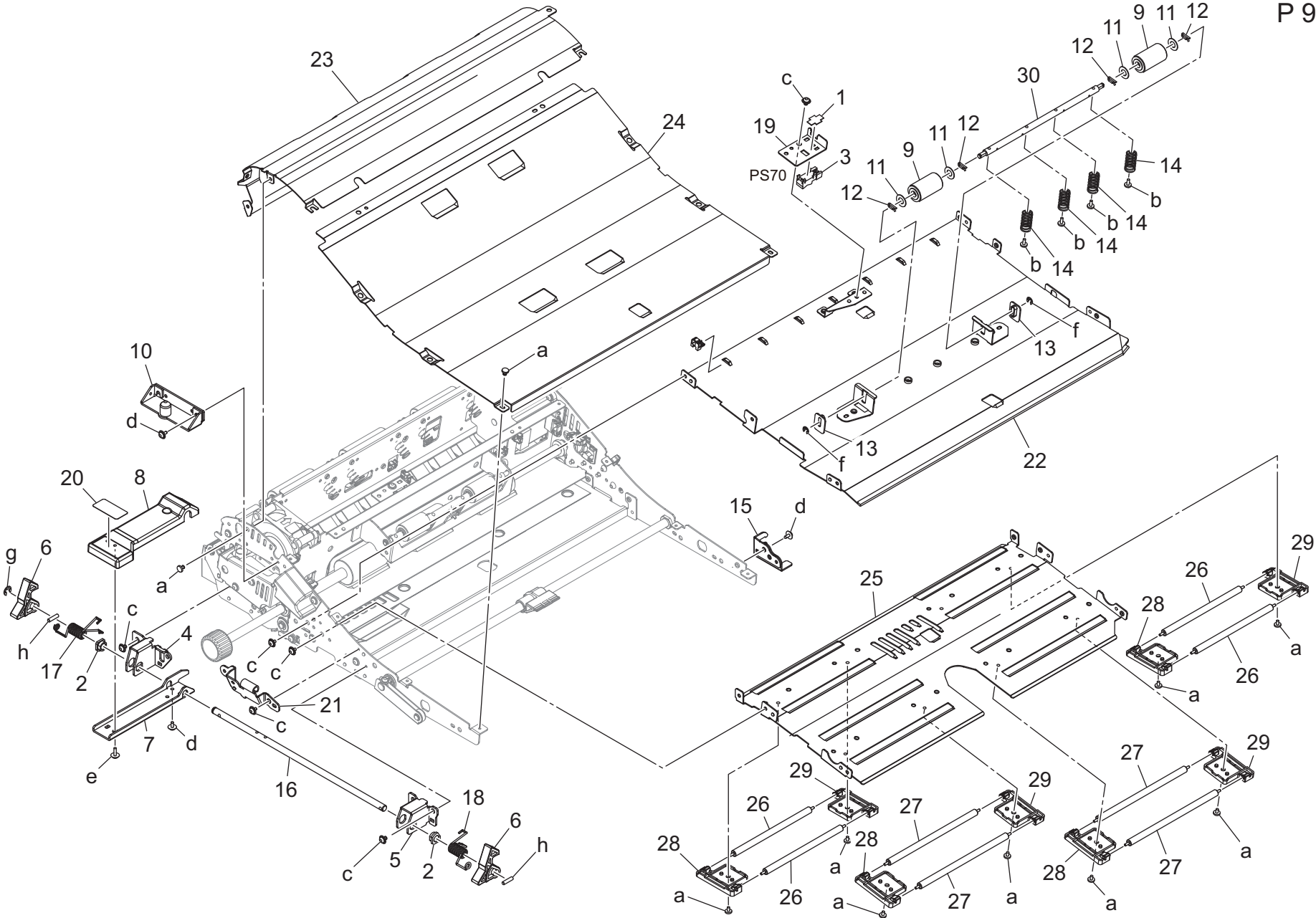
Duplex Section



Key	Part No.	Description	Destinations	Class	QTY	Standard parts
1	A0GD522500	Roller Bearing /B		C	4	a-V118030403 b-V127030604 c-V217020003 d-V217030003 e-V217040003 f-V234200850 g-V234201050
2	A65Y513100	Guide Roll /2		D	10	
3	A9VP811400	Slide Shaft /1		D	1	
4	A9VP813000	Positioning Plate /Rear		D	1	
5	A9VP813100	Positioning Plate /Front		D	1	
6	A9VP813200	Positioning Plate		D	2	
7	A9VP813401	Guide Roll		D	6	
8	A9VP831900	Receiving Roll /1		D	1	
9	A9VP836900	Slide Shaft /6		D	2	
10	A9VP856600	Hold Plate /1		D	1	
11	A9VP856700	Hold Plate /2		D	1	
12	A9VP857400	Guide Shaft /1		D	1	
13	A9VP857600	Guide Shaft /3		D	1	
14	A9VP857800	Slide Shaft /8		D	2	
15	A9VP870200	Roll /A		D	14	
16	A9VP884300	Receiving Plate		D	1	



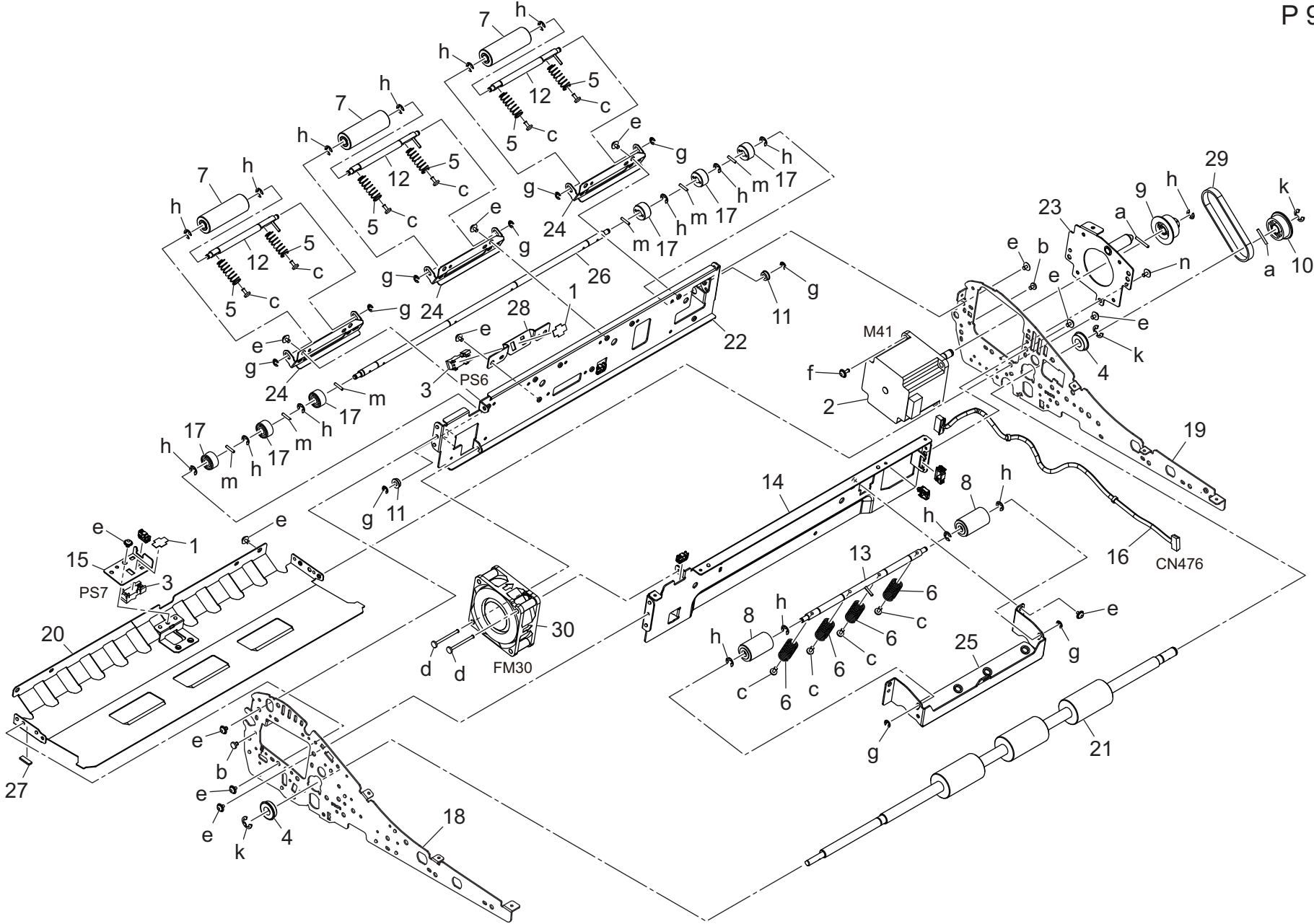
Duplex Section



Key	Part No.	Description	Destinations	Class	QTY	Standard parts
1	4470402401	Stopper		D	1	a-V118030403
2	466076020	Paper Feed Feeding Bearing		B	2	b-V118030603
3	9335140071	Solid State Switch		B	1	c-V121030403
4	A03U844200	Mounting Plate /Left		D	1	d-V127030604
5	A03U844300	Mounting Plate /Right		D	1	e-V153030803
6	A03U844700	Lock Claw		C	2	f-V217030003
7	A03U844802	Open/close Plate		D	1	g-V217040003
8	A03U844901	Open/close Lever		C	1	h-V234301250
9	A03U845902	Idler Roller /3		C	2	
10	A03UF84300	Mounting Plate /1 Caulking		D	1	
11	40AA32320	Toner Supply Spacer		C	4	
12	A0H0911500	Fixing Part /6		C	4	
13	A50U712400	Receiving Shaft /1		D	2	
14	A50U842900	Conveyance Spring /5		D	4	
15	A50U843801	Support Plate /Right rear		D	1	
16	A50U844400	Lock Shaft		D	1	
17	A50U844501	Open/close Spring /1		D	1	
18	A50U844601	Open/close Spring /2		D	1	
19	A50U850201	Mounting Plate /F		D	1	
20	A50U943901	Release Label /9		D	1	
21	A9VP840400	Mounting Plate		D	1	
22	A9VP841300	Guide Plate /G		D	1	
23	A9VP841700	Guide Plate /L		D	1	
24	A9VP841800	Guide Plate /M		D	1	
25	A9VP841900	Guide Plate /F		D	1	
26	A9VP844500	Conveyance Roll /1		D	4	
27	A9VP844600	Conveyance Roll /2		D	4	
28	A9VP844700	Positioning Block		D	4	
29	A9VP844800	Positioning Block		D	4	
30	A9VP848400	Idler Shaft /D		D	1	

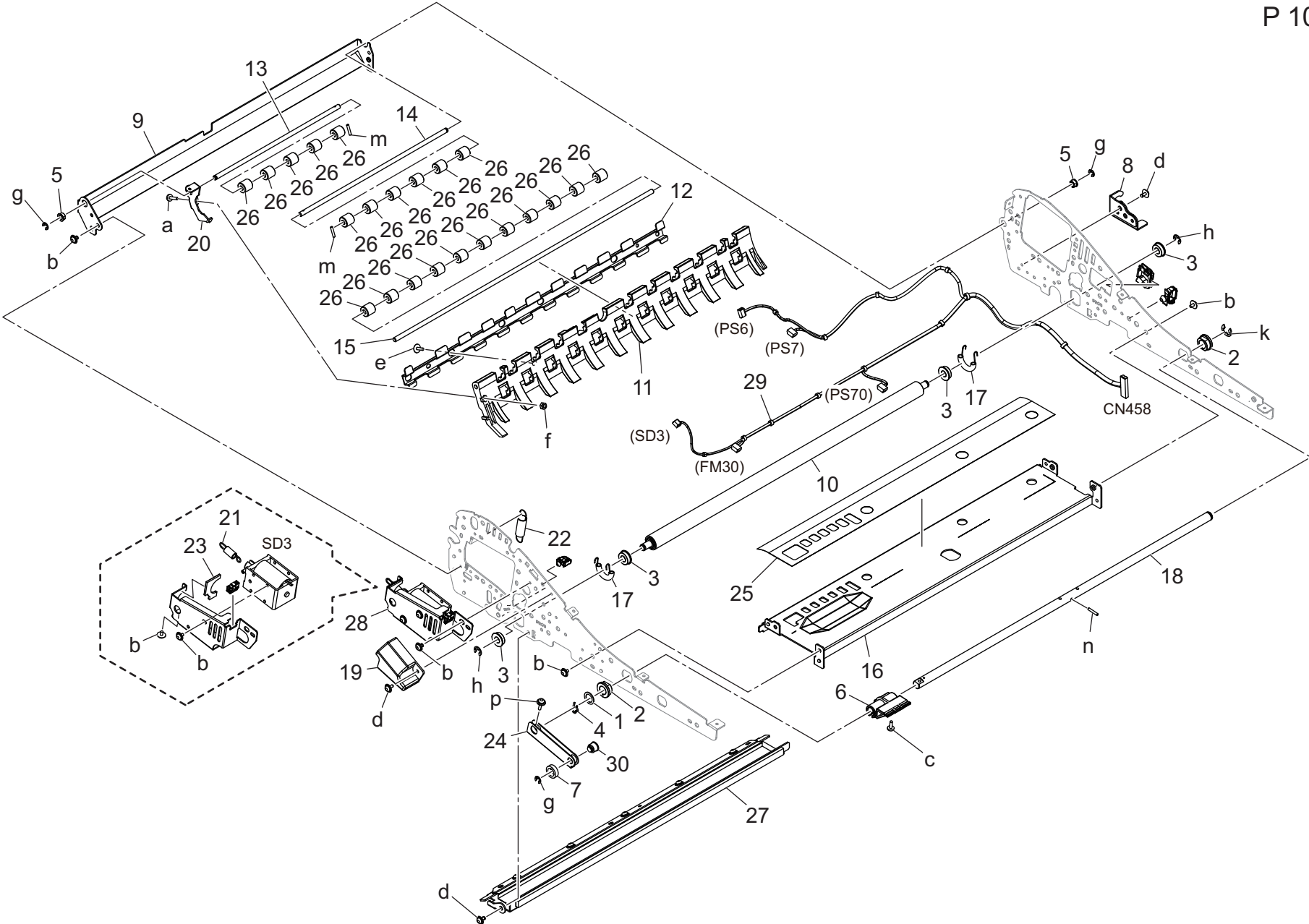


Duplex Section



Key	Part No.	Description	Destinations	Class	QTY	Standard parts
1	4470402401	Stopper	ストッパー	D	2	a-V234201650
2	65AA80112	HB Motor /50	H B モーター /50	B	1	b-V118030403
3	9335140071	Solid State Switch	反射型フォトスイッチ	B	2	c-V118030603
4	A00V240600	Ball Bearing	ボールベアリング	B	2	d-V118033003
5	A03U842700	Conveyance Spring /3	搬送ばね /3	C	6	e-V121030403
6	A03U842800	Conveyance Spring /4	搬送ばね /4	C	4	f-V121030803
7	A03U845601	Idler Roller /2	従動ローラ /2	C	3	g-V217030003
8	A03U845902	Idler Roller /3	従動ローラ /3	C	2	h-V217040003
9	A03U859400	PULLEY /1 24T	プーリ /1 24 T	C	1	k-V217060003
10	A03U859500	PULLEY /2 24T	プーリ /2 24 T	C	1	m-V234201050
11	A0GD522500	Roller Bearing /B	ころがり軸受 /B	C	2	n-V127030604
12	A1DUR73E00	Idler Shaft /C Assy	従動軸 /C ASSY	D	3	
13	A1DUR73P00	Idler Shaft /D Assy	従動軸 /D ASSY	D	1	
14	A50U842301	Support Plate /1	支持板 /1	D	1	
15	A50U850201	Mounting Plate /F	取付板 /F	D	1	
16	A50UN16400	ADU Drive harness /5	ADU 駆動束線 /5	D	1	
17	A5AW856001	Guide Roll	ガイドころ (φ15)	D	6	
18	A9VP840500	Panel /Front	パネル /前 (かしめ図)	D	1	
19	A9VP840600	Panel /Rear	パネル /後	D	1	
20	A9VP841100	Guide Plate /E	ガイド板 /E (かしめ図)	D	1	
21	A9VP842000	Roller	ローラ (ADU 反転)	C	1	
22	A9VP842400	Support Plate /2	支持板 /2	D	1	
23	A9VP843300	Mounting Plate /2	取付板 /2 (かしめ図)	D	1	
24	A9VP845400	Mounting Plate /3	取付板 /3	D	3	
25	A9VP845700	Mounting Plate /4	取付板 /4	D	1	
26	A9VP847500	Guide Shaft	ガイド軸	D	1	
27	A9VP848800	Attaching Part /1	貼り部材 /1	D	1	
28	A9VP855600	Mounting Plate /A	取付板 /A	D	1	
29	A9VP859900	Belt /2 174L	ベルト /2 174 L	C	1	
30	AC57M15000	Cooling Fan	冷却ファン (□60)	C	1	

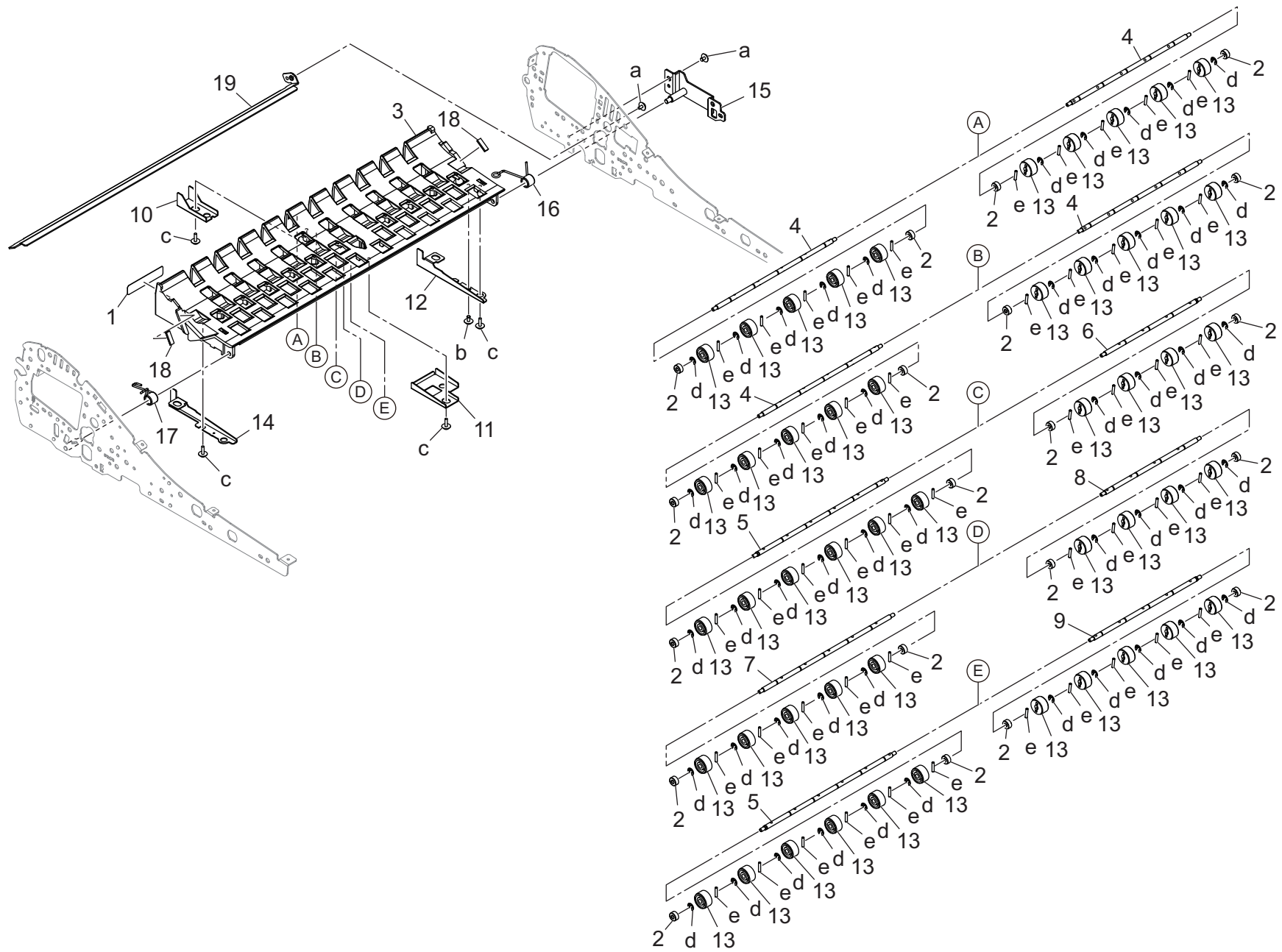
Duplex Section



Key	Part No.	Description	Destinations	Class	QTY	Standard parts
1	12QV40650	Spacer		B	1	a-V118031003
2	A03U812800	Slide Shaft Holder		B	2	b-V121030403
3	A0G6243900	Ball Bearing		C	4	c-V126030803
4	A1RF827000	Fixing Part		D	1	d-V127030604
5	A1RF846400	Bushing /A		C	2	e-V153030803
6	A50U714601	Lever		D	1	f-V195030003
7	A50U716500	Ball Bearing		C	1	g-V217030003
8	A50U843601	Support Plate		D	1	h-V217040003
9	A9VP841201	Guide Plate /K		D	1	k-V217060003
10	A9VP841400	Idler Roller /E		C	1	m-V234201050
11	A9VP841501	Guide Plate /J		D	1	n-V234201250
12	A9VP841600	Holding Plate		D	1	p-V116031003
13	A9VP843500	Guide Shaft		D	1	
14	A9VP843600	Guide Shaft		D	1	
15	A9VP843700	Guide Shaft		D	1	
16	A9VP844900	Reinforce Plate /B		D	1	
17	A9VP845000	Conveyance Spring /E		D	2	
18	A9VP846000	Pressure Shaft		D	1	
19	A9VP847300	Cover Part /A		D	1	
20	A9VP848700	Swing Plate /1		D	1	
21	A9VP849600	Pulling Spring /1		D	1	
22	A9VP849800	Pulling Spring /2		D	1	
23	A9VP849900	Attaching Part /2		D	1	
24	A9VP854100	Release Arm		D	1	
25	A9VP859800	Cleaning Seal /5		D	1	
26	A9VP869601	Guide Roll		D	22	
27	A9VPR71200	Scraper Assy		B	1	
28	A9VPR76200	FNS Solenoid / 1 Assy		C	1	
29	A9VPN16300	ADU Relay Harness /1		D	1	
30	AC0C716300	Support Shaft		D	1	

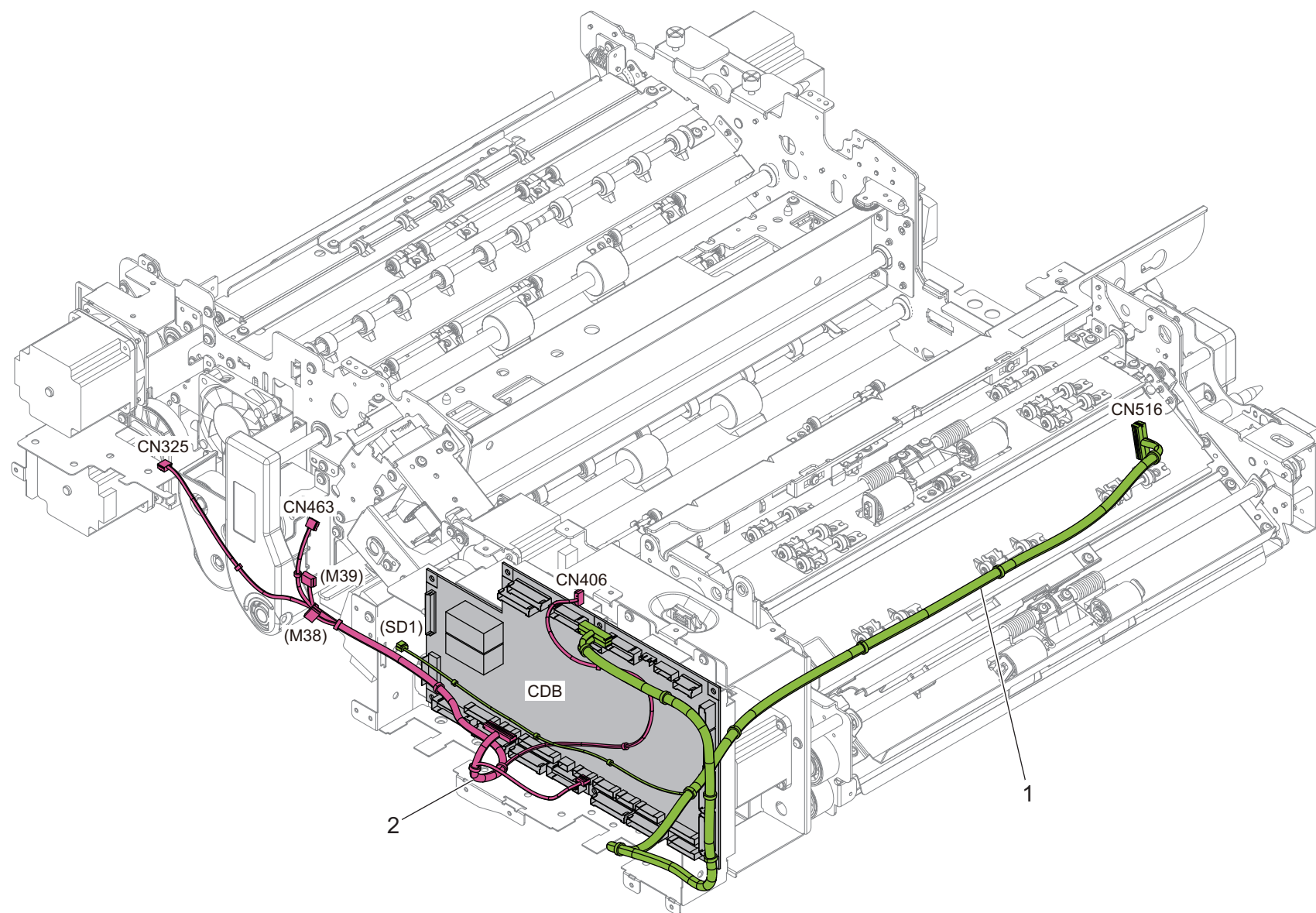
# Duplex Section

P 101

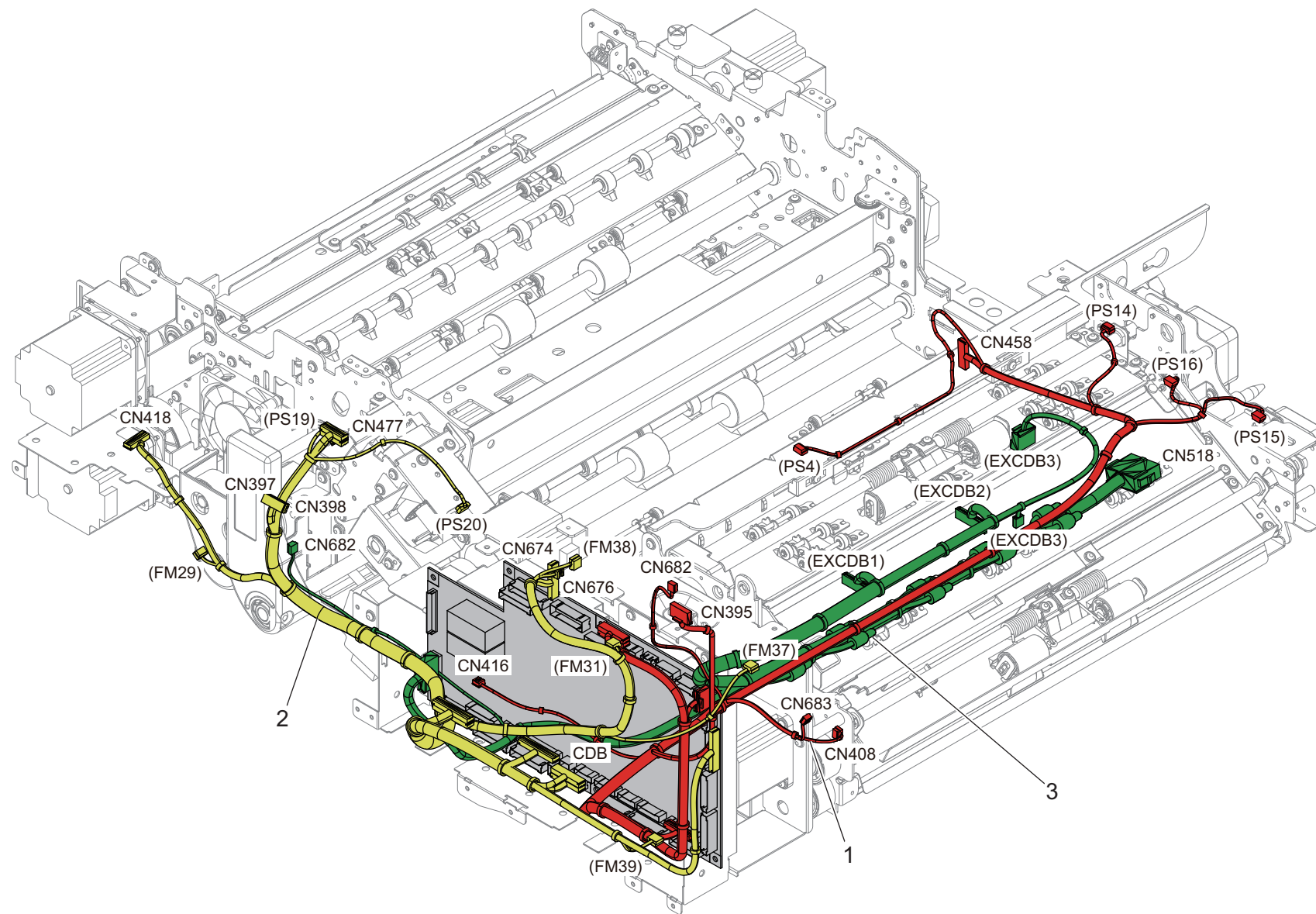




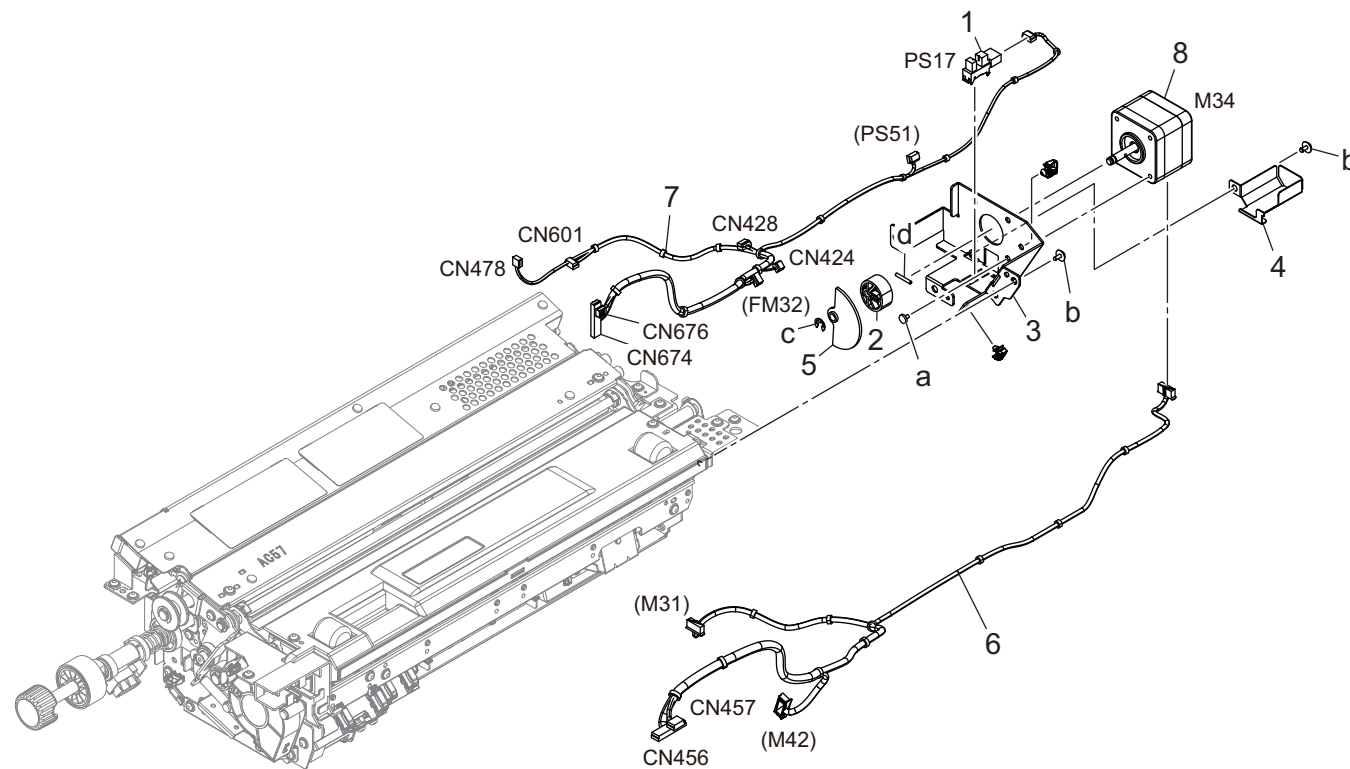




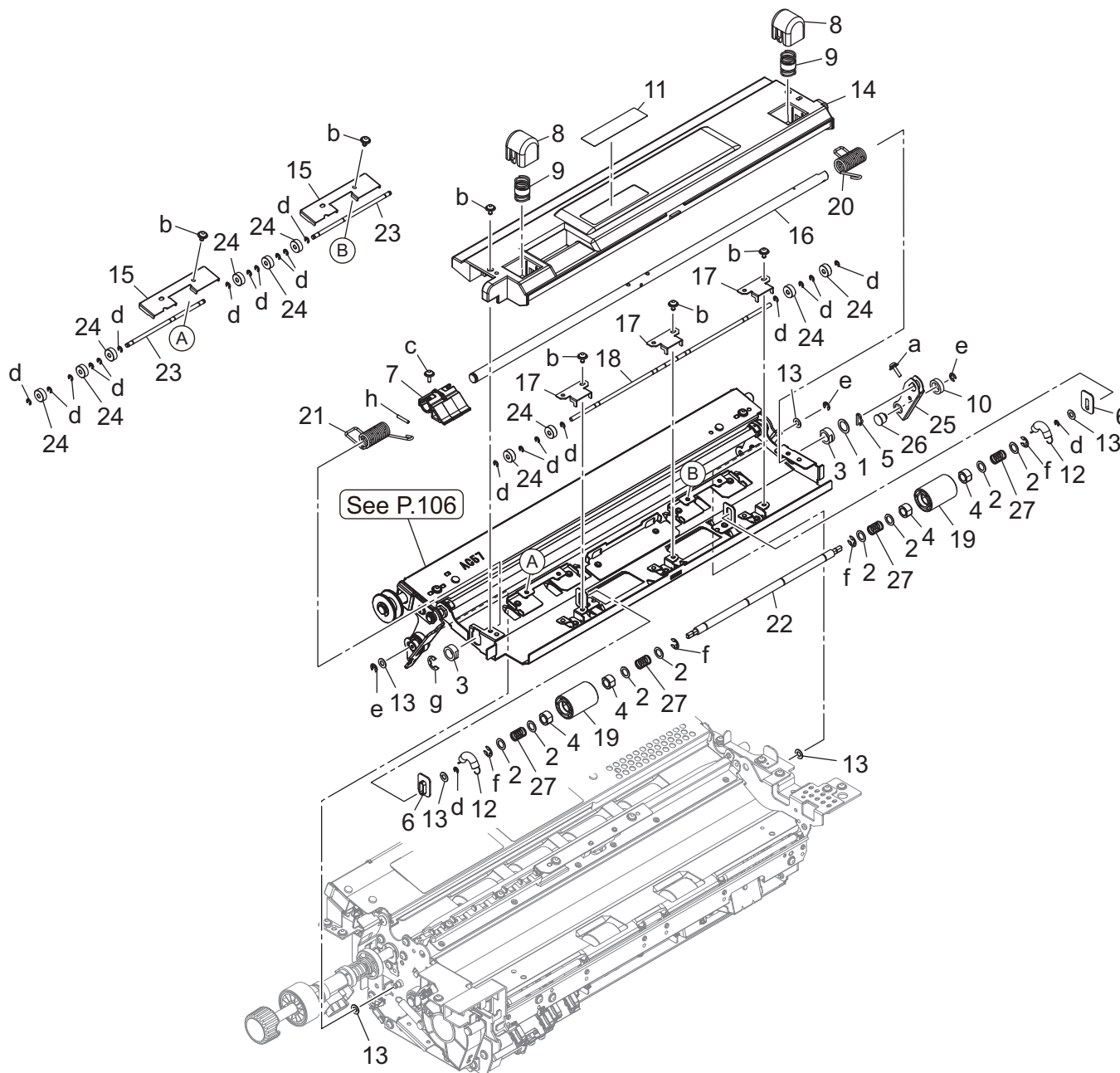
Key	Part No.	Description	Destinations	Class	QTY	Standard parts
1	A9VPN15600	ADU Control Harness /1		D	1	
2	A9VPN17500	ADU Drive Harness /7		D	1	



Key	Part No.	Description	Destinations	Class	QTY	Standard parts
1	A9VPN16101	ADU Drive Harness /11		D	1	
2	A9VPN18200	ADU Drive Harness /12		D	1	
3	A9VPN18800	ADU Control Harness /2		D	1	

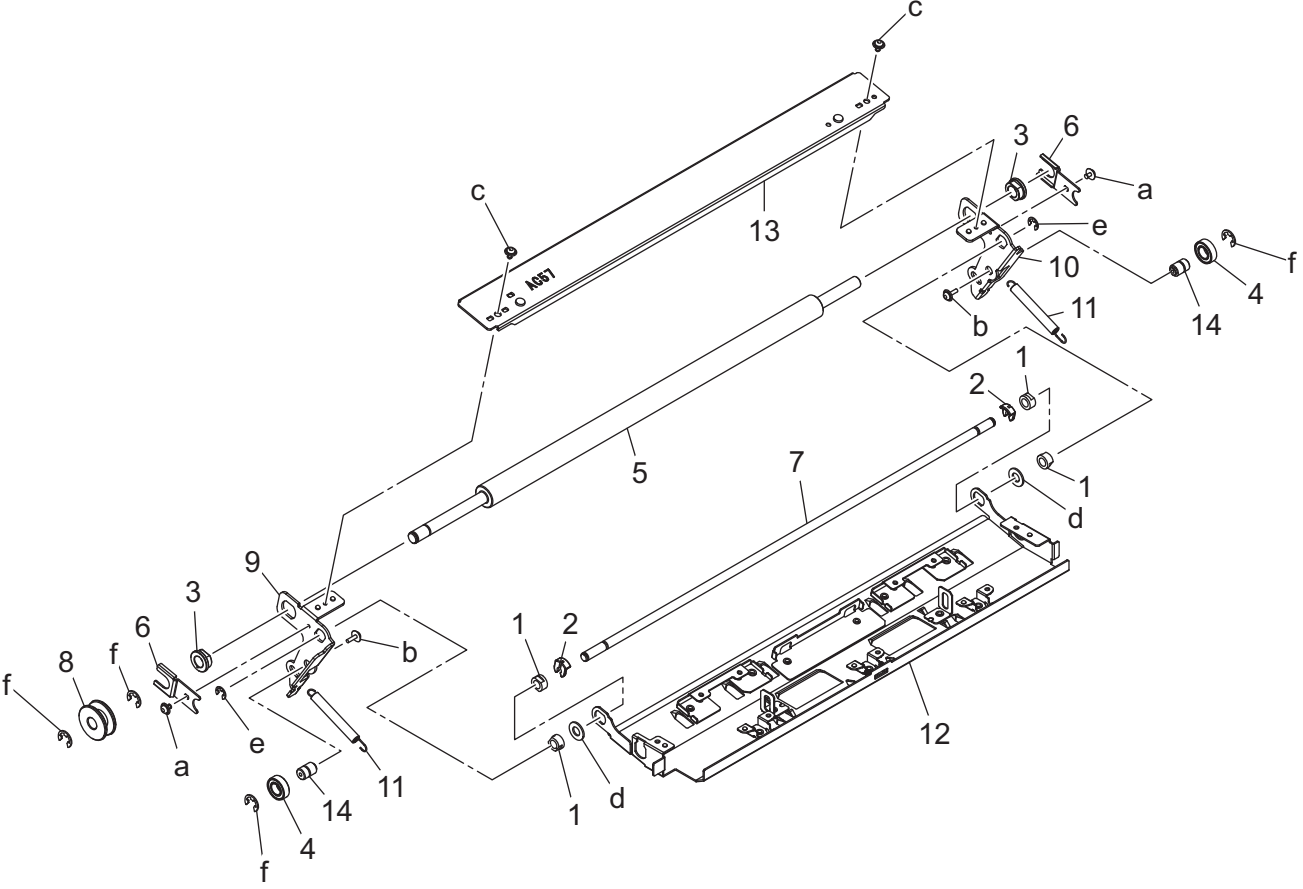






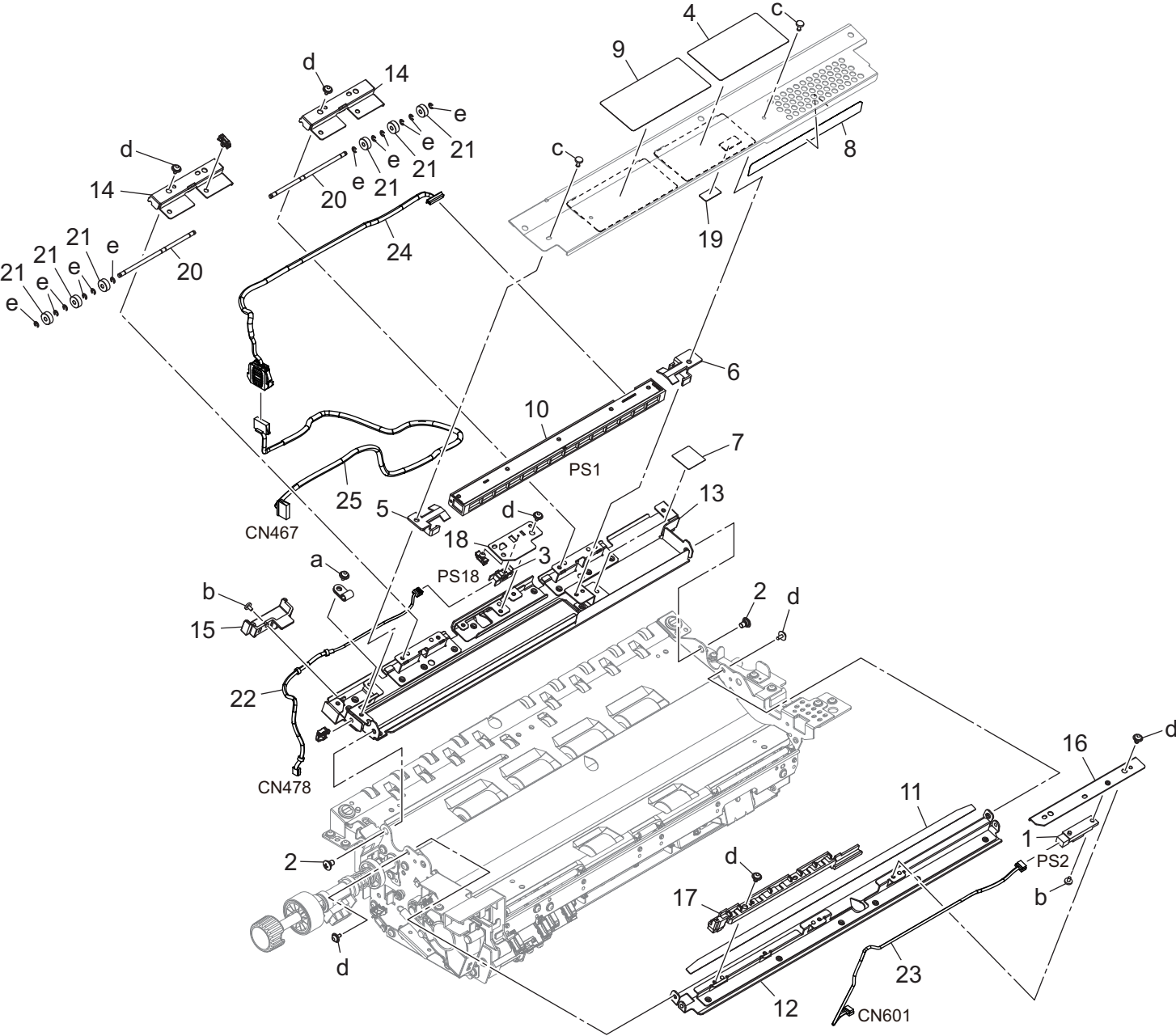






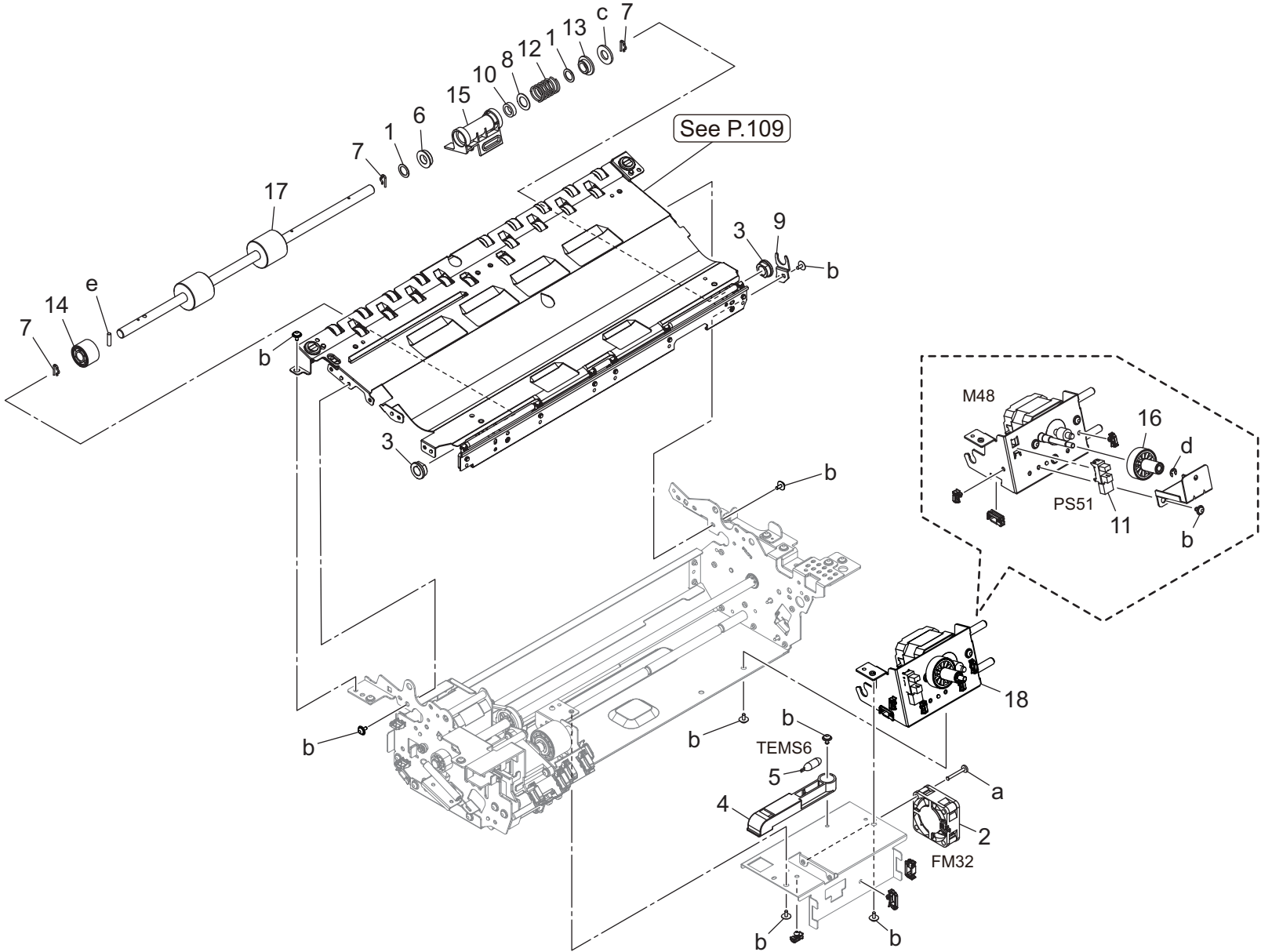


Resist Section



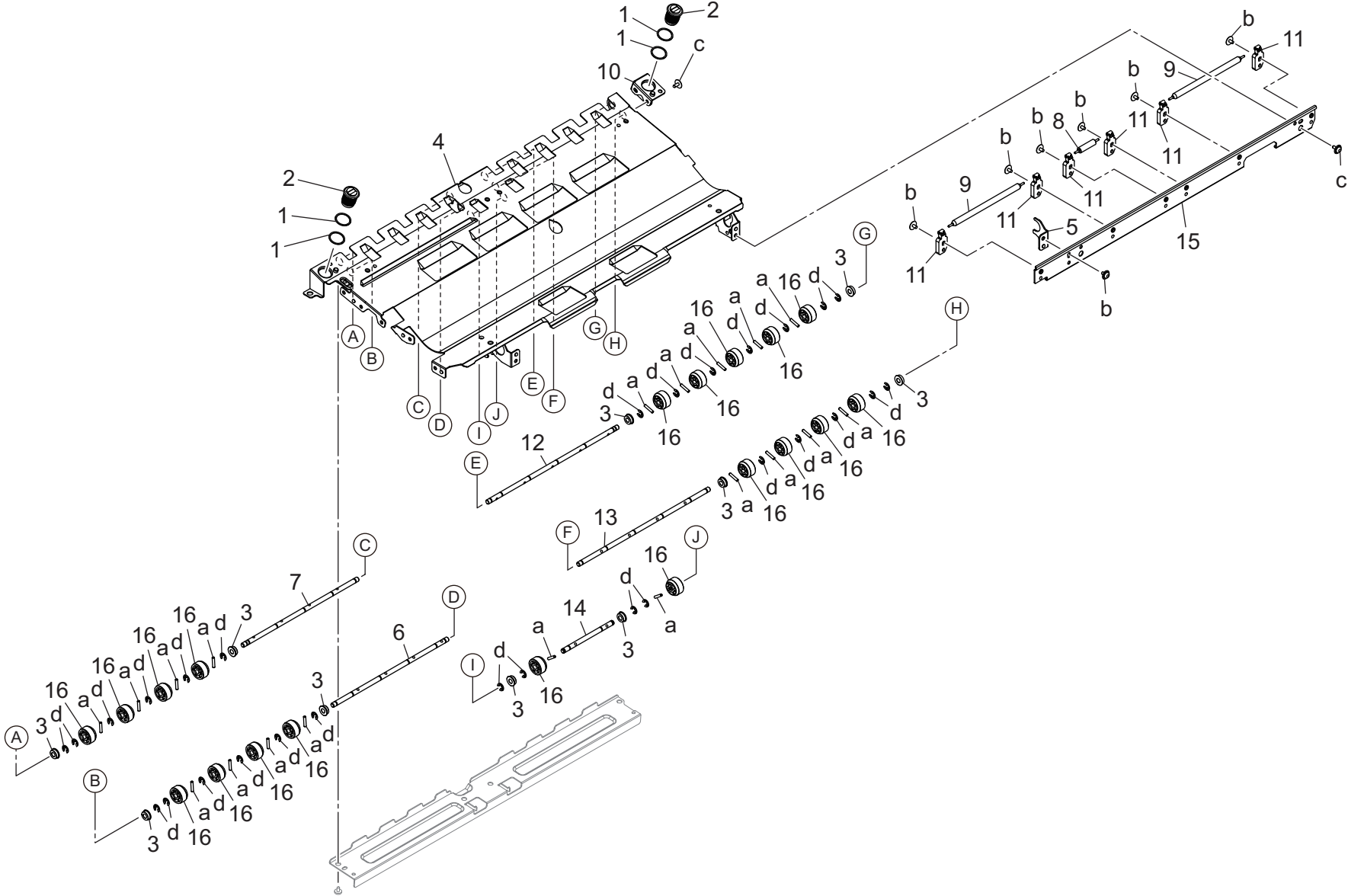


Resist Section





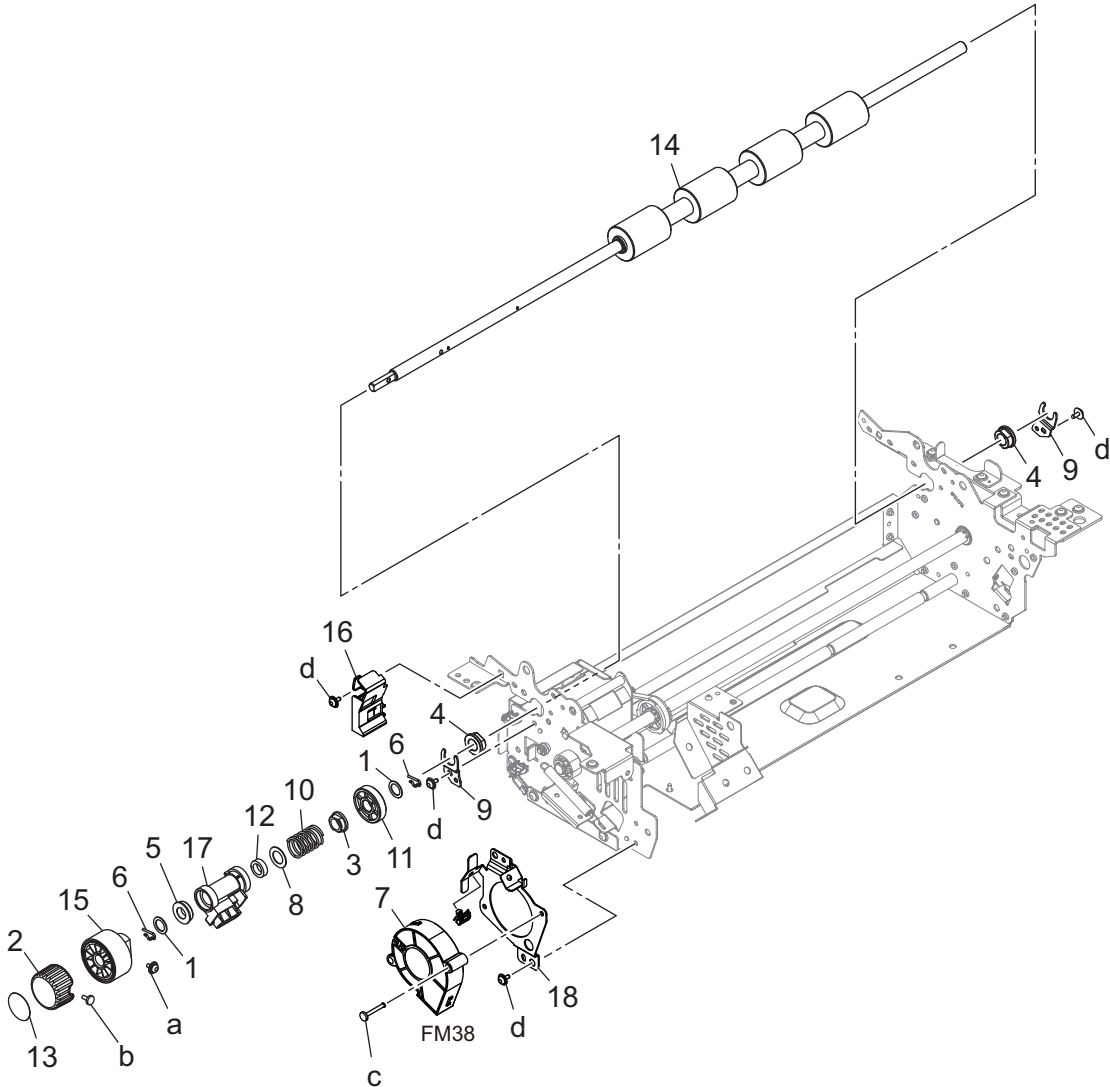
Resist Section





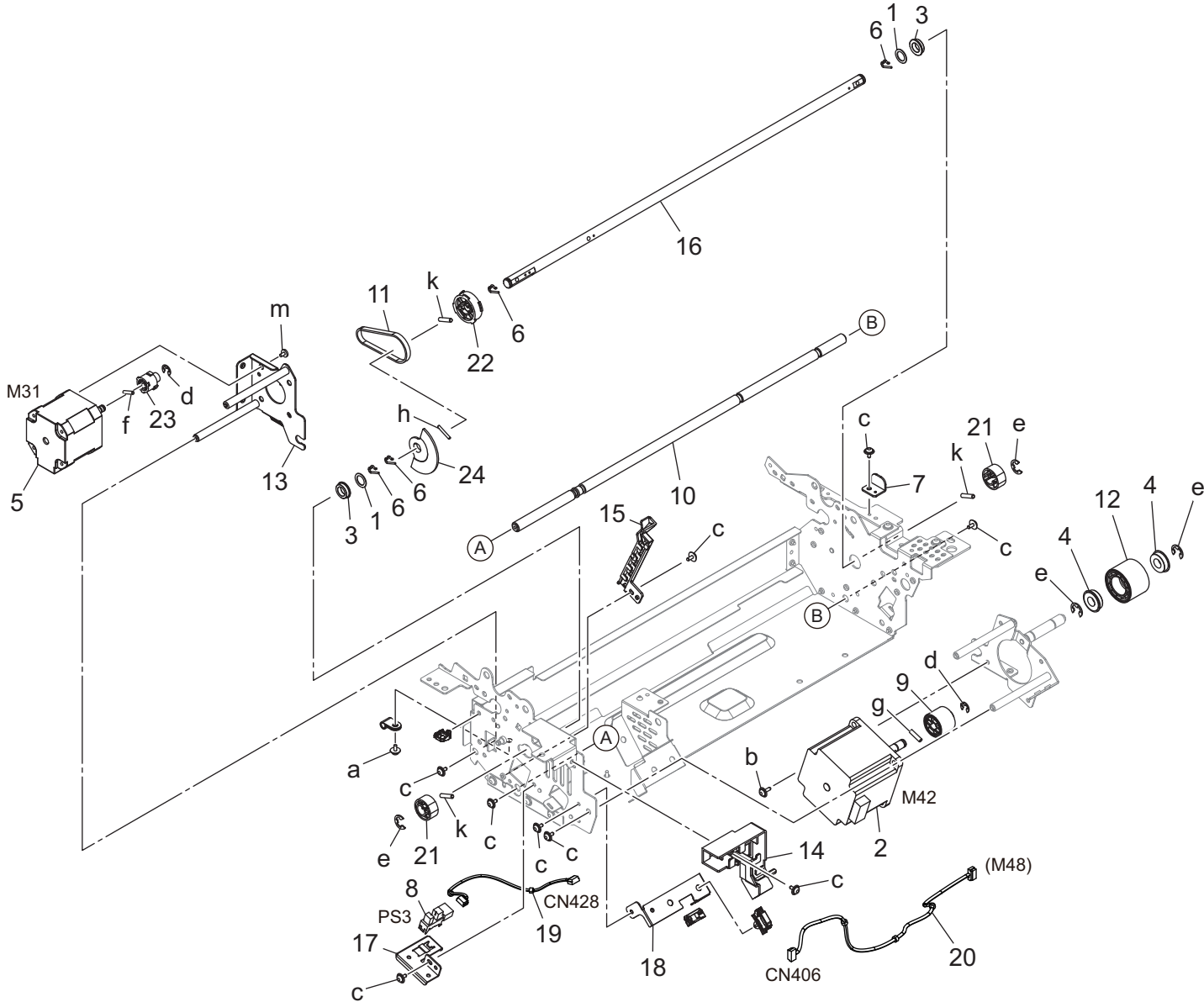


Resist Section



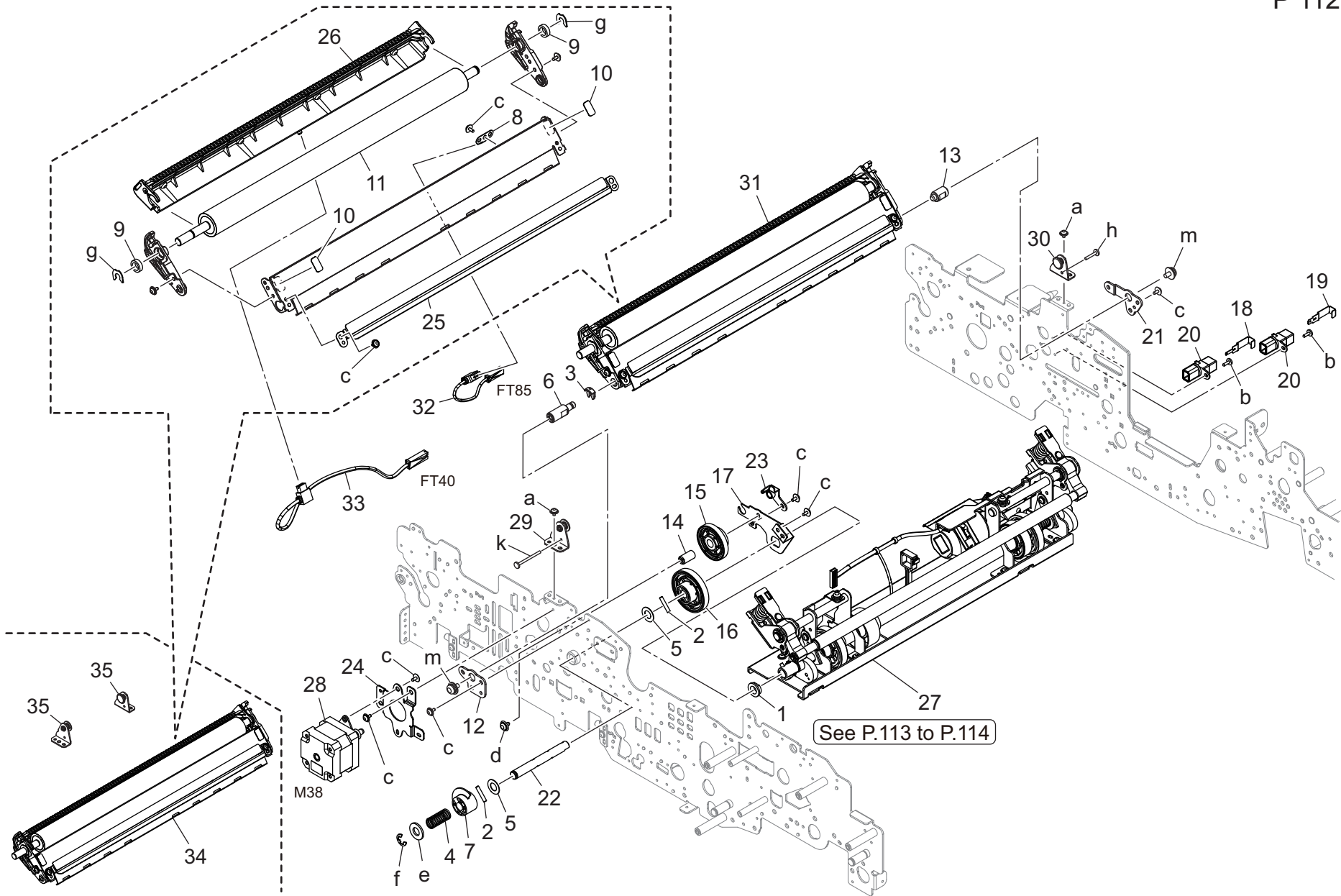


Resist Section



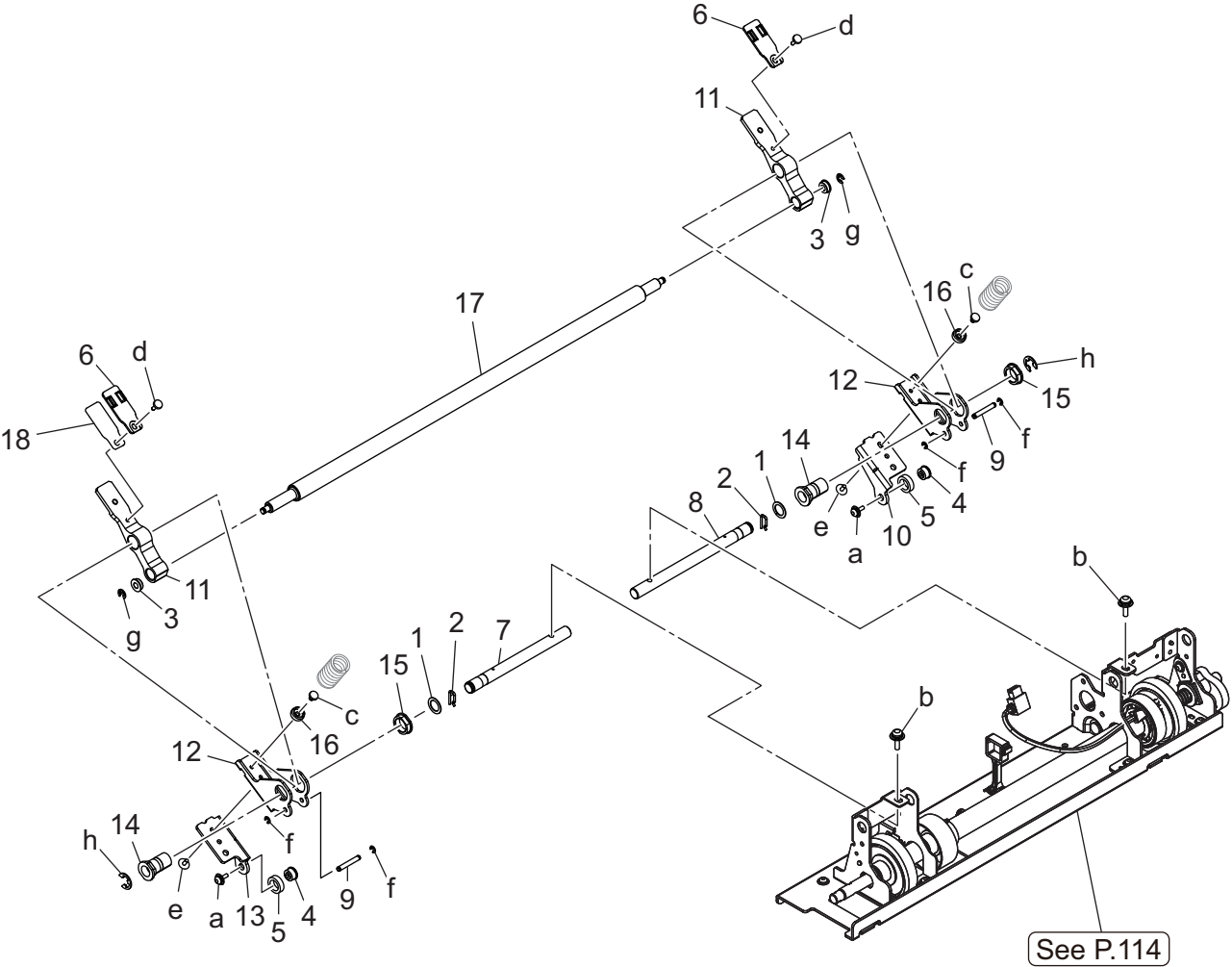


# Secondary Transfer Section



Key	Part No.	Description	Destinations	Class	QTY	Standard parts
1	4658351701	BUSHING		C	1	a-V121030403
2	56AA17461	PIN A		B	2	b-V126030803
3	56AA40490	Shaft Stopper /4		C	1	c-V127030604
4	65AA45230	CAM PULLING SPRING		C	1	d-V127040603
5	A2Y1729000	Collar /C		C	2	e-V207080003
6	A50U520601	Support Shaft /Front		D	1	f-V217060003
7	A50U524500	Transfer Actuator		D	1	g-V218060086
8	A50U525600	Power Supply Plate		D	1	h-V118031403
9	A50U716500	Ball Bearing		C	2	k-V118033003
10	A50U945601	Operation Label		D	2	m-V116050803
11	A9VP520000	2nd Transfer Roller		A	1	
12	A9VP520700	Adjusting Plate /Front		D	1	
13	A9VP521300	Support Shaft /Rear		D	1	
14	A9VP521700	2nd Trans.Pres.Rel.Shaft		C	1	
15	A9VP521800	2nd Trans.Pres.Rel.Gear 70/20T		C	1	
16	A9VP521901	Pressure Gear /3 41T		C	1	
17	A9VP522400	Holding Plate /1		D	1	
18	A9VP522800	Power supply Contact /Upper		D	1	
19	A9VP522900	Power supply Contact /Lower		D	1	
20	A9VP523001	Power supply Block		D	2	
21	A9VP524600	Adjusting Plate /Rear		D	1	
22	A9VP524800	Drive Shaft /2		D	1	
23	A9VP527900	Cover /2		D	1	
24	A9VP528501	Mounting Plate /A		D	1	
25	A9VPR71800	Transfer Guide Upper Assy		D	1	
26	A9VPR70800	Separation Discharging Unit		A	1	
27	A9VPR70500	2nd Transfer Press and Release Assy		S	1	
28	A9VPR76800	2nd Transfer Pressure Motor Assy		C	1	
29	A9VPR70900	2nd Transfer Earth Assy /Front		B	1	
30	A9VPR73400	2nd Transfer Earth Assy /Rear		B	1	
31	A9VPR70600	2nd Transfer Unit		I	1	
32	A9VPN25400	HV Relay Harness /G		D	1	
33	A9VPN25600	HV Relay Harness /B		D	1	
34	A9VPR73700	2nd Transfer Unit /TP		I	1	(Service Part Only)
35	A50UR70G01	2nd Transfer Earth Plate Assy		B	2	(Service Part Only)

Secondary Transfer Section



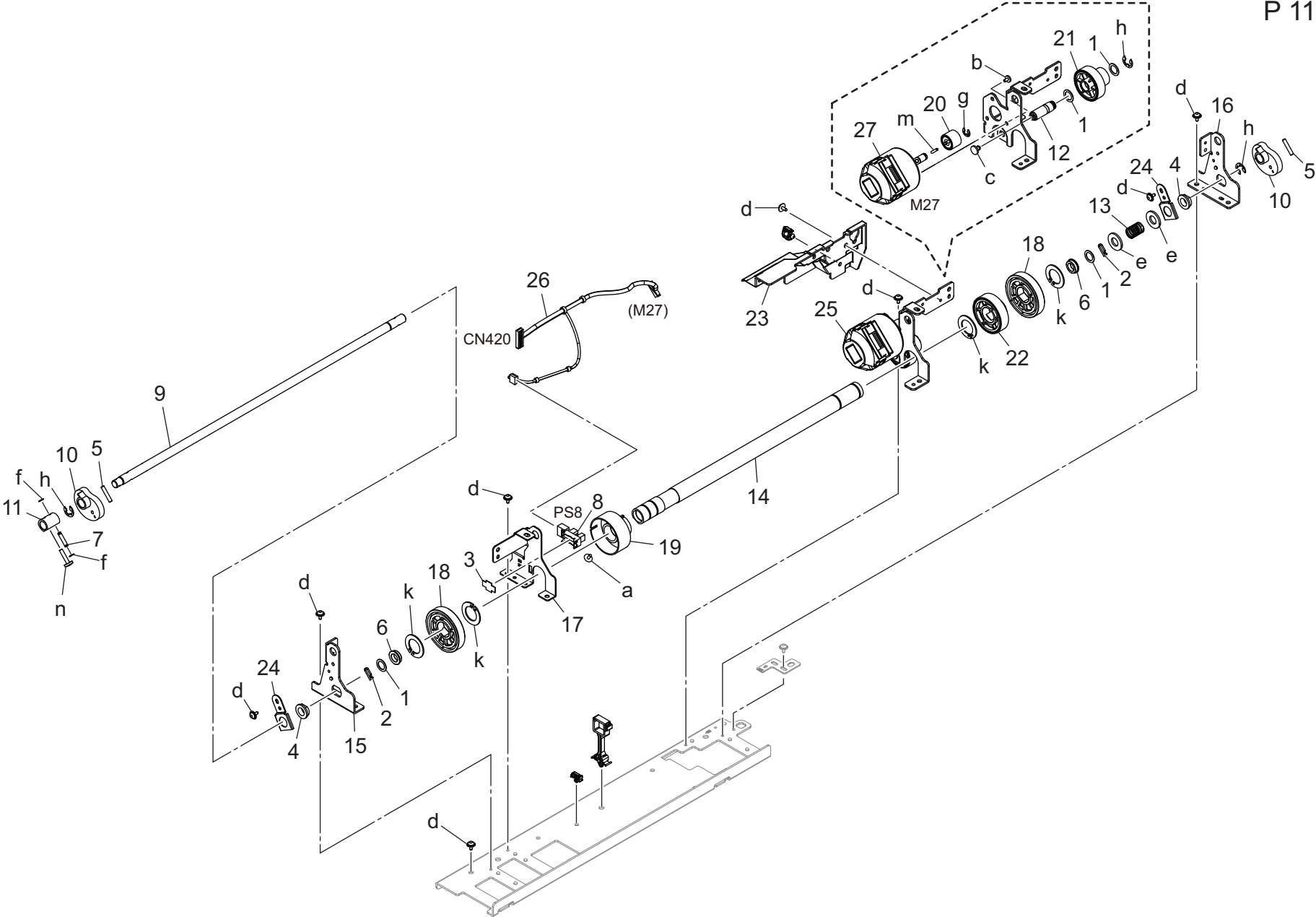
See P.114





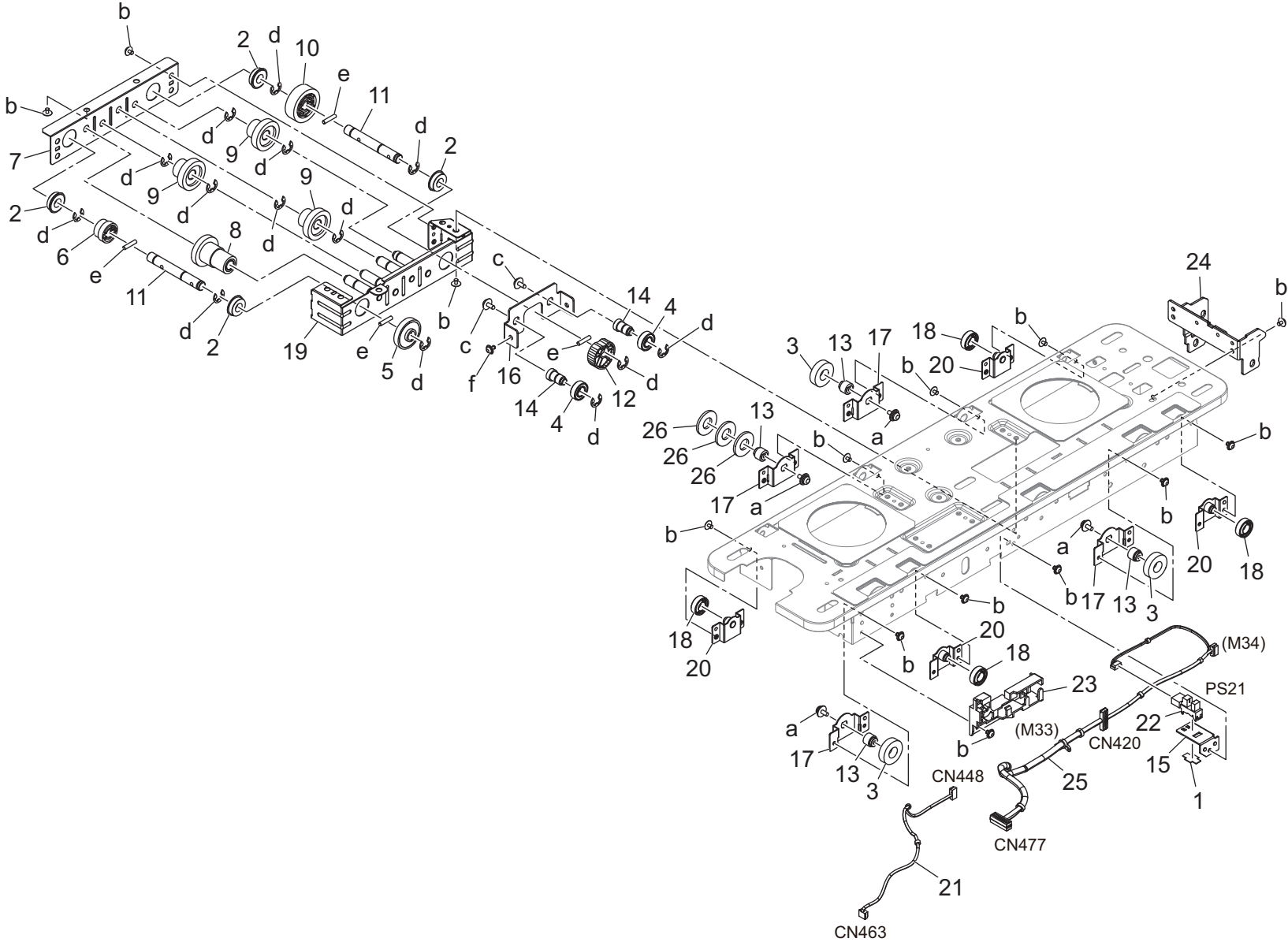
# Secondary Transfer Section

P 114



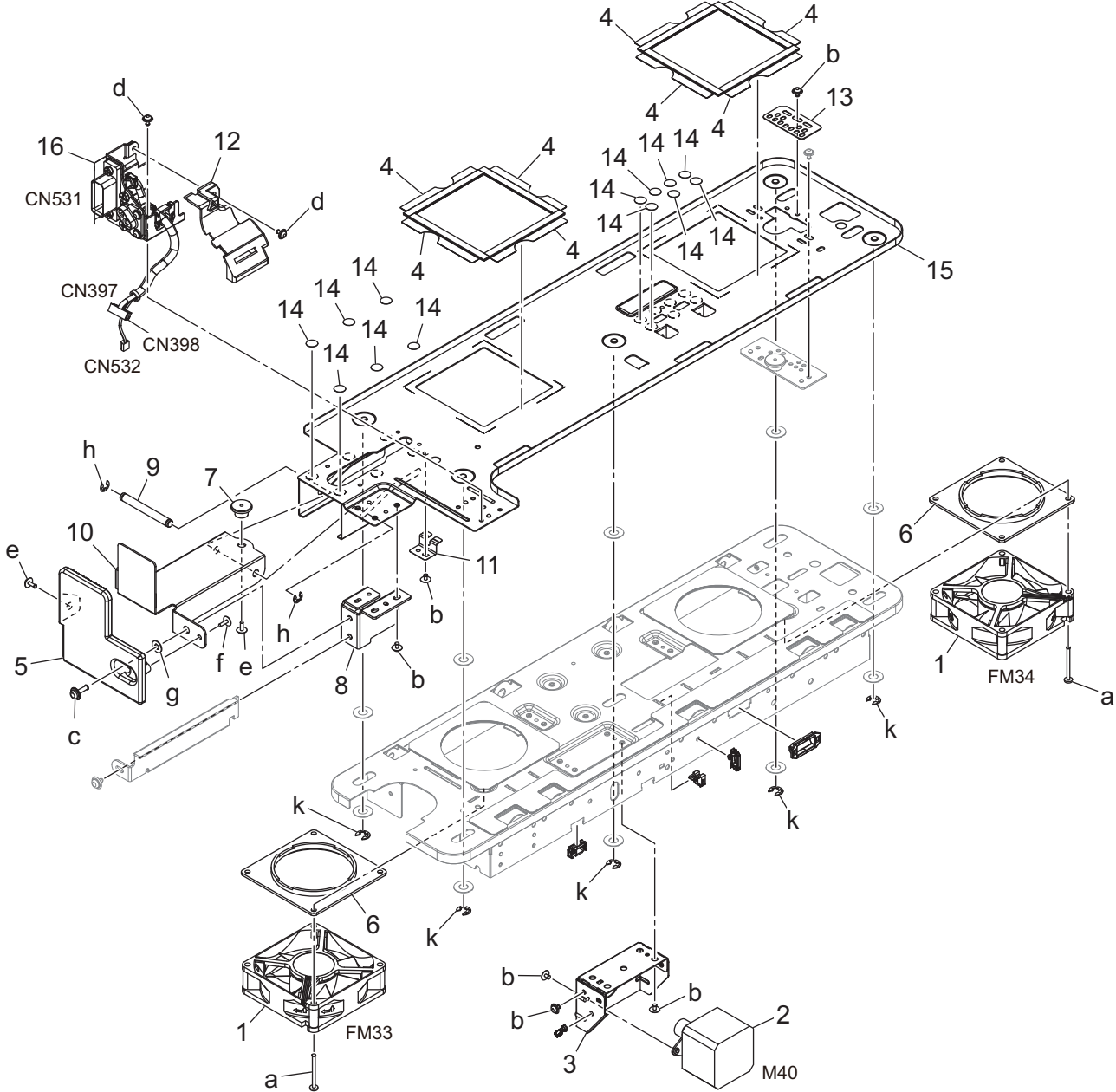


Duplex Swing Section





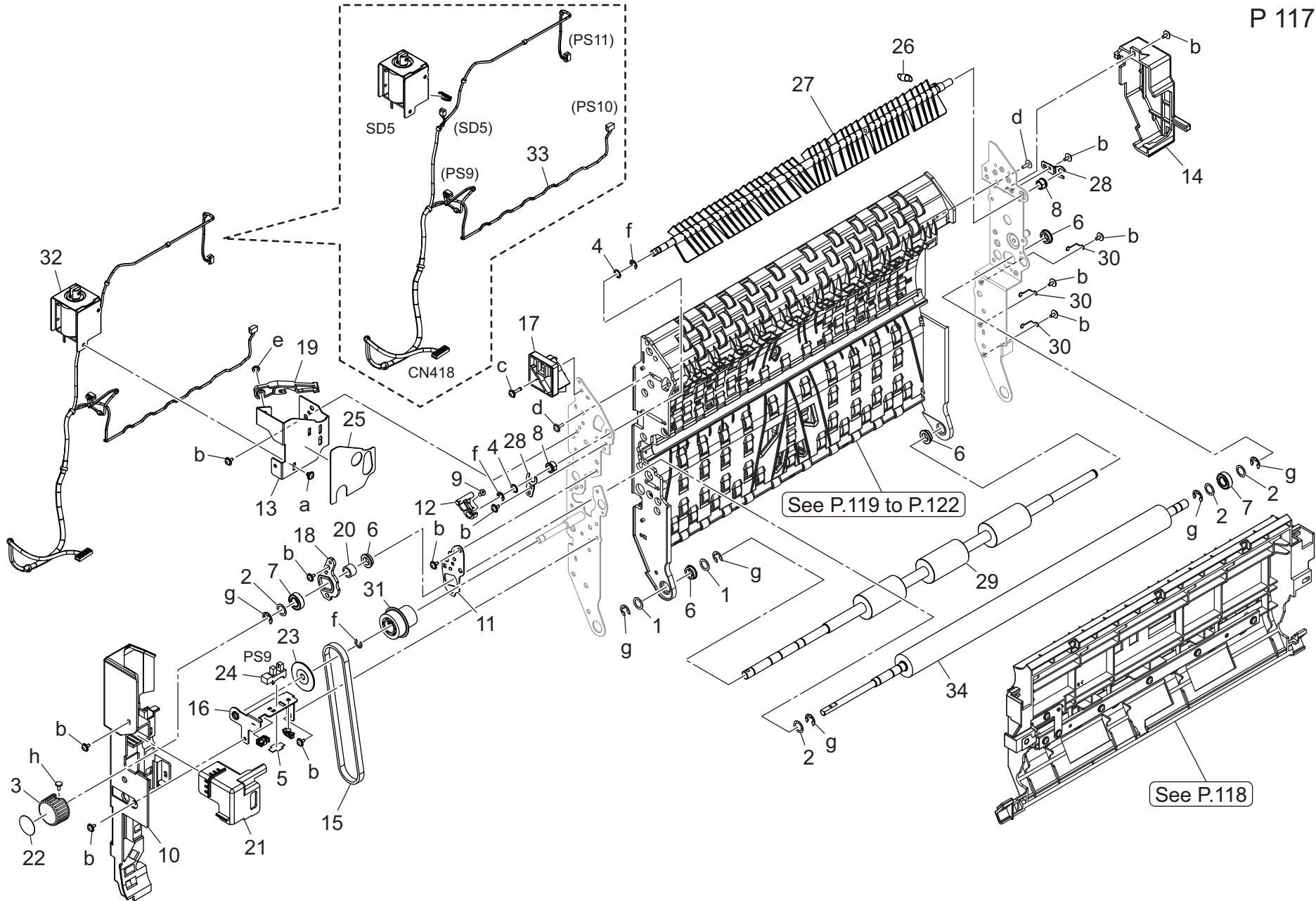
Duplex Swing Section





# Reverse Section

P 117

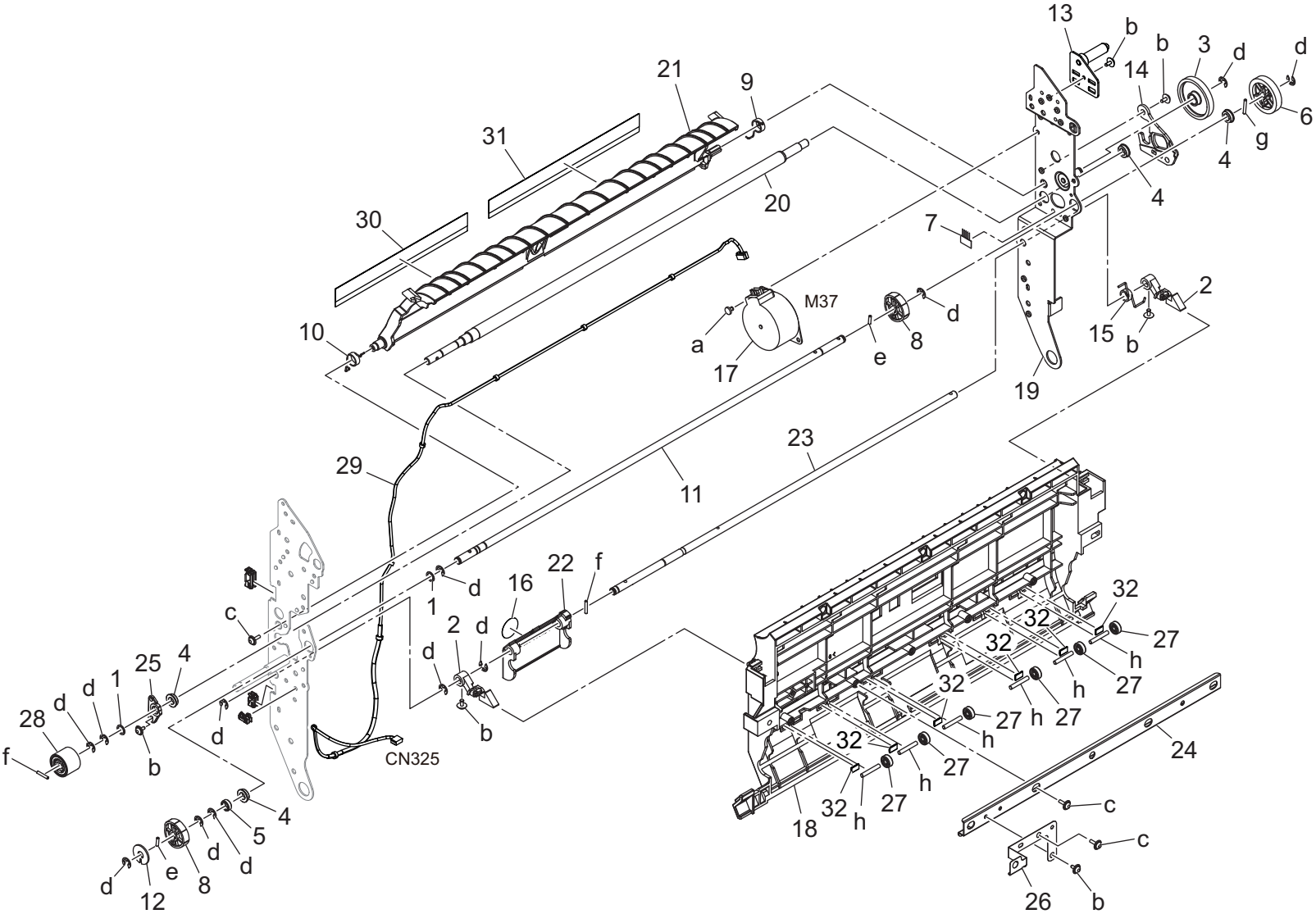


AccurioPress C7090

Key	Part No.	Description	Destinations	Class	QTY	Standard parts
1	12QV40650	Spacer	スペーサー	B	2	a-V121030403
2	13QA40610	Gear Spacer	ギアスペーサー	C	4	b-V127030604
3	14GE45470	Rotation Knob	回転ノブ	C	1	c-V127031203
4	40AA30270	DEVELOPING SPACER	現像スペーサー	C	2	d-V153030803
5	4470402401	Stopper	ストッパー	D	1	e-V217030003
6	A00J617900	Ball Bearing	ボールベアリング	B	4	f-V217040003
7	A1RF820000	Ball Bearing	ボールベアリング	C	2	g-V217060003
8	A4EU603400	Bushing	すべり軸受	C	2	h-V118030603
9	A50U642300	Mounting Screw	取付ねじ	D	1	
10	A50U834304	Cover Part /2	カバー材 /2	D	1	
11	A50U865300	Holding Plate	押さえ板	D	1	
12	A50U865703	Swing Arm	揺動アーム	D	1	
13	A50U865902	Support Plate	支持板	D	1	
14	A50U866900	Drive Cover /1	駆動カバー /1	D	1	
15	A50U867200	Belt /A 324 L	ベルト /A 324 L	C	1	
16	A50U867312	Fixing Plate /1	固定板 /1	D	1	
17	A50U867400	Positioning Part	位置決め部材	D	1	
18	A50U867500	Fixing Plate /1	固定板 /1	D	1	
19	A50U867802	Positioning Plate /1	位置決め板 /1	D	1	
20	A50U869400	Collar	カラー	D	1	
21	A50U869501	Cover	カバー	D	1	
22	A50U943801	Release Label /8	解除ラベル /8	D	1	
23	A7AH281600	Washer	ワッシャ	C	1	
24	A85CM55500	Photo Sensor	フォトセンサ	C	1	
25	A9VE866201	Insulating Sheet /1	断熱シート /1	D	1	
26	A9VE867900	Open/close Spring	開閉ばね	D	1	
27	A9VP861011	Swing Part /A	揺動部材 /A	D	1	
28	A9VP861700	Holding Plate	押さえ板	D	2	
29	A9VP861800	Reverse/exit Roller /Lower	反転排紙ローラ /下	C	1	
30	A9VP871000	Ground Wire	アースワイヤ	D	3	
31	A9VP872501	Reverse/Exit Gear /1 20T	反転排紙ギア /1 20T	C	1	
32	A9VPR76400	Solenoid / 1 Assy	ソレノイド /1 Assy	C	1	
33	A9VPN15700	ADU Relay Harness /4	ADU 中継束線 /4	D	1	
34	AC57860500	Decurler Roller	デカーラーローラー	A	1	

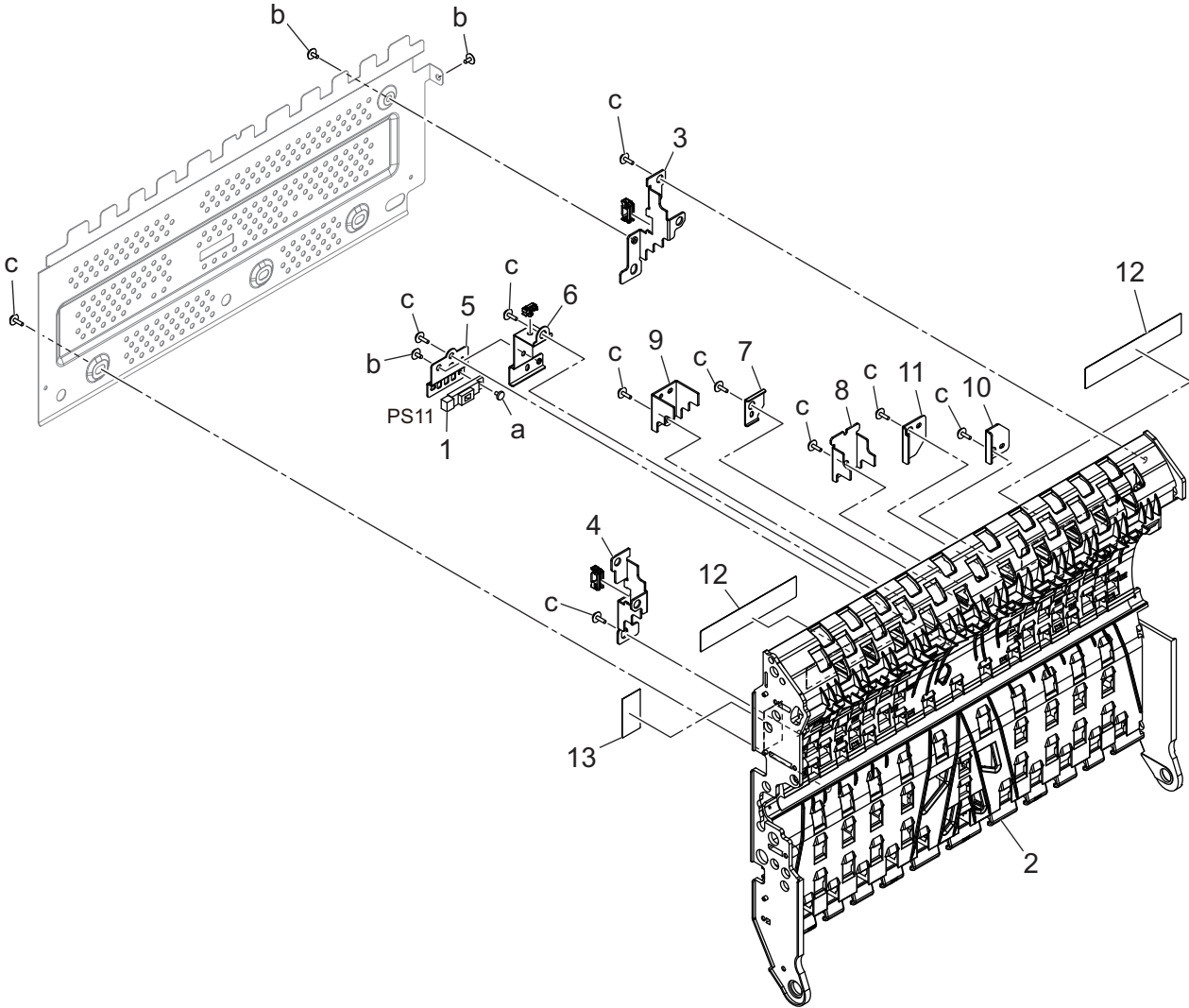


Reverse Section



Key	Part No.	Description	Destinations	Class	QTY	Standard parts
1	40AA30270	DEVELOPING SPACER		C	2	a-V118030403
2	40AA46261	Lock Claw /F		B	2	b-V127030604
3	40AA77550	Mirror Drive Gear /2 14/70T		C	1	c-V153030803
4	A00J617800	Ball Bearing		A	4	d-V217040003
5	A1RF863800	Collar		D	1	e-V234200850
6	A1RJ818800	Drive Gear /8 29T		C	1	f-V234201250
7	A4FC725100	Neutralizing Brush /Y		D	1	g-V234201450
8	A50U861601	Positioning Cam		D	2	h-V234302050
9	A50U864200	Reverse/Exit Spring /Rear		D	1	
10	A50U864300	Reverse/Exit Spring /Front		D	1	
11	A50U865101	Pressing Shaft		D	1	
12	A50U865401	Positioning		D	1	
13	A50U866400	Positioning Plate /2		D	1	
14	A50U867700	Fixing Plate /2		D	1	
15	A50U868401	Open/close Spring /1		D	1	
16	A50U943601	Release Label /6		D	1	
17	A50UR72722	Drive Motor / 1 Assy		C	1	
18	A9VP860200	Guide Plate /B		D	1	
19	A9VP860302	Reinforce Plate /Rear		D	1	
20	A9VP860600	Reverse Decurler Roller		B	1	
21	A9VP861100	Guide Plate		D	1	
22	A9VP865500	Paper exit Handle		D	1	
23	A9VP865600	Lock Shaft /A		D	1	
24	A9VP868000	Reinforce Plate /A		D	1	
25	A9VP869400	Fixing Collar /A		D	1	
26	A9VP869800	Ground Plate /1		D	1	
27	A9VP872700	Ball bearing /10		D	6	
28	A9VP872600	Reverse/Exit Gear /2 20T		C	1	
29	A9VPN17600	ADU Drive Harness /8		D	1	
30	A9VP866500	Guide Sheet /1		D	1	
31	A9VP866600	Guide Sheet /2		D	1	
32	A9VP869300	Ground Part		D	6	

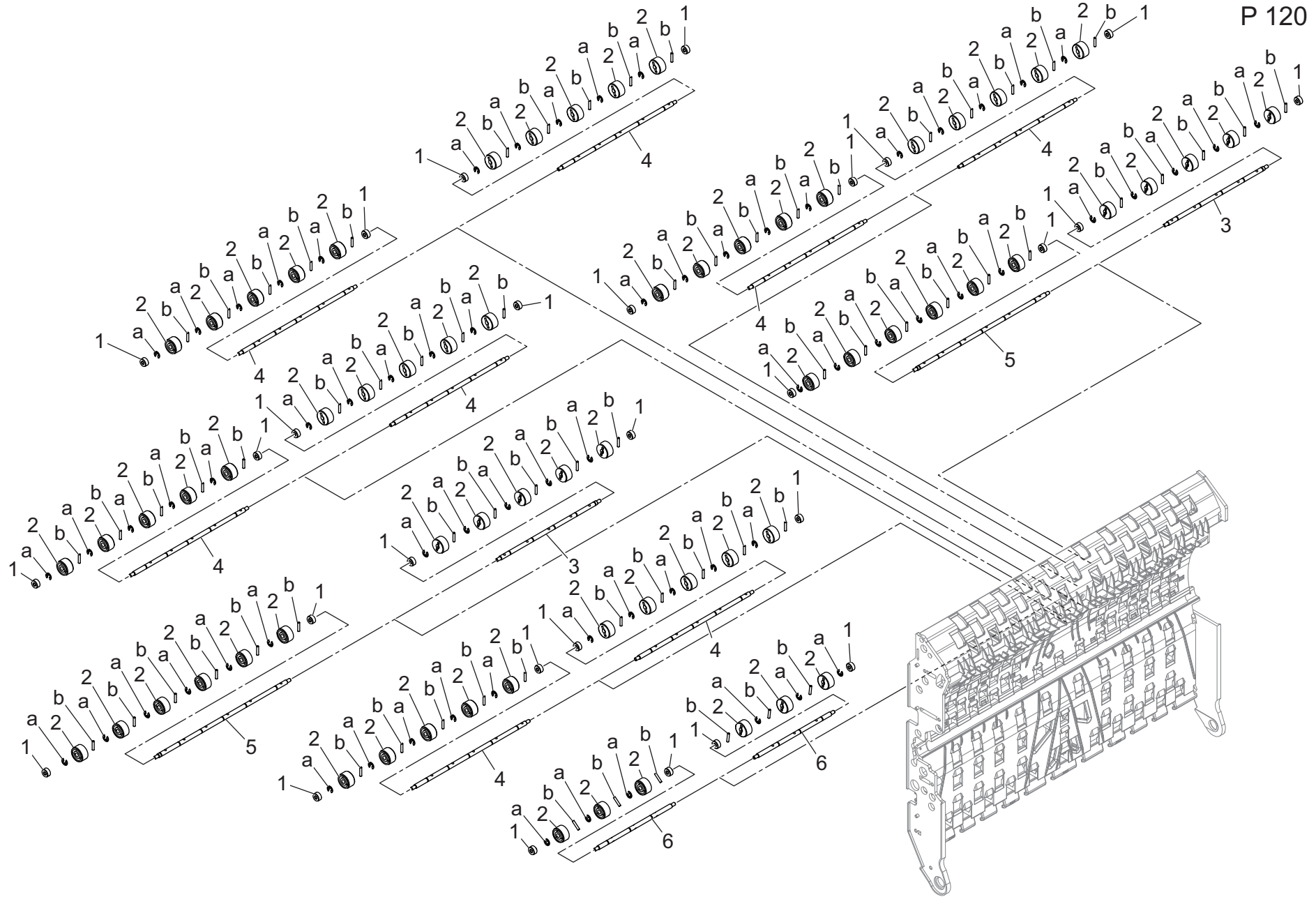
Reverse Section





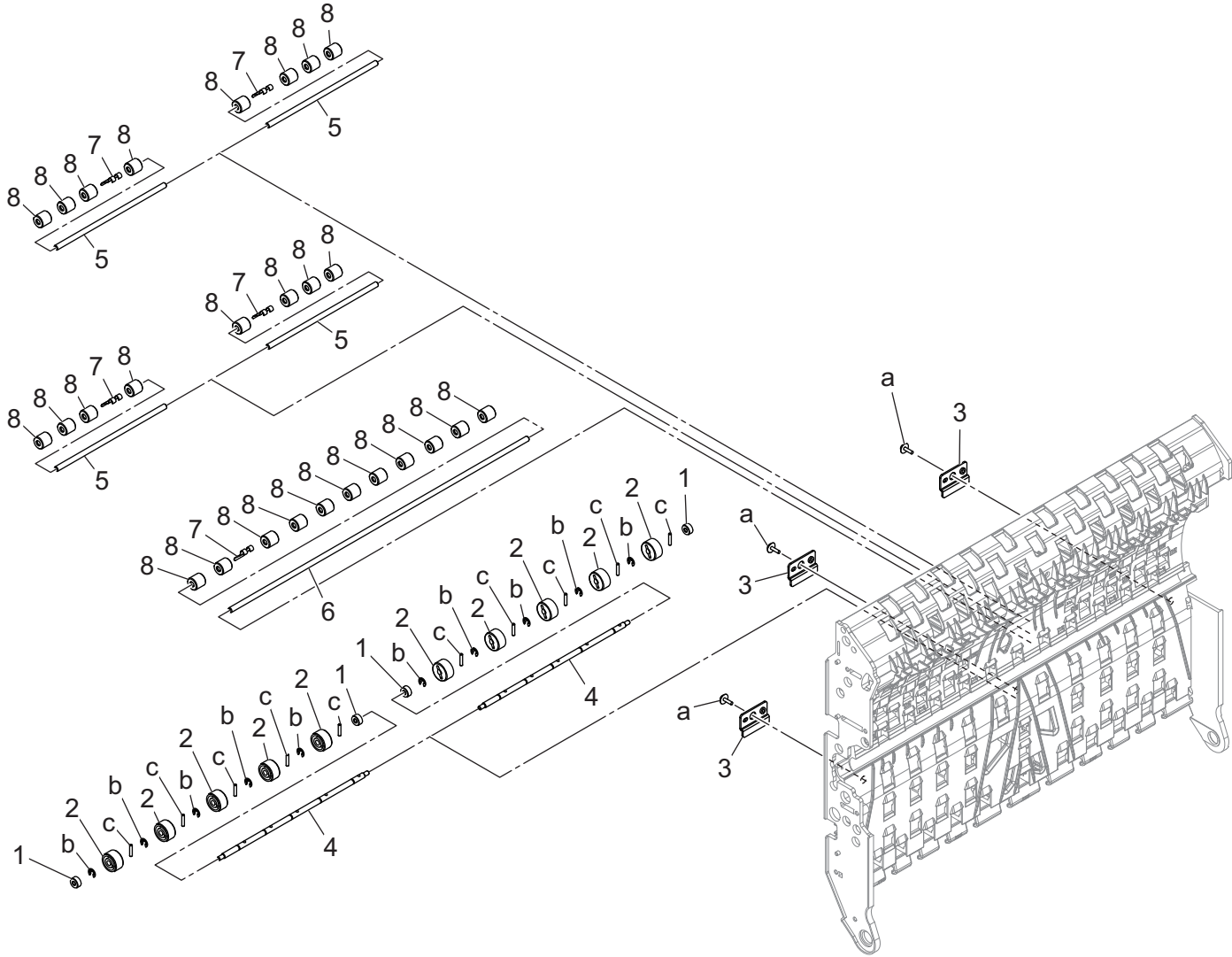
# Reverse Section

P 120



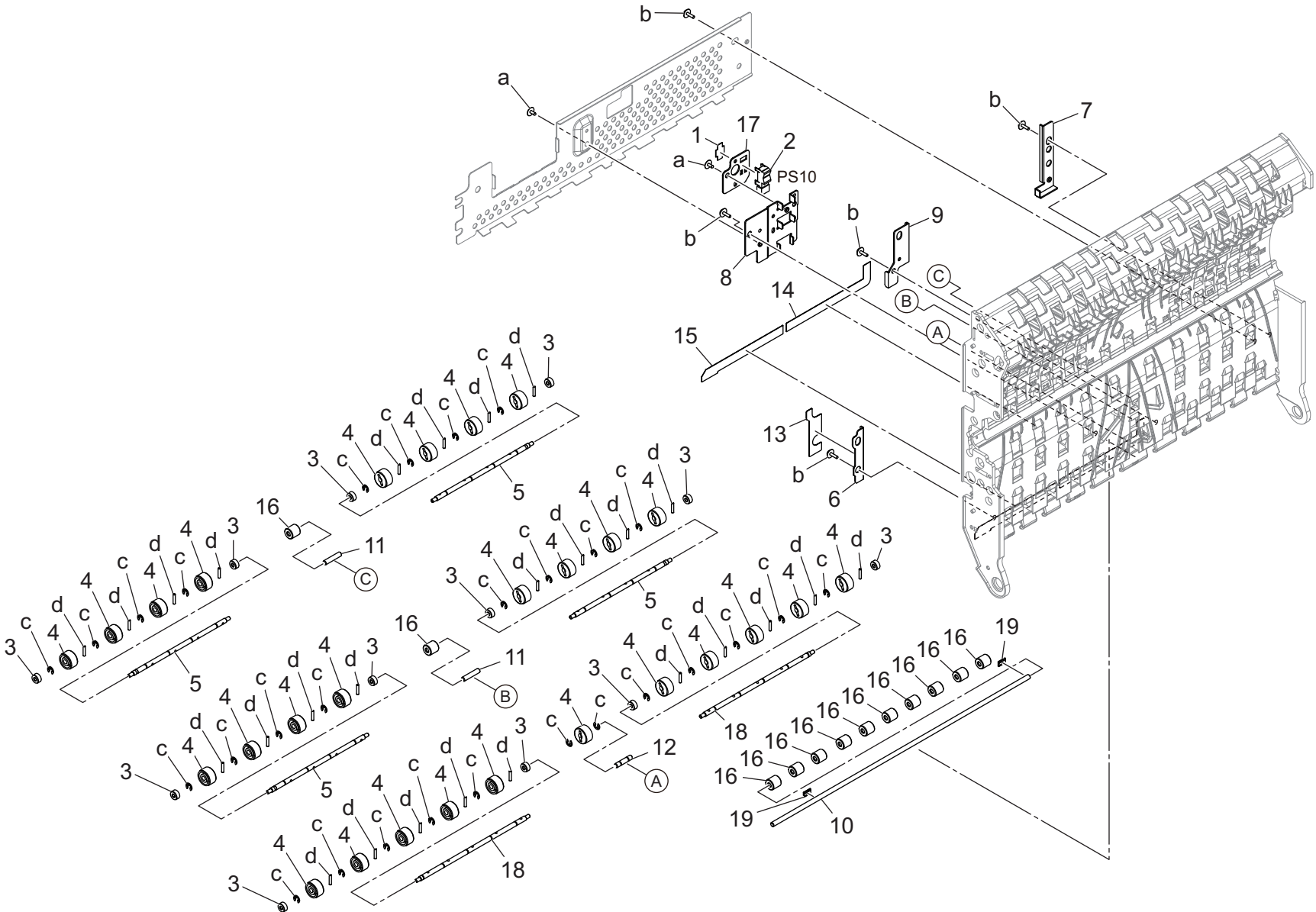


Reverse Section





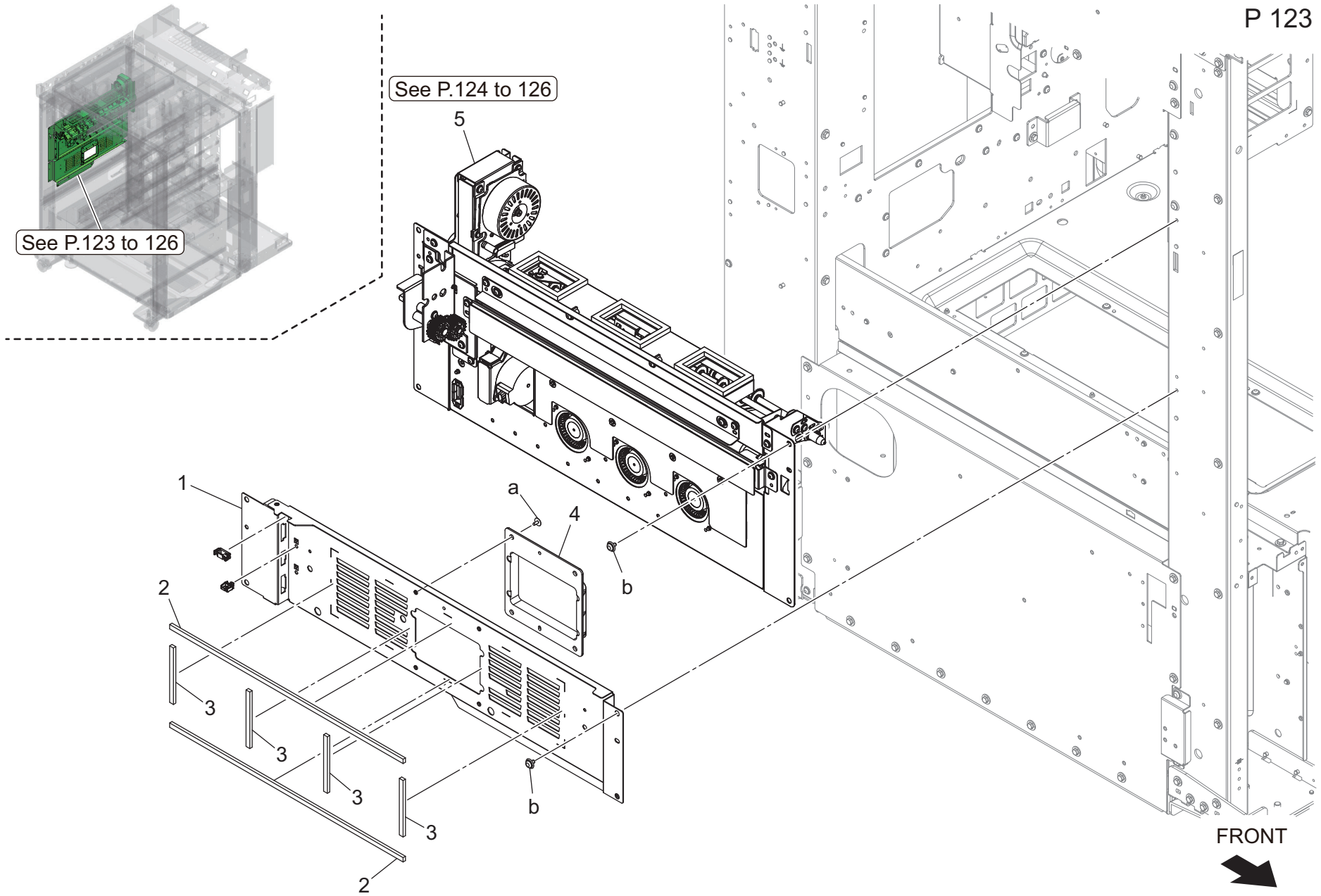






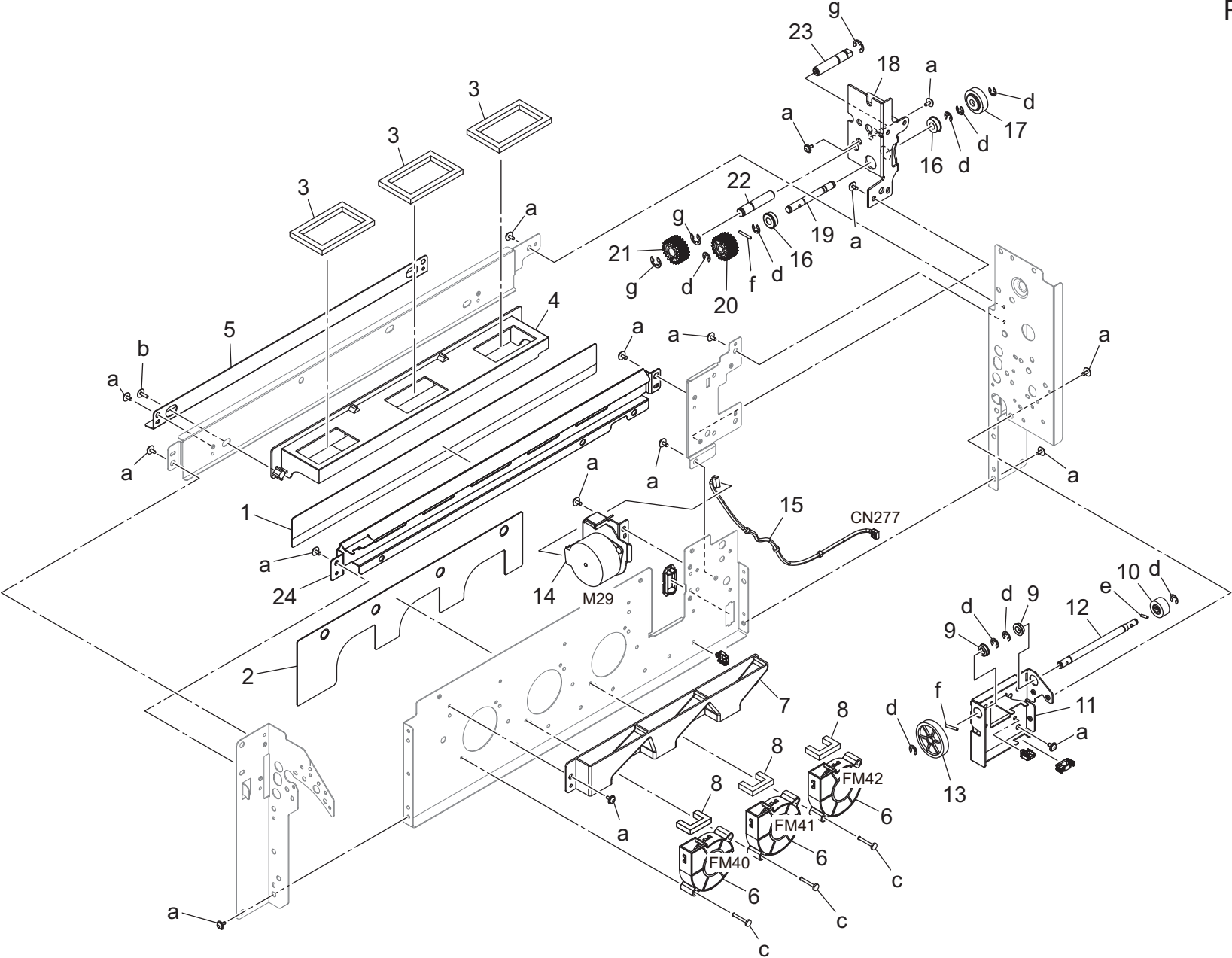
# Exit Section

P 123



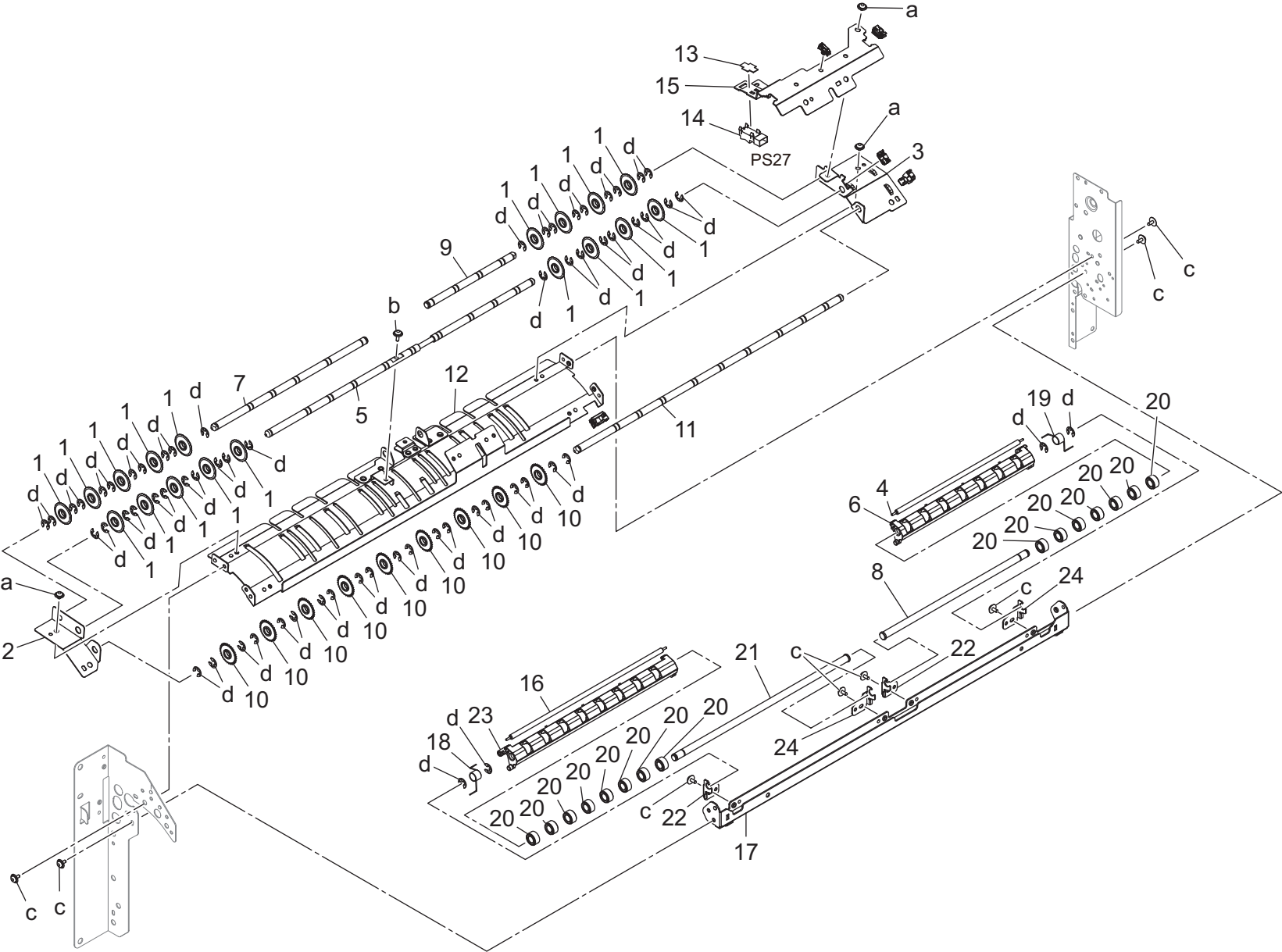
AccurioPress C7090





Key	Part No.	Description	Destinations	Class	QTY	Standard parts
1	A9VP894700	Thermal insulation Sheet /4		D	1	a-V127030604
2	A9VP894900	Thermal insulation Sheet /4		D	1	b-V153030803
3	65LA48530	DUCT SEAL 1		D	3	c-V121031803
4	A9VP895000	Cooling Duct		D	1	d-V217040003
5	A9VP895200	Paper exit Guide /Upper		D	1	e-V234200850
6	A1RFM15400	Fan motor /4		C	3	f-V234201450
7	A9VP895300	Cooling Duct		D	1	g-V217060003
8	A9VP895400	Sealing Part /5		D	3	
9	A00J617800	Ball Bearing		A	2	
10	A1RF529701	Cleaning Gear 14T		C	1	
11	A9VP893900	Hold Plate /2		D	1	
12	A9VP894100	Drive Shaft		D	1	
13	A9VP894200	Drive Gear /6 66T		C	1	
14	A9VPR76700	Pressure Drive Motor Assy		C	1	
15	A9VPN14900	Drive Relay Harness /1		D	1	
16	A00J211200	Ball Bearing		C	2	
17	A043909901	PAPER EXIT GEAR /6 23T		B	1	
18	A85C897101	Drive Plate /D		D	1	
19	A8AK106200	Drive Shaft		D	1	
20	A8AK106300	Drive Gear /B 20T		C	1	
21	A8AK106400	Drive Gear /C 21T		C	1	
22	A8AK106800	Idling Shaft		D	1	
23	A8AW161911	Idling Shaft /2		D	1	
24	A9VP894811	Guide Plate /5		D	1	

Exit Section

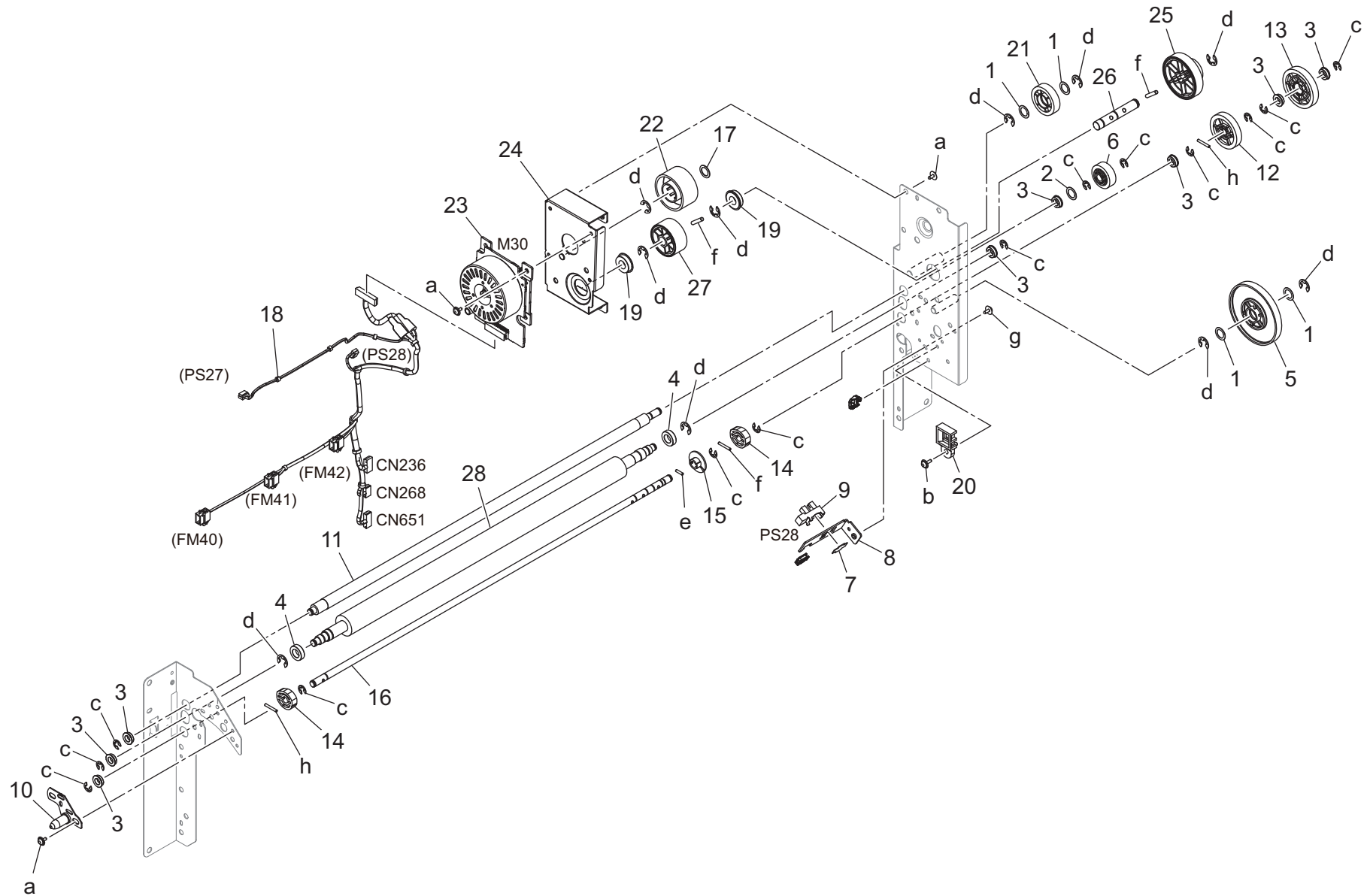


Key	Part No.	Description	Destinations	Class	QTY	Standard parts
1	65AA48460	PAPER HOLDING PART 2		C	18	a-V121030303 b-V127030803 c-V127030604 d-V217040003
2	A50U891500	Support Side plate /Front		D	1	
3	A50U891600	Support Side plate /Rear		D	1	
4	A9VP896500	Conveyance Shaft		D	1	
5	A50U890102	Fixing Shaft /2		D	1	
6	A9VP895901	Open/close Guide /Rear		D	1	
7	A50U891900	Fixing Shaft /5		D	1	
8	A9VP895501	Support Shaft /2		D	1	
9	A50U890201	Fixing Shaft /6		D	1	
10	65AA48360	Paper Holding Part /1		C	9	
11	A50U890300	Fixing Shaft /1		D	1	
12	A9VP890401	Guide Plate /Upper		D	1	
13	4470402401	Stopper		D	1	
14	A03TM50000	Photoreflector		I	1	
15	A9VE892800	Support Plate /A		D	1	
16	A9VP896400	Conveyance Shaft		D	1	
17	A9VP896101	Hold Plate		D	1	
18	A9VP896201	Paper exit Spring /Front		D	1	
19	A9VP896300	Paper exit Spring /Rear		D	1	
20	A9CE716300	Roll		C	15	
21	A9VP895601	Support Shaft /1		D	1	
22	A9VP895700	Support Plate /1		D	2	
23	A9VP895801	Open/close Guide /Front		D	1	
24	A9VP896000	Support Plate /2		D	2	



# Exit Section

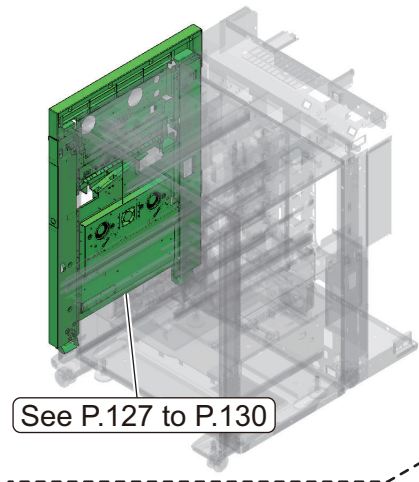
P 126



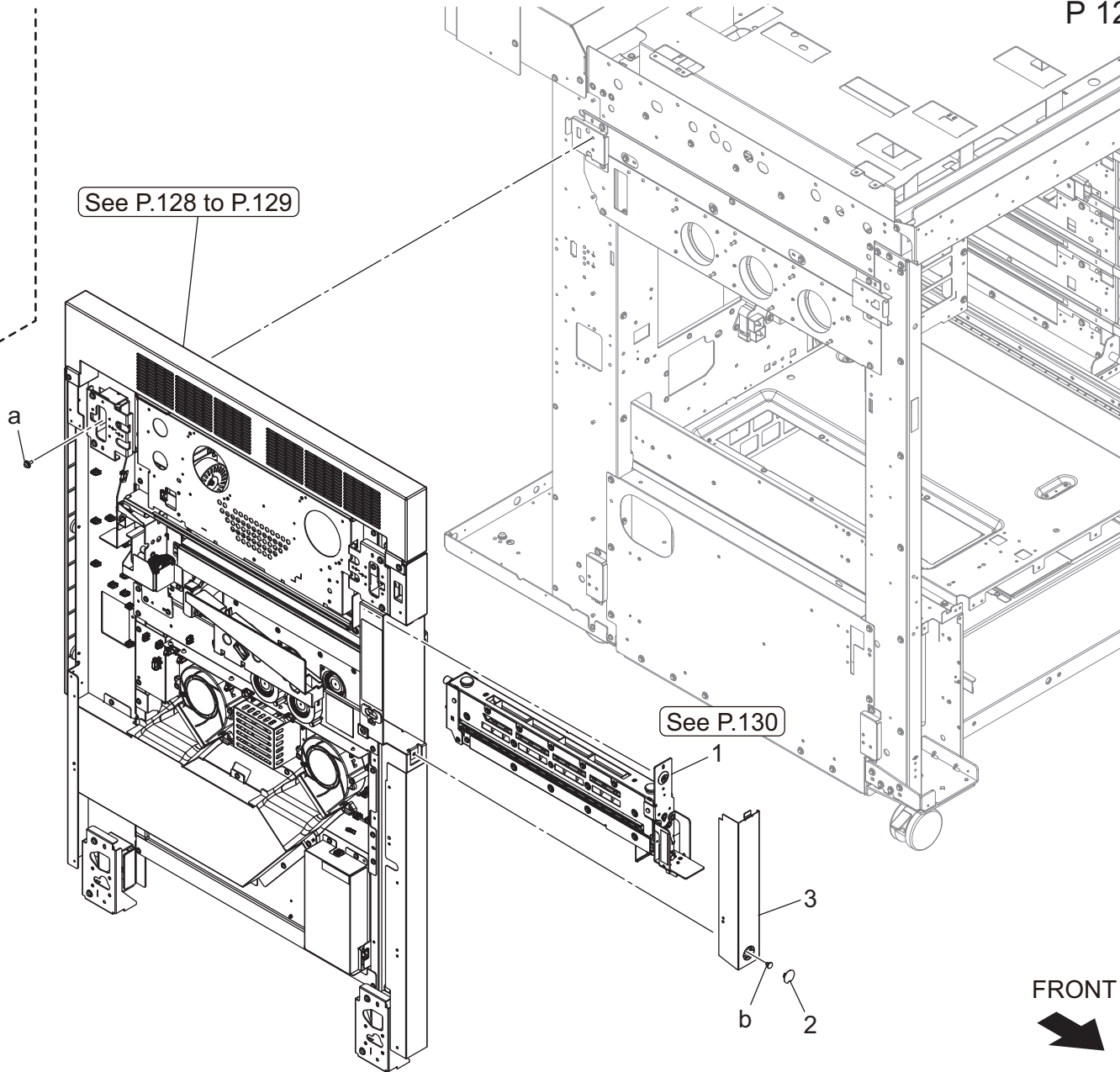
Key	Part No.	Description	Destinations	Class	QTY	Standard parts
1	13QA40610	Gear Spacer		C	4	a-V127030604
2	13QA10330	SHAFT SPACER		C	1	b-V127030803
3	A00J617800	Ball Bearing		A	8	c-V217040003
4	A1RF517300	bearing		C	2	d-V217060003
5	A50U892101	Idling Gear /1 68T		C	1	e-V234200850
6	A50U899700	Paper exit Gear /3 23T		B	1	f-V234301650
7	4470402401	Stopper		D	1	g-V127030603
8	A50U894000	Plate /Rear		D	1	h-V234201450
9	A85CM55500	Photo Sensor		C	1	
10	A9VP893200	Adjusting Plate /1		D	1	
11	A9VP899900	Paper Exit Decurler Roller		B	1	
12	A9VP909400	Pressure Gear /1 31T		C	1	
13	A9VP909500	Paper exit Gear /5 40T		C	1	
14	A03U892701	Positioning Cam		C	2	
15	A85C895500	Positioning Roll		D	1	
16	A9VP890600	Regulating Shaft		D	1	
17	12QV40650	Spacer		B	1	
18	A9VPN15200	Drive Harness /3		D	1	
19	A00V240600	Ball Bearing		B	2	
20	A50U895101	Positioning Part		D	1	
21	A50U899801	Paper exit Gear /2 29T		C	1	
22	A5AW229602	Transfer Gear /C		C	1	
23	A9JTM10300	Developing Screw Motor		B	1	
24	A9VP893700	Drive Panel /2		D	1	
25	A9VP909900	Drive Gear /1 44/22T		C	1	
26	A9VP893800	Positioning Shaft /1		D	1	
27	A9VP894000	Paper exit Gear /2 56T		C	1	
28	AC57890800	Paper Exit Decurler Roller		A	1	

# Charge Control Section

P 127



See P.128 to P.129



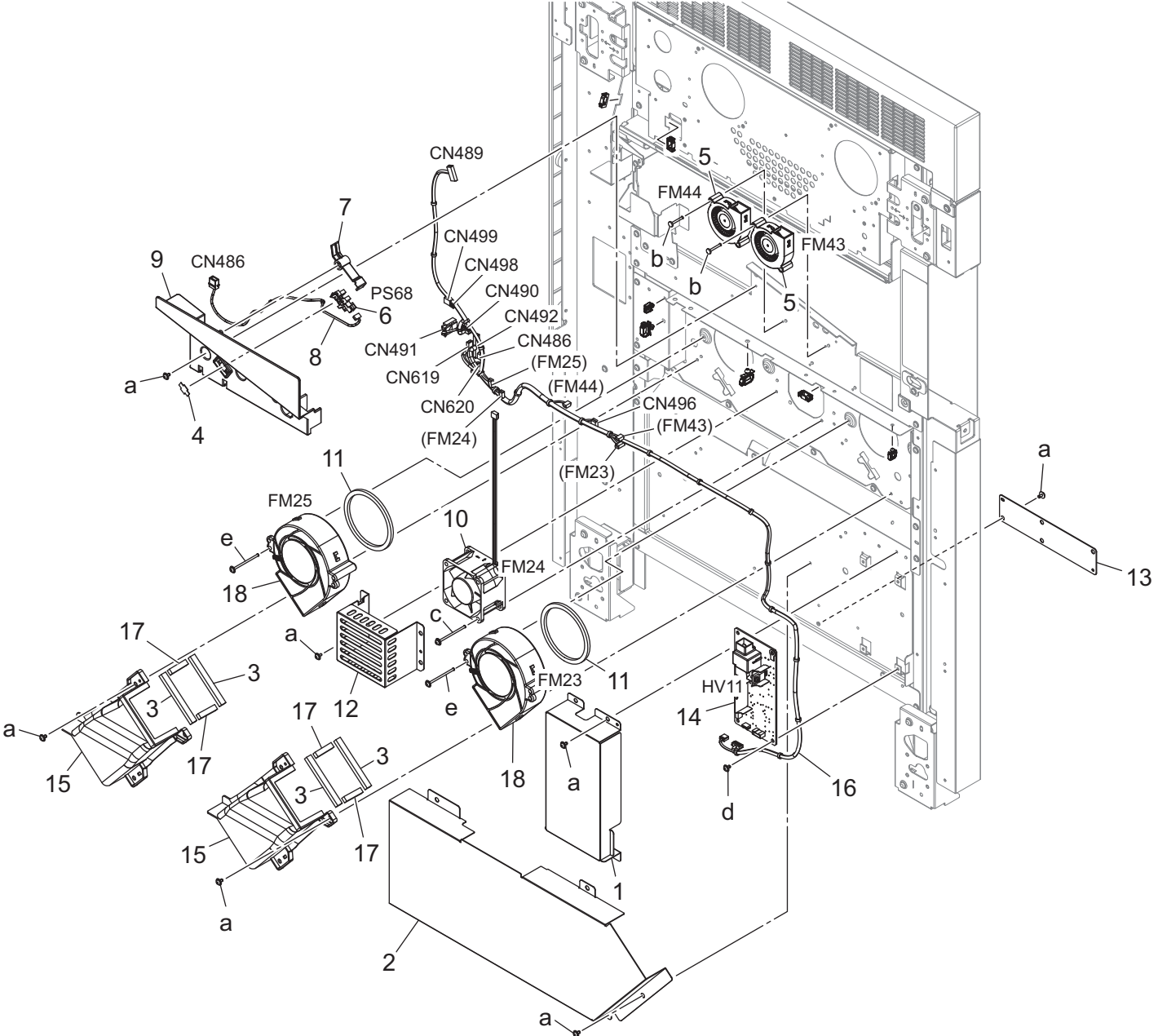
FRONT



AccurioPress C7090



# Charge Control Section



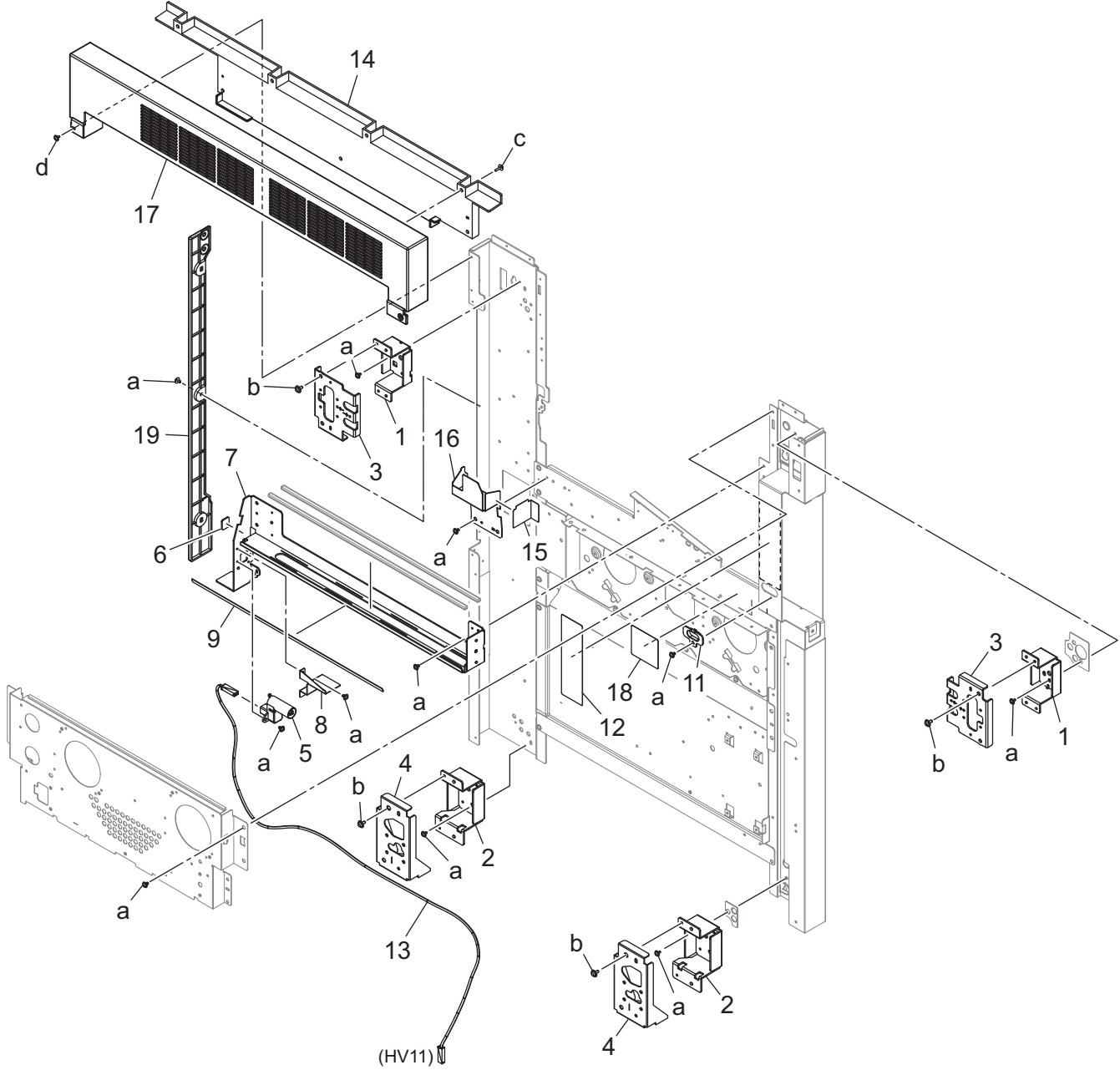
FRONT



AccurioPress C7090

Key	Part No.	Description	Destinations	Class	QTY	Standard parts
1	A9VP894400	Protection Cover		D	1	a-V127030604 b-V118031803 c-V116034303 d-V127030603 e-V121034003
2	A9VP904800	Ventilation Cover /1		D	1	
3	A9VP905000	Ventilation Seal /D		D	4	
4	4470402401	Stopper		D	1	
5	A1RFM15400	Fan motor /4		C	2	
6	A50UM51000	Photointerrupter		C	1	
7	A85C897400	Sensor Actuator /1		D	1	
8	A85CN21700	Relay Wiring /7		D	1	
9	A9VP903700	Sensor Cover /1		D	1	
10	A9CEM10100	Fan Motor		C	1	
11	A9VP901200	Ventilation Seal /A		D	2	
12	A9VP903900	Cover Part		D	1	
13	AC57130400	Cover /1		D	1	
14	AC57M40900	HV Board /3		C	1	
15	A9VP900100	Ventilation Duct /A		D	2	
16	A9VPN21300	Relay Harness /3		D	1	
17	A9VP905100	Ventilation Seal /E		D	4	
18	A9VPM15100	Fan Motor		C	2	

Charge Control Section



FRONT



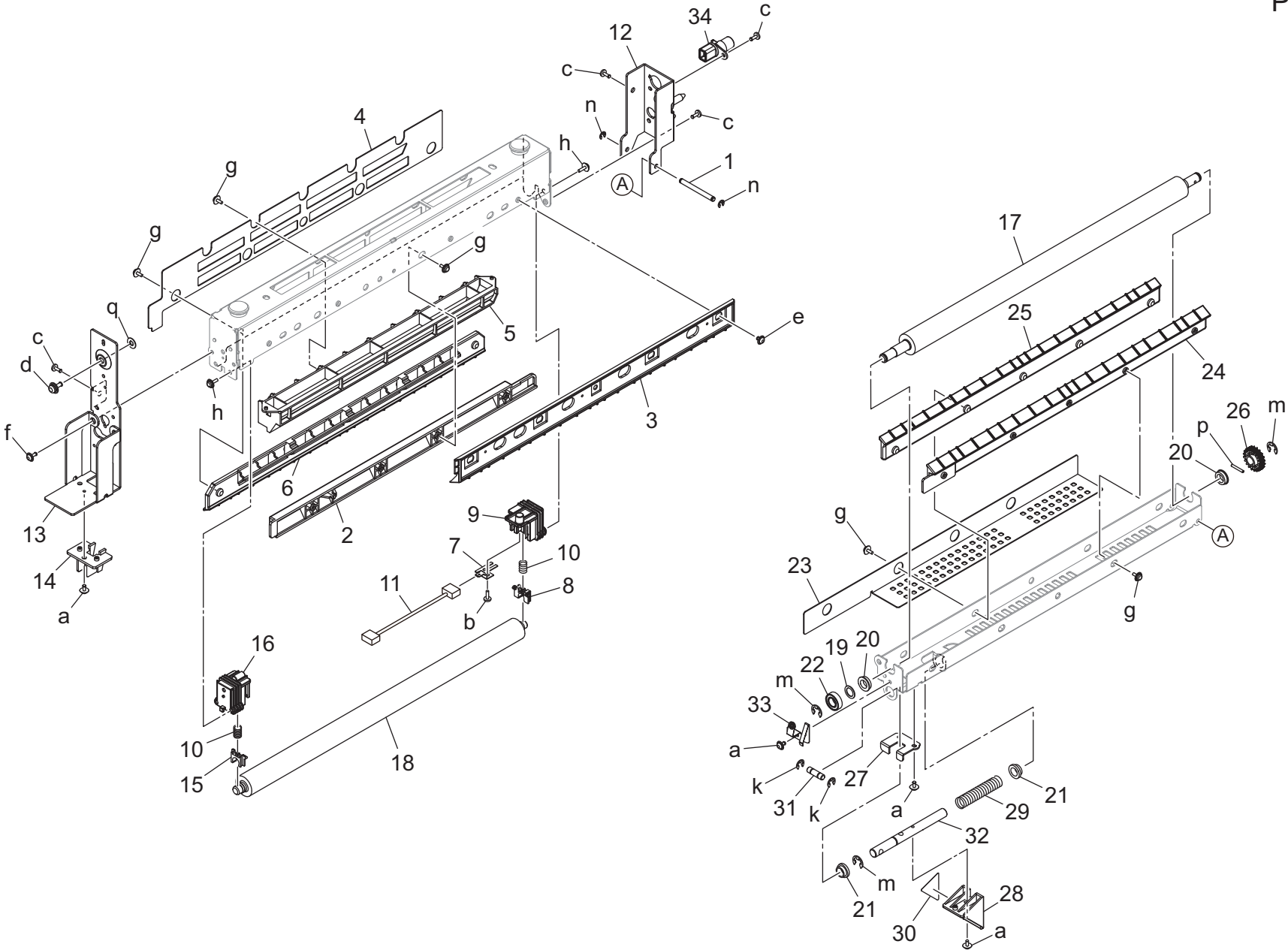
AccurioPress C7090







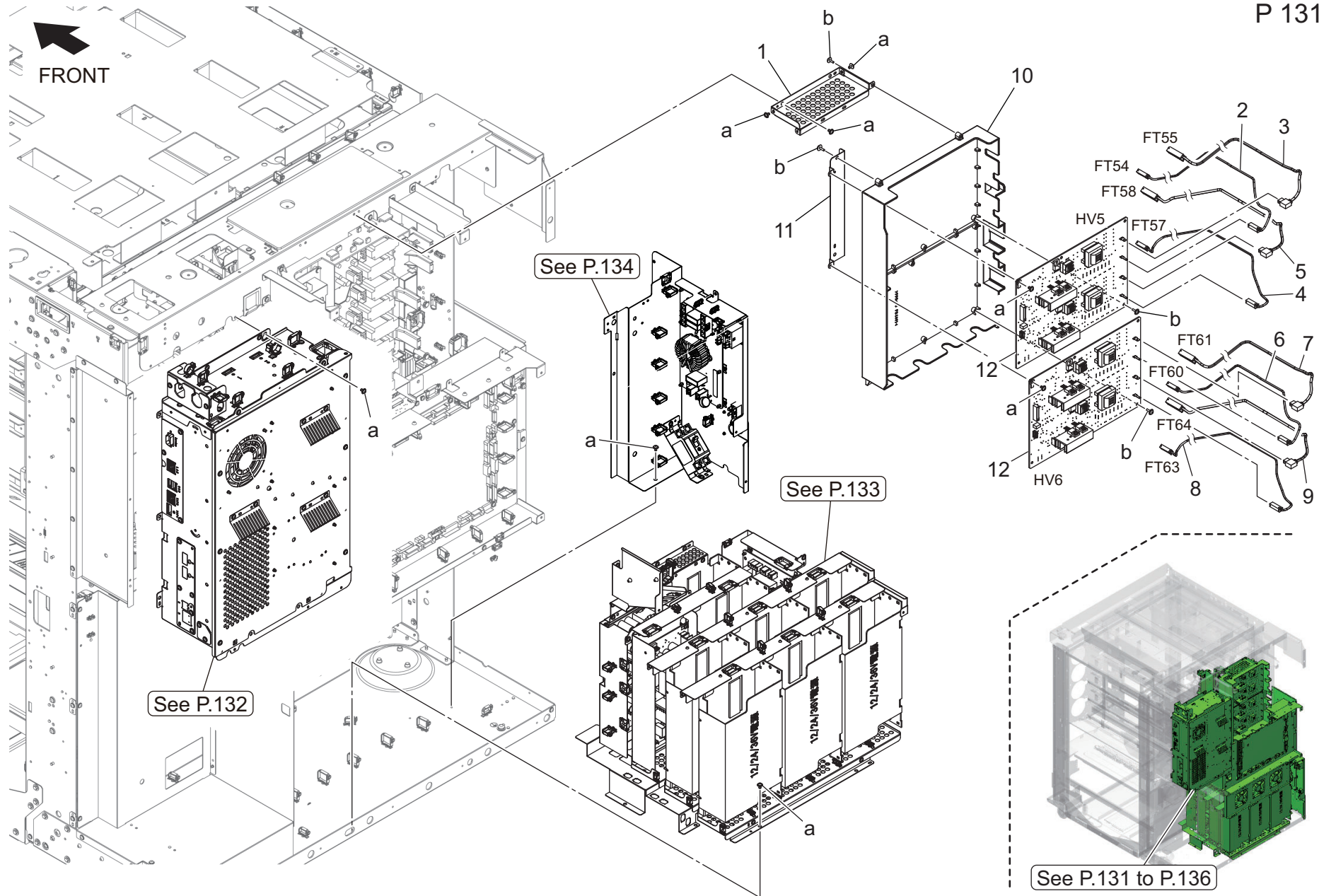
# Charge Control Section



Key	Part No.	Description	Destinations	Class	QTY	Standard parts
1	A85C896900	Support Shaft		D	1	a-V127030604
2	A85C895800	Cover Guide		D	1	b-V149030803
3	A85C895900	Conveyance Guide /1		D	1	c-V126030803
4	A85C896301	Thermal insulation Sheet /1		D	1	d-V116041003
5	A85C897700	Insulating Duct /Middle		D	1	e-V121030403
6	A85C897800	Conveyance Guide /2		D	1	f-V127030803
7	A5AW510400	Transfer Powering Plate /Front		D	1	g-V153030604
8	A85C897201	Charging Roller Bushing /Fr		B	1	h-V153030803
9	A85C897300	High voltage Powering Block /C		D	1	k-V217040003
10	A8AK103200	Power supply Spring		C	2	m-V217060003
11	A8AKN10501	HV Wiring /2		D	1	n-V217030003
12	A85C896800	Fixing Plate		D	1	p-V234201450
13	A8AK103702	Mounting Plate /Front		D	1	q-V211040080
14	A8AK108100	Guide Block		D	1	
15	A1RF508900	Transfer Powering Bearing		B	1	
16	A1RF509000	Power supply Block /C		D	1	
17	AC0C893100	Charging Roller/Lw		A	1	
18	AC57899000	Charging Roller /Up		A	1	
19	12QV40650	Spacer		B	1	
20	A07R813801	Roller Bearing /A		C	2	
21	A0G6739300	Operation Bushing /Front		C	2	
22	A1RF820000	Ball Bearing		C	1	
23	A85C896400	Thermal insulation Sheet /3		D	1	
24	A8AK103502	Conveyance Guide /1		D	1	
25	A8AK103601	Conveyance Guide /2		D	1	
26	A8AK104100	Drive Gear 20T		C	1	
27	A8AK108001	Holding Plate		D	1	
28	A8AK108400	Lock Handle		C	1	
29	A8AK108500	Lock Spring		D	1	
30	A8AK941301	Processing Label /1		C	1	
31	A8AK108200	Guide Shaft		D	1	
32	A8AK108302	Positioning Shaft		D	1	
33	A8AKR70511	Lower Roller Contact Assy		C	1	
34	65AAR74600	Powering Block /A Assy		C	1	

# Rear Electrical Section

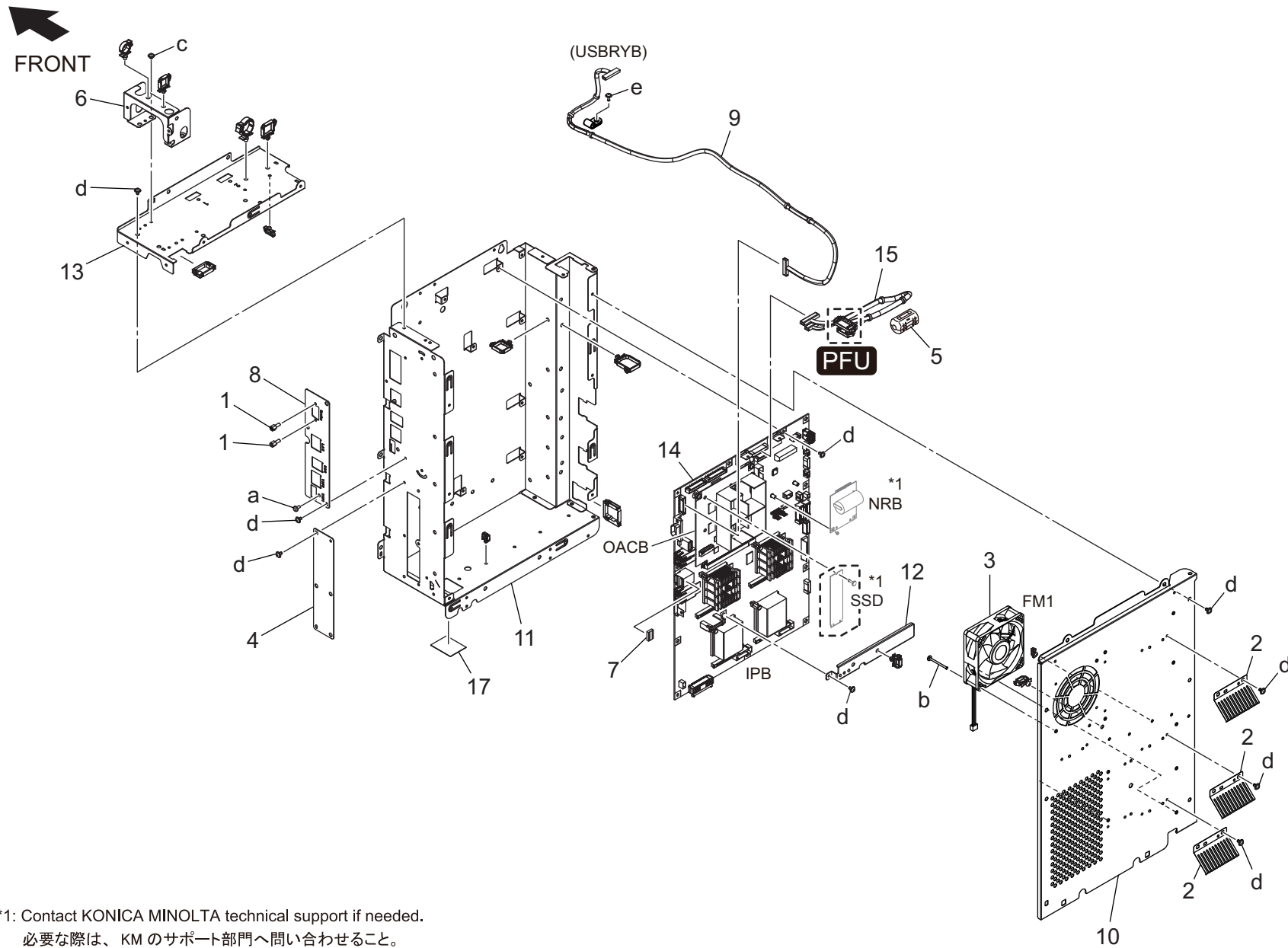
P 131



AccurioPress C7090

Key	Part No.	Description	Destinations	Class	QTY	Standard parts
1	A9VP131800	Fixing Plate		D	1	a-V127030604 b-V153030803
2	A9VPN23900	HV Harness /9		D	1	
3	A9VPN24000	HV Harness /10		D	1	
4	A9VPN24100	HV Harness /11		D	1	
5	A9VPN24200	HV Harness /12		D	1	
6	A9VPN24300	HV Harness /13		D	1	
7	A9VPN24401	HV Harness /14		D	1	
8	A9VPN24500	HV Harness /15		D	1	
9	A9VPN24600	HV Harness /16		D	1	
10	AC0C131301	Casing /A		D	1	
11	AC0C135901	Ground Plate /A		D	1	
12	AC0CM40300	HV Power Source /3		I	2	

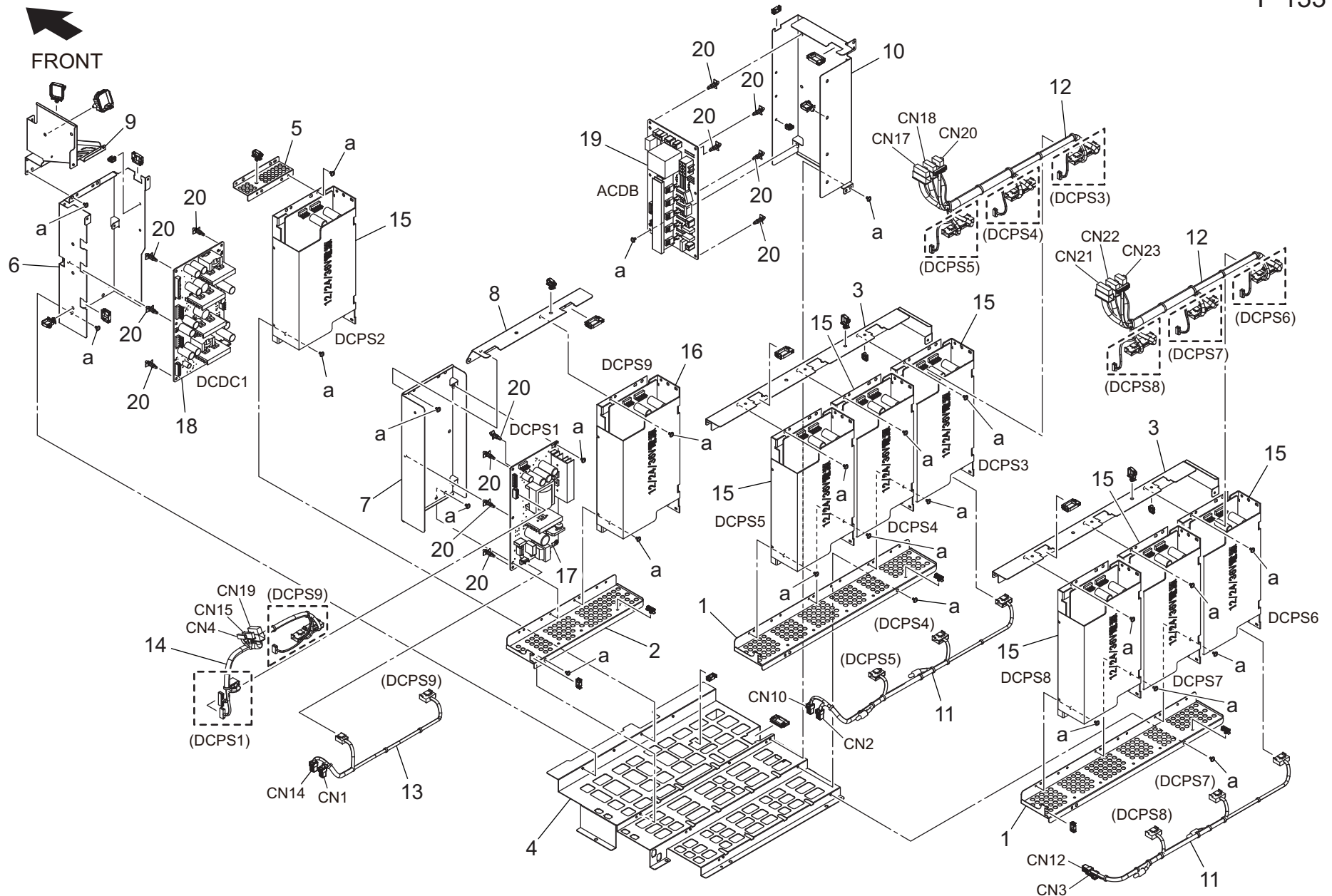
# Rear Electrical Section



\*1: Contact KONICA MINOLTA technical support if needed.  
 必要の際は、KM のサポート部門へ問い合わせること。

Key	Part No.	Description	Destinations	Class	QTY	Standard parts
1	4025228301	Screw		D	2	a-V111030603 b-V118033003 c-V127030604 d-V127030604 e-V116030803
2	A02E262300	Plate spring		D	3	
3	AA2JM10500	Fan Motor		C	1	
4	AC57130400	Cover /1		D	1	
5	A5C1M92100	Ferritecore		D	1	
6	A9VP139700	Fixing Plate		D	1	
7	A9VPM90300	Gasket /3		D	1	
8	AC57135800	Cover /1		D	1	
9	A9VPN29201	Relay Harness /U		D	1	
10	AC0C137301	Processing Cover		D	1	
11	AC0C137601	Support Box		D	1	
12	AC0C138100	Wiring Plate		D	1	
13	AC0C138200	Shield Frame		D	1	
14	A9VPH01103	Main body Control Board assy		I	1	
15	AC0CN19700	Scanner Relay Harness		D	1	
17	A79J146400	Seal		C	1	

# Rear Electrical Section

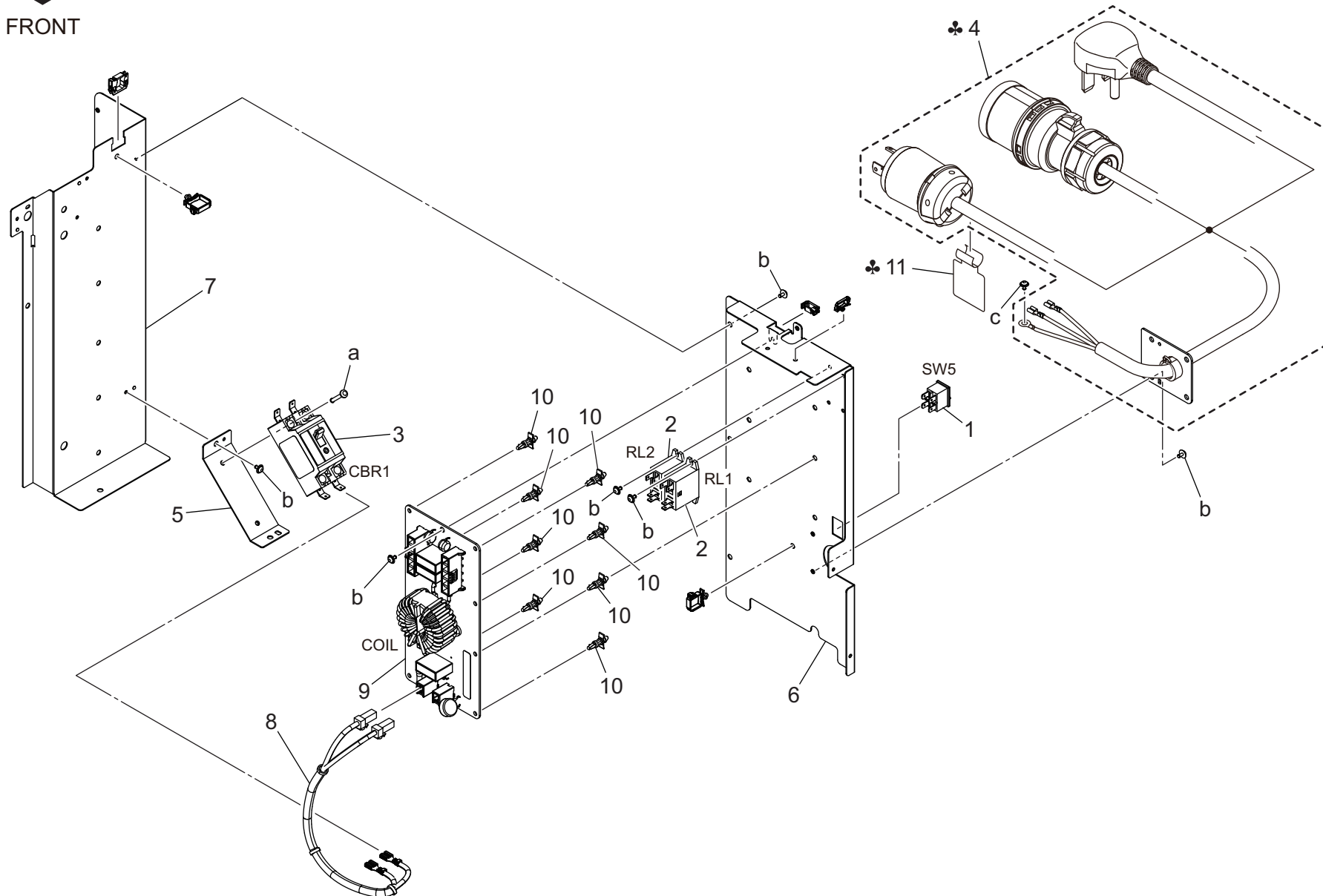


AccurioPress C7090

Key	Part No.	Description	Destinations	Class	QTY	Standard parts
1	A9VP130300	Mounting Plate /A		D	2	a-V127030604
2	A9VP130600	Mounting Plate /B		D	1	
3	A9VP130800	Fixing Plate /A		D	2	
4	A9VP132400	Mounting Pedestal		D	1	
5	A9VP132800	Fixing Plate /C		D	1	
6	A9VP136000	Fixing Plate		D	1	
7	A9VP136400	Fixing Plate		D	1	
8	A9VP136800	Fixing Plate /D		D	1	
9	A9VP136901	Mounting Plate /C		D	1	
10	A9VP139501	Fixing Plate		D	1	
11	A9VPN10A00	AC Relay Harness /1		D	2	
12	A9VPN10B00	DC Relay Harness /1		D	2	
13	A9VPN11A00	AC Relay Harness /2		D	1	
14	A9VPN11B00	DC Relay Harness /2		D	1	
15	AAPKM45202	DC Power Source /2		I	7	
16	AC0CM45302	DC Power Source /3		I	1	
17	AC0CM45000	DC Power Source		D	1	
18	AC0CM45811	DC Power Source		D	1	
19	AC57M46100	AC Drive Board /230V		I	1	
20	V502010033	Circuit Board Spacer		D	13	



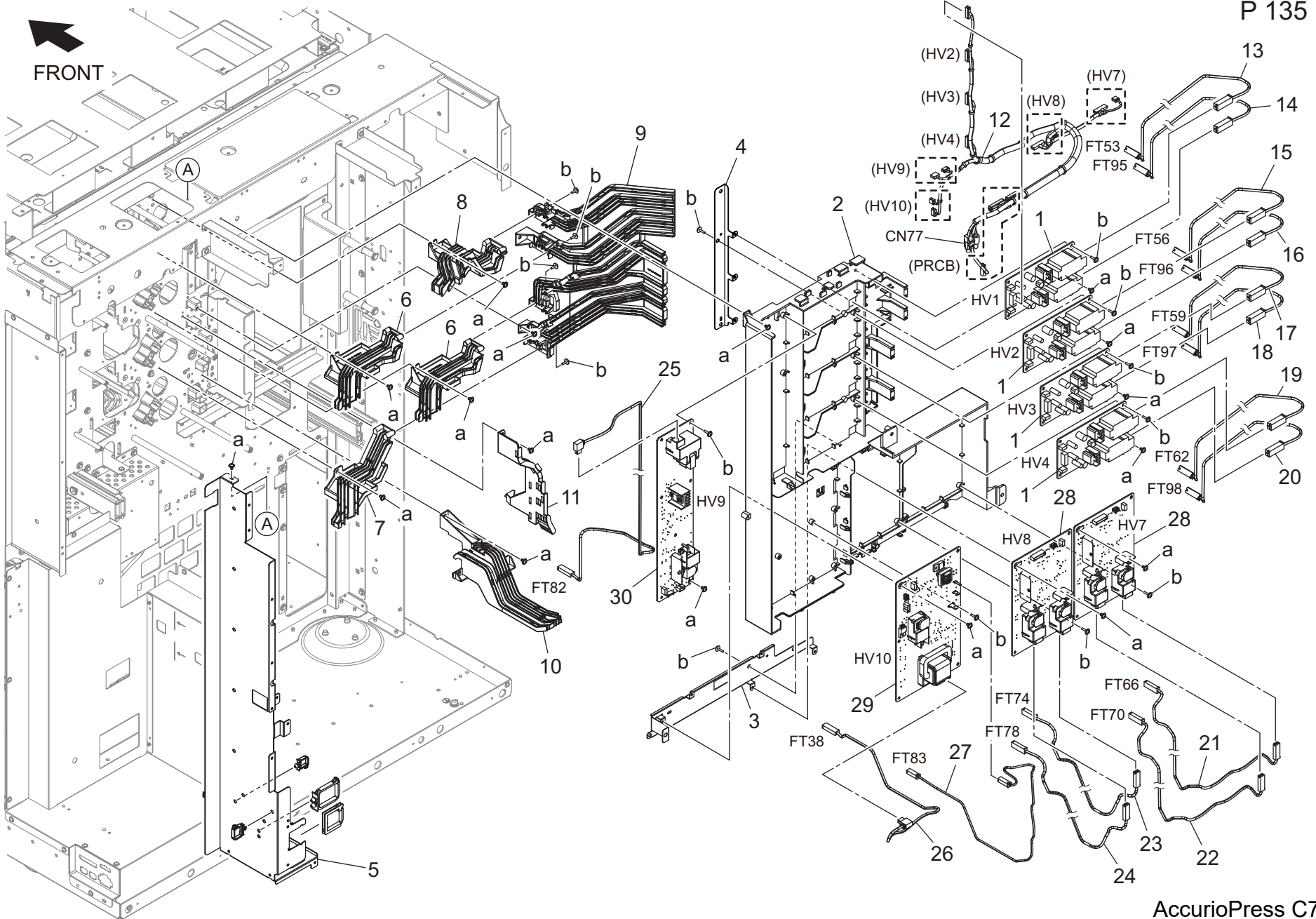
# Rear Electrical Section





# Rear Electrical Section

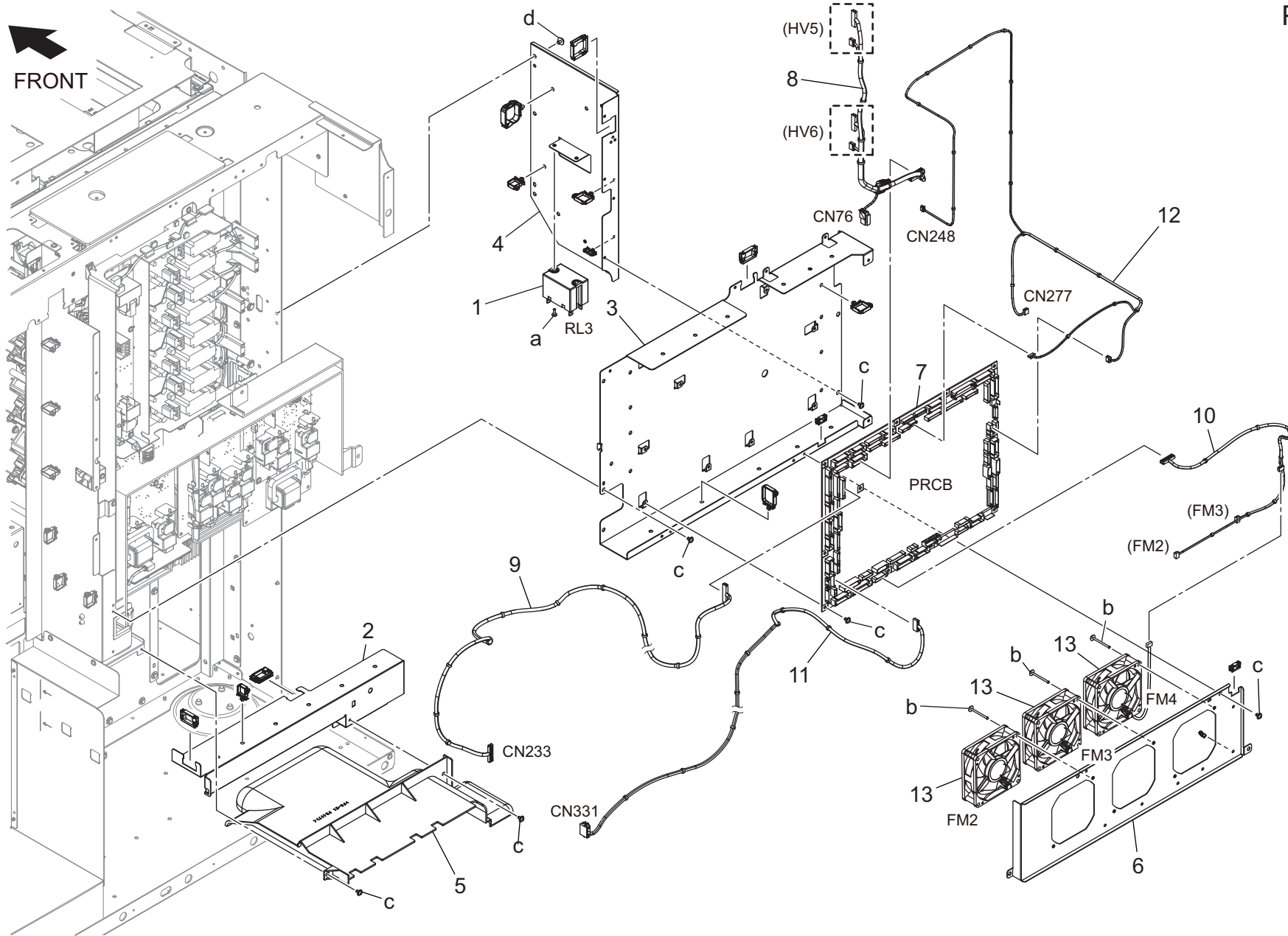
P 135



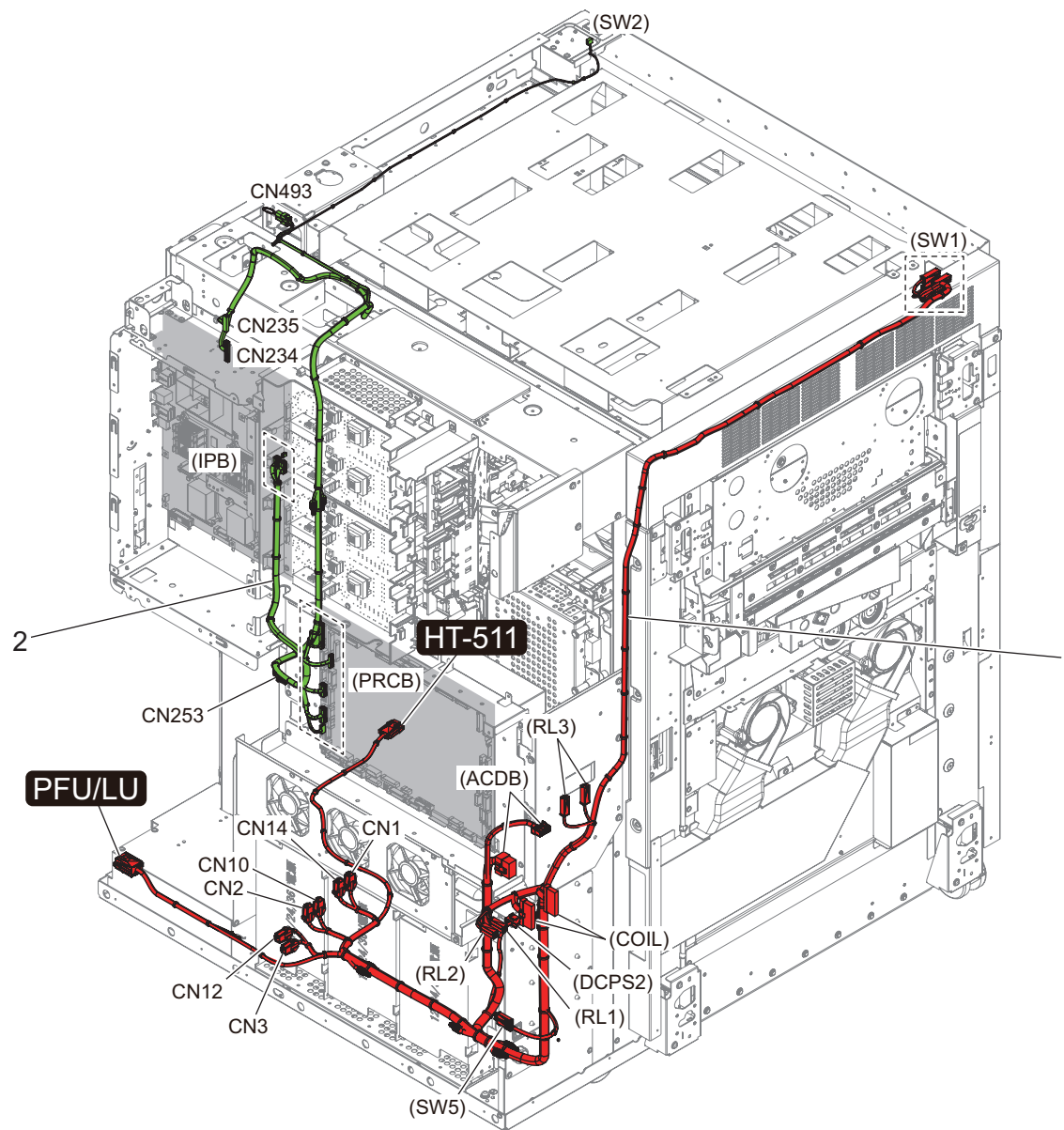
AccurioPress C7090

Key	Part No.	Description	Destinations	Class	QTY	Standard parts
1	A9JTM40100	HV Power Source /1		I	4	a-V127030604 b-V153030803
2	A9VP131001Old	Casing /B		D	1	
2	A9VP131002	Casing /B		D	1	
3	A9VP132101	Ground Plate /B		D	1	
4	A9VP132600Old	Ground Plate /C		D	1	
4	A9VP132601	Ground Plate /C		D	1	
5	A9VP133501	Mounting Plate /B		D	1	
6	A9VP133600	Wiring Guide		D	2	
7	A9VP133700	Wiring Guide		D	1	
8	A9VP133800	Wiring Guide		D	1	
9	A9VP133901	Wiring Guide		D	1	
10	A9VP135200	Wiring Guide /A		D	1	
11	A9VP136500	Wiring Guide /B		D	1	
12	A9VPN11500	HV Control Harness /1		D	1	
13	A9VPN23100	HV Harness /1		D	1	
14	A9VPN23200	HV Harness /2		D	1	
15	A9VPN23300	HV Harness /3		D	1	
16	A9VPN23400	HV Harness /4		D	1	
17	A9VPN23500	HV Harness /5		D	1	
18	A9VPN23600	HV Harness /6		D	1	
19	A9VPN23700	HV Harness /7		D	1	
20	A9VPN23800	HV Harness /8		D	1	
21	A9VPN24700	HV Harness /17		D	1	
22	A9VPN24800	HV Harness /18		D	1	
23	A9VPN24900	HV Harness /19		D	1	
24	A9VPN25000	HV Harness /20		D	1	
25	A9VPN25100	HV Harness /S		D	1	
26	A9VPN25200	HV Harness /B		D	1	
27	A9VPN25300	HV Harness /G		D	1	
28	AC0CM40401	HV Power Source /4		I	2	
29	A9VPM40600	High Voltage Unit /6		I	1	
30	A9VPM40700	High Voltage Unit /7		I	1	

# Rear Electrical Section

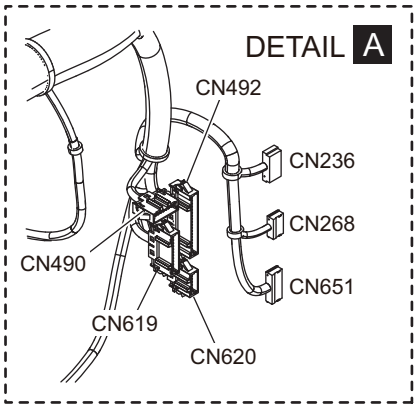
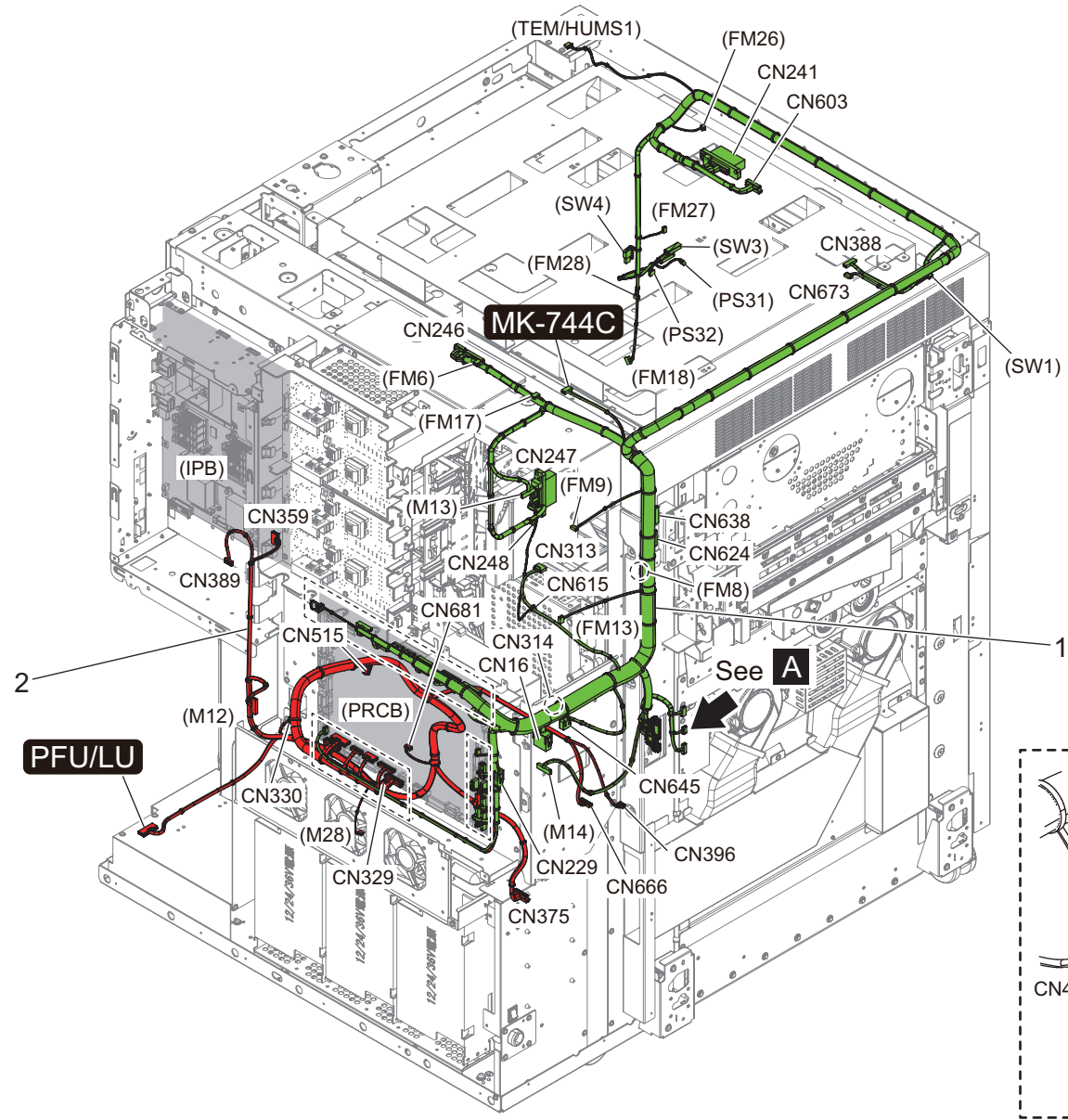


Key	Part No.	Description	Destinations	Class	QTY	Standard parts
1	A92WM60100	Relay		D	1	a-V118030803 b-V121033003 c-V127030604 d-V127040603
2	A9VP132700	Hold Plate		D	1	
3	A9VP133000	Control Plate		D	1	
4	A9VP133100	Support Side plate		D	1	
5	A9VP135000	Heat blocking Cover		D	1	
6	A9VP137200	Mounting Plate		D	1	
7	A9VPH03005	Printer Control Board ASSY		I	1	
8	A9VPN11600	HV Control Harness /2		D	1	
9	A9VPN12900	Toner Relay Harness /1		D	1	
10	A9VPN13800	Cooling Relay Harness /5		D	1	
11	A9VPN14500	Main Body Drive Harness /1		D	1	
12	A9VPN17400	Drive Relay Harness /2		D	1	
13	AC57M15300	Cooling Fan		C	3	



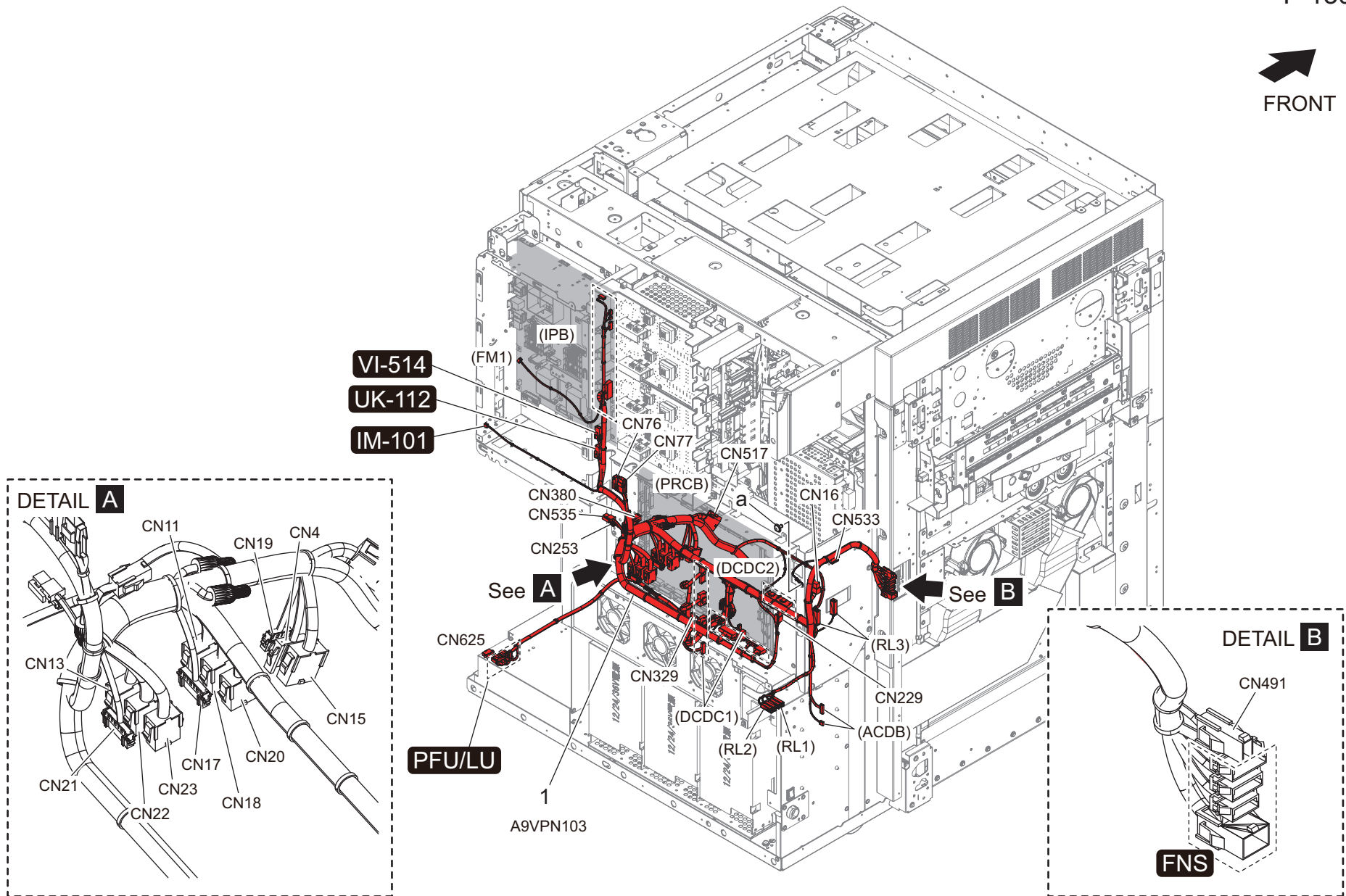
Key	Part No.	Description	Destinations	Class	QTY	Standard parts
1	A9VPN10100	AC Harness /2		D	1	
2	A9VPN10400	Main Body Harness /2		D	1	





AccurioPress C7090

Key	Part No.	Description	Destinations	Class	QTY	Standard parts
1	A9VPN10502	Main Body Harness /3		D	1	
2	A9VPN10201	Main Body Harness /1		D	1	

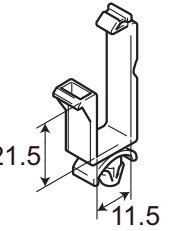
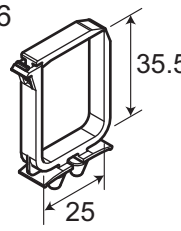
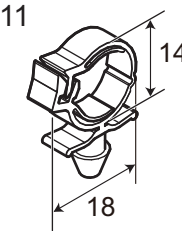
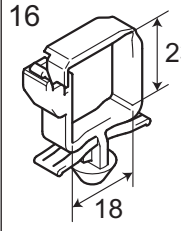
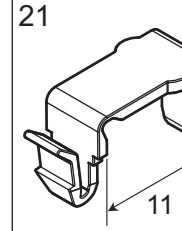
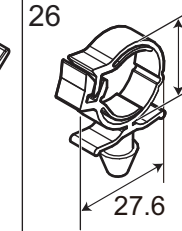
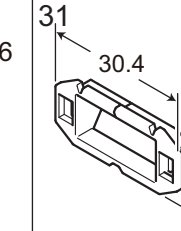
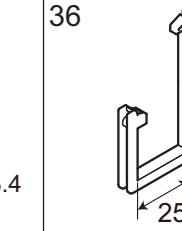
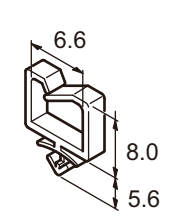
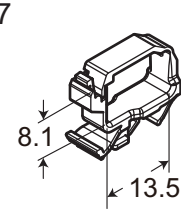
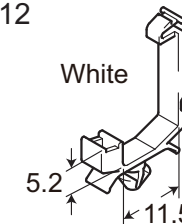
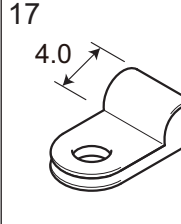
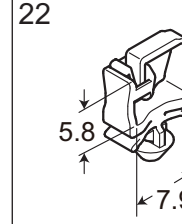
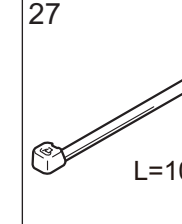
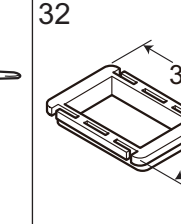
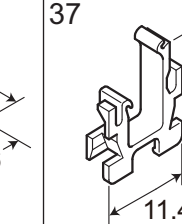
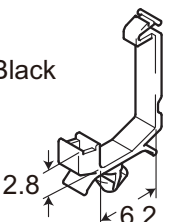
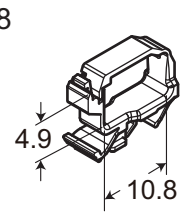
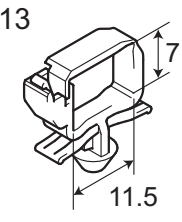
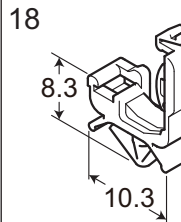
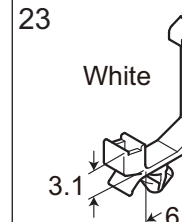
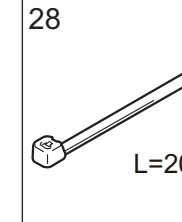
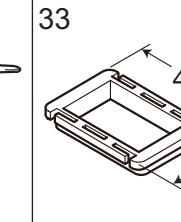
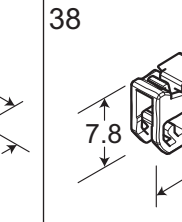

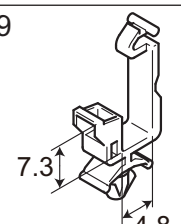
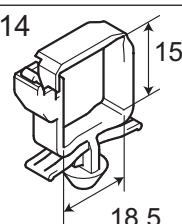
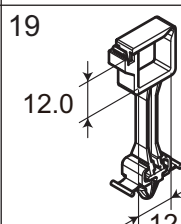
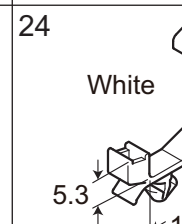
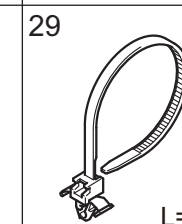
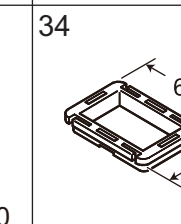
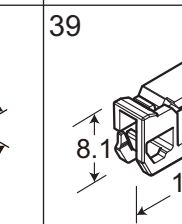
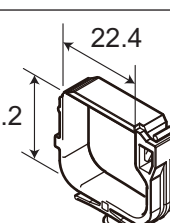
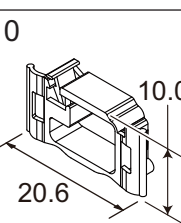
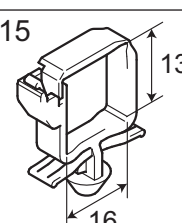
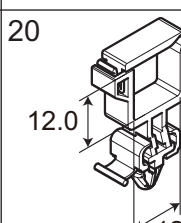
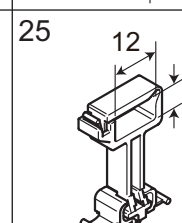
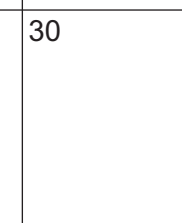
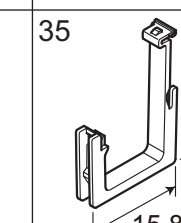
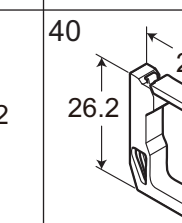


AccurioPress C7090



# Wiring Accessories

P 140

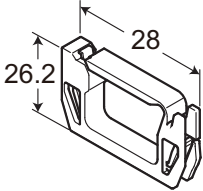
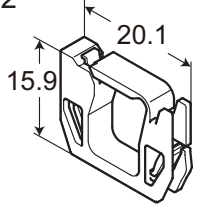
1  21.5 11.5	6  35.5 25	11  14.4 18	16  23.4 18	21  11	26  22.6 27.6	31  30.4 13.4	36  25.4
2  6.6 8.0 5.6	7  8.1 13.5	12  White 5.2 11.5	17  4.0	22  5.8 7.9	27  L=100	32  34.5 26	37  14.2 11.4
3  Black 2.8 6.2	8  4.9 10.8	13  7.2 11.5	18  8.3 10.3	23  White 3.1 6.2	28  L=200	33  48 33	38  7.8 11.9
4  9 11.2	9  7.3 4.8	14  15.2 18.5	19  12.0 12.0	24  White 5.3 11	29  L=100	34  68 33	39  8.1 16.3
5  22.4 22.2	10  10.0 20.6	15  13.7 16	20  12.0 12.0	25  12 6	30 	35  7.2 15.8	40  28.0 26.2

AccurioPress C7090

Key	Part No.	Description	Destinations	Class	QTY	Standard parts
1	V500010013	Locking Wire Saddle	ロッキングワイヤーサドル	D		
2	V500010051	Mini Saddle	ミニサドル	D		
3	V500010055	SADDLE	ロッキングワイヤーサドル	D		
4	V500010057	Locking Wire Saddle	ロッキングワイヤーサドル	D		
5	V500010063	Oval Wide Clamp	オーバルワイドクランプ	V		
6	V500010068	Locking Wire Saddle	ロッキングワイヤーサドル	V		
7	V500010071	Locking Wire Saddle	ロッキングワイヤーサドル	V		
8	V500010072	Locking Wire Saddle	ロッキングワイヤーサドル	V		
9	V500010074	FClamp	Fクランプ	V		
10	V570010063	Locking Edge Saddle	ロッキングエッジサドル	D		
11	V500010076	Locking Wire Saddle	ロッキングワイヤーサドル	V		
12	V500010081	Locking Wire Saddle	ロッキングワイヤーサドル	D		
13	V500010082	Locking Wire Saddle	ロッキングワイヤーサドル	D		
14	V500010083	Locking Wire Saddle	ロッキングワイヤーサドル	D		
15	V500010084	Locking Wire Saddle	ロッキングワイヤーサドル	D		
16	V500010085	Locking Wire Saddle	ロッキングワイヤーサドル	D		
17	V500020069	Clamp	導電クランプ	D		
18	V500020077	wabe Clamp	小型ウェーブクランプ	D		
19	V500020085	Harness Lifter	ハーネスリフター	V		
20	V500020089	CodeClamp	コードクランプ	D		
21	V500020092	Clamp	リユースワイヤープレスクランプ	V		
22	V500020098	Mini Locking wire saddle	ミニロッキングワイヤーサドル	D		
23	V500020099	Mini Locking wire saddle	ミニロッキングワイヤーサドル	D		
24	V500020100	Mini Locking wire saddle	ミニロッキングワイヤーサドル	D		
25	V500020101	Reuse spacing clamp	リユーススペーシングクランプ	V		
26	V500020107	Locking wire saddle	ロッキングワイヤーサドル	V		
27	V501010002	band	結束バンド	D		
28	V501010006	band	結束バンド	D		
29	V501010018	BAND	スナップバンド	D		
31	V570010037	bushing	スクウェアブッシュ	D		
32	V570010038	bushing	スクウェアブッシュ	D		
33	V570010039	bushing	スクウェアブッシュ	D		
34	V570010040	bushing	スクウェアブッシュ	D		
35	V570010046	Locking Edge Holder	ロッキングエッジサドル	D		
36	V570010048	Saddle	エッジカバー	D		
37	V570010050	Locking Edge Saddle	ロッキングエッジサドル	D		
38	V570010056	Locking Edge Saddle	ロッキングエッジサドル	D		
39	V570010057	Wing Edge Saddle	ウィングエッジサドル	D		
40	V570010058	Wing Edge Saddle	ウィングエッジサドル	D		

# Wiring Accessories

P 141

1 	6	11	16	21	26	31	36
2 	7	12	17	22	27	32	37
3	8	13	18	23	28	33	38
4	9	14	19	24	29	34	39
5	10	15	20	25	30	35	40

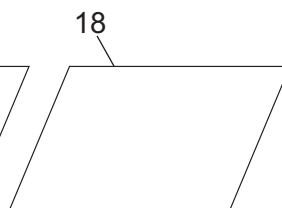
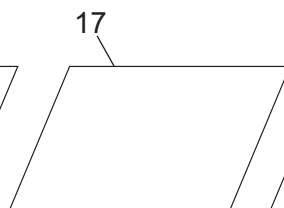
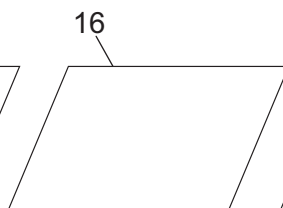
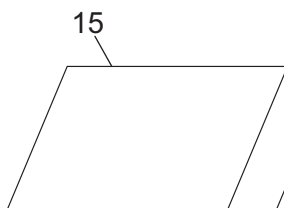
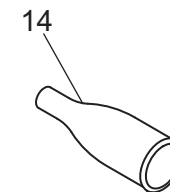
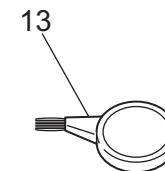
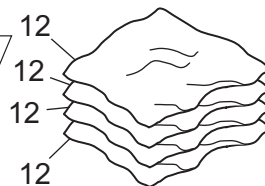
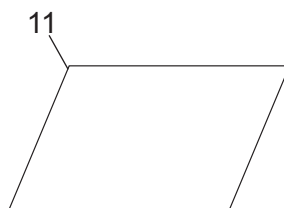
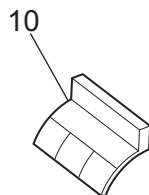
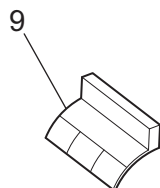
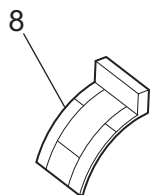
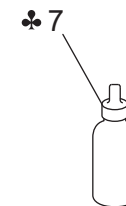
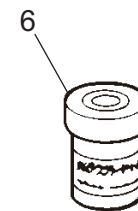
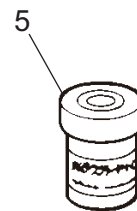
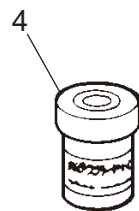
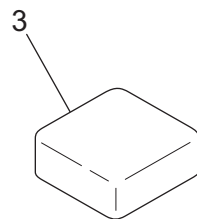
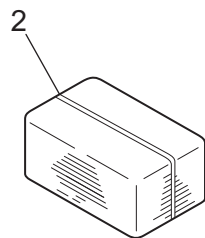
AccurioPress C7090

Key	Part No.	Description	Destinations	Class	QTY	Standard parts
1	V570010059	Wing Edge Saddle		D		
2	V570010060	Wing Edge Saddle		D		



# Service Tool

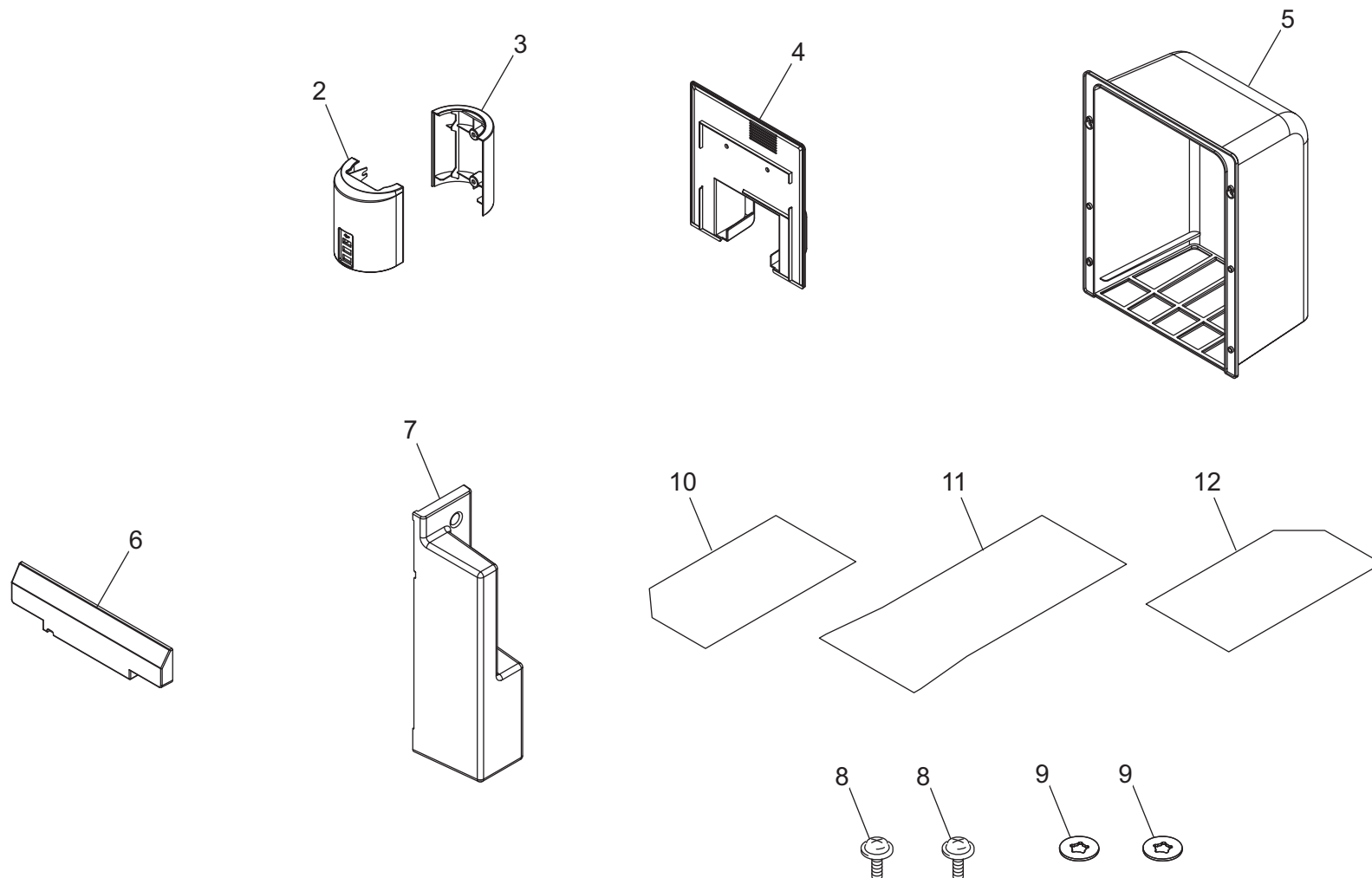
P 142





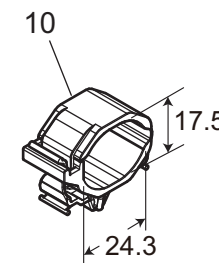
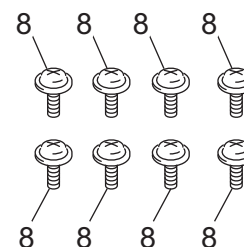
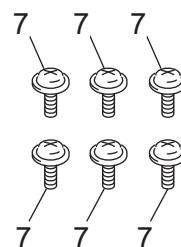
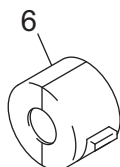
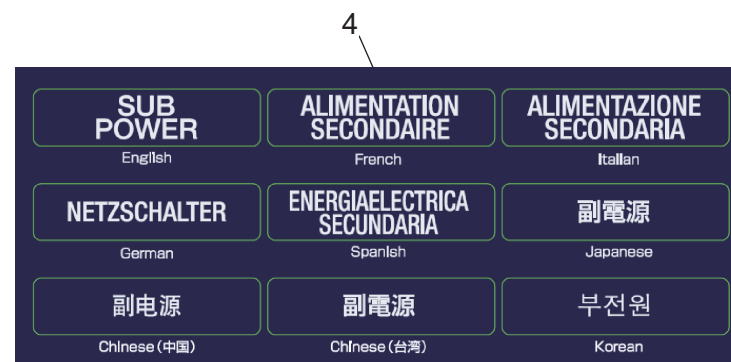
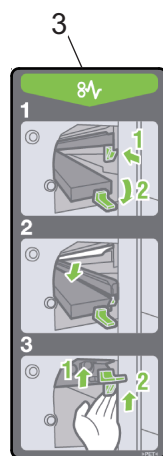
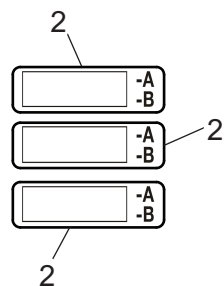
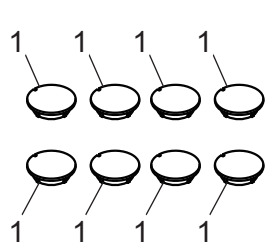
# Accessory Parts

P 143





# Accessory Parts



Media Component	Unit	Label	Cover	Block
Media Component 1	82-114	82-114	82-114	82-114
Media Component 2	82-114	82-114	82-114	82-114
Media Component 3	82-114	82-114	82-114	82-114
Media Component 4	82-114	82-114	82-114	82-114
Media Component 5	82-114	82-114	82-114	82-114
Media Component 6	82-114	82-114	82-114	82-114
Media Component 7	82-114	82-114	82-114	82-114
Media Component 8	82-114	82-114	82-114	82-114
Media Component 9	82-114	82-114	82-114	82-114
Media Component 10	82-114	82-114	82-114	82-114
Media Component 11	82-114	82-114	82-114	82-114
Media Component 12	82-114	82-114	82-114	82-114
Media Component 13	82-114	82-114	82-114	82-114
Media Component 14	82-114	82-114	82-114	82-114
Media Component 15	82-114	82-114	82-114	82-114
Media Component 16	82-114	82-114	82-114	82-114
Media Component 17	82-114	82-114	82-114	82-114
Media Component 18	82-114	82-114	82-114	82-114
Media Component 19	82-114	82-114	82-114	82-114
Media Component 20	82-114	82-114	82-114	82-114



# MAINTENANCE LIST

● The items with no Page/Key numbers are not handled as spare parts.

No.	Section	PM Parts Description	Maintenance Cycle (K=1,000)		Parts No.	Destinations	Page/Key	Note
			QTY	Replace				
1	Paper feed section	Paper feed roller rubber	1	125K	25SA40960		P70-4	
2		Separation roller rubber	1	125K	25SA40960		P67-1	
3	Toner collection section	Waste toner box	1	150K	A9VPR70100		P41-15	*2
4	Intermediate transfer section	Transfer belt cleaning unit/C	1	350K	A9VPR71422		P44-2	*1
5		Intermediate transfer belt/C	1	350K	A9VE500200		P49-20	*1
6	Charging section	Charging corona/Y	1	420K	A9VPR70300		P29-1	*1
7		Charging corona/M	1	420K	A9VPR70300		P29-1	*1
8		Charging corona/C	1	420K	A9VPR70300		P29-1	*1
9		Charging corona/K	1	420K	A9VPR70300		P29-1	*1
10	External section	Filter box	1	600K	A9VPR70200		P7-20	*1
11	Photo conductor section	Drum unit/Y	1	600K				*3
12		Drum unit/M	1	600K				*3
13		Drum unit/C	1	600K				*3
14		Drum unit/K	1	600K				*3
15	Registration section	Registration cleaning sheet assy	1	600K	A9VPR74100		P106-13	
16	Fusing section	Fusing paper exit roller/Up	1	600K	A9VP765200		P61-28	
17	External section	Developing dust-proof filter/1	1	700K	A9VP172000		P5-32	*1
18		Developing dust-proof filter/2	1	700K	A9VP172100		P5-33	*1
19		Developing dust-proof filter/3	1	700K	A9VP172200		P5-34	*1
20		Developing dust-proof filter/4	1	700K	A9VP172300		P5-35	*1
21		Developing dust-proof filter/5	1	700K	A9VP172400		P5-36	*1
22		Electric component cooling filter	1	700K	A9VP109900		P10-17	*1
23		Suction dust-proof filter	1	700K	A50U164901		P1-8	*1
24	2nd transfer section	2nd transfer roller/Lw	1	700K	A9VP520000		P112-11	*1
25		2nd transfer roller/Lw_TP	1	700K	A9VP520000		P112-11	*1
26		Separation discharging unit	1	700K	A9VPR70800		P112-26	*1
27		Separation discharging unit TP	1	700K	A9VPR70800		P112-26	*1
28	Paper feed section	Pick-up roller	1	800K	A1DUR71J00		P70-20	*1
29	Intermediate transfer section	1st transfer roller/Y (C)	1	800K	A9VP501200		P51-3	*1
30		1st transfer roller/M (C)	1	800K	A9VP501200		P51-3	*1
31		1st transfer roller/C (C)	1	800K	A9VP501200		P51-3	*1
32		1st transfer roller/K (C)	1	800K	A9VP501200		P49-22	*1
33		2nd transfer roller/Up (C)	1	800K	A9VP500400		P49-21	*1
34		Transfer belt guide/C	1	800K	A9VPR73600		P50-25	*1
35	Fusing section	Heat insulating sleeve/Lw	2	900K	A50U756300		P57-13	Service tool: Fluotribo MH Service tool: Fluotribo MH Service tool: Fluotribo MH
36		Fusing gear/1	1	900K	A50U752700		P57-9	
37		Fusing gear/3	1	900K	A50U752200		P55-23	
38		Fusing belt assy	1	900K	A9VER70422		P60-6	
39	Charge control section	Charging roller/Up	1	900K	AC57899000		P130-18	*1
40		Charging roller/Lw	1	900K	AC0C893100		P130-17	*1
41	Duplex section	Scraper assy	1	1,000K	A9VPR71200		P100-27	
42	Reversal section	Conveyance roller	3	1,000K	A9VP859500		P95-18	
43		Reverse decurler driven roller	1	1,000K	AC57860500		P117-34	
44	Paper exit section	Paper exit decurler driven roller	1	1,000K	AC57890800		P126-28	
45		Paper exit decurler roller	1	1,000K	A9VP899900		P126-11	
46		Paper exit gear	1	1,000K	A50U899700		P126-6	
47		Paper exit drive gear/2	1	1,000K	A043909901		P124-17	
48	Fusing section	Fusing separation claw assy	5	1,200K	A9VPR71300		P61-29	
49	Reversal section	Reverse decurler roller	1	1,200K	A9VP860600		P118-20	
50	Intermediate transfer section	Transfer belt separation claw	3	1,400K	A1DUR71900		P45-3	

No.	Section	PM Parts Description	Maintenance Cycle (K=1,000)		Parts No.	Destinations	Page/Key	Note
			QTY	Replace				
51	Registration section	Registration roller	1	1,400K	A9VP710100		P110-14	
52		Registration Roller Bearing	2	1,400K	A03U812800		P106-3	
53		Registration Roller Bearing	2	1,400K	A03U812800		P108-3	
54		Registration Roller Bearing	2	1,400K	A03U812800		P110-4	
55	Fusing section	Fusing paper exit roller/Lw	1	1,800K	A9VP761000		P61-21	
56		Fusing bearing/Lw	2	1,800K	26NA53712		P57-2	Service tool: Fluotribo MH Service tool: Fluotribo MH
57		Fusing gear/2	1	1,800K	A03U809500		P60-5	
58		Lower pressure roller	1	1,800K	A9VP740100		P57-15	
59	Developing section	Developer/Y	1	2,150K				
60		Developer/M	1	2,150K				*4
61		Developer/C	1	2,150K				*4
62		Developer/K	1	2,150K				*4
63		Developing unit/Y	1	2,150K	A9VPR70444		P31-1	*1
64		Developing unit/M	1	2,150K	A9VPR70444		P31-1	*1
65		Developing unit/C	1	2,150K	A9VPR70444		P31-1	*1
66	Developing unit/K	1	2,150K	A9VPR70444		P31-1	*1	
67	Fusing section	Fusing temperature sensor/3 (TH3)	1	3,000K	A50UR70F00		P59-18	
68		Fusing temperature sensor/4 (TH4)	1	3,000K	A50UR70E22		P56-6	
69	Paper feed section	Paper feed clutch	1	3,750K	AC57M20000		P70-25	
70	Paper feed section	Paper feed coupling	1	6,000K	A50U564500		P69-4	
71	Registration section	Loop roller gear	1	6,000K	A9VP709700		P108-14	
72	Paper feed section	Pre-registration clutch	1	10,000K	AC57M20200		P68-8	
73	Fusing section	Fusing unit	1	10,000K	A9VPR71011	A	P53-1	
74		Fusing unit	1	10,000K	A9VPR71111	B,C,D1,D3,E,F2,G1,H,	P53-1	

\*1: Actual replacement: 100% (special parts counter) (See Service Manual F-3 LIFE VALUE.)

\*2: The sensor detects its full automatically.

\*3: Actual replacement: 600,000 counts (quantity) or 100% (distance), whichever is earlier (See Service Manual F-3 LIFE VALUE.)

\*4: Be sure to replace it together with the developing unit at the same time.

\*: The part names used on this page follow the ones used in the Service Manual and they are occasionally different from those written in other pages.



# メンテナンスリスト

● ページ / キーナンバーのないものは、アフターサービス部品ではありません。

No.	区分	P M 部品名称	サイクル (K=1,000)		部品番号	仕向地	頁 / キー	備考
			員数	交換				
1	外装部	フィルターボックス	1	600K	A9VPR70200		P7-20	*1
2	外装部	現像防塵フィルター /1	1	700K	A9VP172000		P5-32	*1
3		現像防塵フィルター /2	1	700K	A9VP172100		P5-33	*1
4		現像防塵フィルター /3	1	700K	A9VP172200		P5-34	*1
5		現像防塵フィルター /4	1	700K	A9VP172300		P5-35	*1
6		現像防塵フィルター /5	1	700K	A9VP172400		P5-36	*1
7		電装冷却フィルター	1	700K	A9VP109900		P10-17	*1
8		吸気防塵フィルター	1	700K	A50U164901		P1-8	*1
9		給紙部	給紙ローラーゴム	1	125K	25SA40960		P70-4
10	分離ローラーゴム		1	125K	25SA40960		P67-1	
11	トナー回収部	廃棄トナーボックス	1	150K	A9VPR70100		P41-15	*2
12	中間転写部	転写ベルトクリーニングユニット /C	1	350K	A9VPR71422		P44-2	*1
13		トナー回収シート /C	1	350K	A1DUR71C00		P47-4	*1
14		転写ベルトクリーニングブレード /C	1	350K	A9VPR71600		P47-12	*1
15		中間転写ベルト /C	1	350K	A9VE500200		P49-20	*1
16		上サイドシール /Fr (C)	1	350K	A9VP535100		P46-7	*1
17		上サイドシール /Rr (C)	1	350K	A9VP535200		P46-8	*1
18		下サイドシール /Fr (C)	1	350K	A9VP534900		P46-5	*1
19		下サイドシール /Rr (C)	1	350K	A9VP535000		P46-6	*1
20		回収スクレーパ /M	1	350K	A9VP540100		P47-8	*1
21		位置決め板 Assy /C	1	350K	A9VPR73800		P47-13	*1
22		帯電部	帯電極 /Y	1	420K	A9VPR70300		P29-1
23	帯電極 /M		1	420K	A9VPR70300		P29-1	*1
24	帯電極 /C		1	420K	A9VPR70300		P29-1	*1
25	帯電極 /K		1	420K	A9VPR70300		P29-1	*1
26	感光体部	ドラムユニット /Y	1	600K				*3
27		ドラムユニット /M	1	600K				*3
28		ドラムユニット /C	1	600K				*3
29		ドラムユニット /K	1	600K				*3
30	レジスト部	レジスト清掃シート Assy	1	600K	A9VPR74100		P106-13	
31	定着部	定着排紙ローラー /Up	1	600K	A9VP765200		P61-28	
32	中間転写部	2次転写ローラー /Lw	1	700K	A9VP520000		P112-11	*1
33		2次転写ローラー /Lw_TP	1	700K	A9VP520000		P112-11	*1
34		分離放電板ユニット	1	700K	A9VPR70800		P112-26	*1
35		分離放電板ユニット_TP	1	700K	A9VPR70800		P112-26	*1
36	給紙部	ピックアップローラー	1	800K	A1DUR71J00		P70-20	*1
37	中間転写部	1次転写ローラー /Y (C)	1	800K	A9VP501200		P51-3	*1
38		1次転写ローラー /M (C)	1	800K	A9VP501200		P51-3	*1
39		1次転写ローラー /C (C)	1	800K	A9VP501200		P51-3	*1
40		1次転写ローラー /K (C)	1	800K	A9VP501200		P49-22	*1
41		2次転写ローラー /Up (C)	1	800K	A9VP500400		P49-21	*1
42		転写ベルトガイド /C	1	800K	A9VPR73600		P50-25	*1
43	定着部	断熱スリーブ /Lw	2	900K	A50U756300		P57-13	サービスツール: フルト ライボ MH
44		断熱スリーブ /ベルト	2	900K	A50U756300		P60-13	サービスツール: フルト ライボ MH
45		定着ギア /1	1	900K	A50U752700		P57-9	サービスツール: フルト ライボ MH
46		定着ギア /3	1	900K	A50U752200		P55-23	サービスツール: フルト ライボ MH
47		定着ベルト	1	900K	A50U765000		P60-14	
48		定着ベルト Assy	1	900K	A9VER70422		P60-6	
49	電荷制御部	帯電ローラー /Up	1	900K	AC57899000		P130-18	*1
50		帯電ローラー /Lw	1	900K	AC0C893100		P130-17	*1
51	両面部	スクレーパー Assy	1	1,000K	A9VPR71200		P100-27	
52	反転部	搬送ローラー	3	1,000K	A9VP859500		P95-18	
53		反転デカローラー 従動ローラー	1	1,000K	AC57860500		P117-34	

No.	区分	P M 部品名称	サイクル (K=1,000)		部品番号	仕向地	頁/キー	備考
			員数	交換				
54	排紙部	排紙デカローラー従動ローラー	1	1,000K	AC57890800		P126-28	
55		排紙デカローラーローラー	1	1,000K	A9VP899900		P126-11	
56		排紙ギア	1	1,000K	A50U899700		P126-6	
57		排紙駆動ギア/2	1	1,000K	A043909901		P124-17	
58	定着部	定着分離爪 Assy	5	1,200K	A9VPR71300		P61-29	
59	反転部	反転デカローラーローラー	1	1,200K	A9VP860600		P118-20	
60	中間転写部	転写ベルト分離爪	3	1,400K	A1DUR71900		P45-3	
61	レジスト部	レジストローラー	1	1,400K	A9VP710100		P110-14	
62		レジストローラー軸受	2	1,400K	A03U812800		P106-3	
63		レジストローラー軸受	2	1,400K	A03U812800		P108-3	
64		レジストローラー軸受	2	1,400K	A03U812800		P110-4	
65	定着部	断熱スリーブ/上	2	1,800K	A5AW744900		P60-16	サービスツール: フルト ライボ MH
66		ベルト規制スリーブ	2	1,800K	A9VE724100		P60-22	
67		定着排紙ローラー/Lw	1	1,800K	A9VP761000		P61-21	
68		定着ボールベアリング/上	2	1,800K	AC57745000		P60-17	
69		定着軸受/Lw	2	1,800K	26NA53712		P57-2	
70		定着軸受/ベルト	2	1,800K	26NA53712		P60-1	
71		定着ギア/2	1	1,800K	A03U809500		P60-5	
72		上加圧ローラー	1	1,800K	A9VE720300		P60-18	
73		加熱ローラー	1	1,800K	A9VE720500		P60-19	
74		下加圧ローラー	1	1,800K	A9VP740100		P57-15	
75	現像部	現像剤/Y	1	2,150K				*4
76		現像剤/M	1	2,150K				*4
77		現像剤/C	1	2,150K				*4
78		現像剤/K	1	2,150K				*4
79		現像ユニット/Y	1	2,150K	A9VPR70444		P31-1	*1
80		現像ユニット/M	1	2,150K	A9VPR70444		P31-1	*1
81		現像ユニット/C	1	2,150K	A9VPR70444		P31-1	*1
82	現像ユニット/K	1	2,150K	A9VPR70444		P31-1	*1	
83	定着部	定着温度センサー /3 (TH3)	1	3,000K	A50UR70F00		P59-18	
84		定着温度センサー /4 (TH4)	1	3,000K	A50UR70E22		P56-6	
85	給紙部	給紙クラッチ	1	3,750K	AC57M20000		P70-25	
86	中間転写部	転写ローラー軸受/Y、/M、/C (C)	6	5,600K	A9VP505700		P51-5	
87		転写ローラー軸受/K (C)	2	5,600K	A9VP505700		P49-29	
88	給紙部	給紙カップリング	1	6,000K	A50U564500		P69-4	
89	レジスト部	ループローラーギア	1	6,000K	A9VP709700		P108-14	
90	給紙部	プレレジストクラッチ	1	10,000K	AC57M20200		P68-8	
91	定着部	定着ユニット	1	10,000K	A9VPR71011	A	P53-1	
92		定着ユニット	1	10,000K	A9VPR71111	B,C,D1,D3,E,F2,G1,H,I,K,	P53-1	

\*1: 実質交換 : 100% (固定パーツカウンター) (サービスマニュアル「F.3 ライフ値の考え方」参照)

\*2: フル検知はセンサーにより自動検知

\*3: 実質交換 : 600,000 カウント (枚数)、または 100% (距離) いずれか早いタイミング (サービスマニュアル「F.3 ライフ値の考え方」参照)

\*4: 現像ユニットと同時に交換すること。

\*: ここに記載されている部品名称はサービスマニュアルで使用されている部品名称であり、他のページに記載されている部品名称とは異なる場合があります。

## DESTINATION

Destination No.		Destinations		V	Hz	Model No.
A	A1	JAPAN		200	50/60	ACW3001
	A2	JAPAN				
B		USA, CANADA		208-240	60	ACW3011
C		EUROPEAN TYPE		220-240	50/60	ACW3021
D	D1	S.E ASIA TYPE	THAILAND, SRI LANKA, SINGAPORE, MALAYSIA, HONG KONG, PAKISTAN, INDIA, BANGLADESH, INDONESIA	220-240	50/60	ACW3041,0 T1
	D3	OCEANIA TYPE	AUSTRALIA, NEW ZEALAND	220-240	50/60	ACW3051
E		PHILIPPINES		220-240	50/60	ACW3041
F	F1	SAUDI ARABIA				
	F2	SAUDI ARABIA		220-240	50/60	ACW3041
G	G1	C.S AMERICA		220-240	50/60	ACW3041
	G2	C.S AMERICA		208-240	60	ACW3011
H		TAIWAN		220-240	50/60	ACW3041
I		JORDAN, LEBANON, SYRIA, SOUTH AFRICA, IRAQ, IRAN, N.YEMEN, CAMEROON, UAE, BAHRAIN, OMAN, QATAR, KUWAIT, KENYA, TUNISIA, IVORY COAST, MOROCCO		220-240	50/60	ACW3021,0 41
J		CHINA		220-240	50/60	ACW3081
K		KOREA		220-240	50/60	ACW3041

AccurioPress C7090