

KONICA MINOLTA

PARTS GUIDE MANUAL

OCTOBER 2018

AccurioPrint C2060L *A9CU*

INFORMATION FOR PARTS GUIDE MANUAL

To find correct Parts No., refer to the "HOW TO MAKE THE BEST USE OF THIS MANUAL" in the following page.

HOW TO MAKE THE BEST USE OF THIS MANUAL

- 1 When you order, please check the proper figures beforehand that are on Our Parts Guide Manual, and order with the appropriate figures.
- 2 For screws, Nuts, Washers, retaining rings and Pins which are used in this model, one letter is shown on the Standard parts column of Parts list and exploded diagrams.
- 3 In order to maintain safety of the product, some specific parts composed of this product are set up as "essential safety parts".
- 4 The assigned parts number for the "essential safety parts" is indicated as "SP00-****".
When replacing these parts, follow precautions for disassembling and installing which are listed in the Service Manual.
Do not use any parts that are not set up as
- 5 ♣ means that there are exclusive parts for each destination.
Please check the appropriate destination when you order.
- 6 Revision Mark
Marked as ▲ on the illustration shows that the revision has been made.
- 7 All rights reserved. (any reprints or quotations are prohibited.)
Use of this parts guide manual should be strictly supervised to avoid disclosure of confidential information.

パーツガイド マニュアルのご案内

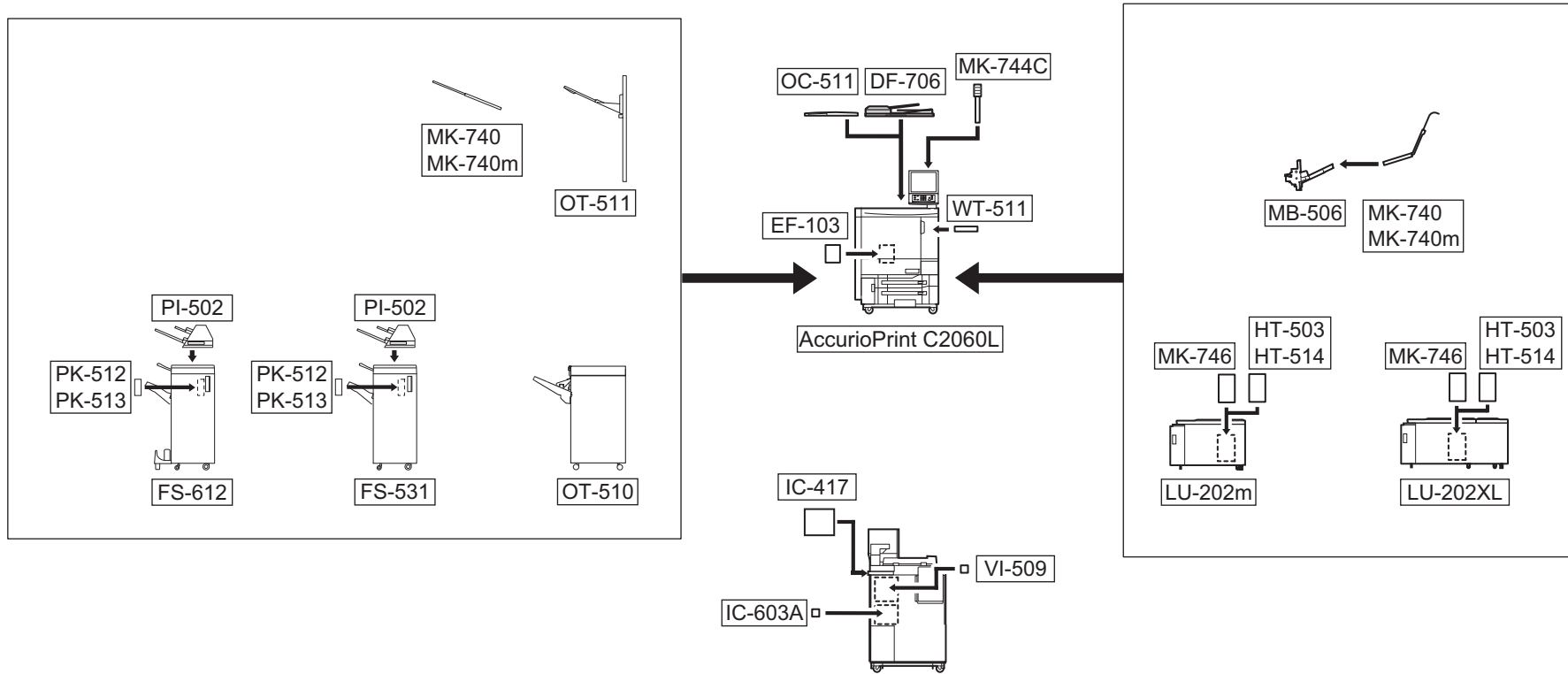
サービス部品をご発注の際には、下記に示す“パーツガイド マニュアルの活用にあたって”をご参照の上、正しい部品番号にてお願い致します。

パーツガイド マニュアルの活用にあたって

- 1 部品発注の際には、掲載されている部品番号の桁数を確認し、掲載されている桁数で発注願います。
- 2 この製品に使用されているネジ、ナット、ワッシャー、止め輪、ピンなどは、リストの右側の Standard parts 欄に a,b,c,…… で表示し、イラストにも a,b,c,…… 表示してあります。
- 3 製品の安全性を維持する為に、製品に使用される特定の部品を「重要保安部品」として設定しています。
- 4 重要保安部品の部品番号は、“SP00-****”と記載されていますので、部品交換時は、サービスマニュアル記載の分解・組み立ての注意事項に従って作業をして下さい。
また、指定以外の部品は一切使用しないで下さい。
- 5 本文に ♣ が表示されている部品は、仕向け地毎に専用部品がある事を意味しています。
オーダーされる時は、仕向け地を確認して下さい。
- 6 改訂記号について
イラスト上に ▲ 印が表示されている部分は、改訂された事を表します。
- 7 著作権所有（無断転載及び無断引用の禁止）
本パーツガイド マニュアルについては、機密保持等その扱いには十分注意して下さい。万一取り扱いを誤った場合には、法律で処罰されることがあります。

10/06/2016

System Configuration



AccurioPrint C2060L

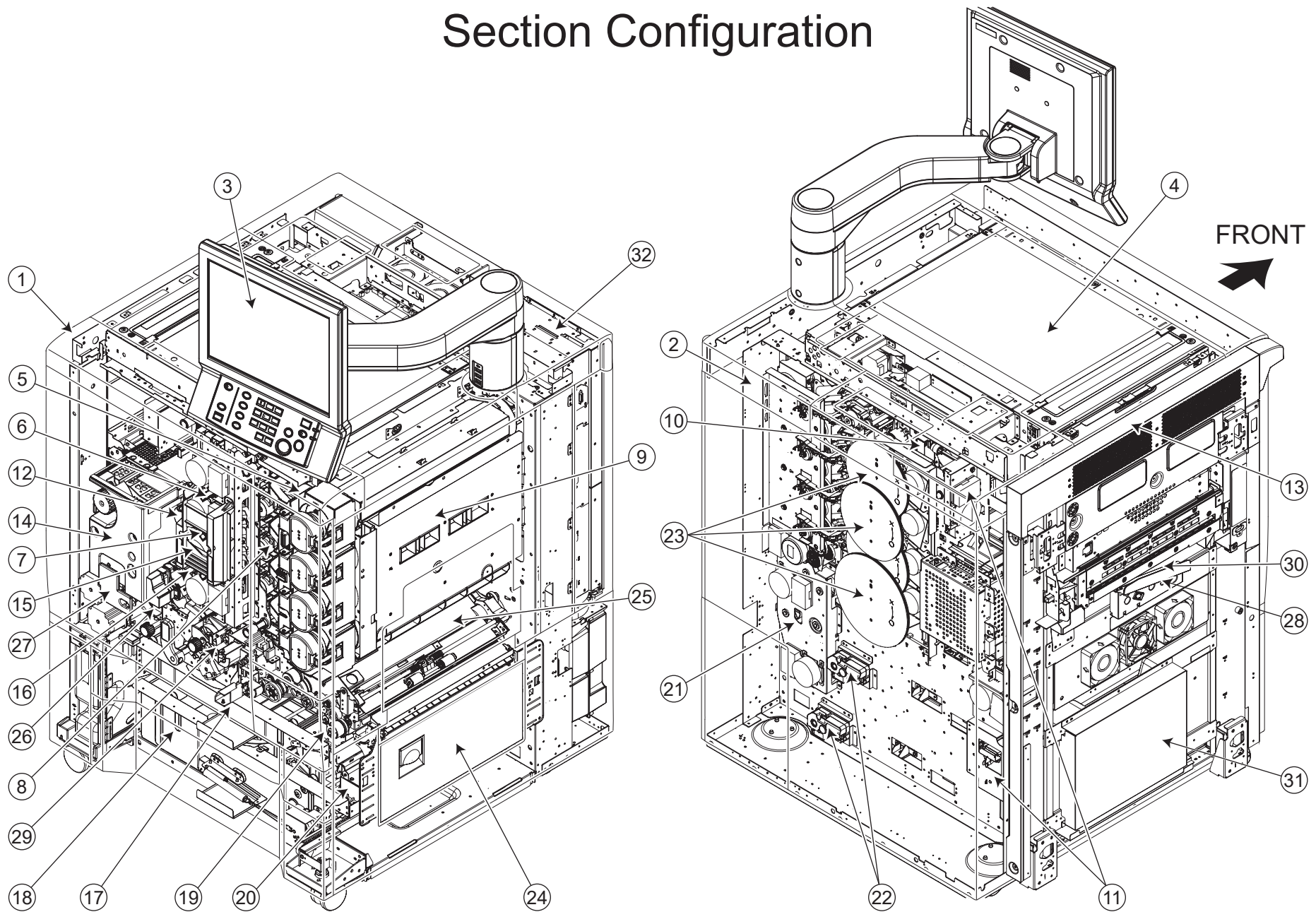
GENERAL CONTENTS

No.	Description	Model
1	Digital MFP Color	AccurioPrint C2060L
2	Document Feeder	DF-706
3	Envelop Fusing Unit	EF-103
4	Finisher/Sorter	FS-531
5	Finisher/Sorter	FS-612
6	Heater	HT-503
7	Heater	HT-514
8	Image Controller	IC-417
9	Image Controller	IC-603A
10	Paper Feeder	LU-202m
11	Paper Feeder	LU-202XL
12	Bypass Tray	MB-506
13	Mount Kit	MK-740/MK-740m
14	Mount Kit	MK-744
15	Mount Kit	MK-746
16	Original Cover	OC-511
17	Output Tray	OT-510
18	Output Tray	OT-511
19	Post Inserter	PI-502
20	Punch Unit	PK-512
21	Punch Unit	PK-513
22	Video IF Kit	VI-509

AccurioPrint C2060L

No.	Description	Model
23	Working Table	WT-511

Section Configuration



AccurioPrint C2060L

CONTENTS

No.	DESCRIPTION	名称	PAGE No.
1	External Parts Section	外装部	P1 P2 P3 P4
2	Main Frame Section	骨格部	P5 P6 P7 P8 P9 P10 P11 P12 P13
3	Operation Panel Section	操作部	P14 P15 P16
4	Scanner Section	スキャナ一部	P17 P18 P19 P20
5	Write Section	書き込み部	P21
6	Charging Section	帯電部	P22
7	Photo Conductor Section	感光体部	P23
8	Developing Section	現像部	P24 P25 P26 P27
9	Toner Supply Section	トナー補給部	P28 P29 P30 P31 P32
10	Toner Collection Section	トナー回収部	P33 P34
11	Toner Collection Driving Section	トナー回収駆動部	P35
12	Intermediate Transfer Section	中間転写部	P36 P37 P38 P39 P40 P41
13	Color Resist Section	画像補正ユニット部	P42
14	Fusing Section	定着部	P43 P44 P45 P46 P47 P48 P49 P50 P51
15	Process Carriage Section	プロセス架台部	P52 P53 P54 P55 P56 P57 P58
16	Secondary Transfer Section	2次転写部	P59
17	Tray 1 Section	トレイ1	P60 P61 P62 P63
18	Tray 2 Section	トレイ2	P64 P65 P66 P67
19	Tray 1 Paper Feed Section	トレイ1 給紙部	P68 P69 P70
20	Tray 2 Paper Feed Section	トレイ2 給紙部	P71 P72 P73
21	Paper Feed Driving Section	給紙駆動部	P74
22	Tray Driving Section	トレイ駆動部	P75
23	Drum Driving Section	ドラム駆動部	P76 P77 P78 P79
24	Vertical Conveyance Section	垂直搬送部	P80 P81
25	Duplex Carriage Section	両面架台部	P82 P83
26	Duplex Section	両面部	P84 P85 P86 P87 P88 P89 P90 P91 P92 P93 P94 P95
27	Duplex Swing Section	両面揺動部	P96 P97
28	Reverse Section	反転	P98 P99 P100
29	Resist Section	レジスト部	P101 P102 P103
30	Exit Section	排紙部	P104 P105
31	Charge Control Section	電荷制御部	P106 P107 P108
32	Rear Electrical Section	背面電気部	P109 P110 P111 P112 P113 P114
33	Wiring	束線	P115 P116 P117 P118
34	Jigs	治具・サービス資材	P119
35	Accessory Parts	同梱部品	P120

INDEX

Parts No.	Page No.	Parts No.	Page No.	Parts No.	Page No.	Parts No.	Page No.	Parts No.	Page No.
00GR00020	119-5	20ER73110E	113-19	40AA32320	53-1	4470402401	94-1	55WA10300	10-2
00GR00220	119-6	25AA10091F	10-1	40AA32320	62-2	4470402401	95-2	55WA10300	13-1
00GR00260	119-4	25AA40100	70-2	40AA32320	66-2	4470402401	96-1	55WA10310	10-3
00VC-2-00	119-16	25AA40100	73-2	40AA32320	74-2	4470402401	98-2	56AA10300	8-2
00VD-1000	119-17	25AA47500	86-3	40AA46261	99-3	4470402401	99-1	56AA10300	9-2
059076510	70-1	25AA50080	89-3	40AA77550	84-4	4470402401	105-1	56AA12140	28-4
059076510	73-1	25AA77730	81-2	40AA77550	99-4	4470402401	107-1	56AA12150	28-5
067642581	75-1	25BA77171	31-2	40AA85011	28-3	4581162501	19-1	56AA12160	28-6
07BA12352	29-1	25SA40960	68-1	40LA73840	114-2	462076010	86-1	56AA12241	2-3
07BA12352	44-2	25SA40960	70-3	4109553001	69-1	466076020	31-1	56AA12270	34-5
07BA15871	37-2	25SA40960	71-1	4109553001	72-1	466076020	35-2	56AA17090	85-2
07BA15871	39-1	25SA40960	73-3	4109553001	90-1	466076020	95-3	56AA17121	69-4
08AA45230	41-1	26NA17580	33-1	4131253701	89-1	50GA250100	33-3	56AA17121	72-4
1154467001	89-2	26NA32660	32-1	4131253701	90-2	55FA40320	70-4	56AA17321	38-3
120A97110	119-21	26NA32870	29-2	4131253701	91-1	55FA40320	73-4	56AA17321	90-5
12QR86011	28-2	26NA42061	68-2	4131253701	95-1	55GA75031	50-1	56AA17321	92-2
12QV40650	38-1	26NA42061	71-2	4131253701	103-1	55GA77050	35-5	56AA17321	99-5
12QV40650	40-1	26NA42560	68-3	4131353202	84-1	55VA15541	85-1	56AA17321	103-2
12QV40650	74-1	26NA42560	71-3	4131353202	101-1	55VA20520	48-1	56AA17490	92-3
12QV40650	76-2	26NA42560	80-1	4139M10000	97-1	55VA20680	81-3	56AA17510	68-5
12QV40650	77-2	26NA47070	62-1	4470402401	8-1	55VA32480	113-1	56AA17510	70-6
12QV40650	78-2	26NA47070	66-1	4470402401	18-1	55VA32530	61-2	56AA17510	71-5
12QV40650	79-1	26NA53712	46-2	4470402401	28-1	55VA32530	65-2	56AA17510	73-6
12QV40650	84-3	26NA53712	49-1	4470402401	34-1	55VA40600	62-3	56AA17531	51-1
12QV40650	86-2	26NA54230	83-2	4470402401	37-1	55VA40930	61-3	56AA17551	66-3
12QV40650	101-2	26NA82513	7-2	4470402401	44-1	55VA40930	65-3	56AA17551	92-4
12QV40650	108-1	26TA32970	29-4	4470402401	46-1	55VA42120	38-2	56AA17551	98-5
13NG45200	9-1	26TA32990	29-5	4470402401	54-1	55VA42120	69-2	56AA17551	99-6
13QA40610	35-3	4004457301	34-2	4470402401	61-1	55VA42120	70-5	56AA17630	10-4
13QA40610	52-1	4036307501	18-2	4470402401	63-1	55VA42120	72-2	56AA17640	10-5
13QA40610	98-3	4038254001	35-1	4470402401	65-1	55VA42120	73-5	56AA17700	105-3
13QA40610	105-2	4038351102	7-1	4470402401	76-1	55VA42120	81-4	56AA17760	69-5
13QA85511	100-1	40AA30270	2-1	4470402401	77-1	55VA42120	86-4	56AA17760	70-7
13QA85511	102-1	40AA30270	99-2	4470402401	78-1	55VA47840	34-4	56AA17760	72-5
13RN73120	114-1	40AA32320	7-3	4470402401	81-1	55VA48500	49-2	56AA17760	73-7
14GE45470	83-1	40AA32320	31-3	4470402401	84-2	55VA75540	69-3	56AA20940D	41-3
14GE45470	98-4	40AA32320	33-2	4470402401	87-1	55VA75540	72-3	56AA40010E	68-6
14GE45470	101-3	40AA32320	35-4	4470402401	88-1	55VA79030	68-4	56AA40010E	71-6
192141710	98-1	40AA32320	39-2	4470402401	90-3	55VA79030	71-4	56AA40032E	69-6
20AL48470G	43-1	40AA32320	41-2	4470402401	92-1	55VA90840	2-2	56AA40032E	72-6

Parts No.	Page No.	Parts No.	Page No.	Parts No.	Page No.	Parts No.	Page No.	Parts No.	Page No.
56AA40070	70-8	56AA40500	69-17	56QA40250	68-14	65AA33310F	52-2	65AA49410	99-7
56AA40070	73-8	56AA40500	72-17	56QA40250	71-14	65AA40010	69-22	65AA50400	9-5
56AA40100G	69-7	56AA40520	69-18	56QA40270	68-15	65AA40010	72-22	65AA50430	8-3
56AA40100G	72-7	56AA40520	72-18	56QA40270	71-15	65AA40080E	70-14	65AA51510	89-5
56AA40120	69-8	56AA40530	68-11	56QA40550	68-16	65AA40080E	73-14	65AA51730	87-3
56AA40120	72-8	56AA40530	71-11	56QA40550	71-16	65AA42370	98-7	65AA53560	50-2
56AA40171	69-9	56AA40540	68-12	56QA80570	10-6	65AA44200	81-6	65AA53991	50-3
56AA40171	72-9	56AA40540	71-12	56QA80570	94-4	65AA44350	81-7	65AA75010E	16-1
56AA40190	69-10	56AA42690	43-2	56QA80570	112-3	65AA44440	81-8	65AA77390	32-3
56AA40190	72-10	56AA42690	44-3	56QE88261E	109-2	65AA45230	84-6	65AA77410	35-8
56AA40230	69-11	56AA42690	83-3	56UA70330	14-3	65AA47120D	65-4	65AA77540	85-5
56AA40230	72-11	56AA42690	85-3	56UA77280	35-6	65AA47131E	62-4	65AA78040	30-4
56AA40300	70-9	56AA42690	86-5	56UA77710	35-7	65AA47310E	61-4	65AA80021	44-4
56AA40300	73-9	56AA42690	87-2	57AA15600	9-3	65AA47310E	65-5	65AA80112	87-4
56AA40310	69-12	56AA42690	91-2	57AA15600	111-1	65AA47320	61-5	65AA80112	94-5
56AA40310	72-12	56AA42690	92-5	57AA40420	68-17	65AA47320	65-6	65AA80112	101-4
56AA40360	68-7	56AA42690	94-3	57AA40420	71-17	65AA47360	75-2	65AA88010	48-2
56AA40360	71-7	56AA42690	98-6	65AA-9091E	79-3	65AA47370	75-3	65AA91100	28-7
56AA40370	69-13	56AA50670	86-6	65AA-9920	119-3	65AA47390	75-4	65AA97440	55-2
56AA40370	72-13	56AA50800	86-7	65AA10190	11-1	65AA47550	63-2	65AA97450	56-2
56AA40380	70-10	56AA73560	112-2	65AA10470	9-4	65AA47550	67-1	65AA97460	57-2
56AA40380	73-10	56AA77330	31-4	65AA11300	5-2	65AA47600E	62-5	65AA97470	58-2
56AA40390	69-14	56AA77530	86-8	65AA11300	37-3	65AA47600E	66-4	65AA99500	119-15
56AA40390	72-14	56AA77590	70-12	65AA11430	5-3	65AA47630	63-3	65AAR72700	107-2
56AA40430	68-8	56AA77590	73-12	65AA15210	76-3	65AA47630	67-2	65AAR73200	55-1
56AA40430	71-8	56AA77720E	69-19	65AA15210	77-3	65AA47630	67-2	65AAR73200	56-1
56AA40440	68-9	56AA77720E	72-19	65AA15210	78-3	65AA47700D	62-6	65AAR73200	57-1
56AA40440	71-9	56AA77730	69-20	65AA15210	79-2	65AA47700D	66-5	65AAR73200	57-1
56AA40470	69-16	56AA77730	72-20	65AA15210	79-2	65AA47710	75-5	65AAR73200	58-1
56AA40470	72-16	56AA80551	88-2	65AA20060	41-5	65AA47740E	62-7	65AAR74600	108-2
56AA40481	68-10	56AA82012	69-21	65AA20300	41-6	65AA47740E	63-4	65GE97400	70-15
56AA40481	71-10	56AA82012	70-13	65AA26380	39-3	65AA47740E	66-6	65GE97400	73-15
56AA40490	32-2	56AA82012	72-21	65AA26600	39-4	65AA47740E	67-3	65GE97490	62-8
56AA40490	41-4	56AA82012	73-13	65AA26690D	39-5	65AA47820	61-6	65GE97490	66-7
56AA40490	70-11	56AA82012	81-5	65AA26840	41-7	65AA47820	65-7	65LA48530	104-1
56AA40490	73-11	56AA82012	86-9	65AA26870	38-4	65AA47860	61-7	9313100072	5-1
56AA40490	82-1	56AA82012	86-9	65AA26900D	39-6	65AA47860	65-8	9313110033	112-1
56AA40490	84-5	56AA97140	109-1	65AA27090D	41-8	65AA47900E	63-5	9335140051	34-3
56AA40490	89-4	56GA76010	85-4	65AA27240	38-5	65AA47970	75-6	9335140071	90-4
56AA40490	103-3	56QA40080	68-13	65AA27240	40-2	65AA48360	105-4	9335140071	94-2
56AA40490	103-3	56QA40080	71-13	65AA27320	41-9	65AA48460	105-5	9335140071	95-4

Parts No.	Page No.	Parts No.	Page No.	Parts No.	Page No.	Parts No.	Page No.	Parts No.	Page No.
9381410131	120-1	A00V240600	53-3	A03U193800	15-16	A03U812800	66-9	A03U850101	90-6
9J03M10000	8-5	A00V240600	74-3	A03U193900	16-12	A03U812800	69-24	A03U850101	103-5
9J03M10000	10-7	A00V240600	85-6	A03U194002	15-17	A03U812800	70-18	A03U859400	94-12
9J03M10000	104-2	A00V240600	86-11	A03U194102	15-18	A03U812800	72-24	A03U859500	94-13
9J06M10000	110-1	A00V240600	94-6	A03U195302	16-13	A03U812800	73-18	A03U892300	104-4
9J06N30000	120-1	A00V240600	96-2	A03U195400	16-14	A03U812800	81-9	A03U892400	104-5
9J06PJP100	119-22	A00V240600	101-5	A03U195500	16-15	A03U812800	85-7	A03U892701	105-7
9J06PJP100	119-11	A02E262300	113-2	A03U259600	76-4	A03U812800	86-12	A03U893000	105-8
9J06PJP200	119-12	A034M50000	5-4	A03U259600	77-4	A03U812800	87-5	A03U893101	105-9
9J07500201	31-5	A034M50000	37-4	A03U259600	78-4	A03U812800	92-7	A03U893200	105-10
A00FM20000	32-4	A03N621800	66-8	A03U259600	79-4	A03U812800	101-6	A03U893502	105-11
A00J211200	104-3	A03U118301	11-2	A03U259900	76-5	A03U812800	103-4	A03U909502	105-12
A00J265300	17-1	A03U162500	4-3	A03U259900	77-5	A03U813601	89-9	A03U909900	104-6
A00J617800	39-7	A03U168500	2-4	A03U259900	78-5	A03U814100	89-10	A03UF19100	16-16
A00J617800	44-5	A03U169900	2-5	A03U259900	79-5	A03U814200	89-11	A03UF84300	95-10
A00J617800	53-2	A03U190500	16-2	A03U512300	38-8	A03U814300	89-12	A03UM15802	5-5
A00J617800	89-6	A03U190600	16-3	A03U515100	37-5	A03U815700	85-8	A03UM15802	8-6
A00J617800	99-8	A03U190700	16-4	A03U555400	41-10	A03U838900	86-13	A03UM20100	86-14
A00J617800	105-6	A03U190802	16-5	A03U560500	70-17	A03U839000	85-9	A03UN23200	45-1
A00J617900	38-6	A03U190900	15-1	A03U560500	73-17	A03U842600	93-1	A03UN23200	48-4
A00J617900	83-4	A03U191100	16-6	A03U621200	63-6	A03U842700	94-7	A03W123000	106-1
A00J617900	86-10	A03U191201	16-7	A03U621200	67-4	A03U842800	94-8	A03X565001	86-15
A00J617900	91-3	A03U191300	16-8	A03U700202	80-2	A03U843500	89-13	A03X565611	68-20
A00J617900	92-6	A03U191400	15-2	A03U723301	50-4	A03U844200	95-5	A03X565611	71-20
A00J617900	98-9	A03U191500	15-3	A03U724200	44-7	A03U844300	95-6	A03X622000	102-2
A00J663200	68-18	A03U191600	15-4	A03U728000	50-5	A03U844700	95-7	A03X622101	67-5
A00J663200	69-23	A03U191700	15-5	A03U729500	49-4	A03U844802	95-8	A03X622201	67-6
A00J663200	70-16	A03U191800	15-6	A03U734500	44-8	A03U844901	95-9	A03X656203	61-8
A00J663200	71-18	A03U191900	15-7	A03U734500	46-3	A03U845100	93-2	A03X656203	65-9
A00J663200	72-23	A03U192000	15-8	A03U734500	47-1	A03U845301	91-4	A043909901	104-7
A00J663200	73-16	A03U192100	15-9	A03U734500	48-3	A03U845301	93-3	A07R813801	108-3
A00J945401	4-2	A03U192200	15-10	A03U734500	51-2	A03U845601	94-9	A07TM60100	109-4
A00JM12100	30-3	A03U192300	16-9	A03U734800	50-6	A03U845601	100-2	A0E7946700	114-17
A00JM60300	109-3	A03U193100	16-10	A03U734900	50-7	A03U845700	94-10	A0ED271200	20-1
A00TM10000	97-2	A03U193200	16-11	A03U807700	96-3	A03U845901	94-11	A0ED271300	20-2
A00V240600	38-7	A03U193300	15-11	A03U808400	44-9	A03U848100	93-4	A0ED273600	19-2
A00V240600	40-3	A03U193400	15-12	A03U809500	49-5	A03U849701	89-14	A0ED273600	20-3
A00V240600	43-3	A03U193500	15-13	A03U811600	89-7	A03U850101	68-19	A0ED274200	20-4
A00V240600	44-6	A03U193600	15-14	A03U811800	89-8	A03U850101	71-19	A0ED274300	20-5
A00V240600	49-3	A03U193700	15-15	A03U812800	62-9	A03U850101	80-3	A0ED274400	20-6

Parts No.	Page No.	Parts No.	Page No.	Parts No.	Page No.	Parts No.	Page No.	Parts No.	Page No.
A0ED276301	19-3	A11PM10200	38-9	A1DU111101	7-4	A1RF368500	35-10	A1TVM10100	88-3
A0EDM10500	112-4	A11PM10200	43-4	A1DU162300	4-4	A1RF372300	35-11	A1TVM10100	104-8
A0G6190101	14-4	A161261902	18-3	A1DU163402	3-1	A1RF441500	29-6	A1UD210500	35-13
A0G6190200	14-5	A161262002	18-4	A1DU190101	16-17	A1RF501700	38-12	A1UD723500	49-6
A0G6190301	14-6	A161262200	19-4	A1DU194200	16-18	A1RF508000	40-4	A1UDM50100	62-10
A0G6191600	14-7	A161263000	19-5	A1DU194300	16-19	A1RF508100	40-5	A1UDM50100	66-10
A0G6192400	14-8	A161268200	17-2	A1DU197100	15-19	A1RF508200	40-6	A1UDM50200	19-16
A0G6192500	14-9	A161268300	17-3	A1DU504203	38-10	A1RF508900	108-5	A2X0M12101	75-7
A0G6192700	14-10	A161270102	20-7	A1DU722500	50-8	A1RF509000	108-6	A2XKM10300	31-6
A0G6192900	14-11	A161270600	20-8	A1DU736200	43-5	A1RF517300	38-13	A2XKM10300	52-4
A0G6193100	14-12	A161271000	20-9	A1DU764000	7-5	A1RF517300	105-13	A2XKM10300	74-4
A0G6193200	14-13	A161271100	20-10	A1DU942900	102-4	A1RF620301	68-22	A4EU138000	113-20
A0G6193400	14-14	A161273113	20-11	A1DU946300	120-2	A1RF620301	71-22	A4EU190413	14-23
A0G6193500	14-29	A161273401	20-12	A1DUF62100	63-7	A1RF701700	80-4	A4EU194100	14-24
A0G6193700	14-30	A161273500	20-13	A1DUF62100	67-7	A1RF758100	47-2	A4EU194200	14-25
A0G6193800	14-15	A161273701	20-14	A1DUH11000	16-20	A1RF808600	47-3	A4EU265000	47-4
A0G6193900	14-16	A161273800	20-15	A1DUPJG100	119-20	A1RF809400	43-6	A4EU538400	30-5
A0G6194000	14-17	A161274500	20-16	A1DUR71200	52-3	A1RF815702	8-7	A4EUM60000	5-7
A0G6205000	14-18	A161274600	20-17	A1DUR71600	42-1	A1RF820000	44-10	A4EUM60401	109-5
A0G6205100	14-18	A161275300	19-6	A1DUR71900	39-8	A1RF820000	91-5	A4EUM75800	14-26
A0G6205200	14-18	A161275400	19-7	A1DUR71C00	41-11	A1RF820000	92-8	A4EUM77000	114-18
A0G6205300	14-18	A161275500	19-8	A1DUR71D00	41-12	A1RF820000	98-10	A4EUN28500	14-27
A0G6411200	5-6	A161275600	19-9	A1DUR71J00	70-19	A1RF820000	108-7	A4EUPP0000	119-7
A0G6739300	108-4	A161276000	19-10	A1DUR71J00	73-19	A1RF847400	93-5	A50U101600	9-6
A0G6H06000	14-19	A161276500	19-11	A1DUR71K00	68-21	A1RF863800	99-9	A50U102703	9-7
A0G6M75501	14-20	A161278600	17-4	A1DUR71K00	71-21	A1RF942900	2-6	A50U102800	7-6
A0G6N18400	14-21	A161278900	17-5	A1DUR73500	38-11	A1RF943100	82-2	A50U102900	5-8
A0P0144300	90-7	A161280211	18-5	A1DUR73E00	94-14	A1RF944100	83-5	A50U103200	8-8
A0P0742300	45-2	A161280300	18-6	A1DUR73K00	85-10	A1RF945501	120-3	A50U103301	10-8
A0P0M73100	14-2	A161281100	19-12	A1DUR73P00	94-15	A1RF946000	65-10	A50U103402	8-9
A0TK341300	87-6	A161281300	19-13	A1DUR75200	70-20	A1RFM15100	113-3	A50U103500	8-10
A0TKH00200	24-1	A161281600	18-7	A1DUR75200	73-20	A1RFM51000	46-4	A50U103602	7-7
A0TKH00200	25-1	A161626800	60-2	A1RF168800	3-2	A1RFN28300	14-22	A50U103700	10-9
A0TKH00200	26-1	A161626800	64-2	A1RF214100	76-6	A1RG569900	33-4	A50U103800	10-10
A0TKH00200	27-1	A161M10200	35-9	A1RF214100	77-6	A1RG569900	35-12	A50U104000	12-2
A0U0945401	60-1	A161M50A00	19-14	A1RF214100	78-6	A1RG681400	86-16	A50U104300	13-2
A0U0945501	64-1	A161M50A00	19-23	A1RF214100	79-6	A1RJ732100	40-7	A50U104401	10-11
A0VDM50500	102-3	A161N14000	20-18	A1RF301400	12-1	A1RJ818800	99-10	A50U104500	13-3
A0XV370300	97-3	A161N14201	19-15	A1RF363500	34-6	A1RJ825100	96-4	A50U104600	9-8
A0Y5M15101	11-3	A161R72200	17-7	A1RF363801	34-7	A1RJ825800	96-5	A50U104700	8-11

Parts No.	Page No.	Parts No.	Page No.	Parts No.	Page No.	Parts No.	Page No.	Parts No.	Page No.
A50U104800	111-2	A50U120900	11-10	A50U127400	5-22	A50U133901	114-5	A50U164200	2-19
A50U104901	7-8	A50U121003	5-10	A50U127500	6-13	A50U134701	114-6	A50U164801	2-20
A50U105000	13-4	A50U121300	5-11	A50U127800	6-14	A50U134801	114-7	A50U164901	2-21
A50U105100	8-12	A50U121500	21-1	A50U127901	5-23	A50U136000	110-4	A50U165500	2-22
A50U105201	8-13	A50U121601	5-12	A50U128000	6-15	A50U136302	114-8	A50U165600	2-23
A50U105600	8-14	A50U121800	11-11	A50U128700	6-16	A50U136403	110-5	A50U166100	2-24
A50U105800	9-9	A50U121900	11-12	A50U128800	11-21	A50U136501	9-12	A50U166200	2-25
A50U106300	10-12	A50U122000	10-14	A50U128900	11-22	A50U160101	2-7	A50U166800	28-8
A50U106300	13-5	A50U122103	5-13	A50U129100	11-23	A50U160200	2-8	A50U167201	2-26
A50U106502	11-4	A50U122400	112-9	A50U129200	8-24	A50U160303	2-9	A50U167301	3-9
A50U106600	11-5	A50U122701	12-3	A50U129300	11-24	A50U160401	82-3	A50U167500	2-27
A50U106700	11-6	A50U122800	10-15	A50U129401	11-25	A50U160500	2-10	A50U167601	2-28
A50U106800	7-9	A50U122900	11-13	A50U129801	11-26	A50U160600	2-11	A50U167801	4-9
A50U107000	9-10	A50U123200	6-2	A50U130300	114-3	A50U160701	60-3	A50U167901	5-25
A50U107101	9-11	A50U123300	6-3	A50U130502	113-4	A50U160801	64-3	A50U168002	120-4
A50U107501	8-15	A50U123400	6-4	A50U131002	111-3	A50U160900	2-12	A50U168801	5-26
A50U107600	8-16	A50U123500	6-5	A50U131100	112-10	A50U161001	3-3	A50U168901	5-27
A50U107800	8-17	A50U123600	6-6	A50U131200	112-11	A50U161102	3-7	A50U169002	52-5
A50U107901	11-7	A50U123700	5-14	A50U131300	112-12	A50U161401	3-8	A50U169300	5-28
A50U108001	11-8	A50U123800	5-15	A50U131400	111-4	A50U161501	2-13	A50U169501	5-29
A50U108200	11-9	A50U123900	6-7	A50U131502	109-8	A50U161601	2-14	A50U169602	52-6
A50U108900	7-10	A50U124000	6-8	A50U131600	109-9	A50U161700	2-15	A50U169900	2-29
A50U109100	6-1	A50U124100	5-16	A50U131700	109-10	A50U161800	2-16	A50U175001	3-6
A50U109201	75-8	A50U124900	5-17	A50U131800	109-11	A50U161900	2-17	A50U179000	28-9
A50U109201	112-5	A50U125000	11-14	A50U131900	111-5	A50U162005	1-1	A50U179500	5-30
A50U109300	75-9	A50U125101	11-15	A50U132100	112-13	A50U162102	1-2	A50U210600	76-7
A50U109400	8-18	A50U125200	5-18	A50U132301	110-3	A50U162200	1-3	A50U210600	77-7
A50U109600	8-19	A50U125500	11-16	A50U132400	109-12	A50U162301	1-4	A50U210600	78-7
A50U109700	8-20	A50U125600	11-17	A50U132600	112-14	A50U162400	3-4	A50U210600	79-7
A50U109800	8-21	A50U125800	11-18	A50U132701	11-27	A50U162503	1-5	A50U212100	76-8
A50U109900	8-22	A50U125901	5-19	A50U132800	11-28	A50U162701	1-6	A50U212100	77-8
A50U110000	10-13	A50U126200	6-9	A50U133001	111-6	A50U162803	1-7	A50U212100	78-8
A50U112901	75-10	A50U126300	11-19	A50U133101	111-7	A50U162900	1-8	A50U212100	79-8
A50U112901	112-6	A50U126400	11-20	A50U133201	7-11	A50U163506	4-5	A50U212600	76-9
A50U120100	109-6	A50U126500	5-20	A50U133302	113-21	A50U163603	4-6	A50U212600	77-9
A50U120200	109-7	A50U126600	5-21	A50U133400	114-4	A50U163700	4-7	A50U212600	78-9
A50U120300	8-23	A50U126800	6-10	A50U133500	113-22	A50U163800	4-8	A50U212600	79-9
A50U120600	5-9	A50U127000	12-4	A50U133600	113-23	A50U163903	3-5	A50U220501	52-7
A50U120700	112-7	A50U127200	6-11	A50U133700	109-13	A50U164000	5-24	A50U220600	53-4
A50U120800	112-8	A50U127300	6-12	A50U133800	109-14	A50U164100	2-18	A50U220700	53-5

Parts No.	Page No.	Parts No.	Page No.	Parts No.	Page No.	Parts No.	Page No.	Parts No.	Page No.
A50U221500	52-8	A50U337400	53-9	A50U344100	54-18	A50U374501	27-5	A50U421000	32-11
A50U221701	52-9	A50U340301	55-4	A50U344200	54-19	A50U376002	24-6	A50U440301	29-13
A50U221800	53-6	A50U340301	56-4	A50U344500	54-20	A50U376002	25-6	A50U440601	29-14
A50U222000	53-7	A50U340301	57-4	A50U360700	35-14	A50U376002	26-6	A50U442100	28-15
A50U252100	74-5	A50U340301	58-4	A50U361200	35-15	A50U376002	27-6	A50U462101	55-8
A50U252300	74-6	A50U340501	54-5	A50U361401	35-16	A50U376801	24-7	A50U462101	56-8
A50U252400	74-7	A50U340700	8-25	A50U361900	33-5	A50U376801	25-7	A50U462101	57-8
A50U252500	74-8	A50U340900	54-6	A50U362200	35-17	A50U376801	26-7	A50U462101	58-12
A50U252600	74-9	A50U341000	52-10	A50U362300	33-6	A50U376801	27-7	A50U462201	55-9
A50U252700	74-10	A50U341200	58-5	A50U363200	34-8	A50U377201	24-8	A50U462201	56-9
A50U252800	74-11	A50U341300	54-7	A50U363300	33-7	A50U377201	25-8	A50U462201	57-9
A50U269000	3-10	A50U341401	54-8	A50U363400	34-9	A50U377201	26-8	A50U462201	58-13
A50U269000	120-12	A50U341600	54-9	A50U363701	34-10	A50U377201	27-8	A50U462400	55-10
A50U308100	12-5	A50U341800	6-17	A50U363900	9-14	A50U377301	24-9	A50U462400	56-10
A50U308200	12-6	A50U341900	55-5	A50U365400	33-8	A50U377301	25-9	A50U462400	57-10
A50U308300	12-7	A50U341900	56-5	A50U365600	35-18	A50U377301	26-9	A50U462400	58-14
A50U308400	12-8	A50U341900	57-5	A50U365800	35-19	A50U377301	27-9	A50U462501	55-11
A50U308500	12-9	A50U341900	58-6	A50U366601	9-15	A50U400501	32-5	A50U462501	56-11
A50U314300	12-10	A50U342000	55-6	A50U366800	34-11	A50U400600	28-11	A50U462501	57-11
A50U314800	9-13	A50U342000	56-6	A50U367001	35-20	A50U400900	28-12	A50U462501	58-15
A50U318101	21-2	A50U342000	57-6	A50U367100	34-12	A50U401200	32-6	A50U462600	55-12
A50U318201	21-3	A50U342000	58-7	A50U367400	34-13	A50U401301	32-7	A50U462600	56-12
A50U318300	21-4	A50U342200	6-18	A50U368000	9-16	A50U401401	28-13	A50U462600	57-12
A50U318500	12-11	A50U342300	55-7	A50U368400	34-14	A50U404000	31-7	A50U462600	58-16
A50U318601	12-12	A50U342300	56-7	A50U369900	34-15	A50U404200	31-8	A50U462700	55-13
A50U318700	21-5	A50U342300	57-7	A50U372901	24-2	A50U404600	31-9	A50U462700	56-13
A50U318700	28-10	A50U342300	58-8	A50U372901	25-2	A50U406400	31-10	A50U462700	57-13
A50U318800	12-13	A50U342400	6-19	A50U372901	26-2	A50U407300	13-6	A50U462700	58-17
A50U318900	21-6	A50U342502	54-10	A50U372901	27-2	A50U407600	32-8	A50U462801	55-14
A50U319301	21-7	A50U342600	54-11	A50U373100	24-3	A50U408100	28-14	A50U462801	56-14
A50U333500	23-1	A50U342900	8-26	A50U373100	25-3	A50U408501	29-8	A50U462801	57-14
A50U333600	23-2	A50U343000	54-12	A50U373100	26-3	A50U408600	29-9	A50U462801	58-18
A50U335600	54-2	A50U343100	58-9	A50U373100	27-3	A50U408700	29-10	A50U462900	55-15
A50U335600	55-3	A50U343301	58-10	A50U374102	24-4	A50U408900	29-11	A50U462900	56-15
A50U335600	56-3	A50U343400	54-13	A50U374102	25-4	A50U410200	29-12	A50U462900	57-15
A50U335600	57-3	A50U343500	54-14	A50U374102	26-4	A50U420300	31-11	A50U462900	58-19
A50U335600	58-3	A50U343600	54-15	A50U374102	27-4	A50U420400	32-9	A50U463000	55-16
A50U337101	53-8	A50U343700	58-11	A50U374501	24-5	A50U420800	32-10	A50U463000	56-16
A50U337200	54-3	A50U343800	54-16	A50U374501	25-5	A50U420900	31-12	A50U463000	57-16
A50U337300	54-4	A50U343900	54-17	A50U374501	26-5	A50U421000	31-13	A50U463000	58-20

Parts No.	Page No.	Parts No.	Page No.	Parts No.	Page No.	Parts No.	Page No.	Parts No.	Page No.
A50U463100	55-17	A50U506300	37-11	A50U523200	84-22	A50U622300	62-20	A50U627002	64-4
A50U463100	56-17	A50U506500	54-22	A50U523400	84-23	A50U622400	62-21	A50U627200	64-5
A50U463100	57-17	A50U506701	38-28	A50U524100	84-24	A50U622400	66-17	A50U627501	62-29
A50U463100	58-21	A50U506900	39-17	A50U524500	84-25	A50U622600	61-10	A50U627501	66-24
A50U500401	38-14	A50U507000	38-29	A50U524600	84-26	A50U622600	65-12	A50U627601	61-17
A50U500800	37-6	A50U507600	39-18	A50U524700	84-27	A50U622802	61-11	A50U627601	65-18
A50U501201	39-9	A50U507801	39-19	A50U525900	59-2	A50U622802	65-13	A50U627701	61-18
A50U501401	40-10	A50U507900	39-20	A50U531400	41-13	A50U623201	62-22	A50U627701	65-19
A50U501702	40-12	A50U508001	39-21	A50U531500	41-14	A50U623201	66-18	A50U628001	10-18
A50U501900	39-10	A50U508102	39-22	A50U531601	41-15	A50U623300	62-23	A50U628100	62-30
A50U502100	40-13	A50U508301	7-12	A50U560900	69-25	A50U623300	66-19	A50U628200	61-19
A50U502500	38-15	A50U508600	37-12	A50U560900	72-25	A50U623600	62-24	A50U628200	63-12
A50U502600	38-16	A50U508800	37-13	A50U561200	69-26	A50U623701	62-25	A50U628200	65-20
A50U502700	40-16	A50U509100	38-30	A50U561200	72-26	A50U623900	66-20	A50U628200	67-13
A50U502801	54-21	A50U509200	40-24	A50U562400	69-27	A50U624000	9-17	A50U628300	63-13
A50U502900	40-17	A50U509300	7-13	A50U562400	72-27	A50U624113	10-16	A50U628300	67-14
A50U503001	40-18	A50U510100	39-23	A50U564500	69-28	A50U624201	66-21	A50U628400	62-31
A50U503200	39-11	A50U510200	39-24	A50U564500	72-28	A50U624300	10-17	A50U628400	66-25
A50U503300	40-19	A50U510400	7-14	A50U565100	69-29	A50U624503	9-18	A50U629001	65-21
A50U503500	40-20	A50U515200	42-2	A50U565100	72-29	A50U624600	63-9	A50U629100	75-11
A50U503600	37-7	A50U515500	42-3	A50U620602	62-11	A50U624600	67-10	A50U629202	65-22
A50U503700	37-8	A50U516800	42-4	A50U620701	67-8	A50U624700	63-10	A50U629300	61-20
A50U503900	38-17	A50U516900	42-5	A50U620801	62-12	A50U624700	67-11	A50U629401	67-15
A50U504000	38-18	A50U517000	42-6	A50U620801	66-11	A50U624904	9-19	A50U629502	63-14
A50U504400	38-19	A50U517100	42-7	A50U620902	62-13	A50U625000	61-12	A50U629502	67-16
A50U504500	38-20	A50U517300	38-31	A50U621001	61-9	A50U625100	63-11	A50U629702	63-15
A50U504600	38-21	A50U520001	59-1	A50U621001	65-11	A50U625100	67-12	A50U629702	67-17
A50U504700	38-22	A50U520401	84-7	A50U621200	63-8	A50U625400	62-26	A50U629801	63-16
A50U505000	38-23	A50U520601	84-8	A50U621200	67-9	A50U625500	62-27	A50U629801	67-18
A50U505100	38-24	A50U520700	84-9	A50U621301	62-14	A50U625701	61-13	A50U629901	63-17
A50U505200	37-9	A50U520900	84-10	A50U621301	66-12	A50U625701	65-14	A50U630203	61-21
A50U505300	38-25	A50U521301	84-13	A50U621400	62-15	A50U626000	66-22	A50U630203	65-23
A50U505401	39-12	A50U521500	84-14	A50U621400	66-13	A50U626100	62-28	A50U630602	66-26
A50U505500	39-13	A50U521900	84-15	A50U621800	62-16	A50U626100	66-23	A50U630701	63-18
A50U505601	39-14	A50U522001	84-16	A50U621900	62-17	A50U626502	61-14	A50U630902	66-27
A50U505700	39-15	A50U522400	84-17	A50U621900	66-14	A50U626502	65-15	A50U631000	66-28
A50U505800	39-16	A50U522500	84-18	A50U622001	62-18	A50U626601	61-15	A50U631100	66-29
A50U505901	38-26	A50U522900	84-19	A50U622001	66-15	A50U626601	65-16	A50U631200	65-24
A50U506101	38-27	A50U523001	84-20	A50U622101	62-19	A50U626702	61-16	A50U631300	65-25
A50U506200	37-10	A50U523100	84-21	A50U622101	66-16	A50U626702	65-17	A50U631500	66-30

Parts No.	Page No.	Parts No.	Page No.	Parts No.	Page No.	Parts No.	Page No.	Parts No.	Page No.
A50U631600	65-26	A50U642000	66-38	A50U711602	103-11	A50U716400	103-25	A50U728301	49-16
A50U631700	66-31	A50U642300	47-5	A50U712001	102-5	A50U716500	59-3	A50U728401	48-11
A50U631800	66-32	A50U642300	67-20	A50U712200	90-8	A50U716500	84-28	A50U728500	48-12
A50U631900	66-33	A50U642300	98-11	A50U712200	103-12	A50U716500	90-15	A50U728700	51-9
A50U632300	66-34	A50U700101	80-5	A50U712300	90-9	A50U716500	103-26	A50U728800	48-13
A50U633002	60-4	A50U700200	81-10	A50U712300	103-13	A50U717001	102-6	A50U729000	51-10
A50U633002	64-6	A50U700300	81-11	A50U712400	90-10	A50U717100	102-7	A50U730125	49-17
A50U633100	60-5	A50U700400	81-12	A50U712400	103-14	A50U717200	102-8	A50U730525	49-18
A50U633100	64-7	A50U700500	81-13	A50U712700	103-15	A50U717901	101-17	A50U730600	49-19
A50U633200	60-6	A50U700600	81-14	A50U713000	101-10	A50U718200	102-9	A50U730700	49-20
A50U633200	64-8	A50U700901	80-6	A50U713100	103-16	A50U718300	102-10	A50U730900	48-14
A50U633301	60-7	A50U701000	81-15	A50U713200	101-11	A50U718400	90-16	A50U731002	48-15
A50U633400	60-8	A50U701113	80-7	A50U713300	87-7	A50U718400	103-27	A50U731102	48-16
A50U633400	64-9	A50U701303	80-8	A50U713401	87-8	A50U718500	90-17	A50U731501	51-11
A50U633601	64-10	A50U704400	81-16	A50U713500	87-9	A50U718500	103-28	A50U731700	7-15
A50U633702	60-9	A50U704700	81-17	A50U713600	101-12	A50U719200	101-18	A50U731900	7-16
A50U633702	64-11	A50U704801	81-18	A50U713700	87-10	A50U719300	102-11	A50U732000	51-12
A50U633800	60-10	A50U704900	81-19	A50U713800	87-11	A50U719400	102-12	A50U732100	44-11
A50U633800	64-12	A50U705000	81-20	A50U713900	87-12	A50U719800	101-19	A50U732200	43-7
A50U633900	60-11	A50U705100	80-9	A50U714200	103-17	A50U720123	49-7	A50U732300	43-8
A50U633900	64-13	A50U705200	80-10	A50U714300	101-13	A50U720501	49-8	A50U732400	43-9
A50U634200	10-19	A50U705400	81-21	A50U714400	101-14	A50U721201	51-3	A50U732500	43-10
A50U634300	60-12	A50U705500	81-22	A50U714500	103-18	A50U721502	51-4	A50U733001	49-21
A50U634300	64-14	A50U705600	81-23	A50U714600	90-11	A50U721601	49-9	A50U733101	49-22
A50U634400	60-13	A50U705701	80-11	A50U714600	103-19	A50U722100	48-5	A50U733402	48-17
A50U634400	64-15	A50U706000	80-12	A50U714800	87-13	A50U722202	48-6	A50U733500	48-18
A50U635400	66-35	A50U706800	81-24	A50U714900	87-14	A50U722301	51-5	A50U733712	49-23
A50U635500	66-36	A50U706900	80-13	A50U715002	87-15	A50U722700	51-6	A50U734100	113-5
A50U637002	60-14	A50U707001	81-25	A50U715100	87-16	A50U722800	51-7	A50U737201	7-17
A50U637600	63-19	A50U707300	81-26	A50U715200	87-17	A50U723100	49-10	A50U737302	113-6
A50U637700	63-20	A50U707400	81-27	A50U715300	90-12	A50U723812	48-7	A50U737401	113-7
A50U640100	67-19	A50U707600	80-14	A50U715300	103-20	A50U723911	48-8	A50U737601	113-8
A50U640200	10-20	A50U710101	101-7	A50U715400	92-9	A50U724102	49-11	A50U737700	113-9
A50U640400	10-21	A50U710300	103-6	A50U715600	90-13	A50U725001	49-12	A50U737800	7-18
A50U640700	66-37	A50U710901	103-7	A50U715600	103-21	A50U725200	48-9	A50U738001	7-19
A50U640800	62-32	A50U711001	103-8	A50U715800	90-14	A50U726300	49-13	A50U738100	7-20
A50U641500	61-22	A50U711101	101-8	A50U715800	103-23	A50U726401	49-14	A50U738201	51-13
A50U641500	65-27	A50U711200	103-9	A50U715900	101-15	A50U726611	48-10	A50U738300	51-14
A50U641600	10-22	A50U711300	103-10	A50U716200	101-16	A50U726800	49-15	A50U738400	51-15
A50U642000	62-33	A50U711400	101-9	A50U716301	103-24	A50U727600	51-8	A50U738500	51-16

Parts No.	Page No.	Parts No.	Page No.	Parts No.	Page No.	Parts No.	Page No.	Parts No.	Page No.
A50U738600	51-17	A50U746400	44-22	A50U756300	46-15	A50U785000	47-11	A50U804001	96-15
A50U738700	51-18	A50U746500	50-10	A50U756300	49-30	A50U785400	49-33	A50U804200	96-16
A50U738801	51-19	A50U746700	47-8	A50U756500	43-30	A50U785500	49-34	A50U804701	97-16
A50U738900	7-21	A50U746800	46-7	A50U757000	43-31	A50U786100	48-19	A50U805200	97-17
A50U739000	7-22	A50U747101	47-9	A50U757100	43-32	A50U787003	47-12	A50U805300	96-17
A50U739200	51-20	A50U747200	44-23	A50U758201	46-16	A50U787500	45-7	A50U810300	89-15
A50U739400	7-23	A50U747300	44-24	A50U760300	50-12	A50U787600	45-8	A50U810400	89-16
A50U739500	51-21	A50U747803	46-8	A50U760400	50-13	A50U787700	46-18	A50U810502	85-11
A50U739811	49-24	A50U747900	46-9	A50U760600	50-14	A50U788000	47-13	A50U811300	13-7
A50U739900	49-25	A50U748200	46-10	A50U760701	50-15	A50U788101	47-14	A50U811500	13-8
A50U741700	46-5	A50U748403	43-20	A50U760802	50-16	A50U788601	46-19	A50U812100	85-12
A50U741800	46-6	A50U748504	44-25	A50U761000	50-17	A50U788900	46-20	A50U812202	86-17
A50U742000	47-6	A50U748701	50-11	A50U761100	50-18	A50U789100	46-21	A50U813700	13-9
A50U742300	43-11	A50U749200	44-26	A50U761200	50-19	A50U792901	47-15	A50U814401	88-4
A50U742400	44-12	A50U749300	44-27	A50U761300	50-20	A50U794800	47-16	A50U814500	88-5
A50U742800	43-12	A50U749401	113-10	A50U761400	50-21	A50U799200	47-17	A50U815101	88-6
A50U742901	43-13	A50U749502	113-11	A50U761500	50-22	A50U799601	47-18	A50U815800	89-17
A50U743000	43-14	A50U749600	113-12	A50U761601	50-23	A50U799700	47-19	A50U816103	85-13
A50U743100	43-15	A50U749700	113-13	A50U761700	50-24	A50U799800	47-20	A50U816301	90-18
A50U743200	43-16	A50U749801	113-14	A50U761800	50-25	A50U800100	97-4	A50U816403	92-10
A50U743301	44-13	A50U750500	43-21	A50U761900	50-26	A50U800300	96-6	A50U816700	90-19
A50U743501	49-26	A50U750600	43-22	A50U762000	50-27	A50U800400	96-7	A50U816801	90-20
A50U743600	44-14	A50U751002	43-23	A50U762100	50-28	A50U800700	96-8	A50U816900	90-21
A50U743700	44-15	A50U751101	43-24	A50U762200	50-29	A50U800800	96-9	A50U817001	84-29
A50U743800	44-16	A50U751200	43-25	A50U762300	50-30	A50U801400	96-10	A50U817300	86-18
A50U743900	44-17	A50U751301	43-26	A50U762400	50-31	A50U801500	96-11	A50U817300	98-12
A50U744000	49-27	A50U752000	44-28	A50U762912	51-22	A50U801602	96-12	A50U817400	85-14
A50U744100	49-28	A50U752200	44-29	A50U763000	51-23	A50U802002	96-13	A50U817601	90-22
A50U744300	44-18	A50U752300	44-30	A50U763100	51-24	A50U802100	97-5	A50U817700	13-10
A50U744400	49-29	A50U752600	43-27	A50U763211	51-25	A50U802211	96-14	A50U817800	90-23
A50U744601	44-19	A50U752700	46-11	A50U763300	51-26	A50U802700	97-6	A50U818000	85-15
A50U744700	47-7	A50U753100	113-15	A50U763400	51-27	A50U802801	97-7	A50U818100	85-16
A50U744912	44-20	A50U754700	44-31	A50U763511	51-28	A50U802900	97-8	A50U818201	90-24
A50U745100	45-3	A50U754901	47-10	A50U763600	51-29	A50U803101	97-9	A50U818400	90-25
A50U745302	43-17	A50U755000	45-6	A50U763800	50-32	A50U803300	97-10	A50U818501	86-19
A50U745500	44-21	A50U755100	46-12	A50U763900	50-33	A50U803400	97-11	A50U818601	90-26
A50U745600	43-18	A50U755301	46-13	A50U764000	51-30	A50U803500	97-12	A50U818700	82-4
A50U745700	43-19	A50U755800	46-14	A50U765000	49-31	A50U803600	97-13	A50U818800	82-5
A50U745802	45-4	A50U755900	43-28	A50U765500	46-17	A50U803700	97-14	A50U818900	82-6
A50U746200	45-5	A50U756001	43-29	A50U783400	49-32	A50U803800	97-15	A50U819201	82-7

Parts No.	Page No.
A50U819302	82-8
A50U819500	83-6
A50U819600	98-13
A50U819700	87-18
A50U819812	88-7
A50U819900	88-8
A50U830200	86-20
A50U830300	86-21
A50U830400	86-22
A50U830500	86-23
A50U830600	86-24
A50U830700	86-25
A50U830800	86-26
A50U831000	86-27
A50U831100	86-28
A50U831200	86-29
A50U831300	88-9
A50U831400	89-18
A50U831900	86-30
A50U832100	8-27
A50U832201	10-23
A50U832600	89-19
A50U832700	89-20
A50U832901	82-9
A50U833000	8-28
A50U833400	90-27
A50U833500	90-28
A50U834200	89-21
A50U834302	98-14
A50U834500	90-29
A50U834600	90-30
A50U834700	90-31
A50U834802	84-30
A50U835001	82-10
A50U835301	85-17
A50U835400	85-18
A50U835601	87-19
A50U835900	85-19
A50U836000	85-20
A50U836100	87-20

Parts No.	Page No.
A50U836200	90-32
A50U836300	88-10
A50U836400	85-21
A50U836500	85-22
A50U836801	92-11
A50U837001	82-11
A50U837101	82-12
A50U837300	82-13
A50U837700	88-11
A50U838500	88-12
A50U838700	88-13
A50U838800	98-15
A50U839100	85-23
A50U839200	85-24
A50U839200	86-31
A50U839900	83-7
A50U840303	91-6
A50U840400	95-11
A50U840704	93-6
A50U840802	91-7
A50U841100	94-16
A50U841301	95-12
A50U841402	91-8
A50U841501	93-7
A50U841600	93-8
A50U841700	95-13
A50U841800	95-14
A50U841901	93-9
A50U842000	94-17
A50U842300	94-18
A50U842900	83-8
A50U842900	95-15
A50U843601	95-16
A50U843801	95-17
A50U843900	89-22
A50U844100	89-23
A50U844400	95-18
A50U844501	95-19
A50U844601	95-20
A50U844800	93-10

Parts No.	Page No.
A50U845400	94-19
A50U846000	95-21
A50U846102	91-9
A50U846304	91-10
A50U847200	94-20
A50U848000	93-11
A50U848302	93-12
A50U849100	86-32
A50U849200	86-33
A50U850201	94-21
A50U850201	95-22
A50U850700	92-12
A50U851400	91-11
A50U851500	91-12
A50U851500	92-13
A50U851700	91-13
A50U851800	91-14
A50U851800	92-14
A50U851901	92-15
A50U852000	91-15
A50U852101	92-16
A50U852200	92-17
A50U852300	92-18
A50U852400	92-19
A50U852500	91-16
A50U852500	92-20
A50U852701	91-17
A50U852904	91-18
A50U853001	91-19
A50U853100	92-21
A50U853200	91-20
A50U853200	92-22
A50U853400	95-23
A50U853700	91-21
A50U854100	95-24
A50U854200	91-22
A50U854302	91-23
A50U854400	91-24
A50U854600	66-39
A50U854600	92-23

Parts No.	Page No.
A50U854800	91-25
A50U854800	93-13
A50U855200	9-20
A50U855601	93-14
A50U855702	82-14
A50U855800	84-31
A50U855900	85-25
A50U856201	91-26
A50U856501	95-25
A50U858101	84-32
A50U858200	82-15
A50U858300	82-16
A50U858400	82-17
A50U858500	82-18
A50U858600	85-26
A50U858702	92-24
A50U859000	86-34
A50U859400	86-35
A50U859500	91-27
A50U859800	91-28
A50U859900	94-22
A50U860104	98-16
A50U860202	99-11
A50U860501	98-17
A50U860600	99-12
A50U861004	98-18
A50U861100	99-13
A50U861601	99-14
A50U861800	98-19
A50U861900	100-3
A50U862600	100-4
A50U863000	100-5
A50U863100	2-30
A50U864200	99-15
A50U864300	99-16
A50U865011	100-6
A50U865101	99-17
A50U865200	100-7
A50U865300	98-20
A50U865401	99-18

Parts No.	Page No.
A50U865601	99-19
A50U865703	98-21
A50U865901	98-22
A50U866400	98-24
A50U866900	98-25
A50U867100	99-20
A50U867200	98-26
A50U867312	98-27
A50U867400	98-28
A50U867500	98-29
A50U867600	98-30
A50U867700	99-21
A50U867800	98-31
A50U868000	99-22
A50U868200	100-8
A50U868301	100-9
A50U868401	99-23
A50U868500	100-10
A50U868600	100-11
A50U868702	99-24
A50U869100	100-12
A50U869300	99-25
A50U869400	98-32
A50U869501	98-33
A50U869601	99-26
A50U869700	99-27
A50U869800	99-28
A50U880103	91-29
A50U880201	93-15
A50U880701	85-27
A50U880800	90-33
A50U880900	90-34
A50U880900	103-29
A50U881300	91-30
A50U881400	91-31
A50U881500	8-29
A50U881601	90-35
A50U881700	90-36
A50U882100	90-37
A50U882100	92-25

Parts No.	Page No.	Parts No.	Page No.	Parts No.	Page No.	Parts No.	Page No.	Parts No.	Page No.
A50U882300	87-21	A50U891500	105-22	A50U946501	2-32	A50UM45200	110-6	A50UN16101	88-15
A50U882401	101-20	A50U891600	105-23	A50U948001	52-11	A50UM50100	42-9	A50UN16300	94-24
A50U882600	87-22	A50U891900	105-24	A50U949600	5-32	A50UM50200	42-10	A50UN16400	94-25
A50U882701	83-9	A50U892001	105-25	A50U949600	43-34	A50UM50600	48-21	A50UN16500	87-29
A50U882801	83-10	A50U892101	105-26	A50U949600	52-12	A50UM51000	8-30	A50UN16600	102-14
A50U882900	92-26	A50U892201	104-12	A50U949700	52-13	A50UM51000	28-17	A50UN16700	102-15
A50U883001	92-27	A50U892502	104-13	A50U949700	53-10	A50UM51000	34-17	A50UN16800	102-16
A50U883101	92-28	A50U892801	105-27	A50U949700	54-24	A50UM51000	81-28	A50UN16900	88-16
A50U883200	92-29	A50U892911	105-28	A50UF12000	5-33	A50UM51000	107-3	A50UN17100	96-20
A50U883300	87-23	A50U893201	105-29	A50UF16000	2-33	A50UM60300	5-34	A50UN17200	85-32
A50U883400	92-30	A50U893300	104-14	A50UF16101	2-34	A50UN10903	43-35	A50UN17400	111-10
A50U883501	87-24	A50U894000	105-30	A50UF16201	2-35	A50UN11011	48-23	A50UN17502	100-13
A50U883600	90-38	A50U895000	104-15	A50UF16301	2-36	A50UN11701	109-16	A50UN17601	99-31
A50U883600	92-31	A50U895101	104-16	A50UF16400	2-37	A50UN11801	34-18	A50UN17700	97-20
A50U883701	92-32	A50U899700	105-31	A50UF21100	76-11	A50UN12000	34-19	A50UN17900	90-45
A50U884000	92-33	A50U899801	105-32	A50UF21100	77-11	A50UN12101	28-18	A50UN18100	92-41
A50U884202	83-11	A50U941600	3-11	A50UF21100	78-11	A50UN12203	32-12	A50UN18201	87-30
A50U884300	92-34	A50U943200	90-43	A50UF36500	33-12	A50UN12401	52-15	A50UN18401	99-32
A50U884600	84-33	A50U943300	103-30	A50UF41500	28-16	A50UN12500	54-26	A50UN18700	82-23
A50U884700	84-34	A50U943400	101-21	A50UF50700	7-26	A50UN12602	5-35	A50UN18801	85-33
A50U885100	85-28	A50U943501	43-33	A50UF70800	80-15	A50UN12702	117-1	A50UN18900	87-31
A50U886300	90-39	A50U943600	99-29	A50UF70900	80-16	A50UN12900	111-9	A50UN20001	42-11
A50U886700	92-35	A50U943700	50-34	A50UF80404	97-19	A50UN13201	39-25	A50UN23200	111-11
A50U886800	91-32	A50U943800	98-34	A50UF80500	96-18	A50UN13203	39-25	A50UN23300	111-12
A50U886900	92-36	A50U943900	95-26	A50UF81401	87-28	A50UN13600	10-24	A50UN23400	111-13
A50U887100	90-40	A50U944000	93-16	A50UF82200	85-29	A50UN14001	67-22	A50UN23500	111-14
A50U887200	90-41	A50U944200	82-19	A50UF83702	83-12	A50UN14100	63-22	A50UN23600	111-15
A50U887300	90-42	A50U944301	5-31	A50UF84100	93-17	A50UN14201	69-30	A50UN23700	111-16
A50U890102	105-14	A50U944900	2-31	A50UF84800	94-23	A50UN14201	72-30	A50UN23800	111-17
A50U890201	105-15	A50U945300	62-34	A50UM15300	7-28	A50UN14400	81-29	A50UN23900	111-18
A50U890300	105-16	A50U945300	66-40	A50UM15300	104-17	A50UN15001	85-30	A50UN24100	111-19
A50U890402	105-17	A50U945601	54-23	A50UM15401	11-30	A50UN15101	112-17	A50UN24200	111-20
A50U890500	104-9	A50U945700	60-15	A50UM30101	55-18	A50UN15201	105-34	A50UN24300	111-21
A50U890600	105-18	A50U945700	64-16	A50UM30101	56-18	A50UN15301	104-18	A50UN24400	112-18
A50U890700	105-33	A50U945800	3-12	A50UM30101	57-18	A50UN15400	8-31	A50UN24501	38-33
A50U890802	105-19	A50U946000	61-23	A50UM30101	58-22	A50UN15500	82-22	A50UN24600	112-19
A50U890900	105-20	A50U946300	62-35	A50UM32E00	46-22	A50UN15601	85-31	A50UN24701	38-34
A50U891001	104-10	A50U946300	66-41	A50UM32F00	46-22	A50UN15800	101-23	A50UN24800	112-20
A50U891200	104-11	A50U946400	63-21	A50UM40100	111-8	A50UN15900	92-40	A50UN24901	38-35
A50U891301	105-21	A50U946400	67-21	A50UM40201	112-16	A50UN16000	88-14	A50UN25000	112-21

Parts No.	Page No.
A50UN25200	112-22
A50UN25300	112-23
A50UN25400	85-34
A50UN25500	112-24
A50UN25600	85-35
A50UN27002	12-15
A50UN29012	15-20
A50UN29101	15-21
A50UN29201	114-9
A50UN29900	113-24
A50UPJG100	119-9
A50UPJG200	119-10
A50UPJG300	119-8
A50UPP0100	119-1
A50UR70115	34-16
A50UR70244	24-10
A50UR70244	25-10
A50UR70244	26-10
A50UR70244	27-10
A50UR70311	22-1
A50UR70500	59-4
A50UR70633	36-1
A50UR70A12	11-29
A50UR70B00	59-8
A50UR70D01	103-31
A50UR70E11	45-9
A50UR70F00	48-20
A50UR70G01	82-20
A50UR70H00	12-14
A50UR70K11	41-16
A50UR70Q00	79-10
A50UR70R00	52-14
A50UR70S11	74-12
A50UR70V00	33-9
A50UR70W11	33-10
A50UR70Y11	35-21
A50UR71100	33-11
A50UR71200	35-22
A50UR71411	30-1
A50UR71500	30-1

Parts No.	Page No.
A50UR71711	42-8
A50UR71H00	109-15
A50UR71J00	109-15
A50UR71K00	76-10
A50UR71K00	77-10
A50UR71K00	78-10
A50UR71M00	79-11
A50UR71P22	36-2
A50UR71Q00	59-5
A50UR71R11	59-6
A50UR71S11	59-7
A50UR71U01	13-11
A50UR71V01	13-12
A50UR71W01	13-13
A50UR71X00	7-24
A50UR71Y00	7-25
A50UR72100	38-32
A50UR72200	97-18
A50UR72400	92-37
A50UR72500	92-38
A50UR72600	90-44
A50UR72600	92-39
A50UR72711	99-30
A50UR72811	98-35
A50UR72C00	84-35
A50UR72E00	86-36
A50UR72F00	87-25
A50UR72G00	87-26
A50UR72H00	87-27
A50UR72J00	7-27
A50UR72K00	54-25
A50UR72R00	96-19
A50UR72S00	82-21
A50UR72U11	50-35
A50UR72V00	30-2
A50UR72X01	76-12
A50UR72X01	77-12
A50UR72X01	78-12
A50UR72X01	79-12
A50UR72Y00	45-10

Parts No.	Page No.
A50UR73100	80-17
A50UR73700	109-15
A50UR73D11	51-31
A50UR73F00	112-15
A50UR73J00	40-25
A50UR73K00	40-26
A55C712000	80-18
A5AW510400	108-8
A5AWM15101	7-29
A5AWM15101	106-2
A5AWP00100	119-2
A5C1263300	19-17
A5C1263400	19-18
A5C1280100	18-8
A5C1M10A00	19-19
A5C1M50100	18-9
A5C1M50100	19-20
A5C1N14300	19-21
A5VM400200	29-7
A5VM944500	29-15
A5VM944600	29-16
A5VM944700	29-17
A5VM944800	29-18
A5VMN10101	115-1
A61FM31100	20-19
A61FM90200	18-10
A65U186600	106-3
A782945000	119-18
A795273900	20-20
A795275700	19-22
A796H01A00	18-11
A799H04001	14-28
A799M45300	110-7
A799M72000	113-25
A79JPJP000	119-13
A79JPJP100	119-14
A7PU941701	4-10
A7PUN14600	17-8
A85C102000	10-25
A85C108100	110-8

Parts No.	Page No.
A85C130700	114-10
A85C136200	114-11
A85C137100	113-16
A85C161201	3-13
A85C161300	3-14
A85C163000	4-11
A85C170600	3-15
A85C213100	79-13
A85C409600	29-3
A85C526201	84-7
A85C635200	70-21
A85C635200	73-21
A85C635300	70-22
A85C635300	73-22
A85C635400	69-15
A85C635400	72-15
A85C723600	49-35
A85C727500	50-36
A85C727700	50-37
A85C741600	45-12
A85C741900	47-21
A85C742500	43-36
A85C757801	50-38
A85C758001	50-39
A85C758100	50-40
A85C758300	43-37
A85C758400	47-22
A85C764100	50-41
A85C789200	48-24
A85C789300	48-25
A85C877100	100-14
A85C877200	93-18
A85C895300	108-9
A85C895400	108-10
A85C895500	105-35
A85C895800	108-11
A85C895900	108-12
A85C896000	106-4
A85C896300	108-13
A85C896400	108-14

Parts No.	Page No.
A85C896501	107-23
A85C896600	107-24
A85C896800	108-15
A85C896900	108-16
A85C897201	108-17
A85C897300	108-18
A85C897400	107-4
A85C897700	108-19
A85C897800	108-20
A85C897900	107-5
A85C898000	106-5
A85C898100	107-25
A85C898200	107-26
A85C898300	107-27
A85C898701	107-21
A85C898800	107-22
A85C898900	106-6
A85C899000	108-21
A85C899100	108-22
A85C942100	107-6
A85C942200	120-5
A85C942300	4-12
A85C945900	1-9
A85CF62100	64-17
A85CF63101	60-16
A85CH02002	114-13
A85CH03003	111-22
A85CH05000	85-36
A85CH10003	114-15
A85CM10100	79-14
A85CM10200	76-14
A85CM10200	77-13
A85CM10200	78-13
A85CM31E00	49-37
A85CM31F00	49-37
A85CM40100	107-7
A85CM55500	37-14
A85CM55500	44-32
A85CM55500	54-27
A85CM55500	61-24

Parts No.	Page No.
A85CM55500	63-23
A85CM55500	65-28
A85CM55500	69-31
A85CM55500	72-31
A85CM55500	76-15
A85CM55500	77-14
A85CM55500	78-14
A85CM55500	81-30
A85CM55500	84-36
A85CM55500	87-32
A85CM55500	88-17
A85CM55500	90-46
A85CM55500	92-42
A85CM55500	96-21
A85CM55500	98-36
A85CM55500	99-33
A85CM55500	105-36
A85CM55600	105-37
A85CM90400	114-14
A85CM91100	18-12
A85CN10202	116-1
A85CN10400	116-2
A85CN10601	48-26
A85CN10700	44-33
A85CN10A01	113-17
A85CN10F00	115-1
A85CN11F00	110-9
A85CN12800	7-30
A85CN19000	76-16
A85CN19100	79-15
A85CN21300	107-8
A85CN21400	107-9
A85CN21600	106-7
A85CN21700	107-10
A85CN26500	21-9
A85CN27400	113-18
A85CN27800	18-13
A85CN29700	113-26
A85CN29800	113-27
A85CR70200	43-38

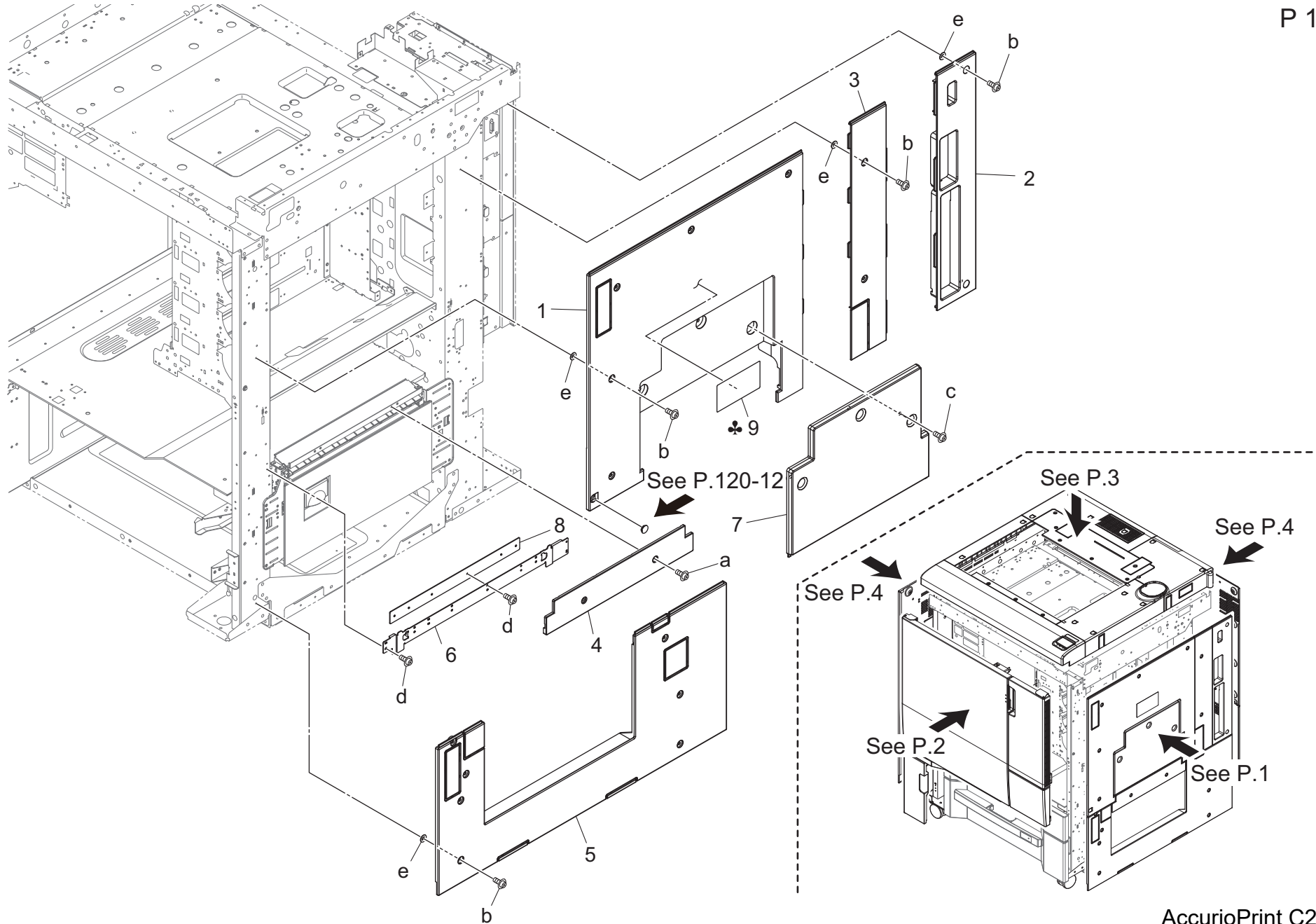
Parts No.	Page No.
A85CR70300	43-38
A85CR70400	112-25
A85CR70700	14-1
A85CR70C00	76-13
A85CR70D11	17-9
A85CR70E00	17-10
A85CR70F00	21-8
A85CR70G00	68-23
A85CR70G00	71-23
A85CR70J00	80-19
A85CR70K11	50-42
A85CR70M00	49-36
A85CR70N11	104-19
A85CR70P33	36-3
A85CR70P33	36-3
A85CR70R11	36-4
A85CR70S00	30-1
A85EH01104	114-12
A8AK100401	106-8
A8AK101201	107-19
A8AK101502	107-17
A8AK101700	107-11
A8AK103200	108-23
A8AK103502	108-24
A8AK103601	108-25
A8AK103702	108-26
A8AK104100	108-27
A8AK106101	104-20
A8AK106200	104-21
A8AK106300	104-22
A8AK106400	104-23
A8AK106800	104-24
A8AK107100	107-12
A8AK107200	104-25
A8AK108001	108-28
A8AK108100	108-29
A8AK108200	108-30
A8AK108302	108-31
A8AK108400	108-32
A8AK108500	108-33

Parts No.	Page No.
A8AK162701	104-26
A8AK941001	120-6
A8AK941200	120-7
A8AK941300	108-34
A8AKN10501	108-36
A8AKR70500	108-35
A8AW106900	107-13
A8AW160401	107-20
A8AW161911	104-27
A8AW162401	107-14
A8AW162500	107-18
A8AW162600	107-15
A8AW941001	107-16
A8WC707100	119-19
A9CU947001	82-24
A9CUN10302	117-2
A9CUN10502	118-1
A9VE500100	38-10
A9VE521100	84-37
A9VE521200	84-38
A9VE715700	103-22
A9VE866100	98-37
A9VE866200	98-23
A9VE867900	98-8
A9VE942600	4-1
A9VE942700	52-16
A9VE949000	50-9
A9VEM55100	102-13
A9VER71000	101-22
SP00-0210	48-22
SP00-0220	45-11
V114040604	120-8
V118045503	8-4
V121030604	120-9
V127030516	120-10
V127030604	120-11
V502010033	44-34
V502010033	110-10
V502010065	114-16
V865300086	114-19

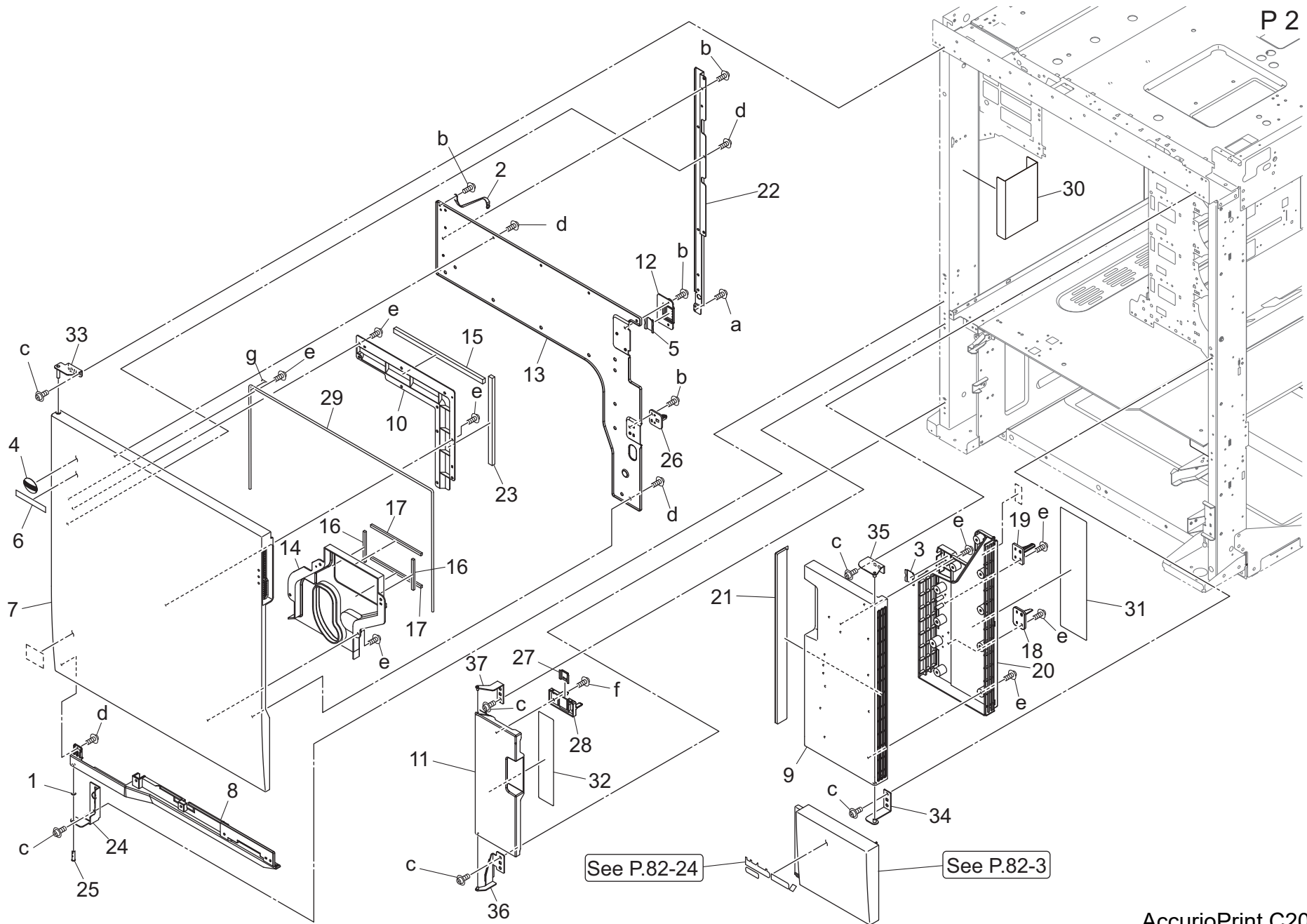
Parts No.	Page No.
V865300088	114-20

External Parts Section

P 1



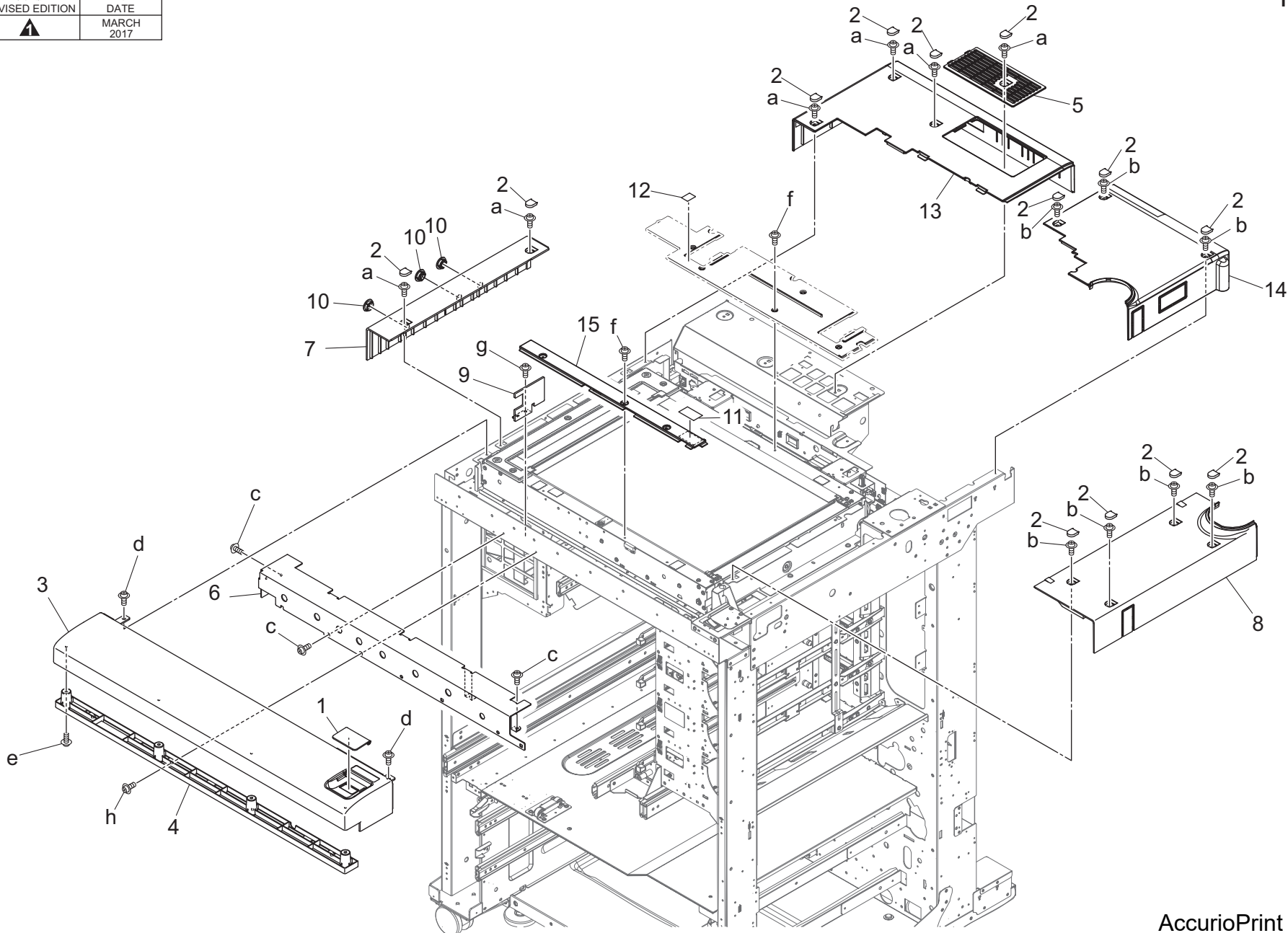
External Parts Section



Key	Part No.	Description	Destinations	Class	QTY	Standard parts
1	40AA30270	DEVELOPING SPACER		C	1	a-V126030603
2	55VA90840	MAIN EARTH WIRE		D	1	b-V127030604
3	56AA12241	EXTERNAL LOCK PLATE		D	1	c-V127040603
4	A03U168500	Indicating Plate		C	1	d-V158030803
5	A03U169900	LOCK PLATE		D	1	e-V158030804
6	A1RF942900	Indicating Plate		D	1	f-V158031003
7	A50U160101	Door /Front		D	1	g-V234201450
8	A50U160200	Door /Lower		D	1	
9	A50U160303	Toner supply Door		D	1	
10	A50U160500	Fixing Plate		D	1	
11	A50U160600	Collection Door		D	1	
12	A50U160900	Holding Part		D	1	
13	A50U161501	Reinforce Door /Right		D	1	
14	A50U161601	Cover Duct /Front		D	1	
15	A50U161700	Sealing Cushion /1		D	1	
16	A50U161800	Sealing Cushion /Right		D	2	
17	A50U161900	Sealing Cushion /Left		D	2	
18	A50U164100	Detecting Actuator		D	1	
19	A50U164200	Detecting Part		D	1	
20	A50U164801	Toner supply Duct		D	1	
21	A50U164901	Suction Dust-proof Filter		B	1	
22	A50U165500	Reinforce Hinge		D	1	
23	A50U165600	Sealing Cushion /2		D	1	
24	A50U166100	Hinge /Lower		D	1	
25	A50U166200	Support Shaft /Lower		D	1	
26	A50U167201	Lock Cover		D	1	
27	A50U167500	Lock Plate		D	1	
28	A50U167601	Detecting Part		D	1	
29	A50U169900	Reinforce Wire		D	1	
30	A50U863100	Sheet		D	1	
31	A50U944900	Toner supply Label		D	1	
32	A50U946501	Operation Label /A		D	1	
33	A50UF16000	Left Door Support Plate / Upper Caulking		D	1	
34	A50UF16101	Right Door Support Plate / Lower Caulkin		D	1	
35	A50UF16201	Right Door Support Plate / Upper Caulkin		D	1	
36	A50UF16301	Collection Box Door Support Plate / L		D	1	
37	A50UF16400	Collection Box Door Support Plate / Upper		D	1	

External Parts Section

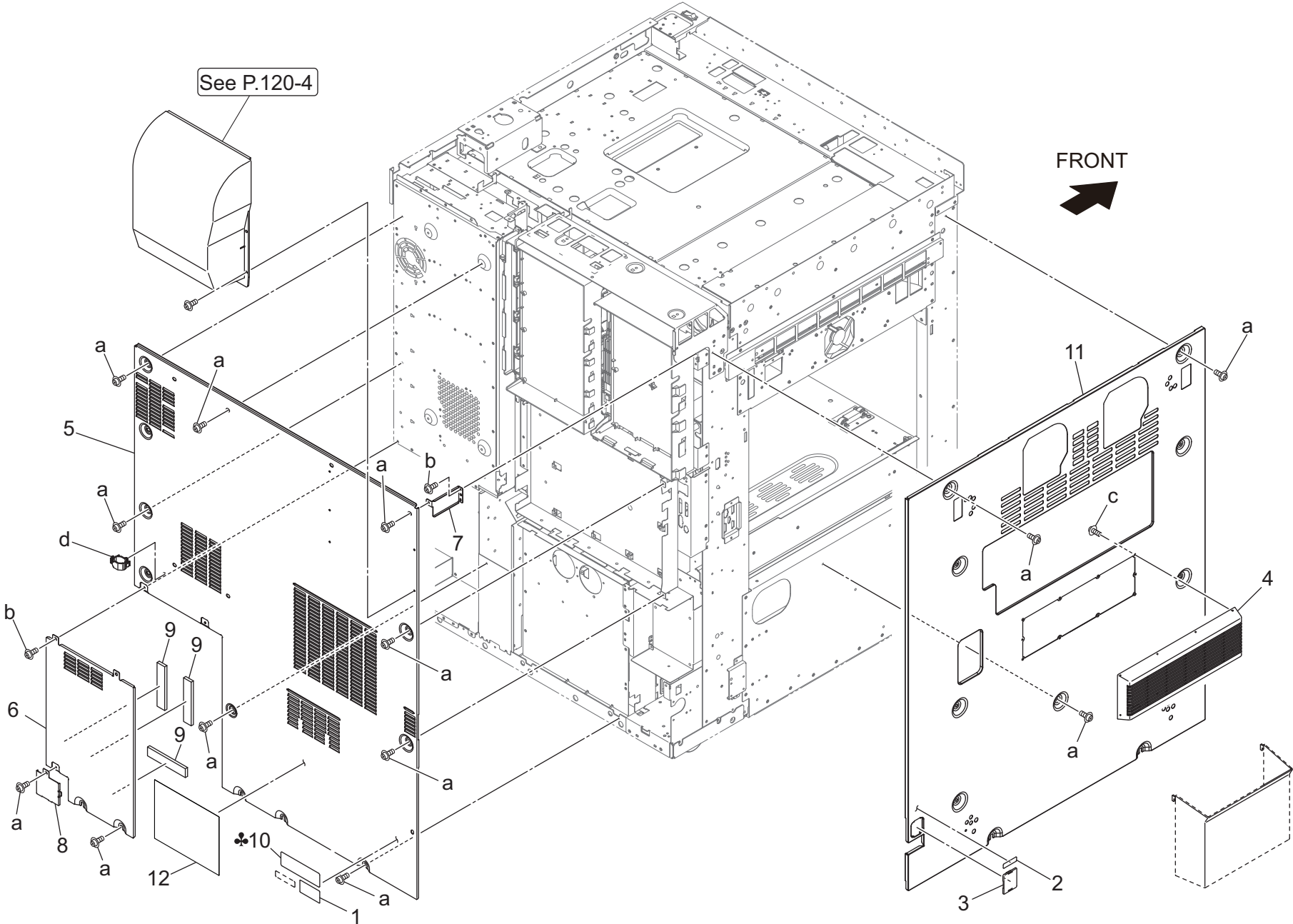
改訂版 REVISED EDITION	日付 DATE
▲	MARCH 2017



External Parts Section

Key	Part No.	Description	Destinations	Class	QTY	Standard parts
1	A1DU163402	Protection Cover		D	1	a-V114040604 b-V114041004 c-V121040604 d-V127040603 e-V158030803 f-V116030804 g-V127030604 h-V114040804
2	A1RF168800	Click Cover		D	13	
3	A50U161001	Cover Part		D	1	
4	A50U162400	Cover Part /Inside		D	1	
5	A50U163903	Replacement Cover		D	1	
6	A50U175001	Reinforce Plate		D	1	
7	A50U161102	Cover Plate /Left		D	1	
8	A50U161401	Read Cover /Right		D	1	
9	A50U167301	Insulating Part		D	1	
10	A50U269000	Cover		C	3	
11	A50U941600	Caution Label		D	1	
12	A50U945800	Label		D	1	
13	A85C161201	Read Cover /Rear		D	1	
14	A85C161300	Read Cover /Right rear		D	1	
15	A85C170600	Read Cover		D	1	

External Parts Section



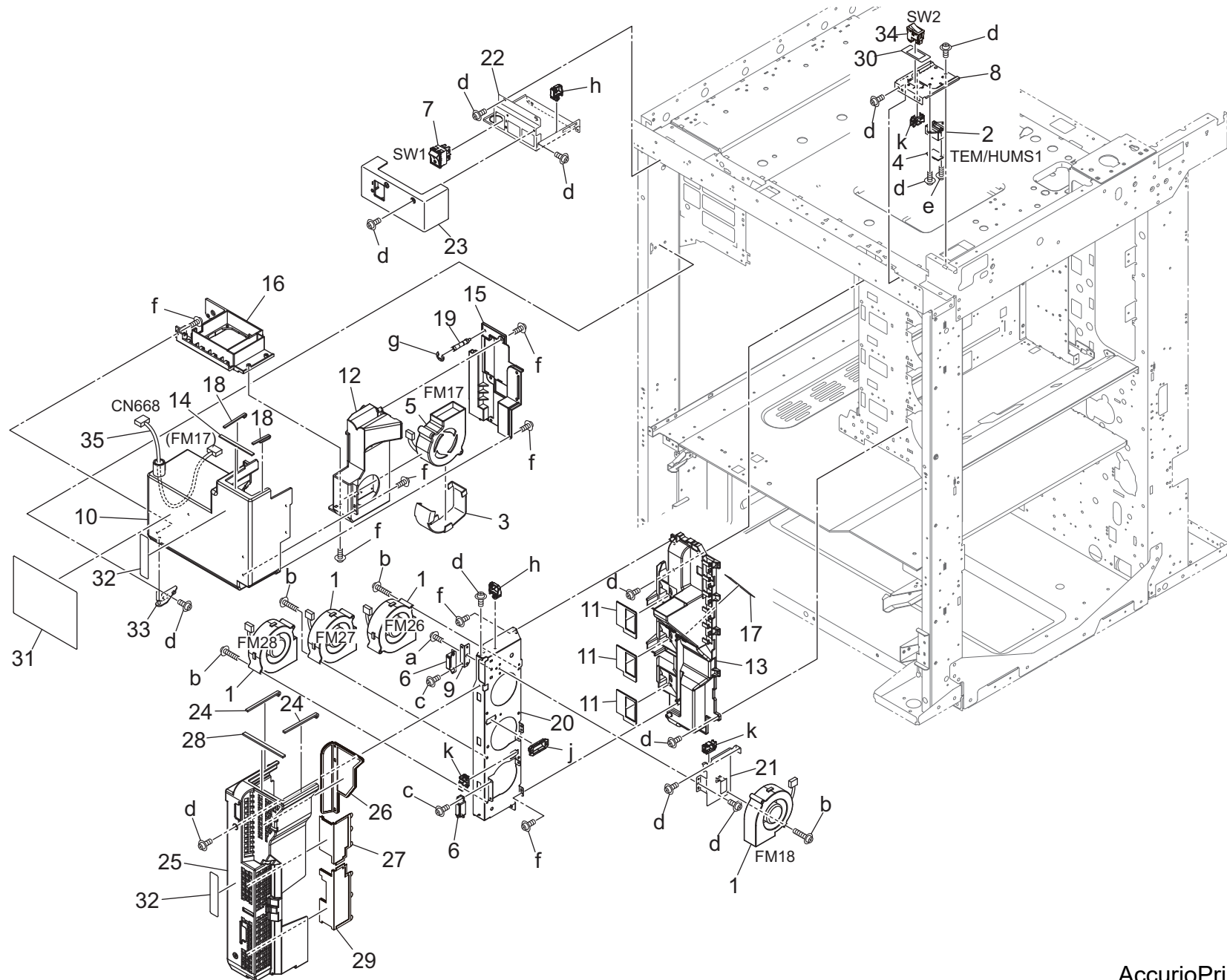
AccurioPrint C2060L

External Parts Section

Key	Part No.	Description	Destinations	Class	QTY	Standard parts
1	A9VE942600	Caution Label		D	1	a-V114040604 b-V127030604 c-V158030804 d-V500010075
2	A00J945401	Label Dehumidifier SW.		C	1	
3	A03U162500	Cover /A		C	1	
4	A1DU162300	Paper exit Cover /2		D	1	
5	A50U163506	Protection Cover /1		D	1	
6	A50U163603	Cover /Rear		D	1	
7	A50U163700	Mounting Plate /Upper		D	1	
8	A50U163800	Entrance Plate		D	1	
9	A50U167801	Holding Part		D	3	
10	A7PU941701	Label Caution	C,I(SOUTH AFRICA)	C	1	
11	A85C163000	Paper exit Cover /Left		D	1	
12	A85C942300	Caution Label		D	1	

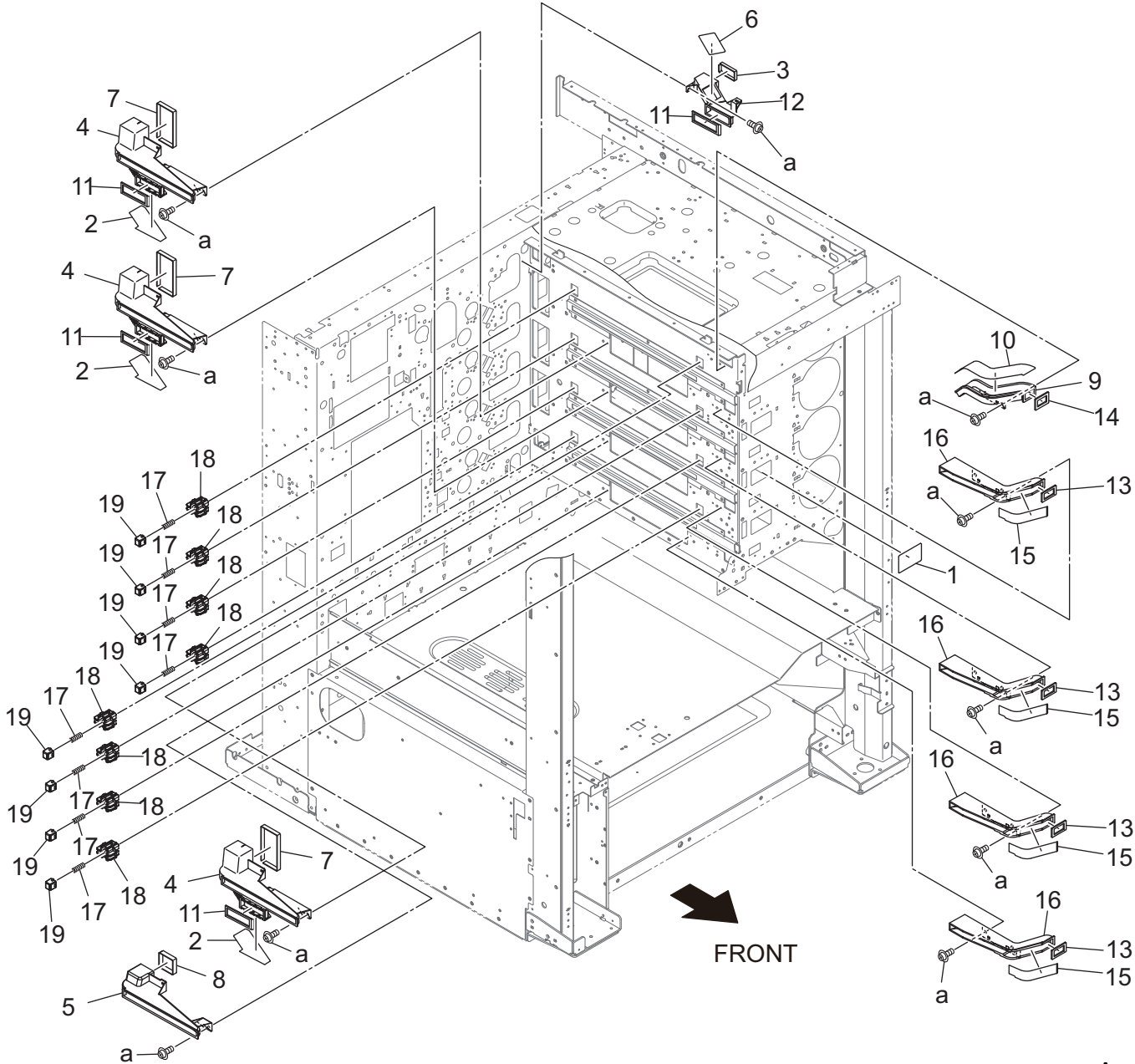
Main Frame Section

P 5



Key	Part No.	Description	Destinations	Class	QTY	Standard parts
1	9313100072	FAN MOTOR		C	4	a-V116030803
2	65AA11300	SUPPORT PART		D	1	b-V118033503
3	65AA11430	FAN SEALING PART 3		C	1	c-V126030603
4	A034M50000	Humidity sensor		C	1	d-V127030604
5	A03UM15802	Main body Cooling Fan		C	1	e-V151030803
6	A0G6411200	Magnet /X		D	2	f-V158030803
7	A4EUM60000	Power source Switch		C	1	g-V217060050
8	A50U102900	Mounting Plate		D	1	h-V500020098
9	A50U120600	Fixing Plate		D	1	j-V570010037
10	A50U121003	Duct		D	1	k-V570010056
11	A50U121300	Cooling Seal /Front		D	3	
12	A50U121601	Duct		D	1	
13	A50U122103	Cooling Duct		D	1	
14	A50U123700	Cooling Seal /B		D	1	
15	A50U123800	Cover		D	1	
16	A50U124100	Duct		D	1	
17	A50U124900	Cover Sheet		D	1	
18	A50U125200	Cooling Seal /A		D	2	
19	A50U125901	Fixing Screw		D	1	
20	A50U126500	Mounting Plate		D	1	
21	A50U126600	Mounting Plate		D	1	
22	A50U127400	Mounting Plate		D	1	
23	A50U127901	Cover		D	1	
24	A50U164000	Cooling Seal /1		D	2	
25	A50U167901	Cooling Cover		D	1	
26	A50U168801	PH Dust-proof Filter		B	1	
27	A50U168901	Deve. Dust-proof Filter/1		B	1	
28	A50U169300	Cooling Seal /2		D	1	
29	A50U169501	Deve. Dust-proof Filter/2		B	1	
30	A50U179500	Protection Sheet		D	1	
31	A50U944301	Processing Label /2		D	1	
32	A50U949600	Replacement Label		D	2	
33	A50UF12000	Fusing Front Cooling Duct Support Shaft		D	1	
34	A50UM60300	Power source Switch		C	1	
35	A50UN12602	Cooling Relay harness /1		D	1	

Main Frame Section



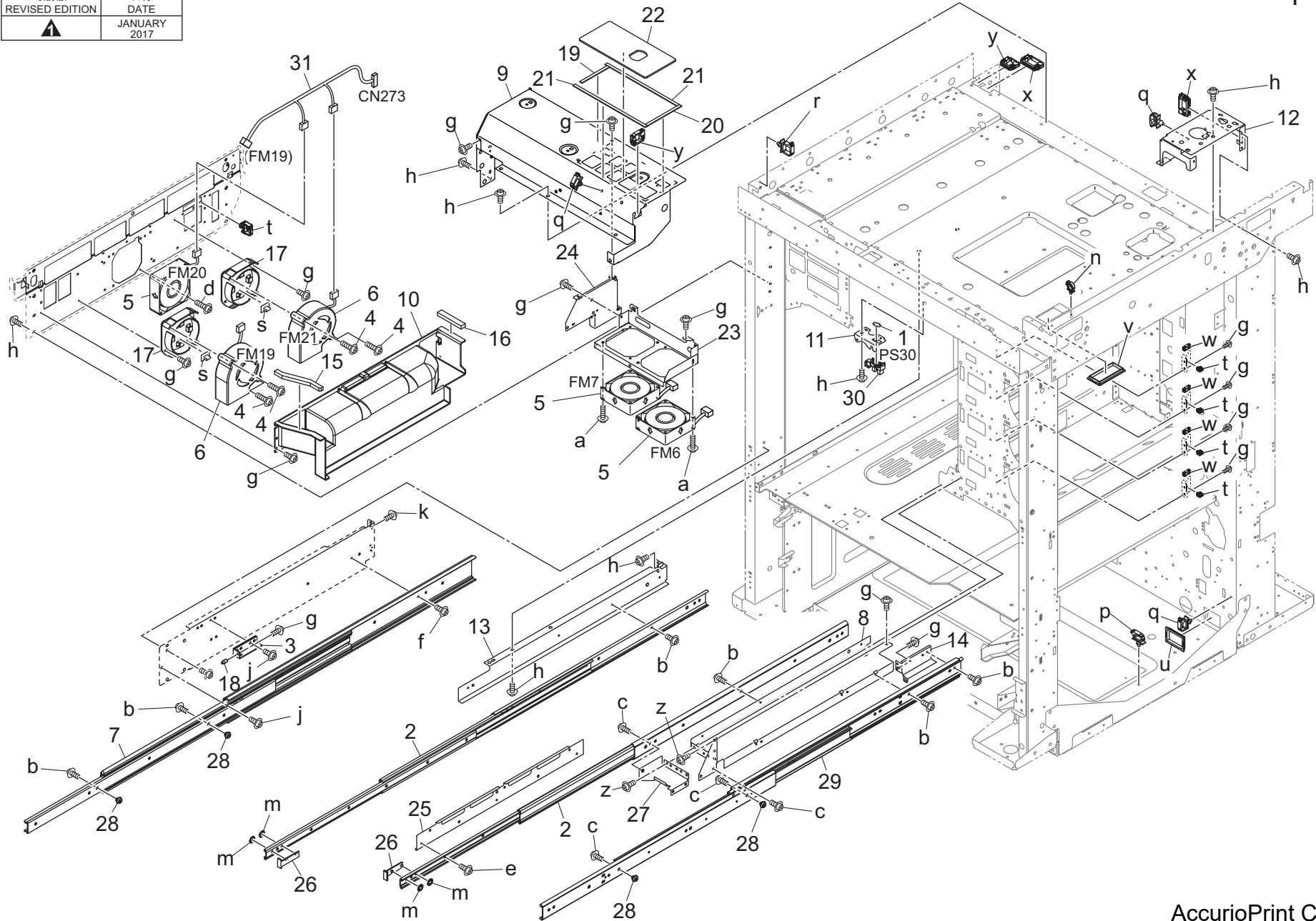
AccurioPrint C2060L



Key	Part No.	Description	Destinations	Class	QTY	Standard parts
1	A50U109100	Writing Cover		D	1	a-V127030604
2	A50U123200	Ozone Cover		D	3	
3	A50U123300	Suction Seal		D	1	
4	A50U123400	Duct /Cyan		D	3	
5	A50U123500	Duct		D	1	
6	A50U123600	Suction Cover		D	1	
7	A50U123900	Suction Seal		D	3	
8	A50U124000	Suction Seal		D	1	
9	A50U126200	Duct		D	1	
10	A50U126800	Sheet /1		D	1	
11	A50U127200	Suction Seal /Rear		D	4	
12	A50U127300	Suction Duct		D	1	
13	A50U127500	Seal		D	4	
14	A50U127800	Seal		D	1	
15	A50U128000	Sheet /2		D	4	
16	A50U128700	Duct /1		D	4	
17	A50U341800	Pressing Spring /D		D	8	
18	A50U342200	Pressing Pedestal		D	8	
19	A50U342400	Charge Pressing Block		D	8	

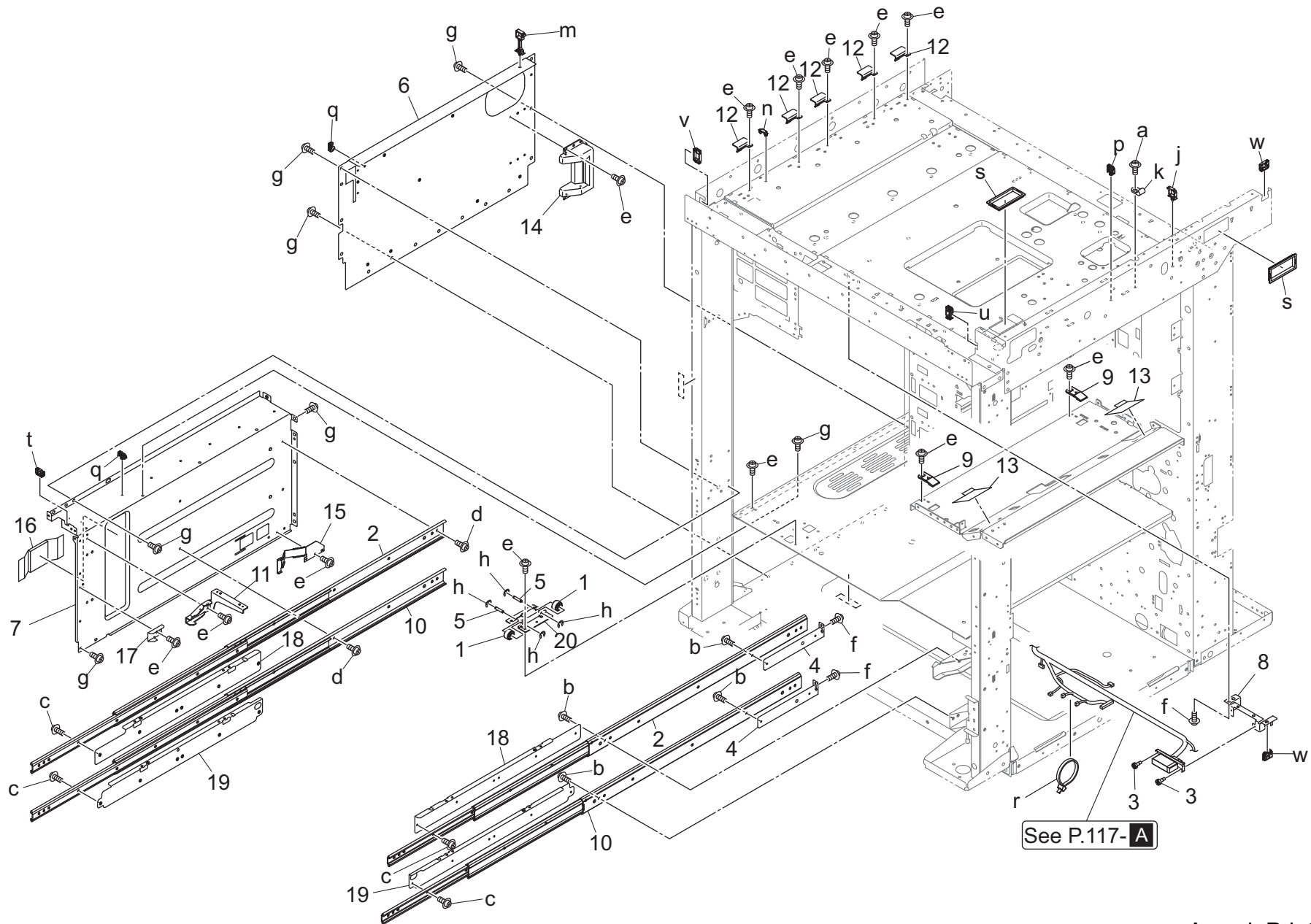
Main Frame Section

改訂版 REVISED EDITION	日付 DATE
▲	JANUARY 2017

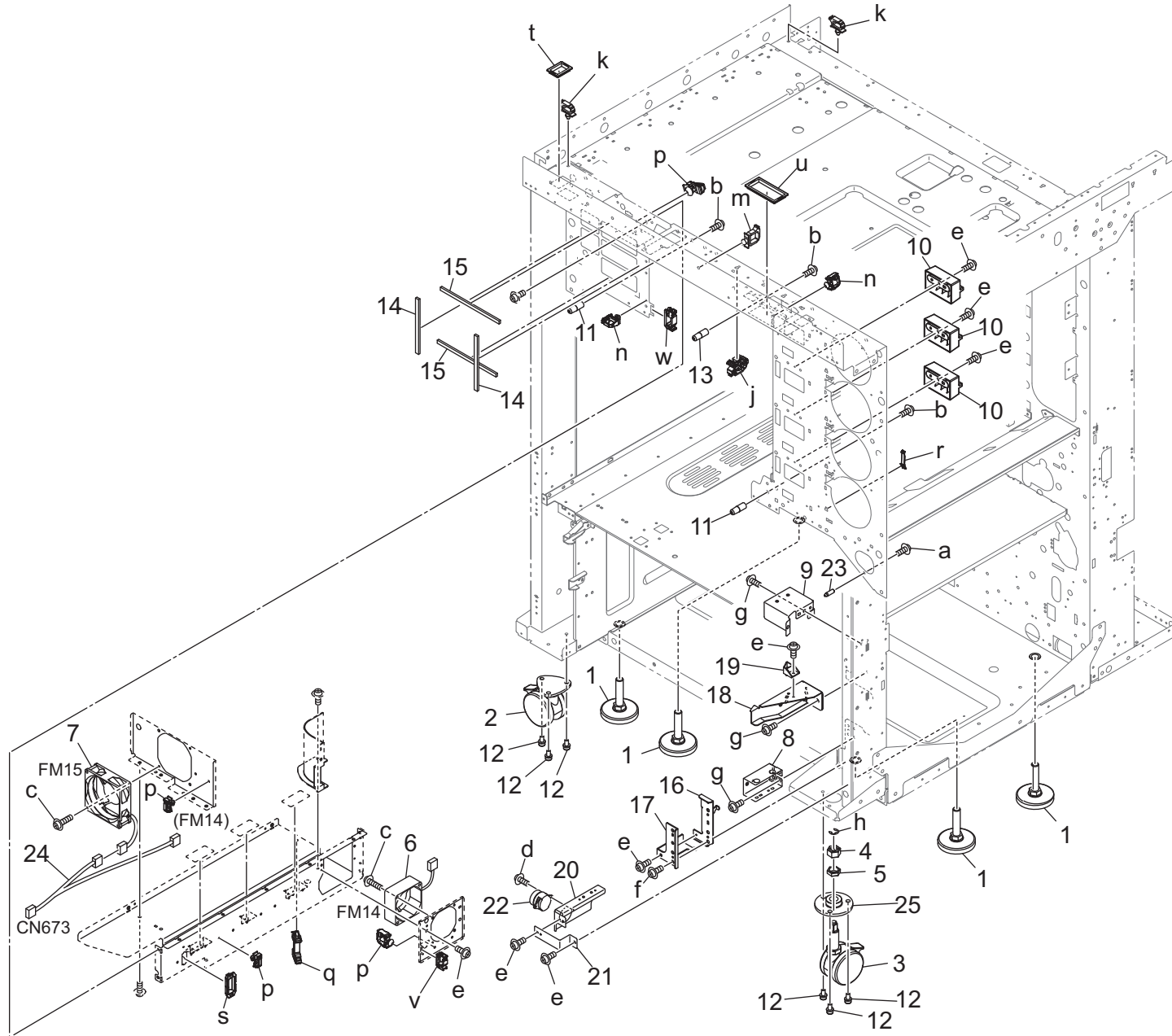


Key	Part No.	Description	Destinations	Class	QTY	Standard parts
1	4470402401	Stopper		D	1	a-V118033003
2	56AA10300	Slide Rail /A		C	2	b-V118040604
3	65AA50430	SHAFT MOUNTING PLATE LEFT		D	1	c-V118040804
4	V118045503	Screw		V	4	d-V118043003
5	9J03M10000	FAN MOTOR		B	3	e-V121030403
6	A03UM15802	Main body Cooling Fan		C	2	f-V126040603
7	A1RF815702	Slide Rail /Left		D	1	g-V127030604
8	A50U103200	Reinforce Rail		D	1	h-V127040603
9	A50U103402	Fixing Plate /Left rear		D	1	j-V127040803
10	A50U103500	Separating Duct		D	1	k-V146040804
11	A50U104700	Mounting Plate		D	1	m-V226040050
12	A50U105100	Support Plate /A		D	1	n-V500010076
13	A50U105201	Support Rail /Front		D	1	p-V500010081
14	A50U105600	Rail /Rear		D	1	q-V500010082
15	A50U107501	Sealing Part /Front		D	1	r-V500010083
16	A50U107600	Sealing Part /Rear		D	1	s-V500020050
17	A50U107800	Fan duct		D	2	t-V500020098
18	A50U109400	Guide Pin /Left		D	1	u-V570010039
19	A50U109600	Cooling Seal /2		D	1	v-V570010040
20	A50U109700	Cooling Seal /3		D	1	w-V570010057
21	A50U109800	Cooling Seal /4		D	2	x-V570010059
22	A50U109900	Electric Comp. Cooling Filter		B	1	y-V570010060
23	A50U120300	Fixing Plate		D	1	z-V121040803
24	A50U129200	Fixing Plate		D	1	
25	A50U340700	Mounting Rail		D	1	
26	A50U342900	Protection Cover		D	2	
27	A50U832100	Reinforce Rail /A		D	1	
28	A50U833000	Mounting Collar /1		C	4	
29	A50U881500	Slide Rail		D	1	
30	A50UM51000	Photointerrupter		C	1	
31	A50UN15400	Drive harness /F		D	1	

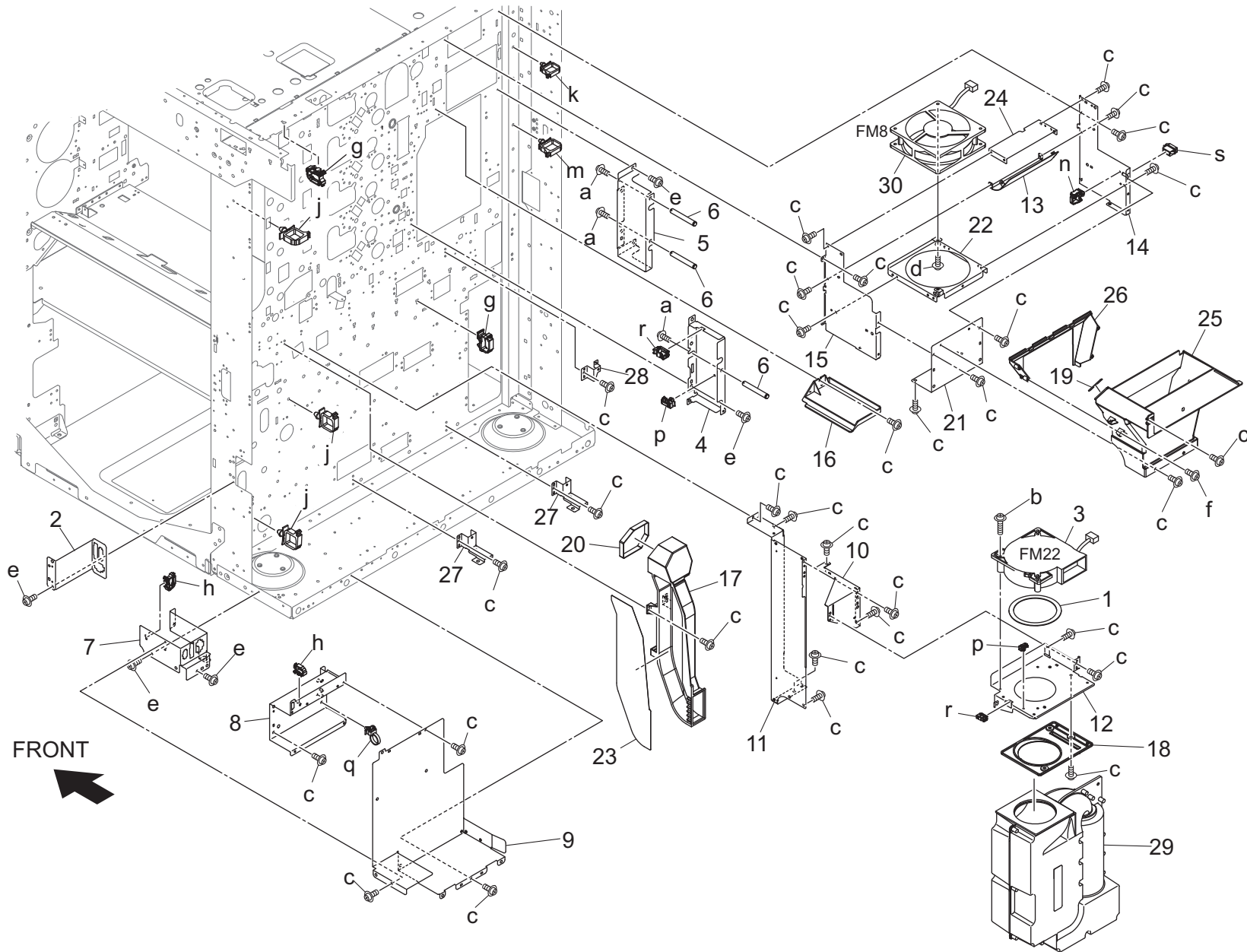
Main Frame Section



Main Frame Section



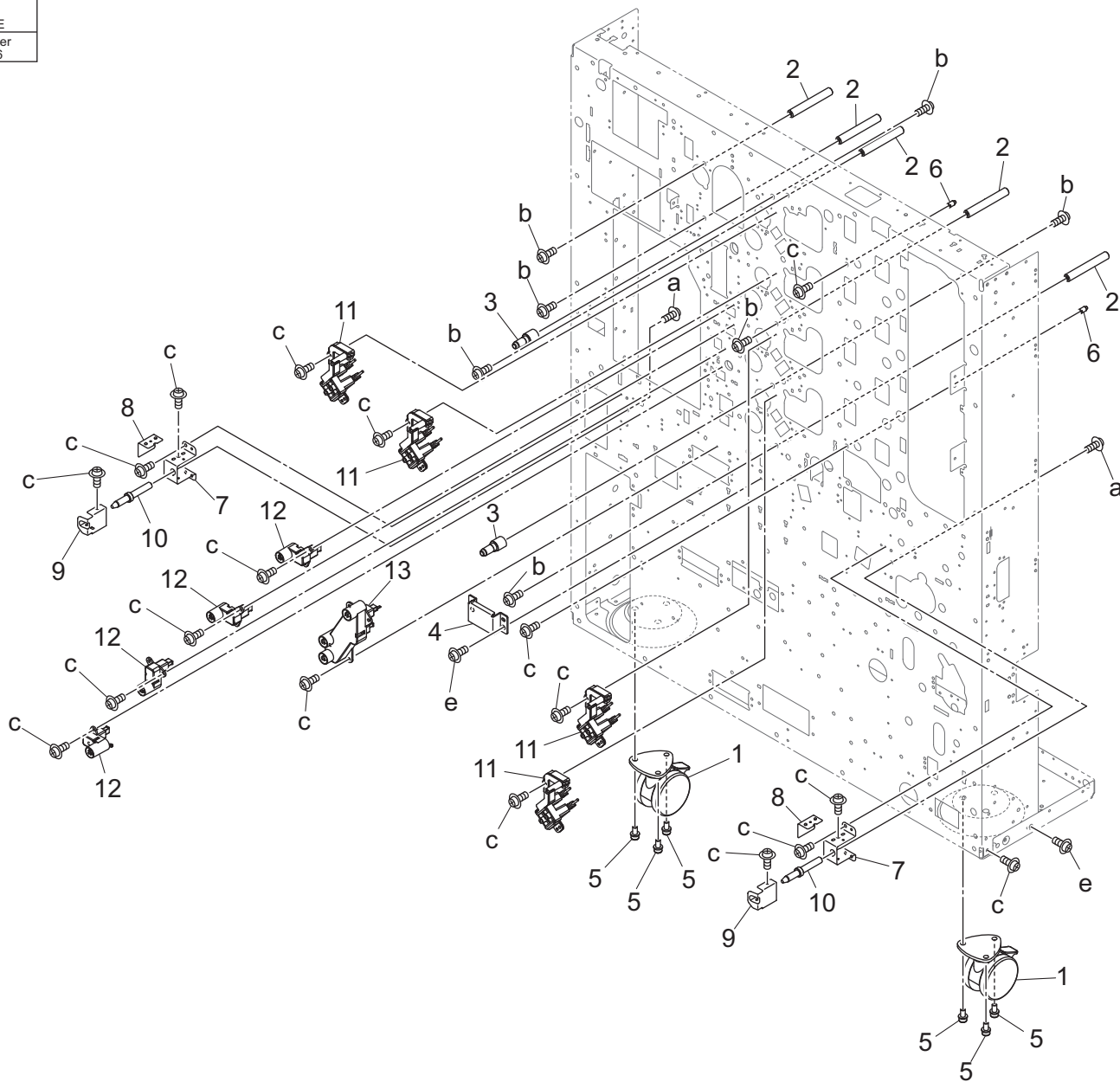
Main Frame Section



Key	Part No.	Description	Destinations	Class	QTY	Standard parts
1	65AA10190	FAN SEALING PART 1		C	1	a-V116040803
2	A03U118301	PFU Power supply Panel		D	1	b-V118033503
3	A0Y5M15101	Suction Fan motor		C	1	c-V127030604
4	A50U106502	Fusing Plate		D	1	d-V127031203
5	A50U106600	Fusing Plate /B		D	1	e-V127040603
6	A50U106700	Swing Shaft		D	3	f-V151030803
7	A50U107901	Mounting Plate /P		D	1	g-V500010071
8	A50U108001	Protection Plate /P		D	1	h-V500010072
9	A50U108200	Guide Part /Rear		D	1	j-V500010083
10	A50U120900	Mounting Frame /2		D	1	k-V500010084
11	A50U121800	Mounting Frame /Right Rear		D	1	m-V500010085
12	A50U121900	Fixing Plate /1		D	1	n-V500020098
13	A50U122900	Fusing Duct /4		D	1	p-V500020099
14	A50U125000	Fusing Duct /2		D	1	q-V501010018
15	A50U125101	Fusing Duct /1		D	1	r-V570010056
16	A50U125500	Heat blocking Plate		D	1	s-V651010003
17	A50U125600	Suction Duct /Lower		D	1	
18	A50U125800	Connecting Duct		D	1	
19	A50U126300	Cooling Seal		D	1	
20	A50U126400	Suction Seal		D	1	
21	A50U128800	Fusing Duct /3		D	1	
22	A50U128900	Fusing Duct /5		D	1	
23	A50U129100	Suction Cover /Lower		D	1	
24	A50U129300	Fusing Duct /6		D	1	
25	A50U129401	Fusing Duct		D	1	
26	A50U129801	Fusing Duct /7		D	1	
27	A50U132701	Mounting Plate /Lower		D	2	
28	A50U132800	Mounting Plate /Right		D	1	
29	A50UR70A12	Filter Box		B	1	
30	A50UM15401	Fan motor /3		C	1	

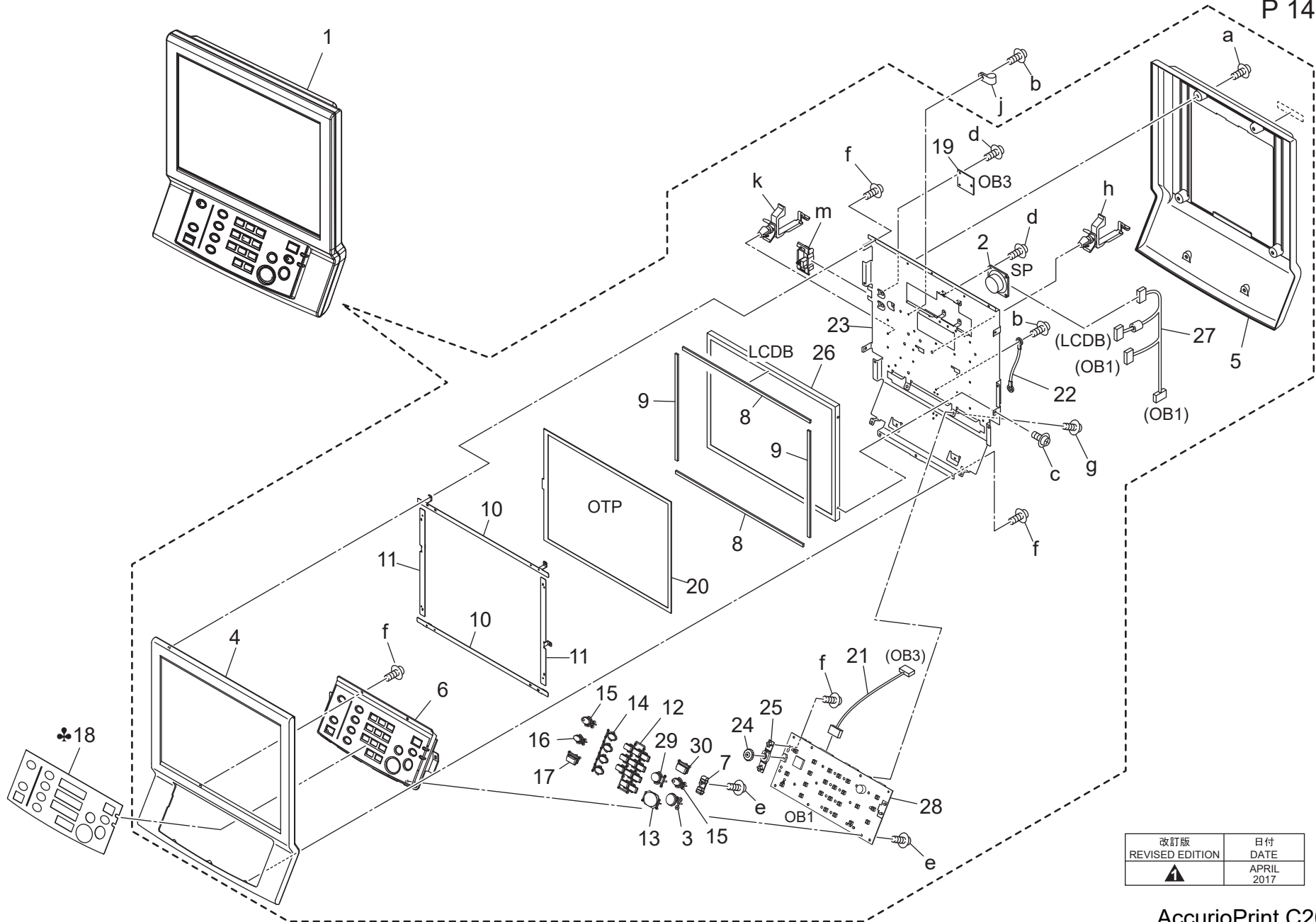
Main Frame Section


改訂版 REVISED EDITION	日付 DATE
▲	October 2016



Operation Panel Section

P 14

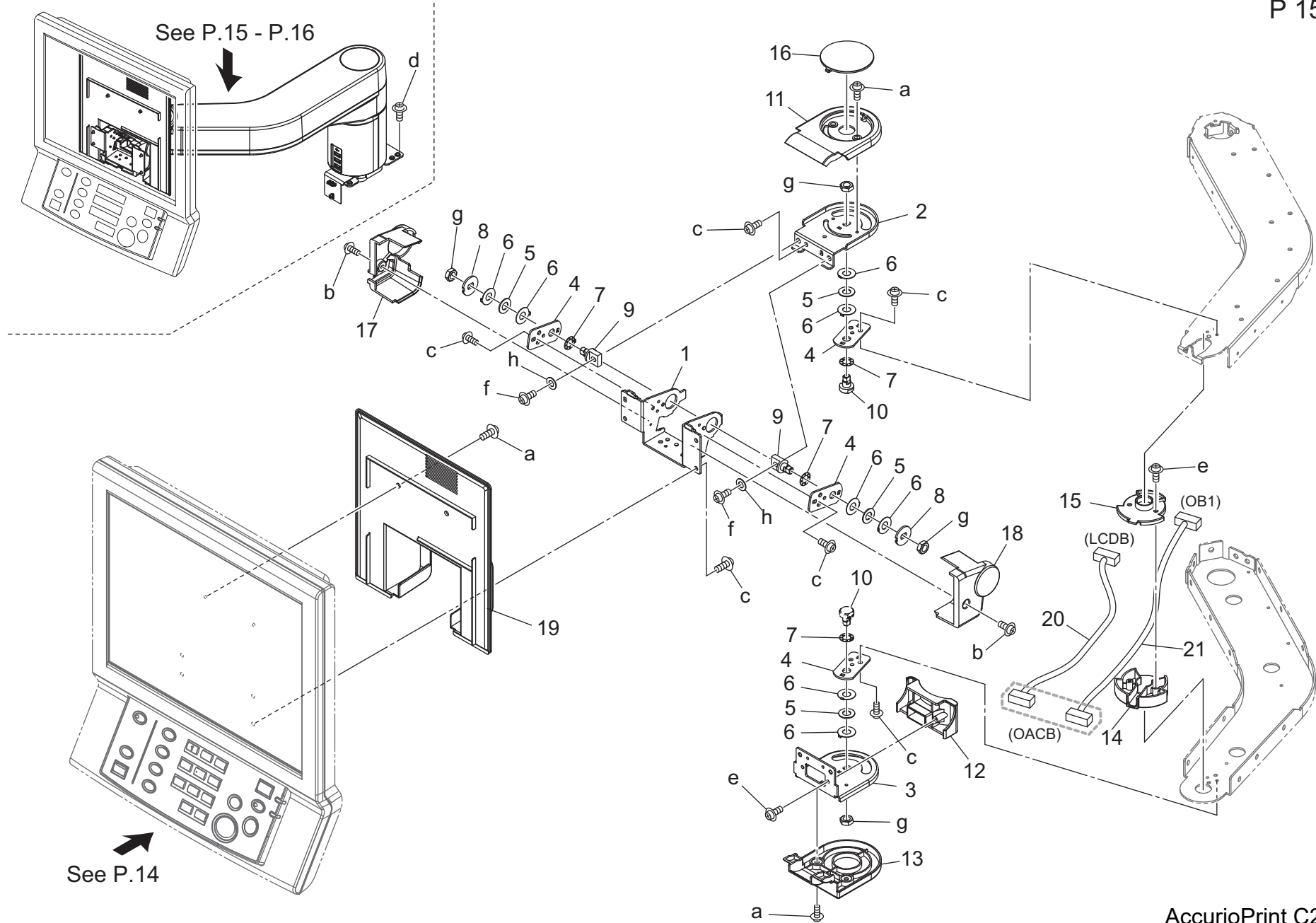


改訂版 REVISED EDITION	日付 DATE
	APRIL 2017

AccurioPrint C2060L

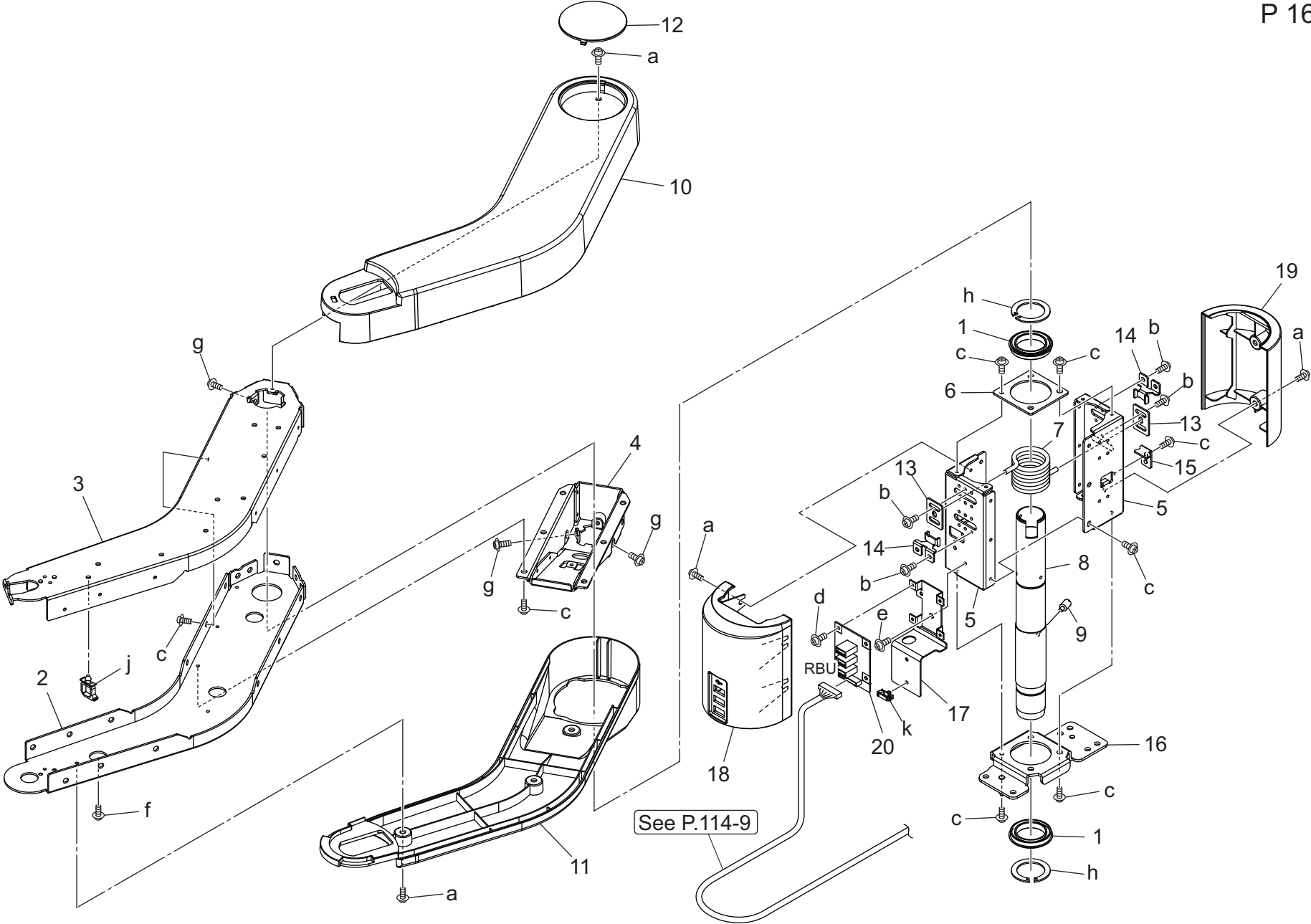
Key	Part No.	Description	Destinations	Class	QTY	Standard parts
1	A85CR70700	Operation Unit		I	1	a-V114040604
2	A0P0M73100	Speaker		D	1	b-V116040603
3	56UA70330	OPERATION UNIT BUTTON S		C	1	c-V118030404
4	A0G6190101	Operation Cover /Front		C	1	d-V118030603
5	A0G6190200	Operation Cover /Rear		C	1	e-V151030603
6	A0G6190301	Operation Casing /1		C	1	f-V151030803
7	A0G6191600	Indicating Part /1		D	1	g-V151031003
8	A0G6192400	Holding Cushion /Upper		C	2	h-V500010082
9	A0G6192500	Holding Cushion /Right		C	2	j-V500020069
10	A0G6192700	Ground Plate /1		D	2	k-V500020099
11	A0G6192900	Ground Plate /2		D	2	m-V570010063
12	A0G6193100	Operation Button /1		C	1	
13	A0G6193200	Operation Button /2		C	1	
14	A0G6193400	Operation Button /4		C	1	
15	A0G6193800	Operation Button /10		C	2	
16	A0G6193900	Operation Button /8		C	1	
17	A0G6194000	Operation Button /9		C	1	
18	A0G6205000	Operation Sheet	B,D1,D3,E,F2,G1,G2, I	C	1	
18	A0G6205200	Operation Sheet	H	C	1	
18	A0G6205300	Operation Sheet	K	C	1	
18	A0G6205100	Operation Sheet	J	C	1	
19	A0G6H06000	Operation Board /3 Assy		C	1	
20	A0G6M75501	Ope.Unit Touch Panel		C	1	
21	A0G6N18400	Ope.Unit Control Harness /3		D	1	
22	A1RFN28300	Ope.unit Wiring /1		D	1	
23	A4EU190413	Operation Plate		D	1	
24	A4EU194100	Operation Knob /1		D	1	
25	A4EU194200	Fixing Holder		D	1	
26	A4EUM75800	Ope.unit LCD		C	1	
27	A4EUN28500	Ope.unit Wiring /4		D	1	
28	A799H04001	Operation Board /1 ASSY		I	1	
29	A0G6193500	Operation Button /5		C	1	
30	A0G6193700	Operation Button /7		C	1	

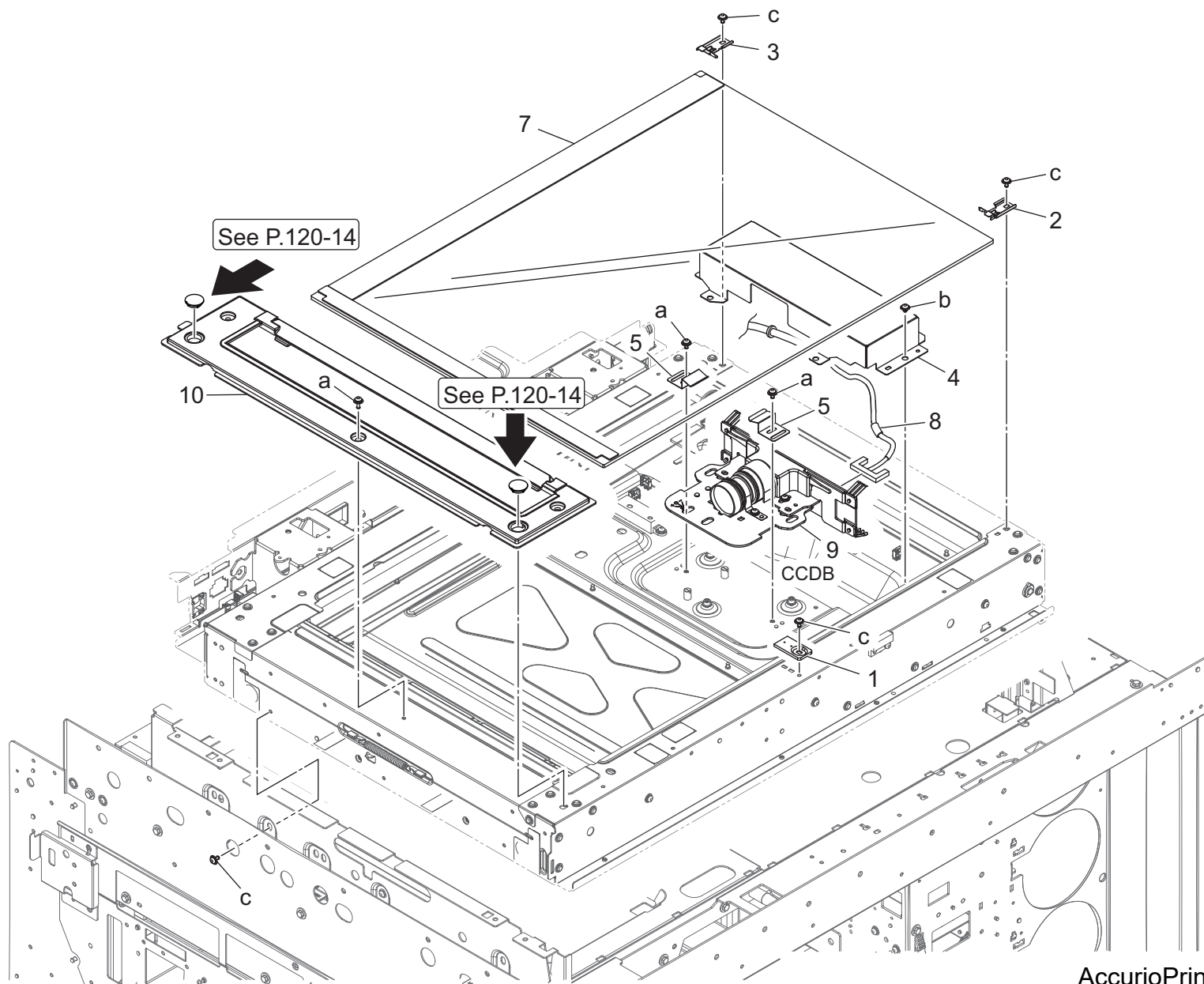
Operation Panel Section

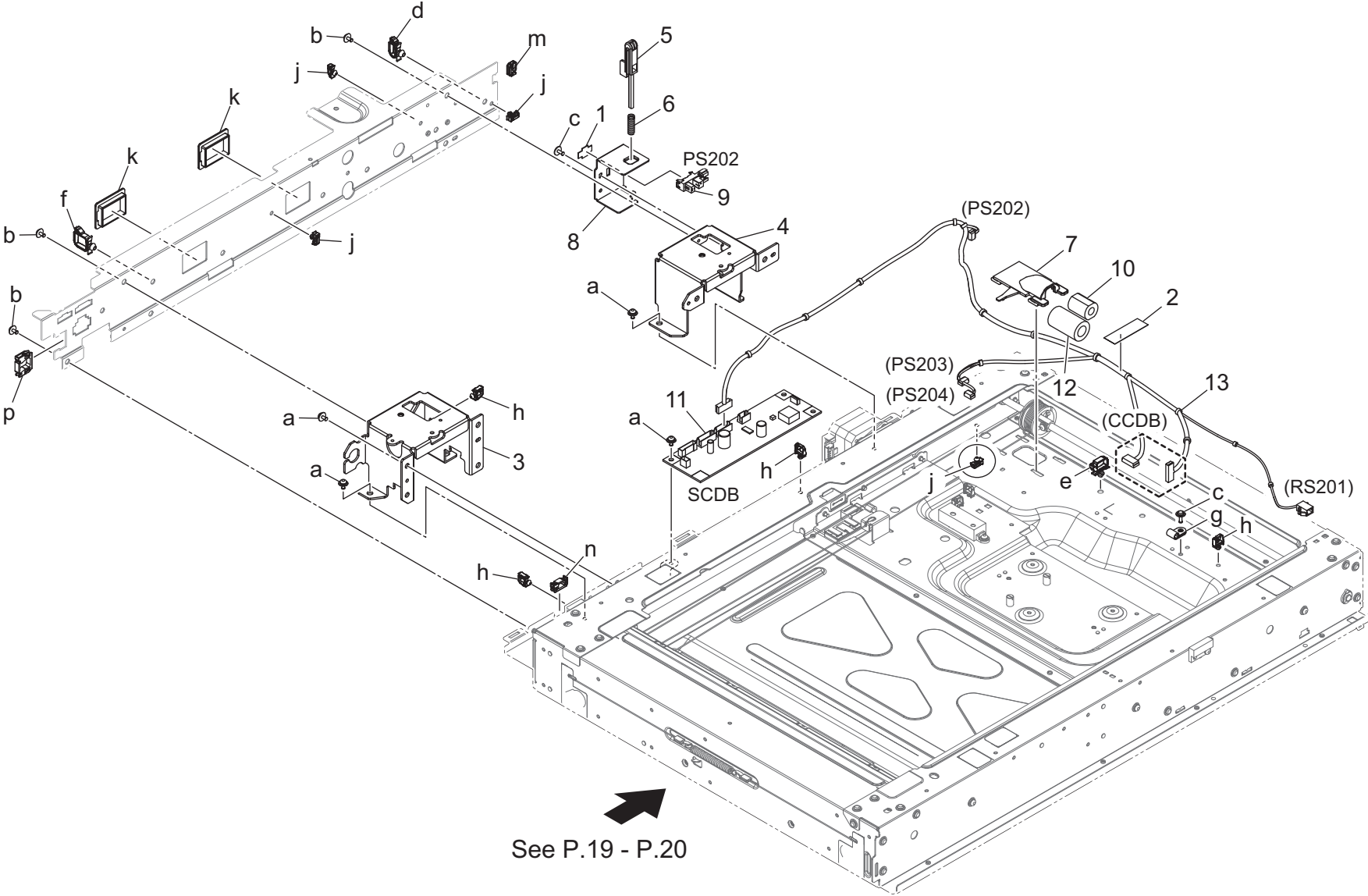


Key	Part No.	Description	Destinations	Class	QTY	Standard parts
1	A03U190900	Ope. unit Mounting Stay /1		D	1	a-V114040604 b-V121030603 c-V121040603 d-V127040803 e-V158030803 f-V188051604 g-V196080003 h-V207050003
2	A03U191400	Support Plate /Upper		D	1	
3	A03U191500	Support Plate /Lower		D	1	
4	A03U191600	Mounting Plate /T		D	4	
5	A03U191700	Rotation Spring /T		D	4	
6	A03U191800	Rotation Spacer /1		D	8	
7	A03U191900	Rotation Spacer /2		D	4	
8	A03U192000	Fixing Part /T		D	2	
9	A03U192100	Fixing Shaft /U		D	2	
10	A03U192200	Rotation Shaft /T		D	2	
11	A03U193300	Operation Cover /C		C	1	
12	A03U193400	Operation Cover /E		C	1	
13	A03U193500	Operation Cover /D		C	1	
14	A03U193600	Swing Cover /Lower		C	1	
15	A03U193700	Swing Cover /Upper		C	1	
16	A03U193800	Operation Cover /I		C	1	
17	A03U194002	Operation Cover /F		C	1	
18	A03U194102	Operation Cover /G		C	1	
19	A1DU197100	Operation Cover /R		D	1	
20	A50UN29012	Ope.unit Control harness /1		D	1	
21	A50UN29101	Ope.unit Control harness /2		D	1	


Operation Panel Section

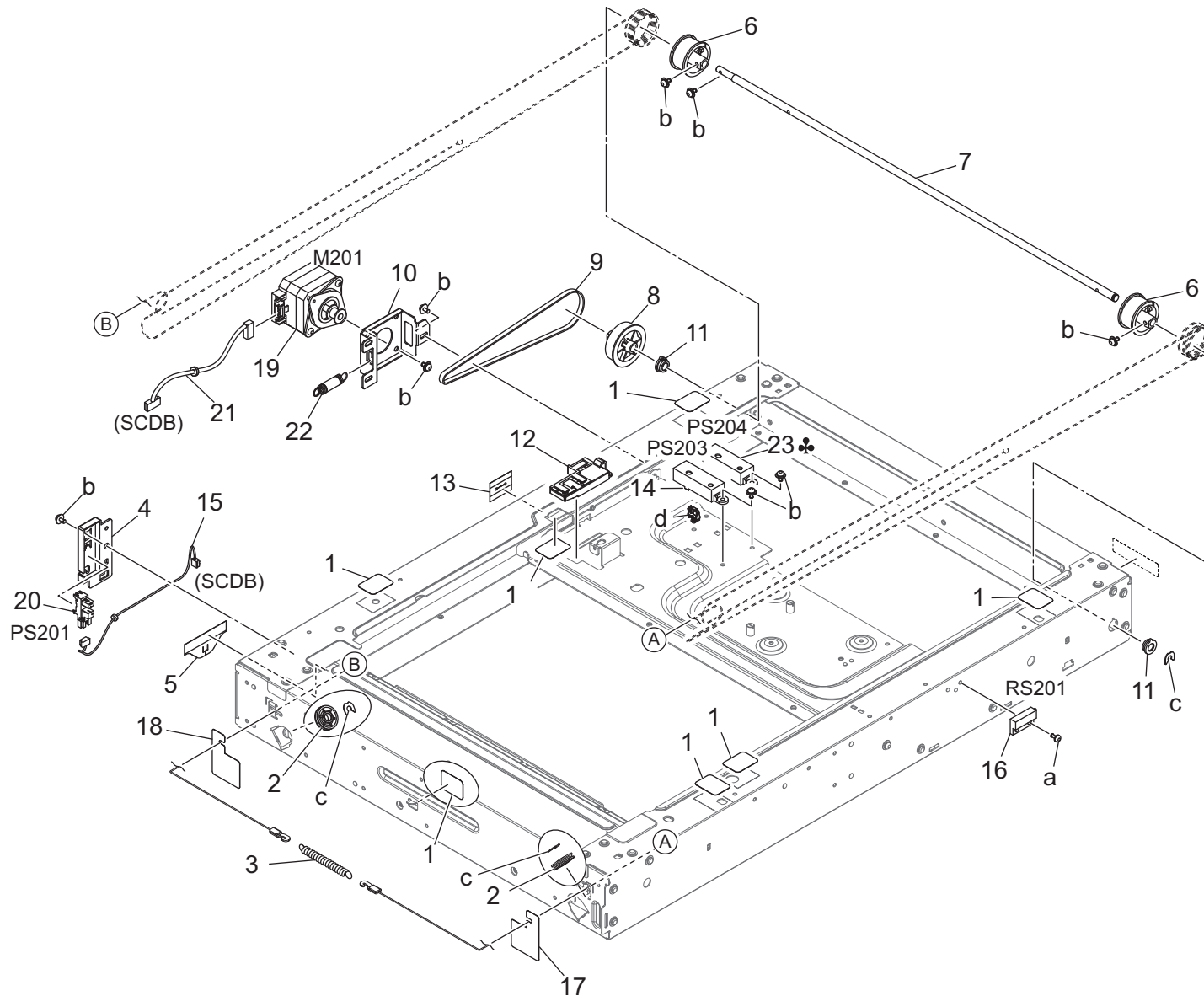




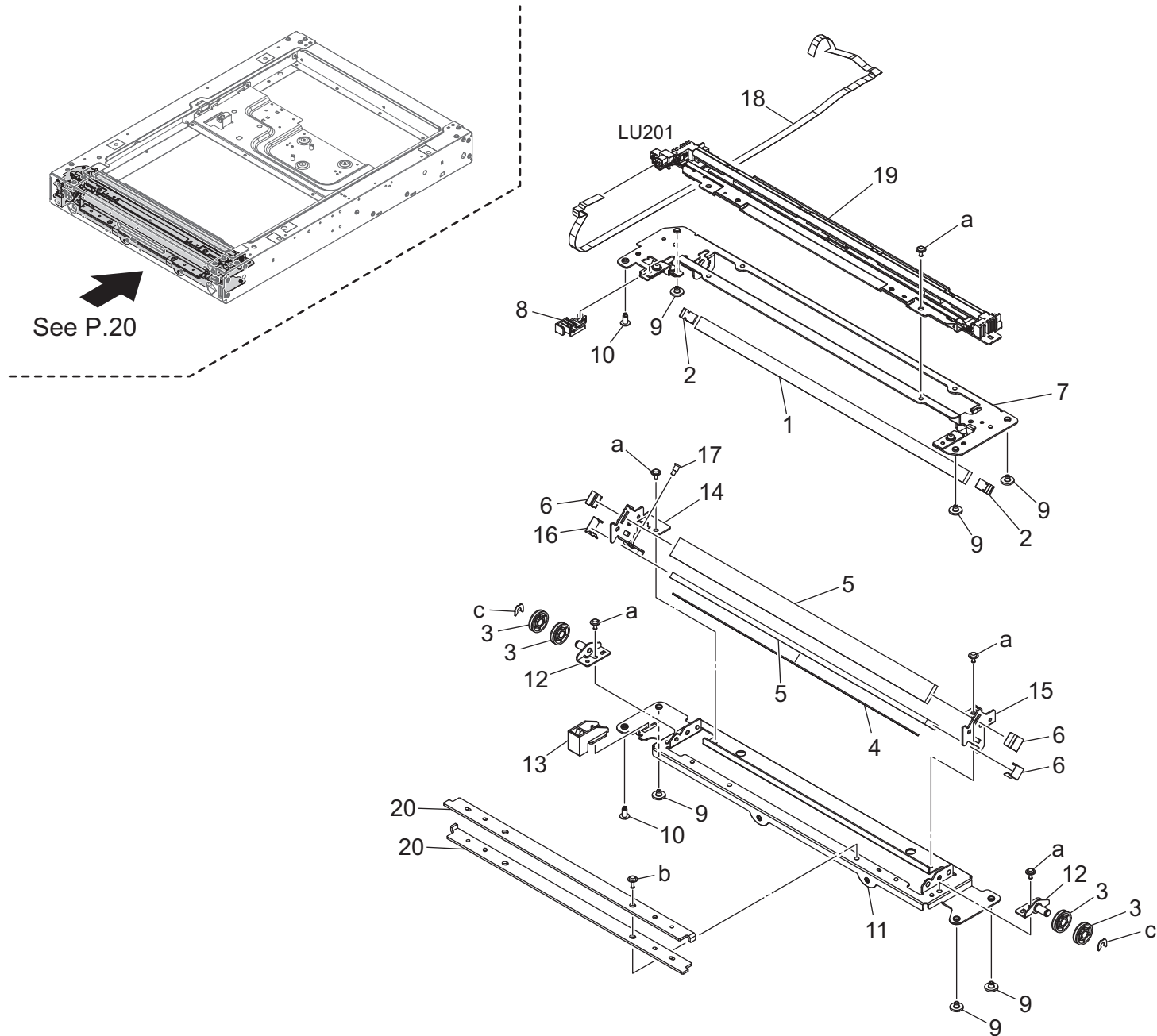


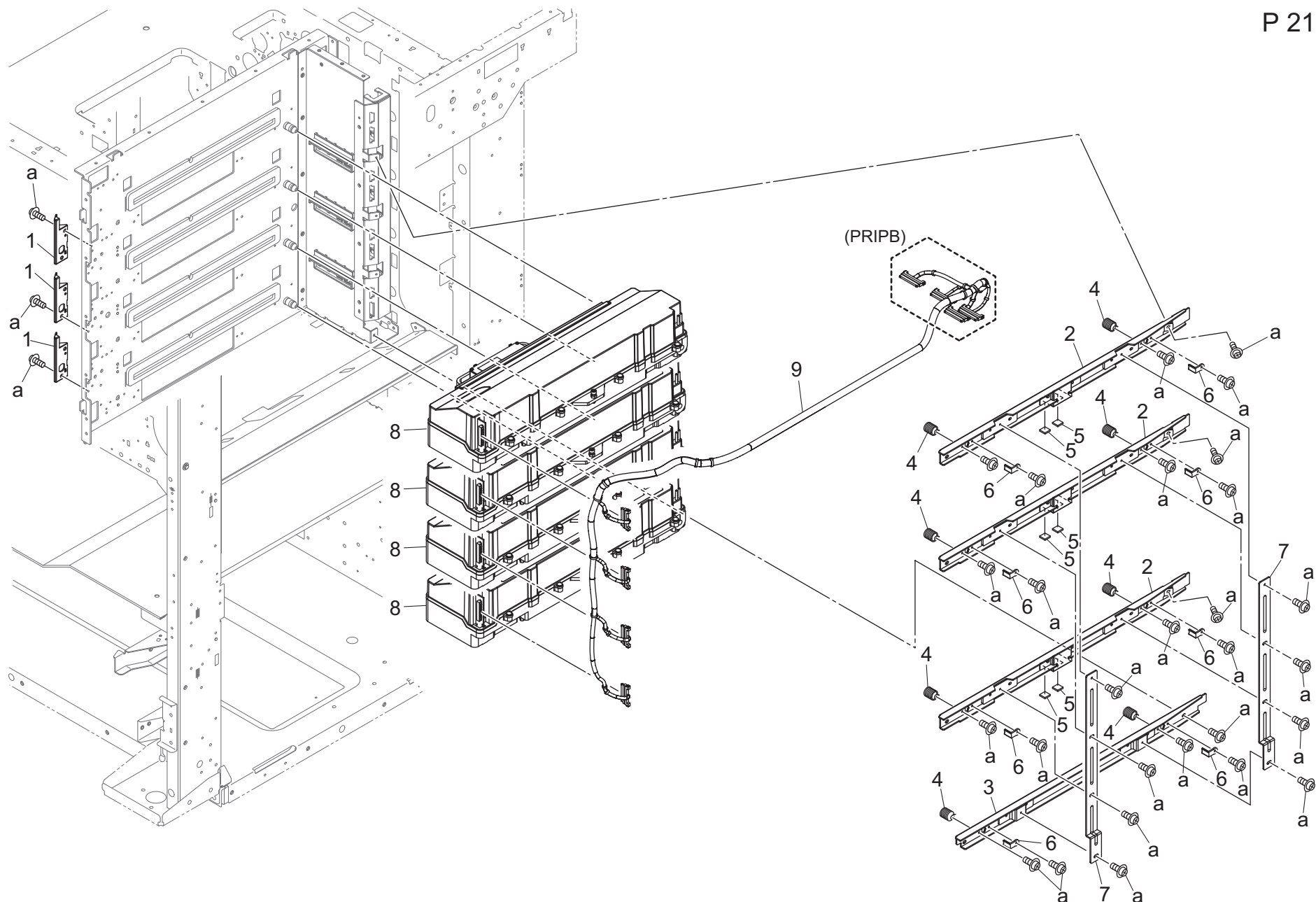
Scanner Section

改訂版 REVISED EDITION	日付 DATE
	DECEMBER 2016



Scanner Section





Charging Section

YELLOW
MAGENTA
CYAN
BLACK

P 22

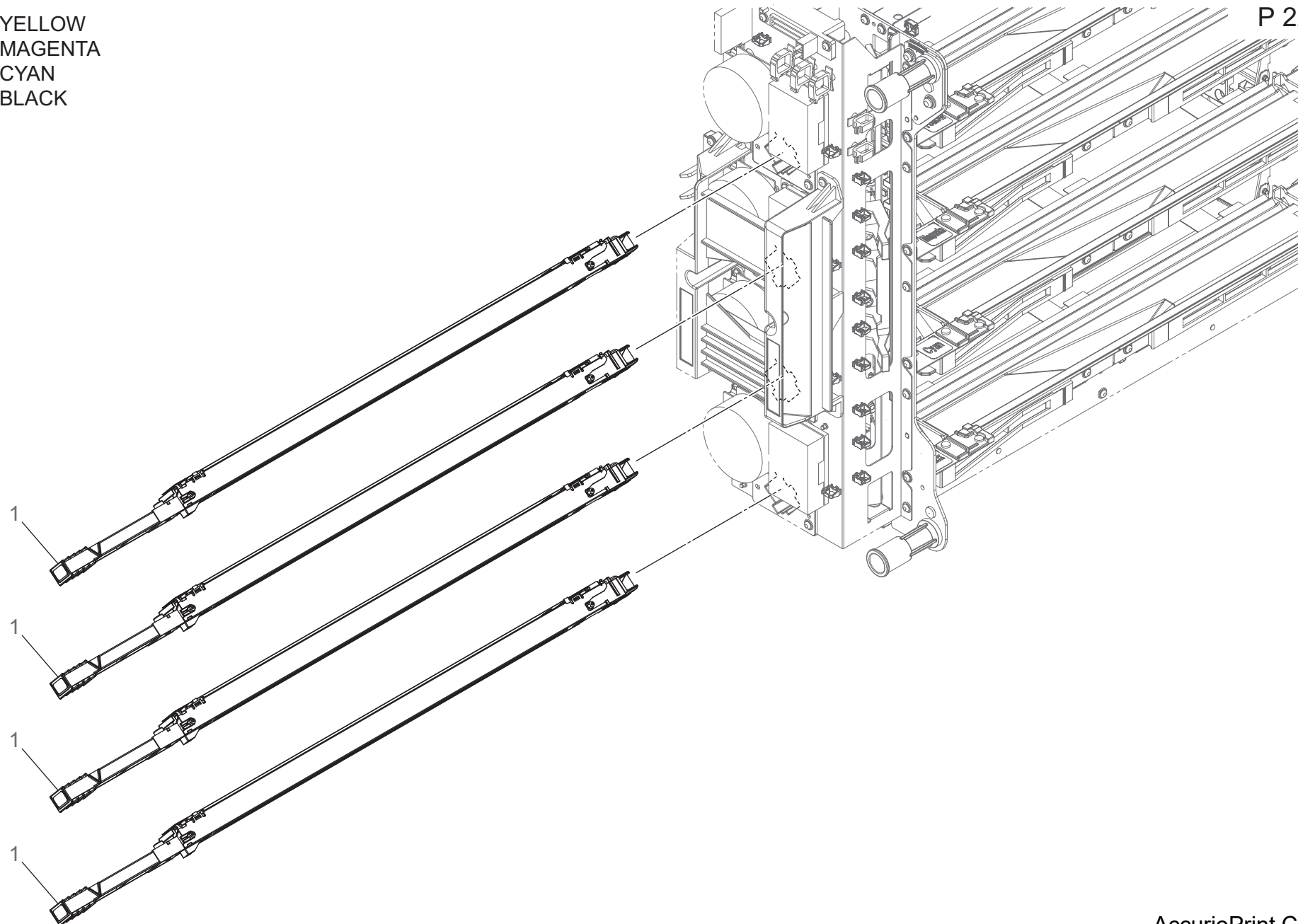
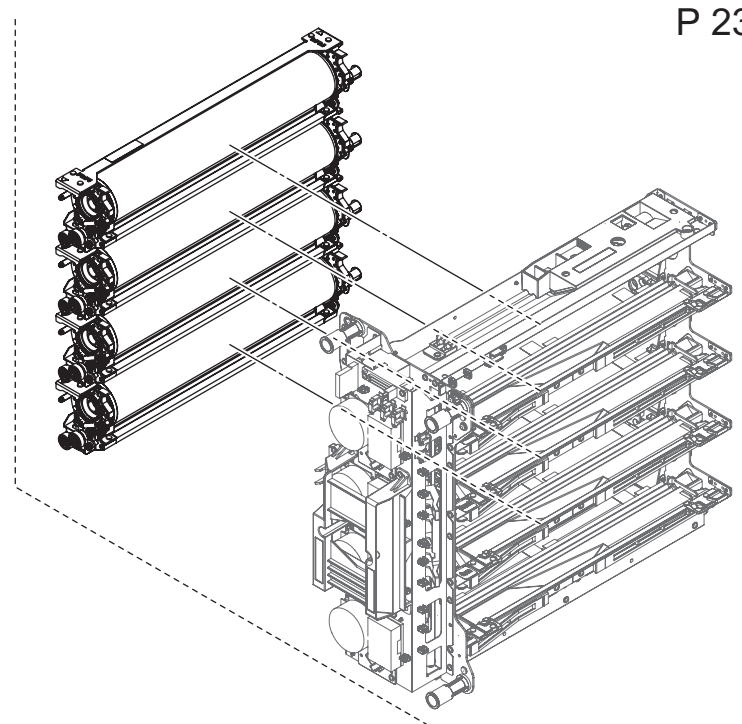
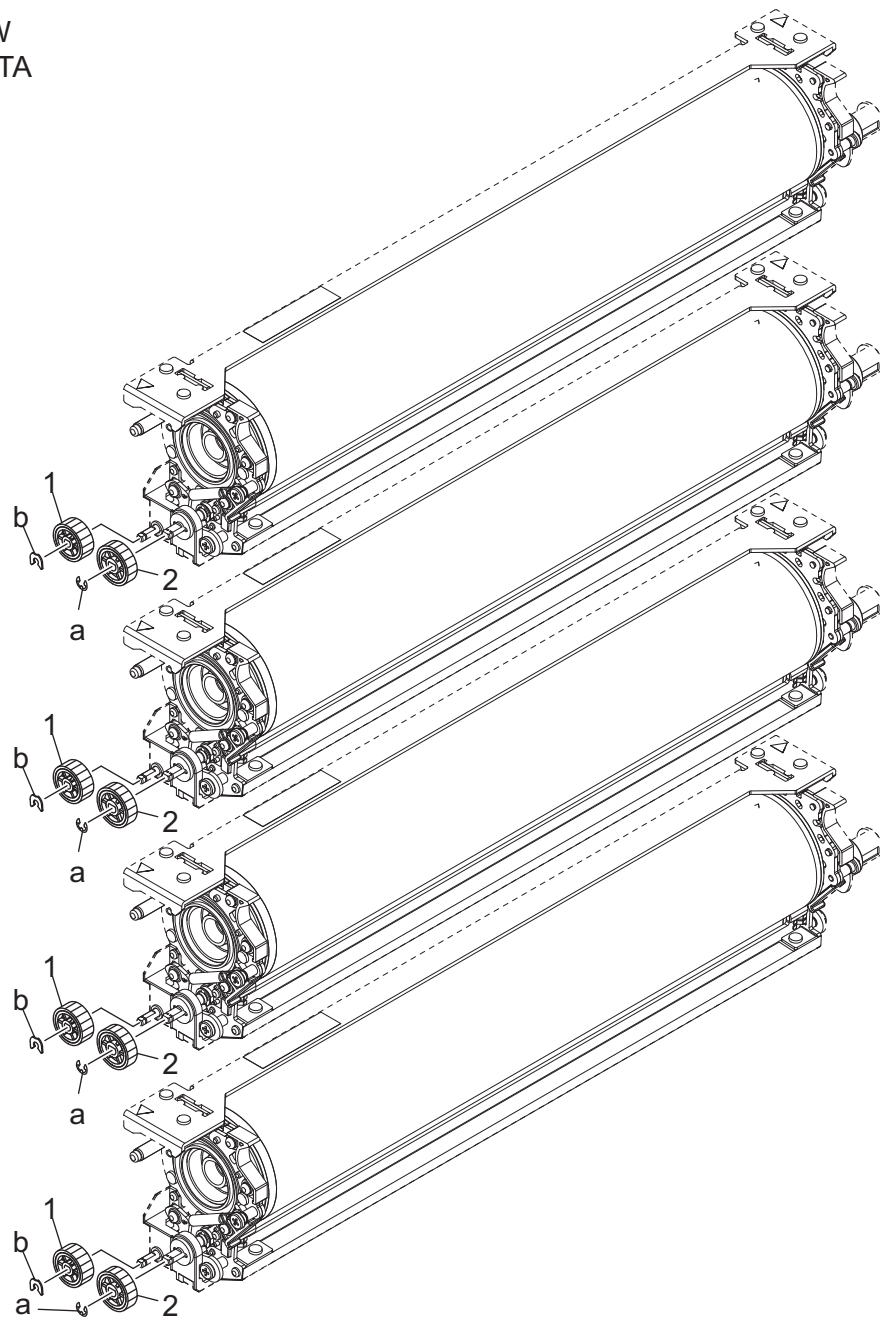


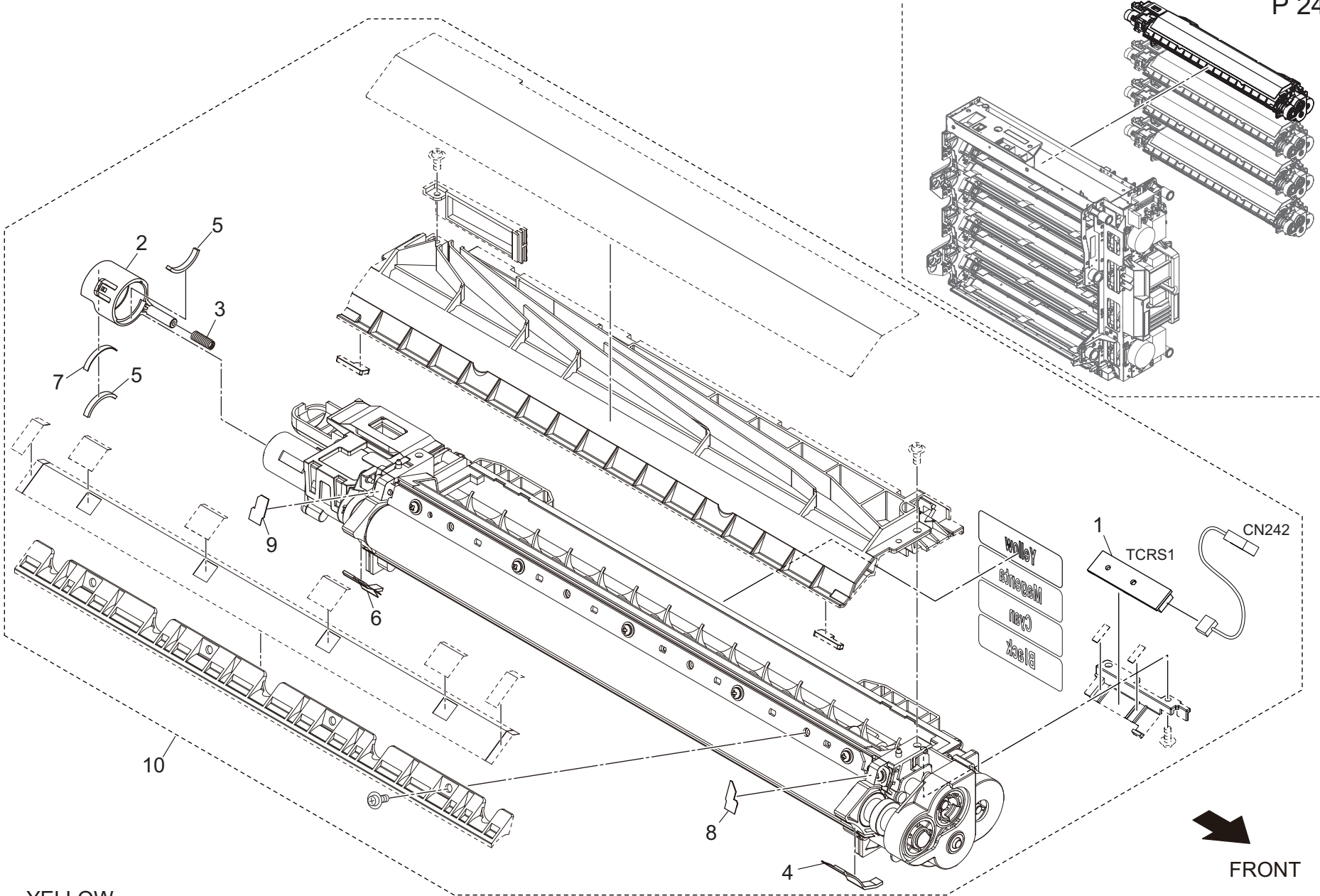
Photo Conductor Section

YELLOW
MAGENTA
CYAN
BLACK



P 23

Developing Section

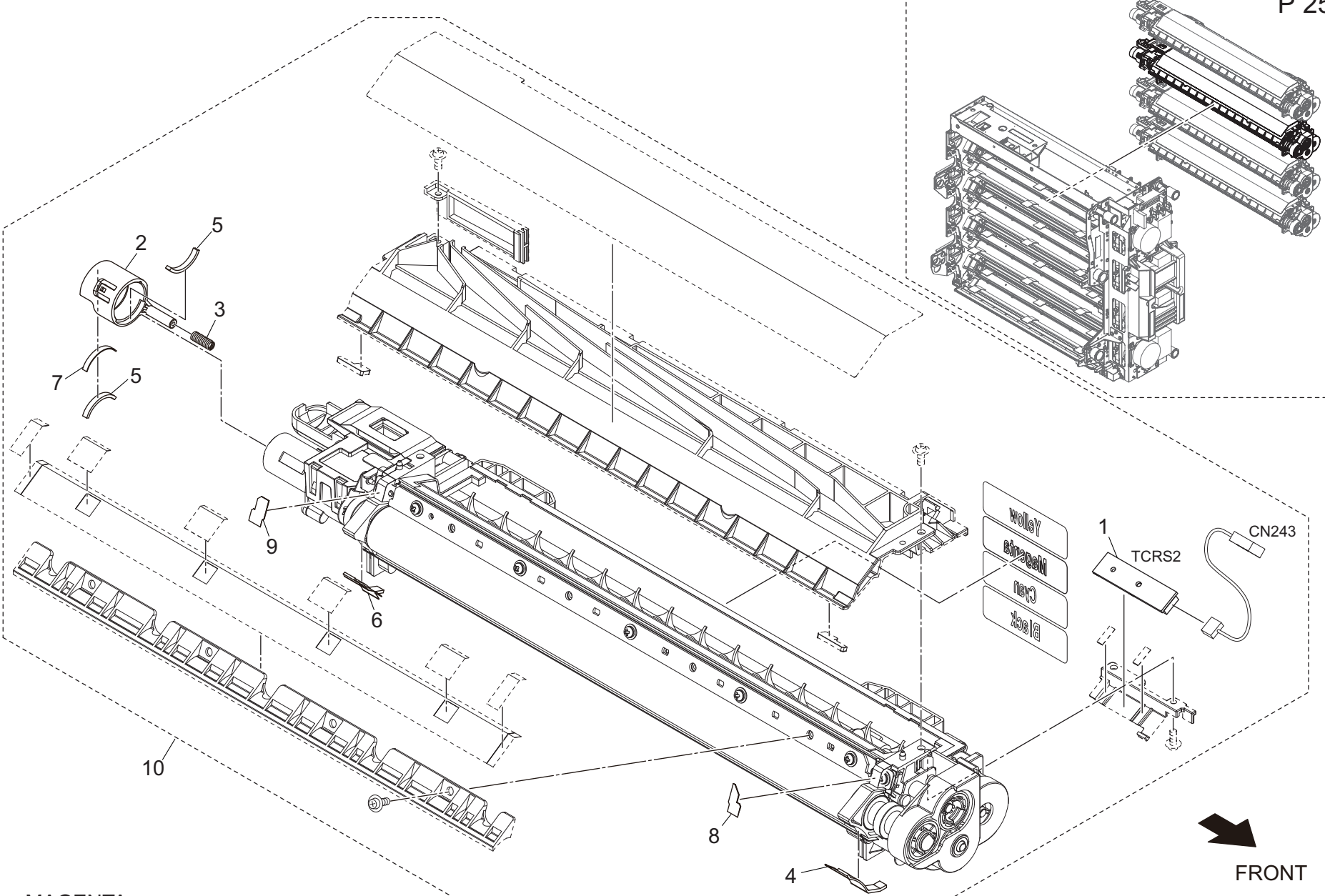


YELLOW

FRONT

AccurioPrint C2060L

Developing Section



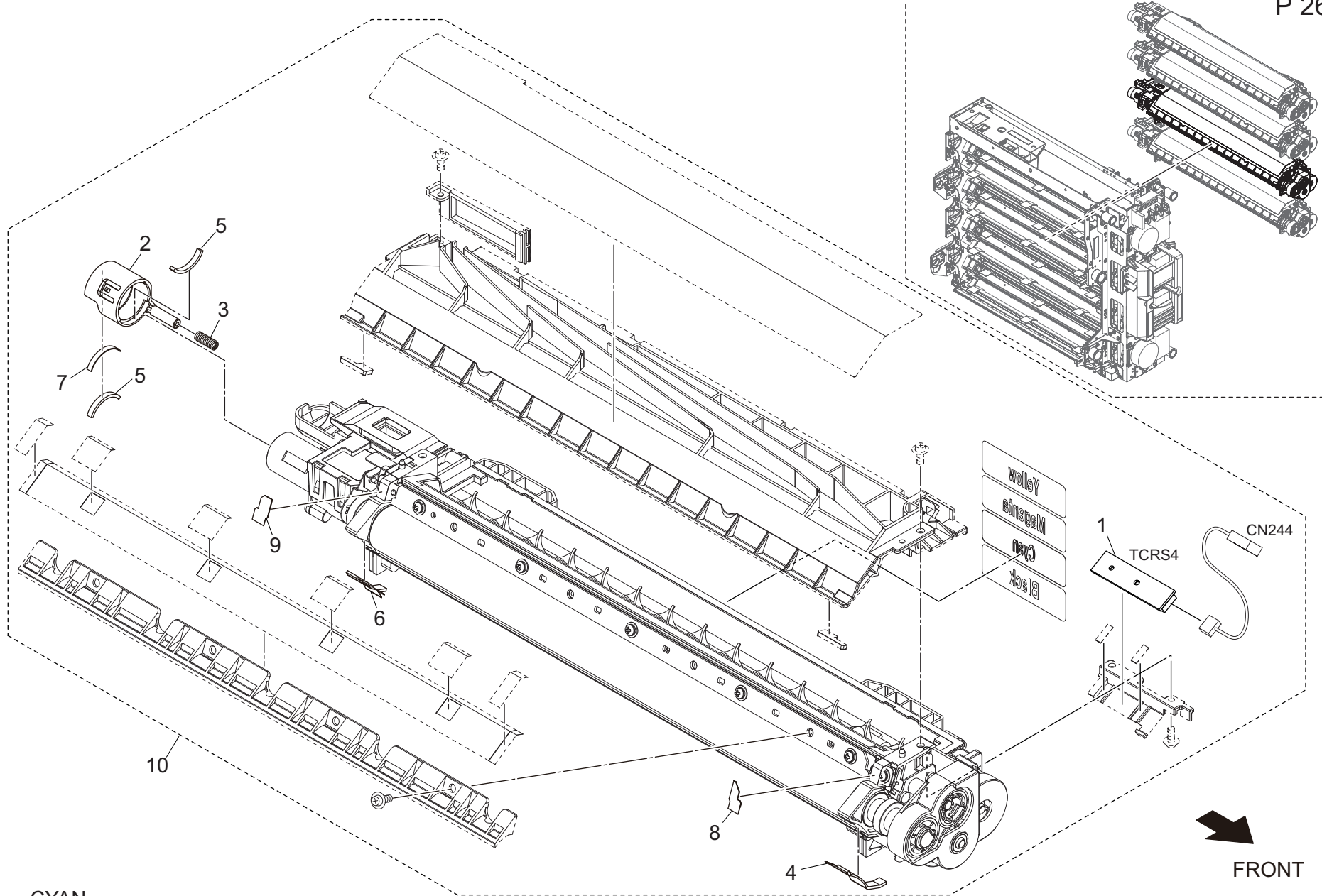
MAGENTA

FRONT

AccurioPrint C2060L

Developing Section

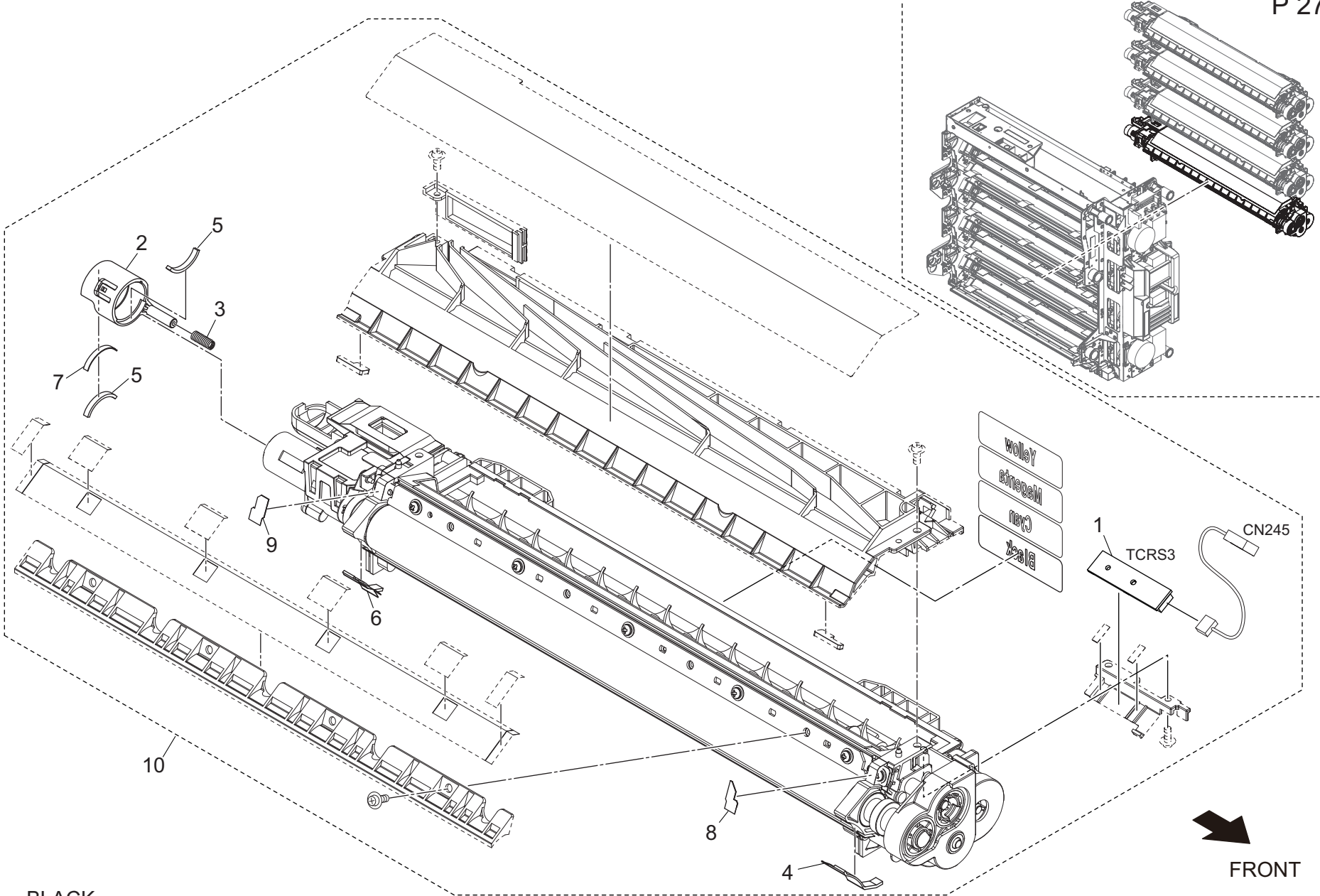
P 26



CYAN

FRONT
AccurioPrint C2060L

Developing Section



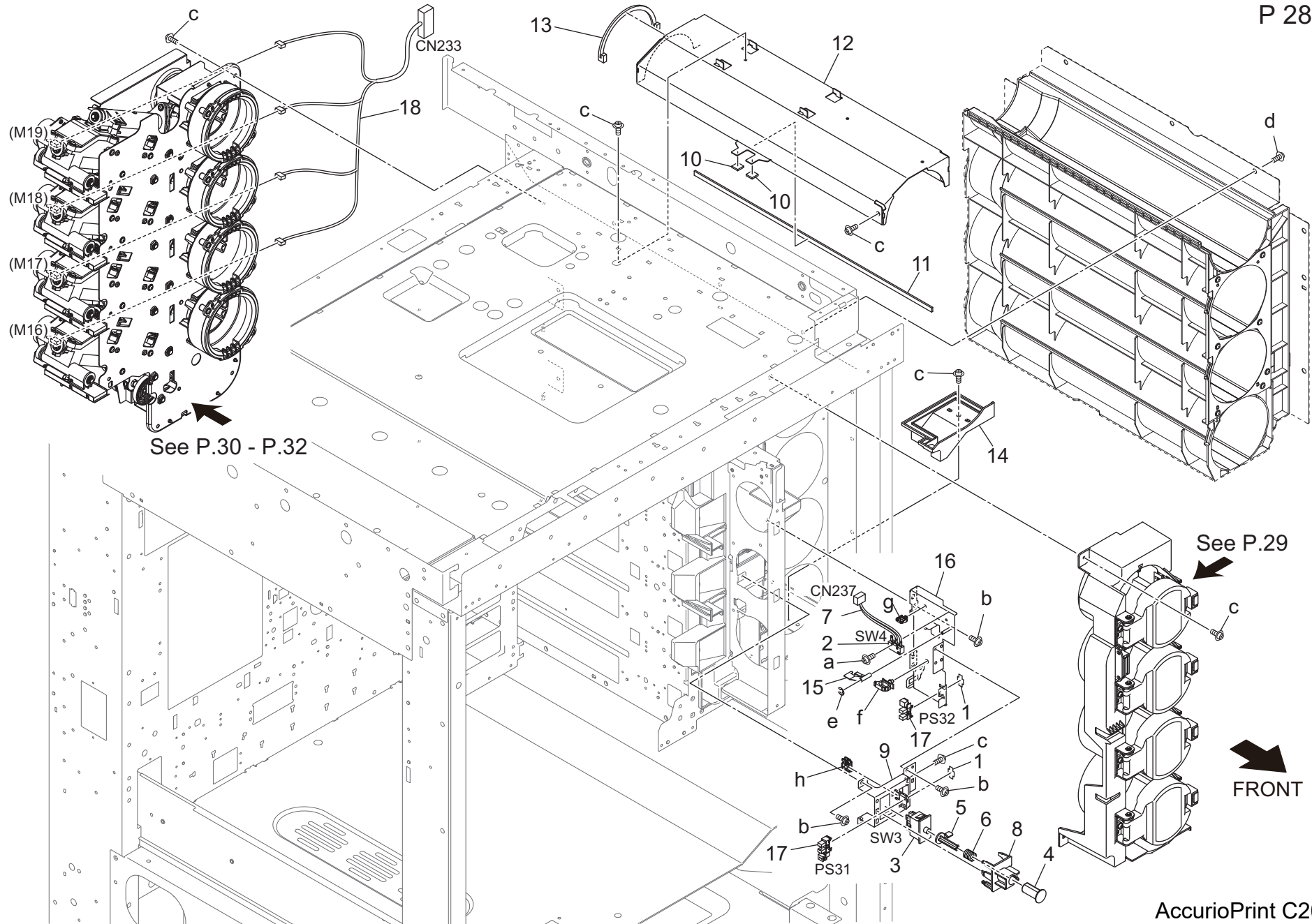
BLACK

FRONT

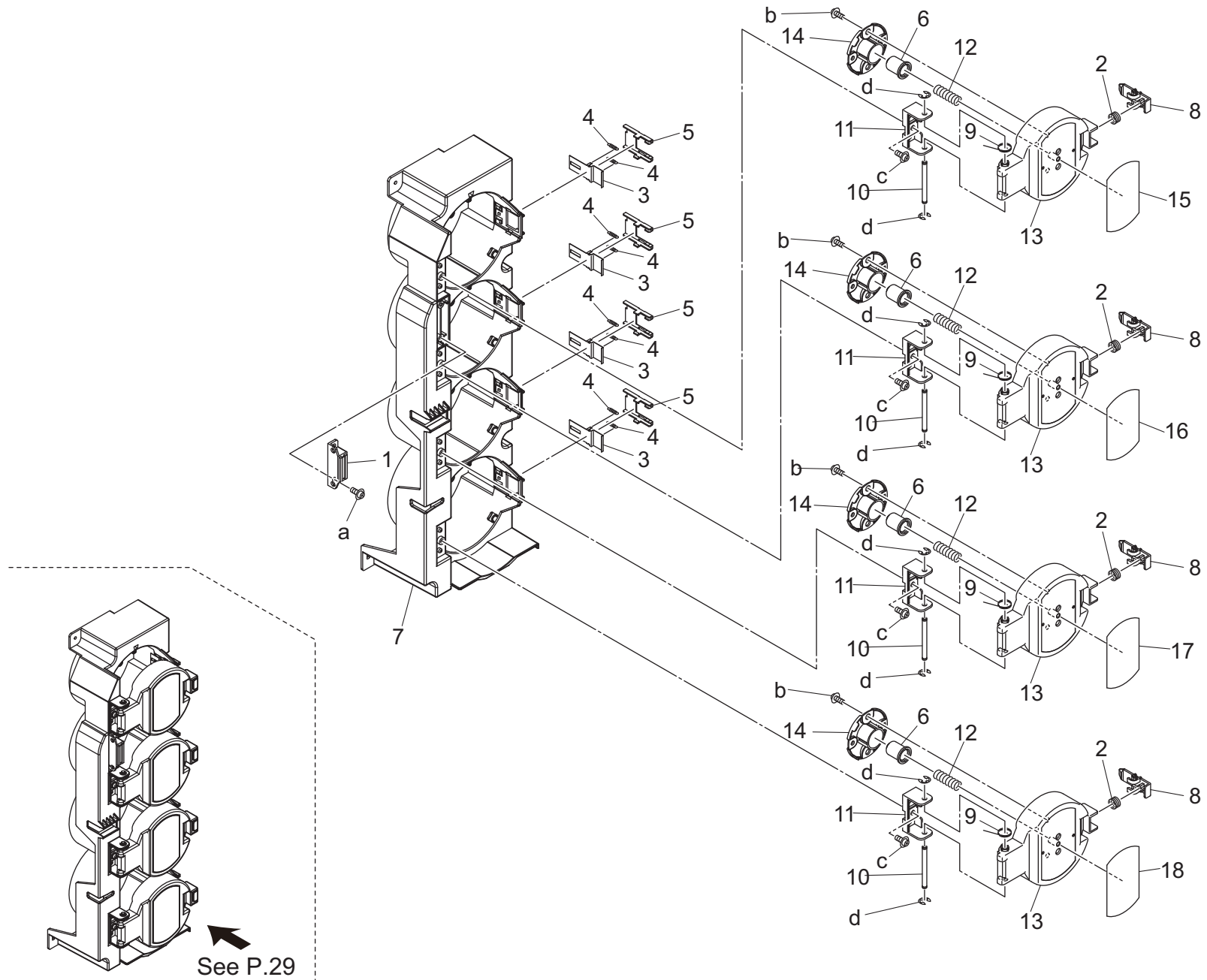
AccurioPrint C2060L

Toner Supply Section

P 28



Toner Supply Section

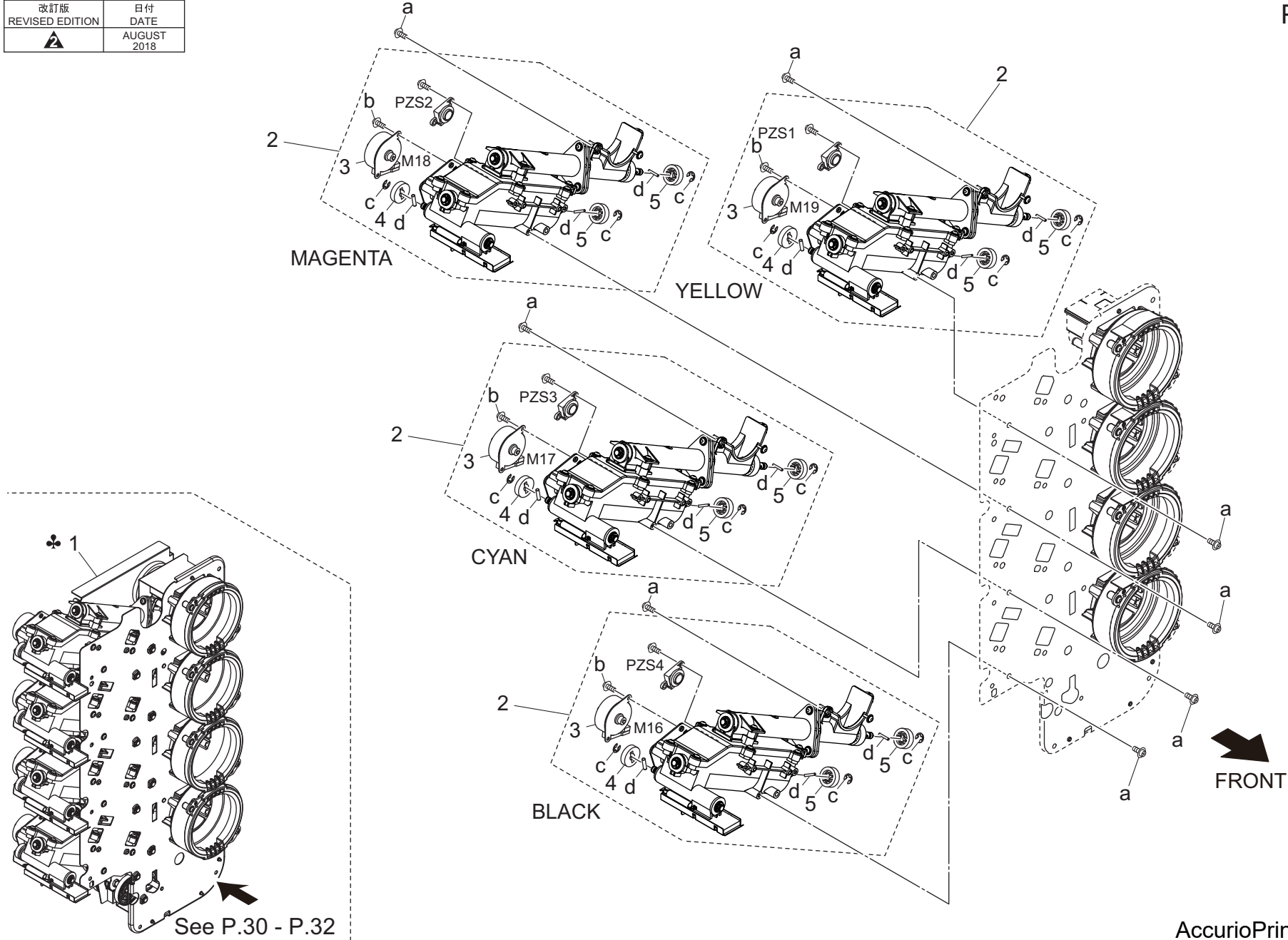


See P.29

FRONT

Toner Supply Section

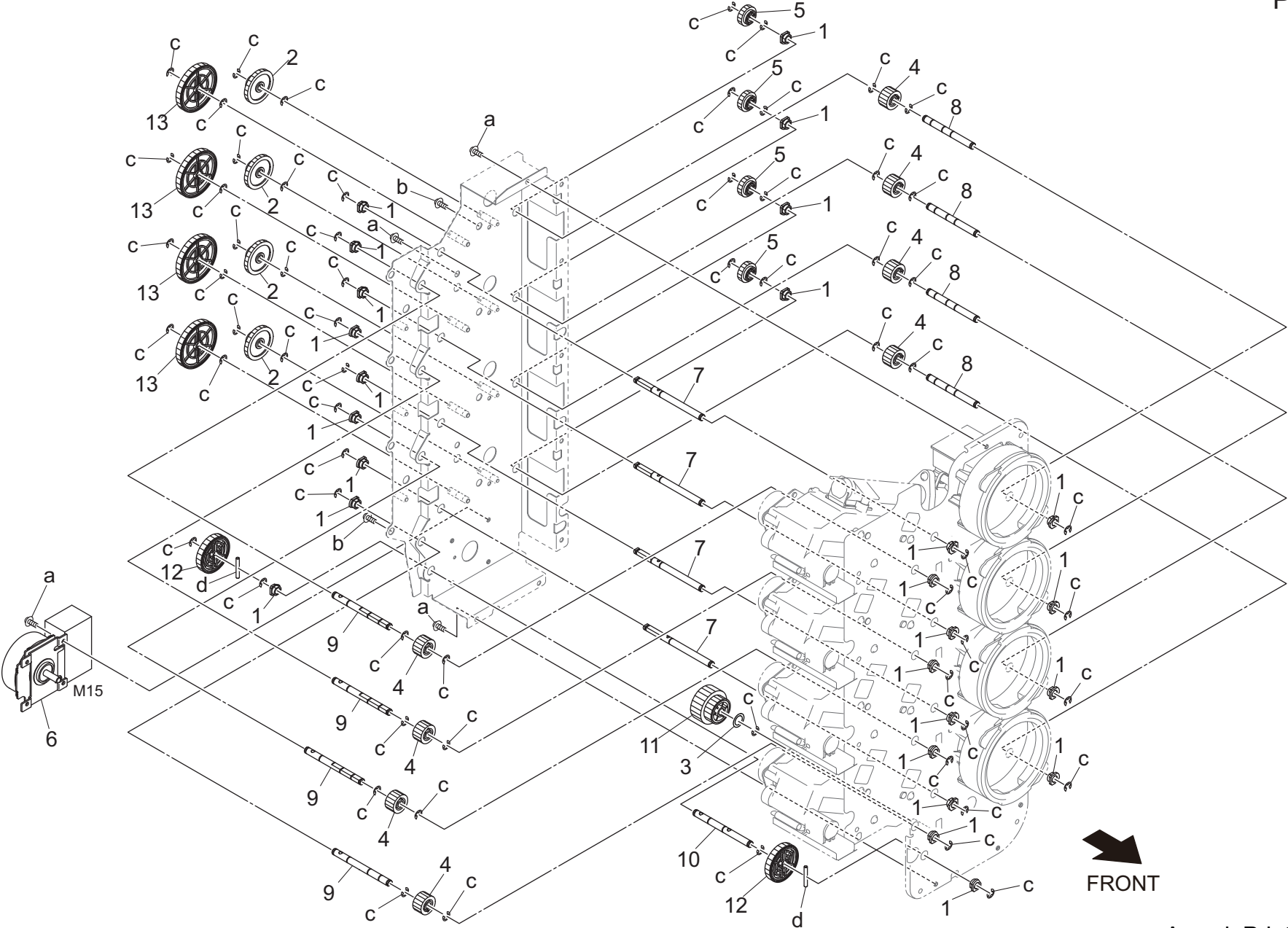
改訂版 REVISED EDITION	日付 DATE
	AUGUST 2018

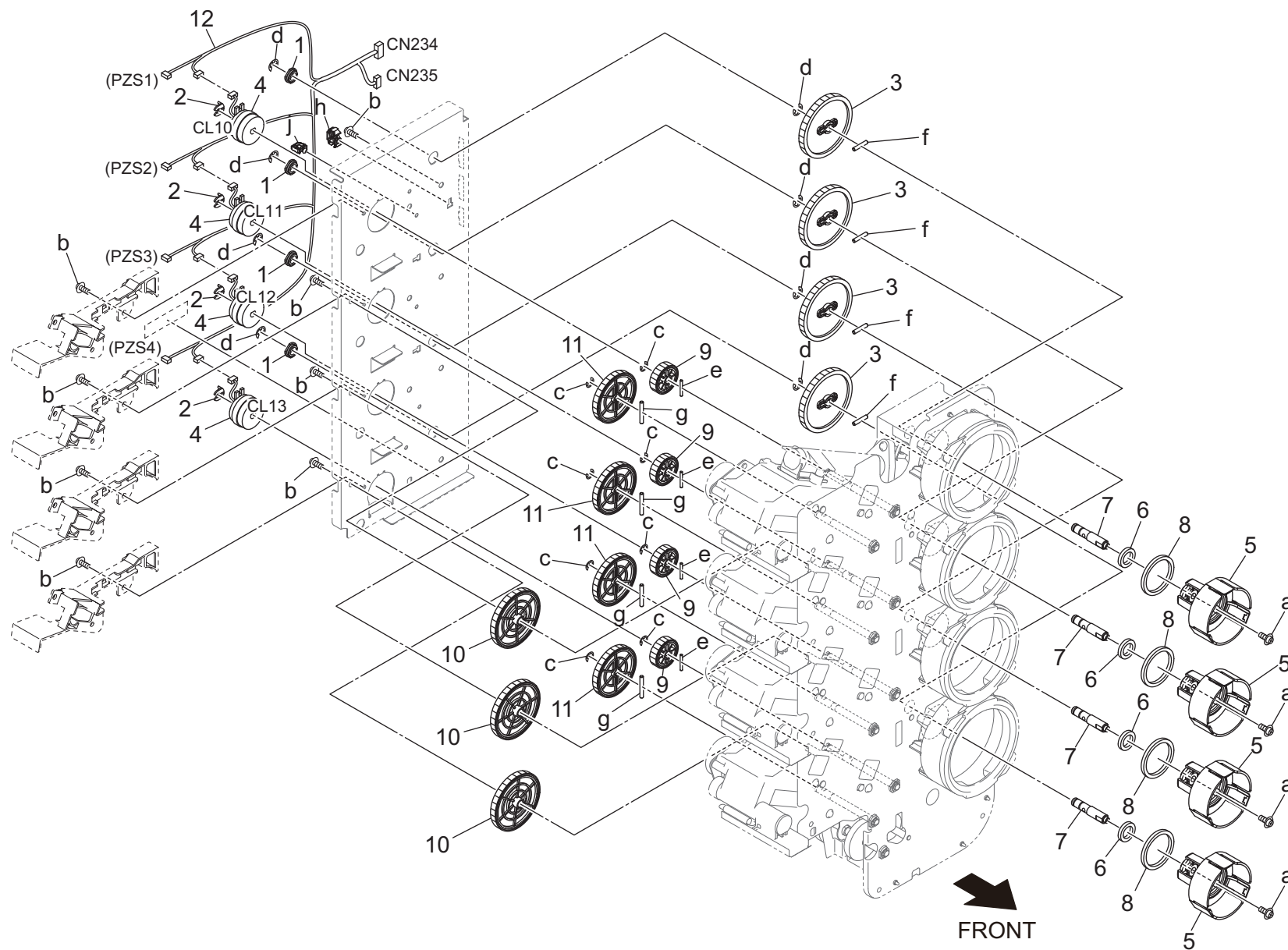


See P.30 - P.32

AccurioPrint C2060L

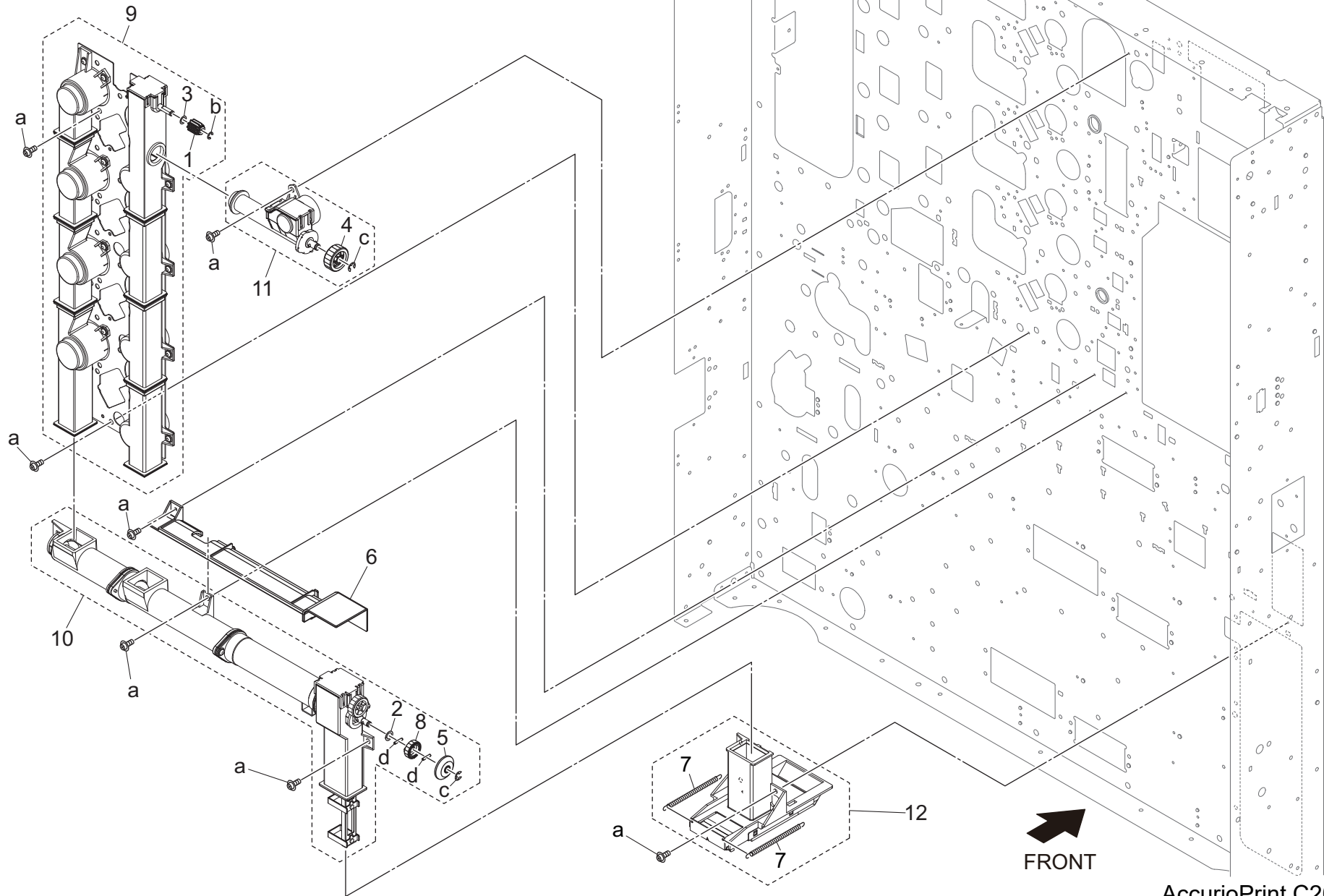
Toner Supply Section



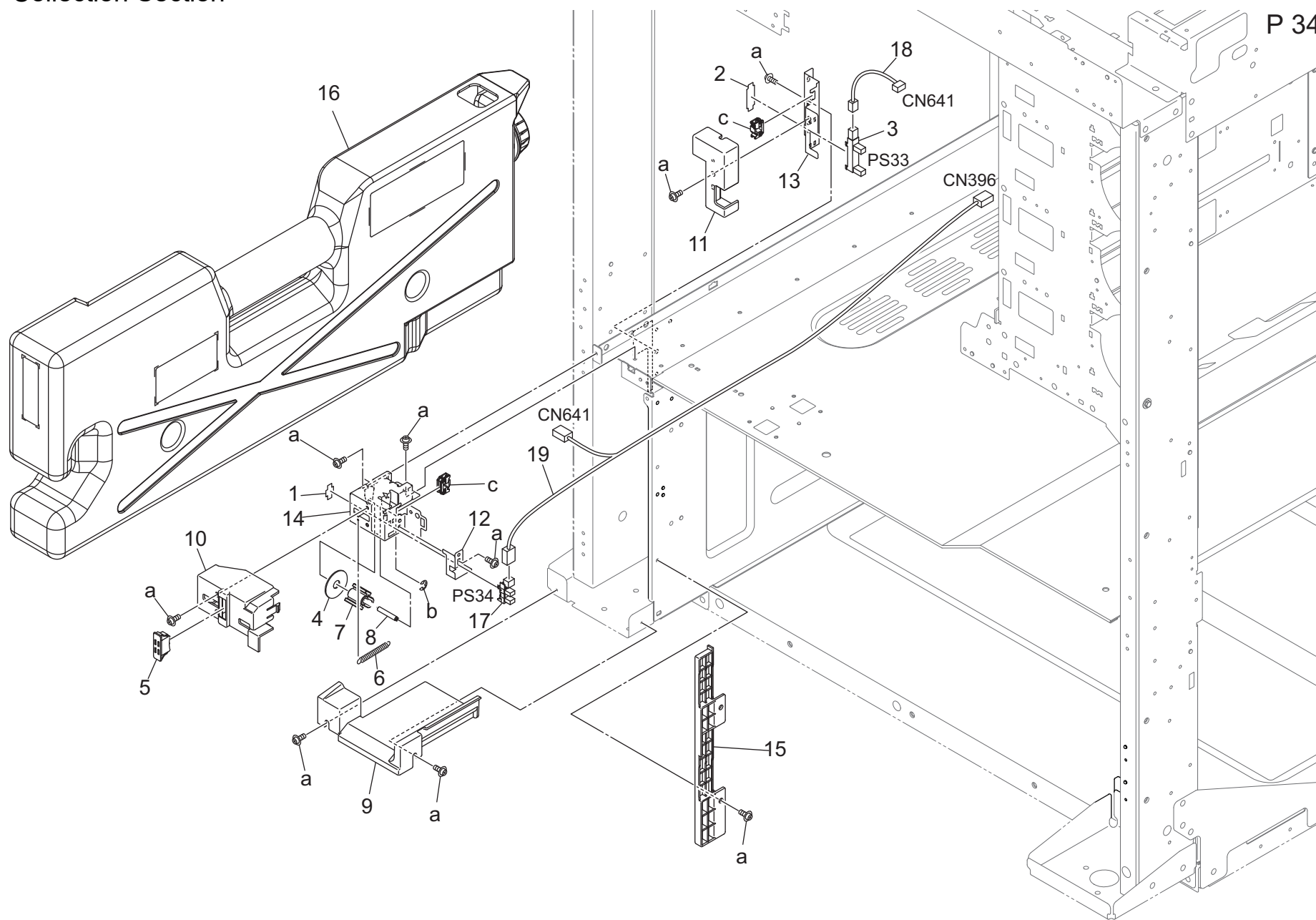


AccurioPrint C2060L

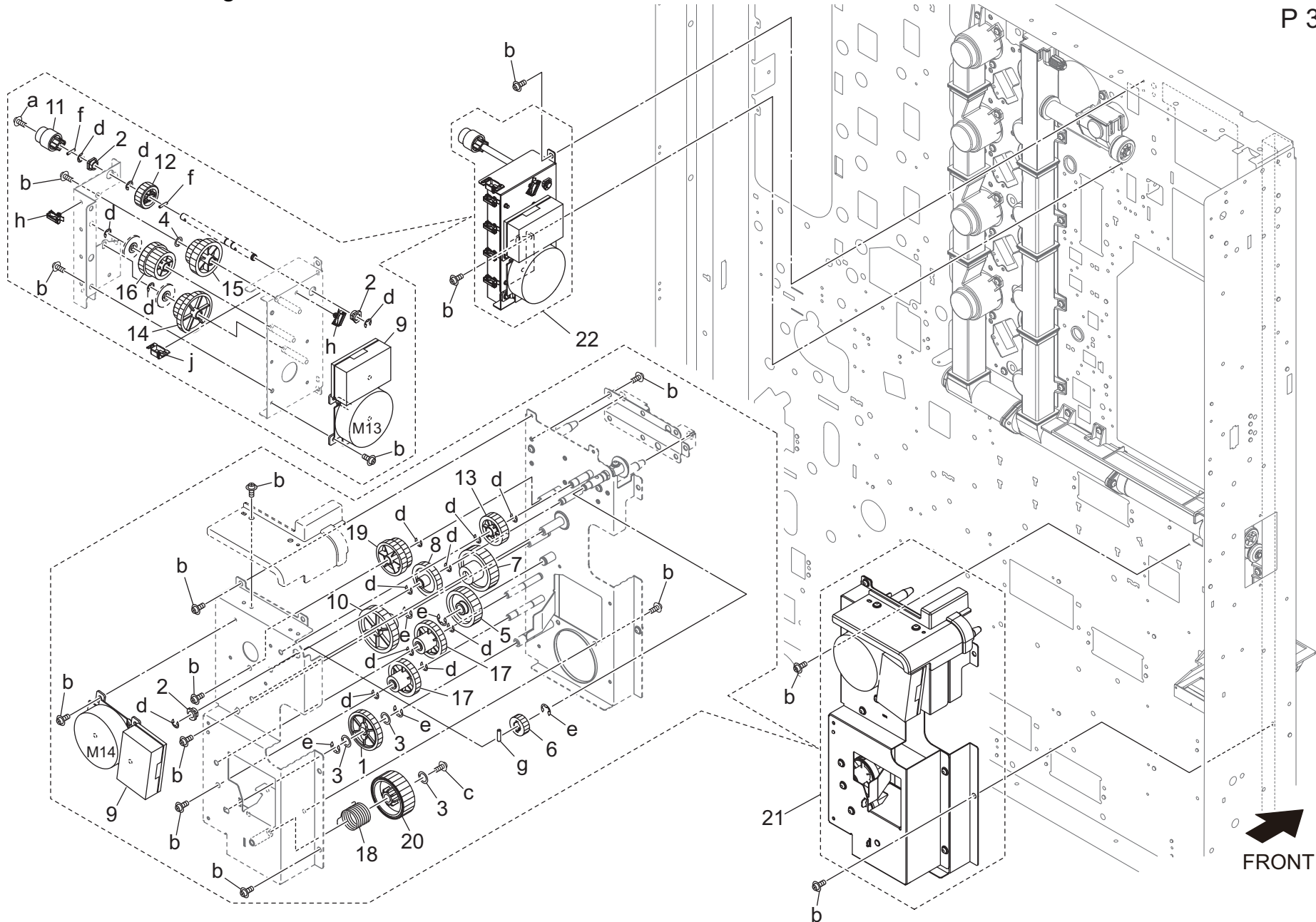
Toner Collection Section



Toner Collection Section

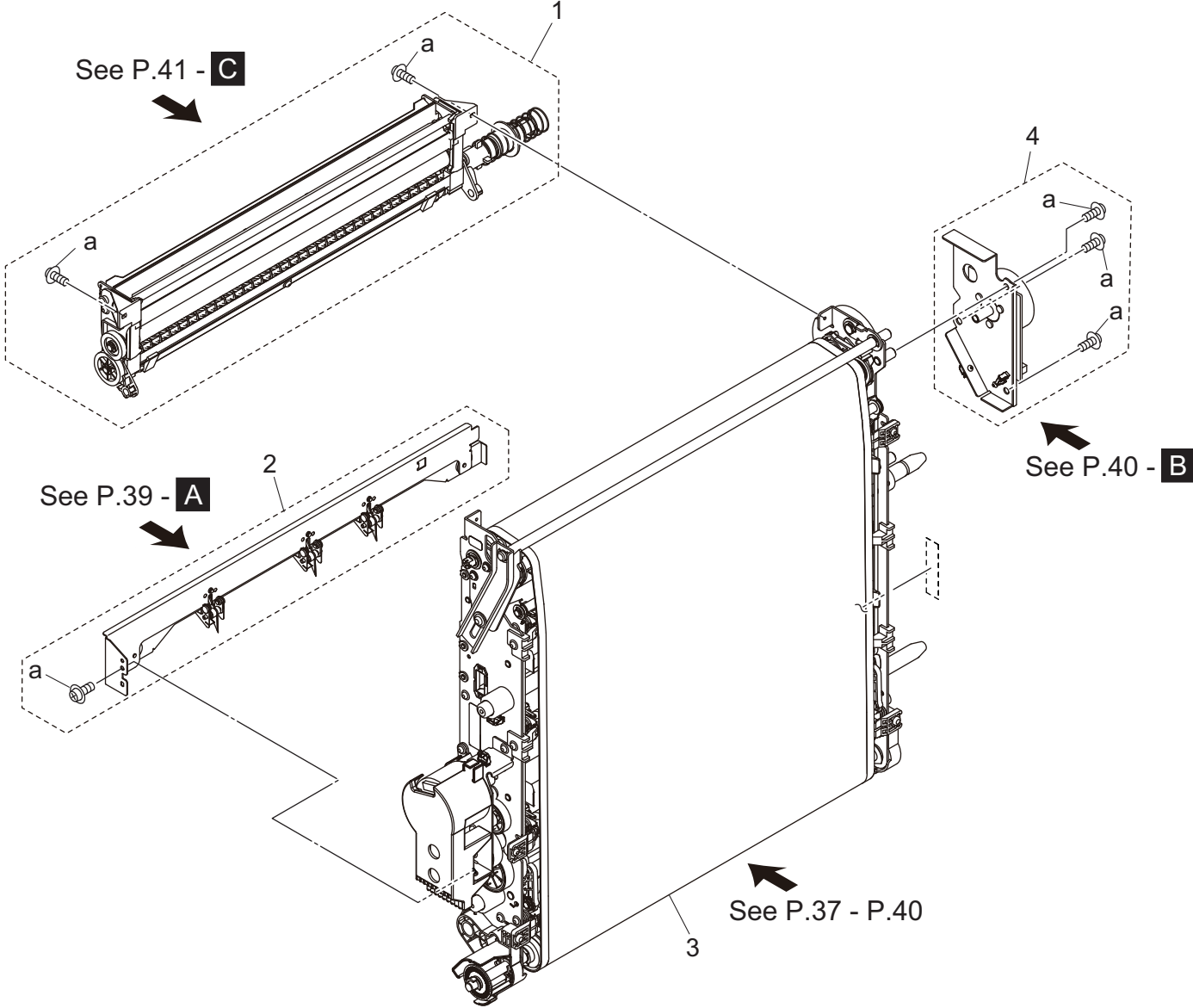


Toner Collection Driving Section



Key	Part No.	Description	Destinations	Class	QTY	Standard parts
1	4038254001	GEAR 37T		C	1	a-V121030403
2	466076020	Paper Feed Feeding Bearing		B	3	b-V127030604
3	13QA40610	Gear Spacer		C	3	c-V127040603
4	40AA32320	Toner Supply Spacer		C	1	d-V217040001
5	55GA77050	Conveyance Drive Gear /2 35T		B	1	e-V217060001
6	56UA77280	ADU CONVEYANCE GEAR 17T		C	1	f-V234201050
7	56UA77710	TONER SUPPLY DRIVE GEAR /B 16/40T		C	1	g-V234301250
8	65AA77410	TONER SUPPLY GEAR D 31T		C	1	h-V500020100
9	A161M10200	brushless Motor /20		I	2	j-V570010063
10	A1RF368500	Collection Gear 14/43T		C	1	
11	A1RF372300	Agitating Coupling /1		D	1	
12	A1RG569900	Suction Gear /2 21T		C	1	
13	A1UD210500	Gear 28T		C	1	
14	A50U360700	Collection Gear /1 75/23T		C	1	
15	A50U361200	Collection Gear /3 32/22T		C	1	
16	A50U361401	Collection Gear /2 29/25T		C	1	
17	A50U362200	Gear /1 34/14T		C	2	
18	A50U365600	Collection Spring		D	1	
19	A50U365800	Collection Gear /1 62/28T		C	1	
20	A50U367001	Collection Coupling		D	1	
21	A50UR70Y11	Toner Collection Drive Assy		S	1	
22	A50UR71200	Collection Drive Assy		S	1	

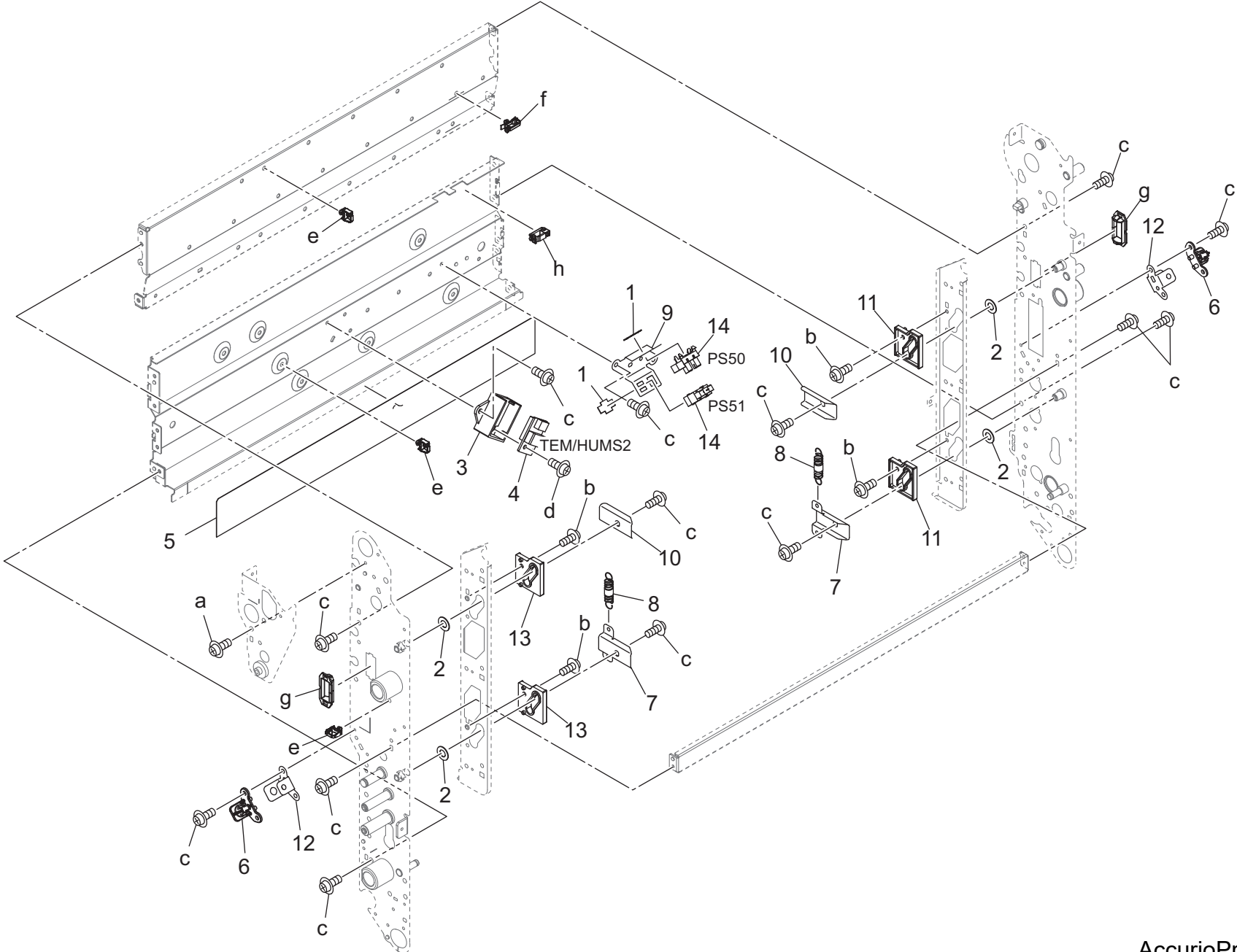
Intermediate Transfer Section



Intermediate Transfer Section

Key	Part No.	Description	Destinations	Class	QTY	Standard parts
1	A50UR70633	Transfer Belt Cleaning Unit		B	1	a-V127030604
2	A50UR71P22	Separating Claw Unit		I	1	
3	A85CR70P33	Middle Transfer Assy	C,D1,D3,E,F2,G1,G2, H,I,J,K	I	1	
3	A85CR70P33	Middle Transfer Assy	B	I	1	
4	A85CR70R11	Drive Plate Assy		C	1	

Intermediate Transfer Section

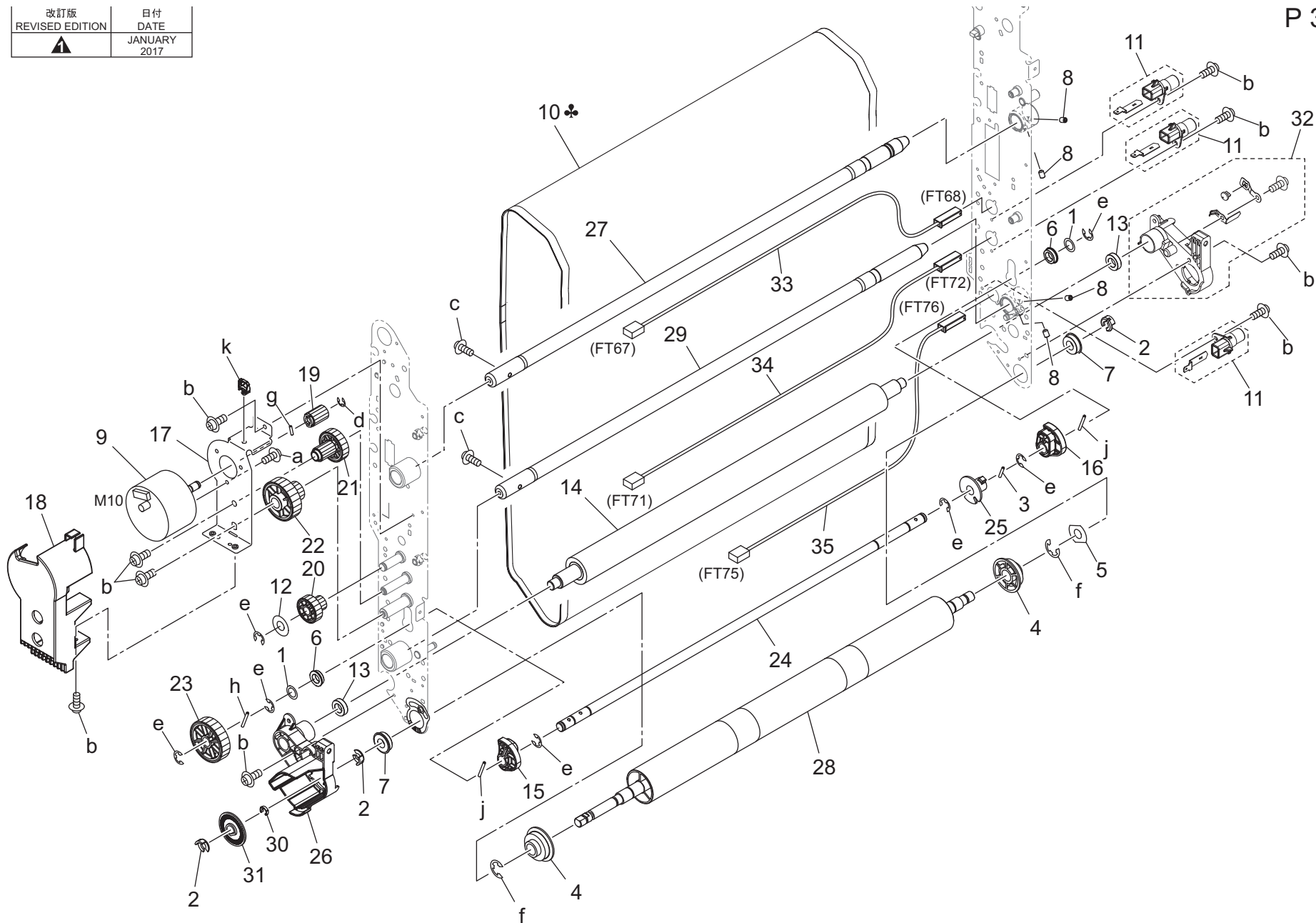


Intermediate Transfer Section

Key	Part No.	Description	Destinations	Class	QTY	Standard parts
1	4470402401	Stopper		D	2	a-V116030503 b-V121030403 c-V127030604 d-V158030803 e-V500020098 f-V500020100 g-V570010037 h-V570010057
2	07BA15871	SPACER A		C	4	
3	65AA11300	SUPPORT PART		D	1	
4	A034M50000	Humidity sensor		C	1	
5	A03U515100	Insulating Sheet		D	1	
6	A50U500800	Hold Part		D	2	
7	A50U503600	Stopper Plate		D	2	
8	A50U503700	Spring		D	2	
9	A50U505200	Plate		D	1	
10	A50U506200	Stopper Plate		D	2	
11	A50U506300	Transfer Bushing /Rear		D	2	
12	A50U508600	Transfer Support Plate		D	2	
13	A50U508800	Transfer Bushing /Front		D	2	
14	A85CM55500	Photo Sensor		C	2	

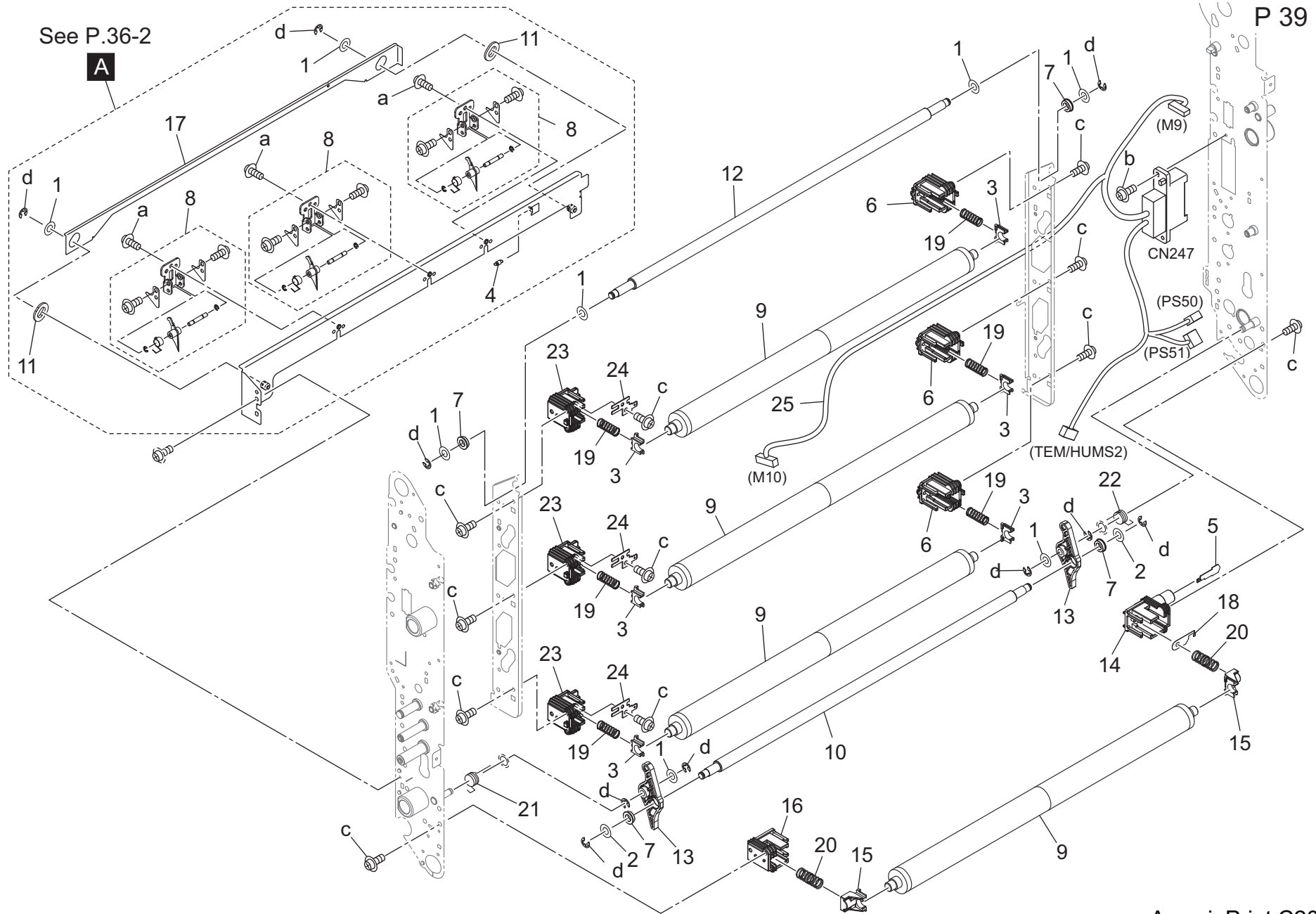
Intermediate Transfer Section

改訂版 REVISED EDITION	日付 DATE
	JANUARY 2017



Key	Part No.	Description	Destinations	Class	QTY	Standard parts
1	12QV40650	Spacer		B	2	a-V121030403
2	55VA42120	Shaft Stopper		C	3	b-V127030604
3	56AA17321	PIN A D2X12		B	1	c-V127040803
4	65AA26870	REGULATING COLLAR		C	2	d-V217040001
5	65AA27240	SPACER A		C	1	e-V217060001
6	A00J617900	Ball Bearing		B	2	f-V217080001
7	A00V240600	Ball Bearing		B	2	g-V234200850
8	A03U512300	Fixing Screw		C	4	h-V234201850
9	A11PM10200	DC Brushless motor /12		C	1	j-V237201850
10	A1DU504203	Transfer Belt 862L		A	1	k-V500020098
10	A9VE500100	Transfer Belt /H	(Embossed paper)	A	1	
11	A1DUR73500	Power Supply Block / A Assy	給電ブロック / A A S S Y	D	3	
12	A1RF501700	Slide Spacer /A	スライドスペーサ / A	D	1	
13	A1RF517300	bearing	軸受	C	2	
14	A50U500401	2nd Transfer Roller/Up	2次転写ローラー / U p	A	1	
15	A50U502500	Transfer Release Cam /C	転写解除カム / C	D	1	
16	A50U502600	Transfer Release Cam /C	転写解除カム / C	D	1	
17	A50U503900	Drive Plate /2	駆動板 / 2	D	1	
18	A50U504000	Cover	カバー	D	1	
19	A50U504400	Pressure Gear /M 18T	圧着ギア / M 1 8 T	C	1	
20	A50U504500	Compressing Gear /1 35/18T	圧縮ギア / 1 3 5 / 1 8 T	C	1	
21	A50U504600	Pressure Gear /2 43/18T	圧着ギア / 2 4 3 / 1 8 T	C	1	
22	A50U504700	Pressure Gear /3 56/18T	圧着ギア / 3 5 6 / 1 8 T	C	1	
23	A50U505000	Pressure Gear /4 44T	圧着ギア / 4 4 4 T	C	1	
24	A50U505100	Pressure Shaft	圧着軸	D	1	
25	A50U505300	Light blocking Plate	遮光板	D	1	
26	A50U505901	Insulating Holder /Front	絶縁ホルダ / 前	D	1	
27	A50U506101	Positioning Shaft /Upper	位置決め軸 / 上	D	1	
28	A50U506701	Idler Roller	従動ローラ	C	1	
29	A50U507000	Positioning Shaft /Lower	位置決め軸 / 下	D	1	
30	A50U509100	Lifting Collar /8	押上げカラー / 8	D	1	
31	A50U517300	Control Plate	制御プレート	D	1	
32	A50UR72100	Insulating Holder / Rear Assy	絶縁ホルダ / 奥 A s s y	D	1	
33	A50UN24501	HV Relay harness /1	高圧中継束線 / 1	D	1	
34	A50UN24701	HV Relay harness /2	高圧中継束線 / 2	D	1	
35	A50UN24901	HV Relay harness /3	高圧中継束線 / 3	D	1	

Intermediate Transfer Section

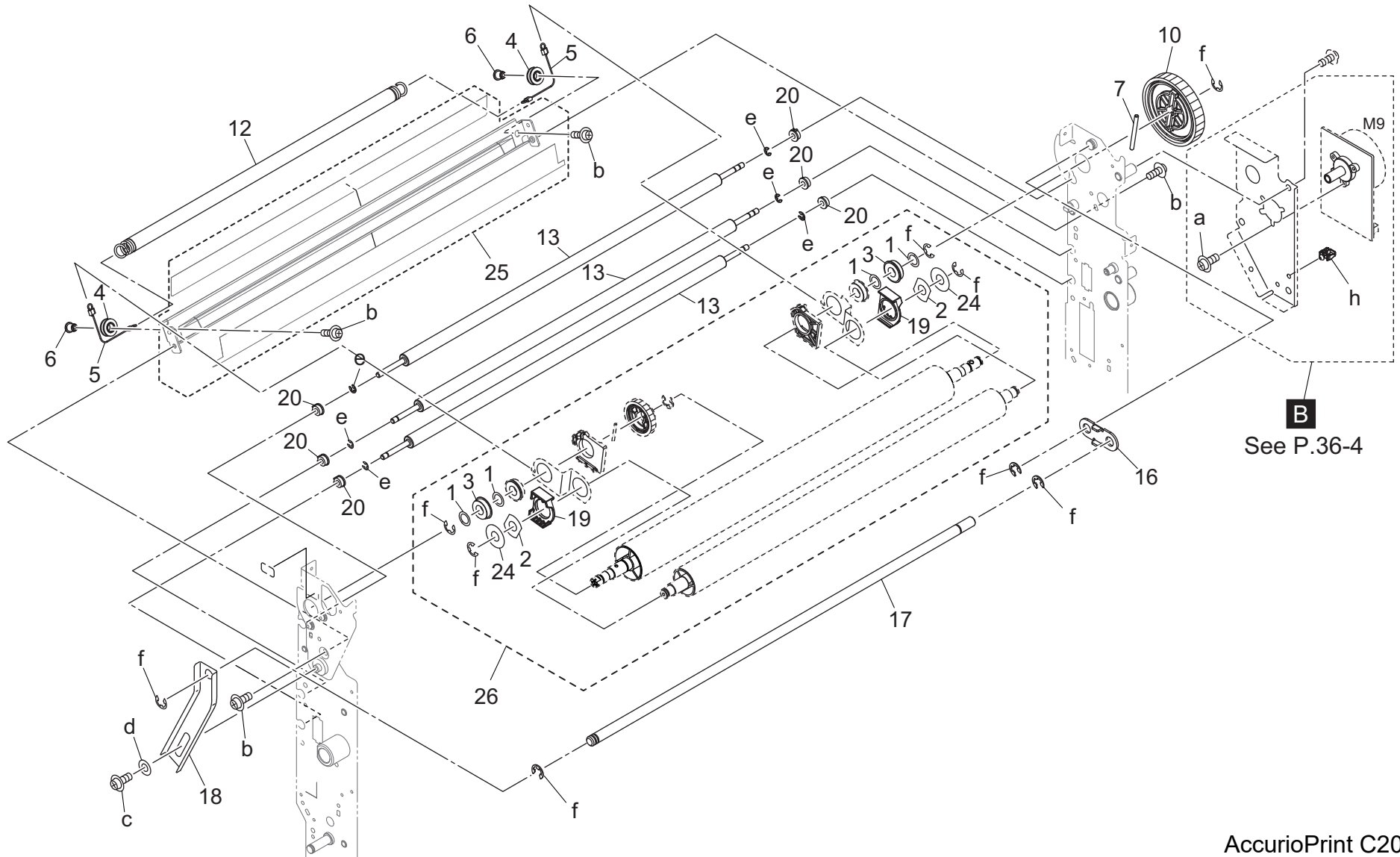


Intermediate Transfer Section

Key	Part No.	Description	Destinations	Class	QTY	Standard parts
1	07BA15871	SPACER A		C	8	a-V121030403 b-V127030803 c-V158030803 d-V217040001
2	40AA32320	Toner Supply Spacer		C	2	
3	65AA26380	Transfer Powering Bushing		B	6	
4	65AA26600	SLIDE SPRING		C	1	
5	65AA26690D	Transfer Powering Plate /K		D	1	
6	65AA26900D	High voltage Powering Block /C		D	3	
7	A00J617800	Ball Bearing		B	4	
8	A1DUR71900	Separation Claw Assy		B	3	
9	A50U501201	1st Transfer Roller		A	4	
10	A50U501900	Transfer Pressure Roller /K		C	1	
11	A50U503200	Bushing		D	2	
12	A50U505401	Transfer Pressure Roller /Y		C	1	
13	A50U505500	Release Arm		D	2	
14	A50U505601	Power supply Block /D		D	1	
15	A50U505700	Transfer Roller Bearing /K		B	2	
16	A50U505800	High voltage Powering Block /B		D	1	
17	A50U506900	Release Plate		D	1	
18	A50U507600	Transfer Powering Plate /L		D	1	
19	A50U507801	Pressure Spring /C		D	6	
20	A50U507900	Pressure Spring /Black		D	2	
21	A50U508001	Pressing Spring /Front		D	1	
22	A50U508102	Pressing Spring /Rear		D	1	
23	A50U510100	High voltage Powering Block /C		D	3	
24	A50U510200	Transfer Powering Plate /Front		D	3	
25	A50UN13201Old	Transfer Drive harness /1		D	1	
25	A50UN13203	Transfer Drive harness /1		D	1	

Intermediate Transfer Section

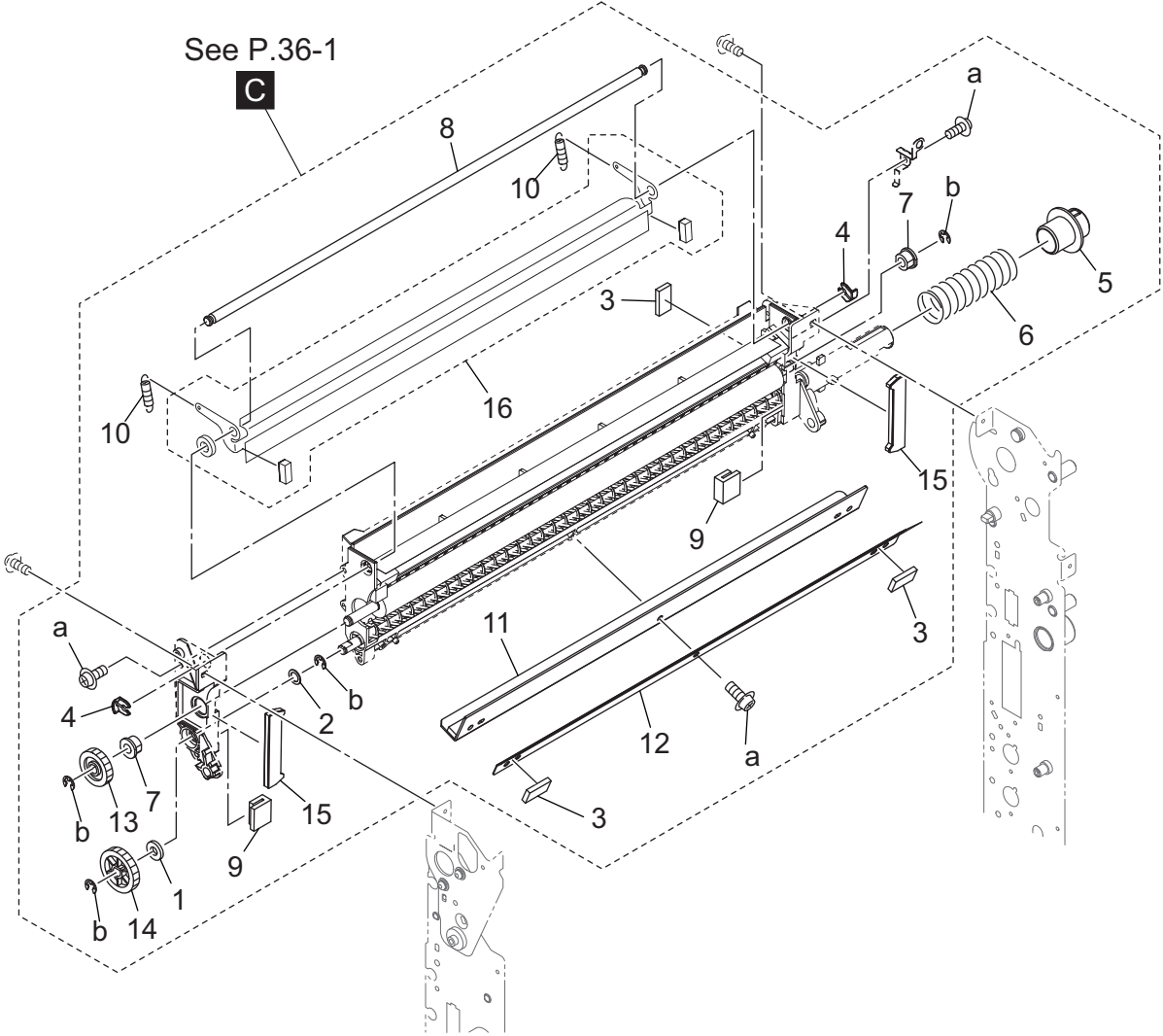
改訂版 REVISED EDITION	日付 DATE
	JANUARY 2018



Intermediate Transfer Section

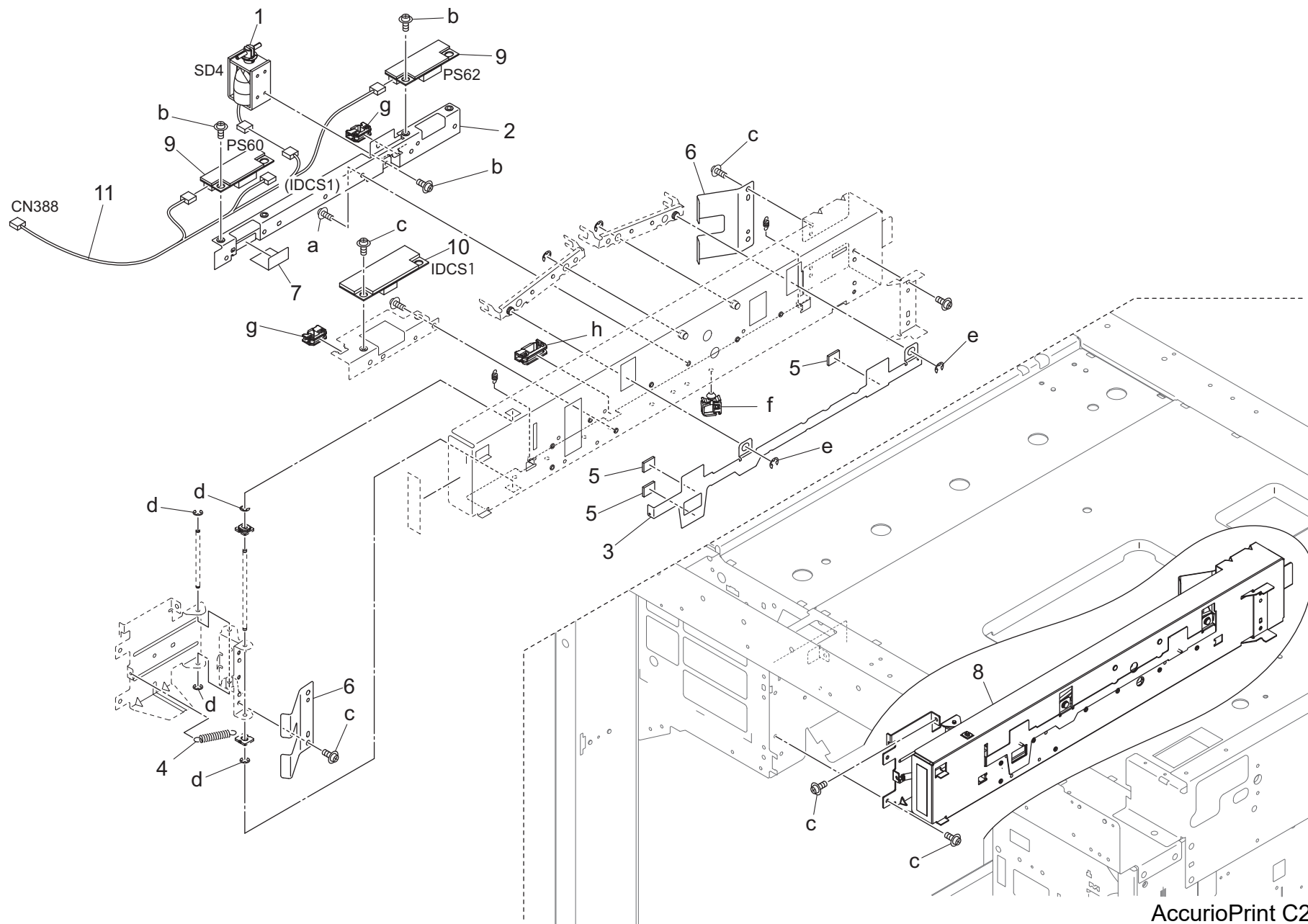
Key	Part No.	Description	Destinations	Class	QTY	Standard parts
1	12QV40650	Spacer		B	4	a-V118030403
2	65AA27240	SPACER A		C	2	b-V127030604
3	A00V240600	Ball Bearing		B	2	c-V127040603
4	A1RF508000	Tension Pulley		D	2	d-V207060003
5	A1RF508100	Pulling Wire		D	2	e-V217030001
6	A1RF508200	Tension Shaft		D	2	f-V217060001
7	A1RJ732100	Pin /2		C	1	h-V500020098
10	A50U501401	Drive Gear 108T		C	1	
12	A50U501702	Tension Spring		D	1	
13	A50U502100	Auxiliary Roller /1		C	3	
16	A50U502700	Handle /Rear		D	1	
17	A50U502900	Handle		D	1	
18	A50U503001	Mounting Plate		D	1	
19	A50U503300	Cover		D	2	
20	A50U503500	Bushing		D	6	
24	A50U509200	Washer		D	2	
25	A50UR73J00	Cleaning Sheet Assy		D	1	
26	A50UR73K00	Drive Roller Assy		C	1	

Intermediate Transfer Section



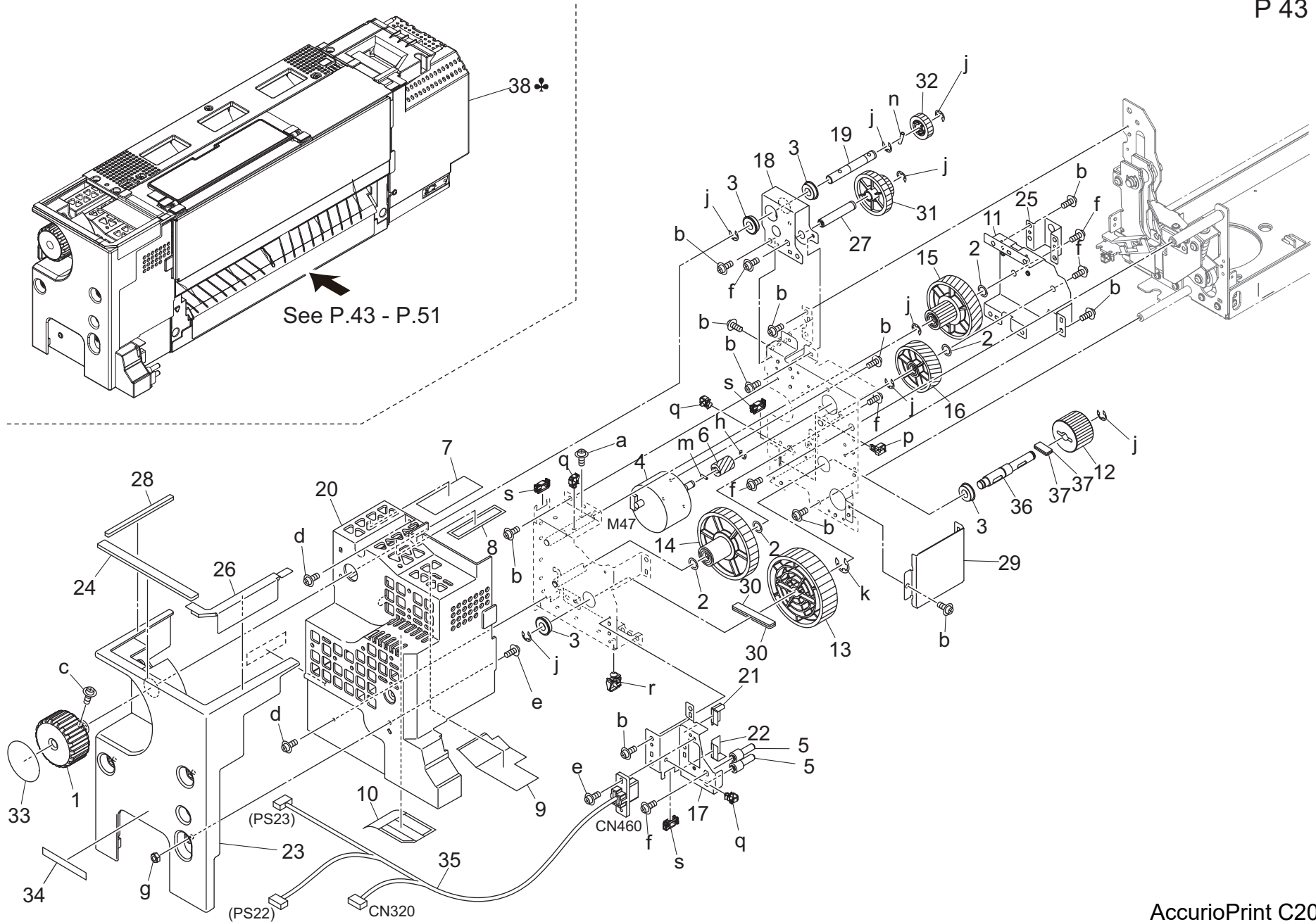
Key	Part No.	Description	Destinations	Class	QTY	Standard parts
1	08AA45230	COLLECTING SEAL		C	1	a-V158030803 b-V217040001
2	40AA32320	Toner Supply Spacer		C	1	
3	56AA20940D	Toner Dust-proof Seal /D		D	3	
4	56AA40490	SHAFT STOPPER 4		C	2	
5	65AA20060	COLLECTING COVER		C	1	
6	65AA20300	TONER COLLECTING SPRING		C	1	
7	65AA26840	Cleaner Bushing /Front		C	2	
8	65AA27090D	Blade Fulcrum Shaft		D	1	
9	65AA27320	SCATTER PREVENTING PAD 4		C	2	
10	A03U555400	Cleaning Spring		C	2	
11	A1DUR71C00	Sheet /1 Assy		A	1	
12	A1DUR71D00	Sheet /2 Assy		C	1	
13	A50U531400	Cleaning Gear /1 21T		C	1	
14	A50U531500	Cleaning Gear /2 26T		C	1	
15	A50U531601	Seal /F		A	2	
16	A50UR70K11	Belt Cleaning Blade		A	1	

Color Resist Section



Key	Part No.	Description	Destinations	Class	QTY	Standard parts
1	A1DUR71600	Solenoid Assy		C	1	a-V116030503 b-V121030403 c-V127030604 d-V217020001 e-V217040001 f-V500020098 g-V570010056 h-V570010057
2	A50U515200	Fixing Plate		D	1	
3	A50U515500	Open/close Shutter		D	1	
4	A50U516800	Spring		D	1	
5	A50U516900	Scatteringprevention Pad		D	3	
6	A50U517000	Pressing Spring		D	2	
7	A50U517100	Cover Sheet		D	1	
8	A50UR71711	Color Registration Unit		S	1	
9	A50UM50100	Photo sensing		I	2	
10	A50UM50200	Photo sensing		I	1	
11	A50UN20001	Wiring /1		D	1	

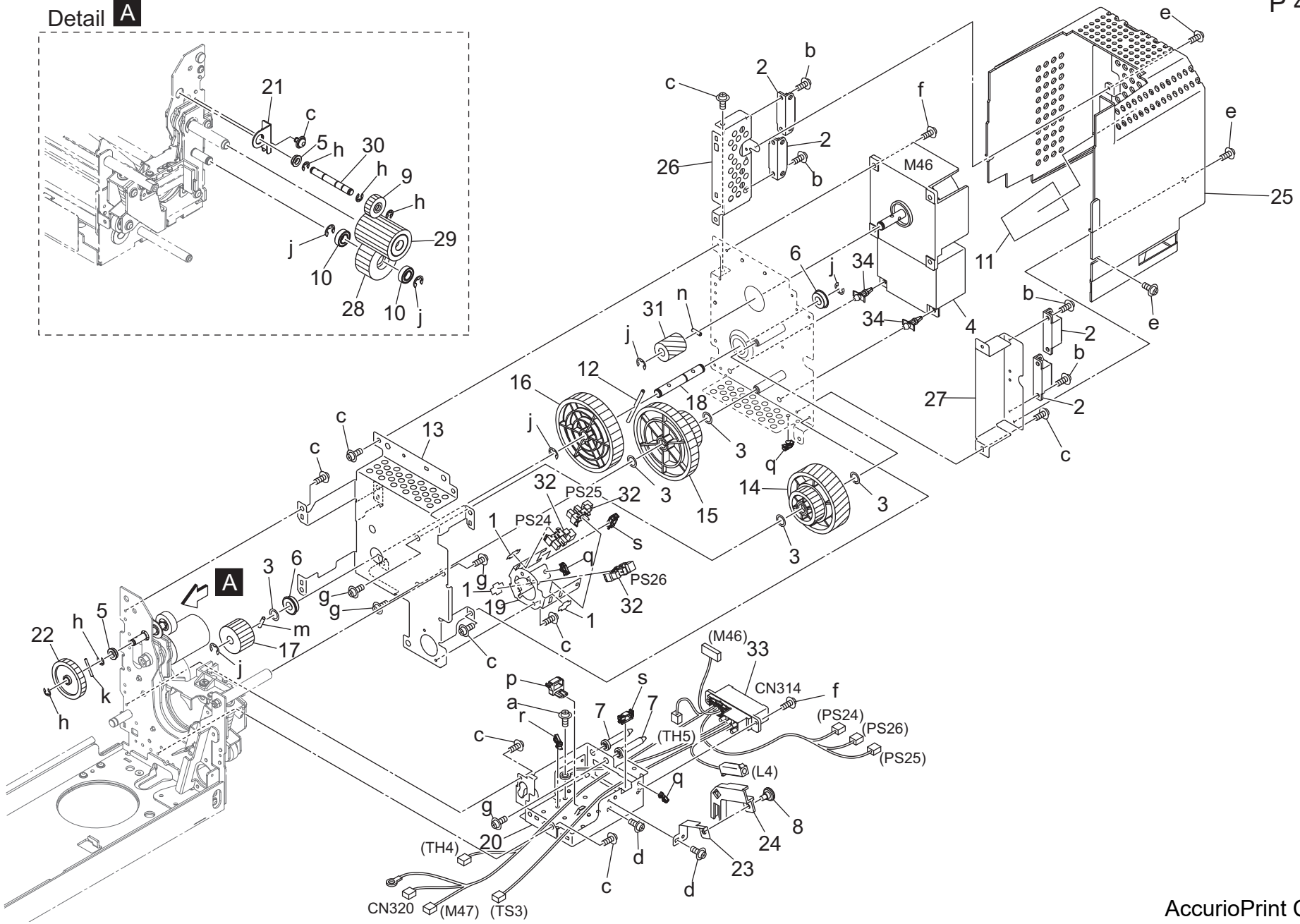
Fusing Section



Key	Part No.	Description	Destinations	Class	QTY	Standard parts
1	20AL48470G	Jam Release Knob		C	1	a-V116030603
2	56AA42690	BY-PASS SPACER		C	4	b-V121030403
3	A00V240600	Ball Bearing		B	4	c-V121041003
4	A11PM10200	DC Brushless motor /12		C	1	d-V127030604
5	A1DU736200	Positioning Shaft		D	2	e-V127030803
6	A1RF809400	Pressure Gear /1 22T		C	1	f-V127040603
7	A50U732200	Protection Seal /2		D	1	g-V195030003
8	A50U732300	Protection Seal /3		D	1	h-V217040001
9	A50U732400	Protection Seal /4		D	1	j-V217060001
10	A50U732500	Protection Seal /5		D	1	k-V217080001
11	A50U742300	Drive Plate /3		D	1	m-V234200850
12	A50U742800	Pressure Gear /1 31T		C	1	n-V234301450
13	A50U742901	Pressure Gear /2 90T		C	1	p-V500010057
14	A50U743000	Pressure Gear /3 23/85T		C	1	q-V500010074
15	A50U743100	Pressure Gear /4 23/110T		C	1	r-V500020098
16	A50U743200	Pressure Gear /5 87T		C	1	s-V570010057
17	A50U745302	Fixing Plate /5		D	1	
18	A50U745600	Fixing Plate /1		D	1	
19	A50U745700	Processing Shaft /A		D	1	
20	A50U748403	Fusing Cover /Front		D	1	
21	A50U750500	Sheet /5		D	1	
22	A50U750600	Sheet /6		D	1	
23	A50U751002	Fusing Cover /1		D	1	
24	A50U751101	Spacer /1		D	1	
25	A50U751200	Positioning Plate /A		D	1	
26	A50U751301	Spacer /2		D	1	
27	A50U752600	Processing Shaft		D	1	
28	A50U755900	Spacer /3		D	1	
29	A50U756001	Auxiliary Side plate		D	1	
30	A50U756500	Part /1		D	2	
31	A50U757000	Connecting Gear /A 41/22T		C	1	
32	A50U757100	Idling Gear /A 22T		C	1	
33	A50U943501	Release Label /5		D	1	
34	A50U949600	Replacement Label		D	1	
35	A50UN10903	Fixing Wiring /5		D	1	
36	A85C742500	Pressure Shaft /1		D	1	
37	A85C758300	Drive Plate /1		D	2	
38	A85CR70200	Fusing Unit (208V)	B,G2	I	1	
38	A85CR70300	Fusing Unit (220V)	C,D1,D3,E,F2,G1,H,I J,K	I	1	

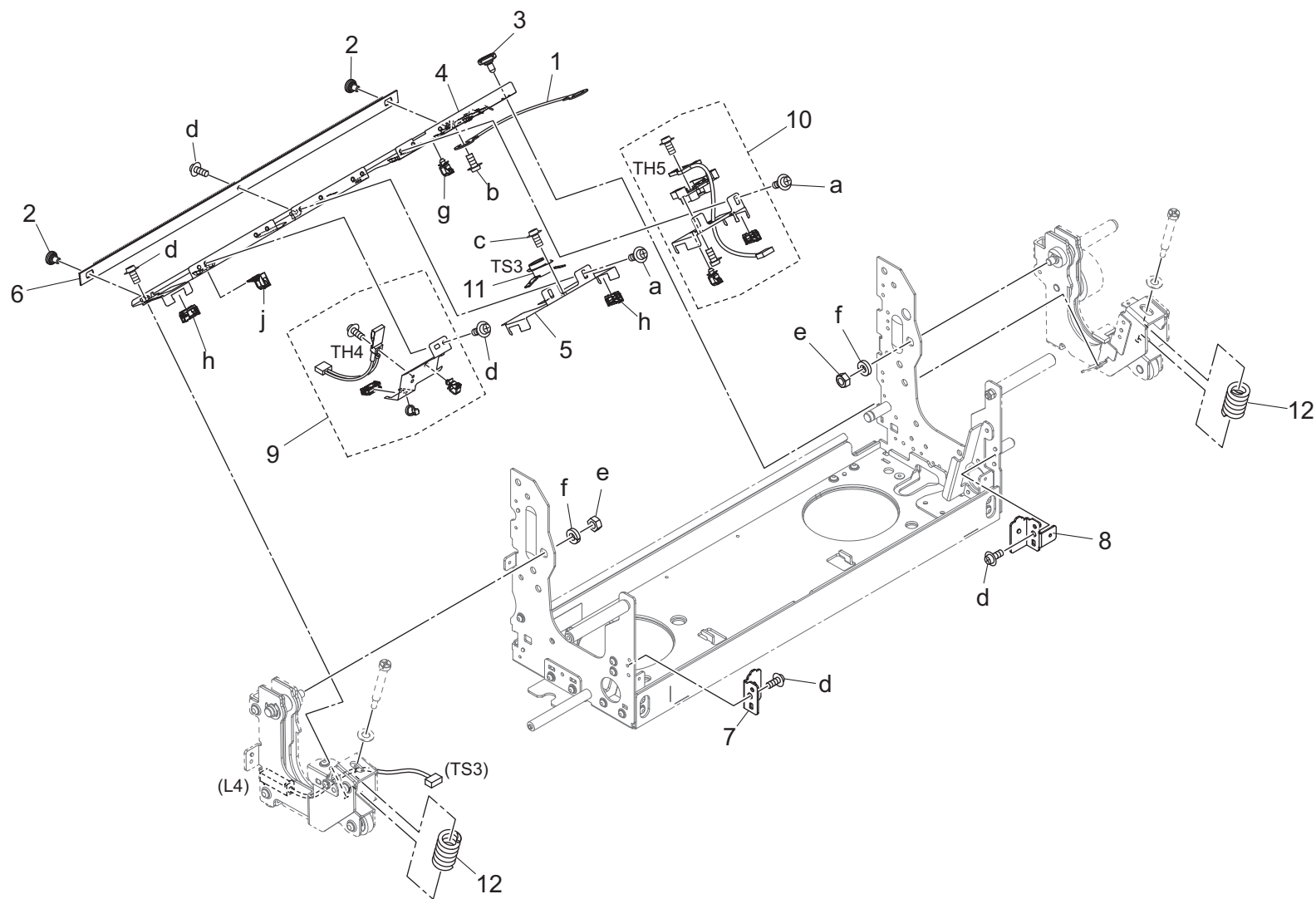
Fusing Section

Detail **A**

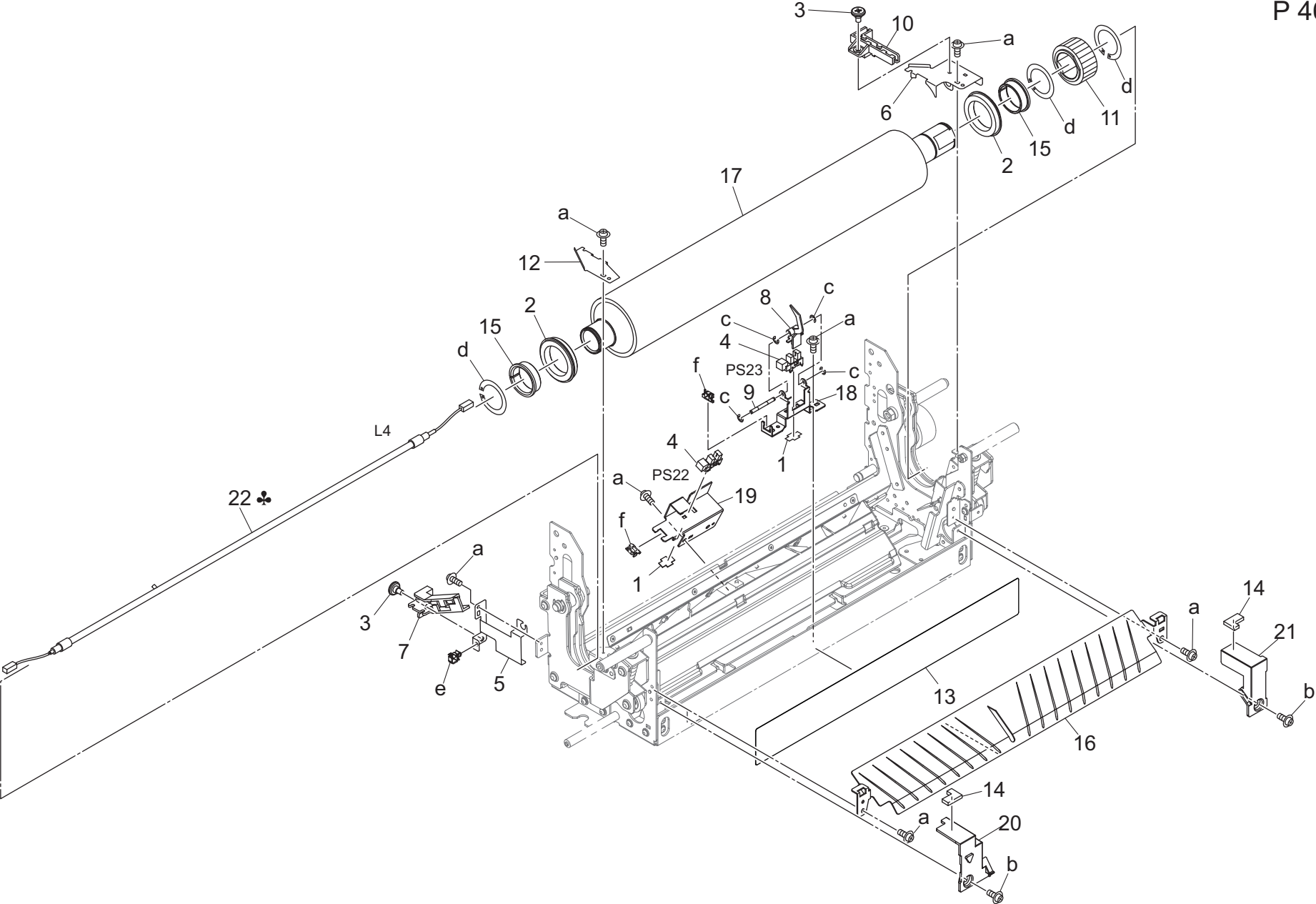


AccurioPrint C2060L

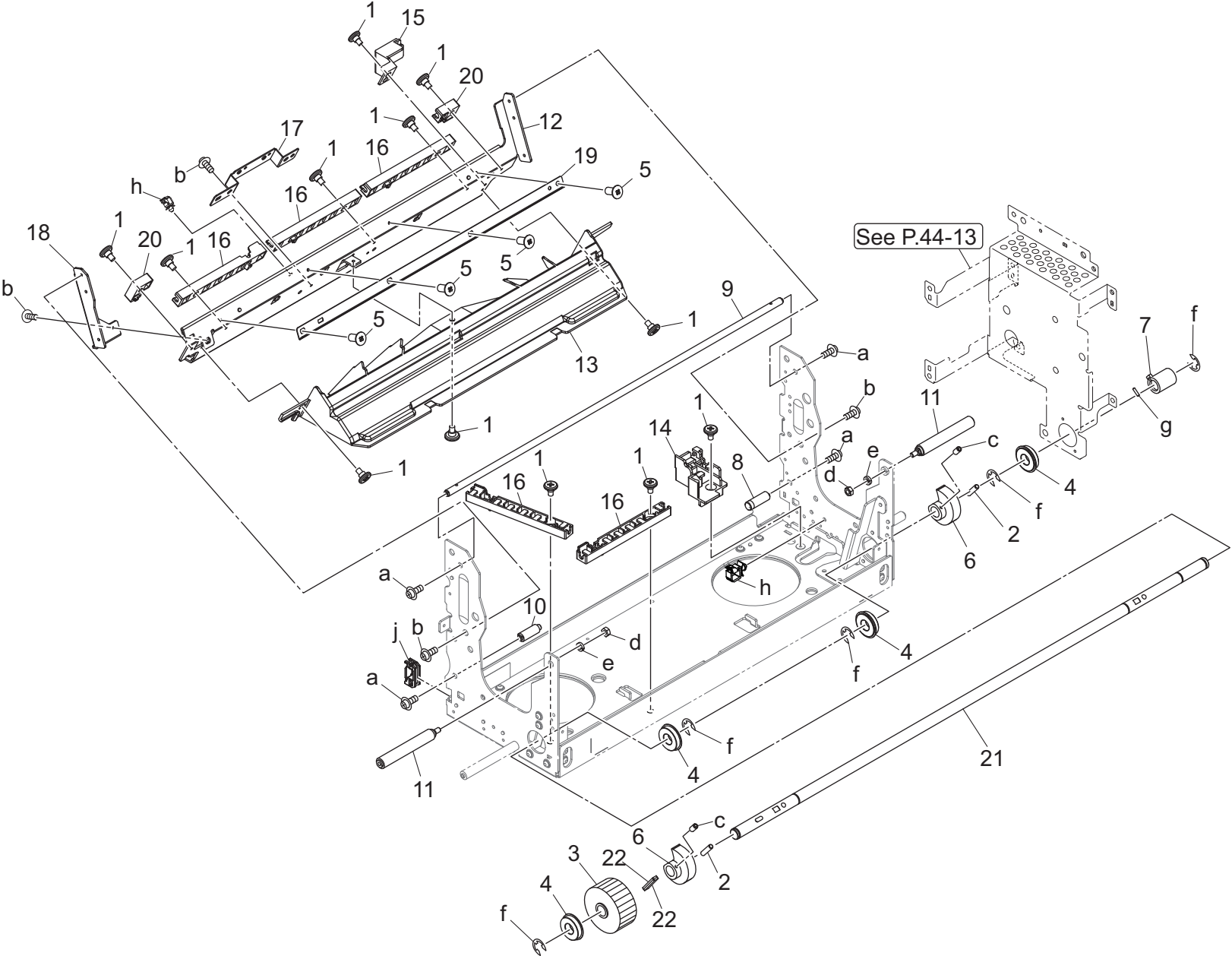
Key	Part No.	Description	Destinations	Class	QTY	Standard parts
1	4470402401	Stopper		D	3	a-V116040603
2	07BA12352	Magnet Catch		C	4	b-V118030603
3	56AA42690	BY-PASS SPACER		C	5	c-V121030403
4	65AA80021	DC Brushless Motor /50		B	1	d-V127030516
5	A00J617800	Ball Bearing		B	2	e-V127030604
6	A00V240600	Ball Bearing		B	2	f-V127030803
7	A03U724200	Positioning Shaft		D	2	g-V127040603
8	A03U734500	Support Screw /A		C	1	h-V217040001
9	A03U808400	FIXING DRIVE GEAR /D 19T		B	1	j-V217060001
10	A1RF820000	Ball Bearing		C	2	k-V234201850
11	A50U732100	Protection Seal /1		D	1	m-V234301450
12	A50U742400	Pin /4		D	1	n-V237301150
13	A50U743301	Drive Plate /4		D	1	p-V500010021
14	A50U743600	Drive Gear /2 33/58T		C	1	q-V500020099
15	A50U743700	Drive Gear /3 36/74T		C	1	r-V500020100
16	A50U743800	Drive Gear /4 74T		C	1	s-V570010057
17	A50U743900	Drive Gear /5 26T		C	1	
18	A50U744300	Drive Shaft /2		D	1	
19	A50U744601	Plate		D	1	
20	A50U744912	Mounting Plate /4		D	1	
21	A50U745500	Paper exit Plate /1		D	1	
22	A50U746400	Paper exit Gear /A 37T		C	1	
23	A50U747200	Hold Plate /2		D	1	
24	A50U747300	Wiring Part /5		D	1	
25	A50U748504	Fusing Cover /Rear		D	1	
26	A50U749200	Mounting Plate /1		D	1	
27	A50U749300	Mounting Plate /2		D	1	
28	A50U752000	Drive Gear /C 36T		D	1	
29	A50U752200	Fusing Gear/3 30T		B	1	
30	A50U752300	Paper exit Shaft /A		D	1	
31	A50U754700	Fusing Gear /6 16T		C	1	
32	A85CM55500	Photo Sensor		C	3	
33	A85CN10700	Fixing Wiring /2		D	1	
34	V502010033	Circuit Board Spacer		D	2	



Fusing Section

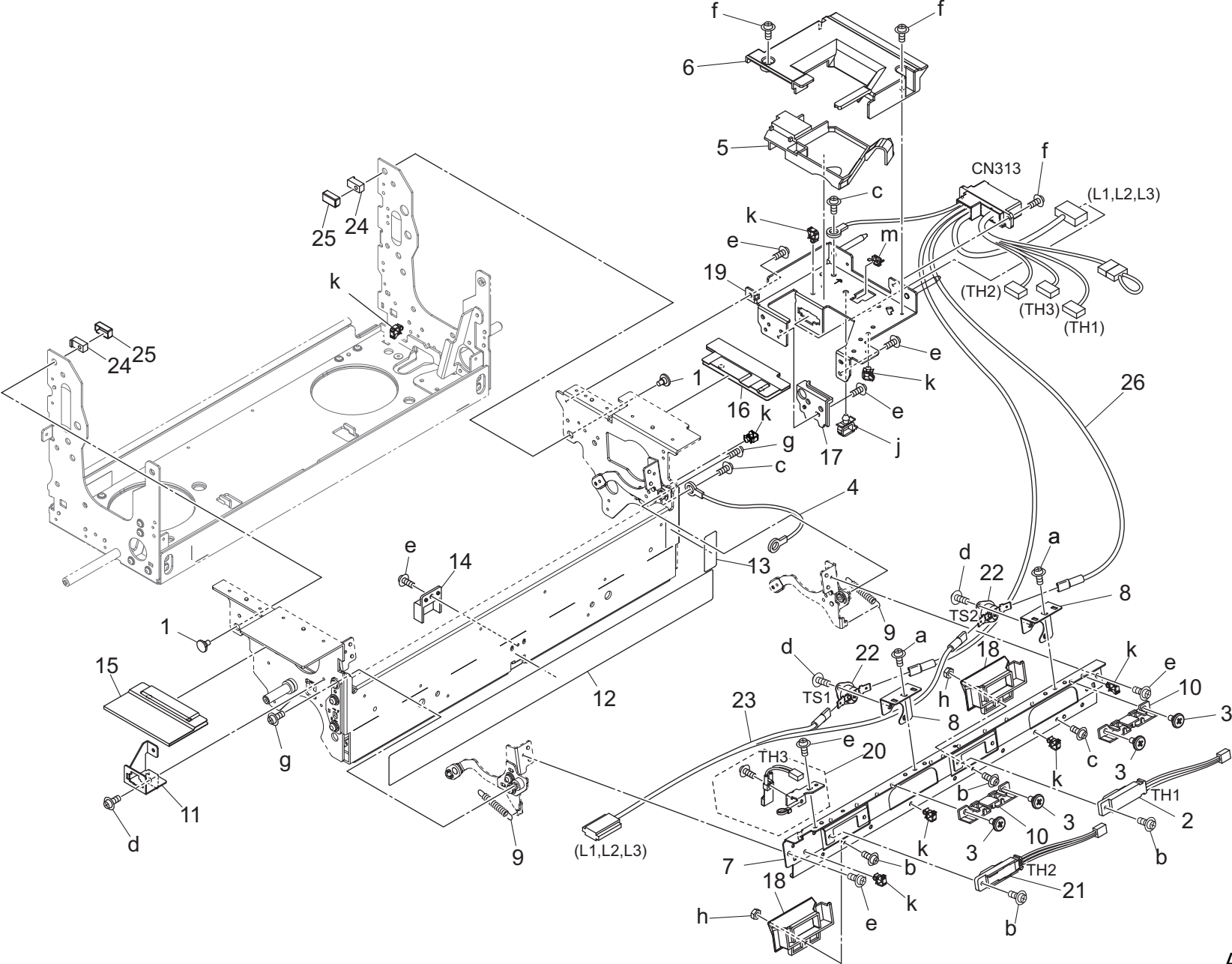


Fusing Section



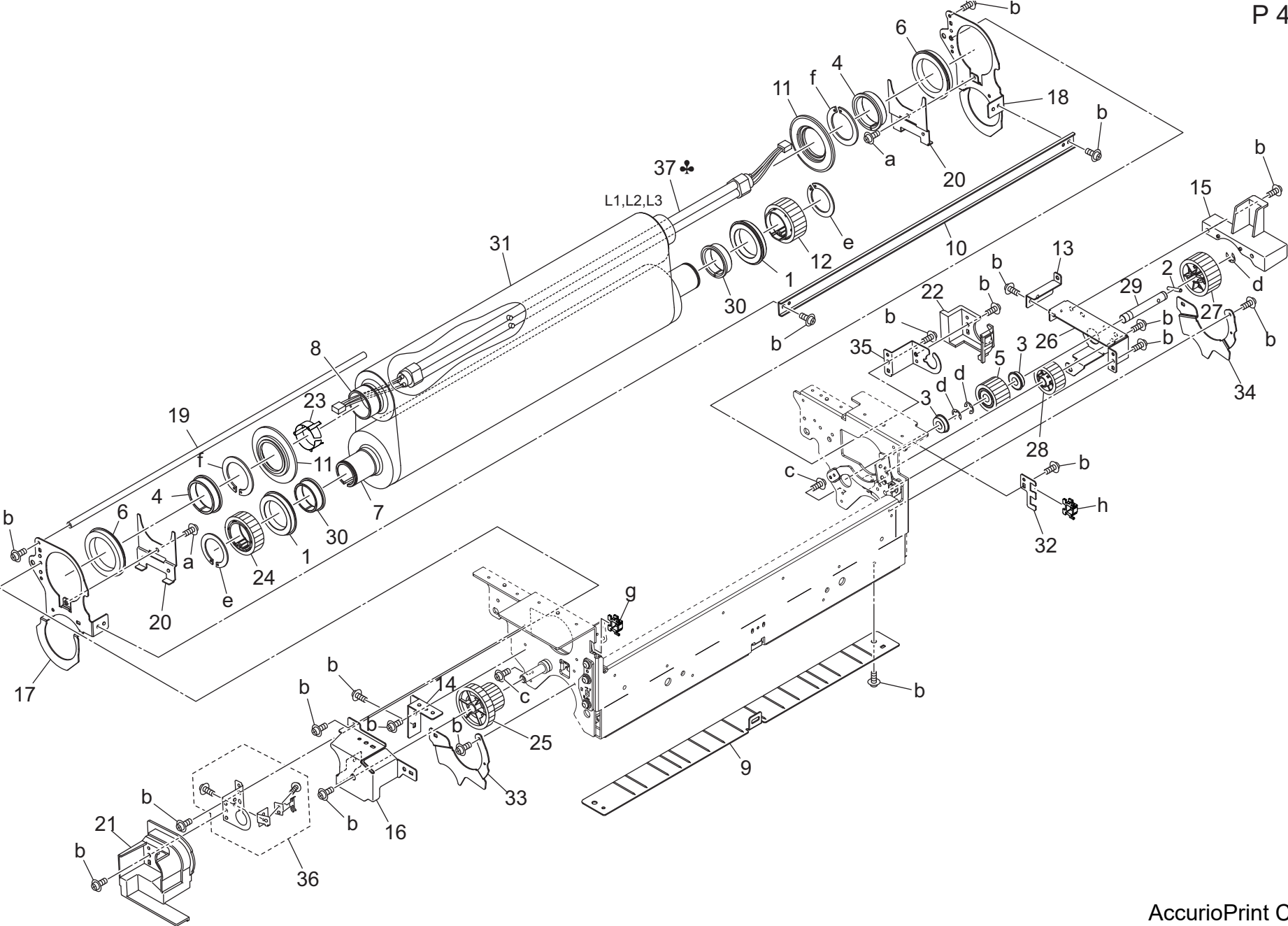
Key	Part No.	Description	Destinations	Class	QTY	Standard parts
1	A03U734500	Support Screw /A		C	12	a-V116030603 b-V121030403 c-V193030404 d-V195040003 e-V205040003 f-V217080001 g-V234200850 h-V500010074 j-V500020096
2	A1RF758100	Pin /B		D	2	
3	A1RF808600	Pressure Gear /5 42T		C	1	
4	A4EU265000	Ball bearing		B	4	
5	A50U642300	Mounting Screw		D	4	
6	A50U742000	Pressure Cam /1		D	2	
7	A50U744700	Pressure Actuator /1		D	1	
8	A50U746700	Paper exit Fulcrum Shaft		D	1	
9	A50U747101	Stopper Shaft /1		D	1	
10	A50U754901	Paper exit Fulcrum Shaft		D	1	
11	A50U785000	Rotation Shaft /2		D	2	
12	A50U787003	Cover Plate		D	1	
13	A50U788000	Cooling Duct		D	1	
14	A50U788101	Wiring Part /2		D	1	
15	A50U792901	Wiring Part /D		D	1	
16	A50U794800	Wiring Part		D	5	
17	A50U799200	Mounting Plate		D	1	
18	A50U799601	Adjusting Plate		D	1	
19	A50U799700	Regulating Plate		D	1	
20	A50U799800	Wiring Part		D	2	
21	A85C741900	Pressure Shaft /2		D	1	
22	A85C758400	Drive Plate /2		D	2	

Fusing Section



Key	Part No.	Description	Destinations	Class	QTY	Standard parts
1	55VA20520	Cleaner Locking Screw		C	2	a-V116030603
2	65AA88010	Temperature Sensor /1		B	1	b-V116030803
3	A03U734500	Support Screw /A		C	4	c-V116040603
4	A03UN23200	Grounding Wiring /F		D	1	d-V118030303
5	A50U722100	Fusing Cover /1		D	1	e-V121030403
6	A50U722202	Fusing Cover /2		D	1	f-V127030604
7	A50U723812	Stay /1		D	1	g-V127040603
8	A50U723911	Stay /2		D	2	h-V195030003
9	A50U725200	Tension Spring /1		D	2	j-V500010073
10	A50U726611	Guide Part /2		D	2	k-V500010074
11	A50U728401	Mounting Plate /B		D	1	m-V570010025
12	A50U728500	Insulating Sheet /A		D	1	
13	A50U728800	Insulating Sheet /D		D	1	
14	A50U730900	Cover Part /1		D	1	
15	A50U731002	Insulating Sheet /F		D	1	
16	A50U731102	Insulating Sheet /G		D	1	
17	A50U733402	Protection Cover /A		D	1	
18	A50U733500	Protection Part /1		D	2	
19	A50U786100	Fusing Stay /2		D	1	
20	A50UR70F00	Fusing Temperature Sensor/3		B	1	
21	A50UM50600	Fusing Temperature Sensor/2		C	1	
22	SP00-0210	Thermostat /Upper		I	2	
23	A50UN11011	Fixing Relay harness /1		D	1	
24	A85C789200	Hold Part /A		D	2	
25	A85C789300	Insulating Sheet /F		D	2	
26	A85CN10601	Fixing Wiring /1		D	1	

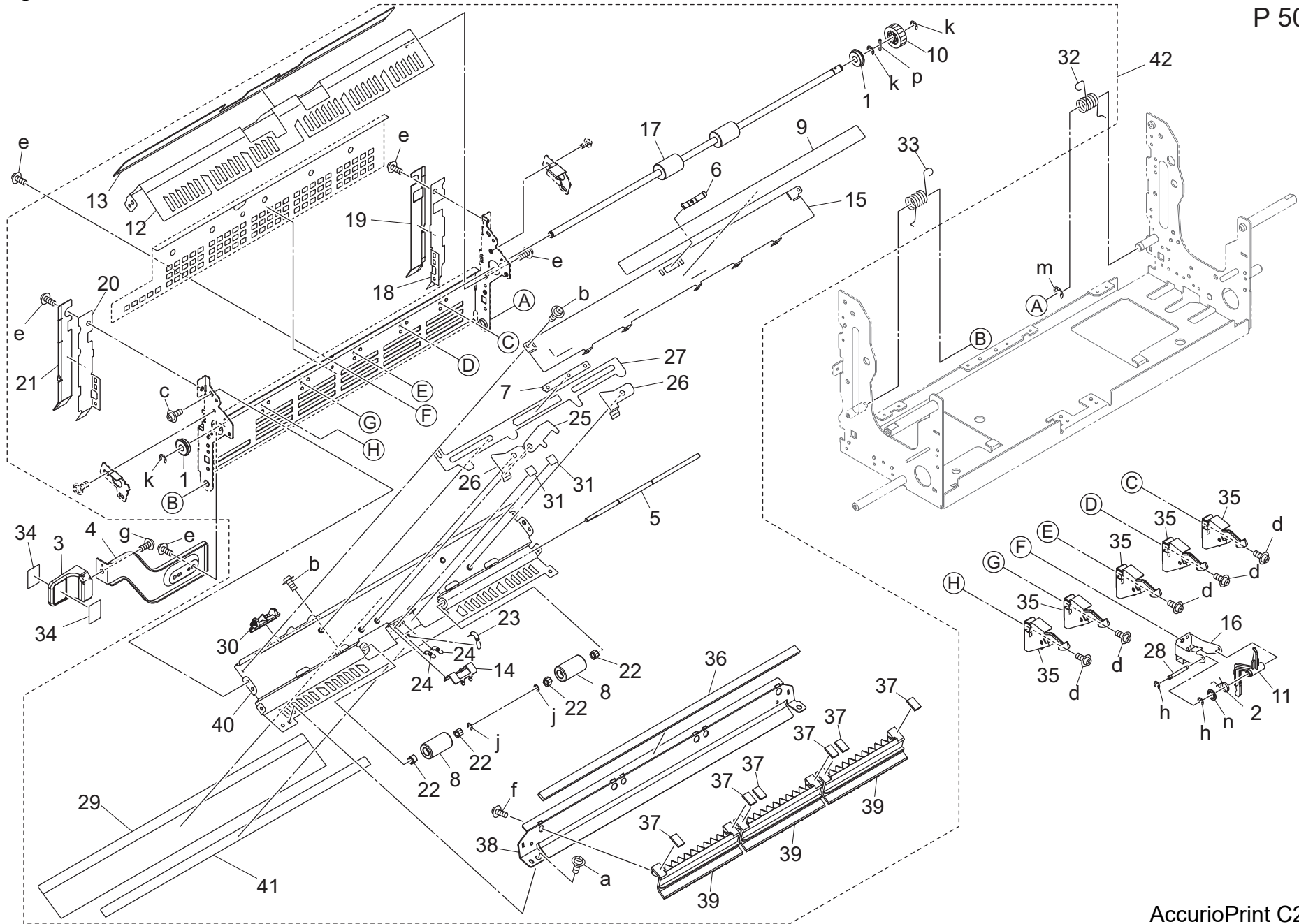
Fusing Section



Key	Part No.	Description	Destinations	Class	QTY	Standard parts
1	26NA53712	BALL BEARING		A	2	a-V116030503
2	55VA48500	PARALLEL PIN D3X18		D	1	b-V121030403
3	A00V240600	Ball Bearing		B	2	c-V127030604
4	A03U729500	INSULATING SLEEVE /UPPER		B	2	d-V217060001
5	A03U809500	FIXING DRIVE GEAR /O 26T		A	1	e-V223260004
6	A1UD723500	Fusing Bearing /Upper		A	2	f-V223300004
7	A50U720123	Fusing Roller/1		B	1	g-V500020096
8	A50U720501	Fusing Roller/2		B	1	h-V570010025
9	A50U721601	Guide Plate /Upper		D	1	
10	A50U723100	Fusing Stay /1		D	1	
11	A50U724102	Belt Regulating Sleeve		B	2	
12	A50U725001	Drive Gear /Upper 38T		C	1	
13	A50U726300	Support Plate /3		D	1	
14	A50U726401	Support Plate /4		D	1	
15	A50U726800	Guide Part /3		D	1	
16	A50U728301	Support Plate /11		D	1	
17	A50U730125	Fusing Stay /A		D	1	
18	A50U730525	Fusing Stay /E		D	1	
19	A50U730600	Fusing Stay /F		D	1	
20	A50U730700	Holding Plate /1		D	2	
21	A50U733001	Cover /Front		D	1	
22	A50U733101	Cover /Rear		D	1	
23	A50U733712	Neutralizing Ring /1		B	1	
24	A50U739811	Drive Gear /Front 38T		C	1	
25	A50U739900	Connecting Gear /A 42/25T		C	1	
26	A50U743501	Drive Plate /6		D	1	
27	A50U744000	Drive Gear /6 36T		C	1	
28	A50U744100	Drive Gear /7 27T		C	1	
29	A50U744400	Drive Shaft /3		D	1	
30	A50U756300	Insulating Sleeve /Lower		B	2	
31	A50U765000	Fusing Belt		B	1	
32	A50U783400	Hold Plate		D	1	
33	A50U785400	Stopper Stopper /A		D	1	
34	A50U785500	Stopper Stopper /B		D	1	
35	A85C723600	Support Plate /2		D	1	
36	A85CR70M00	Newtralizing Spring Assy		B	1	
37	A85CM31E00	Fusing Heater Lamp Assy /Up (208V)	B,G2	B	1	
37	A85CM31F00	Fusing Heater Lamp Assy /Up (220V)	C,D1,D3,E,F2,G1,H,I J,K	B	1	

Fusing Section

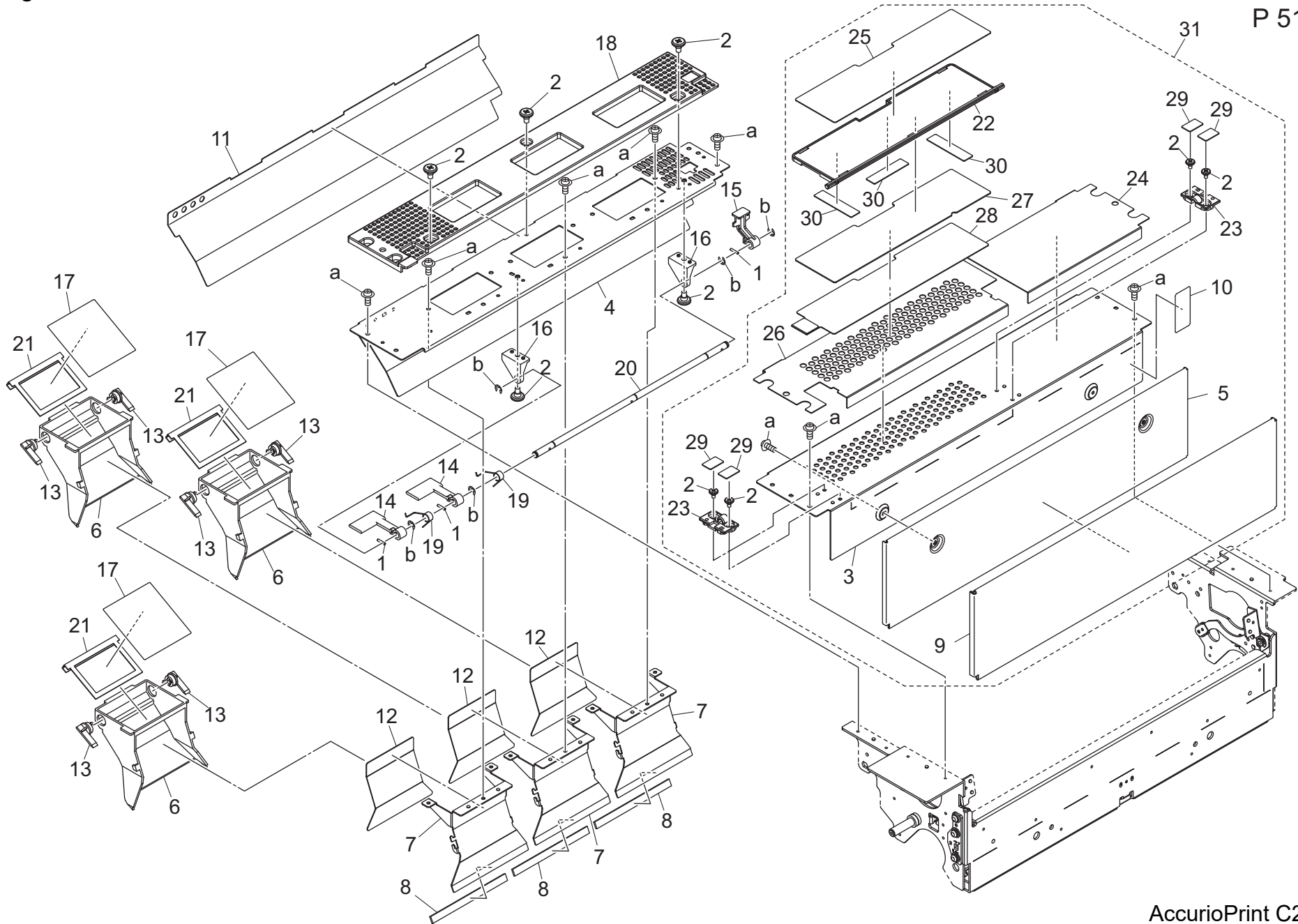
P 50



Key	Part No.	Description	Destinations	Class	QTY	Standard parts
1	55GA75031	BALL BEARING		A	2	a-V116030603
2	65AA53560	PAPER EXIT DETECTING SPRING		C	1	b-V118020403
3	65AA53991	Fixing Papaer Exit Lever		C	1	c-V118030403
4	A03U723301	Open/close Lever		C	1	d-V127030516
5	A03U728000	PAPER EXIT SHAFT		D	1	e-V127030604
6	A03U734800	Positioning Plate spring /1		C	1	f-V151030803
7	A03U734900	Positioning Plate		D	1	g-V151040803
8	A1DU722500	Fixing Paper exit Roller		A	2	h-V217020001
9	A9VE949000	Caution Label		D	1	j-V217030001
10	A50U746500	Paper exit Gear /B 20T		C	1	k-V217040001
11	A50U748701	Paper exit Actuator		D	1	m-V217060001
12	A50U760300	Paper exit Plate /Lower		D	1	n-V226060050
13	A50U760400	Insulating Sheet		D	1	p-V234201250
14	A50U760600	Pressing Cam /1		D	1	
15	A50U760701	Holding Plate		D	1	
16	A50U760802	Support Plate		D	1	
17	A50U761000	Fixing Paper exit Roller		C	1	
18	A50U761100	Heat blocking Plate /Rear		D	1	
19	A50U761200	Insulating Sheet /Rear		D	1	
20	A50U761300	Heat blocking Plate /Front		D	1	
21	A50U761400	Insulating Sheet /Front		D	1	
22	A50U761500	Fixing Paper exit Bearing		C	4	
23	A50U761601	Paper exit Spring /1		D	1	
24	A50U761700	Paper exit Spring /2		D	2	
25	A50U761800	Pressing Cam /2		D	1	
26	A50U761900	Release Lever		D	2	
27	A50U762000	Slide Plate		D	1	
28	A50U762100	Paper exit Detecting Shaft		D	1	
29	A50U762200	Protection Film		D	1	
30	A50U762300	Slide Knob		D	1	
31	A50U762400	Fusing Spacer /2		D	2	
32	A50U763800	Paper exit Open/shut Spring /B		D	1	
33	A50U763900	Paper exit Open/shut Spring /A		D	1	
34	A50U943700	Release Label /7		D	2	
35	A50UR72U11	Fusing Separating Claw Assy		B	5	
36	A85C727500	Guide Seal /A		D	1	
37	A85C727700	Guide Seal /C		D	6	
38	A85C757801	Guide Plate /E		D	1	
39	A85C758001	Separating Cell /E		D	3	
40	A85C758100	Paper exit Plate /Upper		D	1	
41	A85C764100	Holding Sheet /A		D	1	
42	A85CR70K11	Fusing Paper Exit Door Duct Assy		D	1	

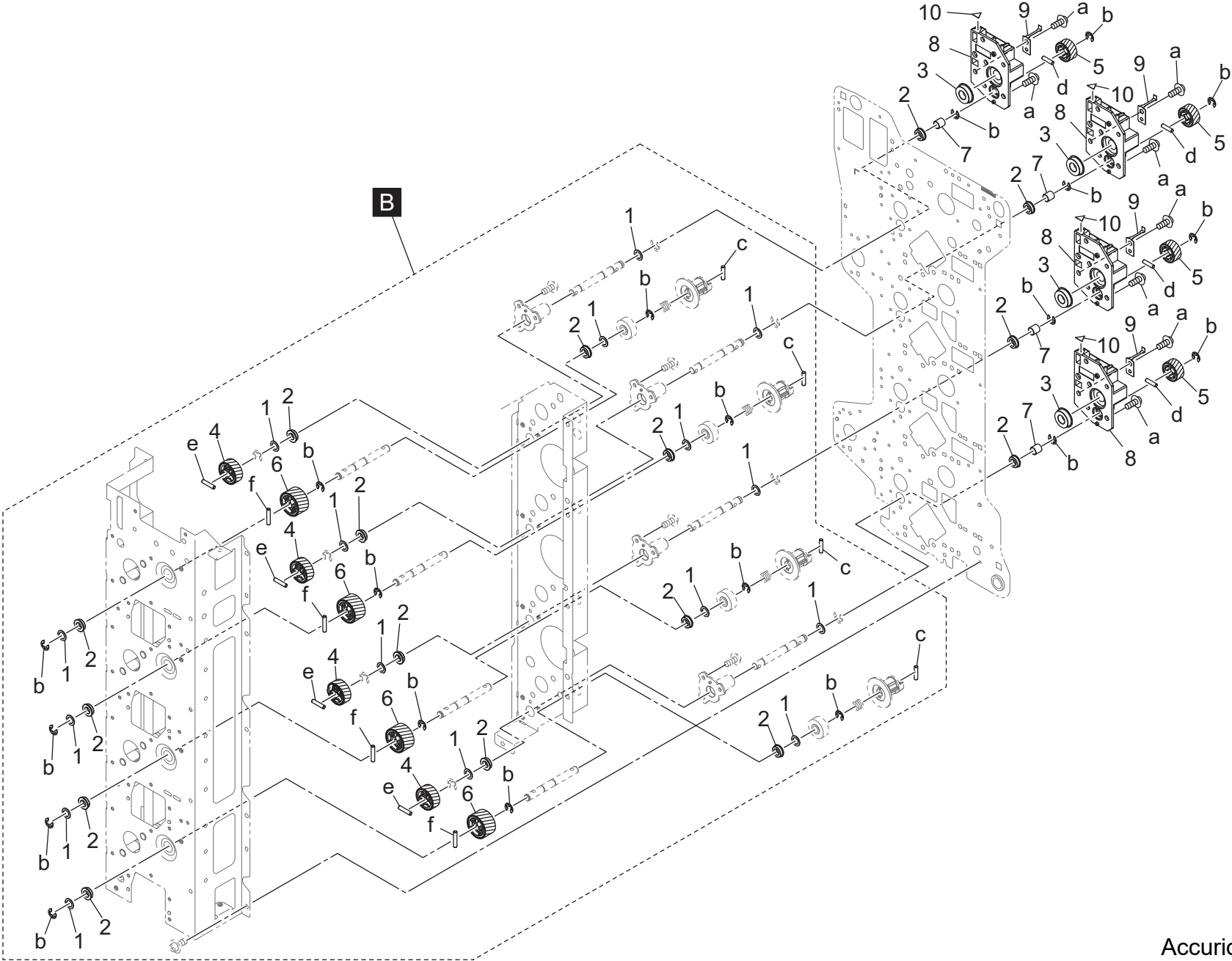
Fusing Section

P 51



AccurioPrint C2060L

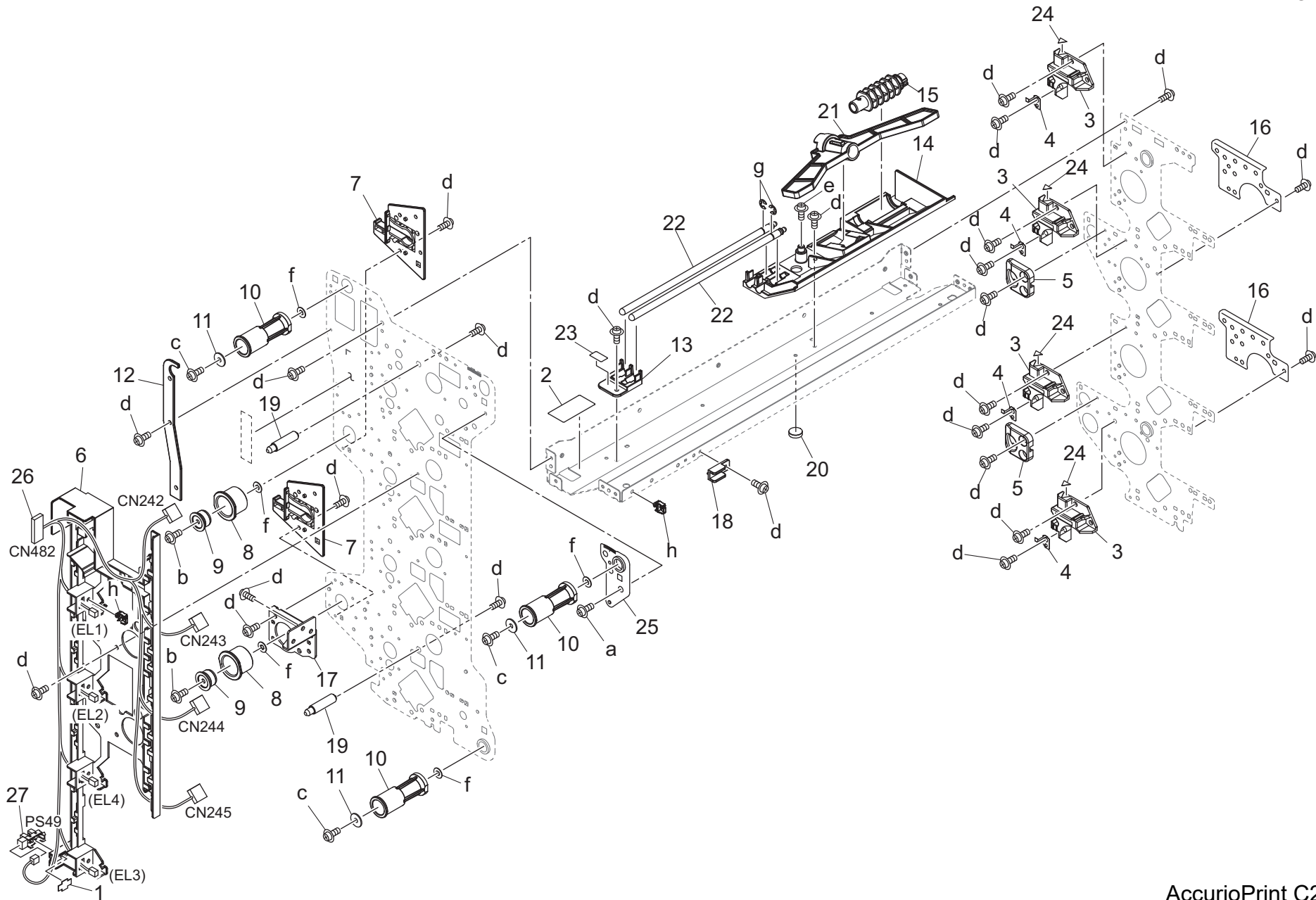
Process Carriage Section



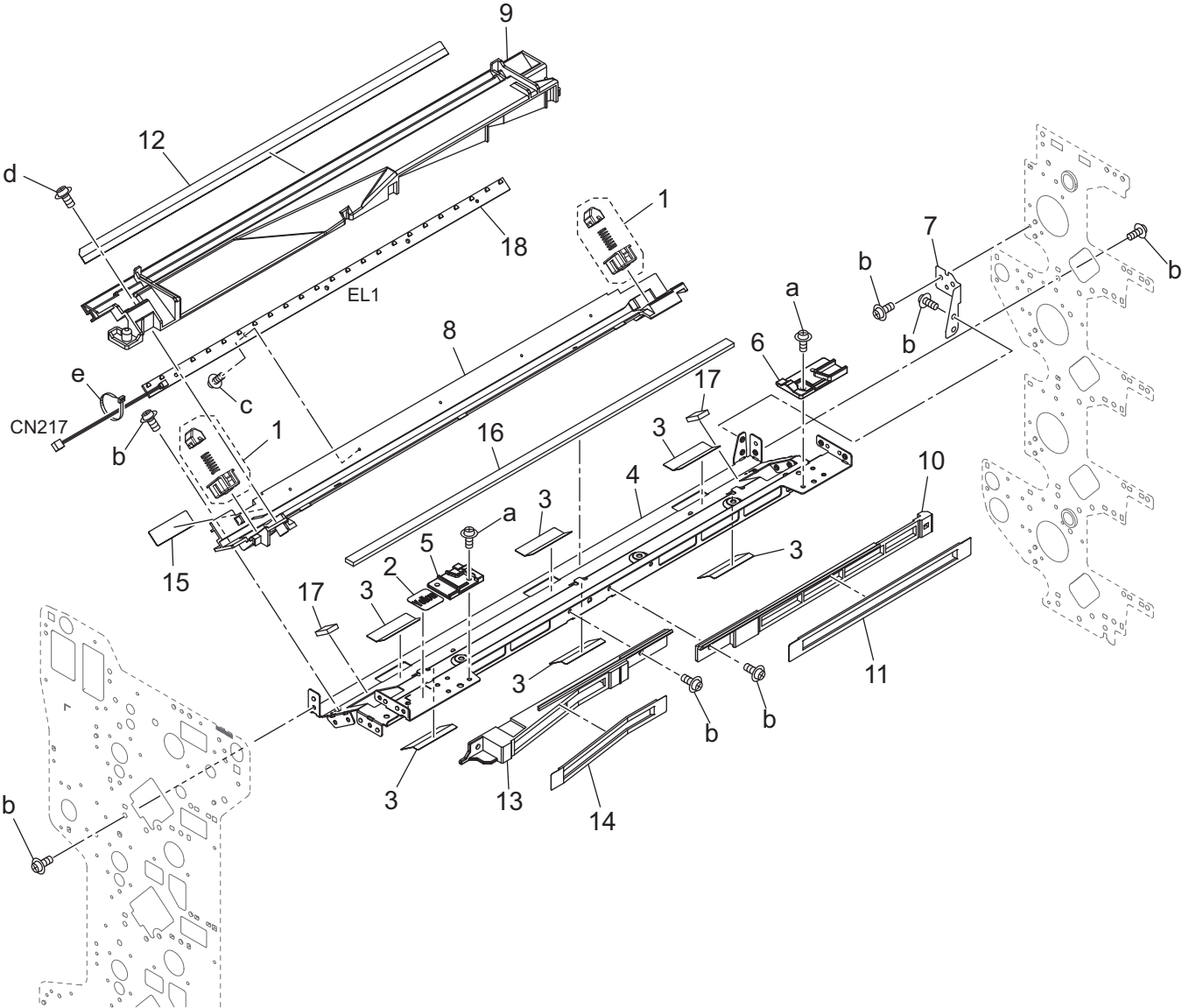
Process Carriage Section

Key	Part No.	Description	Destinations	Class	QTY	Standard parts
1	40AA32320	Toner Supply Spacer		C	16	a-V127030604 b-V217040001 c-V234301050 d-V234301250 e-V234301450 f-V234301650
2	A00J617800	Ball Bearing		B	16	
3	A00V240600	Ball Bearing		B	4	
4	A50U220600	Drive Gear /C 37T		C	4	
5	A50U220700	Coupling Gear /C 28T		C	4	
6	A50U221800	Drive Gear /D 40T		C	4	
7	A50U222000	Collar		D	4	
8	A50U337101	Positioning Rail /1		D	4	
9	A50U337400	Ground Plate spring /Front		D	4	
10	A50U949700	Replacement Label /1		D	4	

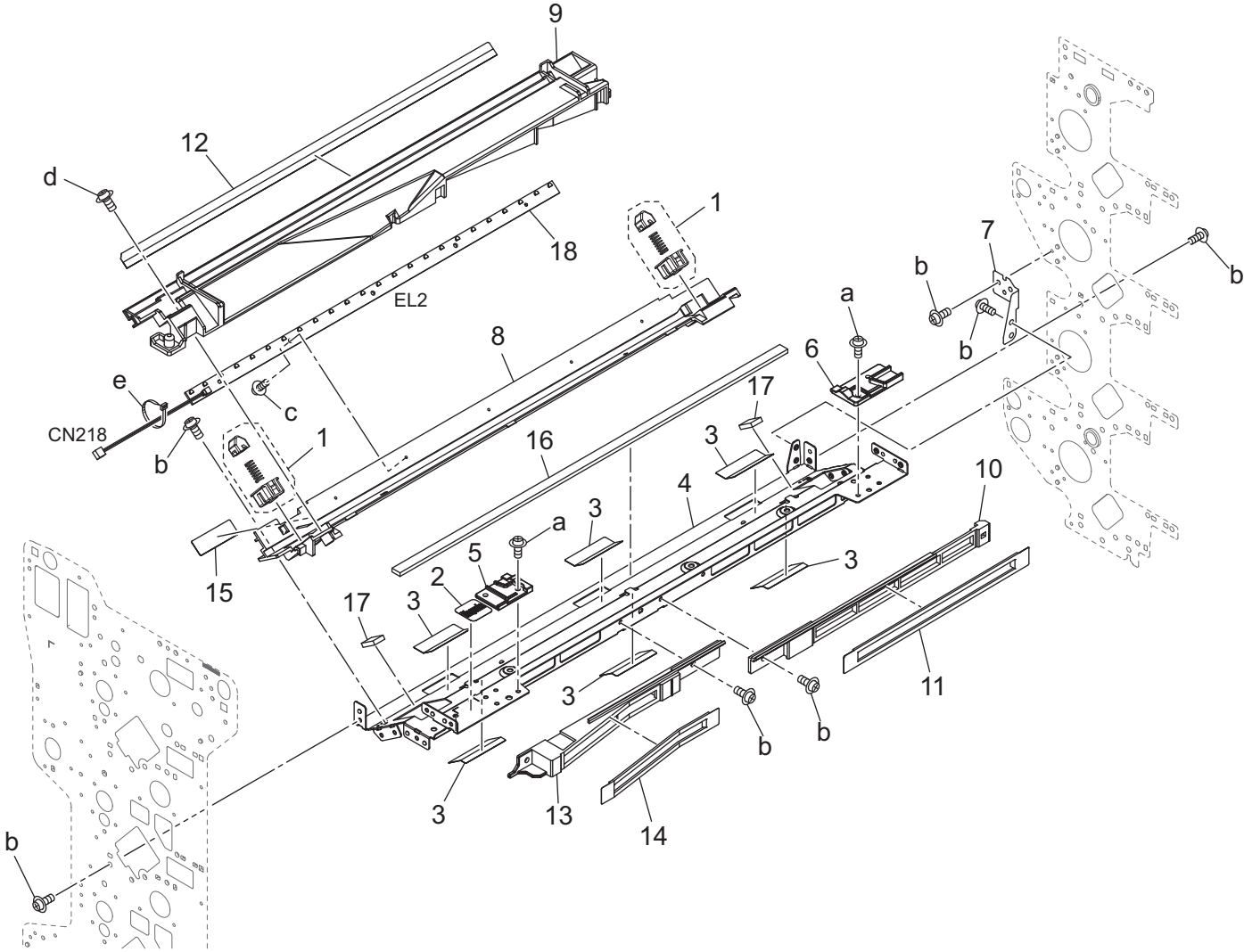
Process Carriage Section



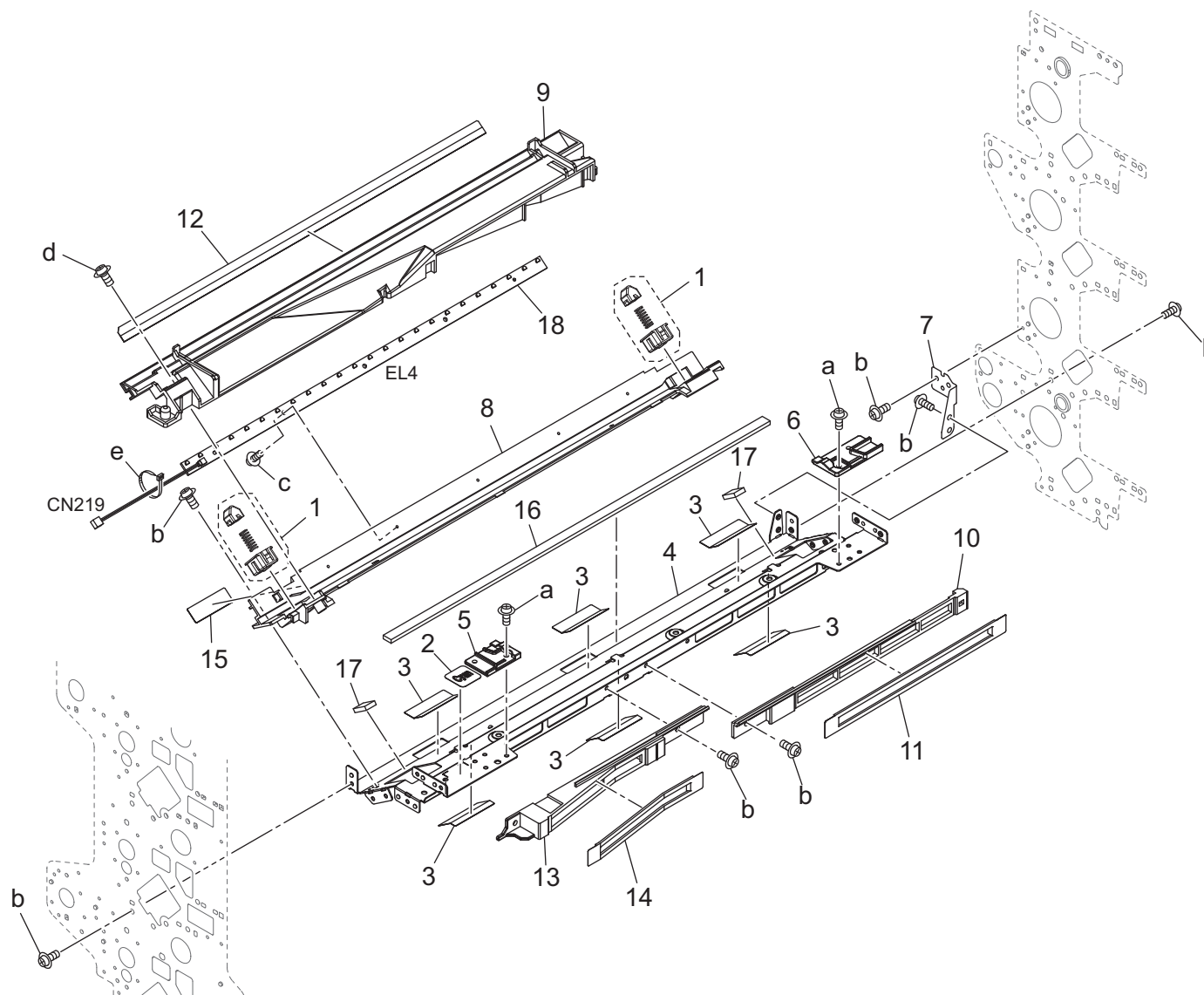
Process Carriage Section



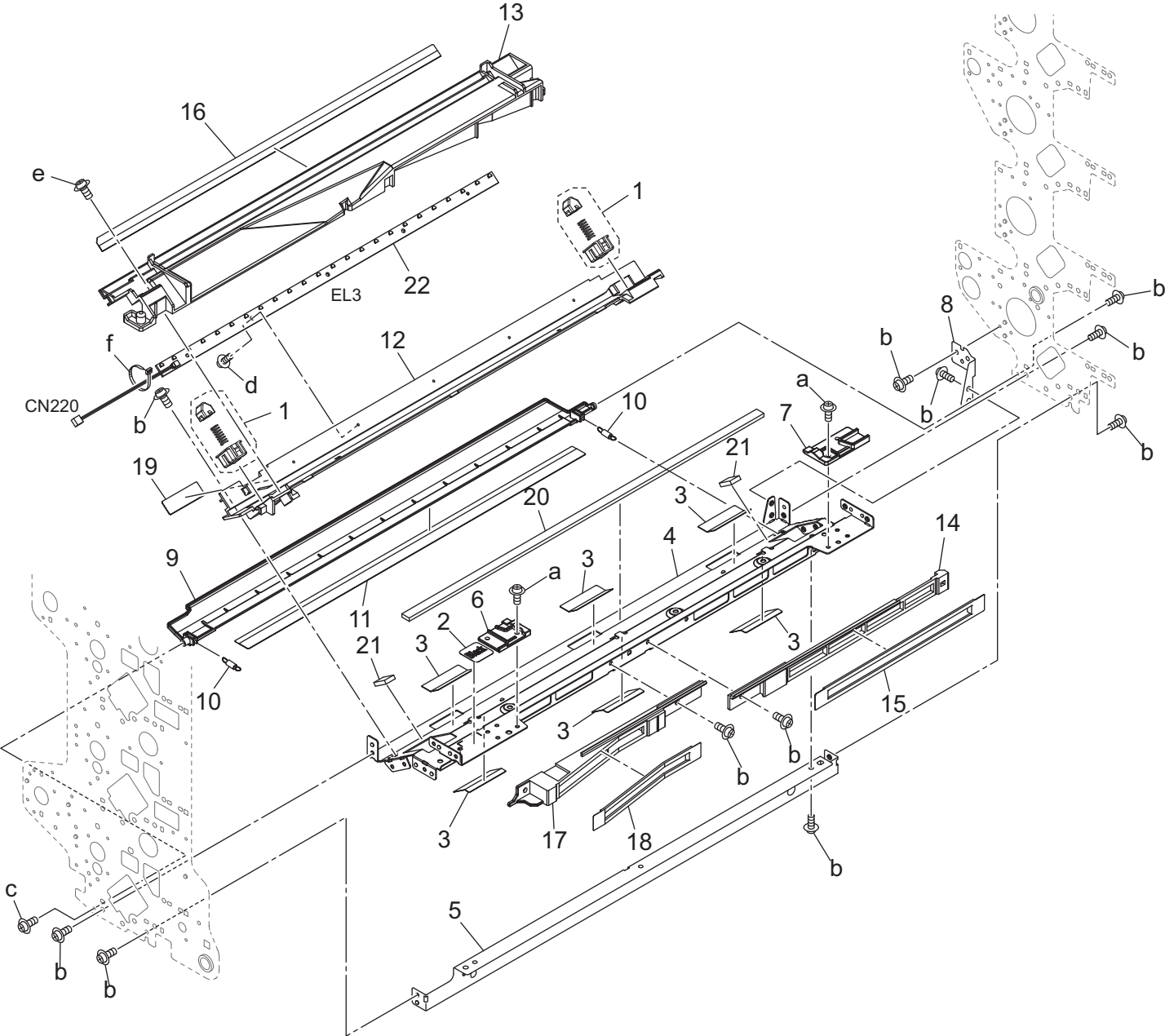
Process Carriage Section



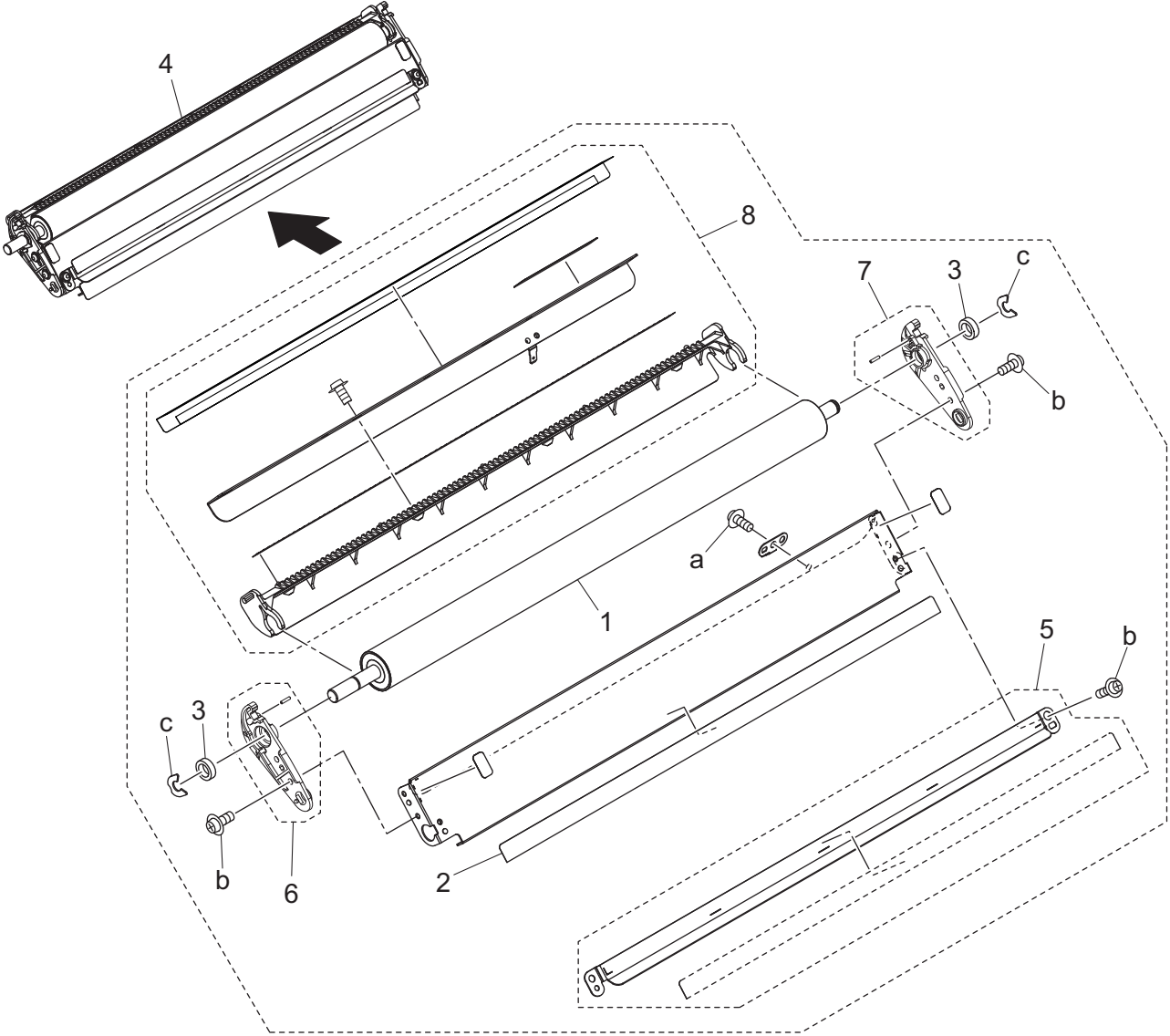
Process Carriage Section



Process Carriage Section



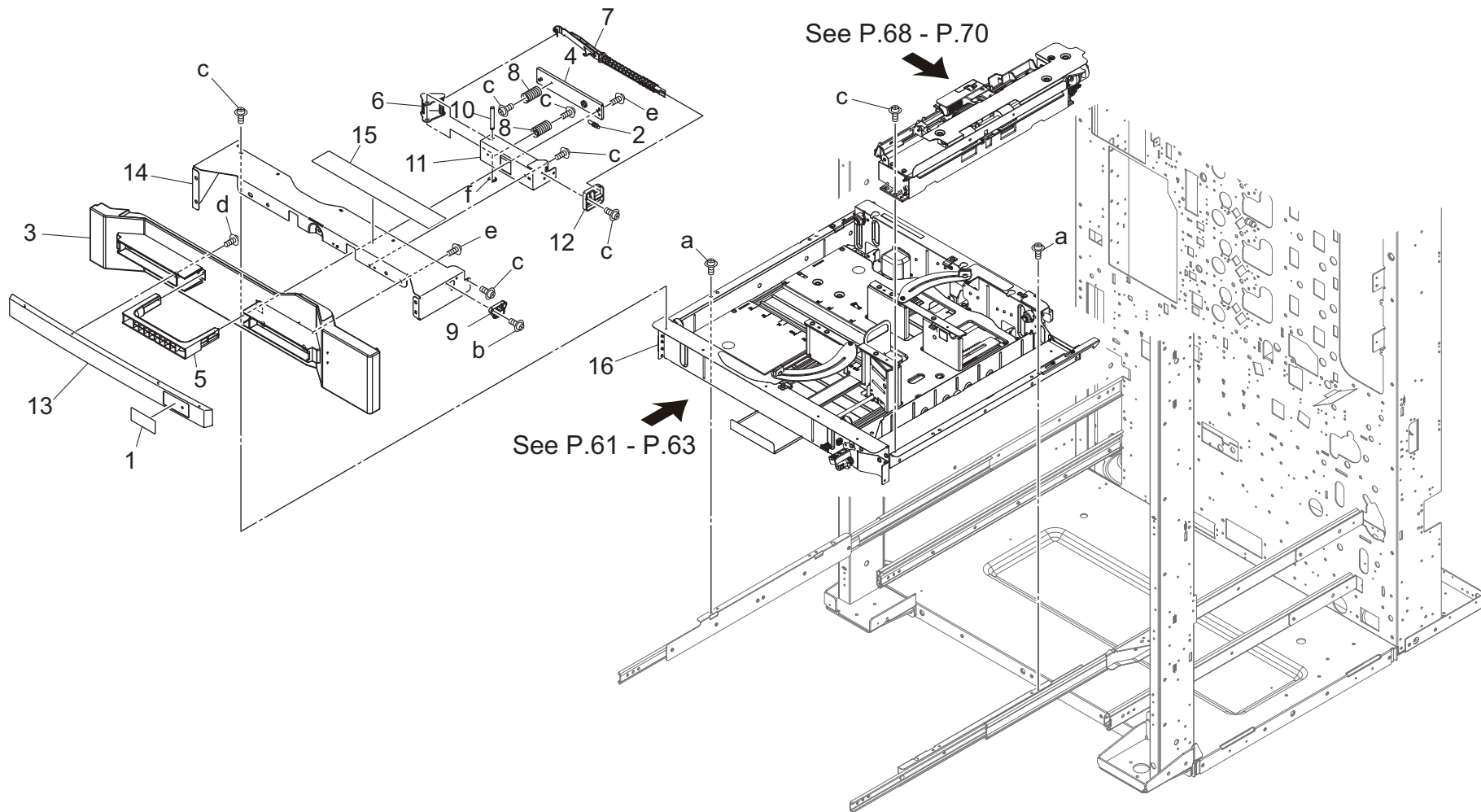
Secondary Transfer Section



Secondary Transfer Section

Key	Part No.	Description	Destinations	Class	QTY	Standard parts
1	A50U520001	2nd Transfer Roller/L		A	1	a-V127030603 b-V127030604 c-V218060086
2	A50U525900	Entrance Sheet		D	1	
3	A50U716500	Ball Bearing		C	2	
4	A50UR70500	2nd Transfer Unit		I	1	
5	A50UR71Q00	Transfer Guide / Upper Assy		D	1	
6	A50UR71R11	Transfer Side Plate / Front Assy		D	1	
7	A50UR71S11	Transfer Side Plate / Rear Assy		D	1	
8	A50UR70B00	Separation Discharging Unit		A	1	

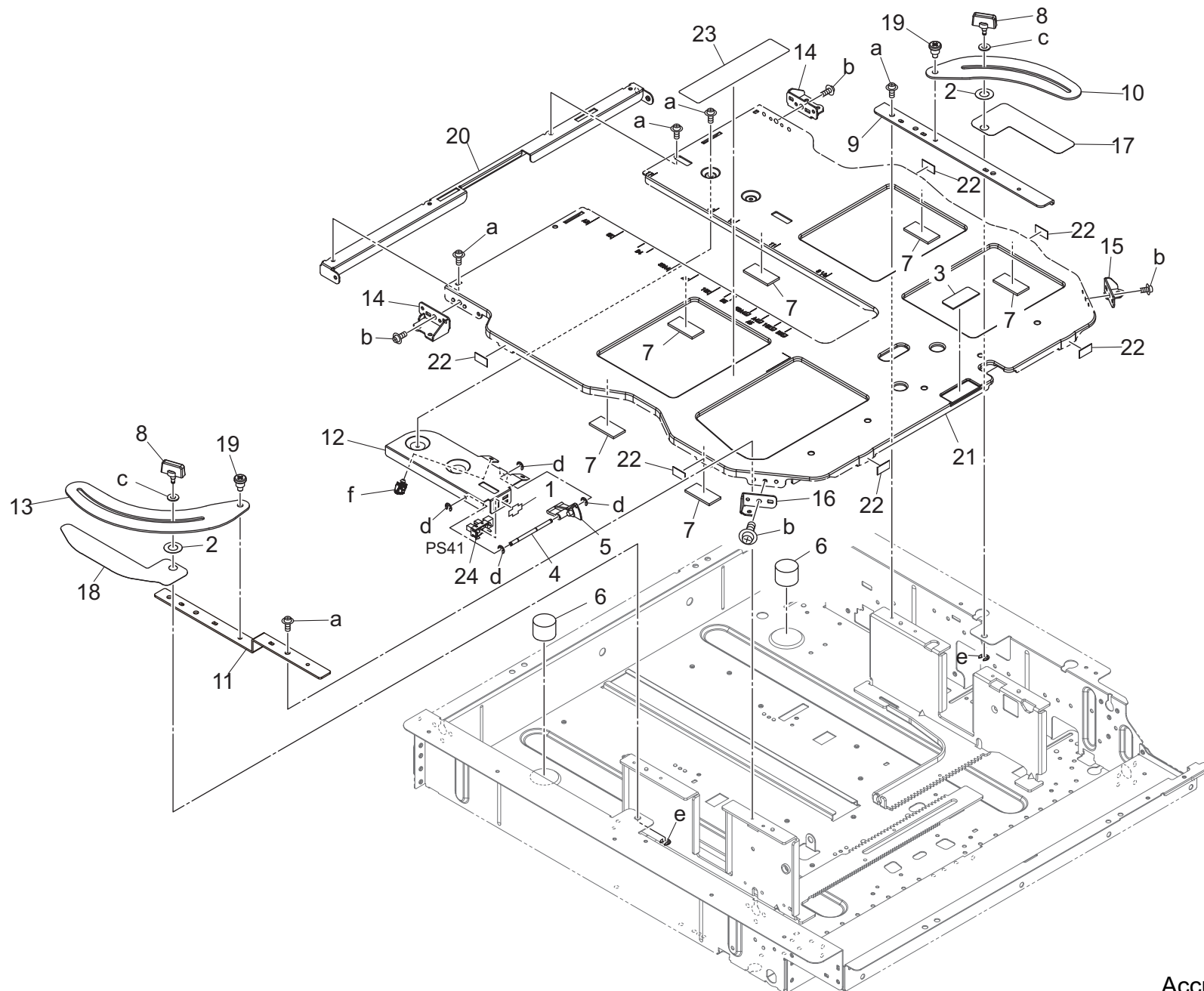
Tray 1 Section



Key	Part No.	Description	Destinations	Class	QTY	Standard parts
1	A0U0945401	Indicating Label /1		C	1	a-V118030303 b-V126030603 c-V127030604 d-V151041003 e-V158030803 f-V217040001
2	A161626800	Pulling Coil spring		C	1	
3	A50U160701	Cover Tray /1		D	1	
4	A50U633002	Holding Handle		D	1	
5	A50U633100	Handle /B		D	1	
6	A50U633200	Release Lever		D	1	
7	A50U633301	Lock Lever		D	1	
8	A50U633400	Stable Spring		D	2	
9	A50U633702	Receiving Guide /1		D	1	
10	A50U633800	Release Shaft /1		D	1	
11	A50U633900	Fixing Plate		D	1	
12	A50U634300	Receiving Guide /2		D	1	
13	A50U634400	Paper feed Handle		D	1	
14	A50U637002	Fixing Plate /1		D	1	
15	A50U945700	Operation Label /1		D	1	
16	A85CF63101	500 Paper Cassette ASSY		S	1	

Tray 1 Section

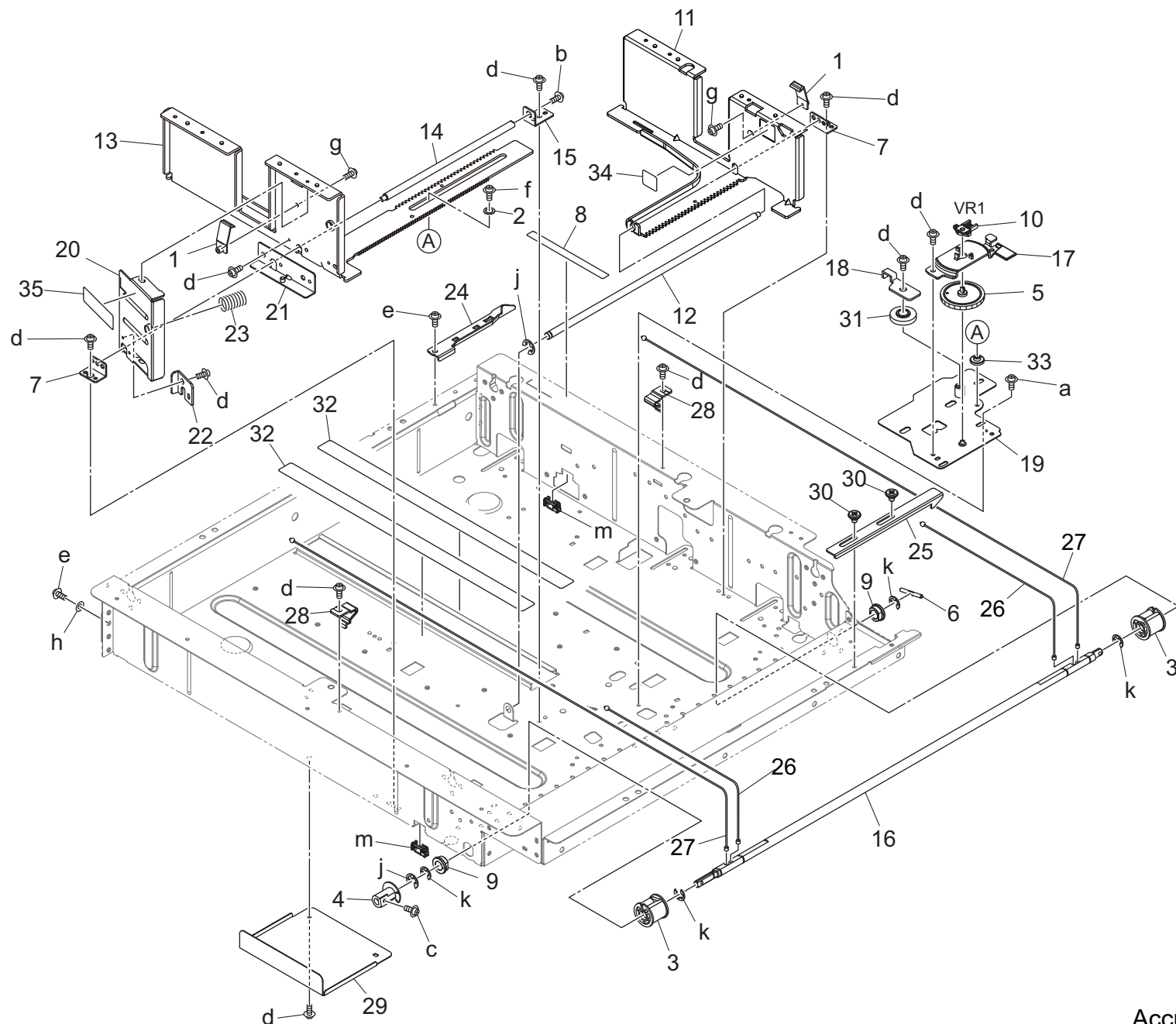
P 61



Key	Part No.	Description	Destinations	Class	QTY	Standard parts
1	4470402401	Stopper		D	1	a-V127030516 b-V127030604 c-V207040003 d-V217020050 e-V217025050 f-V500020098
2	55VA32530	SPACER		C	2	
3	55VA40930	DOUBLE FEED PREVENTIVE PLATE		C	1	
4	65AA47310E	PAPER DETECTING SHAFT		D	1	
5	65AA47320	Paper Detecting Actuator		C	1	
6	65AA47820	REGULATING PART		C	2	
7	65AA47860	AUXILIARY SHEET		C	6	
8	A03X656203	Lock Screw		C	2	
9	A50U621001	Reinforce Plate /Rear		D	1	
10	A50U622600	Regulating Plate /Rear		D	1	
11	A50U622802	Reinforce Plate /Front		D	1	
12	A50U625000	Mounting Plate /2		D	1	
13	A50U625701	Regulating Plate /Front		D	1	
14	A50U626502	Support Plate /1		D	2	
15	A50U626601	Support Plate /2		D	1	
16	A50U626702	Support Plate /3		D	1	
17	A50U627601	Sheet		D	1	
18	A50U627701	Sheet		D	1	
19	A50U628200	Shoulder Screw		D	2	
20	A50U629300	Guide Base frame		D	1	
21	A50U630203	Lifting Plate		D	1	
22	A50U641500	Slide Sheet		D	6	
23	A50U946000	Paper feed Label		D	1	
24	A85CM55500	Photo Sensor		C	1	

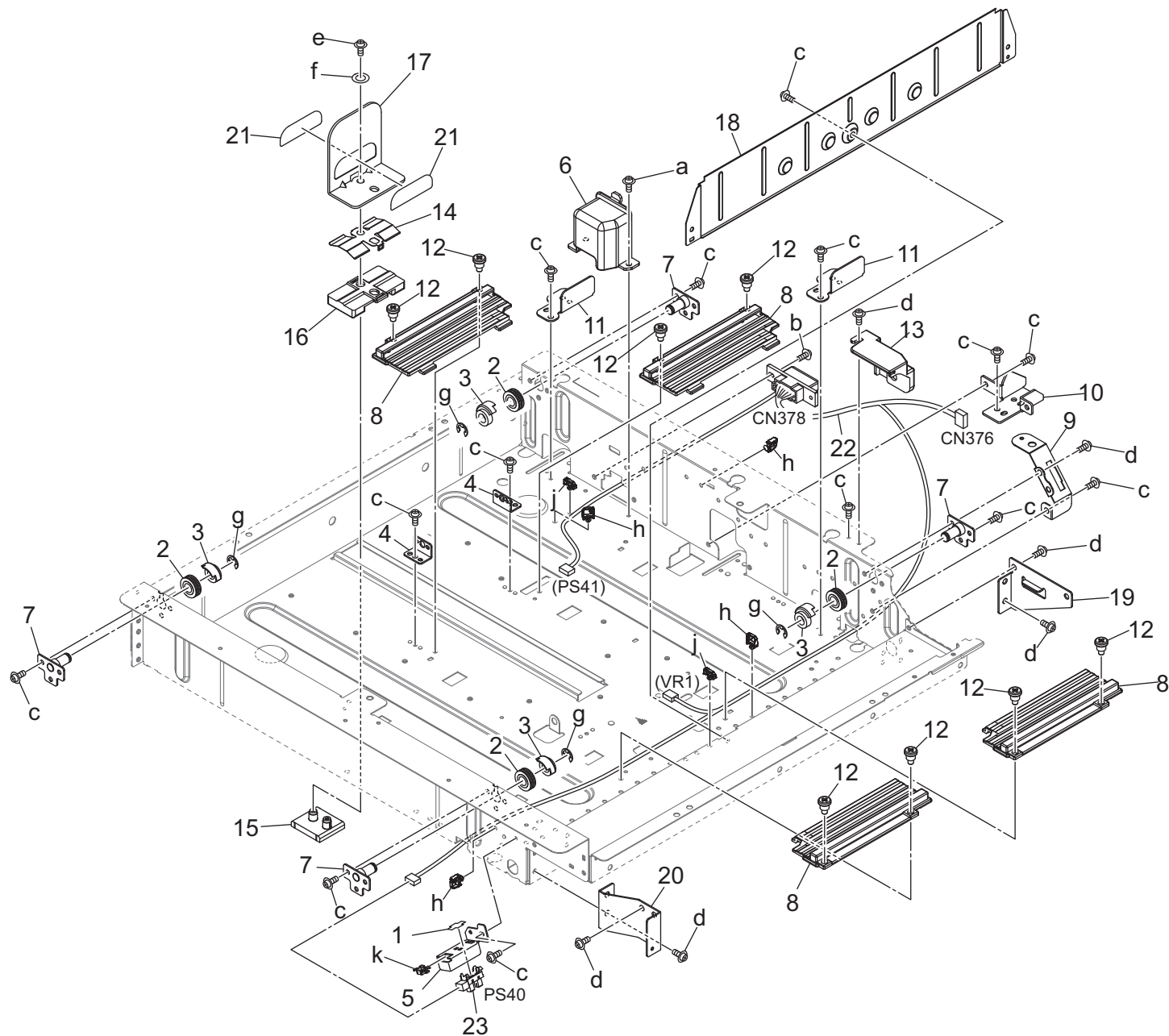


Tray 1 Section

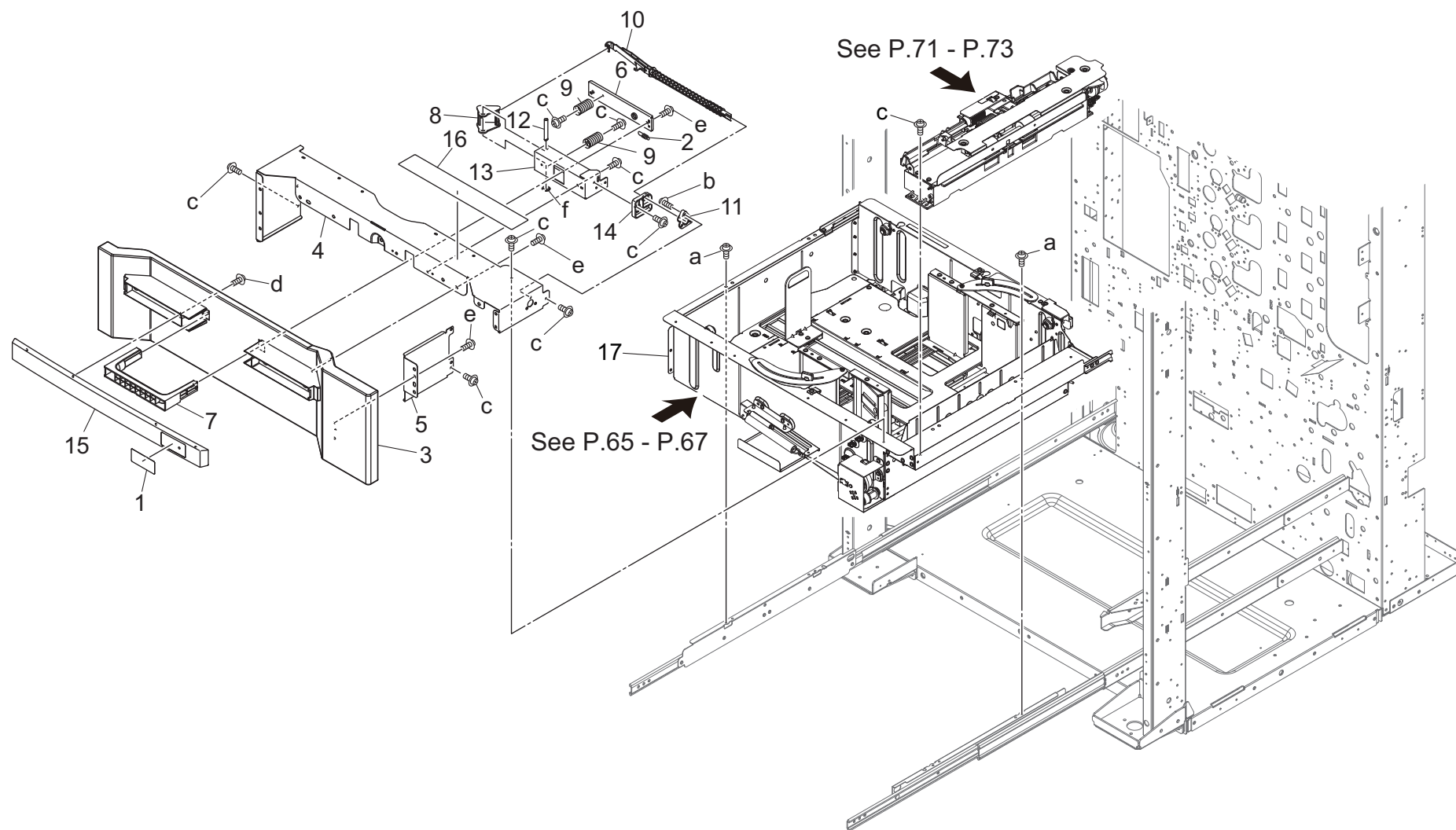


Key	Part No.	Description	Destinations	Class	QTY	Standard parts
1	26NA47070	PAPER REGULATING CLAW		C	2	a-V116030503
2	40AA32320	Toner Supply Spacer		C	1	b-V116030603
3	55VA40600	Driving Up /Down Pulley		B	2	c-V121030603
4	65AA47131E	Paper Detecting Actuator		C	1	d-V127030516
5	65AA47600E	Detecting Gear 45T		C	1	e-V127030604
6	65AA47700D	Up/down Pin		D	1	f-V127030803
7	65AA47740E	Shaft Mounting Plate		D	2	g-V147030803
8	65GE97490	CASSETTE GUIDE LABEL		D	1	h-V207030003
9	A03U812800	Slide Shaft Holder		B	2	j-V217040050
10	A1UDM50100	VR		D	1	k-V217060050
11	A50U620602	Guide Rack /Rear		D	1	m-V570010057
12	A50U620801	Regulating Shaft		D	1	
13	A50U620902	Guide Rack /Front		D	1	
14	A50U621301	Stopper Shaft		D	1	
15	A50U621400	Mounting Plate		D	1	
16	A50U621800	Lifting Shaft		D	1	
17	A50U621900	Mounting Plate		D	1	
18	A50U622001	Stopper Plate		D	1	
19	A50U622101	Positioning Plate		D	1	
20	A50U622300	Brake Knob		D	1	
21	A50U622400	Support Plate		D	1	
22	A50U623201	Lock Claw		D	1	
23	A50U623300	Slide Spring /1		D	1	
24	A50U623600	Lock Claw		D	1	
25	A50U623701	Lock Claw		D	1	
26	A50U625400	Up/down Wire /1		D	2	
27	A50U625500	Up/down Wire /2		D	2	
28	A50U626100	Protection Plate		D	2	
29	A50U627501	Reinforce Stay		D	1	
30	A50U628100	Shoulder Screw		D	2	
31	A50U628400	Pinion		C	1	
32	A50U640800	Sheet		D	2	
33	A50U642000	Guide Spacer		D	1	
34	A50U945300	Regulating Label		D	1	
35	A50U946300	Lock Label /2		D	1	

Tray 1 Section

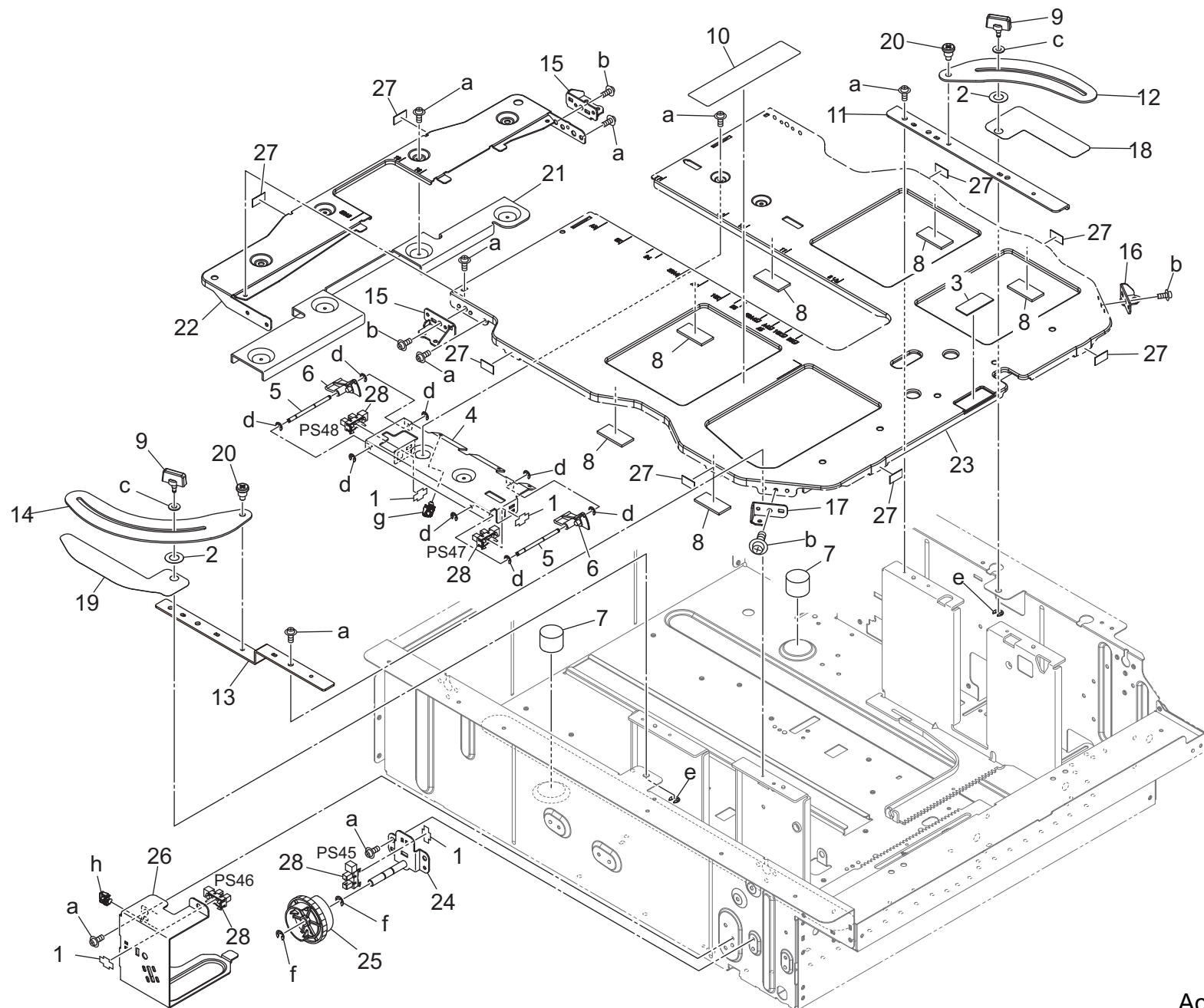


Key	Part No.	Description	Destinations	Class	QTY	Standard parts
1	4470402401	Stopper		D	1	a-V116030503
2	65AA47550	WIRE ROLLER		C	4	b-V121030603
3	65AA47630	WIRE GUIDE PART		C	4	c-V127030516
4	65AA47740E	Shaft Mounting Plate		D	2	d-V127030604
5	65AA47900E	Mounting Plate /2		D	1	e-V158031003
6	A03U621200	GUIDE COVER		C	1	f-V207030003
7	A1DUF62100	PULLEY FULCRUM PLATE CAULKING		D	4	g-V217060050
8	A50U621200	Slide Guide		D	4	h-V500020098
9	A50U624600	Mounting Plate		D	1	j-V500020099
10	A50U624700	Fixing Cam		D	1	k-V570010050
11	A50U625100	Positioning Plate		D	2	
12	A50U628200	Shoulder Screw		D	8	
13	A50U628300	Cover		D	1	
14	A50U629502	Plate spring		D	1	
15	A50U629702	Brake Part /Lower		D	1	
16	A50U629801	Brake Part		D	1	
17	A50U629901	Regulating Plate /Rear		D	1	
18	A50U630701	Regulating Plate /Right		D	1	
19	A50U637600	Reinforce Plate /1		D	1	
20	A50U637700	Reinforce Plate /2		D	1	
21	A50U946400	Lock Label /1		D	2	
22	A50UN14100	Paperfeed Wiring /3		D	1	
23	A85CM55500	Photo Sensor		C	1	



Key	Part No.	Description	Destinations	Class	QTY	Standard parts
1	A0U0945501	Indicating Label /2		C	1	a-V118030303 b-V126030603 c-V127030604 d-V151041003 e-V158030803 f-V217040001
2	A161626800	Pulling Coil spring		C	1	
3	A50U160801	Cover Tray /2		D	1	
4	A50U627002	Fixing Plate /2		D	1	
5	A50U627200	Fixing Plate /3		D	1	
6	A50U633002	Holding Handle		D	1	
7	A50U633100	Handle /B		D	1	
8	A50U633200	Release Lever		D	1	
9	A50U633400	Stable Spring		D	2	
10	A50U633601	Lock Lever		D	1	
11	A50U633702	Receiving Guide /1		D	1	
12	A50U633800	Release Shaft /1		D	1	
13	A50U633900	Fixing Plate		D	1	
14	A50U634300	Receiving Guide /2		D	1	
15	A50U634400	Paper feed Handle		D	1	
16	A50U945700	Operation Label /1		D	1	
17	A85CF62100	1000 Paper Cassette ASSY		S	1	

Tray 2 Section

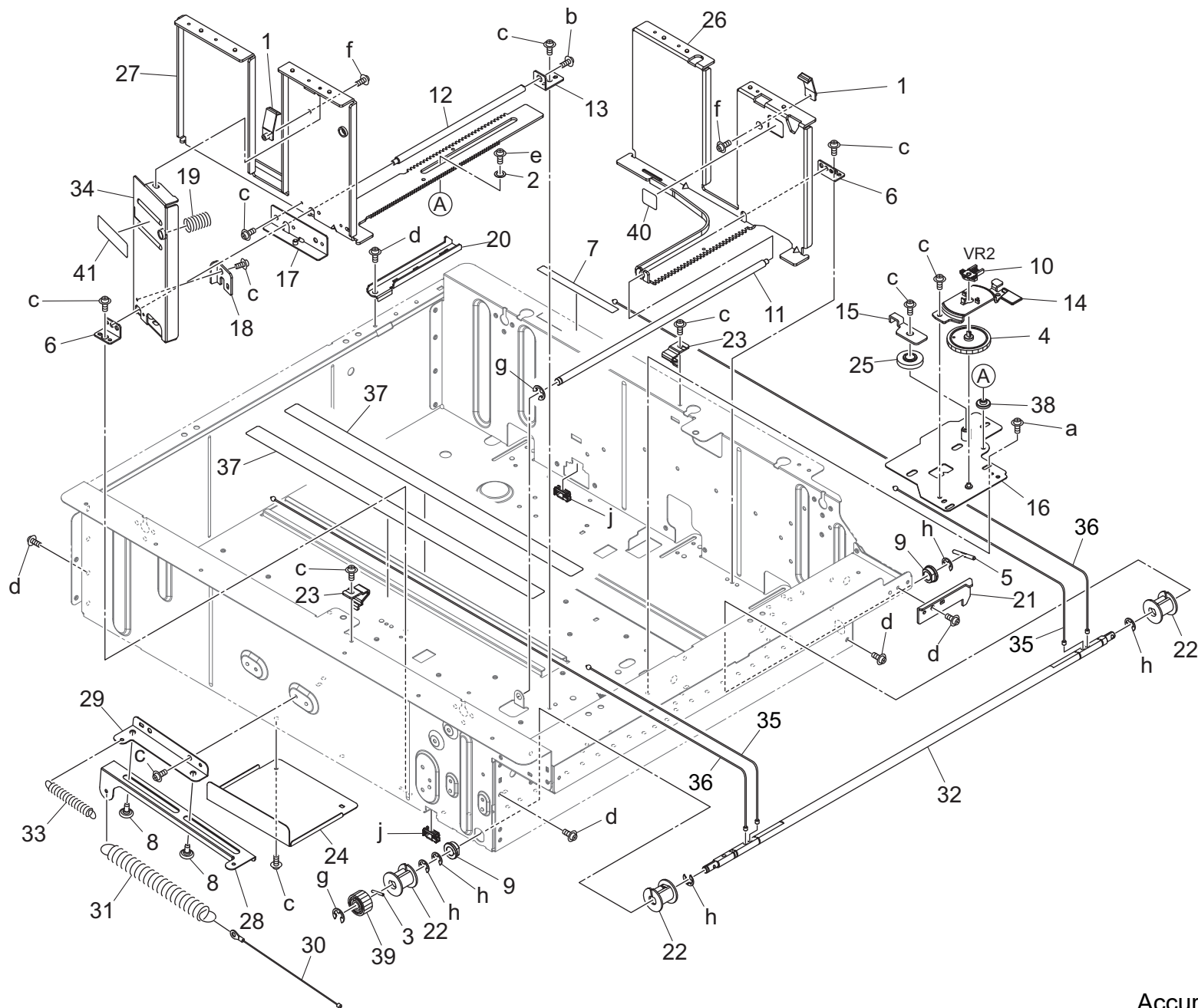


Tray 2 Section

Key	Part No.	Description	Destinations	Class	QTY	Standard parts
1	4470402401	Stopper		D	4	a-V127030516 b-V127030604 c-V207040003 d-V217020050 e-V217025050 f-V217040050 g-V500010051 h-V500020098
2	55VA32530	SPACER		C	2	
3	55VA40930	DOUBLE FEED PREVENTIVE PLATE		C	1	
4	65AA47120D	Mounting Plate		D	1	
5	65AA47310E	PAPER DETECTING SHAFT		D	2	
6	65AA47320	Paper Detecting Actuator		C	2	
7	65AA47820	REGULATING PART		C	2	
8	65AA47860	AUXILIARY SHEET		C	6	
9	A03X656203	Lock Screw		C	2	
10	A1RF946000	Paper feed Label /1		D	1	
11	A50U621001	Reinforce Plate /Rear		D	1	
12	A50U622600	Regulating Plate /Rear		D	1	
13	A50U622802	Reinforce Plate /Front		D	1	
14	A50U625701	Regulating Plate /Front		D	1	
15	A50U626502	Support Plate /1		D	2	
16	A50U626601	Support Plate /2		D	1	
17	A50U626702	Support Plate /3		D	1	
18	A50U627601	Sheet		D	1	
19	A50U627701	Sheet		D	1	
20	A50U628200	Shoulder Screw		D	2	
21	A50U629001	Reinforce Stay		D	1	
22	A50U629202	Up/down Plate /Rear		D	1	
23	A50U630203	Lifting Plate		D	1	
24	A50U631200	Mounting Plate /Assy		D	1	
25	A50U631300	Up/down Gear 60T		C	1	
26	A50U631600	Mounting Plate		D	1	
27	A50U641500	Slide Sheet		D	8	
28	A85CM55500	Photo Sensor		C	4	

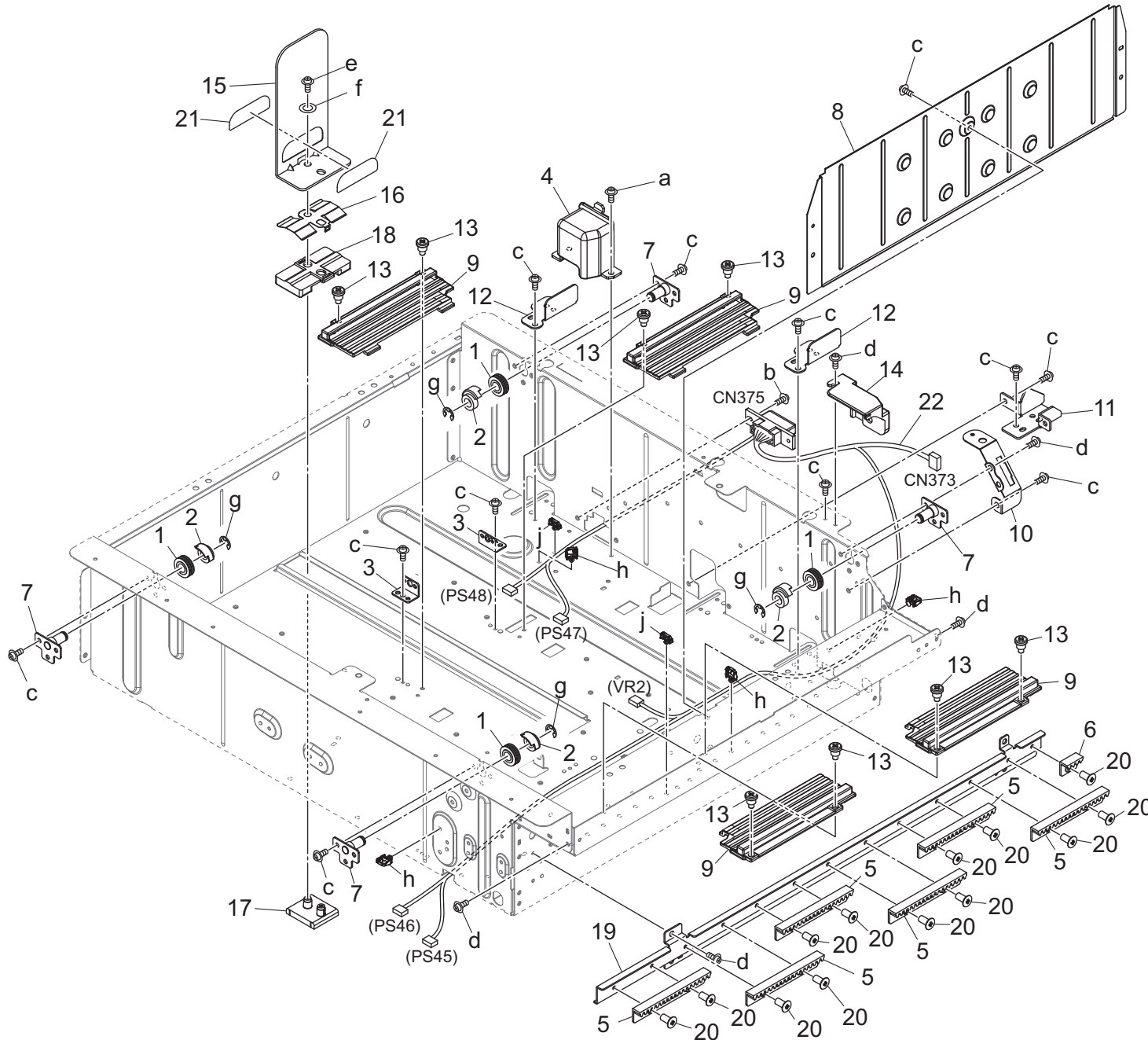


Tray 2 Section



Key	Part No.	Description	Destinations	Class	QTY	Standard parts
1	26NA47070	PAPER REGULATING CLAW		C	2	a-V116030503
2	40AA32320	Toner Supply Spacer		C	1	b-V116030603
3	56AA17551	PIN A		C	1	c-V127030516
4	65AA47600E	Detecting Gear 45T		C	1	d-V127030604
5	65AA47700D	Up/down Pin		D	1	e-V127030803
6	65AA47740E	Shaft Mounting Plate		D	2	f-V147030803
7	65GE97490	CASSETTE GUIDE LABEL		D	1	g-V217040050
8	A03N621800	Slide Shoulder screw		C	2	h-V217060050
9	A03U812800	Slide Shaft Holder		B	2	j-V570010057
10	A1UDM50100	VR		D	1	
11	A50U620801	Regulating Shaft		D	1	
12	A50U621301	Stopper Shaft		D	1	
13	A50U621400	Mounting Plate		D	1	
14	A50U621900	Mounting Plate		D	1	
15	A50U622001	Stopper Plate		D	1	
16	A50U622101	Positioning Plate		D	1	
17	A50U622400	Support Plate		D	1	
18	A50U623201	Lock Claw		D	1	
19	A50U623300	Slide Spring /1		D	1	
20	A50U623900	Lock Claw		D	1	
21	A50U624201	Lock Part		D	1	
22	A50U626000	Pulley		C	3	
23	A50U626100	Protection Plate		D	2	
24	A50U627501	Reinforce Stay		D	1	
25	A50U628400	Pinion		C	1	
26	A50U630602	Guide Rack /Rear		D	1	
27	A50U630902	Guide Rack /Front		D	1	
28	A50U631000	Slide Plate		D	1	
29	A50U631100	Mounting Plate		D	1	
30	A50U631500	Auxiliary Wire		D	1	
31	A50U631700	Slide Spring /1		D	1	
32	A50U631800	Up/down Shaft		D	1	
33	A50U631900	Slide Spring /1		D	1	
34	A50U632300	Brake Knob		D	1	
35	A50U635400	Up/down Wire /1		D	2	
36	A50U635500	Up/down Wire /2		D	2	
37	A50U640700	Sheet		D	2	
38	A50U642000	Guide Spacer		D	1	
39	A50U854600	Release Gear /1 24T		C	1	
40	A50U945300	Regulating Label		D	1	
41	A50U946300	Lock Label /2		D	1	

Tray 2 Section



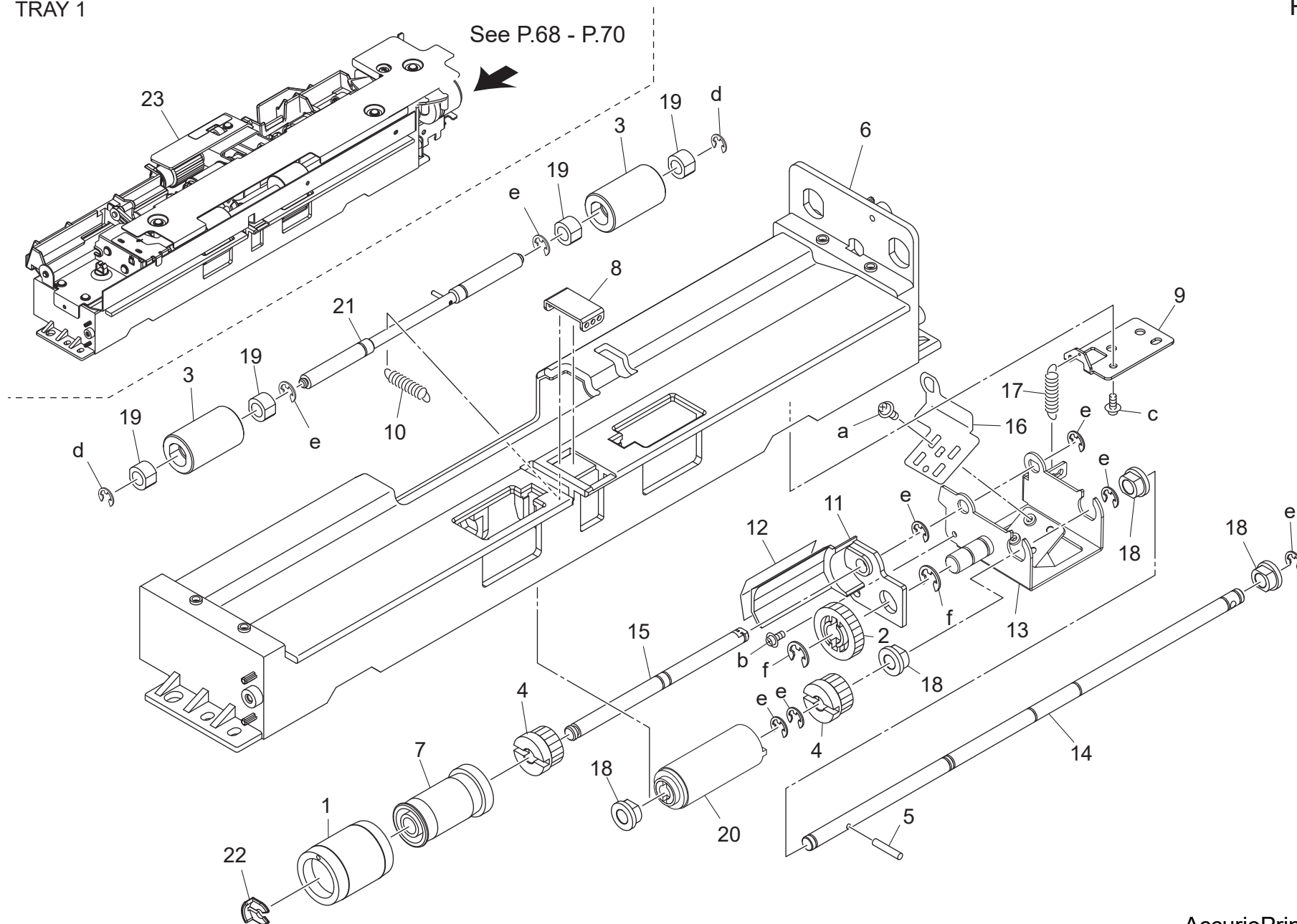
Tray 2 Section

Key	Part No.	Description	Destinations	Class	QTY	Standard parts
1	65AA47550	WIRE ROLLER		C	4	a-V116030503 b-V121030603 c-V127030516 d-V127030604 e-V158031003 f-V207030003 g-V217060050 h-V500020098 j-V500020099
2	65AA47630	WIRE GUIDE PART		C	4	
3	65AA47740E	Shaft Mounting Plate		D	2	
4	A03U621200	GUIDE COVER		C	1	
5	A03X622101	REGULATING RACK /1		D	6	
6	A03X622201	REGULATING RACK /2		D	1	
7	A1DUF62100	PULLEY FULCRUM PLATE CAULKING		D	4	
8	A50U620701	Regulating Plate /Right		D	1	
9	A50U621200	Slide Guide		D	4	
10	A50U624600	Mounting Plate		D	1	
11	A50U624700	Fixing Cam		D	1	
12	A50U625100	Positioning Plate		D	2	
13	A50U628200	Shoulder Screw		D	8	
14	A50U628300	Cover		D	1	
15	A50U629401	Regulating Plate /Rear		D	1	
16	A50U629502	Plate spring		D	1	
17	A50U629702	Brake Part /Lower		D	1	
18	A50U629801	Brake Part		D	1	
19	A50U640100	Guide Rail		D	1	
20	A50U642300	Mounting Screw		D	13	
21	A50U946400	Lock Label /1		D	2	
22	A50UN14001	Paperfeed Wiring /2		D	1	

Tray 1 Paper Feed Section

TRAY 1

P 68



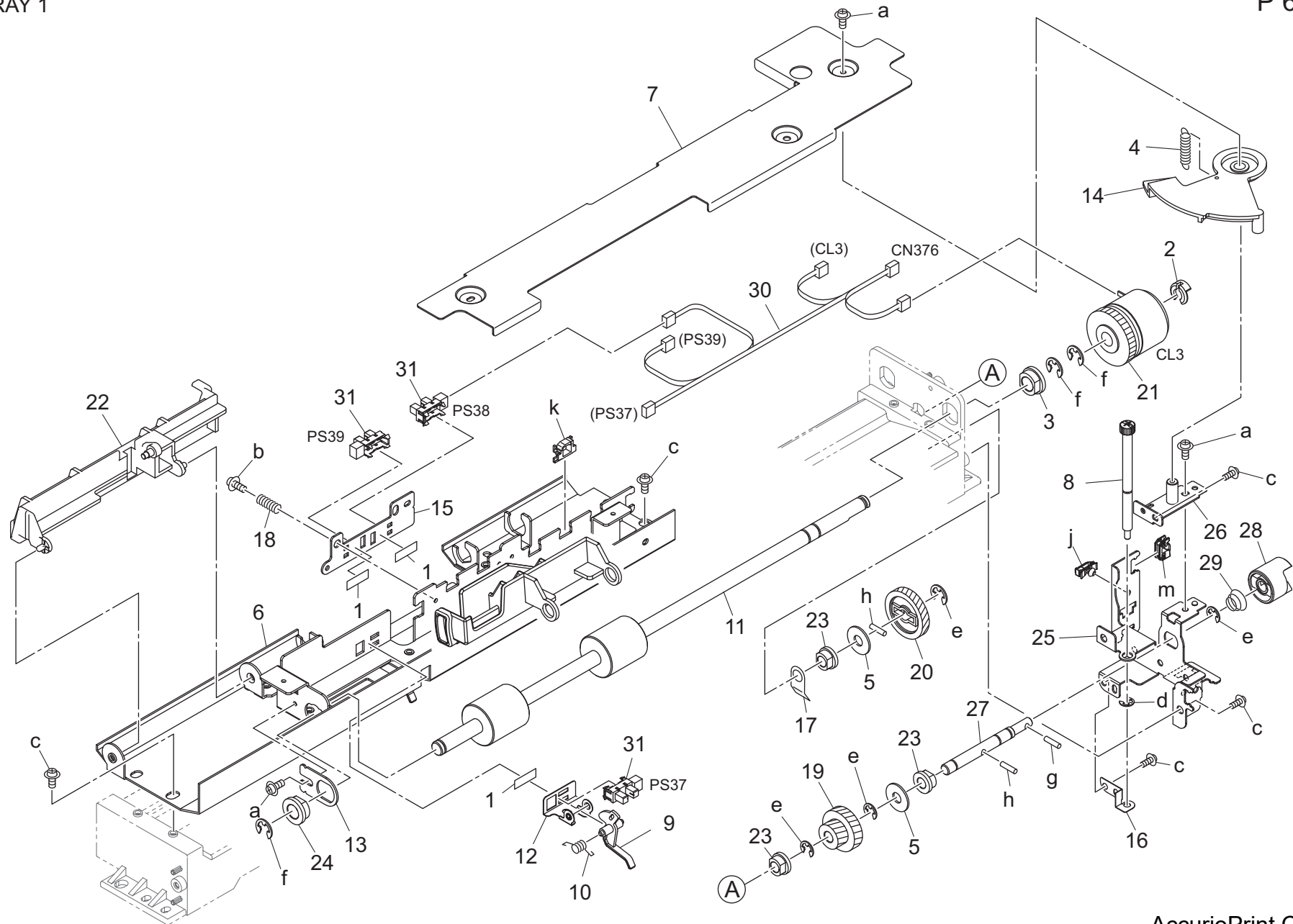
Tray 1 Paper Feed Section

Key	Part No.	Description	Destinations	Class	QTY	Standard parts
1	25SA40960	DOUBLE FEED PREVENTION RUBBER		A	1	a-V116030603 b-V121030603 c-V153030803 d-V217030001 e-V217040001 f-V217060001
2	26NA42061	BY PASS FEED CONVEYING GEAR 21T		B	1	
3	26NA42560	By-Pass Idler Roller		C	2	
4	55VA79030	Paper Feed Reversal Gear /C 14T		B	2	
5	56AA17510	Pin /B		C	1	
6	56AA40010E	Paper feed Main body		C	1	
7	56AA40360	Reverse Roller		C	1	
8	56AA40430	SPRING MOUNTING PLATE 1		D	1	
9	56AA40440	SPRING MOUNTING PLATE 2		D	1	
10	56AA40481	PAPERFEEDPRESSINGSRING		C	1	
11	56AA40530	ENTRANCE GUIDE PART		D	1	
12	56AA40540	ENTRANCE GUIDE SHEET		C	1	
13	56QA40080	Multi-feed Preventing Plate		C	1	
14	56QA40250	MULTI FEED SUPPORT SHAFT		D	1	
15	56QA40270	MULTI FEED REVERSE SHAFT		D	1	
16	56QA40550	MULTI FEED ADJUSTMENT PLATE		D	1	
17	57AA40420	MULTI FEED PREVENTING SPRING		C	1	
18	A00J663200	Bushing		C	4	
19	A03U850101	Slide Bushing		C	4	
20	A03X565611	Torque Limiter /A		B	1	
21	A1DUR71K00	Paper Feed Driven Shaft Assy		D	1	
22	A1RF620301	Stopper Collar		D	1	
23	A85CR70G00	Paper Feed Assy		S	1	

Tray 1 Paper Feed Section

TRAY 1

P 69



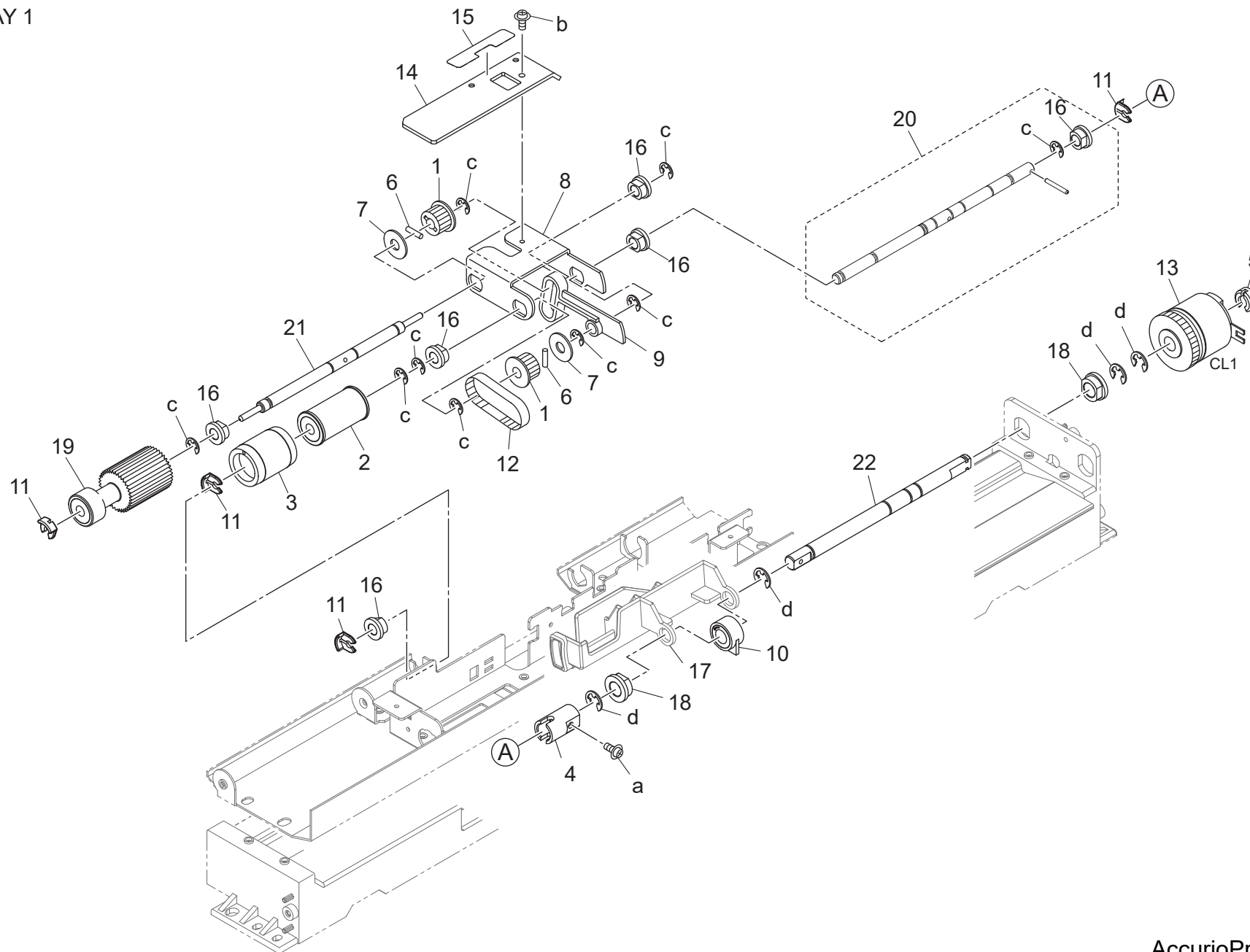
Tray 1 Paper Feed Section

Key	Part No.	Description	Destinations	Class	QTY	Standard parts
1	4109553001	Stopper		C	3	a-V121030603
2	55VA42120	Shaft Stopper		C	1	b-V127030604
3	55VA75540	PAPER FEED SHAFT HOLDER B		B	1	c-V153030803
4	56AA17121	SEPARATE SPRING UPPER		C	1	d-V217030001
5	56AA17760	COLLAR		C	2	e-V217040001
6	56AA40032E	Paper Feed Guide Plate /Upper		C	1	f-V217060001
7	56AA40100G	Wiring Protection Cover		D	1	g-V234301250
8	56AA40120	PAPER FEED HOLDING SCREW		C	1	h-V234301450
9	56AA40171	PAPER FEED DETECTING ACTUATOR		C	1	j-V500020099
10	56AA40190	PRESSING SPRING		C	1	k-V570010050
11	56AA40230	PAPER FEED REGISTRATION ROLLER		C	1	m-V570010056
12	56AA40310	MOUNTING PLATE		D	1	
13	56AA40370	ADJUSTING PLATE		D	1	
14	56AA40390	CAM PLATE		C	1	
15	A85C635400	Adjusting Plate		D	1	
16	56AA40470	SCREW EARTH PLATE		C	1	
17	56AA40500	SHAFT HOLDER EARTH PLATE		C	1	
18	56AA40520	EARTH SPRING		C	1	
19	56AA77720E	Paper Feed Reverse Gear /1 16/22T		C	1	
20	56AA77730	PAPER FEED REVERSING GEAR 2 33T		C	1	
21	56AA82012	Paper Feed Drive Clutch		B	1	
22	65AA40010	Regulating Plate		D	1	
23	A00J663200	Bushing		C	3	
24	A03U812800	Slide Shaft Holder		B	1	
25	A50U560900	Drive Side plate /1		D	1	
26	A50U561200	Drive Side plate /Assy		D	1	
27	A50U562400	Input Shaft		D	1	
28	A50U564500	Paper feed Coupling		D	1	
29	A50U565100	Pressing Spring		D	1	
30	A50UN14201	Paperfeed Wiring /1		D	1	
31	A85CM55500	Photo Sensor		C	3	

Tray 1 Paper Feed Section

TRAY 1

P 70



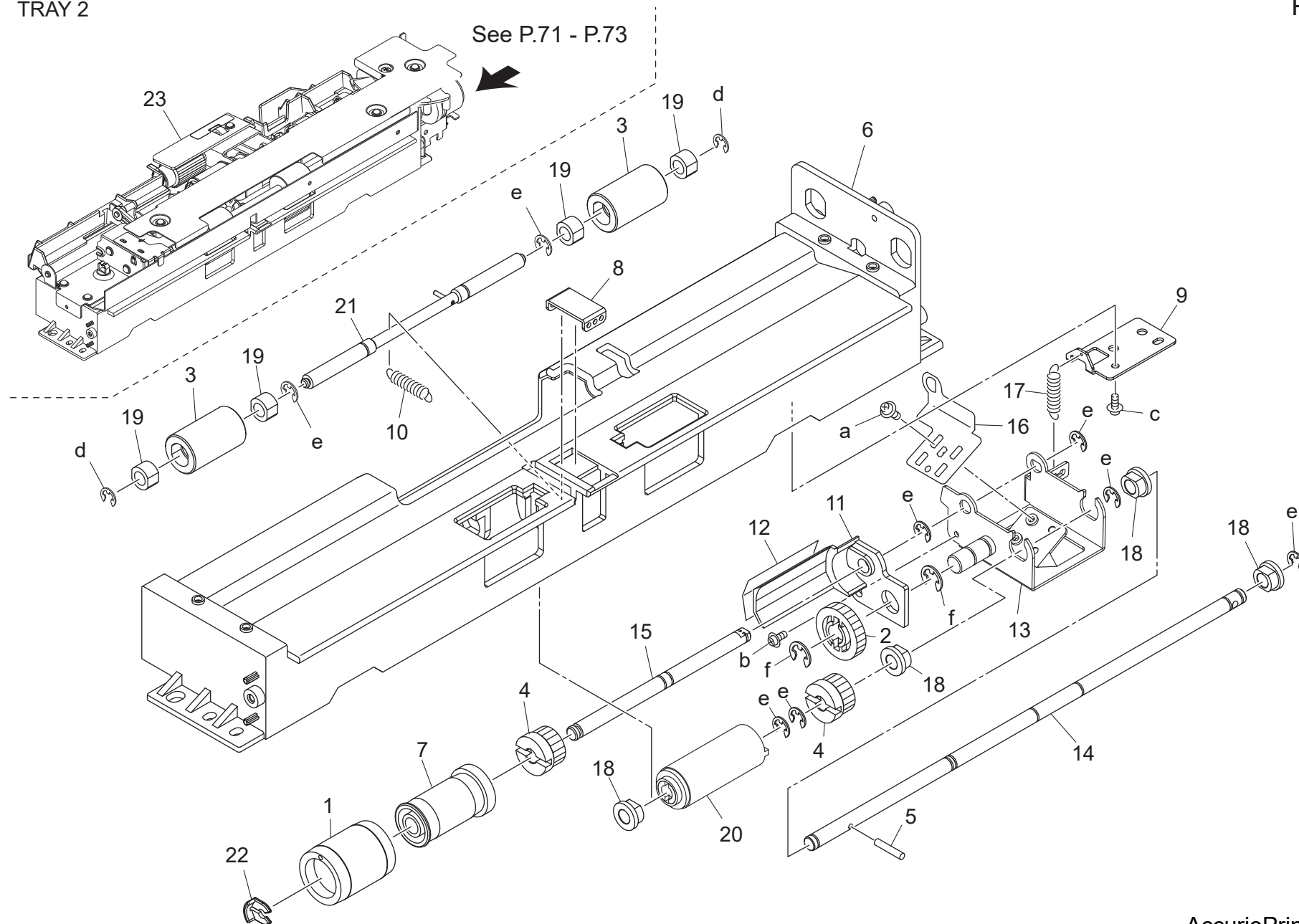
Tray 1 Paper Feed Section

Key	Part No.	Description	Destinations	Class	QTY	Standard parts
1	059076510	PULLEY 1 15T		C	2	a-V118030603 b-V121030603 c-V217040001 d-V217060001
2	25AA40100	Feeding Roller /B		B	1	
3	25SA40960	DOUBLE FEED PREVENTION RUBBER		A	1	
4	55FA40320	COUPLING		C	1	
5	55VA42120	Shaft Stopper		C	1	
6	56AA17510	Pin /B		C	2	
7	56AA17760	COLLAR		C	2	
8	56AA40070	Paper feed Swing Plate		D	1	
9	56AA40300	PAPER QUANTITY ACTUATOR		C	1	
10	56AA40380	PAPER FEED REGULATING BLOCK		B	1	
11	56AA40490	SHAFT STOPPER 4		C	4	
12	56AA77590	PAPER FEED ROCKING BELT 111L		C	1	
13	56AA82012	Paper Feed Drive Clutch		B	1	
14	65AA40080E	Paper feed Auxiliary Plate		D	1	
15	65GE97400	GUIDE LABEL /1		C	1	
16	A00J663200	Bushing		C	6	
17	A03U560500	Regulating Plate /Rear		C	1	
18	A03U812800	Slide Shaft Holder		B	2	
19	A1DUR71J00	Paper Feed Oscillate Roller		B	1	
20	A1DUR75200	Paper Feed Feeding Shaft Assy		D	1	
21	A85C635200	Swing Shaft		D	1	
22	A85C635300	Drive Shaft		D	1	

Tray 2 Paper Feed Section

TRAY 2

P 71



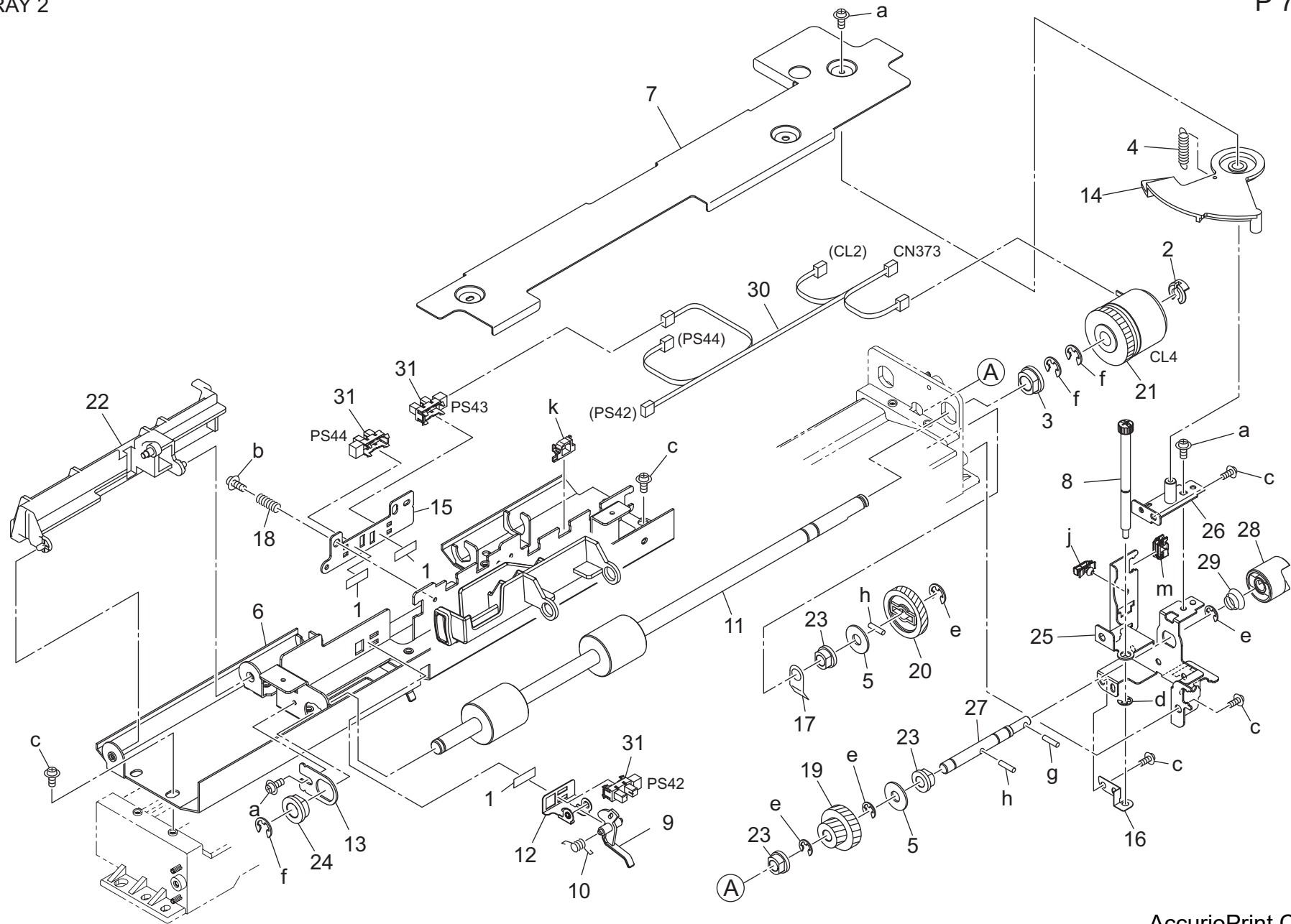
Tray 2 Paper Feed Section

Key	Part No.	Description	Destinations	Class	QTY	Standard parts
1	25SA40960	DOUBLE FEED PREVENTION RUBBER	重送防止ゴム	A	1	a-V116030603
2	26NA42061	BY PASS FEED CONVEYING GEAR 21T	手差し搬送ギア 21 T	B	1	b-V121030603
3	26NA42560	By-Pass Idler Roller	手差し従動ローラー	C	2	c-V153030803
4	55VA79030	Paper Feed Reversal Gear /C 14T	給紙逆転歯車 / C 14 T	B	2	d-V217030001
5	56AA17510	Pin /B	ピン / B	C	1	e-V217040001
6	56AA40010E	Paper feed Main body	給紙本体	C	1	f-V217060001
7	56AA40360	Reverse Roller	逆転ローラー	C	1	
8	56AA40430	SPRING MOUNTING PLATE 1	バネ取り付け板 /1	D	1	
9	56AA40440	SPRING MOUNTING PLATE 2	バネ取り付け板 /2	D	1	
10	56AA40481	PAPERFEEDPRESSINGSRING	給紙押圧バネ	C	1	
11	56AA40530	ENTRANCE GUIDE PART	入口ガイド部材	D	1	
12	56AA40540	ENTRANCE GUIDE SHEET	入口ガイドシート	C	1	
13	56QA40080	Multi-feed Preventing Plate	重送防止板	C	1	
14	56QA40250	MULTI FEED SUPPORT SHAFT	重送支点軸	D	1	
15	56QA40270	MULTI FEED REVERSE SHAFT	重送逆転軸	D	1	
16	56QA40550	MULTI FEED ADJUSTMENT PLATE	重送調整板	D	1	
17	57AA40420	MULTI FEED PREVENTING SPRING	重送防止バネ	C	1	
18	A00J663200	Bushing	すべり軸受	C	4	
19	A03U850101	Slide Bushing	すべり軸受	C	4	
20	A03X565611	Torque Limiter /A	トルクリミッタ / A	B	1	
21	A1DUR71K00	Paper Feed Driven Shaft Assy	給紙従動軸部組	D	1	
22	A1RF620301	Stopper Collar	ストップバカラー	D	1	
23	A85CR70G00	Paper Feed Assy	給紙 Ass y	S	1	

Tray 2 Paper Feed Section

TRAY 2

P 72



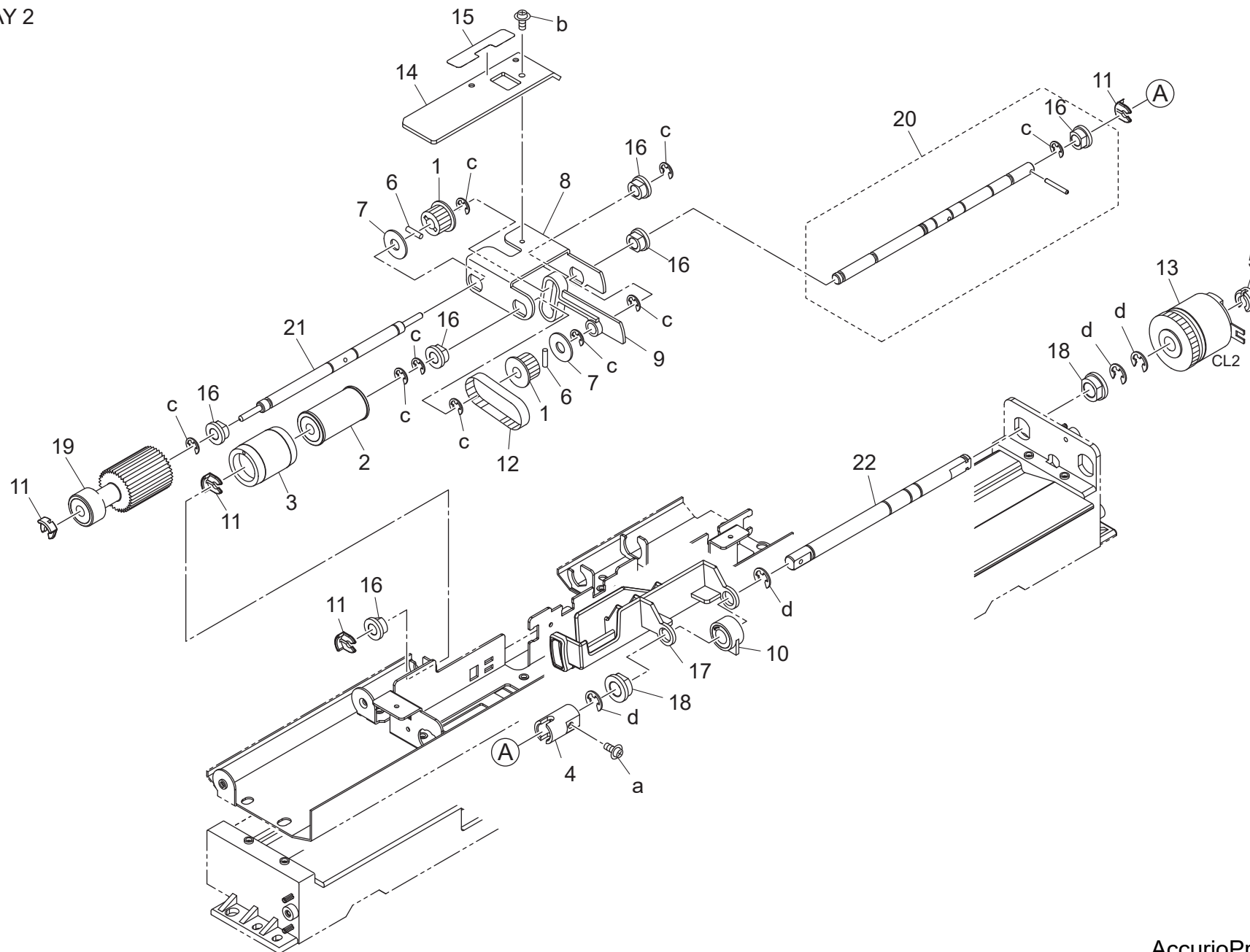
Tray 2 Paper Feed Section

Key	Part No.	Description	Destinations	Class	QTY	Standard parts
1	4109553001	Stopper		C	3	a-V121030603 b-V127030604 c-V153030803 d-V217030001 e-V217040001 f-V217060001 g-V234301250 h-V234301450 j-V500020099 k-V570010050 m-V570010056
2	55VA42120	Shaft Stopper		C	1	
3	55VA75540	PAPER FEED SHAFT HOLDER B		B	1	
4	56AA17121	SEPARATE SPRING UPPER		C	1	
5	56AA17760	COLLAR		C	2	
6	56AA40032E	Paper Feed Guide Plate /Upper		C	1	
7	56AA40100G	Wiring Protection Cover		D	1	
8	56AA40120	PAPER FEED HOLDING SCREW		C	1	
9	56AA40171	PAPER FEED DETECTING ACTUATOR		C	1	
10	56AA40190	PRESSING SPRING		C	1	
11	56AA40230	PAPER FEED REGISTRATION ROLLER		C	1	
12	56AA40310	MOUNTING PLATE		D	1	
13	56AA40370	ADJUSTING PLATE		D	1	
14	56AA40390	CAM PLATE		C	1	
15	A85C635400	Adjusting Plate		D	1	
16	56AA40470	SCREW EARTH PLATE		C	1	
17	56AA40500	SHAFT HOLDER EARTH PLATE		C	1	
18	56AA40520	EARTH SPRING		C	1	
19	56AA77720E	Paper Feed Reverse Gear /1 16/22T		C	1	
20	56AA77730	PAPER FEED REVERSING GEAR 2 33T		C	1	
21	56AA82012	Paper Feed Drive Clutch		B	1	
22	65AA40010	Regulating Plate		D	1	
23	A00J663200	Bushing		C	3	
24	A03U812800	Slide Shaft Holder		B	1	
25	A50U560900	Drive Side plate /1		D	1	
26	A50U561200	Drive Side plate /Assy		D	1	
27	A50U562400	Input Shaft		D	1	
28	A50U564500	Paper feed Coupling		D	1	
29	A50U565100	Pressing Spring		D	1	
30	A50UN14201	Paperfeed Wiring /1		D	1	
31	A85CM55500	Photo Sensor		C	3	

Tray 2 Paper Feed Section

TRAY 2

P 73

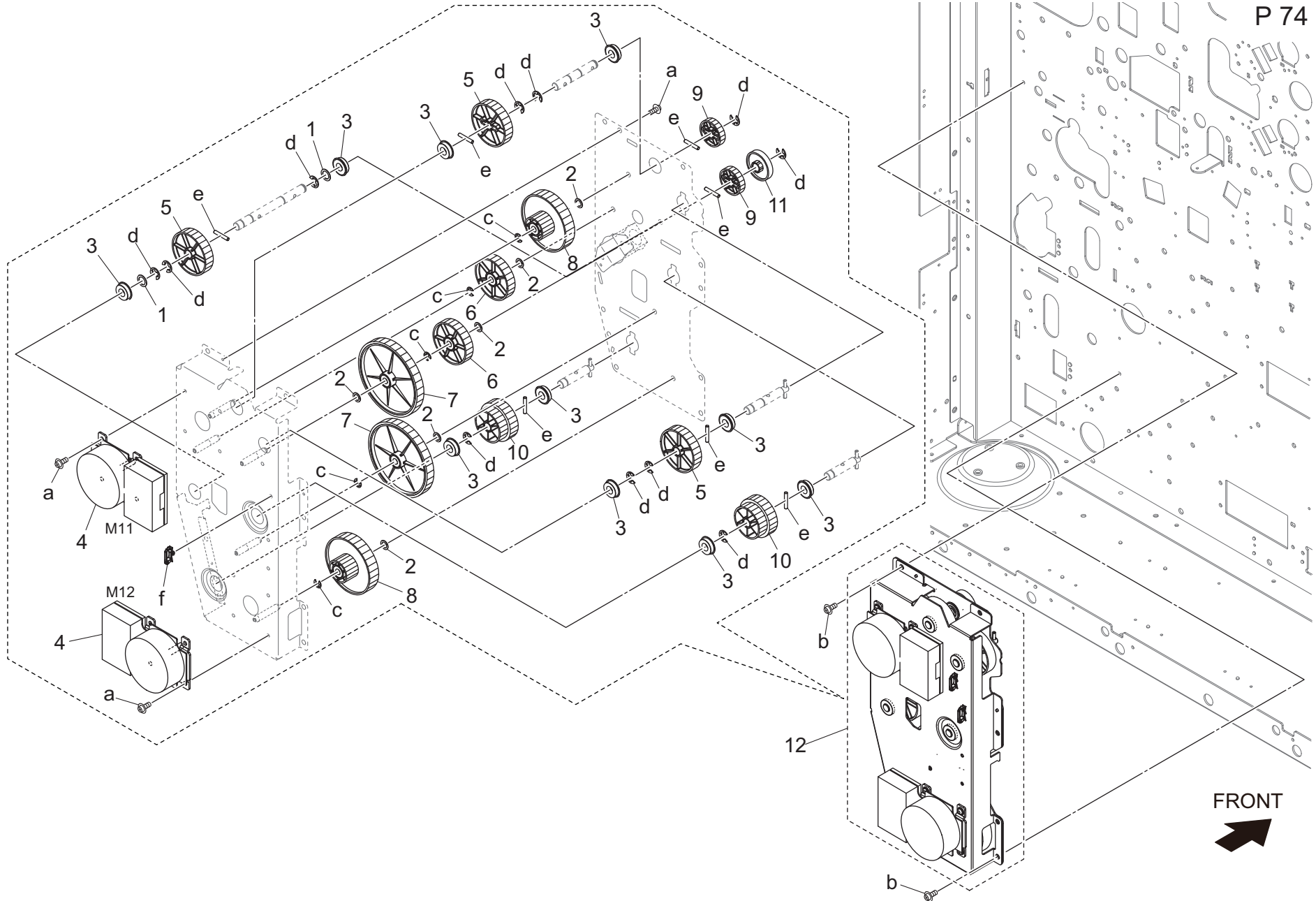


Tray 2 Paper Feed Section

Key	Part No.	Description	Destinations	Class	QTY	Standard parts
1	059076510	PULLEY 1 15T		C	2	a-V118030603 b-V121030603 c-V217040001 d-V217060001
2	25AA40100	Feeding Roller /B		B	1	
3	25SA40960	DOUBLE FEED PREVENTION RUBBER		A	1	
4	55FA40320	COUPLING		C	1	
5	55VA42120	Shaft Stopper		C	1	
6	56AA17510	Pin /B		C	2	
7	56AA17760	COLLAR		C	2	
8	56AA40070	Paper feed Swing Plate		D	1	
9	56AA40300	PAPER QUANTITY ACTUATOR		C	1	
10	56AA40380	PAPER FEED REGULATING BLOCK		B	1	
11	56AA40490	SHAFT STOPPER 4		C	4	
12	56AA77590	PAPER FEED ROCKING BELT 111L		C	1	
13	56AA82012	Paper Feed Drive Clutch		B	1	
14	65AA40080E	Paper feed Auxiliary Plate		D	1	
15	65GE97400	GUIDE LABEL /1		C	1	
16	A00J663200	Bushing		C	6	
17	A03U560500	Regulating Plate /Rear		C	1	
18	A03U812800	Slide Shaft Holder		B	2	
19	A1DUR71J00	Paper Feed Oscillate Roller		B	1	
20	A1DUR75200	Paper Feed Feeding Shaft Assy		D	1	
21	A85C635200	Swing Shaft		D	1	
22	A85C635300	Drive Shaft		D	1	

Paper Feed Driving Section

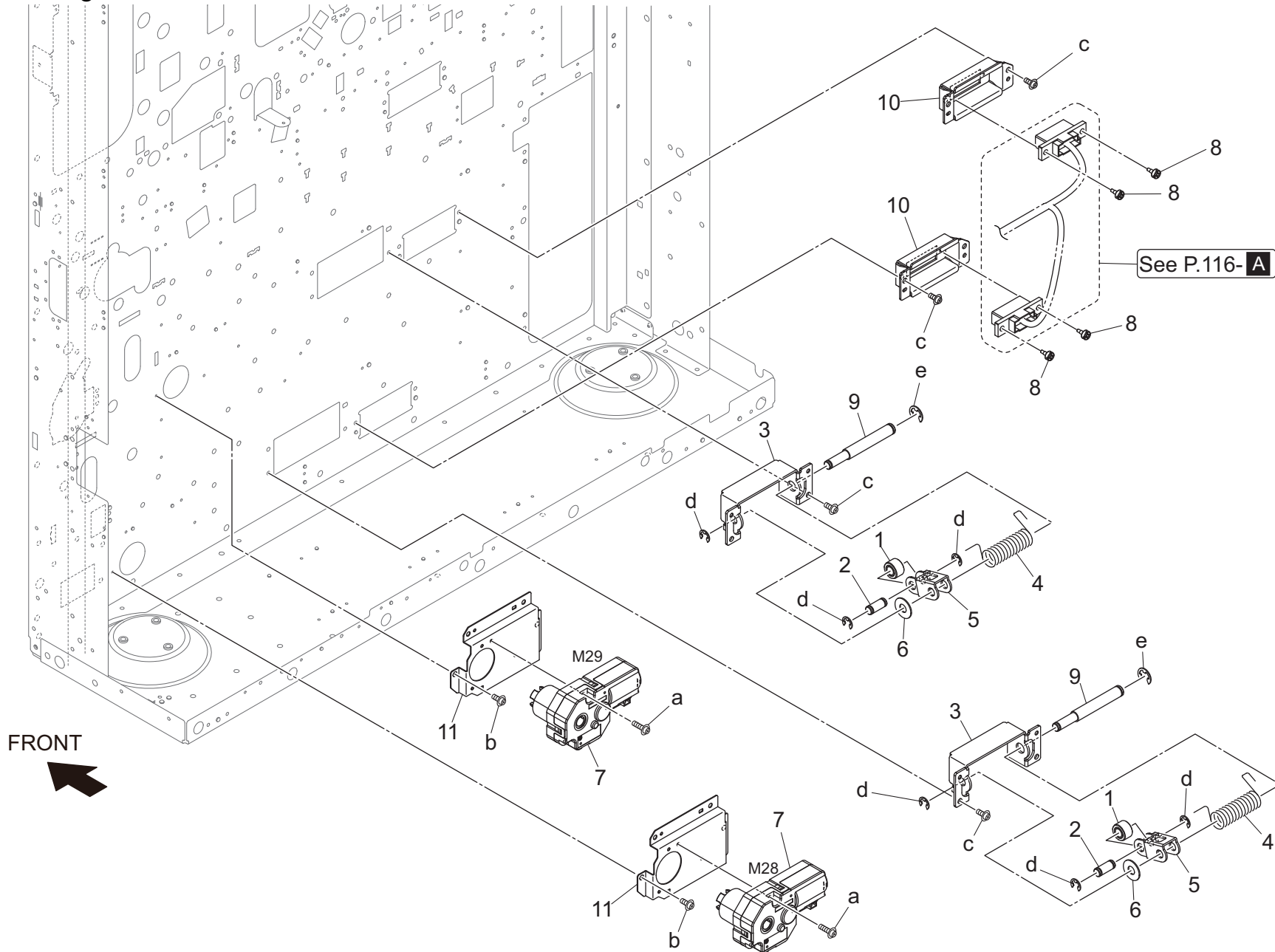
P 74



FRONT
➔

AccurioPrint C2060L

Tray Driving Section

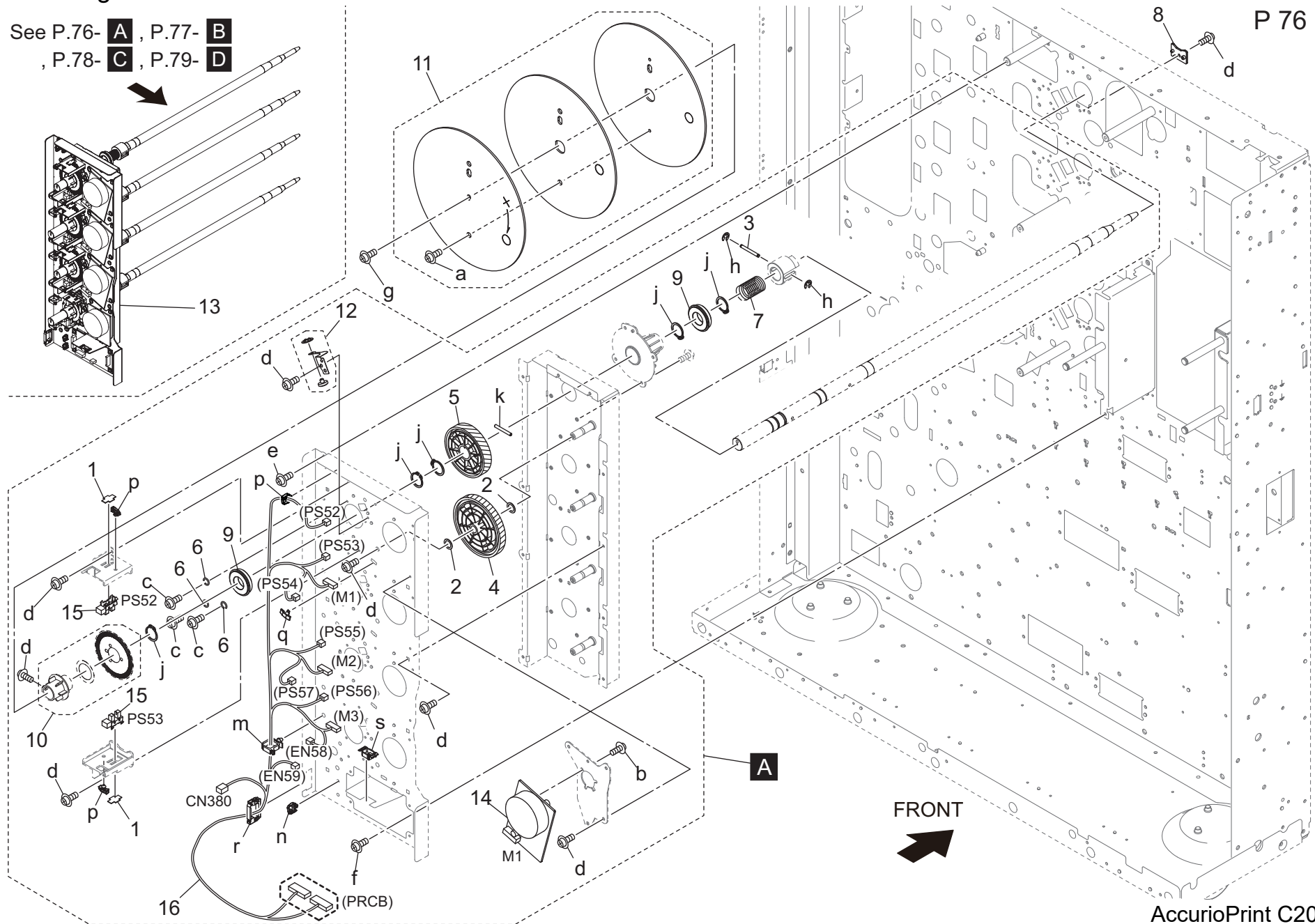


Tray Driving Section

Key	Part No.	Description	Destinations	Class	QTY	Standard parts
1	067642581	TRAY LOCK PULLEY		C	2	a-V118032003 b-V127030604 c-V146040804 d-V217060001 e-V217080050
2	65AA47360	CASSETTE LOCKING SHAFT		D	2	
3	65AA47370	FULCRUM PLATE		D	2	
4	65AA47390	GUIDE SPRING		C	2	
5	65AA47710	LOCKING PLATE		D	2	
6	65AA47970	SPACER		C	2	
7	A2X0M12101	Brush motor		B	2	
8	A50U109201	Mounting Screw		D	4	
9	A50U109300	Support Shaft		D	2	
10	A50U112901	Mounting Tray		D	2	
11	A50U629100	Mounting Plate		D	2	

Drum Driving Section

See P.76- **A** , P.77- **B**
 , P.78- **C** , P.79- **D**



Drum Driving Section

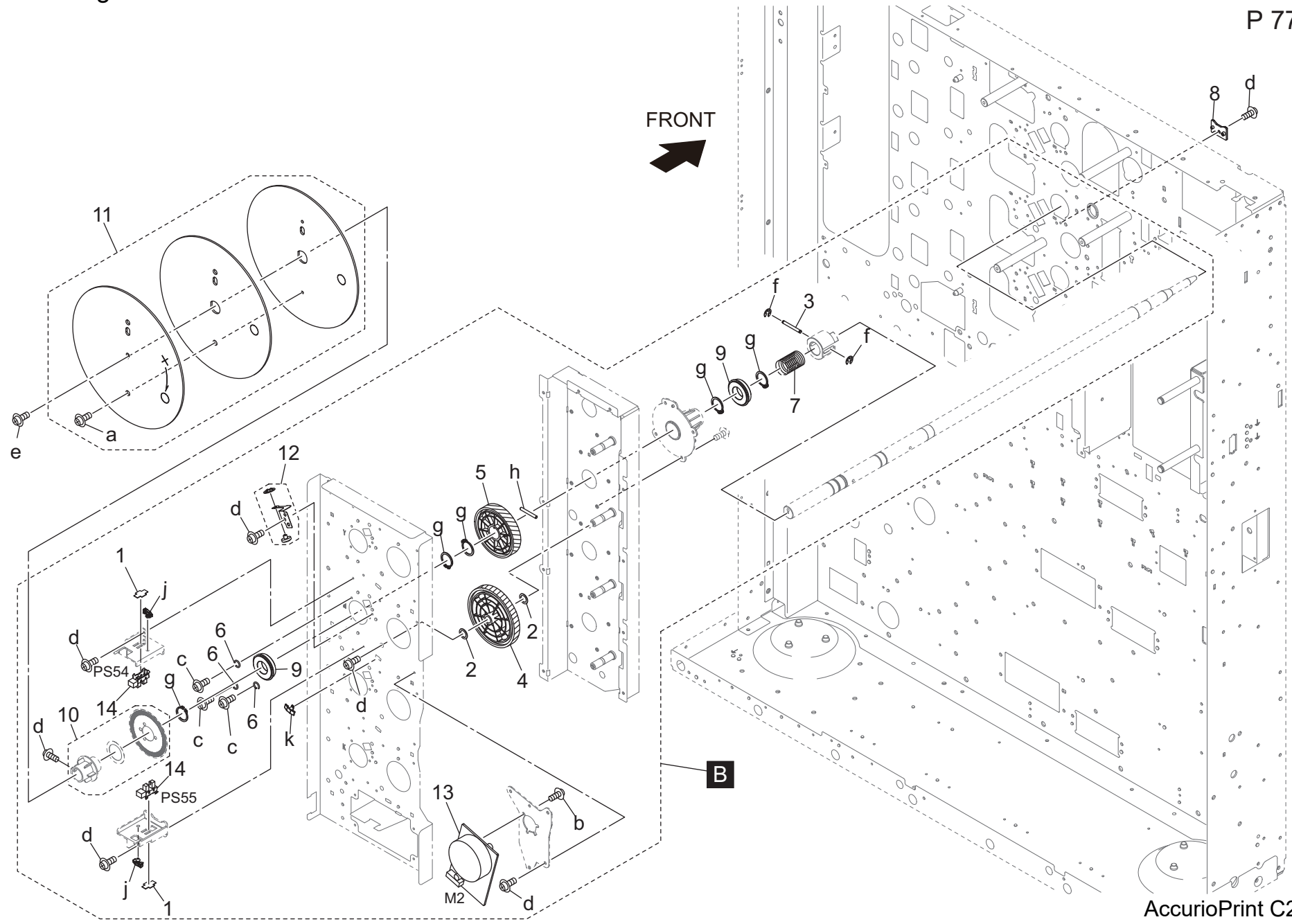
Key	Part No.	Description	Destinations	Class	QTY	Standard parts
1	4470402401	Stopper		D	2	a-V116040803
2	12QV40650	Spacer		B	2	b-V118030403
3	65AA15210	COUPLING PIN		D	1	c-V118030603
4	A03U259600	Idling Gear 46/132T		C	1	d-V127030604
5	A03U259900	DRIVE GEAR 92T		C	1	e-V127040603
6	A1RF214100	Set Washer /1		D	3	f-V127040803
7	A50U210600	Pressing Spring		D	1	g-V185041003
8	A50U212100	Slide Part		D	1	h-V217020001
9	A50U212600	Ball Bearing /15		D	1	j-V223150004
10	A50UR71K00	Encoder / YMC		C	2	k-V234302550
11	A50UF21100	Drum Drive Fly Wheel / Y M C		D	1	m-V500010005
12	A50UR72X01	Drum Ground Assy		D	1	n-V500020098
13	A85CR70C00	Drum Drive Assy		D	1	p-V500020099
14	A85CM10200	DC Brushless motor /20		S	1	q-V500020103
15	A85CM55500	Photo Sensor		C	1	r-V570010059
16	A85CN19000	Drive Wiring /1		C	2	s-V570010063
				D	1	



Drum Driving Section

P 77

FRONT

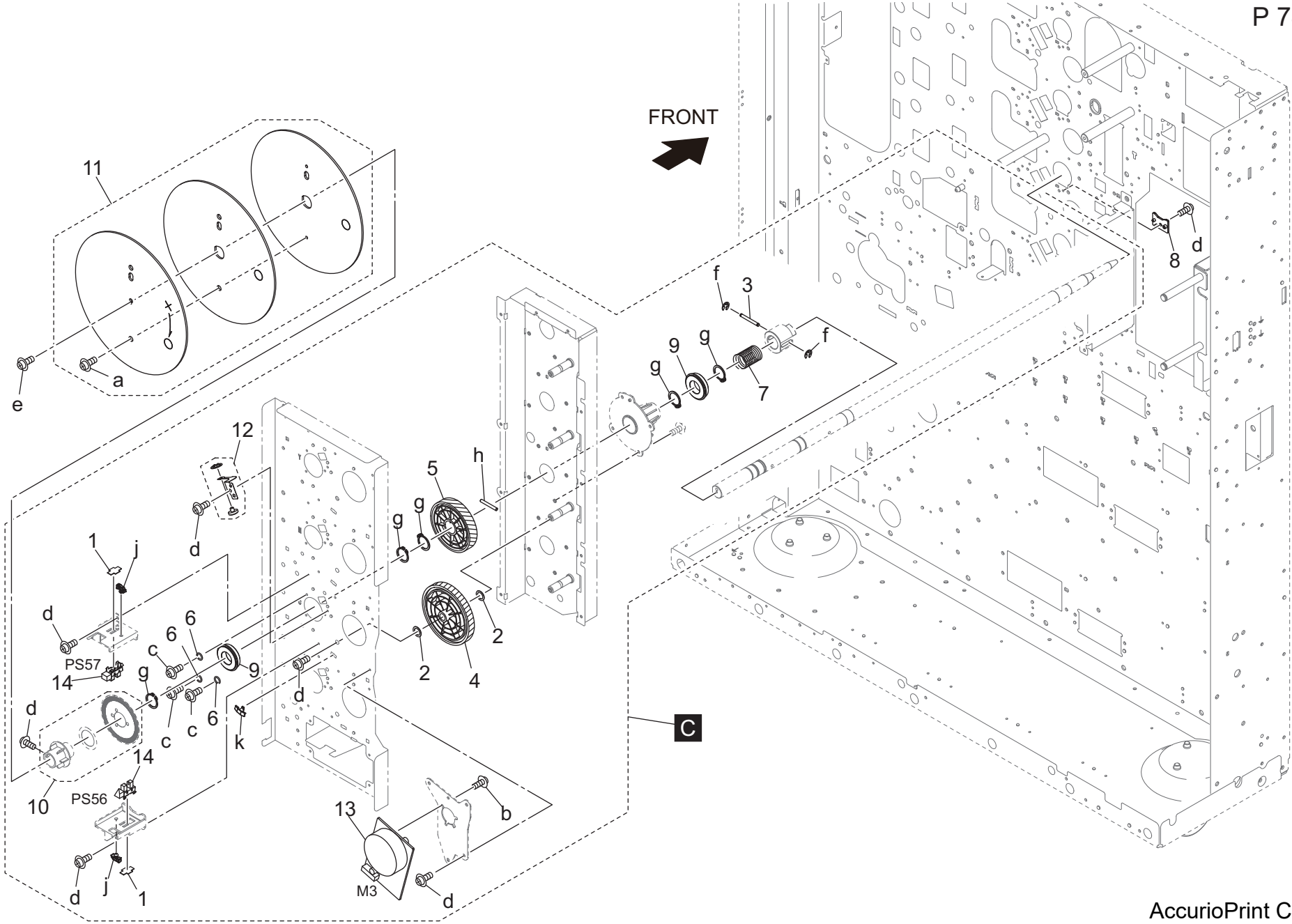



AccurioPrint C2060L

Drum Driving Section

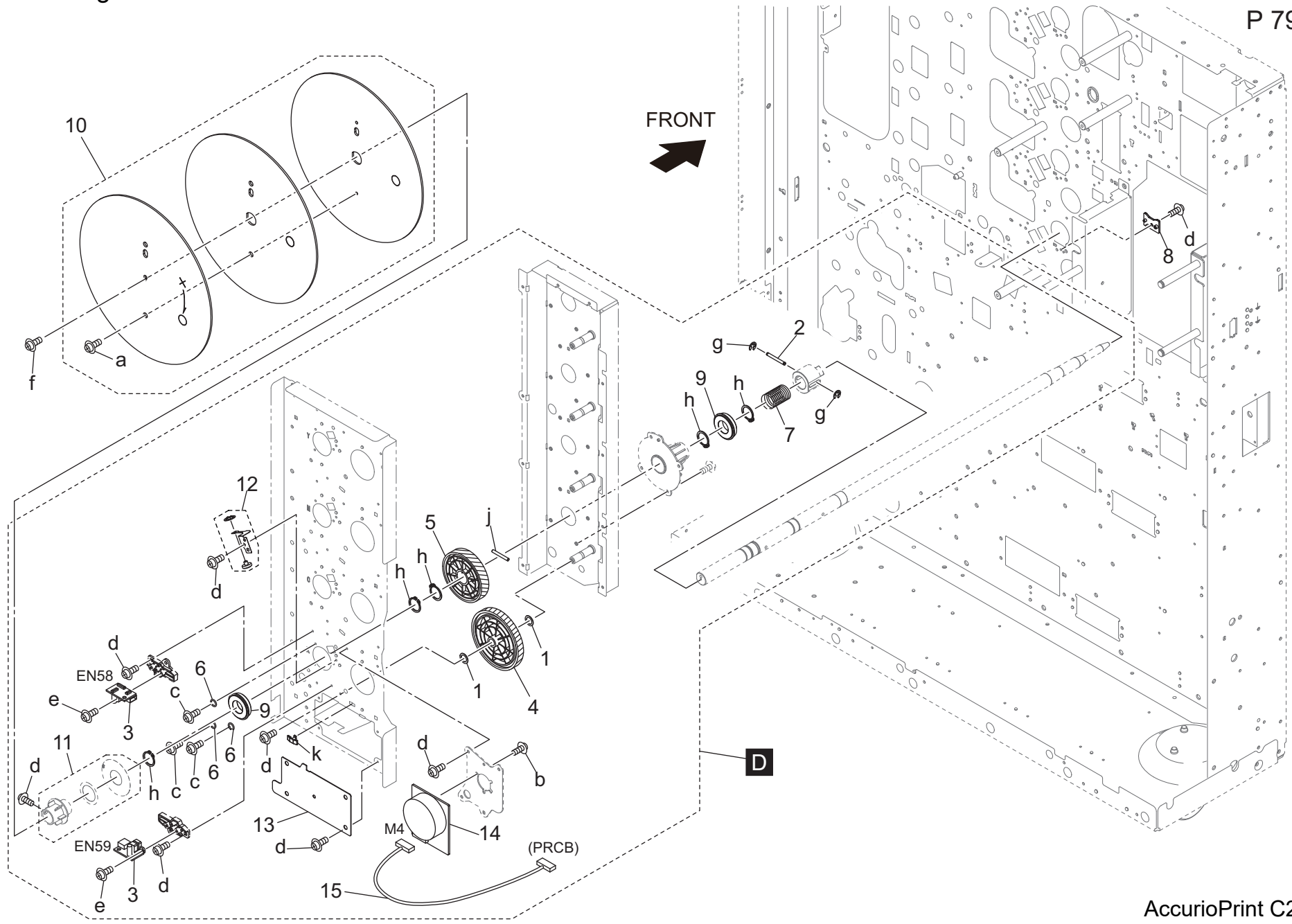
Key	Part No.	Description	Destinations	Class	QTY	Standard parts
1	4470402401	Stopper		D	2	a-V116040803 b-V118030403 c-V118030603 d-V127030604 e-V185041003 f-V217020001 g-V223150004 h-V234302550 j-V500020099 k-V500020103
2	12QV40650	Spacer		B	2	
3	65AA15210	COUPLING PIN		D	1	
4	A03U259600	Idling Gear 46/132T		C	1	
5	A03U259900	DRIVE GEAR 92T		C	1	
6	A1RF214100	Set Washer /1		D	3	
7	A50U210600	Pressing Spring		D	1	
8	A50U212100	Slide Part		D	1	
9	A50U212600	Ball Bearing /15		C	2	
10	A50UR71K00	Encoder / YMC		D	1	
11	A50UF21100	Drum Drive Fly Wheel / Y M C		D	1	
12	A50UR72X01	Drum Ground Assy		D	1	
13	A85CM10200	DC Brushless motor /20		C	1	
14	A85CM55500	Photo Sensor		C	2	

Drum Driving Section



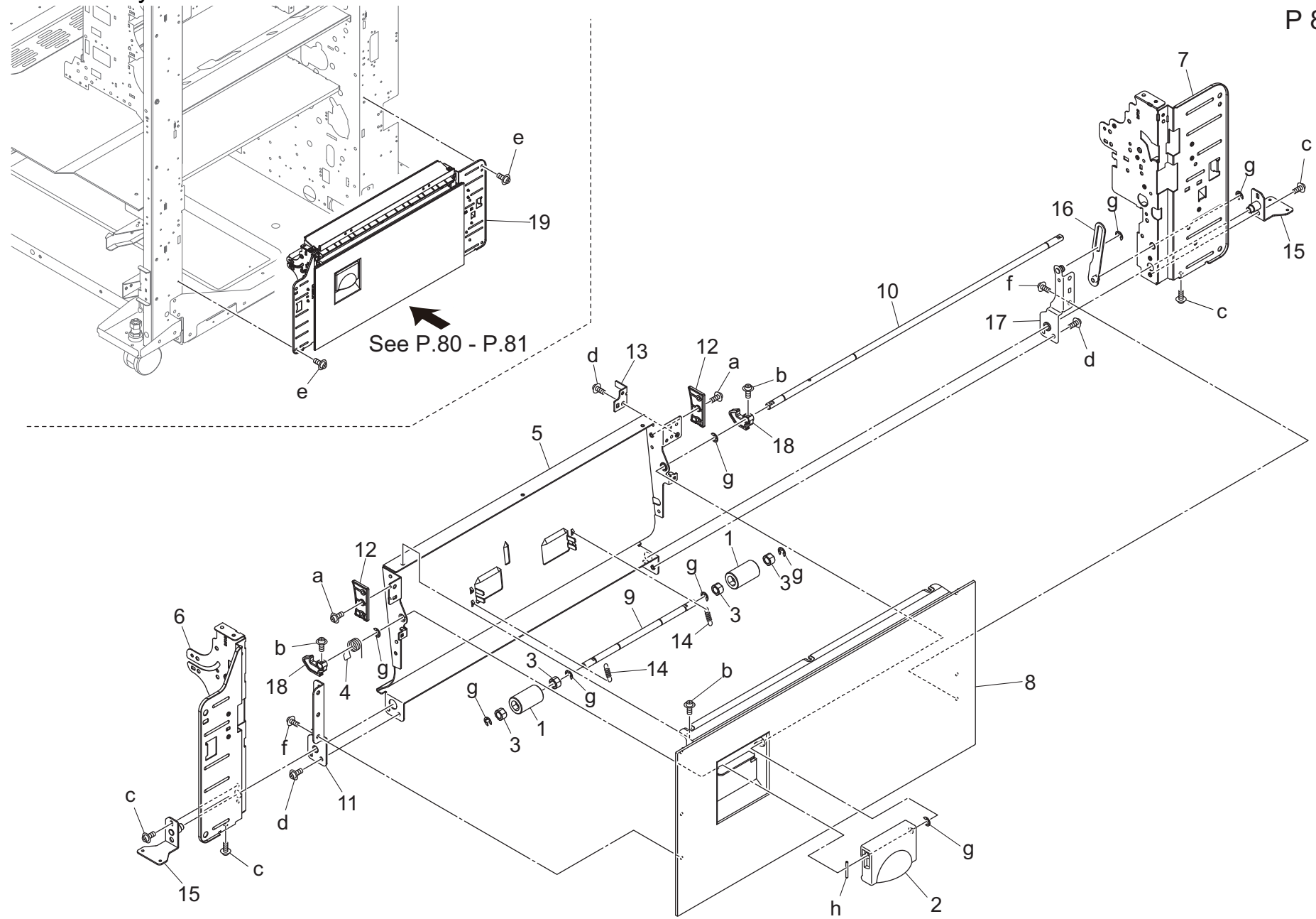
Key	Part No.	Description	Destinations	Class	QTY	Standard parts
1	4470402401	Stopper		D	2	a-V116040803
2	12QV40650	Spacer		B	2	b-V118030403
3	65AA15210	COUPLING PIN		D	1	c-V118030603
4	A03U259600	Idling Gear 46/132T		C	1	d-V127030604
5	A03U259900	DRIVE GEAR 92T		C	1	e-V185041003
6	A1RF214100	Set Washer /1		D	3	f-V217020001
7	A50U210600	Pressing Spring		D	1	g-V223150004
8	A50U212100	Slide Part		D	1	h-V234302550
9	A50U212600	Ball Bearing /15		D	1	j-V500020099
10	A50UR71K00	Encoder / YMC		C	2	k-V500020103
11	A50UF21100	Drum Drive Fly Wheel / Y M C		D	1	
12	A50UR72X01	Drum Ground Assy		D	1	
13	A85CM10200	DC Brushless motor /20		C	1	
14	A85CM55500	Photo Sensor		C	2	

Drum Driving Section



Vertical Conveyance Section

P 80



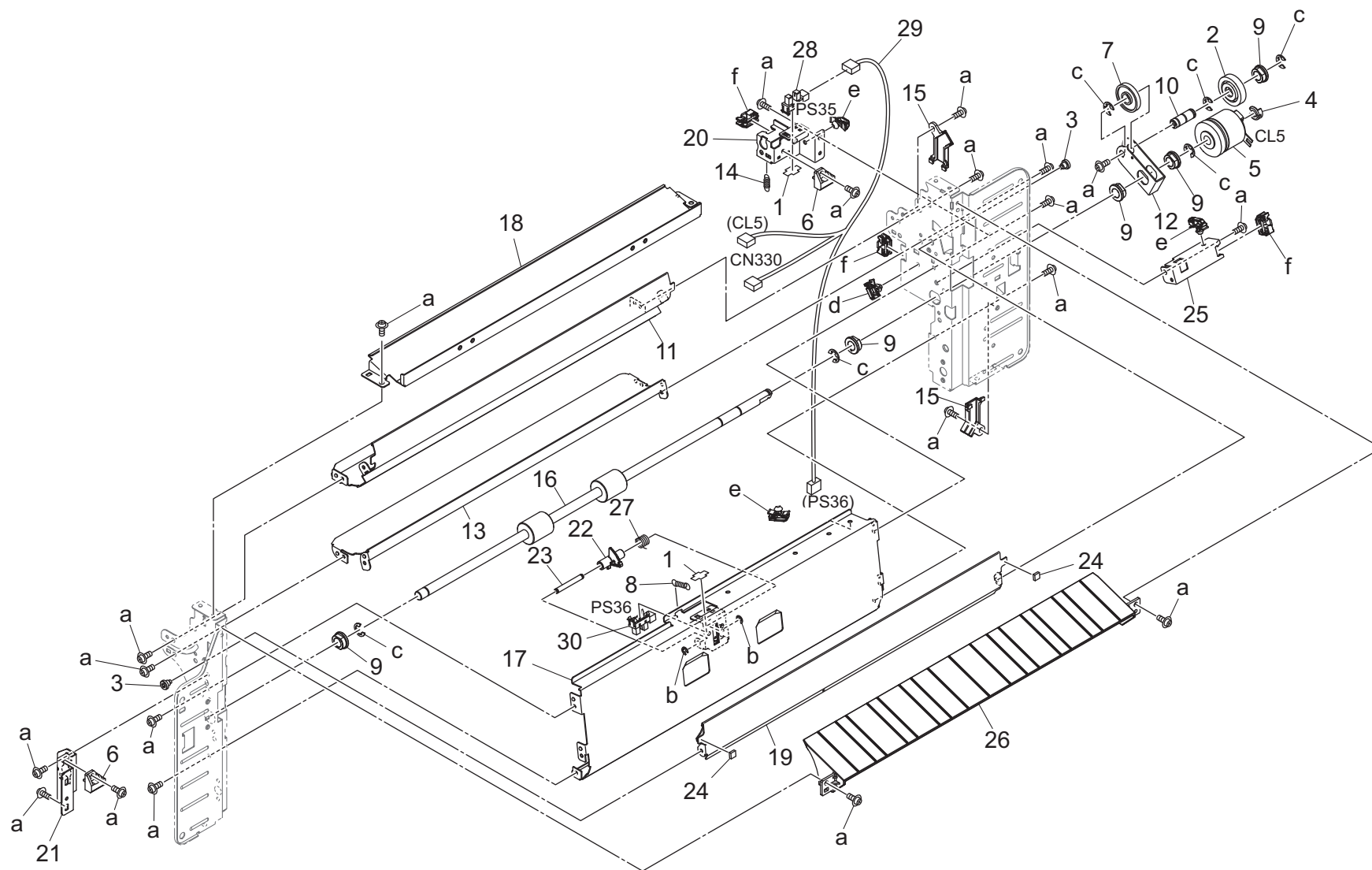
See P.80 - P.81

Vertical Conveyance Section

Key	Part No.	Description	Destinations	Class	QTY	Standard parts
1	26NA42560	By-Pass Idler Roller		C	2	a-V112030603 b-V118030603 c-V121030403 d-V127030604 e-V127040603 f-V158030803 g-V217040001 h-V234201850
2	A03U700202	Conveyance Handle		C	1	
3	A03U850101	Slide Bushing		C	4	
4	A1RF701700	Lock Spring /Front		D	1	
5	A50U700101	Guide Plate Outside		D	1	
6	A50U700901	Side plate /1		D	1	
7	A50U701113	Side plate /2		D	1	
8	A50U701303	Cover Door		D	1	
9	A50U705100	Idler Shaft		D	1	
10	A50U705200	Open/close Shaft		D	1	
11	A50U705701	Support Plate /3		D	1	
12	A50U706000	Regulating Plate /Front		D	2	
13	A50U706900	Detecting Plate		D	1	
14	A50U707600	Idler Spring		D	2	
15	A50UF70800	Support Plate / 1 Caulking		D	2	
16	A50UF70900	Connecting Plate Caulking		D	1	
17	A50UR73100	Support Plate /2 Caulking		D	1	
18	A55C712000	Lock Claw		D	2	
19	A85CR70J00	Vertical Conveyance Assy		S	1	

Vertical Conveyance Section

P 81

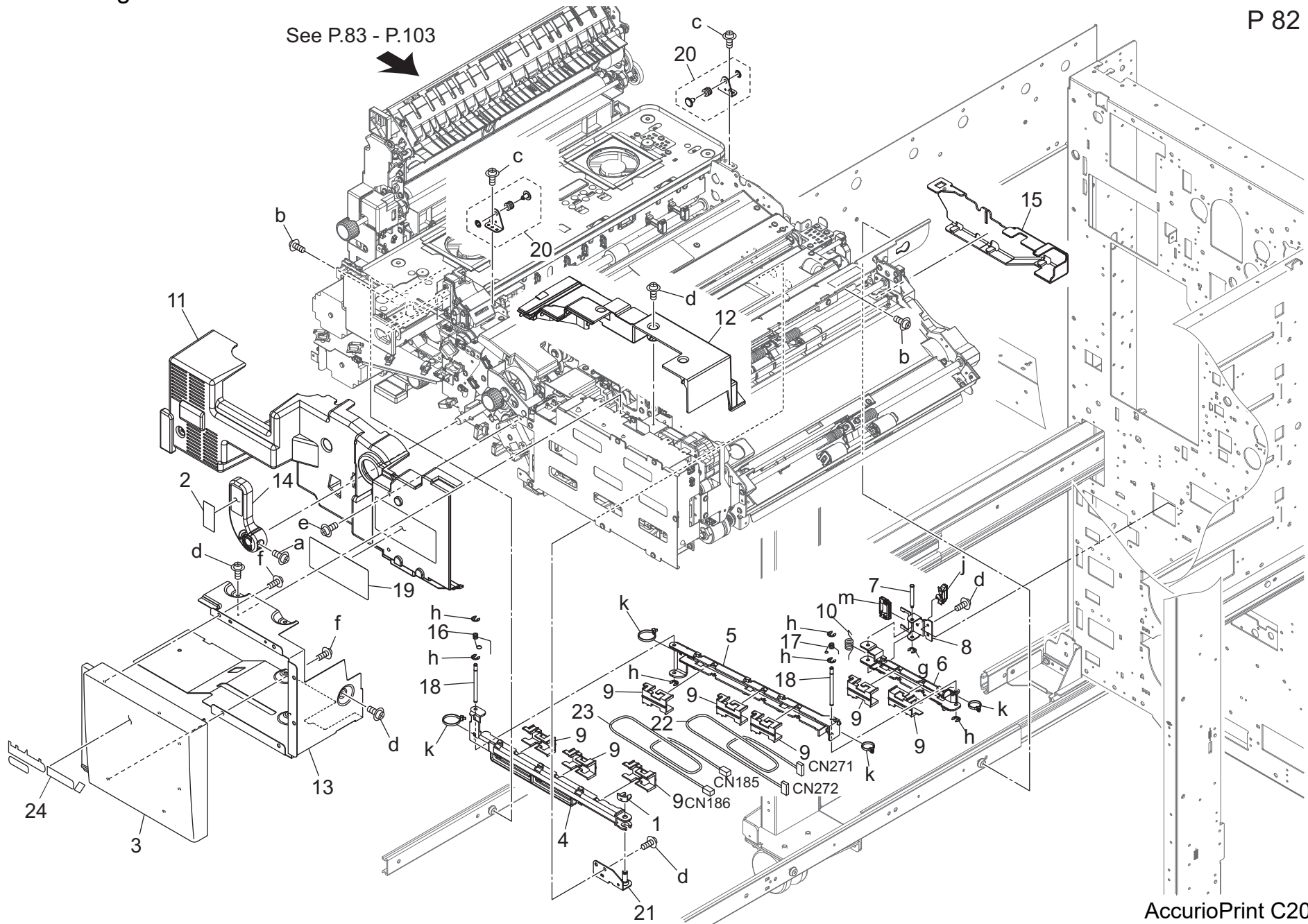


Vertical Conveyance Section

Key	Part No.	Description	Destinations	Class	QTY	Standard parts
1	4470402401	Stopper		D	2	a-V127030604 b-V217030001 c-V217060001 d-V500020098 e-V500020099 f-V570010056
2	25AA77730	CONVEYANCE IDLER RIGHT 24T		C	1	
3	55VA20680	SEPARATION POSITIONING SCREW		C	2	
4	55VA42120	Shaft Stopper		C	1	
5	56AA82012	Paper Feed Drive Clutch		B	1	
6	65AA44200	LOCKING PLATE		C	2	
7	65AA44350	STOPPER ROLLER		C	1	
8	65AA44440	OPEN SHUT SPRING		C	1	
9	A03U812800	Slide Shaft Holder		B	5	
10	A50U700200	Idling Shaft		D	1	
11	A50U700300	Guide Plate /Upper		D	1	
12	A50U700400	Rotation Plate		D	1	
13	A50U700500	Guide Plate /Inside		D	1	
14	A50U700600	Positioning Spring		D	1	
15	A50U701000	Support Plate		D	2	
16	A50U704400	Conveyance Roller /1		C	1	
17	A50U704700	Guide Plate /Middle		D	1	
18	A50U704801	Guide Plate /2		D	1	
19	A50U704900	Open/shut Plate		D	1	
20	A50U705000	Mounting Plate /Rear		D	1	
21	A50U705400	Fixing Plate /1		D	1	
22	A50U705500	Detection Actuator		D	1	
23	A50U705600	Support Shaft		D	1	
24	A50U706800	Cushion		D	2	
25	A50U707001	Lock Plate		D	1	
26	A50U707300	Guide Plate		D	1	
27	A50U707400	Pressing Spring /1		D	1	
28	A50UM51000	Photointerrupter		C	1	
29	A50UN14400	Conveyance Wiring /1		D	1	
30	A85CM55500	Photo Sensor		C	1	

Duplex Carriage Section

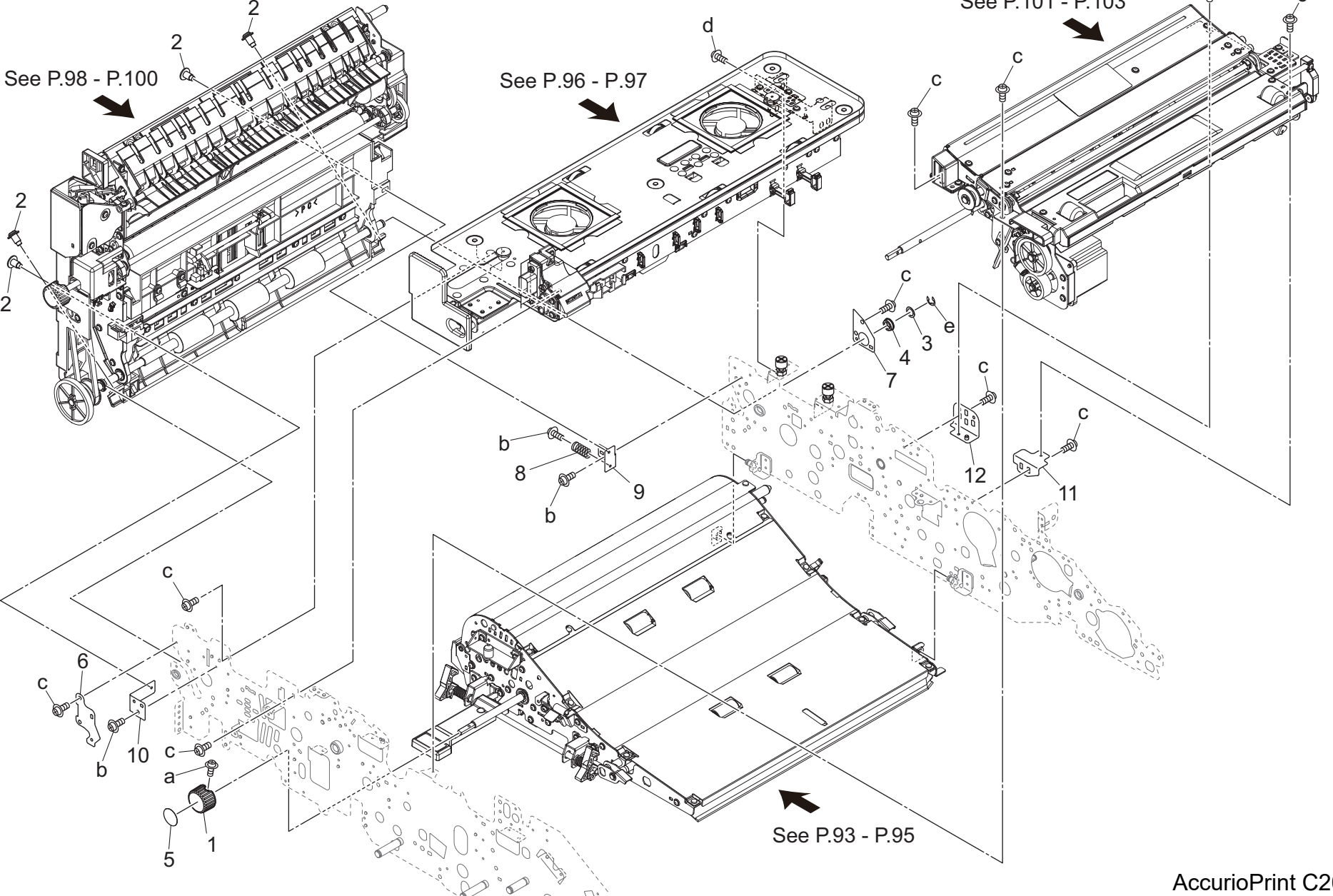
See P.83 - P.103



Duplex Carriage Section

Key	Part No.	Description	Destinations	Class	QTY	Standard parts
1	56AA40490	SHAFT STOPPER 4		C	1	a-V116041203
2	A1RF943100	Release Label /1		D	1	b-V118040603
3	A50U160401	Duplex Cover		D	1	c-V121030403
4	A50U818700	Wiring Guide /Front		D	1	d-V127030604
5	A50U818800	Wiring Guide /Middle		D	1	e-V127030804
6	A50U818900	Wiring Guide /Rear		D	1	f-V151030803
7	A50U819201	Support Shaft /Rear		D	1	g-V217020001
8	A50U819302	Support Plate /Rear		D	1	h-V217030001
9	A50U832901	Wiring Cover		D	1	j-V500020100
10	A50U835001	Torsion Coil spring		D	8	k-V501010002
				D	1	m-V570010059
11	A50U837001	Cover Part /1		D	1	
12	A50U837101	Cover Part /2		D	1	
13	A50U837300	Cover Part /3		D	1	
14	A50U855702	Pulling Lever		D	1	
15	A50U858200	Cover Cover		D	1	
16	A50U858300	Ground Spring /2		D	1	
17	A50U858400	Ground Spring /1		D	1	
18	A50U858500	Support Shaft /Middle		D	2	
19	A50U944200	Processing Label /1		D	1	
20	A50UR70G01	2nd Transfer Earth Plate Assy		B	2	
21	A50UR72S00	Support Plate / Front Caulking		D	1	
22	A50UN15500	ADU Relay harness /3		D	1	
23	A50UN18700	ADU Relay harness /6		D	1	
24	A9CU947001	Indicating Label		D	1	

Duplex Carriage Section



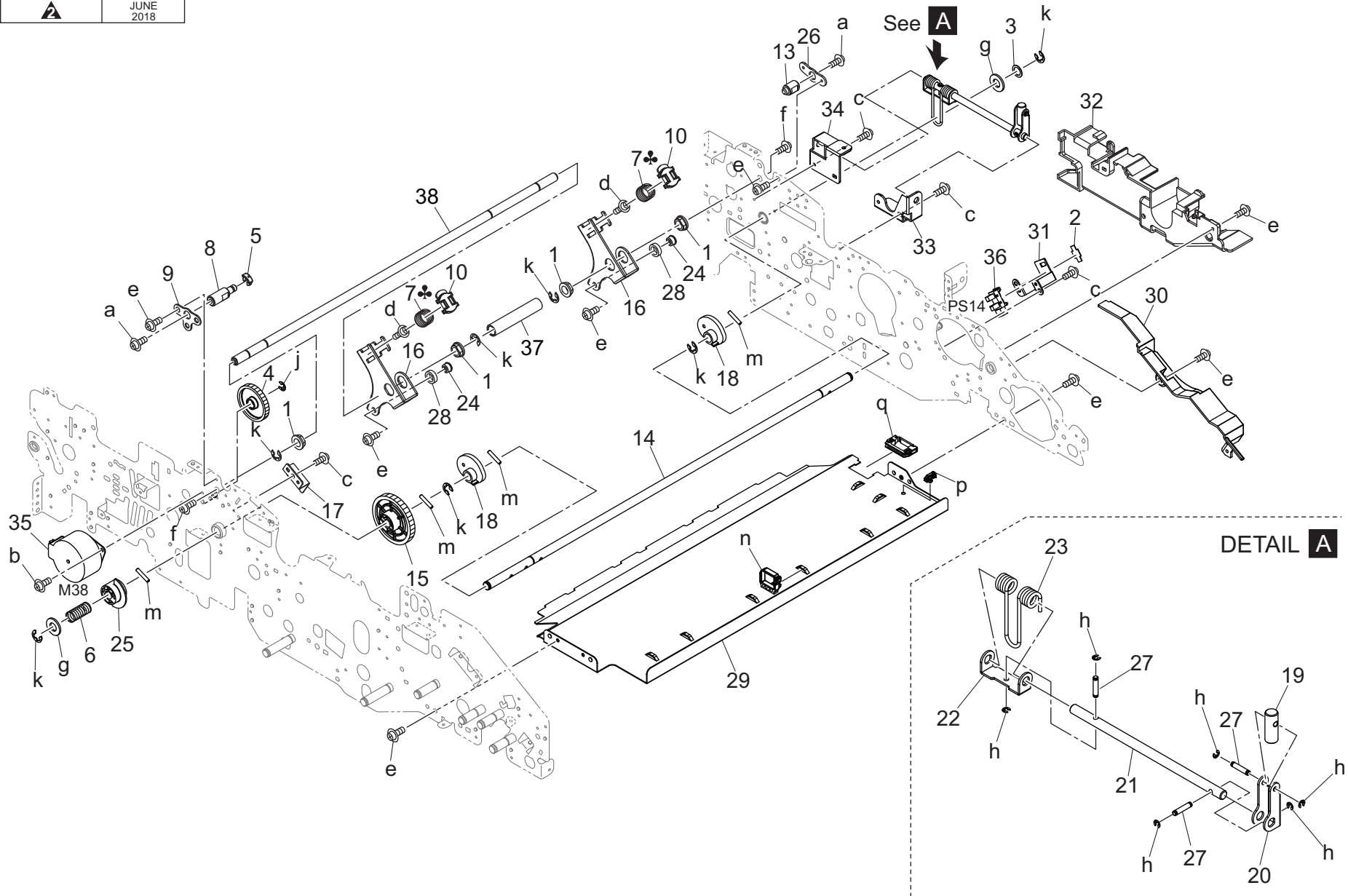
AccurioPrint C2060L

Duplex Carriage Section

Key	Part No.	Description	Destinations	Class	QTY	Standard parts
1	14GE45470	Rotation Knob		C	1	a-V118030603 b-V121030403 c-V127030604 d-V127040803 e-V217060001
2	26NA54230	TERMINAL FIXING SCREW		C	4	
3	56AA42690	BY-PASS SPACER		C	1	
4	A00J617900	Ball Bearing		B	1	
5	A1RF944100	Release Label /11		D	1	
6	A50U819500	Connecting Plate		D	1	
7	A50U839900	Connecting Plate		D	1	
8	A50U842900	Conveyance Spring /5		D	1	
9	A50U882701	Reverse/Exit Joint /Rear		D	1	
10	A50U882801	Reverse/Exit Joint /Front		D	1	
11	A50U884202	Registration Base frame /2		D	1	
12	A50UF83702	Registration Base Frame / 1 Caulking		D	1	

Duplex Section

改訂版 REVISED EDITION	日付 DATE
	JUNE 2018

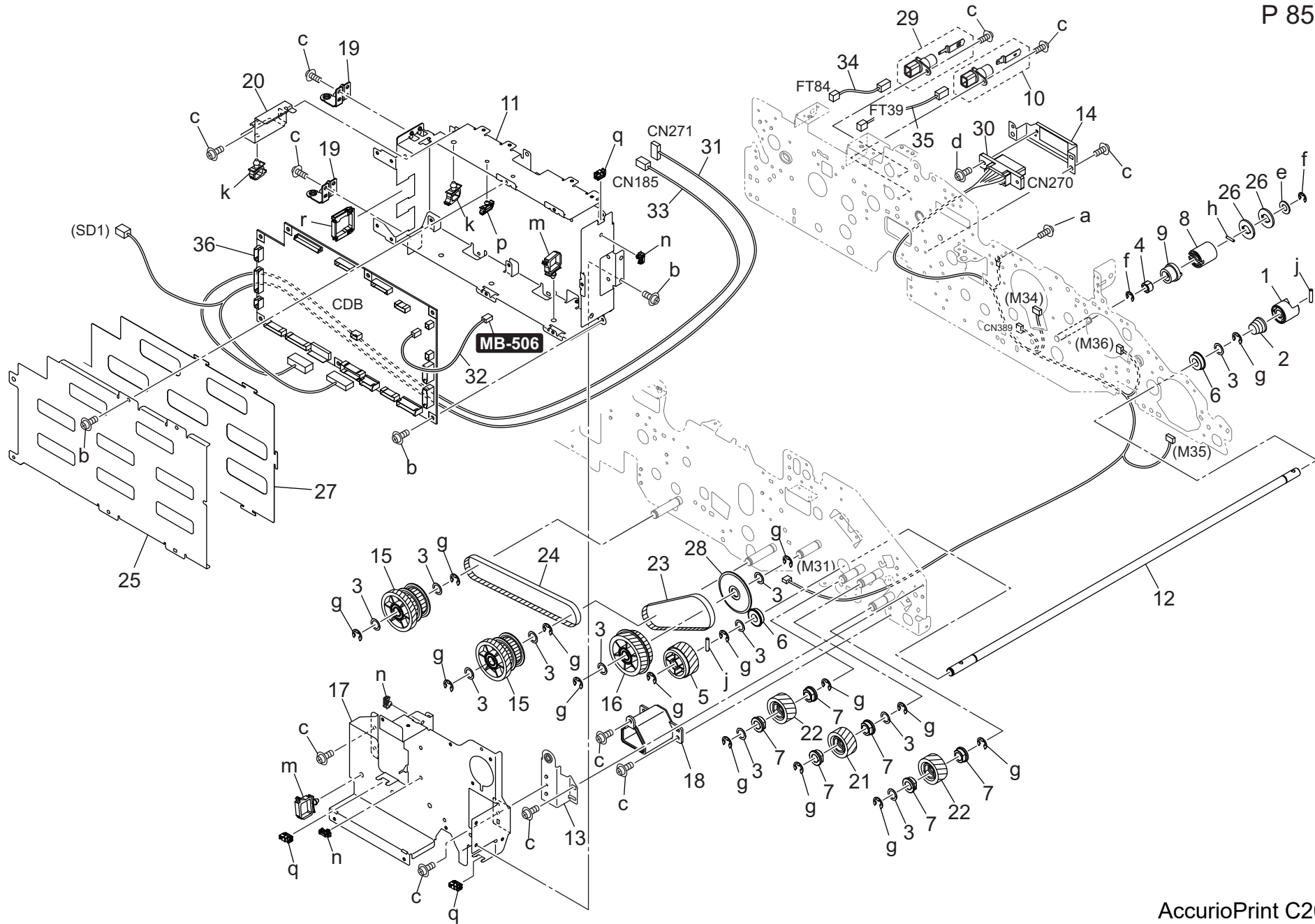


AccurioPrint C2060L

Key	Part No.	Description	Destinations	Class	QTY	Standard parts
1	4131353202	BUSHING		C	4	a-V116050803
2	4470402401	Stopper	ストッパ	D	1	b-V118030403
3	12QV40650	Spacer	スペーサー	B	1	c-V121030403
4	40AA77550	Mirror Drive Gear /2 14/70T	ミラー駆動ギア /2 14 /70 T	C	1	d-V121040403
5	56AA40490	SHAFT STOPPER 4	軸ストッパ 4	C	1	e-V127030604
6	65AA45230	CAM PULLING SPRING	カム引張りバネ	C	1	f-V127040803
7	A50U520401	Pressing Spring	押圧ばね	D	2	g-V207080003
7	A85C526201	Pressing Spring	押圧ばね	C	2	h-V217020001
8	A50U520601	Support Shaft /Front	支点軸 /前	D	1	j-V217040001
9	A50U520700	Adjusting Plate /Front	調整板 /前	D	1	k-V217060001
10	A50U520900	Pressing Cover	押圧蓋	D	2	m-V234301650
13	A50U521301	Support Shaft /Rear	支点軸 /奥	D	1	n-V500010079
14	A50U521500	Drive Shaft	駆動軸	D	1	p-V500020099
15	A50U521900	Pressure Gear /3 47T	圧着ギア /3 47 T	C	1	q-V570010059
16	A50U522001	Rotation Arm	回転アーム	D	2	
17	A50U522400	Holding Plate	押さえ板	D	1	
18	A50U522500	Transfer Cam	転写カム (2 次)	D	2	
19	A50U522900	Rotation Shaft	回転軸	D	1	
20	A50U523001	Release Arm	解除アーム	D	1	
21	A50U523100	Support Shaft	支点軸	D	1	
22	A50U523200	Rotation Cover	回転カバー	D	1	
23	A50U523400	Torsion Coil spring	ねじりコイルばね	D	1	
24	A50U524100	Receiving Shaft	受け軸	D	2	
25	A50U524500	Transfer Actuator	転写アクチュエータ	D	1	
26	A50U524600	Adjusting Plate /Rear	調整板 /奥	D	1	
27	A50U524700	Support Shaft	支点軸	D	3	
28	A50U716500	Ball Bearing	ボールベアリング	C	2	
29	A50U817001	Reinforce Stay /Lower	補強ステー /下	D	1	
30	A50U834802	Cover Side plate /Right rear	カバー側板 /右後	D	1	
31	A50U855800	Drive Side plate /2	駆動側板 /2	D	1	
32	A50U858101	Cover Box	カバー箱	D	1	
33	A50U884600	Support Plate /1	支持板 /1	D	1	
34	A50U884700	Support Plate /2	支持板 /2	D	1	
35	A50UR72C00	Drive Motor / 1 Assy	駆動モータ /1 A s s y	C	1	
36	A85CM55500	Photo Sensor	フォトセンサ	C	1	
37	A9VE521100	Pressing Shaft /1	押圧軸 /1	D	1	
38	A9VE521200	Transfer Collar /1	転写カラー /1	D	1	

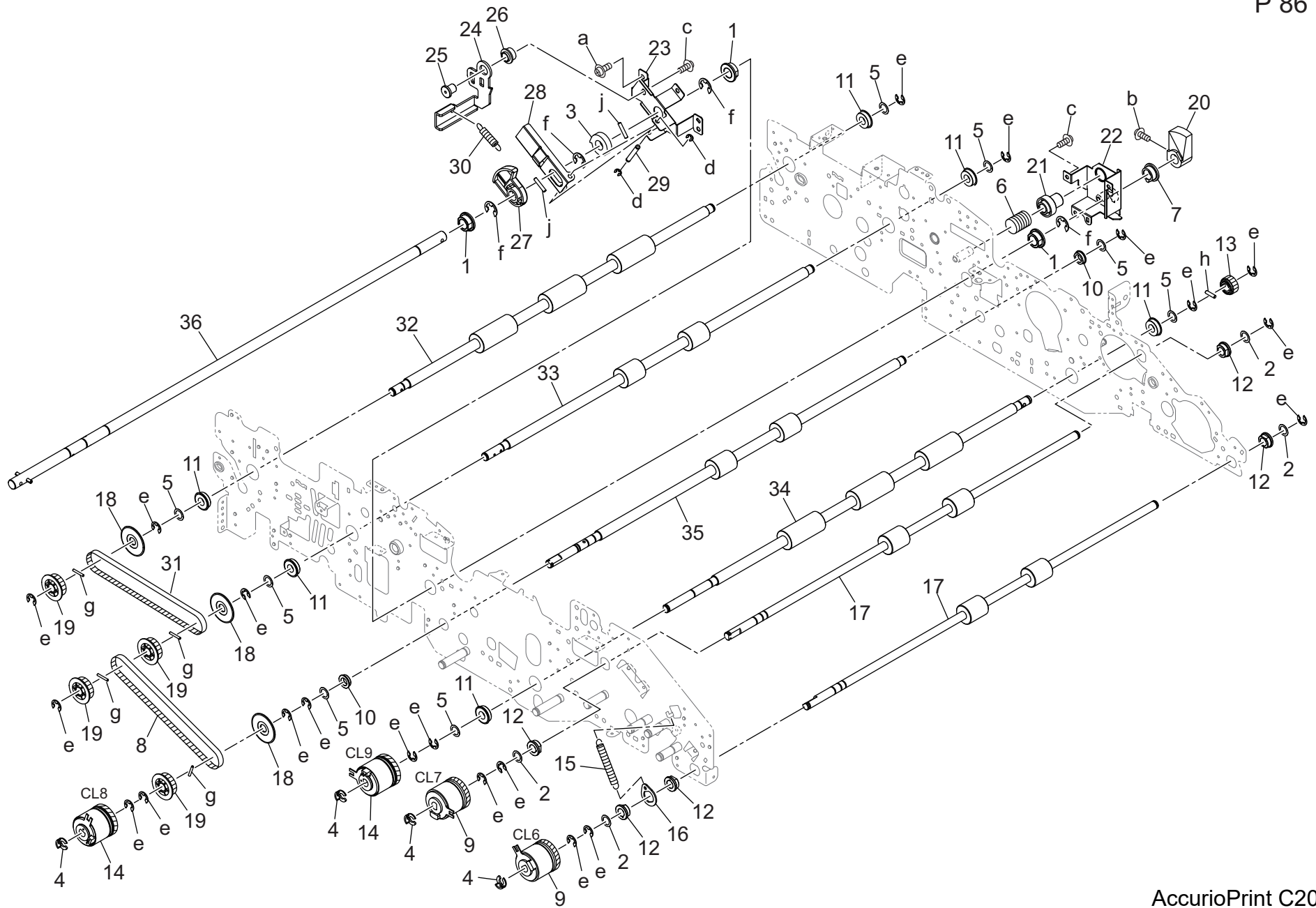
Duplex Section


P 85



Key	Part No.	Description	Destinations	Class	QTY	Standard parts
1	55VA15541	CLEANER COUPLING PART	クリーナーカップリング部材	C	1	a-V116030603
2	56AA17090	Pressing Spring	押圧バネ	C	1	b-V127030603
3	56AA42690	BY-PASS SPACER	手差しスペーサー	C	11	c-V127030604
4	56GA76010	SLIDE SHAFT HOLDER 2	滑り軸受 2	C	1	d-V127030803
5	65AA77540	PAPER FEED GEAR 2 29T	給紙歯車 2 29 T	C	1	e-V207060003
6	A00V240600	Ball Bearing	ボールベアリング	B	2	f-V217050001
7	A03U812800	Slide Shaft Holder	すべり軸受	B	6	g-V217060001
8	A03U815700	Torque Limiter	トルクリミッター	B	1	h-V234201050
9	A03U839000	BRAKE GEAR /1 21T	ブレーキギア /1 21 T	C	1	j-V234301450
10	A1DUR73K00	Powering Block A Assy	給電ブロック / A 部組	C	1	k-V500010082
11	A50U810502	Mounting Board /1	取付基板 /1	D	1	m-V500010084
12	A50U812100	Drive Input Shaft	駆動入力軸	D	1	n-V500020099
13	A50U816103	Positioning Side plate /Right	位置決め側板 /右	D	1	p-V500020100
14	A50U817400	Mounting Side plate /1	取付側板 /1	D	1	q-V570010056
15	A50U818000	Drive Gear /1 38/29/29T	駆動ギア /1 38 /29 /29 T	C	2	r-V570010058
16	A50U818100	Drive Gear /1 39T	駆動ギア /1 39 T	C	1	
17	A50U835301	Mounting Board /2	取付基板 /2	D	1	
18	A50U835400	Guide Part /Front	ガイド部材 /前	D	1	
19	A50U835900	Support Plate	支点板 (基板)	D	2	
20	A50U836000	Cover	カバー (基板)	D	1	
21	A50U836400	Conveyance Idler /Right	搬送アイドラ /右	D	1	
22	A50U836500	Conveyance Idler /Right	搬送アイドラ /右	D	2	
23	A50U839100	Belt /4 243L	ベルト /4 243 L	C	1	
24	A50U839200	Belt /3 342L	ベルト /3 342 L	C	1	
25	A50U855900	Cover Board /Left Front	カバー基板 /左前 (基板)	D	1	
26	A50U858600	Stopper Plate	ストッププレート	D	2	
27	A50U880701	Packing Board /Front	包装基板 /前	D	1	
28	A50U885100	Drive Spacer	駆動スペーサー	D	1	
29	A50UF82200	Power Supply Block / B ASSY	給電ブロック / B ASSY	D	1	
30	A50UN15001	ADU Drive harness /1	ADU 駆動束線 /1	D	1	
31	A50UN15601	ADU Control harness /1	ADU 制御束線 /1	D	1	
32	A50UN17200	ADU Drive harness /7	ADU 駆動束線 /7	D	1	
33	A50UN18801	ADU Control harness /2	ADU 制御束線 /2	D	1	
34	A50UN25400	HV Relay harness /5	高圧中継束線 /5	D	1	
35	A50UN25600	HV Relay harness /6	高圧中継束線 /6	D	1	
36	A85CH05000	Conveyance Drive Board ASSY	搬送駆動基板 ASSY	I	1	

Duplex Section

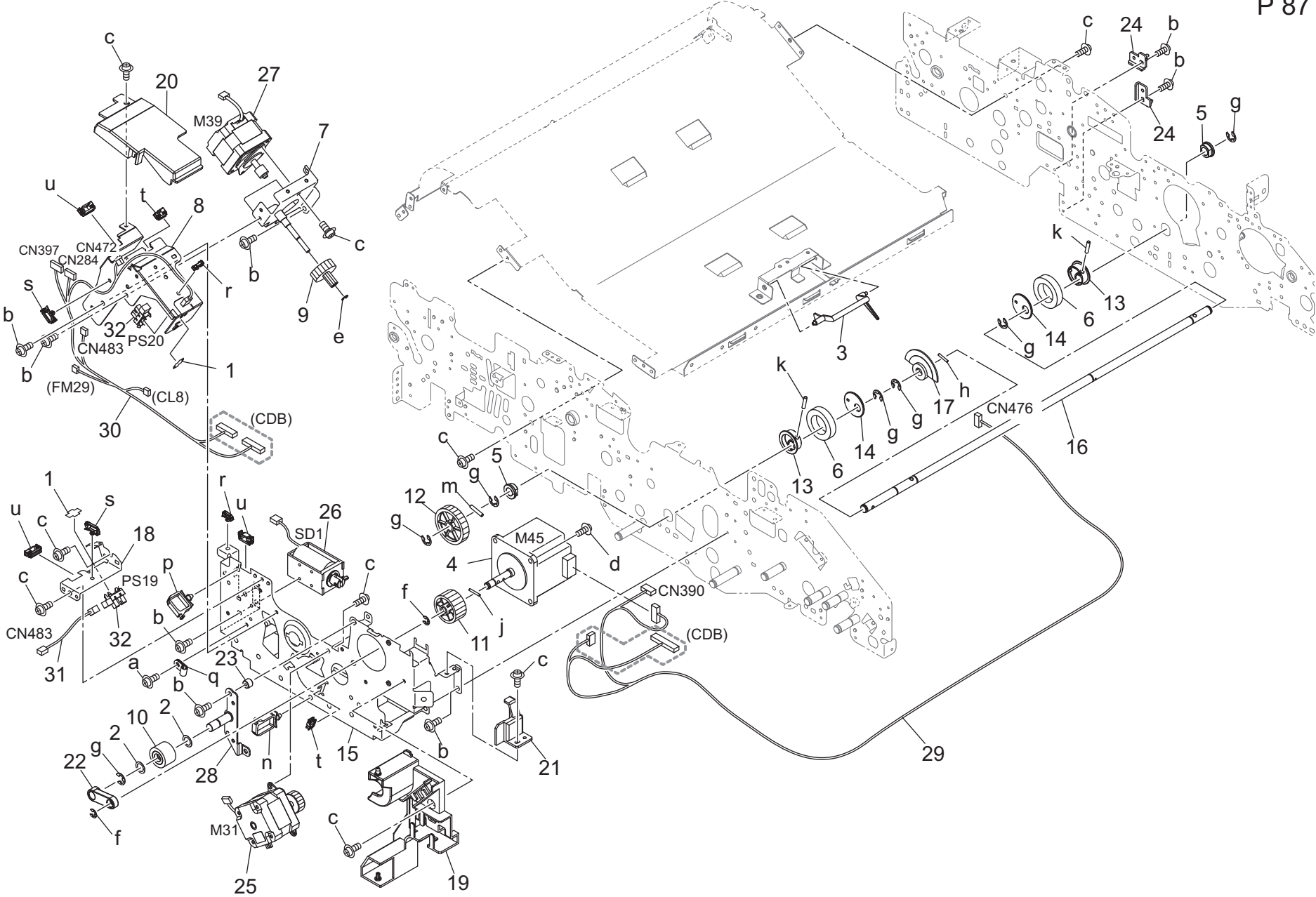


 Order here
8 (495) 646-0426
www.km-shop.ru

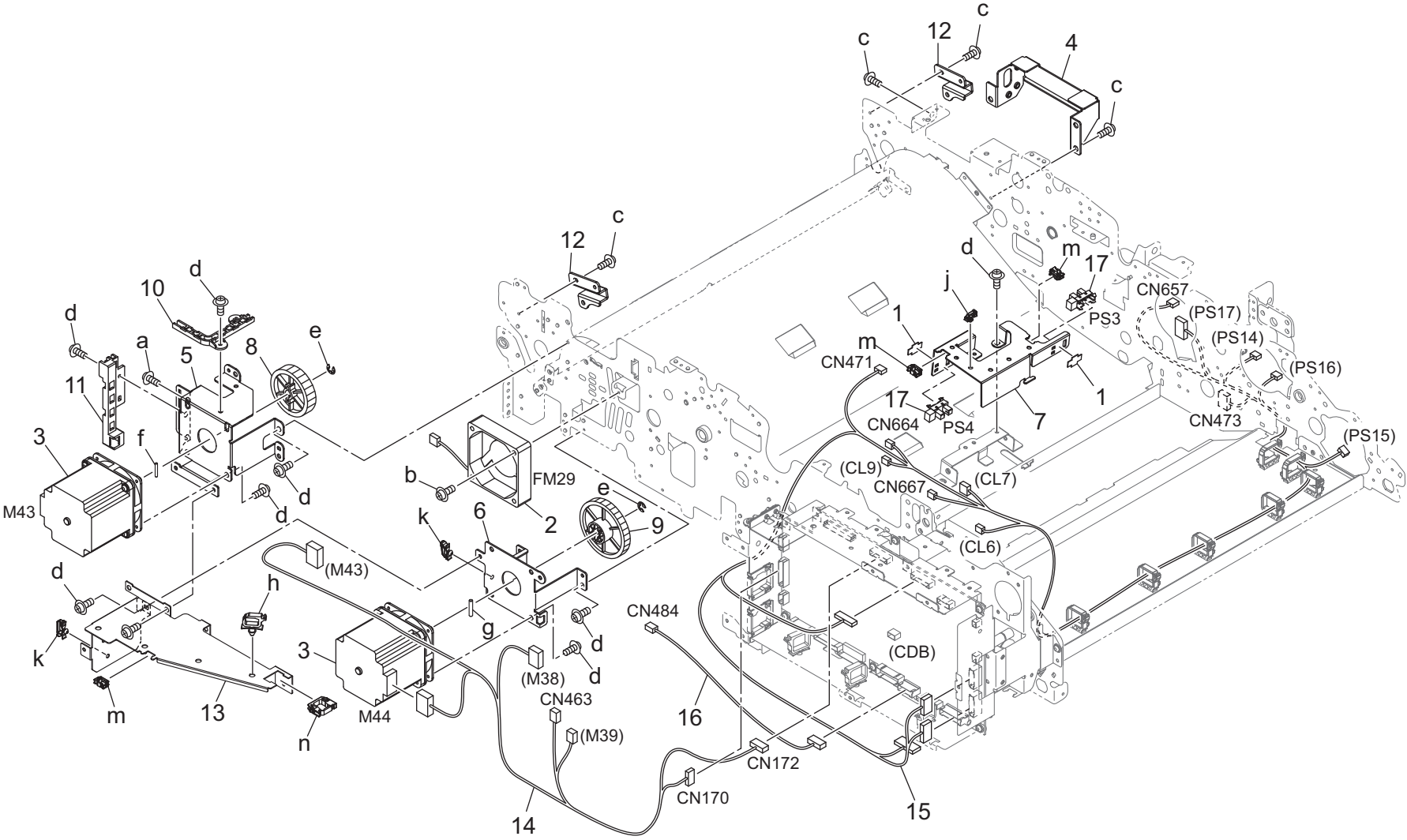
Key	Part No.	Description	Destinations	Class	QTY	Standard parts
1	462076010	Driving Slide Shaft Holder A	駆動滑り軸受 A	C	3	a-V121030403
2	12QV40650	Spacer	スペーサー	B	4	b-V121041203
3	25AA47500	Carriage Lock Claw B	架台ロック爪 B	C	1	c-V127030604
4	55VA42120	Shaft Stopper	軸ストッパー	C	4	d-V217030001
5	56AA42690	BY-PASS SPACER	手差しスペーサー	C	8	e-V217060001
6	56AA50670	Cam Stopper Spring	カムストッパバネ	C	1	f-V217080001
7	56AA50800	LEVER SUPPORT SHAFT HOLDER	レバー支持軸受	C	1	g-V234201450
8	56AA77530	Paper Feed Drive Belt /1 336L	給紙駆動ベルト /1 336 L	C	1	h-V234301250
9	56AA82012	Paper Feed Drive Clutch	給紙駆動クラッチ	B	2	j-V234301650
10	A00J617900	Ball Bearing	ボールベアリング	B	2	
11	A00V240600	Ball Bearing	ボールベアリング	B	6	
12	A03U812800	Slide Shaft Holder	すべり軸受	B	5	
13	A03U838900	Brake Gear /2 24T	ブレーキギア /2 24 T	C	1	
14	A03UM20100	Clutch /1	クラッチ /1	B	2	
15	A03X565001	Swing Spring	首振りばね	C	1	
16	A1RG681400	Brake Plate /8	ブレーキ板 /8	D	1	
17	A50U812202	ADU Conveying Roller /Right	A D U 搬送ローラ /右	C	2	
18	A50U817300	Holding Collar	押さえカラ	D	3	
19	A50U818501	Pulley /2	プーリ /2	D	4	
20	A50U830200	Positioning Part /Rear	位置決め部材 /奥	D	1	
21	A50U830300	Regulating Part /Rear	規制部材 /奥	D	1	
22	A50U830400	Hold Plate /Assy	保持板 / A s s y	D	1	
23	A50U830500	Reinforce Plate /1	補強板 /1	D	1	
24	A50U830600	Lock Plate	ロック板	D	1	
25	A50U830700	Support Shaft	支持軸	D	1	
26	A50U830800	Lock Bushing	ロックすべり軸受	D	1	
27	A50U831000	Release Cam	解除カム	D	1	
28	A50U831100	Release Plate	解除板	D	1	
29	A50U831200	Release Shaft /1	解除軸 /1	D	1	
30	A50U831900	Pulling Spring	引張りばね (ロックレバー)	D	1	
31	A50U839200	Belt /3 342L	ベルト /3 342 L	C	1	
32	A50U849100	Roller /1	ローラ /1	C	1	
33	A50U849200	Roller /2	ローラ /2	C	1	
34	A50U859000	Roller	ローラ	C	1	
35	A50U859400	Roller /3	ローラ /3	C	1	
36	A50UR72E00	Release Shaft Pin Assy	解除軸ピン A s s y	D	1	

Duplex Section

P 87

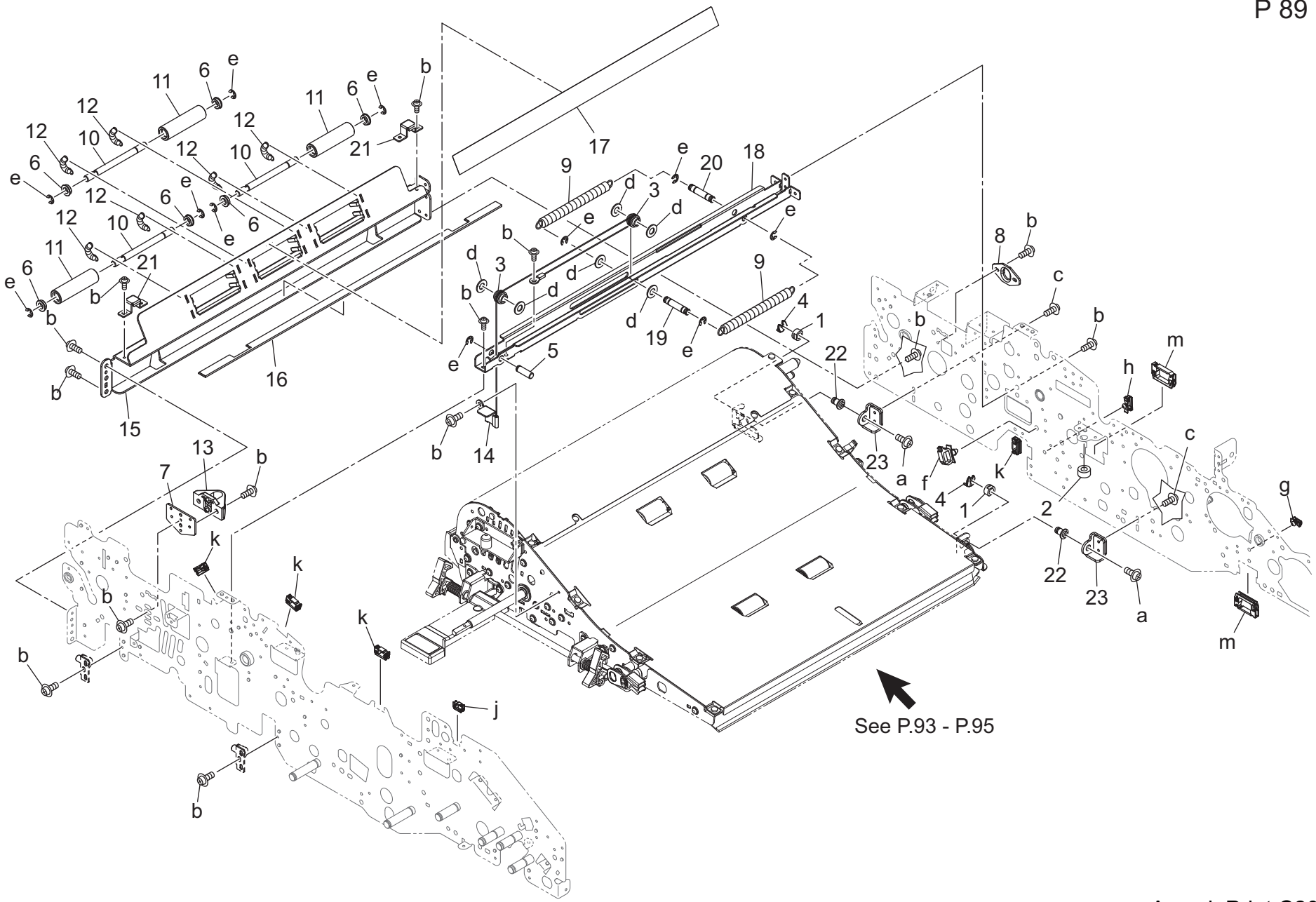


Key	Part No.	Description	Destinations	Class	QTY	Standard parts
1	4470402401	Stopper		D	2	a-V116030603
2	56AA42690	BY-PASS SPACER		C	2	b-V121030403
3	65AA51730	ADU 2		C	1	c-V127030604
4	65AA80112	HB Motor /50		B	1	d-V127030803
5	A03U812800	Slide Shaft Holder		B	2	e-V217030001
6	A0TK341300	Ball Bearing /Rear		C	2	f-V217040001
7	A50U713300	Swing Side plate /Assy		D	1	g-V217060001
8	A50U713401	Swing Side plate /2		D	1	h-V234201250
9	A50U713500	Swing Gear /1 18/51T		D	1	j-V234201450
10	A50U713700	Registration Idler /1		C	1	k-V234301450
11	A50U713800	Registration Gear /1 56T		B	1	m-V234301650
12	A50U713900	Registration Gear /2 48T		C	1	n-V500010013
13	A50U714800	Pressure Cam		C	1	p-V500010084
14	A50U714900	Spacer		D	2	q-V500020069
15	A50U715002	Mounting Lever /1		D	2	r-V500020099
16	A50U715100	Pressure Shaft /2		D	1	s-V500020100
17	A50U715200	Pressure Actuator		D	1	t-V570010056
18	A50U819700	Cover		D	1	u-V570010057
19	A50U835601	Drive Cover		D	1	
20	A50U836100	Cover		D	1	
21	A50U882300	Protection Cover		D	1	
22	A50U882600	Registration ring /Front		D	1	
23	A50U883300	Idling Shaft /1		D	1	
24	A50U883501	Protection Plate		D	2	
25	A50UR72F00	Motor Assy		C	1	
26	A50UR72G00	ADU Connecting Solenoid Pin Assy		D	1	
27	A50UR72H00	Stepping Motor / 3 Assy		C	1	
28	A50UF81401	Adjusting Plate Caulking		D	1	
29	A50UN16500	ADU Drive harness /6		D	1	
30	A50UN18201	ADU Drive harness /12		D	1	
31	A50UN18900	ADU Detection harness /14		D	1	
32	A85CM55500	Photo Sensor		C	2	



Key	Part No.	Description	Destinations	Class	QTY	Standard parts
1	4470402401	Stopper		D	2	a-V118030403
2	56AA80551	Fan Motor /2		B	1	b-V118032003
3	A1TVM10100	Stepping motor /50		B	2	c-V121030403
4	A50U814401	Reinforce Plate		D	1	d-V127030604
5	A50U814500	Positioning Plate /Upper		D	1	e-V217040001
6	A50U815101	Positioning Plate /Lower		D	1	f-V234201450
7	A50U819812	Mounting /A		D	1	g-V234301650
8	A50U819900	Riverse/exit Gear /1 42T		D	1	h-V500010082
9	A50U831300	Preventing Gear /1 57T		C	1	j-V500020099
10	A50U836300	Cover		C	1	k-V500020100
11	A50U837700	Wiring Guide		D	1	m-V570010056
12	A50U838500	Mounting Handle /Left		D	1	n-V570010060
13	A50U838700	Reverse/Exit Plate /Left Front		D	2	
14	A50UN16000	ADU Drive harness /4		D	1	
15	A50UN16101	ADU Drive harness /11		D	1	
16	A50UN16900	ADU Detection harness /15		D	1	
17	A85CM55500	Photo Sensor		C	2	

Duplex Section

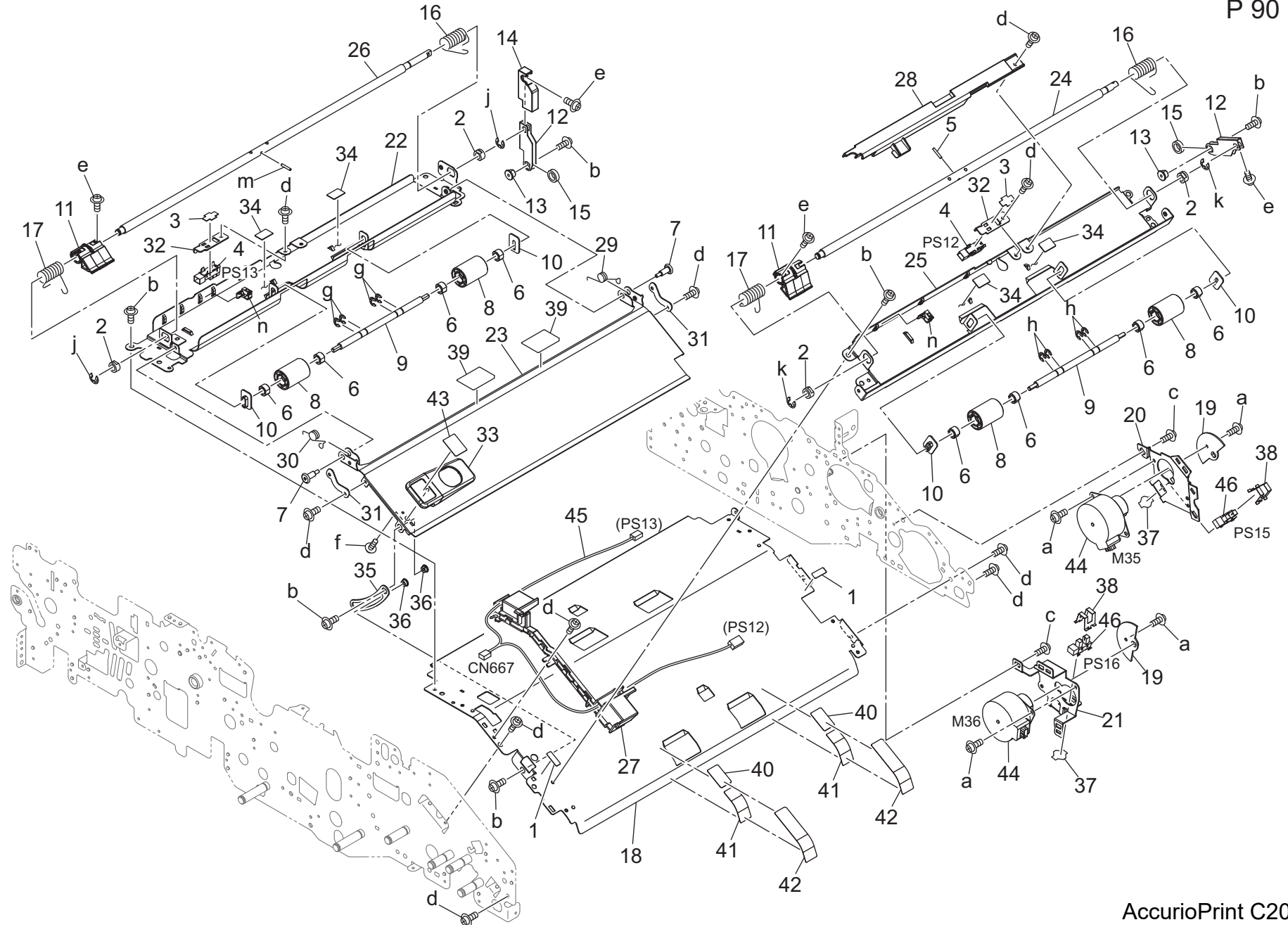


See P.93 - P.95

Key	Part No.	Description	Destinations	Class	QTY	Standard parts
1	4131253701	BUSHING		C	2	a-V121030403
2	1154467001	PROTECTION		C	1	b-V127030604
3	25AA50080	WIRE PULLEY		C	2	c-V127030803
4	56AA40490	SHAFT STOPPER 4		C	2	d-V207060003
5	65AA51510	ADU OPEN SHUT SHAFT 3		D	1	e-V217040001
6	A00J617800	Ball Bearing		B	6	f-V500010082
7	A03U811600	ADU Positioning Plate /1		D	1	g-V500020099
8	A03U811800	ADU Positioning Plate /2		C	1	h-V500020100
9	A03U813601	ADU Open/shut Spring /Upper		C	2	j-V570010056
10	A03U814100	Idler Shaft /Lower		D	3	k-V570010057
11	A03U814200	Idler Roll		C	3	m-V570010059
12	A03U814300	Conveyance Spring		C	6	
13	A03U843500	Positioning Part		D	1	
14	A03U849701	Wire /Right		C	1	
15	A50U810300	Hold Stay /Left		D	1	
16	A50U810400	Protection Sheet		D	1	
17	A50U815800	Guide Sheet /A		D	1	
18	A50U831400	Open/close Plate		D	1	
19	A50U832600	Open/close Shaft /1		D	1	
20	A50U832700	Open/close Shaft /2		D	1	
21	A50U834200	Reverse/Exit Stopper		D	2	
22	A50U843900	Support Shaft /Right		D	2	
23	A50U844100	Support Plate /B		D	2	

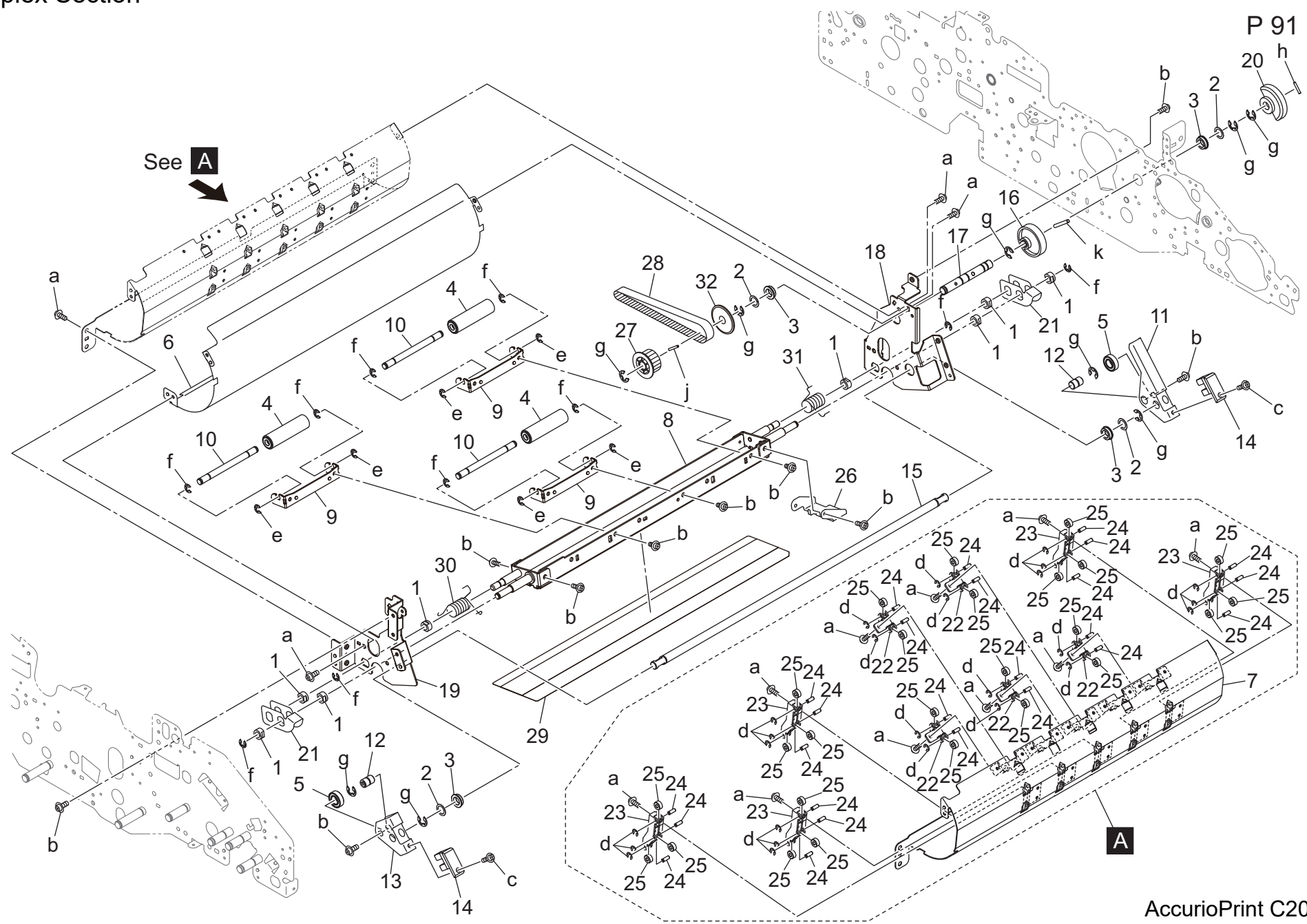
Duplex Section

P 90



Key	Part No.	Description	Destinations	Class	QTY	Standard parts
1	4109553001	Stopper	ストッパー	C	2	a-V118030403
2	4131253701	BUSHING	軸受	C	4	b-V121030303
3	4470402401	Stopper	ストッパー	D	2	c-V121030403
4	9335140071	Solid State Switch	反射型フォトスイッチ	B	2	d-V127030604
5	56AA17321	PIN A D2X12	ピン A D 2 X 1 2	B	1	e-V127030803
6	A03U850101	Slide Bushing	すべり軸受	C	8	f-V151040803
7	A0P0144300	Shoulder screw	段ねじ (HDD)	D	2	g-V217040001
8	A50U712200	Idler Roll /1	従動ころ /1	D	4	h-V217040050
9	A50U712300	Idler Shaft /1	従動軸 /1	D	2	j-V217050001
10	A50U712400	Receiving Shaft /1	受け軸 /1	D	4	k-V217050050
11	A50U714600	Lever	レバー	D	2	m-V234201250
12	A50U715300	Pressure Lever /25	圧着レバー /2 5	D	2	n-V500010057
13	A50U715600	Support Shaft /2	支点軸 /2	D	2	
14	A50U715800	Protection Cover	保護カバー	D	1	
15	A50U716500	Ball Bearing	ボールベアリング	C	2	
16	A50U718400	Pressing Spring /Rear	押圧ばね /奥	D	2	
17	A50U718500	Pressing Spring /Front	押圧ばね /前	D	2	
18	A50U816301	Conveyance Guide /Lower	搬送ガイド /下	D	1	
19	A50U816700	Light blocking Plate /1	遮光板 /1	D	2	
20	A50U816801	Drive Side plate /1	駆動側板 /1	D	1	
21	A50U816900	Drive Side plate /2	駆動側板 /2	D	1	
22	A50U817601	Guide Plate	ガイド板	D	1	
23	A50U817800	Guide Plate /Middle	ガイド板 /中	D	1	
24	A50U818201	Release Shaft /1	解除軸 /1	D	1	
25	A50U818400	Guide Plate /Right	ガイド板 /右	D	1	
26	A50U818601	Release Shaft /2	解除軸 /2	D	1	
27	A50U833400	Protection Cover /1	保護カバー /1	D	1	
28	A50U833500	Protection Cover /2	保護カバー /2	D	1	
29	A50U834500	Pressing Spring /Left	押圧バネ /左	D	1	
30	A50U834600	Pressing Spring /Right	押圧バネ /右	D	1	
31	A50U834700	Reinforce Plate /A	補強板 /A	D	2	
32	A50U836200	Plate /23	センサ板 /2 3	D	2	
33	A50U880800	Processing Lever	処理レバー	D	1	
34	A50U880900	Guide Sheet /Side	ガイドシート /サイド	D	4	
35	A50U881601	Processing Guide /1	処理ガイド /1	D	1	
36	A50U881700	Support Screw /A	支持ねじ /A	D	2	
37	A50U882100	Stopper Plate	ストッパ板 (センサー)	D	2	
38	A50U883600	Guide /1	センサガイド /1	D	2	
39	A50U886300	Sheet	シート	D	2	
40	A50U887100	Conductive Tape /4	導電性テープ /4	D	2	
41	A50U887200	Duplex Tape	両面テープ	D	2	
42	A50U887300	Conveyance Guide /3	搬送ガイド /3	D	2	
43	A50U943200	Release Label /2	解除ラベル /2	D	1	
44	A50UR72600	Drive Motor / 1 Assy	駆動モータ /1 A s s y	C	2	
45	A50UN17900	ADU Detection harness /13	A D U 検知束線 /1 3	D	1	
46	A85CM55500	Photo Sensor	フォトセンサ	C	2	

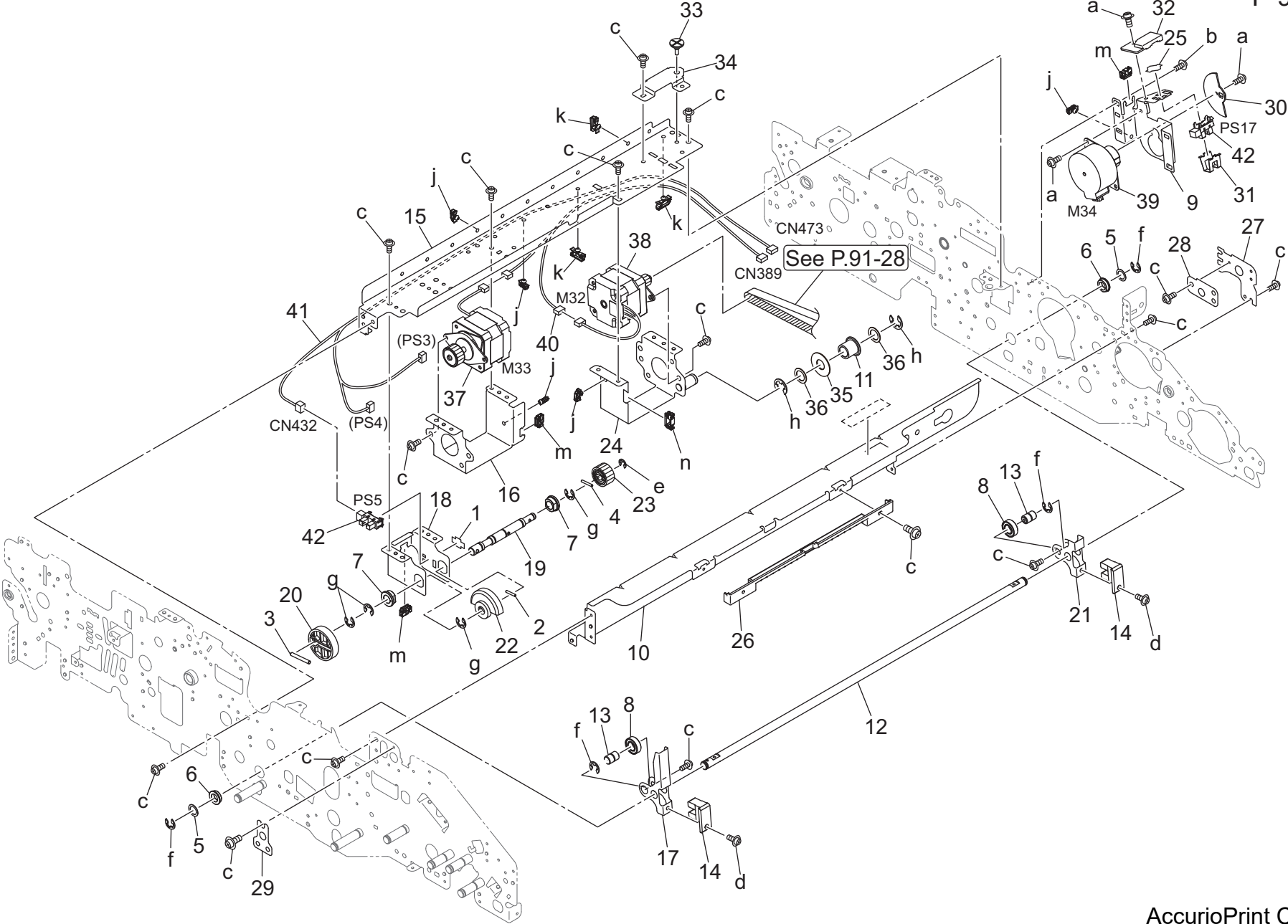
Duplex Section



AccurioPrint C2060L

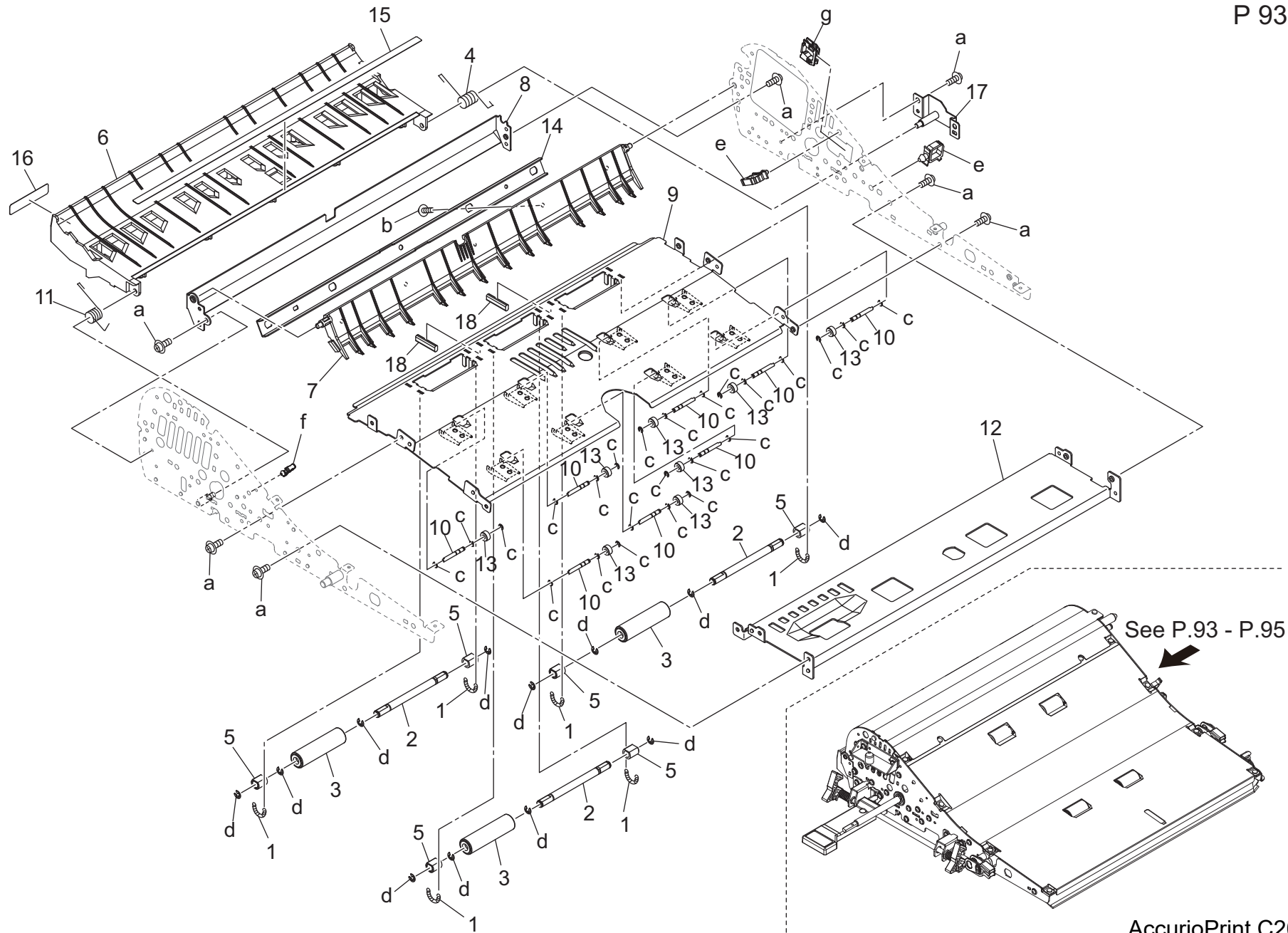
Key	Part No.	Description	Destinations	Class	QTY	Standard parts
1	4131253701	BUSHING		C	8	a-V121030403
2	56AA42690	BY-PASS SPACER		C	4	b-V127030604
3	A00J617900	Ball Bearing		B	4	c-V127030803
4	A03U845301	Idler Roller /1		C	3	d-V217020001
5	A1RF820000	Ball Bearing		C	2	e-V217030001
6	A50U840303	Guide Plate /3		D	1	f-V217040001
7	A50U840802	Guide Plate /2		D	1	g-V217060001
8	A50U841402	Release Plate /10		D	1	h-V234201250
9	A50U846102	Mounting Plate /5		D	3	j-V234201650
10	A50U846304	Idler Shaft /F		D	3	k-V234302550
11	A50U851400	Release Plate /Rear		D	1	
12	A50U851500	Shaft		D	2	
13	A50U851700	Release Plate		D	1	
14	A50U851800	Reinforce Block		D	2	
15	A50U852000	Release Shaft /4		D	1	
16	A50U852500	Cam		D	1	
17	A50U852701	Release Shaft /3		D	1	
18	A50U852904	Release Plate /4		D	1	
19	A50U853001	Release Plate /5		D	1	
20	A50U853200	Pressure Actuator		D	1	
21	A50U853700	Release Plate /7		D	2	
22	A50U854200	Roller Base frame /2		D	5	
23	A50U854302	Roller Base frame /1		D	5	
24	A50U854400	Fixing Shaft		D	25	
25	A50U854800	Conveyance Roll		D	25	
26	A50U856201	Support Plate		D	1	
27	A50U859500	Pulley /2		D	1	
28	A50U859800	Belt /1 280L		C	1	
29	A50U880103	Conveyance Guide /1		D	1	
30	A50U881300	Torsion Coil spring		D	1	
31	A50U881400	Torsion Coil spring		D	1	
32	A50U886800	Regulating Spacer		D	1	

Duplex Section



Key	Part No.	Description	Destinations	Class	QTY	Standard parts
1	4470402401	Stopper		D	1	a-V118030403
2	56AA17321	PIN A D2X12		B	1	b-V121030403
3	56AA17490	PIN		C	1	c-V127030604
4	56AA17551	PIN A		C	1	d-V127030803
5	56AA42690	BY-PASS SPACER		C	2	e-V217040050
6	A00J617900	Ball Bearing		B	2	f-V217060001
7	A03U812800	Slide Shaft Holder		B	2	h-V217080001
8	A1RF820000	Ball Bearing		C	2	j-V500020099
9	A50U715400	Pressure Side plate /1		D	1	k-V500020100
10	A50U816403	Hold Stay /Right		D	1	m-V570010056
11	A50U836801	Tension Pulley /B		D	1	n-V570010057
12	A50U850700	Release Shaft /2		D	1	
13	A50U851500	Shaft		D	2	
14	A50U851800	Reinforce Block		D	2	
15	A50U851901	Mounting Plate /1		D	1	
16	A50U852101	Mounting Plate /2		D	1	
17	A50U852200	Release Plate /3		D	1	
18	A50U852300	Mounting Plate /3		D	1	
19	A50U852400	Release Shaft /1		D	1	
20	A50U852500	Cam		D	1	
21	A50U853100	Release Plate /6		D	1	
22	A50U853200	Pressure Actuator		D	1	
23	A50U854600	Release Gear /1 24T		C	1	
24	A50U858702	Mounting Plate /3		D	1	
25	A50U882100	Stopper Plate		D	1	
26	A50U882900	Handle		D	1	
27	A50U883001	Positioning Side plate /Rear		D	1	
28	A50U883101	Positioning Plate /Rear		D	1	
29	A50U883200	Positioning Plate /Front		D	1	
30	A50U883400	Light blocking Plate		D	1	
31	A50U883600	Guide /1		D	1	
32	A50U883701	Protection Cover /1		D	1	
33	A50U884000	Registration Screw		D	1	
34	A50U884300	Registration Plate		D	1	
35	A50U886700	Holding Collar		D	1	
36	A50U886900	Spacer		D	2	
37	A50UR72400	Stepping Motor / 2 Assy		C	1	
38	A50UR72500	Stepping Motor / 1 Assy		C	1	
39	A50UR72600	Drive Motor / 1 Assy		C	1	
40	A50UN15900	ADU Drive harness /3		D	1	
41	A50UN18100	ADU Detection harness /10		D	1	
42	A85CM55500	Photo Sensor		C	2	

Duplex Section




See P.93 - P.95

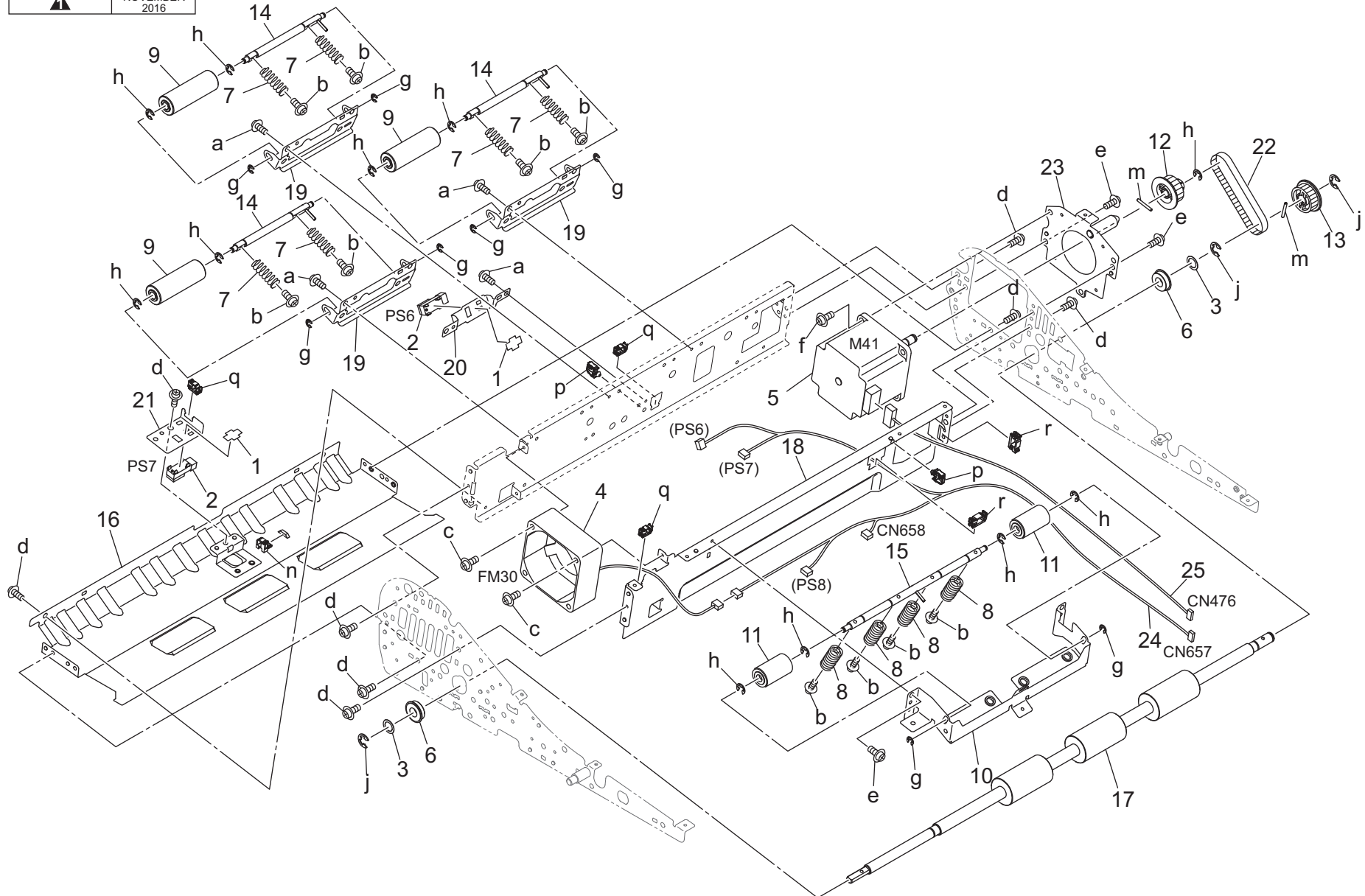
AccurioPrint C2060L

Duplex Section

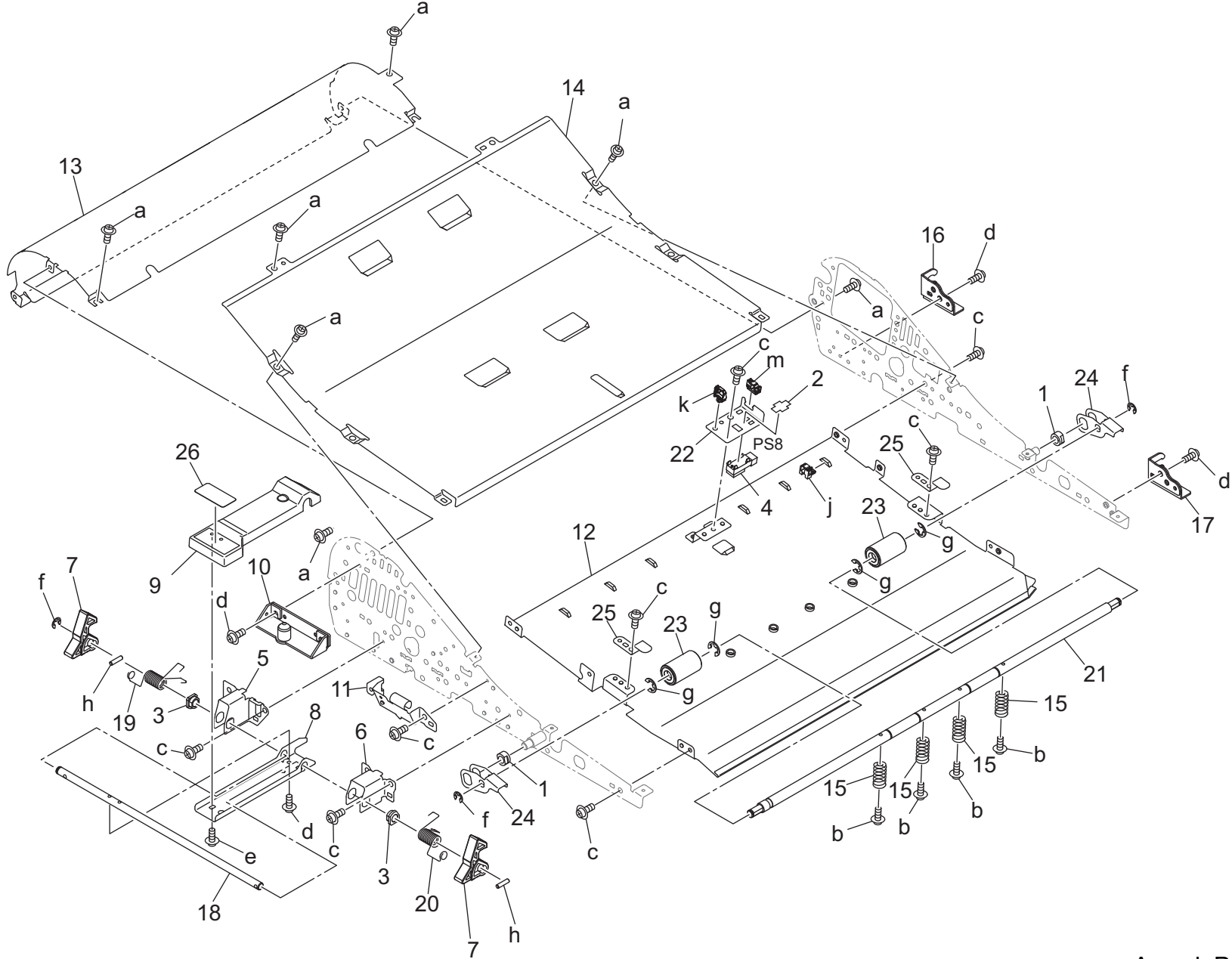
Key	Part No.	Description	Destinations	Class	QTY	Standard parts
1	A03U842600	Conveyance Spring /2		C	6	a-V121030403 b-V151030603 c-V217020001 d-V217030001 e-V500010082 f-V500020098 g-V570010060
2	A03U845100	Idler Shaft /B		D	3	
3	A03U845301	Idler Roller /1		C	3	
4	A03U848100	Open/close Spring /4		C	1	
5	A1RF847400	Collar /1		D	6	
6	A50U840704	Guide Plate /A		D	1	
7	A50U841501	Guide Plate /J		D	1	
8	A50U841600	Guide Plate /K		D	1	
9	A50U841901	Guide Plate /F		D	1	
10	A50U844800	Fixing Shaft		D	8	
11	A50U848000	Open/close Spring /3		D	1	
12	A50U848302	Reinforce Plate /B		D	1	
13	A50U854800	Conveyance Roll		D	8	
14	A50U855601	Reinforce Plate		D	1	
15	A50U880201	Conveyance Guide /2		D	1	
16	A50U944000	Release Label /10		D	1	
17	A50UF84100	Support Plate / C Caulking		D	1	
18	A85C877200	Ground Part /2		D	2	

Duplex Section

改訂版 REVISED EDITION	日付 DATE
	NOVEMBER 2016

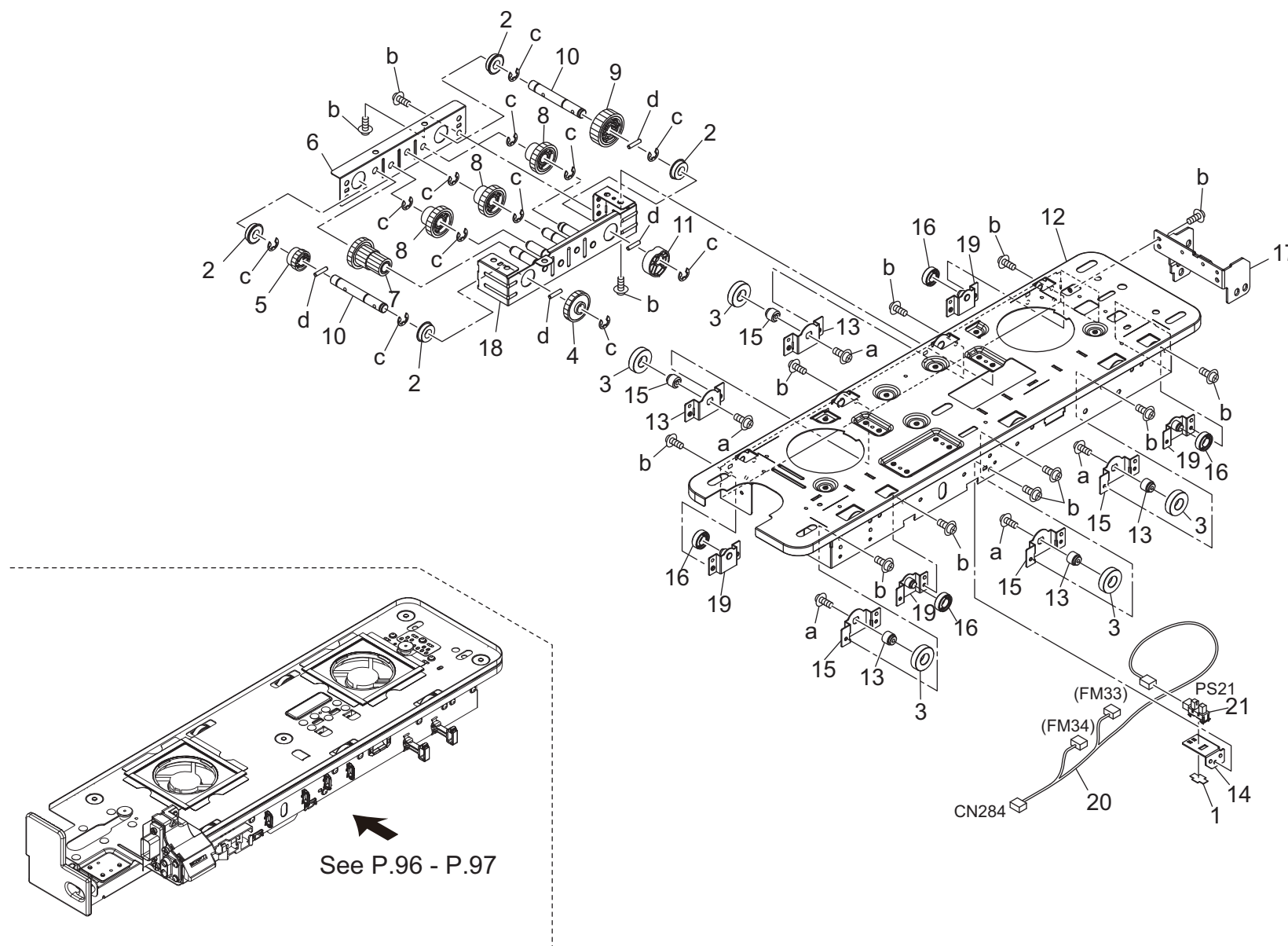


Key	Part No.	Description	Destinations	Class	QTY	Standard parts
1	4470402401	Stopper		D	2	a-V118030303
2	9335140071	Solid State Switch		B	2	b-V118030603
3	56AA42690	BY-PASS SPACER		C	2	c-V118033003
4	56QA80570	Internal Cooling Fan		C	1	d-V121030403
5	65AA80112	HB Motor /50		B	1	e-V127030604
6	A00V240600	Ball Bearing		B	2	f-V127030803
7	A03U842700	Conveyance Spring /3		C	6	g-V217030001
8	A03U842800	Conveyance Spring /4		C	4	h-V217040001
9	A03U845601	Idler Roller /2		C	3	j-V217060001
10	A03U845700	Mounting Plate /4		D	1	m-V234201650
11	A03U845901	Idler Roller /3		C	2	n-V500010057
12	A03U859400	PULLEY /1 24T		C	1	p-V500020098
13	A03U859500	PULLEY /2 24T		C	1	q-V570010056
14	A1DUR73E00	Idler Shaft /C Assy		D	3	r-V570010057
15	A1DUR73P00	Idler Shaft /D Assy		D	1	
16	A50U841100	Guide Plate /E		D	1	
17	A50U842000	Roller		C	1	
18	A50U842300	Support Plate /1		D	1	
19	A50U845400	Mounting Plate /3		D	3	
20	A50U847200	Mounting Plate /A		D	1	
21	A50U850201	Mounting Plate /F		D	1	
22	A50U859900	Belt /2 177L		C	1	
23	A50UF84800	Mounting Plate / 2 Caulking		D	1	
24	A50UN16300	ADU Relay harness /1		D	1	
25	A50UN16400	ADU Drive harness /5		D	1	



Key	Part No.	Description	Destinations	Class	QTY	Standard parts
1	4131253701	BUSHING		C	2	a-V118030403
2	4470402401	Stopper		D	1	b-V118030603
3	466076020	Paper Feed Feeding Bearing		B	2	c-V121030403
4	9335140071	Solid State Switch		B	1	d-V127030604
5	A03U844200	Mounting Plate /Left		D	1	e-V151030803
6	A03U844300	Mounting Plate /Right		D	1	f-V217040001
7	A03U844700	Lock Claw		C	2	g-V217060001
8	A03U844802	Open/close Plate		D	1	h-V234301250
9	A03U844901	Open/close Lever		C	1	j-V500010057
10	A03UF84300	Mounting Plate /1 Caulking		D	1	k-V500020098
11	A50U840400	Mounting Plate		D	1	m-V570010056
12	A50U841301	Guide Plate /G		D	1	
13	A50U841700	Guide Plate /L		D	1	
14	A50U841800	Guide Plate /M		D	1	
15	A50U842900	Conveyance Spring /5		D	4	
16	A50U843601	Support Plate		D	1	
17	A50U843801	Support Plate /Right rear		D	1	
18	A50U844400	Lock Shaft		D	1	
19	A50U844501	Open/close Spring /1		D	1	
20	A50U844601	Open/close Spring /2		D	1	
21	A50U846000	Idler Shaft /E		D	1	
22	A50U850201	Mounting Plate /F		D	1	
23	A50U853400	Pressure Roller		C	2	
24	A50U854100	Release Plate /8		D	2	
25	A50U856501	Hold Plate		D	2	
26	A50U943900	Release Label /9		D	1	

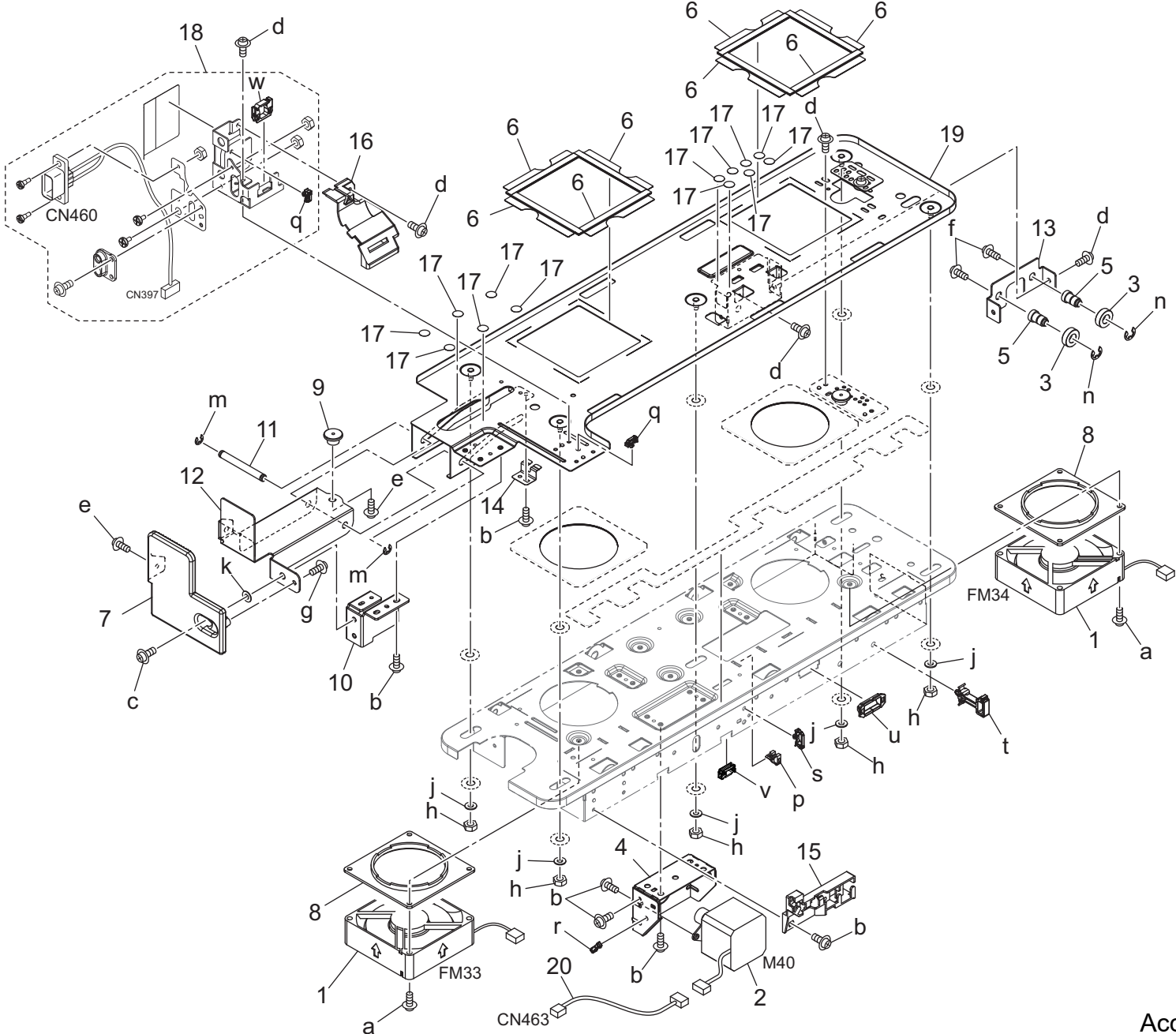
Duplex Swing Section



Duplex Swing Section

Key	Part No.	Description	Destinations	Class	QTY	Standard parts
1	4470402401	Stopper		D	1	a-V116040803 b-V121030403 c-V217060001 d-V234301450
2	A00V240600	Ball Bearing		B	4	
3	A03U807700	Pressure Bearing		C	5	
4	A1RJ825100	Drive Gear /4 34T		C	1	
5	A1RJ825800	Drive Gear /5 14T		C	1	
6	A50U800300	Swing Frame /2		D	1	
7	A50U800400	Drive Gear /3 14/25T		C	1	
8	A50U800700	Drive Gear /6 14/25T		C	3	
9	A50U800800	Drive Gear /7 29T		C	1	
10	A50U801400	Drive Shaft		D	2	
11	A50U801500	Swing Cam		D	1	
12	A50U801602	Fixing Plate /ASSY		D	1	
13	A50U802002	Positioning Shaft /A		D	5	
14	A50U802211	Plate		D	1	
15	A50U804001	Fusing Rail /B		D	5	
16	A50U804200	Fusing Roll		D	4	
17	A50U805300	Mounting Plate /1		D	1	
18	A50UF80500	Swing Frame Caulking		D	1	
19	A50UR72R00	Swing Rail Caulking		D	4	
20	A50UN17100	ADU Detection harness /7		D	1	
21	A85CM55500	Photo Sensor		C	1	

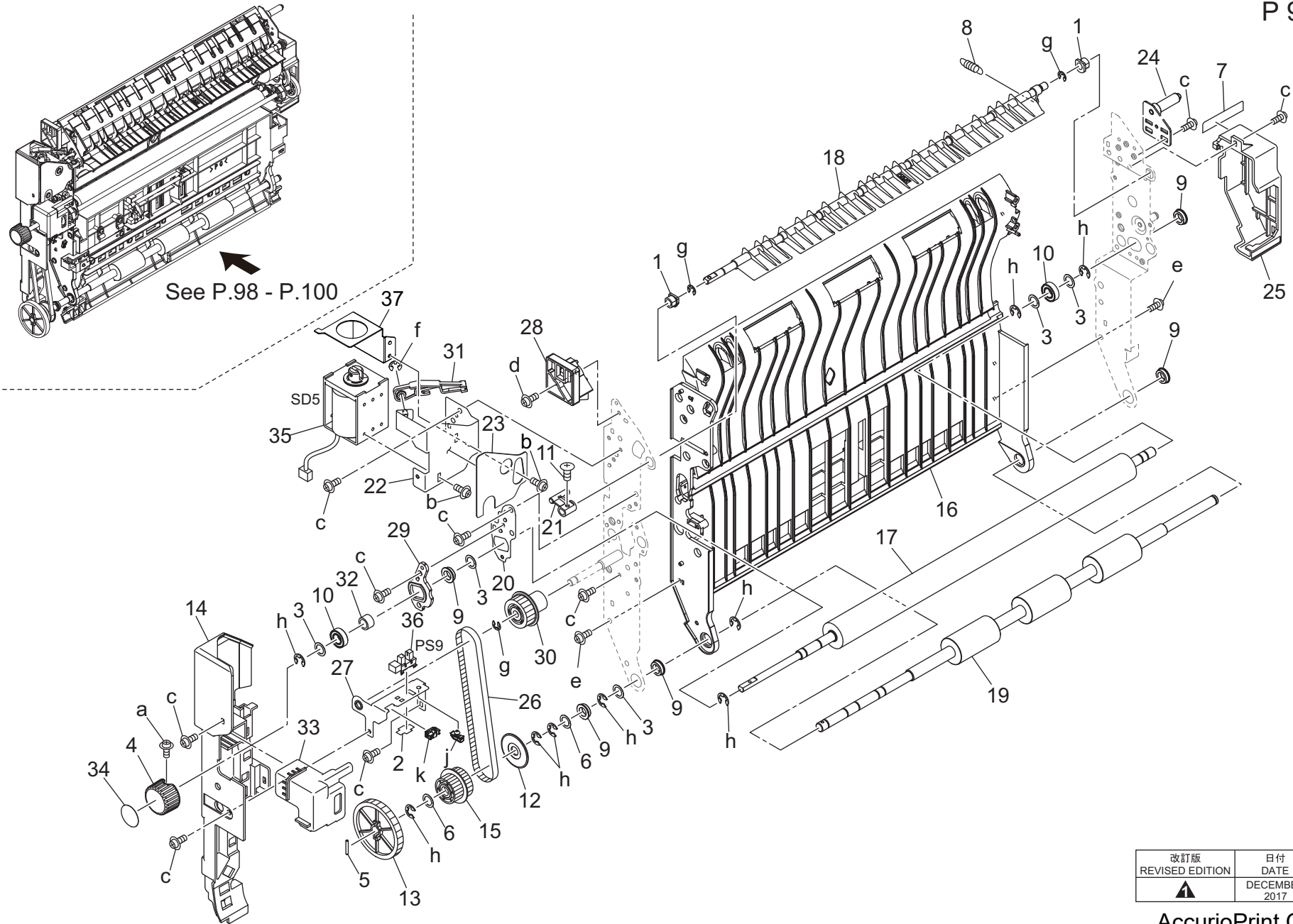
Duplex Swing Section



Key	Part No.	Description	Destinations	Class	QTY	Standard parts
1	4139M10000	Fan motor		B	2	a-V118033003
2	A00TM10000	Stepping motor		B	1	b-V121030403
3	A0XV370300	Ball Bearing		C	2	c-V121041203
4	A50U800100	Support Plate		D	1	d-V127030604
5	A50U802100	Positioning Shaft /B		D	2	e-V127030803
6	A50U802700	Heat blocking Part /B		D	8	f-V127040803
7	A50U802801	Handle		D	1	g-V151030803
8	A50U802900	Spacer		D	1	h-V195040003
9	A50U803101	Guide Pin /Front		D	2	j-V207040003
10	A50U803300	Fusing Rail /A		D	1	k-V211040080
11	A50U803400	Positioning Shaft /1		D	1	m-V217040001
12	A50U803500	Positioning Plate /Front		D	1	p-V500010057
13	A50U803600	Holding Plate		D	1	q-V500020098
14	A50U803700	Ground Plate		D	1	r-V500020099
15	A50U803800	Guide Part		D	1	s-V500020100
16	A50U804701	Wiring Cover		D	1	t-V500020101
17	A50U805200	Protection Seal		D	13	u-V570010037
18	A50UR72200	Power Supply Guide Assy		D	1	v-V570010057
19	A50UF80404	Swing Plate Caulking		D	1	w-V570010060
20	A50UN17700	ADU Drive harness /9		D	1	

Reverse Section

P 98

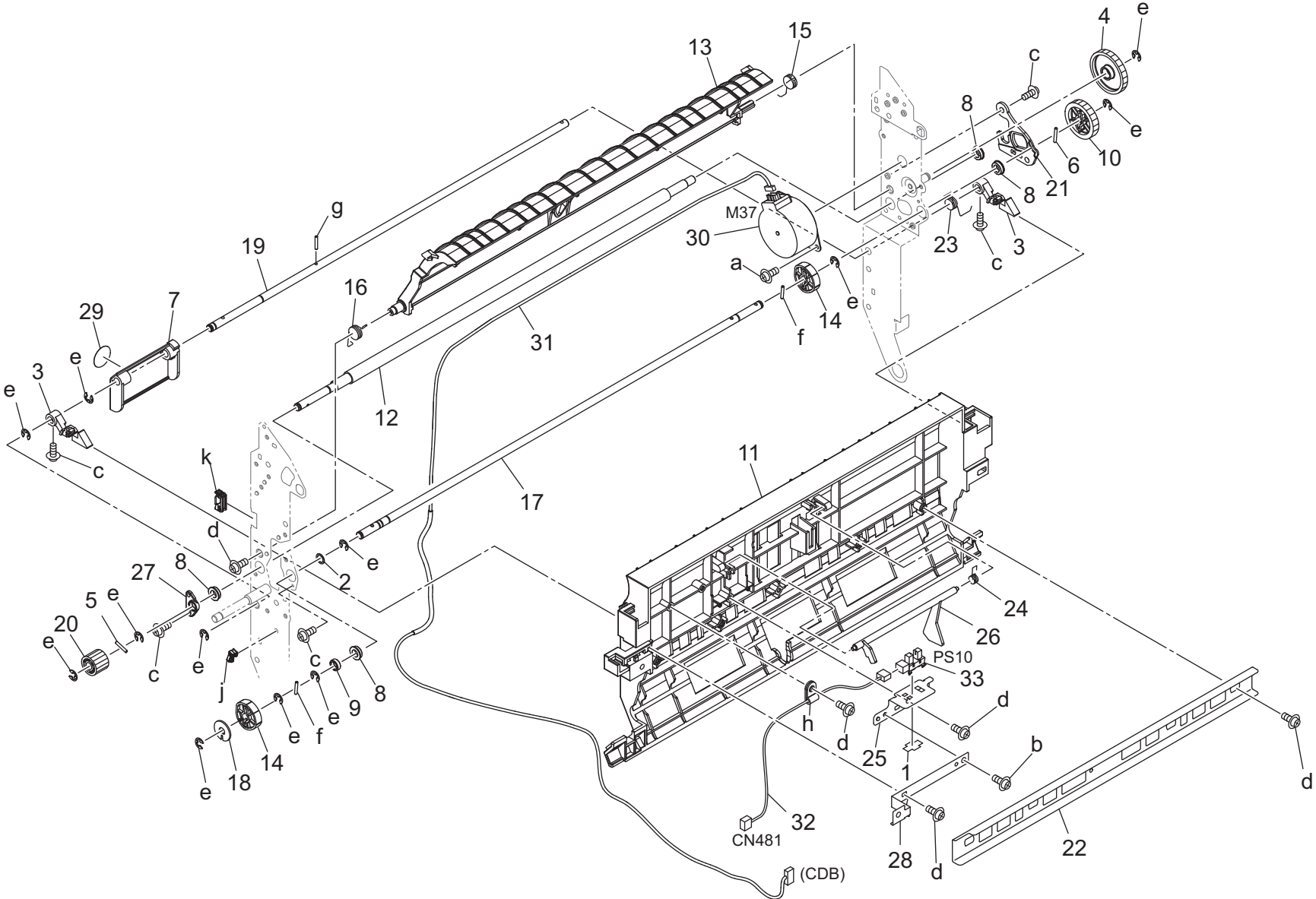


改訂版 REVISED EDITION	日付 DATE
	DECEMBER 2017

AccurioPrint C2060L

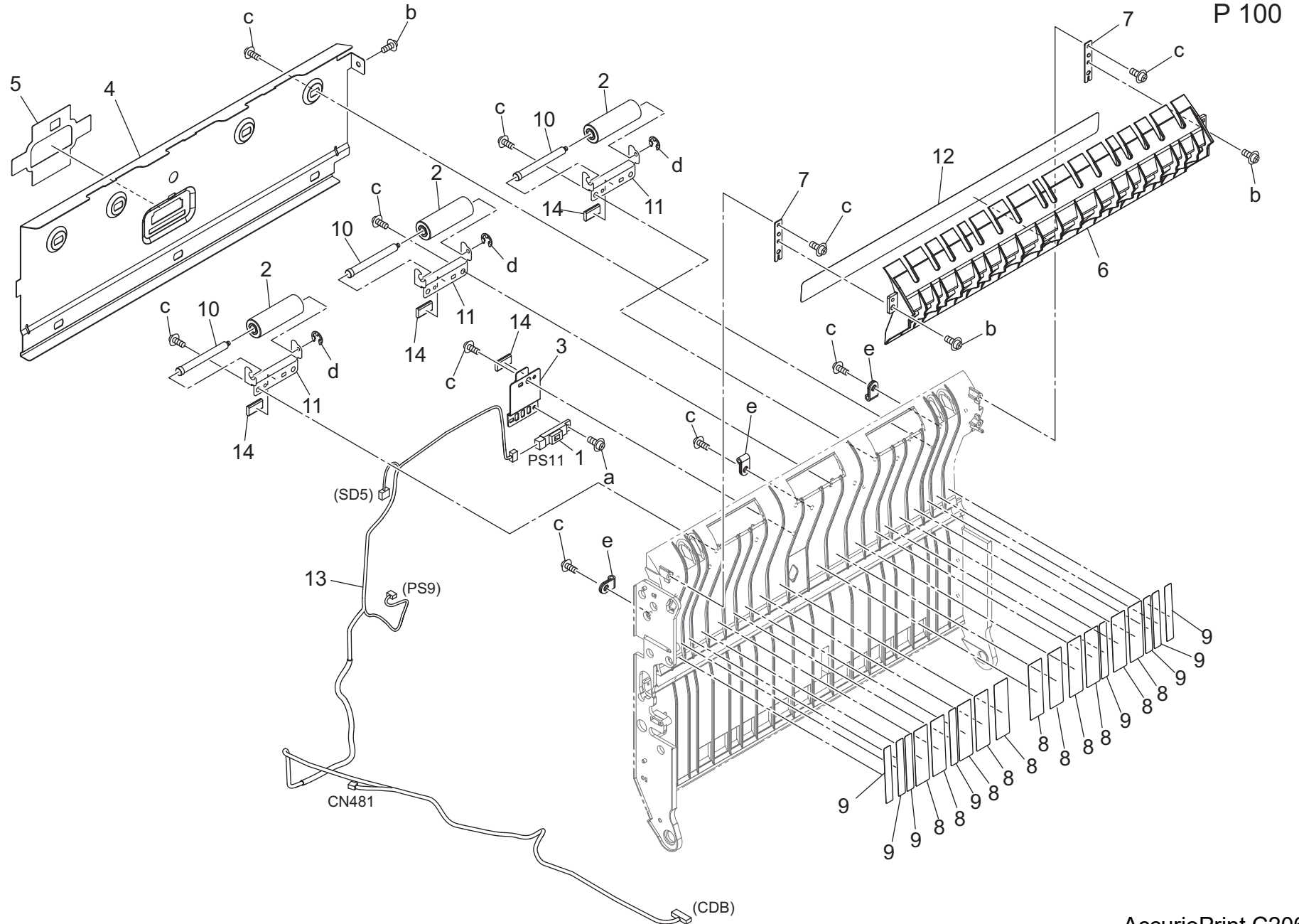
Key	Part No.	Description	Destinations	Class	QTY	Standard parts
1	192141710	PAPER LIFT UP LEVER BUSHING	ペーパー押し上げレバー軸受	B	2	a-V118030603
2	4470402401	Stopper	ストッパー	D	1	b-V121030403
3	13QA40610	Gear Spacer	ギアスペーサー	C	5	c-V127030604
4	14GE45470	Rotation Knob	回転ノブ	C	1	d-V127031203
5	56AA17551	PIN A	ピン A	C	1	e-V151030803
6	56AA42690	BY-PASS SPACER	手差しスペーサー	C	2	f-V217030050
7	65AA42370	SLIDE PART 1	滑り部材 1	D	1	g-V217040050
8	A9VE867900	Open/close Spring	開閉ばね	D	1	h-V217060001
9	A00J617900	Ball Bearing	ボールベアリング	B	5	j-V500020099
10	A1RF820000	Ball Bearing	ボールベアリング	C	2	k-V570010056
11	A50U642300	Mounting Screw	取付ねじ	D	1	
12	A50U817300	Holding Collar	押さえカラー	D	1	
13	A50U819600	Reverse/Exit Gear /2 50 T	反転排紙ギア/2 50 T	C	1	
14	A50U834302	Cover Part /2	カバー材/2	D	1	
15	A50U838800	Drive Idler /1	駆動アイドル/1	D	1	
16	A50U860104	Guide Plate /A	ガイド板/A	D	1	
17	A50U860501	Decurler Roller	デカーラーローラー	A	1	
18	A50U861004	Swing Part	揺動部材	D	1	
19	A50U861800	Riverse/exit Roller /Lower	反転排紙ローラー/下	C	1	
20	A50U865300	Holding Plate	押さえ板	D	1	
21	A50U865703	Swing Arm	揺動アーム	D	1	
22	A50U865901	Support Plate	支持板	D	1	
23	A9VE866200	Insulating Sheet /1	断熱シート/1	D	1	
24	A50U866400	Positioning Plate /2	位置決め板/2	D	1	
25	A50U866900	Drive Cover /1	駆動カバー/1	D	1	
26	A50U867200	Belt /A 324 L	ベルト/A 324 L	C	1	
27	A50U867312	Fixing Plate /1	固定板/1	D	1	
28	A50U867400	Positioning Part	位置決め部材	D	1	
29	A50U867500	Fixing Plate /1	固定板/1	D	1	
30	A50U867600	Reverse/Exit Gear /1 20 T	反転排紙ギア/1 20 T	C	1	
31	A50U867800	Positioning Plate /1	位置決め板/1	D	1	
32	A50U869400	Collar	カラー	D	1	
33	A50U869501	Cover	カバー	D	1	
34	A50U943800	Release Label /8	解除ラベル/8	D	1	
35	A50UR72811	ADU Solenoid Pin Assy	ADU ソレノイドピン Assy	C	1	
36	A85CM55500	Photo Sensor	フォトセンサ	C	1	
37	A9VE866100	Receiving Plate /1	受け板/1	D	1	

Reverse Section



Key	Part No.	Description	Destinations	Class	QTY	Standard parts
1	4470402401	Stopper		D	1	a-V118030403
2	40AA30270	DEVELOPING SPACER		C	1	b-V127030603
3	40AA46261	LOCK CLAW F		B	2	c-V127030604
4	40AA77550	Mirror Drive Gear /2 14/70T		C	1	d-V151030803
5	56AA17321	PIN A D2X12		B	1	e-V217040050
6	56AA17551	PIN A		C	1	f-V234200850
7	65AA49410	Paper Exit Handle		C	1	g-V234201250
8	A00J617800	Ball Bearing		B	4	h-V500020002
9	A1RF863800	Collar		D	1	j-V500020099
10	A1RJ818800	Drive Gear /8 29T		C	1	k-V570010057
11	A50U860202	Guide Plate /B		D	1	
12	A50U860600	Riverse/exit Shaft		D	1	
13	A50U861100	Guide Plate /4		D	1	
14	A50U861601	Positioning Cam		D	2	
15	A50U864200	Reverse/Exit Spring /Rear		D	1	
16	A50U864300	Reverse/Exit Spring /Front		D	1	
17	A50U865101	Pressing Shaft		D	1	
18	A50U865401	Positioning		D	1	
19	A50U865601	Lock Shaft /A		D	1	
20	A50U867100	Reverse/Exit Gear /A 20T		C	1	
21	A50U867700	Fixing Plate /2		D	1	
22	A50U868000	Reinforce Plate /A		D	1	
23	A50U868401	Open/close Spring /1		D	1	
24	A50U868702	Spring /1		D	1	
25	A50U869300	Mounting Stay		D	1	
26	A50U869601	Arm /1		D	1	
27	A50U869700	Fixing Collar /1		D	1	
28	A50U869800	Ground Plate /1		D	1	
29	A50U943600	Release Label /6		D	1	
30	A50UR72711	Drive Motor / 1 Assy		C	1	
31	A50UN17601	ADU Drive harness /8		D	1	
32	A50UN18401	ADU Detection harness /12		D	1	
33	A85CM55500	Photo Sensor		C	1	

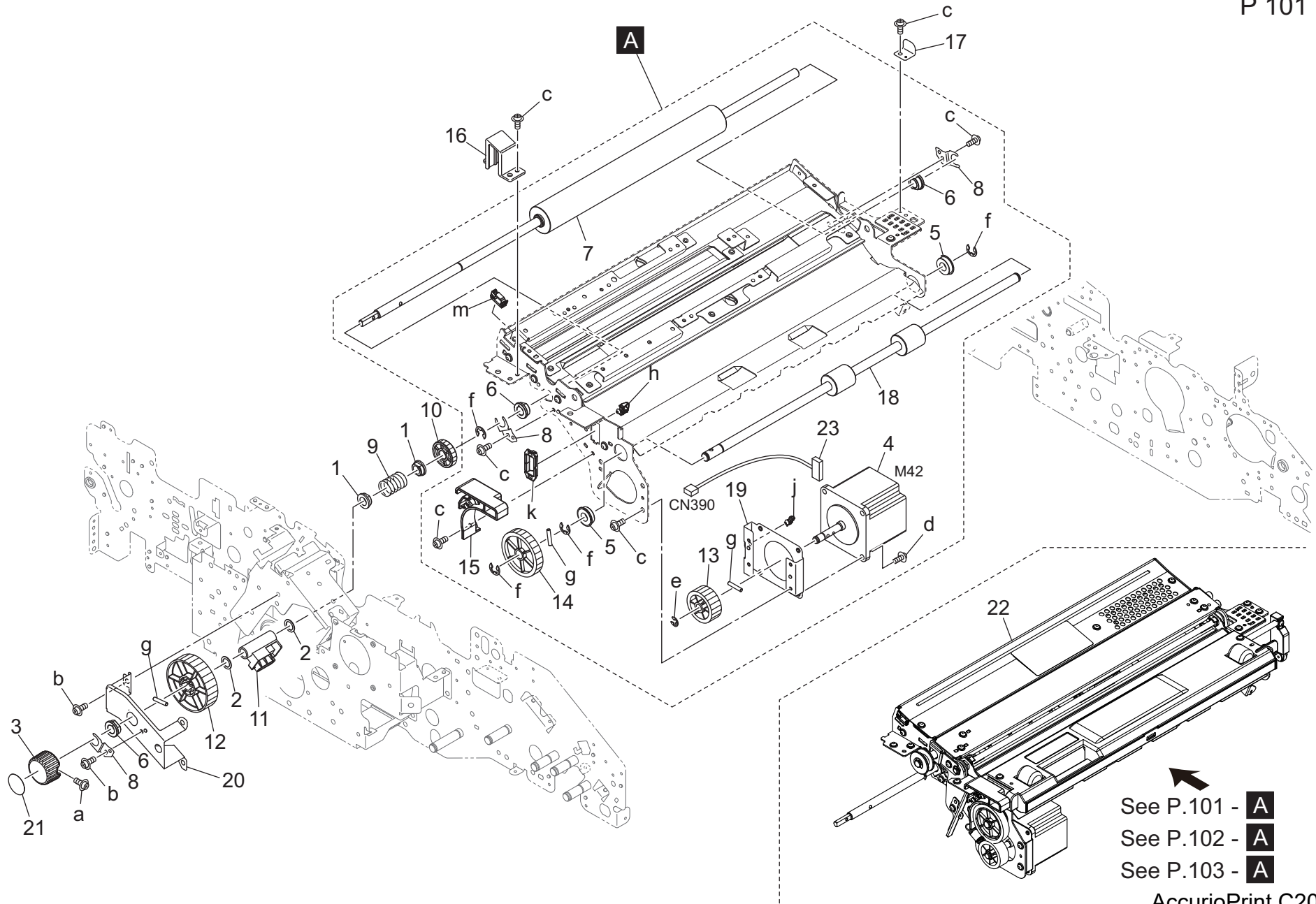
Reverse Section



P 100

Resist Section

P 101

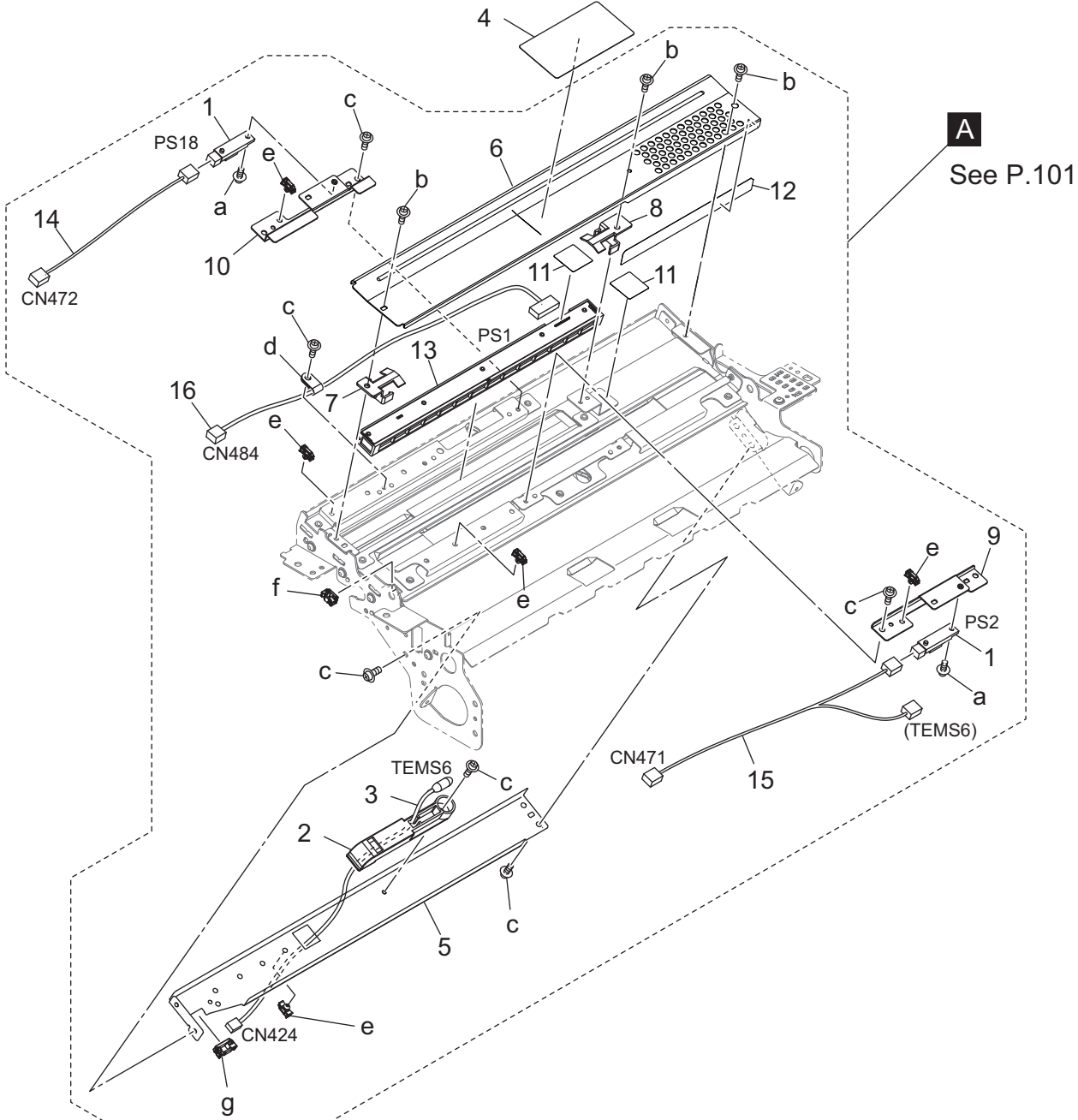


See P.101 - **A**
See P.102 - **A**
See P.103 - **A**

AccurioPrint C2060L

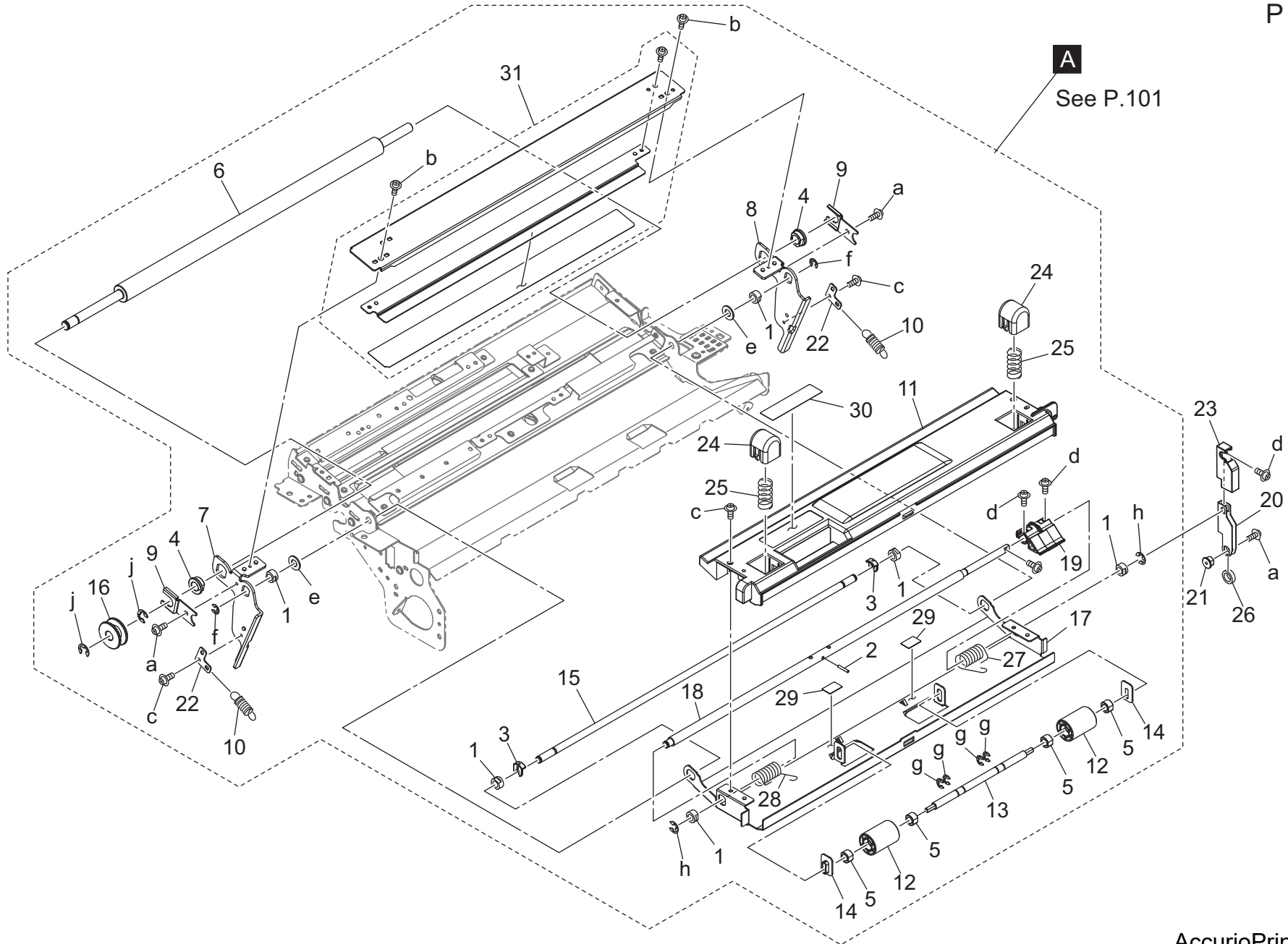
Key	Part No.	Description	Destinations	Class	QTY	Standard parts
1	4131353202	BUSHING		C	2	a-V118030603
2	12QV40650	Spacer		B	2	b-V121030403
3	14GE45470	Rotation Knob		C	1	c-V127030604
4	65AA80112	HB Motor /50		B	1	d-V127030803
5	A00V240600	Ball Bearing		B	2	e-V217040001
6	A03U812800	Slide Shaft Holder		B	3	f-V217060001
7	A50U710101	Registration Roller		B	1	g-V234301650
8	A50U711101	Holding Plate /1		D	3	h-V500020098
9	A50U711400	Swing Spring		D	1	j-V500020099
10	A50U713000	Roll /1		D	1	k-V570010037
11	A50U713200	Light blocking Rack		D	1	m-V570010057
12	A50U713600	Swing Gear /2 104T		C	1	
13	A50U714300	Drive Gear /1 28T		C	1	
14	A50U714400	Conveyance Gear /1 40T		C	1	
15	A50U715900	Wiring Cover /1		D	1	
16	A50U716200	Wiring Cover /2		D	1	
17	A50U717901	Adjusting Jig /ASSY		D	1	
18	A50U719200	Roller		C	1	
19	A50U719800	Drive Side plate		D	1	
20	A50U882401	Registration Side plate /Front		D	1	
21	A50U943400	Release Label /4		D	1	
22	A9VER71000	Registration Assy		S	1	
23	A50UN15800	ADU Drive harness /2		D	1	

Resist Section



Key	Part No.	Description	Destinations	Class	QTY	Standard parts
1	13QA85511	Sensor 1		B	2	a-V118030403 b-V127030603 c-V127030604 d-V500020069 e-V500020099 f-V570010056 g-V570010057
2	A03X622000	Detecting Cover		C	1	
3	A0VDM50500	Thermistor /1		I	1	
4	A1DU942900	Caution Label /5		D	1	
5	A50U712001	Mounting Stay /Lower		D	1	
6	A50U717001	Cover		D	1	
7	A50U717100	Stopper /1		D	1	
8	A50U717200	Stopper /2		D	1	
9	A50U718200	Plate /1		D	1	
10	A50U718300	Plate /2		D	1	
11	A50U719300	Protection Sheet		D	2	
12	A50U719400	Protection Sheet /2		D	1	
13	A9VEM55100	Compensating Sensor		C	1	
14	A50UN16600	ADU Detection harness /3		D	1	
15	A50UN16700	ADU Detection harness /4		D	1	
16	A50UN16800	ADU Detection harness /5		D	1	

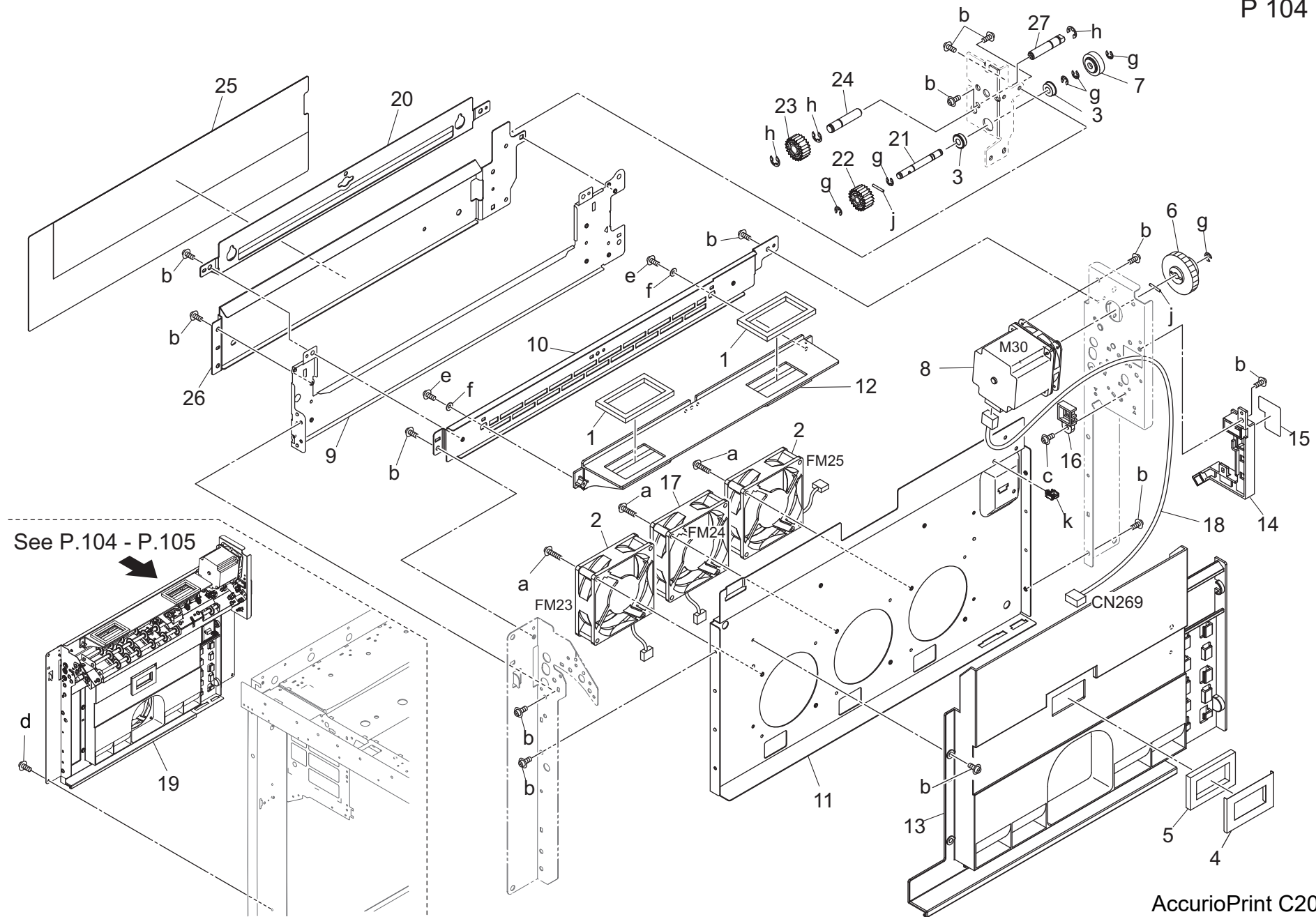
Resist Section



Key	Part No.	Description	Destinations	Class	QTY	Standard parts
1	4131253701	BUSHING		C	6	a-V121030403
2	56AA17321	PIN A D2X12		B	1	b-V127030603
3	56AA40490	SHAFT STOPPER 4		C	2	c-V127030604
4	A03U812800	Slide Shaft Holder		B	2	d-V127030803
5	A03U850101	Slide Bushing		C	4	e-V207060003
6	A50U710300	Idler Roller		D	1	f-V217040001
7	A50U710901	Pressure Lever /1		D	1	g-V217040050
8	A50U711001	Pressure Lever /2		D	1	h-V217050050
9	A50U711200	Holding Plate /2		D	2	j-V217060001
10	A50U711300	Pressure Spring		D	2	
11	A50U711602	Open/close Holder		D	1	
12	A50U712200	Idler Roll /1		D	2	
13	A50U712300	Idler Shaft /1		D	1	
14	A50U712400	Receiving Shaft /1		D	2	
15	A50U712700	Pressure Shaft /1		D	1	
16	A50U713100	Roll /2		D	1	
17	A50U714200	Open/close Guide		D	1	
18	A50U714500	Release Shaft		D	1	
19	A50U714600	Lever		D	1	
20	A50U715300	Pressure Lever /25		D	1	
21	A50U715600	Support Shaft /2		D	1	
22	A9VE715700	Pulling Plate /1		D	2	
23	A50U715800	Protection Cover		D	1	
24	A50U716301	Pressing Block		D	2	
25	A50U716400	Compressing Coil spring		D	2	
26	A50U716500	Ball Bearing		C	1	
27	A50U718400	Pressing Spring /Rear		D	1	
28	A50U718500	Pressing Spring /Front		D	1	
29	A50U880900	Guide Sheet /Side		D	2	
30	A50U943300	Release Label /3		D	1	
31	A50UR70D01	Registration Cleaning Sheet Assy		B	1	

Exit Section

P 104



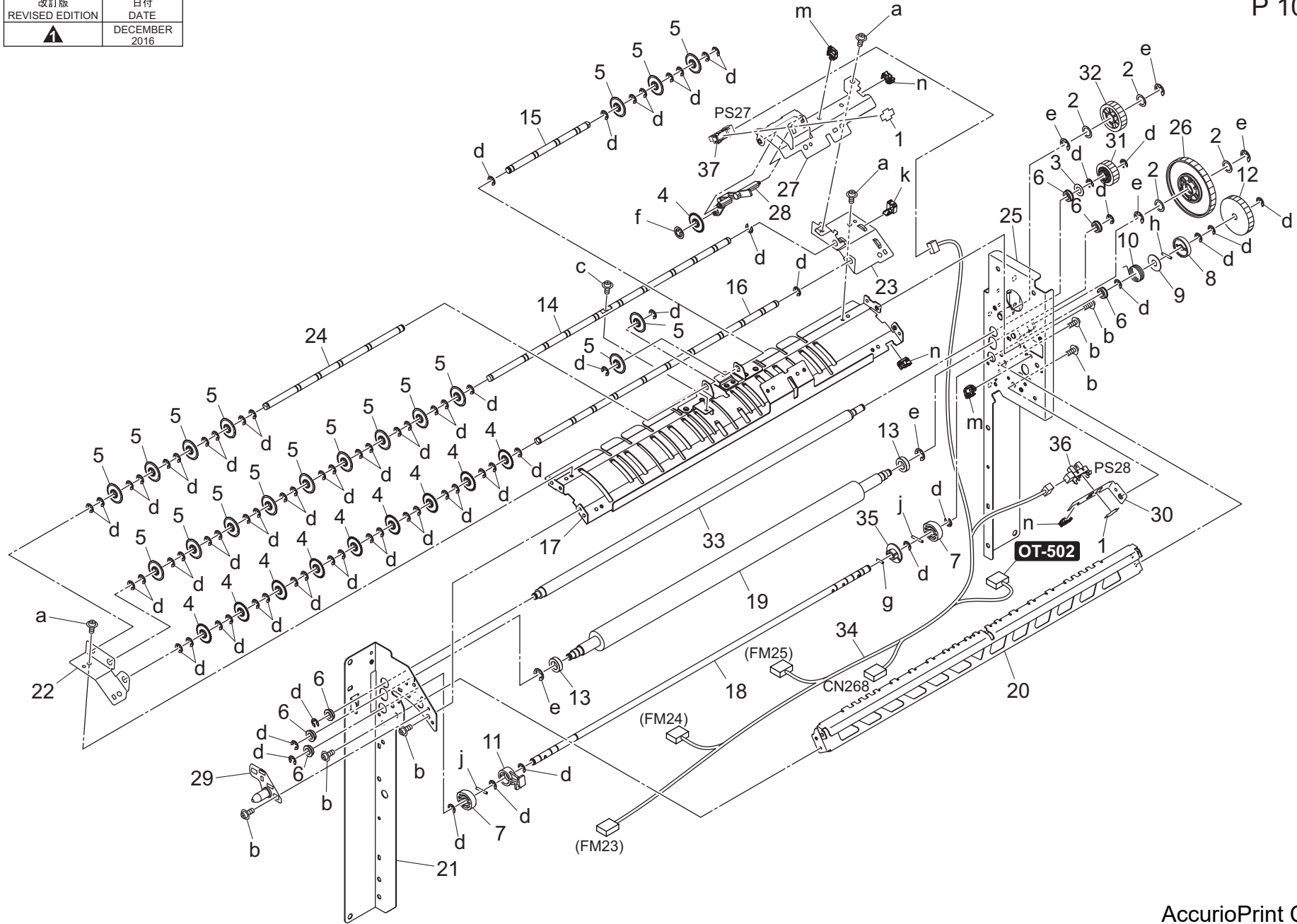
See P.104 - P.105

AccurioPrint C2060L

Key	Part No.	Description	Destinations	Class	QTY	Standard parts
1	65LA48530	DUCT SEAL 1		D	2	a-V118033003
2	9J03M10000	FAN MOTOR		B	2	b-V127030604
3	A00J211200	Ball Bearing		C	2	c-V127030803
4	A03U892300	Sheet		C	1	d-V127040603
5	A03U892400	Seal		C	1	e-V145030803
6	A03U909900	Paper exit Gear /1 22/44T		C	1	f-V207030003
7	A043909901	PAPER EXIT GEAR /6 23T		B	1	g-V217040001
8	A1TVM10100	Stepping motor /50		B	1	h-V217060001
9	A50U890500	Reinforce Plate /Left		D	1	j-V234201450
10	A50U891001	Guide Plate /Left		D	1	k-V500020098
11	A50U891200	Paper exit Plate		D	1	
12	A50U892201	Cooling Duct /2		D	1	
13	A50U892502	Paper exit Duct		D	1	
14	A50U893300	Guide Cover /1		D	1	
15	A50U895000	Wiring Sheet		D	1	
16	A50U895101	Positioning Part		D	1	
17	A50UM15300	Fan motor /2		C	1	
18	A50UN15301	Drive harness /2		D	1	
19	A85CR70N11	Main Body Paper Exit Unit Assy		S	1	
20	A8AK106101	Paper Exit Guide /Upper		C	1	
21	A8AK106200	Drive Shaft		D	1	
22	A8AK106300	Drive Gear /B 20T		C	1	
23	A8AK106400	Drive Gear /C 21T		C	1	
24	A8AK106800	Idling Shaft		D	1	
25	A8AK107200	Thermal insulation Sheet /4		D	1	
26	A8AK162701	Paper exit Guide /Lower		D	1	
27	A8AW161911	Idling Shaft /2		D	1	

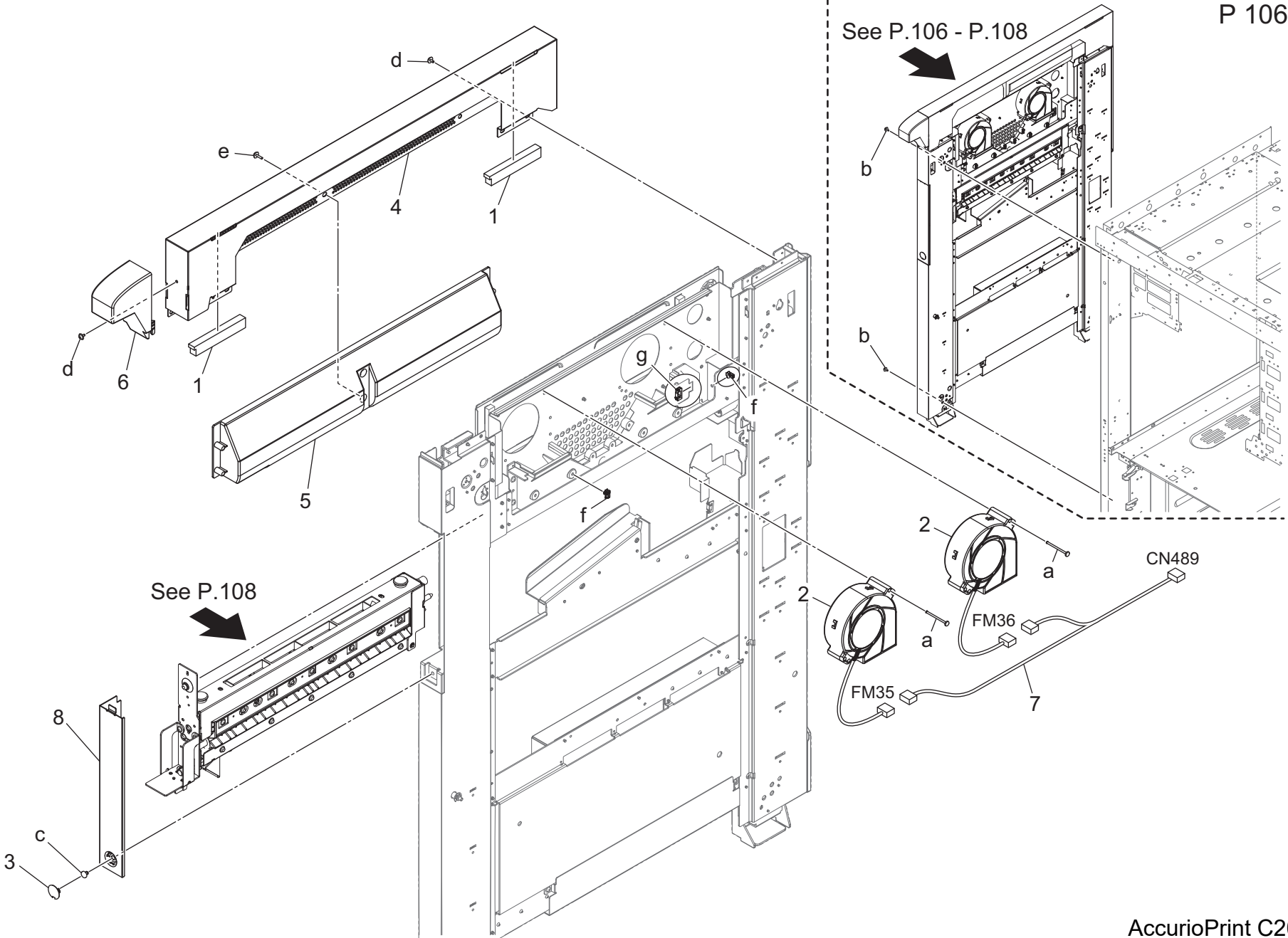
Exit Section

改訂版 REVISED EDITION	日付 DATE
	DECEMBER 2016



Key	Part No.	Description	Destinations	Class	QTY	Standard parts
1	4470402401	Stopper		D	2	a-V121030303
2	13QA40610	Gear Spacer		C	4	b-V127030604
3	56AA17700	Spacer /B		C	1	c-V127030803
4	65AA48360	Paper Holding Part /1		C	10	d-V217040001
5	65AA48460	PAPER HOLDING PART 2		C	18	e-V217060001
6	A00J617800	Ball Bearing		B	6	f-V226030050
7	A03U892701	Positioning Cam		C	2	g-V234200850
8	A03U893000	Slide Plate		C	1	h-V234201250
9	A03U893101	Spacer /Rear		C	1	j-V234201450
10	A03U893200	Stopper Spring		C	1	k-V500010057
11	A03U893502	Regulating Cam		C	1	m-V500020098
12	A03U909502	PAPER EXIT GEAR /5 40T		C	1	n-V570010056
13	A1RF517300	bearing		C	2	
14	A50U890102	Fixing Shaft /2		D	1	
15	A50U890201	Fixing Shaft /6		D	1	
16	A50U890300	Fixing Shaft /1		D	1	
17	A50U890402	Guide Plate /Upper		D	1	
18	A50U890600	Regulating Shaft		D	1	
19	A50U890802	Paper exit Roller /B		C	1	
20	A50U890900	Guide Plate /Lower		D	1	
21	A50U891301	Paper exit Plate /Front		D	1	
22	A50U891500	Support Side plate /Front		D	1	
23	A50U891600	Support Side plate /Rear		D	1	
24	A50U891900	Fixing Shaft /5		D	1	
25	A50U892001	Paper exit Plate /Rear		D	1	
26	A50U892101	Idling Gear /1 68T		C	1	
27	A50U892801	Support Plate /A		D	1	
28	A50U892911	Paper exit /3		D	1	
29	A50U893201	Adjusting Plate /1		D	1	
30	A50U894000	Plate /Rear		D	1	
31	A50U899700	Paper exit Gear /3 23T		C	1	
32	A50U899801	Paper exit Gear /2 29T		C	1	
33	A50U890700	Paper exit Shaft		D	1	
34	A50UN15201	Drive harness /3		D	1	
35	A85C895500	Positioning Roll		D	1	
36	A85CM55500	Photo Sensor		C	1	
37	A85CM55600	Photo Sensor		C	1	


Charge Control Section

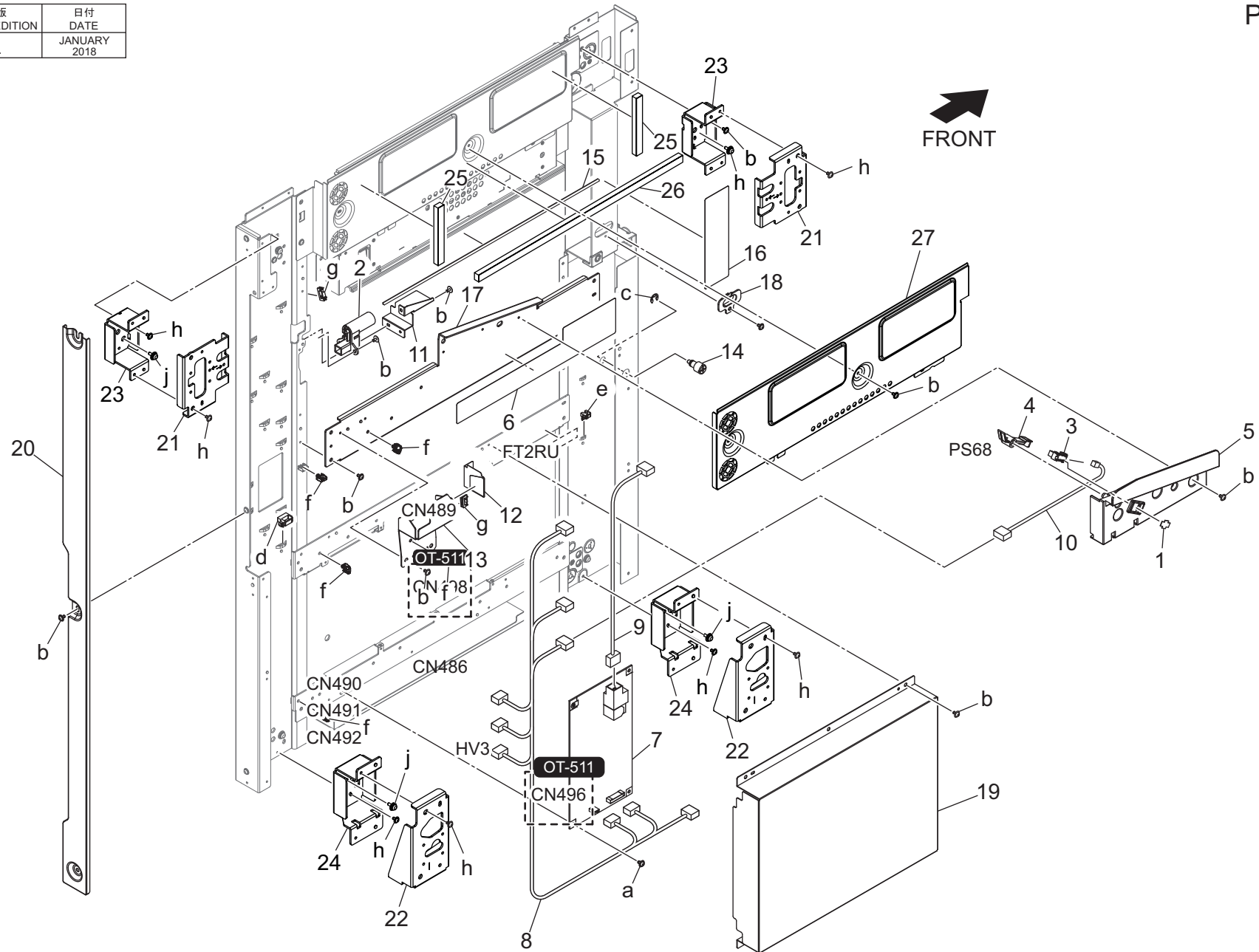


AccurioPrint C2060L

Key	Part No.	Description		Destinations	Class	QTY	Standard parts
1	A03W123000	LCT MOISTUREPROOF SEAL /Y	LCT 防湿シール/Y		D	2	a-V118033503 b-V125041001 c-V126040603 d-V127030604 e-V153031004 f-V500020099 g-V570010046
2	A5AWM15101	Cooling Fan	冷却ファン		B	2	
3	A65U186600	Cover Part /2	カバー部材/2		D	1	
4	A85C896000	Cover /Upper	カバー/上		D	1	
5	A85C898000	Duct /Upper	ダクト/上		D	1	
6	A85C898900	Cover	カバー		D	1	
7	A85CN21600	Relay Wiring /6	中継束線/6		D	1	
8	A8AK100401	Cover /Middle	カバー/中		C	1	

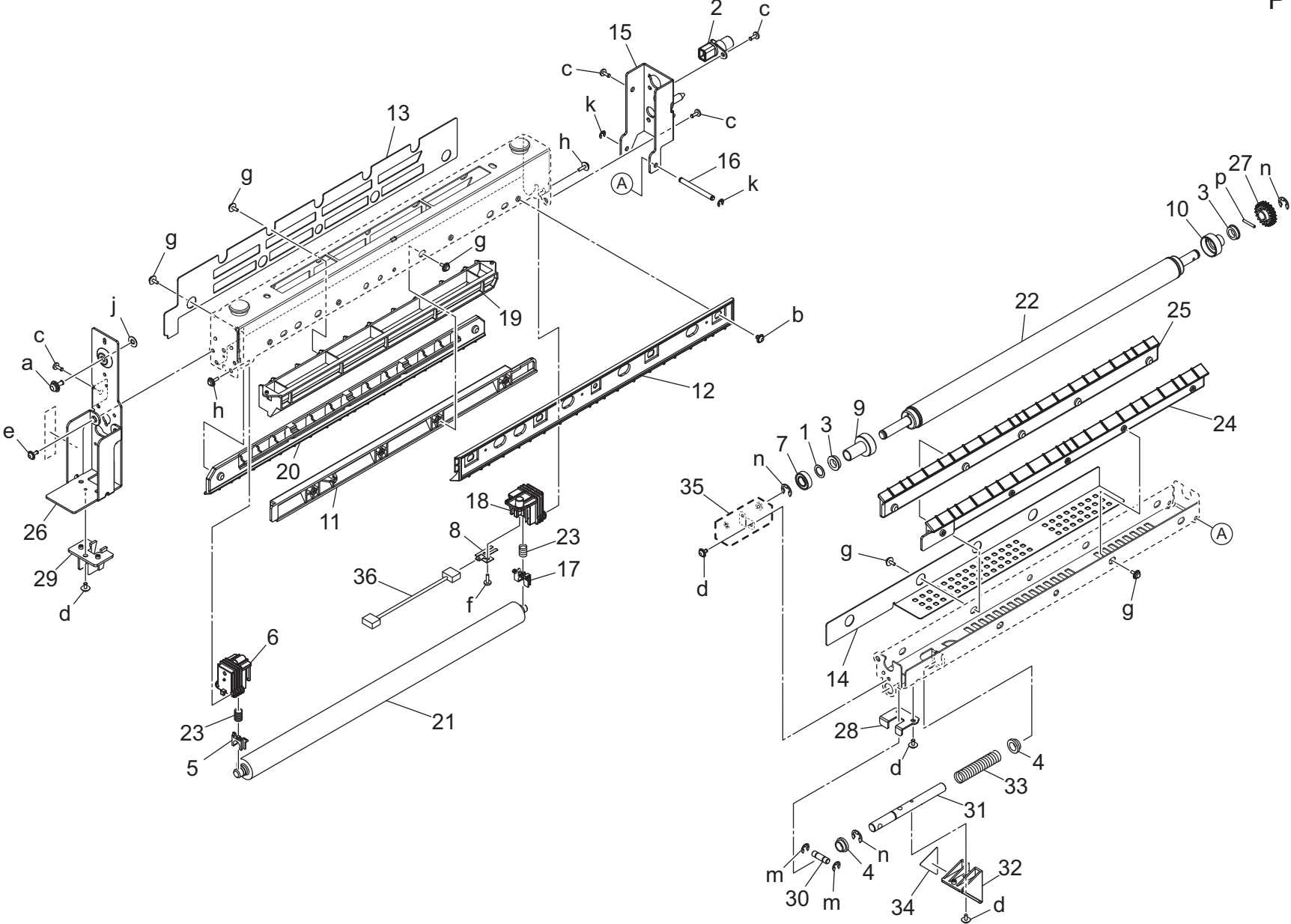
Charge Control Section

改訂版 REVISED EDITION	日付 DATE
	JANUARY 2018



Key	Part No.	Description	Destinations	Class	QTY	Standard parts
1	4470402401	Stopper		D	1	a-V127030603
2	65AAR72700	Powering Block /1 Assy		C	1	b-V127030604
3	A50UM51000	Photointerrupter		C	1	c-V217060001
4	A85C897400	Sensor Actuator /1		D	1	d-V500010021
5	A85C897900	Sensor Cover /1		D	1	e-V500010057
6	A85C942100	Caution Label		D	1	f-V500020098
7	A85CM40100	HV Board /3		I	1	g-V570010046
8	A85CN21300	Relay Wiring /3		D	1	h-V127040803
9	A85CN21400	HV Wiring /20		D	1	j-V125041001
10	A85CN21700	Relay Wiring /7		D	1	
11	A8AK101700	Protection Plate /1		D	1	
12	A8AK107100	Protection Cover /2		D	1	
13	A8AW106900	Drive Cover		D	1	
14	A8AW162401	Fixing Screw		D	1	
15	A8AW162600	Thermal insulation Sheet /1		D	1	
16	A8AW941001	Processing Label		C	1	
17	A8AK101502	Stay /Middle		D	1	
18	A8AW162500	Lock Guide		D	1	
19	A8AK101201	Protection Cover		D	1	
20	A8AW160401	Cover /Rear		C	1	
21	A85C898701	Connecting Plate /2		D	2	
22	A85C898800	Connecting Plate /4		D	2	
23	A85C896501	Connecting Plate /1		D	2	
24	A85C896600	Connecting Plate /3		D	2	
25	A85C898100	Sealing Part /1		D	2	
26	A85C898200	Sealing Part /2		D	1	
27	A85C898300	Cover /Middle		D	1	

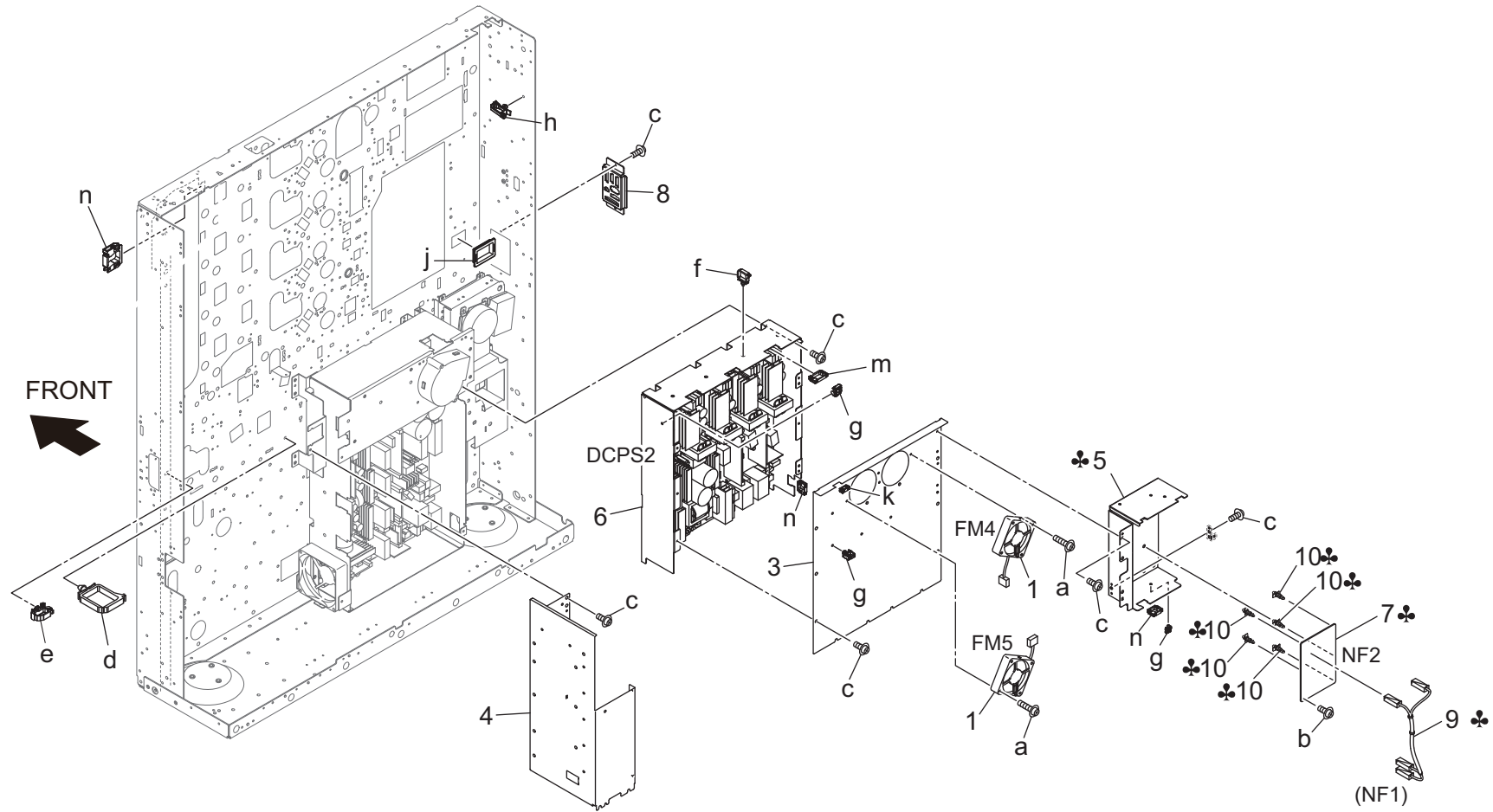
Charge Control Section



Key	Part No.	Description	Destinations	Class	QTY	Standard parts
1	12QV40650	Spacer		B	1	a-V116041003
2	65AAR74600	POWERING BLOCK A ASSY		C	1	b-V121030403
3	A07R813801	Roller Bearing /A		C	2	c-V126030803
4	A0G6739300	Operation Bushing /Front		C	2	d-V127030604
5	A1RF508900	Transfer Powering Bearing		B	1	e-V127030803
6	A1RF509000	Power supply Block /C		D	1	f-V149030803
7	A1RF820000	Ball Bearing		C	1	g-V153030604
8	A5AW510400	Transfer Powering Plate /Front		D	1	h-V153030803
9	A85C895300	Insulating Collar /Front		D	1	j-V211040080
10	A85C895400	Insulating Collar /Rear		D	1	k-V217030001
11	A85C895800	Cover Guide		D	1	m-V217040001
12	A85C895900	Conveyance Guide /1		D	1	n-V217060001
13	A85C896300	Thermal insulation Sheet /1		D	1	p-V234201450
14	A85C896400	Thermal insulation Sheet /3		D	1	
15	A85C896800	Fixing Plate		D	1	
16	A85C896900	Support Shaft		D	1	
17	A85C897201	Charging Roller Bushing /Fr		B	1	
18	A85C897300	High voltage Powering Block /C		D	1	
19	A85C897700	Insulating Duct /Middle		D	1	
20	A85C897800	Conveyance Guide /2		D	1	
21	A85C899000	Charging Roller /Up		A	1	
22	A85C899100	Neutralizing Roller /Lower		D	1	
23	A8AK103200	Power supply Spring		C	2	
24	A8AK103502	Conveyance Guide /1		D	1	
25	A8AK103601	Conveyance Guide /2		D	1	
26	A8AK103702	Mounting Plate /Front		D	1	
27	A8AK104100	Drive Gear 20T		C	1	
28	A8AK108001	Holding Plate		D	1	
29	A8AK108100	Guide Block		D	1	
30	A8AK108200	Guide Shaft		D	1	
31	A8AK108302	Positioning Shaft		D	1	
32	A8AK108400	Lock Handle		C	1	
33	A8AK108500	Lock Spring		D	1	
34	A8AK941300	Processing Label /1		C	1	
35	A8AKR70500	Lower Roller Contact Assy		C	1	
36	A8AKN10501	HV Wiring /2		D	1	

Rear Electrical Section

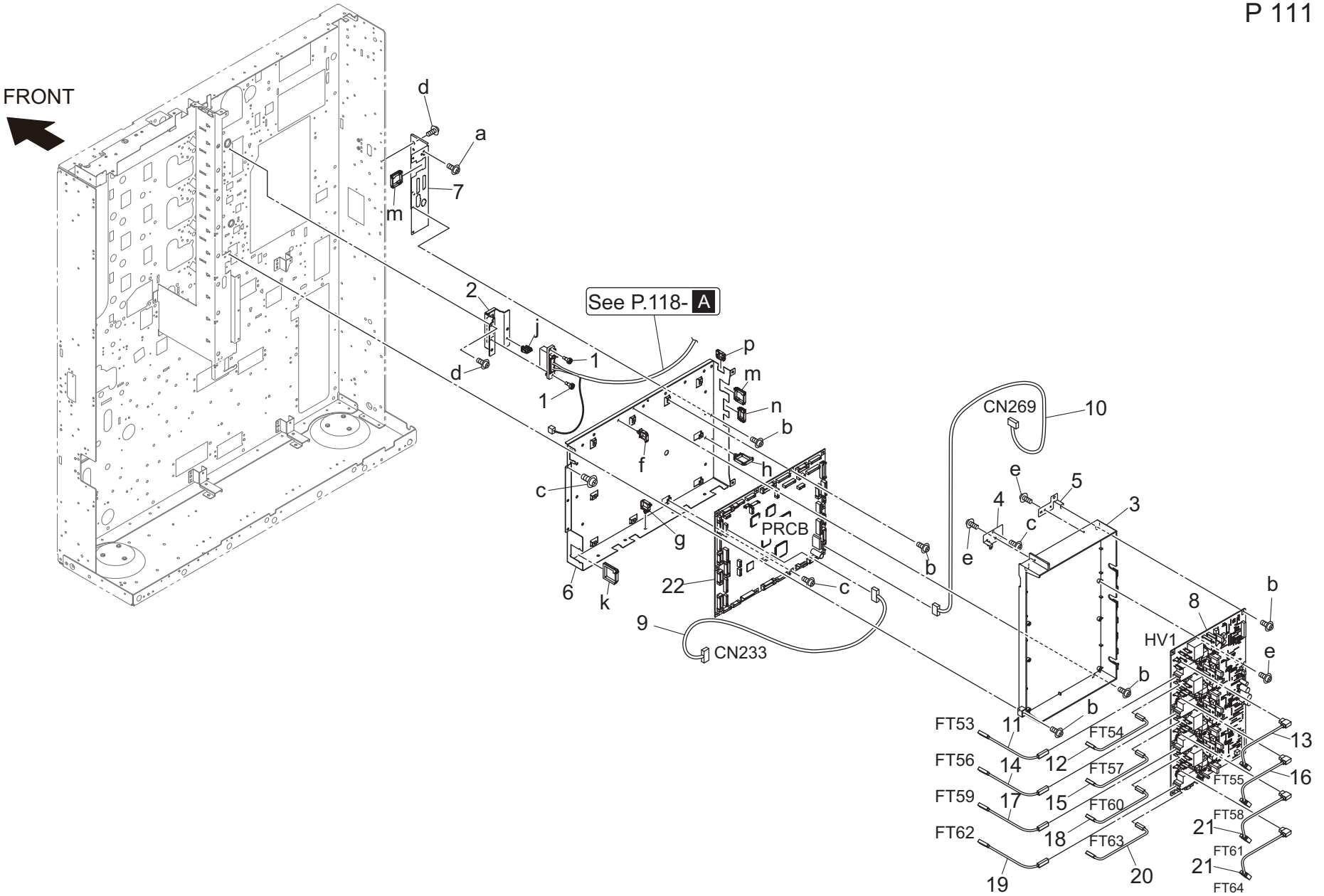
改訂版 REVISED EDITION	日付 DATE
	MAY 2017



Rear Electrical Section

P 111

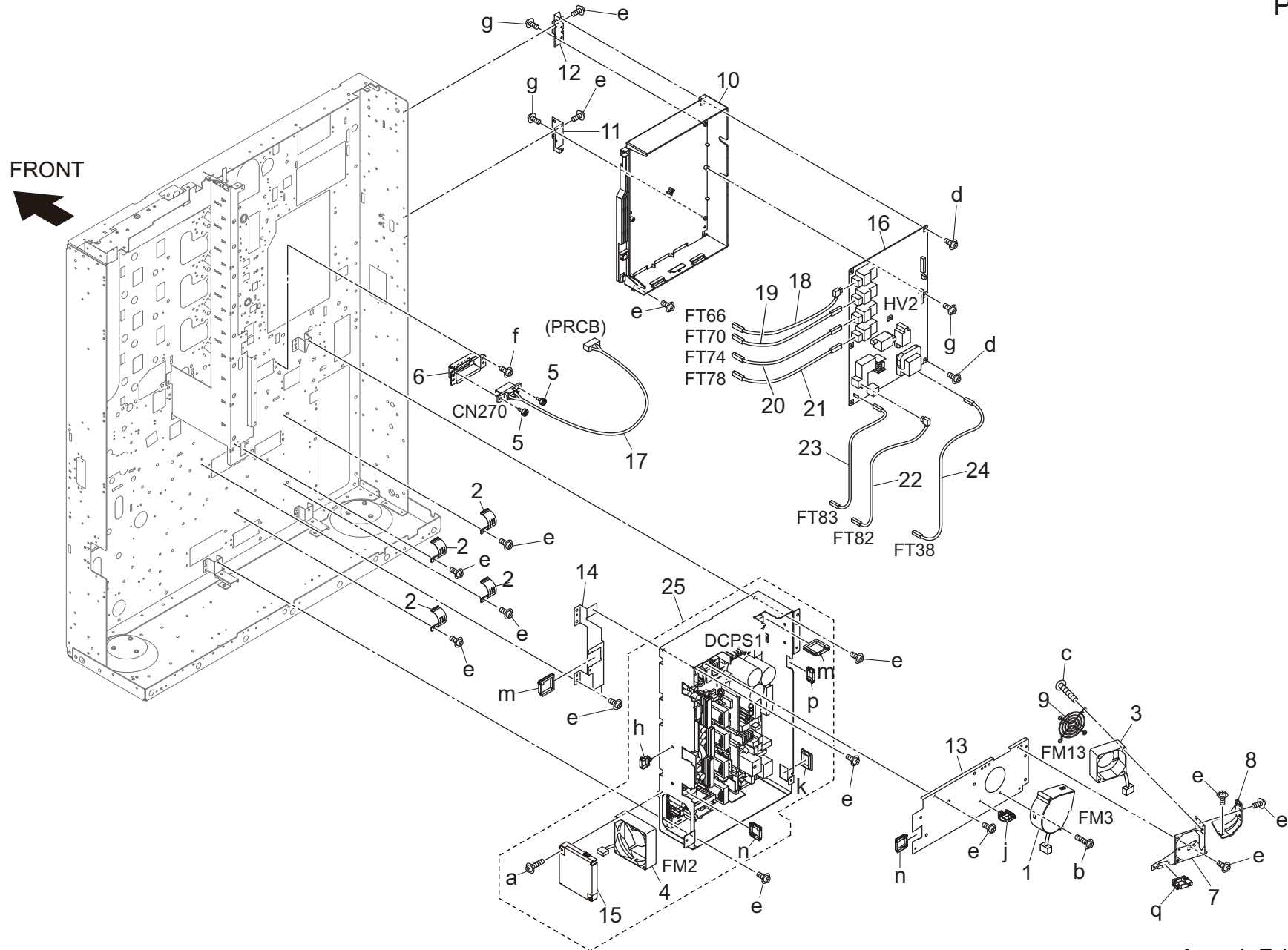
FRONT



AccurioPrint C2060L

Rear Electrical Section

P 112

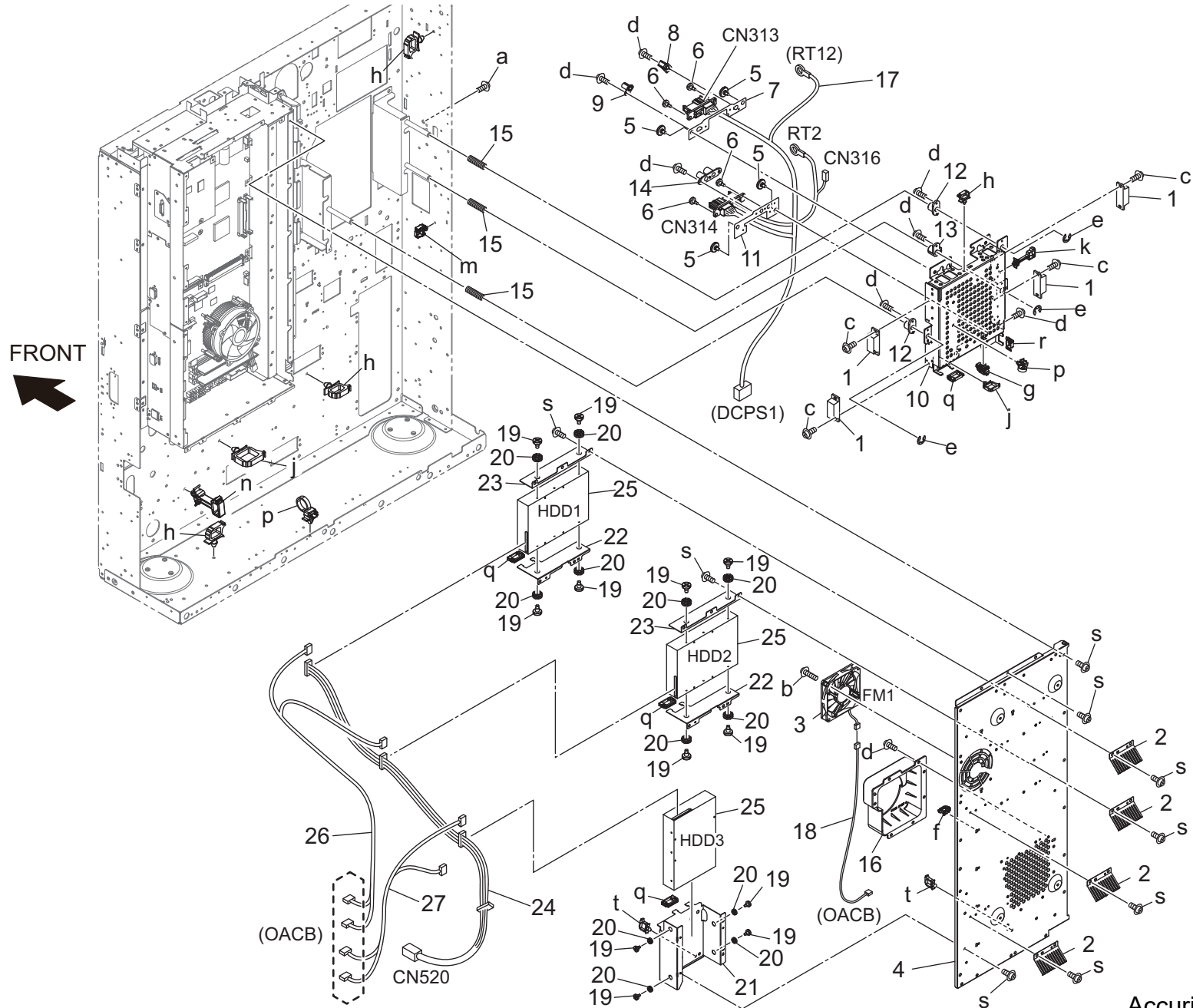


AccurioPrint C2060L

Rear Electrical Section

Key	Part No.	Description	Destinations	Class	QTY	Standard parts
1	9313110033	FAN MOTOR		C	1	a-V118033003
2	56AA73560	EARTH PLATE UPPER		C	4	b-V118043503
3	56QA80570	Internal Cooling Fan		C	1	c-V121033003
4	A0EDM10500	Fan motor		C	1	d-V127030603
5	A50U109201	Mounting Screw		D	2	e-V127030604
6	A50U112901	Mounting Tray		D	1	f-V146040804
7	A50U120700	Fixing Plate /2		D	1	g-V158030803
8	A50U120800	Cover Part /Left Front		D	1	h-V500010084
9	A50U122400	Protection Cover /2		D	1	j-V500020098
10	A50U131100	Hold Casing /2		D	1	k-V570010038
11	A50U131200	Ground Plate /4		D	1	m-V570010048
12	A50U131300	Ground Plate /3		D	1	n-V570010058
13	A50U132100	Cover /1		D	1	p-V570010059
14	A50U132600	Mounting Plate /Left		D	1	q-V570010060
15	A50UR73F00	Filter Assy		D	1	
16	A50UM40201	HV Board /2		D	1	
17	A50UN15101	ADU Relay harness /2		D	1	
18	A50UN24400	HV Wiring /15		D	1	
19	A50UN24600	HV Wiring /16		D	1	
20	A50UN24800	HV Wiring /17		D	1	
21	A50UN25000	HV Wiring /18		D	1	
22	A50UN25200	HV Wiring /19		D	1	
23	A50UN25300	HV Wiring /G		D	1	
24	A50UN25500	HV Wiring /S		D	1	
25	A85CR70400	Power Supply / 1 Assy		I	1	

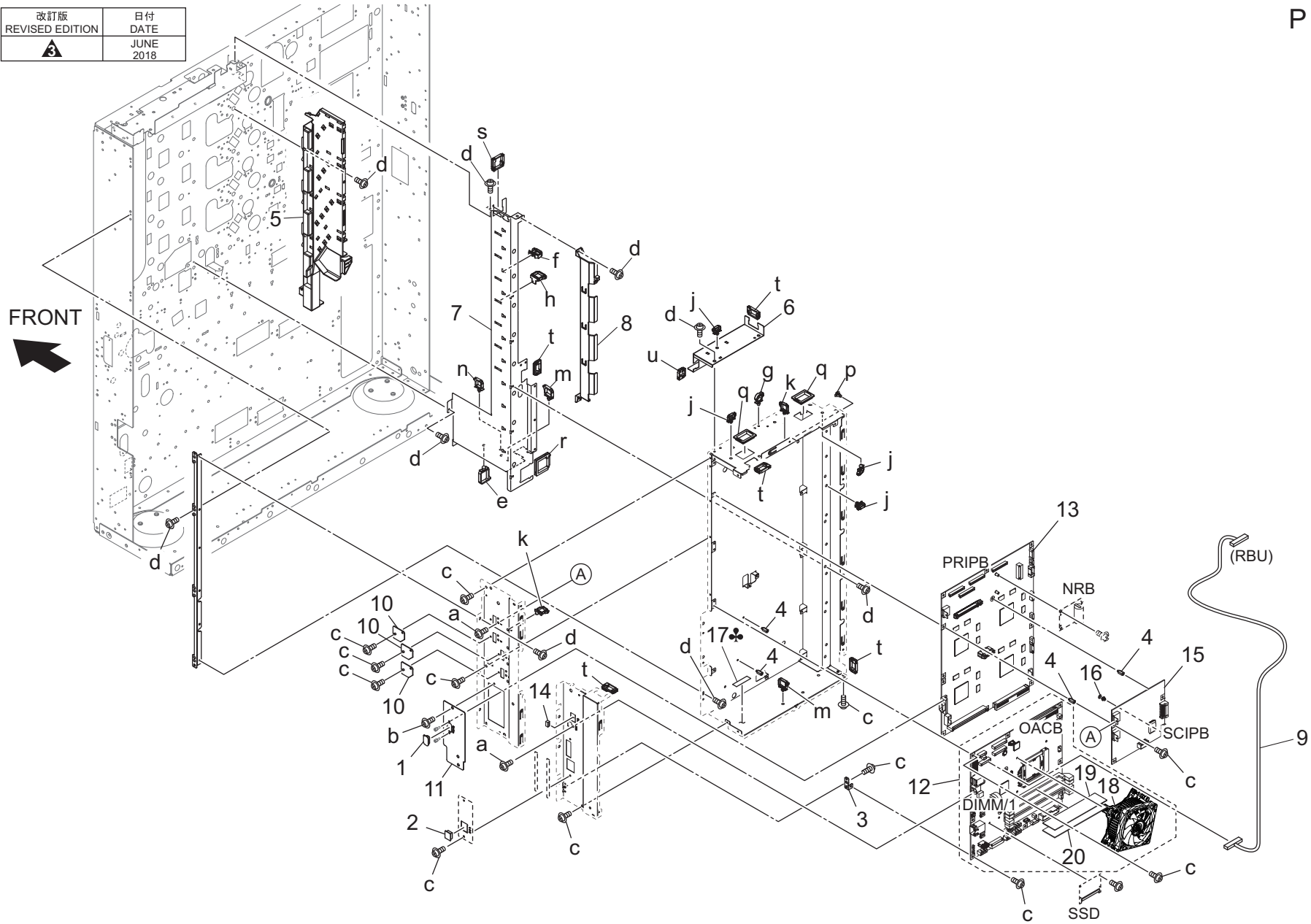
Rear Electrical Section



Key	Part No.	Description	Destinations	Class	QTY	Standard parts
1	55VA32480	MAGNET CATCH		C	4	a-V116040603
2	A02E262300	Plate spring		D	4	b-V118031803
3	A1RFM15100	Fan motor /1		C	1	c-V126030603
4	A50U130502	Processing Cover /Lower		D	1	d-V127030604
5	A50U734100	Guide Screw		D	4	e-V217060001
6	A50U737302	Fixing Screw /1		D	4	f-V500010071
7	A50U737401	Mounting Stay /2		D	1	g-V500010072
8	A50U737601	Guide Part /11		D	1	h-V500010082
9	A50U737700	Guide Part /12		D	1	j-V500010084
10	A50U749401	Mounting Stay /Rear		D	1	k-V500020085
11	A50U749502	Mounting Stay /1		D	1	m-V500020098
12	A50U749600	Idler Sleeve /1		D	2	n-V500020101
13	A50U749700	Idler Sleeve /2		D	1	p-V501010018
14	A50U749801	Positioning Sleeve /3		D	1	q-V570010059
15	A50U753100	Pressing Spring		D	3	r-V570010063
16	A85C137100	Cooling Duct		D	1	s-V127030516
17	A85CN10A01	Fixing Relay harness /A		D	1	t-V500010083
18	A85CN27400	ImageProcessing Relay harness /1		D	1	
19	20ER73110E	Board Fixing Screw		D	12	
20	A4EU138000	Support Rubber		D	12	
21	A50U133302	Mounting Plate /C		C	1	
22	A50U133500	Mounting Plate /B		D	2	
23	A50U133600	Mounting Plate /A		D	2	
24	A50UN29900	Power source Cable /H		D	1	
25	A799M72000	HDD		I	3	
26	A85CN29700	Signal Cable /1		D	1	
27	A85CN29800	Signal Cable /2		D	1	

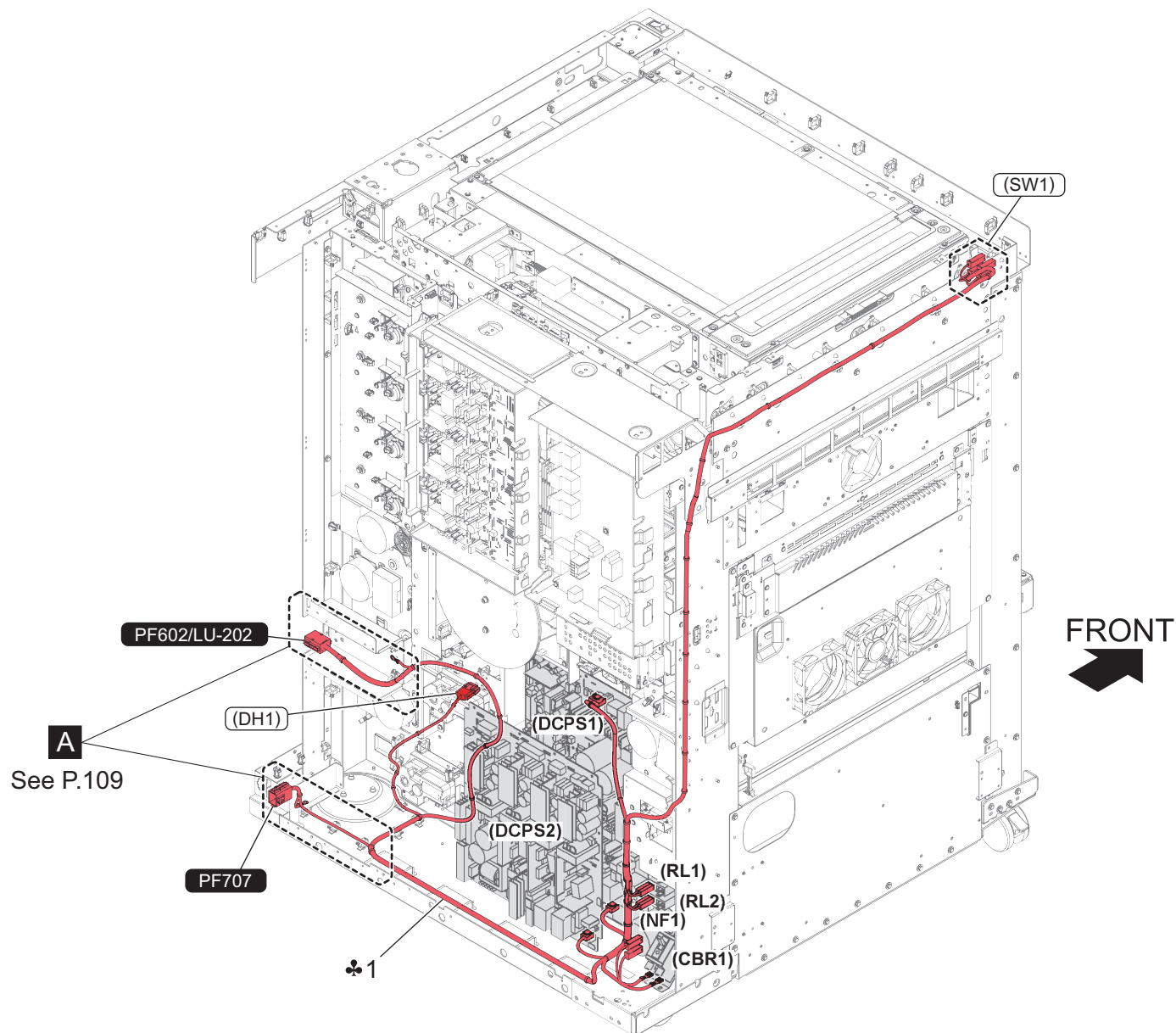
Rear Electrical Section

改訂版 REVISED EDITION	日付 DATE
	JUNE 2018

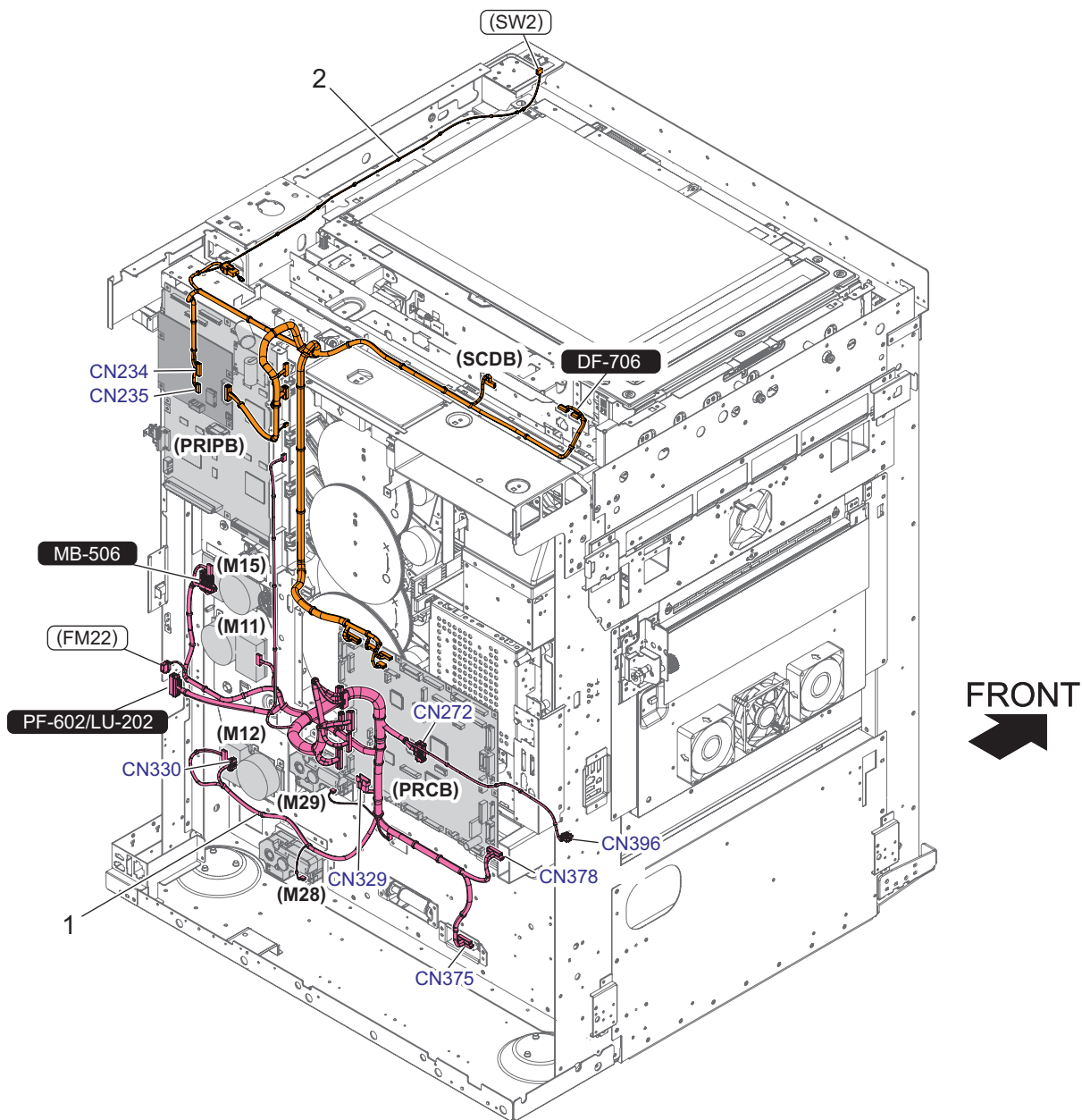


Rear Electrical Section

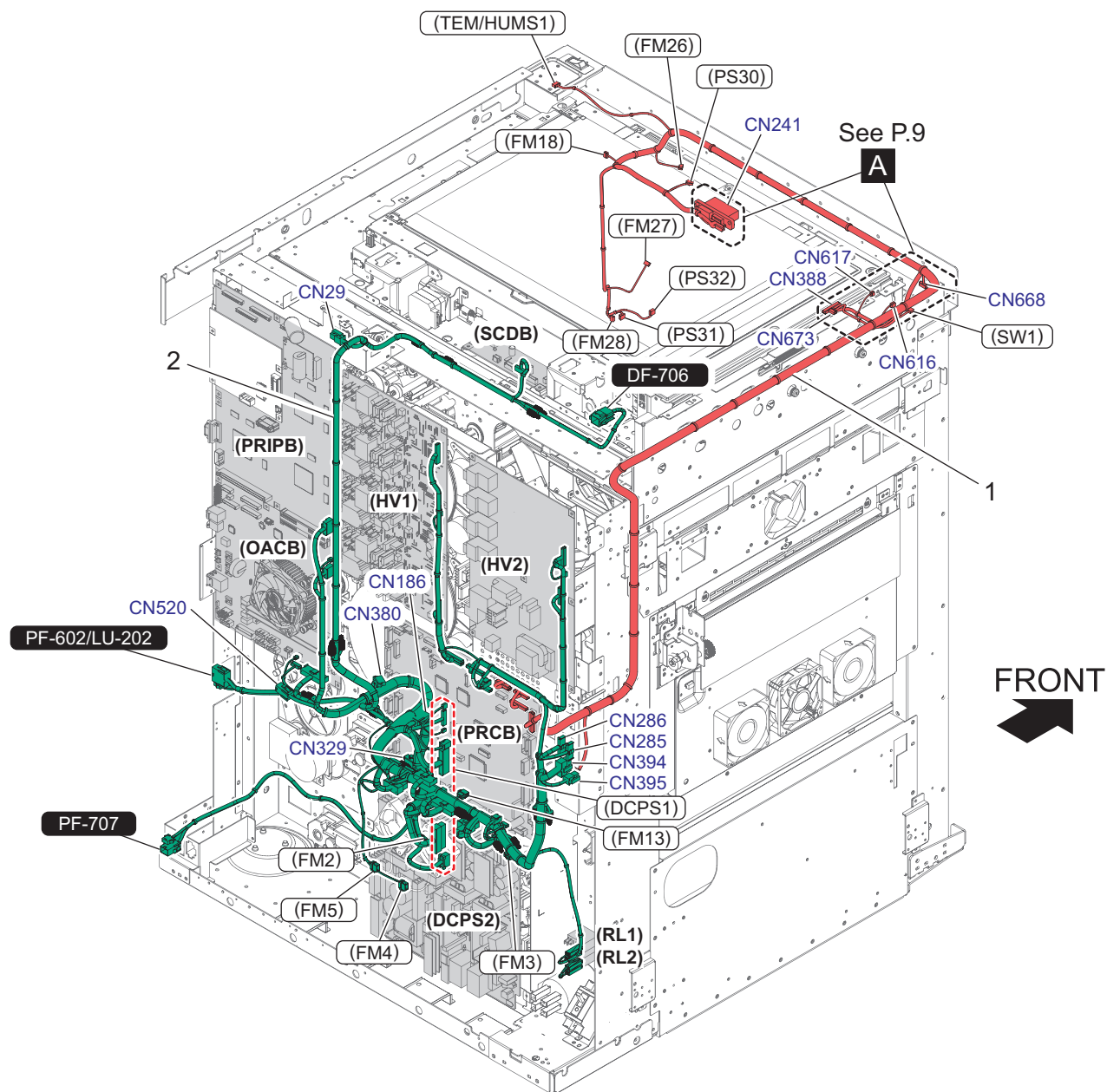
Key	Part No.	Description	Destinations	Class	QTY	Standard parts
1	13RN73120	Terminal Protection Cover /1		D	1	a-V111030603
2	40LA73840	Contact Protection Cover		D	1	b-V121030416
3	A50U130300	Mounting Plate Outside		D	1	c-V127030516
4	A50U133400	Mounting Screw /B		D	4	d-V127030604
5	A50U133901	Wiring Guide /Right Rear		D	1	e-V500010063
6	A50U134701	Wiring Guide /P		D	1	f-V500010071
7	A50U134801	Cover Plate /1		D	1	g-V500010076
8	A50U136302	Wiring Guide /2		D	1	h-V500010079
9	A50UN29201	Relay Wiring /U		D	1	j-V500010082
10	A85C130700	Cover /1		D	3	k-V500010083
11	A85C136200	Cover /2		D	1	m-V500010084
12	A85EH01104	Main Body Control Board assy		I	1	n-V500020100
13	A85CH02002	Image Processing Board /M ASSY		I	1	p-V502010062
14	A85CM90400	Gasket /4		D	1	q-V570010038
15	A85CH10003	Image Processing Board /S ASSY		I	1	r-V570010048
16	V502010065	Mini Card Spacer		D	1	s-V570010058
17	A0E7946700	Caution Label	H	C	1	t-V570010059
18	A4EUM77000	Radiator /1		D	1	u-V570010060
19	V865300086	Memory Modules		C	1	
20	V865300088	Memory Modules		C	1	



Key	Part No.	Description	Destinations	Class	QTY	Standard parts
1	A5VMN10101	AC Wiring /3	A C 束線 /3	D	1	
1	A85CN10F00	AC Wiring /3	A C 束線 /3	D	1	

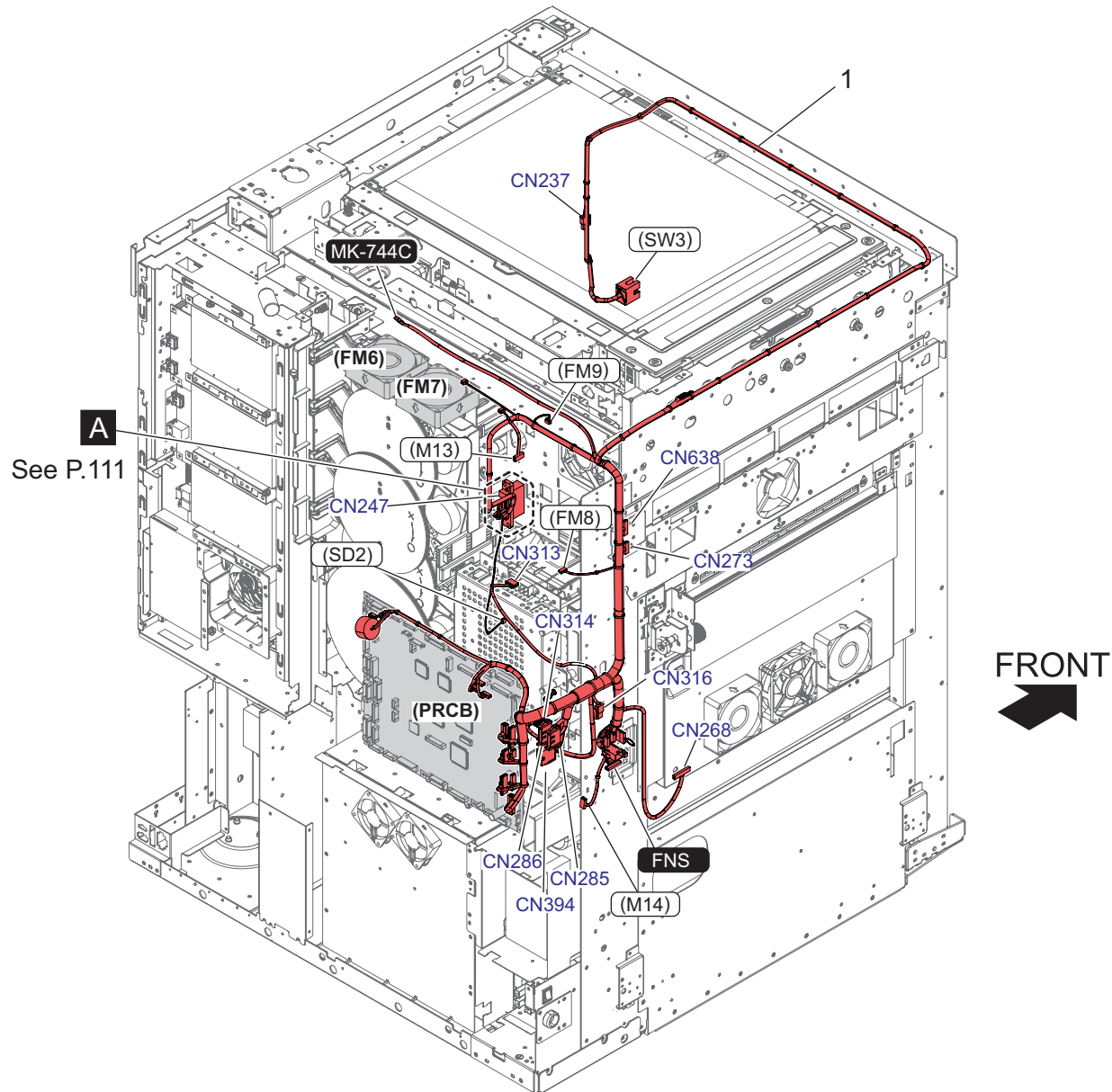


FRONT
↓



FRONT

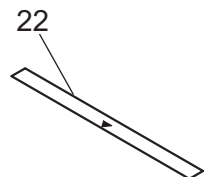
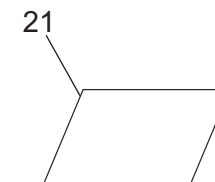
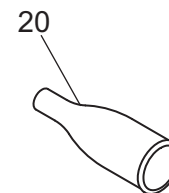
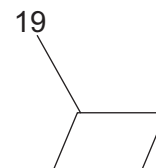
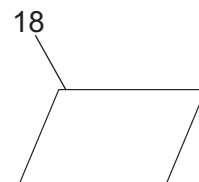
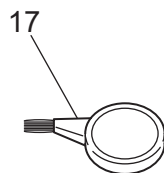
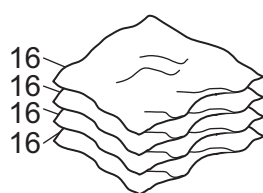
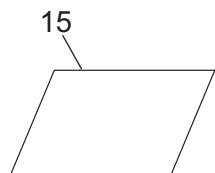
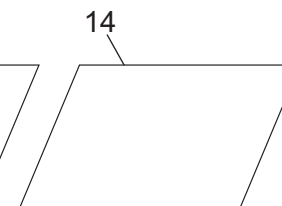
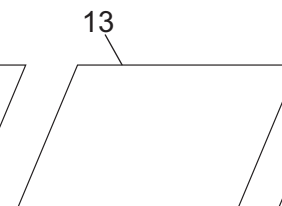
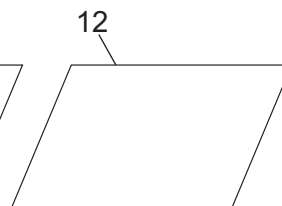
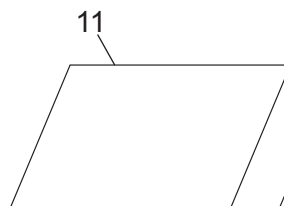
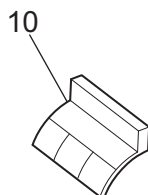
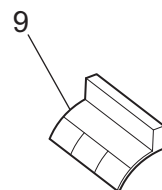
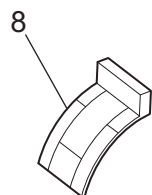
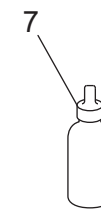
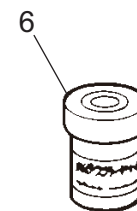
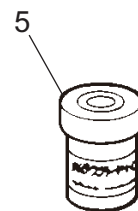
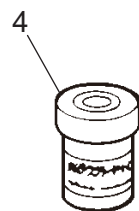
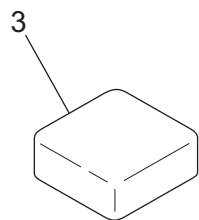
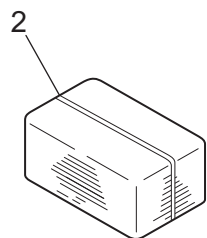
Key	Part No.	Description	Destinations	Class	QTY	Standard parts
1	A50UN12702	Main body Wiring /4		D	1	
2	A9CUN10302	DC Power source harness /1		D	1	



FRONT
↓


Jigs

P 119

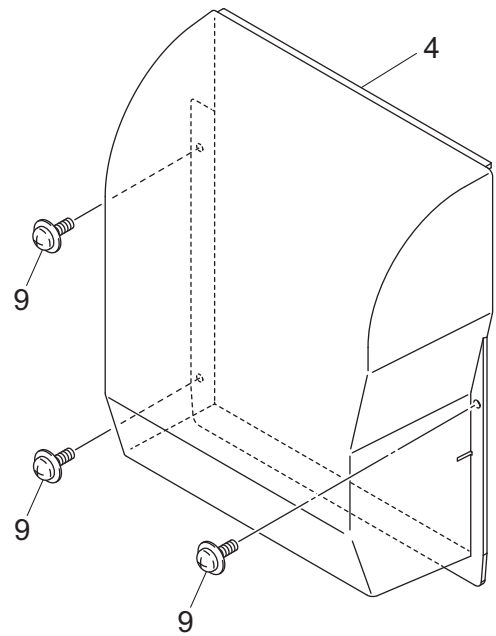
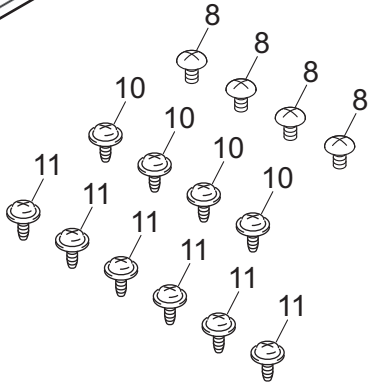
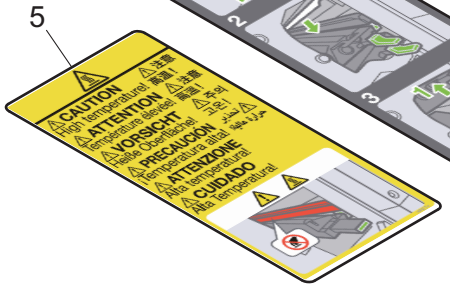
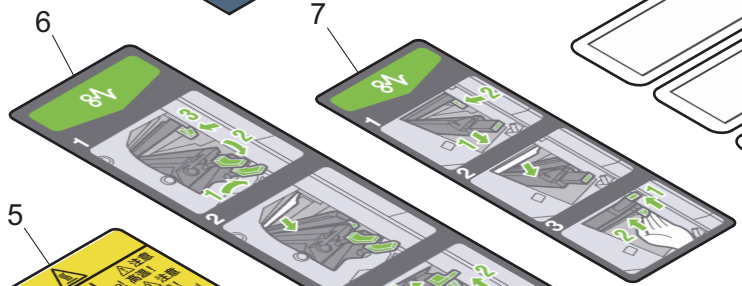
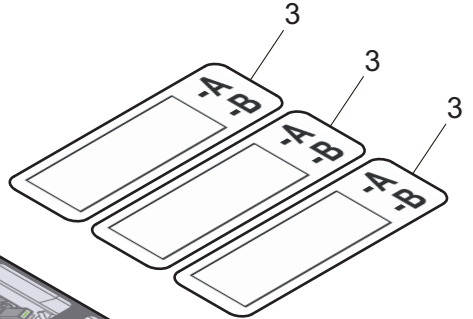
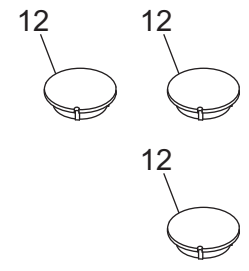
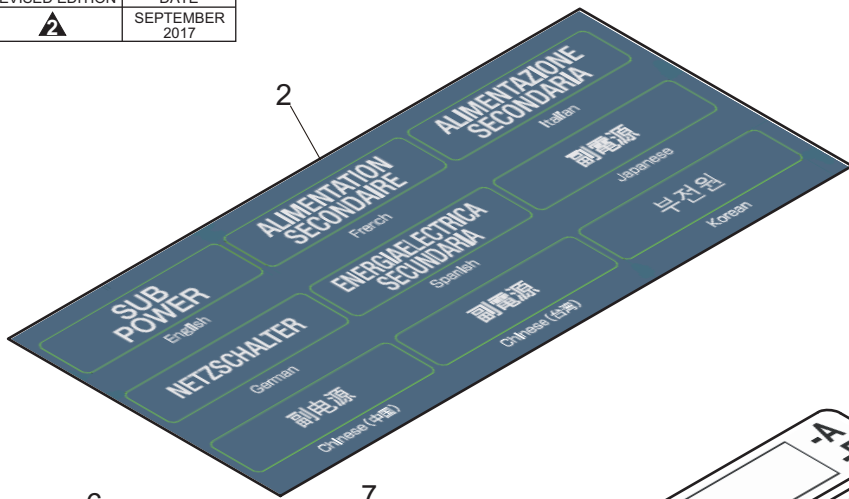


Key	Part No.	Description	Destinations	Class	QTY	Standard parts
1	A50UPP0100	Setting Toner No.2		S	1	
2	A5AWP00100	Cleaning Pad		S	1	
3	65AA-9920	HYDROWIPE		S	1	
4	00GR00260	Grease(Multemp FF-RM)		S	1	
5	00GR00020	Grease(Plas Guard No.1)		S	1	
6	00GR00220	Grease(Molykote EM-30L Grease)		S	1	
7	A4EUPP0000	MHSURF FT-240	B,C,D1,D3,E,F2,G1,G2,I,J,K	S	1	
8	A50UPJG300	Positioning Jig /C (Temperature Sensor)	C,D1,D3(only NEW ZEALAND),F2,G1,G2,H,I,J	S	1	
9	A50UPJG100	Positioning Jig /A (TS1/2)		S	1	
10	A50UPJG200	Positioning Jig /B (TS3)		S	1	
11	9J06PJP100	Color chart/A3 size		S	1	
12	9J06PJP200	Color chart/11x17size		S	1	
13	A79JPJP000	Test chart/A3 size		S	1	
14	A79JPJP100	Test chart/11x17 size		S	1	
15	65AA99500	AJUST PAPER FOR FIXING UNIT(16SHEET S)		S	1	
16	00VC-2-00	Drum Cover		S	4	
17	00VD-1000	Blower Brush		S	1	
18	A782945000	Adjusting Sheet		S	1	
19	A8WC707100	Adjusting Sheet		S	1	
20	A1DUPJG100	Cleaning Jig		S	1	
21	120A97110	Adjustment chart/For DF		S	1	
22	9J06PJP100	DF reading chart		S	1	

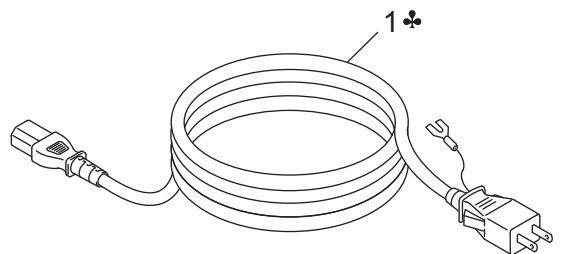
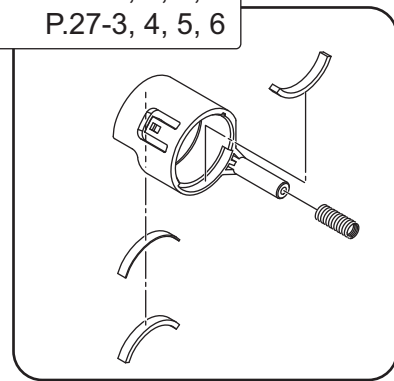
Accessory Parts

改訂版 REVISED EDITION	日付 DATE
	SEPTEMBER 2017

P 120



See P.24-3, 4, 5, 6
 P.25-3, 4, 5, 6
 P.26-3, 4, 5, 6
 P.27-3, 4, 5, 6



AccurioPrint C2060L

MAINTENANCE LIST

● The items with no Page/Key numbers are not handled as spare parts.

No.	Section	PM Parts Description	Maintenance Cycle (K=1,000)		Parts No.	Destinations	Page/Key	Note
			QTY	Replace				
1	External section	Deve. Dust-proof Filter/1	1	*1	A50U168901		P5-27	
2		Deve. Dust-proof Filter/2	1	*1	A50U169501		P5-29	
3		PH dust-proof filter	1	*1	A50U168801		P5-26	
4		Electric component cooling filter	1	*1	A50U109900		P8-22	
5		Suction dust-proof filter	1	*1	A50U164901		P2-21	
6		Filter box	1	*1	A50UR70A12		P11-29	
7	Photo conductor section	Drum unit/Y	1	*1				
8		Drum unit/M	1	*1				
9		Drum unit/C	1	*1				
10		Drum unit/K	1	*1				
11	Charging section	Charging corona/Y	1	*1	A50UR70311		P22-1	
12		Charging corona/M	1	*1	A50UR70311		P22-1	
13		Charging corona/C	1	*1	A50UR70311		P22-1	
14		Charging corona/K	1	*1	A50UR70311		P22-1	
15	Developing section	Developing unit/Y	1	*1	A50UR70244		P24-10	
16		Developing unit/M	1	*1	A50UR70244		P25-10	
17		Developing unit/C	1	*1	A50UR70244		P26-10	
18		Developing unit/K	1	*1	A50UR70244		P27-10	
19		Developer/Y	1	*1				
20		Developer/M	1	*1				
21		Developer/C	1	*1				
22		Developer/K	1	*1				
23	Intermediate transfer section	Toner collection sheet	1	*1	A1DUR71C00		P41-11	
24		Belt cleaning blade	1	*1	A50UR70K11		P41-16	
25		2nd transfer roller/Up	1	*1	A50U500401		P38-14	
26		Intermediate transfer belt	1	*1	A1DU504203		P38-10	
27		1st transfer roller/Y	1	*1	A50U501201		P39-9	
28		1st transfer roller/M	1	*1	A50U501201		P39-9	
29		1st transfer roller/C	1	*1	A50U501201		P39-9	
30		1st transfer roller/K	1	*1	A50U501201		P39-9	
31		Transfer belt cleaning unit	1	*1	A50UR70633		P36-1	
32		Transfer belt separation claw	3	880K	A1DUR71900		P39-8	
33		Belt separation claw solenoid (SD2)	1	1,760K	26NA82513		P7-2	
34		Transfer roller bearing/Y, transfer roller bearing/M,	6	*1	65AA26380		P39-3	
35		Transfer roller bearing/K	2	*1	A50U505700		P39-15	
36		Side seal	2	*1	A50U531601		P41-15	
37		2nd transfer roller/Lw	1	*1	A50U520001		P59-1	
38		Separation discharging unit	1	*1	A50UR70B00		P59-8	
39		2nd transfer earth plate assy	2	*1	A50UR70G01		P82-20	
40		C-clip	2	*1	V218060086		P59-c	
41	Toner collection section	Waste toner box	1	130K	A50UR70115		P34-16	
42	Paper feed section	Paper feed roller rubber/1, paper feed roller rubber/2	2	125K	25SA40960		P70-3/P73-3	
43		Separation roller rubber/1, separation roller rubber/2	2	125K	25SA40960		P68-1/P71-1	
44		Pick-up roller/1, pick-up roller/2	2	800K	A1DUR71J00		P70-19/P73-19	
45		Paper feed clutch/1 (CL1), paper feed clutch/2 (CL2)	2	2,000K	56AA82012		P70-13/P73-13	
46		Pre-registration clutch/1 (CL3), pre-registration clutch/2	2	2,000K	56AA82012		P69-21/P72-21	
47		Vertical conveyance section	Intermediate conveyance clutch/1 (CL5)	1	2,000K	56AA82012		P81-5
48	Registration section	Registration cleaning sheet assy	1	600K	A50UR70D01		P103-31	
49		Registration roller	1	1,400K	A50U710101		P101-7	
50		Registration roller bearing	2	1,400K	A03U812800		P101-6	
51		Registration idler gear	1	2,800K	A50U713700		P87-10	

No.	Section	PM Parts Description	Maintenance Cycle (K=1,000)		Parts No.	Destinations	Page/Key	Note
			QTY	Replace				
52	Fusing section	Fusing belt	1	600K	A50U765000		P49-31	
53		Heat insulating sleeve/Lw1, heat insulating sleeve/	4	600K	A50U756300		P46-15/P49-30	
54		Fusing gear/1	1	600K	A50U752700		P46-11	
55		Fusing gear/3	1	600K	A50U752200		P44-29	
56		Fusing Roller/1	1	1,200K	A50U720123		P49-7	
57		Fusing roller/Lw	1	1,200K	A50U765500		P46-17	
58		Belt regulating sleeve	2	1,200K	A50U724102		P49-11	
59		Fusing paper exit roller/Up	2	1,200K	A1DU722500		P50-8	
60		Heat insulating sleeve/Up	2	1,200K	A03U729500		P49-4	
61		Fusing bearing/Lw1, fusing bearing/Lw2	4	1,200K	26NA53712		P46-2/P49-1	
62		Fusing Roller/2	1	1,200K	A50U720501		P49-8	
63		Fusing bearing/Up	2	1,200K	A1UD723500		P49-6	
64		Fusing gear/2	1	1,200K	A03U809500		P49-5	
65		Fusing separating claw assy	5	1,200K	A50UR72U11		P50-35	
66		Neutralizing ring	1	1,200K	A50U733712		P49-23	
67	Neutralizing flat spring assy	1	1,200K	A85CR70M00		P49-36		
68	Fusing heater lamp assy/Up (Japan)	1	3,000K	A85CM31E00	B,G2	P49-37		
69	Fusing heater lamp assy/Up (Japan)	1	3,000K	A85CM31F00	C,D1,D3,E,F2,G1,H,I,J	P49-37		
70	Fusing temperature sensor/3 (TH3)	1	3,000K	A50UR70F00		P48-20		
71	Fusing temperature sensor/4 (TH4)	1	3,000K	A50UR70E11		P45-9		
72	Duplex section	Intermediate conveyance clutch/2 (CL6)	1	2,000K	56AA82012		P86-9	
73		Intermediate conveyance clutch/3 (CL7)	1	2,000K	56AA82012		P86-9	
74	Reverse exit section	Reverse de-curler roller	1	400K	A50U860501		P98-17	
75		Paper exit de-curler roller	1	1000K	A50U890802		P105-19	
76		Paper exit drive gear	1	1000K	A03U909502		P105-12	
77		Paper exit gear	1	1000K	A50U899700		P105-31	
78	Rear electrical section	Charging roller/Up	1	*1	A85C899000		P108-21	
79		Charging roller bushing/Fr	1	3,150K	A1RF508900		P108-5	
80		Charging roller bushing/Rr	1	3,150K	A85C897201		P108-17	

*1: See Service Manual F-4 LIFE VALUE.

メンテナンスリスト

● ページ / キーナンバーのないものは、アフターサービス部品ではありません。

No.	区分	P M 部品名称	サイクル (K=1,000)		部品番号	仕向地	頁 / キー	備考
			員数	交換				
1	外装部	現像防塵フィルター / 1	1	*1	A50U168901		P5-27	
2		現像防塵フィルター / 2	1	*1	A50U169501		P5-29	
3		PH 防塵フィルター	1	*1	A50U168801		P5-26	
4		電装冷却フィルター	1	*1	A50U109900		P8-22	
5		吸気防塵フィルター	1	*1	A50U164901		P2-21	
6		フィルターボックス	1	*1	A50UR70A12		P11-29	
7	感光体部	ドラムユニット / Y	1	*1				
8		ドラムユニット / M	1	*1				
9		ドラムユニット / C	1	*1				
10		ドラムユニット / K	1	*1				
11	帯電部	帯電極 / Y	1	*1	A50UR70311		P22-1	
12		帯電極 / M	1	*1	A50UR70311		P22-1	
13		帯電極 / C	1	*1	A50UR70311		P22-1	
14		帯電極 / K	1	*1	A50UR70311		P22-1	
15	現像部	現像ユニット / Y	1	*1	A50UR70244		P24-10	
16		現像ユニット / M	1	*1	A50UR70244		P25-10	
17		現像ユニット / C	1	*1	A50UR70244		P26-10	
18		現像ユニット / K	1	*1	A50UR70244		P27-10	
19		現像剤 / Y	1	*1				
20		現像剤 / M	1	*1				
21		現像剤 / C	1	*1				
22		現像剤 / K	1	*1				
23	中間転写部	トナー回収シート	1	*1	A1DUR71C00		P41-11	
24		転写ベルトクリーニングブレード	1	*1	A50UR70K11		P41-16	
25		2次転写ローラー / Up	1	*1	A50U500401		P38-14	
26		中間転写ベルト	1	*1	A1DU504203		P38-10	
27		1次転写ローラー / Y	1	*1	A50U501201		P39-9	
28		1次転写ローラー / M	1	*1	A50U501201		P39-9	
29		1次転写ローラー / C	1	*1	A50U501201		P39-9	
30		1次転写ローラー / K	1	*1	A50U501201		P39-9	
31		転写ベルトクリーニングユニット	1	*1	A50UR70633		P36-1	
32		転写ベルト分離爪	3	880K	A1DUR71900		P39-8	
33		ベルト分離爪ソレノイド (SD 2)	1	1,760K	26NA82513		P7-2	
34		転写ローラー軸受 / Y、 / M、 / C	6	*1	65AA26380		P39-3	
35		転写ローラー軸受 / K	2	*1	A50U505700		P39-15	
36		サイドシール	2	*1	A50U531601		P41-15	
37		2次転写ローラー / L w	1	*1	A50U520001		P59-1	
38		分離放電板ユニット	1	*1	A50UR70B00		P59-8	
39		2次転写アース板 A s s y	2	*1	A50UR70G01		P82-20	
40		C クリップ	2	*1	V218060086		P59-c	
41	トナー回収部	廃棄トナーボックス	1	130K	A50UR70115		P34-16	
42	給紙部	給紙ローラーゴム / 1、 / 2	2	125K	25SA40960		P70-3/P73-3	
43		分離ローラーゴム / 1、 / 2	2	125K	25SA40960		P68-1/P71-1	
44		ピックアップローラー / 1、 / 2	2	800K	A1DUR71J00		P70-19/P73-19	
45		給紙クラッチ / 1 (CL 1)、 / 2 (CL 2)	2	2,000K	56AA82012		P70-13/P73-13	
46		プレジストクラッチ / 1 (CL 3)、 / 2	2	2,000K	56AA82012		P69-21/P72-21	
47		垂直搬送部	中間搬送クラッチ / 1 (CL 5)	1	2,000K	56AA82012		P81-5
48	レジスト部	レジスト清掃シート A s s y	1	600K	A50UR70D01		P103-31	
49		レジストローラー	1	1,400K	A50U710101		P101-7	
50		レジストローラー軸受	2	1,400K	A03U812800		P101-6	
51		レジストアイドラーギア	1	2,800K	A50U713700		P87-10	

No.	区分	P M 部品名称	サイクル (K=1,000)		部品番号	仕向地	頁 / キー	備考
			員数	交換				
52	定着部	定着ベルト	1	600K	A50U765000	B,G2 C,D1,D3,E,F2,G1,H,I,J,K	P49-31	
53		断熱スリーブ / L w 1、 / L W 2	4	600K	A50U756300		P46-15/P49-30	
54		定着ギア / 1	1	600K	A50U752700		P46-11	
55		定着ギア / 3	1	600K	A50U752200		P44-29	
56		定着ローラ / 1	1	1,200K	A50U720123		P49-7	
57		定着ローラ / L w	1	1,200K	A50U765500		P46-17	
58		ベルト 規制スリーブ	2	1,200K	A50U724102		P49-11	
59		定着排紙ローラ / U p	2	1,200K	A1DU722500		P50-8	
60		断熱スリーブ / U p	2	1,200K	A03U729500		P49-4	
61		定着軸受 / L w 1、 / L w 2	4	1,200K	26NA53712		P46-2/P49-1	
62		定着ローラ / 2	1	1,200K	A50U720501		P49-8	
63		定着軸受 / U p	2	1,200K	A1UD723500		P49-6	
64		定着ギア / 2	1	1,200K	A03U809500		P49-5	
65		定着分離爪 Ass y	5	1,200K	A50UR72U11		P50-35	
66		除電リング	1	1,200K	A50U733712		P49-23	
67	除電板バネ Ass y	1	1,200K	A85CR70M00	P49-36			
68	定着ヒーターランプ Ass y / U p	1	3,000K	A85CM31E00	P49-37			
69	定着ヒーターランプ Ass y / U p	1	3,000K	A85CM31F00	P49-37			
70	定着温度センサ / 3 (T H 3)	1	3,000K	A50UR70F00	P48-20			
71	定着温度センサ / 4 (T H 4)	1	3,000K	A50UR70E11	P45-9			
72	両面部	中間搬送クラッチ / 2 (C L 6)	1	2,000K	56AA82012	P86-9		
73		中間搬送クラッチ / 3 (C L 7)	1	2,000K	56AA82012	P86-9		
74	反転 / 排紙部	反転デカローラローラ	1	400K	A50U860501	P98-17		
75		排紙デカローラローラ	1	1000K	A50U890802	P105-19		
76		排紙駆動ギア	1	1000K	A03U909502	P105-12		
77		排紙ギア	1	1000K	A50U899700	P105-31		
78	電荷制御部	帯電ローラ / U p	1	*1	A85C899000	P108-21		
79		帯電ローラ軸受 / F r	1	3,150K	A1RF508900	P108-5		
80		帯電ローラ軸受 / R r	1	3,150K	A85C897201	P108-17		

*1: サービスマニュアル F-4 「 ライフ 値 の 考 え 方 」 参 照

DESTINATION

Destination No.		Destinations		V	Hz	Model No.
A	A1	JAPAN				
	A2	JAPAN				
B		USA, CANADA		208-240	60	A9CU011
C		EUROPEAN TYPE		220-240	50/60	A9CU021
D	D1	S.E ASIA TYPE	THAILAND, SRI LANKA, SINGAPORE, MALAYSIA, HONG KONG, PAKISTAN, INDIA, BANGLADESH, INDONESIA	220-240	50/60	A9CU041
	D3	OCEANIA TYPE	AUSTRALIA, NEW ZEALAND	220-240	50/60	A9CU051
E		PHILIPPINES		220-240	50/60	A9CU041
F	F1	SAUDI ARABIA				
	F2	SAUDI ARABIA		220-240	50/60	A9CU041
G	G1	C.S AMERICA		220-240	50/60	A9CU041
	G2	C.S AMERICA		208-240	60	A9CU011
H		TAIWAN		220-240	50/60	A9CU041
I		JORDAN, LEBANON, SYRIA, SOUTH AFRICA, IRAQ, IRAN, N.YEMEN, CAMEROON, UAE, BAHRAIN, OMAN, QATAR, KUWAIT, KENYA, TUNISIA, IVORY COAST, MOROCCO		220-240	50/60	A9CU021/ A9CU041
J		CHINA		220	50/60	A9CU081
K		KOREA		220-240	50/60	A9CU041

AccurioPrint C2060L