

KONICA MINOLTA

PARTS GUIDE MANUAL

JUNE 2018

AccurioPrint C3070L *AAC4*

INFORMATION FOR PARTS GUIDE MANUAL

To find correct Parts No., refer to the "HOW TO MAKE THE BEST USE OF THIS MANUAL" in the following page.

HOW TO MAKE THE BEST USE OF THIS MANUAL

- 1 When you order, please check the proper figures beforehand that are on Our Parts Guide Manual, and order with the appropriate figures.
- 2 For screws, Nuts, Washers, retaining rings and Pins which are used in this model, one letter is shown on the Standard parts column of Parts list and exploded diagrams.
- 3 In order to maintain safety of the product, some specific parts composed of this product are set up as "essential safety parts".
- 4 The assigned parts number for the "essential safety parts" is indicated as "SP00-****".
When replacing these parts, follow precautions for disassembling and installing which are listed in the Service Manual.
Do not use any parts that are not set up as
- 5 ♣ means that there are exclusive parts for each destination.
Please check the appropriate destination when you order.
- 6 Revision Mark
Marked as ▲ on the illustration shows that the revision has been made.
- 7 All rights reserved. (any reprints or quotations are prohibited.)
Use of this parts guide manual should be strictly supervised to avoid disclosure of confidential information.

パーツガイド マニュアルのご案内

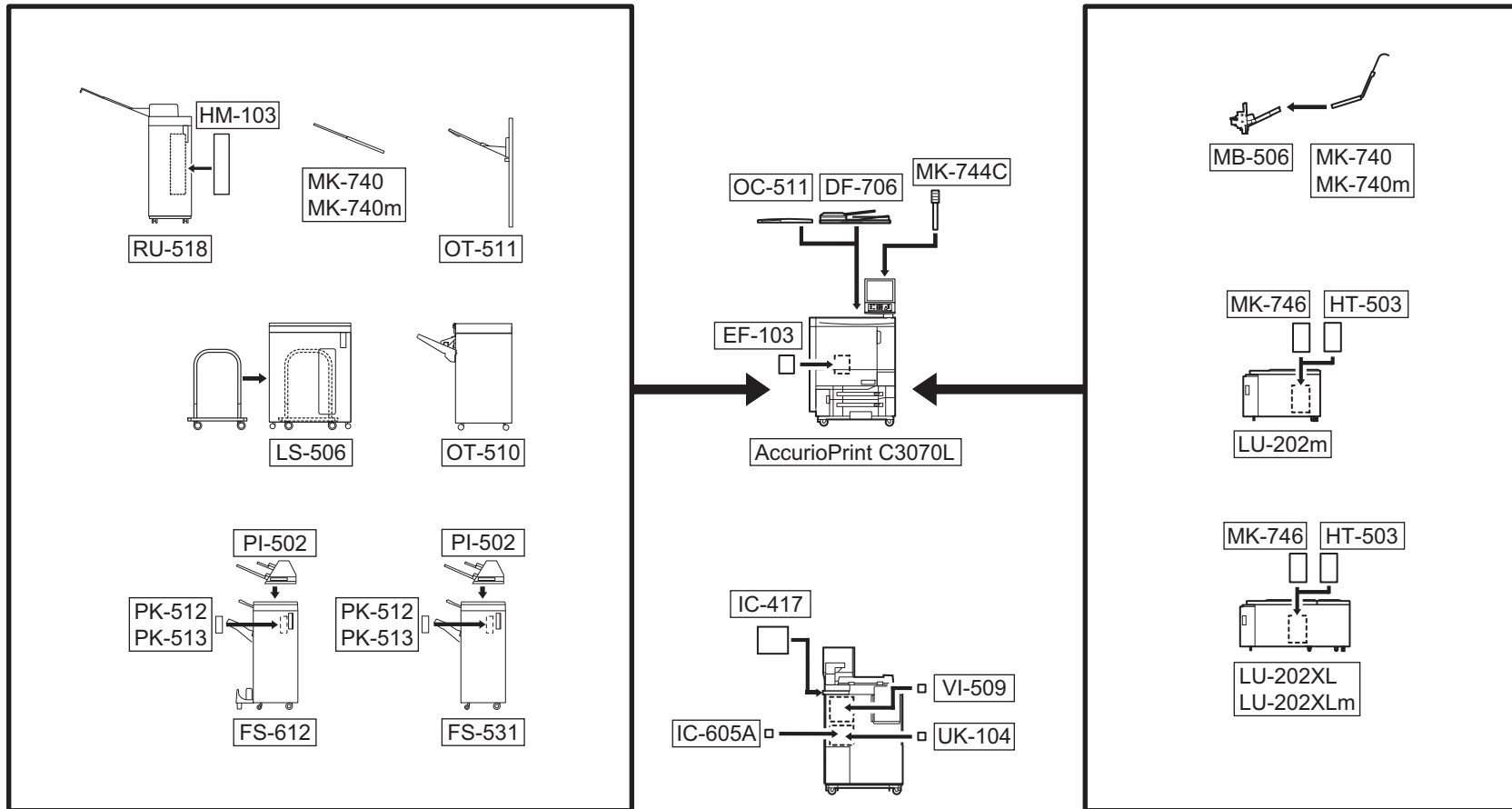
サービス部品をご発注の際には、下記に示す“パーツガイド マニュアルの活用にあたって”をご参照の上、正しい部品番号にてお願い致します。

パーツガイド マニュアルの活用にあたって

- 1 部品発注の際には、掲載されている部品番号の桁数を確認し、掲載されている桁数で発注願います。
- 2 この製品に使用されているネジ、ナット、ワッシャー、止め輪、ピンなどは、リストの右側の Standard parts 欄に a,b,c,…… で表示し、イラストにも a,b,c,…… 表示してあります。
- 3 製品の安全性を維持する為に、製品に使用される特定の部品を「重要保安部品」として設定しています。
- 4 重要保安部品の部品番号は、“SP00-****”と記載されていますので、部品交換時は、サービスマニュアル記載の分解・組み立ての注意事項に従って作業をして下さい。
また、指定以外の部品は一切使用しないで下さい。
- 5 本文に ♣ が表示されている部品は、仕向け地毎に専用部品がある事を意味しています。
オーダーされる時は、仕向け地を確認して下さい。
- 6 改訂記号について
イラスト上に ▲ 印が表示されている部分は、改訂された事を表します。
- 7 著作権所有（無断転載及び無断引用の禁止）
本パーツガイド マニュアルについては、機密保持等その扱いには十分注意して下さい。万一取り扱いを誤った場合には、法律で処罰されることがあります。

11/21/2017

System Configuration



AccurioPrint C3070L

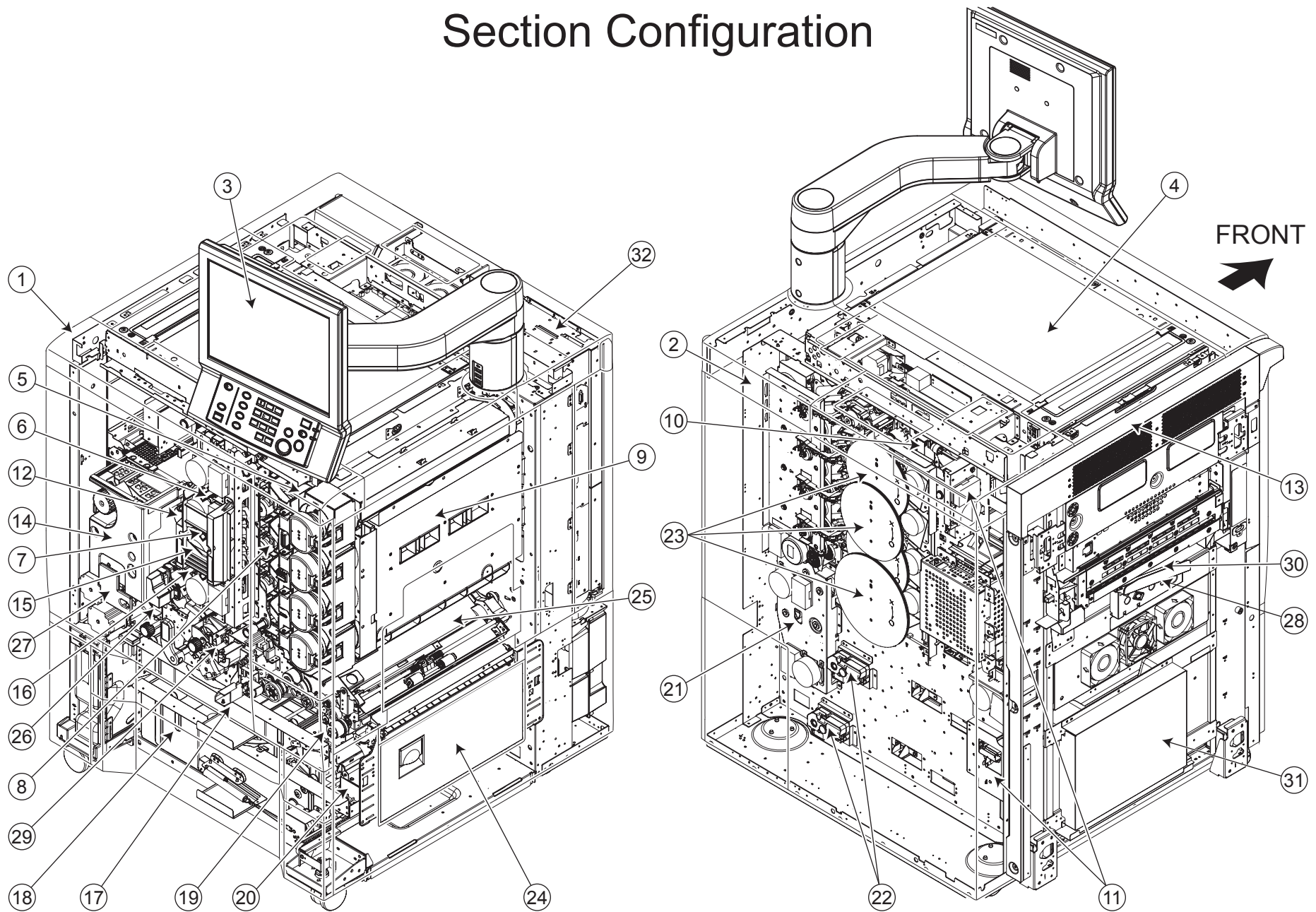
GENERAL CONTENTS

| No. | Description | Model |
|-----|------------------------|---------------------|
| 1 | Digital MFP Color | AccurioPrint C3070L |
| 2 | Document Feeder | DF-706 |
| 3 | Envelop Fusing Unit | EF-103 |
| 4 | Finisher/Sorter | FS-531 |
| 5 | Finisher/Sorter | FS-612 |
| 6 | Humidifier | HM-103 |
| 7 | Heater | HT-503 |
| 8 | Image Controller | IC-417 |
| 9 | Image Controller | IC-605A |
| 10 | Large Capacity Stacker | LS-506 |
| 11 | Paper Feeder | LU-202m |
| 12 | Paper Feeder | LU-202XL |
| 13 | Paper Feeder | LU-202XLm |
| 14 | Bypass Tray | MB-506 |
| 15 | Mount Kit | MK-740/MK-740m |
| 16 | Mount Kit | MK-744/MK-744C |
| 17 | Mount Kit | MK-746 |
| 18 | Original Cover | OC-511 |
| 19 | Output Tray | OT-510 |
| 20 | Output Tray | OT-511 |
| 21 | Post Inserter | PI-502 |
| 22 | Punch Unit | PK-512 |

AccurioPrint C3070L

| No. | Description | Model |
|------------|--------------------|--------------|
| 23 | Punch Unit | PK-513 |
| 24 | Relay Unit | RU-518 |
| 25 | Other Option | UK-104 |
| 26 | Video IF Kit | VI-509 |

Section Configuration



AccurioPrint C3070L

CONTENTS

| No. | DESCRIPTION | 名称 | PAGE No. |
|-----|----------------------------------|-----------|--|
| 1 | External Parts Section | 外装部 | P1 P2 P3 P4 |
| 2 | Main Frame Section | 骨格部 | P5 P6 P7 P8 P9 P10 P11 P12 P13 |
| 3 | Operation Panel Section | 操作部 | P14 P15 P16 |
| 4 | Scanner Section | スキャナ一部 | P17 P18 P19 P20 |
| 5 | Write Section | 書き込み部 | P21 |
| 6 | Charging Section | 帯電部 | P22 |
| 7 | Photo Conductor Section | 感光体部 | P23 |
| 8 | Developing Section | 現像部 | P24 P25 P26 P27 |
| 9 | Toner Supply Section | トナー補給部 | P28 P29 P30 P31 P32 |
| 10 | Toner Collection Section | トナー回収部 | P33 P34 |
| 11 | Toner Collection Driving Section | トナー回収駆動部 | P35 |
| 12 | Intermediate Transfer Section | 中間転写部 | P36 P37 P38 P39 P40 P41 |
| 13 | Color Resist Section | 画像補正ユニット部 | P42 |
| 14 | Fusing Section | 定着部 | P43 P44 P45 P46 P47 P48 P49 P50 P51 |
| 15 | Process Carriage Section | プロセス架台部 | P52 P53 P54 P55 P56 P57 P58 |
| 16 | Secondary Transfer Section | 2次転写部 | P59 |
| 17 | Tray 1 Section | トレイ1 | P60 P61 P62 P63 |
| 18 | Tray 2 Section | トレイ2 | P64 P65 P66 P67 |
| 19 | Tray 1 Paper Feed Section | トレイ1 給紙部 | P68 P69 P70 |
| 20 | Tray 2 Paper Feed Section | トレイ2 給紙部 | P71 P72 P73 |
| 21 | Paper Feed Driving Section | 給紙駆動部 | P74 |
| 22 | Tray Driving Section | トレイ駆動部 | P75 |
| 23 | Drum Driving Section | ドラム駆動部 | P76 P77 P78 P79 |
| 24 | Vertical Conveyance Section | 垂直搬送部 | P80 P81 |
| 25 | Duplex Carriage Section | 両面架台部 | P82 P83 |
| 26 | Duplex Section | 両面部 | P84 P85 P86 P87 P88 P89 P90 P91 P92 P93 P94 P95 P96 |
| 27 | Duplex Swing Section | 両面揺動部 | P97 P98 |
| 28 | Reverse Section | 反転 | P99 P100 P101 |
| 29 | Resist Section | レジスト部 | P102 P103 P104 |
| 30 | Exit Section | 排紙部 | P105 P106 |
| 31 | Charge Control Section | 電荷制御部 | P107 P108 P109 |
| 32 | Rear Electrical Section | 背面電気部 | P110 P111 P112 P113 P114 P115 |
| 33 | Wiring | 束線 | P116 P117 P118 P119 |
| 34 | Service Tool | サービスツール | P120 |
| 35 | Accessory Parts | 同梱部品 | P121 P122 |

INDEX

| Parts No. | Page No. | Parts No. | Page No. | Parts No. | Page No. | Parts No. | Page No. | Parts No. | Page No. |
|------------|----------|------------|----------|------------|----------|------------|----------|------------|----------|
| 00GR00020 | 120-5 | 20AL48470G | 43-1 | 40AA32320 | 33-2 | 4470402401 | 84-2 | 55VA75540 | 69-3 |
| 00GR00220 | 120-6 | 20ER73110E | 114-20 | 40AA32320 | 35-4 | 4470402401 | 88-1 | 55VA75540 | 72-3 |
| 00GR00260 | 120-4 | 25AA10090 | 10-1 | 40AA32320 | 39-2 | 4470402401 | 89-1 | 55VA79030 | 68-4 |
| 00VC-2-00 | 120-12 | 25AA40100 | 70-2 | 40AA32320 | 41-2 | 4470402401 | 91-3 | 55VA79030 | 71-4 |
| 00VD-1000 | 120-13 | 25AA40100 | 73-2 | 40AA32320 | 53-1 | 4470402401 | 93-1 | 55VA90840 | 2-2 |
| 059076510 | 70-1 | 25AA47500 | 87-3 | 40AA32320 | 62-2 | 4470402401 | 95-1 | 55WA10300 | 10-2 |
| 059076510 | 73-1 | 25AA50080 | 90-3 | 40AA32320 | 66-2 | 4470402401 | 96-3 | 55WA10300 | 13-1 |
| 067642581 | 75-1 | 25AA77730 | 81-2 | 40AA32320 | 74-2 | 4470402401 | 97-1 | 55WA10310 | 10-3 |
| 07BA12352 | 29-1 | 25BA77171 | 31-2 | 40AA46261 | 100-3 | 4470402401 | 99-2 | 56AA10300 | 8-2 |
| 07BA12352 | 44-2 | 25SA40960 | 68-1 | 40AA77550 | 84-4 | 4470402401 | 100-1 | 56AA10300 | 9-2 |
| 07BA15871 | 37-2 | 25SA40960 | 70-3 | 40AA77550 | 100-4 | 4470402401 | 106-1 | 56AA12140 | 28-4 |
| 07BA15871 | 39-1 | 25SA40960 | 71-1 | 40AA85011 | 28-3 | 4470402401 | 108-1 | 56AA12160 | 28-5 |
| 08AA45230 | 41-1 | 25SA40960 | 73-3 | 40AA98020D | 84-5 | 4581162501 | 19-1 | 56AA12241 | 2-3 |
| 1154467001 | 90-1 | 25SA88461 | 111-1 | 40LA73840 | 115-2 | 462076010 | 87-1 | 56AA12270 | 34-5 |
| 120A97110 | 120-21 | 26NA17580 | 33-1 | 4109553001 | 69-1 | 466076020 | 31-1 | 56AA17090 | 86-2 |
| 12QR86011 | 28-2 | 26NA32660 | 32-1 | 4109553001 | 72-1 | 466076020 | 35-1 | 56AA17121 | 69-4 |
| 12QV40650 | 38-1 | 26NA32870 | 29-2 | 4109553001 | 91-1 | 466076020 | 96-1 | 56AA17121 | 72-4 |
| 12QV40650 | 40-1 | 26NA42061 | 68-2 | 4131253701 | 90-2 | 50GA250100 | 33-3 | 56AA17321 | 38-3 |
| 12QV40650 | 74-1 | 26NA42061 | 71-2 | 4131253701 | 91-2 | 55FA40320 | 70-4 | 56AA17321 | 91-5 |
| 12QV40650 | 76-2 | 26NA42560 | 68-3 | 4131253701 | 92-1 | 55FA40320 | 73-4 | 56AA17321 | 93-2 |
| 12QV40650 | 77-2 | 26NA42560 | 71-3 | 4131253701 | 96-2 | 55GA75031 | 50-1 | 56AA17321 | 100-5 |
| 12QV40650 | 78-2 | 26NA42560 | 80-1 | 4131253701 | 104-1 | 55GA77050 | 35-5 | 56AA17321 | 104-2 |
| 12QV40650 | 79-1 | 26NA47070 | 62-1 | 4131353202 | 84-1 | 55VA15541 | 86-1 | 56AA17490 | 93-3 |
| 12QV40650 | 84-3 | 26NA47070 | 66-1 | 4131353202 | 102-1 | 55VA20520 | 48-1 | 56AA17510 | 68-5 |
| 12QV40650 | 87-2 | 26NA53712 | 46-2 | 4139M10000 | 98-1 | 55VA20680 | 81-3 | 56AA17510 | 70-6 |
| 12QV40650 | 102-2 | 26NA53712 | 49-1 | 4470402401 | 8-1 | 55VA32480 | 114-1 | 56AA17510 | 71-5 |
| 12QV40650 | 109-1 | 26NA54230 | 83-2 | 4470402401 | 18-2 | 55VA32530 | 61-2 | 56AA17510 | 73-6 |
| 13NG45200 | 9-1 | 26NA82513 | 7-2 | 4470402401 | 28-1 | 55VA32530 | 65-2 | 56AA17531 | 51-1 |
| 13QA40610 | 35-3 | 26TA32970 | 29-3 | 4470402401 | 34-2 | 55VA40600 | 62-3 | 56AA17551 | 66-3 |
| 13QA40610 | 52-1 | 26TA32990 | 29-4 | 4470402401 | 37-1 | 55VA40930 | 61-3 | 56AA17551 | 93-4 |
| 13QA40610 | 99-3 | 4004457301 | 34-1 | 4470402401 | 44-1 | 55VA40930 | 65-3 | 56AA17551 | 99-5 |
| 13QA40610 | 106-2 | 4036307501 | 18-1 | 4470402401 | 46-1 | 55VA42120 | 38-2 | 56AA17551 | 100-6 |
| 13QA85511 | 85-1 | 4038254001 | 35-2 | 4470402401 | 54-1 | 55VA42120 | 69-2 | 56AA17630 | 10-4 |
| 13QA85511 | 101-1 | 4038351102 | 7-1 | 4470402401 | 61-1 | 55VA42120 | 70-5 | 56AA17640 | 10-5 |
| 13QA85511 | 103-1 | 4040PJP100 | 120-17 | 4470402401 | 63-1 | 55VA42120 | 72-2 | 56AA17700 | 106-3 |
| 13RN73120 | 115-1 | 4040PJP200 | 120-18 | 4470402401 | 65-1 | 55VA42120 | 73-5 | 56AA17760 | 69-5 |
| 14GE45470 | 83-1 | 40AA30270 | 2-1 | 4470402401 | 76-1 | 55VA42120 | 81-4 | 56AA17760 | 70-7 |
| 14GE45470 | 99-4 | 40AA30270 | 100-2 | 4470402401 | 77-1 | 55VA42120 | 87-4 | 56AA17760 | 72-5 |
| 14GE45470 | 102-3 | 40AA32320 | 7-3 | 4470402401 | 78-1 | 55VA47840 | 34-4 | 56AA17760 | 73-7 |
| 192141710 | 99-1 | 40AA32320 | 31-3 | 4470402401 | 81-1 | 55VA48500 | 49-2 | 56AA20940D | 41-3 |

| Parts No. | Page No. | Parts No. | Page No. | Parts No. | Page No. | Parts No. | Page No. | Parts No. | Page No. |
|------------|----------|------------|----------|------------|----------|------------|----------|------------|----------|
| 56AA40010E | 68-6 | 56AA40490 | 82-1 | 56AA97140 | 110-16 | 65AA27090D | 41-8 | 65AA47900E | 63-5 |
| 56AA40010E | 71-6 | 56AA40490 | 84-6 | 56GA76010 | 86-4 | 65AA27240 | 38-5 | 65AA47970 | 75-6 |
| 56AA40032E | 69-6 | 56AA40490 | 90-4 | 56QA40080 | 68-13 | 65AA27240 | 40-2 | 65AA48360 | 106-4 |
| 56AA40032E | 72-6 | 56AA40490 | 104-3 | 56QA40080 | 71-13 | 65AA27320 | 41-9 | 65AA48460 | 106-5 |
| 56AA40070 | 70-8 | 56AA40500 | 69-16 | 56QA40250 | 68-14 | 65AA33310F | 52-2 | 65AA49410 | 100-7 |
| 56AA40070 | 73-8 | 56AA40500 | 72-16 | 56QA40250 | 71-14 | 65AA40010 | 69-21 | 65AA50400 | 9-5 |
| 56AA40100G | 69-7 | 56AA40520 | 69-17 | 56QA40270 | 68-15 | 65AA40010 | 72-21 | 65AA50430 | 8-3 |
| 56AA40100G | 72-7 | 56AA40520 | 72-17 | 56QA40270 | 71-15 | 65AA40080E | 70-14 | 65AA51510 | 90-5 |
| 56AA40120 | 69-8 | 56AA40530 | 68-11 | 56QA40550 | 68-16 | 65AA40080E | 73-14 | 65AA51730 | 88-3 |
| 56AA40120 | 72-8 | 56AA40530 | 71-11 | 56QA40550 | 71-16 | 65AA42370 | 99-7 | 65AA53560 | 50-2 |
| 56AA40171 | 69-9 | 56AA40540 | 68-12 | 56QA80570 | 10-6 | 65AA44200 | 81-6 | 65AA53991 | 50-3 |
| 56AA40171 | 72-9 | 56AA40540 | 71-12 | 56QA80570 | 95-4 | 65AA44350 | 81-7 | 65AA75010E | 16-1 |
| 56AA40190 | 69-10 | 56AA42690 | 43-2 | 56QA80570 | 113-3 | 65AA44440 | 81-8 | 65AA77390 | 32-3 |
| 56AA40190 | 72-10 | 56AA42690 | 44-3 | 56QE88261 | 110-1 | 65AA45230 | 84-7 | 65AA77410 | 35-8 |
| 56AA40230 | 69-11 | 56AA42690 | 83-3 | 56UA70330 | 14-2 | 65AA47120D | 65-4 | 65AA77540 | 86-5 |
| 56AA40230 | 72-11 | 56AA42690 | 86-3 | 56UA77280 | 35-6 | 65AA47131E | 62-4 | 65AA80112 | 88-4 |
| 56AA40300 | 70-9 | 56AA42690 | 87-5 | 56UA77710 | 35-7 | 65AA47310E | 61-4 | 65AA80112 | 95-5 |
| 56AA40300 | 73-9 | 56AA42690 | 88-2 | 57AA15600 | 9-3 | 65AA47310E | 65-5 | 65AA80112 | 102-4 |
| 56AA40310 | 69-12 | 56AA42690 | 92-2 | 57AA15600 | 112-1 | 65AA47320 | 61-5 | 65AA88010 | 48-2 |
| 56AA40310 | 72-12 | 56AA42690 | 93-5 | 57AA40420 | 68-17 | 65AA47320 | 65-6 | 65AA91100 | 28-6 |
| 56AA40360 | 68-7 | 56AA42690 | 95-3 | 57AA40420 | 71-17 | 65AA47360 | 75-2 | 65AA97440 | 55-1 |
| 56AA40360 | 71-7 | 56AA42690 | 99-6 | 65AA-9091E | 79-3 | 65AA47370 | 75-3 | 65AA97450 | 56-1 |
| 56AA40370 | 69-13 | 56AA50670 | 87-6 | 65AA-9920 | 120-3 | 65AA47390 | 75-4 | 65AA97460 | 57-1 |
| 56AA40370 | 72-13 | 56AA50800 | 87-7 | 65AA10190 | 11-1 | 65AA47550 | 63-2 | 65AA97470 | 58-1 |
| 56AA40380 | 70-10 | 56AA73560 | 113-2 | 65AA10470 | 9-4 | 65AA47550 | 67-1 | 65AA99500 | 120-11 |
| 56AA40380 | 73-10 | 56AA77330 | 31-4 | 65AA11300 | 5-2 | 65AA47600E | 62-5 | 65AAR72700 | 108-2 |
| 56AA40390 | 69-14 | 56AA77530 | 87-8 | 65AA11300 | 37-3 | 65AA47600E | 66-4 | 65AAR73200 | 55-2 |
| 56AA40390 | 72-14 | 56AA77590 | 70-12 | 65AA11430 | 5-3 | 65AA47630 | 63-3 | 65AAR73200 | 56-2 |
| 56AA40430 | 68-8 | 56AA77590 | 73-12 | 65AA15210 | 76-3 | 65AA47630 | 67-2 | 65AAR73200 | 57-2 |
| 56AA40430 | 71-8 | 56AA77720E | 69-18 | 65AA15210 | 77-3 | 65AA47700D | 62-6 | 65AAR73200 | 58-2 |
| 56AA40440 | 68-9 | 56AA77720E | 72-18 | 65AA15210 | 78-3 | 65AA47700D | 66-5 | 65AAR74600 | 109-2 |
| 56AA40440 | 71-9 | 56AA77730 | 69-19 | 65AA15210 | 79-2 | 65AA47710 | 75-5 | 65GE97400 | 70-15 |
| 56AA40470 | 69-15 | 56AA77730 | 72-19 | 65AA20060 | 41-5 | 65AA47740E | 62-7 | 65GE97400 | 73-15 |
| 56AA40470 | 72-15 | 56AA80551 | 89-2 | 65AA20300 | 41-6 | 65AA47740E | 63-4 | 65GE97490 | 62-8 |
| 56AA40481 | 68-10 | 56AA82012 | 69-20 | 65AA26380 | 39-3 | 65AA47740E | 66-6 | 65GE97490 | 66-7 |
| 56AA40481 | 71-10 | 56AA82012 | 70-13 | 65AA26600 | 39-4 | 65AA47740E | 67-3 | 65LA48530 | 105-1 |
| 56AA40490 | 32-2 | 56AA82012 | 72-20 | 65AA26690D | 39-5 | 65AA47820 | 61-6 | 9313100072 | 5-1 |
| 56AA40490 | 41-4 | 56AA82012 | 73-13 | 65AA26840 | 41-7 | 65AA47820 | 65-7 | 9313110033 | 113-1 |
| 56AA40490 | 70-11 | 56AA82012 | 81-5 | 65AA26870 | 38-4 | 65AA47860 | 61-7 | 9335140051 | 34-3 |
| 56AA40490 | 73-11 | 56AA82012 | 87-9 | 65AA26900D | 39-6 | 65AA47860 | 65-8 | 9335140071 | 91-4 |

| Parts No. | Page No. |
|------------|----------|
| 9335140071 | 95-2 |
| 9335140071 | 96-4 |
| 9381410131 | 122-1 |
| 9J03M10000 | 8-5 |
| 9J03M10000 | 10-7 |
| 9J03M10000 | 105-2 |
| 9J06M10000 | 111-2 |
| 9J06N30000 | 122-1 |
| 9J06PJG100 | 120-22 |
| 9J06PJP100 | 120-15 |
| 9J06PJP200 | 120-16 |
| 9J07500201 | 31-5 |
| A00FM20000 | 32-4 |
| A00J169100 | 121-15 |
| A00J211200 | 105-3 |
| A00J265300 | 17-1 |
| A00J617800 | 39-7 |
| A00J617800 | 44-4 |
| A00J617800 | 53-2 |
| A00J617800 | 84-8 |
| A00J617800 | 90-6 |
| A00J617800 | 100-8 |
| A00J617800 | 106-6 |
| A00J617900 | 38-6 |
| A00J617900 | 83-4 |
| A00J617900 | 87-10 |
| A00J617900 | 92-3 |
| A00J617900 | 93-6 |
| A00J617900 | 99-8 |
| A00J663200 | 68-18 |
| A00J663200 | 69-22 |
| A00J663200 | 70-16 |
| A00J663200 | 71-18 |
| A00J663200 | 72-22 |
| A00J663200 | 73-16 |
| A00J945401 | 4-1 |
| A00JM60300 | 110-2 |
| A00TM10000 | 98-2 |
| A00V240600 | 38-7 |
| A00V240600 | 40-3 |

| Parts No. | Page No. |
|------------|----------|
| A00V240600 | 43-3 |
| A00V240600 | 44-5 |
| A00V240600 | 49-3 |
| A00V240600 | 53-3 |
| A00V240600 | 74-3 |
| A00V240600 | 86-6 |
| A00V240600 | 87-11 |
| A00V240600 | 95-6 |
| A00V240600 | 97-2 |
| A00V240600 | 102-5 |
| A02E262300 | 114-2 |
| A034M50000 | 5-4 |
| A034M50000 | 37-4 |
| A03N621800 | 66-8 |
| A03TM50000 | 106-7 |
| A03U118301 | 11-2 |
| A03U169900 | 2-4 |
| A03U190500 | 16-2 |
| A03U190600 | 16-3 |
| A03U190700 | 16-4 |
| A03U190802 | 16-5 |
| A03U190900 | 15-1 |
| A03U191100 | 16-6 |
| A03U191201 | 16-7 |
| A03U191300 | 16-8 |
| A03U191400 | 15-2 |
| A03U191500 | 15-3 |
| A03U191600 | 15-4 |
| A03U191700 | 15-5 |
| A03U191800 | 15-6 |
| A03U191900 | 15-7 |
| A03U192000 | 15-8 |
| A03U192100 | 15-9 |
| A03U192200 | 15-10 |
| A03U192300 | 16-9 |
| A03U193400 | 15-11 |
| A03U193600 | 15-12 |
| A03U193700 | 15-13 |
| A03U195302 | 16-10 |
| A03U195400 | 16-11 |

| Parts No. | Page No. |
|------------|----------|
| A03U195500 | 16-12 |
| A03U259600 | 76-4 |
| A03U259600 | 77-4 |
| A03U259600 | 78-4 |
| A03U259600 | 79-4 |
| A03U259900 | 76-5 |
| A03U259900 | 77-5 |
| A03U259900 | 78-5 |
| A03U259900 | 79-5 |
| A03U512300 | 38-8 |
| A03U515100 | 37-5 |
| A03U555400 | 41-10 |
| A03U560500 | 70-17 |
| A03U560500 | 73-17 |
| A03U621200 | 63-6 |
| A03U621200 | 67-4 |
| A03U723301 | 50-4 |
| A03U724200 | 44-6 |
| A03U728000 | 50-5 |
| A03U734500 | 44-7 |
| A03U734500 | 46-3 |
| A03U734500 | 47-1 |
| A03U734500 | 48-3 |
| A03U734500 | 49-4 |
| A03U734500 | 51-2 |
| A03U734800 | 50-6 |
| A03U734900 | 50-7 |
| A03U807700 | 97-3 |
| A03U808400 | 44-8 |
| A03U809500 | 49-5 |
| A03U811600 | 90-7 |
| A03U811800 | 90-8 |
| A03U812800 | 62-9 |
| A03U812800 | 66-9 |
| A03U812800 | 69-23 |
| A03U812800 | 70-18 |
| A03U812800 | 72-23 |
| A03U812800 | 73-18 |
| A03U812800 | 81-9 |
| A03U812800 | 86-7 |

| Parts No. | Page No. |
|------------|----------|
| A03U812800 | 87-12 |
| A03U812800 | 88-5 |
| A03U812800 | 93-7 |
| A03U812800 | 102-6 |
| A03U812800 | 104-4 |
| A03U813601 | 90-9 |
| A03U814100 | 90-10 |
| A03U814200 | 90-11 |
| A03U814300 | 90-12 |
| A03U815700 | 86-8 |
| A03U838900 | 87-13 |
| A03U839000 | 86-9 |
| A03U842600 | 94-1 |
| A03U842700 | 85-2 |
| A03U842700 | 95-7 |
| A03U842800 | 95-8 |
| A03U843500 | 90-13 |
| A03U844200 | 96-5 |
| A03U844300 | 96-6 |
| A03U844700 | 96-7 |
| A03U844802 | 96-8 |
| A03U844901 | 96-9 |
| A03U845100 | 94-2 |
| A03U845301 | 92-4 |
| A03U845301 | 94-3 |
| A03U845601 | 85-3 |
| A03U845601 | 95-9 |
| A03U845601 | 101-2 |
| A03U845700 | 95-10 |
| A03U845901 | 95-11 |
| A03U848100 | 94-4 |
| A03U849701 | 90-14 |
| A03U850101 | 68-19 |
| A03U850101 | 71-19 |
| A03U850101 | 80-2 |
| A03U850101 | 91-6 |
| A03U850101 | 104-5 |
| A03U859400 | 95-12 |
| A03U859500 | 95-13 |
| A03U892300 | 105-4 |

| Parts No. | Page No. |
|------------|----------|
| A03U892400 | 105-5 |
| A03U892701 | 106-8 |
| A03U893000 | 106-9 |
| A03U893101 | 106-10 |
| A03U893200 | 106-11 |
| A03U893502 | 106-12 |
| A03U909502 | 106-13 |
| A03U909900 | 105-6 |
| A03UF19100 | 16-13 |
| A03UF84300 | 96-10 |
| A03UM15802 | 5-5 |
| A03UM15802 | 8-6 |
| A03UM20100 | 87-14 |
| A03UN23200 | 45-1 |
| A03UN23200 | 48-4 |
| A03X565001 | 87-15 |
| A03X565611 | 68-20 |
| A03X565611 | 71-20 |
| A03X622000 | 103-2 |
| A03X622101 | 67-5 |
| A03X622201 | 67-6 |
| A03X656203 | 61-8 |
| A03X656203 | 65-9 |
| A043909901 | 105-7 |
| A07R813801 | 109-3 |
| A07TM60100 | 110-3 |
| A0ED271200 | 20-1 |
| A0ED271300 | 20-2 |
| A0ED273600 | 19-2 |
| A0ED273600 | 20-3 |
| A0ED274200 | 20-4 |
| A0ED274300 | 20-5 |
| A0ED274400 | 20-6 |
| A0ED276301 | 19-3 |
| A0EDM10500 | 113-4 |
| A0G6191600 | 14-3 |
| A0G6192400 | 14-4 |
| A0G6192500 | 14-5 |
| A0G6192700 | 14-6 |
| A0G6192900 | 14-7 |

| Parts No. | Page No. | Parts No. | Page No. | Parts No. | Page No. | Parts No. | Page No. | Parts No. | Page No. |
|------------|----------|------------|----------|------------|----------|------------|----------|------------|----------|
| A0G6193100 | 14-8 | A161273800 | 20-15 | A1DUR71D00 | 41-12 | A1RF820000 | 109-7 | A50U102800 | 7-6 |
| A0G6193200 | 14-9 | A161274500 | 20-16 | A1DUR71J00 | 70-19 | A1RF847400 | 94-5 | A50U102900 | 5-8 |
| A0G6193400 | 14-10 | A161274600 | 20-17 | A1DUR71J00 | 73-19 | A1RF863800 | 100-9 | A50U103200 | 8-8 |
| A0G6193500 | 14-11 | A161275300 | 19-6 | A1DUR71K00 | 68-21 | A1RF943100 | 82-2 | A50U103301 | 10-8 |
| A0G6193700 | 14-12 | A161275400 | 19-7 | A1DUR71K00 | 71-21 | A1RF944100 | 83-5 | A50U103402 | 8-9 |
| A0G6193800 | 14-13 | A161275500 | 19-8 | A1DUR73500 | 38-10 | A1RF945501 | 121-1 | A50U103500 | 8-10 |
| A0G6193900 | 14-14 | A161275600 | 19-9 | A1DUR73E00 | 95-14 | A1RF946000 | 65-10 | A50U103602 | 7-7 |
| A0G6194000 | 14-15 | A161276000 | 19-10 | A1DUR73K00 | 86-10 | A1RFM15100 | 114-3 | A50U103800 | 10-9 |
| A0G6411200 | 5-6 | A161276500 | 19-11 | A1DUR73P00 | 95-15 | A1RFM51000 | 46-4 | A50U104000 | 12-2 |
| A0G6739300 | 109-4 | A161278600 | 17-4 | A1DUR75200 | 70-20 | A1RFN28300 | 14-19 | A50U104300 | 13-2 |
| A0G6H06000 | 14-16 | A161278900 | 17-5 | A1DUR75200 | 73-20 | A1RG569900 | 33-4 | A50U104401 | 10-10 |
| A0G6M75501 | 14-17 | A161280211 | 18-5 | A1RF214100 | 76-6 | A1RG569900 | 35-12 | A50U104500 | 13-3 |
| A0G6N18400 | 14-18 | A161280300 | 18-6 | A1RF214100 | 77-6 | A1RG681400 | 87-16 | A50U104600 | 9-8 |
| A0P0144300 | 91-7 | A161281100 | 19-12 | A1RF214100 | 78-6 | A1RJ732100 | 40-7 | A50U104700 | 8-11 |
| A0P0663600 | 84-9 | A161281300 | 19-13 | A1RF214100 | 79-6 | A1RJ818800 | 100-10 | A50U104800 | 112-2 |
| A0P0M73100 | 14-1 | A161281600 | 18-7 | A1RF301400 | 12-1 | A1RJ825100 | 97-4 | A50U104901 | 7-8 |
| A0TK341300 | 88-6 | A161626800 | 60-1 | A1RF363500 | 34-6 | A1RJ825800 | 97-5 | A50U105000 | 13-4 |
| A0TKH00200 | 24-1 | A161626800 | 64-1 | A1RF363801 | 34-7 | A1TVM10100 | 89-3 | A50U105100 | 8-12 |
| A0TKH00200 | 25-1 | A161940602 | 3-7 | A1RF368500 | 35-10 | A1TVM10100 | 105-8 | A50U105201 | 8-13 |
| A0TKH00200 | 26-1 | A161M10200 | 35-9 | A1RF372300 | 35-11 | A1UDM10500 | 35-13 | A50U105600 | 8-14 |
| A0TKH00200 | 27-1 | A161M50A00 | 19-14 | A1RF441500 | 29-5 | A1UDM50100 | 62-10 | A50U105800 | 9-9 |
| A0VDM50500 | 103-3 | A161N14000 | 20-18 | A1RF501700 | 38-11 | A1UDM50100 | 66-10 | A50U106300 | 10-11 |
| A0XV370300 | 98-3 | A161N14201 | 19-15 | A1RF508000 | 40-4 | A1UDM50200 | 19-16 | A50U106300 | 13-5 |
| A0Y5M15101 | 11-3 | A161R72200 | 17-6 | A1RF508100 | 40-5 | A2X0M12101 | 75-7 | A50U106502 | 11-4 |
| A11PM10200 | 38-9 | A1DU111101 | 7-4 | A1RF508200 | 40-6 | A2XKM10300 | 31-6 | A50U106600 | 11-5 |
| A11PM10200 | 43-4 | A1DU163402 | 3-1 | A1RF508900 | 109-5 | A2XKM10300 | 74-4 | A50U106700 | 11-6 |
| A161261902 | 18-3 | A1DU190101 | 16-14 | A1RF509000 | 109-6 | A4EU138000 | 114-21 | A50U106800 | 7-9 |
| A161262002 | 18-4 | A1DU504203 | 38-35 | A1RF517300 | 38-12 | A4EU190413 | 14-20 | A50U107000 | 9-10 |
| A161262200 | 19-4 | A1DU722500 | 50-8 | A1RF517300 | 106-14 | A4EU194100 | 14-21 | A50U107101 | 9-11 |
| A161263000 | 19-5 | A1DU736200 | 43-5 | A1RF620301 | 68-22 | A4EU194200 | 14-22 | A50U107501 | 8-15 |
| A161268200 | 17-2 | A1DU764000 | 7-5 | A1RF620301 | 71-22 | A4EU265000 | 43-8 | A50U107600 | 8-16 |
| A161268300 | 17-3 | A1DU942900 | 103-4 | A1RF701700 | 80-3 | A4EU265000 | 47-3 | A50U107800 | 8-17 |
| A161270102 | 20-7 | A1DUF62100 | 63-7 | A1RF758100 | 43-6 | A4EUM60000 | 5-7 | A50U108001 | 11-7 |
| A161270600 | 20-8 | A1DUF62100 | 67-7 | A1RF758100 | 47-2 | A4EUM60401 | 110-4 | A50U108200 | 11-8 |
| A161271000 | 20-9 | A1DUH11000 | 16-15 | A1RF809400 | 43-7 | A4EUM75800 | 14-23 | A50U108900 | 7-10 |
| A161271100 | 20-10 | A1DUPJG100 | 120-14 | A1RF815702 | 8-7 | A4EUN28500 | 14-24 | A50U109100 | 6-1 |
| A161273113 | 20-11 | A1DUR71200 | 52-3 | A1RF820000 | 44-9 | A4EUPP0000 | 120-7 | A50U109201 | 75-8 |
| A161273401 | 20-12 | A1DUR71600 | 42-1 | A1RF820000 | 92-5 | A4EWM60401 | 110-4 | A50U109201 | 113-5 |
| A161273500 | 20-13 | A1DUR71900 | 39-8 | A1RF820000 | 93-8 | A50U101600 | 9-6 | A50U109300 | 75-9 |
| A161273701 | 20-14 | A1DUR71C00 | 41-11 | A1RF820000 | 99-9 | A50U102703 | 9-7 | A50U109400 | 8-18 |

| Parts No. | Page No. | Parts No. | Page No. | Parts No. | Page No. | Parts No. | Page No. | Parts No. | Page No. |
|------------|----------|------------|----------|------------|----------|------------|----------|------------|----------|
| A50U109600 | 8-19 | A50U125500 | 11-15 | A50U132400 | 110-11 | A50U167601 | 2-21 | A50U308100 | 12-5 |
| A50U109700 | 8-20 | A50U125600 | 11-16 | A50U132600 | 113-14 | A50U167801 | 4-3 | A50U308200 | 12-6 |
| A50U109800 | 8-21 | A50U125800 | 11-17 | A50U132701 | 11-26 | A50U167901 | 5-25 | A50U308300 | 12-7 |
| A50U109900 | 8-22 | A50U125901 | 5-19 | A50U132800 | 11-27 | A50U168801 | 5-26 | A50U308400 | 12-8 |
| A50U110000 | 10-12 | A50U126200 | 6-9 | A50U133101 | 112-6 | A50U168901 | 5-27 | A50U308500 | 12-9 |
| A50U112901 | 75-10 | A50U126300 | 11-18 | A50U133201 | 7-11 | A50U169002 | 52-4 | A50U314300 | 12-10 |
| A50U112901 | 113-6 | A50U126400 | 11-19 | A50U133302 | 114-22 | A50U169300 | 5-28 | A50U314800 | 9-13 |
| A50U120100 | 110-5 | A50U126500 | 5-20 | A50U133400 | 115-4 | A50U169501 | 5-29 | A50U318101 | 21-2 |
| A50U120200 | 110-6 | A50U126600 | 5-21 | A50U133500 | 114-23 | A50U169602 | 52-5 | A50U318201 | 21-3 |
| A50U120300 | 8-23 | A50U126800 | 6-10 | A50U133600 | 114-24 | A50U169900 | 2-22 | A50U318300 | 21-4 |
| A50U120600 | 5-9 | A50U127000 | 12-4 | A50U133700 | 110-12 | A50U171500 | 28-8 | A50U318500 | 12-11 |
| A50U120700 | 113-7 | A50U127200 | 6-11 | A50U133800 | 110-13 | A50U175001 | 3-5 | A50U318601 | 12-12 |
| A50U120800 | 113-8 | A50U127300 | 6-12 | A50U133901 | 115-5 | A50U179000 | 28-9 | A50U318700 | 21-5 |
| A50U120900 | 11-9 | A50U127400 | 5-22 | A50U134701 | 115-6 | A50U179500 | 5-30 | A50U318700 | 28-10 |
| A50U121003 | 5-10 | A50U127500 | 6-13 | A50U134801 | 115-7 | A50U210600 | 76-7 | A50U318800 | 12-13 |
| A50U121300 | 5-11 | A50U127800 | 6-14 | A50U136302 | 115-8 | A50U210600 | 77-7 | A50U318900 | 21-6 |
| A50U121500 | 21-1 | A50U127901 | 5-23 | A50U136403 | 111-4 | A50U210600 | 78-7 | A50U319301 | 21-7 |
| A50U121601 | 5-12 | A50U128000 | 6-15 | A50U136501 | 9-12 | A50U210600 | 79-7 | A50U333500 | 23-1 |
| A50U121800 | 11-10 | A50U128700 | 6-16 | A50U160500 | 2-5 | A50U212100 | 76-8 | A50U333600 | 23-2 |
| A50U121900 | 11-11 | A50U128800 | 11-20 | A50U160900 | 2-6 | A50U212100 | 77-8 | A50U335600 | 54-2 |
| A50U122000 | 10-13 | A50U128900 | 11-21 | A50U161501 | 2-7 | A50U212100 | 78-8 | A50U335600 | 55-3 |
| A50U122103 | 5-13 | A50U129100 | 11-22 | A50U161601 | 2-8 | A50U212100 | 79-8 | A50U335600 | 56-3 |
| A50U122400 | 113-9 | A50U129200 | 8-24 | A50U161700 | 2-9 | A50U212600 | 76-9 | A50U335600 | 57-3 |
| A50U122701 | 12-3 | A50U129300 | 11-23 | A50U161800 | 2-10 | A50U212600 | 77-9 | A50U335600 | 58-3 |
| A50U122800 | 10-14 | A50U129401 | 11-24 | A50U161900 | 2-11 | A50U212600 | 78-9 | A50U337101 | 53-7 |
| A50U122900 | 11-12 | A50U129801 | 11-25 | A50U162701 | 1-1 | A50U212600 | 79-9 | A50U337200 | 54-3 |
| A50U123200 | 6-2 | A50U130300 | 115-3 | A50U162900 | 1-2 | A50U220501 | 52-6 | A50U337300 | 54-4 |
| A50U123300 | 6-3 | A50U130502 | 114-4 | A50U163700 | 4-2 | A50U220600 | 53-11 | A50U337400 | 53-8 |
| A50U123400 | 6-4 | A50U131002 | 112-3 | A50U164000 | 5-24 | A50U220700 | 53-4 | A50U340301 | 55-4 |
| A50U123500 | 6-5 | A50U131100 | 113-10 | A50U164100 | 2-12 | A50U221500 | 52-7 | A50U340301 | 56-4 |
| A50U123600 | 6-6 | A50U131200 | 113-11 | A50U164200 | 2-13 | A50U221701 | 52-8 | A50U340301 | 57-4 |
| A50U123700 | 5-14 | A50U131300 | 113-12 | A50U164901 | 2-14 | A50U221800 | 53-5 | A50U340301 | 58-4 |
| A50U123800 | 5-15 | A50U131400 | 112-4 | A50U165500 | 2-15 | A50U222000 | 53-6 | A50U340501 | 54-5 |
| A50U123900 | 6-7 | A50U131502 | 110-7 | A50U165600 | 2-16 | A50U252100 | 74-5 | A50U340700 | 8-25 |
| A50U124000 | 6-8 | A50U131600 | 110-8 | A50U166100 | 2-17 | A50U252300 | 74-6 | A50U340900 | 54-6 |
| A50U124100 | 5-16 | A50U131700 | 110-9 | A50U166200 | 2-18 | A50U252400 | 74-7 | A50U341000 | 52-9 |
| A50U124900 | 5-17 | A50U131800 | 110-10 | A50U166800 | 28-7 | A50U252500 | 74-8 | A50U341200 | 58-5 |
| A50U125000 | 11-13 | A50U131900 | 112-5 | A50U167201 | 2-19 | A50U252600 | 74-9 | A50U341300 | 54-7 |
| A50U125101 | 11-14 | A50U132100 | 113-13 | A50U167301 | 3-8 | A50U252700 | 74-10 | A50U341401 | 54-8 |
| A50U125200 | 5-18 | A50U132301 | 111-3 | A50U167500 | 2-20 | A50U252800 | 74-11 | A50U341600 | 54-9 |

| Parts No. | Page No. | Parts No. | Page No. | Parts No. | Page No. | Parts No. | Page No. | Parts No. | Page No. |
|------------|----------|------------|----------|------------|----------|------------|----------|------------|----------|
| A50U341800 | 6-17 | A50U365400 | 33-8 | A50U377301 | 25-9 | A50U462400 | 57-10 | A50U502801 | 122-3 |
| A50U341900 | 55-5 | A50U365600 | 35-18 | A50U377301 | 26-9 | A50U462400 | 58-14 | A50U502900 | 40-12 |
| A50U341900 | 56-5 | A50U365800 | 35-19 | A50U377301 | 27-9 | A50U462501 | 55-11 | A50U503001 | 40-13 |
| A50U341900 | 57-5 | A50U366601 | 9-15 | A50U400501 | 32-5 | A50U462501 | 56-11 | A50U503200 | 39-11 |
| A50U341900 | 58-6 | A50U366800 | 34-11 | A50U400600 | 28-11 | A50U462501 | 57-11 | A50U503300 | 40-14 |
| A50U342000 | 55-6 | A50U367001 | 35-20 | A50U400900 | 28-12 | A50U462501 | 58-15 | A50U503500 | 40-15 |
| A50U342000 | 56-6 | A50U367100 | 34-12 | A50U401200 | 32-6 | A50U462600 | 55-12 | A50U503600 | 37-7 |
| A50U342000 | 57-6 | A50U367400 | 34-13 | A50U401301 | 32-7 | A50U462600 | 56-12 | A50U503700 | 37-8 |
| A50U342000 | 58-7 | A50U368000 | 9-16 | A50U401401 | 28-13 | A50U462600 | 57-12 | A50U503900 | 38-16 |
| A50U342200 | 6-18 | A50U368400 | 34-14 | A50U404000 | 31-7 | A50U462600 | 58-16 | A50U504000 | 38-17 |
| A50U342300 | 55-7 | A50U369900 | 34-15 | A50U404200 | 31-8 | A50U462700 | 55-13 | A50U504400 | 38-18 |
| A50U342300 | 56-7 | A50U372901 | 24-2 | A50U404600 | 31-9 | A50U462700 | 56-13 | A50U504500 | 38-19 |
| A50U342300 | 57-7 | A50U372901 | 25-2 | A50U406400 | 31-10 | A50U462700 | 57-13 | A50U504600 | 38-20 |
| A50U342300 | 58-8 | A50U372901 | 26-2 | A50U407300 | 13-6 | A50U462700 | 58-17 | A50U504700 | 38-21 |
| A50U342400 | 6-19 | A50U372901 | 27-2 | A50U407600 | 32-8 | A50U462801 | 55-14 | A50U505000 | 38-22 |
| A50U342502 | 54-10 | A50U373100 | 24-3 | A50U408100 | 28-14 | A50U462801 | 56-14 | A50U505100 | 38-23 |
| A50U342600 | 54-11 | A50U373100 | 25-3 | A50U408501 | 29-6 | A50U462801 | 57-14 | A50U505200 | 37-9 |
| A50U342900 | 8-26 | A50U373100 | 26-3 | A50U408600 | 29-7 | A50U462801 | 58-18 | A50U505300 | 38-24 |
| A50U343000 | 54-12 | A50U373100 | 27-3 | A50U408700 | 29-8 | A50U462900 | 55-15 | A50U505401 | 39-12 |
| A50U343100 | 58-9 | A50U374102 | 24-4 | A50U408900 | 29-9 | A50U462900 | 56-15 | A50U505500 | 39-13 |
| A50U343301 | 58-10 | A50U374102 | 25-4 | A50U410200 | 29-10 | A50U462900 | 57-15 | A50U505601 | 39-14 |
| A50U343400 | 54-13 | A50U374102 | 26-4 | A50U420300 | 31-11 | A50U462900 | 58-19 | A50U505700 | 39-15 |
| A50U343500 | 54-14 | A50U374102 | 27-4 | A50U420400 | 32-9 | A50U463000 | 55-16 | A50U505800 | 39-16 |
| A50U343600 | 122-2 | A50U374501 | 24-5 | A50U420800 | 32-10 | A50U463000 | 56-16 | A50U505901 | 38-25 |
| A50U343700 | 58-11 | A50U374501 | 25-5 | A50U420900 | 31-12 | A50U463000 | 57-16 | A50U506101 | 38-26 |
| A50U343800 | 54-15 | A50U374501 | 26-5 | A50U421000 | 31-13 | A50U463000 | 58-20 | A50U506200 | 37-10 |
| A50U343900 | 54-16 | A50U374501 | 27-5 | A50U421000 | 32-11 | A50U463100 | 55-17 | A50U506300 | 37-11 |
| A50U344100 | 54-17 | A50U376002 | 24-6 | A50U440301 | 29-11 | A50U463100 | 56-17 | A50U506500 | 122-4 |
| A50U344200 | 54-18 | A50U376002 | 25-6 | A50U440601 | 29-12 | A50U463100 | 57-17 | A50U506701 | 38-27 |
| A50U360700 | 35-14 | A50U376002 | 26-6 | A50U442100 | 28-15 | A50U463100 | 58-21 | A50U506900 | 39-17 |
| A50U361200 | 35-15 | A50U376002 | 27-6 | A50U462101 | 55-8 | A50U500401 | 38-13 | A50U507000 | 38-28 |
| A50U361401 | 35-16 | A50U376801 | 24-7 | A50U462101 | 56-8 | A50U500800 | 37-6 | A50U507600 | 39-18 |
| A50U361900 | 33-5 | A50U376801 | 25-7 | A50U462101 | 57-8 | A50U501201 | 39-9 | A50U507801 | 39-19 |
| A50U362200 | 35-17 | A50U376801 | 26-7 | A50U462101 | 58-12 | A50U501401 | 40-8 | A50U507900 | 39-20 |
| A50U362300 | 33-6 | A50U376801 | 27-7 | A50U462201 | 55-9 | A50U501702 | 40-9 | A50U508001 | 39-21 |
| A50U363200 | 34-8 | A50U377201 | 24-8 | A50U462201 | 56-9 | A50U501900 | 39-10 | A50U508102 | 39-22 |
| A50U363300 | 33-7 | A50U377201 | 25-8 | A50U462201 | 57-9 | A50U502100 | 40-10 | A50U508301 | 7-12 |
| A50U363400 | 34-9 | A50U377201 | 26-8 | A50U462201 | 58-13 | A50U502500 | 38-14 | A50U508600 | 37-12 |
| A50U363701 | 34-10 | A50U377201 | 27-8 | A50U462400 | 55-10 | A50U502600 | 38-15 | A50U508800 | 37-13 |
| A50U363900 | 9-14 | A50U377301 | 24-9 | A50U462400 | 56-10 | A50U502700 | 40-11 | A50U509100 | 38-29 |

| Parts No. | Page No. | Parts No. | Page No. | Parts No. | Page No. | Parts No. | Page No. | Parts No. | Page No. |
|------------|----------|------------|----------|------------|----------|------------|----------|------------|----------|
| A50U509200 | 40-16 | A50U562400 | 69-26 | A50U624113 | 10-15 | A50U628300 | 67-13 | A50U633800 | 64-9 |
| A50U509300 | 7-13 | A50U562400 | 72-26 | A50U624201 | 66-21 | A50U628400 | 62-31 | A50U633900 | 60-8 |
| A50U510100 | 39-23 | A50U564500 | 69-27 | A50U624300 | 10-16 | A50U628400 | 66-25 | A50U633900 | 64-10 |
| A50U510200 | 39-24 | A50U564500 | 72-27 | A50U624503 | 9-18 | A50U629001 | 65-21 | A50U634200 | 10-18 |
| A50U510400 | 7-14 | A50U565100 | 69-28 | A50U624600 | 63-9 | A50U629100 | 75-11 | A50U634300 | 60-9 |
| A50U515200 | 42-2 | A50U565100 | 72-28 | A50U624600 | 67-9 | A50U629202 | 65-22 | A50U634300 | 64-11 |
| A50U515500 | 42-3 | A50U620602 | 62-11 | A50U624700 | 63-10 | A50U629300 | 61-20 | A50U635400 | 66-35 |
| A50U516800 | 42-4 | A50U620801 | 62-12 | A50U624700 | 67-10 | A50U629401 | 67-14 | A50U635500 | 66-36 |
| A50U516900 | 42-5 | A50U620801 | 66-11 | A50U624904 | 9-19 | A50U629502 | 63-14 | A50U637002 | 60-10 |
| A50U517000 | 42-6 | A50U620902 | 62-13 | A50U625000 | 61-12 | A50U629502 | 67-15 | A50U637600 | 63-18 |
| A50U517100 | 42-7 | A50U621001 | 61-9 | A50U625100 | 63-11 | A50U629702 | 63-15 | A50U637700 | 63-19 |
| A50U517300 | 38-30 | A50U621001 | 65-11 | A50U625100 | 67-11 | A50U629702 | 67-16 | A50U640100 | 67-18 |
| A50U520001 | 59-1 | A50U621200 | 63-8 | A50U625400 | 62-26 | A50U629801 | 63-16 | A50U640200 | 10-19 |
| A50U520601 | 84-10 | A50U621200 | 67-8 | A50U625500 | 62-27 | A50U629801 | 67-17 | A50U640400 | 10-20 |
| A50U520700 | 84-11 | A50U621301 | 62-14 | A50U625701 | 61-13 | A50U629901 | 63-17 | A50U640700 | 66-37 |
| A50U520900 | 84-12 | A50U621301 | 66-12 | A50U625701 | 65-14 | A50U630203 | 61-21 | A50U640800 | 62-32 |
| A50U521101 | 84-13 | A50U621400 | 62-15 | A50U626000 | 66-22 | A50U630203 | 65-23 | A50U641500 | 61-22 |
| A50U521200 | 84-14 | A50U621400 | 66-13 | A50U626100 | 62-28 | A50U630602 | 66-26 | A50U641500 | 65-27 |
| A50U521301 | 84-15 | A50U621800 | 62-16 | A50U626100 | 66-23 | A50U630902 | 66-27 | A50U641600 | 10-21 |
| A50U521500 | 84-16 | A50U621900 | 62-17 | A50U626502 | 61-14 | A50U631000 | 66-28 | A50U642000 | 62-33 |
| A50U521900 | 84-17 | A50U621900 | 66-14 | A50U626502 | 65-15 | A50U631100 | 66-29 | A50U642000 | 66-38 |
| A50U522001 | 84-18 | A50U622001 | 62-18 | A50U626601 | 61-15 | A50U631200 | 65-24 | A50U642300 | 47-4 |
| A50U522400 | 84-19 | A50U622001 | 66-15 | A50U626601 | 65-16 | A50U631300 | 65-25 | A50U642300 | 67-19 |
| A50U522900 | 84-20 | A50U622101 | 62-19 | A50U626702 | 61-16 | A50U631500 | 66-30 | A50U642300 | 99-10 |
| A50U523001 | 84-21 | A50U622101 | 66-16 | A50U626702 | 65-17 | A50U631600 | 65-26 | A50U700101 | 80-4 |
| A50U523100 | 84-22 | A50U622300 | 62-20 | A50U627002 | 64-2 | A50U631700 | 66-31 | A50U700200 | 81-10 |
| A50U523200 | 84-23 | A50U622400 | 62-21 | A50U627200 | 64-3 | A50U631800 | 66-32 | A50U700300 | 81-11 |
| A50U523400 | 84-24 | A50U622400 | 66-17 | A50U627501 | 62-29 | A50U631900 | 66-33 | A50U700400 | 81-12 |
| A50U524100 | 84-25 | A50U622600 | 61-10 | A50U627501 | 66-24 | A50U632300 | 66-34 | A50U700500 | 81-13 |
| A50U524500 | 84-26 | A50U622600 | 65-12 | A50U627601 | 61-17 | A50U633002 | 60-2 | A50U700600 | 81-14 |
| A50U524600 | 84-27 | A50U622802 | 61-11 | A50U627601 | 65-18 | A50U633002 | 64-4 | A50U700901 | 80-5 |
| A50U524700 | 84-28 | A50U622802 | 65-13 | A50U627701 | 61-18 | A50U633200 | 60-3 | A50U701000 | 81-15 |
| A50U525900 | 59-2 | A50U623201 | 62-22 | A50U627701 | 65-19 | A50U633200 | 64-5 | A50U701113 | 80-6 |
| A50U531400 | 41-13 | A50U623201 | 66-18 | A50U628001 | 10-17 | A50U633301 | 60-4 | A50U704400 | 81-16 |
| A50U531500 | 41-14 | A50U623300 | 62-23 | A50U628100 | 62-30 | A50U633400 | 60-5 | A50U704700 | 81-17 |
| A50U531601 | 41-15 | A50U623300 | 66-19 | A50U628200 | 61-19 | A50U633400 | 64-6 | A50U704801 | 81-18 |
| A50U560900 | 69-24 | A50U623600 | 62-24 | A50U628200 | 63-12 | A50U633601 | 64-7 | A50U704900 | 81-19 |
| A50U560900 | 72-24 | A50U623701 | 62-25 | A50U628200 | 65-20 | A50U633702 | 60-6 | A50U705000 | 81-20 |
| A50U561200 | 69-25 | A50U623900 | 66-20 | A50U628200 | 67-12 | A50U633702 | 64-8 | A50U705100 | 80-7 |
| A50U561200 | 72-25 | A50U624000 | 9-17 | A50U628300 | 63-13 | A50U633800 | 60-7 | A50U705200 | 80-8 |

| Parts No. | Page No. | Parts No. | Page No. | Parts No. | Page No. | Parts No. | Page No. | Parts No. | Page No. |
|------------|----------|------------|----------|------------|----------|------------|----------|------------|----------|
| A50U705400 | 81-21 | A50U714400 | 102-14 | A50U722100 | 48-5 | A50U739200 | 51-13 | A50U749801 | 114-14 |
| A50U705500 | 81-22 | A50U714500 | 104-18 | A50U722202 | 48-6 | A50U739500 | 51-14 | A50U750500 | 43-19 |
| A50U705600 | 81-23 | A50U714600 | 91-11 | A50U722700 | 51-4 | A50U739811 | 49-8 | A50U750600 | 43-20 |
| A50U705701 | 80-9 | A50U714600 | 104-19 | A50U723812 | 48-7 | A50U739900 | 49-9 | A50U751002 | 43-21 |
| A50U706000 | 80-10 | A50U714800 | 88-13 | A50U723911 | 48-8 | A50U742901 | 43-13 | A50U751101 | 43-22 |
| A50U706800 | 81-24 | A50U714900 | 88-14 | A50U725001 | 49-7 | A50U743100 | 43-14 | A50U751200 | 43-23 |
| A50U706900 | 80-11 | A50U715002 | 88-15 | A50U725200 | 48-9 | A50U743200 | 43-15 | A50U751301 | 43-24 |
| A50U707001 | 81-25 | A50U715100 | 88-16 | A50U726611 | 48-10 | A50U743301 | 44-11 | A50U752000 | 44-22 |
| A50U707300 | 81-26 | A50U715200 | 88-17 | A50U728500 | 48-11 | A50U743600 | 44-12 | A50U752200 | 44-23 |
| A50U707400 | 81-27 | A50U715300 | 91-12 | A50U728800 | 48-12 | A50U743700 | 44-13 | A50U752300 | 44-24 |
| A50U707600 | 80-12 | A50U715300 | 104-20 | A50U730900 | 48-13 | A50U743900 | 44-14 | A50U752600 | 43-25 |
| A50U710101 | 102-7 | A50U715400 | 93-9 | A50U731002 | 48-14 | A50U744000 | 49-10 | A50U752700 | 46-9 |
| A50U710300 | 104-6 | A50U715600 | 91-13 | A50U731102 | 48-15 | A50U744100 | 49-11 | A50U753100 | 114-15 |
| A50U710901 | 104-7 | A50U715600 | 104-21 | A50U731700 | 7-15 | A50U744400 | 49-12 | A50U754700 | 44-25 |
| A50U711001 | 104-8 | A50U715800 | 91-14 | A50U731900 | 7-16 | A50U744601 | 44-15 | A50U754901 | 47-9 |
| A50U711101 | 102-8 | A50U715800 | 104-22 | A50U732000 | 51-5 | A50U744700 | 47-5 | A50U755100 | 46-10 |
| A50U711200 | 104-9 | A50U715900 | 102-15 | A50U732100 | 44-10 | A50U744912 | 44-16 | A50U755301 | 46-11 |
| A50U711300 | 104-10 | A50U716200 | 102-16 | A50U732200 | 43-9 | A50U745100 | 45-2 | A50U755800 | 46-12 |
| A50U711400 | 102-9 | A50U716301 | 104-23 | A50U732300 | 43-10 | A50U745400 | 47-6 | A50U755900 | 43-26 |
| A50U711602 | 104-11 | A50U716400 | 104-24 | A50U732400 | 43-11 | A50U745500 | 44-17 | A50U756001 | 43-27 |
| A50U712001 | 103-5 | A50U716500 | 59-3 | A50U732500 | 43-12 | A50U745600 | 43-16 | A50U756300 | 46-13 |
| A50U712200 | 91-8 | A50U716500 | 84-29 | A50U733500 | 48-16 | A50U745700 | 43-17 | A50U756300 | 49-13 |
| A50U712200 | 104-12 | A50U716500 | 91-15 | A50U734100 | 114-5 | A50U746200 | 45-3 | A50U756500 | 43-28 |
| A50U712300 | 91-9 | A50U716500 | 104-25 | A50U737201 | 7-17 | A50U746400 | 44-18 | A50U757000 | 43-29 |
| A50U712300 | 104-13 | A50U717001 | 103-6 | A50U737302 | 114-6 | A50U746500 | 50-9 | A50U757100 | 43-30 |
| A50U712400 | 91-10 | A50U717100 | 103-7 | A50U737401 | 114-7 | A50U746700 | 47-7 | A50U758201 | 46-14 |
| A50U712400 | 104-14 | A50U717200 | 103-8 | A50U737601 | 114-8 | A50U746800 | 46-5 | A50U760400 | 50-11 |
| A50U712700 | 104-15 | A50U717901 | 102-17 | A50U737700 | 114-9 | A50U747101 | 47-8 | A50U760600 | 50-12 |
| A50U713000 | 102-10 | A50U718200 | 103-9 | A50U737800 | 7-18 | A50U747803 | 46-6 | A50U760701 | 50-13 |
| A50U713100 | 104-16 | A50U718300 | 103-10 | A50U738001 | 7-19 | A50U747900 | 46-7 | A50U760802 | 50-14 |
| A50U713200 | 102-11 | A50U718400 | 91-16 | A50U738100 | 7-20 | A50U748200 | 46-8 | A50U761000 | 50-15 |
| A50U713300 | 88-7 | A50U718400 | 104-26 | A50U738201 | 51-6 | A50U748403 | 43-18 | A50U761100 | 50-16 |
| A50U713401 | 88-8 | A50U718500 | 91-17 | A50U738300 | 51-7 | A50U748504 | 44-19 | A50U761200 | 50-17 |
| A50U713500 | 88-9 | A50U718500 | 104-27 | A50U738400 | 51-8 | A50U748701 | 50-10 | A50U761300 | 50-18 |
| A50U713600 | 102-12 | A50U719200 | 102-18 | A50U738500 | 51-9 | A50U749200 | 44-20 | A50U761400 | 50-19 |
| A50U713700 | 88-10 | A50U719300 | 103-11 | A50U738600 | 51-10 | A50U749300 | 44-21 | A50U761500 | 50-20 |
| A50U713800 | 88-11 | A50U719400 | 103-12 | A50U738700 | 51-11 | A50U749401 | 114-10 | A50U761601 | 50-21 |
| A50U713900 | 88-12 | A50U719800 | 102-19 | A50U738801 | 51-12 | A50U749502 | 114-11 | A50U761700 | 50-22 |
| A50U714200 | 104-17 | A50U721502 | 51-3 | A50U738900 | 7-21 | A50U749600 | 114-12 | A50U761800 | 50-23 |
| A50U714300 | 102-13 | A50U721601 | 49-6 | A50U739000 | 7-22 | A50U749700 | 114-13 | A50U761900 | 50-24 |

| Parts No. | Page No. | Parts No. | Page No. | Parts No. | Page No. | Parts No. | Page No. | Parts No. | Page No. |
|------------|----------|------------|----------|------------|----------|------------|----------|------------|----------|
| A50U762000 | 50-25 | A50U802801 | 98-7 | A50U818501 | 87-19 | A50U835301 | 86-16 | A50U844100 | 90-23 |
| A50U762100 | 50-26 | A50U802900 | 98-8 | A50U818601 | 91-25 | A50U835400 | 86-17 | A50U844400 | 96-18 |
| A50U762200 | 50-27 | A50U803101 | 98-9 | A50U818700 | 82-3 | A50U835601 | 88-19 | A50U844501 | 96-19 |
| A50U762300 | 50-28 | A50U803300 | 98-10 | A50U818800 | 82-4 | A50U835900 | 86-18 | A50U844601 | 96-20 |
| A50U762400 | 50-29 | A50U803400 | 98-11 | A50U818900 | 82-5 | A50U836000 | 86-19 | A50U844800 | 94-10 |
| A50U763000 | 51-15 | A50U803500 | 98-12 | A50U819201 | 82-6 | A50U836100 | 88-20 | A50U845400 | 95-19 |
| A50U763600 | 51-16 | A50U803600 | 98-13 | A50U819302 | 82-7 | A50U836200 | 91-31 | A50U846000 | 96-21 |
| A50U763800 | 50-30 | A50U803700 | 98-14 | A50U819500 | 83-6 | A50U836300 | 89-10 | A50U846102 | 92-9 |
| A50U763900 | 50-31 | A50U803800 | 98-15 | A50U819600 | 99-12 | A50U836400 | 86-20 | A50U846304 | 92-10 |
| A50U765000 | 49-14 | A50U804001 | 97-15 | A50U819700 | 88-18 | A50U836500 | 86-21 | A50U847200 | 95-20 |
| A50U765500 | 46-15 | A50U804200 | 97-16 | A50U819812 | 89-7 | A50U836801 | 93-11 | A50U848000 | 94-11 |
| A50U783400 | 49-15 | A50U804701 | 98-16 | A50U819900 | 89-8 | A50U837001 | 82-10 | A50U848302 | 94-12 |
| A50U785000 | 47-10 | A50U805200 | 98-17 | A50U830200 | 87-20 | A50U837101 | 82-11 | A50U849100 | 87-32 |
| A50U787003 | 47-11 | A50U805300 | 97-17 | A50U830300 | 87-21 | A50U837300 | 82-12 | A50U849200 | 87-33 |
| A50U787500 | 45-4 | A50U810300 | 90-15 | A50U830400 | 87-22 | A50U837700 | 89-11 | A50U850201 | 95-21 |
| A50U787600 | 45-5 | A50U810400 | 90-16 | A50U830500 | 87-23 | A50U838500 | 89-12 | A50U850201 | 96-22 |
| A50U787700 | 46-16 | A50U810502 | 86-11 | A50U830600 | 87-24 | A50U838700 | 89-13 | A50U850700 | 93-12 |
| A50U788000 | 47-12 | A50U811300 | 13-7 | A50U830700 | 87-25 | A50U838800 | 99-14 | A50U851400 | 92-11 |
| A50U788101 | 47-13 | A50U811500 | 13-8 | A50U830800 | 87-26 | A50U839200 | 86-22 | A50U851500 | 92-12 |
| A50U788601 | 46-17 | A50U812100 | 86-12 | A50U831000 | 87-27 | A50U839200 | 87-31 | A50U851500 | 93-13 |
| A50U788900 | 46-18 | A50U812202 | 87-17 | A50U831100 | 87-28 | A50U839900 | 83-7 | A50U851700 | 92-13 |
| A50U789100 | 46-19 | A50U813700 | 13-9 | A50U831200 | 87-29 | A50U840303 | 92-6 | A50U851800 | 92-14 |
| A50U792901 | 47-14 | A50U814401 | 89-4 | A50U831300 | 89-9 | A50U840400 | 96-11 | A50U851800 | 93-14 |
| A50U794800 | 47-15 | A50U814500 | 89-5 | A50U831400 | 90-18 | A50U840704 | 94-6 | A50U851901 | 93-15 |
| A50U799200 | 47-16 | A50U815101 | 89-6 | A50U831900 | 87-30 | A50U840802 | 92-7 | A50U852000 | 92-15 |
| A50U799601 | 47-17 | A50U815800 | 90-17 | A50U832100 | 8-27 | A50U841100 | 95-16 | A50U852101 | 93-16 |
| A50U799700 | 47-18 | A50U816103 | 86-13 | A50U832201 | 10-22 | A50U841301 | 96-12 | A50U852200 | 93-17 |
| A50U799800 | 47-19 | A50U816403 | 93-10 | A50U832600 | 90-19 | A50U841402 | 92-8 | A50U852300 | 93-18 |
| A50U800100 | 98-4 | A50U816700 | 91-18 | A50U832700 | 90-20 | A50U841501 | 94-7 | A50U852400 | 93-19 |
| A50U800300 | 97-6 | A50U816801 | 91-19 | A50U832901 | 82-8 | A50U841600 | 94-8 | A50U852500 | 92-16 |
| A50U800400 | 97-7 | A50U816900 | 91-20 | A50U833000 | 8-28 | A50U841700 | 96-13 | A50U852500 | 93-20 |
| A50U800700 | 97-8 | A50U817300 | 87-18 | A50U833400 | 91-26 | A50U841800 | 96-14 | A50U852701 | 92-17 |
| A50U800800 | 97-9 | A50U817300 | 99-11 | A50U833500 | 91-27 | A50U841901 | 94-9 | A50U852904 | 92-18 |
| A50U801400 | 97-10 | A50U817400 | 86-14 | A50U834200 | 90-21 | A50U842000 | 95-17 | A50U853001 | 92-19 |
| A50U801500 | 97-11 | A50U817601 | 91-21 | A50U834302 | 99-13 | A50U842300 | 95-18 | A50U853100 | 93-21 |
| A50U801602 | 97-12 | A50U817700 | 13-10 | A50U834500 | 91-28 | A50U842900 | 83-8 | A50U853200 | 92-20 |
| A50U802002 | 97-13 | A50U817800 | 91-22 | A50U834600 | 91-29 | A50U842900 | 96-15 | A50U853200 | 93-22 |
| A50U802100 | 98-5 | A50U818000 | 86-15 | A50U834700 | 91-30 | A50U843601 | 96-16 | A50U853400 | 96-23 |
| A50U802211 | 97-14 | A50U818201 | 91-23 | A50U834802 | 84-30 | A50U843801 | 96-17 | A50U853700 | 92-21 |
| A50U802700 | 98-6 | A50U818400 | 91-24 | A50U835001 | 82-9 | A50U843900 | 90-22 | A50U854100 | 96-24 |

| Parts No. | Page No. | Parts No. | Page No. | Parts No. | Page No. | Parts No. | Page No. | Parts No. | Page No. |
|------------|----------|------------|----------|------------|----------|------------|----------|------------|----------|
| A50U854200 | 92-22 | A50U863100 | 2-23 | A50U880900 | 104-28 | A50U890600 | 106-18 | A50U946300 | 66-41 |
| A50U854302 | 92-23 | A50U864200 | 100-15 | A50U881300 | 92-30 | A50U890700 | 106-19 | A50U946400 | 63-20 |
| A50U854400 | 84-31 | A50U864300 | 100-16 | A50U881400 | 92-31 | A50U890802 | 106-20 | A50U946400 | 67-20 |
| A50U854400 | 92-24 | A50U865011 | 101-6 | A50U881500 | 8-29 | A50U891001 | 105-10 | A50U946501 | 2-25 |
| A50U854600 | 66-39 | A50U865101 | 100-17 | A50U881601 | 91-34 | A50U891200 | 105-11 | A50U948001 | 52-10 |
| A50U854600 | 93-23 | A50U865200 | 101-7 | A50U881700 | 91-35 | A50U891301 | 106-21 | A50U949600 | 5-32 |
| A50U854800 | 84-32 | A50U865300 | 99-19 | A50U882100 | 91-36 | A50U891500 | 106-22 | A50U949600 | 43-32 |
| A50U854800 | 85-4 | A50U865401 | 100-18 | A50U882100 | 93-25 | A50U891600 | 106-23 | A50U949600 | 52-11 |
| A50U854800 | 92-25 | A50U865601 | 100-19 | A50U882300 | 88-21 | A50U891900 | 106-24 | A50U949700 | 52-12 |
| A50U854800 | 94-13 | A50U865703 | 99-20 | A50U882401 | 102-20 | A50U892001 | 106-25 | A50U949700 | 53-9 |
| A50U855200 | 9-20 | A50U865901 | 99-21 | A50U882600 | 88-22 | A50U892101 | 106-26 | A50U949700 | 54-20 |
| A50U855601 | 94-14 | A50U866400 | 99-22 | A50U882701 | 83-9 | A50U892201 | 105-12 | A50UF12000 | 5-33 |
| A50U855702 | 82-13 | A50U866900 | 99-23 | A50U882801 | 83-10 | A50U892502 | 105-13 | A50UF16000 | 2-26 |
| A50U855800 | 84-33 | A50U867100 | 100-20 | A50U882900 | 93-26 | A50U893201 | 106-27 | A50UF16101 | 2-27 |
| A50U855900 | 86-23 | A50U867200 | 99-24 | A50U883001 | 93-27 | A50U893300 | 105-14 | A50UF16201 | 2-28 |
| A50U856201 | 92-26 | A50U867312 | 99-25 | A50U883101 | 93-28 | A50U894000 | 106-28 | A50UF16301 | 2-29 |
| A50U856501 | 96-25 | A50U867400 | 99-26 | A50U883200 | 93-29 | A50U895000 | 105-15 | A50UF16400 | 2-30 |
| A50U858101 | 84-34 | A50U867500 | 99-27 | A50U883300 | 88-23 | A50U895101 | 105-16 | A50UF21100 | 76-10 |
| A50U858200 | 82-14 | A50U867600 | 99-28 | A50U883400 | 93-30 | A50U899700 | 106-29 | A50UF21100 | 77-10 |
| A50U858300 | 82-15 | A50U867700 | 100-21 | A50U883501 | 88-24 | A50U899801 | 106-30 | A50UF21100 | 78-10 |
| A50U858400 | 82-16 | A50U867800 | 99-29 | A50U883600 | 91-37 | A50U943200 | 91-42 | A50UF36500 | 33-9 |
| A50U858500 | 82-17 | A50U868000 | 100-22 | A50U883600 | 93-31 | A50U943300 | 104-29 | A50UF41500 | 28-16 |
| A50U858600 | 86-24 | A50U868200 | 101-8 | A50U883701 | 93-32 | A50U943400 | 102-21 | A50UF50700 | 7-23 |
| A50U858702 | 93-24 | A50U868301 | 101-9 | A50U884000 | 93-33 | A50U943501 | 43-31 | A50UF70800 | 80-13 |
| A50U859000 | 87-34 | A50U868401 | 100-23 | A50U884202 | 83-11 | A50U943600 | 100-29 | A50UF70900 | 80-14 |
| A50U859400 | 87-35 | A50U868500 | 101-10 | A50U884300 | 93-34 | A50U943700 | 50-32 | A50UF80500 | 97-18 |
| A50U859500 | 92-27 | A50U868600 | 101-11 | A50U884600 | 84-35 | A50U943800 | 99-32 | A50UF81401 | 88-25 |
| A50U859800 | 92-28 | A50U868702 | 100-24 | A50U884700 | 84-36 | A50U943900 | 96-26 | A50UF82200 | 86-27 |
| A50U859900 | 95-22 | A50U869100 | 101-12 | A50U885100 | 86-26 | A50U944000 | 94-16 | A50UF83702 | 83-12 |
| A50U860104 | 99-15 | A50U869300 | 100-25 | A50U886300 | 91-38 | A50U944200 | 82-18 | A50UF84800 | 95-23 |
| A50U860202 | 100-11 | A50U869400 | 99-30 | A50U886700 | 93-35 | A50U944301 | 5-31 | A50UM15300 | 7-24 |
| A50U860501 | 99-16 | A50U869501 | 99-31 | A50U886800 | 92-32 | A50U945300 | 62-34 | A50UM15300 | 105-17 |
| A50U860600 | 100-12 | A50U869601 | 100-26 | A50U886900 | 93-36 | A50U945300 | 66-40 | A50UM15401 | 11-28 |
| A50U861004 | 99-17 | A50U869700 | 100-27 | A50U887100 | 91-39 | A50U945601 | 2-24 | A50UM30101 | 55-18 |
| A50U861100 | 100-13 | A50U869800 | 100-28 | A50U887200 | 91-40 | A50U945601 | 54-19 | A50UM30101 | 56-18 |
| A50U861601 | 100-14 | A50U880103 | 92-29 | A50U887300 | 91-41 | A50U945601 | 59-4 | A50UM30101 | 57-18 |
| A50U861800 | 99-18 | A50U880201 | 94-15 | A50U890102 | 106-15 | A50U945700 | 60-11 | A50UM30101 | 58-22 |
| A50U861900 | 101-3 | A50U880701 | 86-25 | A50U890201 | 106-16 | A50U945700 | 64-12 | A50UM32E00 | 46-20 |
| A50U862600 | 101-4 | A50U880800 | 91-32 | A50U890300 | 106-17 | A50U946000 | 61-23 | A50UM32F00 | 46-20 |
| A50U863000 | 101-5 | A50U880900 | 91-33 | A50U890500 | 105-9 | A50U946300 | 62-35 | A50UM40100 | 112-7 |

| Parts No. | Page No. | Parts No. | Page No. | Parts No. | Page No. | Parts No. | Page No. | Parts No. | Page No. |
|------------|----------|------------|----------|------------|----------|------------|----------|------------|----------|
| A50UM40201 | 113-15 | A50UN17100 | 97-19 | A50UN29900 | 114-25 | A50UR71U01 | 13-11 | A5AWM15101 | 107-1 |
| A50UM45200 | 111-5 | A50UN17200 | 86-28 | A50UPJG100 | 120-9 | A50UR71V01 | 13-12 | A5AWP00100 | 120-2 |
| A50UM50100 | 42-8 | A50UN17400 | 112-9 | A50UPJG200 | 120-10 | A50UR71W01 | 13-13 | A5C1263300 | 19-17 |
| A50UM50200 | 42-9 | A50UN17502 | 101-13 | A50UPJG300 | 120-8 | A50UR71X00 | 7-25 | A5C1263400 | 19-18 |
| A50UM50600 | 48-17 | A50UN17601 | 100-30 | A50UPP0100 | 120-1 | A50UR71Y00 | 7-26 | A5C1280100 | 18-8 |
| A50UM51000 | 8-30 | A50UN17700 | 98-18 | A50UR70115 | 34-19 | A50UR72100 | 38-34 | A5C1M10A00 | 19-19 |
| A50UM51000 | 28-17 | A50UN17900 | 91-43 | A50UR70244 | 24-10 | A50UR72400 | 93-39 | A5C1M50100 | 18-9 |
| A50UM51000 | 34-16 | A50UN18100 | 93-38 | A50UR70244 | 25-10 | A50UR72500 | 93-40 | A5C1M50100 | 19-20 |
| A50UM51000 | 81-28 | A50UN18201 | 88-26 | A50UR70244 | 26-10 | A50UR72600 | 91-44 | A5C1N14300 | 19-21 |
| A50UM51000 | 108-3 | A50UN18401 | 100-31 | A50UR70244 | 27-10 | A50UR72600 | 93-41 | A5VM400200 | 29-18 |
| A50UM60300 | 5-34 | A50UN18700 | 82-20 | A50UR70311 | 22-1 | A50UR72711 | 100-32 | A5VM944500 | 29-13 |
| A50UN10903 | 43-33 | A50UN18900 | 88-27 | A50UR70500 | 59-5 | A50UR72811 | 99-33 | A5VM944600 | 29-14 |
| A50UN11801 | 34-17 | A50UN20001 | 42-10 | A50UR70633 | 36-1 | A50UR72C00 | 84-37 | A5VM944700 | 29-15 |
| A50UN12000 | 34-18 | A50UN23200 | 112-10 | A50UR70A12 | 11-29 | A50UR72E00 | 87-36 | A5VM944800 | 29-16 |
| A50UN12101 | 28-18 | A50UN23300 | 112-11 | A50UR70B00 | 59-6 | A50UR72F00 | 88-28 | A61FM31100 | 20-19 |
| A50UN12203 | 32-12 | A50UN23400 | 112-12 | A50UR70D01 | 104-30 | A50UR72G00 | 88-29 | A61FM90200 | 18-10 |
| A50UN12500 | 54-21 | A50UN23500 | 112-13 | A50UR70E11 | 45-6 | A50UR72H00 | 88-30 | A65U186600 | 107-2 |
| A50UN12602 | 5-35 | A50UN23600 | 112-14 | A50UR70F00 | 48-18 | A50UR72J00 | 7-27 | A782945000 | 120-19 |
| A50UN12702 | 118-1 | A50UN23700 | 112-15 | A50UR70G01 | 82-21 | A50UR72K00 | 54-22 | A795167800 | 3-10 |
| A50UN12900 | 112-8 | A50UN23800 | 112-16 | A50UR70H00 | 12-15 | A50UR72R00 | 97-20 | A795273900 | 20-20 |
| A50UN13203 | 39-25 | A50UN23900 | 112-17 | A50UR70K11 | 41-16 | A50UR72S00 | 82-22 | A795275700 | 19-22 |
| A50UN13600 | 10-23 | A50UN24100 | 112-18 | A50UR70Q00 | 79-10 | A50UR72U11 | 50-33 | A796H01A00 | 18-11 |
| A50UN14001 | 67-21 | A50UN24200 | 112-19 | A50UR70S11 | 74-12 | A50UR72V00 | 30-2 | A799190100 | 14-25 |
| A50UN14100 | 63-21 | A50UN24300 | 112-20 | A50UR70V00 | 33-10 | A50UR72X01 | 76-12 | A799190200 | 14-26 |
| A50UN14201 | 69-29 | A50UN24400 | 113-17 | A50UR70W11 | 33-11 | A50UR72X01 | 77-12 | A799190301 | 14-27 |
| A50UN14201 | 72-29 | A50UN24501 | 38-31 | A50UR70Y11 | 35-21 | A50UR72X01 | 78-12 | A799H04001 | 14-28 |
| A50UN14400 | 81-29 | A50UN24600 | 113-18 | A50UR71100 | 33-12 | A50UR72X01 | 79-12 | A799M45300 | 111-6 |
| A50UN15101 | 113-16 | A50UN24701 | 38-32 | A50UR71200 | 35-22 | A50UR72Y00 | 45-7 | A799M72000 | 114-26 |
| A50UN15301 | 105-18 | A50UN24800 | 113-19 | A50UR71411 | 30-1 | A50UR73100 | 80-15 | A799R90400 | 115-17 |
| A50UN15400 | 8-31 | A50UN24901 | 38-33 | A50UR71500 | 30-1 | A50UR73700 | 110-14 | A79JM11300 | 52-13 |
| A50UN15500 | 82-19 | A50UN25000 | 113-20 | A50UR71711 | 42-11 | A50UR73F00 | 113-24 | A7PUN14600 | 17-7 |
| A50UN15800 | 102-22 | A50UN25200 | 113-21 | A50UR71J00 | 110-14 | A50UR73J00 | 40-17 | A7PUR71111 | 17-8 |
| A50UN15900 | 93-37 | A50UN25300 | 113-22 | A50UR71K00 | 76-11 | A50UR73K00 | 40-18 | A85C102000 | 10-24 |
| A50UN16000 | 89-14 | A50UN25400 | 86-29 | A50UR71K00 | 77-11 | A55C712000 | 80-16 | A85C108100 | 111-7 |
| A50UN16300 | 95-24 | A50UN25500 | 113-23 | A50UR71K00 | 78-11 | A55D941100 | 3-9 | A85C130700 | 115-10 |
| A50UN16400 | 95-25 | A50UN25600 | 86-30 | A50UR71M00 | 79-11 | A5AW162000 | 2-37 | A85C136200 | 115-11 |
| A50UN16600 | 103-13 | A50UN27002 | 12-14 | A50UR71P22 | 36-2 | A5AW510400 | 109-8 | A85C137100 | 114-16 |
| A50UN16700 | 103-14 | A50UN29012 | 15-14 | A50UR71Q00 | 59-7 | A5AW744900 | 49-16 | A85C213100 | 79-13 |
| A50UN16800 | 103-15 | A50UN29101 | 15-15 | A50UR71R11 | 59-8 | A5AW745000 | 49-17 | A85C409600 | 29-17 |
| A50UN16900 | 89-15 | A50UN29201 | 115-9 | A50UR71S11 | 59-9 | A5AWM15101 | 7-28 | A85C635200 | 70-21 |

| Parts No. | Page No. | Parts No. | Page No. | Parts No. | Page No. | Parts No. | Page No. | Parts No. | Page No. |
|------------|----------|------------|----------|------------|----------|------------|----------|------------|----------|
| A85C635200 | 73-21 | A85CM55500 | 44-26 | A85CR70G11 | 71-23 | A8WC707100 | 120-20 | A9VE168800 | 121-6 |
| A85C635300 | 70-22 | A85CM55500 | 54-23 | A85CR70P33 | 36-3 | A92W943100 | 111-13 | A9VE169000 | 121-7 |
| A85C635300 | 73-22 | A85CM55500 | 61-24 | A85CR70R11 | 36-4 | A92WH51000 | 111-8 | A9VE169500 | 4-10 |
| A85C635400 | 69-30 | A85CM55500 | 63-22 | A85CR70S00 | 30-1 | A9CE955000 | 121-4 | A9VE193100 | 16-16 |
| A85C635400 | 72-30 | A85CM55500 | 65-28 | A85EH01104 | 115-12 | A9CE955100 | 121-5 | A9VE193200 | 16-17 |
| A85C757801 | 50-34 | A85CM55500 | 69-31 | A8AK100401 | 107-6 | A9JT170600 | 3-11 | A9VE193300 | 15-16 |
| A85C758100 | 50-35 | A85CM55500 | 72-31 | A8AK101201 | 108-10 | A9JT942400 | 4-4 | A9VE193500 | 15-17 |
| A85C764100 | 50-36 | A85CM55500 | 76-14 | A8AK101502 | 108-11 | A9JT944200 | 2-38 | A9VE193800 | 15-18 |
| A85C789200 | 48-19 | A85CM55500 | 77-14 | A8AK101700 | 108-12 | A9PJ138400 | 17-10 | A9VE193900 | 16-18 |
| A85C789300 | 48-20 | A85CM55500 | 78-14 | A8AK103200 | 109-23 | A9PJ138500 | 17-11 | A9VE194000 | 15-19 |
| A85C877100 | 101-14 | A85CM55500 | 81-30 | A8AK103502 | 109-24 | A9VE133000 | 112-21 | A9VE194100 | 15-20 |
| A85C877200 | 94-17 | A85CM55500 | 84-38 | A8AK103601 | 109-25 | A9VE139100 | 114-18 | A9VE194200 | 122-7 |
| A85C895300 | 109-9 | A85CM55500 | 88-31 | A8AK103702 | 109-26 | A9VE160100 | 2-31 | A9VE194300 | 122-8 |
| A85C895400 | 109-10 | A85CM55500 | 89-16 | A8AK104100 | 109-27 | A9VE160200 | 2-32 | A9VE197100 | 15-21 |
| A85C895500 | 106-31 | A85CM55500 | 91-45 | A8AK106101 | 105-19 | A9VE160300 | 2-33 | A9VE205000 | 14-30 |
| A85C895800 | 109-11 | A85CM55500 | 93-42 | A8AK106200 | 105-20 | A9VE160400 | 82-23 | A9VE205000 | 14-30 |
| A85C895900 | 109-12 | A85CM55500 | 97-21 | A8AK106300 | 105-21 | A9VE160600 | 2-34 | A9VE205100 | 14-30 |
| A85C896300 | 109-13 | A85CM55500 | 99-34 | A8AK106400 | 105-22 | A9VE160700 | 60-12 | A9VE205200 | 14-30 |
| A85C896400 | 109-14 | A85CM55500 | 100-33 | A8AK106800 | 105-23 | A9VE160800 | 64-13 | A9VE220500 | 52-14 |
| A85C896501 | 108-21 | A85CM55500 | 106-32 | A8AK107100 | 108-13 | A9VE161000 | 3-2 | A9VE220600 | 53-10 |
| A85C896600 | 108-22 | A85CM90400 | 115-13 | A8AK107200 | 105-24 | A9VE161100 | 3-12 | A9VE500100 | 38-35 |
| A85C896800 | 109-15 | A85CM91100 | 18-12 | A8AK108001 | 109-28 | A9VE161200 | 3-13 | A9VE522500 | 84-39 |
| A85C896900 | 109-16 | A85CN10202 | 117-1 | A8AK108100 | 109-29 | A9VE161300 | 3-14 | A9VE526200 | 84-40 |
| A85C897201 | 109-17 | A85CN10400 | 117-2 | A8AK108200 | 109-30 | A9VE161400 | 3-15 | A9VE620701 | 64-14 |
| A85C897300 | 109-18 | A85CN12800 | 7-29 | A8AK108302 | 109-31 | A9VE162000 | 1-3 | A9VE628400 | 60-13 |
| A85C897400 | 108-4 | A85CN19000 | 76-15 | A8AK108400 | 109-32 | A9VE162100 | 1-4 | A9VE628400 | 64-15 |
| A85C897700 | 109-19 | A85CN19100 | 79-15 | A8AK108500 | 109-33 | A9VE162200 | 1-5 | A9VE628500 | 60-14 |
| A85C897800 | 109-20 | A85CN19900 | 122-5 | A8AK162701 | 105-25 | A9VE162300 | 4-5 | A9VE630701 | 60-15 |
| A85C897900 | 108-5 | A85CN21300 | 108-7 | A8AK941001 | 121-2 | A9VE162400 | 3-3 | A9VE633100 | 60-16 |
| A85C898701 | 107-3 | A85CN21400 | 108-8 | A8AK941200 | 121-3 | A9VE162500 | 1-6 | A9VE633100 | 64-16 |
| A85C898800 | 107-4 | A85CN21600 | 107-5 | A8AK941300 | 109-34 | A9VE162800 | 1-7 | A9VE634400 | 60-17 |
| A85C899000 | 109-21 | A85CN21700 | 108-9 | A8AKN10501 | 109-35 | A9VE163000 | 4-6 | A9VE634400 | 64-17 |
| A85C899100 | 109-22 | A85CN26500 | 21-8 | A8AKR70500 | 109-36 | A9VE163200 | 1-8 | A9VE700200 | 80-17 |
| A85CH10003 | 115-15 | A85CN27400 | 114-17 | A8AW106900 | 108-14 | A9VE163500 | 4-7 | A9VE701300 | 80-18 |
| A85CM10100 | 79-14 | A85CN27800 | 18-13 | A8AW160401 | 108-15 | A9VE163600 | 4-8 | A9VE715700 | 104-31 |
| A85CM10200 | 76-13 | A85CN29700 | 114-27 | A8AW161911 | 105-26 | A9VE163800 | 4-9 | A9VE720100 | 49-18 |
| A85CM10200 | 77-13 | A85CN29800 | 114-28 | A8AW162401 | 108-16 | A9VE163900 | 3-4 | A9VE720500 | 49-19 |
| A85CM10200 | 78-13 | A85CR70C11 | 76-16 | A8AW162500 | 108-17 | A9VE164800 | 2-35 | A9VE722800 | 51-17 |
| A85CM40100 | 108-6 | A85CR70D11 | 17-9 | A8AW162600 | 108-18 | A9VE168000 | 122-6 | A9VE723500 | 49-20 |
| A85CM55500 | 37-14 | A85CR70G11 | 68-23 | A8AW941001 | 108-19 | A9VE168800 | 3-6 | A9VE723600 | 49-21 |

| Parts No. | Page No. |
|------------|----------|
| A9VE724100 | 49-22 |
| A9VE726800 | 49-23 |
| A9VE727500 | 50-37 |
| A9VE727600 | 51-18 |
| A9VE727700 | 50-38 |
| A9VE728300 | 49-24 |
| A9VE728400 | 48-21 |
| A9VE731500 | 51-19 |
| A9VE733000 | 49-25 |
| A9VE733100 | 49-26 |
| A9VE733400 | 48-22 |
| A9VE739400 | 7-30 |
| A9VE741600 | 45-8 |
| A9VE741700 | 46-21 |
| A9VE741800 | 46-22 |
| A9VE741900 | 47-20 |
| A9VE742000 | 47-21 |
| A9VE742400 | 44-27 |
| A9VE742500 | 43-34 |
| A9VE742800 | 43-35 |
| A9VE743000 | 43-36 |
| A9VE743500 | 49-27 |
| A9VE743800 | 44-28 |
| A9VE744300 | 44-29 |
| A9VE745800 | 45-9 |
| A9VE747200 | 44-30 |
| A9VE747301 | 44-31 |
| A9VE758000 | 50-39 |
| A9VE758400 | 47-22 |
| A9VE758600 | 47-23 |
| A9VE760301 | 50-40 |
| A9VE764200 | 50-41 |
| A9VE769000 | 48-23 |
| A9VE769300 | 51-20 |
| A9VE769600 | 51-21 |
| A9VE785400 | 49-28 |
| A9VE785500 | 49-29 |
| A9VE818100 | 86-31 |
| A9VE819100 | 88-32 |
| A9VE839100 | 86-32 |

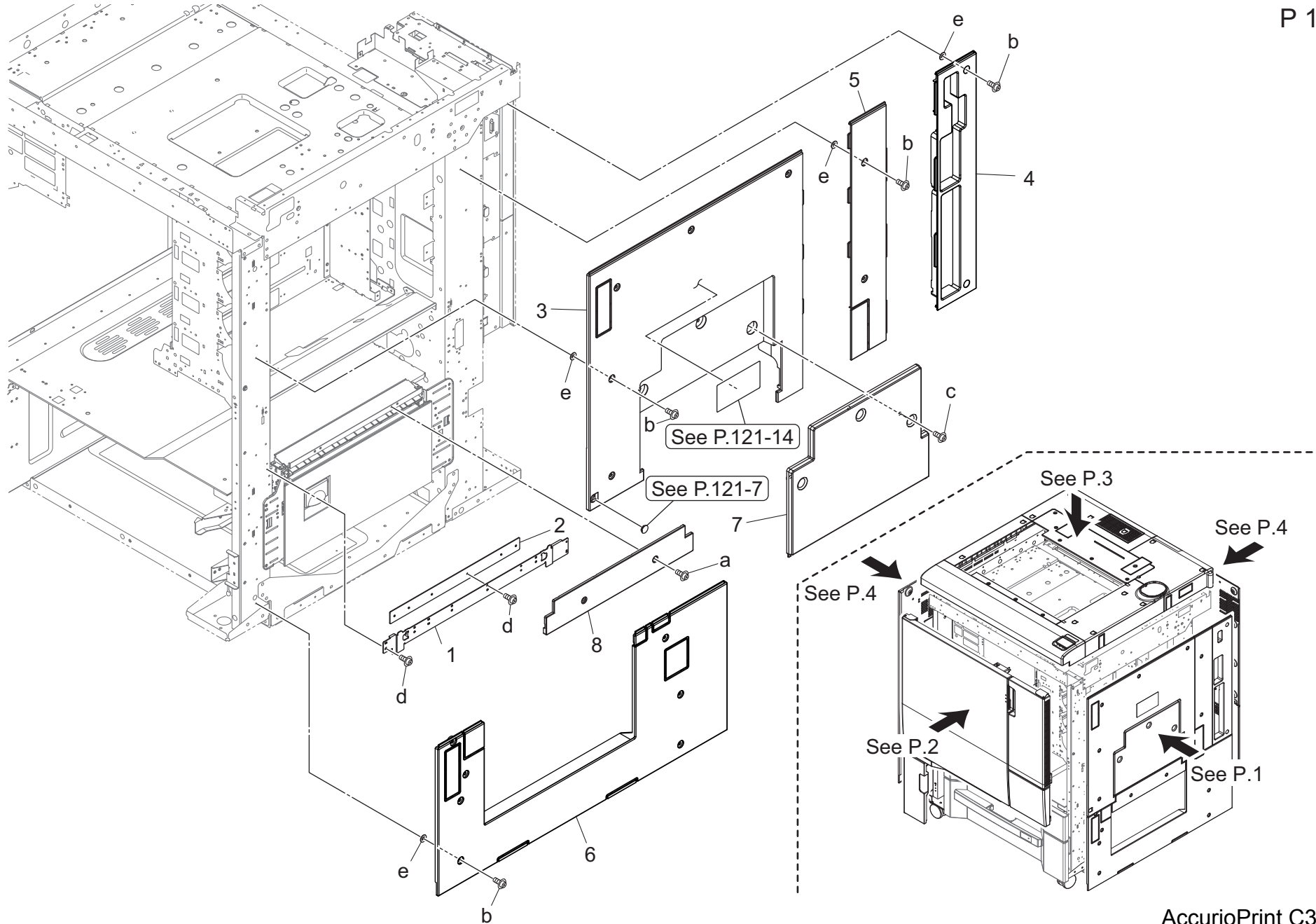
| Parts No. | Page No. |
|------------|----------|
| A9VE866100 | 99-35 |
| A9VE866200 | 99-36 |
| A9VE867900 | 99-37 |
| A9VE870100 | 85-5 |
| A9VE870200 | 85-6 |
| A9VE870300 | 85-7 |
| A9VE870400 | 85-8 |
| A9VE870500 | 85-9 |
| A9VE870600 | 85-10 |
| A9VE870700 | 84-41 |
| A9VE870800 | 84-42 |
| A9VE870900 | 84-43 |
| A9VE871200 | 84-44 |
| A9VE871300 | 84-45 |
| A9VE871600 | 91-46 |
| A9VE871700 | 84-46 |
| A9VE871800 | 84-47 |
| A9VE871900 | 85-11 |
| A9VE872000 | 91-47 |
| A9VE890400 | 106-33 |
| A9VE890900 | 106-34 |
| A9VE892800 | 106-35 |
| A9VE942100 | 108-20 |
| A9VE942200 | 121-8 |
| A9VE942300 | 4-12 |
| A9VE942500 | 103-16 |
| A9VE942600 | 4-11 |
| A9VE942700 | 52-15 |
| A9VE944900 | 2-36 |
| A9VE945400 | 60-18 |
| A9VE945500 | 64-18 |
| A9VE945900 | 121-14 |
| A9VE946300 | 121-9 |
| A9VE949000 | 50-42 |
| A9VEF62100 | 64-19 |
| A9VEF63100 | 60-19 |
| A9VEF75102 | 50-43 |
| A9VEF84100 | 94-18 |
| A9VEF89001 | 105-27 |
| A9VEH02000 | 115-14 |

| Parts No. | Page No. |
|------------|----------|
| A9VEH03002 | 112-22 |
| A9VEH05001 | 86-33 |
| A9VEM10100 | 44-32 |
| A9VEM31E00 | 49-30 |
| A9VEM31F00 | 49-30 |
| A9VEM33E00 | 49-31 |
| A9VEM33F00 | 49-31 |
| A9VEM55100 | 103-17 |
| A9VEN10300 | 118-2 |
| A9VEN10600 | 48-24 |
| A9VEN10700 | 44-33 |
| A9VEN10A00 | 116-1 |
| A9VEN10F00 | 116-1 |
| A9VEN11000 | 48-25 |
| A9VEN11300 | 114-19 |
| A9VEN11400 | 111-9 |
| A9VEN11601 | 111-10 |
| A9VEN11700 | 110-15 |
| A9VEN11F00 | 111-11 |
| A9VEN12400 | 52-16 |
| A9VEN13300 | 39-26 |
| A9VEN15000 | 86-34 |
| A9VEN15200 | 106-36 |
| A9VEN15600 | 86-35 |
| A9VEN16100 | 89-17 |
| A9VEN16200 | 85-12 |
| A9VEN16200 | 91-48 |
| A9VEN16500 | 88-33 |
| A9VEN18800 | 86-36 |
| A9VER70200 | 43-37 |
| A9VER70300 | 43-37 |
| A9VER70400 | 49-32 |
| A9VER70500 | 36-3 |
| A9VER70600 | 14-29 |
| A9VER70800 | 80-19 |
| A9VER70900 | 51-22 |
| A9VER71000 | 102-23 |
| A9VER71100 | 98-19 |
| A9VER71200 | 113-25 |
| A9VER71300 | 21-9 |

| Parts No. | Page No. |
|------------|----------|
| A9VER71400 | 84-48 |
| AAC3R70100 | 52-17 |
| AAC4400200 | 29-18 |
| AAC4947000 | 82-24 |
| AAC4N10500 | 119-1 |
| AAC4N11500 | 112-23 |
| AAC4R70100 | 110-14 |
| AAC4R70200 | 110-14 |
| SP00-0210 | 48-26 |
| SP00-0220 | 45-10 |
| V114040604 | 121-10 |
| V118045503 | 8-4 |
| V121030604 | 121-11 |
| V127030516 | 121-12 |
| V127030604 | 121-13 |
| V217040003 | 122-9 |
| V502010033 | 44-34 |
| V502010033 | 111-12 |
| V502010065 | 115-16 |

External Parts Section

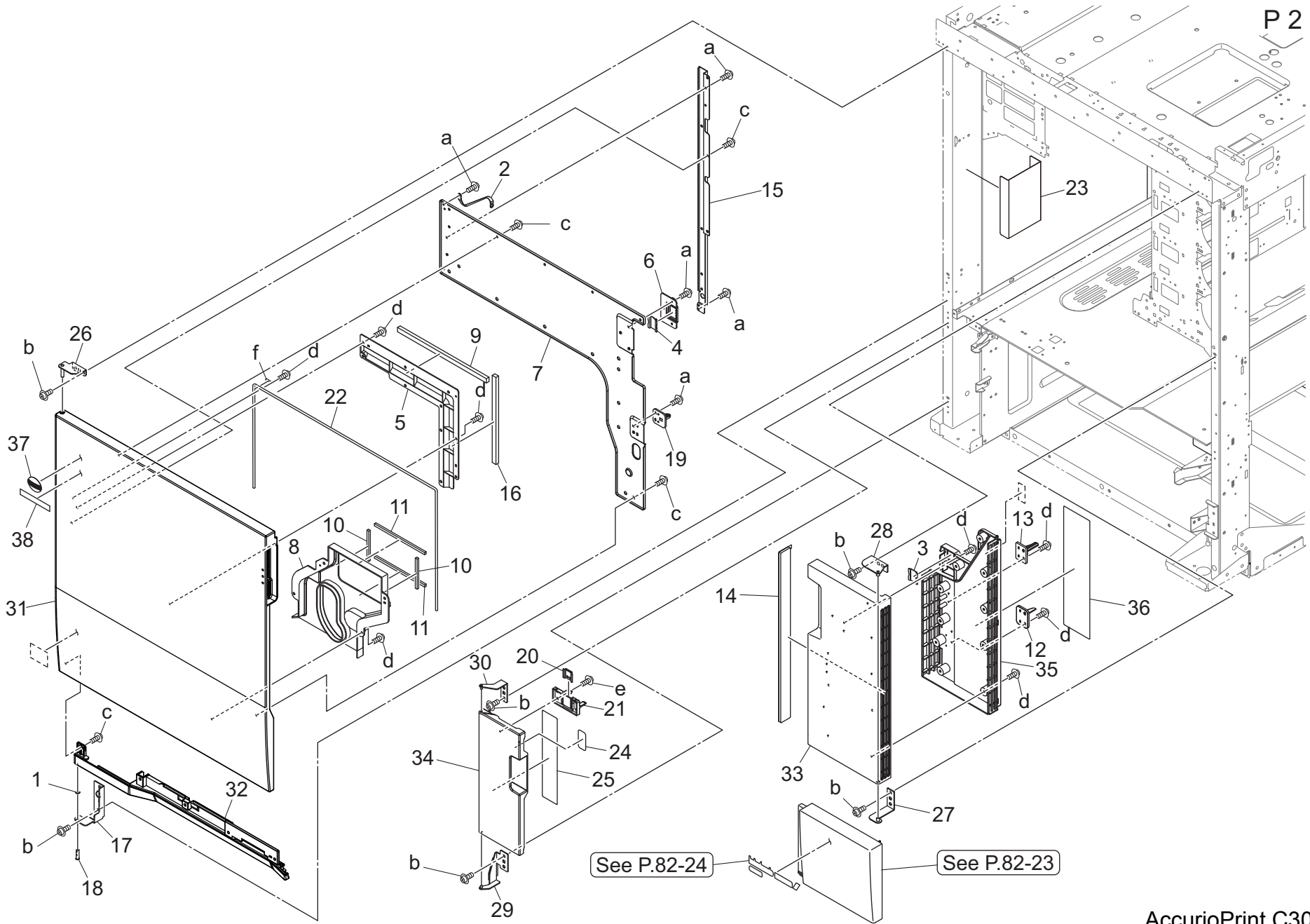
P 1



External Parts Section

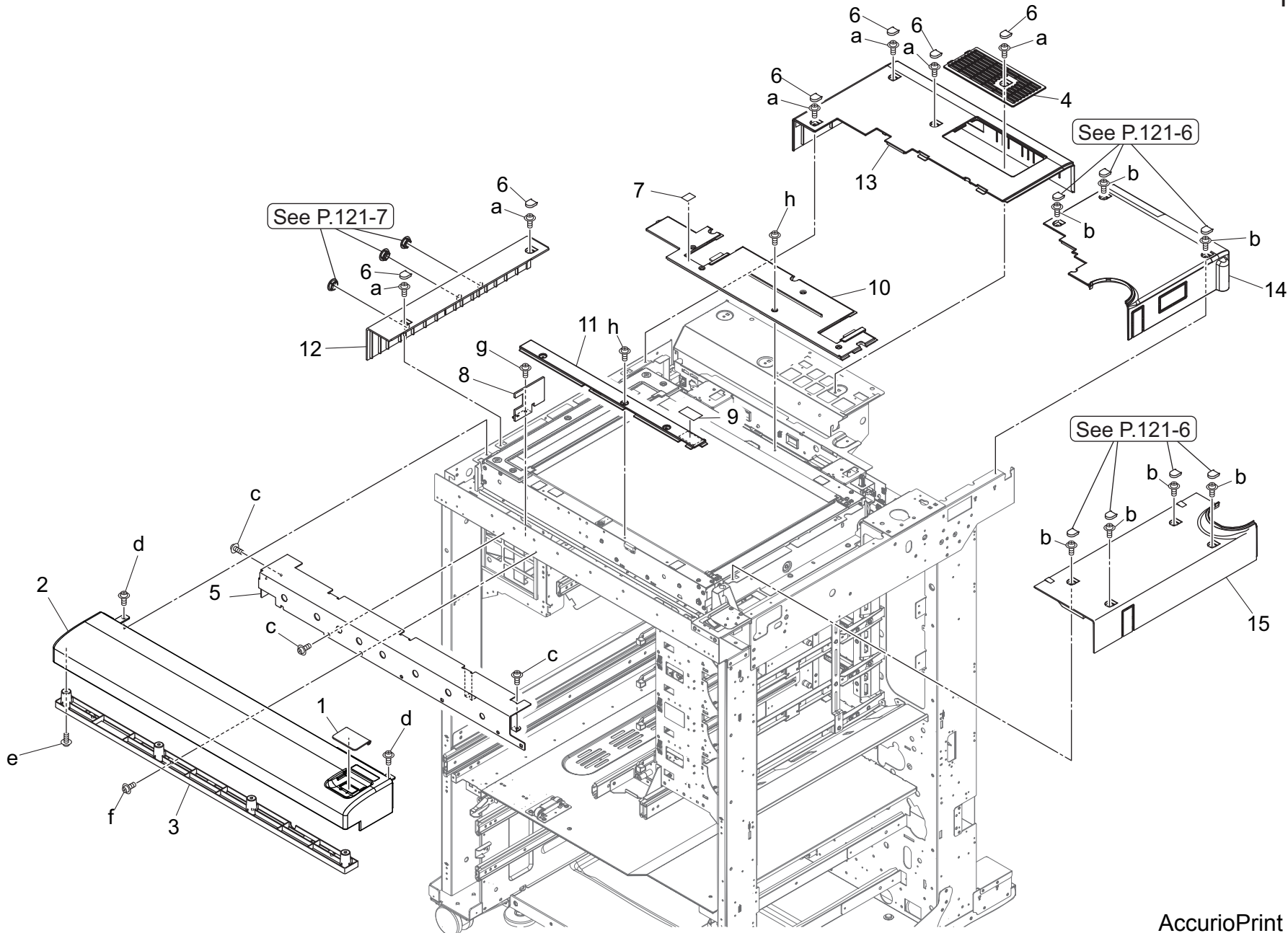
| Key | Part No. | Description | Destinations | Class | QTY | Standard parts |
|-----|------------|-------------------------|--------------|-------|-----|--|
| 1 | A50U162701 | Reinforce Plate | | D | 1 | a-V114040604 b-V114041004 c-V121031004 d-V127030604 e-V211040080 |
| 2 | A50U162900 | Reinforce Plate /2 | | D | 1 | |
| 3 | A9VE162000 | Cover /Right | | D | 1 | |
| 4 | A9VE162100 | Protection Cover /1 | | D | 1 | |
| 5 | A9VE162200 | Protection Cover /2 | | D | 1 | |
| 6 | A9VE162500 | Protection Cover /Lower | | D | 1 | |
| 7 | A9VE162800 | Bypass Cover | | D | 1 | |
| 8 | A9VE163200 | Protection Cover | | D | 1 | |
| | | | | | | |
| | | | | | | |
| | | | | | | |
| | | | | | | |
| | | | | | | |
| | | | | | | |
| | | | | | | |
| | | | | | | |
| | | | | | | |
| | | | | | | |
| | | | | | | |
| | | | | | | |
| | | | | | | |
| | | | | | | |
| | | | | | | |
| | | | | | | |
| | | | | | | |

External Parts Section



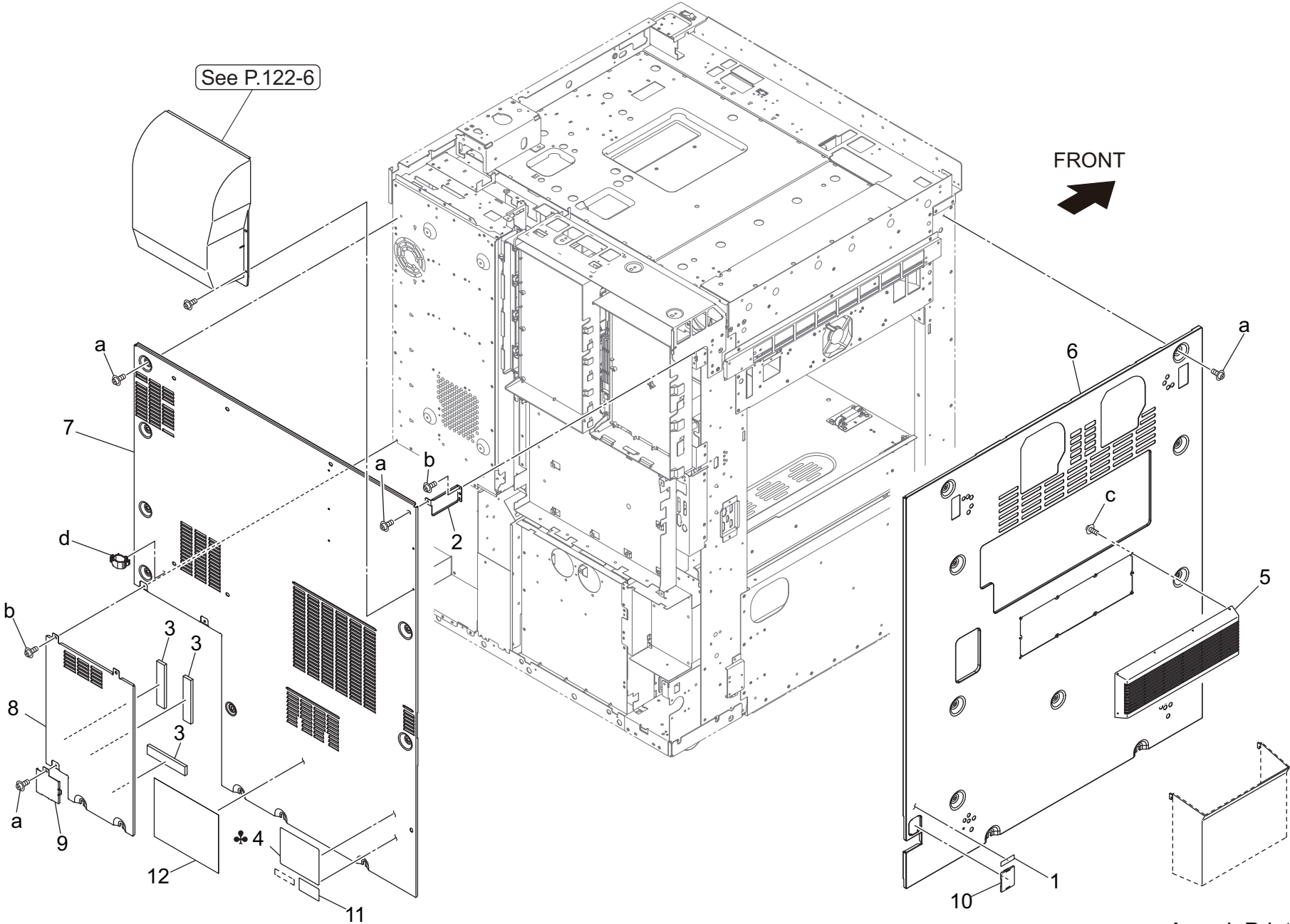
| Key | Part No. | Description | Destinations | Class | QTY | Standard parts |
|-----|------------|---|--------------------|-------|-----|----------------|
| 1 | 40AA30270 | DEVELOPING SPACER | 現像スペーサー | C | 1 | a-V127030604 |
| 2 | 55VA90840 | MAIN EARTH WIRE | 本体アース線 | D | 1 | b-V127040603 |
| 3 | 56AA12241 | EXTERNAL LOCK PLATE | 外装ロック板 | D | 1 | c-V158030803 |
| 4 | A03U169900 | LOCK PLATE | ロック板 | D | 1 | d-V158030804 |
| 5 | A50U160500 | Fixing Plate | 固定プレート | D | 1 | e-V158031003 |
| 6 | A50U160900 | Holding Part | 押さえ部材 | D | 1 | f-V234201450 |
| 7 | A50U161501 | Reinforce Door /Right | 補強扉/右 | D | 1 | |
| 8 | A50U161601 | Cover Duct /Front | カバーダクト/前 | D | 1 | |
| 9 | A50U161700 | Sealing Cushion /1 | シールクッション/1 | D | 1 | |
| 10 | A50U161800 | Sealing Cushion /Right | シールクッション/右 | D | 2 | |
| 11 | A50U161900 | Sealing Cushion /Left | シールクッション/左 | D | 2 | |
| 12 | A50U164100 | Detecting Actuator | 検出アクチュエータ | D | 1 | |
| 13 | A50U164200 | Detecting Part | 検出部材 | D | 1 | |
| 14 | A50U164901 | Suction Dust-proof Filter | 吸気防塵フィルター | B | 1 | |
| 15 | A50U165500 | Reinforce Hinge | 補強ヒンジ | D | 1 | |
| 16 | A50U165600 | Sealing Cushion /2 | シールクッション/2 | D | 1 | |
| 17 | A50U166100 | Hinge /Lower | ヒンジ/下 | D | 1 | |
| 18 | A50U166200 | Support Shaft /Lower | 支点軸/下 | D | 1 | |
| 19 | A50U167201 | Lock Cover | ロックカバー | D | 1 | |
| 20 | A50U167500 | Lock Plate | ロック板 | D | 1 | |
| 21 | A50U167601 | Detecting Part | 検出部材 | D | 1 | |
| 22 | A50U169900 | Reinforce Wire | 補強ワイヤ | D | 1 | |
| 23 | A50U863100 | Sheet | シート | D | 1 | |
| 24 | A50U945601 | Operation Label | 操作ラベル (O R U) | D | 1 | |
| 25 | A50U946501 | Operation Label /A | 操作ラベル/A | D | 1 | |
| 26 | A50UF16000 | Left Door Support Plate / Upper Caulking | 左扉支点板/上カシメ | D | 1 | |
| 27 | A50UF16101 | Right Door Support Plate / Lower Caulkin | 右扉支点板/下カシメ | D | 1 | |
| 28 | A50UF16201 | Right Door Support Plate / Upper Caulkin | 右扉支点板/上カシメ | D | 1 | |
| 29 | A50UF16301 | Collection Box Door Support Plate / L | 回収BOX 扉支点板/下 | D | 1 | |
| 30 | A50UF16400 | Collection Box Door Support Plate / Upper | 回収BOX 扉支点板/上カシメ | D | 1 | |
| 31 | A9VE160100 | Door /Front | 扉/前 | D | 1 | |
| 32 | A9VE160200 | Door /Lower | 扉/下 | D | 1 | |
| 33 | A9VE160300 | Toner supply Door | トナー補給扉 | D | 1 | |
| 34 | A9VE160600 | Collection Door | 回収扉 | D | 1 | |
| 35 | A9VE164800 | Toner supply Duct | トナー補給ダクト | D | 1 | |
| 36 | A9VE944900 | Toner supply Label | トナー補給ラベル | D | 1 | |
| 37 | A5AW162000 | Indicating Plate | 表示プレート | C | 1 | |
| 38 | A9JT944200 | Label /KONICA MINOLTA | ラベル/KONICA MINOLTA | D | 1 | |
| | | | | | | |
| | | | | | | |

External Parts Section



| Key | Part No. | Description | Destinations | Class | QTY | Standard parts |
|-----|------------|------------------------|--------------|-------|-----|----------------|
| 1 | A1DU163402 | Protection Cover | | D | 1 | a-V114040604 |
| 2 | A9VE161000 | Cover Part | | D | 1 | b-V114041004 |
| 3 | A9VE162400 | Cover Part /Inside | | D | 1 | c-V121040604 |
| 4 | A9VE163900 | Replacement Cover | | D | 1 | d-V127040603 |
| 5 | A50U175001 | Reinforce Plate | | D | 1 | e-V158030803 |
| 6 | A9VE168800 | Click Cover | | D | 6 | f-V114040804 |
| 7 | A161940602 | Label | | D | 1 | g-V127030604 |
| 8 | A50U167301 | Insulating Part | | D | 1 | h-V116030804 |
| 9 | A55D941100 | Caution Label | | D | 1 | |
| 10 | A795167800 | Read Cover /Upper | | C | 1 | |
| 11 | A9JT170600 | Read Cover | | D | 1 | |
| 12 | A9VE161100 | Cover Plate /Left | | D | 1 | |
| 13 | A9VE161200 | Read Cover /Rear | | D | 1 | |
| 14 | A9VE161300 | Read Cover /Right rear | | D | 1 | |
| 15 | A9VE161400 | Read Cover /Right | | D | 1 | |
| | | | | | | |
| | | | | | | |
| | | | | | | |
| | | | | | | |
| | | | | | | |
| | | | | | | |
| | | | | | | |
| | | | | | | |
| | | | | | | |
| | | | | | | |

External Parts Section



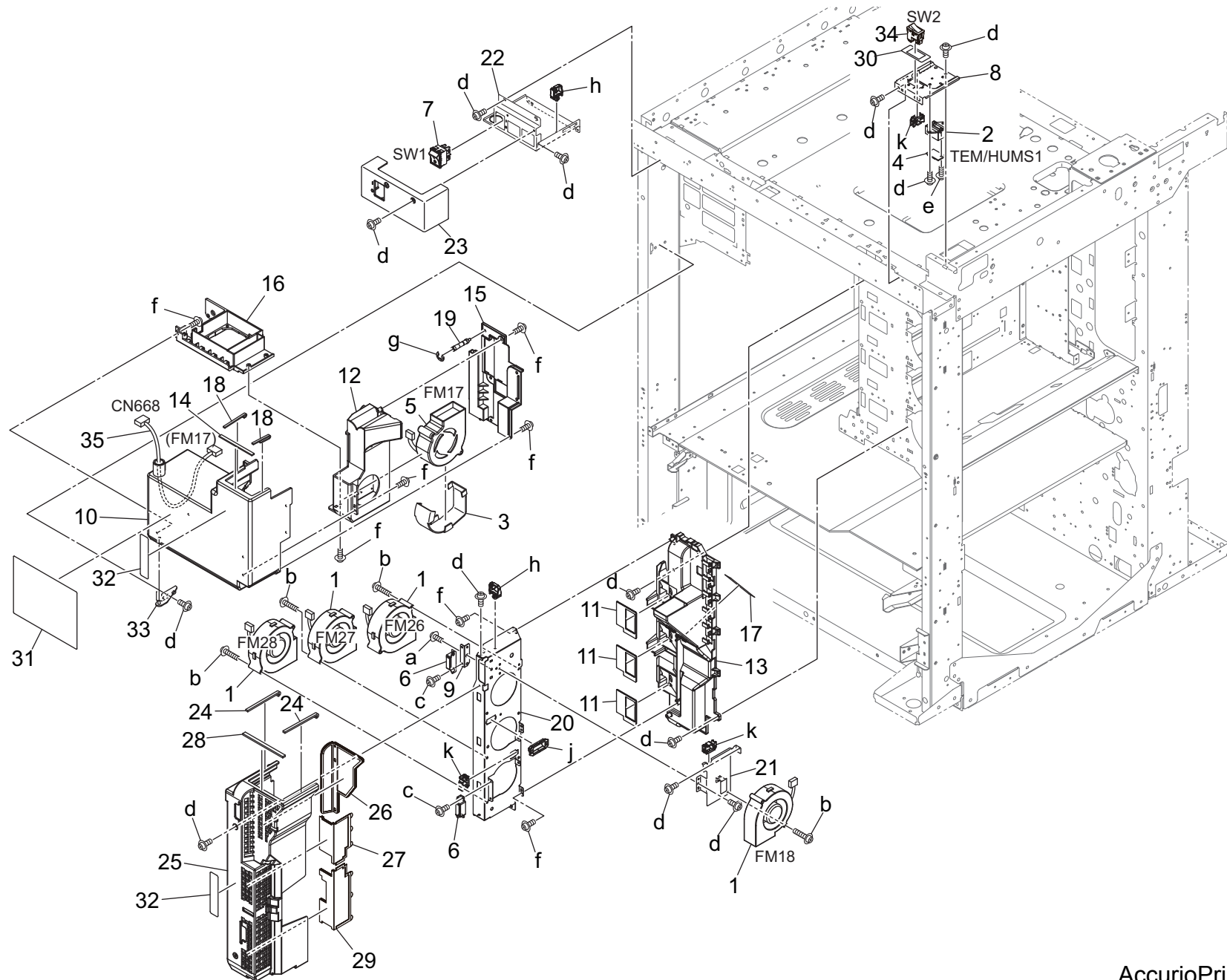
AccurioPrint C3070L

External Parts Section

| Key | Part No. | Description | Destinations | Class | QTY | Standard parts |
|-----|------------|------------------------|--|-------|-----|--|
| 1 | A00J945401 | Label Dehumidifier SW. | | C | 1 | a-V114040604 b-V127030604 c-V158030804 d-V500010075 |
| 2 | A50U163700 | Mounting Plate /Upper | | D | 1 | |
| 3 | A50U167801 | Holding Part | | D | 3 | |
| 4 | A9JT942400 | Caution Label | C,I(only SOUTH AFRI CA) | D | 1 | |
| 5 | A9VE162300 | Paper exit Cover /2 | | D | 1 | |
| 6 | A9VE163000 | Paper exit Cover /Left | | D | 1 | |
| 7 | A9VE163500 | Protection Cover /1 | | D | 1 | |
| 8 | A9VE163600 | Cover /Rear | | D | 1 | |
| 9 | A9VE163800 | Entrance Plate | | D | 1 | |
| 10 | A9VE169500 | Cover /A | | D | 1 | |
| 11 | A9VE942600 | Caution Label | | D | 1 | |
| 12 | A9VE942300 | Caution Label | D1,D3,E,F2,G1,H,I(E xcept SOUTH AFRICA) ,K | D | 1 | |
| | | | | | | |
| | | | | | | |
| | | | | | | |
| | | | | | | |
| | | | | | | |
| | | | | | | |
| | | | | | | |
| | | | | | | |
| | | | | | | |
| | | | | | | |
| | | | | | | |
| | | | | | | |

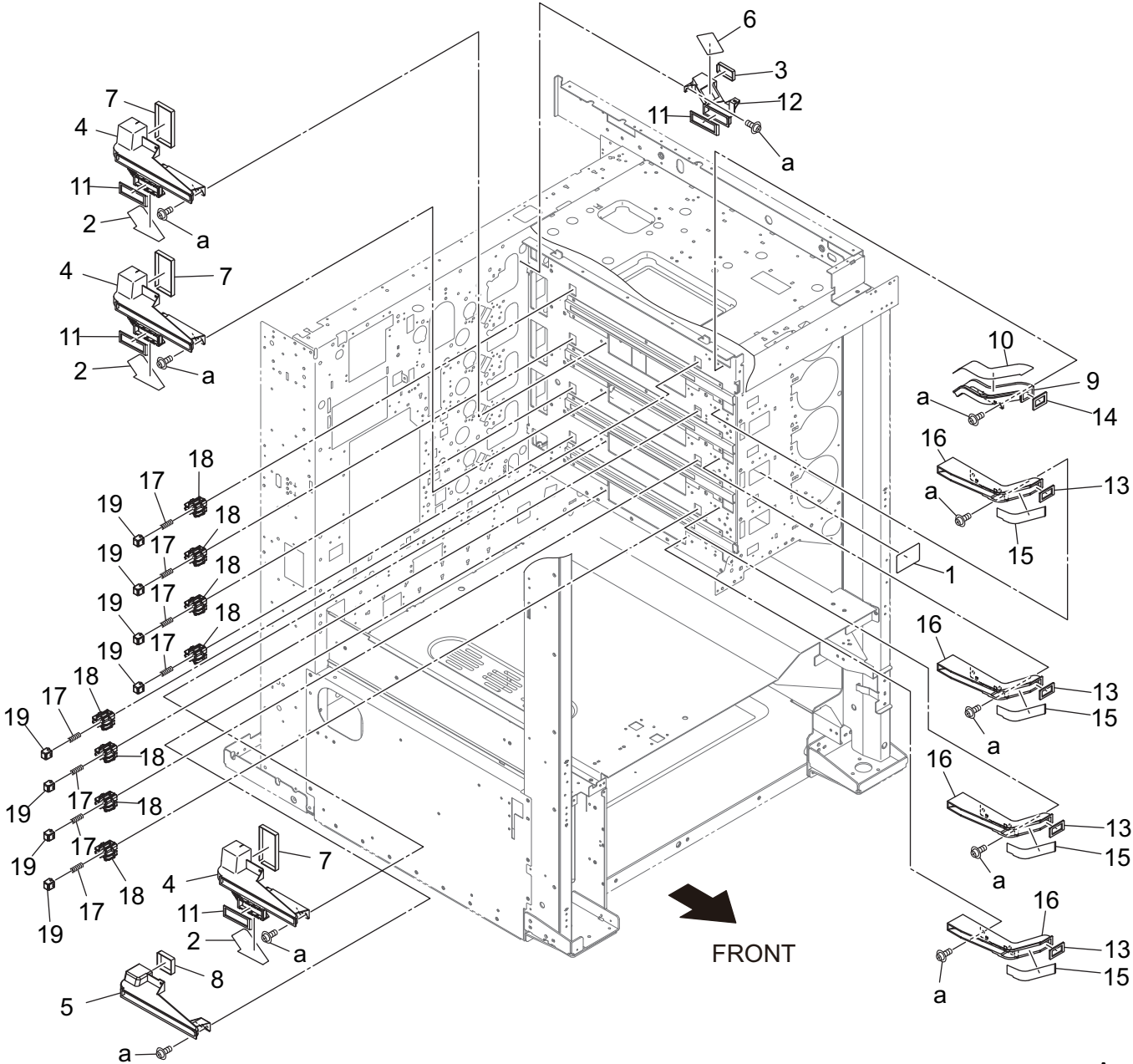
Main Frame Section

P 5



| Key | Part No. | Description | Destinations | Class | QTY | Standard parts |
|-----|------------|---|--------------|-------|-----|----------------|
| 1 | 9313100072 | FAN MOTOR | | C | 4 | a-V116030803 |
| 2 | 65AA11300 | SUPPORT PART | | D | 1 | b-V118033503 |
| 3 | 65AA11430 | FAN SEALING PART 3 | | C | 1 | c-V126030603 |
| 4 | A034M50000 | Humidity sensor | | C | 1 | d-V127030604 |
| 5 | A03UM15802 | Main body Cooling Fan | | C | 1 | e-V151030803 |
| 6 | A0G6411200 | Magnet /X | | D | 2 | f-V158030803 |
| 7 | A4EUM60000 | Power source Switch | | C | 1 | g-V217060003 |
| 8 | A50U102900 | Mounting Plate | | D | 1 | h-V500020098 |
| 9 | A50U120600 | Fixing Plate | | D | 1 | j-V570010037 |
| 10 | A50U121003 | Duct | | D | 1 | k-V570010056 |
| 11 | A50U121300 | Cooling Seal /Front | | D | 3 | |
| 12 | A50U121601 | Duct | | D | 1 | |
| 13 | A50U122103 | Cooling Duct | | D | 1 | |
| 14 | A50U123700 | Cooling Seal /B | | D | 1 | |
| 15 | A50U123800 | Cover | | D | 1 | |
| 16 | A50U124100 | Duct | | D | 1 | |
| 17 | A50U124900 | Cover Sheet | | D | 1 | |
| 18 | A50U125200 | Cooling Seal /A | | D | 2 | |
| 19 | A50U125901 | Fixing Screw | | D | 1 | |
| 20 | A50U126500 | Mounting Plate | | D | 1 | |
| 21 | A50U126600 | Mounting Plate | | D | 1 | |
| 22 | A50U127400 | Mounting Plate | | D | 1 | |
| 23 | A50U127901 | Cover | | D | 1 | |
| 24 | A50U164000 | Cooling Seal /1 | | D | 2 | |
| 25 | A50U167901 | Cooling Cover | | D | 1 | |
| 26 | A50U168801 | PH Dust-proof Filter | | B | 1 | |
| 27 | A50U168901 | Deve. Dust-proof Filter/1 | | B | 1 | |
| 28 | A50U169300 | Cooling Seal /2 | | D | 1 | |
| 29 | A50U169501 | Deve. Dust-proof Filter/2 | | B | 1 | |
| 30 | A50U179500 | Protection Sheet | | D | 1 | |
| 31 | A50U944301 | Processing Label /2 | | D | 1 | |
| 32 | A50U949600 | Replacement Label | | D | 2 | |
| 33 | A50UF12000 | Fusing Front Cooling Duct Support Shaft | | D | 1 | |
| 34 | A50UM60300 | Power source Switch | | C | 1 | |
| 35 | A50UN12602 | Cooling Relay harness /1 | | D | 1 | |
| | | | | | | |
| | | | | | | |
| | | | | | | |
| | | | | | | |

Main Frame Section

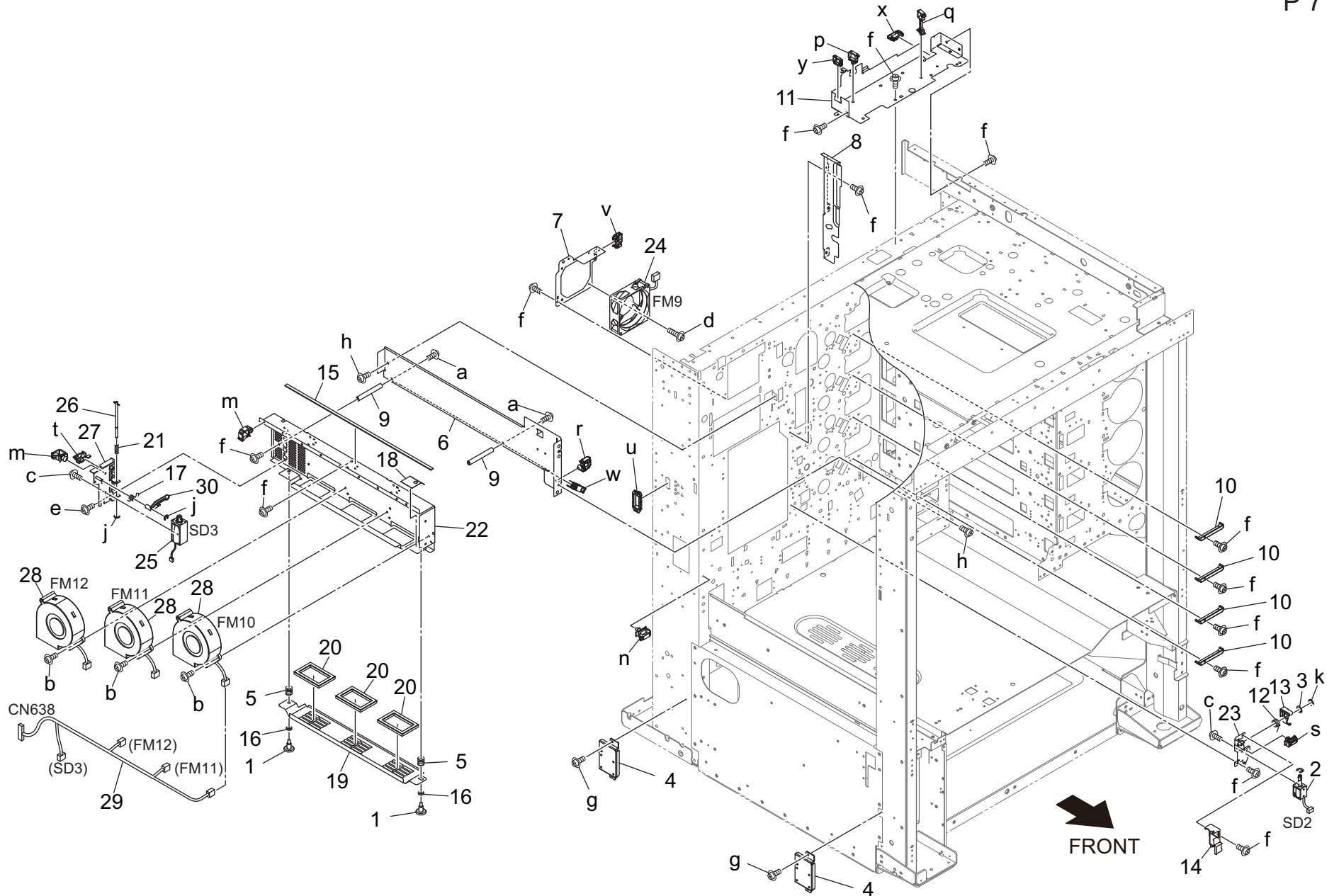


AccurioPrint C3070L

| Key | Part No. | Description | Destinations | Class | QTY | Standard parts |
|-----|------------|-----------------------|--------------|-------|-----|----------------|
| 1 | A50U109100 | Writing Cover | | D | 1 | a-V127030604 |
| 2 | A50U123200 | Ozone Cover | | D | 3 | |
| 3 | A50U123300 | Suction Seal | | D | 1 | |
| 4 | A50U123400 | Duct /Cyan | | D | 3 | |
| 5 | A50U123500 | Duct | | D | 1 | |
| 6 | A50U123600 | Suction Cover | | D | 1 | |
| 7 | A50U123900 | Suction Seal | | D | 3 | |
| 8 | A50U124000 | Suction Seal | | D | 1 | |
| 9 | A50U126200 | Duct | | D | 1 | |
| 10 | A50U126800 | Sheet /1 | | D | 1 | |
| 11 | A50U127200 | Suction Seal /Rear | | D | 4 | |
| 12 | A50U127300 | Suction Duct | | D | 1 | |
| 13 | A50U127500 | Seal | | D | 4 | |
| 14 | A50U127800 | Seal | | D | 1 | |
| 15 | A50U128000 | Sheet /2 | | D | 4 | |
| 16 | A50U128700 | Duct /1 | | D | 4 | |
| 17 | A50U341800 | Pressing Spring /D | | D | 8 | |
| 18 | A50U342200 | Pressing Pedestal | | D | 8 | |
| 19 | A50U342400 | Charge Pressing Block | | D | 8 | |
| | | | | | | |
| | | | | | | |
| | | | | | | |
| | | | | | | |
| | | | | | | |
| | | | | | | |
| | | | | | | |
| | | | | | | |
| | | | | | | |
| | | | | | | |
| | | | | | | |

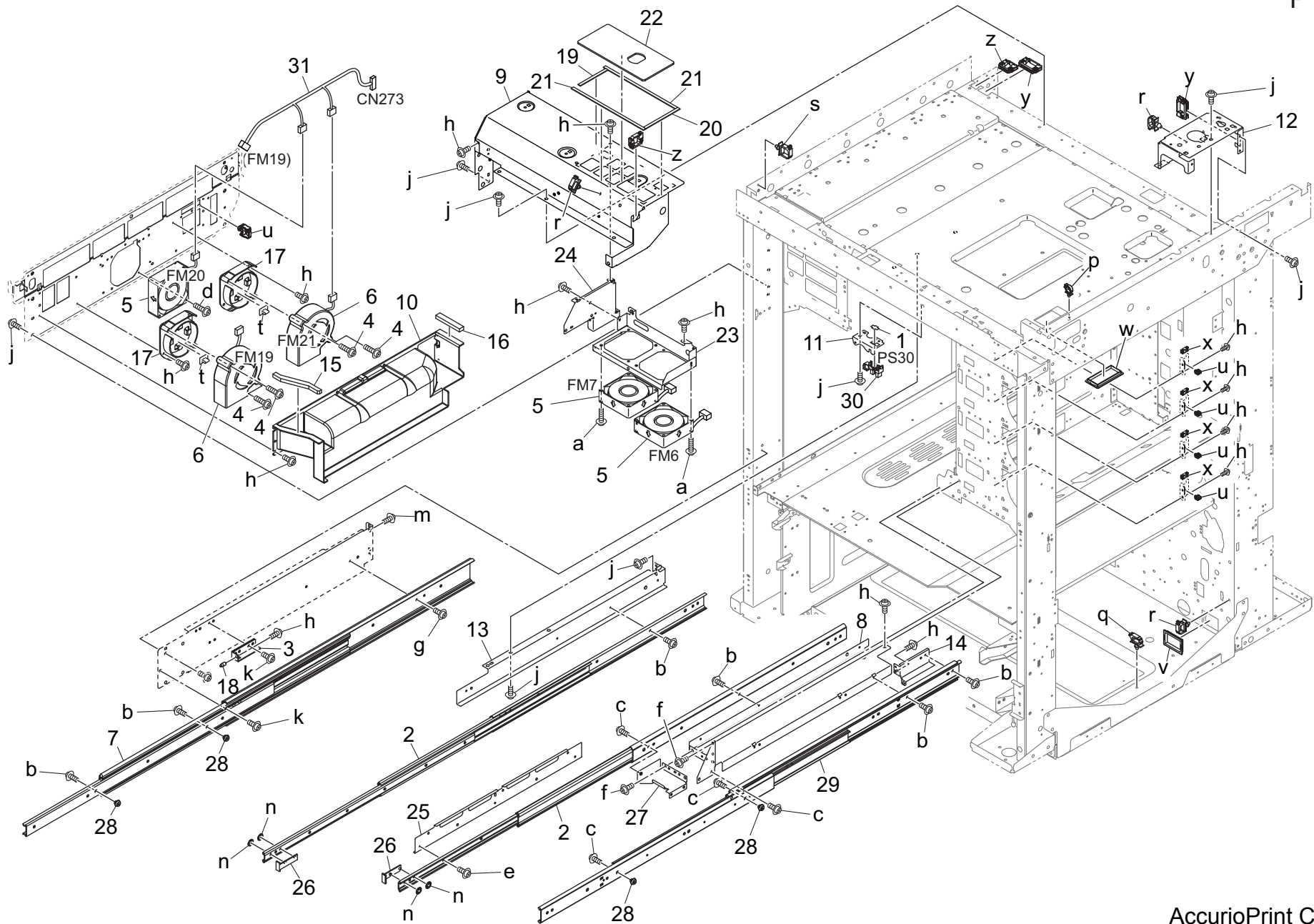
Main Frame Section

P 7



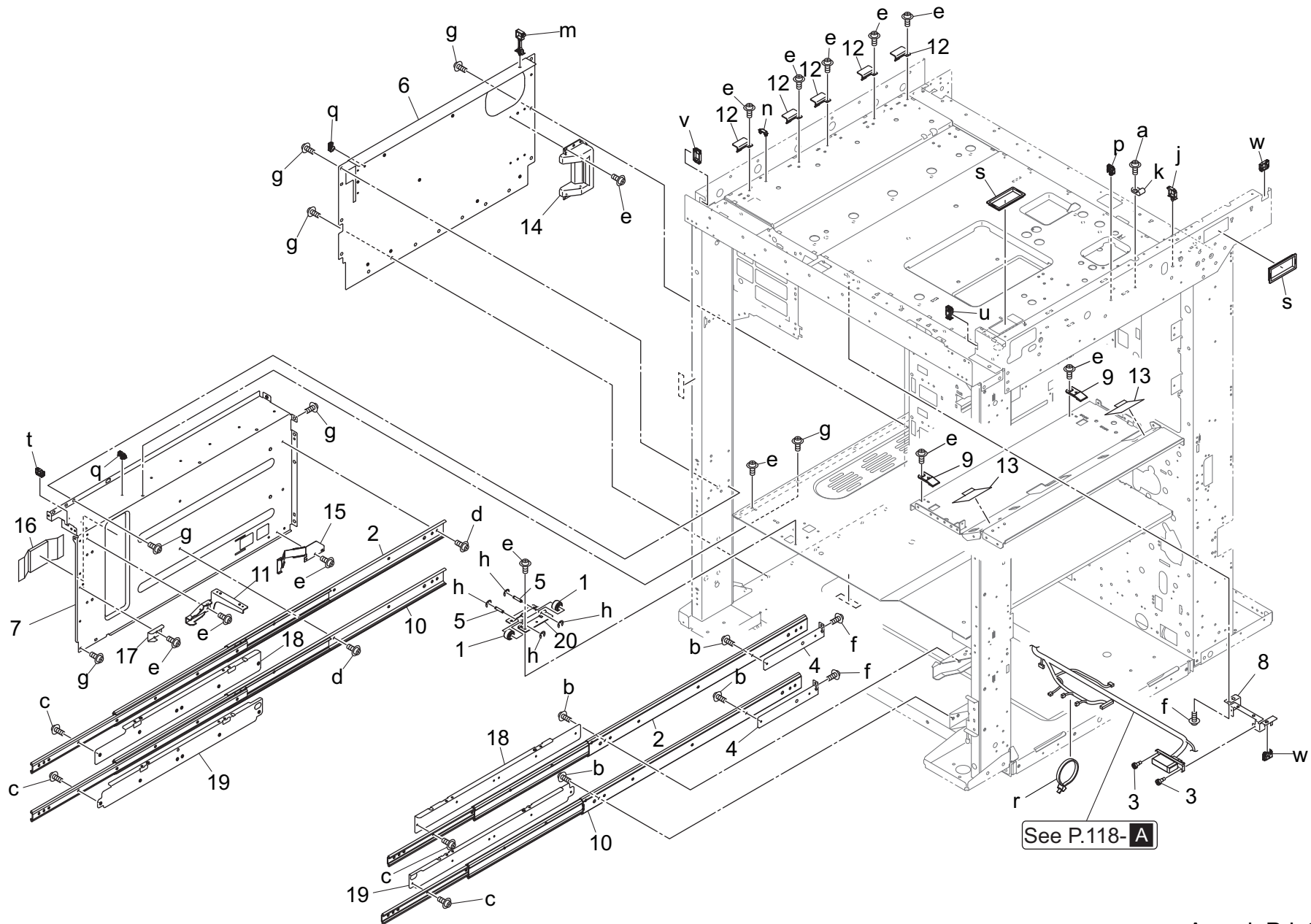
| Key | Part No. | Description | Destinations | Class | QTY | Standard parts |
|-----|------------|------------------------------|--------------|-------|-----|----------------|
| 1 | 4038351102 | SHOULDER SCREW | | C | 2 | a-V116030803 |
| 2 | 26NA82513 | Paper Feed Solenoid | | B | 1 | b-V116031003 |
| 3 | 40AA32320 | Toner Supply Spacer | | C | 1 | c-V118030303 |
| 4 | A1DU111101 | Connecting Plate /F | | D | 2 | d-V118033003 |
| 5 | A1DU764000 | Spring | | D | 2 | e-V121030403 |
| 6 | A50U102800 | Mounting Stay /Middle | | D | 1 | f-V127030604 |
| 7 | A50U103602 | Mounting Plate /Rear | | D | 1 | g-V127040603 |
| 8 | A50U104901 | Inner partition | | D | 1 | h-V146040804 |
| 9 | A50U106800 | Mounting Shaft /Inside | | D | 1 | j-V217030003 |
| 10 | A50U108900 | Receiving Part /1 | | D | 2 | k-V217040003 |
| 11 | A50U133201 | Mounting Plate /Upper | | D | 4 | m-V500010074 |
| 12 | A50U508301 | Solenoid Release Spring | | D | 1 | n-V500010082 |
| 13 | A50U509300 | Separating Cam | | D | 1 | p-V500010084 |
| 14 | A50U510400 | Cover | | D | 1 | q-V500020085 |
| 15 | A50U731700 | Insulating Seal /1 | | D | 1 | r-V500020098 |
| 16 | A50U731900 | Lifting Spacer /1 | | D | 1 | s-V500020099 |
| 17 | A50U737201 | Holding Spring /A | | D | 1 | t-V570010025 |
| 18 | A50U737800 | Protection Sheet /1 | | D | 1 | u-V570010037 |
| 19 | A50U738001 | Shutter | | D | 2 | v-V570010056 |
| 20 | A50U738100 | Cushion | | D | 1 | w-V570010057 |
| 21 | A50U738900 | Holding Spring /B | | D | 1 | x-V570010059 |
| 22 | A50U739000 | Mounting Plate | | D | 3 | y-V570010060 |
| 23 | A50UF50700 | Mounting Stay Caulking | | D | 1 | |
| 24 | A50UM15300 | Fan motor /2 | | D | 1 | |
| 25 | A50UR71X00 | Shutter Solenoid Pin Insert | | C | 1 | |
| 26 | A50UR71Y00 | Support Shaft / B Pin Insert | | C | 1 | |
| 27 | A50UR72J00 | Support Shaft Caulking | | D | 1 | |
| 28 | A5AWM15101 | Cooling Fan | | D | 1 | |
| 29 | A85CN12800 | Fixing Relay harness /2 | | B | 3 | |
| 30 | A9VE739400 | Open/close Arm /1 | | D | 1 | |
| | | | | | | |
| | | | | | | |
| | | | | | | |
| | | | | | | |
| | | | | | | |
| | | | | | | |
| | | | | | | |
| | | | | | | |
| | | | | | | |

Main Frame Section



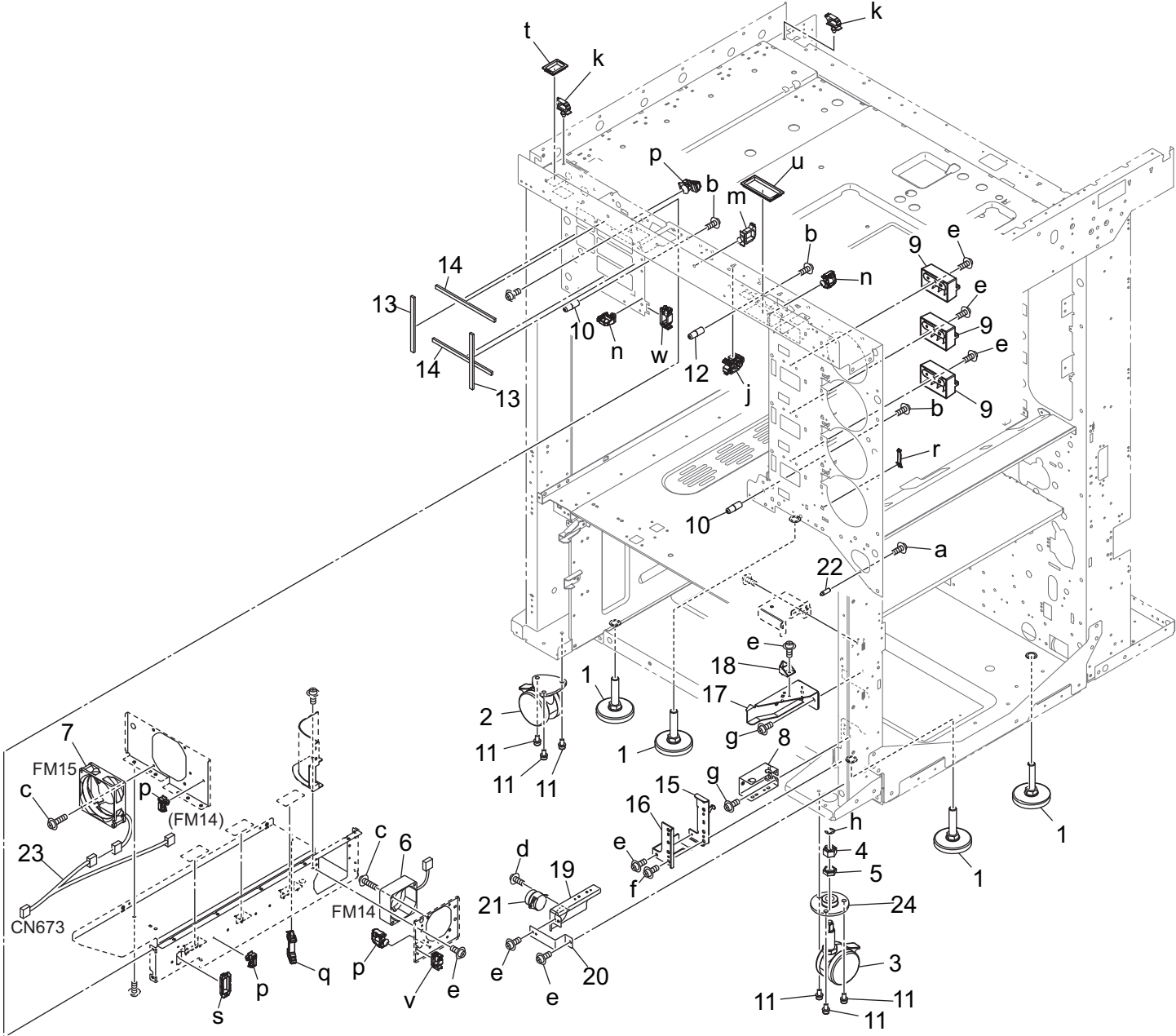
| Key | Part No. | Description | Destinations | Class | QTY | Standard parts |
|-----|------------|-------------------------------|--------------|-------|-----|----------------|
| 1 | 4470402401 | Stopper | | D | 1 | a-V118033003 |
| 2 | 56AA10300 | Slide Rail /A | | C | 2 | b-V118040604 |
| 3 | 65AA50430 | SHAFT MOUNTING PLATE LEFT | | D | 1 | c-V118040804 |
| 4 | V118045503 | Screw | | V | 4 | d-V118043003 |
| 5 | 9J03M10000 | FAN MOTOR | | B | 3 | e-V121030403 |
| 6 | A03UM15802 | Main body Cooling Fan | | C | 2 | f-V121040803 |
| 7 | A1RF815702 | Slide Rail /Left | | D | 1 | g-V126040603 |
| 8 | A50U103200 | Reinforce Rail | | D | 1 | h-V127030604 |
| 9 | A50U103402 | Fixing Plate /Left rear | | D | 1 | j-V127040603 |
| 10 | A50U103500 | Separating Duct | | D | 1 | k-V127040803 |
| 11 | A50U104700 | Mounting Plate | | D | 1 | m-V146040804 |
| 12 | A50U105100 | Support Plate /A | | D | 1 | n-V226040050 |
| 13 | A50U105201 | Support Rail /Front | | D | 1 | p-V500010076 |
| 14 | A50U105600 | Rail /Rear | | D | 1 | q-V500010081 |
| 15 | A50U107501 | Sealing Part /Front | | D | 1 | r-V500010082 |
| 16 | A50U107600 | Sealing Part /Rear | | D | 1 | s-V500010083 |
| 17 | A50U107800 | Fan duct | | D | 2 | t-V500020050 |
| 18 | A50U109400 | Guide Pin /Left | | D | 1 | u-V500020098 |
| 19 | A50U109600 | Cooling Seal /2 | | D | 1 | v-V570010039 |
| 20 | A50U109700 | Cooling Seal /3 | | D | 1 | w-V570010040 |
| 21 | A50U109800 | Cooling Seal /4 | | D | 2 | x-V570010057 |
| 22 | A50U109900 | Electric Comp. Cooling Filter | | B | 1 | y-V570010059 |
| 23 | A50U120300 | Fixing Plate | | D | 1 | z-V570010060 |
| 24 | A50U129200 | Fixing Plate | | D | 1 | |
| 25 | A50U340700 | Mounting Rail | | D | 1 | |
| 26 | A50U342900 | Protection Cover | | D | 2 | |
| 27 | A50U832100 | Reinforce Rail /A | | D | 1 | |
| 28 | A50U833000 | Mounting Collar /1 | | C | 4 | |
| 29 | A50U881500 | Slide Rail | | D | 1 | |
| 30 | A50UM51000 | Photointerrupter | | C | 1 | |
| 31 | A50UN15400 | Drive harness /F | | D | 1 | |
| | | | | | | |
| | | | | | | |
| | | | | | | |
| | | | | | | |
| | | | | | | |
| | | | | | | |

Main Frame Section



| Key | Part No. | Description | Destinations | Class | QTY | Standard parts |
|-----|------------|--------------------------|--------------|-------|-----|----------------|
| 1 | 13NG45200 | Conveyance Driven Roller | | C | 2 | a-V116030803 |
| 2 | 56AA10300 | Slide Rail /A | | C | 2 | b-V118040603 |
| 3 | 57AA15600 | ELECTRIC MOUNTING SCREW | | C | 2 | c-V118040604 |
| 4 | 65AA10470 | Mounting Plate /4 | | D | 2 | d-V126040603 |
| 5 | 65AA50400 | Guide Shaft | | D | 2 | e-V127030604 |
| 6 | A50U101600 | Auxiliary Plate /Left | | D | 1 | f-V127040603 |
| 7 | A50U102703 | Protection Plate | | D | 1 | g-V146040804 |
| 8 | A50U104600 | Mounting Plate /Front | | D | 1 | h-V217030003 |
| 9 | A50U105800 | Writing Guide /Front | | D | 1 | j-V500010083 |
| 10 | A50U107000 | Slide Rail /A | | D | 2 | k-V500020069 |
| 11 | A50U107101 | Hold Plate /Front | | D | 1 | m-V500020085 |
| 12 | A50U136501 | Cover | | D | 5 | n-V500020092 |
| 13 | A50U314800 | Receiving Sheet | | D | 2 | p-V500020098 |
| 14 | A50U363900 | Collection Guide | | D | 1 | q-V500020099 |
| 15 | A50U366601 | Regulating Plate | | D | 1 | r-V501010002 |
| 16 | A50U368000 | Collection Seal /2 | | D | 1 | s-V570010040 |
| 17 | A50U624000 | Lock Claw | | D | 1 | t-V570010056 |
| 18 | A50U624503 | Support Stay /2 | | D | 2 | u-V570010057 |
| 19 | A50U624904 | Support Stay /2 | | D | 2 | v-V570010059 |
| 20 | A50U855200 | Lifting Base frame | | D | 1 | w-V570010060 |
| | | | | | | |
| | | | | | | |
| | | | | | | |
| | | | | | | |
| | | | | | | |
| | | | | | | |
| | | | | | | |
| | | | | | | |
| | | | | | | |
| | | | | | | |

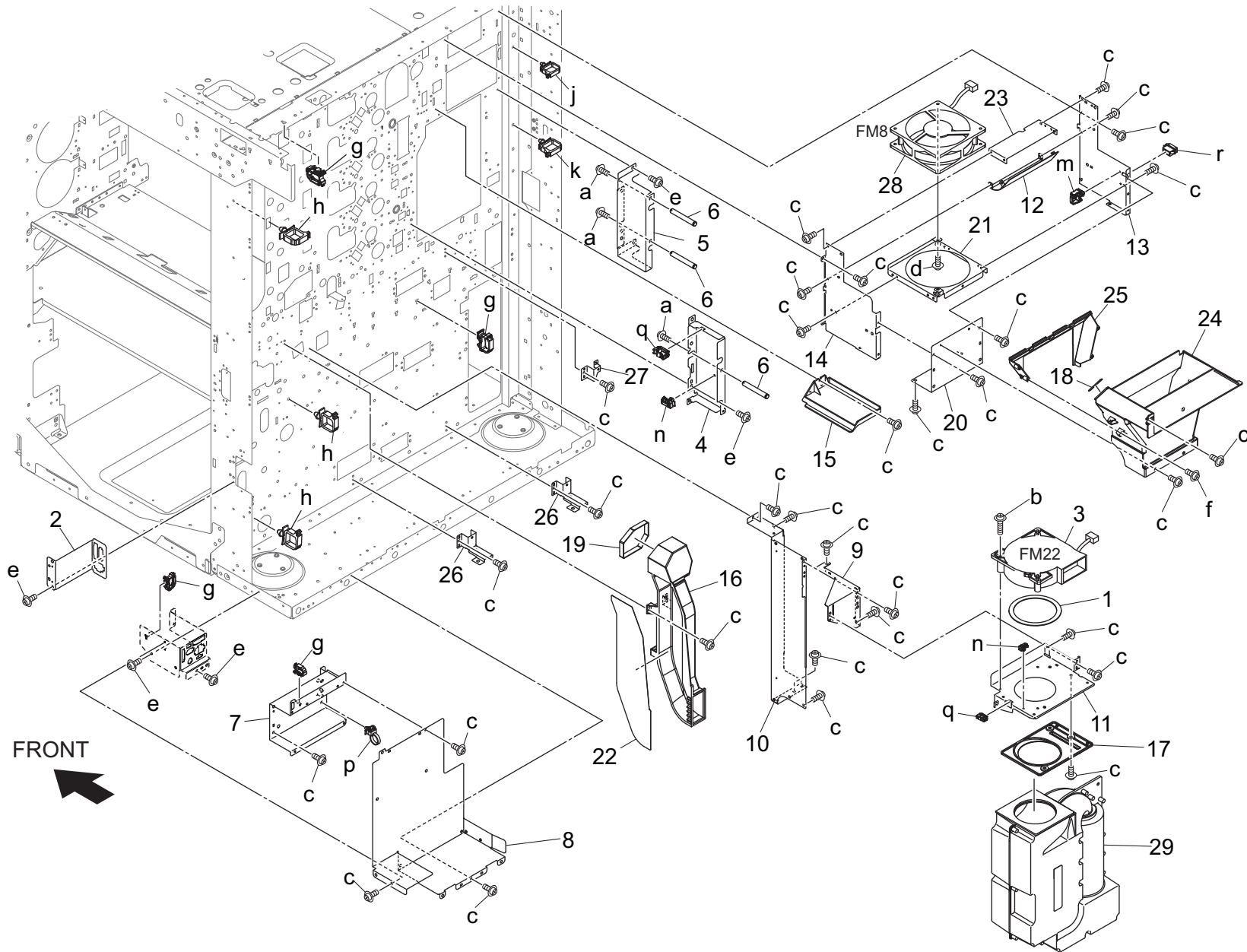
Main Frame Section



| Key | Part No. | Description | Destinations | Class | QTY | Standard parts |
|-----|------------|----------------------------|--------------|-------|-----|----------------|
| 1 | 25AA10090 | Mainbody Fixing Stopper | | C | 4 | a-V116030803 |
| 2 | 55WA10300 | MAIN BODY SUPPORT ROLLER X | | C | 1 | b-V116040803 |
| 3 | 55WA10310 | MAIN BODY SUPPORT ROLLER Y | | C | 1 | c-V118033003 |
| 4 | 56AA17630 | ADJUSTING PART | | C | 1 | d-V126030603 |
| 5 | 56AA17640 | ADJUSTING PART 2 | | C | 1 | e-V127030604 |
| 6 | 56QA80570 | Internal Cooling Fan | | C | 1 | f-V127040603 |
| 7 | 9J03M10000 | FAN MOTOR | | B | 1 | g-V146040804 |
| 8 | A50U103301 | Support Part /Middle | | D | 1 | h-V217080003 |
| 9 | A50U103800 | Guide Part /Front | | D | 3 | j-V500010071 |
| 10 | A50U104401 | Positioning Shaft /Front | | D | 2 | k-V500010081 |
| 11 | A50U106300 | Lock Screw | | D | 6 | m-V500010083 |
| 12 | A50U110000 | Positioning Shaft /Upper | | D | 1 | n-V500020098 |
| 13 | A50U122000 | Cooling Seal | | D | 2 | p-V500020099 |
| 14 | A50U122800 | Cooling Seal | | D | 2 | q-V500020101 |
| 15 | A50U624113 | Lock Part | | D | 1 | r-V500020102 |
| 16 | A50U624300 | Reinforce Plate | | D | 1 | s-V570010037 |
| 17 | A50U628001 | Lock Claw | | D | 1 | t-V570010038 |
| 18 | A50U634200 | Lock Part | | D | 1 | u-V570010040 |
| 19 | A50U640200 | Mounting Plate | | D | 1 | v-V570010056 |
| 20 | A50U640400 | Reinforce Part | | D | 1 | w-V570010057 |
| 21 | A50U641600 | Slide Dumper /A | | D | 1 | |
| 22 | A50U832201 | Guide Pin /Right front | | D | 1 | |
| 23 | A50UN13600 | Cooling Relay harness /3 | | D | 1 | |
| 24 | A85C102000 | Adjusting Part | | C | 1 | |
| | | | | | | |
| | | | | | | |
| | | | | | | |
| | | | | | | |
| | | | | | | |
| | | | | | | |
| | | | | | | |
| | | | | | | |

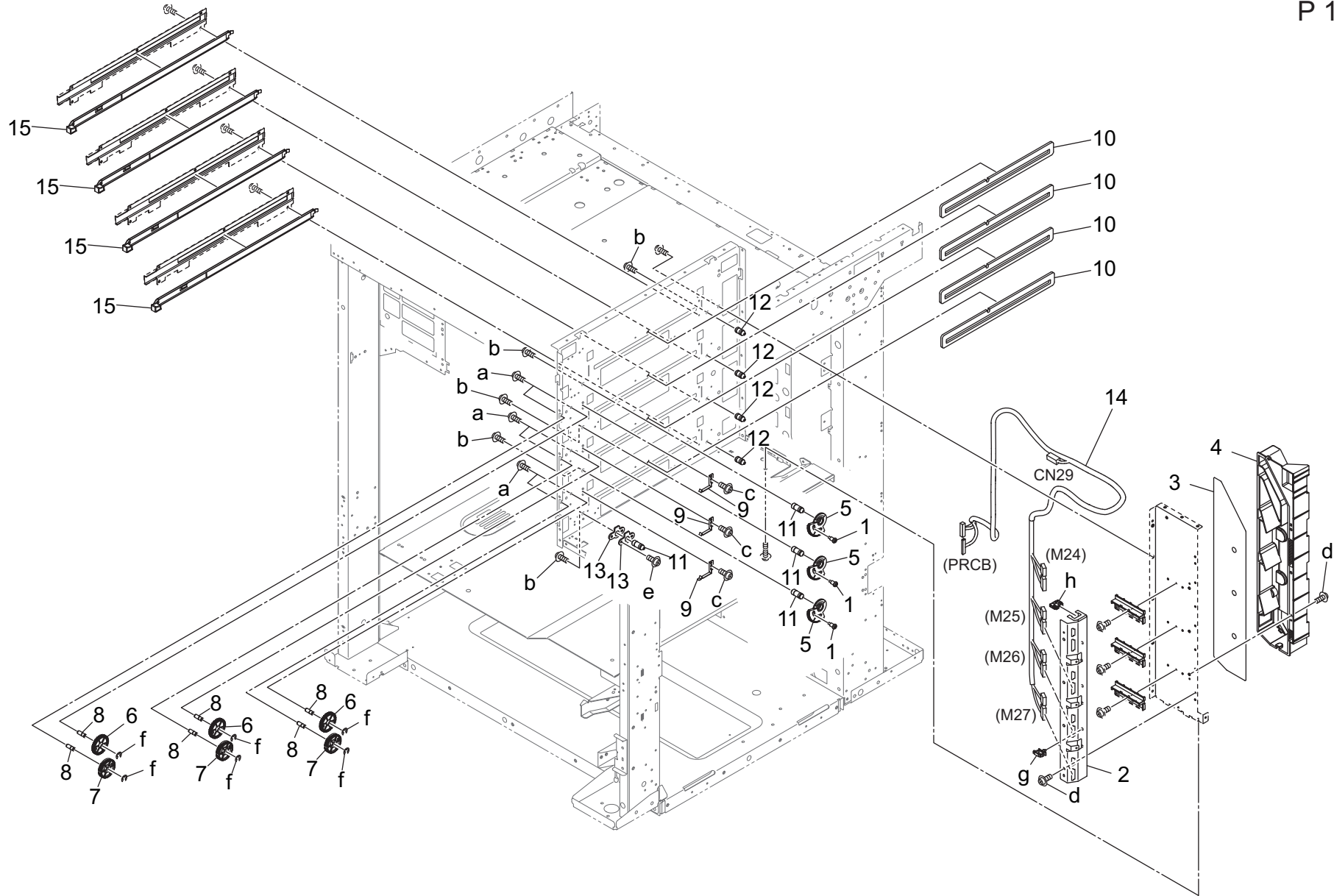


Main Frame Section



| Key | Part No. | Description | Destinations | Class | QTY | Standard parts |
|-----|------------|----------------------------|--------------|-------|-----|----------------|
| 1 | 65AA10190 | FAN SEALING PART 1 | | C | 1 | a-V116040803 |
| 2 | A03U118301 | PFU Power supply Panel | | D | 1 | b-V118033503 |
| 3 | A0Y5M15101 | Suction Fan motor | | C | 1 | c-V127030604 |
| 4 | A50U106502 | Fusing Plate | | D | 1 | d-V127031203 |
| 5 | A50U106600 | Fusing Plate /B | | D | 1 | e-V127040603 |
| 6 | A50U106700 | Swing Shaft | | D | 3 | f-V151030803 |
| 7 | A50U108001 | Protection Plate /P | | D | 1 | g-V500010071 |
| 8 | A50U108200 | Guide Part /Rear | | D | 1 | h-V500010083 |
| 9 | A50U120900 | Mounting Frame /2 | | D | 1 | j-V500010084 |
| 10 | A50U121800 | Mounting Frame /Right Rear | | D | 1 | k-V500010085 |
| 11 | A50U121900 | Fixing Plate /1 | | D | 1 | m-V500020098 |
| 12 | A50U122900 | Fusing Duct /4 | | D | 1 | n-V500020099 |
| 13 | A50U125000 | Fusing Duct /2 | | D | 1 | p-V501010018 |
| 14 | A50U125101 | Fusing Duct /1 | | D | 1 | q-V570010056 |
| 15 | A50U125500 | Heat blocking Plate | | D | 1 | r-V651010003 |
| 16 | A50U125600 | Suction Duct /Lower | | D | 1 | |
| 17 | A50U125800 | Connecting Duct | | D | 1 | |
| 18 | A50U126300 | Cooling Seal | | D | 1 | |
| 19 | A50U126400 | Suction Seal | | D | 1 | |
| 20 | A50U128800 | Fusing Duct /3 | | D | 1 | |
| 21 | A50U128900 | Fusing Duct /5 | | D | 1 | |
| 22 | A50U129100 | Suction Cover /Lower | | D | 1 | |
| 23 | A50U129300 | Fusing Duct /6 | | D | 1 | |
| 24 | A50U129401 | Fusing Duct | | D | 1 | |
| 25 | A50U129801 | Fusing Duct /7 | | D | 1 | |
| 26 | A50U132701 | Mounting Plate /Lower | | D | 2 | |
| 27 | A50U132800 | Mounting Plate /Right | | D | 1 | |
| 28 | A50UM15401 | Fan motor /3 | | C | 1 | |
| 29 | A50UR70A12 | Filter Box | | B | 1 | |
| | | | | | | |
| | | | | | | |
| | | | | | | |
| | | | | | | |
| | | | | | | |
| | | | | | | |
| | | | | | | |
| | | | | | | |

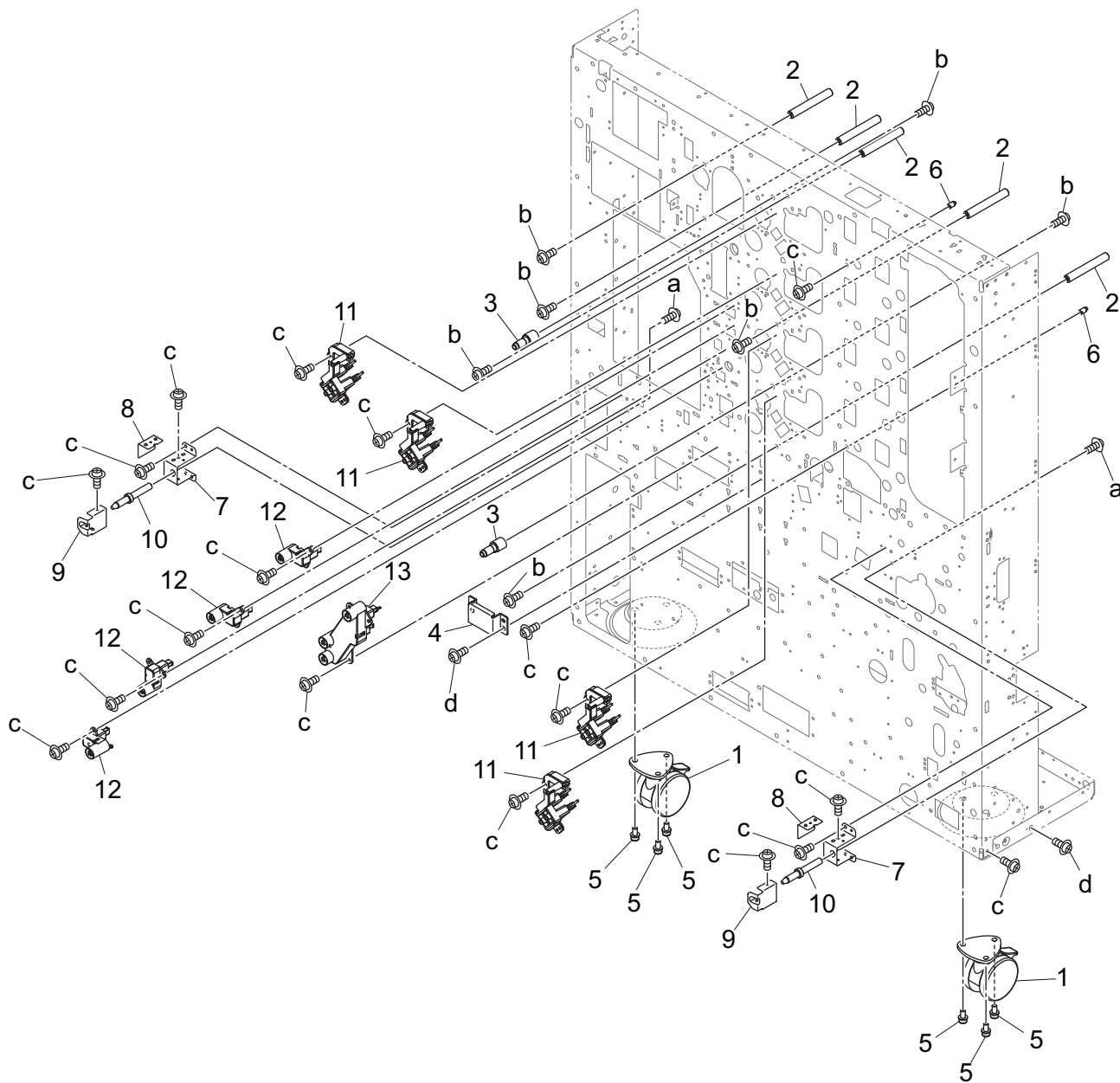
Main Frame Section



Main Frame Section

| Key | Part No. | Description | Destinations | Class | QTY | Standard parts |
|-----|------------|--------------------------|--------------|-------|-----|--|
| 1 | A1RF301400 | Guide Screw | | D | 3 | a-V116030803 b-V116040803 c-V121030403 d-V127030604 e-V127030803 f-V217040003 g-V500010082 h-V570010060 |
| 2 | A50U104000 | Support Plate /P | | D | 1 | |
| 3 | A50U122701 | Suction Cover /Upper | | D | 1 | |
| 4 | A50U127000 | Suction Duct /Upper | | D | 1 | |
| 5 | A50U308100 | Adjusting Cam | | D | 3 | |
| 6 | A50U308200 | Idling Gear 36T | | C | 3 | |
| 7 | A50U308300 | Adjusting Gear 15T | | C | 3 | |
| 8 | A50U308400 | Idling Shaft | | D | 6 | |
| 9 | A50U308500 | Regulating Spring | | D | 3 | |
| 10 | A50U314300 | Seal /4 | | D | 4 | |
| 11 | A50U318500 | Positioning Pin /Front | | D | 4 | |
| 12 | A50U318601 | Positioning Pin /Rear | | D | 4 | |
| 13 | A50U318800 | Stopper Plate /Black | | D | 2 | |
| 14 | A50UN27002 | Polygon Relay harness /1 | | D | 1 | |
| 15 | A50UR70H00 | PH Protection Glass Assy | | D | 4 | |
| | | | | | | |
| | | | | | | |
| | | | | | | |
| | | | | | | |
| | | | | | | |
| | | | | | | |
| | | | | | | |
| | | | | | | |
| | | | | | | |
| | | | | | | |
| | | | | | | |
| | | | | | | |

Main Frame Section

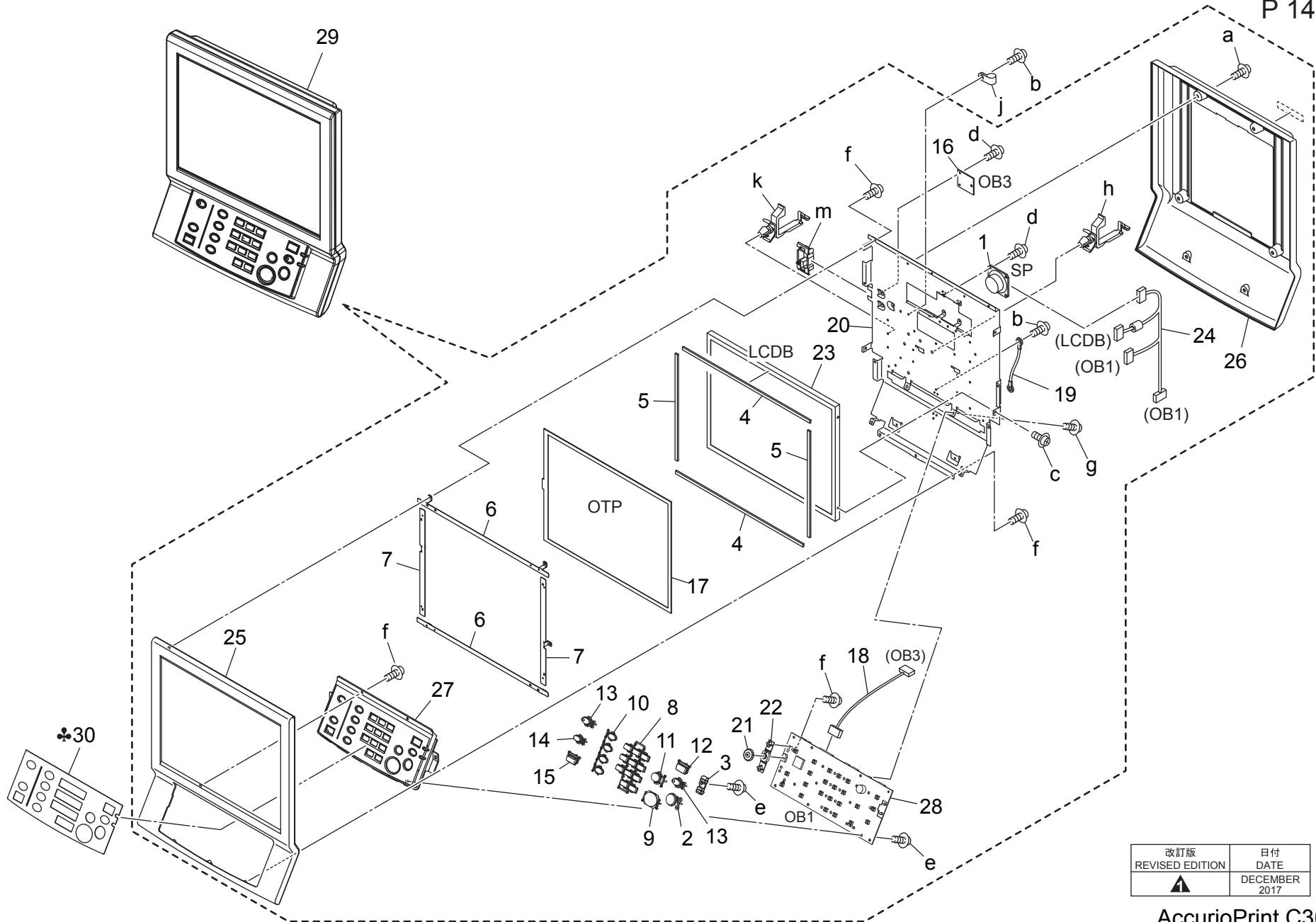


Main Frame Section

| Key | Part No. | Description | Destinations | Class | QTY | Standard parts |
|-----|------------|----------------------------|--------------|-------|-----|--|
| 1 | 55WA10300 | MAIN BODY SUPPORT ROLLER X | | C | 2 | a-V116030803 b-V116040803 c-V127030604 d-V146040804 |
| 2 | A50U104300 | Drive Shaft | | D | 5 | |
| 3 | A50U104500 | Positioning Shaft /Rear | | D | 2 | |
| 4 | A50U105000 | Lock Plate | | D | 1 | |
| 5 | A50U106300 | Lock Screw | | D | 6 | |
| 6 | A50U407300 | Positioning Shaft /Rear | | D | 2 | |
| 7 | A50U811300 | Guide Holder /Rear | | D | 2 | |
| 8 | A50U811500 | Guide Holder /1 | | D | 2 | |
| 9 | A50U813700 | Ground Plate | | D | 2 | |
| 10 | A50U817700 | Guide Pin /Right rear | | D | 2 | |
| 11 | A50UR71U01 | Terminal 1 Assy / HV | | C | 4 | |
| 12 | A50UR71V01 | Terminal 2 Assy / HV | | C | 4 | |
| 13 | A50UR71W01 | Terminal 3 Assy / HV | | C | 1 | |
| | | | | | | |
| | | | | | | |
| | | | | | | |
| | | | | | | |
| | | | | | | |
| | | | | | | |
| | | | | | | |
| | | | | | | |
| | | | | | | |
| | | | | | | |

Operation Panel Section

P 14



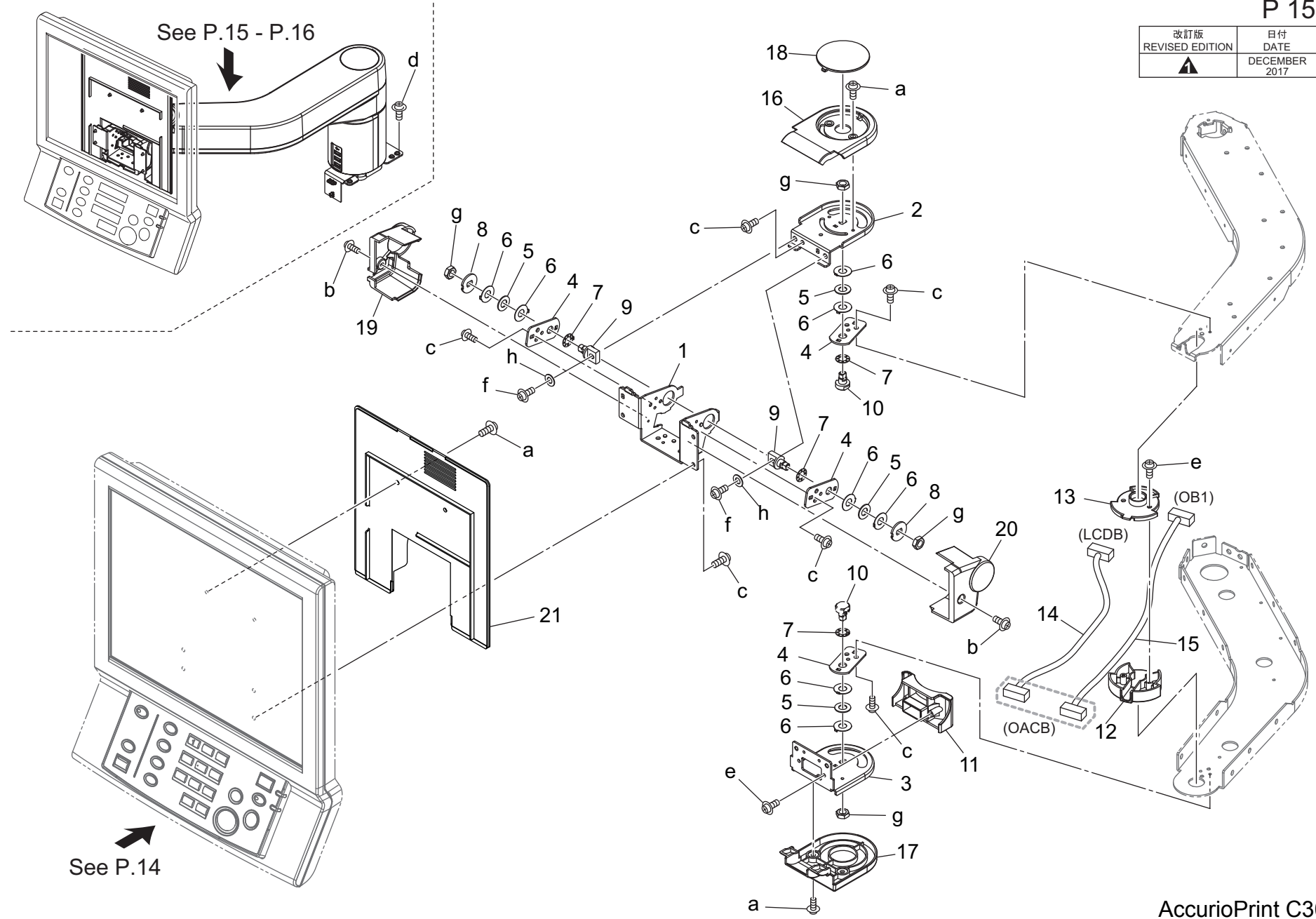
| | |
|---|------------------|
| 改訂版 REVISED EDITION | 日付 DATE |
|  | DECEMBER 2017 |

AccurioPrint C3070L

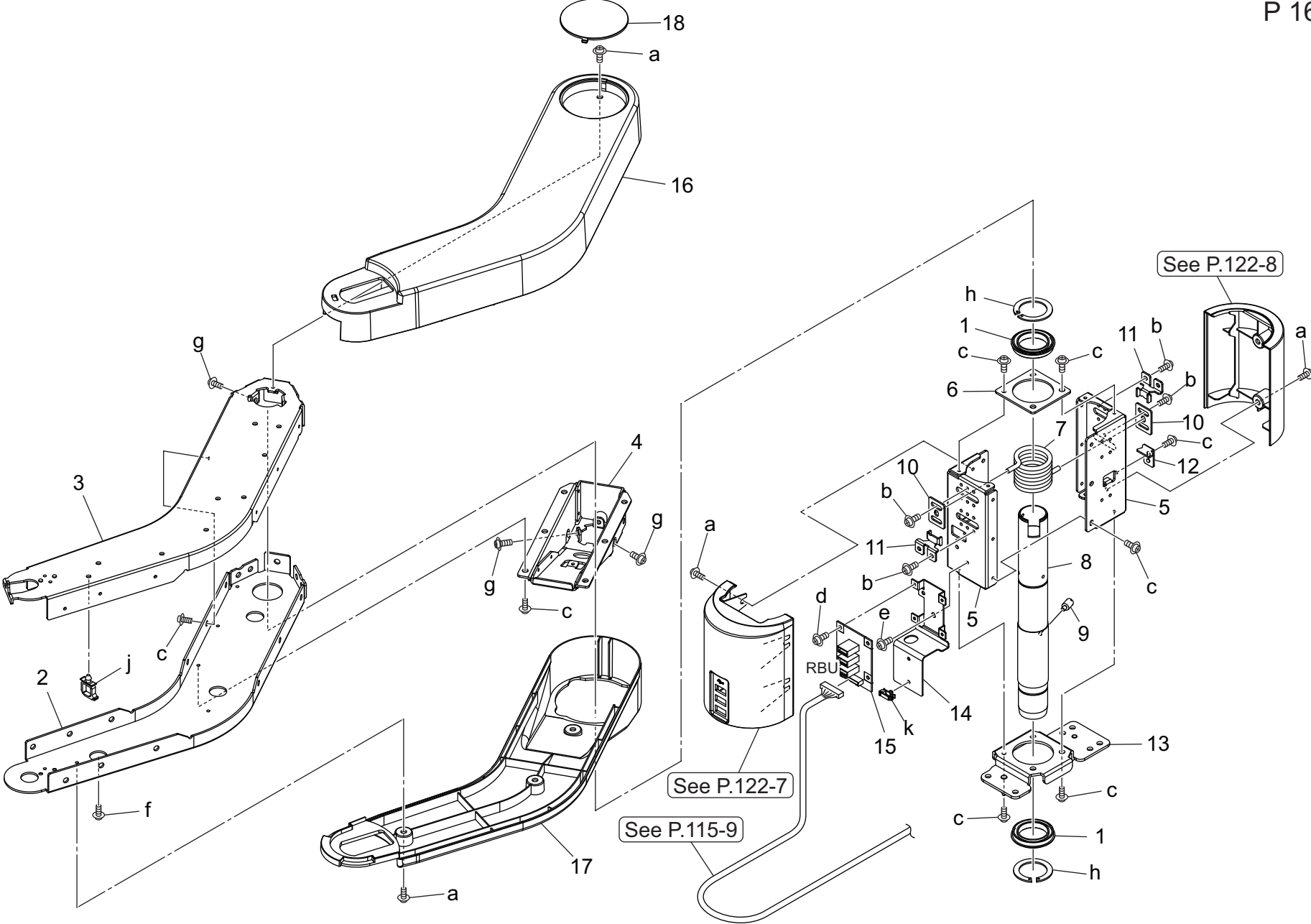
| Key | Part No. | Description | Destinations | Class | QTY | Standard parts |
|-----|------------|-----------------------------|---|-------|-----|----------------|
| 1 | A0P0M73100 | Speaker | | D | 1 | a-V114040604 |
| 2 | 56UA70330 | OPERATION UNIT BUTTON S | | C | 1 | b-V116040603 |
| 3 | A0G6191600 | Indicating Part /1 | | D | 1 | c-V118030404 |
| 4 | A0G6192400 | Holding Cushion /Upper | | C | 2 | d-V118030603 |
| 5 | A0G6192500 | Holding Cushion /Right | | C | 2 | e-V151030603 |
| 6 | A0G6192700 | Ground Plate /1 | | D | 2 | f-V151030803 |
| 7 | A0G6192900 | Ground Plate /2 | | D | 2 | g-V151031003 |
| 8 | A0G6193100 | Operation Button /1 | | C | 1 | h-V500010082 |
| 9 | A0G6193200 | Operation Button /2 | | C | 1 | j-V500020069 |
| 10 | A0G6193400 | Operation Button /4 | | C | 1 | k-V500020099 |
| 11 | A0G6193500 | Operation Button /5 | | C | 1 | m-V570010063 |
| 12 | A0G6193700 | Operation Button /7 | | C | 1 | |
| 13 | A0G6193800 | Operation Button /10 | | C | 2 | |
| 14 | A0G6193900 | Operation Button /8 | | C | 1 | |
| 15 | A0G6194000 | Operation Button /9 | | C | 1 | |
| 16 | A0G6H06000 | Operation Board /3 Assy | | C | 1 | |
| 17 | A0G6M75501 | Ope.Unit Touch Panel | | C | 1 | |
| 18 | A0G6N18400 | Ope.Unit Control Harness /3 | | D | 1 | |
| 19 | A1RFN28300 | Ope.unit Wiring /1 | | D | 1 | |
| 20 | A4EU190413 | Operation Plate | | D | 1 | |
| 21 | A4EU194100 | Operation Knob /1 | | D | 1 | |
| 22 | A4EU194200 | Fixing Holder | | D | 1 | |
| 23 | A4EUM75800 | Ope.unit LCD | | C | 1 | |
| 24 | A4EUN28500 | Ope.unit Wiring /4 | | D | 1 | |
| 25 | A799190100 | Operation Cover /Front | | D | 1 | |
| 26 | A799190200 | Operation Cover /Rear | | D | 1 | |
| 27 | A799190301 | Operation Casing /1 | | D | 1 | |
| 28 | A799H04001 | Operation Board /1 ASSY | | I | 1 | |
| 29 | A9VER70600 | Operation Unit | | I | 1 | |
| 30 | A9VE205000 | Operation Sheet | B,D1,D3,E,F2,G1,G2, I(Except SOUTH AFRICA) | D | 1 | |
| 30 | A9VE205200 | Operation Sheet | H | D | 1 | |
| 30 | A9VE205000 | Operation Sheet | K | D | 1 | |
| 30 | A9VE205100 | Operation Sheet | J | D | 1 | |
| | | | | | | |
| | | | | | | |
| | | | | | | |
| | | | | | | |
| | | | | | | |

Operation Panel Section

| | |
|------------------------|------------------|
| 改訂版 REVISED EDITION | 日付 DATE |
| ▲ | DECEMBER 2017 |

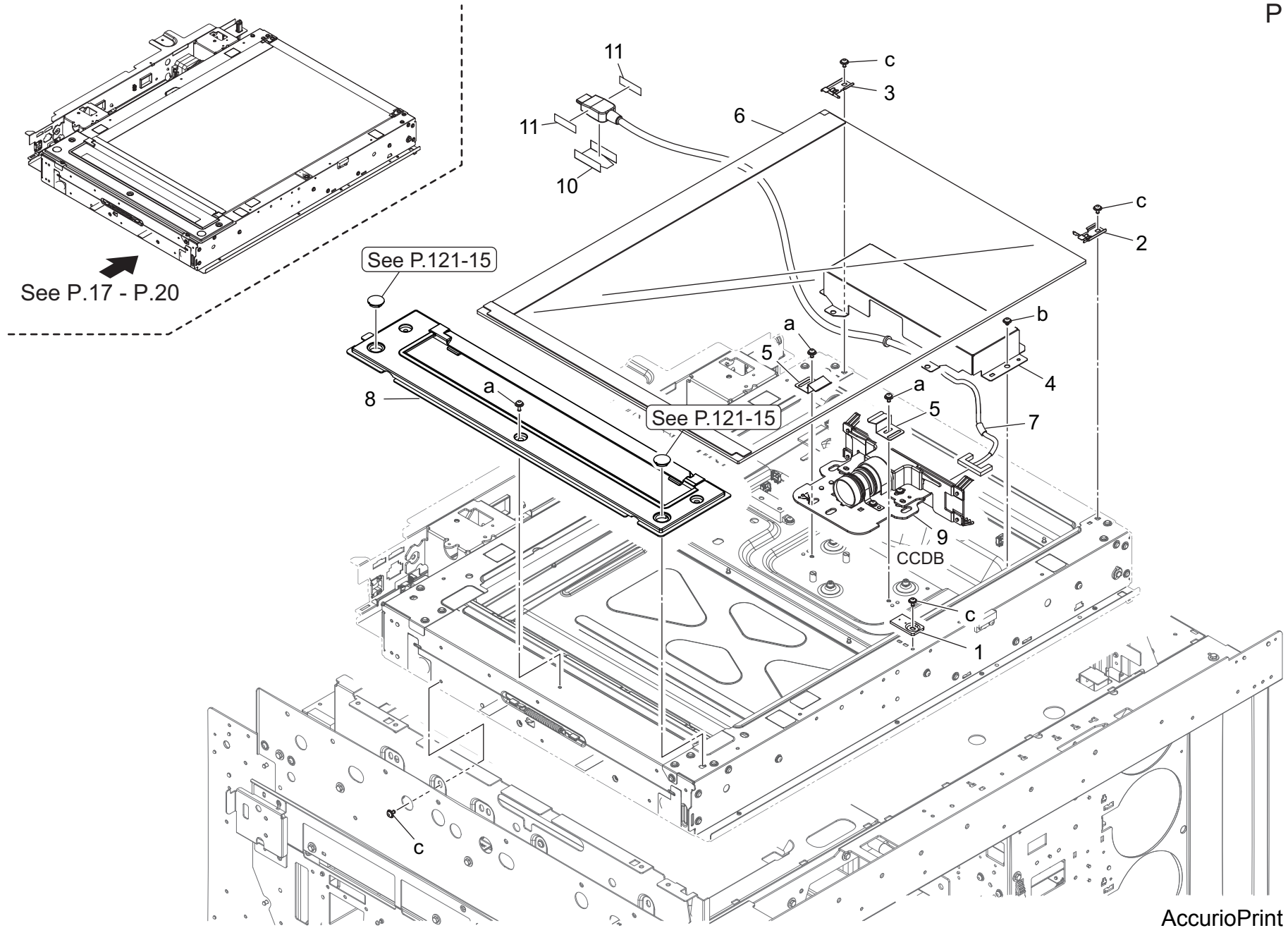


| Key | Part No. | Description | Destinations | Class | QTY | Standard parts |
|-----|------------|-----------------------------|--------------|-------|-----|--|
| 1 | A03U190900 | Ope. unit Mounting Stay /1 | | D | 1 | a-V114040604 b-V121030603 c-V121040603 d-V127040803 e-V158030803 f-V188051604 g-V196080003 h-V207050003 |
| 2 | A03U191400 | Support Plate /Upper | | D | 1 | |
| 3 | A03U191500 | Support Plate /Lower | | D | 1 | |
| 4 | A03U191600 | Mounting Plate /T | | D | 4 | |
| 5 | A03U191700 | Rotation Spring /T | | D | 4 | |
| 6 | A03U191800 | Rotation Spacer /1 | | D | 8 | |
| 7 | A03U191900 | Rotation Spacer /2 | | D | 4 | |
| 8 | A03U192000 | Fixing Part /T | | D | 2 | |
| 9 | A03U192100 | Fixing Shaft /U | | D | 2 | |
| 10 | A03U192200 | Rotation Shaft /T | | D | 2 | |
| 11 | A03U193400 | Operation Cover /E | | C | 1 | |
| 12 | A03U193600 | Swing Cover /Lower | | C | 1 | |
| 13 | A03U193700 | Swing Cover /Upper | | C | 1 | |
| 14 | A50UN29012 | Ope.unit Control harness /1 | | D | 1 | |
| 15 | A50UN29101 | Ope.unit Control harness /2 | | D | 1 | |
| 16 | A9VE193300 | Operation Cover /C | | D | 1 | |
| 17 | A9VE193500 | Operation Cover /D | | D | 1 | |
| 18 | A9VE193800 | Operation Cover /I | | D | 1 | |
| 19 | A9VE194000 | Operation Cover /F | | D | 1 | |
| 20 | A9VE194100 | Operation Cover /G | | D | 1 | |
| 21 | A9VE197100 | Operation Cover /R | | D | 1 | |
| | | | | | | |
| | | | | | | |
| | | | | | | |
| | | | | | | |
| | | | | | | |
| | | | | | | |
| | | | | | | |
| | | | | | | |
| | | | | | | |

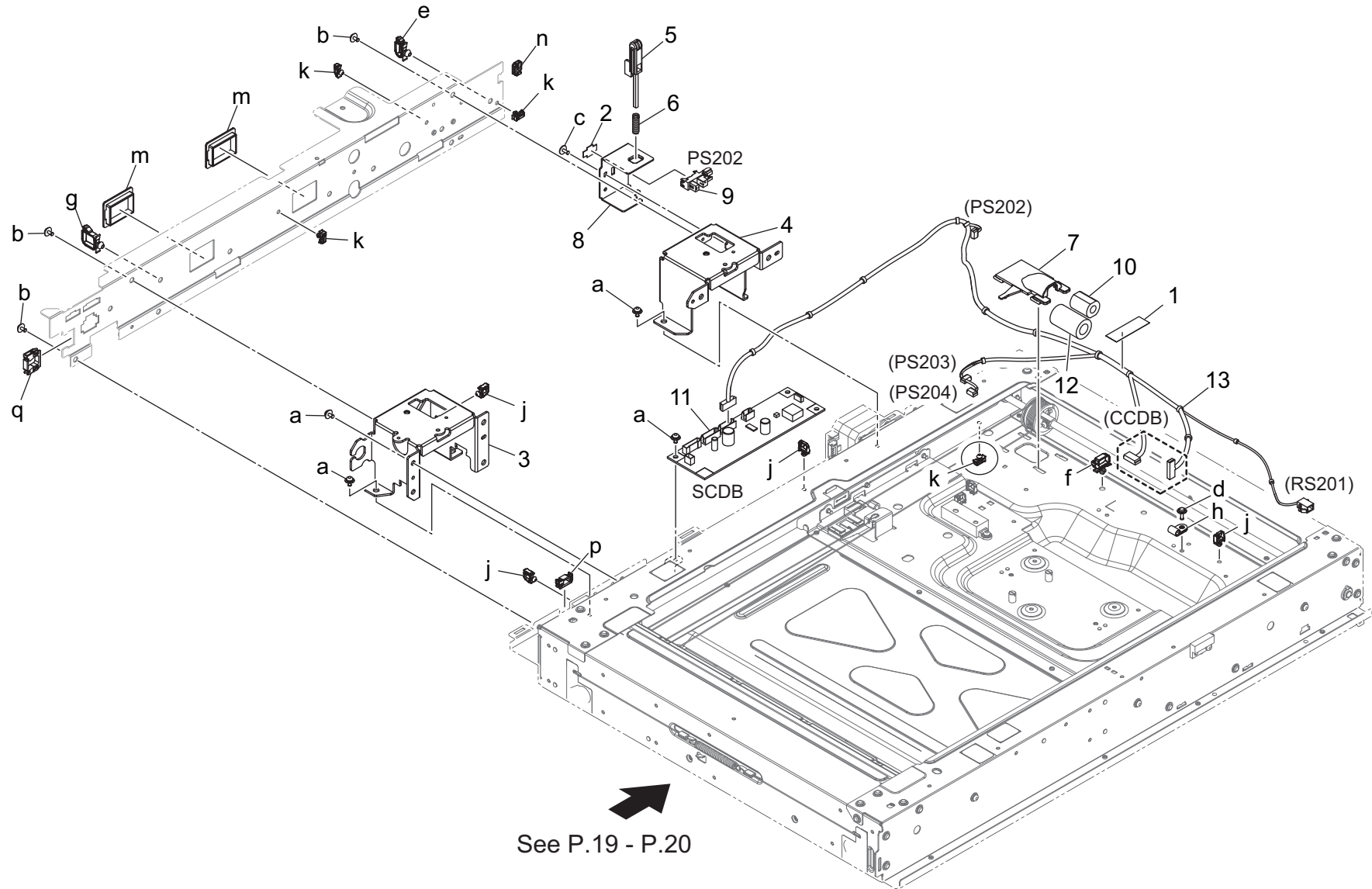


| Key | Part No. | Description | | Destinations | Class | QTY | Standard parts |
|-----|------------|-------------------------------|--------------|--------------|-------|-----|--|
| 1 | 65AA75010E | DRUM SUPPORT BEARING | ドラム支持軸受 | | D | 2 | a-V114040604 b-V116040803 c-V121040603 d-V127030603 e-V127040603 f-V158030803 g-V185041203 h-V223300004 j-V500010083 k-V500020100 |
| 2 | A03U190500 | Ope. unit Mounting Arm /Lower | 操作部取り付けアーム／下 | | D | 1 | |
| 3 | A03U190600 | Ope. unit Mounting Arm /Upper | 操作部取り付けアーム／上 | | D | 1 | |
| 4 | A03U190700 | Support Plate /1 | 支持板／1 | | D | 1 | |
| 5 | A03U190802 | Support Plate /2 | 支持板／2 | | D | 2 | |
| 6 | A03U191100 | Support Plate /3 | 支持板／3 | | D | 1 | |
| 7 | A03U191201 | Support Spring | 支持ばね | | C | 1 | |
| 8 | A03U191300 | Ope. unit Support Pipe | 操作部支持パイプ | | D | 1 | |
| 9 | A03U192300 | Stopper Screw /A | ストッパねじ／A | | C | 1 | |
| 10 | A03U195302 | REGULATING PLATE | 規制板 | | D | 2 | |
| 11 | A03U195400 | Regulating Part | 規制部材 | | D | 2 | |
| 12 | A03U195500 | Rotation Stopper | 回転ストッパ | | D | 1 | |
| 13 | A03UF19100 | Main Body Attachment Caulking | 本体取付部カシメ | | D | 1 | |
| 14 | A1DU190101 | Installing Plate | 設置板 | | D | 1 | |
| 15 | A1DUH11000 | Relay Board/U ASSY | 中継基板／U ASSY | | C | 1 | |
| 16 | A9VE193100 | Operation Cover /Upper | 操作カバー／上 | | D | 1 | |
| 17 | A9VE193200 | Operation Cover /Lower | 操作カバー／下 | | D | 1 | |
| 18 | A9VE193900 | Operation Cover /J | 操作カバー／J | | D | 1 | |
| | | | | | | | |
| | | | | | | | |
| | | | | | | | |
| | | | | | | | |
| | | | | | | | |
| | | | | | | | |
| | | | | | | | |
| | | | | | | | |
| | | | | | | | |
| | | | | | | | |

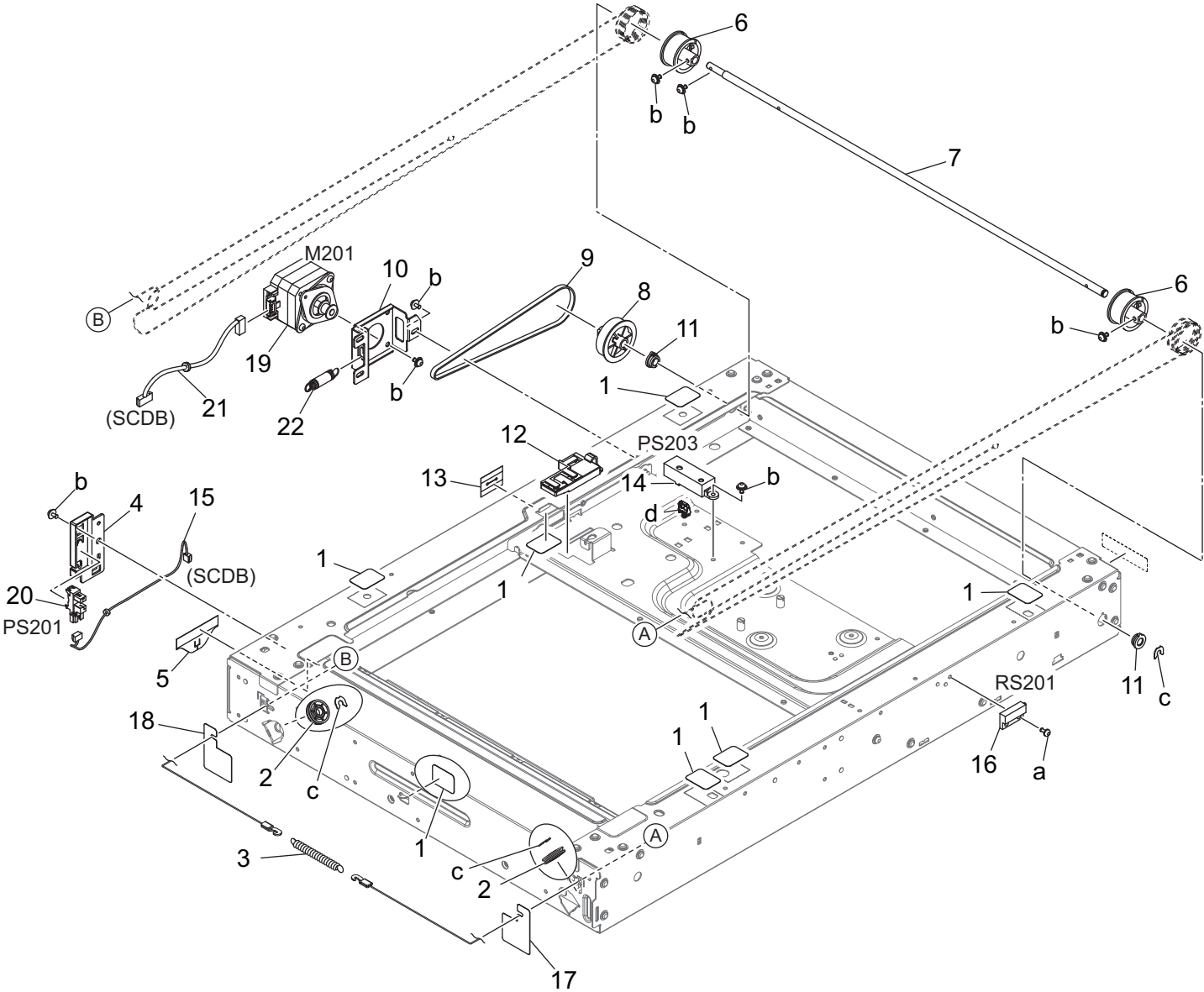
Scanner Section



| Key | Part No. | Description | Destinations | Class | QTY | Standard parts |
|-----|------------|---------------------|--------------|-------|-----|--|
| 1 | A00J265300 | Regulating Plate | | C | 1 | a-V116030804 b-V127030516 c-V127030604 |
| 2 | A161268200 | Holding Plate | | D | 1 | |
| 3 | A161268300 | Holding Plate | | D | 1 | |
| 4 | A161278600 | Cover | | D | 1 | |
| 5 | A161278900 | Plate spring | | D | 2 | |
| 6 | A161R72200 | Original Glass Assy | | C | 1 | |
| 7 | A7PUN14600 | CCD Cable | | D | 1 | |
| 8 | A7PUR71111 | Slit Glass Assy | | C | 1 | |
| 9 | A85CR70D11 | CCD Assy | | I | 1 | |
| 10 | A9PJ138400 | Protection Part /B | | D | 1 | |
| 11 | A9PJ138500 | Protection Part /A | | D | 2 | |
| | | | | | | |
| | | | | | | |
| | | | | | | |
| | | | | | | |
| | | | | | | |
| | | | | | | |
| | | | | | | |
| | | | | | | |
| | | | | | | |
| | | | | | | |
| | | | | | | |
| | | | | | | |
| | | | | | | |
| | | | | | | |

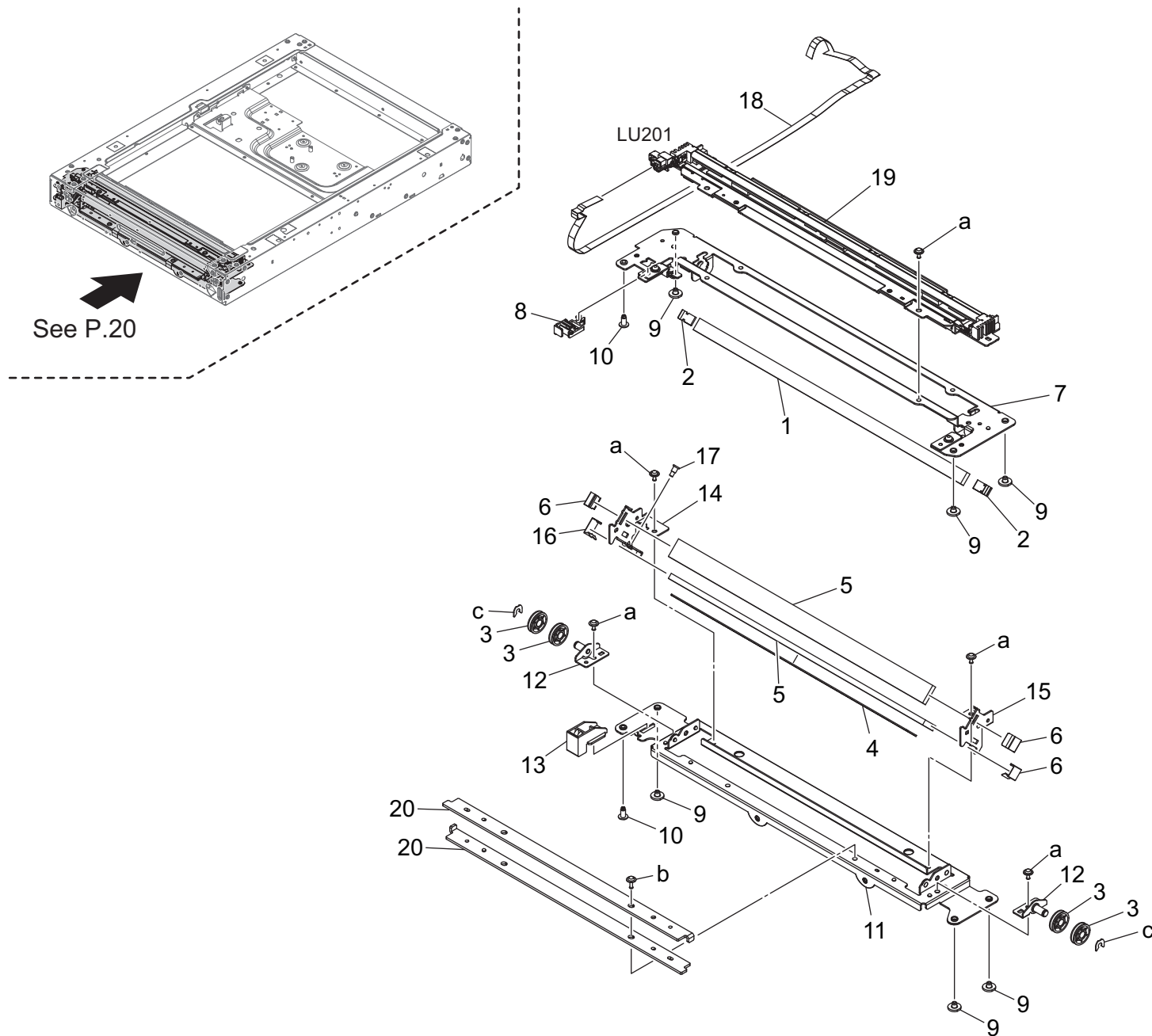


| Key | Part No. | Description | Destinations | Class | QTY | Standard parts |
|-----|------------|------------------------------|--------------|-------|-----|----------------|
| 1 | 4036307501 | Tape | | D | 1 | a-V116030603 |
| 2 | 4470402401 | Stopper | | D | 1 | b-V127030604 |
| 3 | A161261902 | Frame | | D | 1 | c-V137030603 |
| 4 | A161262002 | Frame | | D | 1 | d-V137030804 |
| 5 | A161280211 | Lever | | D | 1 | e-V500010081 |
| 6 | A161280300 | Compressing Coil spring | | C | 1 | f-V500010082 |
| 7 | A161281600 | Guide | | D | 1 | g-V500010083 |
| 8 | A5C1280100 | Mounting Plate | | D | 1 | h-V500020069 |
| 9 | A5C1M50100 | Photointerrupter | | D | 1 | j-V500020098 |
| 10 | A61FM90200 | Ferritecore | | B | 1 | k-V500020099 |
| 11 | A796H01A00 | Scanner drive board Assembly | | D | 1 | m-V570010038 |
| 12 | A85CM91100 | Ferritecore /2 | | D | 1 | n-V570010056 |
| 13 | A85CN27800 | Scanner Wiring /1 | | D | 1 | p-V570010057 |
| | | | | | | q-V570010060 |
| | | | | | | |
| | | | | | | |
| | | | | | | |
| | | | | | | |
| | | | | | | |
| | | | | | | |
| | | | | | | |
| | | | | | | |
| | | | | | | |
| | | | | | | |
| | | | | | | |
| | | | | | | |
| | | | | | | |
| | | | | | | |
| | | | | | | |
| | | | | | | |

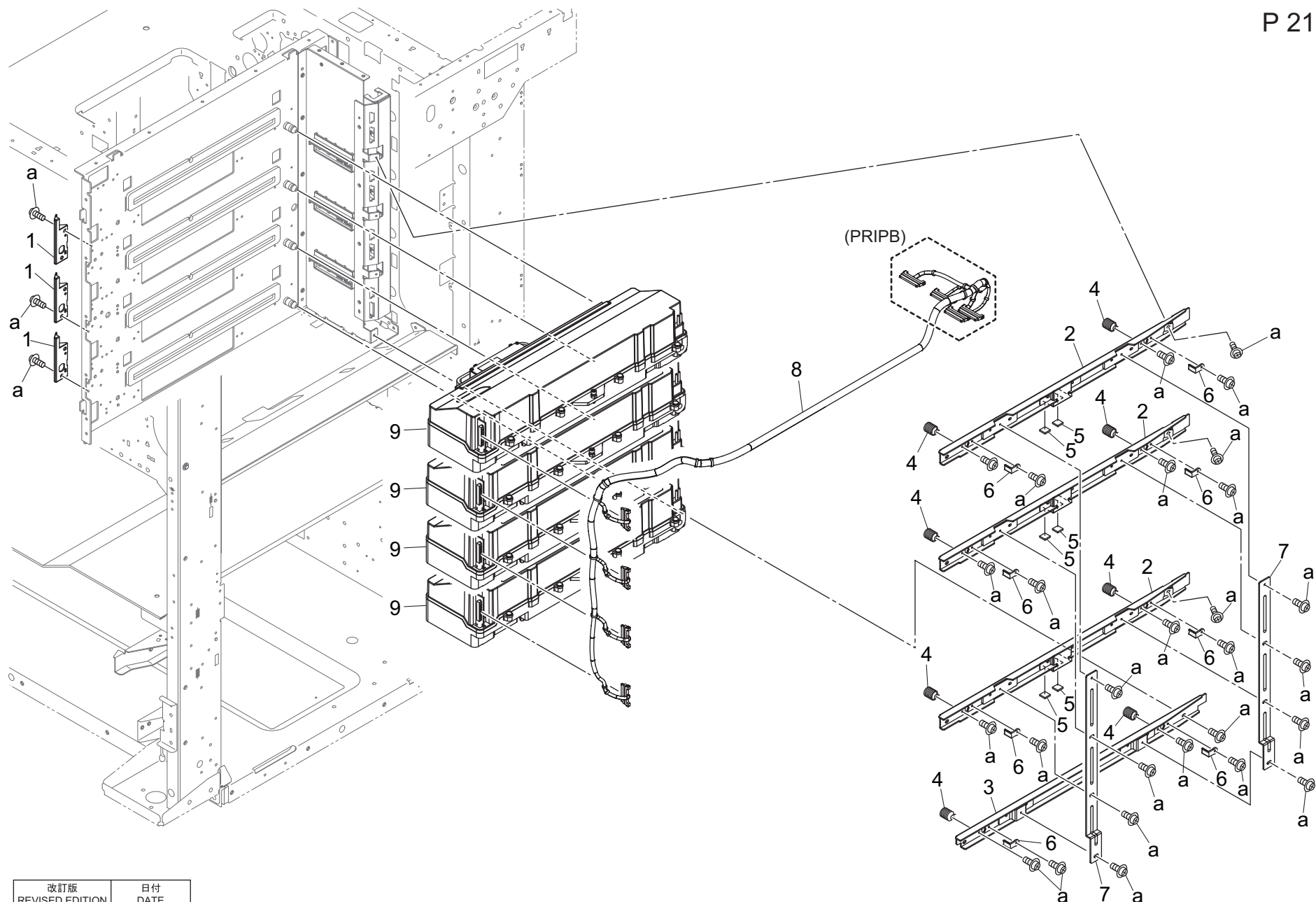


| Key | Part No. | Description | Destinations | Class | QTY | Standard parts |
|-----|------------|--------------------|--------------|-------|-----|--|
| 1 | 4581162501 | SEAL | | C | 7 | a-V115030603 b-V116030603 c-V218040086 d-V500020098 |
| 2 | A0ED273600 | Pulley | | C | 2 | |
| 3 | A0ED276301 | Pulling Spring | | D | 1 | |
| 4 | A161262200 | Cover | | D | 1 | |
| 5 | A161263000 | Seal | | D | 1 | |
| 6 | A161275300 | Pulley | | D | 2 | |
| 7 | A161275400 | Shaft | | D | 1 | |
| 8 | A161275500 | Pulley 103T | | D | 1 | |
| 9 | A161275600 | Timing belt 335L | | D | 1 | |
| 10 | A161276000 | Mounting Plate | | D | 1 | |
| 11 | A161276500 | Bearing | | D | 2 | |
| 12 | A161281100 | Guide | | D | 1 | |
| 13 | A161281300 | Seal | | D | 1 | |
| 14 | A161M50A00 | APS Photoreflector | | C | 1 | |
| 15 | A161N14201 | Scanner Wiring /2 | | D | 1 | |
| 16 | A1UDM50200 | Lead Switch | | C | 1 | |
| 17 | A5C1263300 | Seal | | C | 1 | |
| 18 | A5C1263400 | Seal | | C | 1 | |
| 19 | A5C1M10A00 | Stepping motor | | C | 1 | |
| 20 | A5C1M50100 | Photointerrupter | | B | 1 | |
| 21 | A5C1N14300 | Scanner Wiring | | D | 1 | |
| 22 | A795275700 | Pulling Spring | | D | 1 | |
| | | | | | | |
| | | | | | | |
| | | | | | | |
| | | | | | | |
| | | | | | | |
| | | | | | | |
| | | | | | | |
| | | | | | | |
| | | | | | | |
| | | | | | | |
| | | | | | | |
| | | | | | | |
| | | | | | | |
| | | | | | | |

Scanner Section



| Key | Part No. | Description | Destinations | Class | QTY | Standard parts |
|-----|------------|----------------------|--------------|-------|-----|--|
| 1 | A0ED271200 | Mirror | | D | 1 | a-V137030603 b-V137030803 c-V218040086 |
| 2 | A0ED271300 | Plate spring | | D | 2 | |
| 3 | A0ED273600 | Pulley | | C | 4 | |
| 4 | A0ED274200 | Vibrationproof Plate | | D | 1 | |
| 5 | A0ED274300 | Mirror | | D | 2 | |
| 6 | A0ED274400 | Plate spring | | D | 3 | |
| 7 | A161270102 | Frame | | D | 1 | |
| 8 | A161270600 | Guide | | D | 1 | |
| 9 | A161271000 | Bushing | | D | 6 | |
| 10 | A161271100 | Bushing | | D | 2 | |
| 11 | A161273113 | Frame | | D | 1 | |
| 12 | A161273401 | Mounting Plate | | D | 2 | |
| 13 | A161273500 | Guide Part | | D | 1 | |
| 14 | A161273701 | Mounting Plate | | D | 1 | |
| 15 | A161273800 | Mounting Plate | | D | 1 | |
| 16 | A161274500 | Plate spring /1 | | D | 1 | |
| 17 | A161274600 | Adjusting Screw | | C | 1 | |
| 18 | A161N14000 | Scanner Wiring /4 | | D | 1 | |
| 19 | A61FM31100 | Lamp | | D | 1 | |
| 20 | A795273900 | Vibrationproof Plate | | D | 2 | |
| | | | | | | |
| | | | | | | |
| | | | | | | |
| | | | | | | |
| | | | | | | |
| | | | | | | |
| | | | | | | |
| | | | | | | |
| | | | | | | |
| | | | | | | |
| | | | | | | |
| | | | | | | |



| | |
|---|------------------|
| 改訂版 REVISED EDITION | 日付 DATE |
|  | NOVEMBER 2017 |

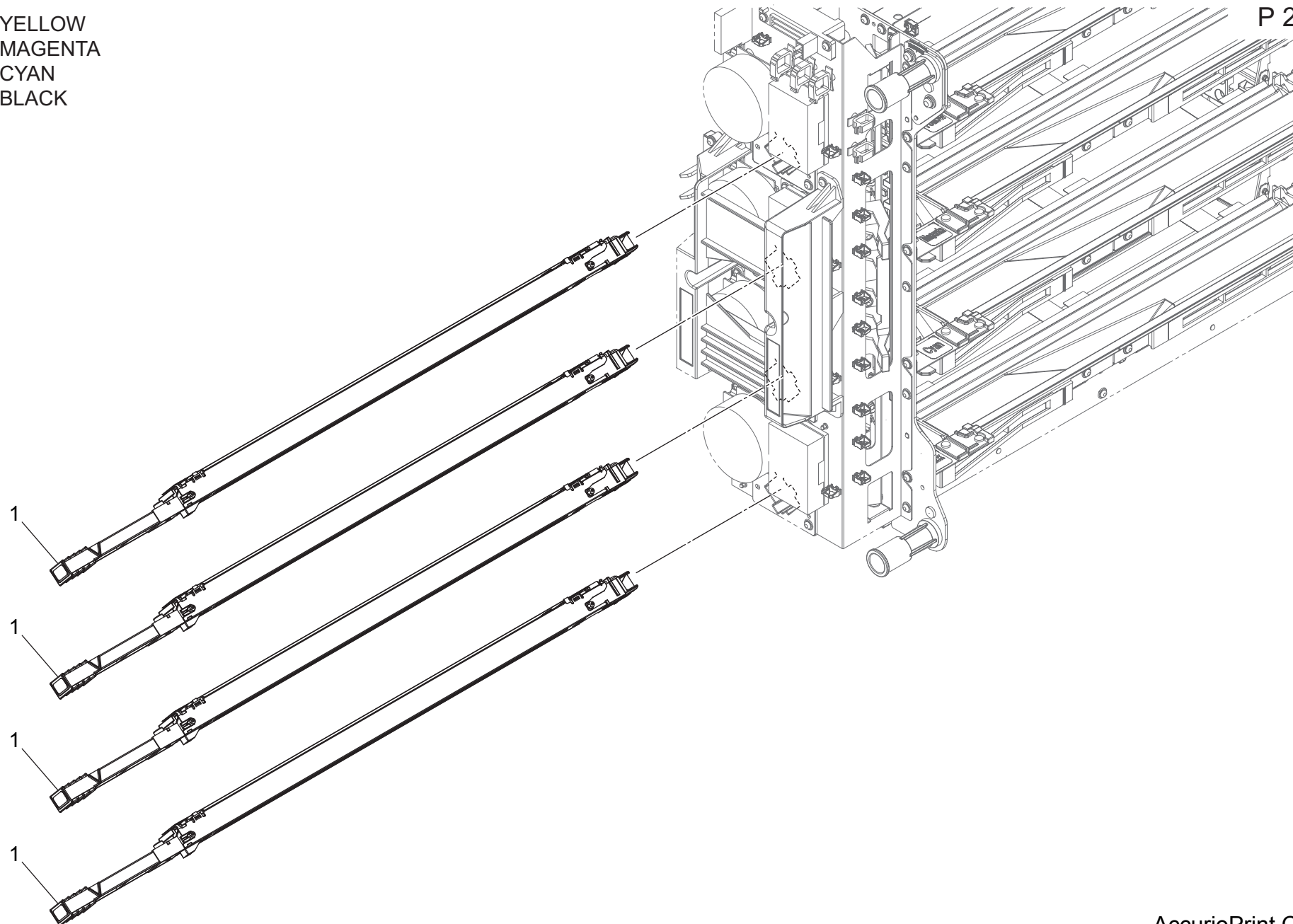
Order here
8 (495) 646-0426
ПЯТЫЙ ПАРТНЕР www.km-shop.ru

| Key | Part No. | Description | Destinations | Class | QTY | Standard parts |
|-----|------------|----------------------|--------------|-------|-----|----------------|
| 1 | A50U121500 | Cooling Guide /Front | | D | 3 | a-V127030604 |
| 2 | A50U318101 | Pressing Stay /Color | | D | 3 | |
| 3 | A50U318201 | Pressing Stay /Black | | D | 1 | |
| 4 | A50U318300 | Pressing Spring /R | | D | 8 | |
| 5 | A50U318700 | Auxiliary Pad | | D | 6 | |
| 6 | A50U318900 | Pressing Guide | | D | 8 | |
| 7 | A50U319301 | Connecting Plate /1 | | D | 2 | |
| 8 | A85CN26500 | LD Wiring /1 | | D | 1 | |
| 9 | A9VER71300 | PH Unit | | I | 4 | |
| | | | | | | |
| | | | | | | |
| | | | | | | |
| | | | | | | |
| | | | | | | |
| | | | | | | |
| | | | | | | |
| | | | | | | |
| | | | | | | |
| | | | | | | |
| | | | | | | |
| | | | | | | |

Charging Section

YELLOW
MAGENTA
CYAN
BLACK

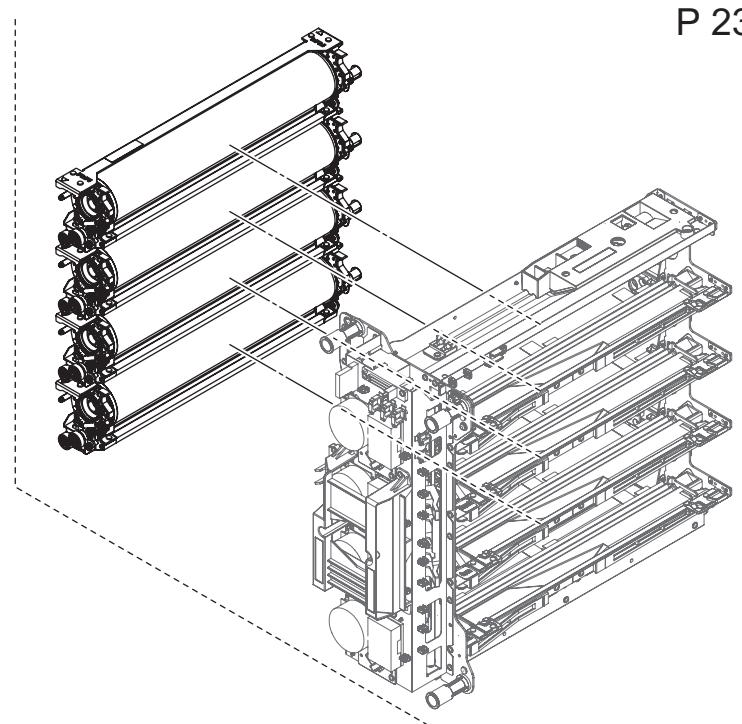
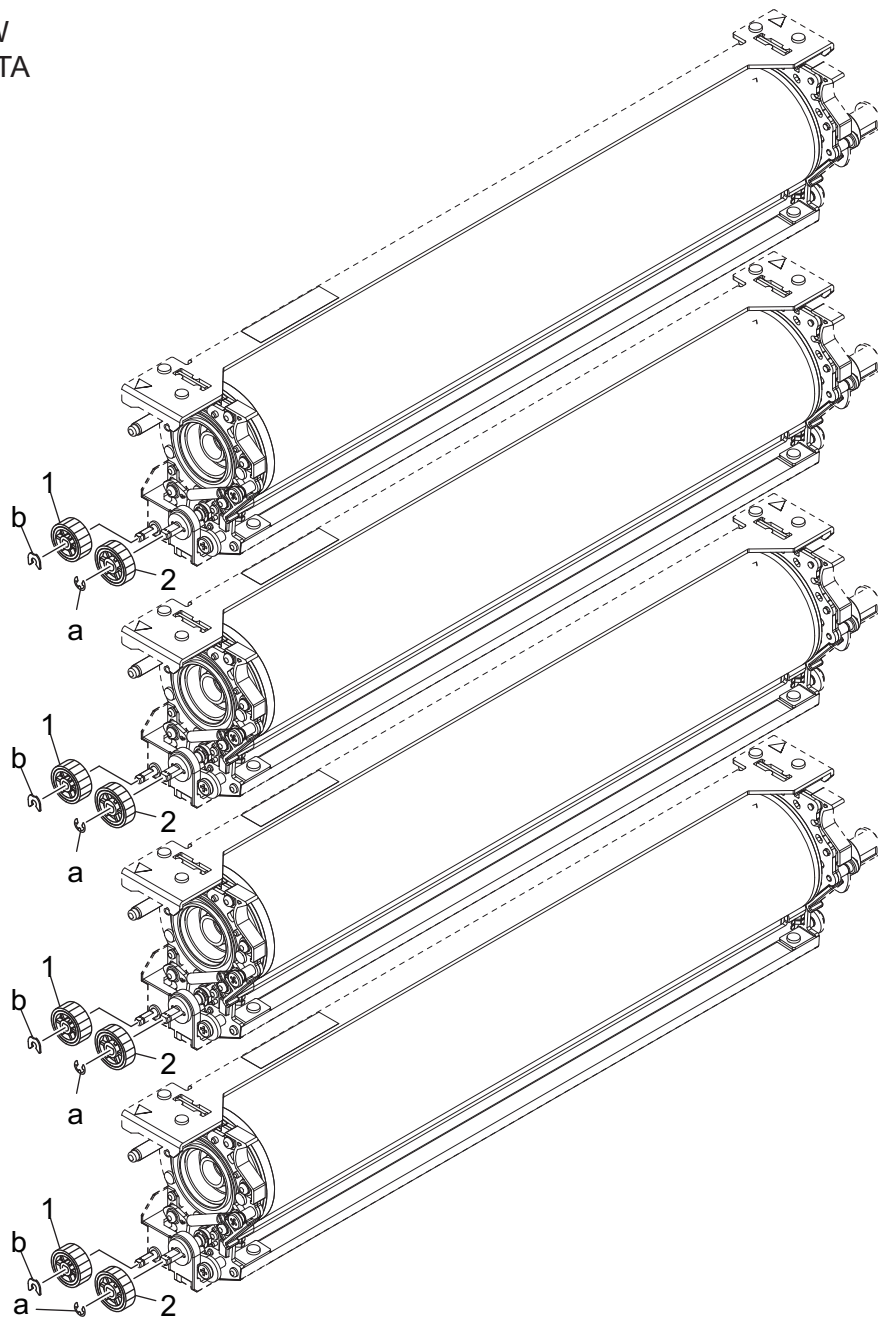
P 22



| Key | Part No. | Description | | Destinations | Class | QTY | Standard parts |
|-----|------------|----------------------|---------|--------------|-------|-----|----------------|
| 1 | A50UR70311 | Charging Corona Unit | 帯電極ユニット | | A | 4 | |
| | | | | | | | |
| | | | | | | | |
| | | | | | | | |
| | | | | | | | |
| | | | | | | | |
| | | | | | | | |
| | | | | | | | |
| | | | | | | | |
| | | | | | | | |
| | | | | | | | |
| | | | | | | | |
| | | | | | | | |
| | | | | | | | |
| | | | | | | | |

Photo Conductor Section

YELLOW
MAGENTA
CYAN
BLACK

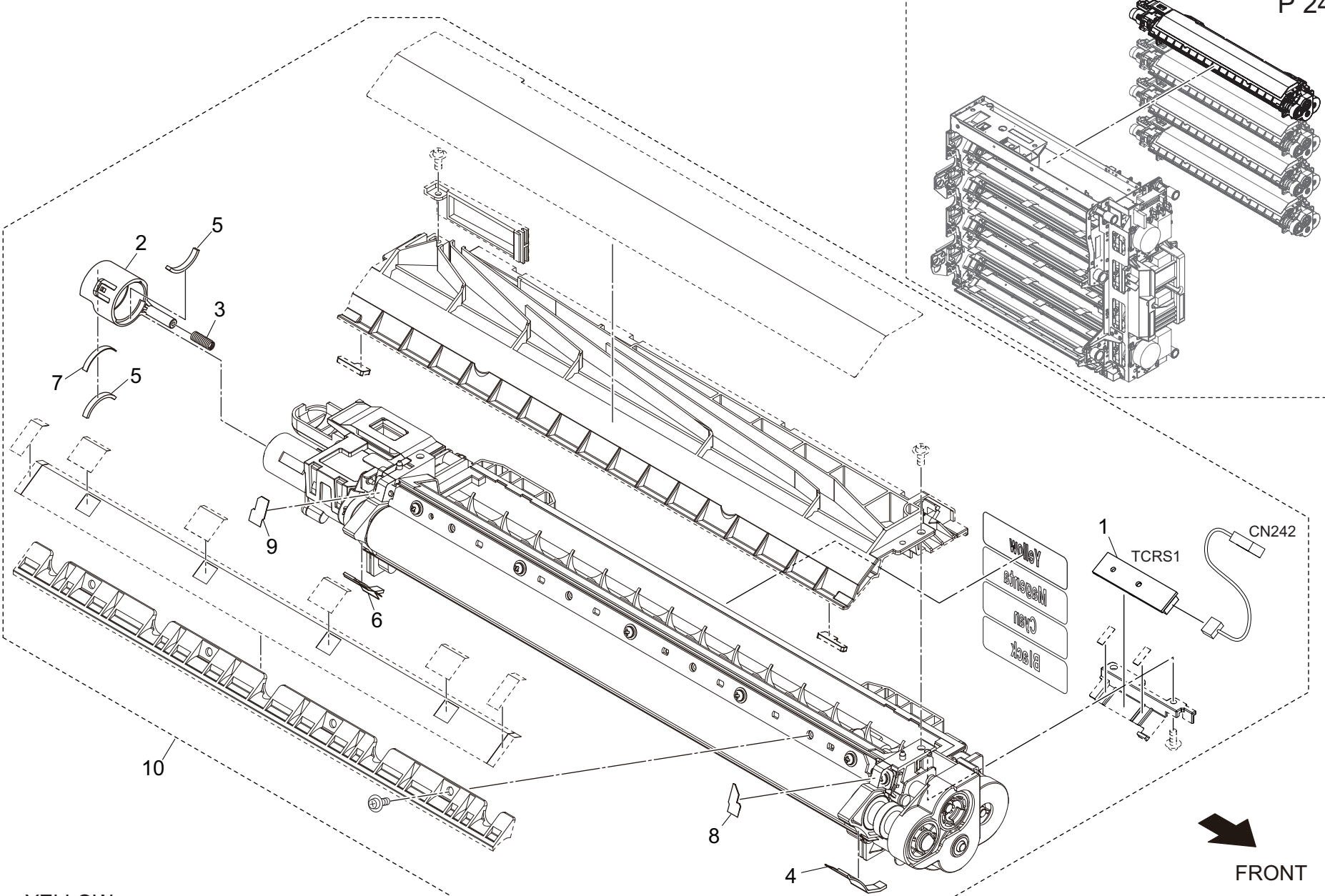


P 23

Photo Conductor Section

| Key | Part No. | Description | Destinations | Class | QTY | Standard parts |
|-----|------------|----------------------|--------------|-------|-----|------------------------------|
| 1 | A50U333500 | Cleaning Gear /1 28T | | C | 4 | a-V217030003 b-V218030086 |
| 2 | A50U333600 | Cleaning Gear /2 30T | | C | 4 | |
| | | | | | | |
| | | | | | | |
| | | | | | | |
| | | | | | | |
| | | | | | | |
| | | | | | | |
| | | | | | | |
| | | | | | | |
| | | | | | | |
| | | | | | | |
| | | | | | | |
| | | | | | | |
| | | | | | | |

Developing Section

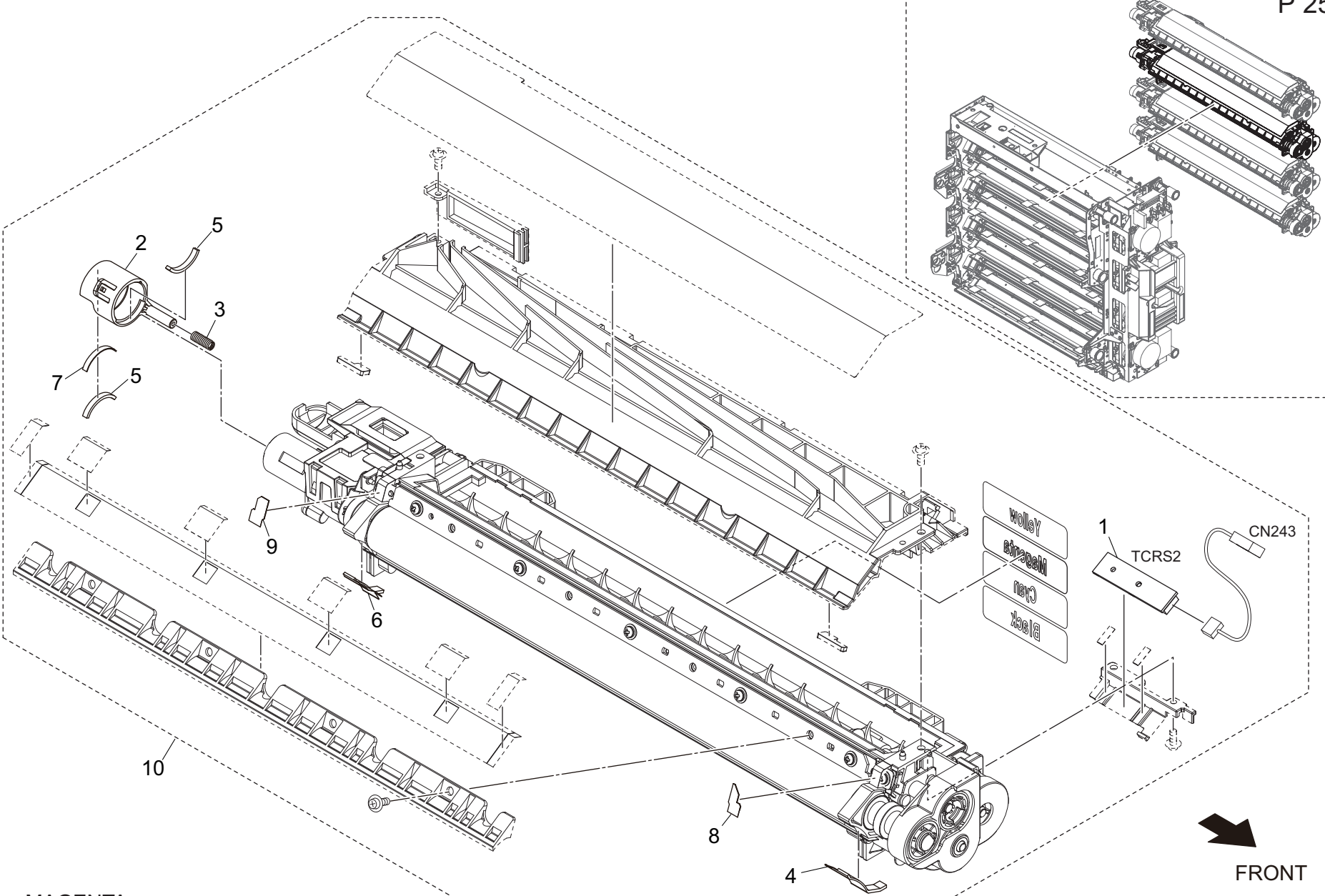


YELLOW

FRONT
AccurioPrint C3070L

| Key | Part No. | Description | Destinations | Class | QTY | Standard parts |
|-----|------------|----------------------------------|--------------------------------------|-------|-----|----------------|
| 1 | A0TKH00200 | PWB Assembly(PWB-TCR ASSY) | 基板 A S S Y (P W B - T C R A S S Y) | I | 1 | |
| 2 | A50U372901 | Collection Cover | 回収カバー | D | 1 | |
| 3 | A50U373100 | Compressing Coil spring /1 | 圧縮コイルばね／1 | D | 1 | |
| 4 | A50U374102 | Scatteringprevention Sheet /Side | 飛散防止シート／サイド | D | 1 | |
| 5 | A50U374501 | Seal /J | シール／J | D | 2 | |
| 6 | A50U376002 | Scatteringprevention Sheet /Rear | 飛散防止シート／奥 | D | 1 | |
| 7 | A50U376801 | Seal /T | シール／T | D | 1 | |
| 8 | A50U377201 | Auxiliary Seal /Front | 補助シール／前 | D | 1 | |
| 9 | A50U377301 | Auxiliary Seal /Rear | 補助シール／奥 | D | 1 | |
| 10 | A50UR70244 | Developing Unit | 現像ユニット | B | 1 | |
| | | | | | | |
| | | | | | | |
| | | | | | | |
| | | | | | | |
| | | | | | | |
| | | | | | | |
| | | | | | | |
| | | | | | | |
| | | | | | | |
| | | | | | | |
| | | | | | | |

Developing Section



MAGENTA

FRONT

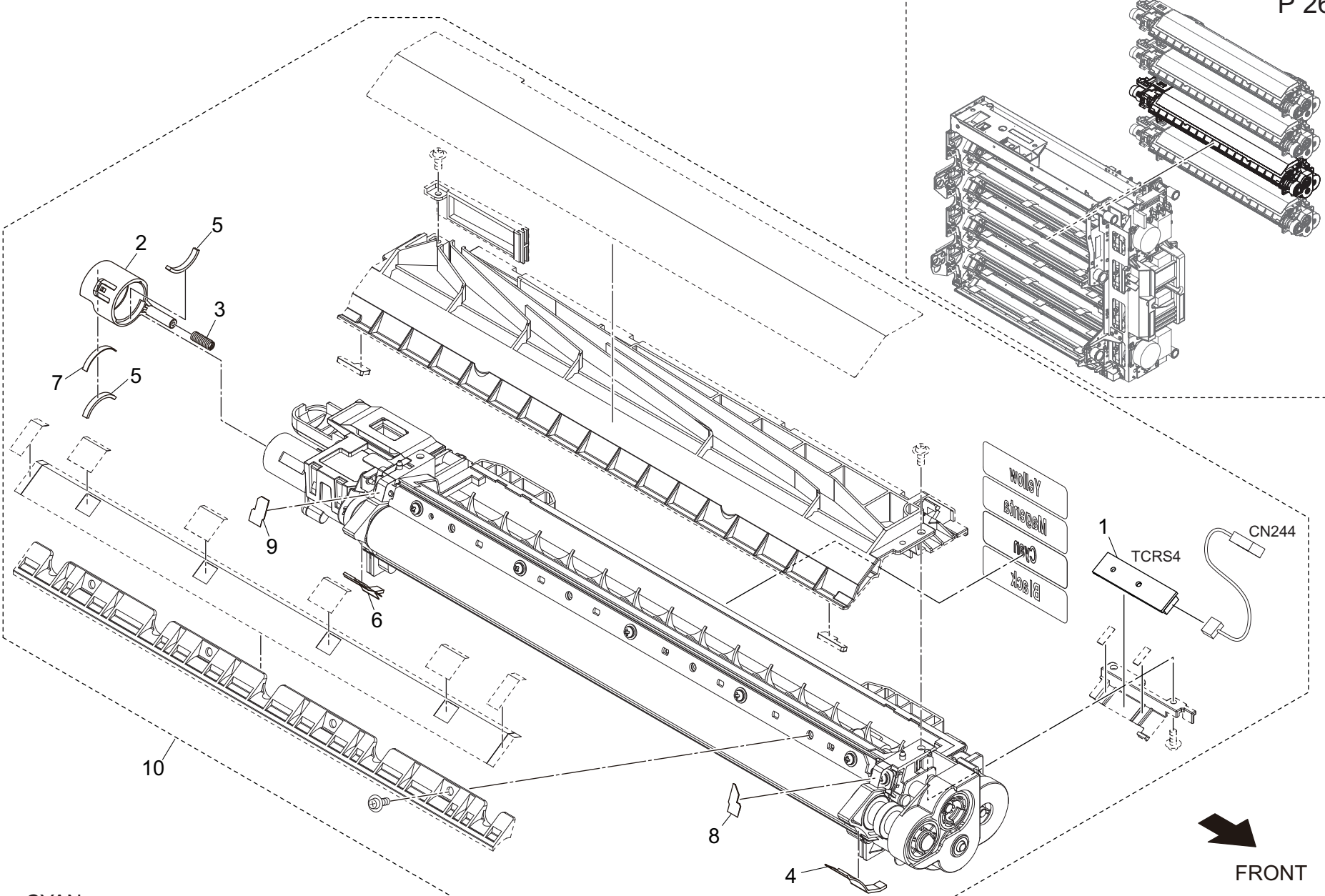
AccurioPrint C3070L



ПЯТЫЙ ПАРТНЕР

| Key | Part No. | Description | | Destinations | Class | QTY | Standard parts |
|-----|------------|----------------------------------|------------------------------|--------------|-------|-----|----------------|
| 1 | A0TKH00200 | PWB Assembly(PWB-TCR ASSY) | 基板ASSY (PWB-T C R A S S Y) | | I | 1 | |
| 2 | A50U372901 | Collection Cover | 回収カバー | | D | 1 | |
| 3 | A50U373100 | Compressing Coil spring /1 | 圧縮コイルばね／1 | | D | 1 | |
| 4 | A50U374102 | Scatteringprevention Sheet /Side | 飛散防止シート /サイド | | D | 1 | |
| 5 | A50U374501 | Seal /J | シール / J | | D | 2 | |
| 6 | A50U376002 | Scatteringprevention Sheet /Rear | 飛散防止シート /奥 | | D | 1 | |
| 7 | A50U376801 | Seal /T | シール / T | | D | 1 | |
| 8 | A50U377201 | Auxiliary Seal /Front | 補助シール /前 | | D | 1 | |
| 9 | A50U377301 | Auxiliary Seal /Rear | 補助シール /奥 | | D | 1 | |
| 10 | A50UR70244 | Developing Unit | 現像ユニット | | B | 1 | |
| | | | | | | | |
| | | | | | | | |
| | | | | | | | |
| | | | | | | | |
| | | | | | | | |
| | | | | | | | |
| | | | | | | | |
| | | | | | | | |
| | | | | | | | |
| | | | | | | | |
| | | | | | | | |
| | | | | | | | |
| | | | | | | | |
| | | | | | | | |

Developing Section



CYAN

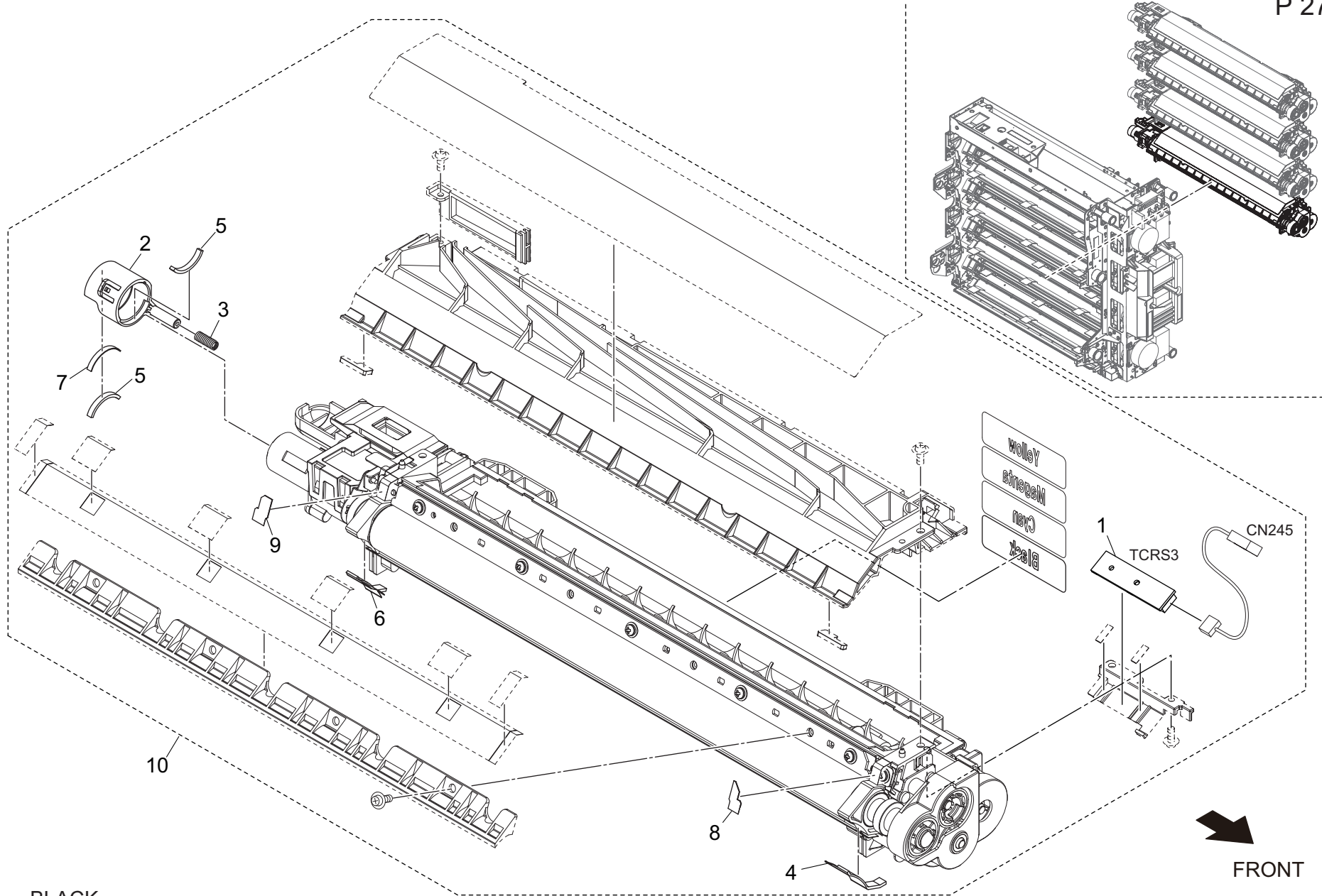
FRONT

AccurioPrint C3070L

| Key | Part No. | Description | Destinations | Class | QTY | Standard parts |
|-----|------------|----------------------------------|--------------------------------------|-------|-----|----------------|
| 1 | A0TKH00200 | PWB Assembly(PWB-TCR ASSY) | 基板 A S S Y (P W B - T C R A S S Y) | I | 1 | |
| 2 | A50U372901 | Collection Cover | 回収カバー | D | 1 | |
| 3 | A50U373100 | Compressing Coil spring /1 | 圧縮コイルばね／1 | D | 1 | |
| 4 | A50U374102 | Scatteringprevention Sheet /Side | 飛散防止シート／サイド | D | 1 | |
| 5 | A50U374501 | Seal /J | シール／J | D | 2 | |
| 6 | A50U376002 | Scatteringprevention Sheet /Rear | 飛散防止シート／奥 | D | 1 | |
| 7 | A50U376801 | Seal /T | シール／T | D | 1 | |
| 8 | A50U377201 | Auxiliary Seal /Front | 補助シール／前 | D | 1 | |
| 9 | A50U377301 | Auxiliary Seal /Rear | 補助シール／奥 | D | 1 | |
| 10 | A50UR70244 | Developing Unit | 現像ユニット | B | 1 | |
| | | | | | | |
| | | | | | | |
| | | | | | | |
| | | | | | | |
| | | | | | | |
| | | | | | | |
| | | | | | | |
| | | | | | | |
| | | | | | | |
| | | | | | | |
| | | | | | | |
| | | | | | | |
| | | | | | | |

Developing Section

P 27



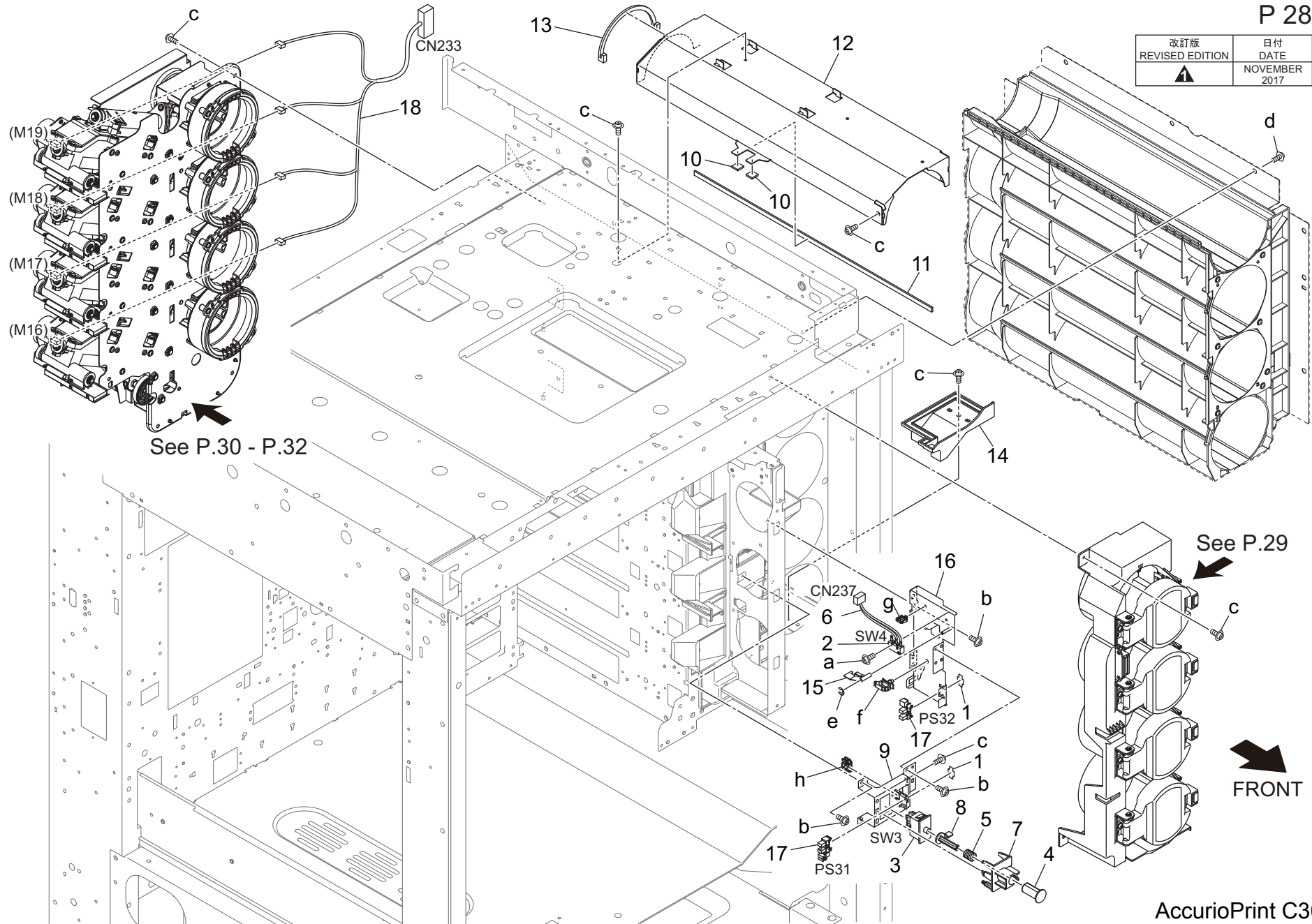
BLACK

FRONT
AccurioPrint C3070L

| Key | Part No. | Description | | Destinations | Class | QTY | Standard parts |
|-----|------------|----------------------------------|--------------------------|--------------|-------|-----|----------------|
| 1 | A0TKH00200 | PWB Assembly(PWB-TCR ASSY) | 基板 ASSY (PWB-TCR ASSY) | | I | 1 | |
| 2 | A50U372901 | Collection Cover | 回収カバー | | D | 1 | |
| 3 | A50U373100 | Compressing Coil spring /1 | 圧縮コイルばね/1 | | D | 1 | |
| 4 | A50U374102 | Scatteringprevention Sheet /Side | 飛散防止シート /サイド | | D | 1 | |
| 5 | A50U374501 | Seal /J | シール / J | | D | 2 | |
| 6 | A50U376002 | Scatteringprevention Sheet /Rear | 飛散防止シート /奥 | | D | 1 | |
| 7 | A50U376801 | Seal /T | シール / T | | D | 1 | |
| 8 | A50U377201 | Auxiliary Seal /Front | 補助シール /前 | | D | 1 | |
| 9 | A50U377301 | Auxiliary Seal /Rear | 補助シール /奥 | | D | 1 | |
| 10 | A50UR70244 | Developing Unit | 現像ユニット | | B | 1 | |
| | | | | | | | |
| | | | | | | | |
| | | | | | | | |
| | | | | | | | |
| | | | | | | | |
| | | | | | | | |
| | | | | | | | |
| | | | | | | | |

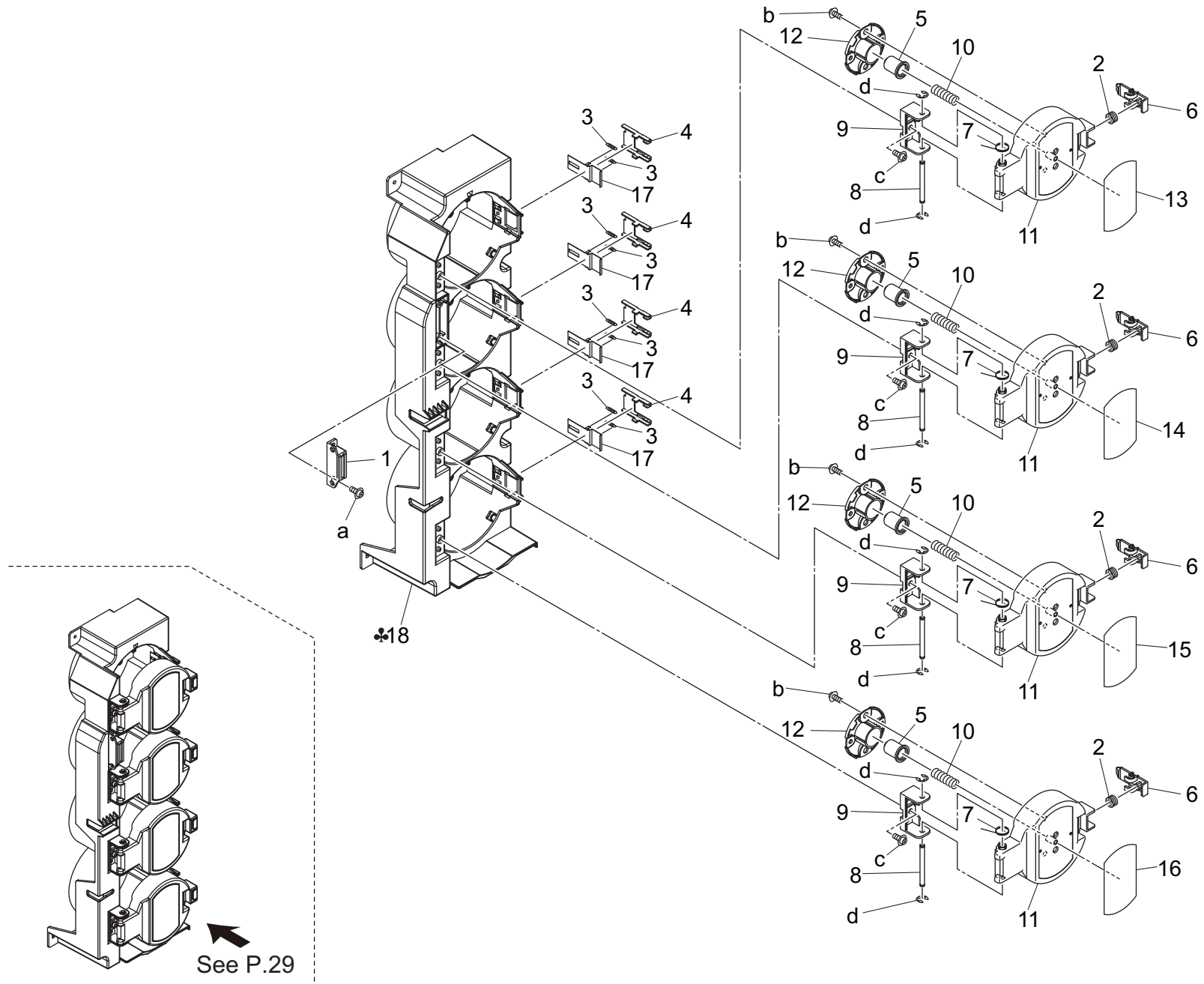
Toner Supply Section

| | |
|------------------------|------------------|
| 改訂版 REVISED EDITION | 日付 DATE |
| ▲ | NOVEMBER 2017 |



| Key | Part No. | Description | Destinations | Class | QTY | Standard parts |
|-----|------------|--|--------------|-------|-----|--|
| 1 | 4470402401 | Stopper | | D | 2 | a-V111020803 b-V127030516 c-V127030604 d-V127040603 e-V217020003 f-V500010081 g-V500020098 h-V570010056 |
| 2 | 12QR86011 | Interlock Switch | | B | 1 | |
| 3 | 40AA85011 | Door Switch | | B | 1 | |
| 4 | 56AA12140 | Switch Connecting Actuator | | C | 1 | |
| 5 | 56AA12160 | Contact Pressing Spring /1 | | C | 1 | |
| 6 | 65AA91100 | INTER LOCK WIRING | | D | 1 | |
| 7 | A50U166800 | Guide Part | | D | 1 | |
| 8 | A50U171500 | Pressing Actuator | | C | 1 | |
| 9 | A50U179000 | Plate | | D | 1 | |
| 10 | A50U318700 | Auxiliary Pad | | D | 2 | |
| 11 | A50U400600 | Toner supply Seal /Upper | | D | 1 | |
| 12 | A50U400900 | Toner supply Frame /Upper | | D | 1 | |
| 13 | A50U401401 | Seal /Rear | | D | 1 | |
| 14 | A50U408100 | Receiving Lower tray | | D | 1 | |
| 15 | A50U442100 | Switch Plate | | D | 1 | |
| 16 | A50UF41500 | Toner Supply Support Shaft Caulking ASSY | | D | 1 | |
| 17 | A50UM51000 | Photointerrupter | | C | 2 | |
| 18 | A50UN12101 | Toner Wiring /1 | | D | 1 | |
| | | | | | | |
| | | | | | | |
| | | | | | | |
| | | | | | | |
| | | | | | | |
| | | | | | | |
| | | | | | | |
| | | | | | | |
| | | | | | | |
| | | | | | | |

Toner Supply Section

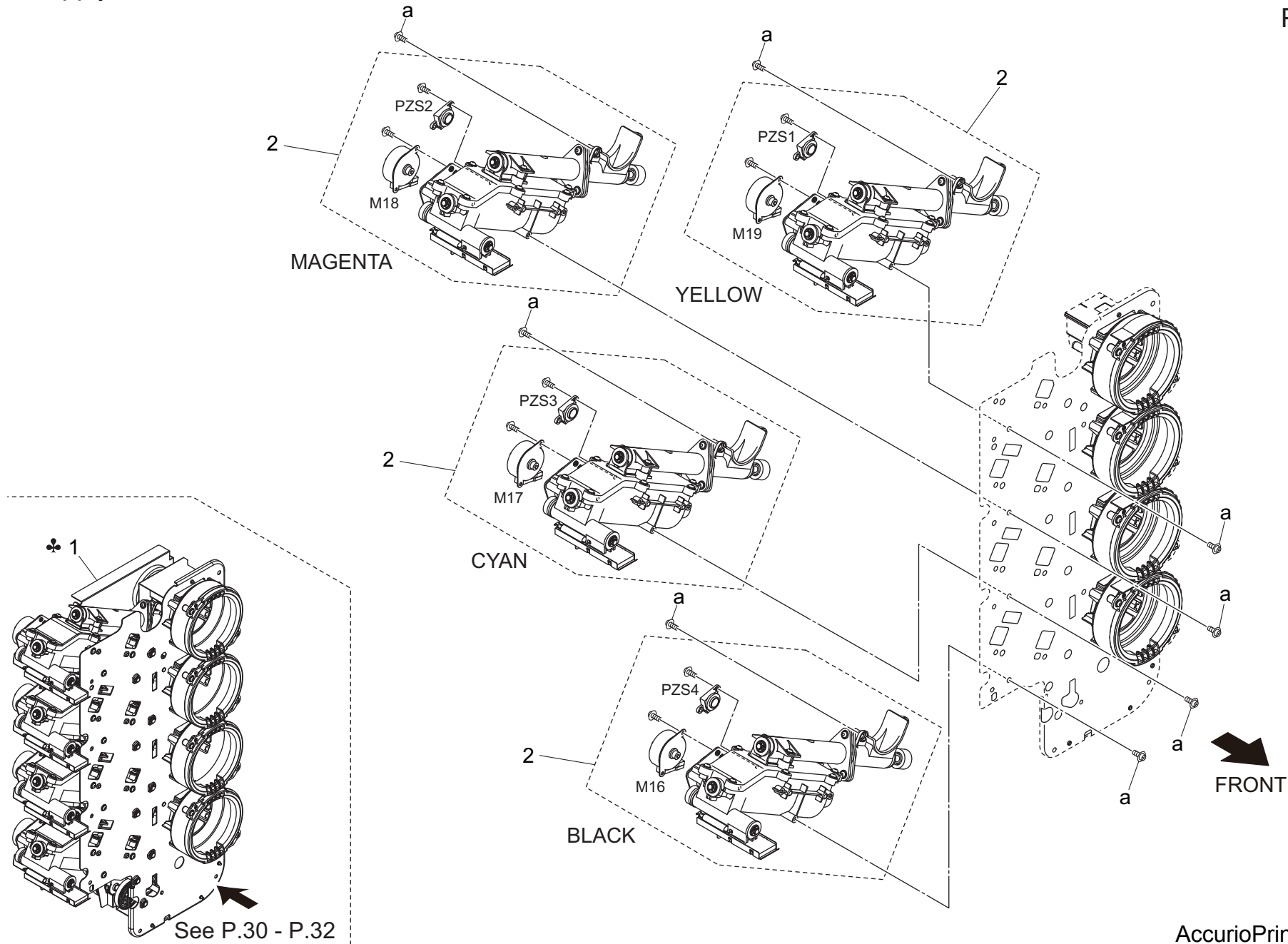


See P.29

FRONT

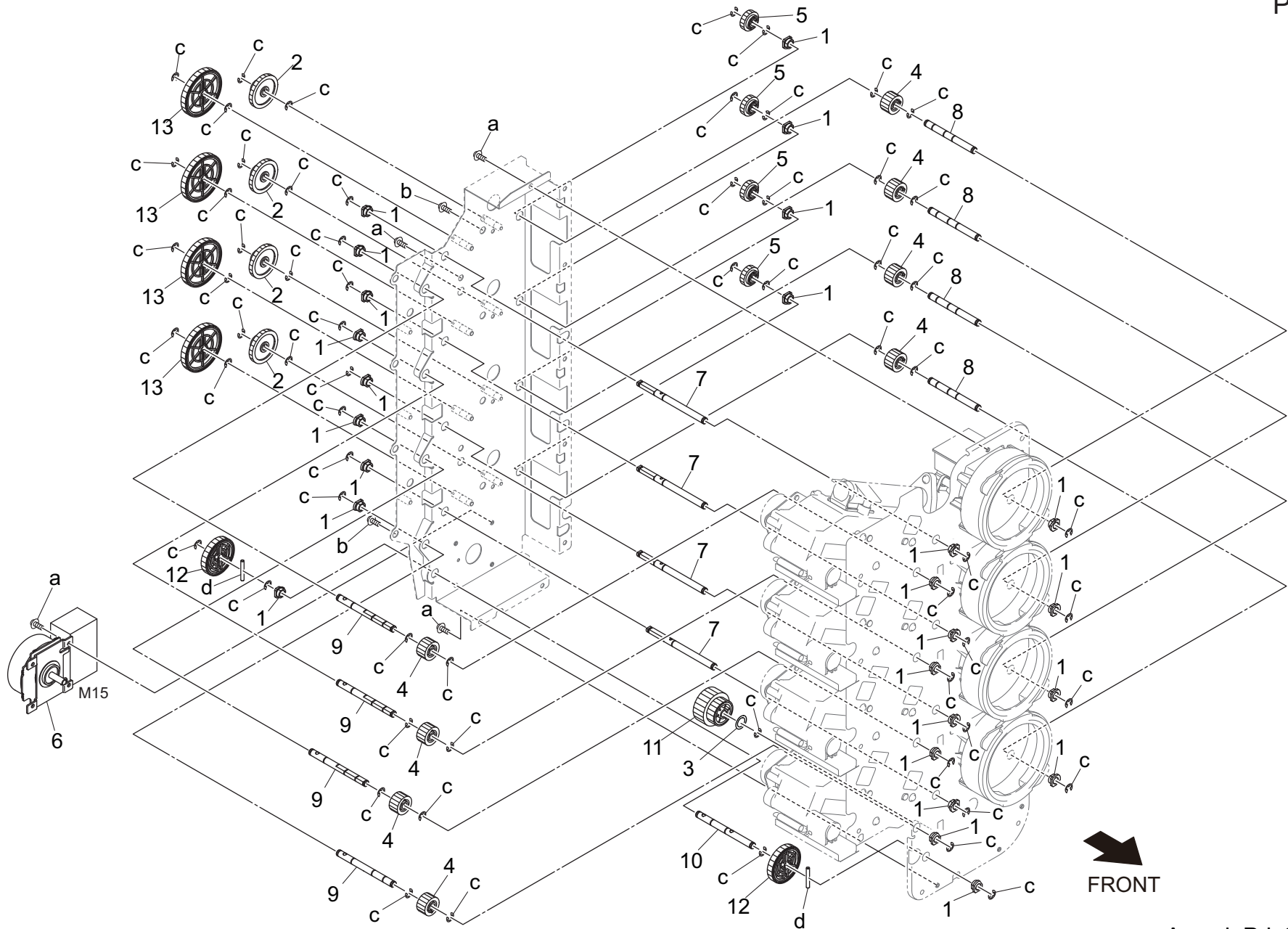
| Key | Part No. | Description | Destinations | Class | QTY | Standard parts |
|-----|------------|-----------------------------------|---|-------|-----|--|
| 1 | 07BA12352 | Magnet Catch | | C | 1 | a-V149030803 b-V151041003 c-V158030803 d-V217030003 |
| 2 | 26NA32870 | CARTRIDGE PRESSING SPRING 2 | | C | 4 | |
| 3 | 26TA32970 | CARTRIDGE REGULATING SPRING | | C | 8 | |
| 4 | 26TA32990 | COVER PART | | C | 4 | |
| 5 | A1RF441500 | Pressing Part /Front | | D | 4 | |
| 6 | A50U408501 | Pressing Handle | | D | 4 | |
| 7 | A50U408600 | Toner supply Open/close Spring /A | | D | 4 | |
| 8 | A50U408700 | Support Shaft | | D | 4 | |
| 9 | A50U408900 | Support Part | | D | 4 | |
| 10 | A50U410200 | Lock Spring | | D | 4 | |
| 11 | A50U440301 | Pressing Pedestal /Front | | D | 4 | |
| 12 | A50U440601 | Pressing Part /Rear | | D | 4 | |
| 13 | A5VM944500 | Toner supply Label /Y | | D | 1 | |
| 14 | A5VM944600 | Toner supply Label /M | | D | 1 | |
| 15 | A5VM944700 | Toner supply Label /C | | D | 1 | |
| 16 | A5VM944800 | Toner supply Label /K | | D | 1 | |
| 17 | A85C409600 | Regulating Plate | | D | 4 | |
| 18 | A5VM400200 | Guide Part | B,D1,D3,E,F2,G1,G2, H,I(Except SOUTH AF RICA),J,K | D | 1 | |
| 18 | AAC4400200 | Guide Part | C,I(only SOUTH AFRI CA) | D | 1 | |
| | | | | | | |
| | | | | | | |
| | | | | | | |
| | | | | | | |
| | | | | | | |
| | | | | | | |
| | | | | | | |
| | | | | | | |
| | | | | | | |
| | | | | | | |
| | | | | | | |

Toner Supply Section



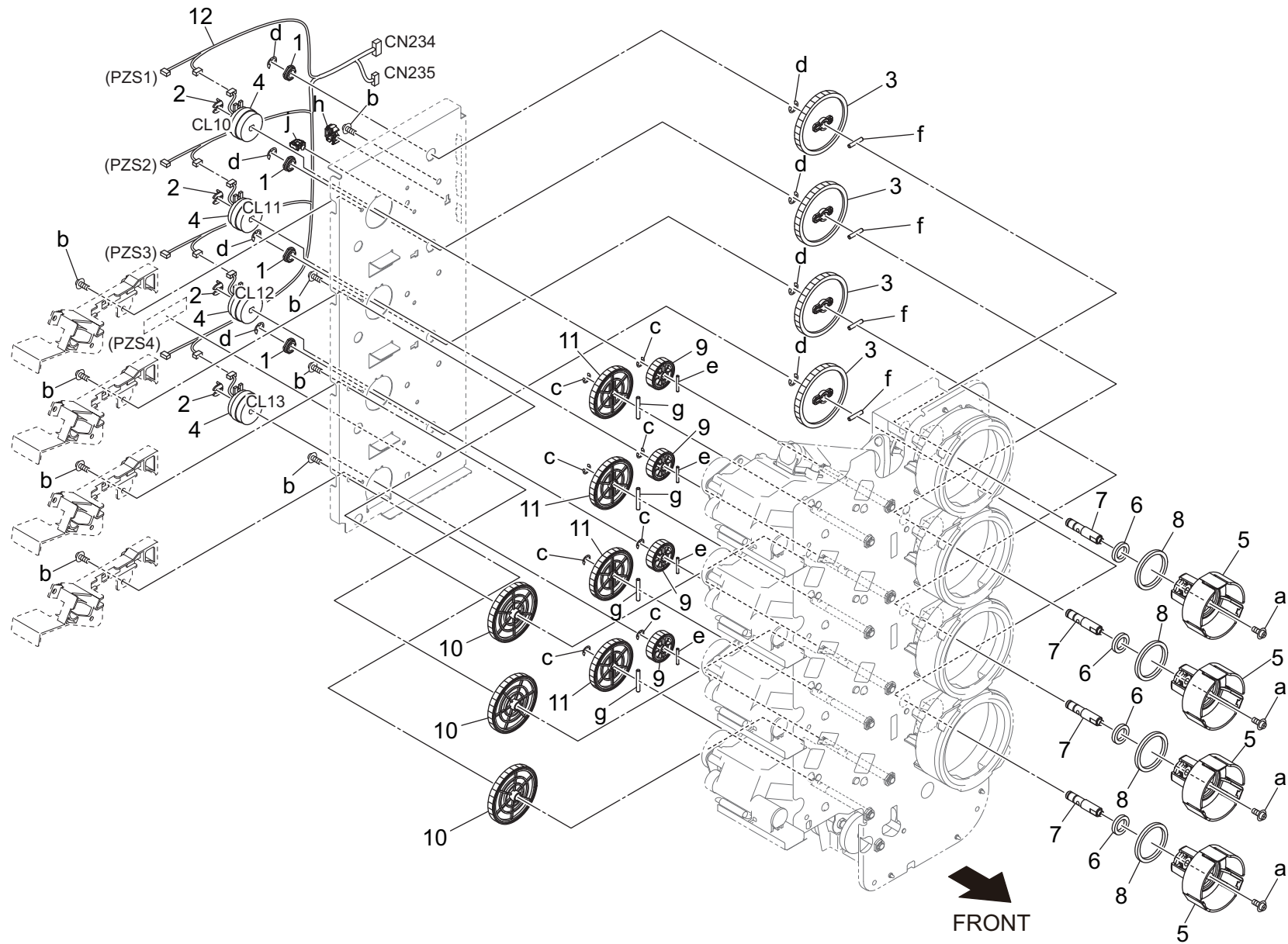
| Key | Part No. | Description | Destinations | Class | QTY | Standard parts | |
|-----|------------|----------------------------|---|-------|-----|----------------|--|
| 1 | A50UR71411 | Toner Supply Unit Assy(US) | B,G2 C,I(only SOUTH AFRI CA) D1,D3,E,F2,G1,H,I(E xcept SOUTH AFRICA) J,K | S | 1 | a-V151030803 | |
| 1 | A85CR70S00 | Toner Supply Unit Assy(EU) | | S | 1 | | |
| 1 | A50UR71500 | Toner Supply Unit Assy(EU) | | S | 1 | | |
| 2 | A50UR72V00 | Toner Conveyance Assy | | D | 4 | | |
| | | | | | | | |
| | | | | | | | |
| | | | | | | | |
| | | | | | | | |
| | | | | | | | |
| | | | | | | | |
| | | | | | | | |
| | | | | | | | |
| | | | | | | | |
| | | | | | | | |
| | | | | | | | |
| | | | | | | | |

Toner Supply Section



Toner Supply Section

| Key | Part No. | Description | Destinations | Class | QTY | Standard parts |
|-----|------------|-----------------------------|--------------|-------|-----|--|
| 1 | 466076020 | Paper Feed Feeding Bearing | | B | 26 | a-V127030604 b-V151030803 c-V217040003 d-V234302250 |
| 2 | 25BA77171 | Toner Supply Gear /2 13/31T | | C | 4 | |
| 3 | 40AA32320 | Toner Supply Spacer | | C | 1 | |
| 4 | 56AA77330 | SCREW GEAR 15T | | C | 8 | |
| 5 | 9J07500201 | GEAR 17T | | C | 4 | |
| 6 | A2XKM10300 | Brushless motor | | I | 1 | |
| 7 | A50U404000 | Drive Shaft /A | | D | 4 | |
| 8 | A50U404200 | Drive Shaft /C | | D | 4 | |
| 9 | A50U404600 | Drive Shaft /B | | D | 4 | |
| 10 | A50U406400 | Drive Shaft /D | | D | 1 | |
| 11 | A50U420300 | Toner supply Gear /3 25/65T | | C | 1 | |
| 12 | A50U420900 | Toner supply Gear /9 35T | | C | 2 | |
| 13 | A50U421000 | Toner supply Gear /10 45T | | C | 4 | |
| | | | | | | |
| | | | | | | |
| | | | | | | |
| | | | | | | |
| | | | | | | |
| | | | | | | |
| | | | | | | |
| | | | | | | |
| | | | | | | |
| | | | | | | |
| | | | | | | |
| | | | | | | |

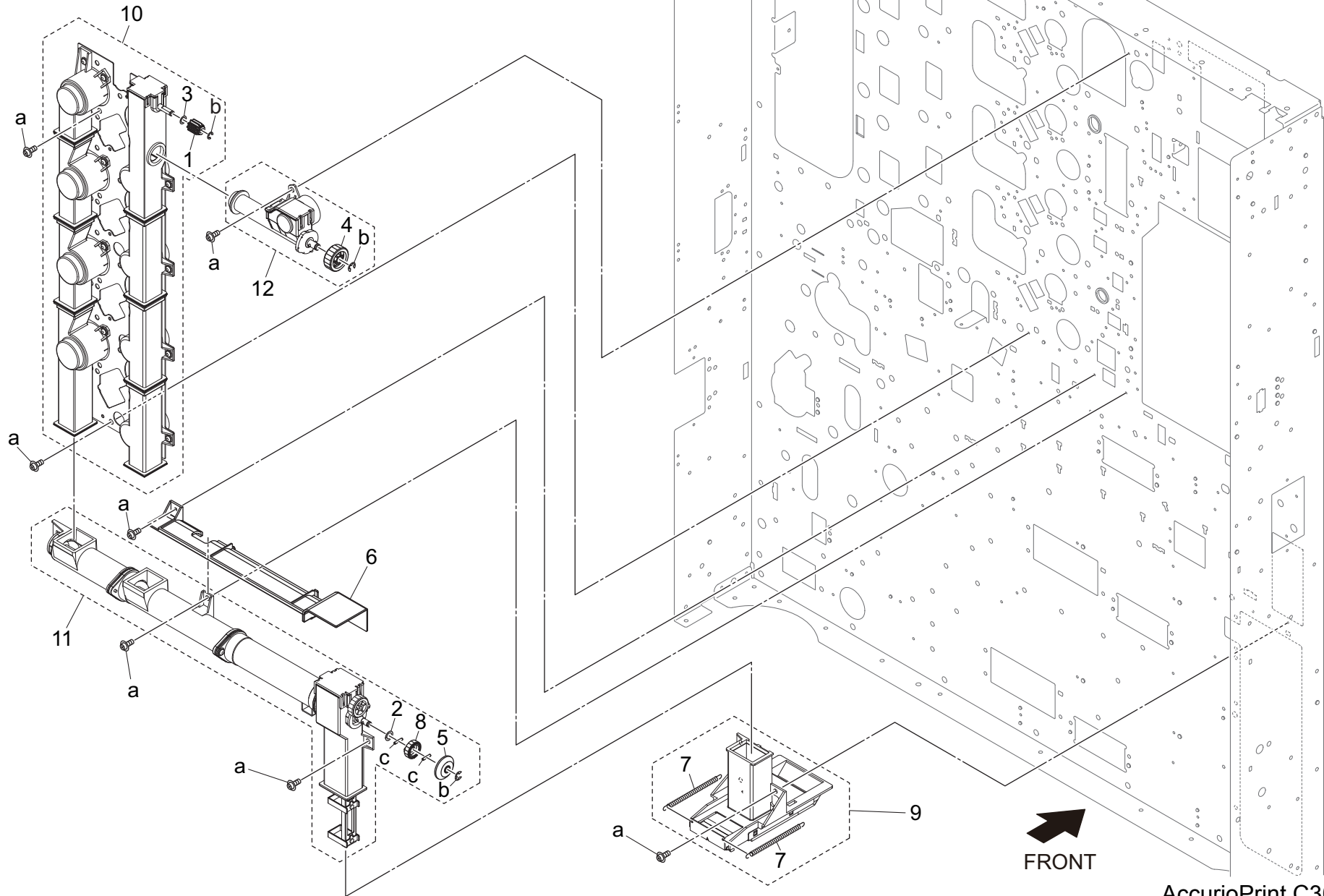


AccurioPrint C3070L

Toner Supply Section

| Key | Part No. | Description | Destinations | Class | QTY | Standard parts |
|-----|------------|------------------------------|--------------|-------|-----|--|
| 1 | 26NA32660 | TONER SUPPLY SHAFT HOLDER | | C | 4 | a-V116030803 b-V127030604 c-V217040003 d-V217050003 e-V234201650 f-V234301650 g-V234302250 h-V500010072 j-V500020098 |
| 2 | 56AA40490 | SHAFT STOPPER 4 | | C | 4 | |
| 3 | 65AA77390 | Toner Supply Gear /B 56T | | C | 4 | |
| 4 | A00FM20000 | Clutch | | C | 4 | |
| 5 | A50U400501 | Toner supply Coupling | | D | 4 | |
| 6 | A50U401200 | Holding Seal /A | | D | 4 | |
| 7 | A50U401301 | Connecting Shaft | | D | 4 | |
| 8 | A50U407600 | Toner supply Holding Seal /A | | D | 4 | |
| 9 | A50U420400 | Toner supply Gear /4 25T | | C | 4 | |
| 10 | A50U420800 | Toner supply Gear /8 52T | | C | 3 | |
| 11 | A50U421000 | Toner supply Gear /10 45T | | C | 4 | |
| 12 | A50UN12203 | Toner Wiring /2 | | D | 1 | |
| | | | | | | |
| | | | | | | |
| | | | | | | |
| | | | | | | |
| | | | | | | |
| | | | | | | |
| | | | | | | |
| | | | | | | |
| | | | | | | |
| | | | | | | |

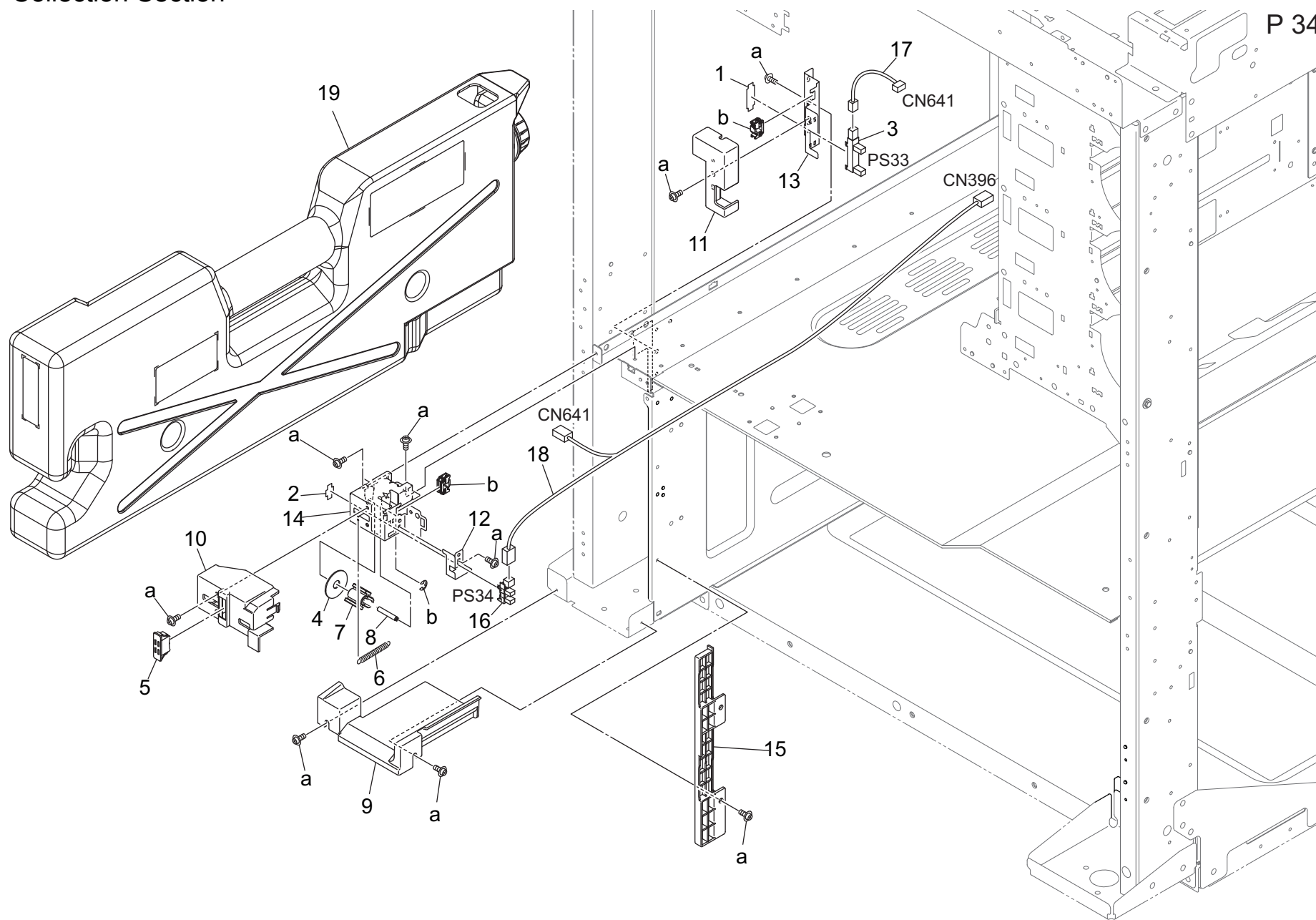
Toner Collection Section



Toner Collection Section

| Key | Part No. | Description | Destinations | Class | QTY | Standard parts |
|-----|------------|----------------------------------|--------------|-------|-----|--|
| 1 | 26NA17580 | AGITATING COUPLING B | | C | 1 | a-V127030604 b-V217040003 c-V234201050 |
| 2 | 40AA32320 | Toner Supply Spacer | | C | 1 | |
| 3 | 50GA250100 | SPACER | | C | 1 | |
| 4 | A1RG569900 | Suction Gear /2 21T | | C | 1 | |
| 5 | A50U361900 | Collection Gear /2 14T | | C | 1 | |
| 6 | A50U362300 | Insulating Cover | | D | 1 | |
| 7 | A50U363300 | Open/close Spring | | D | 2 | |
| 8 | A50U365400 | Collection Gear 19T | | C | 1 | |
| 9 | A50UF36500 | Toner Collection Gate ASSY | | D | 1 | |
| 10 | A50UR70V00 | Collection Pipe Assy | | S | 1 | |
| 11 | A50UR70W11 | Toner Collection Conveyance Assy | | S | 1 | |
| 12 | A50UR71100 | Collection Pipe / 1 Assy | | D | 1 | |
| | | | | | | |
| | | | | | | |
| | | | | | | |
| | | | | | | |
| | | | | | | |
| | | | | | | |
| | | | | | | |
| | | | | | | |
| | | | | | | |
| | | | | | | |
| | | | | | | |

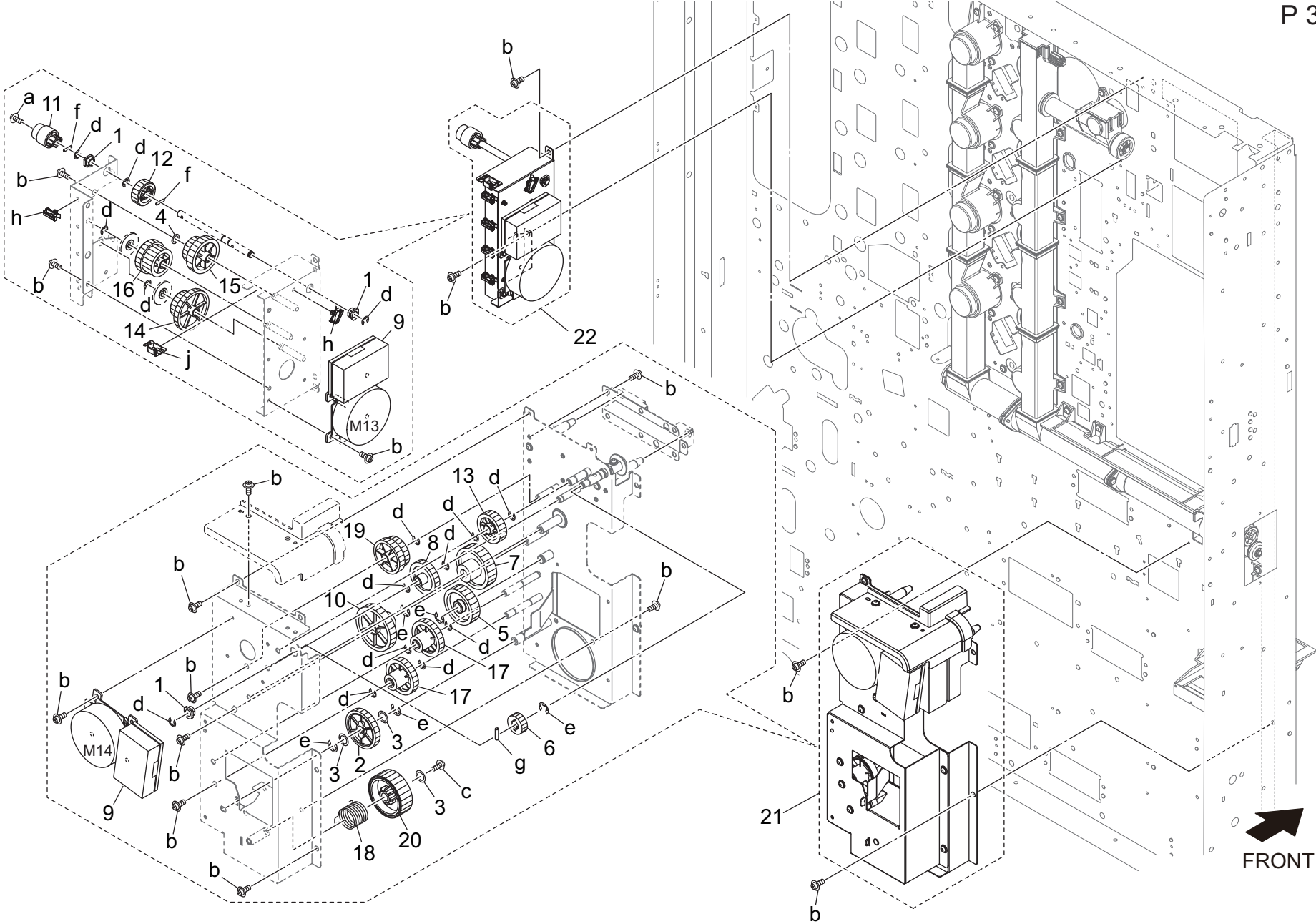
Toner Collection Section



Toner Collection Section

| Key | Part No. | Description | Destinations | Class | QTY | Standard parts |
|-----|------------|----------------------------|--------------|-------|-----|------------------------------|
| 1 | 4004457301 | Stopper | | D | 1 | a-V127030604 b-V570010056 |
| 2 | 4470402401 | Stopper | | D | 1 | |
| 3 | 9335140051 | SOLID STATE SWITCH | | B | 1 | |
| 4 | 55VA47840 | Belt Hold Part /3 | | D | 1 | |
| 5 | 56AA12270 | EXTERNAL LOCKING PART | | C | 1 | |
| 6 | A1RF363500 | Control Spring | | C | 1 | |
| 7 | A1RF363801 | Detecting Part /2 | | D | 1 | |
| 8 | A50U363200 | Collection Shaft | | D | 1 | |
| 9 | A50U363400 | Protection Cover /Lower | | D | 1 | |
| 10 | A50U363701 | Cover Outside | | D | 1 | |
| 11 | A50U366800 | Cover /2 | | D | 1 | |
| 12 | A50U367100 | Card | | D | 1 | |
| 13 | A50U367400 | Cover | | D | 1 | |
| 14 | A50U368400 | Cover | | D | 1 | |
| 15 | A50U369900 | Cover /Front | | D | 1 | |
| 16 | A50UM51000 | Photointerrupter | | C | 1 | |
| 17 | A50UN11801 | Detection Relay harness /3 | | D | 1 | |
| 18 | A50UN12000 | Detection Relay harness /1 | | D | 1 | |
| 19 | A50UR70115 | Waste Toner Box | | A | 1 | |
| | | | | | | |
| | | | | | | |
| | | | | | | |
| | | | | | | |
| | | | | | | |
| | | | | | | |
| | | | | | | |
| | | | | | | |
| | | | | | | |

Toner Collection Driving Section



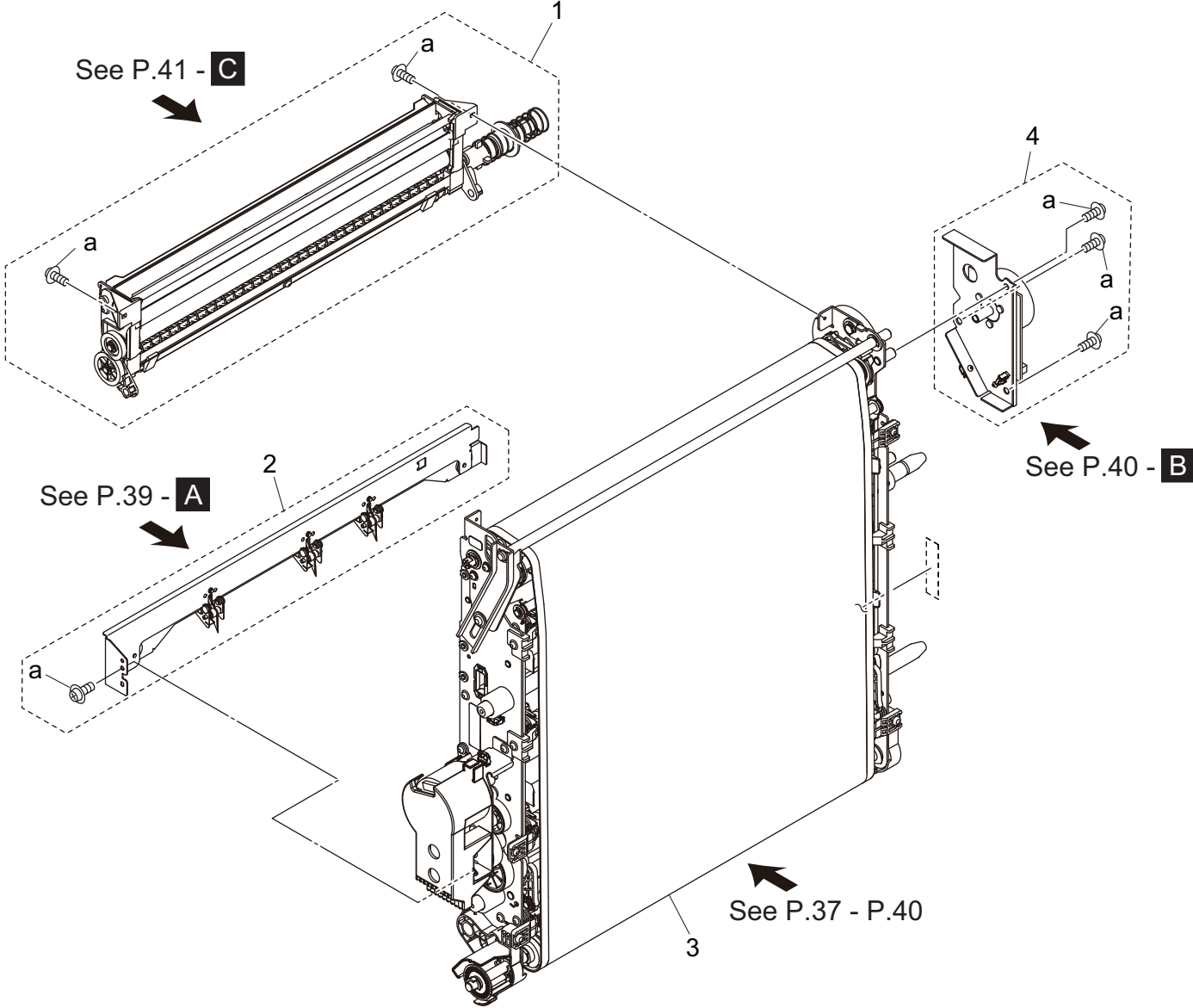
FRONT

Toner Collection Driving Section

| Key | Part No. | Description | Destinations | Class | QTY | Standard parts |
|-----|------------|-----------------------------------|--------------|-------|-----|----------------|
| 1 | 466076020 | Paper Feed Feeding Bearing | | B | 3 | a-V121030403 |
| 2 | 4038254001 | GEAR 37T | | C | 1 | b-V127030604 |
| 3 | 13QA40610 | Gear Spacer | | C | 3 | c-V127040603 |
| 4 | 40AA32320 | Toner Supply Spacer | | C | 1 | d-V217040003 |
| 5 | 55GA77050 | Conveyance Drive Gear /2 35T | | B | 1 | e-V217060003 |
| 6 | 56UA77280 | ADU CONVEYANCE GEAR 17T | | C | 1 | f-V234201050 |
| 7 | 56UA77710 | TONER SUPPLY DRIVE GEAR /B 16/40T | | C | 1 | g-V234301250 |
| 8 | 65AA77410 | TONER SUPPLY GEAR D 31T | | C | 1 | h-V500020100 |
| 9 | A161M10200 | brushless Motor /20 | | I | 2 | j-V570010063 |
| 10 | A1RF368500 | Collection Gear 14/43T | | C | 1 | |
| 11 | A1RF372300 | Agitating Coupling /1 | | D | 1 | |
| 12 | A1RG569900 | Suction Gear /2 21T | | C | 1 | |
| 13 | A1UD210500 | Gear 28T | | C | 1 | |
| 14 | A50U360700 | Collection Gear /1 75/23T | | C | 1 | |
| 15 | A50U361200 | Collection Gear /3 32/22T | | C | 1 | |
| 16 | A50U361401 | Collection Gear /2 29/25T | | C | 1 | |
| 17 | A50U362200 | Gear /1 34/14T | | C | 2 | |
| 18 | A50U365600 | Collection Spring | | D | 1 | |
| 19 | A50U365800 | Collection Gear /1 62/28T | | C | 1 | |
| 20 | A50U367001 | Collection Coupling | | D | 1 | |
| 21 | A50UR70Y11 | Toner Collection Drive Assy | | S | 1 | |
| 22 | A50UR71200 | Collection Drive Assy | | S | 1 | |
| | | | | | | |
| | | | | | | |
| | | | | | | |
| | | | | | | |
| | | | | | | |
| | | | | | | |
| | | | | | | |
| | | | | | | |
| | | | | | | |
| | | | | | | |
| | | | | | | |
| | | | | | | |
| | | | | | | |
| | | | | | | |



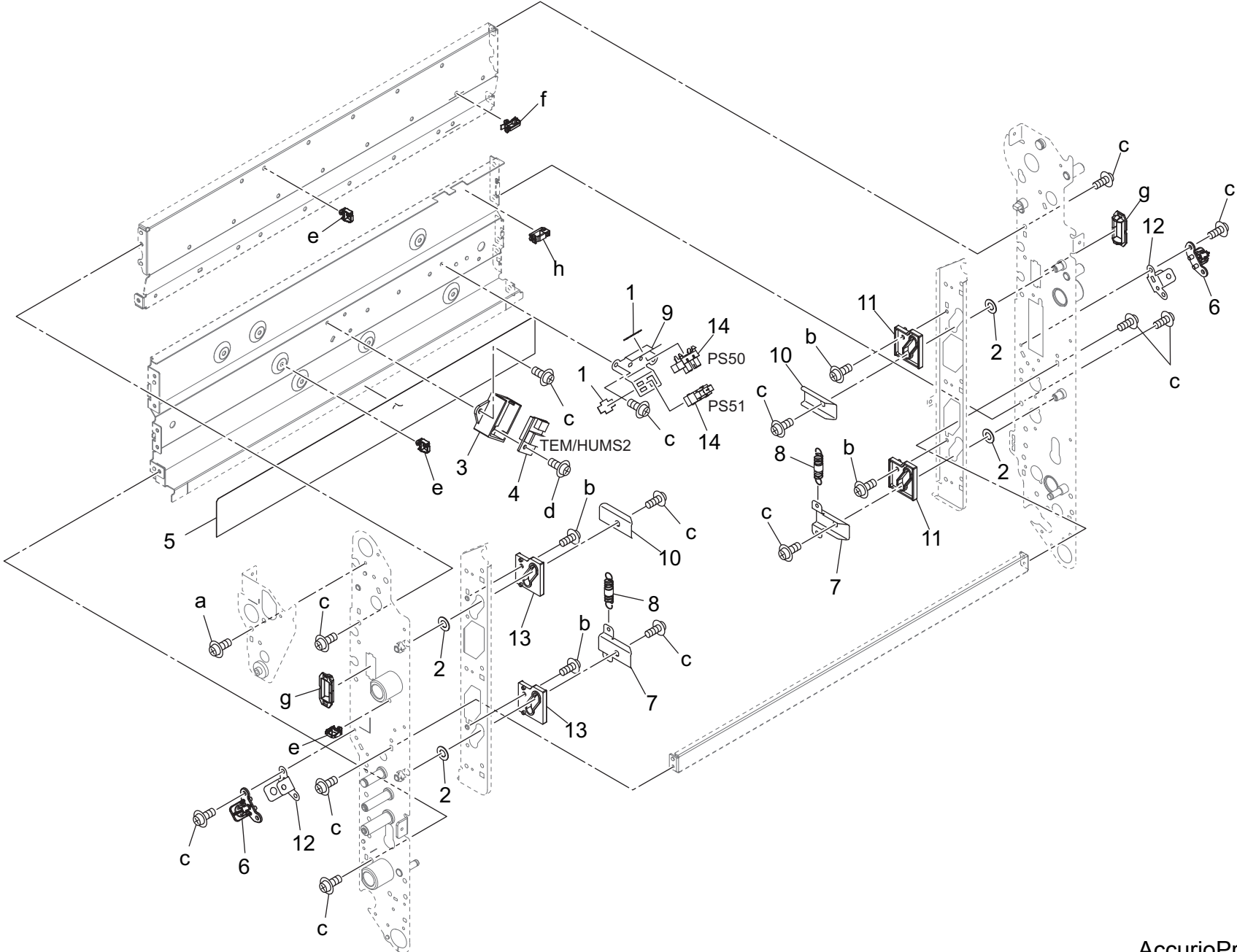
Intermediate Transfer Section



Intermediate Transfer Section

| Key | Part No. | Description | Destinations | Class | QTY | Standard parts |
|-----|------------|-----------------------------|---|-------|-----|----------------|
| 1 | A50UR70633 | Transfer Belt Cleaning Unit | | B | 1 | a-V127030604 |
| 2 | A50UR71P22 | Separating Claw Unit | | I | 1 | |
| 3 | A9VER70500 | Middle Transfer Assy /H | | I | 1 | |
| 3 | A85CR70P33 | Middle Transfer Assy | B,C,G2,I(SOUTH AFRICA) | I | 1 | |
| 4 | A85CR70R11 | Drive Plate Assy | D1,D3,E,F2,G1,H,I(Except SOUTH AFRICA) J,K | C | 1 | |
| | | | | | | |
| | | | | | | |
| | | | | | | |
| | | | | | | |
| | | | | | | |
| | | | | | | |
| | | | | | | |
| | | | | | | |
| | | | | | | |
| | | | | | | |
| | | | | | | |
| | | | | | | |
| | | | | | | |
| | | | | | | |
| | | | | | | |
| | | | | | | |

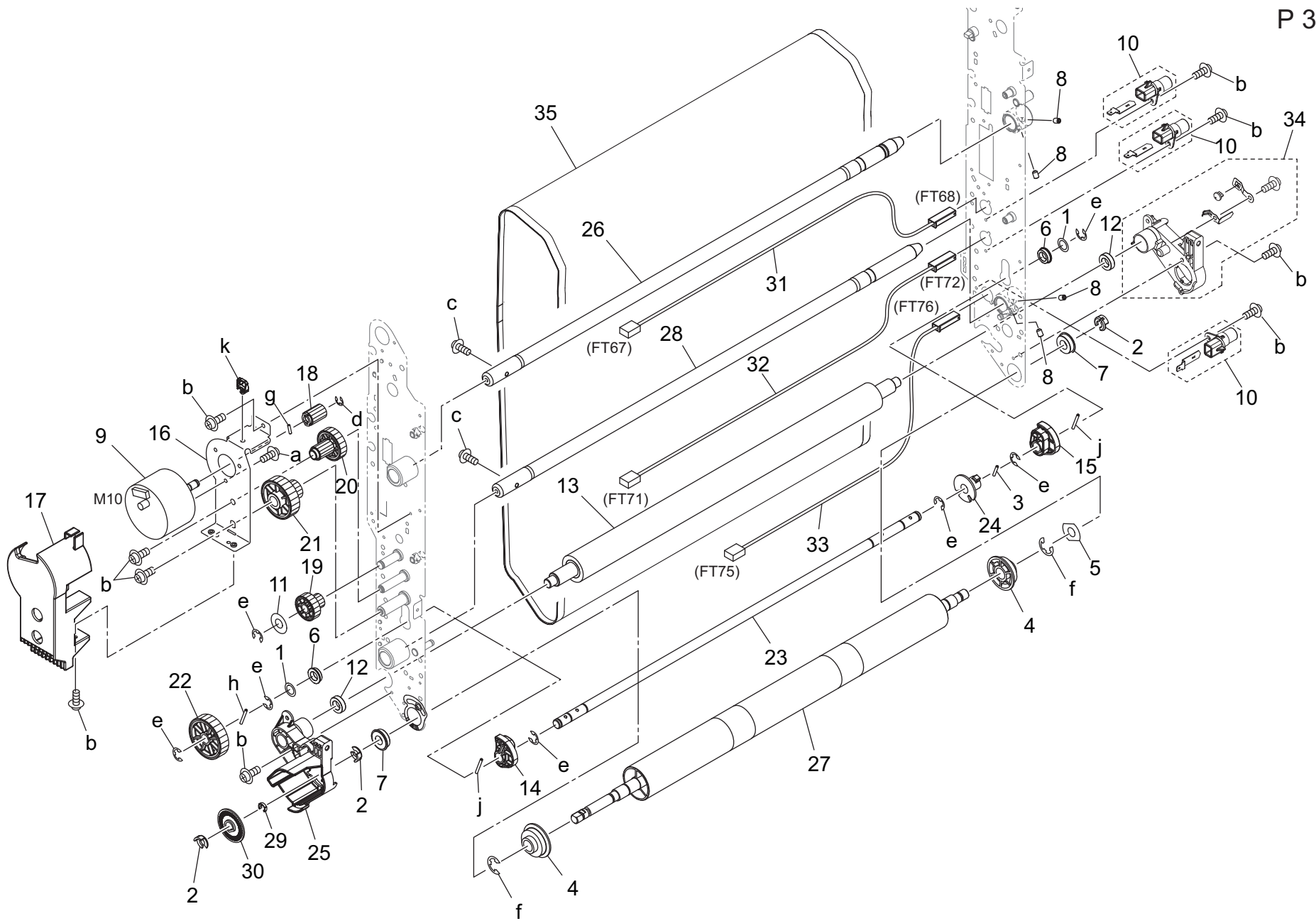
Intermediate Transfer Section



Intermediate Transfer Section

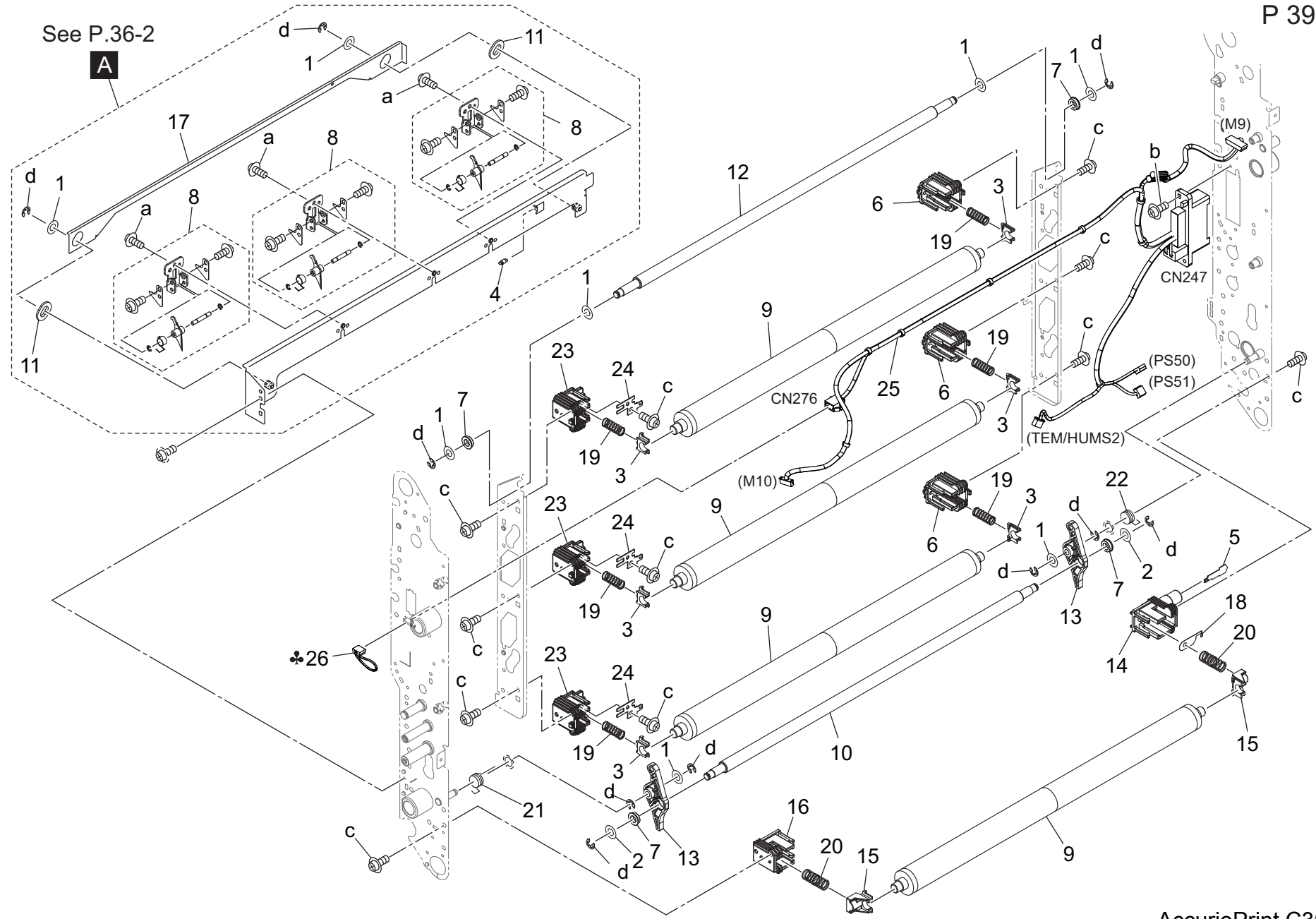
| Key | Part No. | Description | Destinations | Class | QTY | Standard parts |
|-----|------------|-------------------------|--------------|-------|-----|--|
| 1 | 4470402401 | Stopper | | D | 2 | a-V116030503 b-V121030403 c-V127030604 d-V158030803 e-V500020098 f-V500020100 g-V570010037 h-V570010057 |
| 2 | 07BA15871 | SPACER A | | C | 4 | |
| 3 | 65AA11300 | SUPPORT PART | | D | 1 | |
| 4 | A034M50000 | Humidity sensor | | C | 1 | |
| 5 | A03U515100 | Insulating Sheet | | D | 1 | |
| 6 | A50U500800 | Hold Part | | D | 2 | |
| 7 | A50U503600 | Stopper Plate | | D | 2 | |
| 8 | A50U503700 | Spring | | D | 2 | |
| 9 | A50U505200 | Plate | | D | 1 | |
| 10 | A50U506200 | Stopper Plate | | D | 2 | |
| 11 | A50U506300 | Transfer Bushing /Rear | | D | 2 | |
| 12 | A50U508600 | Transfer Support Plate | | D | 2 | |
| 13 | A50U508800 | Transfer Bushing /Front | | D | 2 | |
| 14 | A85CM55500 | Photo Sensor | | C | 2 | |
| | | | | | | |
| | | | | | | |
| | | | | | | |
| | | | | | | |
| | | | | | | |
| | | | | | | |
| | | | | | | |
| | | | | | | |
| | | | | | | |
| | | | | | | |

Intermediate Transfer Section



| Key | Part No. | Description | Destinations | Class | QTY | Standard parts |
|-----|------------|-------------------------------|--------------|-------|-----|----------------|
| 1 | 12QV40650 | Spacer | | B | 2 | a-V121030403 |
| 2 | 55VA42120 | Shaft Stopper | | C | 3 | b-V127030604 |
| 3 | 56AA17321 | PIN A D2X12 | | B | 1 | c-V127040803 |
| 4 | 65AA26870 | REGULATING COLLAR | | C | 2 | d-V217040003 |
| 5 | 65AA27240 | SPACER A | | C | 1 | e-V217060003 |
| 6 | A00J617900 | Ball Bearing | | B | 2 | f-V217080003 |
| 7 | A00V240600 | Ball Bearing | | B | 2 | g-V234200850 |
| 8 | A03U512300 | Fixing Screw | | C | 4 | h-V234201850 |
| 9 | A11PM10200 | DC Brushless motor /12 | | C | 1 | j-V237201850 |
| 10 | A1DUR73500 | Power Supply Block / A Assy | | D | 3 | k-V500020098 |
| 11 | A1RF501700 | Slide Spacer /A | | D | 1 | |
| 12 | A1RF517300 | bearing | | C | 2 | |
| 13 | A50U500401 | 2nd Transfer Roller/Up | | A | 1 | |
| 14 | A50U502500 | Transfer Release Cam /C | | D | 1 | |
| 15 | A50U502600 | Transfer Release Cam /C | | D | 1 | |
| 16 | A50U503900 | Drive Plate /2 | | D | 1 | |
| 17 | A50U504000 | Cover | | D | 1 | |
| 18 | A50U504400 | Pressure Gear /M 18T | | C | 1 | |
| 19 | A50U504500 | Compressing Gear /1 35/18T | | C | 1 | |
| 20 | A50U504600 | Pressure Gear /2 43/18T | | C | 1 | |
| 21 | A50U504700 | Pressure Gear /3 56/18T | | C | 1 | |
| 22 | A50U505000 | Pressure Gear /4 44T | | C | 1 | |
| 23 | A50U505100 | Pressure Shaft | | D | 1 | |
| 24 | A50U505300 | Light blocking Plate | | D | 1 | |
| 25 | A50U505901 | Insulating Holder /Front | | D | 1 | |
| 26 | A50U506101 | Positioning Shaft /Upper | | D | 1 | |
| 27 | A50U506701 | Idler Roller | | C | 1 | |
| 28 | A50U507000 | Positioning Shaft /Lower | | D | 1 | |
| 29 | A50U509100 | Lifting Collar /8 | | D | 1 | |
| 30 | A50U517300 | Control Plate | | D | 1 | |
| 31 | A50UN24501 | HV Relay harness /1 | | D | 1 | |
| 32 | A50UN24701 | HV Relay harness /2 | | D | 1 | |
| 33 | A50UN24901 | HV Relay harness /3 | | D | 1 | |
| 34 | A50UR72100 | Insulating Holder / Rear Assy | | D | 1 | |
| 35 | A9VE500100 | Transfer Belt /H | | A | 1 | |
| 35 | A1DU504203 | Transfer Belt 862L | | A | 1 | |
| | | | | | | |
| | | | | | | |
| | | | | | | |
| | | | | | | |

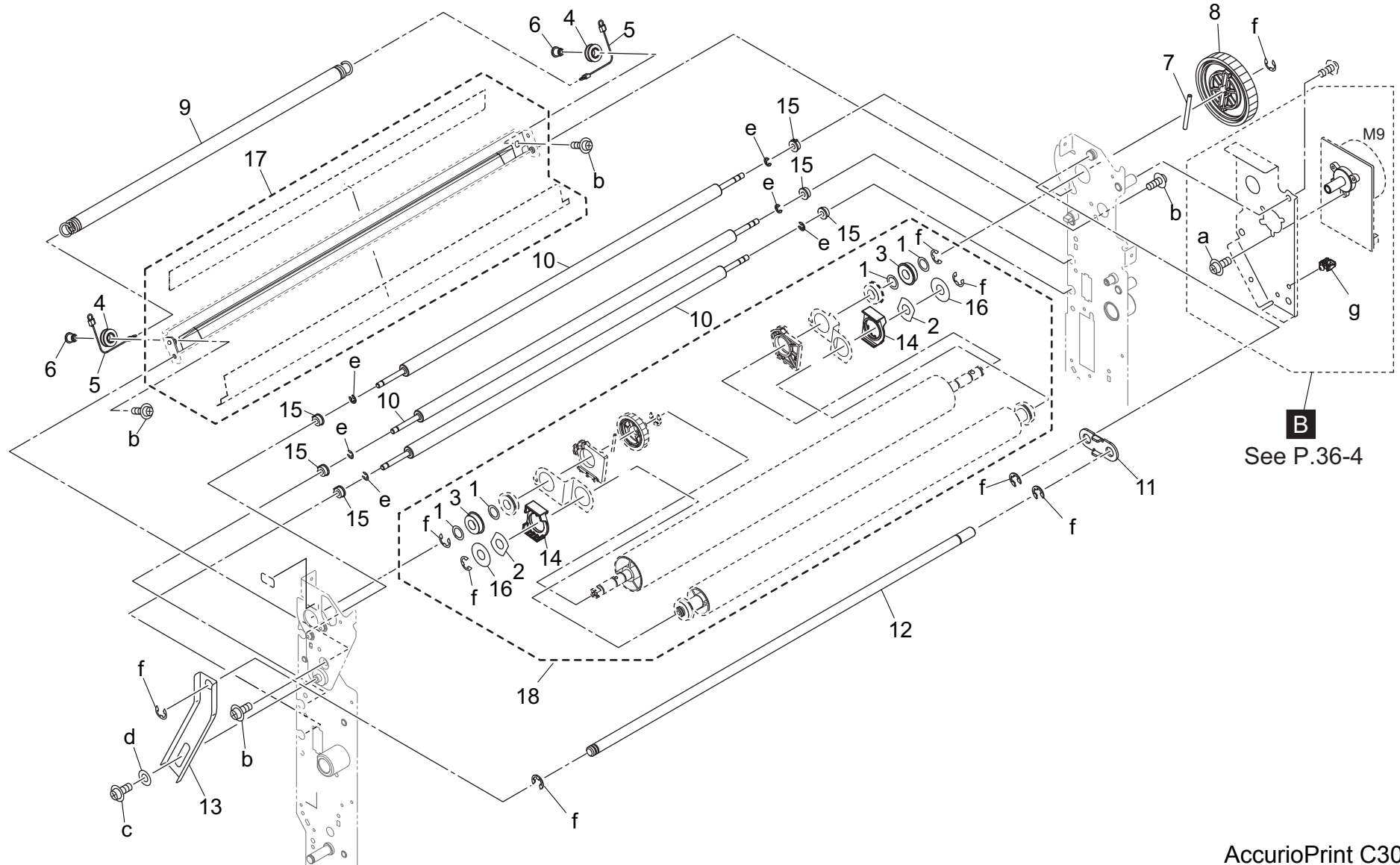
Intermediate Transfer Section



Intermediate Transfer Section

| Key | Part No. | Description | Destinations | Class | QTY | Standard parts |
|-----|------------|--------------------------------|-----------------------------|-------|-----|--|
| 1 | 07BA15871 | SPACER A | | C | 8 | a-V121030403 b-V127030803 c-V158030803 d-V217040003 |
| 2 | 40AA32320 | Toner Supply Spacer | | C | 2 | |
| 3 | 65AA26380 | Transfer Powering Bushing | | B | 6 | |
| 4 | 65AA26600 | SLIDE SPRING | | C | 1 | |
| 5 | 65AA26690D | Transfer Powering Plate /K | | D | 1 | |
| 6 | 65AA26900D | High voltage Powering Block /C | | D | 3 | |
| 7 | A00J617800 | Ball Bearing | | B | 4 | |
| 8 | A1DUR71900 | Separation Claw Assy | | B | 3 | |
| 9 | A50U501201 | 1st Transfer Roller | | A | 4 | |
| 10 | A50U501900 | Transfer Pressure Roller /K | | C | 1 | |
| 11 | A50U503200 | Bushing | | D | 2 | |
| 12 | A50U505401 | Transfer Pressure Roller /Y | | C | 1 | |
| 13 | A50U505500 | Release Arm | | D | 2 | |
| 14 | A50U505601 | Power supply Block /D | | D | 1 | |
| 15 | A50U505700 | Transfer Roller Bearing /K | | B | 2 | |
| 16 | A50U505800 | High voltage Powering Block /B | | D | 1 | |
| 17 | A50U506900 | Release Plate | | D | 1 | |
| 18 | A50U507600 | Transfer Powering Plate /L | | D | 1 | |
| 19 | A50U507801 | Pressure Spring /C | | D | 6 | |
| 20 | A50U507900 | Pressure Spring /Black | | D | 2 | |
| 21 | A50U508001 | Pressing Spring /Front | | D | 1 | |
| 22 | A50U508102 | Pressing Spring /Rear | | D | 1 | |
| 23 | A50U510100 | High voltage Powering Block /C | | D | 3 | |
| 24 | A50U510200 | Transfer Powering Plate /Front | | D | 3 | |
| 25 | A50UN13203 | Transfer Drive harness /1 | | D | 1 | |
| 26 | A9VEN13300 | Transfer Detection harness /1 | B,C,G2,I(only SOUTH AFRICA) | D | 1 | |
| | | | | | | |
| | | | | | | |
| | | | | | | |
| | | | | | | |
| | | | | | | |
| | | | | | | |
| | | | | | | |
| | | | | | | |

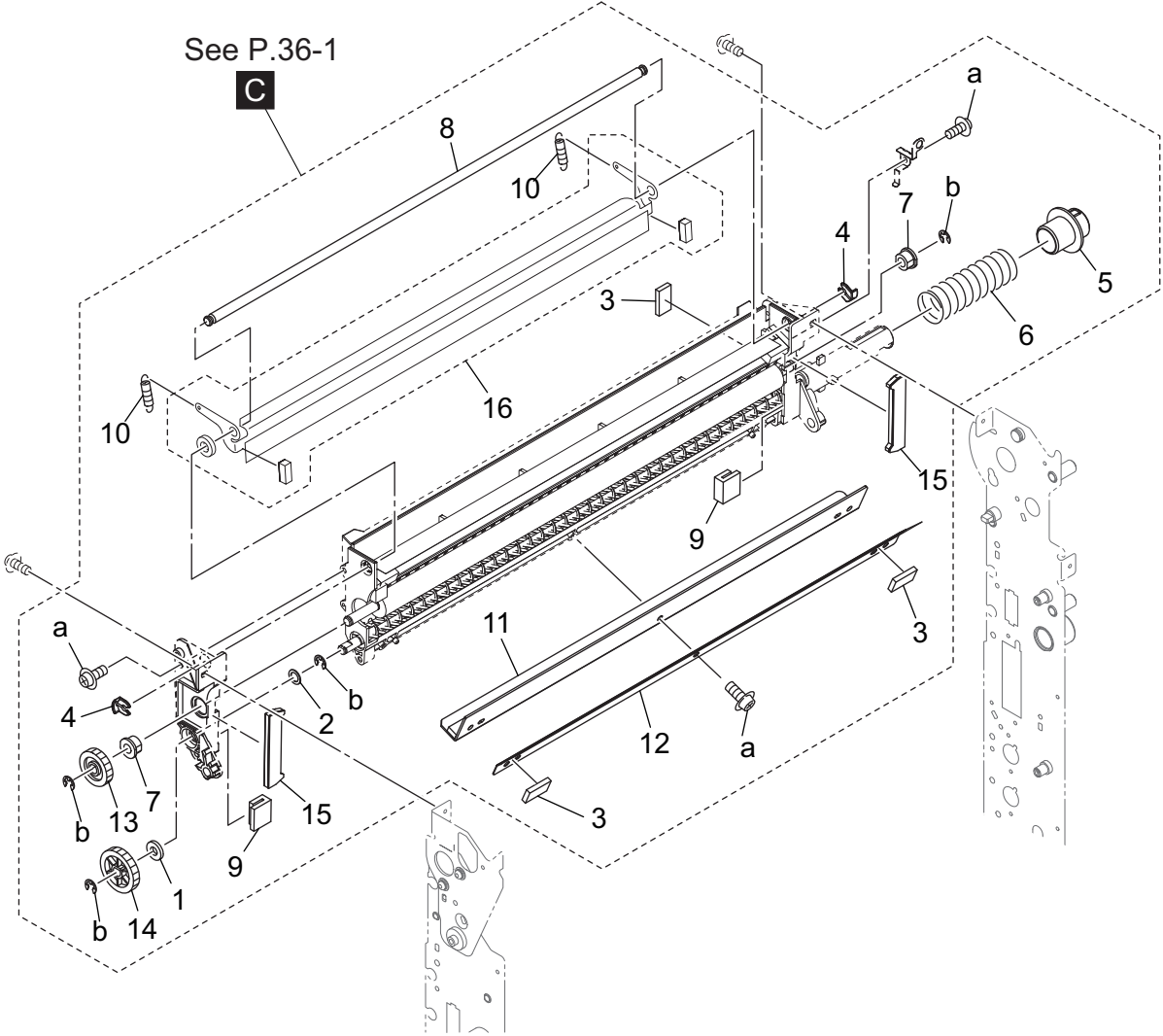
Intermediate Transfer Section



Intermediate Transfer Section

| Key | Part No. | Description | Destinations | Class | QTY | Standard parts |
|-----|------------|---------------------|--------------|-------|-----|--|
| 1 | 12QV40650 | Spacer | | B | 4 | a-V118030403 b-V127030604 c-V127040603 d-V207060003 e-V217030003 f-V217060003 g-V500020098 |
| 2 | 65AA27240 | SPACER A | | C | 2 | |
| 3 | A00V240600 | Ball Bearing | | B | 2 | |
| 4 | A1RF508000 | Tension Pulley | | D | 2 | |
| 5 | A1RF508100 | Pulling Wire | | D | 2 | |
| 6 | A1RF508200 | Tension Shaft | | D | 2 | |
| 7 | A1RJ732100 | Pin /2 | | C | 1 | |
| 8 | A50U501401 | Drive Gear 108T | | C | 1 | |
| 9 | A50U501702 | Tension Spring | | D | 1 | |
| 10 | A50U502100 | Auxiliary Roller /1 | | C | 3 | |
| 11 | A50U502700 | Handle /Rear | | D | 1 | |
| 12 | A50U502900 | Handle | | D | 1 | |
| 13 | A50U503001 | Mounting Plate | | D | 1 | |
| 14 | A50U503300 | Cover | | D | 2 | |
| 15 | A50U503500 | Bushing | | D | 6 | |
| 16 | A50U509200 | Washer | | D | 2 | |
| 17 | A50UR73J00 | Cleaning Sheet Assy | | D | 1 | |
| 18 | A50UR73K00 | Drive Roller Assy | | C | 1 | |
| | | | | | | |
| | | | | | | |
| | | | | | | |
| | | | | | | |
| | | | | | | |
| | | | | | | |
| | | | | | | |
| | | | | | | |
| | | | | | | |

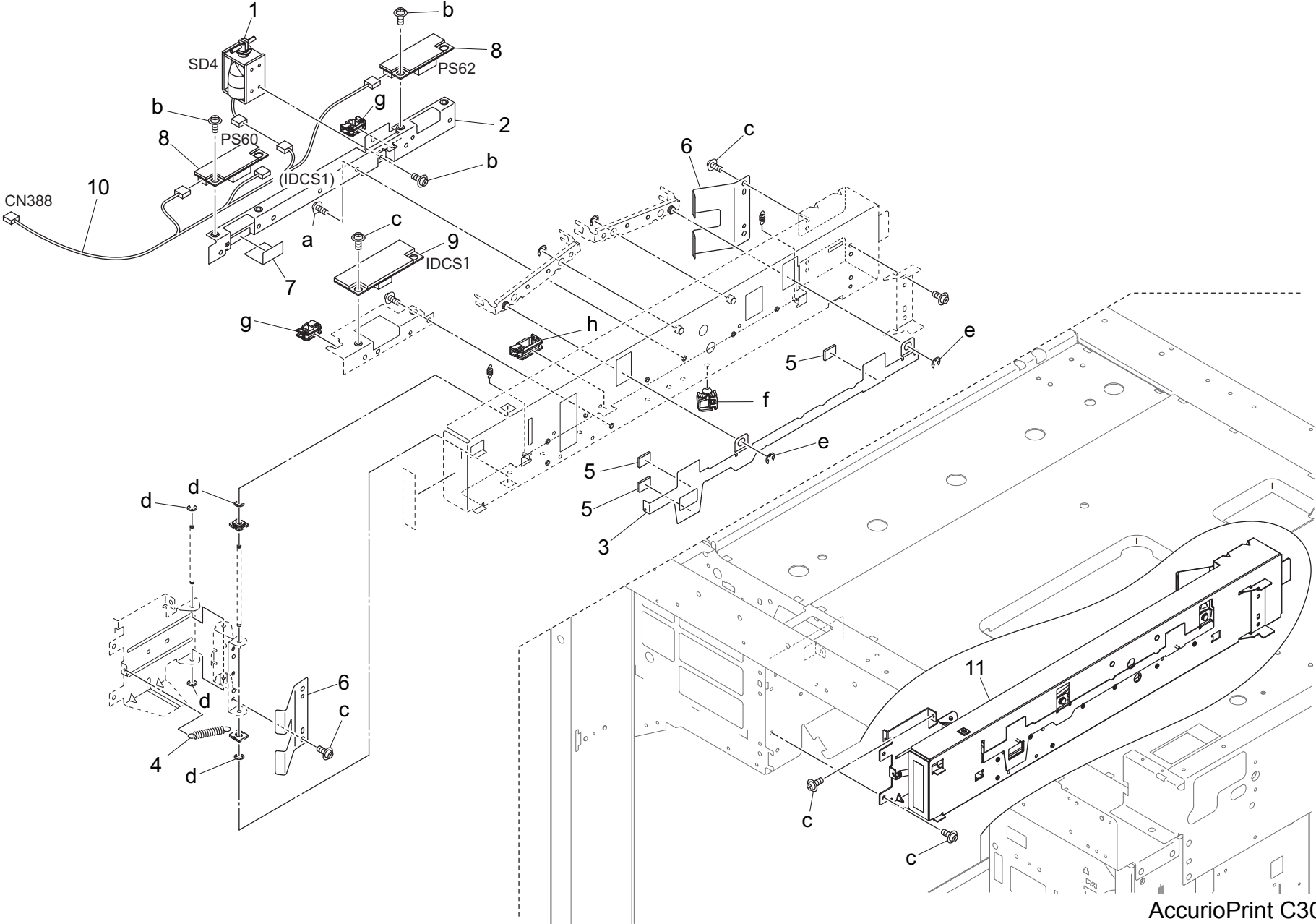
Intermediate Transfer Section



Intermediate Transfer Section

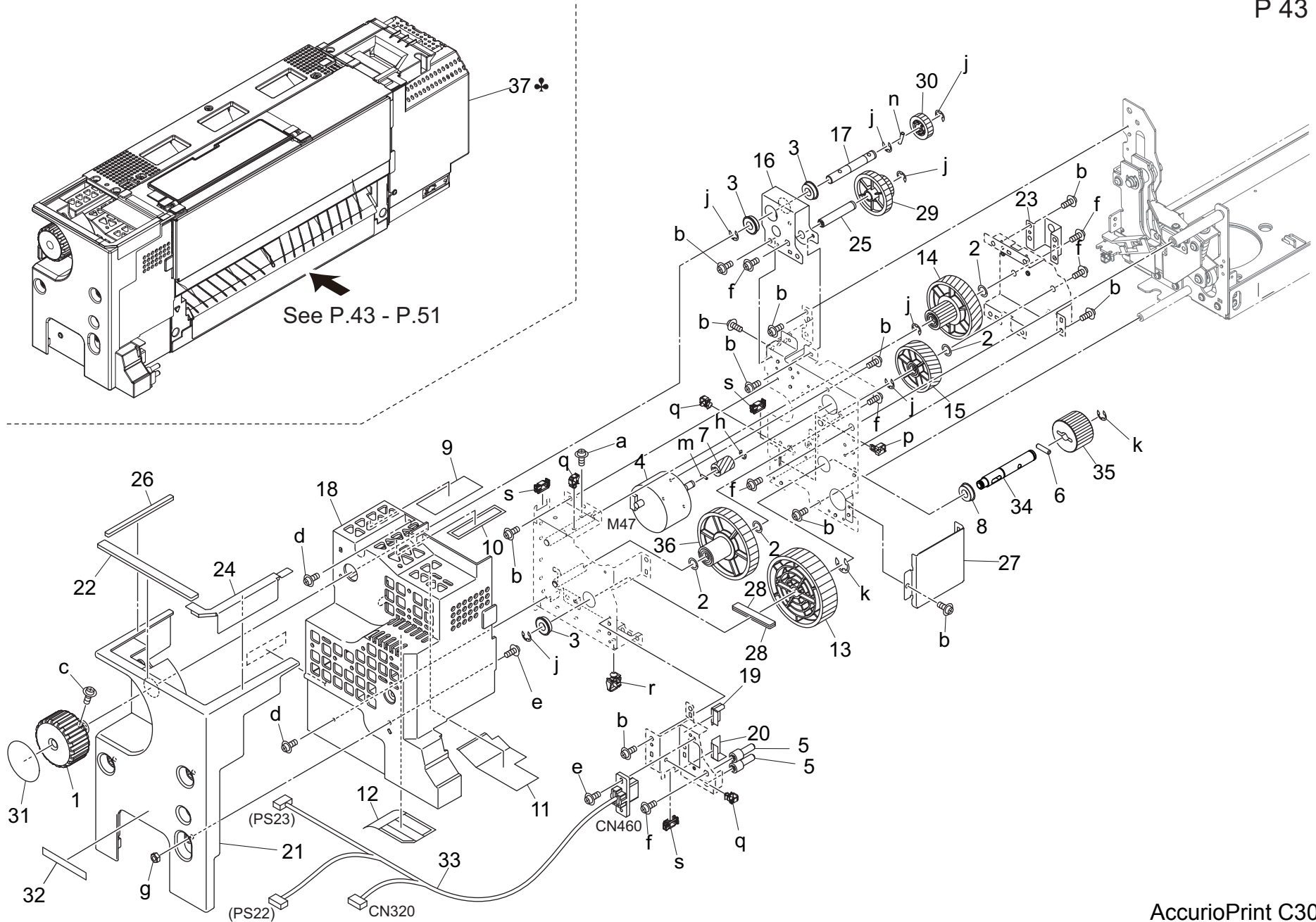
| Key | Part No. | Description | Destinations | Class | QTY | Standard parts |
|-----|------------|--------------------------|--------------|-------|-----|------------------------------|
| 1 | 08AA45230 | COLLECTING SEAL | | C | 1 | a-V158030803 b-V217040003 |
| 2 | 40AA32320 | Toner Supply Spacer | | C | 1 | |
| 3 | 56AA20940D | Toner Dust-proof Seal /D | | D | 3 | |
| 4 | 56AA40490 | SHAFT STOPPER 4 | | C | 2 | |
| 5 | 65AA20060 | COLLECTING COVER | | C | 1 | |
| 6 | 65AA20300 | TONER COLLECTING SPRING | | C | 1 | |
| 7 | 65AA26840 | Cleaner Bushing /Front | | C | 2 | |
| 8 | 65AA27090D | Blade Fulcrum Shaft | | D | 1 | |
| 9 | 65AA27320 | SCATTER PREVENTING PAD 4 | | C | 2 | |
| 10 | A03U555400 | Cleaning Spring | | C | 2 | |
| 11 | A1DUR71C00 | Sheet /1 Assy | | A | 1 | |
| 12 | A1DUR71D00 | Sheet /2 Assy | | C | 1 | |
| 13 | A50U531400 | Cleaning Gear /1 21T | | C | 1 | |
| 14 | A50U531500 | Cleaning Gear /2 26T | | C | 1 | |
| 15 | A50U531601 | Seal /F | | A | 2 | |
| 16 | A50UR70K11 | Belt Cleaning Blade | | A | 1 | |
| | | | | | | |
| | | | | | | |
| | | | | | | |
| | | | | | | |
| | | | | | | |
| | | | | | | |
| | | | | | | |
| | | | | | | |
| | | | | | | |
| | | | | | | |

Color Resist Section



| Key | Part No. | Description | Destinations | Class | QTY | Standard parts |
|-----|------------|--------------------------|--------------|-------|-----|--|
| 1 | A1DUR71600 | Solenoid Assy | | C | 1 | a-V116030503 b-V121030403 c-V127030604 d-V217020003 e-V217040003 f-V500020098 g-V570010056 h-V570010057 |
| 2 | A50U515200 | Fixing Plate | | D | 1 | |
| 3 | A50U515500 | Open/close Shutter | | D | 1 | |
| 4 | A50U516800 | Spring | | D | 1 | |
| 5 | A50U516900 | Scatteringprevention Pad | | D | 3 | |
| 6 | A50U517000 | Pressing Spring | | D | 2 | |
| 7 | A50U517100 | Cover Sheet | | D | 1 | |
| 8 | A50UM50100 | Photo sensing | | I | 2 | |
| 9 | A50UM50200 | Photo sensing | | I | 1 | |
| 10 | A50UN20001 | Wiring /1 | | D | 1 | |
| 11 | A50UR71711 | Color Registration Unit | | S | 1 | |
| | | | | | | |
| | | | | | | |
| | | | | | | |
| | | | | | | |
| | | | | | | |
| | | | | | | |
| | | | | | | |
| | | | | | | |
| | | | | | | |

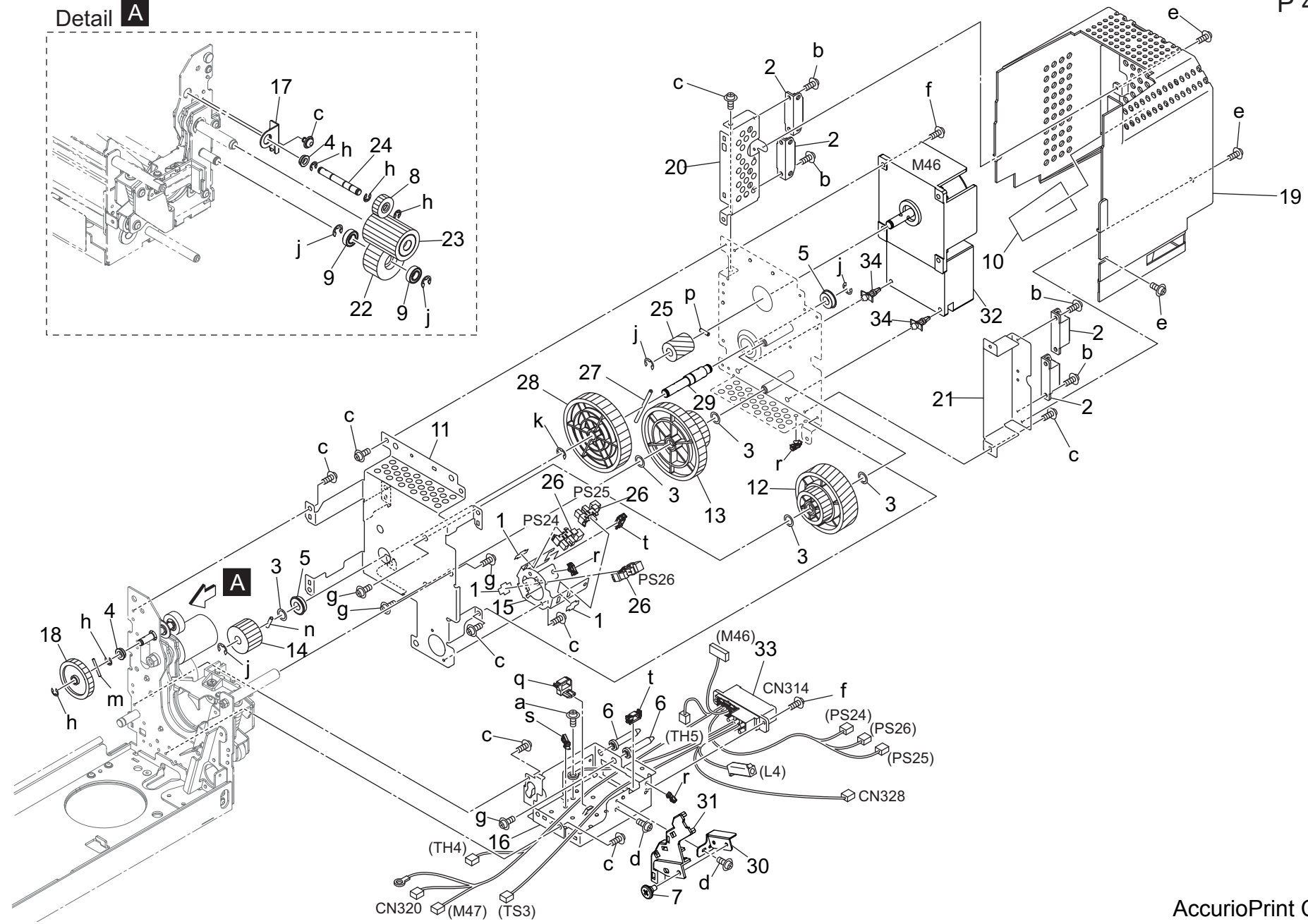
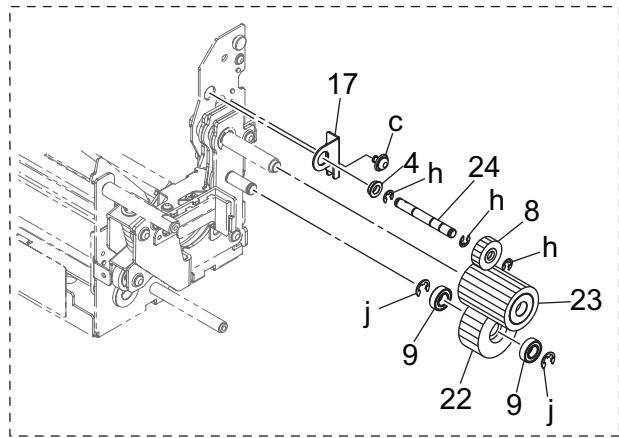
Fusing Section



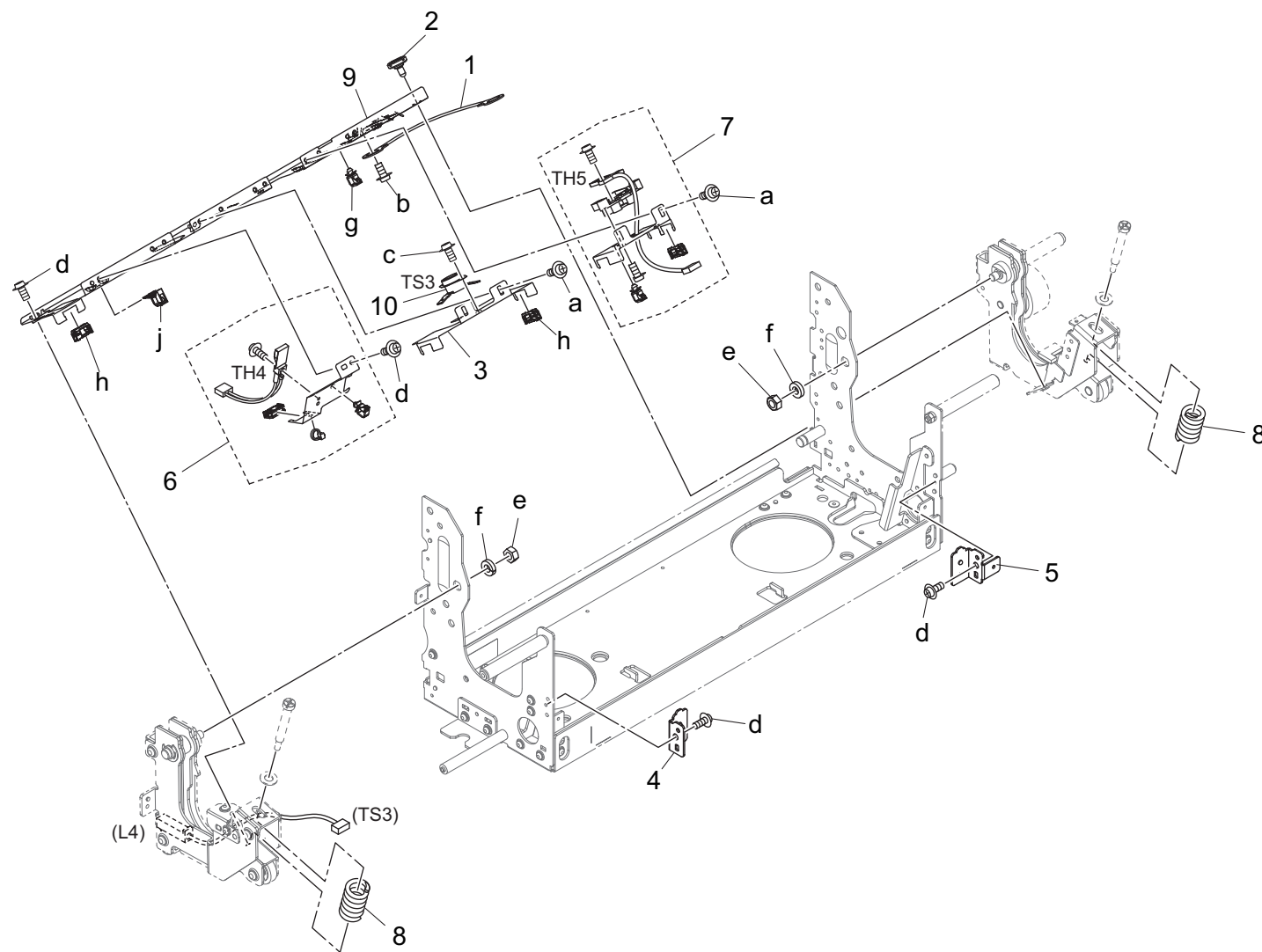
| Key | Part No. | Description | Destinations | Class | QTY | Standard parts |
|-----|------------|---------------------------|---------------------------|-------|-----|----------------|
| 1 | 20AL48470G | Jam Release Knob | | C | 1 | a-V116030603 |
| 2 | 56AA42690 | BY-PASS SPACER | | C | 4 | b-V121030403 |
| 3 | A00V240600 | Ball Bearing | | B | 3 | c-V121041003 |
| 4 | A11PM10200 | DC Brushless motor /12 | | C | 1 | d-V127030604 |
| 5 | A1DU736200 | Positioning Shaft | | D | 2 | e-V127030803 |
| 6 | A1RF758100 | Pin /B | | D | 1 | f-V127040603 |
| 7 | A1RF809400 | Pressure Gear /1 22T | | C | 1 | g-V195030003 |
| 8 | A4EU265000 | Ball bearing | | B | 1 | h-V217040003 |
| 9 | A50U732200 | Protection Seal /2 | | D | 1 | j-V217060003 |
| 10 | A50U732300 | Protection Seal /3 | | D | 1 | k-V217080003 |
| 11 | A50U732400 | Protection Seal /4 | | D | 1 | m-V234200850 |
| 12 | A50U732500 | Protection Seal /5 | | D | 1 | n-V234301450 |
| 13 | A50U742901 | Pressure Gear /2 90T | | C | 1 | p-V500010057 |
| 14 | A50U743100 | Pressure Gear /4 23/110T | | C | 1 | q-V500010074 |
| 15 | A50U743200 | Pressure Gear /5 87T | | C | 1 | r-V500020098 |
| 16 | A50U745600 | Fixing Plate /1 | | D | 1 | s-V570010057 |
| 17 | A50U745700 | Processing Shaft /A | | D | 1 | |
| 18 | A50U748403 | Fusing Cover /Front | | D | 1 | |
| 19 | A50U750500 | Sheet /5 | | D | 1 | |
| 20 | A50U750600 | Sheet /6 | | D | 1 | |
| 21 | A50U751002 | Fusing Cover /1 | | D | 1 | |
| 22 | A50U751101 | Spacer /1 | | D | 1 | |
| 23 | A50U751200 | Positioning Plate /A | | D | 1 | |
| 24 | A50U751301 | Spacer /2 | | D | 1 | |
| 25 | A50U752600 | Processing Shaft | | D | 1 | |
| 26 | A50U755900 | Spacer /3 | | D | 1 | |
| 27 | A50U756001 | Auxiliary Side plate | | D | 1 | |
| 28 | A50U756500 | Part /1 | | D | 2 | |
| 29 | A50U757000 | Connecting Gear /A 41/22T | | C | 1 | |
| 30 | A50U757100 | Idling Gear /A 22T | | C | 1 | |
| 31 | A50U943501 | Release Label /5 | | D | 1 | |
| 32 | A50U949600 | Replacement Label | | D | 1 | |
| 33 | A50UN10903 | Fixing Wiring /5 | | D | 1 | |
| 34 | A9VE742500 | Pressure Shaft /B | | D | 1 | |
| 35 | A9VE742800 | Pressure Gear /1 31T | | C | 1 | |
| 36 | A9VE743000 | Pressure Gear /3 23/85T | | C | 1 | |
| 37 | A9VER70200 | Fusing Unit (208V) | B,G2 | I | 1 | |
| 37 | A9VER70300 | Fusing Unit (220V) | C,D1,D3,E,F2,G1,H,I ,K | I | 1 | |
| | | | | | | |
| | | | | | | |
| | | | | | | |

Fusing Section

Detail **A**

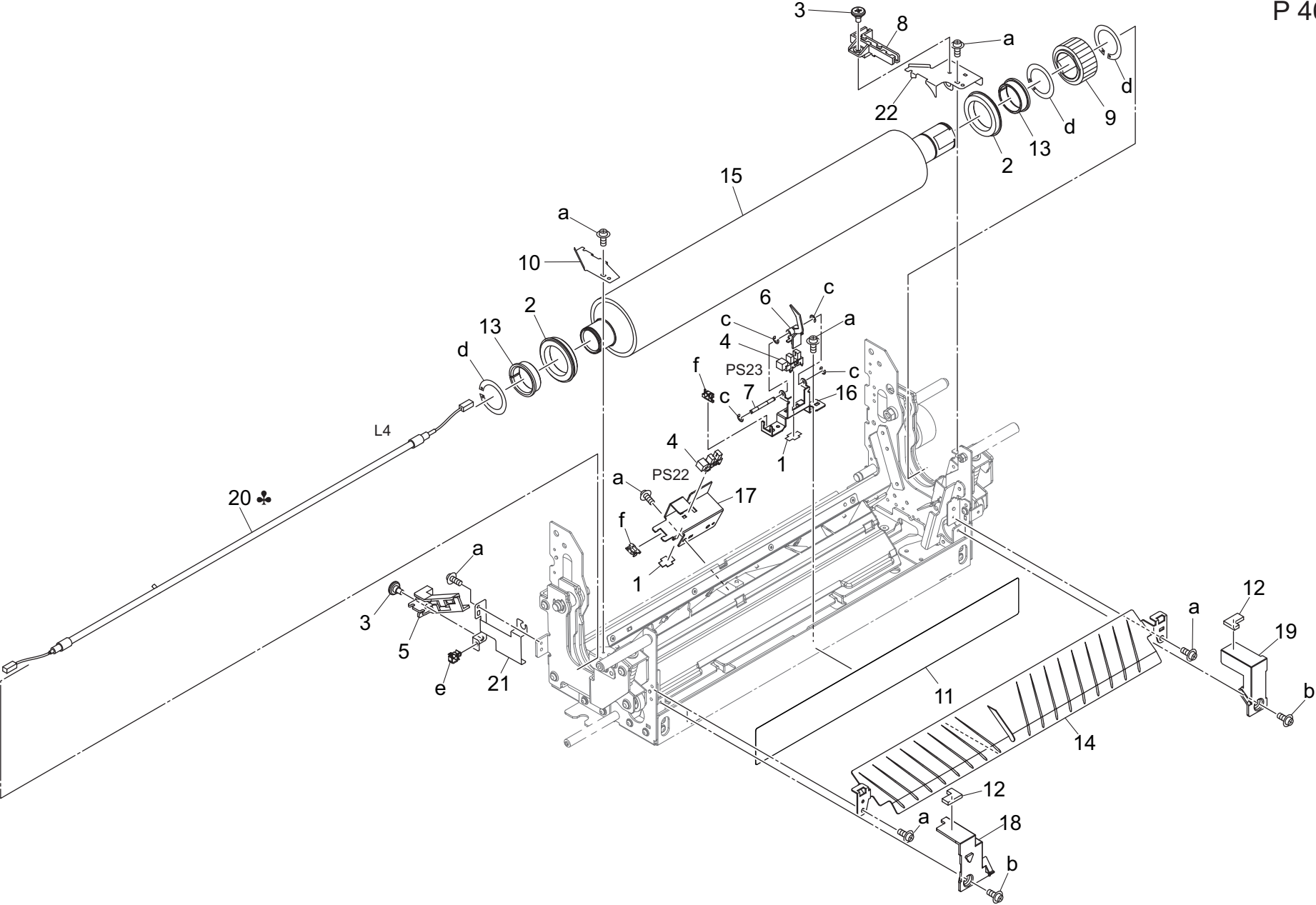


| Key | Part No. | Description | Destinations | Class | QTY | Standard parts |
|-----|------------|---------------------------|--------------|-------|-----|----------------|
| 1 | 4470402401 | Stopper | | D | 3 | a-V116040603 |
| 2 | 07BA12352 | Magnet Catch | | C | 4 | b-V118030603 |
| 3 | 56AA42690 | BY-PASS SPACER | | C | 5 | c-V121030403 |
| 4 | A00J617800 | Ball Bearing | | B | 2 | d-V127030516 |
| 5 | A00V240600 | Ball Bearing | | B | 2 | e-V127030604 |
| 6 | A03U724200 | Positioning Shaft | | D | 2 | f-V127030803 |
| 7 | A03U734500 | Support Screw /A | | C | 1 | g-V127040603 |
| 8 | A03U808400 | FIXING DRIVE GEAR /D 19 T | | B | 1 | h-V217040003 |
| 9 | A1RF820000 | Ball Bearing | | C | 2 | j-V217060003 |
| 10 | A50U732100 | Protection Seal /1 | | D | 1 | k-V217080003 |
| 11 | A50U743301 | Drive Plate /4 | | D | 1 | m-V234201850 |
| 12 | A50U743600 | Drive Gear /2 33/58T | | C | 1 | n-V234301450 |
| 13 | A50U743700 | Drive Gear /3 36/74T | | C | 1 | p-V237301150 |
| 14 | A50U743900 | Drive Gear /5 26T | | C | 1 | q-V500010021 |
| 15 | A50U744601 | Plate | | D | 1 | r-V500020099 |
| 16 | A50U744912 | Mounting Plate /4 | | D | 1 | s-V500020100 |
| 17 | A50U745500 | Paper exit Plate /1 | | D | 1 | t-V570010057 |
| 18 | A50U746400 | Paper exit Gear /A 37T | | C | 1 | |
| 19 | A50U748504 | Fusing Cover /Rear | | D | 1 | |
| 20 | A50U749200 | Mounting Plate /1 | | D | 1 | |
| 21 | A50U749300 | Mounting Plate /2 | | D | 1 | |
| 22 | A50U752000 | Drive Gear /C 36T | | D | 1 | |
| 23 | A50U752200 | Fusing Gear/3 30T | | B | 1 | |
| 24 | A50U752300 | Paper exit Shaft /A | | D | 1 | |
| 25 | A50U754700 | Fusing Gear /6 16T | | C | 1 | |
| 26 | A85CM55500 | Photo Sensor | | C | 3 | |
| 27 | A9VE742400 | Pin /4 | | D | 1 | |
| 28 | A9VE743800 | Drive Gear /4 74T | | C | 1 | |
| 29 | A9VE744300 | Drive Shaft /2 | | D | 1 | |
| 30 | A9VE747200 | Hold Plate /2 | | D | 1 | |
| 31 | A9VE747301 | Wiring Part /5 | | D | 1 | |
| 32 | A9VEM10100 | Brushless motor /50 | | C | 1 | |
| 33 | A9VEN10700 | Fixing Wiring /2 | | D | 1 | |
| 34 | V502010033 | Circuit Board Spacer | | D | 2 | |
| | | | | | | |
| | | | | | | |
| | | | | | | |
| | | | | | | |



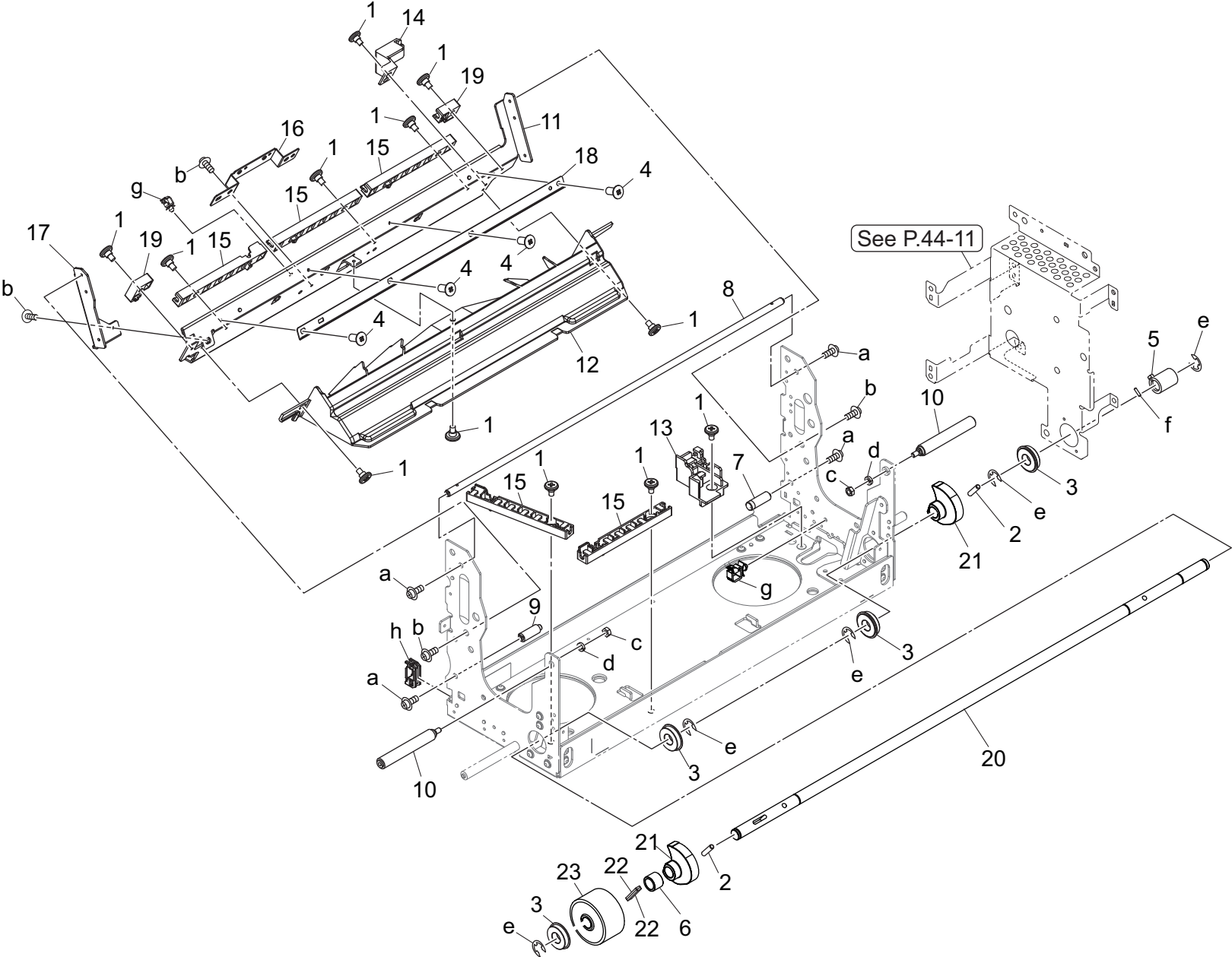
| Key | Part No. | Description | Destinations | Class | QTY | Standard parts |
|-----|------------|-----------------------------|--------------|-------|-----|----------------|
| 1 | A03UN23200 | Grounding Wiring /F | | D | 1 | a-V116030603 |
| 2 | A50U745100 | Guide Screw | | D | 1 | b-V116040603 |
| 3 | A50U746200 | Stay /2 | | D | 1 | c-V118030403 |
| 4 | A50U787500 | Hold Arm /Front | | D | 1 | d-V121030403 |
| 5 | A50U787600 | Hold Arm /Rear | | D | 1 | e-V195060003 |
| 6 | A50UR70E11 | Fusing Temperature Sensor/4 | | B | 1 | f-V205060003 |
| 7 | A50UR72Y00 | Fusing Temperature Sensor/5 | | C | 1 | g-V500010074 |
| 8 | A9VE741600 | Pressure Spring /11 | | D | 2 | h-V500020096 |
| 9 | A9VE745800 | Sensor Stay /4 | | D | 1 | j-V500020097 |
| 10 | SP00-0220 | Thermostat /Lower | | I | 1 | |
| | | | | | | |
| | | | | | | |
| | | | | | | |
| | | | | | | |
| | | | | | | |
| | | | | | | |
| | | | | | | |
| | | | | | | |
| | | | | | | |

Fusing Section



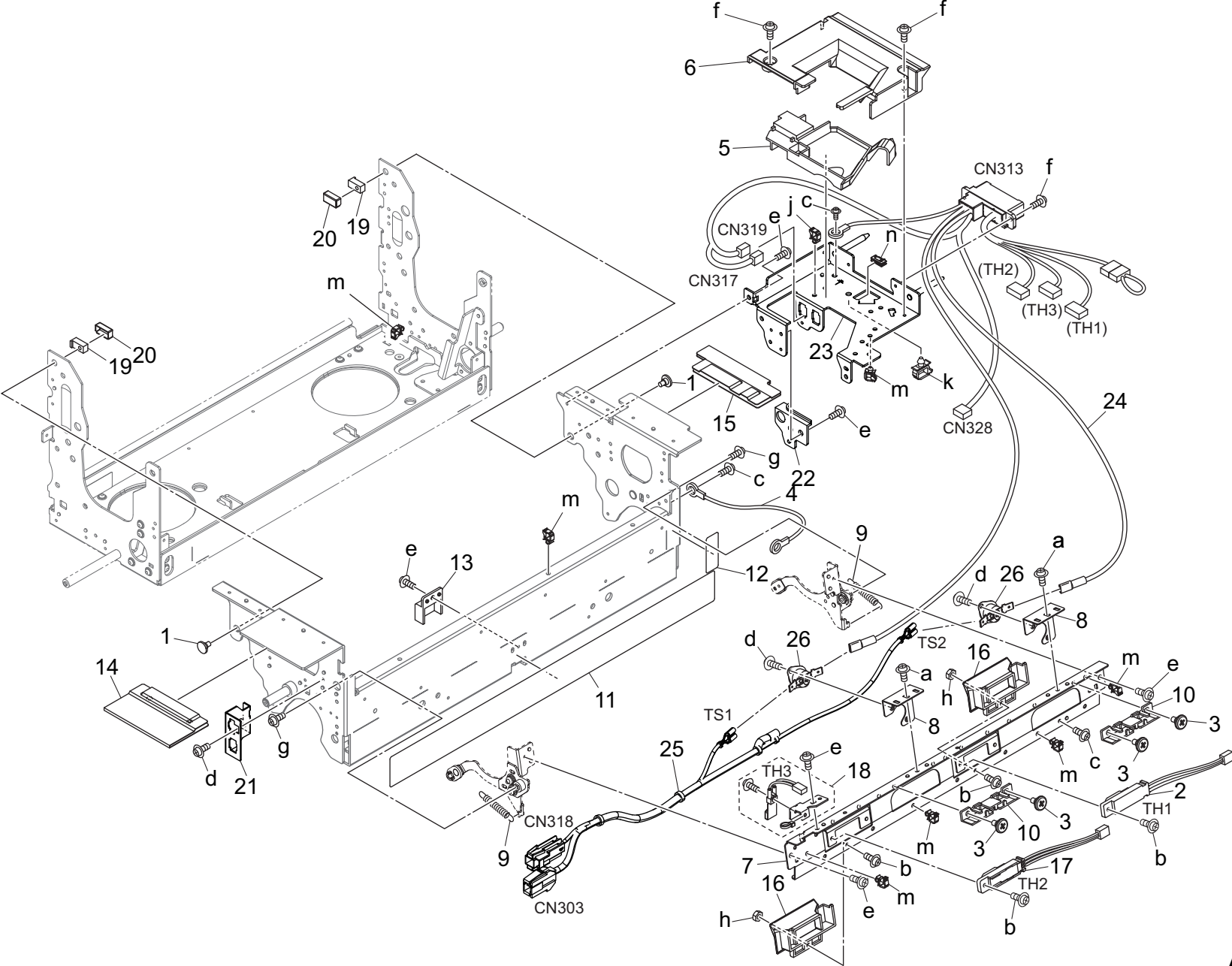
| Key | Part No. | Description | Destinations | Class | QTY | Standard parts |
|-----|------------|-----------------------------|-----------------------------|-------|-----|--|
| 1 | 4470402401 | Stopper | | D | 2 | a-V121030403 b-V127030604 c-V217020003 d-V223260004 e-V500010074 f-V570010025 |
| 2 | 26NA53712 | BALL BEARING | | A | 2 | |
| 3 | A03U734500 | Support Screw /A | | C | 2 | |
| 4 | A1RFM51000 | Photointerrupter /H | | C | 2 | |
| 5 | A50U746800 | Wiring Part /3 | | D | 1 | |
| 6 | A50U747803 | Actuator /A | | D | 1 | |
| 7 | A50U747900 | Shaft /1 | | D | 1 | |
| 8 | A50U748200 | Wiring Part /1 | | D | 1 | |
| 9 | A50U752700 | Fusing Gear/1 38T | | B | 1 | |
| 10 | A50U755100 | Holding Part /F | | D | 1 | |
| 11 | A50U755301 | Sheet /L | | D | 1 | |
| 12 | A50U755800 | Sealing Part /2 | | D | 2 | |
| 13 | A50U756300 | Insulating Sleeve /Lower | | B | 2 | |
| 14 | A50U758201 | Guide Plate /B | | D | 1 | |
| 15 | A50U765500 | Fusing Roller /Lw | | B | 1 | |
| 16 | A50U787700 | Sensor Plate /Front | | D | 1 | |
| 17 | A50U788601 | Sensor Plate /Rear | | D | 1 | |
| 18 | A50U788900 | Insulating Plate /Front | | D | 1 | |
| 19 | A50U789100 | Insulating Plate /Rear | | D | 1 | |
| 20 | A50UM32E00 | Fusing Heater Lamp/4 (208V) | B,G2 | I | 1 | |
| 20 | A50UM32F00 | Fusing Heater Lamp/4 (220V) | C,D1,D3,E,F2,G1,H,I ,J,K | I | 1 | |
| 21 | A9VE741700 | Hold Plate /1 | | D | 1 | |
| 22 | A9VE741800 | Hold Plate /2 | | D | 1 | |
| | | | | | | |
| | | | | | | |
| | | | | | | |
| | | | | | | |
| | | | | | | |
| | | | | | | |
| | | | | | | |
| | | | | | | |
| | | | | | | |

Fusing Section



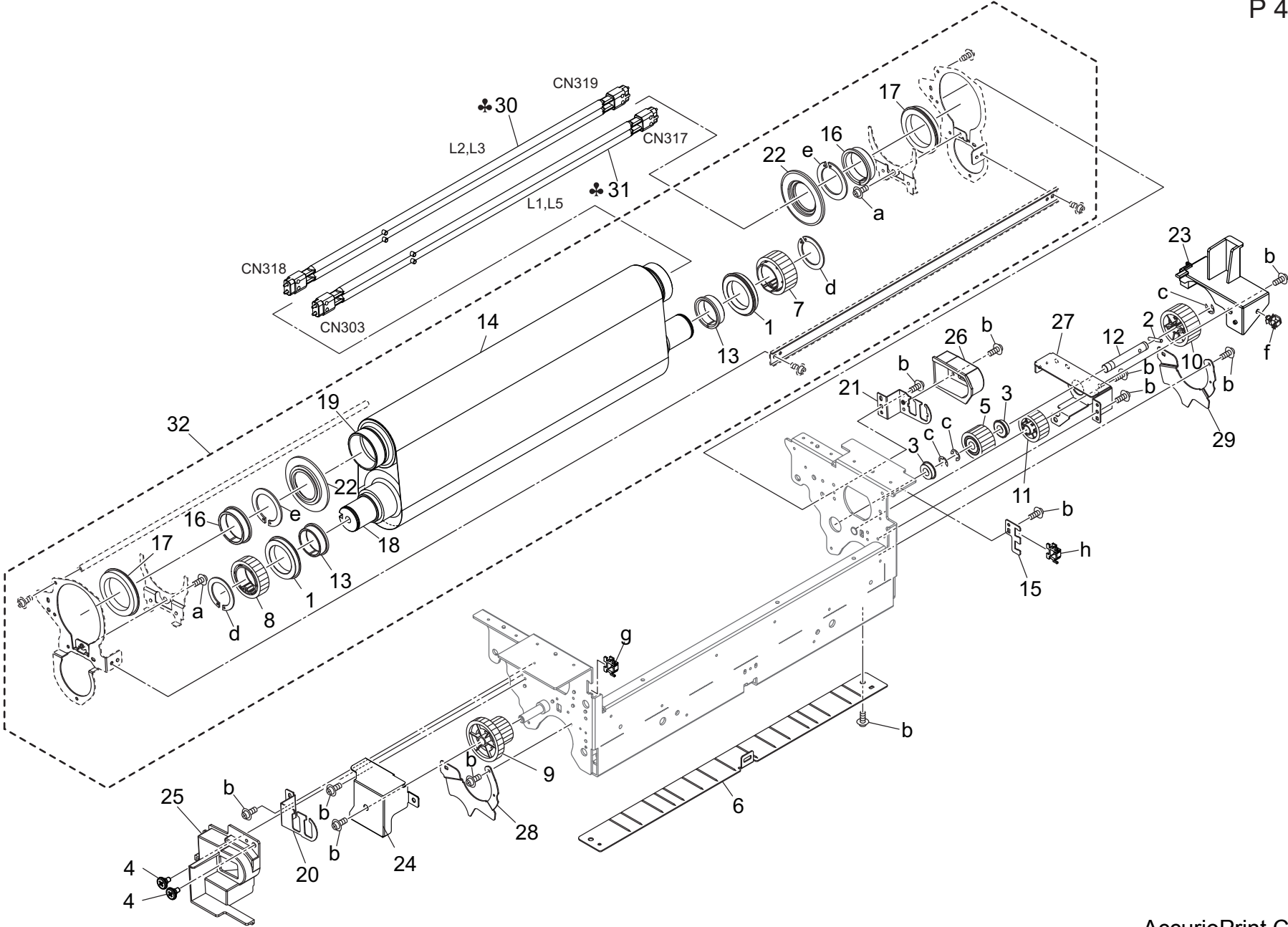
| Key | Part No. | Description | Destinations | Class | QTY | Standard parts |
|-----|------------|--------------------------|--------------|-------|-----|--|
| 1 | A03U734500 | Support Screw /A | | C | 12 | a-V116030603 b-V121030403 c-V195040003 d-V205040003 e-V217080003 f-V234200850 g-V500010074 h-V500020096 |
| 2 | A1RF758100 | Pin /B | | D | 2 | |
| 3 | A4EU265000 | Ball bearing | | B | 4 | |
| 4 | A50U642300 | Mounting Screw | | D | 4 | |
| 5 | A50U744700 | Pressure Actuator /1 | | D | 1 | |
| 6 | A50U745400 | Regulating Shaft /2 | | D | 1 | |
| 7 | A50U746700 | Paper exit Fulcrum Shaft | | D | 1 | |
| 8 | A50U747101 | Stopper Shaft /1 | | D | 1 | |
| 9 | A50U754901 | Paper exit Fulcrum Shaft | | D | 1 | |
| 10 | A50U785000 | Rotation Shaft /2 | | D | 2 | |
| 11 | A50U787003 | Cover Plate | | D | 1 | |
| 12 | A50U788000 | Cooling Duct | | D | 1 | |
| 13 | A50U788101 | Wiring Part /2 | | D | 1 | |
| 14 | A50U792901 | Wiring Part /D | | D | 1 | |
| 15 | A50U794800 | Wiring Part | | D | 5 | |
| 16 | A50U799200 | Mounting Plate | | D | 1 | |
| 17 | A50U799601 | Adjusting Plate | | D | 1 | |
| 18 | A50U799700 | Regulating Plate | | D | 1 | |
| 19 | A50U799800 | Wiring Part | | D | 2 | |
| 20 | A9VE741900 | Pressure Shaft /A | | D | 1 | |
| 21 | A9VE742000 | Pressure Cam /1 | | C | 2 | |
| 22 | A9VE758400 | Drive Plate /2 | | D | 2 | |
| 23 | A9VE758600 | Pressure Gear /5 4 2 T | | C | 1 | |
| | | | | | | |
| | | | | | | |
| | | | | | | |
| | | | | | | |
| | | | | | | |
| | | | | | | |
| | | | | | | |
| | | | | | | |
| | | | | | | |
| | | | | | | |
| | | | | | | |
| | | | | | | |
| | | | | | | |

Fusing Section



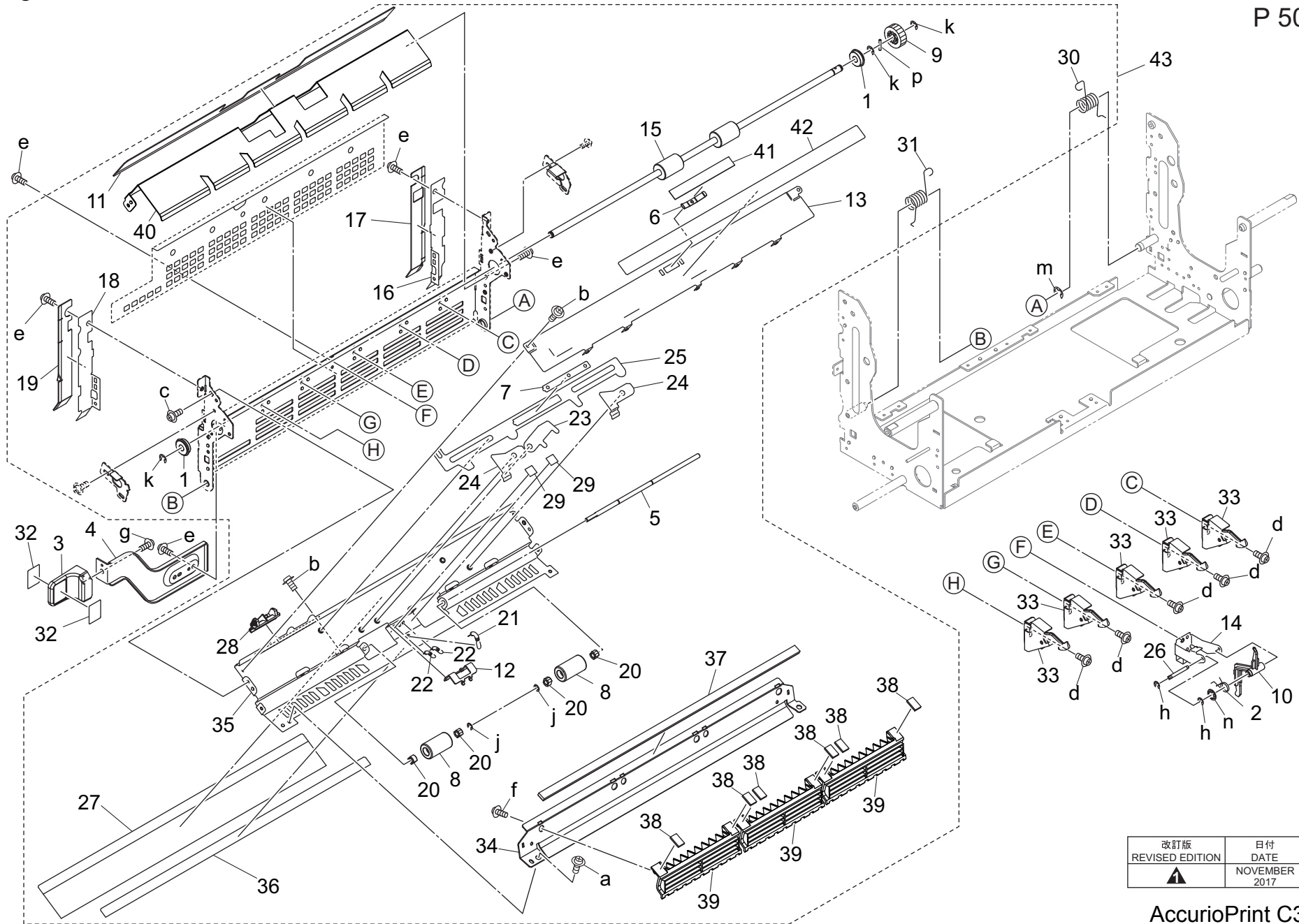
| Key | Part No. | Description | Destinations | Class | QTY | Standard parts |
|-----|------------|-----------------------------|--------------|-------|-----|----------------|
| 1 | 55VA20520 | Cleaner Locking Screw | | C | 2 | a-V116030603 |
| 2 | 65AA88010 | Temperature Sensor /1 | | B | 1 | b-V116030803 |
| 3 | A03U734500 | Support Screw /A | | C | 4 | c-V116040603 |
| 4 | A03UN23200 | Grounding Wiring /F | | D | 1 | d-V118030303 |
| 5 | A50U722100 | Fusing Cover /1 | | D | 1 | e-V121030403 |
| 6 | A50U722202 | Fusing Cover /2 | | D | 1 | f-V127030604 |
| 7 | A50U723812 | Stay /1 | | D | 1 | g-V127040603 |
| 8 | A50U723911 | Stay /2 | | D | 1 | h-V195030003 |
| 9 | A50U725200 | Tension Spring /1 | | D | 2 | j-V500010070 |
| 10 | A50U726611 | Guide Part /2 | | D | 2 | k-V500010073 |
| 11 | A50U728500 | Insulating Sheet /A | | D | 1 | m-V500010074 |
| 12 | A50U728800 | Insulating Sheet /D | | D | 1 | n-V570010057 |
| 13 | A50U730900 | Cover Part /1 | | D | 1 | |
| 14 | A50U731002 | Insulating Sheet /F | | D | 1 | |
| 15 | A50U731102 | Insulating Sheet /G | | D | 1 | |
| 16 | A50U733500 | Protection Part /1 | | D | 2 | |
| 17 | A50UM50600 | Fusing Temperature Sensor/2 | | C | 1 | |
| 18 | A50UR70F00 | Fusing Temperature Sensor/3 | | B | 1 | |
| 19 | A85C789200 | Hold Part /A | | D | 2 | |
| 20 | A85C789300 | Insulating Sheet /F | | D | 2 | |
| 21 | A9VE728400 | Mounting Plate /B | | D | 1 | |
| 22 | A9VE733400 | Protection Cover /A | | D | 1 | |
| 23 | A9VE769000 | Fusing Stay /2 | | D | 1 | |
| 24 | A9VEN10600 | Fixing Wiring /1 | | D | 1 | |
| 25 | A9VEN11000 | Fixing Relay harness /1 | | D | 1 | |
| 26 | SP00-0210 | Thermostat /Upper | | I | 2 | |
| | | | | | | |
| | | | | | | |
| | | | | | | |
| | | | | | | |
| | | | | | | |
| | | | | | | |
| | | | | | | |
| | | | | | | |
| | | | | | | |
| | | | | | | |

Fusing Section



| Key | Part No. | Description | Destinations | Class | QTY | Standard parts |
|-----|------------|--------------------------------------|-------------------------|-------|-----|----------------|
| 1 | 26NA53712 | BALL BEARING | | A | 2 | a-V116030503 |
| 2 | 55VA48500 | PARALLEL PIN D3X18 | | D | 1 | b-V121030403 |
| 3 | A00V240600 | Ball Bearing | | B | 2 | c-V217060003 |
| 4 | A03U734500 | Support Screw /A | | C | 2 | d-V223260004 |
| 5 | A03U809500 | FIXING DRIVE GEAR /O 26T | | A | 1 | e-V223400017 |
| 6 | A50U721601 | Guide Plate /Upper | | D | 1 | f-V500010074 |
| 7 | A50U725001 | Drive Gear /Upper 38T | | C | 1 | g-V500020096 |
| 8 | A50U739811 | Drive Gear /Front 38T | | C | 1 | h-V570010025 |
| 9 | A50U739900 | Connecting Gear /A 42/25T | | C | 1 | |
| 10 | A50U744000 | Drive Gear /6 36T | | C | 1 | |
| 11 | A50U744100 | Drive Gear /7 27T | | C | 1 | |
| 12 | A50U744400 | Drive Shaft /3 | | D | 1 | |
| 13 | A50U756300 | Insulating Sleeve /Lower | | B | 2 | |
| 14 | A50U765000 | Fusing Belt | | B | 1 | |
| 15 | A50U783400 | Hold Plate | | D | 1 | |
| 16 | A5AW744900 | Heat Insulating Sleeve/1 | | B | 2 | |
| 17 | A5AW745000 | Fusing Bearing/1 | | B | 2 | |
| 18 | A9VE720100 | Fusing Roller /1 | | C | 1 | |
| 19 | A9VE720500 | Fusing Roller /3 | | C | 1 | |
| 20 | A9VE723500 | Support Plate /1 | | D | 1 | |
| 21 | A9VE723600 | Support Plate /2 | | D | 1 | |
| 22 | A9VE724100 | Regulating Sleeve /1 | | C | 2 | |
| 23 | A9VE726800 | Guide Part /3 | | D | 1 | |
| 24 | A9VE728300 | Support Plate /11 | | D | 1 | |
| 25 | A9VE733000 | Cover /Front | | D | 1 | |
| 26 | A9VE733100 | Cover /Rear | | D | 1 | |
| 27 | A9VE743500 | Drive Plate /6 | | D | 1 | |
| 28 | A9VE785400 | Stopper Stopper /A | | D | 1 | |
| 29 | A9VE785500 | Stopper Stopper /B | | D | 1 | |
| 30 | A9VEM31E00 | Fusing Heater Lamp Assy 1 /Up (208V) | B,G2 | B | 1 | |
| 30 | A9VEM31F00 | Fusing Heater Lamp Assy 1 /Up (220V) | C,D1,D3,E,F2,G1,H,I,J,K | B | 1 | |
| 31 | A9VEM33E00 | Fusing Heater Lamp Assy 2 /Up (208V) | B,G2 | B | 1 | |
| 31 | A9VEM33F00 | Fusing Heater Lamp Assy 2 /Up (220V) | C,D1,D3,E,F2,G1,H,I,J,K | B | 1 | |
| 32 | A9VER70400 | Fusing Belt Assy | | B | 1 | |
| | | | | | | |
| | | | | | | |
| | | | | | | |

Fusing Section



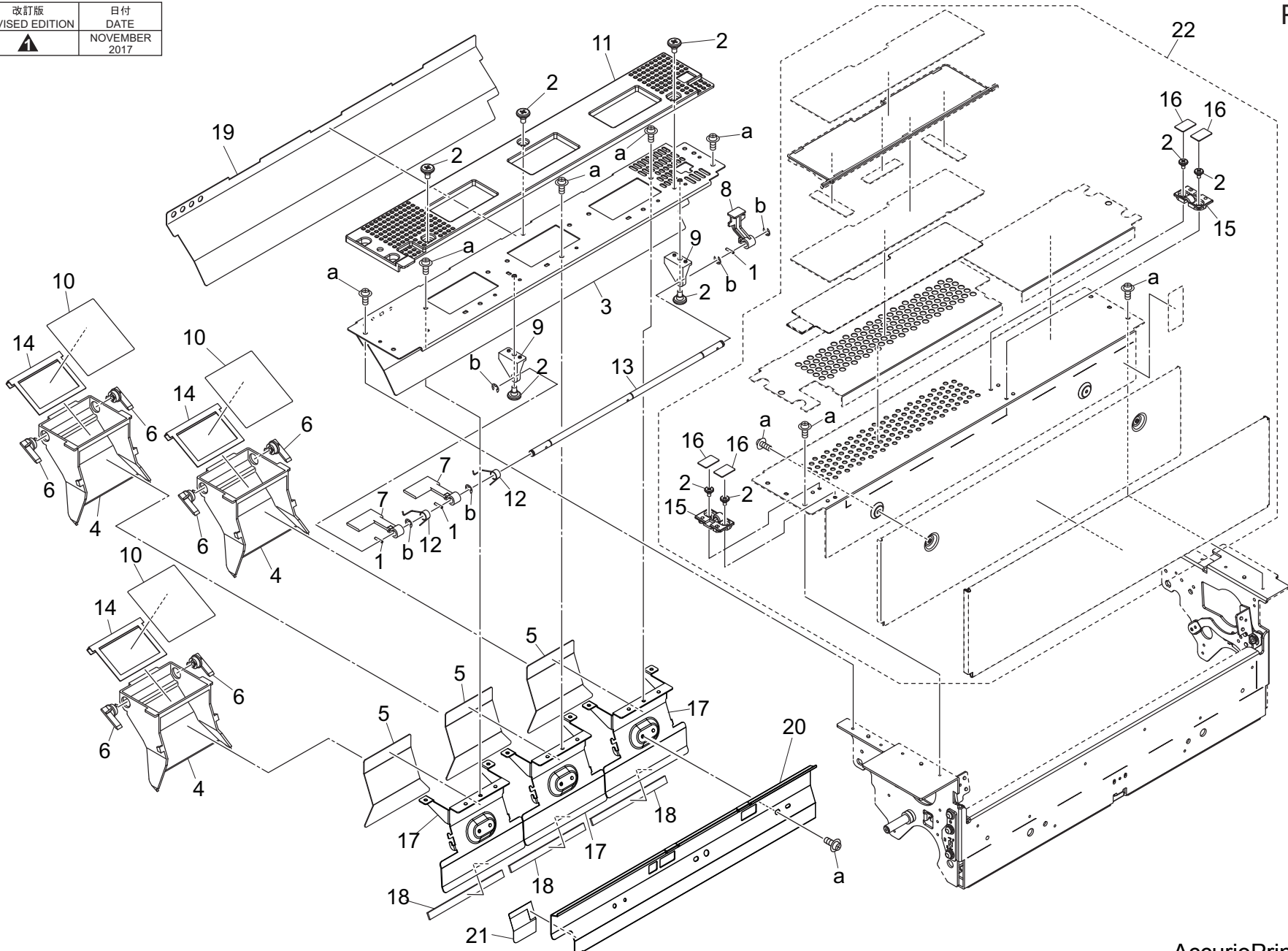
| | |
|------------------------|------------------|
| 改訂版 REVISED EDITION | 日付 DATE |
| ▲ | NOVEMBER 2017 |

AccurioPrint C3070L

| Key | Part No. | Description | Destinations | Class | QTY | Standard parts |
|-----|------------|----------------------------------|------------------|-------|-----|----------------|
| 1 | 55GA75031 | BALL BEARING | 軸受 | A | 2 | a-V116030603 |
| 2 | 65AA53560 | PAPER EXIT DETECTING SPRING | 排紙検知バネ | C | 1 | b-V118020403 |
| 3 | 65AA53991 | Fixing Papaer Exit Lever | 定着排紙レバー | C | 1 | c-V118030403 |
| 4 | A03U723301 | Open/close Lever | 開閉レバー | C | 1 | d-V127030516 |
| 5 | A03U728000 | PAPER EXIT SHAFT | 排紙軸 | D | 1 | e-V127030604 |
| 6 | A03U734800 | Positioning Plate spring /1 | 位置決め板ばね /1 | C | 1 | f-V151030803 |
| 7 | A03U734900 | Positioning Plate | 位置決め板 | D | 1 | g-V151040803 |
| 8 | A1DU722500 | Fixing Paper exit Roller | 定着排紙コロ | A | 2 | h-V217020003 |
| 9 | A50U746500 | Paper exit Gear /B 20T | 排紙ギア / B 20 T | C | 1 | j-V217030003 |
| 10 | A50U748701 | Paper exit Actuator | 排紙アクチュエータ | D | 1 | k-V217040003 |
| 11 | A50U760400 | Insulating Sheet | 断熱シート | D | 1 | m-V217060003 |
| 12 | A50U760600 | Pressing Cam /1 | 押圧カム /1 | D | 1 | n-V226060050 |
| 13 | A50U760701 | Holding Plate | 押さえ板 | D | 1 | p-V234201250 |
| 14 | A50U760802 | Support Plate | 支持板 | D | 1 | |
| 15 | A50U761000 | Fixing Paper exit Roller | 定着排紙ローラ | C | 1 | |
| 16 | A50U761100 | Heat blocking Plate /Rear | 遮熱板 /奥 | D | 1 | |
| 17 | A50U761200 | Insulating Sheet /Rear | 断熱シート /後 | D | 1 | |
| 18 | A50U761300 | Heat blocking Plate /Front | 遮熱板 /前 | D | 1 | |
| 19 | A50U761400 | Insulating Sheet /Front | 断熱シート /前 | D | 1 | |
| 20 | A50U761500 | Fixing Paper exit Bearing | 定着排紙軸受 | C | 4 | |
| 21 | A50U761601 | Paper exit Spring /1 | 排紙ばね /1 | D | 1 | |
| 22 | A50U761700 | Paper exit Spring /2 | 排紙ばね /2 | D | 2 | |
| 23 | A50U761800 | Pressing Cam /2 | 押圧カム /2 | D | 1 | |
| 24 | A50U761900 | Release Lever | 解除レバー | D | 2 | |
| 25 | A50U762000 | Slide Plate | スライド板 | D | 1 | |
| 26 | A50U762100 | Paper exit Detecting Shaft | 排紙検知軸 | D | 1 | |
| 27 | A50U762200 | Protection Film | 保護フィルム | D | 1 | |
| 28 | A50U762300 | Slide Knob | スライドつまみ | D | 1 | |
| 29 | A50U762400 | Fusing Spacer /2 | 定着スペーサ /2 | D | 2 | |
| 30 | A50U763800 | Paper exit Open/shut Spring /B | 排紙開閉バネ / B | D | 1 | |
| 31 | A50U763900 | Paper exit Open/shut Spring /A | 排紙開閉バネ / A | D | 1 | |
| 32 | A50U943700 | Release Label /7 | 解除ラベル /7 | D | 2 | |
| 33 | A50UR72U11 | Fusing Separating Claw Assy | 定着分離爪 A s s y | B | 5 | |
| 34 | A85C757801 | Guide Plate /E | ガイド板 / E | D | 1 | |
| 35 | A85C758100 | Paper exit Plate /Upper | 排紙板 /上 | D | 1 | |
| 36 | A85C764100 | Holding Sheet /A | 押さえシート / A | D | 1 | |
| 37 | A9VE727500 | Guide Seal /A | ガイドシール / A | D | 1 | |
| 38 | A9VE727700 | Guide Seal /C | ガイドシール / C | D | 6 | |
| 39 | A9VE758000 | Separating Cell /11 | 分離セル / 1 1 | D | 3 | |
| 40 | A9VE760301 | Paper exit Plate /Lower | 排紙板 /下 | D | 1 | |
| 41 | A9VE764200 | Protection Film /B | 保護フィルム / B | D | 1 | |
| 42 | A9VE949000 | Caution Label | 注意ラベル | D | 1 | |
| 43 | A9VEF75102 | Fusing Paper Exit Door Duct Assy | 定着排紙扉ダクト A s s y | D | 1 | |
| | | | | | | |
| | | | | | | |

Fusing Section

| | |
|---|------------------|
| 改訂版 REVISED EDITION | 日付 DATE |
|  | NOVEMBER 2017 |

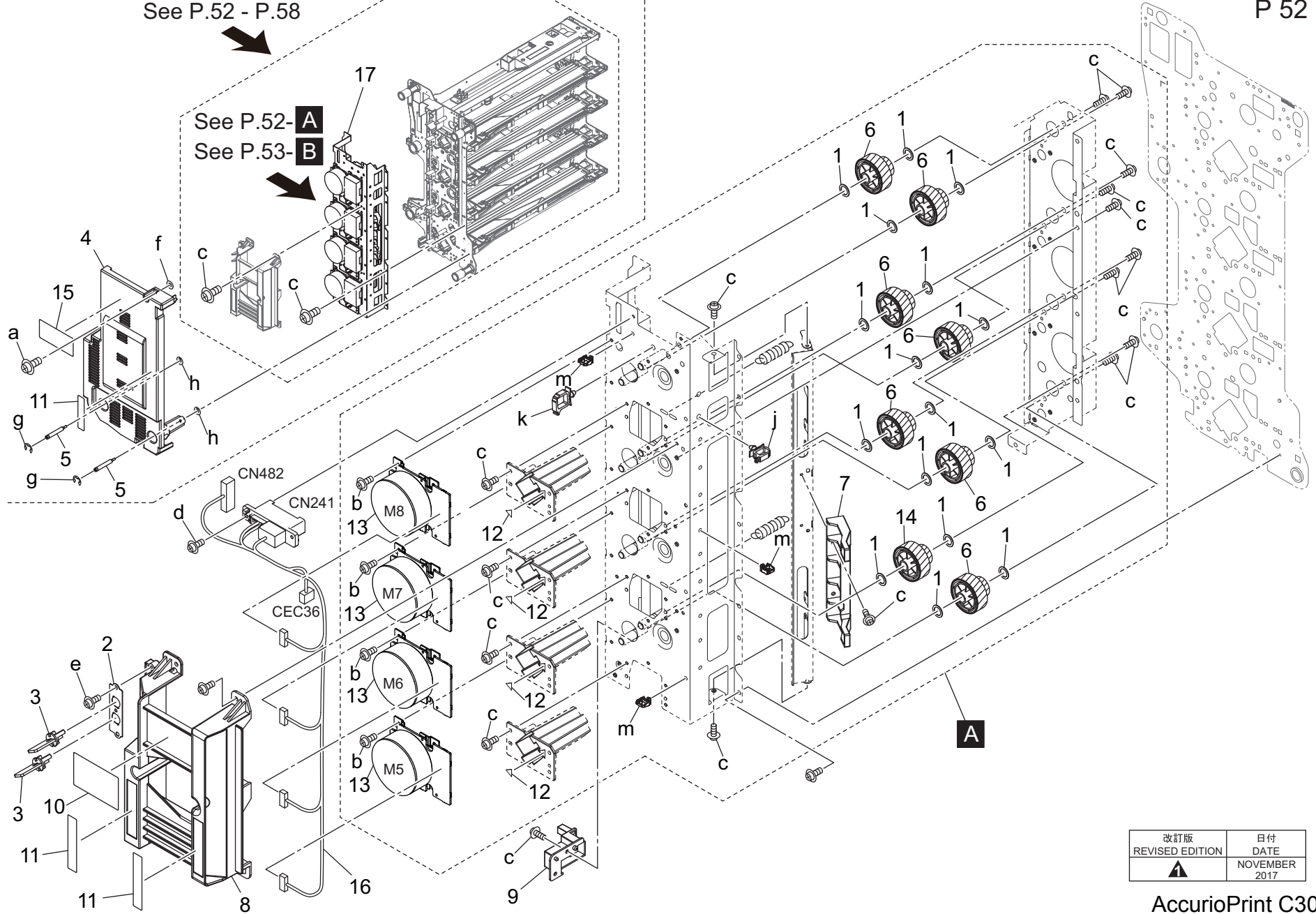


| Key | Part No. | Description | Destinations | Class | QTY | Standard parts |
|-----|------------|-------------------------|--------------|-------|-----|------------------------------|
| 1 | 56AA17531 | PIN /A D2X10 | | C | 3 | a-V121030403 b-V217040003 |
| 2 | A03U734500 | Support Screw /A | | C | 9 | |
| 3 | A50U721502 | Fusing Frame /Upper | | D | 1 | |
| 4 | A50U722700 | Fusing Duct /3 | | D | 3 | |
| 5 | A50U732000 | Insulating Sheet /N | | D | 3 | |
| 6 | A50U738201 | Support Part /1 | | D | 6 | |
| 7 | A50U738300 | Lifting Arm /1 | | D | 2 | |
| 8 | A50U738400 | Lifting Arm /2 | | D | 1 | |
| 9 | A50U738500 | Support Part /A | | D | 2 | |
| 10 | A50U738600 | Holding Sheet /A | | D | 3 | |
| 11 | A50U738700 | Cover Part /A | | D | 1 | |
| 12 | A50U738801 | Lifting Spring /A | | D | 2 | |
| 13 | A50U739200 | Support Shaft /1 | | D | 1 | |
| 14 | A50U739500 | Support Plate /A | | D | 3 | |
| 15 | A50U763000 | Support Plate | | D | 2 | |
| 16 | A50U763600 | Insulating Sheet /6 | | D | 4 | |
| 17 | A9VE722800 | Fusing Duct /4 | | D | 3 | |
| 18 | A9VE727600 | Guide Seal /B | | D | 3 | |
| 19 | A9VE731500 | Insulating Sheet /L | | D | 1 | |
| 20 | A9VE769300 | Reflecting Plate /3 | | D | 1 | |
| 21 | A9VE769600 | Holding Sheet /Front | | D | 1 | |
| 22 | A9VER70900 | Fusing Stay/ Upper Assy | | D | 1 | |
| | | | | | | |
| | | | | | | |
| | | | | | | |
| | | | | | | |
| | | | | | | |
| | | | | | | |
| | | | | | | |
| | | | | | | |
| | | | | | | |

Process Carriage Section

See P.52 - P.58

P 52



| | |
|------------------------|------------------|
| 改訂版 REVISED EDITION | 日付 DATE |
| ▲ | NOVEMBER 2017 |

AccurioPrint C3070L

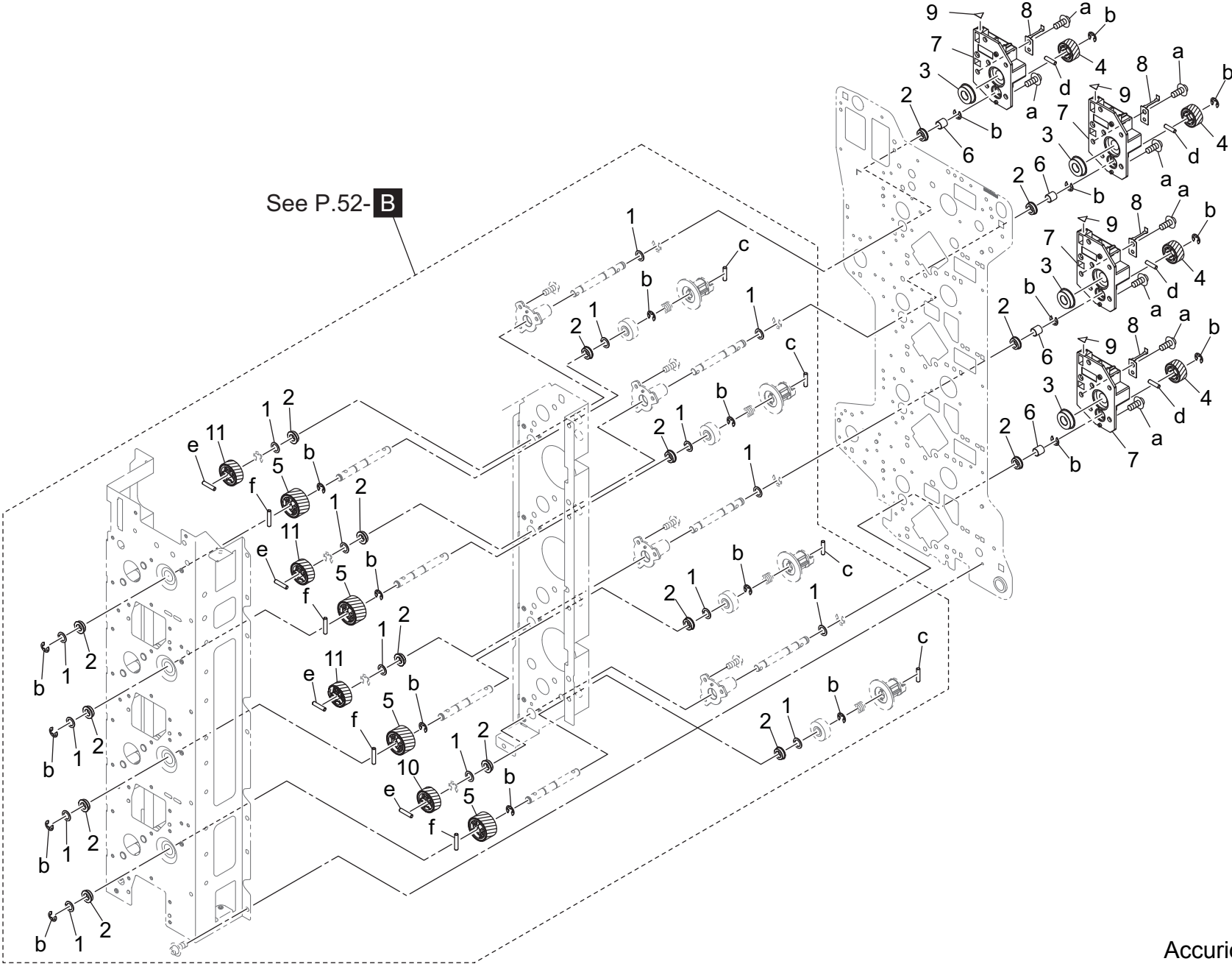
Order here
8 (495) 646-0426
www.km-shop.ru

ПЯТЫЙ ПАРТНЕР

Process Carriage Section

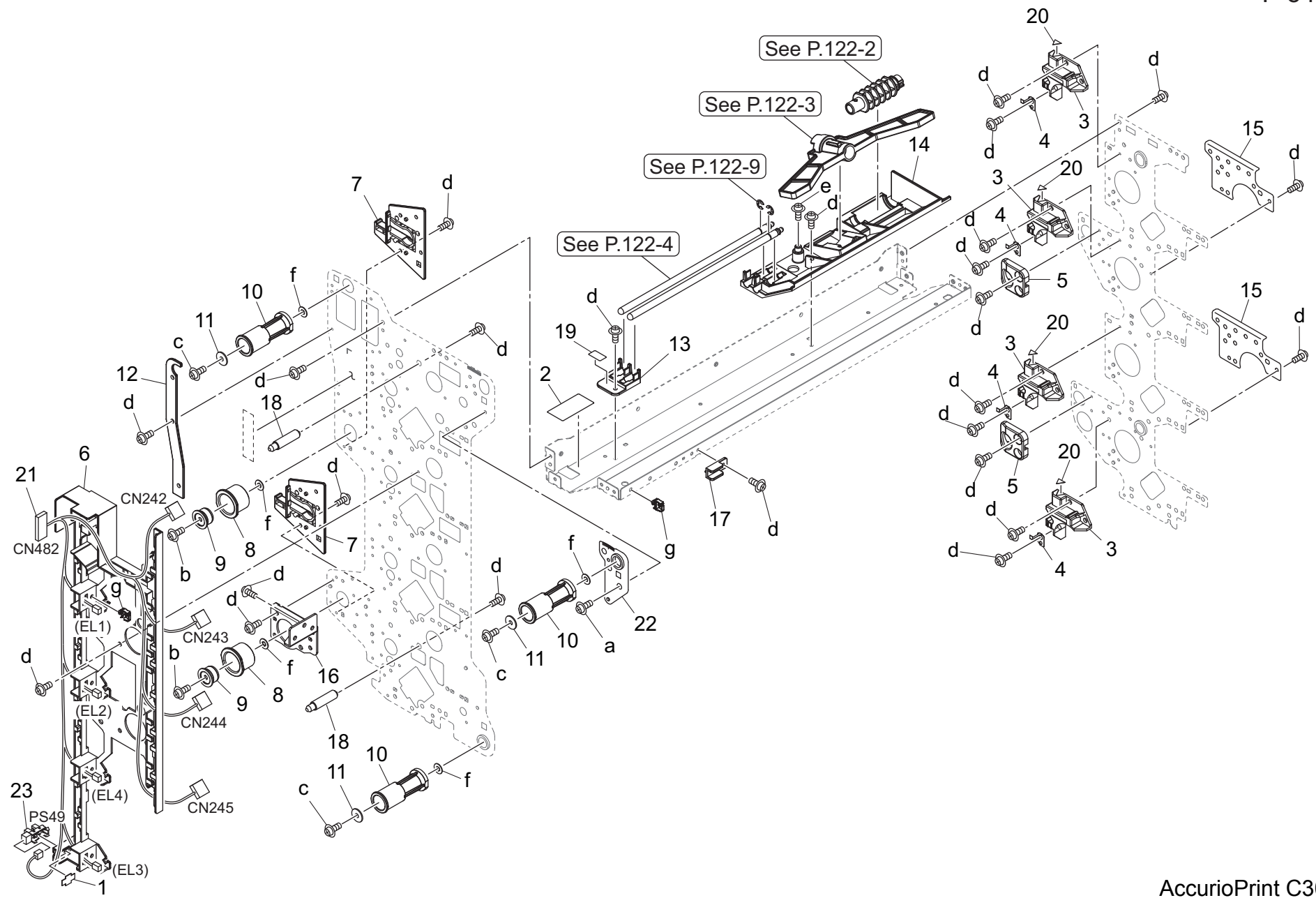
| Key | Part No. | Description | | Destinations | Class | QTY | Standard parts |
|-----|------------|----------------------------|----------------------|--------------|-------|-----|--|
| 1 | 13QA40610 | Gear Spacer | ギア Spacer | | C | 16 | a-V114041004 b-V121030403 c-V127030604 d-V127030803 e-V151030803 f-V211040080 g-V217060003 h-V221040050 j-V500010082 k-V500010083 m-V500020098 |
| 2 | 65AA33310F | Mounting Plate /2 | 取り付け板 /2 | | D | 1 | |
| 3 | A1DUR71200 | Chaging Cleaning Part Assy | 帯電清掃部材部組 | | B | 2 | |
| 4 | A50U169002 | Cover Duct /B | カバーダクト / B | | D | 1 | |
| 5 | A50U169602 | Mounting Screw | 取付ねじ | | D | 2 | |
| 6 | A50U220501 | Idling Gear /C 63/34T | アイドルギア / C 63 / 34 T | | C | 7 | |
| 7 | A50U221500 | Release Lever | 解除レバー | | D | 1 | |
| 8 | A50U221701 | Guide Handle | ガイド 取手 | | D | 1 | |
| 9 | A50U341000 | Protection Cover /2 | 保護カバー /2 | | D | 1 | |
| 10 | A50U948001 | Caution Label | 注意ラベル (引き出し) | | D | 1 | |
| 11 | A50U949600 | Replacement Label | 交換ラベル (ORU) | | D | 3 | |
| 12 | A50U949700 | Replacement Label /1 | 交換ラベル / 1 (ORU) | | D | 4 | |
| 13 | A79JM11300 | DC Brushless motor /30 | DC ブラシレスモーター / 30 | | I | 4 | |
| 14 | A9VE220500 | Idling Gear /C 35/62T | アイドルギア / C 35 / 62 T | | C | 1 | |
| 15 | A9VE942700 | Caution Label | 注意ラベル | | D | 1 | |
| 16 | A9VEN12400 | Developing Wiring /1 | 現像束線 / 1 | | D | 1 | |
| 17 | AAC3R70100 | Developing Drive Assy | 現像駆動 A s s y | | S | 1 | |
| | | | | | | | |
| | | | | | | | |
| | | | | | | | |
| | | | | | | | |
| | | | | | | | |
| | | | | | | | |
| | | | | | | | |
| | | | | | | | |
| | | | | | | | |
| | | | | | | | |
| | | | | | | | |
| | | | | | | | |

Process Carriage Section



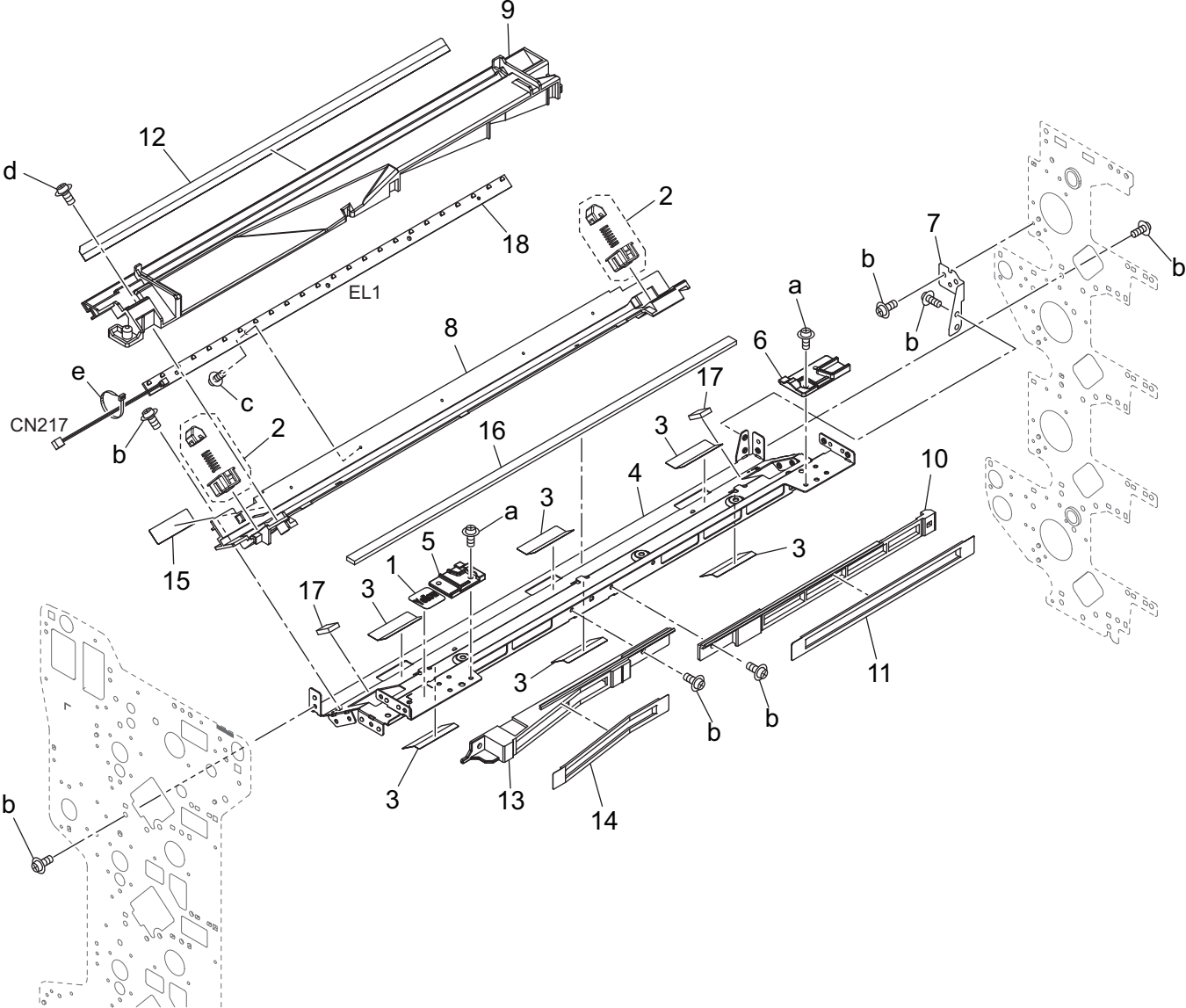
| Key | Part No. | Description | Destinations | Class | QTY | Standard parts |
|-----|------------|--|--------------|-------|-----|--|
| 1 | 40AA32320 | Toner Supply Spacer トナー補給スペーサー | | C | 16 | a-V127030604 b-V217040003 c-V234301050 d-V234301250 e-V234301450 f-V234301650 |
| 2 | A00J617800 | Ball Bearing ボールベアリング | | B | 16 | |
| 3 | A00V240600 | Ball Bearing ボールベアリング | | B | 4 | |
| 4 | A50U220700 | Coupling Gear /C 28T カップリングギア / C 2 8 T | | C | 4 | |
| 5 | A50U221800 | Drive Gear /D 40T 駆動ギア / D 4 0 T | | C | 4 | |
| 6 | A50U222000 | Collar カラ | | D | 4 | |
| 7 | A50U337101 | Positioning Rail /1 位置決めレール /1 | | D | 4 | |
| 8 | A50U337400 | Ground Plate spring /Front アース板ばね /前 | | D | 4 | |
| 9 | A50U949700 | Replacement Label /1 交換ラベル /1 (O R U) | | D | 4 | |
| 10 | A9VE220600 | Drive Gear /C 36T 駆動ギア / C 3 6 T | | C | 1 | |
| 11 | A50U220600 | Drive Gear /C 37T 駆動ギア / C 3 7 T | | C | 3 | |
| | | | | | | |
| | | | | | | |
| | | | | | | |
| | | | | | | |
| | | | | | | |
| | | | | | | |
| | | | | | | |
| | | | | | | |
| | | | | | | |
| | | | | | | |
| | | | | | | |
| | | | | | | |
| | | | | | | |

Process Carriage Section



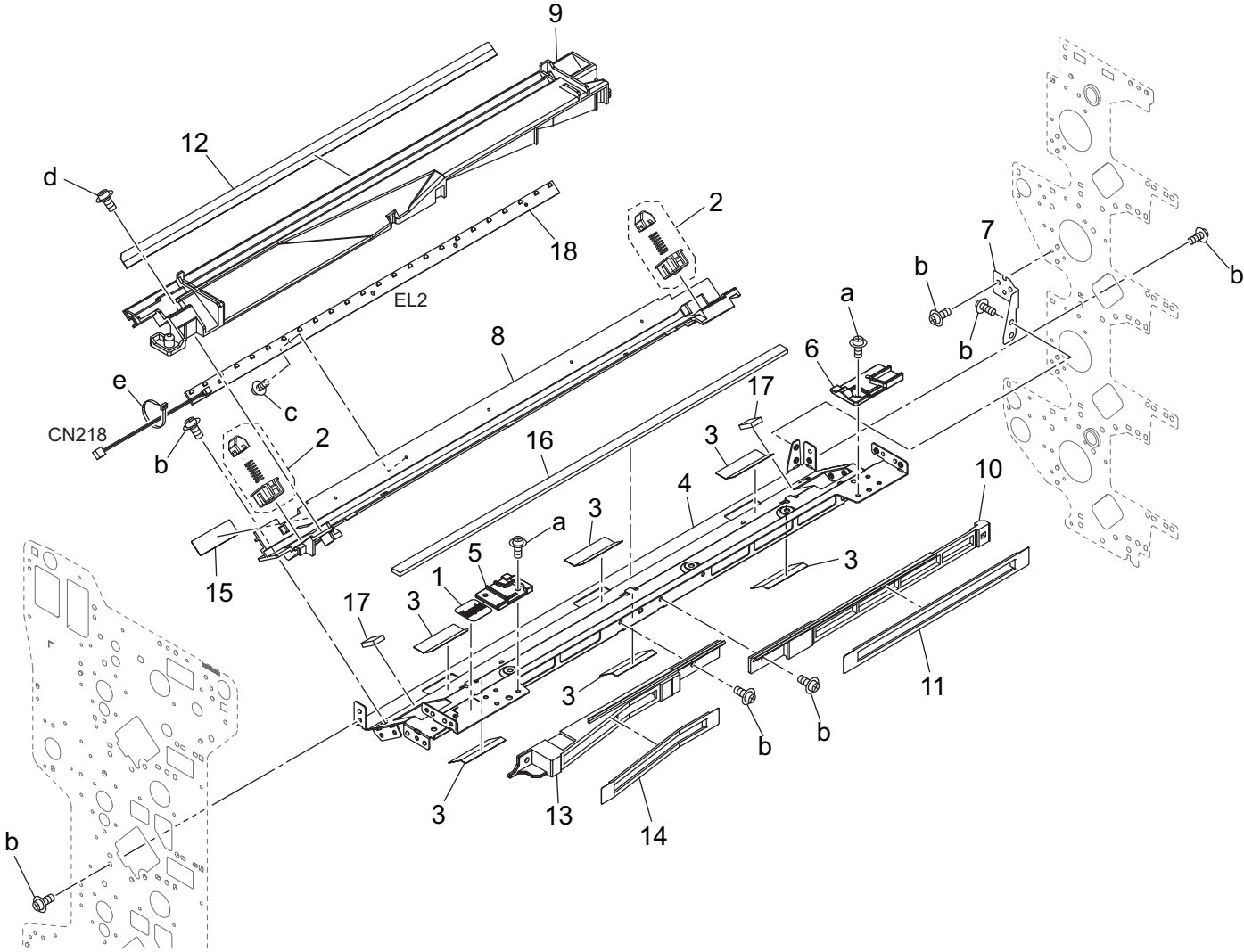
| Key | Part No. | Description | Destinations | Class | QTY | Standard parts |
|-----|------------|-------------------------------|--------------|-------|-----|--|
| 1 | 4470402401 | Stopper | | D | 1 | a-V116040803 b-V121041003 c-V121041403 d-V127030604 e-V127031203 f-V211040080 g-V500020098 |
| 2 | A50U335600 | Cleaning Seal /A | | D | 1 | |
| 3 | A50U337200 | Positioning Rail /2 | | D | 4 | |
| 4 | A50U337300 | Ground Plate spring /Rear | | D | 4 | |
| 5 | A50U340501 | Transfer Hinge | | D | 2 | |
| 6 | A50U340900 | Protection Cover /1 | | D | 1 | |
| 7 | A50U341300 | Positioning Block /1 | | D | 2 | |
| 8 | A50U341401 | Positioning Collar /1 | | D | 2 | |
| 9 | A50U341600 | Transfer Shaft | | D | 2 | |
| 10 | A50U342502 | Set Collar | | D | 3 | |
| 11 | A50U342600 | Collar | | D | 3 | |
| 12 | A50U343000 | Operation Cover | | D | 1 | |
| 13 | A50U343400 | Tray /Front | | D | 1 | |
| 14 | A50U343500 | Tray /Rear | | D | 1 | |
| 15 | A50U343800 | Transfer Plate | | D | 2 | |
| 16 | A50U343900 | Transfer Plate /2 | | D | 1 | |
| 17 | A50U344100 | Developing Collar /Y | | D | 1 | |
| 18 | A50U344200 | Positioning Shaft | | D | 2 | |
| 19 | A50U945601 | Operation Label | | D | 1 | |
| 20 | A50U949700 | Replacement Label /1 | | D | 4 | |
| 21 | A50UN12500 | Developing Wiring /2 | | D | 1 | |
| 22 | A50UR72K00 | Adjusting Plate Caulking Assy | | D | 1 | |
| 23 | A85CM55500 | Photo Sensor | | C | 1 | |
| | | | | | | |
| | | | | | | |
| | | | | | | |
| | | | | | | |
| | | | | | | |
| | | | | | | |
| | | | | | | |
| | | | | | | |
| | | | | | | |
| | | | | | | |
| | | | | | | |
| | | | | | | |

Process Carriage Section



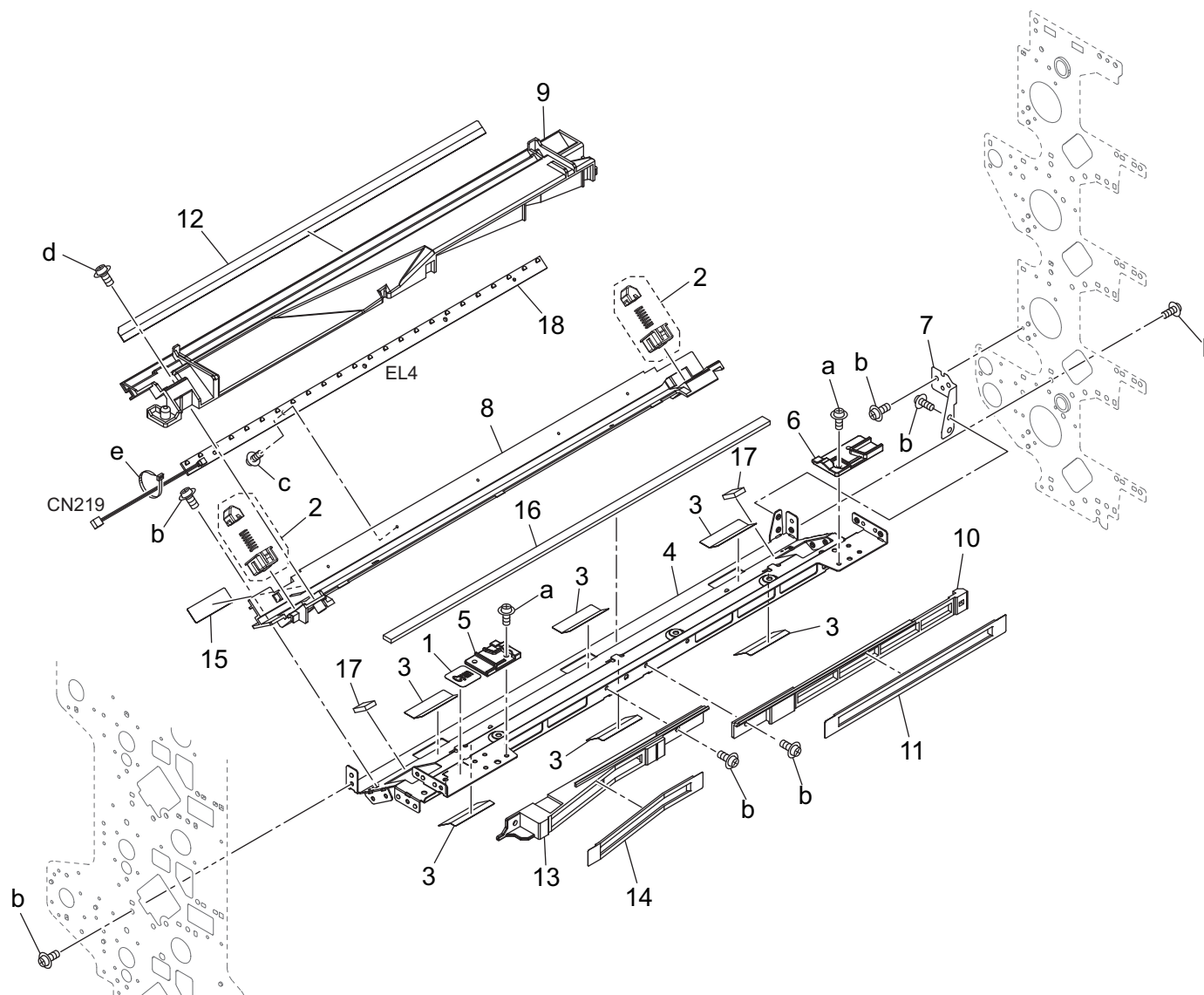
| Key | Part No. | Description | Destinations | Class | QTY | Standard parts |
|-----|------------|--------------------------------|--------------|-------|-----|--|
| 1 | 65AA97440 | Developing Exchanging Label /Y | | D | 1 | a-V118030403 b-V127030604 c-V151020603 d-V151030803 e-V501010002 |
| 2 | 65AAR73200 | CHARGE PRESSING ASSY | | C | 2 | |
| 3 | A50U335600 | Cleaning Seal /A | | D | 6 | |
| 4 | A50U340301 | Fixing Stay /1 | | D | 1 | |
| 5 | A50U341900 | Developing Rail /Front | | D | 1 | |
| 6 | A50U342000 | Developing Rail /Rear | | D | 1 | |
| 7 | A50U342300 | Reinforce Plate | | D | 1 | |
| 8 | A50U462101 | Charging Rail | | D | 1 | |
| 9 | A50U462201 | Charging Rail /2 | | D | 1 | |
| 10 | A50U462400 | Charging Duct /3 | | D | 1 | |
| 11 | A50U462501 | Charging Seal /1 | | D | 1 | |
| 12 | A50U462600 | Charging Seal | | D | 1 | |
| 13 | A50U462700 | Charging Duct | | D | 1 | |
| 14 | A50U462801 | Charging Seal | | D | 1 | |
| 15 | A50U462900 | Auxiliary Seal /A | | D | 1 | |
| 16 | A50U463000 | Charging Seal /2 | | D | 1 | |
| 17 | A50U463100 | Charging Seal /3 | | D | 2 | |
| 18 | A50UM30101 | LED array | | D | 1 | |
| | | | | | | |
| | | | | | | |
| | | | | | | |
| | | | | | | |
| | | | | | | |
| | | | | | | |
| | | | | | | |
| | | | | | | |
| | | | | | | |
| | | | | | | |
| | | | | | | |
| | | | | | | |
| | | | | | | |
| | | | | | | |
| | | | | | | |

Process Carriage Section



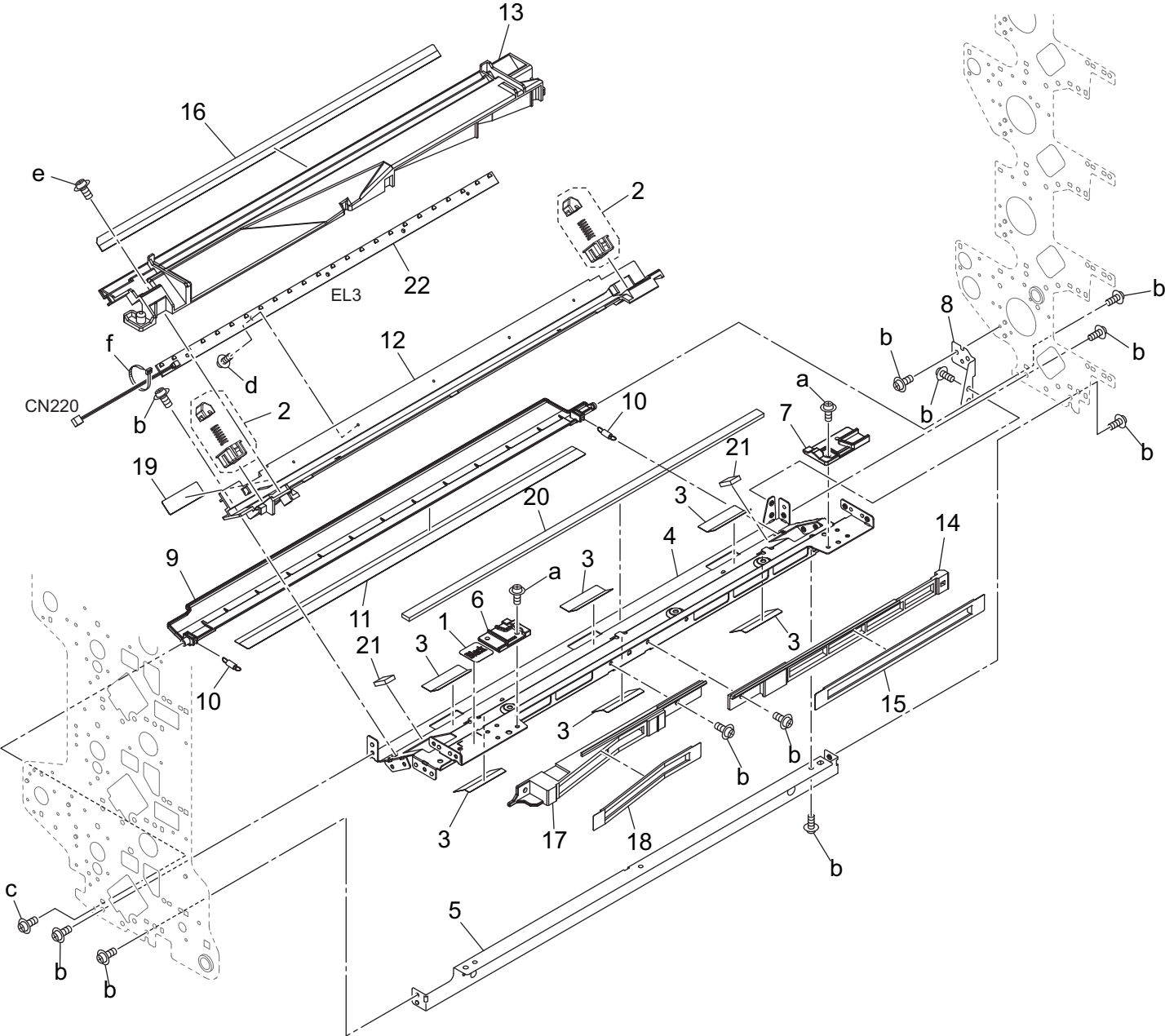
| Key | Part No. | Description | Destinations | Class | QTY | Standard parts |
|-----|------------|--------------------------------|--------------|-------|-----|--|
| 1 | 65AA97450 | Developing Exchanging Label /M | | D | 1 | a-V118030403 b-V127030604 c-V151020603 d-V151030803 e-V501010002 |
| 2 | 65AAR73200 | CHARGE PRESSING ASSY | | C | 2 | |
| 3 | A50U335600 | Cleaning Seal /A | | D | 6 | |
| 4 | A50U340301 | Fixing Stay /1 | | D | 1 | |
| 5 | A50U341900 | Developing Rail /Front | | D | 1 | |
| 6 | A50U342000 | Developing Rail /Rear | | D | 1 | |
| 7 | A50U342300 | Reinforce Plate | | D | 1 | |
| 8 | A50U462101 | Charging Rail | | D | 1 | |
| 9 | A50U462201 | Charging Rail /2 | | D | 1 | |
| 10 | A50U462400 | Charging Duct /3 | | D | 1 | |
| 11 | A50U462501 | Charging Seal /1 | | D | 1 | |
| 12 | A50U462600 | Charging Seal | | D | 1 | |
| 13 | A50U462700 | Charging Duct | | D | 1 | |
| 14 | A50U462801 | Charging Seal | | D | 1 | |
| 15 | A50U462900 | Auxiliary Seal /A | | D | 1 | |
| 16 | A50U463000 | Charging Seal /2 | | D | 1 | |
| 17 | A50U463100 | Charging Seal /3 | | D | 2 | |
| 18 | A50UM30101 | LED array | | D | 1 | |
| | | | | | | |
| | | | | | | |
| | | | | | | |
| | | | | | | |
| | | | | | | |
| | | | | | | |
| | | | | | | |
| | | | | | | |
| | | | | | | |

Process Carriage Section



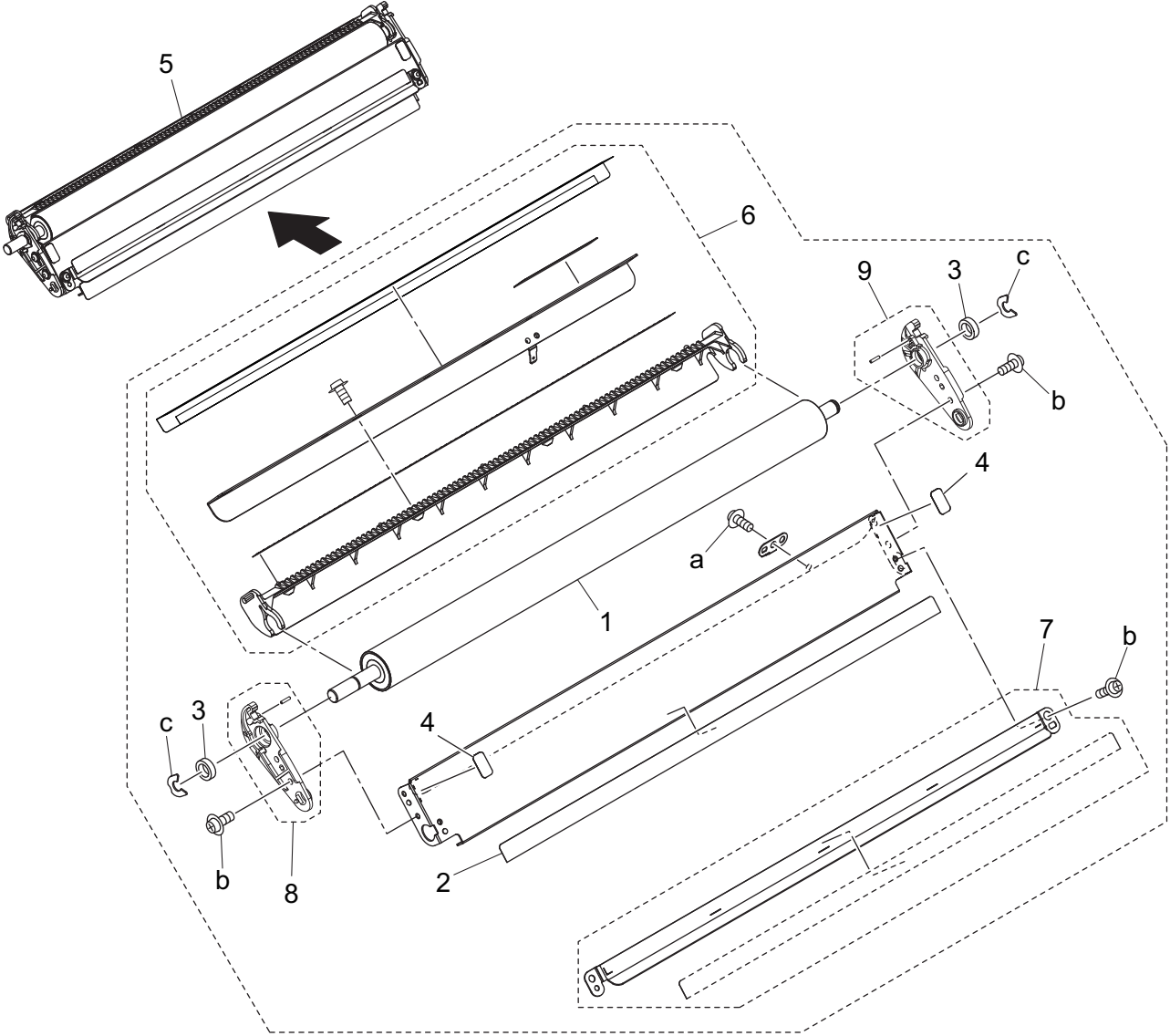
| Key | Part No. | Description | Destinations | Class | QTY | Standard parts |
|-----|------------|--------------------------------|--------------|-------|-----|--|
| 1 | 65AA97460 | Developing Exchanging Label /C | | D | 1 | a-V118030403 b-V127030604 c-V151020603 d-V151030803 e-V501010002 |
| 2 | 65AAR73200 | CHARGE PRESSING ASSY | | C | 2 | |
| 3 | A50U335600 | Cleaning Seal /A | | D | 6 | |
| 4 | A50U340301 | Fixing Stay /1 | | D | 1 | |
| 5 | A50U341900 | Developing Rail /Front | | D | 1 | |
| 6 | A50U342000 | Developing Rail /Rear | | D | 1 | |
| 7 | A50U342300 | Reinforce Plate | | D | 1 | |
| 8 | A50U462101 | Charging Rail | | D | 1 | |
| 9 | A50U462201 | Charging Rail /2 | | D | 1 | |
| 10 | A50U462400 | Charging Duct /3 | | D | 1 | |
| 11 | A50U462501 | Charging Seal /1 | | D | 1 | |
| 12 | A50U462600 | Charging Seal | | D | 1 | |
| 13 | A50U462700 | Charging Duct | | D | 1 | |
| 14 | A50U462801 | Charging Seal | | D | 1 | |
| 15 | A50U462900 | Auxiliary Seal /A | | D | 1 | |
| 16 | A50U463000 | Charging Seal /2 | | D | 1 | |
| 17 | A50U463100 | Charging Seal /3 | | D | 2 | |
| 18 | A50UM30101 | LED array | | D | 1 | |
| | | | | | | |
| | | | | | | |
| | | | | | | |
| | | | | | | |
| | | | | | | |
| | | | | | | |
| | | | | | | |
| | | | | | | |
| | | | | | | |
| | | | | | | |
| | | | | | | |

Process Carriage Section



| Key | Part No. | Description | Destinations | Class | QTY | Standard parts |
|-----|------------|--------------------------------|--------------|-------|-----|----------------|
| 1 | 65AA97470 | Developing Exchanging Label /K | | D | 1 | a-V118030403 |
| 2 | 65AAR73200 | CHARGE PRESSING ASSY | | C | 2 | b-V127030604 |
| 3 | A50U335600 | Cleaning Seal /A | | D | 6 | c-V127030803 |
| 4 | A50U340301 | Fixing Stay /1 | | D | 1 | d-V151020603 |
| 5 | A50U341200 | Fixing Stay /3 | | D | 1 | e-V151030803 |
| 6 | A50U341900 | Developing Rail /Front | | D | 1 | f-V501010002 |
| 7 | A50U342000 | Developing Rail /Rear | | D | 1 | |
| 8 | A50U342300 | Reinforce Plate | | D | 1 | |
| 9 | A50U343100 | Cleaning Catch | | D | 1 | |
| 10 | A50U343301 | Receiving Spring | | D | 2 | |
| 11 | A50U343700 | Receiving Sheet | | D | 1 | |
| 12 | A50U462101 | Charging Rail | | D | 1 | |
| 13 | A50U462201 | Charging Rail /2 | | D | 1 | |
| 14 | A50U462400 | Charging Duct /3 | | D | 1 | |
| 15 | A50U462501 | Charging Seal /1 | | D | 1 | |
| 16 | A50U462600 | Charging Seal | | D | 1 | |
| 17 | A50U462700 | Charging Duct | | D | 1 | |
| 18 | A50U462801 | Charging Seal | | D | 1 | |
| 19 | A50U462900 | Auxiliary Seal /A | | D | 1 | |
| 20 | A50U463000 | Charging Seal /2 | | D | 1 | |
| 21 | A50U463100 | Charging Seal /3 | | D | 2 | |
| 22 | A50UM30101 | LED array | | D | 1 | |
| | | | | | | |
| | | | | | | |
| | | | | | | |
| | | | | | | |
| | | | | | | |
| | | | | | | |
| | | | | | | |
| | | | | | | |
| | | | | | | |
| | | | | | | |

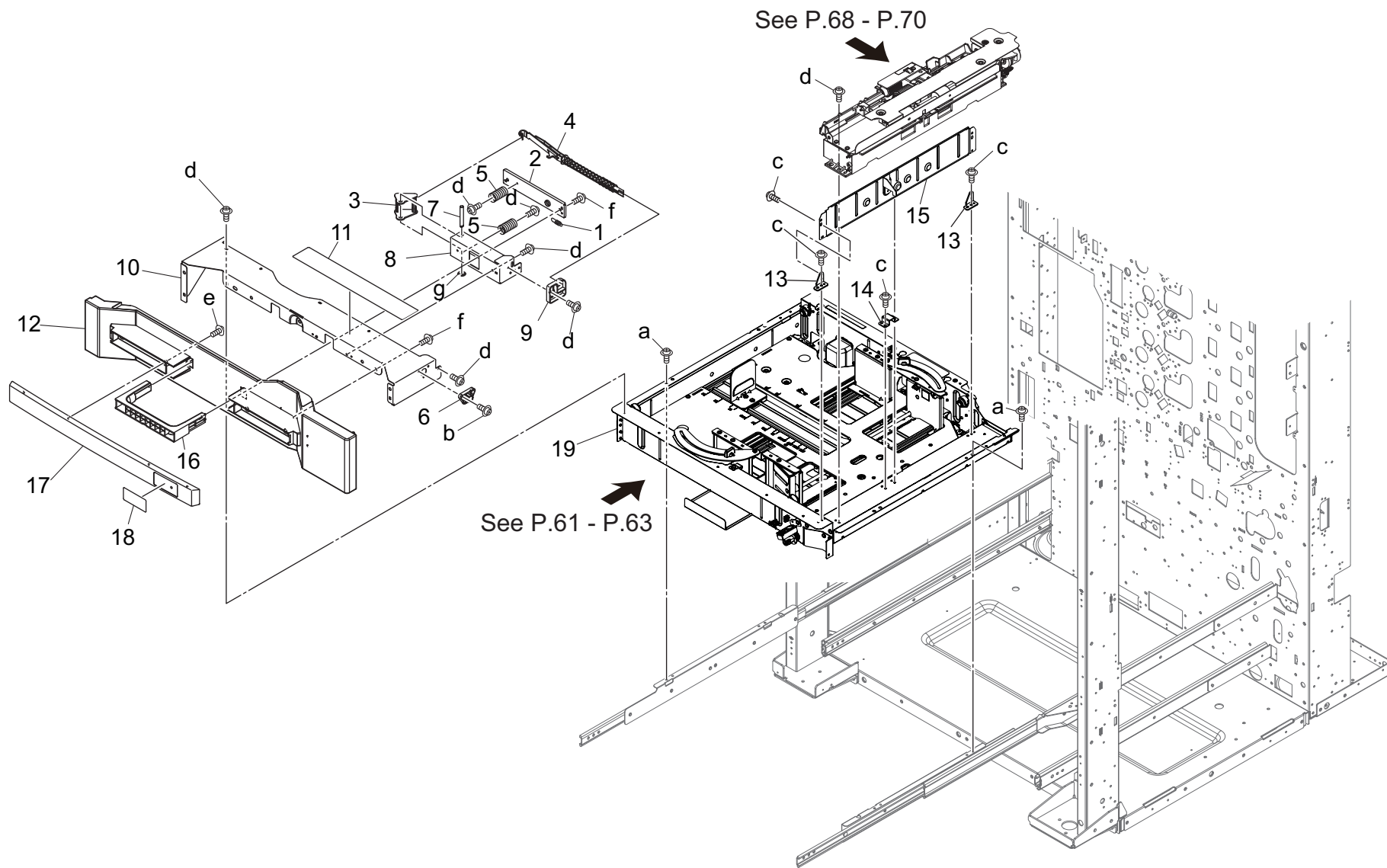
Secondary Transfer Section



Secondary Transfer Section

| Key | Part No. | Description | Destinations | Class | QTY | Standard parts |
|-----|------------|----------------------------------|--------------|-------|-----|--|
| 1 | A50U520001 | 2nd Transfer Roller/L | | A | 1 | a-V127030603 b-V127030604 c-V218060086 |
| 2 | A50U525900 | Entrance Sheet | | D | 1 | |
| 3 | A50U716500 | Ball Bearing | | C | 2 | |
| 4 | A50U945601 | Operation Label | | D | 2 | |
| 5 | A50UR70500 | 2nd Transfer Unit | | I | 1 | |
| 6 | A50UR70B00 | Separation Discharging Unit | | A | 1 | |
| 7 | A50UR71Q00 | Transfer Guide / Upper Assy | | D | 1 | |
| 8 | A50UR71R11 | Transfer Side Plate / Front Assy | | D | 1 | |
| 9 | A50UR71S11 | Transfer Side Plate / Rear Assy | | D | 1 | |
| | | | | | | |
| | | | | | | |
| | | | | | | |
| | | | | | | |
| | | | | | | |
| | | | | | | |
| | | | | | | |
| | | | | | | |
| | | | | | | |
| | | | | | | |
| | | | | | | |

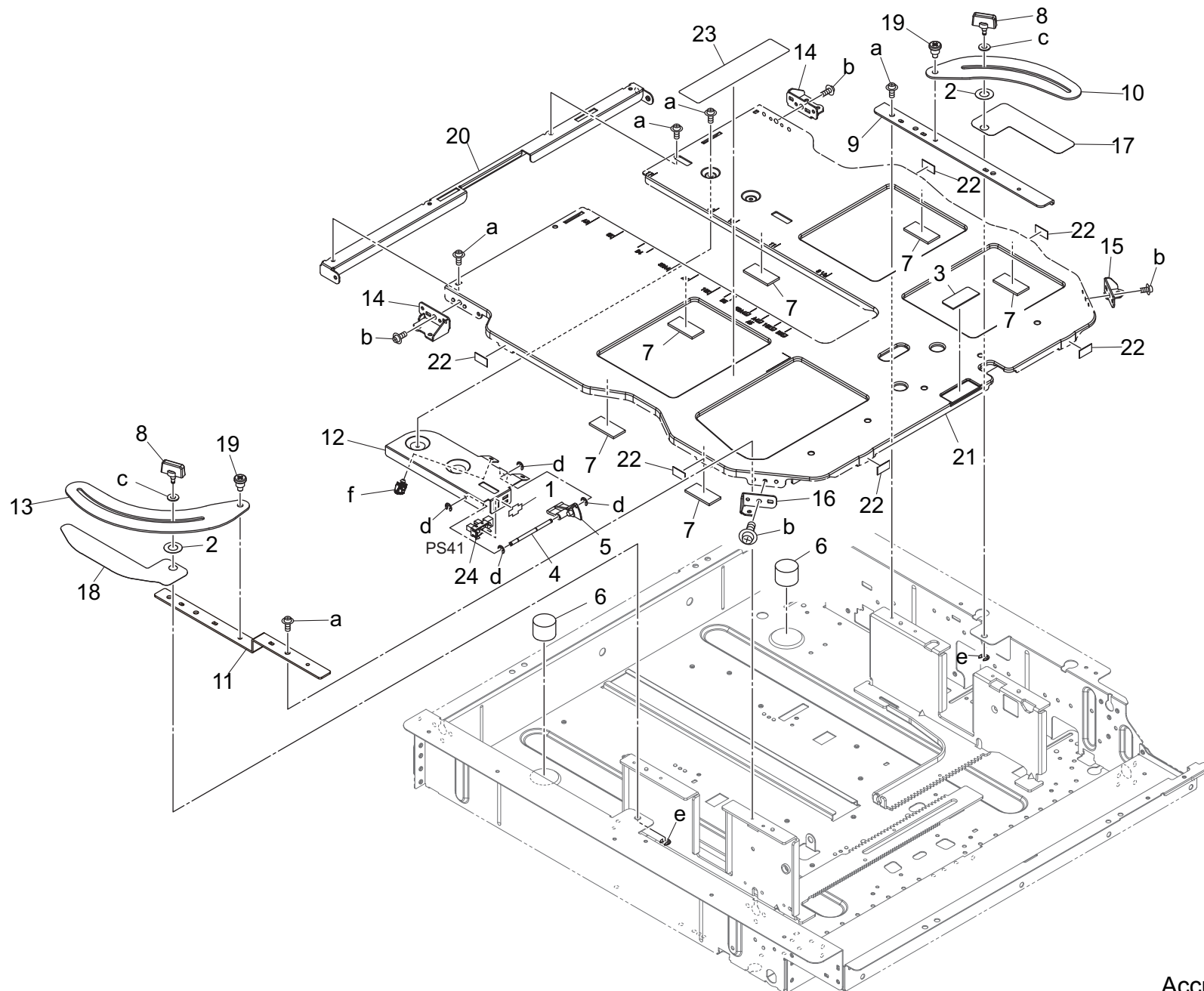
Tray 1 Section



| Key | Part No. | Description | Destinations | Class | QTY | Standard parts |
|-----|------------|-------------------------|--------------|-------|-----|--|
| 1 | A161626800 | Pulling Coil spring | | C | 1 | a-V118030303 b-V126030603 c-V127030516 d-V127030604 e-V151041003 f-V158030803 g-V217040003 |
| 2 | A50U633002 | Holding Handle | | D | 1 | |
| 3 | A50U633200 | Release Lever | | D | 1 | |
| 4 | A50U633301 | Lock Lever | | D | 1 | |
| 5 | A50U633400 | Stable Spring | | D | 2 | |
| 6 | A50U633702 | Receiving Guide /1 | | D | 1 | |
| 7 | A50U633800 | Release Shaft /1 | | D | 1 | |
| 8 | A50U633900 | Fixing Plate | | D | 1 | |
| 9 | A50U634300 | Receiving Guide /2 | | D | 1 | |
| 10 | A50U637002 | Fixing Plate /1 | | D | 1 | |
| 11 | A50U945700 | Operation Label /1 | | D | 1 | |
| 12 | A9VE160700 | Cover Tray /1 | | D | 1 | |
| 13 | A9VE628400 | Mounting Plate /1 | | D | 2 | |
| 14 | A9VE628500 | Hold Part /1 | | D | 1 | |
| 15 | A9VE630701 | Regulating Plate /Right | | D | 1 | |
| 16 | A9VE633100 | Handle /B | | D | 1 | |
| 17 | A9VE634400 | Paper feed Handle | | D | 1 | |
| 18 | A9VE945400 | Indicating Label /1 | | D | 1 | |
| 19 | A9VEF63100 | 500 Paper Cassette Assy | | S | 1 | |
| | | | | | | |
| | | | | | | |
| | | | | | | |
| | | | | | | |
| | | | | | | |
| | | | | | | |
| | | | | | | |
| | | | | | | |
| | | | | | | |
| | | | | | | |
| | | | | | | |

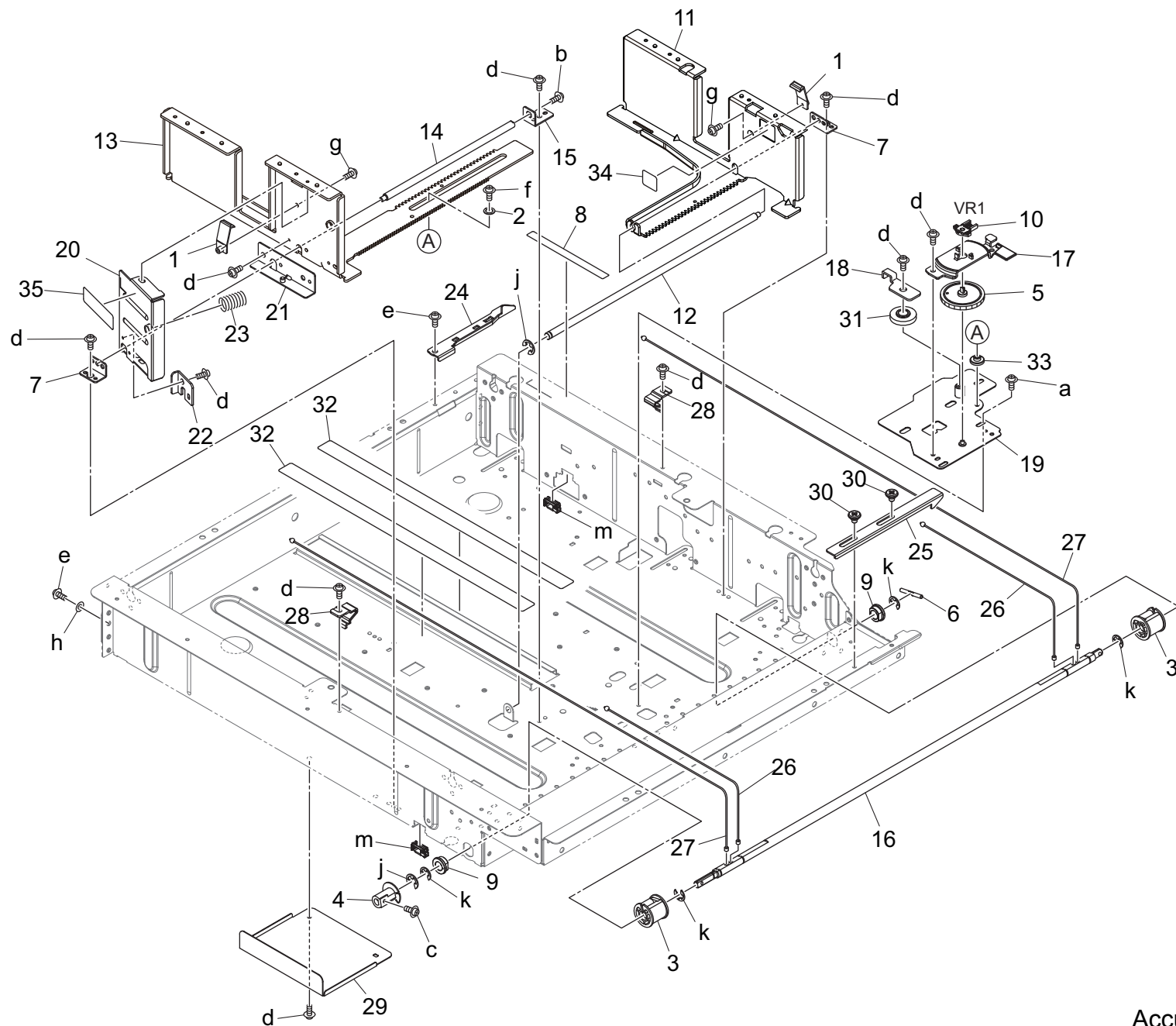
Tray 1 Section

P 61



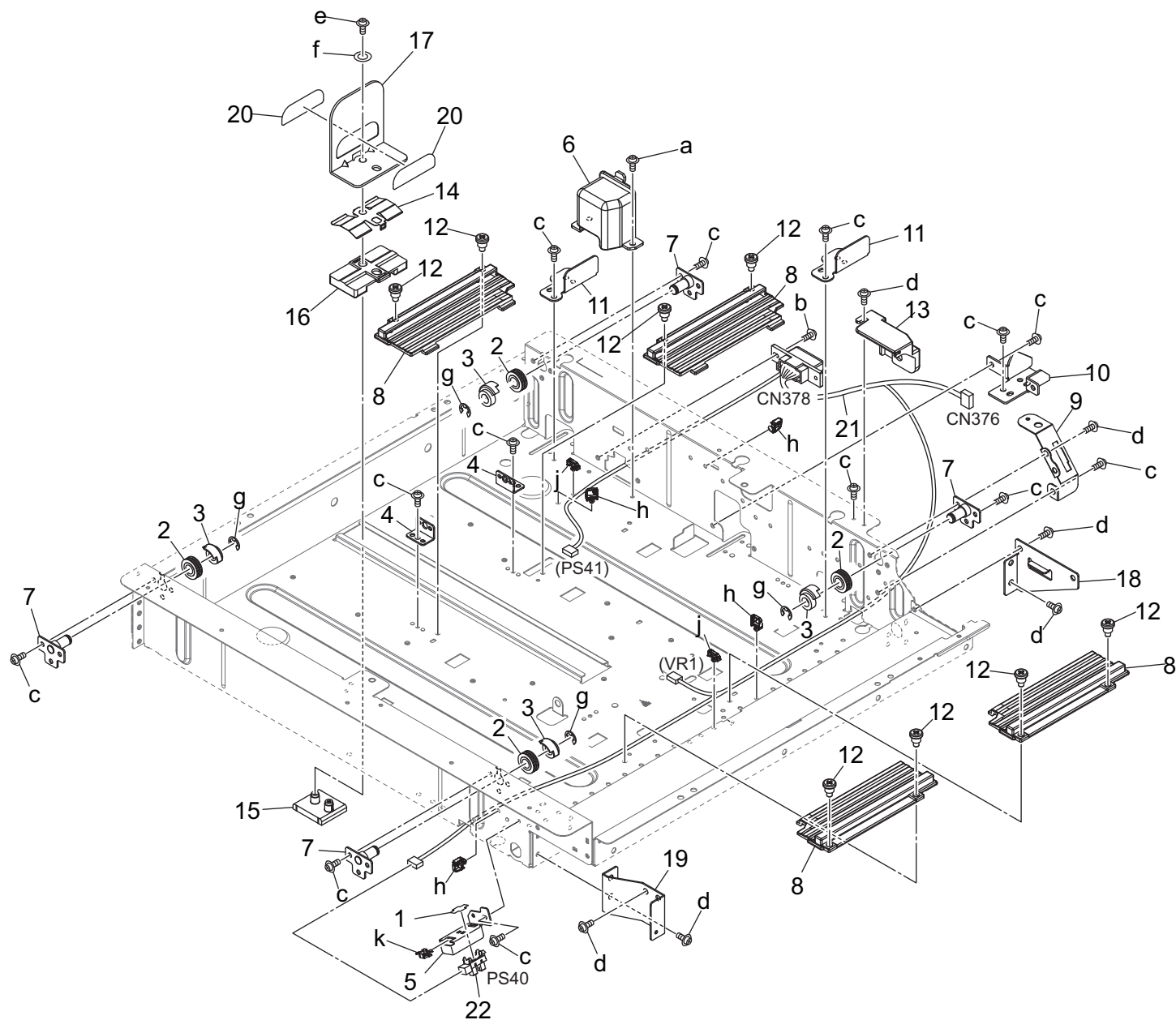
| Key | Part No. | Description | Destinations | Class | QTY | Standard parts |
|-----|------------|------------------------------|--------------|-------|-----|--|
| 1 | 4470402401 | Stopper | | D | 1 | a-V127030516 b-V127030604 c-V207040003 d-V217020003 e-V217025050 f-V500020098 |
| 2 | 55VA32530 | SPACER | | C | 2 | |
| 3 | 55VA40930 | DOUBLE FEED PREVENTIVE PLATE | | C | 1 | |
| 4 | 65AA47310E | PAPER DETECTING SHAFT | | D | 1 | |
| 5 | 65AA47320 | Paper Detecting Actuator | | C | 1 | |
| 6 | 65AA47820 | REGULATING PART | | C | 2 | |
| 7 | 65AA47860 | AUXILIARY SHEET | | C | 6 | |
| 8 | A03X656203 | Lock Screw | | C | 2 | |
| 9 | A50U621001 | Reinforce Plate /Rear | | D | 1 | |
| 10 | A50U622600 | Regulating Plate /Rear | | D | 1 | |
| 11 | A50U622802 | Reinforce Plate /Front | | D | 1 | |
| 12 | A50U625000 | Mounting Plate /2 | | D | 1 | |
| 13 | A50U625701 | Regulating Plate /Front | | D | 1 | |
| 14 | A50U626502 | Support Plate /1 | | D | 2 | |
| 15 | A50U626601 | Support Plate /2 | | D | 1 | |
| 16 | A50U626702 | Support Plate /3 | | D | 1 | |
| 17 | A50U627601 | Sheet | | D | 1 | |
| 18 | A50U627701 | Sheet | | D | 1 | |
| 19 | A50U628200 | Shoulder Screw | | D | 2 | |
| 20 | A50U629300 | Guide Base frame | | D | 1 | |
| 21 | A50U630203 | Lifting Plate | | D | 1 | |
| 22 | A50U641500 | Slide Sheet | | D | 6 | |
| 23 | A50U946000 | Paper feed Label | | D | 1 | |
| 24 | A85CM55500 | Photo Sensor | | C | 1 | |
| | | | | | | |
| | | | | | | |
| | | | | | | |
| | | | | | | |
| | | | | | | |
| | | | | | | |
| | | | | | | |
| | | | | | | |
| | | | | | | |
| | | | | | | |

Tray 1 Section



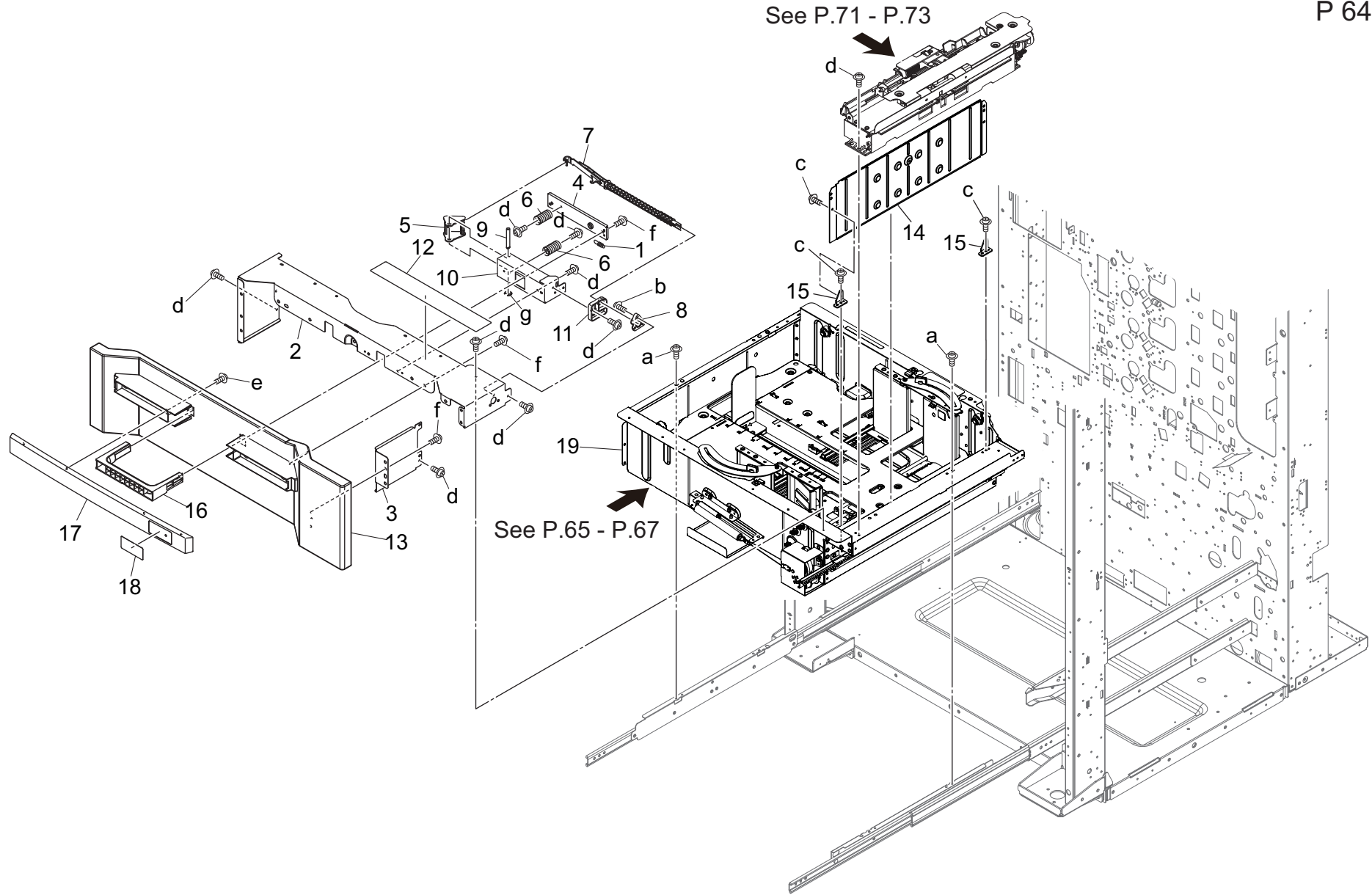
| Key | Part No. | Description | Destinations | Class | QTY | Standard parts |
|-----|------------|--------------------------|--------------|-------|-----|----------------|
| 1 | 26NA47070 | PAPER REGULATING CLAW | | C | 2 | a-V116030503 |
| 2 | 40AA32320 | Toner Supply Spacer | | C | 1 | b-V116030603 |
| 3 | 55VA40600 | Driving Up /Down Pulley | | B | 2 | c-V121030603 |
| 4 | 65AA47131E | Paper Detecting Actuator | | C | 1 | d-V127030516 |
| 5 | 65AA47600E | Detecting Gear 45T | | C | 1 | e-V127030604 |
| 6 | 65AA47700D | Up/down Pin | | D | 1 | f-V127030803 |
| 7 | 65AA47740E | Shaft Mounting Plate | | D | 2 | g-V147030803 |
| 8 | 65GE97490 | CASSETTE GUIDE LABEL | | D | 1 | h-V207030003 |
| 9 | A03U812800 | Slide Shaft Holder | | B | 2 | j-V217040003 |
| 10 | A1UDM50100 | VR | | D | 1 | k-V217060003 |
| 11 | A50U620602 | Guide Rack /Rear | | D | 1 | m-V570010057 |
| 12 | A50U620801 | Regulating Shaft | | D | 1 | |
| 13 | A50U620902 | Guide Rack /Front | | D | 1 | |
| 14 | A50U621301 | Stopper Shaft | | D | 1 | |
| 15 | A50U621400 | Mounting Plate | | D | 1 | |
| 16 | A50U621800 | Lifting Shaft | | D | 1 | |
| 17 | A50U621900 | Mounting Plate | | D | 1 | |
| 18 | A50U622001 | Stopper Plate | | D | 1 | |
| 19 | A50U622101 | Positioning Plate | | D | 1 | |
| 20 | A50U622300 | Brake Knob | | D | 1 | |
| 21 | A50U622400 | Support Plate | | D | 1 | |
| 22 | A50U623201 | Lock Claw | | D | 1 | |
| 23 | A50U623300 | Slide Spring /1 | | D | 1 | |
| 24 | A50U623600 | Lock Claw | | D | 1 | |
| 25 | A50U623701 | Lock Claw | | D | 1 | |
| 26 | A50U625400 | Up/down Wire /1 | | D | 2 | |
| 27 | A50U625500 | Up/down Wire /2 | | D | 2 | |
| 28 | A50U626100 | Protection Plate | | D | 2 | |
| 29 | A50U627501 | Reinforce Stay | | D | 1 | |
| 30 | A50U628100 | Shoulder Screw | | D | 2 | |
| 31 | A50U628400 | Pinion | | C | 1 | |
| 32 | A50U640800 | Sheet | | D | 2 | |
| 33 | A50U642000 | Guide Spacer | | D | 1 | |
| 34 | A50U945300 | Regulating Label | | D | 1 | |
| 35 | A50U946300 | Lock Label /2 | | D | 1 | |
| | | | | | | |
| | | | | | | |
| | | | | | | |
| | | | | | | |

Tray 1 Section



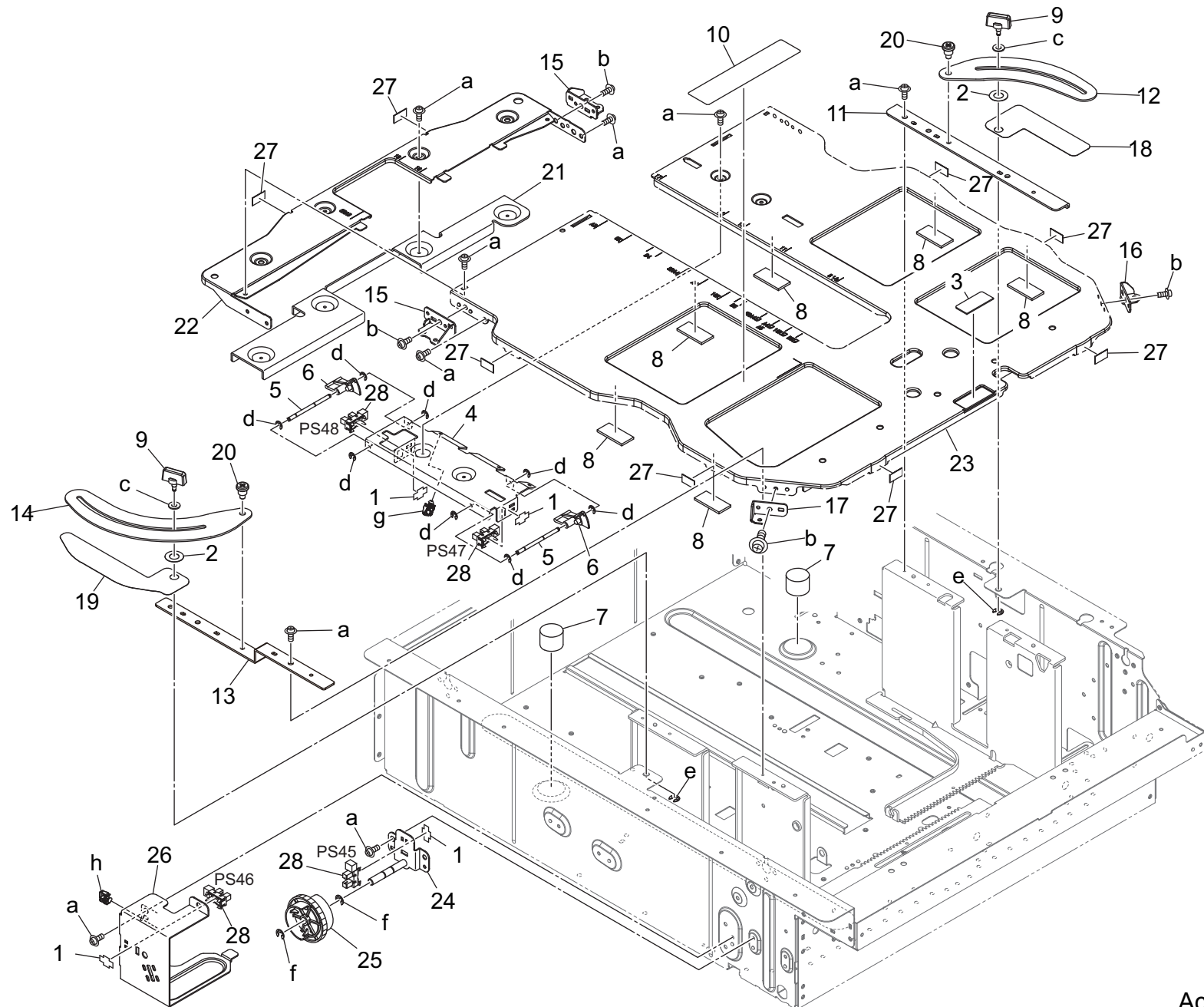
| Key | Part No. | Description | Destinations | Class | QTY | Standard parts |
|-----|------------|-------------------------------|--------------|-------|-----|----------------|
| 1 | 4470402401 | Stopper | | D | 1 | a-V116030503 |
| 2 | 65AA47550 | WIRE ROLLER | | C | 4 | b-V121030603 |
| 3 | 65AA47630 | WIRE GUIDE PART | | C | 4 | c-V127030516 |
| 4 | 65AA47740E | Shaft Mounting Plate | | D | 2 | d-V127030604 |
| 5 | 65AA47900E | Mounting Plate /2 | | D | 1 | e-V158031003 |
| 6 | A03U621200 | GUIDE COVER | | C | 1 | f-V207030003 |
| 7 | A1DUF62100 | PULLEY FULCRUM PLATE CAULKING | | D | 4 | g-V217060003 |
| 8 | A50U621200 | Slide Guide | | D | 4 | h-V500020098 |
| 9 | A50U624600 | Mounting Plate | | D | 1 | j-V500020099 |
| 10 | A50U624700 | Fixing Cam | | D | 1 | k-V570010050 |
| 11 | A50U625100 | Positioning Plate | | D | 2 | |
| 12 | A50U628200 | Shoulder Screw | | D | 8 | |
| 13 | A50U628300 | Cover | | D | 1 | |
| 14 | A50U629502 | Plate spring | | D | 1 | |
| 15 | A50U629702 | Brake Part /Lower | | D | 1 | |
| 16 | A50U629801 | Brake Part | | D | 1 | |
| 17 | A50U629901 | Regulating Plate /Rear | | D | 1 | |
| 18 | A50U637600 | Reinforce Plate /1 | | D | 1 | |
| 19 | A50U637700 | Reinforce Plate /2 | | D | 1 | |
| 20 | A50U946400 | Lock Label /1 | | D | 2 | |
| 21 | A50UN14100 | Paperfeed Wiring /3 | | D | 1 | |
| 22 | A85CM55500 | Photo Sensor | | C | 1 | |
| | | | | | | |
| | | | | | | |
| | | | | | | |
| | | | | | | |
| | | | | | | |
| | | | | | | |
| | | | | | | |
| | | | | | | |

Tray 2 Section



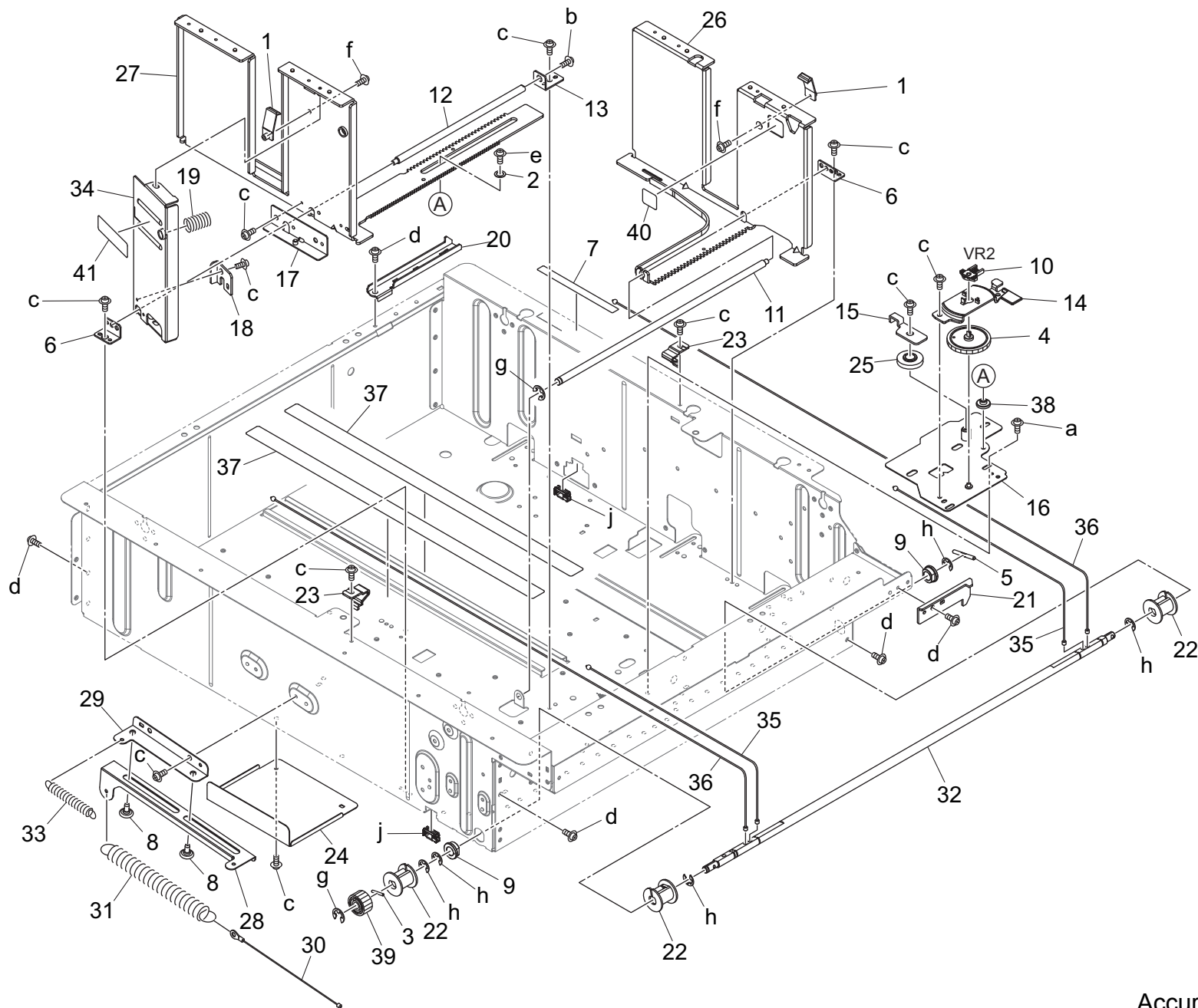
| Key | Part No. | Description | Destinations | Class | QTY | Standard parts |
|-----|------------|--------------------------|--------------|-------|-----|--|
| 1 | A161626800 | Pulling Coil spring | | C | 1 | a-V118030303 b-V126030603 c-V127030516 d-V127030604 e-V151041003 f-V158030803 g-V217040003 |
| 2 | A50U627002 | Fixing Plate /2 | | D | 1 | |
| 3 | A50U627200 | Fixing Plate /3 | | D | 1 | |
| 4 | A50U633002 | Holding Handle | | D | 1 | |
| 5 | A50U633200 | Release Lever | | D | 1 | |
| 6 | A50U633400 | Stable Spring | | D | 2 | |
| 7 | A50U633601 | Lock Lever | | D | 1 | |
| 8 | A50U633702 | Receiving Guide /1 | | D | 1 | |
| 9 | A50U633800 | Release Shaft /1 | | D | 1 | |
| 10 | A50U633900 | Fixing Plate | | D | 1 | |
| 11 | A50U634300 | Receiving Guide /2 | | D | 1 | |
| 12 | A50U945700 | Operation Label /1 | | D | 1 | |
| 13 | A9VE160800 | Cover Tray /2 | | D | 1 | |
| 14 | A9VE620701 | Regulating Plate /Right | | D | 1 | |
| 15 | A9VE628400 | Mounting Plate /1 | | D | 2 | |
| 16 | A9VE633100 | Handle /B | | D | 1 | |
| 17 | A9VE634400 | Paper feed Handle | | D | 1 | |
| 18 | A9VE945500 | Indicating Label /2 | | D | 1 | |
| 19 | A9VEF62100 | 1000 Paper Cassette Assy | | S | 1 | |
| | | | | | | |
| | | | | | | |
| | | | | | | |
| | | | | | | |
| | | | | | | |
| | | | | | | |
| | | | | | | |
| | | | | | | |

Tray 2 Section



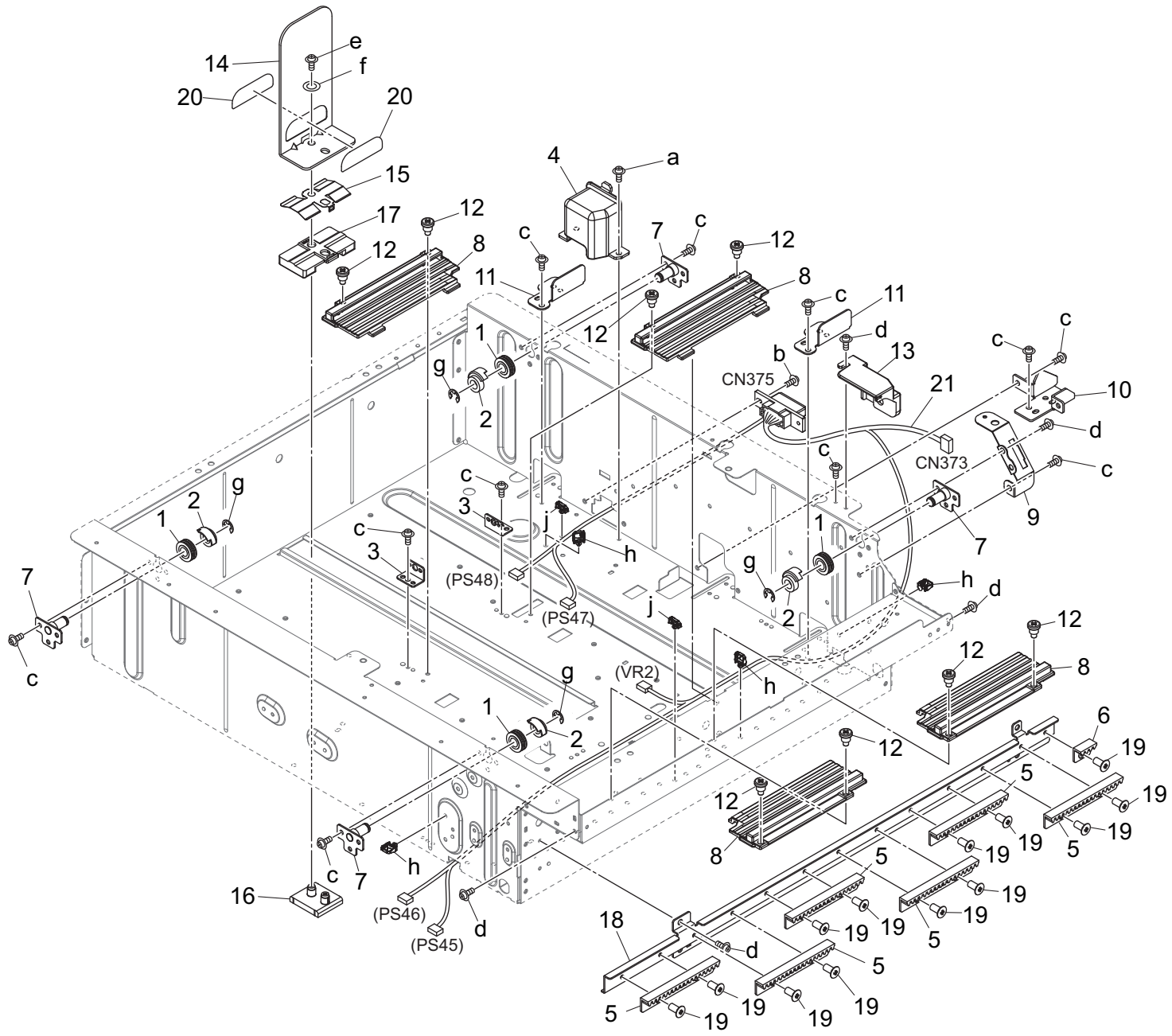
| Key | Part No. | Description | Destinations | Class | QTY | Standard parts |
|-----|------------|------------------------------|--------------|-------|-----|--|
| 1 | 4470402401 | Stopper | | D | 4 | a-V127030516 b-V127030604 c-V207040003 d-V217020003 e-V217025050 f-V217040003 g-V500010051 h-V500020098 |
| 2 | 55VA32530 | SPACER | | C | 2 | |
| 3 | 55VA40930 | DOUBLE FEED PREVENTIVE PLATE | | C | 1 | |
| 4 | 65AA47120D | Mounting Plate | | D | 1 | |
| 5 | 65AA47310E | PAPER DETECTING SHAFT | | D | 2 | |
| 6 | 65AA47320 | Paper Detecting Actuator | | C | 2 | |
| 7 | 65AA47820 | REGULATING PART | | C | 2 | |
| 8 | 65AA47860 | AUXILIARY SHEET | | C | 6 | |
| 9 | A03X656203 | Lock Screw | | C | 2 | |
| 10 | A1RF946000 | Paper feed Label /1 | | D | 1 | |
| 11 | A50U621001 | Reinforce Plate /Rear | | D | 1 | |
| 12 | A50U622600 | Regulating Plate /Rear | | D | 1 | |
| 13 | A50U622802 | Reinforce Plate /Front | | D | 1 | |
| 14 | A50U625701 | Regulating Plate /Front | | D | 1 | |
| 15 | A50U626502 | Support Plate /1 | | D | 2 | |
| 16 | A50U626601 | Support Plate /2 | | D | 1 | |
| 17 | A50U626702 | Support Plate /3 | | D | 1 | |
| 18 | A50U627601 | Sheet | | D | 1 | |
| 19 | A50U627701 | Sheet | | D | 1 | |
| 20 | A50U628200 | Shoulder Screw | | D | 2 | |
| 21 | A50U629001 | Reinforce Stay | | D | 1 | |
| 22 | A50U629202 | Up/down Plate /Rear | | D | 1 | |
| 23 | A50U630203 | Lifting Plate | | D | 1 | |
| 24 | A50U631200 | Mounting Plate /Assy | | D | 1 | |
| 25 | A50U631300 | Up/down Gear 60T | | C | 1 | |
| 26 | A50U631600 | Mounting Plate | | D | 1 | |
| 27 | A50U641500 | Slide Sheet | | D | 8 | |
| 28 | A85CM55500 | Photo Sensor | | C | 4 | |
| | | | | | | |
| | | | | | | |
| | | | | | | |
| | | | | | | |
| | | | | | | |
| | | | | | | |
| | | | | | | |
| | | | | | | |

Tray 2 Section



| Key | Part No. | Description | Destinations | Class | QTY | Standard parts |
|-----|------------|-----------------------|--------------|-------|-----|----------------|
| 1 | 26NA47070 | PAPER REGULATING CLAW | | C | 2 | a-V116030503 |
| 2 | 40AA32320 | Toner Supply Spacer | | C | 1 | b-V116030603 |
| 3 | 56AA17551 | PIN A | | C | 1 | c-V127030516 |
| 4 | 65AA47600E | Detecting Gear 45T | | C | 1 | d-V127030604 |
| 5 | 65AA47700D | Up/down Pin | | D | 1 | e-V127030803 |
| 6 | 65AA47740E | Shaft Mounting Plate | | D | 2 | f-V147030803 |
| 7 | 65GE97490 | CASSETTE GUIDE LABEL | | D | 1 | g-V217040003 |
| 8 | A03N621800 | Slide Shoulder screw | | C | 2 | h-V217060003 |
| 9 | A03U812800 | Slide Shaft Holder | | B | 2 | j-V570010057 |
| 10 | A1UDM50100 | VR | | D | 1 | |
| 11 | A50U620801 | Regulating Shaft | | D | 1 | |
| 12 | A50U621301 | Stopper Shaft | | D | 1 | |
| 13 | A50U621400 | Mounting Plate | | D | 1 | |
| 14 | A50U621900 | Mounting Plate | | D | 1 | |
| 15 | A50U622001 | Stopper Plate | | D | 1 | |
| 16 | A50U622101 | Positioning Plate | | D | 1 | |
| 17 | A50U622400 | Support Plate | | D | 1 | |
| 18 | A50U623201 | Lock Claw | | D | 1 | |
| 19 | A50U623300 | Slide Spring /1 | | D | 1 | |
| 20 | A50U623900 | Lock Claw | | D | 1 | |
| 21 | A50U624201 | Lock Part | | D | 1 | |
| 22 | A50U626000 | Pulley | | C | 3 | |
| 23 | A50U626100 | Protection Plate | | D | 2 | |
| 24 | A50U627501 | Reinforce Stay | | D | 1 | |
| 25 | A50U628400 | Pinion | | C | 1 | |
| 26 | A50U630602 | Guide Rack /Rear | | D | 1 | |
| 27 | A50U630902 | Guide Rack /Front | | D | 1 | |
| 28 | A50U631000 | Slide Plate | | D | 1 | |
| 29 | A50U631100 | Mounting Plate | | D | 1 | |
| 30 | A50U631500 | Auxiliary Wire | | D | 1 | |
| 31 | A50U631700 | Slide Spring /1 | | D | 1 | |
| 32 | A50U631800 | Up/down Shaft | | D | 1 | |
| 33 | A50U631900 | Slide Spring /1 | | D | 1 | |
| 34 | A50U632300 | Brake Knob | | D | 1 | |
| 35 | A50U635400 | Up/down Wire /1 | | D | 2 | |
| 36 | A50U635500 | Up/down Wire /2 | | D | 2 | |
| 37 | A50U640700 | Sheet | | D | 2 | |
| 38 | A50U642000 | Guide Spacer | | D | 1 | |
| 39 | A50U854600 | Release Gear /1 24T | | C | 1 | |
| 40 | A50U945300 | Regulating Label | | D | 1 | |
| 41 | A50U946300 | Lock Label /2 | | D | 1 | |
| | | | | | | |
| | | | | | | |

Tray 2 Section



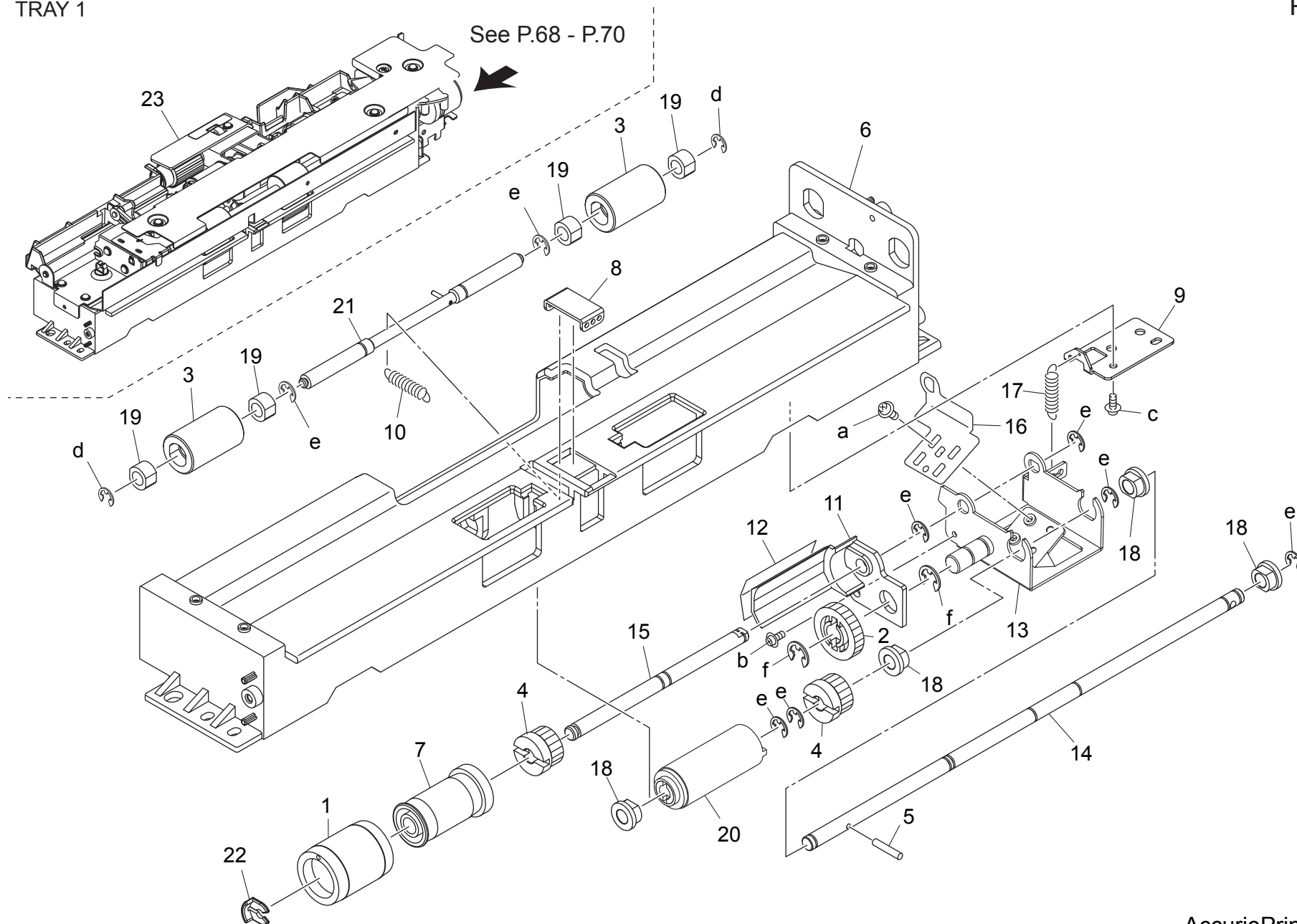
Tray 2 Section

| Key | Part No. | Description | Destinations | Class | QTY | Standard parts |
|-----|------------|-------------------------------|--------------|-------|-----|----------------|
| 1 | 65AA47550 | WIRE ROLLER | | C | 4 | a-V116030503 |
| 2 | 65AA47630 | WIRE GUIDE PART | | C | 4 | b-V121030603 |
| 3 | 65AA47740E | Shaft Mounting Plate | | D | 2 | c-V127030516 |
| 4 | A03U621200 | GUIDE COVER | | C | 1 | d-V127030604 |
| 5 | A03X622101 | REGULATING RACK /1 | | D | 6 | e-V158031003 |
| 6 | A03X622201 | REGULATING RACK /2 | | D | 1 | f-V207030003 |
| 7 | A1DUF62100 | PULLEY FULCRUM PLATE CAULKING | | D | 4 | g-V217060003 |
| 8 | A50U621200 | Slide Guide | | D | 4 | h-V500020098 |
| 9 | A50U624600 | Mounting Plate | | D | 1 | j-V500020099 |
| 10 | A50U624700 | Fixing Cam | | D | 1 | |
| 11 | A50U625100 | Positioning Plate | | D | 2 | |
| 12 | A50U628200 | Shoulder Screw | | D | 8 | |
| 13 | A50U628300 | Cover | | D | 1 | |
| 14 | A50U629401 | Regulating Plate /Rear | | D | 1 | |
| 15 | A50U629502 | Plate spring | | D | 1 | |
| 16 | A50U629702 | Brake Part /Lower | | D | 1 | |
| 17 | A50U629801 | Brake Part | | D | 1 | |
| 18 | A50U640100 | Guide Rail | | D | 1 | |
| 19 | A50U642300 | Mounting Screw | | D | 13 | |
| 20 | A50U946400 | Lock Label /1 | | D | 2 | |
| 21 | A50UN14001 | Paperfeed Wiring /2 | | D | 1 | |
| | | | | | | |
| | | | | | | |
| | | | | | | |
| | | | | | | |
| | | | | | | |
| | | | | | | |
| | | | | | | |
| | | | | | | |
| | | | | | | |
| | | | | | | |
| | | | | | | |

Tray 1 Paper Feed Section

TRAY 1

P 68



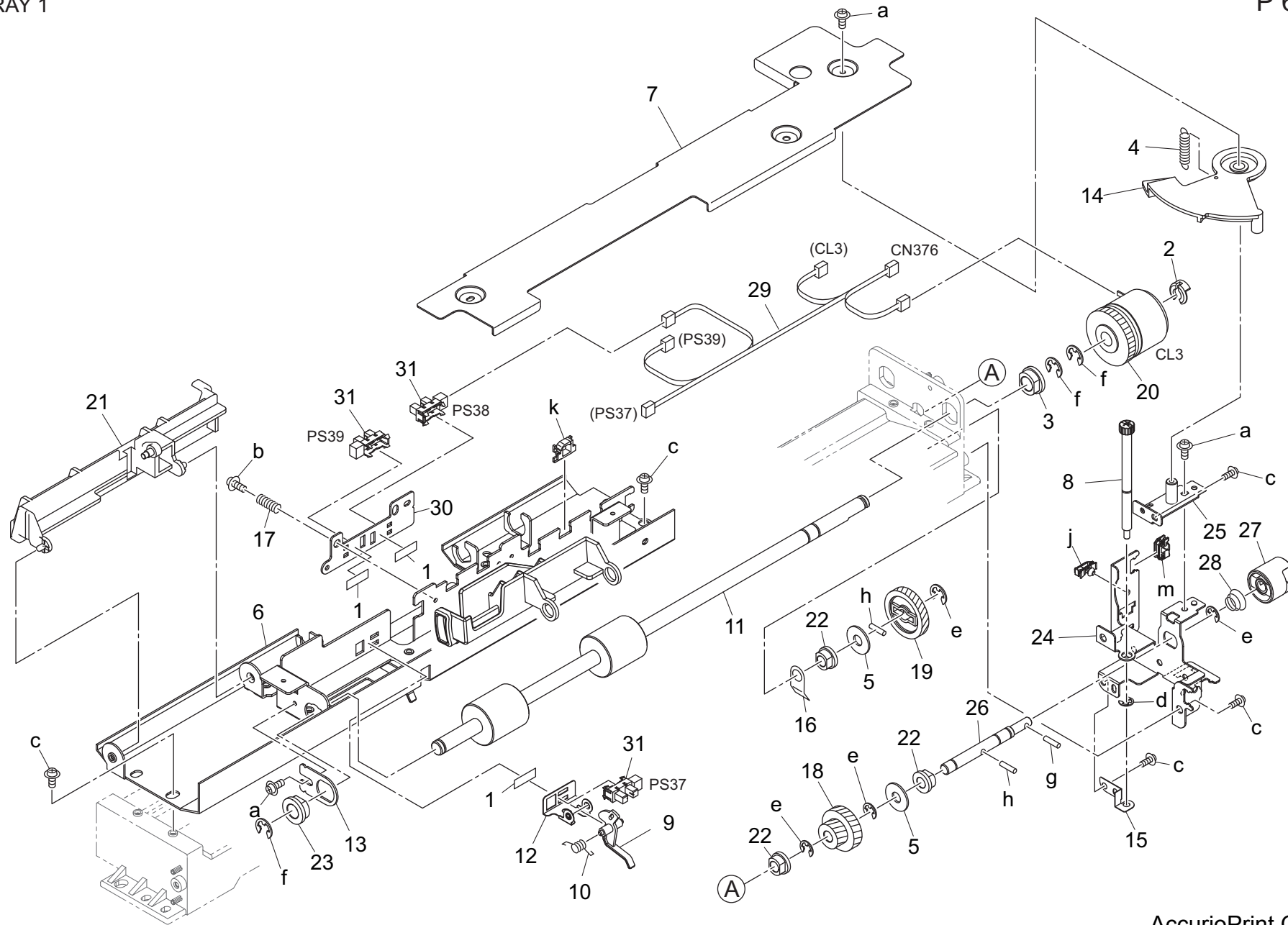
Tray 1 Paper Feed Section

| Key | Part No. | Description | Destinations | Class | QTY | Standard parts |
|-----|------------|---------------------------------|--------------|-------|-----|------------------------------|
| 1 | 25SA40960 | DOUBLE FEED PREVENTION RUBBER | | A | 1 | a-V116030603 |
| 2 | 26NA42061 | BY PASS FEED CONVEYING GEAR 21T | | B | 1 | b-V121030603 |
| 3 | 26NA42560 | By-Pass Idler Roller | | C | 2 | c-V153030803 |
| 4 | 55VA79030 | Paper Feed Reversal Gear /C 14T | | B | 2 | d-V217030003 |
| 5 | 56AA17510 | Pin /B | | C | 1 | e-V217040003 f-V217060003 |
| 6 | 56AA40010E | Paper feed Main body | | C | 1 | |
| 7 | 56AA40360 | Reverse Roller | | C | 1 | |
| 8 | 56AA40430 | SPRING MOUNTING PLATE 1 | | D | 1 | |
| 9 | 56AA40440 | SPRING MOUNTING PLATE 2 | | D | 1 | |
| 10 | 56AA40481 | PAPERFEEDPRESSINGSRING | | C | 1 | |
| 11 | 56AA40530 | ENTRANCE GUIDE PART | | D | 1 | |
| 12 | 56AA40540 | ENTRANCE GUIDE SHEET | | C | 1 | |
| 13 | 56QA40080 | Multi-feed Preventing Plate | | C | 1 | |
| 14 | 56QA40250 | MULTI FEED SUPPORT SHAFT | | D | 1 | |
| 15 | 56QA40270 | MULTI FEED REVERSE SHAFT | | D | 1 | |
| 16 | 56QA40550 | MULTI FEED ADJUSTMENT PLATE | | D | 1 | |
| 17 | 57AA40420 | MULTI FEED PREVENTING SPRING | | C | 1 | |
| 18 | A00J663200 | Bushing | | C | 4 | |
| 19 | A03U850101 | Slide Bushing | | C | 4 | |
| 20 | A03X565611 | Torque Limiter /A | | B | 1 | |
| 21 | A1DUR71K00 | Paper Feed Driven Shaft Assy | | D | 1 | |
| 22 | A1RF620301 | Stopper Collar | | D | 1 | |
| 23 | A85CR70G11 | Paper Feed Assy | | S | 1 | |
| | | | | | | |
| | | | | | | |
| | | | | | | |
| | | | | | | |
| | | | | | | |
| | | | | | | |
| | | | | | | |
| | | | | | | |
| | | | | | | |

Tray 1 Paper Feed Section

TRAY 1

P 69



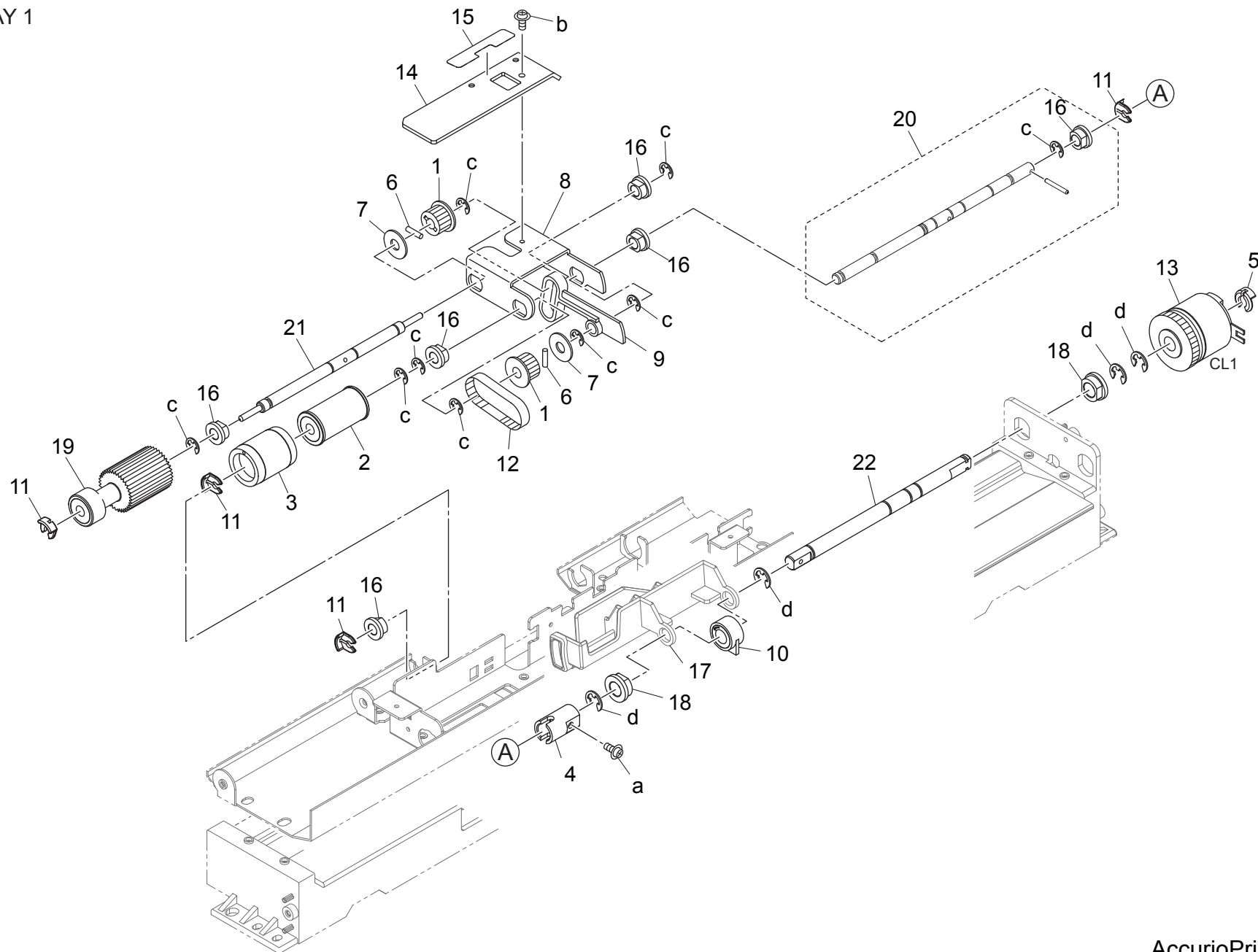
Tray 1 Paper Feed Section

| Key | Part No. | Description | Destinations | Class | QTY | Standard parts |
|-----|------------|-----------------------------------|--------------------|-------|-----|----------------|
| 1 | 4109553001 | Stopper | ストッパー | C | 3 | a-V121030603 |
| 2 | 55VA42120 | Shaft Stopper | 軸ストッパー | C | 1 | b-V127030604 |
| 3 | 55VA75540 | PAPER FEED SHAFT HOLDER B | 給紙軸受 B | B | 1 | c-V153030803 |
| 4 | 56AA17121 | SEPARATE SPRING UPPER | 分離バネ 上 | C | 1 | d-V217030003 |
| 5 | 56AA17760 | COLLAR | カラー | C | 2 | e-V217040003 |
| 6 | 56AA40032E | Paper Feed Guide Plate /Upper | 給紙ガイド板 /上 | C | 1 | f-V217060003 |
| 7 | 56AA40100G | Wiring Protection Cover | 束線保護カバー | D | 1 | g-V234301250 |
| 8 | 56AA40120 | PAPER FEED HOLDING SCREW | 給紙押えネジ | C | 1 | h-V234301450 |
| 9 | 56AA40171 | PAPER FEED DETECTING ACTUATOR | 給紙検知アクチュエータ | C | 1 | j-V500020099 |
| 10 | 56AA40190 | PRESSING SPRING | センサ押圧バネ | C | 1 | k-V570010050 |
| 11 | 56AA40230 | PAPER FEED REGISTRATION ROLLER | 給紙レジストローラ | C | 1 | m-V570010056 |
| 12 | 56AA40310 | MOUNTING PLATE | センサ取付け板 | D | 1 | |
| 13 | 56AA40370 | ADJUSTING PLATE | 調整板 | D | 1 | |
| 14 | 56AA40390 | CAM PLATE | カム板 | C | 1 | |
| 15 | 56AA40470 | SCREW EARTH PLATE | ネジアース板 | C | 1 | |
| 16 | 56AA40500 | SHAFT HOLDER EARTH PLATE | 軸受アース板 | C | 1 | |
| 17 | 56AA40520 | EARTH SPRING | センサアースバネ | C | 1 | |
| 18 | 56AA77720E | Paper Feed Reverse Gear /1 16/22T | 給紙逆転歯車 /1 16 /22 T | C | 1 | |
| 19 | 56AA77730 | PAPER FEED REVERSING GEAR 2 33T | 給紙逆転歯車 2 33 T | C | 1 | |
| 20 | 56AA82012 | Paper Feed Drive Clutch | 給紙駆動クラッチ | B | 1 | |
| 21 | 65AA40010 | Regulating Plate | 規制板 | D | 1 | |
| 22 | A00J663200 | Bushing | すべり軸受 | C | 3 | |
| 23 | A03U812800 | Slide Shaft Holder | すべり軸受 | B | 1 | |
| 24 | A50U560900 | Drive Side plate /1 | 駆動側板 /1 | D | 1 | |
| 25 | A50U561200 | Drive Side plate /Assy | 駆動側板 / A s s y | D | 1 | |
| 26 | A50U562400 | Input Shaft | 入力軸 | D | 1 | |
| 27 | A50U564500 | Paper feed Coupling | 給紙カップリング | D | 1 | |
| 28 | A50U565100 | Pressing Spring | 押圧ばね | D | 1 | |
| 29 | A50UN14201 | Paperfeed Wiring /1 | 給紙束線 /1 | D | 1 | |
| 30 | A85C635400 | Adjusting Plate | 調整板 | D | 1 | |
| 31 | A85CM55500 | Photo Sensor | フォトセンサ | C | 3 | |
| | | | | | | |
| | | | | | | |
| | | | | | | |
| | | | | | | |
| | | | | | | |
| | | | | | | |

Tray 1 Paper Feed Section

TRAY 1

P 70



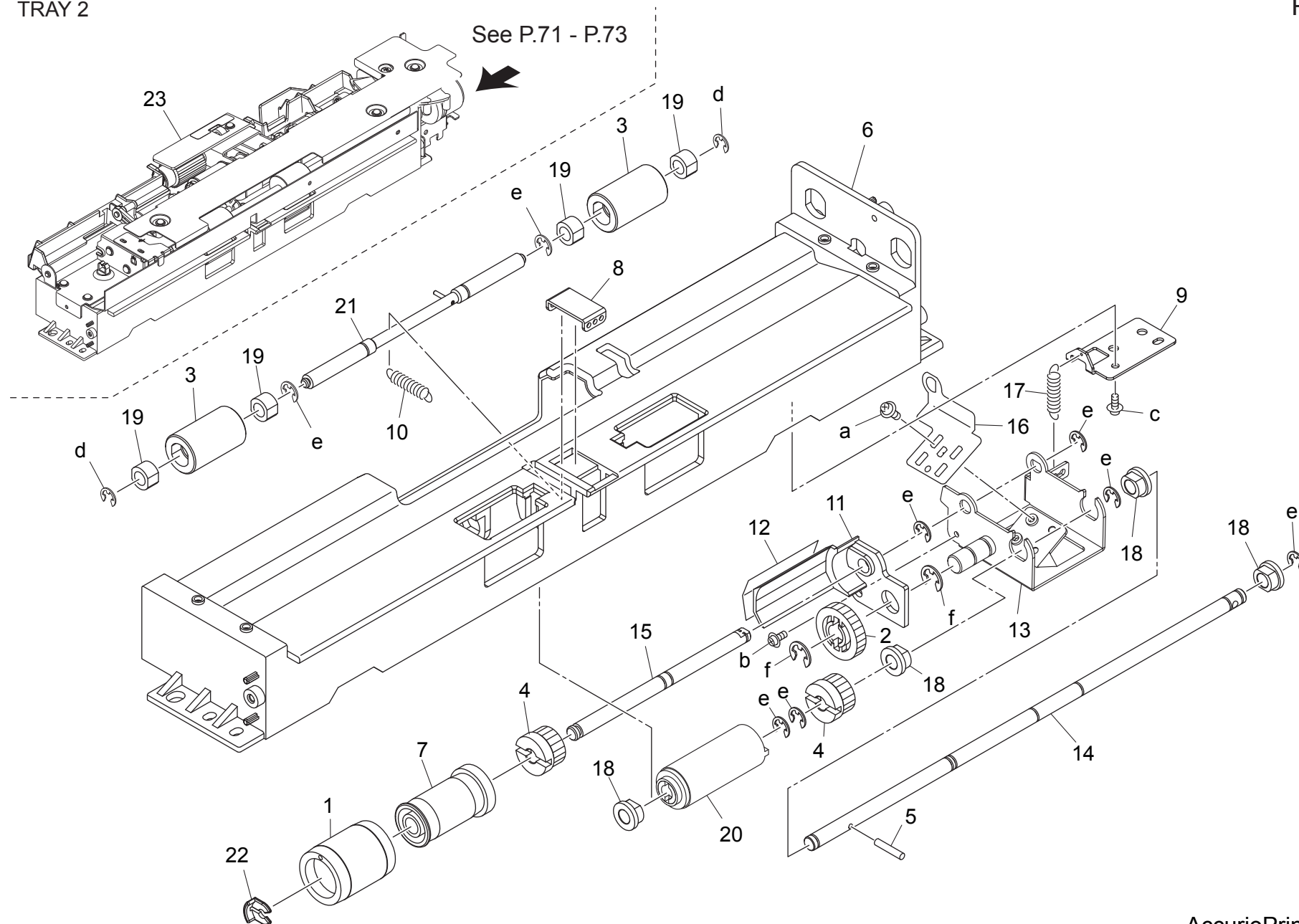
Tray 1 Paper Feed Section

| Key | Part No. | Description | Destinations | Class | QTY | Standard parts |
|-----|------------|-------------------------------|--------------|-------|-----|--|
| 1 | 059076510 | PULLEY 1 15T | | C | 2 | a-V118030603 b-V121030603 c-V217040003 d-V217060003 |
| 2 | 25AA40100 | Feeding Roller /B | | B | 1 | |
| 3 | 25SA40960 | DOUBLE FEED PREVENTION RUBBER | | A | 1 | |
| 4 | 55FA40320 | COUPLING | | C | 1 | |
| 5 | 55VA42120 | Shaft Stopper | | C | 1 | |
| 6 | 56AA17510 | Pin /B | | C | 2 | |
| 7 | 56AA17760 | COLLAR | | C | 2 | |
| 8 | 56AA40070 | Paper feed Swing Plate | | D | 1 | |
| 9 | 56AA40300 | PAPER QUANTITY ACTUATOR | | C | 1 | |
| 10 | 56AA40380 | PAPER FEED REGULATING BLOCK | | B | 1 | |
| 11 | 56AA40490 | SHAFT STOPPER 4 | | C | 4 | |
| 12 | 56AA77590 | PAPER FEED ROCKING BELT 111L | | C | 1 | |
| 13 | 56AA82012 | Paper Feed Drive Clutch | | B | 1 | |
| 14 | 65AA40080E | Paper feed Auxiliary Plate | | D | 1 | |
| 15 | 65GE97400 | GUIDE LABEL /1 | | C | 1 | |
| 16 | A00J663200 | Bushing | | C | 6 | |
| 17 | A03U560500 | Regulating Plate /Rear | | C | 1 | |
| 18 | A03U812800 | Slide Shaft Holder | | B | 2 | |
| 19 | A1DUR71J00 | Paper Feed Oscillate Roller | | B | 1 | |
| 20 | A1DUR75200 | Paper Feed Feeding Shaft Assy | | D | 1 | |
| 21 | A85C635200 | Swing Shaft | | D | 1 | |
| 22 | A85C635300 | Drive Shaft | | D | 1 | |
| | | | | | | |
| | | | | | | |
| | | | | | | |
| | | | | | | |
| | | | | | | |
| | | | | | | |
| | | | | | | |
| | | | | | | |
| | | | | | | |
| | | | | | | |
| | | | | | | |
| | | | | | | |

Tray 2 Paper Feed Section

TRAY 2

P 71



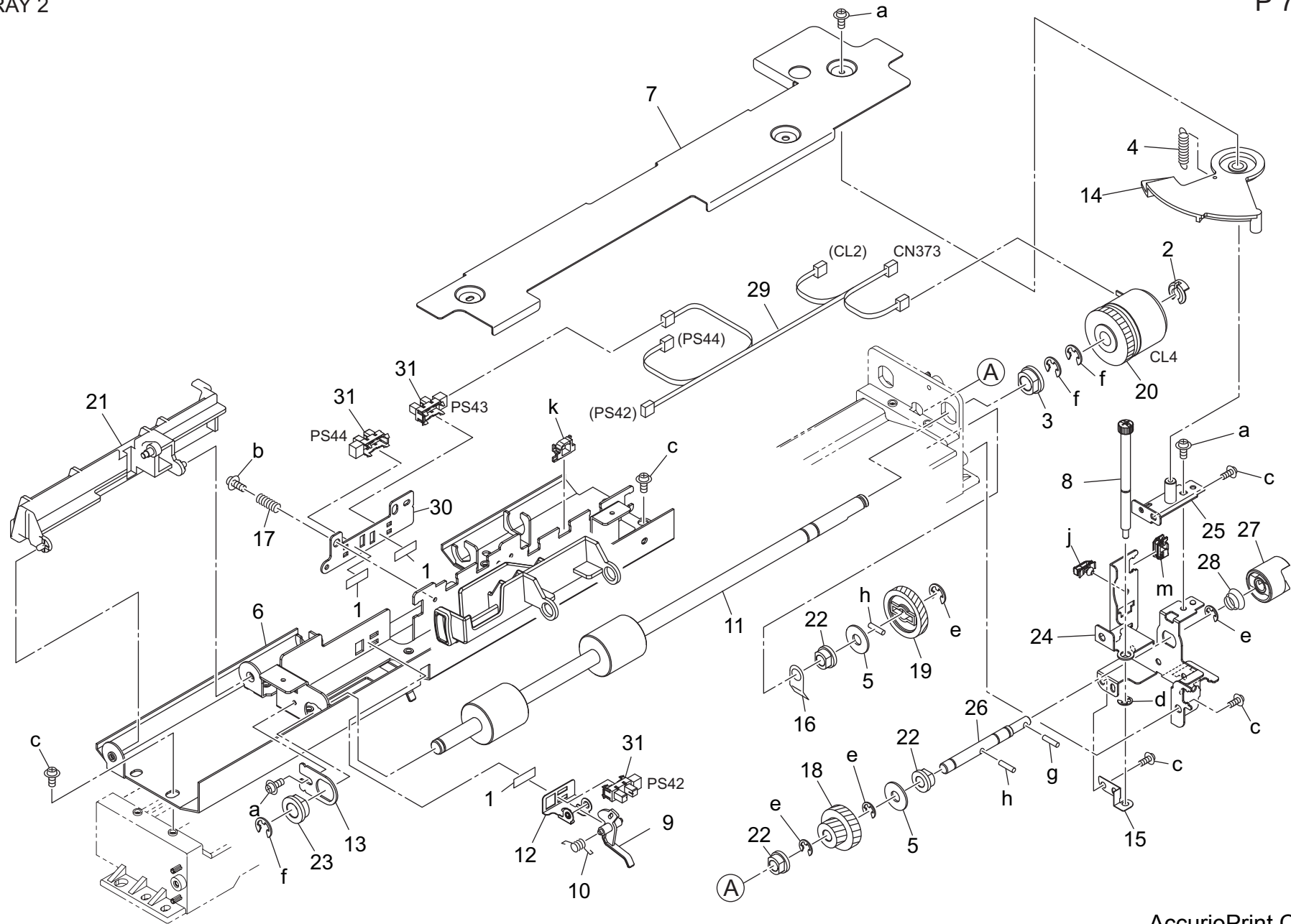
Tray 2 Paper Feed Section

| Key | Part No. | Description | Destinations | Class | QTY | Standard parts |
|-----|------------|---------------------------------|-----------------|-------|-----|--|
| 1 | 25SA40960 | DOUBLE FEED PREVENTION RUBBER | 重送防止ゴム | A | 1 | a-V116030603 b-V121030603 c-V153030803 d-V217030003 e-V217040003 f-V217060003 |
| 2 | 26NA42061 | BY PASS FEED CONVEYING GEAR 21T | 手差し搬送ギア 21 T | B | 1 | |
| 3 | 26NA42560 | By-Pass Idler Roller | 手差し従動ローラー | C | 2 | |
| 4 | 55VA79030 | Paper Feed Reversal Gear /C 14T | 給紙逆転歯車 / C 14 T | B | 2 | |
| 5 | 56AA17510 | Pin /B | ピン / B | C | 1 | |
| 6 | 56AA40010E | Paper feed Main body | 給紙 本体 | C | 1 | |
| 7 | 56AA40360 | Reverse Roller | 逆転ローラー | C | 1 | |
| 8 | 56AA40430 | SPRING MOUNTING PLATE 1 | バネ取り 付け板 /1 | D | 1 | |
| 9 | 56AA40440 | SPRING MOUNTING PLATE 2 | バネ取り 付け板 /2 | D | 1 | |
| 10 | 56AA40481 | PAPERFEEDPRESSINGSRING | 給紙押圧バネ | C | 1 | |
| 11 | 56AA40530 | ENTRANCE GUIDE PART | 入口ガイド 部材 | D | 1 | |
| 12 | 56AA40540 | ENTRANCE GUIDE SHEET | 入口ガイドシート | C | 1 | |
| 13 | 56QA40080 | Multi-feed Preventing Plate | 重送防止板 | C | 1 | |
| 14 | 56QA40250 | MULTI FEED SUPPORT SHAFT | 重送支点軸 | D | 1 | |
| 15 | 56QA40270 | MULTI FEED REVERSE SHAFT | 重送逆転軸 | D | 1 | |
| 16 | 56QA40550 | MULTI FEED ADJUSTMENT PLATE | 重送調整板 | D | 1 | |
| 17 | 57AA40420 | MULTI FEED PREVENTING SPRING | 重送防止バネ | C | 1 | |
| 18 | A00J663200 | Bushing | すべり軸受 | C | 4 | |
| 19 | A03U850101 | Slide Bushing | すべり軸受 | C | 4 | |
| 20 | A03X565611 | Torque Limiter /A | トルクリミッター / A | B | 1 | |
| 21 | A1DUR71K00 | Paper Feed Driven Shaft Assy | 給紙従動軸部組 | D | 1 | |
| 22 | A1RF620301 | Stopper Collar | ストップパカラー | D | 1 | |
| 23 | A85CR70G11 | Paper Feed Assy | 給紙 Assy | S | 1 | |
| | | | | | | |
| | | | | | | |
| | | | | | | |
| | | | | | | |
| | | | | | | |
| | | | | | | |
| | | | | | | |
| | | | | | | |
| | | | | | | |
| | | | | | | |
| | | | | | | |

Tray 2 Paper Feed Section

TRAY 2

P 72



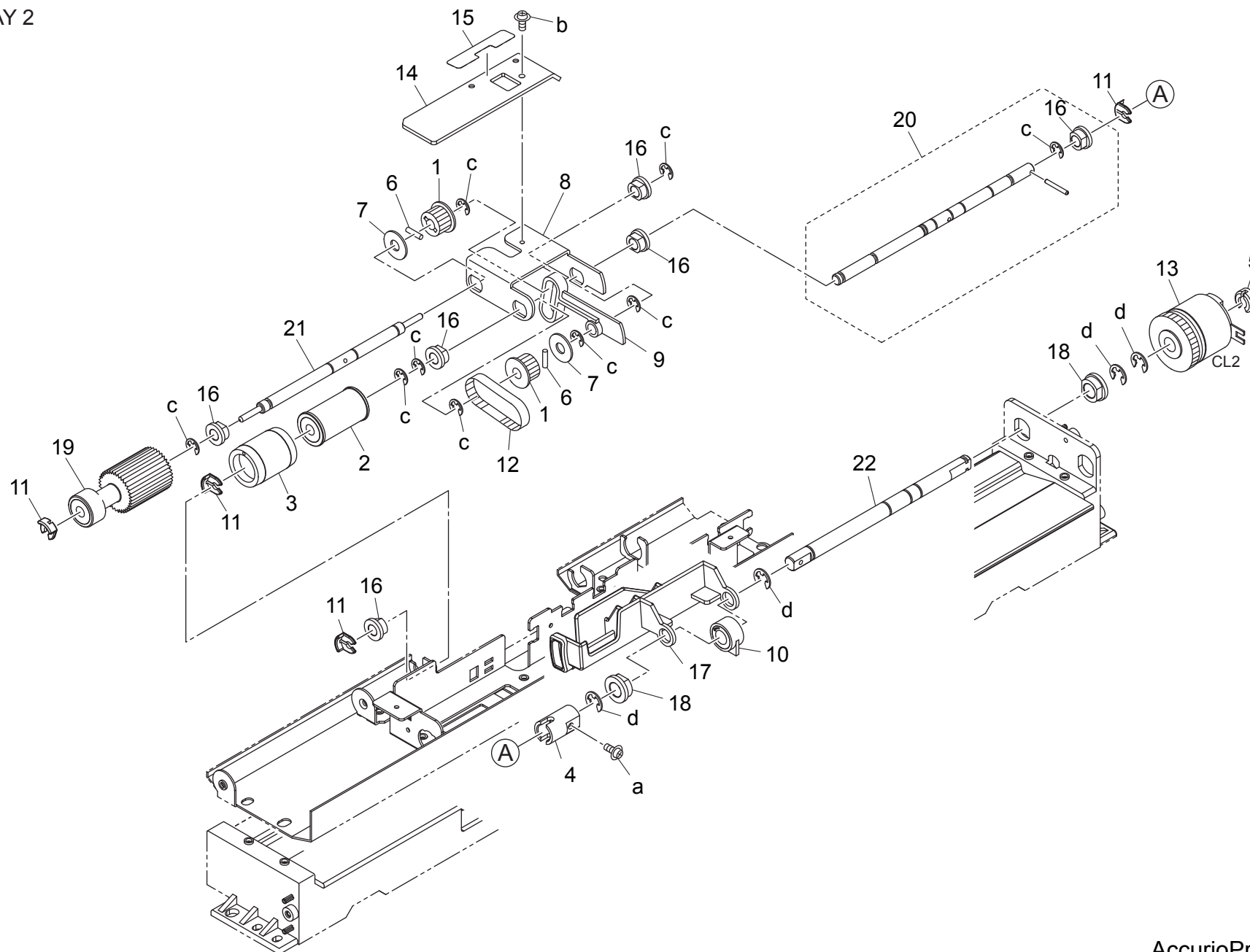
Tray 2 Paper Feed Section

| Key | Part No. | Description | Destinations | Class | QTY | Standard parts |
|-----|------------|-----------------------------------|--------------------|-------|-----|----------------|
| 1 | 4109553001 | Stopper | ストッパー | C | 3 | a-V121030603 |
| 2 | 55VA42120 | Shaft Stopper | 軸ストッパー | C | 1 | b-V127030604 |
| 3 | 55VA75540 | PAPER FEED SHAFT HOLDER B | 給紙軸受 B | B | 1 | c-V153030803 |
| 4 | 56AA17121 | SEPARATE SPRING UPPER | 分離バネ 上 | C | 1 | d-V217030003 |
| 5 | 56AA17760 | COLLAR | カラー | C | 2 | e-V217040003 |
| 6 | 56AA40032E | Paper Feed Guide Plate /Upper | 給紙ガイド板 /上 | C | 1 | f-V217060003 |
| 7 | 56AA40100G | Wiring Protection Cover | 束線保護カバー | D | 1 | g-V234301250 |
| 8 | 56AA40120 | PAPER FEED HOLDING SCREW | 給紙押えネジ | C | 1 | h-V234301450 |
| 9 | 56AA40171 | PAPER FEED DETECTING ACTUATOR | 給紙検知アクチュエータ | C | 1 | j-V500020099 |
| 10 | 56AA40190 | PRESSING SPRING | センサ押圧バネ | C | 1 | k-V570010050 |
| 11 | 56AA40230 | PAPER FEED REGISTRATION ROLLER | 給紙レジストローラ | C | 1 | m-V570010056 |
| 12 | 56AA40310 | MOUNTING PLATE | センサ取付け板 | D | 1 | |
| 13 | 56AA40370 | ADJUSTING PLATE | 調整板 | D | 1 | |
| 14 | 56AA40390 | CAM PLATE | カム板 | C | 1 | |
| 15 | 56AA40470 | SCREW EARTH PLATE | ネジアース板 | C | 1 | |
| 16 | 56AA40500 | SHAFT HOLDER EARTH PLATE | 軸受アース板 | C | 1 | |
| 17 | 56AA40520 | EARTH SPRING | センサアースバネ | C | 1 | |
| 18 | 56AA77720E | Paper Feed Reverse Gear /1 16/22T | 給紙逆転歯車 /1 16 /22 T | C | 1 | |
| 19 | 56AA77730 | PAPER FEED REVERSING GEAR 2 33T | 給紙逆転歯車 2 33 T | C | 1 | |
| 20 | 56AA82012 | Paper Feed Drive Clutch | 給紙駆動クラッチ | B | 1 | |
| 21 | 65AA40010 | Regulating Plate | 規制板 | D | 1 | |
| 22 | A00J663200 | Bushing | すべり軸受 | C | 3 | |
| 23 | A03U812800 | Slide Shaft Holder | すべり軸受 | B | 1 | |
| 24 | A50U560900 | Drive Side plate /1 | 駆動側板 /1 | D | 1 | |
| 25 | A50U561200 | Drive Side plate /Assy | 駆動側板 / A s s y | D | 1 | |
| 26 | A50U562400 | Input Shaft | 入力軸 | D | 1 | |
| 27 | A50U564500 | Paper feed Coupling | 給紙カップリング | D | 1 | |
| 28 | A50U565100 | Pressing Spring | 押圧ばね | D | 1 | |
| 29 | A50UN14201 | Paperfeed Wiring /1 | 給紙束線 /1 | D | 1 | |
| 30 | A85C635400 | Adjusting Plate | 調整板 | D | 1 | |
| 31 | A85CM55500 | Photo Sensor | フォトセンサ | C | 3 | |
| | | | | | | |
| | | | | | | |
| | | | | | | |
| | | | | | | |
| | | | | | | |
| | | | | | | |

Tray 2 Paper Feed Section

TRAY 2

P 73

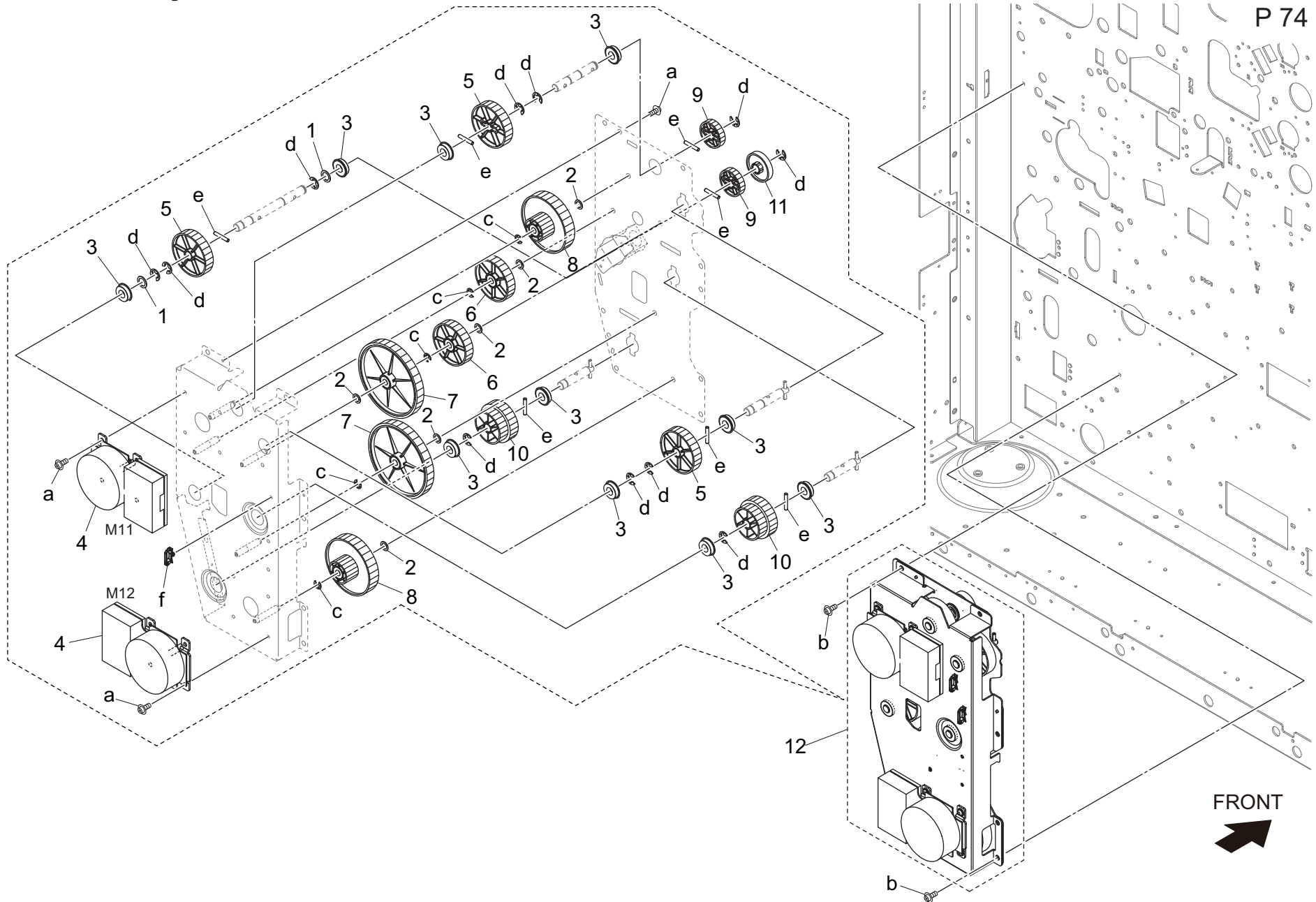


Tray 2 Paper Feed Section

| Key | Part No. | Description | Destinations | Class | QTY | Standard parts |
|-----|------------|-------------------------------|--------------|-------|-----|--|
| 1 | 059076510 | PULLEY 1 15T | | C | 2 | a-V118030603 b-V121030603 c-V217040003 d-V217060003 |
| 2 | 25AA40100 | Feeding Roller /B | | B | 1 | |
| 3 | 25SA40960 | DOUBLE FEED PREVENTION RUBBER | | A | 1 | |
| 4 | 55FA40320 | COUPLING | | C | 1 | |
| 5 | 55VA42120 | Shaft Stopper | | C | 1 | |
| 6 | 56AA17510 | Pin /B | | C | 2 | |
| 7 | 56AA17760 | COLLAR | | C | 2 | |
| 8 | 56AA40070 | Paper feed Swing Plate | | D | 1 | |
| 9 | 56AA40300 | PAPER QUANTITY ACTUATOR | | C | 1 | |
| 10 | 56AA40380 | PAPER FEED REGULATING BLOCK | | B | 1 | |
| 11 | 56AA40490 | SHAFT STOPPER 4 | | C | 4 | |
| 12 | 56AA77590 | PAPER FEED ROCKING BELT 111L | | C | 1 | |
| 13 | 56AA82012 | Paper Feed Drive Clutch | | B | 1 | |
| 14 | 65AA40080E | Paper feed Auxiliary Plate | | D | 1 | |
| 15 | 65GE97400 | GUIDE LABEL /1 | | C | 1 | |
| 16 | A00J663200 | Bushing | | C | 6 | |
| 17 | A03U560500 | Regulating Plate /Rear | | C | 1 | |
| 18 | A03U812800 | Slide Shaft Holder | | B | 2 | |
| 19 | A1DUR71J00 | Paper Feed Oscillate Roller | | B | 1 | |
| 20 | A1DUR75200 | Paper Feed Feeding Shaft Assy | | D | 1 | |
| 21 | A85C635200 | Swing Shaft | | D | 1 | |
| 22 | A85C635300 | Drive Shaft | | D | 1 | |
| | | | | | | |
| | | | | | | |
| | | | | | | |
| | | | | | | |
| | | | | | | |
| | | | | | | |
| | | | | | | |
| | | | | | | |
| | | | | | | |

Paper Feed Driving Section

P 74

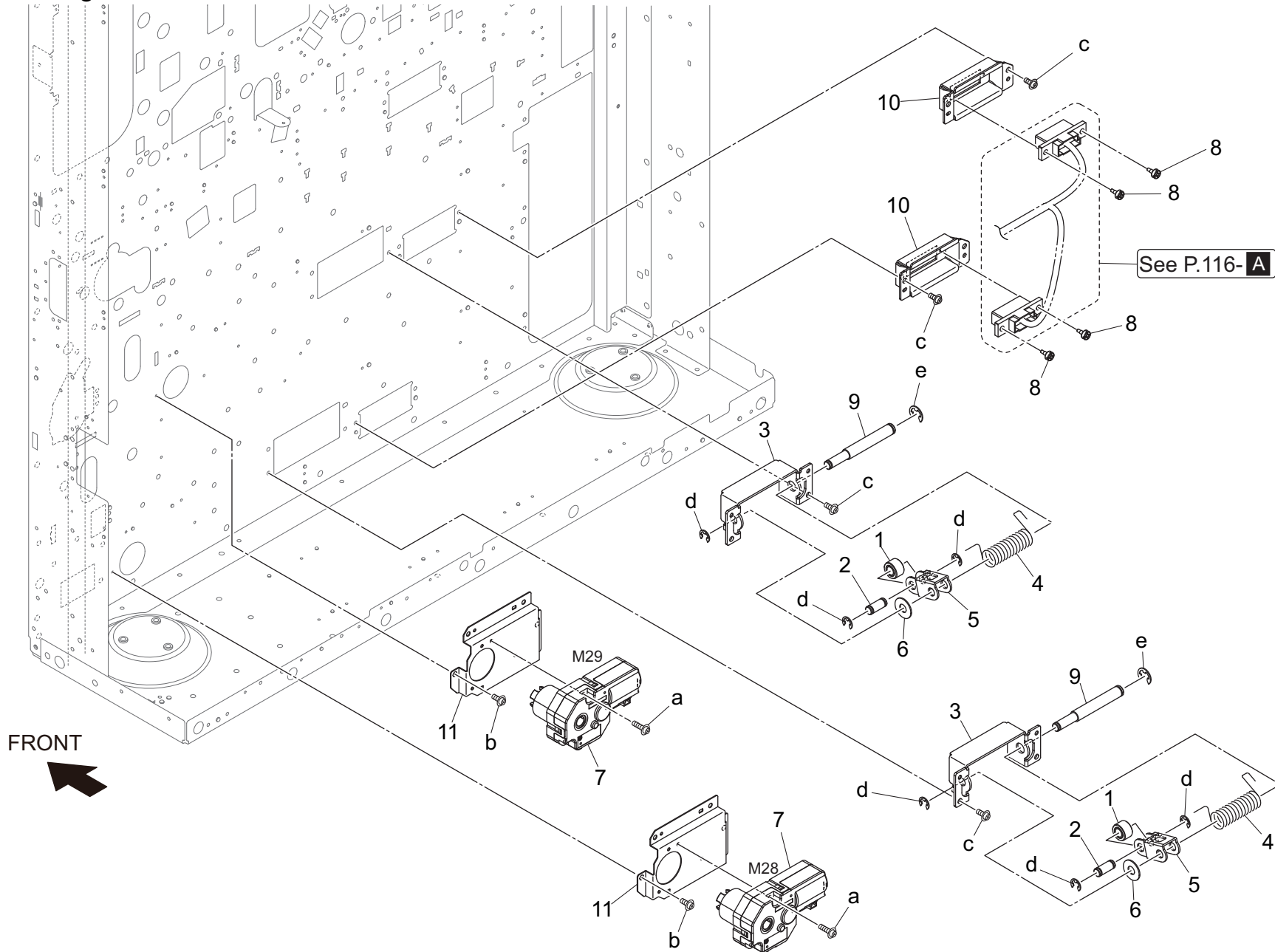


FRONT
➔

AccurioPrint C3070L

| Key | Part No. | Description | Destinations | Class | QTY | Standard parts |
|-----|------------|---------------------------|--------------|-------|-----|--|
| 1 | 12QV40650 | Spacer | | B | 2 | a-V121030403 b-V127030604 c-V217040003 d-V217060003 e-V234301850 f-V500020100 |
| 2 | 40AA32320 | Toner Supply Spacer | | C | 6 | |
| 3 | A00V240600 | Ball Bearing | | B | 10 | |
| 4 | A2XKM10300 | Brushless motor | | I | 2 | |
| 5 | A50U252100 | Paper feed Gear /1 46T | | C | 3 | |
| 6 | A50U252300 | Paper feed Gear /3 45T | | C | 2 | |
| 7 | A50U252400 | Paper feed Gear /4 74T | | C | 2 | |
| 8 | A50U252500 | Paper feed Gear /5 47/60T | | C | 2 | |
| 9 | A50U252600 | Paper feed Gear /6 29T | | C | 2 | |
| 10 | A50U252700 | Paper feed Gear /2 35/41T | | C | 2 | |
| 11 | A50U252800 | Stopper Roll | | D | 1 | |
| 12 | A50UR70S11 | Paper Feed Drive Assy | | S | 1 | |
| | | | | | | |
| | | | | | | |
| | | | | | | |
| | | | | | | |
| | | | | | | |
| | | | | | | |
| | | | | | | |
| | | | | | | |
| | | | | | | |

Tray Driving Section

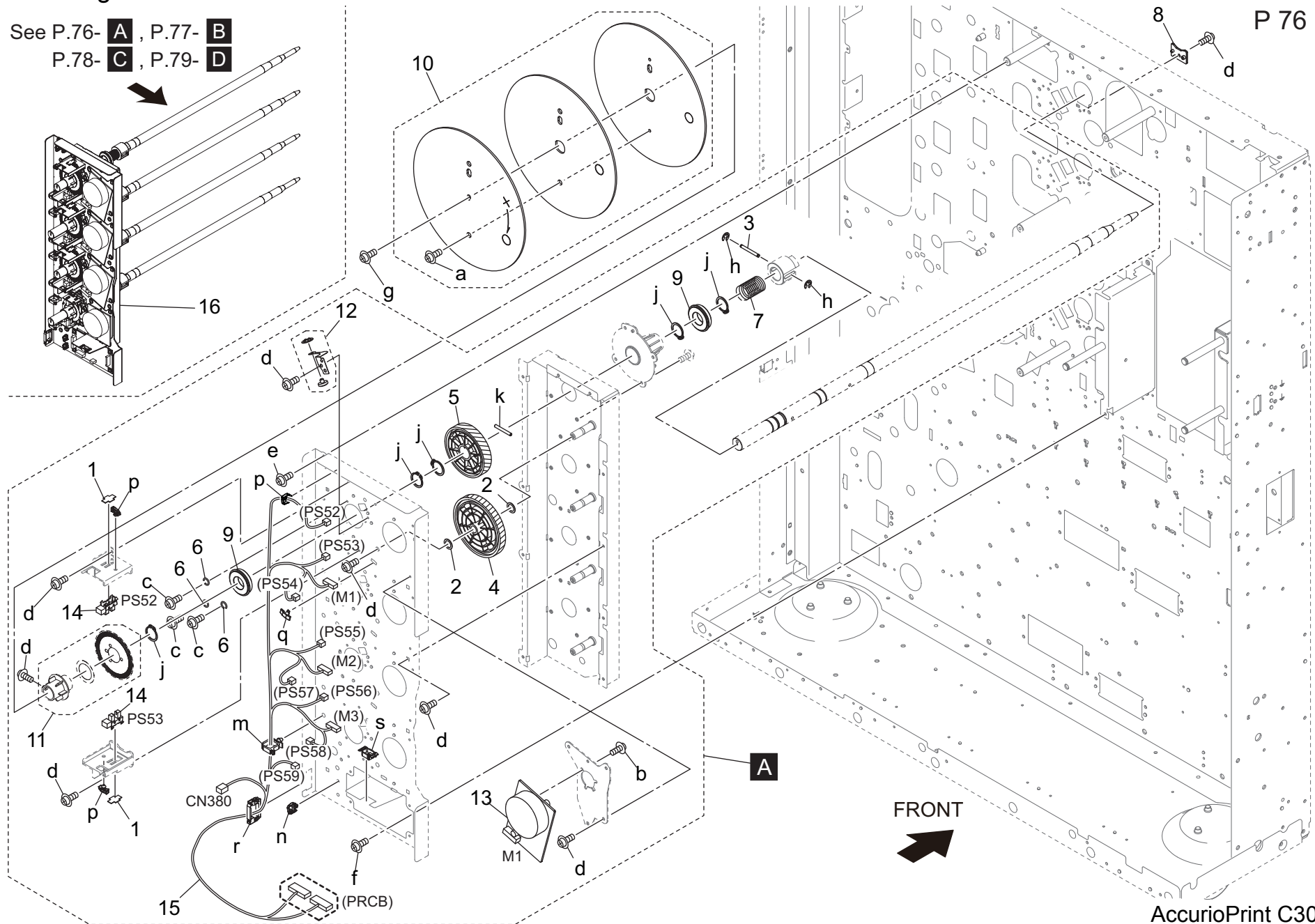


Tray Driving Section

| Key | Part No. | Description | Destinations | Class | QTY | Standard parts |
|-----|------------|------------------------|--------------|-------|-----|--|
| 1 | 067642581 | TRAY LOCK PULLEY | | C | 2 | a-V118032003 b-V127030604 c-V146040804 d-V217060003 e-V217080003 |
| 2 | 65AA47360 | CASSETTE LOCKING SHAFT | | D | 2 | |
| 3 | 65AA47370 | FULCRUM PLATE | | D | 2 | |
| 4 | 65AA47390 | GUIDE SPRING | | C | 2 | |
| 5 | 65AA47710 | LOCKING PLATE | | D | 2 | |
| 6 | 65AA47970 | SPACER | | C | 2 | |
| 7 | A2X0M12101 | Brush motor | | B | 2 | |
| 8 | A50U109201 | Mounting Screw | | D | 4 | |
| 9 | A50U109300 | Support Shaft | | D | 2 | |
| 10 | A50U112901 | Mounting Tray | | D | 2 | |
| 11 | A50U629100 | Mounting Plate | | D | 2 | |
| | | | | | | |
| | | | | | | |
| | | | | | | |
| | | | | | | |
| | | | | | | |
| | | | | | | |
| | | | | | | |
| | | | | | | |
| | | | | | | |

Drum Driving Section

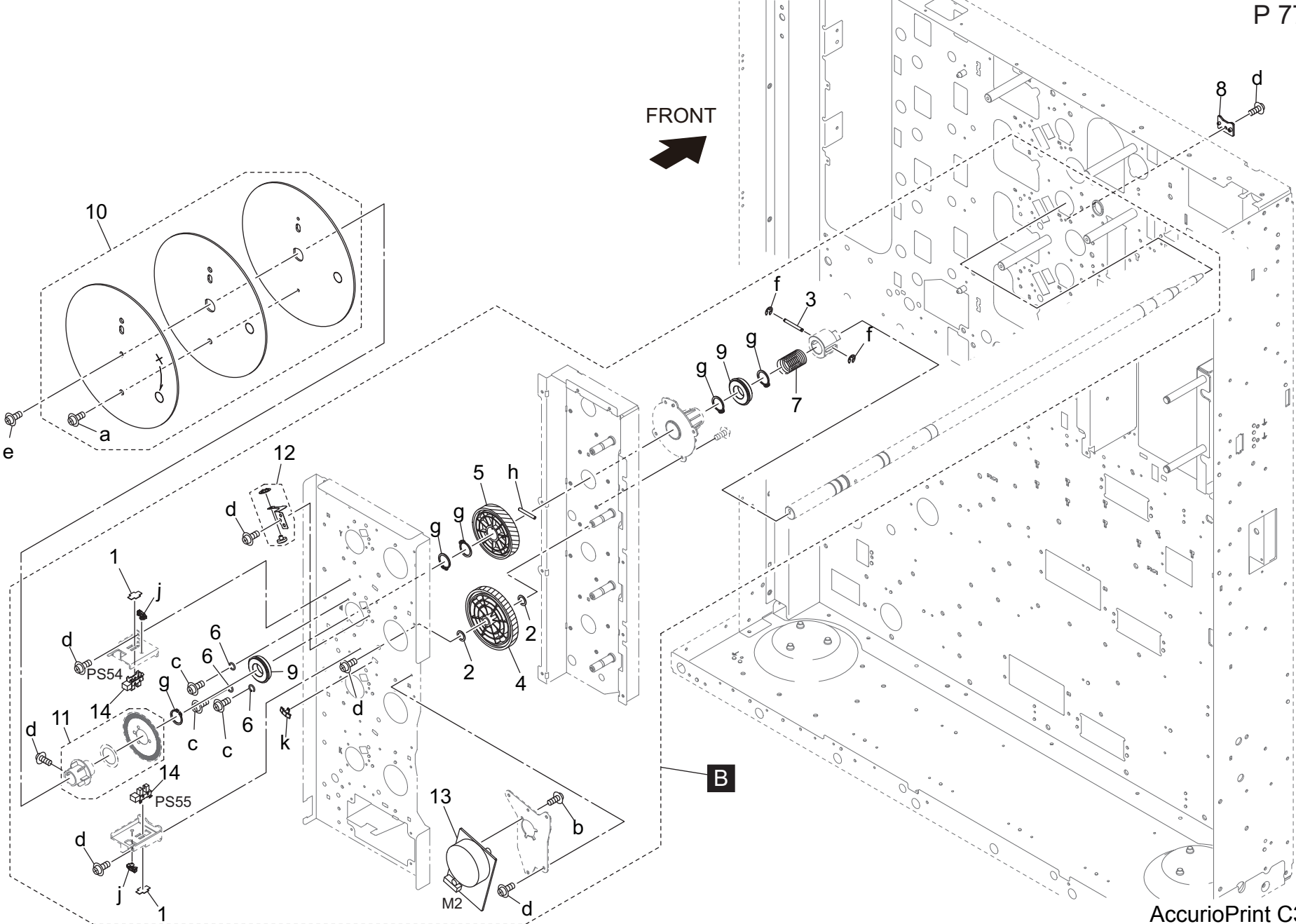
See P.76- **A** , P.77- **B**
 P.78- **C** , P.79- **D**



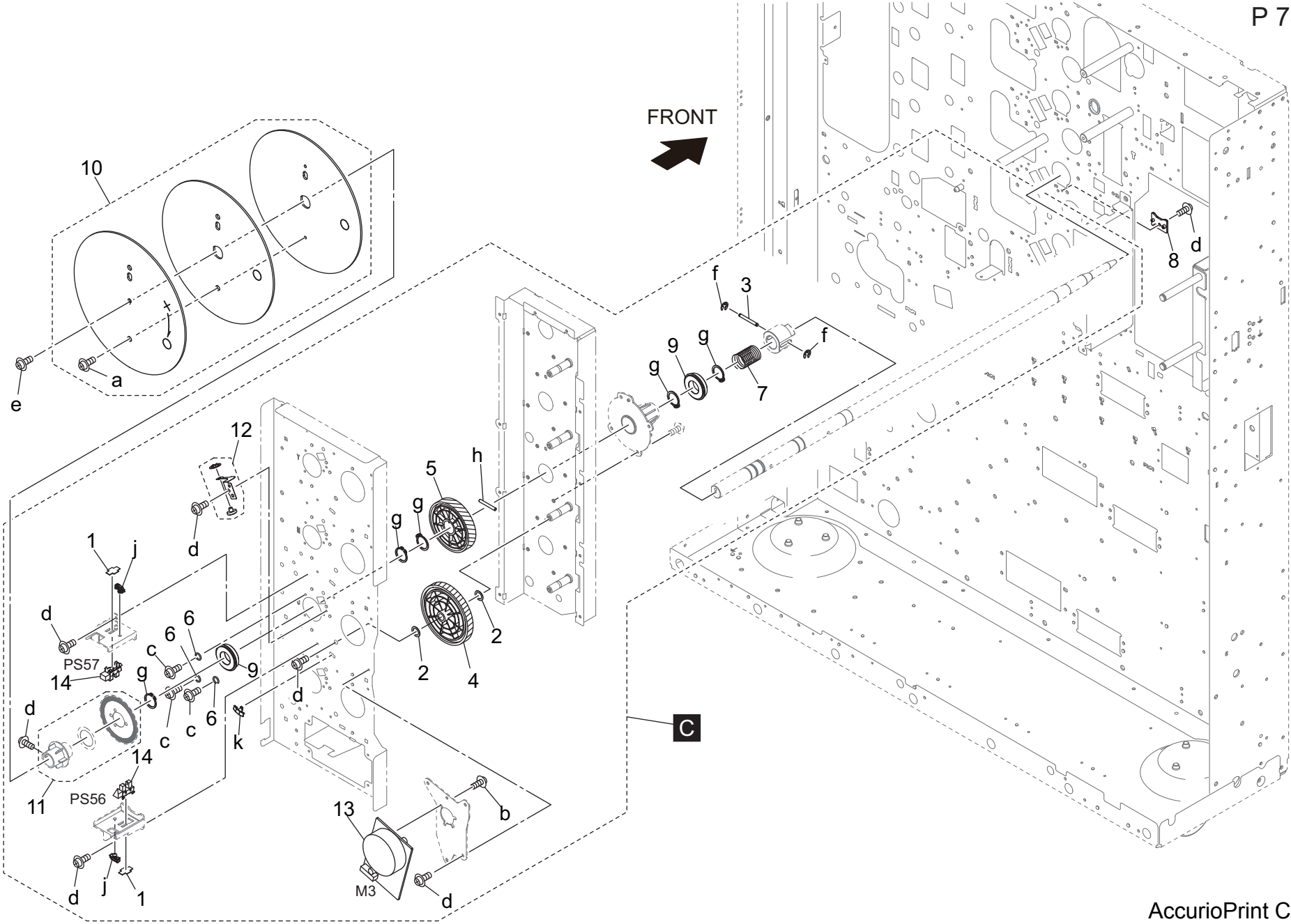
AccurioPrint C3070L

Drum Driving Section

P 77

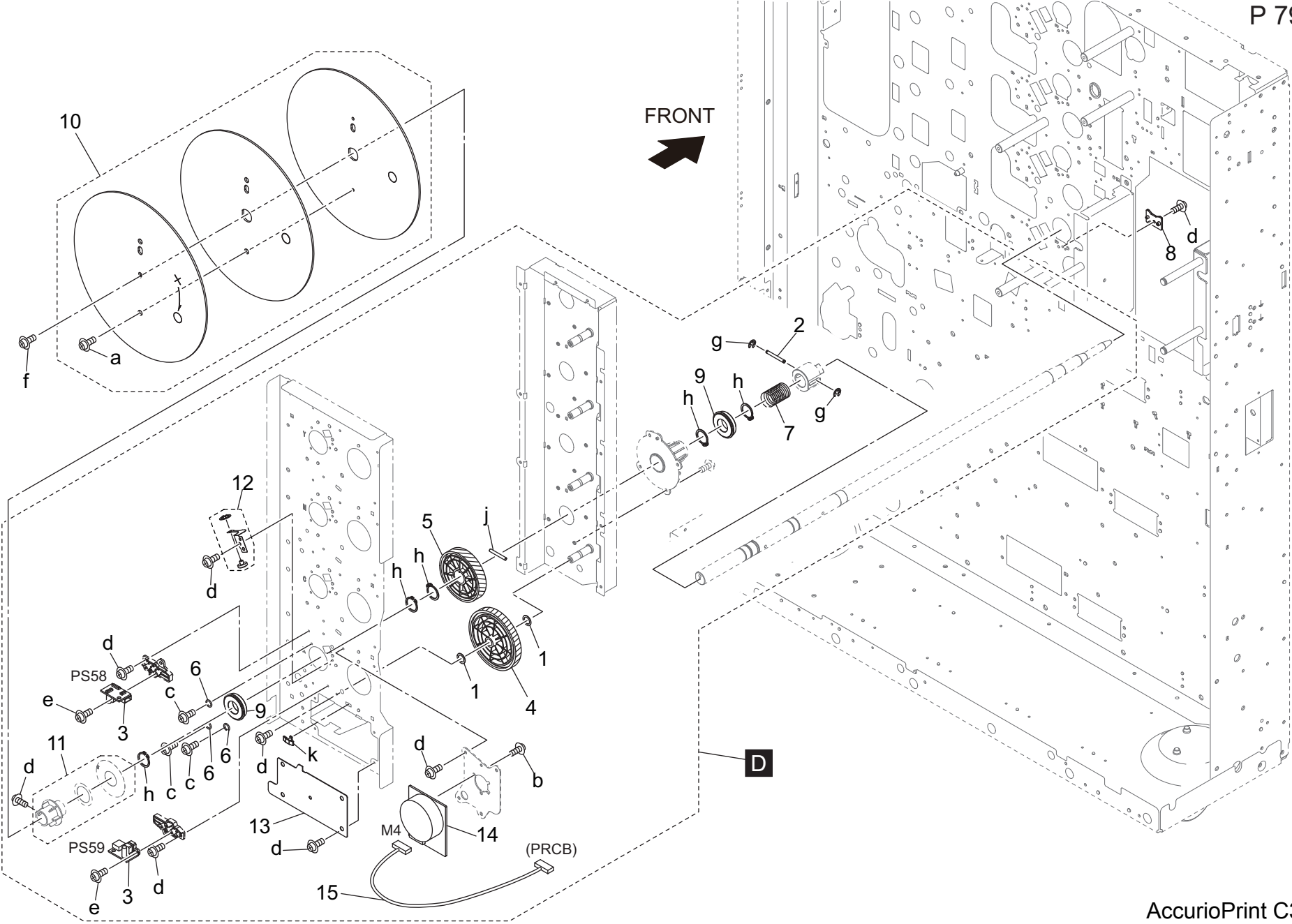


Drum Driving Section



Drum Driving Section

P 79

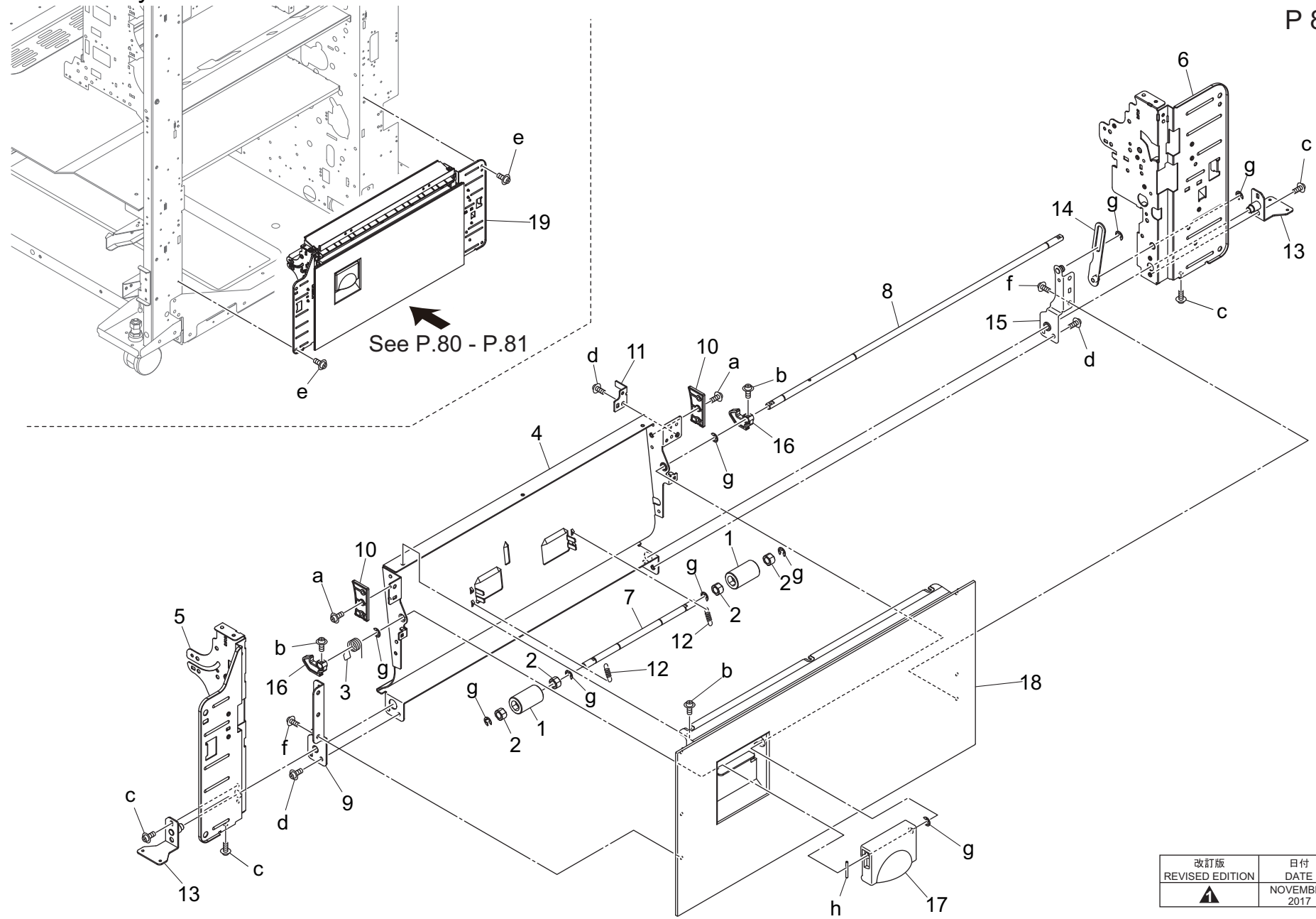


Drum Driving Section

| Key | Part No. | Description | Destinations | Class | QTY | Standard parts |
|-----|------------|--------------------------|--------------|-------|-----|----------------|
| 1 | 12QV40650 | Spacer | | B | 2 | a-V116040803 |
| 2 | 65AA15210 | COUPLING PIN | | D | 1 | b-V118030403 |
| 3 | 65AA-9091E | Sensor Board Assy | | B | 2 | c-V118030603 |
| 4 | A03U259600 | Idling Gear 46/132T | | C | 1 | d-V127030604 |
| 5 | A03U259900 | DRIVE GEAR 92T | | C | 1 | e-V149020603 |
| 6 | A1RF214100 | Set Washer /1 | | D | 3 | f-V185041003 |
| 7 | A50U210600 | Pressing Spring | | D | 1 | g-V217020003 |
| 8 | A50U212100 | Slide Part | | D | 1 | h-V223150004 |
| 9 | A50U212600 | Ball Bearing /15 | | D | 1 | j-V234302550 |
| 10 | A50UR70Q00 | Drum Drive Fly Wheel / K | | C | 2 | k-V500020103 |
| 11 | A50UR71M00 | Encoder / K | | D | 1 | |
| 12 | A50UR72X01 | Drum Ground Assy | | D | 1 | |
| 13 | A85C213100 | Drive Frame /3 | | D | 1 | |
| 14 | A85CM10100 | DC Brushless motor | | D | 1 | |
| 15 | A85CN19100 | Drive Wiring /K | | C | 1 | |
| | | | | | | |
| | | | | | | |
| | | | | | | |
| | | | | | | |
| | | | | | | |
| | | | | | | |
| | | | | | | |
| | | | | | | |
| | | | | | | |
| | | | | | | |

Vertical Conveyance Section

P 80



See P.80 - P.81

| | |
|------------------------|------------------|
| 改訂版 REVISED EDITION | 日付 DATE |
| ▲ | NOVEMBER 2017 |

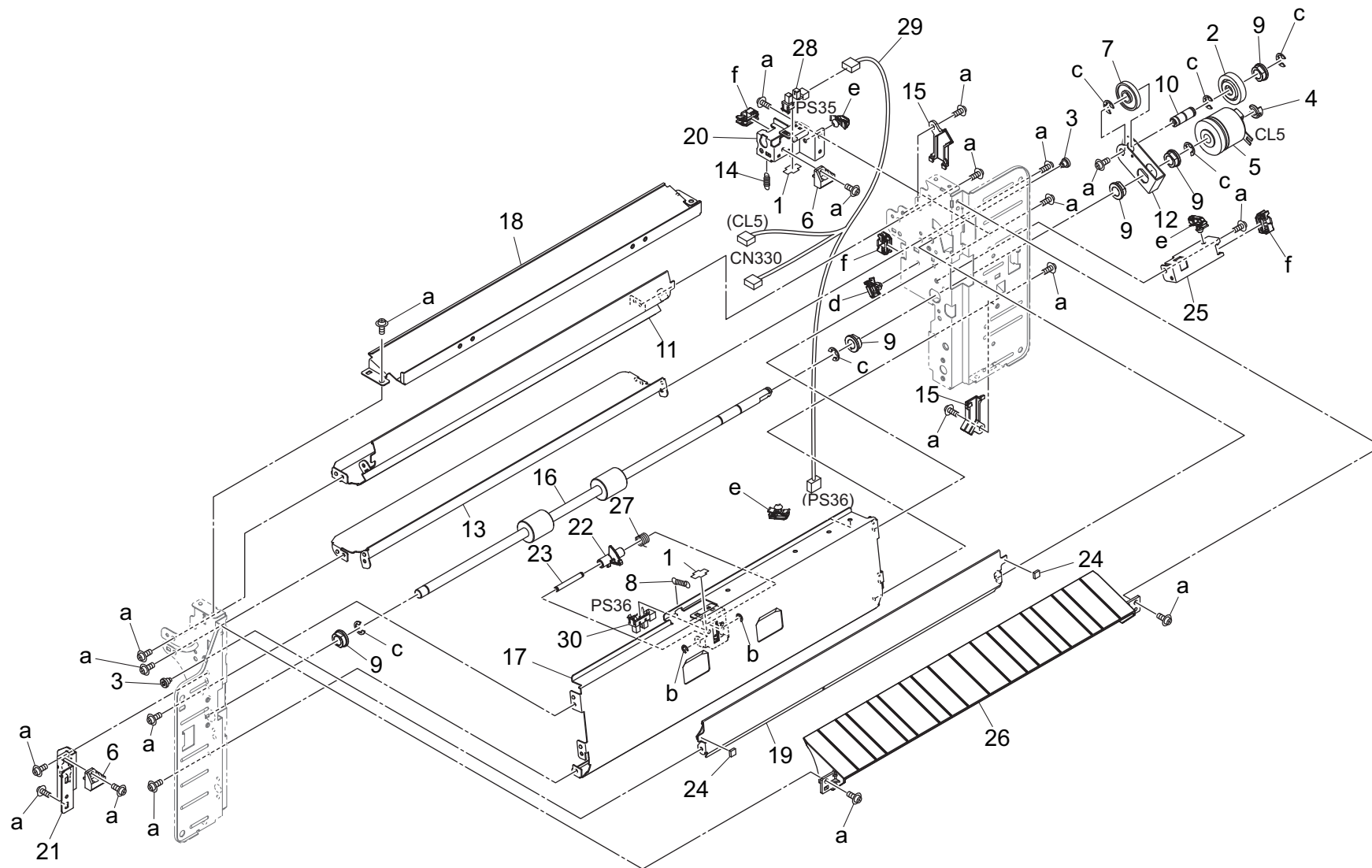
AccurioPrint C3070L

Vertical Conveyance Section

| Key | Part No. | Description | Destinations | Class | QTY | Standard parts |
|-----|------------|----------------------------|--------------|-------|-----|--|
| 1 | 26NA42560 | By-Pass Idler Roller | | C | 2 | a-V112030603 b-V118030603 c-V121030403 d-V127030604 e-V127040603 f-V158030803 g-V217040003 h-V234201850 |
| 2 | A03U850101 | Slide Bushing | | C | 4 | |
| 3 | A1RF701700 | Lock Spring /Front | | D | 1 | |
| 4 | A50U700101 | Guide Plate /Outside | | D | 1 | |
| 5 | A50U700901 | Side plate /1 | | D | 1 | |
| 6 | A50U701113 | Side plate /2 | | D | 1 | |
| 7 | A50U705100 | Idler Shaft | | D | 1 | |
| 8 | A50U705200 | Open/close Shaft | | D | 1 | |
| 9 | A50U705701 | Support Plate /3 | | D | 1 | |
| 10 | A50U706000 | Regulating Plate /Front | | D | 2 | |
| 11 | A50U706900 | Detecting Plate | | D | 1 | |
| 12 | A50U707600 | Idler Spring | | D | 2 | |
| 13 | A50UF70800 | Support Plate / 1 Caulking | | D | 2 | |
| 14 | A50UF70900 | Connecting Plate Caulking | | D | 1 | |
| 15 | A50UR73100 | Support Plate /2 Caulking | | D | 1 | |
| 16 | A55C712000 | Lock Claw | | D | 2 | |
| 17 | A9VE700200 | Conveyance Handle | | D | 1 | |
| 18 | A9VE701300 | Cover Door | | D | 1 | |
| 19 | A9VER70800 | Vertical Conveyance Assy | | S | 1 | |
| | | | | | | |
| | | | | | | |
| | | | | | | |
| | | | | | | |
| | | | | | | |
| | | | | | | |
| | | | | | | |
| | | | | | | |
| | | | | | | |

Vertical Conveyance Section

P 81

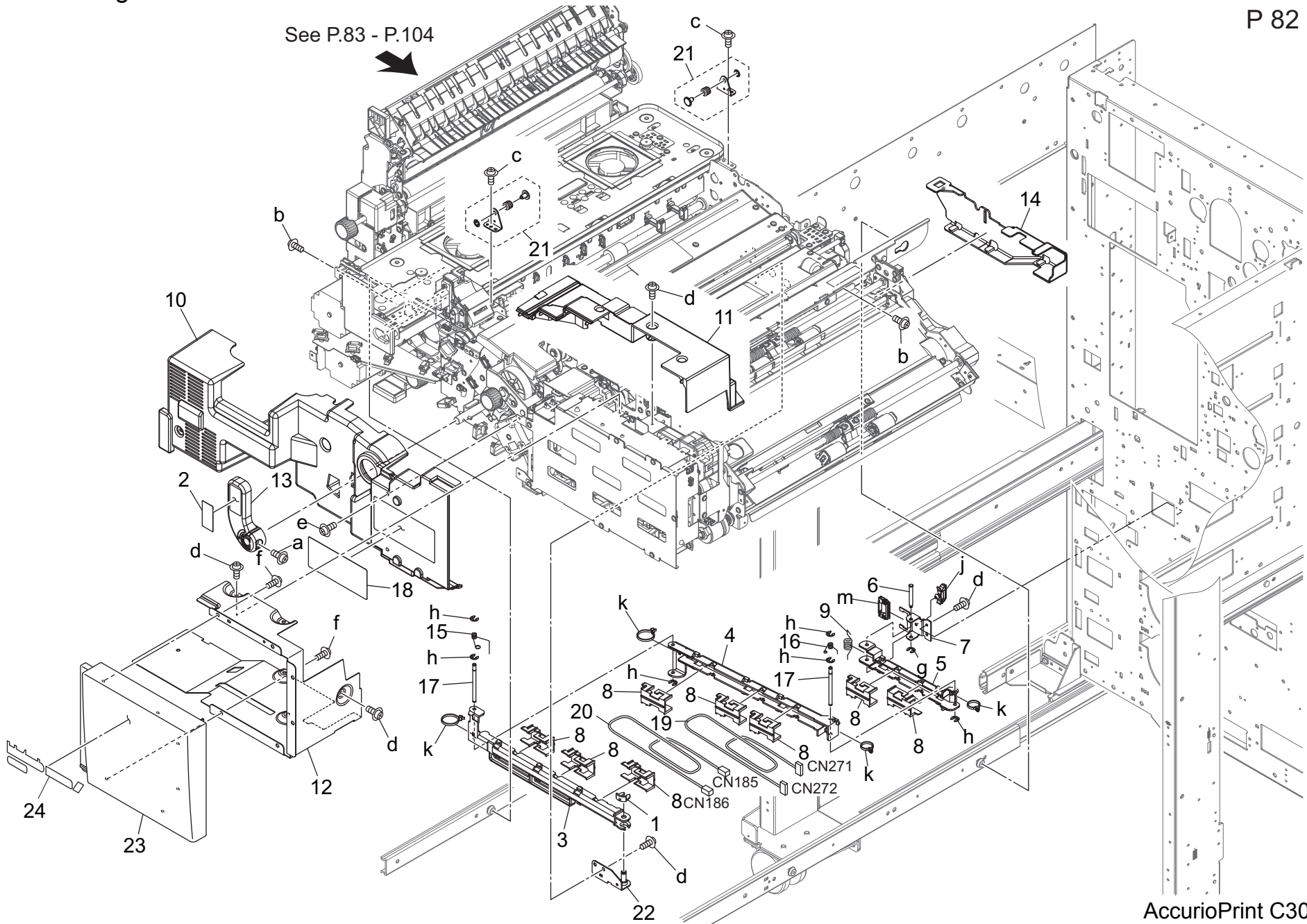


Vertical Conveyance Section

| Key | Part No. | Description | Destinations | Class | QTY | Standard parts |
|-----|------------|------------------------------|--------------|-------|-----|--|
| 1 | 4470402401 | Stopper | | D | 2 | a-V127030604 b-V217030003 c-V217060003 d-V500020098 e-V500020099 f-V570010056 |
| 2 | 25AA77730 | CONVEYANCE IDLER RIGHT 24T | | C | 1 | |
| 3 | 55VA20680 | SEPARATION POSITIONING SCREW | | C | 2 | |
| 4 | 55VA42120 | Shaft Stopper | | C | 1 | |
| 5 | 56AA82012 | Paper Feed Drive Clutch | | B | 1 | |
| 6 | 65AA44200 | LOCKING PLATE | | C | 2 | |
| 7 | 65AA44350 | STOPPER ROLLER | | C | 1 | |
| 8 | 65AA44440 | OPEN SHUT SPRING | | C | 1 | |
| 9 | A03U812800 | Slide Shaft Holder | | B | 5 | |
| 10 | A50U700200 | Idling Shaft | | D | 1 | |
| 11 | A50U700300 | Guide Plate /Upper | | D | 1 | |
| 12 | A50U700400 | Rotation Plate | | D | 1 | |
| 13 | A50U700500 | Guide Plate /Inside | | D | 1 | |
| 14 | A50U700600 | Positioning Spring | | D | 1 | |
| 15 | A50U701000 | Support Plate | | D | 2 | |
| 16 | A50U704400 | Conveyance Roller /1 | | C | 1 | |
| 17 | A50U704700 | Guide Plate /Middle | | D | 1 | |
| 18 | A50U704801 | Guide Plate /2 | | D | 1 | |
| 19 | A50U704900 | Open/shut Plate | | D | 1 | |
| 20 | A50U705000 | Mounting Plate /Rear | | D | 1 | |
| 21 | A50U705400 | Fixing Plate /1 | | D | 1 | |
| 22 | A50U705500 | Detection Actuator | | D | 1 | |
| 23 | A50U705600 | Support Shaft | | D | 1 | |
| 24 | A50U706800 | Cushion | | D | 2 | |
| 25 | A50U707001 | Lock Plate | | D | 1 | |
| 26 | A50U707300 | Guide Plate | | D | 1 | |
| 27 | A50U707400 | Pressing Spring /1 | | D | 1 | |
| 28 | A50UM51000 | Photointerrupter | | C | 1 | |
| 29 | A50UN14400 | Conveyance Wiring /1 | | D | 1 | |
| 30 | A85CM55500 | Photo Sensor | | C | 1 | |
| | | | | | | |
| | | | | | | |
| | | | | | | |
| | | | | | | |
| | | | | | | |
| | | | | | | |
| | | | | | | |
| | | | | | | |

Duplex Carriage Section

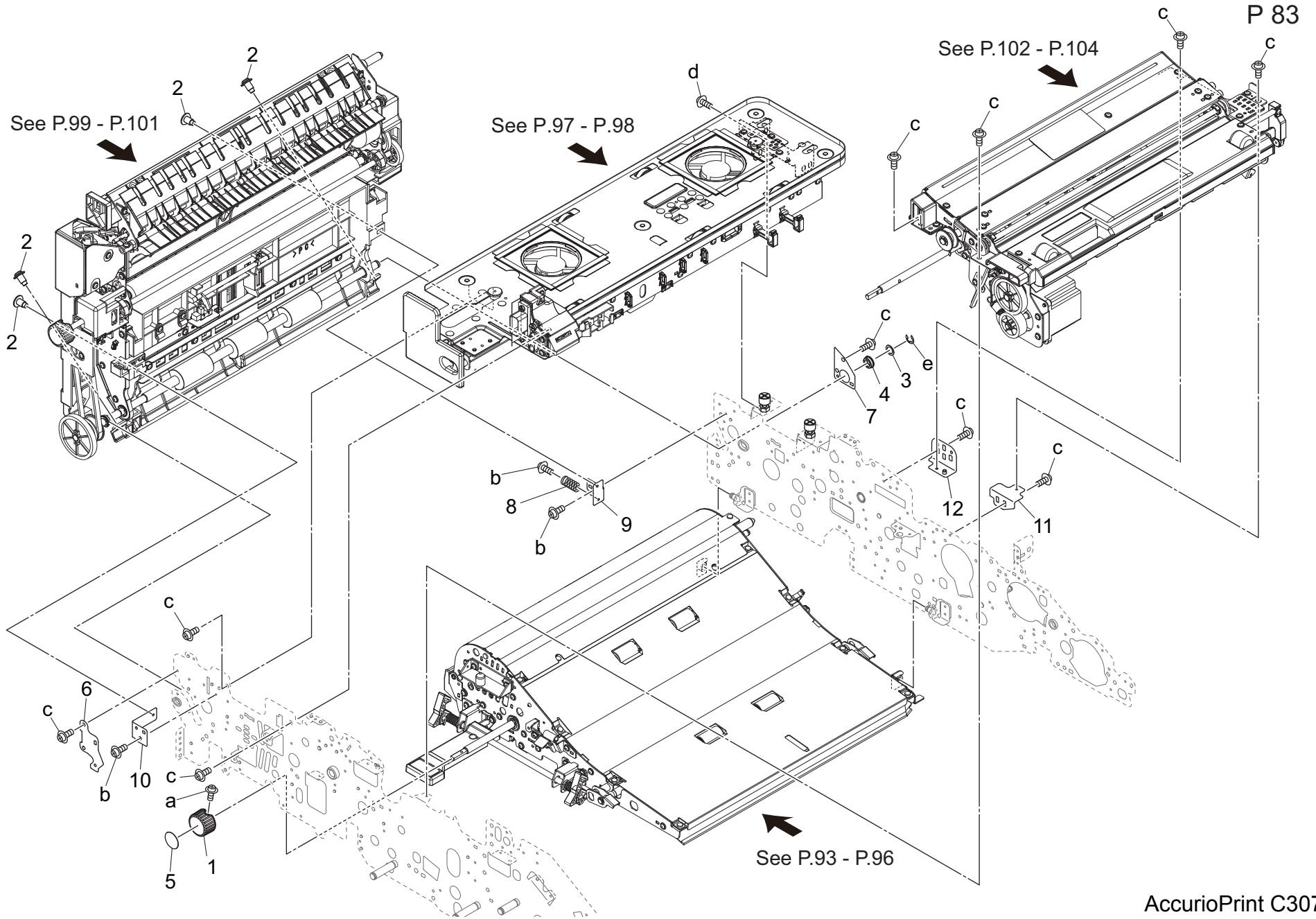
See P.83 - P.104



Duplex Carriage Section

| Key | Part No. | Description | Destinations | Class | QTY | Standard parts |
|-----|------------|--------------------------------|--------------|-------|-----|----------------|
| 1 | 56AA40490 | SHAFT STOPPER 4 | | C | 1 | a-V116041203 |
| 2 | A1RF943100 | Release Label /1 | | D | 1 | b-V118040603 |
| 3 | A50U818700 | Wiring Guide /Front | | D | 1 | c-V121030403 |
| 4 | A50U818800 | Wiring Guide /Middle | | D | 1 | d-V127030604 |
| 5 | A50U818900 | Wiring Guide /Rear | | D | 1 | e-V127030804 |
| 6 | A50U819201 | Support Shaft /Rear | | D | 1 | f-V151030803 |
| 7 | A50U819302 | Support Plate /Rear | | D | 1 | g-V217020003 |
| 8 | A50U832901 | Wiring Cover | | D | 8 | h-V217030003 |
| 9 | A50U835001 | Torsion Coil spring | | D | 1 | j-V500020100 |
| 10 | A50U837001 | Cover Part /1 | | D | 1 | k-V501010002 |
| 11 | A50U837101 | Cover Part /2 | | D | 1 | m-V570010059 |
| 12 | A50U837300 | Cover Part /3 | | D | 1 | |
| 13 | A50U855702 | Pulling Lever | | D | 1 | |
| 14 | A50U858200 | Cover Cover | | D | 1 | |
| 15 | A50U858300 | Ground Spring /2 | | D | 1 | |
| 16 | A50U858400 | Ground Spring /1 | | D | 1 | |
| 17 | A50U858500 | Support Shaft /Middle | | D | 2 | |
| 18 | A50U944200 | Processing Label /1 | | D | 1 | |
| 19 | A50UN15500 | ADU Relay harness /3 | | D | 1 | |
| 20 | A50UN18700 | ADU Relay harness /6 | | D | 1 | |
| 21 | A50UR70G01 | 2nd Transfer Earth Plate Assy | | B | 2 | |
| 22 | A50UR72S00 | Support Plate / Front Caulking | | D | 1 | |
| 23 | A9VE160400 | Duplex Cover | | D | 1 | |
| 24 | AAC4947000 | Indicating Label | | D | 1 | |
| | | | | | | |
| | | | | | | |
| | | | | | | |
| | | | | | | |
| | | | | | | |
| | | | | | | |
| | | | | | | |
| | | | | | | |
| | | | | | | |

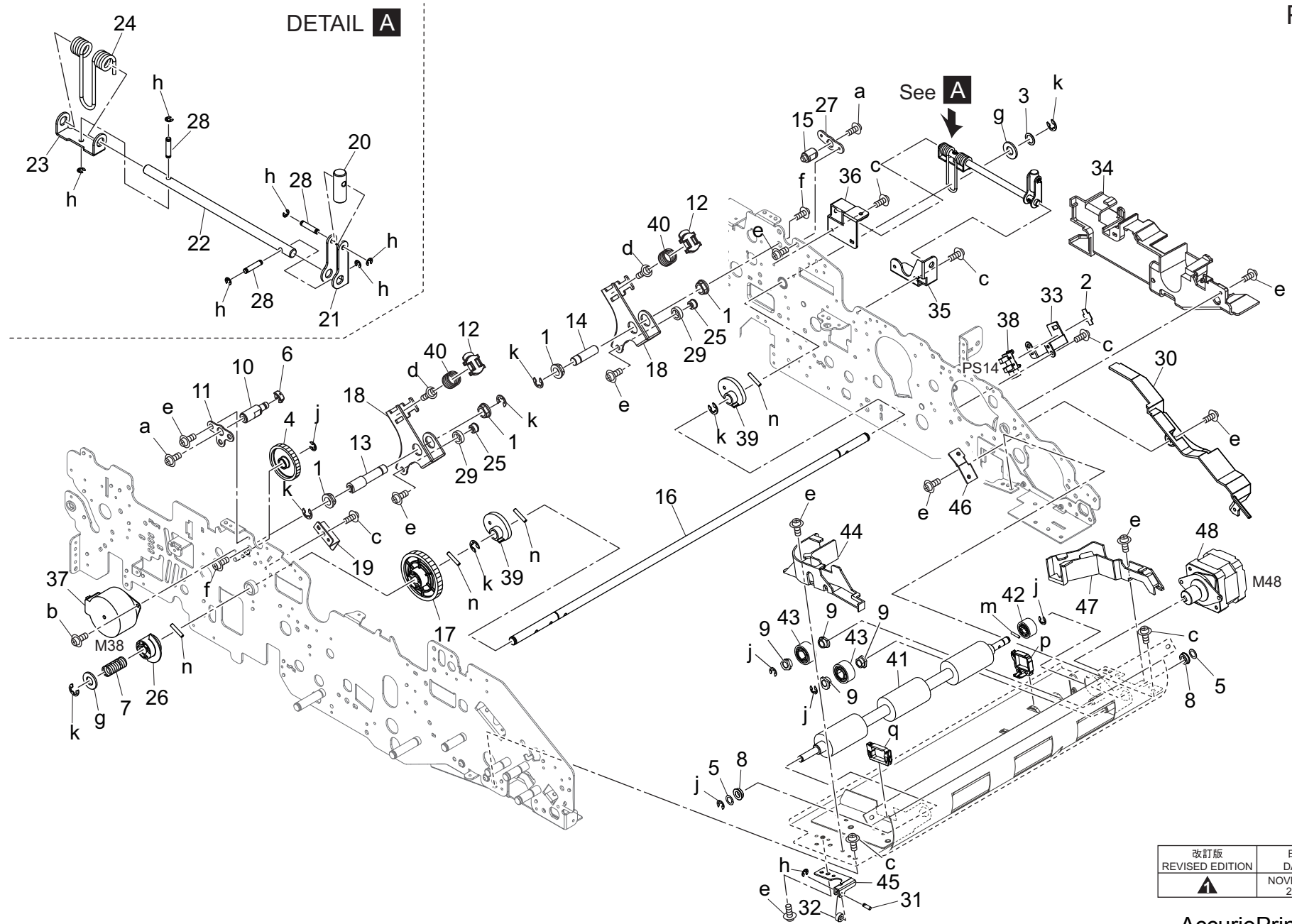
Duplex Carriage Section



AccurioPrint C3070L

| Key | Part No. | Description | Destinations | Class | QTY | Standard parts |
|-----|------------|--------------------------------------|--------------|-------|-----|--|
| 1 | 14GE45470 | Rotation Knob | | C | 1 | a-V118030603 b-V121030403 c-V127030604 d-V127040803 e-V217060003 |
| 2 | 26NA54230 | TERMINAL FIXING SCREW | | C | 4 | |
| 3 | 56AA42690 | BY-PASS SPACER | | C | 1 | |
| 4 | A00J617900 | Ball Bearing | | B | 1 | |
| 5 | A1RF944100 | Release Label /11 | | D | 1 | |
| 6 | A50U819500 | Connecting Plate | | D | 1 | |
| 7 | A50U839900 | Connecting Plate | | D | 1 | |
| 8 | A50U842900 | Conveyance Spring /5 | | D | 1 | |
| 9 | A50U882701 | Reverse/Exit Joint /Rear | | D | 1 | |
| 10 | A50U882801 | Reverse/Exit Joint /Front | | D | 1 | |
| 11 | A50U884202 | Registration Base frame /2 | | D | 1 | |
| 12 | A50UF83702 | Registration Base Frame / 1 Caulking | | D | 1 | |
| | | | | | | |
| | | | | | | |
| | | | | | | |
| | | | | | | |
| | | | | | | |
| | | | | | | |
| | | | | | | |
| | | | | | | |
| | | | | | | |

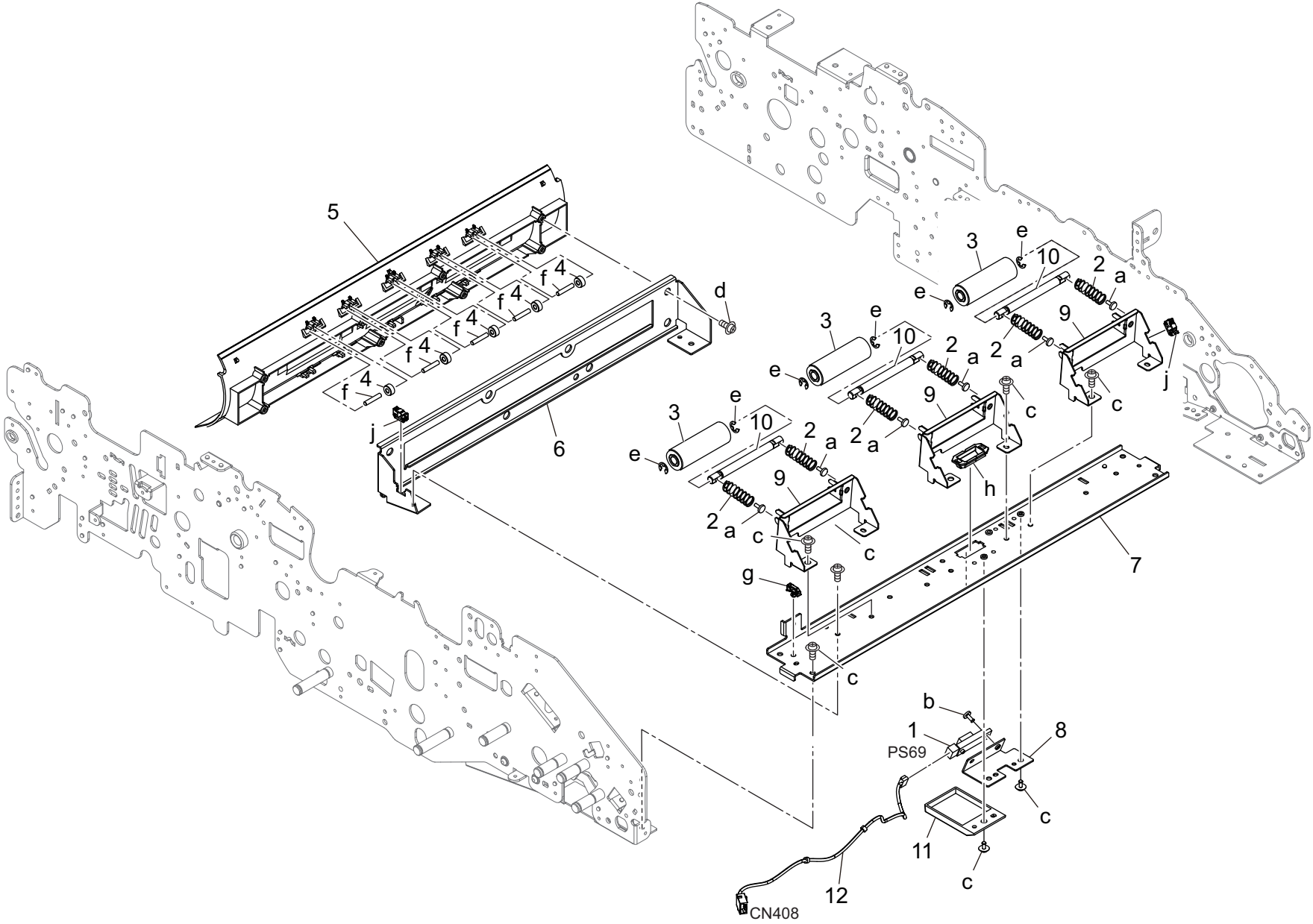
Duplex Section



| | |
|------------------------|------------------|
| 改訂版 REVISED EDITION | 日付 DATE |
| ▲ | NOVEMBER 2017 |

AccurioPrint C3070L

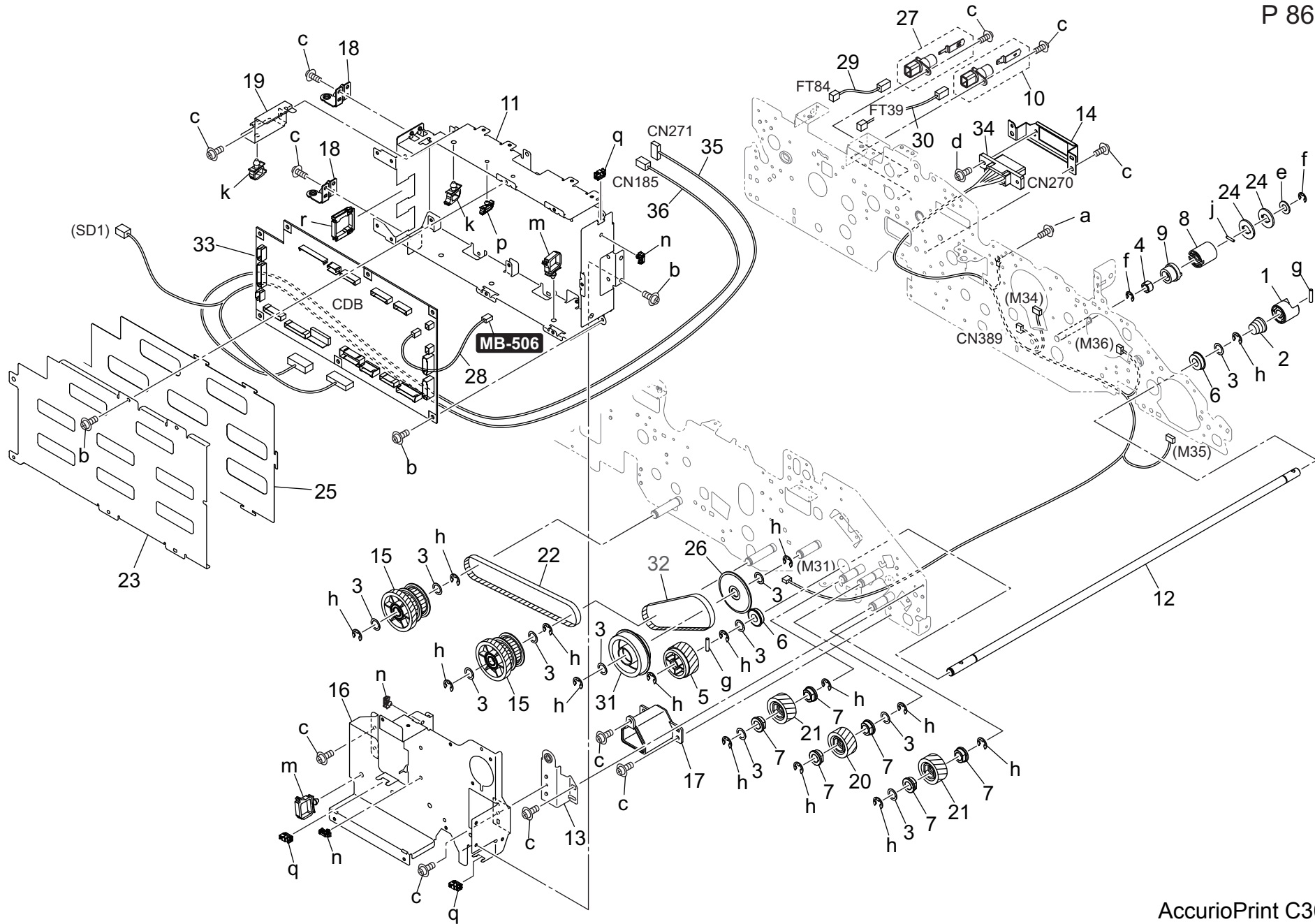
| Key | Part No. | Description | Destinations | Class | QTY | Standard parts |
|-----|------------|------------------------------|--------------|-------|-----|----------------|
| 1 | 4131353202 | BUSHING | | C | 4 | a-V116050803 |
| 2 | 4470402401 | Stopper | | D | 1 | b-V118030403 |
| 3 | 12QV40650 | Spacer | | B | 1 | c-V121030403 |
| 4 | 40AA77550 | Mirror Drive Gear /2 14/70T | | C | 1 | d-V121040403 |
| 5 | 40AA98020D | Paper exit Spacer | | D | 2 | e-V127030604 |
| 6 | 56AA40490 | SHAFT STOPPER 4 | | C | 1 | f-V127040803 |
| 7 | 65AA45230 | CAM PULLING SPRING | | C | 1 | g-V207080003 |
| 8 | A00J617800 | Ball Bearing | | B | 2 | h-V217020003 |
| 9 | A0P0663600 | Bushing | | C | 4 | j-V217040003 |
| 10 | A50U520601 | Support Shaft /Front | | D | 1 | k-V217060003 |
| 11 | A50U520700 | Adjusting Plate /Front | | D | 1 | m-V234201050 |
| 12 | A50U520900 | Pressing Cover | | D | 2 | n-V234301650 |
| 13 | A50U521101 | Pressing Shaft /Front | | D | 1 | p-V500010079 |
| 14 | A50U521200 | Pressing Shaft /Rear | | D | 1 | q-V570010059 |
| 15 | A50U521301 | Support Shaft /Rear | | D | 1 | |
| 16 | A50U521500 | Drive Shaft | | D | 1 | |
| 17 | A50U521900 | Pressure Gear /3 47T | | C | 1 | |
| 18 | A50U522001 | Rotation Arm | | D | 2 | |
| 19 | A50U522400 | Holding Plate | | D | 1 | |
| 20 | A50U522900 | Rotation Shaft | | D | 1 | |
| 21 | A50U523001 | Release Arm | | D | 1 | |
| 22 | A50U523100 | Support Shaft | | D | 1 | |
| 23 | A50U523200 | Rotation Cover | | D | 1 | |
| 24 | A50U523400 | Torsion Coil spring | | D | 1 | |
| 25 | A50U524100 | Receiving Shaft | | D | 2 | |
| 26 | A50U524500 | Transfer Actuator | | D | 1 | |
| 27 | A50U524600 | Adjusting Plate /Rear | | D | 1 | |
| 28 | A50U524700 | Support Shaft | | D | 3 | |
| 29 | A50U716500 | Ball Bearing | | C | 2 | |
| 30 | A50U834802 | Cover Side plate /Right rear | | D | 1 | |
| 31 | A50U854400 | Fixing Shaft | | D | 1 | |
| 32 | A50U854800 | Conveyance Roll | | D | 1 | |
| 33 | A50U855800 | Drive Side plate /2 | | D | 1 | |
| 34 | A50U858101 | Cover Box | | D | 1 | |
| 35 | A50U884600 | Support Plate /1 | | D | 1 | |
| 36 | A50U884700 | Support Plate /2 | | D | 1 | |
| 37 | A50UR72C00 | Drive Motor / 1 Assy | | C | 1 | |
| 38 | A85CM55500 | Photo Sensor | | C | 1 | |
| 39 | A9VE522500 | Transfer Cam | | C | 2 | |
| 40 | A9VE526200 | Pressing Spring | | D | 2 | |
| 41 | A9VE870700 | Conveyance Roller | | C | 1 | |
| 42 | A9VE870800 | Drive Gear /1 20T | | C | 1 | |
| 43 | A9VE870900 | Idling Gear 24T | | C | 2 | |
| 44 | A9VE871200 | Wiring Guide /1 | | D | 1 | |
| 45 | A9VE871300 | Support Plate | | D | 1 | |
| 46 | A9VE871700 | Mounting Plate /5 | | D | 1 | |
| 47 | A9VE871800 | Wiring Guide /2 | | D | 1 | |
| 48 | A9VER71400 | Stepping Motor Assy | | C | 1 | |



| Key | Part No. | Description | Destinations | Class | QTY | Standard parts |
|-----|------------|---------------------------|--------------|-------|-----|----------------|
| 1 | 13QA85511 | Sensor 1 | | B | 1 | a-V118030603 |
| 2 | A03U842700 | Conveyance Spring /3 | | C | 6 | b-V118030604 |
| 3 | A03U845601 | Idler Roller /2 | | C | 3 | c-V127030604 |
| 4 | A50U854800 | Conveyance Roll | | D | 5 | d-V151030803 |
| 5 | A9VE870100 | Guide Plate | | D | 1 | e-V217040003 |
| 6 | A9VE870200 | Mounting Plate /4 | | D | 1 | f-V234301650 |
| 7 | A9VE870300 | Mounting Plate /3 | | D | 1 | g-V500020099 |
| 8 | A9VE870400 | Sensor Plate | | D | 1 | h-V570010037 |
| 9 | A9VE870500 | Idler Plate | | D | 3 | j-V570010056 |
| 10 | A9VE870600 | Idler Shaft | | D | 3 | |
| 11 | A9VE871900 | Wiring Cover | | D | 1 | |
| 12 | A9VEN16200 | ADU Detection harness /16 | | D | 1 | |
| | | | | | | |
| | | | | | | |
| | | | | | | |
| | | | | | | |
| | | | | | | |
| | | | | | | |
| | | | | | | |
| | | | | | | |
| | | | | | | |
| | | | | | | |
| | | | | | | |
| | | | | | | |

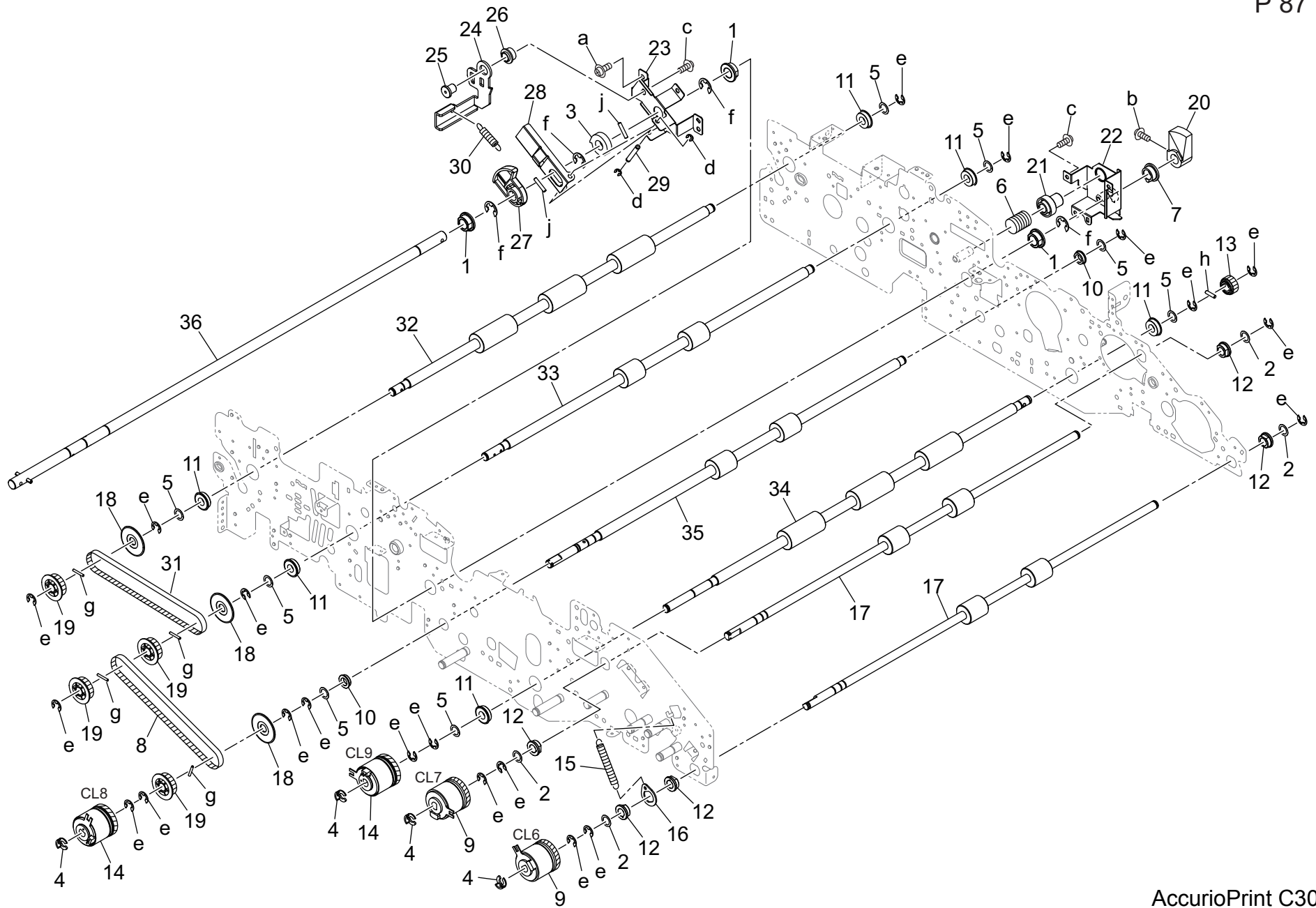
Duplex Section

P 86



| Key | Part No. | Description | Destinations | Class | QTY | Standard parts |
|-----|------------|-------------------------------|----------------------|-------|-----|----------------|
| 1 | 55VA15541 | CLEANER COUPLING PART | クリーナーカップリング部材 | C | 1 | a-V116030603 |
| 2 | 56AA17090 | Pressing Spring | 押圧バネ | C | 1 | b-V127030603 |
| 3 | 56AA42690 | BY-PASS SPACER | 手差しスペーサー | C | 11 | c-V127030604 |
| 4 | 56GA76010 | SLIDE SHAFT HOLDER 2 | 滑り軸受 2 | C | 1 | d-V127030803 |
| 5 | 65AA77540 | PAPER FEED GEAR 2 29T | 給紙歯車 2 29 T | C | 1 | e-V207060003 |
| 6 | A00V240600 | Ball Bearing | ボールベアリング | B | 2 | f-V217050003 |
| 7 | A03U812800 | Slide Shaft Holder | すべり軸受 | B | 6 | g-V234301450 |
| 8 | A03U815700 | Torque Limiter | トルクリミッター | B | 1 | h-V217060003 |
| 9 | A03U839000 | BRAKE GEAR /1 21T | ブレーキギア /1 21 T | C | 1 | j-V234201050 |
| 10 | A1DUR73K00 | Powering Block A Assy | 給電ブロック / A 部組 | C | 1 | k-V500010082 |
| 11 | A50U810502 | Mounting Board /1 | 取付基板 /1 | D | 1 | m-V500010084 |
| 12 | A50U812100 | Drive Input Shaft | 駆動入力軸 | D | 1 | n-V500020099 |
| 13 | A50U816103 | Positioning Side plate /Right | 位置決め側板 /右 | D | 1 | p-V500020100 |
| 14 | A50U817400 | Mounting Side plate /1 | 取付側板 /1 | D | 1 | q-V570010056 |
| 15 | A50U818000 | Drive Gear /1 38/29/29T | 駆動ギア /1 38 /29 /29 T | C | 2 | r-V570010058 |
| 16 | A50U835301 | Mounting Board /2 | 取付基板 /2 | D | 1 | |
| 17 | A50U835400 | Guide Part /Front | ガイド部材 /前 | D | 1 | |
| 18 | A50U835900 | Support Plate | 支点板 (基板) | D | 2 | |
| 19 | A50U836000 | Cover | カバー (基板) | D | 1 | |
| 20 | A50U836400 | Conveyance Idler /Right | 搬送アイドラ /右 | D | 1 | |
| 21 | A50U836500 | Conveyance Idler /Right | 搬送アイドラ /右 | D | 2 | |
| 22 | A50U839200 | Belt /3 342L | ベルト /3 342 L | C | 1 | |
| 23 | A50U855900 | Cover Board /Left Front | カバー基板 /左前 (基板) | D | 1 | |
| 24 | A50U858600 | Stopper Plate | ストッパ板 | D | 2 | |
| 25 | A50U880701 | Packing Board /Front | 包装基板 /前 | D | 1 | |
| 26 | A50U885100 | Drive Spacer | 駆動スペーサ | D | 1 | |
| 27 | A50UF82200 | Power Supply Block / B ASSY | 給電ブロック / B ASSY | D | 1 | |
| 28 | A50UN17200 | ADU Drive harness /7 | ADU 駆動束線 /7 | D | 1 | |
| 29 | A50UN25400 | HV Relay harness /5 | 高圧中継束線 /5 | D | 1 | |
| 30 | A50UN25600 | HV Relay harness /6 | 高圧中継束線 /6 | D | 1 | |
| 31 | A9VE818100 | Drive Gear /1 39T | 駆動ギア /1 39 T | C | 1 | |
| 32 | A9VE839100 | Belt /4 | ベルト /4 | D | 1 | |
| 33 | A9VEH05001 | Conveyance Drive Board ASSY | 搬送駆動基板 ASSY | I | 1 | |
| 34 | A9VEN15000 | ADU Drive harness /1 | ADU 駆動束線 /1 | D | 1 | |
| 35 | A9VEN15600 | ADU Control harness /1 | ADU 制御束線 /1 | D | 1 | |
| 36 | A9VEN18800 | ADU Control harness /2 | ADU 制御束線 /2 | D | 1 | |
| | | | | | | |
| | | | | | | |
| | | | | | | |

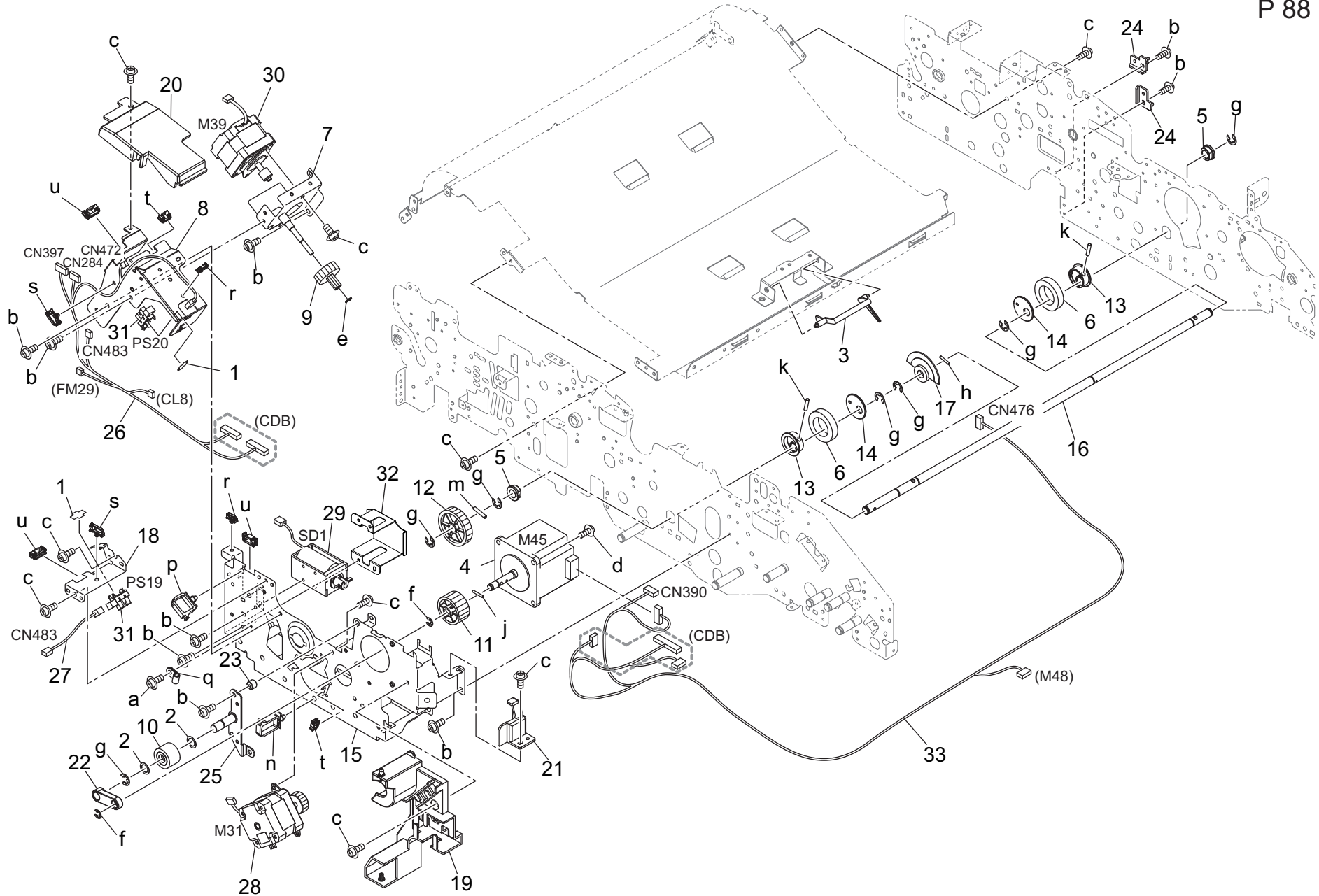
Duplex Section



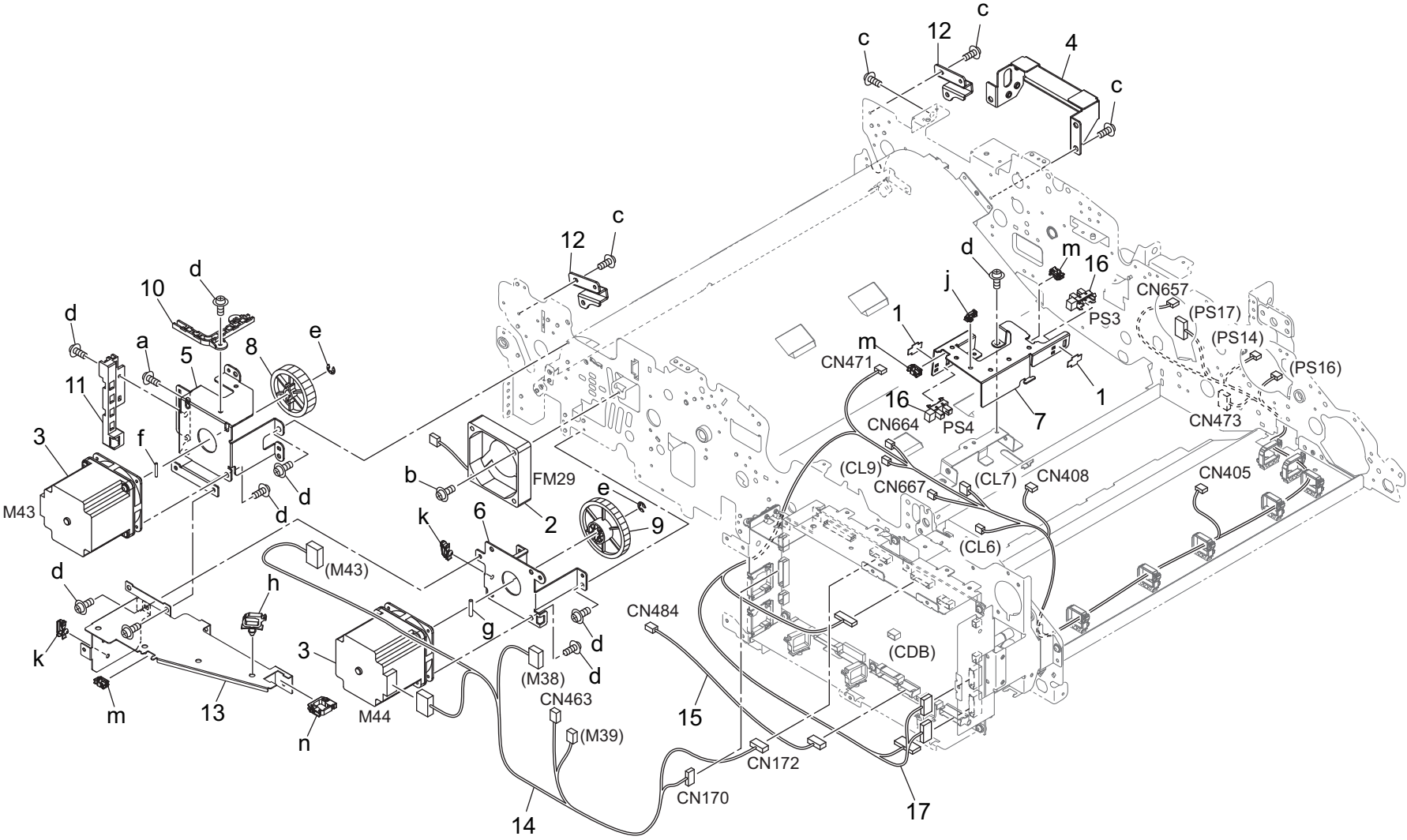
| Key | Part No. | Description | Destinations | Class | QTY | Standard parts |
|-----|------------|-------------------------------|------------------|-------|-----|----------------|
| 1 | 462076010 | Driving Slide Shaft Holder A | 駆動滑り軸受 A | C | 3 | a-V121030403 |
| 2 | 12QV40650 | Spacer | スペーサー | B | 4 | b-V121041203 |
| 3 | 25AA47500 | Carriage Lock Claw B | 架台ロック爪 B | C | 1 | c-V127030604 |
| 4 | 55VA42120 | Shaft Stopper | 軸ストッパー | C | 4 | d-V217030003 |
| 5 | 56AA42690 | BY-PASS SPACER | 手差しスペーサー | C | 8 | e-V217060003 |
| 6 | 56AA50670 | Cam Stopper Spring | カムストッパバネ | C | 1 | f-V217080003 |
| 7 | 56AA50800 | LEVER SUPPORT SHAFT HOLDER | レバー支持軸受 | C | 1 | g-V234201450 |
| 8 | 56AA77530 | Paper Feed Drive Belt /1 336L | 給紙駆動ベルト /1 336 L | C | 1 | h-V234301250 |
| 9 | 56AA82012 | Paper Feed Drive Clutch | 給紙駆動クラッチ | B | 2 | j-V234301650 |
| 10 | A00J617900 | Ball Bearing | ボールベアリング | B | 2 | |
| 11 | A00V240600 | Ball Bearing | ボールベアリング | B | 6 | |
| 12 | A03U812800 | Slide Shaft Holder | すべり軸受 | B | 5 | |
| 13 | A03U838900 | Brake Gear /2 24T | ブレーキギア /2 24 T | C | 1 | |
| 14 | A03UM20100 | Clutch /1 | クラッチ /1 | B | 2 | |
| 15 | A03X565001 | Swing Spring | 首振りばね | C | 1 | |
| 16 | A1RG681400 | Brake Plate /8 | ブレーキ板 /8 | D | 1 | |
| 17 | A50U812202 | ADU Conveying Roller /Right | A D U 搬送ローラ /右 | C | 2 | |
| 18 | A50U817300 | Holding Collar | 押さえカラ | D | 3 | |
| 19 | A50U818501 | Pulley /2 | プーリ /2 | D | 4 | |
| 20 | A50U830200 | Positioning Part /Rear | 位置決め部材 /奥 | D | 1 | |
| 21 | A50U830300 | Regulating Part /Rear | 規制部材 /奥 | D | 1 | |
| 22 | A50U830400 | Hold Plate /Assy | 保持板 / A s s y | D | 1 | |
| 23 | A50U830500 | Reinforce Plate /1 | 補強板 /1 | D | 1 | |
| 24 | A50U830600 | Lock Plate | ロック板 | D | 1 | |
| 25 | A50U830700 | Support Shaft | 支持軸 | D | 1 | |
| 26 | A50U830800 | Lock Bushing | ロックすべり軸受 | D | 1 | |
| 27 | A50U831000 | Release Cam | 解除カム | D | 1 | |
| 28 | A50U831100 | Release Plate | 解除板 | D | 1 | |
| 29 | A50U831200 | Release Shaft /1 | 解除軸 /1 | D | 1 | |
| 30 | A50U831900 | Pulling Spring | 引張りばね (ロックレバー) | D | 1 | |
| 31 | A50U839200 | Belt /3 342L | ベルト /3 342 L | C | 1 | |
| 32 | A50U849100 | Roller /1 | ローラ /1 | C | 1 | |
| 33 | A50U849200 | Roller /2 | ローラ /2 | C | 1 | |
| 34 | A50U859000 | Roller | ローラ | C | 1 | |
| 35 | A50U859400 | Roller /3 | ローラ /3 | C | 1 | |
| 36 | A50UR72E00 | Release Shaft Pin Assy | 解除軸ピン A s s y | D | 1 | |
| | | | | | | |
| | | | | | | |
| | | | | | | |
| | | | | | | |

Duplex Section

P 88

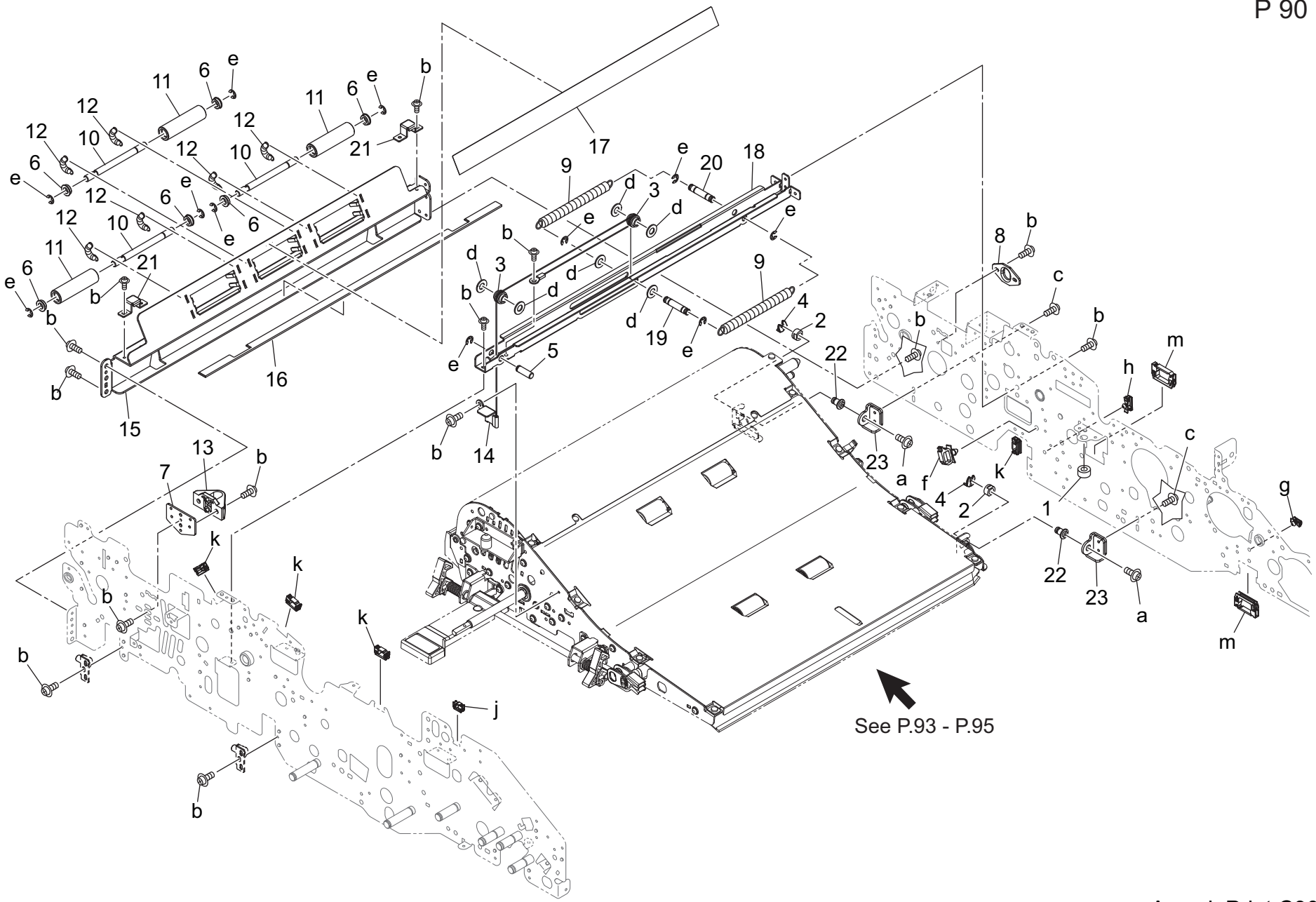


| Key | Part No. | Description | Destinations | Class | QTY | Standard parts |
|-----|------------|----------------------------------|--------------|-------|-----|----------------|
| 1 | 4470402401 | Stopper | | D | 2 | a-V116030603 |
| 2 | 56AA42690 | BY-PASS SPACER | | C | 2 | b-V121030403 |
| 3 | 65AA51730 | ADU 2 | | C | 1 | c-V127030604 |
| 4 | 65AA80112 | HB Motor /50 | | B | 1 | d-V127030803 |
| 5 | A03U812800 | Slide Shaft Holder | | B | 2 | e-V217030003 |
| 6 | A0TK341300 | Ball Bearing /Rear | | C | 2 | f-V217040003 |
| 7 | A50U713300 | Swing Side plate /Assy | | D | 1 | g-V217060003 |
| 8 | A50U713401 | Swing Side plate /2 | | D | 1 | h-V234201250 |
| 9 | A50U713500 | Swing Gear /1 18/51T | | D | 1 | j-V234201450 |
| 10 | A50U713700 | Registration Idler /1 | | C | 1 | k-V234301450 |
| 11 | A50U713800 | Registration Gear /1 56T | | B | 1 | m-V234301650 |
| 12 | A50U713900 | Registration Gear /2 48T | | C | 1 | n-V500010013 |
| 13 | A50U714800 | Pressure Cam | | C | 1 | p-V500010084 |
| 14 | A50U714900 | Spacer | | D | 2 | q-V500020069 |
| 15 | A50U715002 | Mounting Lever /1 | | D | 2 | r-V500020099 |
| 16 | A50U715100 | Pressure Shaft /2 | | D | 1 | s-V500020100 |
| 17 | A50U715200 | Pressure Actuator | | D | 1 | t-V570010056 |
| 18 | A50U819700 | Cover | | D | 1 | u-V570010057 |
| 19 | A50U835601 | Drive Cover | | D | 1 | |
| 20 | A50U836100 | Cover | | D | 1 | |
| 21 | A50U882300 | Protection Cover | | D | 1 | |
| 22 | A50U882600 | Registration ring /Front | | D | 1 | |
| 23 | A50U883300 | Idling Shaft /1 | | D | 1 | |
| 24 | A50U883501 | Protection Plate | | D | 2 | |
| 25 | A50UF81401 | Adjusting Plate Caulking | | D | 1 | |
| 26 | A50UN18201 | ADU Drive harness /12 | | D | 1 | |
| 27 | A50UN18900 | ADU Detection harness /14 | | D | 1 | |
| 28 | A50UR72F00 | Motor Assy | | C | 1 | |
| 29 | A50UR72G00 | ADU Connecting Solenoid Pin Assy | | C | 1 | |
| 30 | A50UR72H00 | Stepping Motor / 3 Assy | | C | 1 | |
| 31 | A85CM55500 | Photo Sensor | | C | 2 | |
| 32 | A9VE819100 | Regulating Plate | | D | 1 | |
| 33 | A9VEN16500 | ADU Drive harness /6 | | D | 1 | |
| | | | | | | |
| | | | | | | |
| | | | | | | |
| | | | | | | |
| | | | | | | |



| Key | Part No. | Description | Destinations | Class | QTY | Standard parts |
|-----|------------|--------------------------------|--------------|-------|-----|----------------|
| 1 | 4470402401 | Stopper | | D | 2 | a-V118030403 |
| 2 | 56AA80551 | Fan Motor /2 | | B | 1 | b-V118032003 |
| 3 | A1TVM10100 | Stepping motor /50 | | B | 2 | c-V121030403 |
| 4 | A50U814401 | Reinforce Plate | | D | 1 | d-V127030604 |
| 5 | A50U814500 | Positioning Plate /Upper | | D | 1 | e-V217040003 |
| 6 | A50U815101 | Positioning Plate /Lower | | D | 1 | f-V234201450 |
| 7 | A50U819812 | Mounting /A | | D | 1 | g-V234301650 |
| 8 | A50U819900 | Riverse/exit Gear /1 42T | | C | 1 | h-V500010082 |
| 9 | A50U831300 | Preventing Gear /1 57T | | C | 1 | j-V500020099 |
| 10 | A50U836300 | Cover | | D | 1 | k-V500020100 |
| 11 | A50U837700 | Wiring Guide | | D | 1 | m-V570010056 |
| 12 | A50U838500 | Mounting Handle /Left | | D | 2 | n-V570010060 |
| 13 | A50U838700 | Reverse/Exit Plate /Left Front | | D | 1 | |
| 14 | A50UN16000 | ADU Drive harness /4 | | D | 1 | |
| 15 | A50UN16900 | ADU Detection harness /15 | | D | 1 | |
| 16 | A85CM55500 | Photo Sensor | | C | 2 | |
| 17 | A9VEN16100 | ADU Drive harness /11 | | D | 1 | |
| | | | | | | |
| | | | | | | |
| | | | | | | |
| | | | | | | |
| | | | | | | |
| | | | | | | |
| | | | | | | |
| | | | | | | |
| | | | | | | |
| | | | | | | |
| | | | | | | |
| | | | | | | |
| | | | | | | |
| | | | | | | |
| | | | | | | |
| | | | | | | |
| | | | | | | |

Duplex Section

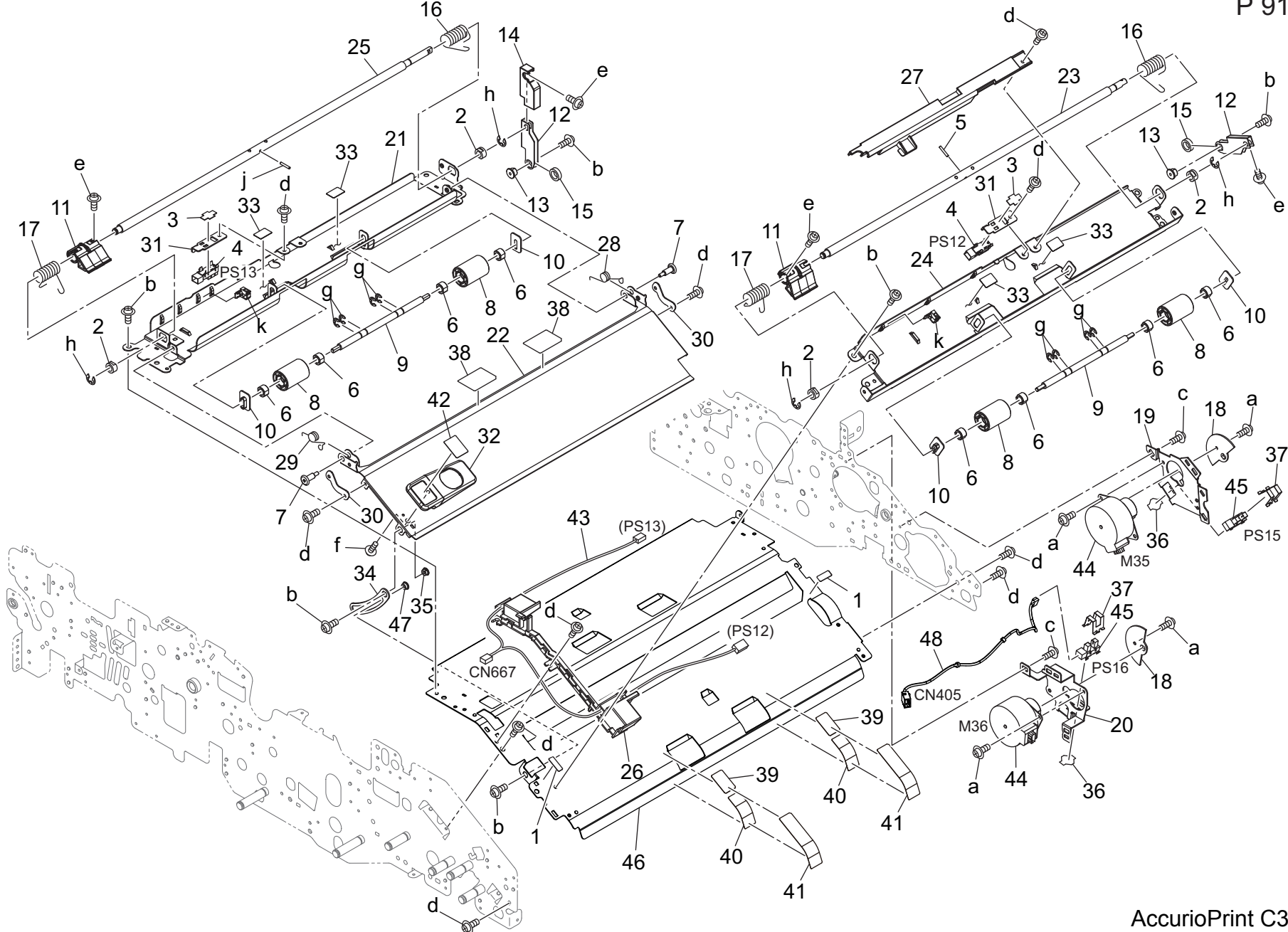


See P.93 - P.95

| Key | Part No. | Description | Destinations | Class | QTY | Standard parts |
|-----|------------|-----------------------------|--------------|-------|-----|----------------|
| 1 | 1154467001 | PROTECTION | | C | 1 | a-V121030403 |
| 2 | 4131253701 | BUSHING | | C | 2 | b-V127030604 |
| 3 | 25AA50080 | WIRE PULLEY | | C | 2 | c-V127030803 |
| 4 | 56AA40490 | SHAFT STOPPER 4 | | C | 2 | d-V207060003 |
| 5 | 65AA51510 | ADU OPEN SHUT SHAFT 3 | | D | 1 | e-V217040003 |
| 6 | A00J617800 | Ball Bearing | | B | 6 | f-V500010082 |
| 7 | A03U811600 | ADU Positioning Plate /1 | | D | 1 | g-V500020099 |
| 8 | A03U811800 | ADU Positioning Plate /2 | | D | 1 | h-V500020100 |
| 9 | A03U813601 | ADU Open/shut Spring /Upper | | C | 1 | j-V570010056 |
| 10 | A03U814100 | ADU Open/shut Spring /Lower | | C | 2 | k-V570010057 |
| 11 | A03U814200 | Idler Roll | | D | 3 | m-V570010059 |
| 12 | A03U814300 | Conveyance Spring | | C | 3 | |
| 13 | A03U843500 | Positioning Part | | C | 6 | |
| 14 | A03U849701 | Wire /Right | | D | 1 | |
| 15 | A50U810300 | Hold Stay /Left | | C | 1 | |
| 16 | A50U810400 | Protection Sheet | | D | 1 | |
| 17 | A50U815800 | Guide Sheet /A | | D | 1 | |
| 18 | A50U831400 | Open/close Plate | | D | 1 | |
| 19 | A50U832600 | Open/close Shaft /1 | | D | 1 | |
| 20 | A50U832700 | Open/close Shaft /2 | | D | 1 | |
| 21 | A50U834200 | Reverse/Exit Stopper | | D | 2 | |
| 22 | A50U843900 | Support Shaft /Right | | D | 2 | |
| 23 | A50U844100 | Support Plate /B | | D | 2 | |
| | | | | | | |
| | | | | | | |
| | | | | | | |
| | | | | | | |
| | | | | | | |
| | | | | | | |
| | | | | | | |
| | | | | | | |
| | | | | | | |

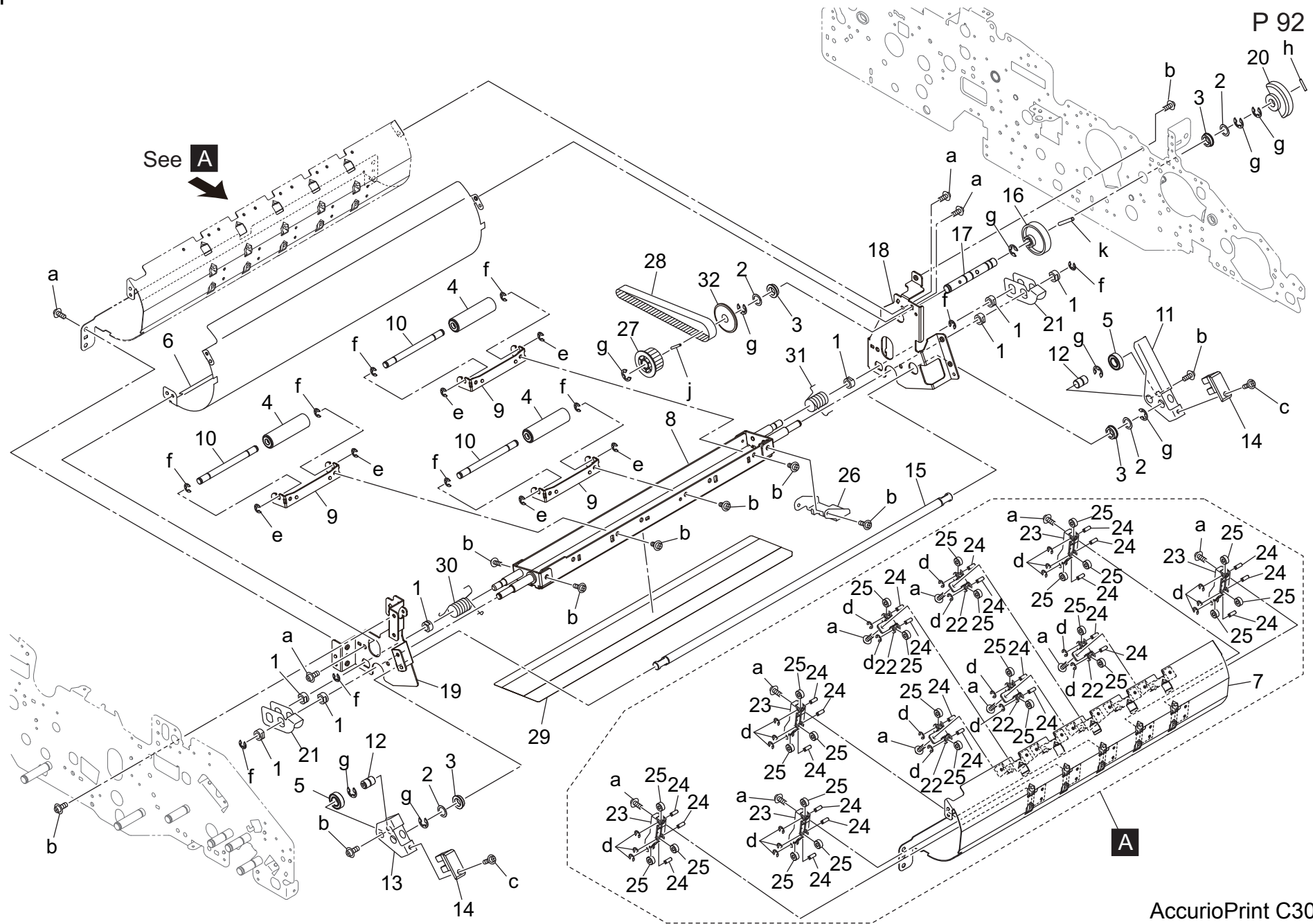
Duplex Section

P 91



| Key | Part No. | Description | Destinations | Class | QTY | Standard parts |
|-----|------------|---------------------------|------------------|-------|-----|----------------|
| 1 | 4109553001 | Stopper | ストッパー | C | 2 | a-V118030403 |
| 2 | 4131253701 | BUSHING | 軸受 | C | 4 | b-V121030303 |
| 3 | 4470402401 | Stopper | ストッパー | D | 2 | c-V121030403 |
| 4 | 9335140071 | Solid State Switch | 反射型フォトスイッチ | B | 2 | d-V127030604 |
| 5 | 56AA17321 | PIN A D2X12 | ピン A D 2 X 1 2 | B | 1 | e-V127030803 |
| 6 | A03U850101 | Slide Bushing | すべり軸受 | C | 8 | f-V151040803 |
| 7 | A0P0144300 | Shoulder screw | 段ねじ (HDD) | D | 2 | g-V217040003 |
| 8 | A50U712200 | Idler Roll /1 | 従動ころ /1 | D | 4 | h-V217050003 |
| 9 | A50U712300 | Idler Shaft /1 | 従動軸 /1 | D | 2 | j-V234201250 |
| 10 | A50U712400 | Receiving Shaft /1 | 受け軸 /1 | D | 4 | k-V500010057 |
| 11 | A50U714600 | Lever | レバー | D | 2 | |
| 12 | A50U715300 | Pressure Lever /25 | 圧着レバー /2 5 | D | 2 | |
| 13 | A50U715600 | Support Shaft /2 | 支点軸 /2 | D | 2 | |
| 14 | A50U715800 | Protection Cover | 保護カバー | D | 1 | |
| 15 | A50U716500 | Ball Bearing | ボールベアリング | C | 2 | |
| 16 | A50U718400 | Pressing Spring /Rear | 押圧ばね /奥 | D | 2 | |
| 17 | A50U718500 | Pressing Spring /Front | 押圧ばね /前 | D | 2 | |
| 18 | A50U816700 | Light blocking Plate /1 | 遮光板 /1 | D | 2 | |
| 19 | A50U816801 | Drive Side plate /1 | 駆動側板 /1 | D | 1 | |
| 20 | A50U816900 | Drive Side plate /2 | 駆動側板 /2 | D | 1 | |
| 21 | A50U817601 | Guide Plate | ガイド板 | D | 1 | |
| 22 | A50U817800 | Guide Plate /Middle | ガイド板 /中 | D | 1 | |
| 23 | A50U818201 | Release Shaft /1 | 解除軸 /1 | D | 1 | |
| 24 | A50U818400 | Guide Plate /Right | ガイド板 /右 | D | 1 | |
| 25 | A50U818601 | Release Shaft /2 | 解除軸 /2 | D | 1 | |
| 26 | A50U833400 | Protection Cover /1 | 保護カバー /1 | D | 1 | |
| 27 | A50U833500 | Protection Cover /2 | 保護カバー /2 | D | 1 | |
| 28 | A50U834500 | Pressing Spring /Left | 押圧バネ /左 | D | 1 | |
| 29 | A50U834600 | Pressing Spring /Right | 押圧バネ /右 | D | 1 | |
| 30 | A50U834700 | Reinforce Plate /A | 補強板 / A | D | 2 | |
| 31 | A50U836200 | Plate /23 | センサ板 /2 3 | D | 2 | |
| 32 | A50U880800 | Processing Lever | 処理レバー | D | 1 | |
| 33 | A50U880900 | Guide Sheet /Side | ガイドシート /サイド | D | 4 | |
| 34 | A50U881601 | Processing Guide /1 | 処理ガイド /1 | D | 1 | |
| 35 | A50U881700 | Support Screw /A | 支持ねじ / A | D | 1 | |
| 36 | A50U882100 | Stopper Plate | ストッパ板 (センサー) | D | 2 | |
| 37 | A50U883600 | Guide /1 | センサガイド /1 | D | 2 | |
| 38 | A50U886300 | Sheet | シート | D | 2 | |
| 39 | A50U887100 | Conductive Tape /4 | 導電性テープ /4 | D | 2 | |
| 40 | A50U887200 | Duplex Tape | 両面テープ | D | 2 | |
| 41 | A50U887300 | Conveyance Guide /3 | 搬送ガイド /3 | D | 2 | |
| 42 | A50U943200 | Release Label /2 | 解除ラベル /2 | D | 1 | |
| 43 | A50UN17900 | ADU Detection harness /13 | A D U 検知束線 /1 3 | D | 1 | |
| 44 | A50UR72600 | Drive Motor /1 Assy | 駆動モータ /1 A s s y | C | 2 | |
| 45 | A85CM55500 | Photo Sensor | フォトセンサ | C | 2 | |
| 46 | A9VE871600 | Conveyance Guide /Lower | 搬送ガイド /下 | D | 1 | |
| 47 | A9VE872000 | Support Screw /A | 支持ねじ / A | D | 1 | |
| 48 | A9VEN16200 | ADU Detection harness /16 | A D U 検知束線 /1 6 | D | 1 | |

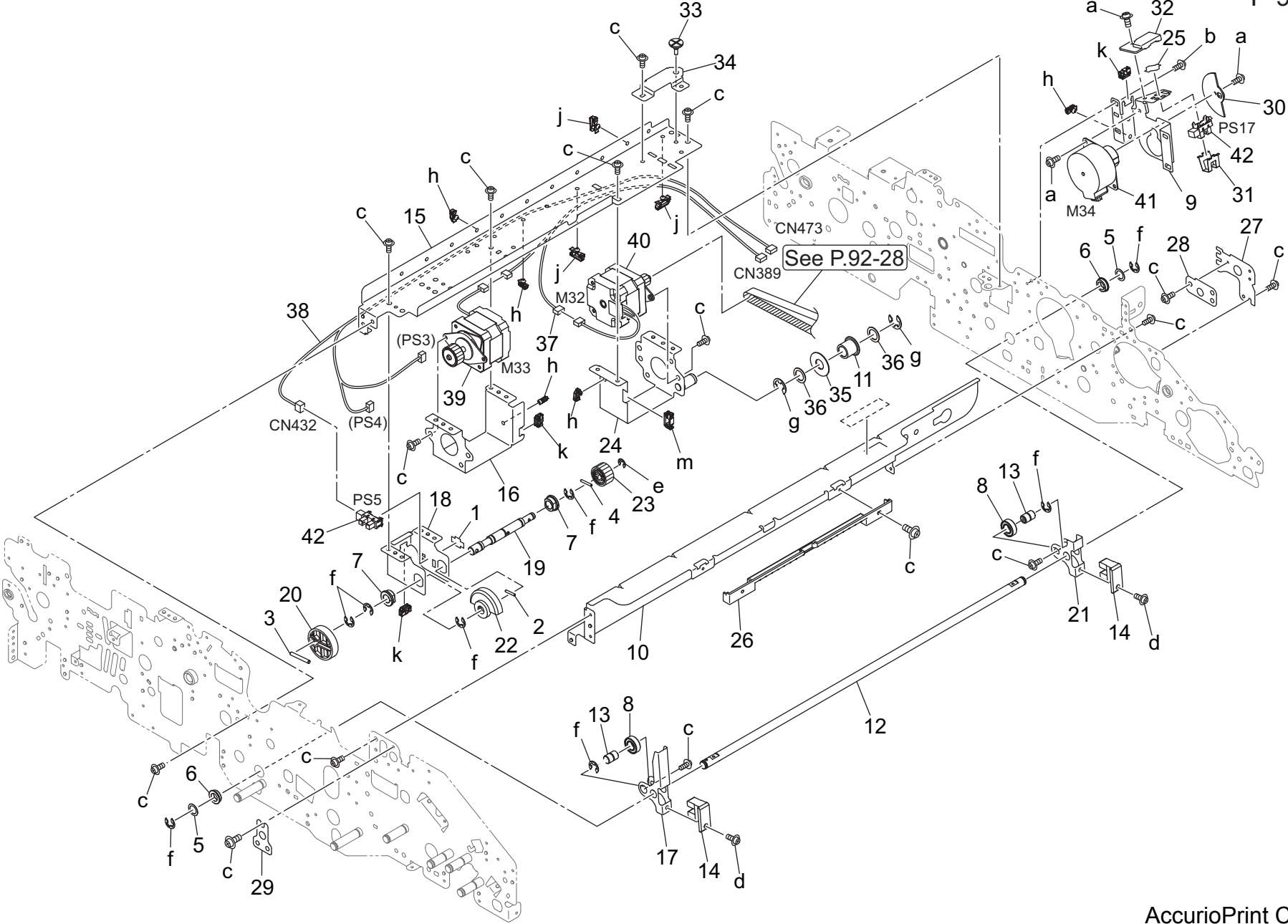
Duplex Section



AccurioPrint C3070L

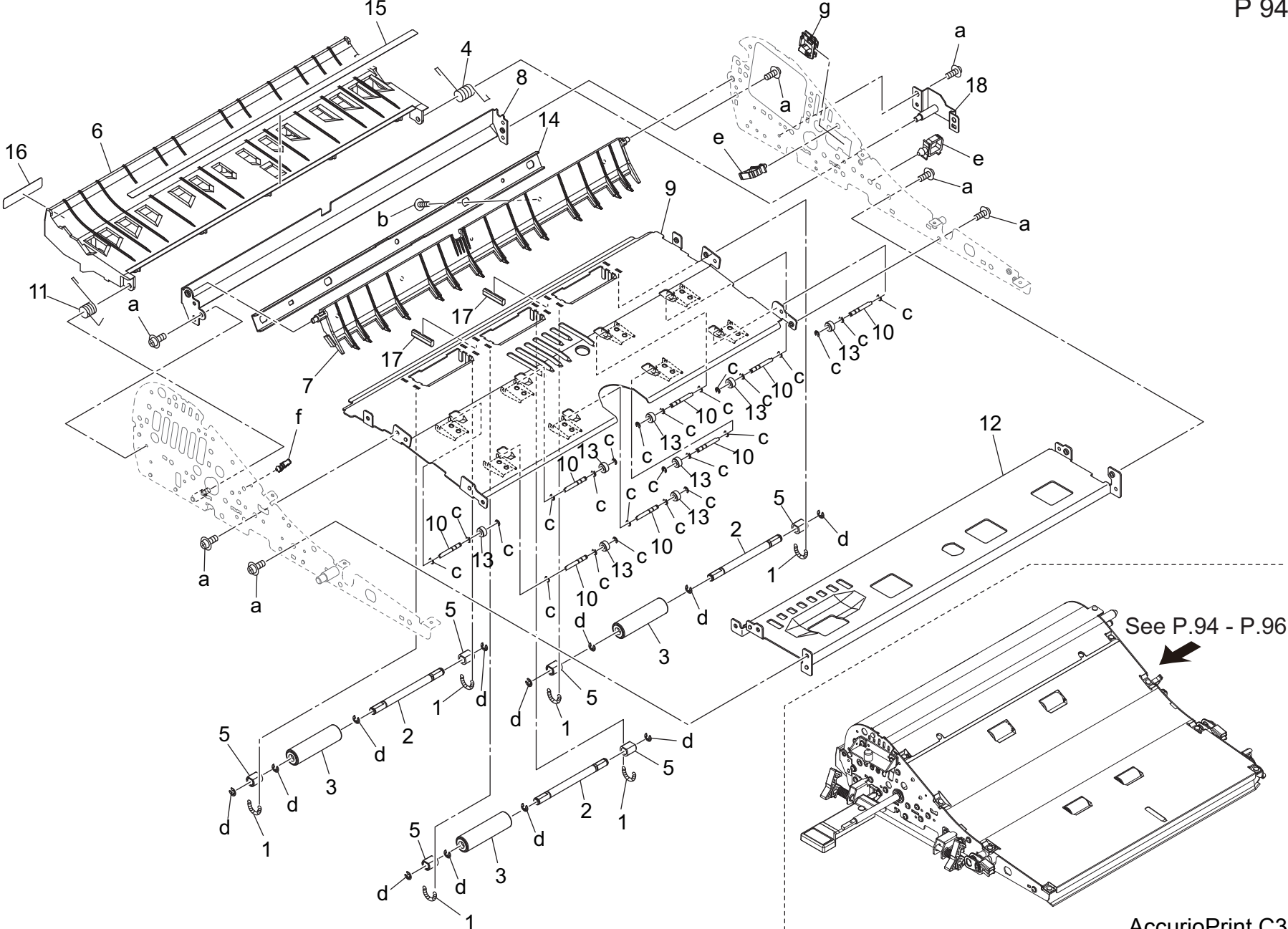
| Key | Part No. | Description | Destinations | Class | QTY | Standard parts |
|-----|------------|----------------------|--------------|-------|-----|----------------|
| 1 | 4131253701 | BUSHING | | C | 8 | a-V121030403 |
| 2 | 56AA42690 | BY-PASS SPACER | | C | 4 | b-V127030604 |
| 3 | A00J617900 | Ball Bearing | | B | 4 | c-V127030803 |
| 4 | A03U845301 | Idler Roller /1 | | C | 3 | d-V217020003 |
| 5 | A1RF820000 | Ball Bearing | | C | 2 | e-V217030003 |
| 6 | A50U840303 | Guide Plate /3 | | D | 1 | f-V217040003 |
| 7 | A50U840802 | Guide Plate /2 | | D | 1 | g-V217060003 |
| 8 | A50U841402 | Release Plate /10 | | D | 1 | h-V234201250 |
| 9 | A50U846102 | Mounting Plate /5 | | D | 3 | j-V234201650 |
| 10 | A50U846304 | Idler Shaft /F | | D | 3 | k-V234302550 |
| 11 | A50U851400 | Release Plate /Rear | | D | 1 | |
| 12 | A50U851500 | Shaft | | D | 2 | |
| 13 | A50U851700 | Release Plate | | D | 1 | |
| 14 | A50U851800 | Reinforce Block | | D | 2 | |
| 15 | A50U852000 | Release Shaft /4 | | D | 1 | |
| 16 | A50U852500 | Cam | | D | 1 | |
| 17 | A50U852701 | Release Shaft /3 | | D | 1 | |
| 18 | A50U852904 | Release Plate /4 | | D | 1 | |
| 19 | A50U853001 | Release Plate /5 | | D | 1 | |
| 20 | A50U853200 | Pressure Actuator | | D | 1 | |
| 21 | A50U853700 | Release Plate /7 | | D | 2 | |
| 22 | A50U854200 | Roller Base frame /2 | | D | 5 | |
| 23 | A50U854302 | Roller Base frame /1 | | D | 5 | |
| 24 | A50U854400 | Fixing Shaft | | D | 25 | |
| 25 | A50U854800 | Conveyance Roll | | D | 25 | |
| 26 | A50U856201 | Support Plate | | D | 1 | |
| 27 | A50U859500 | Pulley /2 | | D | 1 | |
| 28 | A50U859800 | Belt /1 280L | | C | 1 | |
| 29 | A50U880103 | Conveyance Guide /1 | | D | 1 | |
| 30 | A50U881300 | Torsion Coil spring | | D | 1 | |
| 31 | A50U881400 | Torsion Coil spring | | D | 1 | |
| 32 | A50U886800 | Regulating Spacer | | D | 1 | |
| | | | | | | |
| | | | | | | |
| | | | | | | |
| | | | | | | |
| | | | | | | |

Duplex Section



| Key | Part No. | Description | Destinations | Class | QTY | Standard parts |
|-----|------------|------------------------------|--------------|-------|-----|----------------|
| 1 | 4470402401 | Stopper | | D | 1 | a-V118030403 |
| 2 | 56AA17321 | PIN A D2X12 | | B | 1 | b-V121030403 |
| 3 | 56AA17490 | PIN | | C | 1 | c-V127030604 |
| 4 | 56AA17551 | PIN A | | C | 1 | d-V127030803 |
| 5 | 56AA42690 | BY-PASS SPACER | | C | 2 | e-V217040003 |
| 6 | A00J617900 | Ball Bearing | | B | 2 | f-V217060003 |
| 7 | A03U812800 | Slide Shaft Holder | | B | 2 | g-V217080003 |
| 8 | A1RF820000 | Ball Bearing | | C | 2 | h-V500020099 |
| 9 | A50U715400 | Pressure Side plate /1 | | D | 1 | j-V500020100 |
| 10 | A50U816403 | Hold Stay /Right | | D | 1 | k-V570010056 |
| 11 | A50U836801 | Tension Pulley /B | | D | 1 | m-V570010057 |
| 12 | A50U850700 | Release Shaft /2 | | D | 1 | |
| 13 | A50U851500 | Shaft | | D | 2 | |
| 14 | A50U851800 | Reinforce Block | | D | 2 | |
| 15 | A50U851901 | Mounting Plate /1 | | D | 1 | |
| 16 | A50U852101 | Mounting Plate /2 | | D | 1 | |
| 17 | A50U852200 | Release Plate /3 | | D | 1 | |
| 18 | A50U852300 | Mounting Plate /3 | | D | 1 | |
| 19 | A50U852400 | Release Shaft /1 | | D | 1 | |
| 20 | A50U852500 | Cam | | D | 1 | |
| 21 | A50U853100 | Release Plate /6 | | D | 1 | |
| 22 | A50U853200 | Pressure Actuator | | D | 1 | |
| 23 | A50U854600 | Release Gear /1 24T | | C | 1 | |
| 24 | A50U858702 | Mounting Plate /3 | | D | 1 | |
| 25 | A50U882100 | Stopper Plate | | D | 1 | |
| 26 | A50U882900 | Handle | | D | 1 | |
| 27 | A50U883001 | Positioning Side plate /Rear | | D | 1 | |
| 28 | A50U883101 | Positioning Plate /Rear | | D | 1 | |
| 29 | A50U883200 | Positioning Plate /Front | | D | 1 | |
| 30 | A50U883400 | Light blocking Plate | | D | 1 | |
| 31 | A50U883600 | Guide /1 | | D | 1 | |
| 32 | A50U883701 | Protection Cover /1 | | D | 1 | |
| 33 | A50U884000 | Registration Screw | | D | 1 | |
| 34 | A50U884300 | Registration Plate | | D | 1 | |
| 35 | A50U886700 | Holding Collar | | D | 1 | |
| 36 | A50U886900 | Spacer | | D | 2 | |
| 37 | A50UN15900 | ADU Drive harness /3 | | D | 1 | |
| 38 | A50UN18100 | ADU Detection harness /10 | | D | 1 | |
| 39 | A50UR72400 | Stepping Motor / 2 Assy | | C | 1 | |
| 40 | A50UR72500 | Stepping Motor / 1 Assy | | C | 1 | |
| 41 | A50UR72600 | Drive Motor / 1 Assy | | C | 1 | |
| 42 | A85CM55500 | Photo Sensor | | C | 2 | |

Duplex Section



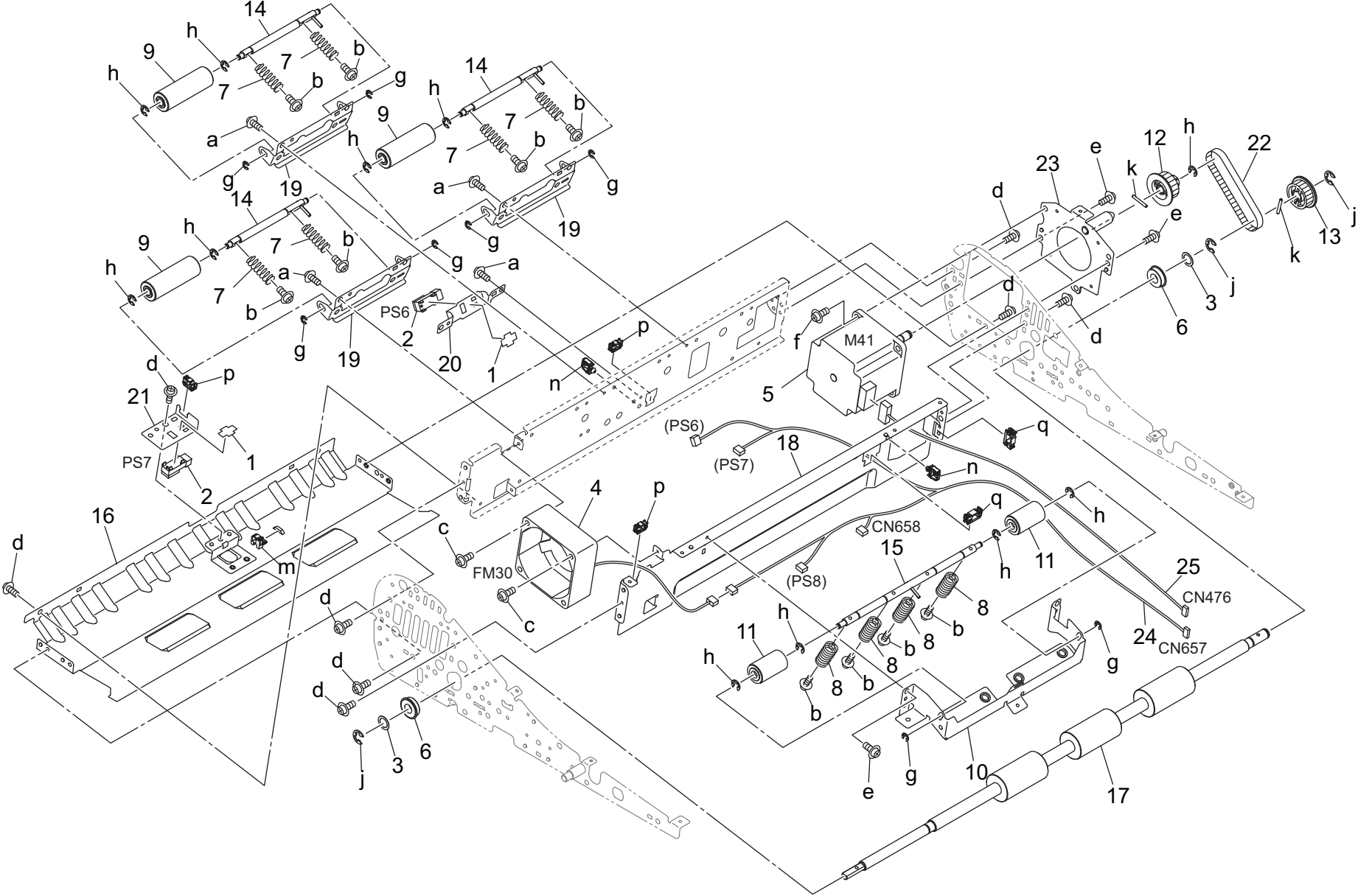
See P.94 - P.96

AccurioPrint C3070L

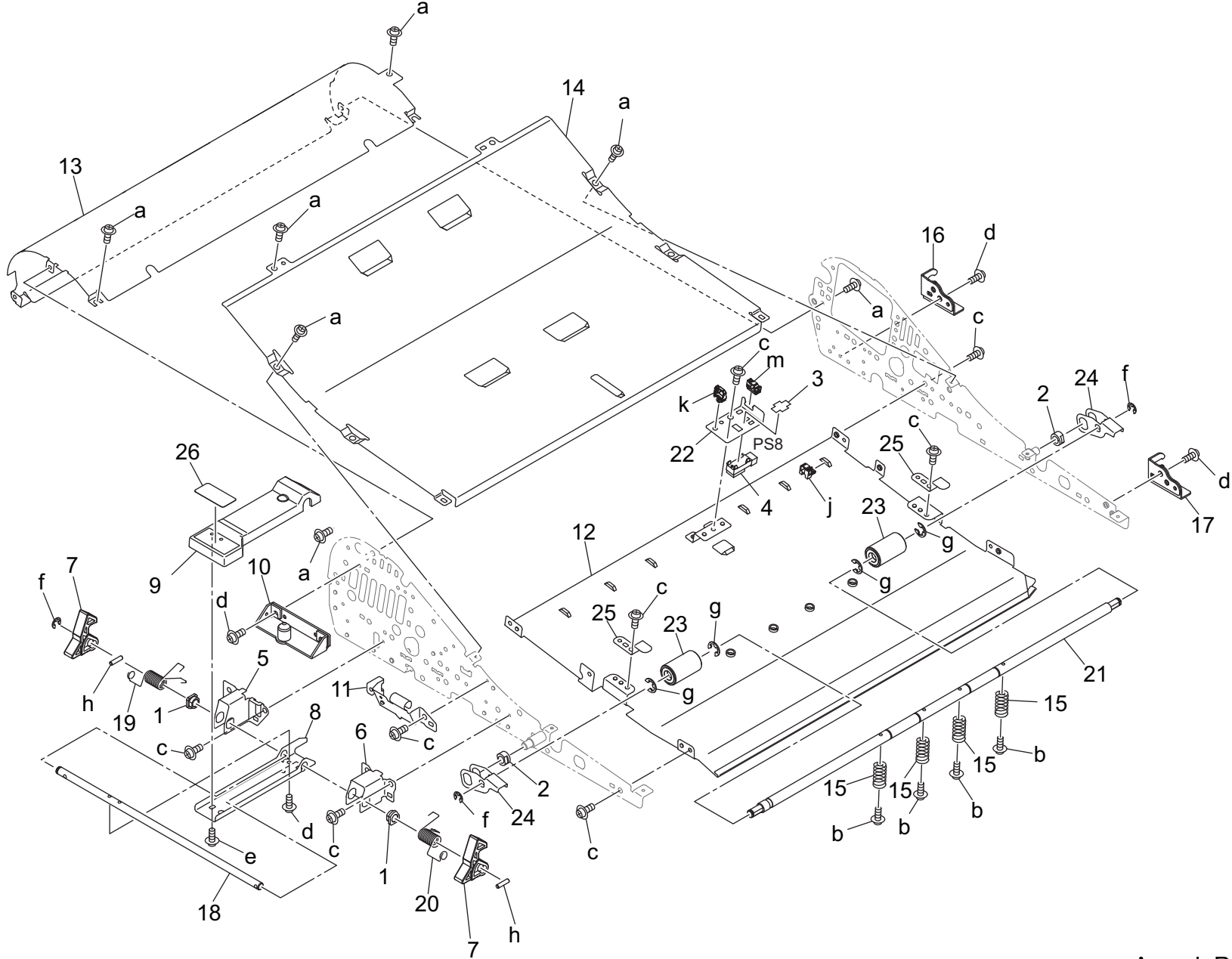
Duplex Section

| Key | Part No. | Description | Destinations | Class | QTY | Standard parts |
|-----|------------|----------------------------|--------------|-------|-----|--|
| 1 | A03U842600 | Conveyance Spring /2 | | C | 6 | a-V121030403 b-V151030603 c-V217020003 d-V217030003 e-V500010082 f-V500020098 g-V570010060 |
| 2 | A03U845100 | Idler Shaft /B | | D | 3 | |
| 3 | A03U845301 | Idler Roller /1 | | C | 3 | |
| 4 | A03U848100 | Open/close Spring /4 | | C | 1 | |
| 5 | A1RF847400 | Collar /1 | | D | 6 | |
| 6 | A50U840704 | Guide Plate /A | | D | 1 | |
| 7 | A50U841501 | Guide Plate /J | | D | 1 | |
| 8 | A50U841600 | Guide Plate /K | | D | 1 | |
| 9 | A50U841901 | Guide Plate /F | | D | 1 | |
| 10 | A50U844800 | Fixing Shaft | | D | 8 | |
| 11 | A50U848000 | Open/close Spring /3 | | D | 1 | |
| 12 | A50U848302 | Reinforce Plate /B | | D | 1 | |
| 13 | A50U854800 | Conveyance Roll | | D | 8 | |
| 14 | A50U855601 | Reinforce Plate | | D | 1 | |
| 15 | A50U880201 | Conveyance Guide /2 | | D | 1 | |
| 16 | A50U944000 | Release Label /10 | | D | 1 | |
| 17 | A85C877200 | Ground Part /2 | | D | 2 | |
| 18 | A9VEF84100 | Support Plate / C Caulking | | D | 1 | |
| | | | | | | |
| | | | | | | |
| | | | | | | |
| | | | | | | |
| | | | | | | |
| | | | | | | |
| | | | | | | |
| | | | | | | |
| | | | | | | |
| | | | | | | |

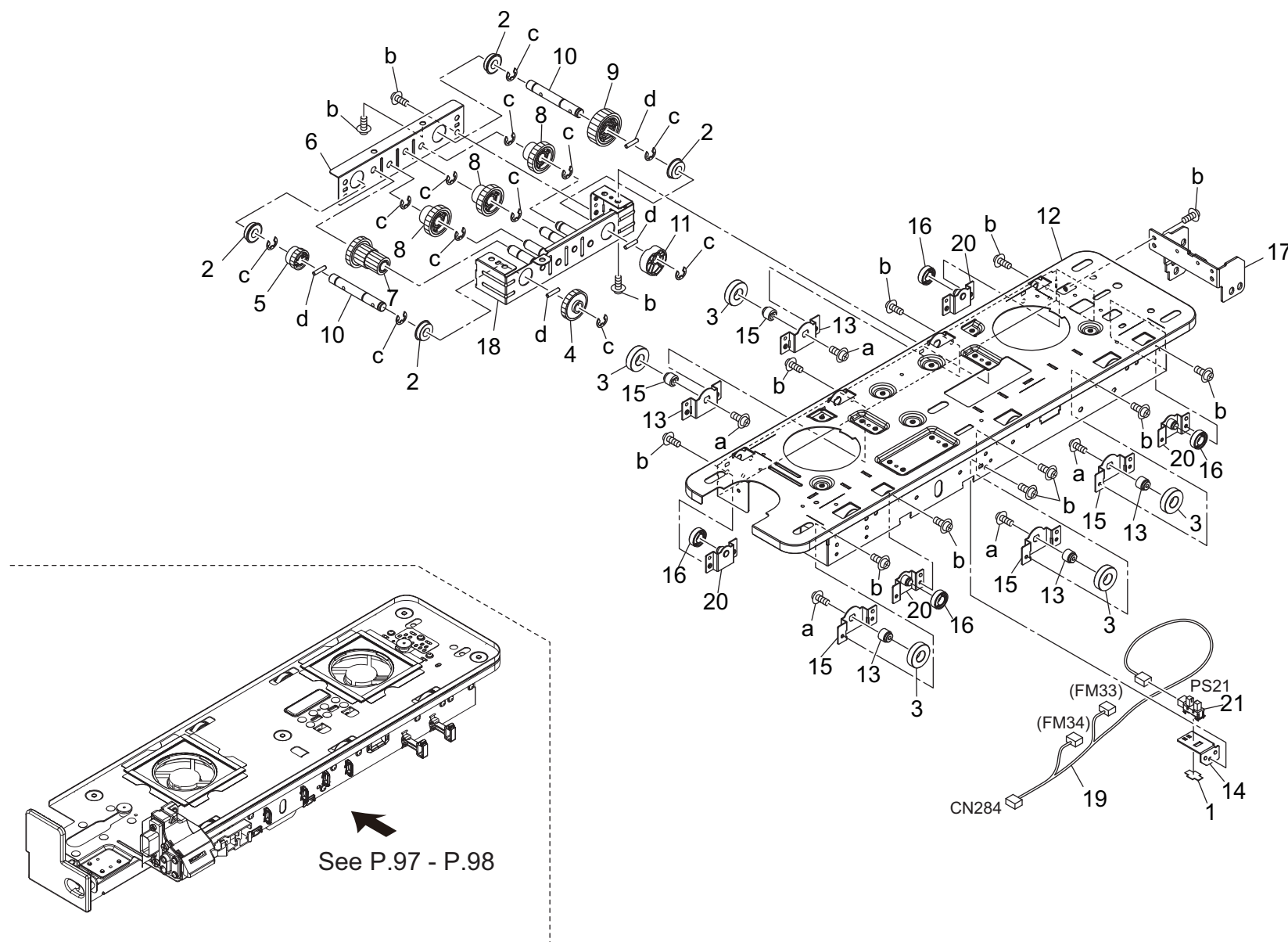
Duplex Section



| Key | Part No. | Description | Destinations | Class | QTY | Standard parts |
|-----|------------|-----------------------------|--------------|-------|-----|----------------|
| 1 | 4470402401 | Stopper | | D | 2 | a-V118030303 |
| 2 | 9335140071 | Solid State Switch | | B | 2 | b-V118030603 |
| 3 | 56AA42690 | BY-PASS SPACER | | C | 2 | c-V118033003 |
| 4 | 56QA80570 | Internal Cooling Fan | | C | 1 | d-V121030403 |
| 5 | 65AA80112 | HB Motor /50 | | B | 1 | e-V127030604 |
| 6 | A00V240600 | Ball Bearing | | B | 2 | f-V127030803 |
| 7 | A03U842700 | Conveyance Spring /3 | | C | 6 | g-V217030003 |
| 8 | A03U842800 | Conveyance Spring /4 | | C | 4 | h-V217040003 |
| 9 | A03U845601 | Idler Roller /2 | | C | 3 | j-V217060003 |
| 10 | A03U845700 | Mounting Plate /4 | | D | 1 | k-V234201650 |
| 11 | A03U845901 | Idler Roller /3 | | C | 2 | m-V500010057 |
| 12 | A03U859400 | PULLEY /1 24T | | C | 1 | n-V500020098 |
| 13 | A03U859500 | PULLEY /2 24T | | C | 1 | q-V570010056 |
| 14 | A1DUR73E00 | Idler Shaft /C Assy | | D | 3 | |
| 15 | A1DUR73P00 | Idler Shaft /D Assy | | D | 1 | |
| 16 | A50U841100 | Guide Plate /E | | D | 1 | |
| 17 | A50U842000 | Roller | | C | 1 | |
| 18 | A50U842300 | Support Plate /1 | | D | 1 | |
| 19 | A50U845400 | Mounting Plate /3 | | D | 3 | |
| 20 | A50U847200 | Mounting Plate /A | | D | 1 | |
| 21 | A50U850201 | Mounting Plate /F | | D | 1 | |
| 22 | A50U859900 | Belt /2 177L | | C | 1 | |
| 23 | A50UF84800 | Mounting Plate / 2 Caulking | | D | 1 | |
| 24 | A50UN16300 | ADU Relay harness /1 | | D | 1 | |
| 25 | A50UN16400 | ADU Drive harness /5 | | D | 1 | |
| | | | | | | |
| | | | | | | |
| | | | | | | |
| | | | | | | |
| | | | | | | |
| | | | | | | |
| | | | | | | |




| Key | Part No. | Description | Destinations | Class | QTY | Standard parts |
|-----|------------|----------------------------|--------------|-------|-----|----------------|
| 1 | 466076020 | Paper Feed Feeding Bearing | | B | 2 | a-V118030403 |
| 2 | 4131253701 | BUSHING | | C | 2 | b-V118030603 |
| 3 | 4470402401 | Stopper | | D | 1 | c-V121030403 |
| 4 | 9335140071 | Solid State Switch | | B | 1 | d-V127030604 |
| 5 | A03U844200 | Mounting Plate /Left | | D | 1 | e-V151030803 |
| 6 | A03U844300 | Mounting Plate /Right | | D | 1 | f-V217040003 |
| 7 | A03U844700 | Lock Claw | | C | 2 | g-V217060003 |
| 8 | A03U844802 | Open/close Plate | | D | 1 | h-V234301250 |
| 9 | A03U844901 | Open/close Lever | | C | 1 | j-V500010057 |
| 10 | A03UF84300 | Mounting Plate /1 Caulking | | D | 1 | k-V500020098 |
| 11 | A50U840400 | Mounting Plate | | D | 1 | m-V570010056 |
| 12 | A50U841301 | Guide Plate /G | | D | 1 | |
| 13 | A50U841700 | Guide Plate /L | | D | 1 | |
| 14 | A50U841800 | Guide Plate /M | | D | 1 | |
| 15 | A50U842900 | Conveyance Spring /5 | | D | 4 | |
| 16 | A50U843601 | Support Plate | | D | 1 | |
| 17 | A50U843801 | Support Plate /Right rear | | D | 1 | |
| 18 | A50U844400 | Lock Shaft | | D | 1 | |
| 19 | A50U844501 | Open/close Spring /1 | | D | 1 | |
| 20 | A50U844601 | Open/close Spring /2 | | D | 1 | |
| 21 | A50U846000 | Idler Shaft /E | | D | 1 | |
| 22 | A50U850201 | Mounting Plate /F | | D | 1 | |
| 23 | A50U853400 | Pressure Roller | | C | 2 | |
| 24 | A50U854100 | Release Plate /8 | | D | 2 | |
| 25 | A50U856501 | Hold Plate | | D | 2 | |
| 26 | A50U943900 | Release Label /9 | | D | 1 | |
| | | | | | | |
| | | | | | | |
| | | | | | | |
| | | | | | | |
| | | | | | | |
| | | | | | | |
| | | | | | | |
| | | | | | | |
| | | | | | | |

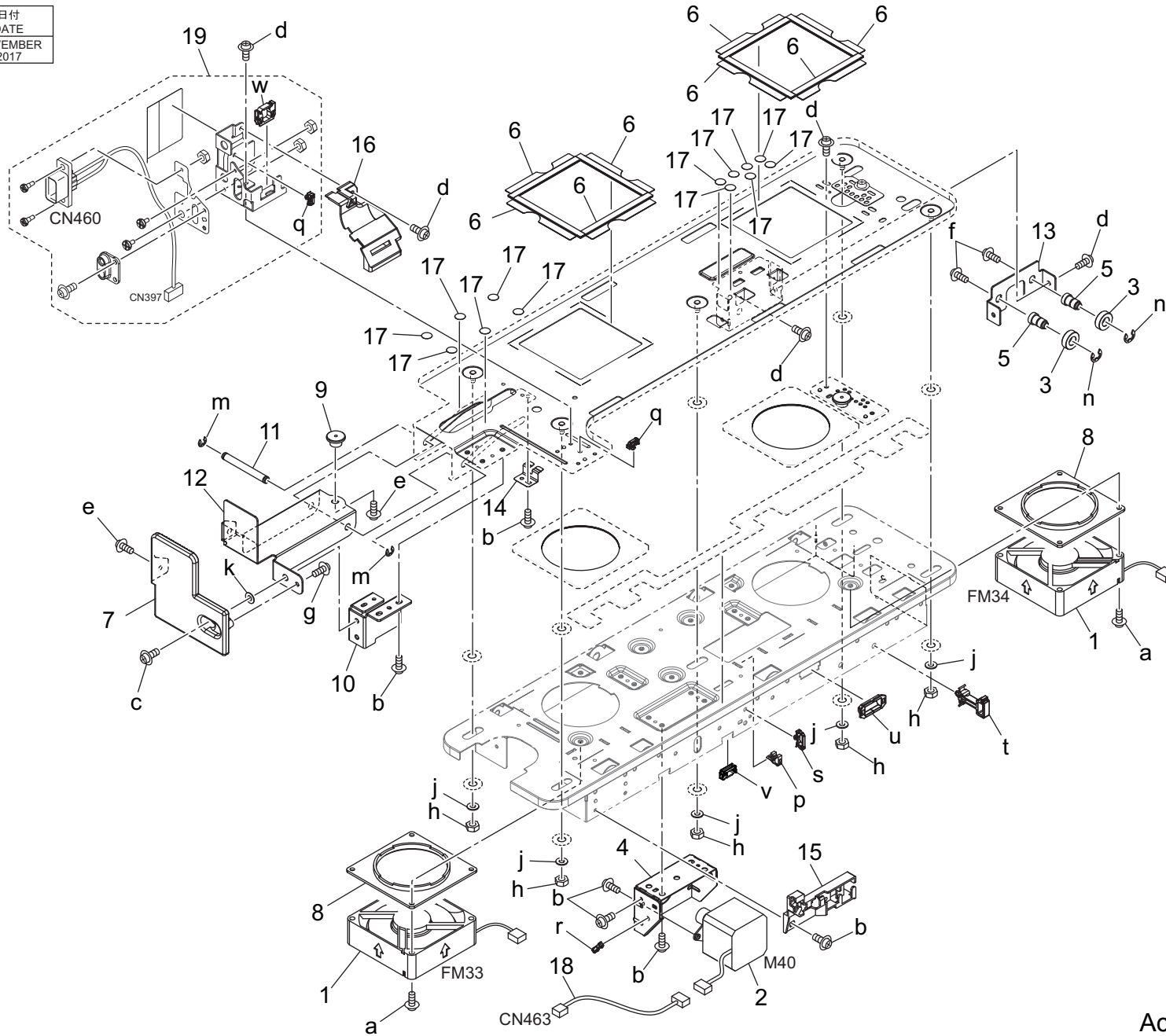


See P.97 - P.98

| Key | Part No. | Description | Destinations | Class | QTY | Standard parts |
|-----|------------|--------------------------|--------------|-------|-----|--|
| 1 | 4470402401 | Stopper | | D | 1 | a-V116040803 b-V121030403 c-V217060003 d-V234301450 |
| 2 | A00V240600 | Ball Bearing | | B | 4 | |
| 3 | A03U807700 | Pressure Bearing | | C | 5 | |
| 4 | A1RJ825100 | Drive Gear /4 34T | | C | 1 | |
| 5 | A1RJ825800 | Drive Gear /5 14T | | C | 1 | |
| 6 | A50U800300 | Swing Frame /2 | | D | 1 | |
| 7 | A50U800400 | Drive Gear /3 14/25T | | C | 1 | |
| 8 | A50U800700 | Drive Gear /6 14/25T | | C | 3 | |
| 9 | A50U800800 | Drive Gear /7 29T | | C | 1 | |
| 10 | A50U801400 | Drive Shaft | | D | 2 | |
| 11 | A50U801500 | Swing Cam | | D | 1 | |
| 12 | A50U801602 | Fixing Plate /ASSY | | D | 1 | |
| 13 | A50U802002 | Positioning Shaft /A | | D | 5 | |
| 14 | A50U802211 | Plate | | D | 1 | |
| 15 | A50U804001 | Fusing Rail /B | | D | 5 | |
| 16 | A50U804200 | Fusing Roll | | D | 4 | |
| 17 | A50U805300 | Mounting Plate /1 | | D | 1 | |
| 18 | A50UF80500 | Swing Frame Caulking | | D | 1 | |
| 19 | A50UN17100 | ADU Detection harness /7 | | D | 1 | |
| 20 | A50UR72R00 | Swing Rail Caulking | | D | 4 | |
| 21 | A85CM55500 | Photo Sensor | | C | 1 | |
| | | | | | | |
| | | | | | | |
| | | | | | | |
| | | | | | | |
| | | | | | | |
| | | | | | | |
| | | | | | | |
| | | | | | | |
| | | | | | | |
| | | | | | | |
| | | | | | | |
| | | | | | | |
| | | | | | | |

Duplex Swing Section

| | |
|---|------------------|
| 改訂版 REVISED EDITION | 日付 DATE |
|  | NOVEMBER 2017 |

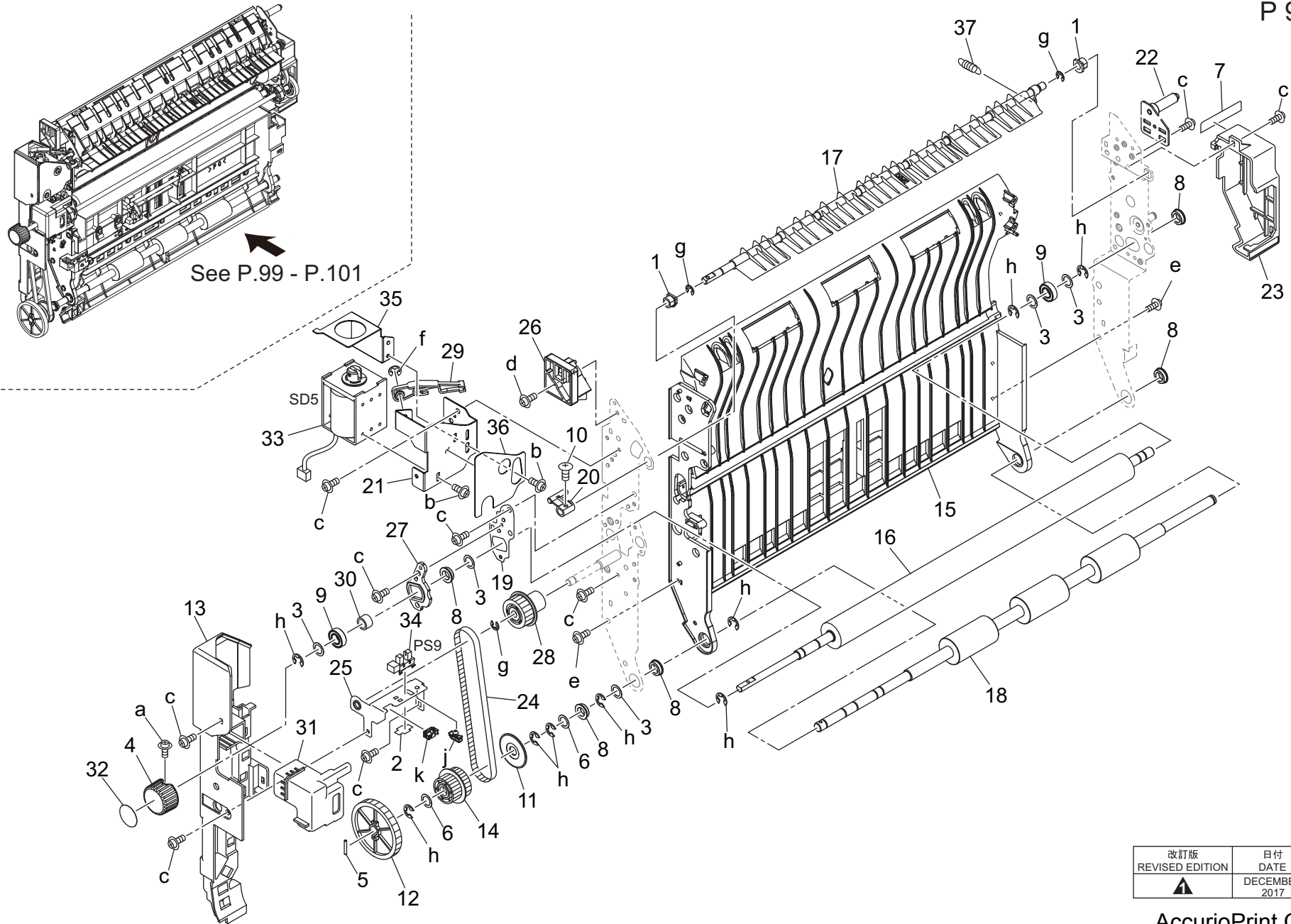


Duplex Swing Section

| Key | Part No. | Description | Destinations | Class | QTY | Standard parts |
|-----|------------|--------------------------|--------------|-------|-----|----------------|
| 1 | 4139M10000 | Fan motor | | B | 2 | a-V118033003 |
| 2 | A00TM10000 | Stepping motor | | B | 1 | b-V121030403 |
| 3 | A0XV370300 | Ball Bearing | | C | 2 | c-V121041203 |
| 4 | A50U800100 | Support Plate | | D | 1 | d-V127030604 |
| 5 | A50U802100 | Positioning Shaft /B | | D | 2 | e-V127030803 |
| 6 | A50U802700 | Heat blocking Part /B | | D | 8 | f-V127040803 |
| 7 | A50U802801 | Handle | | D | 1 | g-V151030803 |
| 8 | A50U802900 | Spacer | | D | 1 | h-V195040003 |
| 9 | A50U803101 | Guide Pin /Front | | D | 2 | j-V207040003 |
| 10 | A50U803300 | Fusing Rail /A | | D | 1 | k-V211040080 |
| 11 | A50U803400 | Positioning Shaft /1 | | D | 1 | m-V217040003 |
| 12 | A50U803500 | Positioning Plate /Front | | D | 1 | p-V500010057 |
| 13 | A50U803600 | Holding Plate | | D | 1 | q-V500020098 |
| 14 | A50U803700 | Ground Plate | | D | 1 | r-V500020099 |
| 15 | A50U803800 | Guide Part | | D | 1 | s-V500020100 |
| 16 | A50U804701 | Wiring Cover | | D | 1 | t-V500020101 |
| 17 | A50U805200 | Protection Seal | | D | 13 | u-V570010037 |
| 18 | A50UN17700 | ADU Drive harness /9 | | D | 1 | v-V570010057 |
| 19 | A9VER71100 | Power Supply Guide Assy | | D | 1 | w-V570010060 |
| | | | | | | |
| | | | | | | |
| | | | | | | |
| | | | | | | |
| | | | | | | |
| | | | | | | |
| | | | | | | |
| | | | | | | |
| | | | | | | |

Reverse Section

P 99



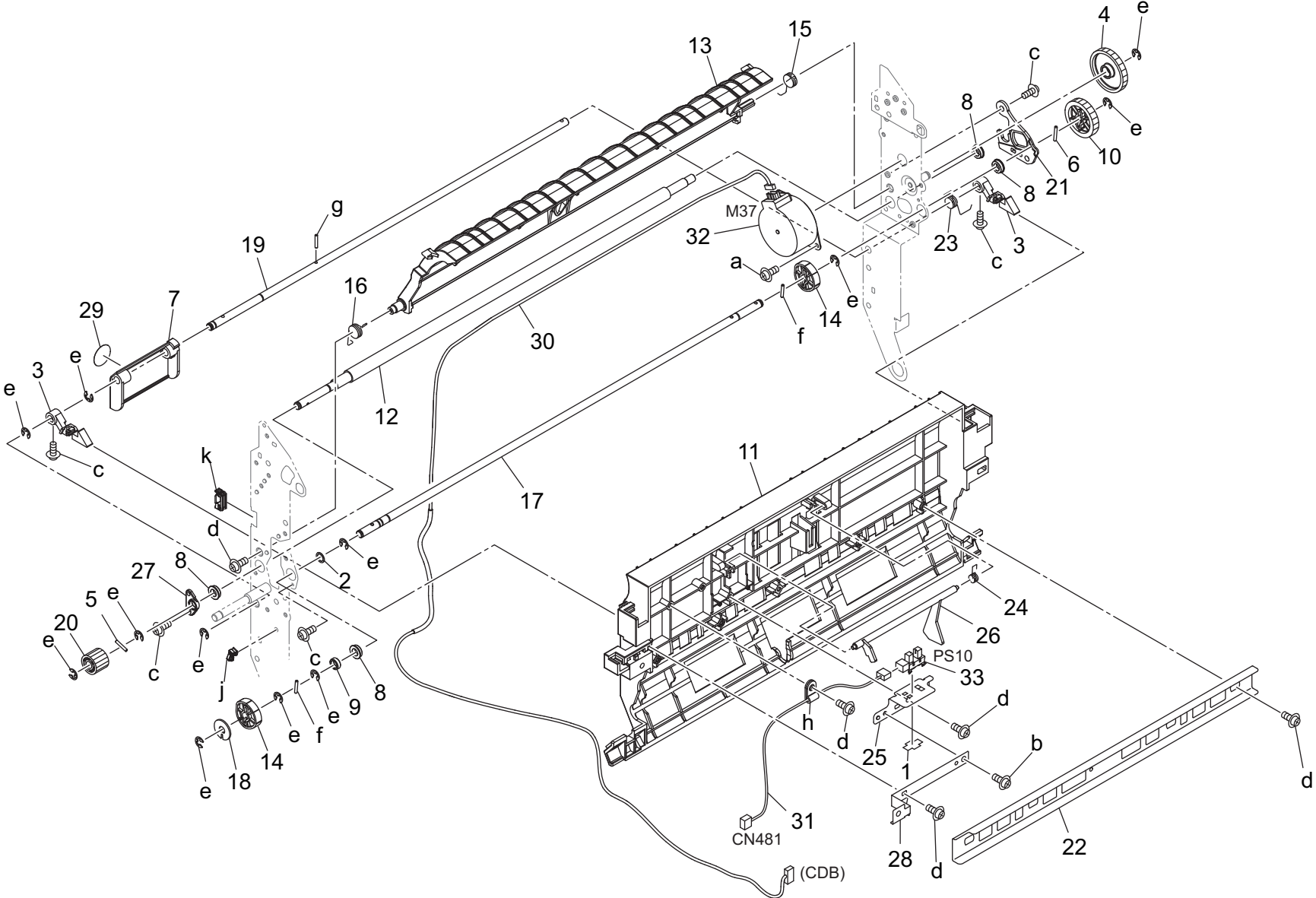
See P.99 - P.101

| | |
|---|------------------|
| 改訂版 REVISED EDITION | 日付 DATE |
|  | DECEMBER 2017 |

AccurioPrint C3070L

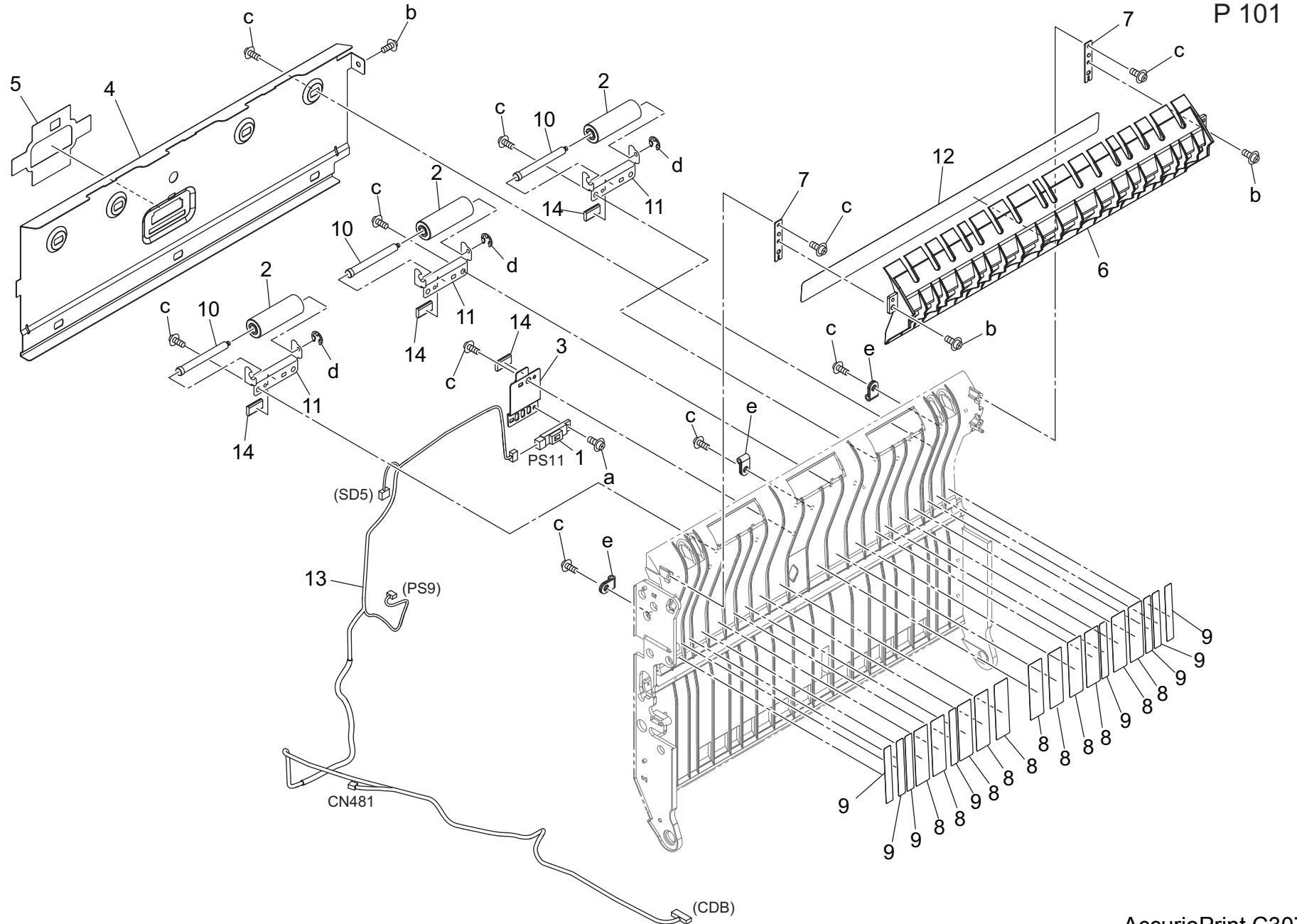
| Key | Part No. | Description | Destinations | Class | QTY | Standard parts |
|-----|------------|-----------------------------|--------------|-------|-----|----------------|
| 1 | 192141710 | PAPER LIFT UP LEVER BUSHING | | B | 2 | a-V118030603 |
| 2 | 4470402401 | Stopper | | D | 1 | b-V121030403 |
| 3 | 13QA40610 | Gear Spacer | | C | 5 | c-V127030604 |
| 4 | 14GE45470 | Rotation Knob | | C | 1 | d-V127031203 |
| 5 | 56AA17551 | PIN A | | C | 1 | e-V151030803 |
| 6 | 56AA42690 | BY-PASS SPACER | | C | 2 | f-V217030003 |
| 7 | 65AA42370 | SLIDE PART 1 | | D | 1 | g-V217040003 |
| 8 | A00J617900 | Ball Bearing | | B | 5 | h-V217060003 |
| 9 | A1RF820000 | Ball Bearing | | C | 2 | j-V500020099 |
| 10 | A50U642300 | Mounting Screw | | D | 1 | k-V570010056 |
| 11 | A50U817300 | Holding Collar | | D | 1 | |
| 12 | A50U819600 | Reverse/Exit Gear /2 50T | | C | 1 | |
| 13 | A50U834302 | Cover Part /2 | | D | 1 | |
| 14 | A50U838800 | Drive Idler /1 | | D | 1 | |
| 15 | A50U860104 | Guide Plate /A | | D | 1 | |
| 16 | A50U860501 | Decurler Roller | | A | 1 | |
| 17 | A50U861004 | Swing Part | | D | 1 | |
| 18 | A50U861800 | Riverse/exit Roller /Lower | | C | 1 | |
| 19 | A50U865300 | Holding Plate | | D | 1 | |
| 20 | A50U865703 | Swing Arm | | D | 1 | |
| 21 | A50U865901 | Support Plate | | D | 1 | |
| 22 | A50U866400 | Positioning Plate /2 | | D | 1 | |
| 23 | A50U866900 | Drive Cover /1 | | D | 1 | |
| 24 | A50U867200 | Belt /A 324L | | C | 1 | |
| 25 | A50U867312 | Fixing Plate /1 | | D | 1 | |
| 26 | A50U867400 | Positioning Part | | D | 1 | |
| 27 | A50U867500 | Fixing Plate /1 | | D | 1 | |
| 28 | A50U867600 | Reverse/Exit Gear /1 20T | | C | 1 | |
| 29 | A50U867800 | Positioning Plate /1 | | D | 1 | |
| 30 | A50U869400 | Collar | | D | 1 | |
| 31 | A50U869501 | Cover | | D | 1 | |
| 32 | A50U943800 | Release Label /8 | | D | 1 | |
| 33 | A50UR72811 | ADU Solenoid Pin Assy | | C | 1 | |
| 34 | A85CM55500 | Photo Sensor | | C | 1 | |
| 35 | A9VE866100 | Receiving Plate /1 | | D | 1 | |
| 36 | A9VE866200 | Insulating Sheet /1 | | D | 1 | |
| 37 | A9VE867900 | Open/close Spring | | D | 1 | |
| | | | | | | |
| | | | | | | |
| | | | | | | |

Reverse Section




| Key | Part No. | Description | Destinations | Class | QTY | Standard parts |
|-----|------------|-----------------------------|--------------|-------|-----|----------------|
| 1 | 4470402401 | Stopper | | D | 1 | a-V118030403 |
| 2 | 40AA30270 | DEVELOPING SPACER | | C | 1 | b-V127030603 |
| 3 | 40AA46261 | LOCK CLAW F | | B | 2 | c-V127030604 |
| 4 | 40AA77550 | Mirror Drive Gear /2 14/70T | | C | 1 | d-V151030803 |
| 5 | 56AA17321 | PIN A D2X12 | | B | 1 | e-V217040003 |
| 6 | 56AA17551 | PIN A | | C | 1 | f-V234200850 |
| 7 | 65AA49410 | Paper Exit Handle | | C | 1 | g-V234201250 |
| 8 | A00J617800 | Ball Bearing | | B | 4 | h-V500020002 |
| 9 | A1RF863800 | Collar | | D | 1 | j-V500020099 |
| 10 | A1RJ818800 | Drive Gear /8 29T | | C | 1 | k-V570010057 |
| 11 | A50U860202 | Guide Plate /B | | D | 1 | |
| 12 | A50U860600 | Riverse/exit Shaft | | D | 1 | |
| 13 | A50U861100 | Guide Plate /4 | | D | 1 | |
| 14 | A50U861601 | Positioning Cam | | D | 2 | |
| 15 | A50U864200 | Reverse/Exit Spring /Rear | | D | 1 | |
| 16 | A50U864300 | Reverse/Exit Spring /Front | | D | 1 | |
| 17 | A50U865101 | Pressing Shaft | | D | 1 | |
| 18 | A50U865401 | Positioning | | D | 1 | |
| 19 | A50U865601 | Lock Shaft /A | | D | 1 | |
| 20 | A50U867100 | Reverse/Exit Gear /A 20T | | C | 1 | |
| 21 | A50U867700 | Fixing Plate /2 | | D | 1 | |
| 22 | A50U868000 | Reinforce Plate /A | | D | 1 | |
| 23 | A50U868401 | Open/close Spring /1 | | D | 1 | |
| 24 | A50U868702 | Spring /1 | | D | 1 | |
| 25 | A50U869300 | Mounting Stay | | D | 1 | |
| 26 | A50U869601 | Arm /1 | | D | 1 | |
| 27 | A50U869700 | Fixing Collar /1 | | D | 1 | |
| 28 | A50U869800 | Ground Plate /1 | | D | 1 | |
| 29 | A50U943600 | Release Label /6 | | D | 1 | |
| 30 | A50UN17601 | ADU Drive harness /8 | | D | 1 | |
| 31 | A50UN18401 | ADU Detection harness /12 | | D | 1 | |
| 32 | A50UR72711 | Drive Motor / 1 Assy | | C | 1 | |
| 33 | A85CM55500 | Photo Sensor | | C | 1 | |
| | | | | | | |
| | | | | | | |
| | | | | | | |
| | | | | | | |

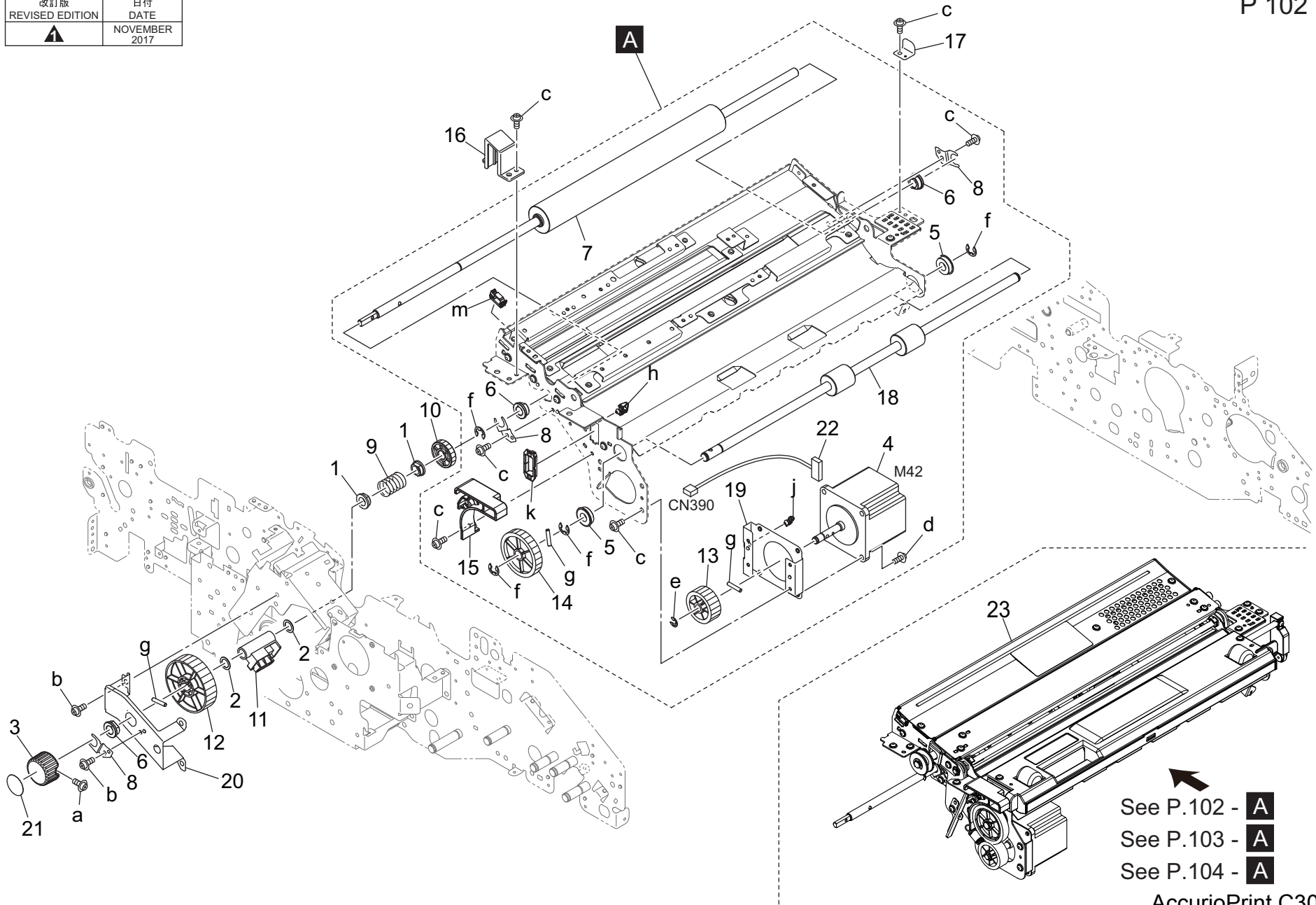
Reverse Section



| Key | Part No. | Description | Destinations | Class | QTY | Standard parts |
|-----|------------|---------------------------|--------------|-------|-----|--|
| 1 | 13QA85511 | Sensor 1 | | B | 1 | a-V118030403 b-V127030604 c-V151030803 d-V217020003 e-V500020002 |
| 2 | A03U845601 | Idler Roller /2 | | C | 3 | |
| 3 | A50U861900 | Fixing Plate | | D | 1 | |
| 4 | A50U862600 | Reinforce Plate /3 | | D | 1 | |
| 5 | A50U863000 | Slide Seal | | D | 1 | |
| 6 | A50U865011 | Paper exit Guide Plate /5 | | D | 1 | |
| 7 | A50U865200 | Positioning Plate /1 | | D | 2 | |
| 8 | A50U868200 | Guide Sheet /1 | | D | 11 | |
| 9 | A50U868301 | Guide Sheet /2 | | D | 8 | |
| 10 | A50U868500 | Idler Shaft | | D | 3 | |
| 11 | A50U868600 | Support Plate | | D | 3 | |
| 12 | A50U869100 | Separating Guide /1 | | D | 1 | |
| 13 | A50UN17502 | ADU Detection harness /8 | | D | 1 | |
| 14 | A85C877100 | Ground Part /1 | | D | 4 | |
| | | | | | | |
| | | | | | | |
| | | | | | | |
| | | | | | | |
| | | | | | | |
| | | | | | | |
| | | | | | | |
| | | | | | | |
| | | | | | | |
| | | | | | | |

Resist Section

| | |
|---|------------------|
| 改訂版 REVISED EDITION | 日付 DATE |
|  | NOVEMBER 2017 |

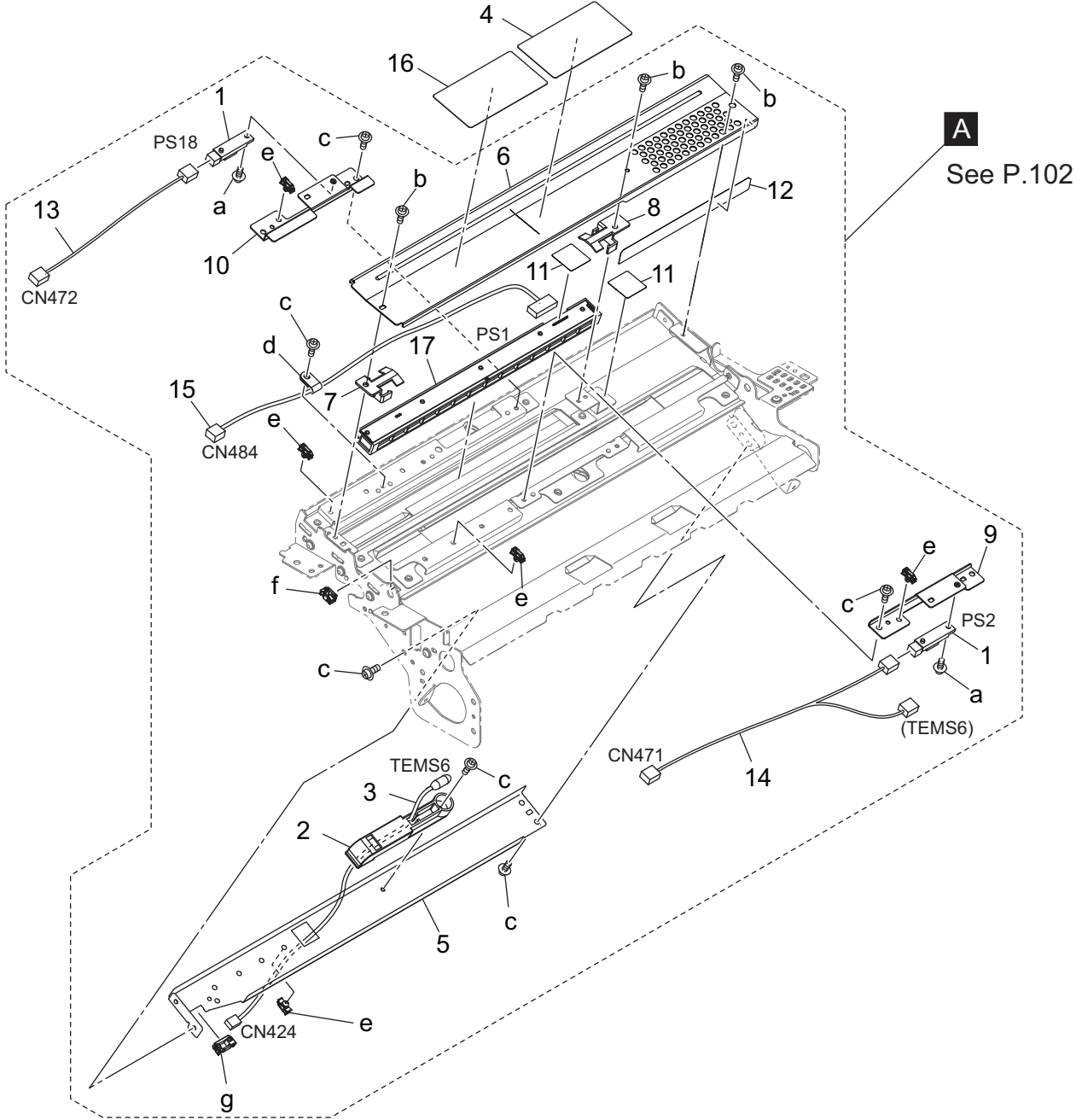


See P.102 - **A**
 See P.103 - **A**
 See P.104 - **A**

AccurioPrint C3070L

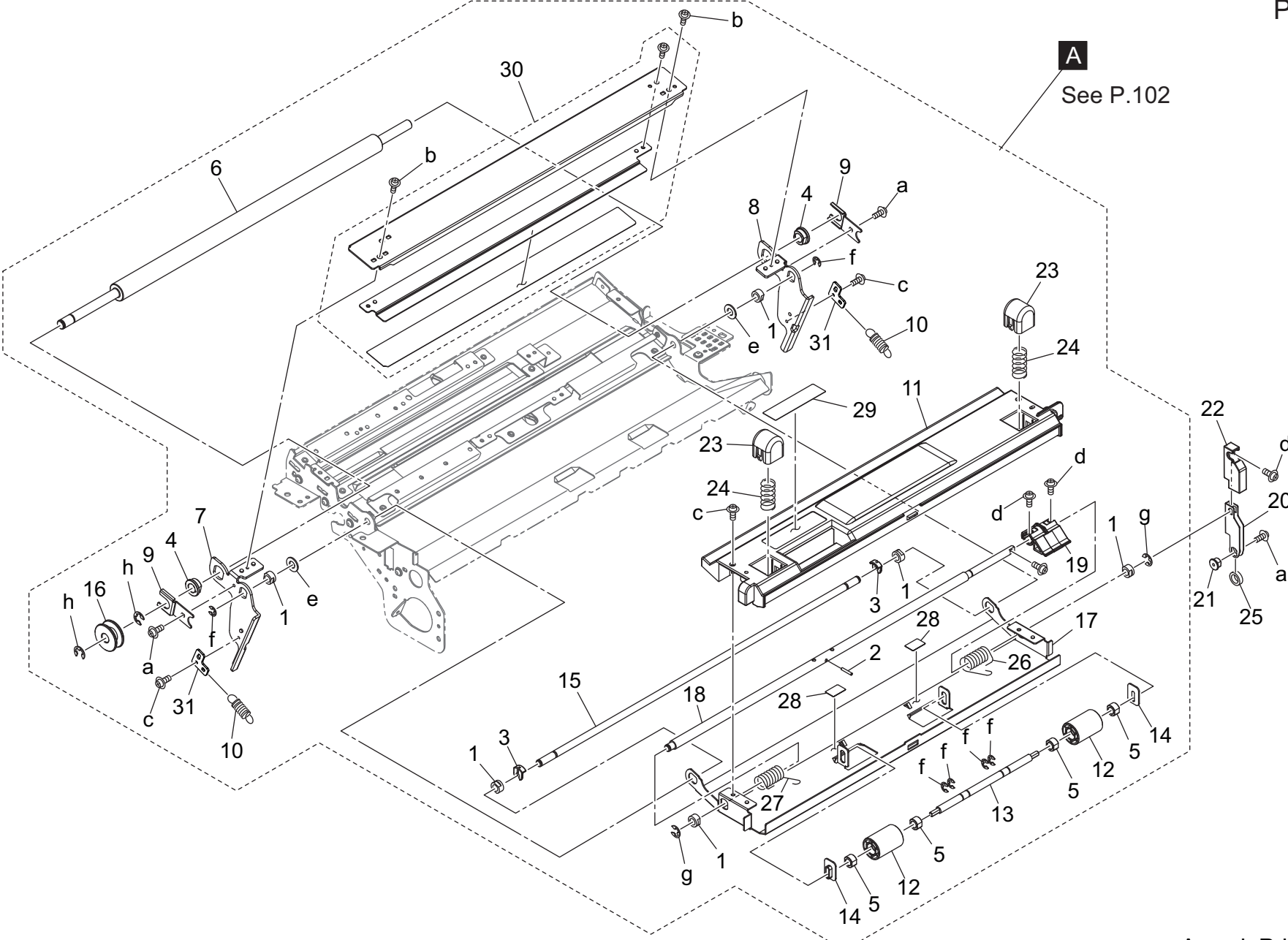
| Key | Part No. | Description | Destinations | Class | QTY | Standard parts |
|-----|------------|--------------------------------|--------------|-------|-----|----------------|
| 1 | 4131353202 | BUSHING | | C | 2 | a-V118030603 |
| 2 | 12QV40650 | Spacer | | B | 2 | b-V121030403 |
| 3 | 14GE45470 | Rotation Knob | | C | 1 | c-V127030604 |
| 4 | 65AA80112 | HB Motor /50 | | B | 1 | d-V127030803 |
| 5 | A00V240600 | Ball Bearing | | B | 2 | e-V217040003 |
| 6 | A03U812800 | Slide Shaft Holder | | B | 3 | f-V217060003 |
| 7 | A50U710101 | Registration Roller | | B | 1 | g-V234301650 |
| 8 | A50U711101 | Holding Plate /1 | | D | 3 | h-V500020098 |
| 9 | A50U711400 | Swing Spring | | D | 1 | j-V500020099 |
| 10 | A50U713000 | Roll /1 | | D | 1 | k-V570010037 |
| 11 | A50U713200 | Light blocking Rack | | D | 1 | m-V570010057 |
| 12 | A50U713600 | Swing Gear /2 104T | | C | 1 | |
| 13 | A50U714300 | Drive Gear /1 28T | | C | 1 | |
| 14 | A50U714400 | Conveyance Gear /1 40T | | C | 1 | |
| 15 | A50U715900 | Wiring Cover /1 | | D | 1 | |
| 16 | A50U716200 | Wiring Cover /2 | | D | 1 | |
| 17 | A50U717901 | Adjusting Jig /ASSY | | D | 1 | |
| 18 | A50U719200 | Roller | | C | 1 | |
| 19 | A50U719800 | Drive Side plate | | D | 1 | |
| 20 | A50U882401 | Registration Side plate /Front | | D | 1 | |
| 21 | A50U943400 | Release Label /4 | | D | 1 | |
| 22 | A50UN15800 | ADU Drive harness /2 | | D | 1 | |
| 23 | A9VER71000 | Registration Assy | | S | 1 | |
| | | | | | | |
| | | | | | | |
| | | | | | | |
| | | | | | | |
| | | | | | | |
| | | | | | | |
| | | | | | | |
| | | | | | | |
| | | | | | | |
| | | | | | | |
| | | | | | | |
| | | | | | | |
| | | | | | | |
| | | | | | | |
| | | | | | | |
| | | | | | | |
| | | | | | | |

Resist Section



| Key | Part No. | Description | Destinations | Class | QTY | Standard parts |
|-----|------------|--------------------------|--------------|-------|-----|--|
| 1 | 13QA85511 | Sensor 1 | | B | 2 | a-V118030403 b-V127030603 c-V127030604 d-V500020069 e-V500020099 f-V570010056 g-V570010057 |
| 2 | A03X622000 | Detecting Cover | | C | 1 | |
| 3 | A0VDM50500 | Thermistor /1 | | I | 1 | |
| 4 | A1DU942900 | Caution Label /5 | | D | 1 | |
| 5 | A50U712001 | Mounting Stay /Lower | | D | 1 | |
| 6 | A50U717001 | Cover | | D | 1 | |
| 7 | A50U717100 | Stopper /1 | | D | 1 | |
| 8 | A50U717200 | Stopper /2 | | D | 1 | |
| 9 | A50U718200 | Plate /1 | | D | 1 | |
| 10 | A50U718300 | Plate /2 | | D | 1 | |
| 11 | A50U719300 | Protection Sheet | | D | 2 | |
| 12 | A50U719400 | Protection Sheet /2 | | D | 1 | |
| 13 | A50UN16600 | ADU Detection harness /3 | | D | 1 | |
| 14 | A50UN16700 | ADU Detection harness /4 | | D | 1 | |
| 15 | A50UN16800 | ADU Detection harness /5 | | D | 1 | |
| 16 | A9VE942500 | Caution Label | | D | 1 | |
| 17 | A9VEM55100 | Compensating Sensor | | C | 1 | |
| | | | | | | |
| | | | | | | |
| | | | | | | |
| | | | | | | |
| | | | | | | |
| | | | | | | |
| | | | | | | |
| | | | | | | |
| | | | | | | |
| | | | | | | |

Resist Section

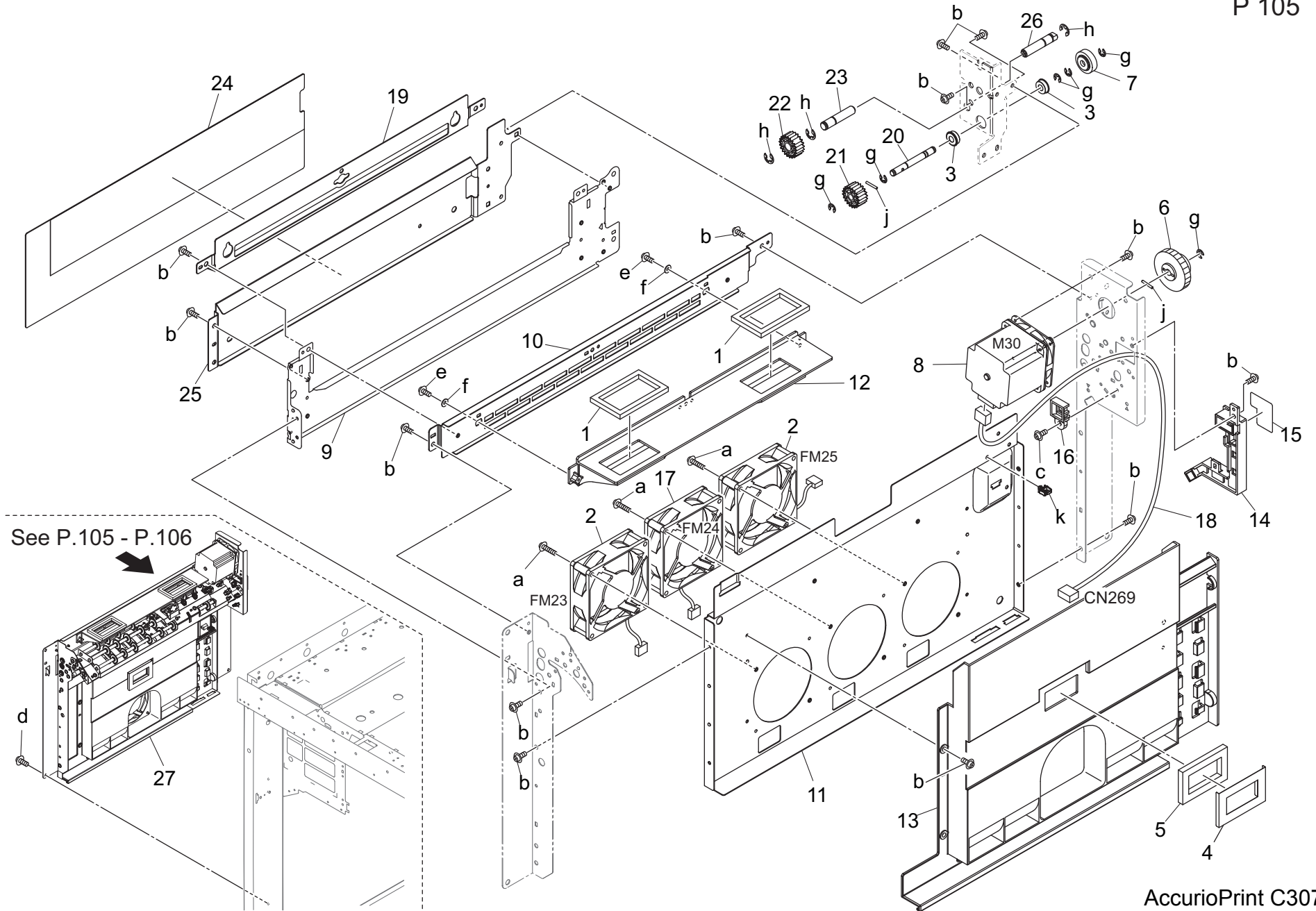


A
See P.102

| Key | Part No. | Description | Destinations | Class | QTY | Standard parts |
|-----|------------|----------------------------------|--------------|-------|-----|--|
| 1 | 4131253701 | BUSHING | | C | 6 | a-V121030403 b-V127030603 c-V127030604 d-V127030803 e-V207060003 f-V217040003 g-V217050003 h-V217060003 |
| 2 | 56AA17321 | PIN A D2X12 | | B | 1 | |
| 3 | 56AA40490 | SHAFT STOPPER 4 | | C | 2 | |
| 4 | A03U812800 | Slide Shaft Holder | | B | 2 | |
| 5 | A03U850101 | Slide Bushing | | C | 4 | |
| 6 | A50U710300 | Idler Roller | | D | 1 | |
| 7 | A50U710901 | Pressure Lever /1 | | D | 1 | |
| 8 | A50U711001 | Pressure Lever /2 | | D | 1 | |
| 9 | A50U711200 | Holding Plate /2 | | D | 2 | |
| 10 | A50U711300 | Pressure Spring | | D | 2 | |
| 11 | A50U711602 | Open/close Holder | | D | 1 | |
| 12 | A50U712200 | Idler Roll /1 | | D | 2 | |
| 13 | A50U712300 | Idler Shaft /1 | | D | 1 | |
| 14 | A50U712400 | Receiving Shaft /1 | | D | 2 | |
| 15 | A50U712700 | Pressure Shaft /1 | | D | 1 | |
| 16 | A50U713100 | Roll /2 | | D | 1 | |
| 17 | A50U714200 | Open/close Guide | | D | 1 | |
| 18 | A50U714500 | Release Shaft | | D | 1 | |
| 19 | A50U714600 | Lever | | D | 1 | |
| 20 | A50U715300 | Pressure Lever /25 | | D | 1 | |
| 21 | A50U715600 | Support Shaft /2 | | D | 1 | |
| 22 | A50U715800 | Protection Cover | | D | 1 | |
| 23 | A50U716301 | Pressing Block | | D | 2 | |
| 24 | A50U716400 | Compressing Coil spring | | D | 2 | |
| 25 | A50U716500 | Ball Bearing | | C | 1 | |
| 26 | A50U718400 | Pressing Spring /Rear | | D | 1 | |
| 27 | A50U718500 | Pressing Spring /Front | | D | 1 | |
| 28 | A50U880900 | Guide Sheet /Side | | D | 2 | |
| 29 | A50U943300 | Release Label /3 | | D | 1 | |
| 30 | A50UR70D01 | Registration Cleaning Sheet Assy | | B | 1 | |
| 31 | A9VE715700 | Pulling Plate /1 | | D | 2 | |
| | | | | | | |
| | | | | | | |
| | | | | | | |
| | | | | | | |
| | | | | | | |
| | | | | | | |

Exit Section

P 105

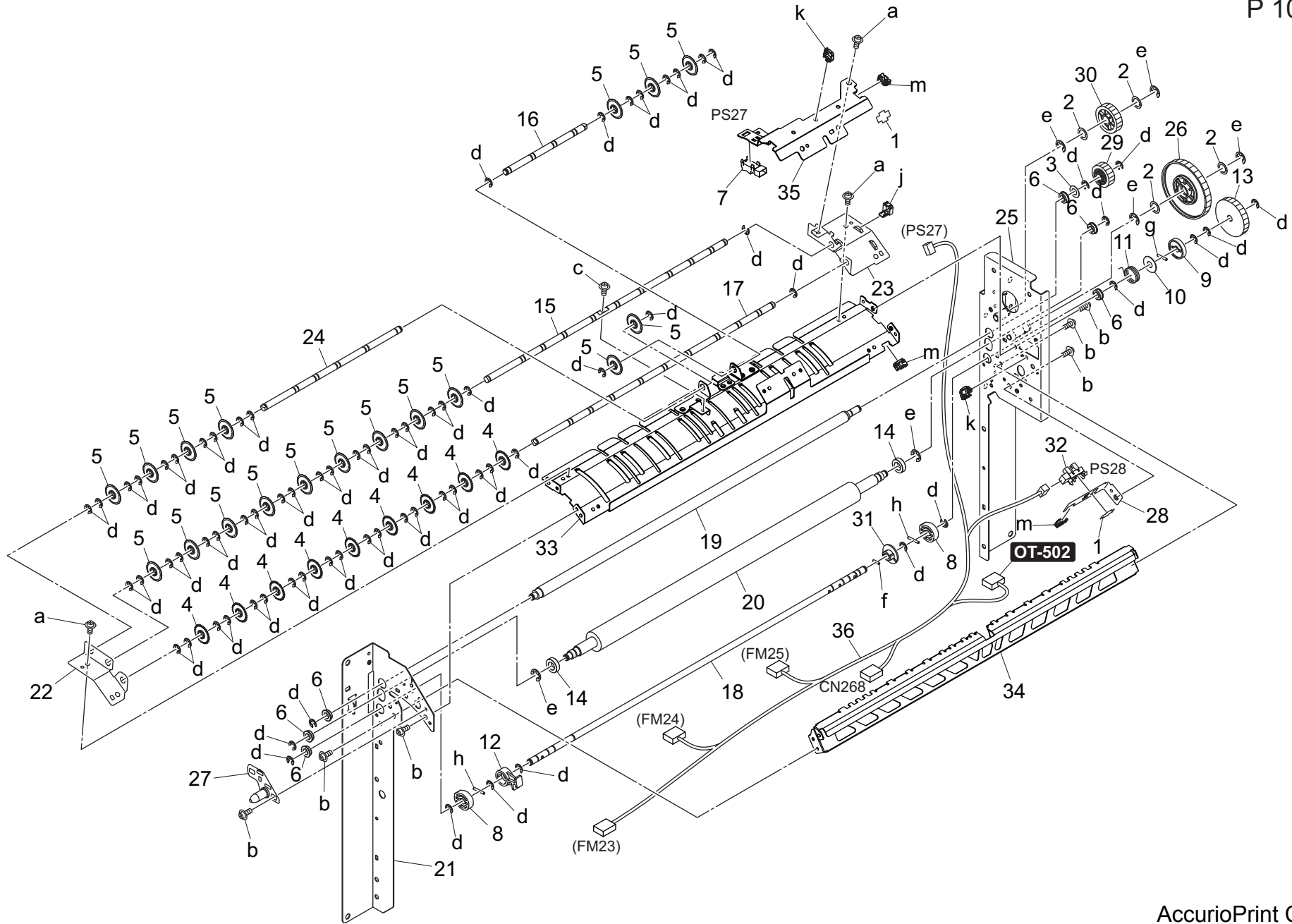


AccurioPrint C3070L

| Key | Part No. | Description | Destinations | Class | QTY | Standard parts |
|-----|------------|--------------------------------|--------------|-------|-----|----------------|
| 1 | 65LA48530 | DUCT SEAL 1 | | D | 2 | a-V118033003 |
| 2 | 9J03M10000 | FAN MOTOR | | B | 2 | b-V127030604 |
| 3 | A00J211200 | Ball Bearing | | C | 2 | c-V127030803 |
| 4 | A03U892300 | Sheet | | C | 1 | d-V127040603 |
| 5 | A03U892400 | Seal | | C | 1 | e-V145030803 |
| 6 | A03U909900 | Paper exit Gear /1 22/44T | | C | 1 | f-V207030003 |
| 7 | A043909901 | PAPER EXIT GEAR /6 23T | | B | 1 | g-V217040003 |
| 8 | A1TVM10100 | Stepping motor /50 | | B | 1 | h-V217060003 |
| 9 | A50U890500 | Reinforce Plate /Left | | D | 1 | j-V234201450 |
| 10 | A50U891001 | Guide Plate /Left | | D | 1 | k-V500020098 |
| 11 | A50U891200 | Paper exit Plate | | D | 1 | |
| 12 | A50U892201 | Cooling Duct /2 | | D | 1 | |
| 13 | A50U892502 | Paper exit Duct | | D | 1 | |
| 14 | A50U893300 | Guide Cover /1 | | D | 1 | |
| 15 | A50U895000 | Wiring Sheet | | D | 1 | |
| 16 | A50U895101 | Positioning Part | | D | 1 | |
| 17 | A50UM15300 | Fan motor /2 | | C | 1 | |
| 18 | A50UN15301 | Drive harness /2 | | D | 1 | |
| 19 | A8AK106101 | Paper Exit Guide /Upper | | C | 1 | |
| 20 | A8AK106200 | Drive Shaft | | D | 1 | |
| 21 | A8AK106300 | Drive Gear /B 20T | | C | 1 | |
| 22 | A8AK106400 | Drive Gear /C 21T | | C | 1 | |
| 23 | A8AK106800 | Idling Shaft | | D | 1 | |
| 24 | A8AK107200 | Thermal insulation Sheet /4 | | D | 1 | |
| 25 | A8AK162701 | Paper exit Guide /Lower | | D | 1 | |
| 26 | A8AW161911 | Idling Shaft /2 | | D | 1 | |
| 27 | A9VEF89001 | Main Body Paper Exit Unit Assy | | D | 1 | |
| | | | | | | |
| | | | | | | |
| | | | | | | |
| | | | | | | |
| | | | | | | |
| | | | | | | |
| | | | | | | |
| | | | | | | |

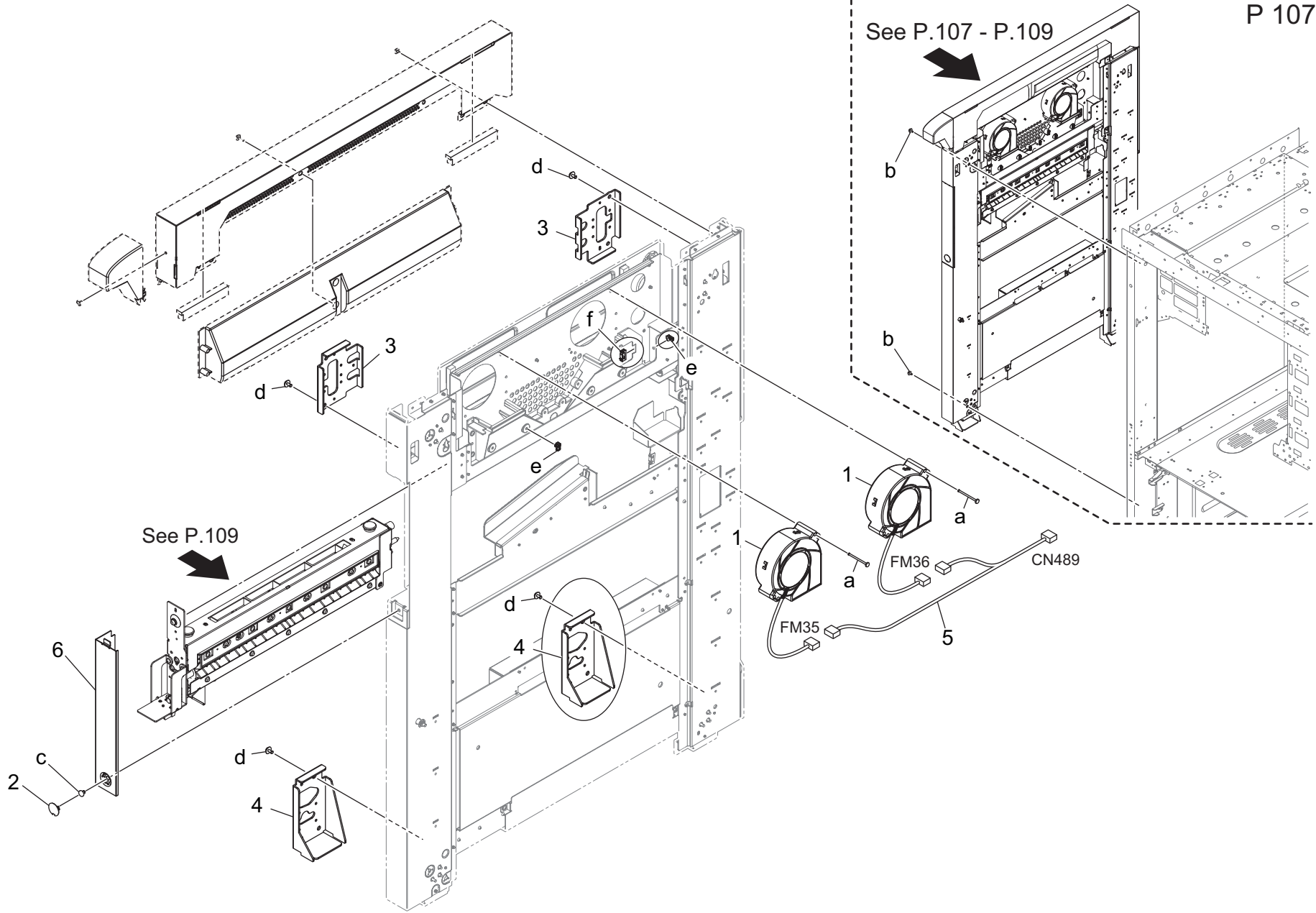
Exit Section

P 106



| Key | Part No. | Description | Destinations | Class | QTY | Standard parts |
|-----|------------|---------------------------|--------------|-------|-----|----------------|
| 1 | 4470402401 | Stopper | | D | 2 | a-V121030303 |
| 2 | 13QA40610 | Gear Spacer | | C | 4 | b-V127030604 |
| 3 | 56AA17700 | Spacer /B | | C | 1 | c-V127030803 |
| 4 | 65AA48360 | Paper Holding Part /1 | | C | 9 | d-V217040003 |
| 5 | 65AA48460 | PAPER HOLDING PART 2 | | C | 18 | e-V217060003 |
| 6 | A00J617800 | Ball Bearing | | B | 6 | f-V234200850 |
| 7 | A03TM50000 | Photorelector | | I | 1 | g-V234201250 |
| 8 | A03U892701 | Positioning Cam | | C | 2 | h-V234201450 |
| 9 | A03U893000 | Slide Plate | | C | 1 | j-V500010057 |
| 10 | A03U893101 | Spacer /Rear | | C | 1 | k-V500020098 |
| 11 | A03U893200 | Stopper Spring | | C | 1 | m-V570010056 |
| 12 | A03U893502 | Regulating Cam | | C | 1 | |
| 13 | A03U909502 | PAPER EXIT GEAR /5 40 T | | C | 1 | |
| 14 | A1RF517300 | bearing | | C | 2 | |
| 15 | A50U890102 | Fixing Shaft /2 | | D | 1 | |
| 16 | A50U890201 | Fixing Shaft /6 | | D | 1 | |
| 17 | A50U890300 | Fixing Shaft /1 | | D | 1 | |
| 18 | A50U890600 | Regulating Shaft | | D | 1 | |
| 19 | A50U890700 | Paper exit Shaft | | D | 1 | |
| 20 | A50U890802 | Paper exit Roller /B | | C | 1 | |
| 21 | A50U891301 | Paper exit Plate /Front | | D | 1 | |
| 22 | A50U891500 | Support Side plate /Front | | D | 1 | |
| 23 | A50U891600 | Support Side plate /Rear | | D | 1 | |
| 24 | A50U891900 | Fixing Shaft /5 | | D | 1 | |
| 25 | A50U892001 | Paper exit Plate /Rear | | D | 1 | |
| 26 | A50U892101 | Idling Gear /1 68T | | C | 1 | |
| 27 | A50U893201 | Adjusting Plate /1 | | D | 1 | |
| 28 | A50U894000 | Plate /Rear | | D | 1 | |
| 29 | A50U899700 | Paper exit Gear /3 23T | | C | 1 | |
| 30 | A50U899801 | Paper exit Gear /2 29T | | C | 1 | |
| 31 | A85C895500 | Positioning Roll | | D | 1 | |
| 32 | A85CM55500 | Photo Sensor | | C | 1 | |
| 33 | A9VE890400 | Guide Plate /Upper | | D | 1 | |
| 34 | A9VE890900 | Guide Plate /Lower | | D | 1 | |
| 35 | A9VE892800 | Support Plate /A | | D | 1 | |
| 36 | A9VEN15200 | Drive Wiring /3 | | D | 1 | |
| | | | | | | |
| | | | | | | |
| | | | | | | |
| | | | | | | |

Charge Control Section

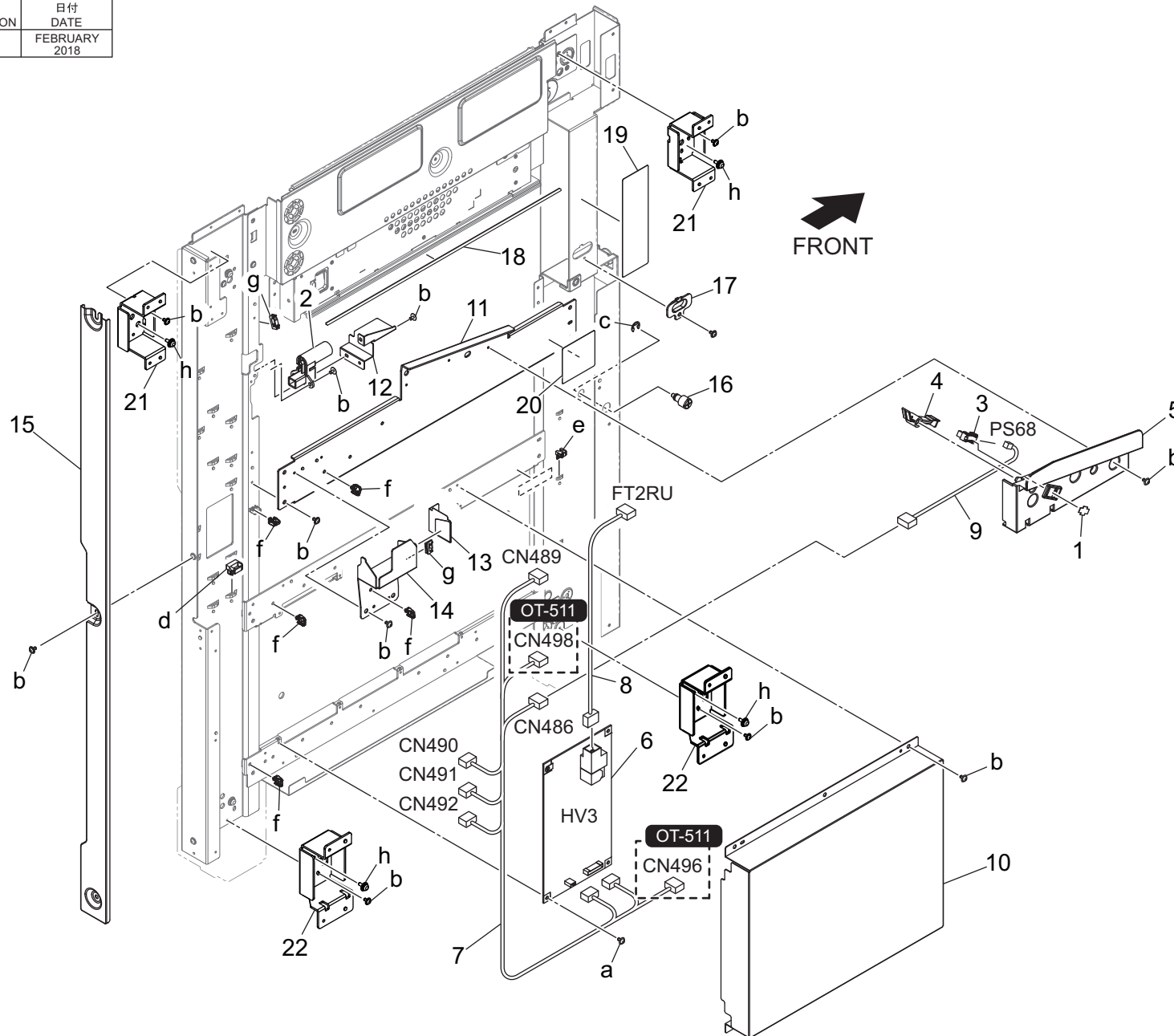


Charge Control Section

| Key | Part No. | Description | Destinations | Class | QTY | Standard parts |
|-----|------------|---------------------|--------------|-------|-----|--|
| 1 | A5AWM15101 | Cooling Fan | | B | 2 | a-V118033503 b-V125041001 c-V126040603 d-V127040803 e-V500020099 f-V570010046 |
| 2 | A65U186600 | Cover Part /2 | | D | 1 | |
| 3 | A85C898701 | Connecting Plate /2 | | D | 2 | |
| 4 | A85C898800 | Connecting Plate /4 | | D | 2 | |
| 5 | A85CN21600 | Relay Wiring /6 | | D | 1 | |
| 6 | A8AK100401 | Cover /Middle | | C | 1 | |
| | | | | | | |
| | | | | | | |
| | | | | | | |
| | | | | | | |
| | | | | | | |
| | | | | | | |
| | | | | | | |
| | | | | | | |
| | | | | | | |
| | | | | | | |
| | | | | | | |
| | | | | | | |
| | | | | | | |
| | | | | | | |
| | | | | | | |
| | | | | | | |

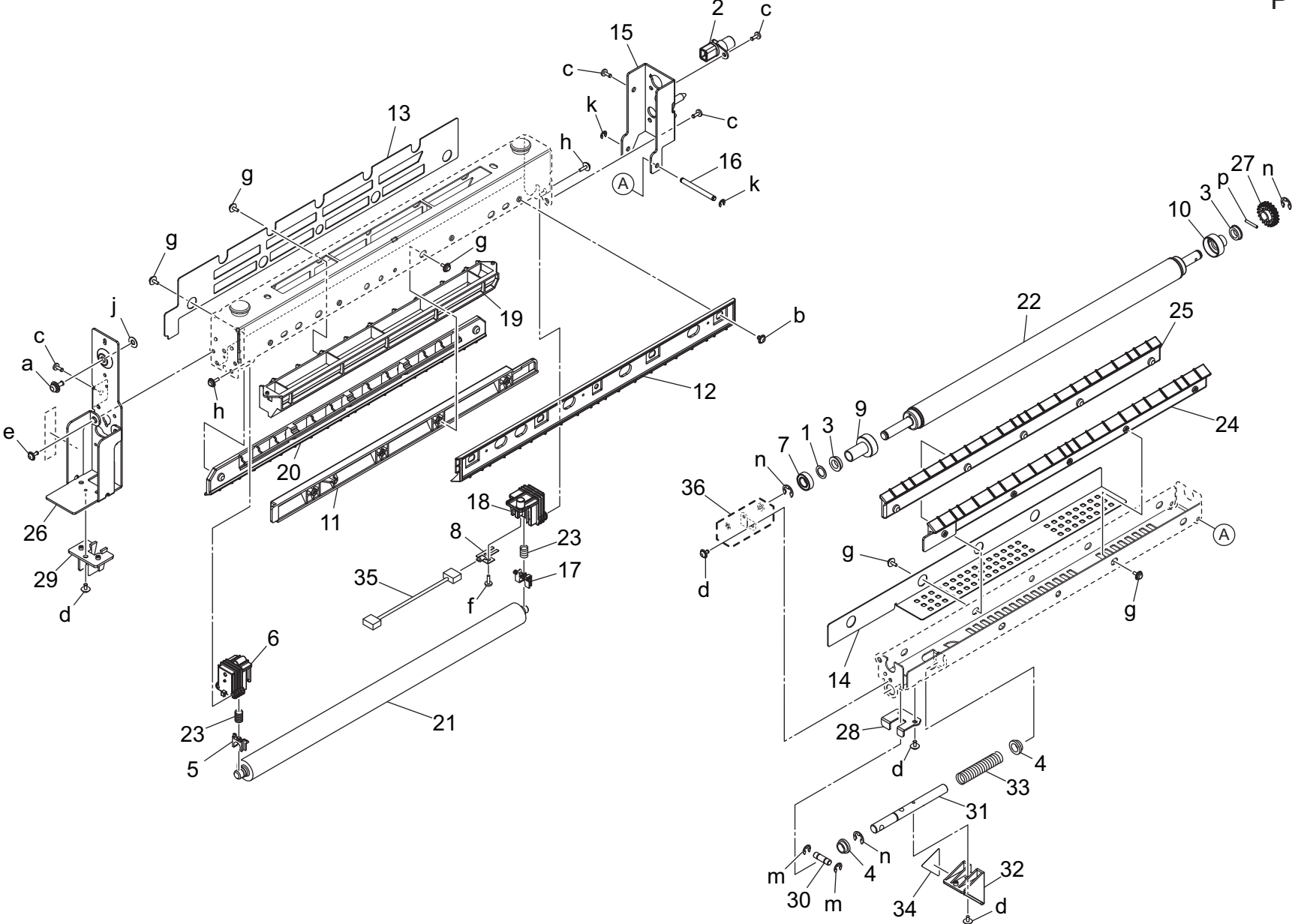
Charge Control Section

| | |
|---|------------------|
| 改訂版 REVISED EDITION | 日付 DATE |
|  | FEBRUARY 2018 |



| Key | Part No. | Description | Destinations | Class | QTY | Standard parts |
|-----|------------|-----------------------------|--------------|-------|-----|----------------|
| 1 | 4470402401 | Stopper | | D | 1 | a-V127030603 |
| 2 | 65AAR72700 | Powering Block /1 Assy | | C | 1 | b-V127030604 |
| 3 | A50UM51000 | Photointerrupter | | C | 1 | c-V217060003 |
| 4 | A85C897400 | Sensor Actuator /1 | | D | 1 | d-V500010021 |
| 5 | A85C897900 | Sensor Cover /1 | | D | 1 | e-V500010057 |
| 6 | A85CM40100 | HV Board /3 | | I | 1 | f-V500020098 |
| 7 | A85CN21300 | Relay Wiring /3 | | D | 1 | g-V570010046 |
| 8 | A85CN21400 | HV Wiring /20 | | D | 1 | h-V125041001 |
| 9 | A85CN21700 | Relay Wiring /7 | | D | 1 | |
| 10 | A8AK101201 | Protection Cover | | D | 1 | |
| 11 | A8AK101502 | Stay /Middle | | D | 1 | |
| 12 | A8AK101700 | Protection Plate /1 | | D | 1 | |
| 13 | A8AK107100 | Protection Cover /2 | | D | 1 | |
| 14 | A8AW106900 | Drive Cover | | D | 1 | |
| 15 | A8AW160401 | Cover /Rear | | C | 1 | |
| 16 | A8AW162401 | Fixing Screw | | D | 1 | |
| 17 | A8AW162500 | Lock Guide | | D | 1 | |
| 18 | A8AW162600 | Thermal insulation Sheet /1 | | D | 1 | |
| 19 | A8AW941001 | Processing Label | | C | 1 | |
| 20 | A9VE942100 | Caution Label | | D | 1 | |
| 21 | A85C896501 | Connecting Plate /1 | | D | 2 | |
| 22 | A85C896600 | Connecting Plate /3 | | D | 2 | |
| | | | | | | |
| | | | | | | |
| | | | | | | |
| | | | | | | |
| | | | | | | |
| | | | | | | |
| | | | | | | |
| | | | | | | |
| | | | | | | |
| | | | | | | |

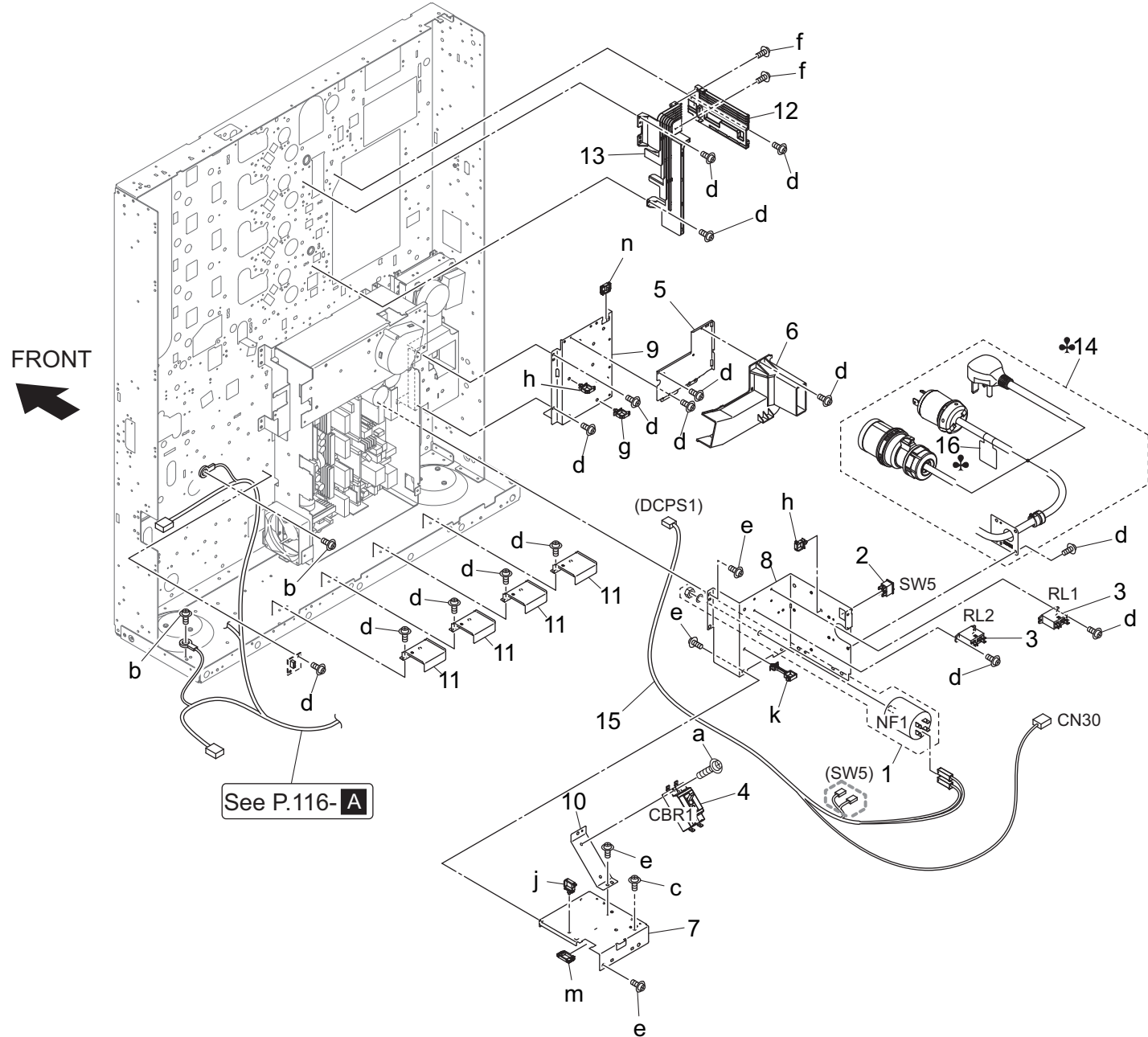
Charge Control Section



| Key | Part No. | Description | Destinations | Class | QTY | Standard parts |
|-----|------------|--------------------------------|--------------|-------|-----|----------------|
| 1 | 12QV40650 | Spacer | | B | 1 | a-V116041003 |
| 2 | 65AAR74600 | POWERING BLOCK A ASSY | | C | 1 | b-V121030403 |
| 3 | A07R813801 | Roller Bearing /A | | C | 2 | c-V126030803 |
| 4 | A0G6739300 | Operation Bushing /Front | | C | 2 | d-V127030604 |
| 5 | A1RF508900 | Transfer Powering Bearing | | B | 1 | e-V127030803 |
| 6 | A1RF509000 | Power supply Block /C | | D | 1 | f-V149030803 |
| 7 | A1RF820000 | Ball Bearing | | C | 1 | g-V153030604 |
| 8 | A5AW510400 | Transfer Powering Plate /Front | | D | 1 | h-V153030803 |
| 9 | A85C895300 | Insulating Collar /Front | | D | 1 | j-V211040080 |
| 10 | A85C895400 | Insulating Collar /Rear | | D | 1 | k-V217030003 |
| 11 | A85C895800 | Cover Guide | | D | 1 | m-V217040003 |
| 12 | A85C895900 | Conveyance Guide /1 | | D | 1 | n-V217060003 |
| 13 | A85C896300 | Thermal insulation Sheet /1 | | D | 1 | p-V234201450 |
| 14 | A85C896400 | Thermal insulation Sheet /3 | | D | 1 | |
| 15 | A85C896800 | Fixing Plate | | D | 1 | |
| 16 | A85C896900 | Support Shaft | | D | 1 | |
| 17 | A85C897201 | Charging Roller Bushing /Fr | | B | 1 | |
| 18 | A85C897300 | High voltage Powering Block /C | | D | 1 | |
| 19 | A85C897700 | Insulating Duct /Middle | | D | 1 | |
| 20 | A85C897800 | Conveyance Guide /2 | | D | 1 | |
| 21 | A85C899000 | Charging Roller /Up | | A | 1 | |
| 22 | A85C899100 | Neutralizing Roller /Lower | | D | 1 | |
| 23 | A8AK103200 | Power supply Spring | | C | 2 | |
| 24 | A8AK103502 | Conveyance Guide /1 | | D | 1 | |
| 25 | A8AK103601 | Conveyance Guide /2 | | D | 1 | |
| 26 | A8AK103702 | Mounting Plate /Front | | D | 1 | |
| 27 | A8AK104100 | Drive Gear 20T | | C | 1 | |
| 28 | A8AK108001 | Holding Plate | | D | 1 | |
| 29 | A8AK108100 | Guide Block | | D | 1 | |
| 30 | A8AK108200 | Guide Shaft | | D | 1 | |
| 31 | A8AK108302 | Positioning Shaft | | D | 1 | |
| 32 | A8AK108400 | Lock Handle | | C | 1 | |
| 33 | A8AK108500 | Lock Spring | | D | 1 | |
| 34 | A8AK941300 | Processing Label /1 | | C | 1 | |
| 35 | A8AKN10501 | HV Wiring /2 | | D | 1 | |
| 36 | A8AKR70500 | Lower Roller Contact Assy | | C | 1 | |
| | | | | | | |
| | | | | | | |
| | | | | | | |
| | | | | | | |

Rear Electrical Section

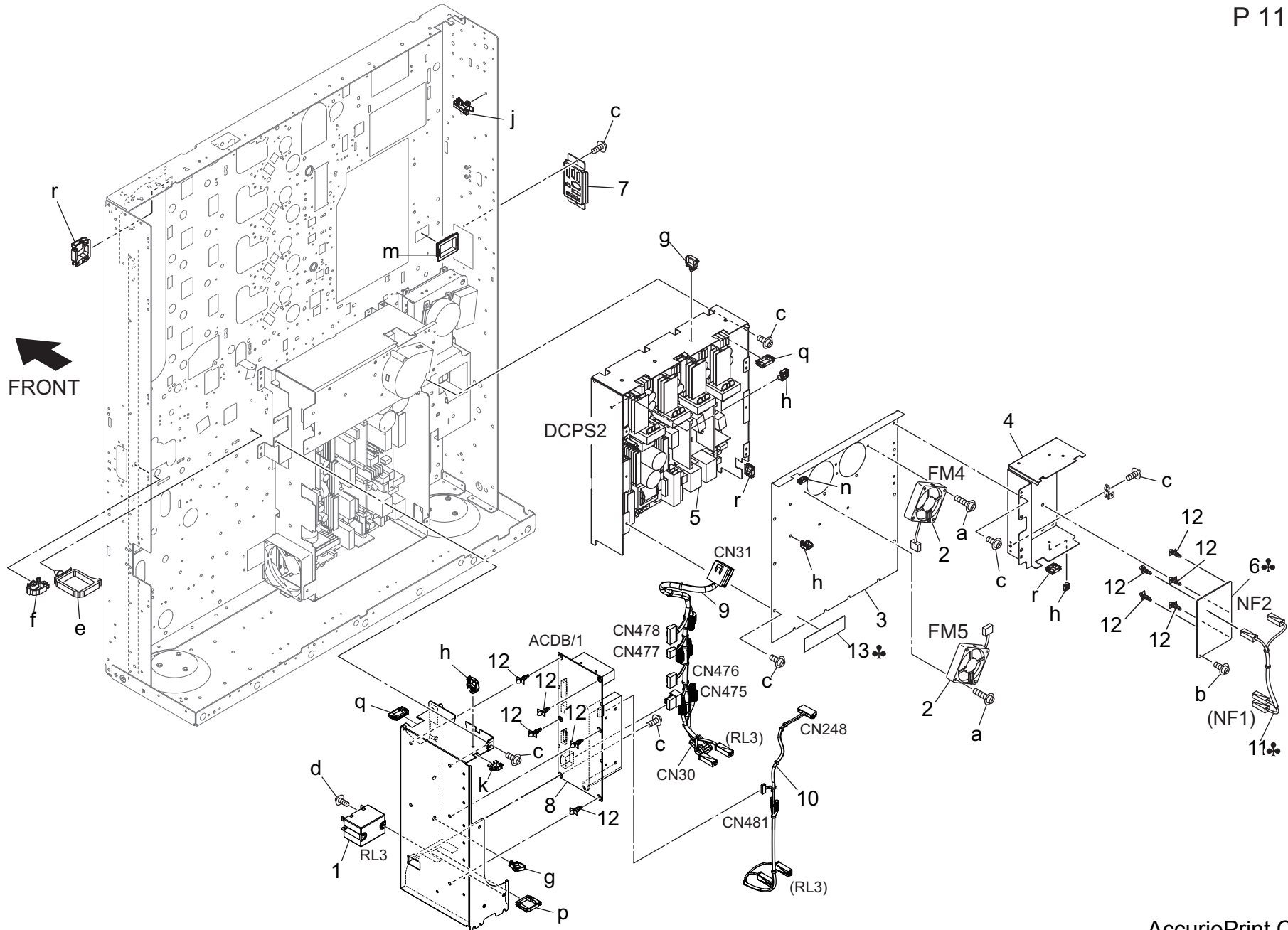
P 110



Rear Electrical Section

| Key | Part No. | Description | Destinations | Class | QTY | Standard parts |
|-----|------------|-------------------------|--|-------|-----|--|
| 1 | 56QE88261 | NOISE FILTER | | D | 1 | a-V111042003 |
| 2 | A00JM60300 | Rocker switch | | C | 1 | b-V116040603 |
| 3 | A07TM60100 | Power source Relay | | C | 2 | c-V116050803 |
| 4 | A4EWM60401 | Breaker | B,C,G2,I(SOUTH AFRI CA) | D | 1 | d-V127030604 |
| 4 | A4EUM60401 | Breaker | D1,D3,E,F2,G1,H,I(E xcept SOUTH AFRICA) ,K | D | 1 | e-V127040603 f-V158030803 g-V500010081 h-V500010083 j-V500010084 k-V500010088 m-V570010059 n-V570010060 |
| 5 | A50U120100 | Fixing Plate | | C | 1 | |
| 6 | A50U120200 | Cooling Duct | | D | 1 | |
| 7 | A50U131502 | Bottom plate | | D | 1 | |
| 8 | A50U131600 | Side plate | | D | 1 | |
| 9 | A50U131700 | Mounting Plate | | D | 1 | |
| 10 | A50U131800 | Fixing Plate /D | | D | 1 | |
| 11 | A50U132400 | Wiring Cover | | D | 4 | |
| 12 | A50U133700 | Wiring Guide /Rear | | D | 1 | |
| 13 | A50U133800 | Wiring Guide /Left Rear | | D | 1 | |
| 14 | AAC4R70100 | Power Code Assy (US) | | D | 1 | |
| 14 | AAC4R70200 | Power Code Assy (EU) | B,G2 | D | 1 | |
| 14 | A50UR71J00 | Power Code Assy(EU) | C,I(only SOUTH AFRI CA) | D | 1 | |
| 14 | A50UR73700 | Power Code Assy | D1,E,F2,G1,H,I(Exce pt SOUTH AFRICA),K | D | 1 | |
| 15 | A9VEN11700 | AC Wiring /4 | D3 | D | 1 | |
| 16 | 56AA97140 | CORD LABEL | B,G2 | D | 1 | |
| | | | | | | |
| | | | | | | |
| | | | | | | |
| | | | | | | |
| | | | | | | |
| | | | | | | |
| | | | | | | |
| | | | | | | |
| | | | | | | |

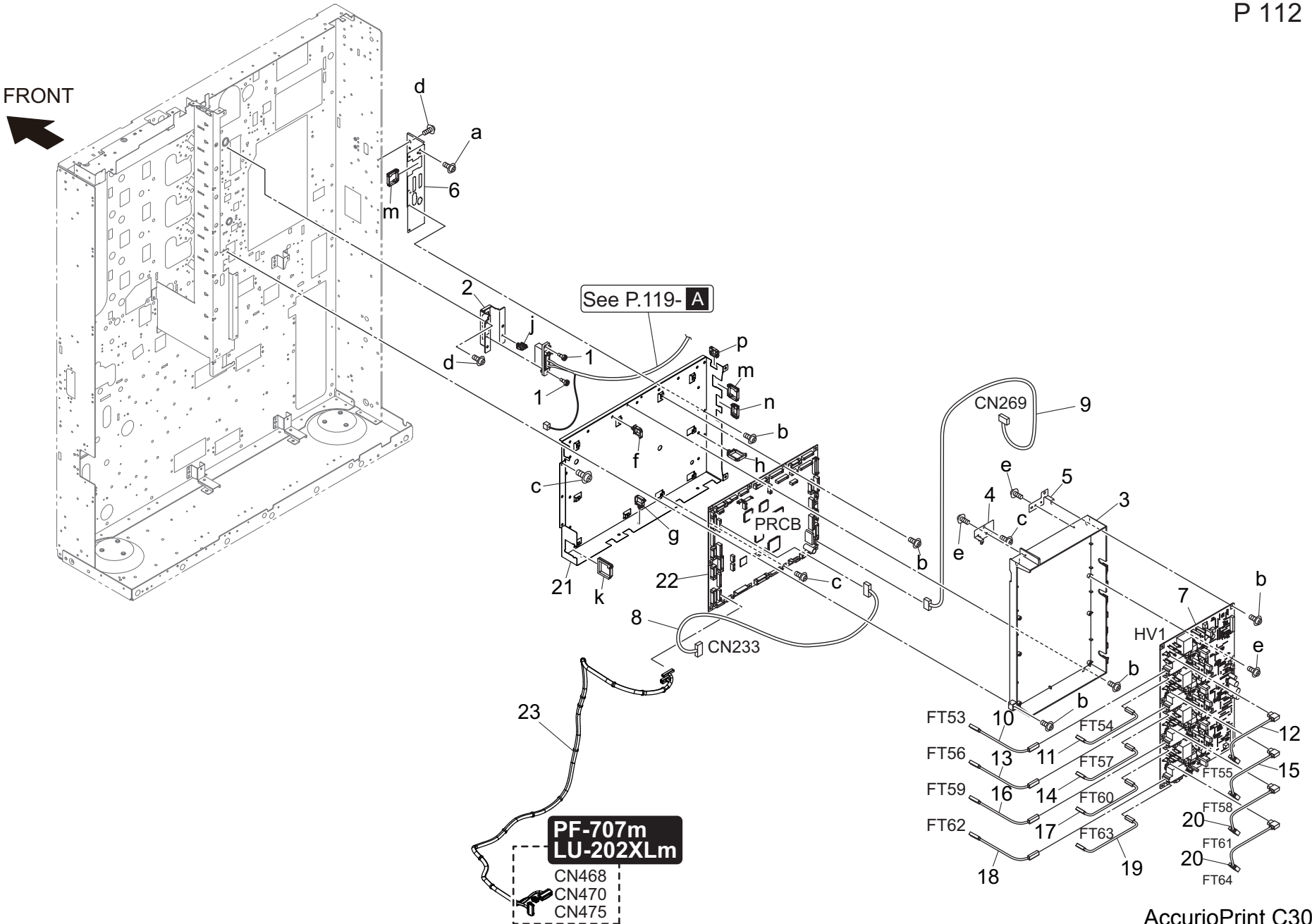
Rear Electrical Section



| Key | Part No. | Description | Destinations | Class | QTY | Standard parts |
|-----|------------|---------------------------------|----------------------------|-------|-----|--|
| 1 | 25SA88461 | Main Relay | | C | 1 | a-V118031803 |
| 2 | 9J06M10000 | Fan motor | | C | 2 | b-V127030603 |
| 3 | A50U132301 | Cover /2 | | D | 1 | c-V127030604 |
| 4 | A50U136403 | Mounting Plate /3 | C,D1,D3,E,F2,G1,H,I J,K | D | 1 | d-V127030803 e-V500010063 f-V500010072 g-V500010084 |
| 5 | A50UM45200 | DC Power source /2 | | I | 1 | h-V500020098 |
| 6 | A799M45300 | Noise filter | C,D1,D3,E,F2,G1,H,I J,K | D | 1 | i-V500020100 j-V500020100 k-V570010025 |
| 7 | A85C108100 | Power supply Panel /F | | D | 1 | m-V570010038 |
| 8 | A92WH51000 | AC Drive board /1 Assy | | I | 1 | n-V570010057 |
| 9 | A9VEN11400 | AC Wiring /2 | | D | 1 | p-V570010058 |
| 10 | A9VEN11601 | Power source Control harness /1 | | D | 1 | q-V570010059 |
| 11 | A9VEN11F00 | AC Relay harness /F | C,D1,D3,E,F2,G1,H,I J,K | D | 1 | r-V570010060 |
| 12 | V502010033 | Circuit Board Spacer | | D | 10 | |
| 13 | A92W943100 | Caution Label /B | B,G2 | D | 1 | |
| | | | | | | |
| | | | | | | |
| | | | | | | |
| | | | | | | |
| | | | | | | |
| | | | | | | |
| | | | | | | |
| | | | | | | |
| | | | | | | |
| | | | | | | |
| | | | | | | |
| | | | | | | |
| | | | | | | |
| | | | | | | |

Rear Electrical Section


FRONT



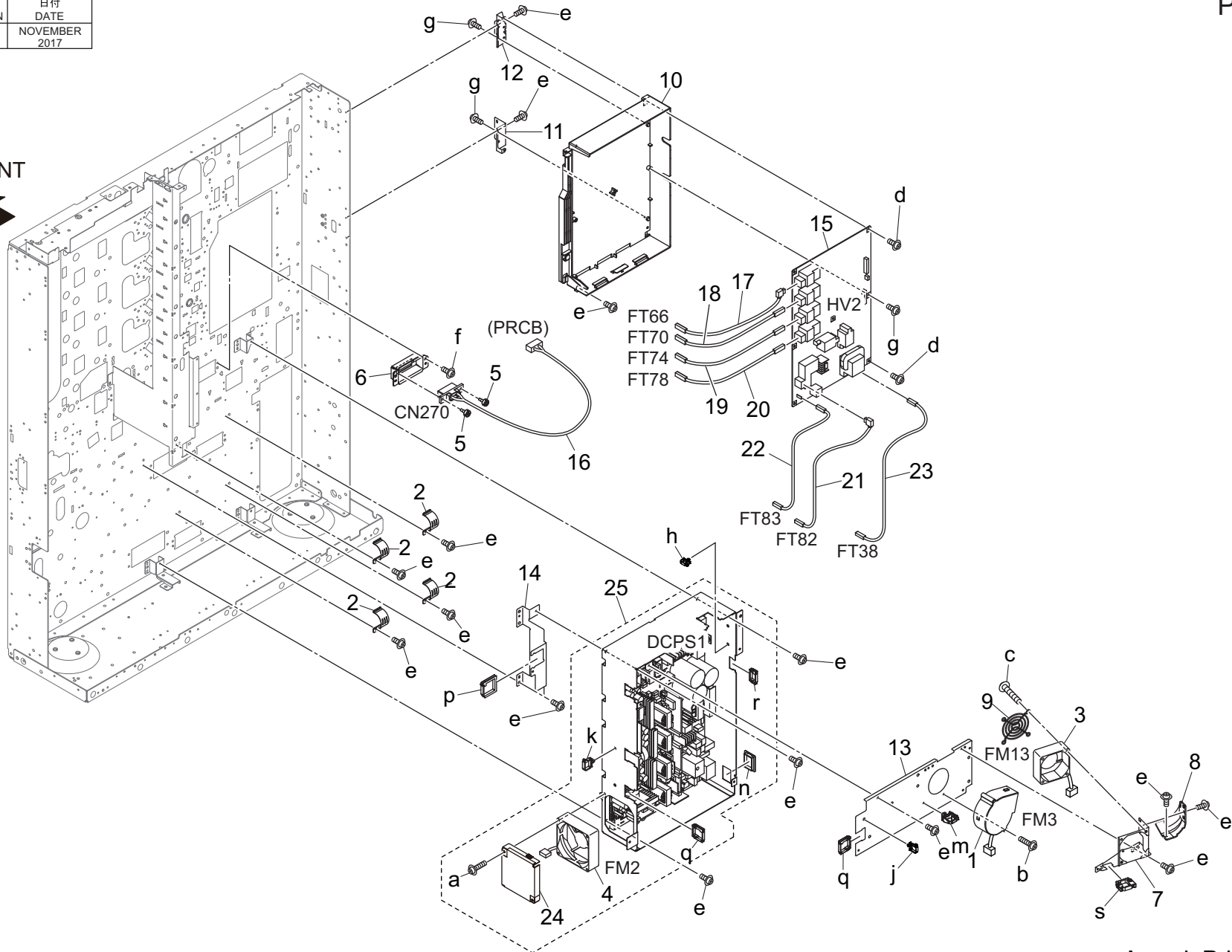
Rear Electrical Section

| Key | Part No. | Description | Destinations | Class | QTY | Standard parts |
|-----|------------|----------------------------|--------------|-------|-----|----------------|
| 1 | 57AA15600 | ELECTRIC MOUNTING SCREW | | C | 2 | a-V116040603 |
| 2 | A50U104800 | Connecting Frame | | D | 1 | b-V127030603 |
| 3 | A50U131002 | Casing /1 | | D | 1 | c-V127030604 |
| 4 | A50U131400 | Ground Plate /1 | | D | 1 | d-V127040603 |
| 5 | A50U131900 | Ground Plate /2 | | D | 1 | e-V158030803 |
| 6 | A50U133101 | Support Plate /B | | D | 1 | f-V500010083 |
| 7 | A50UM40100 | HV Board /1 | | D | 1 | g-V500010084 |
| 8 | A50UN12900 | Toner Relay harness /1 | | D | 1 | h-V500010085 |
| 9 | A50UN17400 | Drive Relay harness /2 | | D | 1 | j-V500020099 |
| 10 | A50UN23200 | HV Wiring /3 | | D | 1 | k-V570010048 |
| 11 | A50UN23300 | HV Wiring /4 | | D | 1 | m-V570010058 |
| 12 | A50UN23400 | HV Wiring /5 | | D | 1 | n-V570010059 |
| 13 | A50UN23500 | HV Wiring /6 | | D | 1 | p-V570010060 |
| 14 | A50UN23600 | HV Wiring /7 | | D | 1 | |
| 15 | A50UN23700 | HV Wiring /8 | | D | 1 | |
| 16 | A50UN23800 | HV Wiring /9 | | D | 1 | |
| 17 | A50UN23900 | HV Wiring /10 | | D | 1 | |
| 18 | A50UN24100 | HV Wiring /12 | | D | 1 | |
| 19 | A50UN24200 | HV Wiring /13 | | D | 1 | |
| 20 | A50UN24300 | HV Wiring /14 | | D | 2 | |
| 21 | A9VE133000 | Support Plate | | D | 1 | |
| 22 | A9VEH03002 | Printer Control Board ASSY | | I | 1 | |
| 23 | AAC4N11500 | Main body Wiring /5 | | D | 1 | |
| | | | | | | |
| | | | | | | |
| | | | | | | |
| | | | | | | |
| | | | | | | |
| | | | | | | |
| | | | | | | |
| | | | | | | |
| | | | | | | |
| | | | | | | |

Rear Electrical Section

| | |
|---|------------------|
| 改訂版 REVISED EDITION | 日付 DATE |
|  | NOVEMBER 2017 |

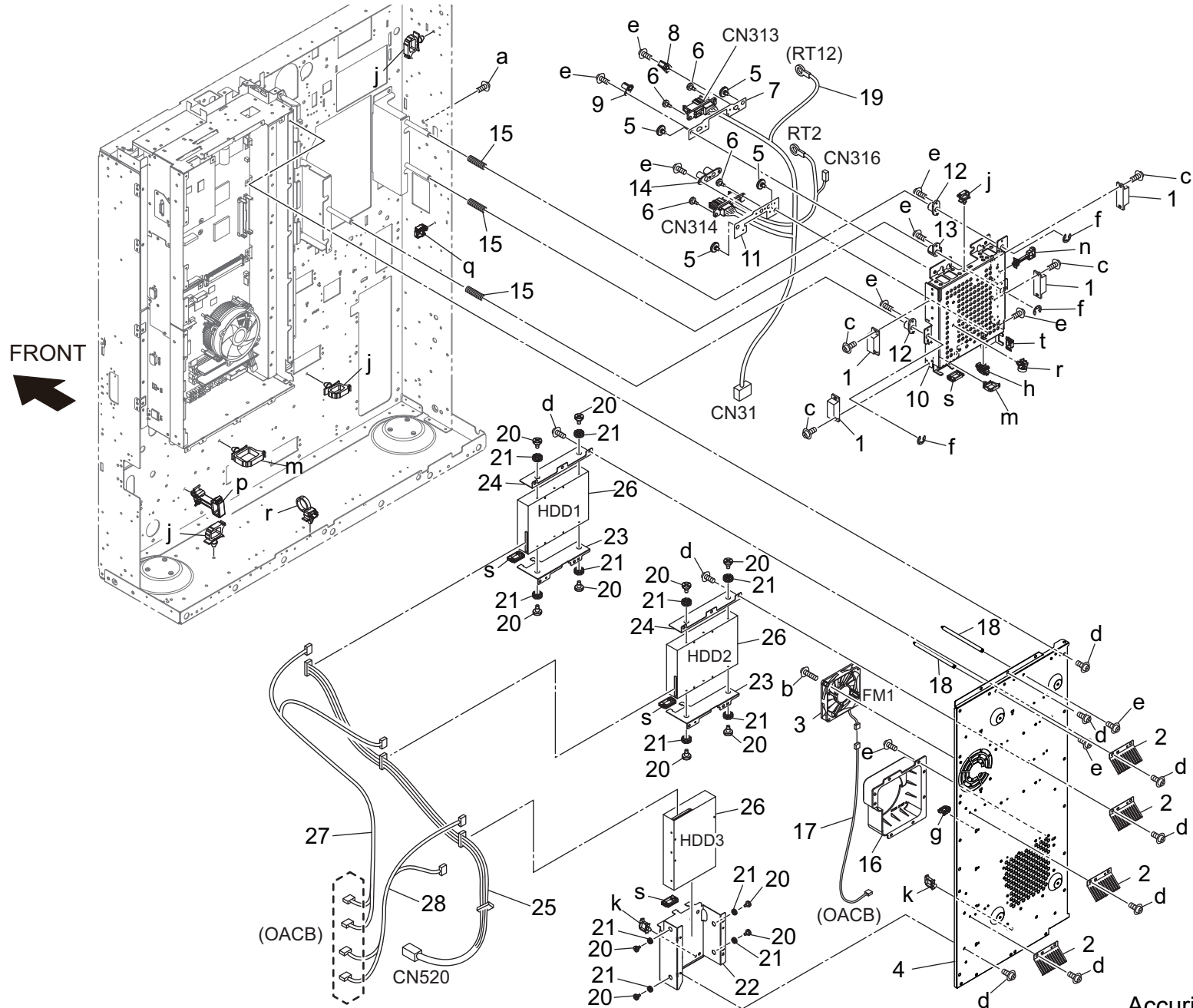
FRONT
←



Rear Electrical Section

| Key | Part No. | Description | Destinations | Class | QTY | Standard parts |
|-----|------------|------------------------|-----------------|-------|-----|----------------|
| 1 | 9313110033 | FAN MOTOR | | C | 1 | a-V118033003 |
| 2 | 56AA73560 | EARTH PLATE UPPER | | C | 4 | b-V118043503 |
| 3 | 56QA80570 | Internal Cooling Fan | | C | 1 | c-V121033003 |
| 4 | A0EDM10500 | Fan motor | | C | 1 | d-V127030603 |
| 5 | A50U109201 | Mounting Screw | | D | 2 | e-V127030604 |
| 6 | A50U112901 | Mounting Tray | | D | 1 | f-V146040804 |
| 7 | A50U120700 | Fixing Plate /2 | | D | 1 | g-V158030803 |
| 8 | A50U120800 | Cover Part /Left Front | | D | 1 | h-V500010082 |
| 9 | A50U122400 | Protection Cover /2 | | D | 1 | j-V500010083 |
| 10 | A50U131100 | Hold Casing /2 | | D | 1 | k-V500010084 |
| 11 | A50U131200 | Ground Plate /4 | | D | 1 | m-V500020098 |
| 12 | A50U131300 | Ground Plate /3 | | D | 1 | n-V570010038 |
| 13 | A50U132100 | Cover /1 | | D | 1 | p-V570010048 |
| 14 | A50U132600 | Mounting Plate /Left | | D | 1 | q-V570010058 |
| 15 | A50UM40201 | HV Board /2 | | D | 1 | r-V570010059 |
| 16 | A50UN15101 | ADU Relay harness /2 | | D | 1 | s-V570010060 |
| 17 | A50UN24400 | HV Wiring /15 | ADU 中継束線 /2 | D | 1 | |
| 18 | A50UN24600 | HV Wiring /16 | 高圧束線 /1 5 | D | 1 | |
| 19 | A50UN24800 | HV Wiring /17 | 高圧束線 /1 6 | D | 1 | |
| 20 | A50UN25000 | HV Wiring /18 | 高圧束線 /1 7 | D | 1 | |
| 21 | A50UN25200 | HV Wiring /19 | 高圧束線 /1 8 | D | 1 | |
| 22 | A50UN25300 | HV Wiring /G | 高圧束線 /1 9 | D | 1 | |
| 23 | A50UN25500 | HV Wiring /S | 高圧束線 / G | D | 1 | |
| 24 | A50UR73F00 | Filter Assy | 高圧束線 / S | D | 1 | |
| 25 | A9VER71200 | Power Supply /1 Assy | フィルタ A s s y | D | 1 | |
| | | | 低圧電源 /1 A s s y | I | 1 | |
| | | | | | | |
| | | | | | | |
| | | | | | | |
| | | | | | | |
| | | | | | | |
| | | | | | | |
| | | | | | | |
| | | | | | | |

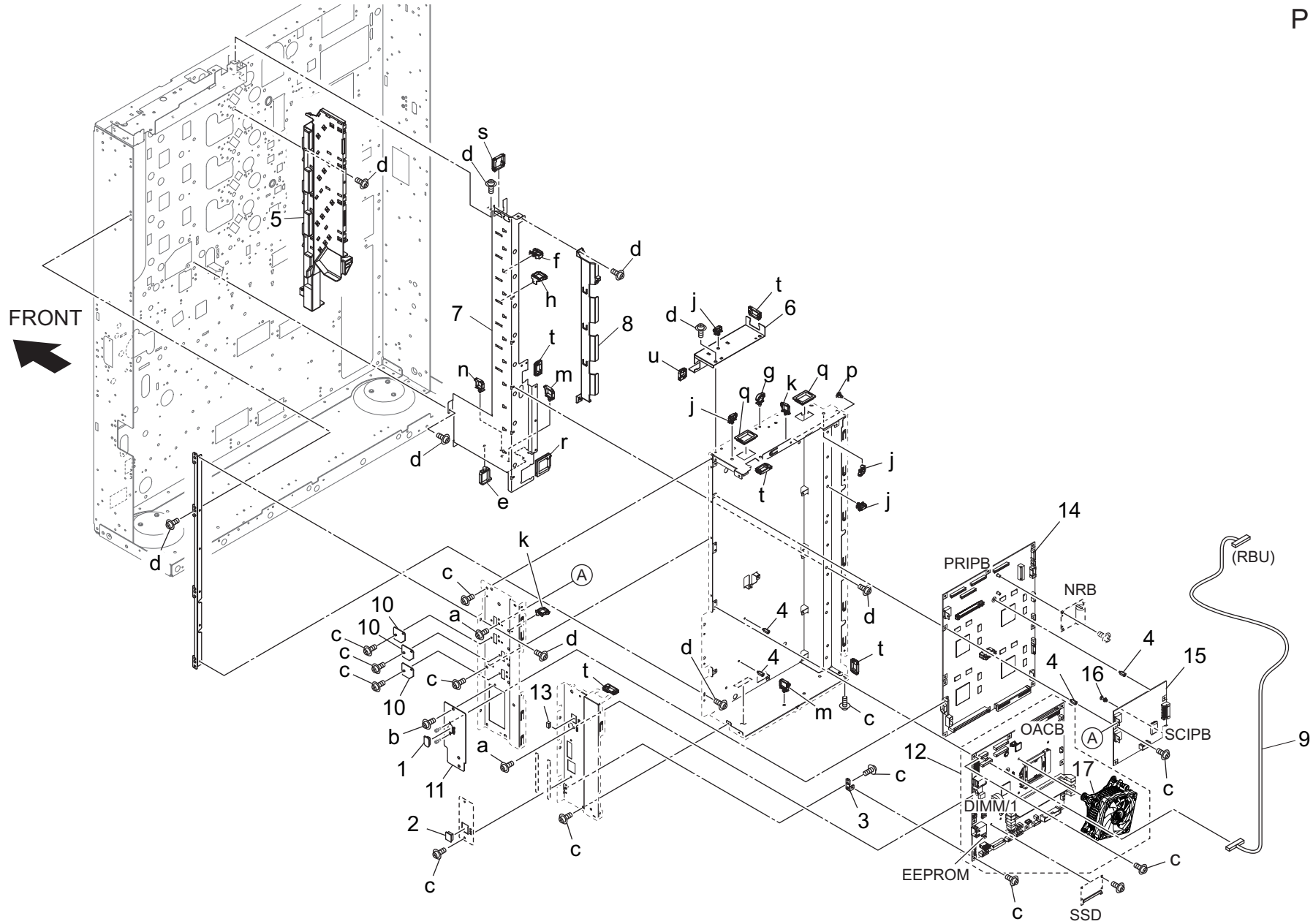
Rear Electrical Section



| Key | Part No. | Description | Destinations | Class | QTY | Standard parts |
|-----|------------|-----------------------------------|--------------|-------|-----|----------------|
| 1 | 55VA32480 | MAGNET CATCH | | C | 4 | a-V116040603 |
| 2 | A02E262300 | Plate spring | | D | 4 | b-V118031803 |
| 3 | A1RFM15100 | Fan motor /1 | | C | 1 | c-V126030603 |
| 4 | A50U130502 | Processing Cover /Lower | | D | 1 | d-V127030516 |
| 5 | A50U734100 | Guide Screw | | D | 4 | e-V127030604 |
| 6 | A50U737302 | Fixing Screw /1 | | D | 4 | f-V217060003 |
| 7 | A50U737401 | Mounting Stay /2 | | D | 1 | g-V500010071 |
| 8 | A50U737601 | Guide Part /11 | | D | 1 | h-V500010072 |
| 9 | A50U737700 | Guide Part /12 | | D | 1 | j-V500010082 |
| 10 | A50U749401 | Mounting Stay /Rear | | D | 1 | k-V500010083 |
| 11 | A50U749502 | Mounting Stay /1 | | D | 1 | m-V500010084 |
| 12 | A50U749600 | Idler Sleeve /1 | | D | 2 | n-V500020085 |
| 13 | A50U749700 | Idler Sleeve /2 | | D | 1 | p-V500020089 |
| 14 | A50U749801 | Positioning Sleeve /3 | | D | 1 | q-V500020098 |
| 15 | A50U753100 | Pressing Spring | | D | 3 | r-V501010018 |
| 16 | A85C137100 | Cooling Duct | | D | 1 | s-V570010059 |
| 17 | A85CN27400 | ImageProcessing Relay harness / 1 | | D | 1 | t-V570010063 |
| 18 | A9VE139100 | Fixing Screw | | D | 2 | |
| 19 | A9VEN11300 | Fixing Relay harness /D | | D | 1 | |
| 20 | 20ER73110E | Board Fixing Screw | | D | 12 | |
| 21 | A4EU138000 | Support Rubber | | D | 12 | |
| 22 | A50U133302 | Mounting Plate /C | | C | 1 | |
| 23 | A50U133500 | Mounting Plate /B | | D | 2 | |
| 24 | A50U133600 | Mounting Plate /A | | D | 2 | |
| 25 | A50UN29900 | Power source Cable /H | | D | 1 | |
| 26 | A799M72000 | HDD | | I | 3 | |
| 27 | A85CN29700 | Signal Cable /1 | | D | 1 | |
| 28 | A85CN29800 | Signal Cable /2 | | D | 1 | |
| | | | | | | |
| | | | | | | |
| | | | | | | |
| | | | | | | |
| | | | | | | |
| | | | | | | |
| | | | | | | |
| | | | | | | |

Rear Electrical Section

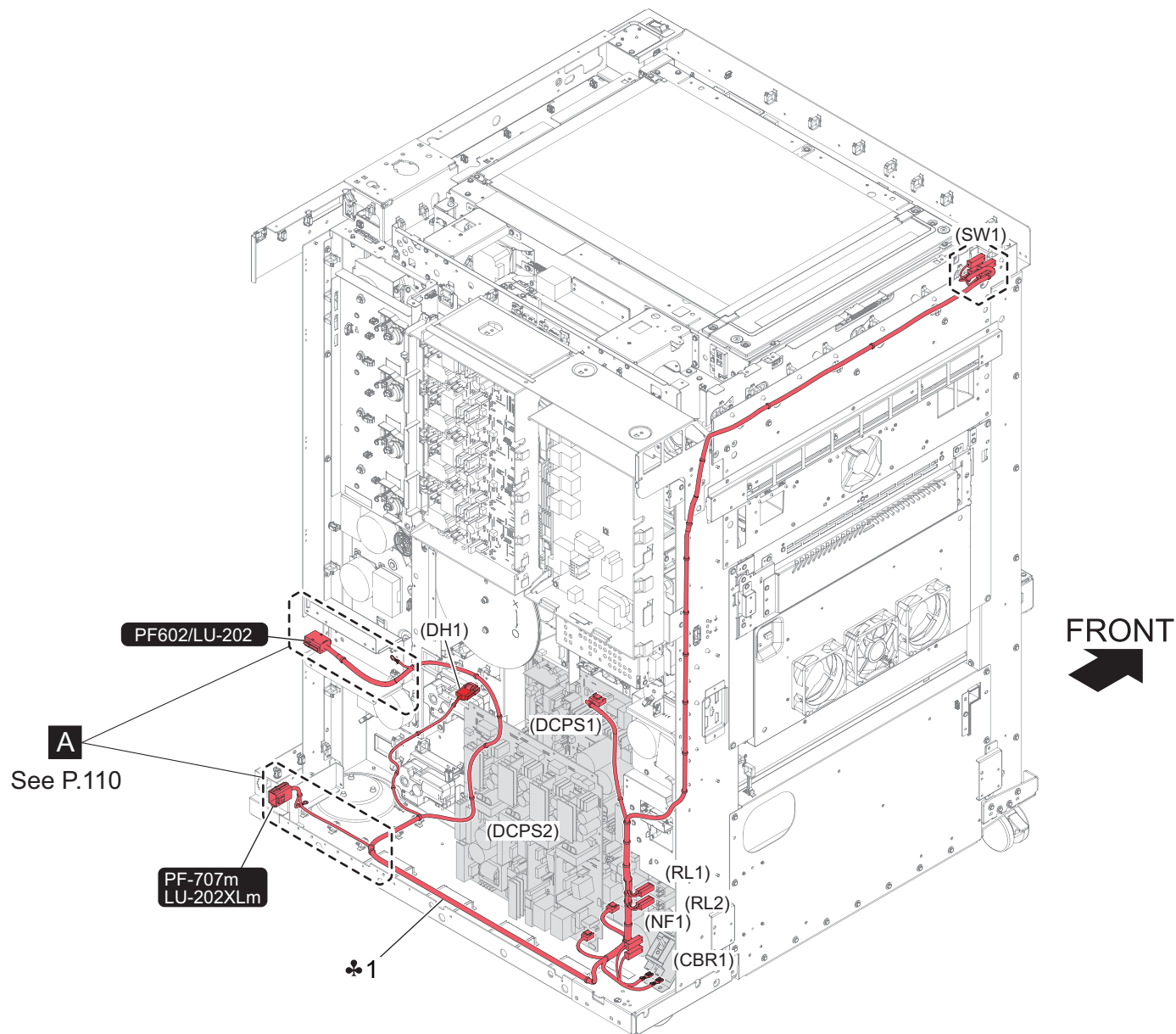
P 115



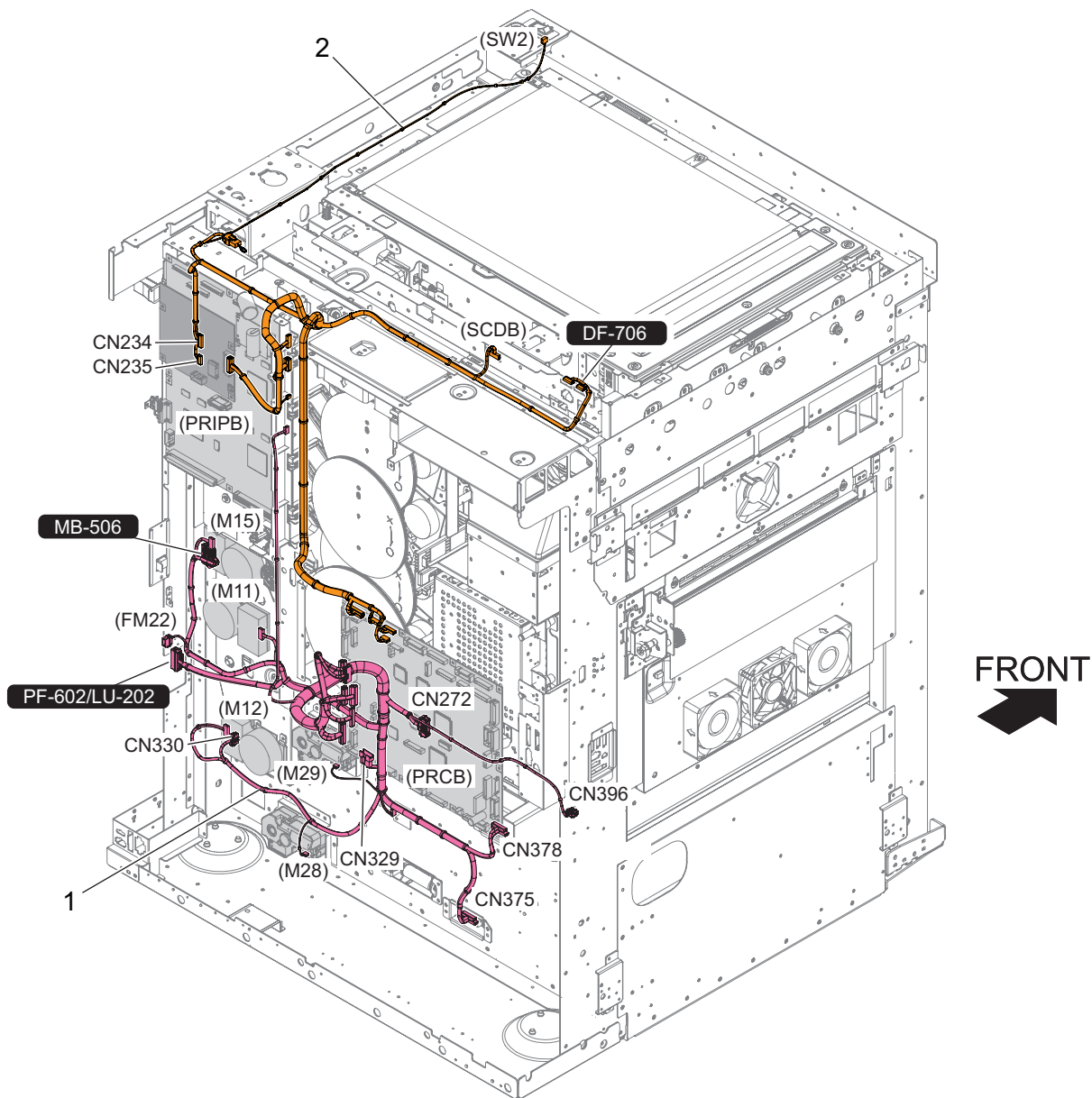
AccurioPrint C3070L

Rear Electrical Section

| Key | Part No. | Description | Destinations | Class | QTY | Standard parts |
|-----|------------|--------------------------------|--------------|-------|-----|----------------|
| 1 | 13RN73120 | Terminal Protection Cover /1 | | D | 1 | a-V111030603 |
| 2 | 40LA73840 | Contact Protection Cover | | D | 1 | b-V121030416 |
| 3 | A50U130300 | Mounting Plate Outside | | D | 1 | c-V127030516 |
| 4 | A50U133400 | Mounting Screw /B | | D | 4 | d-V127030604 |
| 5 | A50U133901 | Wiring Guide /Right Rear | | D | 1 | e-V500010063 |
| 6 | A50U134701 | Wiring Guide /P | | D | 1 | f-V500010071 |
| 7 | A50U134801 | Cover Plate /1 | | D | 1 | g-V500010076 |
| 8 | A50U136302 | Wiring Guide /2 | | D | 1 | h-V500010079 |
| 9 | A50UN29201 | Relay Wiring /U | | D | 1 | j-V500010082 |
| 10 | A85C130700 | Cover /1 | | D | 3 | k-V500010083 |
| 11 | A85C136200 | Cover /2 | | D | 1 | m-V500010084 |
| 12 | A85EH01104 | Main Body Control Board assy | | I | 1 | n-V500020100 |
| 13 | A85CM90400 | Gasket /4 | | D | 1 | p-V502010062 |
| 14 | A9VEH02000 | Image Processing Board /M Assy | | I | 1 | q-V570010038 |
| 15 | A85CH10003 | Image Processing Board /S ASSY | | I | 1 | r-V570010048 |
| 16 | V502010065 | Mini Card Spacer | | D | 1 | s-V570010058 |
| 17 | A799R90400 | Cooling Fan Assy | | D | 1 | t-V570010059 |
| | | | | | | u-V570010060 |
| | | | | | | |
| | | | | | | |
| | | | | | | |
| | | | | | | |
| | | | | | | |
| | | | | | | |
| | | | | | | |
| | | | | | | |
| | | | | | | |

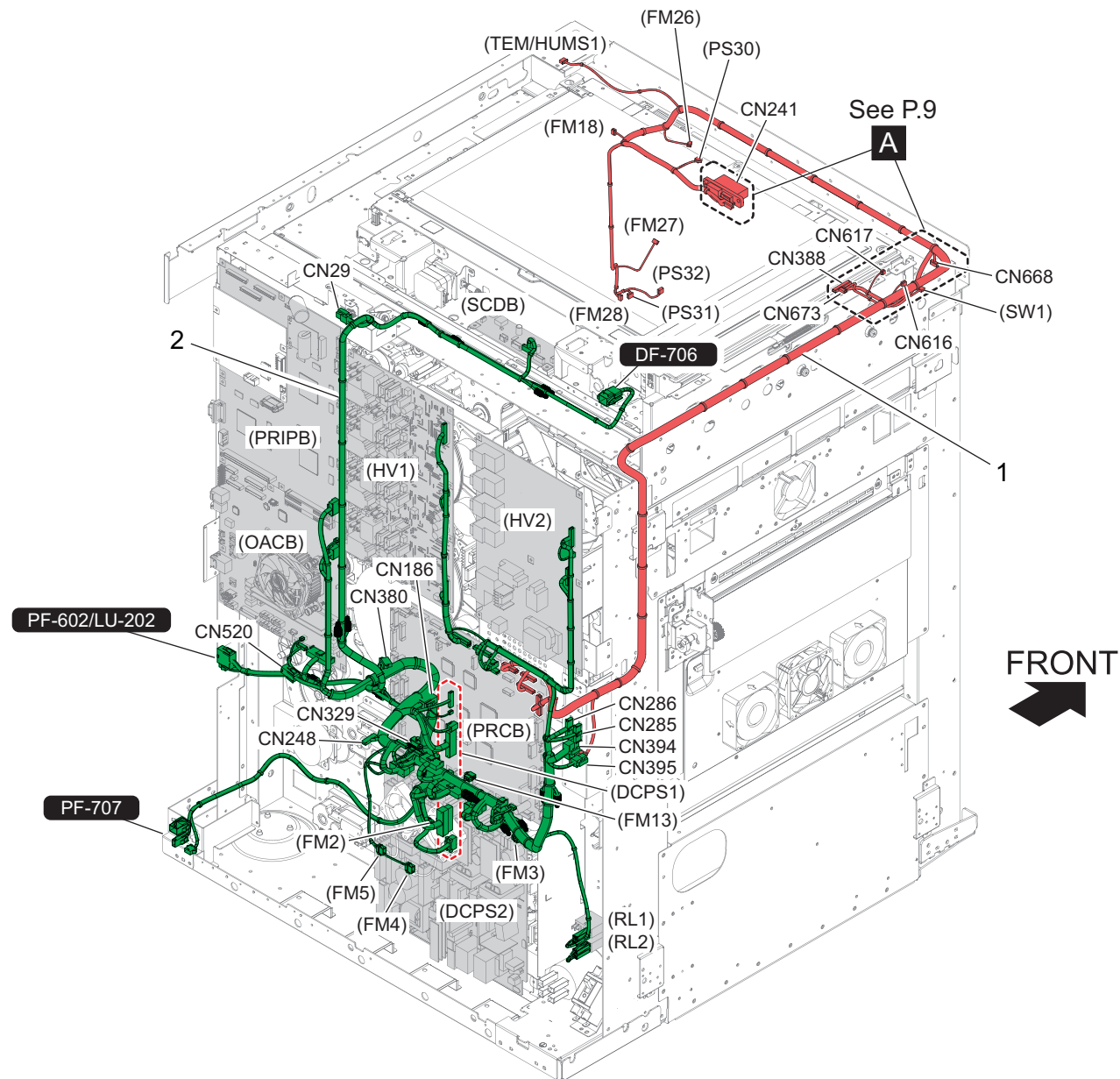


| Key | Part No. | Description | | Destinations | Class | QTY | Standard parts |
|-----|------------|--------------|--|------------------------------------|-------|-----|----------------|
| 1 | A9VEN10A00 | AC Wiring /A | | B,G2 C,D1,D3,E,F2,G1,H,I J,K | D | 1 | |
| 1 | A9VEN10F00 | AC Wiring /F | | | D | 1 | |
| | | | | | | | |
| | | | | | | | |
| | | | | | | | |
| | | | | | | | |
| | | | | | | | |
| | | | | | | | |
| | | | | | | | |
| | | | | | | | |
| | | | | | | | |



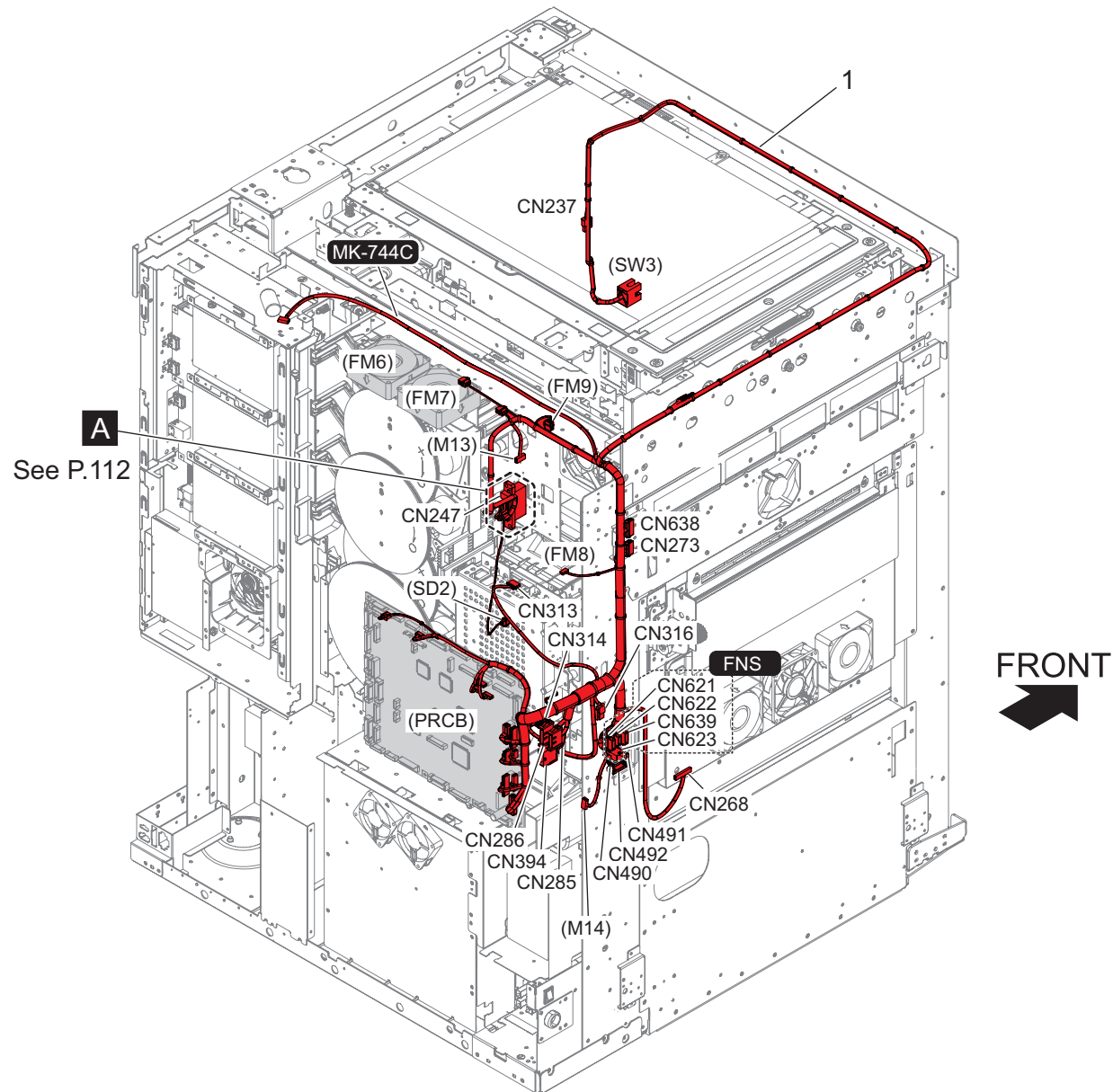
FRONT
↓

| Key | Part No. | Description | Destinations | Class | QTY | Standard parts |
|-----|------------|---------------------|--------------|-------|-----|----------------|
| 1 | A85CN10202 | Main body Wiring /1 | | D | 1 | |
| 2 | A85CN10400 | Main body Wiring /2 | | D | 1 | |
| | | | | | | |
| | | | | | | |
| | | | | | | |
| | | | | | | |
| | | | | | | |
| | | | | | | |
| | | | | | | |
| | | | | | | |
| | | | | | | |
| | | | | | | |
| | | | | | | |
| | | | | | | |
| | | | | | | |
| | | | | | | |
| | | | | | | |
| | | | | | | |



FRONT

| Key | Part No. | Description | Destinations | Class | QTY | Standard parts |
|-----|------------|----------------------------|--------------|-------|-----|----------------|
| 1 | A50UN12702 | Main body Wiring /4 | | D | 1 | |
| 2 | A9VEN10300 | DC Power source harness /1 | | D | 1 | |
| | | | | | | |
| | | | | | | |
| | | | | | | |
| | | | | | | |
| | | | | | | |
| | | | | | | |
| | | | | | | |
| | | | | | | |
| | | | | | | |
| | | | | | | |
| | | | | | | |
| | | | | | | |
| | | | | | | |
| | | | | | | |
| | | | | | | |
| | | | | | | |
| | | | | | | |

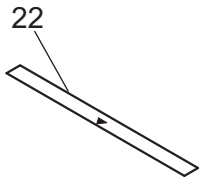
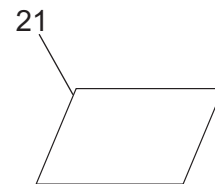
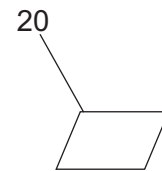
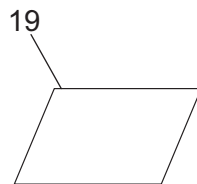
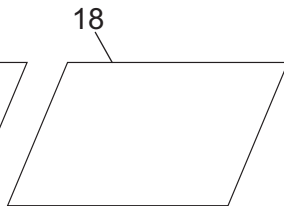
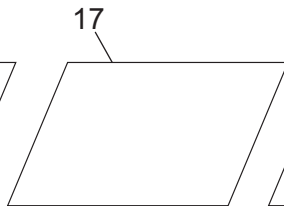
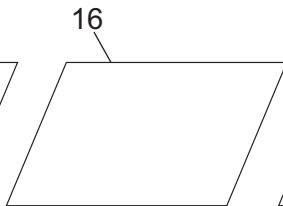
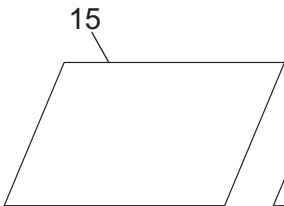
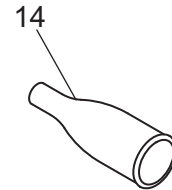
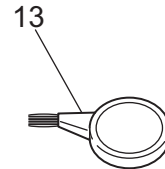
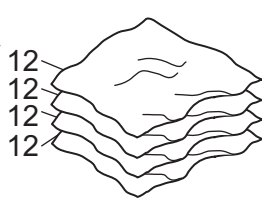
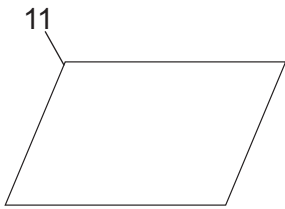
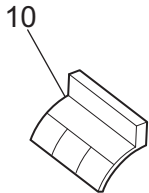
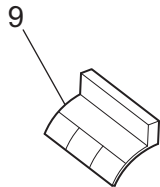
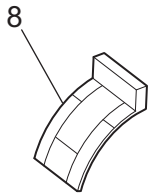
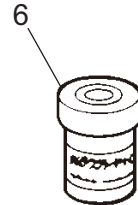
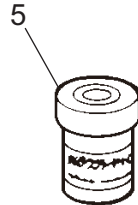
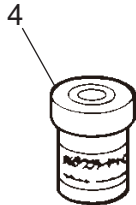
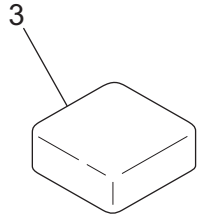
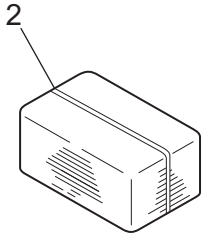


FRONT
↓

| Key | Part No. | Description | Destinations | Class | QTY | Standard parts |
|-----|------------|---------------------------------|--------------|-------|-----|----------------|
| 1 | AAC4N10500 | Main body Wiring /3 本体束線 / 3 | | D | 1 | |
| | | | | | | |
| | | | | | | |
| | | | | | | |
| | | | | | | |
| | | | | | | |
| | | | | | | |
| | | | | | | |
| | | | | | | |
| | | | | | | |
| | | | | | | |
| | | | | | | |

Service Tool

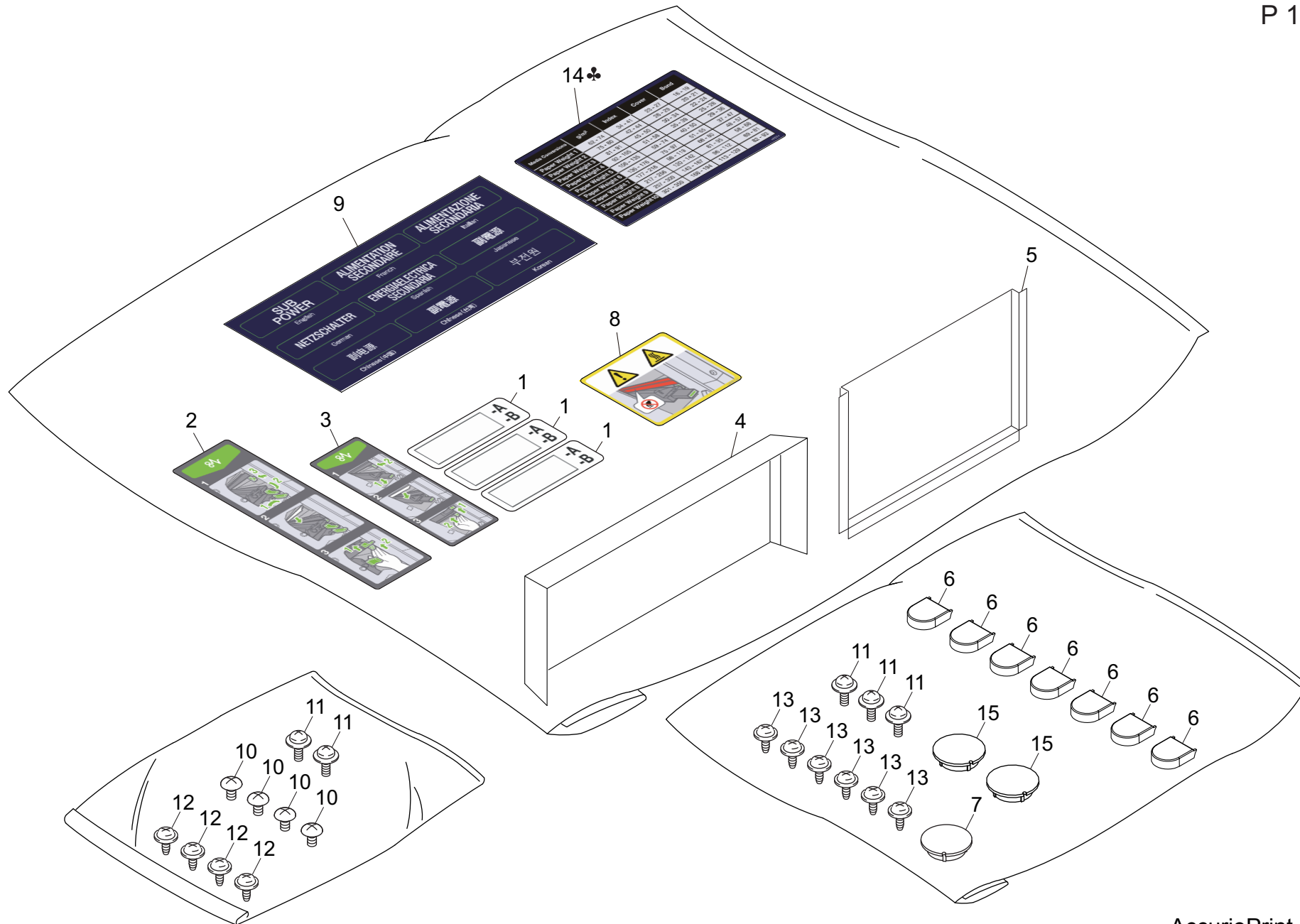
P 120



| Key | Part No. | Description | Destinations | Class | QTY | Standard parts |
|-----|------------|---|--|-------|-----|----------------|
| 1 | A50UPP0100 | Setting Toner No.2 | | S | 1 | |
| 2 | A5AWP00100 | Cleaning Pad | | S | 1 | |
| 3 | 65AA-9920 | HYDROWIPE | | S | 1 | |
| 4 | 00GR00260 | Grease(Multemp FF-RM) | | S | 1 | |
| 5 | 00GR00020 | Grease(Plas Guard No.1) | | S | 1 | |
| 6 | 00GR00220 | Grease(Molykote EM-30L Grease) | | S | 1 | |
| 7 | A4EUPP0000 | MHSURF FT-240 | B,C,D1,D3,E,F2,G1,G2,I,J,K | S | 1 | |
| 8 | A50UPJG300 | Positioning Jig /C (Temperature Sensor) | C,D1,D3(only NEW ZEALAND),F2,G1,G2,I,J | S | 1 | |
| 9 | A50UPJG100 | Positioning Jig /A (TS1/2) | | S | 1 | |
| 10 | A50UPJG200 | Positioning Jig /B (TS3) | | S | 1 | |
| 11 | 65AA99500 | AJUST PAPER FOR FIXING UNIT(16SHEET S) | | S | 1 | |
| 12 | 00VC-2-00 | Drum Cover | | S | 4 | |
| 13 | 00VD-1000 | Blower Brush | | S | 1 | |
| 14 | A1DUPJG100 | Cleaning Jig | | S | 1 | |
| 15 | 9J06PJP100 | Color chart/A3 size | | S | 1 | |
| 16 | 9J06PJP200 | Color chart/11x17size | | S | 1 | |
| 17 | 4040PJP100 | Test chart/A3 size | | S | 1 | |
| 18 | 4040PJP200 | Test chart/11x17 size | | S | 1 | |
| 19 | A782945000 | Adjusting Sheet | | S | 1 | |
| 20 | A8WC707100 | Adjusting Sheet | | S | 1 | |
| 21 | 120A97110 | Adjustment chart/For DF | | S | 1 | |
| 22 | 9J06PJP100 | DF reading chart | | S | 1 | |
| | | | | | | |
| | | | | | | |
| | | | | | | |
| | | | | | | |
| | | | | | | |
| | | | | | | |
| | | | | | | |
| | | | | | | |
| | | | | | | |
| | | | | | | |

Accessory Parts

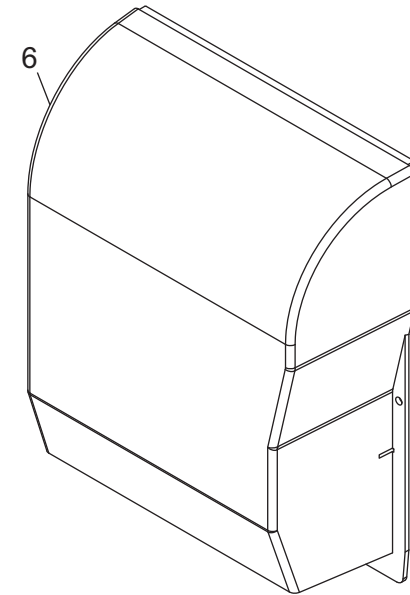
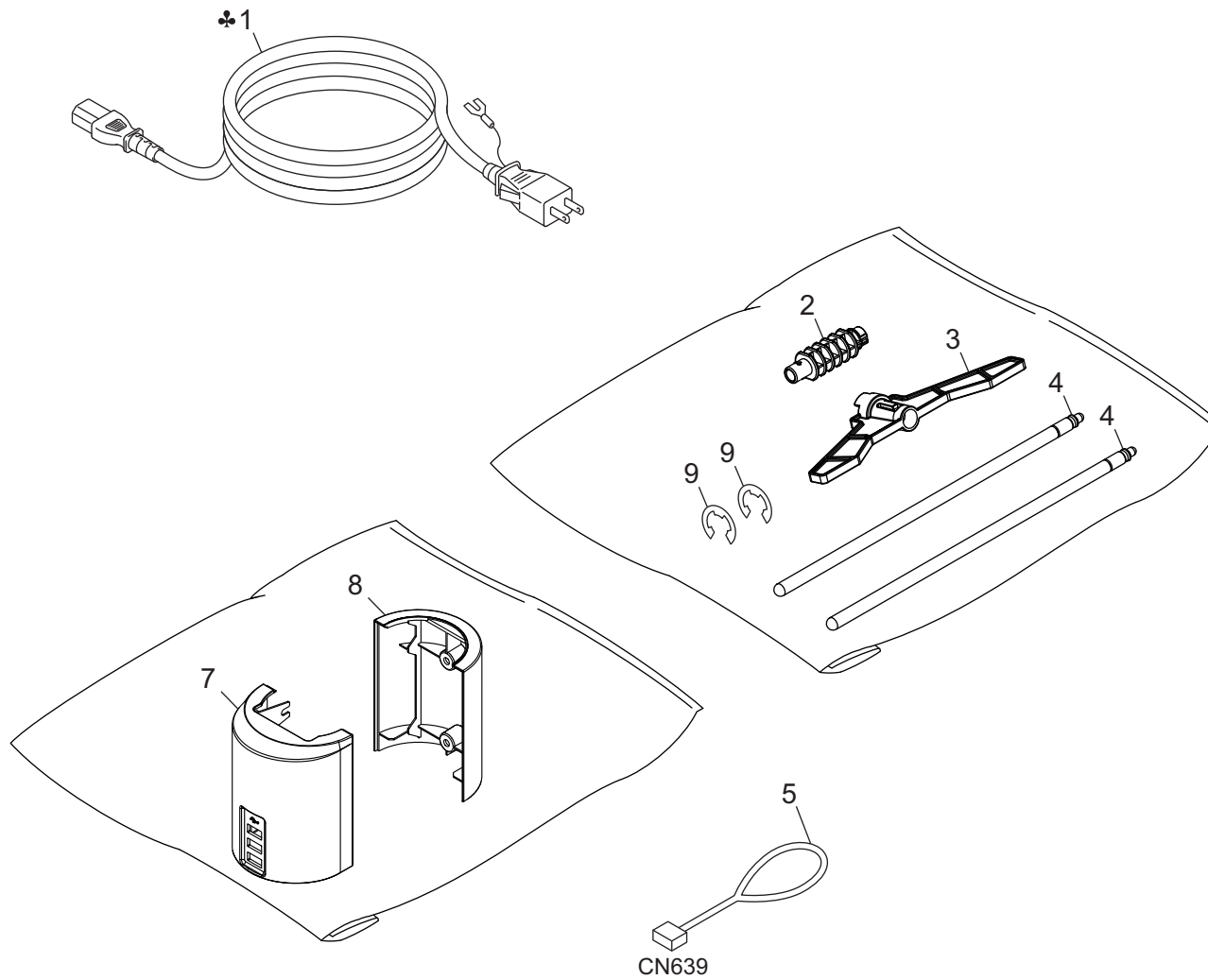
P 121



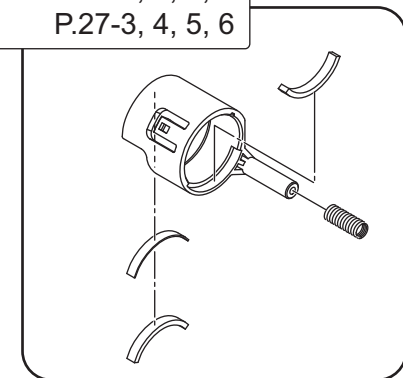
| Key | Part No. | Description | Destinations | Class | QTY | Standard parts |
|-----|------------|------------------------|--------------|-------|-----|----------------|
| 1 | A1RF945501 | Replacement Label /5 | | D | 3 | |
| 2 | A8AK941001 | Processing Label /2 | | C | 1 | |
| 3 | A8AK941200 | Processing Label /3 | | C | 1 | |
| 4 | A9CE955000 | Heat blocking Plate /1 | | D | 1 | |
| 5 | A9CE955100 | Heat blocking Plate /2 | | D | 1 | |
| 6 | A9VE168800 | Click Cover | | D | 7 | |
| 7 | A9VE169000 | Cover | | D | 1 | |
| 8 | A9VE942200 | Caution Label | | D | 1 | |
| 9 | A9VE946300 | Input Label | | D | 1 | |
| 10 | V114040604 | Screw | | V | 4 | |
| 11 | V121030604 | Screw | | V | 5 | |
| 12 | V127030516 | Screw | | V | 4 | |
| 13 | V127030604 | Screw | | V | 6 | |
| 14 | A9VE945900 | Paper feed Label /3 | B,G2 | D | 1 | |
| 15 | A00J169100 | Cover | | D | 2 | |
| | | | | | | |
| | | | | | | |
| | | | | | | |
| | | | | | | |
| | | | | | | |
| | | | | | | |
| | | | | | | |
| | | | | | | |
| | | | | | | |
| | | | | | | |
| | | | | | | |
| | | | | | | |
| | | | | | | |
| | | | | | | |
| | | | | | | |
| | | | | | | |
| | | | | | | |

Accessory Parts

P 122



See P.24-3, 4, 5, 6
P.25-3, 4, 5, 6
P.26-3, 4, 5, 6
P.27-3, 4, 5, 6



AccurioPrint C3070L

| Key | Part No. | Description | Destinations | Class | QTY | Standard parts |
|-----|------------|---------------------------------------|---------------------------|-------|-----|----------------|
| 1 | 9J06N30000 | Power Code /230V 電源コード / 2 3 0 V | C,D1,D3,E,F2,G1,H,I, K | D | 1 | |
| 1 | 9381410131 | Power code /120V プラグ付電源コード | B,G2 | C | 1 | |
| 2 | A50U343600 | Coupling /D カップリング / D | | D | 1 | |
| 3 | A50U502801 | Hold Guide 保持ガイド | | D | 1 | |
| 4 | A50U506500 | Support Shaft 支持軸 | | D | 2 | |
| 5 | A85CN19900 | Interface Wiring /1 インターフェース束線 / 1 | | D | 1 | |
| 6 | A9VE168000 | Duct ダクト | | D | 1 | |
| 7 | A9VE194200 | Operation Cover /A 操作カバー / A | | D | 1 | |
| 8 | A9VE194300 | Operation Cover /B 操作カバー / B | | D | 1 | |
| 9 | V217040003 | E-ring E リング | | V | 2 | |
| | | | | | | |
| | | | | | | |
| | | | | | | |
| | | | | | | |
| | | | | | | |
| | | | | | | |
| | | | | | | |
| | | | | | | |
| | | | | | | |
| | | | | | | |
| | | | | | | |

MAINTENANCE LIST

● The items with no Page/Key numbers are not handled as spare parts.

| No. | Section | PM Parts Description | Maintenance Cycle (K=1,000) | | Parts No. | Destinations | Page/Key | Note |
|-----|-------------------------------|-----------------------------------|-----------------------------|---------|------------|---------------------|---------------|----------------------------|
| | | | QTY | Replace | | | | |
| 1 | External section | Filter box | 1 | 400K | A50UR70A12 | | P11-29 | *1 |
| 2 | External section | Developing dust-proof filter/1 | 1 | 600K | A50U168901 | | P5-27 | *1 |
| 3 | | Developing dust-proof filter/2 | 1 | 600K | A50U169501 | | P5-29 | *1 |
| 4 | | PH dust-proof filter | 1 | 600K | A50U168801 | | P5-26 | *1 |
| 5 | | Electric component cooling filter | 1 | 600K | A50U109900 | | P8-22 | *1 |
| 6 | | suction dust-proof filter | 1 | 600K | A50U164901 | | P2-14 | *1 |
| 7 | Paper feed section | Paper feed roller rubber | 2 | 125K | 25SA40960 | | P70-3/P73-3 | |
| 8 | | Separation roller rubber | 2 | 125K | 25SA40960 | | P68-1/P71-1 | |
| 9 | Toner collection section | Waste toner box | 1 | 125K | A50UR70115 | | P34-19 | *2 |
| 10 | Charging section | Charging corona/Y | 1 | 210K | A50UR70311 | | P22-1 | *1 |
| 11 | | Charging corona/M | 1 | 210K | A50UR70311 | | P22-1 | *1 |
| 12 | | Charging corona/C | 1 | 210K | A50UR70311 | | P22-1 | *1 |
| 13 | | Charging corona/K | 1 | 210K | A50UR70311 | | P22-1 | *1 |
| 14 | Intermediate transfer section | Toner collection sheet | 1 | 220K | A1DUR71C00 | | P41-11 | *1 |
| 15 | | Transfer belt cleaning blade | 1 | 220K | A50UR70K11 | | P41-16 | *1 |
| 16 | | Side Seal | 2 | 220K | A50U531601 | | P41-15 | *1 |
| 17 | Reverse and exit section | Reverse de-curler roller | 1 | 400K | A50U860501 | | P99-16 | |
| 18 | Photo conductor section | Drum unit/K | 1 | 420K | | | | *4 |
| 19 | Intermediate transfer section | 1st transfer roller/Y | 1 | 440K | A50U501201 | | P39-9 | *1 |
| 20 | | 1st transfer roller/M | 1 | 440K | A50U501201 | | P39-9 | *1 |
| 21 | | 1st transfer roller/C | 1 | 440K | A50U501201 | | P39-9 | *1 |
| 22 | | 1st transfer roller/K | 1 | 440K | A50U501201 | | P39-9 | *1 |
| 23 | | 2nd transfer roller/Up | 1 | 440K | A50U500401 | | P38-13 | *1 |
| 24 | | Intermediate transfer belt/H | 1 | 444K | A9VE500100 | B,C,G2,I(only SOUTH | P38-35 | *1,*3 |
| 25 | | Intermediate transfer belt/C | 1 | 444K | | | | *1,*3 |
| 26 | | 2nd transfer roller/Lw | 1 | 440K | A50U520001 | | | P59-1 |
| 27 | | | Separate Discharging Unit | 1 | 440K | A50UR70B00 | | P59-6 |
| 28 | Photo conductor section | Drum unit/Y | 1 | 460K | | | | *5 |
| 29 | | Drum unit/M | 1 | 460K | | | | *5 |
| 30 | | Drum unit/C | 1 | 460K | | | | *5 |
| 31 | Registration section | Registration cleaning sheet assy | 1 | 600K | A50UR70D01 | | P104-30 | |
| 32 | Fusing section | Heat insulating sleeve/Lw | 2 | 600K | A50U756300 | | P46-13 | Service tool: Fluotribo MH |
| 33 | | Fusing gear/1 | 1 | 600K | A50U752700 | | P46-9 | |
| 34 | | Fusing gear/3 | 1 | 600K | A50U752200 | | P44-23 | |
| 35 | | Fusing belt assy | 1 | 600K | A9VER70400 | | P49-32 | |
| 36 | Charge control section | Charging roller/Up | 1 | 700K | A85C899000 | | P109-21 | *1 |
| 37 | Paper feed section | Pick-up roller | 2 | 800K | A1DUR71J00 | | P70-19/P73-19 | |
| 38 | Intermediate transfer section | Transfer belt cleaning unit | 1 | 880K | A50UR70633 | | P36-1 | *1 |
| 39 | Intermediate transfer section | Transfer belt separation claw | 3 | 888K | A1DUR71900 | | P39-8 | |
| 40 | REVERSE AND EXIT SEC- | Paper Exit Decurler Roller | 1 | 1,000K | A50U890802 | | P106-20 | |
| 41 | | Paper exit drive gear /1 | 1 | 1,000K | A03U909502 | | P106-13 | |
| 42 | | Paper exit gear | 1 | 1,000K | A50U899700 | | P106-29 | |
| 43 | Charge control section | Paper exit drive gear/2 | 1 | 1,000K | A043909901 | | P105-7 | |
| 44 | Developing section | Developer/Y | 1 | 1,200K | | | | *6 |
| 45 | | Developer/M | 1 | 1,200K | | | | *6 |
| 46 | | Developer/C | 1 | 1,200K | | | | *6 |
| 47 | | Developer/K | 1 | 1,200K | | | | *6 |
| 48 | | Developing unit/Y | 1 | 1,200K | A50UR70244 | | P24-10 | *1 |
| 49 | | Developing unit/M | 1 | 1,200K | A50UR70244 | | P25-10 | *1 |
| 50 | | Developing unit/C | 1 | 1,200K | A50UR70244 | | P26-10 | *1 |
| 51 | | Developing unit/K | 1 | 1,200K | A50UR70244 | | P27-10 | *1 |

| No. | Section | PM Parts Description | Maintenance Cycle (K=1,000) | | Parts No. | Destinations | Page/Key | Note |
|-----|-------------------------------|--|-----------------------------|---------|------------|-----------------------|---------------|--|
| | | | QTY | Replace | | | | |
| 52 | Fusing section | Fusing paper exit roller/Up | 2 | 1,200K | A1DU722500 | | P50-8 | Service tool: Fluotribo MH Service tool: Fluotribo MH |
| 53 | | Fusing Bearing/Lw | 2 | 1,200K | 26NA53712 | | P46-2 | |
| 54 | | Fusing gear/2 | 1 | 1,200K | A03U809500 | | P49-5 | |
| 55 | | Fusing Roller/Lw | 1 | 1,200K | A50U765500 | | P46-15 | |
| 56 | | Fusing separating claw assy | 5 | 1,200K | A50UR72U11 | | P50-33 | |
| 57 | Registration section | Registration roller | 1 | 1,400K | A50U710101 | | P102-7 | |
| 58 | | Registration Roller Bearing | 2 | 1,400K | A03U812800 | | P102-6 | |
| 59 | Intermediate transfer section | 2nd transfer earth plate assy | 2 | 1,760K | A50UR70G01 | | P82-21 | *1 |
| 60 | | C-clip | 2 | 1,760K | V218060086 | | P59-c | *1 |
| 61 | Intermediate transfer section | Belt separation claw solenoid (SD2) | 1 | 1,776K | 26NA82513 | | P7-2 | |
| 62 | Paper feed section | Paper feed clutch | 2 | 2,000K | 56AA82012 | | P70-13/P73-13 | |
| 63 | | Pre-registration clutch | 2 | 2,000K | 56AA82012 | | P69-20/P72-20 | |
| 64 | Vertical conveyance section | Intermediate conveyance clutch/1 (CL5) | 1 | 2,000K | 56AA82012 | | P81-5 | |
| 65 | Duplex section | Intermediate conveyance clutch/2 (CL6) | 1 | 2,000K | 56AA82012 | | P87-9 | |
| 66 | | Intermediate conveyance clutch/3 (CL7) | 1 | 2,000K | 56AA82012 | | P87-9 | |
| 67 | Registration section | Registration idler gear | 1 | 2,800K | A50U713700 | | P88-10 | |
| 68 | Fusing section | Fusing heater lamp 1 assy/Up (North America) | 1 | 3,000K | A9VEM31E00 | B,G2 | P49-30 | |
| 69 | | Fusing heater lamp 1 assy/Up (Europe) | 1 | 3,000K | A9VEM31F00 | C,D1,D3,E,F2,G1,I,J,K | P49-30 | |
| 70 | | Fusing heater lamp 2 assy/Up (North America) | 1 | 3,000K | A9VEM33E00 | B,G2 | P49-31 | |
| 71 | | Fusing heater lamp 2 assy/Up (Europe) | 1 | 3,000K | A9VEM33F00 | C,D1,D3,E,F2,G1,I,J,K | P49-31 | |
| 72 | | Fusing temperature sensor/3 (TH3) | 1 | 3,000K | A50UR70F00 | | P48-18 | |
| 73 | | Fusing temperature sensor/4 (TH4) | 1 | 3,000K | A50UR70E11 | | P45-6 | |
| 74 | | Charge control section | Charging roller bearing/Fr | 1 | 3,150K | A1RF508900 | | P109-5 |
| 75 | Charging roller bearing/Rr | | 1 | 3,150K | A85C897201 | | P109-17 | |
| 76 | Intermediate transfer section | Transfer roller bearing/Y, transfer roller bearing/M and | 6 | 3,520K | 65AA26380 | | P39-3 | |
| 77 | | Transfer Roller Bearing/K | 2 | 3,520K | A50U505700 | | P39-15 | |

*1: Actual replacement: 100% (special parts counter) (See Service Manual F-3 LIFE VALUE.)

*2: The sensor detects its full automatically.

*3: You can distinguish by the color of the connectors.

*4: Actual replacement: 420,000 counts (quantity) or 100% (distance), whichever is earlier (See Service Manual F-3 LIFE VALUE.)

*5: Actual replacement: 460,000 counts (quantity) or 100% (distance), whichever is earlier (See Service Manual F-3 LIFE VALUE.)

*6: Be sure to replace it together with the developing unit at the same time.

*: The part names used in this page follow the part name of Service Manual and they are occasionally different from part names written in other pages.

メンテナンスリスト

● ページ / キーナンバーのないものは、アフターサービス部品ではありません。

| No. | 区分 | P M 部品名称 | サイクル (K=1,000) | | 部品番号 | 仕向地 | 頁 / キー | 備考 |
|-----|----------|------------------|-----------------|--------|------------|----------------------|---------------|--------------------|
| | | | 員数 | 交換 | | | | |
| 1 | 外装部 | フィルターボックス | 1 | 400K | A50UR70A12 | | P11-29 | *1 |
| 2 | 外装部 | 現像防塵フィルター /1 | 1 | 600K | A50U168901 | | P5-27 | *1 |
| 3 | | 現像防塵フィルター /2 | 1 | 600K | A50U169501 | | P5-29 | *1 |
| 4 | | PH 防塵フィルター | 1 | 600K | A50U168801 | | P5-26 | *1 |
| 5 | | 電装冷却フィルター | 1 | 600K | A50U109900 | | P8-22 | *1 |
| 6 | | 吸気防塵フィルター | 1 | 600K | A50U164901 | | P2-14 | *1 |
| 7 | | 給紙部 | 給紙ローラーゴム | 2 | 125K | 25SA40960 | | P70-3/P73-3 |
| 8 | 分離ローラーゴム | | 2 | 125K | 25SA40960 | | P68-1/P71-1 | |
| 9 | トナー回収部 | 廃棄トナーボックス | 1 | 125K | A50UR70115 | | P34-19 | *2 |
| 10 | 帯電部 | 帯電極 /Y | 1 | 210K | A50UR70311 | | P22-1 | *1 |
| 11 | | 帯電極 /M | 1 | 210K | A50UR70311 | | P22-1 | *1 |
| 12 | | 帯電極 /C | 1 | 210K | A50UR70311 | | P22-1 | *1 |
| 13 | | 帯電極 /K | 1 | 210K | A50UR70311 | | P22-1 | *1 |
| 14 | 中間転写部 | トナー回収シート | 1 | 220K | A1DUR71C00 | | P41-11 | *1 |
| 15 | | 転写ベルト クリーニングブレード | 1 | 220K | A50UR70K11 | | P41-16 | *1 |
| 16 | | サイドシール | 2 | 220K | A50U531601 | | P41-15 | *1 |
| 17 | 反転 / 排紙部 | 反転デカラーローラー | 1 | 400K | A50U860501 | | P99-16 | |
| 18 | 感光体部 | ドラムユニット /K | 1 | 420K | | | | *4 |
| 19 | 中間転写部 | 1次転写ローラー /Y | 1 | 440K | A50U501201 | | P39-9 | *1 |
| 20 | | 1次転写ローラー /M | 1 | 440K | A50U501201 | | P39-9 | *1 |
| 21 | | 1次転写ローラー /C | 1 | 440K | A50U501201 | | P39-9 | *1 |
| 22 | | 1次転写ローラー /K | 1 | 440K | A50U501201 | | P39-9 | *1 |
| 23 | | 2次転写ローラー /Up | 1 | 440K | A50U500401 | | P38-13 | *1 |
| 24 | | 中間転写ベルト /H | 1 | 444K | A9VE500100 | B.C.G2,I(only SOUTH) | P38-35 | *1、*3 |
| 25 | | 中間転写ベルト /C | 1 | 444K | | | | *1、*3 |
| 26 | | 2次転写ローラー /Lw | 1 | 440K | A50U520001 | | P59-1 | *1 |
| 27 | | 分離放電板ユニット | 1 | 440K | A50UR70B00 | | P59-6 | *1 |
| 28 | 感光体部 | ドラムユニット /Y | 1 | 460K | | | | *5 |
| 29 | | ドラムユニット /M | 1 | 460K | | | | *5 |
| 30 | | ドラムユニット /C | 1 | 460K | | | | *5 |
| 31 | レジスト部 | レジスト清掃シート Assy | 1 | 600K | A50UR70D01 | | P104-30 | |
| 32 | 定着部 | 断熱スリーブ /Lw | 2 | 600K | A50U756300 | | P46-13 | サービスツール: フルトライボ MH |
| 33 | | 定着ギア /1 | 1 | 600K | A50U752700 | | P46-9 | サービスツール: フルトライボ MH |
| 34 | | 定着ギア /3 | 1 | 600K | A50U752200 | | P44-23 | サービスツール: フルトライボ MH |
| 35 | | 定着ベルト Assy | 1 | 600K | A9VER70400 | | P49-32 | |
| 36 | 電荷制御部 | 帯電ローラー /Up | 1 | 700K | A85C899000 | | P109-21 | *1 |
| 37 | 給紙部 | ピックアップローラー | 2 | 800K | A1DUR71J00 | | P70-19/P73-19 | |
| 38 | 中間転写部 | 転写ベルト クリーニングユニット | 1 | 880K | A50UR70633 | | P36-1 | *1 |
| 39 | 中間転写部 | 転写ベルト 分離爪 | 3 | 888K | A1DUR71900 | | P39-8 | |
| 40 | 反転 / 排紙部 | 排紙デカラーローラー | 1 | 1,000K | A50U890802 | | P106-20 | |
| 41 | | 排紙駆動ギア /1 | 1 | 1,000K | A03U909502 | | P106-13 | |
| 42 | | 排紙ギア | 1 | 1,000K | A50U899700 | | P106-29 | |
| 43 | 電荷制御部 | 排紙駆動ギア /2 | 1 | 1,000K | A043909901 | | P105-7 | |
| 44 | 現像部 | 現像剤 /Y | 1 | 1,200K | | | | *6 |
| 45 | | 現像剤 /M | 1 | 1,200K | | | | *6 |
| 46 | | 現像剤 /C | 1 | 1,200K | | | | *6 |
| 47 | | 現像剤 /K | 1 | 1,200K | | | | *6 |
| 48 | | 現像ユニット /Y | 1 | 1,200K | A50UR70244 | | P24-10 | *1 |
| 49 | | 現像ユニット /M | 1 | 1,200K | A50UR70244 | | P25-10 | *1 |
| 50 | | 現像ユニット /C | 1 | 1,200K | A50UR70244 | | P26-10 | *1 |
| 51 | | 現像ユニット /K | 1 | 1,200K | A50UR70244 | | P27-10 | *1 |

| No. | 区分 | P M 部品名称 | サイクル (K=1,000) | | 部品番号 | 仕向地 | 頁 / キー | 備考 |
|-----|-------|--------------------------|-----------------|--------|------------|-----------------------|---------------|--|
| | | | 員数 | 交換 | | | | |
| 52 | 定着部 | 定着排紙ローラー /Up | 2 | 1,200K | A1DU722500 | | P50-8 | サービスツール: フルトライボ MH サービスツール: フルトライボ MH |
| 53 | | 定着軸受 /Lw | 2 | 1,200K | 26NA53712 | | P46-2 | |
| 54 | | 定着ギア /2 | 1 | 1,200K | A03U809500 | | P49-5 | |
| 55 | | 定着ローラー /Lw | 1 | 1,200K | A50U765500 | | P46-15 | |
| 56 | | 定着分離爪 Assy | 5 | 1,200K | A50UR72U11 | | P50-33 | |
| 57 | レジスト部 | レジストローラー | 1 | 1,400K | A50U710101 | | P102-7 | |
| 58 | | レジストローラー軸受 | 2 | 1,400K | A03U812800 | | P102-6 | |
| 59 | 中間転写部 | 2次転写アース板 Assy | 2 | 1,760K | A50UR70G01 | | P82-21 | *1 |
| 60 | | Cクリップ | 2 | 1,760K | V218060086 | | P59-c | *1 |
| 61 | 中間転写部 | ベルト 分離爪ソレノイド (SD2) | 1 | 1,776K | 26NA82513 | | P7-2 | |
| 62 | 給紙部 | 給紙クラッチ | 2 | 2,000K | 56AA82012 | | P70-13/P73-13 | |
| 63 | | プレジストクラッチ | 2 | 2,000K | 56AA82012 | | P69-20/P72-20 | |
| 64 | 垂直搬送部 | 中間搬送クラッチ /1 (CL5) | 1 | 2,000K | 56AA82012 | | P81-5 | |
| 65 | 両面部 | 中間搬送クラッチ /2 (CL6) | 1 | 2,000K | 56AA82012 | | P87-9 | |
| 66 | | 中間搬送クラッチ /3 (CL7) | 1 | 2,000K | 56AA82012 | | P87-9 | |
| 67 | レジスト部 | レジストアイドラーギア | 1 | 2,800K | A50U713700 | | P88-10 | |
| 68 | 定着部 | 定着ヒーターランプ 1 Assy/Up (北米) | 1 | 3,000K | A9VEM31E00 | B,G2 | P49-30 | |
| 69 | | 定着ヒーターランプ 1 Assy/Up (欧州) | 1 | 3,000K | A9VEM31F00 | C,D1,D3,E,F2,G1,I,J,K | P49-30 | |
| 70 | | 定着ヒーターランプ 2 Assy/Up (北米) | 1 | 3,000K | A9VEM33E00 | B,G2 | P49-31 | |
| 71 | | 定着ヒーターランプ 2 Assy/Up (欧州) | 1 | 3,000K | A9VEM33F00 | C,D1,D3,E,F2,G1,I,J,K | P49-31 | |
| 72 | | 定着温度センサー /3 (TH3) | 1 | 3,000K | A50UR70F00 | | P48-18 | |
| 73 | | 定着温度センサー /4 (TH4) | 1 | 3,000K | A50UR70E11 | | P45-6 | |
| 74 | 電荷制御部 | 帯電ローラー軸受 /Fr | 1 | 3,150K | A1RF508900 | | P109-5 | |
| 75 | | 帯電ローラー軸受 /Rr | 1 | 3,150K | A85C897201 | | P109-17 | |
| 76 | 中間転写部 | 転写ローラー軸受 /Y、/M、/C | 6 | 3,520K | 65AA26380 | | P39-3 | |
| 77 | | 転写ローラー軸受 /K | 2 | 3,520K | A50U505700 | | P39-15 | |

*1: 実質交換: 100% (固定パーツカウンター) (サービスマニュアル「F.3 ライフ値の考え方」参照)

*2: フル検知はセンサーにより自動検知

*3: コネクタの色により、識別可能。

*4: 実質交換: 420,000 カウント (枚数)、または 100% (距離) いずれか早いタイミング (サービスマニュアル「F.3 ライフ値の考え方」参照)

*5: 実質交換: 460,000 カウント (枚数)、または 100% (距離) いずれか早いタイミング (サービスマニュアル「F.3 ライフ値の考え方」参照)

*6: 現像ユニットと同時に交換すること。

*: ここに記載されている部品名称はサービスマニュアルで使用されている部品名称であり、他のページに記載されている部品名称とは異なる場合があります。

DESTINATION

| Destination No. | | Destinations | | V | Hz | Model No. |
|-----------------|----|--|---|---------|-------|-----------|
| A | A1 | JAPAN | | | | |
| | A2 | JAPAN | | | | |
| B | | USA, CANADA | | 208-240 | 60 | AAC4011 |
| C | | EUROPEAN TYPE | | 220-240 | 50/60 | AAC4021 |
| D | D1 | S.E ASIA TYPE | THAILAND, SRI LANKA, SINGAPORE, MALAYSIA, HONG KONG, PAKISTAN, INDIA, BANGLADESH, INDONESIA | 220-240 | 50/60 | AAC4041 |
| | D3 | OCEANIA TYPE | AUSTRALIA, NEW ZEALAND | 220-240 | 50/60 | AAC4051 |
| E | | PHILIPPINES | | 220-240 | 50/60 | AAC4041 |
| F | F1 | SAUDI ARABIA | | | | |
| | F2 | SAUDI ARABIA | | 220-240 | 50/60 | AAC4041 |
| G | G1 | C.S AMERICA | | 220-240 | 50/60 | AAC4041 |
| | G2 | C.S AMERICA | | 208-240 | 60 | AAC4011 |
| H | | TAIWAN | | | | |
| I | | JORDAN, LEBANON, SYRIA, SOUTH AFRICA, IRAQ, IRAN, N.YEMEN, CAMEROON, UAE, BAHRAIN, OMAN, QATAR, KUWAIT, KENYA, TUNISIA, IVORY COAST, MOROCCO | | 220-240 | 50/60 | AAC4021 |
| J | | CHINA | | 220-240 | 50/60 | AAC4081 |
| K | | KOREA | | 220-240 | 50/60 | AAC4041 |

AccurioPrint C3070L