

KONICA MINOLTA

# *PARTS GUIDE MANUAL*

---

*SEPTEMBER 2012*

*bizhub 164*

*bizhub 184*

*bizhub 7718*

*A0XX*

## INFORMATION FOR PARTS GUIDE MANUAL

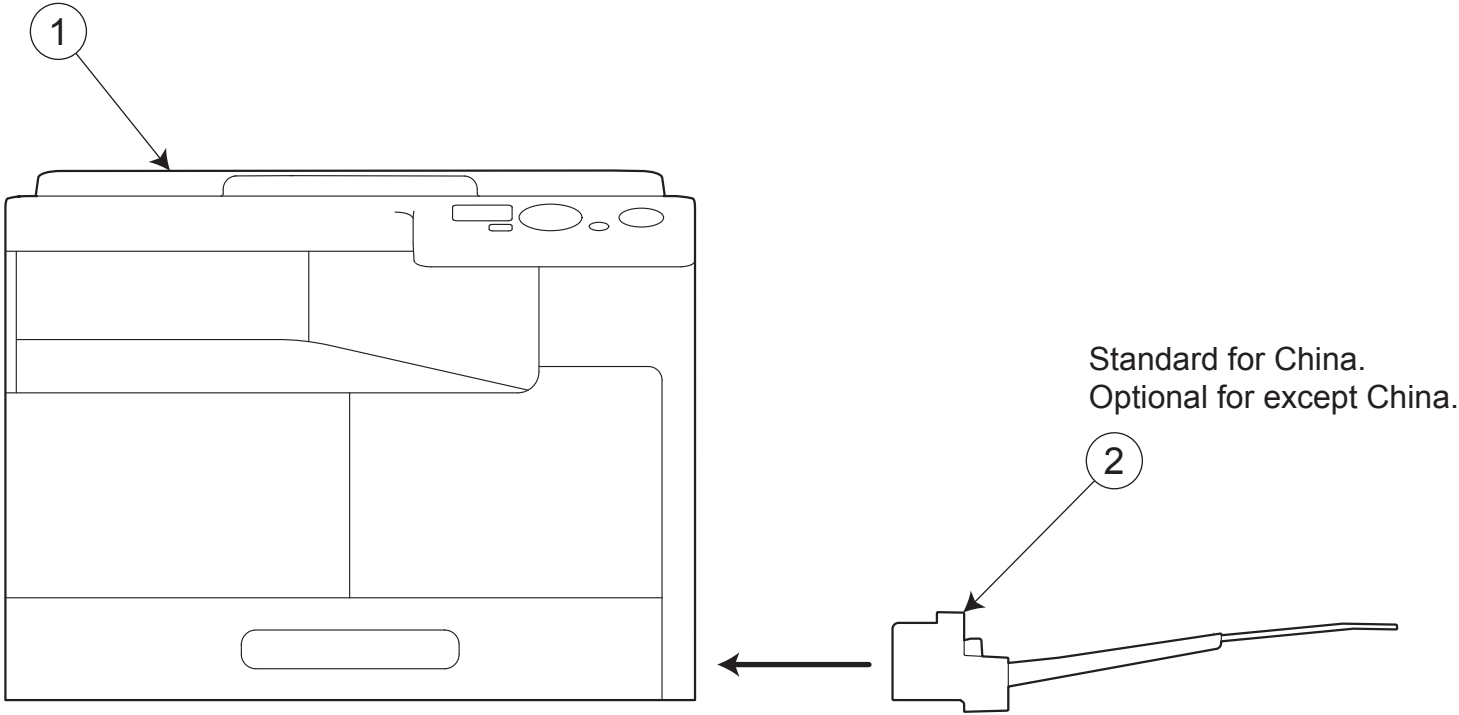
To find correct Parts No., refer to the "HOW TO MAKE THE BEST USE OF THIS MANUAL" in the following page.

### HOW TO MAKE THE BEST USE OF THIS MANUAL

- 1 When you order, please check the proper figures beforehand that are on Our Parts Guide Manual, and order with the appropriate figures.
- 2 For screws, Nuts, Washers, retaining rings and Pins which are used in this model, one letter is shown on the Standard parts column of Parts list and exploded diagrams.
- 3 In order to maintain safety of the product, some specific parts composed of this product are set up as "essential safety parts".
- 4 The assigned parts number for the "essential safety parts" is indicated as "SP00-\*\*\*\*".  
When replacing these parts, follow precautions for disassembling and installing which are listed in the Service Manual.  
Do not use any parts that are not set up as
- 5 ♣ means that there are exclusive parts for each destination.  
Please check the appropriate destination when you order.
- 6 Revision Mark  
Marked as ▲ on the illustration shows that the revision has been made.
- 7 All rights reserved. (any reprints or quotations are prohibited.)  
Use of this parts guide manual should be strictly supervised to avoid disclosure of confidential information.

03/29/2010

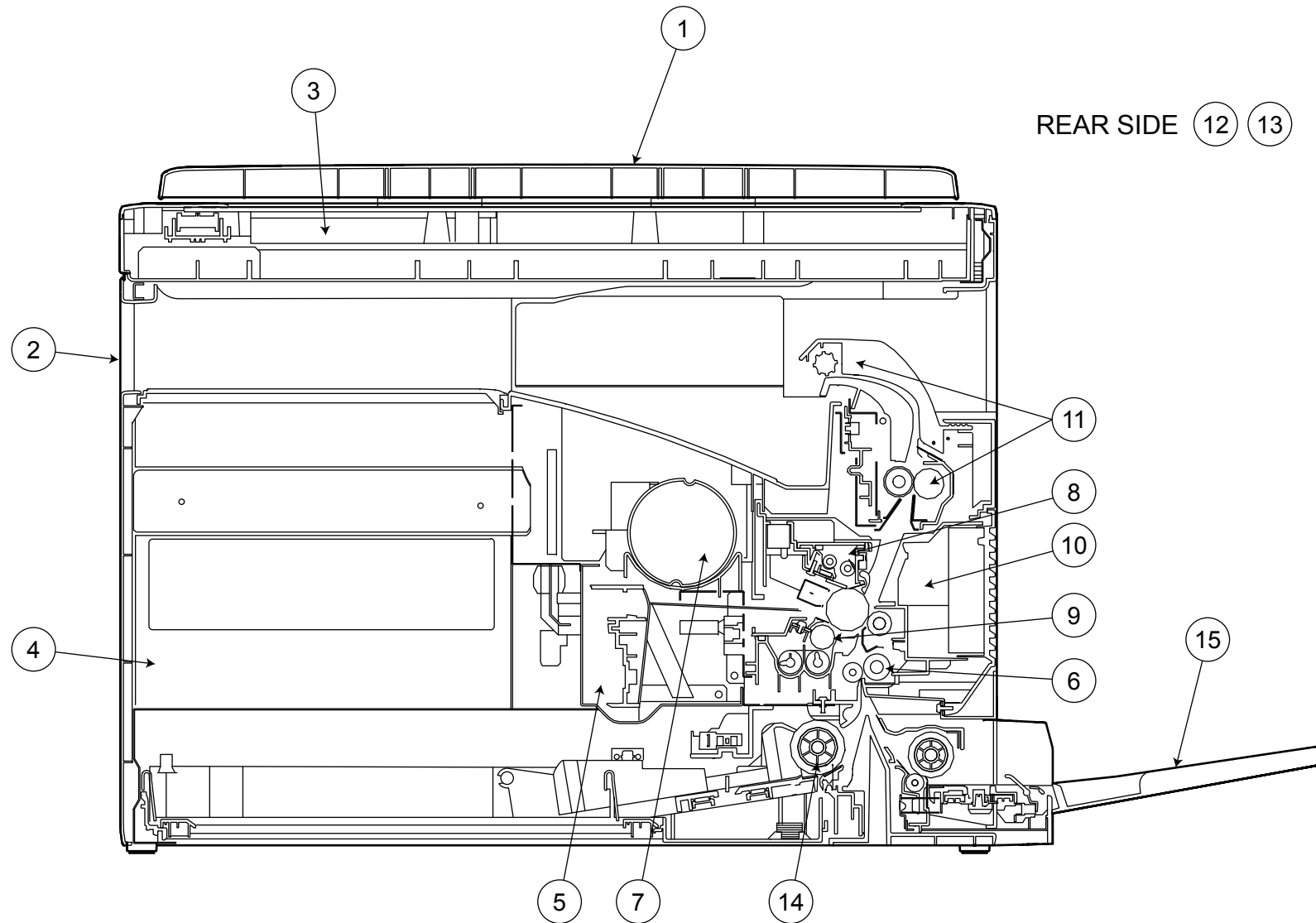
# SYSTEM OUTLINE



# GENERAL CONTENTS

<b>No.</b>	<b>Description</b>	<b>Model</b>
1	DIGITAL MFP B/W	bizhub 164/bizhub 184/bizhub 7718
2	PAPER FEEDER	MB-503

# DIAGRAMS OF MAIN PARTS SECTION



bizhub 164/bizhub 184/bizhub 7718

# CONTENTS

No.	DESCRIPTION	PAGE No.
1	ORIGINAL COVER	P1
2	EXTERNAL PARTS	P2
3	IR SECTION	P3 P4
4	FRAME SECTION	P5
5	PRINT HEAD SECTION	P6
6	PAPER TAKE-UP SECTION	P7
7	HOPPER SECTION	P8
8	CHARGE SECTION	P9
9	DEVELOPING SECTION	P10
10	PAPER TRANSPORT SECTION	P11
11	FUSING & PAPER EXIT SECTION	P12
12	DRIVE SECTION	P13
13	ELECTRICAL COMPONENTS	P14
14	CASSETTE SECTION	P15
15	MANUAL PAPER FEED SECTION	P16
16	WIRING ACCESSORIES AND JIGS	P17
17	ACCESSORY PARTS	P18

bizhub 164/bizhub 184/bizhub 7718

# INDEX

Parts No.	Page No.
0910550712	9-4
1164300403	15-17
1164302701	7-10
1164304501	15-12
1164305401	7-13
1164306101	15-8
1164306201	15-9
4002504202	12-2
4021016602	9-8
4021210101	12-6
4021254702	13-15
4021410801	9-44
4021436802	9-33
4021560601	9-7
4021561501	9-24
4021561601	9-13
4021561801	9-35
4021561901	9-32
4025357201	7-9
4030309301	16-50
4030340201	16-44
4030340301	16-43
4030347501	16-20
4030520401	10-1
4034015101	16-46
4034220501	6-12
4034230501	6-6
4034353401	7-5
4036301401	15-27
4036301401	16-34
4037321001	15-21
4038321501	16-14
4038323601	16-19
4038325501	16-10
4038326001	16-49
4038326802	16-42
4038326902	16-45
4038328601	16-3
4038541202	8-6
4038560100	15-20

Parts No.	Page No.
4039328201	16-15
4128201901	5-8
4131353202	16-16
4162407401	9-11
4163407201	9-39
4163436104	9-9
4163523102	10-10
4163529301	11-3
4163560302	9-27
4163560403	9-38
4163560503	9-12
4163560702	9-5
4163560901	9-25
4163561101	9-26
4163561202	9-2
4163561401	9-29
4163561701	9-36
4163562501	9-31
4163563901	9-14
4686330401	5-9
4687328101	16-40
9335130061	7-11
9335130061	16-7
9455307801	11-20
9J03M10000	11-2
9J06730201	14-15
9J06M20000	16-31
9J06M60100	5-4
9J06M60100	6-10
A00J307000	6-13
A00J945500	2-18
A02F621101	15-19
A02F621200	15-14
A02F623200	15-10
A02F625400	15-18
A02F944100	15-15
A0DE371300	10-32
A0DE385100	10-20
A0ED240700	8-7
A0XX330100	9-30

Parts No.	Page No.
A0XX330300	9-17
A0XX330401	9-34
A0XX330600	9-19
A0XX330900	9-18
A0XX333101	9-50
A0XX333201	9-45
A0XX333300	9-41
A0XX333400	9-51
A0XX333500	9-42
A0XX333600	9-43
A0XX333700	9-49
A0XX333800	9-46
A0XX333900	9-47
A0XX334100	9-48
A0XX360200	9-37
A0XX360400	9-16
A0XX360500	9-22
A0XX360600	9-21
A0XX360800	9-20
A0XX361000	9-6
A0XX361100	9-10
A0XX361200	9-2
A0XX361300	9-15
A0XX361600	9-3
A0XX361611	9-3
A0XX361701	9-23
A0XX361800	9-28
A0XX370101	10-14
A0XX370200	10-2
A0XX370300	10-21
A0XX370400	10-34
A0XX370500	10-33
A0XX370900	10-35
A0XX371000	10-36
A0XX371101	10-12
A0XX371200	10-17
A0XX371300	10-7
A0XX371400	10-19
A0XX371500	10-16
A0XX371600	10-22

Parts No.	Page No.
A0XX371700	10-30
A0XX371800	10-9
A0XX372000	10-27
A0XX372100	10-25
A0XX372200	10-29
A0XX372300	10-26
A0XX372400	10-24
A0XX372500	10-28
A0XX373000	10-5
A0XX373100	10-3
A0XX373400	10-11
A0XX373500	10-13
A0XX373600	10-23
A0XX374000	10-4
A0XX374100	10-6
A0XX374200	10-31
A0XX374500	10-8
A0XX560200	15-4
A0XX594700	16-39
A0XXPP0000	5-10
A0XXPP0100	14-11
A0XXPP0200	16-27
A0XXPP0300	14-14
A0XXPP0400	14-7
A0XXPP0500	12-3
A0XXPP0600	6-1
A0XXPP0700	12-5
A0XXPP0800	14-2
A0XXPP0900	7-12
A0XXPP0A00	7-12
A0XXPP0B00	11-18
A0XXPP0C00	14-13
A0XXPP0C00	14-13
A0XXPP0D00	14-13
A0XXPP0F00	3-14
A0XXPP0G00	4-13
A0XXPP0H00	14-8
A0XXPP0J00	14-4
A0XXPP0J00	14-4
A0XXPP0K00	14-4

Parts No.	Page No.
A0XXPP0K00	14-4
A0XXPP0M00	3-4
A0XXPP0N00	13-19
A0XXPP0P00	13-3
A0XXPP0R01	15-23
A0XXPP0S00	11-10
A0XXPP0T00	11-15
A0XXPP0U00	11-21
A0XXPP0V00	11-19
A0XXPP0W01	7-15
A0XXPP0X01	7-7
A0XXPP0Y00	11-17
A0XXPP1401	12-4
A0XXPP1501	12-8
A0XXPP1601	12-7
A0XXPP1700	6-3
A0XXPP1800	14-5
A0XXPP1900	16-22
A0XXPP1A00	16-28
A0XXPP1B00	16-38
A0XXPP1C00	16-29
A0XXPP1D01	16-6
A0XXPP1E00	3-6
A0XXPP1F00	4-14
A0XXPP1G00	3-1
A0XXPP1H00	2-15
A0XXPP1J00	6-15
A0XXPP1K00	2-1
A0XXPP1M00	5-2
A0XXPP1N00	16-9
A0XXPP1P00	5-7
A0XXPP1Q00	5-11
A0XXPP1R00	6-8
A0XXPP1S00	14-12
A0XXPP1T00	16-11
A0XXPP1U00	11-16
A0XXPP1V01	11-5
A0XXPP1V01	11-7
A0XXPP1W01	16-21
A0XXPP1X01	11-8

Parts No.	Page No.
A0XXPP1Y00	13-2
A0XXPP2000	13-16
A0XXPP2101	15-3
A0XXPP2200	15-2
A0XXPP2301	7-2
A0XXPP2401	16-48
A0XXPP2501	16-51
A0XXPP2601	16-23
A0XXPP2900	3-5
A0XXPP2B00	3-19
A0XXPP2C01	3-20
A0XXPP2D00	4-11
A0XXPP2E00	4-7
A0XXPP2F00	2-10
A0XXPP2G00	2-6
A0XXPP2H00	2-2
A0XXPP2J00	2-5
A0XXPP2K00	2-12
A0XXPP2M00	2-12
A0XXPP2M00	2-12
A0XXPP2N00	2-13
A0XXPP2P00	2-7
A0XXPP2Q00	2-14
A0XXPP2R00	2-4
A0XXPP2S00	11-22
A0XXPP2S00	11-22
A0XXPP2T00	2-16
A0XXPP2T00	2-16
A0XXPP2U00	5-6
A0XXPP2V00	6-5
A0XXPP2W01	13-9
A0XXPP2X01	13-12
A0XXPP2Y01	13-18
A0XXPP3001	13-14
A0XXPP3101	13-10
A0XXPP3201	13-5
A0XXPP3301	13-11
A0XXPP3401	13-13
A0XXPP3501	13-8
A0XXPP3601	13-7

Parts No.	Page No.
A0XXPP3701	13-6
A0XXPP3800	13-4
A0XXPP3900	12-9
A0XXPP3A01	15-6
A0XXPP3B01	15-13
A0XXPP3C00	15-11
A0XXPP3D00	15-5
A0XXPP3E00	15-7
A0XXPP3F00	15-22
A0XXPP3G01	7-14
A0XXPP3H01	11-9
A0XXPP3J00	11-4
A0XXPP3K00	11-1
A0XXPP3M00	11-6
A0XXPP3N01	7-6
A0XXPP3P00	7-3
A0XXPP3Q01	8-4
A0XXPP3S01	8-5
A0XXPP3T01	8-3
A0XXPP3U01	8-2
A0XXPP3V01	8-8
A0XXPP4400	6-2
A0XXPP4500	16-13
A0XXPP4600	16-53
A0XXPP4700	5-5
A0XXPP4800	5-1
A0XXPP4902	16-2
A0XXPP4A01	16-1
A0XXPP4B01	16-37
A0XXPP4C00	16-5
A0XXPP4D00	16-4
A0XXPP4E01	16-41
A0XXPP4F00	16-36
A0XXPP4G01	16-30
A0XXPP4H01	16-24
A0XXPP4J01	16-32
A0XXPP4K01	16-26
A0XXPP4M01	16-8
A0XXPP4N03	1-4
A0XXPP4P00	1-3

Parts No.	Page No.
A0XXPP4Q00	1-2
A0XXPP4U00	2-3
A0XXPP4V00	16-18
A0XXPP4W01	6-7
A0XXPP4X00	14-3
A0XXPP4Y00	16-54
A0XXPP5002	11-11
A0XXPP5102	11-13
A0XXPP5201	2-11
A0XXPP5300	7-8
A0XXPP5400	16-17
A0XXPP5501	7-4
A0XXPP5700	16-33
A0XXPP5800	4-8
A0XXPP5900	4-6
A0XXPP5A00	4-10
A0XXPP5A00	4-10
A0XXPP5B00	4-9
A0XXPP5C01	2-9
A0XXPP5D02	4-5
A0XXPP5E02	4-5
A0XXPP5F02	4-5
A0XXPP5F02	4-5
A0XXPP5G00	4-10
A0XXPP5H00	4-10
A0XXPP5J01	2-8
A0XXPP5K00	16-35
A0XXPP5M01	11-12
A0XXPP5N00	3-9
A0XXPP5P02	1-5
A0XXPP5Q00	1-1
A0XXPP5R00	3-2
A0XXPP5S00	6-4
A0XXPP5T00	6-14
A0XXPP5U00	3-10
A0XXPP5V00	13-17
A0XXPP5V00	16-25
A0XXPP5W00	13-1
A0XXPP5X00	3-7
A0XXPP6200	14-10

Parts No.	Page No.
A0XXPP6302	14-1
A0XXPP6400	4-12
A0XXPP6401	4-12
A0XXPP6502	14-1
A0XXPP6601	4-4
A0XXPP6601	4-4
A0XXPP6701	4-4
A0XXPP6801	4-4
A0XXPP6900	4-2
A0XXPP6A00	7-1
A0XXPP6E01	15-25
A0XXPP6F00	4-3
A0XXPP6F01	4-3
A0XXPP6H01	11-14
A0XXPP6J00	15-1
A0XXPP6K00	8-1
A0XXPP6N00	2-17
A0XXPP6P00	2-17
A0XXPP6Q00	2-17
A0XXPP6S00	16-12
A0XXPP6T00	16-47
A0XXPP6U00	3-12
A0XXPP6V00	6-16
A0XXPP6X00	12-1
A0XXPP6X00	12-1
A0XXPP6Y00	12-1
A0XXPP7000	12-1
A0XXPP7100	18-2
A0XXPP7200	18-2
A0XXPP7300	18-1
A0XXPP7700	16-52
A0XXPP7800	5-12
A0XXPP7900	15-16
A0XXPP7A00	15-24
A0XXPP7B00	4-15
A0XXPP7C00	2-12
A0XXPP8500	14-16
A0XXPP8800	5-3
A0XXPP9000	3-21
A1XTR70011	6-11

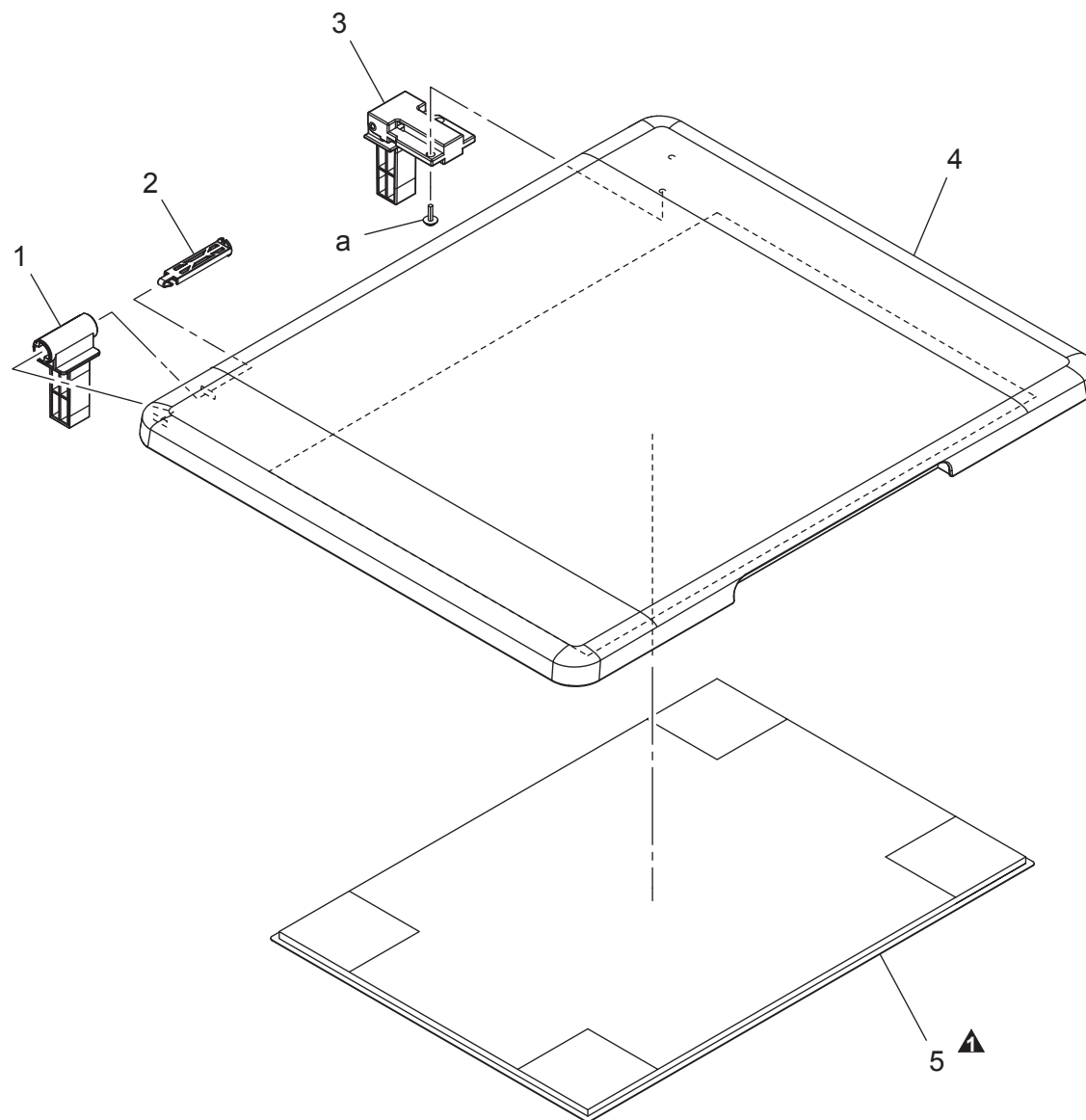
Parts No.	Page No.
A1XUM50300	10-18
A1XUN11600	10-15
A1XUR70000	9-1
A1XUR70100	9-40
V500010005	17-1
V500010020	17-2
V500010021	17-3
V500010046	17-4
V500020042	17-5
V502010045	14-6
V570010021	17-6
V570010050	17-7



# ORIGINAL COVER

P 1

改訂版 REVISED EDITION	日付 DATE
▲	JULY 2011

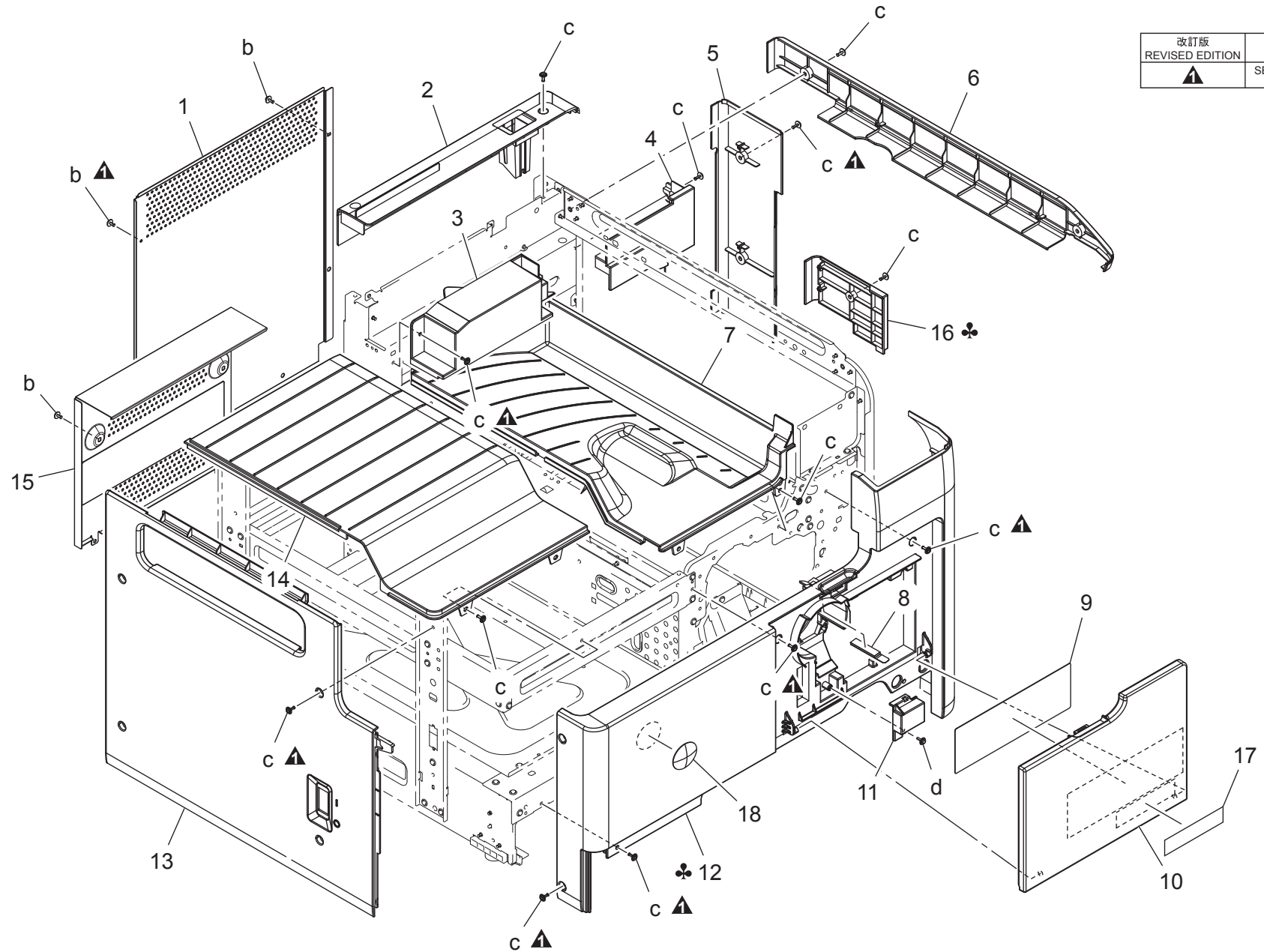




# EXTERNAL PARTS

P 2

改訂版 REVISED EDITION	日付 DATE
▲	SEPTEMBER 2010



bizhub 164/bizhub 184/bizhub 7718

# EXTERNAL PARTS

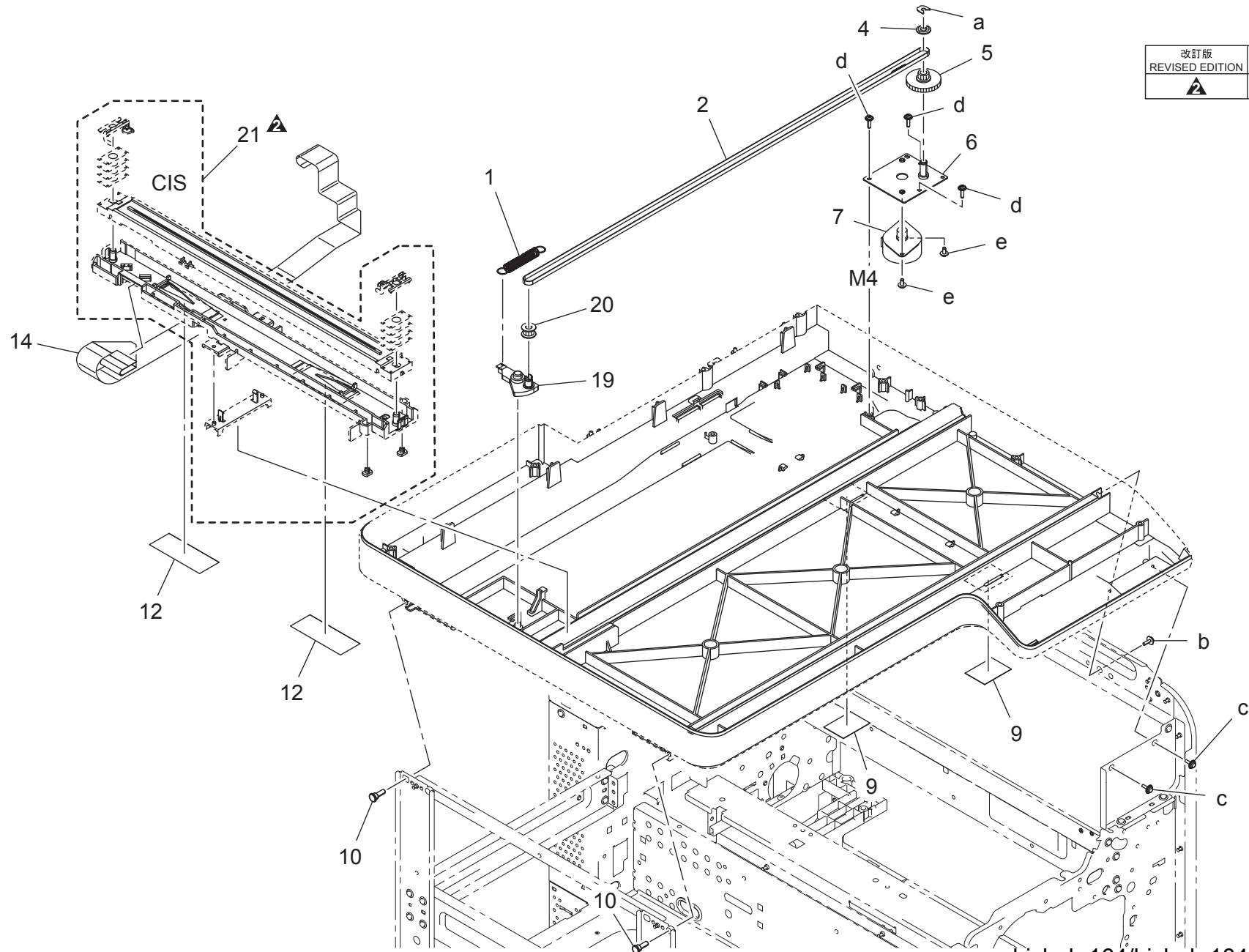
Key	Part No.	Description	Destinations	Class	QTY	Standard parts
1	A0XXPP1K00	Rear Cover		C	1	b-V137030603 c-V137030803 d-V153030804
2	A0XXPP2H00	Rear Upper Cover		C	1	
3	A0XXPP4U00	Cover		C	1	
4	A0XXPP2R00	Cover		C	1	
5	A0XXPP2J00	Right Rear Cover		C	1	
6	A0XXPP2G00	Right Upper Cover		C	1	
7	A0XXPP2P00	Right Exit Tray		C	1	
8	A0XXPP5J01	Spacer		C	1	
9	A0XXPP5C01	Print Cover Panel		C	1	
10	A0XXPP2F00	Front Door		C	1	
11	A0XXPP5201	Cover		D	1	
12	A0XXPP2M00	Front Cover	D1,D3,E,F1,F2,G1,G2,I,K	C	1	
12	A0XXPP2M00	Front Cover	H{bizhub164}	C	1	
12	A0XXPP2K00	Front Cover	J	C	1	
12	A0XXPP7C00	Front Cover	C{bizhub164}	C	1	
13	A0XXPP2N00	Left Cover		C	1	
14	A0XXPP2Q00	Left Exit Tray		C	1	
15	A0XXPP1H00	Rear Left Cover		C	1	
16	A0XXPP2T00	Cover	D1,D3,E,F1,F2,G1,G2,I,K	C	1	
16	A0XXPP2T00	Cover	C,H {bizhub164}	C	1	
17	A0XXPP6P00	Label bizhub164	{bizhub164}	C	1	
17	A0XXPP6N00	Label bizhub184	{bizhub184}	C	1	
17	A0XXPP6Q00	Label bizhub7718	{bizhub7718}	C	1	
18	A00J945500	Logo Mark		C	1	

bizhub 164/bizhub 184/bizhub 7718

# IR SECTION

P 3

改訂版 REVISED EDITION	日付 DATE
	FEBRUARY 2012



bizhub 164/bizhub 184/bizhub 7718

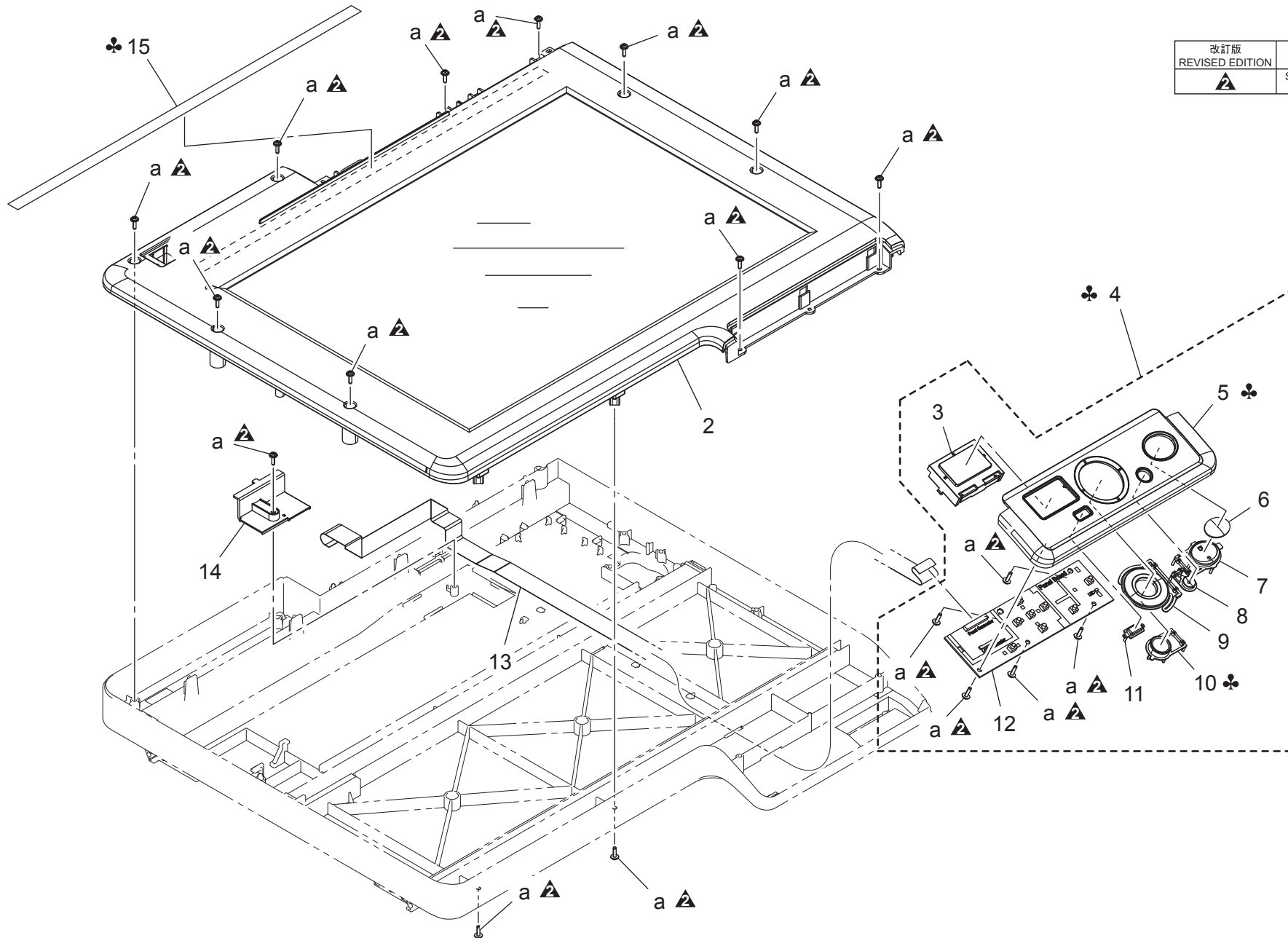
Key	Part No.	Description	Destinations	Class	QTY	Standard parts	
1	A0XXPP1G00	Tension Spring		C	1	a-V218060086 b-V153041003 c-V153030803 d-V153031003 e-V116030603	
2	A0XXPP5R00	Timing Belt		C	1		
4	A0XXPP0M00	Collar		C	1		
5	A0XXPP2900	Gear		C	1		
6	A0XXPP1E00	Bracket Assy		D	1		
7	A0XXPP5X00	Motor		B	1		
9	A0XXPP5N00	Seal		C	2		
10	A0XXPP5U00	Shoulder Screw		C	2		
12	A0XXPP6U00	Seal		C	2		
14	A0XXPP0F00	FFC CIS		C	1		
19	A0XXPP2B00	Holder		C	1		
20	A0XXPP2C01	Pulley		C	1		
21	A0XXPP9000	CIS ASSY		C	1		

bizhub 164/bizhub 184/bizhub 7718

# IR SECTION

P 4

改訂版 REVISED EDITION	日付 DATE
	SEPTEMBER 2010



bizhub 164/bizhub 184/bizhub 7718

Key	Part No.	Description	Destinations	Class	QTY	Standard parts
2	A0XXPP6900	IR Cover Assy		C	1	a-V153031003
3	A0XXPP6F00Old	LCD Assy		C	1	
3	A0XXPP6F01	LCD ASSY		C	1	
4	A0XXPP6601	CONTROL PANEL ASSY (ENGLISH)	D1,D3,E,F1,F2,G1,G2,I,K	I	1	
4	A0XXPP6601	CONTROL PANEL ASSY (ENGLISH)	C {bizhub164}	I	1	
4	A0XXPP6701	CONTROL PANEL ASSY (TRADITIONAL)	H {bizhub164}	I	1	
4	A0XXPP6801	CONTROL PANEL ASSY (SIMPLIFIED)	J	I	1	
5	A0XXPP5F02	Control Panel (English)	D1,D3,E,F1,F2,G1,G2,I,K	C	1	
5	A0XXPP5F02	Control Panel (English)	C {bizhub164}	C	1	
5	A0XXPP5D02	Control Panel (Traditional)	H {bizhub164}	C	1	
5	A0XXPP5E02	Control Panel (Simplified)	J	C	1	
6	A0XXPP5900	Print Start Key		B	1	
7	A0XXPP2E00	Lens Start Key		C	1	
8	A0XXPP5800	Print Stop Key		C	1	
9	A0XXPP5B00	Print Arrow Key		C	1	
10	A0XXPP5A00	Print Select Key (English)	D1,D3,E,F1,F2,G1,G2,I,K	C	1	
10	A0XXPP5A00	Print Select Key (English)	C {bizhub164}	C	1	
10	A0XXPP5G00	Print Select Key (Traditional)	H {bizhub164}	C	1	
10	A0XXPP5H00	Print Select Key (Simplified)	J	C	1	
11	A0XXPP2D00	Interrupt Key		C	1	
12	A0XXPP6400Old	PW Board Assy		I	1	
12	A0XXPP6401	PW BOARD ASSY		I	1	
13	A0XXPP0G00	FFC Panel		C	1	
14	A0XXPP1F00	Cover		D	1	
15	A0XXPP7B00	Label FD Scale	D1,D3,E,F1,F2,G1,G2,H,I,K	C	1	

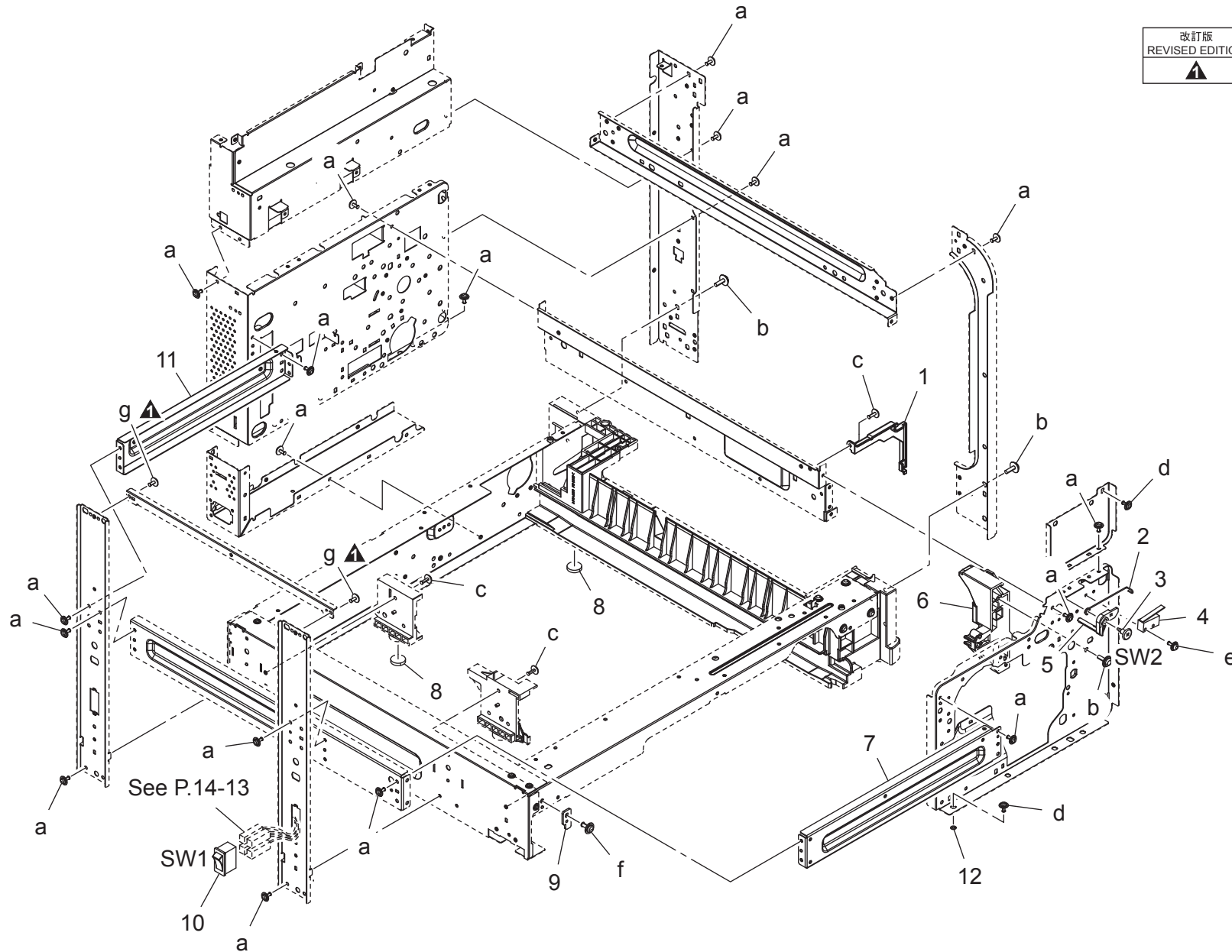
bizhub 164/bizhub 184/bizhub 7718



# FRAME SECTION

P 5

改訂版 REVISED EDITION	日付 DATE
	SEPTEMBER 2010



bizhub 164/bizhub 184/bizhub 7718

FRAME SECTION

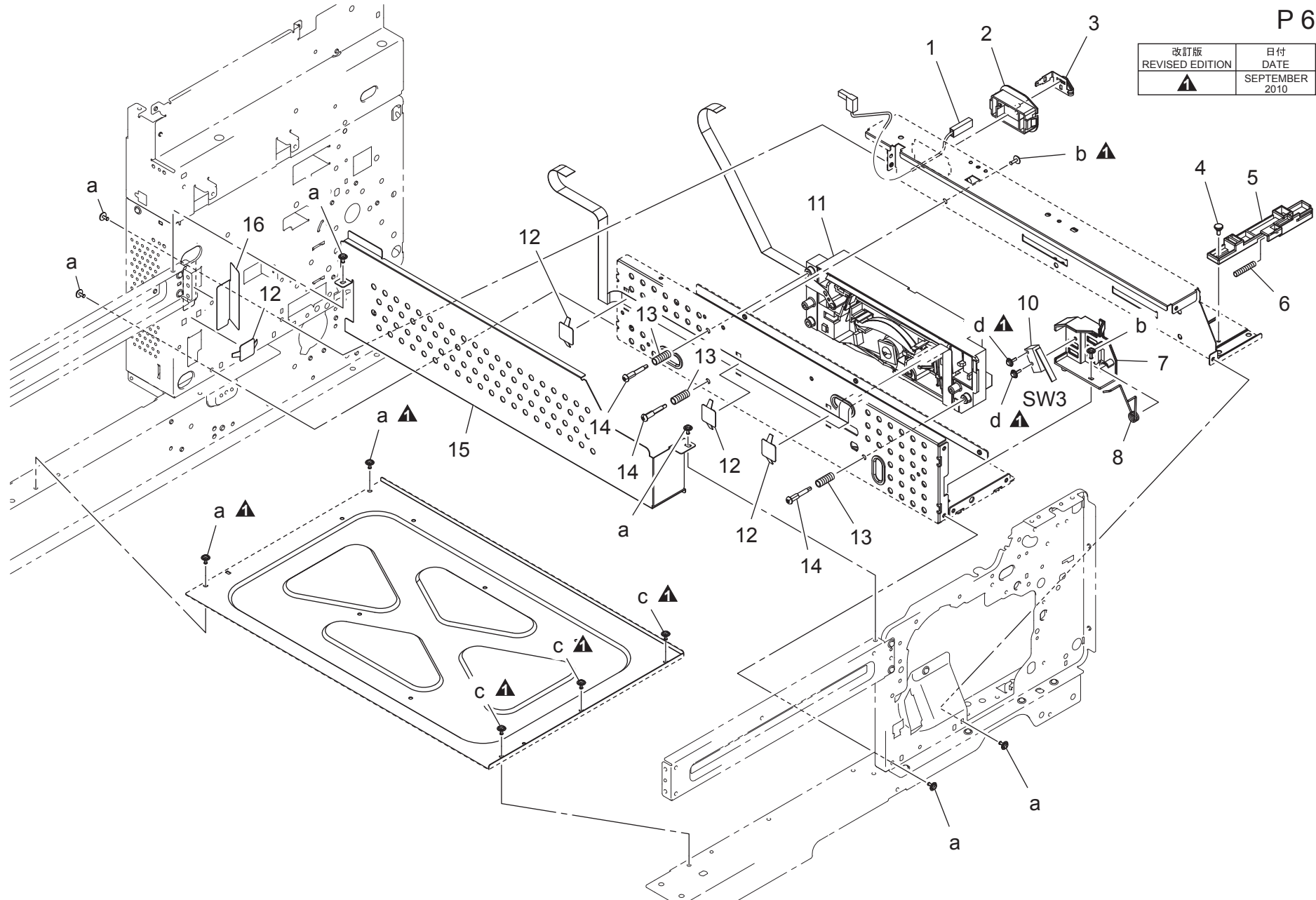
Key	Part No.	Description	Destinations	Class	QTY	Standard parts
1	A0XXPP4800	Cover		D	1	a-V137030603 b-V153041003 c-V137030803 d-V144030603 e-V116031603 f-V137040803 g-V115030803
2	A0XXPP1M00	Torsion Spring		C	1	
3	A0XXPP8800	SHOULDER SCREW		C	1	
4	9J06M60100	MICRO SWITCH		C	1	
5	A0XXPP4700	Lever		C	1	
6	A0XXPP2U00	Holder		D	1	
7	A0XXPP1P00	Reinforce Plate		D	1	
8	4128201901	RUBBER FOOT		D	2	
9	4686330401	STOPPER		D	1	
10	A0XXPP0000	Switch		C	1	
11	A0XXPP1Q00	Reinforce Plate		D	1	
12	A0XXPP7800	Washer		C	1	

bizhub 164/bizhub 184/bizhub 7718

# PRINT HEAD SECTION

P 6

改訂版 REVISED EDITION	日付 DATE
▲	SEPTEMBER 2010



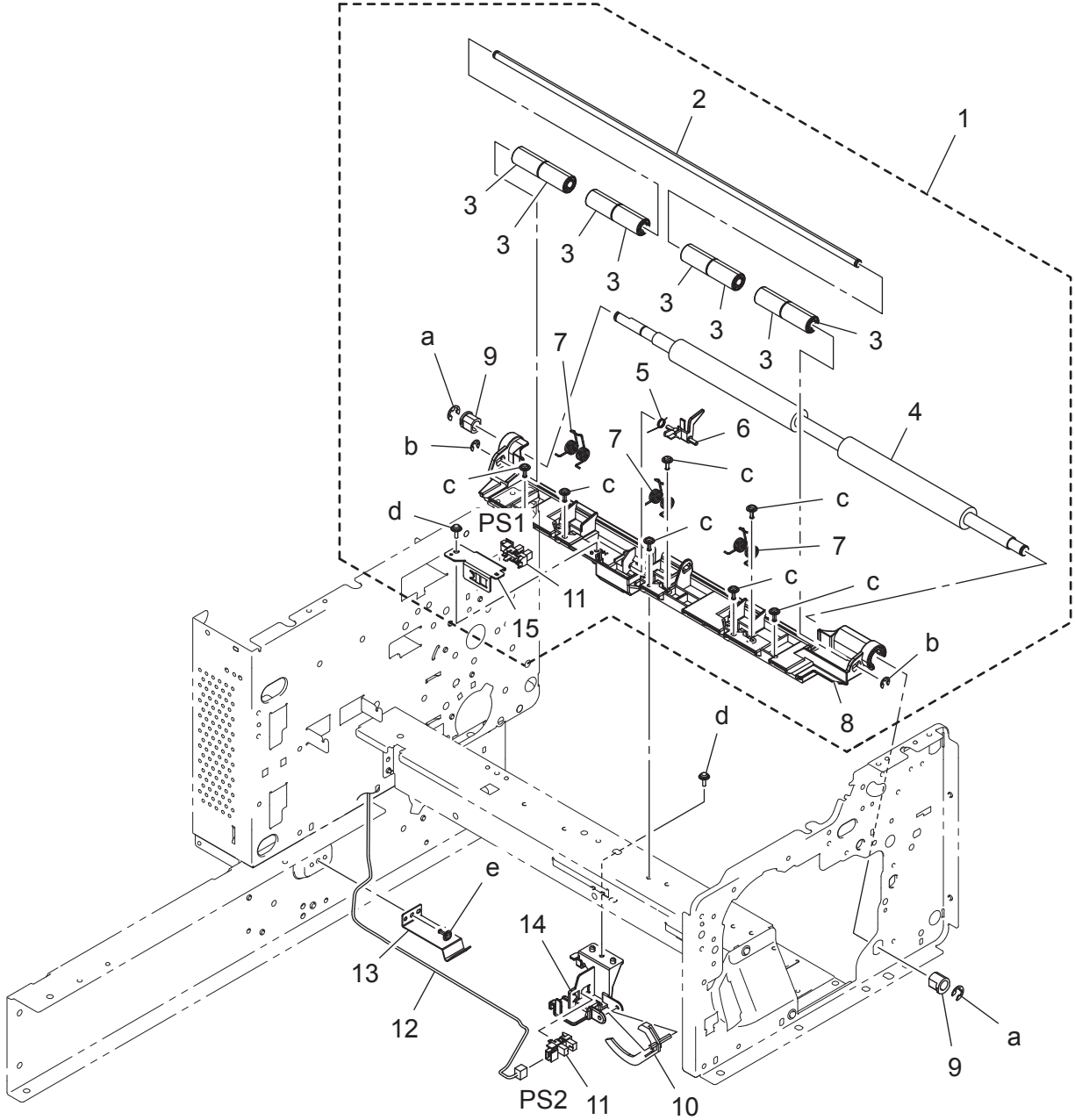
bizhub 164/bizhub 184/bizhub 7718

PRINT HEAD SECTION

Key	Part No.	Description	Destinations	Class	QTY	Standard parts
1	A0XXPP0600	Wire Harness Assy		D	1	a-V137030603 b-V144030803 c-V144030603 d-V149031603
2	A0XXPP4400	Holder		D	1	
3	A0XXPP1700	Contact		C	1	
4	A0XXPP5S00	Shoulder Screw		C	1	
5	A0XXPP2V00	Arm		D	1	
6	4034230501	PRESSURE SPRING		C	1	
7	A0XXPP4W01	Bracket		C	1	
8	A0XXPP1R00	Torsion Spring		C	1	
10	9J06M60100	MICRO SWITCH		C	1	
11	A1XTR70011	PH Unit		I	1	
12	4034220501	SUPPORTER		D	4	
13	A00J307000	Compressing Spring		C	3	
14	A0XXPP5T00	Shoulder Screw		C	3	
15	A0XXPP1J00	PH Cover		D	1	
16	A0XXPP6V00	Guide		C	1	

bizhub 164/bizhub 184/bizhub 7718

PAPER TAKE-UP SECTION



bizhub 164/bizhub 184/bizhub 7718

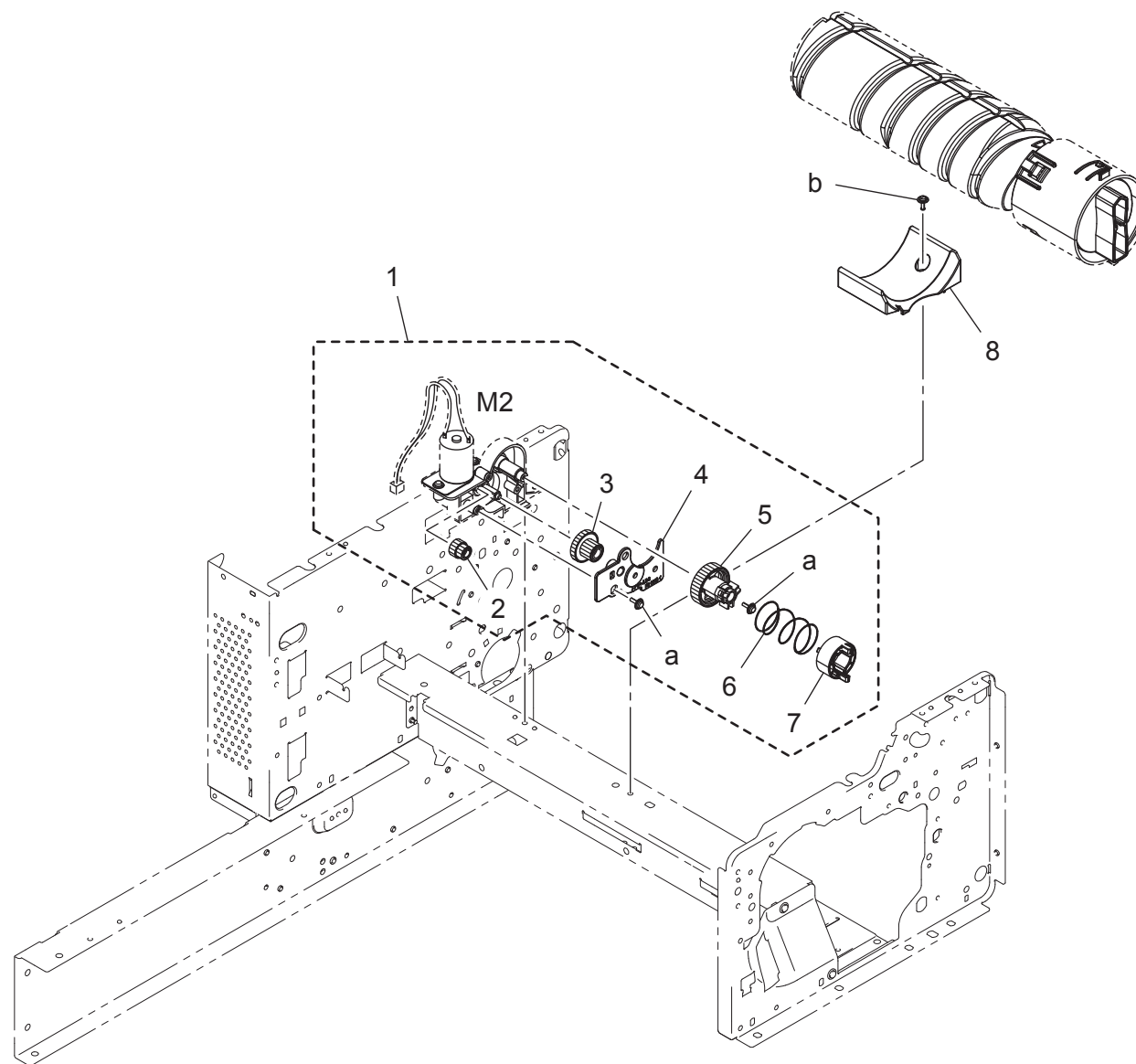


PAPER TAKE-UP SECTION

Key	Part No.	Description	Destinations	Class	QTY	Standard parts
1	A0XXPP6A00	Timing Roller Assy		S	1	a-V217060001 b-V217040001 c-V137030803 d-V153030803 e-V137030603
2	A0XXPP2301	Shaft		D	1	
3	A0XXPP3P00	Roller		C	8	
4	A0XXPP5501	Roller		C	1	
5	4034353401	TORSION SPRING		C	1	
6	A0XXPP3N01	Actuator		C	1	
7	A0XXPP0X01	Tension Spring		C	3	
8	A0XXPP5300	Holder		D	1	
9	4025357201	BUSHING		C	2	
10	1164302701	ACTUATOR		C	1	
11	9335130061	PHOTO INTERRUPTER		B	2	
12	A0XXPP0A00	Wire Harness Assy	{bizhub164}	D	1	
12	A0XXPP0900	Wire Harness Assy	{bizhub184/7718}	D	1	
13	1164305401	PLATE SPRING		C	1	
14	A0XXPP3G01	Holder		C	1	
15	A0XXPP0W01	Bracket		C	1	

bizhub 164/bizhub 184/bizhub 7718

# HOPPER SECTION



bizhub 164/bizhub 184/bizhub 7718

# HOPPER SECTION

Key	Part No.	Description	Destinations	Class	QTY	Standard parts
1	A0XXPP6K00	Hopper Drive Assy		C	1	a-V153030803 b-V137030803
2	A0XXPP3U01	Gear		C	1	
3	A0XXPP3T01	Gear		C	1	
4	A0XXPP3Q01	Cover		C	1	
5	A0XXPP3S01	Gear		C	1	
6	4038541202	PRESSURE SPRING		C	1	
7	A0ED240700	Joint		C	1	
8	A0XXPP3V01	Holder		C	1	

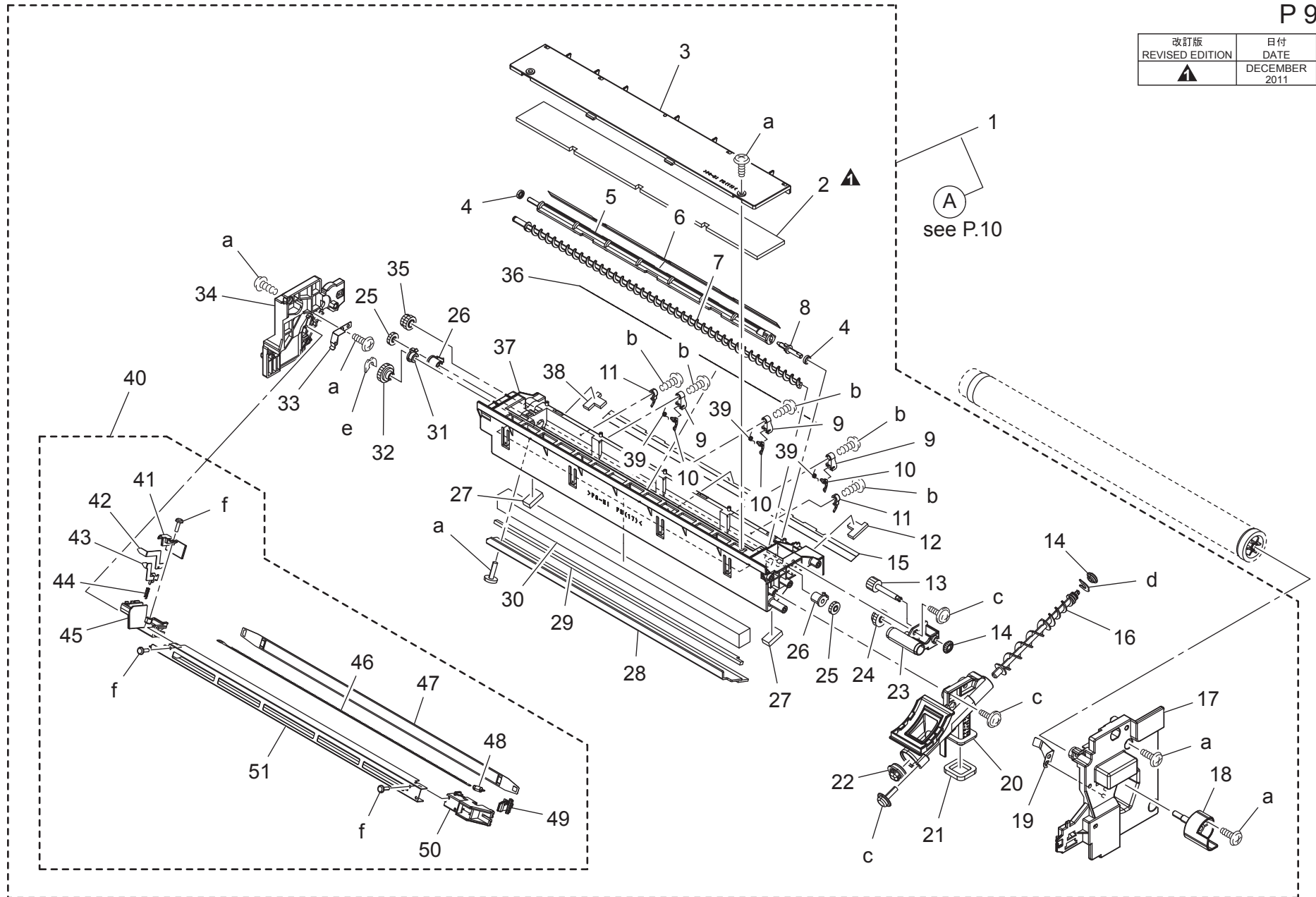
bizhub 164/bizhub 184/bizhub 7718



# CHARGE SECTION

P 9

改訂版 REVISED EDITION	日付 DATE
▲	DECEMBER 2011

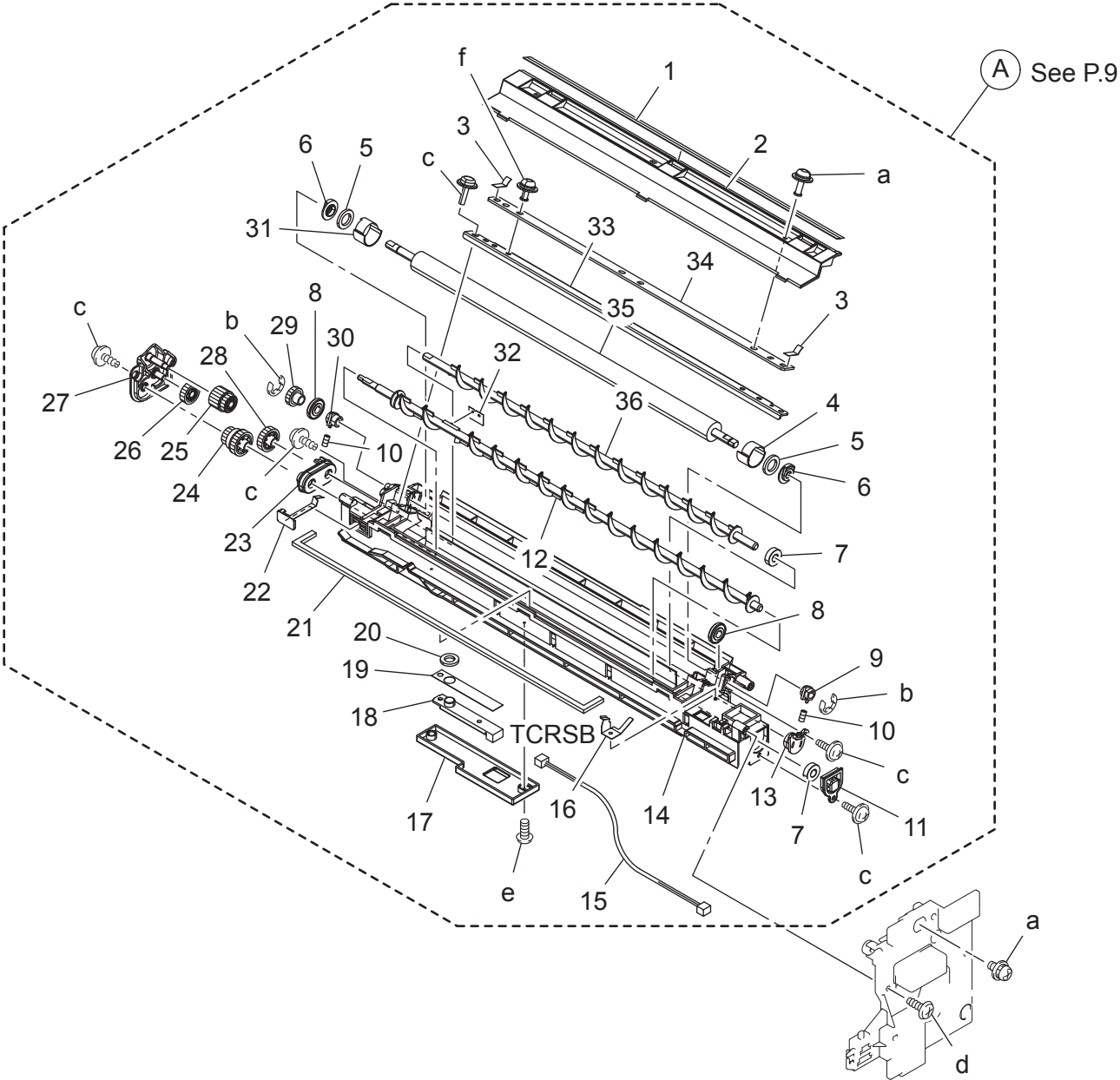


bizhub 164/bizhub 184/bizhub 7718

# CHARGE SECTION

Key	Part No.	Description	Destinations	Class	QTY	Standard parts
1	A1XUR70000	IU (Imaging unit)		I	1	a-V149030804
2	A0XX361200Old	Seal		C	2	b-V166170404
2	4163561202	SEAL		C	1	c-V153030803
3	A0XX361600Old	Cover		C	1	d-V218060086
3	A0XX361611	Cover		C	1	e-V218030086
4	0910550712	SEAL		C	2	f-V162020504
5	4163560702	SCREW		C	1	
6	A0XX361000	Seal		C	1	
7	4021560601	SCREW		D	1	
8	4021016602	SHAFT		D	1	
9	4163436104	HOLDER		D	3	
10	A0XX361100	Separating Claw		B	3	
11	4162407401	GUIDE		D	2	
12	4163560503	SEAL		C	1	
13	4021561601	GEAR 14T		C	1	
14	4163563901	GEAR 14T		C	2	
15	A0XX361300	Seal		C	1	
16	A0XX360400	Conveyance Screw		C	1	
17	A0XX330300	Mounting Plate		C	1	
18	A0XX330900	Pin /Front		C	1	
19	A0XX330600	Plate spring		C	1	
20	A0XX360800	Toner supply Pipe		C	1	
21	A0XX360600	Seal		C	1	
22	A0XX360500	Bushing		C	1	
23	A0XX361701	Drive Holder		C	1	
24	4021561501	GEAR 14/14T		C	1	
25	4163560901	GEAR 14T		C	2	
26	4163561101	BUSHING		C	2	
27	4163560302	SEAL		C	2	
28	A0XX361800	Cleaning Part		A	1	
29	4163561401	SEAL		C	1	
30	A0XX330100	Filter		C	1	
31	4163562501	BUSHING		C	1	
32	4021561901	GEAR 22T		C	1	
33	4021436802	PLATE SPRING		D	1	
34	A0XX330401	Mounting Plate		C	1	
35	4021561801	GEAR 14/16T		C	1	
36	4163561701	SEAL		C	1	
37	A0XX360200	Cleaning Housing		D	1	
38	4163560403	SEAL		C	1	
39	4163407201	TORSION SPRING		C	3	
40	A1XUR70100	Drum Charge Unit		A	1	
41	A0XX333300	Cover		C	1	
42	A0XX333500	Contact		C	1	
43	A0XX333600	Contact		C	1	
44	4021410801	SPRING		C	1	
45	A0XX333201	Holder /Rear		C	1	
46	A0XX333800	Comb electrode		B	1	
47	A0XX333900	Grid		B	1	
48	A0XX334100	Pulling Spring		C	1	
49	A0XX333700	Lever		C	1	
50	A0XX333101	Holder /Front		C	1	
51	A0XX333400	Stable Plate		C	1	


bizhub 164/bizhub 184/bizhub 7718

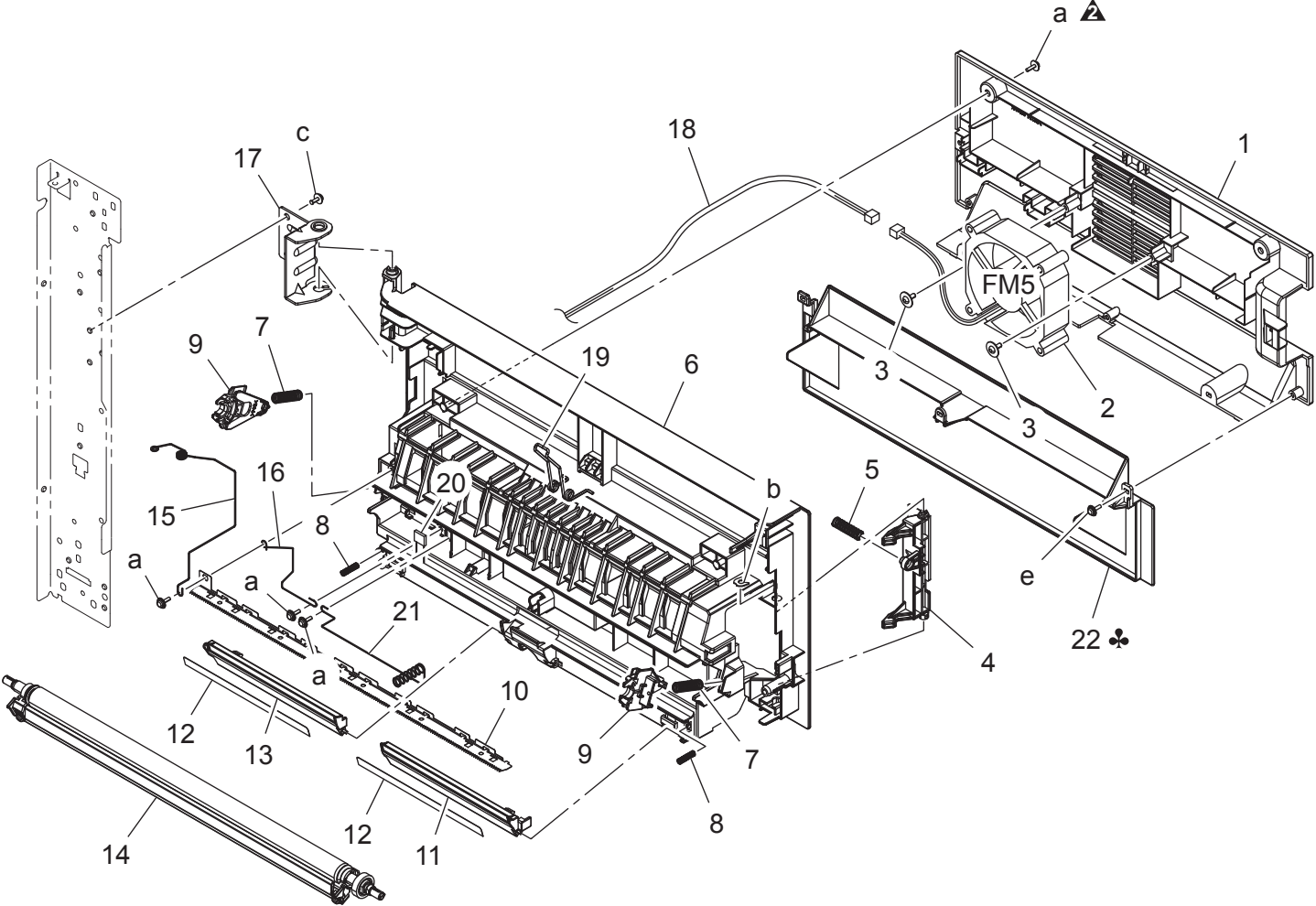


Key	Part No.	Description	Destinations	Class	QTY	Standard parts
1	4030520401	SEAL		C	1	a-V116030803 b-V217040001 c-V153030803 d-V149030804 e-V162020504 f-V116030603
2	A0XX370200	Cover		C	1	
3	A0XX373100	Seal		C	2	
4	A0XX374000	Seal		C	1	
5	A0XX373000	Seal		C	2	
6	A0XX374100	Holder		C	2	
7	A0XX371300	Seal		C	2	
8	A0XX374500	Roll		C	2	
9	A0XX371800	Bushing		C	1	
10	4163523102	PRESSURE SPRING		C	2	
11	A0XX373400	Bushing		C	1	
12	A0XX371101	Conveyance Screw		C	1	
13	A0XX373500	Bushing		C	1	
14	A0XX370101	Housing		D	1	
15	A1XUN11600	Sensor Wiring		D	1	
16	A0XX371500	Contact		C	1	
17	A0XX371200	Cover		C	1	
18	A1XUM50300	Magnetic sensor		B	1	
19	A0XX371400	Mating Part		C	1	
20	A0DE385100	Seal		C	1	
21	A0XX370300	Seal		C	1	
22	A0XX371600	Contact		C	1	
23	A0XX373600	Bushing		C	1	
24	A0XX372400	Gear 15/22T		C	1	
25	A0XX372100	Gear 15/18T		C	1	
26	A0XX372300	Gear 18T		C	1	
27	A0XX372000	Holder		C	1	
28	A0XX372500	Gear 21T		C	1	
29	A0XX372200	Gear 16T		C	1	
30	A0XX371700	Bushing		C	1	
31	A0XX374200	Seal		C	1	
32	A0DE371300	Film		C	1	
33	A0XX370500	Mounting Plate		C	1	
34	A0XX370400	Regulating Plate		C	1	
35	A0XX370900	Developing Roller		B	1	
36	A0XX371000	Conveyance Screw		C	1	

bizhub 164/bizhub 184/bizhub 7718

# PAPER TRANSPORT SECTION

改訂版 REVISED EDITION	日付 DATE
	SEPTEMBER 2010

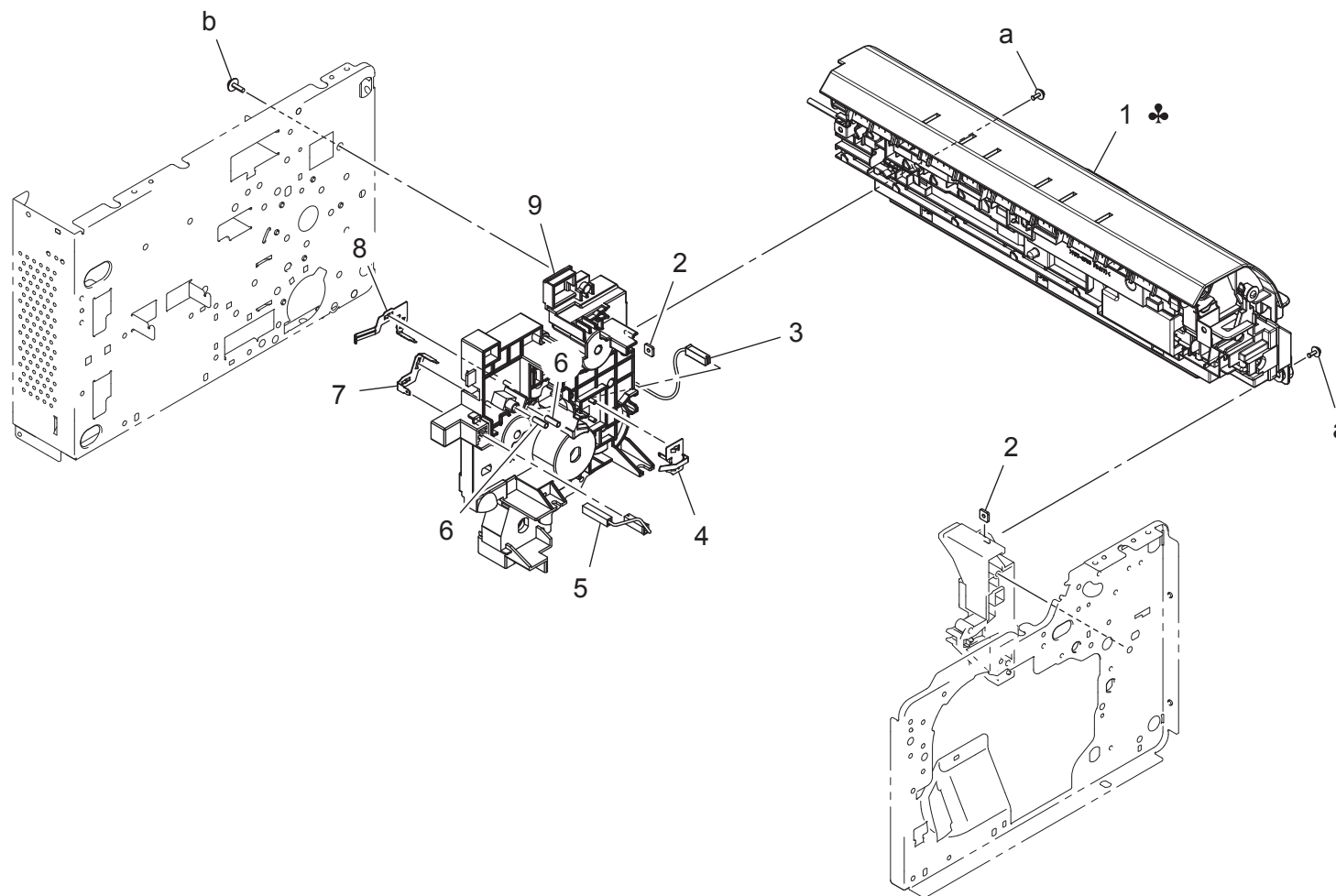


bizhub 164/bizhub 184/bizhub 7718

Key	Part No.	Description	Destinations	Class	QTY	Standard parts
1	A0XXPP3K00	Right Cover		C	1	a-V153030803 b-V218040086 c-V116030803 e-V153031003
2	9J03M10000	FAN MOTOR		B	1	
3	4163529301	SCREW		C	2	
4	A0XXPP3J00	Lever		C	1	
5	A0XXPP1V01	Pressure Spring		C	1	
6	A0XXPP3M00	Holder		C	1	
7	A0XXPP1V01	Pressure Spring		C	2	
8	A0XXPP1X01	Pressure Spring		C	2	
9	A0XXPP3H01	Bushing		C	2	
10	A0XXPP0S00	Neutralizing Needle		C	1	
11	A0XXPP5002	Guide		C	1	
12	A0XXPP5M01	Guide		C	2	
13	A0XXPP5102	Guide		C	1	
14	A0XXPP6H01	Transfer Roller Assy		C	1	
15	A0XXPP0T00	Contact		C	1	
16	A0XXPP1U00	Contact		C	1	
17	A0XXPP0Y00	Hinge		C	1	
18	A0XXPP0B00	Wire Harness Assy		D	1	
19	A0XXPP0V00	Torsion Spring		C	1	
20	9455307801	RESISTOR		D	1	
21	A0XXPP0U00	Contact		C	1	
22	A0XXPP2S00	Right Lower Cover	D1,D3,E,F1,F2,G1,G2,I,K	C	1	
22	A0XXPP2S00	Right Lower Cover	C,H {bizhub164}	C	1	

bizhub 164/bizhub 184/bizhub 7718

# FUSING & PAPER EXIT SECTION



# FUSING & PAPER EXIT SECTION

Key	Part No.	Description	Destinations	Class	QTY	Standard parts
1	A0XXPP6X00	Fusing/Paper Exit Assy 230V	D1,D3,E,F2,G1,I,J,K	A	1	a-V116030603 b-V153041003
1	A0XXPP6X00	Fusing/Paper Exit Assy 230V	C {bizhub164}	A	1	
1	A0XXPP7000	Fusing/Paper Exit Assy 120V	F1,G2	A	1	
1	A0XXPP6Y00	Fusing/Paper Exit Assy 110V	H {bizhub164}	A	1	
2	4002504202	PLATE NUT		D	2	
3	A0XXPP0500	Wire Harness Assy		D	1	
4	A0XXPP1401	Contact		D	1	
5	A0XXPP0700	Wire Harness Assy		D	1	
6	4021210101	PRESSURE SPRING		C	2	
7	A0XXPP1601	Contact		D	1	
8	A0XXPP1501	Contact		D	1	
9	A0XXPP3900	Holder		C	1	

bizhub 164/bizhub 184/bizhub 7718





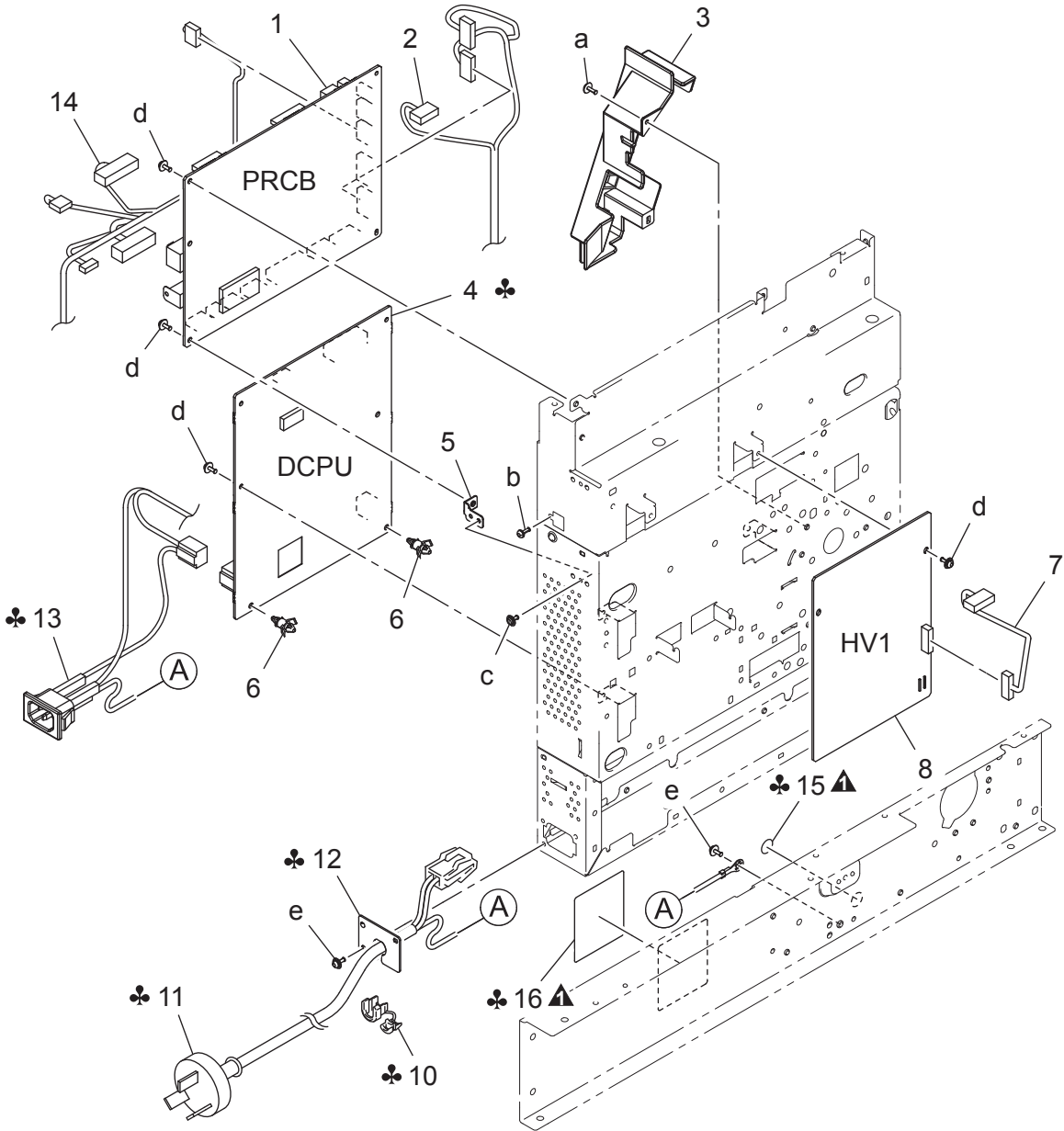
DRIVE SECTION

Key	Part No.	Description	Destinations	Class	QTY	Standard parts
1	A0XXPP5W00	Motor		B	1	a-V116030603 b-V116030803 c-V153041003 e-V137030603 f-V232302209 g-V217060001
2	A0XXPP1Y00	Shaft		C	1	
3	A0XXPP0P00	Bracket		D	1	
4	A0XXPP3800	Gear		C	1	
5	A0XXPP3201	Gear		C	1	
6	A0XXPP3701	Gear		C	1	
7	A0XXPP3601	Gear		C	1	
8	A0XXPP3501	Gear		C	1	
9	A0XXPP2W01	Gear		C	1	
10	A0XXPP3101	Gear		C	1	
11	A0XXPP3301	Gear		C	1	
12	A0XXPP2X01	Gear		C	1	
13	A0XXPP3401	Gear		C	1	
14	A0XXPP3001	Gear		C	1	
15	4021254702	BUSHING		C	2	
16	A0XXPP2000	Shaft		C	1	
17	A0XXPP5V00	Clutch		B	2	
18	A0XXPP2Y01	Gear		C	1	
19	A0XXPP0N00	Bracket		D	1	

bizhub 164/bizhub 184/bizhub 7718

# ELECTRICAL COMPONENTS

改訂版 REVISED EDITION	日付 DATE
▲	SEPTEMBER 2010



bizhub 164/bizhub 184/bizhub 7718



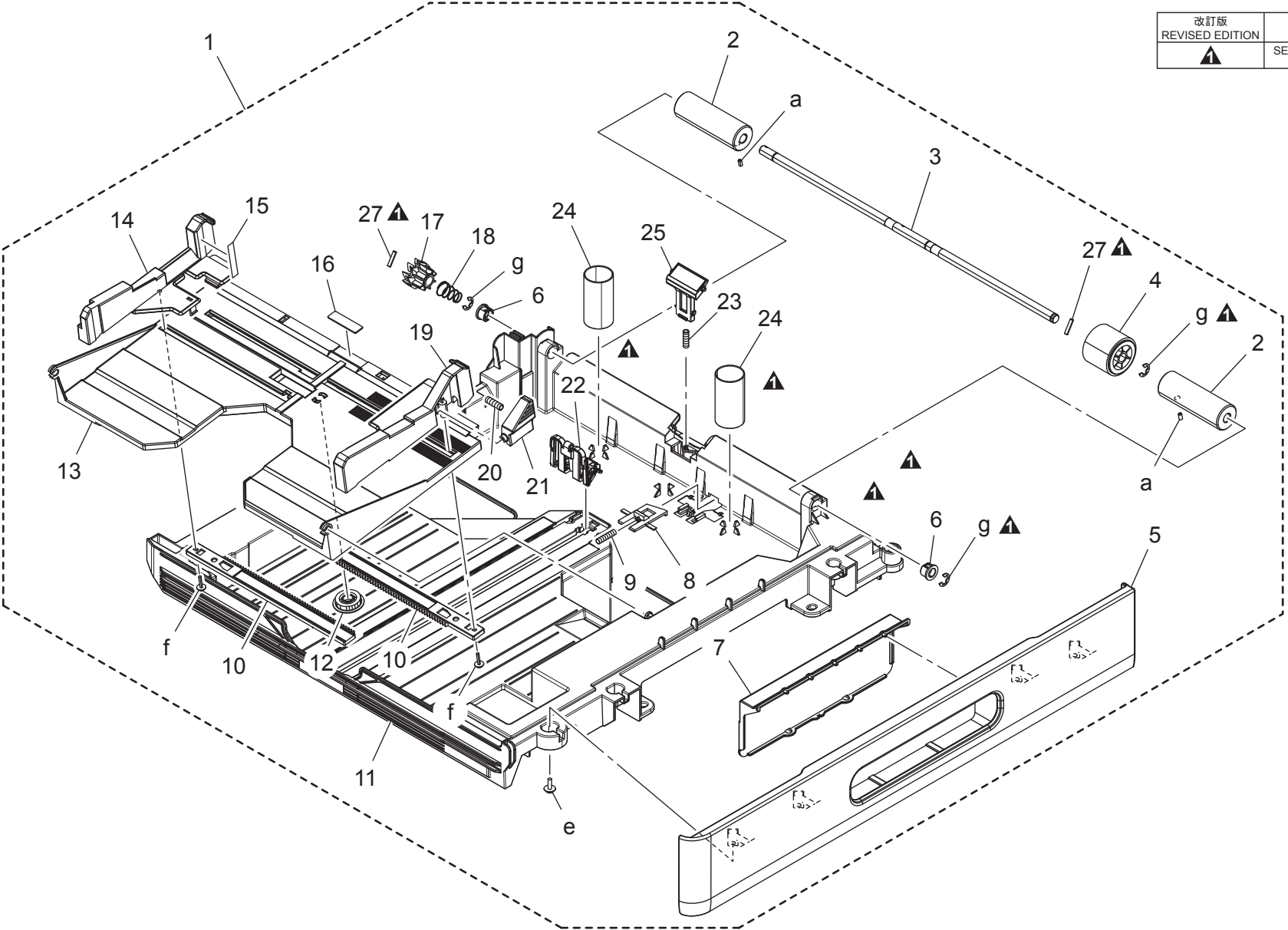
# ELECTRICAL COMPONENTS

Key	Part No.	Description	Destinations	Class	QTY	Standard parts
1	A0XXPP6302	PW Board Assy CC/MM 16PPM	{bizhub164}	I	1	a-V137030803 b-V115030803 c-V137030603 d-V116030803 e-V116040603
1	A0XXPP6502	PW Board Assy CC/MM 18PPM	{bizhub184/7718}	I	1	
2	A0XXPP0800	Wire Harness Assy		C	1	
3	A0XXPP4X00	Holder		D	1	
4	A0XXPP0J00	PW Board Assy LV 200V	D1,D3,E,F2,G1,I,J,K	I	1	
4	A0XXPP0J00	PW Board Assy LV 200V	C {bizhub164}	I	1	
4	A0XXPP0K00	PW Board Assy LV 100V	F1,G2	I	1	
4	A0XXPP0K00	PW Board Assy LV 100V	H {bizhub164}	I	1	
5	A0XXPP1800	Bracket		D	1	
6	V502010045	PCB Support		D	2	
7	A0XXPP0400	Wire Harness Assy		D	1	
8	A0XXPP0H00	HV Transfomer		I	1	
10	A0XXPP6200	Cord Bush	J	D	1	
11	A0XXPP0100	Power Source Cord /220-240V	J	C	1	
12	A0XXPP1S00	Bracket	J	D	1	
13	A0XXPP0C00	Wire Harness Assy	D1,D3,E,F1,F2,G1,G2,I,K	C	1	
13	A0XXPP0C00	Wire Harness Assy	C,H {bizhub164}	C	1	
13	A0XXPP0D00	Power Supply Wiring	J	C	1	
14	A0XXPP0300	Wire Harness Assy		C	1	
15	9J06730201	LABEL	C,D1,D3,E,F1,F2,G1,G2,H,I,K	D	1	
16	A0XXPP8500	LABEL EARTH CAUTION	C,D1,D3,E,F2,G1,I,K	C	1	

bizhub 164/bizhub 184/bizhub 7718

# CASSETTE SECTION

改訂版 REVISED EDITION	日付 DATE
▲	SEPTEMBER 2010



bizhub 164/bizhub 184/bizhub 7718



# CASSETTE SECTION

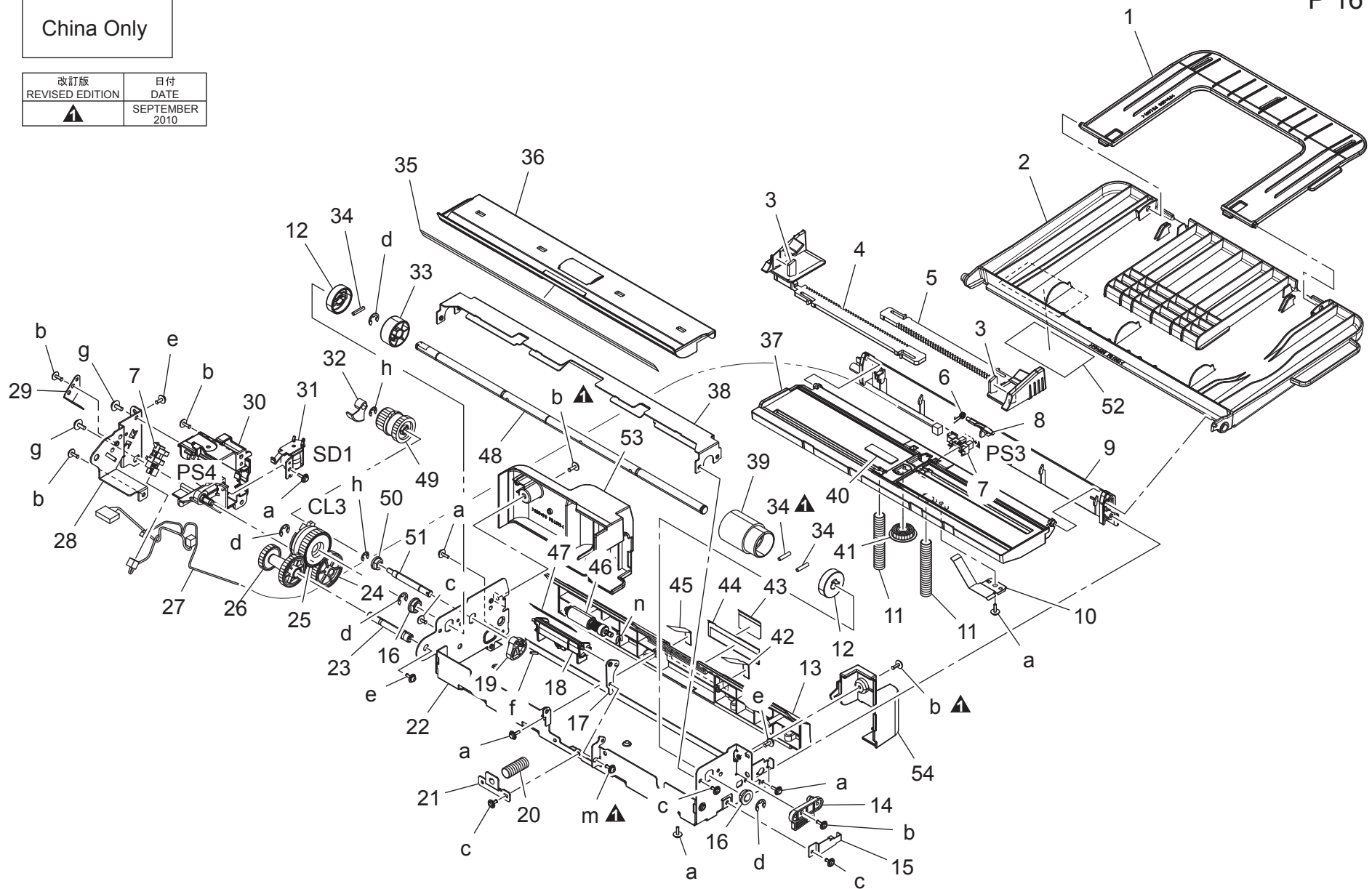
Key	Part No.	Description	Destinations	Class	QTY	Standard parts
1	A0XXPP6J00	MPC Assy		S	1	a-V192040609 e-V153041003 f-V153031203 g-V217060001
2	A0XXPP2200	Weight		C	2	
3	A0XXPP2101	Shaft		C	1	
4	A0XX560200	Paper feed Roller		C	1	
5	A0XXPP3D00	Front Cover		C	1	
6	A0XXPP3A01	Bushing		C	2	
7	A0XXPP3E00	Handle		C	1	
8	1164306101	LEVER		C	1	
9	1164306201	PRESSURE SPRING		C	1	
10	A02F623200	Rack		C	2	
11	A0XXPP3C00	Cassette		D	1	
12	1164304501	GEAR 20T		C	1	
13	A0XXPP3B01	Lifting Plate		C	1	
14	A02F621200	Regulating plate		C	1	
15	A02F944100	Label Level		C	1	
16	A0XXPP7900	Friction Sheet		C	1	
17	1164300403	PAWL		C	1	
18	A02F625400	Pressure Spring		C	1	
19	A02F621101	Regulating Plate		C	1	
20	4038560100	PRESSURE SPRING		C	1	
21	4037321001	LEVER		C	1	
22	A0XXPP3F00	Regulating Plate		C	1	
23	A0XXPP0R01	Pressure Spring		C	1	
24	A0XXPP7A00	Pressure Spring		C	2	
25	A0XXPP6E01	Separator Assy		C	1	
27	4036301401	PIN		C	2	

bizhub 164/bizhub 184/bizhub 7718

# MANUAL PAPER FEED SECTION

China Only

改訂版 REVISED EDITION	日付 DATE
▲	SEPTEMBER 2010

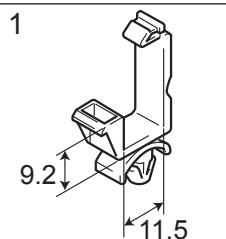
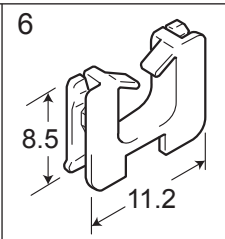
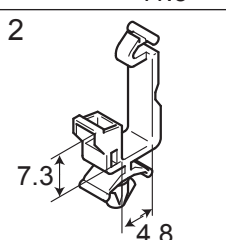
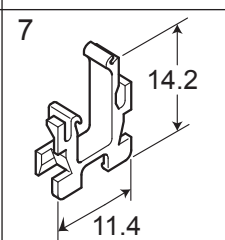
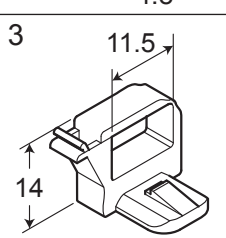
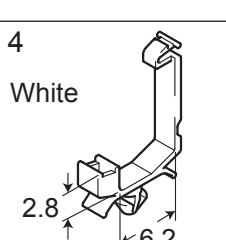
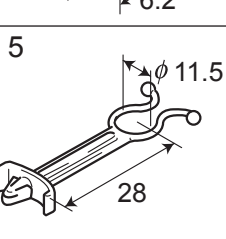


Key	Part No.	Description	Destinations	Class	QTY	Standard parts
1	A0XXPP4A01	Tray	J	C	1	a-V153030803 b-V137030803 c-V137030603 d-V217060003 e-V116030803 f-V231201050 g-V153040803 h-V217040003 m-V116030804 n-V218030086
2	A0XXPP4902	Tray	J	C	1	
3	4038328601	BRAKE	J	C	2	
4	A0XXPP4D00	Regulating Plate	J	C	1	
5	A0XXPP4C00	Regulating Plate	J	C	1	
6	A0XXPP1D01	Torsion Spring	J	C	1	
7	9335130061	PHOTO INTERRUPTER	J	B	2	
8	A0XXPP4M01	Actuator	J	C	1	
9	A0XXPP1N00	Holder	J	D	1	
10	4038325501	BRAKE	J	D	1	
11	A0XXPP1T00	Pressure Spring	J	C	2	
12	A0XXPP6S00	Collar	J	C	2	
13	A0XXPP4500	Guide	J	C	1	
14	4038321501	HOLD PLATE	J	D	1	
15	4039328201	PLATE SPRING	J	D	1	
16	4131353202	BUSHING	J	C	2	
17	A0XXPP5400	Bracket	J	C	1	
18	A0XXPP4V00	Holder	J	C	1	
19	4038323601	CAM	J	C	1	
20	4030347501	PRESSURE SPRING	J	C	1	
21	A0XXPP1W01	Holder	J	D	1	
22	A0XXPP1900	Frame	J	D	1	
23	A0XXPP2601	Shaft	J	D	1	
24	A0XXPP4H01	Gear	J	C	1	
25	A0XXPP5V00	Clutch	J	B	1	
26	A0XXPP4K01	Gear	J	C	1	
27	A0XXPP0200	Wire Harness Assy	J	C	1	
28	A0XXPP1A00	Bracket	J	D	1	
29	A0XXPP1C00	Holder	J	C	1	
30	A0XXPP4G01	Holder	J	C	1	
31	9J06M20000	SOLENOID	J	C	1	
32	A0XXPP4J01	Lever	J	C	1	
33	A0XXPP5700	Collar	J	C	1	
34	4036301401	PIN	J	C	3	
35	A0XXPP5K00	Guide	J	C	1	
36	A0XXPP4F00	Guide	J	C	1	
37	A0XXPP4B01	Guide	J	C	1	
38	A0XXPP1B00	Guide Plate	J	D	1	
39	A0XX594700	Paper feed Roller	J	C	1	
40	4687328101	FRICION SHEET	J	C	1	
41	A0XXPP4E01	Gear	J	C	1	
42	4038326802	GUIDE	J	C	1	
43	4030340301	GUIDE	J	C	1	
44	4030340201	GUIDE PLATE	J	C	1	
45	4038326902	GUIDE	J	C	1	
46	4034015101	SEPARATION ROLLER	J	A	1	
47	A0XXPP6T00	Guide	J	C	1	
48	A0XXPP2401	Shaft	J	C	1	
49	4038326001	CLUTCH ASSY	J	C	1	
50	4030309301	BUSHING	J	C	1	
51	A0XXPP2501	Shaft	J	D	1	
52	A0XXPP7700	Label Warning	J	C	1	
53	A0XXPP4600	Cover	J	C	1	
54	A0XXPP4Y00	Cover	J	C	1	



# WIRING ACCESSORIES AND JIGS

P 17

1 	6 	11	16	21	26	31	36
2 	7 	12	17	22	27	32	37
3 	8	13	18	23	28	33	38
4 White 	9	14	19	24	29	34	39
5 	10	15	20	25	30	35	40

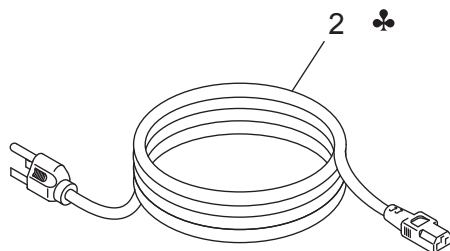
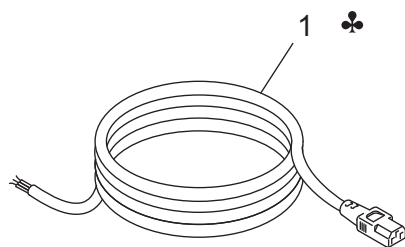
bizhub 164/bizhub 184/bizhub 7718

# WIRING ACCESSORIES AND JIGS

Key	Part No.	Description	Destinations	Class	QTY	Standard parts
1	V500010005	saddle		D		
2	V500010020	Saddle		D		
3	V500010021	saddle		D		
4	V500010046	saddle		D		
5	V500020042	locker		D		
6	V570010021	Saddle		D		
7	V570010050	Locking Edge Saddle		D		

bizhub 164/bizhub 184/bizhub 7718

# ACCESSORY PARTS



# ACCESSORY PARTS

Key	Part No.	Description	Destinations	Class	QTY	Standard parts
1	A0XXPP7300	Power Source Cord/220-240V	D1,D3,E,F2,G1,I,K	C	1	
2	A0XXPP7200	Power Source Cord/120-127V	F1,G2	C	1	
2	A0XXPP7100	Power Source Cord/110V	H {bizhub164}	C	1	

bizhub 164/bizhub 184/bizhub 7718

# MAINTENANCE LIST

● The items with no Page/Key numbers are not handled as spare parts.

No.	Section	PM Parts Description	Maintenance Cycle (K=1,000)		Parts No.	Destinations	Page/Key	Note
			QTY	Replace				
1	Processing section	Developer	1	55K	-		-	
2		Drum	1	55K	-		-	
3		Cleaning blade	1	55K	A0XX361800		P9-28	
4		Drum charge corona assy	1	55K	A1XUR70100		P9-40	
5		Toner cartridge (TN117)	1	5K	-		-	
6		Toner cartridge (TN116)	1	11K	-		-	
7		Toner cartridge (TN117H)	1	11K	-		-	*1
8	Fusing section	Fusing unit	1	100K	A0XXPP6X00	D1 D3 E F2 G1 I J K	P12-1	*2
9		Fusing unit	1	100K	A0XXPP6X00	C	P12-1	*2 {bizhub164}
10		Fusing unit	1	100K	A0XXPP6Y00	H	P12-1	*2 {bizhub164}
11		Fusing unit	1	100K	A0XXPP7000	F1 G2	P12-1	*2

\*1: China only

\*2: Actual durable cycle (PM counter value)

## DESTINATION

Destination No.		Destinations		V	Hz	Model No.
A	A1	JAPAN		100	50/60	
	A2	JAPAN		200	50/60	
B		USA, CANADA		120	60	
C		EUROPEAN TYPE		220-240	50/60	A0XX021 A0XX022
D	D1	S.E ASIA TYPE	THAILAND, SRI LANKA, SINGAPORE, MALAYSIA, HONG KONG, PAKISTAN, INDIA, BANGLADESH, INDONESIA	220-240	50/60	A0XX041 A0XY041
	D3	OCEANIA TYPE	AUSTRALIA, NEW ZEALAND	220-240	50/60	A0XX041 A0XY041
E		PHILIPPINES		220-240	50/60	A0XX041 A0XY041
F	F1	SAUDI ARABIA		127	60	A0XX0P1 A0XY0P1
	F2	SAUDI ARABIA		220-240	50/60	A0XX041 A0XY041
G	G1	C.S AMERICA		220-240	50/60	A0XX041 A0XY041
	G2	C.S AMERICA		120	60	A0XX0P1 A0XY0P1
H		TAIWAN		110	60	A0XX071
I		JORDAN, LEBANON, SYRIA, SOUTH AFRICA, IRAQ, IRAN, N.YEMEN, CAMEROON, UAE, BAHRAIN, OMAN, QATAR, KUWAIT, KENYA, TUNISIA, IVORY COAST, MOROCCO		220-240	50/60	A0XX041 A0XY041

bizhub 164/bizhub 184/bizhub 7718

Destination No.	Destinations	V	Hz	Model No.
J	CHINA	220-240	50/60	A0XX081 A0XY081 A0XY082
K	KOREA	220-240	50/60	A0XX041 A0XY041