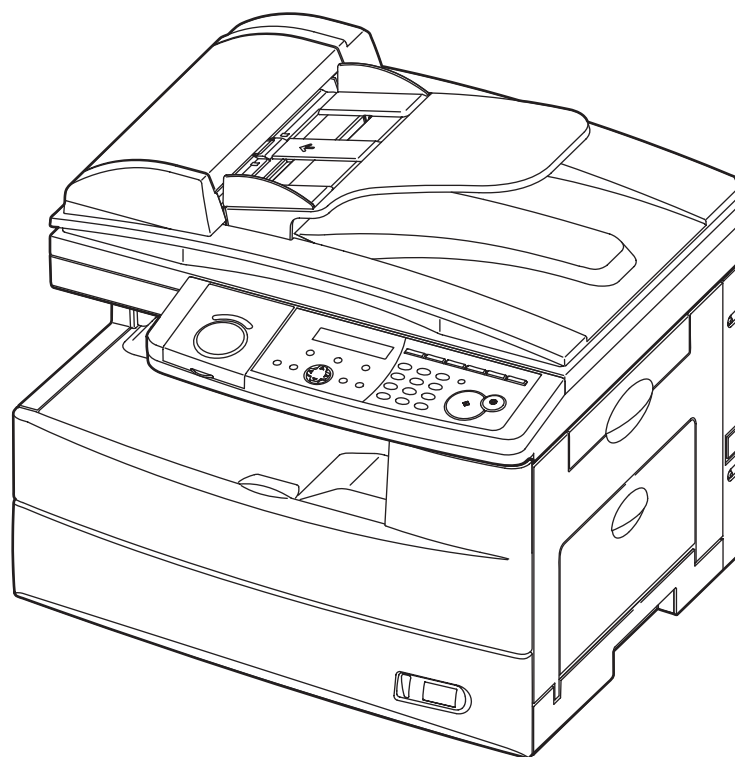


PARTS CATALOGUE

product code

DA7481



Konica Minolta

190f

EUR

PRICE

EURO

2007/07/23

date

~~2007/05/11~~

AA

<HOW TO USE THIS CATALOGUE>

1. INTRODUCTION

Before placing a purchase order for spare parts, please read following instructions to avoid any misunderstandings.

2. DEFINITION

In this catalogue, a "part" means each component of a fax machine. Every part has its own name and own number in order to distinguish each other.

3. HOW TO SEE THIS CATALOGUE

Example: D61182 ← <1> PARTS LIST

D61-001 ← <2> COVER ← <3>

NO ← <4> PART NO ← <5> PART NAME ← <6> QTY ← <7> UNIT PRICE ← <8>

<9> →	*	NO	PART NO	PART NAME	QTY	UNIT PRICE
	*	001-001	D61-0323A-5X	TOP COVER	1	
	*	002	D61-03040-5XJ	LCD WINDOW	1	
		003	D61-03050-5XA	TEN KEY	1	2,310
		101	D61-0323A-4X	TOP COVER ASSY	1	1,200

(1) Explanation :

- <1> Product Code : Code number of the machine you use. Every model has its unique code number resenting the country and its specification.
- <2> Page Index : Used to refer the page number of illustration.
- <3> Cover : The word that indicates the section of the facsimile the whole illustration on the left page shows.
- <4> Index No : Represents reference number of each part in the illustration.
- <5> Part No : Part number.
- <6> Part Name : Name of the part.
- <7> Q'ty : The quantity of the part which this "Index No" indicates.
- <8> Unit Price : Price of the part.
The price shown on this catalogue is the "List Price".
When calculating the distributor's price, please truncate the calculated price to 2 decimal places
- <9> Asterisk (*) : Parts marked with an asterisk are not available disapproved for sale. So, prices for those parts are not shown .

(2) HOW TO USE THIS CATALOGUE

The catalogue consists of an illustration and Parts List. Please identify your requested part in the illustration on the left page, find the index number and look through the right page to find the part number of the required component.

4. PART NUMBER

The most important information is the part number.

(3 digits) + (5 digits) + (2 or 3 digits) = 10 or 11 digits

D61 - 08120 - 5 XX
↑ ↑ ↑ ↑
<1> <2> <3> <4>

- <1> Model code : Specifies the model. Since some parts are common to several models, there are some parts whose "Model Code" differs from the other parts, though they are all a part of a machine of one product code.
- <2> Part code : Identifies the part in a model.
- <3> Level code : Represents the level of parts assembly
- 6 : Not an assembled part
 - 5 : Several parts are assembled.
 - 4 : Several "level 6" and/or "level 5" parts are assembled
 - 3 : "Level 6", "level 5", and/or "level 4" parts are assembled.
- <4> Sub Number : Represents the specification and revision of parts. The letter "X" is where the revision of parts is shown. When you order a part, please write the exact part number shown on your catalogue. We will supply the part with the latest version.

5. ILLUSTRATION

The shape or quantity of parts may differ from this illustration depending on country.

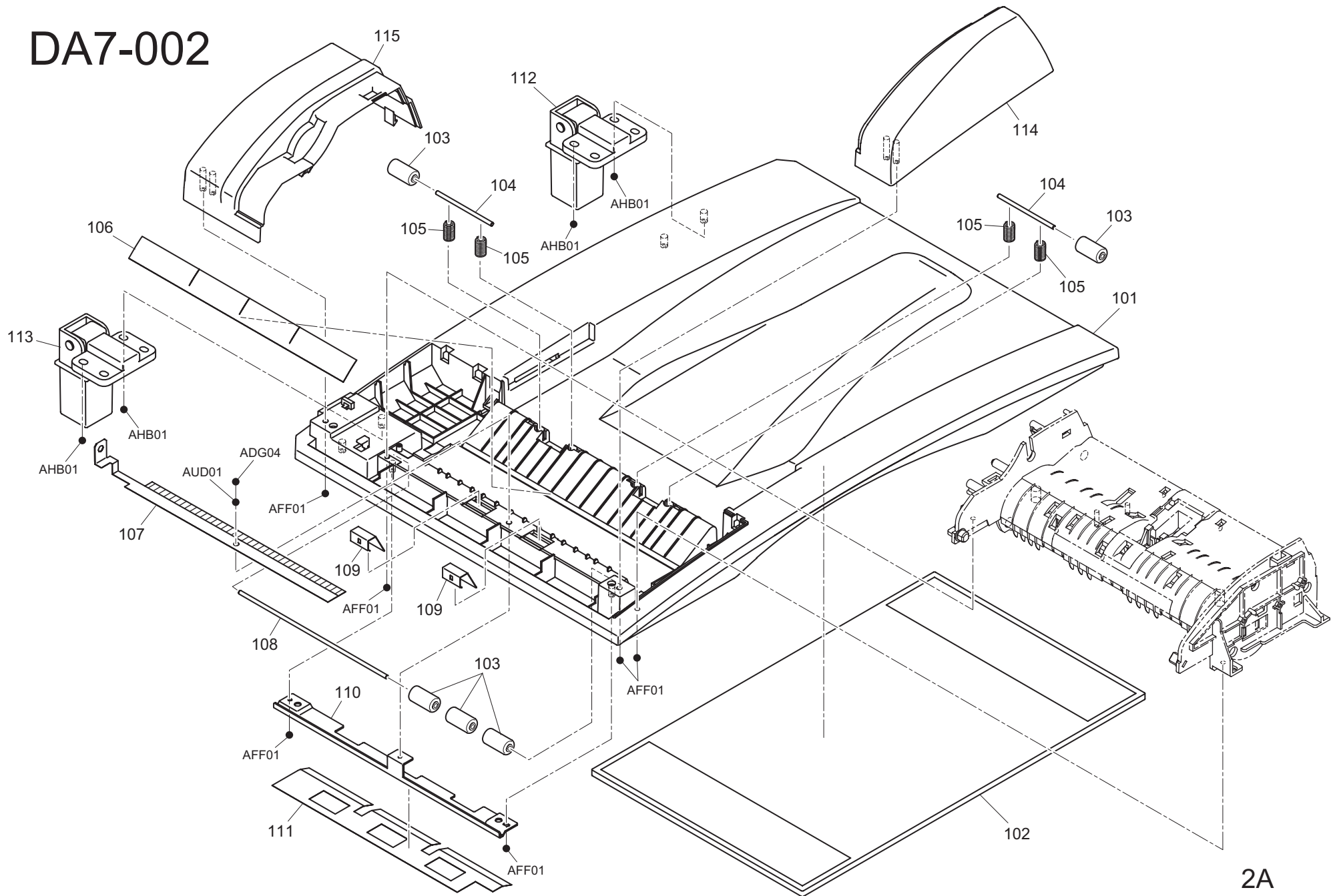
EXCEPTION ; the above rule is not applied to the parts with numbers which start with "ZA1" (Ex,;ZA1-00432-70), since they are purchased from other vendors. So please write the number exactly the same as shown on the list. Please do NOT write "X" unless the part number actually ends with "X".

- * As for the parts to maintain the basic functions of the machine, we will generally supply them for five years after the machine production is discontinued.
- * The parts price on this catalogue are subject to change without notice. If the price of a part has been changed, the new price will be informed when we answer shipping dates for purchase orders.
- * Please let us know the "Product Code" every time you place an order for a **Main Control PCB**.
The ROM for each Main Control PCB differs by product code even if they have the same Part Number.

DA7 CONTENTS

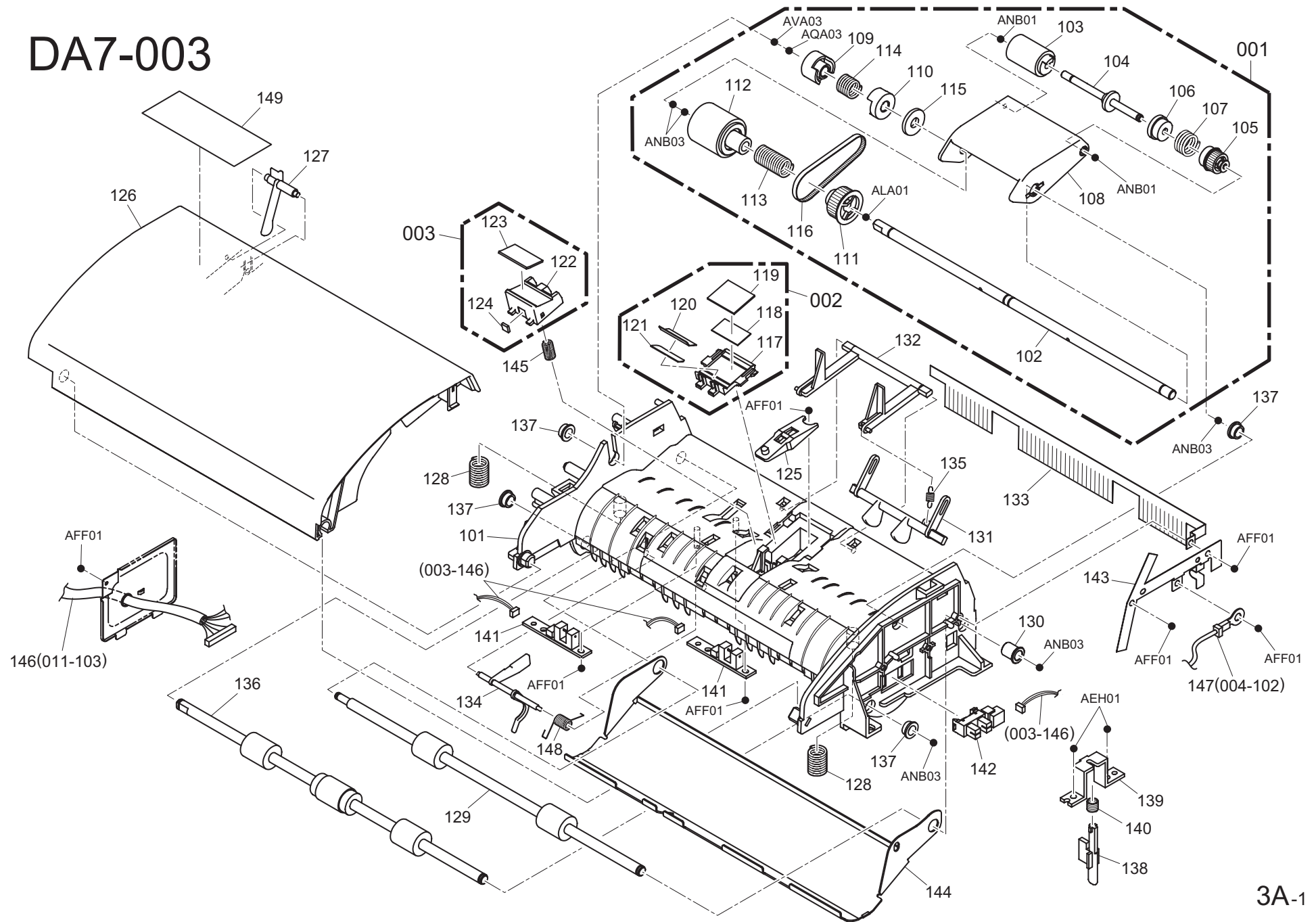
DA7-002	COVER PLATEN	DA7-020	PRINTER TRANSFER
DA7-003	ADF GUIDE	DA7-021	PRINTER MALTI PURPOSE
DA7-004	ADF MOTOR	DA7-022	PRINTER CASSETTE (1st)
DA7-005	PANEL	DA7-023	PRINTER CASSETTE (2nd) 1
DA7-006	TOP COVER	DA7-024	PRINTER CASSETTE (2nd) 2
DA7-007	CHASSIS SCANNER	DA7-081	ACCESSORY1
DA7-008	SCANNER	DA7-082	ACCESSORY2
DA7-009	PRINTER COVER	DA7-083	ENCLOSURE
DA7-010	PRINTER POWER SUPPLY/NCU	DA7-091	COMSUMABLE
DA7-011	PRINTER PCB MAIN	DA7-093	SERVICE PARTS
DA7-012	PRINTER CHASSIS1		
DA7-013	PRINTER CHASSIS2		
DA7-014	PRINTER CHASSIS3		
DA7-015	PRINTER DRIVE1		
DA7-016	PRINTER DRIVE2		
DA7-017	PRINTER EXIT		
DA7-018	PRINTER FUSER		
DA7-019	PRINTER JAM ACCESS COVER		

DA7-002

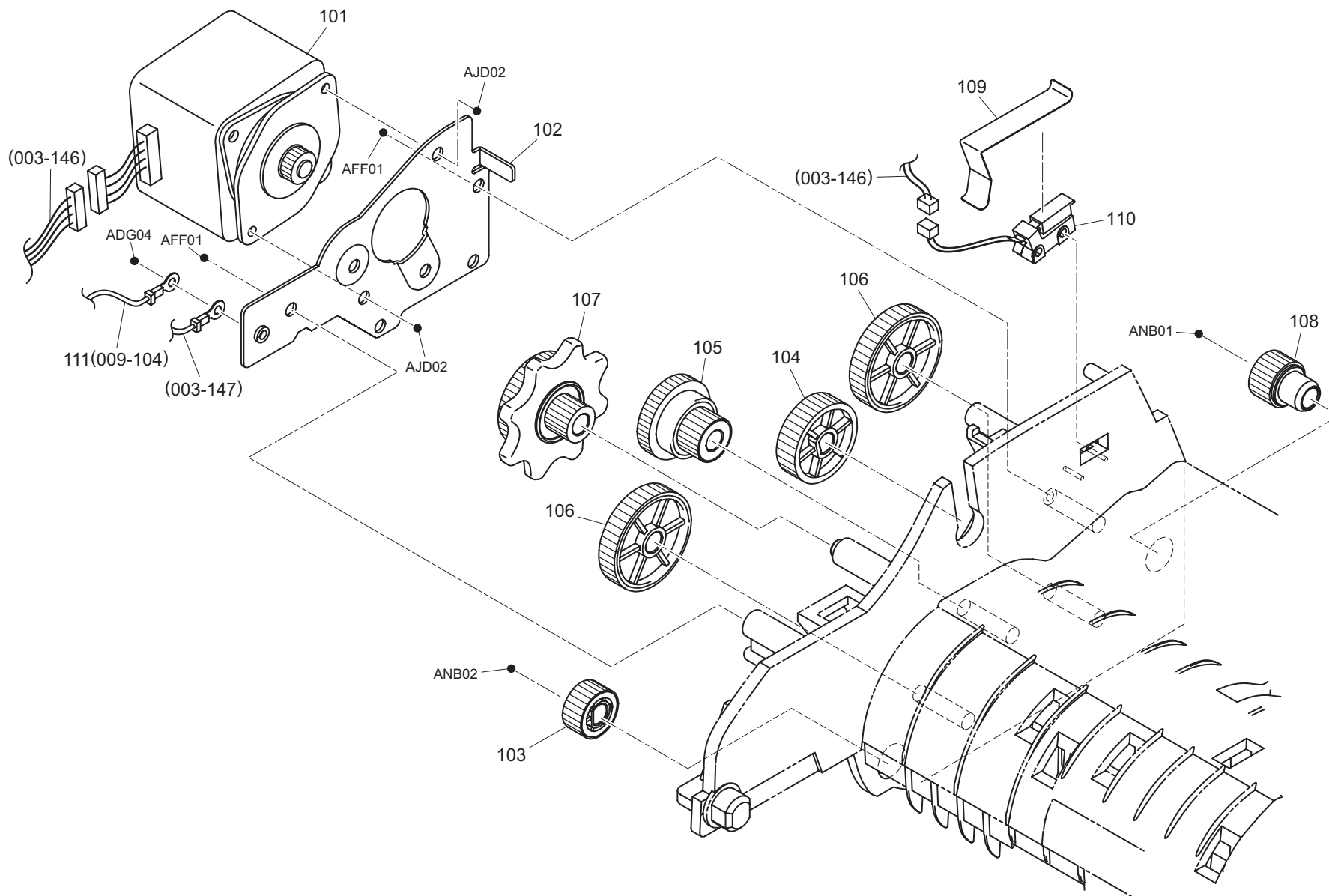


2A

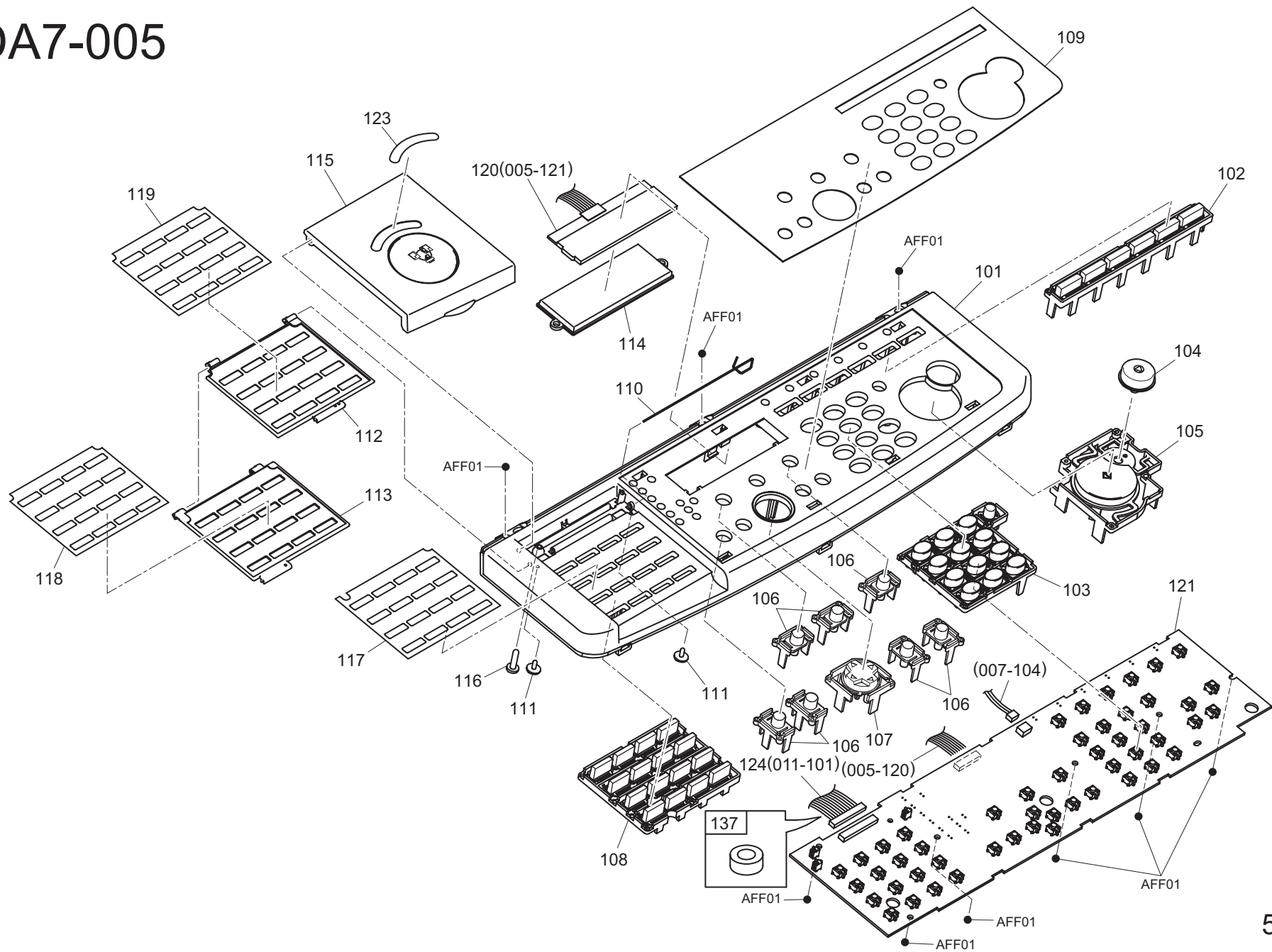
DA7-003



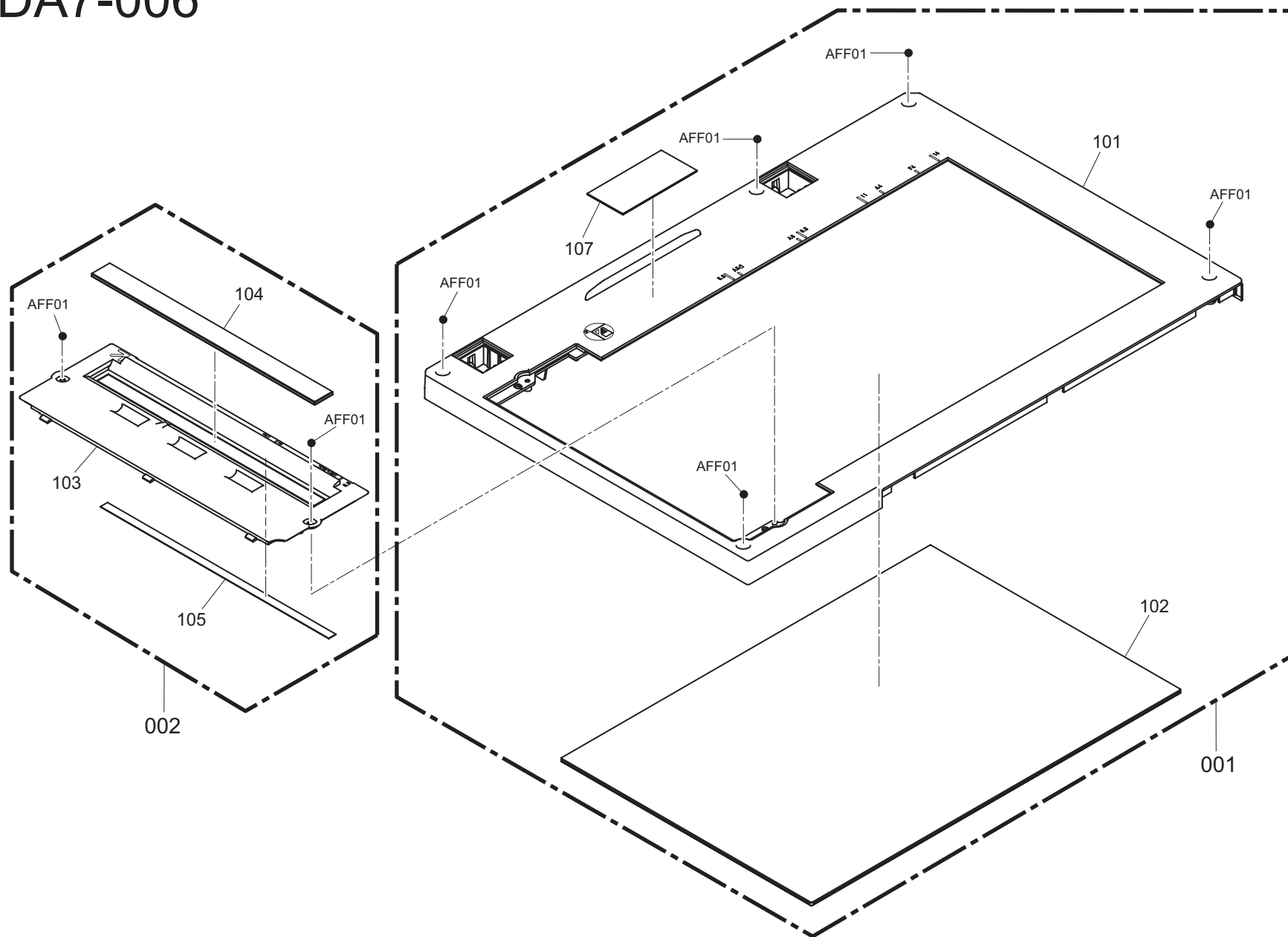
DA7-004



DA7-005

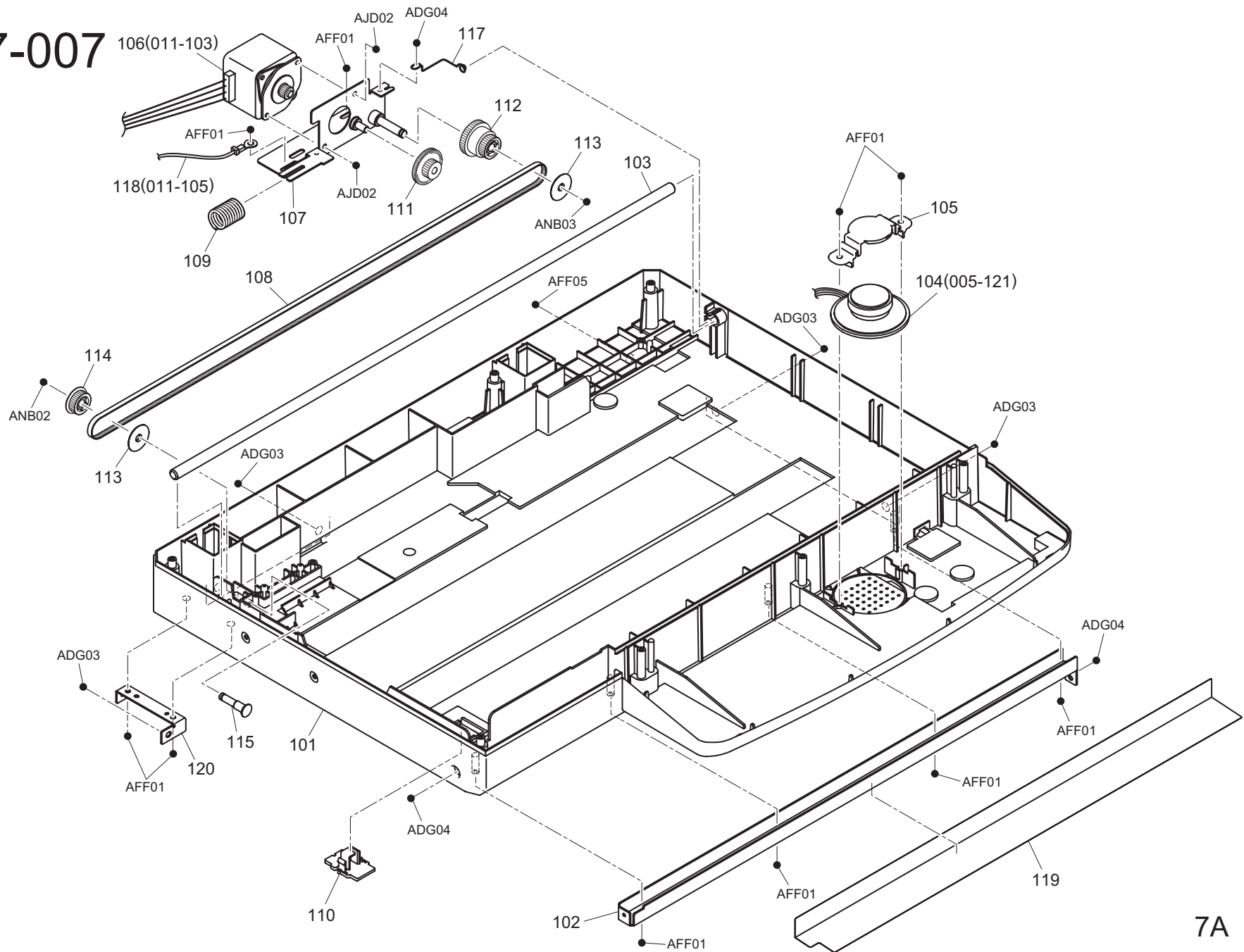


DA7-006



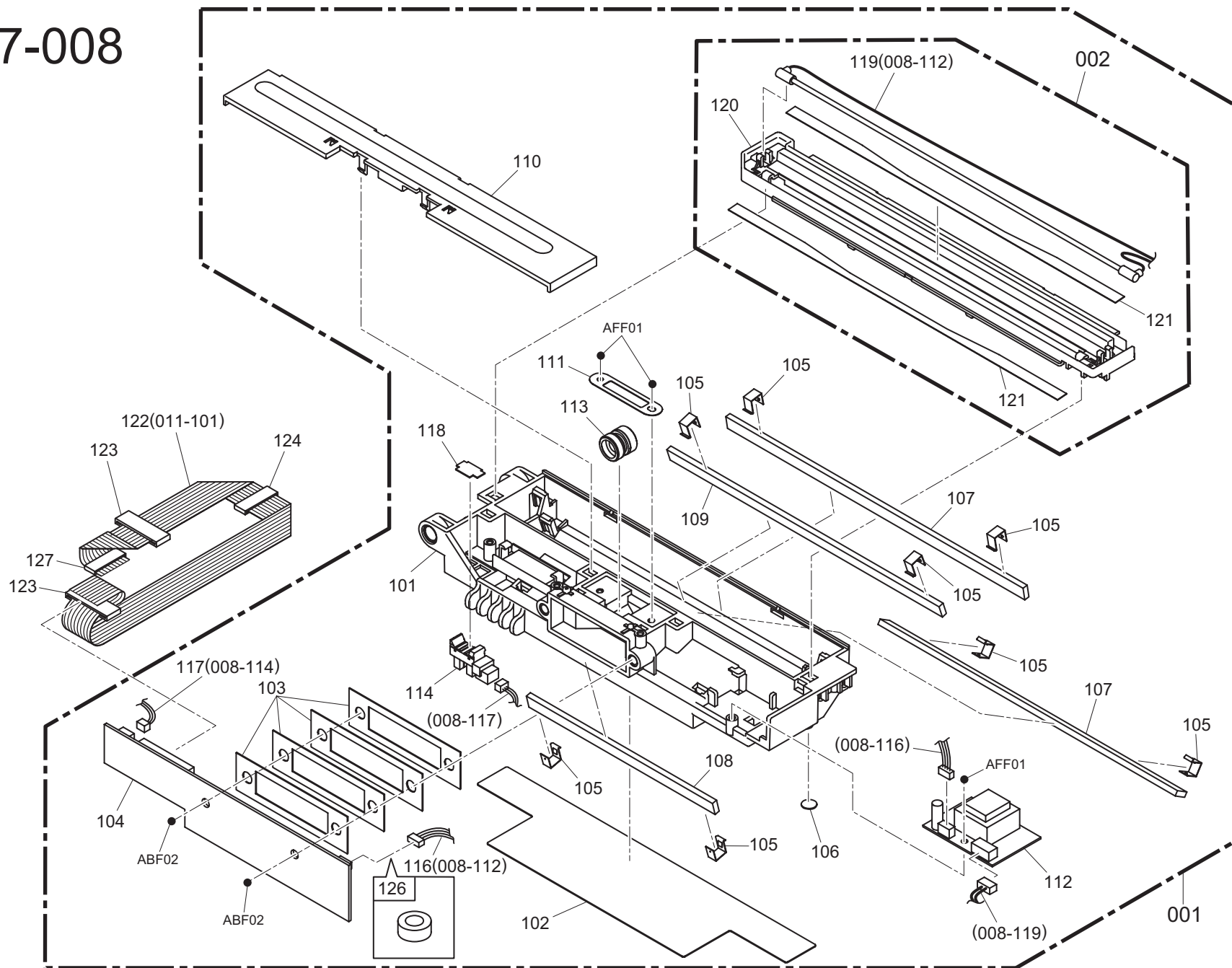
6A-1

DA7-007

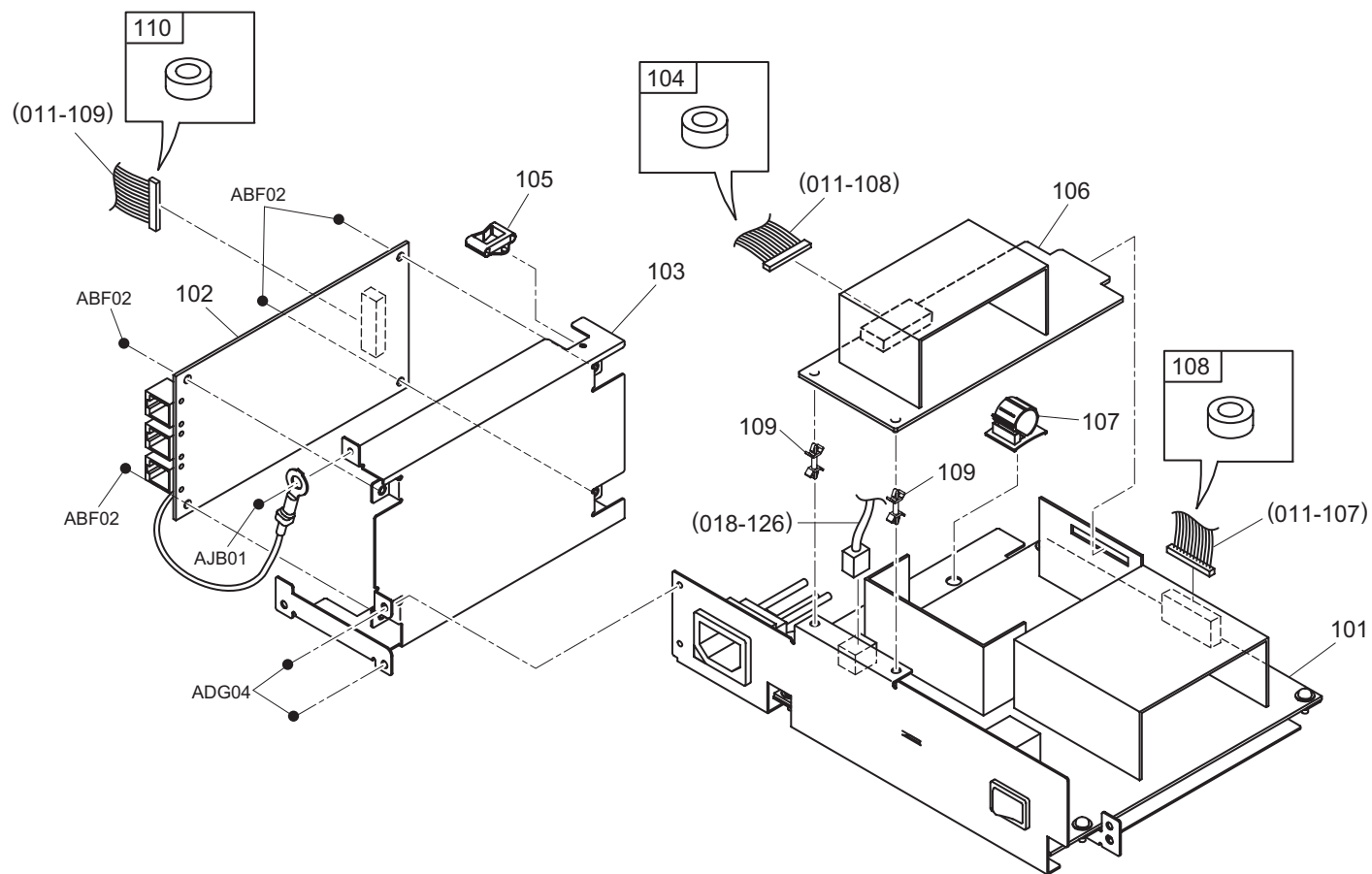


7A

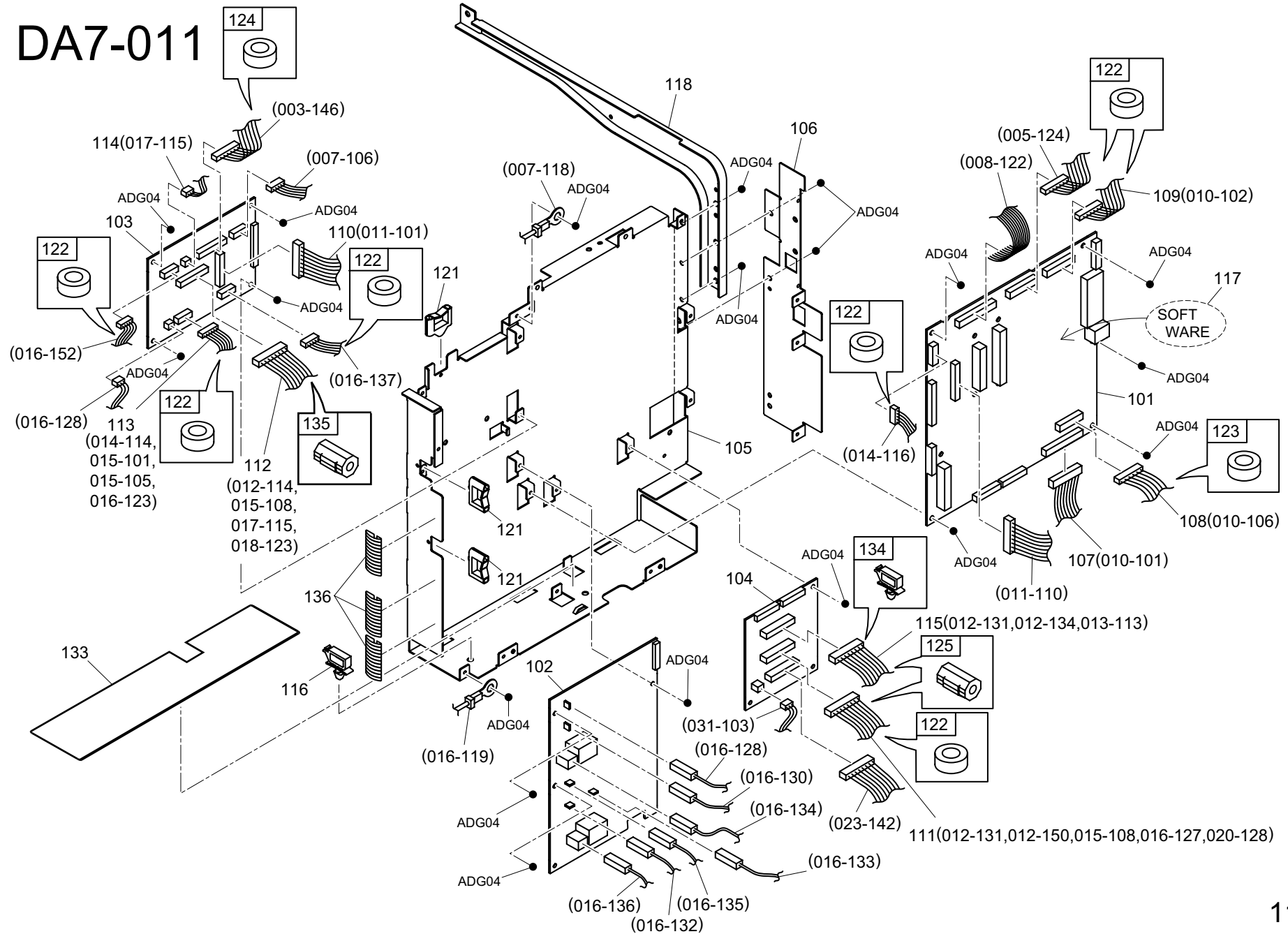
DA7-008



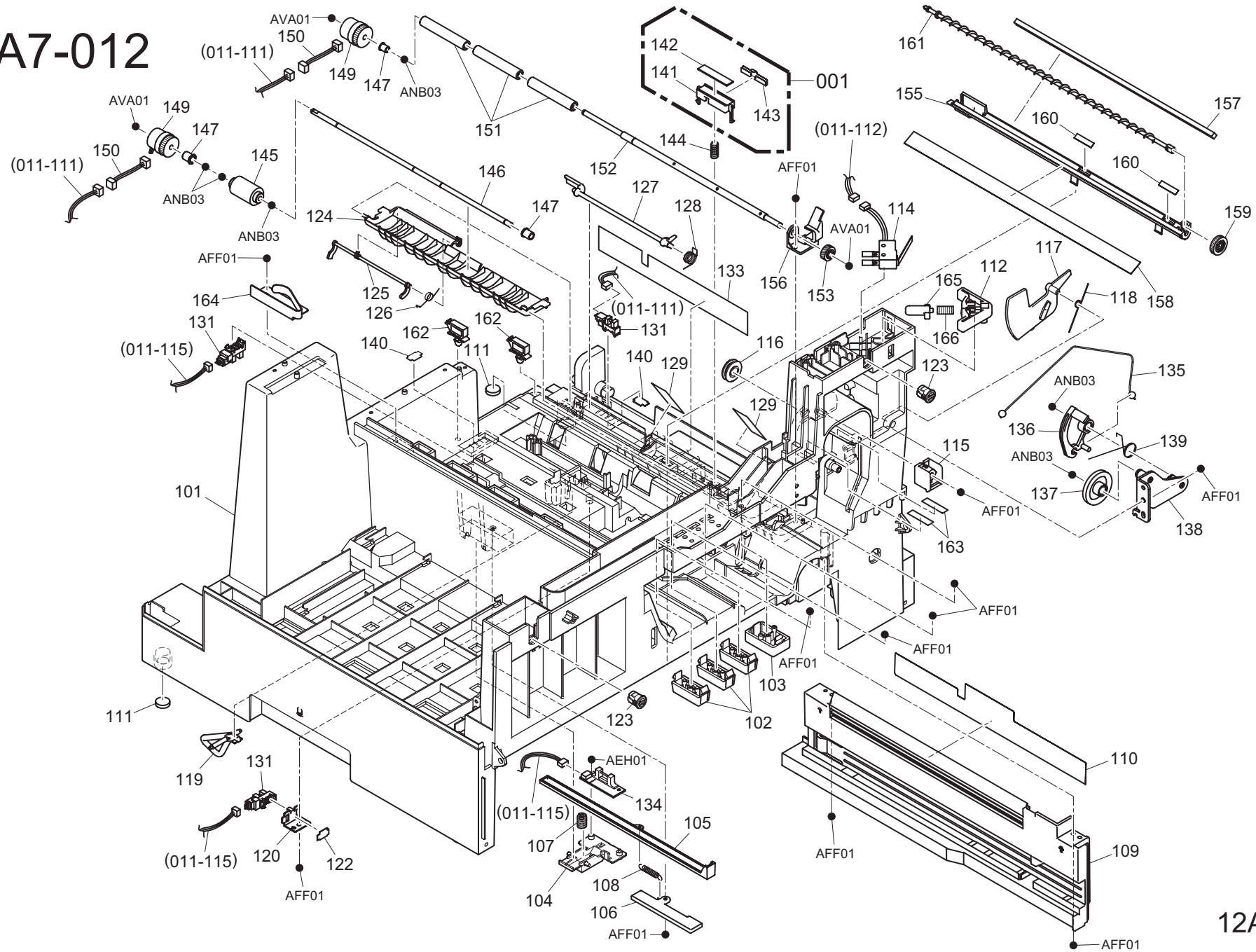
DA7-010



DA7-011

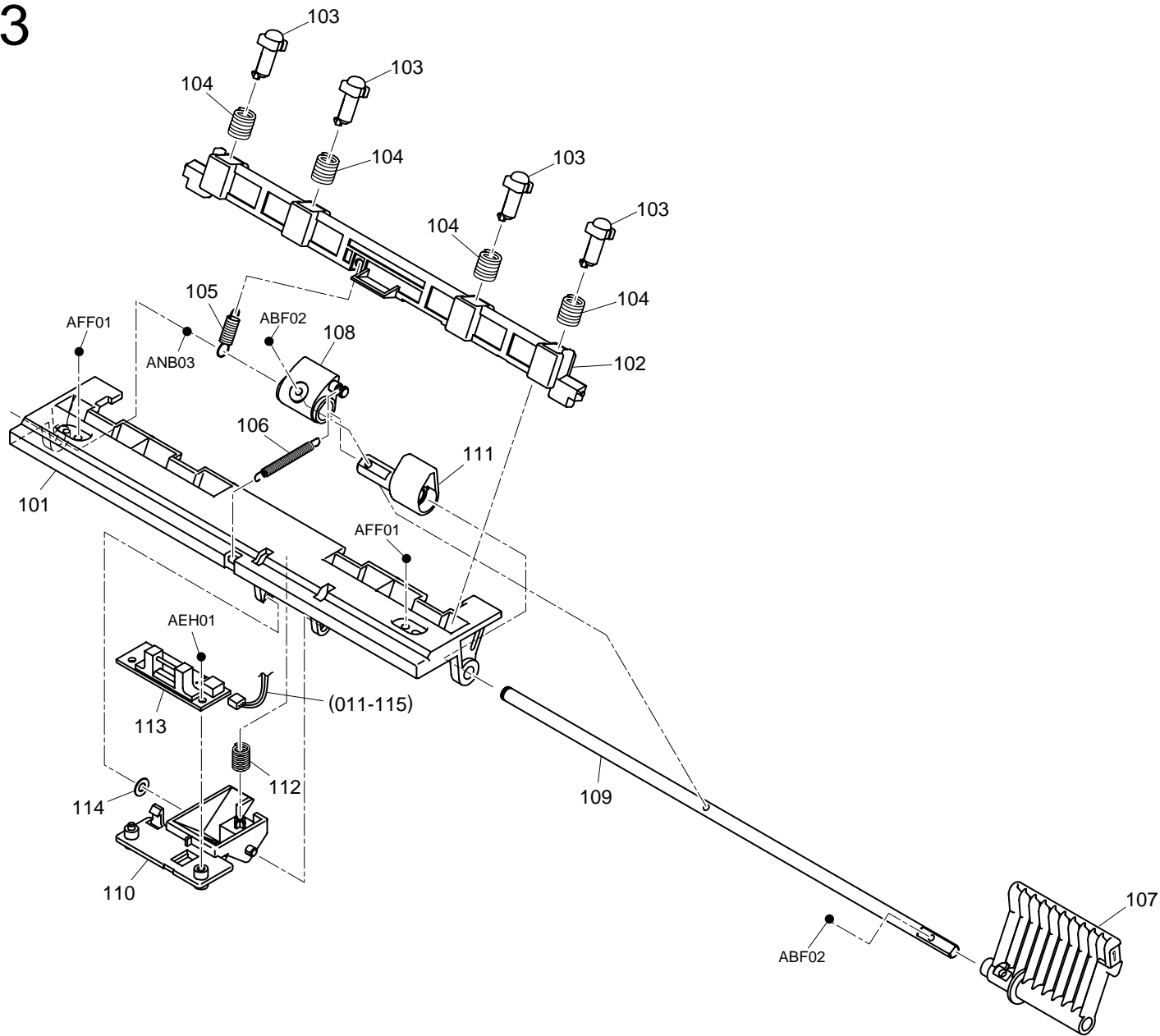


DA7-012

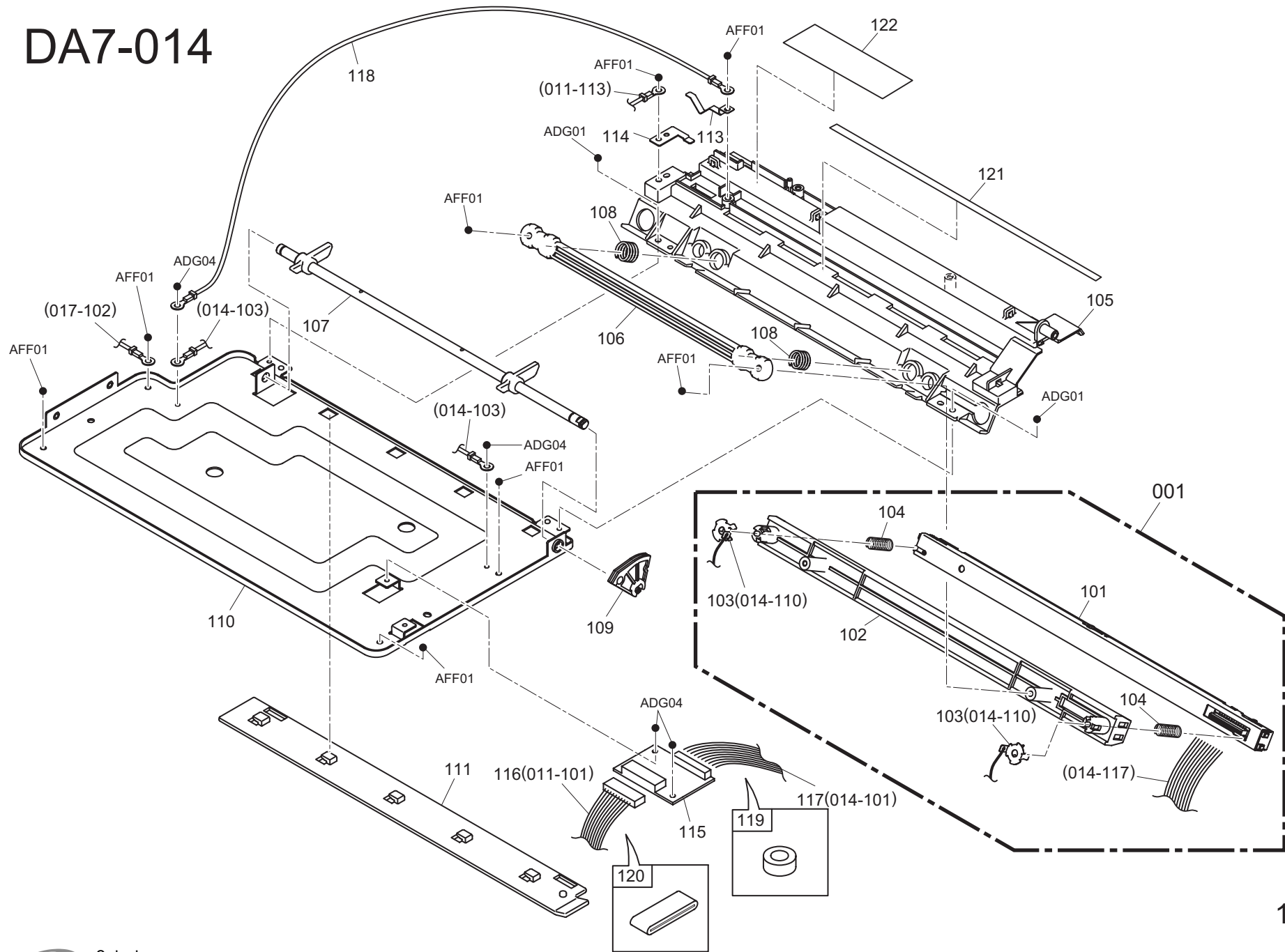


12A -1

DA7-013

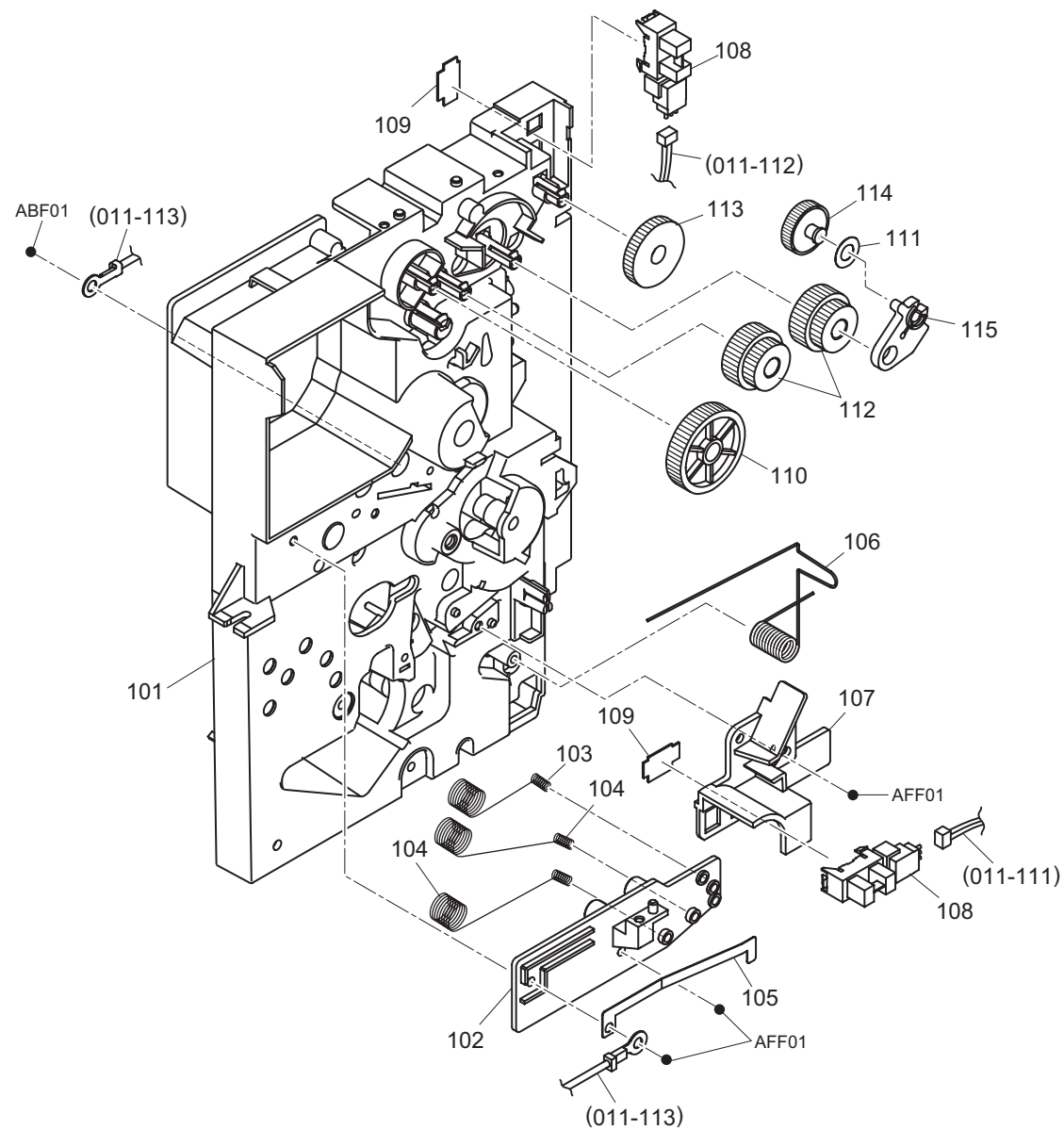


DA7-014

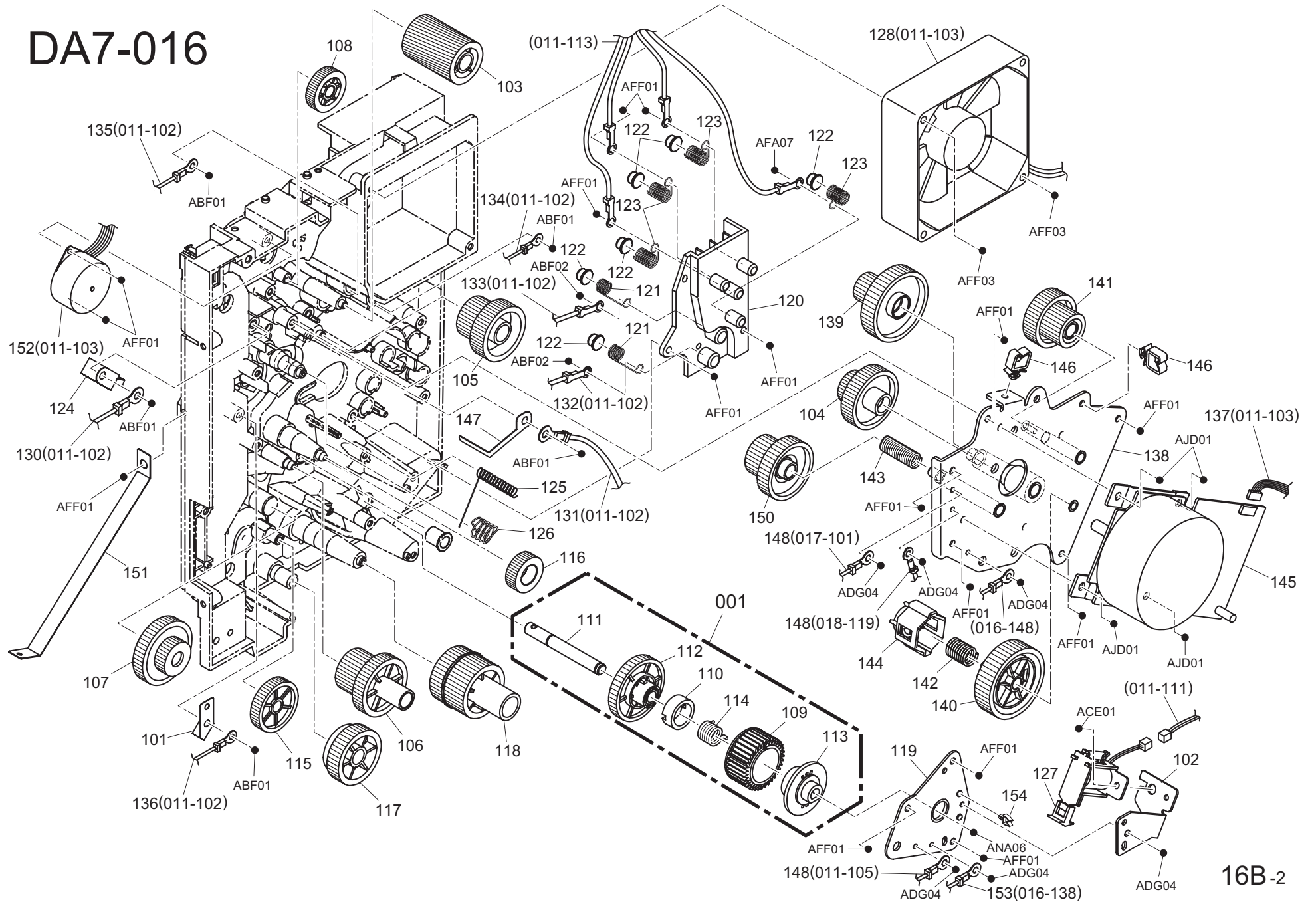


14A-5

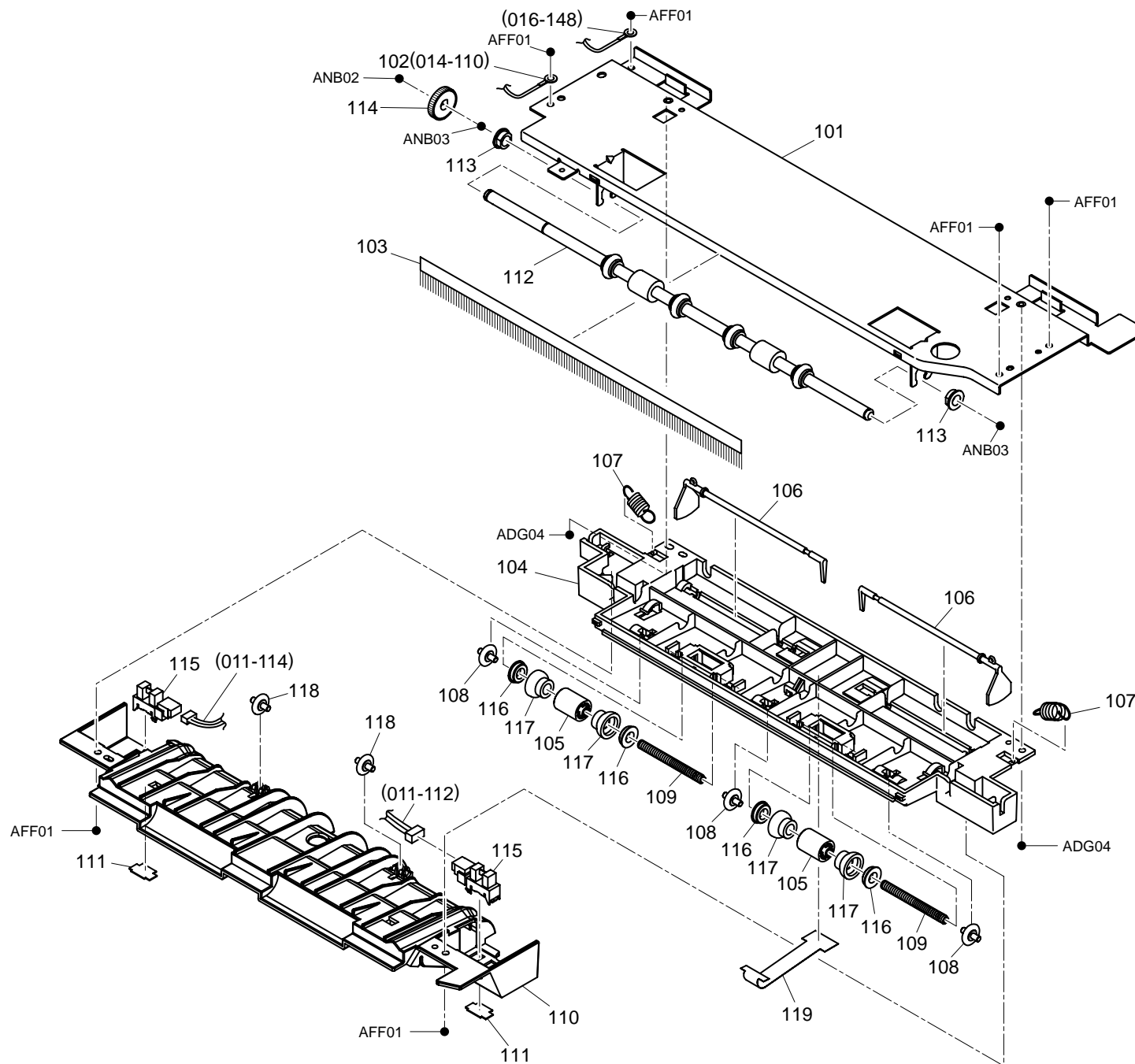
DA7-015



DA7-016

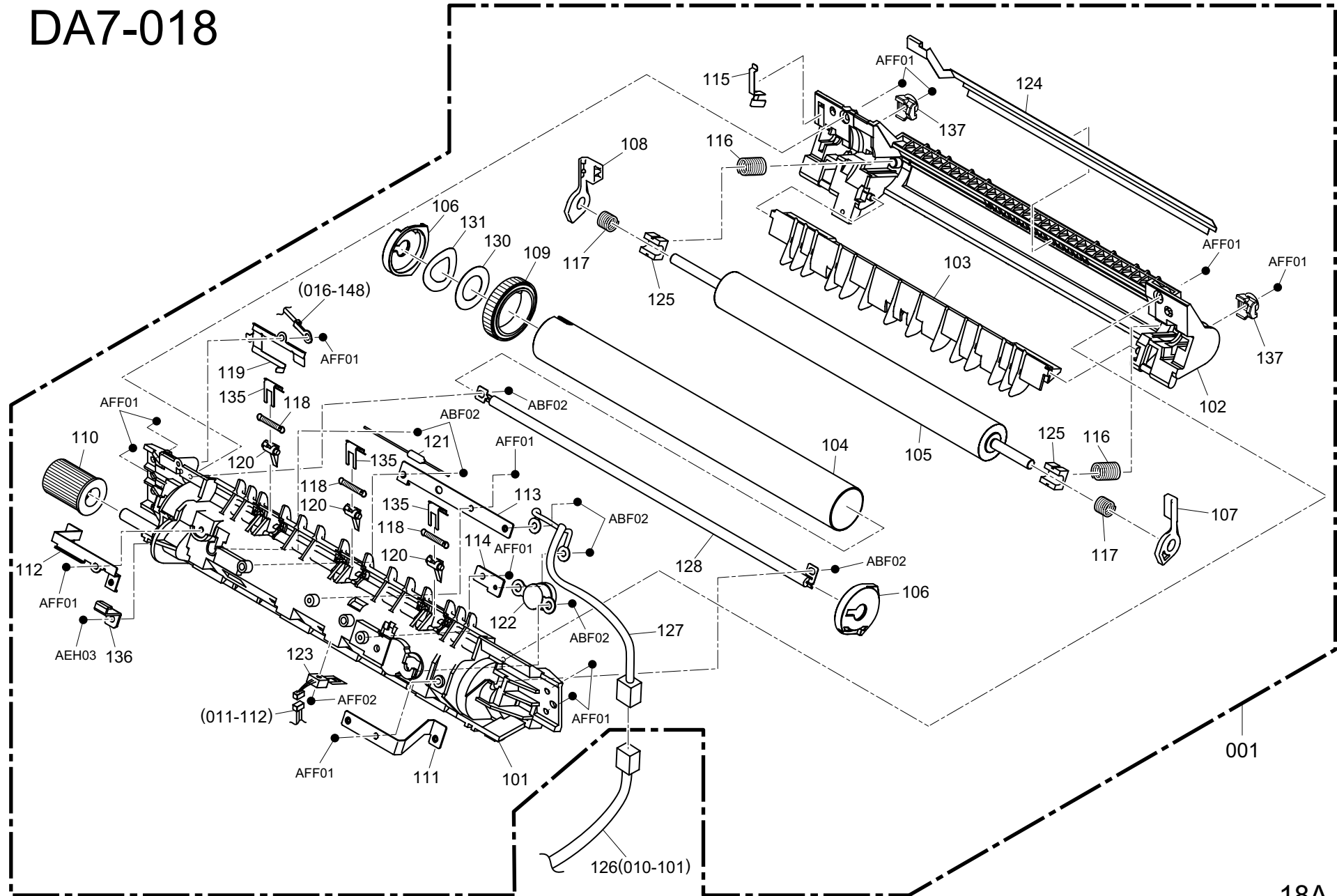


DA7-017



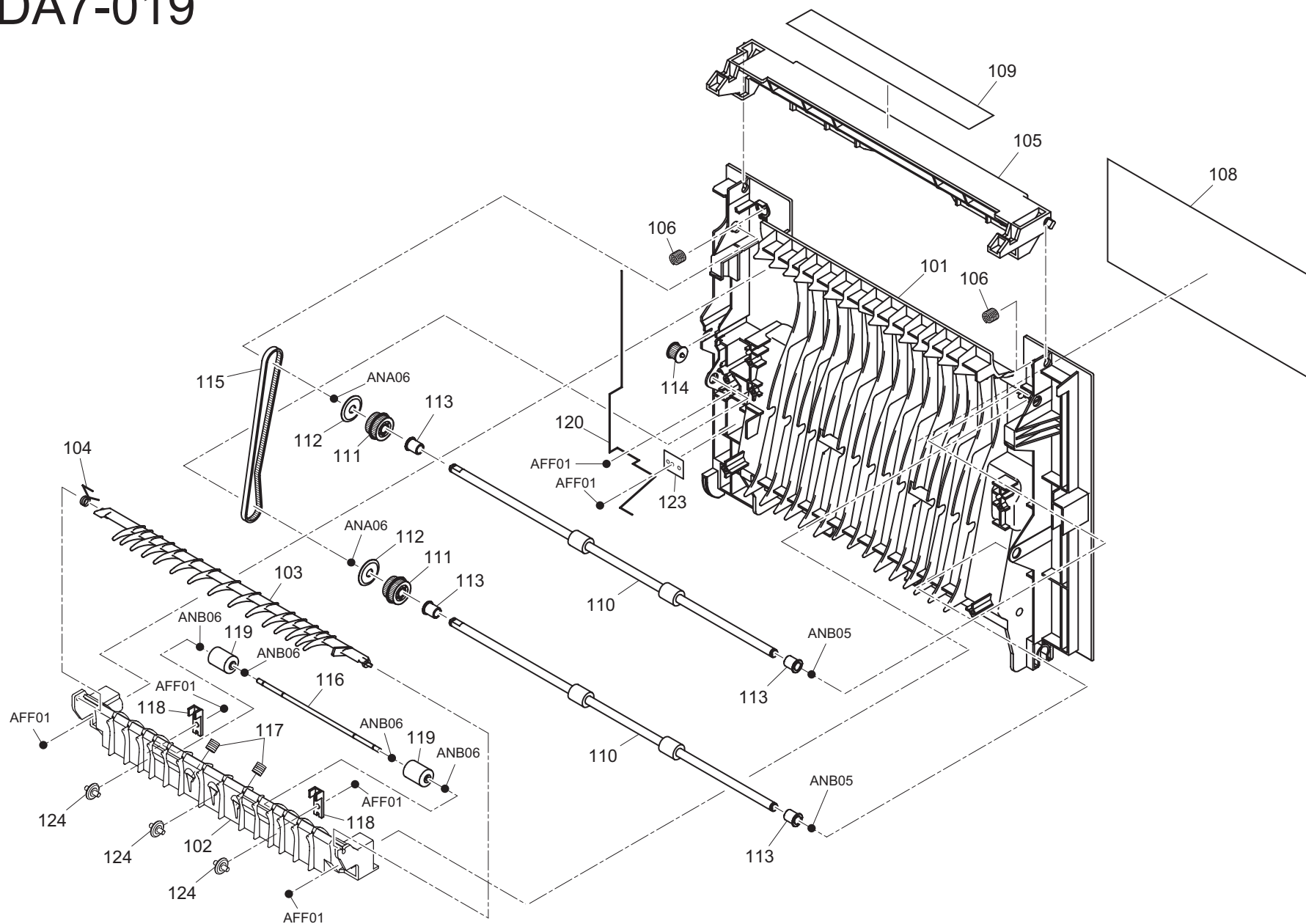
17B-1

DA7-018



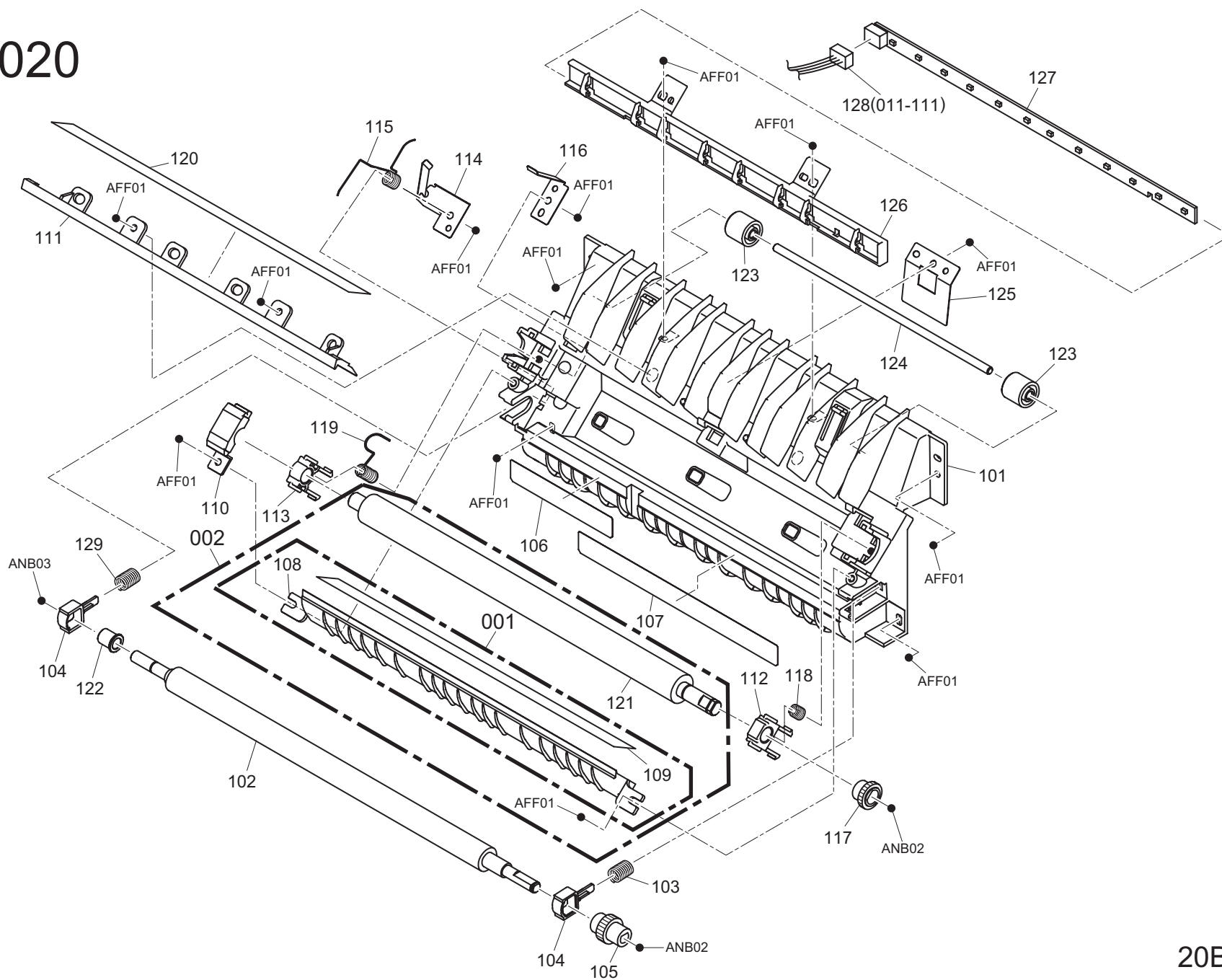
18A-8

DA7-019



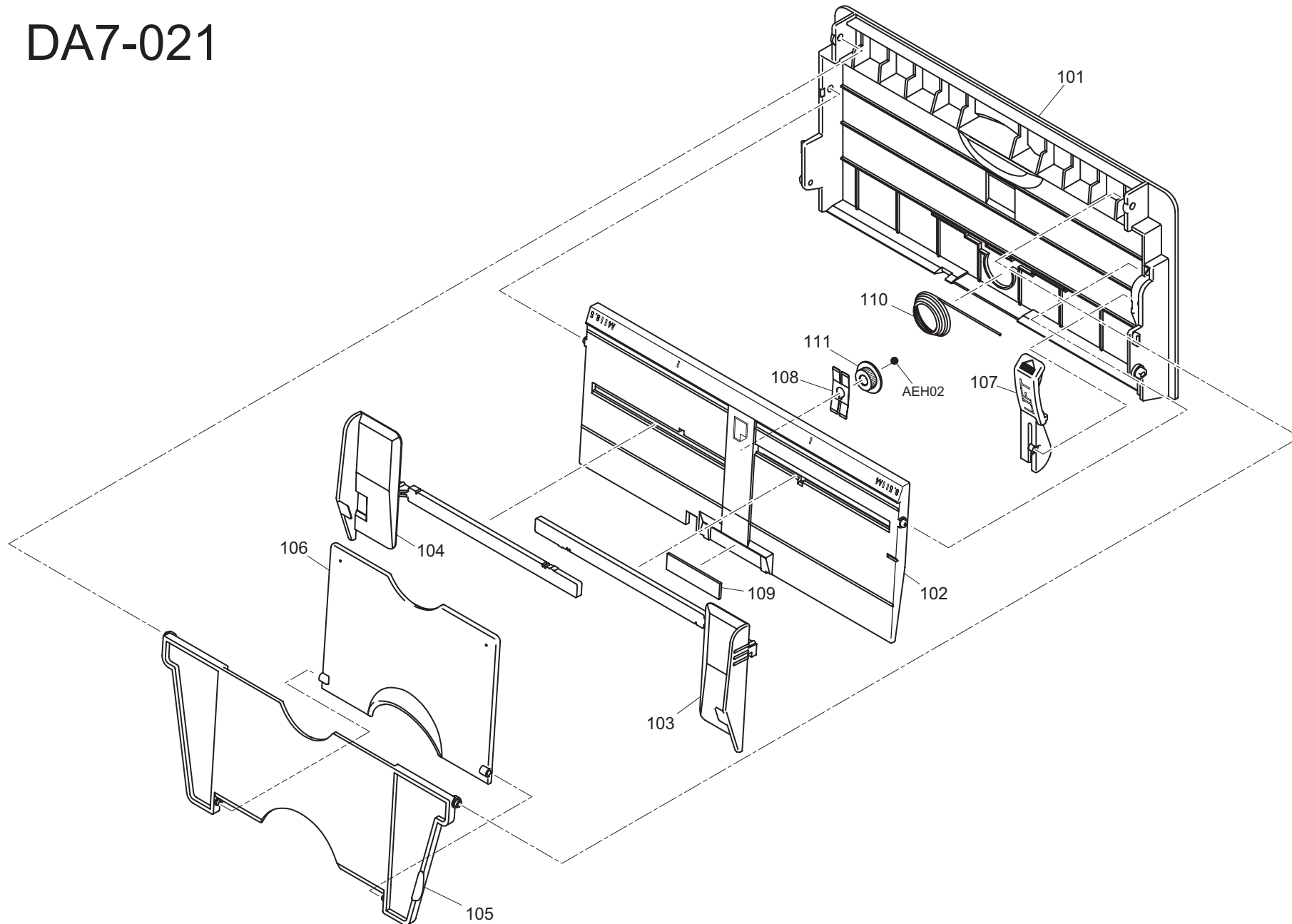
19B-1

DA7-020

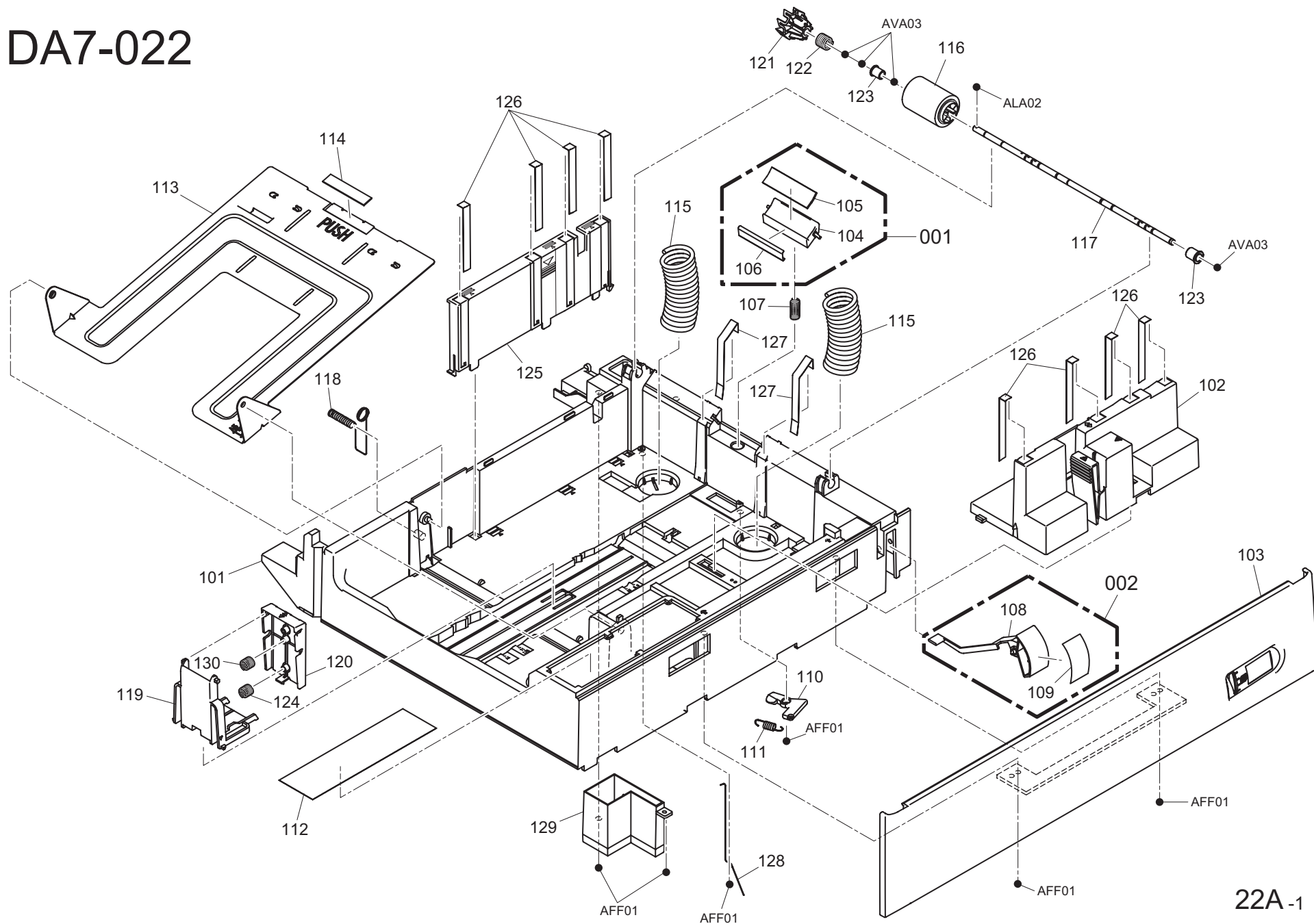


20B-1

DA7-021

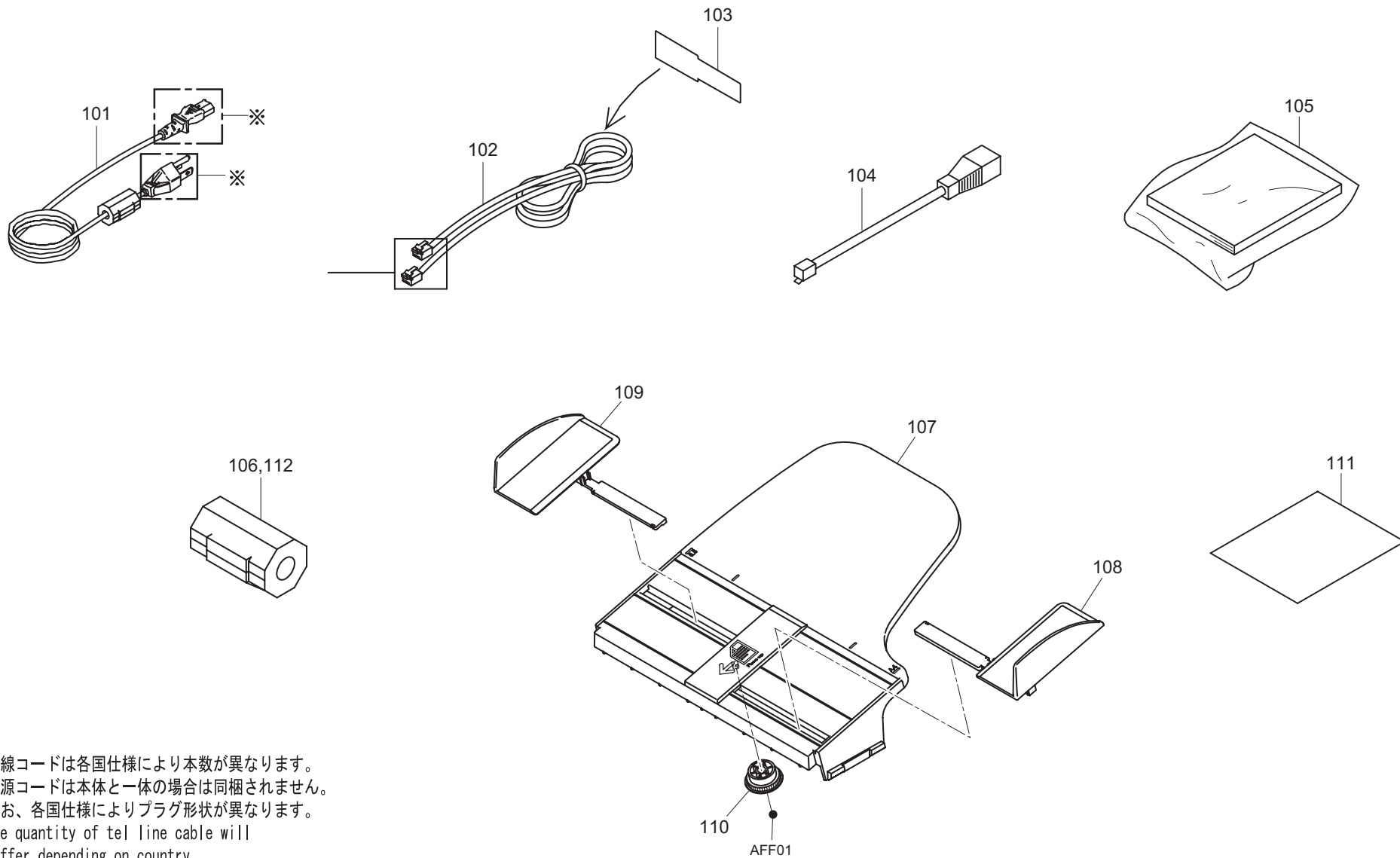


DA7-022



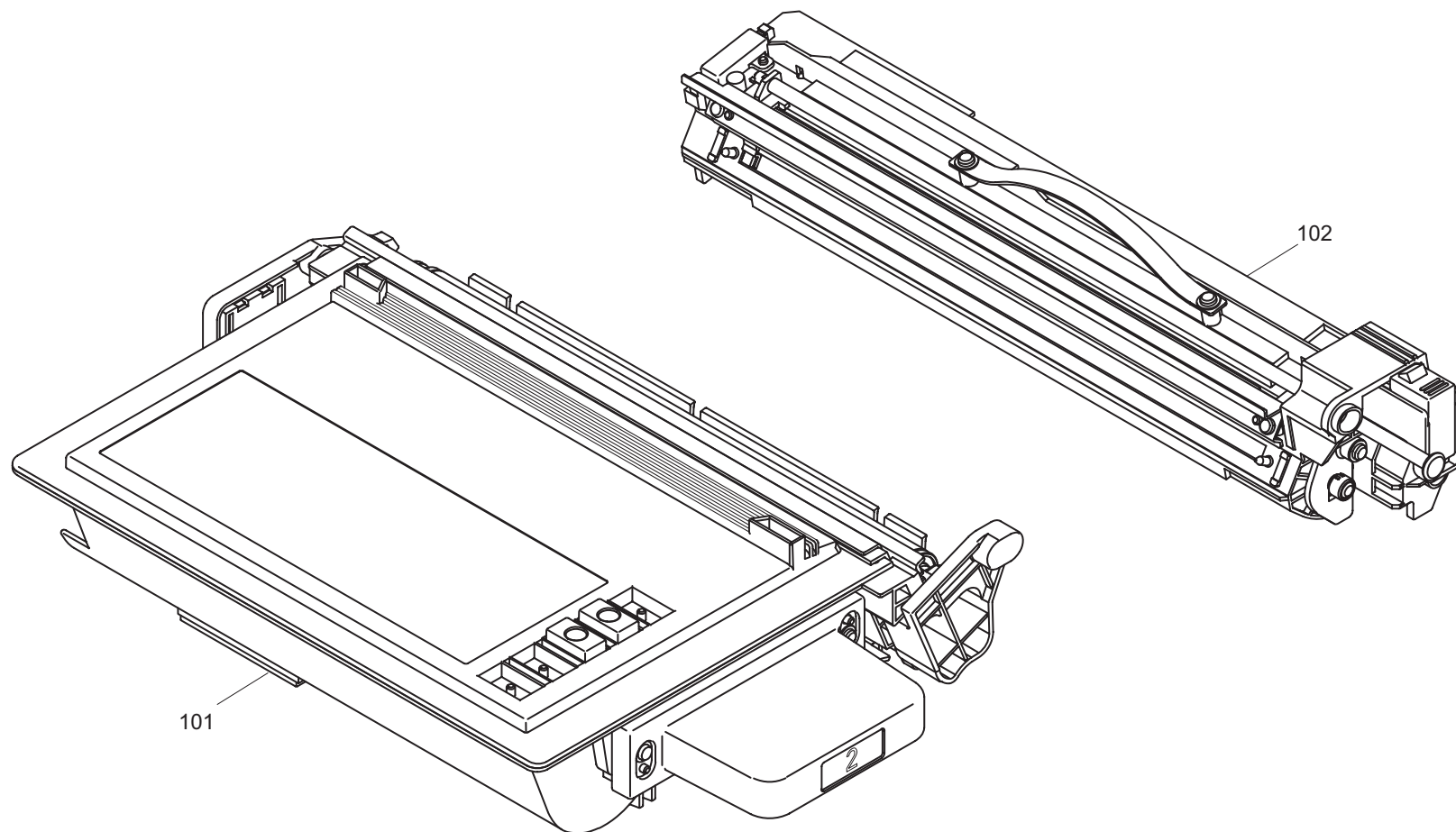
22A -1

DA7-081



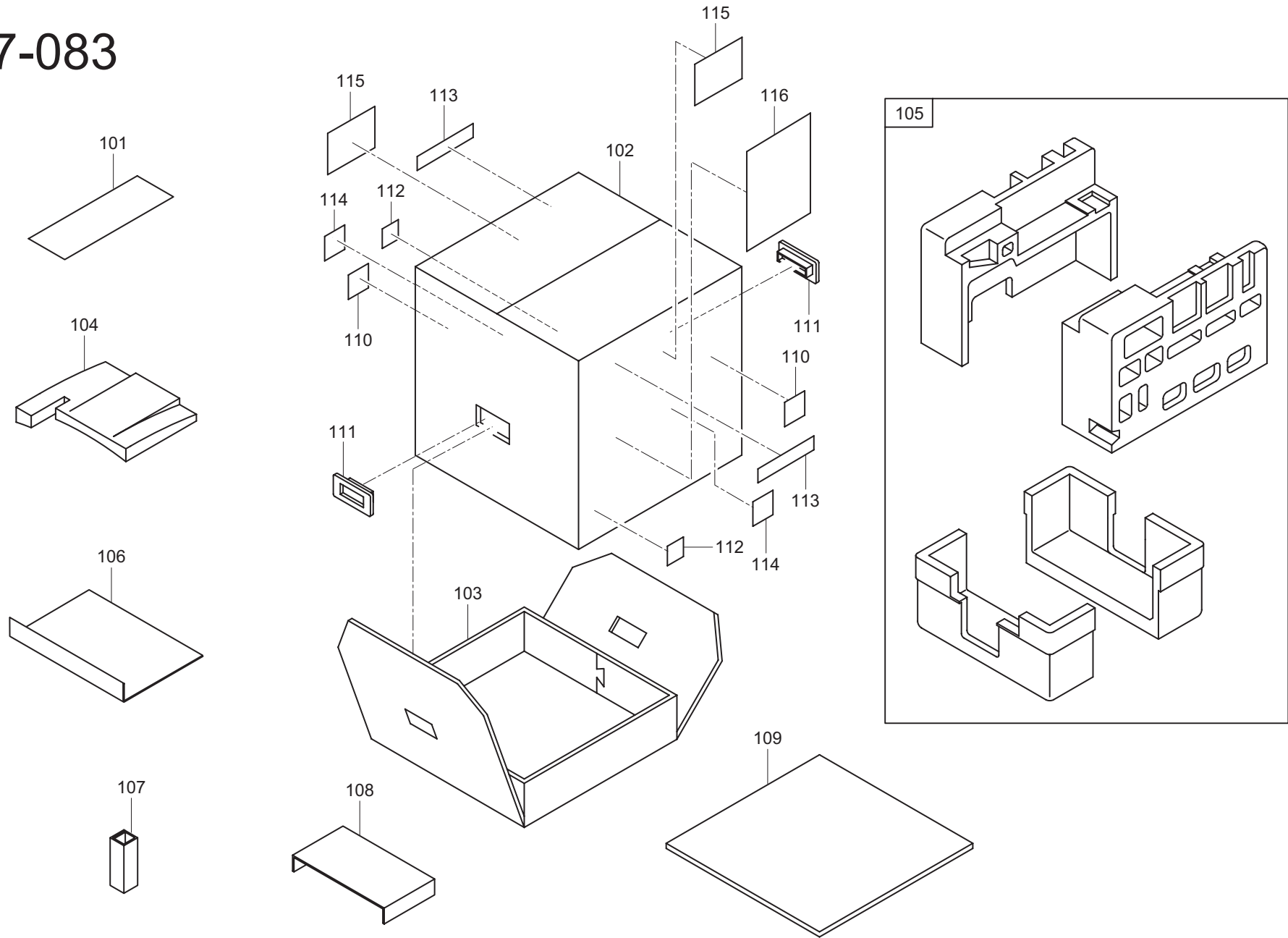
※ 回線コードは各国仕様により本数が異なります。
 電源コードは本体と一体の場合は同梱されません。
 なお、各国仕様によりプラグ形状が異なります。
 The quantity of tel line cable will
 differ depending on country.
 Power cord will not be enclosed
 when installed in the product.
 Plug/connector shape will also
 differ depending on country.

DA7-082



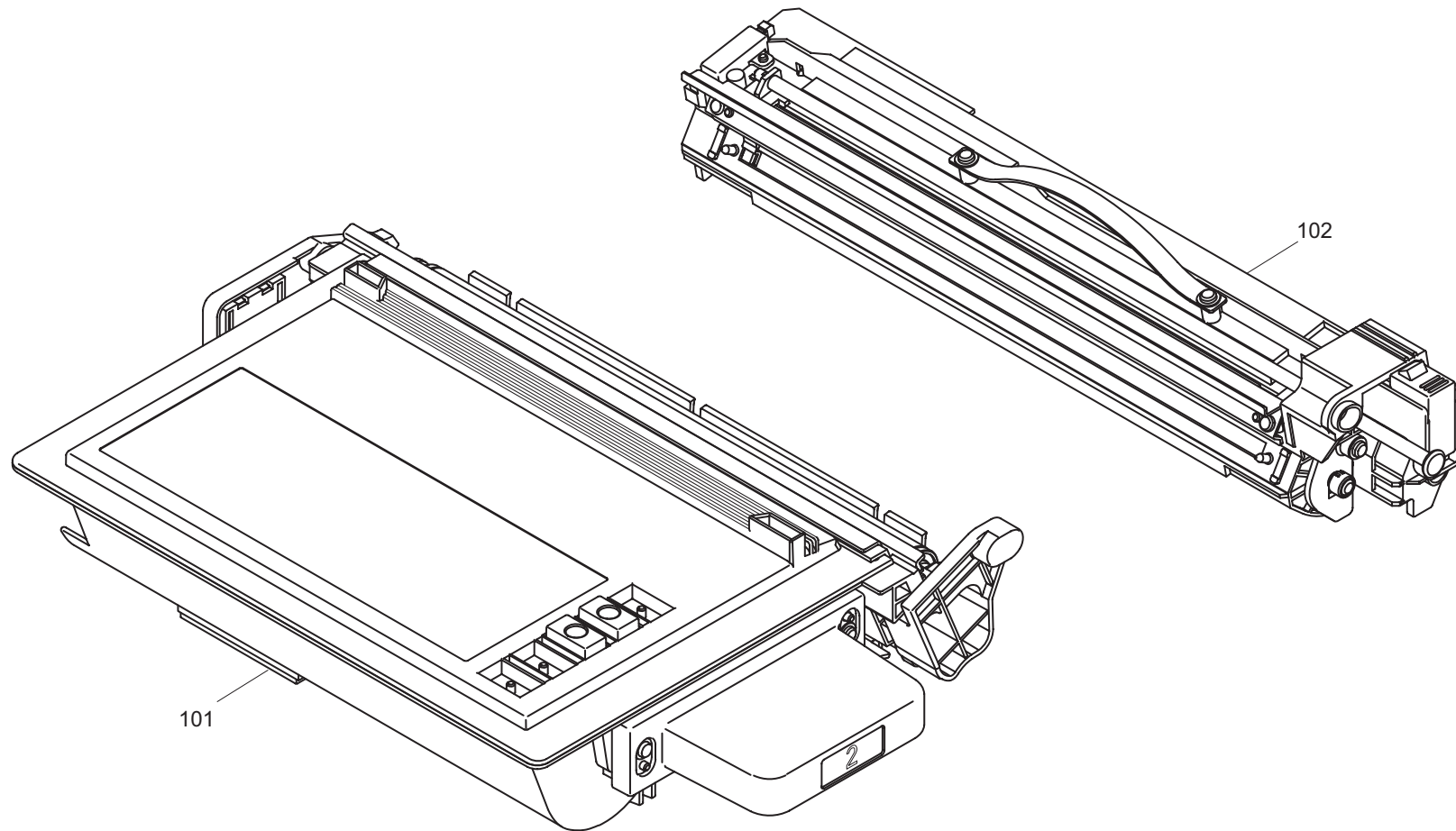
82A

DA7-083




83A-8

DA7-091



91A -2

DA7 FASTENERS

	PARTS NAME	SIZE	PRICE (EURO)	
ABF01	PHR(3c)	M3X6	9.6 / 500pcs	
ABF02	PHR(3c)	M3X8	14.4 / 500pcs	
ACE01	S TITE(3c)	3x6	4.8 / 500pcs	
ACE02	S TITE(3c)	3x8	3.8 / 500pcs	
ACE04	S TITE(3c)	4x8	14.4 / 500pcs	
ADC02	S TITE CUP(Uc)	3X8	4.8 / 500pcs	
ADF01	S TITE CUP(WITH SPRING WASHER)	3X8	14.4 / 500pcs	
ADG01	S TITE CUP(3c)	3X6	4.8 / 500pcs	
ADG03	S TITE CUP(3c)	4X8	14.4 / 500pcs	
ADG04	S TITE CUP(3c)	3X8	4.8 / 500pcs	
AEA03	P TITE	3X6	9.6 / 500pcs	
AEH01	P TITE(3c)	3X8	4.8 / 500pcs	
AEH02	P TITE(3c)	3X6	9.6 / 500pcs	
AFA07	P TITE CUP	3X8	9.6 / 500pcs	
AFF01	P TITE CUP(3c)	3X8	4.8 / 500pcs	
AFF02	P TITE CUP(3c)	3X10	9.6 / 500pcs	
AFF03	P TITE CUP(3c)	3X30	19.2 / 500pcs	
AFF04	P TITE CUP(3c)	3X5	14.4 / 500pcs	
AFF05	P TITE CUP(3c)	4X10	14.4 / 500pcs	
AFF06	P TITE CUP(3c)	3X6	9.6 / 500pcs	
AHB01	B TITE CUP(3c)	4X12	14.4 / 500pcs	
AJB01	PHS(Ni)	M4X6	7.4 / 500pcs	
AJD01	PHS(3c)	M4X6	9.6 / 500pcs	
AJD02	PHS(3c)	M3X6	9.6 / 500pcs	
AJD03	PHS(3c)	M3X8	9.6 / 500pcs	
ALA01	PK	2X10	9.6 / 500pcs	
ALA02	PK	2X12	9.6 / 500pcs	
ALA04	PK	2.5X24	19.2 / 500pcs	
ANA06	DR	6	4.8 / 500pcs	
ANB01	DR(BK)	3	4.8 / 500pcs	
ANB02	DR(BK)	4	4.8 / 500pcs	
ANB03	DR(BK)	5	4.8 / 500pcs	
ANB05	DR(BK)	7	14.4 / 500pcs	
ANB06	DR(BK)	2	4.8 / 500pcs	
AQA03	PARALLEL PIN	2X10	9.6 / 500pcs	
AUD01	ZR(3c)	4	4.8 / 500pcs	
AVA01	JR	4	9.6 / 500pcs	
AVA03	JR	5	19.2 / 500pcs	

