

KONICA MINOLTA

PARTS GUIDE MANUAL

MAY 2010

bizhub 20
A32R012

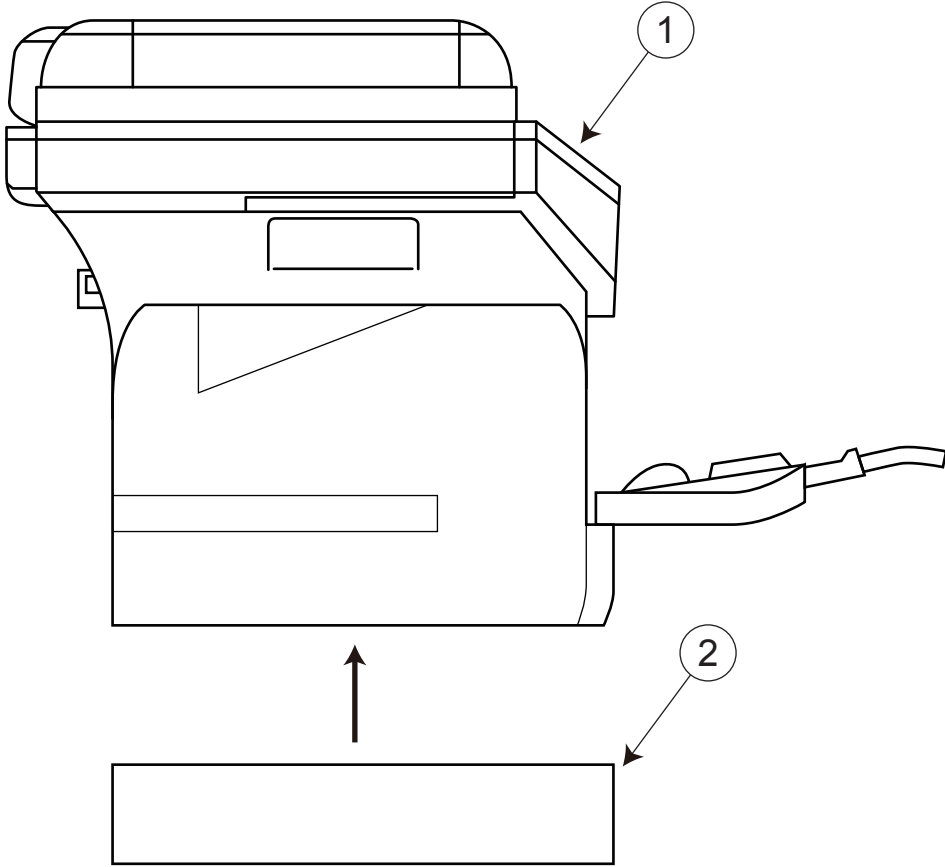
INFORMATION FOR PARTS GUIDE MANUAL

To find correct Parts No., refer to the "HOW TO MAKE THE BEST USE OF THIS MANUAL" in the following page.

HOW TO MAKE THE BEST USE OF THIS MANUAL

- 1 When you order, please check the proper figures beforehand that are on Our Parts Guide Manual, and order with the appropriate figures.
- 2 For screws, Nuts, Washers, retaining rings and Pins which are used in this model, one letter is shown on the Standard parts column of Parts list and exploded diagrams.
- 3 In order to maintain safety of the product, some specific parts composed of this product are set up as "essential safety parts".
- 4 The assigned parts number for the "essential safety parts" is indicated as "SP00-****".
When replacing these parts, follow precautions for disassembling and installing which are listed in the Service Manual.
Do not use any parts that are not set up as
- 5 ♣ means that there are exclusive parts for each destination.
Please check the appropriate destination when you order.
- 6 Revision Mark
Marked as ▲ on the illustration shows that the revision has been made.
- 7 All rights reserved. (any reprints or quotations are prohibited.)
Use of this parts guide manual should be strictly supervised to avoid disclosure of confidential information.

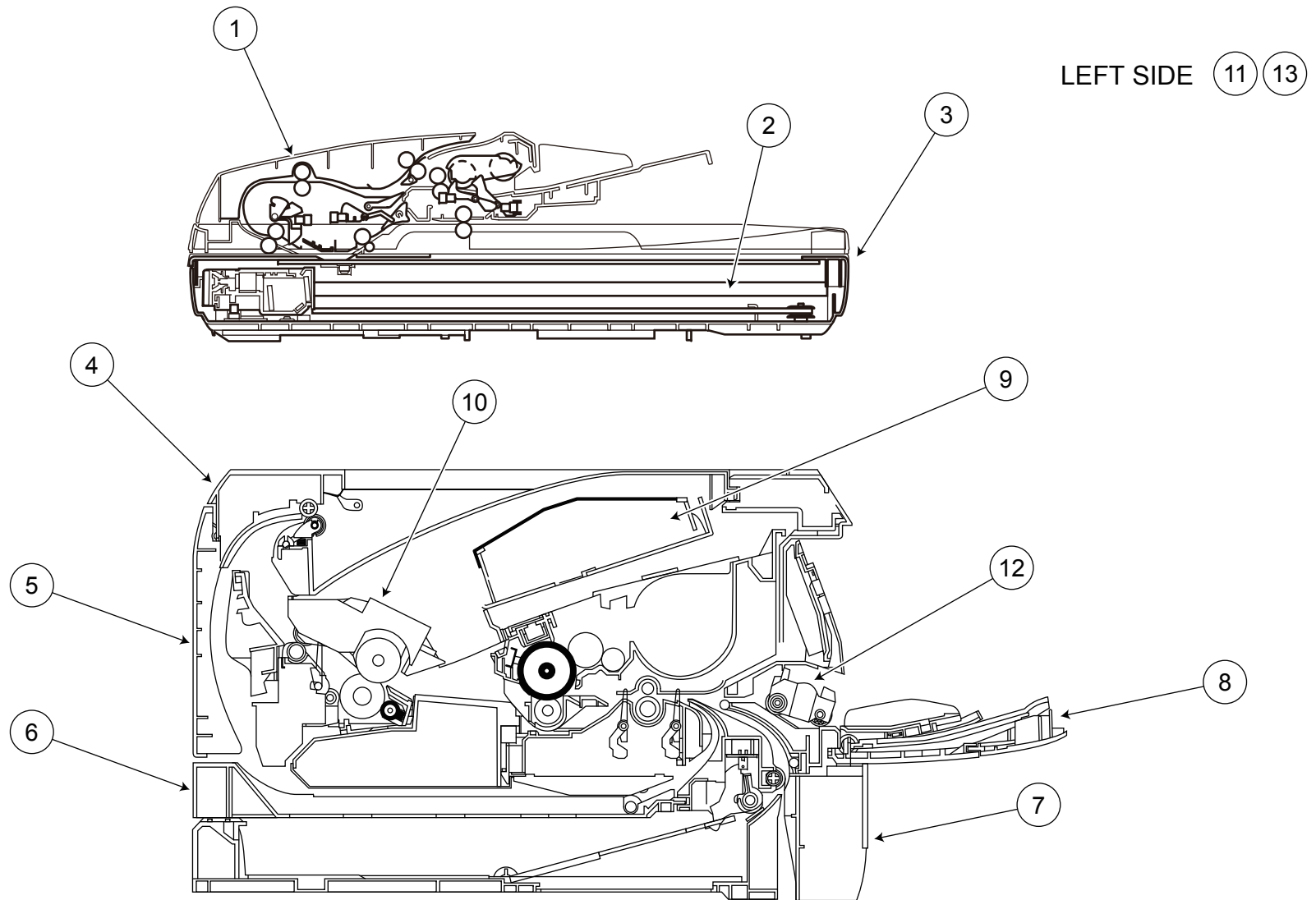
SYSTEM OUTLINE



GENERAL CONTENTS

No.	Description	Model
1	PRINTER B/W	bizhub 20
2	PAPER FEEDER	PF-P10

DIAGRAMS OF MAIN PARTS SECTION



CONTENTS

No.	DESCRIPTION	PAGE No.
1	ADF UNIT	P1 P2
2	CONTROL PANEL	P3
3	IR SECTION	P4
4	EXTERNAL PARTS	P5 P6
5	MAIN FRAME SECTION	P7
6	DUPLEX TRAY SECTION	P8
7	CASSETTE SECTION	P9
8	PAPER FEED TRAY SECTION	P10 P11
9	LASER UNIT	P12
10	FUSING UNIT	P13
11	DRIVE SECTION	P14
12	ROLLER ASSY	P15
13	ELECTRICAL COMPONENTS	P16
14	ACCESSORY PARTS	P17
15	WIRING ACCESSORIES AND JIGS	P18

INDEX

Parts No.	Page No.
A32P PP01 00	11-5
A32P PP02 00	14-2
A32P PP02 00	14-5
A32P PP03 00	2-17
A32P PP03 00	5-5
A32P PP03 00	6-4
A32P PP04 00	14-12
A32P PP05 00	12-3
A32P PP05 00	14-18
A32P PP06 00	10-4
A32P PP07 00	3-10
A32P PP07 00	4-1
A32P PP08 00	12-2
A32P PP0C 00	7-7
A32P PP0C 00	14-15
A32P PP0E 00	14-7
A32P PP0G 00	14-13
A32P PP0H 00	14-25
A32P PP0J 00	14-17
A32P PP0M 00	16-4
A32P PP0N 00	11-3
A32P PP0Q 00	7-5
A32P PP0R 00	14-3
A32P PP0S 00	14-22
A32P PP0T 00	14-19
A32P PP0U 00	14-4
A32P PP0V 00	14-6
A32P PP0X 00	14-14
A32P PP0Y 00	14-16
A32P PP10 00	14-20
A32P PP11 00	14-11
A32P PP14 00	14-9
A32P PP15 00	14-10
A32P PP16 00	14-27
A32P PP17 00	14-26
A32P PP18 00	7-4
A32P PP19 00	10-3
A32P PP1A 00	11-10
A32P PP1B 00	11-11
A32P PP1D 00	11-13

Parts No.	Page No.
A32P PP1E 00	11-14
A32P PP1F 00	11-15
A32P PP1G 00	11-7
A32P PP1H 01	10-5
A32P PP1K 00	9-2
A32P PP1L 00	9-3
A32P PP1M 00	9-5
A32P PP1N 00	9-6
A32P PP1P 00	9-4
A32P PP1Q 01	6-8
A32P PP21 00	16-2
A32P PP22 00	11-2
A32P PP23 00	7-2
A32P PP24 00	11-1
A32P PP25 00	11-12
A32P PP27 00	11-6
A32P PP2A 00	7-3
A32P PP2D 01	6-1
A32P PP2E 00	6-2
A32P PP2F 00	13-3
A32P PP2G 01	5-7
A32P PP2H 00	6-3
A32P PP2J 00	7-1
A32P PP2L 00	12-1
A32P PP2M 00	11-8
A32P PP2N 00	11-4
A32P PP2P 00	14-21
A32P PP2V 00	5-8
A32P PP2X 00	15-1
A32P PP2Y 00	15-2
A32P PP31 00	10-2
A32P PP32 00	18-1
A32P PP35 01	10-1
A32P PP39 00	11-9
A32P PP3A 00	13-1
A32P PP3B 00	13-1
A32P PP3C 00	7-6
A32P PP3E 00	16-5
A32P PP3F 00	16-5
A32P PP3H 00	14-8

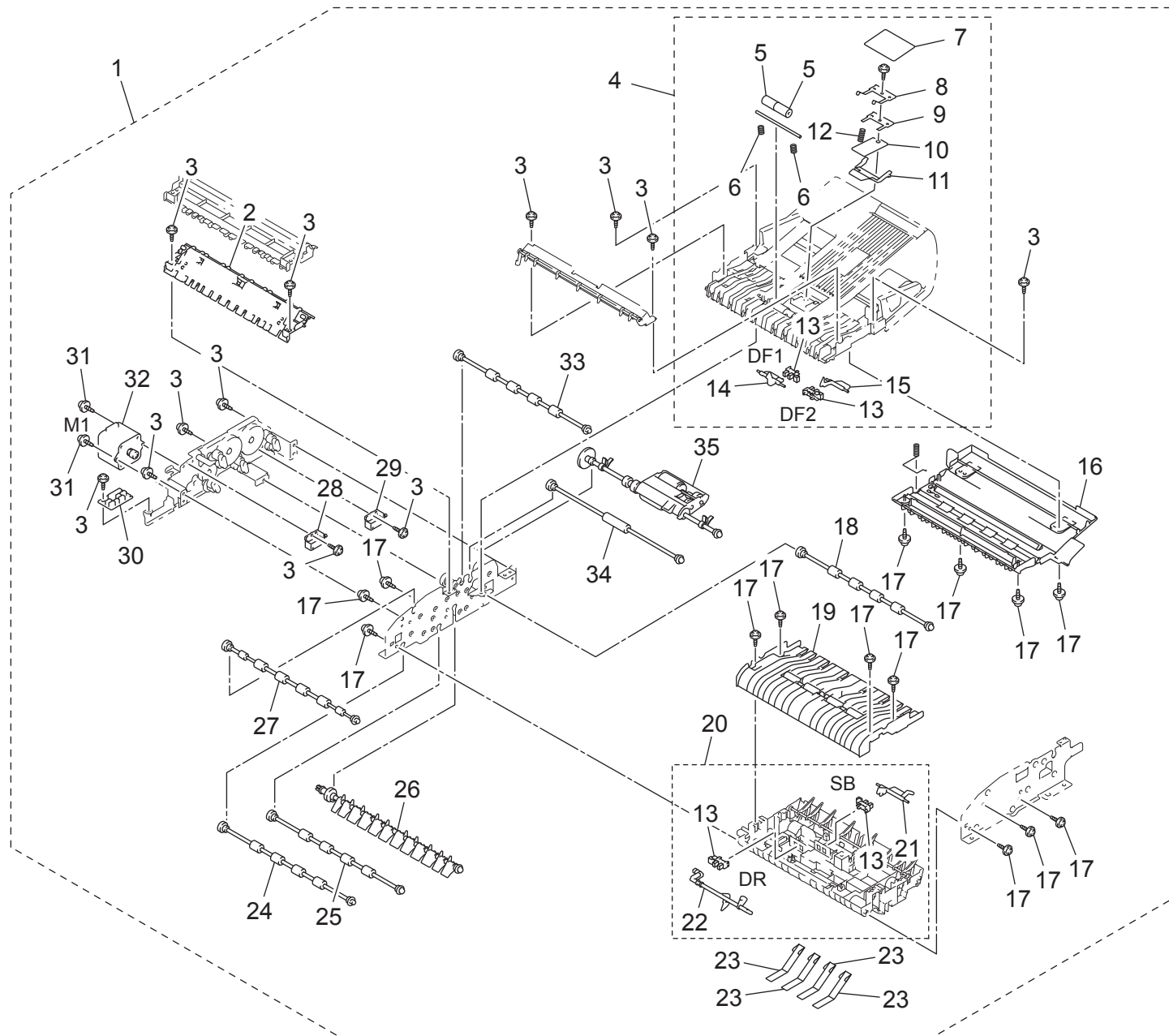
Parts No.	Page No.
A32P PP3K 00	8-1
A32P PP3M 00	16-5
A32P PP3P 00	6-6
A32P PP3R 00	5-3
A32R PP00 00	5-9
A32R PP01 00	1-17
A32R PP01 00	2-1
A32R PP02 00	2-19
A32R PP03 00	4-2
A32R PP04 00	1-31
A32R PP04 00	4-10
A32R PP05 00	3-7
A32R PP06 00	1-8
A32R PP07 00	1-7
A32R PP08 00	1-6
A32R PP09 00	4-11
A32R PP0A 01	2-15
A32R PP0B 00	4-12
A32R PP0C 00	4-15
A32R PP0D 00	4-14
A32R PP0E 00	4-7
A32R PP0F 00	1-32
A32R PP0G 00	2-9
A32R PP0H 00	5-2
A32R PP0J 00	4-5
A32R PP0K 00	2-8
A32R PP0L 00	4-13
A32R PP0M 01	6-5
A32R PP0N 01	6-7
A32R PP0P 00	4-8
A32R PP0Q 00	4-16
A32R PP0R 01	4-4
A32R PP0S 01	2-11
A32R PP0T 00	1-19
A32R PP0U 00	1-22
A32R PP0V 00	1-18
A32R PP0X 00	1-24
A32R PP0Y 00	1-25
A32R PP10 00	1-14
A32R PP11 00	1-12

Parts No.	Page No.
A32R PP12 00	1-11
A32R PP13 00	1-10
A32R PP14 01	1-16
A32R PP15 01	2-2
A32R PP16 00	2-18
A32R PP17 00	3-5
A32R PP18 01	3-3
A32R PP1A 00	1-20
A32R PP1B 00	1-21
A32R PP1C 00	1-26
A32R PP1D 01	1-4
A32R PP1E 00	1-15
A32R PP1F 00	1-33
A32R PP1G 00	1-2
A32R PP1H 01	2-3
A32R PP1J 00	1-13
A32R PP1J 00	4-9
A32R PP1K 00	17-2
A32R PP1L 00	2-14
A32R PP1N 00	14-23
A32R PP1S 00	16-3
A32R PP1T 01	16-6
A32R PP1U 00	5-1
A32R PP1V 00	5-10
A32R PP1X 00	1-30
A32R PP1Y 00	3-9
A32R PP21 00	14-24
A32R PP23 00	8-1
A32R PP24 00	1-5
A32R PP25 00	2-21
A32R PP26 00	1-23
A32R PP27 00	1-28
A32R PP28 00	1-29
A32R PP29 01	4-3
A32R PP2A 00	1-3
A32R PP2A 00	2-4
A32R PP2B 00	1-34
A32R PP2D 00	1-9
A32R PP2E 00	1-27
A32R PP2F 00	1-35

Parts No.	Page No.
A32R PP2G 00	14-1
A32R PP2H 01	3-1
A32R PP2J 01	2-5
A32R PP2K 01	3-6
A32R PP2L 01	2-10
A32R PP2M 01	1-1
A32R PP2T 01	10-6
A32R PP2U 00	5-6
A32R PP2X 00	2-16
A32R PP2Y 01	3-2
A32R PP30 01	2-7
A32R PP32 00	5-4
A32R PP33 00	3-8
A32R PP34 01	16-1
A32R PP35 00	2-20
A32R PP36 00	13-2
A32R PP37 00	17-1
A32R PP39 00	3-4
A32R PP3F 00	4-6
A32R PP3G 00	2-13
A32R PP3H 00	2-12
A32R PP3J 00	9-1
A32R PP3K 00	5-2
A32R PP3L 00	3-2
A32R PP3M 00	3-2
A32R PP3N 00	16-1
A32R PP3P 00	16-6
A32R PP3Q 00	17-1
A32R PP3R 00	17-2
A32R PP3S 00	2-6
A32R PP3T 00	9-1

ADF UNIT

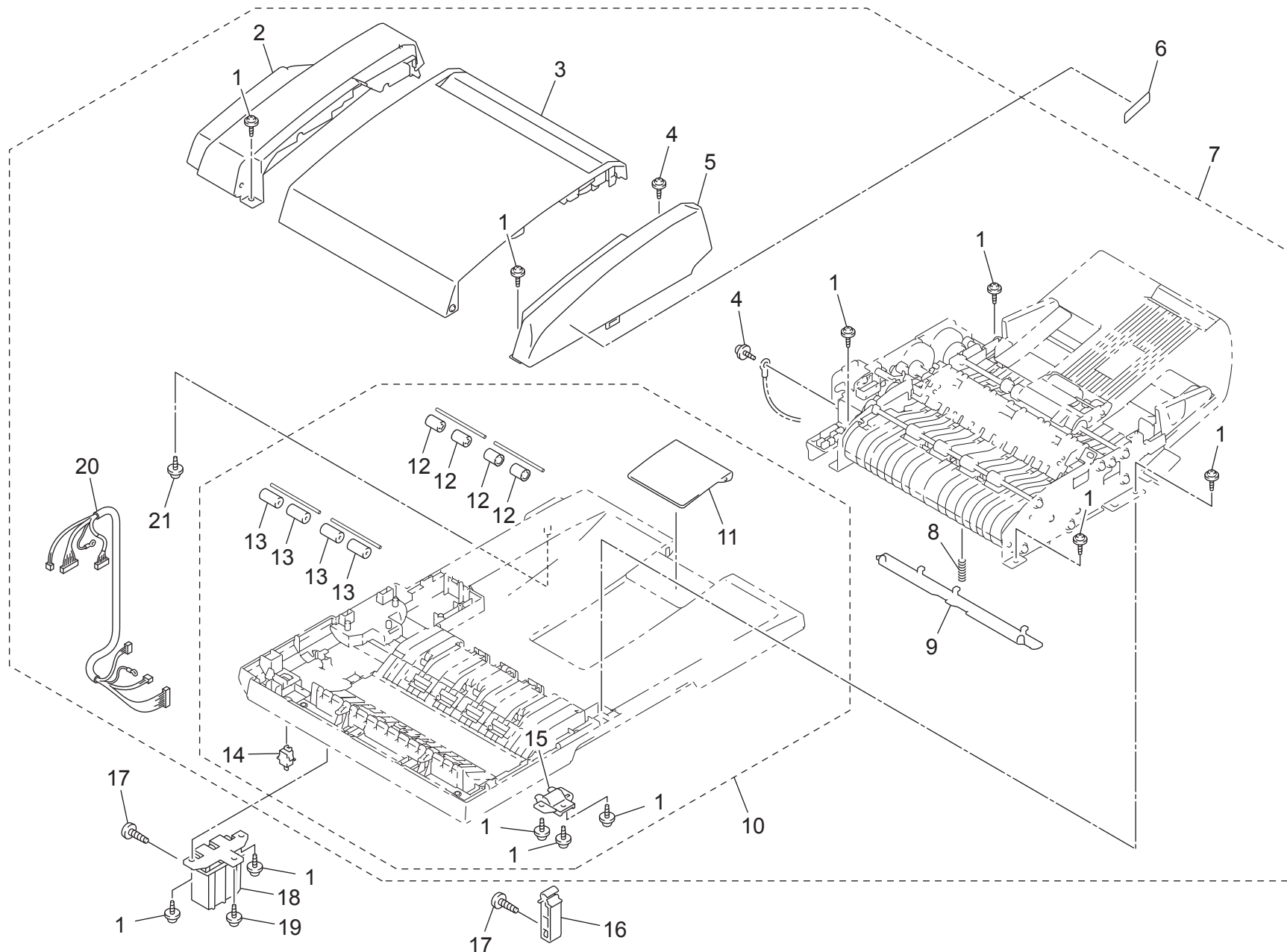
P 1



Key	Part No.	Description	Destinations	Class	QTY	Standard parts
1	A32R PP2M 01	ADF CHUTE ASSY DX		C	1	
2	A32R PP1G 00	SB CHUTE ASSY		C	1	
3	A32R PP2A 00	TAPTITE CUP S M3X8 SR		D	12	
4	A32R PP1D 01	PAPER FEED CHUTE ASSY		C	1	
5	A32R PP24 00	PRESSURE ROLLER		C	2	
6	A32R PP08 00	LF SPRING		D	2	
7	A32R PP07 00	ADF FILM		D	1	
8	A32R PP06 00	SPRING PLATE ADF FRONT A ASSY		D	1	
9	A32R PP2D 00	BACK SHEET ADF		D	1	
10	A32R PP13 00	SEPARATION RUBBER		C	1	
11	A32R PP12 00	RUBBER HOLDER		C	1	
12	A32R PP11 00	SEPARATION SPRING		C	1	
13	A32R PP1J 00	PHOTO INTERRUPTER		D	4	
14	A32R PP10 00	ACTUATOR FRONT1		C	1	
15	A32R PP1E 00	ACTUATOR FRONT2		C	1	
16	A32R PP14 01	EXIT CHUTE COVER ASSY		C	1	
17	A32R PP01 00	TAPTITE CUP B M3X10		D	14	
18	A32R PP0V 00	EXIT ROLLER ASSY		C	1	
19	A32R PP0T 00	UPPER MAIN CHUTE ASSY		C	1	
20	A32R PP1A 00	LOWER MAIN CHUTE ASSY		C	1	
21	A32R PP1B 00	ACTUATOR SB		C	1	
22	A32R PP0U 00	ACTUATOR R		C	1	
23	A32R PP26 00	LF4 FILM		C	4	
24	A32R PP0X 00	LF ROLLER3 ASSY		C	1	
25	A32R PP0Y 00	LF ROLLER4 ASSY		C	1	
26	A32R PP1C 00	FLAP ASSY		C	1	
27	A32R PP2E 00	LF ROLLER2 ASSY		D	1	
28	A32R PP27 00	S/B SOLENOID ASSY		C	1	
29	A32R PP28 00	PF SOLENOID ASSY		C	1	
30	A32R PP1X 00	ADF RELAY PCB		C	1	
31	A32R PP04 00	SCREW PAN (S/P WASHER) M3X6		D	2	
32	A32R PP0F 00	ADF MOTOR		D	1	
33	A32R PP1F 00	SB ROLLER ASSY		C	1	
34	A32R PP2B 00	LF ROLLER1 ASSY		C	1	
35	A32R PP2F 00	PF ROLLER HOLDER ASSY		D	1	

ADF UNIT

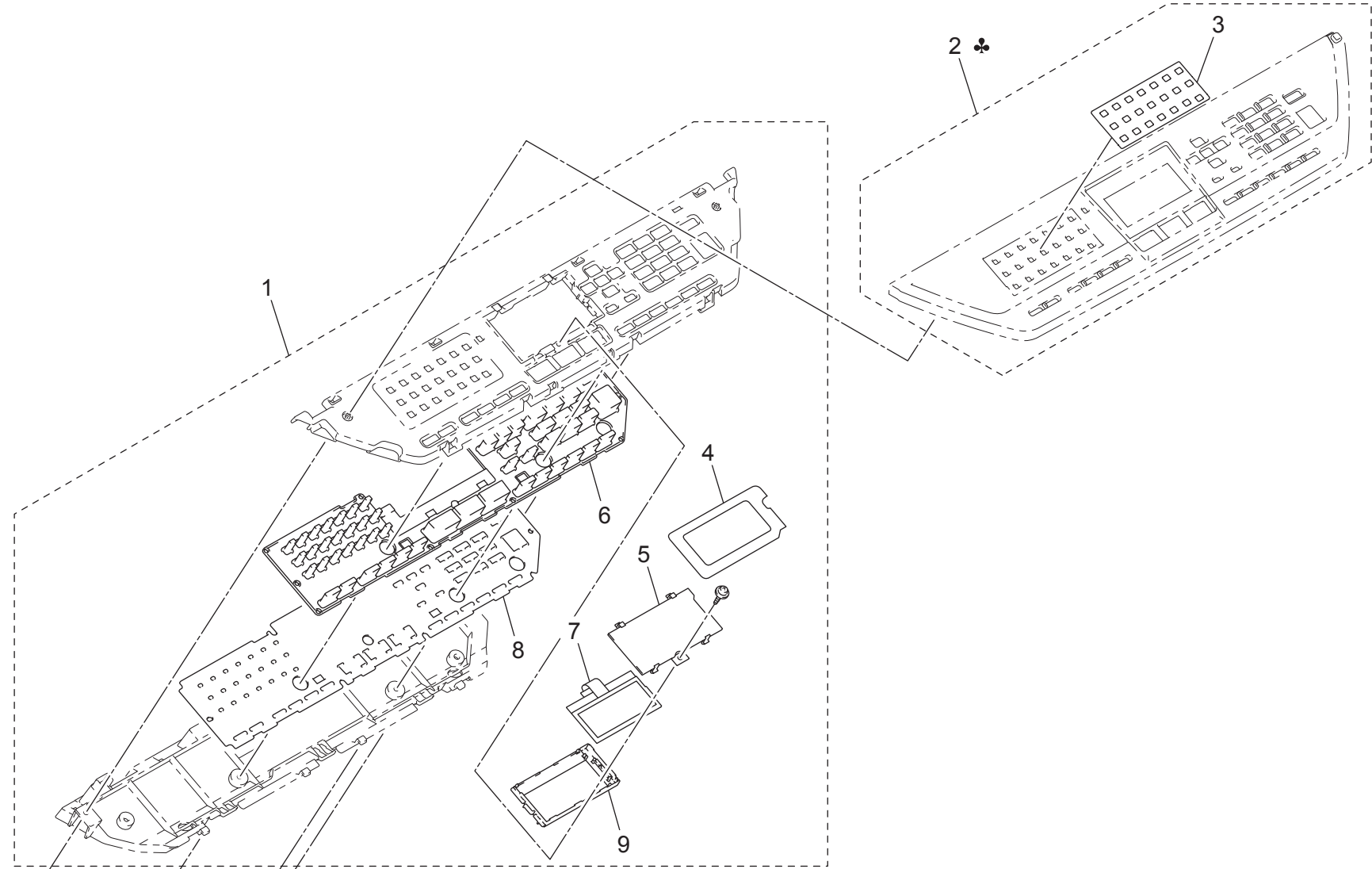
P 2



Key	Part No.	Description	Destinations	Class	QTY	Standard parts
1	A32R PP01 00	TAPTITE CUP B M3X10		D	11	
2	A32R PP15 01	ADF SIDE COVER R		C	1	
3	A32R PP1H 01	ADF COVER ASSY DX		C	1	
4	A32R PP2A 00	TAPTITE CUP S M3X8 SR		D	2	
5	A32R PP2J 01	ADF SIDE COVER F		D	1	
6	A32R PP3S 00	ADF EMBLEM KM BLANK		C	1	
7	A32R PP30 01	ADF UNIT LGL DX (SP)		C	1	
8	A32R PP0K 00	DOCUMENT HOLD SPRING		D	1	
9	A32R PP0G 00	DOCUMENT HOLD ASSY		C	1	
10	A32R PP2L 01	DOCUMENT COVER LGL SUB ASSY		C	1	
11	A32R PP0S 01	DOCUMENT EJECTION TRAY		C	1	
12	A32R PP3H 00	EJECTION ROLLER B4		D	4	
13	A32R PP3G 00	PRESSURE ROLLER		D	4	
14	A32R PP1L 00	DOCUMENT COVER SENSOR		D	1	
15	A32R PP0A 01	HINGE BASE R		C	1	
16	A32R PP2X 00	HINGE ARM R		C	1	
17	A32P PP03 00	TAPTITE BIND B M4X12		D	2	
18	A32R PP16 00	HINGE ASSY L		C	1	
19	A32R PP02 00	TAPTITE CUP S M3X12		D	1	
20	A32R PP35 00	ADF HARNESS ASSY ALEFB DX		D	1	
21	A32R PP25 00	TAPTITE CUP B M3X10		D	1	

CONTROL PANEL

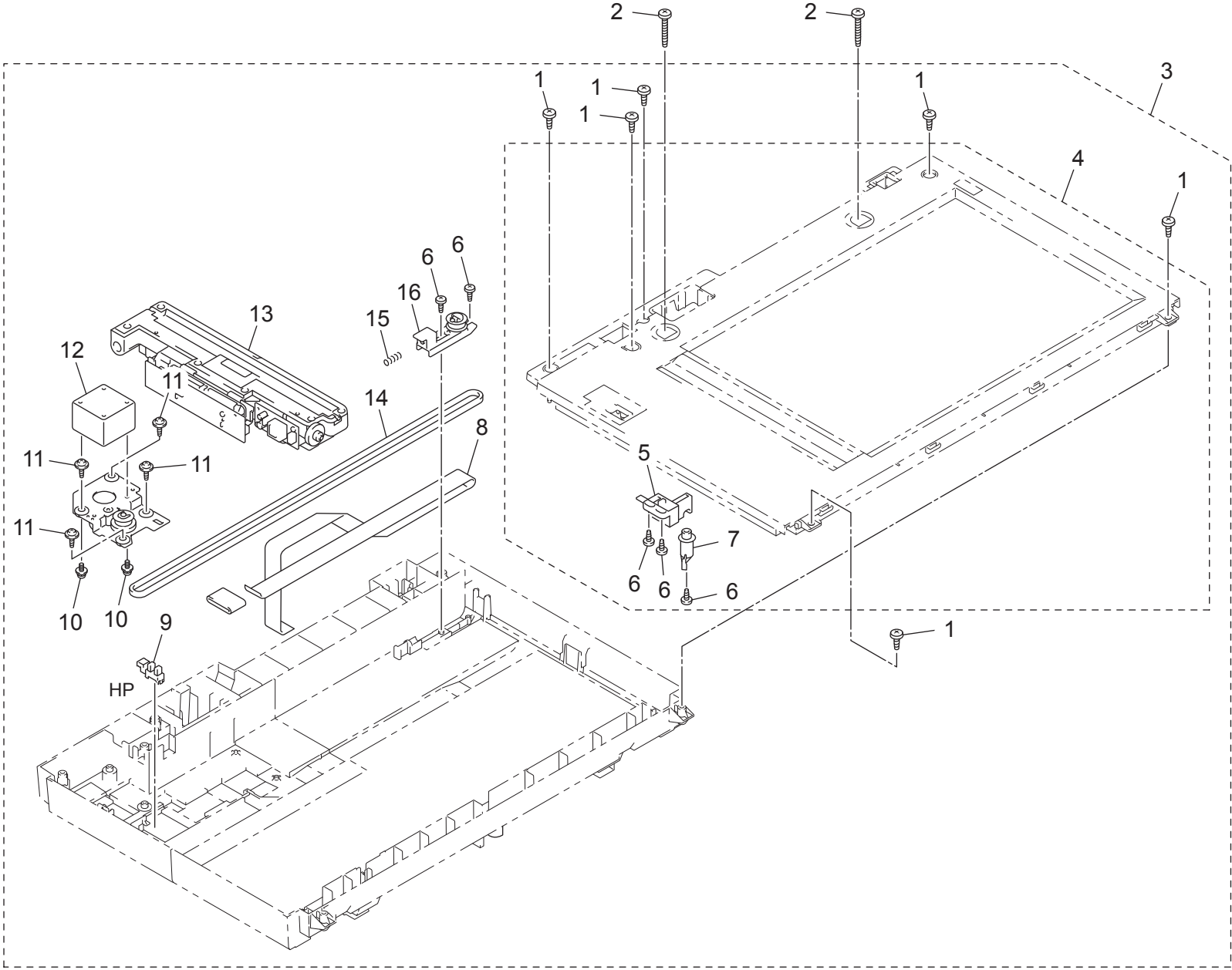
P 3



CONTROL PANEL

Key	Part No.	Description	Destinations	Class	QTY	Standard parts
1	A32R PP2H 01	PANEL UNIT		C	1	
2	A32R PP2Y 01	PANEL COVER ASSY	B,G2	D	1	
2	A32R PP3L 00	PANEL COVER ASSY (RUSSIAN) FOR RUS	C,(RUSSIA)	D	1	
2	A32R PP3M 00	PANEL COVER ASSY (ENGLISH) FOR RUS	C,(RUSSIA)	D	1	
3	A32R PP18 01	ADDRESS LABEL		C	1	
4	A32R PP39 00	PANEL INSULATION SHEET		D	1	
5	A32R PP17 00	LCD COVER		C	1	
6	A32R PP2K 01	PRINTED RUBBER KEY		D	1	
7	A32R PP05 00	LCD		C	1	
8	A32R PP33 00	PANEL PCB ASSY		C	1	
9	A32R PP1Y 00	BACK LIGHT MODULE		C	1	
10	A32P PP07 00	TAPTITE CUP B M4X12		D	4	

IR SECTION

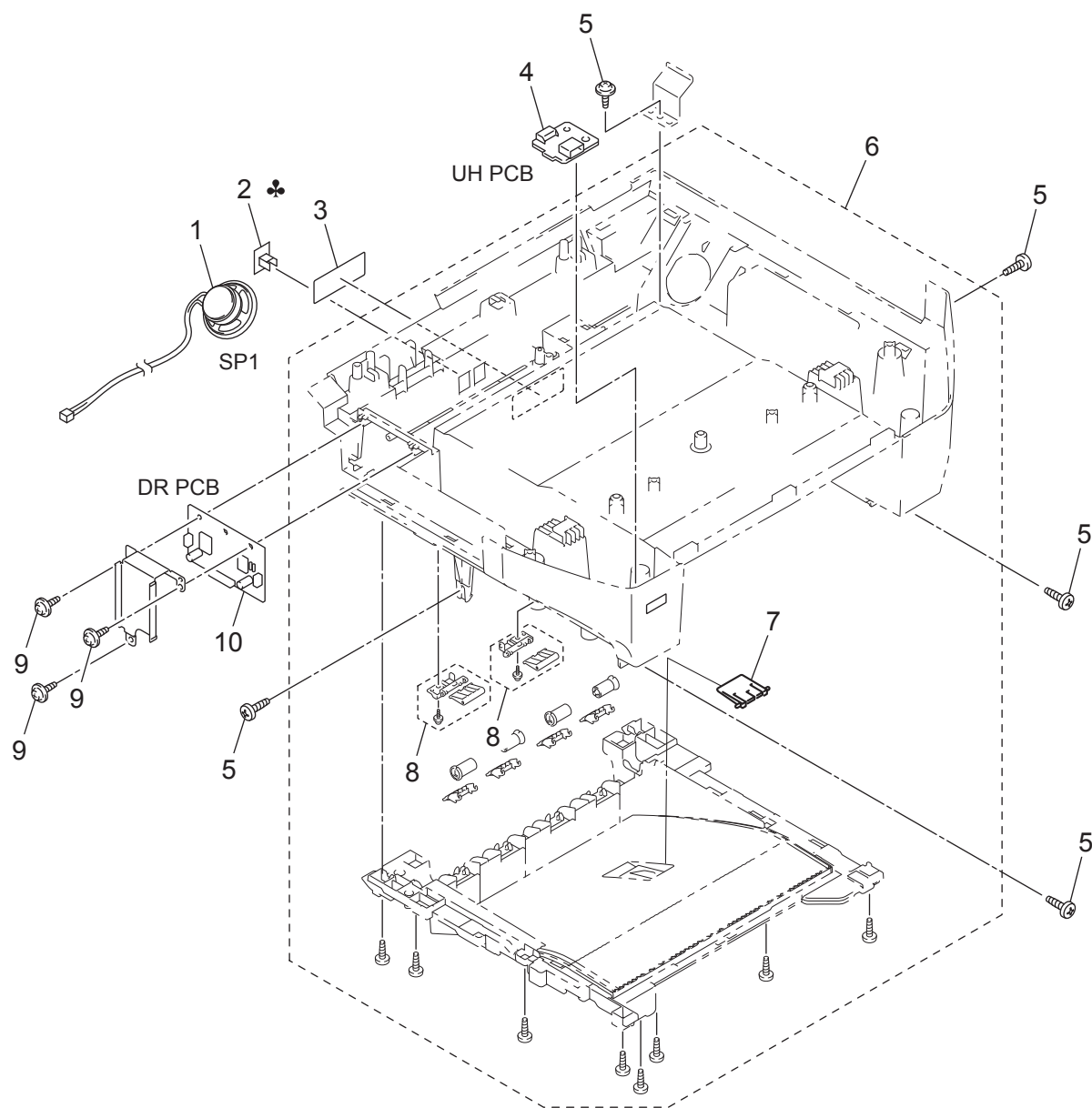


IR SECTION

Key	Part No.	Description	Destinations	Class	QTY	Standard parts
1	A32P PP07 00	TAPTITE CUP B M4X12		D	6	
2	A32R PP03 00	TAPTITE CUP B M4X20		D	2	
3	A32R PP29 01	FB UNIT ASSY(SP)		S	1	
4	A32R PP0R 01	TOP COVER ASSY		C	1	
5	A32R PP0J 00	LOCK LEVER ASSY		D	1	
6	A32R PP3F 00	TAPTITE B 3X6		D	5	
7	A32R PP0E 00	LOCK LEVER B		D	1	
8	A32R PP0P 00	FFC CABLE ASSY		C	1	
9	A32R PP1J 00	PHOTO INTERRUPTER		D	1	
10	A32R PP04 00	SCREW PAN (S/P WASHER) M3X6		D	2	
11	A32R PP09 00	TAPTITE PAN B M3X8		D	4	
12	A32R PP0B 00	SCANNING MOTOR FB		C	1	
13	A32R PP0L 00	CCD MODULE(SP)		I	1	
14	A32R PP0D 00	BELT		D	1	
15	A32R PP0C 00	PULLEY SPRING		D	1	
16	A32R PP0Q 00	PULLEY ASSY		C	1	

EXTERNAL PARTS

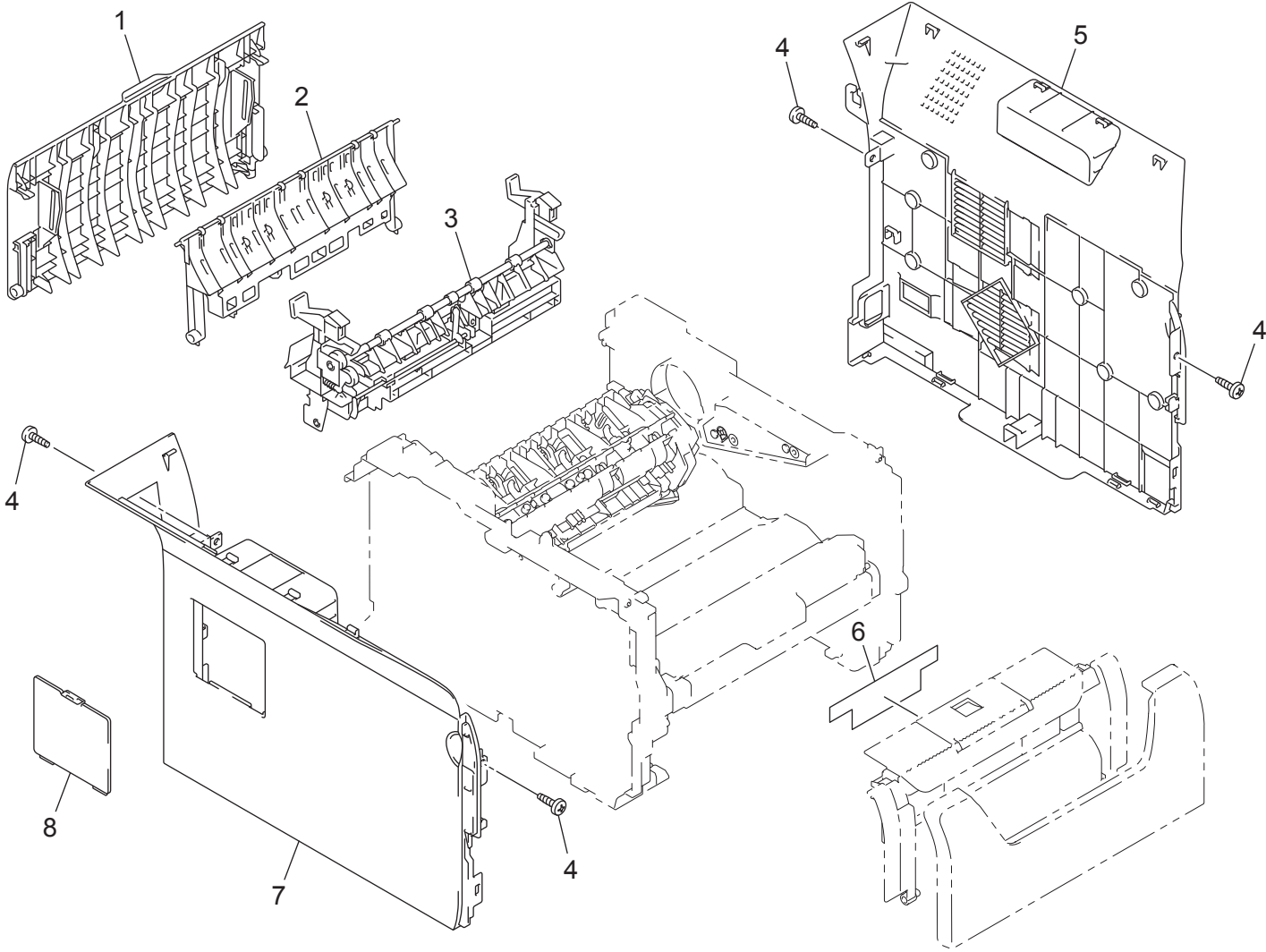
P 5



EXTERNAL PARTS

Key	Part No.	Description	Destinations	Class	QTY	Standard parts
1	A32R PP1U 00	SPEAKER ASSY		C	1	
2	A32R PP0H 00	EXT CAP	B,G2,C,(RUSSIA)	D	1	
2	A32R PP3K 00	MJ COVER EXT FOR EUR	C,(EUROPE)	D	1	
3	A32P PP3R 00	FUSER CAUTION LABEL		C	1	
4	A32R PP32 00	USB HOST PCB		C	1	
5	A32P PP03 00	TAPTITE BIND B M4X12		D	5	
6	A32R PP2U 00	JOINT COVER ASSY		C	1	
7	A32P PP2G 01	SUPPORT FLAP 2		D	1	
8	A32P PP2V 00	PAPER STACK LEVER SP ASSY		C	2	
9	A32R PP00 00	TAPTITE CUP B M3X8		D	3	
10	A32R PP1V 00	DRIVER PCB ASSY		I	1	

EXTERNAL PARTS

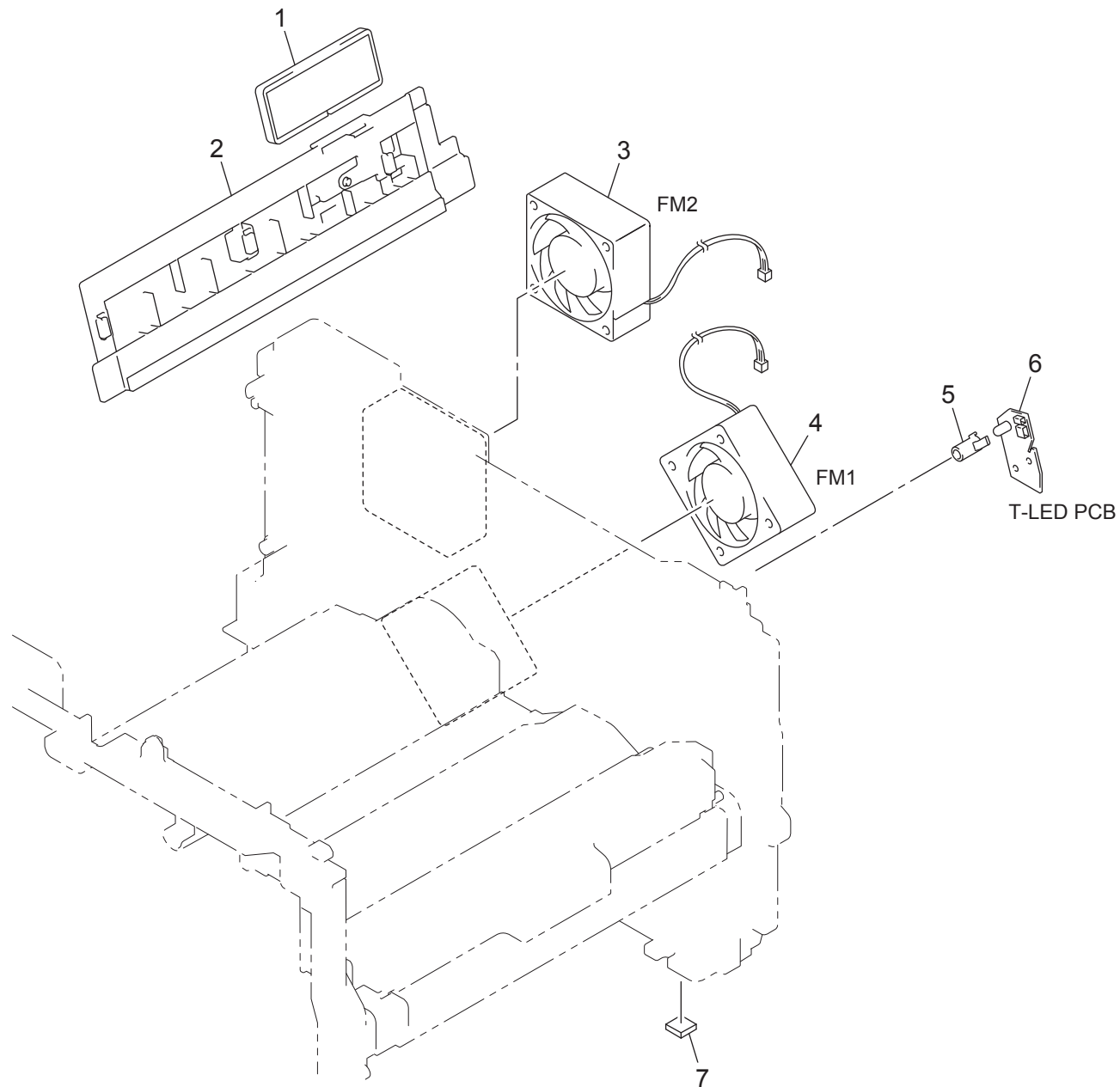


EXTERNAL PARTS

Key	Part No.	Description	Destinations	Class	QTY	Standard parts
1	A32P PP2D 01	BACK COVER		D	1	
2	A32P PP2E 00	OUTER CHUTE ASSY		D	1	
3	A32P PP2H 00	REAR CHUTE ASSY		D	1	
4	A32P PP03 00	TAPTITE BIND B M4X12		D	4	
5	A32R PP0M 01	SIDE COVER R		C	1	
6	A32P PP3P 00	PROCESS UNIT OP LABEL		C	1	
7	A32R PP0N 01	SIDE COVER L		C	1	
8	A32P PP1Q 01	ACCESS COVER		C	1	

MAIN FRAME SECTION

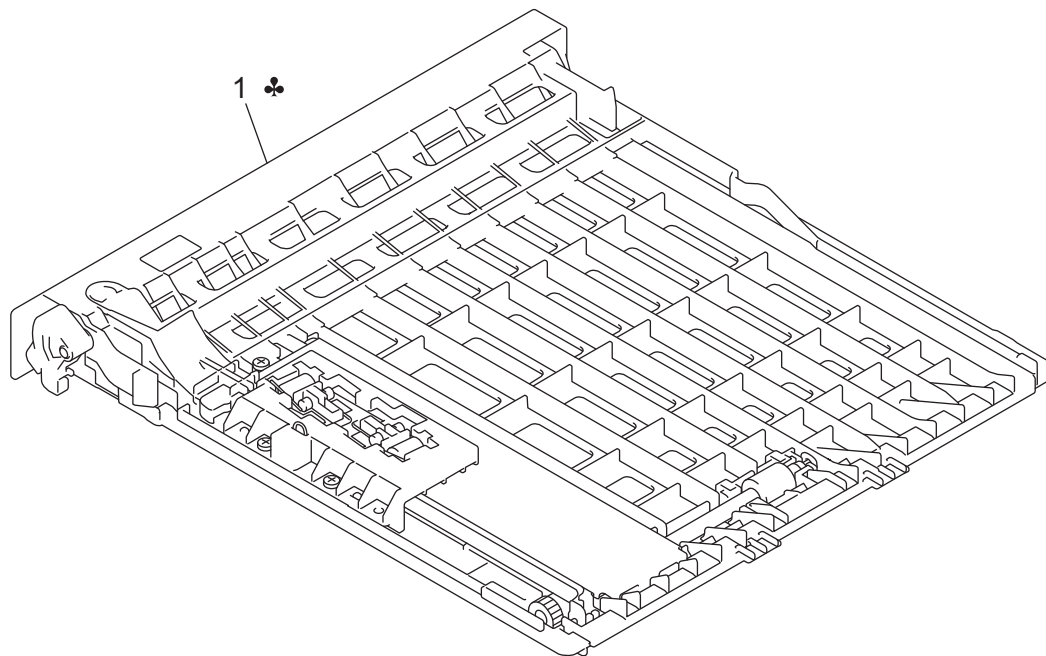
P 7



MAIN FRAME SECTION

Key	Part No.	Description	Destinations	Class	QTY	Standard parts
1	A32P PP2J 00	FILTER		C	1	
2	A32P PP23 00	AIR DUCT JPN ASSY AL		D	1	
3	A32P PP2A 00	FAN MOTOR 60 UNIT		C	1	
4	A32P PP18 00	FAN MOTOR 60 UNIT LV		C	1	
5	A32P PP0Q 00	LED HOLDER		D	1	
6	A32P PP3C 00	TONER LED PCB ASSY		C	1	
7	A32P PP0C 00	RUBBER FOOT		D	1	

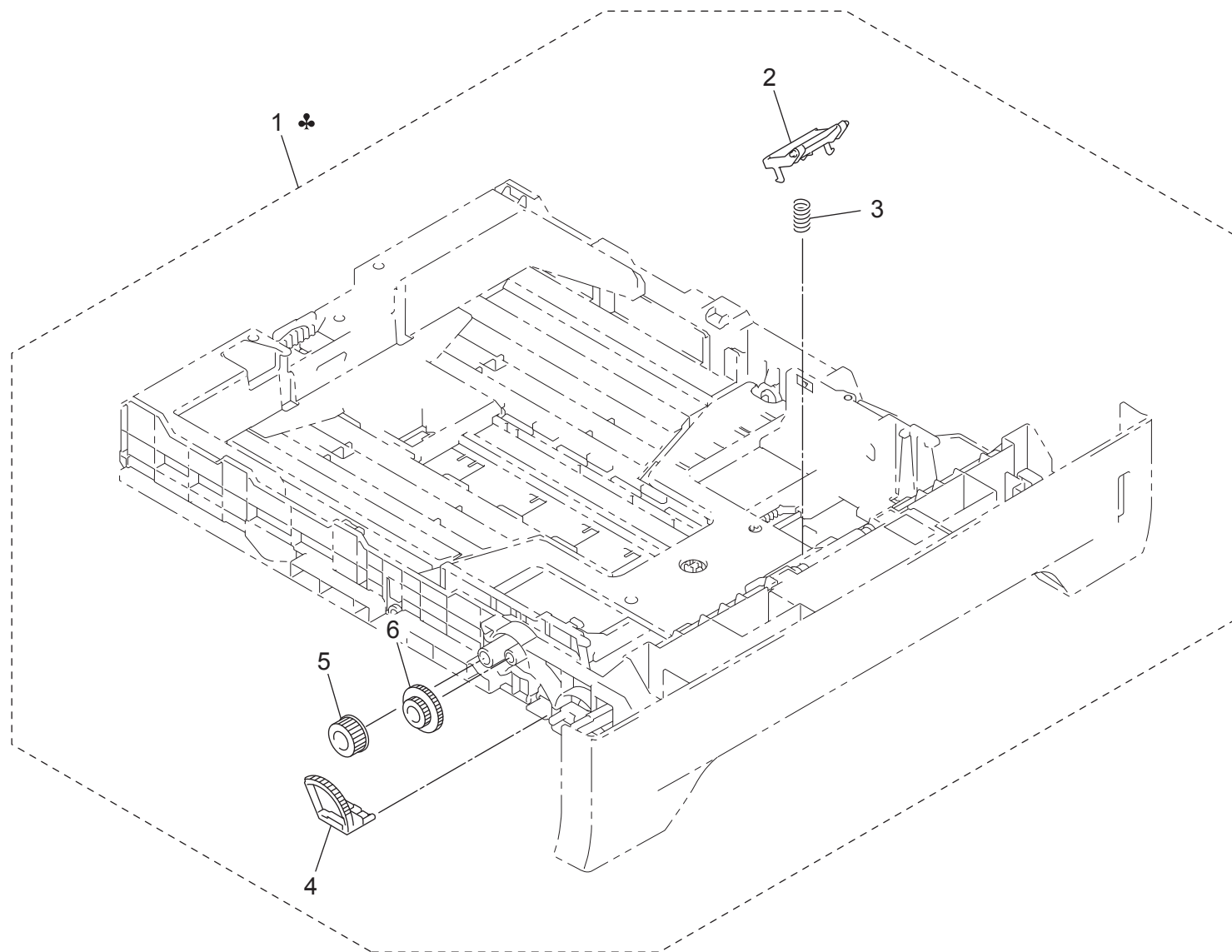
DUPLEX TRAY SECTION



DUPLEX TRAY SECTION

Key	Part No.	Description	Destinations	Class	QTY	Standard parts
1	A32P PP3K 00	DX FEED ASSY A4 FOR GER/RUS	C	C	1	
1	A32R PP23 00	DX FEED ASSY	B,G2	C	1	

CASSETTE SECTION

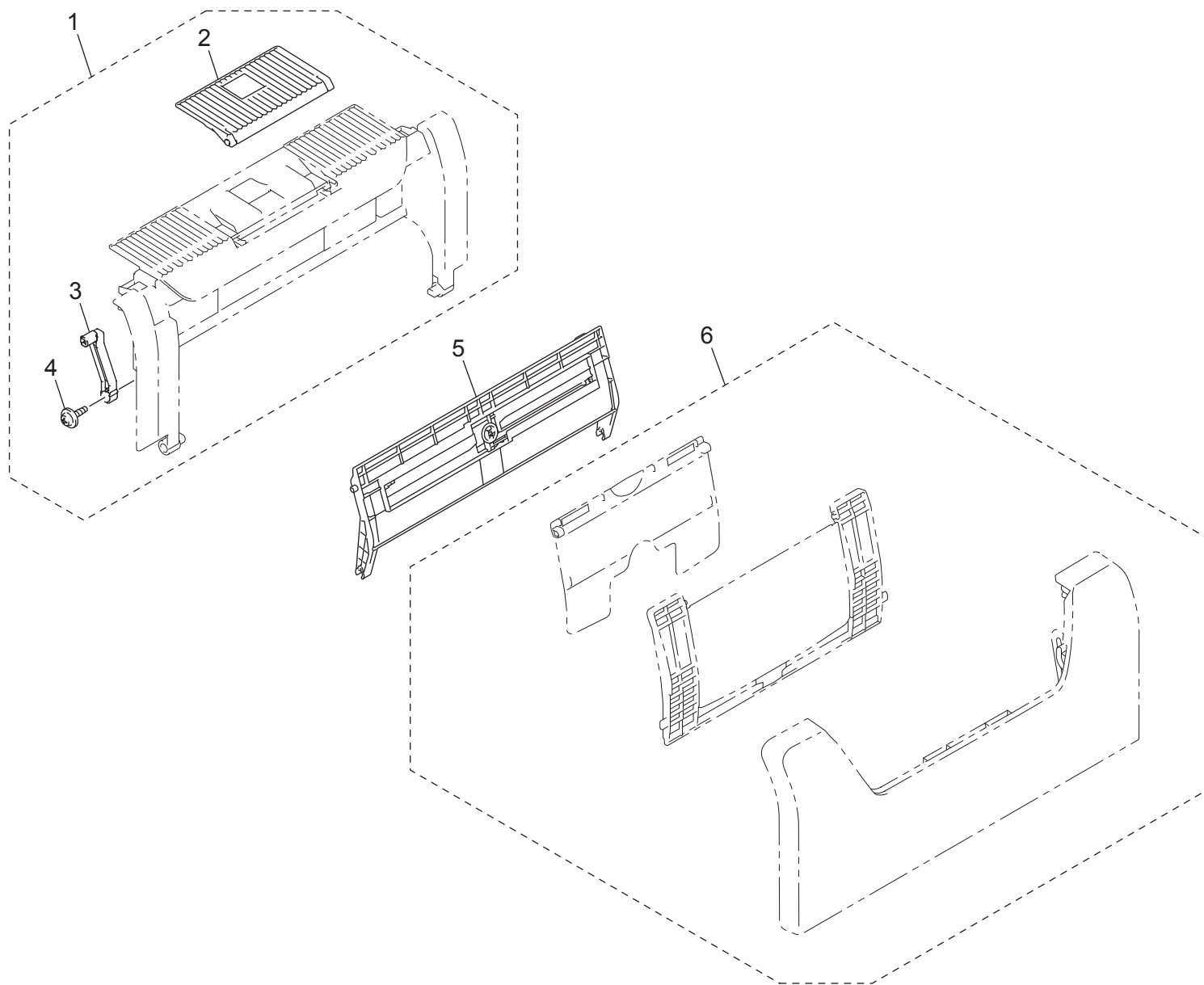


CASSETTE SECTION

Key	Part No.	Description	Destinations	Class	QTY	Standard parts
1	A32R PP3T 00	PAPER TRAY UNIT A4 FOR EUR/RUS	C	S	1	
1	A32R PP3J 00	PAPER TRAY UNIT UNIV FOR US	B,G2	S	1	
2	A32P PP1K 00	SEPARATION PAD ASSY		B	1	
3	A32P PP1L 00	SEPARATION PAD SPRING		C	1	
4	A32P PP1P 00	LIFT GEAR 46		C	1	
5	A32P PP1M 00	GEAR 15		C	1	
6	A32P PP1N 00	GEAR 21-16		C	1	

PAPER FEED TRAY SECTION

P 10

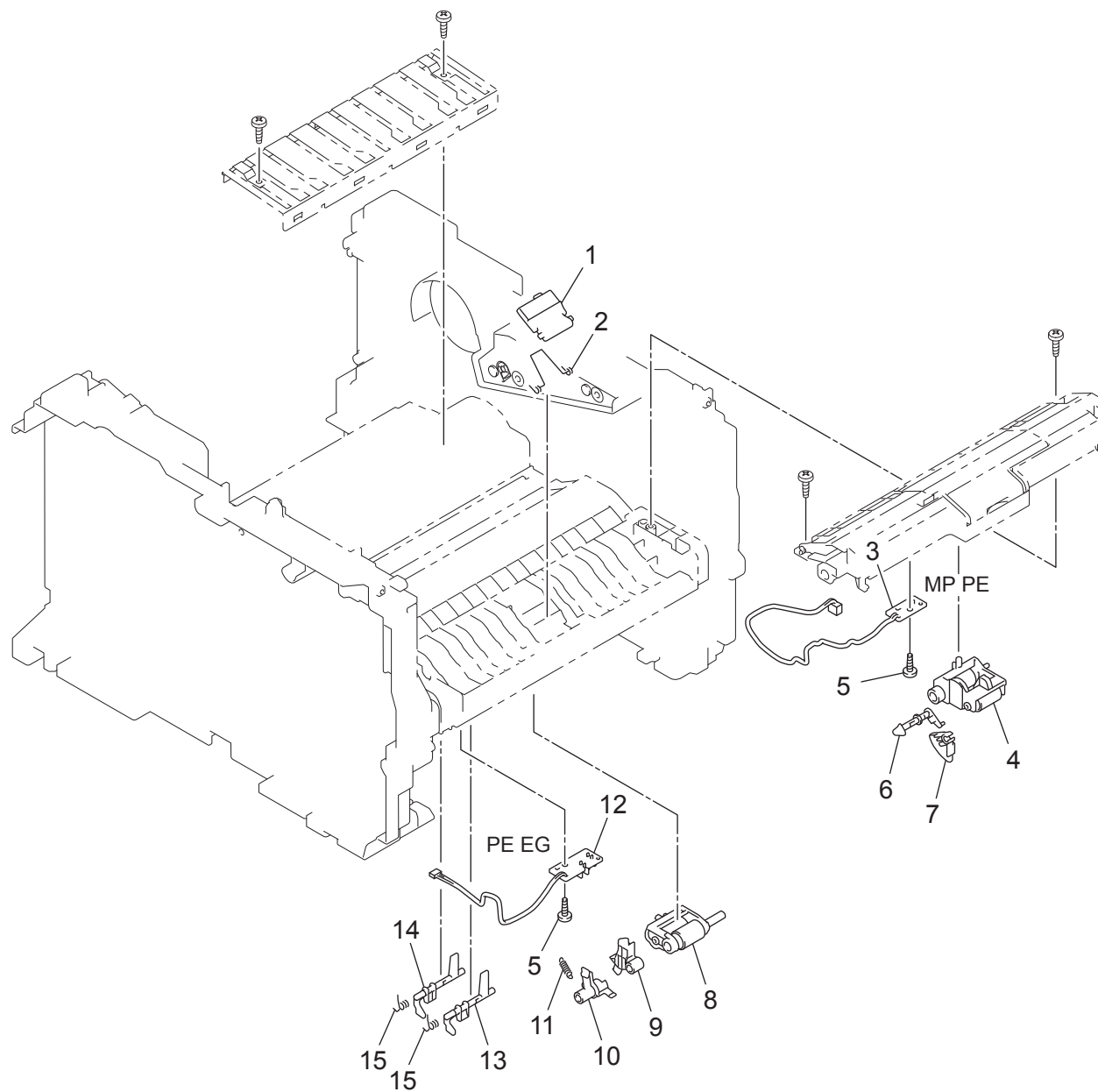


PAPER FEED TRAY SECTION

Key	Part No.	Description	Destinations	Class	QTY	Standard parts
1	A32P PP35 01	PROCESS COVER ASSY		D	1	
2	A32P PP31 00	SUPPORT FLAP 1		D	1	
3	A32P PP19 00	PROCESS COVER STOPPER		D	1	
4	A32P PP06 00	TAPTITE CUP B M4X10		D	1	
5	A32P PP1H 01	TRAY MP ASSY		D	1	
6	A32R PP2T 01	MP TRAY COVER ASSY		D	1	

PAPER FEED TRAY SECTION

P 11

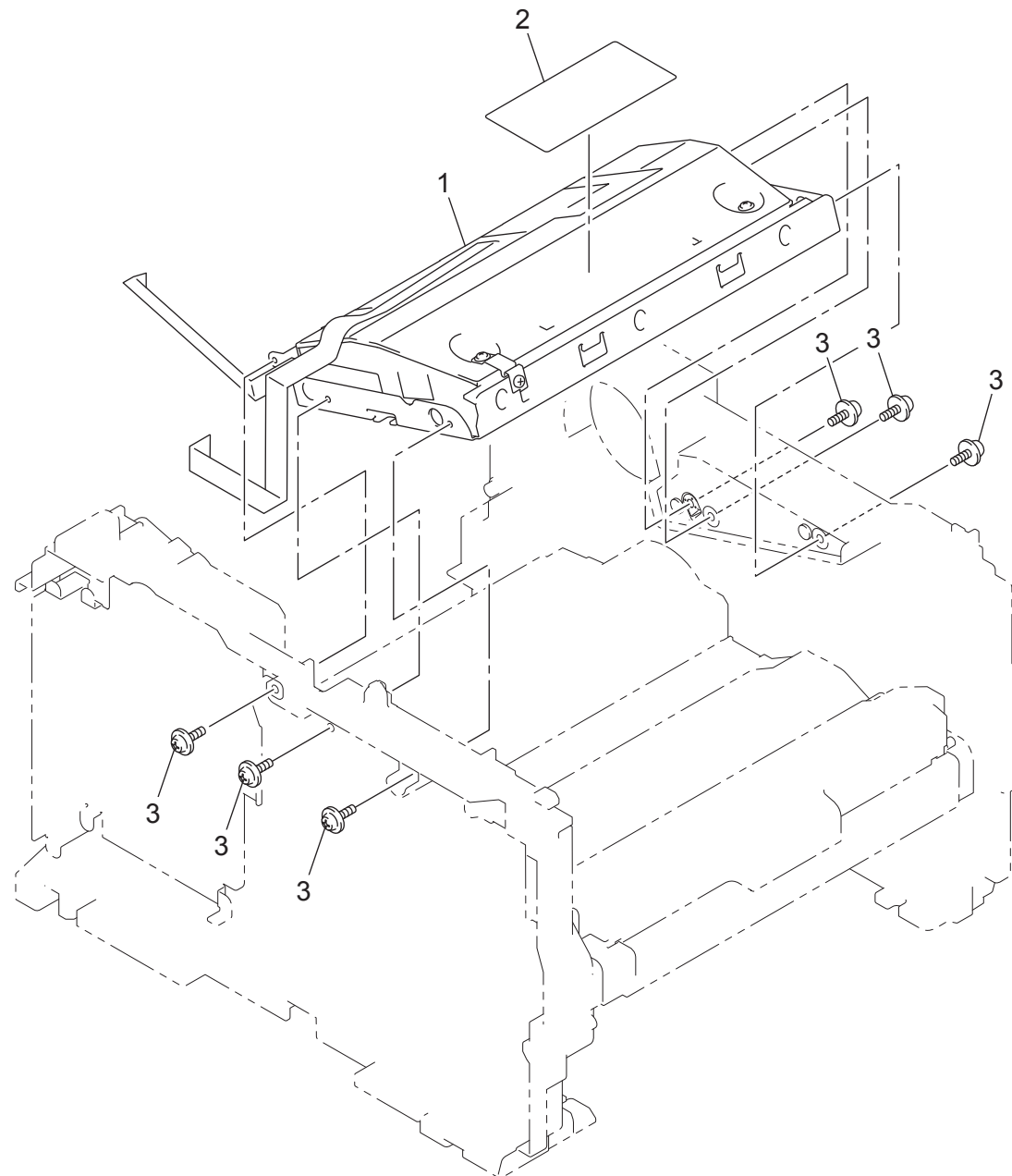


PAPER FEED TRAY SECTION

Key	Part No.	Description	Destinations	Class	QTY	Standard parts
1	A32P PP24 00	SEPARATION PAD ASSY MP 2		B	1	
2	A32P PP22 00	MP SEPARATION SPRING A		C	1	
3	A32P PP0N 00	MP PE SENSOR ASSY		C	1	
4	A32P PP2N 00	MP ROLLER HOLDER ASSY		B	1	
5	A32P PP01 00	TAPTITE BIND B M3X8		D	2	
6	A32P PP27 00	PE ACTUATOR MP B 2		D	1	
7	A32P PP1G 00	PE ACTUATOR MP		C	1	
8	A32P PP2M 00	ROLLER HOLDER ASSY		B	1	
9	A32P PP39 00	PE ACTUATOR 2		D	1	
10	A32P PP1A 00	EDGE ACTUATOR		C	1	
11	A32P PP1B 00	EDGE ACTUATOR SPRING		C	1	
12	A32P PP25 00	PE EG SENSOR ASSY		C	1	
13	A32P PP1D 00	REGIST ACTUATOR FRONT		C	1	
14	A32P PP1E 00	REGIST ACTUATOR REAR		C	1	
15	A32P PP1F 00	REGIST ACTUATOR SPRING		C	2	

LASER UNIT

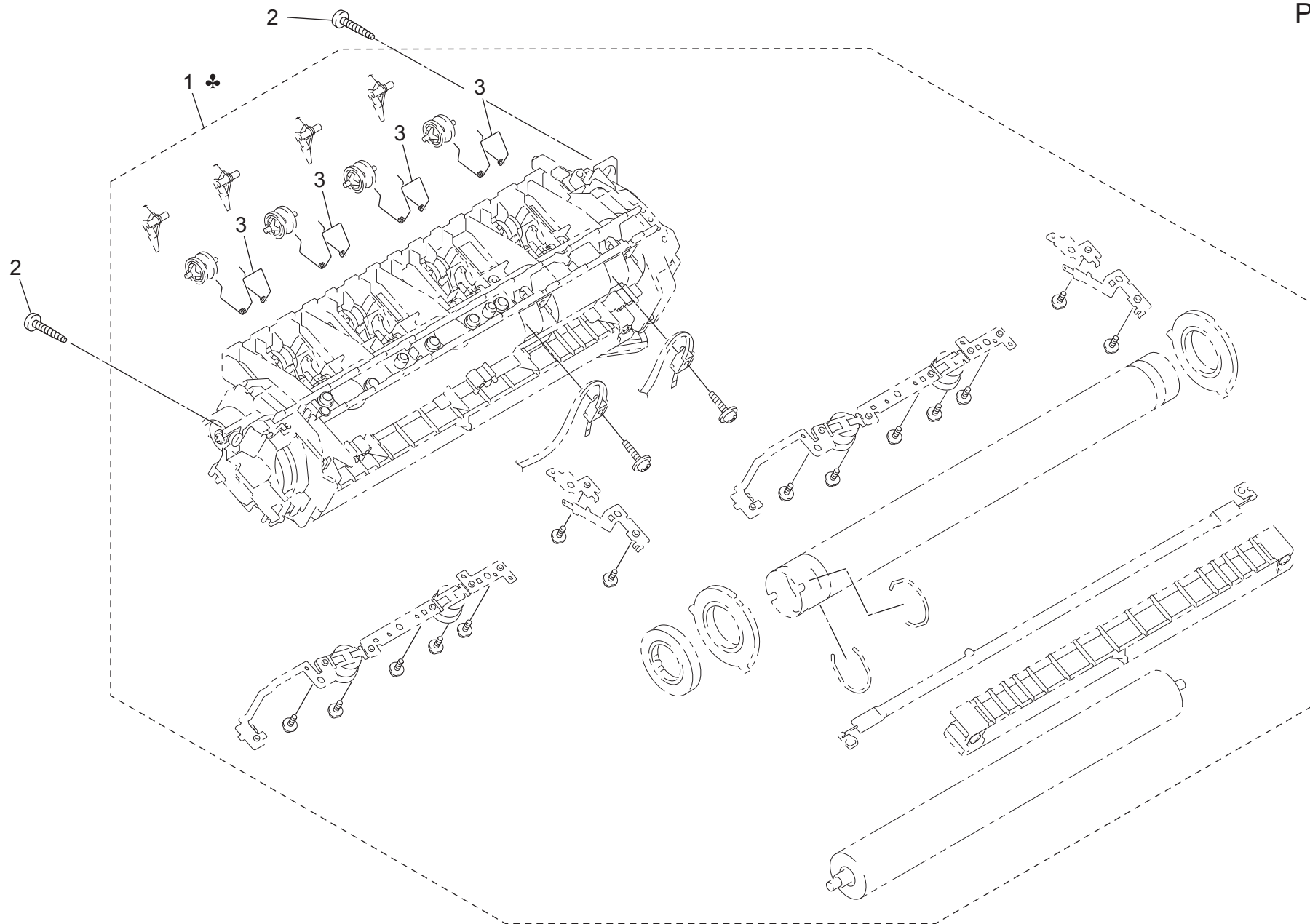
P 12



LASER UNIT

Key	Part No.	Description	Destinations	Class	QTY	Standard parts
1	A32P PP2L 00	LASER UNIT (SP)		C	1	
2	A32P PP08 00	LASER CAUTION LABEL B		D	1	
3	A32P PP05 00	TAPTITE CUP S M3X6		D	6	

FUSING UNIT

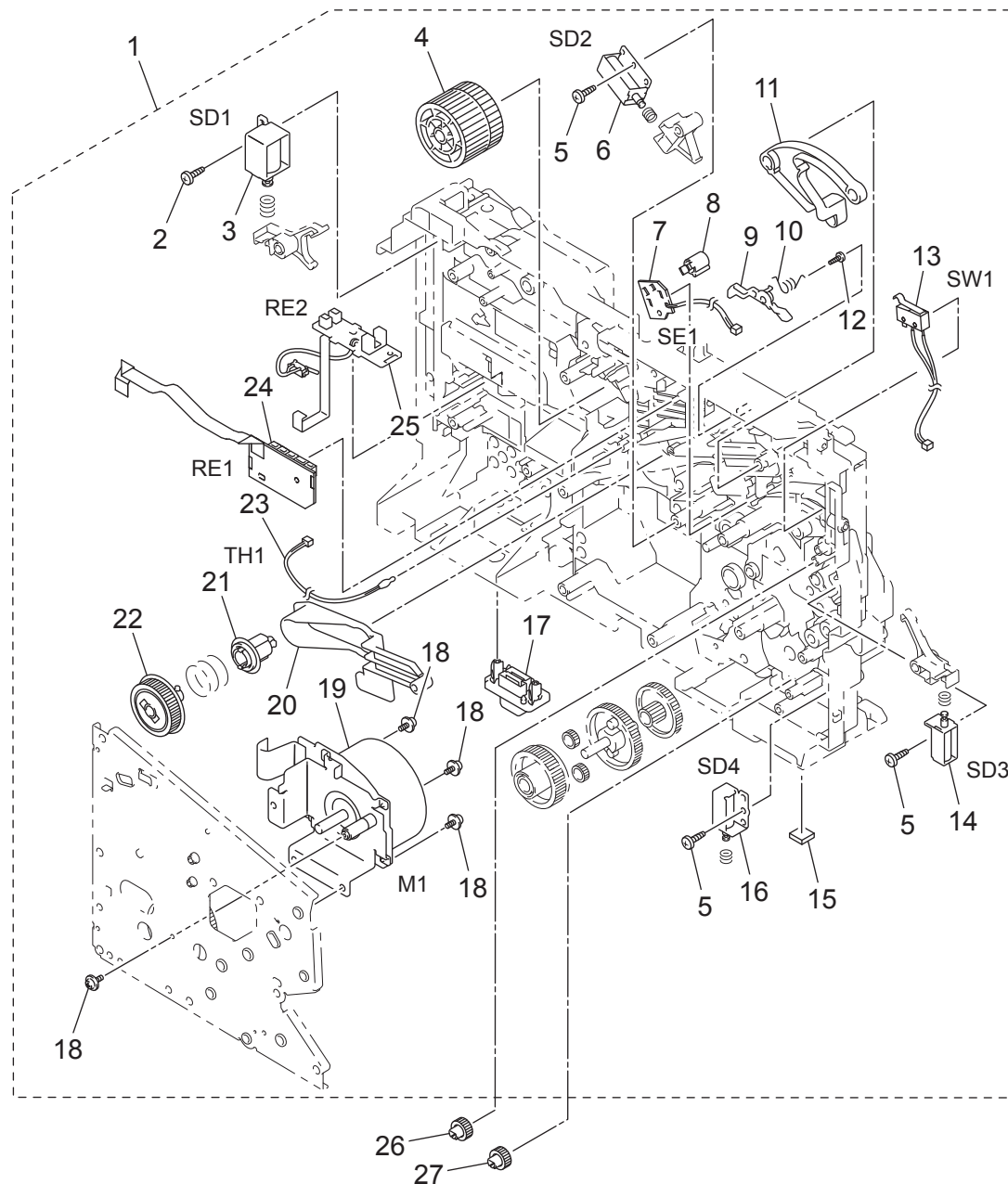


FUSING UNIT

Key	Part No.	Description	Destinations	Class	QTY	Standard parts
1	A32P PP3A 00	FUSER UNIT 115V (SP)	B,G2	I	1	
1	A32P PP3B 00	FUSER UNIT 230V (SP)	C	I	1	
2	A32R PP36 00	TAPTITE PAN B M4X20		D	2	
3	A32P PP2F 00	PRESSURE SPRING		C	4	

DRIVE SECTION

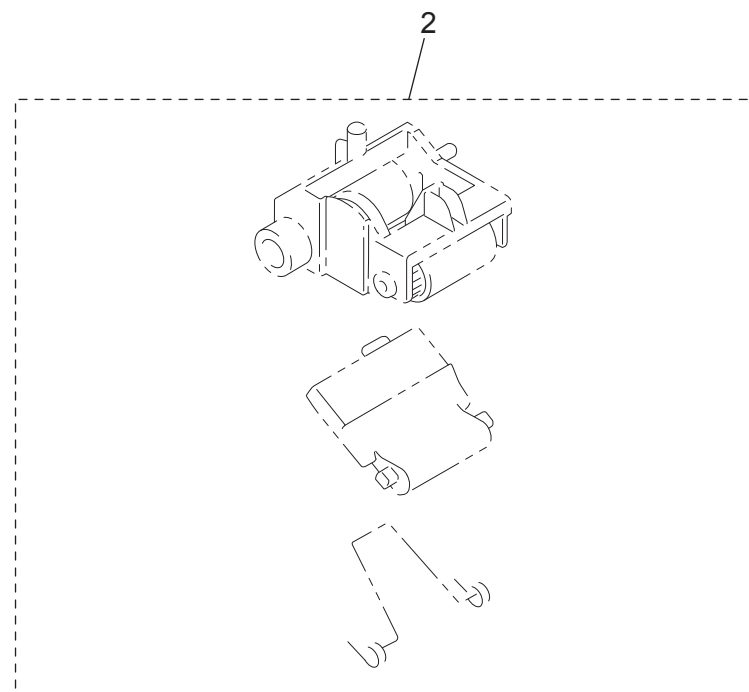
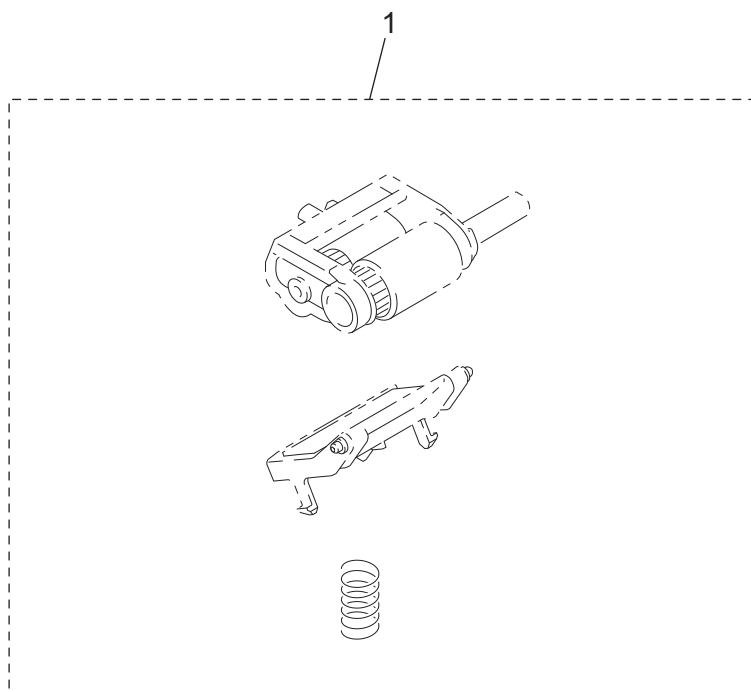
P 14



DRIVE SECTION

Key	Part No.	Description	Destinations	Class	QTY	Standard parts
1	A32R PP2G 00	MAIN FRAME L UNIT		C	1	
2	A32P PP02 00	TAPTITE BIND B M3X10		D	1	
3	A32P PP0R 00	EJECTOR SOLENOID		C	1	
4	A32P PP0U 00	FUSER GEAR 39 H/R DRIVE		C	1	
5	A32P PP02 00	TAPTITE BIND B M3X10		D	3	
6	A32P PP0V 00	REGISTER SOLENOID ASSY		C	1	
7	A32P PP0E 00	TONER SENSOR PCB ASSY		I	1	
8	A32P PP3H 00	PT SENSOR HOLDER		C	1	
9	A32P PP14 00	NEW TONER ACTUATOR		C	1	
10	A32P PP15 00	NEW TONER ACTUATOR SPRING		C	1	
11	A32P PP11 00	DRIVE RELEASE LINK		D	1	
12	A32P PP04 00	TAPTITE CUP B M2X6		D	1	
13	A32P PP0G 00	INTERLOCK SW ASSY		C	1	
14	A32P PP0X 00	MP SOLENOID ASSY		C	1	
15	A32P PP0C 00	RUBBER FOOT		D	1	
16	A32P PP0Y 00	T1 SOLENOID ASSY		C	1	
17	A32P PP0J 00	CONNECTOR 54702-1219		C	1	
18	A32P PP05 00	TAPTITE CUP S M3X6		D	4	
19	A32P PP0T 00	MAIN MOTOR ASSY		B	1	
20	A32P PP10 00	DRIVE RELEASE CAM		D	1	
21	A32P PP2P 00	DEVELOP JOINT		C	1	
22	A32P PP0S 00	DEV GEAR 37R JOINT DRIVE		C	1	
23	A32R PP1N 00	THERMISTOR ASSY		D	1	
24	A32R PP21 00	RELAY FRONT PCB ASSY		C	1	
25	A32P PP0H 00	RELAY REAR PCB ASSY		C	1	
26	A32P PP17 00	GEAR 17 MP ROLLER DRIVE		C	1	
27	A32P PP16 00	GEAR 20 T1 ROLLER DRIVE		C	1	

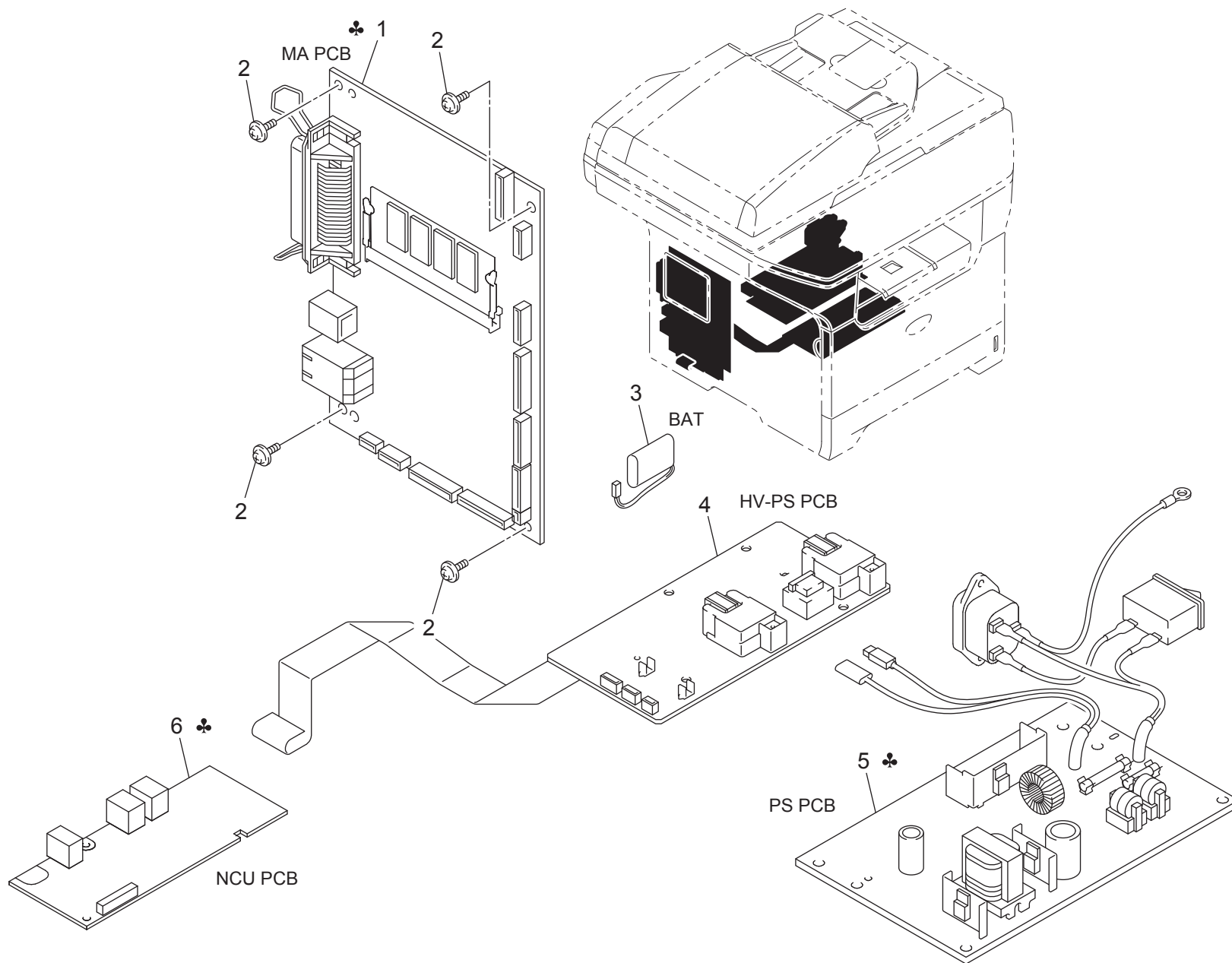
ROLLER ASSY



ROLLER ASSY

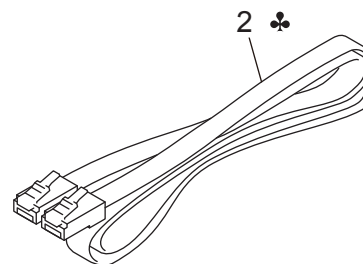
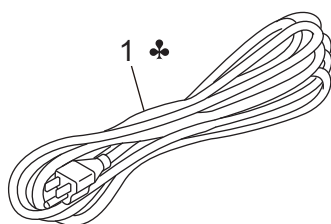
Key	Part No.	Description	Destinations	Class	QTY	Standard parts
1	A32P PP2X 00	ROLLER HOLDER ALE SP ASSY		B	1	
2	A32P PP2Y 00	MP ROLLER HOLDER ALE SP ASSY		B	1	

ELECTRICAL COMPONENTS



ELECTRICAL COMPONENTS

Key	Part No.	Description	Destinations	Class	QTY	Standard parts
1	A32R PP34 01	MAIN PCB ASSY	B,G2	D	1	
1	A32R PP3N 00	MAIN PCB ASSY FOR EUR/RUS	C	D	1	
2	A32P PP21 00	TAPTITE CUP S M3X6 SR		D	4	
3	A32R PP1S 00	BATTERY ASSY		D	1	
4	A32P PP0M 00	HIGH-VOLTAGE PS PCB ASSY		I	1	
5	A32P PP3E 00	PS PCB UNIT 115V	B,G2	C	1	
5	A32P PP3M 00	PS PCB UNIT 230V FOR RUS	C,(RUSSIA)	C	1	
5	A32P PP3F 00	PS PCB UNIT 230V	C,(EUROPE)	C	1	
6	A32R PP1T 01	NCU PCB ASSY	B,G2	I	1	
6	A32R PP3P 00	NCU PCB ASSY FOR EUR/RUS	C	I	1	

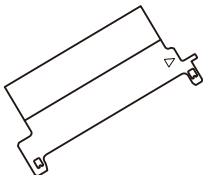


ACCESSORY PARTS

Key	Part No.	Description	Destinations	Class	QTY	Standard parts
1	A32R PP37 00	AC CORD BAG ASSY	B,G2	D	1	
1	A32R PP3Q 00	AC CORD BAG ASSY LF VDE FOR EUR/RUS	C	D	1	
2	A32R PP1K 00	TELEPHONE LINE CORD	B,G2,C,(RUSSIA)	D	1	
2	A32R PP3R 00	TELEPHONE LINE CORD FOR EUR	C,(EUROPE)	D	1	

WIRING ACCESSORIES AND JIGS

P 18

1 	6	11	16	21	26	31	36
2	7	12	17	22	27	32	37
3	8	13	18	23	28	33	38
4	9	14	19	24	29	34	39
5	10	15	20	25	30	35	40

bizhub 20

WIRING ACCESSORIES AND JIGS

Key	Part No.	Description	Destinations	Class	QTY	Standard parts
1	A32P PP32 00	DRUM CLEANING SHEET KIT		S	1	

MAINTENANCE LIST

● The items with no Page/Key numbers are not handled as spare parts.

No.	Section	PM Parts Description	Maintenance Cycle (K=1,000)		Parts No.	Destinations	Page/Key	Note
			QTY	Replace				
1	ADF unit	ADF unit	1	50K	A32RPP3001		P2-7	
2		Document Scanner unit	1	50K	A32RPP2901		P4-3	
3	Fusing section	Fuser unit	1	100K	A32PPP3A00	AREA 120V	P13-1	
4		Fuser unit	1	100K	A32PPP3B00	AREA 230V	P13-1	
5	Laser unit section	Laser unit	1	100K	A32PPP2L00		P12-1	
6	Paper feed section	Paper feed kit T1/T2	1	100K	A32PPP2M00		P11-8	
7		Paper feed kit MP	1	50K	A32PPP2N00		P11-4	

DESTINATION

Destination No.		Destinations		V	Hz	Model No.
A	A1	JAPAN				
	A2	JAPAN				
B		USA, CANADA		120	60	A32R012
C		EUROPEAN TYPE		220-240	50/60	A32R022/ A32R0R2
D	D1	S.E ASIA TYPE	THAILAND, SRI LANKA, SINGAPORE, MALAYSIA, HONG KONG, PAKISTAN, INDIA, BANGLADESH, INDONESIA			
	D3	OCEANIA TYPE	AUSTRALIA, NEW ZEALAND			
E		PHILIPPINES				
F	F1	SAUDI ARABIA				
	F2	SAUDI ARABIA				
G	G1	C.S AMERICA				
	G2	C.S AMERICA		120	60	A32R012
H		TAIWAN				
I		JORDAN, LEBANON, SYRIA, SOUTH AFRICA, IRAQ, IRAN, N.YEMEN, CAMEROON, UAE, BAHRAIN, OMAN, QATAR, KUWAIT, KENYA, TUNISIA, IVORY COAST, MOROCCO				
J		CHINA				
K		KOREA				