

KONICA MINOLTA

PARTS GUIDE MANUAL

DECEMBER 2016

*bizhub 200/250/350
4040*

INFORMATION FOR PARTS GUIDE MANUAL

To find correct Parts No., refer to the "HOW TO MAKE THE BEST USE OF THIS MANUAL" in the following page.

HOW TO MAKE THE BEST USE OF THIS MANUAL

- 1 When you order, please check the proper figures beforehand that are on Our Parts Guide Manual, and order with the appropriate figures.
- 2 For screws, Nuts, Washers, retaining rings and Pins which are used in this model, one letter is shown on the Standard parts column of Parts list and exploded diagrams.
- 3 In order to maintain safety of the product, some specific parts composed of this product are set up as "essential safety parts".
- 4 The assigned parts number for the "essential safety parts" is indicated as "SP00-****".
When replacing these parts, follow precautions for disassembling and installing which are listed in the Service Manual.
Do not use any parts that are not set up as
- 5 ♣ means that there are exclusive parts for each destination.
Please check the appropriate destination when you order.
- 6 Revision Mark
Marked as ▲ on the illustration shows that the revision has been made.
- 7 All rights reserved. (any reprints or quotations are prohibited.)
Use of this parts guide manual should be strictly supervised to avoid disclosure of confidential information.

パーツガイドマニュアルのご案内

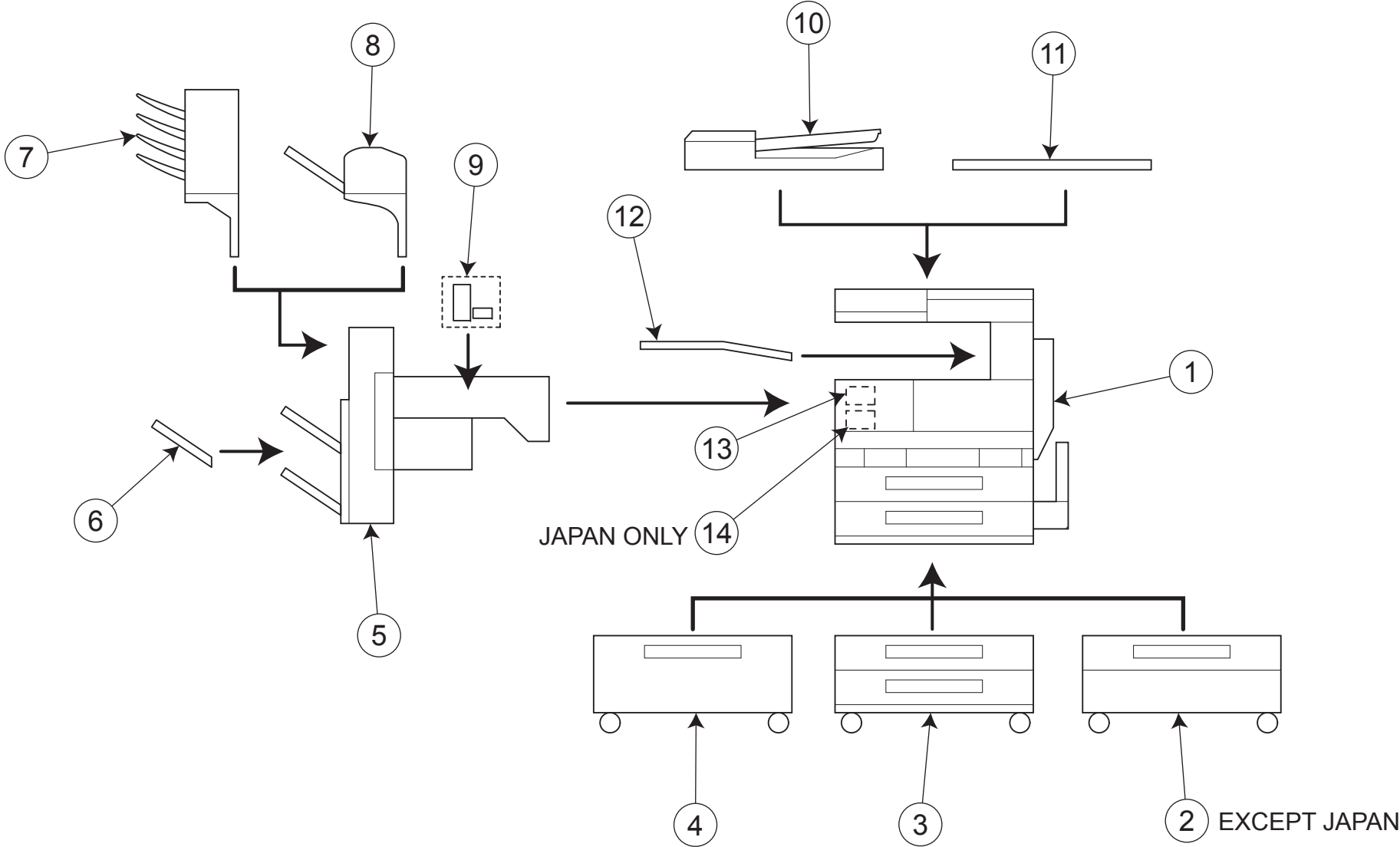
サービス部品をご発注の際には、下記に示す“パーツガイドマニュアルの活用にあたって”をご参照の上、正しい部品番号にてお願い致します。

パーツガイドマニュアルの活用にあたって

- 1 部品発注の際には、掲載されている部品番号の桁数を確認し、掲載されている桁数で発注願います。
- 2 この製品に使用されているネジ、ナット、ワッシャー、止め輪、ピンなどは、リストの右側の Standard parts 欄に a,b,c,…… で表示し、イラストにも a,b,c,…… 表示してあります。
- 3 製品の安全性を維持する為に、製品に使用される特定の部品を「重要保安部品」として設定しています。
- 4 重要保安部品の部品番号は、“SP00-****”と記載されていますので、部品交換時は、サービスマニュアル記載の分解・組み立ての注意事項に従って作業をして下さい。
また、指定以外の部品は一切使用しないで下さい。
- 5 本文に ♣ が表示されている部品は、仕向け地毎に専用部品がある事を意味しています。
オーダーされる時は、仕向け地を確認して下さい。
- 6 改訂記号について
イラスト上に ▲ 印が表示されている部分は、改訂された事を表します。
- 7 著作権所有（無断転載及び無断引用の禁止）
本パーツガイドマニュアルについては、機密保持等その扱いには十分注意して下さい。万一取り扱いを誤った場合には、法律で処罰されることがあります。

07/22/2005

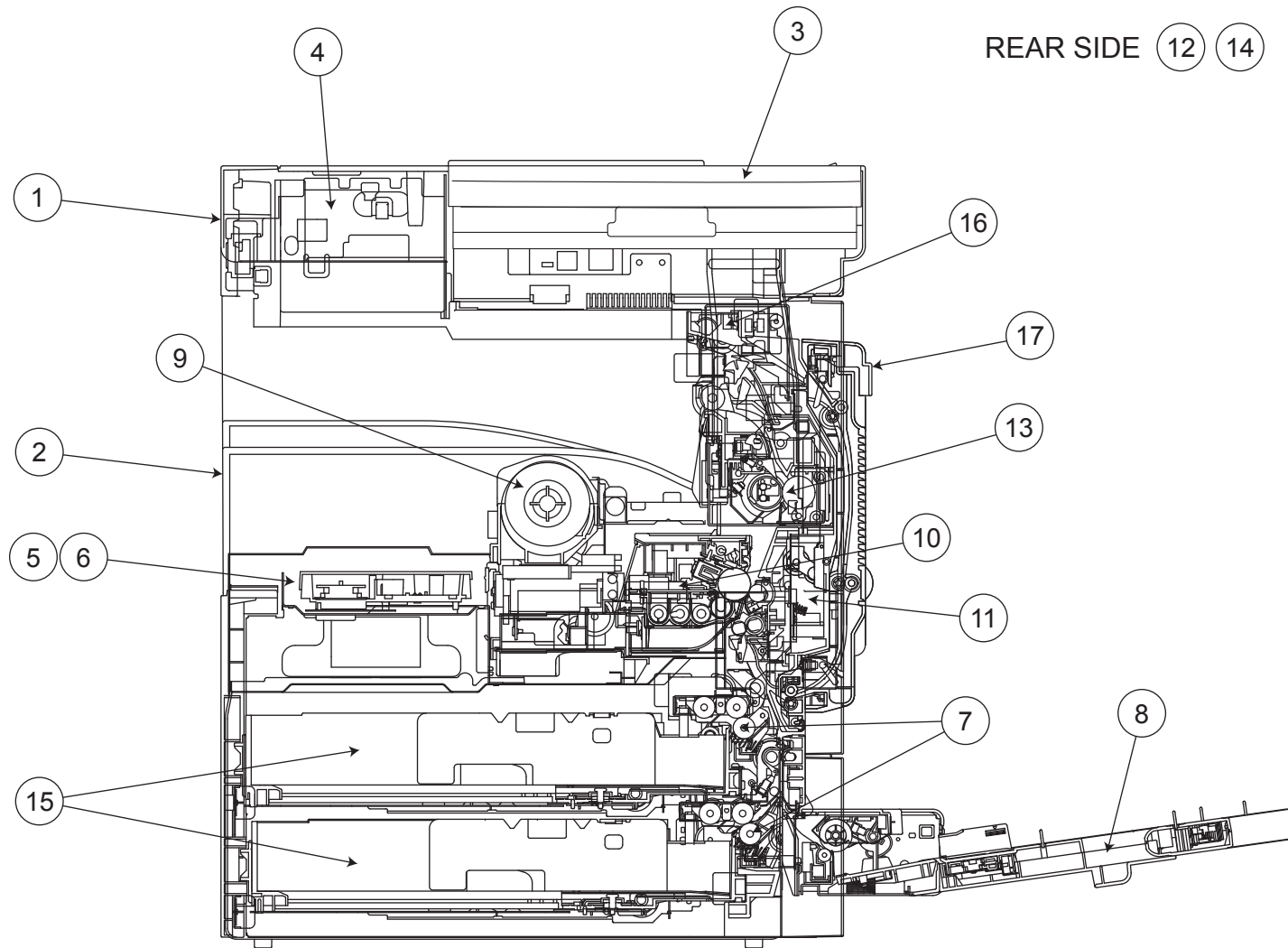
SYSTEM OUTLINE



GENERAL CONTENTS

No.	Description	Model
1	Digital MFP B/W	bizhub 200/bizhub 250/bizhub 350
2	Paper Feeder	PC-102
3	Paper Feeder	PC-202
4	Paper Feeder	PC-402
5	Finisher/Sorter	FS-508/FS-510
6	Output Tray	OT-601
7	Finisher/Sorter	MT-501
8	Saddle Unit	SD-502
9	Punch Unit	PU-501
10	Document Feeder	DF-605
11	Original Cover	OC-502
12	Job Separator	JS-502
13	Fax Kit	FK-503
14	Other Option	HS-501

DIAGRAMS OF MAIN PARTS SECTION



CONTENTS

No.	DESCRIPTION	名称	PAGE No.
1	IR COVER	I R カバー	P1
2	EXTERNAL PARTS	外装	P2
3	CONTROL PANEL	操作パネル	P3 P4
4	OPTICAL SECTION	光学部	P5 P6 P7 P8
5	POWER UNIT	電源ユニット	P9
6	FRAME SECTION	フレーム部	P10 P11
7	PAPER TAKE-UP SECTION	給紙部	P12 P13 P14 P15
8	BYPASS SECTION	手差し部	P16 P17 P18
9	HOPPER SECTION	ホッパー部	P19 P20
10	DEVELOPING UNIT	現像ユニット	P21
11	PAPER TRANSPORT SECTION	転写・搬送部	P22 P23
12	DRIVE SECTION	駆動部	P24 P25 P26
13	FUSING SECTION	定着部	P27 P28
14	ELECTRICAL COMPONENTS	電装部	P29 P30
15	CASSETTE SECTION	カセット部	P31
16	TURNOVER UNIT	反転ユニット	P32
17	DUPLEX UNIT	両面ユニット	P33 P34
18	WIRING	束線	P35 P36 P37 P38 P39 P40 P41
19	WIRING ACCESSORIES AND JIGS	配線部品・治具	P42
20	ACCESSORY PARTS	同梱部品	P43

INDEX

Parts No.	Page No.
0866780101	9-14
0928303301	34-1
0990630402	29-16
0992301401	31-27
1033440203	2-13
1038400601	42-14
1050480501	42-15
1052441201	12-22
1053481201	42-7
1065308601	12-19
1065308601	14-25
1067250101	12-27
1067250101	14-22
1067250101	26-45
1067250201	17-8
1067251301	26-14
1075256501	17-20
1079221901	10-24
1129730301	10-34
1129730301	11-25
1134304101	14-10
1134304101	32-6
1134304202	18-6
1134304301	26-13
1139316901	32-15
1149345401	15-23
1155251801	26-15
1156750101	43-3
1164200712	11-13
1164202102	11-23
1164205001	20-2
1164205101	10-31
1164215501	10-4
1164231001	11-9
1164231601	11-10
1164306501	28-6
1164350801	23-11
1164351302	23-14
1164351402	23-15
1164351501	23-13

Parts No.	Page No.
1164352702	23-28
1164352901	23-3
1164354901	23-12
1164420204	23-18
1164420602	23-5
1164420902	23-7
1164421801	23-10
1164421902	22-12
1165204002	11-22
1165214201	11-4
1165215301	11-5
1165259201	24-28
1165259201	26-32
1165430502	20-28
1165430701	20-35
1165430802	20-34
1165431001	20-29
1165530801	20-13
1165530902	20-15
1165531101	26-22
1165531901	20-14
1165532703	19-11
1165683201	10-12
1171090303	21-17
1200210502	32-20
1200521204	14-7
1274360301	31-8
1300332217	17-21
26NA20300	13-24
4002258101	22-7
4002310801	31-37
4002311002	25-5
4002313101	25-4
4002730601	31-12
4011201001	11-11
4011202401	22-11
4011203101	29-6
4011203402	9-10
4011203501	11-21
4011204701	11-6

Parts No.	Page No.
4011213401	11-3
4011301201	25-1
4011302001	23-24
4011302001	31-7
4011302101	31-6
4011350801	22-19
4011350901	23-16
4011351001	23-17
4011351201	23-23
4011351501	22-10
4011421701	23-8
4011533801	20-19
4011533901	20-18
4011534701	19-5
4011578801	42-8
4011585202	32-5
4011592502	9-11
4012352412	22-13
4025228301	7-25
4030015203	20-23
4030015303	20-26
4030015405	26-44
4030021605	18-17
4030090202	5-8
4030100304	2-19
4030100502	2-18
4030100703	2-22
4030101001	2-28
4030101102	2-27
4030101203	2-26
4030101403	2-35
4030101504	2-36
4030101603	2-6
4030101803	2-20
4030101902	20-6
4030102003	2-1
4030102201	2-23
4030102302	2-21
4030102502	2-2
4030102702	2-5

Parts No.	Page No.
4030103002	2-25
4030103301	22-4
4030103402	43-4
4030104002	2-14
4030104101	2-24
4030105201	4-15
4030108101	2-10
4030138102	4-9
4030138201	4-4
4030138501	4-5
4030138601	4-17
4030138701	4-7
4030139004	4-2
4030140000	29-24
4030150102	1-4
4030150302	1-6
4030150602	1-7
4030150702	1-9
4030151501	1-5
4030200402	9-8
4030200502	10-15
4030200601	10-16
4030200701	10-11
4030200802	10-13
4030200901	10-28
4030201001	10-5
4030201101	10-33
4030201202	10-25
4030201301	22-8
4030201601	10-19
4030201701	9-1
4030201801	9-22
4030201903	11-24
4030202102	22-9
4030202201	22-1
4030202301	22-2
4030202402	22-5
4030202501	22-22
4030202603	10-6
4030202902	10-2

Parts No.	Page No.
4030203401	9-24
4030203601	9-9
4030203701	10-1
4030203802	10-9
4030203902	29-10
4030204001	9-7
4030204102	10-10
4030204202	10-17
4030204301	20-1
4030204501	20-7
4030204601	20-3
4030204701	20-4
4030204901	9-12
4030205002	20-31
4030205102	20-33
4030205202	22-21
4030205301	42-18
4030205401	42-17
4030205501	20-30
4030206002	30-13
4030206201	10-27
4030207902	10-22
4030208001	10-18
4030208101	10-14
4030210201	11-2
4030210701	29-19
4030210801	29-21
4030211001	30-6
4030211103	30-2
4030211201	11-26
4030211301	11-27
4030211401	11-1
4030211501	11-17
4030211601	10-30
4030211801	11-18
4030211901	9-20
4030212001	9-26
4030212201	30-15
4030212301	11-15
4030212501	30-11

Parts No.	Page No.	Parts No.	Page No.	Parts No.	Page No.	Parts No.	Page No.	Parts No.	Page No.
4030212601	30-11	4030301004	14-37	4030305201	26-12	4030311501	15-28	4030340201	16-14
4030213102	29-15	4030301103	12-24	4030305301	26-9	4030311601	15-19	4030340301	16-13
4030213301	29-13	4030301103	14-27	4030305401	26-11	4030311702	15-21	4030340401	16-16
4030213501	30-9	4030301201	12-25	4030305501	26-10	4030312101	15-26	4030340803	18-12
4030215001	29-17	4030301201	14-28	4030305701	26-6	4030312201	15-25	4030340914	16-3
4030216101	30-1	4030301301	13-17	4030305901	26-17	4030312301	15-24	4030341003	18-23
4030216201	10-26	4030301301	15-8	4030306001	26-16	4030312403	15-11	4030341103	18-2
4030230501	30-10	4030301401	13-8	4030306301	14-35	4030312501	13-5	4030341201	18-18
4030230602	29-4	4030301401	15-6	4030306401	14-32	4030312501	15-12	4030341401	18-7
4030230701	29-3	4030301612	12-30	4030306701	26-7	4030312801	14-4	4030341502	18-4
4030231101	2-7	4030301612	14-11	4030306801	14-34	4030312903	15-13	4030341602	17-3
4030231201	29-1	4030301703	13-7	4030306901	14-33	4030313002	15-22	4030341701	17-2
4030250501	24-26	4030301703	15-5	4030307101	26-8	4030313403	15-27	4030341901	17-35
4030250601	24-25	4030301801	14-6	4030307701	13-16	4030313501	15-20	4030342002	17-34
4030251001	24-24	4030301902	14-9	4030307701	15-9	4030320109	31-39	4030342201	17-26
4030251101	24-23	4030302101	14-36	4030307801	13-20	4030320202	31-31	4030342303	18-9
4030251201	24-22	4030302201	14-26	4030307801	15-4	4030320301	31-23	4030342401	16-26
4030251501	24-9	4030302303	12-15	4030307901	13-19	4030320501	31-26	4030342501	16-7
4030251601	24-7	4030302505	13-14	4030307901	15-3	4030320601	31-25	4030342601	18-29
4030251701	24-5	4030302505	15-14	4030308001	13-21	4030320701	31-2	4030342701	17-16
4030251801	24-6	4030302602	13-11	4030308104	25-11	4030320802	25-9	4030342801	16-11
4030252303	24-3	4030302702	13-12	4030308301	25-12	4030321102	31-17	4030342902	17-30
4030252401	24-2	4030303001	12-18	4030308401	12-2	4030321201	31-10	4030343001	17-1
4030252501	24-4	4030303001	14-24	4030308501	12-16	4030321402	31-14	4030343207	17-32
4030252601	24-20	4030303101	14-8	4030308601	12-3	4030321501	31-15	4030343401	17-12
4030253002	24-11	4030303203	13-2	4030308701	12-1	4030321601	31-36	4030343501	18-14
4030253104	24-13	4030303401	12-8	4030308801	12-14	4030321701	31-21	4030343601	18-27
4030253501	24-19	4030303401	14-14	4030309101	25-2	4030321801	31-35	4030343701	18-13
4030254201	24-27	4030303701	13-13	4030309201	14-31	4030322101	31-28	4030343801	16-24
4030254901	22-18	4030303701	15-30	4030309301	17-10	4030322203	31-24	4030344101	17-18
4030300103	12-28	4030303901	13-18	4030309501	15-16	4030322303	31-1	4030344202	16-1
4030300202	12-10	4030303901	15-7	4030310101	13-9	4030322402	25-10	4030344401	17-5
4030300202	14-16	4030304102	12-4	4030310302	13-4	4030322402	31-29	4030344501	17-6
4030300301	12-12	4030304202	14-5	4030310401	13-3	4030322601	31-22	4030344601	18-8
4030300301	14-21	4030304401	13-6	4030310501	15-10	4030322701	31-4	4030344701	17-15
4030300401	12-20	4030304603	25-15	4030310701	15-17	4030322801	31-5	4030344801	16-21
4030300501	12-7	4030304702	25-6	4030310801	13-1	4030322812	31-5	4030345502	18-20
4030300501	14-13	4030304802	25-13	4030311106	15-1	4030322902	31-9	4030345601	16-8
4030300801	12-11	4030304901	25-14	4030311202	14-1	4030323700	31-47	4030345703	16-10
4030300801	14-17	4030305101	26-5	4030311402	15-18	4030340113	17-17	4030345902	18-10

Parts No.	Page No.	Parts No.	Page No.	Parts No.	Page No.	Parts No.	Page No.	Parts No.	Page No.
4030346002	18-19	4030370801	34-4	4030381401	32-12	4030537401	26-20	4030585301	42-9
4030346301	18-16	4030370901	34-5	4030381501	32-29	4030537601	26-35	4030585401	28-12
4030346401	17-4	4030371001	33-8	4030381701	32-18	4030537701	26-39	4030585501	28-13
4030346501	17-7	4030371102	33-24	4030381802	32-14	4030537801	20-21	4030585601	27-4
4030346602	18-3	4030371301	34-21	4030381901	32-13	4030537901	20-22	4030585601	28-8
4030346701	17-23	4030372501	34-22	4030382001	32-33	4030538302	19-14	4030585701	28-11
4030347201	18-22	4030372601	34-20	4030382101	32-21	4030538401	19-12	4030585801	28-14
4030347302	18-15	4030372901	34-23	4030382301	32-22	4030538502	20-10	4030621400	31-48
4030347401	16-15	4030373303	34-24	4030382401	32-36	4030538601	19-13	4030621500	31-49
4030347501	16-19	4030373501	33-7	4030382502	32-37	4030538901	19-6	4030675701	9-19
4030347601	16-4	4030373601	34-6	4030382601	32-23	4030539001	19-16	4030680702	35-1
4030347701	16-5	4030373701	33-21	4030382901	32-4	4030539101	19-9	4030680901	35-2
4030347802	17-27	4030373803	33-22	4030383401	32-32	4030539201	19-10	4030681002	35-3
4030347901	17-9	4030373901	33-23	4030383501	32-1	4030539301	19-8	4030681101	12-5
4030348001	18-30	4030374001	33-16	4030383601	32-2	4030539401	19-7	4030681202	36-1
4030348101	16-9	4030374103	33-15	4030383701	32-9	4030539501	19-17	4030681302	36-2
4030348401	16-6	4030374201	33-17	4030383802	32-10	4030539601	20-8	4030681403	37-1
4030348601	18-1	4030374302	34-13	4030383901	32-11	4030539701	2-4	4030681601	9-25
4030348701	18-24	4030374401	34-12	4030420701	23-6	4030539801	19-15	4030681701	37-2
4030348901	16-12	4030374501	34-10	4030420701	23-26	4030570501	27-14	4030681801	37-3
4030349201	16-18	4030374601	34-15	4030421304	23-21	4030571302	27-15	4030682302	34-7
4030350109	23-29	4030374701	34-18	4030422001	23-9	4030571701	27-9	4030682401	32-24
4030350215	22-3	4030374801	34-19	4030532401	26-40	4030575003	27-16	4030684201	11-14
4030350401	23-27	4030374901	34-14	4030532801	26-41	4030575203	27-2	4030684301	10-3
4030350501	23-20	4030375001	34-9	4030533003	26-19	4030575301	27-10	4030684401	11-8
4030350601	23-19	4030375102	33-1	4030533101	26-23	4030580301	28-1	4030685104	29-14
4030351701	22-16	4030375201	33-19	4030533201	26-25	4030580503	27-5	4030685204	29-14
4030351801	22-17	4030375401	16-2	4030533401	26-42	4030580503	28-9	4030730102	31-34
4030351912	29-9	4030375401	33-2	4030535502	26-21	4030580601	28-10	4030730202	31-32
4030352001	22-15	4030375501	33-26	4030536001	20-24	4030580701	27-3	4030730302	31-32
4030352302	29-7	4030376001	33-27	4030536103	20-11	4030580803	27-12	4030730501	18-11
4030352401	29-8	4030380201	32-31	4030536401	20-25	4030580902	27-7	4030730602	18-25
4030352701	22-23	4030380303	32-28	4030536501	20-16	4030581002	27-6	4030730702	18-25
4030370102	33-9	4030380402	32-3	4030536701	26-31	4030581101	28-4	4030730802	18-25
4030370202	33-4	4030380502	32-16	4030536802	26-30	4030581302	28-15	4030730902	18-11
4030370301	33-14	4030380602	32-8	4030536902	26-29	4030582502	28-5	4030731001	43-2
4030370403	33-10	4030381001	32-26	4030537001	26-34	4030582701	27-1	4030731201	43-2
4030370501	33-13	4030381101	32-38	4030537101	26-33	4030583402	28-16	4030731301	2-11
4030370612	33-20	4030381201	32-39	4030537201	26-28	4030584101	28-2	4030731402	2-3
4030370701	34-2	4030381301	32-40	4030537301	26-27	4030584302	28-7	4030731501	10-7

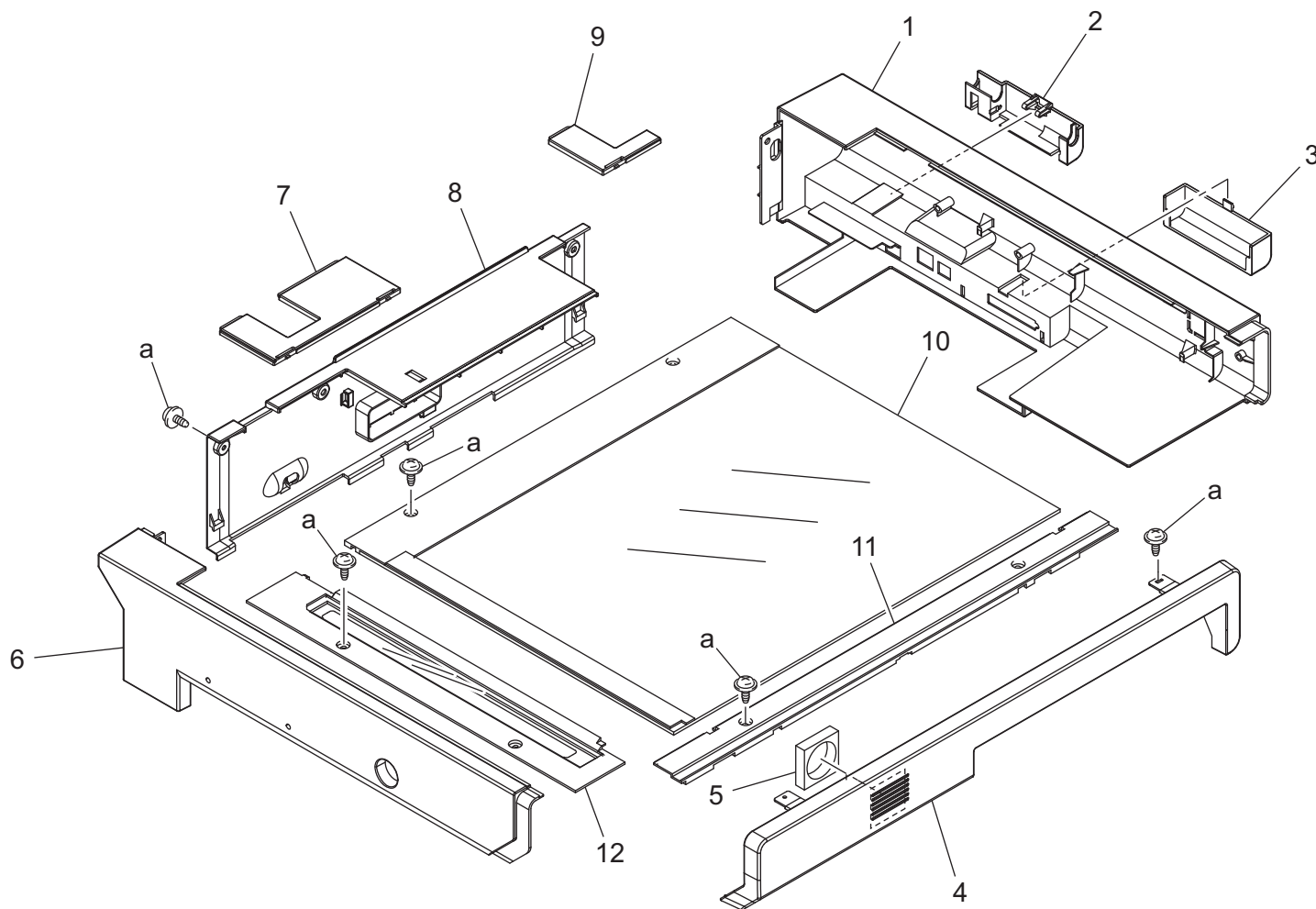
Parts No.	Page No.	Parts No.	Page No.	Parts No.	Page No.	Parts No.	Page No.	Parts No.	Page No.
4030731601	11-7	4040011001	7-21	4040206301	30-12	4040531901	19-3	4040780301	9-29
4030731601	24-12	404001560D	31-42	4040206401	9-15	4040532201	19-4	4040780401	9-27
4030732901	43-5	4040016301	10-20	4040206501	29-20	4040560000	10-35	4040780501	9-28
4030734001	28-3	4040075100	9-16	4040207801	10-23	4040560100	10-9	4040780501	9-29
4030734201	32-7	4040075200	21-16	4040209201	29-5	4040560200	10-2	4040780601	3-5
4030750001	2-12	4040075902	42-20	4040209301	2-32	4040560300	10-10	4040780701	3-3
4030P00100	31-44	4040076800	26-47	4040209401	10-21	4040561000	13-22	4040780901	3-4
4030P00200	31-45	4040076900	19-18	4040209501	29-18	4040561000	15-32	4040781001	3-8
4030R70500	26-18	4040077000	19-18	4040210102	9-2	4040561200	13-23	4040781101	3-8
4030R70600	14-18	4040077100	19-18	4040210301	29-11	4040561200	15-33	4040781201	3-8
4030R70700	17-31	4040077200	19-18	4040210902	9-5	4040575501	27-8	4040781301	3-8
4030R70800	17-19	4040077300	19-18	4040213001	7-24	4040582301	28-17	4040781401	3-8
4030R70900	24-15	4040077500	19-18	4040213801	29-2	4040604001	21-15	4040781701	3-2
4030R71000	24-16	4040077700	24-29	4040213901	9-4	4040605102	3-1	4040781801	3-2
4030R71200	24-21	4040077900	22-24	4040215901	30-4	4040605202	3-1	4040782101	3-7
4030R71300	22-6	4040078001	43-6	4040216001	11-28	4040605302	3-1	4040782201	3-6
4030R71400	26-43	4040090101	27-17	4040230401	30-8	4040605402	3-1	4040790101	42-21
4030R71500	26-38	4040100201	2-16	4040254501	24-17	4040605502	3-1	4040M10000	9-6
4030R71800	34-25	4040100401	2-15	4040254601	24-18	4040620101	9-13	4040M10000	32-35
4030R71900	34-11	4040100601	2-29	4040255101	24-8	4040620203	9-13	4040M20000	26-24
4030R72000	26-3	4040100801	2-8	4040255201	24-10	4040620301	9-3	4040M40000	29-25
4034015101	16-20	4040100903	2-31	4040309601	12-23	4040620500	10-8	4040M40100	4-16
4036302501	31-41	4040101301	2-30	4040309601	14-29	4040680401	39-2	4040M60000	11-12
4037010401	25-3	4040102801	2-34	4040309701	12-17	4040680501	5-10	4040M70301	5-9
4037090601	12-26	4040102901	2-33	4040309701	14-23	4040680601	39-1	4040N10200	39-1
4037090601	14-3	4040103601	9-21	4040344301	17-14	4040680801	40-1	4040N10300	39-1
4037090601	17-13	4040105101	4-12	4040349501	16-22	4040681501	38-1	4040N30000	43-6
4037090601	18-5	4040105201	4-14	4040349601	16-23	4040681902	38-2	4040P00100	18-31
4037090601	23-2	4040105301	4-11	4040349701	17-33	4040682101	39-1	4040P0N100	41-6
4037090601	25-7	4040105401	4-10	4040375801	34-8	4040682201	39-1	4040R70100	32-42
4037090601	27-11	4040105501	4-13	4040375901	33-6	4040683202	7-22	4040R70500	17-37
4037090601	30-14	4040138301	4-18	4040383302	32-27	4040683301	40-1	4040R70900	27-18
4037090601	32-17	4040138401	4-6	4040521101	21-10	4040684101	40-2	4040R71000	27-18
4037090601	33-18	4040138801	4-8	4040521601	21-14	4040685301	11-20	4040R71100	27-18
4037320401	31-18	4040139101	4-1	4040521701	21-12	4040685401	11-19	4040R71200	27-18
4037321301	31-3	4040150401	1-8	4040522201	21-13	4040730401	31-30	4040R71800	16-25
4037321312	31-3	4040150501	1-1	4040522301	21-11	4040736701	2-17	4040R71900	16-25
4037689901	18-21	4040150801	1-3	4040526001	21-21	4040737501	19-19	4040R72000	16-25
4037740601	2-37	4040150901	1-2	4040531701	19-1	4040780101	9-27	4040R72101	42-19
404001010E	30-3	4040205601	20-5	4040531801	19-2	4040780201	9-28	4040R72500	23-1

Parts No.	Page No.	Parts No.	Page No.	Parts No.	Page No.	Parts No.	Page No.	Parts No.	Page No.
4040R72900	9-30	4163522101	21-22	4384109201	7-20	4551202501	6-1	9313110033	22-14
4040R90002	42-25	4163522201	21-18	4384110201	7-2	4551202601	8-6	9313110042	29-22
4040R90201	42-19	4163522301	21-19	4425301301	12-29	4551202701	7-18	9314120091	32-25
4040R90301	42-22	4163522401	21-20	4425301301	14-15	4551202801	7-17	9314240031	24-1
4040R90601	42-23	4163523701	21-23	4425301601	12-9	4551202901	8-4	9322100081	23-25
4040R91500	42-19	4163523801	21-5	4425301601	14-20	4551203001	6-4	9322150012	14-30
4040R91600	42-19	4163523901	21-8	4426441102	32-19	4551203101	1-12	9322150012	26-4
4040R91700	42-19	4163524001	21-7	4497311401	33-11	4551203201	1-10	9322150012	34-17
4040R91800	42-19	4163529301	15-29	4497311401	34-26	4551203301	6-5	9326191021	7-26
4040R91900	42-19	4163529301	24-14	4497311601	33-12	4551203401	6-5	9326191031	7-23
4040R92000	42-19	4163529301	26-26	4497311601	34-3	4551203501	41-2	9326191031	18-28
4041075100	9-16	4163529801	21-24	4498338801	32-30	4551203601	41-4	9326191031	30-16
4041736701	2-17	4348620600	10-36	4498346901	31-38	4551203701	41-1	9334271011	20-17
4041737701	19-19	4384100601	5-7	4498382501	31-19	4551203901	5-4	9351120012	20-9
4041R71200	9-30	4384101901	7-16	4498382601	31-33	4551204501	5-5	9372271022	23-22
4042736701	2-17	4384102101	7-15	4498383401	31-40	4551204601	5-3	9372540011	29-12
4109200301	11-16	4384102201	7-4	4551200101	8-21	4551204601	6-15	9381410131	43-6
4120101402	2-9	4384102301	7-11	4551200201	8-22	4551204701	8-20	9381430031	43-6
4128197801	9-17	4384102401	7-14	4551200301	7-3	4551205801	41-5	9381430041	43-6
4128197901	9-18	4384103001	6-6	4551200401	8-2	4551205901	7-8	9383220011	20-32
4128382301	31-20	4384103001	6-7	4551200501	8-8	4551205901	8-17	9383221011	20-12
4131253602	32-41	4384103001	6-8	4551200601	8-10	4551R90000	5-2	9383221011	26-1
4131300101	17-11	4384103001	6-9	4551200701	8-7	4551R90000	5-2	9383221021	26-37
4131300301	12-6	4384103001	6-9	4551200801	6-14	4581138901	4-3	9384100061	42-24
4131300301	14-12	4384103001	6-10	4551200901	8-19	4641450402	32-34	9384110091	42-1
4131300301	26-2	4384103001	6-10	4551201001	6-13	4657371401	34-16	9384111061	42-2
4131300402	17-36	4384103001	6-12	4551201101	41-3	4658301201	31-16	9384131091	42-6
4131300702	17-28	4384103101	6-11	4551201201	8-9	4658304701	29-23	9384131111	42-10
4131305302	16-17	4384103301	7-13	4551201301	7-10	4658304801	31-11	9384160011	43-1
4131353202	14-2	4384103601	8-18	4551201401	7-5	4658304901	31-13	9384162121	30-7
4131412801	17-29	4384104401	8-15	4551201501	8-13	4658351301	13-10	9384192101	42-3
4131462304	18-26	4384104501	8-16	4551201601	8-11	4658351701	17-22	9384192111	42-4
4138586601	22-20	4384104601	7-19	4551201701	8-5	4661310601	33-3	9384192131	42-5
4138586601	27-13	4384104901	1-11	4551201801	5-6	4661315001	33-5	9384201021	42-13
4163510201	20-20	4384105801	7-9	4551201901	5-1	4681315501	33-25	9384291011	42-16
4163520501	21-3	4384106101	7-7	4551202001	6-2	4683213701	26-46	9384291021	42-11
4163520701	21-9	4384106201	8-1	4551202101	8-14	4687328101	16-27	9384291031	42-12
4163520801	21-4	4384106301	7-1	4551202201	6-3	50GA400600	14-38	9384430021	9-23
4163520901	21-6	4384106801	7-6	4551202301	8-3	50GA400700	15-31	9384450011	30-5
4163521002	21-2	4384107001	7-12	4551202401	8-12	50GA627101	25-16	9455307801	23-4

Parts No.	Page No.
9J06M10300	25-8
9J06M20000	17-25
9J06M20000	26-36
9J06M20100	14-19
9J06M20100	17-24
9J06M60100	10-29
A00J589400	12-21
A00J623400	31-46
A0ED563700	13-26
A0ED563700	15-35
A0ED563900	13-27
A0ED563900	15-36
A11U560000	13-25
A11U560000	15-34
A11U560300	12-13
A11U560300	15-15
A11UM90000	20-27
A11UR92600	12-31
A11UR92600	14-39
A1UD133700	10-30
A1UD133800	10-37
A1UD133900	10-32
A1UDR72900	23-30

IR COVER

P 1

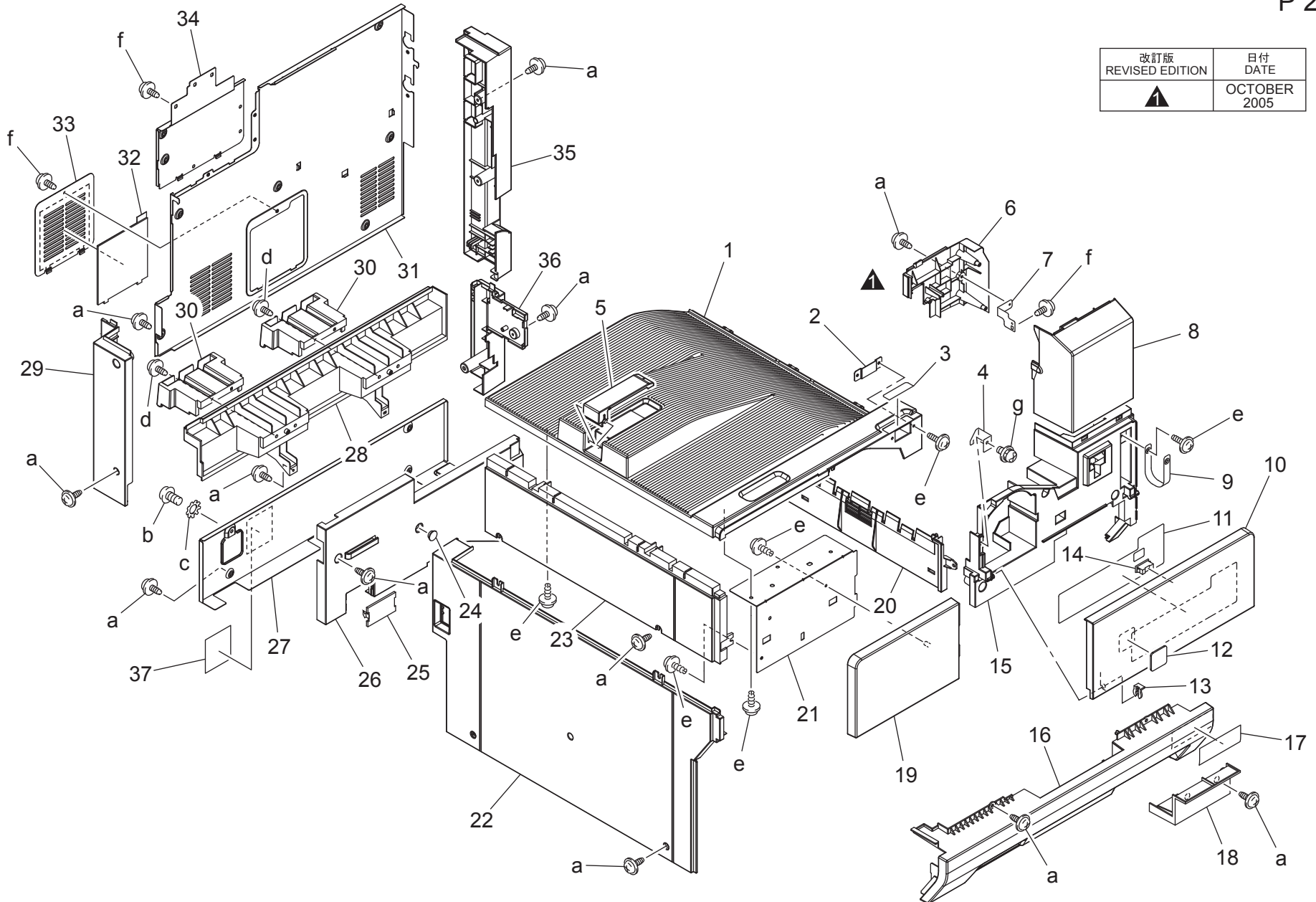


IR COVER

Key	Part No.	Description	Destinations	Class	QTY	Standard parts
1	4040150501	RIGHT COVER		C	1	a-9735030814
2	4040150901	COVER		C	1	
3	4040150801	COVER		C	1	
4	4030150102	FRONT COVER		C	1	
5	4030151501	SEAL		C	1	
6	4030150302	LEFT COVER		C	1	
7	4030150602	COVER		C	1	
8	4040150401	REAR COVER		C	1	
9	4030150702	COVER		C	1	
10	4551203201	ORIGINAL GLASS ASSY		C	1	
11	4384104901	COVER		C	1	
12	4551203101	ORIGINAL GLASS ASSY		C	1	

EXTERNAL PARTS

改訂版 REVISED EDITION	日付 DATE
	OCTOBER 2005



bizhub 200/250/350

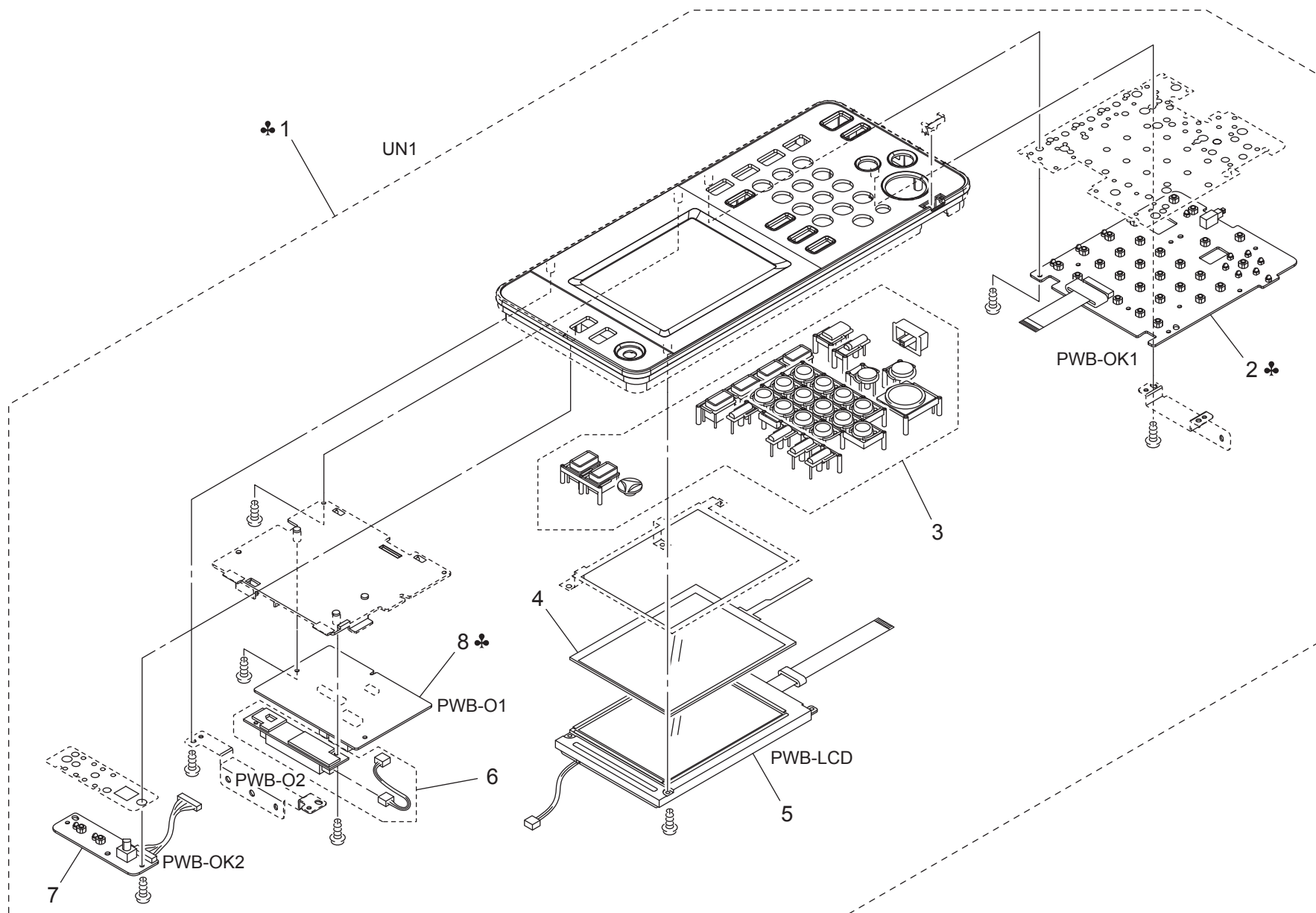
EXTERNAL PARTS

Key	Part No.	Description	Destinations	Class	QTY	Standard parts
1	4030102003	TRAY		C	1	a-9735030814 b-9654030814 c-9712030014 d-9735031014 e-9739030814 f-V137030603 g-9646031614
2	4030102502	BRACKET		D	1	
3	4030731402	LABEL TONER POSITION		C	1	
4	4030539701	STOPPER		D	1	
5	4030102702	REGULATING PLATE		C	1	
6	4030101603	COVER		C	1	
7	4030231101	BRACKET		D	1	
8	4040100801	COVER		C	1	
9	4120101402	BAND		C	1	
10	4030108101	FRONT COVER		C	1	
11	4030731301	LABEL TONER REMOVE		C	1	
12	4030750001	LABEL LOGO MARK		C	1	
13	1033440203	STOPPER RING		C	1	
14	4030104002	CATCH		D	1	
15	4040100401	COVER		C	1	
16	4040100201	FRONT COVER		C	1	
17	4040736701	LABEL	{bizhub350}	C	1	
17	4041736701	LABEL	{bizhub250}	C	1	
17	4042736701	LABEL	{bizhub200}	C	1	
18	4030100502	COVER		C	1	
19	4030100304	FRONT COVER		C	1	
20	4030101803	COVER		C	1	
21	4030102302	TRAY		D	1	
22	4030100703	LEFT COVER		C	1	
23	4030102201	TRAY		C	1	
24	4030104101	CAP		C	1	
25	4030103002	COVER		C	1	
26	4030101203	REAR COVER		C	1	
27	4030101102	REAR COVER		C	1	
28	4030101001	REAR COVER		C	1	
29	4040100601	LEFT COVER		C	1	
30	4040101301	HANDLE		D	2	
31	4040100903	Rear Cover		D	1	
32	4040209301	TONER FILTER		B	1	
33	4040102901	REAR COVER		C	1	
34	4040102801	REAR COVER		D	1	
35	4030101403	RIGHT COVER		C	1	
36	4030101504	RIGHT COVER		C	1	
37	4037740601	LABEL EARTH CAUTION		C	1	

bizhub 200/250/350

CONTROL PANEL

P 3



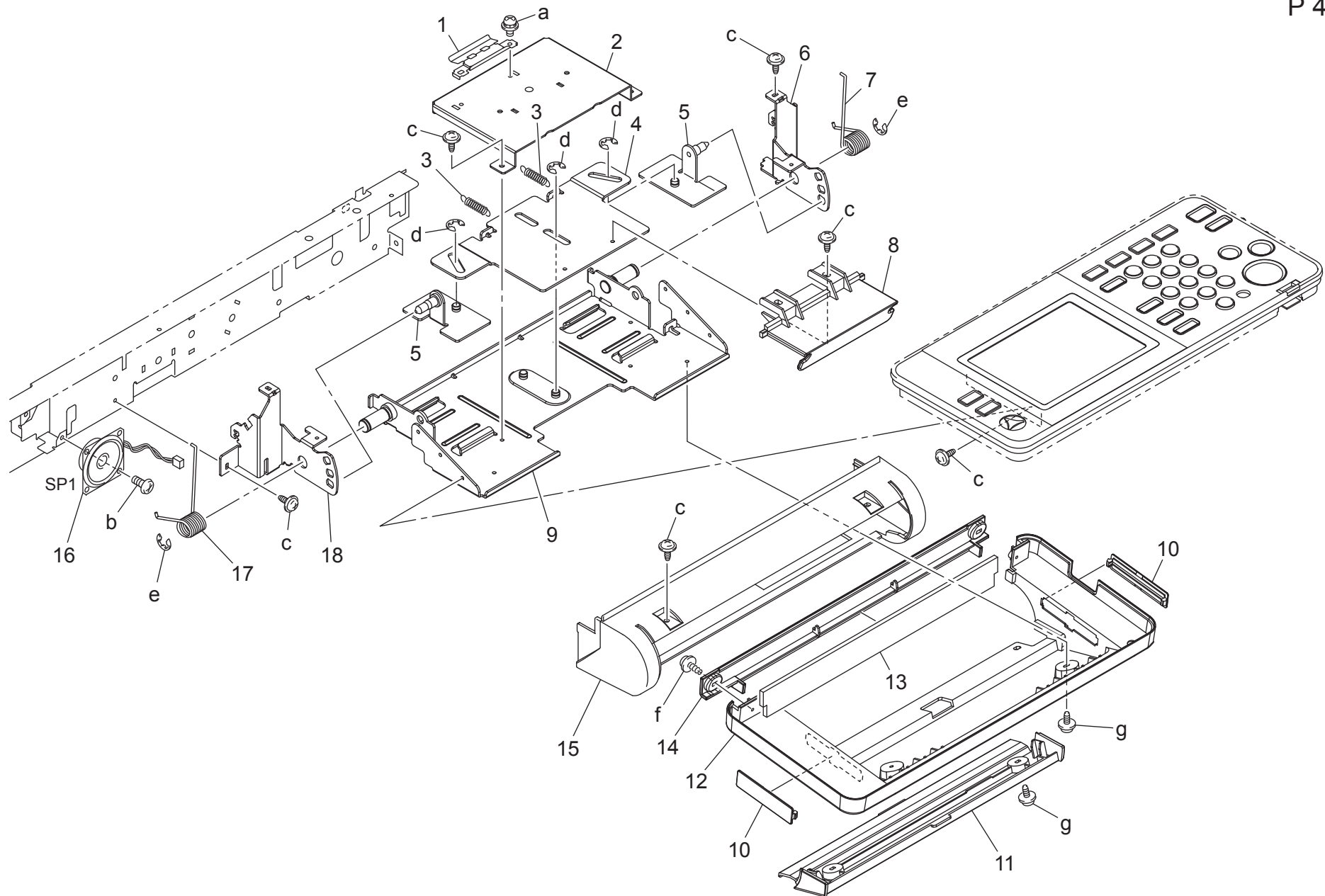
CONTROL PANEL

Key	Part No.	Description	Destinations	Class	QTY	Standard parts
1	4040605302	CONTROL PANEL ASSY	{bizhub350/250} C	I	1	
1	4040605102	CONTROL PANEL ASSY	A	I	1	
1	4040605202	CONTROL PANEL ASSY	B,D,F,G,I,K	I	1	
1	4040605402	CONTROL PANEL ASSY	J	I	1	
1	4040605502	CONTROL PANEL ASSY	{bizhub350/250} H	I	1	
2	4040781701	PWB-OK1	A	D	1	
2	4040781801	PWB-OK1	B,C,D,F,G,H,I,J,K	C	1	
3	4040780701	BUTTON KIT		C	1	
4	4040780901	TOUCH PANEL		C	1	
5	4040780601	LCD UNIT		C	1	
6	4040782201	PWB-O2		D	1	
7	4040782101	PWB-OK2		D	1	
8	4040781001	PWB-O1	A	D	1	
8	4040781101	PWB-O1	B,D,F,G,I,K	D	1	
8	4040781201	PWB-O1	{bizhub350/250} C	D	1	
8	4040781301	PWB-O1	J	D	1	
8	4040781401	PWB-O1	{bizhub350/250} H	D	1	

bizhub 200/250/350

CONTROL PANEL

P 4



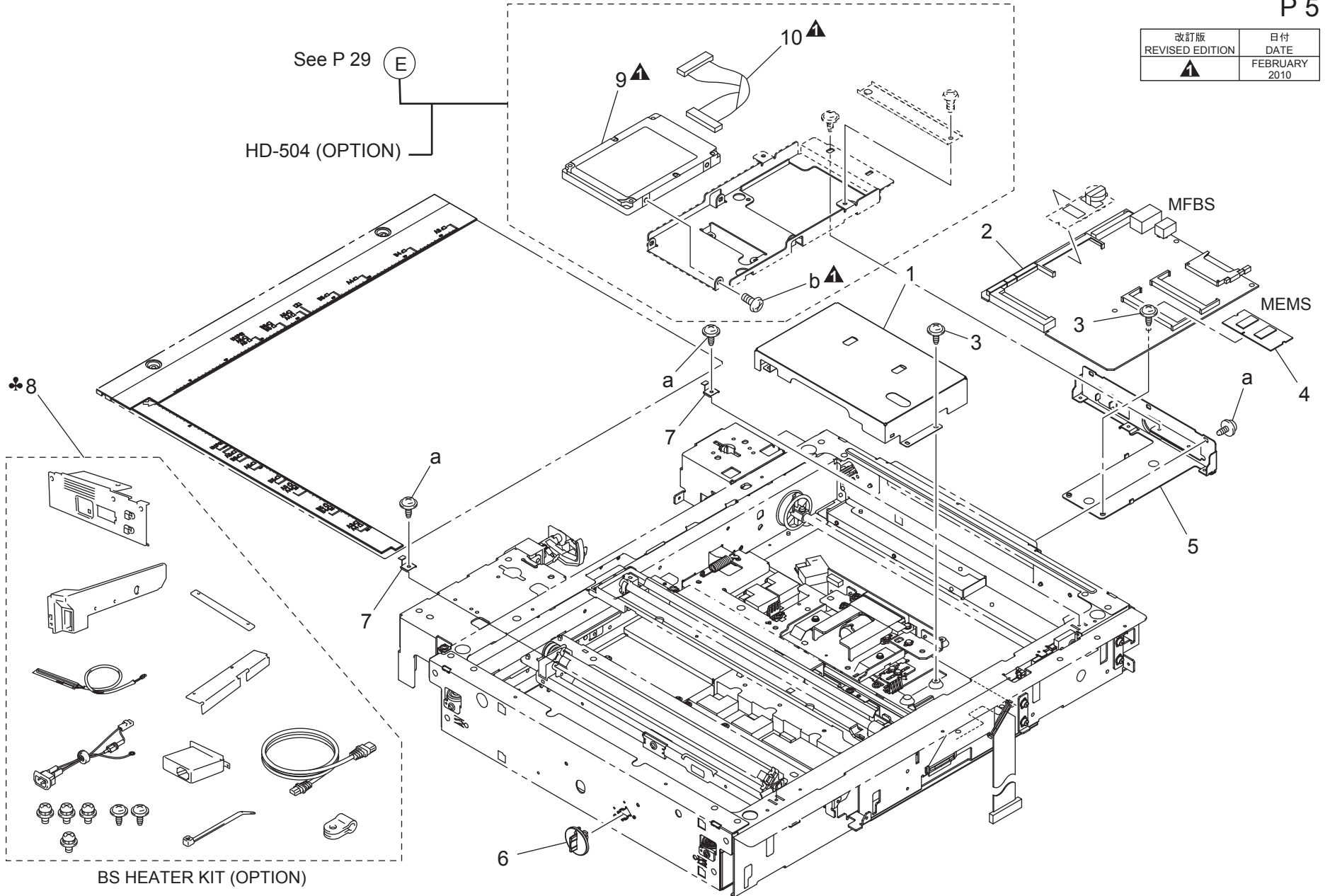
CONTROL PANEL

Key	Part No.	Description	Destinations	Class	QTY	Standard parts
1	4040139101	PLATE SPRING		D	1	a-9646030614 b-9743030814 c-9735030814 d-9721050001 e-9721080001 f-9739030814 g-9735031014
2	4030139004	BRACKET		D	1	
3	4581138901	TENSION SPRING		C	2	
4	4030138201	COUPLING		D	1	
5	4030138501	POSITIONING PLATE		D	2	
6	4040138401	HOLD PLATE		C	1	
7	4030138701	TORSION SPRING		C	1	
8	4040138801	LEVER		C	1	
9	4030138102	BRACKET		D	1	
10	4040105401	COVER		C	2	
11	4040105301	COVER		C	1	
12	4040105101	COVER		C	1	
13	4040105501	SEAL		C	1	
14	4040105201	COVER		C	1	
15	4030105201	COVER		C	1	
16	4040M40100	LOUDSPEAKER		D	1	
17	4030138601	TORSION SPRING		C	1	
18	4040138301	HOLD PLATE		D	1	

OPTICAL SECTION

P 5

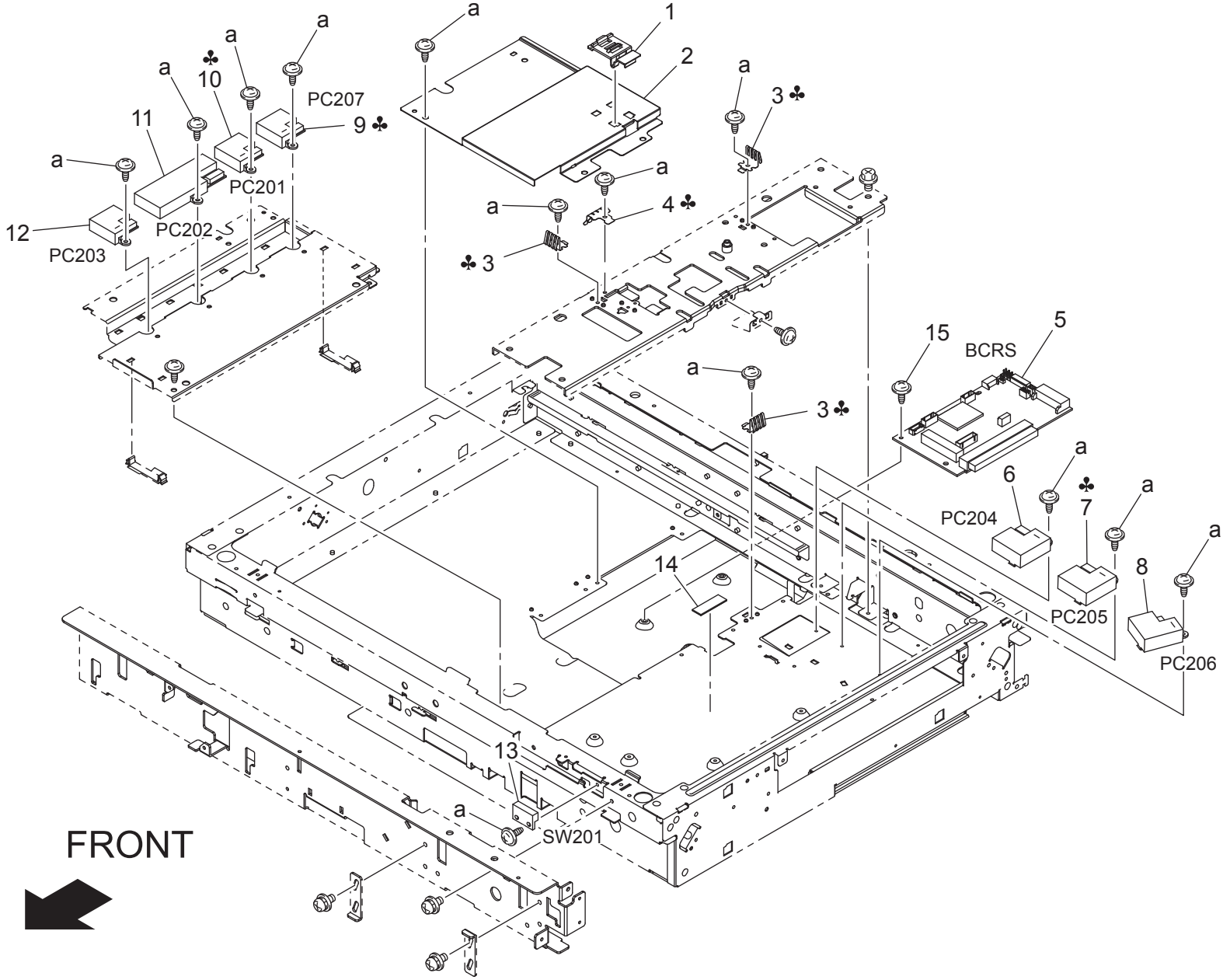
改訂版 REVISED EDITION	日付 DATE
▲	FEBRUARY 2010



bizhub 200/250/350

Key	Part No.	Description	Destinations	Class	QTY	Standard parts
1	4551201901	SHIELD	シールド	D	1	a-V137030603 b-V118030401
2	4551R90000	MFBS2	MFBS 2	I	1	
2	4551R90000	MFBS2	MFBS 2	I	1	
3	4551204601	SCREW	ねじ	C	6	
4	4551203901	MEMS	MEMS	I	1	
5	4551204501	BRACKET	取付板	C	1	
6	4551201801	LEVER	レバー	C	1	
7	4384100601	PLATE SPRING	板ばね	C	2	
8	4030090202	HEATER ASSY	ヒータ ASSY	S	1	
9	4040M70301	HDD	HDD	D	1	
10	4040680501	WIRE HARNESS ASSY	ハーネス ASSY	D	1	

OPTICAL SECTION



FRONT

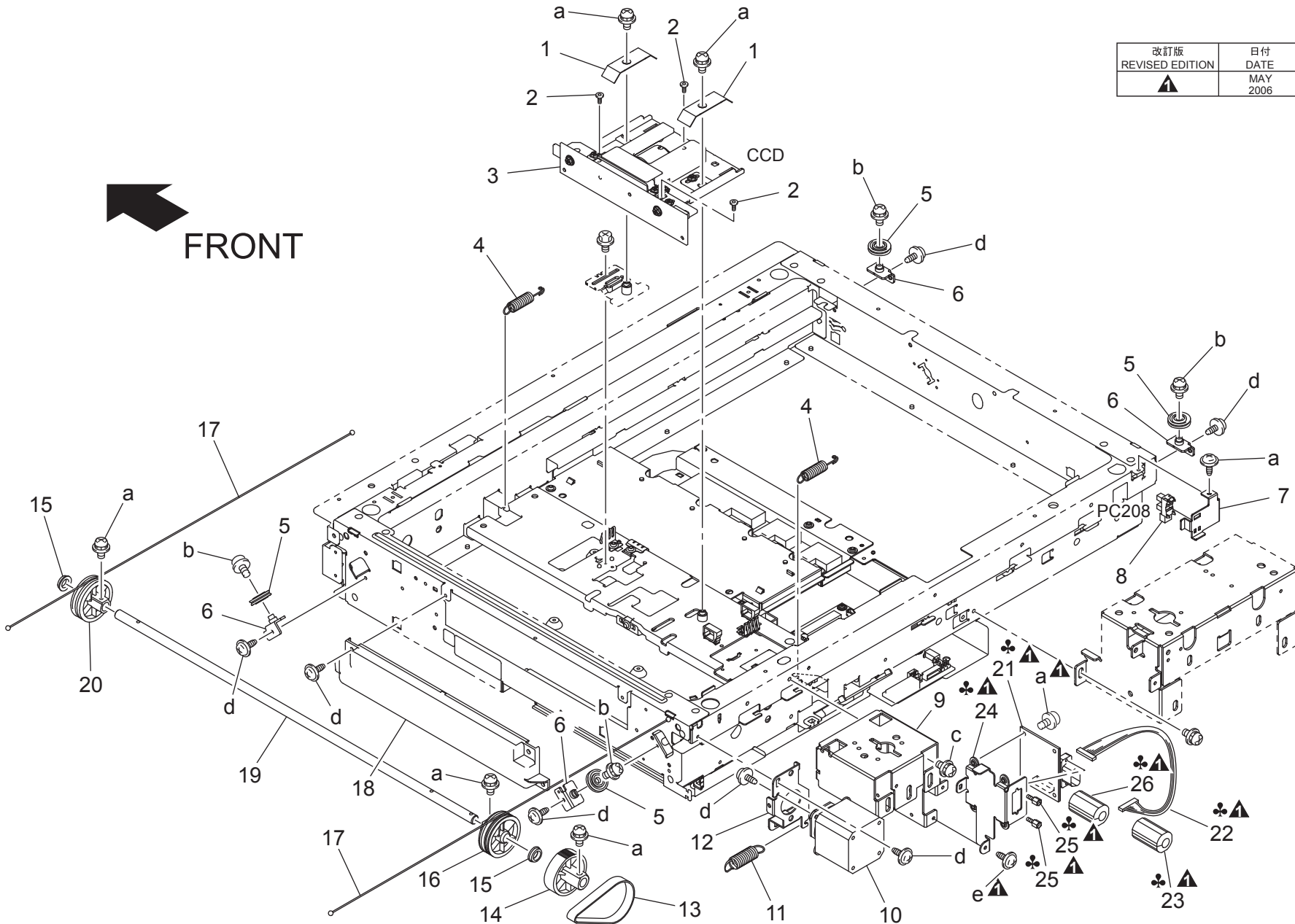


Key	Part No.	Description	Destinations	Class	QTY	Standard parts
1	4551202501	HOLDER		C	1	a-V137030603
2	4551202001	SHIELD		D	1	
3	4551202201	PLATE SPRING	C,D,F,G1,H,I,J,K	D	3	
4	4551203001	PLATE SPRING	C,D,F,G1,H,I,J,K	D	1	
5	4551203301	BCRS	{bizhub350}	I	1	
5	4551203401	BCRS	{bizhub250/200}	I	1	
6	4384103001	SOLID STATE SWITCH	反射型フォトスイッチ	C	1	
7	4384103001	SOLID STATE SWITCH	反射型フォトスイッチ (OPTION EXCEPT A)	C	1	
8	4384103001	SOLID STATE SWITCH	反射型フォトスイッチ (OPTION)	C	1	
9	4384103001	SOLID STATE SWITCH	反射型フォトスイッチ (METRIC)	C	1	
9	4384103001	SOLID STATE SWITCH	反射型フォトスイッチ (OPTION INCH)	C	1	
10	4384103001	SOLID STATE SWITCH	反射型フォトスイッチ A	C	1	
10	4384103001	SOLID STATE SWITCH	反射型フォトスイッチ (OPTION METRIC)	C	1	
11	4384103101	SOLID STATE SWITCH	反射型フォトスイッチ	C	1	
12	4384103001	SOLID STATE SWITCH	反射型フォトスイッチ (OPTION)	C	1	
13	4551201001	REED SWITCH	リードスイッチ	C	1	
14	4551200801	SHEET	シート	C	1	
15	4551204601	SCREW	ねじ	C	3	

OPTICAL SECTION

P 7

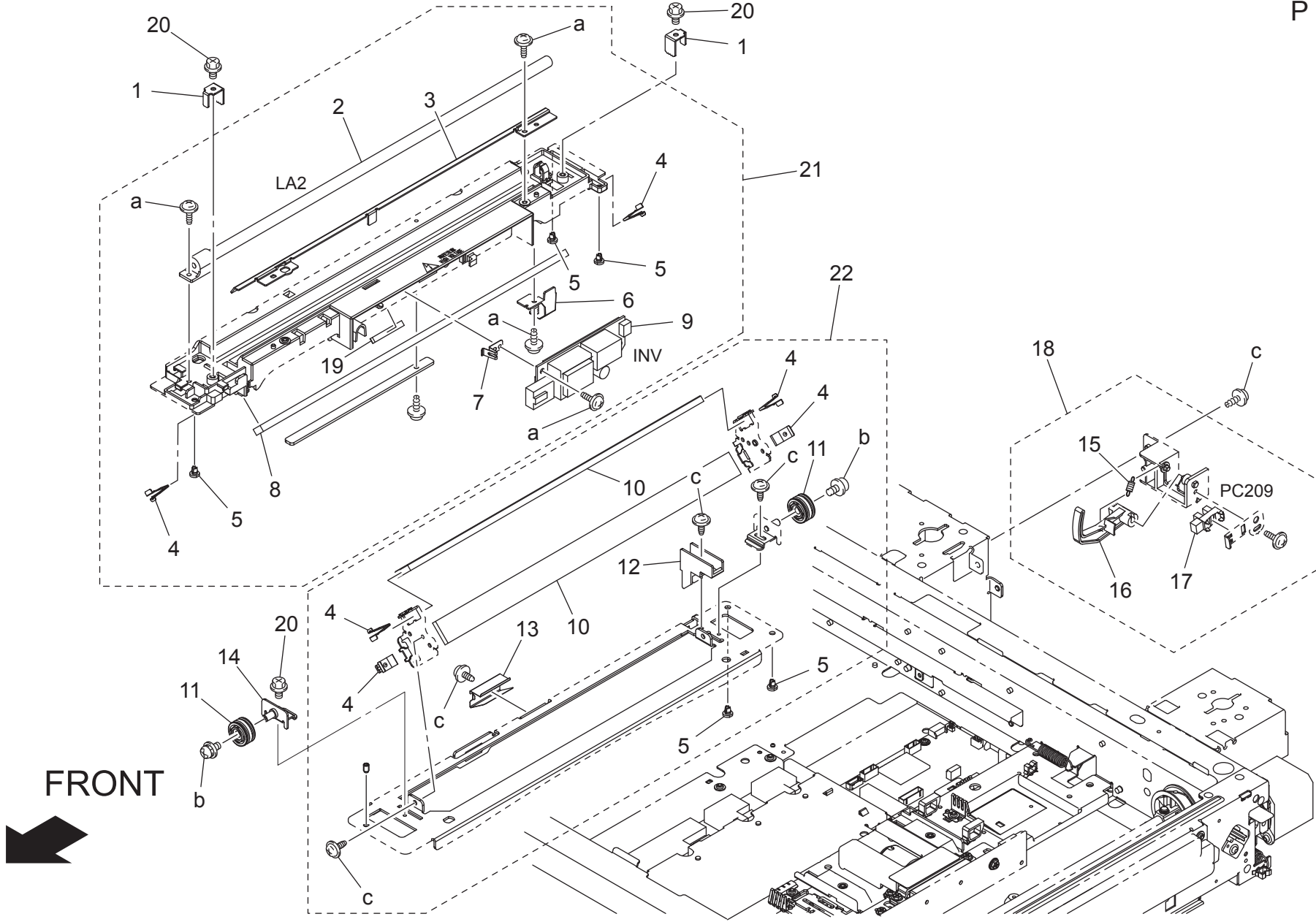
改訂版 REVISED EDITION	日付 DATE
▲	MAY 2006



bizhub 200/250/350

Key	Part No.	Description	Destinations	Class	QTY	Standard parts
1	4384106301	PLATE SPRING		C	2	a-9646030814 b-9646030414 c-9646040614 d-V137030603 e-9735030814
2	4384110201	TAPPING SCREW		D	3	
3	4551200301	LENS ASSY		I	1	
4	4384102201	TENSION SPRING		C	2	
5	4551201401	PULLEY		C	4	
6	4384106801	PULLEY BRACKET(1)		D	4	
7	4384106101	SNS BRACKET		D	1	
8	4551205901	PHOTO INTERRUPTER		B	1	
9	4384105801	HINGE BRACKET(R)		D	1	
10	4551201301	MOTOR		B	1	
11	4384102301	TENSION SPRING		C	1	
12	4384107001	MOTOR BRACKET		D	1	
13	4384103301	TIMING BELT		C	1	
14	4384102401	PULLEY		C	1	
15	4384102101	BALL BEARING		B	2	
16	4384101901	PULLEY		C	1	
17	4551202801	WIRE		C	2	
18	4551202701	COVER		C	1	
19	4384104601	SHAFT		D	1	
20	4384109201	PULLEY		C	1	
21	4040011001	PWB ASSY	C{bizhub 350/250}	C	1	
22	4040683202	WIRE HARNESS ASSY	C{bizhub 350/250}	D	1	
23	9326191031	FERRITE CORE	C{bizhub 350/250}(B lack)	D	1	
24	4040213001	BRACKET	C{bizhub 350/250}	D	1	
25	4025228301	SCREW	C{bizhub 350/250}	D	2	
26	9326191021	FERRITE CORE	C{bizhub 350/250}(White)	D	1	

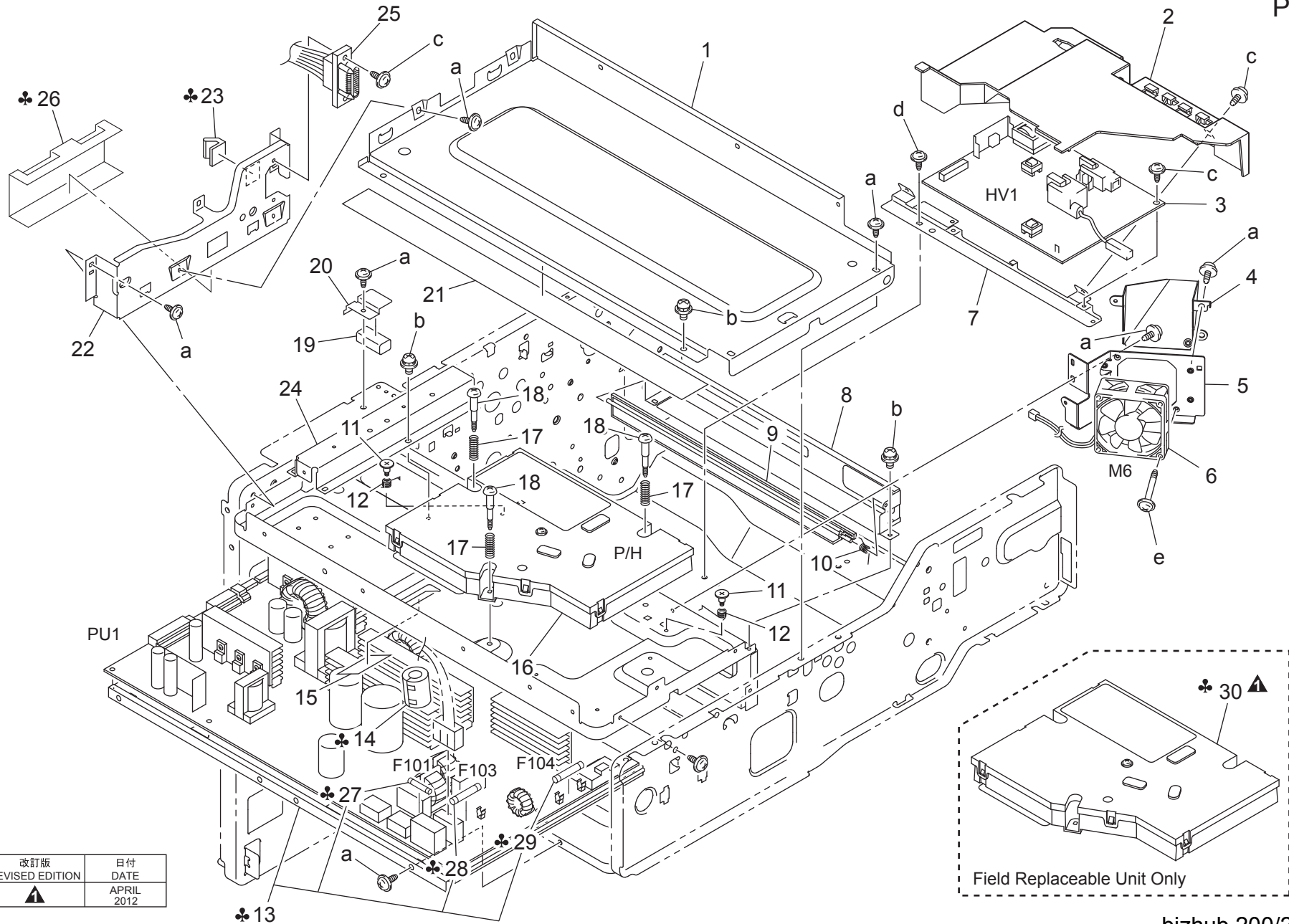
OPTICAL SECTION



Key	Part No.	Description	Destinations	Class	QTY	Standard parts
1	4384106201	WIRE BRACKET		D	2	a-9739030814 b-9646030414 c-V137030603
2	4551200401	XENON	取付板 キセノンランプ	C	1	
3	4551202301	REFLECTOR	反射板	C	1	
4	4551202901	PLATE SPRING	板ばね	D	6	
5	4551201701	SLIDER	スライダー	C	5	
6	4551202601	FFC CLAMP	F F C クランプ	D	1	
7	4551200701	PLATE SPRING	板ばね	D	1	
8	4551200501	MIRROR	ミラー	C	1	
9	4551201201	PWB ASSY	基板 A S S Y	C	1	
10	4551200601	MIRROR	ミラー	C	2	
11	4551201601	PULLEY	プーリ	C	2	
12	4551202401	GUIDE	ガイド	D	1	
13	4551201501	PLATE SPRING	板ばね	D	1	
14	4551202101	BRACKET	取付板	C	1	
15	4384104401	TENSION SPRING	引張コイルばね	C	1	
16	4384104501	ARM	アーム	C	1	
17	4551205901	PHOTO INTERRUPTER	フォトインタラプター	B	1	
18	4384103601	PHOTO INTERRUPTER ASSY	フォトインタラプター A S S Y	C	1	
19	4551200901	CUSHION	クッション	C	1	
20	4551204701	SCREW	ねじ	C	7	
21	4551200101	CARRIAGE 1 ASSY	ミラー A S S Y 1	I	1	
22	4551200201	CARRIAGE 2 ASSY	ミラー A S S Y 2	C	1	

POWER UNIT

P 9



改訂版 REVISED EDITION	日付 DATE
▲	APRIL 2012


Field Replaceable Unit Only

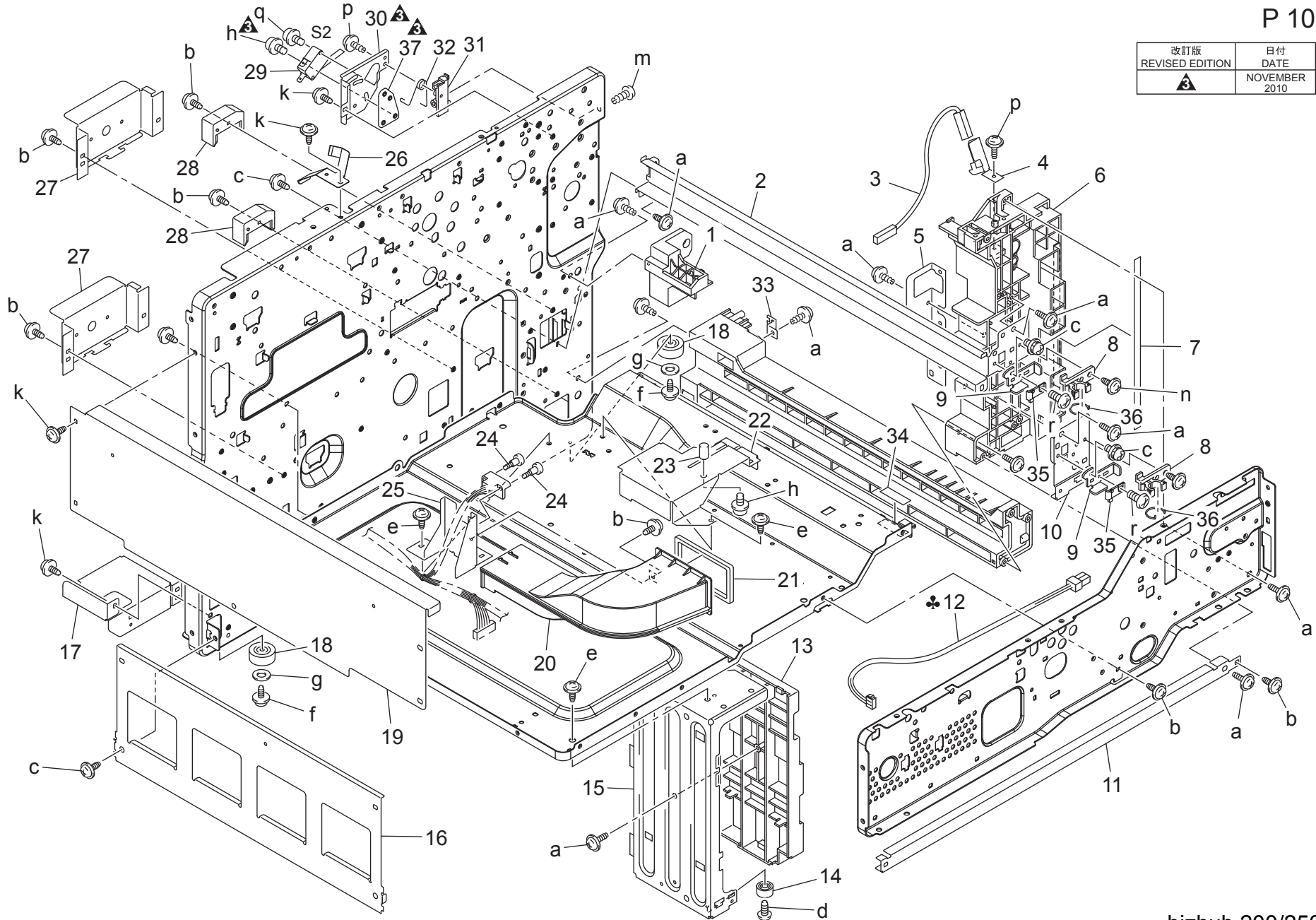
bizhub 200/250/350

Key	Part No.	Description	Destinations	Class	QTY	Standard parts
1	4030201701	BRACKET		D	1	a-V137030603 b-9646030814 c-9735030814 d-4154380401 e-9735033014
2	4040210102	COVER		D	1	
3	4040620301	HV TRANSFORMER		I	1	
4	4040213901	DUCT		D	1	
5	4040210902	BRACKET		D	1	
6	4040M10000	FAN MOTOR		C	1	
7	4030204001	BRACKET		D	1	
8	4030200402	BRACKET		D	1	
9	4030203601	SHUTTER		D	1	
10	4011203402	TORSION SPRING		C	1	
11	4011592502	SHOULDER SCREW		C	2	
12	4030204901	TORSION SPRING		C	2	
13	4040620203	POWER SUPPLY	C,D,F2,G1,I,J,K	I	1	
13	4040620101	POWER SUPPLY	A,B,F1,G2,H	I	1	
14	0866780101	FERRITE CORE	C,D,F,G1,H,I,J,K	D	1	
15	4040206401	GUIDE		C	1	
16	4040075100	P/H ASSY	{bizhub350}	I	1	
16	4041075100	P/H ASSY	{bizhub250/200}	I	1	
17	4128197801	PRESSURE SPRING		C	3	
18	4128197901	SHOULDER SCREW		C	3	
19	4030675701	ELECTRICALLY CONDUCTIVE MATERIAL		C	1	
20	4030211901	SHIELD		D	1	
21	4040103601	SHIELD PLATE		C	1	
22	4030201801	BRACKET		D	1	
23	9384430021	ELECTRICALLY CONDUCTIVE MATERIAL	C,D,F,G1,H,I,J,K	C	1	
24	4030203401	REINFORCE PLATE		D	1	
25	4030681601	WIRE HARNESS ASSY		D	1	
26	4030212001	GUIDE		C	1	
27	4040780101	FUSE	C,D,F,G1,H,I,J,K	C	1	
27	4040780401	FUSE	A,B,F1,G2,H	C	1	
28	4040780201	FUSE	C,D,F2,G1,I,J,K	C	1	
28	4040780501	FUSE	C,D,F2,G1,I,J,K	C	1	
29	4040780501	FUSE	A,B,F1,G2,H	C	1	
29	4040780301	FUSE	A,B,F1,G2,H	C	1	
30	4040R72900	P/H ASSY	A{bizhub350}	I	1	
30	4041R71200	P/H ASSY	A{bizhub250/200}	I	1	

bizhub 200/250/350

FRAME SECTION

改訂版 REVISED EDITION	日付 DATE
	NOVEMBER 2010

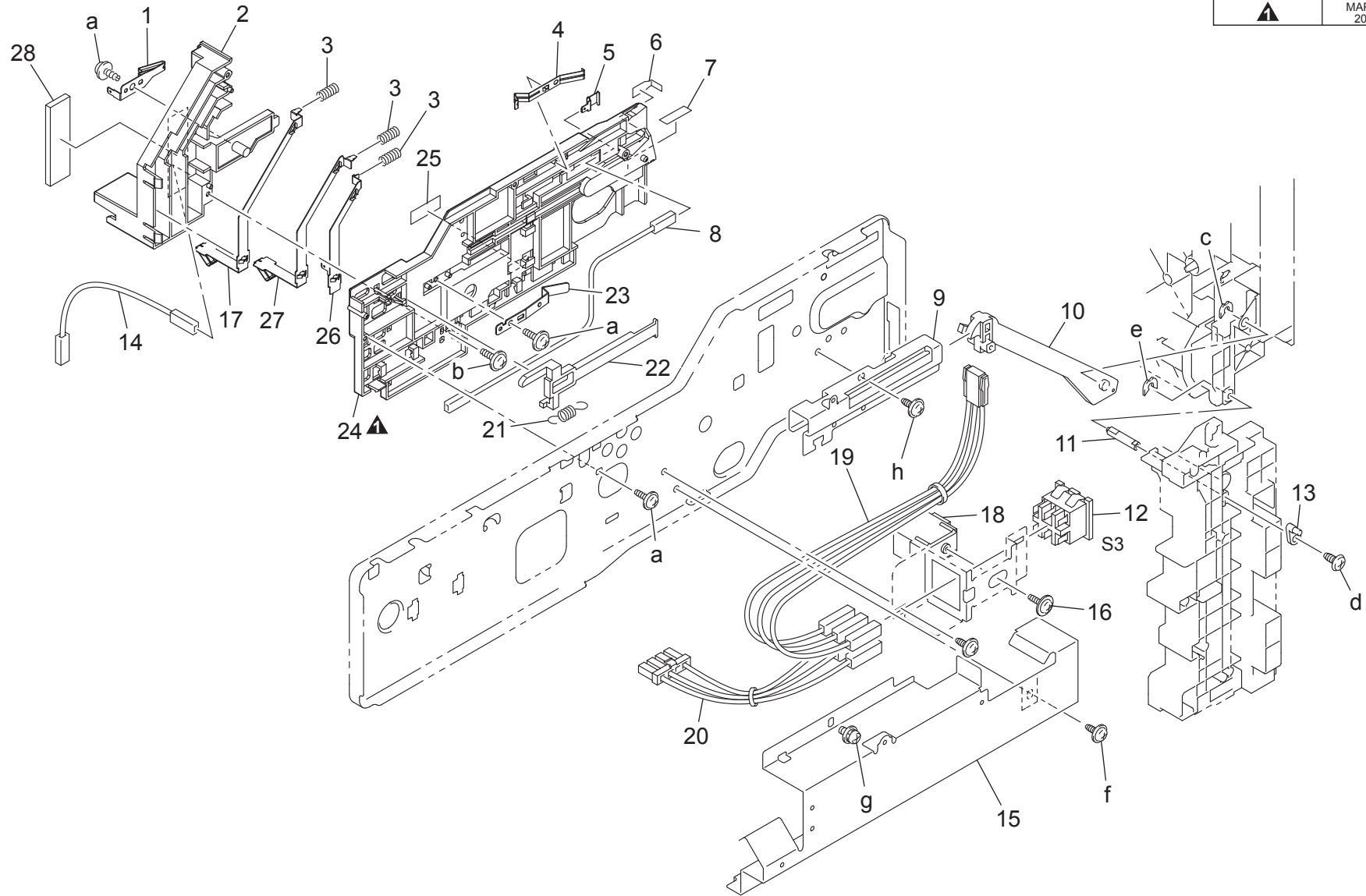


Key	Part No.	Description	Destinations	Class	QTY	Standard parts
1	4030203701	HOLDER		D	1	a-9739041014
2	4030202902Old	RAIL		D	1	b-9735030814
2	4040560200	RAIL		C	1	c-V137030603
3	4030684301	WIRE HARNESS ASSY		D	1	d-9733031014
4	1164215501	CONTACT		C	1	e-4154380401
5	4030201001	BRACKET		D	1	f-9735031014
6	4030202603	STAY		D	1	g-9716030001
7	4030731501	LABEL		D	1	h-9646030614
8	4040620500	Holder		D	2	k-V137030603
9	4030203802Old	STOPPER		D	2	m-9742030814
9	4040560100	STOPPER		C	2	n-9735040814
10	4030204102Old	BRACKET		D	1	p-9739030814
10	4040560300	BRACKET		D	1	q-9646031614
11	4030200701	REINFORCE PLATE		D	1	r-9743030814
12	1165683201	HARNESS	A	D	1	
13	4030200802	RAIL		D	1	
14	4030208101	SPACER		D	1	
15	4030200502	REINFORCE PLATE		D	1	
16	4030200601	REINFORCE PLATE		D	1	
17	4030204202	BRACKET		D	1	
18	4030208001	Rubber Foot		D	2	
19	4030201601	REINFORCE PLATE		D	1	
20	4040016301	DUCT		D	1	
21	4040209401	SEAL		C	1	
22	4030207902	BRACKET		D	1	
23	4040207801	PIN		C	1	
24	1079221901	SHOULDER SCREW		C	2	
25	4030201202	BRACKET		D	1	
26	4030216201	EARTH GROUND		C	1	
27	4030206201	BRACKET		D	2	
28	4030200901	GUIDE		D	2	
29	9J06M60100	MICRO SWITCH		C	1	
30	4030211601Old	BRACKET		D	1	
30	A1UD133700	Mounting Plate		D	1	
31	1164205101	GUIDE		D	1	
32	A1UD133900	Torsion Coil spring		D	1	
33	4030201101	BRACKET		D	1	
34	1129730301	LABEL HI-VOL CAUTION		D	1	
35	4040560000	GUIDE		C	2	
36	4348620600	Stop ring		D	2	
37	A1UD133800	Mounting Plate		D	1	

FRAME SECTION

P 11

改訂版 REVISED EDITION	日付 DATE
▲	MARCH 2010

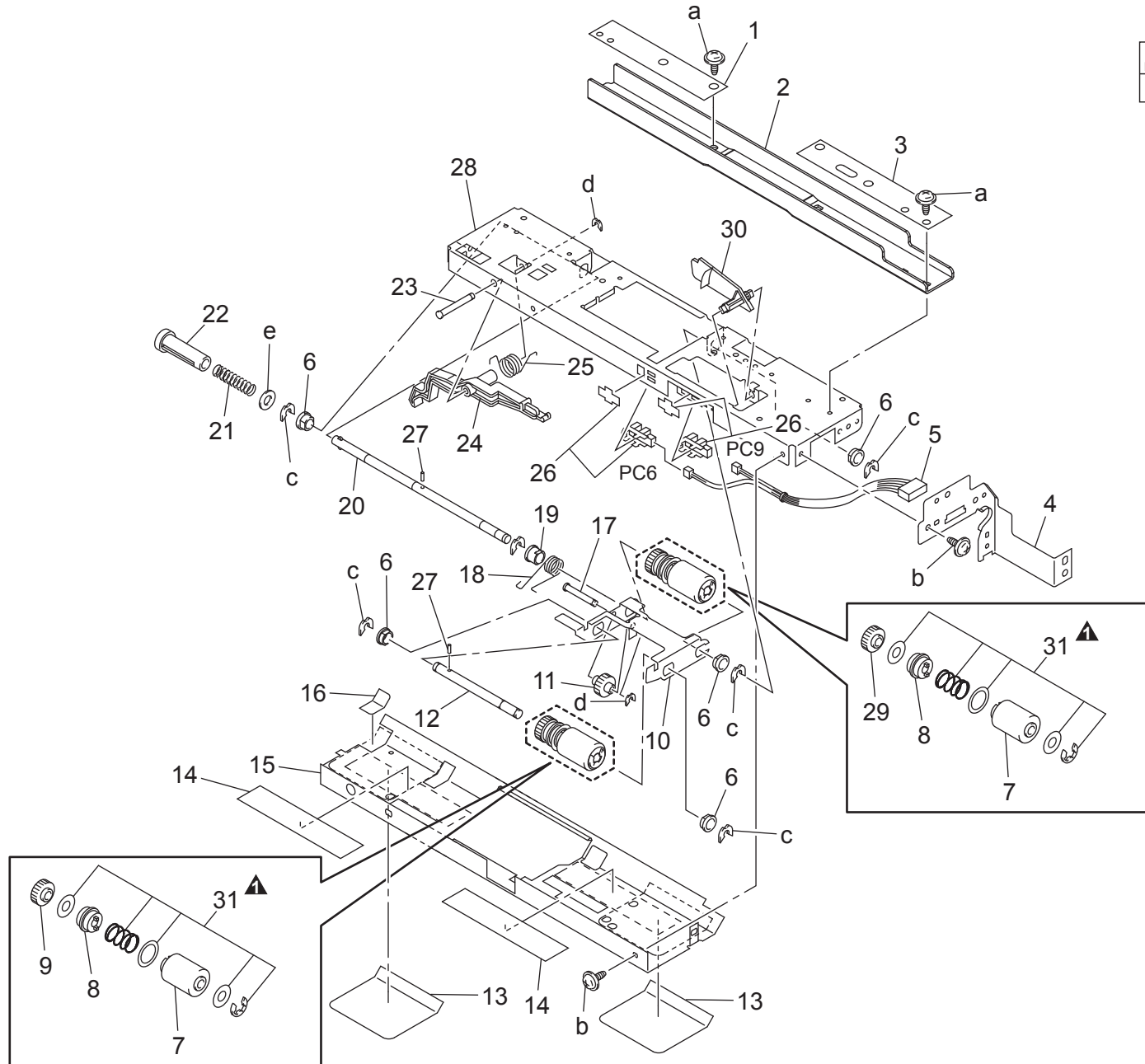


Key	Part No.	Description	Destinations	Class	QTY	Standard parts
1	4030211401	CONTACT		C	1	a-9739030814 b-9739031014 c-1066115101 d-9652030607 e-V218030086 f-V137030603 g-9646030814 h-4154380401
2	4030210201	HOLDER		D	1	
3	4011213401	PRESSURE SPRING		C	3	
4	1165214201	EARTH GROUND		D	1	
5	1165215301	CONTACT		C	1	
6	4011204701	SEAL		C	1	
7	4030731601	LABEL		D	1	
8	4030684401	WIRE HARNESS ASSY		D	1	
9	1164231001	GUIDE PLATE		D	1	
10	1164231601	LEVER		C	1	
11	4011201001	SHAFT		D	1	
12	4040M60000	Micro switch		C	1	
13	1164200712	JOINT		C	1	
14	4030684201	WIRE HARNESS ASSY		D	1	
15	4030212301	BRACKET		D	1	
16	4109200301	SHOULDER SCREW		C	1	
17	4030211501	CONTACT		C	1	
18	4030211801	LEVER		C	1	
19	4040685401	WIRE HARNESS ASSY		D	1	
20	4040685301	WIRE HARNESS ASSY		D	1	
21	4011203501	TENSION SPRING		C	1	
22	1165204002	LEVER		D	1	
23	1164202102	PLATE SPRING		C	1	
24	4030201903	Guide		D	1	
25	1129730301	LABEL HI-VOL CAUTION		D	1	
26	4030211201	CONTACT		C	1	
27	4030211301	CONTACT		C	1	
28	4040216001	SEAL		C	1	

PAPER TAKE-UP SECTION

P 12

改訂版 REVISED EDITION	日付 DATE
	FEBRUARY 2011

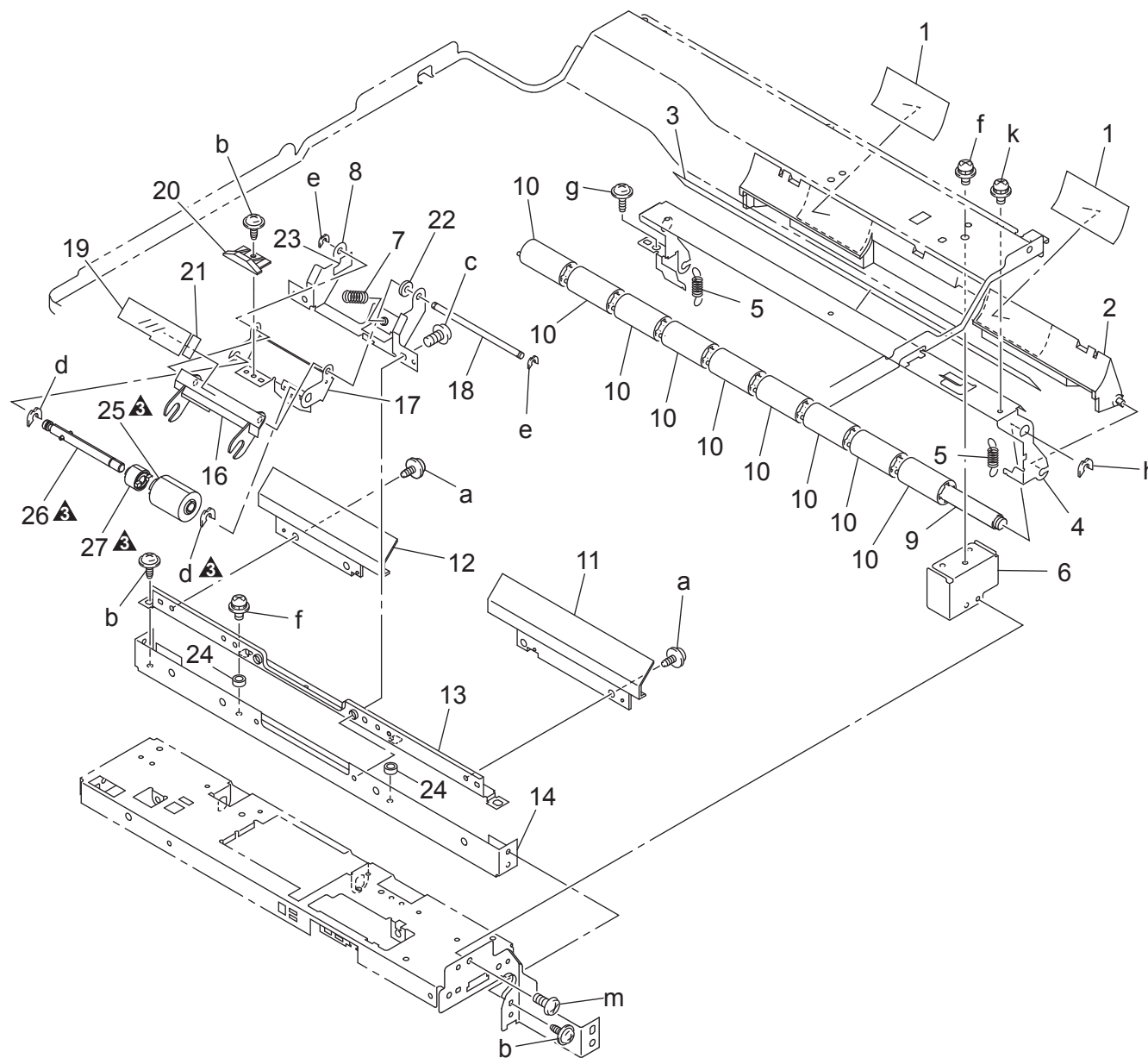


Key	Part No.	Description	Destinations	Class	QTY	Standard parts
1	4030308701	REINFORCE PLATE		D	1	a-9735030814 b-V137030603 c-V218040086 d-V218030086 e-9715060001
2	4030308401	REINFORCE PLATE		D	1	
3	4030308601	REINFORCE PLATE		D	1	
4	4030304102	FRAME		D	1	
5	4030681101	WIRE HARNESS ASSY		D	1	
6	4131300301	BUSHING		C	5	
7	4030300501	ROLLER		A	2	
8	4030303401	CLUTCH		C	2	
9	4425301601	GEAR 32T		C	1	
10	4030300202	HOLDER		C	1	
11	4030300801	GEAR 29T		C	1	
12	4030300301	SHAFT		D	1	
13	A11U560300	Guide		C	2	
14	4030308801	WEIGHT		C	2	
15	4030302303	GUIDE PLATE		D	1	
16	4030308501	COVER		C	1	
17	4040309701	SHAFT		D	1	
18	4030303001	TORSION SPRING		C	1	
19	1065308601	BUSHING		C	1	
20	4030300401	SHAFT		C	1	
21	A00J589400	PRESSURE SPRING		C	1	
22	1052441201	JOINT		C	1	
23	4040309601	SHAFT		D	1	
24	4030301103	LEVER		C	1	
25	4030301201	TORSION SPRING		C	1	
26	4037090601	PHOTO INTERRUPTER		B	2	
27	1067250101	PIN		C	2	
28	4030300103	FRAME		D	1	
29	4425301301	GEAR 30T		C	1	
30	4030301612	ACTUATOR		C	1	
31	A11UR92600	SUPPORT KIT		C	2	

PAPER TAKE-UP SECTION

P13

改訂版 REVISED EDITION	日付 DATE
	AUGUST 2010



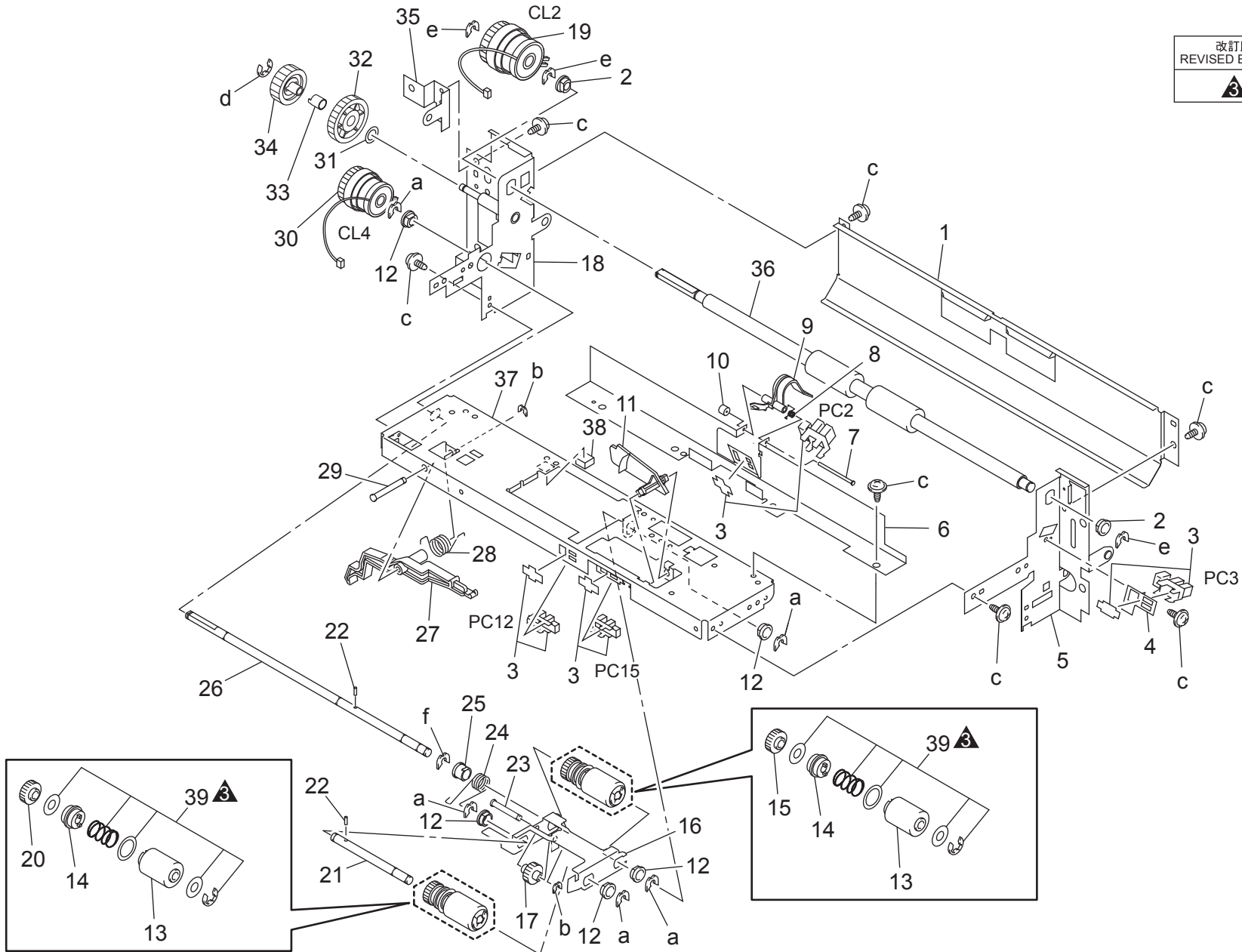
PAPER TAKE-UP SECTION

Key	Part No.	Description	Destinations	Class	QTY	Standard parts
1	4030310801	GUIDE		C	2	a-9735030814
2	4030303203	GUIDE		C	1	b-V137030603
3	4030310401	GUIDE		C	1	c-9743030814
4	4030310302	BRACKET		D	1	d-V218040086
5	4030312501	TENSION SPRING		C	2	e-V218030086
6	4030304401	BRACKET		D	1	f-9646030814
7	4030301703	PRESSURE SPRING		C	1	g-9739030814
8	4030301401	BRACKET		D	1	h-1066115101
9	4030310101	SHAFT		D	1	k-9646030614
10	4658351301	ROLLER		C	9	m-9743040814
11	4030302602	GUIDE		D	1	
12	4030302702	GUIDE		D	1	
13	4030303701	REINFORCE PLATE		D	1	
14	4030302505	Bracket		D	1	
16	4030307701	GUIDE		D	1	
17	4030301301	HOLDER		C	1	
18	4030303901	SHAFT		D	1	
19	4030307901	GUIDE		C	1	
20	4030307801	LEVER		C	1	
21	4030308001	GUIDE		C	1	
22	4040561000	Spacer		D	1	
23	4040561200	Spacer		D	1	
24	26NA20300	SEPARATE ROCKING COLLAR		C	2	
25	A11U560000	Roller		A	1	
26	A0ED563700	Shaft		D	1	
27	A0ED563900	Torque limiter		C	1	

PAPER TAKE-UP SECTION

P 14

改訂版 REVISED EDITION	日付 DATE
	FEBRUARY 2011

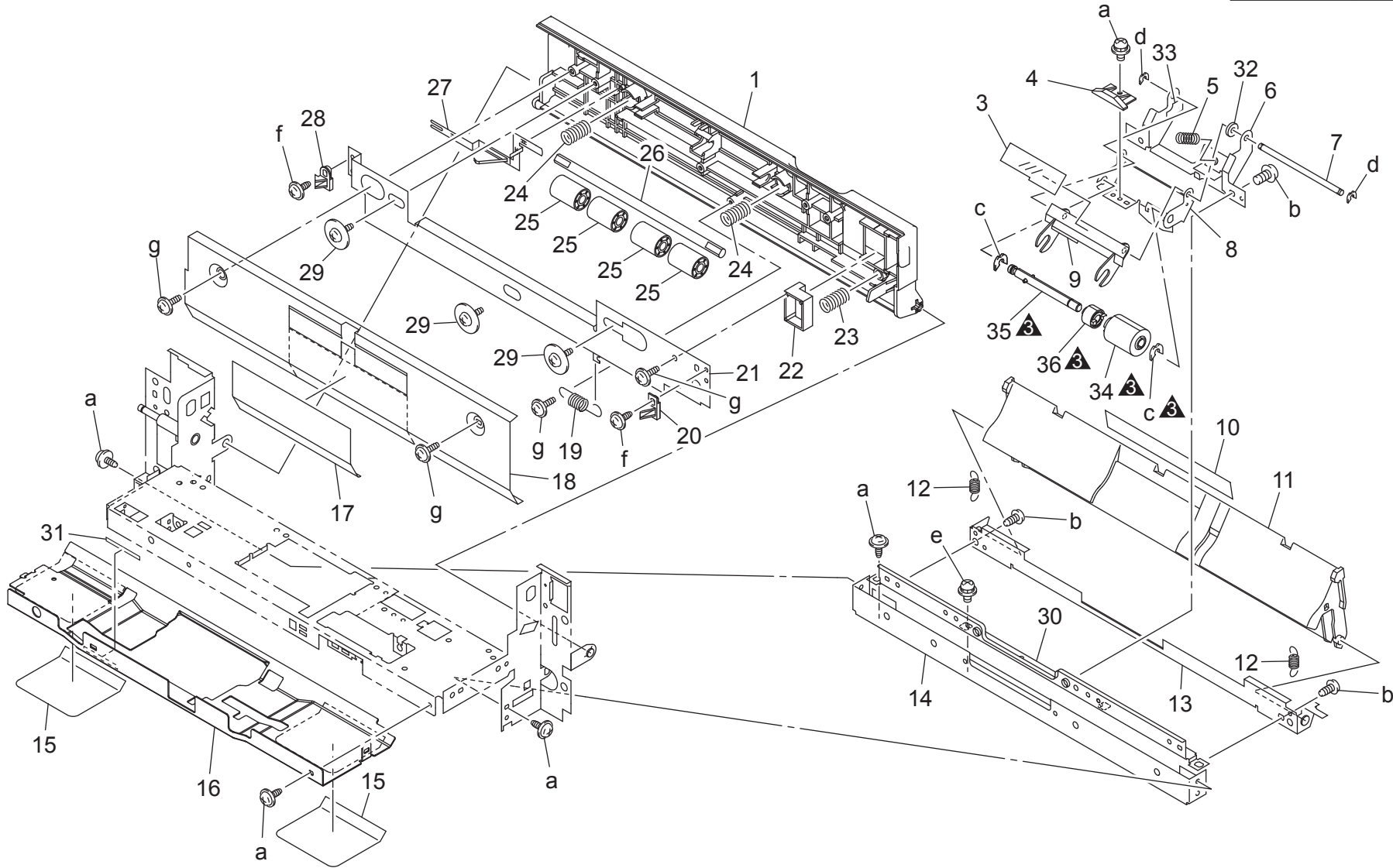


Key	Part No.	Description	Destinations	Class	QTY	Standard parts
1	4030311202	GUIDE PLATE	ガイド板	D	1	a-V218040086 b-V218030086 c-V137030603 d-9721040001 e-1066115101 f-9721040001
2	4131353202	BUSHING	軸受	C	2	
3	4037090601	PHOTO INTERRUPTER	フォトインタラプター	B	4	
4	4030312801	BRACKET	取付板	D	1	
5	4030304202	FRAME	フレーム	D	1	
6	4030301801	BRACKET	取付板	C	1	
7	1200521204	PIN	ピン	D	1	
8	4030303101	TORSION SPRING	ねじりコイルばね	C	1	
9	4030301902	ACTUATOR	アクチュエータ	C	1	
10	1134304101	COLLAR	カラー	D	1	
11	4030301612	ACTUATOR	アクチュエータ	C	1	
12	4131300301	BUSHING	軸受	C	5	
13	4030300501	ROLLER	ローラ	A	2	
14	4030303401	CLUTCH	クラッチ	C	2	
15	4425301301	GEAR 30T	ギヤ 30 T	C	1	
16	4030300202	HOLDER	ホルダ	C	1	
17	4030300801	GEAR 29T	ギヤ 29 T	C	1	
18	4030R70600	FRAME ASSY	フレーム ASSY	D	1	
19	9J06M20100	CLUTCH	クラッチ	C	1	
20	4425301601	GEAR 32T	ギヤ 32 T	C	1	
21	4030300301	SHAFT	シャフト	D	1	
22	1067250101	PIN	ピン	C	2	
23	4040309701	SHAFT	シャフト	D	1	
24	4030303001	TORSION SPRING	ねじりコイルばね	C	1	
25	1065308601	BUSHING	シクウケ	C	1	
26	4030302201	SHAFT	シャフト	D	1	
27	4030301103	LEVER	レバー	C	1	
28	4030301201	TORSION SPRING	ねじりコイルばね	C	1	
29	4040309601	SHAFT	シャフト	D	1	
30	9322150012	CLUTCH	クラッチ	C	1	
31	4030309201	WASHER	ワッシャ	D	1	
32	4030306401	GEAR 33T	ギヤ 33 T	C	1	
33	4030306901	SLEEVE	スリーブ	D	1	
34	4030306801	GEAR 26T	ギヤ 26 T	C	1	
35	4030306301	BRACKET	取付板	D	1	
36	4030302101	ROLLER	ローラ	C	1	
37	4030301004	Frame	フレーム	C	1	
38	50GA400600	CUSHION	防振材	C	1	
39	A11UR92600	SUPPORT KIT	サポートキット	C	2	

PAPER TAKE-UP SECTION

P15

改訂版 REVISED EDITION	日付 DATE
▲	AUGUST 2010

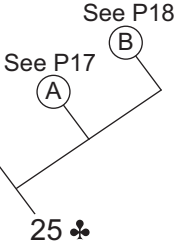
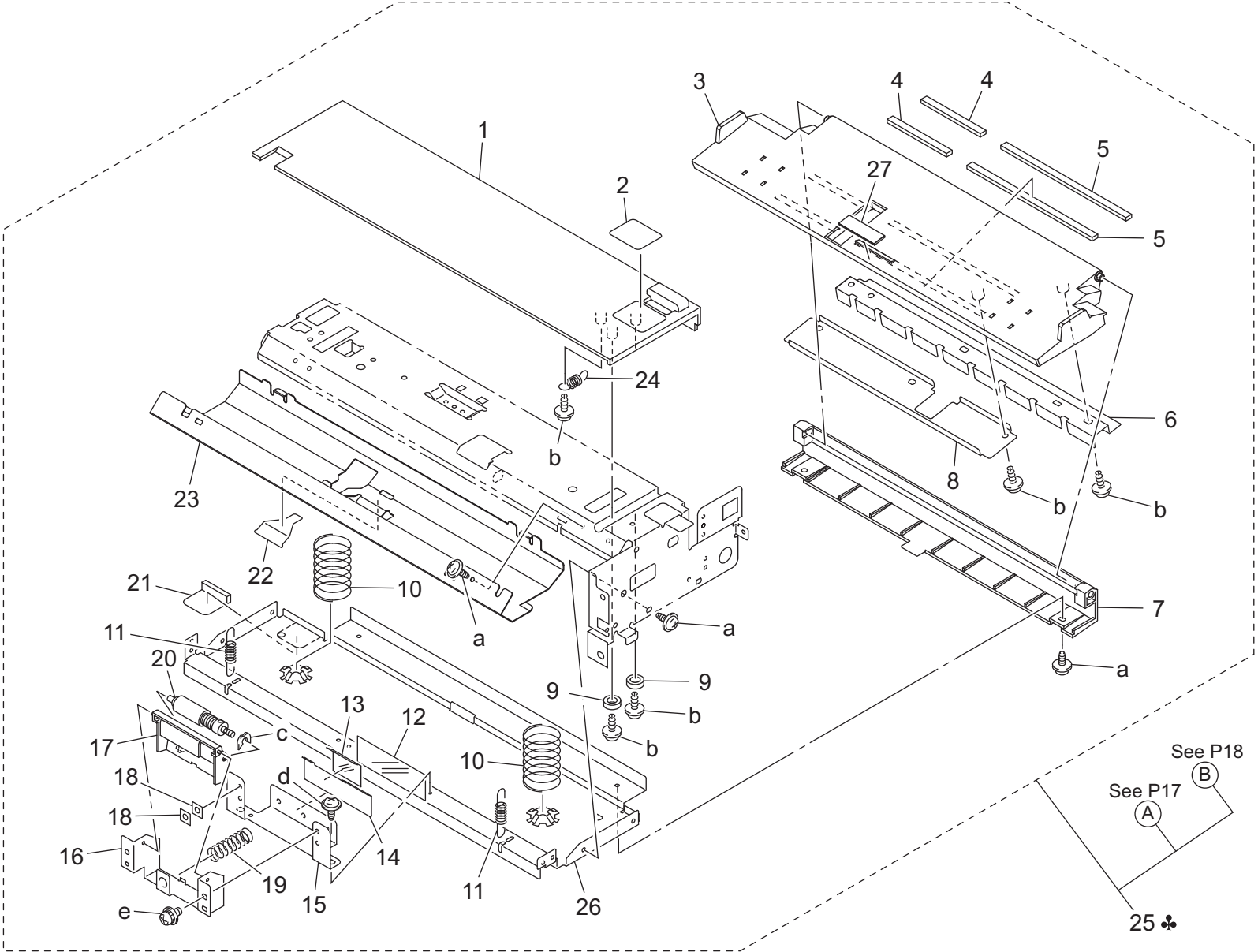


bizhub 200/250/350

PAPER TAKE-UP SECTION

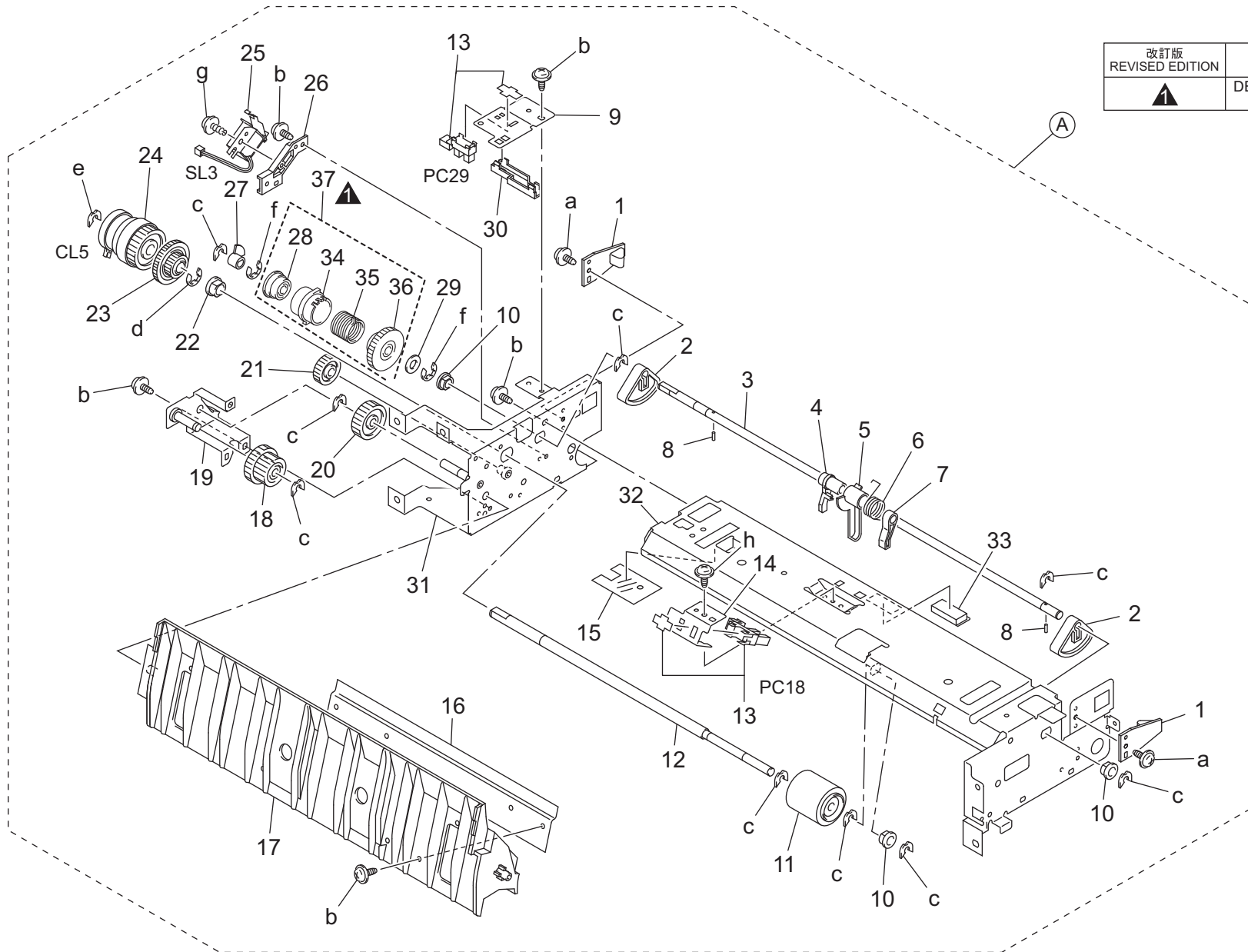
Key	Part No.	Description	Destinations	Class	QTY	Standard parts
1	4030311106	DOOR		C	1	a-V137030603 b-9743030814 c-V218040086 d-V218030086 e-9646030814 f-9735030814 g-9739030814
3	4030307901	GUIDE		C	1	
4	4030307801	LEVER		C	1	
5	4030301703	PRESSURE SPRING		C	1	
6	4030301401	BRACKET		D	1	
7	4030303901	SHAFT		D	1	
8	4030301301	HOLDER		C	1	
9	4030307701	GUIDE		D	1	
10	4030310501	GUIDE		C	1	
11	4030312403	GUIDE		D	1	
12	4030312501	TENSION SPRING		C	2	
13	4030312903	BRACKET		D	1	
14	4030302505	Bracket		D	1	
15	A11U560300	Guide		C	2	
16	4030309501	GUIDE PLATE		C	1	
17	4030310701	GUIDE		C	1	
18	4030311402	GUIDE PLATE		D	1	
19	4030311601	TENSION SPRING		C	1	
20	4030313501	LEVER		C	1	
21	4030311702	BRACKET		D	1	
22	4030313002	HANDLE		C	1	
23	1149345401	PRESSURE SPRING		C	1	
24	4030312301	PRESSURE SPRING		C	2	
25	4030312201	ROLL		C	4	
26	4030312101	SHAFT		D	1	
27	4030313403	EARTH GROUND		C	1	
28	4030311501	LEVER		C	1	
29	4163529301	SCREW		C	3	
30	4030303701	REINFORCE PLATE		D	1	
31	50GA400700	FILM		C	1	
32	4040561000	Spacer		D	1	
33	4040561200	Spacer		D	1	
34	A11U560000	Roller		A	1	
35	A0ED563700	Shaft		D	1	
36	A0ED563900	Torque limiter		C	1	

BYPASS SECTION



Key	Part No.	Description	Destinations	Class	QTY	Standard parts
1	4030344202	COVER		D	1	a-9735030814 b-9739030814 c-V218030086 d-4154380401 e-9646030614
2	4030375401	LABEL		C	1	
3	4030340914	LIFTING PLATE		D	1	
4	4030347601	SEAL		C	2	
5	4030347701	SEAL		C	2	
6	4030348401	WEIGHT		D	1	
7	4030342501	HOLDER		D	1	
8	4030345601	REINFORCE PLATE		D	1	
9	4030348101	COLLAR		C	2	
10	4030345703	PRESSURE SPRING		C	2	
11	4030342801	TENSION SPRING		C	2	
12	4030348901	SEAL		C	1	
13	4030340301	GUIDE		C	1	
14	4030340201	GUIDE PLATE		C	1	
15	4030347401	BRACKET		D	1	
16	4030340401	BRACKET		D	1	
17	4131305302	HOLDER		D	1	
18	4030349201	SPACER		C	2	
19	4030347501	PRESSURE SPRING		C	1	
20	4034015101	SEPARATION ROLLER		A	1	
21	4030344801	CUSHION		C	1	
22	4040349501	GUIDE		C	1	
23	4040349601	GUIDE		D	1	
24	4030343801	TENSION SPRING		C	1	
25	4040R71800	MANUAL FEED TRAY UNIT	A	S	1	
25	4040R71900	MANUAL FEED TRAY UNIT	C,D,F,G1,H,I,J,K	S	1	
25	4040R72000	MANUAL FEED TRAY UNIT	B,G2	S	1	
26	4030342401	BRACKET		D	1	
27	4687328101	FRICTION SHEET		C	1	

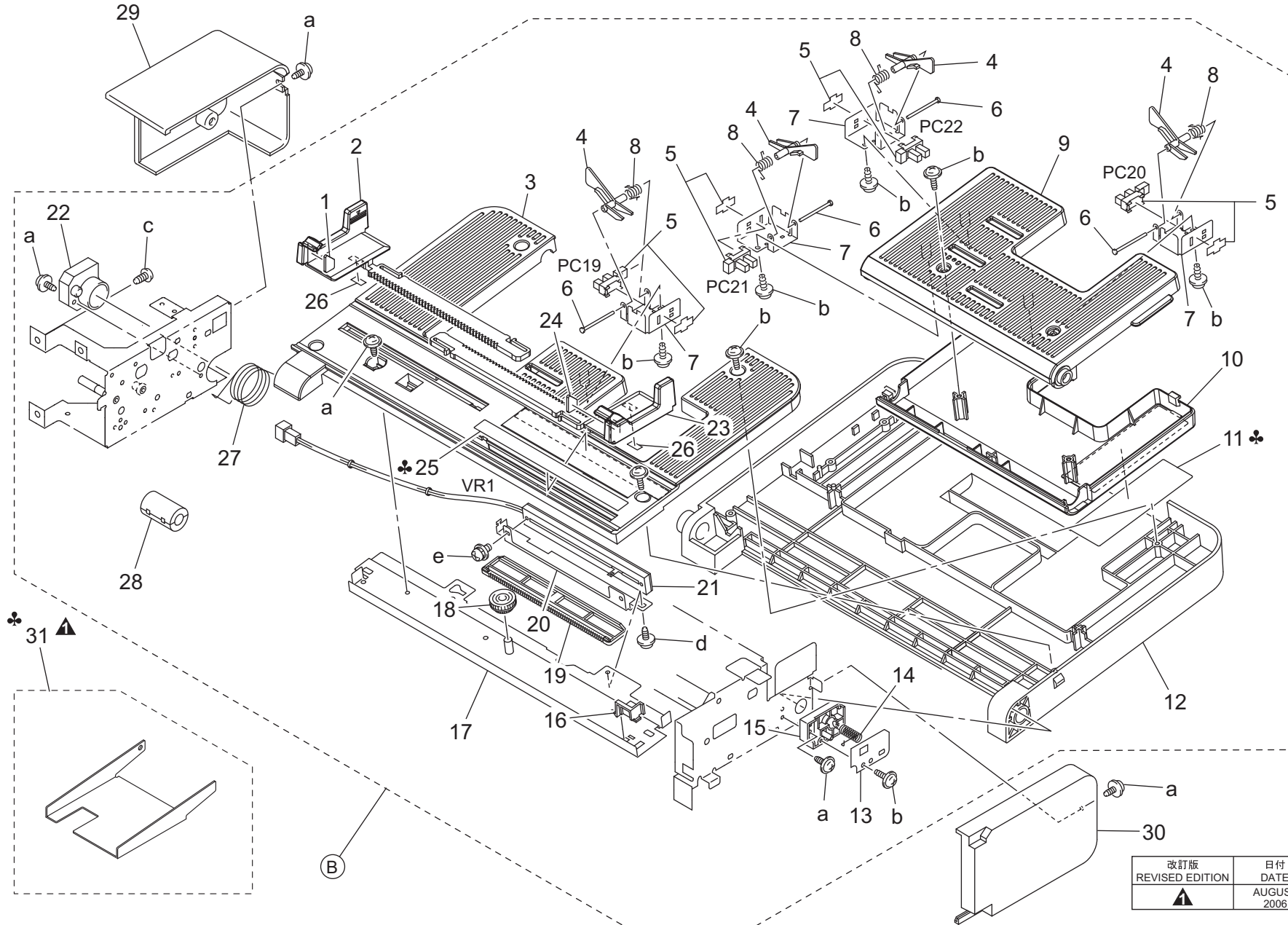
BYPASS SECTION



改訂版 REVISED EDITION	日付 DATE
▲	DECEMBER 2005

Key	Part No.	Description	Destinations	Class	QTY	Standard parts
1	4030343001	LEVER		C	2	a-4154380401 b-9735030814 c-V218040086 d-V217060001 e-1066115101 f-9721040001 g-9739030814 h-V137030603
2	4030341701	CAM		C	2	
3	4030341602	SHAFT		D	1	
4	4030346401	HOLDER		D	1	
5	4030344401	ACTUATOR		C	1	
6	4030344501	TORSION SPRING		C	1	
7	4030346501	HOLDER		D	1	
8	1067250201	PIN		D	2	
9	4030347901	BRACKET		D	1	
10	4030309301	BUSHING		C	3	
11	4131300101	ROLLER		A	1	
12	4030343401	SHAFT		D	1	
13	4037090601	PHOTO INTERRUPTER		B	2	
14	4040344301	BRACKET		D	1	
15	4030344701	GUIDE		C	1	
16	4030342701	REINFORCE PLATE		D	1	
17	4030340113	HOLDER		D	1	
18	4030344101	GEAR 20/25T		C	1	
19	4030R70800	BRACKET ASSY		D	1	
20	1075256501	GEAR 25T		C	1	
21	1300332217	GEAR 20T		C	1	
22	4658351701	BUSHING		C	1	
23	4030346701	GEAR 16/30T		C	1	
24	9J06M20100	CLUTCH		C	1	
25	9J06M20000	SOLENOID		B	1	
26	4030342201	HOLDER		D	1	
27	4030347802	SHIELD PLATE		D	1	
28	4131300702	DRUM		D	1	
29	4131412801	WASHER		C	1	
30	4030342902	MEMBER		D	1	
31	4030R70700	BRACKET ASSY		C	1	
32	4030343207	BRACKET		C	1	
33	4040349701	CUSHION		C	1	
34	4030342002	RATCHET		C	1	
35	4030341901	TORSION SPRING		B	1	
36	4131300402	GEAR 30T		C	1	
37	4040R70500	CLUTCH		B	1	

BYPASS SECTION

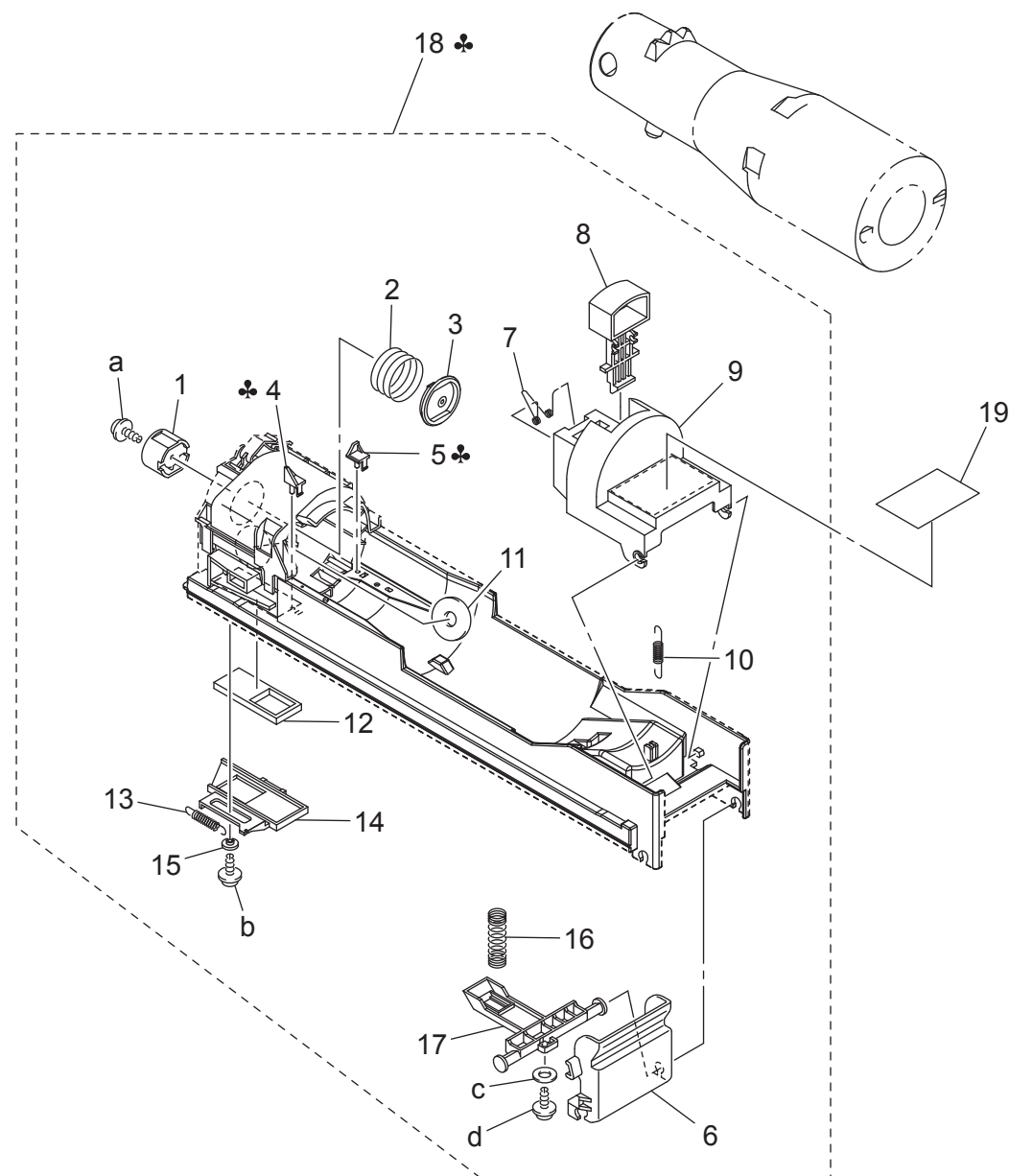


改訂版 REVISED EDITION	日付 DATE
	AUGUST 2006

bizhub 200/250/350

Key	Part No.	Description	Destinations	Class	QTY	Standard parts
1	4030348601	BRAKE		C	1	a-9735030814 b-9739030814 c-9743040814 d-V137030603 e-9646030614
2	4030341103	REGULATING PLATE		C	1	
3	4030346602	COVER		C	1	
4	4030341502	ACTUATOR		C	4	
5	4037090601	PHOTO INTERRUPTER		B	4	
6	1134304202	SHAFT		D	4	
7	4030341401	BRACKET		D	4	
8	4030344601	TORSION SPRING		C	4	
9	4030342303	TRAY		C	1	
10	4030345902	COVER		C	1	
11	4030730902	LABEL TRAY CAUTION	B,C,D,F,G,H,I,J,K	C	1	
11	4030730501	LABEL	A	C	1	
12	4030340803	TRAY		C	1	
13	4030343701	BRACKET		D	1	
14	4030343501	TORSION SPRING		C	1	
15	4030347302	HOLDER		D	1	
16	4030346301	STOPPER		D	1	
17	4030021605	BRACKET ASSY		D	1	
18	4030341201	GEAR 13/18T		C	1	
19	4030346002	RACK		C	1	
20	4030345502	BRACKET		D	1	
21	4037689901	RESISTOR		D	1	
22	4030347201	HOLDER		D	1	
23	4030341003	REGULATING PLATE		C	1	
24	4030348701	BRAKE		C	1	
25	4030730702	SCALE METRIC	C,D,F,G1,H,I,J,K	D	1	
25	4030730602	SCALE METRIC	A	C	1	
25	4030730802	SCALE INCH	B,G2	C	1	
26	4131462304	CLEANING PAD		C	2	
27	4030343601	TORSION SPRING		C	1	
28	9326191031	FERRITE CORE		D	1	
29	4030342601	COVER		C	1	
30	4030348001	COVER		C	1	
31	4040P00100	GUIDE	A	D	1	

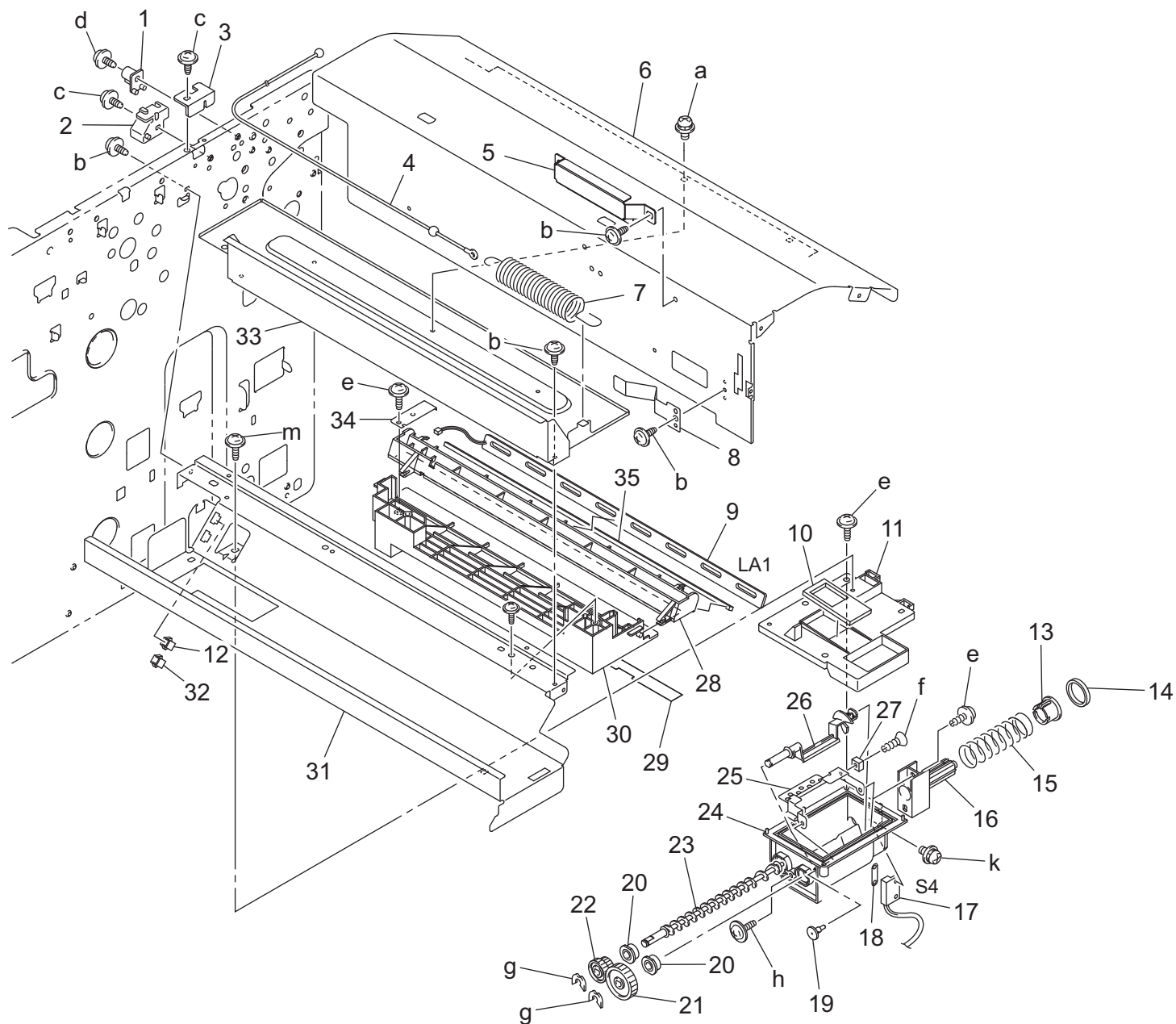
HOPPER SECTION



HOPPER SECTION

Key	Part No.	Description	Destinations	Class	QTY	Standard parts
1	4040531701	JOINT		C	1	a-9739030814 b-9732031214 c-9716060001 d-9739041014
2	4040531801	PRESSURE SPRING		C	1	
3	4040531901	COLLAR		C	1	
4	4040532201	STOPPER		C	1	
5	4011534701	STOPPER	{bizhub350} B,C,D,F ,G,H,I,J,K {bizhub250/200} A	D	1	
6	4030538901	HANDLE		C	1	
7	4030539401	TORSION SPRING		C	1	
8	4030539301	HANDLE		C	1	
9	4030539101	STOPPER		D	1	
10	4030539201	TENSION SPRING		C	1	
11	1165532703	SEAL		C	1	
12	4030538401	SEAL		C	1	
13	4030538601	TENSION SPRING		C	1	
14	4030538302	SHUTTER		D	1	
15	4030539801	COLLAR		D	1	
16	4030539001	PRESSURE SPRING		C	1	
17	4030539501	PAWL		C	1	
18	4040076900	HOPPER UNIT	{bizhub350} B,G2	I	1	
18	4040077000	HOPPER UNIT	{bizhub250/200} A	I	1	
18	4040077100	HOPPER UNIT	{bizhub350} A	I	1	
18	4040077200	HOPPER UNIT	{bizhub250/200} B,G 2	I	1	
18	4040077300	HOPPER UNIT	{bizhub350} C,D,F,G 1,I,J,H	I	1	
18	4040077500	HOPPER UNIT	C,D,F,G1,I,J,H	I	1	
19	4041737701	LABEL TONER TYPE	{bizhub250/200}	C	1	
19	4040737501	LABEL TONER TYPE	{bizhub350}	C	1	

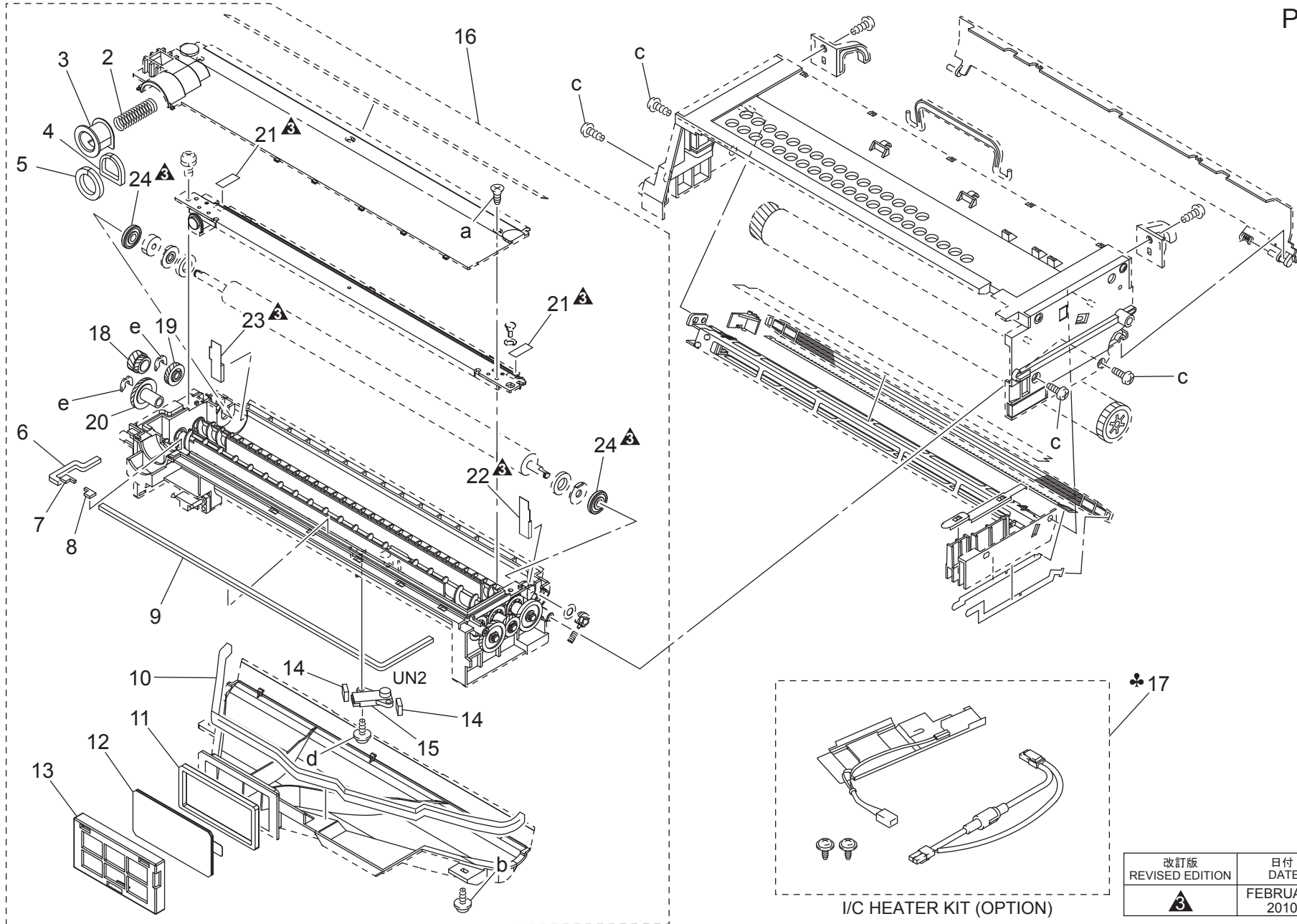
HOPPER SECTION



Key	Part No.	Description	Destinations	Class	QTY	Standard parts
1	4030204301	GUIDE		D	1	a-9646030814
2	1164205001	GUIDE		D	1	b-V137030603
3	4030204601	STOPPER		D	1	c-9735030814
4	4030204701	WIRE		C	1	d-9735032014
5	4040205601	RAIL		D	1	e-9739030814
6	4030101902	COVER		D	1	f-9648030821
7	4030204501	TENSION SPRING		C	1	g-V218040086
8	4030539601	PLATE SPRING		C	1	h-1250230101
9	9351120012	INCANDESCENT LAMP		C	1	k-9646031014
10	4030538502	SEAL		C	1	m-9739031014
11	4030536103	REGULATING PLATE		C	1	
12	9383221011	CONNECTOR 2P		D	1	
13	1165530801	SHUTTER		D	1	
14	1165531901	SEAL		C	1	
15	1165530902	PRESSURE SPRING		C	1	
16	4030536501	DUCT		D	1	
17	9334271011	SWITCH		C	1	
18	4011533901	PLATE NUT		D	1	
19	4011533801	PIN		D	1	
20	4163510201	BUSHING		C	2	
21	4030537801	GEAR 28T		C	1	
22	4030537901	GEAR 14/19T		C	1	
23	4030015203	SCREW ASSY		C	1	
24	4030536001	HOUSING		D	1	
25	4030536401	DETECTING PLATE		D	1	
26	4030015303	STIRRING PLATE ASSY		C	1	
27	A11UM90000	Magnet		D	1	
28	1165430502	HOLDER		D	1	
29	1165431001	SEAL		C	1	
30	4030205501	HOLDER		D	1	
31	4030205002	BRACKET		D	1	
32	9383220011	PLUG HOUSING		D	1	
33	4030205102	GUIDE		D	1	
34	1165430802	PLATE SPRING		C	1	
35	1165430701	SEAL		C	1	

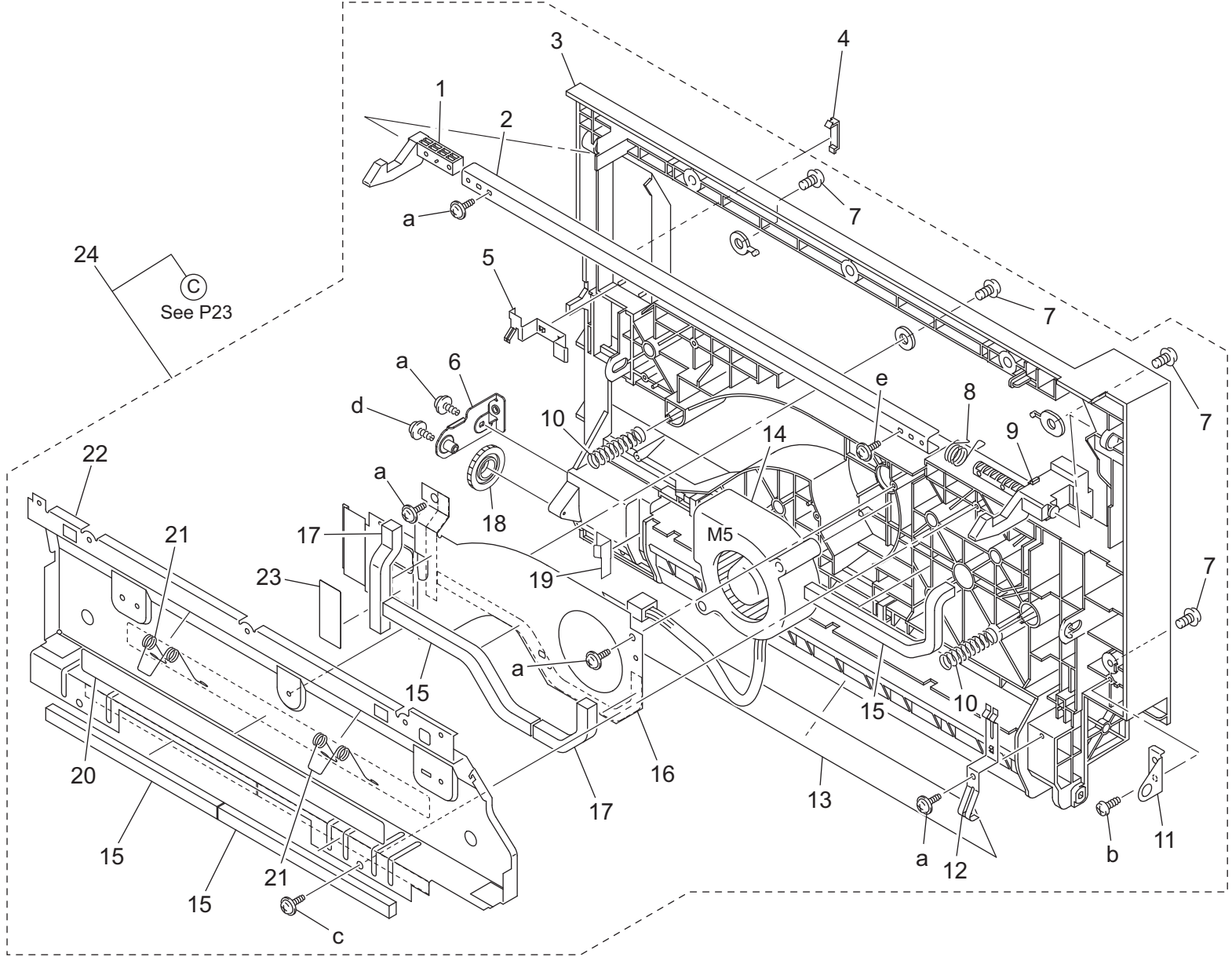
DEVELOPING UNIT

P 21



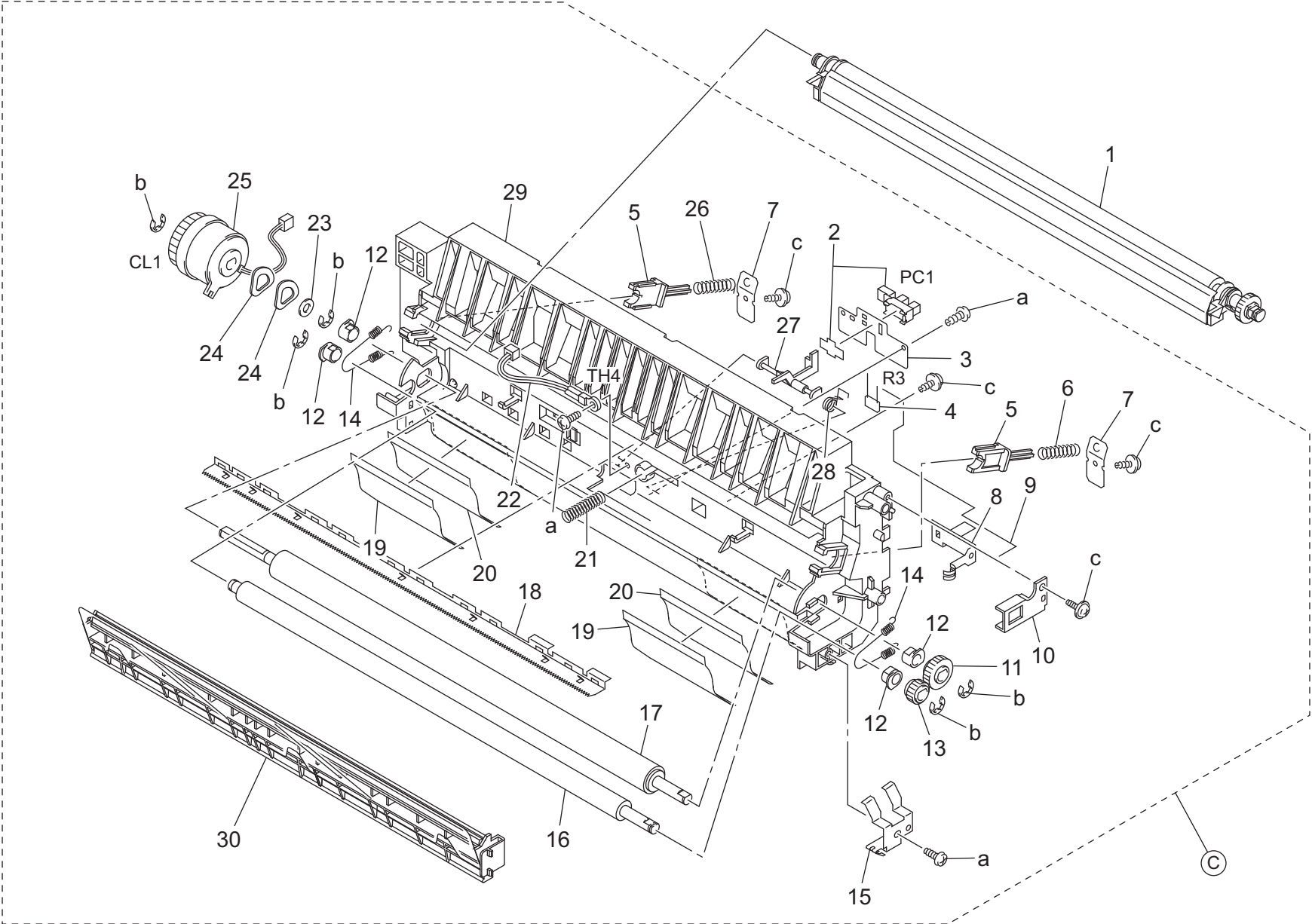
Key	Part No.	Description	Destinations	Class	QTY	Standard parts
2	4163521002	PRESSURE SPRING		C	1	a-9648030621 b-9739030814 c-9742030814 d-9739030614 e-V218040086
3	4163520501	SHUTTER		D	1	
4	4163520801	SEAL		C	1	
5	4163523801	SEAL		C	1	
6	4163520901	SEAL		C	1	
7	4163524001	SEAL		C	1	
8	4163523901	SEAL		C	1	
9	4163520701	SEAL		C	1	
10	4040521101	SEAL		C	1	
11	4040522301	SEAL		C	1	
12	4040521701	TONER FILTER		A	1	
13	4040522201	COVER		C	1	
14	4040521601	SEAL		C	2	
15	4040604001	PWB ASSY		I	1	
16	4040075200	DEVELOPING UNIT		B	1	
17	1171090303	HEATER KIT	A	S	1	
18	4163522201	GEAR 14T/12T		C	1	
19	4163522301	GEAR 19T		C	1	
20	4163522401	GEAR 20T		C	1	
21	4040526001	SEAL		C	2	
22	4163522101	SEAL		C	1	
23	4163523701	SEAL		C	1	
24	4163529801	ROLL		C	2	

PAPER TRANSPORT SECTION



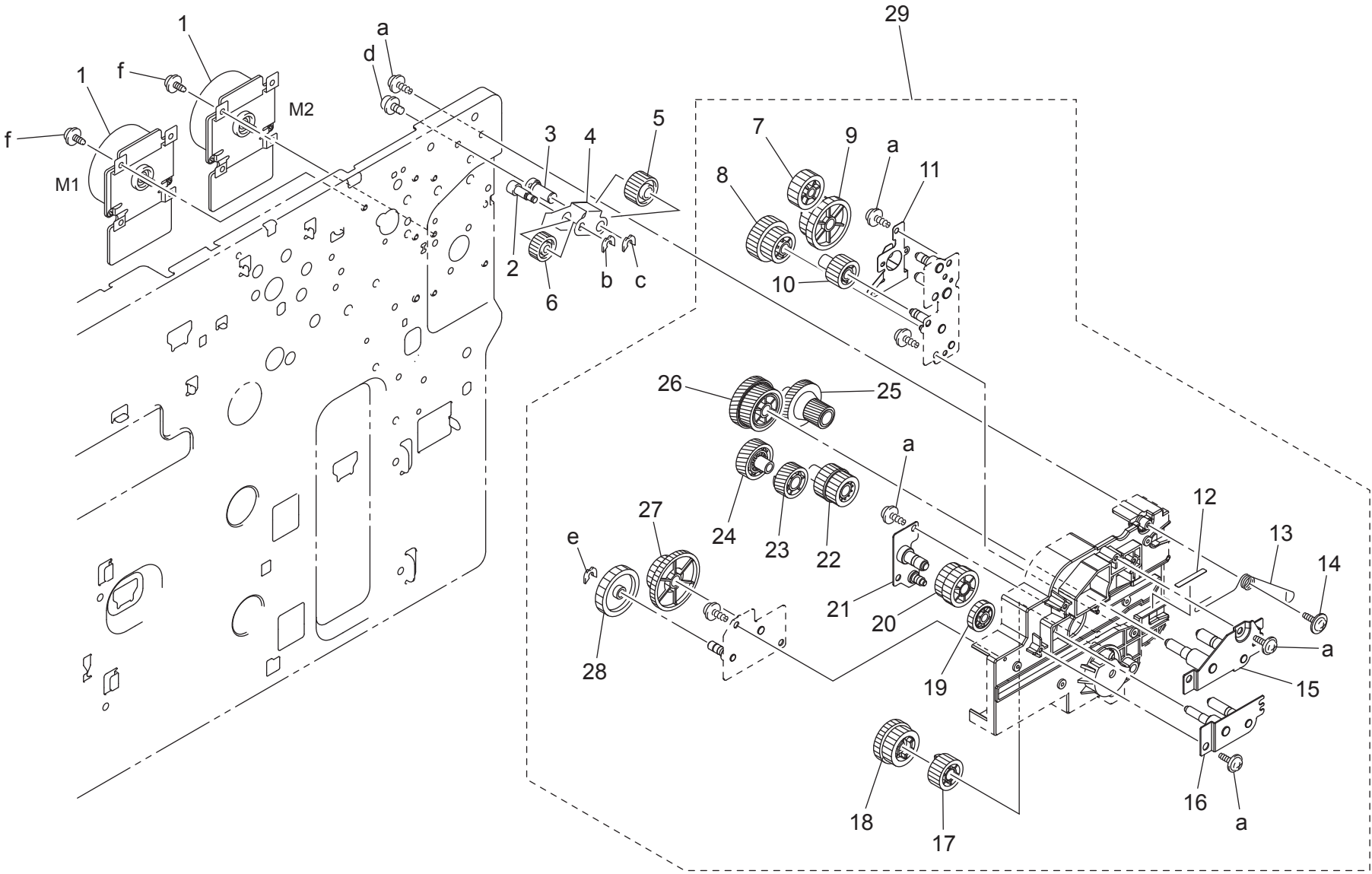
Key	Part No.	Description	Destinations	Class	QTY	Standard parts
1	4030202201	PAWL		C	1	a-9739030814 b-9732030814 c-9739041014 d-V153031603 e-9739031014
2	4030202301	BRACKET		D	1	
3	4030350215	RIGHT COVER		C	1	
4	4030103301	COVER		D	1	
5	4030202402	EARTH GROUND		C	1	
6	4030R71300	BRACKET ASSY		D	1	
7	4002258101	SCREW		C	4	
8	4030201301	TORSION SPRING		C	1	
9	4030202102	PAWL		C	1	
10	4011351501	PRESSURE SPRING		C	2	
11	4011202401	BRACKET		D	1	
12	1164421902	TERMINAL		C	1	
13	4012352412	GUIDE		C	1	
14	9313110033	FAN MOTOR		C	1	
15	4030352001	SEAL		C	4	
16	4030351701	BRACKET		D	1	
17	4030351801	SEAL		C	2	
18	4030254901	GEAR 21T		C	1	
19	4011350801	GUIDE		C	1	
20	4138586601	LABEL HI-TEMP CAUTION		D	1	
21	4030205202	TORSION SPRING		C	2	
22	4030202501	REINFORCE PLATE		D	1	
23	4030352701	INSULATING MEMBER		C	1	
24	4040077900	PAPER TRANSPORT UNIT		S	1	

PAPER TRANSPORT SECTION



Key	Part No.	Description	Destinations	Class	QTY	Standard parts
1	4040R72500	TRANSFER ROLLER UNIT		A	1	a-9732030814 b-9721050001 c-9739030814
2	4037090601	PHOTO INTERRUPTER		B	1	
3	1164352901	BRACKET		D	1	
4	9455307801	RESISTOR		D	1	
5	1164420602	BUSHING		C	2	
6	4030420701	PRESSURE SPRING		C	1	
7	1164420902	CONTACT		C	2	
8	4011421701	CONTACT		C	1	
9	4030422001	CONTACT		C	1	
10	1164421801	HOLDER		D	1	
11	1164350801	GEAR 18T		B	1	
12	1164354901	BUSHING		B	4	
13	1164351501	GEAR 13T		B	1	
14	1164351302	Tension Spring		C	2	
15	1164351402	EARTH GROUND		C	1	
16	4011350901	ROLLER		C	1	
17	4011351001	ROLLER		C	1	
18	1164420204	NEUTRALIZING NEEDLE		D	1	
19	4030350601	GUIDE		C	2	
20	4030350501	GUIDE		C	2	
21	4030421304	Pressure Spring		C	1	
22	9372271022	THERMISTOR		B	1	
23	4011351201	WASHER		C	1	
24	4011302001	WASHER		C	2	
25	9322100081	CLUTCH		C	1	
26	4030420701	PRESSURE SPRING		C	1	
27	4030350401	ACTUATOR		C	1	
28	1164352702	TORSION SPRING		C	1	
29	4030350109	Holder		C	1	
30	A1UDR72900	Cleaner Assy		A	1	

DRIVE SECTION



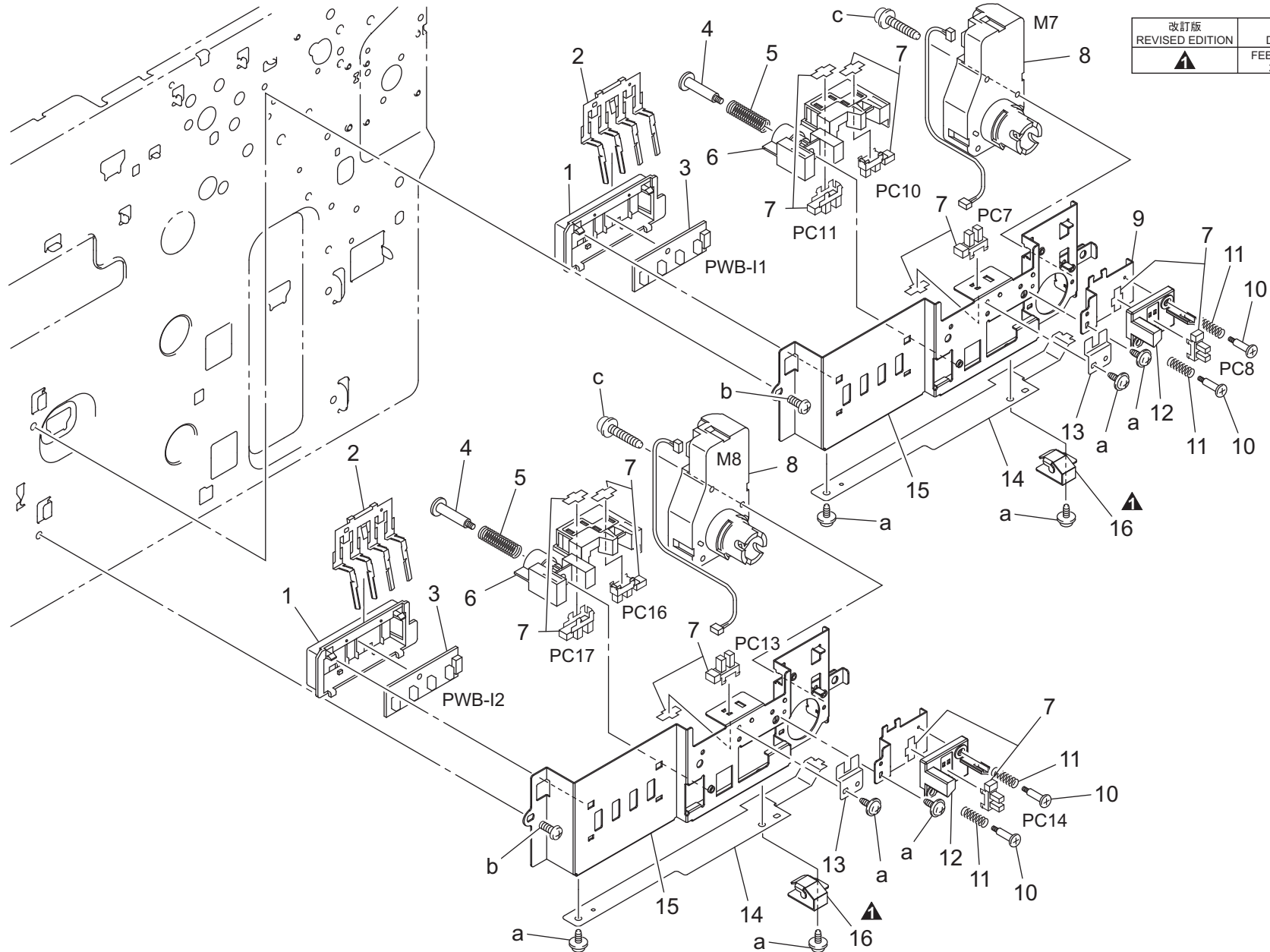
DRIVE SECTION

Key	Part No.	Description	Destinations	Class	QTY	Standard parts
1	9314240031	MOTOR		B	2	a-9739030814
2	4030252401	SHAFT		D	1	b-V218030086
3	4030252303	Shaft		D	1	c-1066115101
4	4030252501	BRACKET		D	1	d-9646030814
5	4030251701	GEAR 21T		C	1	e-V218040086
6	4030251801	GEAR 18T		C	1	f-4106206301
7	4030251601	GEAR 24T		C	1	
8	4040255101	GEAR 29/56T		C	1	
9	4030251501	GEAR 28/49T		C	1	
10	4040255201	GEAR 26T		C	1	
11	4030253002	PLATE SPRING		C	1	
12	4030731601	LABEL		D	1	
13	4030253104	Spring		C	1	
14	4163529301	SCREW		C	1	
15	4030R70900	BRACKET ASSY		D	1	
16	4030R71000	BRACKET ASSY		D	1	
17	4040254501	GEAR 29T		C	1	
18	4040254601	GEAR 20/56T		C	1	
19	4030253501	GEAR 27T		C	1	
20	4030252601	GEAR 32/35T		C	1	
21	4030R71200	BRACKET ASSY		D	1	
22	4030251201	GEAR 19/44T		C	1	
23	4030251101	GEAR 42T		C	1	
24	4030251001	GEAR 49T		C	1	
25	4030250601	GEAR 23/60T		C	1	
26	4030250501	GEAR 58/67T		C	1	
27	4030254201	GEAR 24/81T		C	1	
28	1165259201	GEAR 34T		C	1	
29	4040077700	DRIVE UNIT		C	1	

DRIVE SECTION

P 25

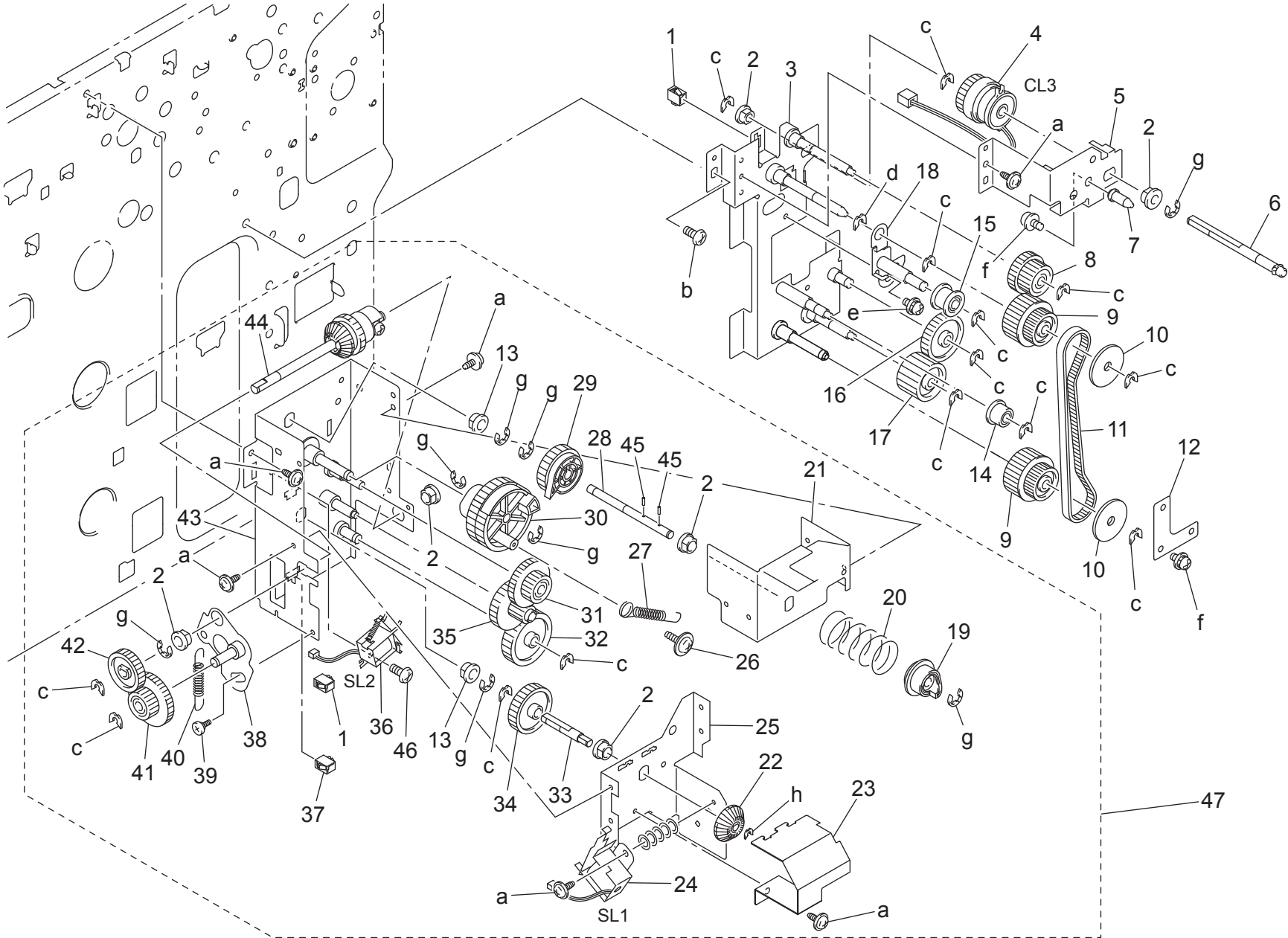
改訂版 REVISED EDITION	日付 DATE
▲	FEBRUARY 2007



DRIVE SECTION

Key	Part No.	Description	Destinations	Class	QTY	Standard parts
1	4011301201	HOLDER		D	2	a-V137030603 b-9743040814 c-9646033014
2	4030309101	LEVER		C	2	
3	4037010401	PWB ASSY		C	2	
4	4002313101	SHOULDER SCREW		C	2	
5	4002311002	Pressure Spring		C	2	
6	4030304702	HOLDER		D	2	
7	4037090601	PHOTO INTERRUPTER		B	8	
8	9J06M10300	MOTOR		B	2	
9	4030320802	BRACKET		D	2	
10	4030322402	SHOULDER SCREW		C	4	
11	4030308104	Pressure Spring		C	4	
12	4030308301	HOLDER		D	2	
13	4030304802	BRACKET		D	2	
14	4030304901	BRACKET		D	2	
15	4030304603	BRACKET		D	2	
16	50GA627101	LIFTING STAY		C	2	

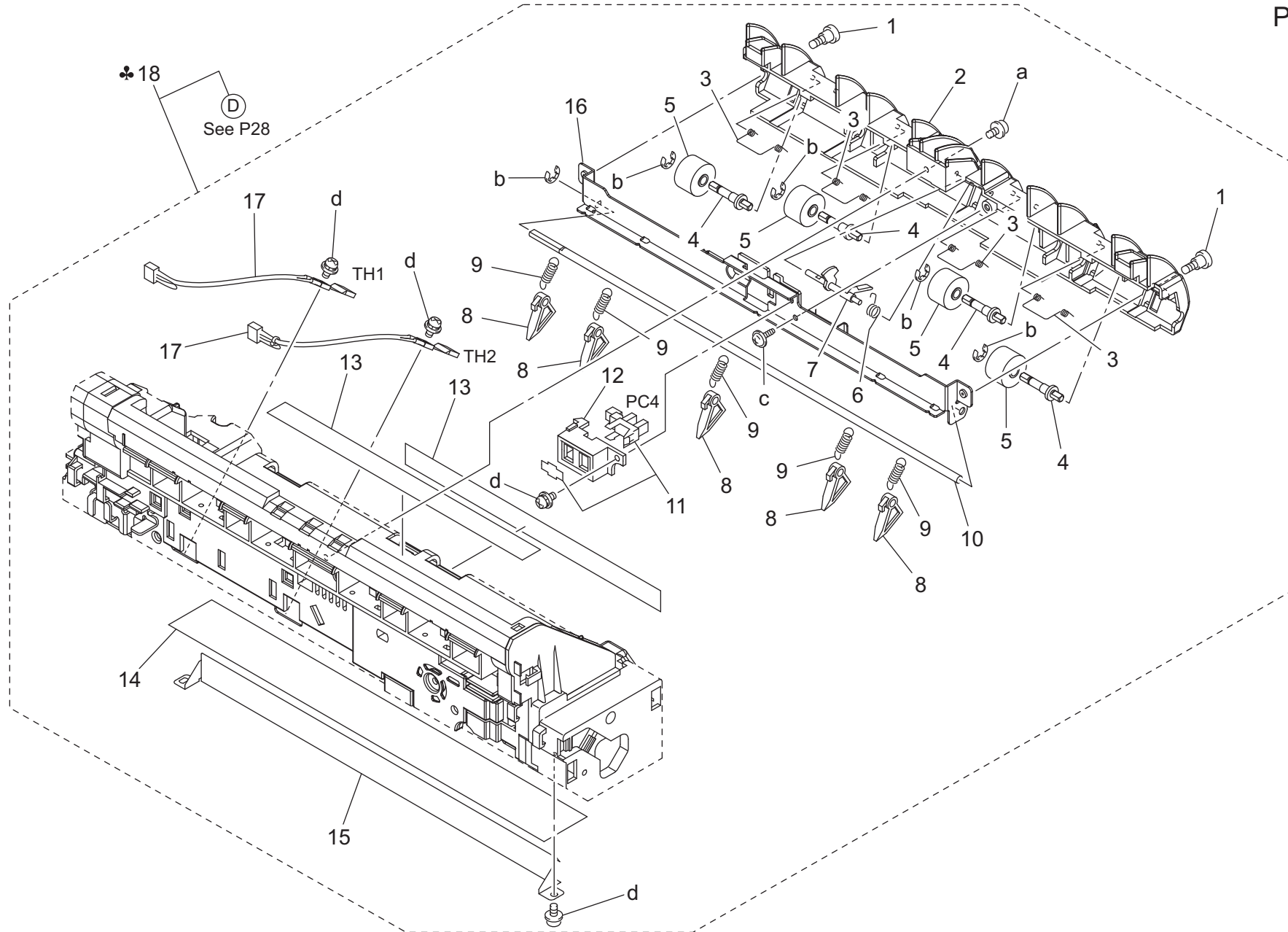
DRIVE SECTION



Key	Part No.	Description	Destinations	Class	QTY	Standard parts
1	9383221011	CONNECTOR 2P	コネクタ	D	2	a-V137030603 b-9743040814 c-V218040086 d-1066115101 e-9646030814 f-9646030614 g-9721040001 h-V218030086
2	4131300301	BUSHING	軸受	C	6	
3	4030R72000	BRACKET ASSY	取付板 ASSY	C	1	
4	9322150012	CLUTCH	クラッチ	C	1	
5	4030305101	BRACKET	取付板	D	1	
6	4030305701	SHAFT	シャフト	D	1	
7	4030306701	SHAFT	シャフト	D	1	
8	4030307101	GEAR 19/33T	ギヤ 19/33 T	C	1	
9	4030305301	PULLEY 28/36T	プーリ 28/36 T	C	2	
10	4030305501	COLLAR	カラー	C	2	
11	4030305401	TIMING BELT 324L	タイミングベルト 324 L	C	1	
12	4030305201	BRACKET	取付板	D	1	
13	1134304301	BUSHING	軸受	C	2	
14	1067251301	PULLEY	フーリー	C	1	
15	1155251801	PULLEY	フーリー	C	1	
16	4030306001	GEAR 30T	ギヤ 30 T	C	1	
17	4030305901	GEAR 24T	ギヤ 24 T	C	1	
18	4030R70500	BRACKET ASSY	取付板 ASSY	C	1	
19	4030533003	JOINT	ジョイント	C	1	
20	4030537401	PRESSURE SPRING	圧縮コイルばね	C	1	
21	4030535502	BRACKET	取付板	D	1	
22	1165531101	GEAR 24T	ギヤ 24 T	C	1	
23	4030533101	COVER	カバー	D	1	
24	4040M20000	SOLENOID	フラッパーソレノイド	C	1	
25	4030533201	BRACKET	取付板	D	1	
26	4163529301	SCREW	ねじ	C	1	
27	4030537301	TENSION SPRING	引張コイルばね	C	1	
28	4030537201	SHAFT	シャフト	D	1	
29	4030536902	GEAR 29T	ギヤ 29 T	C	1	
30	4030536802	GEAR 37/42T	ギヤ 37/42 T	C	1	
31	4030536701	GEAR 17/40T	ギヤ 17/40 T	C	1	
32	1165259201	GEAR 34T	ギヤ 34 T	C	1	
33	4030537101	SHAFT	シャフト	D	1	
34	4030537001	GEAR 40T	ギヤ 40 T	C	1	
35	4030537601	GEAR 14/30T	ギヤ 14/30 T	C	1	
36	9J06M20000	SOLENOID	フラッパーソレノイド	B	1	
37	9383221021	CONNECTOR 2P	角型プラグハウジング	D	1	
38	4030R71500	BRACKET ASSY	取付板 ASSY	D	1	
39	4030537701	SHOULDER SCREW	段ねじ	C	1	
40	4030532401	TENSION SPRING	引張コイルばね	C	1	
41	4030532801	GEAR 17/32T	ギヤ 17/32 T	C	1	
42	4030533401	GEAR 25T	ギヤ 25 T	C	1	
43	4030R71400	BRACKET ASSY	取付板 ASSY	C	1	
44	4030015405	GEAR ASSY	ギヤ ASSY	C	1	
45	1067250101	PIN	ピン	C	2	
46	4683213701	SCREW	ねじ	C	1	
47	4040076800	HOPPER DRIVE UNIT	ホッパー駆動	C	1	

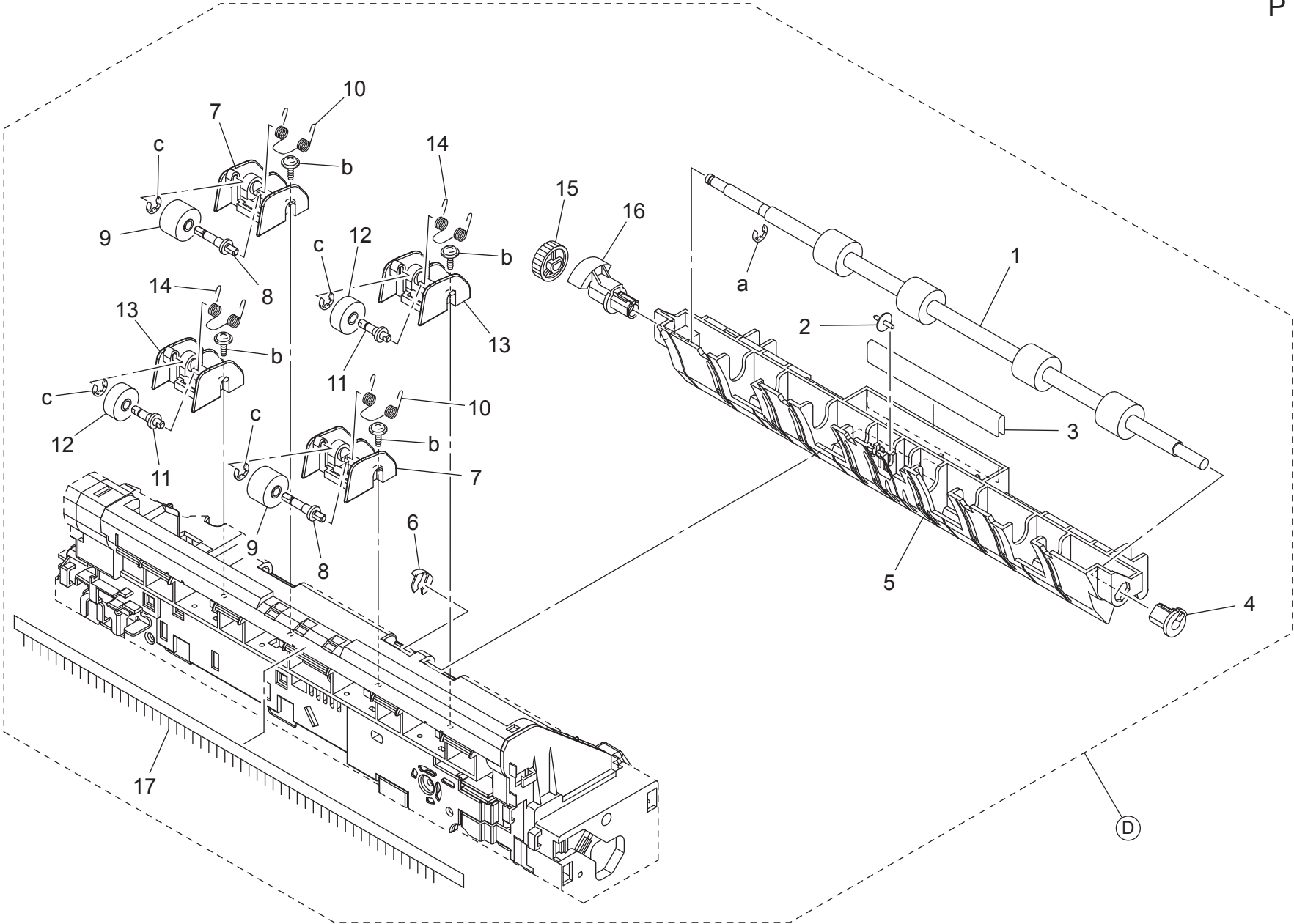
FUSING SECTION

P 27



Key	Part No.	Description	Destinations	Class	QTY	Standard parts
1	4030582701	SHOULDER SCREW		C	2	a-9646031014 b-V217030001 c-9739030814 d-9646030814
2	4030575203	GUIDE		D	1	
3	4030580701	TORSION SPRING		C	4	
4	4030585601	SHAFT		D	4	
5	4030580503	ROLL		C	4	
6	4030581002	TORSION SPRING		C	1	
7	4030580902	ACTUATOR		C	1	
8	4040575501	SEPARATOR		C	5	
9	4030571701	TENSION SPRING		C	5	
10	4030575301	SHAFT		D	1	
11	4037090601	PHOTO INTERRUPTER		B	1	
12	4030580803	Holder		D	1	
13	4138586601	LABEL HI-TEMP CAUTION		D	2	
14	4030570501	THERMAL INSULATOR		C	1	
15	4030571302	GUIDE PLATE		D	1	
16	4030575003	BRACKET		D	1	
17	4040090101	THERMISTOR KIT		C	2	
18	4040R70900	FUSING UNIT 100V		A	1	
18	4040R71000	FUSING UNIT 120V	A	A	1	
18	4040R71100	FUSING UNIT 230V	B,G2,F1 C,D,F2,G1,I,J,K	A	1	
18	4040R71200	FUSING UNIT 110V	定着ユニット 110V {bizhub350/250} H	A	1	

FUSING SECTION



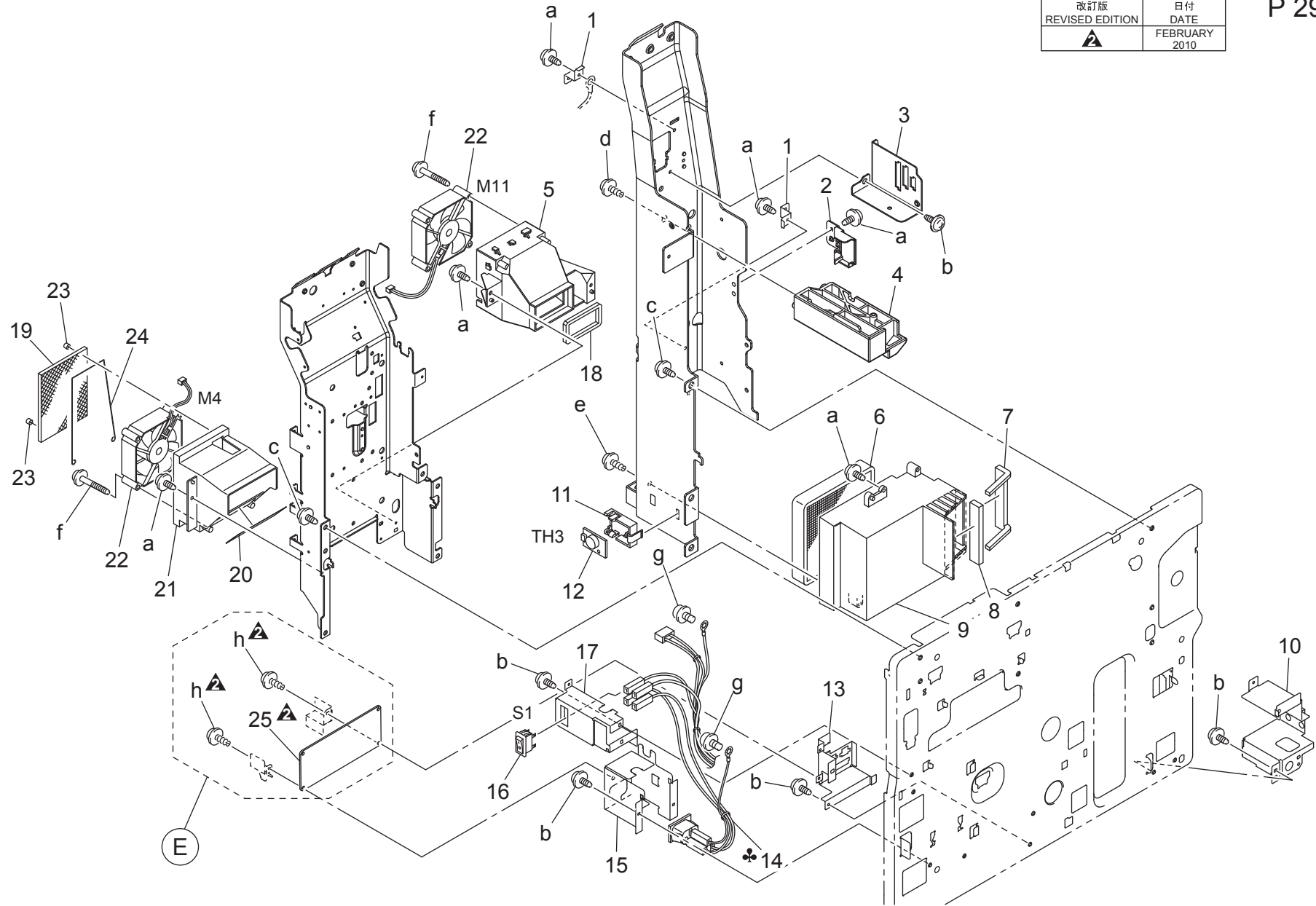
FUSING SECTION

Key	Part No.	Description	Destinations	Class	QTY	Standard parts
1	4030580301	ROLLER		C	1	a-9721040001 b-9739031014 c-V217030001
2	4030584101	ROLL		C	1	
3	4030734001	PROTECTION		D	1	
4	4030581101	BUSHING		C	1	
5	4030582502	GUIDE		D	1	
6	1164306501	STOPPER RING		D	1	
7	4030584302	HOLDER		D	2	
8	4030585601	SHAFT		D	2	
9	4030580503	ROLL		C	2	
10	4030580601	TORSION SPRING		C	2	
11	4030585701	SHAFT		D	2	
12	4030585401	ROLL		C	2	
13	4030585501	HOLDER		D	2	
14	4030585801	TORSION SPRING		C	2	
15	4030581302	GEAR 18T		C	1	
16	4030583402	BUSHING		C	1	
17	4040582301	NEUTRALIZING BRUSH		D	1	

ELECTRICAL COMPONENTS

改訂版 REVISED EDITION	日付 DATE
	FEBRUARY 2010

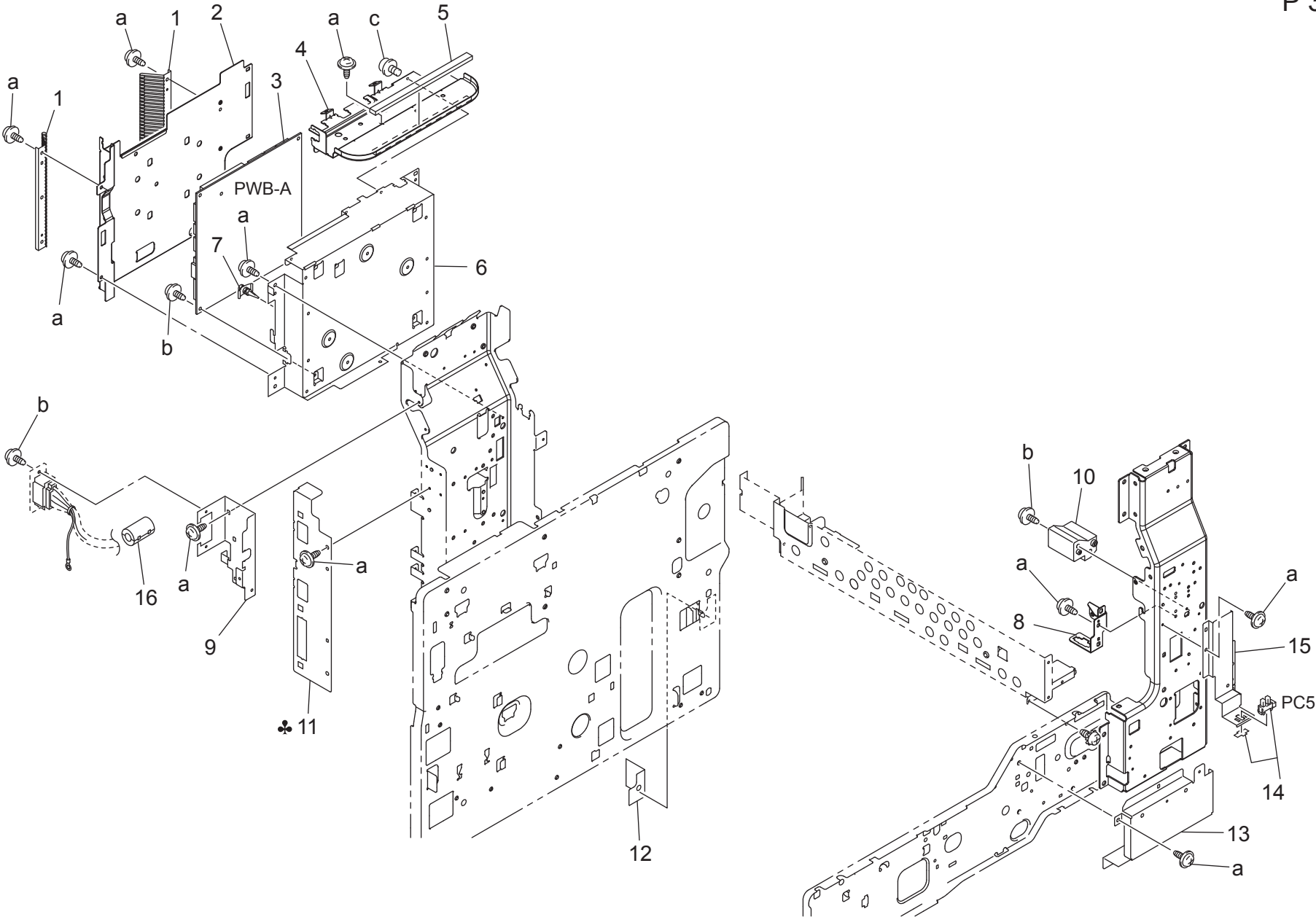
P 29



ELECTRICAL COMPONENTS

Key	Part No.	Description	Destinations	Class	QTY	Standard parts
1	4030231201	BRACKET		D	2	a-9735030814 b-V137030603 c-9735040814 d-9739041014 e-9739040814 f-V153033503 g-9646040814 h-V116030803
2	4040213801	COVER		D	1	
3	4030230701	BRACKET		D	1	
4	4030230602	HOLDER		D	1	
5	4040209201	DUCT		D	1	
6	4011203101	OZONE FILTER		A	1	
7	4030352302	CUSHION		C	1	
8	4030352401	CUSHION		C	1	
9	4030351912	DUCT		D	1	
10	4030203902	BRACKET		D	1	
11	4040210301	HOLDER		D	1	
12	9372540011	HUMIDITY CONVERSION EL.		C	1	
13	4030213301	BRACKET		D	1	
14	4030685204	WIRE HARNESS ASSY	B,C,D,F,G,H,I,J,K	D	1	
14	4030685104	WIRE HARNESS ASSY	A	D	1	
15	4030213102	BRACKET		D	1	
16	0990630402	SWITCH		C	1	
17	4030215001	BRACKET		D	1	
18	4040209501	SEAL		C	1	
19	4030210701	FILTER		C	1	
20	4040206501	GUIDE		C	1	
21	4030210801	DUCT		D	1	
22	9313110042	FAN MOTOR		C	2	
23	4658304701	COLLAR		C	2	
24	4030140000	MEMBER		D	1	
25	4040M40000	Controller Power supply		I	1	

ELECTRICAL COMPONENTS



ELECTRICAL COMPONENTS

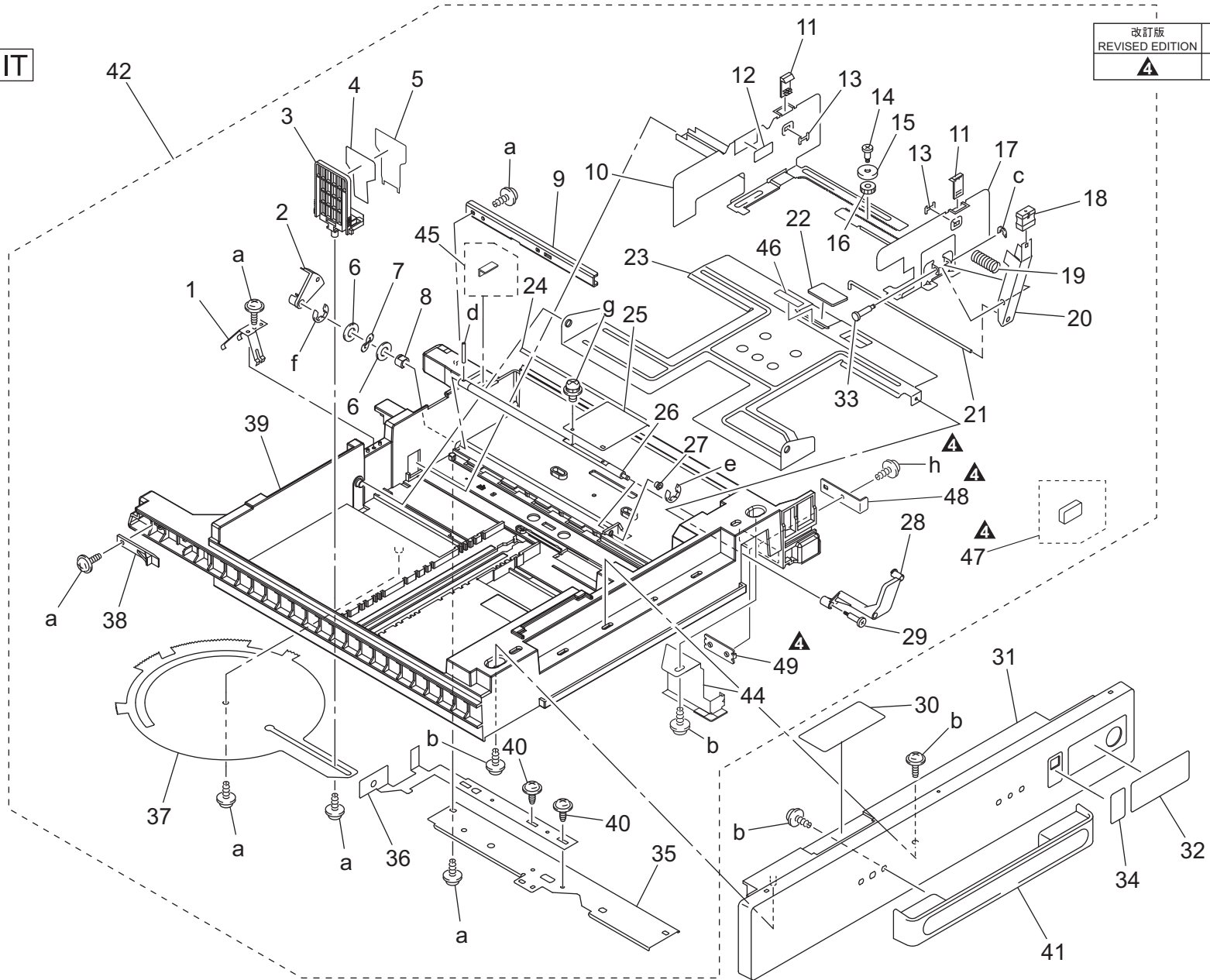
Key	Part No.	Description	Destinations	Class	QTY	Standard parts
1	4030216101	EARTH GROUND		C	2	a-V137030603 b-9735030814 c-9646030814
2	4030211103	SHIELD		D	1	
3	404001010E	PWB ASSY		I	1	
4	4040215901	BRACKET		D	1	
5	9384450011	ELECTRICALLY CONDUCTIVE MATERIAL		C	1	
6	4030211001	BRACKET		D	1	
7	9384162121	PWB SUPPORT 6.4H		D	3	
8	4040230401	BRACKET		C	1	
9	4030213501	BRACKET		D	1	
10	4030230501	HOLDER		D	1	
11	4030212601	BRACKET	C,D,F,G1,H,I,J,K	D	1	
11	4030212501	BRACKET	A,B,G2	D	1	
12	4040206301	GUIDE		C	1	
13	4030206002	BRACKET		D	1	
14	4037090601	PHOTO INTERRUPTER		B	1	
15	4030212201	BRACKET		D	1	
16	9326191031	FERRITE CORE		D	1	

CASSETTE SECTION

P 31

2 UNIT

改訂版 REVISED EDITION	日付 DATE
▲	JUNE 2007



bizhub 200/250/350

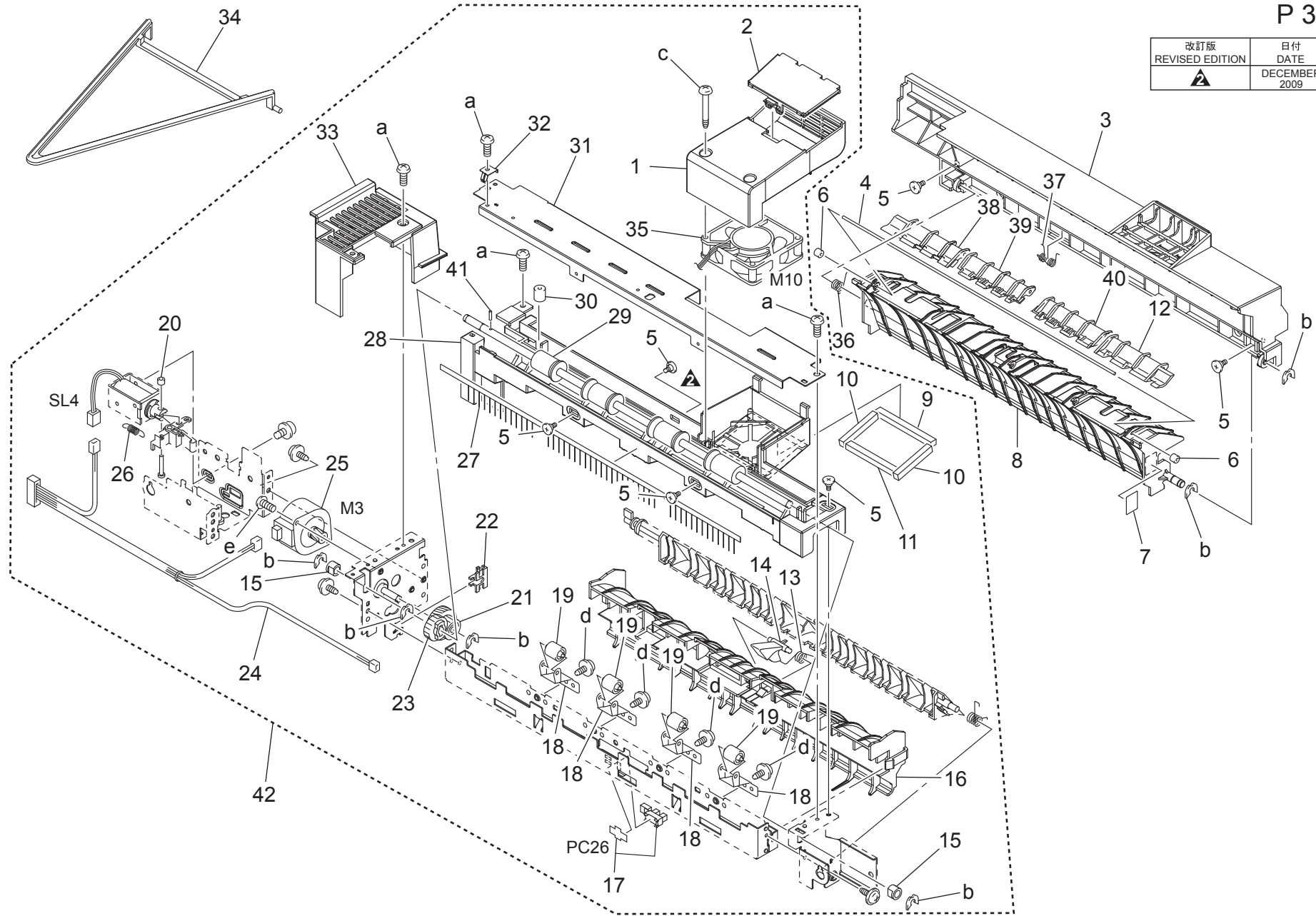
CASSETTE SECTION

Key	Part No.	Description	Destinations	Class	QTY	Standard parts
1	4030322303	Earth ground		C	1	a-9739030814 b-9739041014 c-V218030086 d-9754302508 e-V217030001 f-V217060001 g-9646030814 h-9735031014
2	4030320701	ACTUATOR	アクチュエータ	C	1	
3	4037321301Old	REGULATING PLATE	規制板	C	1	
3	4037321312	REGULATING PLATE	規制板 (後)	C	1	
4	4030322701	GUIDE	ガイド	C	1	
5	4030322801Old	GUIDE	ガイド	C	1	
5	4030322812	GUIDE	ガイド	C	1	
6	4011302101	WASHER	ワッシャ	C	2	
7	4011302001	WASHER	ワッシャ	C	1	
8	1274360301	BUSHING	ジクウケ	C	1	
9	4030322902	REINFORCE PLATE	補強板	D	1	
10	4030321201	REGULATING PLATE	規制板	C	1	
11	4658304801	GUIDE	ガイド	C	2	
12	4002730601	LABEL CARRYING CAPACITY	ラベル 積載量	C	1	
13	4658304901	STOPPER	ストッパ	C	2	
14	4030321402	SHOULDER SCREW	段ねじ	C	1	
15	4030321501	GUIDE	ガイド	D	1	
16	4658301201	GEAR 14T	ギヤ 14 T	C	1	
17	4030321102	REGULATING PLATE	規制板	C	1	
18	4037320401	KNOB	つまみ	C	1	
19	4498382501	PRESSURE SPRING	圧縮コイルばね	C	1	
20	4128382301	LEVER	レバー	C	1	
21	4030321701	SHAFT	シャフト	D	1	
22	4030322601	FRICTION SHEET	摩擦板	C	1	
23	4030320301	LIFTING PLATE	押上板	C	1	
24	4030322203	GUIDE	ガイド	C	1	
25	4030320601	LEVER	レバー	D	1	
26	4030320501	SHAFT	シャフト	D	1	
27	0992301401	BUSHING	ジクウケ	C	1	
28	4030322101	LEVER	レバー	C	1	
29	4030322402	SHOULDER SCREW	段ねじ	C	1	
30	4040730401	LABEL PAPER SUPPLY	ラベル ペーパー補給	C	1	
31	4030320202	FRONT COVER CASSETTE	前カバー カセット	C	1	
32	4030730302	LABEL CASSETTE CNT 2	ラベル 給紙段数表示 2	C	1	
32	4030730202	LABEL CASSETTE CNT 1	ラベル 給紙段数表示 1	C	1	
33	4498382601	SHAFT	シャフト	D	1	
34	4030730102	LABEL NEAR EMPTY	ラベル ニアエンブティ	C	1	
35	4030321801	BRACKET	取付板	D	1	
36	4030321601	BRACKET	取付板	D	1	
37	4002310801	LEVER	レバー	C	1	
38	4498346901	STOPPER	ストッパ	D	1	
39	4030320109	Cassette	カセット	C	1	
40	4498383401	SCREW	ねじ	C	2	
41	4036302501	HANDLE	取手	C	1	
42	404001560D	CASSETTE ASSY	カセット ASSY	S	1	
44	4030P00100	REINFORCE PLATE	補強板	C	1	
45	4030P00200	SPACER	スペーサ	C	1	
46	A00J623400	FRICTION PLATE	摩擦板	C	1	
47	4030323700	STOPPER	ストッパ	C	1	
48	4030621400	Stopper	ストッパ	C	1	
49	4030621500	Plate nut	板ナット	C	1	

TURNOVER UNIT

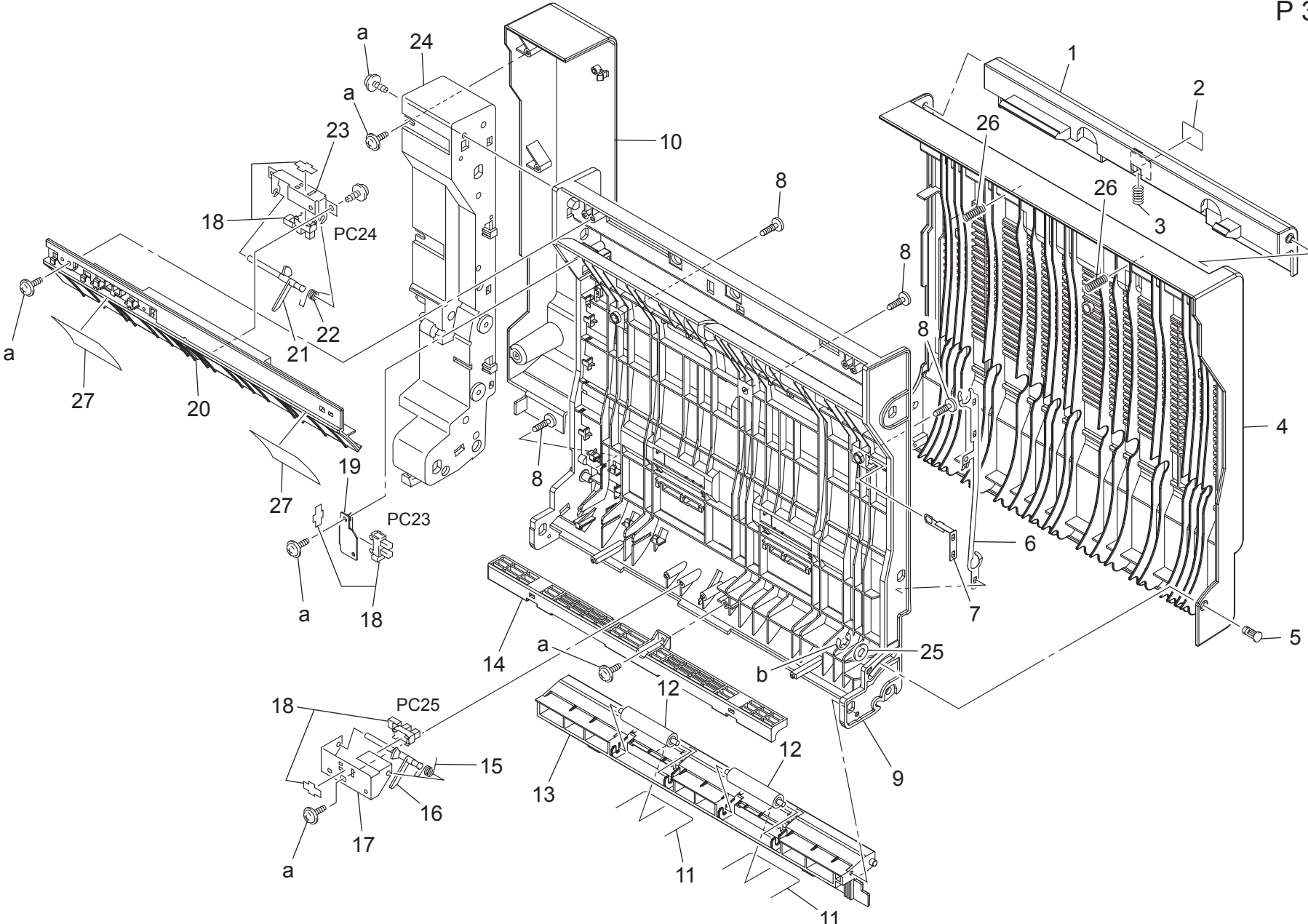
P 32

改訂版 REVISED EDITION	日付 DATE
	DECEMBER 2009



Key	Part No.	Description	Destinations	Class	QTY	Standard parts
1	4030383501	DUCT	ダクト	D	1	a-9743030814 b-V218040086 c-V153033503 d-V137030603 e-9733030814
2	4030383601	DUCT	ダクト	D	1	
3	4030380402	DOOR	扉	C	1	
4	4030382901	SHAFT	シャフト	D	1	
5	4011585202	SHOULDER SCREW	段ねじ	C	6	
6	1134304101	COLLAR	カラー	D	2	
7	4030734201	LABEL	ラベル	D	1	
8	4030380602	GUIDE	ガイド	D	1	
9	4030383701	SEAL	シール	C	1	
10	4030383802	SEAL	シール	C	2	
11	4030383901	SEAL	シール	C	1	
12	4030381401	GUIDE	ガイド	D	1	
13	4030381901	TORSION SPRING	ねじりコイルばね	C	1	
14	4030381802	ACTUATOR	アクチュエータ	C	1	
15	1139316901	BUSHING	軸受	C	2	
16	4030380502	GUIDE	ガイド	D	1	
17	4037090601	PHOTO INTERRUPTER	フォトインタラプター	B	1	
18	4030381701	PLATE SPRING	板ばね	C	4	
19	4426441102	ROLL	ロール	C	4	
20	1200210502	COLLAR	カラー	D	1	
21	4030382101	Gear 16/49T	ギヤ 16 / 49 T	C	1	
22	4030382301	BUSHING	軸受	D	1	
23	4030382601	Gear 19T	ギヤ 19 T	C	1	
24	4030682401	WIRE HARNESS ASSY	ハーネス ASSY	D	1	
25	9314120091	MOTOR	バルスモータ	C	1	
26	4030381001	TENSION SPRING	引張コイルばね	C	1	
27	4040383302	NEUTRALIZING BRUSH	除電ブラシ	D	1	
28	4030380303	COVER	カバー	D	1	
29	4030381501	ROLLER	ローラー	C	1	
30	4498338801	COLLAR	カラー	C	1	
31	4030380201	FRAME	フレーム	D	1	
32	4030383401	EARTH GROUND	アース	C	1	
33	4030382001	COVER	カバー	D	1	
34	4641450402	GUIDE	ガイド	D	1	
35	4040M10000	FAN MOTOR	ファンモータ	C	1	
36	4030382401	TORSION SPRING	ねじりコイルばね	C	1	
37	4030382502	TORSION SPRING	ねじりコイルばね	C	1	
38	4030381101	GUIDE	ガイド	D	1	
39	4030381201	GUIDE	ガイド	D	1	
40	4030381301	GUIDE	ガイド	D	1	
41	4131253602	PIN	ピン	C	1	
42	4040R70100	TURNOVER UNIT	反転ユニット	C	1	

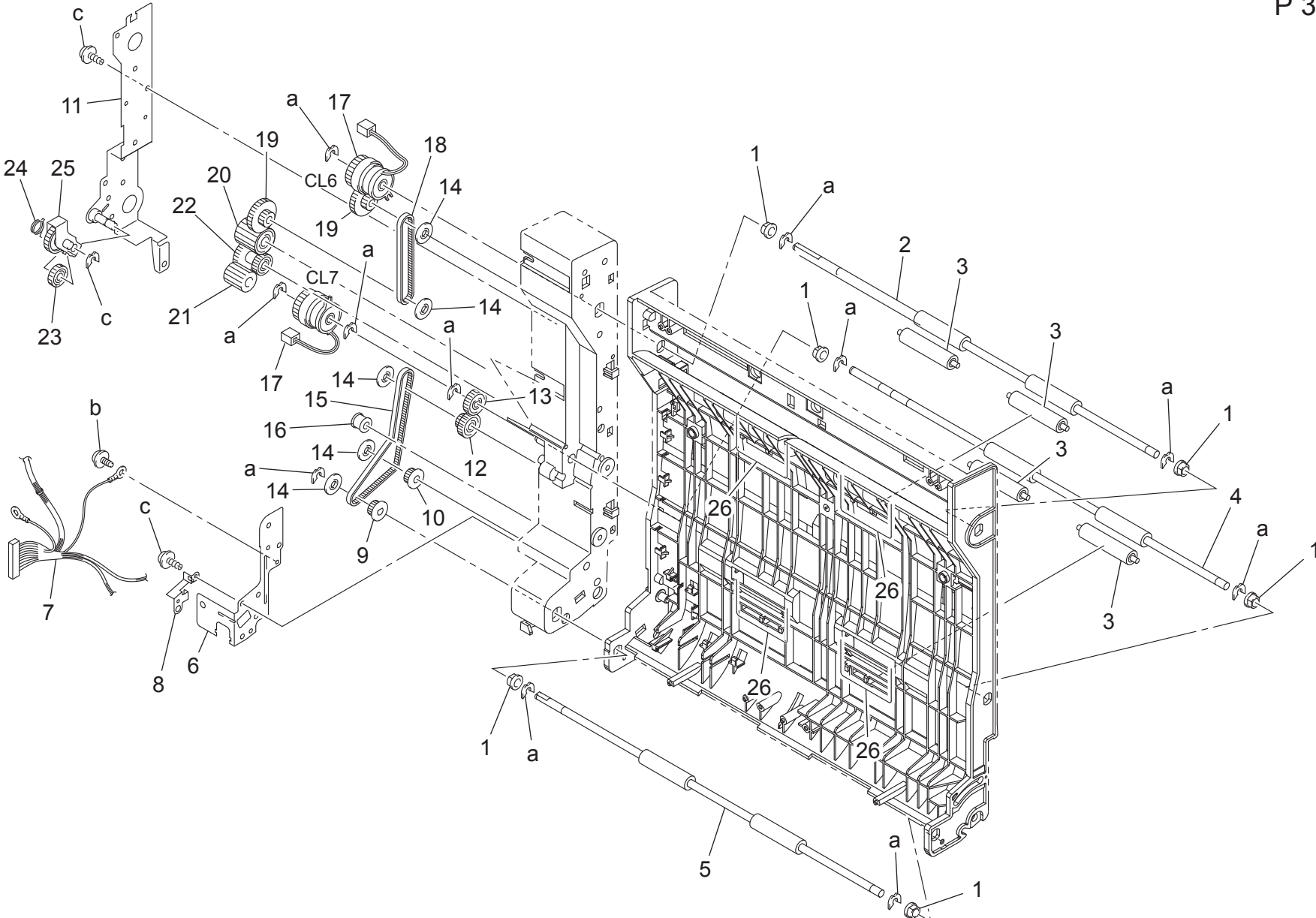
DUPLEX UNIT



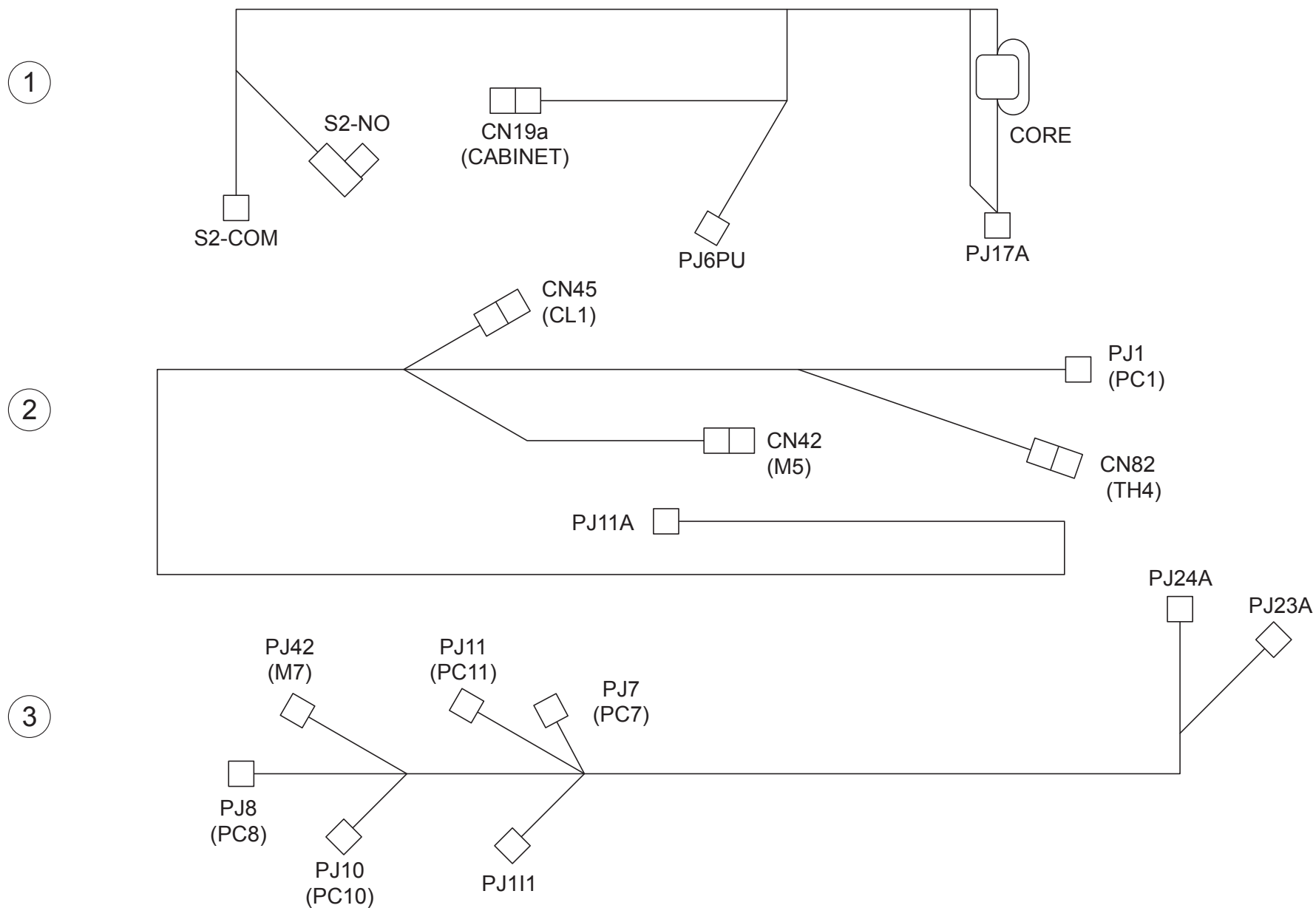
Key	Part No.	Description	Destinations	Class	QTY	Standard parts
1	4030375102	LEVER		C	1	a-9739030814 b-9721040001
2	4030375401	LABEL		C	1	
3	4661310601	PRESSURE SPRING		C	1	
4	4030370202	COVER		D	1	
5	4661315001	PIN		D	1	
6	4040375901	EARTH GROUND		D	1	
7	4030373501	EARTH GROUND		C	1	
8	4030371001	SHOULDER SCREW		C	4	
9	4030370102	BASE FRAME		D	1	
10	4030370403	COVER		C	1	
11	4497311401	MEMBER		C	2	
12	4497311601	ROLL		C	2	
13	4030370501	GUIDE		D	1	
14	4030370301	GUIDE		D	1	
15	4030374103	TORSION SPRING		C	1	
16	4030374001	ACTUATOR		C	1	
17	4030374201	BRACKET		D	1	
18	4037090601	PHOTO INTERRUPTER		B	3	
19	4030375201	BRACKET		D	1	
20	4030370612	GUIDE		D	1	
21	4030373701	ACTUATOR		C	1	
22	4030373803	TORSION SPRING		C	1	
23	4030373901	BRACKET		D	1	
24	4030371102	BASE FRAME		D	1	
25	4661315501	WASHER		D	1	
26	4030375501	PRESSURE SPRING		C	2	
27	4030376001	GUIDE		C	2	



DUPLEX UNIT

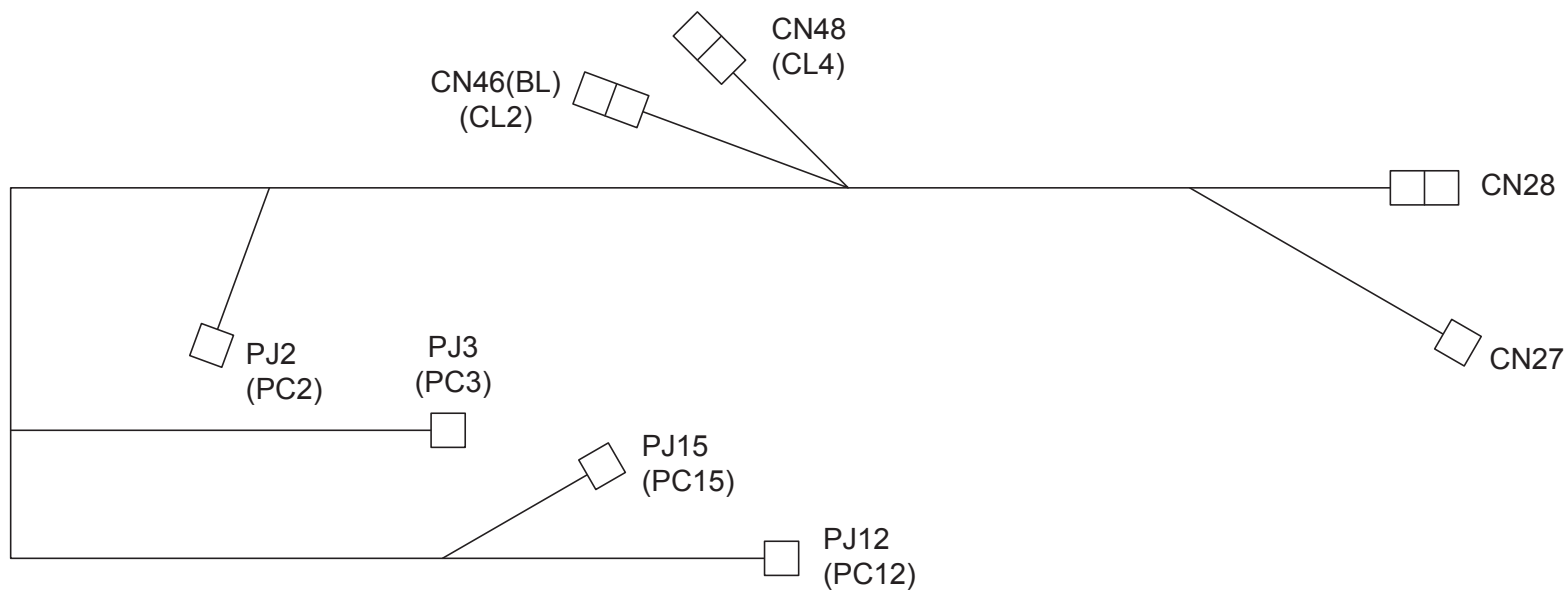


Key	Part No.	Description	Destinations	Class	QTY	Standard parts
1	0928303301	BUSHING		C	6	a-V218040086 b-V137030603 c-9739030814
2	4030370701	ROLLER	シ ^ク クウケ ローラ	C	1	
3	4497311601	ROLL	ころ	C	4	
4	4030370801	ROLLER	ローラ	C	1	
5	4030370901	ROLLER	ローラ	C	1	
6	4030373601	BRACKET	取付板	D	1	
7	4030682302	WIRE HARNESS ASSY	ハーネス ASSY	C	1	
8	4040375801	EARTH GROUND	アース	D	1	
9	4030375001	PULLEY	プーリ	C	1	
10	4030374501	PULLEY	プーリ	C	1	
11	4030R71900	BRACKET ASSY	取付板 ASSY	D	1	
12	4030374401	PULLEY	プーリ	C	1	
13	4030374302	Gear 18T	ギヤ 18 T	C	1	
14	4030374901	COLLAR	カラー	C	5	
15	4030374601	TIMING BELT 270L	タイミングベルト 270 L	C	1	
16	4657371401	ROLL	ころ	C	1	
17	9322150012	CLUTCH	クラッチ	C	2	
18	4030374701	TIMING BELT 180L	タイミングベルト 180 L	C	1	
19	4030374801	PULLEY	プーリ	C	2	
20	4030372601	Gear 20T	ギヤ 20 T	C	1	
21	4030371301	Gear 15T	ギヤ 15 T	C	1	
22	4030372501	Gear 16/24T	ギヤ 16 / 24 T	C	1	
23	4030372901	GEAR	ギヤ	C	1	
24	4030373303	TORSION SPRING	ねじりコイルばね	C	1	
25	4030R71800	LEVER ASSY	レバー ASSY	C	1	
26	4497311401	MEMBER	押え材	C	4	

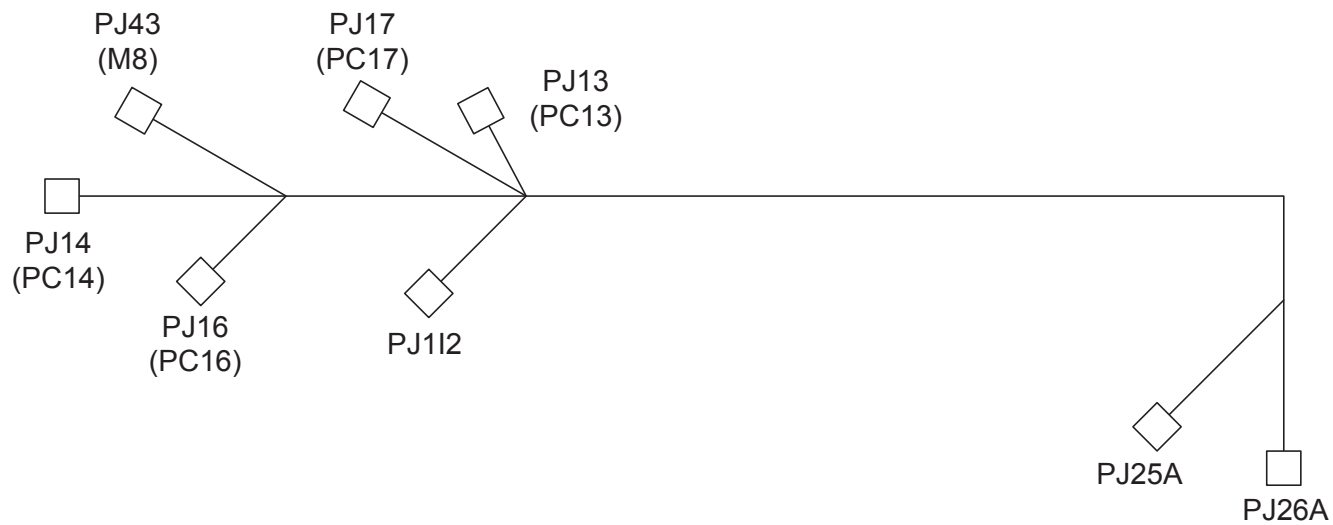


Key	Part No.	Description	Destinations	Class	QTY	Standard parts
1	4030680702	WIRE HARNESS ASSY ハーネス A S S Y		D	1	
2	4030680901	WIRE HARNESS ASSY ハーネス A S S Y		D	1	
3	4030681002	WIRE HARNESS ASSY ハーネス A S S Y		D	1	

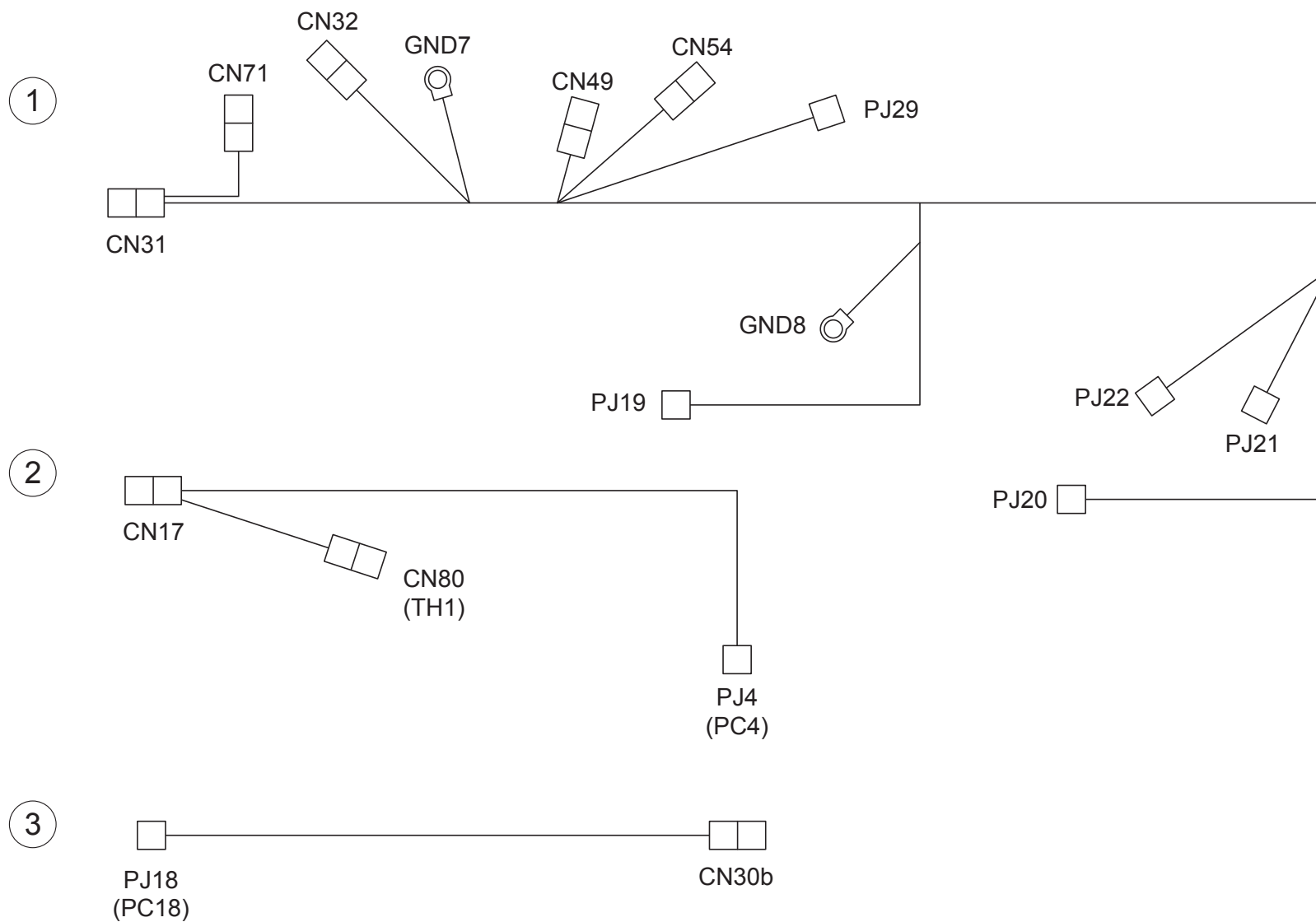
1



2



Key	Part No.	Description	Destinations	Class	QTY	Standard parts
1	4030681202	WIRE HARNESS ASSY		D	1	
2	4030681302	WIRE HARNESS ASSY		D	1	

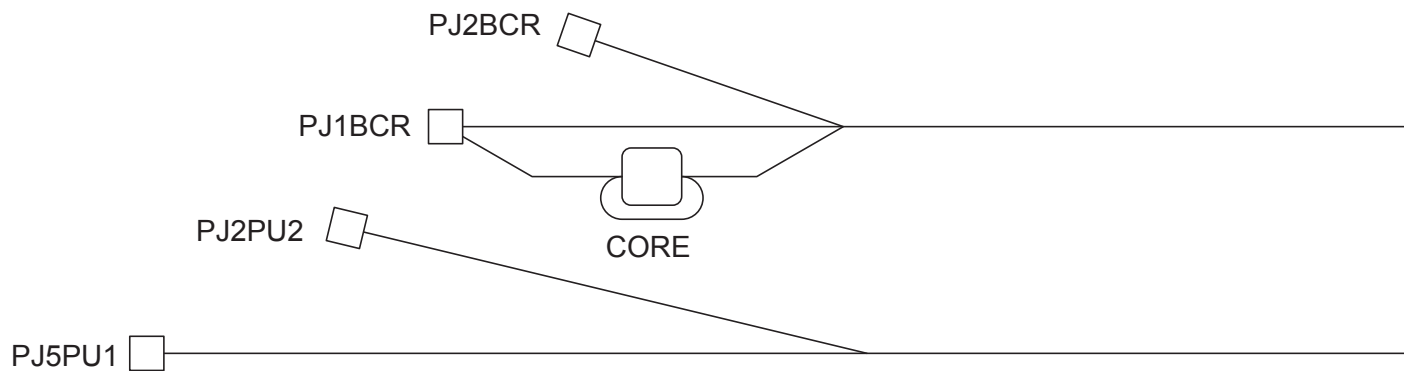


Key	Part No.	Description	Destinations	Class	QTY	Standard parts
1	4030681403	WIRE HARNESS ASSY ハーネス A S S Y		C	1	
2	4030681701	WIRE HARNESS ASSY ハーネス A S S Y		D	1	
3	4030681801	WIRE HARNESS ASSY ハーネス A S S Y		D	1	

1



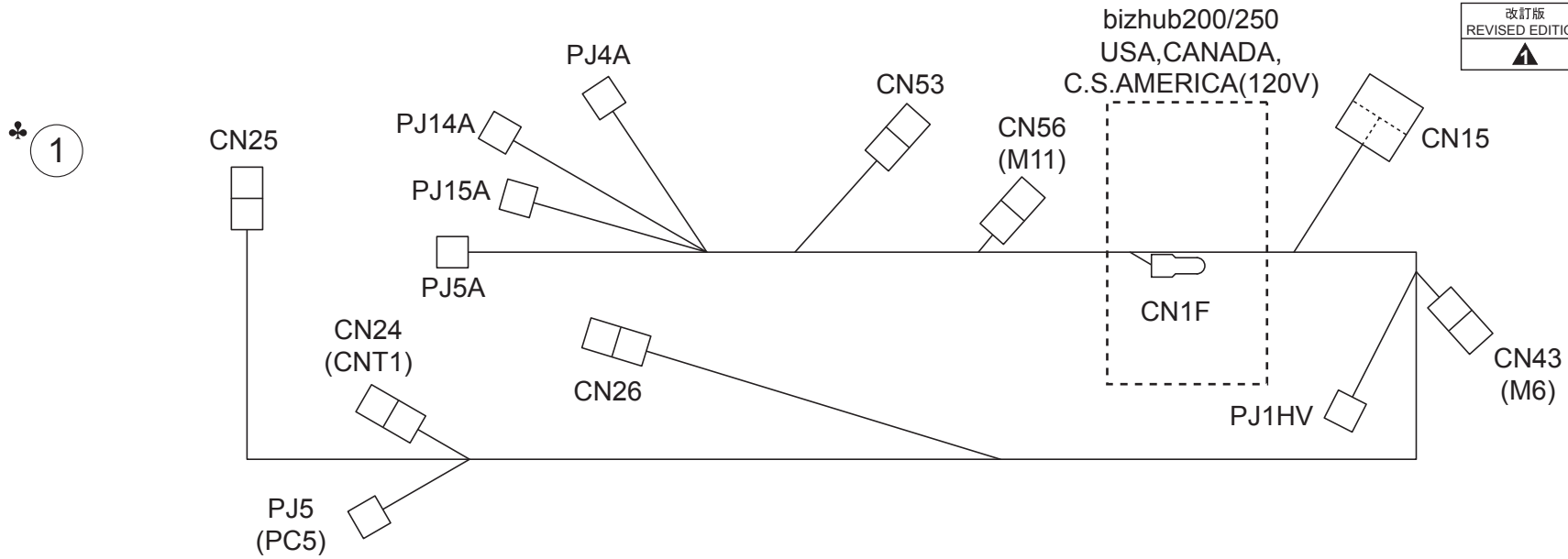
2



Key	Part No.	Description	Destinations	Class	QTY	Standard parts
1	4040681501	WIRE HARNESS ASSY		C	1	
2	4040681902	WIRE HARNESS ASSY		D	1	

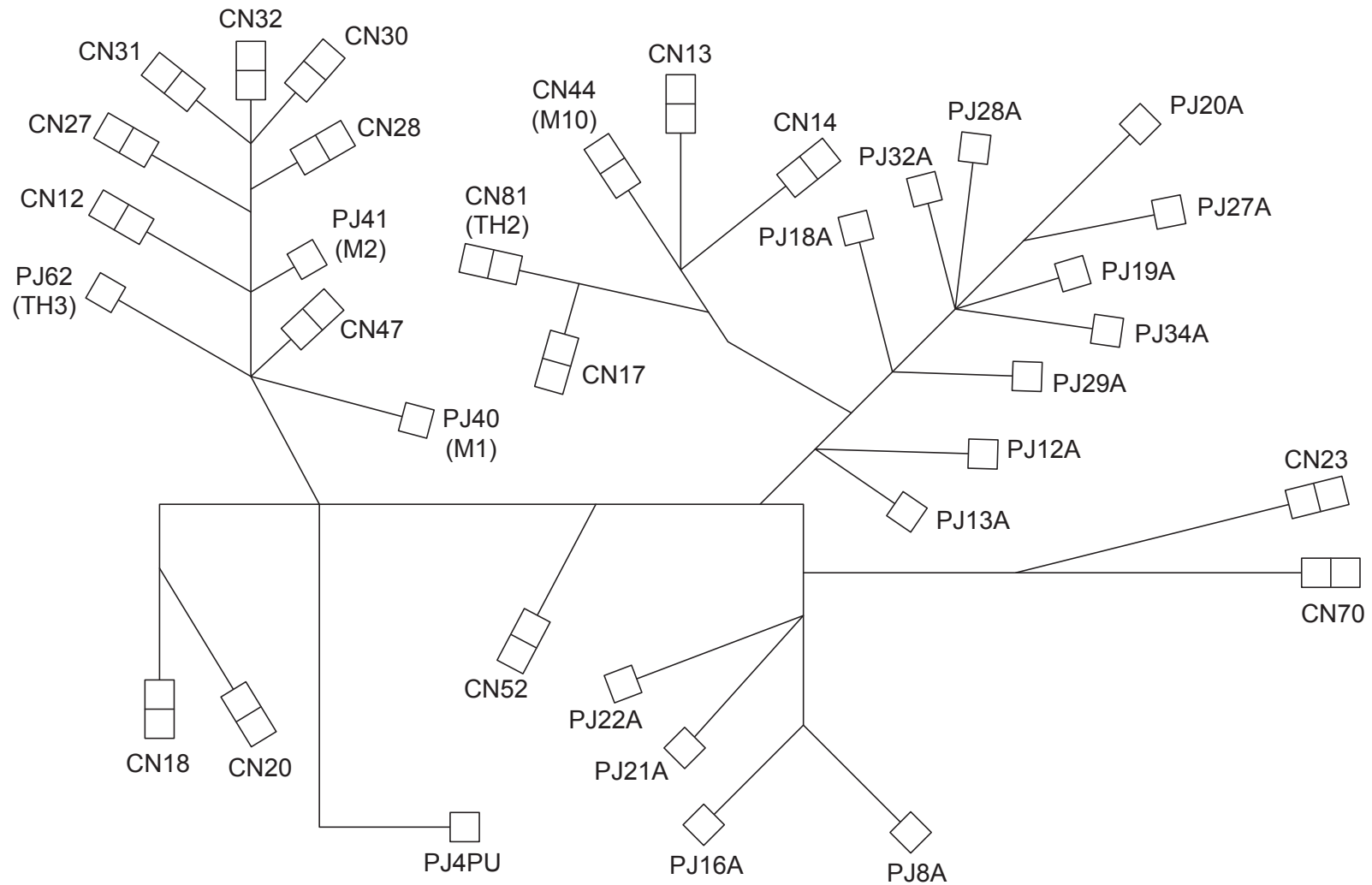
WIRING

改訂版 REVISED EDITION	日付 DATE
▲	JANUARY 2011



Key	Part No.	Description	Destinations	Class	QTY	Standard parts
1	4040680601	WIRE HARNESS ASSY	{bizhub350}	D	1	
1	4040682101	WIRE HARNESS ASSY	A, C, D, E, F, F1, F2, G1, H, I, J, K{ bizhub250}	D	1	
1	4040682201	WIRE HARNESS ASSY	A, C, D, E, F, F1, F2, G1, H, I, J, K{ bizhub200}	D	1	
1	4040N10200	HV Power source harness /2	{bizhub250}B,G,G2	D	1	
1	4040N10300	HV Power source harness /3	{bizhub200}B,G,G2	D	1	
2	4040680401	WIRE HARNESS ASSY		D	1	

1



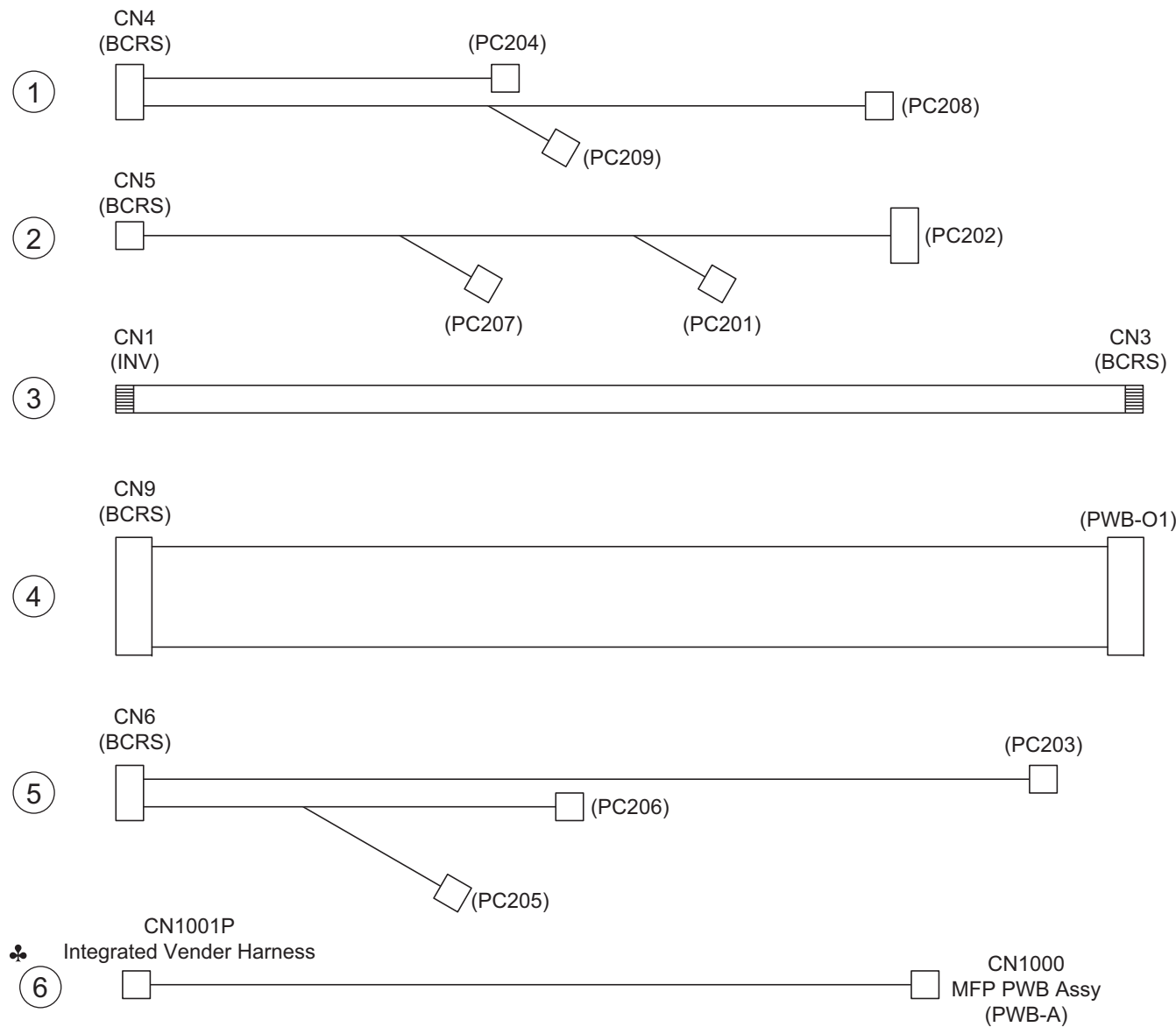
2



Key	Part No.	Description	Destinations	Class	QTY	Standard parts
1	4040680801	WIRE HARNESS ASSY		D	1	
1	4040683301	WIRE HARNESS ASSY	{bizhub350/250}	D	1	
2	4040684101	WIRE HARNESS ASSY	{bizhub200}	D	1	

bizhub 200/250/350

WIRING



Key	Part No.	Description	Destinations	Class	QTY	Standard parts
1	4551203701	WIRE HARNESS ASSY ハーネス ASSY		D	1	
2	4551203501	WIRE HARNESS ASSY ハーネス ASSY		D	1	
3	4551201101	WIRE HARNESS ASSY ハーネス ASSY		D	1	
4	4551203601	WIRE HARNESS ASSY ハーネス ASSY		D	1	
5	4551205801	WIRE HARNESS ASSY ハーネス ASSY	(OPTION)	D	1	
6	4040PON100	Relay Wiring 中継束線	A,B,C,G2,D,F,G1,H,I J,K(Except Model N o.:4040/4041-217)	D	1	

WIRING ACCESSORIES AND JIGS

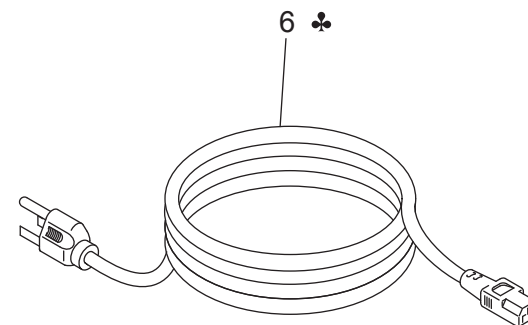
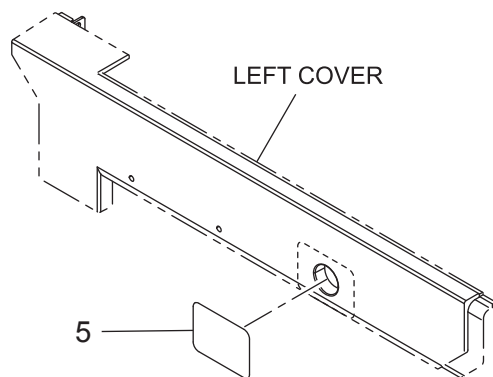
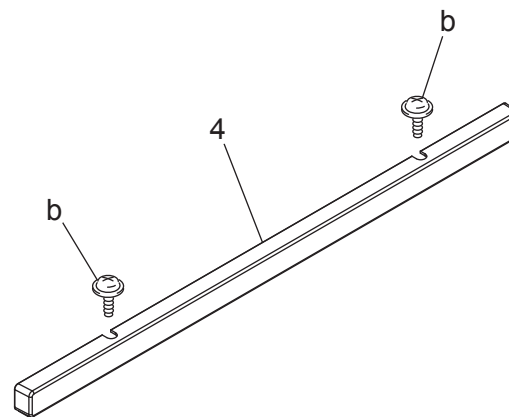
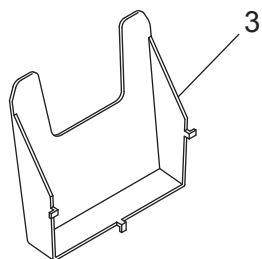
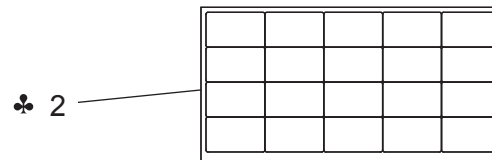
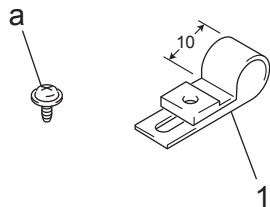
P 42

1 	6 	11 	16 	21 	26	31	36
2 	7 	12 	17 	22 ♣ 	27	32	37
3 	8 	13 	18 	23 ♣ 	28	33	38
4 	9 	14 	19 ♣ 	24 ♣ 	29	34	39
5 	10 	15 	20 	25 ♣ 	30	35	40

bizhub 200/250/350

Key	Part No.	Description	Destinations	Class	QTY	Standard parts
1	9384110091	WIRING SADDLE	ワイヤーサドル	D	84	
2	9384111061	WIRING SADDLE 21.5H	ワイヤーサドル	D	3	
3	9384192101	WIRING SADDLE 14.4H	ワイヤーサドル	D	19	
4	9384192111	WIRING SADDLE 9.2H	ワイヤーサドル	D	32	
5	9384192131	WIRING SADDLE 17.3H	ワイヤーサドル	D	9	
6	9384131091	WIRING SADDLE 18.5H	ワイヤーサドル	D	5	
7	1053481201	CORD CLAMP	コードオサエ	D	2	
8	4011578801	CORD CLAMP	コード押え	D	4	
9	4030585301	CORD CLAMP	コード押え	D	4	
10	9384131111	CABLE TIE 104L	ケツソクバンド	D	14	
11	9384291021	EDGE COVER	エッジカバー	D	1	
12	9384291031	EDGE COVER	エッジカバー	D	18	
13	9384201021	EDGE COVER 8.5H	エッジカバー	D	22	
14	1038400601	INSULATING MEMBER	絶縁材	D	1	
15	1050480501	INSULATING MEMBER	絶縁材	D	2	
16	9384291011	CN COVER	コネクタカバー	D	1	
17	4030205401	SPACER (WHITE)	スペーサ (白)	C	1	
18	4030205301	SPACER (BLACK)	スペーサ (黒)	C	1	
19	4040R91600	JIG MEMORY CARD(MSC)	治具メモリーカード	S	1	A
19	4040R91700	JIG MEMORY CARD(MSC)	治具メモリーカード	S	1	B,G2
19	4040R72101	JIG MEMORY CARD (MSC)	治具メモリーカード (MSC)	S	1	C(for Model No.:4040/4041-211)
19	4040R90201	JIG MEMORY CARD(MSC)	治具メモリーカード	S	1	J,H
19	4040R91500	JIG MEMORY CARD(MSC)	治具メモリーカード	S	1	{bizhub350/250} D,F,G1,I,K(for ModelNo.:4040/4041-217/314)
19	4040R91800	JIG MEMORY CARD(MSC)	治具メモリーカード	S	1	C(for Model No.:4040/4041-214)
19	4040R91900	JIG MEMORY CARD(MSC)	治具メモリーカード	S	1	{bizhub350/250} D,F,G1,I,K(for ModelNo.:4040/4041-212)
19	4040R92000	JIG MEMORY CARD (MSC)	治具メモリーカード	S	1	A(Phase4.0)
20	4040075902	JIG MEMORY CARD(ENGINE)	治具メモリーカード (エンジン)	S	1	
21	4040790101	JIG THERMISTOR	治具 サーミスタ	S	1	
22	4040R90301	JIG MEMORY CARD(MSC)	治具メモリーカード	S	1	C
23	4040R90601	JIG MEMORY CARD (MSC)	治具メモリーカード	S	1	C
24	9384100061	CORD CLAMP	コードクランプ< S >	D	3	C{bizhub 350/250}
25	4040R90002	JIG MEMORY CARD (MSC)	治具メモリーカード	S	1	B,C,D,E,F,F1,F2,G,G1,G2,H,I,J,K

ACCESSORY PARTS



ACCESSORY PARTS

Key	Part No.	Description	Destinations	Class	QTY	Standard parts
1	9384160011	P-CLIP 10D		D	1	a-9735030814 b-9739030814
2	4030731001	LABEL METRIC	A,C,D,F,G1,H,I,J,K B,G2	C	1	
2	4030731201	LABEL INCH		C	1	
3	1156750101	HOLDER		C	1	
4	4030103402	COVER		C	1	
5	4030732901	LABEL	{bizhub350/250} D,F 2,G1,I,K	C	1	
6	9381430041	POWER CORD		C	1	
6	9381410131	Power code /120V	{bizhub350/250} H J	C	1	
6	4040N30000	POWER CORD /110V		D	1	
6	9381430031	POWER CORD		D	1	
6	4040078001	Power Cord	A	C	1	

MAINTENANCE LIST

● The items with no Page/Key numbers are not handled as spare parts.

No.	Section	PM Parts Description	Maintenance Cycle (K=1,000)		Parts No.	Destinations	Page/Key	Note	
			QTY	Replace					
1	Bypass	Feed Roller	1	300K	4131300101		P17-11		
2		Separation Roller Assy	1	300K	4034015101		P16-20		
3	Tray 1	Feed Roller	1	300K	4030300501		P12-7	*4	
4		Pick-up Roller	1	300K	4030300501		P12-7	*4	
6		Roller	1	300K	A11U560000		P13-25	*4 new	
7	Tray 2	Feed Roller	1	300K	4030300501		P14-13	*4	
8		Pick-up Roller	1	300K	4030300501		P14-13	*4	
10		Roller	1	300K	A11U560000		P15-34	*4 new	
11	Conveyance Section	Registration Roller Bearing	4	900K	1164354901		P23-12		
12		Registration Roller Gear 1	1	900K	1164350801		P23-11	T = 18	
13		Registration Roller Gear 2	1	900K	1164351501		P23-13	T = 13	
14		Paper Dust Remover	1	150K	A1UDR72900		P23-30		
15	Fusing Section	Fusing Unit	1	450K	4040R70900	A	P27-18	100V	
16		Fusing Unit	1	450K	4040R71000	B,G2,F1	P27-18	120V	
17		Fusing Unit	1	450K	4040R71100	C,D,F2,G1,I,J,K	P27-18	230V	
18		Fusing Unit	1	450K	4040R71200	H	P27-18	110V	
19	Transfer Section	Transfer Roller Unit	1	150K	4040R72500		P23-1		
20	Process Section	Photo Conductor Unit	1	100K	-	bizhub 350	-	*2	
21			1	80K	-	bizhub 250	-	*2	
22			1	65K	-	bizhub 200	-	*2	
23		Developer		1	100K	-	bizhub 350	-	
24				1	80K	-	bizhub 250	-	
25				1	65K	-	bizhub 200	-	
26		Developing Unit		1	400K	4040075200	bizhub 350	P21-16	*3
27				1	320K	4040075200	bizhub 250	P21-16	*3
28				1	260K	4040075200	bizhub 200	P21-16	*3
29		Toner Filter (Developing Unit)		1	100K	4040521701	bizhub 350	P21-12	*2
30				1	80K	4040521701	bizhub 250	P21-12	*2
31				1	65K	4040521701	bizhub 200	P21-12	*2
32		Toner Filter (Main Unit)		1	400K	4040209301	bizhub 350	P2-32	*3
33				1	320K	4040209301	bizhub 250	P2-32	*3
34				1	260K	4040209301	bizhub 200	P2-32	*3
35	Ozone Filter		1	300K	4011203101		P29-6		

*1: Maintenance Cycle is the Special Parts Counter value.

*2: The Photo Conductor Unit and Toner Filter (Developing Unit) should be replaced with new ones at the same time.

*3: The Developing Unit and Toner Filter (Main Unit) should be replaced with new ones at the same time.

*4: Replace those three parts at the same time.

メンテナンスリスト

● ページ / キーナンバーのないものは、アフターサービス部品ではありません。

No.	区分	PM 部品名称	サイクル (K=1,000)		部品番号	仕向地	頁 / キー	備考		
			員数	交換						
1	手差し	給紙ローラ	1	300K	4131300101		P17-11			
2		分離ローラ Assy	1	300K	4034015101		P16-20			
3	トレイ1	給紙ローラ	1	300K	4030300501		P12-7	*4		
4		ピックアップローラ	1	300K	4030300501		P12-7	*4		
6		ローラ (さばき)	1	300K	A11U560000		P13-25	*4 新		
7	トレイ2	給紙ローラ	1	300K	4030300501		P14-13	*4		
8		ピックアップローラ	1	300K	4030300501		P14-13	*4		
10		ローラ (さばき)	1	300K	A11U560000		P15-34	*4 新		
11	搬送部	レジストローラ軸受	4	900K	1164354901		P23-12			
12		レジストローラギア 1	1	900K	1164350801		P23-11	T = 18		
13		レジストローラギア 2	1	900K	1164351501		P23-13	T = 13		
14		紙紛除去クリーナ	1	150K	A1UDR72900		P23-30			
15	定着部	定着ユニット	1	450K	4040R70900	A	P27-18	100V		
16		定着ユニット	1	450K	4040R71000	B,G2,F1	P27-18	120V		
17		定着ユニット	1	450K	4040R71100	C,D,F2,G1,I,J,K	P27-18	230V		
18		定着ユニット	1	450K	4040R71200	H	P27-18	110V		
19	転写部	転写ローラユニット	1	150K	4040R72500		P23-1			
20	プロセス部	感光体ユニット	1	100K	-	bizhub 350	-	*2		
21			1	80K	-	bizhub 250	-	*2		
22			1	65K	-	bizhub 200	-	*2		
23		現像剤		1	100K	-	bizhub 350	-		
24				1	80K	-	bizhub 250	-		
25				1	65K	-	bizhub 200	-		
26		現像ユニット		1	400K	4040075200	bizhub 350	P21-16	*3	
27				1	320K	4040075200	bizhub 250	P21-16	*3	
28				1	260K	4040075200	bizhub 200	P21-16	*3	
29		トナーフィルタ (現像ユニット側)		1	100K	4040521701	bizhub 350	P21-12	*2	
30				1	80K	4040521701	bizhub 250	P21-12	*2	
31				1	65K	4040521701	bizhub 200	P21-12	*2	
32			トナーフィルタ (本体側)		1	400K	4040209301	bizhub 350	P2-32	*3
33					1	320K	4040209301	bizhub 250	P2-32	*3
34					1	260K	4040209301	bizhub 200	P2-32	*3
35	オゾンフィルタ			1	300K	4011203101		P29-6		

*1: 交換サイクルの数値は、固定パーツカウンタの値である。

*2: 感光体ユニットとトナーフィルタ (現像ユニット側) は同時交換する。

*3: 現像ユニットとトナーフィルタ (本体側) は同時交換する。

*4: 3点同時交換する。

DESTINATION

Destination No.		Destinations		V	Hz	Model No.
A	A1	JAPAN		100	50/60	4040-011 4041-011 4042-011
	A2	JAPAN				
B		USA, CANADA		120	60	4040-311 4041-311 4042-311 4288-312 4289-312 4291-312
C		EUROPEAN TYPE		220-240	50/60	4040-211 4041-211 4040-214 4041-214
D	D1	S.E ASIA TYPE	THAILAND, SRI LANKA, SINGAPORE, MALAYSIA, HONG KONG, PAKISTAN, INDIA, BANGLADESH, INDONESIA	220-240	50/60	4040-212 4041-212 4040-217 4041-217
	D3	OCEANIA TYPE	AUSTRALIA, NEW ZEALAND	220-240	50/60	4040-212 4041-212 4040-217 4041-217
E		PHILIPPINES				4040-217 4041-217

bizhub 200/250/350

Destination No.		Destinations	V	Hz	Model No.
F	F1	SAUDI ARABIA	127	60	4040-314 4041-314 4040-217 4041-217
	F2	SAUDI ARABIA	220-240	50/60	4040-212 4041-212 4040-217 4041-217
G	G1	C.S AMERICA	220-240	50/60	4040-212 4041-212 4040-217 4041-217
	G2	C.S AMERICA	120-127	60	4040-311 4041-311 4042-311 4040-217 4041-217
H		TAIWAN	110	60	4040-313 4041-313
I		JORDAN, LEBANON, SYRIA, SOUTH AFRICA, IRAQ, IRAN, N.YEMEN, CAMER- OON, UAE, BAHRAIN, OMAN, QATAR, KUWAIT, KENYA, TUNISIA, IVORY COAST, MOROCCO	220-240	50/60	4040-212 4041-212 4040-217 4041-217
J		CHINA	220-240	50/60	4040-213 4041-213 4042-213
K		KOREA	220-240	50/60	4040-212 4041-212 4040-217 4041-217

bizhub 200/250/350