

KONICA MINOLTA

PARTS GUIDE MANUAL

JANUARY 2012

*bizhub 195/bizhub 215/bizhub
235/bizhub 7719/bizhub
7721/bizhub 7723
A3PE*

INFORMATION FOR PARTS GUIDE MANUAL

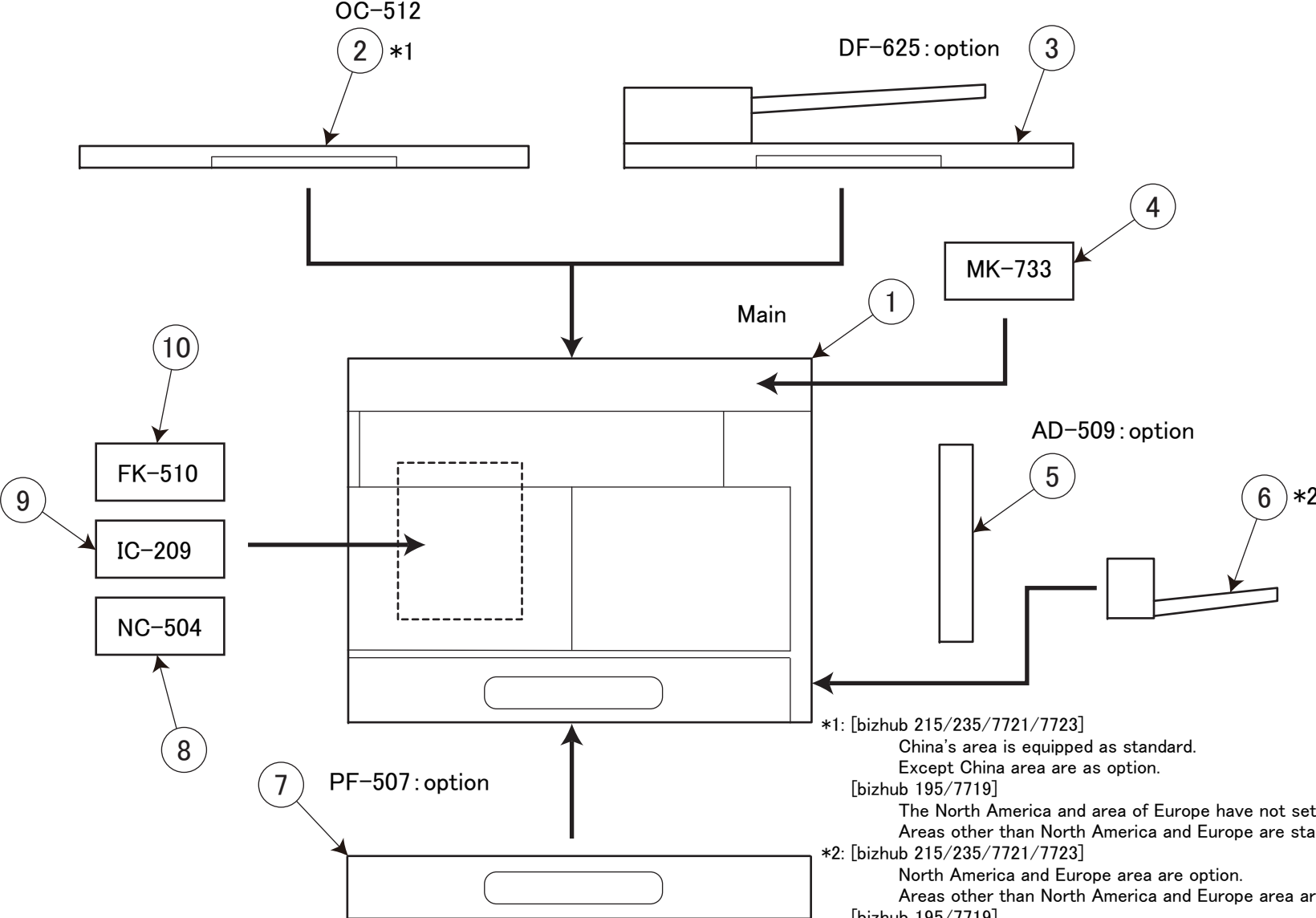
To find correct Parts No., refer to the "HOW TO MAKE THE BEST USE OF THIS MANUAL" in the following page.

HOW TO MAKE THE BEST USE OF THIS MANUAL

- 1 When you order, please check the proper figures beforehand that are on Our Parts Guide Manual, and order with the appropriate figures.
- 2 For screws, Nuts, Washers, retaining rings and Pins which are used in this model, one letter is shown on the Standard parts column of Parts list and exploded diagrams.
- 3 In order to maintain safety of the product, some specific parts composed of this product are set up as "essential safety parts".
- 4 The assigned parts number for the "essential safety parts" is indicated as "SP00-****".
When replacing these parts, follow precautions for disassembling and installing which are listed in the Service Manual.
Do not use any parts that are not set up as
- 5 ♣ means that there are exclusive parts for each destination.
Please check the appropriate destination when you order.
- 6 Revision Mark
Marked as ▲ on the illustration shows that the revision has been made.
- 7 All rights reserved. (any reprints or quotations are prohibited.)
Use of this parts guide manual should be strictly supervised to avoid disclosure of confidential information.

01/06/2012

SYSTEM OUTLINE



*1: [bizhub 215/235/7721/7723]
 China's area is equipped as standard.
 Except China area are as option.
 [bizhub 195/7719]
 The North America and area of Europe have not setting.
 Areas other than North America and Europe are standard.

*2: [bizhub 215/235/7721/7723]
 North America and Europe area are option.
 Areas other than North America and Europe area are standard.
 [bizhub 195/7719]
 The North America and area of Europe have not setting.
 Areas other than North America and Europe are equipped to the standard.

bizhub 195/bizhub 215/bizhub 235/bizhub 7719/bizhub 7721/bizhub 7723

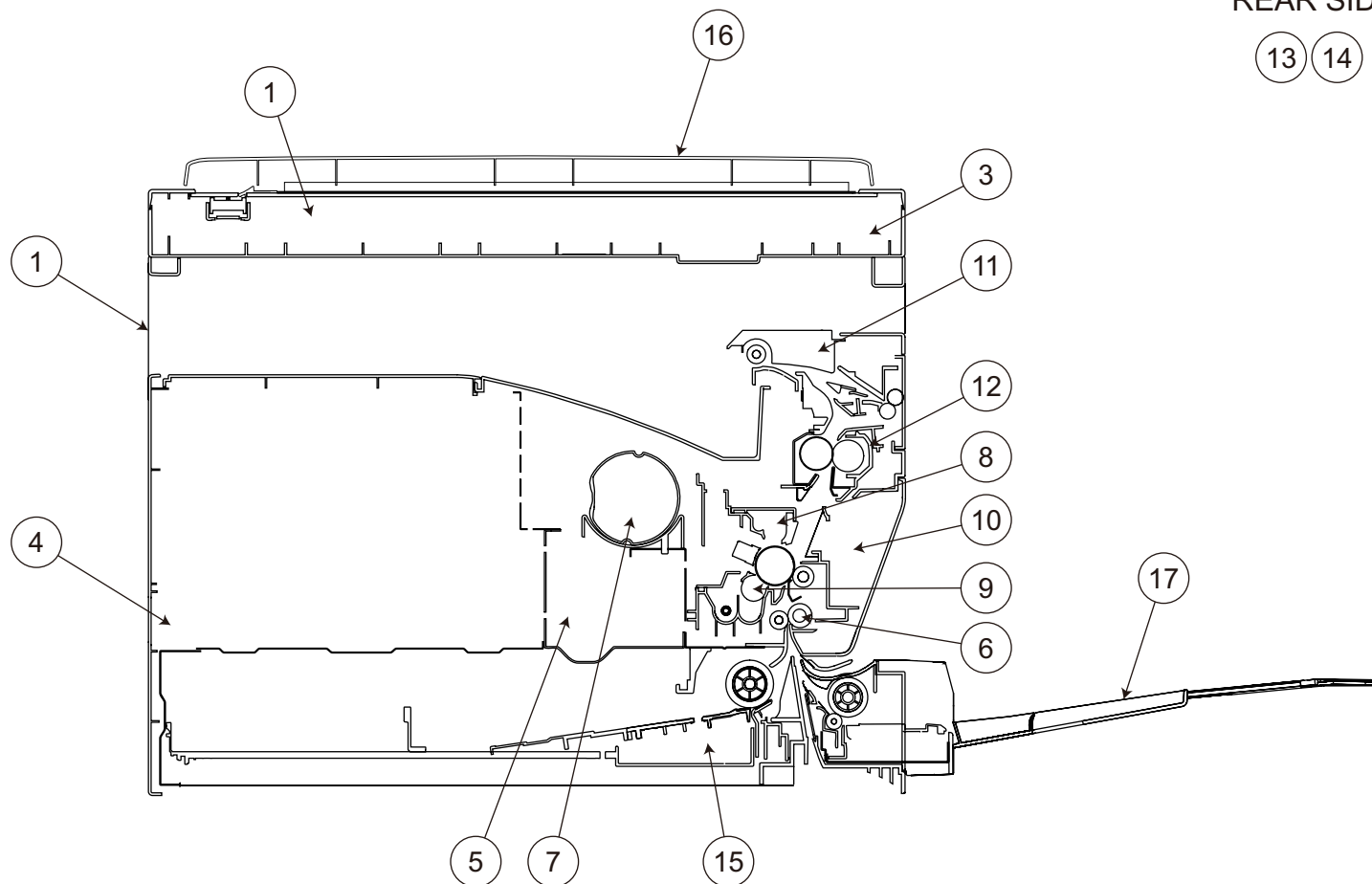
GENERAL CONTENTS

No.	Description	Model
1	DIGITAL MFP B/W	bizhub 195/bizhub 215/bizhub 235/ bizhub 7719/bizhub 7721/bizhub 7723
2	OTHER OPTION	OC-512
3	DOCUMENT FEEDER	DF-625
4	OTHER OPTION	MK-733
5	DUPLEX	AD-509
6	PAPER FEEDER	MB-505
7	PAPER FEEDER	PF-507
8	OTHER OPTION	NC-504
9	OTHER OPTION	IC-209
10	OTHER OPTION	FK-510

bizhub 195/bizhub 215/bizhub 235/bizhub 7719/bizhub 7721/bizhub 7723

DIAGRAMS OF MAIN PARTS SECTION

REAR SIDE



bizhub 195/bizhub 215/bizhub 235/bizhub 7719/bizhub 7721/bizhub 7723

CONTENTS

No.	DESCRIPTION	PAGE No.
1	EXTERNAL PARTS	P1
2	IR SECTION	P2 P3
3	CONTROL PANEL	P4
4	FRAME SECTION	P5
5	PRINT HEAD SECTION	P6
6	PAPER TAKE-UP SECTION	P7
7	HOPPER SECTION	P8
8	CHARGE SECTION	P9
9	DEVELOPING SECTION	P10
10	PAPER TRANSPORT SECTION	P11
11	PAPER EXIT SECTION	P12
12	FUSING UNIT	P13
13	DRIVE SECTION	P14
14	ELECTRICAL COMPONENTS	P15
15	CASSETTE SECTION	P16
16	ORIGINAL COVER	P17
17	MANUAL FEED TRAY	P18 P19
18	WIRING ACCESSORIES AND JIGS	P20

bizhub 195/bizhub 215/bizhub 235/bizhub 7719/bizhub 7721/bizhub 7723

INDEX

Parts No.	Page No.
0910550712	9-1
1164300403	16-7
1164302701	7-10
1164304501	16-26
1164305401	7-13
1164306101	16-19
1164306201	16-20
4002504202	5-1
4002504202	13-25
4011585801	13-8
4021016602	9-4
4021210101	13-27
4021254702	14-15
4021410801	9-24
4021561501	9-11
4021561601	9-9
4021561801	9-19
4021561901	9-18
4021572002	13-4
4021572712	13-20
4021580201	12-11
4025357201	7-9
4030309301	18-34
4030340201	18-19
4030340301	18-18
4030347501	18-27
4034015101	18-30
4034220501	6-14
4034230501	6-5
4034353401	7-5
4034571101	13-18
4034571501	13-35
4034572201	13-34
4034572301	13-33
4034578401	13-10
4034578501	13-9
4034578601	13-7
4034578701	13-3
4036576501	13-17
4037321001	16-5

Parts No.	Page No.
4038321501	18-23
4038323601	18-32
4038325501	18-14
4038326001	19-10
4038326802	18-20
4038326902	18-21
4038328601	18-3
4038541202	8-6
4038560100	16-4
4039328201	18-24
4128201901	5-5
4131353202	18-25
4163407201	9-5
4163436104	9-6
4163529301	11-22
4163560302	9-14
4163560403	9-22
4163560503	9-8
4163560702	9-2
4163560901	9-12
4163561101	9-13
4163561701	9-20
4163562501	9-17
4163563901	9-10
4686330401	5-6
4687328101	18-10
9J03M10000	11-7
9J06M20000	19-4
9J06M60100	6-9
A00J307000	6-12
A02F621101	16-3
A02F621200	16-1
A02F623200	16-25
A02F625400	16-28
A02F944100	16-12
A0ED240700	8-7
A0FDPP8700	5-9
A0FDPP8700	12-16
A0HFPP1900	3-4
A0XX330100	9-16

Parts No.	Page No.
A0XX333201	9-25
A0XX360200	9-21
A0XX361100	9-7
A0XX361800	9-15
A0XX372100	10-4
A0XX372200	10-1
A0XX372300	10-3
A0XX372400	10-5
A0XX372500	10-2
A0XX373600	10-6
A0XX560200	16-11
A0XX594700	18-16
A0XXPP0600	6-1
A0XXPP0R01	16-6
A0XXPP0S00	11-15
A0XXPP0U00	11-17
A0XXPP0W01	7-15
A0XXPP0X01	7-7
A0XXPP1401	13-26
A0XXPP1501	13-30
A0XXPP1601	13-29
A0XXPP1700	6-2
A0XXPP1D01	18-7
A0XXPP1G00	2-4
A0XXPP1N00	18-6
A0XXPP1R00	6-8
A0XXPP1S00	15-18
A0XXPP1T00	18-13
A0XXPP1V01	11-6
A0XXPP1W01	18-26
A0XXPP1X01	11-9
A0XXPP2101	16-13
A0XXPP2301	7-2
A0XXPP2401	18-36
A0XXPP2501	18-35
A0XXPP2601	18-33
A0XXPP2C01	2-5
A0XXPP2W01	14-8
A0XXPP2X01	14-13
A0XXPP2Y01	14-11

Parts No.	Page No.
A0XXPP3001	14-14
A0XXPP3101	14-7
A0XXPP3201	14-5
A0XXPP3301	14-6
A0XXPP3401	14-2
A0XXPP3501	14-1
A0XXPP3601	14-3
A0XXPP3701	14-4
A0XXPP3A01	16-16
A0XXPP3B01	16-27
A0XXPP3E00	16-18
A0XXPP3G01	7-14
A0XXPP3H01	11-8
A0XXPP3N01	7-6
A0XXPP3P00	7-3
A0XXPP3Q01	8-4
A0XXPP3S01	8-5
A0XXPP3T01	8-3
A0XXPP3U01	8-2
A0XXPP3V01	8-8
A0XXPP4902	18-2
A0XXPP4A01	18-1
A0XXPP4B01	18-11
A0XXPP4C00	18-5
A0XXPP4D00	18-4
A0XXPP4E01	18-12
A0XXPP4G01	19-3
A0XXPP4H01	19-7
A0XXPP4J01	19-9
A0XXPP4K01	19-5
A0XXPP4M01	18-8
A0XXPP4N00	17-1
A0XXPP4V00	18-28
A0XXPP4W01	6-7
A0XXPP5002	11-11
A0XXPP5102	11-13
A0XXPP5201	1-12
A0XXPP5501	7-4
A0XXPP5700	18-37
A0XXPP5C01	1-10

Parts No.	Page No.
A0XXPP5J01	1-11
A0XXPP5M01	11-12
A0XXPP5P02	17-5
A0XXPP5T00	6-13
A0XXPP5U00	2-13
A0XXPP6E01	16-15
A0XXPP6H01	11-14
A0XXPP6S00	18-15
A0XXPP6T00	18-29
A0XXPP7900	16-2
A0XXPP7A00	16-14
A1XTR70100	6-15
A1XUM50300	10-7
A1XUR70000	9-3
A1XUR70100	9-23
A3PEPP0000	3-6
A3PEPP0100	2-15
A3PEPP0200	2-17
A3PEPP0300	2-3
A3PEPP0400	2-6
A3PEPP0500	2-1
A3PEPP0600	2-8
A3PEPP0600	2-9
A3PEPP0800	2-2
A3PEPP0800	3-7
A3PEPP0800	4-17
A3PEPP0900	2-12
A3PEPP0A00	2-11
A3PEPP0B01	2-10
A3PEPP0C00	2-7
A3PEPP0D00	2-16
A3PEPP0E00	3-2
A3PEPP0F00	3-1
A3PEPP0G00	3-8
A3PEPP0H01	3-3
A3PEPP0J00	4-22
A3PEPP0K00	4-10
A3PEPP0M00	4-8
A3PEPP0N00	4-7
A3PEPP0P00	4-6

bizhub 195/bizhub 215/bizhub 235/bizhub 7719/bizhub 7721/bizhub 7723

Parts No.	Page No.
A3PEPP0Q00	4-4
A3PEPP0R00	4-3
A3PEPP0S00	4-21
A3PEPP0T00	4-20
A3PEPP0U00	4-9
A3PEPP0V00	4-12
A3PEPP0W00	4-13
A3PEPP0X00	4-14
A3PEPP0Y00	4-19
A3PEPP1000	4-18
A3PEPP1100	4-5
A3PEPP1200	4-15
A3PEPP1300	4-1
A3PEPP1400	4-1
A3PEPP1500	4-1
A3PEPP1600	4-16
A3PEPP1700	4-2
A3PEPP1X00	7-11
A3PEPP1X00	15-13
A3PEPP1X00	18-9
A3PEPP1X00	19-2
A3PEPP2N00	16-24
A3PEPP2P00	16-10
A3PEPP2Q00	16-21
A3PEPP2R00	16-23
A3PEPP2S00	15-21
A3PEPP2T00	15-10
A3PEPP2U00	16-9
A3PEPP2V00	16-8
A3PEPP2W00	16-22
A3PEPP2X00	16-17
A3PEPP2Y00	7-1
A3PEPP3100	11-2
A3PEPP3200	11-20
A3PEPP3300	11-1
A3PEPP3400	11-3
A3PEPP3500	11-16
A3PEPP3600	11-10
A3PEPP3700	11-5
A3PEPP3800	11-19

Parts No.	Page No.
A3PEPP3900	11-4
A3PEPP3B00	11-23
A3PEPP3C00	11-24
A3PEPP3D00	11-21
A3PEPP3E00	12-7
A3PEPP3F00	12-8
A3PEPP3G00	12-9
A3PEPP3H00	12-15
A3PEPP3J00	12-14
A3PEPP3K00	12-13
A3PEPP3M00	12-6
A3PEPP3N00	12-4
A3PEPP3P00	12-2
A3PEPP3R00	12-3
A3PEPP3S00	12-12
A3PEPP3T00	12-5
A3PEPP3U00	12-1
A3PEPP3V00	13-11
A3PEPP3W00	13-11
A3PEPP3X00	13-11
A3PEPP3Y00	13-16
A3PEPP4000	13-21
A3PEPP4100	13-31
A3PEPP4200	13-19
A3PEPP4300	13-13
A3PEPP4400	13-5
A3PEPP4500	13-12
A3PEPP4600	13-32
A3PEPP4700	13-23
A3PEPP4800	13-2
A3PEPP4900	13-1
A3PEPP4A00	13-14
A3PEPP4B00	13-15
A3PEPP4C00	13-22
A3PEPP4D00	13-6
A3PEPP4E00	14-23
A3PEPP4F00	14-10
A3PEPP4F00	19-6
A3PEPP4G00	13-28
A3PEPP4H00	14-9

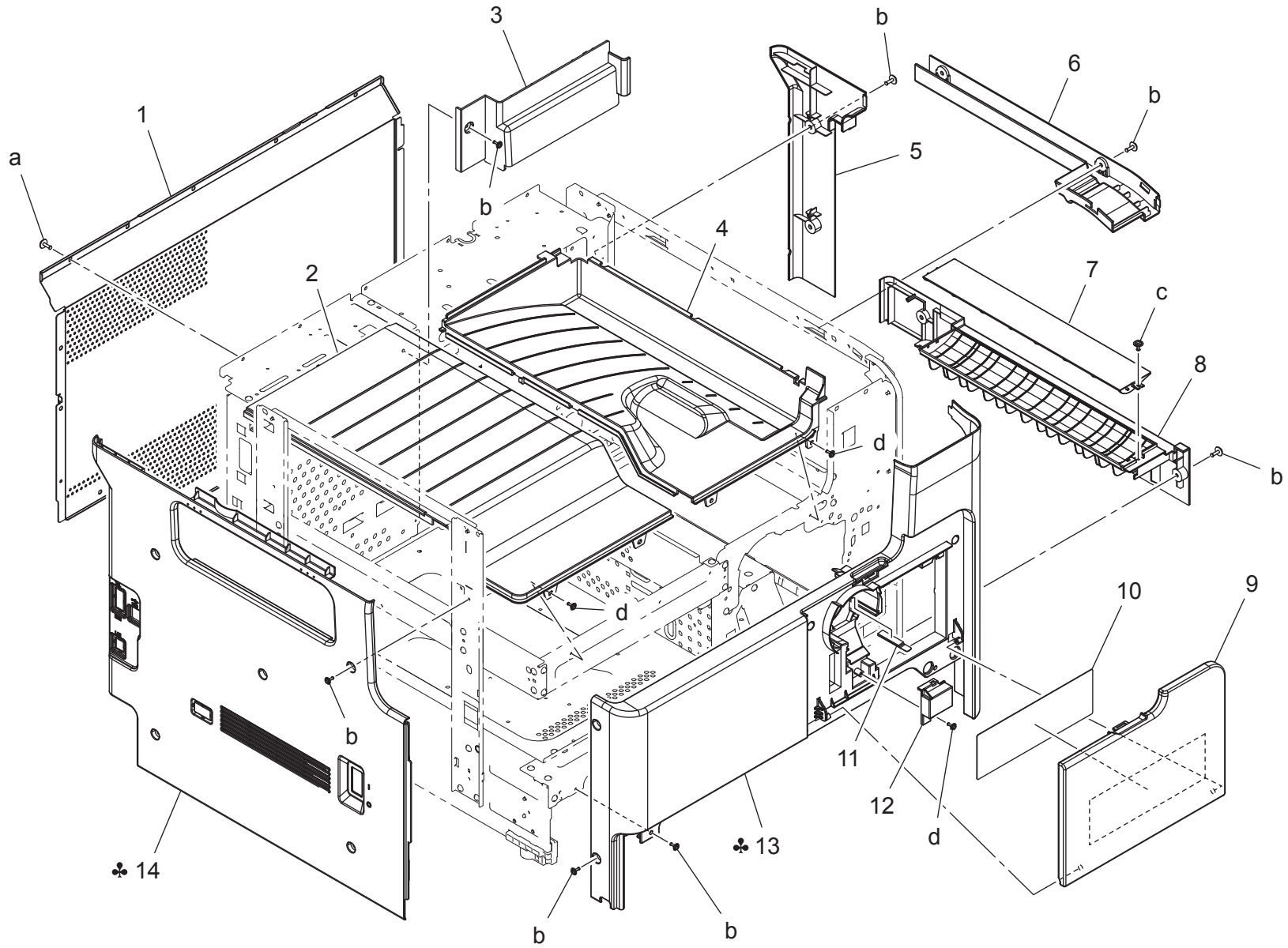
Parts No.	Page No.
A3PEPP4J00	14-20
A3PEPP4P00	14-24
A3PEPP4Q00	14-21
A3PEPP4R00	14-26
A3PEPP4S01	13-24
A3PEPP4T00	1-1
A3PEPP4U00	1-4
A3PEPP4V00	1-2
A3PEPP4W00	1-3
A3PEPP4X00	1-14
A3PEPP4Y00	1-14
A3PEPP5000	1-13
A3PEPP5100	1-13
A3PEPP5300	1-13
A3PEPP5500	1-9
A3PEPP5900	1-5
A3PEPP5A00	1-8
A3PEPP5B00	1-7
A3PEPP5C00	1-6
A3PEPP5D00	1-6
A3PEPP5E00	5-7
A3PEPP5F00	5-7
A3PEPP5G00	5-4
A3PEPP5H00	5-2
A3PEPP5J00	5-3
A3PEPP5K00	15-6
A3PEPP5M00	15-19
A3PEPP5N00	15-8
A3PEPP5P00	15-12
A3PEPP5Q00	15-14
A3PEPP5R00	15-16
A3PEPP5S00	15-15
A3PEPP5T00	15-18
A3PEPP5U00	15-18
A3PEPP5V00	5-8
A3PEPP5W00	6-10
A3PEPP5X00	6-4
A3PEPP5Y00	6-6
A3PEPP6000	15-7
A3PEPP6100	6-11

Parts No.	Page No.
A3PEPP6200	6-3
A3PEPP6300	15-9
A3PEPP6400	15-20
A3PEPP6500	15-20
A3PEPP6600	15-1
A3PEPP6700	15-4
A3PEPP6801	15-4
A3PEPP6900	15-5
A3PEPP6A00	15-2
A3PEPP6C00	15-3
A3PEPP6E00	4-11
A3PEPP6F00	8-1
A3PEPP6G00	7-8
A3PEPP6H00	11-18
A3PEPP6J00	5-10
A3PEPP6J00	6-16
A3PEPP6K00	2-14
A3PEPP6N00	16-29
A3PEPP6P00	16-30
A3PEPP6R00	12-10
A3PEPP6S00	14-16
A3PEPP6T00	14-12
A3PEPP6U00	14-25
A3PEPP6V00	14-22
A3PEPP6W00	14-17
A3PEPP6X00	14-19
A3PEPP6Y00	14-18
A3PEPP7000	14-27
A3PEPP7100	3-5
A3PHPP1200	18-22
A3PHPP1300	18-38
A3PHPP1400	18-39
A3PHPP1500	18-17
A3PHPP1601	19-1
A3PHPP1700	18-31
A3PHPP1800	19-11
A3PHPP1900	19-8
A4M4PP1000	17-2
A4M4PP1200	17-4
A4M4PP1300	17-3

Parts No.	Page No.
V500010005	20-1
V500010020	20-2
V500010046	20-3
V500020042	20-4
V570010021	20-5

bizhub 195/bizhub 215/bizhub 235/bizhub 7719/bizhub 7721/bizhub 7723

EXTERNAL PARTS



bizhub 195/bizhub 215/bizhub 235/bizhub 7719/bizhub 7721/bizhub 7723

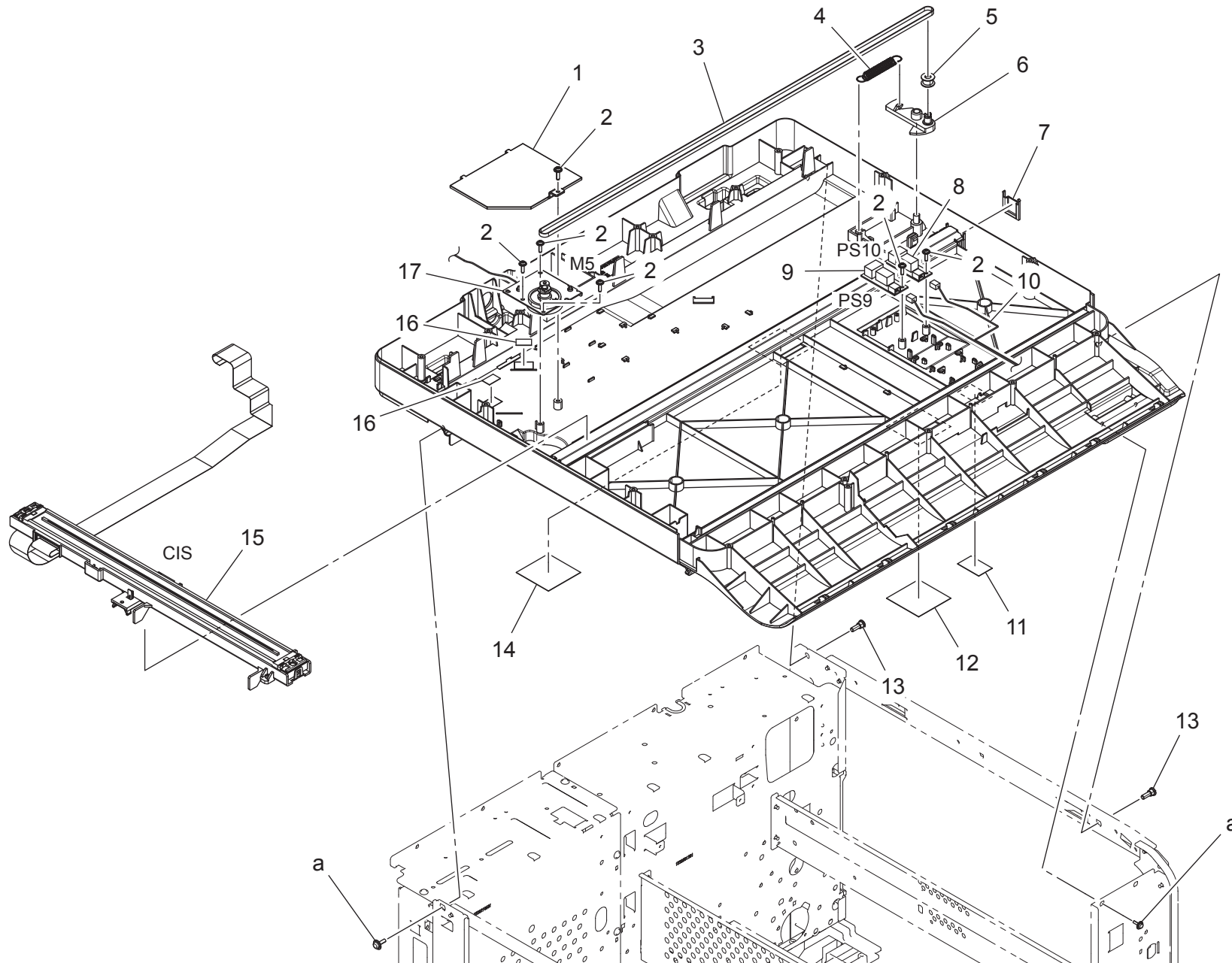
EXTERNAL PARTS

Key	Part No.	Description	Destinations	Class	QTY	Standard parts
1	A3PEPP4T00	Rear Cover		D	1	a-V137030603 b-V137030804 c-V153030804 d-V137030803
2	A3PEPP4V00	Left Exit Tray		C	1	
3	A3PEPP4W00	Cover		D	1	
4	A3PEPP4U00	Right Exit Tray		C	1	
5	A3PEPP5900	Right Rear Cover		C	1	
6	A3PEPP5C00	Right Upper Cover	{bizhub 215/235/7721/7723}	C	1	
6	A3PEPP5D00	Right Upper Cover	{bizhub 195/7719}	C	1	
7	A3PEPP5B00	Right Lower Cover	{bizhub 215/235/7721/7723}	C	1	
8	A3PEPP5A00	Right Lower Cover	{bizhub 215/235/7721/7723}	C	1	
9	A3PEPP5500	Front Cover		C	1	
10	A0XXPP5C01	Print Cover Panel		C	1	
11	A0XXPP5J01	Spacer		C	1	
12	A0XXPP5201	Cover		D	1	
13	A3PEPP5000	Front Cover	B,D1,D3,E,F2,G1,G2,H,I,K	C	1	
13	A3PEPP5100	Front Cover	C	C	1	
13	A3PEPP5300	Front Cover	J	C	1	
14	A3PEPP4X00	Left Cover	B,D1,D3,E,F2,G1,G2,H,I,J,K	C	1	
14	A3PEPP4Y00	Left Cover	C	C	1	

bizhub 195/bizhub 215/bizhub 235/bizhub 7719/bizhub 7721/bizhub 7723

IR SECTION

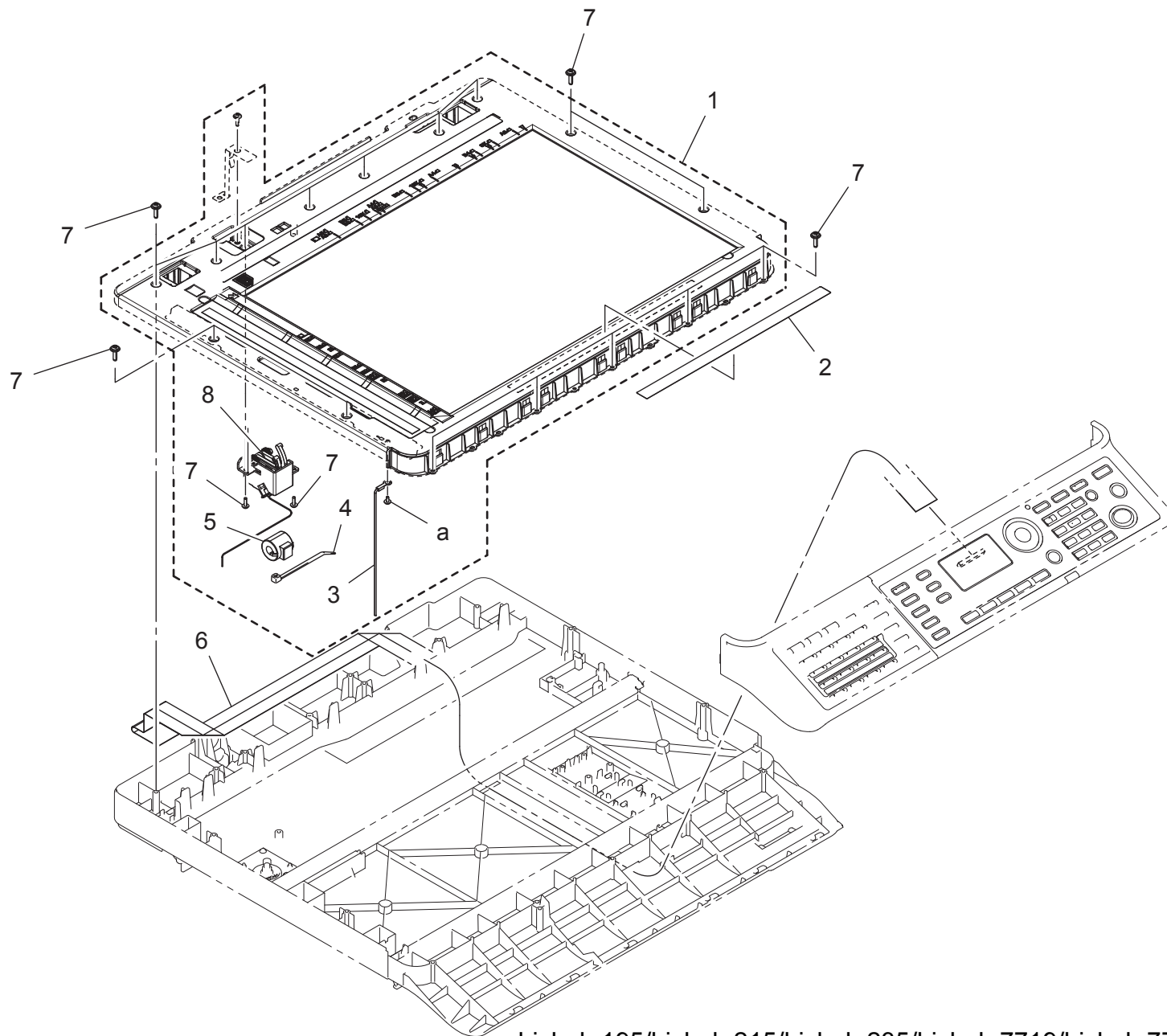
P 2



bizhub 195/bizhub 215/bizhub 235/bizhub 7719/bizhub 7721/bizhub 7723

Key	Part No.	Description	Destinations	Class	QTY	Standard parts
1	A3PEPP0500	Holder		D	1	a-V153030803
2	A3PEPP0800	Scew		C	6	
3	A3PEPP0300	Timing Belt		C	1	
4	A0XXPP1G00	Tension Spring		C	1	
5	A0XXPP2C01	Pulley		C	1	
6	A3PEPP0400	Holder		C	1	
7	A3PEPP0C00	Cover		C	1	
8	A3PEPP0600	Photoreflector	(OPTION)	I	1	
9	A3PEPP0600	Photoreflector		I	1	
10	A3PEPP0B01	WIRE HARNESS ASSY		D	1	
11	A3PEPP0A00	Seal		C	1	
12	A3PEPP0900	Seal		C	1	
13	A0XXPP5U00	Shoulder Screw		C	2	
14	A3PEPP6K00	Seal		C	1	
15	A3PEPP0100	CIS Assy		C	1	
16	A3PEPP0D00	Seal		C	2	
17	A3PEPP0200	Motor Fix Assy		C	1	

bizhub 195/bizhub 215/bizhub 235/bizhub 7719/bizhub 7721/bizhub 7723



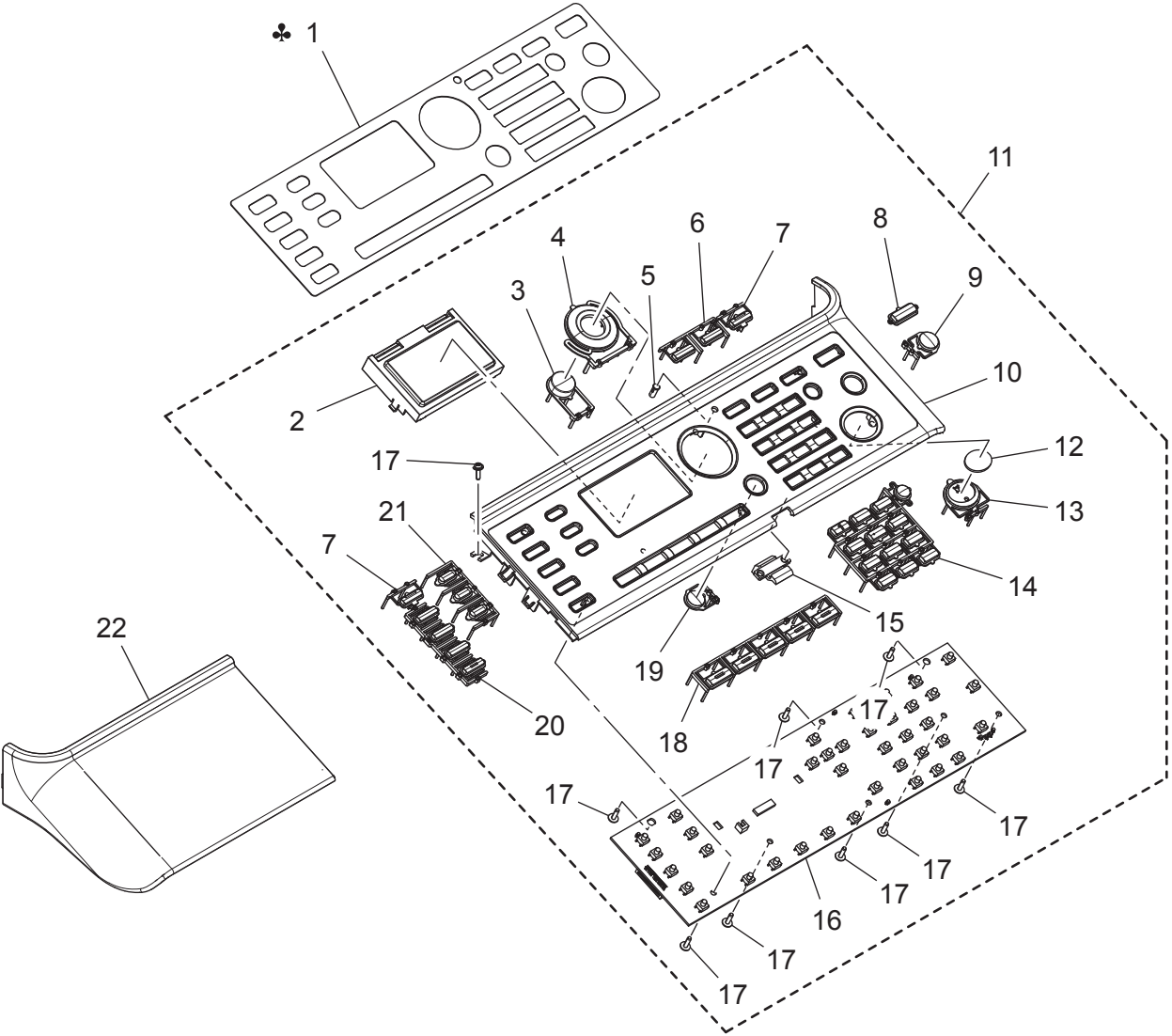
bizhub 195/bizhub 215/bizhub 235/bizhub 7719/bizhub 7721/bizhub 7723

IR SECTION

Key	Part No.	Description	Destinations	Class	QTY	Standard parts
1	A3PEPP0F00	IR Cover Assy		C	1	a-V116030803
2	A3PEPP0E00	Label Warning		C	1	
3	A3PEPP0H01	Wire Harness Assy		D	1	
4	A0HFPP1900	Cable Tie		D	1	
5	A3PEPP7100	Ferrite Core		D	1	
6	A3PEPP0000	FFC Panel		C	1	
7	A3PEPP0800	Scew		C	18	
8	A3PEPP0G00	Sensor Assy		I	1	

bizhub 195/bizhub 215/bizhub 235/bizhub 7719/bizhub 7721/bizhub 7723

CONTROL PANEL



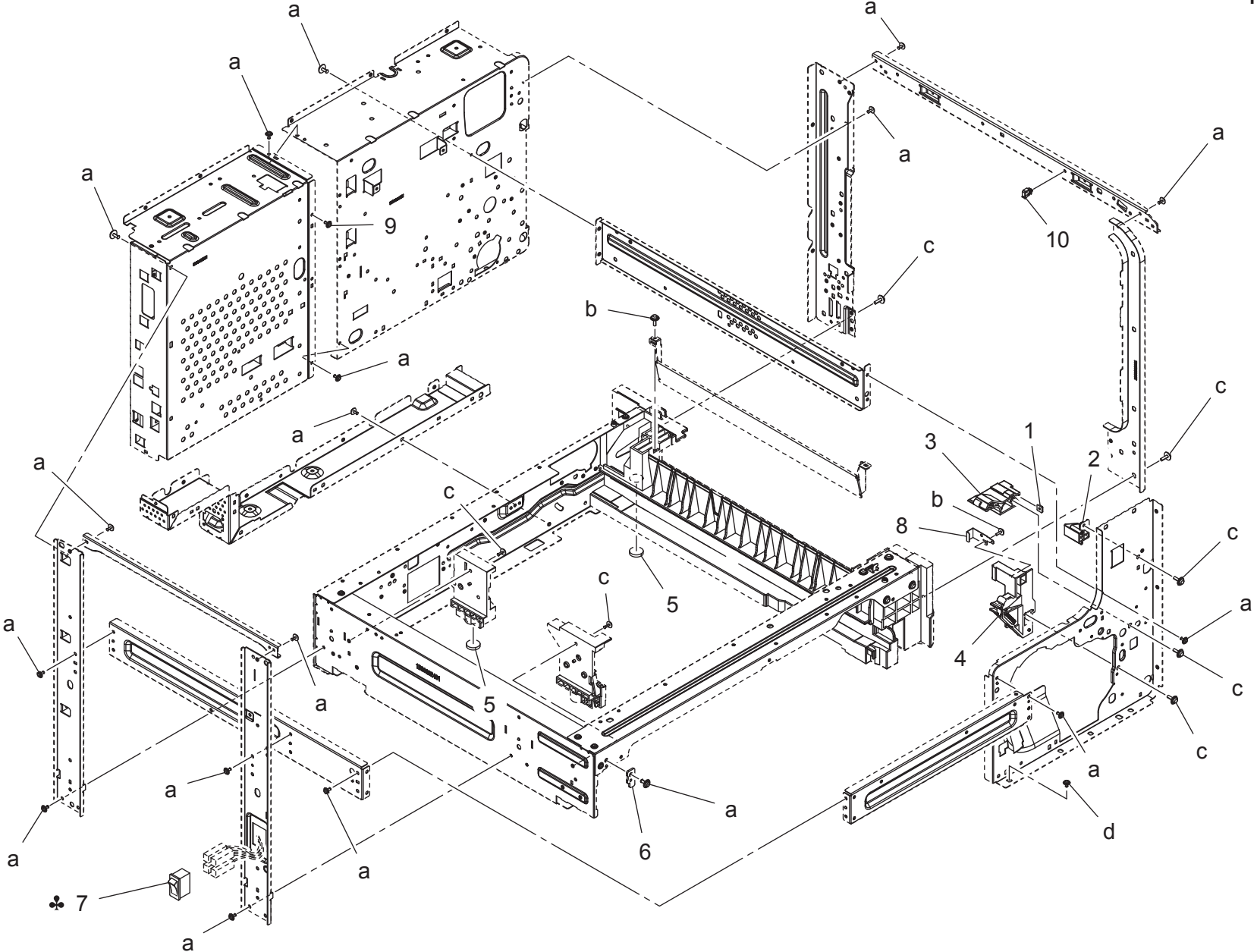
bizhub 195/bizhub 215/bizhub 235/bizhub 7719/bizhub 7721/bizhub 7723

CONTROL PANEL

Key	Part No.	Description	Destinations	Class	QTY	Standard parts
1	A3PEPP1300	Face Sheet (English)	B,C,D1,D3,E,F2,G1,G2,I,K	D	1	
1	A3PEPP1400	Face Sheet (Simplified)	J	D	1	
1	A3PEPP1500	Face Sheet (Traditional)	H	D	1	
2	A3PEPP1700	LCD Assy		C	1	
3	A3PEPP0R00	Print Select Key		D	1	
4	A3PEPP0Q00	Print Arrow Key		D	1	
5	A3PEPP1100	Cover		D	1	
6	A3PEPP0P00	Mode Key		D	1	
7	A3PEPP0N00	Interrupt Key		D	2	
8	A3PEPP0M00	Reset Key		D	1	
9	A3PEPP0U00	Print Stop Key		D	1	
10	A3PEPP0K00	Control Panel		D	1	
11	A3PEPP6E00	Control Panel Assy		I	1	
12	A3PEPP0V00	Print Start Key		D	1	
13	A3PEPP0W00	Lens Start Key		D	1	
14	A3PEPP0X00	Print Number Key		D	1	
15	A3PEPP1200	Holder		D	1	
16	A3PEPP1600	PW Board Assy		I	1	
17	A3PEPP0800	Scew		C	9	
18	A3PEPP1000	Print Copy Function Key 1		D	1	
19	A3PEPP0Y00	Back Key		D	1	
20	A3PEPP0T00	Copy Function Key 4		D	1	
21	A3PEPP0S00	Copy Function Key 3		D	1	
22	A3PEPP0J00	Cover		C	1	

bizhub 195/bizhub 215/bizhub 235/bizhub 7719/bizhub 7721/bizhub 7723

FRAME SECTION



bizhub 195/bizhub 215/bizhub 235/bizhub 7719/bizhub 7721/bizhub 7723

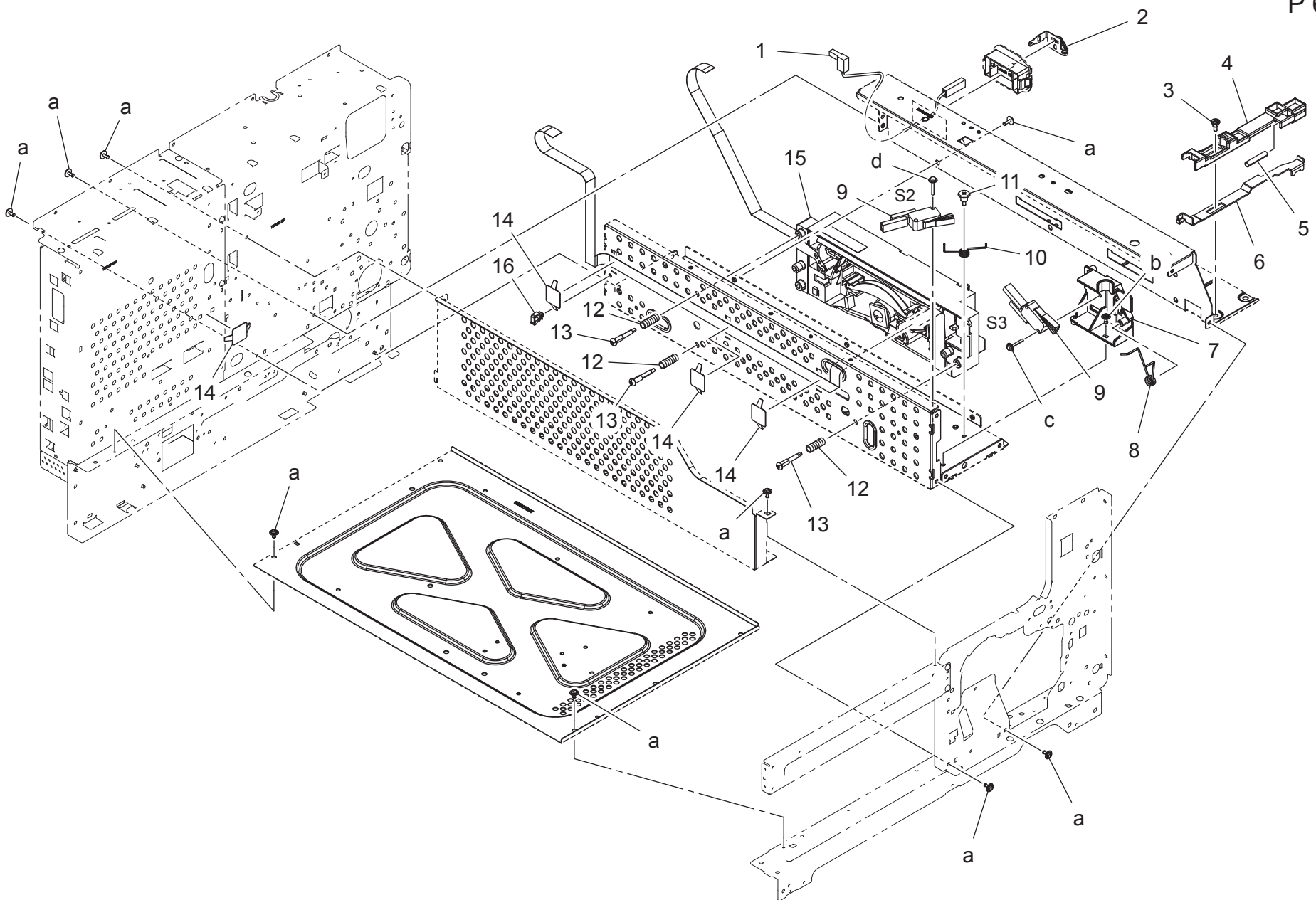
FRAME SECTION

Key	Part No.	Description	Destinations	Class	QTY	Standard parts
1	4002504202	PLATE NUT		D	1	a-V137030603 b-V153030803 c-V153041003 d-V144030603
2	A3PEPP5H00	Holder		D	1	
3	A3PEPP5J00	Holder		D	1	
4	A3PEPP5G00	Holder		D	1	
5	4128201901	RUBBER FOOT		D	2	
6	4686330401	STOPPER		D	1	
7	A3PEPP5E00	Main Switch	C	C	1	
7	A3PEPP5F00	Main Switch	B,D1,D3,E,F2,G1,G2,H,I,J,K	C	1	
8	A3PEPP5V00	Contact		C	1	
9	A0FDPP8700	SCREW		C	1	
10	A3PEPP6J00	Wiring Saddle		D	1	

bizhub 195/bizhub 215/bizhub 235/bizhub 7719/bizhub 7721/bizhub 7723

PRINT HEAD SECTION

P 6



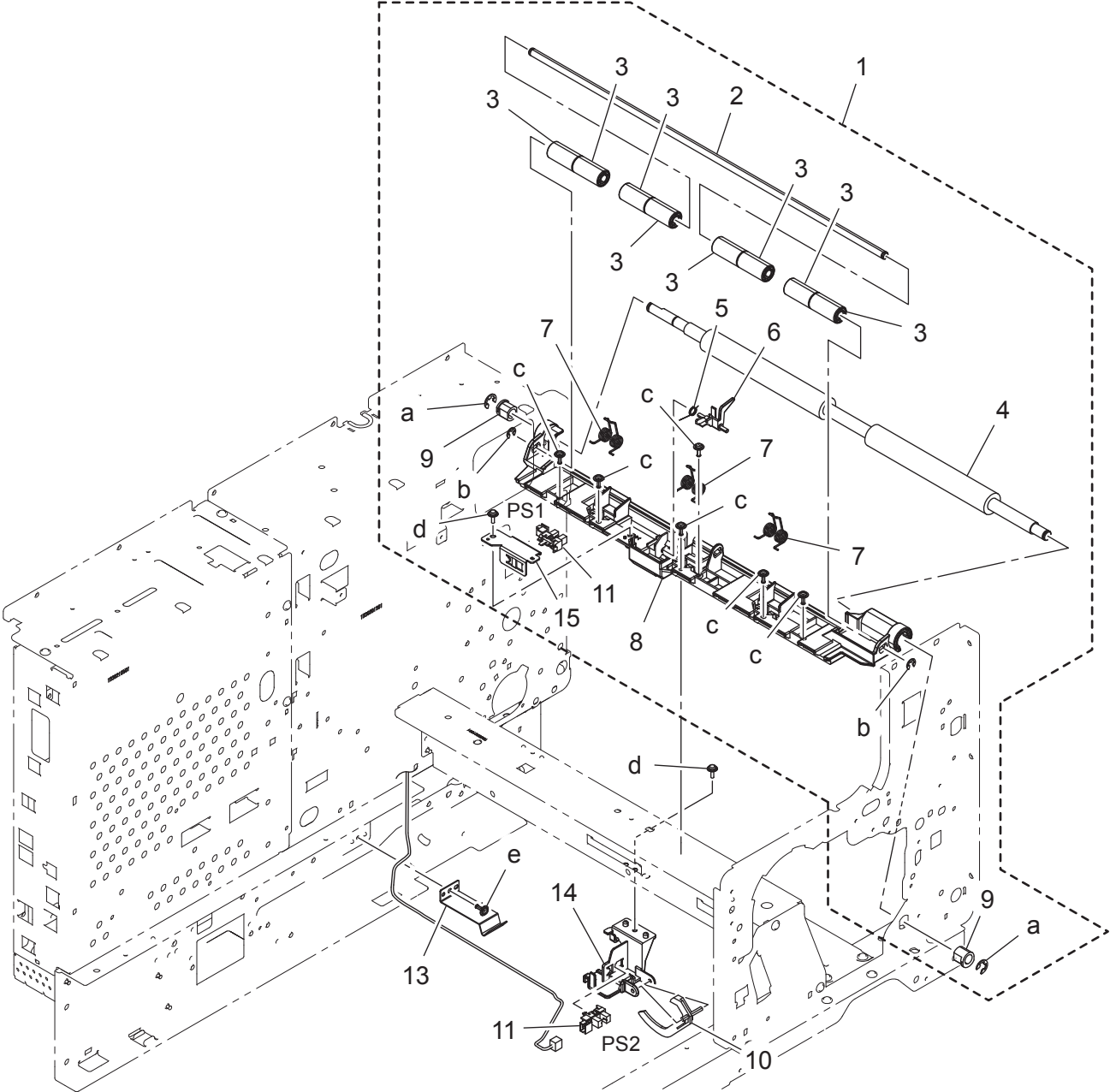
bizhub 195/bizhub 215/bizhub 235/bizhub 7719/bizhub 7721/bizhub 7723

PRINT HEAD SECTION

Key	Part No.	Description	Destinations	Class	QTY	Standard parts
1	A0XXPP0600	Wire Harness Assy		D	1	a-V137030603 b-V144030803 c-V149031603 d-V116031603
2	A0XXPP1700	Contact		C	1	
3	A3PEPP6200	Screw		C	1	
4	A3PEPP5X00	Arm		D	1	
5	4034230501	PRESSURE SPRING		C	1	
6	A3PEPP5Y00	Lever		D	1	
7	A0XXPP4W01	Bracket		C	1	
8	A0XXPP1R00	Torsion Spring		C	1	
9	9J06M60100	MICRO SWITCH		C	2	
10	A3PEPP5W00	Torsion Spring		C	1	
11	A3PEPP6100	Screw		C	1	
12	A00J307000	Compressing Spring		C	3	
13	A0XXPP5T00	Shoulder Screw		C	3	
14	4034220501	SUPPORTER		D	4	
15	A1XTR70100	PH Unit		I	1	
16	A3PEPP6J00	Wiring Saddle		D	1	

bizhub 195/bizhub 215/bizhub 235/bizhub 7719/bizhub 7721/bizhub 7723

PAPER TAKE-UP SECTION



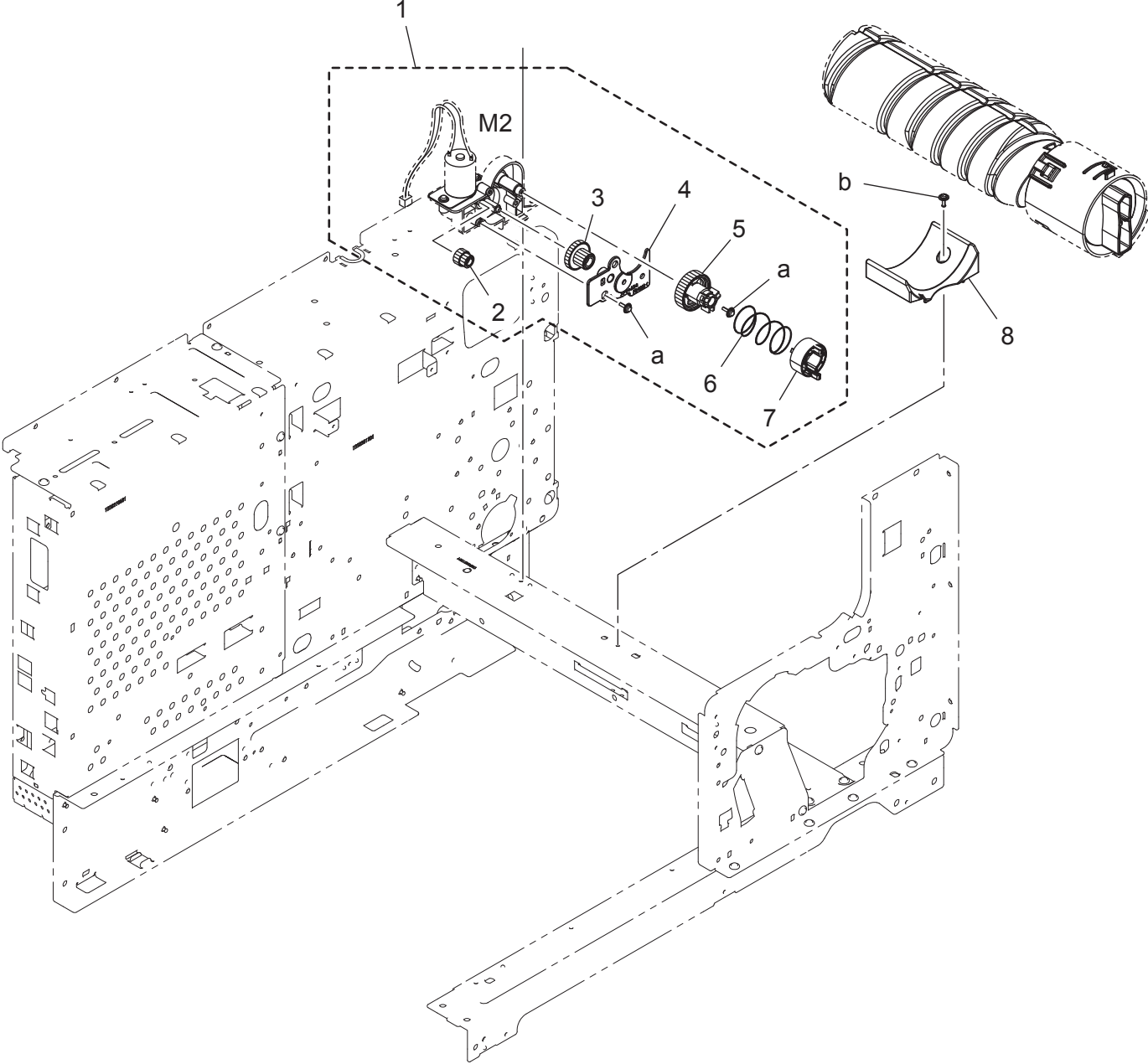
bizhub 195/bizhub 215/bizhub 235/bizhub 7719/bizhub 7721/bizhub 7723

PAPER TAKE-UP SECTION

Key	Part No.	Description	Destinations	Class	QTY	Standard parts
1	A3PEPP2Y00	Timing Roller Assy		S	1	a-V217060001 b-V217040001 c-V137030803 d-V153030803 e-V137030603
2	A0XXPP2301	Shaft		D	1	
3	A0XXPP3P00	Roller		C	8	
4	A0XXPP5501	Roller		C	1	
5	4034353401	TORSION SPRING		C	1	
6	A0XXPP3N01	Actuator		C	1	
7	A0XXPP0X01	Tension Spring		C	3	
8	A3PEPP6G00	Timing Roller Holder Assy		C	1	
9	4025357201	BUSHING		C	2	
10	1164302701	ACTUATOR		C	1	
11	A3PEPP1X00	Photointtrupter		I	2	
13	1164305401	PLATE SPRING		C	1	
14	A0XXPP3G01	Holder		C	1	
15	A0XXPP0W01	Bracket		C	1	

bizhub 195/bizhub 215/bizhub 235/bizhub 7719/bizhub 7721/bizhub 7723

HOPPER SECTION



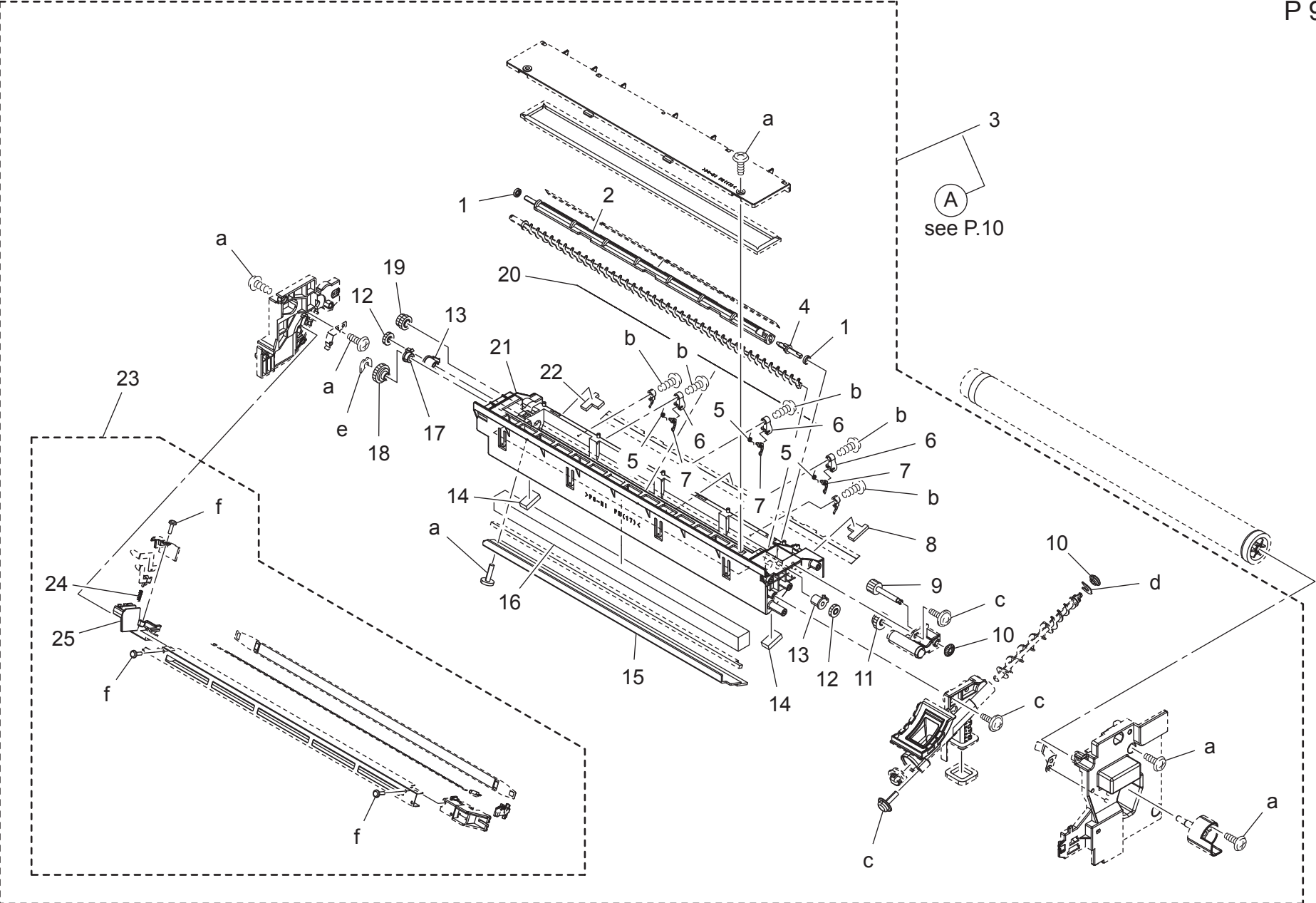
bizhub 195/bizhub 215/bizhub 235/bizhub 7719/bizhub 7721/bizhub 7723

HOPPER SECTION

Key	Part No.	Description	Destinations	Class	QTY	Standard parts
1	A3PEPP6F00	Hopper Drive Assy		C	1	a-V153030803 b-V137030803
2	A0XXPP3U01	Gear		C	1	
3	A0XXPP3T01	Gear		C	1	
4	A0XXPP3Q01	Cover		C	1	
5	A0XXPP3S01	Gear		C	1	
6	4038541202	PRESSURE SPRING		C	1	
7	A0ED240700	Joint		C	1	
8	A0XXPP3V01	Holder		C	1	

bizhub 195/bizhub 215/bizhub 235/bizhub 7719/bizhub 7721/bizhub 7723

CHARGE SECTION

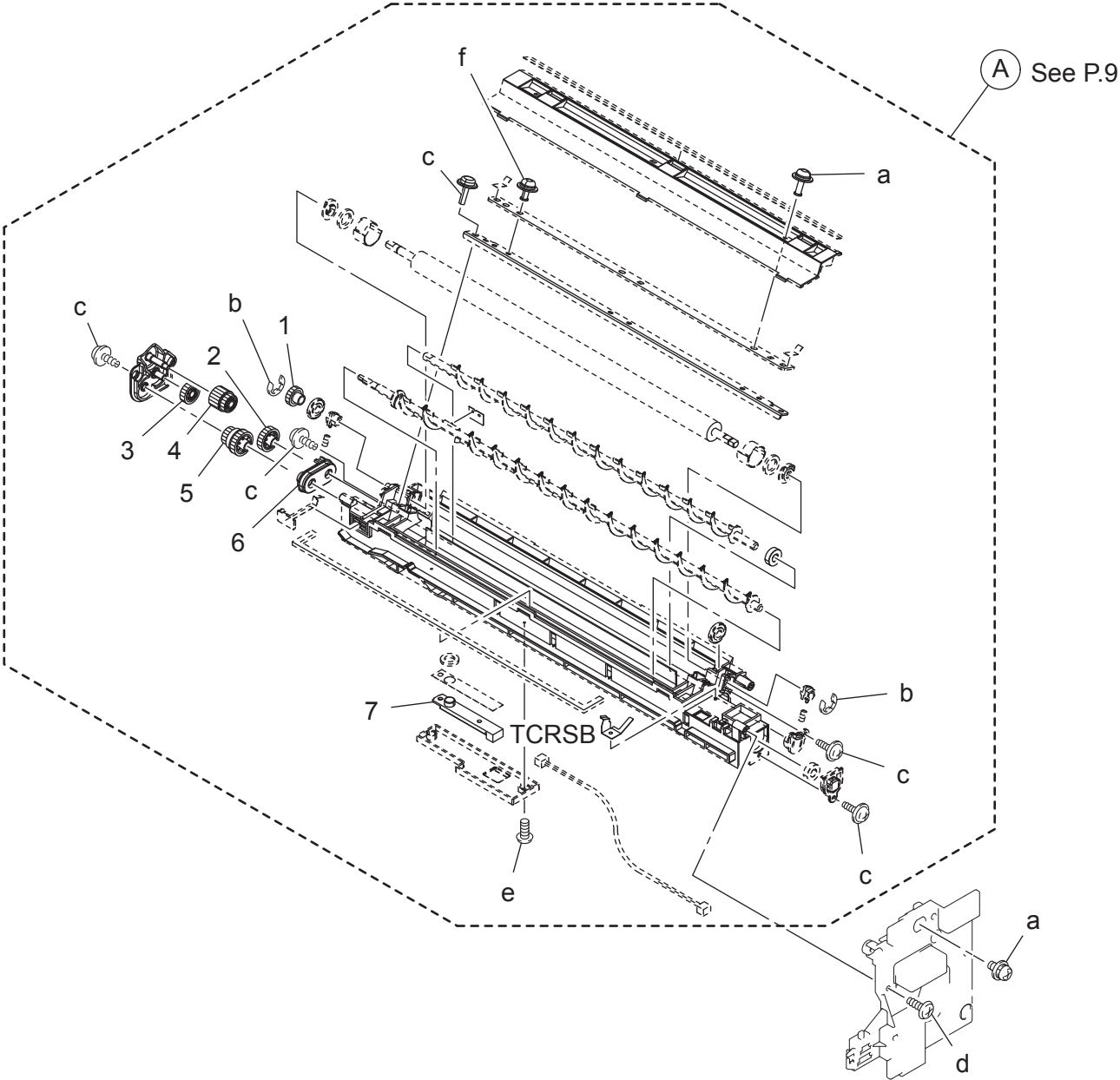


bizhub 195/bizhub 215/bizhub 235/bizhub 7719/bizhub 7721/bizhub 7723

CHARGE SECTION

Key	Part No.	Description	Destinations	Class	QTY	Standard parts
1	0910550712	SEAL		C	2	a-V149030804 b-V166170404 c-V153030803 d-V218060086 e-V218030086 f-V162020504
2	4163560702	SCREW		C	1	
3	A1XUR70000	IU After Assy		I	1	
4	4021016602	SHAFT		D	1	
5	4163407201	TORSION SPRING		C	3	
6	4163436104	HOLDER		D	3	
7	A0XX361100	Separating Claw		B	3	
8	4163560503	SEAL		C	1	
9	4021561601	GEAR 14T		C	1	
10	4163563901	GEAR 14T		C	2	
11	4021561501	GEAR 14/14T		C	1	
12	4163560901	GEAR 14T		C	2	
13	4163561101	BUSHING		C	2	
14	4163560302	SEAL		C	2	
15	A0XX361800	Cleaning Part		A	1	
16	A0XX330100	Filter		C	1	
17	4163562501	BUSHING		C	1	
18	4021561901	GEAR 22T		C	1	
19	4021561801	GEAR 14/16T		C	1	
20	4163561701	SEAL		C	1	
21	A0XX360200	Cleaning Housing		D	1	
22	4163560403	SEAL		C	1	
23	A1XUR70100	Drum Charge Unit		A	1	
24	4021410801	SPRING		C	1	
25	A0XX333201	Holder /Rear		C	1	

bizhub 195/bizhub 215/bizhub 235/bizhub 7719/bizhub 7721/bizhub 7723

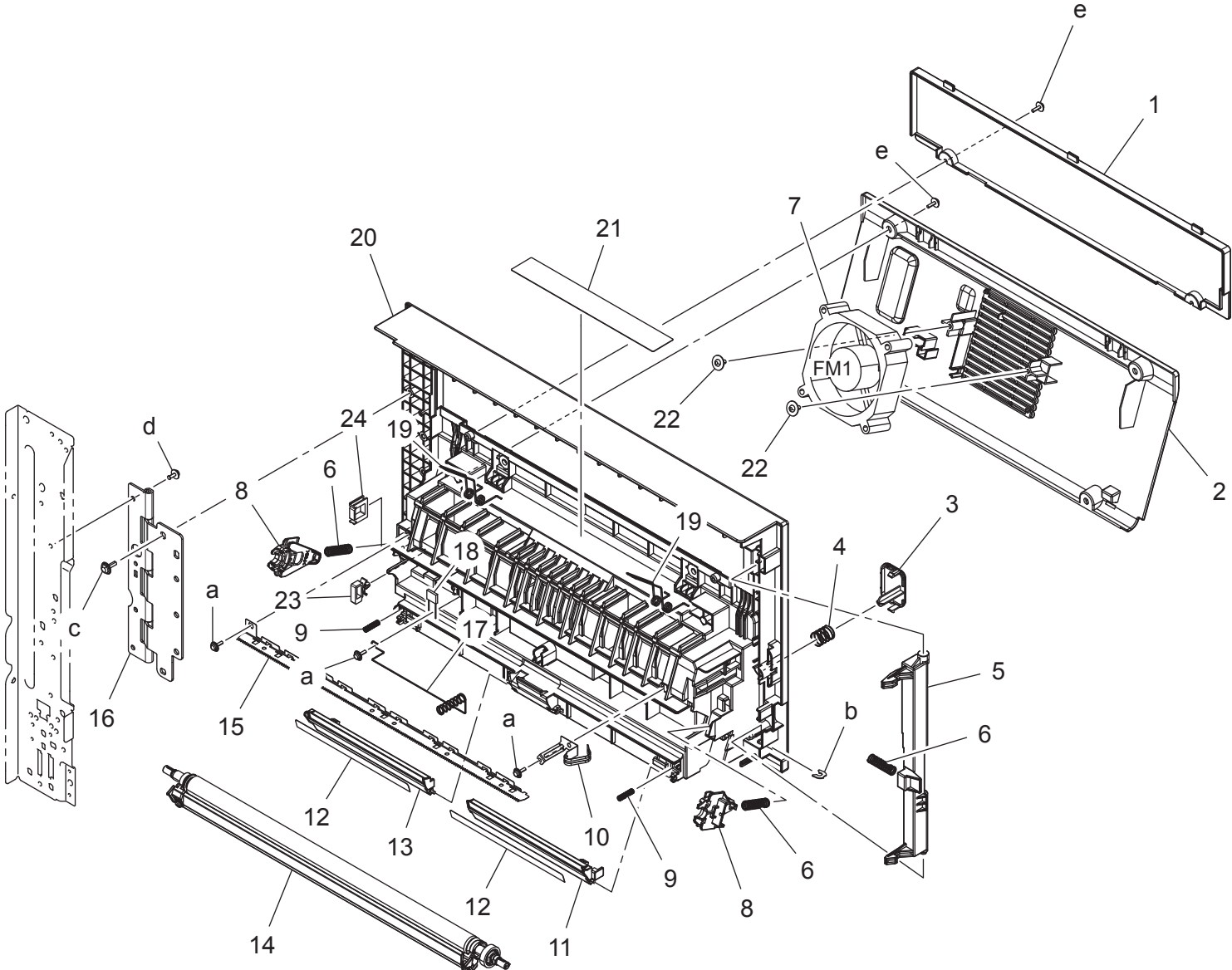


bizhub 195/bizhub 215/bizhub 235/bizhub 7719/bizhub 7721/bizhub 7723

Key	Part No.	Description	Destinations	Class	QTY	Standard parts
1	A0XX372200	Gear 16T		C	1	a-V116030803 b-V217040001 c-V153030803 d-V149030804 e-V162020504 f-V116030603
2	A0XX372500	Gear 21T		C	1	
3	A0XX372300	Gear 18T		C	1	
4	A0XX372100	Gear 15/18T		C	1	
5	A0XX372400	Gear 15/22T		C	1	
6	A0XX373600	Bushing		C	1	
7	A1XUM50300	Magnetic sensor		B	1	

bizhub 195/bizhub 215/bizhub 235/bizhub 7719/bizhub 7721/bizhub 7723

PAPER TRANSPORT SECTION

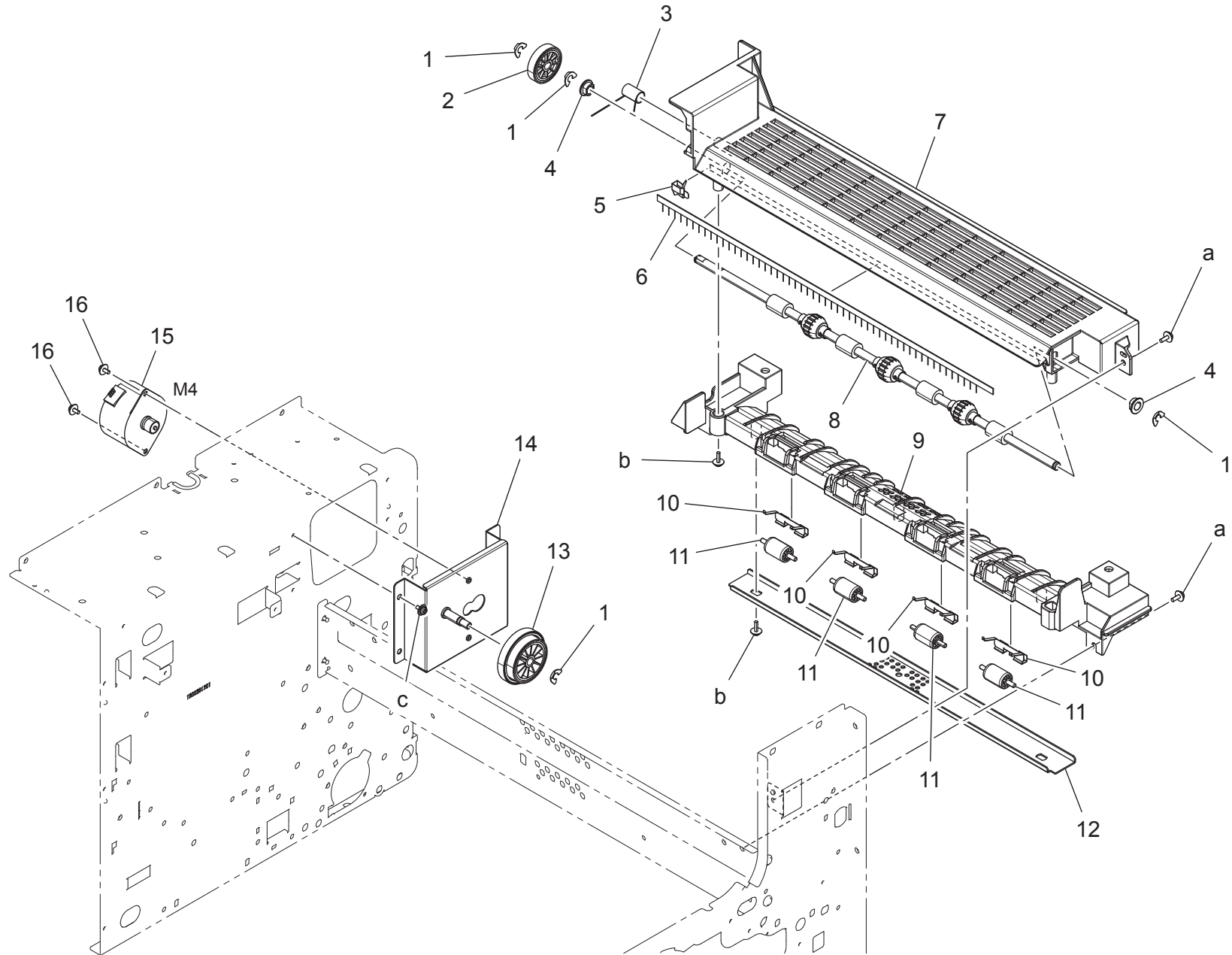


bizhub 195/bizhub 215/bizhub 235/bizhub 7719/bizhub 7721/bizhub 7723

Key	Part No.	Description	Destinations	Class	QTY	Standard parts
1	A3PEPP3300	Cover		C	1	a-V153030803 b-V218040086 c-V153041003 d-V116030803 e-V153030804
2	A3PEPP3100	Cover		C	1	
3	A3PEPP3400	Lever		C	1	
4	A3PEPP3900	Pressure Spring		C	1	
5	A3PEPP3700	Lever		C	1	
6	A0XXPP1V01	Pressure Spring		C	3	
7	9J03M10000	FAN MOTOR		B	1	
8	A0XXPP3H01	Bushing		C	2	
9	A0XXPP1X01	Pressure Spring		C	2	
10	A3PEPP3600	Contact		C	1	
11	A0XXPP5002	Guide		C	1	
12	A0XXPP5M01	Guide		C	2	
13	A0XXPP5102	Guide		C	1	
14	A0XXPP6H01	Transfer Roller Assy		C	1	
15	A0XXPP0S00	Neutralizing Needle		C	1	
16	A3PEPP3500	Hinge		C	1	
17	A0XXPP0U00	Contact		C	1	
18	A3PEPP6H00	Resistor		C	1	
19	A3PEPP3800	Torsion Spring		C	2	
20	A3PEPP3200	Frame		D	1	
21	A3PEPP3D00	Label Jam Remove		C	1	
22	4163529301	SCREW		C	2	
23	A3PEPP3B00	Saddle		D	1	
24	A3PEPP3C00	Saddle		D	1	

bizhub 195/bizhub 215/bizhub 235/bizhub 7719/bizhub 7721/bizhub 7723

PAPER EXIT SECTION



bizhub 195/bizhub 215/bizhub 235/bizhub 7719/bizhub 7721/bizhub 7723

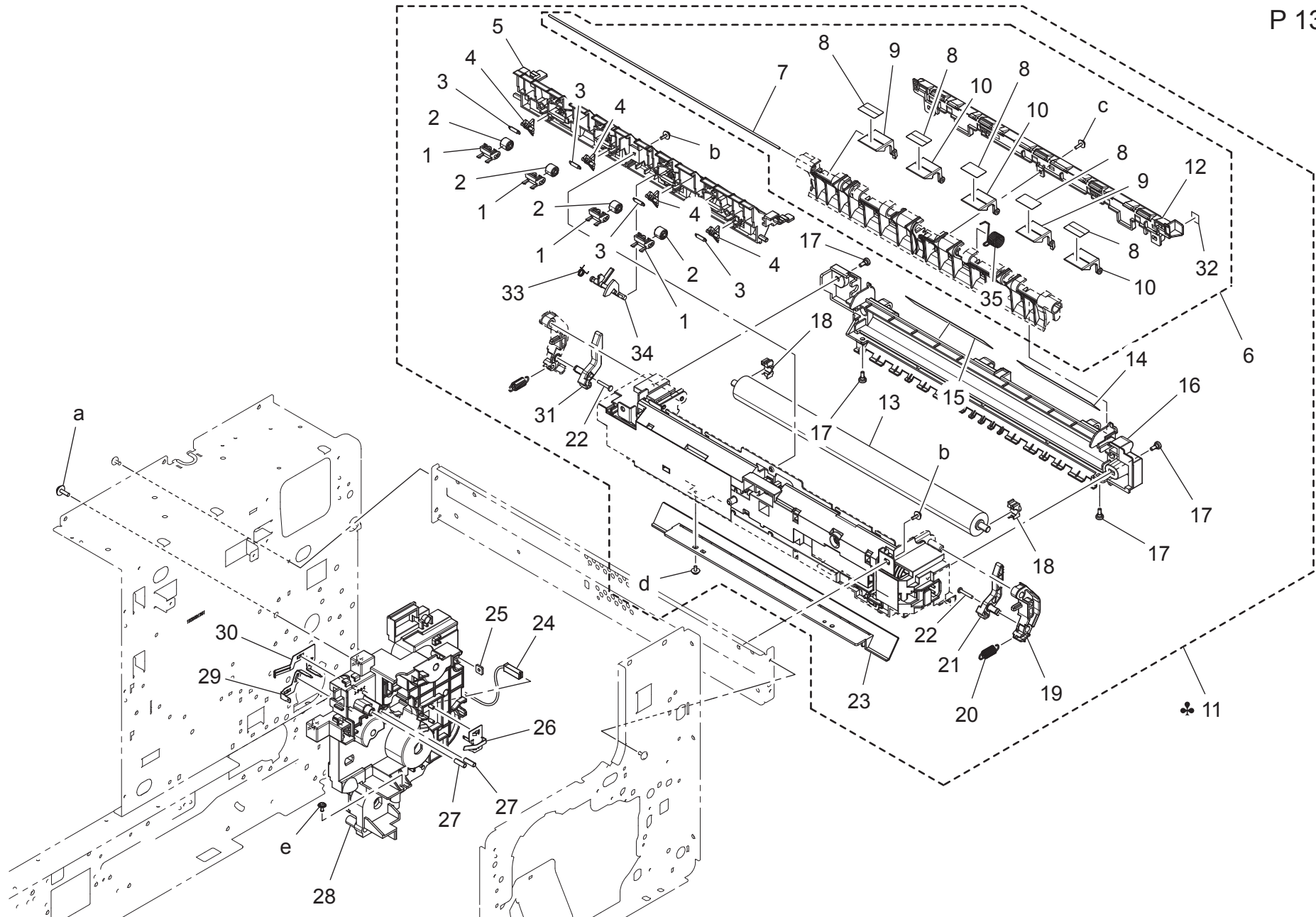
PAPER EXIT SECTION

Key	Part No.	Description	Destinations	Class	QTY	Standard parts
1	A3PEPP3U00	E ring		C	4	a-V116030803 b-V153030803 c-V116030603
2	A3PEPP3P00	Gear 26T		C	1	
3	A3PEPP3R00	Torsion Spring		C	1	
4	A3PEPP3N00	Bush		C	2	
5	A3PEPP3T00	Contact		C	1	
6	A3PEPP3M00	Neutralizing Brush		C	1	
7	A3PEPP3E00	Cover		C	1	
8	A3PEPP3F00	Roller		C	1	
9	A3PEPP3G00	Frame		D	1	
10	A3PEPP6R00	Holder		C	4	
11	4021580201	ROLL		C	4	
12	A3PEPP3S00	Bracket		D	1	
13	A3PEPP3K00	Gear		C	1	
14	A3PEPP3J00	Bracket		D	1	
15	A3PEPP3H00	Motor		C	1	
16	A0FDPP8700	SCREW		C	2	

bizhub 195/bizhub 215/bizhub 235/bizhub 7719/bizhub 7721/bizhub 7723

FUSING UNIT

P 13



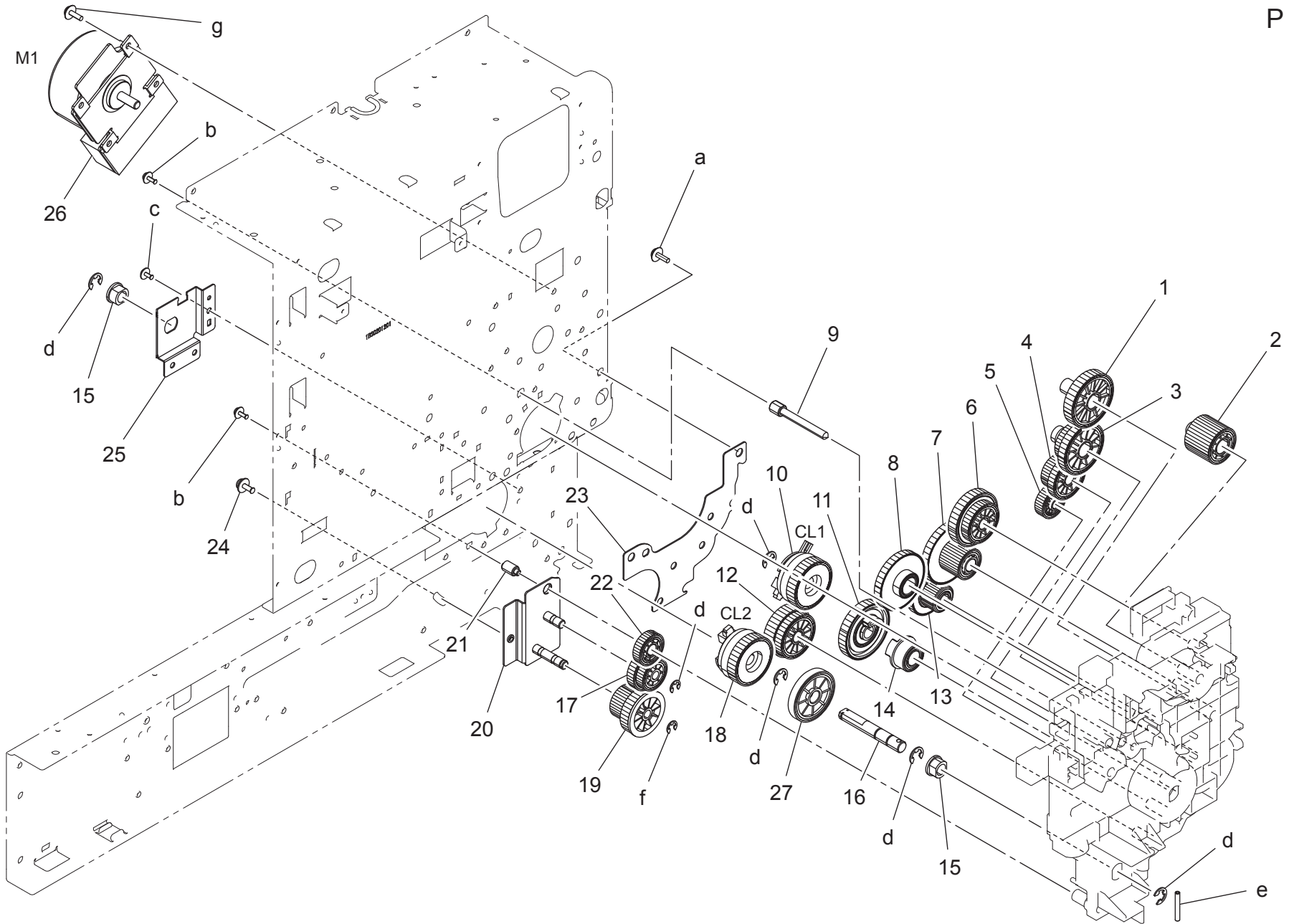
bizhub 195/bizhub 215/bizhub 235/bizhub 7719/bizhub 7721/bizhub 7723

FUSING UNIT

Key	Part No.	Description	Destinations	Class	QTY	Standard parts
1	A3PEPP4900	Holder		C	4	a-V153041003 b-V116031003 c-V153030803 d-V116030603 e-V137030603
2	A3PEPP4800	Roll		C	4	
3	4034578701	TENSION SPRING		C	4	
4	4021572002	SEPARATOR		A	4	
5	A3PEPP4400	Guide		D	1	
6	A3PEPP4D00	Jam Remove Assy		C	1	
7	4034578601	SHAFT		D	1	
8	4011585801	SEAL		C	5	
9	4034578501	GUIDE		D	2	
10	4034578401	GUIDE		D	3	
11	A3PEPP3V00	Fusing Unit (230V)	C,D1,D3,E,F2,G1,I,J,K	A	1	
11	A3PEPP3W00	Fusing Unit (120V)	B,G2	A	1	
11	A3PEPP3X00	Fusing Unit (110V)	H	A	1	
12	A3PEPP4500	Cover		C	1	
13	A3PEPP4300	Fusing Roller		C	1	
14	A3PEPP4A00	Label Warning		C	1	
15	A3PEPP4B00	Label Warning		C	1	
16	A3PEPP3Y00	Cover		C	1	
17	4036576501	SHOULDER SCREW		C	4	
18	4034571101	BUSHING		C	2	
19	A3PEPP4200	Lever		C	1	
20	4021572712	TENSION SPRING		C	1	
21	A3PEPP4000	Lever		C	1	
22	A3PEPP4C00	Shoulder Screw		C	2	
23	A3PEPP4700	Guide		D	1	
24	A3PEPP4S01	Wire Harness Assy		D	1	
25	4002504202	PLATE NUT		D	1	
26	A0XXPP1401	Contact		D	1	
27	4021210101	PRESSURE SPRING		C	2	
28	A3PEPP4G00	Holder		C	1	
29	A0XXPP1601	Contact		D	1	
30	A0XXPP1501	Contact		D	1	
31	A3PEPP4100	Lever		C	1	
32	A3PEPP4600	Label		C	1	
33	4034572301	TORSION SPRING		C	1	
34	4034572201	ACTUATOR		D	1	
35	4034571501	TORSION SPRING		C	1	

bizhub 195/bizhub 215/bizhub 235/bizhub 7719/bizhub 7721/bizhub 7723

DRIVE SECTION

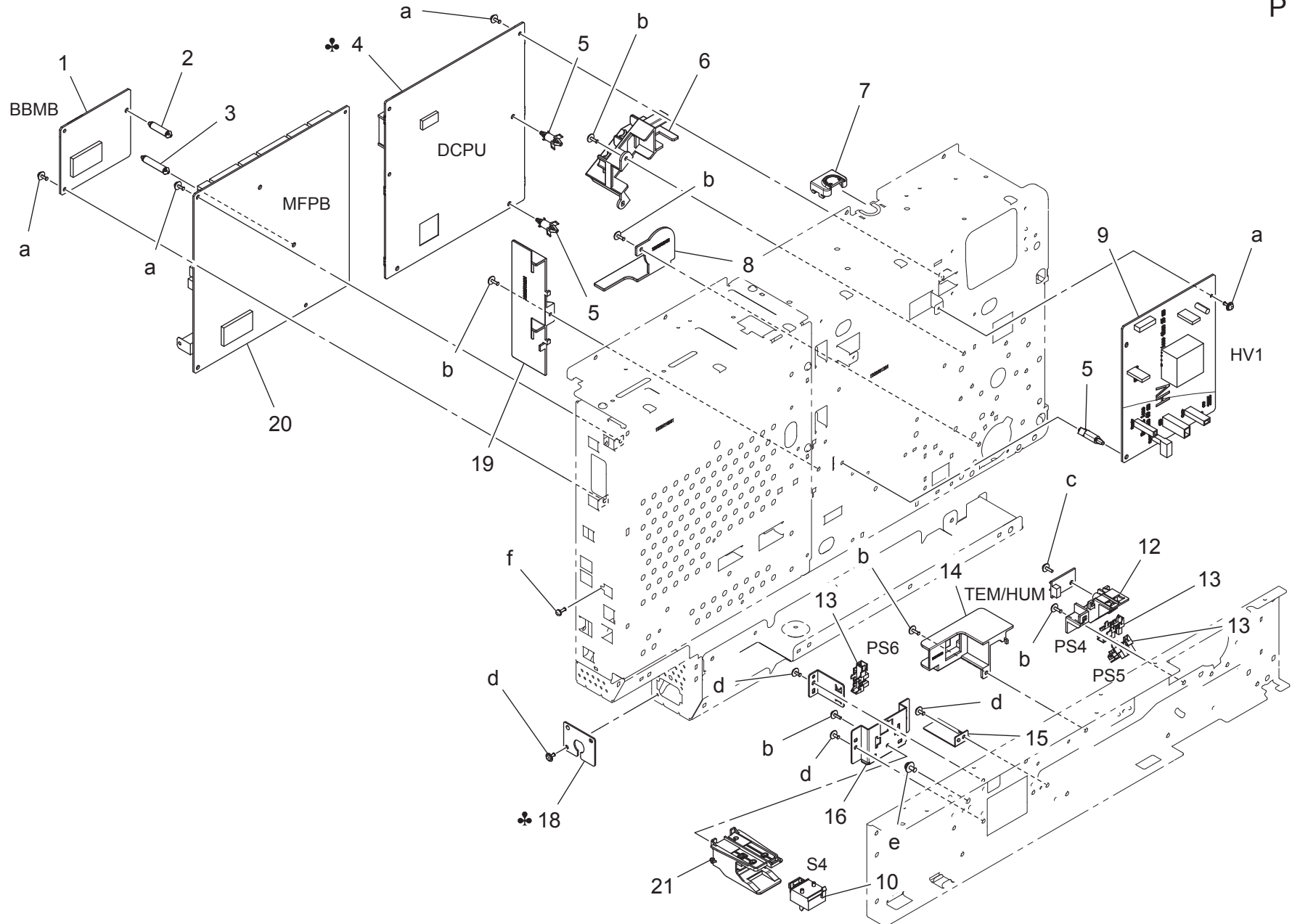


bizhub 195/bizhub 215/bizhub 235/bizhub 7719/bizhub 7721/bizhub 7723

Key	Part No.	Description	Destinations	Class	QTY	Standard parts
1	A0XXPP3501	Gear		C	1	a-V153041003 b-V116030803 c-V137030603 d-V217060001 e-V232302209 f-V217040001 g-V116030603
2	A0XXPP3401	Gear		C	1	
3	A0XXPP3601	Gear		C	1	
4	A0XXPP3701	Gear		C	1	
5	A0XXPP3201	Gear		C	1	
6	A0XXPP3301	Gear		C	1	
7	A0XXPP3101	Gear		C	1	
8	A0XXPP2W01	Gear		C	1	
9	A3PEPP4H00	Shaft		D	1	
10	A3PEPP4F00	Cluch		C	1	
11	A0XXPP2Y01	Gear		C	1	
12	A3PEPP6T00	Gear		C	1	
13	A0XXPP2X01	Gear		C	1	
14	A0XXPP3001	Gear		C	1	
15	4021254702	BUSHING		C	2	
16	A3PEPP6S00	Shaft		C	1	
17	A3PEPP6W00	Gear 21/26T		C	1	
18	A3PEPP6Y00	Cluch		C	1	
19	A3PEPP6X00	Gear 21/30T		C	1	
20	A3PEPP4J00	Bracket		D	1	
21	A3PEPP4Q00	Shaft		D	1	
22	A3PEPP6V00	Gear 21T		C	1	
23	A3PEPP4E00	Bracket		D	1	
24	A3PEPP4P00	Screw		C	1	
25	A3PEPP6U00	Bracket		D	1	
26	A3PEPP4R00	Motor		C	1	
27	A3PEPP7000	Gear 33T		C	1	

bizhub 195/bizhub 215/bizhub 235/bizhub 7719/bizhub 7721/bizhub 7723

ELECTRICAL COMPONENTS

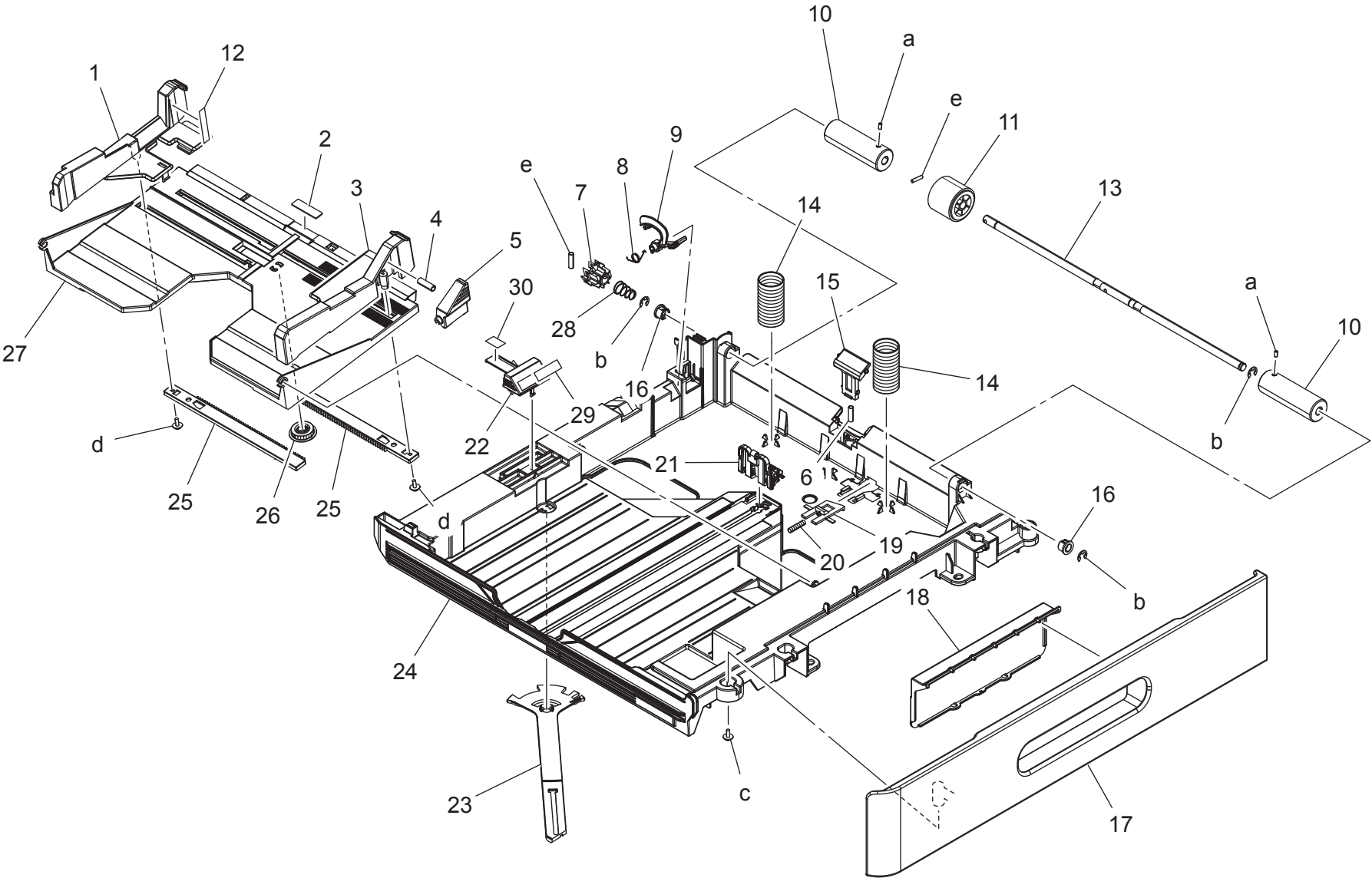


bizhub 195/bizhub 215/bizhub 235/bizhub 7719/bizhub 7721/bizhub 7723

Key	Part No.	Description	Destinations	Class	QTY	Standard parts
1	A3PEPP6600	PW Board Assy BB/M		I	1	a-V116030803
2	A3PEPP6A00	PWB Support		D	1	b-V137030803
3	A3PEPP6C00	PWB Support		D	1	c-V153030803
4	A3PEPP6700	PW Board Assy LV (200V)	C,D1,D3,E,F2,G1,I,J,K	I	1	d-V137030603
4	A3PEPP6801	PW Board Assy LV (100V)	B,G2,H	I	1	e-V116040603
5	A3PEPP6900	PWB Support		D	3	f-V115030803
6	A3PEPP5K00	Holder		D	1	
7	A3PEPP6000	Cover		D	1	
8	A3PEPP5N00	Cover		D	1	
9	A3PEPP6300	HV Transformer		I	1	
10	A3PEPP2T00	Switch		C	1	
12	A3PEPP5P00	Holder		D	1	
13	A3PEPP1X00	Photointtrupter		I	3	
14	A3PEPP5Q00	Holder		D	1	
15	A3PEPP5S00	Bracket		D	1	
16	A3PEPP5R00	Bracket		D	1	
18	A0XXPP1S00	Bracket	J	D	1	
18	A3PEPP5T00	Bracket	B	D	1	
18	A3PEPP5U00	Bracket	H	D	1	
19	A3PEPP5M00	Bracket		D	1	
20	A3PEPP6400	PW Board Assy CC/MM 21PPM	{bizhub 215/235/7721/7723}	I	1	
20	A3PEPP6500	PW Board Assy CC/MM 19PPM	{bizhub 195/7719}	I	1	
21	A3PEPP2S00	Holder		D	1	

bizhub 195/bizhub 215/bizhub 235/bizhub 7719/bizhub 7721/bizhub 7723

CASSETTE SECTION

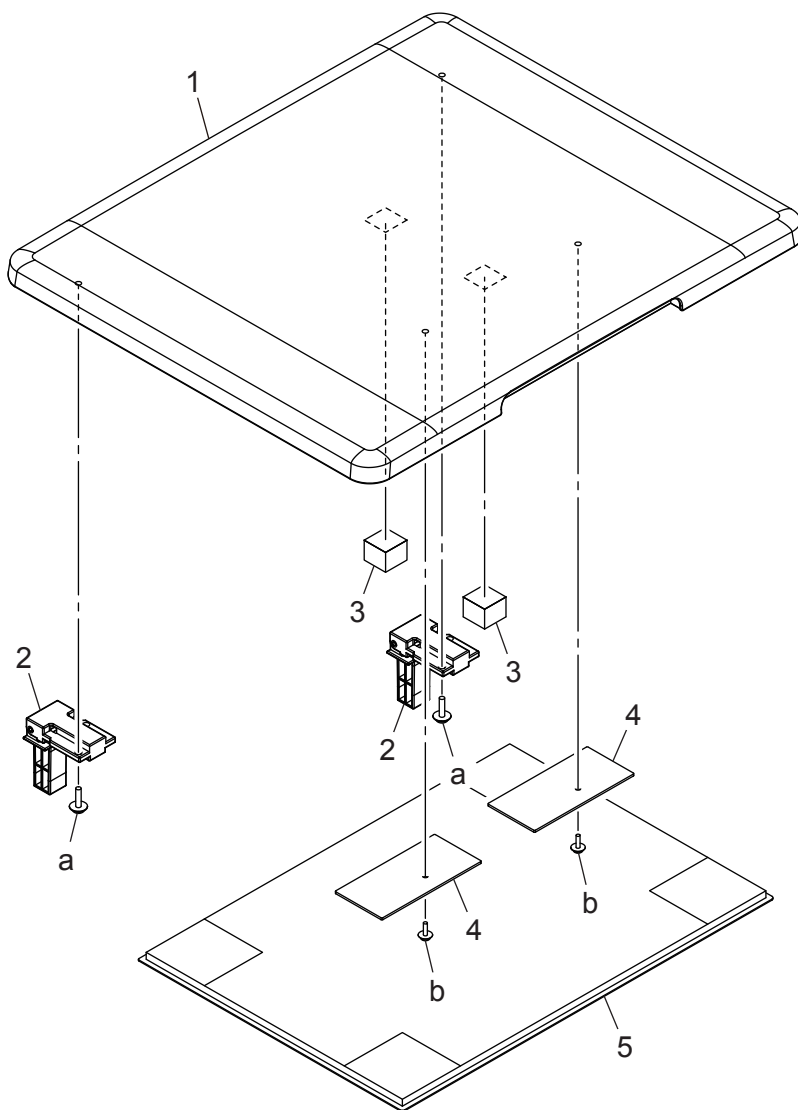


bizhub 195/bizhub 215/bizhub 235/bizhub 7719/bizhub 7721/bizhub 7723

CASSETTE SECTION

Key	Part No.	Description	Destinations	Class	QTY	Standard parts
1	A02F621200	Regulating plate		C	1	a-V192040609 b-V217060001 c-V153041003 d-V153031203 e-V231301450
2	A0XXPP7900	Friction Sheet		C	1	
3	A02F621101	Regulating Plate		C	1	
4	4038560100	PRESSURE SPRING		C	1	
5	4037321001	LEVER		C	1	
6	A0XXPP0R01	Pressure Spring		C	1	
7	1164300403	PAWL		C	1	
8	A3PEPP2V00	Torsion Spring		C	1	
9	A3PEPP2U00	Lever		C	1	
10	A3PEPP2P00	Weight		C	2	
11	A0XX560200	Paper feed Roller		C	1	
12	A02F944100	Label Level		C	1	
13	A0XXPP2101	Shaft		C	1	
14	A0XXPP7A00	Pressure Spring		C	2	
15	A0XXPP6E01	Separator Assy		C	1	
16	A0XXPP3A01	Bushing		C	2	
17	A3PEPP2X00	Front Cover		C	1	
18	A0XXPP3E00	Handle		C	1	
19	1164306101	LEVER		C	1	
20	1164306201	PRESSURE SPRING		C	1	
21	A3PEPP2Q00	Regulating Plate		C	1	
22	A3PEPP2W00	Lever		C	1	
23	A3PEPP2R00	Lever		C	1	
24	A3PEPP2N00	Cassette		D	1	
25	A02F623200	Rack		C	2	
26	1164304501	GEAR 20T		C	1	
27	A0XXPP3B01	Lifting Plate		C	1	
28	A02F625400	Pressure Spring		C	1	
29	A3PEPP6N00	Label Metric/Inch		C	1	
30	A3PEPP6P00	Mylar		C	1	

bizhub 195/bizhub 215/bizhub 235/bizhub 7719/bizhub 7721/bizhub 7723

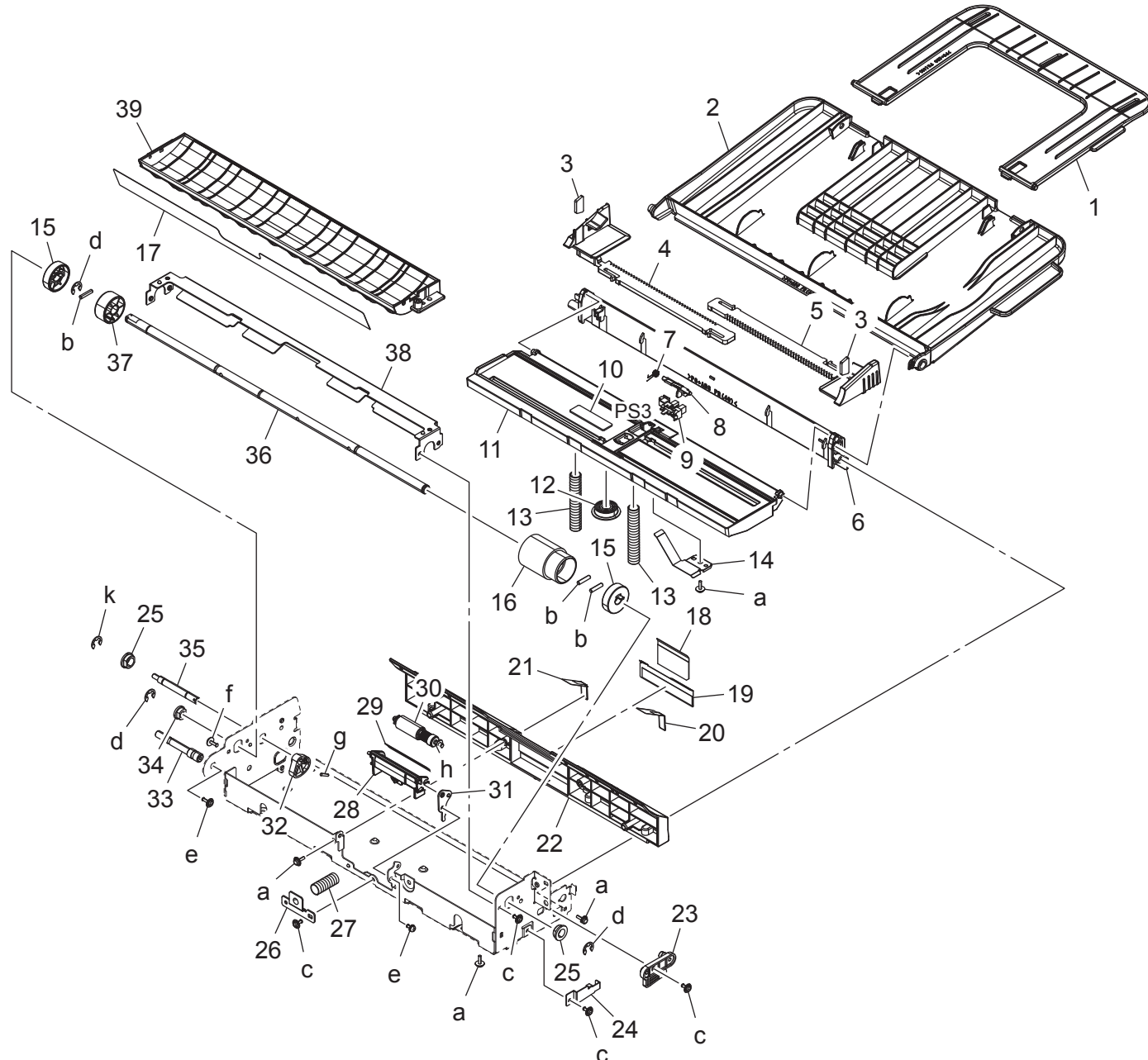


bizhub 195/bizhub 215/bizhub 235/bizhub 7719/bizhub 7721/bizhub 7723

ORIGINAL COVER

Key	Part No.	Description	Destinations	Class	QTY	Standard parts
1	A0XPP4N00	Original Cover		C	1	a-V153041204 b-V153030803
2	A4M4PP1000	Hinge		C	2	
3	A4M4PP1300	Sponge		D	2	
4	A4M4PP1200	Reinforce Plate		D	2	
5	A0XPP5P02	Pad		C	1	

bizhub 195/bizhub 215/bizhub 235/bizhub 7719/bizhub 7721/bizhub 7723

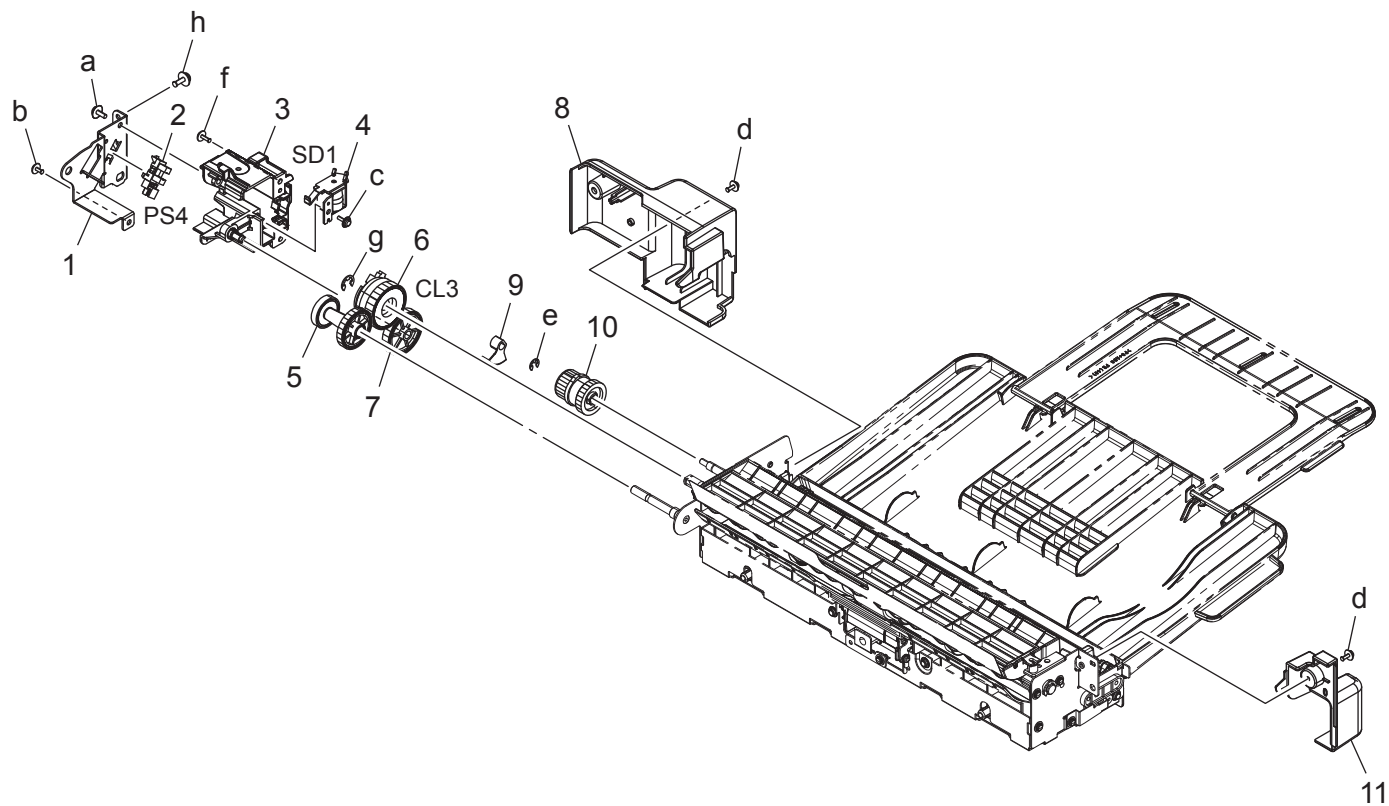


bizhub 195/bizhub 215/bizhub 235/bizhub 7719/bizhub 7721/bizhub 7723

Key	Part No.	Description	Destinations	Class	QTY	Standard parts
1	A0XXPP4A01	Tray		C	1	a-V153030803
2	A0XXPP4902	Tray		C	1	b-V231301450
3	4038328601	BRAKE		C	2	c-V137030603
4	A0XXPP4D00	Regulating Plate		C	1	d-V217060001
5	A0XXPP4C00	Regulating Plate		C	1	e-V116030803
6	A0XXPP1N00	Holder		D	1	f-V137030803
7	A0XXPP1D01	Torsion Spring		C	1	g-V231201050
8	A0XXPP4M01	Actuator		C	1	h-V218030086
9	A3PEPP1X00	Photointerrupter		I	1	k-V217040001
10	4687328101	FRICTION SHEET		C	1	
11	A0XXPP4B01	Guide		C	1	
12	A0XXPP4E01	Gear		C	1	
13	A0XXPP1T00	Pressure Spring		C	2	
14	4038325501	BRAKE		D	1	
15	A0XXPP6S00	Collar		C	2	
16	A0XX594700	Paper feed Roller		C	1	
17	A3PHPP1500	Seal		D	1	
18	4030340301	GUIDE		C	1	
19	4030340201	GUIDE PLATE		C	1	
20	4038326802	GUIDE		C	1	
21	4038326902	GUIDE		C	1	
22	A3PHPP1200	Guide		D	1	
23	4038321501	HOLD PLATE		D	1	
24	4039328201	PLATE SPRING		D	1	
25	4131353202	BUSHING		C	2	
26	A0XXPP1W01	Holder		D	1	
27	4030347501	PRESSURE SPRING		C	1	
28	A0XXPP4V00	Holder		C	1	
29	A0XXPP6T00	Guide		C	1	
30	4034015101	SEPARATION ROLLER		A	1	
31	A3PHPP1700	Adjust Plate		D	1	
32	4038323601	CAM		C	1	
33	A0XXPP2601	Shaft		D	1	
34	4030309301	BUSHING		C	1	
35	A0XXPP2501	Shaft		D	1	
36	A0XXPP2401	Shaft		C	1	
37	A0XXPP5700	Collar		C	1	
38	A3PHPP1300	Bracket		D	1	
39	A3PHPP1400	Guide		D	1	

bizhub 195/bizhub 215/bizhub 235/bizhub 7719/bizhub 7721/bizhub 7723

MANUAL FEED TRAY

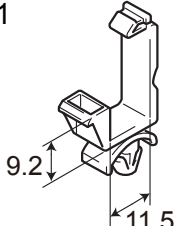
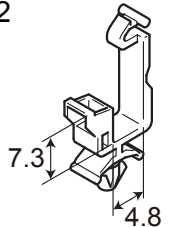
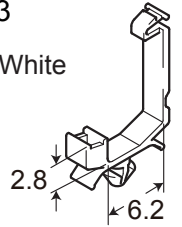
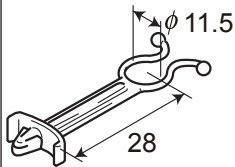
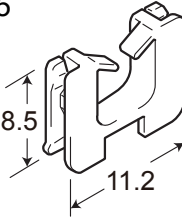


bizhub 195/bizhub 215/bizhub 235/bizhub 7719/bizhub 7721/bizhub 7723

MANUAL FEED TRAY

Key	Part No.	Description	Destinations	Class	QTY	Standard parts
1	A3PHPP1601	Frame		D	1	a-V153040803 b-V137030603 c-V153030803 d-V116030804 e-V217040001 f-V137030803 g-V217060001 h-V116030803
2	A3PEPP1X00	Photointrupter		I	1	
3	A0XXPP4G01	Holder		C	1	
4	9J06M20000	SOLENOID		C	1	
5	A0XXPP4K01	Gear		C	1	
6	A3PEPP4F00	Cluch		C	1	
7	A0XXPP4H01	Gear		C	1	
8	A3PHPP1900	Rear Cover		D	1	
9	A0XXPP4J01	Lever		C	1	
10	4038326001	CLUTCH ASSY		C	1	
11	A3PHPP1800	Front Cover		D	1	

bizhub 195/bizhub 215/bizhub 235/bizhub 7719/bizhub 7721/bizhub 7723

<p>1</p> 							
<p>2</p> 							
<p>3</p> <p>White</p> 							
<p>4</p> 							
<p>5</p> 							

bizhub 195/bizhub 215/bizhub 235/bizhub 7719/bizhub 7721/bizhub 7723

WIRING ACCESSORIES AND JIGS

Key	Part No.	Description	Destinations	Class	QTY	Standard parts
1	V500010005	saddle		D		
2	V500010020	Saddle		D		
3	V500010046	saddle		D		
4	V500020042	locker		D		
5	V570010021	Saddle		D		

bizhub 195/bizhub 215/bizhub 235/bizhub 7719/bizhub 7721/bizhub 7723

MAINTENANCE LIST

● The items with no Page/Key numbers are not handled as spare parts.

No.	Section	PM Parts Description	Maintenance Cycle (K=1,000)		Parts No.	Destinations	Page/Key	Note
			QTY	Replace				
1	Processing section	Developer	1	55K	-			
2		Drum	1	55K	-			
3		Cleaning blade	1	55K	A0XX361800		P9-15	
4		Drum charge corona assy	1	55K	A1XUR70100		P9-23	
5		Toner bottle (TN119) *1	1	5.4K	-			
6		Toner bottle (TN118)	1	12K	-			
7		Toner bottle (TN119H) *1	1	12K	-			
8		Imaging unit	1	165K	A1XUR70000		P9-3	
9	Fusing section	Fusing unit	1	165K	A3PEPP3V00	220-240V	P13-11	*2
10		Fusing unit	1	165K	A3PEPP3X00	110V	P13-11	*2
11		Fusing unit	1	165K	A3PEPP3W00	120-127V	P13-11	*2
12	Paper feed section	Feed roller	1	165K	A0XX560200		P16-11	
13		Separation pad	1	165K	A0XXPP6E01		P16-15	
14	Conveyance section	Transfer roller unit	1	165K	A0XXPP6H01		P11-14	
15	Manual feed tray	Feed roller	1	165K	A0XX594700		P18-16	
16		Separation roller	1	165K	4034015101		P18-30	

*1: Only for China

*2: Actual durable cycle (PM counter value)

DESTINATION

Destination No.		Destinations		V	Hz	Model No.
A	A1	JAPAN				
	A2	JAPAN				
B		USA, CANADA		120	60	A3PE-011
C		EUROPEAN TYPE		220-240	50/60	A3PE-021
D	D1	S.E ASIA TYPE	THAILAND, SRI LANKA, SINGAPORE, MALAYSIA, HONG KONG, PAKISTAN, INDIA, BANGLADESH, INDONESIA	220-240	50/60	A3PE-041 A3R2-041
	D3	OCEANIA TYPE	AUSTRALIA, NEW ZEALAND	220-240	50/60	A3PE-041 A3R2-041
E		PHILIPPINES		220-240	50/60	A3PE-041 A3R2-041
F	F1	SAUDI ARABIA				
	F2	SAUDI ARABIA		220-240	50/60	A3PE-041 A3R2-041
G	G1	C.S AMERICA		220-240	50/60	A3PE-041 A3R2-041
	G2	C.S AMERICA		120	60	A3PE-0M1 A3R2-0M1
H		TAIWAN		110	60	A3PE-071 A3R2-071
I		JORDAN, LEBANON, SYRIA, SOUTH AFRICA, IRAQ, IRAN, N.YEMEN, CAMEROON, UAE, BAHRAIN, OMAN, QATAR, KUWAIT, KENYA, TUNISIA, IVORY COAST, MOROCCO		220-240	50/60	A3PE-041 A3R2-041

bizhub 195/bizhub 215/bizhub 235/bizhub 7719/bizhub 7721/bizhub 7723

Destination No.	Destinations	V	Hz	Model No.
J	CHINA	220-240	50/60	A3PE-081 A3PE-082 A3PE-083 A3PE-084 A3R2-083 A3R2-084
K	KOREA	220-240	50/60	A3PE-041 A3R2-041

bizhub 195/bizhub 215/bizhub 235/bizhub 7719/bizhub 7721/bizhub 7723