

KONICA MINOLTA

PARTS GUIDE MANUAL

SEPTEMBER 2019

*bizhub 215i/
bizhub 225i/
bizhub 7121i
ACN2*

INFORMATION FOR PARTS GUIDE MANUAL

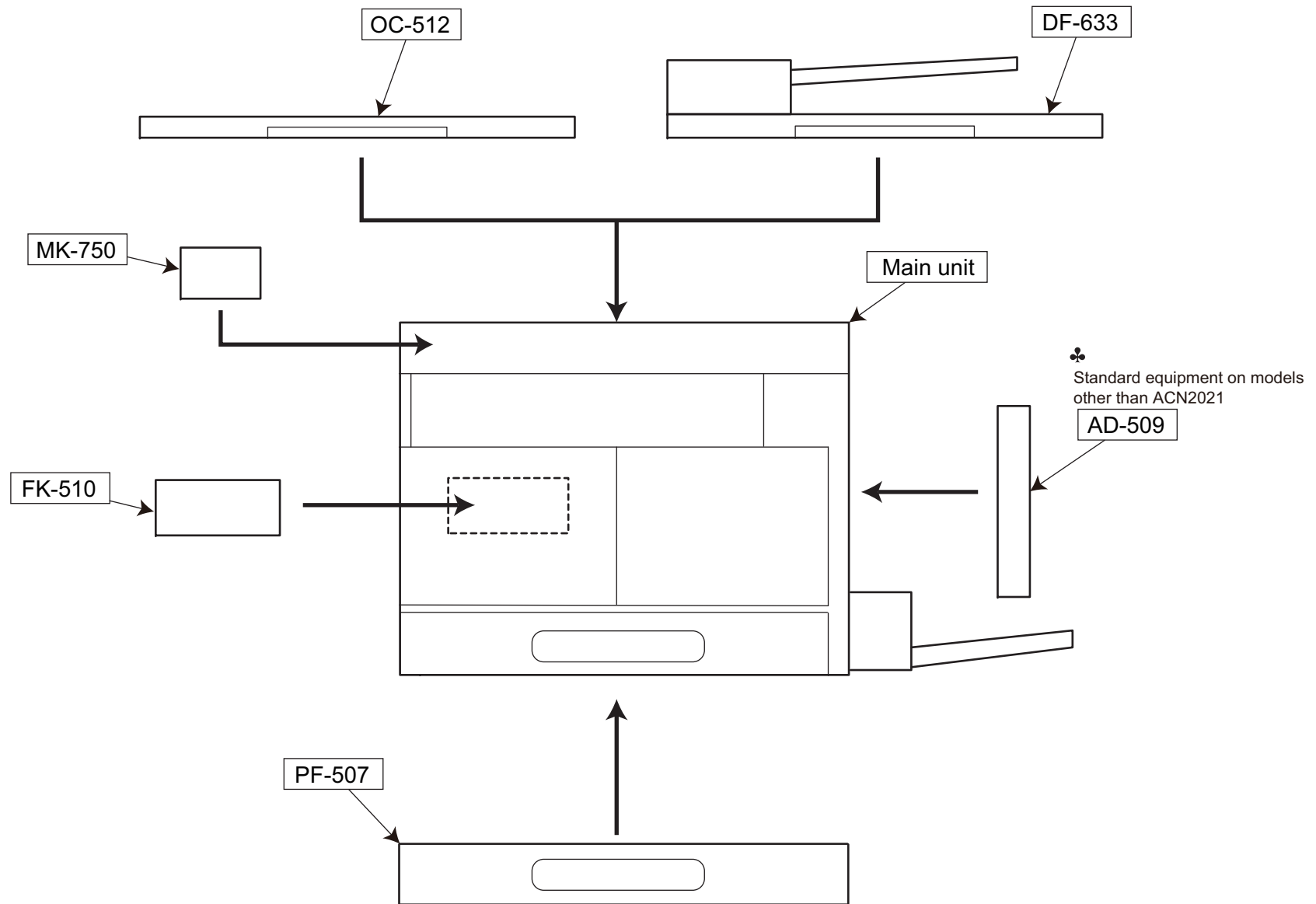
To find correct Parts No., refer to the "HOW TO MAKE THE BEST USE OF THIS MANUAL" in the following page.

HOW TO MAKE THE BEST USE OF THIS MANUAL

- 1 When you order, please check the proper figures beforehand that are on Our Parts Guide Manual, and order with the appropriate figures.
- 2 For screws, Nuts, Washers, retaining rings and Pins which are used in this model, one letter is shown on the Standard parts column of Parts list and exploded diagrams.
- 3 In order to maintain safety of the product, some specific parts composed of this product are set up as "essential safety parts".
- 4 The assigned parts number for the "essential safety parts" is indicated as "SP00-****".
When replacing these parts, follow precautions for disassembling and installing which are listed in the Service Manual.
Do not use any parts that are not set up as
- 5 ♣ means that there are exclusive parts for each destination.
Please check the appropriate destination when you order.
- 6 Revision Mark
Marked as ▲ on the illustration shows that the revision has been made.
- 7 All rights reserved. (any reprints or quotations are prohibited.)
Use of this parts guide manual should be strictly supervised to avoid disclosure of confidential information.

09/27/2019

System Configuration



bizhub 215i/bizhub 225i/bizhub 7121i

GENERAL CONTENTS

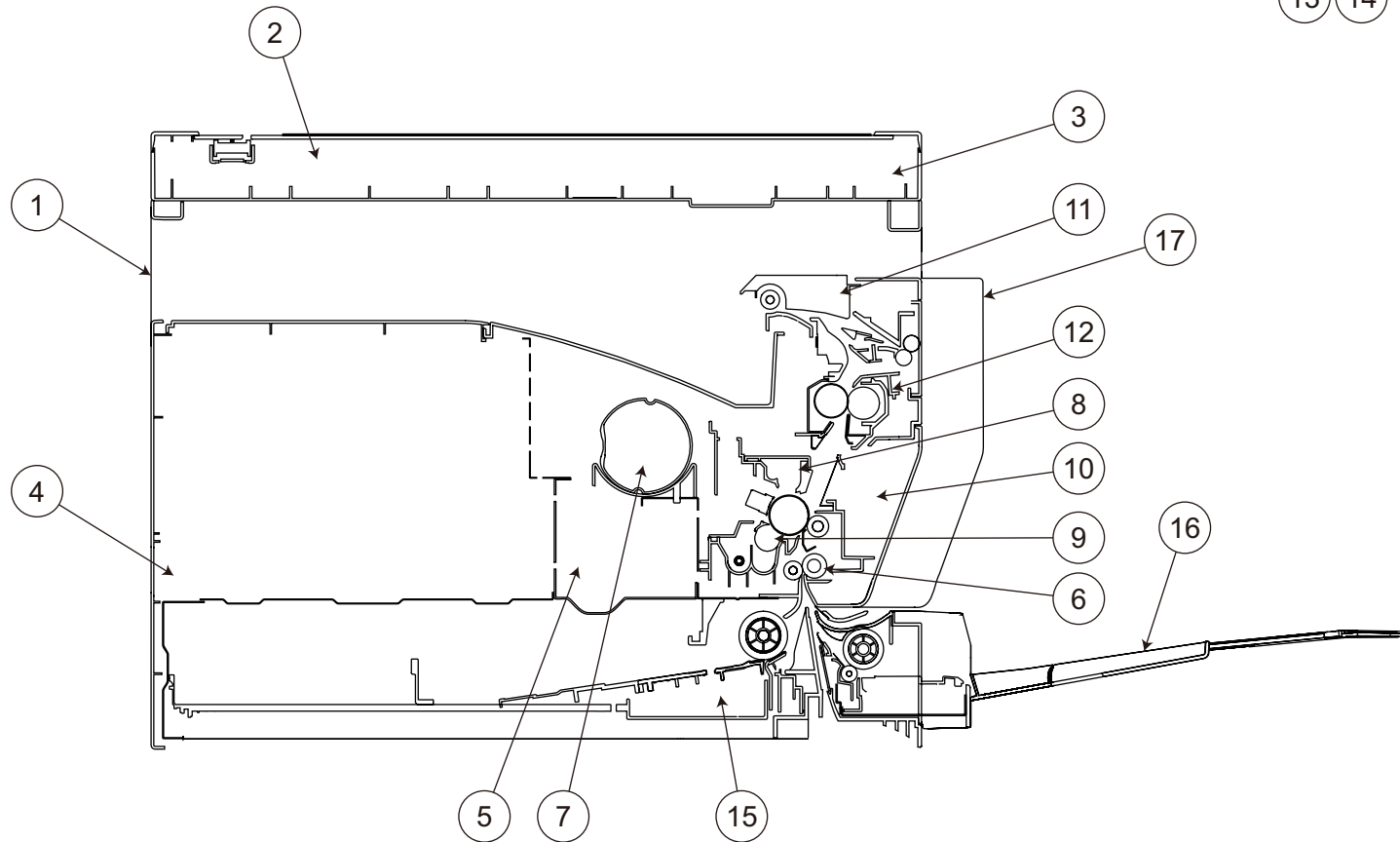
No.	Description	Model
1	Digital MFP B/W	bizhub 215i/bizhub 225i/bizhub 7121i
2	Document Feeder	DF-633
3	Original Cover	OC-512
4	Duplex	AD-509
5	Paper Feeder	PF-507
6	Mount Kit	MK-750
7	Fax Kit	FK-510

bizhub 215i/bizhub 225i/bizhub 7121i

Section Configuration

REAR SIDE

13 14



CONTENTS

No.	DESCRIPTION	PAGE No.
1	EXTERNAL PARTS	P1
2	IR SECTION	P2
3	CONTROL PANEL	P3
4	FRAME SECTION	P4
5	PRINT HEAD SECTION	P5
6	PAPER TAKE-UP SECTION	P6
7	HOPPER SECTION	P7
8	CHARGE SECTION	P8
9	DEVELOPING SECTION	P9
10	PAPER TRANSPORT SECTION	P10
11	PAPER EXIT SECTION	P11
12	FUSING UNIT	P12
13	DRIVE SECTION	P13
14	ELECTRICAL COMPONENTS	P14 P15
15	CASSETTE SECTION	P16
16	MANUAL FEED TRAY	P17 P18
17	REVERSE SECTION	P19
18	WIRING ACCESSORIES AND JIGS	P20

INDEX

Parts No.	Page No.
0910550713	8-1
1164300403	16-7
1164302701	6-10
1164304501	16-26
1164305401	6-13
1164306101	16-19
1164306201	16-20
4002504202	12-25
4011585801	12-8
4021016602	8-4
4021210101	12-27
4021254702	13-15
4021410801	8-24
4021561501	8-11
4021561601	8-9
4021561801	8-19
4021561901	8-18
4021572002	12-4
4021572712	12-20
4021580201	11-11
4025357201	6-9
4030309301	18-34
4030309301	19-8
4030340201	18-19
4030340301	18-18
4030347501	18-27
4034015101	18-30
4034220501	5-14
4034230501	5-5
4034353401	6-5
4034571101	12-18
4034571501	12-15
4034572201	12-34
4034572301	12-33
4034578401	12-10
4034578501	12-9
4034578601	12-7
4034578701	12-3
4036576501	12-17
4037321001	16-5

Parts No.	Page No.
4038321501	18-23
4038323601	18-32
4038325501	18-14
4038326001	17-10
4038326802	18-20
4038326902	18-21
4038328601	18-3
4038541202	7-6
4038560100	16-4
4039328201	18-24
4128201901	4-5
4131353202	18-25
4136N30000	14-21
4163407201	8-5
4163436104	8-6
4163529301	10-22
4163560302	8-14
4163560403	8-22
4163560503	8-8
4163560702	8-2
4163560901	8-12
4163561101	8-13
4163561701	8-20
4163562501	8-17
4163563901	8-10
4497311601	19-13
4497311701	19-5
4686330401	4-6
4687328101	18-10
9J03M10000	5-18
9J03M10000	10-7
9J06M20000	17-4
9J06M60100	5-9
A00J307000	5-12
A00J945500	1-14
A02F621101	16-3
A02F621200	16-1
A02F623200	16-25
A02F625400	16-22
A02F944100	16-12

Parts No.	Page No.
A0ED240700	7-7
A0FDPP8700	4-3
A0FDPP8700	11-16
A0FDPP8700	19-2
A0XX330100	8-16
A0XX330900	8-26
A0XX333202	8-25
A0XX360200	8-21
A0XX361100	8-7
A0XX361800	8-15
A0XX370911	9-9
A0XX372100	9-4
A0XX372200	9-1
A0XX372300	9-3
A0XX372400	9-5
A0XX372500	9-2
A0XX373600	9-6
A0XX374500	9-8
A0XX560200	16-11
A0XX594700	18-16
A0XXPP0100	14-21
A0XXPP0600	5-1
A0XXPP0R01	16-6
A0XXPP0S00	10-15
A0XXPP0U00	10-17
A0XXPP0W01	6-15
A0XXPP0X01	6-7
A0XXPP1401	12-26
A0XXPP1501	12-30
A0XXPP1601	12-29
A0XXPP1700	5-2
A0XXPP1D01	18-7
A0XXPP1G00	2-7
A0XXPP1N00	18-6
A0XXPP1R00	5-8
A0XXPP1S00	14-19
A0XXPP1T00	18-13
A0XXPP1V01	10-6
A0XXPP1W01	18-26
A0XXPP1X01	10-9

Parts No.	Page No.
A0XXPP2101	16-13
A0XXPP2301	6-2
A0XXPP2401	18-36
A0XXPP2501	18-35
A0XXPP2601	18-33
A0XXPP2W01	13-8
A0XXPP2X01	13-13
A0XXPP2Y01	13-11
A0XXPP3001	13-14
A0XXPP3101	13-7
A0XXPP3201	13-5
A0XXPP3301	13-6
A0XXPP3401	13-2
A0XXPP3501	13-1
A0XXPP3601	13-3
A0XXPP3701	13-4
A0XXPP3A01	16-16
A0XXPP3B01	16-27
A0XXPP3E00	16-18
A0XXPP3G01	6-14
A0XXPP3H01	10-8
A0XXPP3N01	6-6
A0XXPP3P00	6-3
A0XXPP3Q01	7-4
A0XXPP3S01	7-5
A0XXPP3T01	7-3
A0XXPP3U01	7-2
A0XXPP3V01	7-8
A0XXPP4902	18-2
A0XXPP4A01	18-1
A0XXPP4B01	18-11
A0XXPP4C00	18-5
A0XXPP4D00	18-4
A0XXPP4E01	18-12
A0XXPP4G01	17-3
A0XXPP4H01	17-7
A0XXPP4J01	17-9
A0XXPP4K01	17-5
A0XXPP4M01	18-8
A0XXPP4V00	18-28

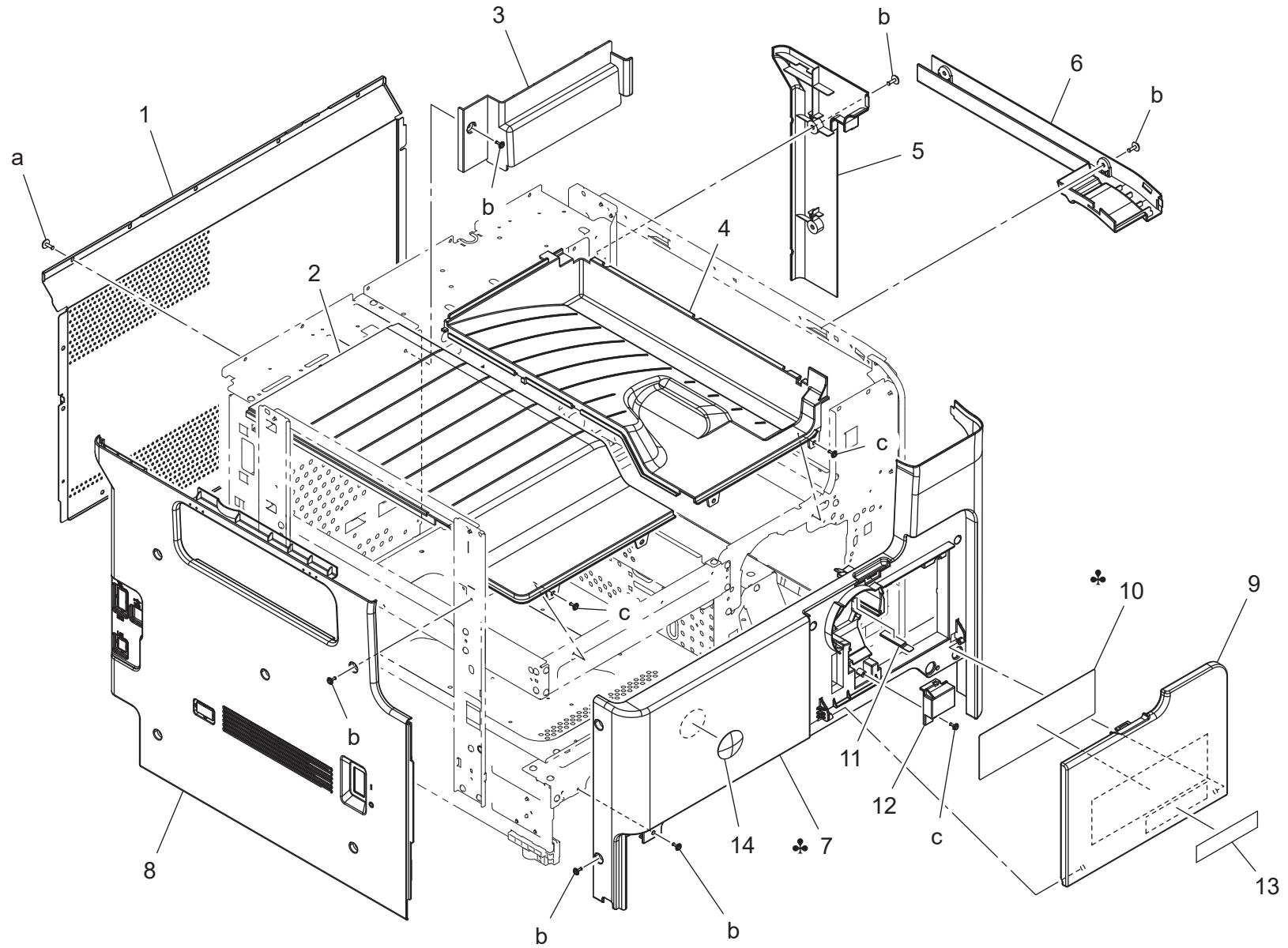
Parts No.	Page No.
A0XXPP4W01	5-7
A0XXPP5002	10-11
A0XXPP5102	10-13
A0XXPP5201	1-12
A0XXPP5501	6-4
A0XXPP5700	18-37
A0XXPP5J01	1-11
A0XXPP5M01	10-12
A0XXPP5T00	5-13
A0XXPP6E01	16-15
A0XXPP6H01	10-14
A0XXPP6S00	18-15
A0XXPP6T00	18-29
A0XXPP7200	14-21
A0XXPP7902	16-2
A0XXPP7A00	16-14
A0XXPPQ0500	1-10
A1UDN30200	14-21
A1XTR70122	5-15
A1XUM50300	9-7
A1XUR70033	8-3
A1XUR70100	8-23
A2UPN30100	14-21
A2UPN30300	14-21
A2UPN30501	14-21
A3PEPP0000	2-9
A3PEPP0200	2-10
A3PEPP0300	2-8
A3PEPP0600	2-11
A3PEPP0600	2-13
A3PEPP0800	3-17
A3PEPP0800	11-17
A3PEPP0900	2-15
A3PEPP0B01	2-12
A3PEPP0D00	2-17
A3PEPP0H01	2-3
A3PEPP0J00	3-23
A3PEPP0M00	3-8
A3PEPP0Q00	3-4
A3PEPP0R00	3-3

Parts No.	Page No.	Parts No.	Page No.	Parts No.	Page No.	Parts No.	Page No.	Parts No.	Page No.
A3PEPP0V00	3-12	A3PEPP2K00	5-17	A3PEPP3X01	12-11	A3PEPP5W00	5-10	A3PHPP1800	17-11
A3PEPP0W00	3-13	A3PEPP2M00	18-17	A3PEPP3Y00	12-16	A3PEPP5X00	5-4	A3PHPP1900	17-8
A3PEPP1000	3-18	A3PEPP2N00	16-24	A3PEPP4000	12-21	A3PEPP5Y00	5-6	A7AHN30000	14-21
A3PEPP1100	3-5	A3PEPP2P00	16-10	A3PEPP4100	12-31	A3PEPP6000	14-8	A8A1370600	9-10
A3PEPP1700	3-2	A3PEPP2Q00	16-21	A3PEPP4200	12-19	A3PEPP6100	5-11	A8A1370901	9-12
A3PEPP1N00	19-19	A3PEPP2R00	16-23	A3PEPP4300	12-13	A3PEPP6200	5-3	A8A1371100	9-11
A3PEPP1P00	19-18	A3PEPP2S00	14-18	A3PEPP4400	12-5	A3PEPP6300	14-10	A8A1PP0300	2-1
A3PEPP1Q00	19-12	A3PEPP2T00	14-17	A3PEPP4500	12-12	A3PEPP6900	14-6	A8A5PP1700	12-35
A3PEPP1R00	19-11	A3PEPP2U00	16-9	A3PEPP4600	12-32	A3PEPP6F00	7-1	A8A5PP1900	15-1
A3PEPP1S00	19-22	A3PEPP2V00	16-8	A3PEPP4700	12-23	A3PEPP6G00	6-8	A8A5PP2000	15-2
A3PEPP1T00	19-23	A3PEPP2W00	16-28	A3PEPP4800	12-2	A3PEPP6H00	10-18	A8A5PP2100	15-3
A3PEPP1U00	19-6	A3PEPP2X00	16-17	A3PEPP4900	12-1	A3PEPP6J00	4-1	A8A5PP2200	15-4
A3PEPP1V00	19-7	A3PEPP2Y00	6-1	A3PEPP4A02	12-14	A3PEPP6J00	5-16	A8A5PP2300	15-5
A3PEPP1W00	19-4	A3PEPP3100	10-2	A3PEPP4C00	12-22	A3PEPP6K00	2-16	A8A5PP2400	15-6
A3PEPP1X00	2-18	A3PEPP3200	10-20	A3PEPP4D00	12-6	A3PEPP6N00	16-29	A8A5PP2500	15-7
A3PEPP1X00	6-11	A3PEPP3300	10-1	A3PEPP4E00	13-23	A3PEPP6P00	16-30	A8A5PP2600	15-7
A3PEPP1X00	14-2	A3PEPP3400	10-3	A3PEPP4F00	13-10	A3PEPP6R00	11-10	A8A5PP2700	15-8
A3PEPP1X00	14-11	A3PEPP3500	10-16	A3PEPP4F00	17-6	A3PEPP6S00	13-16	A8A5PP2801	15-9
A3PEPP1X00	17-2	A3PEPP3600	10-10	A3PEPP4G00	12-28	A3PEPP6T00	13-12	A8A5PP2900	15-9
A3PEPP1X00	18-9	A3PEPP3700	10-5	A3PEPP4H00	13-9	A3PEPP6U00	13-25	A8A5PP3001	15-9
A3PEPP1X00	19-10	A3PEPP3800	10-19	A3PEPP4R00	13-24	A3PEPP6V00	13-22	A8A5PP3100	14-21
A3PEPP1Y00	19-9	A3PEPP3900	10-4	A3PEPP4S01	12-24	A3PEPP6W00	13-17	ACN2PP0100	1-8
A3PEPP2000	19-21	A3PEPP3B00	10-23	A3PEPP4W00	1-3	A3PEPP6X00	13-19	ACN2PP0200	14-4
A3PEPP2100	19-27	A3PEPP3C00	10-24	A3PEPP5303	1-7	A3PEPP6Y00	13-18	ACN2PP0300	14-5
A3PEPP2200	19-3	A3PEPP3D00	10-21	A3PEPP5900	1-5	A3PEPP7000	13-21	ACN2PP0400	14-5
A3PEPP2300	19-28	A3PEPP3E01	11-7	A3PEPP5B00	18-41	A3PEPP7200	6-12	ACN2PP0500	3-11
A3PEPP2400	19-14	A3PEPP3F00	11-8	A3PEPP5C00	1-6	A3PEPP7400	14-13	ACN2PP0600	3-16
A3PEPP2500	19-1	A3PEPP3G00	11-9	A3PEPP5F00	4-7	A3PEPP7500	14-3	ACN2PP0700	3-1
A3PEPP2600	19-15	A3PEPP3H00	11-15	A3PEPP5G00	4-4	A3PEPP8500	14-1	ACN2PP0800	3-1
A3PEPP2700	19-29	A3PEPP3J00	11-14	A3PEPP5H00	4-2	A3PEPP8600	19-31	ACN2PP0900	3-1
A3PEPP2801	19-25	A3PEPP3K00	11-13	A3PEPP5K00	14-7	A3PEPP8801	16-31	ACN2PP1000	1-13
A3PEPP2900	19-26	A3PEPP3M00	11-6	A3PEPP5M00	14-20	A3PEPP8901	16-32	ACN2PP1100	1-13
A3PEPP2A00	19-20	A3PEPP3N00	11-4	A3PEPP5N00	14-9	A3PEPP9100	13-20	ACN2PP1200	1-13
A3PEPP2B00	19-17	A3PEPP3P00	11-2	A3PEPP5P00	14-12	A3PHPP1100	18-40	ACN2PP1300	1-10
A3PEPP2D00	10-25	A3PEPP3R00	11-3	A3PEPP5Q00	14-14	A3PHPP1200	18-22	ACN2PP1700	1-1
A3PEPP2E00	19-24	A3PEPP3S00	11-12	A3PEPP5R00	14-16	A3PHPP1300	18-38	ACN2PP1800	1-2
A3PEPP2F00	19-16	A3PEPP3T00	11-5	A3PEPP5S00	14-15	A3PHPP1400	18-39	ACN2PP1900	1-4
A3PEPP2G00	19-30	A3PEPP3U00	11-1	A3PEPP5T00	14-19	A3PHPP1500	18-17	ACN2PP2000	1-7
A3PEPP2H00	18-39	A3PEPP3V01	12-11	A3PEPP5U00	14-19	A3PHPP1601	17-1	ACN2PP2100	1-7
A3PEPP2J00	5-19	A3PEPP3W01	12-11	A3PEPP5V00	4-8	A3PHPP1700	18-31	ACN2PP2200	1-9

Parts No.	Page No.
ACN2PP2300	3-6
ACN2PP2400	3-7
ACN2PP2500	3-22
ACN2PP2600	3-9
ACN2PP2700	3-10
ACN2PP2800	3-14
ACN2PP2900	3-15
ACN2PP3000	3-19
ACN2PP3100	3-20
ACN2PP3200	3-21
ACN2PP3300	2-2
ACN2PP3400	2-4
ACN2PP3500	2-5
ACN2PP3600	2-6
ACN2PP3700	2-14
V500010082	20-1
V500020042	20-4
V500020098	20-2
V500020099	20-3
V570010021	20-5

EXTERNAL PARTS

P 1



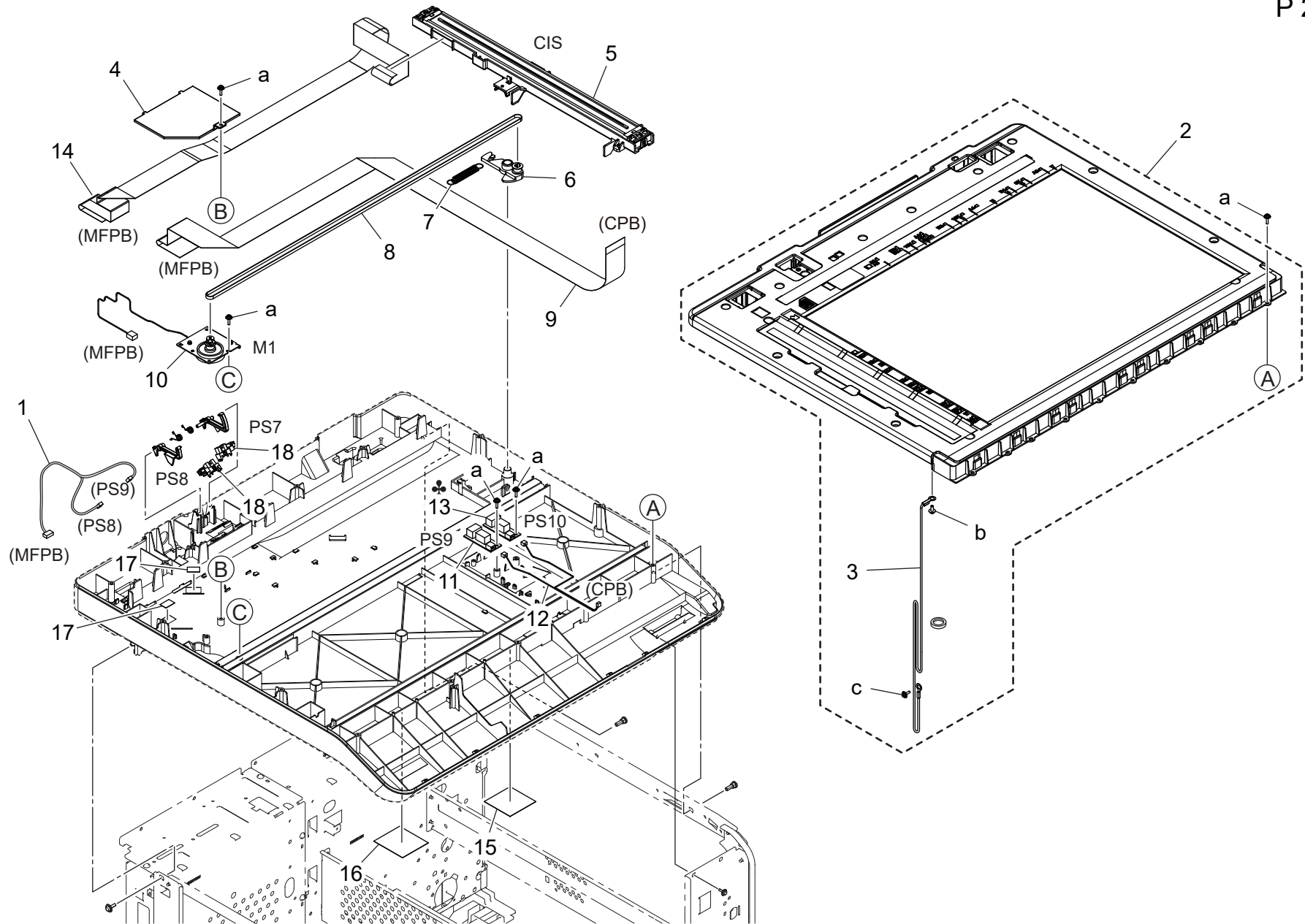
bizhub 215i/bizhub 225i/bizhub 7121i

EXTERNAL PARTS

Key	Part No.	Description	Destinations	Class	QTY	Standard parts
1	ACN2PP1700	Rear Cover		D	1	a-V137030603 b-V137030804 c-V137030803
2	ACN2PP1800	Left Exit Tray		C	1	
3	A3PEPP4W00	Cover		D	1	
4	ACN2PP1900	Right Exit Tray		C	1	
5	A3PEPP5900	Right Rear Cover		C	1	
6	A3PEPP5C00	Right Upper Cover		C	1	
7	A3PEPP5303	Front Cover	J(bizhub 225i)	C	1	
7	ACN2PP2000	Front Cover	C,I(South Africa)	C	1	
7	ACN2PP2100	Front Cover	D1,E,F2,G1,G2,I,J(bizhub 215i),H	C	1	
8	ACN2PP0100	Cover /Left		D	1	
9	ACN2PP2200	Front Cover		C	1	
10	A0XXPQ0500	Label	D1,E,F2,G1,G2,I(Except South Africa),J,H	C	1	
10	ACN2PP1300	Label	C,I(South Africa)	D	1	
11	A0XXPP5J01	Spacer		C	1	
12	A0XXPP5201	Cover		D	1	
13	ACN2PP1000	Label bizhub 225i	(bizhub 225i)	D	1	
13	ACN2PP1100	Label bizhub 215i	J(bizhub 215i)	D	1	
13	ACN2PP1200	Label bizhub 7121i	J(bizhub 7121i)	D	1	
14	A00J945500	Logo Mark		C	1	

bizhub 215i/bizhub 225i/bizhub 7121i

IR SECTION



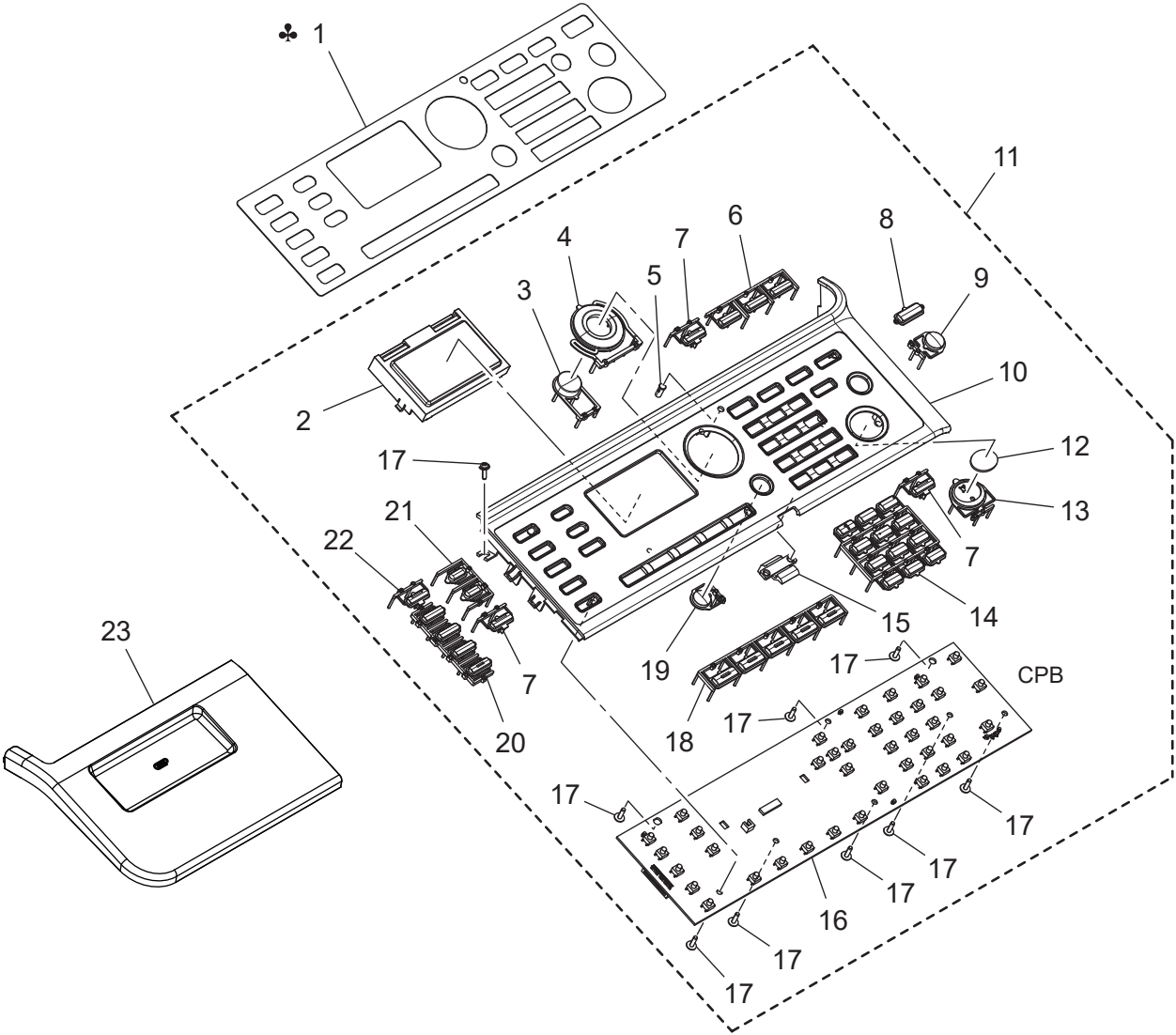
bizhub 215i/bizhub 225i/bizhub 7121i

IR SECTION

Key	Part No.	Description	Destinations	Class	QTY	Standard parts
1	A8A1PP0300	Sensor Harness/IR		D	1	a-A3PEPP0800 b-V116030603 c-V116030803
2	ACN2PP3300	Cover Assy/IR		C	1	
3	A3PEPP0H01	Wire Harness Assy		D	1	
4	ACN2PP3400	Holder		D	1	
5	ACN2PP3500	CIS ASSY		I	1	
6	ACN2PP3600	Pulley Assy		C	1	
7	A0XXPP1G00	Tension Spring		C	1	
8	A3PEPP0300	Timing Belt		C	1	
9	A3PEPP0000	FFC Panel		C	1	
10	A3PEPP0200	Motor Fix Assy		C	1	
11	A3PEPP0600	Photoreflector		I	1	
12	A3PEPP0B01	WIRE HARNESS ASSY	(OPTION)	D	1	
13	A3PEPP0600	Photoreflector		I	1	
14	ACN2PP3700	FFC CIS		D	1	
15	A3PEPP0900	Seal		C	1	
16	A3PEPP6K00	Seal		C	1	
17	A3PEPP0D00	Seal		C	2	
18	A3PEPP1X00	Photointtrupter		I	2	

bizhub 215i/bizhub 225i/bizhub 7121i

CONTROL PANEL



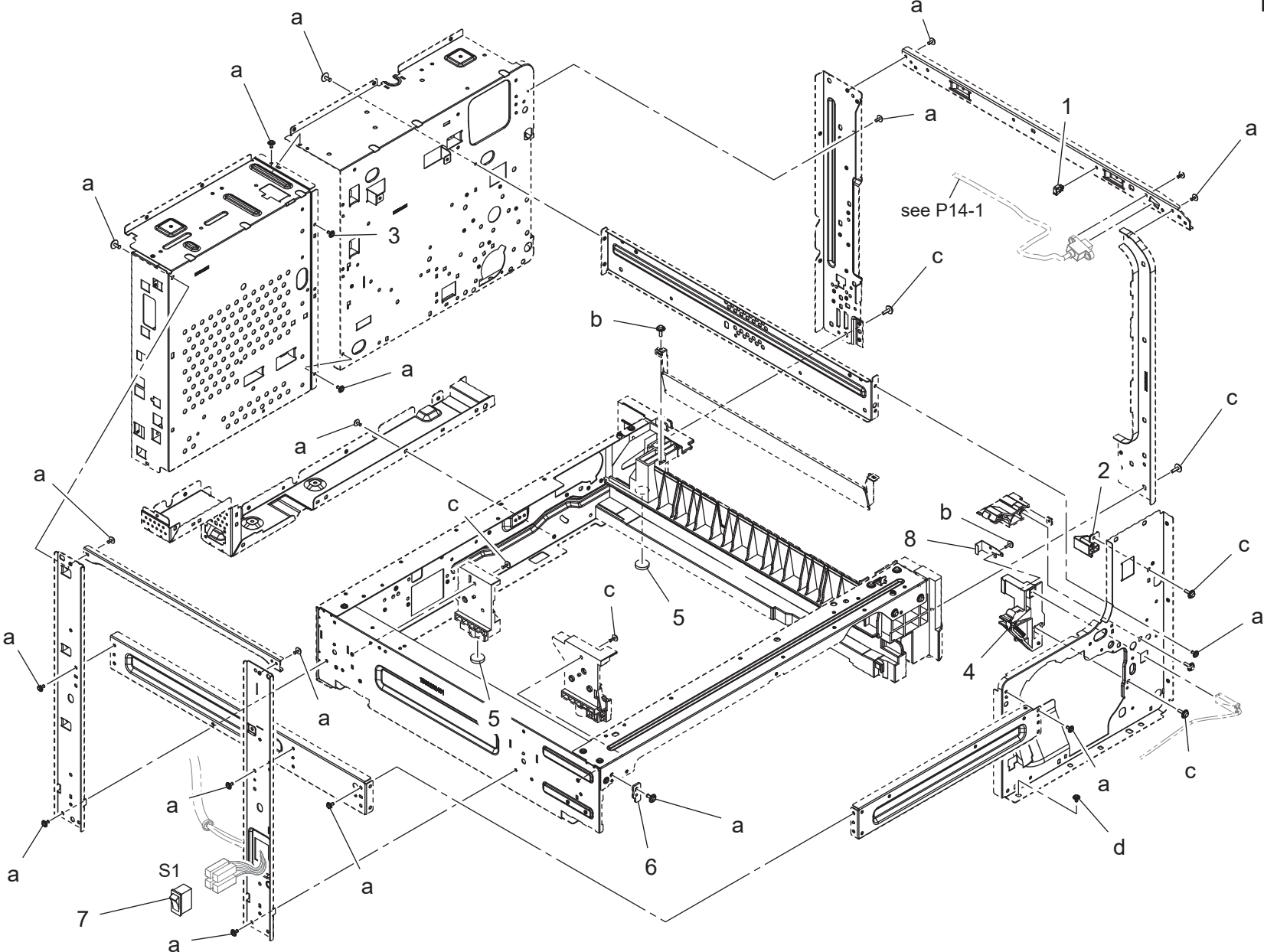
bizhub 215i/bizhub 225i/bizhub 7121i

CONTROL PANEL

Key	Part No.	Description	Destinations	Class	QTY	Standard parts
1	ACN2PP0700	Operation Sheet/ English	D1,E,F2,G1,G2,I	C	1	
1	ACN2PP0800	Operation Sheet/ Simplified	J	C	1	
1	ACN2PP0900	Operation Sheet/ Traditional	H	C	1	
2	A3PEPP1700	LCD Assy		C	1	
3	A3PEPP0R00	Print Select Key		D	1	
4	A3PEPP0Q00	Print Arrow Key		D	1	
5	A3PEPP1100	Cover		D	1	
6	ACN2PP2300	Mode Key		D	1	
7	ACN2PP2400	Access Key		D	3	
8	A3PEPP0M00	Reset Key		D	1	
9	ACN2PP2600	Print Stop Key		D	1	
10	ACN2PP2700	Control Panel		D	1	
11	ACN2PP0500	Control Panel Assy		I	1	
12	A3PEPP0V00	Print Start Key		D	1	
13	A3PEPP0W00	Lens Start Key		D	1	
14	ACN2PP2800	Print Number Key		D	1	
15	ACN2PP2900	Holder		D	1	
16	ACN2PP0600	PWB Assembly		C	1	
17	A3PEPP0800	Scew		C	9	
18	A3PEPP1000	Print Copy Function Key 1		D	1	
19	ACN2PP3000	Back Key		D	1	
20	ACN2PP3100	Copy Function Key 4		D	1	
21	ACN2PP3200	Copy Function Key 3		D	1	
22	ACN2PP2500	Power save Key		D	1	
23	A3PEPP0J00	Cover		C	1	

bizhub 215i/bizhub 225i/bizhub 7121i

FRAME SECTION



bizhub 215i/bizhub 225i/bizhub 7121i



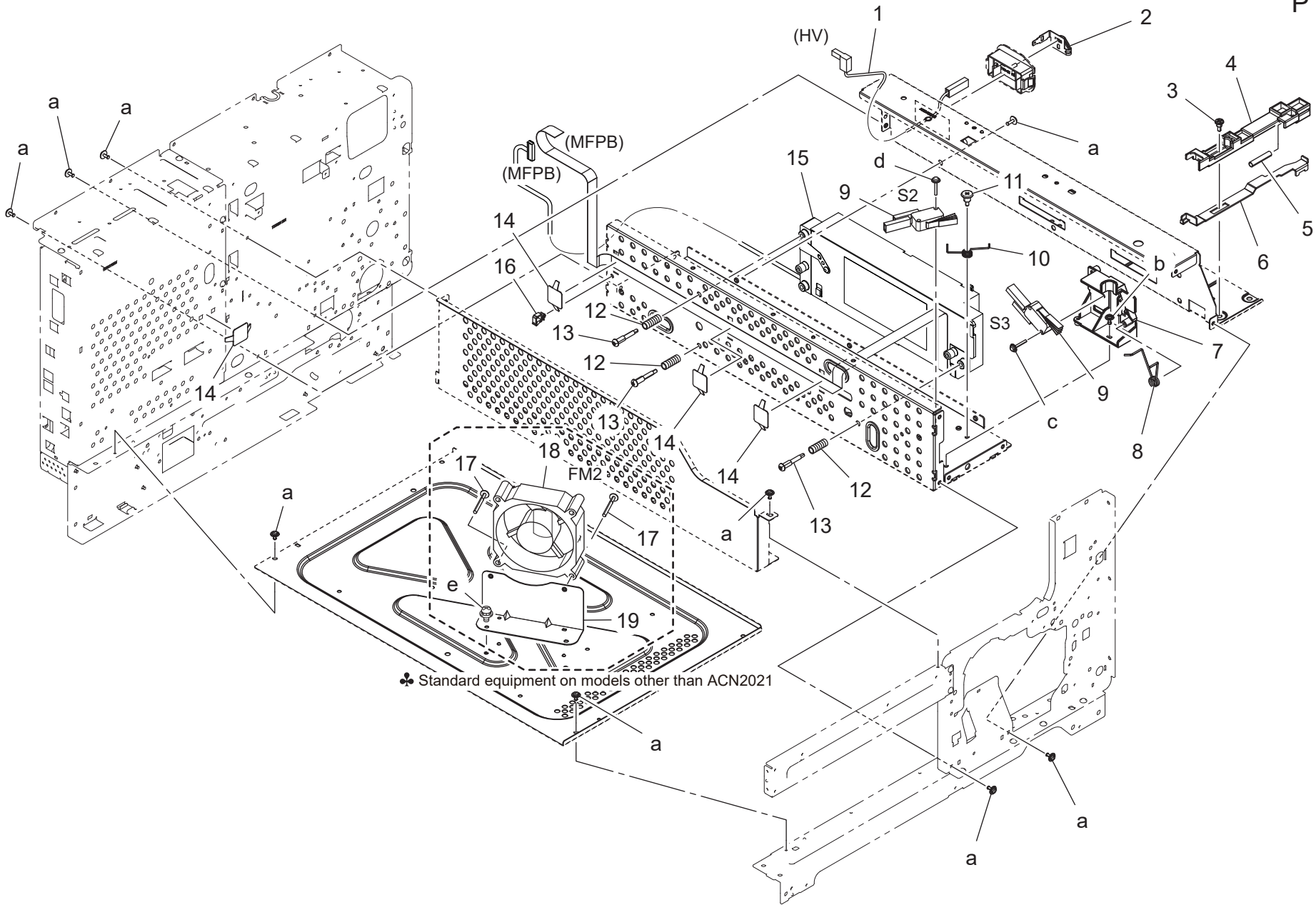
FRAME SECTION

Key	Part No.	Description	Destinations	Class	QTY	Standard parts
1	A3PEPP6J00	Wiring Saddle		D	1	a-V137030603 b-V153030803 c-V153041003 d-V144030603
2	A3PEPP5H00	Holder		D	1	
3	A0FDPP8700	SCREW		C	1	
4	A3PEPP5G00	Holder		D	1	
5	4128201901	RUBBER FOOT		D	2	
6	4686330401	STOPPER		D	1	
7	A3PEPP5F00	Main Switch		C	1	
8	A3PEPP5V00	Contact		C	1	

bizhub 215i/bizhub 225i/bizhub 7121i

PRINT HEAD SECTION

P 5

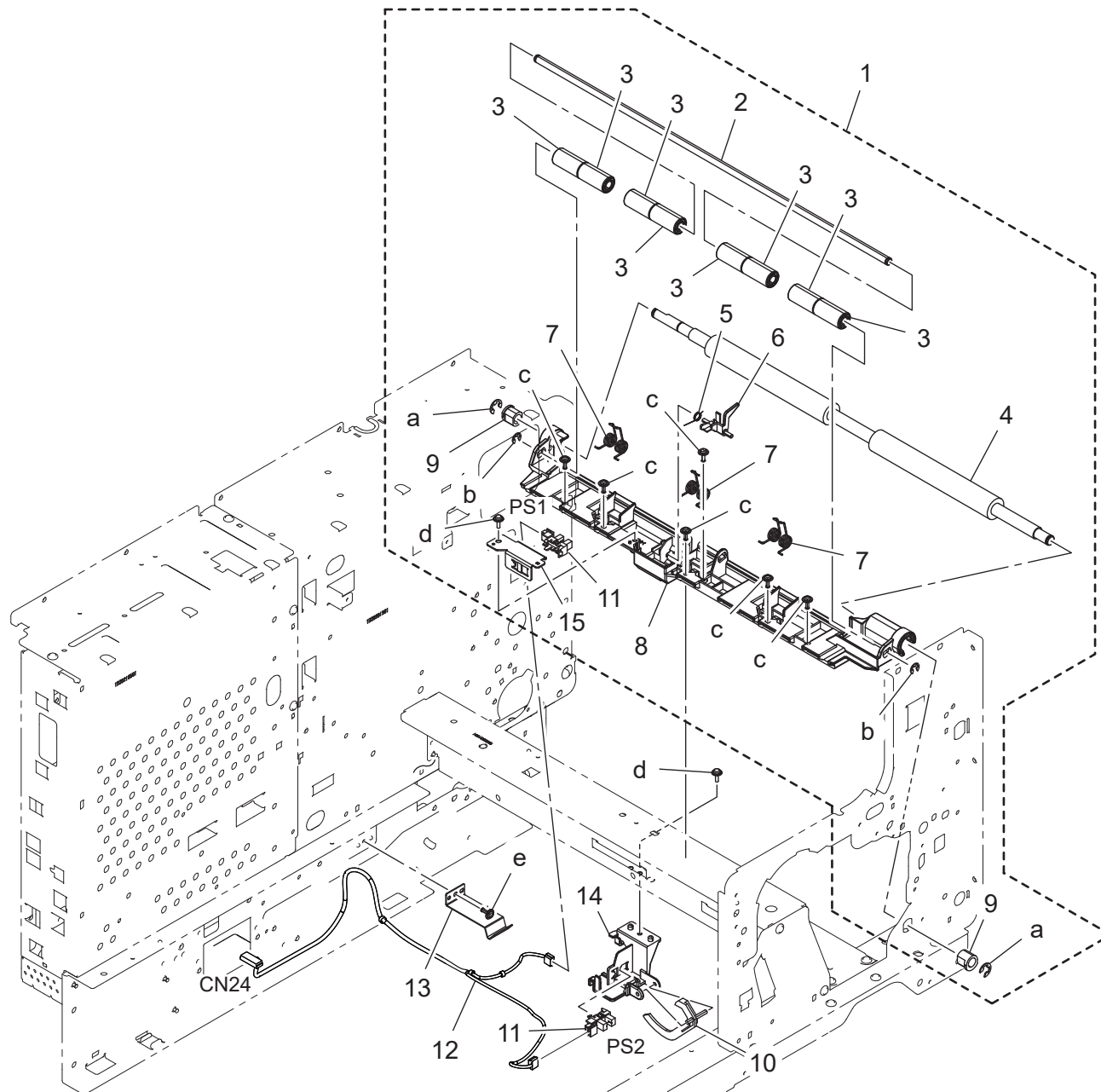


♣ Standard equipment on models other than ACN2021

bizhub 215i/bizhub 225i/bizhub 7121i

PAPER TAKE-UP SECTION

P 6



bizhub 215i/bizhub 225i/bizhub 7121i

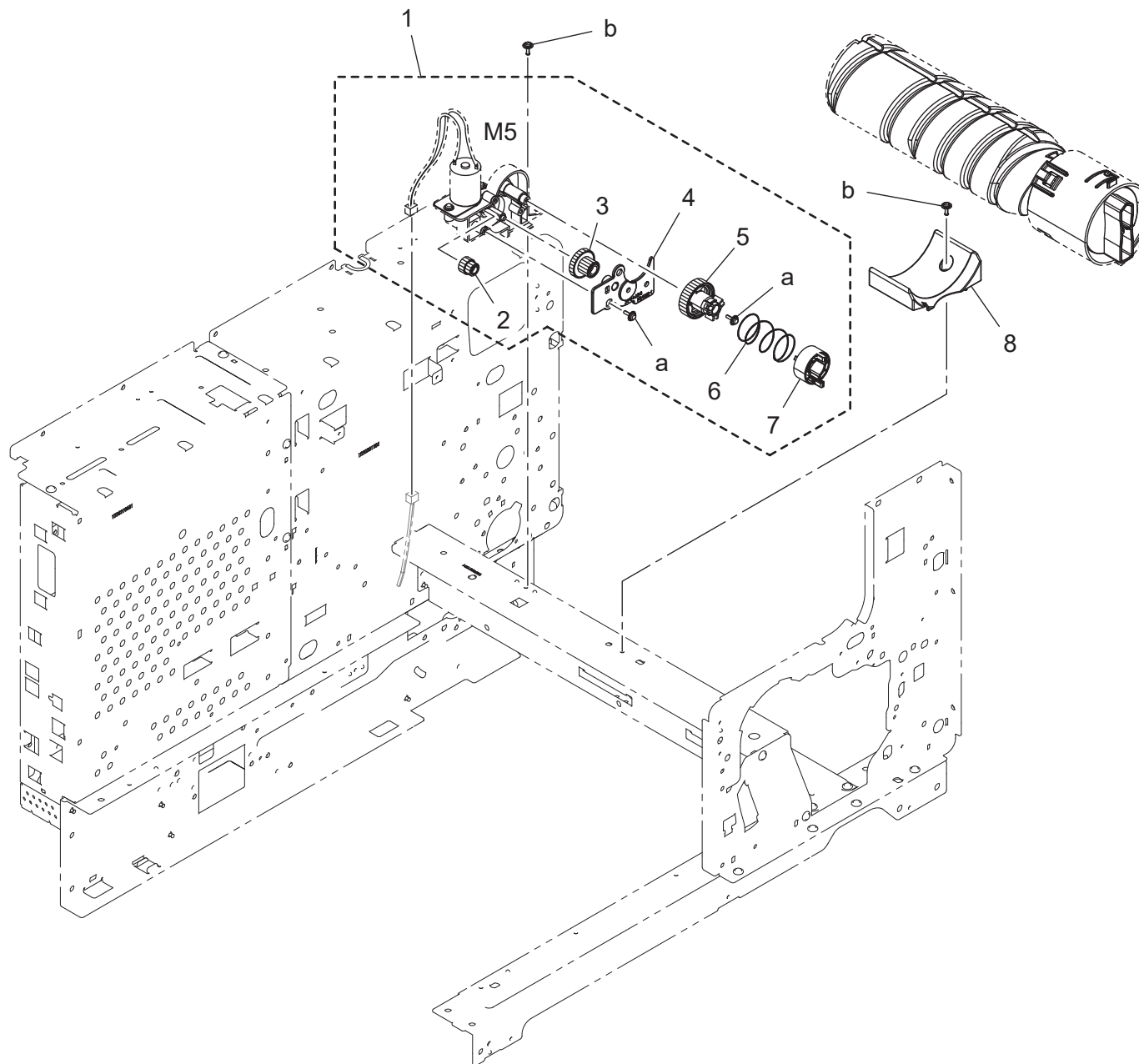
PAPER TAKE-UP SECTION

Key	Part No.	Description	Destinations	Class	QTY	Standard parts
1	A3PEPP2Y00	Timing Roller Assy		S	1	a-V217060001 b-V217040001 c-V137030803 d-V153030803 e-V137030603
2	A0XXPP2301	Shaft		D	1	
3	A0XXPP3P00	Roller		C	8	
4	A0XXPP5501	Roller		C	1	
5	4034353401	TORSION SPRING		C	1	
6	A0XXPP3N01	Actuator		C	1	
7	A0XXPP0X01	Tension Spring		C	3	
8	A3PEPP6G00	Timing Roller Holder Assy		C	1	
9	4025357201	BUSHING		C	2	
10	1164302701	ACTUATOR		C	1	
11	A3PEPP1X00	Photointtrupter		I	2	
12	A3PEPP7200	Wire Harness Assy		D	1	
13	1164305401	PLATE SPRING		C	1	
14	A0XXPP3G01	Holder		C	1	
15	A0XXPP0W01	Bracket		C	1	

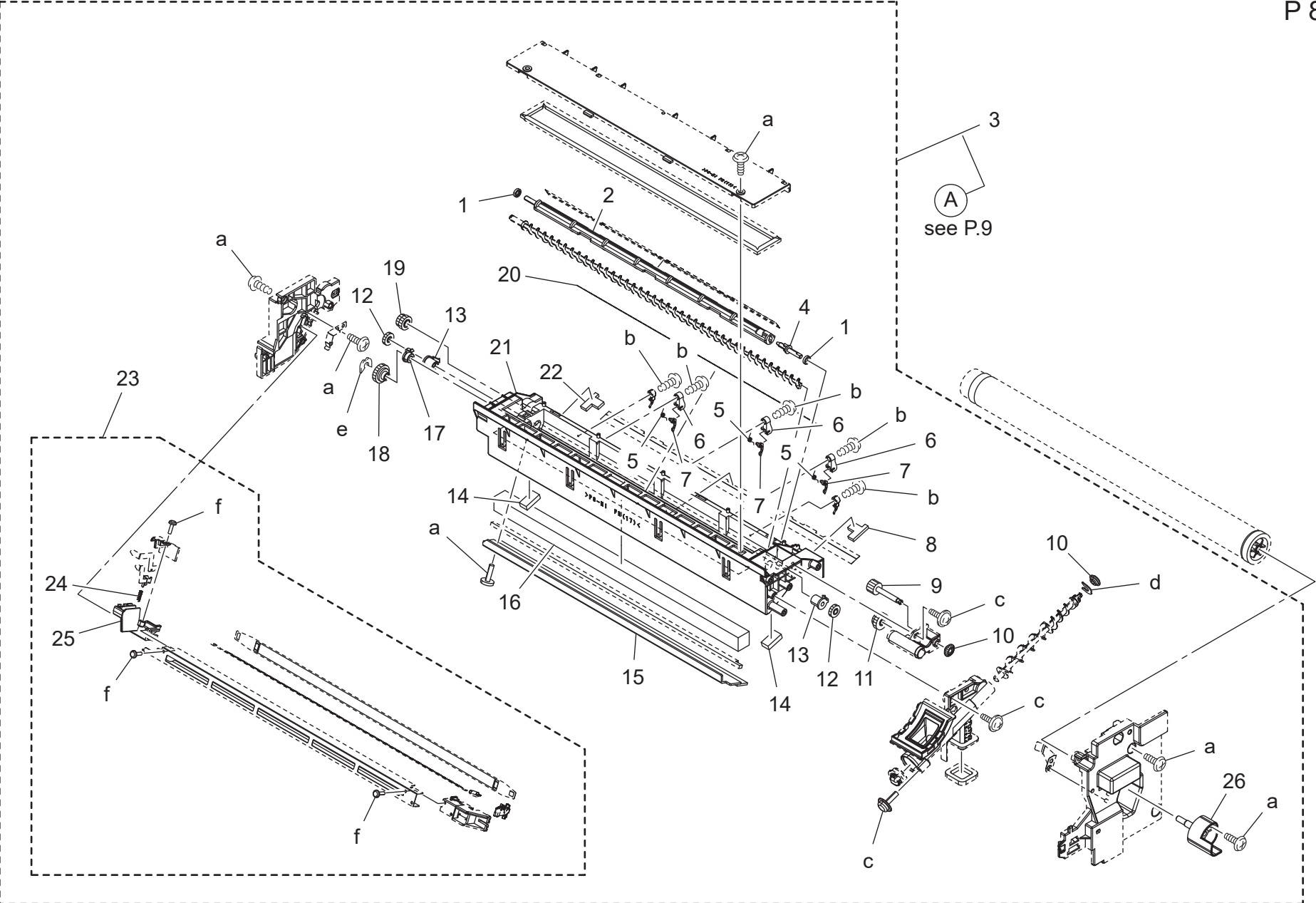
bizhub 215i/bizhub 225i/bizhub 7121i

HOPPER SECTION

P 7



CHARGE SECTION

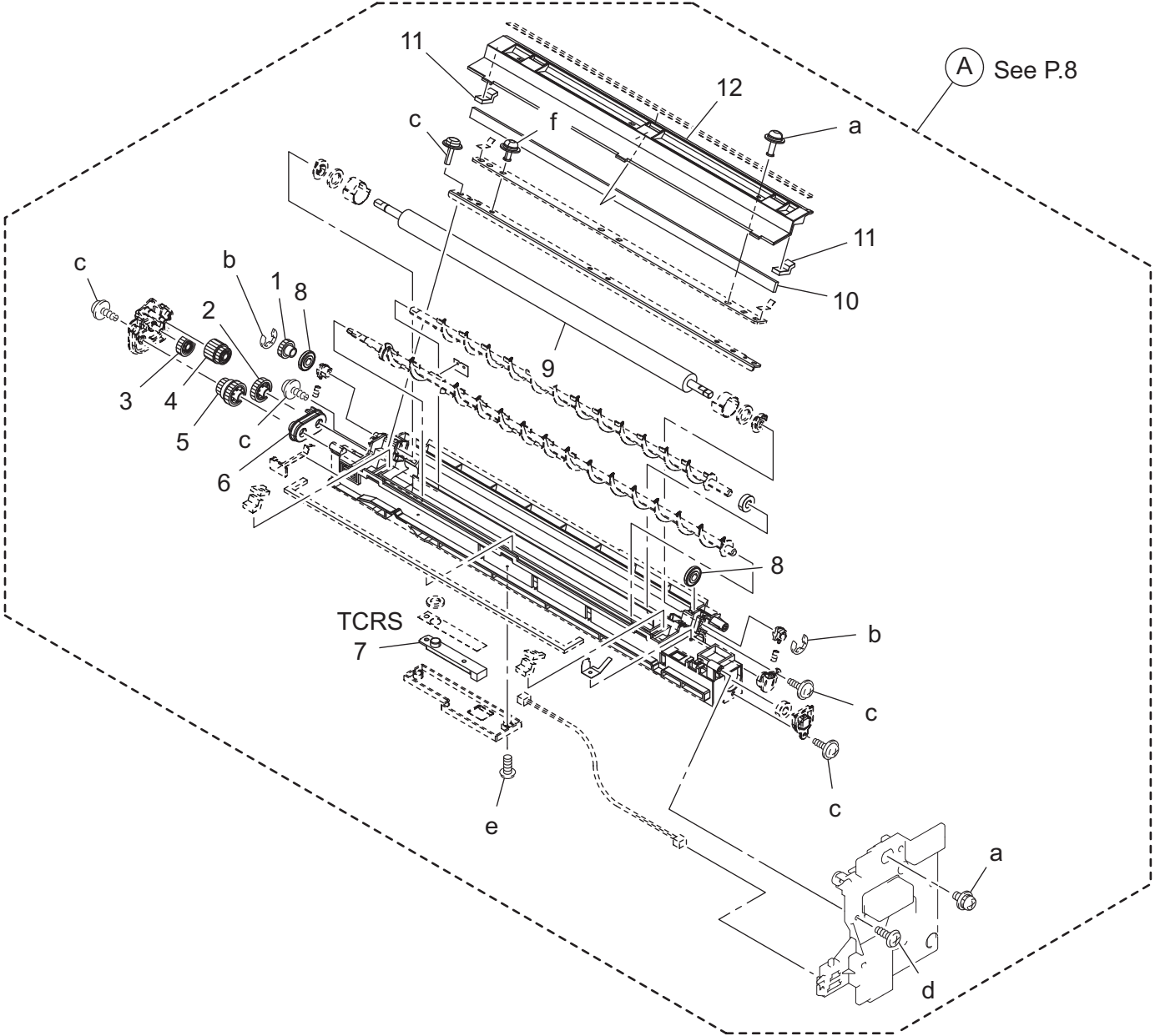


bizhub 215i/bizhub 225i/bizhub 7121i

CHARGE SECTION

Key	Part No.	Description	Destinations	Class	QTY	Standard parts
1	0910550713	SEAL		C	2	a-V149030804 b-V166170404 c-V153030803 d-V218060086 e-V218030086 f-V162020504
2	4163560702	SCREW		C	1	
3	A1XUR70033	IU After Assy		I	1	
4	4021016602	SHAFT		D	1	
5	4163407201	TORSION SPRING		C	3	
6	4163436104	HOLDER		D	3	
7	A0XX361100	Separating Claw		B	3	
8	4163560503	SEAL		C	1	
9	4021561601	GEAR 14T		C	1	
10	4163563901	GEAR 14T		C	2	
11	4021561501	GEAR 14/14T		C	1	
12	4163560901	GEAR 14T		C	2	
13	4163561101	BUSHING		C	2	
14	4163560302	SEAL		C	2	
15	A0XX361800	Cleaning Part		A	1	
16	A0XX330100	Filter		C	1	
17	4163562501	BUSHING		C	1	
18	4021561901	GEAR 22T		C	1	
19	4021561801	GEAR 14/16T		C	1	
20	4163561701	SEAL		C	1	
21	A0XX360200	Cleaning Housing		D	1	
22	4163560403	SEAL		C	1	
23	A1XUR70100	Drum Charge Unit		A	1	
24	4021410801	SPRING		C	1	
25	A0XX333202	Holder /Rear		C	1	
26	A0XX330900	Pin /Front		C	1	

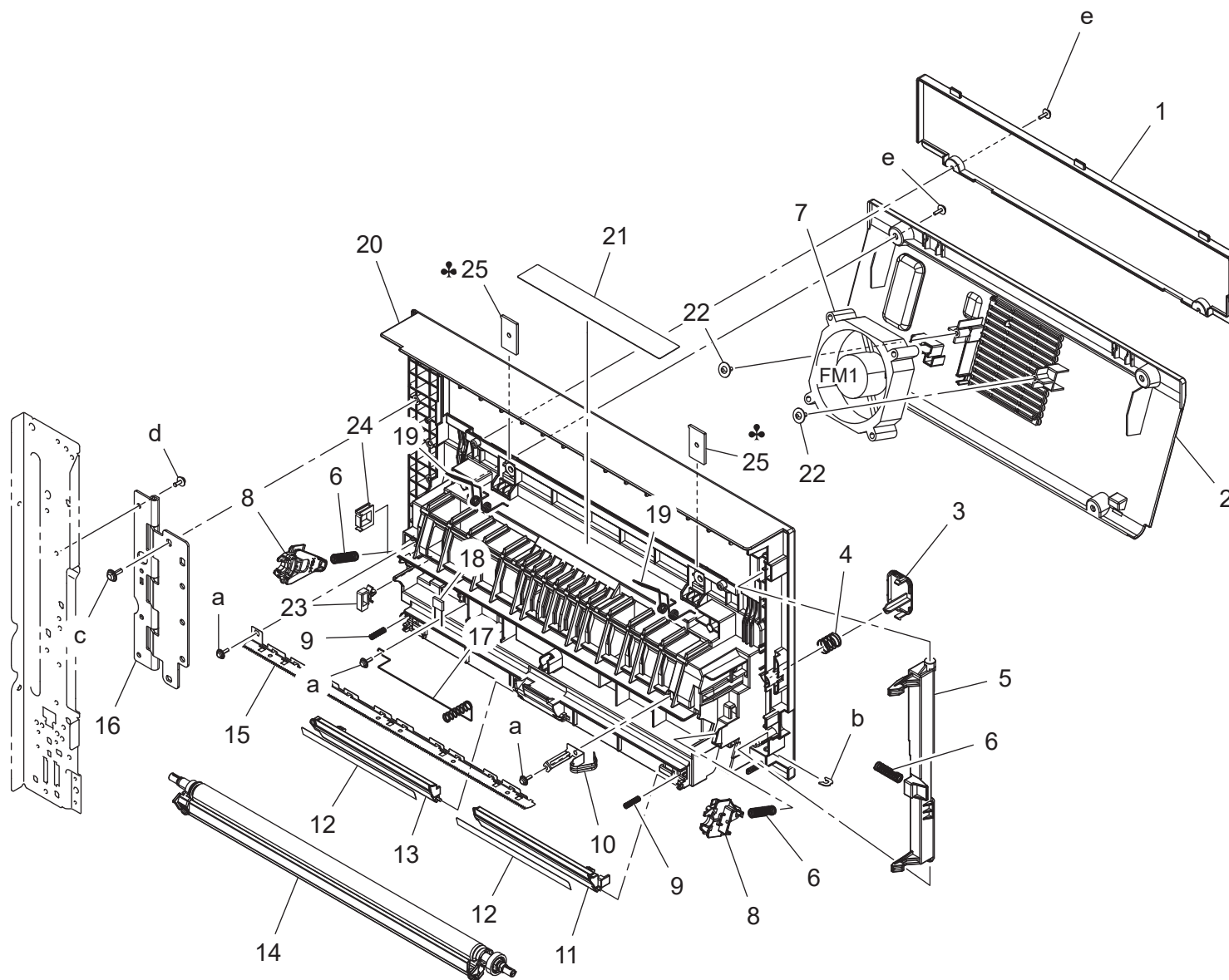
bizhub 215i/bizhub 225i/bizhub 7121i



Key	Part No.	Description	Destinations	Class	QTY	Standard parts
1	A0XX372200	Gear 16T		C	1	a-V116030803 b-V217040001 c-V153030803 d-V149030804 e-V162020504 f-V116030603
2	A0XX372500	Gear 21T		C	1	
3	A0XX372300	Gear 18T		C	1	
4	A0XX372100	Gear 15/18T		C	1	
5	A0XX372400	Gear 15/22T		C	1	
6	A0XX373600	Bushing		C	1	
7	A1XUM50300	Magnetic sensor		B	1	
8	A0XX374500	Roll		C	2	
9	A0XX370911	Developing Roller		B	1	
10	A8A1370600	Seal /1		D	1	
11	A8A1371100	Seal		D	2	
12	A8A1370901	Cover		C	1	

bizhub 215i/bizhub 225i/bizhub 7121i

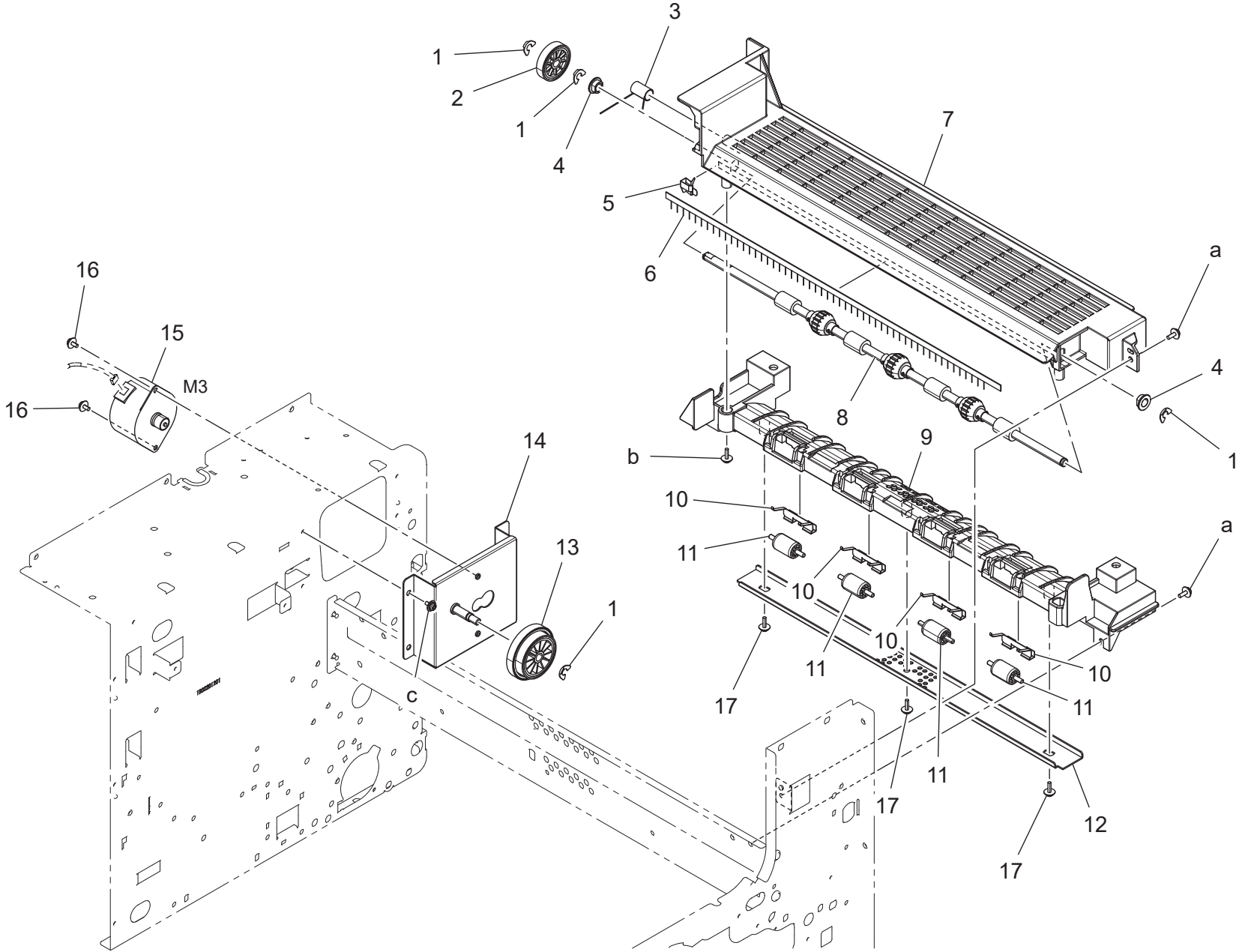
PAPER TRANSPORT SECTION



Key	Part No.	Description	Destinations	Class	QTY	Standard parts
1	A3PEPP3300	Cover		C	1	a-V153030803 b-V218040086 c-V153041003 d-V116030803 e-V153030804
2	A3PEPP3100	Cover		C	1	
3	A3PEPP3400	Lever		C	1	
4	A3PEPP3900	Pressure Spring		C	1	
5	A3PEPP3700	Lever		C	1	
6	A0XXPP1V01	Pressure Spring		C	3	
7	9J03M10000	FAN MOTOR		B	1	
8	A0XXPP3H01	Bushing		C	2	
9	A0XXPP1X01	Pressure Spring		C	2	
10	A3PEPP3600	Contact		C	1	
11	A0XXPP5002	Guide		C	1	
12	A0XXPP5M01	Guide		C	2	
13	A0XXPP5102	Guide		C	1	
14	A0XXPP6H01	Transfer Roller Assy		C	1	
15	A0XXPP0S00	Neutralizing Needle		C	1	
16	A3PEPP3500	Hinge		C	1	
17	A0XXPP0U00	Contact		C	1	
18	A3PEPP6H00	Resistor		C	1	
19	A3PEPP3800	Torsion Spring		C	2	
20	A3PEPP3200	Frame		D	1	
21	A3PEPP3D00	Label Jam Remove		C	1	
22	4163529301	SCREW		C	2	
23	A3PEPP3B00	Saddle		D	1	
24	A3PEPP3C00	Saddle		D	1	
25	A3PEPP2D00	Plate Nut	D1,E,F2,G1,G2,(Except Sout h Africa),J,H	C	2	

bizhub 215i/bizhub 225i/bizhub 7121i

PAPER EXIT SECTION



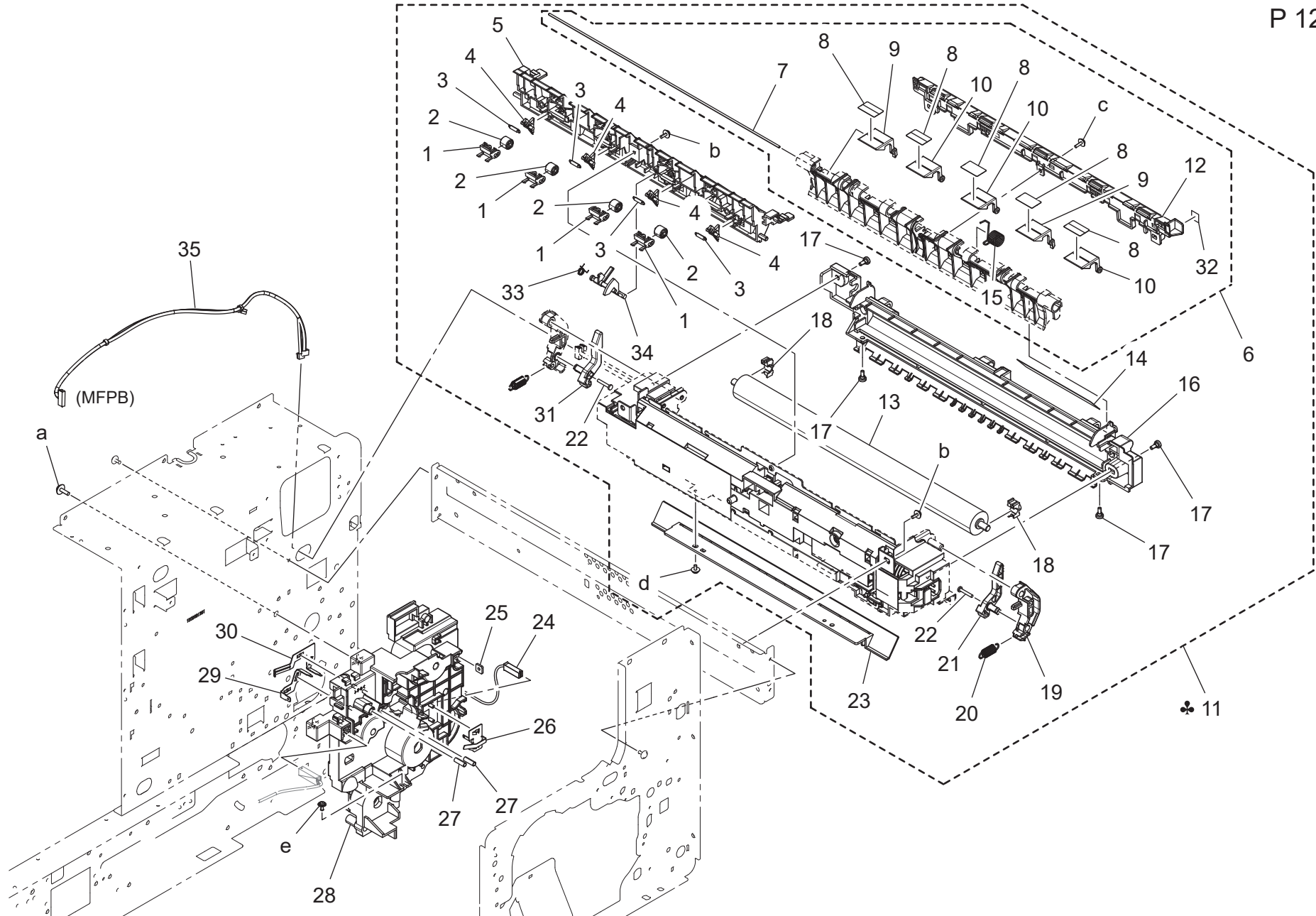
bizhub 215i/bizhub 225i/bizhub 7121i

Key	Part No.	Description	Destinations	Class	QTY	Standard parts
1	A3PEPP3U00	E ring		C	4	a-V116030803 b-V153030803 c-V116030603
2	A3PEPP3P00	Gear 26T		C	1	
3	A3PEPP3R00	Torsion Spring		C	1	
4	A3PEPP3N00	Bush		C	2	
5	A3PEPP3T00	Contact		C	1	
6	A3PEPP3M00	Neutralizing Brush		C	1	
7	A3PEPP3E01	Cover		C	1	
8	A3PEPP3F00	Roller		C	1	
9	A3PEPP3G00	Frame		D	1	
10	A3PEPP6R00	Holder		C	4	
11	4021580201	ROLL		C	4	
12	A3PEPP3S00	Bracket		D	1	
13	A3PEPP3K00	Gear		C	1	
14	A3PEPP3J00	Bracket		D	1	
15	A3PEPP3H00	Motor		C	1	
16	A0FDPP8700	SCREW		C	2	
17	A3PEPP0800	Scew		C	3	

bizhub 215i/bizhub 225i/bizhub 7121i

FUSING UNIT

P 12



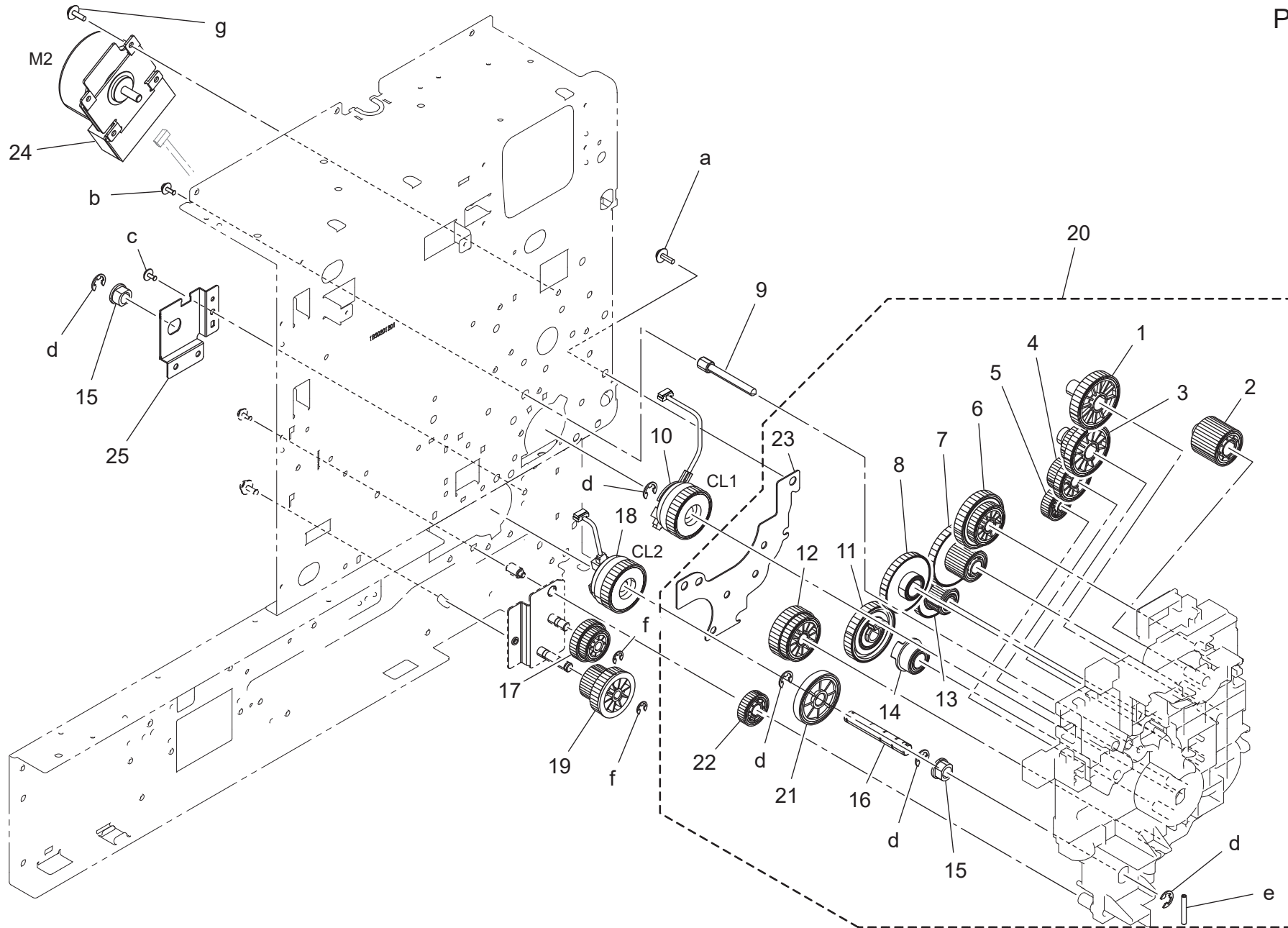
bizhub 215i/bizhub 225i/bizhub 7121i

FUSING UNIT

Key	Part No.	Description	Destinations	Class	QTY	Standard parts
1	A3PEPP4900	Holder		C	4	a-V153041003 b-V116031003 c-V153030803 d-V116030603 e-V137030603
2	A3PEPP4800	Roll		C	4	
3	4034578701	TENSION SPRING		C	4	
4	4021572002	SEPARATOR		A	4	
5	A3PEPP4400	Guide		D	1	
6	A3PEPP4D00	Jam Remove Assy		C	1	
7	4034578601	SHAFT		D	1	
8	4011585801	SEAL		C	5	
9	4034578501	GUIDE		D	2	
10	4034578401	GUIDE		D	3	
11	A3PEPP3V01	Fusing Unit (230V)	D1,E,F2,D1,I,J	A	1	
11	A3PEPP3W01	Fusing Unit (120V)	G2	A	1	
11	A3PEPP3X01	Fusing Unit (110V)	H	A	1	
12	A3PEPP4500	Cover		C	1	
13	A3PEPP4300	Fusing Roller		C	1	
14	A3PEPP4A02	Label Warning		C	1	
15	4034571501	TORSION SPRING		C	1	
16	A3PEPP3Y00	Cover		C	1	
17	4036576501	SHOULDER SCREW		C	4	
18	4034571101	BUSHING		C	2	
19	A3PEPP4200	Lever		C	1	
20	4021572712	TENSION SPRING		C	1	
21	A3PEPP4000	Lever		C	1	
22	A3PEPP4C00	Shoulder Screw		C	2	
23	A3PEPP4700	Guide		D	1	
24	A3PEPP4S01	Wire Harness Assy		D	1	
25	4002504202	PLATE NUT		D	1	
26	A0XXPP1401	Contact		D	1	
27	4021210101	PRESSURE SPRING		C	2	
28	A3PEPP4G00	Holder		C	1	
29	A0XXPP1601	Contact		D	1	
30	A0XXPP1501	Contact		D	1	
31	A3PEPP4100	Lever		C	1	
32	A3PEPP4600	Label		C	1	
33	4034572301	TORSION SPRING		C	1	
34	4034572201	ACTUATOR		D	1	
35	A8A5PP1700	Harness /Fuser Unit		D	1	

bizhub 215i/bizhub 225i/bizhub 7121i

DRIVE SECTION



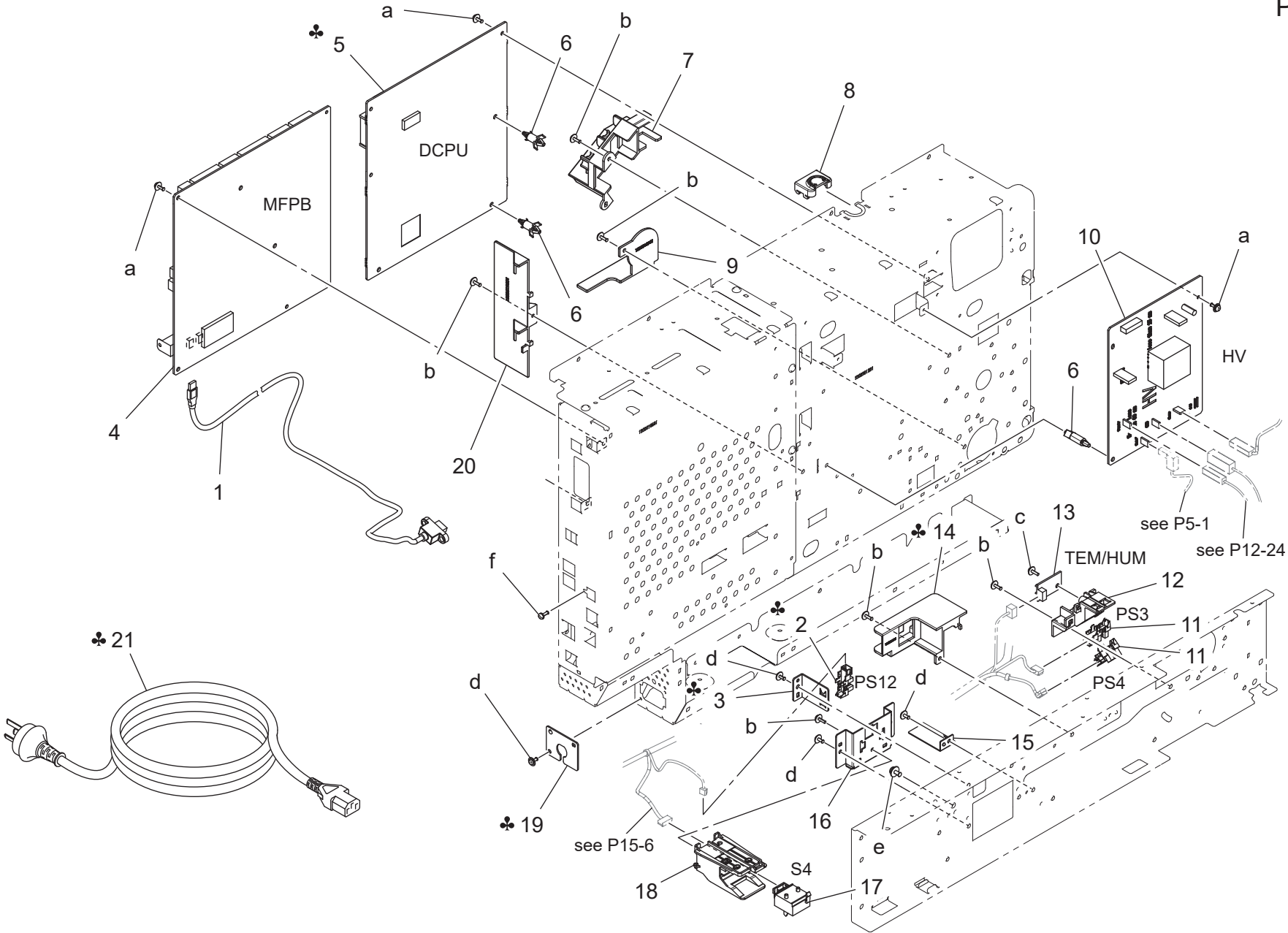
bizhub 215i/bizhub 225i/bizhub 7121i

DRIVE SECTION

Key	Part No.	Description	Destinations	Class	QTY	Standard parts
1	A0XXPP3501	Gear		C	1	a-V153041003 b-V116030803 c-V137030603 d-V217060001 e-V232302209 f-V217040001 g-V116030603
2	A0XXPP3401	Gear		C	1	
3	A0XXPP3601	Gear		C	1	
4	A0XXPP3701	Gear		C	1	
5	A0XXPP3201	Gear		C	1	
6	A0XXPP3301	Gear		C	1	
7	A0XXPP3101	Gear		C	1	
8	A0XXPP2W01	Gear		C	1	
9	A3PEPP4H00	Shaft		D	1	
10	A3PEPP4F00	Cluch		B	1	
11	A0XXPP2Y01	Gear		C	1	
12	A3PEPP6T00	Gear		C	1	
13	A0XXPP2X01	Gear		C	1	
14	A0XXPP3001	Gear		C	1	
15	4021254702	BUSHING		C	2	
16	A3PEPP6S00	Shaft		C	1	
17	A3PEPP6W00	Gear 21/26T		C	1	
18	A3PEPP6Y00	Clutch		C	1	
19	A3PEPP6X00	Gear 21/30T		C	1	
20	A3PEPP9100	Driving Assy		D	1	
21	A3PEPP7000	Gear 33T		C	1	
22	A3PEPP6V00	Gear 21T		C	1	
23	A3PEPP4E00	Bracket		D	1	
24	A3PEPP4R00	Motor		C	1	
25	A3PEPP6U00	Bracket		D	1	

bizhub 215i/bizhub 225i/bizhub 7121i

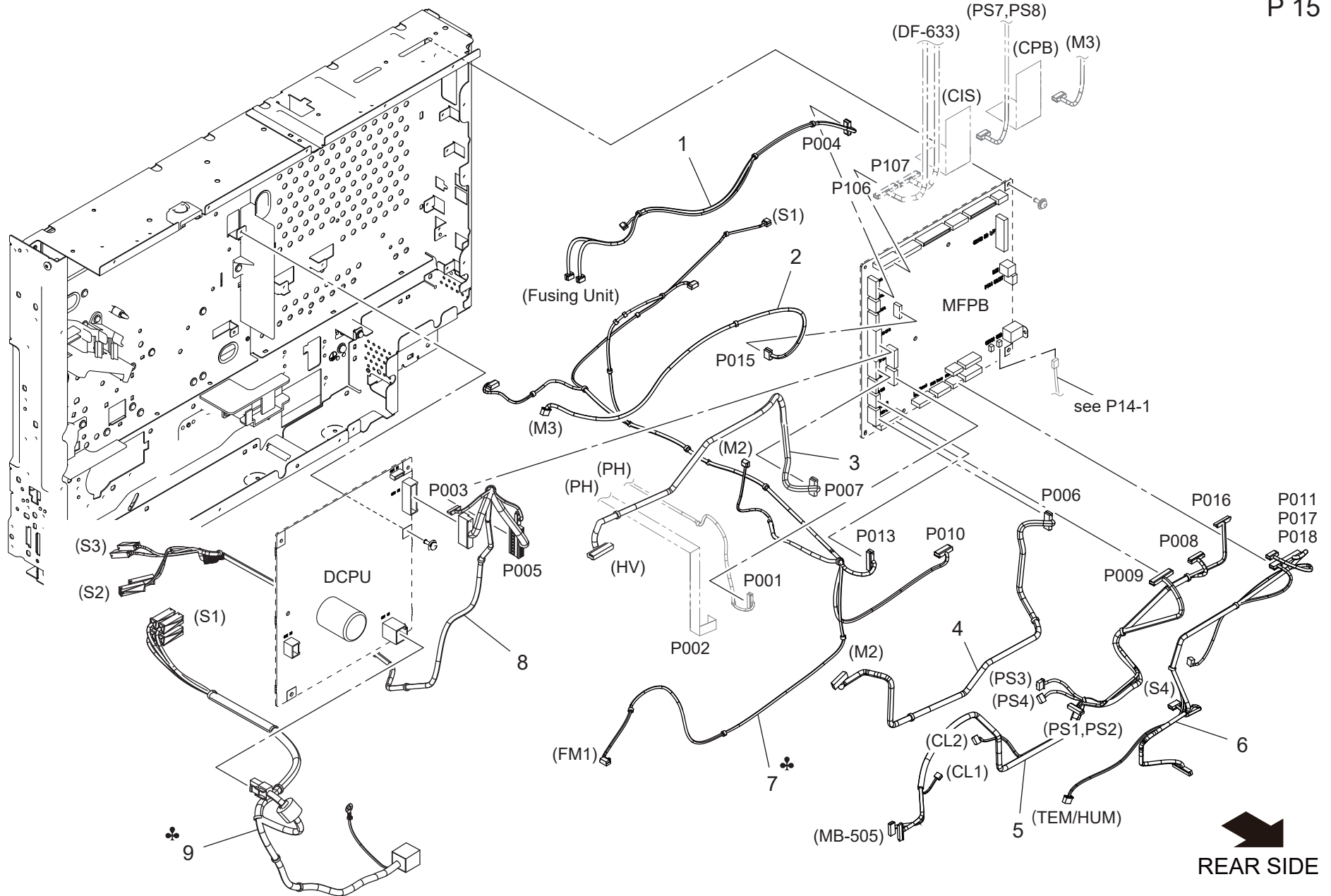
ELECTRICAL COMPONENTS



Key	Part No.	Description	Destinations	Class	QTY	Standard parts
1	A3PEPP8500	Interface Cable		C	1	a-V116030803
2	A3PEPP1X00	Photointrupter	D1,E,F2,G1,I	I	1	b-V137030803
3	A3PEPP7500	Bracket	D1,E,F2,G1,I	D	1	c-V153030803
4	ACN2PP0200	PWB Assembly(MFPB)		I	1	d-V137030603
5	ACN2PP0300	Power Supply (200V)	D1,E,F2,G1,H,I,J	I	1	e-V116040603
5	ACN2PP0400	Power Supply (100V)	G2	I	1	f-V115030803
6	A3PEPP6900	PWB Support		D	3	
7	A3PEPP5K00	Holder		D	1	
8	A3PEPP6000	Cover		D	1	
9	A3PEPP5N00	Cover		D	1	
10	A3PEPP6300	HV Transformer		I	1	
11	A3PEPP1X00	Photointrupter		I	2	
12	A3PEPP5P00	Holder		D	1	
13	A3PEPP7400	Temperature/Humidity Sensor		I	1	
14	A3PEPP5Q00	Holder	D1,E,F2,G1,G2,I	D	1	
15	A3PEPP5S00	Bracket		D	1	
16	A3PEPP5R00	Bracket		D	1	
17	A3PEPP2T00	Switch		C	1	
18	A3PEPP2S00	Holder		D	1	
19	A0XXPP1S00	Bracket	J	D	1	
19	A3PEPP5T00	Bracket	G2	D	1	
19	A3PEPP5U00	Bracket	H	D	1	
20	A3PEPP5M00	Bracket		D	1	
21	4136N30000	POWER CODE	D1(Pakistan,Bolivia,CHILE,U RUGUAY, Nepal, Maldives)	D	1	
21	A0XXPP0100	Power Source Cord /220-240V	J	C	1	
21	A0XXPP7200	Power Source Cord/120-127V	G2	C	1	
21	A1UDN30200	Power cord /230V	G1(Argentine)	C	1	
21	A2UPN30100	Power code (220-240V)	F2(Saudi Arabia),I(Kuwait,U AE,Bahrain,Qatar,Oman,Ymen) ,D1(HongKong,Mongolia)	D	1	
21	A2UPN30300	Power code (220-240V)	G2(Peru)	D	1	
21	A2UPN30501	Power code /230V	G2(Brazil)	D	1	
21	A7AHN30000	Power code /230V	D1(India)	D	1	
21	A8A5PP3100	Power Source Cord /110V	H	D	1	

bizhub 215i/bizhub 225i/bizhub 7121i

ELECTRICAL COMPONENTS

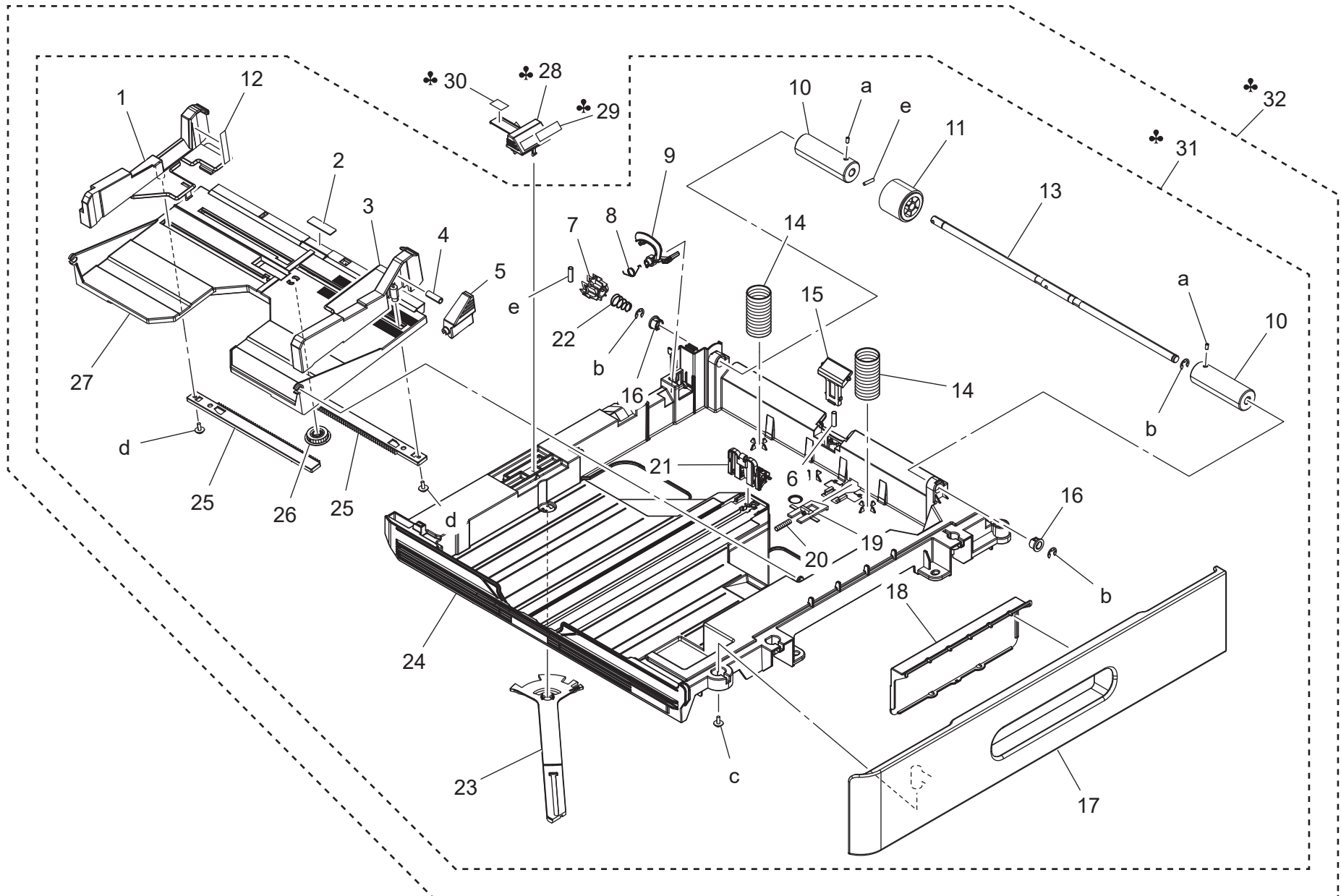


bizhub 215i/bizhub 225i/bizhub 7121i

Key	Part No.	Description	Destinations	Class	QTY	Standard parts
1	A8A5PP1900	Wire Harness Assy		D	1	
2	A8A5PP2000	Wire Harness Assy		D	1	
3	A8A5PP2100	Wire Harness Assy		D	1	
4	A8A5PP2200	Wire Harness Assy		D	1	
5	A8A5PP2300	Wire Harness Assy		D	1	
6	A8A5PP2400	Wire Harness Assy		D	1	
7	A8A5PP2500	Wire Harness Assy	D1,E,F2,G1,G2,J,H,I(except South Africa)	D	1	
7	A8A5PP2600	Wire Harness Assy	C,I(South Africa)	D	1	
8	A8A5PP2700	Wire Harness Assy		D	1	
9	A8A5PP2801	Wire Harness Assy	D1,E,F2,G1,G2,I(except South Africa)	D	1	
9	A8A5PP2900	Wire Harness Assy	J,H	D	1	
9	A8A5PP3001	Wire Harness Assy	C,I(South Africa)	D	1	

bizhub 215i/bizhub 225i/bizhub 7121i

CASSETTE SECTION



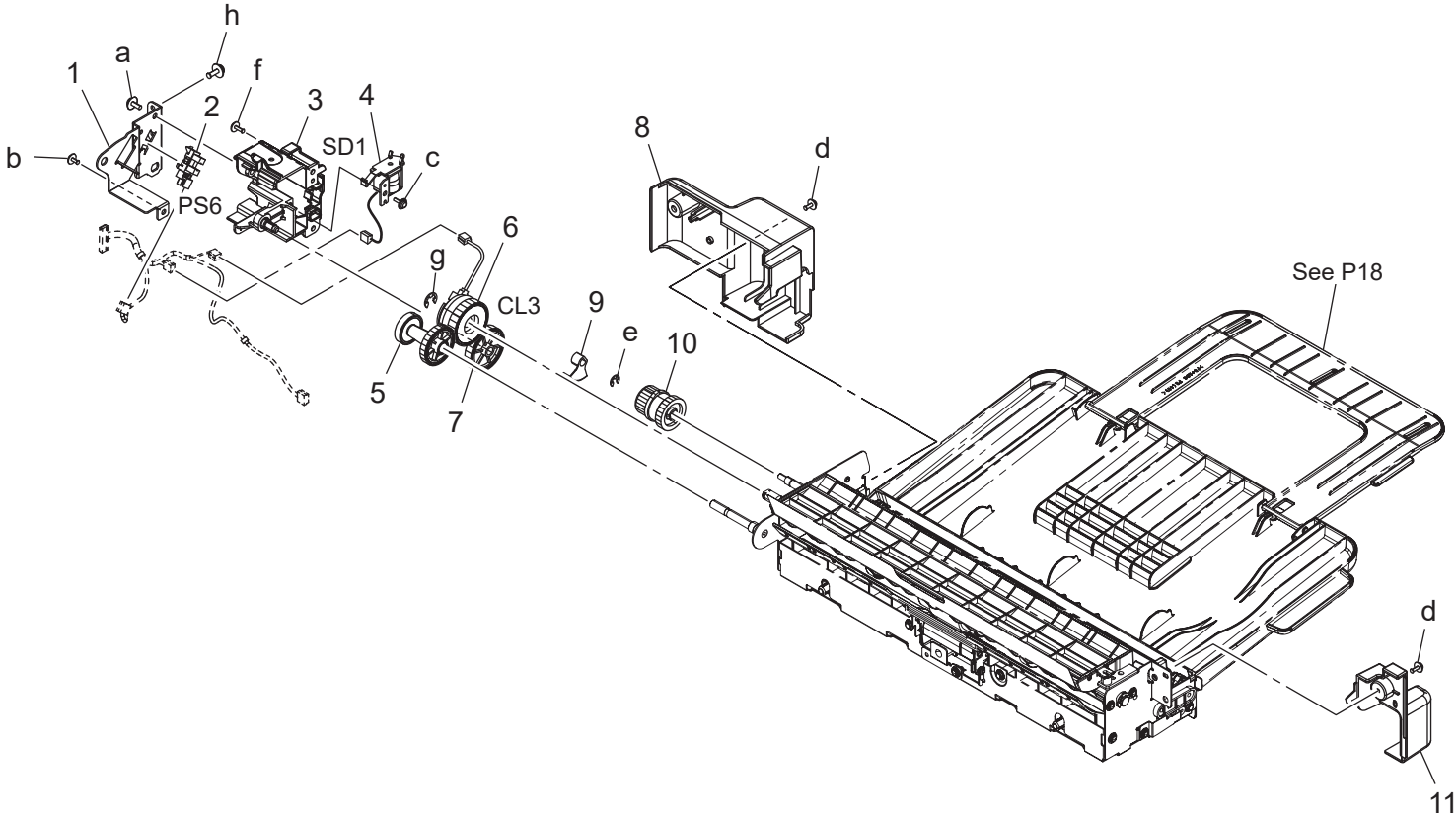
bizhub 215i/bizhub 225i/bizhub 7121i

CASSETTE SECTION

Key	Part No.	Description	Destinations	Class	QTY	Standard parts
1	A02F621200	Regulating plate		C	1	a-V192040609 b-V217060001 c-V153041003 d-V153031203 e-V231301450
2	A0XXPP7902	Friction Sheet		C	1	
3	A02F621101	Regulating Plate		C	1	
4	4038560100	PRESSURE SPRING		C	1	
5	4037321001	LEVER		C	1	
6	A0XXPP0R01	Pressure Spring		C	1	
7	1164300403	PAWL		C	1	
8	A3PEPP2V00	Torsion Spring		C	1	
9	A3PEPP2U00	Lever		C	1	
10	A3PEPP2P00	Weight		C	2	
11	A0XX560200	Paper feed Roller		C	1	
12	A02F944100	Label Level		C	1	
13	A0XXPP2101	Shaft		C	1	
14	A0XXPP7A00	Pressure Spring		C	2	
15	A0XXPP6E01	Separator Assy		C	1	
16	A0XXPP3A01	Bushing		C	2	
17	A3PEPP2X00	Front Cover		C	1	
18	A0XXPP3E00	Handle		C	1	
19	1164306101	LEVER		C	1	
20	1164306201	PRESSURE SPRING		C	1	
21	A3PEPP2Q00	Regulating Plate		C	1	
22	A02F625400	Pressure Spring		C	1	
23	A3PEPP2R00	Lever		C	1	
24	A3PEPP2N00	Cassette		D	1	
25	A02F623200	Rack		C	2	
26	1164304501	GEAR 20T		C	1	
27	A0XXPP3B01	Lifting Plate		C	1	
28	A3PEPP2W00	Lever	D1,E,F2,G1,G2,I	C	1	
29	A3PEPP6N00	Label Metric/Inch	D1,E,F2,G1,G2,I	C	1	
30	A3PEPP6P00	Mylar	D1,E,F2,G1,G2,I	C	1	
31	A3PEPP8801	Paper Feed Cassette ASSY	H,J	S	1	
32	A3PEPP8901	Paper Feed Cassette ASSY	D1,E,F2,G1,G2,I	S	1	

bizhub 215i/bizhub 225i/bizhub 7121i

MANUAL FEED TRAY

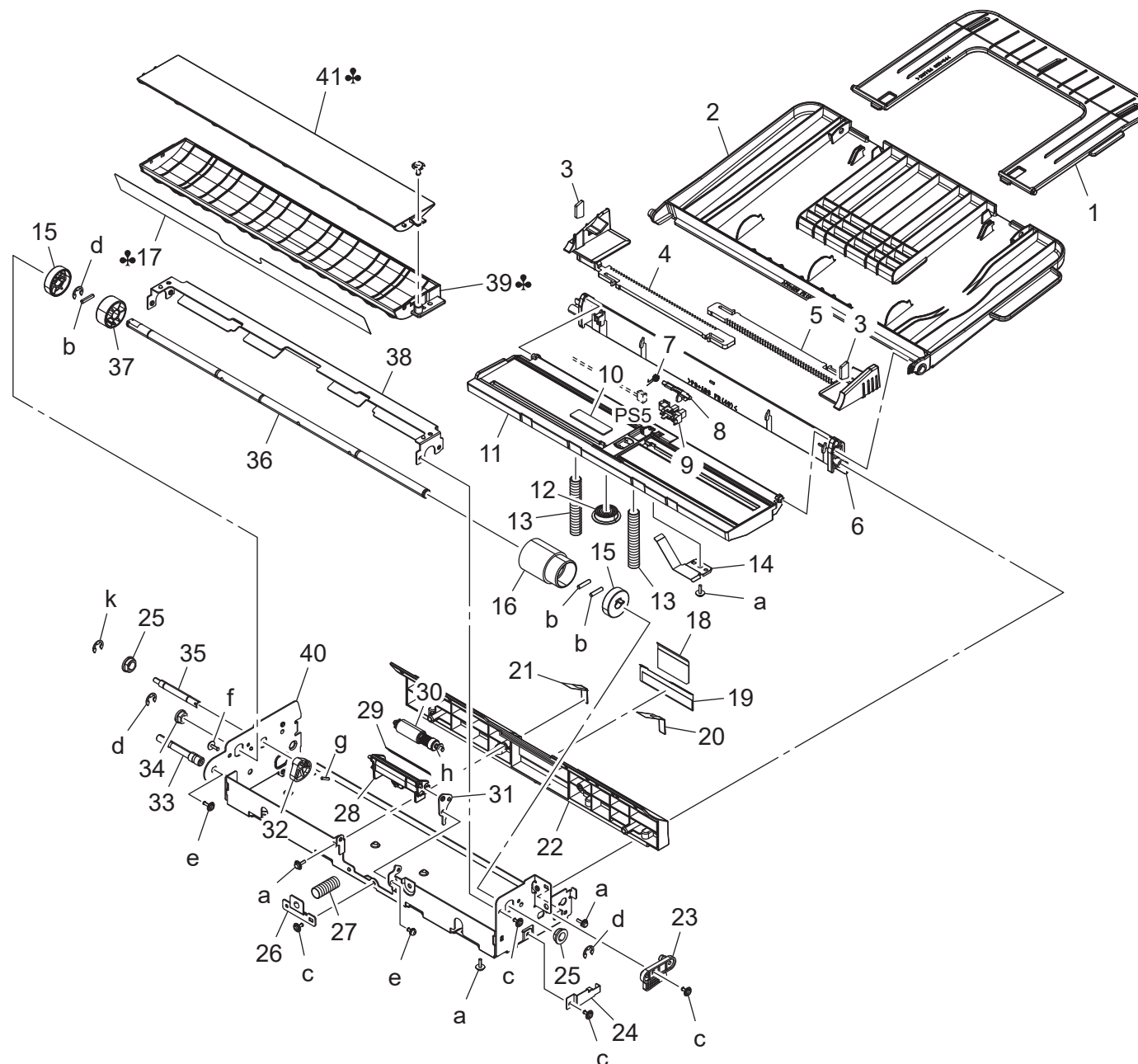


MANUAL FEED TRAY

Key	Part No.	Description	Destinations	Class	QTY	Standard parts
1	A3PHPP1601	Frame		D	1	a-V153040803 b-V137030603 c-V153030803 d-V116030804 e-V217040001 f-V137030803 g-V217060001 h-V116030803
2	A3PEPP1X00	Photointtrupter		I	1	
3	A0XXPP4G01	Holder		C	1	
4	9J06M20000	SOLENOID		B	1	
5	A0XXPP4K01	Gear		C	1	
6	A3PEPP4F00	Cluch		B	1	
7	A0XXPP4H01	Gear		C	1	
8	A3PHPP1900	Rear Cover		D	1	
9	A0XXPP4J01	Lever		C	1	
10	4038326001	CLUTCH ASSY		C	1	
11	A3PHPP1800	Front Cover		D	1	

bizhub 215i/bizhub 225i/bizhub 7121i

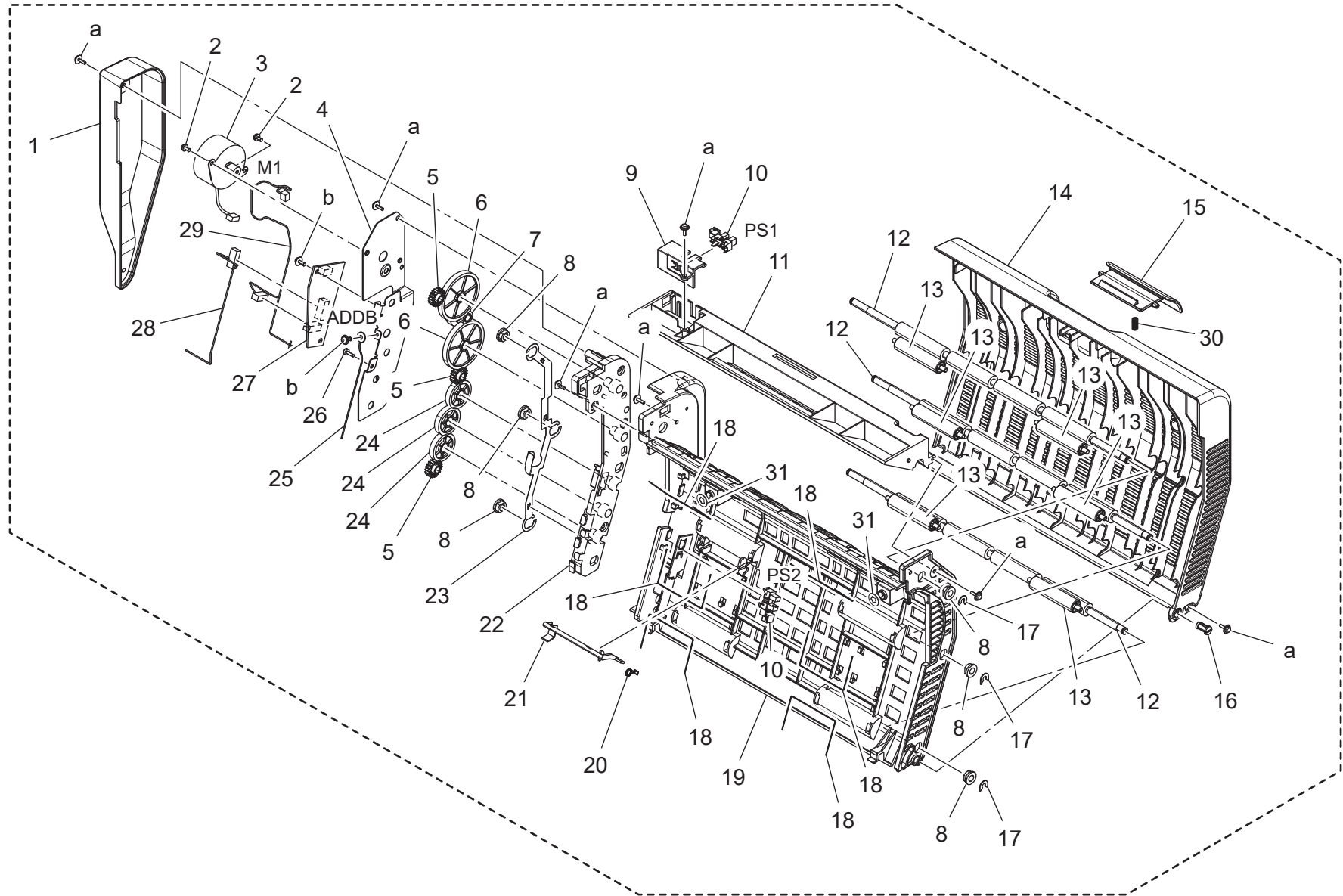
MANUAL FEED TRAY



Key	Part No.	Description	Destinations	Class	QTY	Standard parts
1	A0XXPP4A01	Tray		C	1	a-V153030803 b-V231301450 c-V137030603 d-V217060001 e-V116030803 f-V137030803 g-V231201050 h-V218030086 k-V217040001
2	A0XXPP4902	Tray		C	1	
3	4038328601	BRAKE		C	2	
4	A0XXPP4D00	Regulating Plate		C	1	
5	A0XXPP4C00	Regulating Plate		C	1	
6	A0XXPP1N00	Holder		D	1	
7	A0XXPP1D01	Torsion Spring		C	1	
8	A0XXPP4M01	Actuator		C	1	
9	A3PEPP1X00	Photointerrupter		I	1	
10	4687328101	FRICTION SHEET		C	1	
11	A0XXPP4B01	Guide		C	1	
12	A0XXPP4E01	Gear		C	1	
13	A0XXPP1T00	Pressure Spring		C	2	
14	4038325501	BRAKE		D	1	
15	A0XXPP6S00	Collar		C	2	
16	A0XX594700	Paper feed Roller		B	1	
17	A3PEPP2M00	Mylar	D1,E,F2,G1,G2,I(Except Sout h Africa),J,H	C	1	
17	A3PHPP1500	Seal	C,I(South Africa)	D	1	
18	4030340301	GUIDE		C	1	
19	4030340201	GUIDE PLATE		C	1	
20	4038326802	GUIDE		C	1	
21	4038326902	GUIDE		C	1	
22	A3PHPP1200	Guide		D	1	
23	4038321501	HOLD PLATE		D	1	
24	4039328201	PLATE SPRING		D	1	
25	4131353202	BUSHING		C	2	
26	A0XXPP1W01	Holder		D	1	
27	4030347501	PRESSURE SPRING		C	1	
28	A0XXPP4V00	Holder		C	1	
29	A0XXPP6T00	Guide		C	1	
30	4034015101	SEPARATION ROLLER		A	1	
31	A3PHPP1700	Adjust Plate		D	1	
32	4038323601	CAM		C	1	
33	A0XXPP2601	Shaft		D	1	
34	4030309301	BUSHING		C	1	
35	A0XXPP2501	Shaft		D	1	
36	A0XXPP2401	Shaft		C	1	
37	A0XXPP5700	Collar		C	1	
38	A3PHPP1300	Bracket		D	1	
39	A3PEPP2H00	Guide	D1,E,F2,G1,G2,I(Except Sout h Africa),J,H	C	1	
39	A3PHPP1400	Guide	C,I(South Africa)	D	1	
40	A3PHPP1100	Frame		D	1	
41	A3PEPP5B00	Right Lower Cover	C,I(South Africa)	C	1	

REVERSE SECTION

♣ Standard equipment on models other than ACN2021



bizhub 215i/bizhub 225i/bizhub 7121i

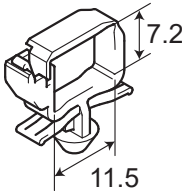
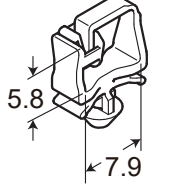
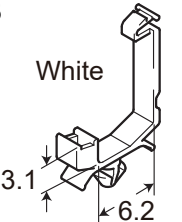
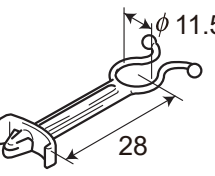
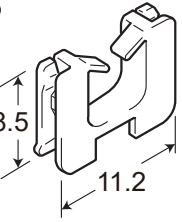
REVERSE SECTION

Key	Part No.	Description	Destinations	Class	QTY	Standard parts
1	A3PEPP2500	Cover	D1,E,F2,G1,G2,I(Except Sout h Africa),J,H	C	1	a-V153030804 b-V116030803
2	A0FDPP8700	SCREW	D1,E,F2,G1,G2,I(Except Sout h Africa),J,H	C	2	
3	A3PEPP2200	Stepping Motor	D1,E,F2,G1,G2,I(Except Sout h Africa),J,H	C	1	
4	A3PEPP1W00	Bracket	D1,E,F2,G1,G2,I(Except Sout h Africa),J,H	D	1	
5	4497311701	GEAR 20T	D1,E,F2,G1,G2,I(Except Sout h Africa),J,H	C	3	
6	A3PEPP1U00	Gear 60T	D1,E,F2,G1,G2,I(Except Sout h Africa),J,H	C	2	
7	A3PEPP1V00	Gear	D1,E,F2,G1,G2,I(Except Sout h Africa),J,H	C	1	
8	4030309301	BUSHING	D1,E,F2,G1,G2,I(Except Sout h Africa),J,H	C	6	
9	A3PEPP1Y00	Holder	D1,E,F2,G1,G2,I(Except Sout h Africa),J,H	D	1	
10	A3PEPP1X00	Photointtrupter	D1,E,F2,G1,G2,I(Except Sout h Africa),J,H	I	2	
11	A3PEPP1R00	Guide	D1,E,F2,G1,G2,I(Except Sout h Africa),J,H	C	1	
12	A3PEPP1Q00	Roller	D1,E,F2,G1,G2,I(Except Sout h Africa),J,H	C	3	
13	4497311601	ROLL	D1,E,F2,G1,G2,I(Except Sout h Africa),J,H	C	6	
14	A3PEPP2400	Cover	D1,E,F2,G1,G2,I(Except Sout h Africa),J,H	C	1	
15	A3PEPP2600	Lever	D1,E,F2,G1,G2,I(Except Sout h Africa),J,H	C	1	
16	A3PEPP2F00	Pin	D1,E,F2,G1,G2,I(Except Sout h Africa),J,H	C	1	
17	A3PEPP2B00	E ring	D1,E,F2,G1,G2,I(Except Sout h Africa),J,H	C	3	
18	A3PEPP1P00	Spring	D1,E,F2,G1,G2,I(Except Sout h Africa),J,H	D	6	
19	A3PEPP1N00	Frame	D1,E,F2,G1,G2,I(Except Sout h Africa),J,H	D	1	
20	A3PEPP2A00	Torsion Spring	D1,E,F2,G1,G2,I(Except Sout h Africa),J,H	C	1	
21	A3PEPP2000	Actuator	D1,E,F2,G1,G2,I(Except Sout h Africa),J,H	C	1	
22	A3PEPP1S00	Holder	D1,E,F2,G1,G2,I(Except Sout h Africa),J,H	D	1	
23	A3PEPP1T00	Ground Plate	D1,E,F2,G1,G2,I(Except Sout h Africa),J,H	D	1	
24	A3PEPP2E00	Gear 34T	D1,E,F2,G1,G2,I(Except Sout h Africa),J,H	C	3	
25	A3PEPP2801	WIRE HARNESS ASSY	D1,E,F2,G1,G2,I(Except Sout h Africa),J,H	D	1	
26	A3PEPP2900	Scew	D1,E,F2,G1,G2,I(Except Sout h Africa),J,H	C	1	
27	A3PEPP2100	PW Board Assy	D1,E,F2,G1,G2,I(Except Sout h Africa),J,H	I	1	

bizhub 215i/bizhub 225i/bizhub 7121i

Key	Part No.	Description	Destinations	Class	QTY	Standard parts
28	A3PEPP2300	Wire Harness Assy	D1,E,F2,G1,G2,I(Except South Africa),J,H	D	1	
29	A3PEPP2700	Wire Harness Assy	D1,E,F2,G1,G2,I(Except South Africa),J,H	D	1	
30	A3PEPP2G00	Pressure Spring	D1,E,F2,G1,G2,I(Except South Africa),J,H	C	1	
31	A3PEPP8600	Washer	D1,E,F2,G1,G2,I(Except South Africa),J,H	C	2	

bizhub 215i/bizhub 225i/bizhub 7121i

<p>1</p> 							
<p>2</p> 							
<p>3</p> <p>White</p> 							
<p>4</p> 							
<p>5</p> 							

bizhub 215i/bizhub 225i/bizhub 7121i

WIRING ACCESSORIES AND JIGS

Key	Part No.	Description	Destinations	Class	QTY	Standard parts
1	V500010082	Locking Wire Saddle		D		
2	V500020098	Mini Locking wire saddle		D		
3	V500020099	Mini Locking wire saddle		D		
4	V500020042	locker		D		
5	V570010021	Saddle		D		

bizhub 215i/bizhub 225i/bizhub 7121i

MAINTENANCE LIST

● The items with no Page/Key numbers are not handled as spare parts.

No.	Section	PM Parts Description	Maintenance Cycle (K=1,000)		Parts No.	Destinations	Page/Key	Note
			QTY	Replace				
1	Processing section	Developer	1	55K	-			
2		Drum	1	55K	-			
3		Cleaning blade	1	55K	A0XX361800		P8-15	
4		Drum charge corona assy	1	55K	A1XUR70100		P8-23	
5		Toner bottle (TN121) *5	1	5.4K	-			
6		Toner bottle (TN120) *4	1	5.4K	-			
7		Toner bottle (TN119) *1	1	5.4K	-			
8		Toner bottle (TN118)	1	12K	-			
9		Toner bottle (TN121H) *5	1	12K	-			
10		Toner bottle (TN120H) *4	1	12K	-			
11		Toner bottle (TN119H) *1	1	12K	-			
12		Imaging unit	1	165K	A1XUR70033		P8-3	
13	Fusing section	Fusing unit	1	165K	A3PEPP3V01	220-240V	P12-11	*2
14		Fusing unit	1	165K	A3PEPP3W01	120-127V	P12-11	*2
15		Fusing unit	1	165K	A3PEPP3X01	110V	P12-11	*2
16	Paper feed section	Feed roller	1	165K	A0XX560200		P16-11	
17		Separation pad	1	165K	A0XXPP6E01		P16-15	
18	Paper feed section	Feed roller	1	165K	A0XX594700		P18-16	*3
19		Separation roller	1	165K	4034015101		P18-30	*3
20	Conveyance section	Transfer roller unit	1	165K	A0XXPP6H01		P10-14	

*1: Only for China (bizhub 225i)

*2: Actual durable cycle (PM counter value)

*3: Replace those parts at the same time.

*4: Only for China (bizhub 7121i)

*5: Only for China (bizhub 215i)

*: The part names used on this page follow the ones used in the Service Manual and they are occasionally different from those written in other pages.

DESTINATION

Destination No.		Destinations		V	Hz	Model No.
A	A1	JAPAN				
	A2	JAPAN				
B		USA, CANADA				
C		EUROPEAN TYPE		220-240	50/60	ACN2021
D	D1	S.E ASIA TYPE	THAILAND, SRI LANKA, SINGAPORE, MALAYSIA, HONG KONG, PAKISTAN, INDIA, BANGLADESH, INDONESIA	220-240	50/60	ACN2041
	D3	OCEANIA TYPE	AUSTRALIA, NEW ZEALAND			
E		PHILIPPINES		220-240	50/60	ACN2041
F	F1	SAUDI ARABIA				
	F2	SAUDI ARABIA		220-240	50/60	ACN2041
G	G1	C.S AMERICA		220-240	50/60	ACN2041
	G2	C.S AMERICA		120	60	ACN2011
H		TAIWAN		110	60	ACN2071
I		JORDAN, LEBANON, SYRIA, SOUTH AFRICA, IRAQ, IRAN, N.YEMEN, CAMEROON, UAE, BAHRAIN, OMAN, QATAR, KUWAIT, KENYA, TUNISIA, IVORY COAST, MOROCCO		220-240	50/60	ACN2041
J		CHINA		220-240	50/60	ACN2081/ ACN2082/ ACN2083
K		KOREA				

bizhub 215i/bizhub 225i/bizhub 7121i