

KONICA MINOLTA

# *PARTS GUIDE MANUAL*

---

*DECEMBER 2008*

*bizhub 222/bizhub 282*  
*bizhub 362/bizhub 7728*  
*A11U011*

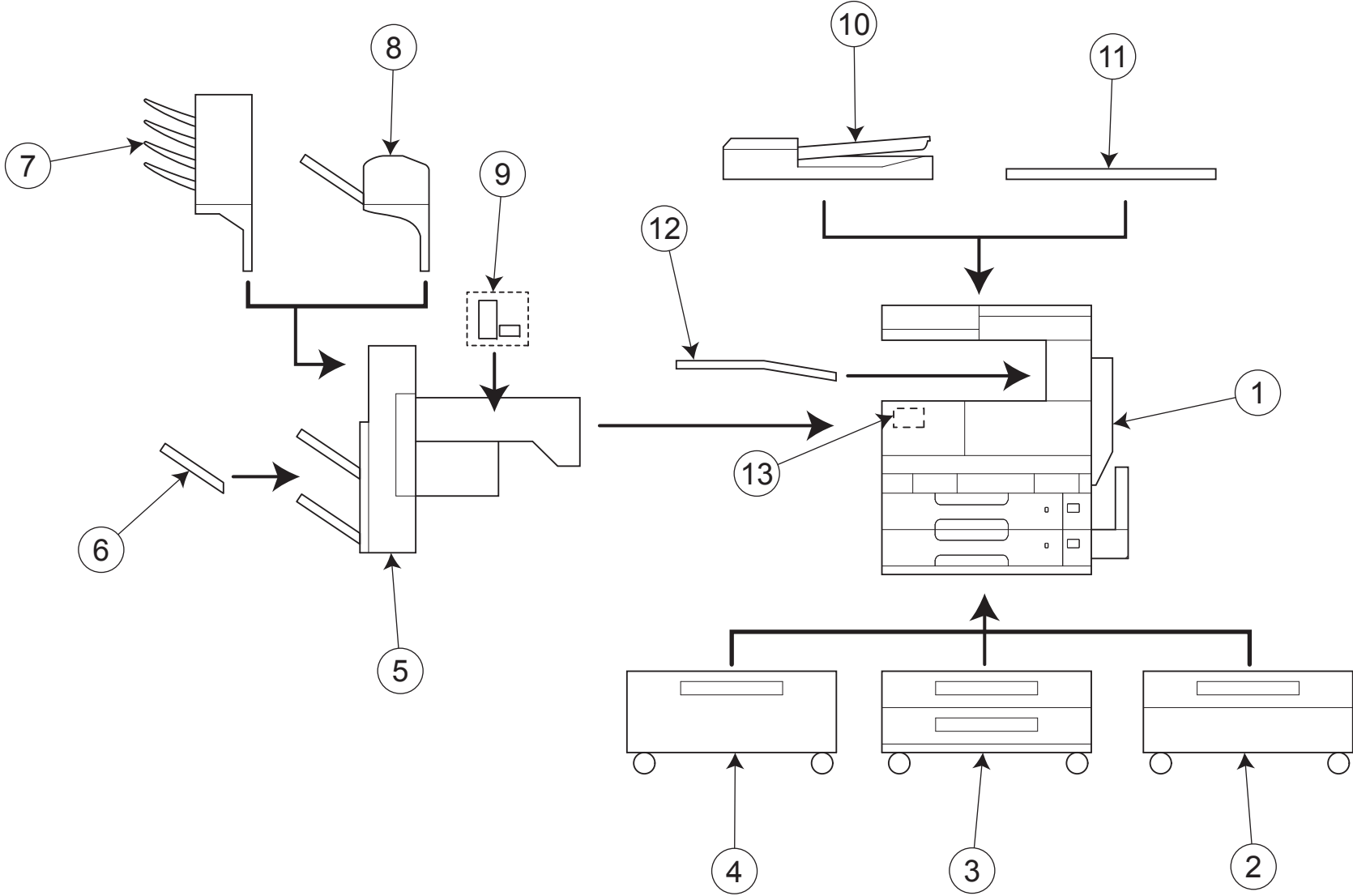
## INFORMATION FOR PARTS GUIDE MANUAL

To find correct Parts No., refer to the "HOW TO MAKE THE BEST USE OF THIS MANUAL" in the following page.

### HOW TO MAKE THE BEST USE OF THIS MANUAL

- 1 When you order, please check the proper figures beforehand that are on Our Parts Guide Manual, and order with the appropriate figures.
- 2 For screws, Nuts, Washers, retaining rings and Pins which are used in this model, one letter is shown on the Standard parts column of Parts list and exploded diagrams.
- 3 In order to maintain safety of the product, some specific parts composed of this product are set up as "essential safety parts".
- 4 The assigned parts number for the "essential safety parts" is indicated as "SP00-\*\*\*\*".  
When replacing these parts, follow precautions for disassembling and installing which are listed in the Service Manual.  
Do not use any parts that are not set up as
- 5 ♣ means that there are exclusive parts for each destination.  
Please check the appropriate destination when you order.
- 6 Revision Mark  
Marked as ▲ on the illustration shows that the revision has been made.
- 7 All rights reserved. (any reprints or quotations are prohibited.)  
Use of this parts guide manual should be strictly supervised to avoid disclosure of confidential information.

# SYSTEM OUTLINE



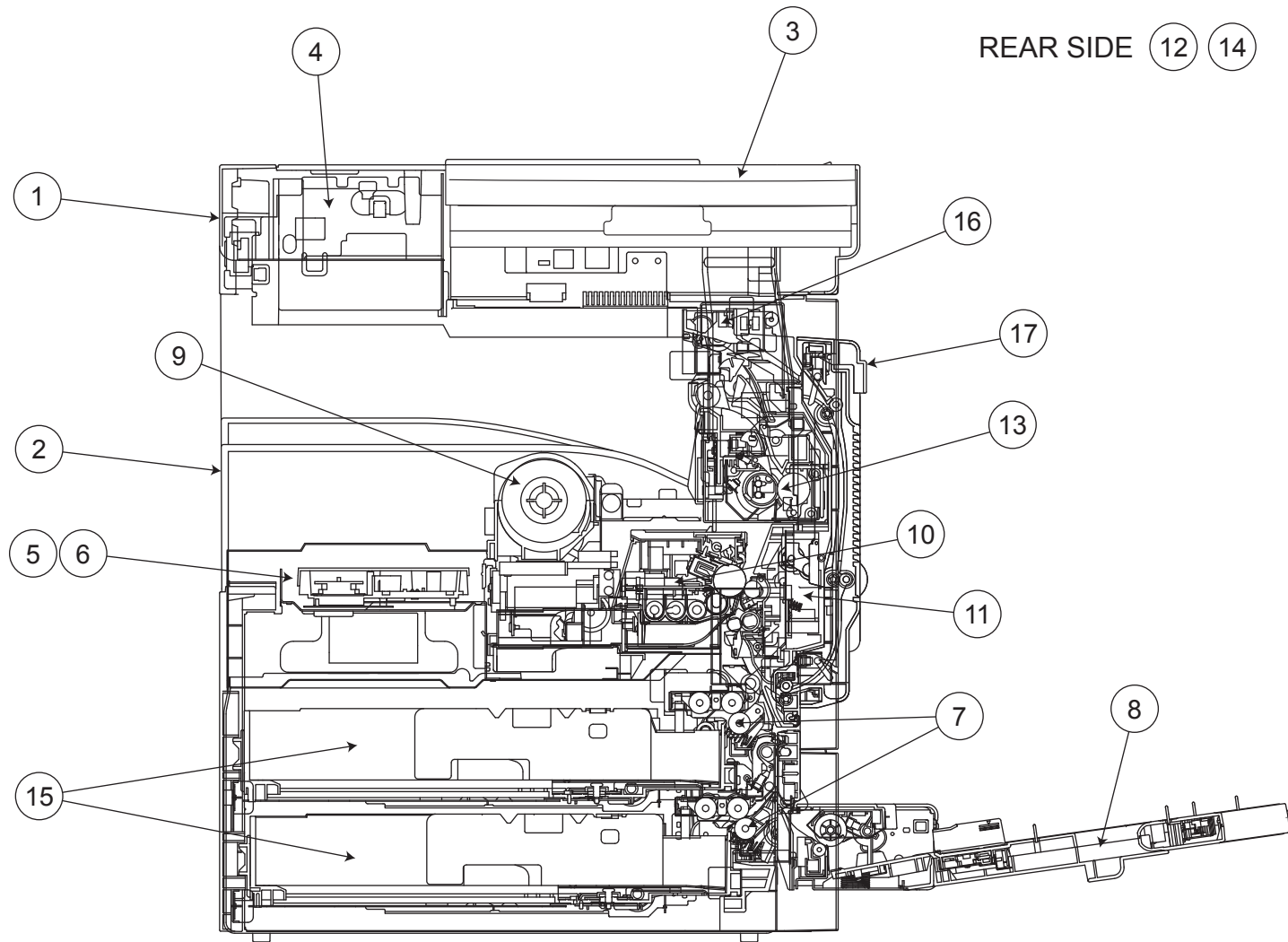
bizhub 222/bizhub 282/bizhub 362/bizhub 7728

# GENERAL CONTENTS

No.	Description	Model
1	DIGITAL MFP B/W	bizhub 222/bizhub 282/bizhub 362/bizhub 7728
2	PAPER FEEDER	PC-108
3	PAPER FEEDER	PC-206
4	PAPER FEEDER	PC-407
5	SORTER/FINISHER	FS-530
6	OTHER OPTION	OT-602
7	SORTER/FINISHER	MT-502
8	SORTER/FINISHER	SD-507
9	PUNCH UNIT	PU-501
10	DOCUMENT FEEDER	DF-620
11	OTHER OPTION	OC-510
12	STACKER	JS-502
13	FAX CONTROLLER	FK-503

bizhub 222/bizhub 282/bizhub 362/bizhub 7728

# DIAGRAMS OF MAIN PARTS SECTION



bizhub 222/bizhub 282/bizhub 362/bizhub 7728

# CONTENTS

No.	DESCRIPTION	PAGE No.
1	IR COVER	P1
2	EXTERNAL PARTS	P2
3	CONTROL PANEL	P3 P4
4	OPTICAL SECTION	P5 P6 P7 P8
5	POWER UNIT	P9
6	FRAME SECTION	P10 P11
7	PAPER TAKE-UP SECTION	P12 P13 P14 P15
8	BYPASS SECTION	P16 P17 P18
9	HOPPER SECTION	P19 P20
10	DEVELOPING UNIT	P21
11	PAPER TRANSPORT SECTION	P22 P23
12	DRIVE SECTION	P24 P25 P26
13	FUSING SECTION	P27 P28
14	ELECTRICAL COMPONENTS	P29 P30
15	CASSETTE SECTION	P31
16	TURNOVER UNIT	P32
17	DUPLEX UNIT	P33 P34
18	WIRING	P35 P36 P37 P38 P39 P40 P41
19	WIRING ACCESSORIES AND JIGS	P42
20	ACCESSORY PARTS	P43

bizhub 222/bizhub 282/bizhub 362/bizhub 7728

# INDEX

Parts No.	Page No.	Parts No.	Page No.	Parts No.	Page No.	Parts No.	Page No.	Parts No.	Page No.
0866 7801 01	9-14	1164 3529 01	23-3	4011 3020 01	23-24	4030 2010 01	10-5	4030 2115 01	11-17
0928 3033 01	34-1	1164 3549 01	23-12	4011 3020 01	31-7	4030 2011 01	10-33	4030 2116 01	10-30
0990 6304 02	29-16	1164 4202 04	23-18	4011 3021 01	31-6	4030 2012 02	10-25	4030 2118 01	11-18
0992 3014 01	31-27	1164 4206 02	23-5	4011 3508 01	22-19	4030 2013 01	22-8	4030 2119 01	9-20
1033 4402 03	2-13	1164 4209 02	23-7	4011 3509 01	23-16	4030 2016 01	10-19	4030 2120 01	9-26
1038 4006 01	42-14	1164 4218 01	23-10	4011 3510 01	23-17	4030 2017 01	9-1	4030 2125 01	30-11
1050 4805 01	42-15	1164 4219 02	22-12	4011 3512 01	23-23	4030 2018 01	9-22	4030 2126 01	30-11
1052 4412 01	12-22	1165 2040 02	11-22	4011 3515 01	22-10	4030 2019 02	11-24	4030 2131 02	29-15
1053 4812 01	42-7	1165 2142 01	11-4	4011 4217 01	23-8	4030 2022 01	22-1	4030 2133 01	29-13
1065 3086 01	12-19	1165 2153 01	11-5	4011 5338 01	20-19	4030 2023 01	22-2	4030 2135 01	30-9
1065 3086 01	14-25	1165 2592 01	24-28	4011 5339 01	20-18	4030 2024 02	22-5	4030 2150 01	29-17
1067 2501 01	12-27	1165 2592 01	26-32	4011 5788 01	42-8	4030 2025 01	22-22	4030 2161 01	30-1
1067 2501 01	14-22	1165 4305 02	20-28	4011 5852 02	32-5	4030 2034 01	9-24	4030 2162 01	10-26
1067 2501 01	26-45	1165 4307 01	20-35	4011 5925 02	9-11	4030 2036 01	9-9	4030 2305 01	30-10
1067 2502 01	17-8	1165 4308 02	20-34	4012 3524 12	22-13	4030 2039 02	29-10	4030 2306 02	29-4
1067 2513 01	26-14	1165 4310 01	20-29	4025 2283 01	7-25	4030 2040 01	9-7	4030 2307 01	29-3
1075 2565 01	17-20	1165 5308 01	20-13	4030 0151 01	13-15	4030 2042 02	10-17	4030 2311 01	2-7
1079 2219 01	10-24	1165 5309 02	20-15	4030 0151 01	15-2	4030 2043 01	20-1	4030 2312 01	29-1
1129 7303 01	10-34	1165 5311 01	26-22	4030 0152 03	20-23	4030 2045 01	20-7	4030 2505 01	24-26
1129 7303 01	11-25	1165 5319 01	20-14	4030 0153 03	20-26	4030 2046 01	20-3	4030 2506 01	24-25
1134 3041 01	14-10	1165 5327 03	19-11	4030 0154 05	26-44	4030 2047 01	20-4	4030 2510 01	24-24
1134 3041 01	32-6	1200 2105 02	32-20	4030 0216 05	18-17	4030 2049 01	9-12	4030 2511 01	24-23
1134 3042 02	18-6	1200 5212 04	14-7	4030 1011 02	2-27	4030 2050 02	20-31	4030 2512 01	24-22
1134 3043 01	26-13	1274 3603 01	31-8	4030 1019 02	20-6	4030 2051 02	20-33	4030 2515 01	24-9
1139 3169 01	32-15	1300 3322 17	17-21	4030 1023 02	2-21	4030 2052 02	22-21	4030 2516 01	24-7
1149 3454 01	15-23	26NA 2030 0	13-24	4030 1025 02	2-2	4030 2053 01	42-19	4030 2517 01	24-5
1155 2518 01	26-15	4002 2581 01	22-7	4030 1040 02	2-14	4030 2054 01	42-18	4030 2518 01	24-6
1164 2007 12	11-13	4002 3108 01	31-37	4030 1381 02	4-9	4030 2055 01	20-30	4030 2523 01	24-3
1164 2021 02	11-23	4002 3110 01	25-5	4030 1382 01	4-4	4030 2062 01	10-27	4030 2524 01	24-2
1164 2050 01	20-2	4002 3131 01	25-4	4030 1385 01	4-5	4030 2079 02	10-22	4030 2525 01	24-4
1164 2051 01	10-31	4002 7306 01	31-12	4030 1386 01	4-17	4030 2080 01	10-18	4030 2526 01	24-20
1164 2155 01	10-4	4011 2010 01	11-11	4030 1387 01	4-7	4030 2081 01	10-14	4030 2530 02	24-11
1164 2310 01	11-9	4011 2024 01	22-11	4030 1390 04	4-2	4030 2102 01	11-2	4030 2531 01	24-13
1164 2316 01	11-10	4011 2031 01	29-6	4030 1515 01	1-5	4030 2107 01	29-19	4030 2535 01	24-19
1164 3065 01	28-6	4011 2034 02	9-10	4030 2004 02	9-8	4030 2108 01	29-21	4030 2542 01	24-27
1164 3508 01	23-11	4011 2035 01	11-21	4030 2005 02	10-15	4030 2110 01	30-6	4030 2549 01	22-18
1164 3513 01	23-14	4011 2037 01	10-32	4030 2006 01	10-16	4030 2111 03	30-2	4030 3001 03	12-28
1164 3514 02	23-15	4011 2047 01	11-6	4030 2007 01	10-11	4030 2112 01	11-26	4030 3002 02	12-10
1164 3515 01	23-13	4011 2134 01	11-3	4030 2008 02	10-13	4030 2113 01	11-27	4030 3002 02	14-16
1164 3527 02	23-28	4011 3012 01	25-1	4030 2009 01	10-28	4030 2114 01	11-1	4030 3003 01	12-12

Parts No.	Page No.	Parts No.	Page No.	Parts No.	Page No.	Parts No.	Page No.	Parts No.	Page No.
4030 3003 01	14-21	4030 3041 02	12-4	4030 3103 02	13-4	4030 3229 02	31-9	4030 3474 01	16-15
4030 3004 01	12-20	4030 3042 02	14-5	4030 3104 01	13-3	4030 3401 13	17-17	4030 3475 01	16-19
4030 3005 01	12-7	4030 3044 01	13-6	4030 3105 01	15-10	4030 3402 01	16-14	4030 3476 01	16-4
4030 3005 01	14-13	4030 3046 03	25-15	4030 3107 01	15-17	4030 3403 01	16-13	4030 3477 01	16-5
4030 3008 01	12-11	4030 3047 02	25-6	4030 3108 01	13-1	4030 3404 01	16-16	4030 3478 02	17-27
4030 3008 01	14-17	4030 3048 02	25-13	4030 3112 02	14-1	4030 3412 01	18-18	4030 3479 01	17-9
4030 3010 02	14-37	4030 3049 01	25-14	4030 3114 02	15-18	4030 3414 01	18-7	4030 3481 01	16-9
4030 3011 03	12-24	4030 3051 01	26-5	4030 3115 01	15-28	4030 3415 02	18-4	4030 3484 01	16-6
4030 3011 03	14-27	4030 3052 01	26-12	4030 3116 01	15-19	4030 3416 02	17-3	4030 3486 01	18-1
4030 3012 01	12-25	4030 3053 01	26-9	4030 3117 02	15-21	4030 3417 01	17-2	4030 3487 01	18-24
4030 3012 01	14-28	4030 3054 01	26-11	4030 3121 01	15-26	4030 3419 01	17-35	4030 3489 01	16-12
4030 3013 01	13-17	4030 3055 01	26-10	4030 3122 01	15-25	4030 3420 02	17-34	4030 3492 01	16-18
4030 3013 01	15-8	4030 3057 01	26-6	4030 3123 01	15-24	4030 3422 01	17-26	4030 3501 08	23-26
4030 3014 01	13-8	4030 3059 01	26-17	4030 3124 03	15-11	4030 3424 01	16-26	4030 3504 01	23-27
4030 3014 01	15-6	4030 3060 01	26-16	4030 3125 01	13-5	4030 3427 01	17-16	4030 3505 01	23-20
4030 3016 12	12-30	4030 3063 01	14-35	4030 3125 01	15-12	4030 3428 01	16-11	4030 3506 01	23-19
4030 3016 12	14-11	4030 3064 01	14-32	4030 3128 01	14-4	4030 3429 02	17-30	4030 3517 01	22-16
4030 3017 03	13-7	4030 3067 01	26-7	4030 3129 03	15-13	4030 3430 01	17-1	4030 3518 01	22-17
4030 3017 03	15-5	4030 3068 01	14-34	4030 3134 03	15-27	4030 3432 07	17-32	4030 3519 12	29-9
4030 3018 01	14-6	4030 3069 01	14-33	4030 3135 01	15-20	4030 3434 01	17-12	4030 3520 01	22-15
4030 3019 02	14-9	4030 3071 01	26-8	4030 3201 09	31-39	4030 3435 01	18-14	4030 3523 02	29-7
4030 3021 01	14-36	4030 3077 01	13-16	4030 3203 01	31-23	4030 3436 01	18-27	4030 3524 01	29-8
4030 3022 01	14-26	4030 3077 01	15-9	4030 3205 01	31-26	4030 3437 01	18-13	4030 3527 01	22-23
4030 3023 03	12-15	4030 3078 01	13-20	4030 3206 01	31-25	4030 3438 01	16-24	4030 3703 01	33-14
4030 3025 02	13-14	4030 3078 01	15-4	4030 3207 01	31-2	4030 3441 01	17-18	4030 3707 01	34-2
4030 3025 02	15-14	4030 3079 01	13-19	4030 3208 02	25-9	4030 3444 01	17-5	4030 3708 01	34-4
4030 3026 02	13-11	4030 3079 01	15-3	4030 3211 02	31-17	4030 3445 01	17-6	4030 3709 01	34-5
4030 3027 02	13-12	4030 3080 01	13-21	4030 3212 01	31-10	4030 3446 01	18-8	4030 3710 01	33-8
4030 3030 01	12-18	4030 3081 01	25-11	4030 3214 02	31-14	4030 3447 01	17-15	4030 3711 02	33-24
4030 3030 01	14-24	4030 3083 01	25-12	4030 3215 01	31-15	4030 3448 01	16-21	4030 3713 01	34-21
4030 3031 01	14-8	4030 3084 01	12-2	4030 3216 01	31-36	4030 3455 02	18-20	4030 3725 01	34-22
4030 3032 03	13-2	4030 3085 01	12-16	4030 3217 01	31-21	4030 3456 01	16-8	4030 3726 01	34-20
4030 3034 01	12-8	4030 3086 01	12-3	4030 3218 01	31-35	4030 3457 03	16-10	4030 3729 01	34-23
4030 3034 01	14-14	4030 3087 01	12-1	4030 3222 03	31-24	4030 3460 02	18-19	4030 3733 03	34-24
4030 3036 01	12-13	4030 3088 01	12-14	4030 3223 03	31-1	4030 3463 01	18-16	4030 3735 01	33-7
4030 3036 01	15-15	4030 3091 01	25-2	4030 3224 02	25-10	4030 3464 01	17-4	4030 3736 01	34-6
4030 3037 01	13-13	4030 3092 01	14-31	4030 3224 02	31-29	4030 3465 01	17-7	4030 3737 01	33-21
4030 3037 01	15-30	4030 3093 01	17-10	4030 3226 01	31-22	4030 3467 01	17-23	4030 3738 03	33-22
4030 3039 01	13-18	4030 3095 01	15-16	4030 3227 01	31-4	4030 3472 01	18-22	4030 3739 01	33-23
4030 3039 01	15-7	4030 3101 01	13-9	4030 3228 12	31-5	4030 3473 02	18-15	4030 3740 01	33-16



Parts No.	Page No.	Parts No.	Page No.	Parts No.	Page No.	Parts No.	Page No.	Parts No.	Page No.
4030 3741 03	33-15	4030 5330 03	26-19	4030 5753 01	27-10	4030 6844 01	11-8	4040 0751 00	9-16
4030 3742 01	33-17	4030 5331 01	26-23	4030 5803 01	28-1	4030 6852 02	29-14	4040 0752 00	21-1
4030 3743 02	34-13	4030 5332 01	26-25	4030 5805 03	27-5	4030 7307 02	18-25	4040 0768 00	26-46
4030 3744 01	34-12	4030 5334 01	26-42	4030 5805 03	28-9	4030 7308 02	18-25	4040 0769 00	19-18
4030 3745 01	34-10	4030 5355 02	26-21	4030 5806 01	28-10	4030 7309 02	18-11	4040 0772 00	19-18
4030 3746 01	34-15	4030 5360 01	20-24	4030 5807 01	27-3	4030 7316 01	11-7	4040 0773 00	19-18
4030 3747 01	34-18	4030 5361 03	20-11	4030 5808 02	27-12	4030 7316 01	24-12	4040 0775 00	19-18
4030 3748 01	34-19	4030 5364 01	20-25	4030 5809 02	27-7	4030 7340 01	28-3	4040 0777 00	24-29
4030 3749 01	34-14	4030 5365 01	20-16	4030 5810 02	27-6	4030 7342 01	32-7	4040 0778 00	23-29
4030 3750 01	34-9	4030 5367 01	26-31	4030 5811 01	28-4	4030 R705 00	26-18	4040 0901 01	27-17
4030 3752 01	33-19	4030 5368 02	26-30	4030 5813 01	28-15	4030 R706 00	14-18	4040 1009 03	2-31
4030 3755 01	33-26	4030 5369 02	26-29	4030 5825 02	28-5	4030 R707 00	17-31	4040 1028 01	2-34
4030 3760 01	33-27	4030 5370 01	26-34	4030 5827 01	27-1	4030 R708 00	17-19	4040 1029 01	2-33
4030 3802 01	32-31	4030 5371 01	26-33	4030 5834 02	28-16	4030 R709 00	24-15	4040 1036 01	9-21
4030 3805 02	32-16	4030 5372 01	26-28	4030 5841 01	28-2	4030 R710 00	24-16	4040 1055 01	4-13
4030 3806 02	32-8	4030 5373 01	26-27	4030 5843 02	28-7	4030 R712 00	24-21	4040 1383 01	4-18
4030 3810 01	32-26	4030 5374 01	26-20	4030 5853 01	42-9	4030 R713 00	22-6	4040 1384 01	4-6
4030 3811 01	32-38	4030 5376 01	26-35	4030 5854 01	28-12	4030 R714 00	26-43	4040 1391 01	4-1
4030 3812 01	32-39	4030 5377 01	26-39	4030 5855 01	28-13	4030 R715 00	26-38	4040 2056 01	20-5
4030 3813 01	32-40	4030 5378 01	20-21	4030 5856 01	27-4	4030 R718 00	34-25	4040 2063 01	30-12
4030 3814 01	32-12	4030 5379 01	20-22	4030 5856 01	28-8	4030 R719 00	34-11	4040 2064 01	9-15
4030 3815 01	32-29	4030 5383 02	19-14	4030 5857 01	28-11	4030 R720 00	26-3	4040 2065 01	29-20
4030 3817 01	32-18	4030 5384 01	19-12	4030 5858 01	28-14	4034 0151 01	16-20	4040 2078 01	10-23
4030 3818 02	32-14	4030 5385 02	20-10	4030 6214 00	31-40	4037 0104 01	25-3	4040 2092 01	29-5
4030 3819 01	32-13	4030 5386 01	19-13	4030 6215 00	31-41	4037 0906 01	12-26	4040 2093 01	2-32
4030 3821 01	32-21	4030 5389 01	19-6	4030 6757 01	9-19	4037 0906 01	14-3	4040 2094 01	10-21
4030 3823 01	32-22	4030 5390 01	19-16	4030 6807 02	35-1	4037 0906 01	17-13	4040 2095 01	29-18
4030 3824 01	32-36	4030 5391 01	19-9	4030 6809 01	35-2	4037 0906 01	18-5	4040 2101 02	9-2
4030 3825 02	32-37	4030 5392 01	19-10	4030 6810 02	35-3	4037 0906 01	23-2	4040 2103 01	29-11
4030 3826 01	32-23	4030 5393 01	19-8	4030 6811 01	12-5	4037 0906 01	25-7	4040 2109 02	9-5
4030 3829 01	32-4	4030 5394 01	19-7	4030 6812 02	36-1	4037 0906 01	27-11	4040 2130 01	7-24
4030 3834 01	32-32	4030 5395 01	19-17	4030 6813 02	36-2	4037 0906 01	30-14	4040 2138 01	29-2
4030 3837 01	32-9	4030 5396 01	20-8	4030 6814 03	37-1	4037 0906 01	32-17	4040 2139 01	9-4
4030 3838 02	32-10	4030 5397 01	2-4	4030 6816 01	9-25	4037 0906 01	33-18	4040 2159 01	30-4
4030 3839 01	32-11	4030 5398 01	19-15	4030 6817 01	37-2	4037 3204 01	31-18	4040 2160 01	11-28
4030 4207 01	23-6	4030 5705 01	27-14	4030 6818 01	37-3	4037 3213 12	31-3	4040 2304 01	30-8
4030 4213 02	23-21	4030 5713 02	27-15	4030 6823 02	34-7	4037 6899 01	18-21	4040 2545 01	24-17
4030 4220 01	23-9	4030 5717 01	27-9	4030 6824 01	32-24	4037 7406 01	2-38	4040 2546 01	24-18
4030 5324 01	26-40	4030 5750 03	27-16	4030 6842 01	11-14	4040 0110 01	7-21	4040 2551 01	24-8
4030 5328 01	26-41	4030 5752 03	27-2	4030 6843 01	10-3	4040 0163 01	10-20	4040 2552 01	24-10

bizhub 222/bizhub 282/bizhub 362/bizhub 7728

Parts No.	Page No.	Parts No.	Page No.	Parts No.	Page No.	Parts No.	Page No.	Parts No.	Page No.
4040 3096 01	12-23	4040 6833 01	40-1	4138 5866 01	27-13	4384 1092 01	7-20	4551 2026 01	8-6
4040 3096 01	14-29	4040 6841 01	40-2	4163 5102 01	20-20	4384 1102 01	7-2	4551 2027 01	7-18
4040 3097 01	12-17	4040 6853 01	11-20	4163 5205 01	21-3	4425 3013 01	12-29	4551 2028 01	7-17
4040 3097 01	14-23	4040 6854 01	11-19	4163 5207 01	21-9	4425 3013 01	14-15	4551 2029 01	8-4
4040 3443 01	17-14	4040 7375 01	19-5	4163 5208 01	21-4	4425 3016 01	12-9	4551 2030 01	6-4
4040 3495 01	16-22	4040 7801 01	9-27	4163 5209 01	21-6	4425 3016 01	14-20	4551 2033 01	6-5
4040 3496 01	16-23	4040 7802 01	9-28	4163 5210 02	21-2	4426 4411 02	32-19	4551 2034 01	6-5
4040 3497 01	17-33	4040 7803 01	9-29	4163 5222 01	21-17	4497 3114 01	33-11	4551 2035 01	41-2
4040 3758 01	34-8	4040 7804 01	9-27	4163 5223 01	21-18	4497 3114 01	34-26	4551 2036 01	41-4
4040 3759 01	33-6	4040 7805 01	9-28	4163 5224 01	21-16	4497 3116 01	33-12	4551 2037 01	41-1
4040 3833 02	32-27	4040 7805 01	9-29	4163 5238 01	21-5	4497 3116 01	34-3	4551 2038 01	5-2
4040 5211 01	21-10	4040 7901 01	42-20	4163 5239 01	21-8	4498 3388 01	32-30	4551 2039 01	5-4
4040 5216 01	21-14	4040 M100 00	9-6	4163 5240 01	21-7	4498 3469 01	31-38	4551 2045 01	5-5
4040 5217 01	21-12	4040 M100 00	32-35	4163 5293 01	15-29	4498 3825 01	31-19	4551 2046 01	5-3
4040 5222 01	21-13	4040 M200 00	26-24	4163 5293 01	24-14	4498 3826 01	31-33	4551 2046 01	6-13
4040 5223 01	21-11	4040 M600 00	11-12	4163 5293 01	26-26	4551 2001 01	8-21	4551 2047 01	8-20
4040 5317 01	19-1	4040 N300 00	43-5	4348 6206 00	10-7	4551 2002 01	8-22	4551 2058 01	41-5
4040 5318 01	19-2	4040 R705 00	17-37	4384 1006 01	5-7	4551 2003 01	7-3	4551 2059 01	7-8
4040 5319 01	19-3	4040 R710 00	27-18	4384 1019 01	7-16	4551 2004 01	8-2	4551 2059 01	8-17
4040 5322 01	19-4	4040 R711 00	27-18	4384 1021 01	7-15	4551 2005 01	8-8	4551 3001 00	1-12
4040 5600 00	10-12	4040 R712 00	27-18	4384 1022 01	7-4	4551 2006 01	8-10	4551 3002 00	1-10
4040 5601 00	10-9	4040 R725 00	23-1	4384 1023 01	7-11	4551 2007 01	8-7	4551 3003 00	1-11
4040 5602 00	10-2	4041 0751 00	9-16	4384 1024 01	7-14	4551 2008 01	6-8	4581 1389 01	4-3
4040 5603 00	10-10	4041 7377 01	19-5	4384 1030 01	6-6	4551 2009 01	8-19	4657 3714 01	34-16
4040 5610 00	13-22	4109 2003 01	11-16	4384 1030 01	6-7	4551 2010 01	6-9	4658 3012 01	31-16
4040 5610 00	15-32	4128 1978 01	9-17	4384 1030 01	6-11	4551 2011 01	41-3	4658 3047 01	29-23
4040 5612 00	13-23	4128 1979 01	9-18	4384 1030 01	6-12	4551 2012 01	8-9	4658 3048 01	31-11
4040 5612 00	15-33	4128 3823 01	31-20	4384 1030 01	6-12	4551 2013 01	7-10	4658 3049 01	31-13
4040 5755 01	27-8	4131 2536 02	32-41	4384 1031 01	6-10	4551 2014 01	7-5	4658 3513 01	13-10
4040 5823 01	28-17	4131 3001 01	17-11	4384 1033 01	7-13	4551 2015 01	8-13	4658 3517 01	17-22
4040 6040 01	21-15	4131 3003 01	12-6	4384 1036 01	8-18	4551 2016 01	8-11	4661 3106 01	33-3
4040 6201 01	9-13	4131 3003 01	14-12	4384 1044 01	8-15	4551 2017 01	8-5	4661 3155 01	33-25
4040 6202 02	9-13	4131 3003 01	26-2	4384 1045 01	8-16	4551 2018 01	5-6	4687 3281 01	16-27
4040 6203 01	9-3	4131 3004 02	17-36	4384 1046 01	7-19	4551 2019 01	5-1	50GA 4006 00	14-38
4040 6205 00	10-8	4131 3007 02	17-28	4384 1058 01	7-9	4551 2020 01	6-2	50GA 4007 00	15-31
4040 6804 01	39-2	4131 3053 02	16-17	4384 1061 01	7-7	4551 2021 01	8-14	50GA 6271 01	25-16
4040 6808 01	40-1	4131 3532 02	14-2	4384 1062 01	8-1	4551 2022 01	6-3	9313 1100 33	22-14
4040 6815 01	38-1	4131 4128 01	17-29	4384 1063 01	7-1	4551 2023 01	8-3	9313 1100 42	29-22
4040 6819 02	38-2	4131 4623 04	18-26	4384 1068 01	7-6	4551 2024 01	8-12	9314 1200 91	32-25
4040 6832 02	7-22	4138 5866 01	22-20	4384 1070 01	7-12	4551 2025 01	6-1	9314 2400 31	24-1

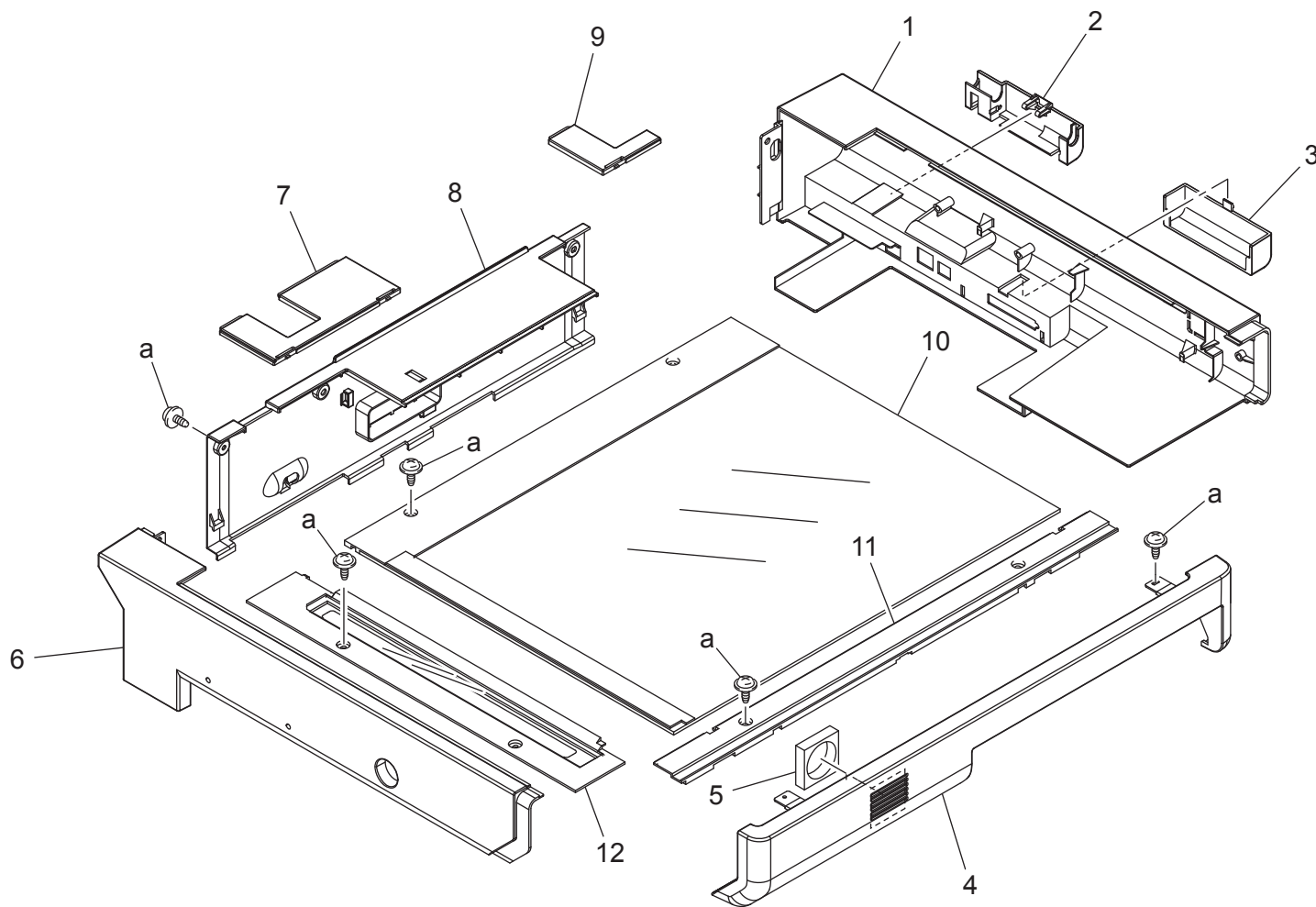
bizhub 222/bizhub 282/bizhub 362/bizhub 7728

Parts No.	Page No.	Parts No.	Page No.	Parts No.	Page No.	Parts No.	Page No.
9322 1000 81	23-25	A0R5 6008 00	18-12	A11U 1612 00	2-26	A11U M703 00	3-1
9322 1500 12	14-30	A0R5 6009 00	16-3	A11U 1613 00	2-37	A11U M704 00	3-1
9322 1500 12	26-4	A0R5 6010 00	18-23	A11U 1614 00	2-35	A11U N101 00	39-1
9322 1500 12	34-17	A0R5 6011 00	18-2	A11U 1616 00	2-6	A11U N104 00	39-1
9326 1910 21	7-26	A0R5 6023 00	18-9	A11U 1618 00	2-20	A11U N105 00	39-1
9326 1910 31	7-23	A0R5 6025 00	16-7	A11U 1622 00	2-23	A11U R701 00	16-25
9326 1910 31	18-28	A0R5 6026 00	18-29	A11U 1626 00	2-25	A11U R702 00	16-25
9326 1910 31	30-17	A0R5 6042 00	16-1	A11U 1628 00	22-4	A11U R703 00	22-24
9326 2900 06	20-27	A0R5 6059 00	18-10	A11U 1631 00	4-12	A11U R704 00	32-42
9334 2710 11	20-17	A0R5 6066 00	18-3	A11U 1632 00	4-15	A11U R903 00	42-22
9351 1200 12	20-9	A0R5 6108 01	18-30	A11U 1633 00	4-14	A11U R904 00	42-22
9372 2710 22	23-22	A0R5 6221 00	31-28	A11U 1634 00	4-11	A11U R905 00	42-22
9372 5400 11	29-12	A0R5 6299 00	31-32	A11U 1635 00	4-10	A11U R906 00	42-22
9373 2200 11	4-16	A0R5 8206 00	33-20	A11U 1641 00	1-4	A11U R907 00	42-22
9381 4101 31	43-5	A0R5 8221 00	22-9	A11U 1643 00	1-6	A11U R908 00	42-22
9381 4300 31	43-5	A0R5 8251 00	33-1	A11U 1644 00	1-8	A11U R909 00	42-22
9381 4300 41	43-5	A0R5 8820 00	32-33	A11U 1645 00	1-1	A11U R910 00	42-22
9384 1600 11	43-1	A0R5 9421 01	16-2	A11U 1646 00	1-7	A11U R911 00	42-21
9384 4300 21	9-23	A0R5 9421 01	33-2	A11U 1647 00	1-9	A11V 9423 00	2-17
9384 4500 11	30-5	A0R5 9434 01	43-2	A11U 1648 00	1-3	A11V 9425 00	2-17
9455 3078 01	23-4	A0R5 9435 01	43-2	A11U 1649 00	1-2	A11W 9424 00	2-17
9J06 M103 00	25-8	A0R5 9490 00	31-30	A11U 1660 00	2-9	V500 0100 05	42-4
9J06 M200 00	17-25	A0R5 A620 02	31-42	A11U 1925 00	4-8	V500 0100 07	42-3
9J06 M200 00	26-36	A0RA 1704 00	32-34	A11U 7106 00	22-3	V500 0100 13	42-5
9J06 M201 00	14-19	A0RA 1727 00	2-5	A11U 8129 00	33-9	V500 0100 19	42-2
9J06 M201 00	17-24	A11U 1322 00	30-15	A11U 8130 00	33-4	V500 0100 20	42-1
9J06 M601 00	10-29	A11U 1323 01	11-15	A11U 8135 00	33-13	V500 0200 10	42-6
A00J 5894 00	12-21	A11U 1329 01	30-16	A11U 8137 00	33-10	V500 0200 18	42-17
A00J 6234 00	31-43	A11U 1360 00	30-13	A11U 8150 00	33-5	V501 0100 01	42-10
A00J 9455 00	2-12	A11U 1601 00	2-10	A11U 8203 00	32-28	V502 0100 26	30-7
A011 9462 00	2-39	A11U 1602 01	2-16	A11U 8204 00	32-3	V570 0100 21	42-13
A02E 1678 00	2-24	A11U 1603 00	2-19	A11U 8205 00	32-1	V570 0100 31	42-12
A0R5 1126 00	10-6	A11U 1604 00	2-15	A11U 8206 00	32-2	V570 0100 32	42-11
A0R5 1137 00	10-1	A11U 1605 01	2-18	A11U 9413 00	2-11	V650 0500 01	42-16
A0R5 1641 00	31-31	A11U 1606 00	2-29	A11U 9422 00	2-17	V818 6000 11	20-32
A0R5 1651 00	31-34	A11U 1607 00	2-22	A11U 9429 00	43-4	V818 6000 14	20-12
A0R5 1715 00	2-36	A11U 1608 00	2-8	A11U 9551 00	43-3	V818 6000 14	26-1
A0R5 1762 00	2-30	A11U 1609 00	2-3	A11U H001 02	30-3	V818 6000 33	26-37
A0R5 5611 00	15-1	A11U 1610 00	2-28	A11U M701 00	3-1		
A0R5 5630 00	15-22	A11U 1612 00	2-1	A11U M702 00	3-1		

bizhub 222/bizhub 282/bizhub 362/bizhub 7728

# IR COVER

P 1



bizhub 222/bizhub 282/bizhub 362/bizhub 7728

# IR COVER

Key	Part No.	Description	Destinations	Class	QTY	Standard parts
1	A11U 1645 00	Right Cover		C	1	a-V137 0308 03
2	A11U 1649 00	Cover		C	1	
3	A11U 1648 00	Cover		C	1	
4	A11U 1641 00	Front Cover		C	1	
5	4030 1515 01	SEAL		C	1	
6	A11U 1643 00	Left Cover		C	1	
7	A11U 1646 00	Cover		C	1	
8	A11U 1644 00	Rear Cover		C	1	
9	A11U 1647 00	Cover		C	1	
10	4551 3002 00	ORIGINAL GLASS ASSY		C	1	
11	4551 3003 00	COVER		C	1	
12	4551 3001 00	ORIGINAL GLASS ASSY		C	1	

bizhub 222/bizhub 282/bizhub 362/bizhub 7728



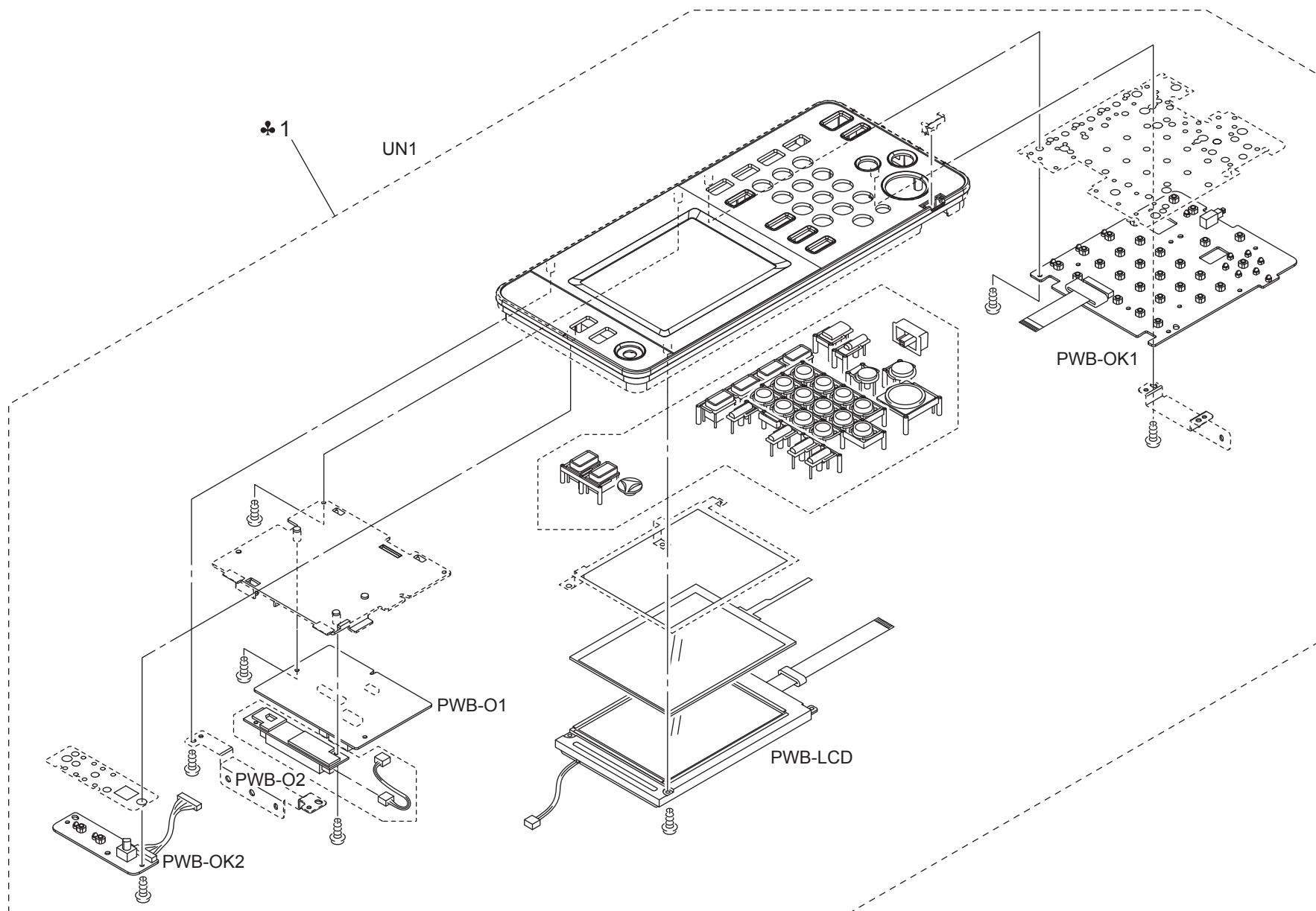
# EXTERNAL PARTS

Key	Part No.	Description	Destinations	Class	QTY	Standard parts
1	A11U 1612 00	Rear Cover		C	1	a-V137 0308 03 b-V118 0308 03 c-V209 0300 03 d-V137 0310 03 e-V153 0308 03 f-V137 0306 03 g-V116 0316 03 h-V144 0308 03
2	4030 1025 02	BRACKET		D	1	
3	A11U 1609 00	Cover		C	1	
4	4030 5397 01	STOPPER		D	1	
5	A0RA 1727 00	Regulating Plate		C	1	
6	A11U 1616 00	Cover		C	1	
7	4030 2311 01	BRACKET		D	1	
8	A11U 1608 00	Cover		C	1	
9	A11U 1660 00	Band		C	1	
10	A11U 1601 00	Cover		C	1	
11	A11U 9413 00	Label		C	1	
12	A00J 9455 00	Logo Mark		C	1	
13	1033 4402 03	STOPPER RING		C	1	
14	4030 1040 02	CATCH		D	1	
15	A11U 1604 00	Cover		C	1	
16	A11U 1602 01	Cover		C	1	
17	A11U 9422 00	Label bizhub 362	{bizhub 362}	C	1	
17	A11V 9423 00	Label bizhub 282	{bizhub 282}	C	1	
17	A11W 9424 00	Label bizhub 222	{bizhub 222}	C	1	
17	A11V 9425 00	Label bizhub 7728	{bizhub 7728}	C	1	
18	A11U 1605 01	Cover		C	1	
19	A11U 1603 00	Front Cover		C	1	
20	A11U 1618 00	Cover		C	1	
21	4030 1023 02	TRAY		D	1	
22	A11U 1607 00	Left Cover		C	1	
23	A11U 1622 00	Tray		C	1	
24	A02E 1678 00	Cover		C	1	
25	A11U 1626 00	Cover		C	1	
26	A11U 1612 00	Rear Cover		C	1	
27	4030 1011 02	REAR COVER		C	1	
28	A11U 1610 00	Rear Cover		C	1	
29	A11U 1606 00	Left Cover		C	1	
30	A0R5 1762 00	Handle		D	1	
31	4040 1009 03	Rear Cover		D	1	
32	4040 2093 01	TONER FILTER		B	1	
33	4040 1029 01	REAR COVER		C	1	
34	4040 1028 01	REAR COVER		D	1	
35	A11U 1614 00	Right Cover		C	1	
36	A0R5 1715 00	Cover		C	1	
37	A11U 1613 00	Handle		D	1	
38	4037 7406 01	LABEL EARTH CAUTION	C,D1,D3,E,F2,G1,I,K	C	1	
39	A011 9462 00	Label Emperon		D	1	

bizhub 222/bizhub 282/bizhub 362/bizhub 7728

# CONTROL PANEL

P 3



bizhub 222/bizhub 282/bizhub 362/bizhub 7728



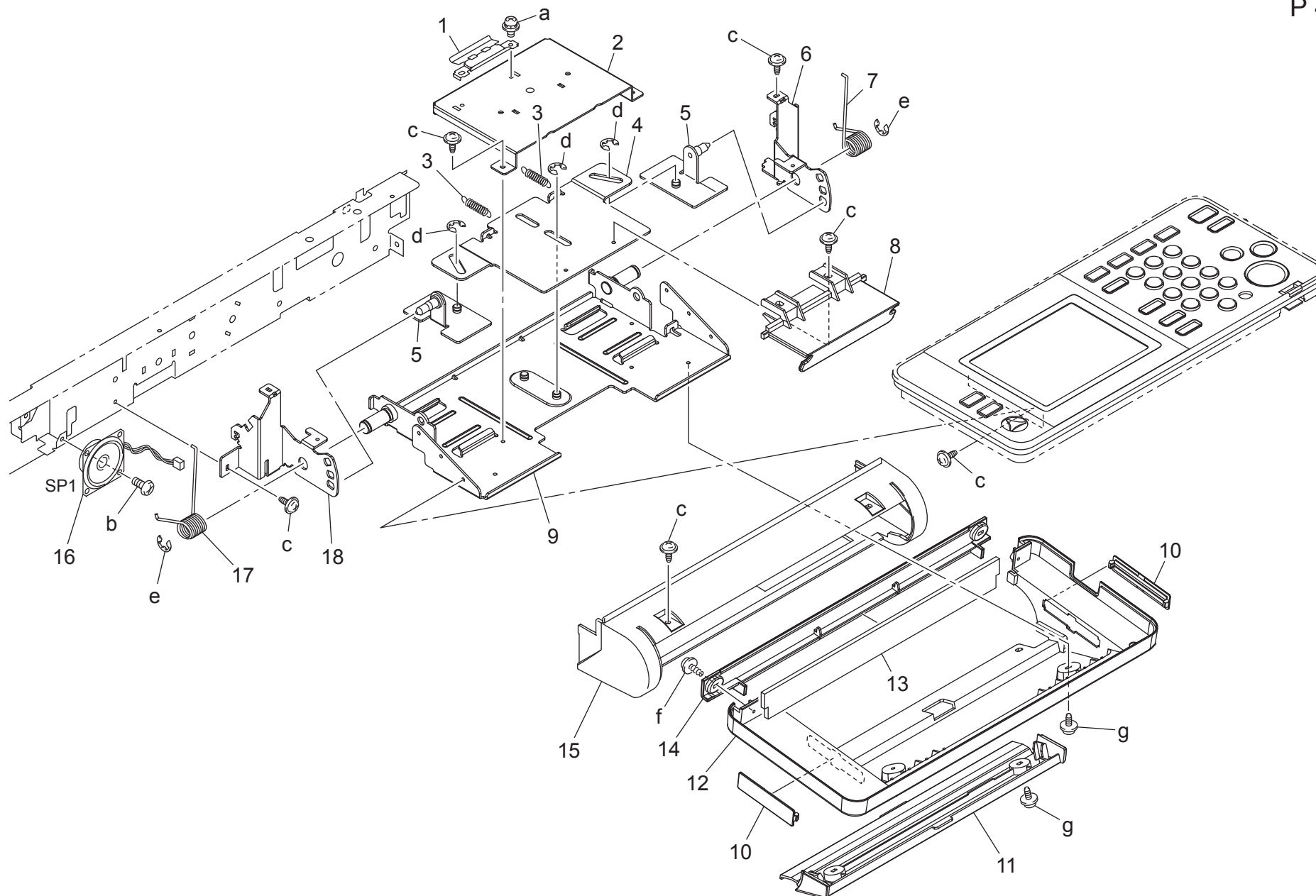
# CONTROL PANEL

Key	Part No.	Description	Destinations	Class	QTY	Standard parts
1	A11U M701 00	Panel assembly	B,D1,D3,E,F1,F2,G1,G2,I,K	I	1	
1	A11U M702 00	Panel assembly	C	I	1	
1	A11U M703 00	Panel assembly	J	I	1	
1	A11U M704 00	Panel assembly	H	I	1	

bizhub 222/bizhub 282/bizhub 362/bizhub 7728

# CONTROL PANEL

P 4



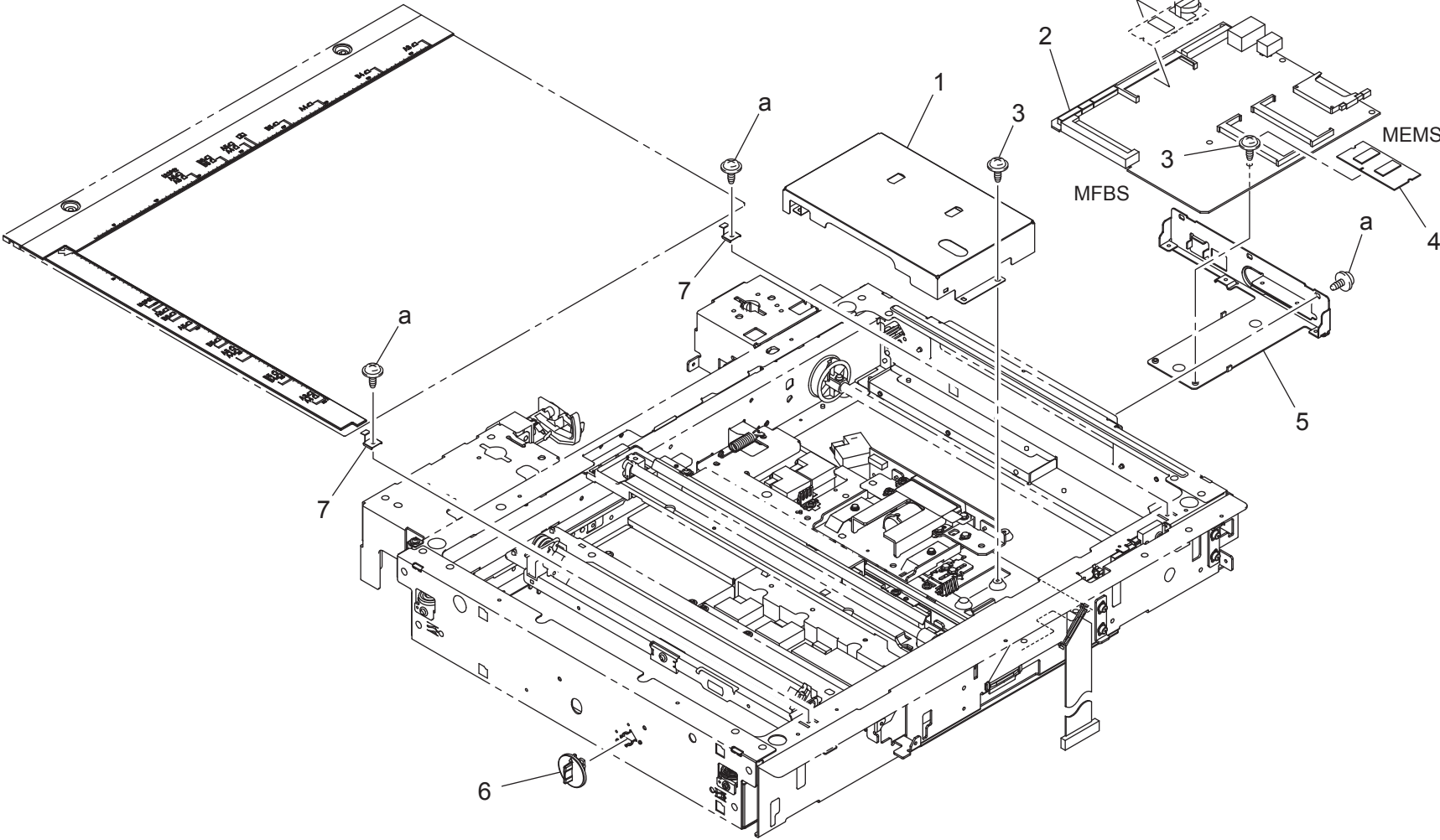
bizhub 222/bizhub 282/bizhub 362/bizhub 7728

# CONTROL PANEL

Key	Part No.	Description	Destinations	Class	QTY	Standard parts
1	4040 1391 01	PLATE SPRING		D	1	a-V116 0306 03 b-V136 0308 03 c-V137 0308 03 d-V217 0500 01 e-V217 0800 01 f-V153 0308 03 g-V137 0310 03
2	4030 1390 04	BRACKET		D	1	
3	4581 1389 01	TENSION SPRING		C	2	
4	4030 1382 01	COUPLING		D	1	
5	4030 1385 01	POSITIONING PLATE		D	2	
6	4040 1384 01	HOLD PLATE		C	1	
7	4030 1387 01	TORSION SPRING		C	1	
8	A11U 1925 00	Lever		C	1	
9	4030 1381 02	BRACKET		D	1	
10	A11U 1635 00	Cover		C	2	
11	A11U 1634 00	Cover		C	1	
12	A11U 1631 00	Cover		C	1	
13	4040 1055 01	SEAL		C	1	
14	A11U 1633 00	Cover		C	1	
15	A11U 1632 00	Cover		C	1	
16	9373 2200 11	LOUDSPEAKER		D	1	
17	4030 1386 01	TORSION SPRING		C	1	
18	4040 1383 01	HOLD PLATE		D	1	

bizhub 222/bizhub 282/bizhub 362/bizhub 7728

OPTICAL SECTION



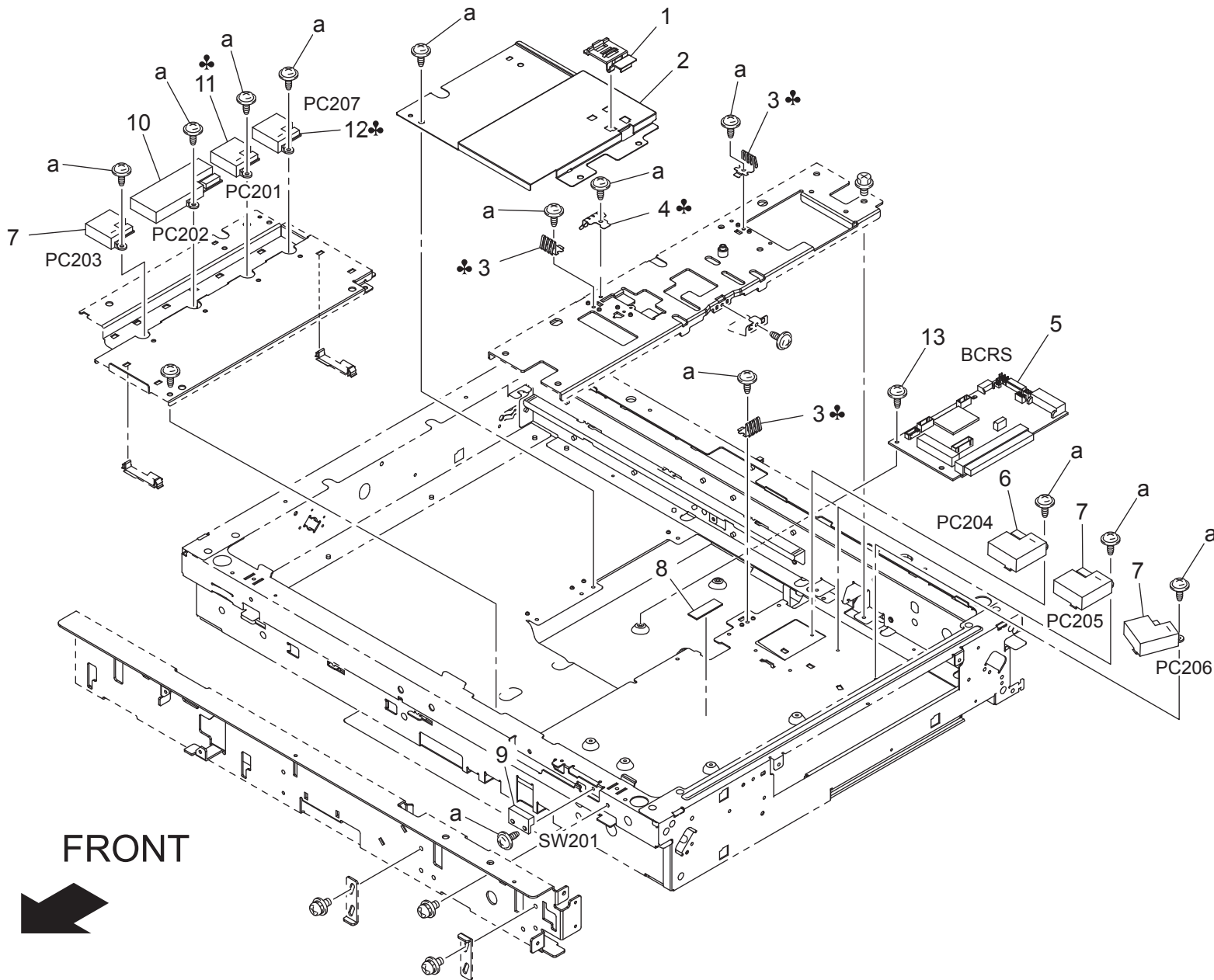
bizhub 222/bizhub 282/bizhub 362/bizhub 7728

OPTICAL SECTION

Key	Part No.	Description	Destinations	Class	QTY	Standard parts
1	4551 2019 01	SHIELD		D	1	a-V137 0306 03
2	4551 2038 01	MFBS		I	1	
3	4551 2046 01	SCREW		C	6	
4	4551 2039 01	MEMS		I	1	
5	4551 2045 01	BRACKET		C	1	
6	4551 2018 01	LEVER		C	1	
7	4384 1006 01	PLATE SPRING		C	2	

bizhub 222/bizhub 282/bizhub 362/bizhub 7728

OPTICAL SECTION



FRONT



bizhub 222/bizhub 282/bizhub 362/bizhub 7728

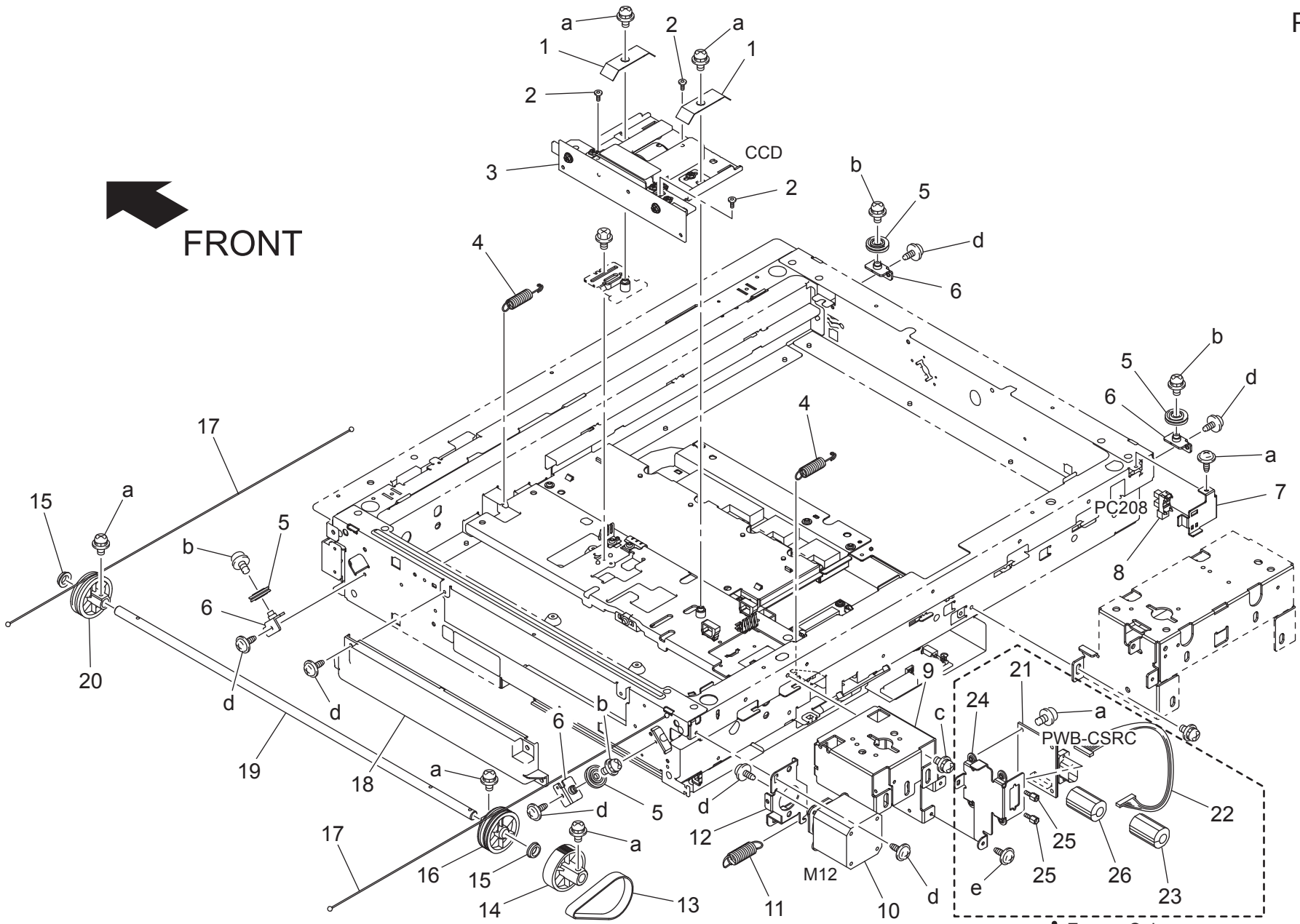


OPTICAL SECTION

Key	Part No.	Description	Destinations	Class	QTY	Standard parts
1	4551 2025 01	HOLDER		C	1	a-V137 0306 03
2	4551 2020 01	SHIELD		D	1	
3	4551 2022 01	PLATE SPRING	C,D1,D3,E,F1,F2,G1,H,I,J,K	D	3	
4	4551 2030 01	PLATE SPRING	C,D1,D3,E,F1,F2,G1,H,I,J,K	D	1	
5	4551 2033 01	BCRS	{bizhub 362}	I	1	
5	4551 2034 01	BCRS	{bizhub 282/222/7728}	I	1	
6	4384 1030 01	SOLID STATE SWITCH		C	1	
7	4384 1030 01	SOLID STATE SWITCH	(Option)	C	3	
8	4551 2008 01	SHEET		C	1	
9	4551 2010 01	REED SWITCH		C	1	
10	4384 1031 01	SOLID STATE SWITCH		C	1	
11	4384 1030 01	SOLID STATE SWITCH	C,D1,D3,E,F1,F2,G1,H,I,J,K (Option Metric)	C	1	
12	4384 1030 01	SOLID STATE SWITCH	C,D1,D3,E,F1,F2,G1,H,I,J,K (Metric)	C	1	
12	4384 1030 01	SOLID STATE SWITCH	B,G2 (Option Inch)	C	1	
13	4551 2046 01	SCREW		C	3	

bizhub 222/bizhub 282/bizhub 362/bizhub 7728

# OPTICAL SECTION



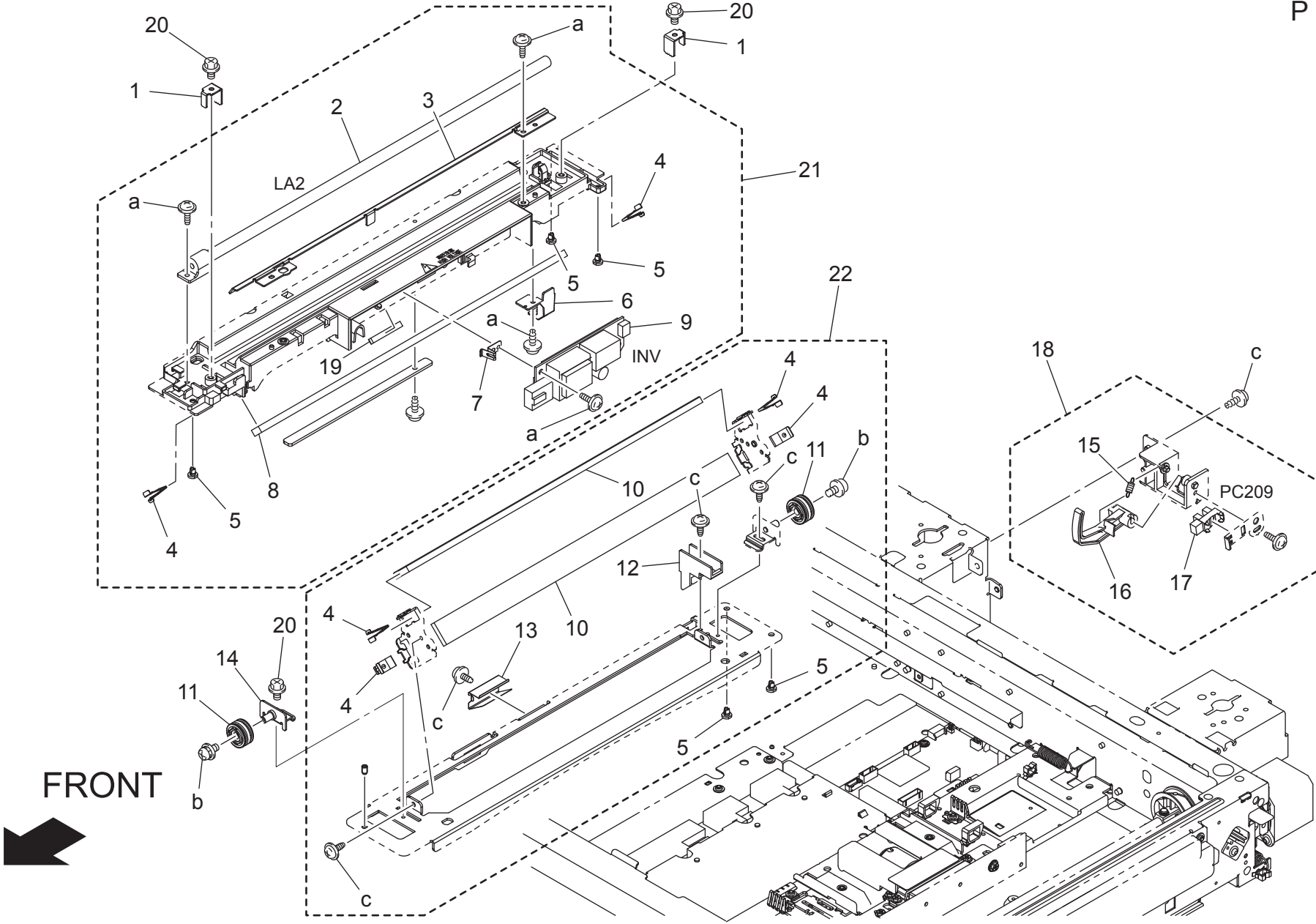
bizhub 222/bizhub 282/bizhub 362/bizhub 7728



Key	Part No.	Description	Destinations	Class	QTY	Standard parts
1	4384 1063 01	PLATE SPRING		C	2	a-V116 0308 03 b-V116 0304 03 c-V116 0406 03 d-V137 0306 03 e-V137 0308 03
2	4384 1102 01	TAPPING SCREW		D	3	
3	4551 2003 01	LENS ASSY		I	1	
4	4384 1022 01	TENSION SPRING		C	2	
5	4551 2014 01	PULLEY		C	4	
6	4384 1068 01	PULLEY BRACKET( 1)		D	4	
7	4384 1061 01	SNS BRACKET		D	1	
8	4551 2059 01	PHOTO INTERRUPTER		B	1	
9	4384 1058 01	HINGE BRACKET(R )		D	1	
10	4551 2013 01	MOTOR		B	1	
11	4384 1023 01	TENSION SPRING		C	1	
12	4384 1070 01	MOTOR BRACKET		D	1	
13	4384 1033 01	TIMING BELT		C	1	
14	4384 1024 01	PULLEY		C	1	
15	4384 1021 01	BALL BEARING		B	2	
16	4384 1019 01	PULLEY		C	1	
17	4551 2028 01	WIRE		C	2	
18	4551 2027 01	COVER		C	1	
19	4384 1046 01	SHAFT		D	1	
20	4384 1092 01	PULLEY		C	1	
21	4040 0110 01	PWB ASSY	C	C	1	
22	4040 6832 02	WIRE HARNESS ASSY	C	D	1	
23	9326 1910 31	FERRITE CORE	C	D	1	
24	4040 2130 01	BRACKET	C	D	1	
25	4025 2283 01	SCREW	C	D	2	
26	9326 1910 21	FERRITE CORE	C	D	1	

bizhub 222/bizhub 282/bizhub 362/bizhub 7728

OPTICAL SECTION



FRONT



bizhub 222/bizhub 282/bizhub 362/bizhub 7728

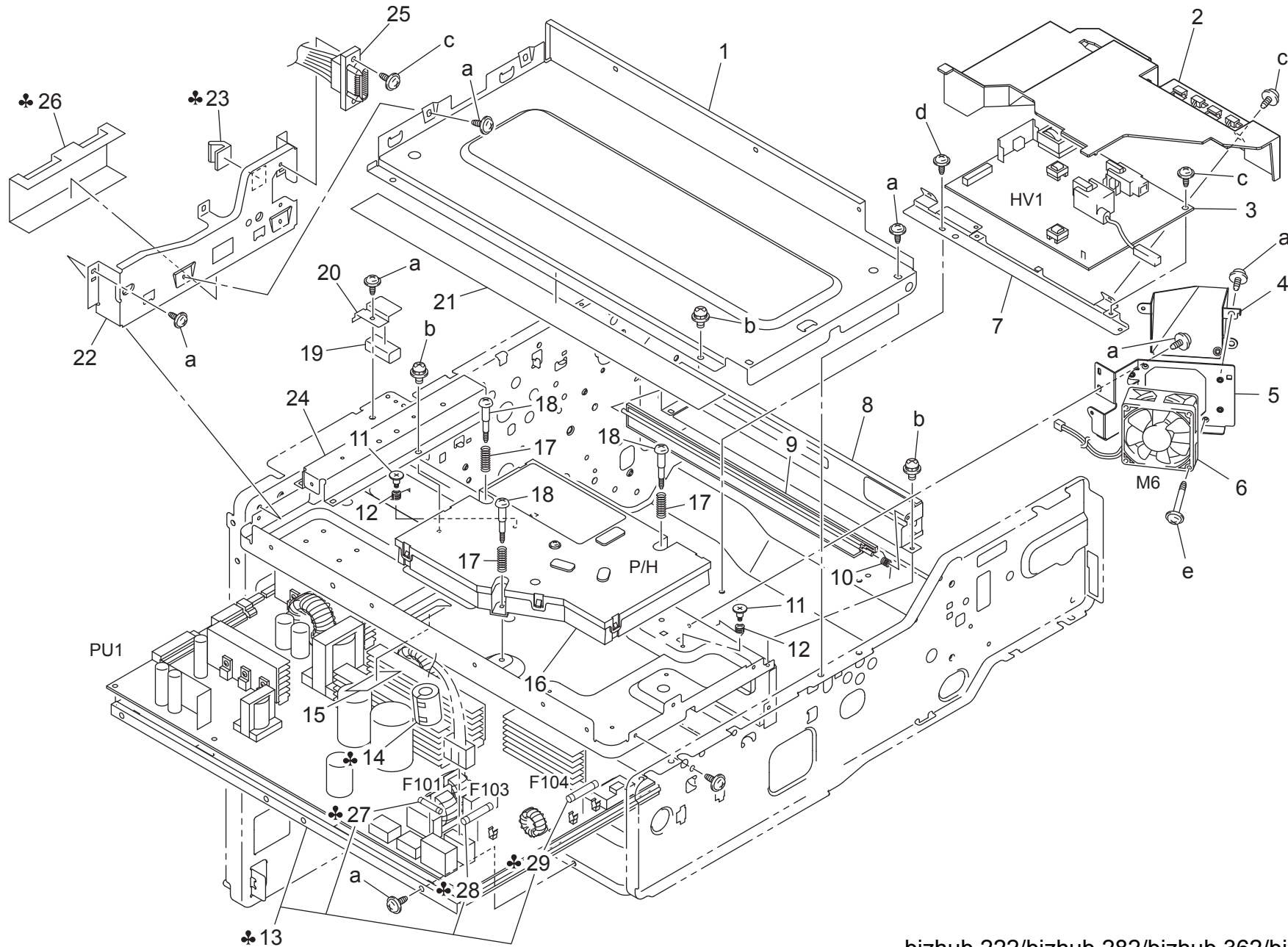
OPTICAL SECTION

Key	Part No.	Description	Destinations	Class	QTY	Standard parts
1	4384 1062 01	WIRE BRACKET		D	2	a-V153 0308 03 b-V116 0304 03 c-V137 0306 03
2	4551 2004 01	XENON		C	1	
3	4551 2023 01	REFLECTOR		C	1	
4	4551 2029 01	PLATE SPRING		D	6	
5	4551 2017 01	SLIDER		C	5	
6	4551 2026 01	FFC CLAMP		D	1	
7	4551 2007 01	PLATE SPRING		D	1	
8	4551 2005 01	MIRROR		C	1	
9	4551 2012 01	PWB ASSY		C	1	
10	4551 2006 01	MIRROR		C	2	
11	4551 2016 01	PULLEY		C	2	
12	4551 2024 01	GUIDE		D	1	
13	4551 2015 01	PLATE SPRING		D	1	
14	4551 2021 01	BRACKET		C	1	
15	4384 1044 01	TENSION SPRING		C	1	
16	4384 1045 01	ARM		C	1	
17	4551 2059 01	PHOTO INTERRUPTER		B	1	
18	4384 1036 01	PHOTO INTERRUPTER ASSY		C	1	
19	4551 2009 01	CUSHION		C	1	
20	4551 2047 01	SCREW		C	3	
21	4551 2001 01	CARRIAGE 1 ASSY		I	1	
22	4551 2002 01	CARRIAGE 2 ASSY		C	1	

bizhub 222/bizhub 282/bizhub 362/bizhub 7728

# POWER UNIT

P 9

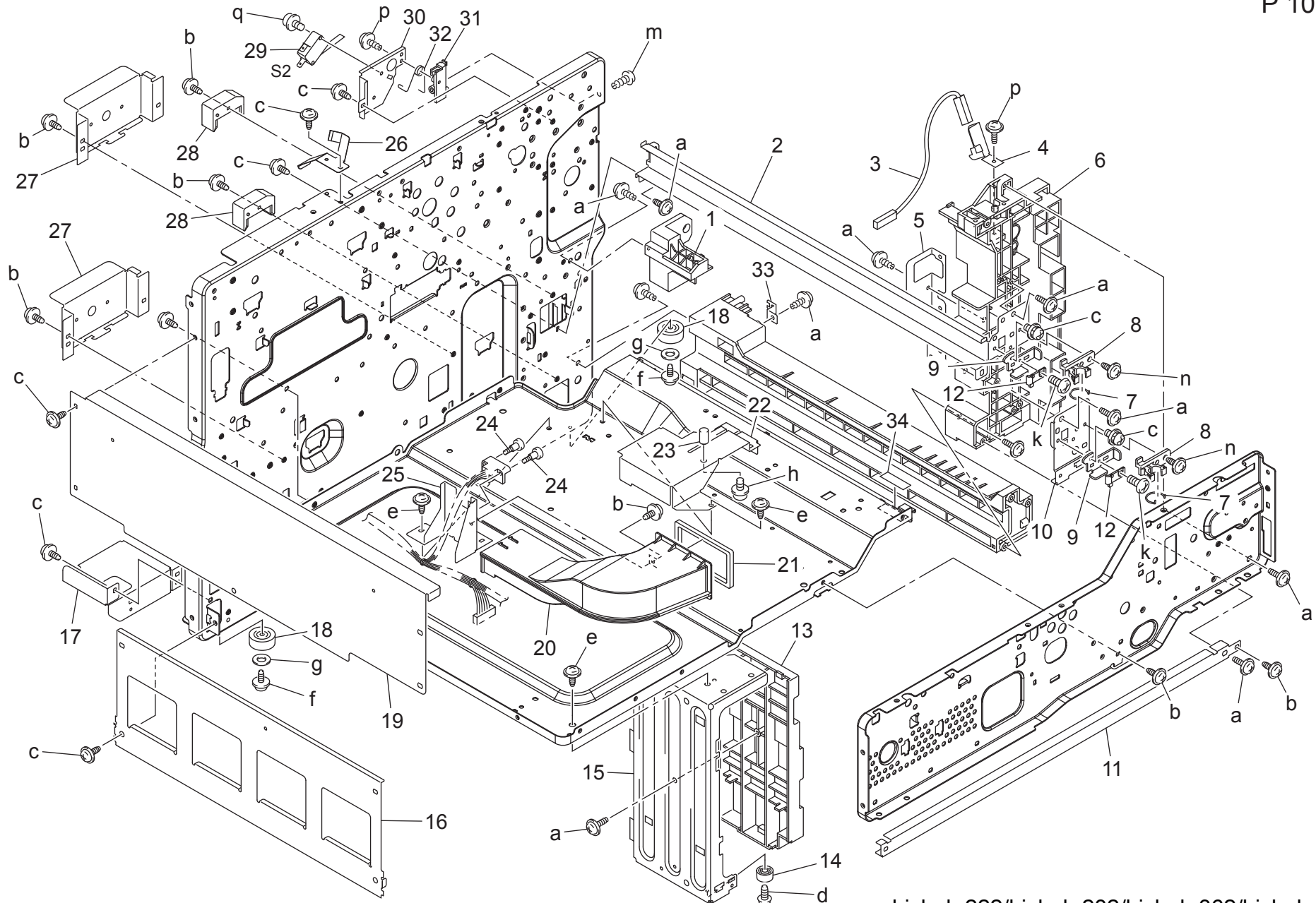


bizhub 222/bizhub 282/bizhub 362/bizhub 7728

Key	Part No.	Description	Destinations	Class	QTY	Standard parts
1	4030 2017 01	BRACKET		D	1	a-V137 0306 03 b-V116 0306 03 c-V137 0308 03 d-V144 0308 03 e-V137 0330 03
2	4040 2101 02	COVER		D	1	
3	4040 6203 01	HV TRANSFORMER		I	1	
4	4040 2139 01	DUCT		D	1	
5	4040 2109 02	BRACKET		D	1	
6	4040 M100 00	FAN MOTOR		C	1	
7	4030 2040 01	BRACKET		D	1	
8	4030 2004 02	BRACKET		D	1	
9	4030 2036 01	SHUTTER		D	1	
10	4011 2034 02	TORSION SPRING		C	1	
11	4011 5925 02	SHOULDER SCREW		C	2	
12	4030 2049 01	TORSION SPRING		C	2	
13	4040 6201 01	POWER SUPPLY	B,F1,G2,H	I	1	
13	4040 6202 02	POWER SUPPLY	C,D1,D3,E,F2,G1,I,J,K	I	1	
14	0866 7801 01	FERRITE CORE	C,D1,D3,E,F1,F2,G1,H,I,J,K	D	1	
15	4040 2064 01	GUIDE		C	1	
16	4040 0751 00	P/H ASSY	{bizhub 362}	I	1	
16	4041 0751 00	P/H ASSY	{bizhub 282/222/7728}	I	1	
17	4128 1978 01	PRESSURE SPRING		C	3	
18	4128 1979 01	SHOULDER SCREW		C	3	
19	4030 6757 01	ELECTRICALLY CONDUCTIVE MATERIAL		C	1	
20	4030 2119 01	SHIELD		D	1	
21	4040 1036 01	SHIELD PLATE		C	1	
22	4030 2018 01	BRACKET		D	1	
23	9384 4300 21	ELECTRICALLY CONDUCTIVE MATERIAL	C,D1,D3,E,F1,F2,G1,H,I,J,K	C	1	
24	4030 2034 01	REINFORCE PLATE		D	1	
25	4030 6816 01	WIRE HARNESS ASSY		D	1	
26	4030 2120 01	GUIDE	C,D1,D3,E,F1,F2,G1,H,I,J,K	C	1	
27	4040 7801 01	FUSE	B,F1,G2,H	C	1	
27	4040 7804 01	FUSE	C,D1,D3,E,F2,G1,I,J,K	C	1	
28	4040 7802 01	FUSE	B,F1,G2,H	C	1	
28	4040 7805 01	FUSE	C,D1,D3,E,F2,G1,I,J,K	C	1	
29	4040 7803 01	FUSE	B,F1,G2,H	C	1	
29	4040 7805 01	FUSE	C,D1,D3,E,F2,G1,I,J,K	C	1	

bizhub 222/bizhub 282/bizhub 362/bizhub 7728

# FRAME SECTION



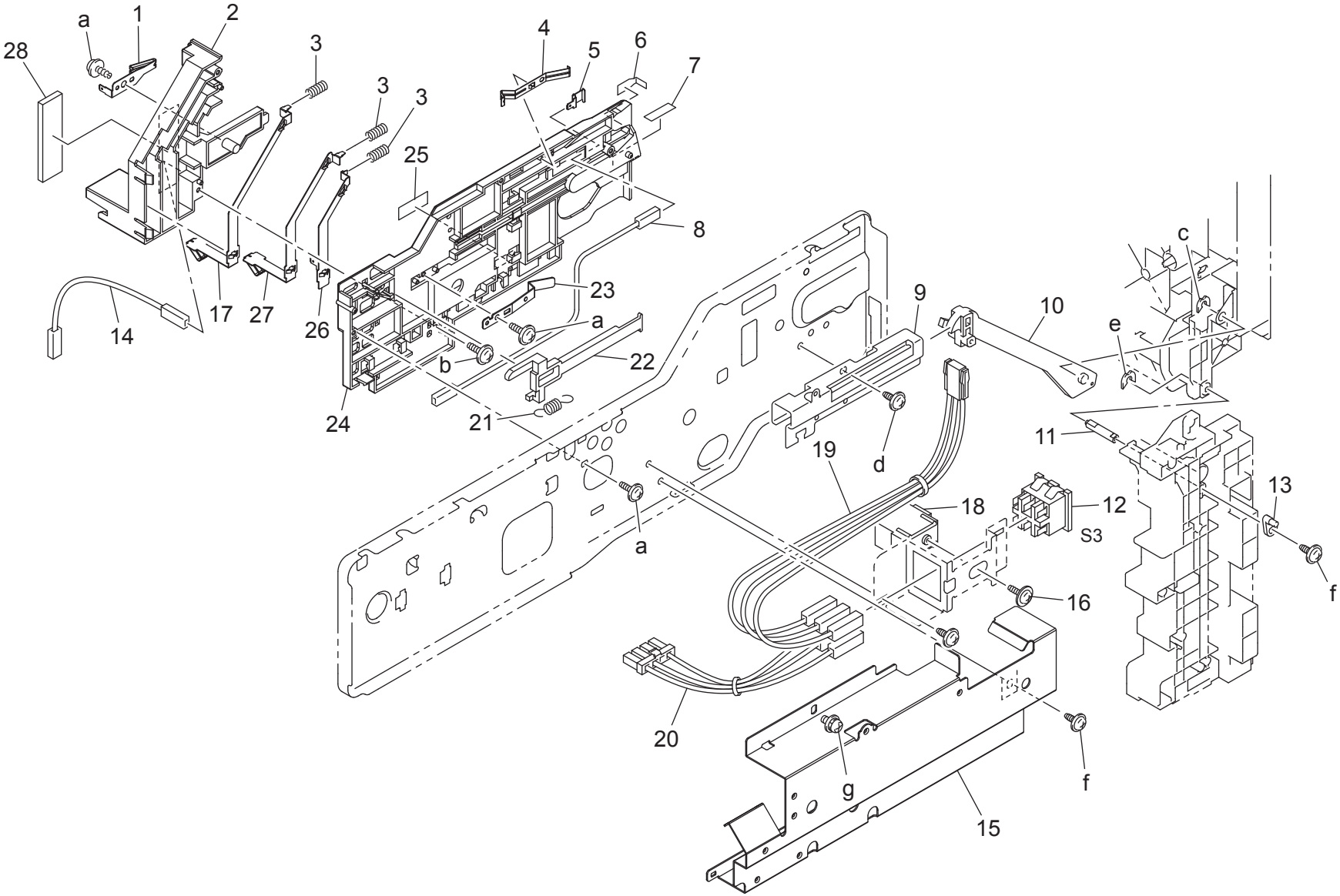
bizhub 222/bizhub 282/bizhub 362/bizhub 7728

FRAME SECTION

Key	Part No.	Description	Destinations	Class	QTY	Standard parts
1	A0R5 1137 00	Holder		D	1	a-V153 0410 03
2	4040 5602 00	RAIL		C	1	b-V137 0308 03
3	4030 6843 01	WIRE HARNESS ASSY		D	1	c-V137 0306 03
4	1164 2155 01	CONTACT		C	1	d-V135 0310 03
5	4030 2010 01	BRACKET		D	1	e-V144 0308 03
6	A0R5 1126 00	Support Part		D	1	f-V137 0310 03
7	4348 6206 00	Stop ring		D	2	g-V207 0300 01
8	4040 6205 00	Holder		D	2	h-V116 0306 03
9	4040 5601 00	STOPPER		C	2	k-V136 0308 03
10	4040 5603 00	BRACKET		D	1	m-V149 0308 03
11	4030 2007 01	REINFORCE PLATE		D	1	n-V137 0408 03
12	4040 5600 00	GUIDE		C	2	p-V153 0308 03
13	4030 2008 02	RAIL		D	1	q-V116 0316 03
14	4030 2081 01	SPACER		D	1	
15	4030 2005 02	REINFORCE PLATE		D	1	
16	4030 2006 01	REINFORCE PLATE		D	1	
17	4030 2042 02	BRACKET		D	1	
18	4030 2080 01	RUBBER FOOT		D	2	
19	4030 2016 01	REINFORCE PLATE		D	1	
20	4040 0163 01	DUCT		D	1	
21	4040 2094 01	SEAL		C	1	
22	4030 2079 02	BRACKET		D	1	
23	4040 2078 01	PIN		C	1	
24	1079 2219 01	SHOULDER SCREW		C	2	
25	4030 2012 02	BRACKET		D	1	
26	4030 2162 01	EARTH GROUND		C	1	
27	4030 2062 01	BRACKET		D	2	
28	4030 2009 01	GUIDE		D	2	
29	9J06 M601 00	MICRO SWITCH		C	1	
30	4030 2116 01	BRACKET		D	1	
31	1164 2051 01	GUIDE		D	1	
32	4011 2037 01	TORSION SPRING		C	1	
33	4030 2011 01	BRACKET		D	1	
34	1129 7303 01	LABEL HI-VOL CAUTION		D	1	

bizhub 222/bizhub 282/bizhub 362/bizhub 7728

FRAME SECTION



bizhub 222/bizhub 282/bizhub 362/bizhub 7728

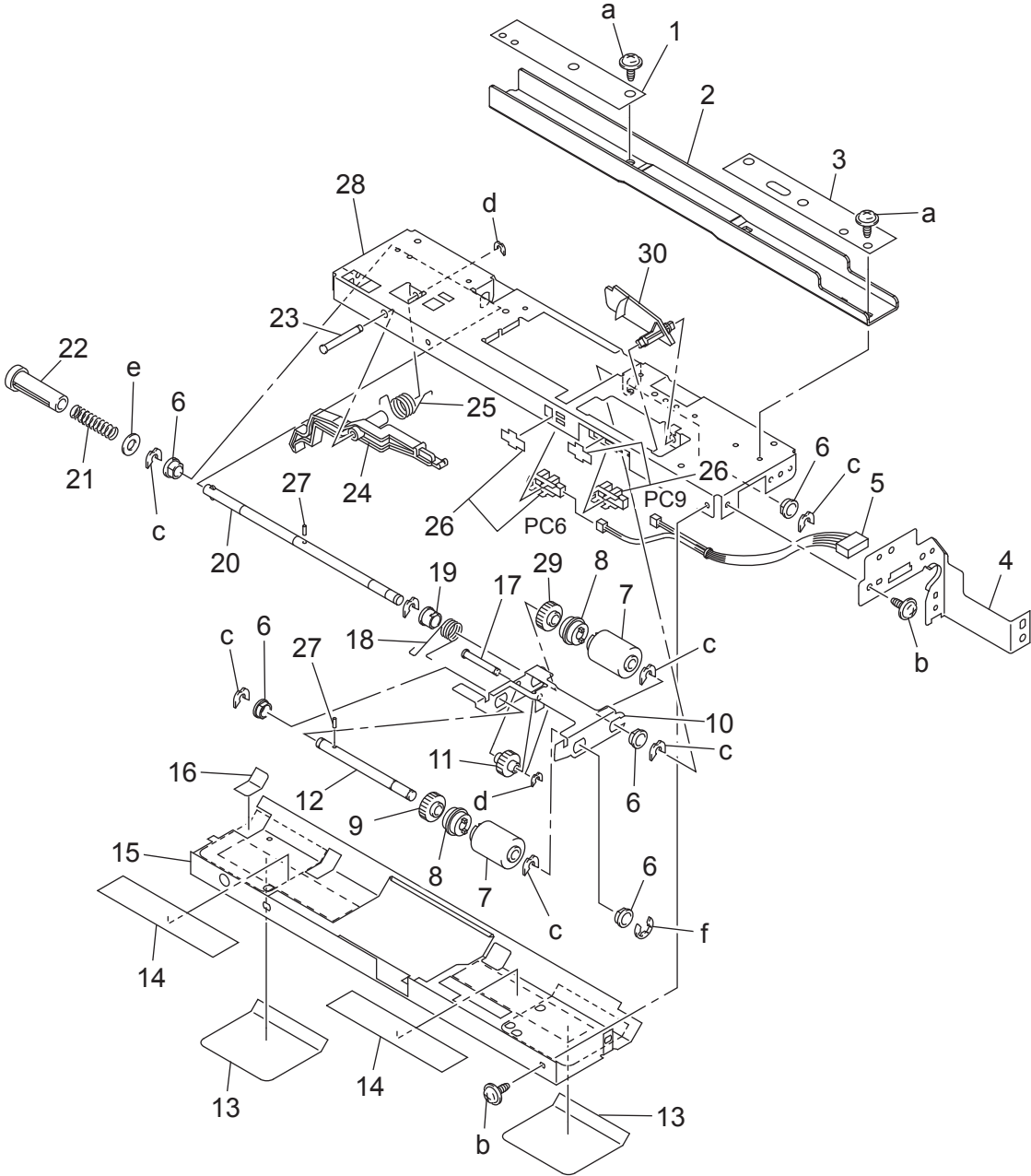


FRAME SECTION

Key	Part No.	Description	Destinations	Class	QTY	Standard parts
1	4030 2114 01	CONTACT		C	1	a-V153 0308 03 b-V153 0310 03 c-V218 0600 86 d-V144 0308 03 e-V218 0300 86 f-V137 0306 03 g-V116 0308 03
2	4030 2102 01	HOLDER		D	1	
3	4011 2134 01	PRESSURE SPRING		C	3	
4	1165 2142 01	EARTH GROUND		D	1	
5	1165 2153 01	CONTACT		C	1	
6	4011 2047 01	SEAL		C	1	
7	4030 7316 01	LABEL		D	1	
8	4030 6844 01	WIRE HARNESS ASSY		D	1	
9	1164 2310 01	GUIDE PLATE		D	1	
10	1164 2316 01	LEVER		C	1	
11	4011 2010 01	SHAFT		D	1	
12	4040 M600 00	Micro switch		C	1	
13	1164 2007 12	JOINT		C	1	
14	4030 6842 01	WIRE HARNESS ASSY		D	1	
15	A11U 1323 01	Bracket		D	1	
16	4109 2003 01	SHOULDER SCREW		C	1	
17	4030 2115 01	CONTACT		C	1	
18	4030 2118 01	LEVER		C	1	
19	4040 6854 01	WIRE HARNESS ASSY		D	1	
20	4040 6853 01	WIRE HARNESS ASSY		D	1	
21	4011 2035 01	TENSION SPRING		C	1	
22	1165 2040 02	LEVER		D	1	
23	1164 2021 02	PLATE SPRING		C	1	
24	4030 2019 02	GUIDE		D	1	
25	1129 7303 01	LABEL HI-VOL CAUTION		D	1	
26	4030 2112 01	CONTACT		C	1	
27	4030 2113 01	CONTACT		C	1	
28	4040 2160 01	SEAL		C	1	

bizhub 222/bizhub 282/bizhub 362/bizhub 7728

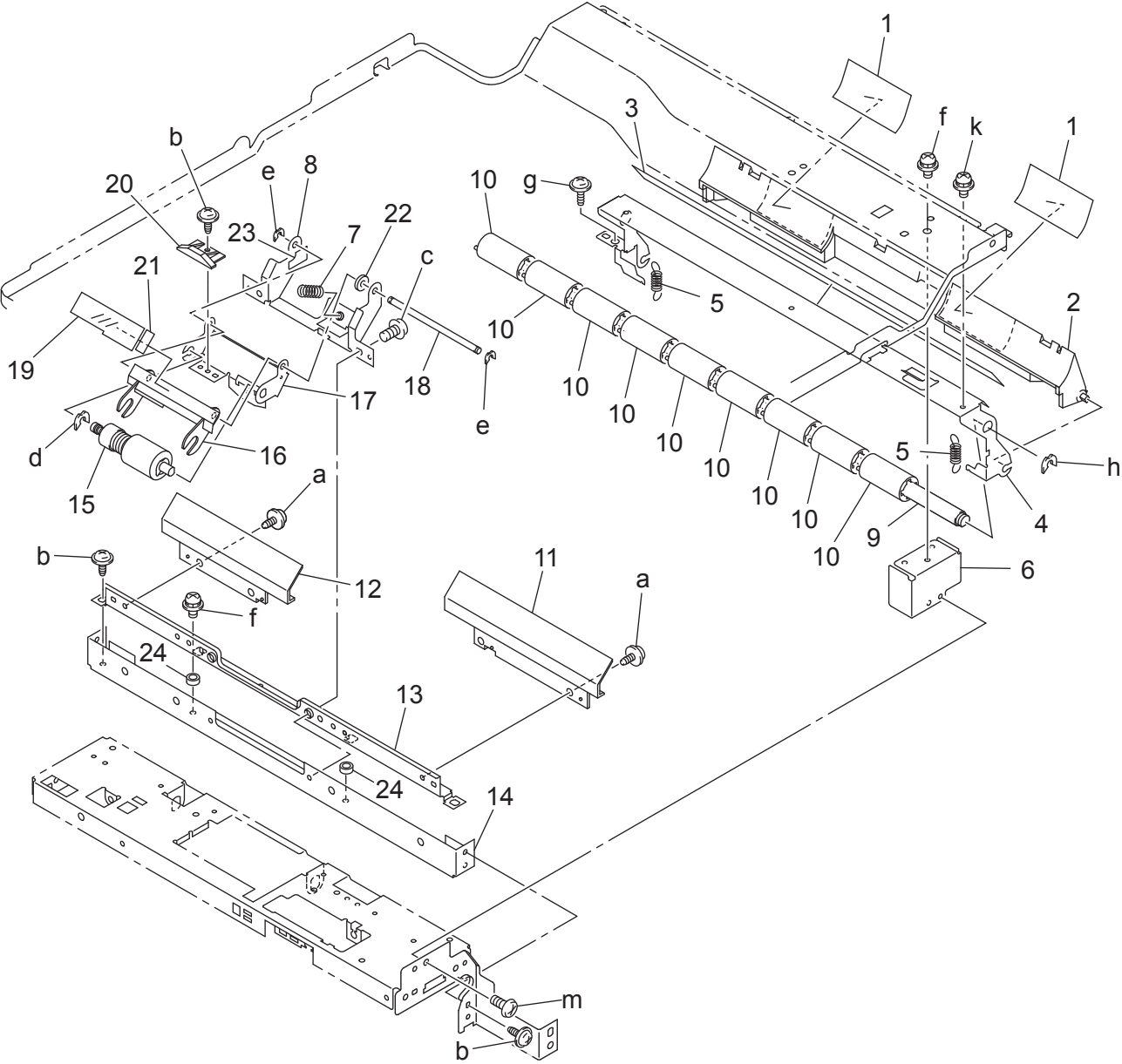
PAPER TAKE-UP SECTION



bizhub 222/bizhub 282/bizhub 362/bizhub 7728

Key	Part No.	Description	Destinations	Class	QTY	Standard parts
1	4030 3087 01	REINFORCE PLATE		D	1	a-V137 0308 03 b-V137 0306 03 c-V218 0400 86 d-V218 0300 86 e-V206 0600 01 f-V217 0400 01
2	4030 3084 01	REINFORCE PLATE		D	1	
3	4030 3086 01	REINFORCE PLATE		D	1	
4	4030 3041 02	FRAME		D	1	
5	4030 6811 01	WIRE HARNESS ASSY		D	1	
6	4131 3003 01	BUSHING		C	5	
7	4030 3005 01	ROLLER		A	2	
8	4030 3034 01	CLUTCH		C	2	
9	4425 3016 01	GEAR 32T		C	1	
10	4030 3002 02	HOLDER		D	1	
11	4030 3008 01	GEAR 29T		C	1	
12	4030 3003 01	SHAFT		D	1	
13	4030 3036 01	GUIDE		C	2	
14	4030 3088 01	WEIGHT		C	2	
15	4030 3023 03	GUIDE PLATE		D	1	
16	4030 3085 01	COVER		C	1	
17	4040 3097 01	SHAFT		D	1	
18	4030 3030 01	TORSION SPRING		C	1	
19	1065 3086 01	BUSHING		C	1	
20	4030 3004 01	SHAFT		C	1	
21	A00J 5894 00	PRESSURE SPRING		C	1	
22	1052 4412 01	JOINT		C	1	
23	4040 3096 01	SHAFT		D	1	
24	4030 3011 03	LEVER		C	1	
25	4030 3012 01	TORSION SPRING		C	1	
26	4037 0906 01	PHOTO INTERRUPTER		B	2	
27	1067 2501 01	PIN		C	2	
28	4030 3001 03	FRAME		D	1	
29	4425 3013 01	GEAR 30T		C	1	
30	4030 3016 12	ACTUATOR		C	1	

PAPER TAKE-UP SECTION



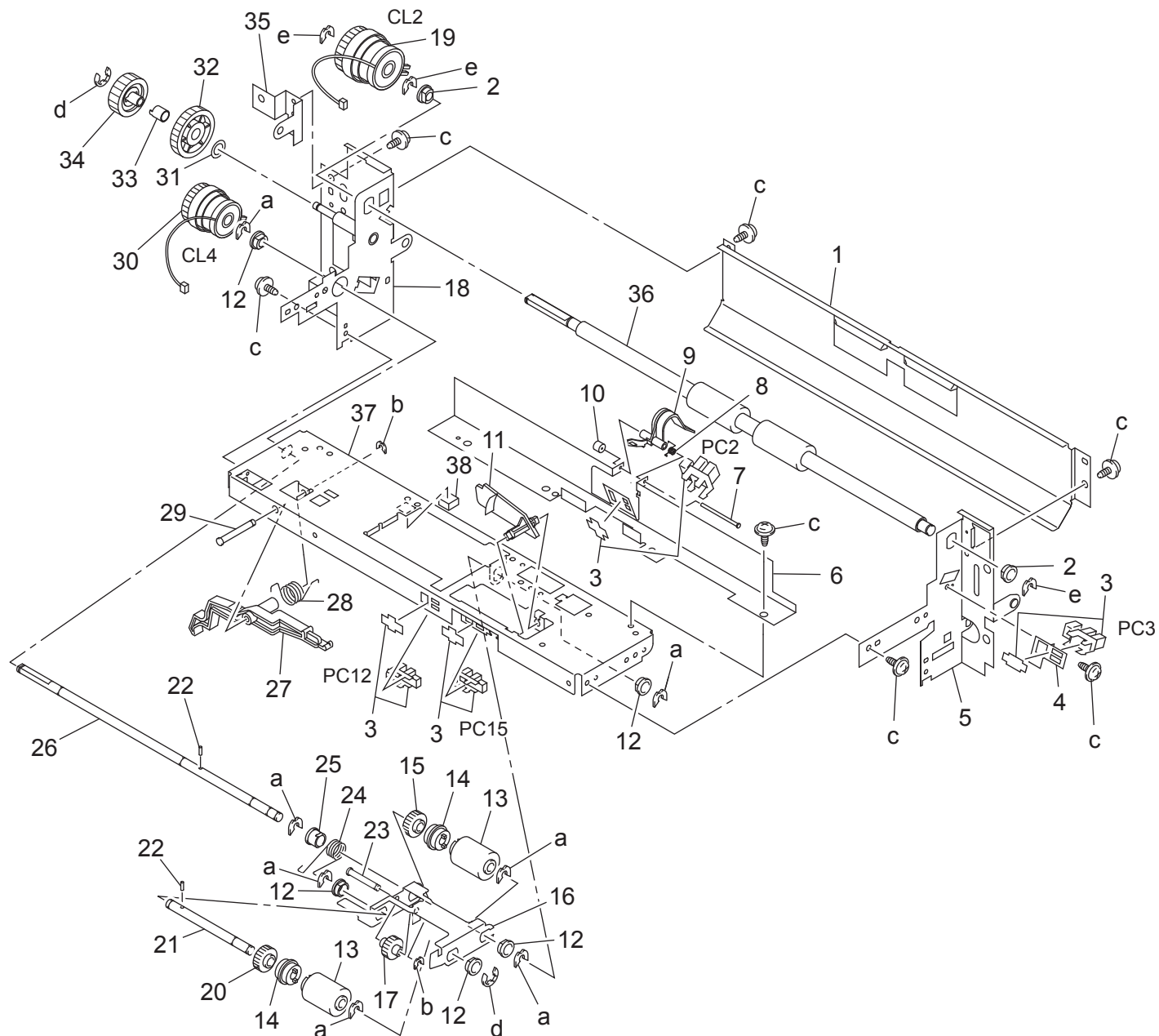
bizhub 222/bizhub 282/bizhub 362/bizhub 7728

PAPER TAKE-UP SECTION

Key	Part No.	Description	Destinations	Class	QTY	Standard parts
1	4030 3108 01	GUIDE		C	2	a-V137 0308 03
2	4030 3032 03	GUIDE		C	1	b-V137 0306 03
3	4030 3104 01	GUIDE		C	1	c-V136 0308 03
4	4030 3103 02	BRACKET		D	1	d-V218 0400 86
5	4030 3125 01	TENSION SPRING		C	2	e-V218 0300 86
6	4030 3044 01	BRACKET		D	1	f-V116 0308 03
7	4030 3017 03	PRESSURE SPRING		C	1	g-V153 0308 03
8	4030 3014 01	BRACKET		D	1	h-V218 0600 86
9	4030 3101 01	SHAFT		D	1	k-V116 0306 03
10	4658 3513 01	ROLLER		C	9	m-V136 0408 03
11	4030 3026 02	GUIDE		D	1	
12	4030 3027 02	GUIDE		D	1	
13	4030 3037 01	REINFORCE PLATE		D	1	
14	4030 3025 02	BRACKET		D	1	
15	4030 0151 01	SEPARATION ROLLER ASSY		A	1	
16	4030 3077 01	GUIDE		D	1	
17	4030 3013 01	HOLDER		C	1	
18	4030 3039 01	SHAFT		D	1	
19	4030 3079 01	GUIDE		C	1	
20	4030 3078 01	LEVER		C	1	
21	4030 3080 01	GUIDE		C	1	
22	4040 5610 00	Spacer		D	1	
23	4040 5612 00	Spacer		D	1	
24	26NA 2030 0	SEPARATE ROCKING COLLAR		C	2	

bizhub 222/bizhub 282/bizhub 362/bizhub 7728

# PAPER TAKE-UP SECTION



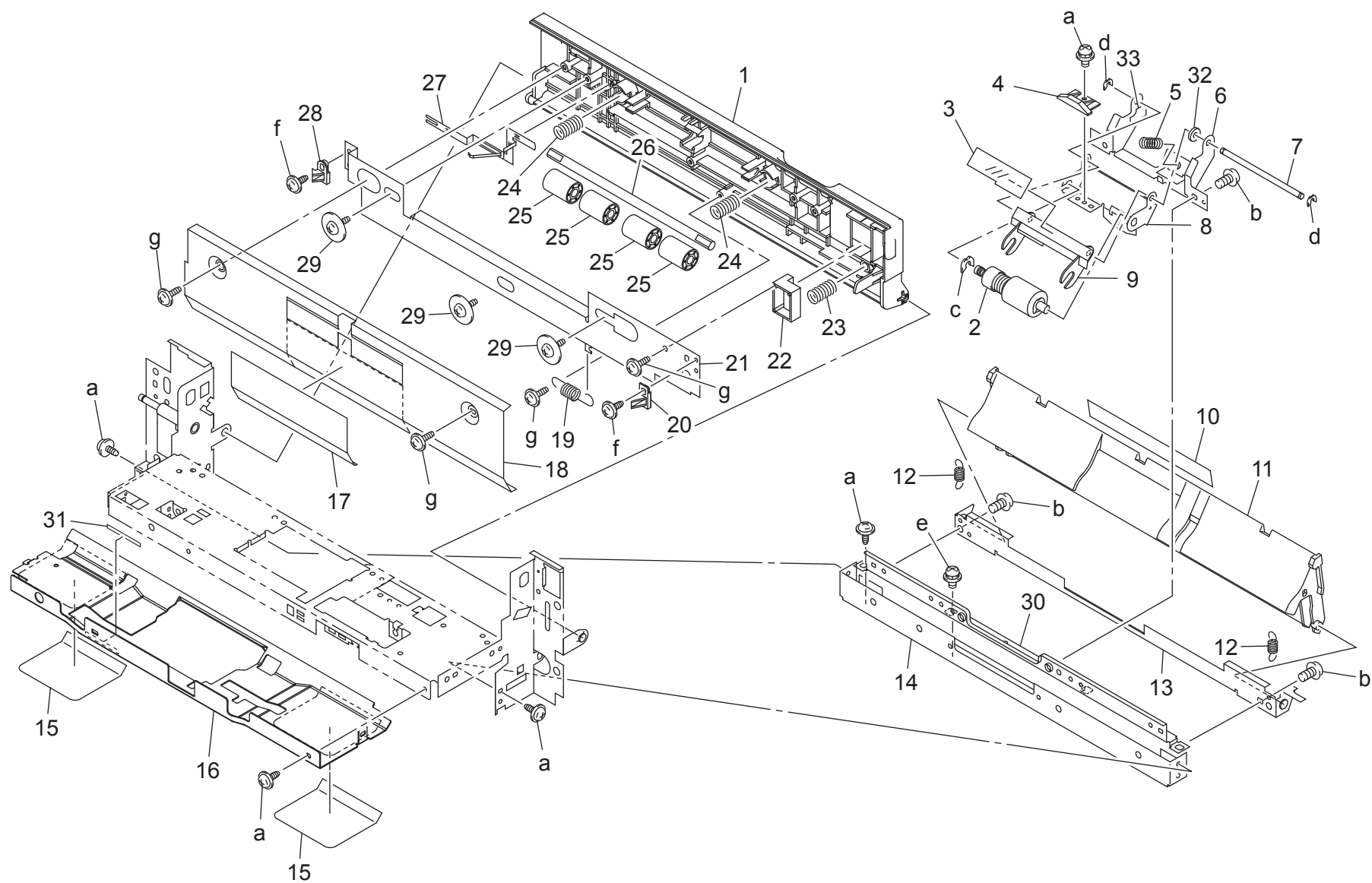
bizhub 222/bizhub 282/bizhub 362/bizhub 7728

PAPER TAKE-UP SECTION

Key	Part No.	Description	Destinations	Class	QTY	Standard parts
1	4030 3112 02	GUIDE PLATE		D	1	a-V218 0400 86 b-V218 0300 86 c-V137 0306 03 d-V217 0400 01 e-V218 0600 86
2	4131 3532 02	BUSHING		C	2	
3	4037 0906 01	PHOTO INTERRUPTER		B	4	
4	4030 3128 01	BRACKET		D	1	
5	4030 3042 02	FRAME		D	1	
6	4030 3018 01	BRACKET		C	1	
7	1200 5212 04	PIN		D	1	
8	4030 3031 01	TORSION SPRING		C	1	
9	4030 3019 02	ACTUATOR		C	1	
10	1134 3041 01	COLLAR		D	1	
11	4030 3016 12	ACTUATOR		C	1	
12	4131 3003 01	BUSHING		C	5	
13	4030 3005 01	ROLLER		A	2	
14	4030 3034 01	CLUTCH		C	2	
15	4425 3013 01	GEAR 30T		C	1	
16	4030 3002 02	HOLDER		D	1	
17	4030 3008 01	GEAR 29T		C	1	
18	4030 R706 00	FRAME ASSY		D	1	
19	9J06 M201 00	CLUTCH		C	1	
20	4425 3016 01	GEAR 32T		C	1	
21	4030 3003 01	SHAFT		D	1	
22	1067 2501 01	PIN		C	2	
23	4040 3097 01	SHAFT		D	1	
24	4030 3030 01	TORSION SPRING		C	1	
25	1065 3086 01	BUSHING		C	1	
26	4030 3022 01	SHAFT		D	1	
27	4030 3011 03	LEVER		C	1	
28	4030 3012 01	TORSION SPRING		C	1	
29	4040 3096 01	SHAFT		D	1	
30	9322 1500 12	CLUTCH		C	1	
31	4030 3092 01	WASHER		D	1	
32	4030 3064 01	GEAR 33T		C	1	
33	4030 3069 01	SLEEVE		D	1	
34	4030 3068 01	GEAR 26T		C	1	
35	4030 3063 01	BRACKET		D	1	
36	4030 3021 01	ROLLER		C	1	
37	4030 3010 02	FRAME		C	1	
38	50GA 4006 00	CUSHION		C	1	

bizhub 222/bizhub 282/bizhub 362/bizhub 7728

# PAPER TAKE-UP SECTION



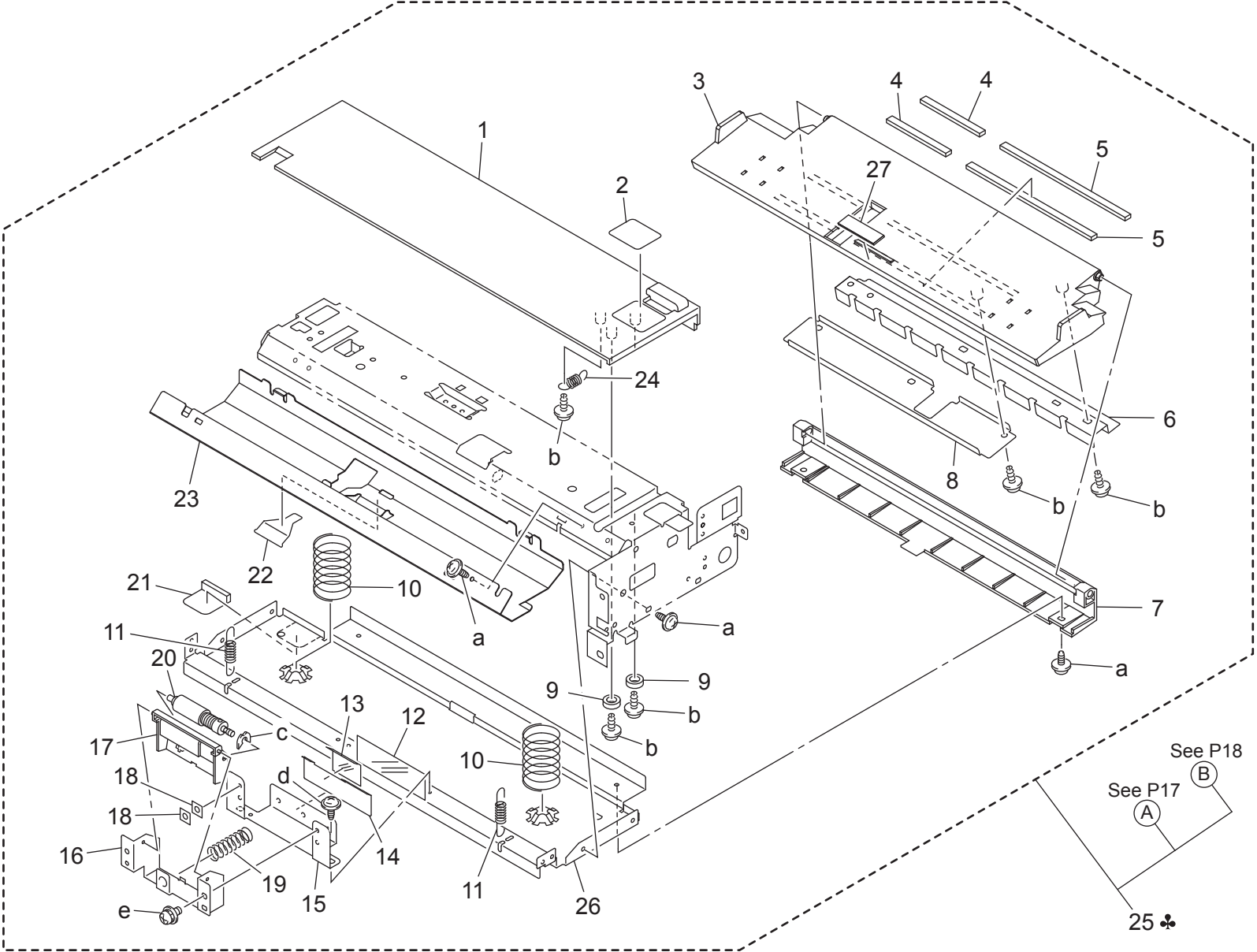
bizhub 222/bizhub 282/bizhub 362/bizhub 7728



PAPER TAKE-UP SECTION

Key	Part No.	Description	Destinations	Class	QTY	Standard parts
1	A0R5 5611 00	Door		C	1	a-V137 0306 03
2	4030 0151 01	SEPARATION ROLLER ASSY		A	1	b-V136 0308 03
3	4030 3079 01	GUIDE		C	1	c-V218 0400 86
4	4030 3078 01	LEVER		C	1	d-V218 0300 86
5	4030 3017 03	PRESSURE SPRING		C	1	e-V116 0308 03
6	4030 3014 01	BRACKET		D	1	f-V137 0308 03
7	4030 3039 01	SHAFT		D	1	g-V153 0308 03
8	4030 3013 01	HOLDER		C	1	
9	4030 3077 01	GUIDE		D	1	
10	4030 3105 01	GUIDE		C	1	
11	4030 3124 03	GUIDE		D	1	
12	4030 3125 01	TENSION SPRING		C	2	
13	4030 3129 03	BRACKET		D	1	
14	4030 3025 02	BRACKET		D	1	
15	4030 3036 01	GUIDE		C	2	
16	4030 3095 01	GUIDE PLATE		C	1	
17	4030 3107 01	GUIDE		C	1	
18	4030 3114 02	GUIDE PLATE		D	1	
19	4030 3116 01	TENSION SPRING		C	1	
20	4030 3135 01	LEVER		C	1	
21	4030 3117 02	BRACKET		D	1	
22	A0R5 5630 00	Handle		C	1	
23	1149 3454 01	PRESSURE SPRING		C	1	
24	4030 3123 01	PRESSURE SPRING		C	2	
25	4030 3122 01	ROLL		C	4	
26	4030 3121 01	SHAFT		D	1	
27	4030 3134 03	EARTH GROUND		C	1	
28	4030 3115 01	LEVER		C	1	
29	4163 5293 01	SCREW		C	3	
30	4030 3037 01	REINFORCE PLATE		D	1	
31	50GA 4007 00	FILM		C	1	
32	4040 5610 00	Spacer		D	1	
33	4040 5612 00	Spacer		D	1	

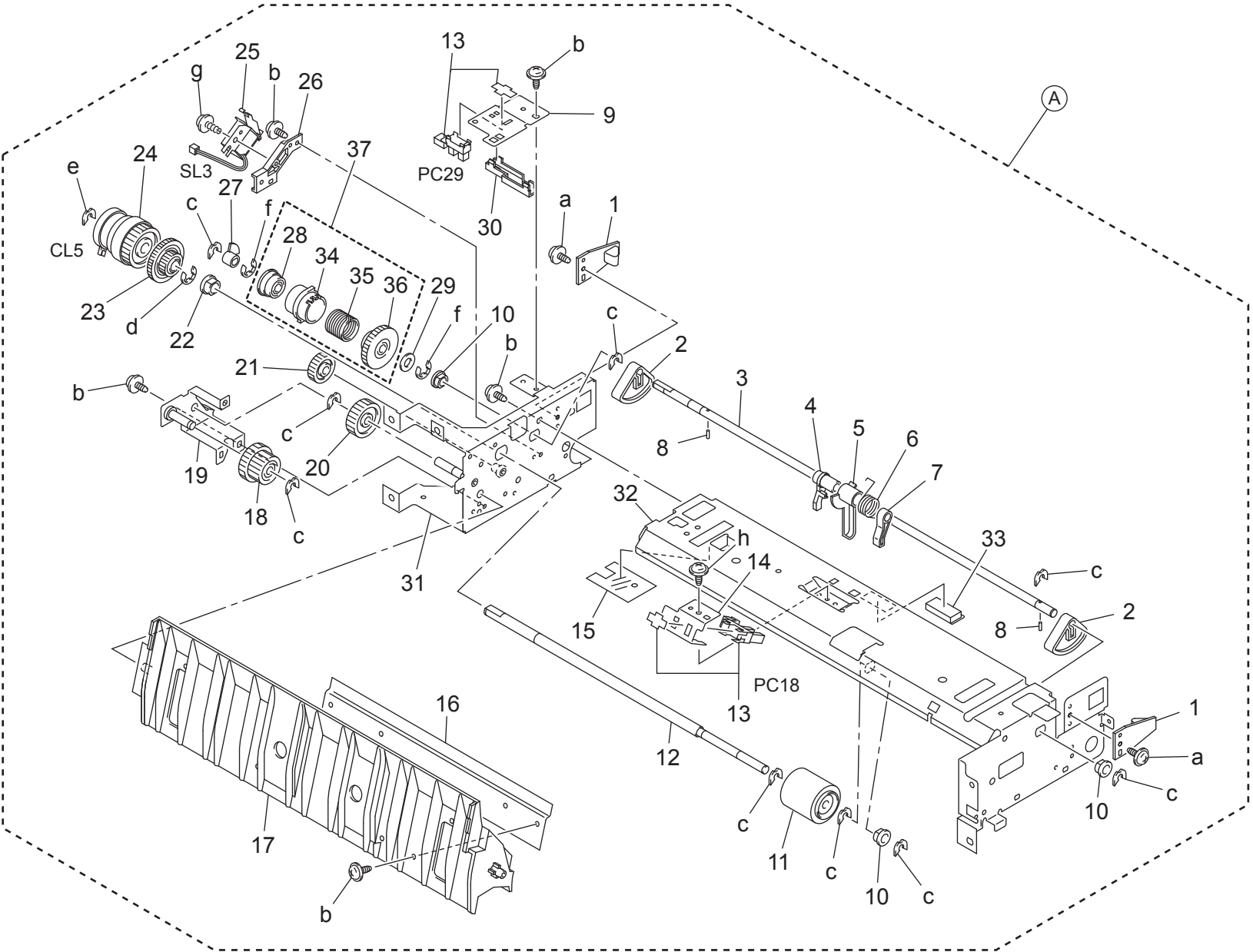
bizhub 222/bizhub 282/bizhub 362/bizhub 7728



bizhub 222/bizhub 282/bizhub 362/bizhub 7728

Key	Part No.	Description	Destinations	Class	QTY	Standard parts
1	A0R5 6042 00	Cover /Upper		D	1	a-V137 0308 03 b-V153 0308 03 c-V218 0300 86 d-V144 0308 03 e-V116 0306 03
2	A0R5 9421 01	Label		C	1	
3	A0R5 6009 00	Lifting Plate		D	1	
4	4030 3476 01	SEAL		C	2	
5	4030 3477 01	SEAL		C	2	
6	4030 3484 01	WEIGHT		D	1	
7	A0R5 6025 00	Holder		D	1	
8	4030 3456 01	REINFORCE PLATE		D	1	
9	4030 3481 01	COLLAR		C	2	
10	4030 3457 03	PRESSURE SPRING		C	2	
11	4030 3428 01	TENSION SPRING		C	2	
12	4030 3489 01	SEAL		C	1	
13	4030 3403 01	GUIDE		C	1	
14	4030 3402 01	GUIDE PLATE		C	1	
15	4030 3474 01	BRACKET		D	1	
16	4030 3404 01	BRACKET		D	1	
17	4131 3053 02	HOLDER		D	1	
18	4030 3492 01	SPACER		C	2	
19	4030 3475 01	PRESSURE SPRING		C	1	
20	4034 0151 01	SEPARATION ROLLER		A	1	
21	4030 3448 01	CUSHION		C	1	
22	4040 3495 01	GUIDE		C	1	
23	4040 3496 01	GUIDE		D	1	
24	4030 3438 01	TENSION SPRING		C	1	
25	A11U R701 00	Manual Feed Tray Unit	B,G2	S	1	
25	A11U R702 00	Manual Feed Tray Unit	C,D1,D3,E,F1,F2,G1,H,I,J,K	S	1	
26	4030 3424 01	BRACKET		D	1	
27	4687 3281 01	FRICITION SHEET		C	1	

BYPASS SECTION



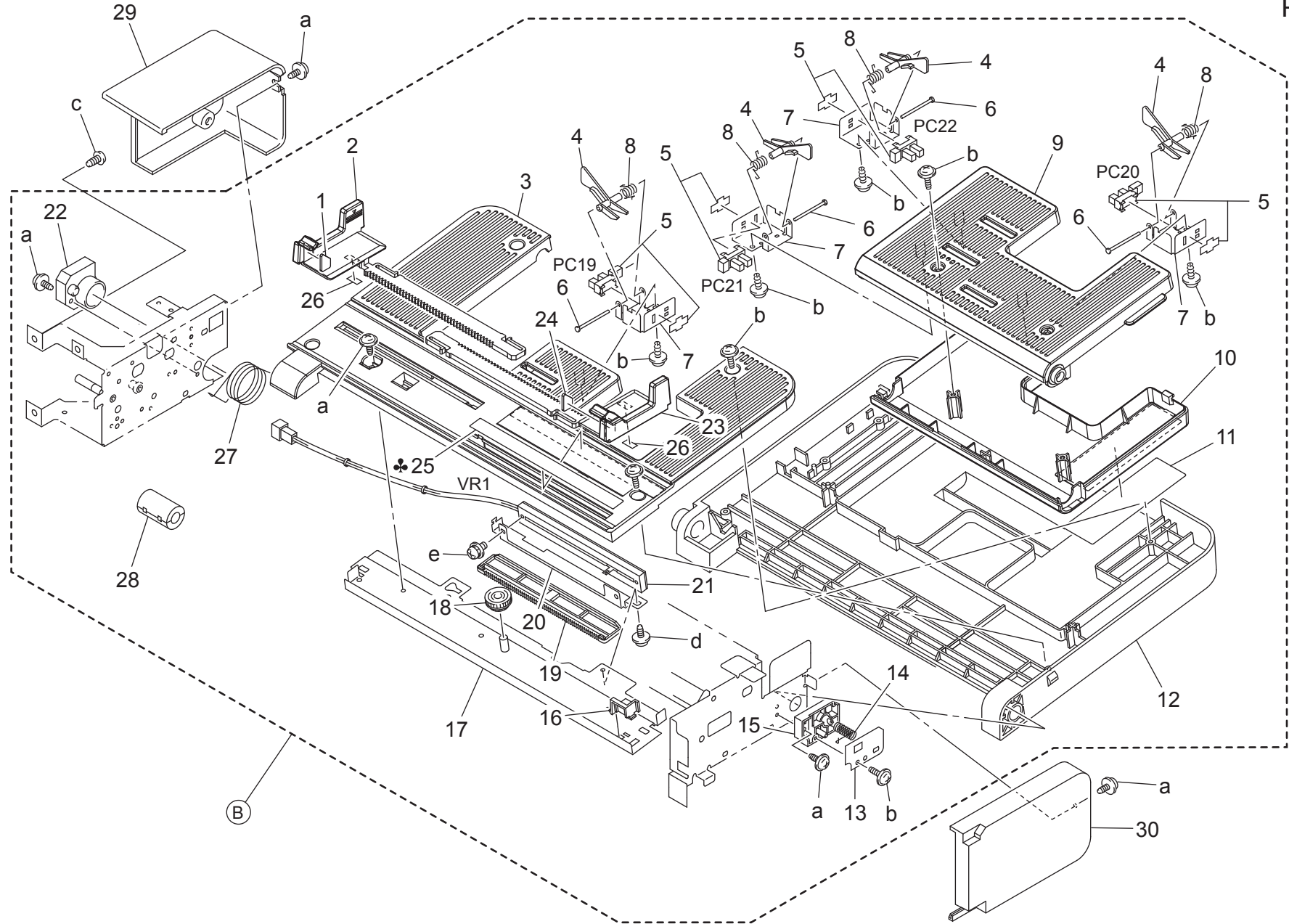
bizhub 222/bizhub 282/bizhub 362/bizhub 7728

BYPASS SECTION

Key	Part No.	Description	Destinations	Class	QTY	Standard parts
1	4030 3430 01	LEVER		C	2	a-V144 0308 03 b-V137 0308 03 c-V218 0400 86 d-V217 0600 01 e-V218 0600 86 f-V217 0400 01 g-V153 0308 03 h-V137 0306 03
2	4030 3417 01	CAM		C	2	
3	4030 3416 02	SHAFT		D	1	
4	4030 3464 01	HOLDER		D	1	
5	4030 3444 01	ACTUATOR		C	1	
6	4030 3445 01	TORSION SPRING		C	1	
7	4030 3465 01	HOLDER		D	1	
8	1067 2502 01	PIN		D	2	
9	4030 3479 01	BRACKET		D	1	
10	4030 3093 01	BUSHING		C	3	
11	4131 3001 01	ROLLER		A	1	
12	4030 3434 01	SHAFT		D	1	
13	4037 0906 01	PHOTO INTERRUPTER		B	2	
14	4040 3443 01	BRACKET		D	1	
15	4030 3447 01	GUIDE		C	1	
16	4030 3427 01	REINFORCE PLATE		D	1	
17	4030 3401 13	HOLDER		D	1	
18	4030 3441 01	GEAR 20/25T		C	1	
19	4030 R708 00	BRACKET ASSY		D	1	
20	1075 2565 01	GEAR 25T		C	1	
21	1300 3322 17	GEAR 20T		C	1	
22	4658 3517 01	BUSHING		C	1	
23	4030 3467 01	GEAR 16/30T		C	1	
24	9J06 M201 00	CLUTCH		C	1	
25	9J06 M200 00	SOLENOID		C	1	
26	4030 3422 01	HOLDER		D	1	
27	4030 3478 02	SHIELD PLATE		D	1	
28	4131 3007 02	DRUM		D	1	
29	4131 4128 01	WASHER		C	1	
30	4030 3429 02	MEMBER		D	1	
31	4030 R707 00	BRACKET ASSY		C	1	
32	4030 3432 07	BRACKET		C	1	
33	4040 3497 01	CUSHION		C	1	
34	4030 3420 02	RATCHET		C	1	
35	4030 3419 01	TORSION SPRING		B	1	
36	4131 3004 02	GEAR 30T		C	1	
37	4040 R705 00	CLUTCH		B	1	

bizhub 222/bizhub 282/bizhub 362/bizhub 7728

# BYPASS SECTION



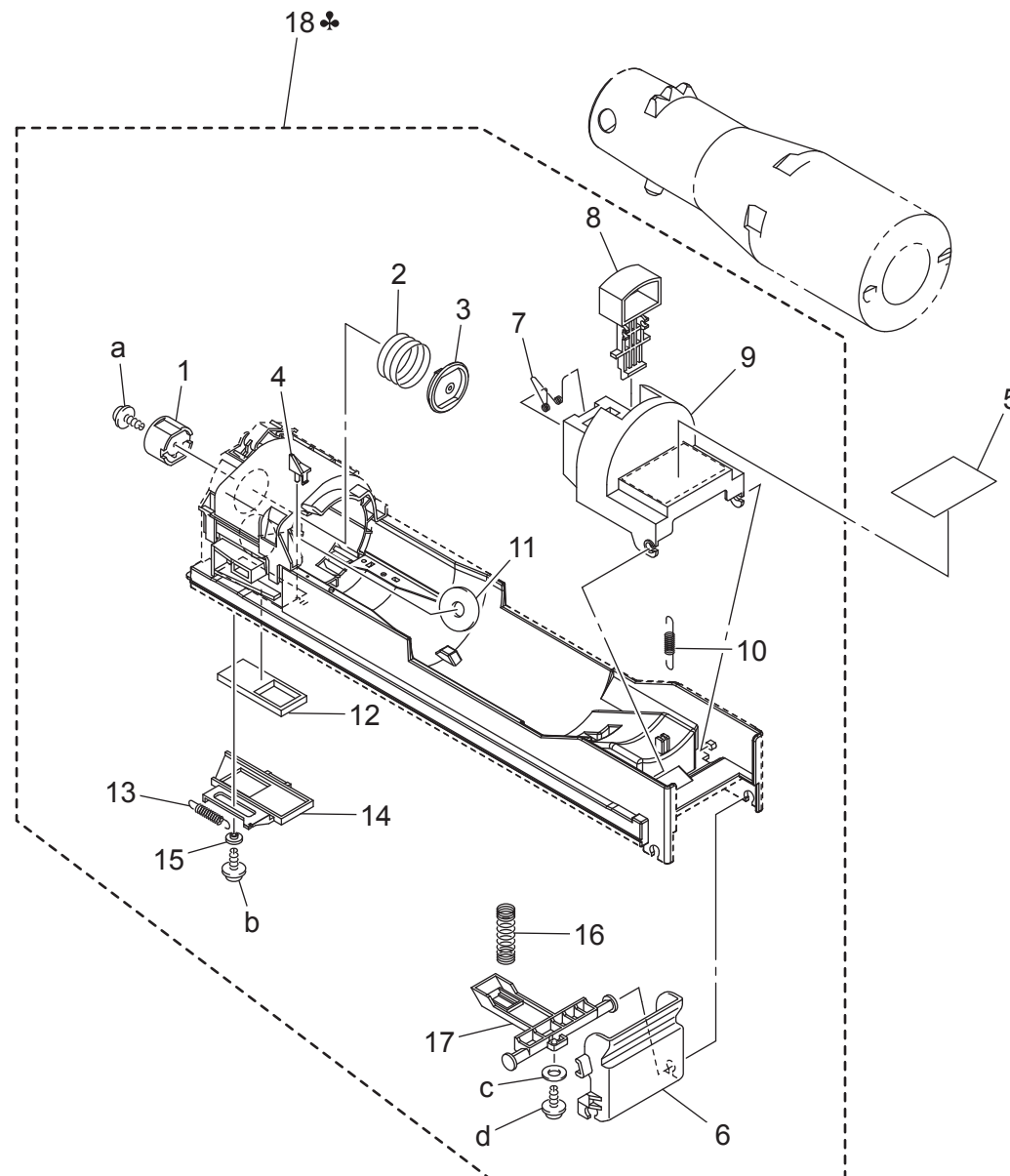
bizhub 222/bizhub 282/bizhub 362/bizhub 7728

BYPASS SECTION

Key	Part No.	Description	Destinations	Class	QTY	Standard parts
1	4030 3486 01	BRAKE		C	1	a-V137 0308 03 b-V153 0308 03 c-V136 0408 03 d-V137 0306 03 e-V116 0306 03
2	A0R5 6011 00	Regulating Plate		C	1	
3	A0R5 6066 00	Cover		C	1	
4	4030 3415 02	ACTUATOR		C	4	
5	4037 0906 01	PHOTO INTERRUPTER		B	4	
6	1134 3042 02	SHAFT		D	4	
7	4030 3414 01	BRACKET		D	4	
8	4030 3446 01	TORSION SPRING		C	4	
9	A0R5 6023 00	Tray		C	1	
10	A0R5 6059 00	Cover		C	1	
11	4030 7309 02	LABEL TRAY CAUTION		C	1	
12	A0R5 6008 00	Tray		C	1	
13	4030 3437 01	BRACKET		D	1	
14	4030 3435 01	TORSION SPRING		C	1	
15	4030 3473 02	HOLDER		D	1	
16	4030 3463 01	STOPPER		D	1	
17	4030 0216 05	BRACKET ASSY		D	1	
18	4030 3412 01	GEAR 13/18T		C	1	
19	4030 3460 02	RACK		C	1	
20	4030 3455 02	BRACKET		D	1	
21	4037 6899 01	RESISTOR		D	1	
22	4030 3472 01	HOLDER		D	1	
23	A0R5 6010 00	Regulating Plate		C	1	
24	4030 3487 01	BRAKE		C	1	
25	4030 7307 02	SCALE METRIC	C,D1,D3,E,F1,F2,G1,H,I,J,K	D	1	
25	4030 7308 02	SCALE INCH	B,G2	C	1	
26	4131 4623 04	CLEANING PAD		C	2	
27	4030 3436 01	TORSION SPRING		C	1	
28	9326 1910 31	FERRITE CORE		D	1	
29	A0R5 6026 00	Cover		C	1	
30	A0R5 6108 01	Cover /Front		C	1	

bizhub 222/bizhub 282/bizhub 362/bizhub 7728

# HOPPER SECTION



bizhub 222/bizhub 282/bizhub 362/bizhub 7728

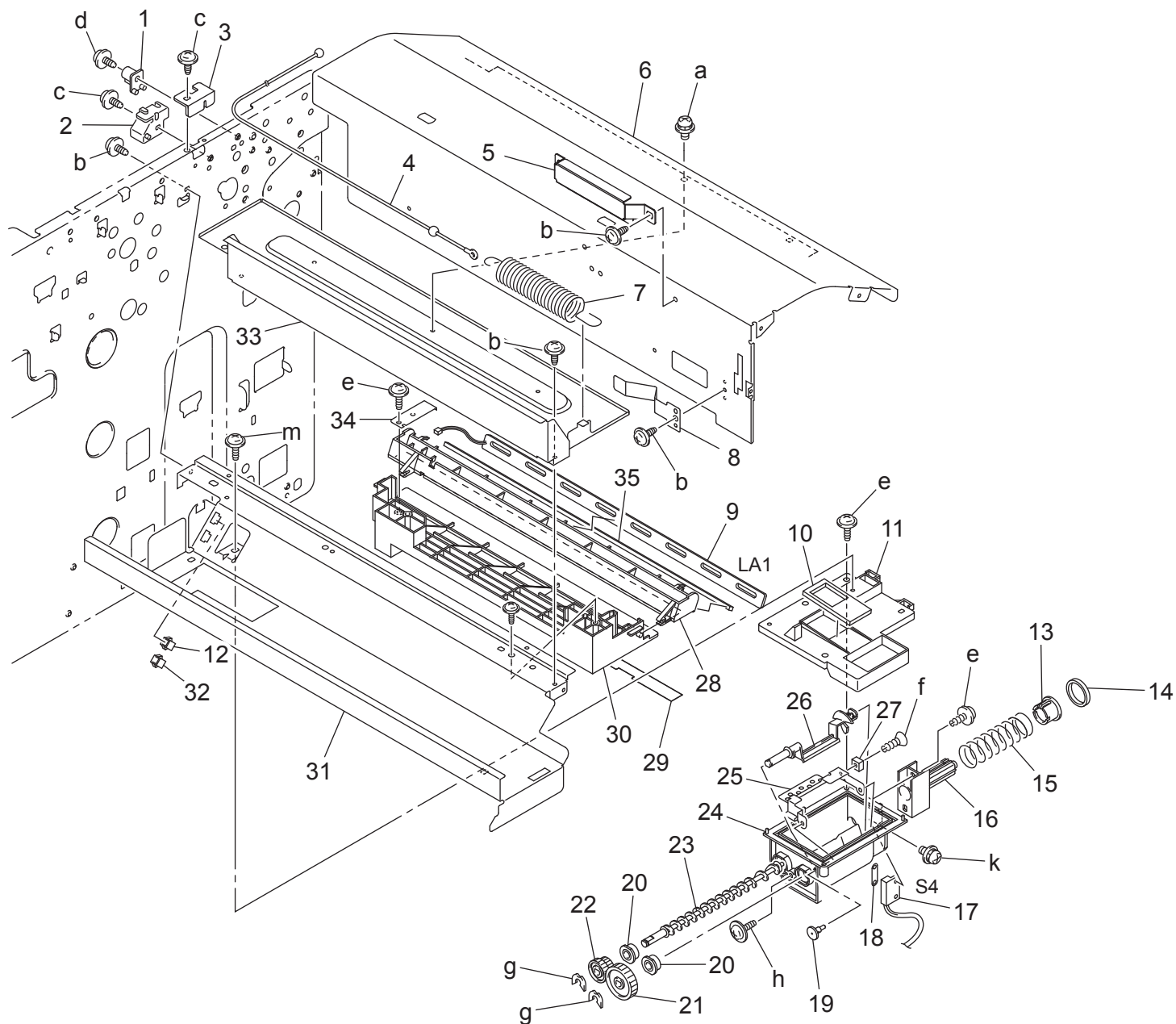


# HOPPER SECTION

Key	Part No.	Description	Destinations	Class	QTY	Standard parts
1	4040 5317 01	JOINT		C	1	a-V153 0308 03 b-V145 0312 03 c-V207 0600 01 d-V153 0410 03
2	4040 5318 01	PRESSURE SPRING		C	1	
3	4040 5319 01	COLLAR		C	1	
4	4040 5322 01	STOPPER	{bizhub 362}	C	1	
5	4040 7375 01	LABEL TONER TYPE	{bizhub 362}	C	1	
5	4041 7377 01	LABEL TONER TYPE	{bizhub 282/222/7728}	C	1	
6	4030 5389 01	HANDLE		C	1	
7	4030 5394 01	TORSION SPRING		C	1	
8	4030 5393 01	HANDLE		C	1	
9	4030 5391 01	STOPPER		D	1	
10	4030 5392 01	TENSION SPRING		C	1	
11	1165 5327 03	SEAL		C	1	
12	4030 5384 01	SEAL		C	1	
13	4030 5386 01	TENSION SPRING		C	1	
14	4030 5383 02	SHUTTER		D	1	
15	4030 5398 01	COLLAR		D	1	
16	4030 5390 01	PRESSURE SPRING		C	1	
17	4030 5395 01	PAWL		C	1	
18	4040 0769 00	HOPPER UNIT	B,G2 {bizhub 362}	I	1	
18	4040 0772 00	HOPPER UNIT	B,G2 {bizhub 282/222}	I	1	
18	4040 0773 00	HOPPER UNIT	C,D1,D3,E,F1,F2,G1,H,I,J,K {bizhub 362}	I	1	
18	4040 0775 00	HOPPER UNIT	C,D1,D3,E,F1,F2,G1,H,I,J,K {bizhub 282/222/7728}	I	1	

bizhub 222/bizhub 282/bizhub 362/bizhub 7728

# HOPPER SECTION



bizhub 222/bizhub 282/bizhub 362/bizhub 7728

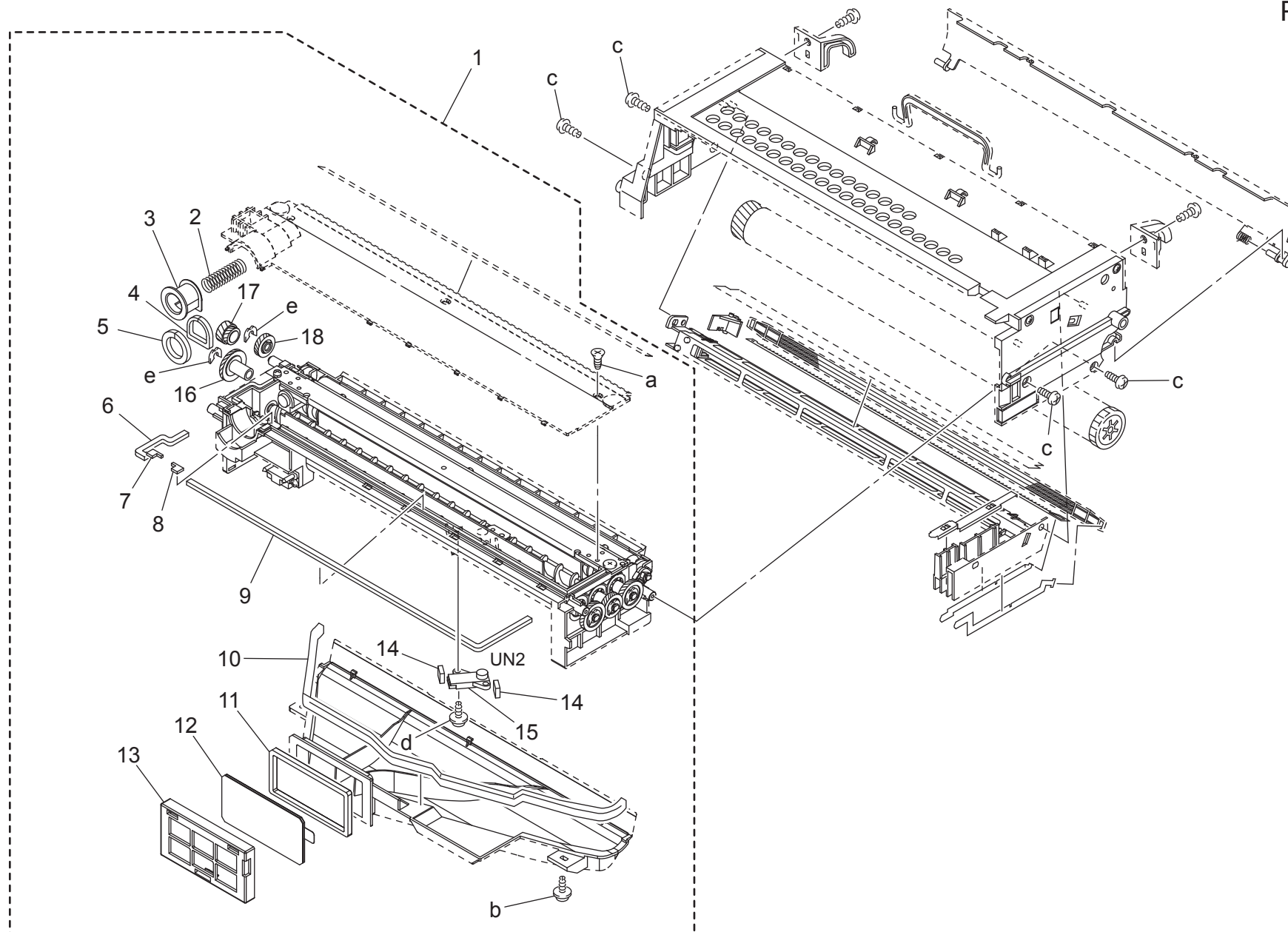
# HOPPER SECTION

Key	Part No.	Description	Destinations	Class	QTY	Standard parts
1	4030 2043 01	GUIDE		D	1	a-V116 0308 03
2	1164 2050 01	GUIDE		D	1	b-V137 0306 03
3	4030 2046 01	STOPPER		D	1	c-V137 0308 03
4	4030 2047 01	WIRE		C	1	d-V137 0320 03
5	4040 2056 01	RAIL		D	1	e-V153 0308 03
6	4030 1019 02	COVER		D	1	f-V112 0308 21
7	4030 2045 01	TENSION SPRING		C	1	g-V218 0400 86
8	4030 5396 01	PLATE SPRING		C	1	h-1250 2301 01
9	9351 1200 12	INCANDESCENT LAMP		C	1	k-V116 0310 03
10	4030 5385 02	SEAL		C	1	m-V153 0310 03
11	4030 5361 03	REGULATING PLATE		C	1	
12	V818 6000 14	PLUG HOUSING		D	1	
13	1165 5308 01	SHUTTER		D	1	
14	1165 5319 01	SEAL		C	1	
15	1165 5309 02	PRESSURE SPRING		C	1	
16	4030 5365 01	DUCT		D	1	
17	9334 2710 11	SWITCH		C	1	
18	4011 5339 01	PLATE NUT		D	1	
19	4011 5338 01	PIN		D	1	
20	4163 5102 01	BUSHING		C	2	
21	4030 5378 01	GEAR 28T		C	1	
22	4030 5379 01	GEAR 14/19T		C	1	
23	4030 0152 03	SCREW ASSY		C	1	
24	4030 5360 01	HOUSING		D	1	
25	4030 5364 01	DETECTING PLATE		D	1	
26	4030 0153 03	STIRRING PLATE ASSY		C	1	
27	9326 2900 06	MAGNET		D	1	
28	1165 4305 02	HOLDER		D	1	
29	1165 4310 01	SEAL		C	1	
30	4030 2055 01	HOLDER		D	1	
31	4030 2050 02	BRACKET		D	1	
32	V818 6000 11	PLUG HOUSING		D	1	
33	4030 2051 02	GUIDE		D	1	
34	1165 4308 02	PLATE SPRING		C	1	
35	1165 4307 01	SEAL		C	1	

bizhub 222/bizhub 282/bizhub 362/bizhub 7728

# DEVELOPING UNIT

P 21



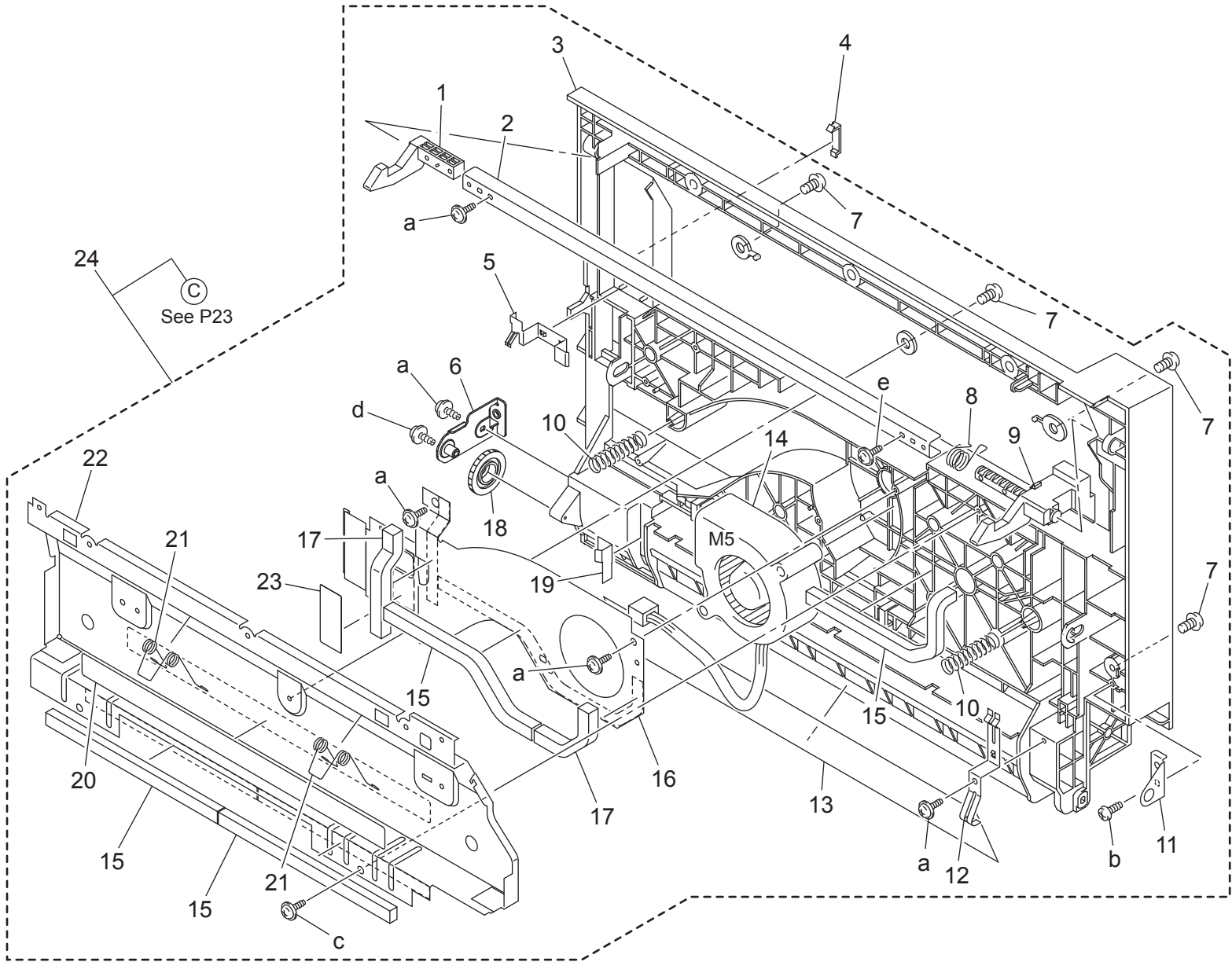
bizhub 222/bizhub 282/bizhub 362/bizhub 7728

DEVELOPING UNIT

Key	Part No.	Description	Destinations	Class	QTY	Standard parts
1	4040 0752 00	DEVELOPING UNIT		B	1	a-V112 0306 21 b-V153 0308 03 c-V149 0308 04 d-V153 0306 03 e-V218 0400 86
2	4163 5210 02	PRESSURE SPRING		C	1	
3	4163 5205 01	SHUTTER		D	1	
4	4163 5208 01	SEAL		C	1	
5	4163 5238 01	SEAL		C	1	
6	4163 5209 01	SEAL		C	1	
7	4163 5240 01	SEAL		C	1	
8	4163 5239 01	SEAL		C	1	
9	4163 5207 01	SEAL		C	1	
10	4040 5211 01	SEAL		C	1	
11	4040 5223 01	SEAL		C	1	
12	4040 5217 01	TONER FILTER		A	1	
13	4040 5222 01	COVER		C	1	
14	4040 5216 01	SEAL		C	2	
15	4040 6040 01	PWB ASSY		I	1	
16	4163 5224 01	GEAR 20T		C	1	
17	4163 5222 01	GEAR 14T/12T		C	1	
18	4163 5223 01	GEAR 19T		C	1	

bizhub 222/bizhub 282/bizhub 362/bizhub 7728

PAPER TRANSPORT SECTION



bizhub 222/bizhub 282/bizhub 362/bizhub 7728

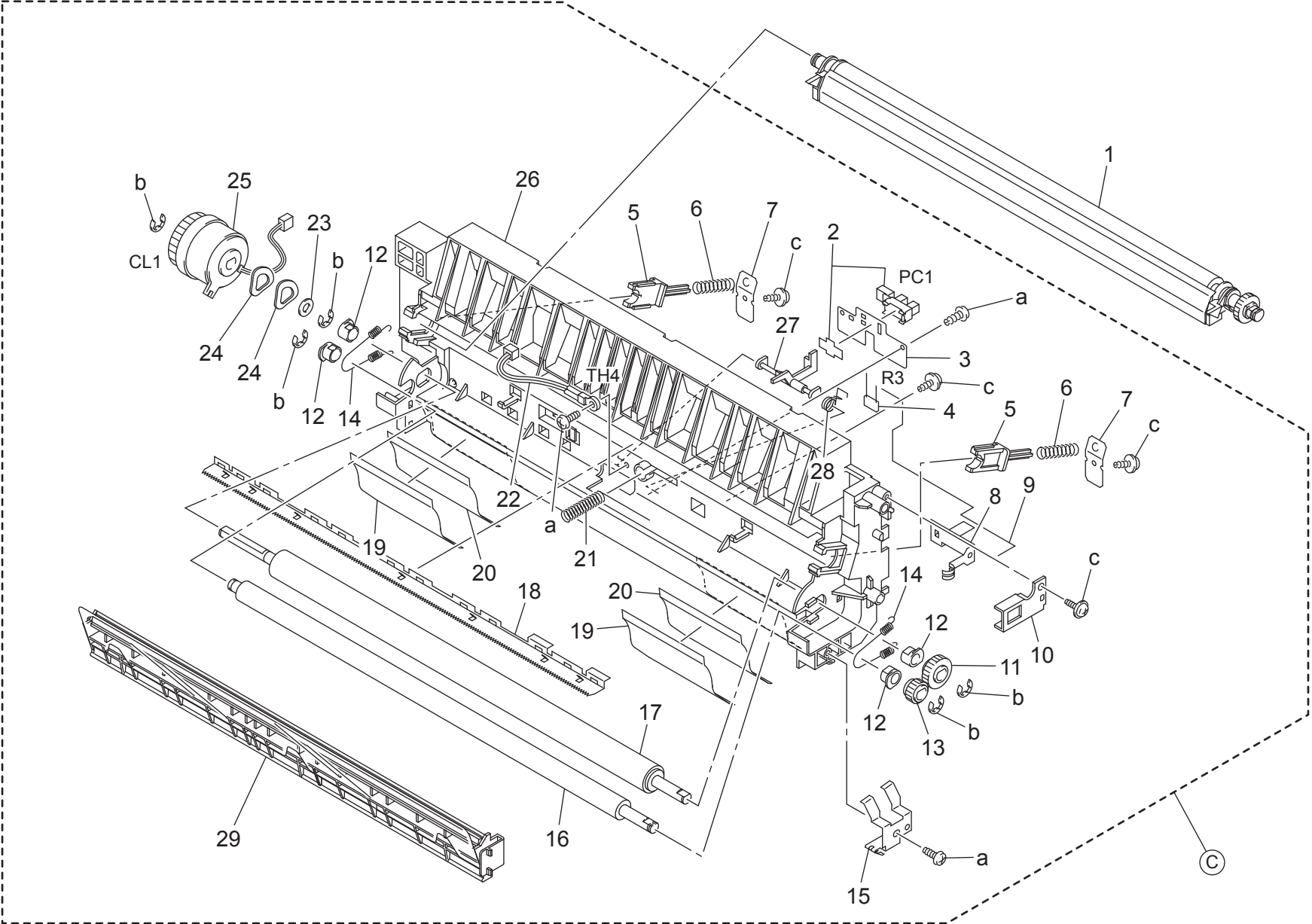


PAPER TRANSPORT SECTION

Key	Part No.	Description	Destinations	Class	QTY	Standard parts
1	4030 2022 01	PAWL		C	1	a-V153 0308 03 b-V145 0308 03 c-V153 0410 03 d-V153 0316 03 e-V153 0310 03
2	4030 2023 01	BRACKET		D	1	
3	A11U 7106 00	Right Cover		C	1	
4	A11U 1628 00	Cover		D	1	
5	4030 2024 02	EARTH GROUND		C	1	
6	4030 R713 00	BRACKET ASSY		D	1	
7	4002 2581 01	SCREW		C	4	
8	4030 2013 01	TORSION SPRING		C	1	
9	A0R5 8221 00	Lock Claw /Front		C	1	
10	4011 3515 01	PRESSURE SPRING		C	2	
11	4011 2024 01	BRACKET		D	1	
12	1164 4219 02	TERMINAL		C	1	
13	4012 3524 12	GUIDE		C	1	
14	9313 1100 33	FAN MOTOR		C	1	
15	4030 3520 01	SEAL		C	4	
16	4030 3517 01	BRACKET		D	1	
17	4030 3518 01	SEAL		C	2	
18	4030 2549 01	GEAR 21T		C	1	
19	4011 3508 01	GUIDE		C	1	
20	4138 5866 01	LABEL HI-TEMP CAUTION		D	1	
21	4030 2052 02	TORSION SPRING		C	2	
22	4030 2025 01	REINFORCE PLATE		D	1	
23	4030 3527 01	INSULATING MEMBER		C	1	
24	A11U R703 00	Paper Transport Unit		S	1	

bizhub 222/bizhub 282/bizhub 362/bizhub 7728

PAPER TRANSPORT SECTION



bizhub 222/bizhub 282/bizhub 362/bizhub 7728

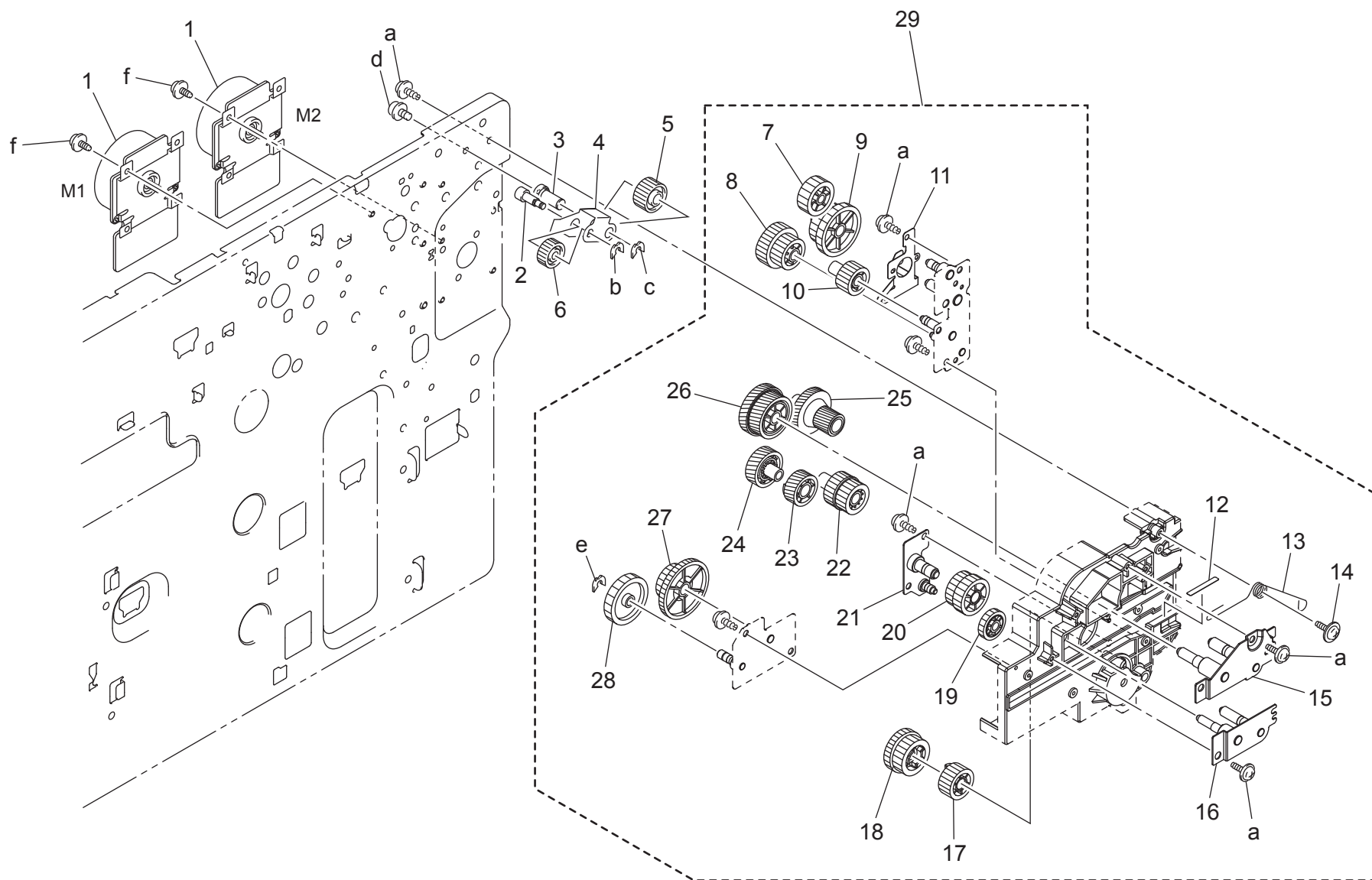


PAPER TRANSPORT SECTION

Key	Part No.	Description	Destinations	Class	QTY	Standard parts
1	4040 R725 00	TRANSFER ROLLER UNIT		A	1	a-V145 0308 03 b-V217 0500 01 c-V153 0308 03
2	4037 0906 01	PHOTO INTERRUPTER		B	1	
3	1164 3529 01	BRACKET		D	1	
4	9455 3078 01	RESISTOR		D	1	
5	1164 4206 02	BUSHING		C	2	
6	4030 4207 01	PRESSURE SPRING		C	2	
7	1164 4209 02	CONTACT		C	2	
8	4011 4217 01	CONTACT		C	1	
9	4030 4220 01	CONTACT		C	1	
10	1164 4218 01	HOLDER		D	1	
11	1164 3508 01	GEAR 18T		B	1	
12	1164 3549 01	BUSHING		B	4	
13	1164 3515 01	GEAR 13T		B	1	
14	1164 3513 01	TENSION SPRING		C	2	
15	1164 3514 02	EARTH GROUND		C	1	
16	4011 3509 01	ROLLER		C	1	
17	4011 3510 01	ROLLER		C	1	
18	1164 4202 04	NEUTRALIZING NEEDLE		D	1	
19	4030 3506 01	GUIDE		C	2	
20	4030 3505 01	GUIDE		C	2	
21	4030 4213 02	PRESSURE SPRING		C	1	
22	9372 2710 22	THERMISTOR		B	1	
23	4011 3512 01	WASHER		C	1	
24	4011 3020 01	WASHER		C	2	
25	9322 1000 81	CLUTCH		C	1	
26	4030 3501 08	HOLDER		C	1	
27	4030 3504 01	ACTUATOR		C	1	
28	1164 3527 02	TORSION SPRING		C	1	
29	4040 0778 00	PAPER DUST REMOVER		A	1	

bizhub 222/bizhub 282/bizhub 362/bizhub 7728

# DRIVE SECTION



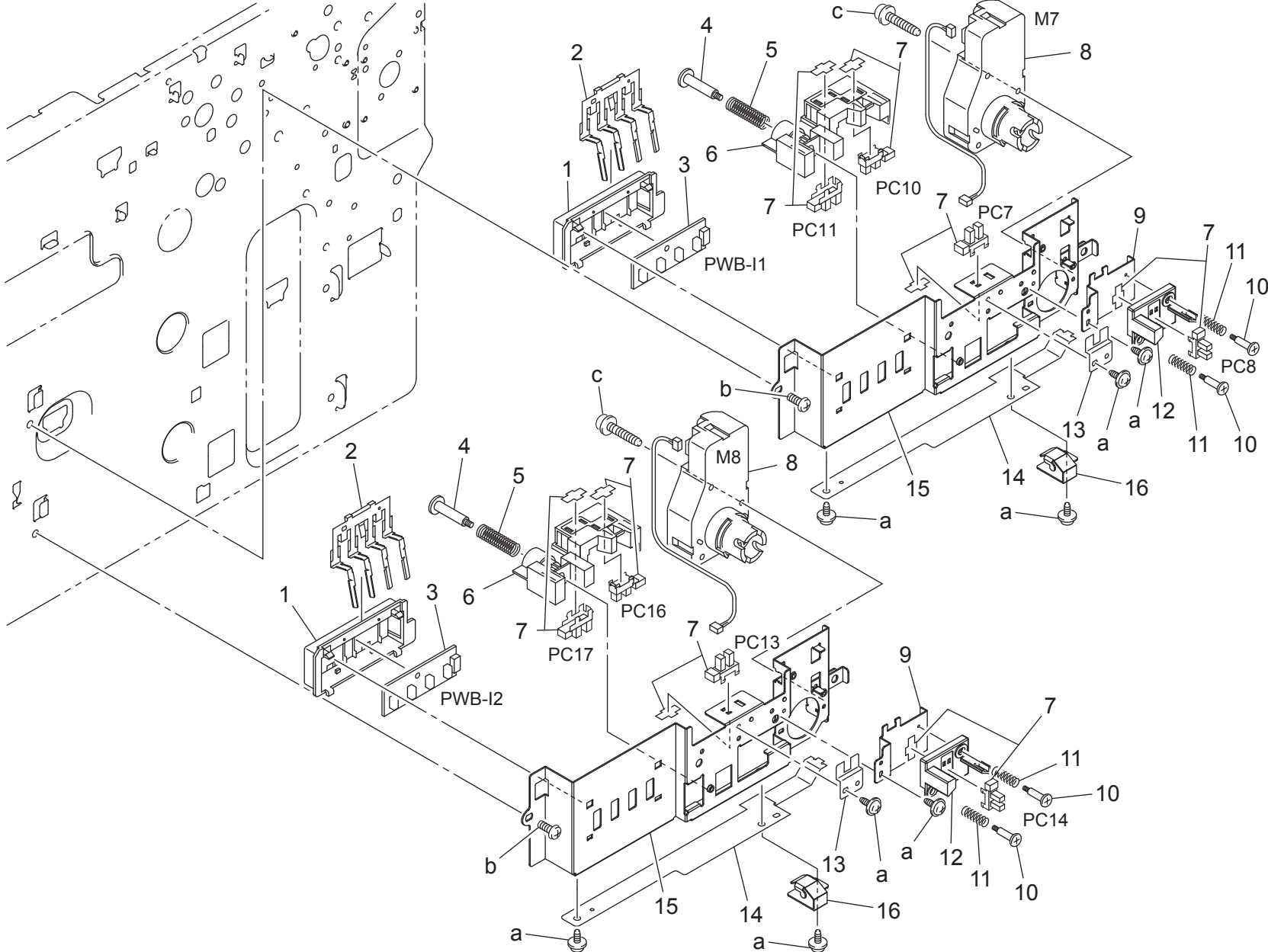
bizhub 222/bizhub 282/bizhub 362/bizhub 7728

DRIVE SECTION

Key	Part No.	Description	Destinations	Class	QTY	Standard parts
1	9314 2400 31	MOTOR		B	2	a-V153 0308 03 b-V218 0300 86 c-V218 0600 86 d-V116 0308 03 e-V218 0400 86 f-V144 0306 03
2	4030 2524 01	SHAFT		D	1	
3	4030 2523 01	SHAFT		D	1	
4	4030 2525 01	BRACKET		D	1	
5	4030 2517 01	GEAR 21T		C	1	
6	4030 2518 01	GEAR 18T		C	1	
7	4030 2516 01	GEAR 24T		C	1	
8	4040 2551 01	GEAR 29/56T		C	1	
9	4030 2515 01	GEAR 28/49T		C	1	
10	4040 2552 01	GEAR 26T		C	1	
11	4030 2530 02	PLATE SPRING		C	1	
12	4030 7316 01	LABEL		D	1	
13	4030 2531 01	SPRING		C	1	
14	4163 5293 01	SCREW		C	1	
15	4030 R709 00	BRACKET ASSY		D	1	
16	4030 R710 00	BRACKET ASSY		D	1	
17	4040 2545 01	GEAR 29T		C	1	
18	4040 2546 01	GEAR 20/56T		C	1	
19	4030 2535 01	GEAR 27T		C	1	
20	4030 2526 01	GEAR 32/35T		C	1	
21	4030 R712 00	BRACKET ASSY		D	1	
22	4030 2512 01	GEAR 19/44T		C	1	
23	4030 2511 01	GEAR 42T		C	1	
24	4030 2510 01	GEAR 49T		C	1	
25	4030 2506 01	GEAR 23/60T		C	1	
26	4030 2505 01	GEAR 58/67T		C	1	
27	4030 2542 01	GEAR 24/81T		C	1	
28	1165 2592 01	GEAR 34T		C	1	
29	4040 0777 00	DRIVE UNIT		C	1	

bizhub 222/bizhub 282/bizhub 362/bizhub 7728

DRIVE SECTION



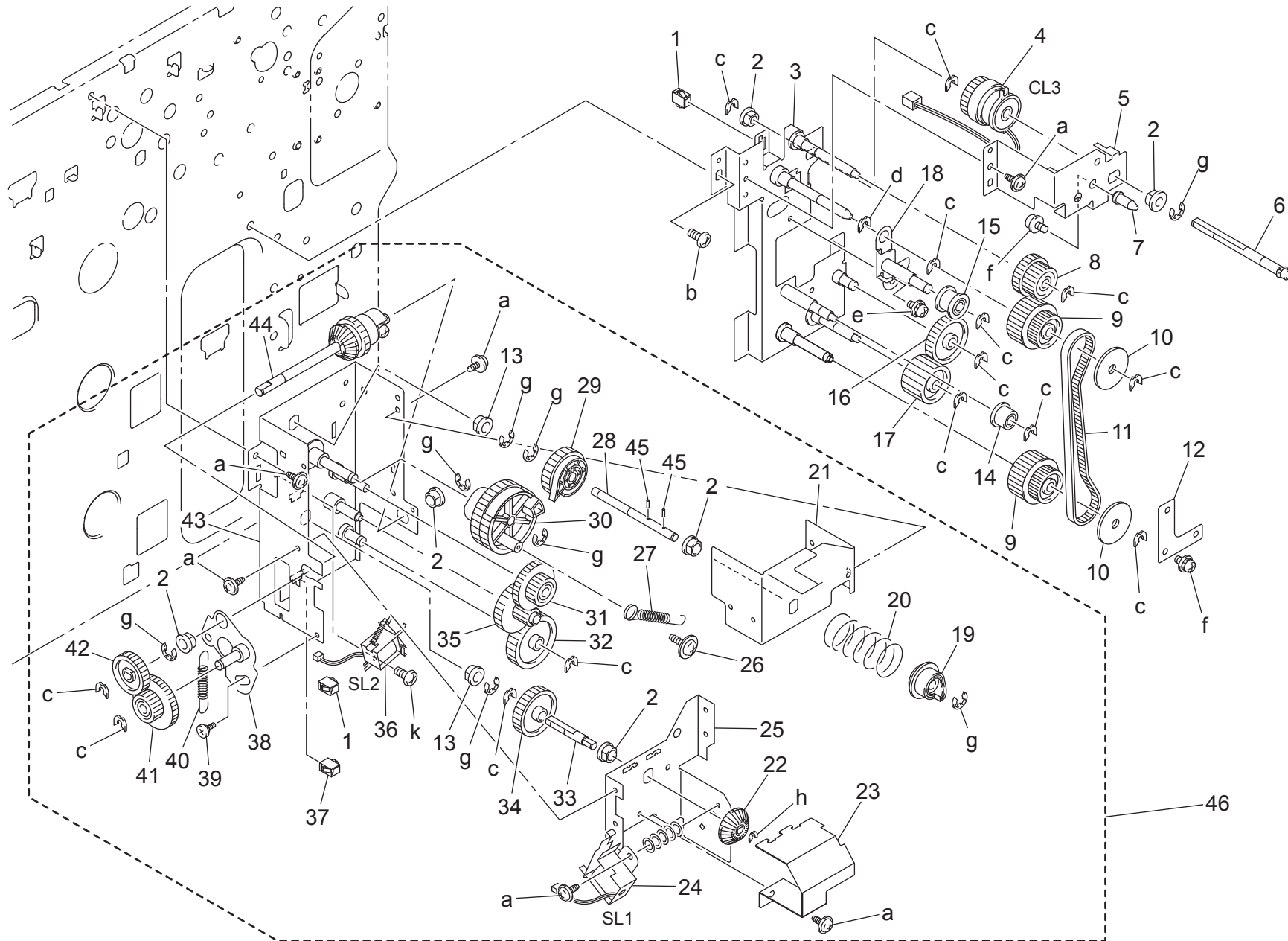
bizhub 222/bizhub 282/bizhub 362/bizhub 7728

DRIVE SECTION

Key	Part No.	Description	Destinations	Class	QTY	Standard parts
1	4011 3012 01	HOLDER		D	2	a-V137 0306 03 b-V136 0408 03 c-V116 0330 03
2	4030 3091 01	LEVER		C	2	
3	4037 0104 01	PWB ASSY		C	2	
4	4002 3131 01	SHOULDER SCREW		C	2	
5	4002 3110 01	PRESSURE SPRING		C	2	
6	4030 3047 02	HOLDER		D	2	
7	4037 0906 01	PHOTO INTERRUPTER		B	8	
8	9J06 M103 00	MOTOR		B	2	
9	4030 3208 02	BRACKET		D	2	
10	4030 3224 02	SHOULDER SCREW		C	4	
11	4030 3081 01	PRESSURE SPRING		C	4	
12	4030 3083 01	HOLDER		D	2	
13	4030 3048 02	BRACKET		D	2	
14	4030 3049 01	BRACKET		D	2	
15	4030 3046 03	BRACKET		D	2	
16	50GA 6271 01	LIFTING STAY		C	2	

bizhub 222/bizhub 282/bizhub 362/bizhub 7728

# DRIVE SECTION



bizhub 222/bizhub 282/bizhub 362/bizhub 7728

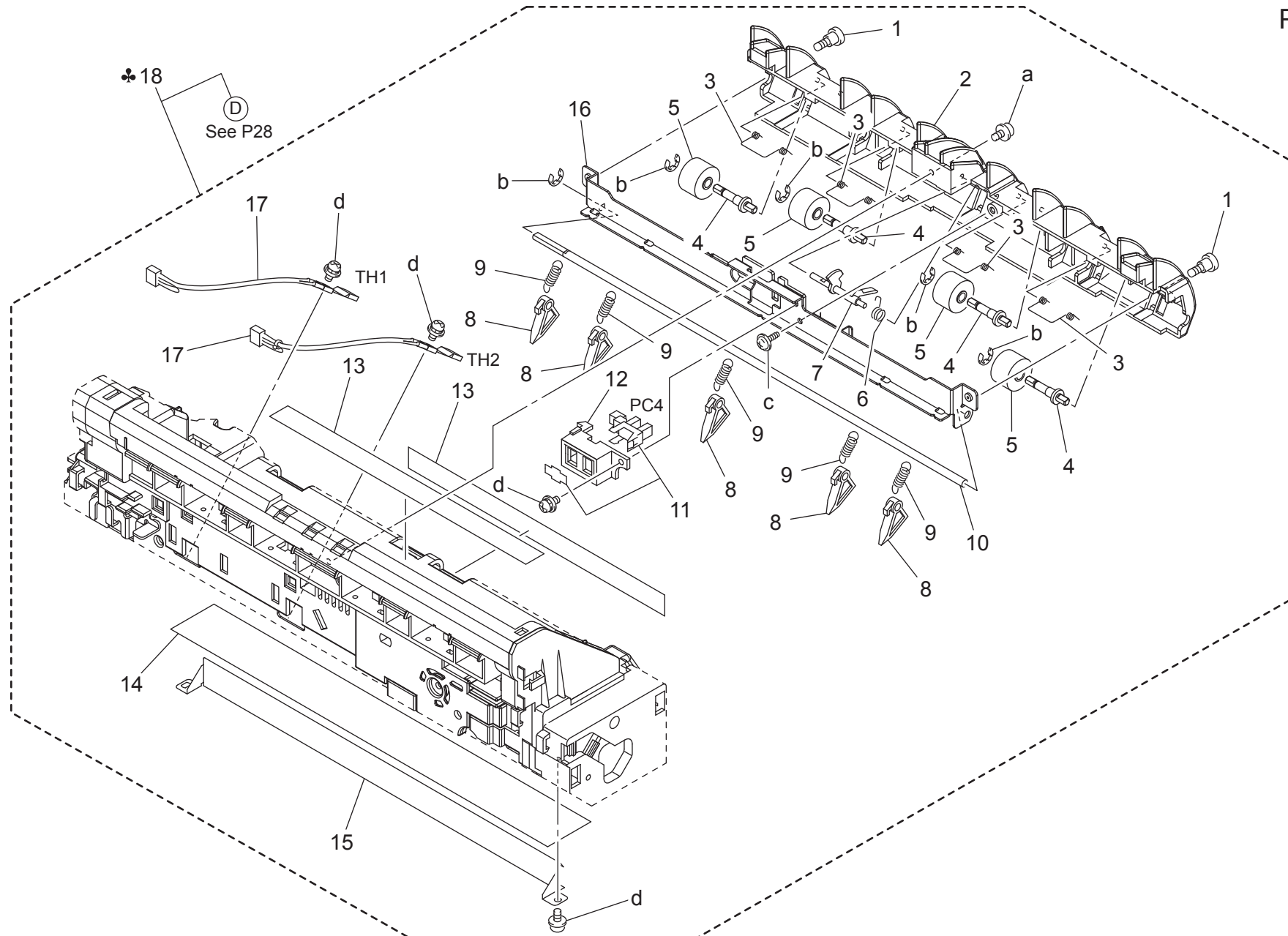
DRIVE SECTION

Key	Part No.	Description	Destinations	Class	QTY	Standard parts
1	V818 6000 14	PLUG HOUSING		D	2	a-V137 0306 03 b-V136 0408 03 c-V218 0400 86 d-V218 0600 86 e-V116 0308 03 f-V116 0306 03 g-V217 0400 01 h-V218 0300 86 k-V143 0306 03
2	4131 3003 01	BUSHING		C	6	
3	4030 R720 00	BRACKET ASSY		C	1	
4	9322 1500 12	CLUTCH		C	1	
5	4030 3051 01	BRACKET		D	1	
6	4030 3057 01	SHAFT		D	1	
7	4030 3067 01	SHAFT		D	1	
8	4030 3071 01	GEAR 19/33T		C	1	
9	4030 3053 01	PULLEY 28/36T		C	2	
10	4030 3055 01	COLLAR		C	2	
11	4030 3054 01	TIMING BELT 324L		C	1	
12	4030 3052 01	BRACKET		D	1	
13	1134 3043 01	BUSHING		C	2	
14	1067 2513 01	PULLEY		C	1	
15	1155 2518 01	PULLEY		C	1	
16	4030 3060 01	GEAR 30T		C	1	
17	4030 3059 01	GEAR 24T		C	1	
18	4030 R705 00	BRACKET ASSY		C	1	
19	4030 5330 03	JOINT		C	1	
20	4030 5374 01	PRESSURE SPRING		C	1	
21	4030 5355 02	BRACKET		D	1	
22	1165 5311 01	GEAR 24T		C	1	
23	4030 5331 01	COVER		D	1	
24	4040 M200 00	SOLENOID		C	1	
25	4030 5332 01	BRACKET		D	1	
26	4163 5293 01	SCREW		C	1	
27	4030 5373 01	TENSION SPRING		C	1	
28	4030 5372 01	SHAFT		D	1	
29	4030 5369 02	GEAR 29T		C	1	
30	4030 5368 02	GEAR 37/42T		C	1	
31	4030 5367 01	GEAR 17/40T		C	1	
32	1165 2592 01	GEAR 34T		C	1	
33	4030 5371 01	SHAFT		D	1	
34	4030 5370 01	GEAR 40T		C	1	
35	4030 5376 01	GEAR 14/30T		C	1	
36	9J06 M200 00	SOLENOID		C	1	
37	V818 6000 33	CONNECTOR 2P		D	1	
38	4030 R715 00	BRACKET ASSY		D	1	
39	4030 5377 01	SHOULDER SCREW		C	1	
40	4030 5324 01	TENSION SPRING		C	1	
41	4030 5328 01	GEAR 17/32T		C	1	
42	4030 5334 01	GEAR 25T		C	1	
43	4030 R714 00	BRACKET ASSY		C	1	
44	4030 0154 05	GEAR ASSY		C	1	
45	1067 2501 01	PIN		C	2	
46	4040 0768 00	HOPPER DRIVE UNIT		C	1	

bizhub 222/bizhub 282/bizhub 362/bizhub 7728

# FUSING SECTION

P 27



bizhub 222/bizhub 282/bizhub 362/bizhub 7728

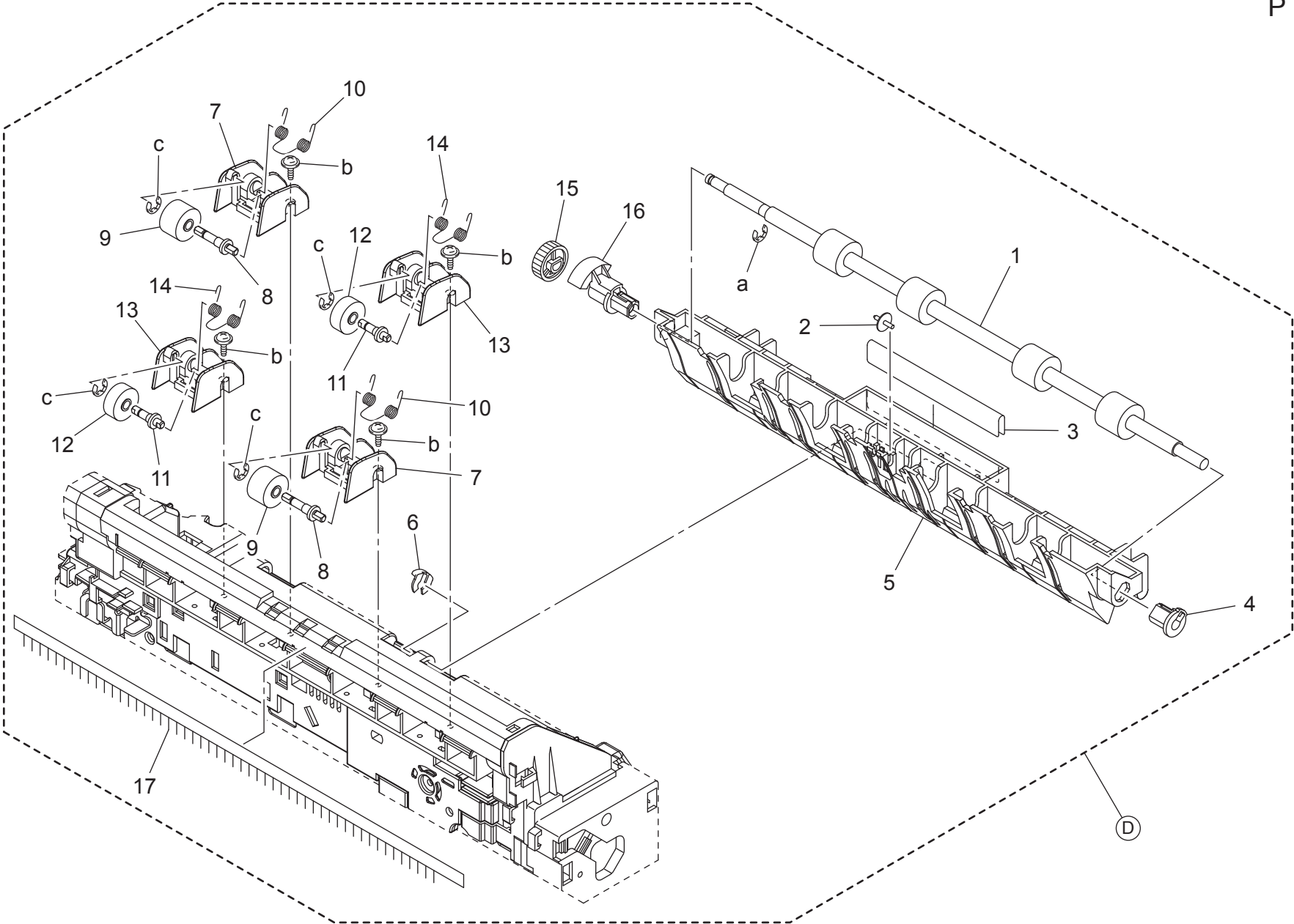


# FUSING SECTION

Key	Part No.	Description	Destinations	Class	QTY	Standard parts
1	4030 5827 01	SHOULDER SCREW		C	2	a-V116 0310 03 b-V217 0300 01 c-V153 0308 03 d-V116 0308 03
2	4030 5752 03	GUIDE		D	1	
3	4030 5807 01	TORSION SPRING		C	4	
4	4030 5856 01	SHAFT		D	4	
5	4030 5805 03	ROLL		C	4	
6	4030 5810 02	TORSION SPRING		C	1	
7	4030 5809 02	ACTUATOR		C	1	
8	4040 5755 01	SEPARATOR		C	5	
9	4030 5717 01	TENSION SPRING		C	5	
10	4030 5753 01	SHAFT		D	1	
11	4037 0906 01	PHOTO INTERRUPTER		B	1	
12	4030 5808 02	HOLDER		D	1	
13	4138 5866 01	LABEL HI-TEMP CAUTION		D	2	
14	4030 5705 01	THERMAL INSULATOR		C	1	
15	4030 5713 02	GUIDE PLATE		D	1	
16	4030 5750 03	BRACKET		D	1	
17	4040 0901 01	THERMISTOR KIT		C	2	
18	4040 R710 00	FUSING UNIT 120V	B,F1,G2	A	1	
18	4040 R711 00	FUSING UNIT 230V	C,D1,D3,E,F2,G1,I,J,K	A	1	
18	4040 R712 00	FUSING UNIT 110V	H	A	1	

bizhub 222/bizhub 282/bizhub 362/bizhub 7728

FUSING SECTION



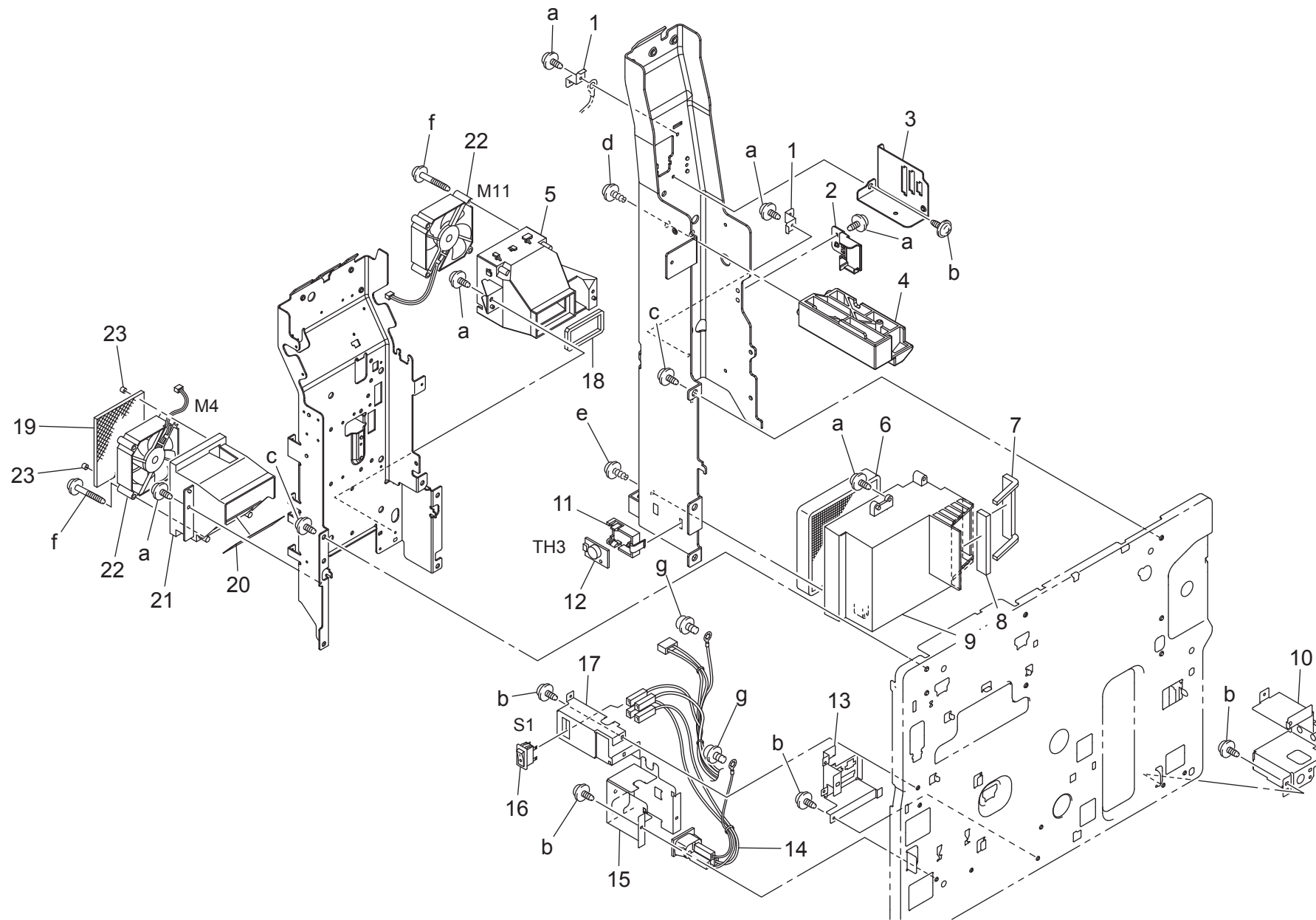
bizhub 222/bizhub 282/bizhub 362/bizhub 7728



# FUSING SECTION

Key	Part No.	Description	Destinations	Class	QTY	Standard parts
1	4030 5803 01	ROLLER		C	1	a-V217 0400 01 b-V153 0310 03 c-V217 0300 01
2	4030 5841 01	ROLL		C	1	
3	4030 7340 01	PROTECTION		D	1	
4	4030 5811 01	BUSHING		C	1	
5	4030 5825 02	GUIDE		D	1	
6	1164 3065 01	STOPPER RING		D	1	
7	4030 5843 02	HOLDER		D	2	
8	4030 5856 01	SHAFT		D	2	
9	4030 5805 03	ROLL		C	2	
10	4030 5806 01	TORSION SPRING		C	2	
11	4030 5857 01	SHAFT		D	2	
12	4030 5854 01	ROLL		C	2	
13	4030 5855 01	HOLDER		D	2	
14	4030 5858 01	TORSION SPRING		C	2	
15	4030 5813 01	GEAR 18T		C	1	
16	4030 5834 02	BUSHING		C	1	
17	4040 5823 01	NEUTRALIZING BRUSH		D	1	

bizhub 222/bizhub 282/bizhub 362/bizhub 7728



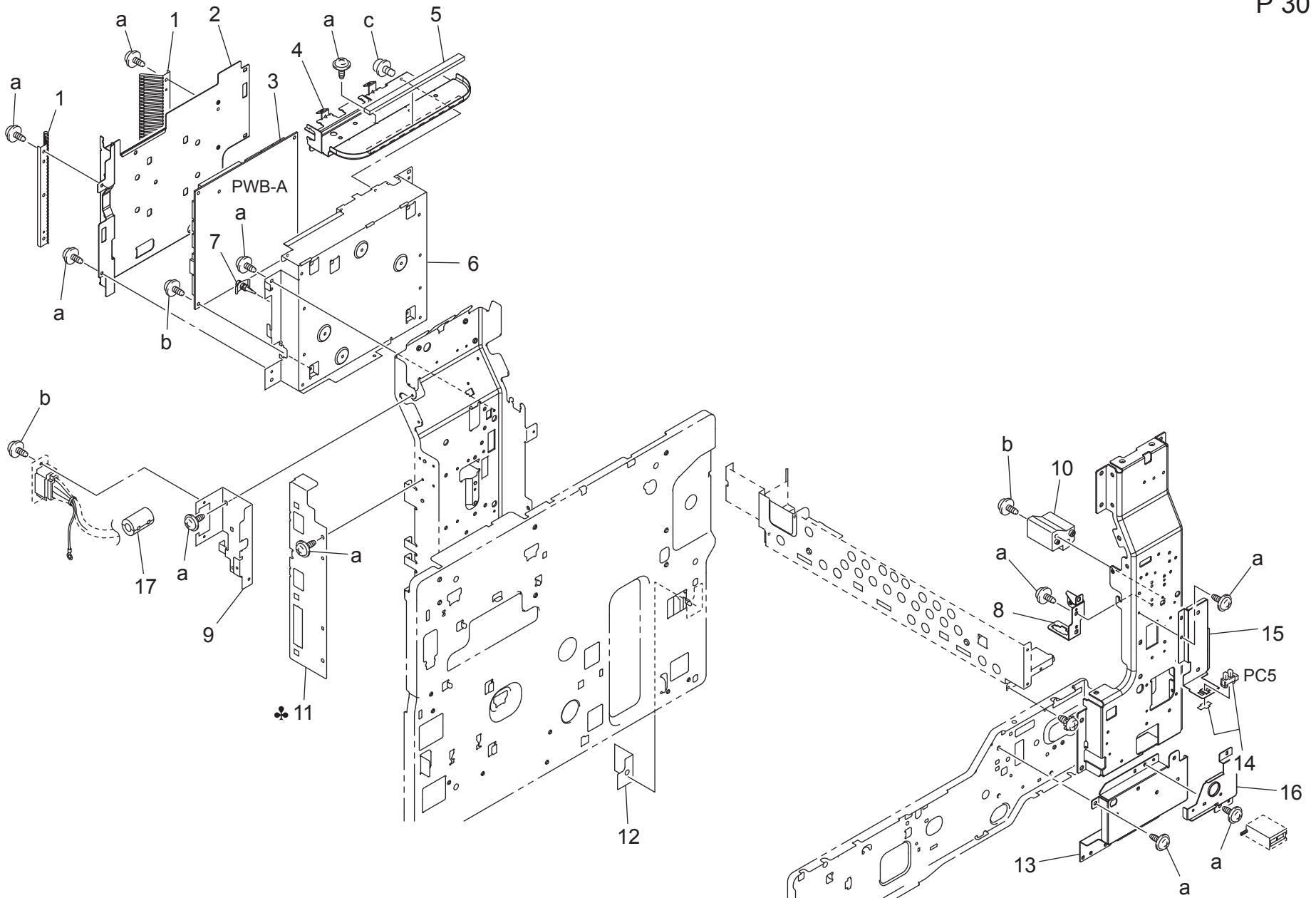
bizhub 222/bizhub 282/bizhub 362/bizhub 7728

# ELECTRICAL COMPONENTS

Key	Part No.	Description	Destinations	Class	QTY	Standard parts
1	4030 2312 01	BRACKET		D	2	a-V137 0308 03 b-V137 0306 03 c-V137 0408 03 d-V153 0410 03 e-V153 0408 03 f-V153 0335 03 g-V116 0408 03
2	4040 2138 01	COVER		D	1	
3	4030 2307 01	BRACKET		D	1	
4	4030 2306 02	HOLDER		D	1	
5	4040 2092 01	DUCT		D	1	
6	4011 2031 01	OZONE FILTER		A	1	
7	4030 3523 02	CUSHION		C	1	
8	4030 3524 01	CUSHION		C	1	
9	4030 3519 12	DUCT		D	1	
10	4030 2039 02	BRACKET		D	1	
11	4040 2103 01	HOLDER		D	1	
12	9372 5400 11	HUMIDITY CONVERSION EL.		C	1	
13	4030 2133 01	BRACKET		D	1	
14	4030 6852 02	WIRE HARNESS ASSY		D	1	
15	4030 2131 02	BRACKET		D	1	
16	0990 6304 02	SWITCH		C	1	
17	4030 2150 01	BRACKET		D	1	
18	4040 2095 01	SEAL		C	1	
19	4030 2107 01	FILTER		C	1	
20	4040 2065 01	GUIDE		C	1	
21	4030 2108 01	DUCT		D	1	
22	9313 1100 42	FAN MOTOR		C	2	
23	4658 3047 01	COLLAR		C	2	

bizhub 222/bizhub 282/bizhub 362/bizhub 7728

# ELECTRICAL COMPONENTS



bizhub 222/bizhub 282/bizhub 362/bizhub 7728

# ELECTRICAL COMPONENTS

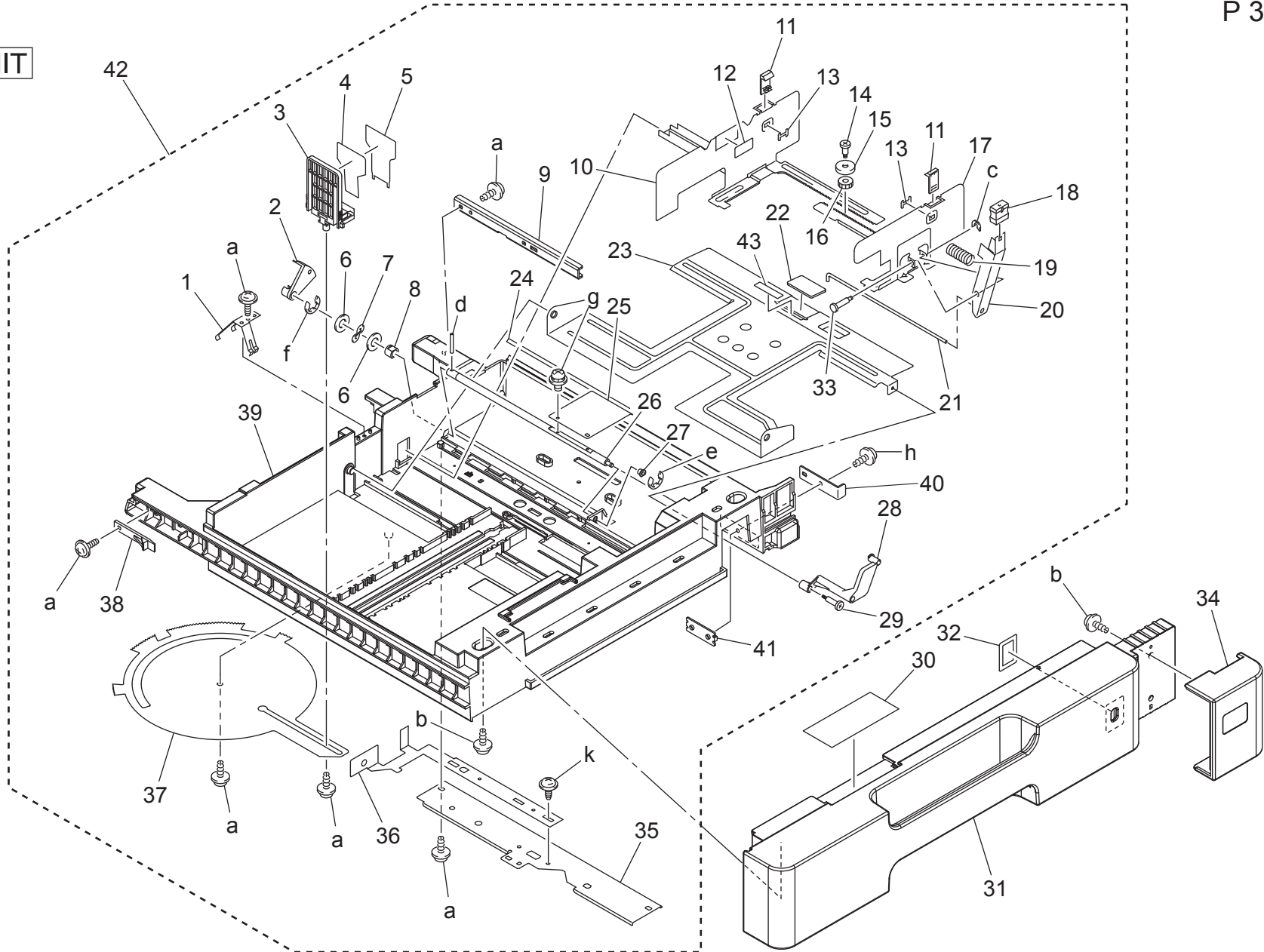
Key	Part No.	Description	Destinations	Class	QTY	Standard parts
1	4030 2161 01	EARTH GROUND		C	2	a-V137 0306 03 b-V137 0308 03 c-V116 0308 03
2	4030 2111 03	SHIELD		D	1	
3	A11U H001 02	PWB assembly(PWB-A ASSY)		I	1	
4	4040 2159 01	BRACKET		D	1	
5	9384 4500 11	ELECTRICALLY CONDUCTIVE MATERIAL		C	1	
6	4030 2110 01	BRACKET		D	1	
7	V502 0100 26	SUPPOT		D	3	
8	4040 2304 01	BRACKET		C	1	
9	4030 2135 01	BRACKET		D	1	
10	4030 2305 01	HOLDER		D	1	
11	4030 2125 01	BRACKET	B,G2	D	1	
11	4030 2126 01	BRACKET	C,D1,D3,E,F1,F2,G1,H,I,J,K	D	1	
12	4040 2063 01	GUIDE		C	1	
13	A11U 1360 00	Bracket		D	1	
14	4037 0906 01	PHOTO INTERRUPTER		B	1	
15	A11U 1322 00	Bracket		D	1	
16	A11U 1329 01	Bracket		D	1	
17	9326 1910 31	FERRITE CORE		D	1	

bizhub 222/bizhub 282/bizhub 362/bizhub 7728

# CASSETTE SECTION

P 31

2 UNIT



bizhub 222/bizhub 282/bizhub 362/bizhub 7728

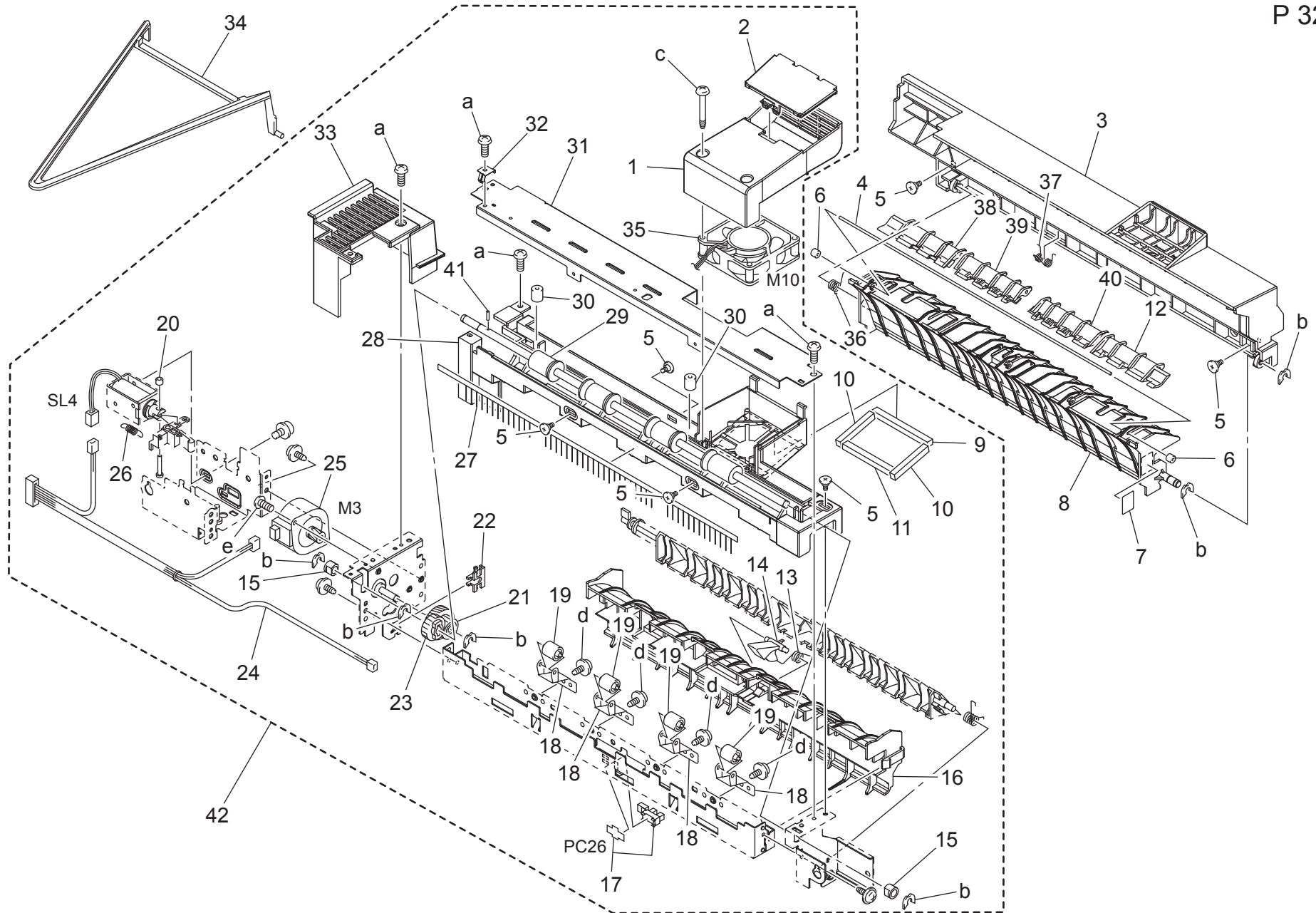


# CASSETTE SECTION

Key	Part No.	Description	Destinations	Class	QTY	Standard parts
1	4030 3223 03	Earth ground		C	2	a-V153 0308 03 b-V153 0410 03 c-V218 0300 86 d-V232 3025 09 e-V217 0300 01 f-V217 0600 01 g-V116 0308 03 h-V137 0310 03 k-V144 0406 03
2	4030 3207 01	ACTUATOR		C	2	
3	4037 3213 12	REGULATING PLATE		C	2	
4	4030 3227 01	GUIDE		C	2	
5	4030 3228 12	GUIDE		C	2	
6	4011 3021 01	WASHER		C	4	
7	4011 3020 01	WASHER		C	2	
8	1274 3603 01	BUSHING		C	2	
9	4030 3229 02	REINFORCE PLATE		D	2	
10	4030 3212 01	REGULATING PLATE		C	2	
11	4658 3048 01	GUIDE		C	4	
12	4002 7306 01	LABEL CARRYING CAPACITY		C	2	
13	4658 3049 01	STOPPER		C	4	
14	4030 3214 02	SHOULDER SCREW		C	2	
15	4030 3215 01	GUIDE		D	2	
16	4658 3012 01	GEAR 14T		C	2	
17	4030 3211 02	REGULATING PLATE		C	2	
18	4037 3204 01	KNOB		C	2	
19	4498 3825 01	PRESSURE SPRING		C	2	
20	4128 3823 01	LEVER		C	2	
21	4030 3217 01	SHAFT		D	2	
22	4030 3226 01	FRICITION SHEET		C	2	
23	4030 3203 01	LIFTING PLATE		C	2	
24	4030 3222 03	GUIDE		C	2	
25	4030 3206 01	LEVER		D	2	
26	4030 3205 01	SHAFT		D	2	
27	0992 3014 01	BUSHING		C	2	
28	A0R5 6221 00	Detecting Lever		C	2	
29	4030 3224 02	SHOULDER SCREW		C	2	
30	A0R5 9490 00	Label		C	2	
31	A0R5 1641 00	Cover		C	2	
32	A0R5 6299 00	Seal		C	2	
33	4498 3826 01	SHAFT		D	2	
34	A0R5 1651 00	Cover /Right		C	2	
35	4030 3218 01	BRACKET		D	2	
36	4030 3216 01	BRACKET		D	2	
37	4002 3108 01	LEVER		C	2	
38	4498 3469 01	STOPPER		D	2	
39	4030 3201 09	Cassette		C	2	
40	4030 6214 00	Stopper		C	2	
41	4030 6215 00	Plate nut		C	2	
42	A0R5 A620 02	CASSETTE ASSY		S	2	
43	A00J 6234 00	FRICITION PLATE		C	2	

bizhub 222/bizhub 282/bizhub 362/bizhub 7728

# TURNOVER UNIT



bizhub 222/bizhub 282/bizhub 362/bizhub 7728

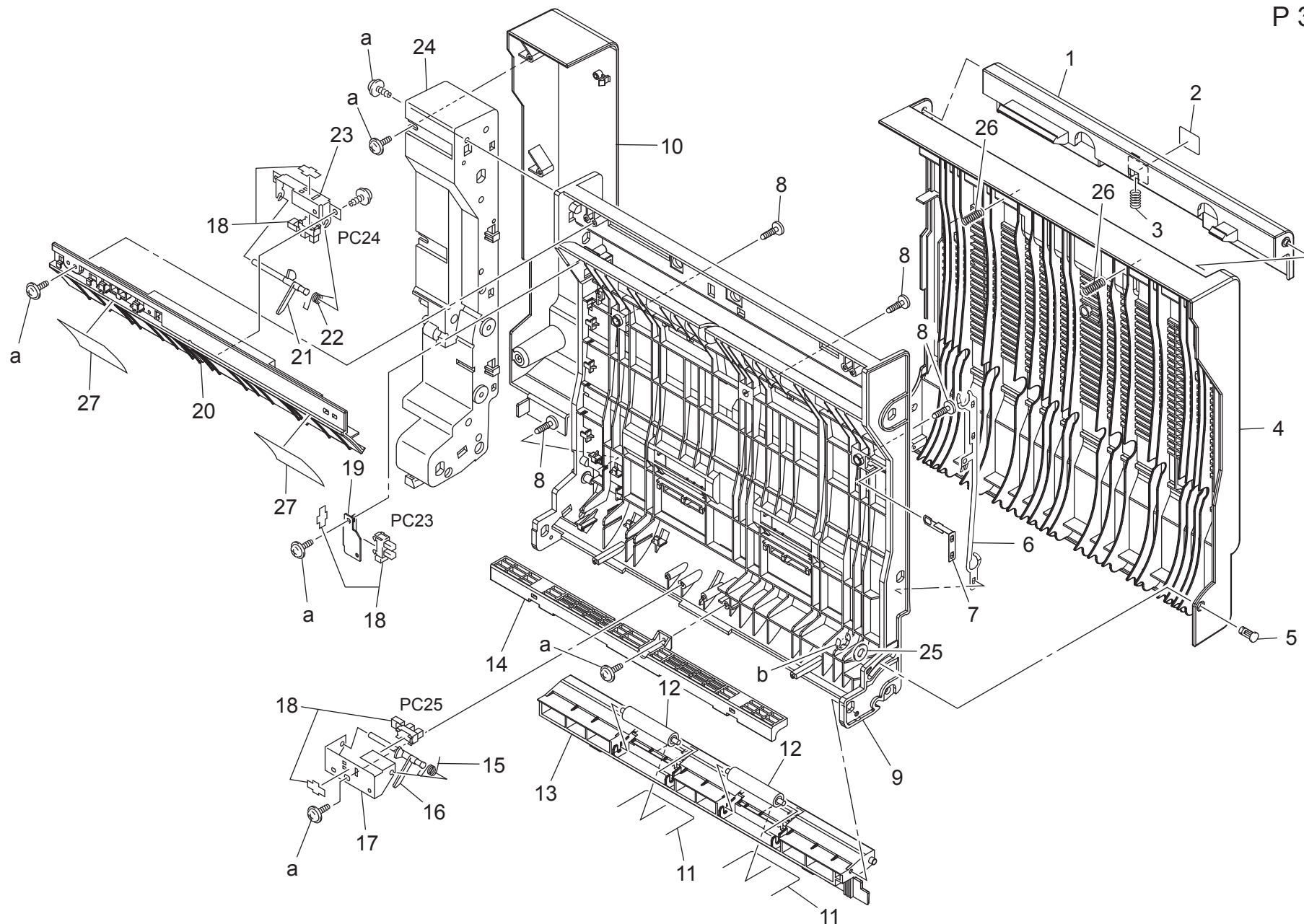
# TURNOVER UNIT

Key	Part No.	Description	Destinations	Class	QTY	Standard parts
1	A11U 8205 00	Duct		D	1	a-V136 0308 03 b-V218 0400 86 c-V153 0335 03 d-V137 0306 03 e-V135 0308 03
2	A11U 8206 00	Duct		D	1	
3	A11U 8204 00	Door		C	1	
4	4030 3829 01	SHAFT		D	1	
5	4011 5852 02	SHOULDER SCREW		C	6	
6	1134 3041 01	COLLAR		D	2	
7	4030 7342 01	LABEL		D	1	
8	4030 3806 02	GUIDE		D	1	
9	4030 3837 01	SEAL		C	1	
10	4030 3838 02	SEAL		C	2	
11	4030 3839 01	SEAL		C	1	
12	4030 3814 01	GUIDE		D	1	
13	4030 3819 01	TORSION SPRING		C	1	
14	4030 3818 02	ACTUATOR		C	1	
15	1139 3169 01	BUSHING		C	2	
16	4030 3805 02	GUIDE		D	1	
17	4037 0906 01	PHOTO INTERRUPTER		B	1	
18	4030 3817 01	PLATE SPRING		C	4	
19	4426 4411 02	ROLL		C	4	
20	1200 2105 02	COLLAR		D	1	
21	4030 3821 01	GEAR		C	1	
22	4030 3823 01	BUSHING		D	1	
23	4030 3826 01	GEAR		C	1	
24	4030 6824 01	WIRE HARNESS ASSY		D	1	
25	9314 1200 91	MOTOR		C	1	
26	4030 3810 01	TENSION SPRING		C	1	
27	4040 3833 02	NEUTRALIZING BRUSH		D	1	
28	A11U 8203 00	Cover		D	1	
29	4030 3815 01	ROLLER		C	1	
30	4498 3388 01	COLLAR		C	2	
31	4030 3802 01	FRAME		D	1	
32	4030 3834 01	EARTH GROUND		C	1	
33	A0R5 8820 00	Cover /Upper		D	1	
34	A0RA 1704 00	Guide		D	1	
35	4040 M100 00	FAN MOTOR		C	1	
36	4030 3824 01	TORSION SPRING		C	1	
37	4030 3825 02	TORSION SPRING		C	1	
38	4030 3811 01	GUIDE		D	1	
39	4030 3812 01	GUIDE		D	1	
40	4030 3813 01	GUIDE		D	1	
41	4131 2536 02	PIN		C	1	
42	A11U R704 00	Turnover Unit		C	1	

bizhub 222/bizhub 282/bizhub 362/bizhub 7728

# DUPLEX UNIT

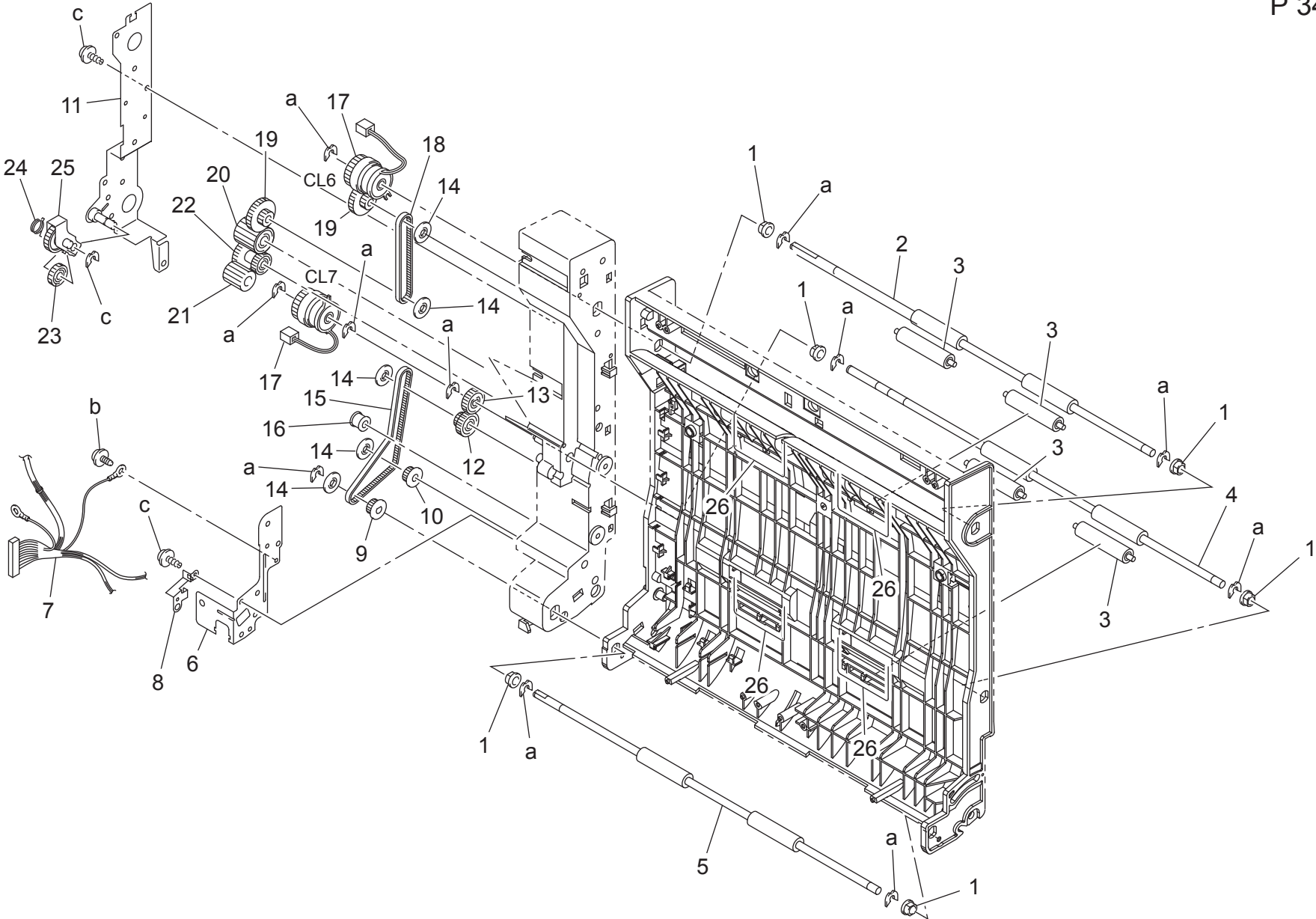
P 33



bizhub 222/bizhub 282/bizhub 362/bizhub 7728

Key	Part No.	Description	Destinations	Class	QTY	Standard parts
1	A0R5 8251 00	Lever		C	1	a-V153 0308 03 b-V217 0400 01
2	A0R5 9421 01	Label		C	1	
3	4661 3106 01	PRESSURE SPRING		C	1	
4	A11U 8130 00	Cover		D	1	
5	A11U 8150 00	Pin		D	1	
6	4040 3759 01	EARTH GROUND		D	1	
7	4030 3735 01	EARTH GROUND		C	1	
8	4030 3710 01	SHOULDER SCREW		C	4	
9	A11U 8129 00	Base Frame		D	1	
10	A11U 8137 00	Cover		C	1	
11	4497 3114 01	MEMBER		C	2	
12	4497 3116 01	ROLL		C	2	
13	A11U 8135 00	Guide		D	1	
14	4030 3703 01	GUIDE		D	1	
15	4030 3741 03	TORSION SPRING		C	1	
16	4030 3740 01	ACTUATOR		C	1	
17	4030 3742 01	BRACKET		D	1	
18	4037 0906 01	PHOTO INTERRUPTER		B	3	
19	4030 3752 01	BRACKET		D	1	
20	A0R5 8206 00	Guide /Upper		C	1	
21	4030 3737 01	ACTUATOR		C	1	
22	4030 3738 03	TORSION SPRING		C	1	
23	4030 3739 01	BRACKET		D	1	
24	4030 3711 02	BASE FRAME		D	1	
25	4661 3155 01	WASHER		D	1	
26	4030 3755 01	PRESSURE SPRING		C	2	
27	4030 3760 01	GUIDE		C	2	

DUPLEX UNIT



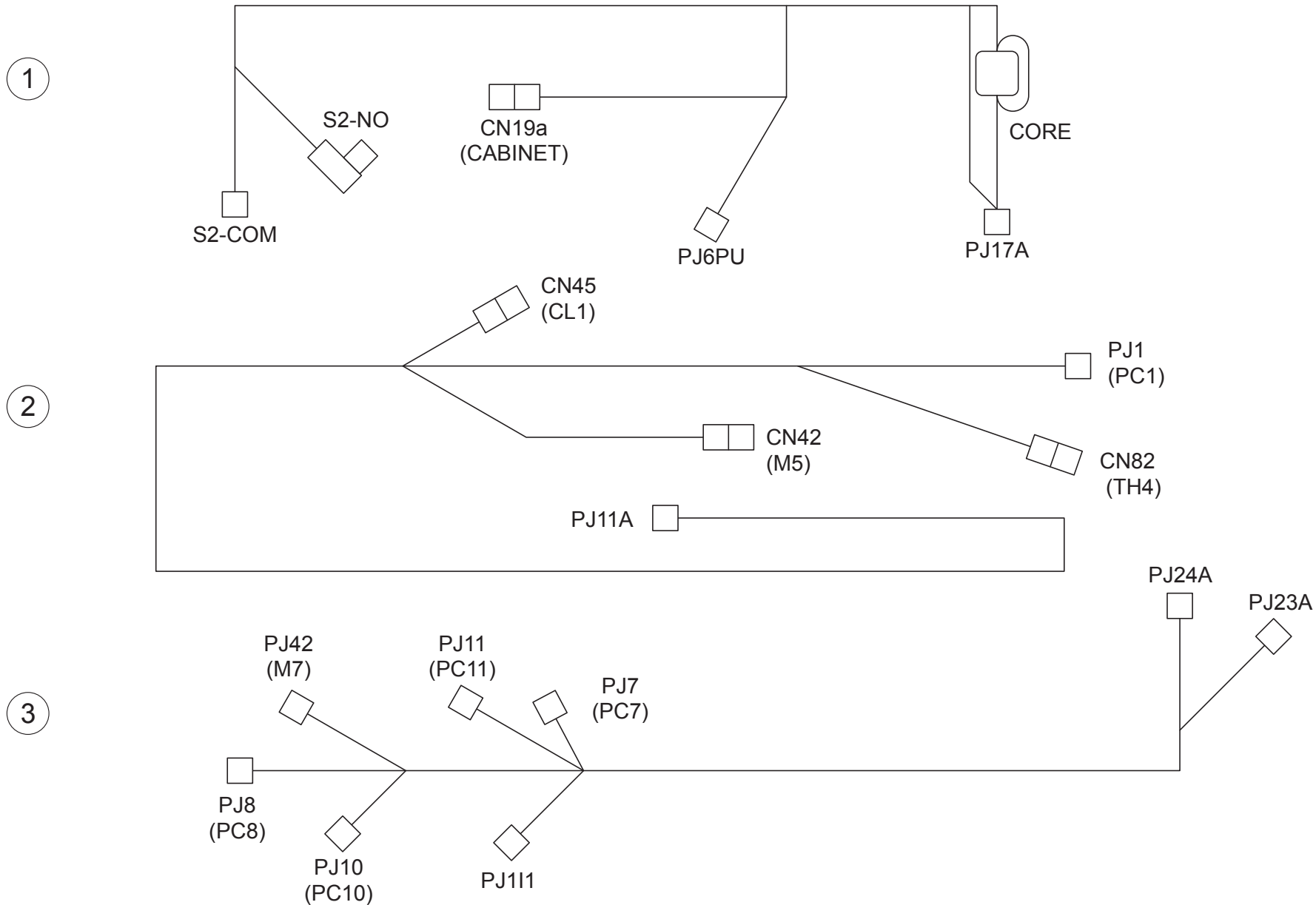
bizhub 222/bizhub 282/bizhub 362/bizhub 7728



DUPLEX UNIT

Key	Part No.	Description	Destinations	Class	QTY	Standard parts
1	0928 3033 01	BUSHING		C	6	a-V218 0400 86 b-V137 0306 03 c-V153 0308 03
2	4030 3707 01	ROLLER		C	1	
3	4497 3116 01	ROLL		C	4	
4	4030 3708 01	ROLLER		C	1	
5	4030 3709 01	ROLLER		C	1	
6	4030 3736 01	BRACKET		D	1	
7	4030 6823 02	WIRE HARNESS ASSY		C	1	
8	4040 3758 01	EARTH GROUND		D	1	
9	4030 3750 01	PULLEY		C	1	
10	4030 3745 01	PULLEY		C	1	
11	4030 R719 00	BRACKET ASSY		D	1	
12	4030 3744 01	PULLEY		C	1	
13	4030 3743 02	GEAR		C	1	
14	4030 3749 01	COLLAR		C	5	
15	4030 3746 01	TIMING BELT 270L		C	1	
16	4657 3714 01	ROLL		C	1	
17	9322 1500 12	CLUTCH		C	2	
18	4030 3747 01	TIMING BELT 180L		C	1	
19	4030 3748 01	PULLEY		C	2	
20	4030 3726 01	GEAR		C	1	
21	4030 3713 01	GEAR		C	1	
22	4030 3725 01	GEAR		C	1	
23	4030 3729 01	GEAR		C	1	
24	4030 3733 03	TORSION SPRING		C	1	
25	4030 R718 00	LEVER ASSY		C	1	
26	4497 3114 01	MEMBER		C	4	

bizhub 222/bizhub 282/bizhub 362/bizhub 7728



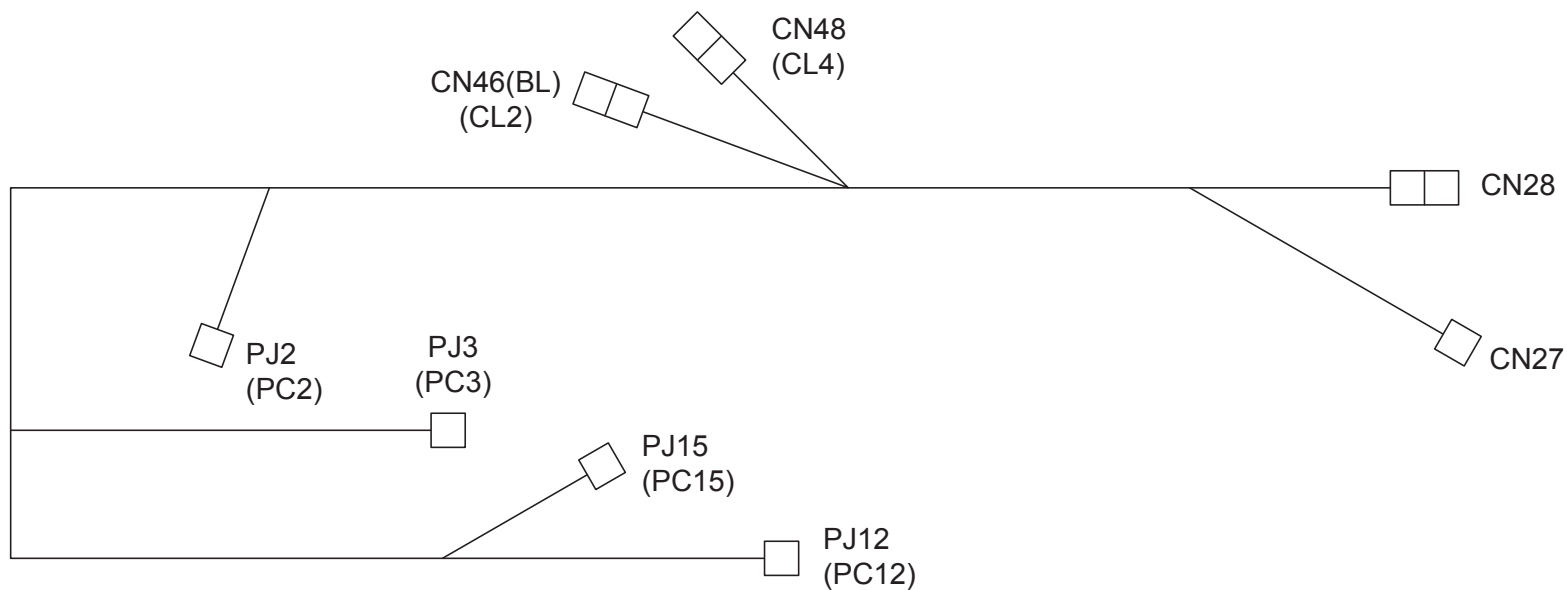


# WIRING

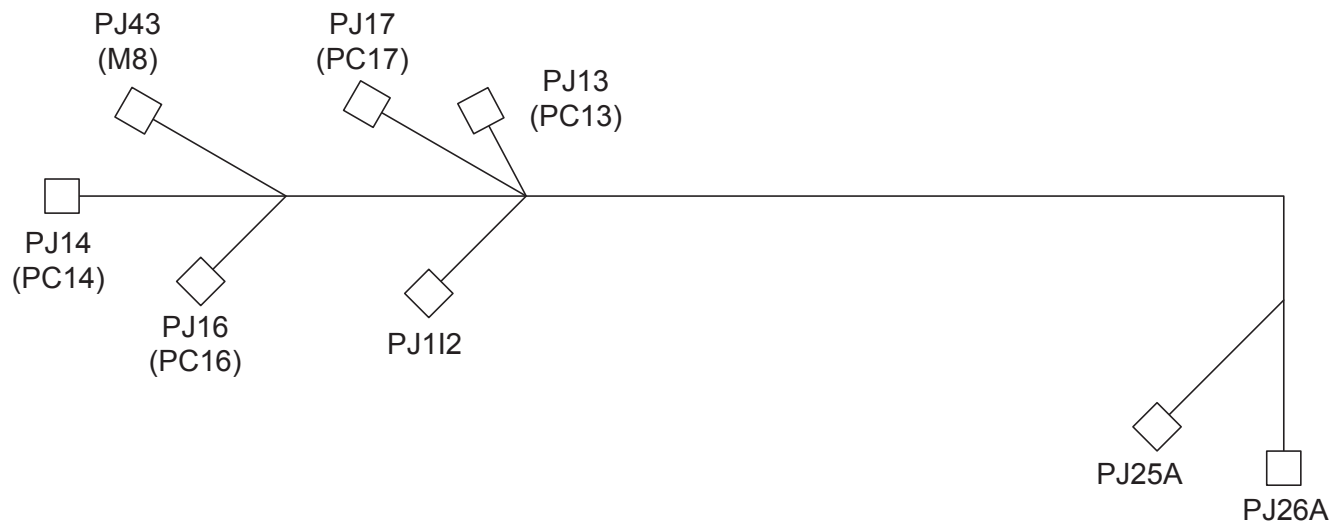
Key	Part No.	Description	Destinations	Class	QTY	Standard parts
1	4030 6807 02	WIRE HARNESS ASSY		D	1	
2	4030 6809 01	WIRE HARNESS ASSY		D	1	
3	4030 6810 02	WIRE HARNESS ASSY		D	1	

bizhub 222/bizhub 282/bizhub 362/bizhub 7728

1



2

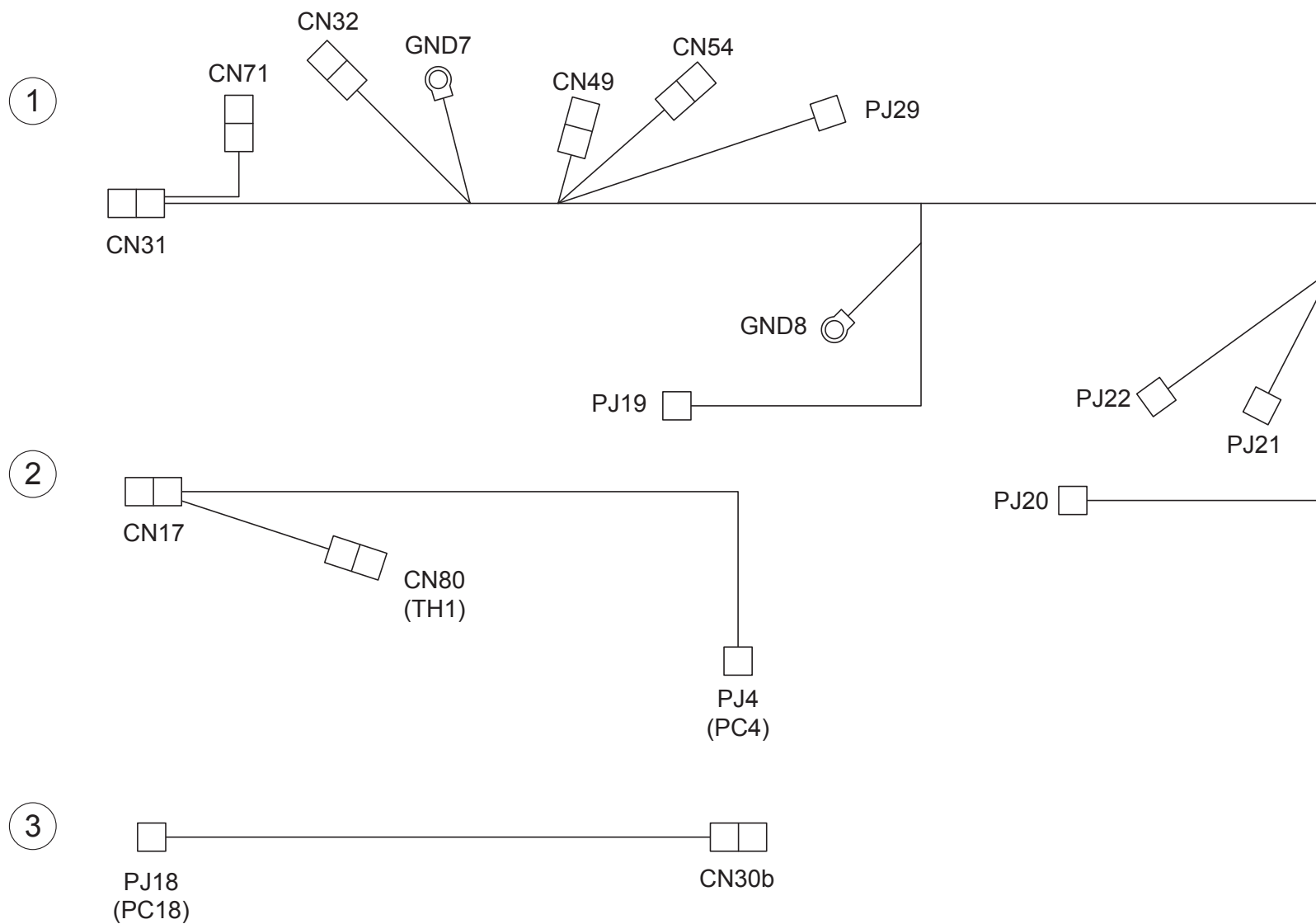


bizhub 222/bizhub 282/bizhub 362/bizhub 7728

# WIRING

Key	Part No.	Description	Destinations	Class	QTY	Standard parts
1	4030 6812 02	WIRE HARNESS ASSY		D	1	
2	4030 6813 02	WIRE HARNESS ASSY		D	1	

bizhub 222/bizhub 282/bizhub 362/bizhub 7728



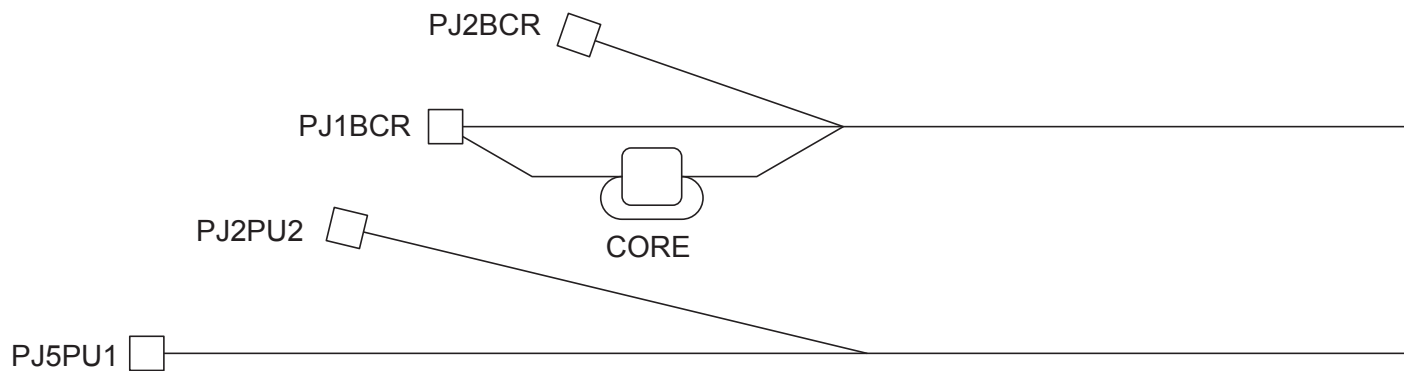
Key	Part No.	Description	Destinations	Class	QTY	Standard parts
1	4030 6814 03	WIRE HARNESS ASSY		D	1	
2	4030 6817 01	WIRE HARNESS ASSY		D	1	
3	4030 6818 01	WIRE HARNESS ASSY		D	1	

bizhub 222/bizhub 282/bizhub 362/bizhub 7728

1

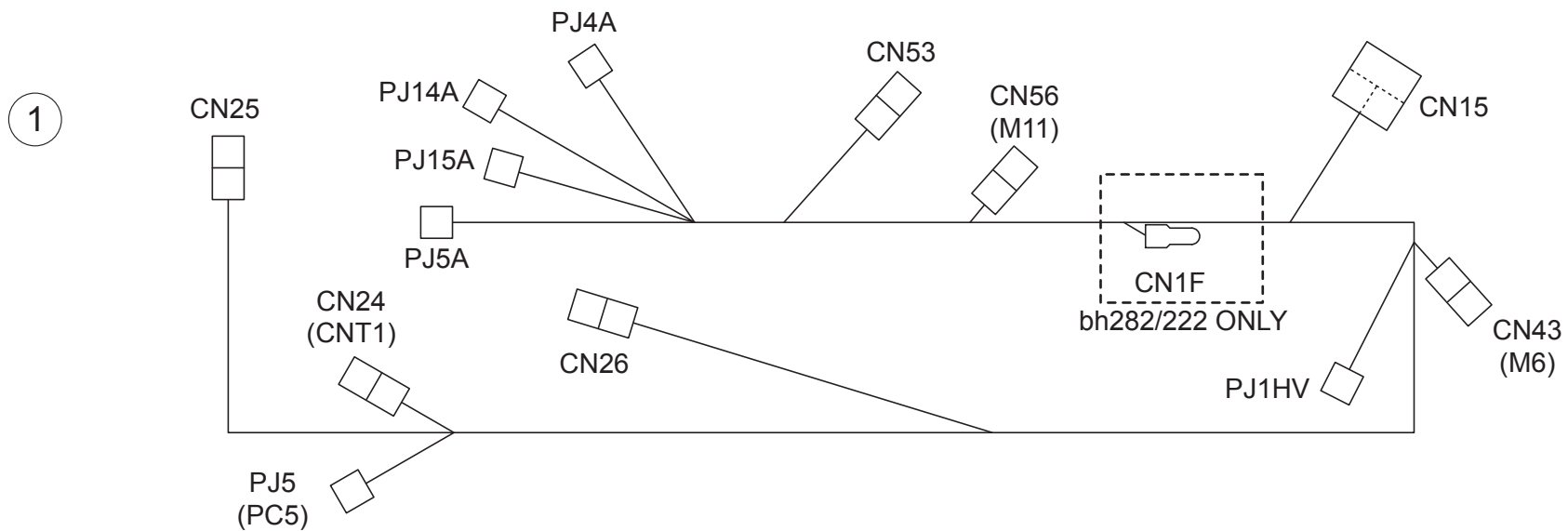


2



Key	Part No.	Description	Destinations	Class	QTY	Standard parts
1	4040 6815 01	WIRE HARNESS ASSY		C	1	
2	4040 6819 02	WIRE HARNESS ASSY		D	1	

bizhub 222/bizhub 282/bizhub 362/bizhub 7728

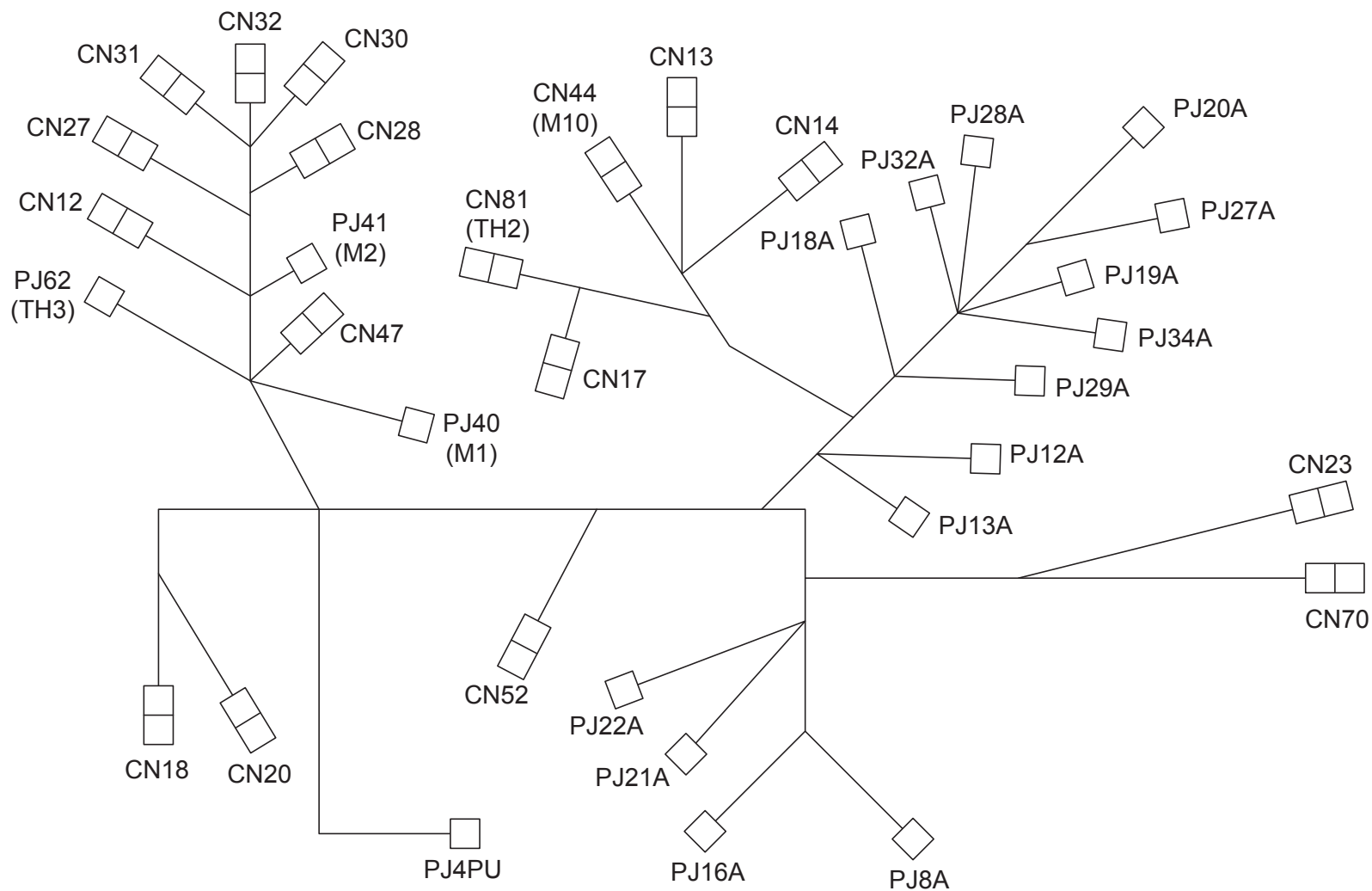




Key	Part No.	Description	Destinations	Class	QTY	Standard parts
1	A11U N101 00	HV Power source harness /1	{bizhub 362}	D	1	
1	A11U N104 00	HV Power source harness /4	{bizhub 282/7728}	D	1	
1	A11U N105 00	HV Power source harness /5	{bizhub 222}	D	1	
2	4040 6804 01	WIRE HARNESS ASSY		D	1	

bizhub 222/bizhub 282/bizhub 362/bizhub 7728

1



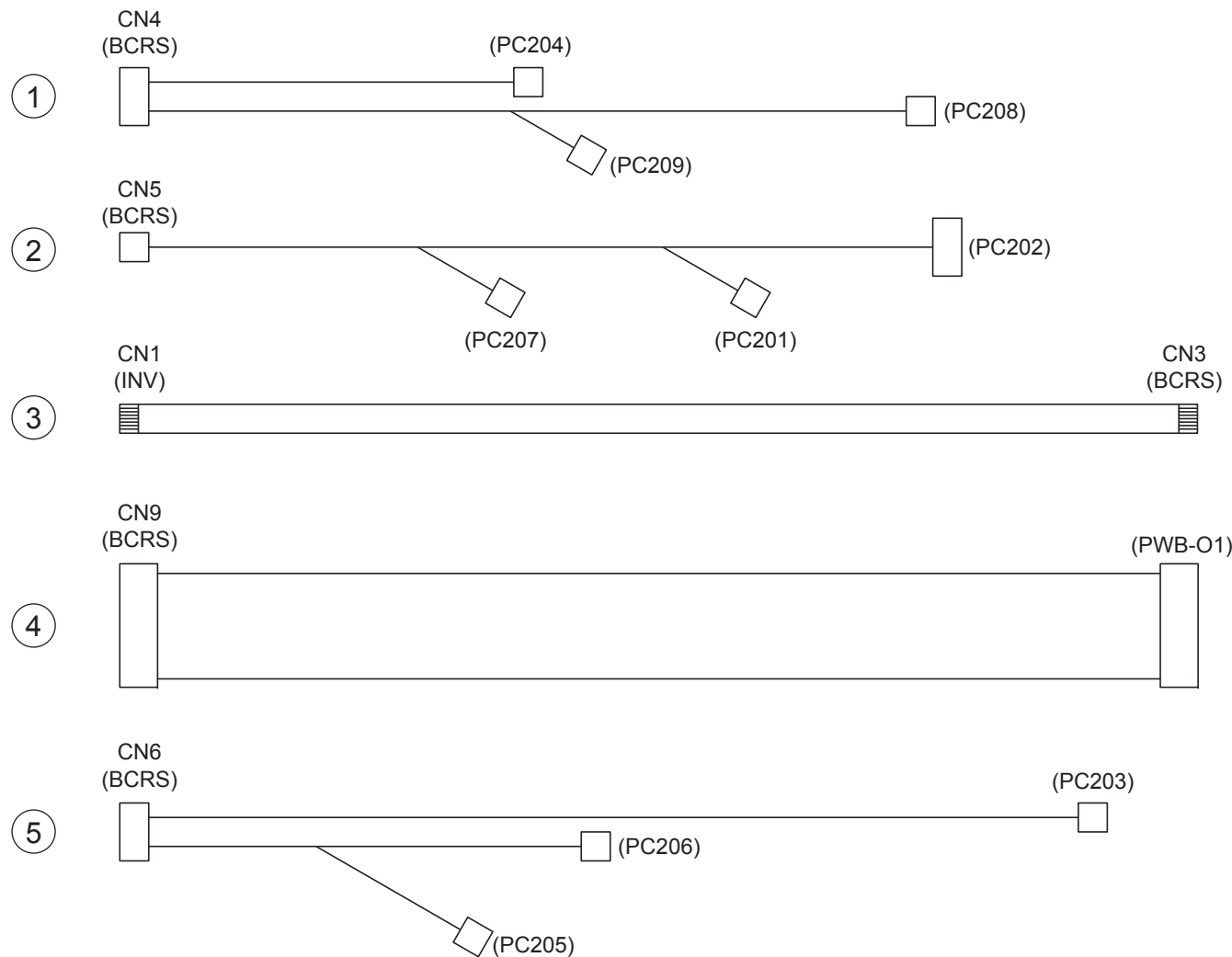
2



# WIRING

Key	Part No.	Description	Destinations	Class	QTY	Standard parts
1	4040 6808 01	WIRE HARNESS ASSY	{bizhub 362/282/7728}	D	1	
1	4040 6833 01	WIRE HARNESS ASSY	{bizhub 222}	D	1	
2	4040 6841 01	WIRE HARNESS ASSY		D	1	

bizhub 222/bizhub 282/bizhub 362/bizhub 7728



# WIRING

Key	Part No.	Description	Destinations	Class	QTY	Standard parts
1	4551 2037 01	WIRE HARNESS ASSY		D	1	
2	4551 2035 01	WIRE HARNESS ASSY		D	1	
3	4551 2011 01	WIRE HARNESS ASSY		D	1	
4	4551 2036 01	WIRE HARNESS ASSY		D	1	
5	4551 2058 01	WIRE HARNESS ASSY	(Option)	D	1	

bizhub 222/bizhub 282/bizhub 362/bizhub 7728

# WIRING ACCESSORIES AND JIGS

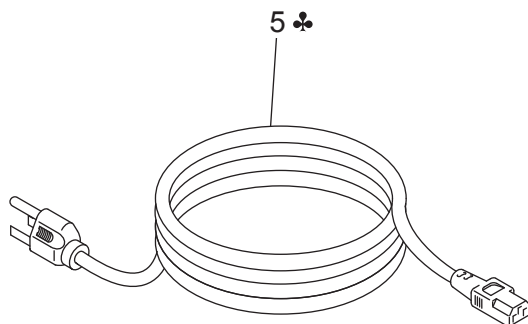
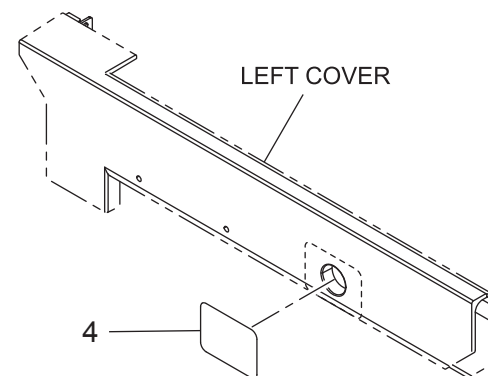
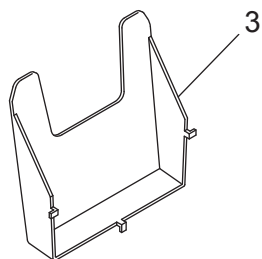
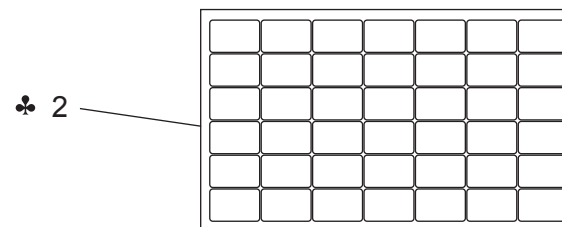
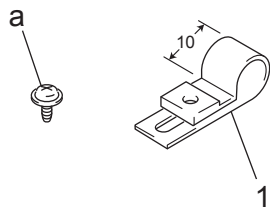
P 42

1 	6 	11 	16 	21 	26	31	36
2 	7 	12 	17 ♣ 	22 ♣ 	27	32	37
3 	8 	13 	18 	23	28	33	38
4 	9 	14 	19 	24	29	34	39
5 	10 	15 	20 	25	30	35	40

bizhub 222/bizhub 282/bizhub 362/bizhub 7728

Key	Part No.	Description	Destinations	Class	QTY	Standard parts
1	V500 0100 20	Saddle		D		
2	V500 0100 19	saddle		D		
3	V500 0100 07	saddle		D		
4	V500 0100 05	saddle		D		
5	V500 0100 13	saddle		D		
6	V500 0200 10	clip		D		
7	1053 4812 01	CORD CLAMP		D		
8	4011 5788 01	CORD CLAMP		D		
9	4030 5853 01	CORD CLAMP		D		
10	V501 0100 01	band		D		
11	V570 0100 32	holder		D		
12	V570 0100 31	holder		D		
13	V570 0100 21	Saddle		D		
14	1038 4006 01	INSULATING MEMBER		D		
15	1050 4805 01	INSULATING MEMBER		D		
16	V650 0500 01	CN COVER		D		
17	V500 0200 18	clamp	C	D		
18	4030 2054 01	SPACER (WHITE)		C	1	
19	4030 2053 01	SPACER (BLACK)		C	1	
20	4040 7901 01	JIG THERMISTOR		S	1	
21	A11U R911 00	JIG MEMORY CARD (ENGINE)		S	1	
22	A11U R903 00	JIG MEMORY CARD (MSC)	B,G2	S	1	
22	A11U R904 00	JIG MEMORY CARD (MSC)	C	S	1	
22	A11U R905 00	JIG MEMORY CARD (MSC)	D1,D3,E,F2,G1,H,I,J,K	S	1	
22	A11U R906 00	JIG MEMORY CARD (MSC)	F1	S	1	
22	A11U R907 00	JIG MEMORY CARD (MSC)	C (French/German/Italian/Spanish/Chinese/Korean/Cantonese/Dutch/Portugal)	S	1	
22	A11U R908 00	JIG MEMORY CARD (MSC)	C (Norwegian/Swedish/Finish/Polish/Hungarian/Czech)	S	1	
22	A11U R909 00	JIG MEMORY CARD (MSC)	C (Turkish/Greek/Russian/Romanian/Slovakian)	S	1	
22	A11U R910 00	JIG MEMORY CARD (MSC)	(Arabia/Persian)	S	1	

# ACCESSORY PARTS



bizhub 222/bizhub 282/bizhub 362/bizhub 7728



# ACCESSORY PARTS

Key	Part No.	Description	Destinations	Class	QTY	Standard parts
1	9384 1600 11	P-CLIP 10D		D	1	a-V137 0308 03
2	A0R5 9434 01	Label	C,D1,D3,E,F1,F2,G1,H,I,J,K (Metric)	C	1	
2	A0R5 9435 01	Label	B,G2 (Inch)	C	1	
3	A11U 9551 00	Holder		C	1	
4	A11U 9429 00	Label		C	1	
5	4040 N300 00	POWER CORD /110V	H	D	1	
5	9381 4300 31	POWER CORD	J	D	1	
5	9381 4300 41	POWER CORD	D1,D3,E,F2,G1,I,K	C	1	
5	9381 4101 31	POWER CORD	B,G2	C	1	

bizhub 222/bizhub 282/bizhub 362/bizhub 7728

# MAINTENANCE LIST

● The items with no Page/Key numbers are not handled as spare parts.

No.	Section	PM Parts Description	Maintenance Cycle (K=1,000)		Parts No.	Destinations	Page/Key	Note	
			QTY	Replace					
1	Bypass	Feed Roller	1	300K	4131300101		P17-11		
2		Separation Roller Assy	1	300K	4034015101		P16-20		
3	Tray 1	Feed Roller	1	300K	4030300501		P12-7	*4	
4		Pick-up Roller	1	300K	4030300501		P12-7	*4	
5		Separation Roller Assy	1	300K	4030015101		P13-15	*4	
6	Tray 2	Feed Roller	1	300K	4030300501		P14-13	*4	
7		Pick-up Roller	1	300K	4030300501		P14-13	*4	
8		Separation Roller Assy	1	300K	4030015101		P15-2	*4	
9	Transport section	Registration Roller Bearing	4	900K	1164354901		P23-12		
10		Registration Roller Gear 1	1	900K	1164350801		P23-11	T = 18	
11		Registration Roller Gear 2	1	900K	1164351501		P23-13	T = 13	
12		Paper Dust Remover	1	150K	4040077800		P23-29		
13	Fusing Section	Fusing Unit	1	450K	4040R71000	B,G2,F1	P27-18	120V	
14		Fusing Unit	1	450K	4040R71100	C,D,F2,G1,I,J,K	P27-18	230V	
15		Fusing Unit	1	450K	4040R71200	H	P27-18	110V	
16	Transfer Section	Transfer Roller Unit	1	150K	4040R72500		P23-1		
17	Process Section	Photo Conductor Unit	1	100K	-	bizhub 362	-	*2	
18			1	80K	-	bizhub 282/7728	-	*2	
19			1	65K	-	bizhub 222	-	*2	
20		Developer		1	100K	-	bizhub 362	-	
21				1	80K	-	bizhub 282/7728	-	
22				1	65K	-	bizhub 222	-	
23		Developing Unit		1	400K	4040075200	bizhub 362	P21-1	*3
24				1	320K	4040075200	bizhub 282/7728	P21-1	*3
25				1	260K	4040075200	bizhub 222	P21-1	*3
26		Toner Filter (Developing Unit)		1	100K	4040521701	bizhub 362	P21-12	*2
27				1	80K	4040521701	bizhub 282/7728	P21-12	*2
28				1	65K	4040521701	bizhub 222	P21-12	*2
29		Toner Filter (Main body)		1	400K	4040209301	bizhub 362	P2-32	*3
30				1	320K	4040209301	bizhub 282/7728	P2-32	*3
31				1	260K	4040209301	bizhub 222	P2-32	*3
32		Ozone Filter	1	300K	4011203101		P29-6		

\*1: Actual durable cycle is the Special Parts Counter value.

\*2: The Photo Conductor Unit and Toner Filter (Developing Unit) should be replaced with new ones at the same time.

\*3: The Developing Unit and Toner Filter (Main body) should be replaced with new ones at the same time.

\*4: Replace those three parts at the same time.

bizhub 222/bizhub 282/bizhub 362/bizhub 7728

## DESTINATION

Destination No.		Destinations		V	Hz	Model No.
A	A1	JAPAN				
	A2	JAPAN				
B		USA, CANADA		120	60	A11U-011/ A11V-011/ A11W-011
C		EUROPEAN TYPE		220-240	50/60	A11U-021/ A11V-021/ A11W-021
D	D1	S.E ASIA TYPE	THAILAND, SRI LANKA, SINGAPORE, MALAYSIA, HONG KONG, PAKISTAN, INDIA, BANGLADESH, INDONESIA	220-240	50/60	A11U-041/ A11V-041
	D3	OCEANIA TYPE	AUSTRALIA, NEW ZEALAND	220-240	50/60	A11U-041/ A11V-041
E		PHILIPPINES		220-240	50/60	A11U-041/ A11V-041
F	F1	SAUDI ARABIA		127	60	A11U-0M1/ A11V-0M1
	F2	SAUDI ARABIA		220-240	50/60	A11U-041/ A11V-041
G	G1	C.S AMERICA		220-240	50/60	A11U-041/ A11V-041
	G2	C.S AMERICA		120	60	A11U-011/ A11V-011/ A11W-011
H		TAIWAN		110	60	A11U-071/ A11V-071

bizhub 222/bizhub 282/bizhub 362/bizhub 7728

Destination No.	Destinations	V	Hz	Model No.
I	JORDAN, LEBANON, SYRIA, SOUTH AFRICA, IRAQ, IRAN, N.YEMEN, CAMEROON, UAE, BAHRAIN, OMAN, QATAR, KUWAIT, KENYA, TUNISIA, IVORY COAST, MOROCCO	220-240	50/60	A11U-041/ A11V-041
J	CHINA	220-240	50/60	A11U-081/ A11V-081/ A11V-082
K	KOREA	220-240	50/60	A11U-041/ A11V-041

bizhub 222/bizhub 282/bizhub 362/bizhub 7728