

KONICA MINOLTA

PARTS GUIDE MANUAL

APRIL 2010

bizhub 223/bizhub 283
/bizhub 363/bizhub 423
bizhub 7828
A1UD001

INFORMATION FOR PARTS GUIDE MANUAL

To find correct Parts No., refer to the "HOW TO MAKE THE BEST USE OF THIS MANUAL" in the following page.

HOW TO MAKE THE BEST USE OF THIS MANUAL

- 1 When you order, please check the proper figures beforehand that are on Our Parts Guide Manual, and order with the appropriate figures.
- 2 For screws, Nuts, Washers, retaining rings and Pins which are used in this model, one letter is shown on the Standard parts column of Parts list and exploded diagrams.
- 3 In order to maintain safety of the product, some specific parts composed of this product are set up as "essential safety parts".
- 4 The assigned parts number for the "essential safety parts" is indicated as "SP00-****".
When replacing these parts, follow precautions for disassembling and installing which are listed in the Service Manual.
Do not use any parts that are not set up as
- 5 ♣ means that there are exclusive parts for each destination.
Please check the appropriate destination when you order.
- 6 Revision Mark
Marked as ▲ on the illustration shows that the revision has been made.
- 7 All rights reserved. (any reprints or quotations are prohibited.)
Use of this parts guide manual should be strictly supervised to avoid disclosure of confidential information.

パーツガイドマニュアルのご案内

サービス部品をご発注の際には、下記に示す“パーツガイドマニュアルの活用にあたって”をご参照の上、正しい部品番号にてお願い致します。

パーツガイドマニュアルの活用にあたって

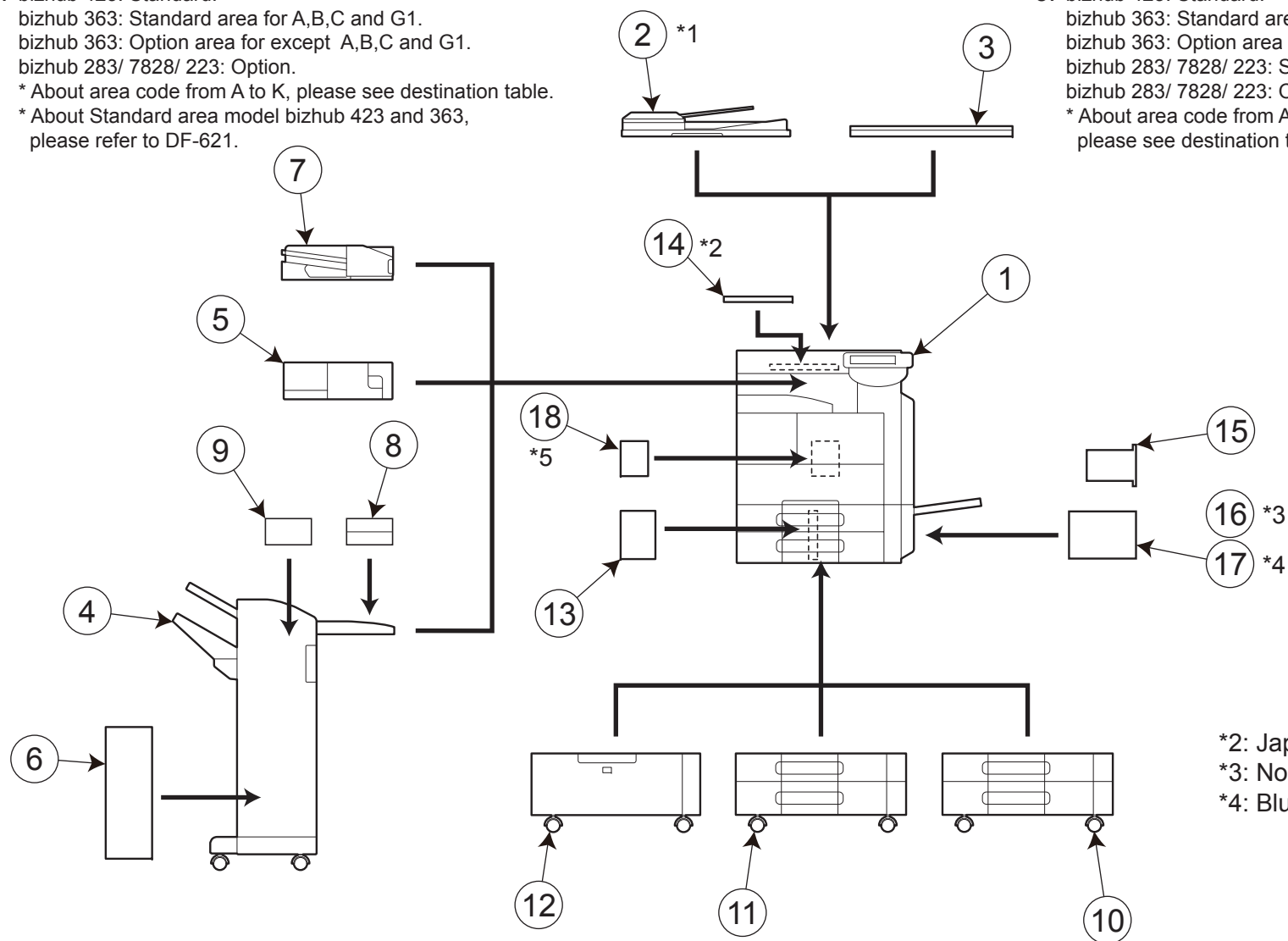
- 1 部品発注の際には、掲載されている部品番号の桁数を確認し、掲載されている桁数で発注願います。
- 2 この製品に使用されているネジ、ナット、ワッシャー、止め輪、ピンなどは、リストの右側の Standard parts 欄に a,b,c,……で表示し、イラストにも a,b,c,……表示してあります。
- 3 製品の安全性を維持する為に、製品に使用される特定の部品を「重要保安部品」として設定しています。
- 4 重要保安部品の部品番号は、“SP00-****”と記載されていますので、部品交換時は、サービスマニュアル記載の分解・組み立ての注意事項に従って作業をして下さい。
また、指定以外の部品は一切使用しないで下さい。
- 5 本文に ♣ が表示されている部品は、仕向け地毎に専用部品がある事を意味しています。
オーダーされる時は、仕向け地を確認して下さい。
- 6 改訂記号について
イラスト上に ▲ 印が表示されている部分は、改訂された事を表します。
- 7 著作権所有（無断転載及び無断引用の禁止）
本パーツガイドマニュアルについては、機密保持等その扱いには十分注意して下さい。万一取り扱いを誤った場合には、法律で処罰されることがあります。

04/26/2010

SYSTEM OUTLINE

*1: bizhub 423: Standard.
 bizhub 363: Standard area for A,B,C and G1.
 bizhub 363: Option area for except A,B,C and G1.
 bizhub 283/ 7828/ 223: Option.
 * About area code from A to K, please see destination table.
 * About Standard area model bizhub 423 and 363,
 please refer to DF-621.

*5: bizhub 423: Standard.
 bizhub 363: Standard area for A,B,C and G1.
 bizhub 363: Option area for except A,B,C and G1.
 bizhub 283/ 7828/ 223: Standard area for A.
 bizhub 283/ 7828/ 223: Option area for except A.
 * About area code from A to K,
 please see destination table.



*2: Japan Only
 *3: Non Bluetooth Type
 *4: Bluetooth Type

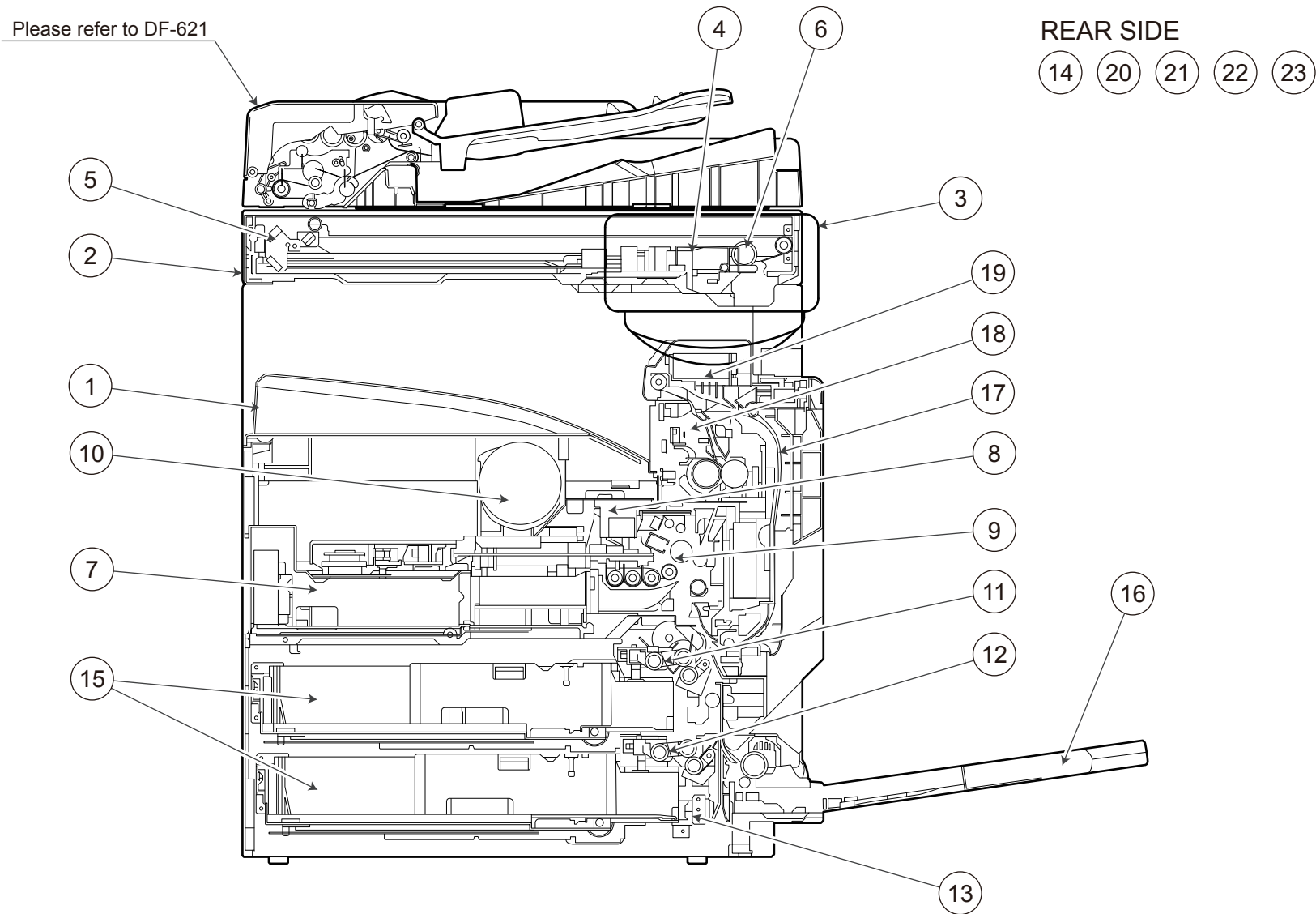
bizhub 223/bizhub 283/bizhub 363/bizhub 423/bizhub 7828

GENERAL CONTENTS

No.	Description	Model
1	DIGITAL MFP B/W	bizhub 223/bizhub 283/bizhub 363/bizhub 423/bizhub 7828
2	DOCUMENT FEEDER	DF-621
3	OTHER OPTION	OC-509
4	SORTER/FINISHER	FS-527
5	SORTER/FINISHER	FS-529
6	SORTER/FINISHER	SD-509
7	STACKER	JS-505
8	STACKER	JS-603
9	PUNCH UNIT	PK-517
10	PAPER FEEDER	PC-109
11	PAPER FEEDER	PC-208
12	PAPER FEEDER	PC-409
13	OTHER OPTION	MK-726
14	OTHER OPTION	HT-507
15	OTHER OPTION	FK-508
16	OTHER OPTION	EK-604
17	OTHER OPTION	EK-605
18	OTHER OPTION	HD-518

bizhub 223/bizhub 283/bizhub 363/bizhub 423/bizhub 7828

DIAGRAMS OF MAIN PARTS SECTION



bizhub 223/bizhub 283/bizhub 363/bizhub 423/bizhub 7828

CONTENTS

No.	DESCRIPTION	名称	PAGE No.
1	EXTERNAL PARTS	外装部	P1 P2
2	IR COVER	I R カバー	P3
3	OPERATION PANEL SECTION	オペレーションパネル部	P4
4	CCD SECTION	C C D 部	P5
5	SCANNER SECTION	スキャナ部	P6
6	SCANNER DRIVE SECTION	スキャナ駆動部	P7
7	PRINT HEAD/ POWER SUPPLY SECTION	P H / 電源部	P8
8	OZONE DUCT/ FAN MOTOR SECTION	オゾンダクト/ファンモーター部	P9
9	IU SECTION	I U 部	P10
10	HOPPER SECTION	ホッパー部	P11 P12
11	1ST PAPER FEED SECTION	1 段目給紙部	P13 P14
12	2ND PAPER FEED SECTION	2 段目給紙部	P15 P16 P17
13	IU/ CASSETTE RAIL SECTION	I U / カセットレール部	P18
14	CASSETTE SIZE SECTION	カセットサイズ検出部	P19
15	CASSETTE SECTION	カセット部	P20 P21 P22
16	MANUAL PAPER FEED SECTION	手差し給紙部	P23 P24 P25 P26
17	PAPER TRANSPORT SECTION	搬送部	P27 P28 P29 P30 P31
18	FUSING SECTION	定着部	P32
19	PAPER EXIT SECTION	排紙部	P33 P34
20	HOPPER/ PAPER FEED DRIVE SECTION	ホッパー/給紙駆動部	P35
21	MAIN DRIVE SECTION	メイン駆動部	P36
22	REAR FRAME SECTION	後フレーム部	P37
23	ELECTRICAL COMPONENTS	電装部	P38 P39
24	WIRING	束線	P40 P41 P42
25	WIRING ACCESSORIES AND JIGS	配線部品・治具	P43
26	ACCESSORY PARTS	同梱部品	P44

bizhub 223/bizhub 283/bizhub 363/bizhub 423/bizhub 7828

INDEX

Parts No.	Page No.	Parts No.	Page No.	Parts No.	Page No.	Parts No.	Page No.	Parts No.	Page No.
0990 5596 01	43-1	4011 2047 01	18-12	4030 2531 04	36-13	4030 3446 01	24-3	4040 2545 01	36-18
1033 4402 03	1-19	4011 2134 01	18-6	4030 2535 01	36-19	4030 3475 01	26-27	4040 2552 01	36-23
1065 3086 01	13-22	4011 3012 01	19-2	4030 3008 01	13-18	4030 3489 01	26-34	4040 3096 01	13-3
1065 3086 01	16-20	4011 3020 01	29-31	4030 3008 01	16-13	4030 3501 09	29-36	4040 3096 01	16-28
1065 5872 02	43-2	4011 3021 01	22-10	4030 3016 12	13-30	4030 3504 01	29-14	4040 3097 01	13-24
1129 7303 01	18-10	4011 3509 01	29-34	4030 3016 12	16-8	4030 3505 01	29-26	4040 3097 01	16-22
1134 3041 01	15-18	4011 3512 01	29-30	4030 3017 03	14-17	4030 3740 01	30-7	4040 5211 01	10-29
1134 3042 02	24-5	4011 3515 01	29-12	4030 3017 03	17-13	4030 3741 03	30-8	4040 5222 01	10-23
1139 5249 01	10-2	4011 5339 01	12-6	4030 3025 05	14-12	4030 3742 01	30-6	4040 5223 01	10-24
1139 5250 01	10-3	4011 5347 01	11-30	4030 3025 05	17-11	4030 4207 01	29-16	4040 5260 01	10-1
1151 5023 01	11-2	4012 3524 12	28-15	4030 3027 02	14-20	4030 4213 02	29-27	4040 5322 01	11-29
1164 2021 02	18-13	4021 5225 01	10-10	4030 3027 02	17-14	4030 4220 01	29-38	4040 M401 00	18-15
1164 2051 01	37-6	4025 2283 01	39-6	4030 3031 01	15-14	4030 5379 01	12-7	4066 3705 01	28-3
1164 2155 01	18-17	4025 5984 01	34-9	4030 3032 03	15-23	4030 5380 01	11-6	4128 1978 01	8-8
1164 3508 01	29-22	4030 1033 01	27-7	4030 3037 01	14-16	4030 5383 02	11-26	4128 1979 01	8-9
1164 3513 01	29-25	4030 2019 03	18-11	4030 3037 01	17-12	4030 5384 01	11-28	4131 3003 01	13-2
1164 3514 02	29-24	4030 2040 01	8-7	4030 3039 01	14-1	4030 5385 02	12-2	4131 3003 01	16-2
1164 3515 01	29-23	4030 2053 01	43-27	4030 3039 01	17-1	4030 5386 01	11-27	4131 3003 01	25-9
1164 3527 02	29-15	4030 2054 01	43-28	4030 3077 01	14-4	4030 5387 02	11-4	4131 3532 02	15-2
1164 3529 01	29-13	4030 2080 01	37-8	4030 3077 01	17-4	4030 5388 01	11-5	4131 3532 02	25-25
1164 3549 01	29-21	4030 2081 01	18-28	4030 3078 01	14-19	4030 5393 01	11-15	4138 5866 01	28-25
1164 4202 04	29-29	4030 2102 01	18-2	4030 3078 01	17-16	4030 5396 01	11-22	4163 5205 01	10-7
1164 4206 02	29-17	4030 2112 01	18-5	4030 3079 01	14-2	4030 5398 01	11-25	4163 5207 01	10-13
1164 4209 02	29-18	4030 2113 01	18-4	4030 3079 01	17-2	4030 R712 00	36-20	4163 5208 01	10-6
1164 4218 01	29-20	4030 2114 01	18-29	4030 3080 01	14-3	4034 0151 01	26-31	4163 5209 01	10-15
1165 2142 01	18-14	4030 2115 01	18-3	4030 3080 01	17-3	4036 1720 01	7-15	4163 5210 02	10-4
1165 2153 01	18-8	4030 2505 01	36-10	4030 3081 01	19-9	4036 3075 01	5-4	4163 5221 01	10-12
1165 5308 01	12-3	4030 2506 01	36-11	4030 3083 01	19-8	4037 0104 01	19-14	4163 5224 01	10-22
1165 5309 02	12-4	4030 2510 01	36-16	4030 3091 01	19-13	4037 0903 01	7-11	4163 5226 01	10-9
1165 5325 01	11-7	4030 2511 01	36-15	4030 3108 01	15-22	4037 2239 02	37-17	4163 5231 02	10-21
1165 5327 03	11-8	4030 2512 01	36-12	4030 3112 02	15-6	4037 3204 01	22-7	4163 5237 01	10-14
1200 5212 04	15-13	4030 2515 01	36-8	4030 3121 01	31-18	4038 3234 02	24-13	4163 5238 01	10-5
1250 2301 01	11-18	4030 2516 01	36-7	4030 3122 01	31-16	4038 3237 01	25-7	4163 5239 01	10-17
26NA 2030 0	14-15	4030 2517 01	36-5	4030 3125 01	15-10	4038 3511 02	27-9	4163 5240 01	10-16
26NA 2030 0	17-10	4030 2518 01	36-4	4030 3206 01	21-3	4038 5856 01	33-11	4163 5293 01	21-11
4002 3108 01	21-16	4030 2523 03	36-3	4030 3224 02	19-10	4038 M600 00	11-21	4163 5293 01	22-5
4002 3110 01	19-4	4030 2524 01	36-2	4030 3226 01	21-2	4040 0163 01	9-9	4163 5293 01	28-19
4002 3131 01	19-3	4030 2525 01	36-6	4030 3228 12	21-19	4040 0778 00	29-35	4163 5293 01	29-2
4002 7306 01	22-4	4030 2526 01	36-17	4030 3402 01	26-35	4040 2094 01	9-8	4163 5293 01	33-3
4004 1829 02	38-9	4030 2530 02	36-9	4030 3403 01	26-36	4040 2095 01	9-15	4163 5293 01	34-12

bizhub 223/bizhub 283/bizhub 363/bizhub 423/bizhub 7828

Parts No.	Page No.	Parts No.	Page No.	Parts No.	Page No.	Parts No.	Page No.	Parts No.	Page No.
4163 5293 01	36-14	A00J 1396 00	39-11	A02E 1484 00	9-12	A02E 8113 00	31-19	A0ED 2683 00	3-4
4163 5298 01	10-8	A00J 1682 02	3-15	A02E 1616 00	44-8	A02E 8119 00	31-10	A0ED 2684 00	5-14
4425 3013 01	13-26	A00J 1683 01	1-7	A02E 1677 00	3-7	A02E 8131 00	28-32	A0ED 2685 00	5-13
4425 3013 01	16-24	A00J 1685 03	3-16	A02E 1677 00	44-4	A02E 8152 00	30-13	A0ED 2687 00	3-22
4425 3016 01	13-19	A00J 1689 02	3-14	A02E 2708 00	6-5	A02E 8152 00	34-11	A0ED 2688 00	3-19
4425 3016 01	16-17	A00J 1691 00	3-9	A02E 5611 00	13-12	A02E 9408 00	23-2	A0ED 2704 00	6-10
4497 3116 01	29-5	A00J 1691 00	44-3	A02E 5611 00	16-16	A02E 9409 01	23-2	A0ED 2705 00	6-6
4497 3116 01	30-2	A00J 1692 00	3-2	A02E 5911 00	24-16	A02E 9413 00	20-2	A0ED 2706 00	6-3
4537 3317 01	22-8	A00J 1917 00	4-25	A02E 5912 00	25-15	A02E 9415 00	20-3	A0ED 2707 00	6-1
4556 M100 00	33-4	A00J 1918 00	4-27	A02E 5918 01	24-7	A02E 9417 00	1-3	A0ED 2708 00	6-8
4556 M901 00	7-1	A00J 1919 00	4-24	A02E 5921 00	26-17	A02E 9418 00	1-26	A0ED 2709 00	6-2
4581 1625 01	7-18	A00J 2653 00	5-15	A02E 5923 00	26-5	A02E 9419 00	1-27	A0ED 2712 00	6-9
4661 3155 01	10-11	A00J 2763 00	7-23	A02E 5924 00	26-3	A02E 9420 00	44-10	A0ED 2713 00	6-7
4661 3155 01	28-8	A00J 2802 00	7-14	A02E 5925 00	26-25	A02E 9421 00	44-10	A0ED 2733 00	6-24
4687 3281 01	26-6	A00J 5601 00	13-25	A02E 5926 00	26-26	A02E G621 00	26-15	A0ED 2734 00	6-20
56AA 4049 0	13-15	A00J 5601 00	16-23	A02E 5932 00	26-4	A02E M104 00	12-9	A0ED 2736 00	6-13
56AA 4049 0	14-8	A00J 5603 02	13-23	A02E 5933 00	26-2	A02E M10A 00	7-9	A0ED 2737 00	6-14
56AA 4049 0	16-12	A00J 5603 02	16-21	A02E 5934 00	26-1	A02E R734 00	21-18	A0ED 2739 00	6-19
56AA 4049 0	17-6	A00J 5636 00	13-13	A02E 5935 00	26-20	A0ED 1319 00	39-10	A0ED 2740 00	6-18
57GA 6156 0	14-13	A00J 5636 00	14-6	A02E 5937 00	26-10	A0ED 1373 00	39-5	A0ED 2742 00	6-22
57GA 6156 0	39-16	A00J 5636 00	16-11	A02E 5945 00	25-18	A0ED 1610 01	1-1	A0ED 2743 00	6-23
9326 1200 61	5-12	A00J 5636 00	17-17	A02E 5946 00	25-19	A0ED 1626 00	1-8	A0ED 2744 00	6-21
9326 1810 21	7-7	A00J 5640 00	13-20	A02E 5951 00	25-8	A0ED 1627 00	1-9	A0ED 2751 00	6-12
9334 2610 12	3-13	A00J 5640 00	16-18	A02E 5952 01	25-3	A0ED 1661 00	44-2	A0ED 2752 00	6-25
9334 2710 11	12-5	A00J 5646 00	14-10	A02E 5953 02	25-12	A0ED 1662 00	44-1	A0ED 2753 02	7-13
9335 1400 61	7-25	A00J 5646 00	17-8	A02E 5954 00	25-10	A0ED 1701 00	3-12	A0ED 2754 00	7-16
9335 1400 81	5-2	A00J 5647 00	14-7	A02E 5956 00	25-1	A0ED 1706 00	3-29	A0ED 2755 01	7-31
9335 1400 81	5-3	A00J 5647 00	17-5	A02E 5960 02	25-11	A0ED 1926 00	4-16	A0ED 2756 00	7-10
9372 2710 22	29-28	A00J 5668 01	13-29	A02E 5961 00	25-26	A0ED 2622 00	7-26	A0ED 2757 00	7-28
9381 4300 31	44-9	A00J 5668 01	16-27	A02E 5972 00	26-28	A0ED 2623 00	5-21	A0ED 2762 00	6-16
9J03 M100 00	9-17	A00J 9401 00	3-3	A02E 5973 01	26-33	A0ED 2624 00	5-20	A0ED 2763 01	6-17
9J03 M100 00	28-20	A00J 9401 00	44-11	A02E 5976 00	26-30	A0ED 2625 00	5-9	A0ED 2765 00	7-17
9J06 3235 01	1-11	A00J 9402 00	3-3	A02E 5981 00	26-19	A0ED 2626 00	5-23	A0ED 2812 00	6-15
9J06 3235 01	24-9	A00J 9422 02	20-1	A02E 5982 00	24-12	A0ED 2627 00	5-22	A0ED 2816 00	7-21
9J06 M103 00	19-5	A00J 9450 00	2-3	A02E 5983 00	26-16	A0ED 2632 00	5-19	A0ED 2817 00	5-8
9J06 M200 00	25-4	A00J 9455 00	1-20	A02E 5984 00	24-2	A0ED 2633 00	7-24	A0ED 5639 00	14-5
9J06 M601 00	37-3	A00J H00D 00	1-6	A02E 6223 00	21-20	A0ED 2673 00	5-10	A0ED 5639 00	17-18
A00F 6232 00	25-17	A00J H00E 00	3-17	A02E 6224 00	22-14	A0ED 2675 00	3-23	A0ED 5905 00	26-23
A00F M200 00	13-1	A011 9462 00	1-15	A02E 6227 00	22-3	A0ED 2681 00	3-20	A0ED 5908 00	24-8
A00F M200 00	16-1	A02E 1484 00	2-4	A02E 8108 00	30-17	A0ED 2682 00	3-28	A0ED 5909 00	24-1

bizhub 223/bizhub 283/bizhub 363/bizhub 423/bizhub 7828

Parts No.	Page No.	Parts No.	Page No.	Parts No.	Page No.	Parts No.	Page No.	Parts No.	Page No.
A0ED 5910 00	24-15	A0ED F621 00	22-9	A0P0 N152 00	38-2	A1UD 1044 00	13-9	A1UD 1334 00	2-5
A0ED 5917 00	26-37	A0ED F622 00	21-12	A0PD 1602 00	44-5	A1UD 1045 00	8-11	A1UD 1335 00	39-17
A0ED 5919 00	26-24	A0ED F623 00	21-21	A0TK H002 00	10-26	A1UD 1045 00	39-19	A1UD 1336 00	39-4
A0ED 5922 01	26-7	A0ED M105 00	9-13	A108 M501 00	1-12	A1UD 1050 01	18-24	A1UD 1337 00	37-4
A0ED 5931 00	26-38	A0ED M310 00	6-4	A108 M501 00	13-6	A1UD 1051 01	37-1	A1UD 1338 00	37-5
A0ED 5936 00	26-22	A0ED M410 00	7-5	A108 M501 00	15-16	A1UD 1051 01	37-1	A1UD 1339 00	37-7
A0ED 5939 00	26-39	A0ED M501 00	13-8	A108 M501 00	16-5	A1UD 1052 00	27-12	A1UD 1341 01	37-19
A0ED 5971 00	26-29	A0ED M501 00	15-19	A108 M501 00	19-7	A1UD 1053 02	18-18	A1UD 1351 00	9-6
A0ED 5987 00	24-6	A0ED M501 00	16-7	A108 M501 00	24-4	A1UD 1060 01	18-26	A1UD 1353 01	9-7
A0ED 5990 00	26-13	A0ED M501 00	26-12	A108 M501 00	25-2	A1UD 1061 00	1-13	A1UD 1357 01	9-1
A0ED 5991 00	26-11	A0ED M720 00	38-1	A108 M501 00	30-16	A1UD 1062 00	37-15	A1UD 1361 00	9-3
A0ED 5993 00	26-32	A0ED M720 00	38-1	A108 M501 00	31-5	A1UD 1062 00	37-15	A1UD 1364 00	9-5
A0ED 6201 13	21-15	A0ED M720 00	38-1	A108 M501 00	35-2	A1UD 1206 01	8-16	A1UD 1400 02	38-20
A0ED 6202 00	21-9	A0ED N145 00	3-18	A108 M501 00	39-1	A1UD 1207 00	27-14	A1UD 1400 02	38-20
A0ED 6205 00	21-1	A0ED N300 01	37-22	A108 R900 00	19-11	A1UD 1210 00	27-11	A1UD 1400 02	38-20
A0ED 6206 01	22-13	A0ED N302 01	44-9	A108 R900 00	24-11	A1UD 1301 02	39-18	A1UD 1401 02	38-19
A0ED 6207 00	21-5	A0ED R727 00	3-5	A108 R900 00	29-8	A1UD 1302 03	39-13	A1UD 1401 02	38-19
A0ED 6209 01	22-1	A0ED R728 00	6-11	A108 R900 00	30-5	A1UD 1303 01	2-6	A1UD 1401 02	38-19
A0ED 6210 00	22-2	A0P0 1443 00	38-4	A11U 8150 00	28-9	A1UD 1306 00	38-18	A1UD 1601 02	1-18
A0ED 6211 01	22-6	A0P0 1443 00	38-4	A1UD 1006 01	8-14	A1UD 1307 00	9-11	A1UD 1602 02	1-23
A0ED 6213 00	22-11	A0P0 1443 00	38-4	A1UD 1007 01	18-22	A1UD 1308 00	38-11	A1UD 1603 00	1-21
A0ED 6214 00	22-12	A0P0 1444 00	38-5	A1UD 1008 02	18-27	A1UD 1309 00	9-16	A1UD 1605 01	1-22
A0ED 6219 01	22-15	A0P0 1444 00	38-5	A1UD 1010 01	37-12	A1UD 1310 00	8-4	A1UD 1606 01	2-15
A0ED 6221 00	21-6	A0P0 1444 00	38-5	A1UD 1013 00	27-5	A1UD 1311 01	37-18	A1UD 1607 01	2-14
A0ED 6232 00	21-17	A0P0 1447 01	38-12	A1UD 1015 00	27-1	A1UD 1312 00	37-16	A1UD 1609 01	1-14
A0ED 6234 00	21-7	A0P0 1473 00	38-7	A1UD 1016 00	18-25	A1UD 1313 00	9-14	A1UD 1610 01	2-17
A0ED 6250 00	20-9	A0P0 1474 01	39-9	A1UD 1018 01	13-11	A1UD 1314 00	18-19	A1UD 1611 01	2-16
A0ED 6252 01	20-8	A0P0 5616 00	14-21	A1UD 1023 00	37-2	A1UD 1316 00	39-7	A1UD 1612 01	2-12
A0ED 6253 01	20-11	A0P0 5616 00	17-19	A1UD 1024 01	12-14	A1UD 1317 00	39-12	A1UD 1613 01	2-7
A0ED 6254 00	20-5	A0P0 H025 00	5-16	A1UD 1025 00	18-23	A1UD 1318 01	39-8	A1UD 1615 00	1-5
A0ED 6255 00	21-10	A0P0 M504 00	37-11	A1UD 1026 00	8-13	A1UD 1321 00	18-21	A1UD 1618 00	1-4
A0ED 6257 00	21-13	A0P0 M705 03	4-4	A1UD 1028 01	11-20	A1UD 1323 00	38-10	A1UD 1620 01	1-2
A0ED 6275 00	19-6	A0P0 M706 03	4-4	A1UD 1033 00	16-10	A1UD 1324 00	27-13	A1UD 1622 02	2-13
A0ED 6316 00	21-4	A0P0 M707 03	4-4	A1UD 1034 01	11-24	A1UD 1327 00	37-9	A1UD 1625 02	2-11
A0ED 6331 00	21-8	A0P0 M708 02	4-4	A1UD 1037 00	27-4	A1UD 1328 00	39-15	A1UD 1626 00	2-9
A0ED 6358 01	21-14	A0P0 N151 00	38-3	A1UD 1038 00	27-3	A1UD 1329 00	39-14	A1UD 1628 00	2-10
A0ED 9401 00	20-6	A0P0 N151 00	38-3	A1UD 1039 00	27-2	A1UD 1330 00	37-23	A1UD 1630 02	1-10
A0ED 9402 00	23-3	A0P0 N151 00	38-3	A1UD 1040 01	8-1	A1UD 1331 00	37-10	A1UD 1640 01	2-2
A0ED 9403 00	3-1	A0P0 N152 00	38-2	A1UD 1041 01	8-2	A1UD 1332 00	38-6	A1UD 1641 01	2-1
A0ED 9465 00	1-16	A0P0 N152 00	38-2	A1UD 1042 01	8-3	A1UD 1333 00	38-14	A1UD 1679 00	4-6

bizhub 223/bizhub 283/bizhub 363/bizhub 423/bizhub 7828

Parts No.	Page No.	Parts No.	Page No.	Parts No.	Page No.	Parts No.	Page No.	Parts No.	Page No.
A1UD 1680 00	4-20	A1UD 2116 00	36-21	A1UD 5604 01	13-21	A1UD 5915 00	25-22	A1UD 7128 00	28-27
A1UD 1694 00	4-18	A1UD 2120 00	35-21	A1UD 5604 01	16-19	A1UD 5928 00	26-21	A1UD 7130 00	29-19
A1UD 1702 00	3-26	A1UD 2181 00	35-5	A1UD 5605 00	13-16	A1UD 5941 01	25-14	A1UD 8101 00	28-5
A1UD 1703 02	3-24	A1UD 2182 00	35-6	A1UD 5605 00	16-14	A1UD 5942 00	25-24	A1UD 8102 00	28-6
A1UD 1704 00	3-8	A1UD 2183 01	35-8	A1UD 5606 00	13-4	A1UD 5955 00	25-6	A1UD 8103 00	28-4
A1UD 1705 00	3-6	A1UD 2184 00	35-10	A1UD 5606 00	16-3	A1UD 5957 00	25-13	A1UD 8104 00	27-6
A1UD 1707 00	3-27	A1UD 2185 00	35-9	A1UD 5607 00	13-14	A1UD 5959 00	25-20	A1UD 8105 00	30-1
A1UD 1710 00	4-22	A1UD 2186 01	35-3	A1UD 5607 00	16-29	A1UD 5981 00	26-14	A1UD 8109 00	29-6
A1UD 1711 01	3-10	A1UD 2187 00	35-7	A1UD 5611 00	13-28	A1UD 5986 00	24-10	A1UD 8110 00	28-1
A1UD 1712 02	4-2	A1UD 2189 00	35-1	A1UD 5611 00	16-26	A1UD 5992 00	26-9	A1UD 8111 00	30-10
A1UD 1713 01	2-8	A1UD 2190 00	35-11	A1UD 5612 00	15-7	A1UD 6251 01	20-7	A1UD 8113 00	31-9
A1UD 1714 00	4-3	A1UD 2206 00	36-22	A1UD 5614 00	15-5	A1UD 6253 00	20-4	A1UD 8116 00	30-14
A1UD 1715 00	3-11	A1UD 2616 00	7-22	A1UD 5615 00	15-24	A1UD 6346 00	19-12	A1UD 8117 00	31-6
A1UD 1716 00	4-1	A1UD 2622 00	7-19	A1UD 5616 00	15-15	A1UD 6351 01	20-10	A1UD 8121 00	31-3
A1UD 1717 00	3-25	A1UD 2628 00	7-12	A1UD 5618 01	15-12	A1UD 7002 00	29-33	A1UD 8122 00	28-12
A1UD 1718 00	44-6	A1UD 2630 00	7-30	A1UD 5619 00	15-20	A1UD 7003 00	29-9	A1UD 8123 00	30-3
A1UD 1911 00	4-26	A1UD 2654 00	7-20	A1UD 5621 00	15-4	A1UD 7101 01	28-10	A1UD 8126 00	30-15
A1UD 1912 00	4-23	A1UD 2760 00	7-29	A1UD 5626 00	14-11	A1UD 7102 00	28-29	A1UD 8127 00	29-1
A1UD 1913 00	4-17	A1UD 2790 00	5-6	A1UD 5626 00	17-9	A1UD 7103 01	28-17	A1UD 8128 00	30-12
A1UD 1914 00	4-13	A1UD 2818 00	5-17	A1UD 5631 00	14-9	A1UD 7104 00	28-22	A1UD 8129 00	28-31
A1UD 1915 00	4-10	A1UD 3705 00	10-28	A1UD 5631 00	17-7	A1UD 7105 00	28-21	A1UD 8132 00	31-11
A1UD 1916 00	4-19	A1UD 3706 01	10-27	A1UD 5632 00	14-18	A1UD 7107 00	29-10	A1UD 8134 00	30-9
A1UD 1920 00	4-9	A1UD 3707 00	10-25	A1UD 5632 00	17-15	A1UD 7108 00	28-26	A1UD 8136 00	31-12
A1UD 1922 00	4-7	A1UD 3709 00	10-20	A1UD 5641 01	13-10	A1UD 7109 00	28-30	A1UD 8137 00	30-18
A1UD 1923 00	4-15	A1UD 3710 00	10-18	A1UD 5642 00	16-9	A1UD 7110 00	28-23	A1UD 8138 00	31-8
A1UD 1924 00	4-11	A1UD 4007 00	12-11	A1UD 5643 00	15-11	A1UD 7111 01	28-28	A1UD 8139 00	31-7
A1UD 1925 00	4-14	A1UD 4008 01	12-8	A1UD 5644 01	15-3	A1UD 7112 00	27-8	A1UD 8140 00	28-2
A1UD 1927 00	4-8	A1UD 4009 00	12-10	A1UD 5646 00	14-14	A1UD 7113 00	28-18	A1UD 8141 00	29-4
A1UD 1928 00	4-21	A1UD 4101 00	11-14	A1UD 5649 01	13-7	A1UD 7115 00	31-13	A1UD 8141 00	30-11
A1UD 1929 00	4-12	A1UD 4102 00	11-19	A1UD 5649 01	16-6	A1UD 7116 00	31-17	A1UD 8142 01	30-19
A1UD 1930 00	4-28	A1UD 4103 00	11-12	A1UD 5651 01	16-4	A1UD 7117 00	31-15	A1UD 8901 00	33-2
A1UD 2100 01	35-18	A1UD 4104 00	11-16	A1UD 5703 00	15-25	A1UD 7118 00	29-3	A1UD 8902 01	34-14
A1UD 2102 01	35-16	A1UD 4106 00	11-17	A1UD 5704 00	15-26	A1UD 7119 00	28-11	A1UD 8904 01	33-9
A1UD 2103 00	35-14	A1UD 4107 00	11-3	A1UD 5705 00	15-9	A1UD 7120 00	29-11	A1UD 8905 00	33-8
A1UD 2104 01	35-15	A1UD 4108 00	11-10	A1UD 5724 00	15-8	A1UD 7121 00	28-16	A1UD 8906 00	34-10
A1UD 2105 00	35-22	A1UD 4109 00	11-11	A1UD 5901 00	25-21	A1UD 7122 00	28-24	A1UD 8907 00	33-5
A1UD 2106 01	35-17	A1UD 4110 00	11-9	A1UD 5902 00	25-23	A1UD 7123 00	28-13	A1UD 8908 00	33-6
A1UD 2109 00	35-19	A1UD 5601 02	13-5	A1UD 5906 00	23-4	A1UD 7125 00	28-7	A1UD 8910 00	34-8
A1UD 2113 00	35-20	A1UD 5602 00	13-17	A1UD 5907 00	23-1	A1UD 7126 00	31-14	A1UD 8911 00	34-5
A1UD 2114 01	35-13	A1UD 5602 00	16-15	A1UD 5913 00	25-16	A1UD 7127 00	28-14	A1UD 8915 00	34-6

bizhub 223/bizhub 283/bizhub 363/bizhub 423/bizhub 7828

Parts No.	Page No.
A1UD 8916 00	34-4
A1UD 8918 00	34-3
A1UD 8921 00	33-7
A1UD 8922 00	34-13
A1UD 8926 00	34-15
A1UD 8927 00	34-16
A1UD 8928 00	34-2
A1UD 8929 00	34-7
A1UD 9406 00	11-13
A1UD 9413 00	1-17
A1UD 9414 00	33-1
A1UD 9422 00	1-25
A1UD H001 00	7-3
A1UD H020 02	38-13
A1UD H021 02	38-13
A1UD M100 00	36-1
A1UD M101 00	31-4
A1UD M101 00	34-1
A1UD M105 00	9-10
A1UD M200 00	29-32
A1UD M201 00	15-1
A1UD M201 00	25-5
A1UD M400 02	8-12
A1UD M401 02	8-12
A1UD M402 02	8-12
A1UD M403 01	8-5
A1UD M902 00	5-5
A1UD M903 00	39-3
A1UD M904 00	2-18
A1UD N100 00	5-11
A1UD N101 00	7-8
A1UD N102 00	7-27
A1UD N103 01	42-2
A1UD N104 00	5-1
A1UD N106 00	7-4
A1UD N107 01	42-2
A1UD N108 00	7-2
A1UD N109 01	5-1
A1UD N110 00	37-21
A1UD N111 00	37-14

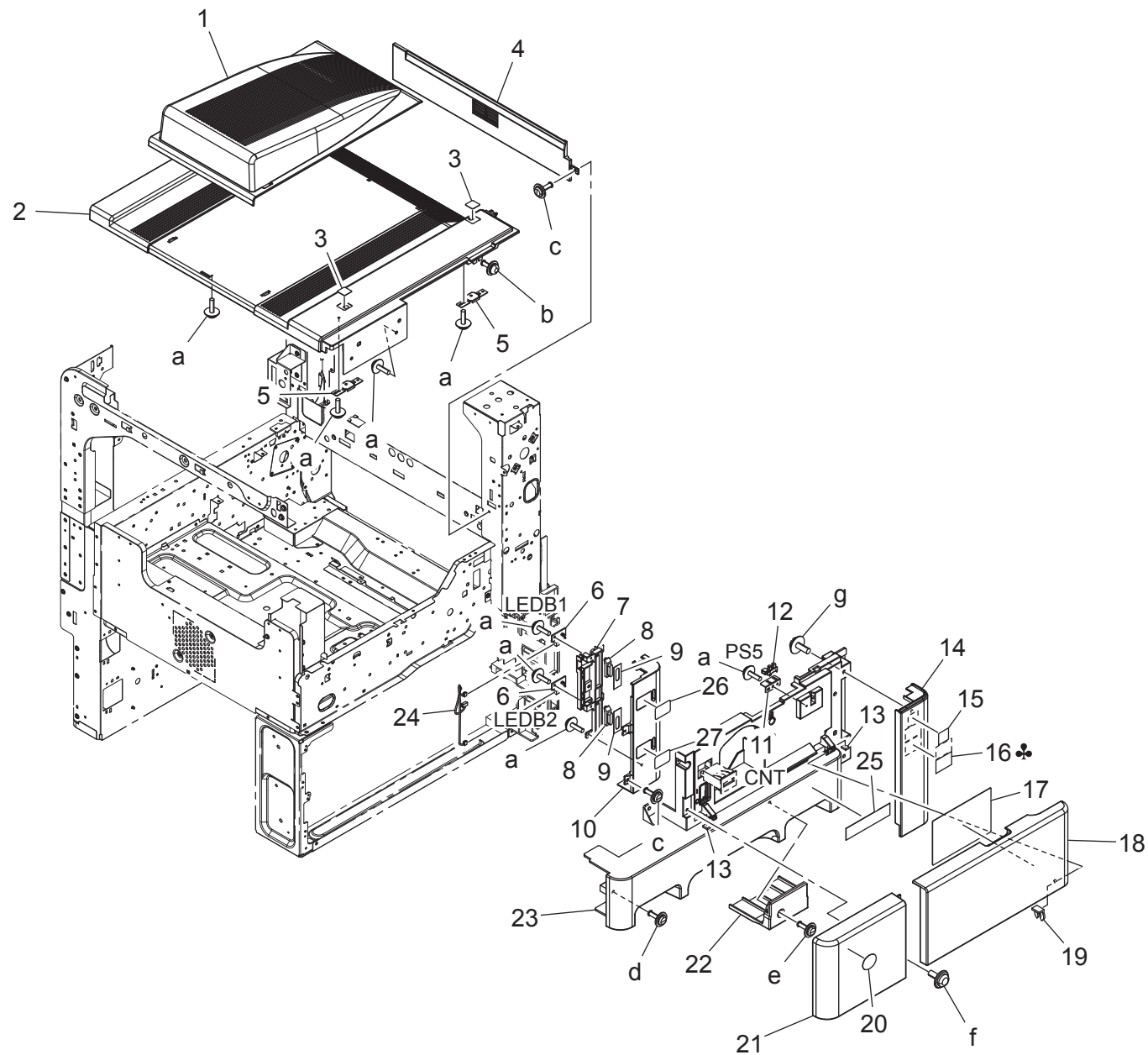
Parts No.	Page No.
A1UD N112 00	37-20
A1UD N113 00	11-23
A1UD N114 00	18-20
A1UD N115 00	18-20
A1UD N116 00	8-6
A1UD N120 01	40-1
A1UD N121 01	41-1
A1UD N124 00	15-21
A1UD N125 00	12-13
A1UD N126 01	1-24
A1UD N127 00	13-27
A1UD N128 00	16-25
A1UD N12A 00	9-2
A1UD N12B 00	24-14
A1UD N12C 01	26-8
A1UD N12D 00	4-5
A1UD N12E 00	33-10
A1UD N12F 00	18-16
A1UD N12G 00	18-9
A1UD N12H 00	18-1
A1UD N12J 00	18-7
A1UD N12K 01	19-1
A1UD N12M 01	19-15
A1UD N12N 01	31-1
A1UD N12P 01	30-4
A1UD N12R 00	38-16
A1UD N12S 01	42-1
A1UD N12W 00	38-17
A1UD N12X 01	41-1
A1UD N12Y 00	38-15
A1UD N131 00	37-13
A1UD N132 00	29-7
A1UD N133 00	39-2
A1UD N134 00	42-1
A1UD N140 01	5-18
A1UD N141 01	5-18
A1UD N300 00	37-22
A1UD P000 01	39-21
A1UD R700 00	36-24
A1UD R701 00	35-12

Parts No.	Page No.
A1UD R702 00	35-4
A1UD R703 00	3-21
A1UD R704 11	12-12
A1UD R705 00	29-39
A1UD R706 00	24-17
A1UD R707 00	28-33
A1UD R708 00	32-1
A1UD R709 00	32-1
A1UD R710 00	32-1
A1UD R711 00	10-30
A1UD R713 00	8-10
A1UD R714 00	11-1
A1UD R715 00	11-1
A1UD R716 00	11-1
A1UD R717 00	5-7
A1UD R718 00	9-4
A1UD R7A0 00	27-10
A1UD R7A1 00	31-2
A1UD R900 00	10-19
A1UE 2101 01	35-26
A1UE 2107 00	35-23
A1UE 2108 00	35-24
A1UE 2110 00	35-25
A1UE 9422 00	1-25
A1UE N120 01	40-1
A1UE N121 01	41-1
A1UE N124 00	15-17
A1UE N127 00	13-27
A1UE N128 00	16-25
A1UE N12X 01	41-1
A1UF 9406 00	11-13
A1UF 9422 00	1-25
A1UF 9425 00	1-25
A1UF N120 01	40-1
A1UF R700 00	11-1
A1UF R701 00	11-1
A1UF R702 00	11-1
A1UF R703 00	8-10
A1UG 9422 00	1-25
A1UG N120 01	40-1

Parts No.	Page No.
V116 0308 03	44-7
V500 0100 03	43-3
V500 0100 05	43-4
V500 0100 07	43-5
V500 0100 08	43-6
V500 0100 13	43-7
V500 0100 20	43-8
V500 0100 46	43-9
V500 0100 54	43-10
V500 0100 55	43-11
V500 0100 61	43-12
V500 0200 19	43-13
V500 0200 20	43-14
V500 0200 39	43-15
V500 0200 42	43-16
V500 0200 52	43-26
V500 0200 82	43-17
V500 0200 84	43-18
V502 0100 33	7-6
V502 0100 41	39-20
V570 0100 21	43-19
V570 0100 23	43-20
V570 0100 26	43-21
V570 0100 27	43-22
V570 0100 28	43-23
V570 0100 31	43-24
V570 0100 46	43-25
V651 0100 01	12-1
V651 0100 02	8-15
V800 5003 00	29-37
V801 3000 06	26-18
V865 3000 26	38-8

bizhub 223/bizhub 283/bizhub 363/bizhub 423/bizhub 7828

EXTERNAL PARTS



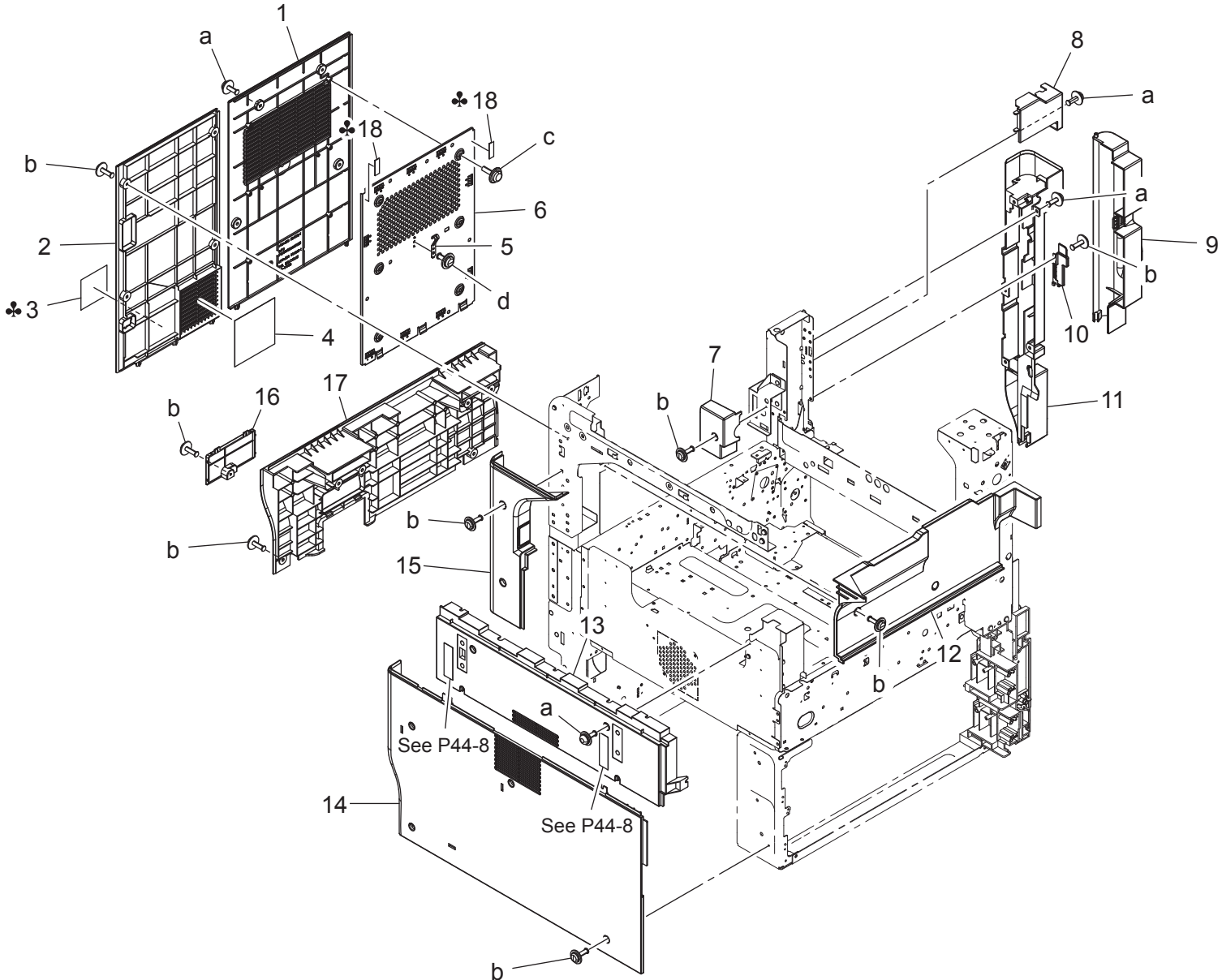
bizhub 223/bizhub 283/bizhub 363/bizhub 423/bizhub 7828

EXTERNAL PARTS

Key	Part No.	Description	Destinations	Class	QTY	Standard parts
1	A0ED 1610 01	Tray		C	1	a-V153 0308 03
2	A1UD 1620 01	Cover /Upper		D	1	b-V116 0308 04
3	A02E 9417 00	Label Jam/Adu		C	2	c-V137 0308 03
4	A1UD 1618 00	Cover		D	1	d-V137 0308 04
5	A1UD 1615 00	Mounting Plate		D	2	e-V137 0310 04
6	A00J H00D 00	PWB Assembly LED1		C	2	f-V153 0408 04
7	A00J 1683 01	Light blocking Cover		D	1	g-V153 0408 03
8	A0ED 1626 00	Lens		C	2	
9	A0ED 1627 00	Light blocking Plate		C	2	
10	A1UD 1630 02	Cover		D	1	
11	9J06 3235 01	BRACKET		D	1	
12	A108 M501 00	Photointerrupter		B	1	
13	A1UD 1061 00	Cushion		D	2	
14	A1UD 1609 01	Cover		D	1	
15	A011 9462 00	Label Emperon		D	1	
16	A0ED 9465 00	Label	A,A1	D	1	
17	A1UD 9413 00	Label		D	1	
18	A1UD 1601 02	Cover /Front		C	1	
19	1033 4402 03	STOPPER RING		C	1	
20	A00J 9455 00	Logo Mark		C	1	
21	A1UD 1603 00	Cover /Left front		C	1	
22	A1UD 1605 01	Cover /Front		D	1	
23	A1UD 1602 02	Cover /Front		D	1	
24	A1UD N126 01	Indicating Wiring		D	1	
25	A1UG 9422 00	Label		D	1	
25	A1UF 9422 00	Label	{bizhub 223}	D	1	
25	A1UE 9422 00	Label	{bizhub 283}	D	1	
25	A1UD 9422 00	Label	{bizhub 363}	D	1	
25	A1UF 9425 00	Label	{bizhub 423}	D	1	
26	A02E 9418 00	Label Number 1	{bizhub 7828}	D	1	
27	A02E 9419 00	Label Number 2		C	1	

bizhub 223/bizhub 283/bizhub 363/bizhub 423/bizhub 7828

EXTERNAL PARTS



bizhub 223/bizhub 283/bizhub 363/bizhub 423/bizhub 7828

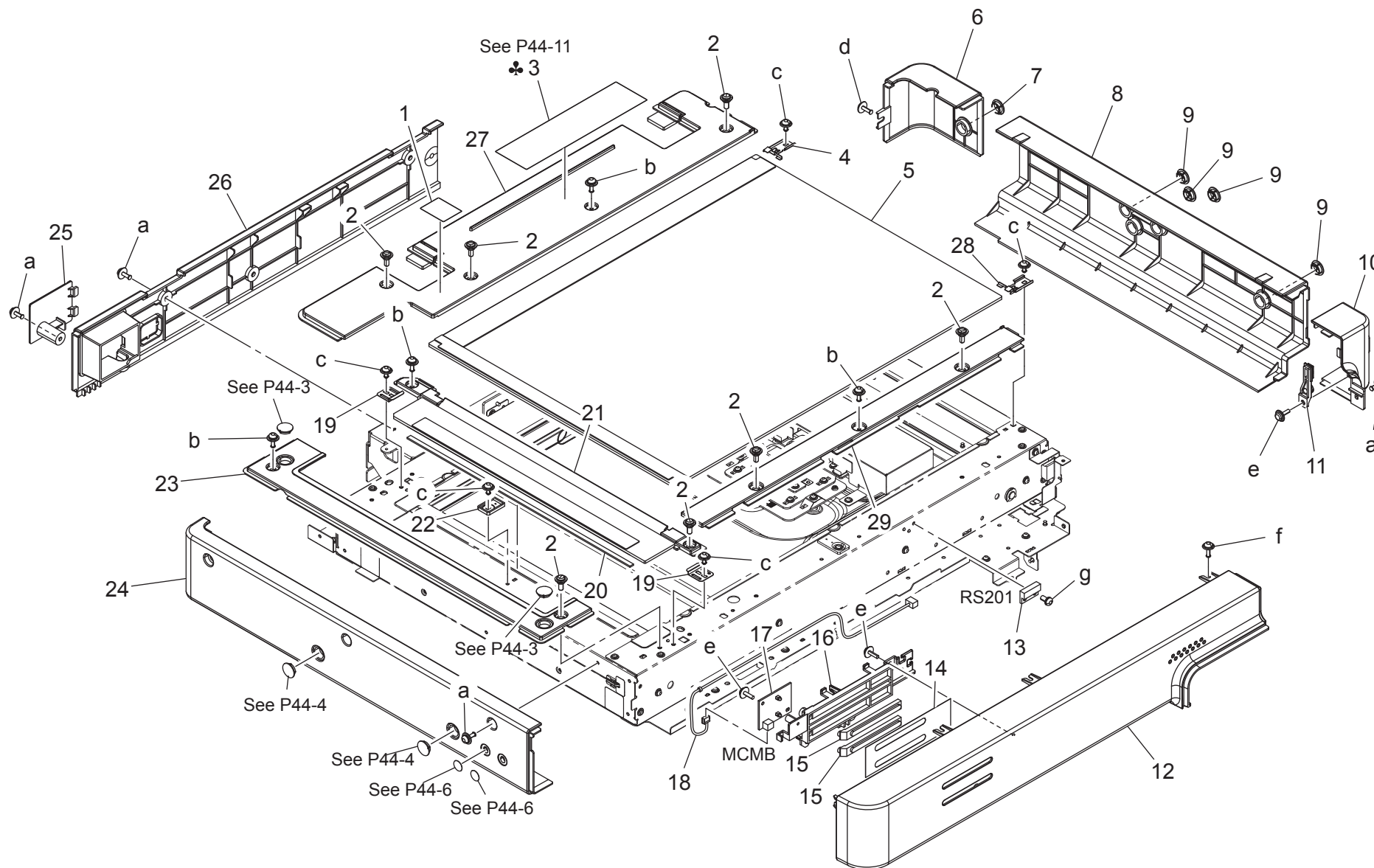
EXTERNAL PARTS

Key	Part No.	Description	Destinations	Class	QTY	Standard parts
1	A1UD 1641 01	Cover		D	1	a-V116 0308 04 b-V137 0308 04 c-V153 0308 03 d-V137 0306 03
2	A1UD 1640 01	Cover		D	1	
3	A00J 9450 00	Label Only connect	C,D1,D3,F2,G1,I,K	C	1	
4	A02E 1484 00	Filter		C	1	
5	A1UD 1334 00	Plate spring		D	1	
6	A1UD 1303 01	Shield Cover		D	1	
7	A1UD 1613 01	Read Cover /Rear		D	1	
8	A1UD 1713 01	Read Cover		D	1	
9	A1UD 1626 00	Cover /Right rear		C	1	
10	A1UD 1628 00	Cover		D	1	
11	A1UD 1625 02	Cover		D	1	
12	A1UD 1612 01	Read Cover /Rear		D	1	
13	A1UD 1622 02	Tray /Left		D	1	
14	A1UD 1607 01	Cover /Left		D	1	
15	A1UD 1606 01	Cover /Left		D	1	
16	A1UD 1611 01	Cover /Rear		C	1	
17	A1UD 1610 01	Cover /Rear		D	1	
18	A1UD M904 00	Gasket	C,D1,D3,F2,G1,I,J,K	D	2	

bizhub 223/bizhub 283/bizhub 363/bizhub 423/bizhub 7828

IR COVER

P 3

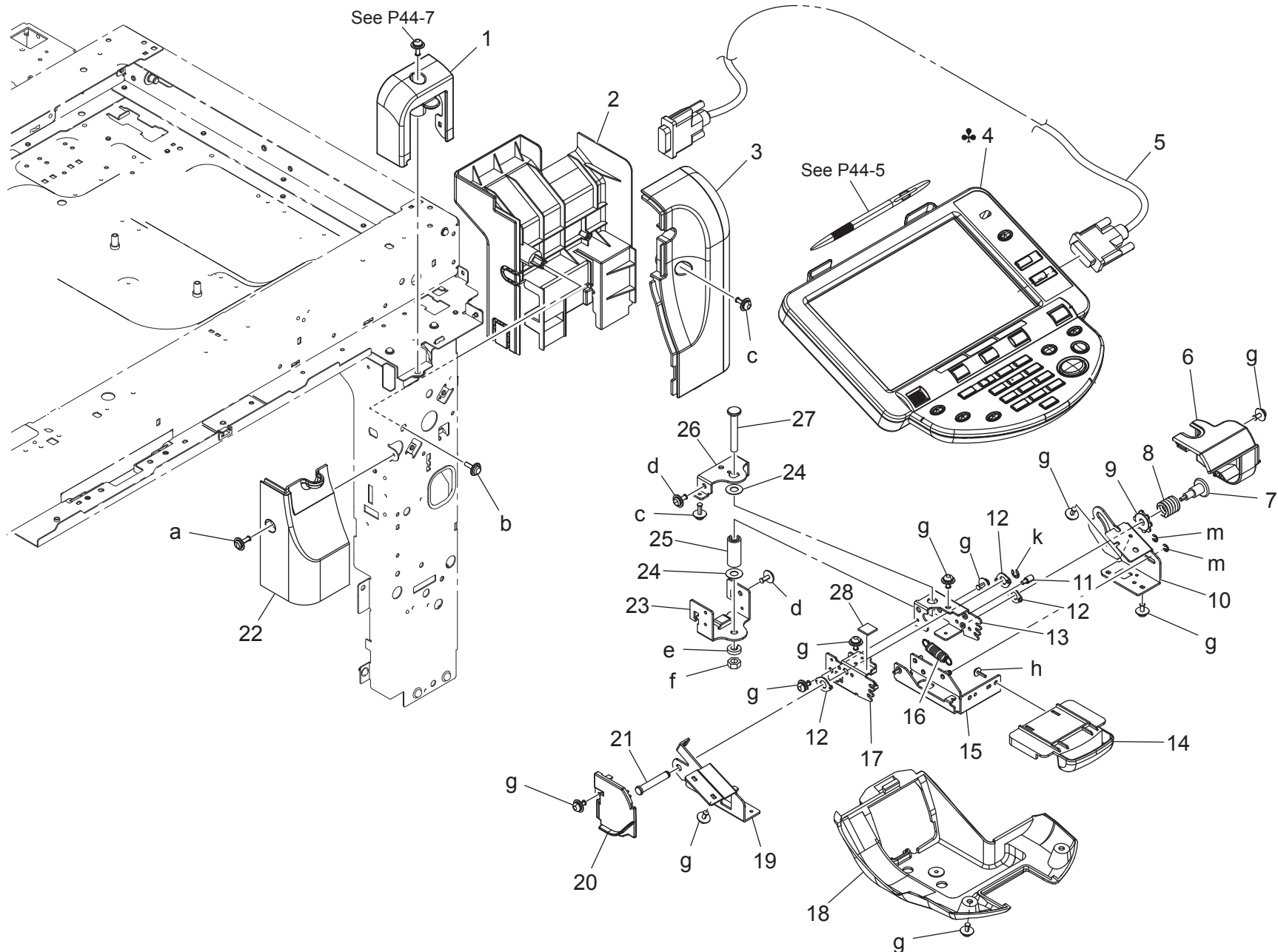


bizhub 223/bizhub 283/bizhub 363/bizhub 423/bizhub 7828

Key	Part No.	Description	Destinations	Class	QTY	Standard parts
1	A0ED 9403 00	Label Print Side		C	1	a-V116 0308 03
2	A00J 1692 00	Shoulder screw		C	7	b-V116 0308 04
3	A00J 9402 00	Label	A,A1	C	1	c-V127 0306 04
3	A00J 9401 00	Label Legal Restriction	B,G2	C	1	d-V137 0308 03
4	A0ED 2683 00	Holding Plate		C	1	e-V153 0308 03
5	A0ED R727 00	Original Glass Assy		D	1	f-V121 0308 04
6	A1UD 1705 00	Read Cover /Right rear		C	1	g-V115 0306 03
7	A02E 1677 00	Cover		D	1	
8	A1UD 1704 00	Read Cover /Right		C	1	
9	A00J 1691 00	Cover		D	1	
10	A1UD 1711 01	Read Cover		C	4	
11	A1UD 1715 00	Read Cover		D	1	
12	A0ED 1701 00	Read Cover /Front		D	1	
13	9334 2610 12	REED SWITCH		C	1	
14	A00J 1689 02	Light blocking Plate		C	1	
15	A00J 1682 02	Lens /B		C	1	
16	A00J 1685 03	Light blocking Cover /C		D	2	
17	A00J H00E 00	PWB Assembly LED2		I	1	
18	A0ED N145 00	Scanner Wiring /5		D	1	
19	A0ED 2688 00	Holding Plate		D	1	
20	A0ED 2681 00	Cushion		D	2	
21	A1UD R703 00	Slit Glass Assy		C	1	
22	A0ED 2687 00	Regulating Plate		C	1	
23	A0ED 2675 00	Cover		D	1	
24	A1UD 1703 02	Read Cover /Left		C	1	
25	A1UD 1717 00	Cover /Rear		D	1	
26	A1UD 1702 00	Read Cover /Rear		D	1	
27	A1UD 1707 00	Read Cover		D	1	
28	A0ED 2682 00	Holding Plate		D	1	
29	A0ED 1706 00	Read Cover Upper F		C	1	

OPERATION PANEL SECTION

P 4



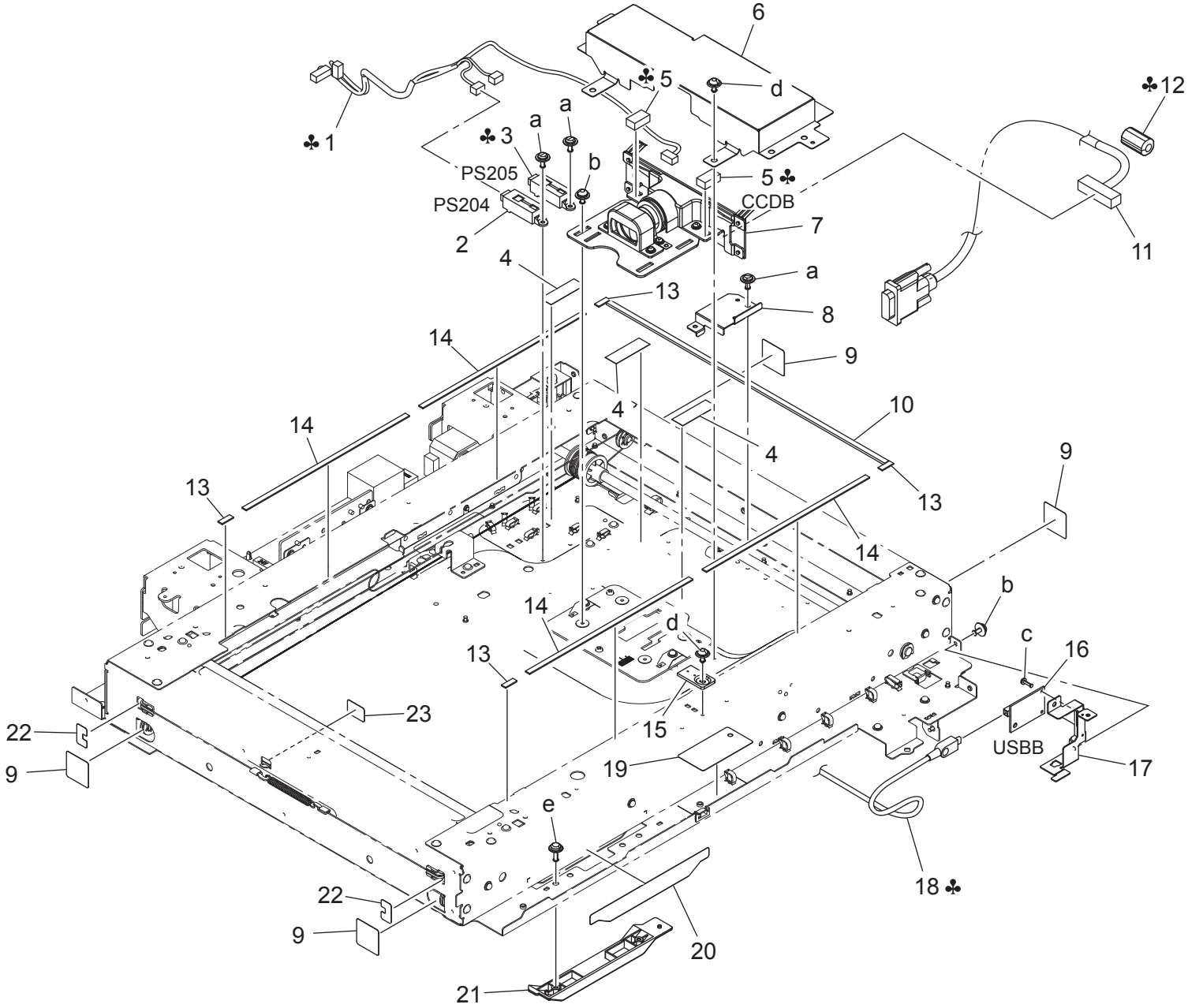
bizhub 223/bizhub 283/bizhub 363/bizhub 423/bizhub 7828

OPERATION PANEL SECTION

Key	Part No.	Description	Destinations	Class	QTY	Standard parts
1	A1UD 1716 00	Read Cover		D	1	a-V137 0308 03
2	A1UD 1712 02	Read Cover /Inside		D	1	b-V153 0308 03
3	A1UD 1714 00	Read Cover		D	1	c-V116 0308 03
4	A0P0 M705 03	Panel assembly	A,A1	I	1	d-V137 0306 03
4	A0P0 M706 03	Panel assembly	B,D1,D3,F1,F2,G1,G2 ,I,K	I	1	e-V205 0600 03 f-V195 0600 03 g-V116 0306 03
4	A0P0 M707 03	Panel assembly	C	I	1	h-V153 0310 03
4	A0P0 M708 02	Panel assembly	J	I	1	k-V217 0400 01
5	A1UD N12D 00	Ope.unit Cable		D	1	m-V217 0300 01
6	A1UD 1679 00	Cover		D	1	
7	A1UD 1922 00	Shoulder screw /1		C	1	
8	A1UD 1927 00	Compressing Coil spring		C	1	
9	A1UD 1920 00	Washer		C	1	
10	A1UD 1915 00	Mounting Plate		D	1	
11	A1UD 1924 00	Shoulder screw /2		C	1	
12	A1UD 1929 00	Washer		C	3	
13	A1UD 1914 00	Arm		D	1	
14	A1UD 1925 00	Handle		D	1	
15	A1UD 1923 00	Lever		D	1	
16	A0ED 1926 00	Pulling Spring		C	1	
17	A1UD 1913 00	Arm		D	1	
18	A1UD 1694 00	Cover		D	1	
19	A1UD 1916 00	Mounting Plate		D	1	
20	A1UD 1680 00	Cover		D	1	
21	A1UD 1928 00	Support Shaft		D	1	
22	A1UD 1710 00	Read Cover /Right front		D	1	
23	A1UD 1912 00	Mounting Plate		D	1	
24	A00J 1919 00	Washer		C	2	
25	A00J 1917 00	Collar		D	1	
26	A1UD 1911 00	Mounting Plate		D	1	
27	A00J 1918 00	Support Screw		C	1	
28	A1UD 1930 00	Stopper		C	1	

bizhub 223/bizhub 283/bizhub 363/bizhub 423/bizhub 7828

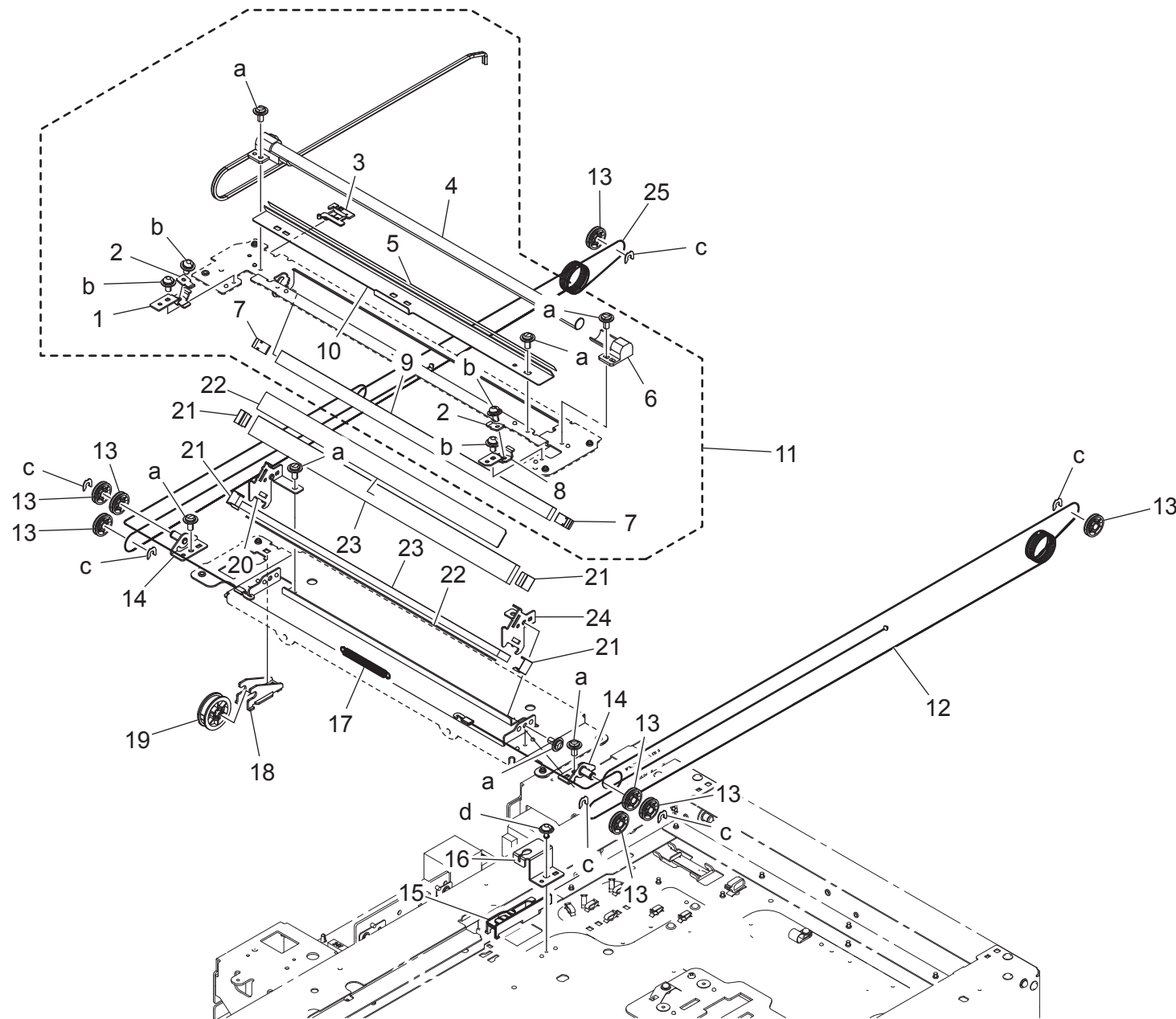
CCD SECTION



bizhub 223/bizhub 283/bizhub 363/bizhub 423/bizhub 7828

Key	Part No.	Description	Destinations	Class	QTY	Standard parts
1	A1UD N104 00	Scanner Wiring /4	スキヤナー束線 / 4 (CCD 電源部)	A,A1,B,G2	D	1
1	A1UD N109 01	Scanner Wiring /9	スキヤナー束線 / 9 (CCD シールド 電源)	C,D1,D3,F1,F2,G1,I, J,K	D	1
2	9335 1400 81	SOLID STATE SWITCH	反射型フォトスイッチ	D1,D3,F1,F2,G1,I,K	C	1
3	9335 1400 81	SOLID STATE SWITCH	反射型フォトスイッチ		C	1
4	4036 3075 01	TAPE	テープ		D	3
5	A1UD M902 00	Gasket	ガスケット	C,D1,D3,F1,F2,G1,I, J,K	D	2
6	A1UD 2790 00	Mounting Plate /ASSY	取付板 / ASSY (CCD)		D	1
7	A1UD R717 00	CCD ASSY	CCD ASSY		I	1
8	A0ED 2817 00	Mounting Plate	取付板 (CCD ハーネス)		D	1
9	A0ED 2625 00	Seal	シール (ワイヤ)		C	4
10	A0ED 2673 00	Cushion	クッション (右フレーム)		C	1
11	A1UD N100 00	Interface Cable	インターフェースケーブル (CCD 部)		C	1
12	9326 1200 61	FERRITE CORE	フェライトコア	C,D1,D3,F1,F2,G1,I, J,K	D	1
13	A0ED 2685 00	Seal	シール (ガラス・FD 小)		C	4
14	A0ED 2684 00	Seal	シール (ガラス・FD 大)		C	4
15	A00J 2653 00	Regulating Plate	規制板		C	1
16	A0P0 H025 00	PWB assembly(PWB-UCN ASSY)	基板 ASSY (PWB-UCN ASSY)		D	1
17	A1UD 2818 00	Mounting Plate	取付板 (USB)		D	1
18	A1UD N140 01	Interface Cable	インターフェースケーブル	A,A1,B,G2	C	1
18	A1UD N141 01	Interface Cable	インターフェースケーブル	C,D1,D3,F1,F2,G1,I, J,K	C	1
19	A0ED 2632 00	Seal	シール ((ハーネス・LED))		C	1
20	A0ED 2624 00	Seal	シール (ヒータ))		C	1
21	A0ED 2623 00	Cover	カバー (ヒータ)		D	1
22	A0ED 2627 00	Seal	シール (ワイヤ・左)		C	2
23	A0ED 2626 00	Seal	シール (ワイヤ・左)		C	1

SCANNER SECTION



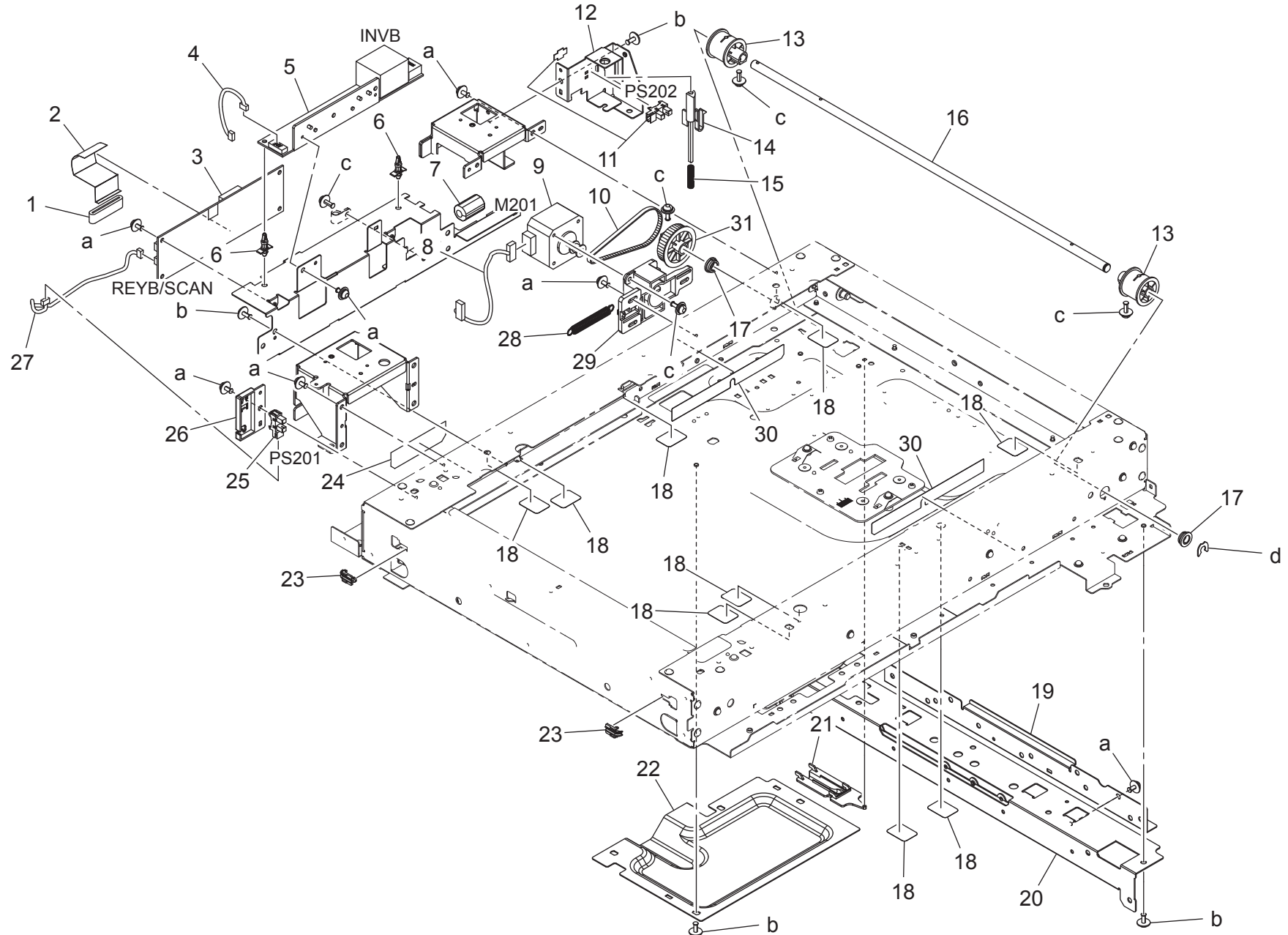
bizhub 223/bizhub 283/bizhub 363/bizhub 423/bizhub 7828

Key	Part No.	Description	Destinations	Class	QTY	Standard parts
1	A0ED 2707 00	Mounting Plate	取付板 (ワイヤ・後)	D	1	a-V137 0306 03 b-V116 0306 03 c-V218 0400 86 d-V127 0306 04
2	A0ED 2709 00	Pressing Plate	押圧板 (ワイヤ)	D	2	
3	A0ED 2706 00	Guide	ガイド (ランプハーネス・1 s t)	D	1	
4	A0ED M310 00	Lamp	ランプ (希ガス蛍光灯)	C	1	
5	A02E 2708 00	Seal	シール (反射鏡)	D	1	
6	A0ED 2705 00	Holder	ホルダ (ランプ)	D	1	
7	A0ED 2713 00	Plate spring	板ばね (1 S T)	D	2	
8	A0ED 2708 00	Mounting Plate	取付板 (ワイヤ・前)	D	1	
9	A0ED 2712 00	Mirror	ミラー (1 S T)	D	1	
10	A0ED 2704 00	Mounting Plate	取付板 (反射テープ)	D	1	
11	A0ED R728 00	1st Slider Assy	第1スライダ A s s y	I	1	
12	A0ED 2751 00	Wire	ワイヤ	D	1	
13	A0ED 2736 00	Pulley	プーリ (2 n d)	C	8	
14	A0ED 2737 00	Mounting Plate	取付板 (プーリ・2 n d)	D	2	
15	A0ED 2812 00	Guide	ガイド (ランプハーネス・フレーム)	D	1	
16	A0ED 2762 00	Mounting Plate	取付板 (ワイヤ R)	D	1	
17	A0ED 2763 01	Pulling Spring	引張りばね (ワイヤ)	D	1	
18	A0ED 2740 00	Guide Part	ガイド部材 (ランプハーネス・2 n d)	D	1	
19	A0ED 2739 00	Pulley	プーリ (ランプハーネス)	D	1	
20	A0ED 2734 00	Mounting Plate	取付板 (2 n d・後)	D	1	
21	A0ED 2744 00	Plate spring	板ばね (2 N D)	D	4	
22	A0ED 2742 00	Vibrationproof Plate	防振板	D	2	
23	A0ED 2743 00	Mirror	ミラー (2 N D)	D	2	
24	A0ED 2733 00	Mounting Plate	取付板 (2 n d・前)	D	1	
25	A0ED 2752 00	Wire	ワイヤ	D	1	

bizhub 223/bizhub 283/bizhub 363/bizhub 423/bizhub 7828

SCANNER DRIVE SECTION

P 7

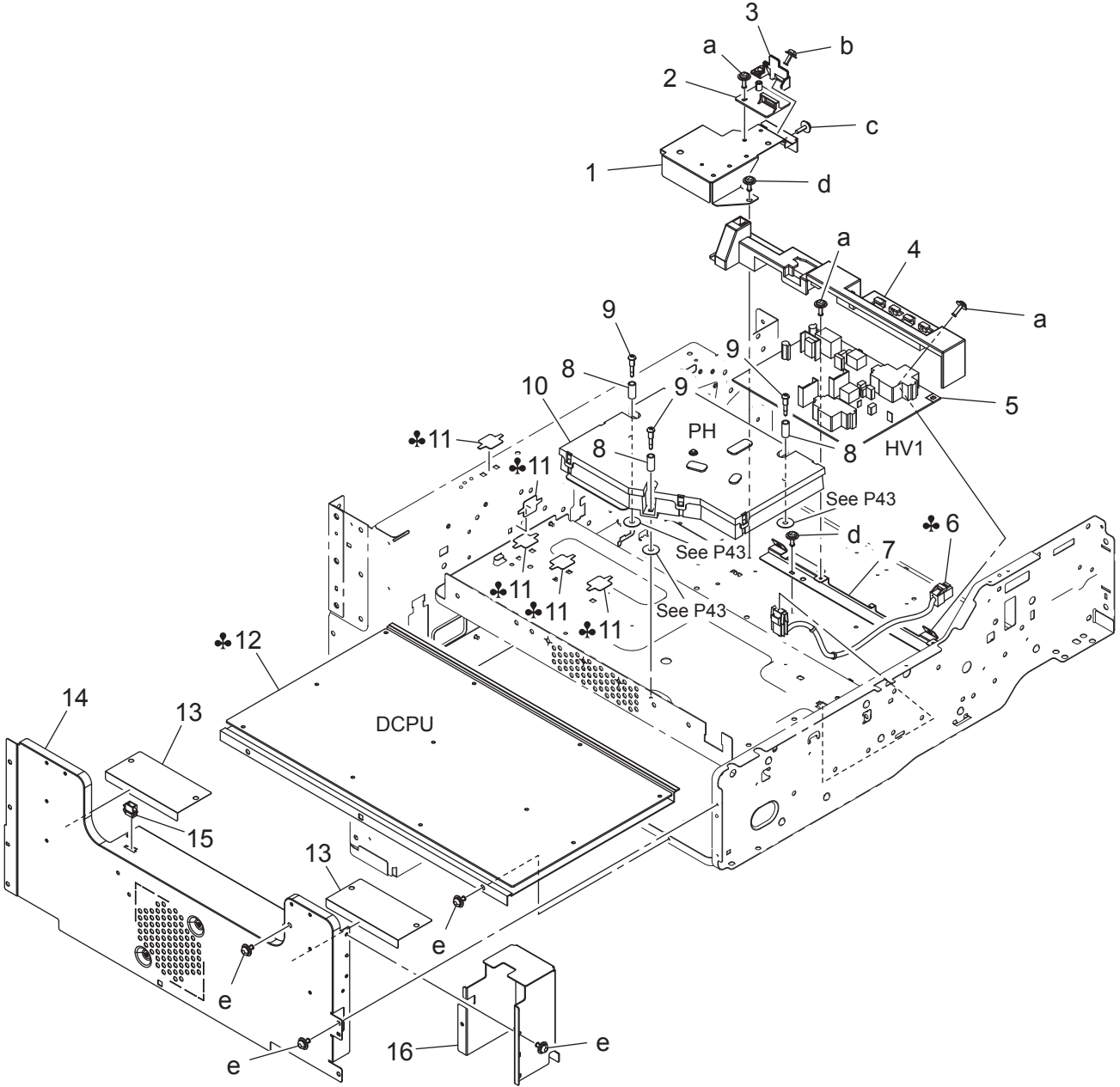


bizhub 223/bizhub 283/bizhub 363/bizhub 423/bizhub 7828

SCANNER DRIVE SECTION

Key	Part No.	Description	Destinations	Class	QTY	Standard parts
1	4556 M901 00	FERRITE CORE	フェライトコア	D	1	a-V116 0306 03 b-V137 0306 03 c-V116 0308 03 d-V218 0600 86
2	A1UD N108 00	Scanner Wiring /8	スキャナー束線/8 (スキャナ制御部 F F	D	1	
3	A1UD H001 00	PWB Assembly(PWB-IF ASSY)	基板 ASSY (PWB- I F A S S Y)	I	1	
4	A1UD N106 00	Scanner Wiring /6	スキャナー束線/6 (ランプ部)	D	1	
5	A0ED M410 00	Inverter unit	インバータユニット	I	1	
6	V502 0100 33	spacer	サーキットボードスペーサー	D	2	
7	9326 1810 21	FERRITE CORE	フェライトコア	D	1	
8	A1UD N101 00	Scanner Wiring /1	スキャナー束線/1 (スキャンモータ部)	D	1	
9	A02E M10A 00	Stepping motor	ステッピングモータ	C	1	
10	A0ED 2756 00	Belt 210L	ベルト (タイミングベルト) 210 L	D	1	
11	4037 0903 01	PHOTO INTERRUPTER	フォトインタラプター	B	1	
12	A1UD 2628 00	Mounting Plate	取付板 (20 deg)	D	1	
13	A0ED 2753 02	Pulley	プーリ (駆動)	D	2	
14	A00J 2802 00	Lever	レバー	C	1	
15	4036 1720 01	PRESSURE SPRING	圧縮コイルばね	C	1	
16	A0ED 2754 00	Shaft	軸 (駆動)	D	1	
17	A0ED 2765 00	Bearing	軸受 (駆動)	D	2	
18	4581 1625 01	SEAL	シール	C	9	
19	A1UD 2622 00	Mounting Plate	取付板 (ハーネス/2)	D	1	
20	A1UD 2654 00	Mounting Plate	取付板 (ハーネス)	D	1	
21	A0ED 2816 00	Guide	ガイド (CCD ハーネス)	D	1	
22	A1UD 2616 00	Mounting Plate	取付板 (下)	D	1	
23	A00J 2763 00	Guide Part	ガイド部材	C	2	
24	A0ED 2633 00	Seal	シール (ヒータ・後)	C	1	
25	9335 1400 61	SOLID STATE SWITCH	透過型フォトスイッチ	B	1	
26	A0ED 2622 00	Cover	カバー (HS)	D	1	
27	A1UD N102 00	Scanner Wiring /2	スキャナー束線/2 (Home センサ部)	D	1	
28	A0ED 2757 00	Pulling Spring	引張りばね (モーター)	D	1	
29	A1UD 2760 00	Mounting Plate	取付板 (モータ)	D	1	
30	A1UD 2630 00	Seal	シール (防塵)	D	2	
31	A0ED 2755 01	Pulley 117T	プーリ (ベルト) 117 T	D	1	

PRINT HEAD/ POWER SUPPLY SECTION



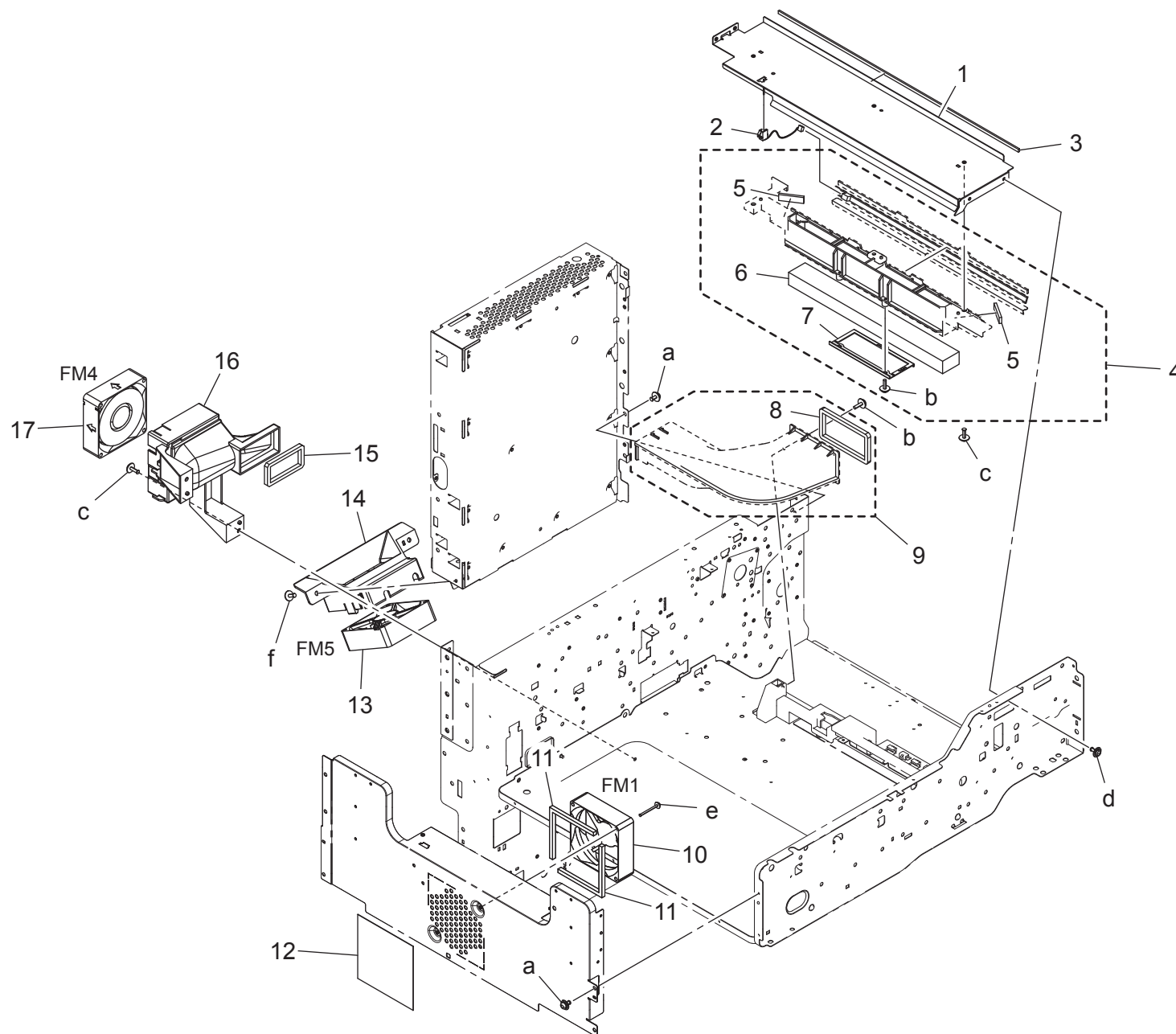
bizhub 223/bizhub 283/bizhub 363/bizhub 423/bizhub 7828

PRINT HEAD/ POWER SUPPLY SECTION

Key	Part No.	Description	Destinations	Class	QTY	Standard parts
1	A1UD 1040 01	Mounting Plate		D	1	a-V137 0308 03 b-V116 0308 03 c-V153 0308 03 d-V144 0308 03 e-V116 0306 03
2	A1UD 1041 01	Holder		D	1	
3	A1UD 1042 01	Cover		D	1	
4	A1UD 1310 00	Cover		D	1	
5	A1UD M403 01	High voltage unit		I	1	
6	A1UD N116 00	Heater Relay harness /1	A,A1	D	1	
7	4030 2040 01	BRACKET		D	1	
8	4128 1978 01	PRESSURE SPRING		C	3	
9	4128 1979 01	SHOULDER SCREW		C	3	
10	A1UF R703 00	PRINT HEAD ASSY	PH A s s y {bizhub 223/283/782 8}	I	1	
10	A1UD R713 00	PRINT HEAD ASSY	PH A s s y {bizhub 363/423}	I	1	
11	A1UD 1045 00	Seal	シール (ハーネス固定) A,A1,B,F1,G2	D	5	
12	A1UD M400 02	Power supply	低圧電源 (100V系) A,A1	I	1	
12	A1UD M401 02	Power supply	低圧電源 (120V系) B,F1,G2	I	1	
12	A1UD M402 02	Power supply	低圧電源 (200V系) C,D1,D3,F2,G1,I,J,K	I	1	
13	A1UD 1026 00	Seal	シール	D	2	
14	A1UD 1006 01	Reinforce Plate	補強板 (本体・左)	D	1	
15	V651 0100 02	connector	W t o W コネクタ	D	1	
16	A1UD 1206 01	Reinforce Plate	補強板 (左前)	D	1	

bizhub 223/bizhub 283/bizhub 363/bizhub 423/bizhub 7828

OZONE DUCT/ FAN MOTOR SECTION

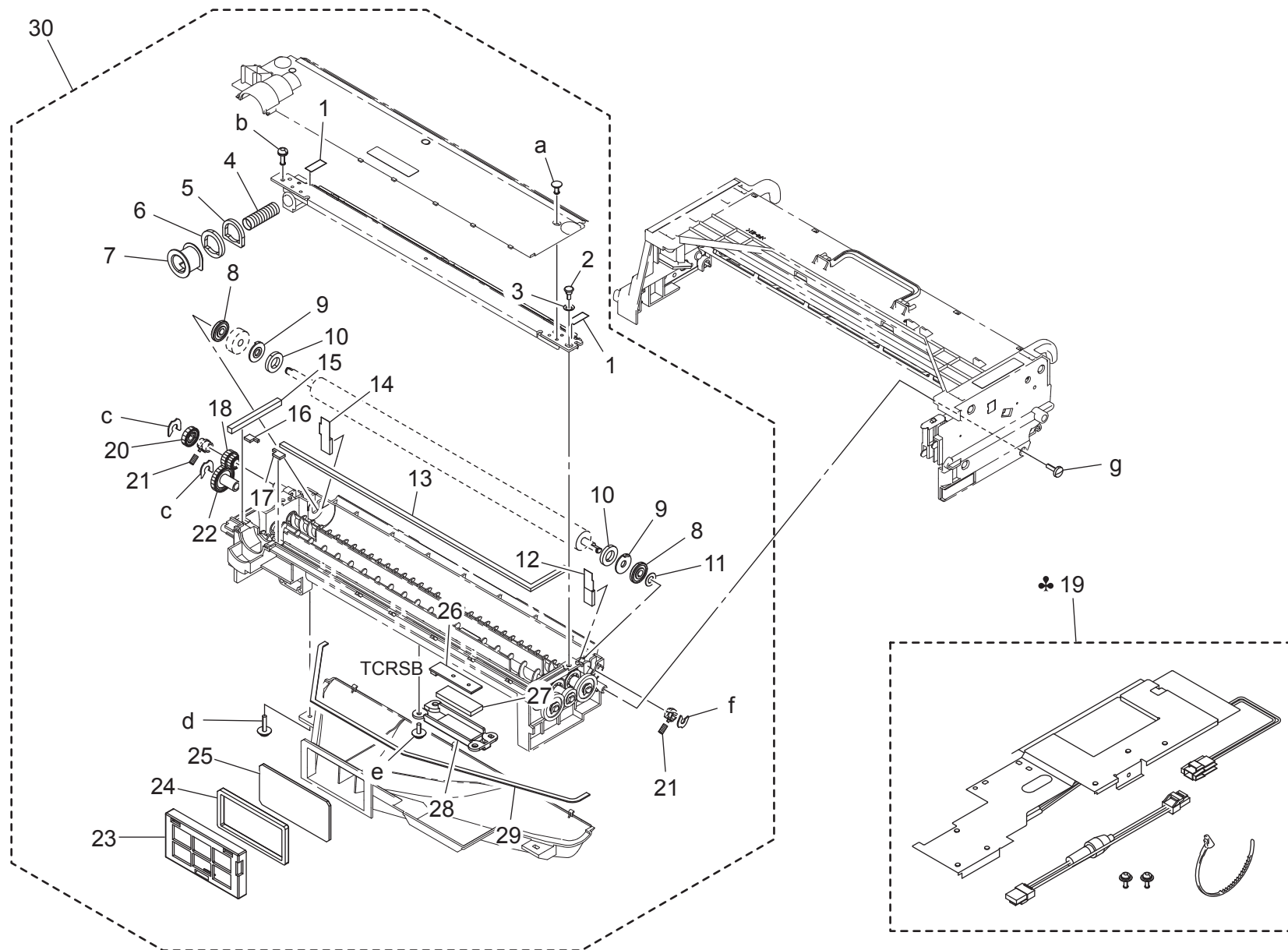


bizhub 223/bizhub 283/bizhub 363/bizhub 423/bizhub 7828

OZONE DUCT/ FAN MOTOR SECTION

Key	Part No.	Description	Destinations	Class	QTY	Standard parts
1	A1UD 1357 01	Top plate		D	1	a-V116 0306 03 b-V153 0308 03 c-V137 0308 03 d-V137 0306 03 e-V116 0330 03 f-V116 0308 03
2	A1UD N12A 00	Neutralizing Wiring		D	1	
3	A1UD 1361 00	Seal		C	1	
4	A1UD R718 00	Ozone Duct Assy		C	1	
5	A1UD 1364 00	Seal		C	2	
6	A1UD 1351 00	Filter		A	1	
7	A1UD 1353 01	Holding Plate		C	1	
8	4040 2094 01	SEAL		C	1	
9	4040 0163 01	DUCT		D	1	
10	A1UD M105 00	Fan motor		C	1	
11	A1UD 1307 00	Seal		D	2	
12	A02E 1484 00	Filter		C	1	
13	A0ED M105 00	Fan motor		C	1	
14	A1UD 1313 00	Duct		D	1	
15	4040 2095 01	SEAL		C	1	
16	A1UD 1309 00	Duct		D	1	
17	9J03 M100 00	FAN MOTOR		B	1	

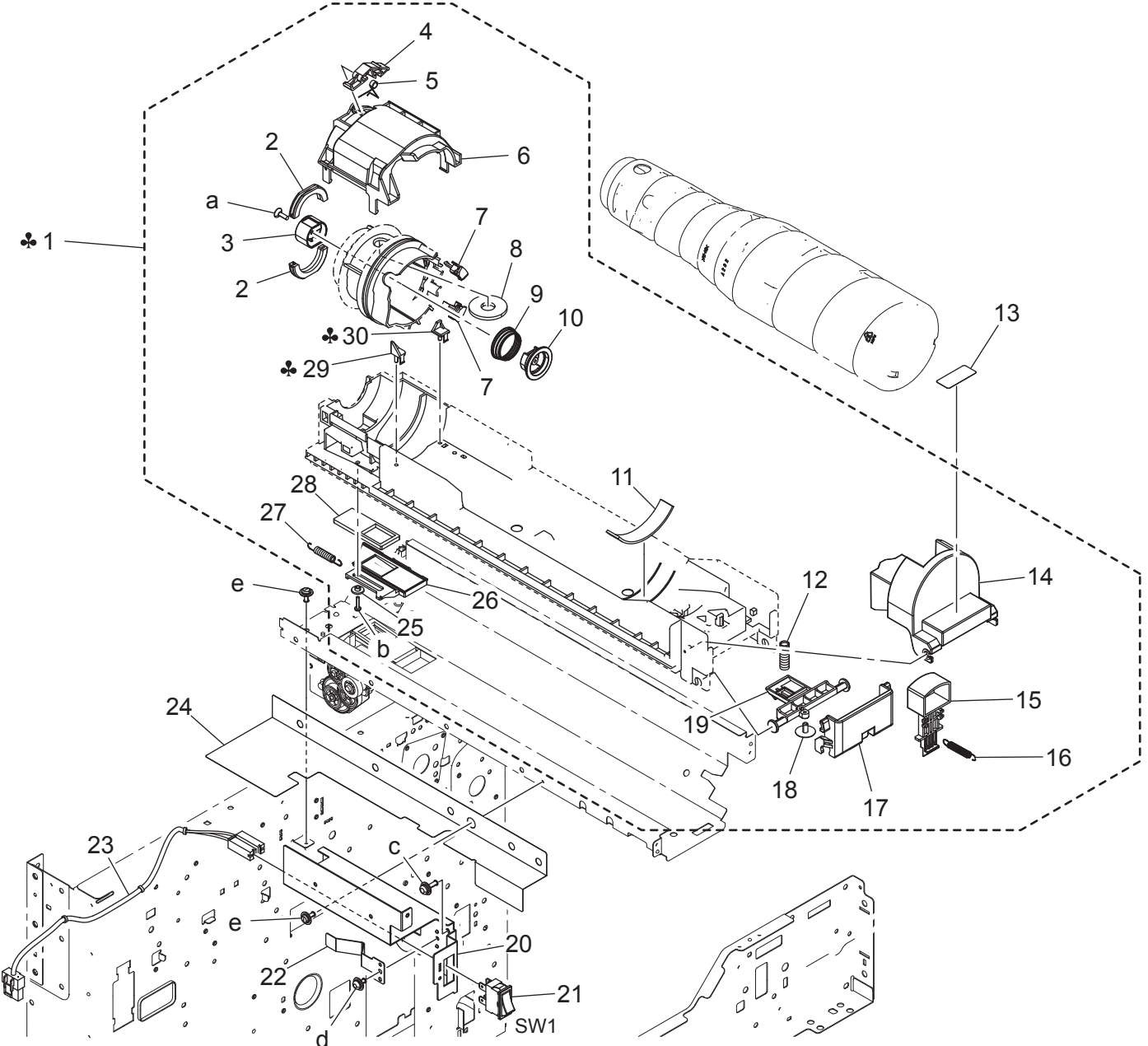
bizhub 223/bizhub 283/bizhub 363/bizhub 423/bizhub 7828



bizhub 223/bizhub 283/bizhub 363/bizhub 423/bizhub 7828

Key	Part No.	Description	Destinations	Class	QTY	Standard parts
1	4040 5260 01	SEAL		C	2	a-V112 0306 21 b-V115 0308 03 c-V218 0400 86 d-V153 0310 03 e-V153 0308 03 f-V218 0300 86 g-V149 0308 03
2	1139 5249 01	SHOULDER SCREW		C	1	
3	1139 5250 01	PLATE SPRING		C	1	
4	4163 5210 02	PRESSURE SPRING		C	1	
5	4163 5238 01	SEAL		C	1	
6	4163 5208 01	SEAL		C	1	
7	4163 5205 01	SHUTTER		D	1	
8	4163 5298 01	ROLL		C	2	
9	4163 5226 01	HOLDER		D	2	
10	4021 5225 01	SEAL		C	2	
11	4661 3155 01	WASHER		D	1	
12	4163 5221 01	SEAL		C	1	
13	4163 5207 01	SEAL		C	1	
14	4163 5237 01	SEAL		C	1	
15	4163 5209 01	SEAL		C	1	
16	4163 5240 01	SEAL		C	1	
17	4163 5239 01	SEAL		C	1	
18	A1UD 3710 00	Gear		C	1	
19	A1UD R900 00	Panel heater Kit	A,A1	S	1	
20	A1UD 3709 00	Gear		C	1	
21	4163 5231 02	PRESSURE SPRING		C	2	
22	4163 5224 01	GEAR 20T		C	1	
23	4040 5222 01	COVER		C	1	
24	4040 5223 01	SEAL		C	1	
25	A1UD 3707 00	Filter		A	1	
26	A0TK H002 00	PWB Assembly(PWB-TCR ASSY)		I	1	
27	A1UD 3706 01	Seal		C	1	
28	A1UD 3705 00	Holder		D	1	
29	4040 5211 01	SEAL		C	1	
30	A1UD R711 00	Developing UNIT		B	1	

HOPPER SECTION



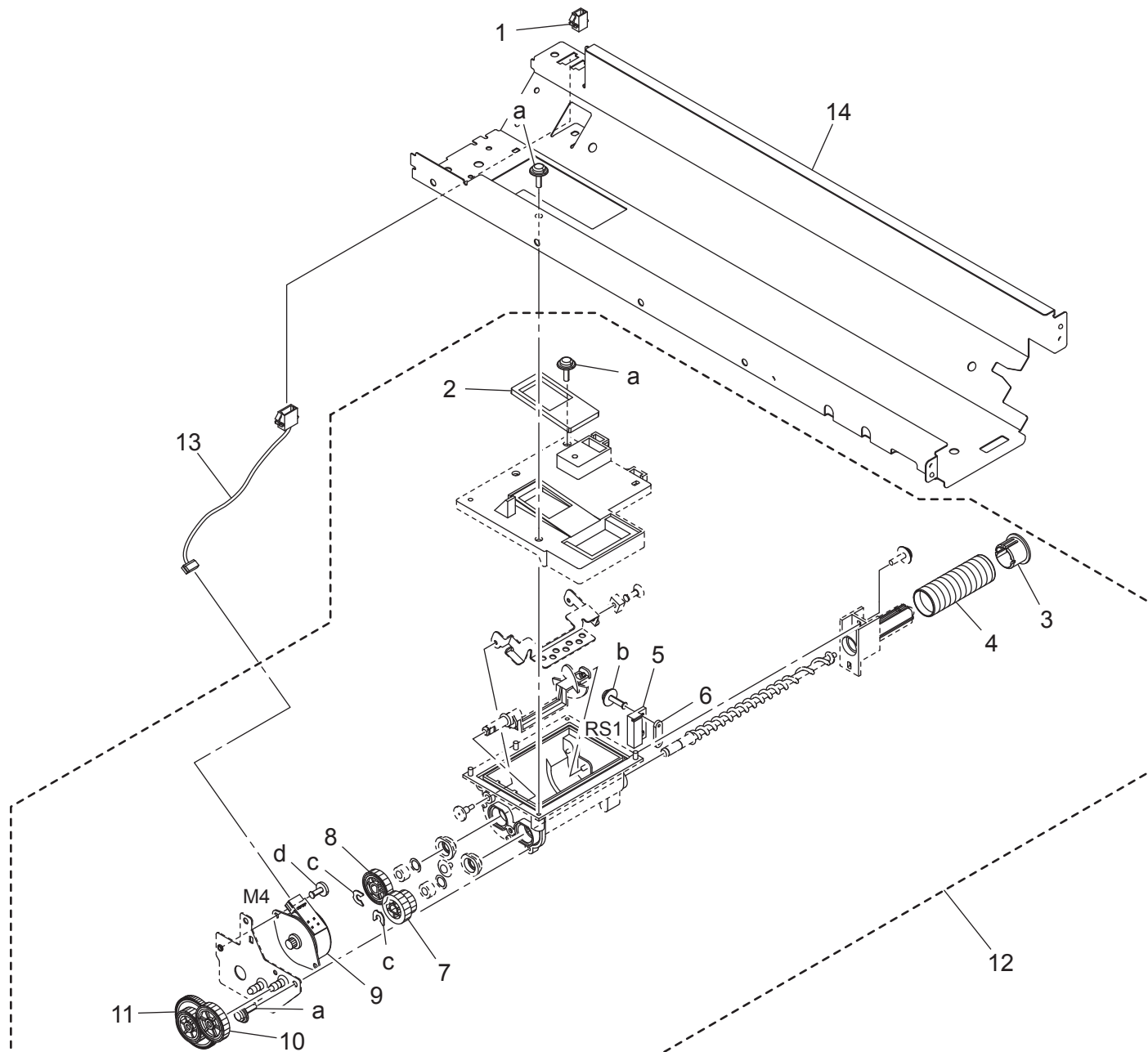
bizhub 223/bizhub 283/bizhub 363/bizhub 423/bizhub 7828



Key	Part No.	Description	Destinations	Class	QTY	Standard parts
1	A1UF R700 00	Hopper Assy ホッパー A S S Y	A,A1,{bizhub 223/283}	I	1	a-V147 0308 03 b-V145 0312 03 c-V116 0412 03 d-V116 0306 03 e-V137 0306 03
1	A1UD R714 00	Hopper Assy ホッパー A S S Y	A,A1,{bizhub 363/423}	I	1	
1	A1UF R701 00	Hopper Assy ホッパー A S S Y	B,G2,{bizhub 223/283}	I	1	
1	A1UD R715 00	Hopper Assy ホッパー A S S Y	B,G2,{bizhub 363/423}	I	1	
1	A1UF R702 00	Hopper Assy ホッパー A S S Y	C,D1,D3,F1,F2,G1,I,J,K,{bizhub 223/283/7828}	I	1	
1	A1UD R716 00	Hopper Assy ホッパー A S S Y	C,D1,D3,F1,F2,G1,I,J,K,{bizhub 363/423}	I	1	
2	1151 5023 01	SUPPORT サポート		C	2	
3	A1UD 4107 00	Joint ジョイント (ボトル駆動)		C	1	
4	4030 5387 02	STOPPER ストッパ		D	1	
5	4030 5388 01	TORSION SPRING ねじりコイルばね		C	1	
6	4030 5380 01	HOLDER ホルダ		D	1	
7	1165 5325 01	PIN ピン		D	2	
8	1165 5327 03	SEAL シール		C	1	
9	A1UD 4110 00	Compressing Coil spring 圧縮コイルばね		C	1	
10	A1UD 4108 00	Collar カラー (ボトル駆動)		C	1	
11	A1UD 4109 00	Cushion クッション (トナーボトル)		C	1	
12	A1UD 4103 00	Compressing Coil spring 圧縮コイルばね		C	1	
13	A1UF 9406 00	Label ラベル (トナー表示)	{bizhub 223/283/7828}	D	1	
13	A1UD 9406 00	Label ラベル (トナー表示)	{bizhub 363/423}	D	1	
14	A1UD 4101 00	Stopper ストッパ (トナーボトル)		D	1	
15	4030 5393 01	HANDLE 取手		C	1	
16	A1UD 4104 00	Pulling Coil spring 引張りコイルばね		C	1	
17	A1UD 4106 00	Handle 取手 (ボトルトレイ)		C	1	
18	1250 2301 01	SCREW ねじ		D	1	
19	A1UD 4102 00	Claw 爪 (ボトルトレイ)		C	1	
20	A1UD 1028 01	Stopper ストッパ (ボトルトレイ)		D	1	
21	4038 M600 00	SEESAW-SWITCH 波形スイッチ		C	1	
22	4030 5396 01	PLATE SPRING 板ばね		C	1	
23	A1UD N113 00	AC Power source harness A C 電源束線		D	1	
24	A1UD 1034 01	Light blocking Sheet 遮光シート (レーザー)		D	1	
25	4030 5398 01	COLLAR カラー		D	1	
26	4030 5383 02	SHUTTER シャッター		D	1	
27	4030 5386 01	TENSION SPRING 引張りコイルばね		C	1	
28	4030 5384 01	SEAL シール		C	1	
29	4040 5322 01	STOPPER ストッパ	A,A1,B,G2,{bizhub 363/423}	C	1	
30	4011 5347 01	STOPPER ストッパ	B,G2,{bizhub 223/283}	D	1	

HOPPER SECTION

P 12



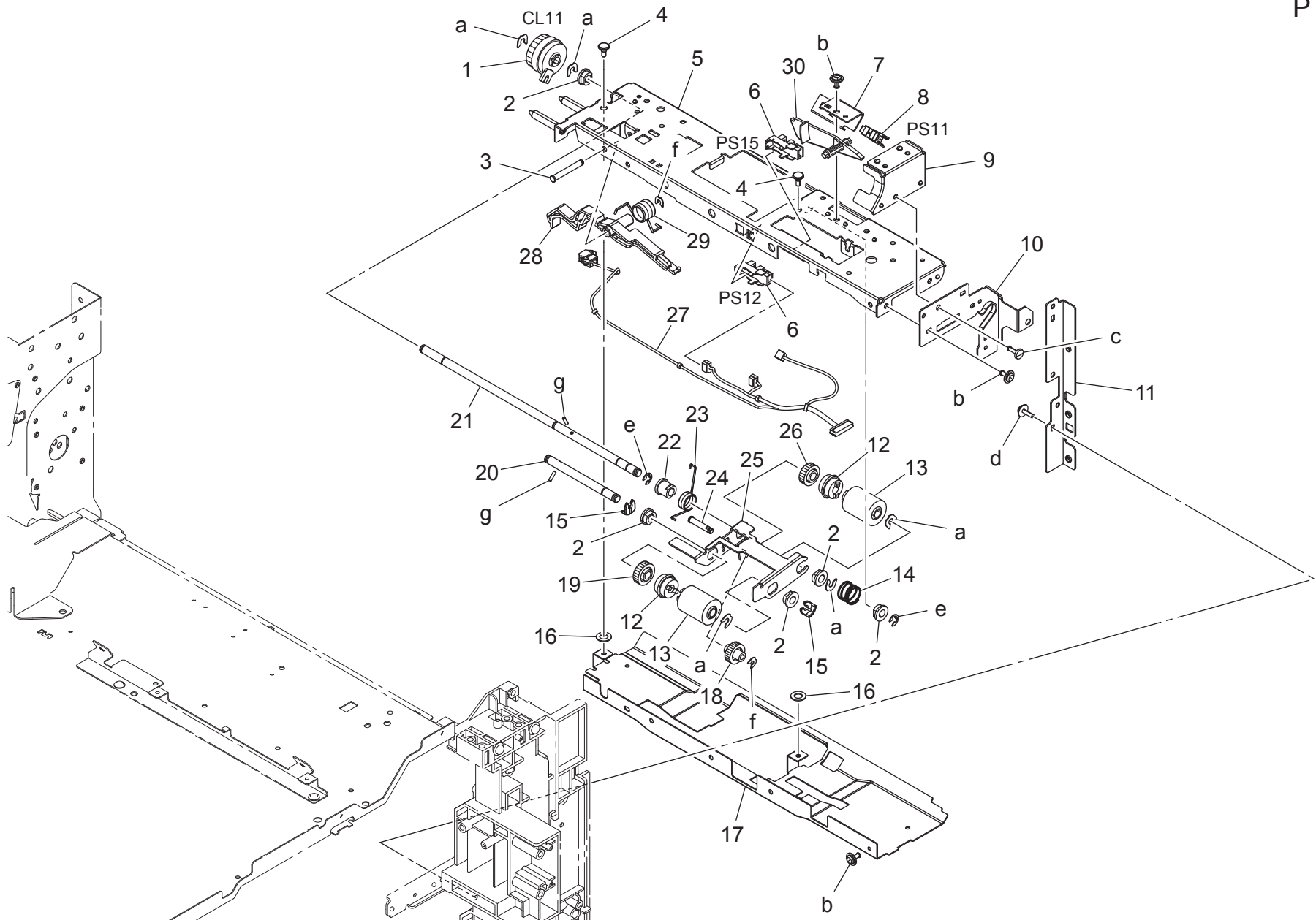
bizhub 223/bizhub 283/bizhub 363/bizhub 423/bizhub 7828

HOPPER SECTION

Key	Part No.	Description	Destinations	Class	QTY	Standard parts
1	V651 0100 01	connector	W t o W コネクタ	D	1	a-V153 0308 03 b-V116 0310 03 c-V218 0400 86 d-V136 0306 03
2	4030 5385 02	SEAL	シール	C	1	
3	1165 5308 01	SHUTTER	シャッター	D	1	
4	1165 5309 02	PRESSURE SPRING	圧縮コイルばね	C	1	
5	9334 2710 11	SWITCH	スイッチ	C	1	
6	4011 5339 01	PLATE NUT	板ナット	D	1	
7	4030 5379 01	GEAR 14/19T	ギヤ 14 / 19 T	C	1	
8	A1UD 4008 01	Toner supply Gear	トナー補給ギア (攪拌板)	C	1	
9	A02E M104 00	Stepping motor	ステッピングモータ	C	1	
10	A1UD 4009 00	Toner supply Gear	トナー補給ギア (アイドル)	C	1	
11	A1UD 4007 00	Toner supply Gear	トナー補給ギア (減速)	C	1	
12	A1UD R704 11	Sub Hopper Assy	SUB ホッパー ASSY	C	1	
13	A1UD N125 00	Supply Drive harness	補給駆動束線	D	1	
14	A1UD 1024 01	Mounting Plate	取付板 (トナーボトル)	D	1	

bizhub 223/bizhub 283/bizhub 363/bizhub 423/bizhub 7828

1ST PAPER FEED SECTION

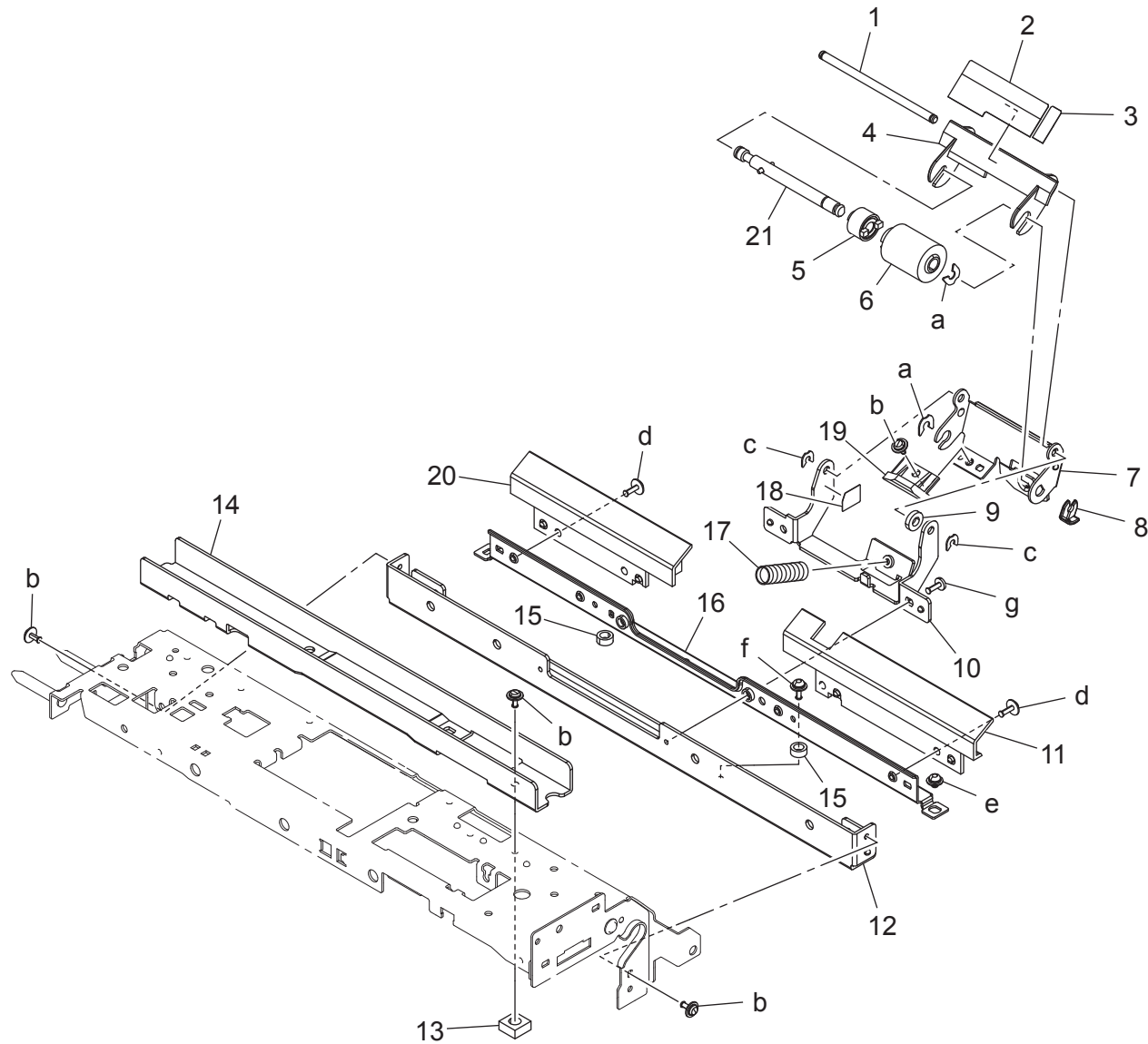


bizhub 223/bizhub 283/bizhub 363/bizhub 423/bizhub 7828

Key	Part No.	Description	Destinations	Class	QTY	Standard parts
1	A00F M200 00	Clutch		C	1	a-V218 0400 86
2	4131 3003 01	BUSHING		C	5	b-V137 0306 03
3	4040 3096 01	SHAFT		D	1	c-V136 0308 03
4	A1UD 5606 00	Shoulder screw		D	2	d-V153 0308 03
5	A1UD 5601 02	Frame		D	1	e-V217 0400 01
6	A108 M501 00	Photointerrupter		B	2	f-V218 0300 86
7	A1UD 5649 01	Mounting Plate	{bizhub 423}	D	1	g-V237 2008 50
8	A0ED M501 00	Photoreflector	{bizhub 423}	I	1	
9	A1UD 1044 00	Mounting Plate		D	1	
10	A1UD 5641 01	Frame		D	1	
11	A1UD 1018 01	Mounting Plate		D	1	
12	A02E 5611 00	Clutch		C	2	
13	A00J 5636 00	Roller		A	2	
14	A1UD 5607 00	Compressing Coil spring		C	1	
15	56AA 4049 0	SHAFT STOPPER 4		C	2	
16	A1UD 5605 00	Cushion		D	2	
17	A1UD 5602 00	Guide Plate		D	1	
18	4030 3008 01	GEAR 29T		C	1	
19	4425 3016 01	GEAR 32T		C	1	
20	A00J 5640 00	Shaft /P		D	1	
21	A1UD 5604 01	Shaft		D	1	
22	1065 3086 01	BUSHING		C	1	
23	A00J 5603 02	Torsion Spring		C	1	
24	4040 3097 01	SHAFT		D	1	
25	A00J 5601 00	Paper feed Holder		D	1	
26	4425 3013 01	GEAR 30T		C	1	
27	A1UE N127 00	Paperfeed Wiring /1	{bizhub 223/283/363 /7828}	D	1	
27	A1UD N127 00	Paperfeed Wiring /1	{bizhub 423}	D	1	
28	A1UD 5611 00	Lever		C	1	
29	A00J 5668 01	Torsion Spring		C	1	
30	4030 3016 12	ACTUATOR		C	1	

bizhub 223/bizhub 283/bizhub 363/bizhub 423/bizhub 7828

1ST PAPER FEED SECTION



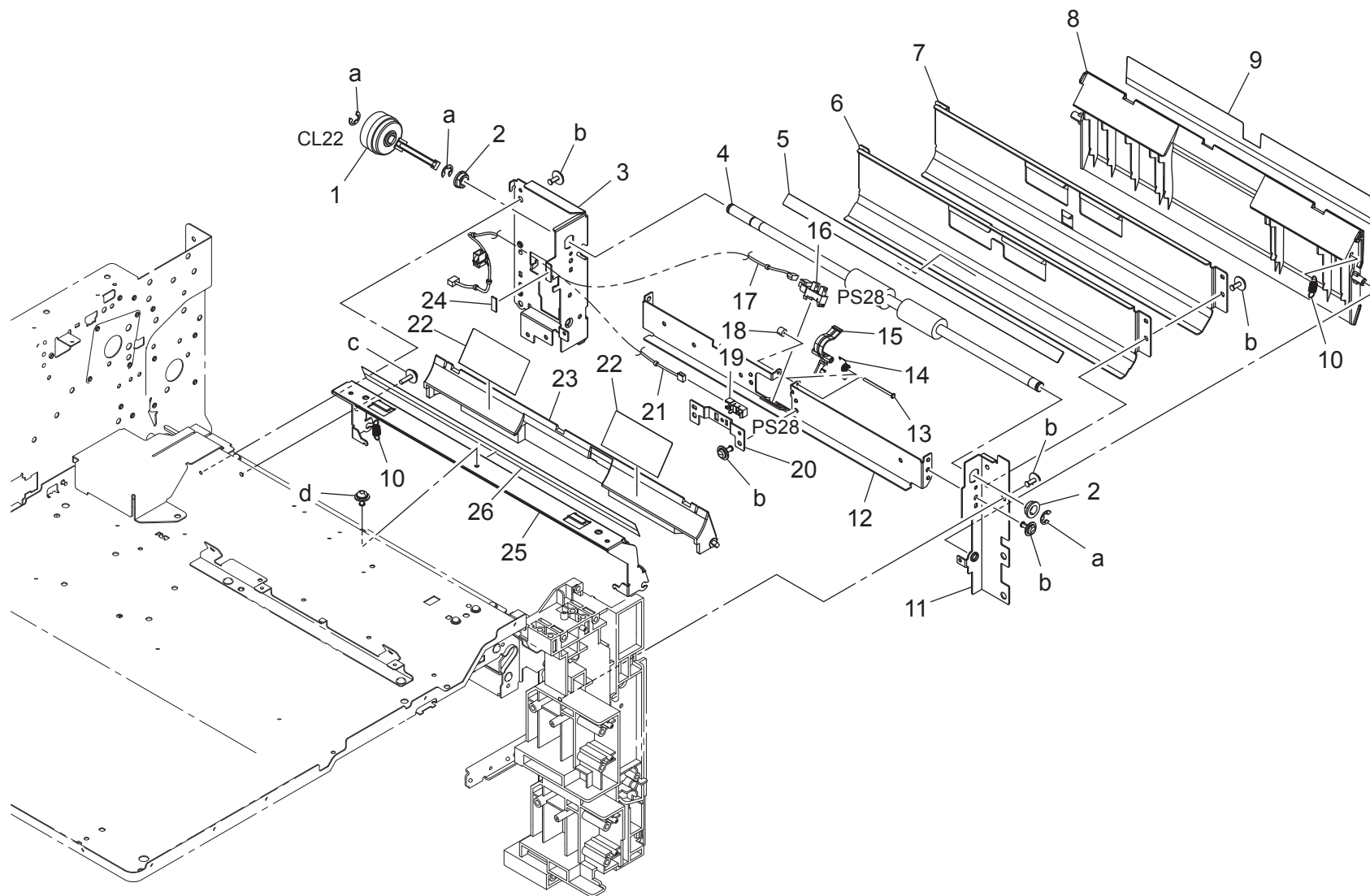
bizhub 223/bizhub 283/bizhub 363/bizhub 423/bizhub 7828

1ST PAPER FEED SECTION

Key	Part No.	Description	Destinations	Class	QTY	Standard parts
1	4030 3039 01	SHAFT		D	1	a-V218 0400 86 b-V137 0306 03 c-V218 0300 86 d-V137 0308 03 e-V116 0304 03 f-V116 0308 03 g-V136 0308 03
2	4030 3079 01	GUIDE		C	1	
3	4030 3080 01	GUIDE		C	1	
4	4030 3077 01	GUIDE		D	1	
5	A0ED 5639 00	Torque limiter		C	1	
6	A00J 5636 00	Roller		A	1	
7	A00J 5647 00	Holder /S		D	1	
8	56AA 4049 0	SHAFT STOPPER 4		C	1	
9	A1UD 5631 00	Cushion		C	1	
10	A00J 5646 00	Mounting Plate /S		D	1	
11	A1UD 5626 00	Guide		D	1	
12	4030 3025 05	Bracket		D	1	
13	57GA 6156 0	SCREW PROTECTION CUSHION/1	{bizhub 423}	C	1	
14	A1UD 5646 00	Reinforce Plate		D	1	
15	26NA 2030 0	SEPARATE ROCKING COLLAR		C	2	
16	4030 3037 01	REINFORCE PLATE		D	1	
17	4030 3017 03	PRESSURE SPRING		C	1	
18	A1UD 5632 00	Spacer		C	1	
19	4030 3078 01	LEVER		C	1	
20	4030 3027 02	GUIDE		D	1	
21	A0P0 5616 00	Torque limiter /S		D	1	

bizhub 223/bizhub 283/bizhub 363/bizhub 423/bizhub 7828

2ND PAPER FEED SECTION

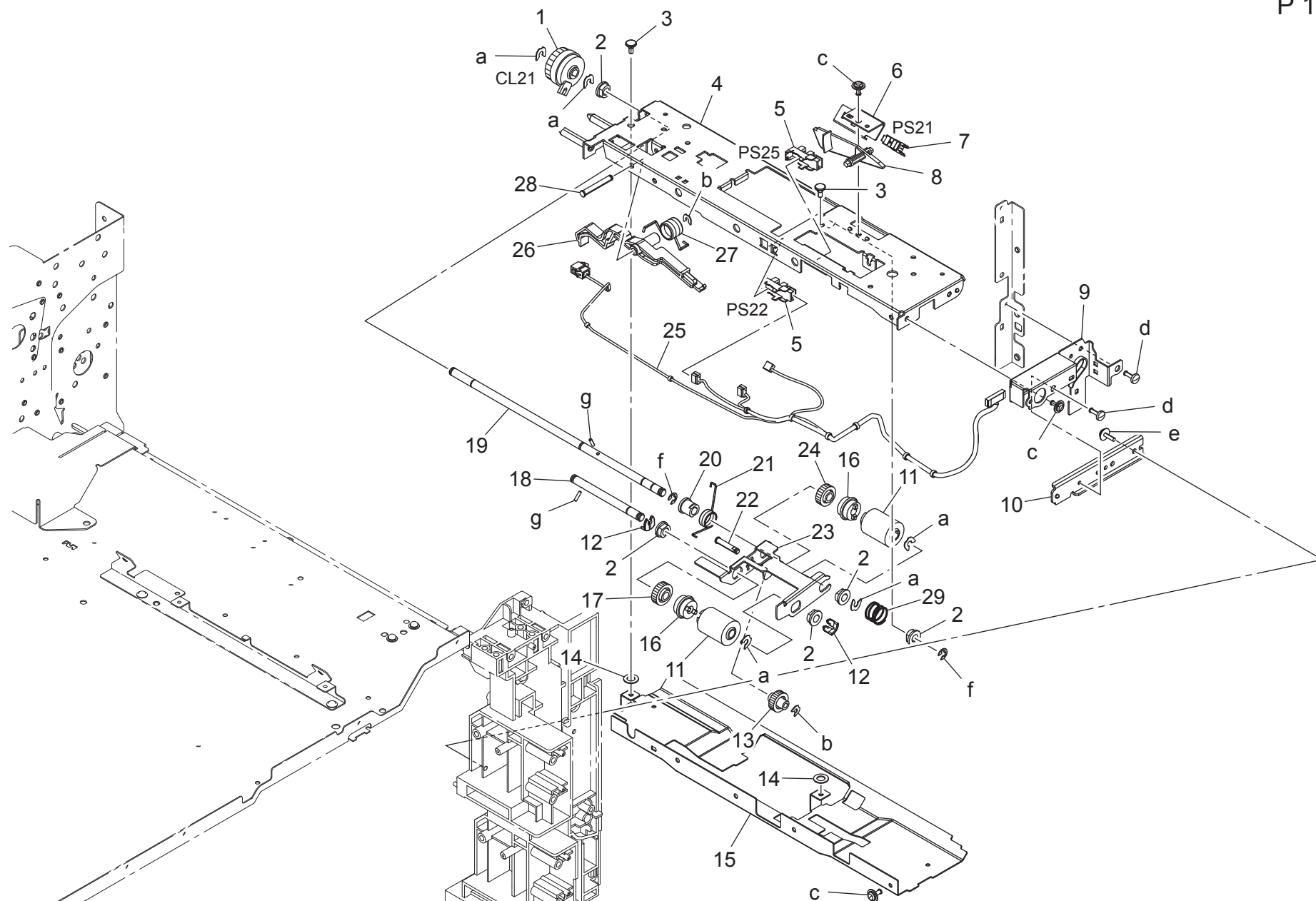


bizhub 223/bizhub 283/bizhub 363/bizhub 423/bizhub 7828

Key	Part No.	Description	Destinations	Class	QTY	Standard parts
1	A1UD M201 00	Clutch		C	1	a-V217 0600 01 b-V137 0306 03 c-V153 0308 03 d-V116 0306 03
2	4131 3532 02	BUSHING		C	2	
3	A1UD 5644 01	Frame		D	1	
4	A1UD 5621 00	Roller		C	1	
5	A1UD 5614 00	Weight		D	1	
6	4030 3112 02	GUIDE PLATE	{bizhub 223/283/363 /7828}	D	1	
7	A1UD 5612 00	Guide Plate	{bizhub 423}	D	1	
8	A1UD 5724 00	Guide		C	1	
9	A1UD 5705 00	Guide		C	1	
10	4030 3125 01	TENSION SPRING		C	2	
11	A1UD 5643 00	Frame		D	1	
12	A1UD 5618 01	Mounting Plate		D	1	
13	1200 5212 04	PIN	{bizhub 223/283/363 /7828}	D	1	
14	4030 3031 01	TORSION SPRING	{bizhub 223/283/363 /7828}	C	1	
15	A1UD 5616 00	Conveyance Actuator	{bizhub 223/283/363 /7828}	D	1	
16	A108 M501 00	Photointerrupter	{bizhub 223/283/363 /7828}	B	1	
17	A1UE N124 00	Conveyance Drive harness /2	{bizhub 223/283/363 /7828}	D	1	
18	1134 3041 01	COLLAR	{bizhub 223/283/363 /7828}	D	1	
19	A0ED M501 00	Photorelector	{bizhub 423}	I	1	
20	A1UD 5619 00	Mounting Plate	{bizhub 423}	D	1	
21	A1UD N124 00	Conveyance Drive harness /2	{bizhub 423}	D	1	
22	4030 3108 01	GUIDE		C	2	
23	4030 3032 03	GUIDE		C	1	
24	A1UD 5615 00	Cushion		D	1	
25	A1UD 5703 00	Mounting Plate		D	1	
26	A1UD 5704 00	Guide		C	1	

bizhub 223/bizhub 283/bizhub 363/bizhub 423/bizhub 7828

2ND PAPER FEED SECTION

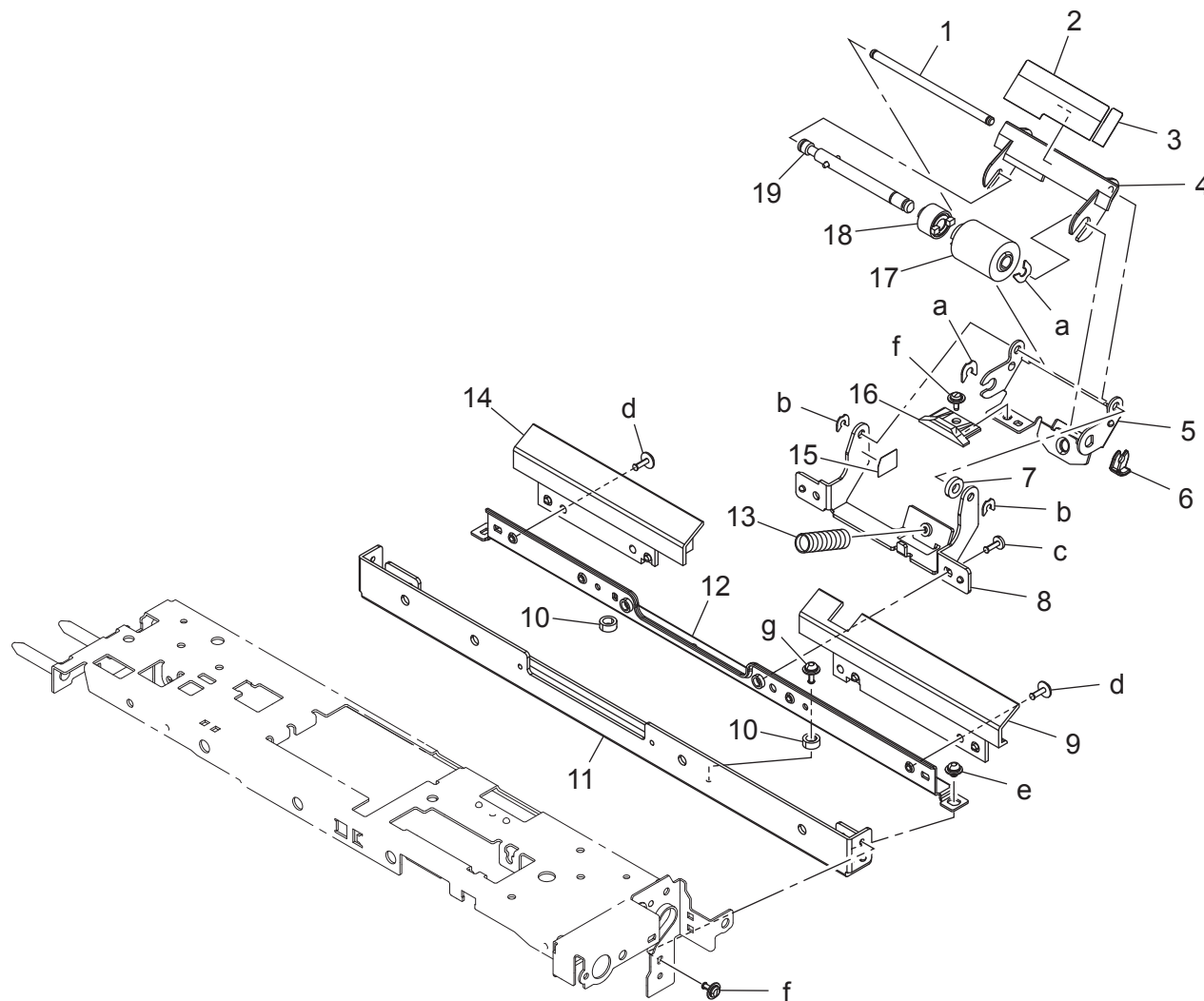


bizhub 223/bizhub 283/bizhub 363/bizhub 423/bizhub 7828

Key	Part No.	Description	Destinations	Class	QTY	Standard parts
1	A00F M200 00	Clutch		C	1	a-V218 0400 86
2	4131 3003 01	BUSHING		C	5	b-V218 0300 86
3	A1UD 5606 00	Shoulder screw		D	2	c-V137 0306 03
4	A1UD 5651 01	Frame		D	1	d-V136 0308 03
5	A108 M501 00	Photointerrupter		B	2	e-V153 0308 03
6	A1UD 5649 01	Mounting Plate	{bizhub 423}	D	1	f-V217 0400 01
7	A0ED M501 00	Photoreflector	{bizhub 423}	I	1	g-V237 2008 50
8	4030 3016 12	ACTUATOR		C	1	
9	A1UD 5642 00	Frame		D	1	
10	A1UD 1033 00	Mounting Plate		D	1	
11	A00J 5636 00	Roller		A	2	
12	56AA 4049 0	SHAFT STOPPER 4		C	2	
13	4030 3008 01	GEAR 29T		C	1	
14	A1UD 5605 00	Cushion		D	2	
15	A1UD 5602 00	Guide Plate		D	1	
16	A02E 5611 00	Clutch		C	2	
17	4425 3016 01	GEAR 32T		C	1	
18	A00J 5640 00	Shaft /P		D	1	
19	A1UD 5604 01	Shaft		D	1	
20	1065 3086 01	BUSHING		C	1	
21	A00J 5603 02	Torsion Spring		C	1	
22	4040 3097 01	SHAFT		D	1	
23	A00J 5601 00	Paper feed Holder		D	1	
24	4425 3013 01	GEAR 30T		C	1	
25	A1UE N128 00	Paperfeed Wiring /2	{bizhub 223/283/363 /7828}	D	1	
25	A1UD N128 00	Paperfeed Wiring /2	{bizhub 423}	D	1	
26	A1UD 5611 00	Lever		C	1	
27	A00J 5668 01	Torsion Spring		C	1	
28	4040 3096 01	SHAFT		D	1	
29	A1UD 5607 00	Compressing Coil spring		C	1	

bizhub 223/bizhub 283/bizhub 363/bizhub 423/bizhub 7828

2ND PAPER FEED SECTION

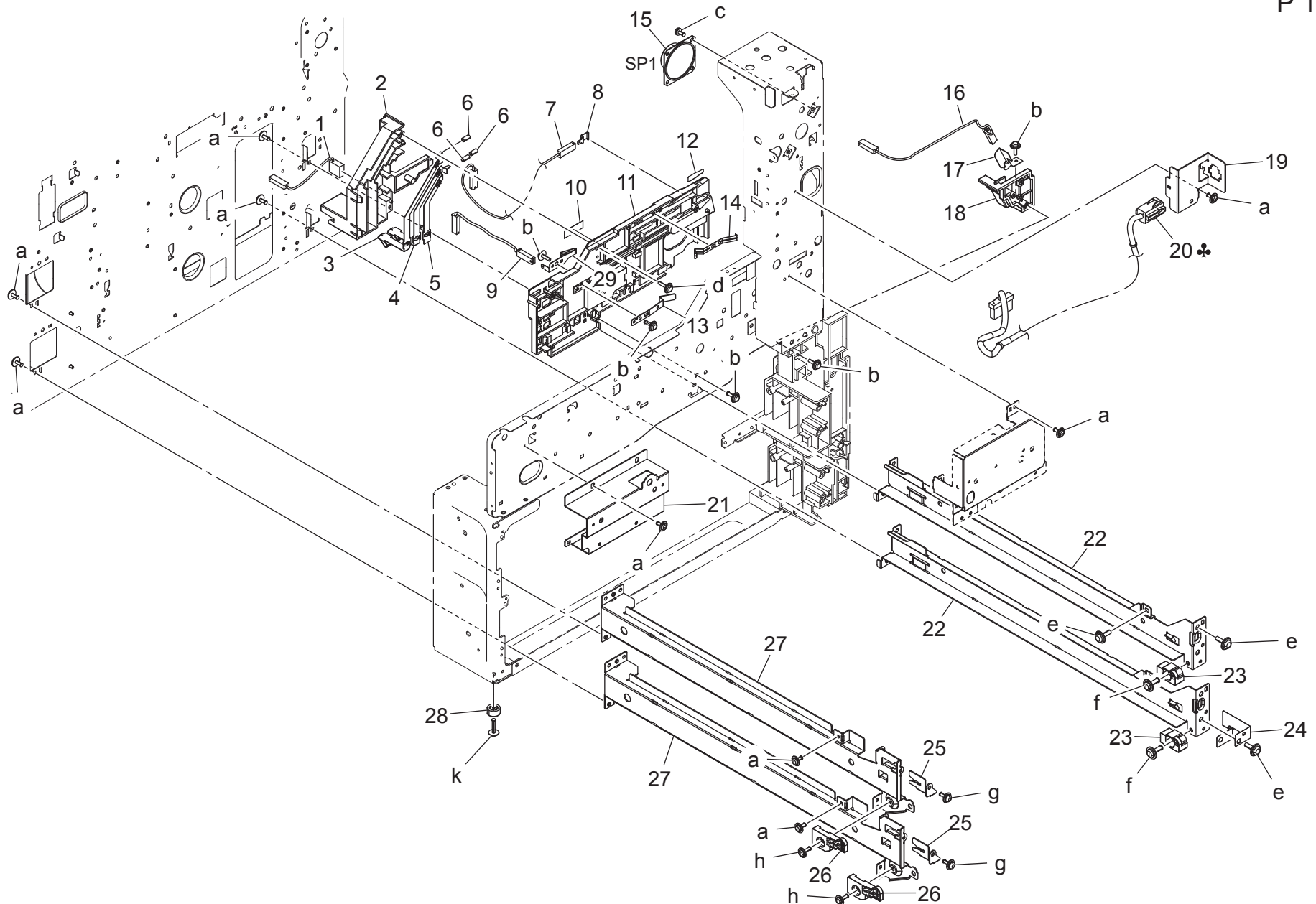


bizhub 223/bizhub 283/bizhub 363/bizhub 423/bizhub 7828

Key	Part No.	Description	Destinations	Class	QTY	Standard parts
1	4030 3039 01	SHAFT		D	1	a-V218 0400 86
2	4030 3079 01	GUIDE		C	1	b-V218 0300 86
3	4030 3080 01	GUIDE		C	1	c-V136 0308 03
4	4030 3077 01	GUIDE		D	1	d-V137 0308 03
5	A00J 5647 00	Holder /S		D	1	e-V116 0304 03
6	56AA 4049 0	SHAFT STOPPER 4		C	1	f-V137 0306 03
7	A1UD 5631 00	Cushion		C	1	g-V116 0308 03
8	A00J 5646 00	Mounting Plate /S		D	1	
9	A1UD 5626 00	Guide		D	1	
10	26NA 2030 0	SEPARATE ROCKING COLLAR		C	2	
11	4030 3025 05	Bracket		D	1	
12	4030 3037 01	REINFORCE PLATE		D	1	
13	4030 3017 03	PRESSURE SPRING		C	1	
14	4030 3027 02	GUIDE		D	1	
15	A1UD 5632 00	Spacer		C	1	
16	4030 3078 01	LEVER		C	1	
17	A00J 5636 00	Roller		A	1	
18	A0ED 5639 00	Torque limiter		C	1	
19	A0P0 5616 00	Torque limiter /S		D	1	

bizhub 223/bizhub 283/bizhub 363/bizhub 423/bizhub 7828

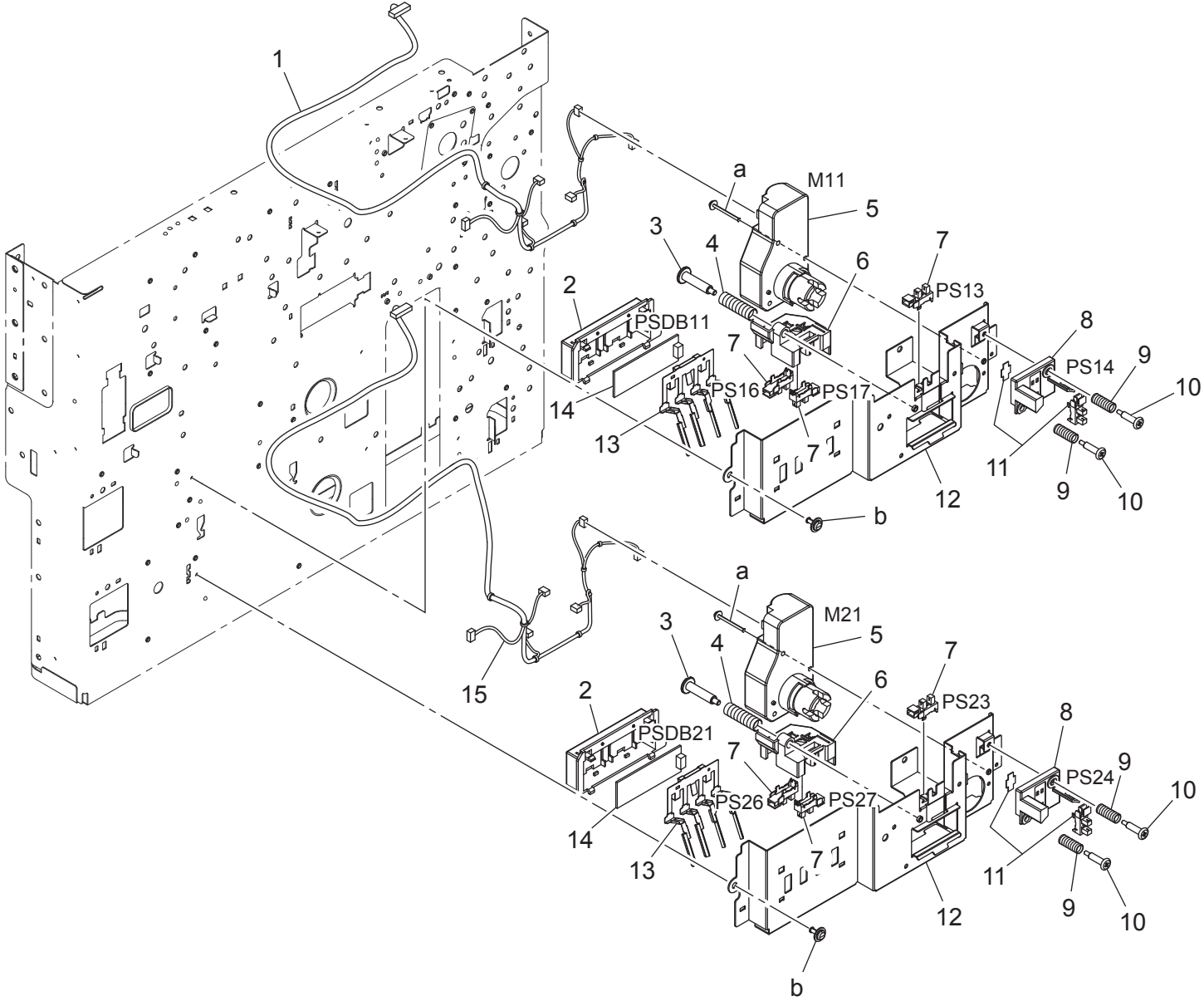
IU/ CASSETTE RAIL SECTION



bizhub 223/bizhub 283/bizhub 363/bizhub 423/bizhub 7828

Key	Part No.	Description	Destinations	Class	QTY	Standard parts
1	A1UD N12H 00	Chaging Wiring		D	1	a-V137 0306 03
2	4030 2102 01	HOLDER		D	1	b-V153 0308 03
3	4030 2115 01	CONTACT		C	1	c-V115 0306 03
4	4030 2113 01	CONTACT		C	1	d-V153 0310 03
5	4030 2112 01	CONTACT		C	1	e-V153 0410 03
6	4011 2134 01	PRESSURE SPRING		C	3	f-V137 0410 03
7	A1UD N12J 00	Separating Wiring		D	1	g-V116 0308 03
8	1165 2153 01	CONTACT		C	1	h-V137 0308 03
9	A1UD N12G 00	Developing Wiring		D	1	k-V137 0312 03
10	1129 7303 01	LABEL HI-VOL CAUTION		D	1	
11	4030 2019 03	Guide		D	1	
12	4011 2047 01	SEAL		C	1	
13	1164 2021 02	PLATE SPRING		C	1	
14	1165 2142 01	EARTH GROUND		D	1	
15	4040 M401 00	LOUDSPEAKER		D	1	
16	A1UD N12F 00	Transfer Wiring		D	1	
17	1164 2155 01	CONTACT		C	1	
18	A1UD 1053 02	Holder		D	1	
19	A1UD 1314 00	Mounting Plate		D	1	
20	A1UD N114 00	Fixing Relay harness /100V		D	1	
20	A1UD N115 00	Fixing Relay harness	A,A1	D	1	B,C,D1,D3,F1,F2,G1, G2,I,J,K
21	A1UD 1321 00	Mounting Plate		D	1	
22	A1UD 1007 01	Rail		D	2	
23	A1UD 1025 00	Guide		D	2	
24	A1UD 1050 01	Ground Plate		D	1	
25	A1UD 1016 00	Stopper		D	2	
26	A1UD 1060 01	Guide		D	2	
27	A1UD 1008 02	Rail		D	2	
28	4030 2081 01	SPACER		D	1	
29	4030 2114 01	CONTACT		C	1	

CASSETTE SIZE SECTION



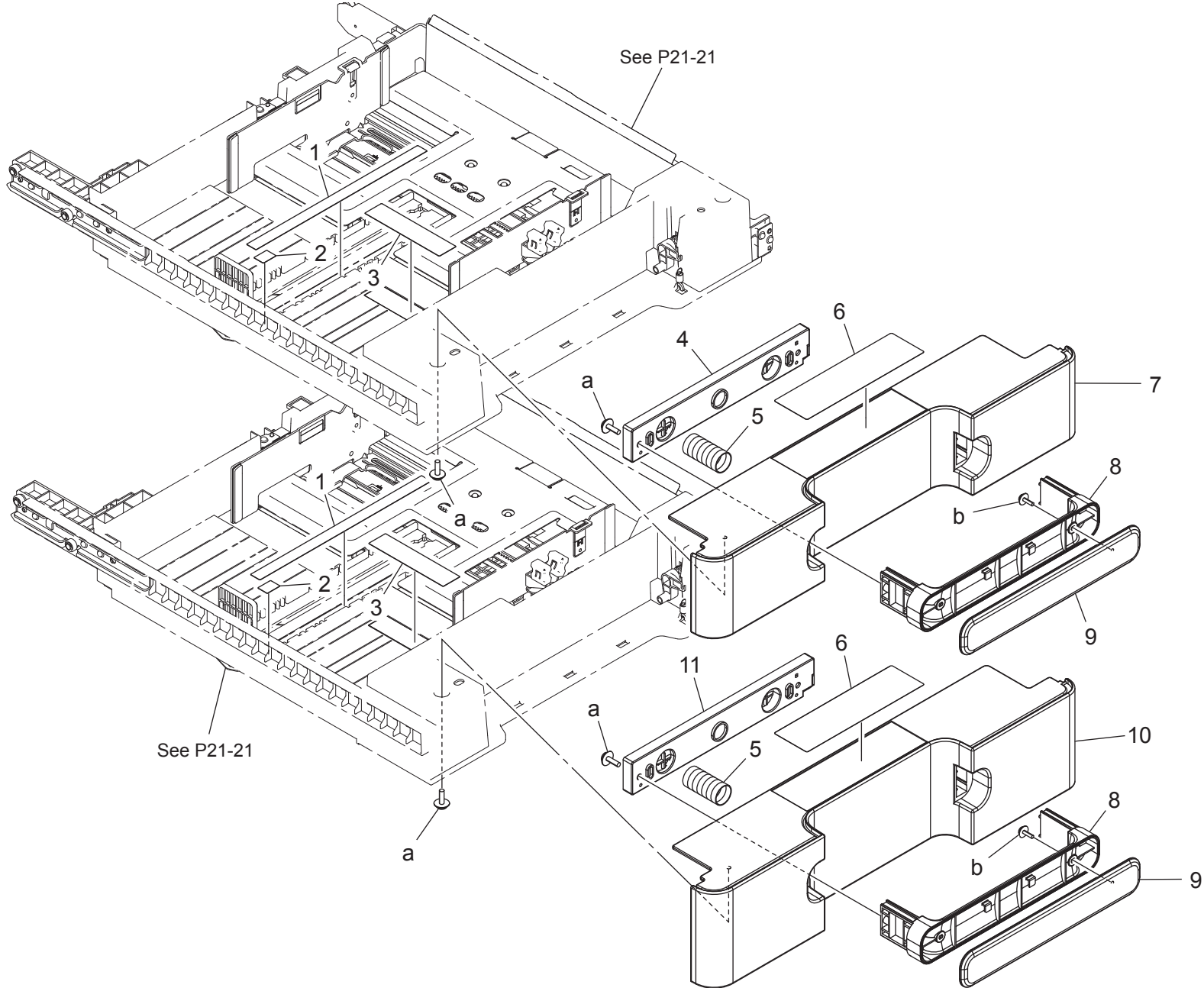
bizhub 223/bizhub 283/bizhub 363/bizhub 423/bizhub 7828

CASSETTE SIZE SECTION

Key	Part No.	Description	Destinations	Class	QTY	Standard parts
1	A1UD N12K 01	Paperfeed Detection harness /1		D	1	a-V116 0330 03 b-V137 0306 03
2	4011 3012 01	HOLDER		D	2	
3	4002 3131 01	SHOULDER SCREW		C	2	
4	4002 3110 01	PRESSURE SPRING		C	2	
5	9J06 M103 00	MOTOR		B	2	
6	A0ED 6275 00	Holder		C	2	
7	A108 M501 00	Photointerrupter		B	6	
8	4030 3083 01	HOLDER		D	2	
9	4030 3081 01	PRESSURE SPRING		C	4	
10	4030 3224 02	SHOULDER SCREW		C	4	
11	A108 R900 00	PHOTO INTERRUPTER		I	2	
12	A1UD 6346 00	Mounting Plate		D	2	
13	4030 3091 01	LEVER		C	2	
14	4037 0104 01	PWB ASSY		C	2	
15	A1UD N12M 01	Paperfeed Detection harness /2		D	1	

bizhub 223/bizhub 283/bizhub 363/bizhub 423/bizhub 7828

CASSETTE SECTION



bizhub 223/bizhub 283/bizhub 363/bizhub 423/bizhub 7828

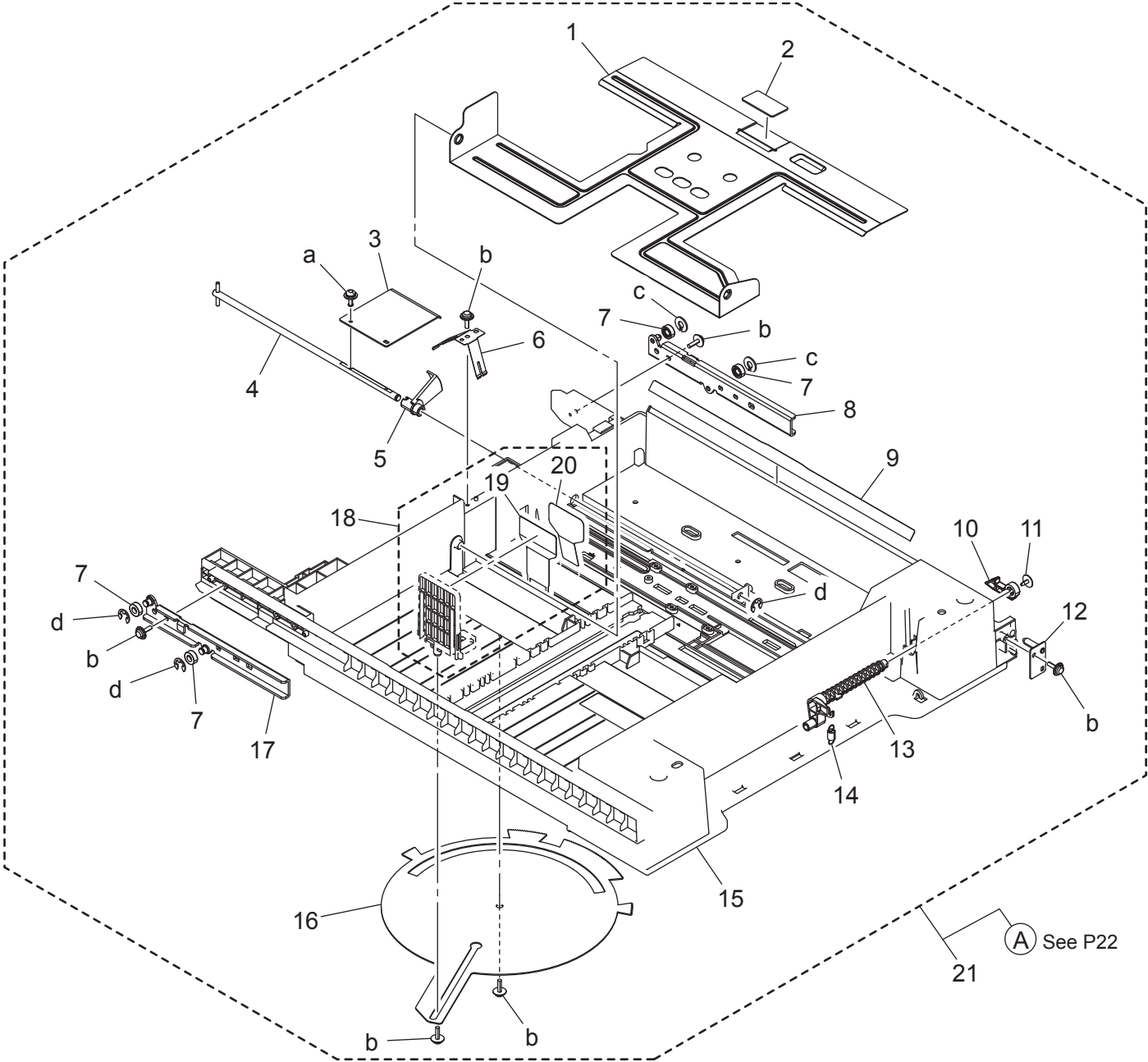
CASSETTE SECTION

Key	Part No.	Description	Destinations	Class	QTY	Standard parts
1	A00J 9422 02	Label FD		C	2	a-V153 0410 03 b-V153 0308 03
2	A02E 9413 00	Label Fd		C	2	
3	A02E 9415 00	Label Cd		C	2	
4	A1UD 6253 00	Holder		D	1	
5	A0ED 6254 00	Compressing Coil spring		D	2	
6	A0ED 9401 00	Label Paper		D	2	
7	A1UD 6251 01	Cover		C	1	
8	A0ED 6252 01	Handle		C	2	
9	A0ED 6250 00	Cover		C	2	
10	A1UD 6351 01	Cover		C	1	
11	A0ED 6253 01	Holder		D	1	

bizhub 223/bizhub 283/bizhub 363/bizhub 423/bizhub 7828

CASSETTE SECTION

2 UNIT



(A) See P22

bizhub 223/bizhub 283/bizhub 363/bizhub 423/bizhub 7828

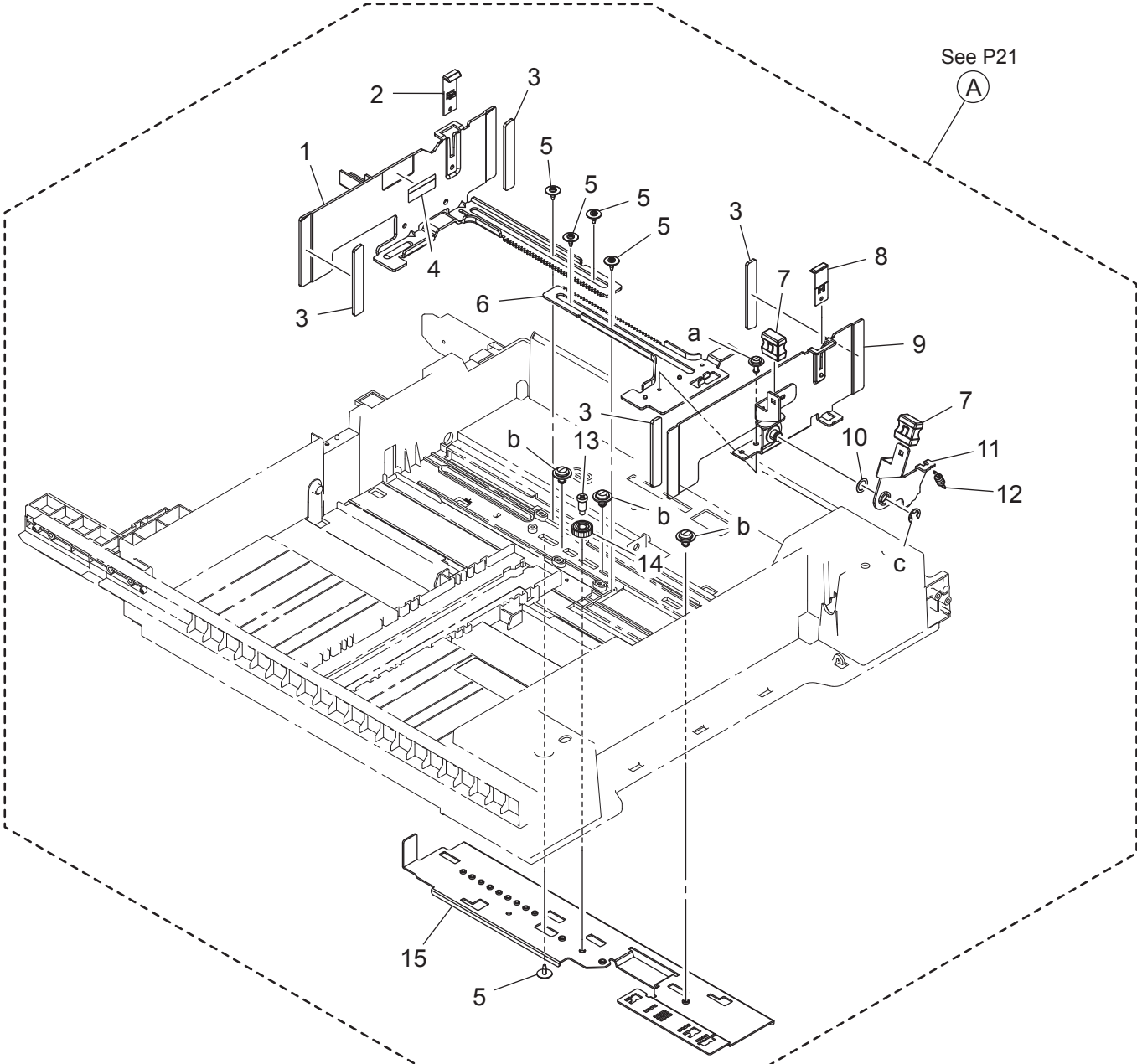
CASSETTE SECTION

Key	Part No.	Description	Destinations	Class	QTY	Standard parts
1	A0ED 6205 00	Lifting Plate		C	2	a-V116 0308 03 b-V153 0308 03 c-V221 0400 50 d-V217 0400 01
2	4030 3226 01	FRICTION SHEET		C	2	
3	4030 3206 01	LEVER		D	2	
4	A0ED 6316 00	Lifting Shaft		D	2	
5	A0ED 6207 00	Actuator		C	2	
6	A0ED 6221 00	Ground Plate		D	2	
7	A0ED 6234 00	Roll		D	8	
8	A0ED 6331 00	Reinforce Plate /Right rear		D	2	
9	A0ED 6202 00	Guide		C	2	
10	A0ED 6255 00	Lock Lever		C	2	
11	4163 5293 01	SCREW		C	2	
12	A0ED F622 00	Caulking(Mounting Plate cassette)		C	2	
13	A0ED 6257 00	Release Lever		C	2	
14	A0ED 6358 01	Pulling Coil spring		D	2	
15	A0ED 6201 13	Paper feed Cassette		D	2	
16	4002 3108 01	LEVER		C	2	
17	A0ED 6232 00	Reinforce Plate /Left rear		D	2	
18	A02E R734 00	Regulating Plate Assy		C	2	
19	4030 3228 12	GUIDE		C	2	
20	A02E 6223 00	Guide plate		C	2	
21	A0ED F623 00	1st Cassette		S	2	

bizhub 223/bizhub 283/bizhub 363/bizhub 423/bizhub 7828

CASSETTE SECTION

2 UNIT

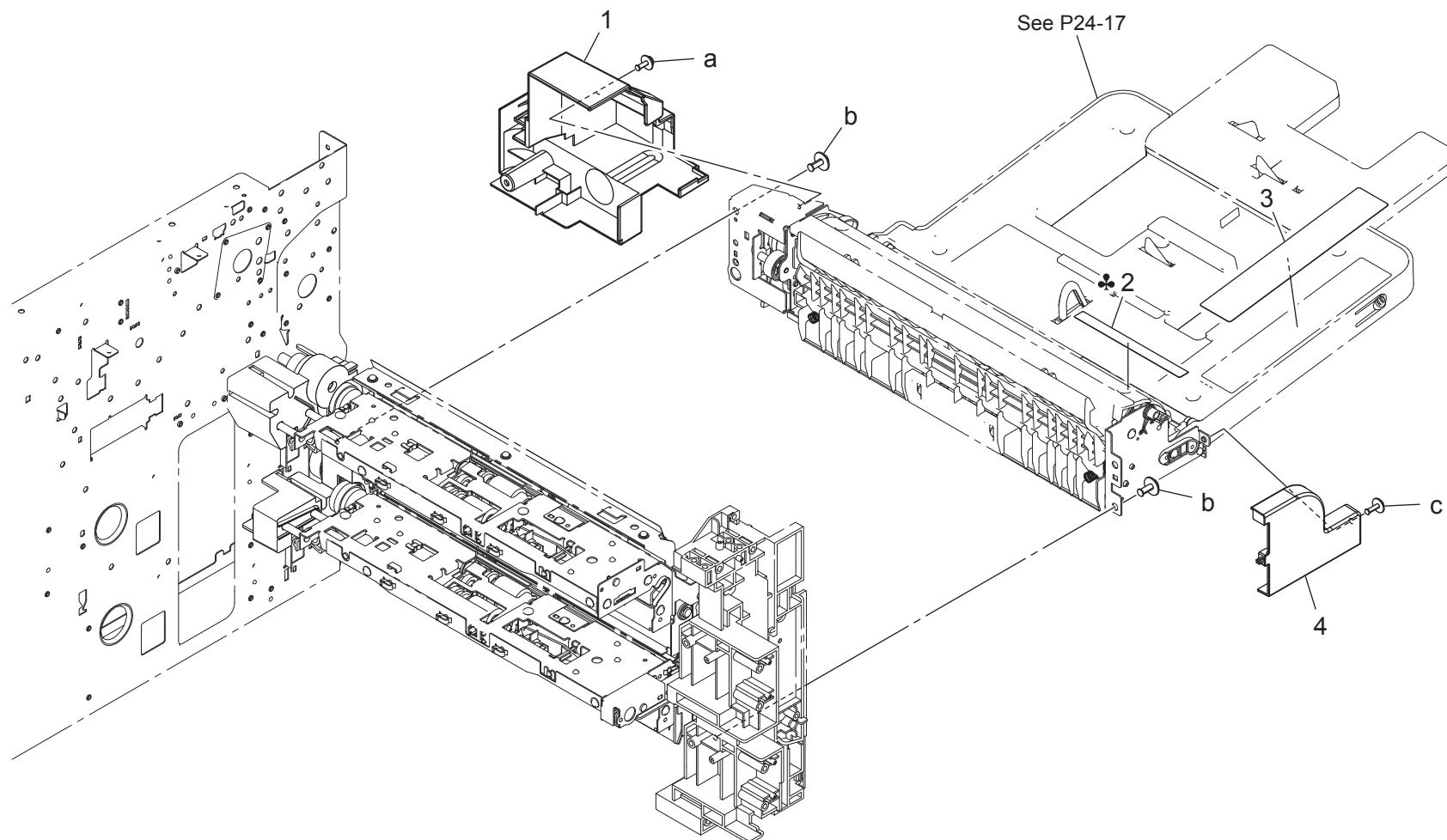


bizhub 223/bizhub 283/bizhub 363/bizhub 423/bizhub 7828

CASSETTE SECTION

Key	Part No.	Description	Destinations	Class	QTY	Standard parts
1	A0ED 6209 01	Regulating Plate /Rear		C	2	a-V137 0306 03 b-V144 0406 03 c-V217 0600 01
2	A0ED 6210 00	Guide		C	2	
3	A02E 6227 00	Cushion		C	8	
4	4002 7306 01	LABEL CARRYING CAPACITY		C	2	
5	4163 5293 01	SCREW		C	10	
6	A0ED 6211 01	Rack /Front		C	2	
7	4037 3204 01	KNOB		C	4	
8	4537 3317 01	GUIDE		D	2	
9	A0ED F621 00	Caulking(Regulating Plate/ASSY)		C	2	
10	4011 3021 01	WASHER		C	2	
11	A0ED 6213 00	Lever		D	2	
12	A0ED 6214 00	Pulling Coil spring		D	2	
13	A0ED 6206 01	Shoulder screw		D	2	
14	A02E 6224 00	Gear 14T		C	2	
15	A0ED 6219 01	Mounting Plate		D	2	

bizhub 223/bizhub 283/bizhub 363/bizhub 423/bizhub 7828

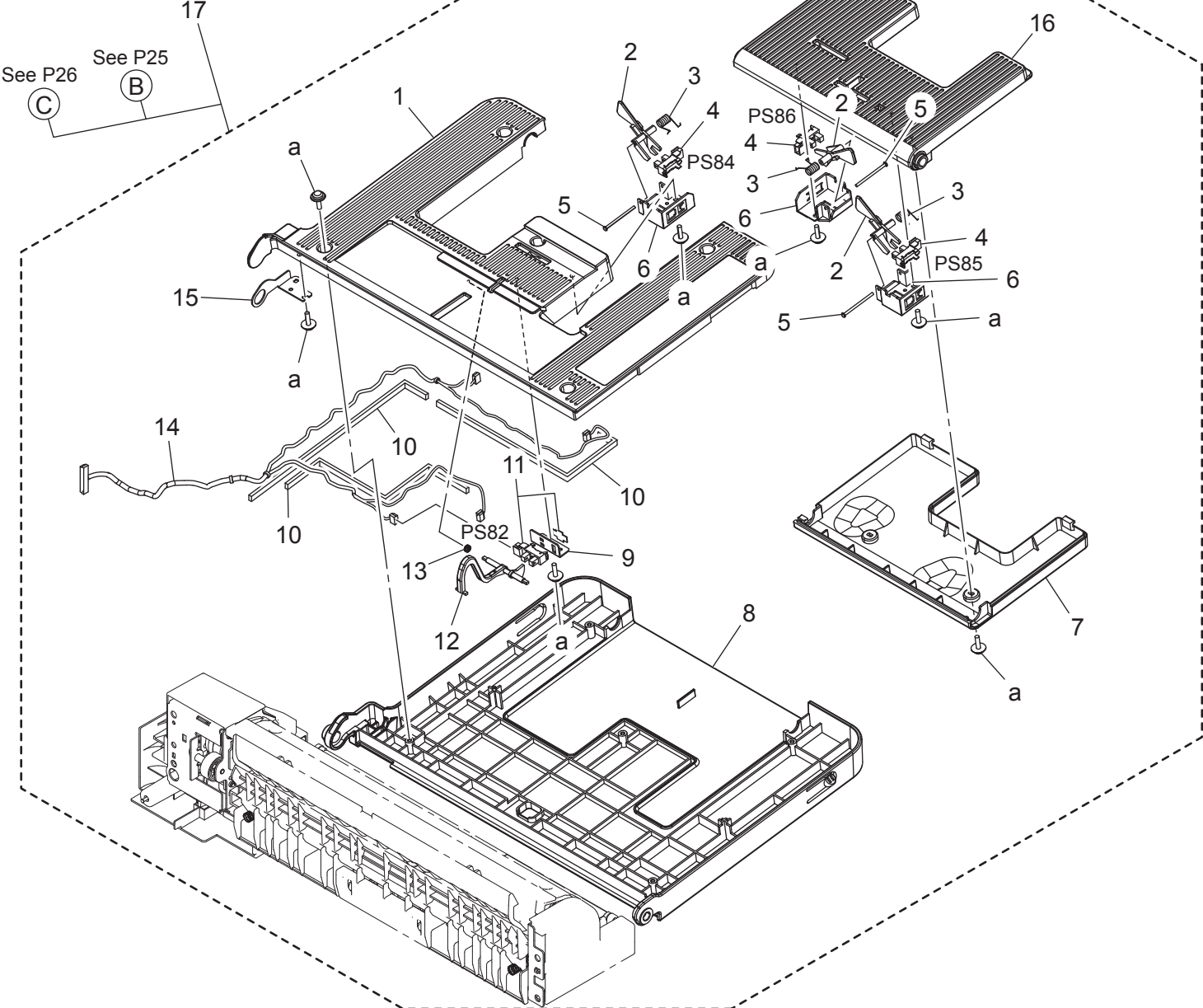


bizhub 223/bizhub 283/bizhub 363/bizhub 423/bizhub 7828

Key	Part No.	Description	Destinations	Class	QTY	Standard parts
1	A1UD 5907 00	Cover		D	1	a-V116 0308 04 b-V137 0408 03 c-V137 0308 04
2	A02E 9409 01	Scale スケール (手差し・メトリック)	A,A1,C,D1,D3,F1,F2, G1,I,J,K	C	1	
2	A02E 9408 00	Scale スケール (手差し・インチ)	B,G2	C	1	
3	A0ED 9402 00	Bypass Label 手差しラベル (用紙補給)		C	1	
4	A1UD 5906 00	Cover カバー (F)		D	1	

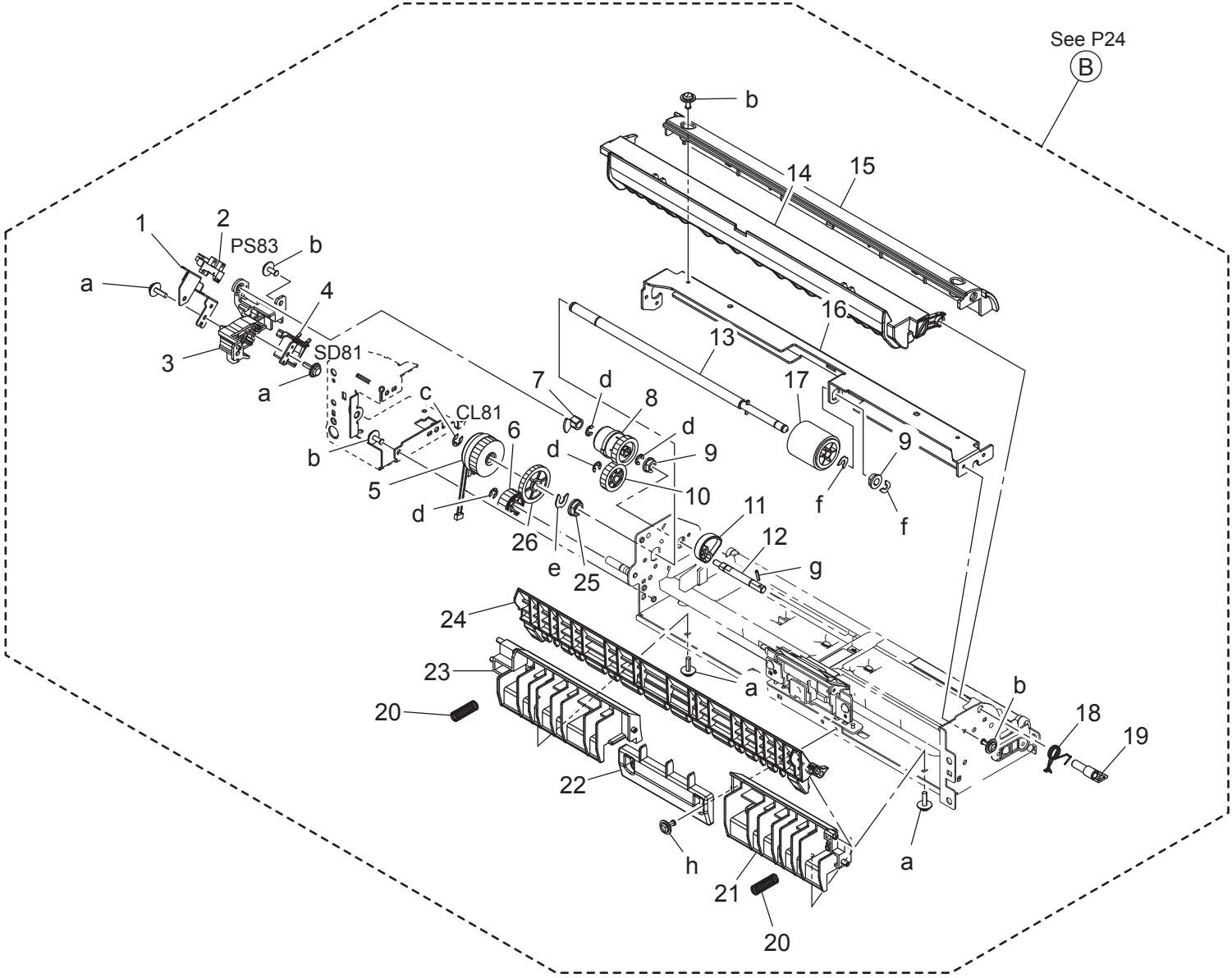
bizhub 223/bizhub 283/bizhub 363/bizhub 423/bizhub 7828

MANUAL PAPER FEED SECTION



bizhub 223/bizhub 283/bizhub 363/bizhub 423/bizhub 7828

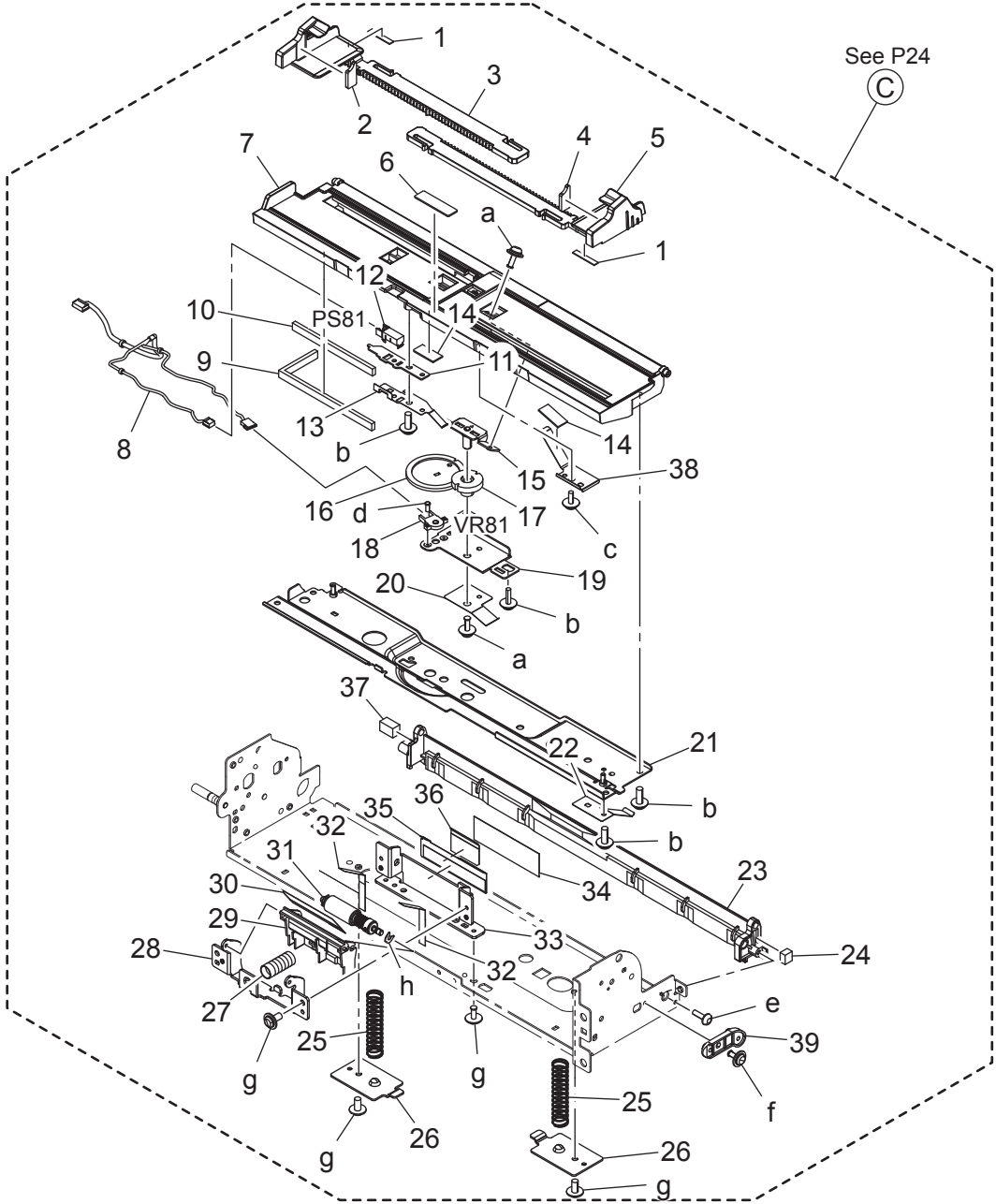
Key	Part No.	Description	Destinations	Class	QTY	Standard parts
1	A0ED 5909 00	Cover		C	1	a-V153 0308 03
2	A02E 5984 00	Actuator		C	3	
3	4030 3446 01	TORSION SPRING		C	3	
4	A108 M501 00	Photointerrupter		B	3	
5	1134 3042 02	SHAFT		D	3	
6	A0ED 5987 00	Holder		D	3	
7	A02E 5918 01	Cover		C	1	
8	A0ED 5908 00	Tray		C	1	
9	9J06 3235 01	BRACKET		D	1	
10	A1UD 5986 00	Seal		D	3	
11	A108 R900 00	PHOTO INTERRUPTER		I	1	
12	A02E 5982 00	Actuator		C	1	
13	4038 3234 02	TORSION SPRING		C	1	
14	A1UD N12B 00	Paperfeed Detection harness /3		D	1	
15	A0ED 5910 00	Mounting Plate		D	1	
16	A02E 5911 00	Tray		C	1	
17	A1UD R706 00	Bypass Tray Assy		S	1	



bizhub 223/bizhub 283/bizhub 363/bizhub 423/bizhub 7828

Key	Part No.	Description	Destinations	Class	QTY	Standard parts
1	A02E 5956 00	Bracket		D	1	a-V153 0308 03
2	A108 M501 00	Photointerrupter		B	1	b-V137 0306 03
3	A02E 5952 01	Bracket		D	1	c-V217 0500 01
4	9J06 M200 00	SOLENOID		C	1	d-V217 0400 01
5	A1UD M201 00	Clutch		C	1	e-V218 0600 86
6	A1UD 5955 00	Gear		C	1	f-V218 0400 86
7	4038 3237 01	SHIELD PLATE		C	1	g-V233 2010 50
8	A02E 5951 00	Clutch assy		C	1	h-V137 0308 03
9	4131 3003 01	BUSHING		C	2	
10	A02E 5954 00	Gear 22T		C	1	
11	A02E 5960 02	Cam		C	1	
12	A02E 5953 02	Shaft		D	1	
13	A1UD 5957 00	Shaft		D	1	
14	A1UD 5941 01	Guide		C	1	
15	A02E 5912 00	Cover		C	1	
16	A1UD 5913 00	Mounting Plate		D	1	
17	A00F 6232 00	Roller		B	1	
18	A02E 5945 00	Torsion spring		C	1	
19	A02E 5946 00	Lever		C	1	
20	A1UD 5959 00	Compressing Coil spring		C	2	
21	A1UD 5901 00	Guide		D	1	
22	A1UD 5915 00	Guide		D	1	
23	A1UD 5902 00	Guide		D	1	
24	A1UD 5942 00	Guide		C	1	
25	4131 3532 02	BUSHING		C	1	
26	A02E 5961 00	Gear 30T		C	1	

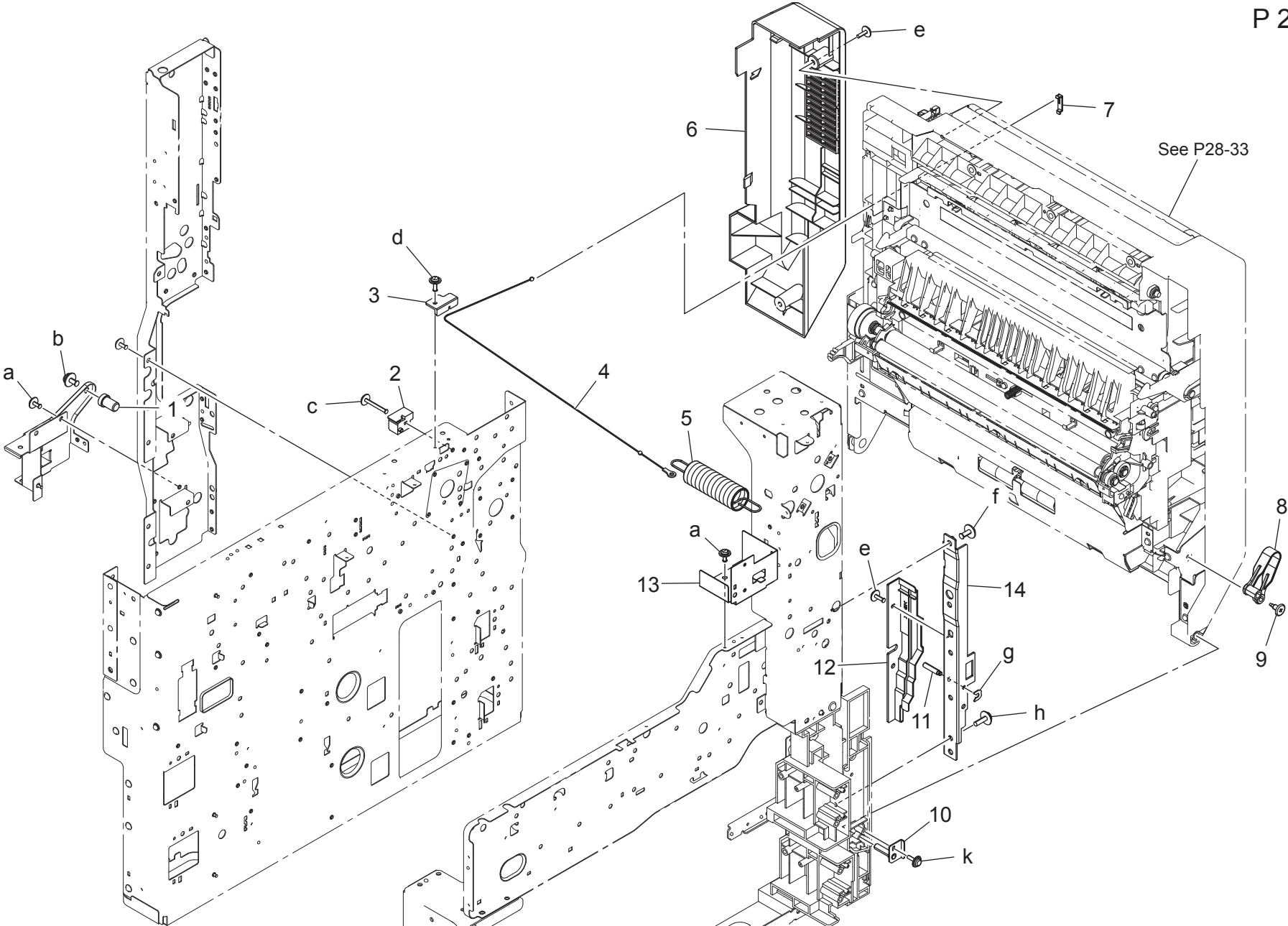
MANUAL PAPER FEED SECTION



bizhub 223/bizhub 283/bizhub 363/bizhub 423/bizhub 7828

Key	Part No.	Description	Destinations	Class	QTY	Standard parts
1	A02E 5934 00	Brake	ブレーキ材 (規制下)	C	2	a-V116 0308 04
2	A02E 5933 00	Brake	ブレーキ材 (サイド規制 R)	C	1	b-V153 0308 03
3	A02E 5924 00	Regulating plate	規制板 (R)	C	1	c-V153 0306 03
4	A02E 5932 00	Brake	ブレーキ材 (サイド規制 F)	C	1	d-V111 1704 03
5	A02E 5923 00	Regulating plate	規制板 (F)	C	1	e-V145 0308 03
6	4687 3281 01	FRICTION SHEET	摩擦板	C	1	f-V137 0308 03
7	A0ED 5922 01	Lifting Plate	押上げ板	C	1	h-V218 0300 86
8	A1UD N12C 01	Paperfeed Detection harness /4	給紙検知束線 / 4 (マル手 CD)	D	1	
9	A1UD 5992 00	Seal	シール (セット検出ハーネス)	D	1	
10	A02E 5937 00	Seal	シール (ハーネス押さえ)	C	1	
11	A0ED 5991 00	Mounting Plate	取付板 (反射型 SE)	D	1	
12	A0ED M501 00	Photoreflector	反射型センサ (アンプ内蔵)	I	1	
13	A0ED 5990 00	Ground Plate	アース板 (反射型 SE)	D	1	
14	A1UD 5981 00	Friction Plate	摩擦板	D	2	
15	A02E G621 00	Caulking Gear Mounting Plate	ギヤ取付板カシメ A s s y	D	1	
16	A02E 5983 00	Gear 40T	ギヤ 40 T	C	1	
17	A02E 5921 00	Gear 20T	ギヤ 20 T	C	1	
18	V801 3000 06	RESISTOR	その他可変抵抗器	D	1	
19	A02E 5981 00	Bracket	取付板 (CD 検出 A S S Y)	D	1	
20	A02E 5935 00	Earth ground	アース	D	1	
21	A1UD 5928 00	Reinforce Plate	補強板 (押上板)	D	1	
22	A0ED 5936 00	Ground Plate	アース板 (フレーム)	D	1	
23	A0ED 5905 00	Holder	ホルダ (押上支点)	C	1	
24	A0ED 5919 00	Cushion	クッション (マル手トレイ・F)	C	1	
25	A02E 5925 00	Pressure spring	圧縮コイルばね	C	2	
26	A02E 5926 00	Hold plate	保持板 (ばね)	D	2	
27	4030 3475 01	PRESSURE SPRING	圧縮コイルばね	C	1	
28	A02E 5972 00	Bracket	取付板 (捌き)	D	1	
29	A0ED 5971 00	Holder	ホルダ (捌き)	D	1	
30	A02E 5976 00	Guide	ガイド (捌き後)	C	1	
31	4034 0151 01	SEPARATION ROLLER	分離ローラ	A	1	
32	A0ED 5993 00	Guide	ガイド (さばきホルダ)	C	2	
33	A02E 5973 01	Reinforce plate	補強板 (捌き)	D	1	
34	4030 3489 01	SEAL	シール	C	1	
35	4030 3402 01	GUIDE PLATE	ガイド板	C	1	
36	4030 3403 01	GUIDE	ガイド	C	1	
37	A0ED 5917 00	Cushion	クッション (マル手トレイ・R)	C	1	
38	A0ED 5931 00	Brake Part	ブレーキ材 (規制板)	D	1	
39	A0ED 5939 00	Hold Plate	保持板 (前支点)	C	1	

PAPER TRANSPORT SECTION



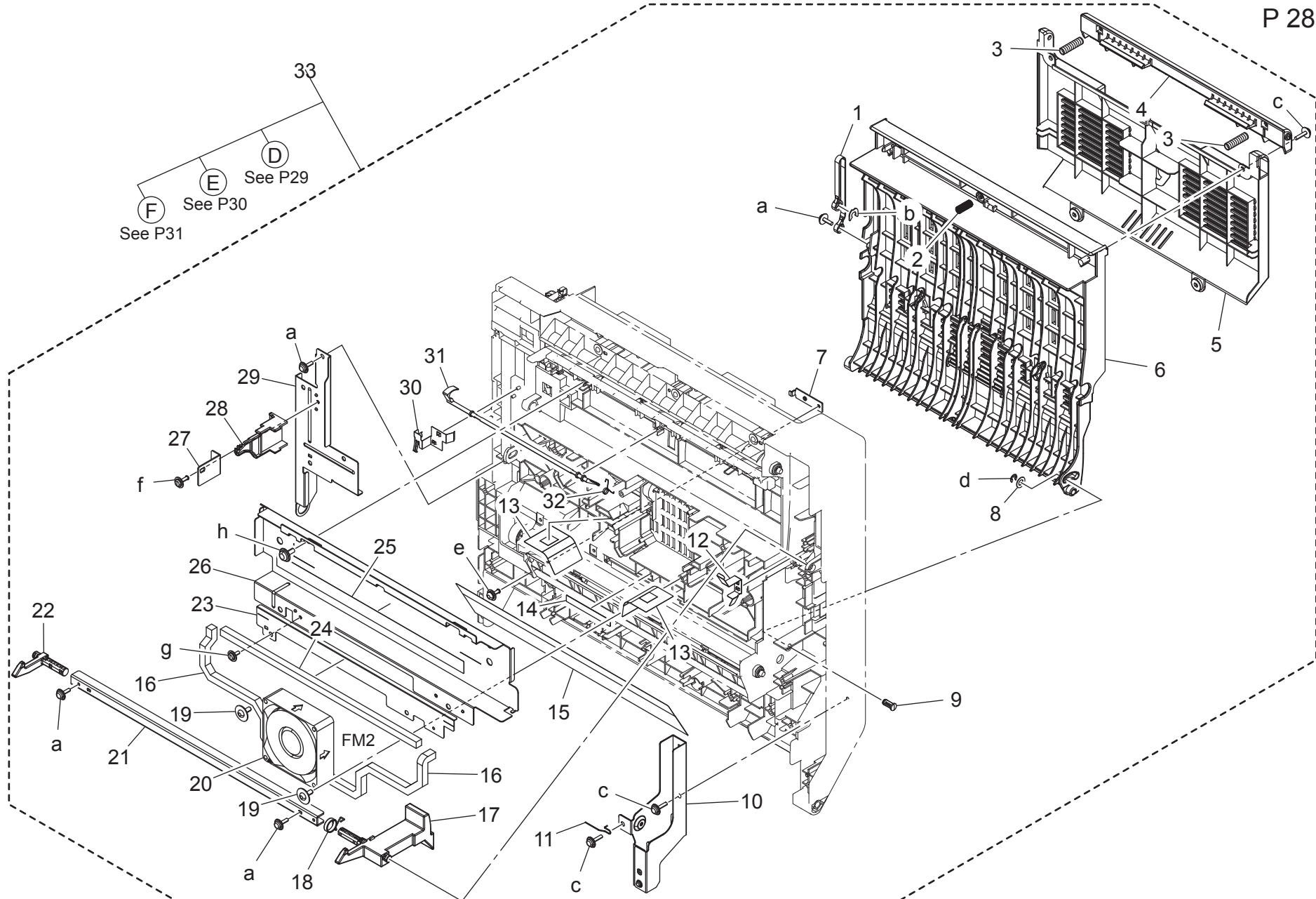
bizhub 223/bizhub 283/bizhub 363/bizhub 423/bizhub 7828

Key	Part No.	Description	Destinations	Class	QTY	Standard parts
1	A1UD 1015 00	Shaft		D	1	a-V137 0306 03 b-V116 0408 04 c-V137 0320 03 d-V137 0308 03 e-V137 0308 04 f-V137 0408 03 g-V218 0300 86 h-V153 0410 03 k-V153 0308 03
2	A1UD 1039 00	Guide		D	1	
3	A1UD 1038 00	Stopper		D	1	
4	A1UD 1037 00	Wire		C	1	
5	A1UD 1013 00	Pulling Coil spring		C	1	
6	A1UD 8104 00	Cover		D	1	
7	4030 1033 01	COVER		D	1	
8	A1UD 7112 00	Stopper		C	1	
9	4038 3511 02	SHOULDER SCREW		C	1	
10	A1UD R7A0 00	Supporting point Caulking Assy		D	1	
11	A1UD 1210 00	Shaft		D	1	
12	A1UD 1052 00	Cover		D	1	
13	A1UD 1324 00	Mounting Plate		D	1	
14	A1UD 1207 00	Reinforce Plate /Right front		D	1	

bizhub 223/bizhub 283/bizhub 363/bizhub 423/bizhub 7828

PAPER TRANSPORT SECTION

P 28

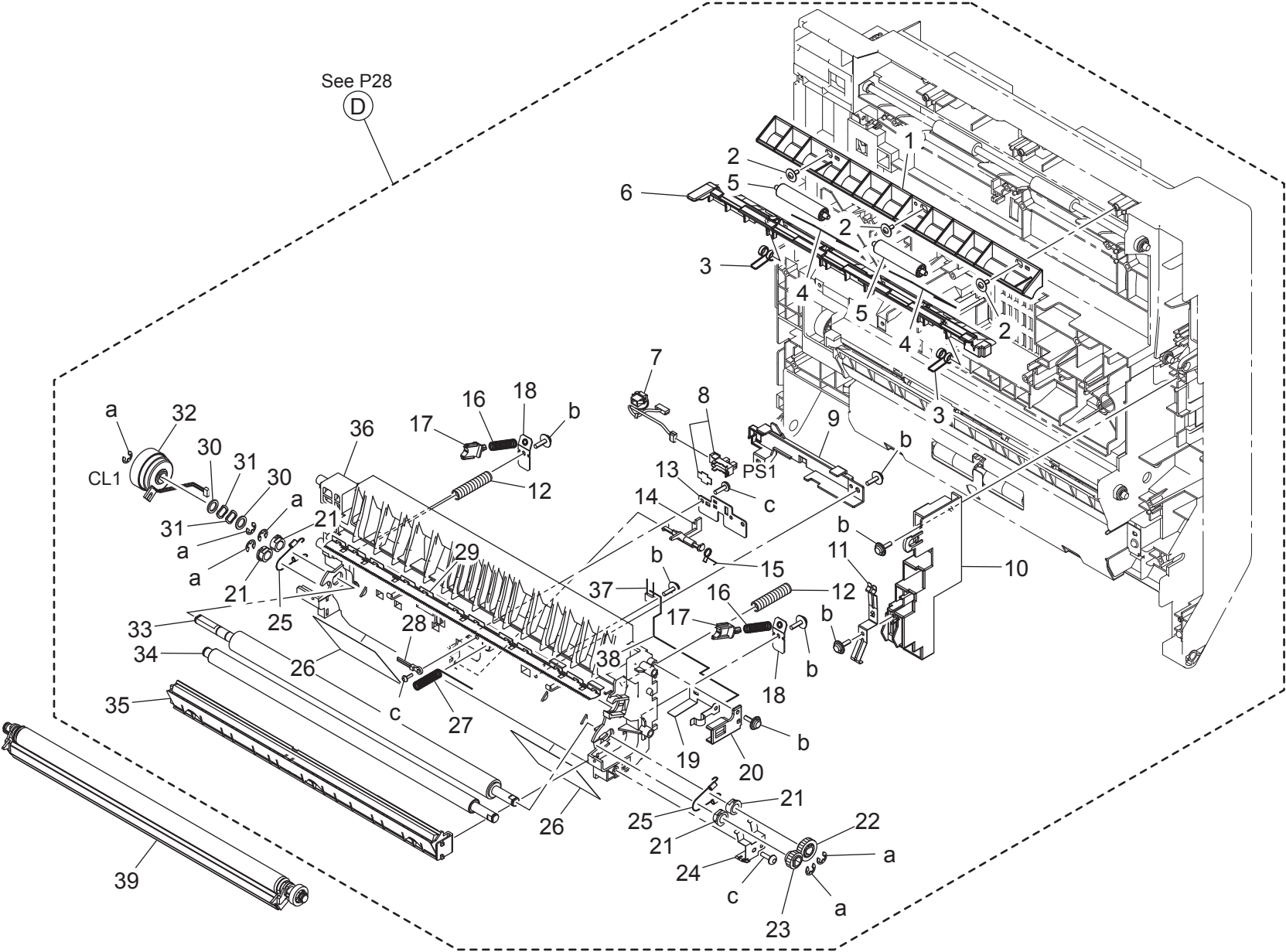


bizhub 223/bizhub 283/bizhub 363/bizhub 423/bizhub 7828

PAPER TRANSPORT SECTION

Key	Part No.	Description	Destinations	Class	QTY	Standard parts
1	A1UD 8110 00	Stopper	ストッパ (A D U 扉)	C	1	a-V153 0308 03
2	A1UD 8140 00	Compressing Coil spring	圧縮コイルばね	C	1	b-V218 0600 86
3	4066 3705 01	PRESSURE SPRING	圧縮コイルばね	C	2	c-V153 0310 04
4	A1UD 8103 00	Handle	取手 (A D U)	C	1	d-V217 0400 01
5	A1UD 8101 00	Cover	カバー (A D U 扉)	C	1	e-V116 0308 03
6	A1UD 8102 00	Door	扉 (A D U)	C	1	f-V137 0308 03
7	A1UD 7125 00	Mounting Plate	取付板	D	1	g-V137 0306 03
8	4661 3155 01	WASHER	ワッシャ	D	1	h-V153 0408 03
9	A11U 8150 00	Pin	ピン (カバー開閉規制)	D	1	
10	A1UD 7101 01	Mounting Plate	取付板 (支点前)	D	1	
11	A1UD 7119 00	Ground Part	アース材	D	1	
12	A1UD 8122 00	Ground Plate	アース板 (A D U 第 2 R)	D	1	
13	A1UD 7123 00	Seal	シール (搬送)	D	2	
14	A1UD 7127 00	Seal	シール	D	1	
15	4012 3524 12	GUIDE	ガイド	C	1	
16	A1UD 7121 00	Seal	シール (搬送)	D	2	
17	A1UD 7103 01	Lock Claw /Front	ロック爪 /前	C	1	
18	A1UD 7113 00	Torsion Spring	ねじりばね	C	1	
19	4163 5293 01	SCREW	ねじ	C	2	
20	9J03 M100 00	FAN MOTOR	ファンモータ	B	1	
21	A1UD 7105 00	Mounting Plate	取付板 (ロック)	D	1	
22	A1UD 7104 00	Claw	爪 (ロック・後)	C	1	
23	A1UD 7110 00	Mounting Plate	取付板	D	1	
24	A1UD 7122 00	Seal	シール (搬送)	D	1	
25	4138 5866 01	LABEL HI-TEMP CAUTION	ラベル 高温注意	D	1	
26	A1UD 7108 00	Reinforce Plate	補強板	D	1	
27	A1UD 7128 00	Reinforce Plate	補強板	D	1	
28	A1UD 7111 01	Gear	ギア (扉開閉)	C	1	
29	A1UD 7102 00	Mounting Plate	取付板 (支点后)	D	1	
30	A1UD 7109 00	Ground Plate	アース板	D	1	
31	A1UD 8129 00	Actuator	アクチュエータ (J A M 検)	C	1	
32	A02E 8131 00	Torsion spring	ねじりコイルばね (J A M 検出)	D	1	
33	A1UD R707 00	Vertical Conveyance Assy	縦搬送 A S S Y	S	1	

PAPER TRANSPORT SECTION



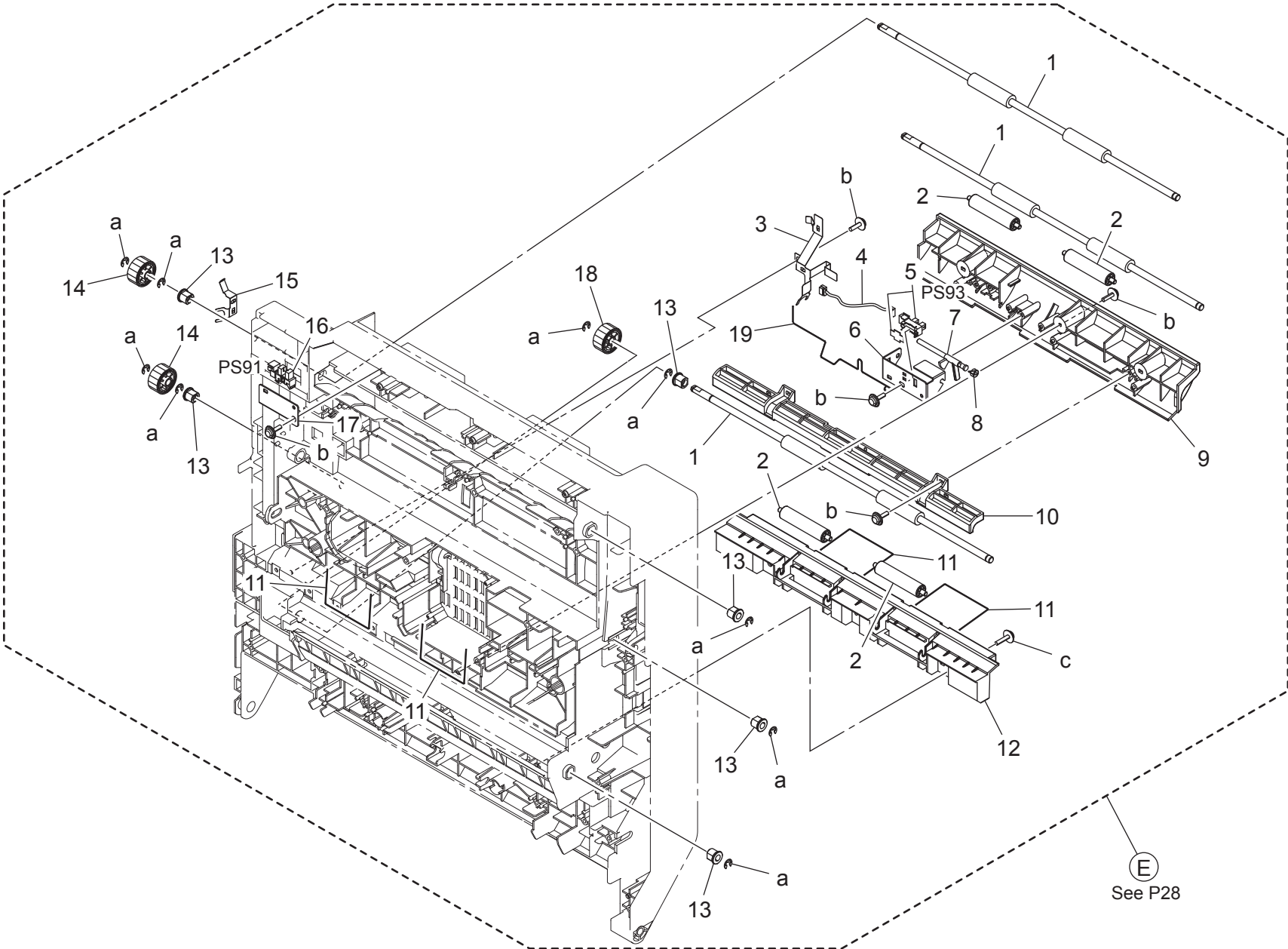
bizhub 223/bizhub 283/bizhub 363/bizhub 423/bizhub 7828



PAPER TRANSPORT SECTION

Key	Part No.	Description	Destinations	Class	QTY	Standard parts
1	A1UD 8127 00	Guide		D	1	a-V217 0500 01 b-V153 0308 03 c-V145 0308 03
2	4163 5293 01	SCREW		C	3	
3	A1UD 7118 00	Torsion Coil spring		C	2	
4	A1UD 8141 00	Holding Part		C	2	
5	4497 3116 01	ROLL		C	2	
6	A1UD 8109 00	Guide		D	1	
7	A1UD N132 00	Conveyance Detection harness		D	1	
8	A108 R900 00	PHOTO INTERRUPTER		I	1	
9	A1UD 7003 00	Holder		D	1	
10	A1UD 7107 00	Holder		D	1	
11	A1UD 7120 00	Contact		D	1	
12	4011 3515 01	PRESSURE SPRING		C	2	
13	1164 3529 01	BRACKET		D	1	
14	4030 3504 01	ACTUATOR		C	1	
15	1164 3527 02	TORSION SPRING		C	1	
16	4030 4207 01	PRESSURE SPRING		C	2	
17	1164 4206 02	BUSHING		C	2	
18	1164 4209 02	CONTACT		C	2	
19	A1UD 7130 00	Contact		D	1	
20	1164 4218 01	HOLDER		D	1	
21	1164 3549 01	BUSHING		B	4	
22	1164 3508 01	GEAR 18T		B	1	
23	1164 3515 01	GEAR 13T		B	1	
24	1164 3514 02	EARTH GROUND		C	1	
25	1164 3513 01	TENSION SPRING		C	2	
26	4030 3505 01	GUIDE		C	2	
27	4030 4213 02	PRESSURE SPRING		C	1	
28	9372 2710 22	THERMISTOR		B	1	
29	1164 4202 04	NEUTRALIZING NEEDLE		D	1	
30	4011 3512 01	WASHER		C	2	
31	4011 3020 01	WASHER		C	2	
32	A1UD M200 00	Clutch		C	1	
33	A1UD 7002 00	Roller		C	1	
34	4011 3509 01	ROLLER		C	1	
35	4040 0778 00	PAPER DUST REMOVER		A	1	
36	4030 3501 09	Holder		C	1	
37	V800 5003 00	FIXED POWER RESISTORS		D	1	
38	4030 4220 01	CONTACT		C	1	
39	A1UD R705 00	Transfer Roller Assy		A	1	

PAPER TRANSPORT SECTION

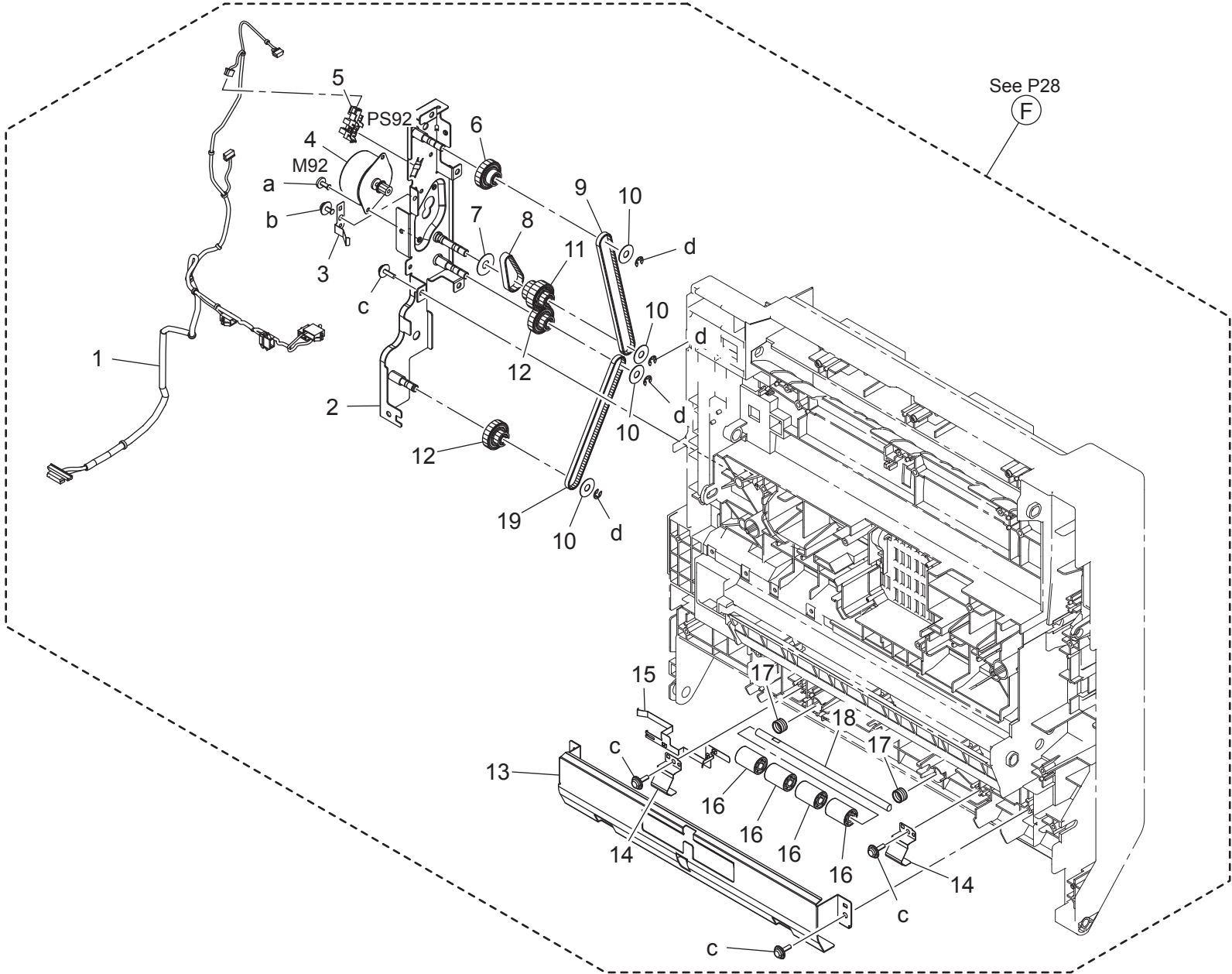


bizhub 223/bizhub 283/bizhub 363/bizhub 423/bizhub 7828

Key	Part No.	Description	Destinations	Class	QTY	Standard parts
1	A1UD 8105 00	Roller		C	3	a-V217 0400 01 b-V153 0308 03 c-V153 0310 04
2	4497 3116 01	ROLL		C	4	
3	A1UD 8123 00	Ground Plate		D	1	
4	A1UD N12P 01	ADU Relay harness		D	1	
5	A108 R900 00	PHOTO INTERRUPTER		I	1	
6	4030 3742 01	BRACKET		D	1	
7	4030 3740 01	ACTUATOR		C	1	
8	4030 3741 03	TORSION SPRING		C	1	
9	A1UD 8134 00	Guide		D	1	
10	A1UD 8111 00	Guide		D	1	
11	A1UD 8141 00	Holding Part		C	4	
12	A1UD 8128 00	Guide		D	1	
13	A02E 8152 00	BUSHING		C	6	
14	A1UD 8116 00	Gear		C	2	
15	A1UD 8126 00	Ground Plate		D	1	
16	A108 M501 00	Photointerrupter		B	1	
17	A02E 8108 00	Bracket		D	1	
18	A1UD 8137 00	Gear		C	1	
19	A1UD 8142 01	Ground Part		D	1	



PAPER TRANSPORT SECTION

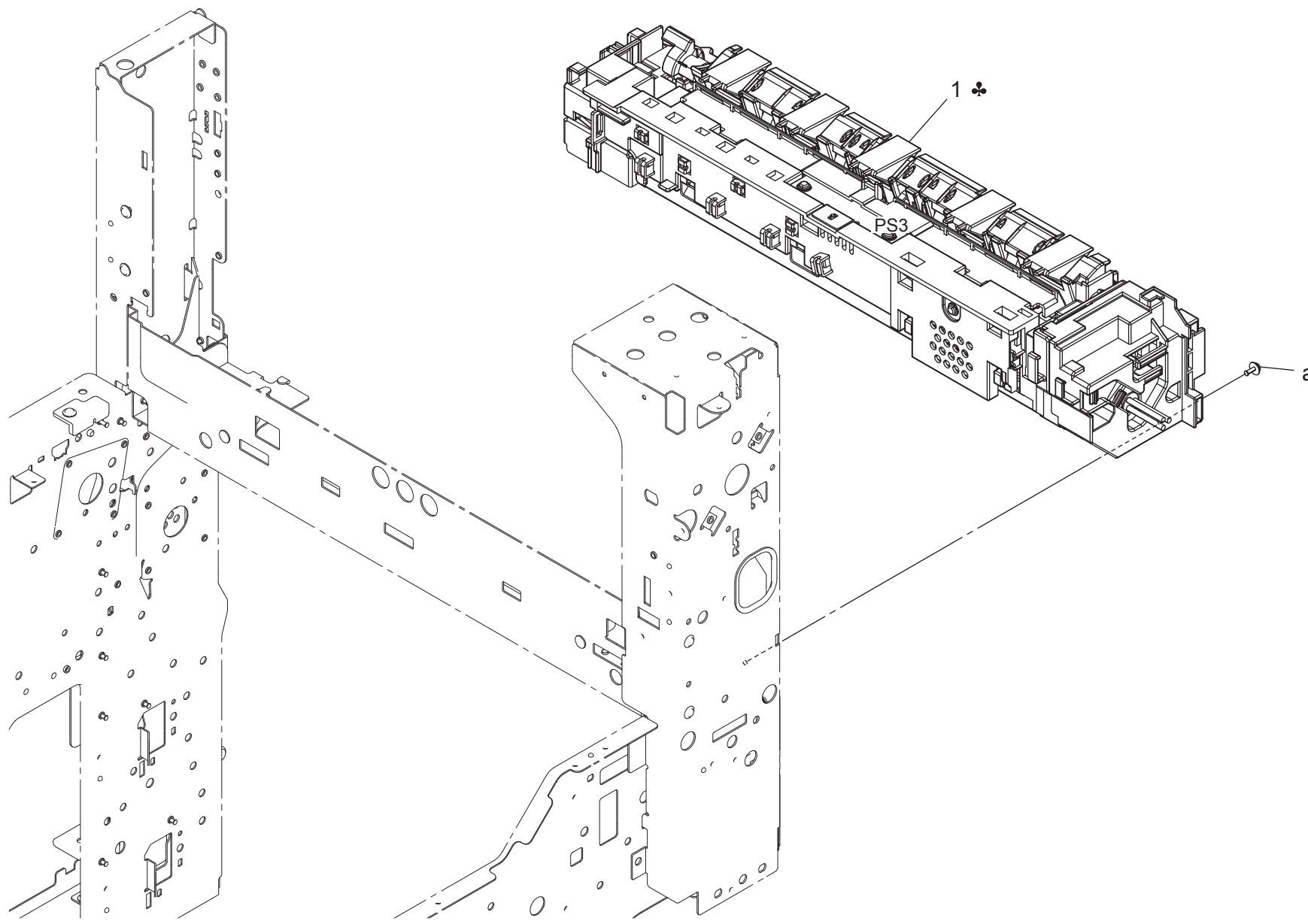


bizhub 223/bizhub 283/bizhub 363/bizhub 423/bizhub 7828

Key	Part No.	Description	Destinations	Class	QTY	Standard parts
1	A1UD N12N 01	Conveyance Drive harness /1		D	1	a-V118 0306 03
2	A1UD R7A1 00	ADU Drive Caulking Assy		D	1	b-V116 0306 03
3	A1UD 8121 00	Ground Plate		D	1	c-V153 0308 03
4	A1UD M101 00	Stepping motor		C	1	d-V217 0400 01
5	A108 M501 00	Photointerrupter		B	1	
6	A1UD 8117 00	Gear		C	1	
7	A1UD 8139 00	Flange		C	1	
8	A1UD 8138 00	Timing belt		C	1	
9	A1UD 8113 00	Timing belt		C	1	
10	A02E 8119 00	Flange		C	4	
11	A1UD 8132 00	Gear		C	1	
12	A1UD 8136 00	Gear		C	2	
13	A1UD 7115 00	Guide Plate		D	1	
14	A1UD 7126 00	Plate spring		D	2	
15	A1UD 7117 00	Ground Plate		D	1	
16	4030 3122 01	ROLL		C	4	
17	A1UD 7116 00	Compressing Spring		C	2	
18	4030 3121 01	SHAFT		D	1	
19	A02E 8113 00	Timing Belt 264L		C	1	

bizhub 223/bizhub 283/bizhub 363/bizhub 423/bizhub 7828

FUSING SECTION



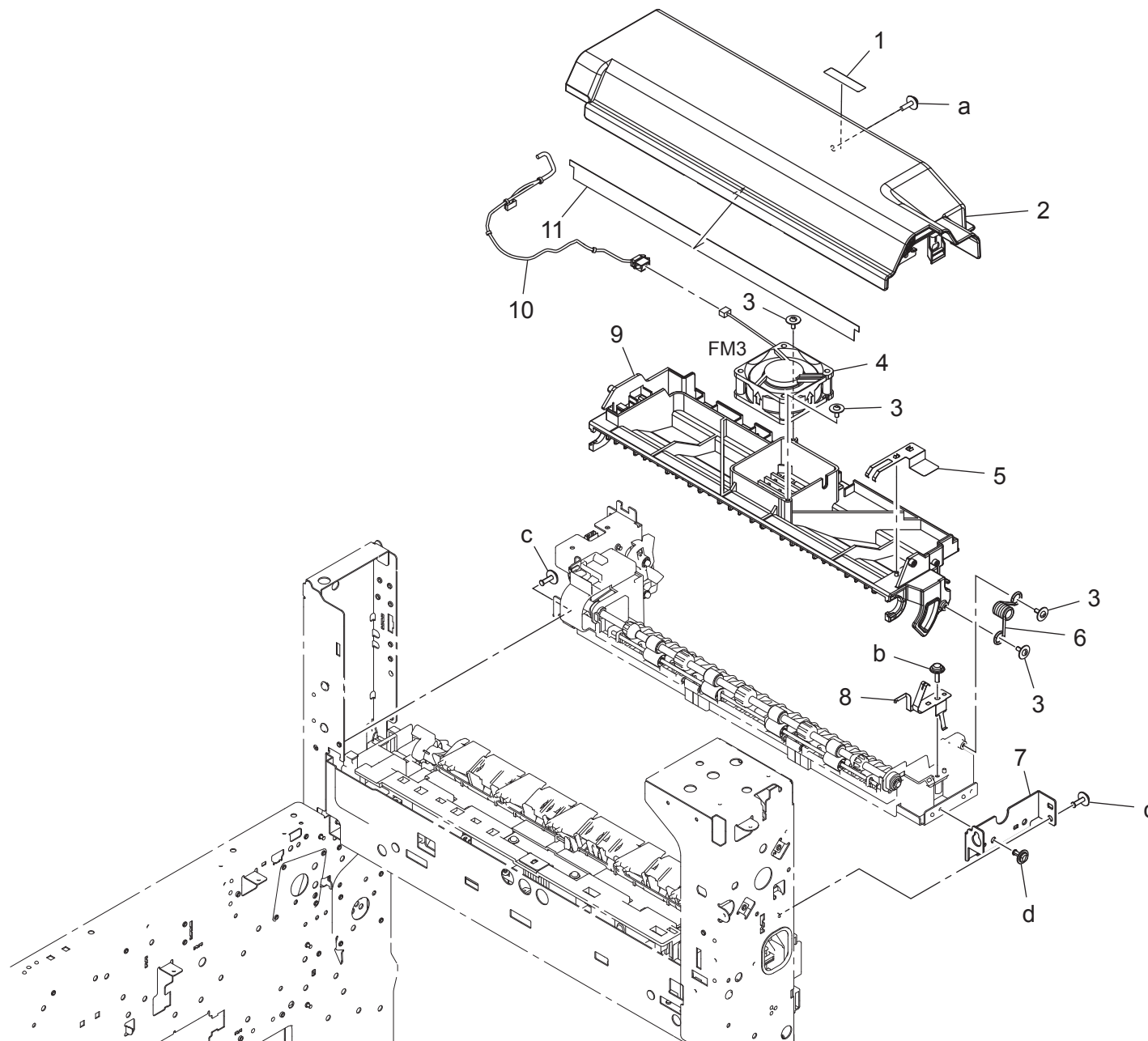
bizhub 223/bizhub 283/bizhub 363/bizhub 423/bizhub 7828

FUSING SECTION

Key	Part No.	Description	Destinations	Class	QTY	Standard parts
1	A1UD R708 00	Fusing Unit 100V	A,A1	B	1	a-V116 0308 03
1	A1UD R709 00	Fusing Unit 120V	B,F1,G2	B	1	
1	A1UD R710 00	Fusing Unit 200V	C,D1,D3,F2,G1,I,J,K	B	1	

bizhub 223/bizhub 283/bizhub 363/bizhub 423/bizhub 7828

PAPER EXIT SECTION



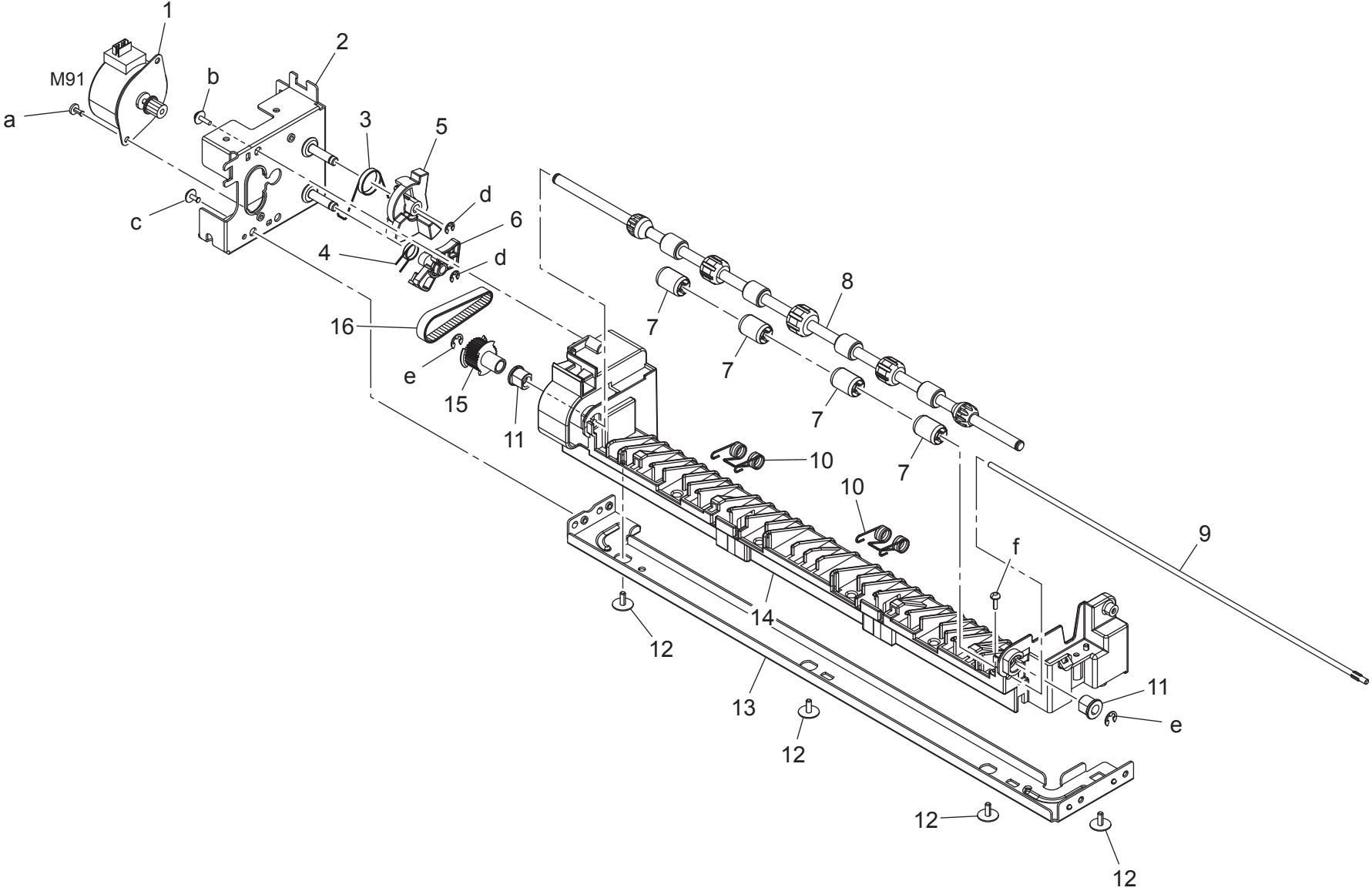
bizhub 223/bizhub 283/bizhub 363/bizhub 423/bizhub 7828

PAPER EXIT SECTION

Key	Part No.	Description	Destinations	Class	QTY	Standard parts
1	A1UD 9414 00	Label		D	1	a-V153 0308 04 b-V153 0308 03 c-V137 0308 03 d-V137 0306 03
2	A1UD 8901 00	Cover		D	1	
3	4163 5293 01	SCREW		C	4	
4	4556 M100 00	FAN MOTOR		B	1	
5	A1UD 8907 00	Ground Plate /Upper		D	1	
6	A1UD 8908 00	Torsion Coil spring		C	1	
7	A1UD 8921 00	Mounting Plate /Front		D	1	
8	A1UD 8905 00	Ground Plate /Lower		D	1	
9	A1UD 8904 01	Guide		D	1	
10	A1UD N12E 00	ADU Wiring		D	1	
11	4038 5856 01	NEUTRALIZING BRUSH		C	1	

bizhub 223/bizhub 283/bizhub 363/bizhub 423/bizhub 7828

PAPER EXIT SECTION



bizhub 223/bizhub 283/bizhub 363/bizhub 423/bizhub 7828

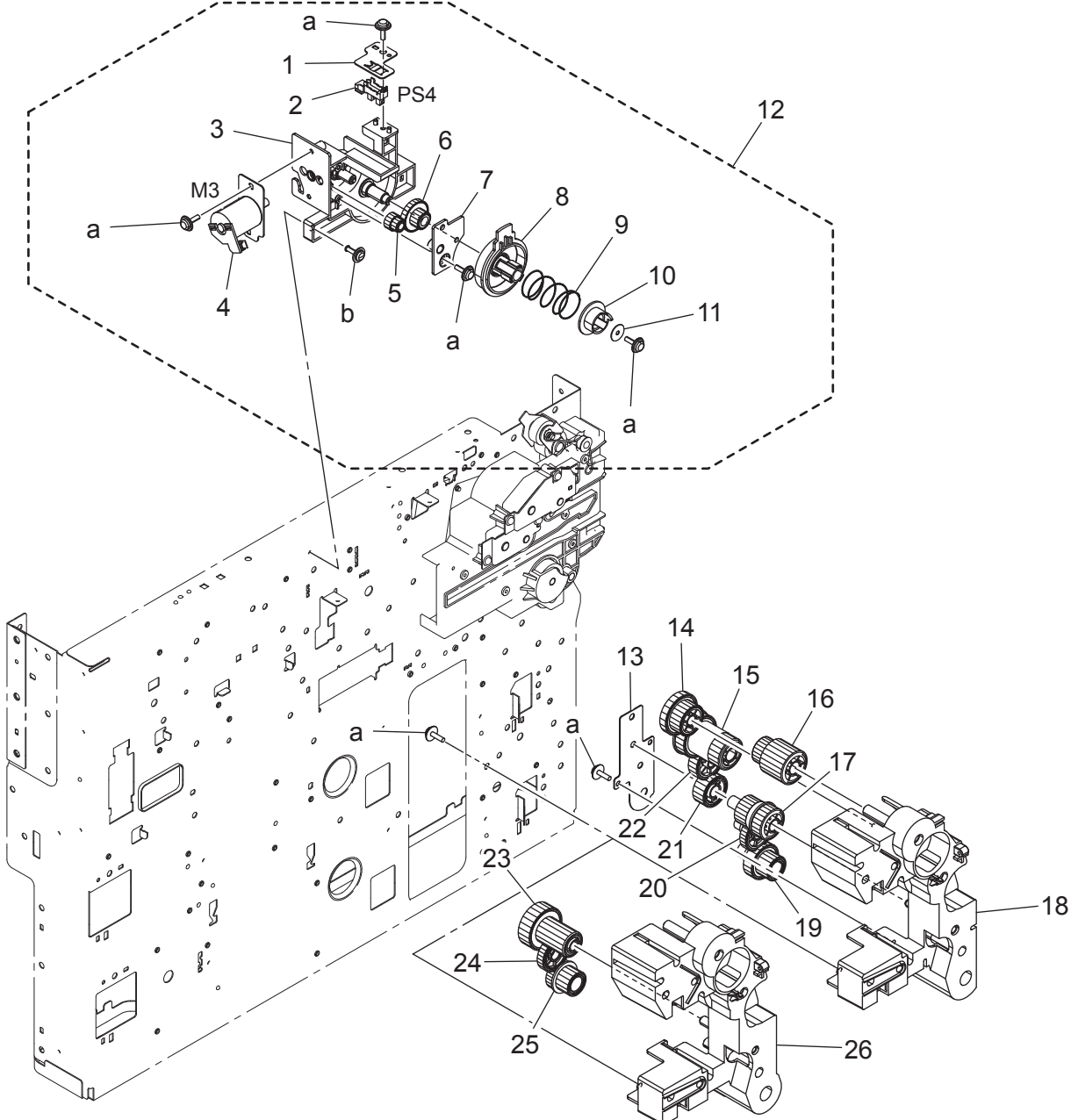


PAPER EXIT SECTION

Key	Part No.	Description	Destinations	Class	QTY	Standard parts
1	A1UD M101 00	Stepping motor		C	1	a-V118 0306 03 b-V153 0308 03 c-V137 0306 03 d-V217 0300 01 e-V217 0400 01 f-V145 0308 03
2	A1UD 8928 00	Mounting Plate /ASSY		D	1	
3	A1UD 8918 00	Torsion Coil spring /1		D	1	
4	A1UD 8916 00	Torsion Coil spring /2		D	1	
5	A1UD 8911 00	Lever /1		C	1	
6	A1UD 8915 00	Lever /2		C	1	
7	A1UD 8929 00	Roll		C	4	
8	A1UD 8910 00	Paper exit Roller		C	1	
9	4025 5984 01	SHAFT		D	1	
10	A1UD 8906 00	Torsion Coil spring		C	2	
11	A02E 8152 00	BUSHING		C	2	
12	4163 5293 01	SCREW		C	4	
13	A1UD 8922 00	Mounting Plate		D	1	
14	A1UD 8902 01	Guide		D	1	
15	A1UD 8926 00	Pulley		C	1	
16	A1UD 8927 00	Timing belt		C	1	

bizhub 223/bizhub 283/bizhub 363/bizhub 423/bizhub 7828

HOPPER/ PAPER FEED DRIVE SECTION



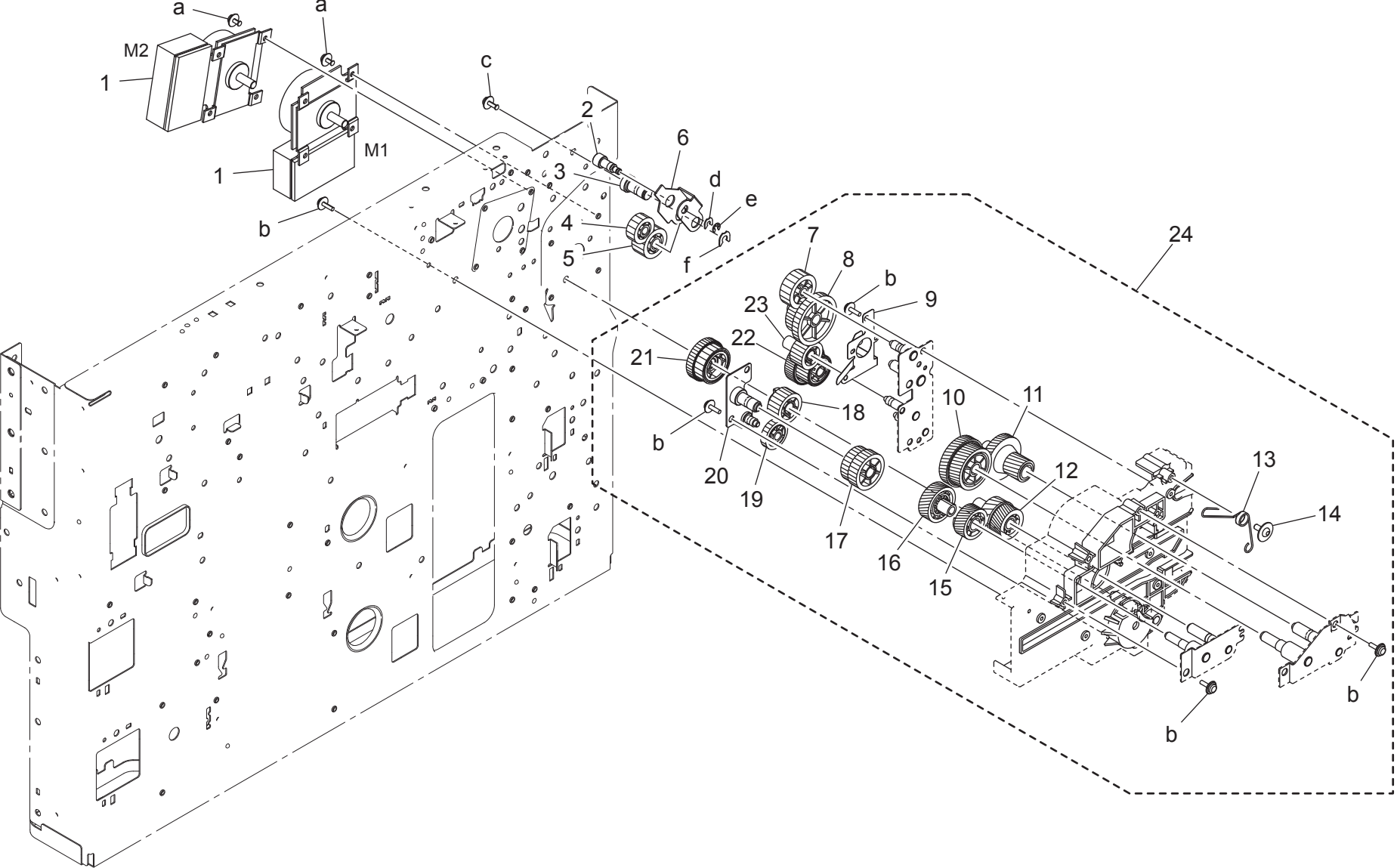
bizhub 223/bizhub 283/bizhub 363/bizhub 423/bizhub 7828

HOPPER/ PAPER FEED DRIVE SECTION

Key	Part No.	Description	Destinations	Class	QTY	Standard parts
1	A1UD 2189 00	Mounting Plate		D	1	a-V153 0308 03 b-V137 0308 03
2	A108 M501 00	Photointerrupter		B	1	
3	A1UD 2186 01	Holder		D	1	
4	A1UD R702 00	Hopper Drive Motor Assy		C	1	
5	A1UD 2181 00	Gear		C	1	
6	A1UD 2182 00	Gear		C	1	
7	A1UD 2187 00	Mounting Plate		D	1	
8	A1UD 2183 01	Gear		C	1	
9	A1UD 2185 00	Compressing Coil spring		C	1	
10	A1UD 2184 00	Joint		C	1	
11	A1UD 2190 00	Washer		C	1	
12	A1UD R701 00	Hopper Drive Assy		D	1	
13	A1UD 2114 01	Mounting Plate	{bizhub 423}	D	1	
14	A1UD 2103 00	Gear		C	1	
15	A1UD 2104 01	Gear		C	1	
16	A1UD 2102 01	Gear		C	1	
17	A1UD 2106 01	Gear	{bizhub 423}	C	1	
18	A1UD 2100 01	Holder	{bizhub 423}	D	1	
19	A1UD 2109 00	Gear	{bizhub 423}	C	1	
20	A1UD 2113 00	Gear	{bizhub 423}	C	1	
21	A1UD 2120 00	Gear	{bizhub 423}	C	1	
22	A1UD 2105 00	Gear		C	1	
23	A1UE 2107 00	Gear	{bizhub 223/283/363 /7828}	C	1	
24	A1UE 2108 00	Gear	{bizhub 223/283/363 /7828}	C	1	
25	A1UE 2110 00	Gear	{bizhub 223/283/363 /7828}	C	1	
26	A1UE 2101 01	Holder	{bizhub 223/283/363 /7828}	D	1	

bizhub 223/bizhub 283/bizhub 363/bizhub 423/bizhub 7828

MAIN DRIVE SECTION



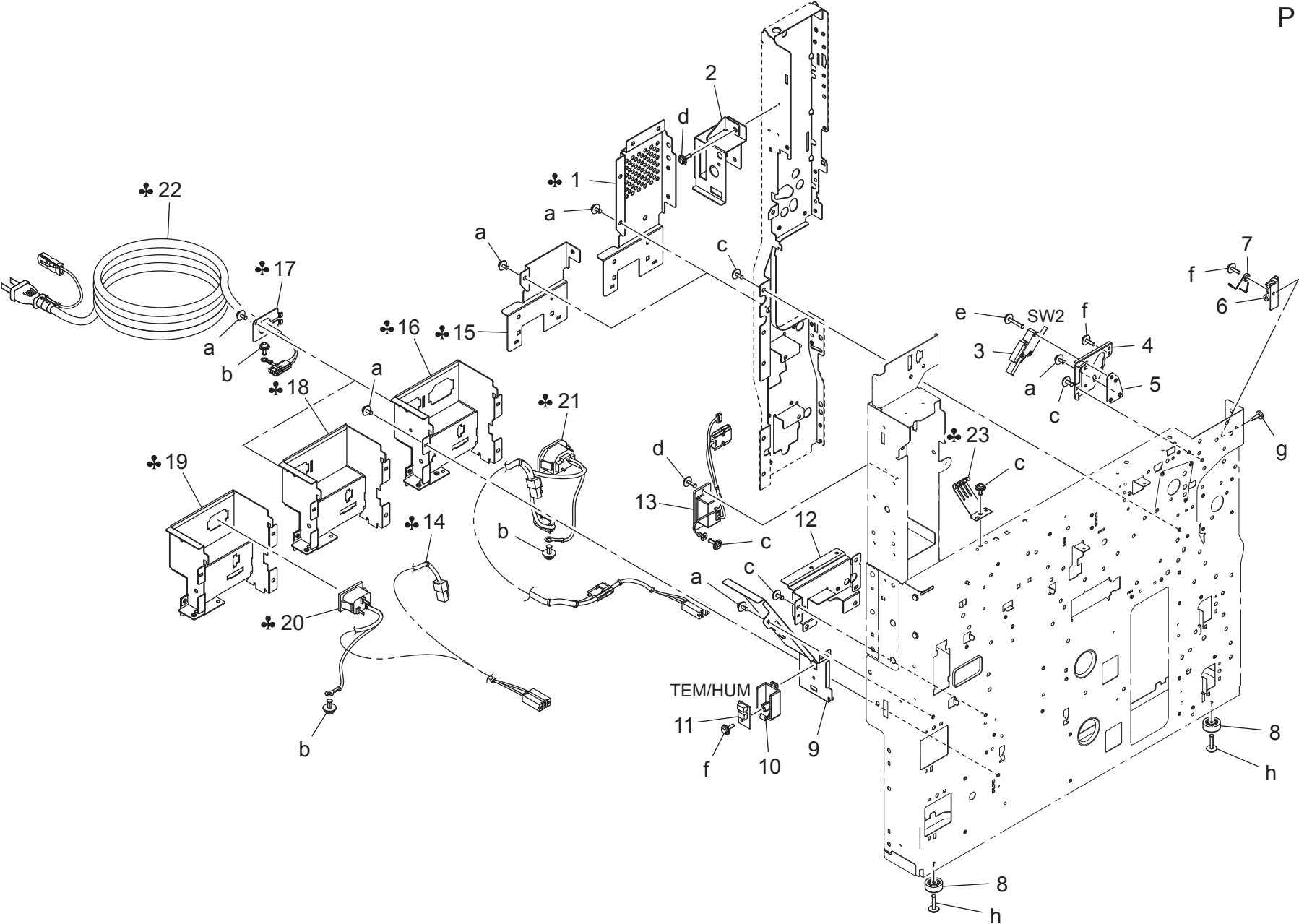
bizhub 223/bizhub 283/bizhub 363/bizhub 423/bizhub 7828

MAIN DRIVE SECTION

Key	Part No.	Description	Destinations	Class	QTY	Standard parts
1	A1UD M100 00	DC Brushless motor		C	2	a-V116 0306 03
2	4030 2524 01	SHAFT		D	1	b-V153 0308 03
3	4030 2523 03	Shaft		D	1	c-V116 0308 03
4	4030 2518 01	GEAR 18T		C	1	d-V218 0300 86
5	4030 2517 01	GEAR 21T		C	1	e-V217 0300 01
6	4030 2525 01	BRACKET		D	1	f-V218 0600 86
7	4030 2516 01	GEAR 24T		C	1	
8	4030 2515 01	GEAR 28/49T		C	1	
9	4030 2530 02	PLATE SPRING		C	1	
10	4030 2505 01	GEAR 58/67T		C	1	
11	4030 2506 01	GEAR 23/60T		C	1	
12	4030 2512 01	GEAR 19/44T		C	1	
13	4030 2531 04	Spring		C	1	
14	4163 5293 01	SCREW		C	1	
15	4030 2511 01	GEAR 42T		C	1	
16	4030 2510 01	GEAR 49T		C	1	
17	4030 2526 01	GEAR 32/35T		C	1	
18	4040 2545 01	GEAR 29T		C	1	
19	4030 2535 01	GEAR 27T		C	1	
20	4030 R712 00	BRACKET ASSY		D	1	
21	A1UD 2116 00	Gear		C	1	
22	A1UD 2206 00	Gear		C	1	
23	4040 2552 01	GEAR 26T		C	1	
24	A1UD R700 00	Main drive Assy		C	1	

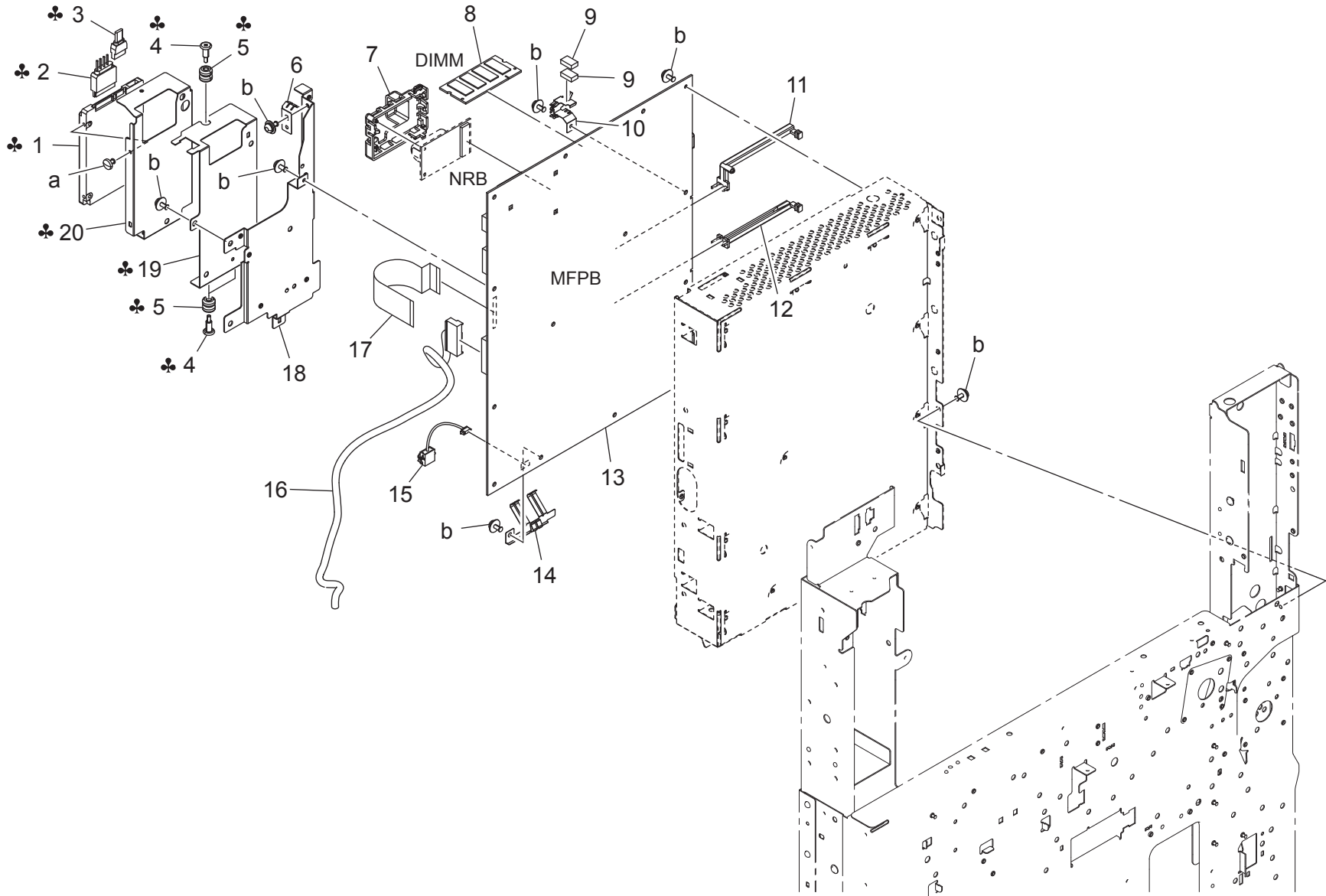
bizhub 223/bizhub 283/bizhub 363/bizhub 423/bizhub 7828

REAR FRAME SECTION



bizhub 223/bizhub 283/bizhub 363/bizhub 423/bizhub 7828

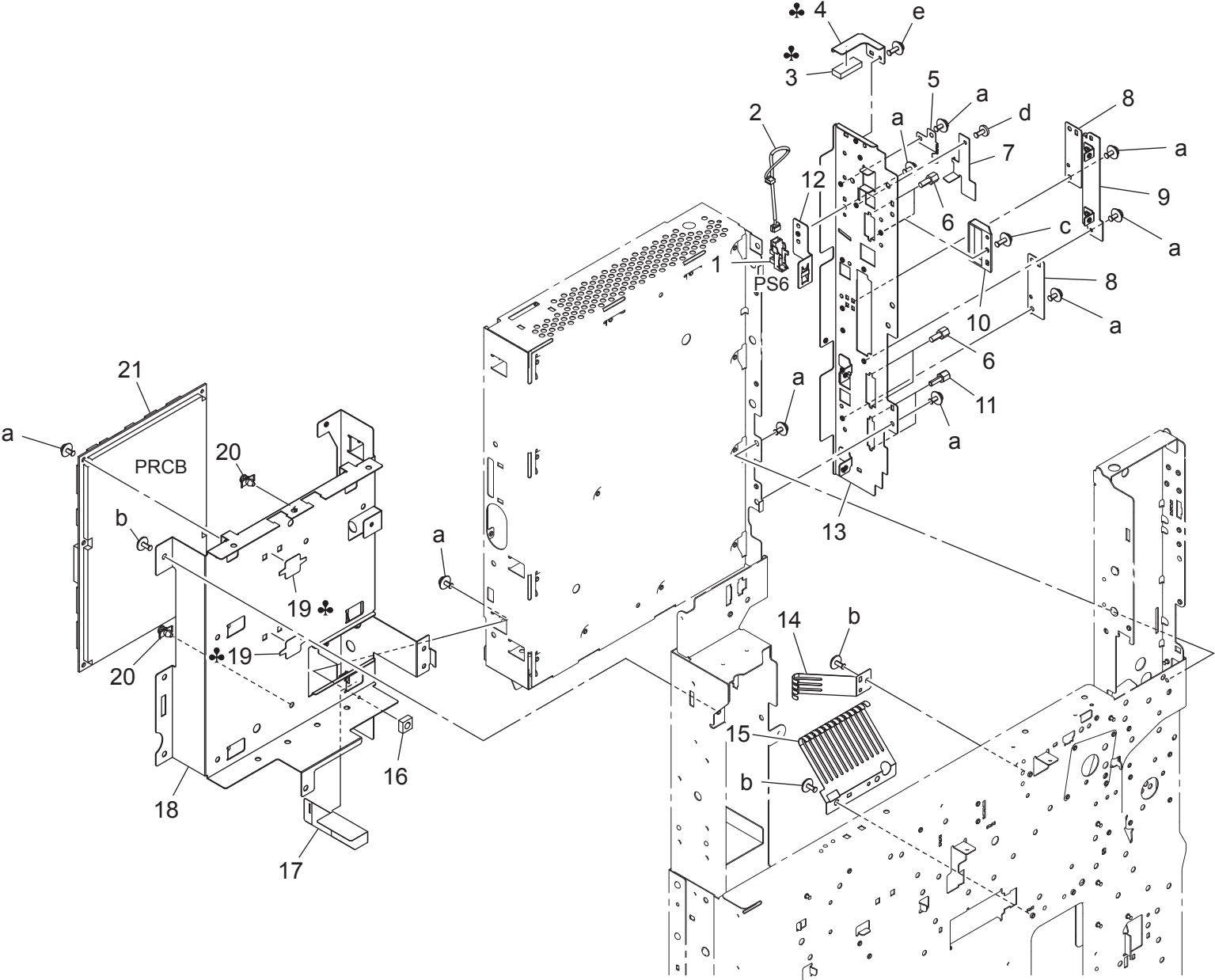
Key	Part No.	Description	Destinations	Class	QTY	Standard parts
1	A1UD 1051 01	Reinforce Cover	{bizhub 423}	D	1	a-V116 0306 03
1	A1UD 1051 01	Reinforce Cover	A,A1,B,C,G2,{bizhub 363}	D	1	b-V116 0408 03
2	A1UD 1023 00	Mounting Plate		D	1	c-V137 0306 03
3	9J06 M601 00	MICRO SWITCH		C	1	d-V137 0308 03
4	A1UD 1337 00	Mounting Plate		D	1	e-V116 0316 03
5	A1UD 1338 00	Mounting Plate		D	1	f-V153 0308 03
6	1164 2051 01	GUIDE		D	1	g-V149 0308 03
7	A1UD 1339 00	Torsion Coil spring		D	1	h-V137 0312 03
8	4030 2080 01	RUBBER FOOT		D	2	
9	A1UD 1327 00	Mounting Plate		D	1	
10	A1UD 1331 00	Holder		D	1	
11	A0P0 M504 00	Humidity sensor		C	1	
12	A1UD 1010 01	Mounting Plate		D	1	
13	A1UD N131 00	FNS Relay harness		D	1	
14	A1UD N111 00	AC Wiring /120V	AC 束線 / 120 V	D	1	
15	A1UD 1062 00	Reinforce Cover /2	補強カバー / 2	D	1	
15	A1UD 1062 00	Reinforce Cover /2	補強カバー / 2	D	1	
16	A1UD 1312 00	Mounting Plate	取付板 (インレット・国内)	D	1	
17	4037 2239 02	BRACKET	取付板	D	1	
18	A1UD 1311 01	Mounting Plate	取付板 (インレット・北米)	D	1	
19	A1UD 1341 01	Mounting Plate	取付板 (インレット・欧州)	D	1	
20	A1UD N112 00	AC Wiring /230V	AC 束線 / 230 V	D	1	
21	A1UD N110 00	AC Wiring /100V	AC 束線 / 100 V	D	1	
22	A0ED N300 01	Power source Cord /100V	電源コード / 100 V	D	1	
22	A1UD N300 00	Power code /120V	電源コード / 120 V (北米, 15 A)	C	1	
23	A1UD 1330 00	Ground Plate spring	アース板ばね (メカコン)	D	1	



bizhub 223/bizhub 283/bizhub 363/bizhub 423/bizhub 7828

Key	Part No.	Description	Destinations	Class	QTY	Standard parts
1	A0ED M720 00	HDD	HDD	{bizhub 423}	1	a-V118 0304 03 b-V116 0306 03
1	A0ED M720 00	HDD	HDD	A,A1,{bizhub 223/283}	1	
1	A0ED M720 00	HDD	HDD	A,A1,B,C,G2,{bizhub 363}	1	
2	A0P0 N152 00	Cable	ケーブル	{bizhub 423}	1	
2	A0P0 N152 00	Cable	ケーブル	A,A1,{bizhub 223/283}	1	
2	A0P0 N152 00	Cable	ケーブル	A,A1,B,C,G2,{bizhub 363}	1	
3	A0P0 N151 00	Cable	ケーブル	{bizhub 423}	1	
3	A0P0 N151 00	Cable	ケーブル	A,A1,{bizhub 223/283}	1	
3	A0P0 N151 00	Cable	ケーブル	A,A1,B,C,G2,{bizhub 363}	1	
4	A0P0 1443 00	Shoulder screw	段ねじ (HDD)	{bizhub 423}	3	
4	A0P0 1443 00	Shoulder screw	段ねじ (HDD)	A,A1,{bizhub 223/283}	3	
4	A0P0 1443 00	Shoulder screw	段ねじ (HDD)	A,A1,B,C,G2,{bizhub 363}	3	
5	A0P0 1444 00	Bushing	ブッシュ (HDD)	{bizhub 423}	3	
5	A0P0 1444 00	Bushing	ブッシュ (HDD)	A,A1,{bizhub 223/283}	3	
5	A0P0 1444 00	Bushing	ブッシュ (HDD)	A,A1,B,C,G2,{bizhub 363}	3	
6	A1UD 1332 00	Ground Plate spring	アース板ばね		1	
7	A0P0 1473 00	Mounting Plate	取付板 (NVRAM)		1	
8	V865 3000 26	MEMORY MODULES	MEMORY MODULES		1	
9	4004 1829 02	CUSHION	クッション		2	
10	A1UD 1323 00	Ground Plate	アース板 (USB)		1	
11	A1UD 1308 00	Rail	レール (地紋基板上)		1	
12	A0P0 1447 01	Rail	レール (地紋基板)		1	
13	A1UD H020 02	PWB assembly (PWB-MFP ASSY)	基板 ASSY (PWB-MFP ASSY)	{bizhub 223/283/7828}	1	
13	A1UD H021 02	PWB assembly (PWB-MFP ASSY)	基板 ASSY (PWB-MFP ASSY)	{bizhub 363/423}	1	
14	A1UD 1333 00	Ground Plate spring	アース板ばね (FAX 取付板 1)		1	
15	A1UD N12Y 00	Cooling Relay harness	冷却中継束線 (コント FAN)		1	
16	A1UD N12R 00	Control Power source harness	制御電源束線		1	
17	A1UD N12W 00	Controller Control harness	コントローラ制御束線		1	
18	A1UD 1306 00	Mounting Plate	取付板 (FAX 基板)		1	
19	A1UD 1401 02	Connecting Plate	連結板 (HDD)	{bizhub 423}	1	
19	A1UD 1401 02	Connecting Plate	連結板 (HDD)	A,A1,{bizhub 223/283}	1	
19	A1UD 1401 02	Connecting Plate	連結板 (HDD)	A,A1,B,C,G2,{bizhub 363}	1	
20	A1UD 1400 02	Mounting Plate	取付板 (HDD)	{bizhub 423}	1	
20	A1UD 1400 02	Mounting Plate	取付板 (HDD)	A,A1,{bizhub 223/283}	1	
20	A1UD 1400 02	Mounting Plate	取付板 (HDD)	A,A1,B,C,G2,{bizhub 363}	1	

bizhub 223/bizhub 283/bizhub 363/bizhub 423/bizhub 7828



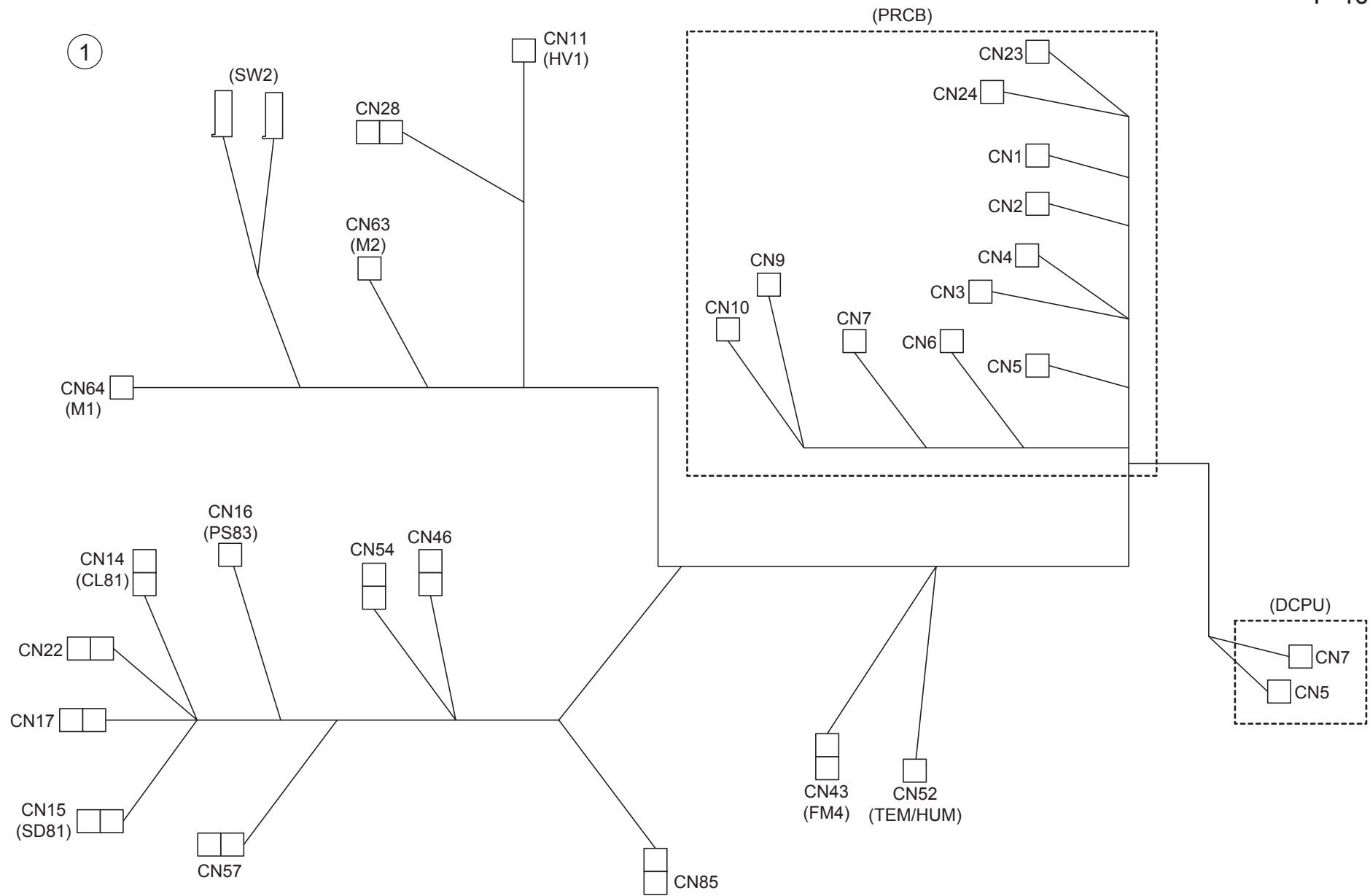
bizhub 223/bizhub 283/bizhub 363/bizhub 423/bizhub 7828

Key	Part No.	Description	Destinations	Class	QTY	Standard parts
1	A108 M501 00	Photointerrupter		B	1	a-V116 0306 03
2	A1UD N133 00	Controller Detection harness		D	1	b-V137 0306 03
3	A1UD M903 00	Gasket	C,D1,D3,F2,G1,I,J,K	D	1	c-V116 0308 04
4	A1UD 1336 00	Mounting Plate	C,D1,D3,F2,G1,I,J,K	D	1	d-V118 0306 03
5	A0ED 1373 00	Ground Plate		C	1	e-V116 0308 03
6	4025 2283 01	SCREW		D	4	
7	A1UD 1316 00	Cover		D	1	
8	A1UD 1318 01	Cover		D	2	
9	A0P0 1474 01	Mounting Plate		D	1	
10	A0ED 1319 00	Cover		D	1	
11	A00J 1396 00	Screw		C	2	
12	A1UD 1317 00	Mounting Plate		D	1	
13	A1UD 1302 03	Cover		D	1	
14	A1UD 1329 00	Ground Plate spring		D	1	
15	A1UD 1328 00	Ground Plate spring		D	1	
16	57GA 6156 0	SCREW PROTECTION CUSHION/1		C	1	
17	A1UD 1335 00	Insulating Film		D	1	
18	A1UD 1301 02	Mounting Plate		D	1	
19	A1UD 1045 00	Seal	A,A1,B,F1,G2	D	2	
20	V502 0100 41	BUSHING		D	2	
21	A1UD P000 01	After PWB Assembly (PWB-MC ASSY)		I	1	

bizhub 223/bizhub 283/bizhub 363/bizhub 423/bizhub 7828

WIRING

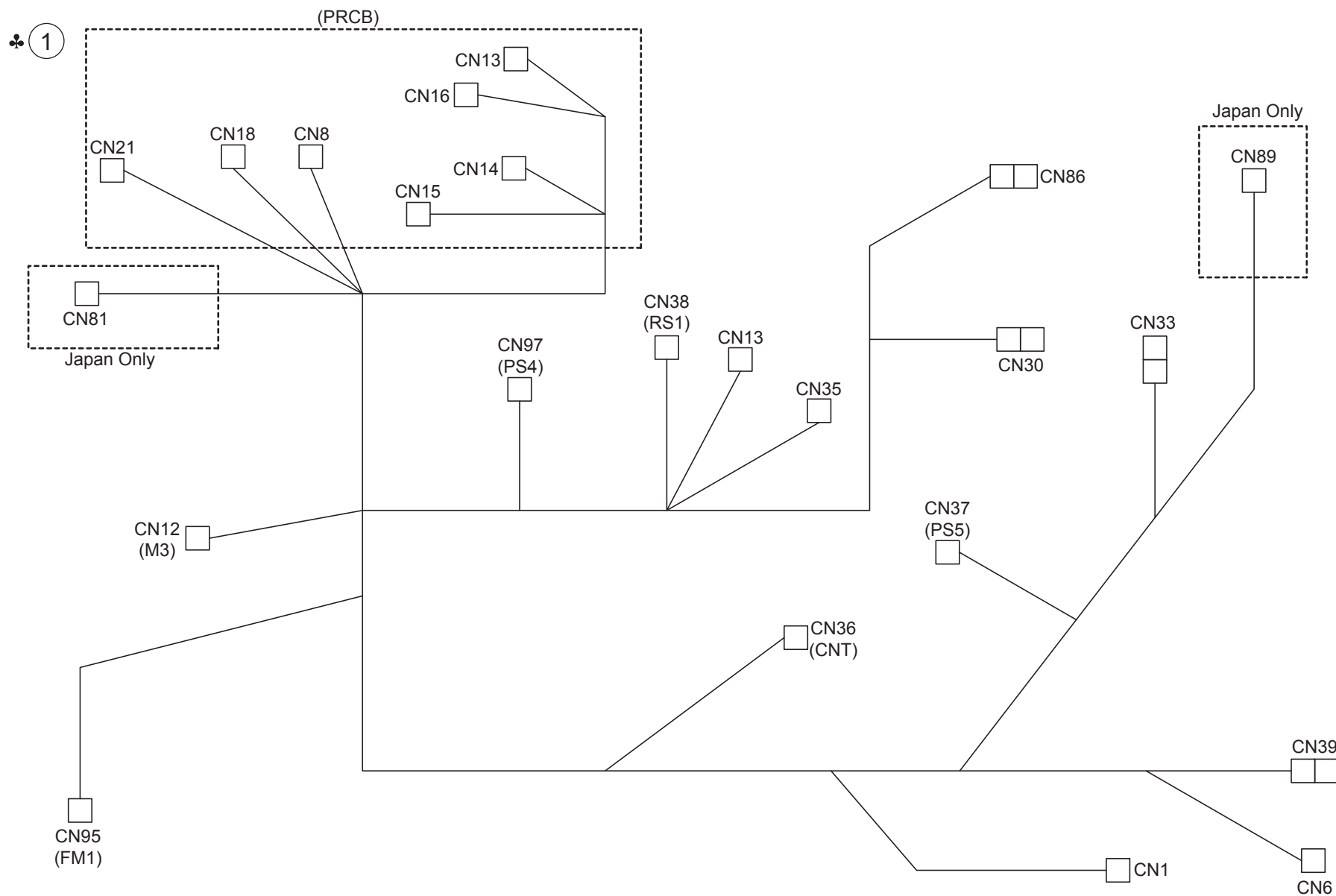
P 40



bizhub 223/bizhub 283/bizhub 363/bizhub 423/bizhub 7828

Key	Part No.	Description	Destinations	Class	QTY	Standard parts
1	A1UG N120 01	Main body Relay harness /1 本体中継束線 / 1 (2 2)	{bizhub 223}	D	1	
1	A1UF N120 01	Main body Relay harness /1 本体中継束線 / 1 (2 8)	{bizhub 283/7828}	D	1	
1	A1UE N120 01	Main body Relay harness /1 本体中継束線 / 1 (3 6)	{bizhub 363}	D	1	
1	A1UD N120 01	Main body Relay harness /1 本体中継束線 / 1 (4 2)	{bizhub 423}	D	1	

bizhub 223/bizhub 283/bizhub 363/bizhub 423/bizhub 7828

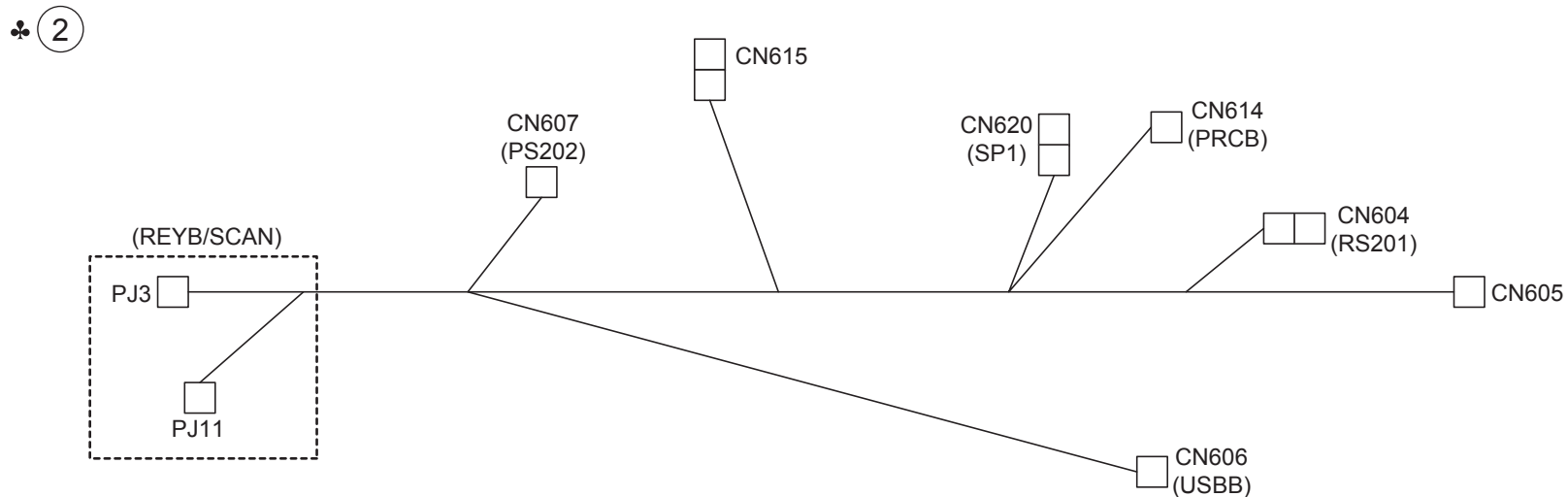
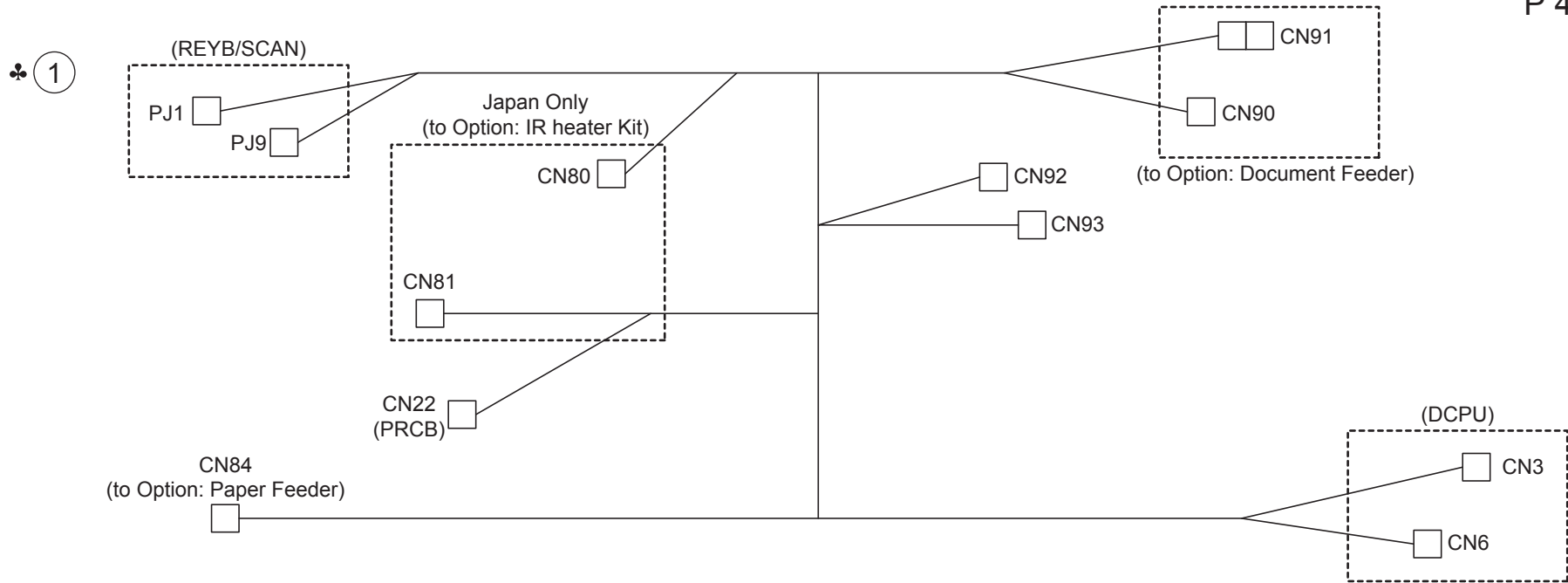


bizhub 223/bizhub 283/bizhub 363/bizhub 423/bizhub 7828

Key	Part No.	Description	Destinations	Class	QTY	Standard parts
1	A1UE N12X 01	Main body Relay harness /2 本体中継束線 / 2 (3 6 J)	A,A1,{bizhub 223/28 3/363/7828}	D	1	
1	A1UD N12X 01	Main body Relay harness /2 本体中継束線 / 2 (4 2 J)	A,A1,{bizhub 423}	D	1	
1	A1UE N121 01	Main body Relay harness /2 本体中継束線 / 2 (3 6)	B,C,D1,D3,F1,F2,G1, G2,I,J,K,{bizhub 22 3/283/363/7828}	D	1	
1	A1UD N121 01	Main body Relay harness /2 本体中継束線 / 2 (4 2)	B,C,D1,D3,F1,F2,G1, G2,I,J,K,{bizhub 42 3}	D	1	

bizhub 223/bizhub 283/bizhub 363/bizhub 423/bizhub 7828

WIRING



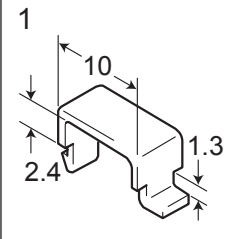
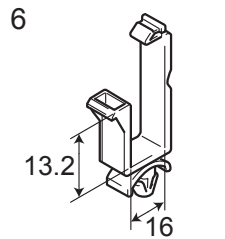
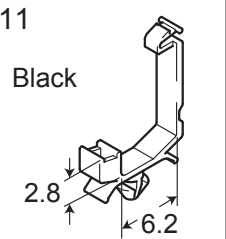
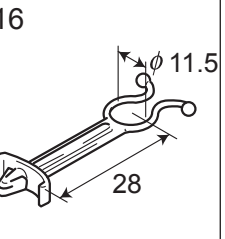
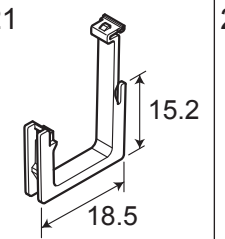
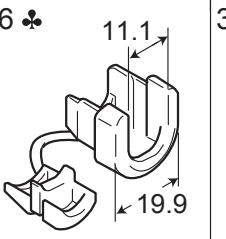
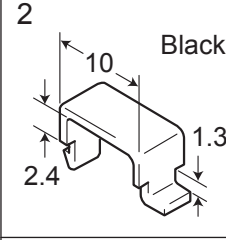
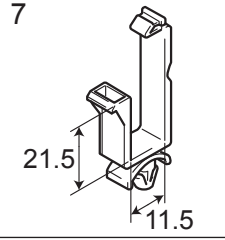
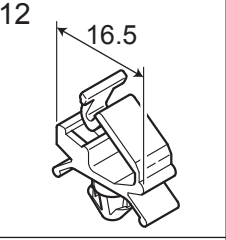
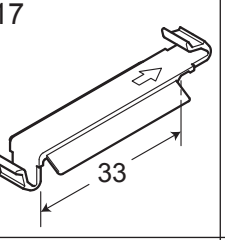
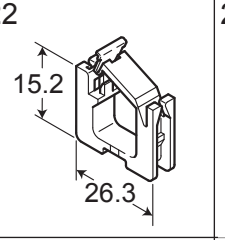
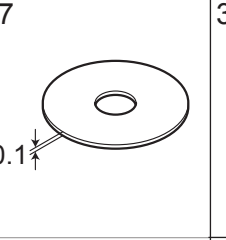
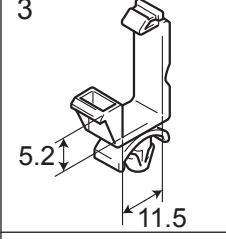
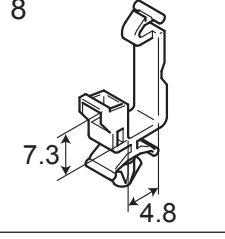
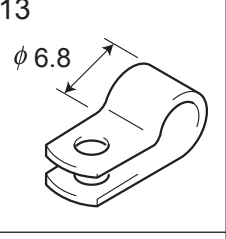
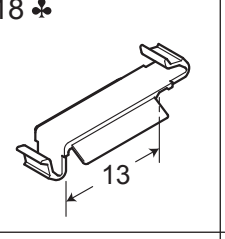
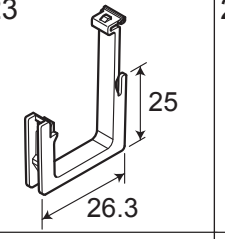
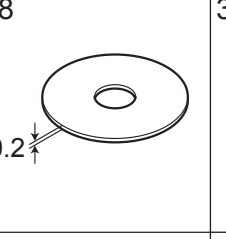
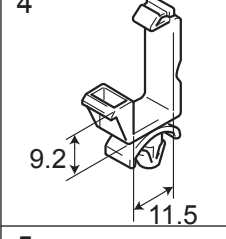
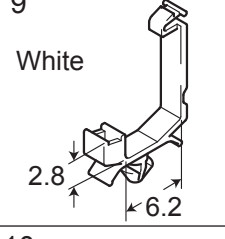
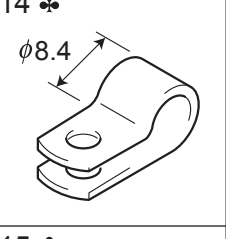
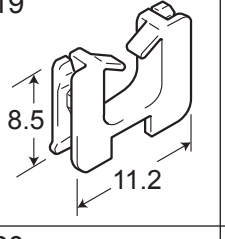
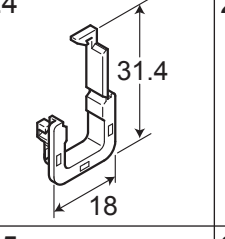
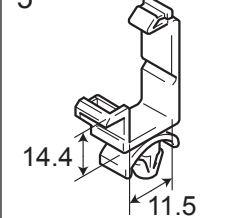
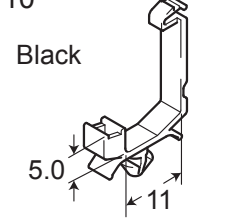
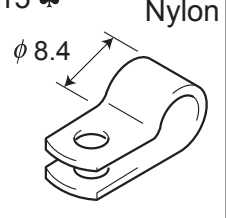
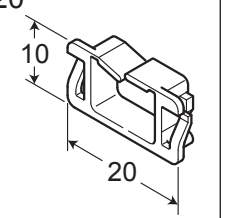
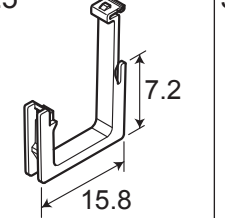
bizhub 223/bizhub 283/bizhub 363/bizhub 423/bizhub 7828

WIRING

Key	Part No.	Description	Destinations	Class	QTY	Standard parts
1	A1UD N12S 01	Power source Wiring	電源束線 (OP)	D	1	
1	A1UD N134 00	Power source Wiring	電源束線 (OP ヒータ無し)	D	1	
2	A1UD N103 01	Scanner Wiring /3	スキャナー束線 /3 (前部)	D	1	
2	A1UD N107 01	Scanner Wiring /7	スキャナー束線 /7 (シールド前部)	D	1	

bizhub 223/bizhub 283/bizhub 363/bizhub 423/bizhub 7828

WIRING ACCESSORIES AND JIGS

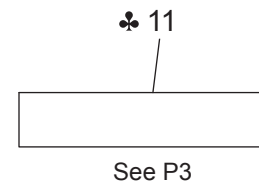
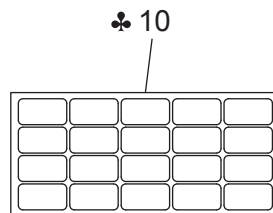
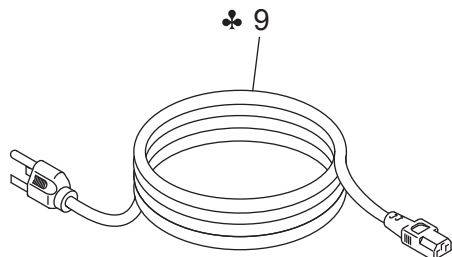
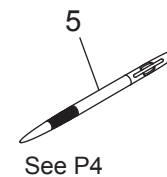
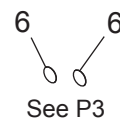
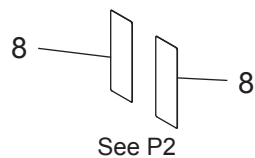
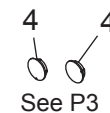
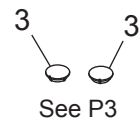
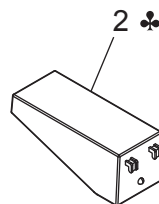
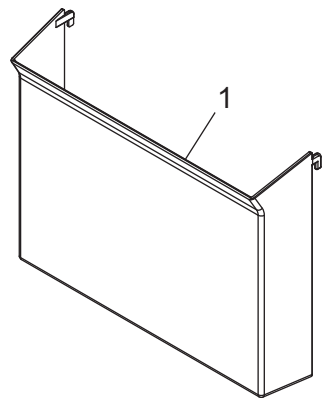
1 	6 	11 Black 	16 	21 	26 ♣ 	31	36
2 Black 	7 	12 	17 	22 	27 	32	37
3 	8 	13 	18 ♣ 	23 	28 	33	38
4 	9 White 	14 ♣ 	19 	24 	29	34	39
5 	10 Black 	15 ♣ Nylon 	20 	25 	30	35	40

bizhub 223/bizhub 283/bizhub 363/bizhub 423/bizhub 7828

Key	Part No.	Description	Destinations	Class	QTY	Standard parts
1	0990 5596 01	CORD CLAMP		D		
2	1065 5872 02	CORD CLAMP		D		
3	V500 0100 03	Saddle		D		
4	V500 0100 05	saddle		D		
5	V500 0100 07	saddle		D		
6	V500 0100 08	saddle		D		
7	V500 0100 13	saddle		D		
8	V500 0100 20	Saddle		D		
9	V500 0100 46	saddle		D		
10	V500 0100 54	SADDLE		D		
11	V500 0100 55	SADDLE		D		
12	V500 0100 61	saddle		D		
13	V500 0200 19	clamp		D		
14	V500 0200 20	clamp	C,D1,D3,F1,F2,G1,I, J,K	D		
15	V500 0200 39	clamp	A,A1,B,F1,G2	D		
16	V500 0200 42	locker		D		
17	V500 0200 82	Clamping for FFC		D		
18	V500 0200 84	Clamping for FFC		D		
19	V570 0100 21	Saddle	C,D1,D3,F2,G1,I,J,K	D		
20	V570 0100 23	saddle		D		
21	V570 0100 26	saddle		D		
22	V570 0100 27	saddle		D		
23	V570 0100 28	saddle		D		
24	V570 0100 31	holder		D		
25	V570 0100 46	SADDLE		D		
26	V500 0200 52	bushing	A,A1,B,G2	D		
27	4030 2053 01	SPACER (BLACK)		C	1	
28	4030 2054 01	SPACER (WHITE)		C	1	

bizhub 223/bizhub 283/bizhub 363/bizhub 423/bizhub 7828

ACCESSORY PARTS



ACCESSORY PARTS

Key	Part No.	Description	Destinations	Class	QTY	Standard parts
1	A0ED 1662 00	Holder		C	1	
2	A0ED 1661 00	Installing Spacer	A,A1,C,D1,D3,F1,F2, G1,I,J,K	D	1	
3	A00J 1691 00	Cover		C	2	
4	A02E 1677 00	Cover		C	2	
5	A0PD 1602 00	Pen		C	1	
6	A1UD 1718 00	Seal		C	2	
7	V116 0308 03	Screw		V	1	
8	A02E 1616 00	Seal		C	2	
9	A0ED N302 01	Power source Cord /230V	D1,D3,F2,G1,I,K	D	1	
9	9381 4300 31	POWER CORD	J	D	1	
10	A02E 9420 00	Label Metric	A,A1,C,D1,D3,F1,F2, G1,I,J,K	C	1	
10	A02E 9421 00	Label Inch	B,G2	C	1	
11	A00J 9401 00	Label Legal Restriction	C,D1,D3,F1,F2,G1,I, J,K	C	1	

bizhub 223/bizhub 283/bizhub 363/bizhub 423/bizhub 7828

MAINTENANCE LIST

● The items with no Page/Key numbers are not handled as spare parts.

No.	Section	PM Parts Description	Maintenance Cycle (K=1,000)		Parts No.	Destinations	Page/Key	Note
			QTY	Replace				
1	Manual bypass tray	Manual bypass tray feed roller	1	200k *2	A00F623200		P25-17	*4
2		Manual bypass tray separation roller assy	1	200k *2	4034015101		P26-31	*4
3	Tray 1	Tray 1 pick-up roller	1	300k *2	A00J563600		P13-13	*4
4		Tray 1 feed roller	1	300k *2	A00J563600		P13-13	*4
5		Tray 1 separation roller assy	1	300k *2	A00J563600		P14-6	*4
6	Tray 2	Tray 2 pick-up roller	1	300k *2	A00J563600		P16-11	*4
7		Tray 2 feed roller	1	300k *2	A00J563600		P16-11	*4
8		Tray 2 separation roller assy	1	300k *2	A00J563600		P17-17	*4
9	Conveyance section	Timing roller bearing	4	900k	1164354901		P29-21	
10		Timing roller gear 18T	1	900k	1164350801		P29-22	
11		Timing roller gear 13T	1	900k	1164351501		P29-23	
12		Paper dust remover	1	150k *2	4040077800		P29-35	
13	Fusing section	Fusing Unit 100V	1	450k *3	A1UDR70800	{bizhub 423}	P32-1	
14		Fusing Unit 100V	1	450k *3	A1UDR70800	{bizhub 363}	P32-1	
15		Fusing Unit 100V	1	420k *3	A1UDR70800	{bizhub 283}	P32-1	
16		Fusing Unit 100V	1	340k *3	A1UDR70800	{bizhub 223}	P32-1	
17		Fusing Unit 120V	1	450k *3	A1UDR70900	{bizhub 423}	P32-1	
18		Fusing Unit 120V	1	450k *3	A1UDR70900	{bizhub 363}	P32-1	
19		Fusing Unit 120V	1	420k *3	A1UDR70900	{bizhub 283}	P32-1	
20		Fusing Unit 120V	1	340k *3	A1UDR70900	{bizhub 223}	P32-1	
21		Fusing Unit 200V	1	450k *3	A1UDR71000	{bizhub 423}	P32-1	
22		Fusing Unit 200V	1	450k *3	A1UDR71000	{bizhub 363}	P32-1	
23		Fusing Unit 200V	1	420k *3	A1UDR71000	{bizhub 283/7828}	P32-1	
24		Fusing Unit 200V	1	340k *3	A1UDR71000	{bizhub 223}	P32-1	
25	Transfer section	Transfer roller unit	1	150k *2	A1UDR70500		P29-39	
26	Processing section	Drum unit	1	120k *3	-	{bizhub 423}		*5
27			1	110k *3	-	{bizhub 363}		*5
28			1	100k *3	-	{bizhub 283/7828}		*5
29		Developer	1	80k *3	-	{bizhub 223}		*5
30			1	120k *3	-	{bizhub 423}		
31			1	110k *3	-	{bizhub 363}		
32			1	100k *3	-	{bizhub 283/7828}		
33			1	80k *3	-	{bizhub 223}		
34			Developing unit	1	480k *3	A1UDR71100	{bizhub 423}	P10-30
35		1		440k *3	A1UDR71100	{bizhub 363}	P10-30	*6
36		1		400k *3	A1UDR71100	{bizhub 283/7828}	P10-30	*6
37		1		320k *3	A1UDR71100	{bizhub 223}	P10-30	*6
38		Toner filter (Developing unit)	1	120k *3	A1UD370700	{bizhub 423}	P10-25	*5
39			1	110k *3	A1UD370700	{bizhub 363}	P10-25	*5
40			1	100k *3	A1UD370700	{bizhub 283/7828}	P10-25	*5
41			1	80k *3	A1UD370700	{bizhub 223}	P10-25	*5
42		Toner filter (Main body)	1	480k *3	A02E148400	{bizhub 423}	P2-4	*6
43			1	440k *3	A02E148400	{bizhub 363}	P2-4	*6
44			1	400k *3	A02E148400	{bizhub 283/7828}	P2-4	*6
45			1	320k *3	A02E148400	{bizhub 223}	P2-4	*6
46		Ozone filter	1	150k *3	A1UD135100		P9-6	
47		Toner bottle	1	25k	-	{bizhub 423}		*1
48			1	25k	-	{bizhub 363}		*1
49			1	17.5k	-	{bizhub 283/7828}		*1
50			1	17.5k	-	{bizhub 223}		*1

*1: The parts can be replaced either by user or service engineer.

bizhub 223/bizhub 283/bizhub 363/bizhub 423/bizhub 7828

- *2: Actual durable cycle (life counter value)
- *3: Field standard yield refer Service manual: Field Service P.27
- *4: Replace those three parts at the same time.
- *5: The drum unit and toner filter (Developing unit) should be replaced with new ones at the same time.
- *6: The drum unit and toner filter (Main body) should be replaced with new ones at the same time.

メンテナンスリスト

● ページ / キーナンバーのないものは、アフターサービス部品ではありません。

No.	区分	PM 部品名称	サイクル (K=1,000)		部品番号	仕向地	頁 / キー	備考
			員数	交換				
1	手差し	手差しトレイ給紙ローラー	1	200k *2	A00F623200		P25-17	*4
2		手差しトレイ分離ローラー Assy	1	200k *2	4034015101		P26-31	*4
3	トレイ 1	トレイ 1 ビックアップローラー	1	300k *2	A00J563600		P13-13	*4
4		トレイ 1 給紙ローラー	1	300k *2	A00J563600		P13-13	*4
5		トレイ 1 分離ローラー	1	300k *2	A00J563600		P14-6	*4
6	トレイ 2	トレイ 2 ビックアップローラー	1	300k *2	A00J563600		P16-11	*4
7		トレイ 2 給紙ローラー	1	300k *2	A00J563600		P16-11	*4
8		トレイ 2 分離ローラー	1	300k *2	A00J563600		P17-17	*4
9	搬送部	タイミングローラー軸受	4	900k	1164354901		P29-21	
10		タイミングローラーギア 1 8 T	1	900k	1164350801		P29-22	
11		タイミングローラーギア 1 3 T	1	900k	1164351501		P29-23	
12		紙粉除去クリーナー	1	150k *2	4040077800		P29-35	
13	定着部	定着ユニット 100V	1	450k *3	A1UDR70800	{bizhub 423}	P32-1	
14			1	450k *3	A1UDR70800	{bizhub 363}	P32-1	
15			1	420k *3	A1UDR70800	{bizhub 283}	P32-1	
16			1	340k *3	A1UDR70800	{bizhub 223}	P32-1	
17		定着ユニット 120V	1	450k *3	A1UDR70900	{bizhub 423}	P32-1	
18			1	450k *3	A1UDR70900	{bizhub 363}	P32-1	
19			1	420k *3	A1UDR70900	{bizhub 283}	P32-1	
20		定着ユニット 200V	1	340k *3	A1UDR70900	{bizhub 223}	P32-1	
21			1	450k *3	A1UDR71000	{bizhub 423}	P32-1	
22			1	450k *3	A1UDR71000	{bizhub 363}	P32-1	
23			1	420k *3	A1UDR71000	{bizhub 283/7828}	P32-1	
24			1	340k *3	A1UDR71000	{bizhub 223}	P32-1	
25	転写部	転写ローラーユニット	1	150k *2	A1UDR70500		P29-39	

bizhub 223/bizhub 283/bizhub 363/bizhub 423/bizhub 7828

No.	区分	PM 部品名称	サイクル (K=1,000)		部品番号	仕向地	頁/キー	備考
			員数	交換				
26	プロセス部	ドラムユニット	1	120k *3	-	{bizhub 423}		*5
27			1	110k *3	-	{bizhub 363}		*5
28			1	100k *3	-	{bizhub 283/7828}		*5
29			1	80k *3	-	{bizhub 223}		*5
30			現像剤		1	120k *3	-	{bizhub 423}
31	1	110k *3			-	{bizhub 363}		
32	1	100k *3			-	{bizhub 283/7828}		
33	1	80k *3			-	{bizhub 223}		
34	現像ユニット				1	480k *3	A1UDR71100	{bizhub 423}
35			1	440k *3	A1UDR71100	{bizhub 363}	P10-30	*6
36			1	400k *3	A1UDR71100	{bizhub 283/7828}	P10-30	*6
37			1	320k *3	A1UDR71100	{bizhub 223}	P10-30	*6
38			トナーフィルター (現像ユニット側)		1	120k *3	A1UD370700	{bizhub 423}
39	1	110k *3			A1UD370700	{bizhub 363}	P10-25	*5
40	1	100k *3			A1UD370700	{bizhub 283/7828}	P10-25	*5
41	1	80k *3			A1UD370700	{bizhub 223}	P10-25	*5
42	トナーフィルター (本体側)				1	480k *3	A02E148400	{bizhub 423}
43			1	440k *3	A02E148400	{bizhub 363}	P2-4	*6
44			1	400k *3	A02E148400	{bizhub 283/7828}	P2-4	*6
45			1	320k *3	A02E148400	{bizhub 223}	P2-4	*6
46			オゾンフィルター	1	150k *3	A1UD135100		P9-6
47	トナーボトル	1	25k	-	{bizhub 423}		*1	
48	10000 枚コピーキット	1	10k	-	{bizhub 423}		*1	
49	トナーボトル	1	25k	-	{bizhub 363}		*1	
50	10000 枚コピーキット	1	10k	-	{bizhub 363}		*1	
51	トナーボトル	1	10k	-	{bizhub 283/7828}		*1	
52	5000 枚コピーキット	1	5k	-	{bizhub 283/7828}		*1	
53	2500 枚コピーキット	1	2.5k	-	{bizhub 283/7828}		*1	
54	トナーボトル	1	10k	-	{bizhub 223}		*1	
55	5000 枚コピーキット	1	5k	-	{bizhub 223}		*1	
56	2500 枚コピーキット	1	2.5k	-	{bizhub 223}		*1	

*1: ユーザー / サービス交換の選択が可能。

*2: ライフカウンター値

*3: 市場標準印刷枚数値 参照 : サービスマニュアル / フィールドサービス P.24

*4: 同時交換する。

*5: ドラムユニットとトナーフィルター (現像ユニット側) は同時交換する。

*6: 現像ユニットとトナーフィルター (本体側) は同時交換する。

bizhub 223/bizhub 283/bizhub 363/bizhub 423/bizhub 7828

DESTINATION

Destination No.		Destinations		V	Hz	Model No.
A	A1	JAPAN		100	50/60	A1UD001/ A1UE001/ A1UF001/ A1UG001
	A2	JAPAN				
B		USA, CANADA		120	60	A1UD011/ A1UD012/ A1UE011/ A1UE012/ A1UF011/ A1UF012/ A1UG011
C		EUROPEAN TYPE		220-240	50/60	A1UD021/ A1UE021/ A1UF021/ A1UG021
D	D1	S.E ASIA TYPE	THAILAND, SRI LANKA, SINGAPORE, MALAYSIA, HONG KONG, PAKISTAN, INDIA, BANGLADESH, INDONESIA	220-240	50/60	A1UD041/ A1UE041/ A1UF041/ A1UG041
	D3	OCEANIA TYPE	AUSTRALIA, NEW ZEALAND			
E		PHILIPPINES				

bizhub 223/bizhub 283/bizhub 363/bizhub 423/bizhub 7828

Destination No.		Destinations	V	Hz	Model No.
F	F1	SAUDI ARABIA	127	60	A1UD0M1/ A1UE0M1/ A1UF0M1/ A1UG0M1
	F2	SAUDI ARABIA	220-240	50/60	A1UD041/ A1UE041/ A1UF041/ A1UG041
G	G1	C.S AMERICA	220-240	50/60	A1UD041/ A1UE041/ A1UF041/ A1UG041
	G2	C.S AMERICA	120	60	A1UD011/ A1UE011/ A1UF011/ A1UG011
H		TAIWAN			
I		JORDAN, LEBANON, SYRIA, SOUTH AFRICA, IRAQ, IRAN, N.YEMEN, CAMEROON, UAE, BAHRAIN, OMAN, QATAR, KUWAIT, KENYA, TUNISIA, IVORY COAST, MOROCCO	220-240	50/60	A1UD041/ A1UE041/ A1UF041/ A1UG041
J		CHINA	220-240	50/60	A1UD081/ A1UE081/ A1UF081/ A1UF082/ A1UG081
K		KOREA	220-240	50/60	A1UD041/ A1UE041/ A1UF041

bizhub 223/bizhub 283/bizhub 363/bizhub 423/bizhub 7828