

KONICA MINOLTA

# *PARTS GUIDE MANUAL*

---

NOVEMBER 2015

*bizhub 216/bizhub 226/bizhub  
236/bizhub 246  
A8A5*

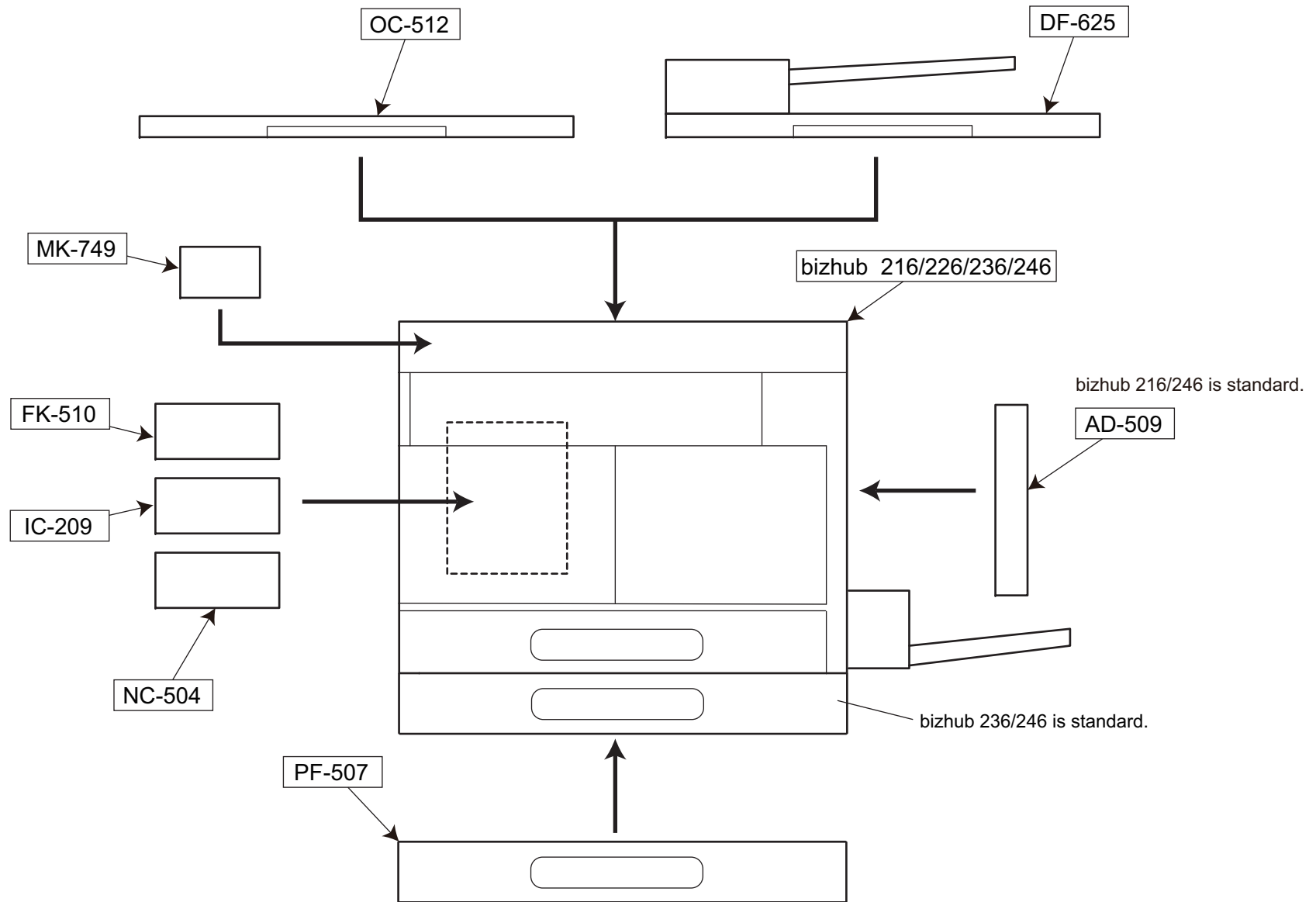
## INFORMATION FOR PARTS GUIDE MANUAL

To find correct Parts No., refer to the "HOW TO MAKE THE BEST USE OF THIS MANUAL" in the following page.

### HOW TO MAKE THE BEST USE OF THIS MANUAL

- 1 When you order, please check the proper figures beforehand that are on Our Parts Guide Manual, and order with the appropriate figures.
- 2 For screws, Nuts, Washers, retaining rings and Pins which are used in this model, one letter is shown on the Standard parts column of Parts list and exploded diagrams.
- 3 In order to maintain safety of the product, some specific parts composed of this product are set up as "essential safety parts".
- 4 The assigned parts number for the "essential safety parts" is indicated as "SP00-\*\*\*\*".  
When replacing these parts, follow precautions for disassembling and installing which are listed in the Service Manual.  
Do not use any parts that are not set up as
- 5 ♣ means that there are exclusive parts for each destination.  
Please check the appropriate destination when you order.
- 6 Revision Mark  
Marked as ▲ on the illustration shows that the revision has been made.
- 7 All rights reserved. (any reprints or quotations are prohibited.)  
Use of this parts guide manual should be strictly supervised to avoid disclosure of confidential information.

# System Configuration



bizhub 216/bizhub 226/bizhub 236/bizhub 246

# GENERAL CONTENTS

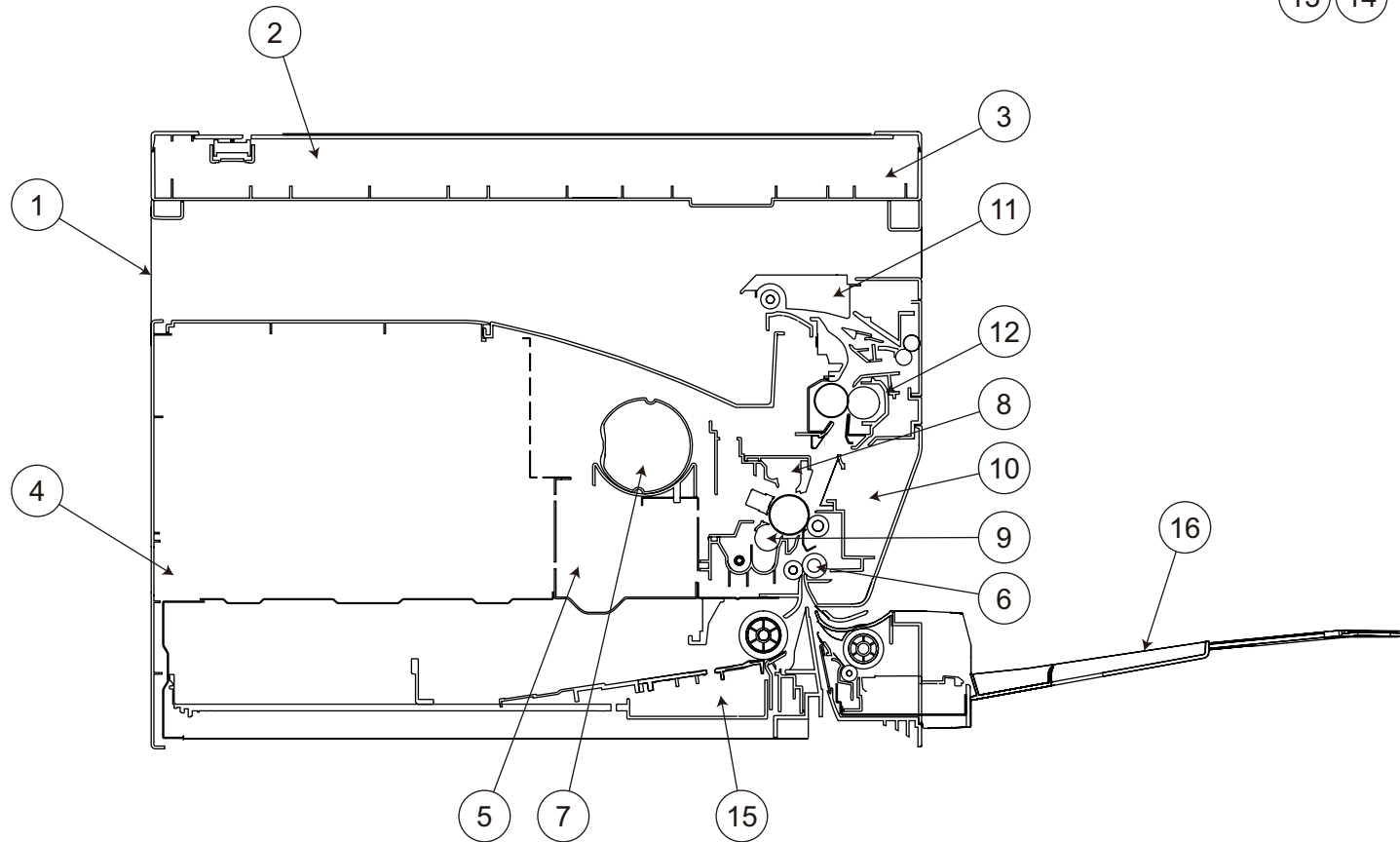
| No. | Description      | Model   |
|-----|------------------|---|
| 1   | Digital MFP B/W  | bizhub 216/bizhub 226/bizhub 236/<br>bizhub 246 |
| 2   | Original Cover   | OC-512  |
| 3   | Document Feeder  | DF-625  |
| 4   | Mount Kit        | MK-749  |
| 5   | Duplex           | AD-509  |
| 6   | Paper Feeder     | PF-507  |
| 7   | Image Controller | NC-504  |
| 8   | Image Controller | IC-209  |
| 9   | Fax Kit          | FK-510  |

bizhub 216/bizhub 226/bizhub 236/bizhub 246

# Section Configuration

REAR SIDE

13 14



bizhub 216/bizhub 226/bizhub 236/bizhub 246

# CONTENTS

| No. | DESCRIPTION                 | PAGE No. |
|-----|-----------------------------|----------|
| 1   | EXTERNAL PARTS              | P1       |
| 2   | IR SECTION                  | P2 P3    |
| 3   | CONTROL PANEL               | P4       |
| 4   | FRAME SECTION               | P5       |
| 5   | PRINT HEAD SECTION          | P6       |
| 6   | PAPER TAKE-UP SECTION       | P7       |
| 7   | HOPPER SECTION              | P8       |
| 8   | CHARGE SECTION              | P9       |
| 9   | DEVELOPING SECTION          | P10      |
| 10  | PAPER TRANSPORT SECTION     | P11      |
| 11  | PAPER EXIT SECTION          | P12      |
| 12  | FUSING UNIT                 | P13      |
| 13  | DRIVE SECTION               | P14      |
| 14  | ELECTRICAL COMPONENTS       | P15      |
| 15  | CASSETTE SECTION            | P16      |
| 16  | MANUAL FEED TRAY            | P17 P18  |
| 17  | WIRING ACCESSORIES AND JIGS | P19      |

# INDEX

| Parts No.  | Page No. |
|------------|----------|
| 0910550712 | 9-1      |
| 1164300403 | 16-7     |
| 1164302701 | 7-10     |
| 1164304501 | 16-26    |
| 1164305401 | 7-13     |
| 1164306101 | 16-19    |
| 1164306201 | 16-20    |
| 4002504202 | 5-1      |
| 4002504202 | 13-25    |
| 4011585801 | 13-8     |
| 4021016602 | 9-4      |
| 4021210101 | 13-27    |
| 4021254702 | 14-15    |
| 4021410801 | 9-24     |
| 4021561501 | 9-11     |
| 4021561601 | 9-9      |
| 4021561801 | 9-19     |
| 4021561901 | 9-18     |
| 4021572002 | 13-4     |
| 4021572712 | 13-20    |
| 4021580201 | 12-11    |
| 4025357201 | 7-9      |
| 4030309301 | 17-34    |
| 4030340201 | 17-19    |
| 4030340301 | 17-18    |
| 4030347501 | 17-27    |
| 4034015101 | 17-30    |
| 4034220501 | 6-14     |
| 4034230501 | 6-5      |
| 4034353401 | 7-5      |
| 4034571101 | 13-18    |
| 4034571501 | 13-15    |
| 4034572201 | 13-34    |
| 4034572301 | 13-33    |
| 4034578401 | 13-10    |
| 4034578501 | 13-9     |
| 4034578601 | 13-7     |
| 4034578701 | 13-3     |
| 4036576501 | 13-17    |
| 4037321001 | 16-5     |

| Parts No.  | Page No. |
|------------|----------|
| 4038321501 | 17-23    |
| 4038323601 | 17-32    |
| 4038325501 | 17-14    |
| 4038326001 | 18-10    |
| 4038326802 | 17-20    |
| 4038326902 | 17-21    |
| 4038328601 | 17-3     |
| 4038541202 | 8-6      |
| 4038560100 | 16-4     |
| 4039328201 | 17-24    |
| 4128201901 | 5-5      |
| 4131353202 | 17-25    |
| 4163407201 | 9-5      |
| 4163436104 | 9-6      |
| 4163529301 | 11-22    |
| 4163560302 | 9-14     |
| 4163560403 | 9-22     |
| 4163560503 | 9-8      |
| 4163560702 | 9-2      |
| 4163560901 | 9-12     |
| 4163561101 | 9-13     |
| 4163561701 | 9-20     |
| 4163562501 | 9-17     |
| 4163563901 | 9-10     |
| 4686330401 | 5-6      |
| 4687328101 | 17-10    |
| 9J03M10000 | 11-7     |
| 9J06M20000 | 18-4     |
| 9J06M60100 | 6-9      |
| A00J307000 | 6-12     |
| A00J945500 | 1-14     |
| A02F621101 | 16-3     |
| A02F621200 | 16-1     |
| A02F623200 | 16-25    |
| A02F625400 | 16-22    |
| A02F944100 | 16-12    |
| A0ED240700 | 8-7      |
| A0FDPP8700 | 5-9      |
| A0FDPP8700 | 12-16    |
| A0HF952400 | 3-2      |

| Parts No.  | Page No. |
|------------|----------|
| A0HFPP1900 | 3-4      |
| A0XX330100 | 9-16     |
| A0XX333201 | 9-25     |
| A0XX360200 | 9-21     |
| A0XX361100 | 9-7      |
| A0XX361800 | 9-15     |
| A0XX370900 | 10-9     |
| A0XX372100 | 10-4     |
| A0XX372200 | 10-1     |
| A0XX372300 | 10-3     |
| A0XX372400 | 10-5     |
| A0XX372500 | 10-2     |
| A0XX373600 | 10-6     |
| A0XX374500 | 10-8     |
| A0XX560200 | 16-11    |
| A0XX594700 | 17-16    |
| A0XXPP0600 | 6-1      |
| A0XXPP0R01 | 16-6     |
| A0XXPP0S00 | 11-15    |
| A0XXPP0U00 | 11-17    |
| A0XXPP0W01 | 7-15     |
| A0XXPP0X01 | 7-7      |
| A0XXPP1401 | 13-26    |
| A0XXPP1501 | 13-30    |
| A0XXPP1601 | 13-29    |
| A0XXPP1700 | 6-2      |
| A0XXPP1D01 | 17-7     |
| A0XXPP1G00 | 2-4      |
| A0XXPP1N00 | 17-6     |
| A0XXPP1R00 | 6-8      |
| A0XXPP1S00 | 15-19    |
| A0XXPP1T00 | 17-13    |
| A0XXPP1V01 | 11-6     |
| A0XXPP1W01 | 17-26    |
| A0XXPP1X01 | 11-9     |
| A0XXPP2101 | 16-13    |
| A0XXPP2301 | 7-2      |
| A0XXPP2401 | 17-36    |
| A0XXPP2501 | 17-35    |
| A0XXPP2601 | 17-33    |

| Parts No.  | Page No. |
|------------|----------|
| A0XXPP2C01 | 2-5      |
| A0XXPP2W01 | 14-8     |
| A0XXPP2X01 | 14-13    |
| A0XXPP2Y01 | 14-11    |
| A0XXPP3001 | 14-14    |
| A0XXPP3101 | 14-7     |
| A0XXPP3201 | 14-5     |
| A0XXPP3301 | 14-6     |
| A0XXPP3401 | 14-2     |
| A0XXPP3501 | 14-1     |
| A0XXPP3601 | 14-3     |
| A0XXPP3701 | 14-4     |
| A0XXPP3A01 | 16-16    |
| A0XXPP3B01 | 16-27    |
| A0XXPP3E00 | 16-18    |
| A0XXPP3G01 | 7-14     |
| A0XXPP3H01 | 11-8     |
| A0XXPP3N01 | 7-6      |
| A0XXPP3P00 | 7-3      |
| A0XXPP3Q01 | 8-4      |
| A0XXPP3S01 | 8-5      |
| A0XXPP3T01 | 8-3      |
| A0XXPP3U01 | 8-2      |
| A0XXPP3V01 | 8-8      |
| A0XXPP4902 | 17-2     |
| A0XXPP4A01 | 17-1     |
| A0XXPP4B01 | 17-11    |
| A0XXPP4C00 | 17-5     |
| A0XXPP4D00 | 17-4     |
| A0XXPP4E01 | 17-12    |
| A0XXPP4G01 | 18-3     |
| A0XXPP4H01 | 18-7     |
| A0XXPP4J01 | 18-9     |
| A0XXPP4K01 | 18-5     |
| A0XXPP4M01 | 17-8     |
| A0XXPP4V00 | 17-28    |
| A0XXPP4W01 | 6-7      |
| A0XXPP5002 | 11-11    |
| A0XXPP5102 | 11-13    |
| A0XXPP5201 | 1-12     |

| Parts No.   | Page No. |
|-------------|----------|
| A0XXPP5501  | 7-4      |
| A0XXPP5700  | 17-37    |
| A0XXPP5C01  | 1-10     |
| A0XXPP5J01  | 1-11     |
| A0XXPP5M01  | 11-12    |
| A0XXPP5T00  | 6-13     |
| A0XXPP5U00  | 2-13     |
| A0XXPP6E01  | 16-15    |
| A0XXPP6H01  | 11-14    |
| A0XXPP6S00  | 17-15    |
| A0XXPP6T00  | 17-29    |
| A0XXPP7900  | 16-2     |
| A0XXPP7A00  | 16-14    |
| A0XXPPQ0500 | 1-10     |
| A1XTR70122  | 6-15     |
| A1XUM50300  | 10-7     |
| A1XUR70000  | 9-3      |
| A1XUR70100  | 9-23     |
| A3PEPP0000  | 3-6      |
| A3PEPP0100  | 2-15     |
| A3PEPP0200  | 2-17     |
| A3PEPP0300  | 2-3      |
| A3PEPP0400  | 2-6      |
| A3PEPP0500  | 2-1      |
| A3PEPP0600  | 2-8      |
| A3PEPP0600  | 2-9      |
| A3PEPP0800  | 2-2      |
| A3PEPP0800  | 4-17     |
| A3PEPP0800  | 12-17    |
| A3PEPP0900  | 2-12     |
| A3PEPP0A00  | 2-11     |
| A3PEPP0B01  | 2-10     |
| A3PEPP0C00  | 2-7      |
| A3PEPP0D00  | 2-16     |
| A3PEPP0F00  | 3-1      |
| A3PEPP0G00  | 3-7      |
| A3PEPP0H01  | 3-3      |
| A3PEPP0J00  | 4-22     |
| A3PEPP0K00  | 4-10     |
| A3PEPP0M00  | 4-8      |

| Parts No.  | Page No. |
|------------|----------|
| A3PEPP0N00 | 4-7      |
| A3PEPP0P00 | 4-6      |
| A3PEPP0Q00 | 4-4      |
| A3PEPP0R00 | 4-3      |
| A3PEPP0S00 | 4-21     |
| A3PEPP0T00 | 4-20     |
| A3PEPP0U00 | 4-9      |
| A3PEPP0V00 | 4-12     |
| A3PEPP0W00 | 4-13     |
| A3PEPP0X00 | 4-14     |
| A3PEPP0Y00 | 4-19     |
| A3PEPP1000 | 4-18     |
| A3PEPP1100 | 4-5      |
| A3PEPP1200 | 4-15     |
| A3PEPP1600 | 4-16     |
| A3PEPP1700 | 4-2      |
| A3PEPP1X00 | 7-11     |
| A3PEPP1X00 | 15-11    |
| A3PEPP1X00 | 15-22    |
| A3PEPP1X00 | 17-9     |
| A3PEPP1X00 | 18-2     |
| A3PEPP2N00 | 16-24    |
| A3PEPP2P00 | 16-10    |
| A3PEPP2Q00 | 16-21    |
| A3PEPP2R00 | 16-23    |
| A3PEPP2S00 | 15-18    |
| A3PEPP2T00 | 15-17    |
| A3PEPP2U00 | 16-9     |
| A3PEPP2V00 | 16-8     |
| A3PEPP2W00 | 16-28    |
| A3PEPP2X00 | 16-17    |
| A3PEPP2Y00 | 7-1      |
| A3PEPP3100 | 11-2     |
| A3PEPP3200 | 11-20    |
| A3PEPP3300 | 11-1     |
| A3PEPP3400 | 11-3     |
| A3PEPP3500 | 11-16    |
| A3PEPP3600 | 11-10    |
| A3PEPP3700 | 11-5     |
| A3PEPP3800 | 11-19    |

| Parts No.  | Page No. |
|------------|----------|
| A3PEPP3900 | 11-4     |
| A3PEPP3B00 | 11-23    |
| A3PEPP3C00 | 11-24    |
| A3PEPP3D00 | 11-21    |
| A3PEPP3E01 | 12-7     |
| A3PEPP3F00 | 12-8     |
| A3PEPP3G00 | 12-9     |
| A3PEPP3H00 | 12-15    |
| A3PEPP3J00 | 12-14    |
| A3PEPP3K00 | 12-13    |
| A3PEPP3M00 | 12-6     |
| A3PEPP3N00 | 12-4     |
| A3PEPP3P00 | 12-2     |
| A3PEPP3R00 | 12-3     |
| A3PEPP3S00 | 12-12    |
| A3PEPP3T00 | 12-5     |
| A3PEPP3U00 | 12-1     |
| A3PEPP3V00 | 13-11    |
| A3PEPP3W00 | 13-11    |
| A3PEPP3Y00 | 13-16    |
| A3PEPP4000 | 13-21    |
| A3PEPP4100 | 13-31    |
| A3PEPP4200 | 13-19    |
| A3PEPP4300 | 13-13    |
| A3PEPP4400 | 13-5     |
| A3PEPP4500 | 13-12    |
| A3PEPP4600 | 13-32    |
| A3PEPP4700 | 13-23    |
| A3PEPP4800 | 13-2     |
| A3PEPP4900 | 13-1     |
| A3PEPP4A02 | 13-14    |
| A3PEPP4C00 | 13-22    |
| A3PEPP4D00 | 13-6     |
| A3PEPP4E00 | 14-23    |
| A3PEPP4F00 | 14-10    |
| A3PEPP4F00 | 18-6     |
| A3PEPP4G00 | 13-28    |
| A3PEPP4H00 | 14-9     |
| A3PEPP4J00 | 14-20    |
| A3PEPP4P00 | 14-24    |

| Parts No.  | Page No. |
|------------|----------|
| A3PEPP4Q00 | 14-21    |
| A3PEPP4R00 | 14-26    |
| A3PEPP4S01 | 13-24    |
| A3PEPP4T00 | 1-1      |
| A3PEPP4U00 | 1-4      |
| A3PEPP4V00 | 1-2      |
| A3PEPP4W00 | 1-3      |
| A3PEPP4X00 | 1-8      |
| A3PEPP5000 | 1-7      |
| A3PEPP5100 | 1-7      |
| A3PEPP5300 | 1-7      |
| A3PEPP5500 | 1-9      |
| A3PEPP5900 | 1-5      |
| A3PEPP5B00 | 17-41    |
| A3PEPP5C00 | 1-6      |
| A3PEPP5F00 | 5-7      |
| A3PEPP5G00 | 5-4      |
| A3PEPP5H00 | 5-2      |
| A3PEPP5J00 | 5-3      |
| A3PEPP5K00 | 15-7     |
| A3PEPP5M00 | 15-20    |
| A3PEPP5N00 | 15-9     |
| A3PEPP5P00 | 15-12    |
| A3PEPP5Q00 | 15-14    |
| A3PEPP5R00 | 15-16    |
| A3PEPP5S00 | 15-15    |
| A3PEPP5T00 | 15-19    |
| A3PEPP5V00 | 5-8      |
| A3PEPP5W00 | 6-10     |
| A3PEPP5X00 | 6-4      |
| A3PEPP5Y00 | 6-6      |
| A3PEPP6000 | 15-8     |
| A3PEPP6100 | 6-11     |
| A3PEPP6200 | 6-3      |
| A3PEPP6300 | 15-10    |
| A3PEPP6600 | 15-1     |
| A3PEPP6700 | 15-5     |
| A3PEPP6801 | 15-5     |
| A3PEPP6900 | 15-6     |
| A3PEPP6A00 | 15-2     |

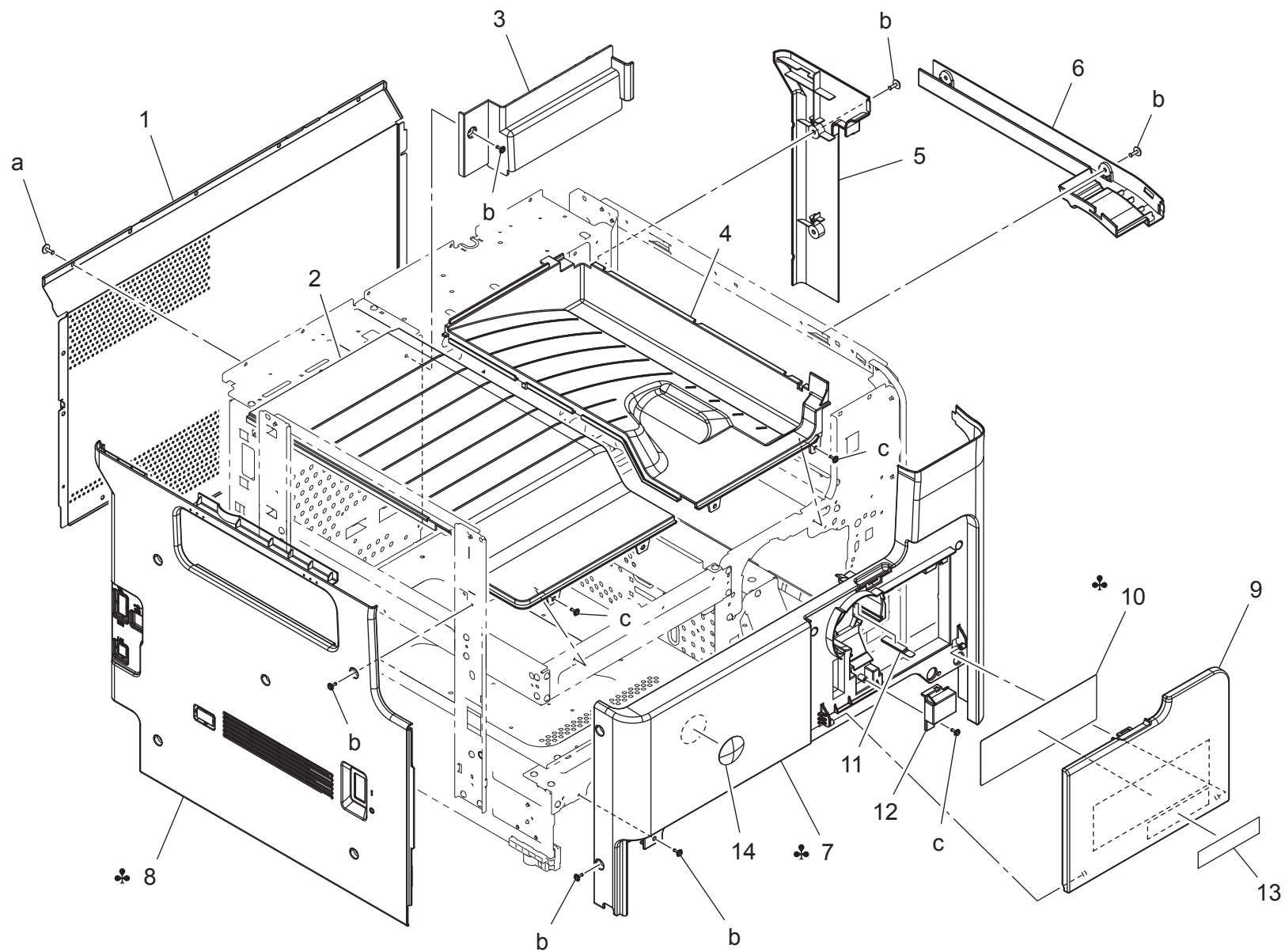
| Parts No.  | Page No. |
|------------|----------|
| A3PEPP6C00 | 15-3     |
| A3PEPP6E00 | 4-11     |
| A3PEPP6F00 | 8-1      |
| A3PEPP6G00 | 7-8      |
| A3PEPP6H00 | 11-18    |
| A3PEPP6J00 | 5-10     |
| A3PEPP6K00 | 6-16     |
| A3PEPP6K00 | 2-14     |
| A3PEPP6N00 | 16-29    |
| A3PEPP6P00 | 16-30    |
| A3PEPP6R00 | 12-10    |
| A3PEPP6S00 | 14-16    |
| A3PEPP6T00 | 14-12    |
| A3PEPP6U00 | 14-25    |
| A3PEPP6V00 | 14-22    |
| A3PEPP6W00 | 14-17    |
| A3PEPP6X00 | 14-19    |
| A3PEPP6Y00 | 14-18    |
| A3PEPP7000 | 14-27    |
| A3PEPP7100 | 3-5      |
| A3PEPP7200 | 7-12     |
| A3PEPP7400 | 15-13    |
| A3PEPP7500 | 15-21    |
| A3PHPP1100 | 17-40    |
| A3PHPP1200 | 17-22    |
| A3PHPP1300 | 17-38    |
| A3PHPP1400 | 17-39    |
| A3PHPP1500 | 17-17    |
| A3PHPP1601 | 18-1     |
| A3PHPP1700 | 17-31    |
| A3PHPP1800 | 18-11    |
| A3PHPP1900 | 18-8     |
| A8A5195000 | 4-1      |
| A8A5195100 | 4-1      |
| A8A5PP0600 | 5-7      |
| A8A5PP0700 | 1-8      |
| A8A5PP0800 | 1-13     |
| A8A5PP0900 | 1-13     |
| A8A5PP1000 | 1-13     |
| A8A5PP1100 | 1-13     |

| Parts No.  | Page No. |
|------------|----------|
| A8A5PP1300 | 15-4     |
| V500010082 | 19-1     |
| V500020042 | 19-4     |
| V500020098 | 19-2     |
| V500020099 | 19-3     |
| V570010021 | 19-5     |



# EXTERNAL PARTS

P 1



bizhub 216/bizhub 226/bizhub 236/bizhub 246

# EXTERNAL PARTS

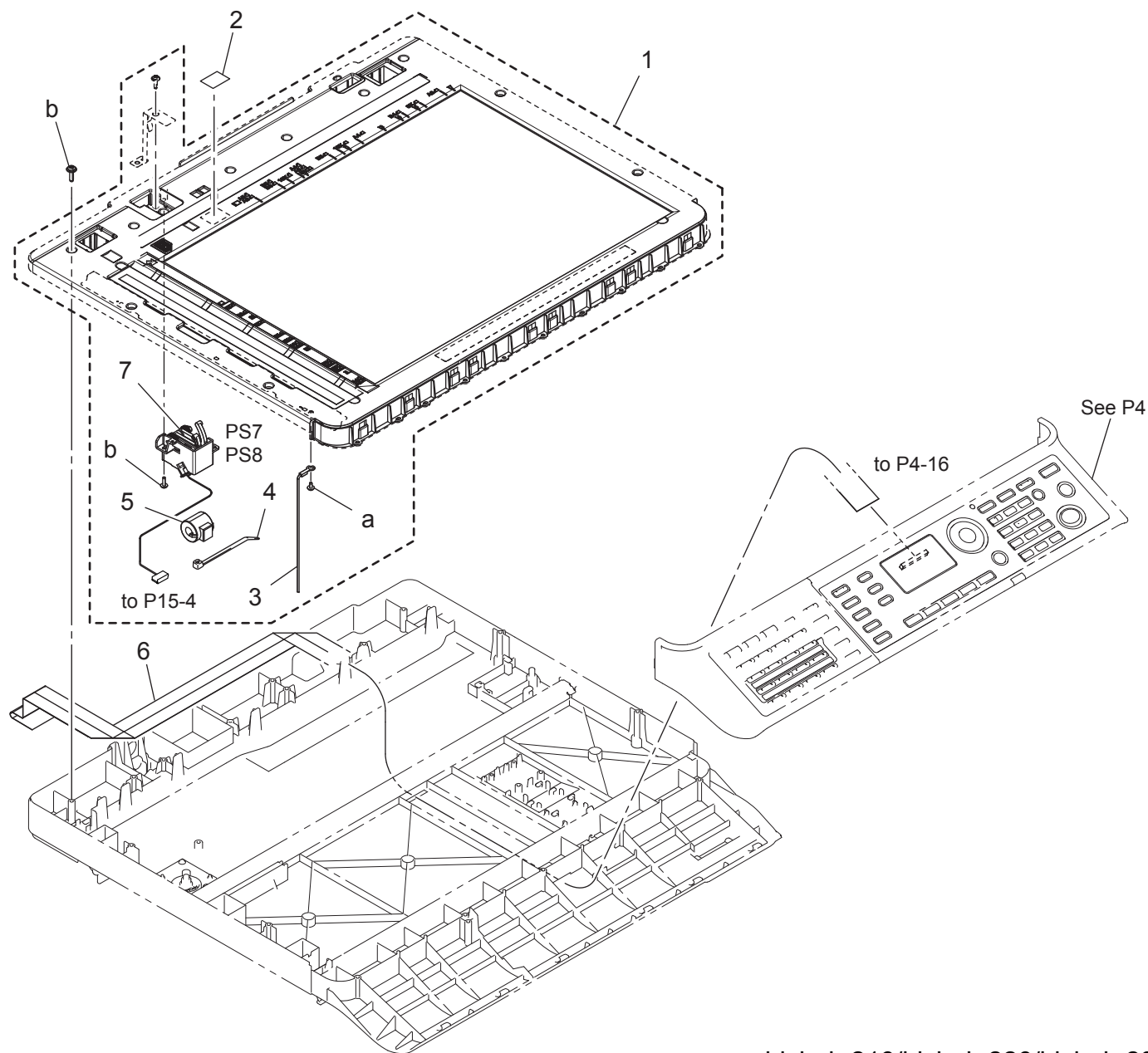
| Key | Part No.   | Description       | Destinations              | Class | QTY | Standard parts                               |
|-----|------------|-------------------|---------------------------|-------|-----|--|
| 1   | A3PEPP4T00 | Rear Cover        |                           | D     | 1   | a-V137030603<br>b-V137030804<br>c-V137030803 |
| 2   | A3PEPP4V00 | Left Exit Tray    |                           | C     | 1   |  |
| 3   | A3PEPP4W00 | Cover             |                           | D     | 1   |  |
| 4   | A3PEPP4U00 | Right Exit Tray   |                           | C     | 1   |  |
| 5   | A3PEPP5900 | Right Rear Cover  |                           | C     | 1   |  |
| 6   | A3PEPP5C00 | Right Upper Cover |                           | C     | 1   |  |
| 7   | A3PEPP5100 | Front Cover       | C,I (South Africa)        | C     | 1   |  |
| 7   | A3PEPP5000 | Front Cover       | D1,E,F2,G1,G2,{bizhub226} | C     | 1   |  |
| 7   | A3PEPP5000 | Front Cover       | J{bizhub216/236}          | C     | 1   |  |
| 7   | A3PEPP5300 | Front Cover       | J{bizhub226/246}          | C     | 1   |  |
| 8   | A8A5PP0700 | Left Cover        | C,I (South Africa)        | C     | 1   |  |
| 8   | A3PEPP4X00 | Left Cover        | D1,E,F2,G1,G2,I,J         | C     | 1   |  |
| 9   | A3PEPP5500 | Front Cover       |                           | C     | 1   |  |
| 10  | A0XXPP5C01 | Label             | C,G2,I (South Africa)     | C     | 1   |  |
| 10  | A0XXPQ0500 | Label             | D1,E,F2,G1,I,J            | C     | 1   |  |
| 11  | A0XXPP5J01 | Spacer            |                           | C     | 1   |  |
| 12  | A0XXPP5201 | Cover             |                           | D     | 1   |  |
| 13  | A8A5PP1100 | Label bizhub 216  | {bizhub 216}              | C     | 1   |  |
| 13  | A8A5PP1000 | Label bizhub 226  | {bizhub 226}              | C     | 1   |  |
| 13  | A8A5PP0900 | Label bizhub 236  | {bizhub 236}              | C     | 1   |  |
| 13  | A8A5PP0800 | Label bizhub 246  | {bizhub 246}              | C     | 1   |  |
| 14  | A00J945500 | Logo Mark         |                           | C     | 1   |  |
|     |            |                   |                           |       |     |  |
|     |            |                   |                           |       |     |  |
|     |            |                   |                           |       |     |  |
|     |            |                   |                           |       |     |  |
|     |            |                   |                           |       |     |  |
|     |            |                   |                           |       |     |  |
|     |            |                   |                           |       |     |  |
|     |            |                   |                           |       |     |  |
|     |            |                   |                           |       |     |  |

bizhub 216/bizhub 226/bizhub 236/bizhub 246



| Key | Part No.   | Description       | Destinations | Class | QTY | Standard parts |
|-----|------------|-------------------|--------------|-------|-----|----------------|
| 1   | A3PEPP0500 | Holder            |              | D     | 1   | a-V153030803   |
| 2   | A3PEPP0800 | Scew              |              | C     | 6   |                |
| 3   | A3PEPP0300 | Timing Belt       |              | C     | 1   |                |
| 4   | A0XXPP1G00 | Tension Spring    |              | C     | 1   |                |
| 5   | A0XXPP2C01 | Pulley            |              | C     | 1   |                |
| 6   | A3PEPP0400 | Holder            |              | C     | 1   |                |
| 7   | A3PEPP0C00 | Cover             |              | C     | 1   |                |
| 8   | A3PEPP0600 | Photoreflector    | (OPTION)     | I     | 1   |                |
| 9   | A3PEPP0600 | Photoreflector    |              | I     | 1   |                |
| 10  | A3PEPP0B01 | WIRE HARNESS ASSY |              | D     | 1   |                |
| 11  | A3PEPP0A00 | Seal              |              | C     | 1   |                |
| 12  | A3PEPP0900 | Seal              |              | C     | 1   |                |
| 13  | A0XXPP5U00 | Shoulder Screw    |              | C     | 2   |                |
| 14  | A3PEPP6K00 | Seal              |              | C     | 1   |                |
| 15  | A3PEPP0100 | CIS Assy          |              | C     | 1   |                |
| 16  | A3PEPP0D00 | Seal              |              | C     | 2   |                |
| 17  | A3PEPP0200 | Motor Fix Assy    |              | C     | 1   |                |
|     |            |                   |              |       |     |                |
|     |            |                   |              |       |     |                |
|     |            |                   |              |       |     |                |
|     |            |                   |              |       |     |                |
|     |            |                   |              |       |     |                |
|     |            |                   |              |       |     |                |
|     |            |                   |              |       |     |                |
|     |            |                   |              |       |     |                |
|     |            |                   |              |       |     |                |

bizhub 216/bizhub 226/bizhub 236/bizhub 246



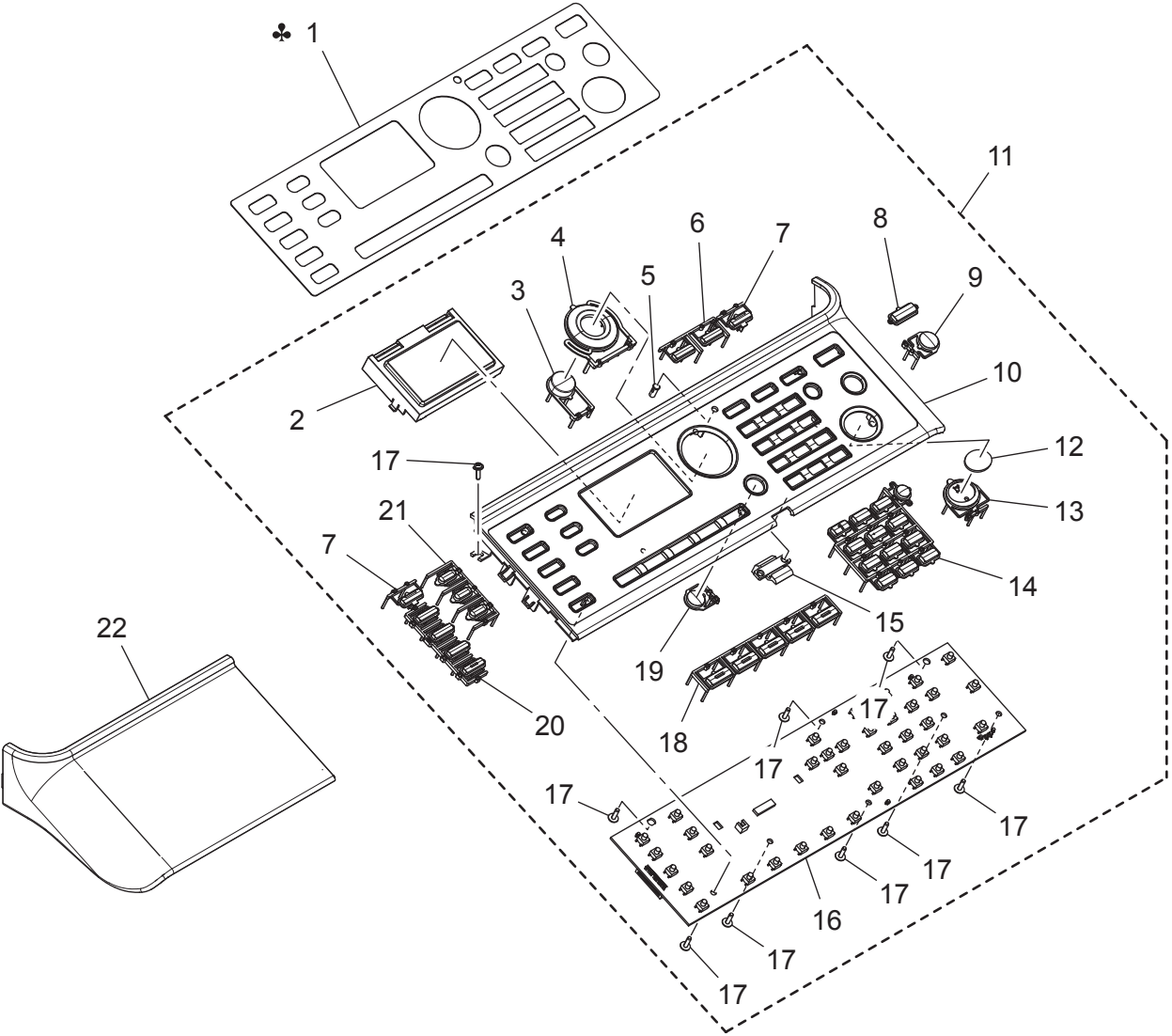
bizhub 216/bizhub 226/bizhub 236/bizhub 246

IR SECTION

| Key | Part No.   | Description       | Destinations | Class | QTY | Standard parts               |
|-----|------------|-------------------|--------------|-------|-----|------------------------------|
| 1   | A3PEPP0F00 | IR Cover Assy     |              | C     | 1   | a-V116030803<br>b-A3PEPP0800 |
| 2   | A0HF952400 | Label             |              | C     | 1   |                              |
| 3   | A3PEPP0H01 | Wire Harness Assy |              | D     | 1   |                              |
| 4   | A0HFPP1900 | Cable Tie         |              | D     | 1   |                              |
| 5   | A3PEPP7100 | Ferrite Core      |              | D     | 1   |                              |
| 6   | A3PEPP0000 | FFC Panel         |              | C     | 1   |                              |
| 7   | A3PEPP0G00 | Sensor Assy       |              | I     | 1   |                              |
|     |            |                   |              |       |     |                              |
|     |            |                   |              |       |     |                              |
|     |            |                   |              |       |     |                              |
|     |            |                   |              |       |     |                              |
|     |            |                   |              |       |     |                              |
|     |            |                   |              |       |     |                              |
|     |            |                   |              |       |     |                              |
|     |            |                   |              |       |     |                              |
|     |            |                   |              |       |     |                              |
|     |            |                   |              |       |     |                              |
|     |            |                   |              |       |     |                              |
|     |            |                   |              |       |     |                              |
|     |            |                   |              |       |     |                              |
|     |            |                   |              |       |     |                              |

bizhub 216/bizhub 226/bizhub 236/bizhub 246

CONTROL PANEL



bizhub 216/bizhub 226/bizhub 236/bizhub 246

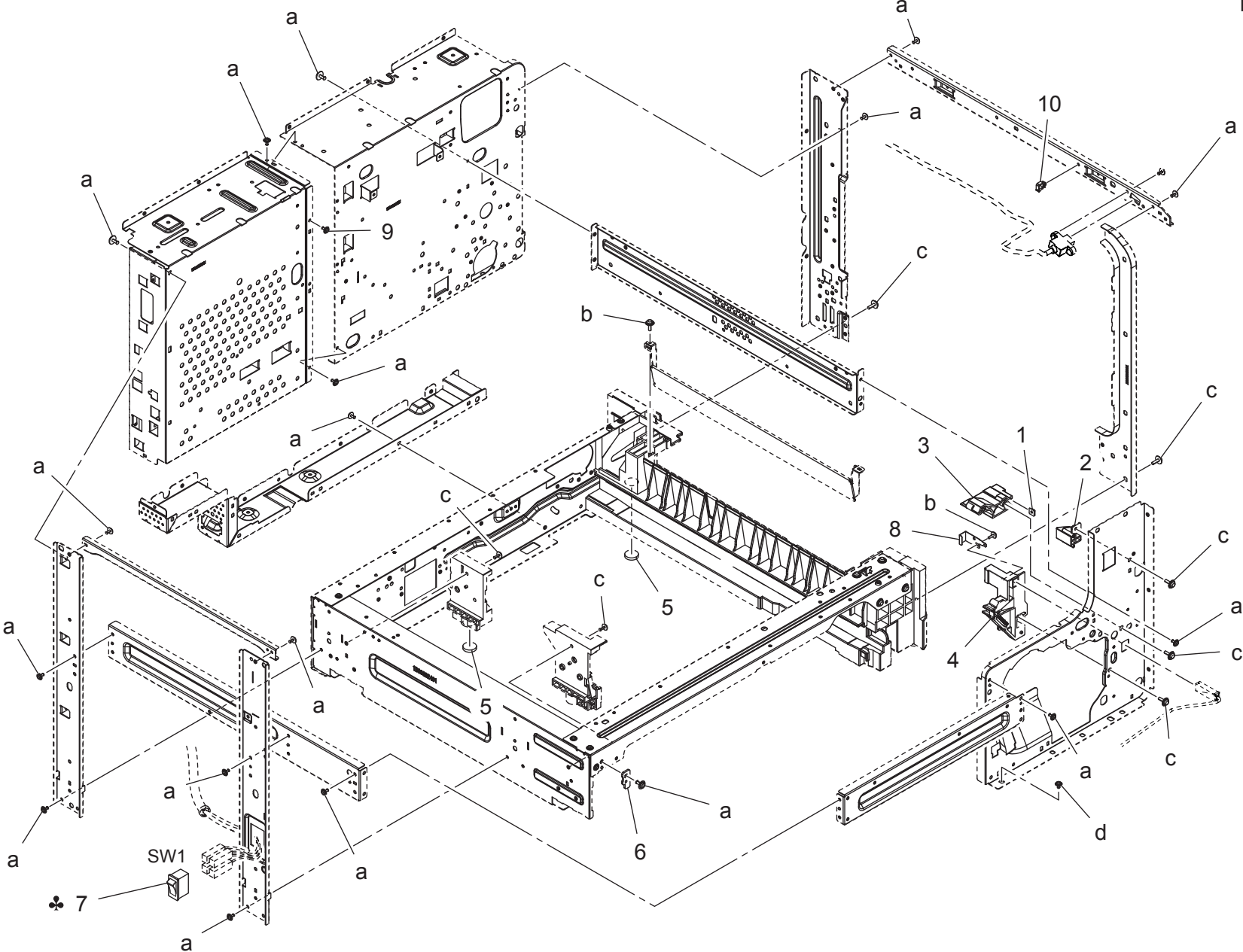
# CONTROL PANEL

| Key | Part No.   | Description                 | Destinations           | Class | QTY | Standard parts |
|-----|------------|-----------------------------|------------------------|-------|-----|----------------|
| 1   | A8A5195000 | Operation Sheet/ English    | C,D1,E,F2,G1,G2,I<br>J | C     | 1   |                |
| 1   | A8A5195100 | Operation Sheet/ Simplified |                        | C     | 1   |                |
| 2   | A3PEPP1700 | LCD Assy                    |                        | C     | 1   |                |
| 3   | A3PEPP0R00 | Print Select Key            |                        | D     | 1   |                |
| 4   | A3PEPP0Q00 | Print Arrow Key             | D                      | 1     |     |                |
| 5   | A3PEPP1100 | Cover                       | D                      | 1     |     |                |
| 6   | A3PEPP0P00 | Mode Key                    | D                      | 1     |     |                |
| 7   | A3PEPP0N00 | Interrupt Key               | D                      | 2     |     |                |
| 8   | A3PEPP0M00 | Reset Key                   | D                      | 1     |     |                |
| 9   | A3PEPP0U00 | Print Stop Key              | D                      | 1     |     |                |
| 10  | A3PEPP0K00 | Control Panel               | D                      | 1     |     |                |
| 11  | A3PEPP6E00 | Control Panel Assy          | I                      | 1     |     |                |
| 12  | A3PEPP0V00 | Print Start Key             | D                      | 1     |     |                |
| 13  | A3PEPP0W00 | Lens Start Key              | D                      | 1     |     |                |
| 14  | A3PEPP0X00 | Print Number Key            | D                      | 1     |     |                |
| 15  | A3PEPP1200 | Holder                      | D                      | 1     |     |                |
| 16  | A3PEPP1600 | PW Board Assy               | I                      | 1     |     |                |
| 17  | A3PEPP0800 | Scew                        | C                      | 9     |     |                |
| 18  | A3PEPP1000 | Print Copy Function Key 1   | D                      | 1     |     |                |
| 19  | A3PEPP0Y00 | Back Key                    | D                      | 1     |     |                |
| 20  | A3PEPP0T00 | Copy Function Key 4         | D                      | 1     |     |                |
| 21  | A3PEPP0S00 | Copy Function Key 3         | D                      | 1     |     |                |
| 22  | A3PEPP0J00 | Cover                       | C                      | 1     |     |                |
|     |            |                             |                        |       |     |                |
|     |            |                             |                        |       |     |                |
|     |            |                             |                        |       |     |                |
|     |            |                             |                        |       |     |                |
|     |            |                             |                        |       |     |                |
|     |            |                             |                        |       |     |                |
|     |            |                             |                        |       |     |                |
|     |            |                             |                        |       |     |                |

bizhub 216/bizhub 226/bizhub 236/bizhub 246



FRAME SECTION



bizhub 216/bizhub 226/bizhub 236/bizhub 246

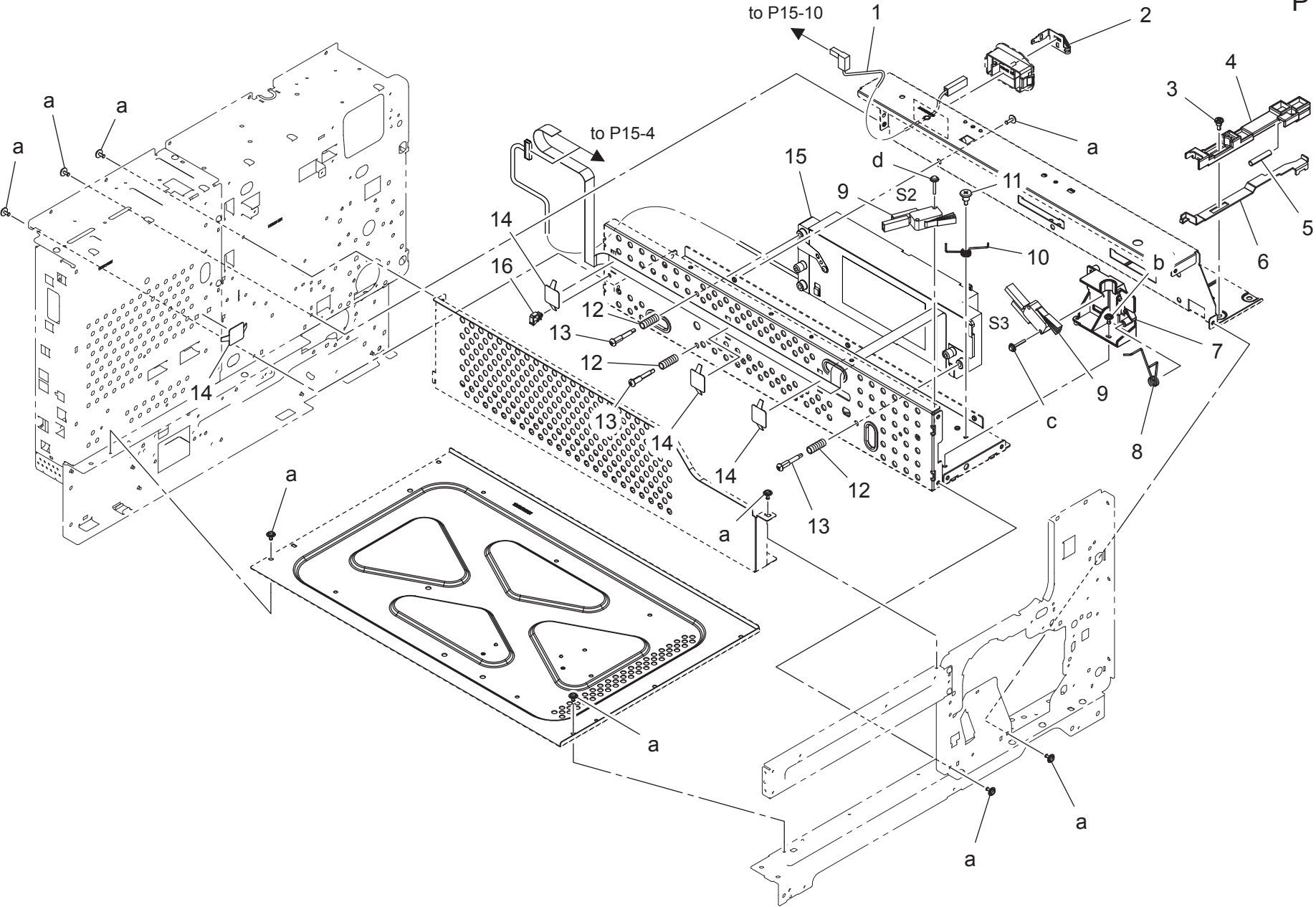
FRAME SECTION

| Key | Part No.   | Description   | Destinations       | Class | QTY | Standard parts   |
|-----|------------|---------------|--------------------|-------|-----|--|
| 1   | 4002504202 | PLATE NUT     |                    | D     | 1   | a-V137030603<br>b-V153030803<br>c-V153041003<br>d-V144030603 |
| 2   | A3PEPP5H00 | Holder        |                    | D     | 1   |  |
| 3   | A3PEPP5J00 | Holder        |                    | D     | 1   |  |
| 4   | A3PEPP5G00 | Holder        |                    | D     | 1   |  |
| 5   | 4128201901 | RUBBER FOOT   |                    | D     | 2   |  |
| 6   | 4686330401 | STOPPER       |                    | D     | 1   |  |
| 7   | A8A5PP0600 | Main Switch   | C,I (South Africa) | C     | 1   |  |
| 7   | A3PEPP5F00 | Main Switch   | D1,E,F2,G1,G2,I,J  | C     | 1   |  |
| 8   | A3PEPP5V00 | Contact       |                    | C     | 1   |  |
| 9   | A0FDPP8700 | SCREW         |                    | C     | 1   |  |
| 10  | A3PEPP6J00 | Wiring Saddle |                    | D     | 1   |  |
|     |            |               |                    |       |     |  |
|     |            |               |                    |       |     |  |
|     |            |               |                    |       |     |  |
|     |            |               |                    |       |     |  |
|     |            |               |                    |       |     |  |
|     |            |               |                    |       |     |  |
|     |            |               |                    |       |     |  |
|     |            |               |                    |       |     |  |
|     |            |               |                    |       |     |  |
|     |            |               |                    |       |     |  |
|     |            |               |                    |       |     |  |
|     |            |               |                    |       |     |  |

bizhub 216/bizhub 226/bizhub 236/bizhub 246

# PRINT HEAD SECTION

P 6



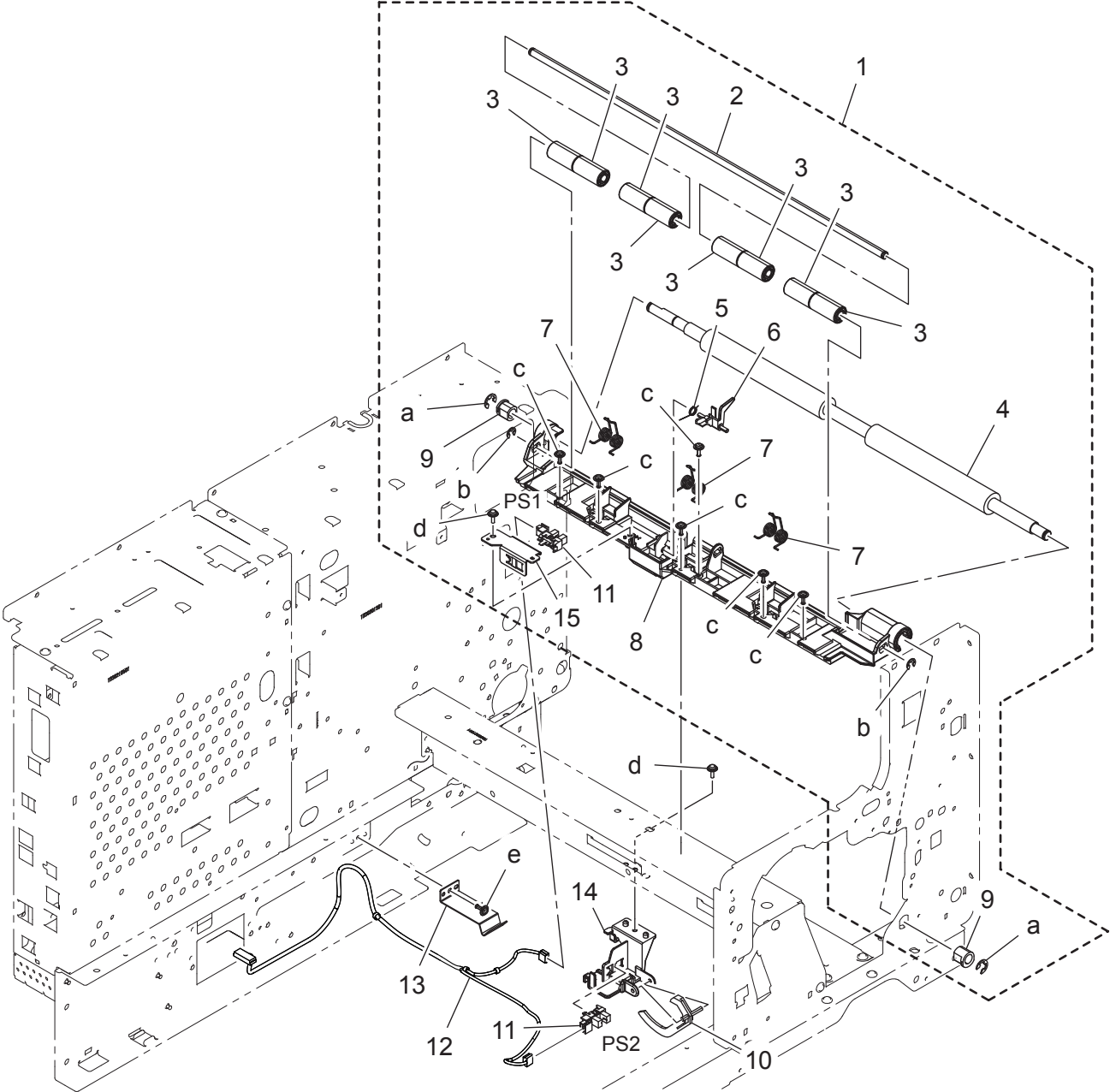
bizhub 216/bizhub 226/bizhub 236/bizhub 246

PRINT HEAD SECTION

| Key | Part No.   | Description        | Destinations | Class | QTY | Standard parts   |
|-----|------------|--------------------|--------------|-------|-----|--|
| 1   | A0XXPP0600 | Wire Harness Assy  |              | D     | 1   | a-V137030603<br>b-V144030803<br>c-V149031603<br>d-V116031603 |
| 2   | A0XXPP1700 | Contact            |              | C     | 1   |  |
| 3   | A3PEPP6200 | Screw              |              | C     | 1   |  |
| 4   | A3PEPP5X00 | Arm                |              | D     | 1   |  |
| 5   | 4034230501 | PRESSURE SPRING    |              | C     | 1   |  |
| 6   | A3PEPP5Y00 | Lever              |              | D     | 1   |  |
| 7   | A0XXPP4W01 | Bracket            |              | C     | 1   |  |
| 8   | A0XXPP1R00 | Torsion Spring     |              | C     | 1   |  |
| 9   | 9J06M60100 | MICRO SWITCH       |              | C     | 2   |  |
| 10  | A3PEPP5W00 | Torsion Spring     |              | C     | 1   |  |
| 11  | A3PEPP6100 | Screw              |              | C     | 1   |  |
| 12  | A00J307000 | Compressing Spring |              | C     | 3   |  |
| 13  | A0XXPP5T00 | Shoulder Screw     |              | C     | 3   |  |
| 14  | 4034220501 | SUPPORTER          |              | D     | 4   |  |
| 15  | A1XTR70122 | PH Unit            |              | I     | 1   |  |
| 16  | A3PEPP6J00 | Wiring Saddle      |              | D     | 1   |  |
|     |            |                    |              |       |     |  |
|     |            |                    |              |       |     |  |
|     |            |                    |              |       |     |  |
|     |            |                    |              |       |     |  |
|     |            |                    |              |       |     |  |
|     |            |                    |              |       |     |  |
|     |            |                    |              |       |     |  |
|     |            |                    |              |       |     |  |
|     |            |                    |              |       |     |  |

bizhub 216/bizhub 226/bizhub 236/bizhub 246

PAPER TAKE-UP SECTION



bizhub 216/bizhub 226/bizhub 236/bizhub 246

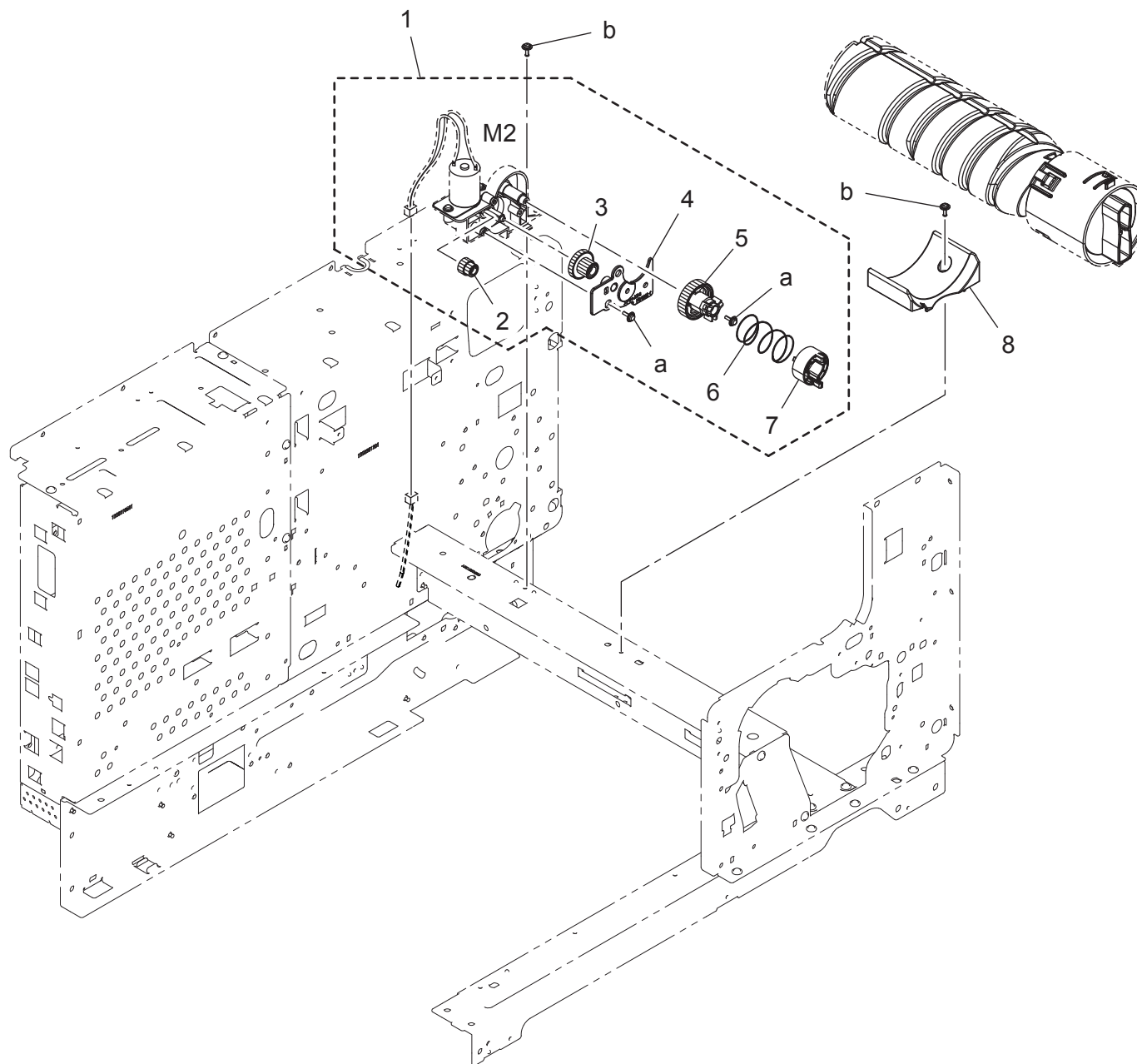
PAPER TAKE-UP SECTION

| Key | Part No.   | Description               | Destinations | Class | QTY | Standard parts   |
|-----|------------|---------------------------|--------------|-------|-----|--|
| 1   | A3PEPP2Y00 | Timing Roller Assy        |              | S     | 1   | a-V217060001<br>b-V217040001<br>c-V137030803<br>d-V153030803<br>e-V137030603 |
| 2   | A0XXPP2301 | Shaft                     |              | D     | 1   |  |
| 3   | A0XXPP3P00 | Roller                    |              | C     | 8   |  |
| 4   | A0XXPP5501 | Roller                    |              | C     | 1   |  |
| 5   | 4034353401 | TORSION SPRING            |              | C     | 1   |  |
| 6   | A0XXPP3N01 | Actuator                  |              | C     | 1   |  |
| 7   | A0XXPP0X01 | Tension Spring            |              | C     | 3   |  |
| 8   | A3PEPP6G00 | Timing Roller Holder Assy |              | C     | 1   |  |
| 9   | 4025357201 | BUSHING                   |              | C     | 2   |  |
| 10  | 1164302701 | ACTUATOR                  |              | C     | 1   |  |
| 11  | A3PEPP1X00 | Photointrrupter           |              | I     | 2   |  |
| 12  | A3PEPP7200 | Wire Harness Assy         |              | D     | 1   |  |
| 13  | 1164305401 | PLATE SPRING              |              | C     | 1   |  |
| 14  | A0XXPP3G01 | Holder                    |              | C     | 1   |  |
| 15  | A0XXPP0W01 | Bracket                   |              | C     | 1   |  |
|     |            |                           |              |       |     |  |
|     |            |                           |              |       |     |  |
|     |            |                           |              |       |     |  |
|     |            |                           |              |       |     |  |
|     |            |                           |              |       |     |  |
|     |            |                           |              |       |     |  |
|     |            |                           |              |       |     |  |
|     |            |                           |              |       |     |  |
|     |            |                           |              |       |     |  |

bizhub 216/bizhub 226/bizhub 236/bizhub 246

# HOPPER SECTION

P 8



bizhub 216/bizhub 226/bizhub 236/bizhub 246

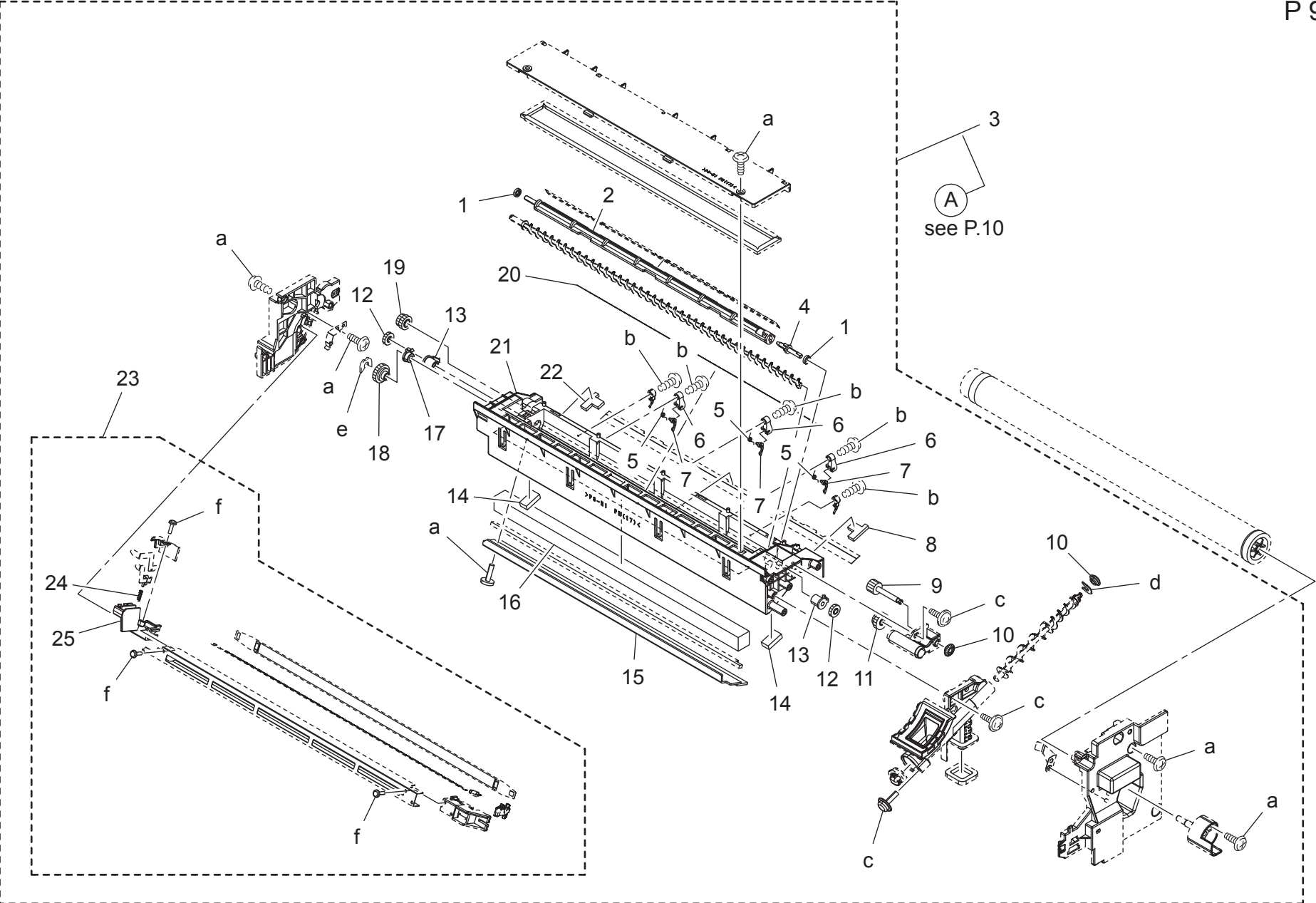
# HOPPER SECTION

| Key | Part No.   | Description       | Destinations | Class | QTY | Standard parts               |
|-----|------------|-------------------|--------------|-------|-----|------------------------------|
| 1   | A3PEPP6F00 | Hopper Drive Assy |              | C     | 1   | a-V153030803<br>b-V137030803 |
| 2   | A0XXPP3U01 | Gear              |              | C     | 1   |                              |
| 3   | A0XXPP3T01 | Gear              |              | C     | 1   |                              |
| 4   | A0XXPP3Q01 | Cover             |              | C     | 1   |                              |
| 5   | A0XXPP3S01 | Gear              |              | C     | 1   |                              |
| 6   | 4038541202 | PRESSURE SPRING   |              | C     | 1   |                              |
| 7   | A0ED240700 | Joint             |              | C     | 1   |                              |
| 8   | A0XXPP3V01 | Holder            |              | C     | 1   |                              |
|     |            |                   |              |       |     |                              |
|     |            |                   |              |       |     |                              |
|     |            |                   |              |       |     |                              |
|     |            |                   |              |       |     |                              |
|     |            |                   |              |       |     |                              |
|     |            |                   |              |       |     |                              |
|     |            |                   |              |       |     |                              |
|     |            |                   |              |       |     |                              |
|     |            |                   |              |       |     |                              |
|     |            |                   |              |       |     |                              |
|     |            |                   |              |       |     |                              |
|     |            |                   |              |       |     |                              |
|     |            |                   |              |       |     |                              |

bizhub 216/bizhub 226/bizhub 236/bizhub 246



CHARGE SECTION

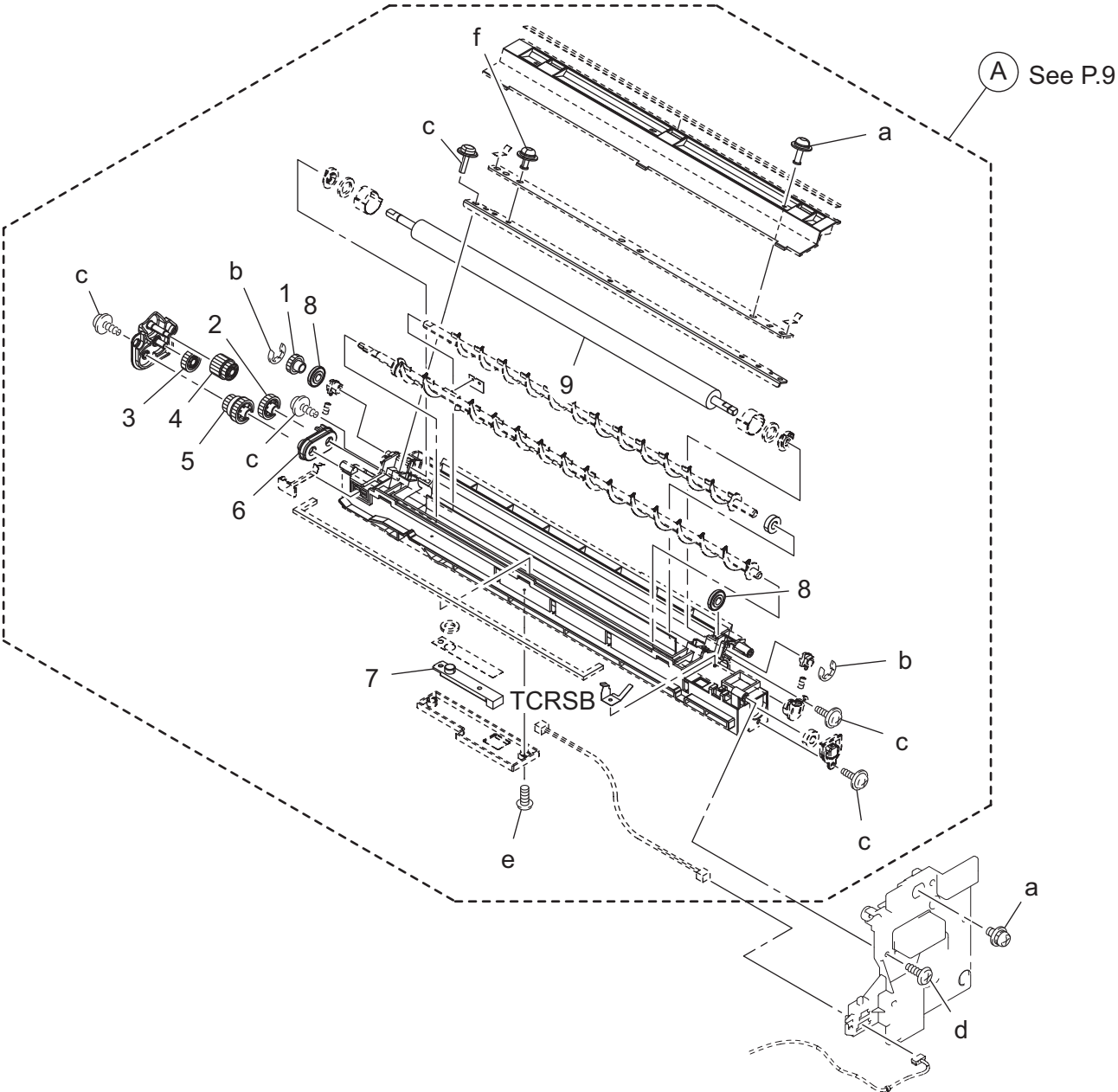


bizhub 216/bizhub 226/bizhub 236/bizhub 246

# CHARGE SECTION

| Key | Part No.   | Description       | Destinations | Class | QTY | Standard parts   |
|-----|------------|-------------------|--------------|-------|-----|--|
| 1   | 0910550712 | SEAL              |              | C     | 2   | a-V149030804<br>b-V166170404<br>c-V153030803<br>d-V218060086<br>e-V218030086<br>f-V162020504 |
| 2   | 4163560702 | SCREW             |              | C     | 1   |  |
| 3   | A1XUR70000 | IU (Imaging unit) |              | I     | 1   |  |
| 4   | 4021016602 | SHAFT             |              | D     | 1   |  |
| 5   | 4163407201 | TORSION SPRING    |              | C     | 3   |  |
| 6   | 4163436104 | HOLDER            |              | D     | 3   |  |
| 7   | A0XX361100 | Separating Claw   |              | B     | 3   |  |
| 8   | 4163560503 | SEAL              |              | C     | 1   |  |
| 9   | 4021561601 | GEAR 14T          |              | C     | 1   |  |
| 10  | 4163563901 | GEAR 14T          |              | C     | 2   |  |
| 11  | 4021561501 | GEAR 14/14T       |              | C     | 1   |  |
| 12  | 4163560901 | GEAR 14T          |              | C     | 2   |  |
| 13  | 4163561101 | BUSHING           |              | C     | 2   |  |
| 14  | 4163560302 | SEAL              |              | C     | 2   |  |
| 15  | A0XX361800 | Cleaning Part     |              | A     | 1   |  |
| 16  | A0XX330100 | Filter            |              | C     | 1   |  |
| 17  | 4163562501 | BUSHING           |              | C     | 1   |  |
| 18  | 4021561901 | GEAR 22T          |              | C     | 1   |  |
| 19  | 4021561801 | GEAR 14/16T       |              | C     | 1   |  |
| 20  | 4163561701 | SEAL              |              | C     | 1   |  |
| 21  | A0XX360200 | Cleaning Housing  |              | D     | 1   |  |
| 22  | 4163560403 | SEAL              |              | C     | 1   |  |
| 23  | A1XUR70100 | Drum Charge Unit  |              | A     | 1   |  |
| 24  | 4021410801 | SPRING            |              | C     | 1   |  |
| 25  | A0XX333202 | Holder /Rear      |              | C     | 1   |  |
|     |            |                   |              |       |     |  |
|     |            |                   |              |       |     |  |
|     |            |                   |              |       |     |  |
|     |            |                   |              |       |     |  |
|     |            |                   |              |       |     |  |
|     |            |                   |              |       |     |  |
|     |            |                   |              |       |     |  |

bizhub 216/bizhub 226/bizhub 236/bizhub 246

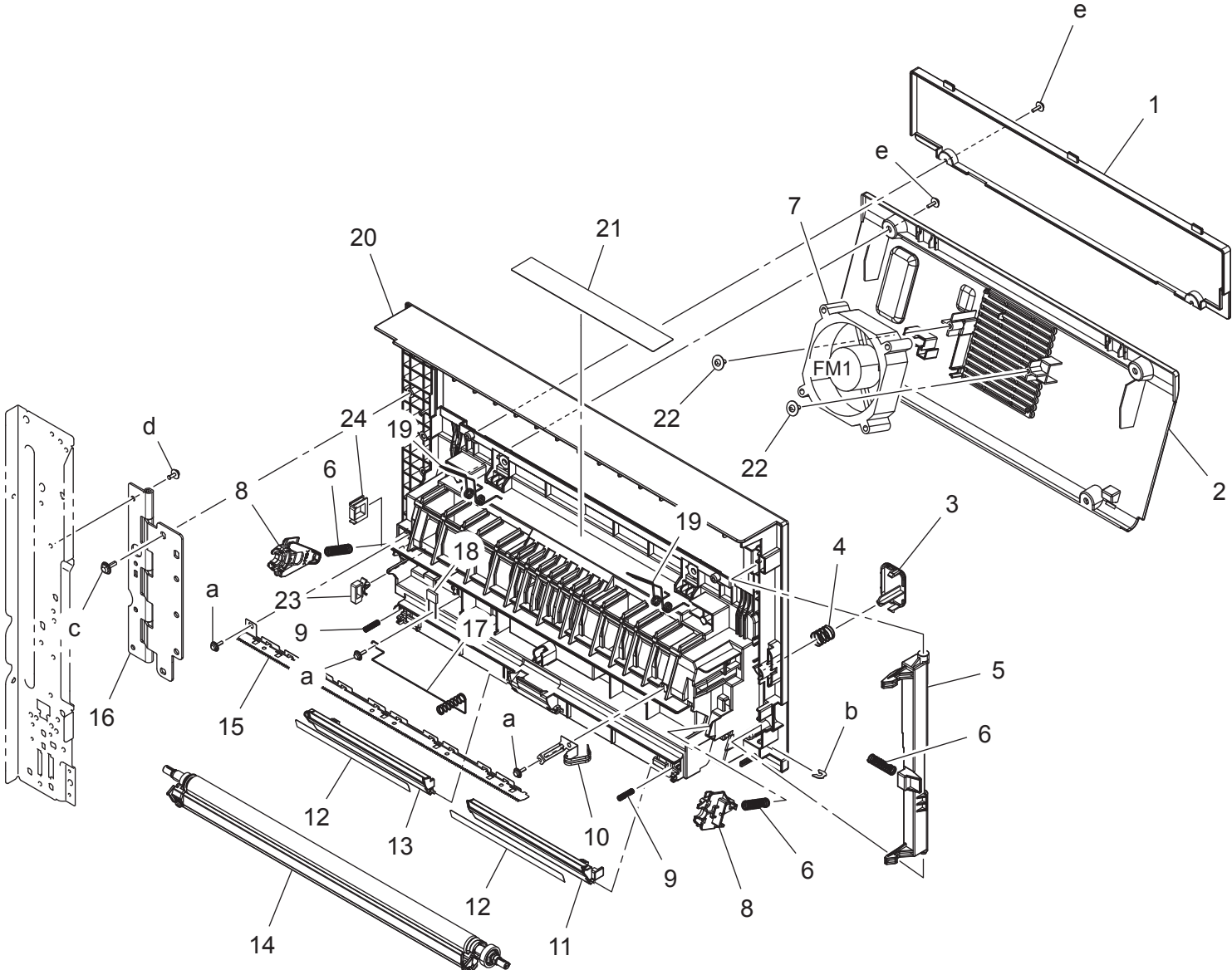


bizhub 216/bizhub 226/bizhub 236/bizhub 246

| Key | Part No.   | Description       | Destinations | Class | QTY | Standard parts   |
|-----|------------|-------------------|--------------|-------|-----|--|
| 1   | A0XX372200 | Gear 16T          |              | C     | 1   | a-V116030803<br>b-V217040001<br>c-V153030803<br>d-V149030804<br>e-V162020504<br>f-V116030603 |
| 2   | A0XX372500 | Gear 21T          |              | C     | 1   |  |
| 3   | A0XX372300 | Gear 18T          |              | C     | 1   |  |
| 4   | A0XX372100 | Gear 15/18T       |              | C     | 1   |  |
| 5   | A0XX372400 | Gear 15/22T       |              | C     | 1   |  |
| 6   | A0XX373600 | Bushing           |              | C     | 1   |  |
| 7   | A1XUM50300 | Magnetic sensor   |              | B     | 1   |  |
| 8   | A0XX374500 | Roll              |              | C     | 2   |  |
| 9   | A0XX370900 | Developing Roller |              | B     | 1   |  |
|     |            |                   |              |       |     |  |
|     |            |                   |              |       |     |  |
|     |            |                   |              |       |     |  |
|     |            |                   |              |       |     |  |
|     |            |                   |              |       |     |  |
|     |            |                   |              |       |     |  |
|     |            |                   |              |       |     |  |
|     |            |                   |              |       |     |  |
|     |            |                   |              |       |     |  |
|     |            |                   |              |       |     |  |
|     |            |                   |              |       |     |  |
|     |            |                   |              |       |     |  |

bizhub 216/bizhub 226/bizhub 236/bizhub 246

PAPER TRANSPORT SECTION

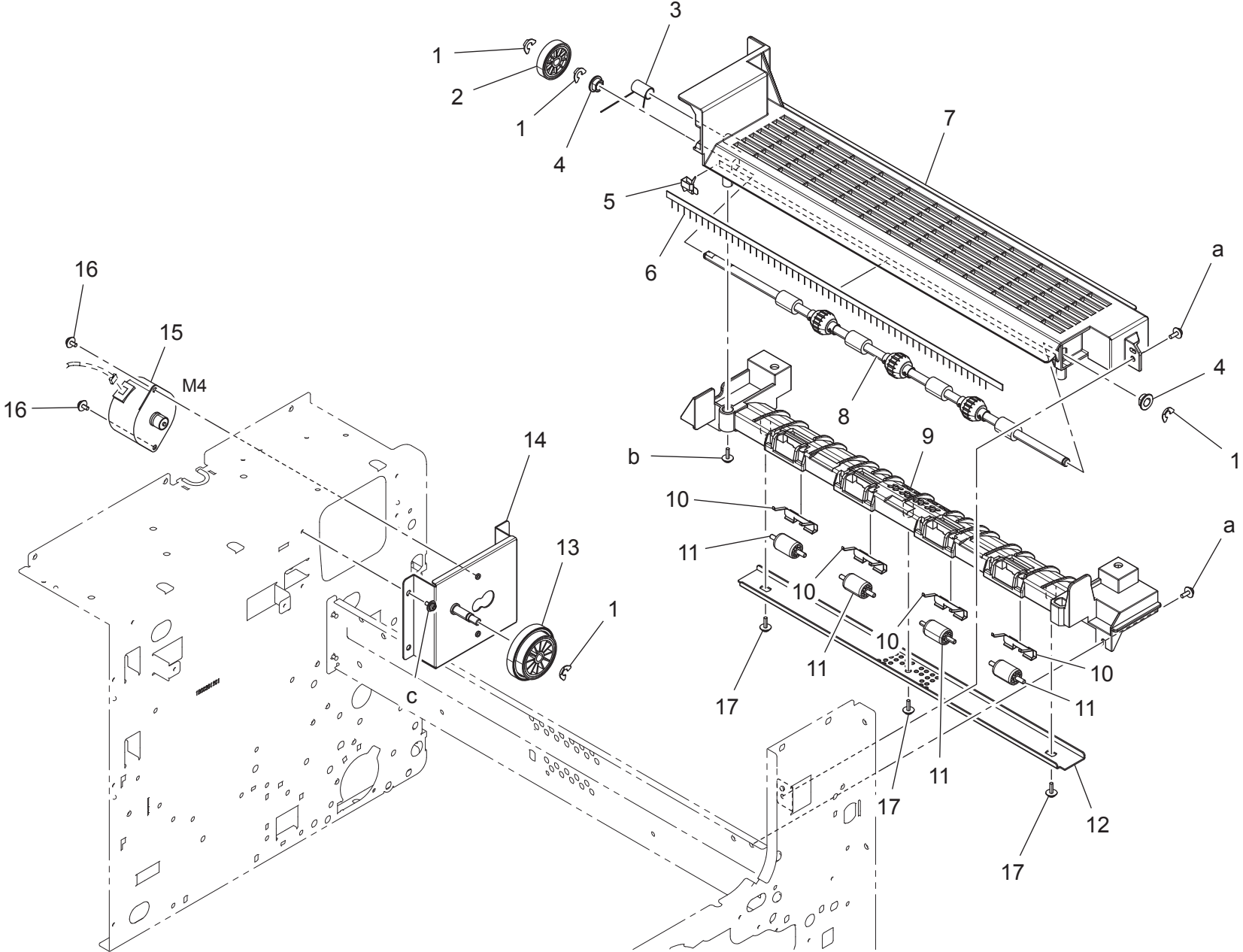


bizhub 216/bizhub 226/bizhub 236/bizhub 246

| Key | Part No.   | Description          | Destinations | Class | QTY | Standard parts   |
|-----|------------|----------------------|--------------|-------|-----|--|
| 1   | A3PEPP3300 | Cover                | {bizhub 226} | C     | 1   | a-V153030803<br>b-V218040086<br>c-V153041003<br>d-V116030803<br>e-V153030804 |
| 2   | A3PEPP3100 | Cover                |              | C     | 1   |  |
| 3   | A3PEPP3400 | Lever                |              | C     | 1   |  |
| 4   | A3PEPP3900 | Pressure Spring      |              | C     | 1   |  |
| 5   | A3PEPP3700 | Lever                |              | C     | 1   |  |
| 6   | A0XXPP1V01 | Pressure Spring      |              | C     | 3   |  |
| 7   | 9J03M10000 | FAN MOTOR            |              | B     | 1   |  |
| 8   | A0XXPP3H01 | Bushing              |              | C     | 2   |  |
| 9   | A0XXPP1X01 | Pressure Spring      |              | C     | 2   |  |
| 10  | A3PEPP3600 | Contact              |              | C     | 1   |  |
| 11  | A0XXPP5002 | Guide                |              | C     | 1   |  |
| 12  | A0XXPP5M01 | Guide                |              | C     | 2   |  |
| 13  | A0XXPP5102 | Guide                |              | C     | 1   |  |
| 14  | A0XXPP6H01 | Transfer Roller Assy |              | C     | 1   |  |
| 15  | A0XXPP0S00 | Neutralizing Needle  |              | C     | 1   |  |
| 16  | A3PEPP3500 | Hinge                |              | C     | 1   |  |
| 17  | A0XXPP0U00 | Contact              |              | C     | 1   |  |
| 18  | A3PEPP6H00 | Resistor             |              | C     | 1   |  |
| 19  | A3PEPP3800 | Torsion Spring       |              | C     | 2   |  |
| 20  | A3PEPP3200 | Frame                |              | D     | 1   |  |
| 21  | A3PEPP3D00 | Label Jam Remove     |              | C     | 1   |  |
| 22  | 4163529301 | SCREW                |              | C     | 2   |  |
| 23  | A3PEPP3B00 | Saddle               |              | D     | 1   |  |
| 24  | A3PEPP3C00 | Saddle               |              | D     | 1   |  |
|     |            |                      |              |       |     |  |
|     |            |                      |              |       |     |  |
|     |            |                      |              |       |     |  |
|     |            |                      |              |       |     |  |
|     |            |                      |              |       |     |  |
|     |            |                      |              |       |     |  |
|     |            |                      |              |       |     |  |
|     |            |                      |              |       |     |  |

bizhub 216/bizhub 226/bizhub 236/bizhub 246

PAPER EXIT SECTION



bizhub 216/bizhub 226/bizhub 236/bizhub 246

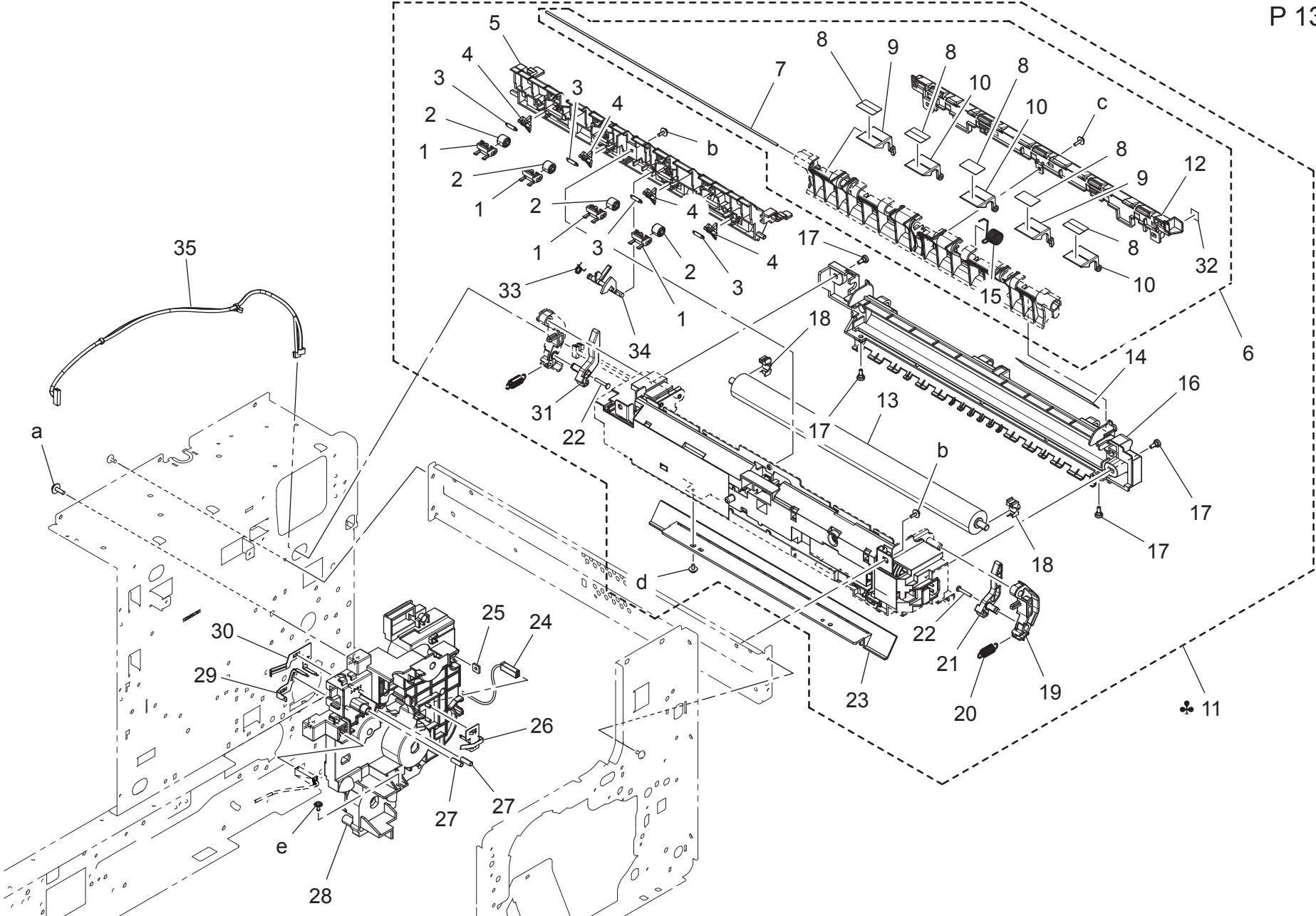
PAPER EXIT SECTION

| Key | Part No.   | Description        | Destinations | Class | QTY | Standard parts                               |
|-----|------------|--------------------|--------------|-------|-----|--|
| 1   | A3PEPP3U00 | E ring             |              | C     | 4   | a-V116030803<br>b-V153030803<br>c-V116030603 |
| 2   | A3PEPP3P00 | Gear 26T           |              | C     | 1   |  |
| 3   | A3PEPP3R00 | Torsion Spring     |              | C     | 1   |  |
| 4   | A3PEPP3N00 | Bush               |              | C     | 2   |  |
| 5   | A3PEPP3T00 | Contact            |              | C     | 1   |  |
| 6   | A3PEPP3M00 | Neutralizing Brush |              | C     | 1   |  |
| 7   | A3PEPP3E01 | Cover              |              | C     | 1   |  |
| 8   | A3PEPP3F00 | Roller             |              | C     | 1   |  |
| 9   | A3PEPP3G00 | Frame              |              | D     | 1   |  |
| 10  | A3PEPP6R00 | Holder             |              | C     | 4   |  |
| 11  | 4021580201 | ROLL               |              | C     | 4   |  |
| 12  | A3PEPP3S00 | Bracket            |              | D     | 1   |  |
| 13  | A3PEPP3K00 | Gear               |              | C     | 1   |  |
| 14  | A3PEPP3J00 | Bracket            |              | D     | 1   |  |
| 15  | A3PEPP3H00 | Motor              |              | C     | 1   |  |
| 16  | A0FDPP8700 | SCREW              |              | C     | 2   |  |
| 17  | A3PEPP0800 | Scew               |              | C     | 3   |  |
|     |            |                    |              |       |     |  |
|     |            |                    |              |       |     |  |
|     |            |                    |              |       |     |  |
|     |            |                    |              |       |     |  |
|     |            |                    |              |       |     |  |
|     |            |                    |              |       |     |  |
|     |            |                    |              |       |     |  |
|     |            |                    |              |       |     |  |
|     |            |                    |              |       |     |  |

bizhub 216/bizhub 226/bizhub 236/bizhub 246



FUSING UNIT



bizhub 216/bizhub 226/bizhub 236/bizhub 246

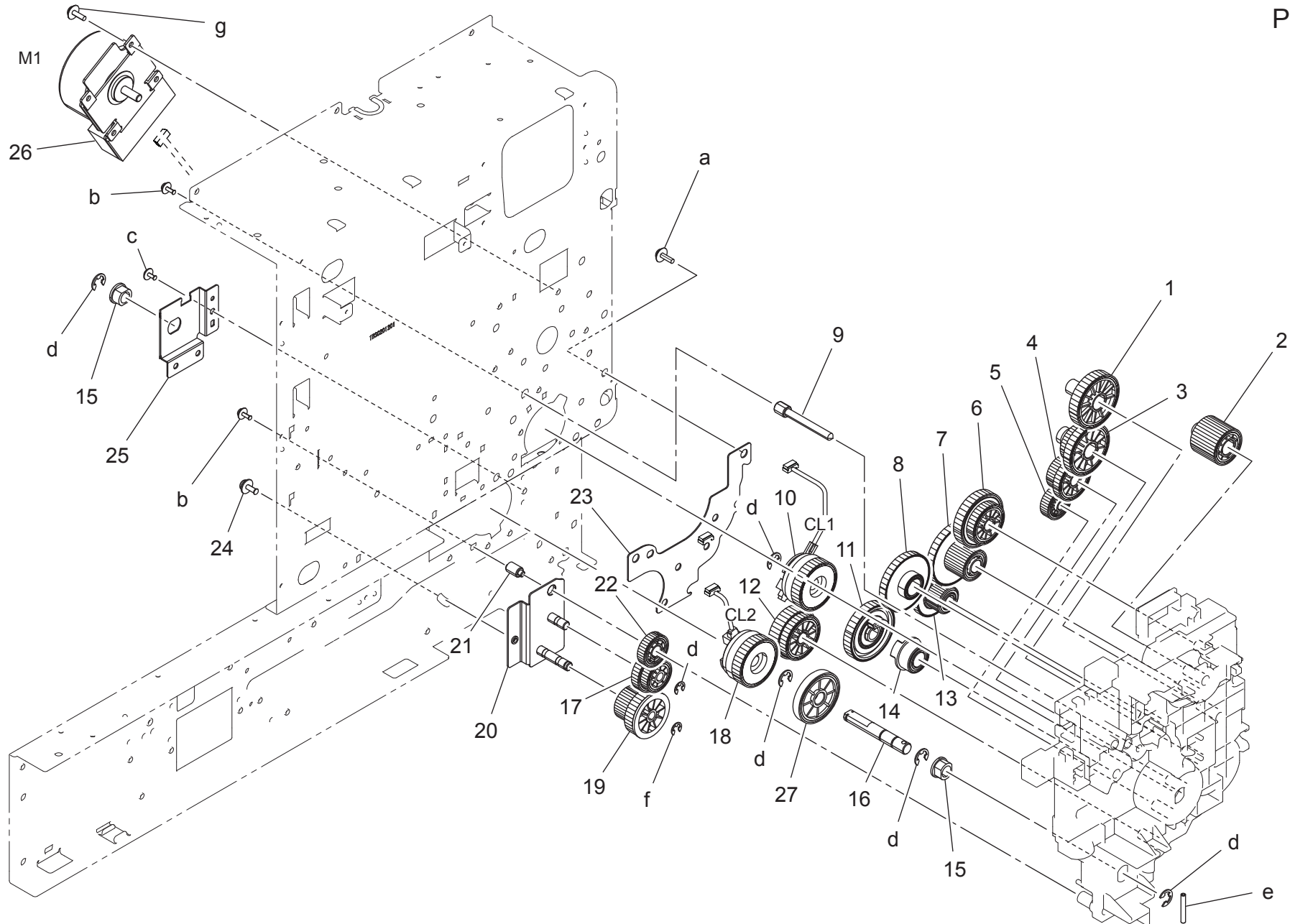


# FUSING UNIT

| Key | Part No.   | Description         | Destinations     | Class | QTY | Standard parts   |
|-----|------------|---------------------|------------------|-------|-----|--|
| 1   | A3PEPP4900 | Holder              |                  | C     | 4   | a-V153041003<br>b-V116031003<br>c-V153030803<br>d-V116030603<br>e-V137030603 |
| 2   | A3PEPP4800 | Roll                |                  | C     | 4   |  |
| 3   | 4034578701 | TENSION SPRING      |                  | C     | 4   |  |
| 4   | 4021572002 | SEPARATOR           |                  | A     | 4   |  |
| 5   | A3PEPP4400 | Guide               |                  | D     | 1   |  |
| 6   | A3PEPP4D00 | Jam Remove Assy     |                  | C     | 1   |  |
| 7   | 4034578601 | SHAFT               |                  | D     | 1   |  |
| 8   | 4011585801 | SEAL                |                  | C     | 5   |  |
| 9   | 4034578501 | GUIDE               |                  | D     | 2   |  |
| 10  | 4034578401 | GUIDE               |                  | D     | 3   |  |
| 11  | A3PEPP3V01 | Fusing Unit (230V)  | C,D1,E,F2,G1,I,J | A     | 1   |  |
| 11  | A3PEPP3W01 | Fusing Unit (120V)  | G2               | A     | 1   |  |
| 12  | A3PEPP4500 | Cover               |                  | C     | 1   |  |
| 13  | A3PEPP4300 | Fusing Roller       |                  | C     | 1   |  |
| 14  | A3PEPP4A02 | Label Warning       |                  | C     | 1   |  |
| 15  | 4034571501 | TORSION SPRING      |                  | C     | 1   |  |
| 16  | A3PEPP3Y00 | Cover               |                  | C     | 1   |  |
| 17  | 4036576501 | SHOULDER SCREW      |                  | C     | 4   |  |
| 18  | 4034571101 | BUSHING             |                  | C     | 2   |  |
| 19  | A3PEPP4200 | Lever               |                  | C     | 1   |  |
| 20  | 4021572712 | TENSION SPRING      |                  | C     | 1   |  |
| 21  | A3PEPP4000 | Lever               |                  | C     | 1   |  |
| 22  | A3PEPP4C00 | Shoulder Screw      |                  | C     | 2   |  |
| 23  | A3PEPP4700 | Guide               |                  | D     | 1   |  |
| 24  | A3PEPP4S01 | Wire Harness Assy   |                  | D     | 1   |  |
| 25  | 4002504202 | PLATE NUT           |                  | D     | 1   |  |
| 26  | A0XXPP1401 | Contact             |                  | D     | 1   |  |
| 27  | 4021210101 | PRESSURE SPRING     |                  | C     | 2   |  |
| 28  | A3PEPP4G00 | Holder              |                  | C     | 1   |  |
| 29  | A0XXPP1601 | Contact             |                  | D     | 1   |  |
| 30  | A0XXPP1501 | Contact             |                  | D     | 1   |  |
| 31  | A3PEPP4100 | Lever               |                  | C     | 1   |  |
| 32  | A3PEPP4600 | Label               |                  | C     | 1   |  |
| 33  | 4034572301 | TORSION SPRING      |                  | C     | 1   |  |
| 34  | 4034572201 | ACTUATOR            |                  | D     | 1   |  |
| 35  | A8A5PP1700 | Harness /Fuser Unit |                  | D     | 1   |  |
|     |            |                     |                  |       |     |  |
|     |            |                     |                  |       |     |  |
|     |            |                     |                  |       |     |  |

bizhub 216/bizhub 226/bizhub 236/bizhub 246

# DRIVE SECTION



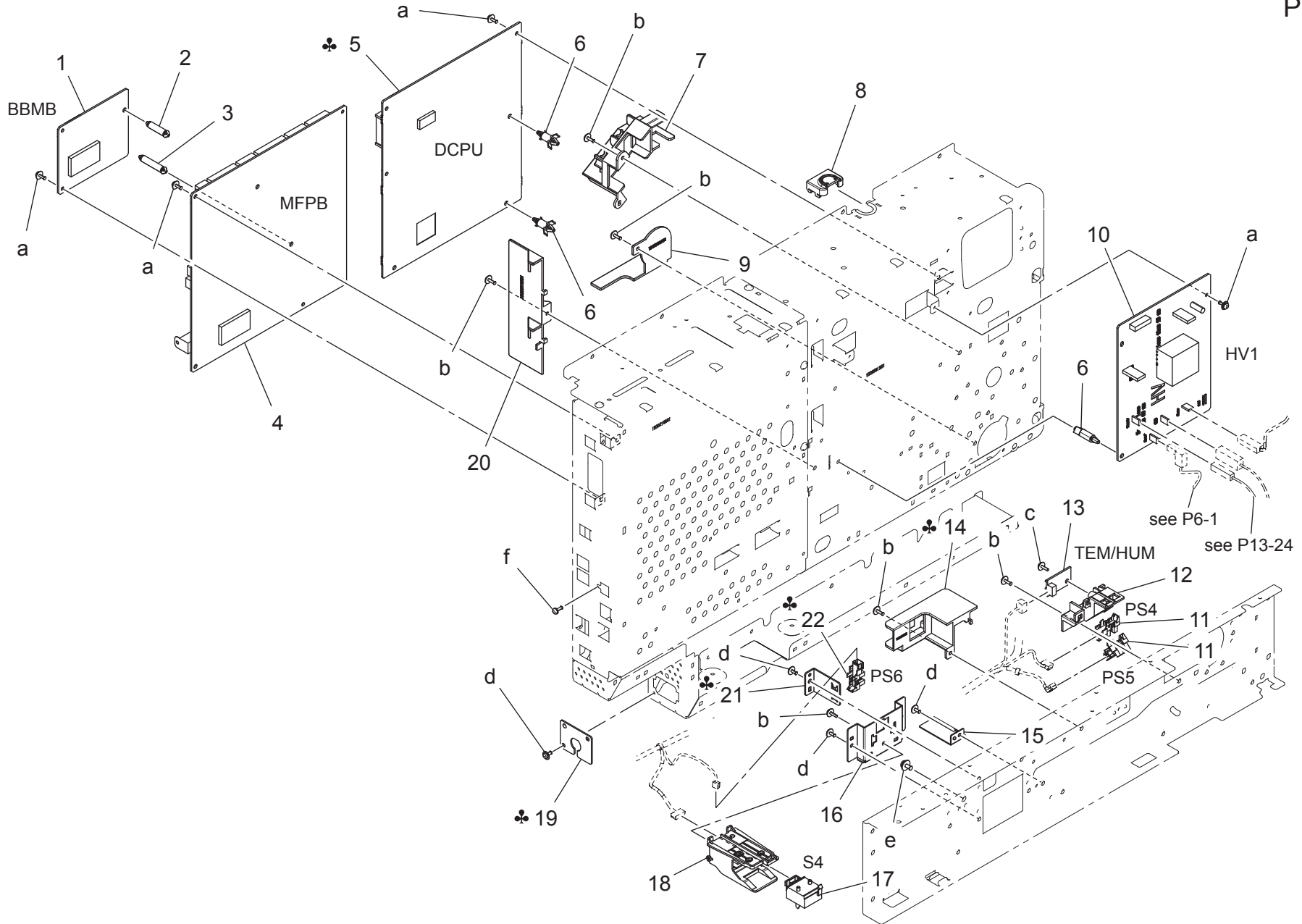
bizhub 216/bizhub 226/bizhub 236/bizhub 246

DRIVE SECTION

| Key | Part No.   | Description | Destinations | Class | QTY | Standard parts   |
|-----|------------|-------------|--------------|-------|-----|--|
| 1   | A0XXPP3501 | Gear        |              | C     | 1   | a-V153041003<br>b-V116030803<br>c-V137030603<br>d-V217060001<br>e-V232302209<br>f-V217040001<br>g-V116030603 |
| 2   | A0XXPP3401 | Gear        |              | C     | 1   |  |
| 3   | A0XXPP3601 | Gear        |              | C     | 1   |  |
| 4   | A0XXPP3701 | Gear        |              | C     | 1   |  |
| 5   | A0XXPP3201 | Gear        |              | C     | 1   |  |
| 6   | A0XXPP3301 | Gear        |              | C     | 1   |  |
| 7   | A0XXPP3101 | Gear        |              | C     | 1   |  |
| 8   | A0XXPP2W01 | Gear        |              | C     | 1   |  |
| 9   | A3PEPP4H00 | Shaft       |              | D     | 1   |  |
| 10  | A3PEPP4F00 | Cluch       |              | C     | 1   |  |
| 11  | A0XXPP2Y01 | Gear        |              | C     | 1   |  |
| 12  | A3PEPP6T00 | Gear        |              | C     | 1   |  |
| 13  | A0XXPP2X01 | Gear        |              | C     | 1   |  |
| 14  | A0XXPP3001 | Gear        |              | C     | 1   |  |
| 15  | 4021254702 | BUSHING     |              | C     | 2   |  |
| 16  | A3PEPP6S00 | Shaft       |              | C     | 1   |  |
| 17  | A3PEPP6W00 | Gear 21/26T |              | C     | 1   |  |
| 18  | A3PEPP6Y00 | Cluch       |              | C     | 1   |  |
| 19  | A3PEPP6X00 | Gear 21/30T |              | C     | 1   |  |
| 20  | A3PEPP4J00 | Bracket     |              | D     | 1   |  |
| 21  | A3PEPP4Q00 | Shaft       |              | D     | 1   |  |
| 22  | A3PEPP6V00 | Gear 21T    |              | C     | 1   |  |
| 23  | A3PEPP4E00 | Bracket     |              | D     | 1   |  |
| 24  | A3PEPP4P00 | Screw       |              | C     | 1   |  |
| 25  | A3PEPP6U00 | Bracket     |              | D     | 1   |  |
| 26  | A3PEPP4R00 | Motor       |              | C     | 1   |  |
| 27  | A3PEPP7000 | Gear 33T    |              | C     | 1   |  |
|     |            |             |              |       |     |  |
|     |            |             |              |       |     |  |
|     |            |             |              |       |     |  |
|     |            |             |              |       |     |  |
|     |            |             |              |       |     |  |
|     |            |             |              |       |     |  |
|     |            |             |              |       |     |  |

bizhub 216/bizhub 226/bizhub 236/bizhub 246

# ELECTRICAL COMPONENTS



bizhub 216/bizhub 226/bizhub 236/bizhub 246

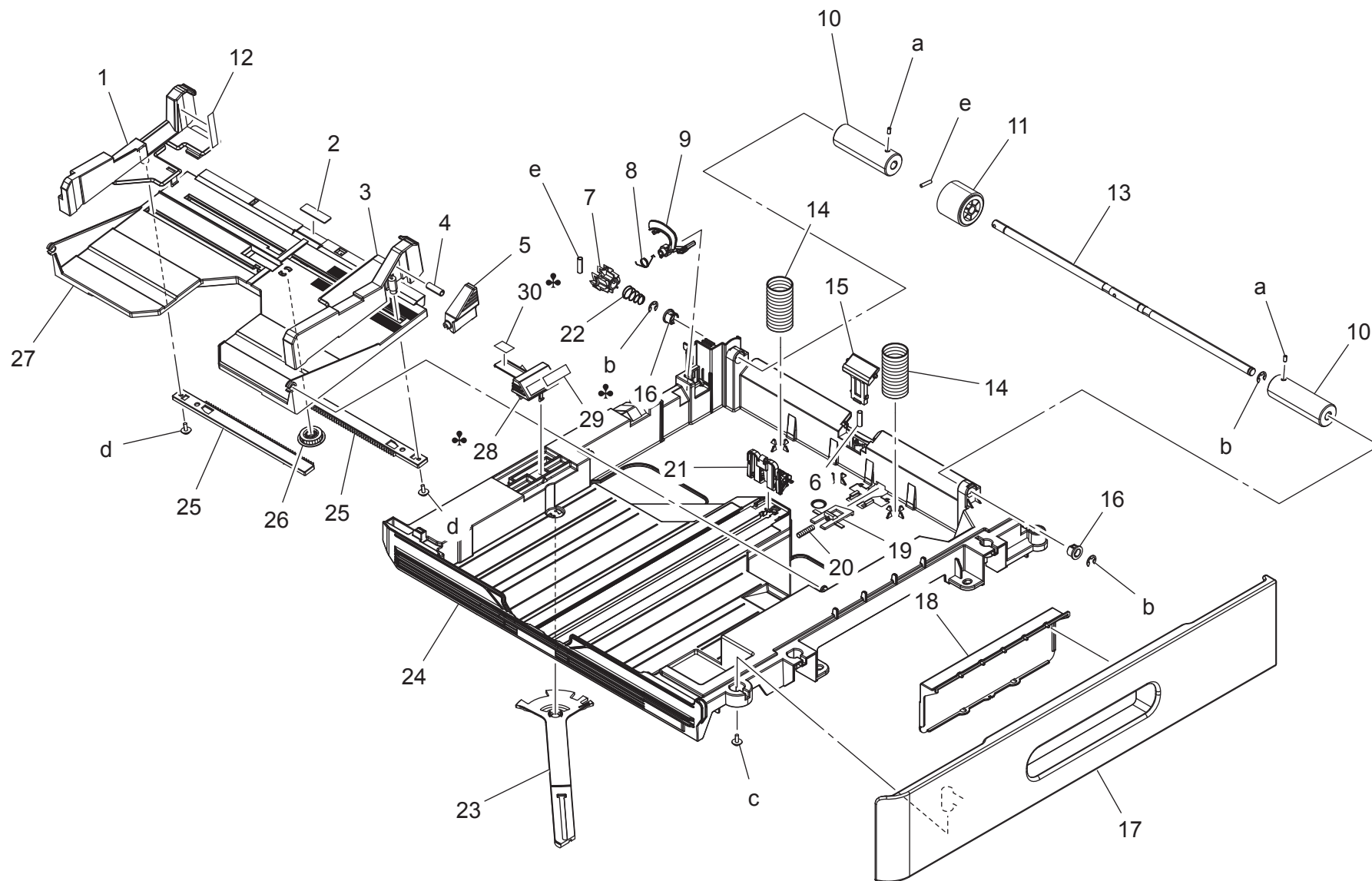
# ELECTRICAL COMPONENTS

| Key | Part No.   | Description                 | Destinations     | Class | QTY | Standard parts   |
|-----|------------|-----------------------------|------------------|-------|-----|--|
| 1   | A3PEPP6600 | PW Board Assy BB/M          |                  | I     | 1   | a-V116030803<br>b-V137030803<br>c-V153030803<br>d-V137030603<br>e-V116040603<br>f-V115030803 |
| 2   | A3PEPP6A00 | PWB Support                 |                  | D     | 1   |  |
| 3   | A3PEPP6C00 | PWB Support                 |                  | D     | 1   |  |
| 4   | A8A5PP1300 | PWB Assy CC/MM              |                  | I     | 1   |  |
| 5   | A3PEPP6700 | PW Board Assy LV (200V)     | C,D1,E,F2,G1,I,J | I     | 1   |  |
| 5   | A3PEPP6801 | PW Board Assy LV (100V)     | G2               | I     | 1   |  |
| 6   | A3PEPP6900 | PWB Support                 |                  | D     | 3   |  |
| 7   | A3PEPP5K00 | Holder                      |                  | D     | 1   |  |
| 8   | A3PEPP6000 | Cover                       |                  | D     | 1   |  |
| 9   | A3PEPP5N00 | Cover                       |                  | D     | 1   |  |
| 10  | A3PEPP6300 | HV Transformer              |                  | I     | 1   |  |
| 11  | A3PEPP1X00 | Photointrupter              |                  | I     | 2   |  |
| 12  | A3PEPP5P00 | Holder                      |                  | D     | 1   |  |
| 13  | A3PEPP7400 | Temperature/Humidity Sensor |                  | I     | 1   |  |
| 14  | A3PEPP5Q00 | Holder                      | D1,E,F2,G1,I     | D     | 1   |  |
| 15  | A3PEPP5S00 | Bracket                     |                  | D     | 1   |  |
| 16  | A3PEPP5R00 | Bracket                     |                  | D     | 1   |  |
| 17  | A3PEPP2T00 | Switch                      |                  | C     | 1   |  |
| 18  | A3PEPP2S00 | Holder                      |                  | D     | 1   |  |
| 19  | A3PEPP5T00 | Bracket                     | G2               | D     | 1   |  |
| 19  | A0XXPP1S00 | Bracket                     | J                | D     | 1   |  |
| 20  | A3PEPP5M00 | Bracket                     |                  | D     | 1   |  |
| 21  | A3PEPP7500 | Bracket                     | D1,E,F2,G1,I     | D     | 1   |  |
| 22  | A3PEPP1X00 | Photointrupter              | D1,E,F2,G1,I     | I     | 1   |  |
|     |            |                             |                  |       |     |  |
|     |            |                             |                  |       |     |  |
|     |            |                             |                  |       |     |  |
|     |            |                             |                  |       |     |  |
|     |            |                             |                  |       |     |  |
|     |            |                             |                  |       |     |  |
|     |            |                             |                  |       |     |  |
|     |            |                             |                  |       |     |  |

bizhub 216/bizhub 226/bizhub 236/bizhub 246

# CASSETTE SECTION

P 16



bizhub 216/bizhub 226/bizhub 236/bizhub 246

CASSETTE SECTION

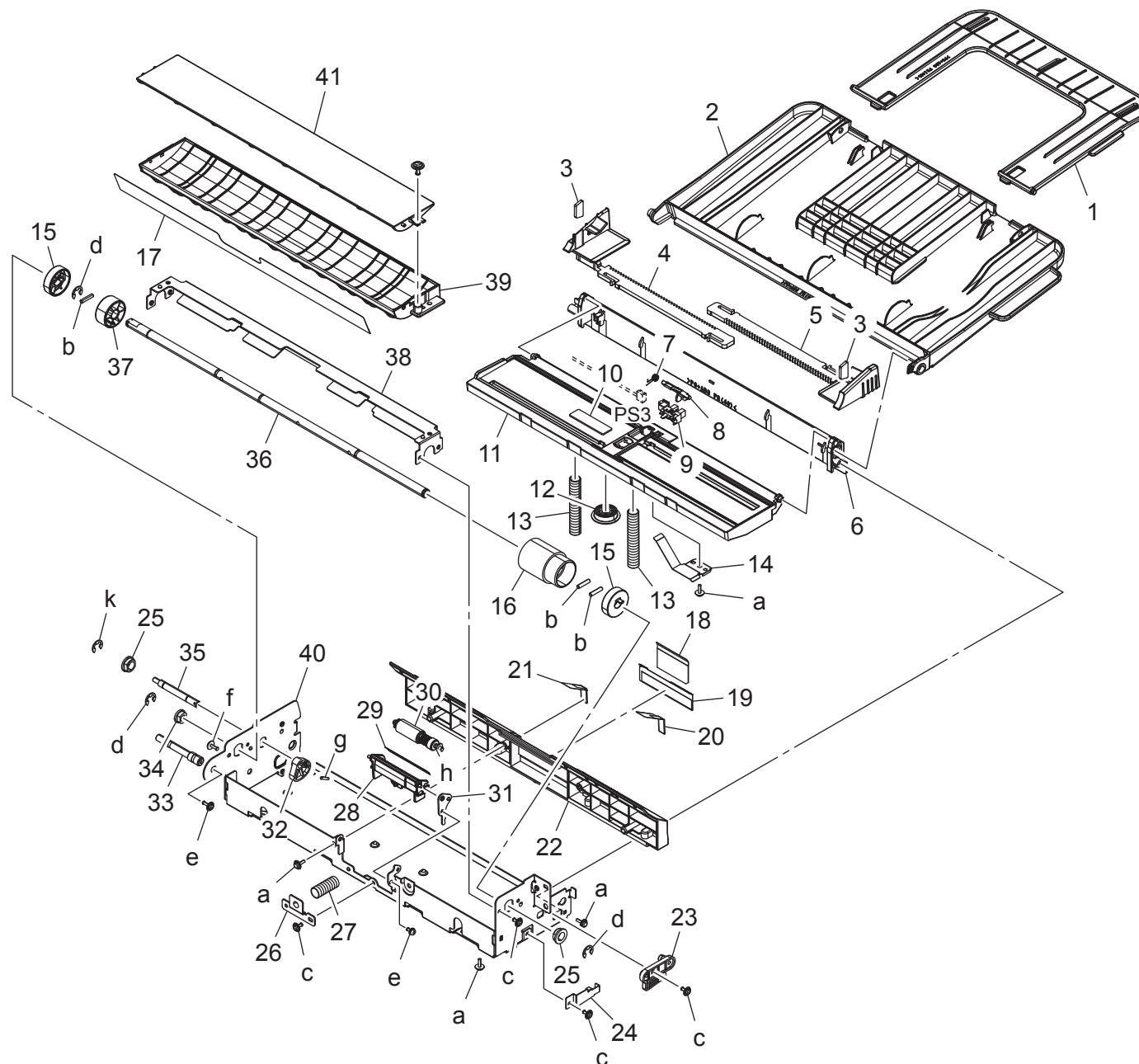
| Key | Part No.   | Description       | Destinations | Class | QTY | Standard parts   |
|-----|------------|-------------------|--------------|-------|-----|--|
| 1   | A02F621200 | Regulating plate  |              | C     | 1   | a-V192040609<br>b-V217060001<br>c-V153041003<br>d-V153031203<br>e-V231301450 |
| 2   | A0XXPP7900 | Friction Sheet    |              | C     | 1   |  |
| 3   | A02F621101 | Regulating Plate  |              | C     | 1   |  |
| 4   | 4038560100 | PRESSURE SPRING   |              | C     | 1   |  |
| 5   | 4037321001 | LEVER             |              | C     | 1   |  |
| 6   | A0XXPP0R01 | Pressure Spring   |              | C     | 1   |  |
| 7   | 1164300403 | PAWL              |              | C     | 1   |  |
| 8   | A3PEPP2V00 | Torsion Spring    |              | C     | 1   |  |
| 9   | A3PEPP2U00 | Lever             |              | C     | 1   |  |
| 10  | A3PEPP2P00 | Weight            |              | C     | 2   |  |
| 11  | A0XX560200 | Paper feed Roller |              | C     | 1   |  |
| 12  | A02F944100 | Label Level       |              | C     | 1   |  |
| 13  | A0XXPP2101 | Shaft             |              | C     | 1   |  |
| 14  | A0XXPP7A00 | Pressure Spring   |              | C     | 2   |  |
| 15  | A0XXPP6E01 | Separator Assy    |              | C     | 1   |  |
| 16  | A0XXPP3A01 | Bushing           |              | C     | 2   |  |
| 17  | A3PEPP2X00 | Front Cover       |              | C     | 1   |  |
| 18  | A0XXPP3E00 | Handle            |              | C     | 1   |  |
| 19  | 1164306101 | LEVER             |              | C     | 1   |  |
| 20  | 1164306201 | PRESSURE SPRING   |              | C     | 1   |  |
| 21  | A3PEPP2Q00 | Regulating Plate  |              | C     | 1   |  |
| 22  | A02F625400 | Pressure Spring   |              | C     | 1   |  |
| 23  | A3PEPP2R00 | Lever             |              | C     | 1   |  |
| 24  | A3PEPP2N00 | Cassette          |              | D     | 1   |  |
| 25  | A02F623200 | Rack              |              | C     | 2   |  |
| 26  | 1164304501 | GEAR 20T          |              | C     | 1   |  |
| 27  | A0XXPP3B01 | Lifting Plate     |              | C     | 1   |  |
| 28  | A3PEPP2W00 | Lever             | D1,E,F2,G1,I | C     | 1   |  |
| 29  | A3PEPP6N00 | Label Metric/Inch | D1,E,F2,G1,I | C     | 1   |  |
| 30  | A3PEPP6P00 | Mylar             | D1,E,F2,G1,I | C     | 1   |  |
|     |            |                   |              |       |     |  |
|     |            |                   |              |       |     |  |
|     |            |                   |              |       |     |  |
|     |            |                   |              |       |     |  |
|     |            |                   |              |       |     |  |
|     |            |                   |              |       |     |  |

bizhub 216/bizhub 226/bizhub 236/bizhub 246



# MANUAL FEED TRAY

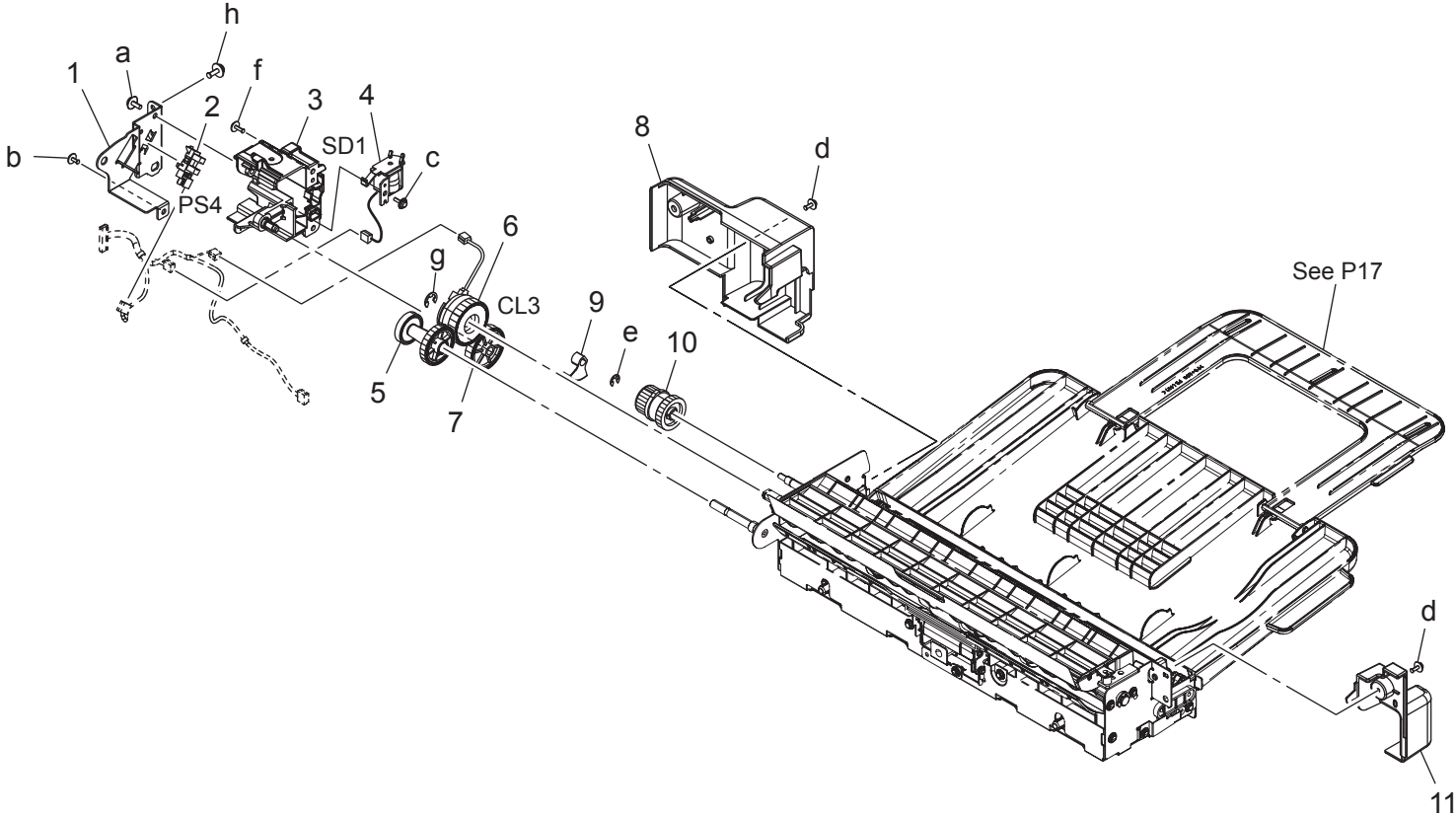
P 17



bizhub 216/bizhub 226/bizhub 236/bizhub 246

| Key | Part No.   | Description       | Destinations | Class | QTY | Standard parts   |
|-----|------------|-------------------|--------------|-------|-----|--|
| 1   | A0XXPP4A01 | Tray              |              | C     | 1   | a-V153030803<br>b-V231301450<br>c-V137030603<br>d-V217060001<br>e-V116030803<br>f-V137030803<br>g-V231201050<br>h-V218030086<br>k-V217040001 |
| 2   | A0XXPP4902 | Tray              |              | C     | 1   |  |
| 3   | 4038328601 | BRAKE             |              | C     | 2   |  |
| 4   | A0XXPP4D00 | Regulating Plate  |              | C     | 1   |  |
| 5   | A0XXPP4C00 | Regulating Plate  |              | C     | 1   |  |
| 6   | A0XXPP1N00 | Holder            |              | D     | 1   |  |
| 7   | A0XXPP1D01 | Torsion Spring    |              | C     | 1   |  |
| 8   | A0XXPP4M01 | Actuator          |              | C     | 1   |  |
| 9   | A3PEPP1X00 | Photointtrupter   |              | I     | 1   |  |
| 10  | 4687328101 | FRICTION SHEET    |              | C     | 1   |  |
| 11  | A0XXPP4B01 | Guide             |              | C     | 1   |  |
| 12  | A0XXPP4E01 | Gear              |              | C     | 1   |  |
| 13  | A0XXPP1T00 | Pressure Spring   |              | C     | 2   |  |
| 14  | 4038325501 | BRAKE             |              | D     | 1   |  |
| 15  | A0XXPP6S00 | Collar            |              | C     | 2   |  |
| 16  | A0XX594700 | Paper feed Roller |              | C     | 1   |  |
| 17  | A3PHPP1500 | Seal              |              | D     | 1   |  |
| 18  | 4030340301 | GUIDE             |              | C     | 1   |  |
| 19  | 4030340201 | GUIDE PLATE       |              | C     | 1   |  |
| 20  | 4038326802 | GUIDE             |              | C     | 1   |  |
| 21  | 4038326902 | GUIDE             |              | C     | 1   |  |
| 22  | A3PHPP1200 | Guide             |              | D     | 1   |  |
| 23  | 4038321501 | HOLD PLATE        |              | D     | 1   |  |
| 24  | 4039328201 | PLATE SPRING      |              | D     | 1   |  |
| 25  | 4131353202 | BUSHING           |              | C     | 2   |  |
| 26  | A0XXPP1W01 | Holder            |              | D     | 1   |  |
| 27  | 4030347501 | PRESSURE SPRING   |              | C     | 1   |  |
| 28  | A0XXPP4V00 | Holder            |              | C     | 1   |  |
| 29  | A0XXPP6T00 | Guide             |              | C     | 1   |  |
| 30  | 4034015101 | SEPARATION ROLLER |              | A     | 1   |  |
| 31  | A3PHPP1700 | Adjust Plate      |              | D     | 1   |  |
| 32  | 4038323601 | CAM               |              | C     | 1   |  |
| 33  | A0XXPP2601 | Shaft             |              | D     | 1   |  |
| 34  | 4030309301 | BUSHING           |              | C     | 1   |  |
| 35  | A0XXPP2501 | Shaft             |              | D     | 1   |  |
| 36  | A0XXPP2401 | Shaft             |              | C     | 1   |  |
| 37  | A0XXPP5700 | Collar            |              | C     | 1   |  |
| 38  | A3PHPP1300 | Bracket           |              | D     | 1   |  |
| 39  | A3PHPP1400 | Guide             |              | D     | 1   |  |
| 40  | A3PHPP1100 | Frame             |              | D     | 1   |  |
| 41  | A3PEPP5B00 | Right Lower Cover |              | C     | 1   |  |
|     |            |                   |              |       |     |  |
|     |            |                   |              |       |     |  |

MANUAL FEED TRAY

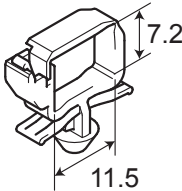
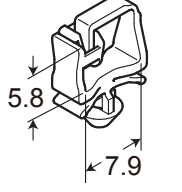
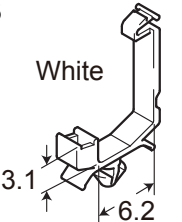
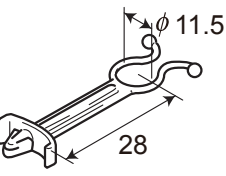
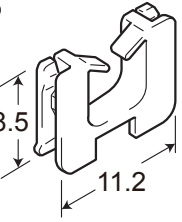


bizhub 216/bizhub 226/bizhub 236/bizhub 246

# MANUAL FEED TRAY

| Key | Part No.   | Description     | Destinations | Class | QTY | Standard parts   |
|-----|------------|-----------------|--------------|-------|-----|--|
| 1   | A3PHPP1601 | Frame           |              | D     | 1   | a-V153040803<br>b-V137030603<br>c-V153030803<br>d-V116030804<br>e-V217040001<br>f-V137030803<br>g-V217060001<br>h-V116030803 |
| 2   | A3PEPP1X00 | Photointtrupter |              | I     | 1   |  |
| 3   | A0XXPP4G01 | Holder          |              | C     | 1   |  |
| 4   | 9J06M20000 | SOLENOID        |              | B     | 1   |  |
| 5   | A0XXPP4K01 | Gear            |              | C     | 1   |  |
| 6   | A3PEPP4F00 | Cluch           |              | C     | 1   |  |
| 7   | A0XXPP4H01 | Gear            |              | C     | 1   |  |
| 8   | A3PHPP1900 | Rear Cover      |              | D     | 1   |  |
| 9   | A0XXPP4J01 | Lever           |              | C     | 1   |  |
| 10  | 4038326001 | CLUTCH ASSY     |              | C     | 1   |  |
| 11  | A3PHPP1800 | Front Cover     |              | D     | 1   |  |
|     |            |                 |              |       |     |  |
|     |            |                 |              |       |     |  |
|     |            |                 |              |       |     |  |
|     |            |                 |              |       |     |  |
|     |            |                 |              |       |     |  |
|     |            |                 |              |       |     |  |
|     |            |                 |              |       |     |  |
|     |            |                 |              |       |     |  |
|     |            |                 |              |       |     |  |

bizhub 216/bizhub 226/bizhub 236/bizhub 246

|   |  |  |  |  |  |  |  |
|---|--|--|--|--|--|--|--|
| <p>1</p>               |  |  |  |  |  |  |  |
| <p>2</p>               |  |  |  |  |  |  |  |
| <p>3</p> <p>White</p>  |  |  |  |  |  |  |  |
| <p>4</p>              |  |  |  |  |  |  |  |
| <p>5</p>             |  |  |  |  |  |  |  |

bizhub 216/bizhub 226/bizhub 236/bizhub 246

# WIRING ACCESSORIES AND JIGS

| Key | Part No.   | Description              | Destinations | Class | QTY | Standard parts |
|-----|------------|--------------------------|--------------|-------|-----|----------------|
| 1   | V500010082 | Locking Wire Saddle      |              | D     |     |                |
| 2   | V500020098 | Mini Locking wire saddle |              | D     |     |                |
| 3   | V500020099 | Mini Locking wire saddle |              | D     |     |                |
| 4   | V500020042 | locker                   |              | D     |     |                |
| 5   | V570010021 | Saddle                   |              | D     |     |                |
|     |            |                          |              |       |     |                |
|     |            |                          |              |       |     |                |
|     |            |                          |              |       |     |                |
|     |            |                          |              |       |     |                |
|     |            |                          |              |       |     |                |
|     |            |                          |              |       |     |                |
|     |            |                          |              |       |     |                |
|     |            |                          |              |       |     |                |

bizhub 216/bizhub 226/bizhub 236/bizhub 246

# MAINTENANCE LIST

● The items with no Page/Key numbers are not handled as spare parts.

| No. | Section                     | PM Parts Description     | Maintenance Cycle (K=1,000) |         | Parts No.  | Destinations | Page/Key | Note |
|-----|-----------------------------|--------------------------|-----------------------------|---------|------------|--------------|----------|------|
|     |                             |                          | QTY                         | Replace |            |              |          |      |
| 1   | Processing section          | Developer                | 1                           | 55K     | -          |              |          |      |
| 2   |                             | Drum                     | 1                           | 55K     | -          |              |          |      |
| 3   |                             | Cleaning blade           | 1                           | 55K     | A0XX361800 |              | P9-15    |      |
| 4   |                             | Drum charge corona assy  | 1                           | 55K     | A1XUR70100 |              | P9-23    |      |
| 5   |                             | Toner bottle (TN119) *1  | 1                           | 5.4K    | -          |              |          |      |
| 6   |                             | Toner bottle (TN118)     | 1                           | 12K     | -          |              |          |      |
| 7   |                             | Toner bottle (TN119H) *1 | 1                           | 12K     | -          |              |          |      |
| 8   |                             | Imaging unit             | 1                           | 165K    | A1XUR70000 |              | P9-3     |      |
| 9   | Fusing section              | Fusing unit              | 1                           | 165K    | A3PEPP3V01 | 220-240V     | P13-11   | *2   |
| 10  |                             | Fusing unit              | 1                           | 165K    | A3PEPP3W01 | 120-127V     | P13-11   | *2   |
| 11  | Paper feed section          | Feed roller              | 1                           | 165K    | A0XX560200 |              | P16-11   |      |
| 12  |                             | Separation pad           | 1                           | 165K    | A0XXPP6E01 |              | P16-15   |      |
| 13  | Paper feed section (MB-505) | Feed roller              | 1                           | 165K    | A0XX594700 |              | P17-16   | *3   |
| 14  |                             | Separation roller        | 1                           | 165K    | 4034015101 |              | P17-30   | *3   |
| 15  | Conveyance section          | Transfer roller unit     | 1                           | 165K    | A0XXPP6H01 |              | P11-14   |      |

\*1: Only for China

\*2: Actual durable cycle (PM counter value)

\*3: Replace those parts at the same time.

## DESTINATION

| Destination No. |    | Destinations   |   | V       | Hz    | Model No.                                |
|-----------------|----|--|---|---------|-------|--|
| A               | A1 | JAPAN  |   | 100     | 50/60 |  |
|                 | A2 | JAPAN  |   | 200     | 50/60 |  |
| B               |    | USA, CANADA  |   | 120     | 60    |  |
| C               |    | EUROPEAN TYPE  |   | 220-240 | 50/60 | A8A5021                                  |
| D               | D1 | S.E ASIA TYPE  | THAILAND, SRI LANKA, SINGAPORE, MALAYSIA, HONG KONG, PAKISTAN, INDIA, BANGLADESH, INDONESIA | 220-240 | 50/60 | A8A5041                                  |
|                 | D3 | OCEANIA TYPE   | AUSTRALIA, NEW ZEALAND  | 220-240 | 50/60 |  |
| E               |    | PHILIPPINES  |   | 220-240 | 50/60 | A8A5041                                  |
| F               | F1 | SAUDI ARABIA   |   | 127     | 60    |  |
|                 | F2 | SAUDI ARABIA   |   | 220-240 | 50/60 | A8A5041                                  |
| G               | G1 | C.S AMERICA  |   | 220-240 | 50/60 | A8A5041                                  |
|                 | G2 | C.S AMERICA  |   | 120     | 60    | A8A5011                                  |
| H               |    | TAIWAN   |   | 110     | 60    |  |
| I               |    | JORDAN, LEBANON, SYRIA, SOUTH AFRICA, IRAQ, IRAN, N.YEMEN, CAMEROON, UAE, BAHRAIN, OMAN, QATAR, KUWAIT, KENYA, TUNISIA, IVORY COAST, MOROCCO |   | 220-240 | 50/60 | A8A5021<br>A8A5041                       |
| J               |    | CHINA  |   | 220-240 | 50/60 | A8A5081<br>A8A5082<br>A8A5083<br>A8A5084 |
| K               |    | KOREA  |   | 220-240 | 50/60 |  |

bizhub 216/bizhub 226/bizhub 236/bizhub 246