

# PARTS CATALOGUE

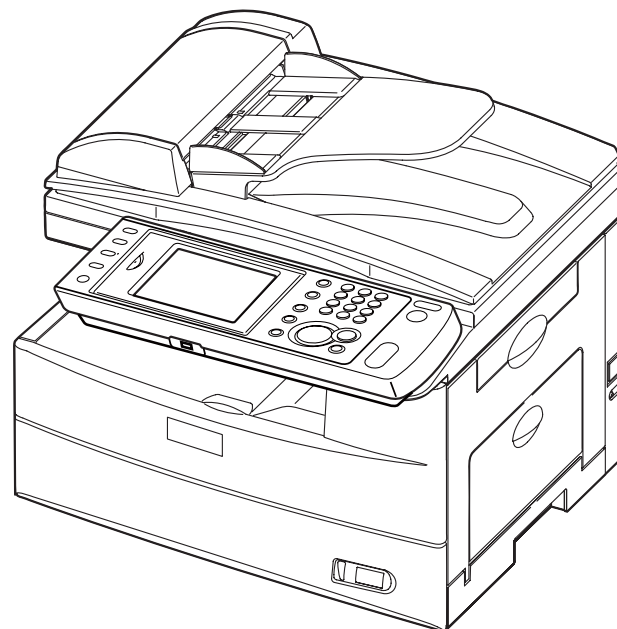
product code

**DC4450**

Konica Minolta

**240f**

**EUR**



date

**2010/03/10**

AA

# <HOW TO USE THIS CATALOGUE>

## 1. INTRODUCTION

Before placing a purchase order for spare parts, please read following instructions to avoid any misunderstandings.

## 2. DEFINITION

In this catalogue, a "part" means each component of a fax machine. Every part has its own name and own number in order to distinguish each other.

## 3. HOW TO SEE THIS CATALOGUE

### 1) Page of "PARTS LIST"

Example: DB5001 ← <1> PARTS LIST DATE 2006/07/06 ← <2> PAGE 7 ← <3>

DB5-005 ← <4>

NO	PART NO	PART NAME	QTY	UNIT PRICE(USD)	REMARK
001-001	DB5-A0050-4X	ASSY MOTOR	1	35.45	
* 101	ZA1-02931-20	MOTOR	1		
102	D67-01280-6X	BEARING	3	1.66	
⋮	⋮	⋮	⋮	⋮	⋮
⋮	⋮	⋮	⋮	⋮	⋮

### 2) Page of "CONTENTS"

DB5-001	TRAY DOCUMENT
DB5-002	COVER PLATEN
DB5-003	ADF GUIDE OUTER
DB5-004	ADF GUIDE INNER
DB5-005 ← <4>	ADF MOTOR ← <12>
.	.
.	.

#### (1) Explanation :

- <1> DB5001 : Product code is six-digit alphanumeric, and shows the model and specification.
- <2> DATE 2006/07/06 : Creation date of PARTS LIST.
- <3> PAGE 7 : Page number of PARTS LIST.
- <4> DB5-005 : Screen page number of this parts catalogue.  
DB5-005 means fifth screen page of the catalogue.
- <5> NO : Represents reference number of each part in the illustration.
- <6> PART NO : Part number.
- <7> PART NAME : Name of the part.
- <8> Q'TY : The quantity of the part which this "Index No" indicates.

- <9> UNIT PRICE(USD) : Price of the part, and word in parenthesis is currency.  
The price shown on this catalogue is the "List Price".  
When you calculate the distributor's price, please truncate the calculated price to 2 decimal places
- <10> REMARK : Meaning the recital.
- <11> \* : Parts marked with an asterisk are disapproved for sale. So, prices for those parts are not shown .
- <12> ADF MOTOR : Represents reference appellation of each part in the screen page.

## (2) HOW TO USE THIS CATALOGUE

The catalogue consists of an illustration and Parts List. Please identify your requested part in the illustration on the left page, find the index number and look through the right page to find the part number of the required component.

## 4. PART NUMBER

The most important information is the part number.

(3 digits) + (5 digits) + (2 or 3 digits) = 10 or 11 digits

Model code    Part code    Level code    Sub Number

- <1> Model code : Specifies the model. Since some parts are common to several models, there are some parts whose "Model Code" differs from the other parts, though they are all a part of a machine of one product code.
- <2> Level code : Represents the level of parts assembly
  - 6 : Not an assembled part
  - 5 : Several parts are assembled.
  - 4 : Several "level 6" and/or "level 5" parts are assembled
  - 3 : "Level 6", "level 5", and/or "level 4" parts are assembled.
- <4> Sub Number : Represents the specification and revision of parts. The letter "X" is where the revision of parts is shown. When you order a part, please write the exact part number shown on your catalogue. We will supply the part with the latest version.

EXCEPTION ; The above rule is not applied to the parts with numbers which start with "ZA1" (Ex,:ZA1-00432-70), "DCB", "DFG" since they are purchased from other vendors. So please write the number exactly the same as shown on the list. Please do NOT write "X" unless the part number actually includes "X".

## \*NOTICE

Supplying Time : Contract term with customer.

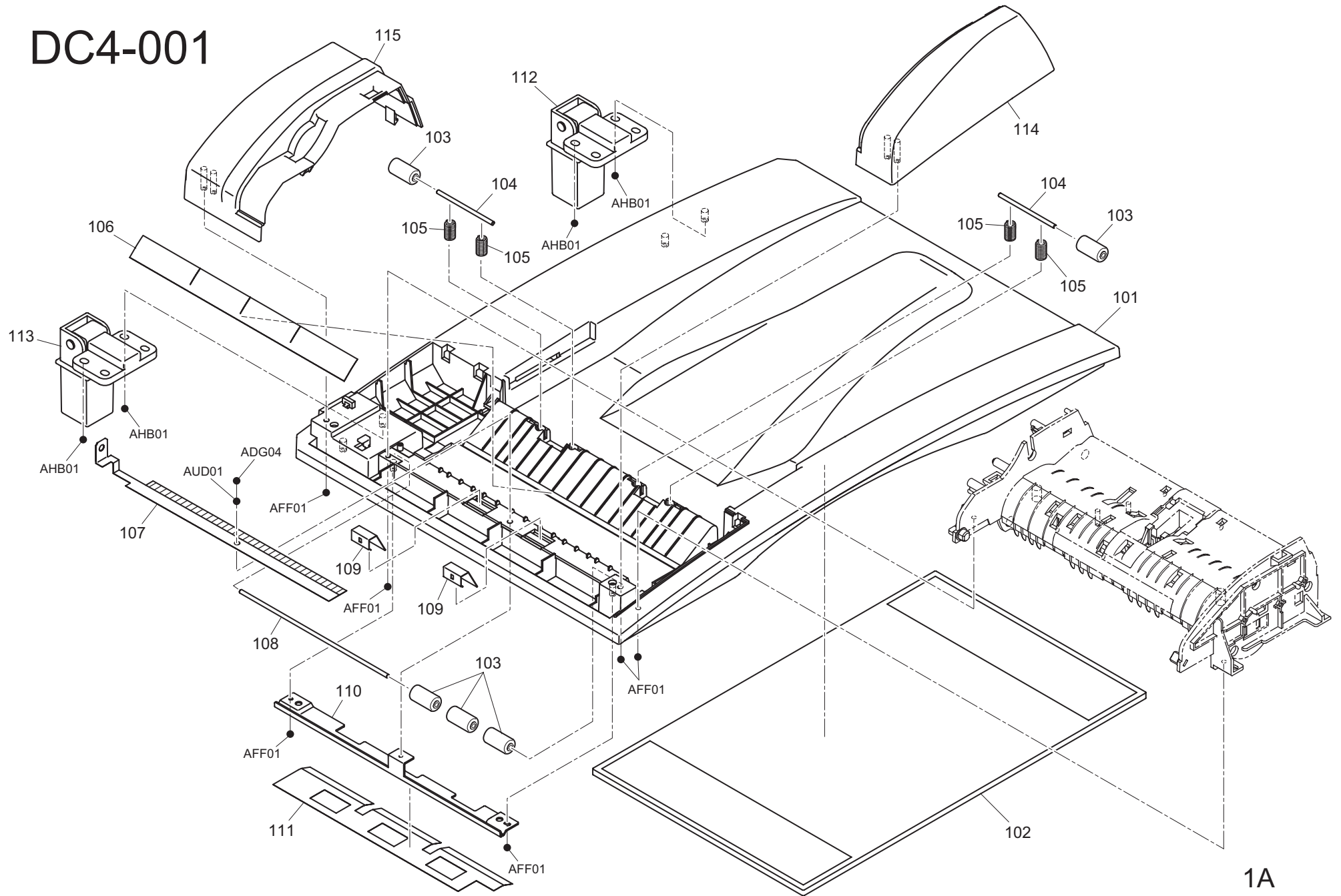
Change of parts price : About parts price of this catalogue is subject to change without notice based on various reasons.

Please be forewarned.

## DC4 CONTENTS

DC4-001	ADF COVER PLATEN	DC4-081	ACCESSORY 1
DC4-002	ADF GUIDE	DC4-082	ACCESSORY 2
DC4-003	ADF MOTOR	DC4-083	ENCLOSURE
DC4-010	PANEL	DC4-091	COMSUMABLE
DC4-011	TOP COVER	DC4-902	PARTS ADF GUIDE
DC4-012	CHASSIS SCANNER	DC4-911	PARTS TOP COVER
DC4-013	FBS FRAME SCANNER	DC4-913	PARTS FBS FRAME SCANNER
DC4-014	PRINTER COVER	DC4-914	PARTS PRINTER COVER
DC4-015	PRINTER POWER SUPPLY/NCU	DC4-917	PARTS PRINTER CHASSIS 1
DC4-016	PRINTER PCB MAIN	DC4-921	PARTS PRINTER DRIVE 2
DC4-017	PRINTER CHASSIS 1	DC4-923	PARTS PRINTER FUSER
DC4-018	PRINTER CHASSIS 2	DC4-925	PARTS PRINTER TRANSFER
DC4-019	PRINTER CHASSIS 3	DC4-927	PARTS PRINTER CASSETTE 1ST
DC4-020	PRINTER DRIVE 1		
DC4-022	PRINTER EXIT		
DC4-023	PRINTER FUSER		
DC4-024	PRINTER JAM ACCESS COVER		
DC4-025	PRINTER TRANSFER		
DC4-026	PRINTER MALTI PURPOSE		
DC4-027	PRINTER CASSETTE 1ST		

# DC4-001



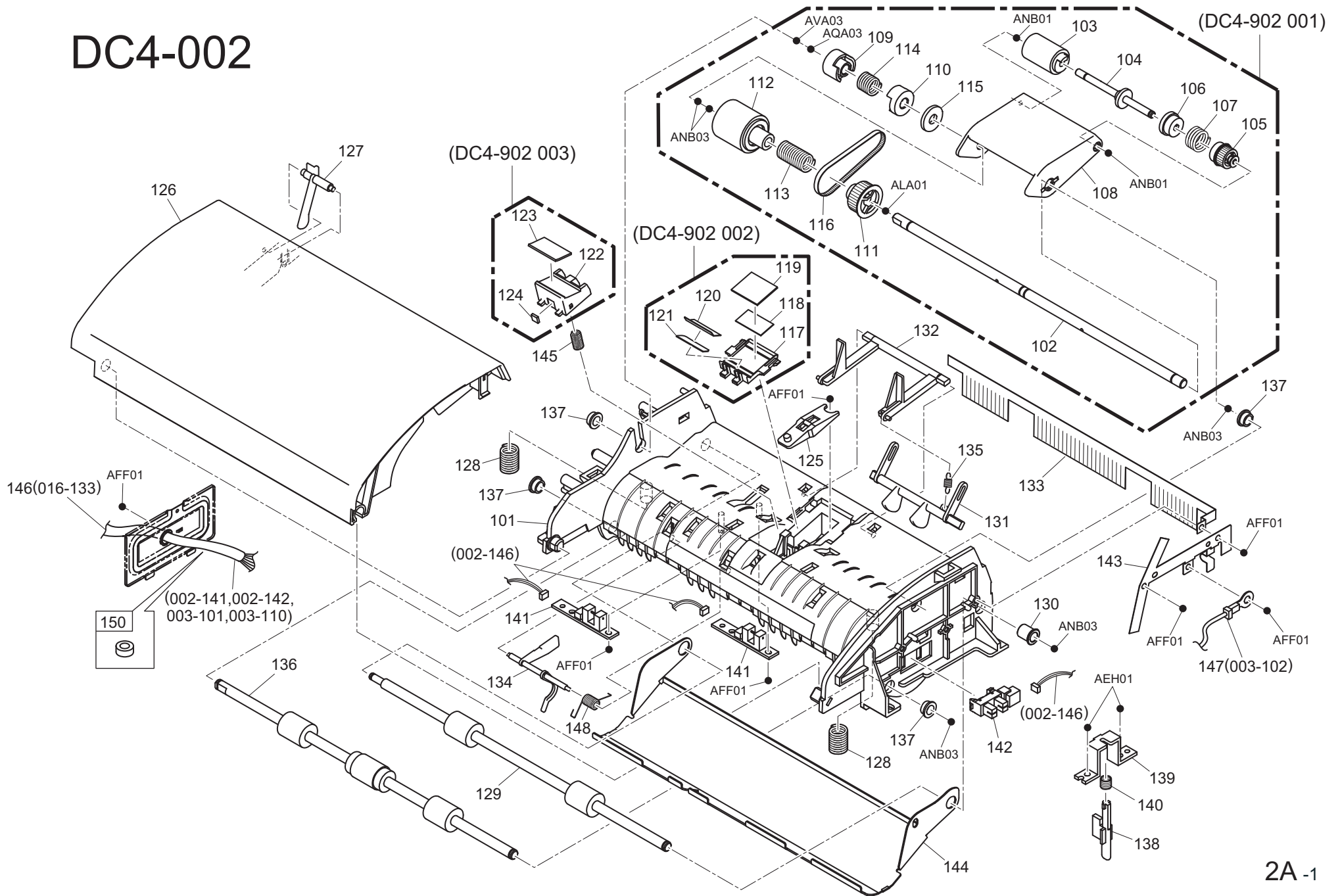
1A

DC4 - 001

NO	PARTS NO	PARTS NAME	Q'TY	REMARK
001 - 101	DA7 - 01011 - 6X	COVER PLATEN	1	
- 102	DA7 - 01120 - 6X	SHEET DOCUMENT PRESS	1	
- 103	D82 - 01140 - 6X	TX PRESS ROLLER	5	
- 104	DA7 - 01150 - 6X	SHAFT PRESS ROLLER B	2	
- 105	DA7 - 01100 - 6X	SPRING C A	4	
- 106	DA7 - 01190 - 6X	SHEET PLATEN B	1	
- 107	DA7 - 01110 - 6X	BRUSH A	1	
- 108	DA7 - 01140 - 6X	SHAFT PRESS ROLLER A	1	
- 109	DA7 - 01090 - 6X	SPRING P A	2	
- 110	DA7 - 01160 - 6X	STAY PLATEN	1	
- 111	DA7 - 01180 - 6X	SHEET PLATEN A	1	
- 112	Z90 - 64611 - 0X	HINGE R	1	
- 113	Z90 - 64610 - 0X	HINGE L	1	
- 114	DA7 - 01031 - 6X	COVER TX SIDE F	1	
- 115	DA7 - 01041 - 6X	COVER TX SIDE B	1	



# DC4-002



2A-1

DC4 - 002

NO	PARTS NO	PARTS NAME	Q'TY	REMARK
002 - 101	DA7 - 01201 - 6X	GUIDE INNER A	1	
* - 102	DA7 - 01400 - 6X	SHAFT SEPARATOR	1	
* - 103	DA7 - 01380 - 5X	ROLLER PICKUP	1	
* - 104	DA7 - 01330 - 6X	SHAFT PICKUP	1	
* - 105	DA7 - 01340 - 6X	PULLEY 20	1	
* - 106	DA7 - 01300 - 6X	HUB PICKUP	1	
* - 107	DA7 - 01470 - 6X	SPRING C CLUTCH	1	
* - 108	DA7 - 01220 - 6X	ARM PICKUP	1	
* - 109	DA7 - 01310 - 6X	HUB SEPARATOR A	1	
* - 110	DA7 - 01320 - 6X	HUB SEPARATOR B	1	
* - 111	DA7 - 01350 - 6X	PULLEY 24	1	
* - 112	DA7 - 01390 - 5X	ROLLER SEPARATOR	1	
* - 113	DA7 - 01480 - 6X	SPRING C ONEWAY	1	
* - 114	DA7 - 01490 - 6X	SPRING C PICKUP	1	
* - 115	DA7 - 01130 - 6X	SHEET FELT	1	
* - 116	Z07 - 54140 - 0X	BELT(TIMING)	1	
- 117	DA7 - 0155K - 6X	COVER SEPARATOR	1	
- 118	DA7 - 01640 - 6X	SPONGE PICKUP	1	
- 119	D84 - 11890 - 6X	PICKUP PAD	1	
- 120	DA7 - 01540 - 6X	SHEET SEPARATOR	1	
- 121	DA7 - 01620 - 6X	PAD SEPARATOR B	1	
- 122	DA7 - 0156K - 6X	PIECE SEPARATOR	1	
- 123	DA7 - 01570 - 6X	PAD SEPARATOR A	1	
- 124	D84 - 11950 - 6X	SEPARATOR CUSHION	1	
- 125	DA7 - 01290 - 6X	HOLDER SPRING SEPARATOR	1	
- 126	DA7 - 01021 - 6X	GUIDE OUTER	1	
- 127	DA7 - 01170 - 6X	FEELER DS1	1	
- 128	DA7 - 01500 - 6X	SPRING C DOCUMENT PRESS	2	



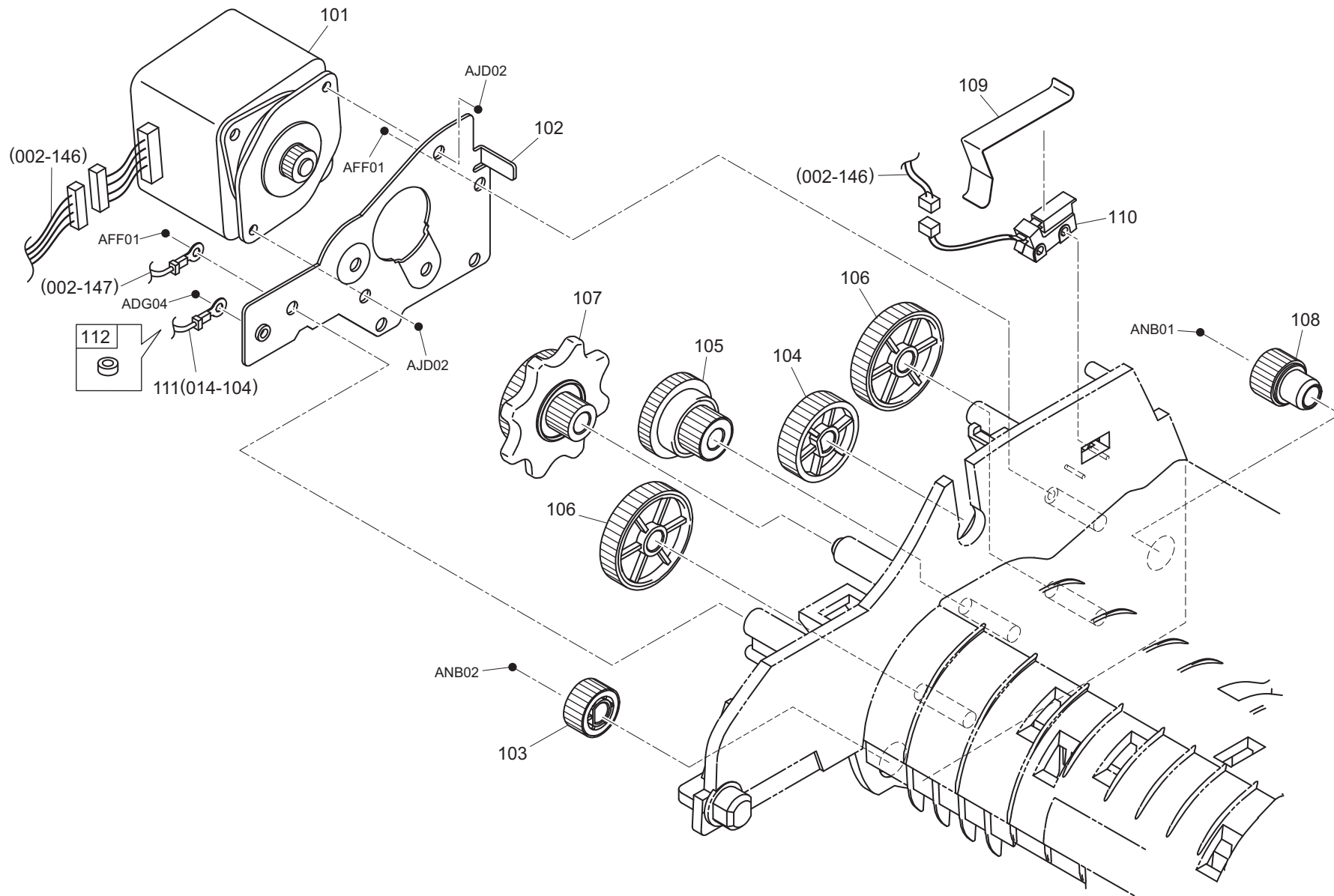


DC4 - 002

NO	PARTS NO	PARTS NAME	Q'TY	REMARK
002 - 129	DA7 - 01360 - 6X	ROLLER EXIT ADF	1	
- 130	D28 - 02120 - 6X	BEARING D6 8	1	
- 131	DA7 - 01420 - 6X	STOPPER DOCUMENT B	1	
- 132	DA7 - 0141K - 6X	STOPPER DOCUMENT A	1	
- 133	DA7 - 01430 - 6X	BRUSH B	1	
- 134	DA7 - 01440 - 6X	FEELER DS2	1	
- 135	DA7 - 01460 - 6X	SPRING C STOPPER DOCUMENT	1	
- 136	DA7 - 01370 - 6X	ROLLER FEED	1	
- 137	D67 - 01280 - 6X	BEARING D6	4	
- 138	D88 - 0353K - 6X	FEELER APS	1	
- 139	D88 - 03540 - 6X	APS BRACKET	1	
- 140	D88 - 03550 - 6X	APS SPRING	1	
- 141	DA7 - 08180 - 5XX	PCB SENSOR	2	
- 142	Z08 - 05572 - 0X	PHOTO-INTERRUPTER	1	
- 143	DA7 - 01520 - 6X	SPRING P EARTH	1	
- 144	DA7 - 01210 - 6X	GUIDE INNER B	1	
- 145	DA7 - 01510 - 6X	SPRING C SEPARATOR	1	
- 146	DC4 - 08380 - 4XX	ASSY ADF-CABLE	1	
- 147	DFG - S3S3B - 530	CABLE-ASSY	1	
- 148	DA7 - 01630 - 6X	SPRING T SENSOR	1	
- 150	ZA1 - 00921 - 00	CORE	1	



# DC4-003

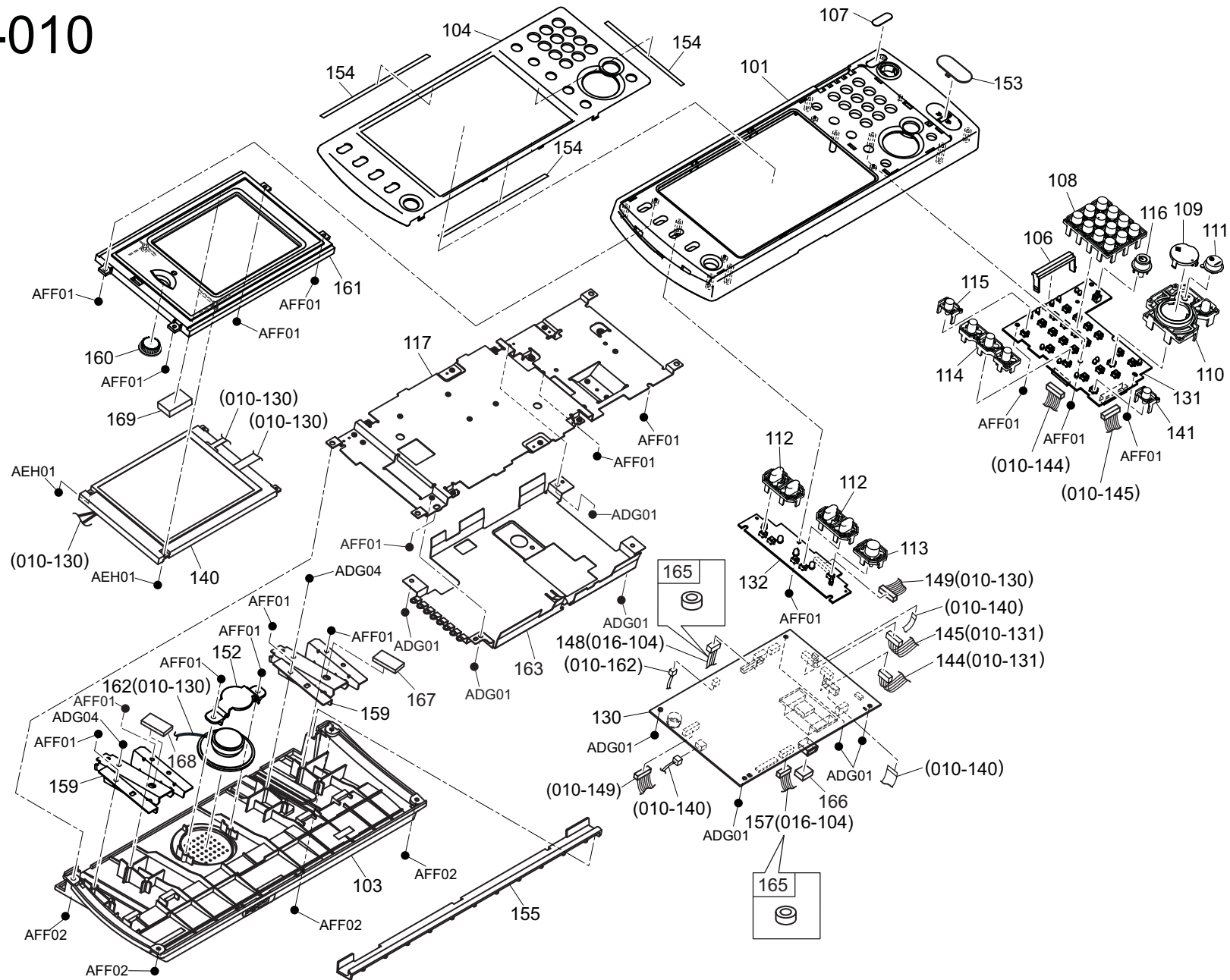


DC4 - 003

NO	PARTS NO	PARTS NAME	Q'TY	REMARK
003 - 101	ZA1 - 02454 - 50	MOTOR(STEPING)	1	
- 102	DA7 - 01230 - 6X	BRACKET MOTOR ADF	1	
- 103	DA7 - 01240 - 6X	GEAR 27 0.5	1	
- 104	DA7 - 01250 - 6X	GEAR 40 0.6 B	1	
- 105	DA7 - 01260 - 6X	GEAR 24/47	1	
- 106	DA7 - 01270 - 6X	GEAR 59 0.5	2	
- 107	DA7 - 0128G - 6X	GEAR 18/55	1	
- 108	DA7 - 01530 - 6X	GEAR 27 0.5 ONEWAY	1	
- 109	DA7 - 01450 - 6X	SPRING P IL	1	
- 110	DA7 - 08340 - 4XX	ASSY MICRO-SW	1	
- 111	DC4 - 08570 - 5XX	CABLE-ASSY	1	
- 112	ZA1 - 01037 - 60	CORE	1	



# DC4-010



DC4 - 010

NO	PARTS NO	PARTS NAME	Q'TY	REMARK
010 - 101	DC1 - 03051 - 6X	COVER PANEL	1	
- 103	DC4 - 0306B - 6X	COVER PANEL LOWER	1	
- 104	DC4 - 03181 - 6X	COVER PANEL OVERLAY	1	
- 106	DC1 - 0309W - 6X	COVER LED A	1	
- 107	DC1 - 0310B - 4X	OVERLAY POWER	1	
- 108	DC1 - 0311P - 5X	KEY TEN	1	
- 109	DC1 - 0312U - 6X	KEY START A	1	
- 110	DC1 - 0313W - 6X	KEY START B	1	
- 111	DC1 - 0314V - 6X	KEY STOP	1	
- 112	DC1 - 0315W - 6X	KEY MODE A	2	
- 113	DC1 - 0316W - 5X	KEY MODE B	1	
- 114	DC1 - 0317W - 6X	KEY MODE C	1	
- 115	DC1 - 0318P - 6X	KEY MODE D	1	
- 116	DC1 - 03191 - 6X	KEY MODE E	1	
- 117	DC1 - 03200 - 6X	FRAME PANEL	1	
- 130	DC4 - 08070 - 5XX	PCB PANEL	1	
- 131	DC1 - 08030 - 5XX	PCB PANEL KEY1	1	
- 132	DC1 - 08040 - 5XX	PCB PANEL KEY2	1	
- 140	Z90 - 54610 - 0X	DISPLAY(LCD)	1	
- 141	DC1 - 0318T - 6X	KEY MODE D	1	
- 144	DC1 - 08490 - 5XX	CABLE-ASSY PANEL-KEY1A	1	
- 145	DC1 - 08500 - 5XX	CABLE-ASSY PANEL-KEY1B	1	
- 148	DCB - H5084 - 50A	CABLE-ASSY	1	
- 149	DCB - 51808 - 50A	CABLE-ASSY	1	
- 153	DC1 - 03361 - 6X	COVER FINGERPRINT	1	
- 154	DC1 - 03380 - 6X	TAPE PANEL OVERLAY B	3	
- 155	DC4 - 0310B - 6X	COVER STAY PANEL	1	
- 157	Z90 - 63712 - 0X	CABLE-ASSY PANEL USB CABLE USB	1	

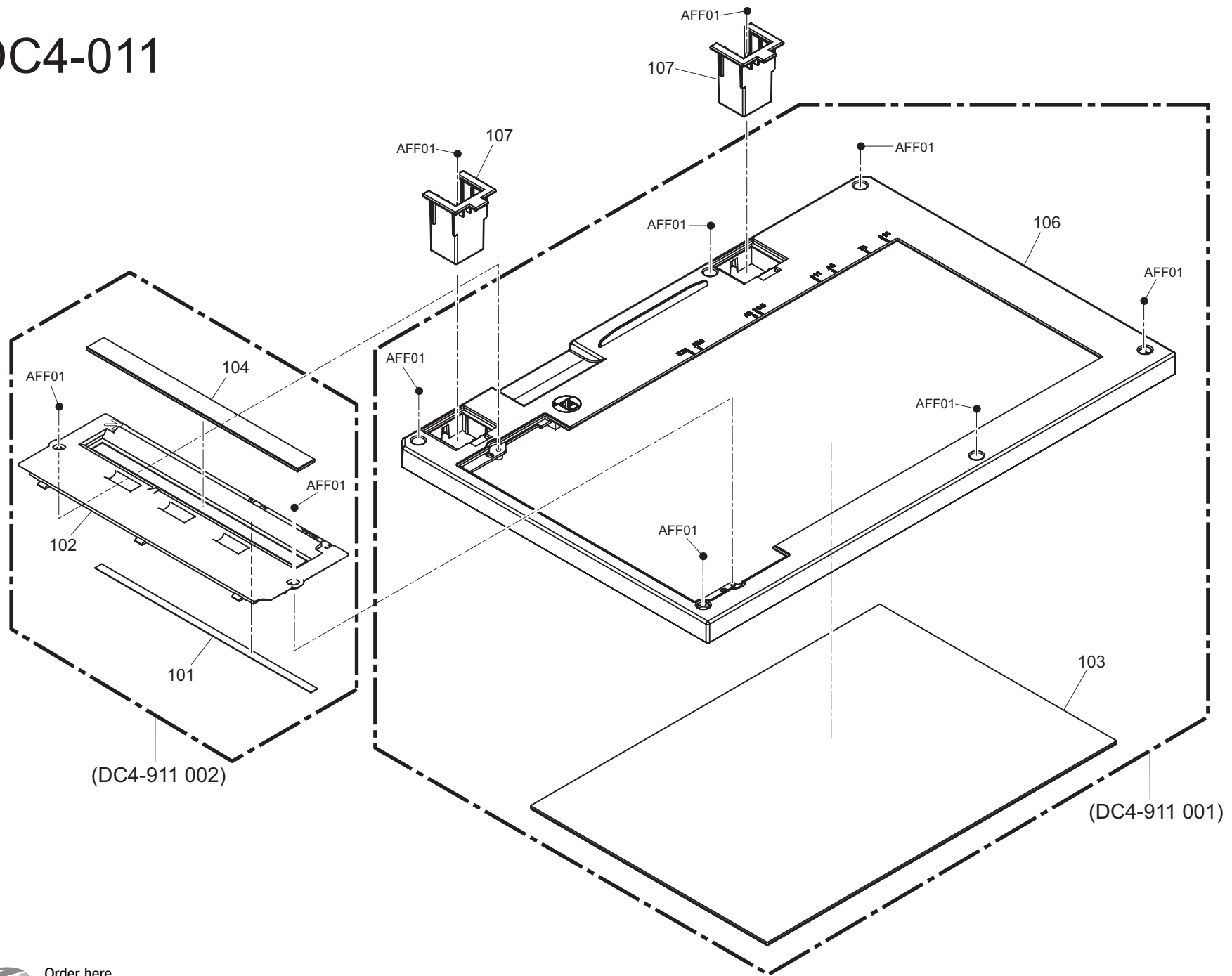


DC4 - 010

NO	PARTS NO	PARTS NAME	Q'TY	REMARK
010 - 159	DC4 - 03070 - 6X	STAY PANEL A	2	
- 160	DA1 - 03311 - 6X	KNOB VOLUME	1	
- 161	DC4 - 03091 - 6X	BRACKET LCD	1	
- 162	D91 - 08490 - 4XX	ASSY SPEAKER	1	
- 163	DC4 - 03170 - 6X	COVER PCB PANEL	1	
- 165	ZA1 - 01037 - 60	CORE	2	
- 166	ZA1 - 03697 - 30	GASKET	1	
- 167	ZA1 - 03787 - 40	GASKET	1	
- 168	ZA1 - 03788 - 60	GASKET	1	
- 169	ZA1 - 03830 - 10	GASKET	1	



# DC4-011



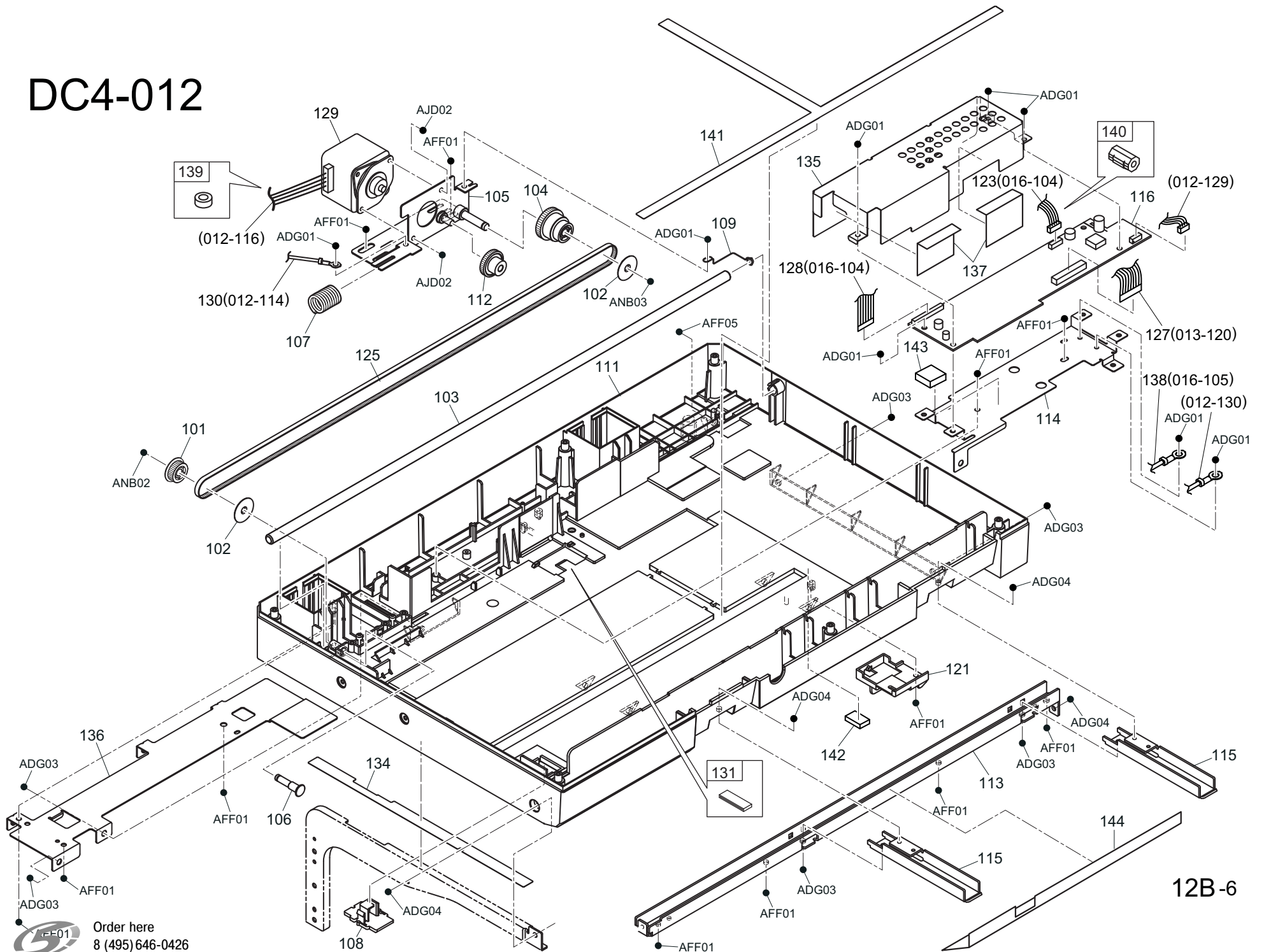
DC4 - 011

NO	PARTS NO	PARTS NAME	Q'TY	REMARK
* 011 - 101	D88 - 05480 - 6X	BACKGROUND SEAL	1	
* - 102	DA7 - 05061 - 6XA	COVER CONTACT	1	
* - 103	DA7 - 05220 - 6X	PANE	1	
* - 104	DA7 - 05230 - 6X	GLASS CONTACT	1	
* - 106	DC4 - 05021 - 6X	COVER TOP FBS	1	
- 107	DC4 - 05091 - 6X	CAP HINGE FBS	2	





# DC4-012



12B-6

DC4 - 012

NO	PARTS NO	PARTS NAME	Q'TY	REMARK
012 - 101	D88 - 05330 - 6X	FBS TENSION PULLEY	1	
- 102	D88 - 05350 - 6X	FLANGE B	2	
- 103	DA7 - 05020 - 6X	SHAFT GUIDE	1	
- 104	DA7 - 05080 - 6X	GEAR 65/27P	1	
- 105	DA7 - 05100 - 5X	BRACKET MOTOR FBS	1	
- 106	DA7 - 05130 - 6X	STUD D6 23.2	1	
- 107	DA7 - 05140 - 6X	SPRING C TENSION	1	
- 108	DA7 - 0515G - 6X	LOCK CARRIAGE	1	
- 109	DA7 - 05160 - 6X	SPRING C FG	1	
- 111	DC4 - 0501B - 6X	CHASSIS FBS	1	
- 112	DC4 - 05100 - 6X	GEAR 32/44	1	
- 113	DC4 - 05170 - 6X	STAY FRONT	1	
- 114	DC4 - 05200 - 6X	BRACKET SCANNER PCB FBS	1	
- 115	DC4 - 05220 - 6X	STAY FRONT SUB	2	
- 116	DC4 - 08020 - 5XX	PCB SCANNER	1	
- 121	DC4 - 2580B - 6X	PIECE EXIT RIB	1	
- 123	DC4 - 08580 - 5XX	CABLE-ASSY	1	
- 125	Z08 - 05630 - 0X	BELT(TIMING)	1	
- 127	ZA1 - 03417 - 40	CABLE-ASSY	1	
- 128	ZA1 - 03694 - 80	CABLE-ASSY	1	
- 129	ZA1 - 03603 - 10	MOTOR(STEPING)	1	
- 130	DFG - S3S3B - 512	CABLE-ASSY	1	
- 131	ZA1 - 02808 - 30	CORE	1	
- 134	DC4 - 05230 - 6X	SHEET FBS LEFT	1	
- 135	DC4 - 05240 - 6X	PLATE SHIELD PCB SCANNER	1	
- 136	DC4 - 05250 - 6X	PLATE FG MAIN FBS	1	
- 137	DC4 - 05260 - 6X	SHEET INSULATOR A	2	
- 138	DFG - S3S3B - 506	CBL-ASSY DFG-S3S3B-506(L=60)	1	

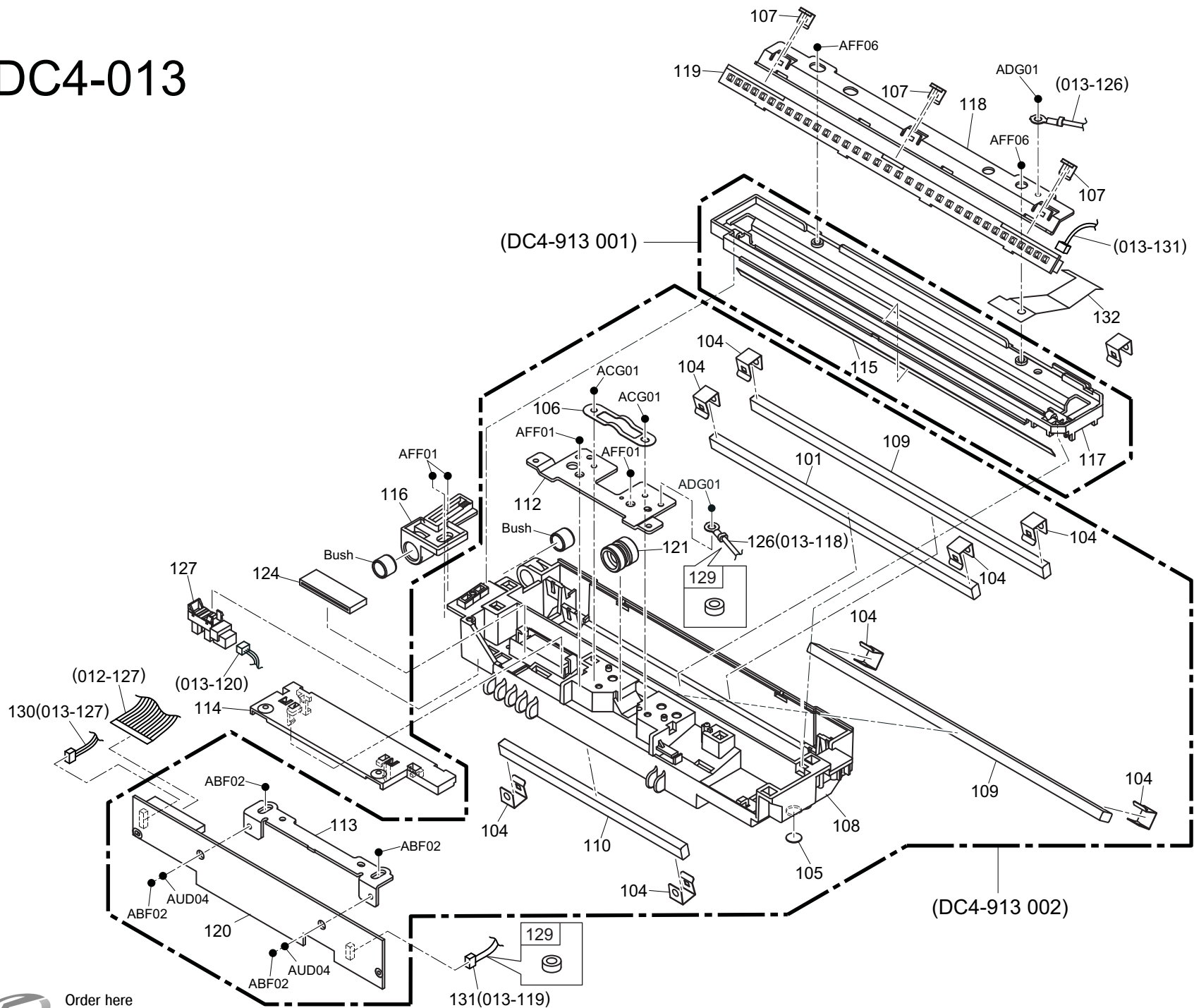


DC4 - 012

NO	PARTS NO	PARTS NAME	Q'TY	REMARK
012 - 139	ZA1 - 00921 - 00	CORE	1	
- 140	ZA1 - 02491 - 00	CORE	1	
- 141	ZA1 - 03814 - 30	SHEET	1	
- 142	ZA1 - 03572 - 50	GASKET	1	
- 143	Z90 - 67805 - 0X	SHEET	1	



# DC4-013

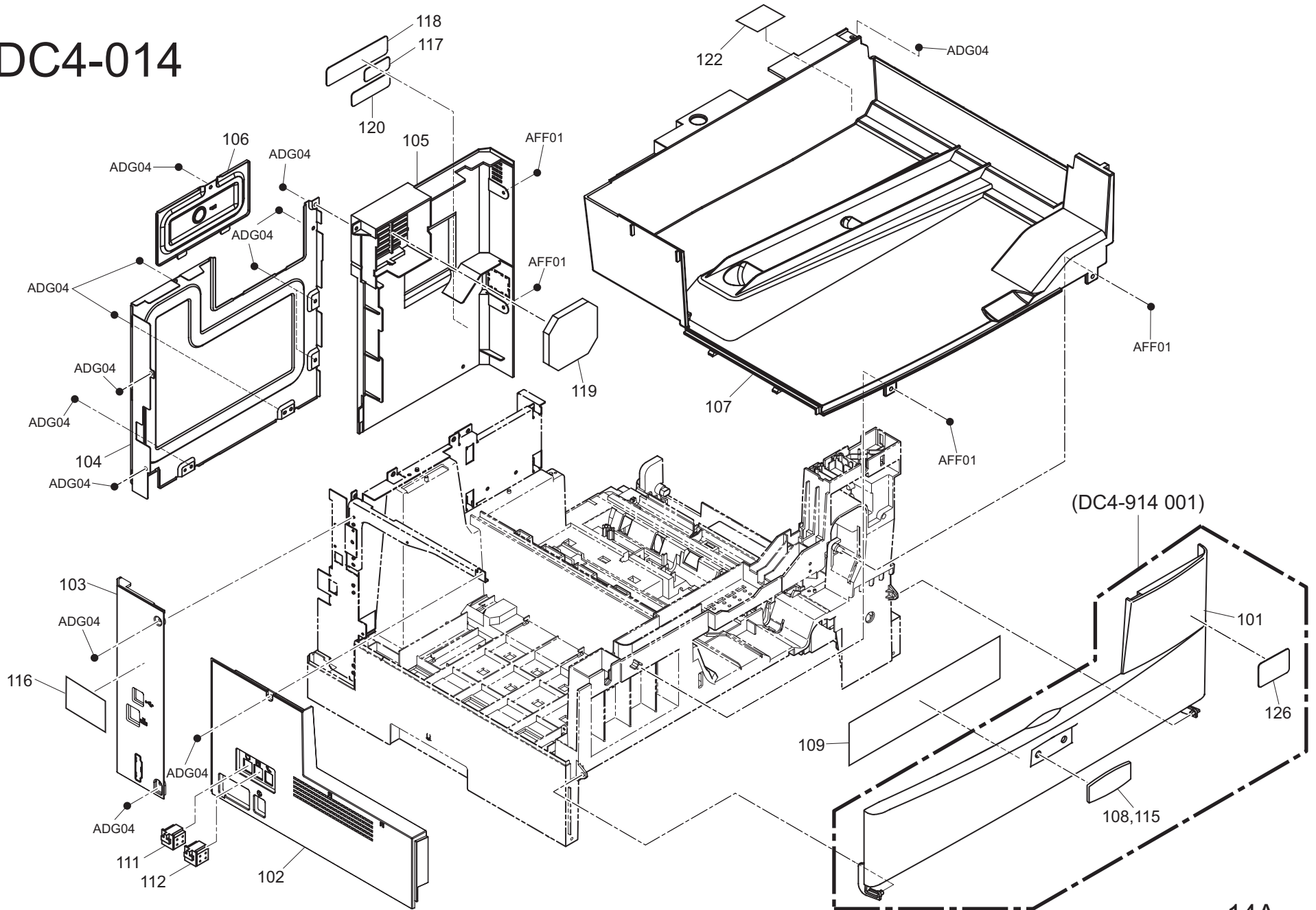


## DC4 - 013

NO	PARTS NO	PARTS NAME	Q'TY	REMARK
* 013 - 101	DC4 - 05060 - 6X	MIRROR C	1	
* - 104	D40 - 01050 - 6X	MIRROR CLAMP	8	
* - 105	D88 - 05390 - 6X	SLIDER	1	
* - 106	DA7 - 05240 - 6X	SUPPORTER LENS	1	
* - 107	DC1 - 10740 - 6X	SPRING P LED PCB	3	
* - 108	DC4 - 05030 - 6X	FRAME SCANNER FBS	1	
* - 109	DC4 - 05040 - 6X	MIRROR A	2	
* - 110	DC4 - 05050 - 6X	MIRROR B	1	
* - 112	DC4 - 05070 - 6X	BRACKET CCD A	1	
* - 113	DC4 - 05080 - 6X	BRACKET CCD B	1	
* - 114	DC4 - 05120 - 6X	COVER LENS	1	
* - 115	DC4 - 05130 - 6X	SHEET LED REFLECTOR FBS	1	
* - 116	DC4 - 05140 - 6X	HOLDER SHAFT GUIDE	1	
* - 117	DC4 - 05150 - 6X	CASE LAMP	1	
* - 118	DC4 - 05160 - 6X	HOLDER PCB LED FBS	1	
* - 119	DC4 - 08110 - 5XX	PCB LED-LAMP FBS	1	
* - 120	DC4 - 08160 - 5XX	PCB CCD T	1	
* - 121	ZA1 - 02387 - 50	LENS	1	
* - 124	ZA1 - 02808 - 30	CORE	1	
* - 126	DFG - S3S3B - 519	CABLE-ASSY	1	
* - 127	Z08 - 05572 - 0X	PHOTO-INTERRUPTER	1	
* - 129	ZA1 - 00921 - 00	CORE	2	
* - 130	DC4 - 08230 - 5XX	CABLE-ASSY CCD_TO_HS	1	
* - 131	DCB - I0221 - 50A	CABLE-ASSY	1	
* - 132	ZA1 - 03815 - 50	SHEET	1	



# DC4-014

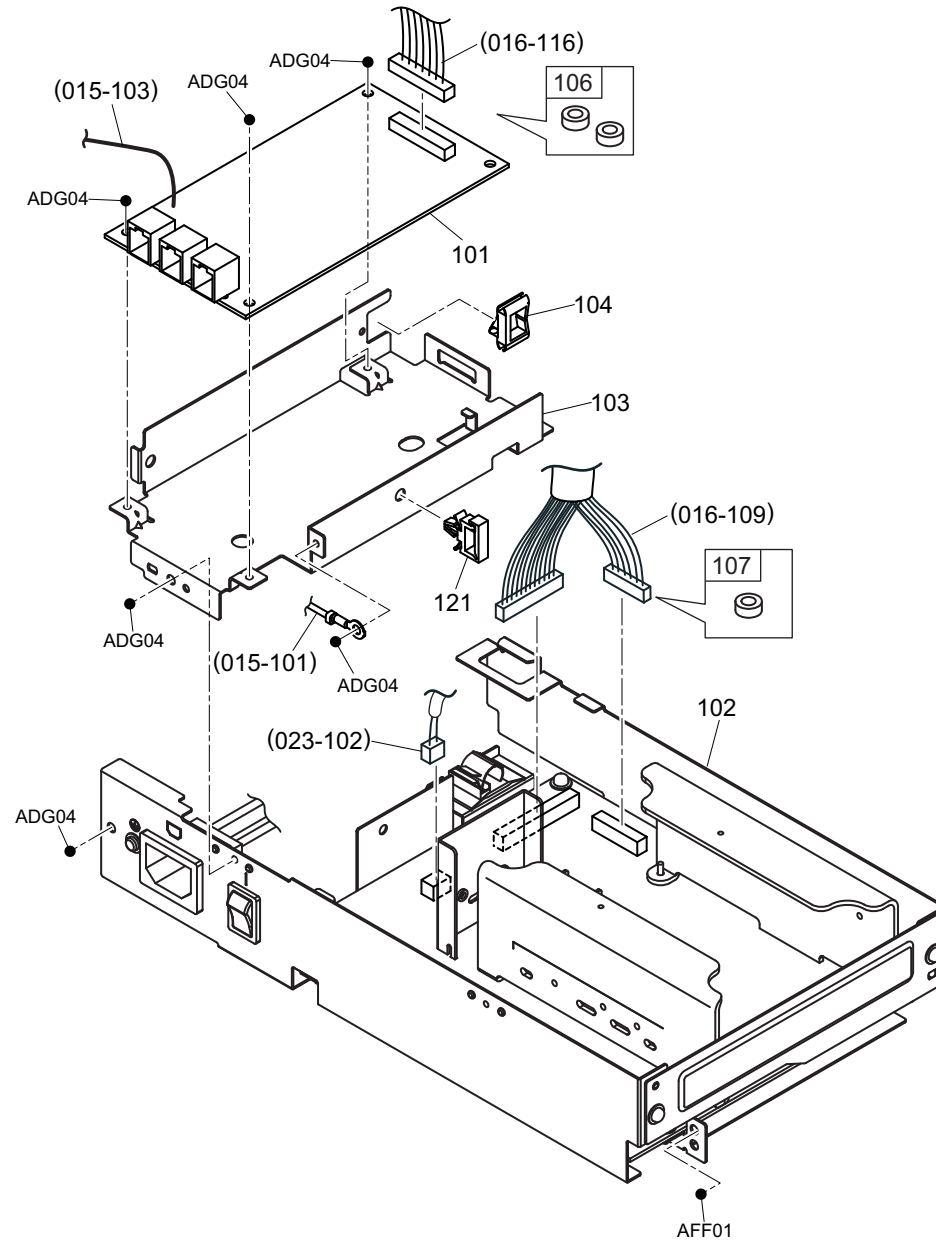


14A-1

DC4 - 014

NO	PARTS NO	PARTS NAME	Q'TY	REMARK
* 014	- 101	DA7 - 3603K - 4XB	COVER FRONT	1
	- 102	DC4 - 0302B - 6X	COVER LEFT	1
	- 103	DC4 - 0301B - 6X	COVER OPTION	1
	- 104	DC4 - 03030 - 6X	COVER SHIELD	1
	- 105	DC4 - 3619B - 6X	COVER BACK	1
	- 106	DC4 - 03040 - 6X	COVER CONNECT	1
	- 107	DA7 - 36021 - 6XA	TRAY PAPER EXIT	1
	- 109	DA7 - 07020 - 6X	LABEL COVER FRONT	1
	- 111	D99 - 0061P - 6X	MODULAR COVER	1
	- 112	D13 - 03200 - 6X	COVER MODULAR	1
*	- 115	DA7 - 3672A - 6X	SHEET COVER FRONT	1
	- 116	D99 - 07350 - 6X	LABEL USB DIRECTIONS	1
	- 117	D99 - 07360 - 6X	LABEL WARNING	1
*	- 118	DC4 - 07030 - 6X	ID LABEL	1
	- 119	DC4 - 36200 - 6X	FILTER VOC	1
	- 120	DC4 - 07050 - 6X	LABEL BARCODE	1
	- 122	DA7 - 37740 - 6X	SHEET COVER B	1
*	- 126	D99 - 01510 - 6X	LABEL LOGO ENERGY STAR B	1
	- 129	ZA1 - 03344 - 30	GASKET	1

# DC4-015

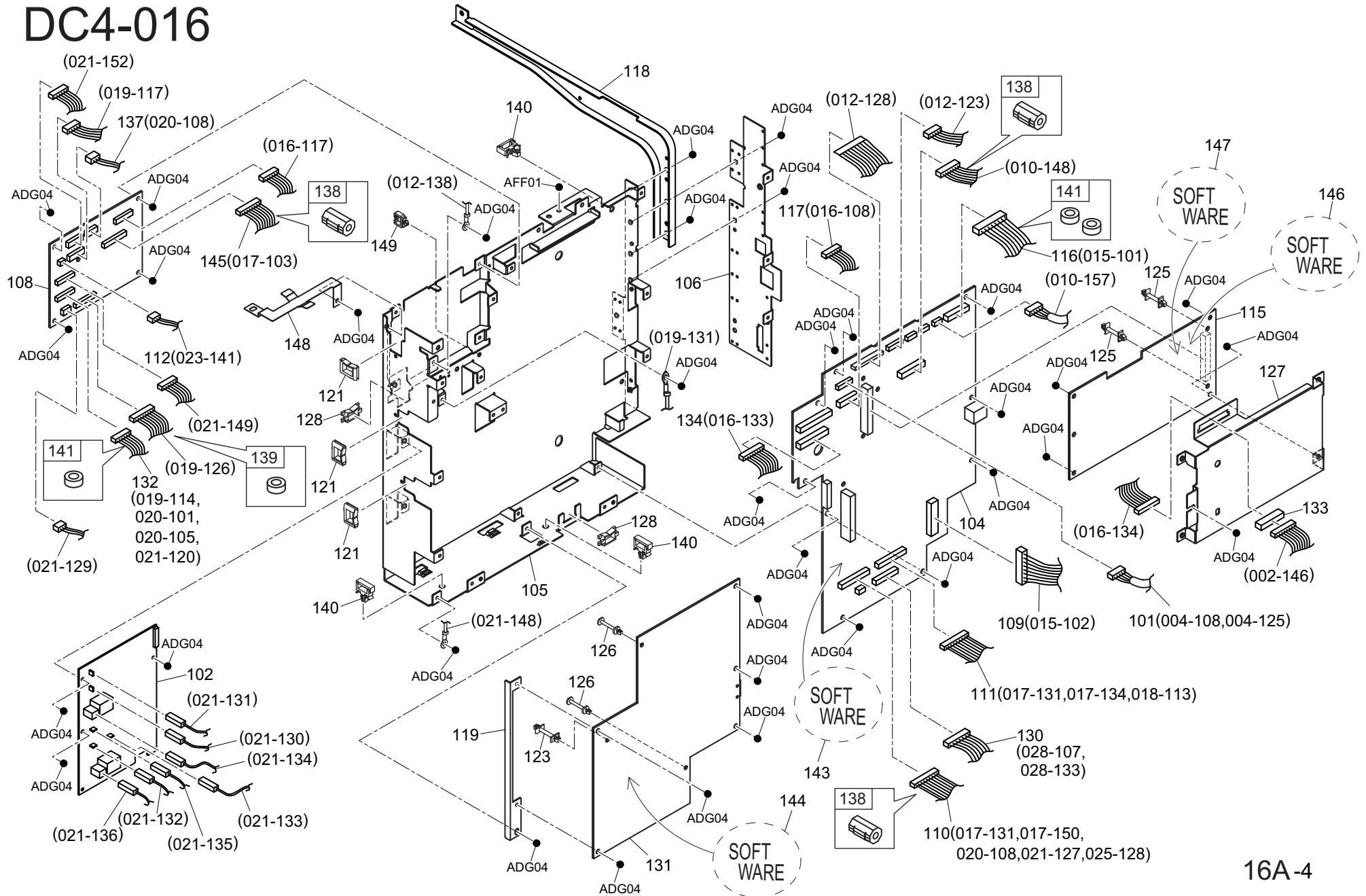




DC4 - 015

NO	PARTS NO	PARTS NAME	Q'TY	REMARK
015 - 101	DA7 - Y8040 - 5XX	PCB NCU	1	
- 102	DC4 - Y8900 - 5XX	PCB PSU	1	
- 103	DC4 - 36040 - 6X	PLATE NCU1	1	
- 104	Z06 - 86657 - 1X	CABLE-CLAMP	1	
- 106	ZA1 - 00921 - 00	CORE	2	
- 107	ZA1 - 01037 - 60	CORE	1	
- 121	ZA1 - 02465 - 00	CABLE-CLAMP	1	

# DC4-016



DC4 - 016

NO	PARTS NO	PARTS NAME	Q'TY	REMARK
016 - 102	Z90 - 48829 - 0X	POWER-SPPLY	1	
- 104	MTD - 38130 - 5XX	PCB MAIN	1	
- 105	DC4 - 36020 - 6X	PLATE MAIN A	1	
- 106	DC4 - 36030 - 6X	PLATE MAIN B	1	
- 108	DC4 - 08080 - 5XX	PCB LPH	1	
- 109	DC4 - 08200 - 4XX	ASSY LOW VOLTAGE POWER SUPPLY-CABLE	1	
- 110	DC4 - 08400 - 5XX	CABLE-ASSY PRINTER	1	
- 111	DC4 - 08410 - 5XX	CABLE-ASSY CASSETTE	1	
- 112	DC4 - 08530 - 4XX	ASSY THERMISTOR-CBL	1	
- 115	MTD - 38139 - 5XX	PCB ASSY PDL	1	
- 116	DCB - 52656 - 50A	CABLE-ASSY	1	
- 117	DCB - H4008 - 50A	CABLE-ASSY	1	
- 118	DA7 - 05040 - 6X	STAY LEFT	1	
- 119	DA7 - 00080 - 6X	BRACKET LIME	1	
- 121	Z06 - 86657 - 1X	CABLE-CLAMP	3	
- 123	Z06 - 57520 - 8X	PCB-P	1	
- 125	Z07 - 99407 - 0X	PCB-P	2	
- 126	Z08 - 02293 - 0X	PCB-P	2	
- 127	DC4 - 36060 - 6X	PLATE PCL	1	
- 128	ZX4 - 90000 - 30	CABLE-CLAMP	2	
- 131	MTD - 38131 - 5XX	PCB IS	1	
- 132	DA7 - 08260 - 5XX	CABLE-ASSY FUSE	1	
- 133	ZA1 - 02121 - 00	CONNECTOR	1	
- 134	DA7 - 08500 - 5XX	CABLE-ASSY	1	
- 137	DC4 - 08540 - 5XX	CBL-ASSY JAMC1	1	
- 138	ZA1 - 02491 - 00	CORE	3	
- 139	ZA1 - 01037 - 60	CORE	1	
- 140	ZA1 - 02465 - 00	CABLE-CLAMP	3	

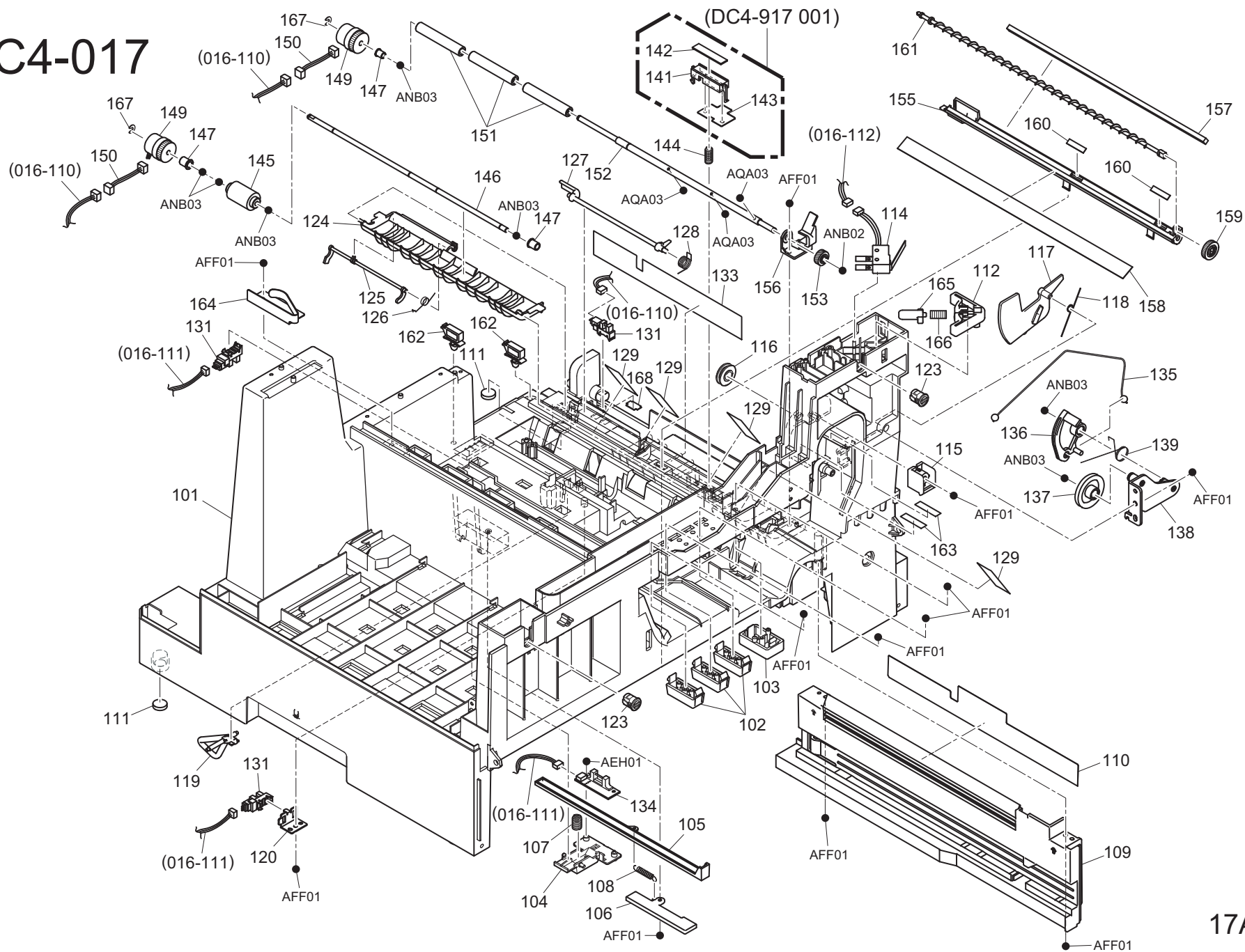


DC4 - 016

NO	PARTS NO	PARTS NAME	Q'TY	REMARK
016 - 141	ZA1 - 00921 - 00	CORE	3	
* - 143	DC4 - SF001 - 6X	SOFTWARE(MAIN)	1	
* - 144	DC4 - SF008 - 6X	SOFTWARE(IS)	1	
- 145	DC4 - 08330 - 5XX	ASSY INTERLOCK-CABLE	1	
* - 146	DC6 - SF002 - 6X	SOFTWARE(PDL)	1	
* - 147	DC6 - SF013 - 6X	SOFTWARE(PDL_ENABLER)	1	
- 148	DC4 - 36180 - 6X	PLATE UPPER FG	1	
- 149	ZA1 - 02300 - 00	CBL-CLAMP	1	



# DC4-017



17A-1

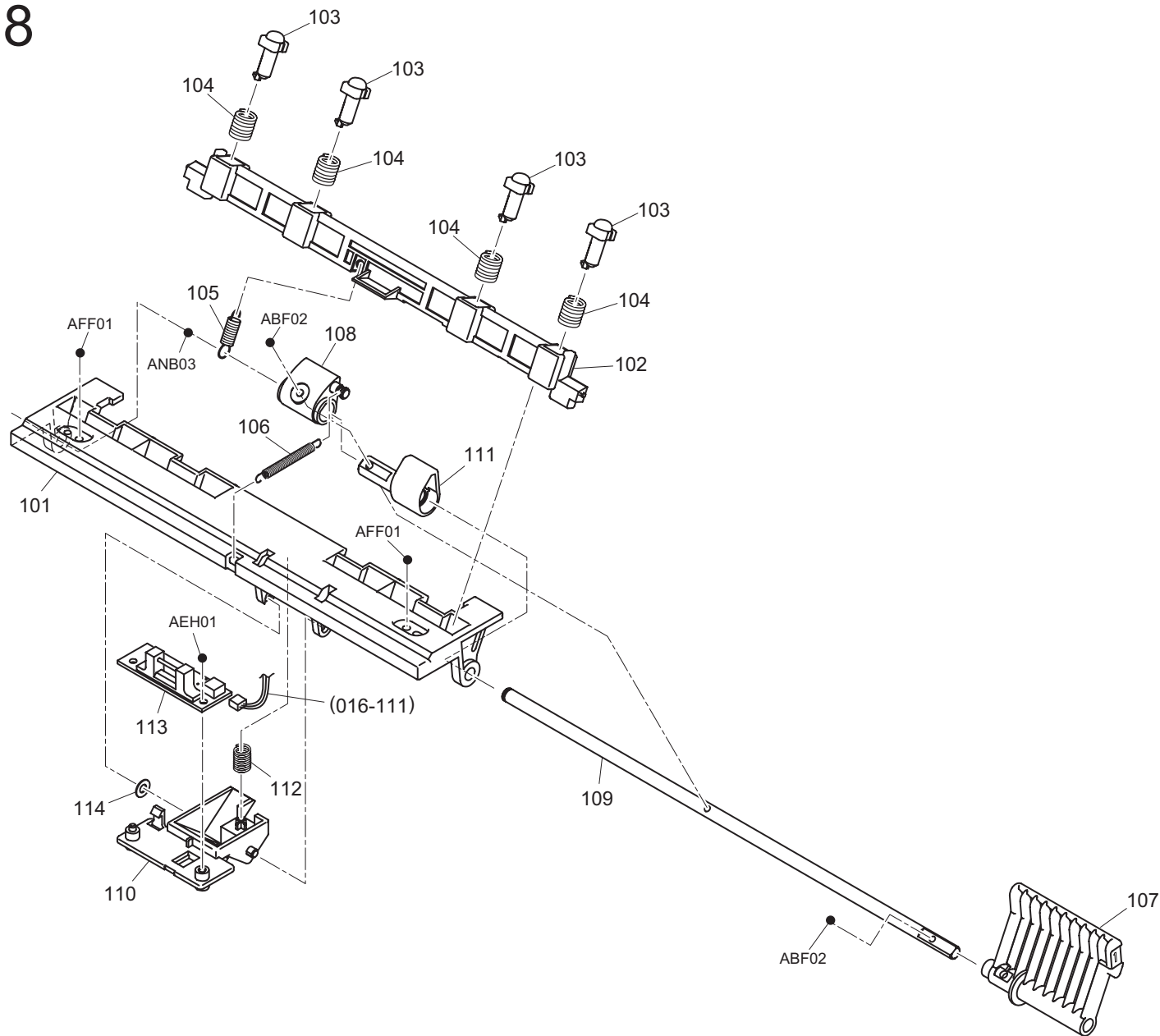
DC4 - 017

NO	PARTS NO	PARTS NAME	Q'TY	REMARK
017 - 101	DA7 - 3601K - 6XA	CHASSIS CST	1	
- 102	DA7 - 36050 - 6X	PIN	2	
- 104	DA7 - 36190 - 6X	BRACKET TONER SENSOR B	1	
- 105	DA7 - 36200 - 6X	KNOB TONER	1	
- 106	DA7 - 36210 - 6X	COVER KNOB	1	
- 107	DA7 - 36220 - 6X	SPRING C TONER SENSOR B	1	
- 108	DA7 - 36230 - 6X	SPRING C KNOB	1	
- 109	DA7 - 3720K - 6X	FRAME CST	1	
- 110	DA7 - 37210 - 6X	SHEET GUIDE PAPER A	1	
- 111	D48 - 00100 - 6X	FOOT	2	
- 112	DA7 - 36290 - 6X	ARM IL	1	
- 114	DA7 - 08310 - 4XX	ASSY INTERLOCK	1	
- 115	DA7 - 3742K - 6X	STOPPER KNOB	1	
- 116	DA7 - 37430 - 6X	PULLEY WIRE	1	
- 117	DA7 - 3631K - 6X	STOPPER DRUM	1	
- 118	DA7 - 36320 - 6X	SPRING T STOPPER	1	
- 119	DA7 - 37250 - 6X	FEELER PAPER CST	1	
- 120	DA7 - 37240 - 6X	BRACKET SENSOR	1	
- 123	Z07 - 46743 - 0X	MAGNET	2	
- 124	DA7 - 37140 - 6X	GUIDE PAPER MP DUP	1	
- 125	DA7 - 37570 - 6X	FEELER MP	1	
- 126	DA7 - 37590 - 6X	SPRING T FEELER MP	1	
- 127	DA7 - 37150 - 6X	FEELER PSS	1	
- 128	DA7 - 37160 - 6X	SPRING T PSS FEELER	1	
- 129	DC4 - 35510 - 6X	SHEET GUIDE PAPER MP	4	
- 131	Z08 - 05572 - 0X	PHOTO-INTERRUPTER	3	
- 133	DA7 - 37440 - 6X	SHEET GUIDE PAPER D	1	
- 134	D88 - 09060 - 5XX	PCB TOS	1	

DC4 - 017

NO	PARTS NO	PARTS NAME	Q'TY	REMARK
017 - 135	DA7 - 36590 - 6X	WIRE RELEASE	1	
- 136	DA7 - 36610 - 6X	SUPPORTER WIRE	1	
- 137	DA7 - 36620 - 6X	GUIDE WIRE	1	
- 138	DA7 - 36630 - 5X	BRACKET SUPPORT WIRE	1	
- 139	DA7 - 36650 - 6X	SPRING T WIRE	1	
- 144	DC2 - 35670 - 6X	SPRING C PRESSURE MP	1	
- 145	DC2 - 35630 - 5X	ROLLER PICKUP MP	1	
- 146	DC4 - 35500 - 6X	SHAFT PICKUP MP	1	
- 147	D28 - 02120 - 6X	BEARING D6 8	3	
- 149	Z90 - 56069 - 0X	CLUTCH	2	
- 150	DA1 - 08570 - 5XX	CABLE-ASSY CLUTCH2	2	
- 151	DA7 - 37170 - 6X	PRESS ROLLER REGISTER	3	
- 152	DA7 - 37180 - 6X	SHAFT REGISTER	1	
- 153	DA7 - 37190 - 6X	GEAR 15H 0.8	1	
- 155	DA7 - 36240 - 6X	HOLDER CLEANER REGISTER	1	
- 156	DA7 - 37120 - 6X	GUIDE PRESS F	1	
- 157	DA7 - 36260 - 6X	SPONGE CLEANER REGISTER	1	
- 158	DA7 - 36270 - 6X	SHEET SCREW CLEANER	1	
- 159	DA7 - 36280 - 6X	GEAR 18H 0.8 C	1	
- 160	DA7 - 36700 - 6X	SHEET DUST COVER S	2	
- 161	DA7 - 36250 - 6X	SCREW CLEANER	1	
- 162	ZA1 - 02465 - 00	CABLE-CLAMP	2	
- 163	DA7 - 36730 - 6X	LABEL DRUM C	2	
- 164	DA7 - 36740 - 6X	SPRING P BACKUP DEV	1	
- 165	DA7 - 36750 - 6X	PIECE ARM IL	1	
- 166	DA7 - 36760 - 6X	SPRING C IL PIN	1	
- 167	D99 - 01470 - 6X	STOPPER RING1	2	
- 168	D88 - 37140 - 6X	STOPPER SENSOR	1	

# DC4-018



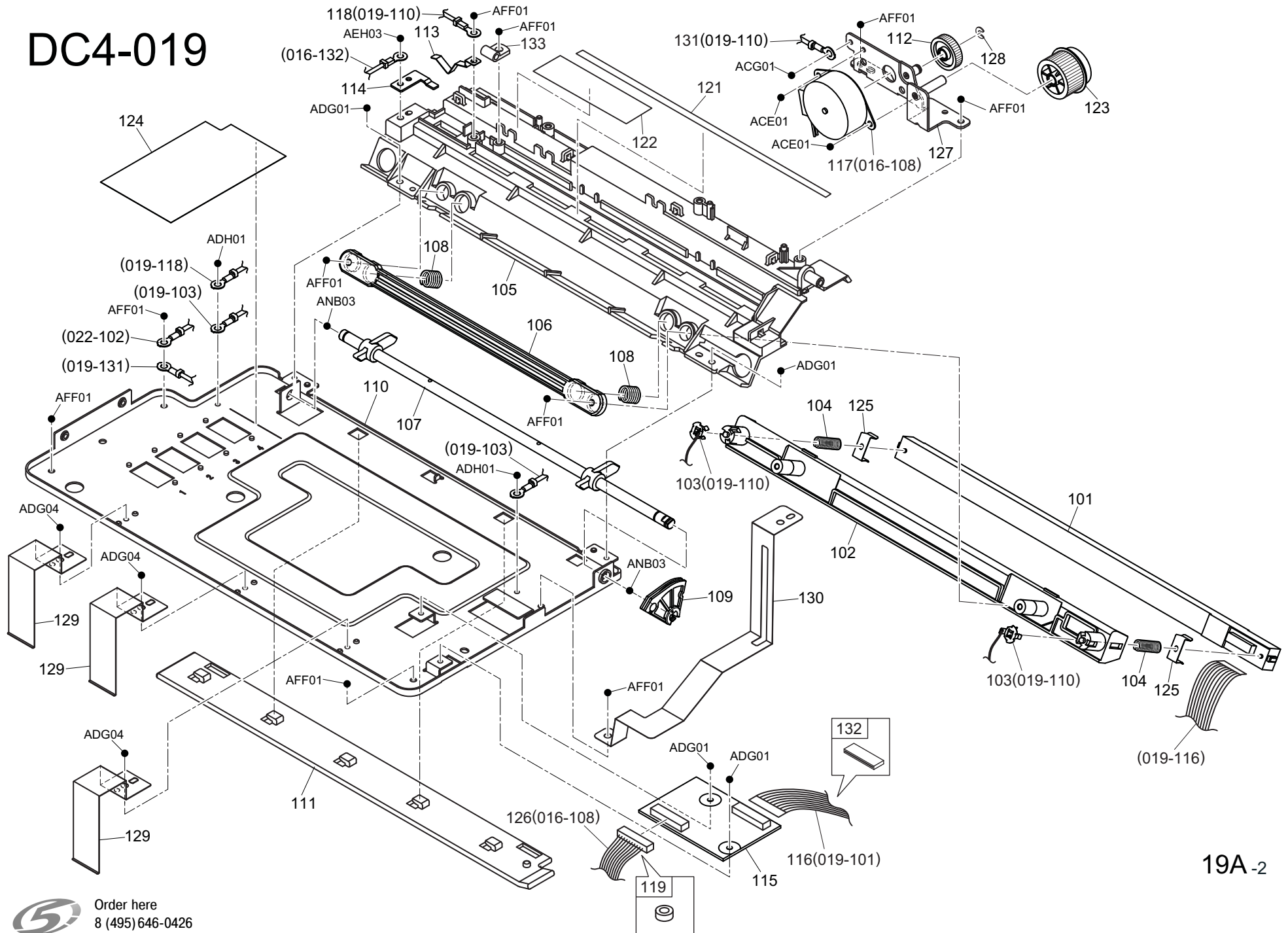


DC4 - 018

NO	PARTS NO	PARTS NAME	Q'TY	REMARK
018 - 101	DA7 - 36070 - 6X	FRAME PRESSURE	1	
- 102	DA7 - 36080 - 6X	PLATE SLIDER	1	
- 103	DA7 - 36090 - 6X	PIECE PRESSURE	4	
- 104	DA7 - 36100 - 6X	SPRING C DEVELOPING PRESSURE	4	
- 105	DA7 - 36110 - 6X	SPRING C PRESSPLATE	1	
- 106	DA7 - 36120 - 6X	SPRING C KNOB	1	
- 107	DA7 - 3613G - 6X	KNOB PRESSURE	1	
- 108	DA7 - 36140 - 6X	PIECE CAM	1	
- 109	DA7 - 36150 - 6X	SHAFT KNOB	1	
- 110	DA7 - 36160 - 6X	BRACKET TONER SENSOR	1	
- 111	DA7 - 36170 - 6X	PIECE PRESS SENSOR	1	
- 112	DA7 - 36220 - 6X	SPRING C TONER SENSOR B	1	
- 113	D88 - 09060 - 5XX	PCB TOS	1	
- 114	DA7 - 36770 - 6X	SHEET TONER SENSOR	1	



# DC4-019

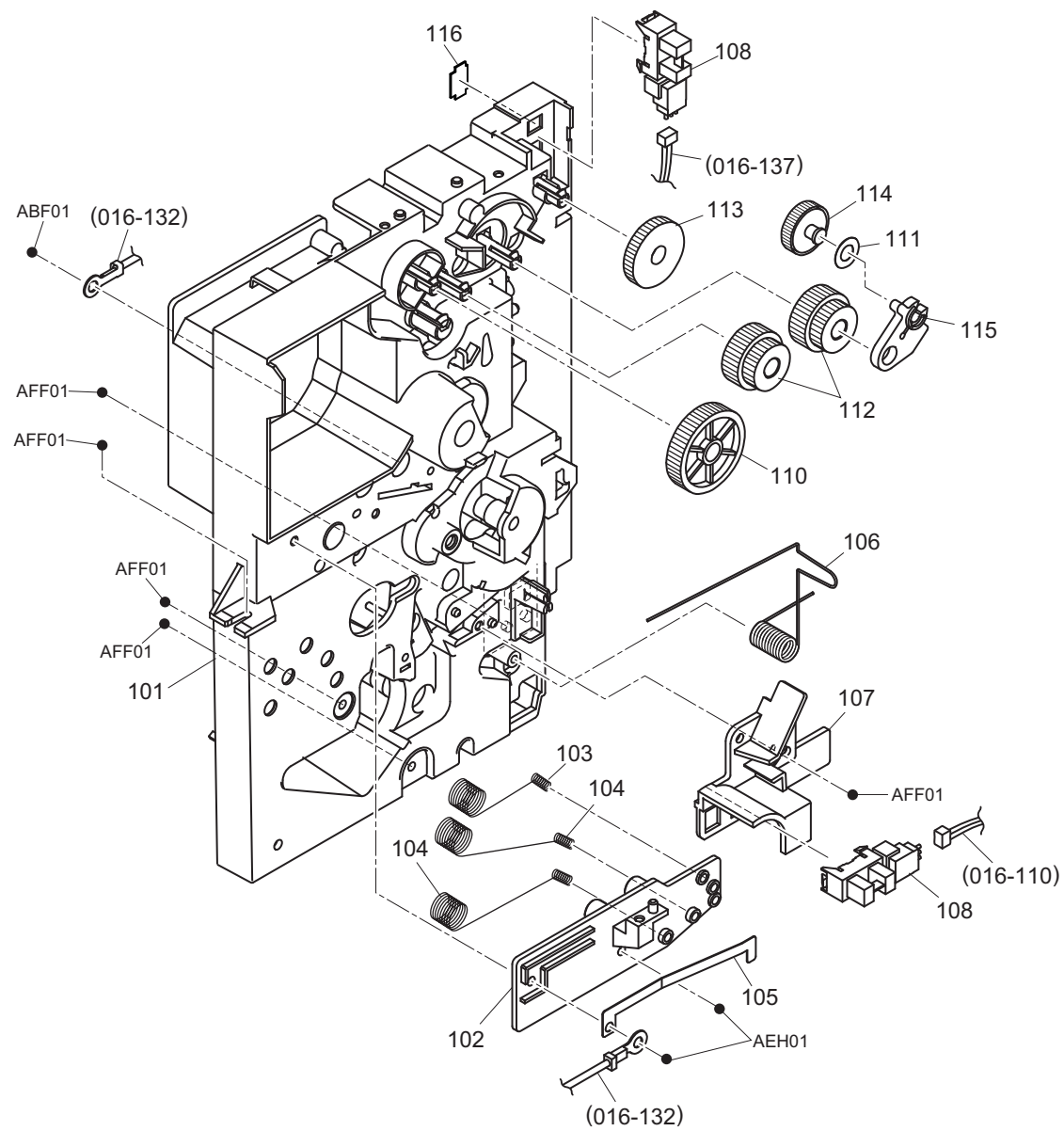


DC4 - 019

NO	PARTS NO	PARTS NAME	Q'TY	REMARK
019 - 101	Z90 - 66467 - 0X	PRINTER-HEAD	1	
- 102	DC4 - 36100 - 6X	BRACKET LED	1	
- 103	DA7 - 08480 - 4XX	ASSY LEDHEAD FG	2	
- 104	DA7 - 36550 - 6X	SPRING C BKT LED	2	
- 105	DA7 - 36410 - 6X	GUIDE DRUM	1	
- 106	DA7 - 36530 - 6X	STAY LED	1	
- 107	DA7 - 36540 - 6X	SHAFT LED	1	
- 108	DA7 - 36560 - 6X	SPRING C STAY LED	2	
- 109	DA7 - 36580 - 6X	SUPPORTER WIRE LED	1	
- 110	DA7 - 36600 - 5XA	PLATE LED	1	
- 111	DA7 - 36670 - 6X	GUIDE DEV	1	
- 113	DA7 - 37410 - 6X	PLATE EARTH UPPER	1	
- 114	DA7 - 37480 - 6X	PLATE FG DRUM	1	
- 115	DC4 - 08100 - 5XX	PCB CONNECT LPH	1	
- 116	ZA1 - 03416 - 20	CABLE-ASSY	1	
- 118	DFG - S3S3B - 512	CABLE-ASSY	1	
- 119	ZA1 - 00921 - 00	CORE	1	
- 121	DA7 - 37730 - 6X	SHEET COVER A	1	
- 122	DA7 - 37750 - 6X	SHEET COVER C	1	
- 124	DA7 - 36790 - 6X	SHEET PLATE LED	1	
- 125	DC4 - 36110 - 6X	SPRING P FG LED	2	
- 126	DC4 - 08320 - 5XX	CABLE-ASSY-LPH_TO_CONNECT LPH	1	
- 129	DC4 - 36130 - 6X	PLATE LED FG	3	
- 130	DC4 - 36150 - 6X	PLATE FG EXIT	1	
- 132	ZA1 - 03631 - 60	CORE	1	



# DC4-020

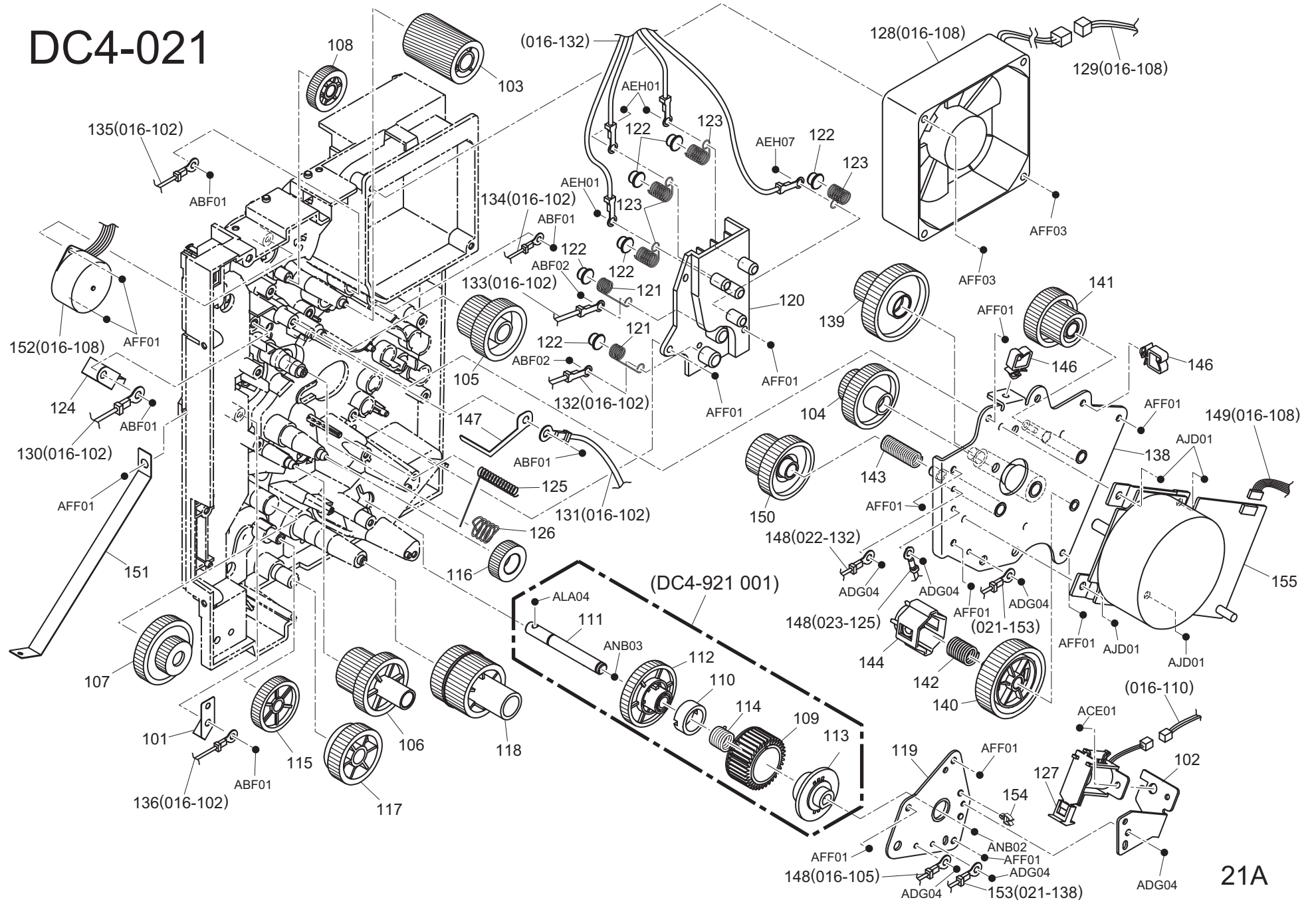


DC4 - 020

NO	PARTS NO	PARTS NAME	Q'TY	REMARK
020 - 101	DA7 - 34080 - 6X	CHASSIS DRIVE	1	
- 102	DA7 - 34560 - 6X	FRAME DRUM B	1	
- 103	DA7 - 34580 - 6X	SPRING C FUSE	1	
- 104	DA7 - 34590 - 6X	SPRING C HV	2	
- 105	DA7 - 34610 - 6X	PLATE EARTH B	1	
- 106	DA7 - 36340 - 6X	SPRING T FG A	1	
- 107	DA7 - 37130 - 6X	GUIDE PRESS B	1	
- 108	Z08 - 05572 - 0X	PHOTO-INTERRUPTER	2	
- 110	DA7 - 34070 - 6X	GEAR 34 0.8 A	1	
- 111	D67 - 02660 - 6X	SPRING WASHER	1	
- 112	DA7 - 25040 - 6X	GEAR 36/17	2	
- 113	DA7 - 25050 - 6X	GEAR 27 0.8	1	
- 114	DA7 - 25060 - 6X	GEAR 18 0.8	1	
- 115	DA7 - 25070 - 6X	ARM DRIVE	1	
- 116	D88 - 37140 - 6X	STOPPER SENSOR	1	



# DC4-021



21A

DC4 - 021

NO	PARTS NO	PARTS NAME	Q'TY	REMARK
021 - 101	DA7 - 32050 - 6X	SPRING P BIAS TRANSFER	1	
- 102	DA7 - 34100 - 6X	BRACKET SLND	1	
- 103	DC4 - 34020 - 6X	GEAR 21 1.0	1	
- 104	DA7 - 34190 - 6X	GEAR 59H/19	1	
- 105	DA7 - 34200 - 6X	GEAR 35/19	1	
- 106	DA7 - 34210 - 6X	GEAR 33H/37	1	
- 107	DA7 - 34220 - 6X	GEAR 41/21	1	
- 108	DA7 - 34230 - 6X	GEAR 20 1.0 A	1	
* - 109	DA7 - 34260 - 6X	COLLAR CLUTCH	1	
* - 110	DA7 - 34270 - 6X	BUSH D16	1	
* - 111	DA7 - 34420 - 6X	SHAFT JOINT	1	
* - 112	DA7 - 34450 - 6X	GEAR 40 0.8	1	
* - 113	DA7 - 34460 - 6X	HUB CLUTCH	1	
* - 114	D71 - 35100 - 6X	SPRING C CLUTCH	1	
- 115	D88 - 30160 - 6X	GEAR 34	1	
- 116	DA7 - 34390 - 6X	GEAR 22 0.8	1	
- 117	DA7 - 34400 - 6X	GEAR 35 0.8	1	
- 118	DA7 - 34430 - 6X	GEAR 34 0.8	1	
- 119	DA7 - 34440 - 6X	STAY PICKUP	1	
- 120	DA7 - 34510 - 6X	HOLDER BIAS	1	
- 121	DA7 - 34520 - 6X	SPRING C BIAS	2	
- 122	DA7 - 34530 - 6X	PIN BIAS	6	
- 123	DA7 - 34540 - 6X	SPRING C BIAS B	4	
- 124	DA7 - 34550 - 6X	PLATE HV A	1	
- 125	DA7 - 36330 - 6X	SPRING C REGISTER GRAND	1	
- 126	DA7 - 36660 - 6X	SPRING C EARTH SHAFT	1	
- 127	Z90 - 48683 - 0X	SOLENOID	1	
- 128	ZA1 - 03792 - 80	FAN	1	



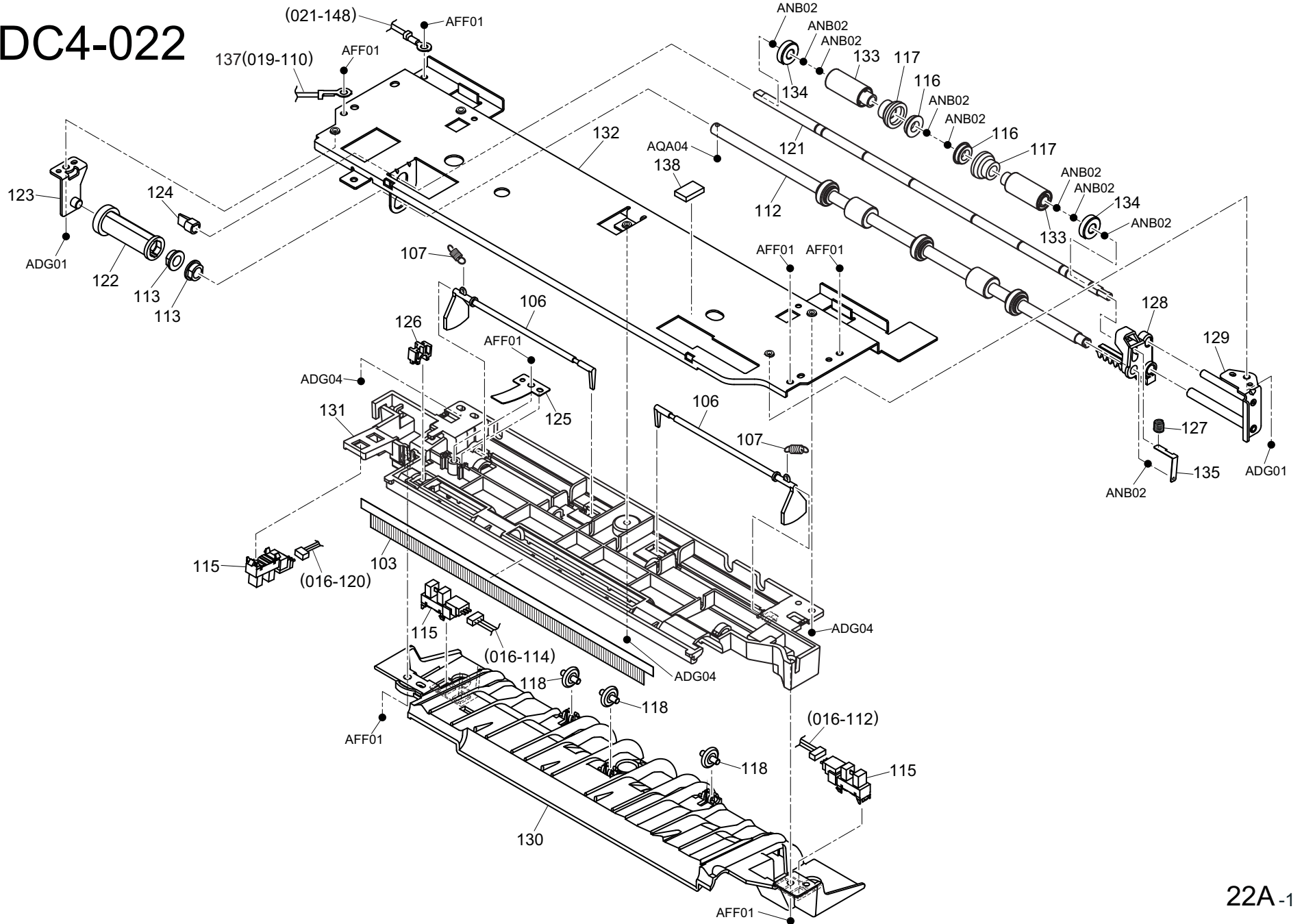
DC4 - 021

NO	PARTS NO	PARTS NAME	Q'TY	REMARK
021 - 129	DC4 - 08480 - 5XX	CABLE-ASSY FAN EXTENTION	1	
- 130	DA7 - 08360 - 5XX	CABLE-ASSY CLEANING1	1	
- 131	DA7 - 08370 - 5XX	CABLE-ASSY CLEANING2	1	
- 132	DA7 - 08380 - 5XX	CABLE-ASSY DEVELOPER1	1	
- 133	DA7 - 08390 - 5XX	CABLE-ASSY DEVELOPER2	1	
- 134	DA7 - 08410 - 5XX	CABLE-ASSY CHARGER	1	
- 135	DA7 - 08420 - 5XX	CABLE-ASSY GRID	1	
- 136	DA7 - 08430 - 5XX	CABLE-ASSY TRANSFER	1	
- 138	DA7 - 34010 - 5X	FRAME DRIVE	1	
- 139	DA7 - 34140 - 6X	GEAR 73H/23H	1	
- 140	DA7 - 34160 - 6X	GEAR 61H 0.6	1	
- 141	DA7 - 34170 - 6X	GEAR 54H/28H	1	
- 142	DA7 - 34280 - 6X	SPRING C COUPLING	1	
- 143	DA7 - 34290 - 6X	SPRING C PRESS GEAR	1	
- 144	DA7 - 34350 - 6X	COUPLING	1	
- 146	ZA1 - 02300 - 00	CABLE-CLAMP	2	
- 147	DA7 - 34600 - 6X	PLATE HV B	1	
- 148	DFG - S3S3B - 512	CABLE-ASSY	3	
- 149	DCB - 20614 - 50A	CABLE-ASSY	1	
- 150	DA7 - 34120 - 6X	GEAR 57H/27H	1	
- 151	DA7 - 37040 - 6X	STOPPER JAC	1	
- 152	ZA1 - 03598 - 10	MOTOR(STEPING)	1	
- 153	DFG - S3S3B - 509	CABLE-ASSY	1	
- 154	Z06 - 50473 - 4X	CABLE-CLAMP	1	
- 155	Z90 - 66621 - 0X	MOTOR(DC)	1	





# DC4-022



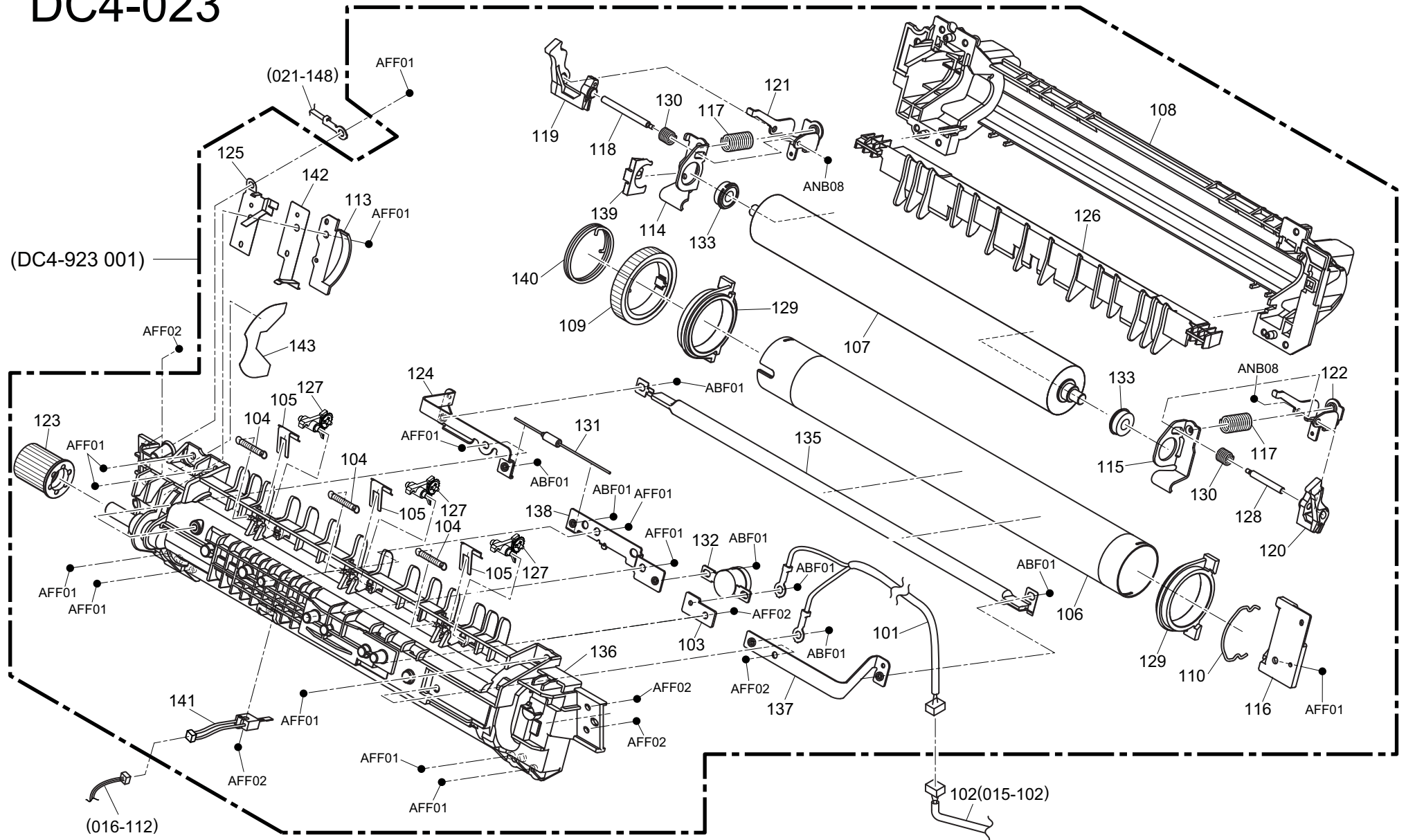
22A-1

DC4 - 022

NO	PARTS NO	PARTS NAME	Q'TY	REMARK
022 - 101	DA7 - 37320 - 6X	FRAME UPPER	1	
- 103	DA7 - 37300 - 6X	BRUSH DISCHARGE EXIT	1	
- 104	DA7 - 37340 - 6X	GUIDE UPPER	1	
- 105	DA7 - 37260 - 6X	PRESS ROLLER EXIT	2	
- 106	DA7 - 37270 - 6X	FEELER PDS	2	
- 107	DA7 - 37280 - 6X	SPRING C FEELER	2	
- 108	DA7 - 37330 - 6X	PRESS ROLLER EXIT SIDE	2	
- 109	DA7 - 37310 - 6X	SPRING C GUIDE FUSER	2	
- 110	DA7 - 37290 - 6X	GUIDE FUSER	1	
- 112	DA7 - 37350 - 5X	ROLLER EXIT	1	
- 113	D21 - 02200 - 6X	BEARING D6 9	2	
- 114	D82 - 01160 - 6X	TX GEAR 20	1	
- 115	Z08 - 05572 - 0X	PHOTO-INTERRUPTER	2	
- 116	DA7 - 37460 - 6X	PIECE BUSH EXIT	4	
- 117	DA7 - 37680 - 6X	ROLLER EXIT B	4	
- 118	DA7 - 37690 - 6X	ROLLER GUIDE PAPER	3	
- 119	DA7 - 37700 - 6X	SHEET EXIT	1	
- 137	DFG - S3S3B - 520	CABLE-ASSY	1	
- 138	ZA1 - 03572 - 50	GASKET	1	
- 139	DC4 - 36230 - 6X	SHEET VOC EXIT	1	



# DC4-023



DC4 - 023

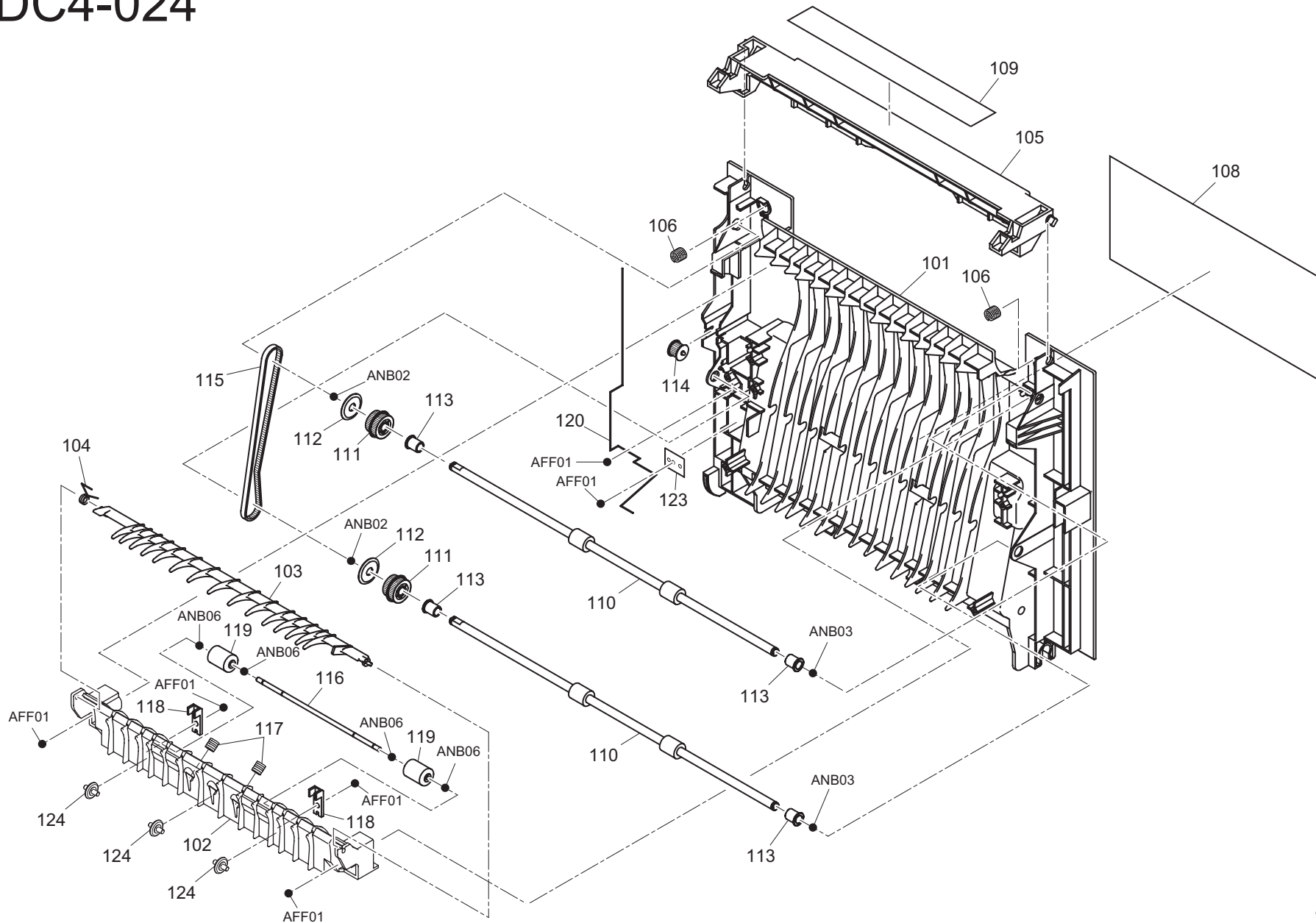
NO	PARTS NO	PARTS NAME	Q'TY	REMARK
023 - 101	DC4 - 08500 - 5XX	CABLE-ASSY HEATER(FUSER)	1	
- 102	DC4 - 08560 - 5XX	CABLE-ASSY HEATER(PSU)	1	
- 103	DA7 - 33160 - 6X	BRACKET THERMO	1	
- 104	DC4 - 33400 - 6X	SPRING C SCRAPER	3	
- 105	DA7 - 33330 - 6X	STOPPER SCRAPER	3	
- 106	DC4 - 33010 - 6X	ROLLER HEAT	1	
- 107	DC4 - 33020 - 6X	ROLLER PRESS	1	
- 108	DC4 - 3304Y - 5X	FRAME OUTER	1	
- 109	DC4 - 33050 - 6X	GEAR 39 1.0	1	
- 110	DC4 - 33070 - 6X	SPRING C STOPPER	1	
- 113	DC4 - 33340 - 6X	CAP ROLLER HEAT	1	
- 114	DC4 - 33110 - 6X	HOLDER BEARING PR B	1	
- 115	DC4 - 33120 - 6X	HOLDER BEARING PR F	1	
- 116	DC4 - 33350 - 6X	CAP ROLLER HEAT F	1	
- 117	DC4 - 33140 - 6X	SPRING C PRESS	2	
- 118	DC4 - 33150 - 6X	SHAFT CAM PR B	1	
- 119	DC4 - 3316Y - 6X	KNOB B	1	
- 120	DC4 - 3317Y - 6X	KNOB F	1	
- 121	DC4 - 33180 - 6X	PLATE PRESS B	1	
- 122	DC4 - 33190 - 6X	PLATE PRESS F	1	
- 123	DC4 - 33200 - 6X	GEAR 18 1.0	1	
- 124	DC4 - 33220 - 6X	PLATE HEATER B	1	
- 125	DC4 - 33240 - 6X	PLATE FG	1	
- 126	DC4 - 3325Y - 6X	GUIDE ENTER	1	
- 127	DC4 - 33260 - 5X	SCRAPER	3	
- 128	DC4 - 33270 - 6X	SHAFT CAM PR F	1	
- 129	DC4 - 33330 - 6X	BEARING HR	2	
- 130	DC4 - 33290 - 6X	SPRING C KNOB	2	

DC4 - 023

NO	PARTS NO	PARTS NAME	Q'TY	REMARK
023 - 131	Z90 - 48827 - 0X	FUSE	1	
- 132	ZA1 - 03645 - 60	THERMOSTAT	1	
- 133	Z07 - 93182 - 0X	BEARING(ROLLING BEARING)	2	
- 135	ZA1 - 03816 - 70	LAMP	1	
- 136	DC4 - 3303Y - 5X	FRAME INNER	1	
- 137	DC4 - 33230 - 6X	PLATE HEATER F	1	
- 138	DC4 - 33300 - 6X	BRACKET FUSE	1	
- 139	DC4 - 33310 - 6X	PLATE FG PR B	1	
- 140	DC4 - 33320 - 6X	SPRING T HR	1	
- 141	Z90 - 55856 - 0X	THERMSTR	1	
- 142	DC4 - 33360 - 6X	PLATE FG FUSER	1	
- 143	DC4 - 33370 - 6X	SHEET FRAME INNER B	1	



# DC4-024

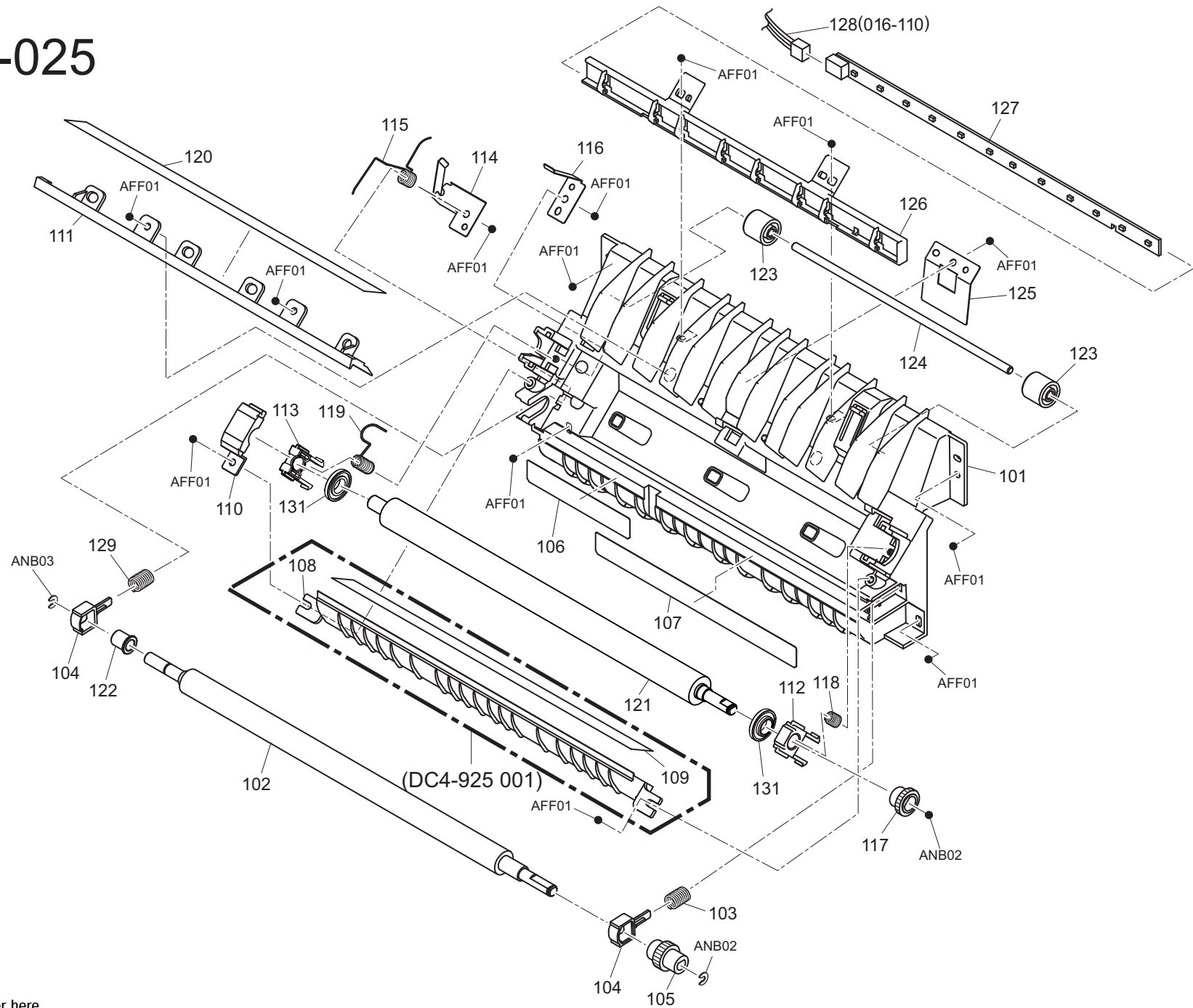


24A

DC4 - 024

NO	PARTS NO	PARTS NAME	Q'TY	REMARK
024 - 101	DA7 - 3701K - 6XA	COVER JAM ACCESS	1	
- 102	DA7 - 37380 - 6X	GUIDE UPPER JAC	1	
- 103	DA7 - 37390 - 6X	GUIDE UPPER EXIT	1	
- 104	DA7 - 37470 - 6X	SPRING T UPPER D	1	
- 105	DA7 - 3702K - 6XA	KNOB LOCK JAC	1	
- 106	DA7 - 37030 - 6X	SPRING C LOCK JAC	2	
- 108	DA7 - 07030 - 6X	LABEL COVER JAM ACCESS	1	
- 109	DA7 - 07050 - 6X	LABEL KNOB LOCK JAC	1	
- 110	DA7 - 25010 - 6X	ROLLER FEED DUPLEX	2	
- 111	DA7 - 25030 - 6X	GEAR 20/25P	2	
- 112	DA7 - 25090 - 6X	FLANGE PULLEY	2	
- 113	D28 - 02120 - 6X	BEARING D6 8	4	
- 114	D49 - 02280 - 6X	PULLEY TENSION	1	
- 115	Z08 - 05629 - 0X	BELT(TIMING)	1	
- 116	DA7 - 25110 - 6X	SHAFT PRESS D	1	
- 117	DA7 - 25120 - 6X	SPRING C PRESS D	2	
- 118	DA7 - 25130 - 6X	STOPPER PRESS D	2	
- 119	D91 - 24800 - 6X	PRESS ROLLER A	2	
- 120	DA7 - 25080 - 6X	SPRING T FG D	1	
- 123	DA7 - 37500 - 6X	SHEET BLIND	1	
- 124	DA7 - 37690 - 6X	ROLLER GUIDE PAPER	3	
- 125	DC4 - 37010 - 6X	SHEET GUIDE UPPER 0.05	2	

# DC4-025



25A-1



DC4 - 025

NO	PARTS NO	PARTS NAME	Q'TY	REMARK
025 - 101	DA7 - 37060 - 6X	GUIDE INNER	1	
- 102	DC4 - 37020 - 6X	ROLLER REGISTER	1	
- 103	DA7 - 37080 - 6X	SPRING C PRESS	1	
- 104	DA7 - 37090 - 6X	BEARING PRESS	2	
- 105	DA7 - 37100 - 6X	GEAR 16H 0.8	1	
- 106	DA7 - 37220 - 6X	SHEET GUIDE PAPER B	1	
- 107	DA7 - 37230 - 6X	SHEET GUIDE PAPER C	1	
* - 108	DA7 - 32080 - 6X	GUIDE PAPER TRANSFER A	1	
* - 109	DA7 - 32130 - 6X	SHEET TRANSFER	1	
- 110	DA7 - 32100 - 6X	COVER BRACKET TRANSFER	1	
- 111	DA7 - 32090 - 6X	GUIDE PAPER TRANSFER B	1	
- 112	DA7 - 32110 - 6X	BRACKET TRANSFER F	1	
- 113	DC4 - 32030 - 6X	BRACKET TRANSFER B	1	
- 114	DA7 - 36680 - 6X	SPRING P FG JAC	1	
- 115	DA7 - 36690 - 6X	SPRING C FG SHAFT B	1	
- 116	DA7 - 32060 - 6X	PLATE FG	1	
- 117	DA7 - 32070 - 6X	GEAR 25H 0.6	1	
- 118	DA7 - 32030 - 6X	SPRING C TRANSFER	1	
- 119	DA7 - 32040 - 6X	SPRING C BIAS TRANSFER	1	
- 120	DA7 - 32020 - 6X	PLATE DISCHARGE	1	
- 121	DC4 - 32010 - 6X	ROLLER TRANSFER	1	
- 122	D28 - 02120 - 6X	BEARING D6 8	1	
- 123	D88 - 37040 - 6X	PRESS ROLLER AP	2	
- 124	D88 - 37060 - 6X	SHAFT PRESS A	1	
- 125	DA7 - 25100 - 6X	SPRING P PRESS	1	
- 126	DA7 - 37490 - 6X	BRACKET PCB LED	1	
- 127	DA7 - 08170 - 5XX	PCB ERS LAMP	1	
- 128	DCB - D0224 - 50A	CABLE-ASSY	1	

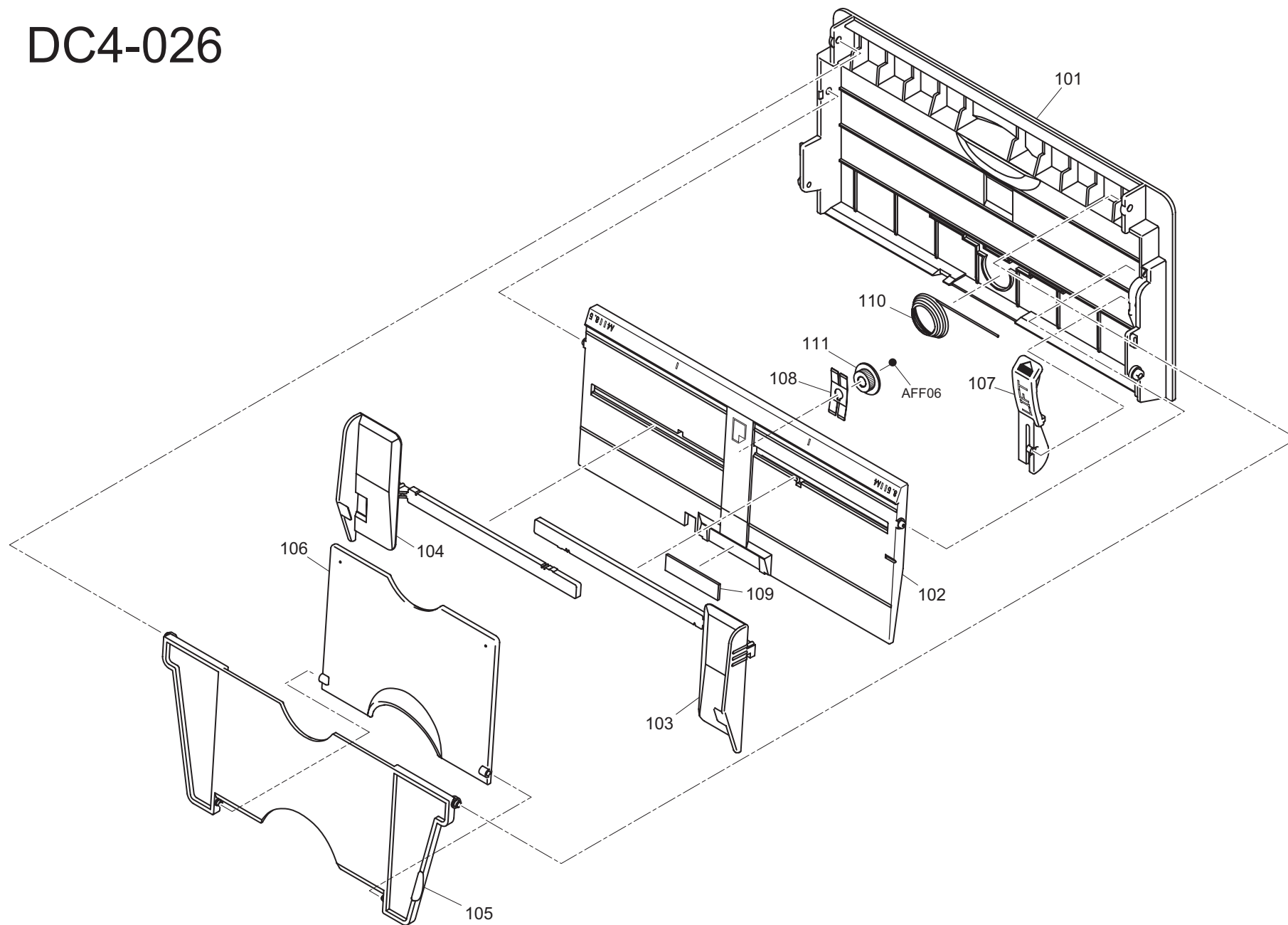


DC4 - 025

NO	PARTS NO	PARTS NAME	Q'TY	REMARK
025 - 129	DA7 - 37660 - 6X	SPRING C PRESS B	1	
- 131	DC4 - 32020 - 6X	ROLLER GAP	2	
- 134	D88 - 37140 - 6X	STOPPER SENSOR	1	
- 135	DC4 - 37030 - 6X	SHEET PROTECT HARNESS	1	



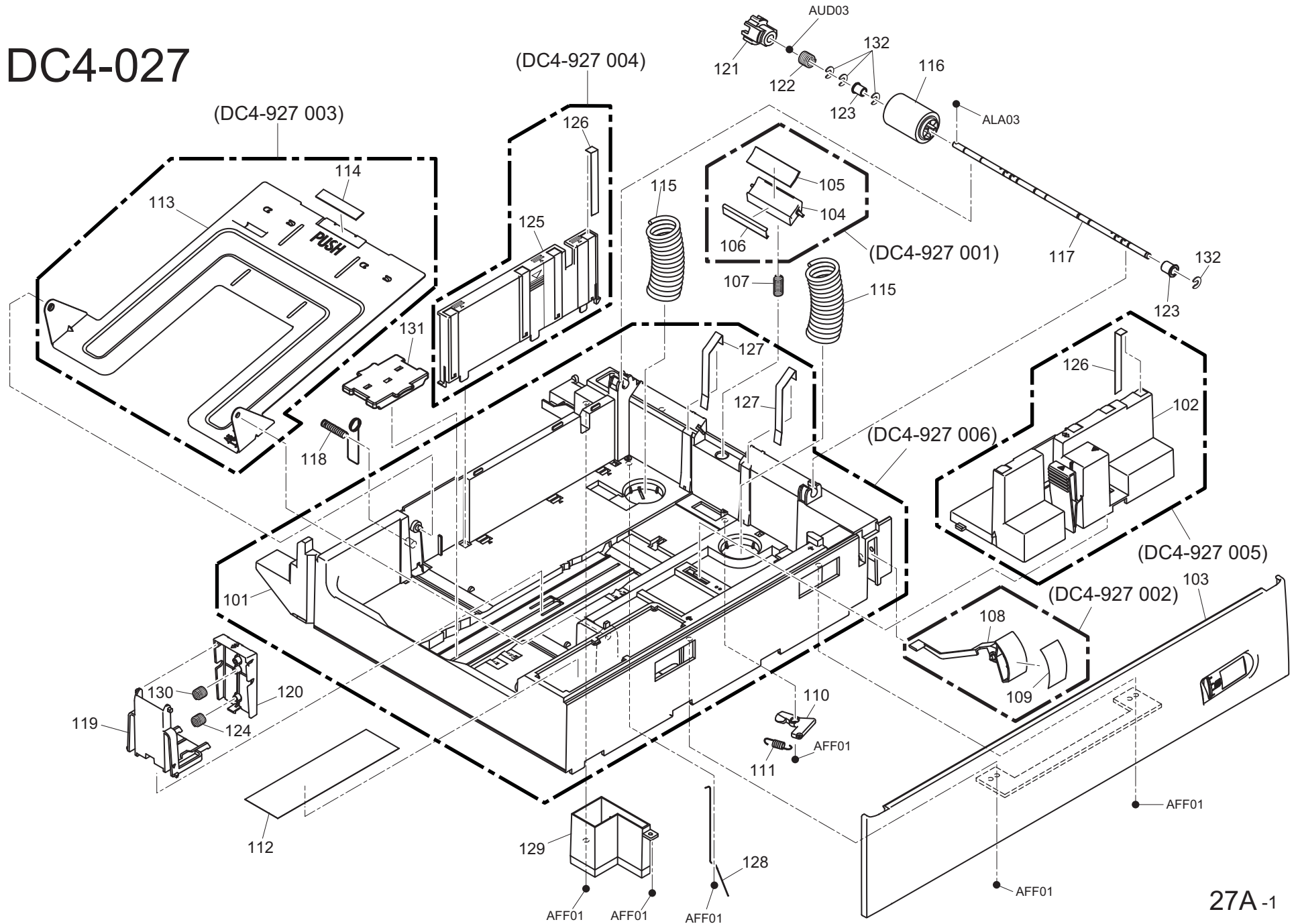
# DC4-026



DC4 - 026

NO	PARTS NO	PARTS NAME	Q'TY	REMARK
026 - 101	DA7 - 3751K - 6X	TRAY A MP	1	
- 102	DA7 - 3752K - 6X	FLAPPER MP	1	
- 103	DA7 - 3753K - 6X	GUIDE SIDE F MP	1	
- 104	DA7 - 3754K - 6X	GUIDE SIDE B MP	1	
- 105	DA7 - 3755K - 6X	TRAY B MP	1	
- 106	DA7 - 3756K - 6X	TRAY C MP	1	
- 107	DA7 - 3760G - 6X	KNOB FLAPPER MP	1	
- 108	D55 - 03270 - 6X	SPRING P PINION	1	
- 109	DC4 - 35520 - 6X	MP FLAPPER PAD	1	
- 110	DA7 - 37650 - 6X	SPRING C FLAPPER MP	1	
- 111	D88 - 35290 - 6X	GEAR 20	1	

# DC4-027



27A-1

DC4 - 027

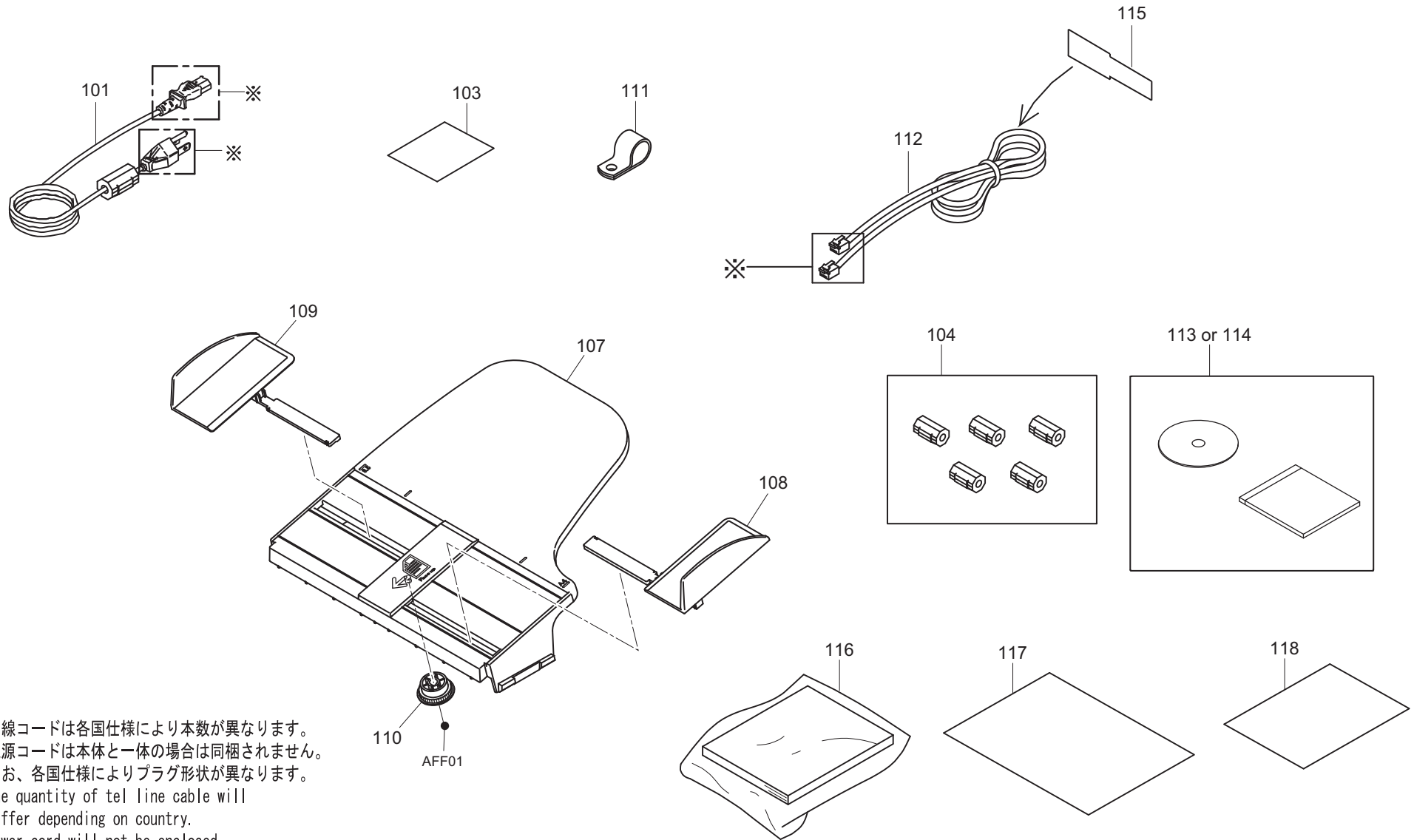
NO	PARTS NO	PARTS NAME	Q'TY	REMARK
* 027 - 101	DA7 - 3501K - 6X	CASSETTE	1	
* - 102	DA7 - 3502G - 6X	GUIDE SIDE	1	
- 103	DA7 - 3503K - 6X	COVER CST	1	
* - 104	DA7 - 35040 - 6X	PIECE PRESSURE CST	1	
* - 105	DA7 - 35050 - 6X	PAD PRESSURE	1	
* - 106	DA7 - 35130 - 6X	SHEET PRESSURE	1	
- 107	DA7 - 35060 - 6X	SPRING C PRESSURE	1	
* - 108	DA7 - 3514K - 6X	INDICATOR	1	
* - 109	DA7 - 07040 - 6X	LABEL INDICATOR	1	
- 110	D88 - 35120 - 6X	FLAP STOPPER	1	
- 111	D88 - 35130 - 6X	SPRING C FLAP STOPPER	1	
- 112	DA7 - 17060 - 6X	LABEL CASSETTE A	1	
* - 113	DA7 - 35070 - 6X	FLAPPER	1	
* - 114	DA7 - 35080 - 6X	PAD FLAPPER	1	
- 115	DA7 - 35090 - 6X	SPRING C FLAPPER	2	
- 116	DA7 - 35100 - 5X	ROLLER PICKUP CST	1	
- 117	DA7 - 35110 - 6X	SHAFT PICKUP CST	1	
- 118	DA7 - 35120 - 6X	SPRING C FG CST A	1	
- 119	DA7 - 3516G - 6X	GUIDE END A	1	
- 120	DA7 - 3517G - 6X	GUIDE END B	1	
- 121	DB2 - 37040 - 6X	COUPLING APF	1	
- 122	DC4 - 35010 - 6X	SPRING C APF	1	
- 123	D28 - 02120 - 6X	BEARING D6 8	2	
- 124	D65 - 04320 - 6X	SPRING C END GUIDE	1	
* - 125	DA7 - 3528K - 6X	GUIDE SIDE B	1	
* - 126	DA7 - 35240 - 6X	SHEET CST C	2	
* - 127	DA7 - 35230 - 6X	SHEET CST B	2	
- 128	DA7 - 35220 - 6X	SPRING T FG CST B	1	

DC4 - 027

NO	PARTS NO	PARTS NAME	Q'TY	REMARK
027 - 129	DA7 - 3527K - 6X	PIECE COVER	1	
- 130	DA7 - 35300 - 6X	SPRING C END S	1	
- 131	DA7 - 3531P - 6X	STOPPER END GUIDE	1	
- 132	D99 - 01480 - 6X	STOPPER RING	4	



# DC4-081



※ 回線コードは各国仕様により本数が異なります。  
 電源コードは本体と一体の場合は同梱されません。  
 なお、各国仕様によりプラグ形状が異なります。  
 The quantity of tel line cable will  
 differ depending on country.  
 Power cord will not be enclosed  
 when installed in the product.  
 Plug/connector shape will also  
 differ depending on country.

110  
AFF01

Order here

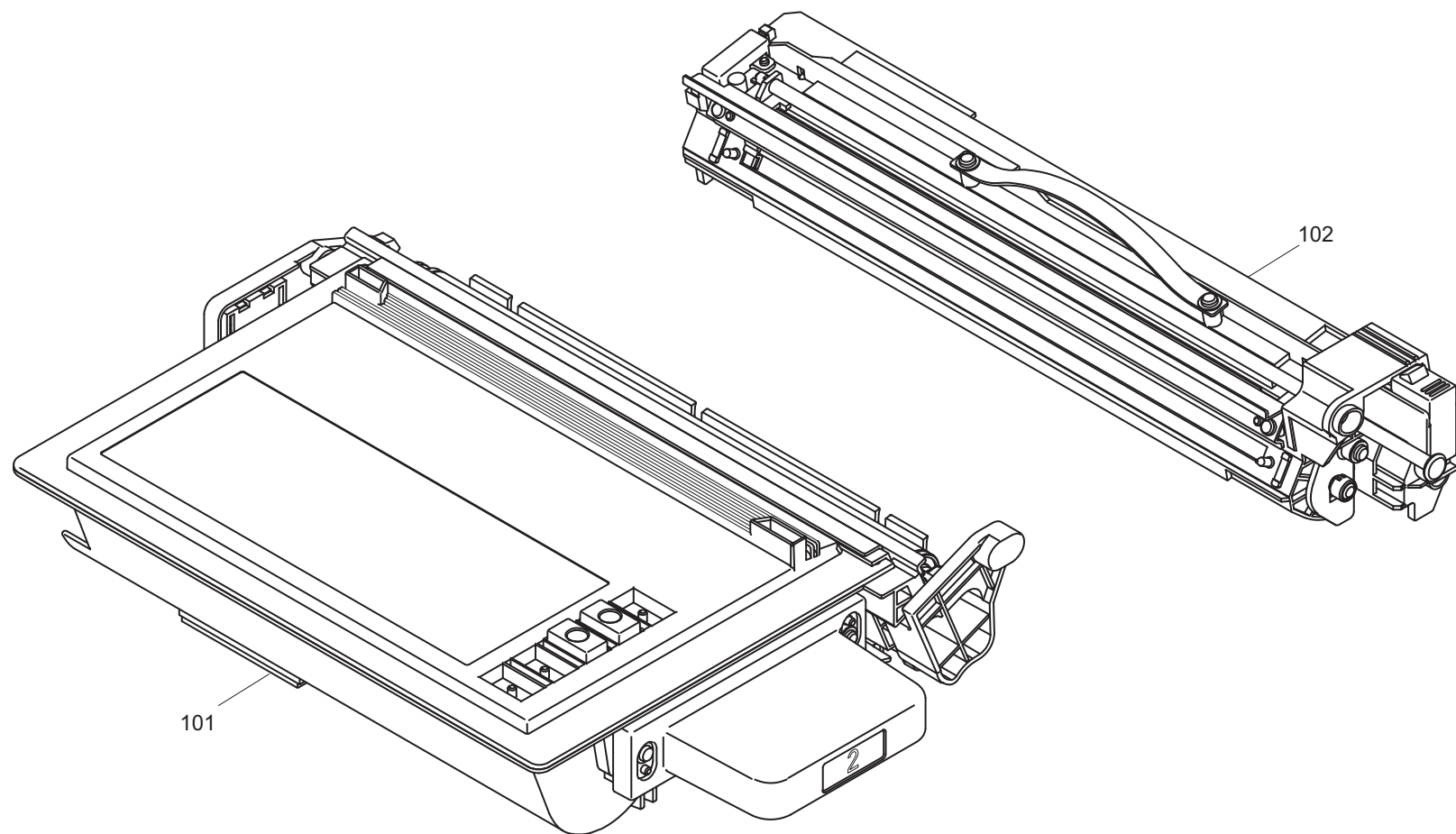


DC4 - 081

NO	PARTS NO	PARTS NAME	Q'TY	REMARK
081 - 103	D88 - 3547A - 6X	LABEL PAPER SIZE	1	
- 104	ZA1 - 02491 - 00	CORE	5	
- 107	DA7 - 01051 - 5XA	TRAY DOCUMENT	1	
- 108	DA7 - 01061 - 6X	GUIDE DOCUMENT F	1	
- 109	DA7 - 01071 - 6X	GUIDE DOCUMENT B	1	
- 110	DA7 - 01080 - 6X	GEAR 40 0.6 A	1	
- 111	Z03 - 80575 - 0X	CBL-CLAMP NK6N	1	
* - 117	DC4 - 90290 - 6X	MANUAL LEAFLET	1	
* - 118	DC4 - 90070 - 6X	MANUAL INSTALLATION	1	



# DC4-082



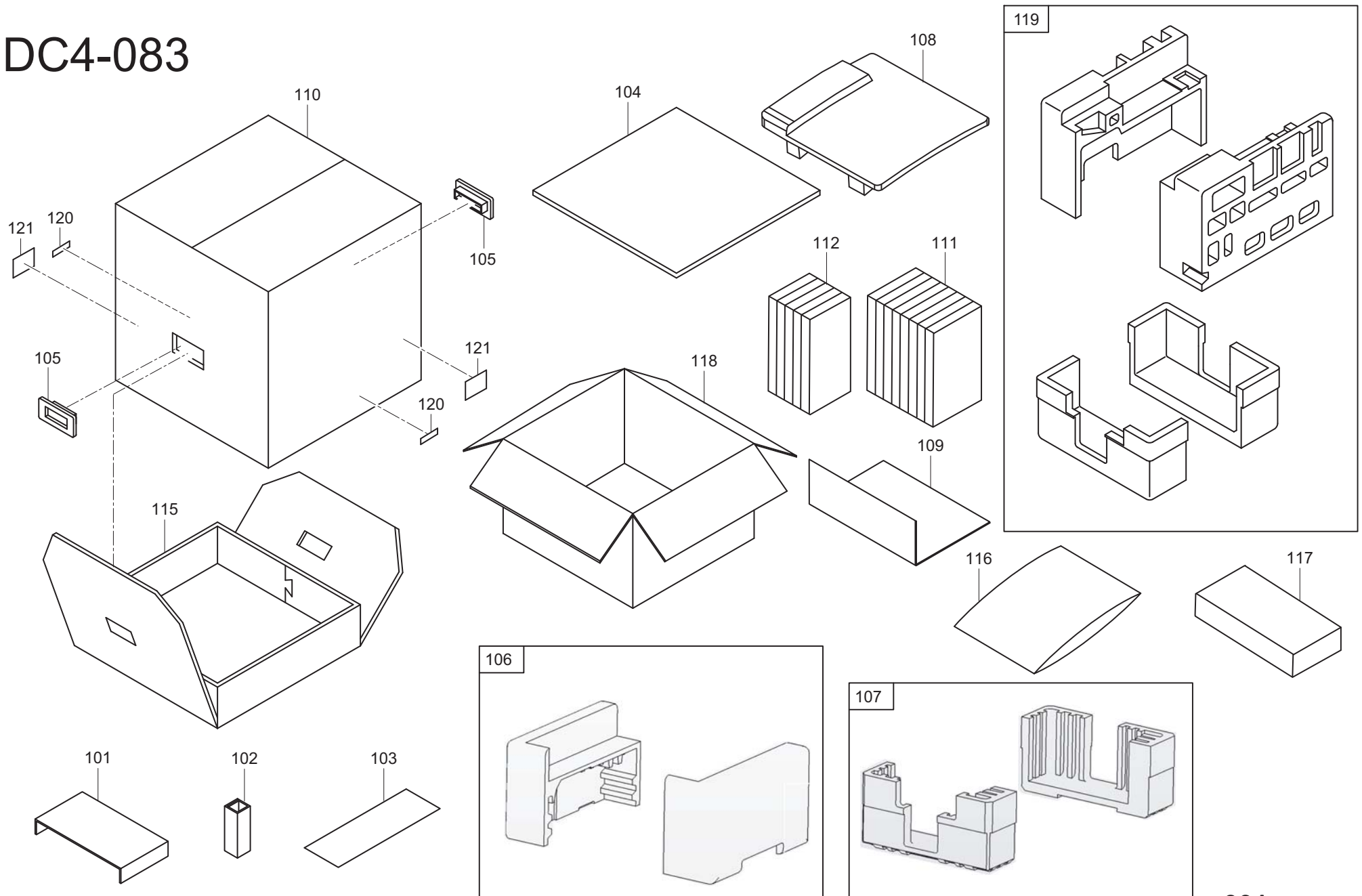
82A

DC4 - 082

NO	PARTS NO	PARTS NAME	Q'TY	REMARK
082 - 101	DC4 - A120A - 4X	ASSY TONER CARTRIDGE	1	
- 102	DC4 - A0010 - 3X	ASSY DRUM CARTRIDGE	1	



# DC4-083



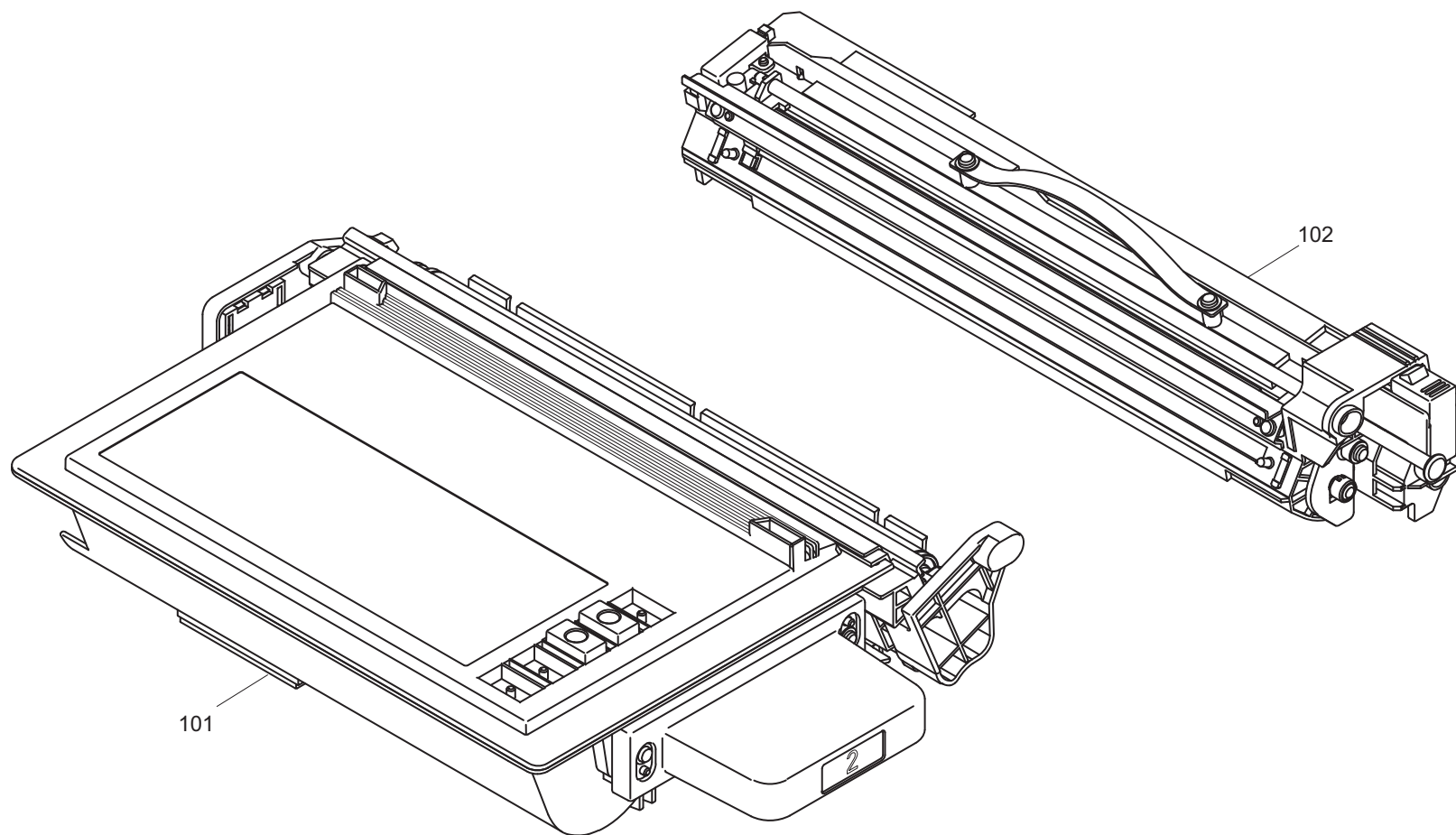
83A -1

DC4 - 083

NO	PARTS NO	PARTS NAME	Q'TY	REMARK
* 083 - 101	DA7 - 97030 - 6X	PACKING CP C	1	
* - 102	DA7 - 97050 - 6X	PACKING CP B	1	
* - 103	D99 - 0009F - 6X	SEPARATION PAPER	1	
* - 104	D68 - 97020 - 6X	MAT(FOR PANE)	1	
* - 105	Z06 - 99403 - 1X	JOINT	2	
* - 106	DC4 - 93080 - 5X	PACKING ST TOP ASSY	1	
* - 107	DC4 - 93100 - 5X	PACKING ST BOTTOM ASSY	1	
* - 108	DC4 - 93120 - 6X	PACKING ST ADF SPACER	1	
* - 109	DC4 - 93130 - 6X	PACKING CP ACCESSORY	1	
* - 110	DC4 - 9505A - 5X	PACKCASE UPPER	1	
* - 111	DA7 - 97220 - 5X	PACKING SPACER A ASSY	1	
* - 112	DA7 - 97230 - 5X	PACKING SPACER B ASSY	1	
* - 115	DA7 - 95070 - 6X	PACKCASE LOWER	1	
* - 116	D99 - 93120 - 6X	AIRCAP	1	
* - 121	DC4 - 07050 - 6X	LABEL BARCODE	2	



# DC4-091

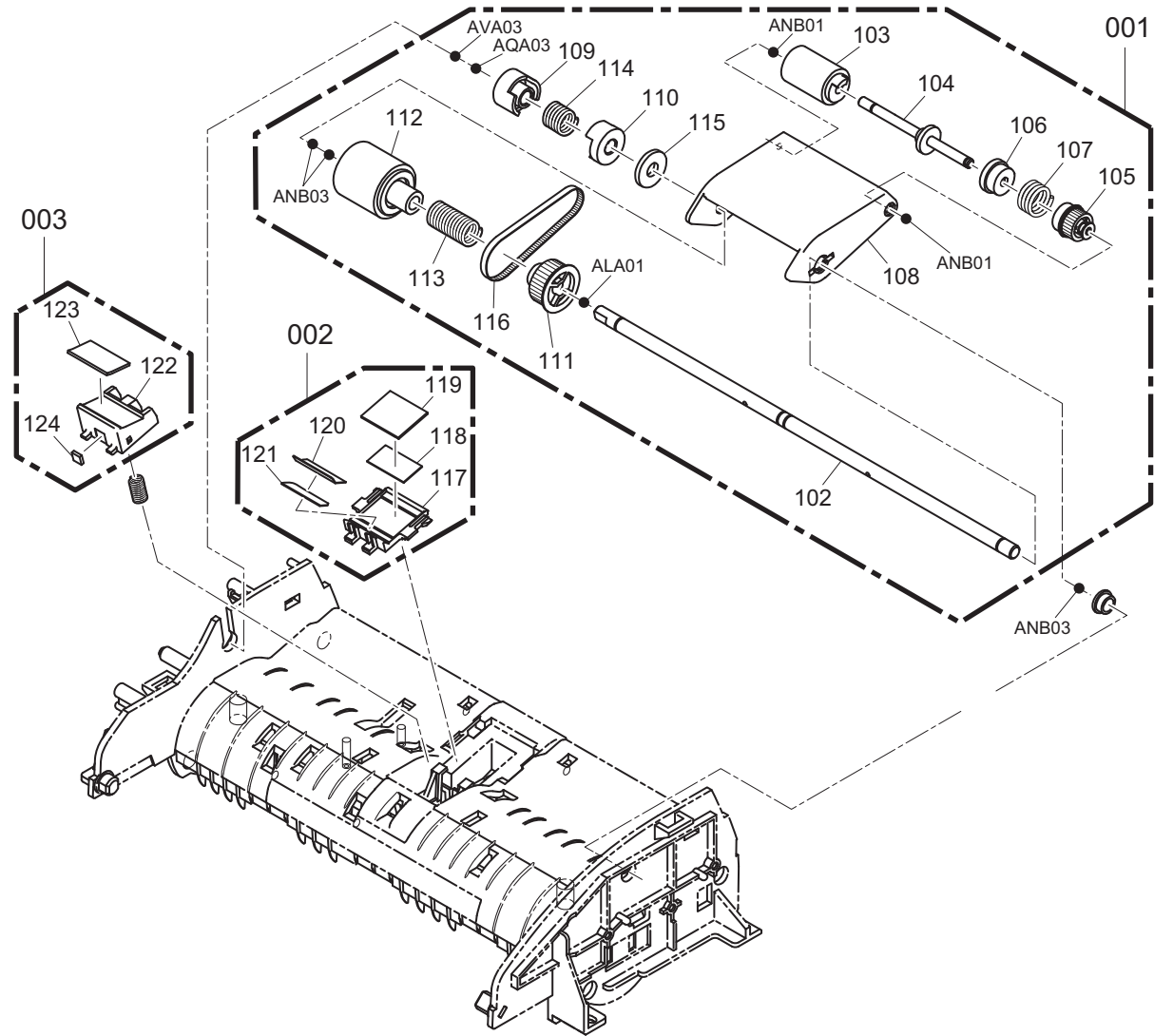


91A

DC4 - 091

NO	PARTS NO	PARTS NAME	Q'TY	REMARK
091 - 101	DC4 - A120B - 4X	ASSY TONER CARTRIDGE	1	
- 102	DC4 - A0011 - 3X	ASSY DRUM CARTRIDGE	1	

# DC4-902



902A

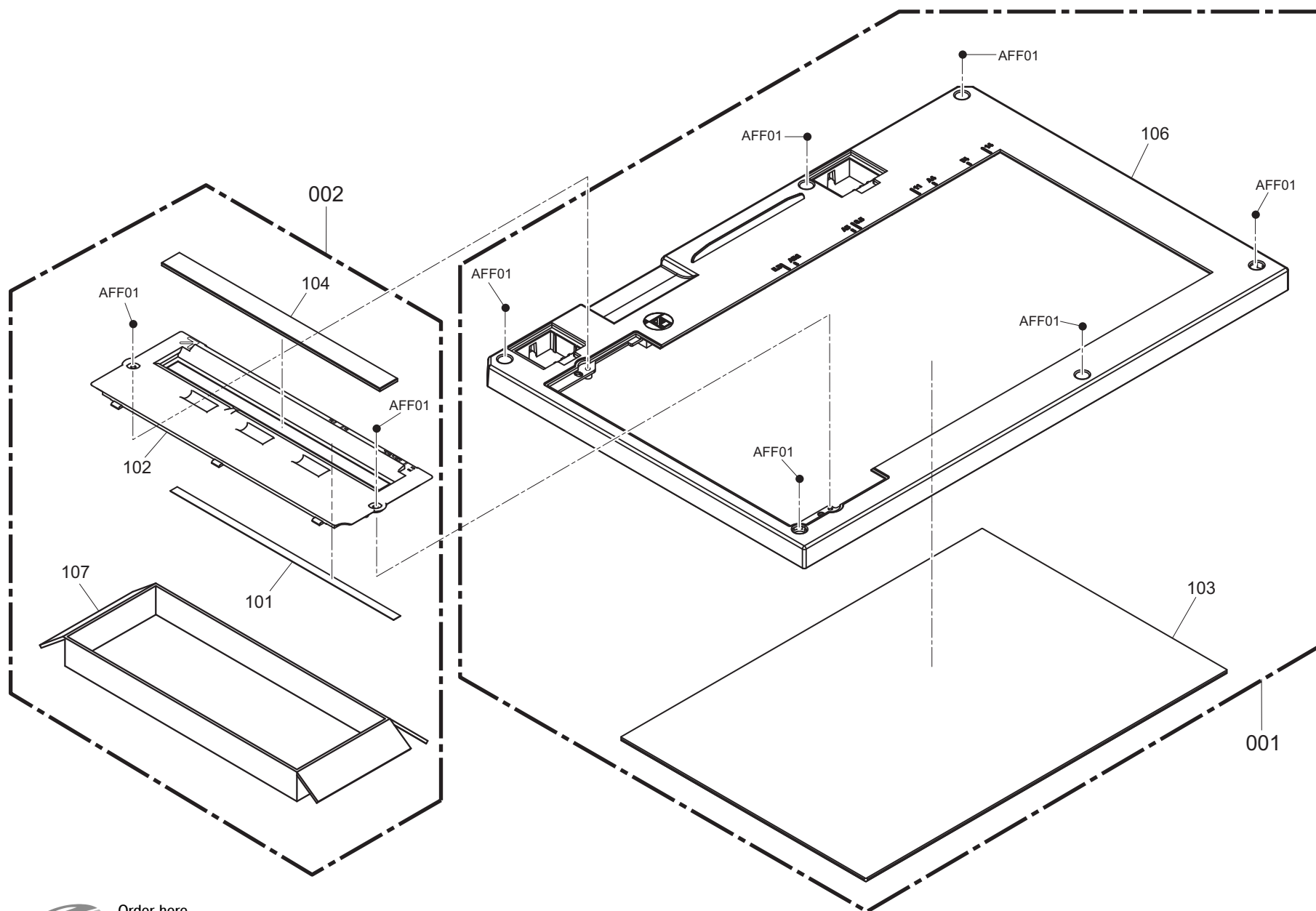


DC4 - 902

NO	PARTS NO	PARTS NAME	Q'TY	REMARK
902 - 001	DC4 - A0670 - 4X	ASSY SHAFT SEPARATOR	1	
- 002	DA7 - A004A - 5X	ASSY COVER SEPARATOR	1	
- 003	DA7 - A005A - 5X	ASSY PIECE SEPARATOR	1	
* - 102	DA7 - 01400 - 6X	SHAFT SEPARATOR	1	
* - 103	DA7 - 01380 - 5X	ROLLER PICKUP	1	
* - 104	DA7 - 01330 - 6X	SHAFT PICKUP	1	
* - 105	DA7 - 01340 - 6X	PULLEY 20	1	
* - 106	DA7 - 01300 - 6X	HUB PICKUP	1	
* - 107	DA7 - 01470 - 6X	SPRING C CLUTCH	1	
* - 108	DA7 - 01220 - 6X	ARM PICKUP	1	
* - 109	DA7 - 01310 - 6X	HUB SEPARATOR A	1	
* - 110	DA7 - 01320 - 6X	HUB SEPARATOR B	1	
* - 111	DA7 - 01350 - 6X	PULLEY 24	1	
* - 112	DA7 - 01390 - 5X	ROLLER SEPARATOR	1	
* - 113	DA7 - 01480 - 6X	SPRING C ONEWAY	1	
* - 114	DA7 - 01490 - 6X	SPRING C PICKUP	1	
* - 115	DA7 - 01130 - 6X	SHEET FELT	1	
* - 116	Z07 - 54140 - 0X	BELT(TIMING)	1	
* - 117	DA7 - 0155K - 6X	COVER SEPARATOR	1	
* - 118	DA7 - 01640 - 6X	SPONGE PICKUP	1	
* - 119	D84 - 11890 - 6X	PICKUP PAD	1	
* - 120	DA7 - 01540 - 6X	SHEET SEPARATOR	1	
* - 121	DA7 - 01620 - 6X	PAD SEPARATOR B	1	
* - 122	DA7 - 0156K - 6X	PIECE SEPARATOR	1	
* - 123	DA7 - 01570 - 6X	PAD SEPARATOR A	1	
* - 124	D84 - 11950 - 6X	SEPARATOR CUSHION	1	



# DC4-911



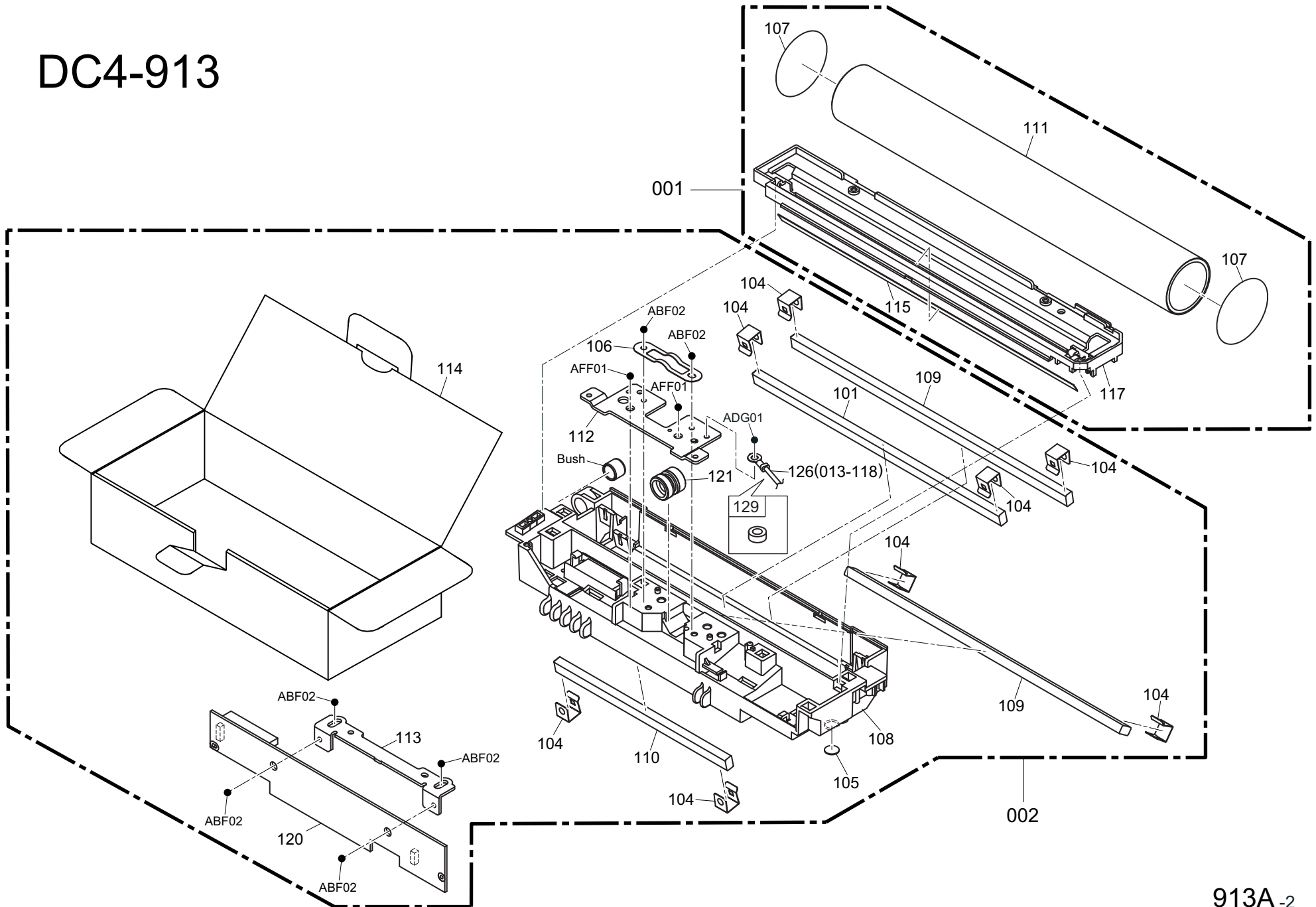
911A-1

DC4 - 911

NO	PARTS NO	PARTS NAME	Q'TY	REMARK
911 - 001	DC4 - A014A - 5X	ASSY COVER TOP	1	
- 002	DC4 - A015A - 5X	ASSY COVER CONTACT	1	
* - 101	D88 - 05480 - 6X	BACKGROUND SEAL	1	
* - 102	DA7 - 05061 - 6XA	COVER CONTACT	1	
* - 103	DA7 - 05220 - 6X	PANE	1	
* - 104	DA7 - 05230 - 6X	GLASS CONTACT	1	
* - 106	DC4 - 05021 - 6X	COVER TOP FBS	1	
* - 107	D99 - 95080 - 6X	PACKCASE	1	



# DC4-913

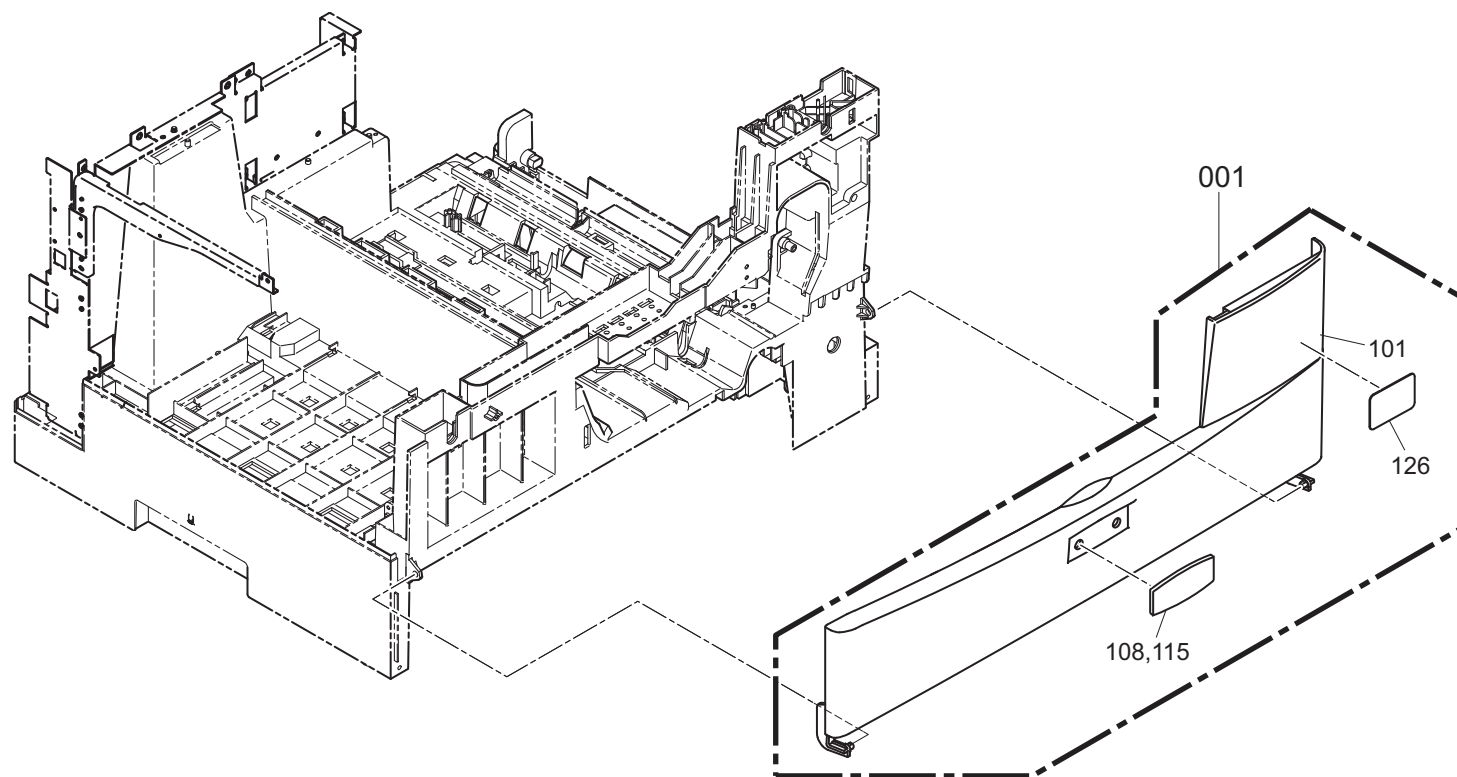


913A -2

DC4 - 913

NO	PARTS NO	PARTS NAME	Q'TY	REMARK
913 - 001	DC4 - A0160 - 5X	ASSY CASE LAMP	1	
- 002	DC4 - A0170 - 4X	ASSY FRAME SCANNER FBS	1	
- 101	DC4 - 05060 - 6X	MIRROR C	1	
- 104	D40 - 01050 - 6X	MIRROR CLAMP	8	
- 105	D88 - 05390 - 6X	SLIDER	1	
- 106	DA7 - 05240 - 6X	SUPPORTER LENS	1	
* - 107	D99 - 93330 - 6X	PACKING CRAFT PAPER	2	
- 108	DC4 - 05030 - 6X	FRAME SCANNER FBS	1	
- 109	DC4 - 05040 - 6X	MIRROR A	2	
- 110	DC4 - 05050 - 6X	MIRROR B	1	
* - 111	D99 - 93340 - 6X	PACKING PAPER TUBE	1	
- 112	DC4 - 05070 - 6X	BRACKET CCD A	1	
- 113	DC4 - 05080 - 6X	BRACKET CCD B	1	
* - 114	D99 - 95070 - 6X	PACKCASE	1	
- 115	DC4 - 05130 - 6X	SHEET LED REFLECTOR FBS	1	
- 117	DC4 - 05150 - 6X	CASE LAMP	1	
- 120	DC4 - 08160 - 5XX	PCB CCD T	1	
- 121	ZA1 - 02387 - 50	LENS * * F6,5	1	
- 129	ZA1 - 00921 - 00	CORE	1	

# DC4-914



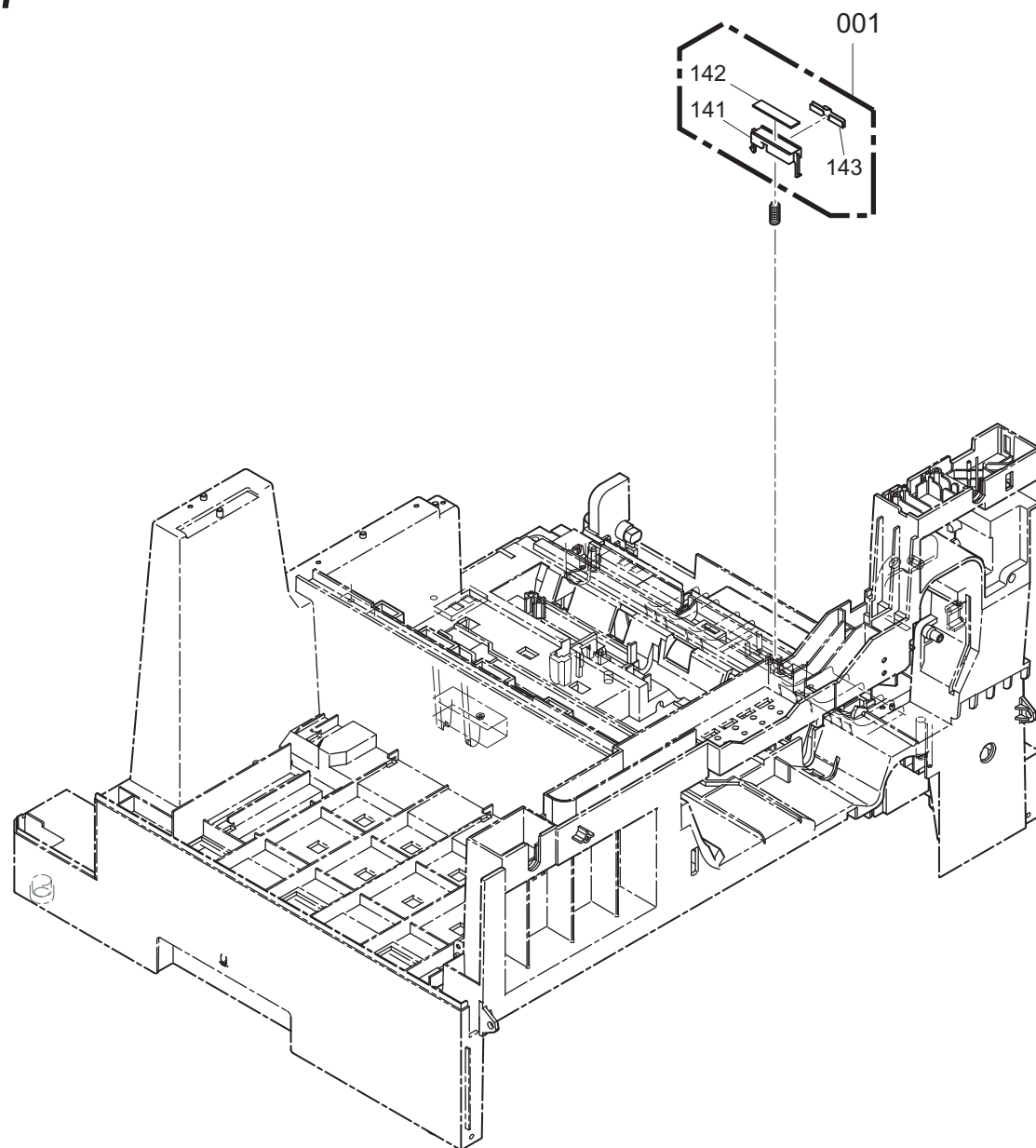
914A

DC4 - 914

NO	PARTS NO	PARTS NAME	Q'TY	REMARK
914 - 001	DC4 - A018A - 3X	ASSY COVER FRONT	1	
* - 101	DA7 - 3603K - 4XB	COVER FRONT	1	
- 115	DA7 - 3672A - 6X	SHEET COVER FRONT	1	
* - 126	D99 - 01510 - 6X	LABEL LOGO ENERGY STAR B	1	



# DC4-917



917A

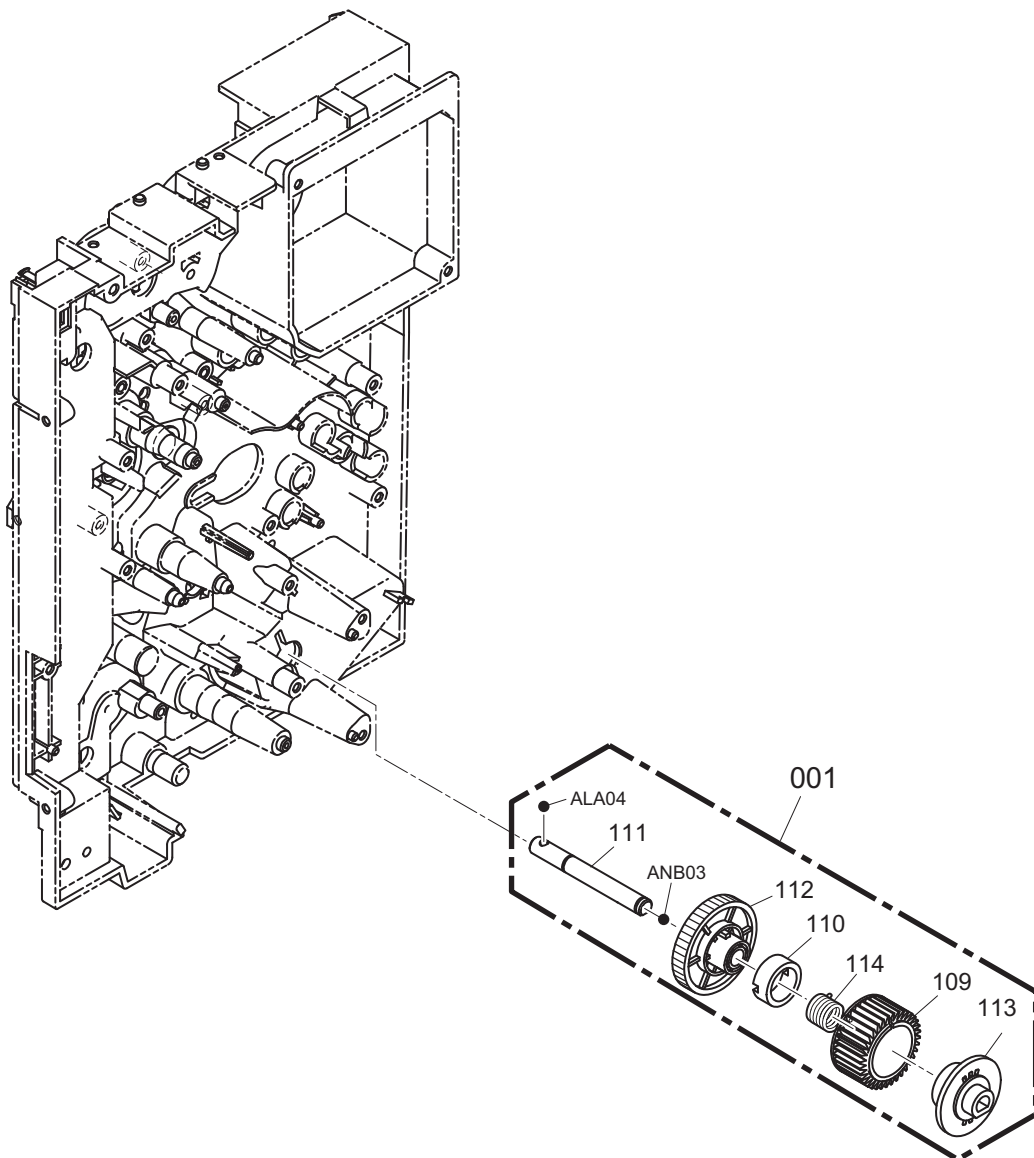


DC4 - 917

NO	PARTS NO	PARTS NAME	Q'TY	REMARK
917 - 001	DC4 - A0530 - 5X	ASSY MP PRESSURE	1	
* - 141	D88 - 35350 - 6X	PIECE PRESSURE MP	2	
* - 142	D88 - 35360 - 6X	MP PRESSURE PAD	2	
* - 143	DC4 - 35540 - 6X	SHEET PRESSURE MP	2	



# DC4-921



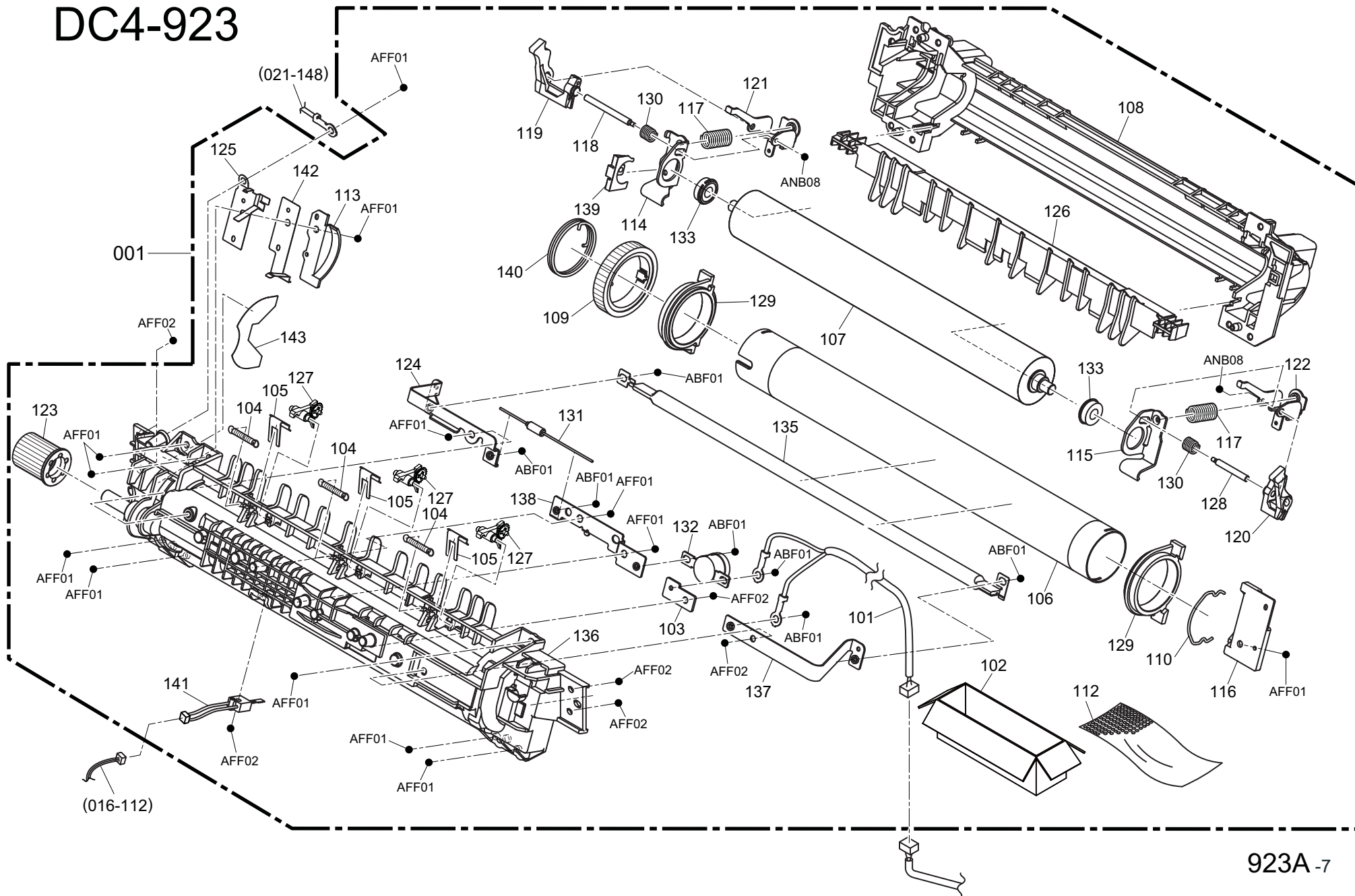
921A

DC4 - 921

NO	PARTS NO	PARTS NAME	Q'TY	REMARK
921 - 001	DA7 - A0120 - 5X	ASSY SHAFT JOINT	1	
* - 109	DA7 - 34260 - 6X	COLLAR CLUTCH	1	
* - 110	DA7 - 34270 - 6X	BUSH D16	1	
* - 111	DA7 - 34420 - 6X	SHAFT JOINT	1	
* - 112	DA7 - 34450 - 6X	GEAR 40 0.8	1	
* - 113	DA7 - 34460 - 6X	HUB CLUTCH	1	
* - 114	D71 - 35100 - 6X	SPRING C CLUTCH	1	



# DC4-923



923A-7

DC4 - 923

NO	PARTS NO	PARTS NAME	Q'TY	REMARK
923 - 001	DC4 - A019A - 3X	ASSY FUSER	1	
* - 101	DC4 - 08500 - 5XX	CBL-ASSY HEATER(FUSER)	1	
* - 102	DA7 - 95090 - 6X	PACKCASE FUSER	1	
* - 103	DA7 - 33160 - 6X	BRACKET THERMO	1	
* - 104	DC4 - 33400 - 6X	SPRING C SCRAPER	3	
* - 105	DA7 - 33330 - 6X	STOPPER SCRAPER	3	
* - 106	DC4 - 33010 - 6X	ROLLER HEAT	1	
* - 107	DC4 - 33020 - 6X	ROLLER PRESS	1	
* - 108	DC4 - 3304Y - 5X	FRAME OUTER	1	
* - 109	DC4 - 33050 - 6X	GEAR 39 1.0	1	
* - 110	DC4 - 33070 - 6X	SPRING C STOPPER	1	
* - 112	DA7 - 97250 - 6X	PACKING AC FUSER	1	
* - 113	DC4 - 33340 - 6X	CAP ROLLER HEAT	1	
* - 114	DC4 - 33110 - 6X	HOLDER BEARING PR B	1	
* - 115	DC4 - 33120 - 6X	HOLDER BEARING PR F	1	
* - 116	DC4 - 33350 - 6X	PLATE FG HR F	1	
* - 117	DC4 - 33140 - 6X	SPRING C PRESS	2	
* - 118	DC4 - 33150 - 6X	SHAFT CAM PR B	1	
* - 119	DC4 - 3316Y - 6X	KNOB B	1	
* - 120	DC4 - 3317Y - 6X	KNOB F	1	
* - 121	DC4 - 33180 - 6X	PLATE PRESS B	1	
* - 122	DC4 - 33190 - 6X	PLATE PRESS F	1	
* - 123	DC4 - 33200 - 6X	GEAR 18 1.0	1	
* - 124	DC4 - 33220 - 6X	PLATE HEATER B	1	
* - 125	DC4 - 33240 - 6X	PLATE FG	1	
* - 126	DC4 - 3325Y - 6X	GUIDE ENTER	1	
* - 127	DC4 - 33260 - 5X	SCRAPER	3	
* - 128	DC4 - 33270 - 6X	SHAFT CAM PR F	1	

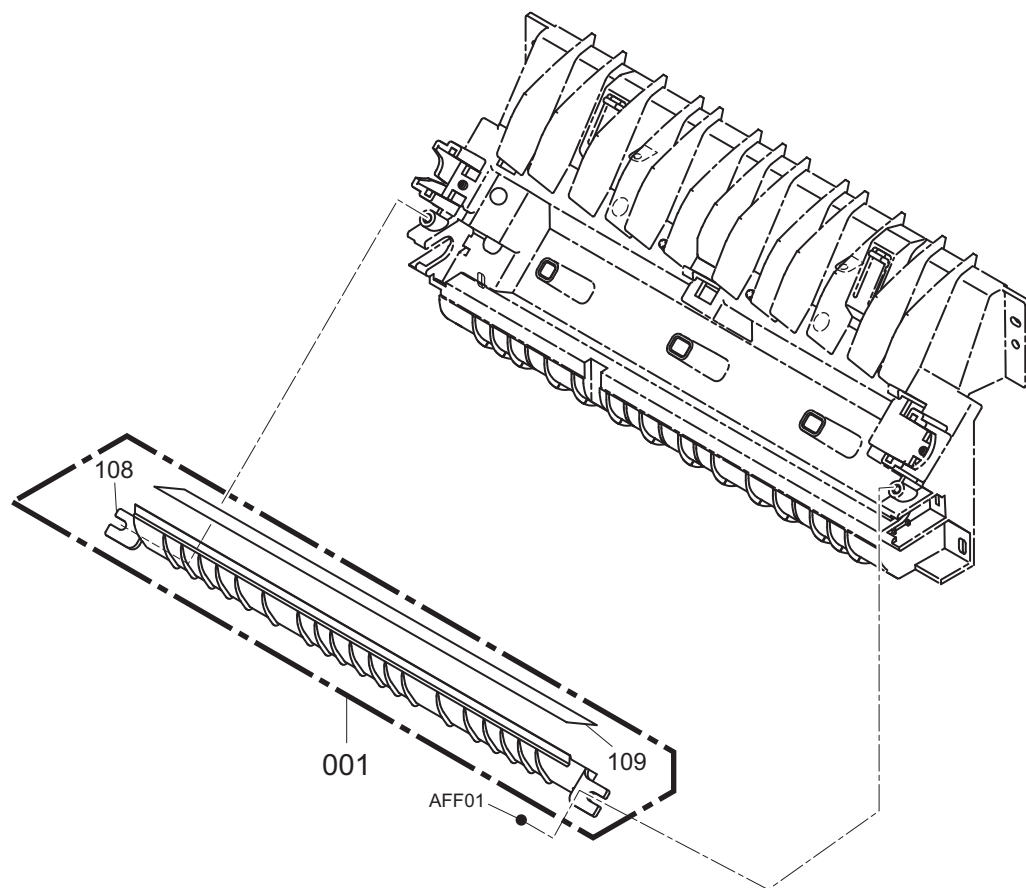


DC4 - 923

NO	PARTS NO	PARTS NAME	Q'TY	REMARK
* 923 - 129	DC4 - 33330 - 6X	BEARING HR	2	
* - 130	DC4 - 33290 - 6X	SPRING C KNOB	2	
* - 131	Z90 - 48827 - 0X	FUSE	1	
* - 132	ZA1 - 03645 - 60	THRMSTR FS-61016 R180=7.0KOHM+5%-5% *	1	
* - 133	Z07 - 93182 - 0X	BRG(RB) W686ZZNR CHN	2	
* - 135	ZA1 - 03816 - 70	LAMP *JH110V750W/NO AC110V 750W	1	
* - 136	DC4 - 3303Y - 5X	FRAME INNER	1	
* - 137	DC4 - 33230 - 6X	PLATE HEATER F	1	
* - 138	DC4 - 33300 - 6X	BRACKET FUSE	1	
* - 139	DC4 - 33310 - 6X	PLATE FG PR B	1	
* - 140	DC4 - 33320 - 6X	SPRING T HR	1	
* - 141	Z90 - 55856 - 0X	THERMSTR	1	
* - 142	DC4 - 33360 - 6X	PLATE FG FUSER	1	
* - 143	DC4 - 33370 - 6X	SHEET FRAME INNER B	1	



# DC4-925



925A

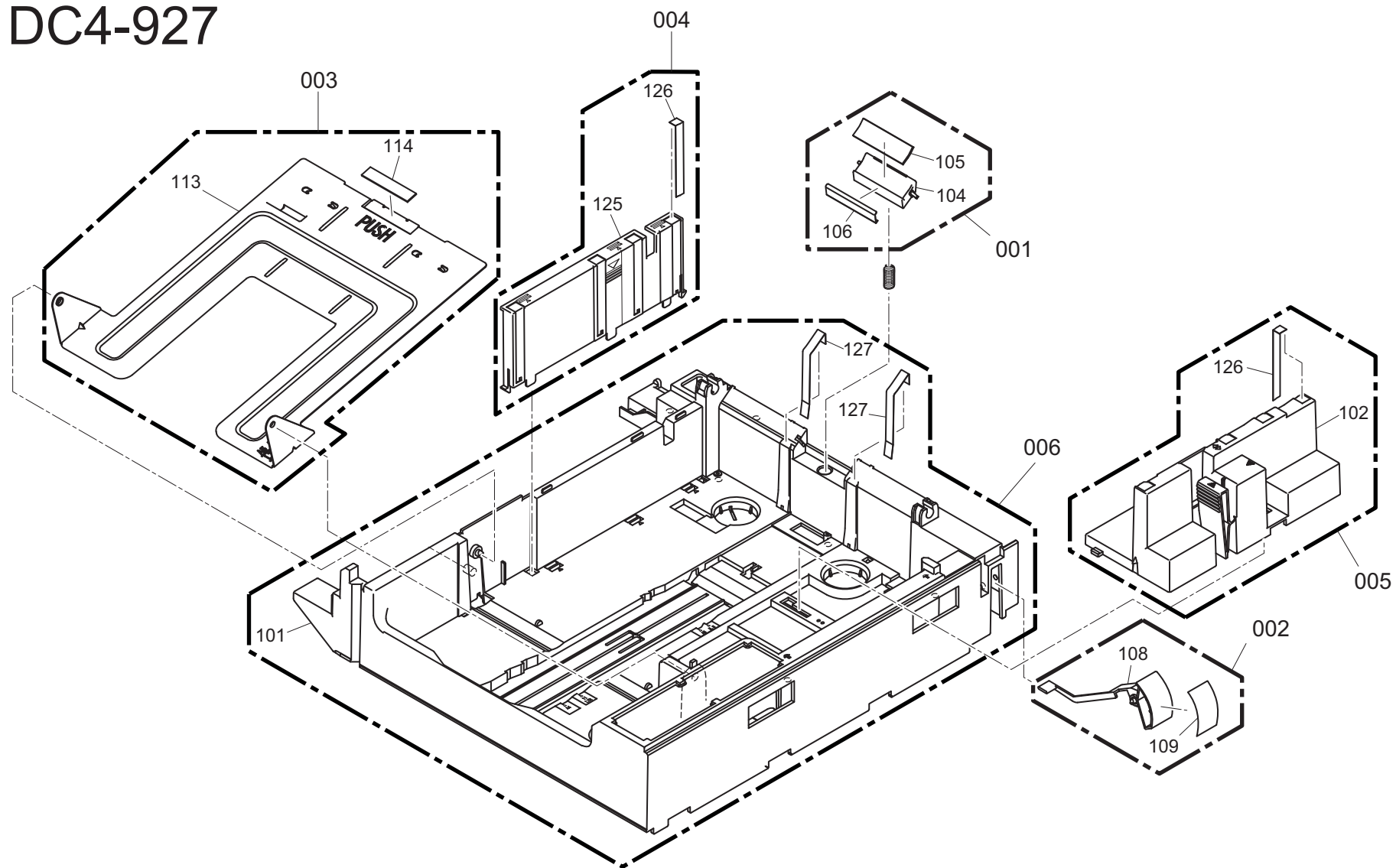
DC4 - 925

NO	PARTS NO	PARTS NAME	Q'TY	REMARK
925 - 001	DA7 - A0140 - 5X	ASSY GUIDE PAPER TRANSFER	1	
* - 108	DA7 - 32080 - 6X	GUIDE PAPER TRANSFER A	1	
* - 109	DA7 - 32130 - 6X	SHEET TRANSFER	1	





# DC4-927



927A

DC4 - 927

NO	PARTS NO	PARTS NAME	Q'TY	REMARK
927 - 001	DA7 - A0150 - 5X	ASSY PIECE PRESSURE	1	
- 002	DA7 - A016A - 5X	ASSY INDICATOR	1	
- 003	DC4 - A0320 - 5X	ASSY FLAPPER	1	
- 004	DC4 - A0330 - 5X	ASSY GUIDE SIDE B	1	
- 005	DC4 - A0340 - 5X	ASSY GUIDE SIDE	1	
- 006	DC4 - A0350 - 5X	ASSY SHEET CASSETTE	1	
* - 101	DA7 - 3501K - 6X	CASSETTE	1	
* - 102	DA7 - 3502G - 6X	GUIDE SIDE	1	
* - 104	DA7 - 35040 - 6X	PIECE PRESSURE CST	1	
* - 105	DA7 - 35050 - 6X	PAD PRESSURE	1	
* - 106	DA7 - 35130 - 6X	SHEET PRESSURE	1	
* - 108	DA7 - 3514K - 6X	INDICATOR	1	
* - 109	DA7 - 07040 - 6X	LABEL INDICATOR	1	
* - 113	DA7 - 35070 - 6X	FLAPPER	1	
* - 114	DA7 - 35080 - 6X	PAD FLAPPER	1	
* - 125	DA7 - 3528K - 6X	GUIDE SIDE B	1	
* - 126	DA7 - 35240 - 6X	SHEET CST C	2	
* - 127	DA7 - 35230 - 6X	SHEET CST B	2	



## DC4 FASTENERS

	PARTS NAME	SIZE
ABF01	PHR(3c)	M3X6
ABF02	PHR(3c)	M3X8
ACE01	S TITE(3c)	3x6
ACG01	S TITE(P=3)(3c)	3x8
ADG01	S TITE CUP(3c)	3X6
ADG03	S TITE CUP(3c)	4X8
ADG04	S TITE CUP(3c)	3X8
ADG07	S TITE CUP(3c)	3X4
ADH01	S TITE プレンジ φ(3c)丸先	3X6
AEH01	P TITE(3c)	3X8
AEH02	P TITE(3c)	3X6
AEH03	P TITE(3c)	3X10
AFF01	P TITE CUP(3c)	3X8
AFF02	P TITE CUP(3c)	3X10
AFF03	P TITE CUP(3c)	3X30
AFF05	P TITE CUP(3c)	4X10
AFF06	P TITE CUP(3c)	3X6
AHB01	B TITE CUP(3c)	4X12
AJB01	PHS(Ni) 電源取付ネジ。(3c)では不可。	M4X6
AJD01	PHS(3c)	M4X6
AJD02	PHS(3c)	M3X6
ALA01	PK	2X10
ALA02	PK	2X12
ALA04	PK	2.5X24
ANB01	DR(BK)or(3c)	3
ANB02	DR(BK)or(3c)	4
ANB03	DR(BK)or(3c)	5
ANB04	DR(BK)or(3c)	6
ANB05	DR(BK)or(3c)	7
ANB06	DR(BK)or(3c)	2
ANB08	DR(3c)	1.5
AQA03	PARALLEL PIN	2X10
AUD01	ZR(3c)	4
AVA01	JR	E4
AVA03	JR	E5



Order here  
8 (495) 646-0426  
www.km-shop.ru

ПЯТЫЙ ПАРТНЕР