

KONICA MINOLTA

# *PARTS GUIDE MANUAL*

---

SEPTEMBER 2015

*bizhub 128DN/bizhub 287*  
*A7AH*

## INFORMATION FOR PARTS GUIDE MANUAL

To find correct Parts No., refer to the "HOW TO MAKE THE BEST USE OF THIS MANUAL" in the following page.

### HOW TO MAKE THE BEST USE OF THIS MANUAL

- 1 When you order, please check the proper figures beforehand that are on Our Parts Guide Manual, and order with the appropriate figures.
- 2 For screws, Nuts, Washers, retaining rings and Pins which are used in this model, one letter is shown on the Standard parts column of Parts list and exploded diagrams.
- 3 In order to maintain safety of the product, some specific parts composed of this product are set up as "essential safety parts".
- 4 The assigned parts number for the "essential safety parts" is indicated as "SP00-\*\*\*\*".  
When replacing these parts, follow precautions for disassembling and installing which are listed in the Service Manual.  
Do not use any parts that are not set up as
- 5 ♣ means that there are exclusive parts for each destination.  
Please check the appropriate destination when you order.
- 6 Revision Mark  
Marked as ▲ on the illustration shows that the revision has been made.
- 7 All rights reserved. (any reprints or quotations are prohibited.)  
Use of this parts guide manual should be strictly supervised to avoid disclosure of confidential information.

## パーツガイドマニュアルのご案内

サービス部品をご発注の際には、下記に示す“パーツガイドマニュアルの活用にあたって”をご参照の上、正しい部品番号にてお願い致します。

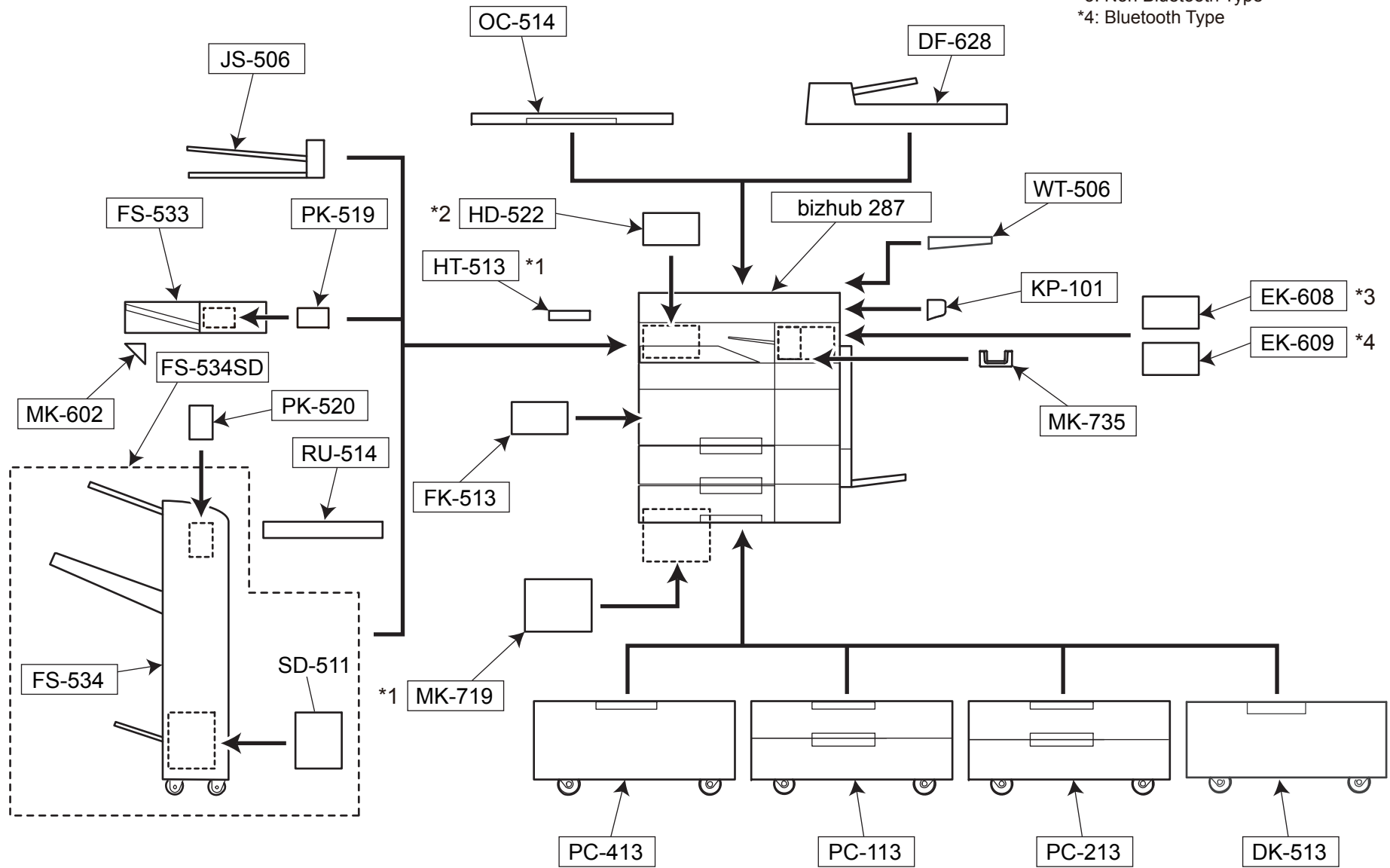
### パーツガイドマニュアルの活用にあたって

- 1 部品発注の際には、掲載されている部品番号の桁数を確認し、掲載されている桁数で発注願います。
- 2 この製品に使用されているネジ、ナット、ワッシャー、止め輪、ピンなどは、リストの右側の Standard parts 欄に a,b,c,…… で表示し、イラストにも a,b,c,…… 表示してあります。
- 3 製品の安全性を維持する為に、製品に使用される特定の部品を「重要保安部品」として設定しています。
- 4 重要保安部品の部品番号は、“SP00-\*\*\*\*”と記載されていますので、部品交換時は、サービスマニュアル記載の分解・組み立ての注意事項に従って作業をして下さい。  
また、指定以外の部品は一切使用しないで下さい。
- 5 本文に ♣ が表示されている部品は、仕向け地毎に専用部品がある事を意味しています。  
オーダーされる時は、仕向け地を確認して下さい。
- 6 改訂記号について  
イラスト上に ▲ 印が表示されている部分は、改訂された事を表します。
- 7 著作権所有（無断転載及び無断引用の禁止）  
本パーツガイドマニュアルについては、機密保持等その扱いには十分注意して下さい。万一取り扱いを誤った場合には、法律で処罰されることがあります。

04/20/2015

# System Configuration

- \*1: for Model No. A7AH001
- \*2: for Model No. A7AH041
- \*3: Non Bluetooth Type
- \*4: Bluetooth Type



bizhub 128DN/bizhub 287

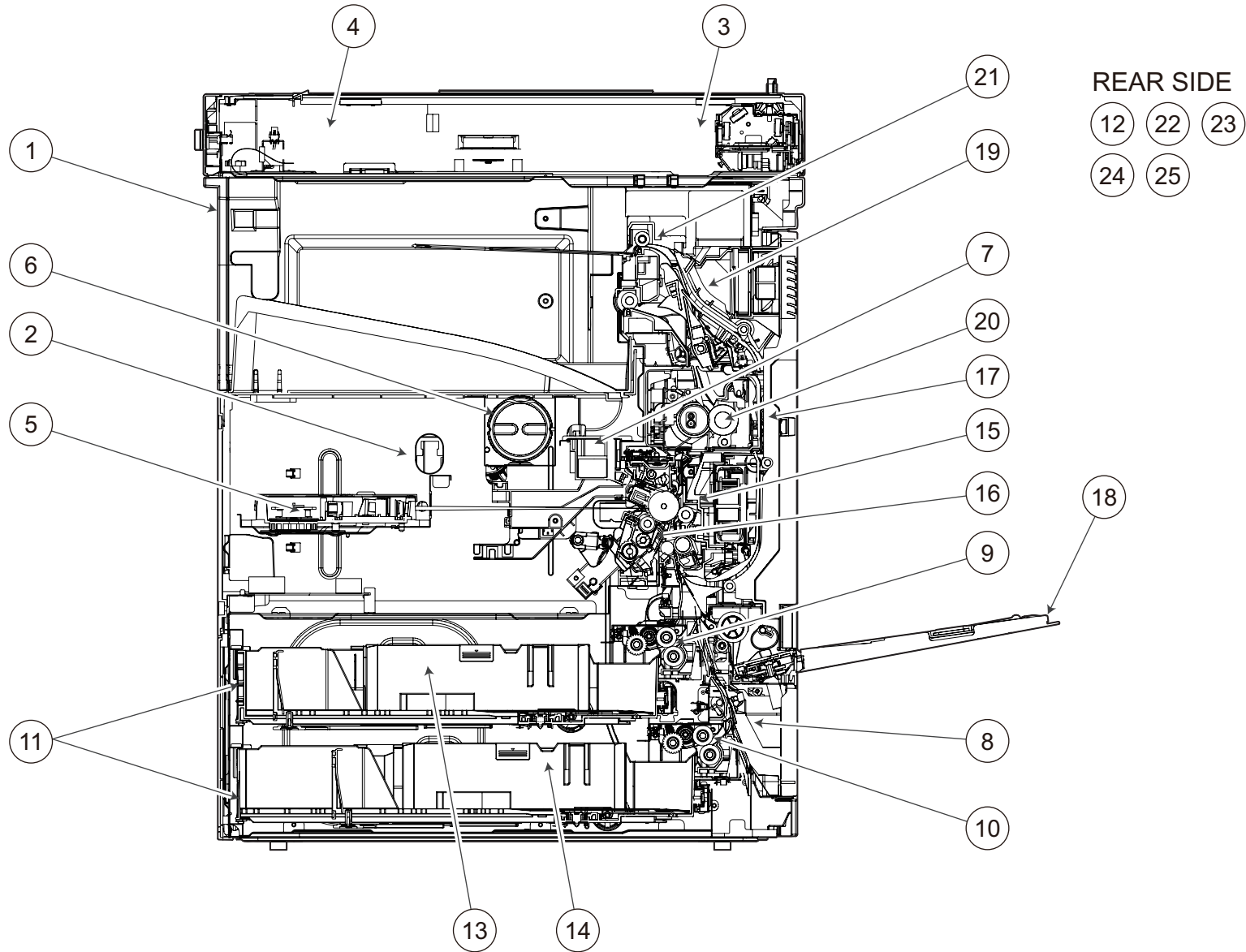
# GENERAL CONTENTS

No.	Description	Model
1	Digital MFP B/W	bizhub 128DN/bizhub 287
2	Original Cover	OC-514
3	Document Feeder	DF-628
4	Working Table	WT-506
5	Other Option	KP-101
6	Local IF Kit	EK-608
7	Mount Kit	MK-735
8	Desk	DK-513
9	Paper Feeder	PC-213
10	Paper Feeder	PC-113
11	Paper Feeder	PC-413
12	Finisher/Sorter	FS-534
13	Mount Kit	MK-602
14	Finisher/Sorter	FS-534SD
15	Punch Unit	PK-520
16	Relay Unit	RU-514
17	Punch Unit	PK-519
18	Finisher/Sorter	FS-533
19	Job Separator	JS-506
20	HDD	HD-522
21	Heater	HT-513
22	Other Option	MK-719

bizhub 128DN/bizhub 287

<b>No.</b>	<b>Description</b>	<b>Model</b>
23	Local IF Kit	EK-609
24	Fax Kit	FK-513

# Section Configuration



# CONTENTS

No.	DESCRIPTION	名称	PAGE No.
1	EXTERNAL PARTS	外装部	P1 P2
2	INNER COVER SECTION	2次カバー部	P3
3	OPERATION PANEL SECTION	オペレーションパネル部	P4
4	SCANNER SECTION	スキャナー部	P5 P6 P7
5	PH UNIT/HIGH VOLTAGE SECTION	PH / 高圧電源部	P8
6	TONER SUPPLY SECTION	トナー補給部	P9 P10
7	ERASE LAMP/DV LOCK LEVER SECTION	イレーサーランプ / DV ロックレバー部	P11
8	PAPER FEED SECTION	給紙部	P12
9	1ST PAPER FEED SECTION	1段目給紙部	P13 P14
10	2ND PAPER FEED SECTION	2段目給紙部	P15 P16
11	CASSETTE RAIL SECTION	カセットレール部	P17
12	PAPER SIZE DETECTION SECTION	カセットサイズ検出部	P18
13	1ST CASSETTE SECTION	1段目カセット部	P19 P20
14	2ND CASSETTE SECTION	2段目カセット部	P21 P22
15	VERTICAL TRANSPORT SECTION	縦搬送部	P23 P24
16	REGISTRATION SECTION	レジスト部	P25
17	VERTICAL CONVEYANCE DOOR SECTION	縦搬送扉部	P26
18	BYPASS TRAY SECTION	手差しトレイ部	P27 P28
19	REVERSAL SECTION	反転部	P29 P30
20	FUSING SECTION	定着部	P31
21	PAPER EXIT SECTION	排紙部	P32 P33
22	DRIVE SECTION	駆動部	P34
23	OZONE DUCT SECTION	オゾン排気部	P35
24	MAIN POWER SUPPLY SECTION	低圧電源部	P36
25	ELECTRICAL COMPONENTS	電装部	P37 P38
26	WIRING	束線	P39
27	WIRING ACCESSORIES AND JIGS	配線部品・治具	P40
28	ACCESSORY PARTS	同梱部品	P41

# INDEX

Parts No.	Page No.
0978381101	28-4
0996305501	17-6
1134304301	27-13
1154467001	36-3
1164202801	33-12
1164351501	25-16
1164420204	23-15
4002504202	4-10
4002504202	25-6
4004590301	33-8
4025598401	33-9
4030205301	40-12
4030205401	40-13
4030320601	20-15
4030320601	22-15
4030340301	28-27
4030347501	28-21
4030420701	23-10
4038101401	3-3
4038218401	29-19
4038353701	25-11
4038353901	25-13
4038541202	34-27
4038M60000	38-8
4128197801	8-12
4128197901	8-13
4136N30000	38-17
4139M10000	35-9
4139M10000	36-2
4163510201	9-23
4163529301	20-20
4163529301	22-20
4163529301	29-30
4163529301	30-1
4163529301	35-11
4475260302	1-7
4556M10000	29-31
4576536301	9-29
4581162501	6-10
4658015106	28-19

Parts No.	Page No.
56AA40490	1-10
56AA40490	13-13
56AA40490	14-9
56AA40490	15-20
56AA40490	16-6
56AA40490	20-27
56AA40490	22-27
9313130051	24-19
9335140051	10-1
9372271022	23-14
9381430031	41-11
9J06M10300	18-10
9J06M60100	3-15
9J06M60100	26-17
A00F623201	27-7
A00J169901	41-1
A00J563600	13-12
A00J563600	14-10
A00J563600	15-19
A00J563600	16-7
A00J663200	13-2
A00J663200	15-5
A00J945500	1-17
A00JN30200	38-19
A011946200	4-18
A02E149900	2-16
A02E561100	13-11
A02E561100	15-18
A02E592100	28-9
A02E596300	27-8
A02E597600	28-23
A02E815200	14-17
A02E815200	16-14
A02E815200	24-2
A02E815200	29-10
A02E815200	30-10
A02E940300	11-12
A02EM20200	25-1
A02EM70F00	38-13
A02F897200	33-36

Parts No.	Page No.
A034M20100	27-18
A0ED135700	38-12
A0ED162401	1-6
A0ED401000	9-17
A0ED563900	14-11
A0ED563900	16-8
A0ED700600	25-14
A0ED702400	24-21
A0ED712100	26-1
A0ED811700	24-9
A0ED815100	30-6
A0ED891100	33-13
A0ED897700	33-17
A0ED940600	9-6
A0ED940700	1-3
A0EDM50100	15-14
A0EDM60001	11-11
A0EDN30002	38-15
A0HF952400	5-7
A0P0M73100	3-12
A161101900	17-4
A161115700	11-17
A161116100	11-21
A161137100	26-15
A161137600	37-26
A161151200	26-16
A161151300	3-14
A161165602	1-4
A161165700	10-8
A161240400	34-30
A161240600	34-26
A161240700	34-28
A161400401	9-32
A161400601	9-34
A161400800	9-22
A161401000	9-28
A161401100	9-24
A161402403	9-8
A161402502	9-10
A161402502	29-33

Parts No.	Page No.
A161403101	9-30
A161403701	9-3
A161403800	9-9
A161403901	9-5
A161404001	9-2
A161404100	9-4
A161404200	9-33
A161591000	28-29
A161591100	28-28
A161591600	28-16
A161592200	28-7
A161593300	27-10
A161593800	28-10
A161594201	28-14
A161594300	28-33
A161594400	27-6
A161595100	28-15
A161595300	28-26
A161595600	28-17
A161620701	20-12
A161620701	22-12
A161623400	19-14
A161623400	21-14
A161624100	20-5
A161624100	22-5
A161626602	19-7
A161626602	21-7
A161626800	19-6
A161626800	21-6
A161701100	25-25
A161711300	24-7
A161711500	24-12
A161712800	30-3
A161714600	24-17
A161813100	30-20
A161813200	30-4
A161813400	30-12
A161813600	30-5
A161814500	30-9
A161814700	29-8

Parts No.	Page No.
A161815300	26-21
A161815400	26-19
A161815500	26-20
A161815800	26-24
A161815900	26-8
A161819400	30-8
A161819500	30-22
A161825700	24-3
A161825700	29-11
A161826000	14-19
A161826000	33-39
A161891000	33-22
A161892400	33-10
A161894000	32-3
A161894000	33-1
A161894100	32-2
A161897200	32-6
A161943000	20-9
A161943000	22-9
A161M10300	7-19
A161M50400	28-31
A161N15J00	37-25
A1UD104500	8-1
A1UD721500	33-18
A1UD722700	33-29
A1UD947400	41-10
A1UDM30900	11-5
A2X0945701	2-10
A2X0M72C00	37-23
A2XN374800	10-9
A3EW944600	5-10
A3EWM90200	37-15
A3EWM90300	37-11
A49FM90100	37-14
A4EU138000	7-16
A4EU138000	37-20
A5C1134100	37-22
A5C1134200	37-19
A5C1562200	13-14
A5C1562200	15-21



Parts No.	Page No.	Parts No.	Page No.	Parts No.	Page No.	Parts No.	Page No.	Parts No.	Page No.
A5C1F42000	9-31	A7AH130300	37-4	A7AH141100	36-4	A7AH163201	41-2	A7AH262100	7-5
A5C1M50100	6-4	A7AH130401	37-21	A7AH141201	37-9	A7AH163300	2-8	A7AH262501	6-12
A5C1M50100	7-13	A7AH130600	37-2	A7AH141300	36-1	A7AH163402	2-12	A7AH262602	6-8
A5C1M50100	9-20	A7AH131100	37-3	A7AH141400	2-9	A7AH164500	3-9	A7AH262700	7-23
A5C1M50100	10-2	A7AH131300	37-18	A7AH142100	11-7	A7AH164600	2-1	A7AH262900	7-4
A5C1M50100	13-24	A7AH131300	37-30	A7AH142300	11-1	A7AH164701	2-11	A7AH263000	7-25
A5C1M50100	14-7	A7AH132100	38-9	A7AH142700	11-6	A7AH164800	2-15	A7AH266203	5-1
A5C1M50100	15-12	A7AH132200	38-4	A7AH142800	11-4	A7AH165003	3-2	A7AH266300	5-6
A5C1M50100	24-6	A7AH132300	38-5	A7AH142900	11-3	A7AH165200	10-11	A7AH266503	5-8
A5C1M50100	25-22	A7AH132400	38-7	A7AH145100	35-3	A7AH166601	4-9	A7AH266601	5-9
A5C1M50100	28-24	A7AH132600	38-3	A7AH145201	35-10	A7AH166700	41-3	A7AH266800	5-3
A5C1M50100	30-11	A7AH132701	38-9	A7AH145401	29-29	A7AH167001	2-4	A7AH266800	41-4
A5C1N30000	38-11	A7AH132801	38-1	A7AH146100	35-14	A7AH211700	34-23	A7AH267000	5-2
A61DM10200	34-34	A7AH132900	38-6	A7AH146301	35-15	A7AH212000	34-25	A7AH267201	5-5
A7AH101102	35-5	A7AH133100	31-4	A7AH146500	35-16	A7AH212100	34-22	A7AH280400	7-21
A7AH101201	35-7	A7AH133201	31-3	A7AH146600	35-2	A7AH212200	34-21	A7AH280500	7-12
A7AH101600	17-1	A7AH133300	12-4	A7AH146800	35-13	A7AH212300	34-20	A7AH280700	7-11
A7AH101900	17-3	A7AH134200	8-10	A7AH147100	35-8	A7AH212600	34-18	A7AH280800	7-18
A7AH102000	17-2	A7AH134401	34-10	A7AH160102	1-1	A7AH212800	34-16	A7AH280900	7-22
A7AH102100	1-13	A7AH134500	31-2	A7AH160202	1-9	A7AH213000	34-17	A7AH281300	7-14
A7AH102200	1-11	A7AH134600	4-1	A7AH160503	2-7	A7AH213500	34-13	A7AH281600	7-15
A7AH102300	17-5	A7AH134800	1-12	A7AH160601	1-16	A7AH213902	34-15	A7AH281701	6-6
A7AH103000	17-7	A7AH135100	35-4	A7AH160700	1-14	A7AH214300	34-24	A7AH281800	7-17
A7AH112102	11-13	A7AH135201	3-11	A7AH160801	1-15	A7AH214701	34-4	A7AH285102	6-1
A7AH112300	11-9	A7AH135301	3-11	A7AH161001	1-2	A7AH214800	34-3	A7AH285400	6-2
A7AH112500	3-5	A7AH136301	11-8	A7AH161400	4-17	A7AH215101	34-5	A7AH285501	6-3
A7AH112600	3-1	A7AH138101	37-13	A7AH161501	4-11	A7AH215400	34-2	A7AH362700	10-10
A7AH112800	3-7	A7AH138200	26-13	A7AH161602	4-14	A7AH216500	34-19	A7AH400100	9-14
A7AH112900	3-4	A7AH138500	3-16	A7AH161700	4-13	A7AH216700	34-14	A7AH400700	9-19
A7AH113000	3-6	A7AH138600	11-2	A7AH161801	4-8	A7AH217001	34-31	A7AH401300	9-25
A7AH115101	35-1	A7AH138700	3-17	A7AH161900	4-7	A7AH217100	34-29	A7AH402000	9-1
A7AH116100	11-18	A7AH138800	3-18	A7AH162001	4-6	A7AH218100	10-3	A7AH402100	9-11
A7AH116200	3-8	A7AH138900	3-13	A7AH162100	4-4	A7AH218300	10-4	A7AH403200	9-16
A7AH116300	11-20	A7AH139000	4-2	A7AH162300	1-8	A7AH218400	10-6	A7AH403300	9-12
A7AH116500	11-22	A7AH139101	35-6	A7AH162400	2-5	A7AH218500	10-7	A7AH403500	9-13
A7AH116900	11-19	A7AH139301	37-8	A7AH162500	1-5	A7AH218702	10-5	A7AH404300	9-21
A7AH120102	17-8	A7AH139401	4-12	A7AH162700	32-4	A7AH261401	6-9	A7AH405100	9-1
A7AH121301	17-9	A7AH139600	4-16	A7AH162802	2-2	A7AH261700	7-10	A7AH405200	9-1
A7AH130101	37-10	A7AH139700	11-16	A7AH162902	2-3	A7AH261802	7-9	A7AH405300	9-1
A7AH130201	37-6	A7AH139900	11-10	A7AH163001	2-6	A7AH261902	7-20	A7AH406000	9-15

Parts No.	Page No.	Parts No.	Page No.	Parts No.	Page No.	Parts No.	Page No.	Parts No.	Page No.
A7AH406201	9-26	A7AH565301	15-11	A7AH602001	28-5	A7AH621801	20-22	A7AH630102	21-13
A7AH406300	9-18	A7AH565702	13-7	A7AH602200	27-15	A7AH621801	22-22	A7AH700101	23-21
A7AH560101	13-6	A7AH565702	15-15	A7AH602701	27-9	A7AH622100	20-3	A7AH700401	23-7
A7AH560201	13-22	A7AH566001	13-4	A7AH603000	27-14	A7AH622100	22-3	A7AH700500	23-8
A7AH560500	13-9	A7AH566100	16-15	A7AH603100	27-22	A7AH622201	20-25	A7AH700901	24-16
A7AH560500	15-16	A7AH568402	14-2	A7AH603200	27-23	A7AH622201	22-25	A7AH701000	24-11
A7AH560700	14-4	A7AH568500	14-5	A7AH603300	28-11	A7AH622401	20-13	A7AH701100	24-14
A7AH560800	14-3	A7AH568500	16-3	A7AH603400	28-34	A7AH622401	22-13	A7AH701700	25-26
A7AH561300	14-16	A7AH568600	14-8	A7AH604101	27-16	A7AH622901	19-3	A7AH701901	23-13
A7AH561300	16-13	A7AH568700	16-5	A7AH604202	28-13	A7AH622901	21-3	A7AH702002	25-20
A7AH561601	13-8	A7AH568800	12-2	A7AH604300	27-17	A7AH623201	19-15	A7AH702101	25-28
A7AH561601	15-30	A7AH568900	12-1	A7AH604401	28-6	A7AH623201	21-15	A7AH702200	25-17
A7AH562100	13-20	A7AH569400	14-6	A7AH604501	28-2	A7AH623400	19-4	A7AH703001	25-8
A7AH562100	15-26	A7AH569400	16-4	A7AH604700	27-25	A7AH623400	21-4	A7AH703101	25-12
A7AH562300	13-16	A7AH569500	13-23	A7AH604900	27-21	A7AH623500	20-18	A7AH703201	25-2
A7AH562300	15-23	A7AH569500	15-28	A7AH605100	27-12	A7AH623500	22-18	A7AH703301	25-3
A7AH562400	13-10	A7AH570100	14-18	A7AH605200	27-3	A7AH623601	20-2	A7AH703401	23-11
A7AH562400	15-17	A7AH570200	14-20	A7AH620103	19-13	A7AH623601	22-2	A7AH703500	23-20
A7AH562600	13-15	A7AH571100	15-13	A7AH620400	20-23	A7AH624100	19-5	A7AH703600	23-6
A7AH562600	15-22	A7AH578100	15-7	A7AH620400	22-23	A7AH624200	21-5	A7AH704101	25-19
A7AH562801	13-19	A7AH578200	15-10	A7AH620600	20-19	A7AH624300	19-11	A7AH704201	34-7
A7AH562801	15-31	A7AH578401	16-2	A7AH620600	22-19	A7AH624300	21-11	A7AH704400	23-5
A7AH562900	13-18	A7AH578600	15-9	A7AH620801	20-10	A7AH625101	19-10	A7AH704500	23-4
A7AH562900	15-25	A7AH578800	15-8	A7AH620801	22-10	A7AH625200	21-10	A7AH704601	34-11
A7AH563101	14-13	A7AH579101	15-6	A7AH620902	20-4	A7AH626901	19-9	A7AH704701	34-12
A7AH563101	16-10	A7AH579300	15-29	A7AH620902	22-4	A7AH626901	21-9	A7AH704900	34-6
A7AH563400	13-17	A7AH600102	28-8	A7AH621000	20-7	A7AH627000	20-24	A7AH705001	29-4
A7AH563400	15-24	A7AH600203	28-36	A7AH621000	22-7	A7AH627000	22-24	A7AH705100	29-7
A7AH563700	15-1	A7AH600300	27-4	A7AH621200	20-8	A7AH627400	18-9	A7AH705201	26-2
A7AH563800	15-3	A7AH600400	27-2	A7AH621200	22-8	A7AH627501	18-1	A7AH705301	26-4
A7AH563902	14-1	A7AH600502	27-11	A7AH621300	20-6	A7AH627600	18-8	A7AH705401	26-9
A7AH563902	16-1	A7AH600601	28-18	A7AH621300	22-6	A7AH627701	18-2	A7AH705501	26-18
A7AH564101	14-14	A7AH600700	26-10	A7AH621401	20-21	A7AH627800	18-4	A7AH705600	29-3
A7AH564101	16-11	A7AH600801	27-20	A7AH621401	22-21	A7AH627900	18-3	A7AH705700	26-6
A7AH564401	14-15	A7AH601100	27-5	A7AH621501	20-26	A7AH628200	20-11	A7AH705800	26-23
A7AH564401	16-12	A7AH601202	28-30	A7AH621501	22-26	A7AH628200	22-11	A7AH705900	26-25
A7AH565000	14-12	A7AH601300	28-20	A7AH621601	20-1	A7AH629600	20-14	A7AH706000	26-5
A7AH565000	16-9	A7AH601400	28-22	A7AH621601	22-1	A7AH629600	22-14	A7AH706101	26-26
A7AH565100	13-3	A7AH601700	28-12	A7AH621701	20-17	A7AH629901	19-2	A7AH706201	26-14
A7AH565301	13-5	A7AH601901	28-3	A7AH621701	22-17	A7AH629901	21-2	A7AH706300	26-11

Parts No.	Page No.	Parts No.	Page No.	Parts No.	Page No.	Parts No.	Page No.	Parts No.	Page No.
A7AH706400	26-12	A7AH814200	29-20	A7AH890402	33-27	A7AH944000	24-13	A7AHN10600	8-8
A7AH706500	26-7	A7AH814300	29-23	A7AH890501	33-32	A7AH944100	24-8	A7AHN10700	8-14
A7AH706600	26-22	A7AH814400	29-22	A7AH890700	33-25	A7AH944200	29-9	A7AHN10800	8-4
A7AH706700	26-3	A7AH814500	29-21	A7AH890800	33-23	A7AH946200	9-7	A7AHN10902	37-7
A7AH706902	25-4	A7AH814600	29-16	A7AH890900	33-26	A7AH947100	41-7	A7AHN11102	39-1
A7AH707101	34-9	A7AH814700	29-15	A7AH891000	33-5	A7AH947200	41-7	A7AHN11301	11-23
A7AH707201	34-8	A7AH814800	29-18	A7AH891100	30-15	A7AH947300	41-7	A7AHN11401	11-15
A7AH707300	25-24	A7AH814901	29-14	A7AH891200	33-33	A7AH947400	41-7	A7AHN11802	30-17
A7AH707403	25-18	A7AH815500	29-25	A7AH891300	33-37	A7AHH00C00	37-12	A7AHN11901	28-25
A7AH707500	25-15	A7AH815601	29-17	A7AH891400	33-35	A7AHH02005	37-5	A7AHN12100	13-21
A7AH707600	23-9	A7AH815700	29-24	A7AH891500	33-16	A7AHH02S02	37-27	A7AHN12200	18-7
A7AH707700	23-2	A7AH816002	24-5	A7AH891700	33-34	A7AHM10400	9-27	A7AHN12400	25-21
A7AH708100	25-23	A7AH816100	24-35	A7AH891800	33-19	A7AHM10400	34-33	A7AHN12800	6-11
A7AH708200	23-3	A7AH816200	24-34	A7AH891901	33-4	A7AHM10700	29-27	A7AHN12V02	7-6
A7AH708500	23-22	A7AH816300	23-19	A7AH892000	33-3	A7AHM10700	32-7	A7AHN12W00	6-7
A7AH708600	25-9	A7AH816400	24-36	A7AH892101	33-30	A7AHM20400	15-4	A7AHN12Y02	7-2
A7AH708700	25-10	A7AH816500	24-4	A7AH892200	33-21	A7AHM20400	27-19	A7AHN13000	24-29
A7AH708800	23-12	A7AH816603	24-28	A7AH892300	29-32	A7AHM20500	13-1	A7AHN13100	15-27
A7AH708900	25-5	A7AH816701	23-17	A7AH892300	33-28	A7AHM20500	15-2	A7AHN13200	28-32
A7AH709000	29-6	A7AH816800	24-32	A7AH893000	30-19	A7AHM40600	8-9	A7AHN13600	38-2
A7AH709200	25-29	A7AH817000	23-18	A7AH893102	30-14	A7AHM50100	6-5	A7AHN13700	3-19
A7AH709900	23-24	A7AH817101	24-27	A7AH893301	30-18	A7AHM50100	6-13	A7AHN13800	8-6
A7AH721800	24-39	A7AH817200	24-37	A7AH893400	30-16	A7AHM50400	3-10	A7AHN13900	8-15
A7AH810102	33-15	A7AH817300	24-10	A7AH894000	30-21	A7AHM60100	18-5	A7AHN15100	37-24
A7AH810201	32-1	A7AH817700	23-16	A7AH894100	30-7	A7AHM70001	4-5	A7AHN15301	4-15
A7AH811100	33-7	A7AH818000	24-23	A7AH895601	33-6	A7AHM70101	4-5	A7AHN15600	4-3
A7AH811200	32-5	A7AH818100	24-22	A7AH940100	1-18	A7AHM70201	4-5	A7AHN15A00	37-16
A7AH811300	33-11	A7AH818200	24-24	A7AH940300	5-13	A7AHM70301	4-5	A7AHN15A00	37-28
A7AH811500	33-14	A7AH818300	24-38	A7AH941000	19-12	A7AHM70402	4-5	A7AHN16200	38-18
A7AH812002	33-20	A7AH819000	24-25	A7AH941000	21-12	A7AHM90000	7-8	A7AHP02000	1-19
A7AH812800	24-33	A7AH819100	24-20	A7AH941100	19-8	A7AHM90100	7-7	A7AHR70000	8-3
A7AH812901	24-18	A7AH819200	24-26	A7AH941200	21-8	A7AHM90200	7-24	A7AHR70100	8-2
A7AH813001	30-2	A7AH819300	24-30	A7AH941300	20-16	A7AHM90300	31-6	A7AHR70200	34-32
A7AH813100	29-28	A7AH819400	30-23	A7AH941300	22-16	A7AHM92000	2-13	A7AHR70300	11-14
A7AH813200	29-1	A7AH819502	24-31	A7AH942000	41-8	A7AHM92100	2-14	A7AHR70400	36-5
A7AH813300	30-13	A7AH819700	33-41	A7AH942100	41-9	A7AHN10001	38-16	A7AHR70500	36-5
A7AH813500	24-15	A7AH819900	33-42	A7AH942500	1-18	A7AHN10101	38-14	A7AHR70600	36-5
A7AH813600	29-13	A7AH890102	33-38	A7AH943000	29-5	A7AHN10201	38-10	A7AHR70700	34-1
A7AH814000	29-12	A7AH890200	33-31	A7AH943100	28-1	A7AHN10401	31-1	A7AHR70800	5-4
A7AH814100	29-26	A7AH890300	33-2	A7AH943200	28-1	A7AHN10500	8-5	A7AHR70900	9-35

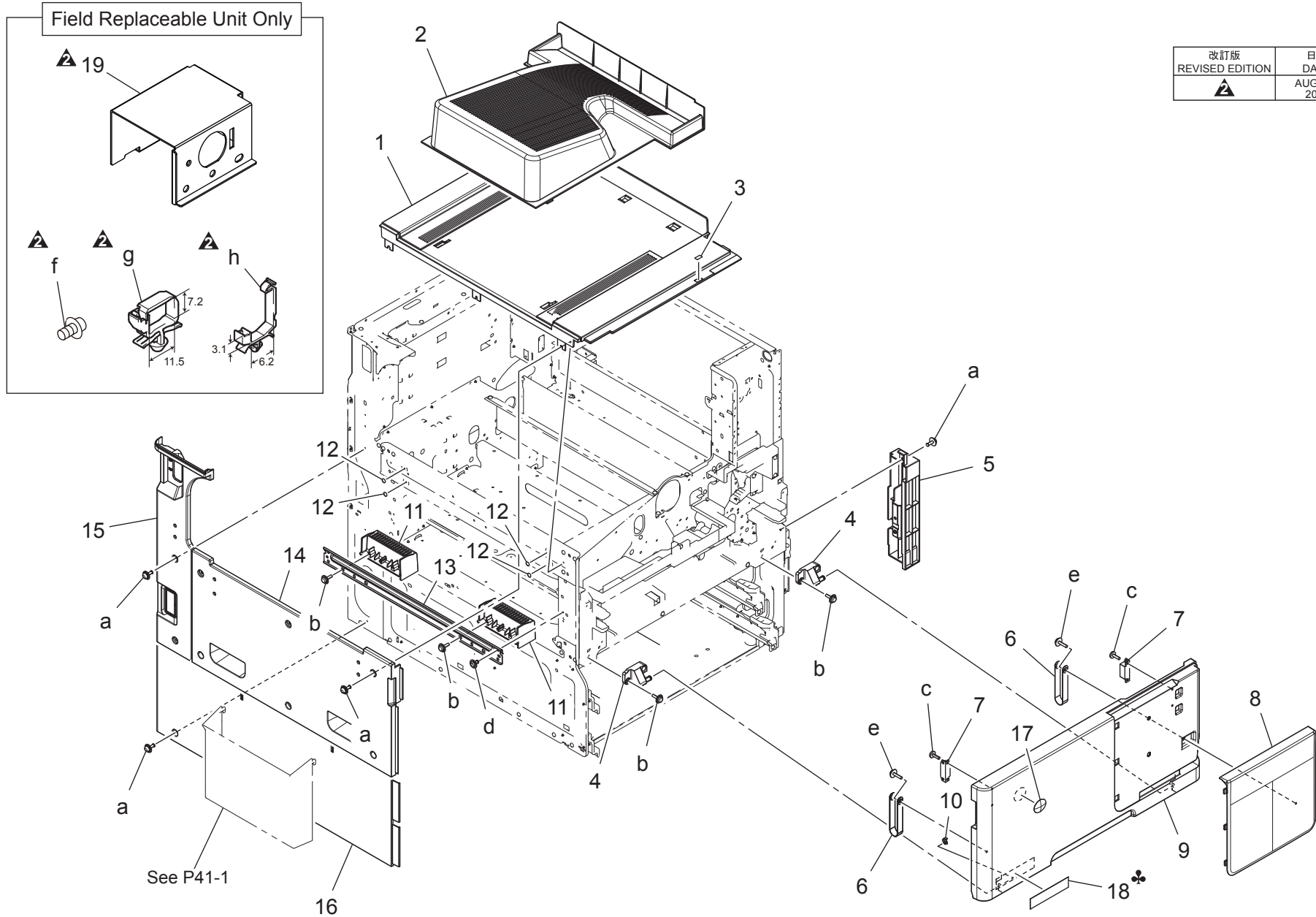
Parts No.	Page No.
A7AHR71000	9-35
A7AHR71100	9-35
A7AHR71200	9-35
A7AHR71300	12-3
A7AHR71400	19-1
A7AHR71500	21-1
A7AHR71600	27-1
A7AHR71700	28-35
A7AHR71800	29-2
A7AHR71900	23-1
A7AHR72000	24-1
A7AHR72100	25-27
A7AHR72200	31-5
A7AHR72300	31-5
A7AHR72400	31-5
A7AHR72500	33-24
A7AHR72600	35-12
A7AHR72700	27-24
A7AHR72800	18-6
A7AHR72900	25-7
A7AHR73500	31-5
A7XWWY2	41-6
A890R70011	7-1
A890R70200	7-3
A891R70000	8-11
V116030804	41-5
V500010081	40-1
V500010083	40-2
V500010084	40-3
V500010085	40-4
V500020052	40-14
V500020098	40-5
V500020099	40-6
V500020100	40-7
V500020108	40-8
V502010036	37-1
V502010043	8-7
V503010002	37-17
V503010002	37-29
V570010021	40-9

Parts No.	Page No.
V570010057	40-10
V570010060	40-11
V651010045	35-17
V800500300	23-23

# EXTERNAL PARTS

P 1

改訂版 REVISED EDITION	日付 DATE
	AUGUST 2015



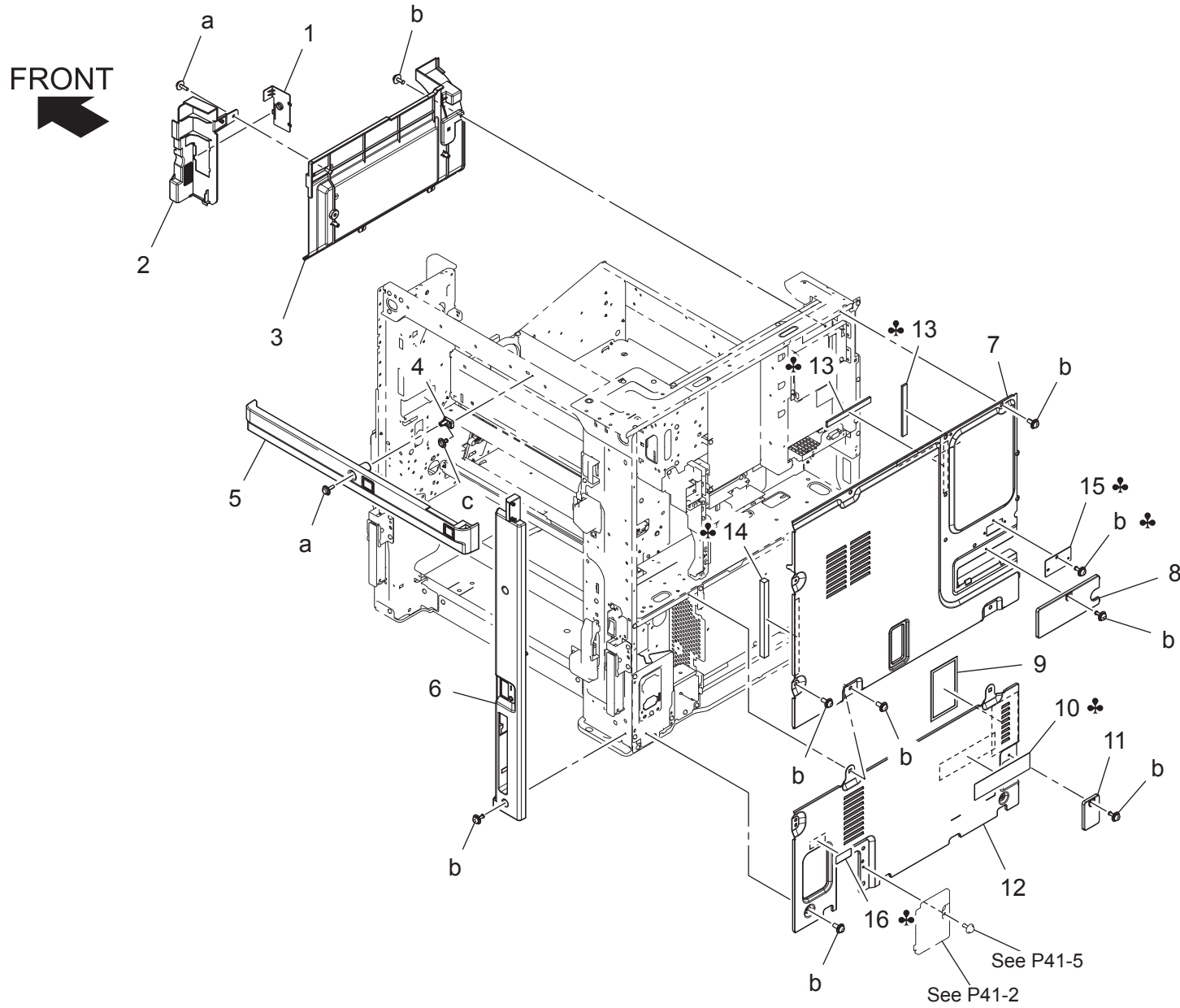
bizhub 128DN/bizhub 287

EXTERNAL PARTS

Key	Part No.	Description	Destinations	Class	QTY	Standard parts
1	A7AH160102	Cover /Upper		C	1	a-V116030804 b-V153030803 c-V149030803 d-V144030603 e-V153031003 f-V127030603 g-V500010082 h-V500020099
2	A7AH161001	Tray		C	1	
3	A0ED940700	Label Toner 2		D	1	
4	A161165602	Support Shaft		C	2	
5	A7AH162500	Cover Plate /Right front		C	1	
6	A0ED162401	Band		D	2	
7	4475260302	MAGNET CATCH		D	2	
8	A7AH162300	Open/close Cover /Right		C	1	
9	A7AH160202	Open/close Cover /Front		C	1	
10	56AA40490	SHAFT STOPPER 4		C	1	
11	A7AH102200	Handle /Left		D	2	
12	A7AH134800	Seal		C	4	
13	A7AH102100	Mounting Plate		D	1	
14	A7AH160700	Cover /Left		C	1	
15	A7AH160801	Cover /Left		C	1	
16	A7AH160601	Holder		C	1	
17	A00J945500	Logo Mark		C	1	
18	A7AH940100	Label bizhub 287	{bizhub 287}	C	1	
18	A7AH942500	Label	{bizhub 128DN}	C	1	
19	A7AHP02000	Mounting Plate	取付板 (インターフェース)	D	1	

bizhub 128DN/bizhub 287

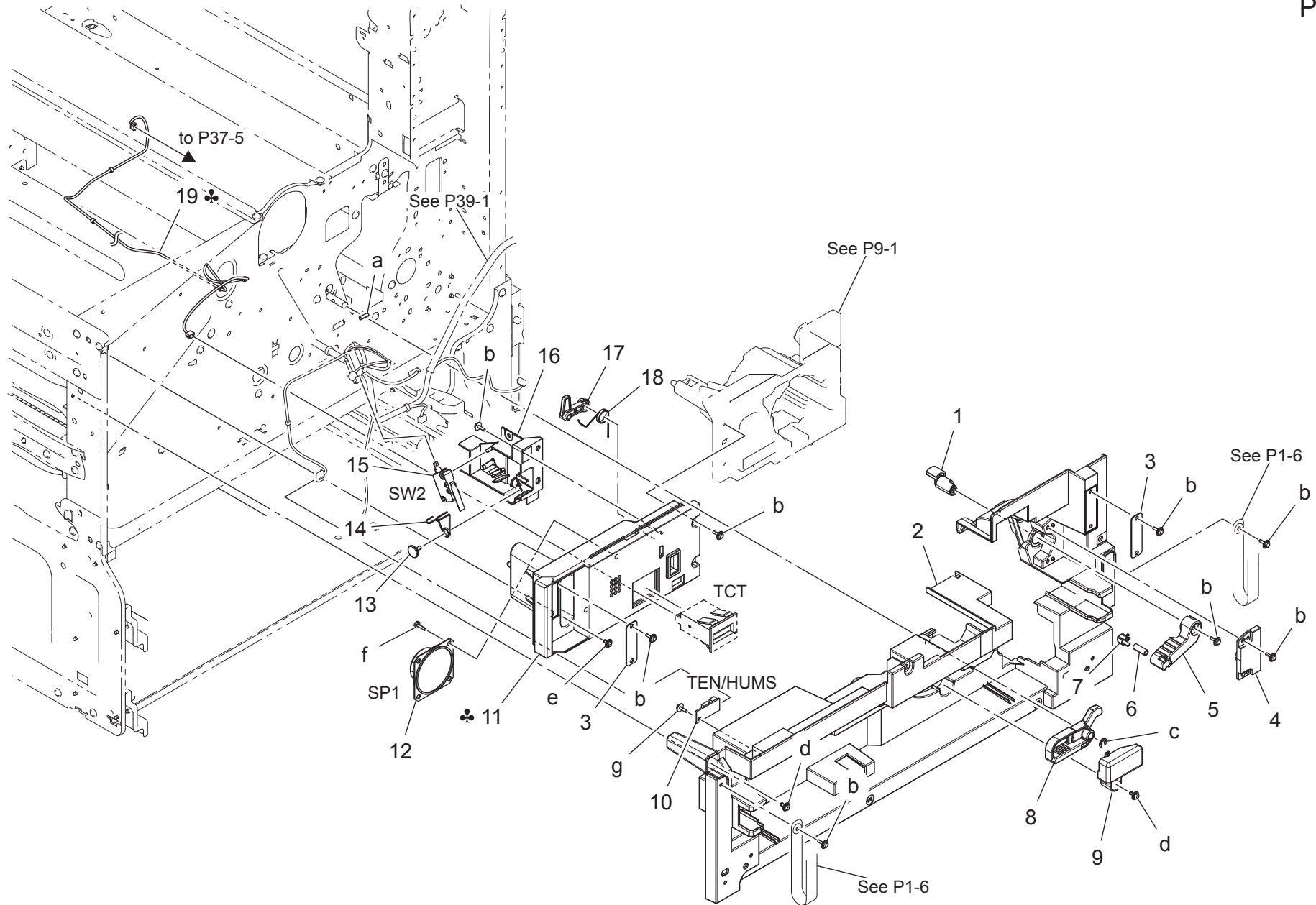
# EXTERNAL PARTS







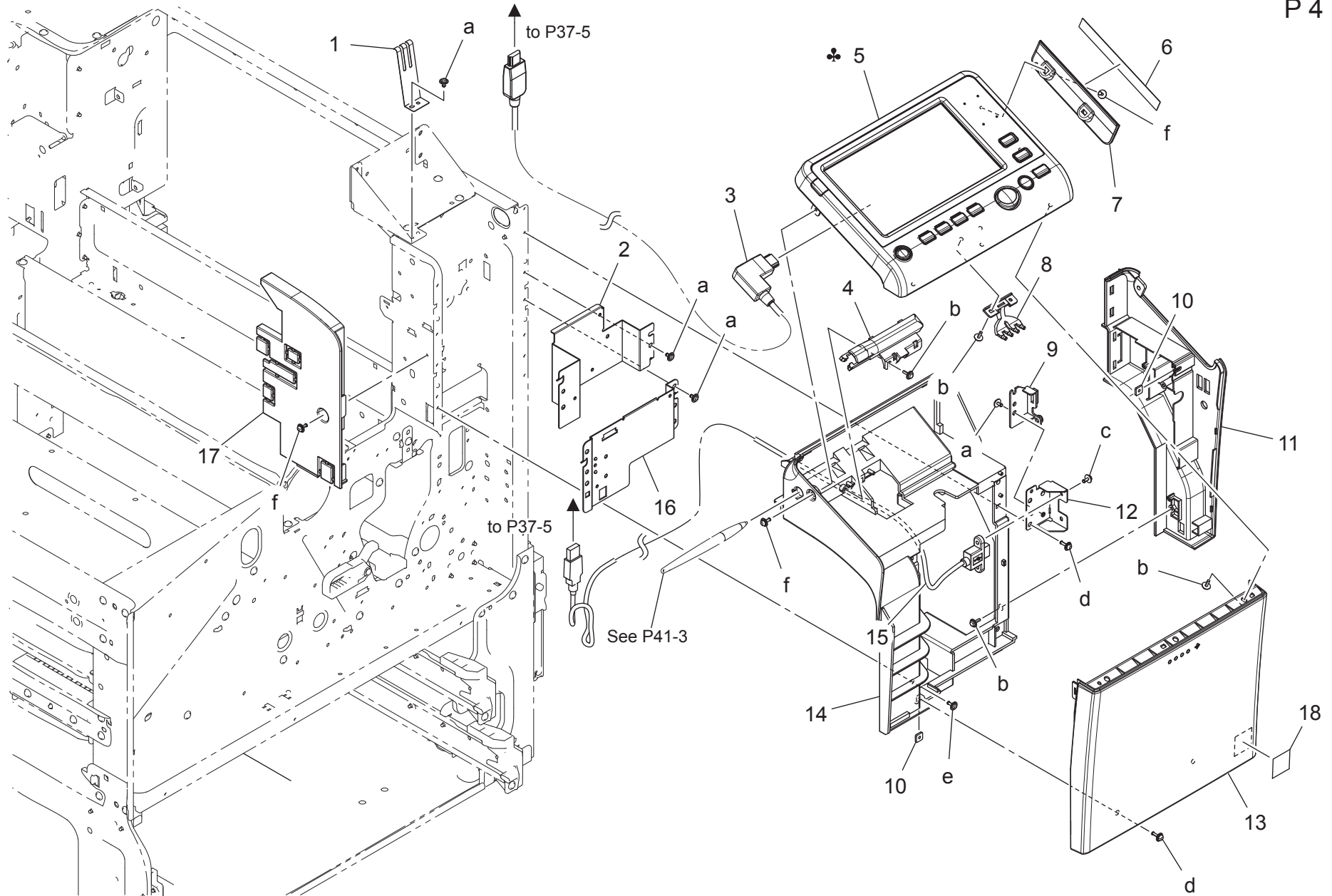
# INNER COVER SECTION





# OPERATION PANEL SECTION

P 4



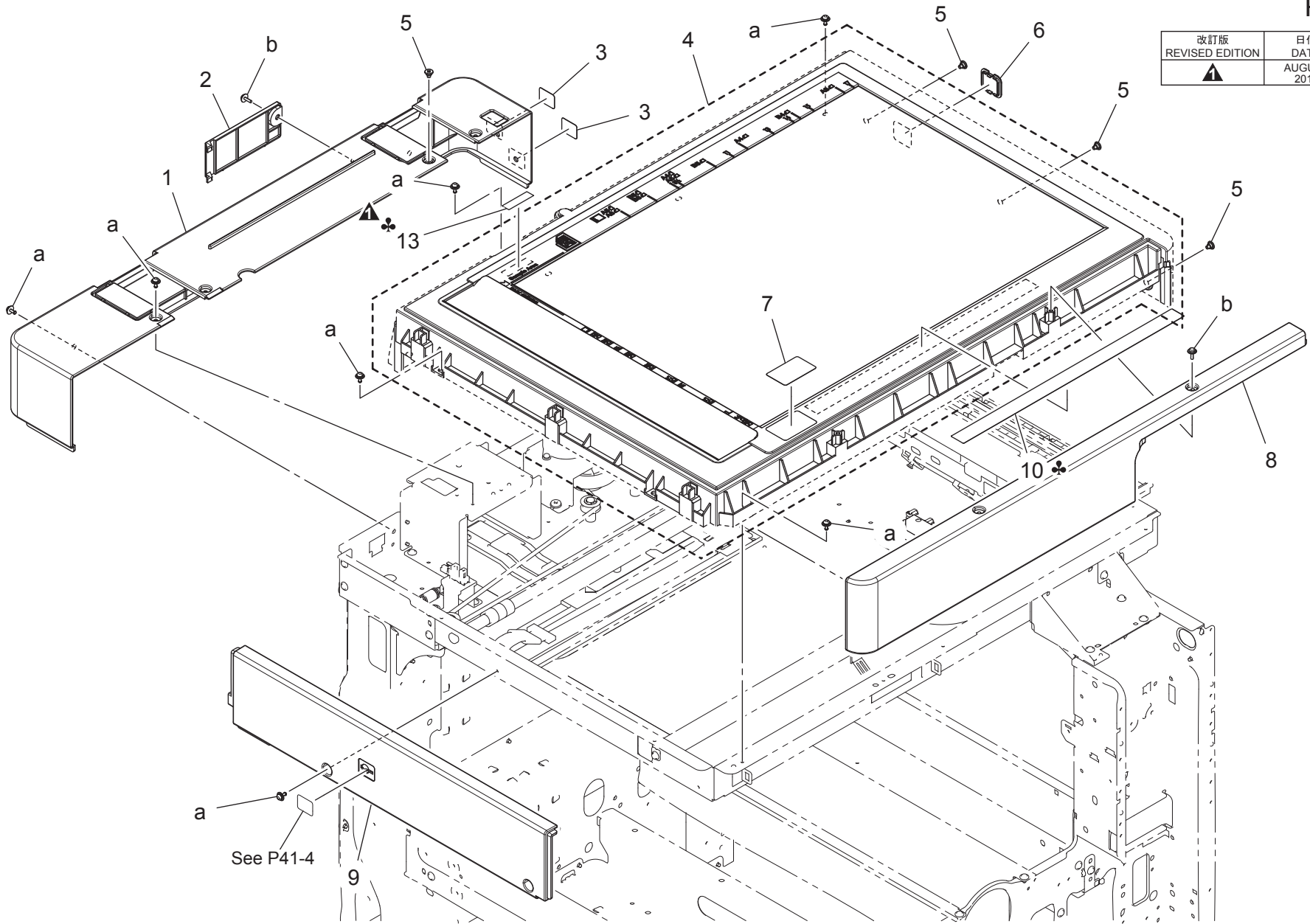
bizhub 128DN/bizhub 287

# OPERATION PANEL SECTION

Key	Part No.	Description	Destinations	Class	QTY	Standard parts
1	A7AH134600	Ground Plate		D	1	a-V144030803 b-V153030803 c-V125030803 d-V116031003 e-V144030803 f-V116030804
2	A7AH139000	Mounting Plate		D	1	
3	A7AHN15600	Interface Cable		D	1	
4	A7AH162100	Holder		D	1	
5	A7AHM70001	Panel assembly	A,A1	I	1	
5	A7AHM70101	Panel assembly	B,D1,D3,E,F2,G1,G2, I (Except South Africa),K	I	1	
5	A7AHM70201	Panel assembly	C,I (South Africa)	I	1	
5	A7AHM70301	Panel assembly	J	I	1	
5	A7AHM70402	Panel assembly	H	I	1	
6	A7AH162001	Seal		C	1	
7	A7AH161900	Cover		C	1	
8	A7AH161801	Lens		C	1	
9	A7AH166601	Cover		C	1	
10	4002504202	PLATE NUT		D	2	
11	A7AH161501	Cover /Right		C	1	
12	A7AH139401	Mounting Plate		D	1	
13	A7AH161700	Cover /Front		C	1	
14	A7AH161602	Cover /Middle		D	1	
15	A7AHN15301	Interface Cable		D	1	
16	A7AH139600	Mounting Plate		D	1	
17	A7AH161400	Cover /Left		C	1	
18	A011946200	Label Emperon		D	1	

# SCANNER SECTION

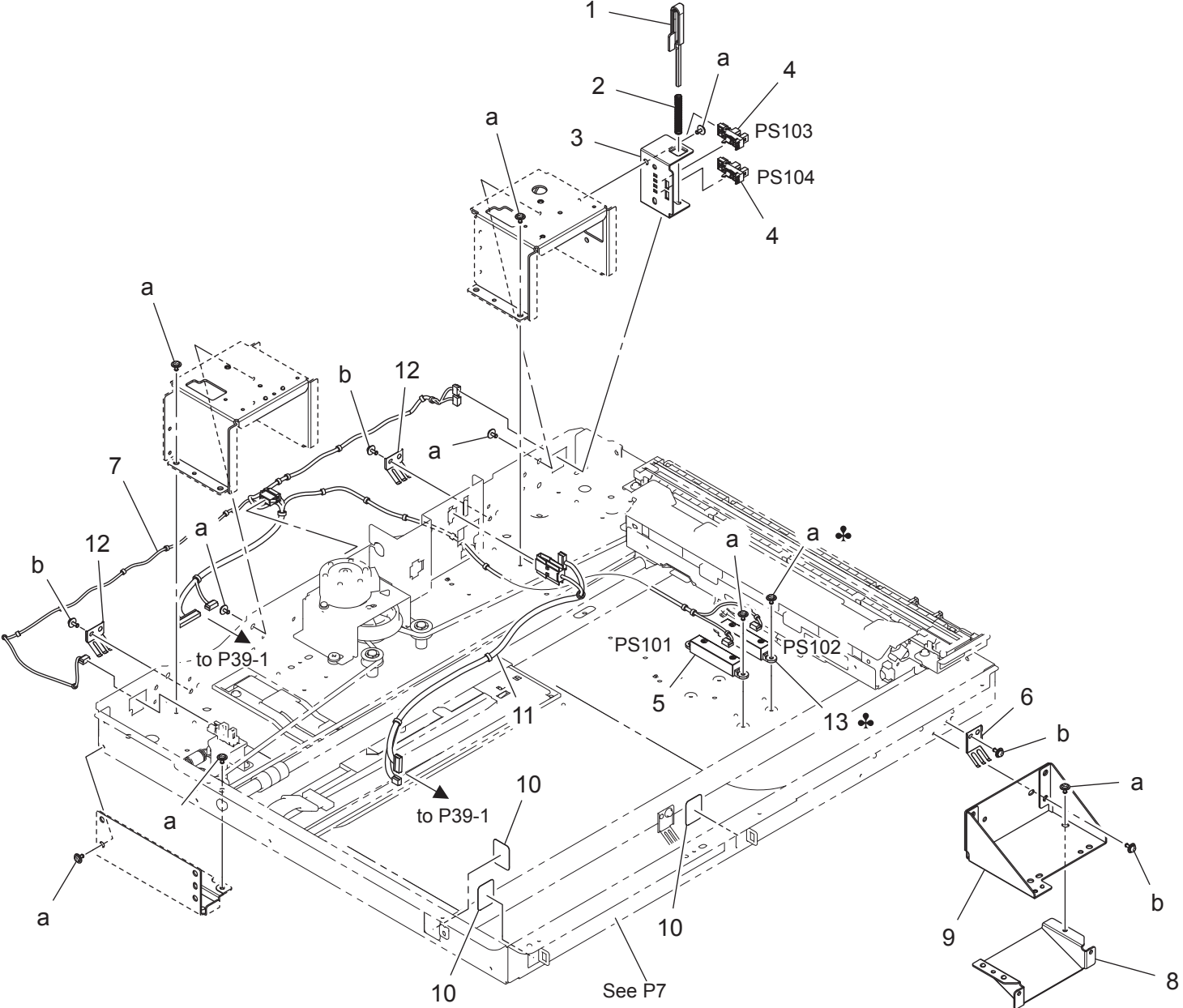
P 5



改訂版 REVISED EDITION	日付 DATE
▲	AUGUST 2015



SCANNER SECTION



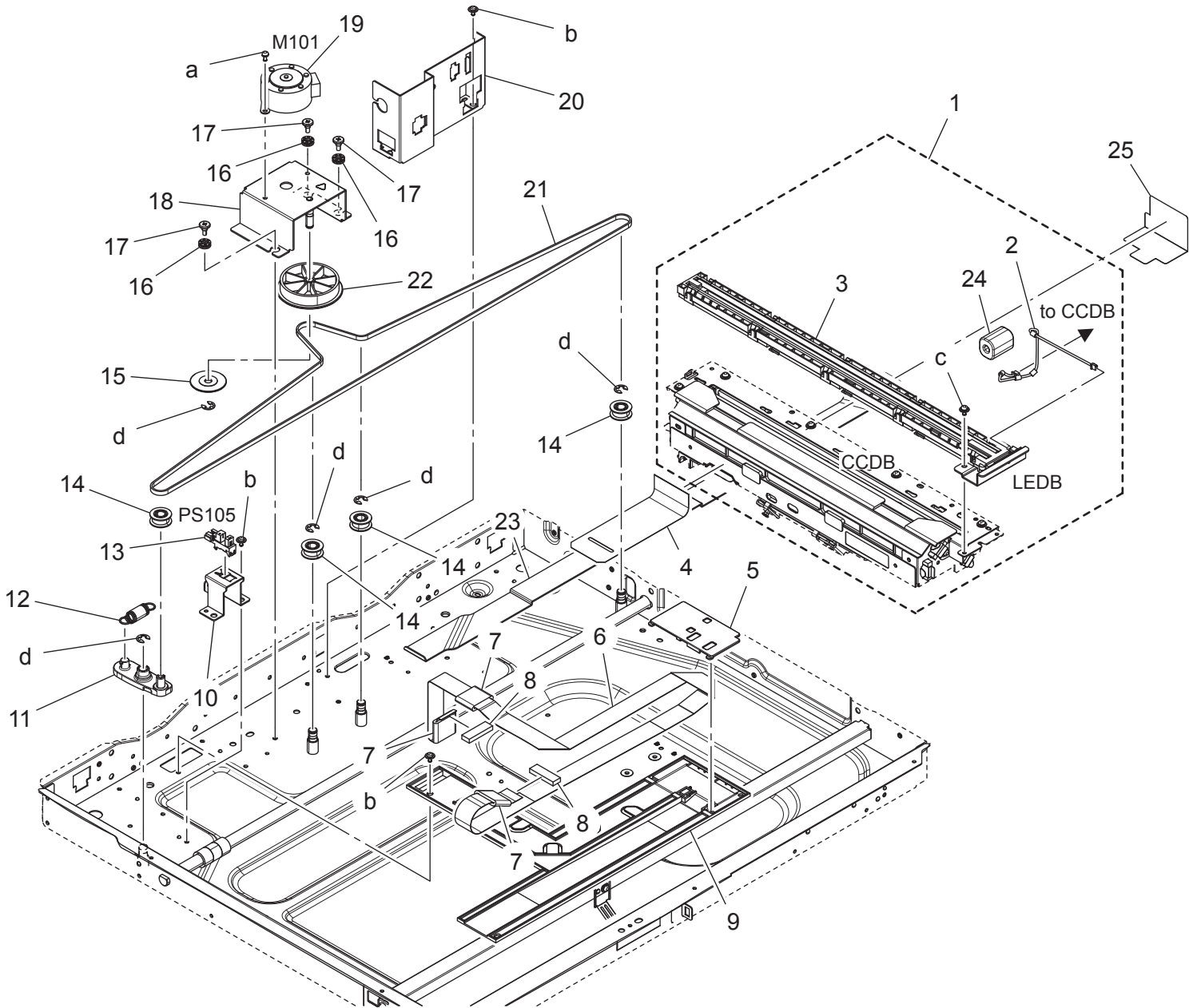
bizhub 128DN/bizhub 287







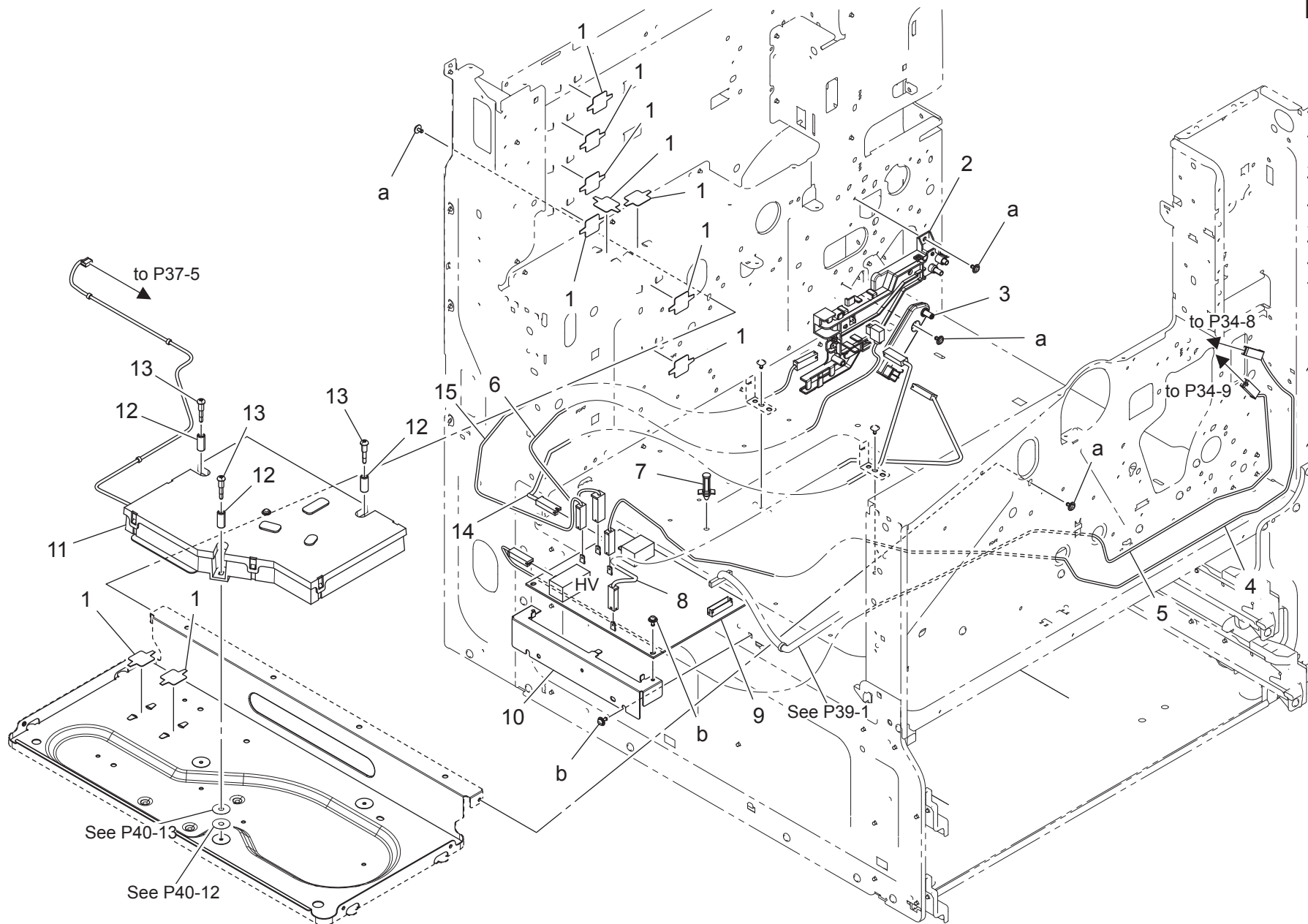
SCANNER SECTION





# PH UNIT/HIGH VOLTAGE SECTION

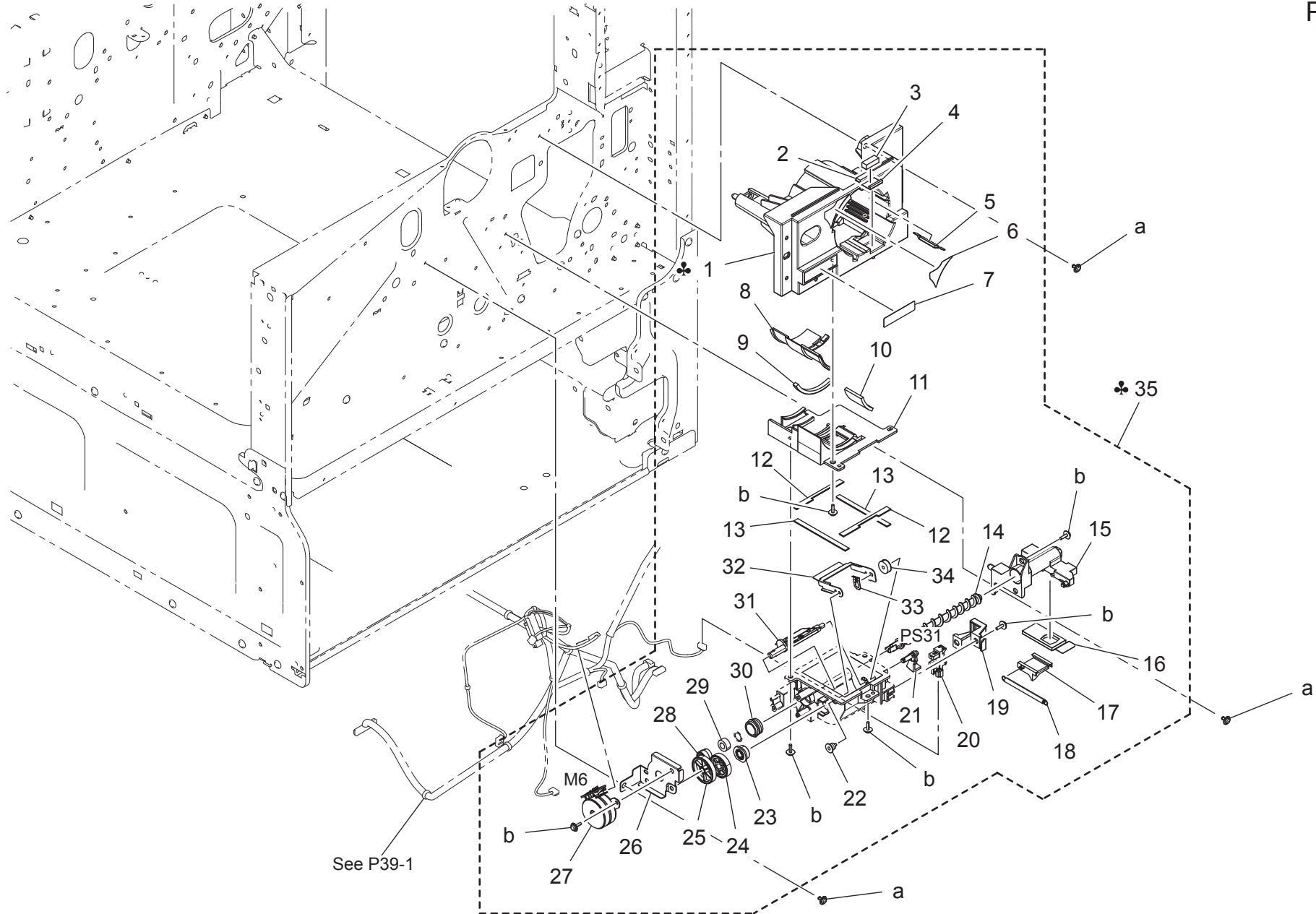
P 8



bizhub 128DN/bizhub 287

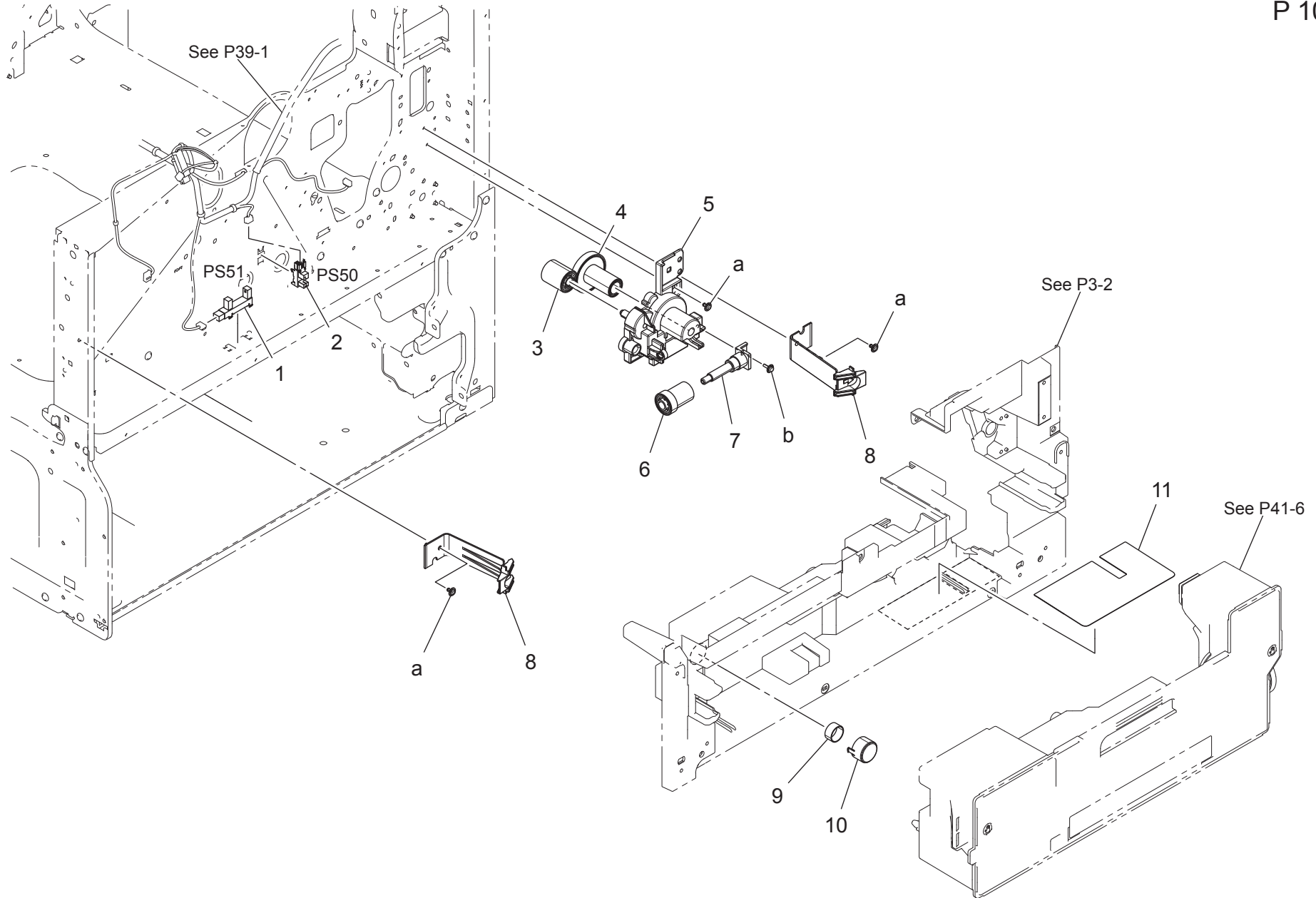


# TONER SUPPLY SECTION





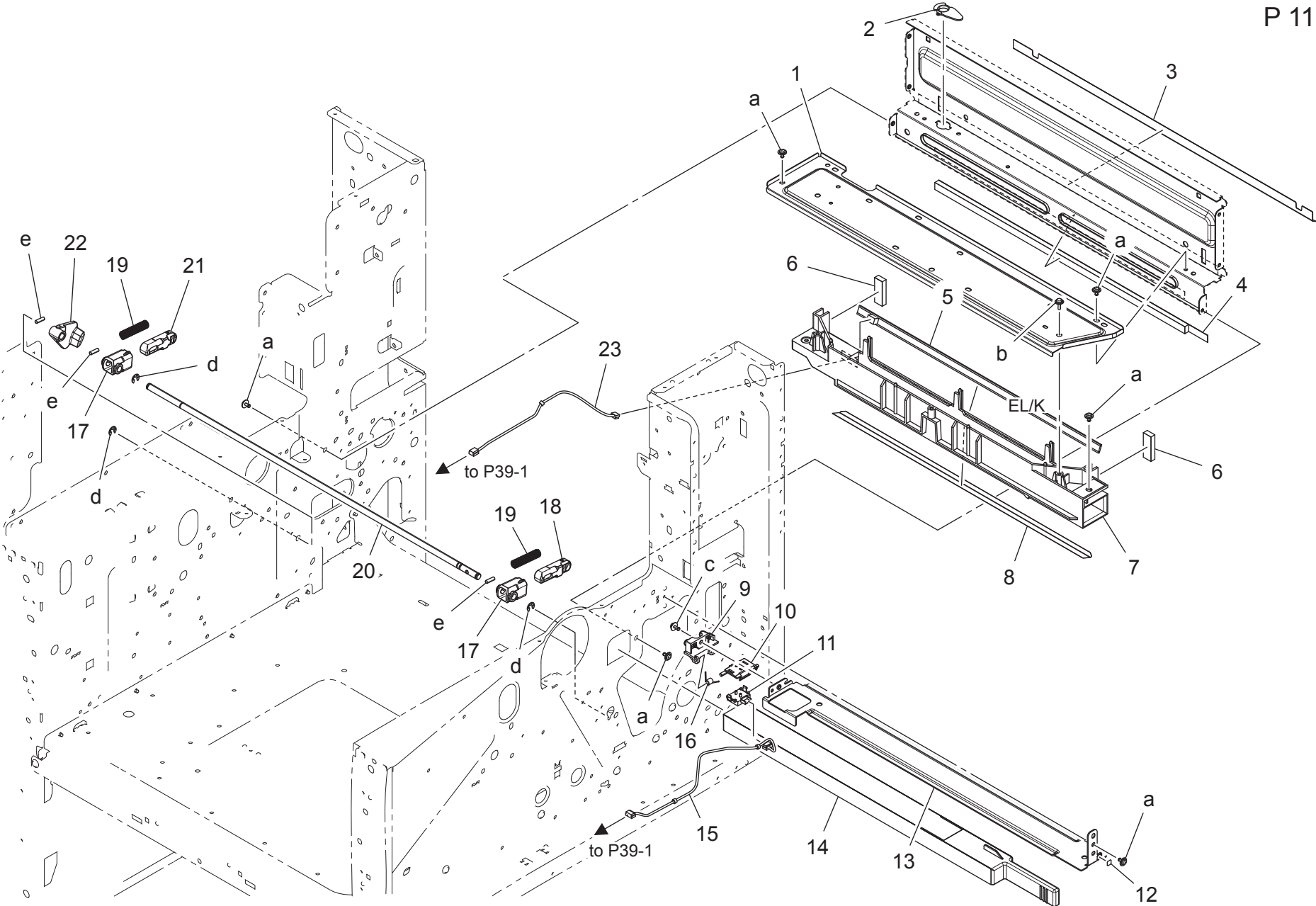
# TONER SUPPLY SECTION







# ERASE LAMP/DV LOCK LEVER SECTION

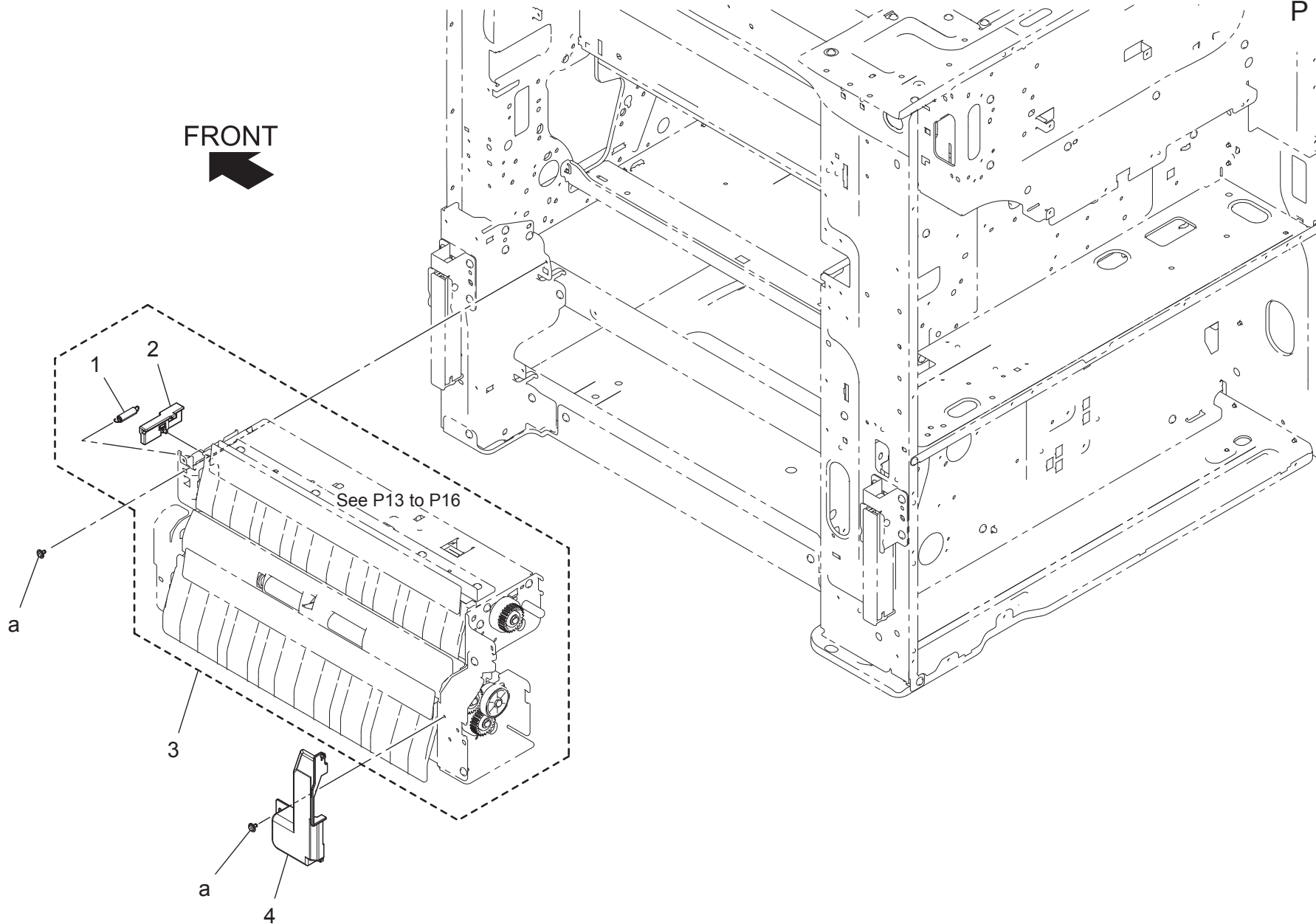


bizhub 128DN/bizhub 287



# PAPER FEED SECTION

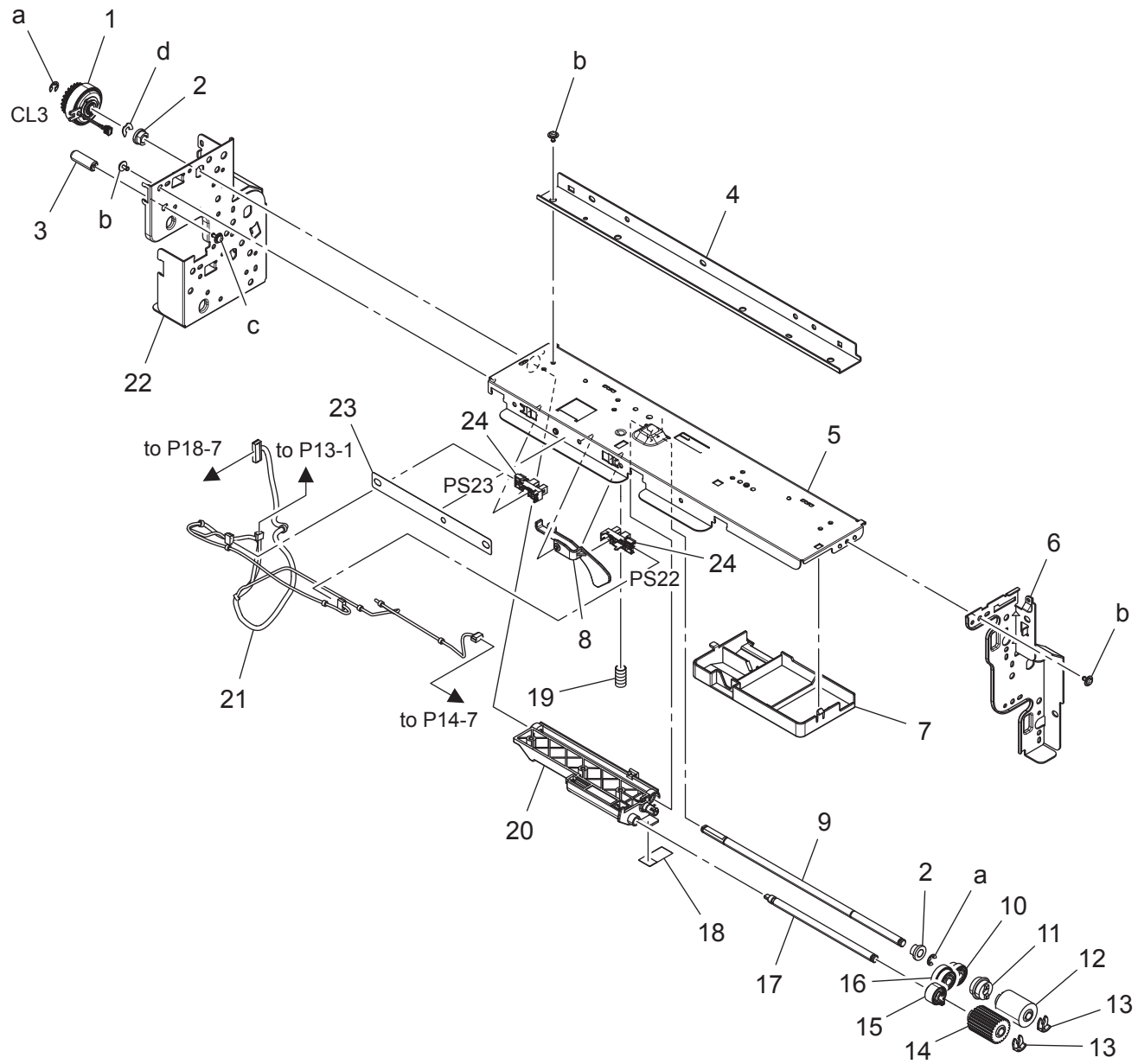
P 12



bizhub 128DN/bizhub 287

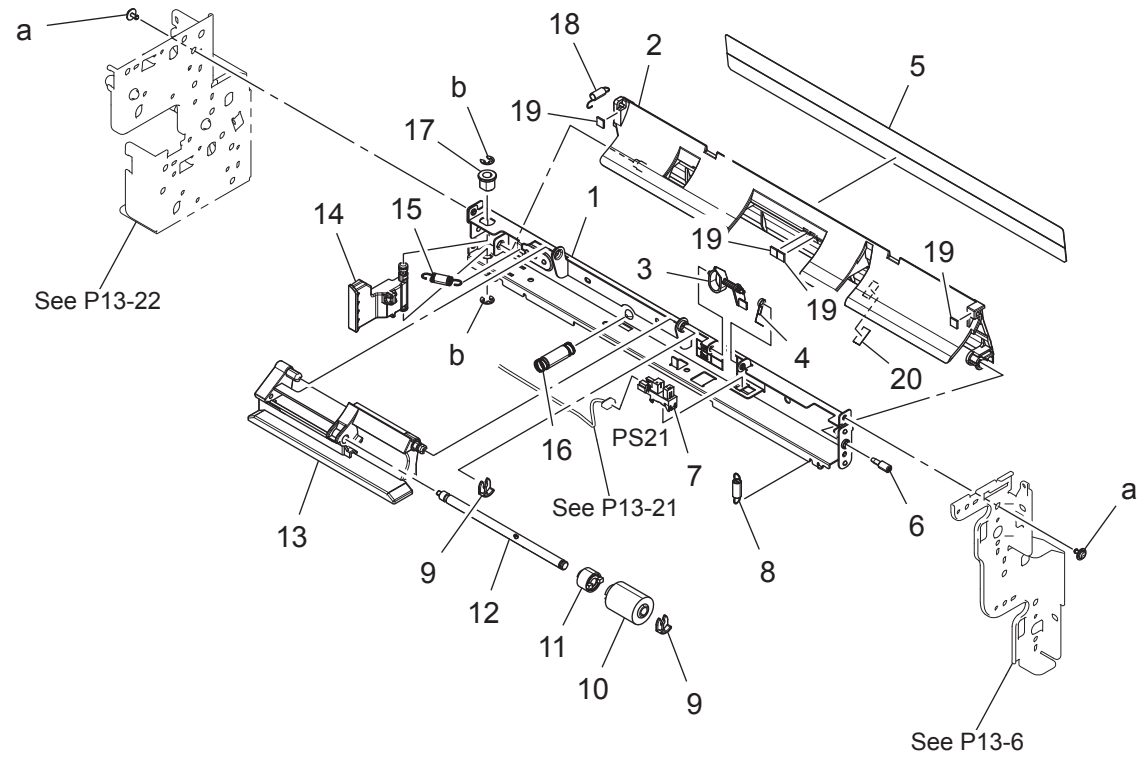


# 1ST PAPER FEED SECTION





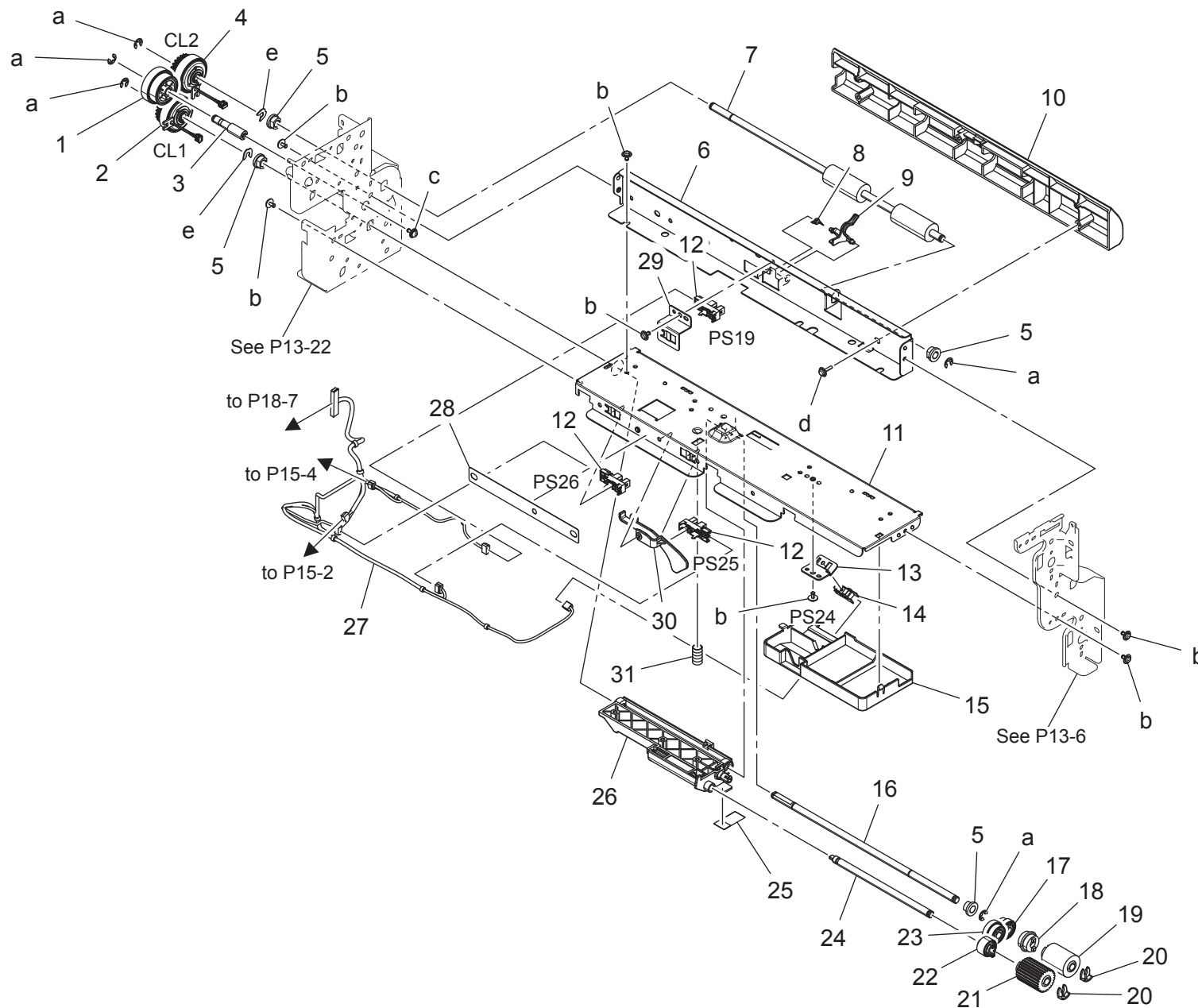
# 1ST PAPER FEED SECTION





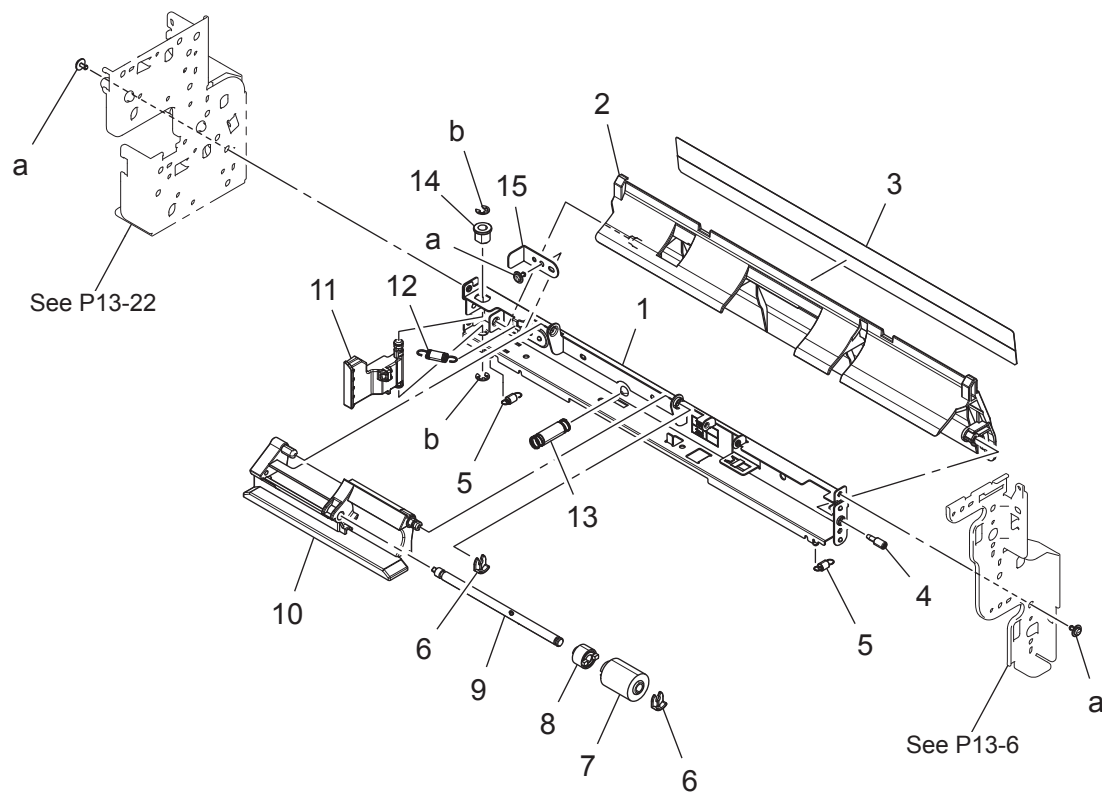


# 2ND PAPER FEED SECTION



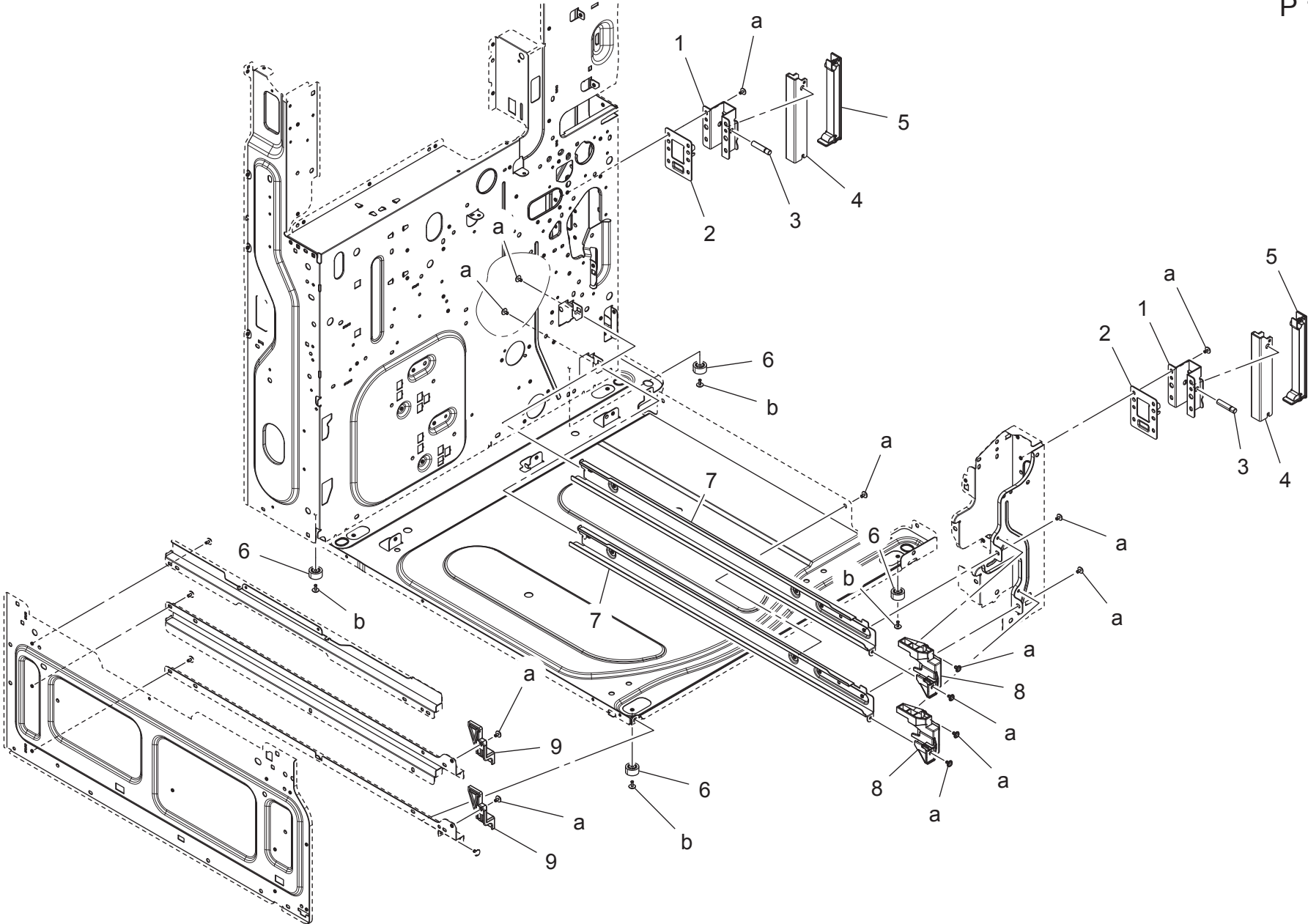


# 2ND PAPER FEED SECTION



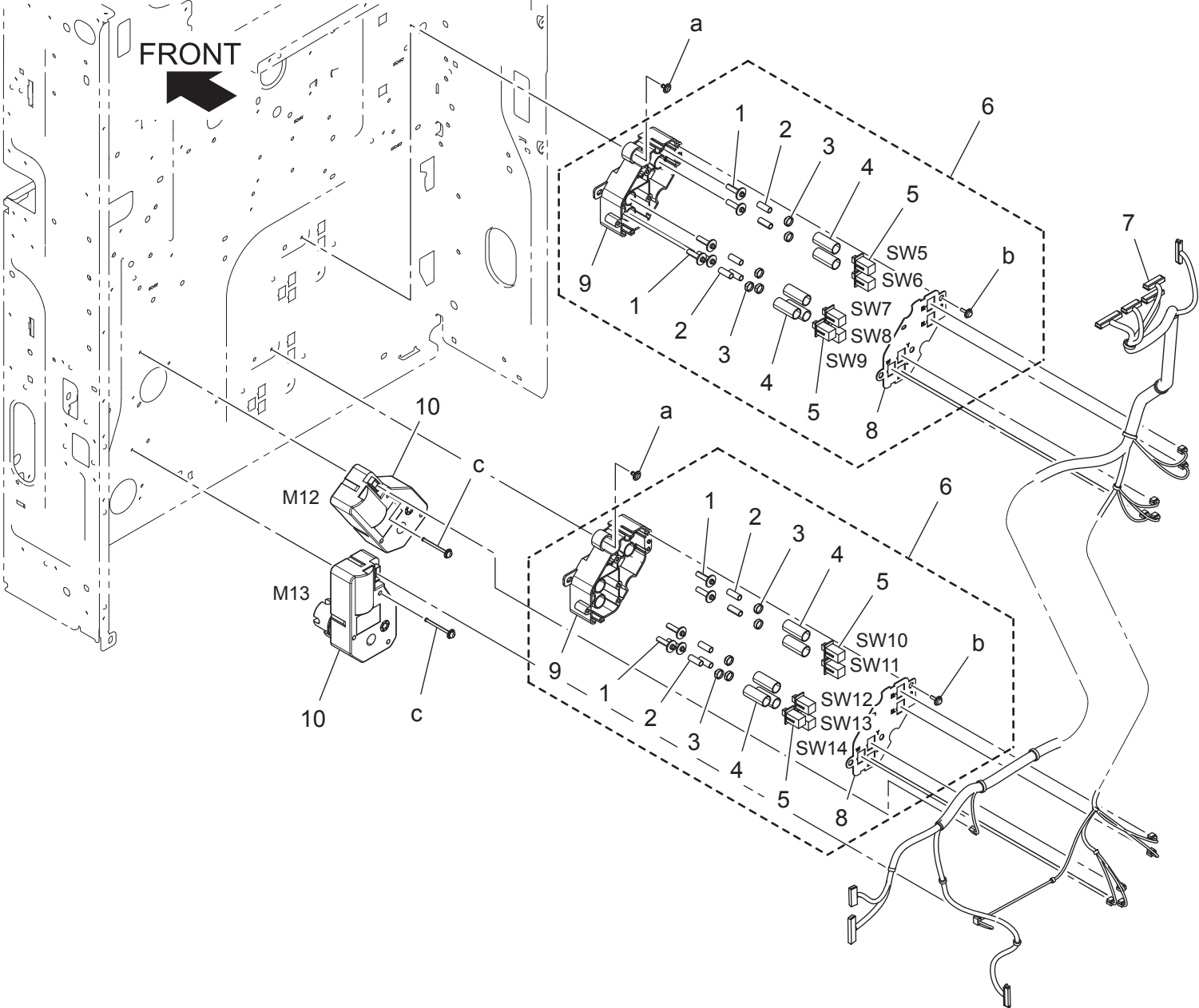


CASSETTE RAIL SECTION





PAPER SIZE DETECTION SECTION





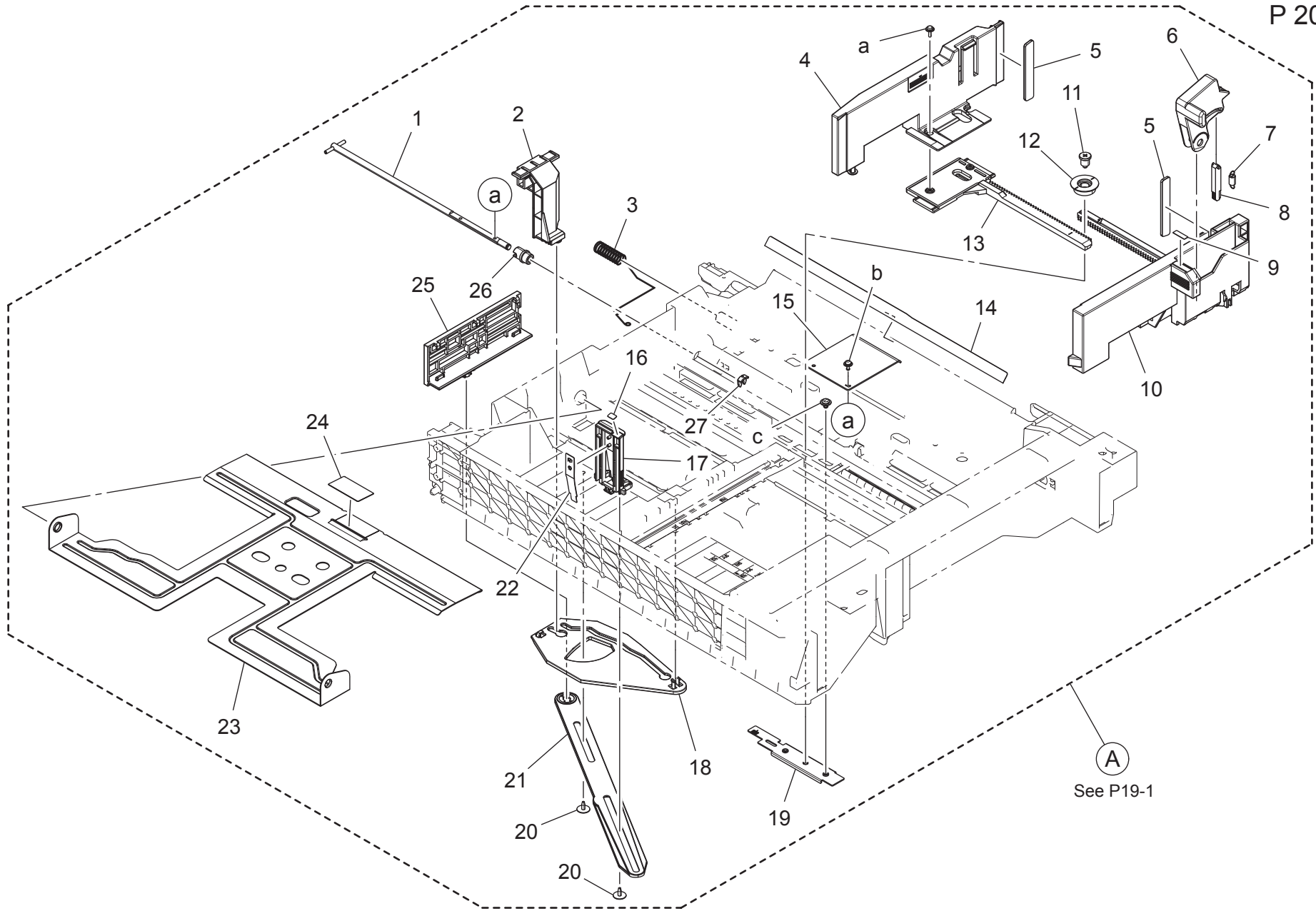






# 1ST CASSETTE SECTION

P 20

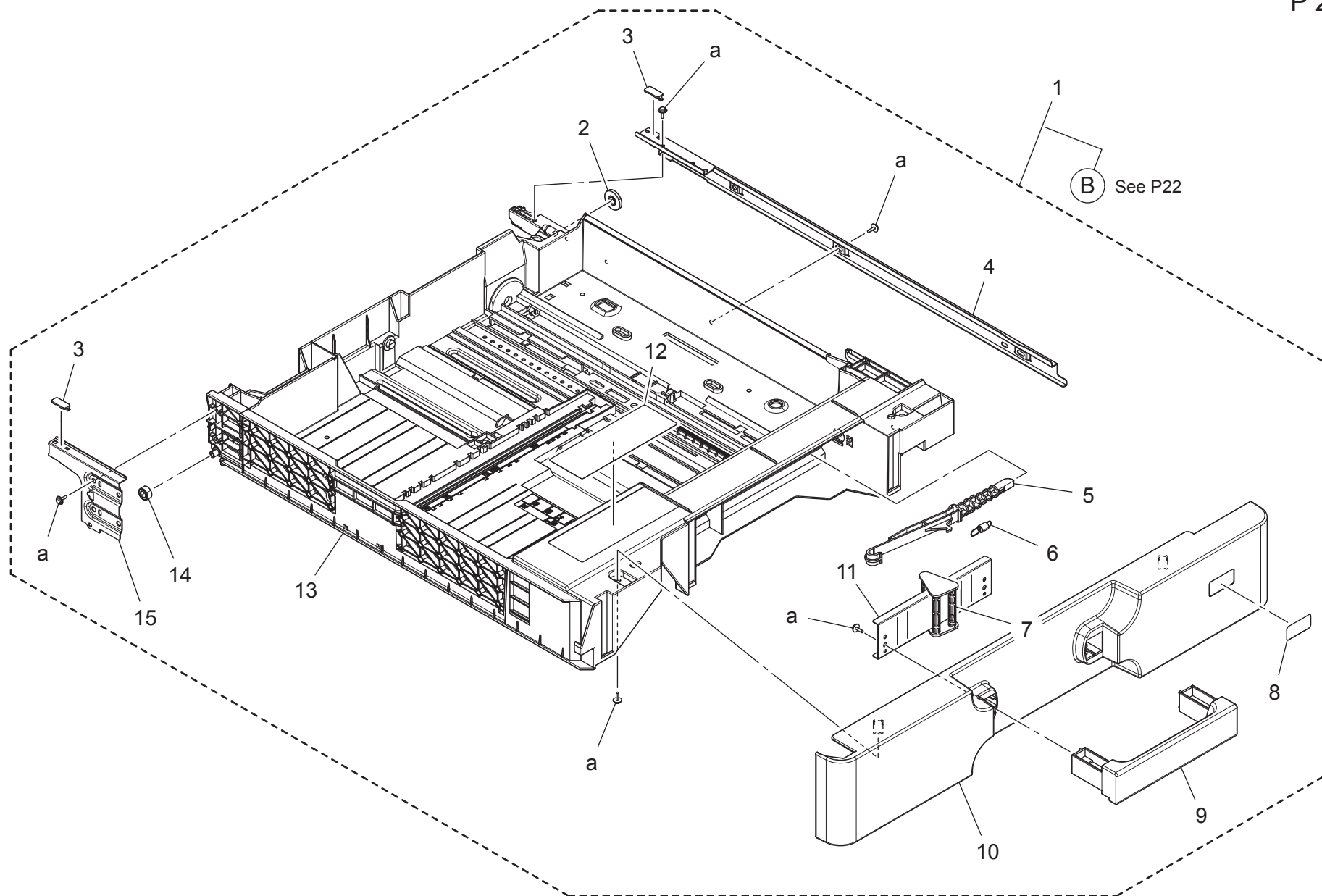


(A)  
See P19-1



# 2ND CASSETTE SECTION

P 21



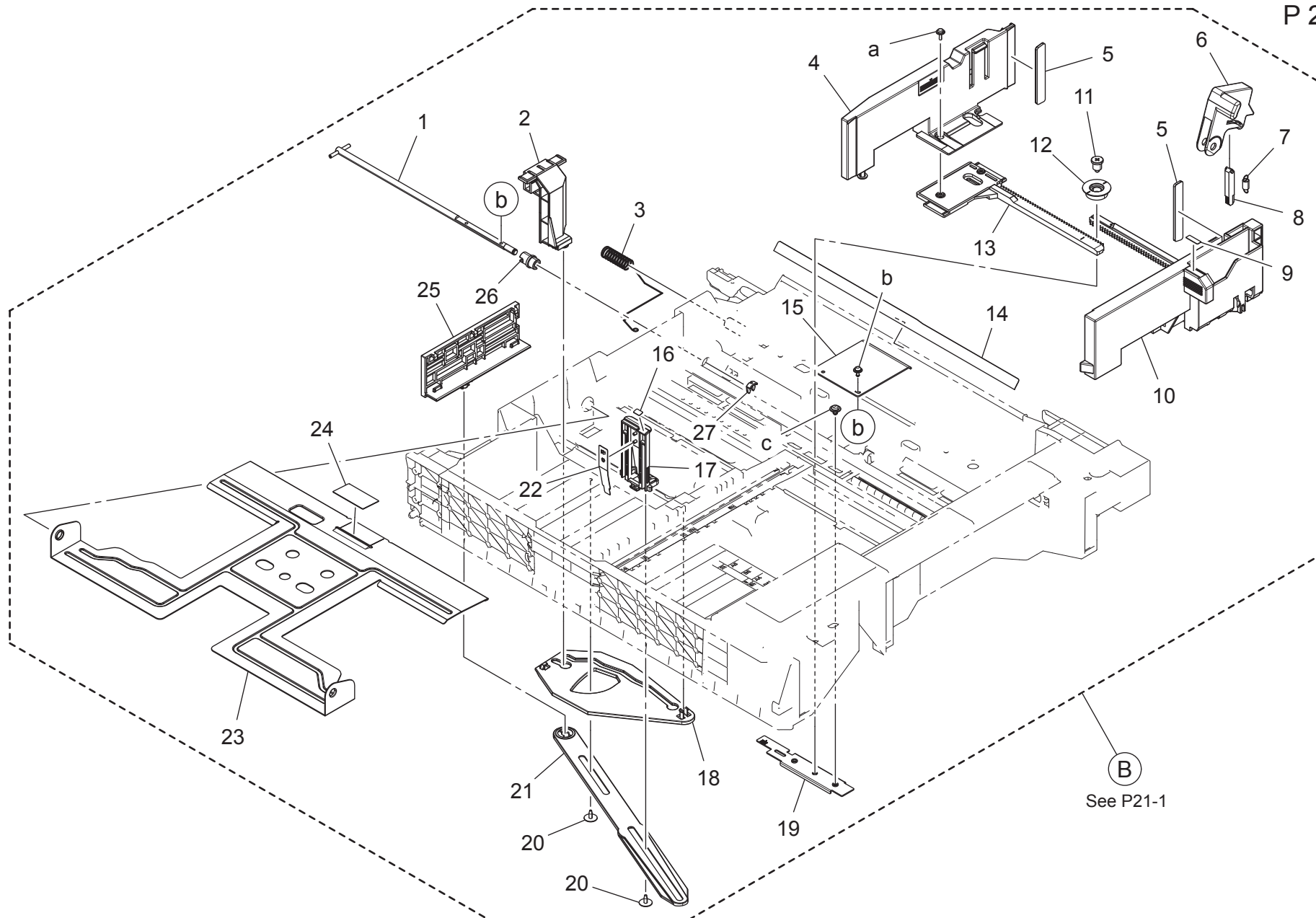
bizhub 128DN/bizhub 287

## 2ND CASSETTE SECTION

Key	Part No.	Description	Destinations	Class	QTY	Standard parts
1	A7AHR71500	2nd Cassette Assy		S	1	a-V153030803
2	A7AH629901	Roll		C	1	
3	A7AH622901	Slide Part		D	2	
4	A7AH623400	Rail		D	1	
5	A7AH624200	Lever		C	1	
6	A161626800	Pulling Coil spring		C	1	
7	A161626602	Lever		C	1	
8	A7AH941200	Label 2		C	1	
9	A7AH626901	Handle		C	1	
10	A7AH625200	Cover /Lower		C	1	
11	A7AH624300	Holder		D	1	
12	A7AH941000	Label Paper supply		C	1	
13	A7AH630102	Paper feed Cassette		D	1	
14	A161623400	Roll		D	1	
15	A7AH623201	Rail /Left		D	1	

# 2ND CASSETTE SECTION

P 22



**B**  
See P21-1

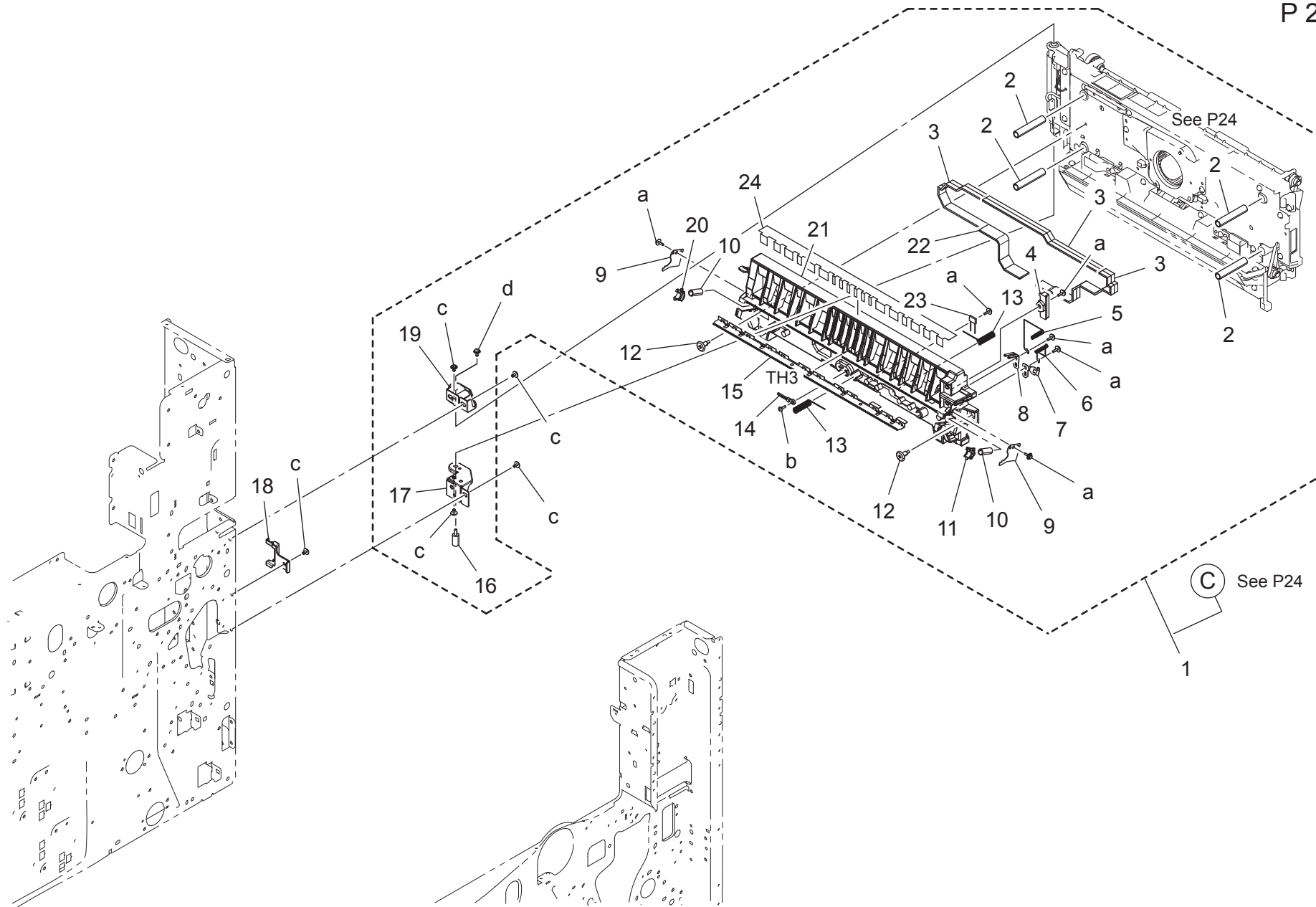
bizhub 128DN/bizhub 287





# VERTICAL TRANSPORT SECTION

P 23



bizhub 128DN/bizhub 287

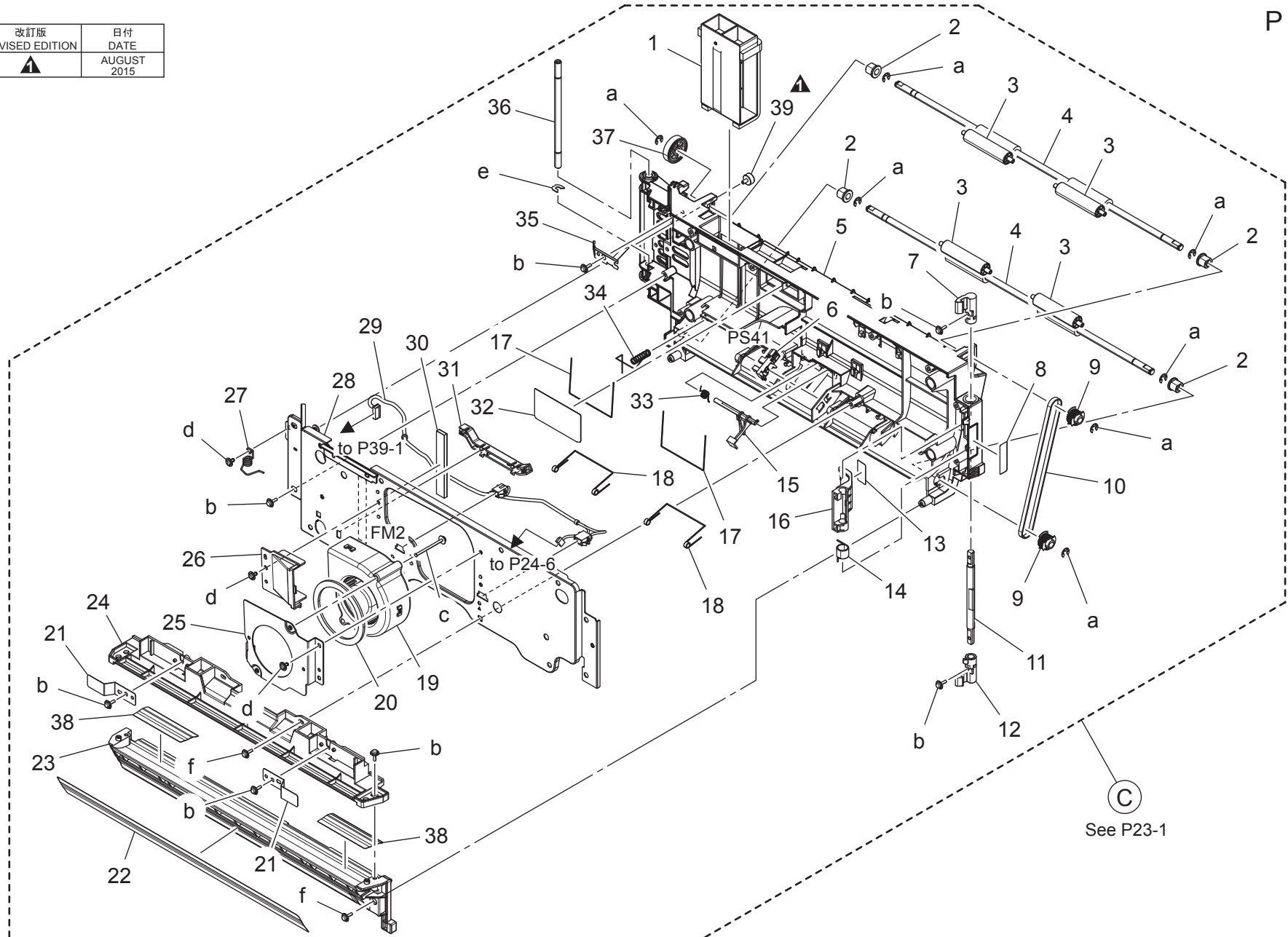
Key	Part No.	Description	Destinations	Class	QTY	Standard parts
1	A7AHR71900	Vertical Transport Assy	縦搬送 A s s y	S	1	a-V153030803 b-V145030803 c-V144030603 d-V125030803
2	A7AH707700	Compressing Spring	圧縮ばね	D	4	
3	A7AH708200	Seal	シール	D	3	
4	A7AH704500	Holder	ホルダ	D	1	
5	A7AH704400	Contact	接点	D	1	
6	A7AH703600	Contact	接点	D	1	
7	A7AH700401	Contact	接点 (転写)	D	1	
8	A7AH700500	Contact	接点 (除電)	D	1	
9	A7AH707600	Reinforce Plate	補強板	D	2	
10	4030420701	PRESSURE SPRING	圧縮コイルばね	C	2	
11	A7AH703401	Holder	ホルダ	C	1	
12	A7AH708800	Shoulder screw	段ねじ	C	2	
13	A7AH701901	Compressing Coil spring	圧縮コイルばね (転前)	D	2	
14	9372271022	THERMISTOR	サーミスタ	B	1	
15	1164420204	NEUTRALIZING NEEDLE	除電針	D	1	
16	A7AH817700	Shoulder screw	段ねじ	D	1	
17	A7AH816701	Mounting Plate	取付板	D	1	
18	A7AH817000	Cover	カバー	D	1	
19	A7AH816300	Mounting Plate	取付板	D	1	
20	A7AH703500	Holder	ホルダ	C	1	
21	A7AH700101	Conveyance Holder	搬送ホルダ	D	1	
22	A7AH708500	Seal	シール	D	1	
23	V800500300	FIXED POWER RESISTORS	固定抵抗器	D	1	
24	A7AH709900	Guide Sheet	ガイドシート	C	1	

bizhub 128DN/bizhub 287

# VERTICAL TRANSPORT SECTION

P 24

改訂版 REVISED EDITION	日付 DATE
	AUGUST 2015



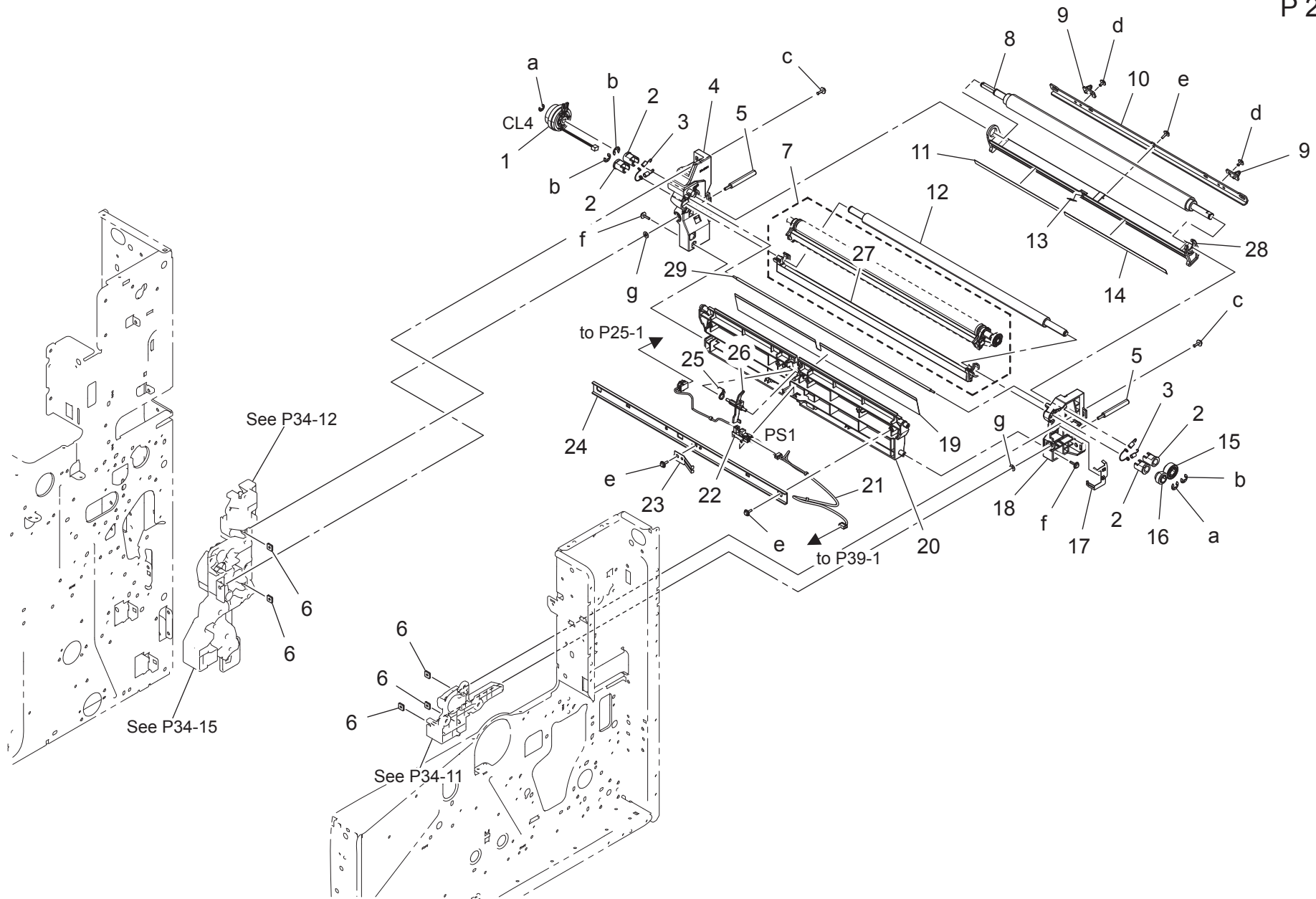
**(C)**  
See P23-1

bizhub 128DN/bizhub 287

Key	Part No.	Description	Destinations	Class	QTY	Standard parts
1	A7AHR72000	Ozone filter		A	1	a-V217040001 b-V153030803 c-V116033503 d-V144030603 e-V218040086 f-V153031003
2	A02E815200	BUSHING		C	4	
3	A161825700	Idler Roller /A		D	4	
4	A7AH816500	Roller		C	2	
5	A7AH816002	Guide		D	1	
6	A5C1M50100	Photointerrupter		B	1	
7	A161711300	Lock Shaft /A		C	1	
8	A7AH944100	Label M2		C	1	
9	A0ED811700	Pulley 22T		C	2	
10	A7AH817300	Belt 296L		C	1	
11	A7AH701000	Shaft		D	1	
12	A161711500	Lock Shaft /C		C	1	
13	A7AH944000	Label M1		C	1	
14	A7AH701100	Spring		C	1	
15	A7AH813500	Actuator		C	1	
16	A7AH700901	Handle		C	1	
17	A161714600	Conveyance Spring /B		D	2	
18	A7AH812901	Spring		D	2	
19	9313130051	FAN MOTOR		B	1	
20	A7AH819100	Seal		C	1	
21	A0ED702400	Plate spring		D	2	
22	A7AH818100	Guide Sheet		C	1	
23	A7AH818000	Guide		D	1	
24	A7AH818200	Guide		D	1	
25	A7AH819000	Mounting Plate		D	1	
26	A7AH819200	Duct		D	1	
27	A7AH817101	Ground Spring		C	1	
28	A7AH816603	Reinforce Plate		D	1	
29	A7AHN13000	Harness /Conveyance		D	1	
30	A7AH819300	Seal		C	1	
31	A7AH819502	Cover		D	1	
32	A7AH816800	Seal		C	1	
33	A7AH812800	Torsion Coil spring		C	1	
34	A7AH816200	Ground Spring		D	1	
35	A7AH816100	Ground Plate		D	1	
36	A7AH816400	Support Shaft		D	1	
37	A7AH817200	Gear		C	1	
38	A7AH818300	Guide		C	2	
39	A7AH721800	Shoulder screw		C	1	

# REGISTRATION SECTION

P 25



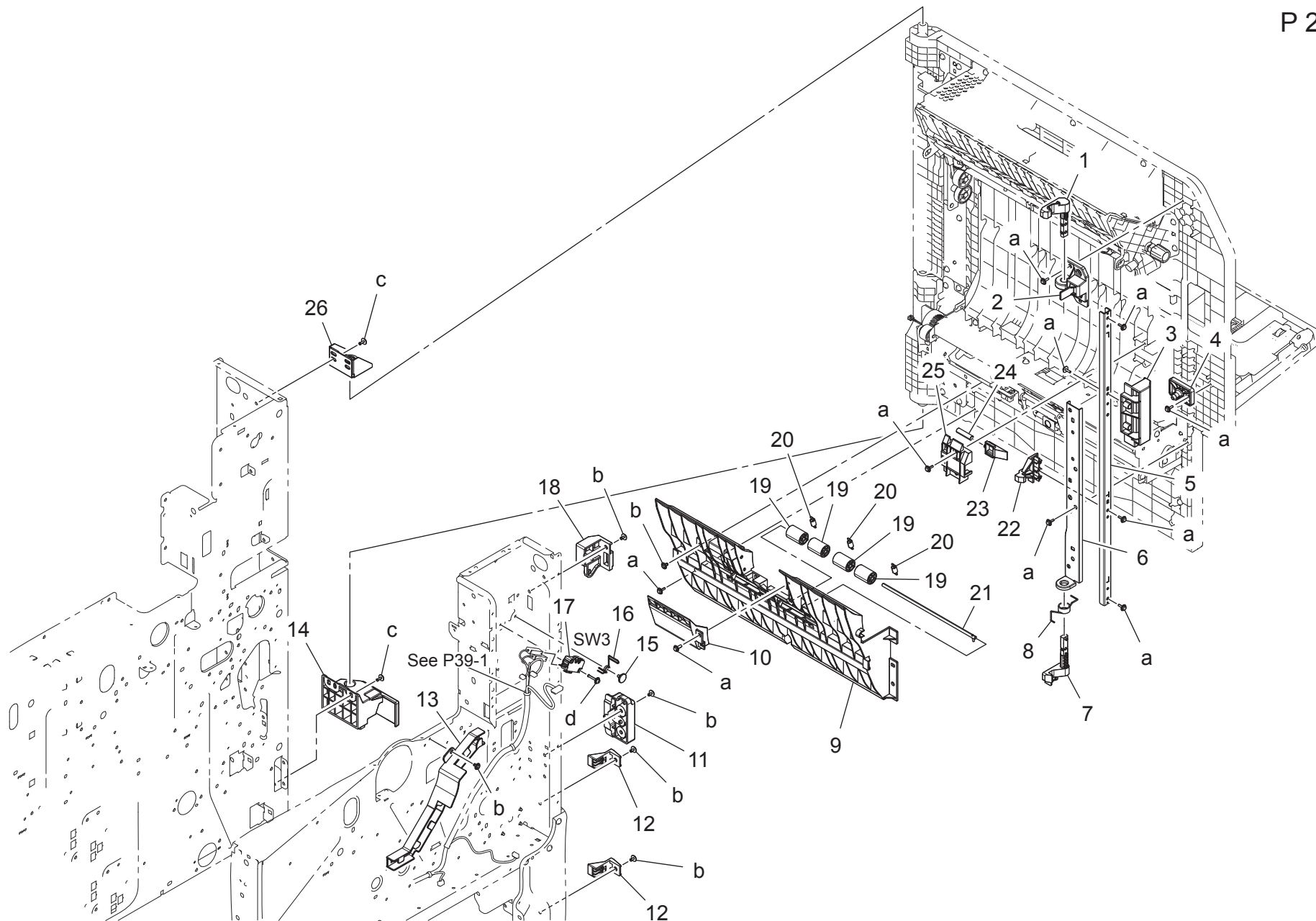
bizhub 128DN/bizhub 287

## REGISTRATION SECTION

Key	Part No.	Description	Destinations	Class	QTY	Standard parts
1	A02EM20200	Clutch		B	1	a-V217040001
2	A7AH703201	Bushing		B	4	b-V217050001
3	A7AH703301	Registration Spring		C	2	c-V116031003
4	A7AH706902	Holder		D	1	d-V144030803
5	A7AH708900	Mounting Screw		C	2	e-V153030803
6	4002504202	PLATE NUT		D	5	f-V153031003
7	A7AHR72900	Image Transfer Roller Kit		A	1	g-V211030080
8	A7AH703001	Registration Roller		C	1	
9	A7AH708600	Lever		D	2	
10	A7AH708700	Reinforce Plate		D	1	
11	4038353701	GUIDE		C	1	
12	A7AH703101	Registration Roller		C	1	
13	4038353901	GUIDE		C	1	
14	A0ED700600	Guide Sheet		D	1	
15	A7AH707500	Gear 18T		B	1	
16	1164351501	GEAR 13T		B	1	
17	A7AH702200	Ground Plate		D	1	
18	A7AH707403	Holder		D	1	
19	A7AH704101	Guide Sheet /Inside		C	1	
20	A7AH702002	Registration Guide /Inside		D	1	
21	A7AHN12400	Harness /Conveyance		D	1	
22	A5C1M50100	Photointerrupter		B	1	
23	A7AH708100	Ground Contact		D	1	
24	A7AH707300	Reinforce Plate		D	1	
25	A161701100	Spring /A		C	1	
26	A7AH701700	Registration Actuator		C	1	
27	A7AHR72100	Paper Powder Removal Assy		C	1	
28	A7AH702101	Registration Guide /Outside		D	1	
29	A7AH709200	Shaft		D	1	

# VERTICAL CONVEYANCE DOOR SECTION

P 26



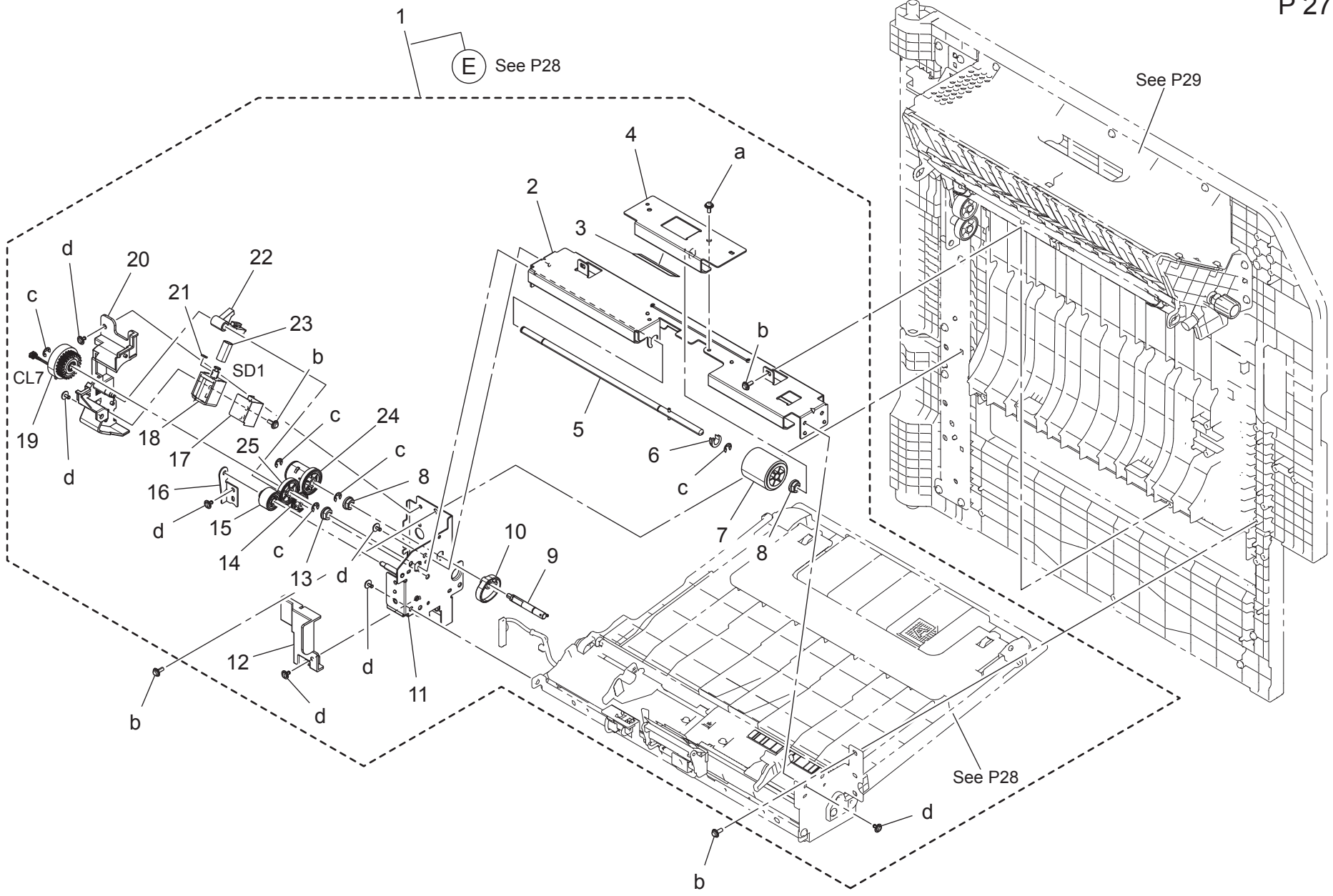
bizhub 128DN/bizhub 287

VERTICAL CONVEYANCE DOOR SECTION

Key	Part No.	Description	Destinations	Class	QTY	Standard parts
1	A0ED712100	Lock Claw		C	1	a-V153030803 b-V144030603 c-V144030803 d-V116031603
2	A7AH705201	Sensor Lever		C	1	
3	A7AH706700	Open/close Handle		C	1	
4	A7AH705301	Pin		D	1	
5	A7AH706000	Lock Plate		D	1	
6	A7AH705700	Reinforce Plate		D	1	
7	A7AH706500	Lock Claw /Lower		C	1	
8	A161815900	Torsion Coil spring		C	1	
9	A7AH705401	Paper feed Guide		D	1	
10	A7AH600700	Paper feed Guide		D	1	
11	A7AH706300	Positioning Part		D	1	
12	A7AH706400	Holder		D	2	
13	A7AH138200	Guide		D	1	
14	A7AH706201	Holder		D	1	
15	A161137100	Shoulder screw		D	1	
16	A161151200	Torsion Coil spring		D	1	
17	9J06M60100	MICRO SWITCH		C	1	
18	A7AH705501	Holder		D	1	
19	A161815400	Roll		C	4	
20	A161815500	Pulling Spring		C	3	
21	A161815300	Shaft		D	1	
22	A7AH706600	Lock Claw /Middle		C	1	
23	A7AH705800	Open/close Claw		D	1	
24	A161815800	Swing Spring		C	1	
25	A7AH705900	Holder		D	1	
26	A7AH706101	Adjusting Plate		D	1	



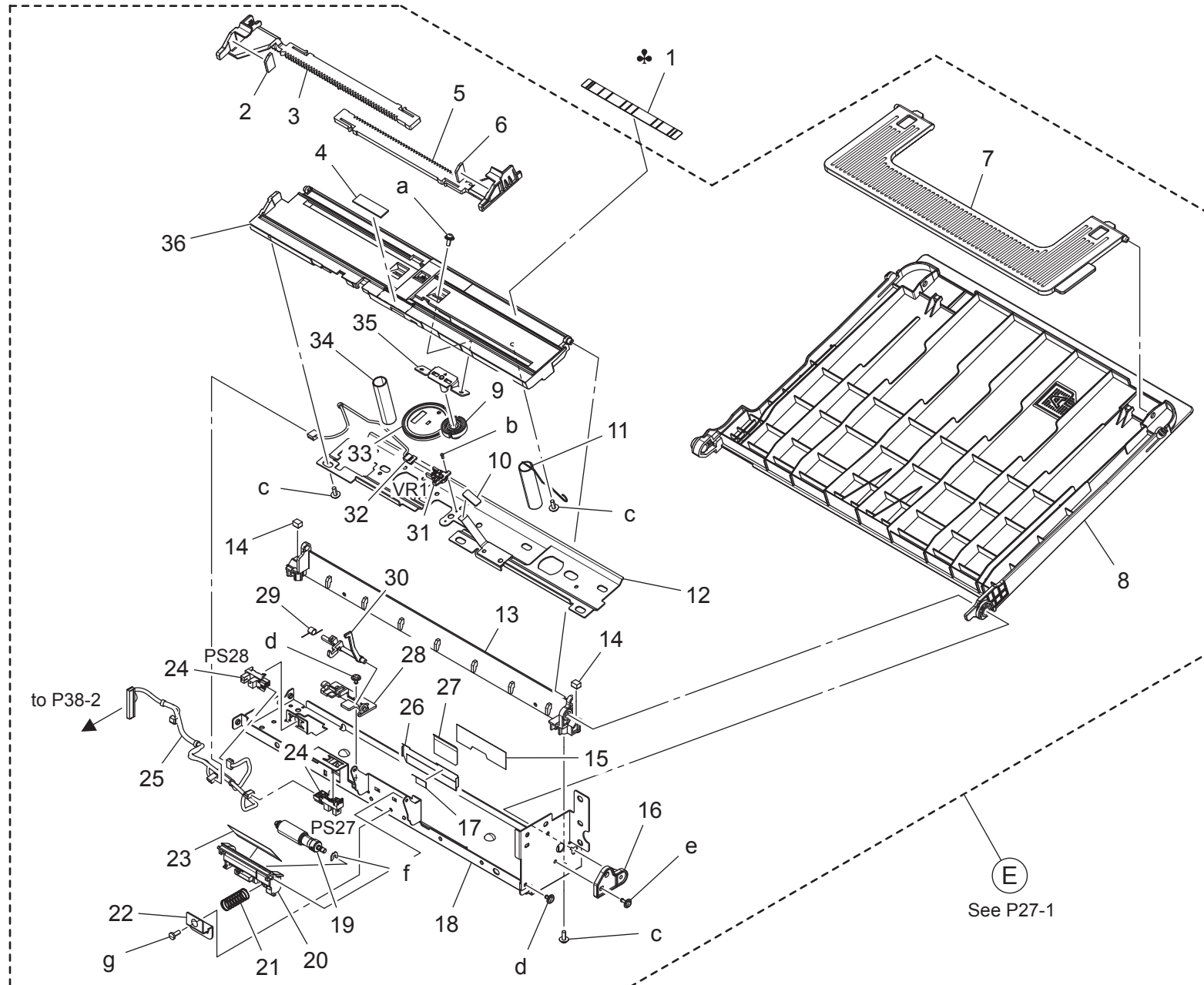
# BYPASS TRAY SECTION



# BYPASS TRAY SECTION

Key	Part No.	Description	Destinations	Class	QTY	Standard parts
1	A7AHR71600	Multiple Bypass Tray Assy		S	1	a-V116030804 b-V153030803 c-V217040001 d-V144030603
2	A7AH600400	Mounting Plate		D	1	
3	A7AH605200	Guide Sheet		C	1	
4	A7AH600300	Holder		D	1	
5	A7AH601100	Paper feed Shaft		D	1	
6	A161594400	Slide Stopper		C	1	
7	A00F623201	Roller		B	1	
8	A02E596300	Bushing		C	2	
9	A7AH602701	Shaft		D	1	
10	A161593300	Paper feed Cam		C	1	
11	A7AH600502	Drive Frame		D	1	
12	A7AH605100	Bypass Cover		D	1	
13	1134304301	BUSHING		C	1	
14	A7AH603000	Gear 20T		C	1	
15	A7AH602200	Bypass Gear		C	1	
16	A7AH604101	Reinforce Plate		D	1	
17	A7AH604300	Cover		D	1	
18	A034M20100	Conveyance Solenoid		C	1	
19	A7AHM20400	Clutch		C	1	
20	A7AH600801	Drive Cover		D	1	
21	A7AH604900	Seal		C	1	
22	A7AH603100	Lever		C	1	
23	A7AH603200	Compressing Coil spring		C	1	
24	A7AHR72700	Clutch Assy		C	1	
25	A7AH604700	Gear 24T		C	1	

# BYPASS TRAY SECTION



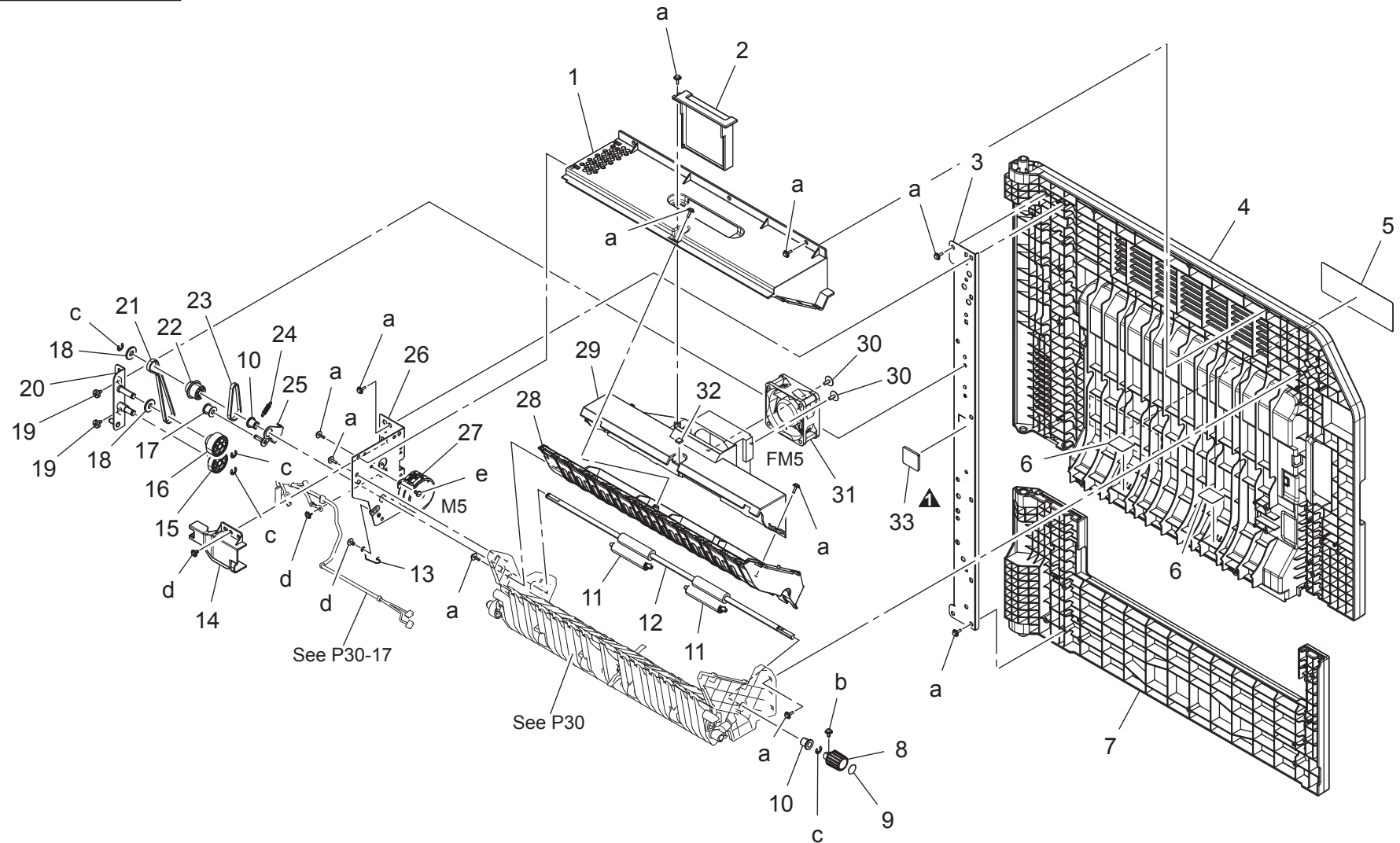
**E**  
See P27-1

BYPASS TRAY SECTION

Key	Part No.	Description	Destinations	Class	QTY	Standard parts	
1	A7AH943100	Label Metric	ラベル メトリック	A,A1,C,D1,D3,E,F2,G 1,I,K,J,H	C	1	a-V116030804 b-V111170403 c-V153030803 d-V144030603 e-V144030803 f-V218030086 g-V118030803
1	A7AH943200	Label Inch	ラベル インチ	B,G2	C	1	
2	A7AH604501	Brake Part	ブレーキ材		C	1	
3	A7AH601901	Regulating Plate /R	規制板 / R		C	1	
4	0978381101	FRICITION SHEET	摩擦板		C	1	
5	A7AH602001	Regulating Plate /L	規制板 / L		C	1	
6	A7AH604401	Brake Part /F	ブレーキ材 / F		C	1	
7	A161592200	Auxiliary Tray	補助トレイ		C	1	
8	A7AH600102	Tray	トレイ		C	1	
9	A02E592100	Gear 20T	ギヤ 20 T		C	1	
10	A161593800	Friction Plate	摩擦板		C	1	
11	A7AH603300	Compressing Coil spring	圧縮コイルばね		C	1	
12	A7AH601700	Mounting Plate	取付板		D	1	
13	A7AH604202	Support Holder	支点ホルダ		C	1	
14	A161594201	Cushion	クッション		D	2	
15	A161595100	Seal	シール		C	1	
16	A161591600	Hold Plate	保持板		C	1	
17	A161595600	Slide Guide	すべりガイド		C	1	
18	A7AH600601	Frame	フレーム		D	1	
19	4658015106	Roller Assy	ローラ ASSY		A	1	
20	A7AH601300	Holding	ホルダ		C	1	
21	4030347501	PRESSURE SPRING	圧縮コイルばね		C	1	
22	A7AH601400	Hold Plate	保持板		D	1	
23	A02E597600	Guide	ガイド (捌き後)		C	1	
24	A5C1M50100	Photointerrupter	透過型センサ		B	2	
25	A7AHN11901	Harness /Paper feed	給紙束線		D	1	
26	A161595300	Separating Plate	分離板		C	1	
27	4030340301	GUIDE	ガイド		C	1	
28	A161591100	Sensor Holder	センサホルダ		D	1	
29	A161591000	Torsion Spring	ねじりばね (PE)		C	1	
30	A7AH601202	Actuator	アクチュエータ		C	1	
31	A161M50400	VR	ボリューム		D	1	
32	A7AHN13200	Harness /Paper Detection	給紙検知束線		D	1	
33	A161594300	Regulating Gear 41T	規制ギア 41 T		C	1	
34	A7AH603400	Compressing Coil spring	圧縮コイルばね		C	1	
35	A7AHR71700	Mounting Plate	取付板		D	1	
36	A7AH600203	Lifting Plate	押上げ板		D	1	

# REVERSAL SECTION

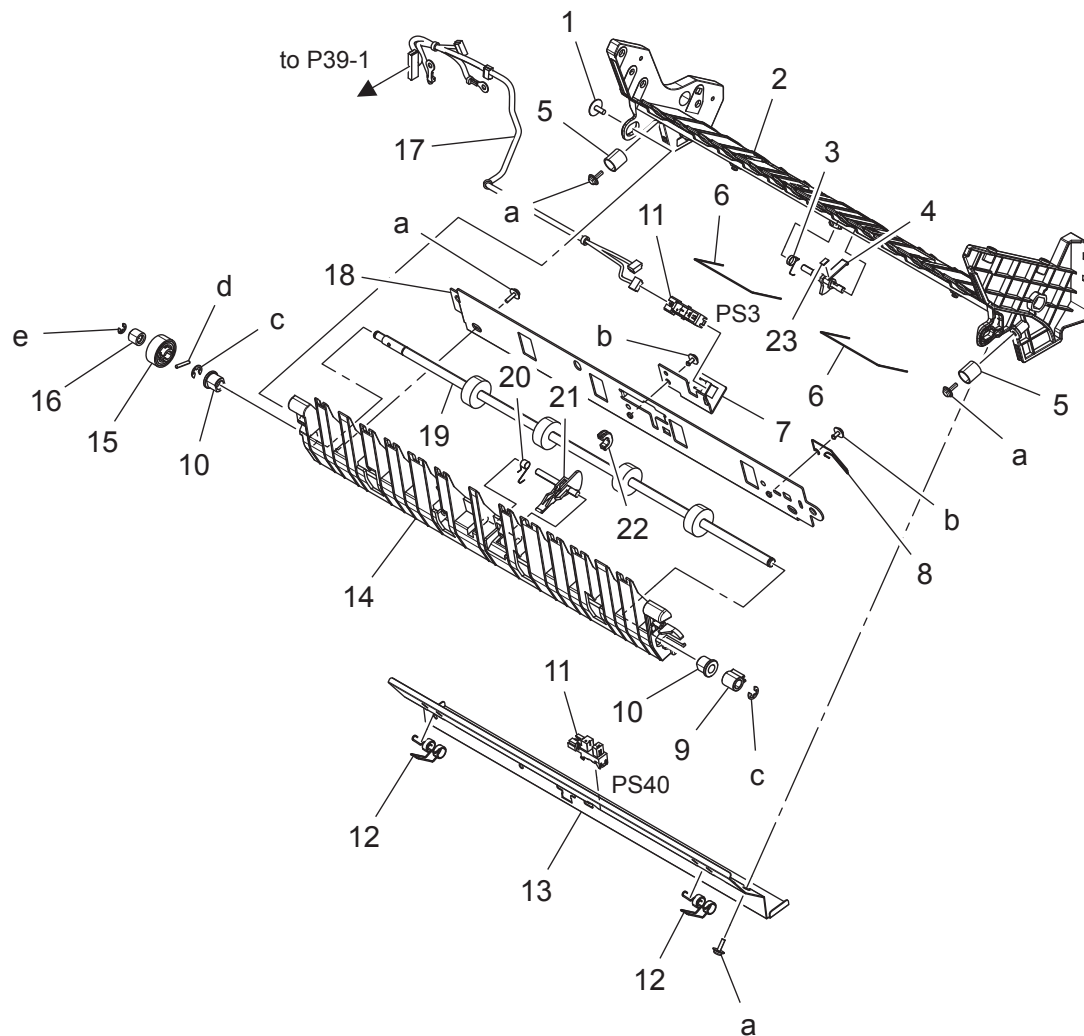
改訂版 REVISED EDITION	日付 DATE
	AUGUST 2015



# REVERSAL SECTION

Key	Part No.	Description	Destinations	Class	QTY	Standard parts
1	A7AH813200	Cover /Upper		D	1	a-V153030803 b-V125030803 c-V217040001 d-V144030603 e-V143030603
2	A7AHR71800	Stench filter Assy		C	1	
3	A7AH705600	Reinforce Plate		D	1	
4	A7AH705001	Door /Upper		C	1	
5	A7AH943000	Label Paper supply		C	1	
6	A7AH709000	Seal		C	2	
7	A7AH705100	Door /Lower		C	1	
8	A161814700	Knob /A		C	1	
9	A7AH944200	Label M4		C	1	
10	A02E815200	BUSHING		C	2	
11	A161825700	Idler Roller /A		D	2	
12	A7AH814000	Roller /B		C	1	
13	A7AH813600	Ground Contact		D	1	
14	A7AH814901	Cover		D	1	
15	A7AH814700	Gear 23T		C	1	
16	A7AH814600	Gear 23T		C	1	
17	A7AH815601	Roll		C	1	
18	A7AH814800	Collar		C	2	
19	4038218401	SHOULDER SCREW		C	2	
20	A7AH814200	Drive Plate		D	1	
21	A7AH814500	Belt 222L		C	1	
22	A7AH814400	Pulley 22/27T		C	1	
23	A7AH814300	Belt 112L		C	1	
24	A7AH815700	Pulling Coil spring		C	1	
25	A7AH815500	Mounting Plate		D	1	
26	A7AH814100	Drive Side plate		D	1	
27	A7AHM10700	Stepping motor		C	1	
28	A7AH813100	Guide /Upper		D	1	
29	A7AH145401	Duct		D	1	
30	4163529301	SCREW		C	2	
31	4556M10000	FAN MOTOR		B	1	
32	A7AH892300	Cushion		C	1	
33	A161402502	Seal		D	1	

# REVERSAL SECTION



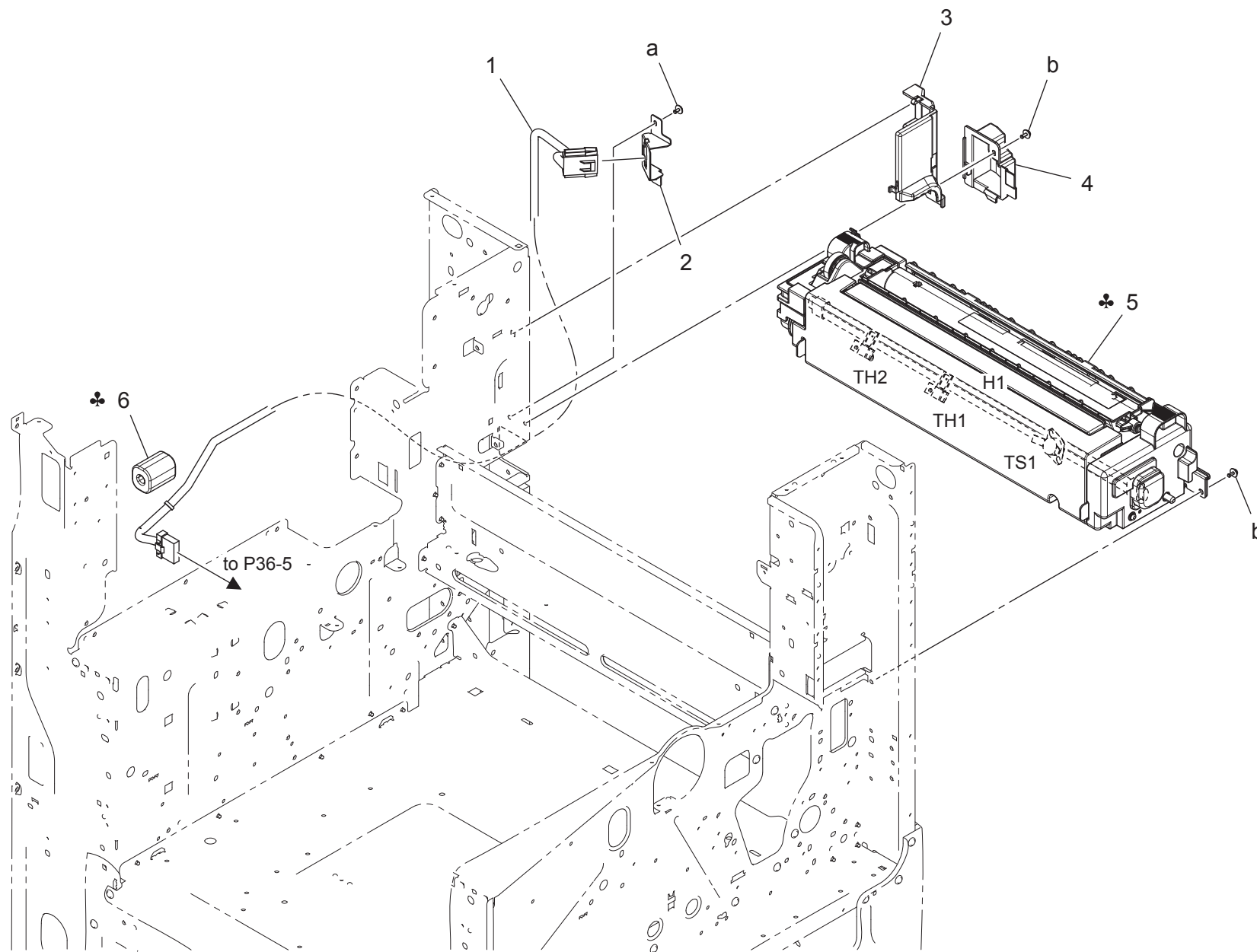
# REVERSAL SECTION

Key	Part No.	Description	Destinations	Class	QTY	Standard parts
1	4163529301	SCREW		C	1	a-V153030803 b-V144030603 c-V217040001 d-V234201250 e-V217030001
2	A7AH813001	Guide /Lower		D	1	
3	A161712800	Spring /D		D	1	
4	A161813200	Actuator		C	1	
5	A161813600	Pressing Spring /A		C	2	
6	A0ED815100	Holding Part		D	2	
7	A7AH894100	Mounting Plate		D	1	
8	A161819400	Contact /C		D	1	
9	A161814500	Bushing /B		C	1	
10	A02E815200	BUSHING		C	2	
11	A5C1M50100	Photointerrupter		B	2	
12	A161813400	Torsion Coil spring		D	2	
13	A7AH813300	Mounting Plate		D	1	
14	A7AH893102	Guide Plate		D	1	
15	A7AH891100	Gear 18T		C	1	
16	A7AH893400	Collar		C	1	
17	A7AHN11802	Harness /Conveyance		D	1	
18	A7AH893301	Mounting Plate		D	1	
19	A7AH893000	Paper exit Roller		C	1	
20	A161813100	Torsion Coil spring		C	1	
21	A7AH894000	Actuator		C	1	
22	A161819500	Bushing /C		C	1	
23	A7AH819400	Seal		C	1	



# FUSING SECTION

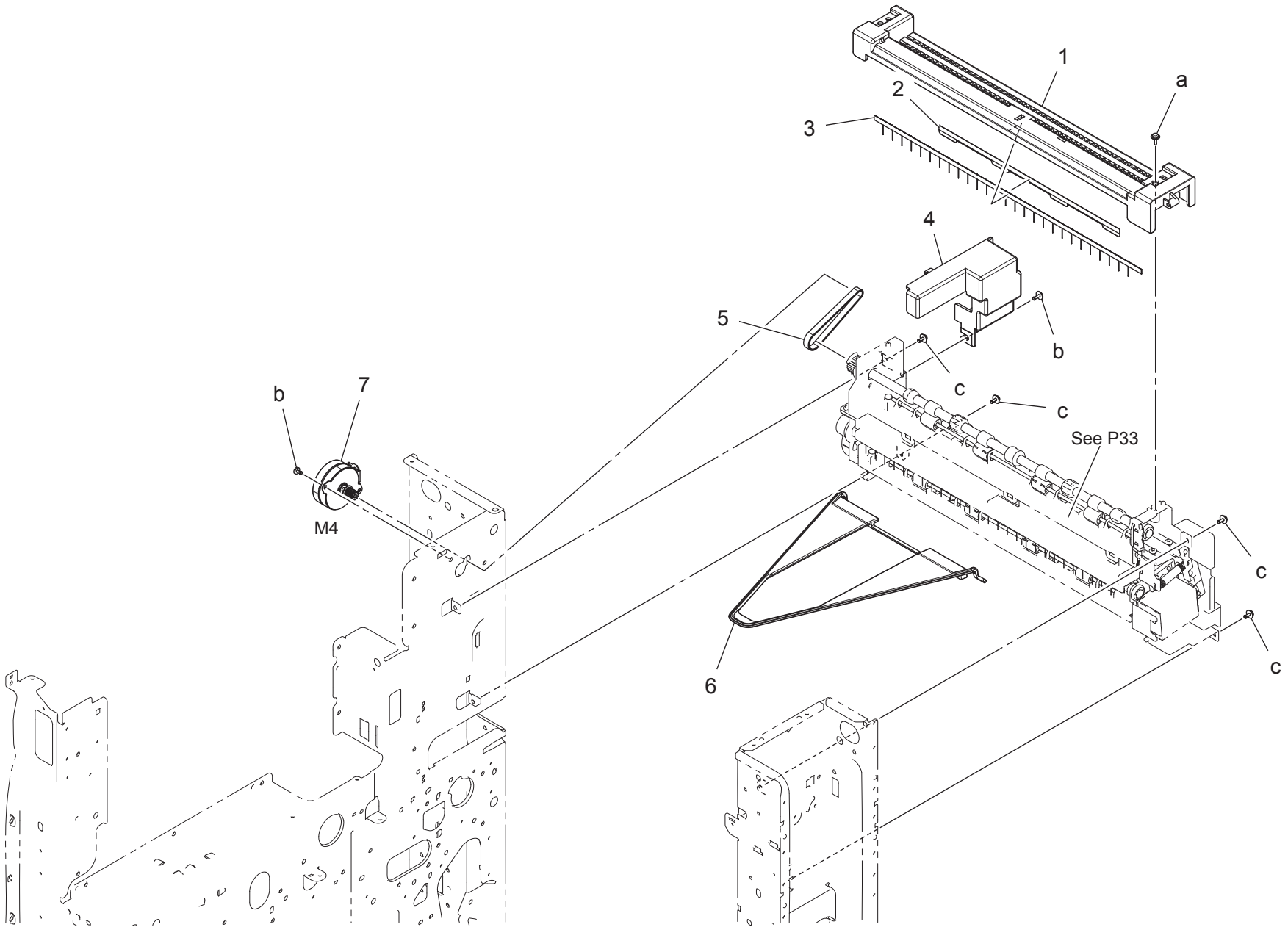
P 31



# FUSING SECTION

Key	Part No.	Description	Destinations	Class	QTY	Standard parts
1	A7AHN10401	Harness /Fixing Relay		D	1	a-V144030603 b-V125030803
2	A7AH134500	Mounting Plate		D	1	
3	A7AH133201	Cover		D	1	
4	A7AH133100	Cover		D	1	
5	A7AHR72200	Fusing Unit /100V	A,A1	A	1	
5	A7AHR72300	Fusing Unit /120V	B,G2	A	1	
5	A7AHR72400	Fusing Unit /220-240V	C,D1,D3,E,F2,G1,I,K ,J	A	1	
5	A7AHR73500	Fusing Unit /110V	H	A	1	
6	A7AHM90300	Ferritecore	C,D1,D3,E,F2,G1,I,K ,J,H	D	1	

PAPER EXIT SECTION



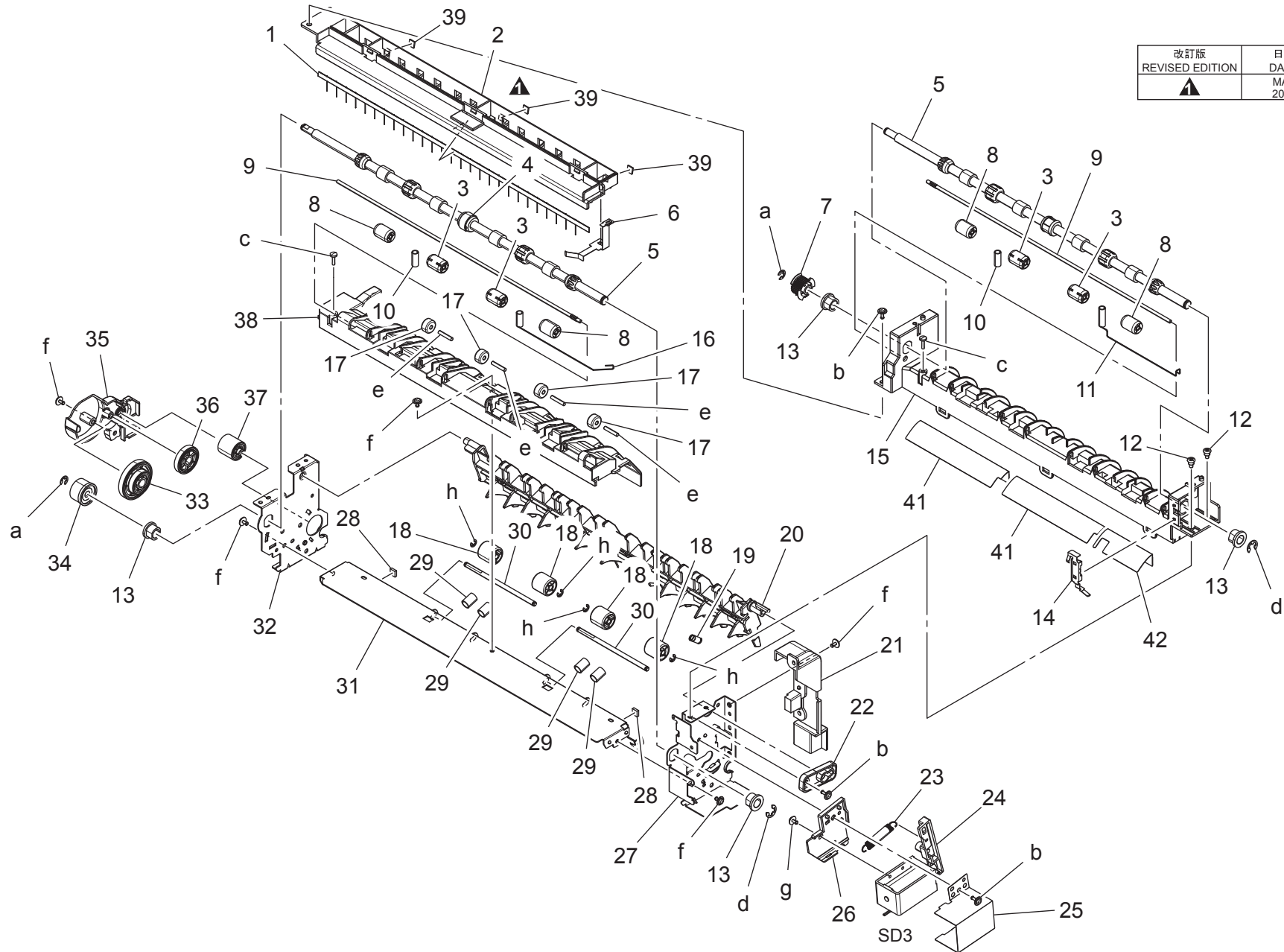
# PAPER EXIT SECTION

Key	Part No.	Description	Destinations	Class	QTY	Standard parts
1	A7AH810201	Cover		C	1	a-V153030803 b-V143030603 c-V125030803
2	A161894100	Sheet (除電ブラシ)		D	1	
3	A161894000	Neutralizing Brush		C	1	
4	A7AH162700	Cover		C	1	
5	A7AH811200	Timing belt 164L		C	1	
6	A161897200	Guide Part		C	1	
7	A7AHM10700	Stepping motor		C	1	

# PAPER EXIT SECTION

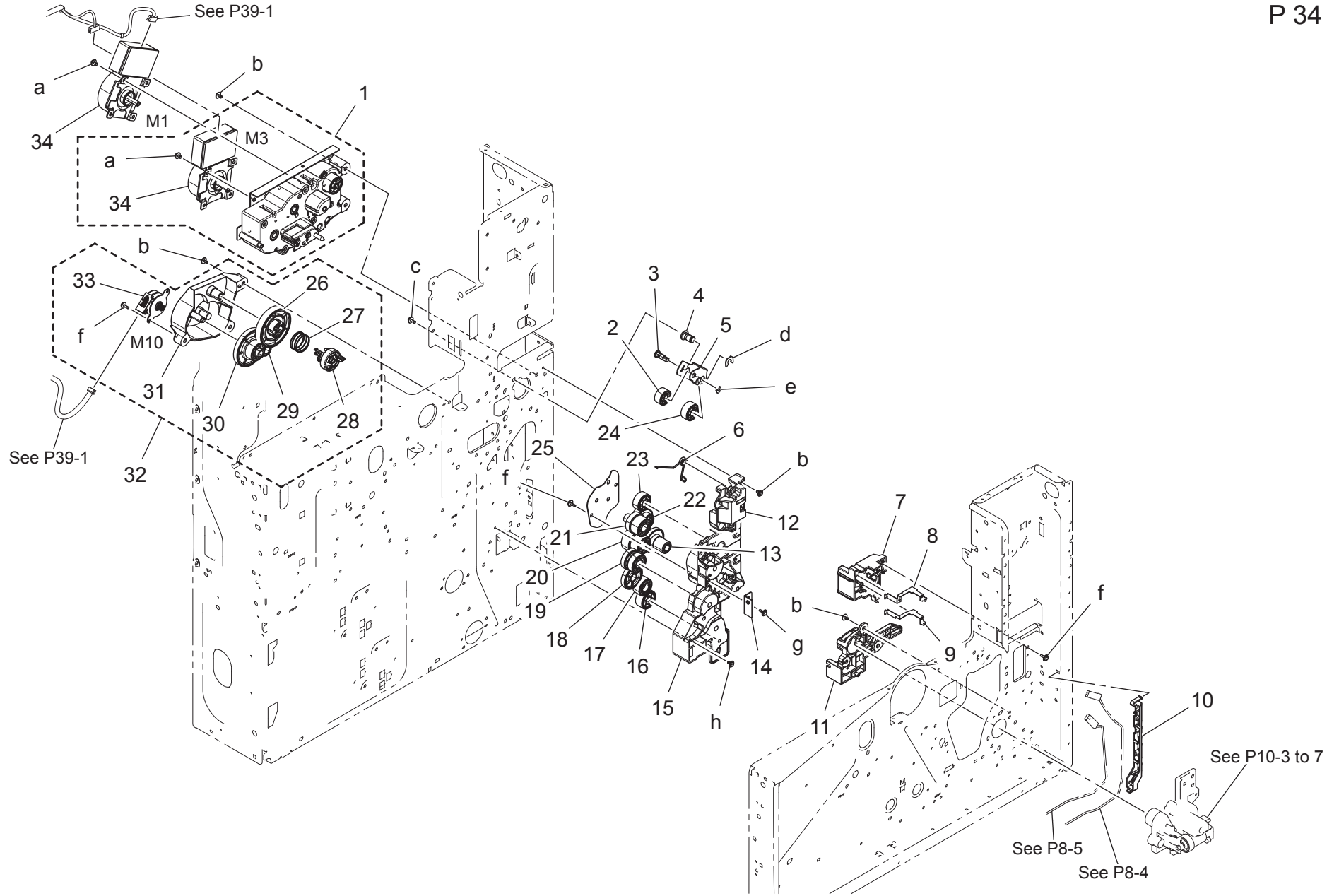
P 33

改訂版 REVISED EDITION	日付 DATE
▲	MAY 2015



Key	Part No.	Description	Destinations	Class	QTY	Standard parts
1	A161894000	Neutralizing Brush		C	1	a-V217040001 b-V144030803 c-V149031003 d-V217060001 e-V234301650 f-V144030603 g-V127030604 h-V217030001
2	A7AH890300	Guide		D	1	
3	A7AH892000	Roll		C	4	
4	A7AH891901	Collar		C	1	
5	A7AH891000	Roller		D	2	
6	A7AH895601	Ground Contact /Lower		D	1	
7	A7AH811100	Pulley		C	1	
8	4004590301	ROLL		C	4	
9	4025598401	SHAFT		D	2	
10	A161892400	Spring		C	2	
11	A7AH811300	Ground Spring		C	1	
12	1164202801	SHOULDER SCREW		D	2	
13	A0ED891100	Bushing		D	4	
14	A7AH811500	Ground Contact /Upper		D	1	
15	A7AH810102	Guide		C	1	
16	A7AH891500	Ground Spring		C	1	
17	A0ED897700	Collar		C	4	
18	A1UD721500	Roll		C	4	
19	A7AH891800	Pulling Coil spring		C	1	
20	A7AH812002	Paper exit Guide		C	1	
21	A7AH892200	Cover		D	1	
22	A161891000	Bushing		D	1	
23	A7AH890800	Pulling Coil spring		C	1	
24	A7AHR72500	Solenoid Assy		C	1	
25	A7AH890700	Cover		D	1	
26	A7AH890900	Mounting Plate		D	1	
27	A7AH890402	Panel /Front		D	1	
28	A7AH892300	Cushion		C	2	
29	A1UD722700	Compressing Coil spring		C	4	
30	A7AH892101	Shaft		D	2	
31	A7AH890200	Reinforce Plate		D	1	
32	A7AH890501	Panel /Rear		D	1	
33	A7AH891200	Gear 21/35T		C	1	
34	A7AH891700	Gear 18T		C	1	
35	A7AH891400	Drive Holder		D	1	
36	A02F897200	Gear 24T		C	1	
37	A7AH891300	Gear 16T		C	1	
38	A7AH890102	Guide		D	1	
39	A161826000	Cushion /B		D	3	
41	A7AH819700	Seal		C	2	
42	A7AH819900	Seal		C	1	

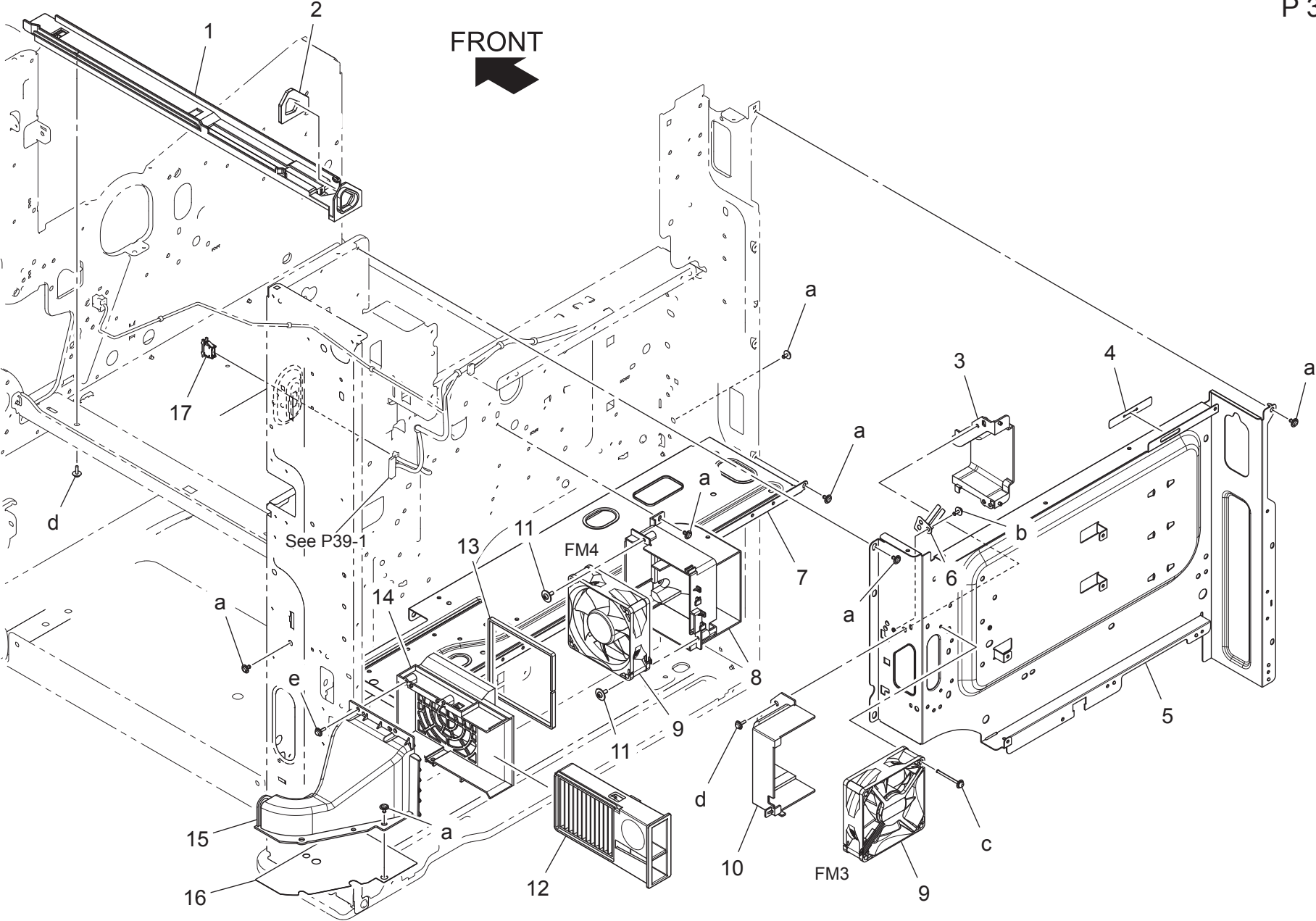
# DRIVE SECTION



Key	Part No.	Description	Destinations	Class	QTY	Standard parts
1	A7AHR70700	Main Drive Assy		C	1	a-V116030603
2	A7AH215400	Gear 23T		C	1	b-V144030603
3	A7AH214800	Shaft		D	1	c-V125030803
4	A7AH214701	Shaft		D	1	d-V218060086
5	A7AH215101	Mounting Plate		D	1	e-V218040086
6	A7AH704900	Connecting Spring		C	1	f-V153030803
7	A7AH704201	Holder		D	1	g-V153031003
8	A7AH707201	Contact		D	1	h-V144030803
9	A7AH707101	Contact		D	1	
10	A7AH134401	Guide		D	1	
11	A7AH704601	Positioning Holder /Front		D	1	
12	A7AH704701	Positioning Holder /Rear		D	1	
13	A7AH213500	Gear 14/37T		C	1	
14	A7AH216700	Mounting Plate		D	1	
15	A7AH213902	Drive Holder		D	1	
16	A7AH212800	Gear 28T		C	1	
17	A7AH213000	Gear 26T		C	1	
18	A7AH212600	Gear 37T		C	1	
19	A7AH216500	Gear 23/31T		C	1	
20	A7AH212300	Gear 27/35T		C	1	
21	A7AH212200	Gear 22/29T		C	1	
22	A7AH212100	Gear 30/35T		C	1	
23	A7AH211700	Gear 26T		C	1	
24	A7AH214300	Gear 26T		C	1	
25	A7AH212000	Mounting Plate		D	1	
26	A161240600	Gear 65T		D	1	
27	4038541202	PRESSURE SPRING		C	1	
28	A161240700	Joint		C	1	
29	A7AH217100	Gear 15/91T		D	1	
30	A161240400	Gear 29/62T		D	1	
31	A7AH217001	Drive Holder		D	1	
32	A7AHR70200	Toner Bottle Drive Assy		S	1	
33	A7AHM10400	Stepping motor		C	1	
34	A61DM10200	brushless Motor /20		I	2	



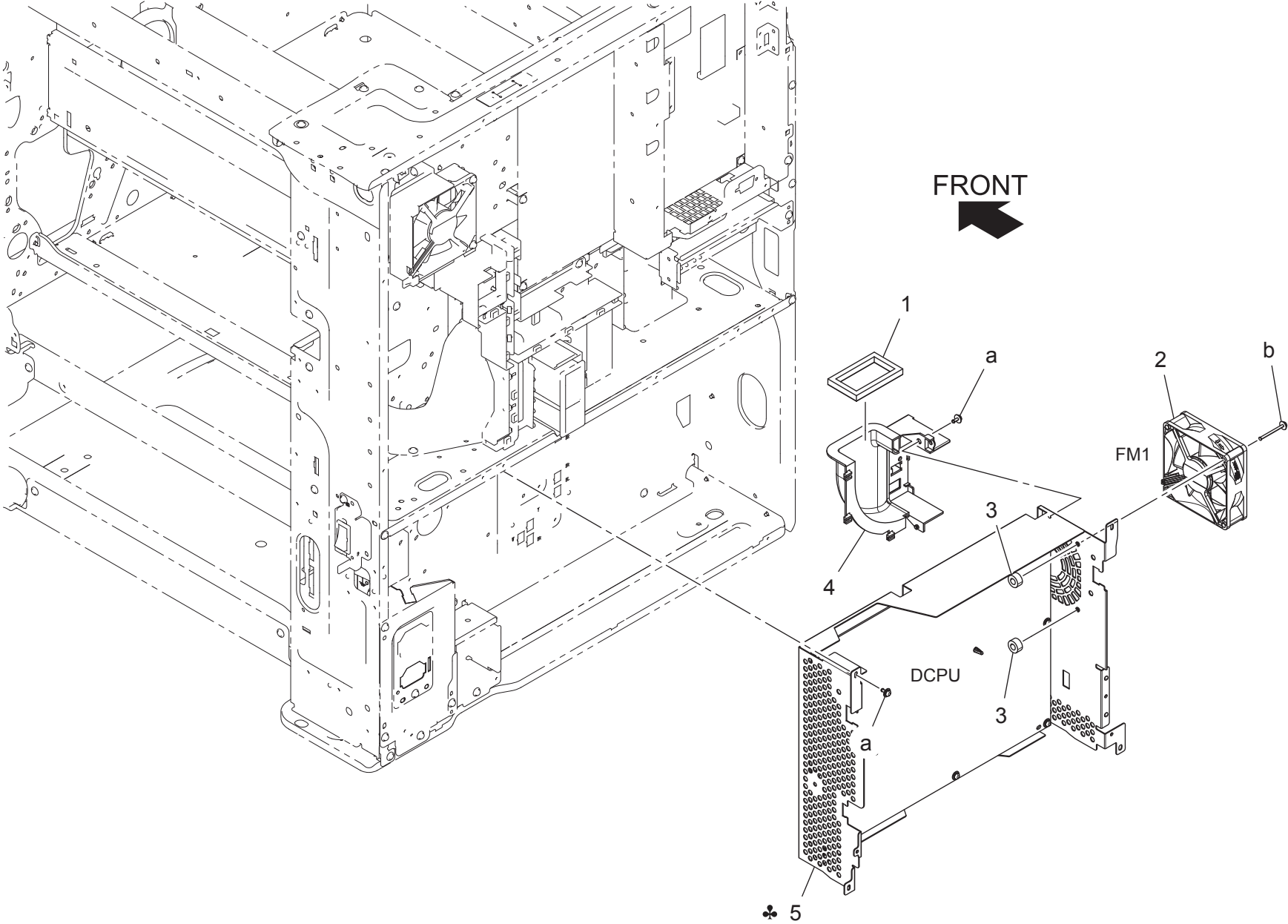
OZONE DUCT SECTION



OZONE DUCT SECTION

Key	Part No.	Description	Destinations	Class	QTY	Standard parts
1	A7AH115101	Guide Rail		D	1	a-V144030603 b-V125030803 c-V116033003 d-V153030803 e-V153031003
2	A7AH146600	Seal		C	1	
3	A7AH145100	Duct		D	1	
4	A7AH135100	Seal		C	1	
5	A7AH101102	Reinforce Plate		D	1	
6	A7AH139101	Ground Plate		D	1	
7	A7AH101201	Stay /Rear		D	1	
8	A7AH147100	Duct		D	1	
9	4139M10000	FAN MOTOR		B	2	
10	A7AH145201	Duct		D	1	
11	4163529301	SCREW		C	2	
12	A7AHR72600	Toner filter		A	1	
13	A7AH146800	Seal		C	1	
14	A7AH146100	Holder		D	1	
15	A7AH146301	Duct		D	1	
16	A7AH146500	Seal		C	1	
17	V651010045	WtoW Connector		D	1	

# MAIN POWER SUPPLY SECTION

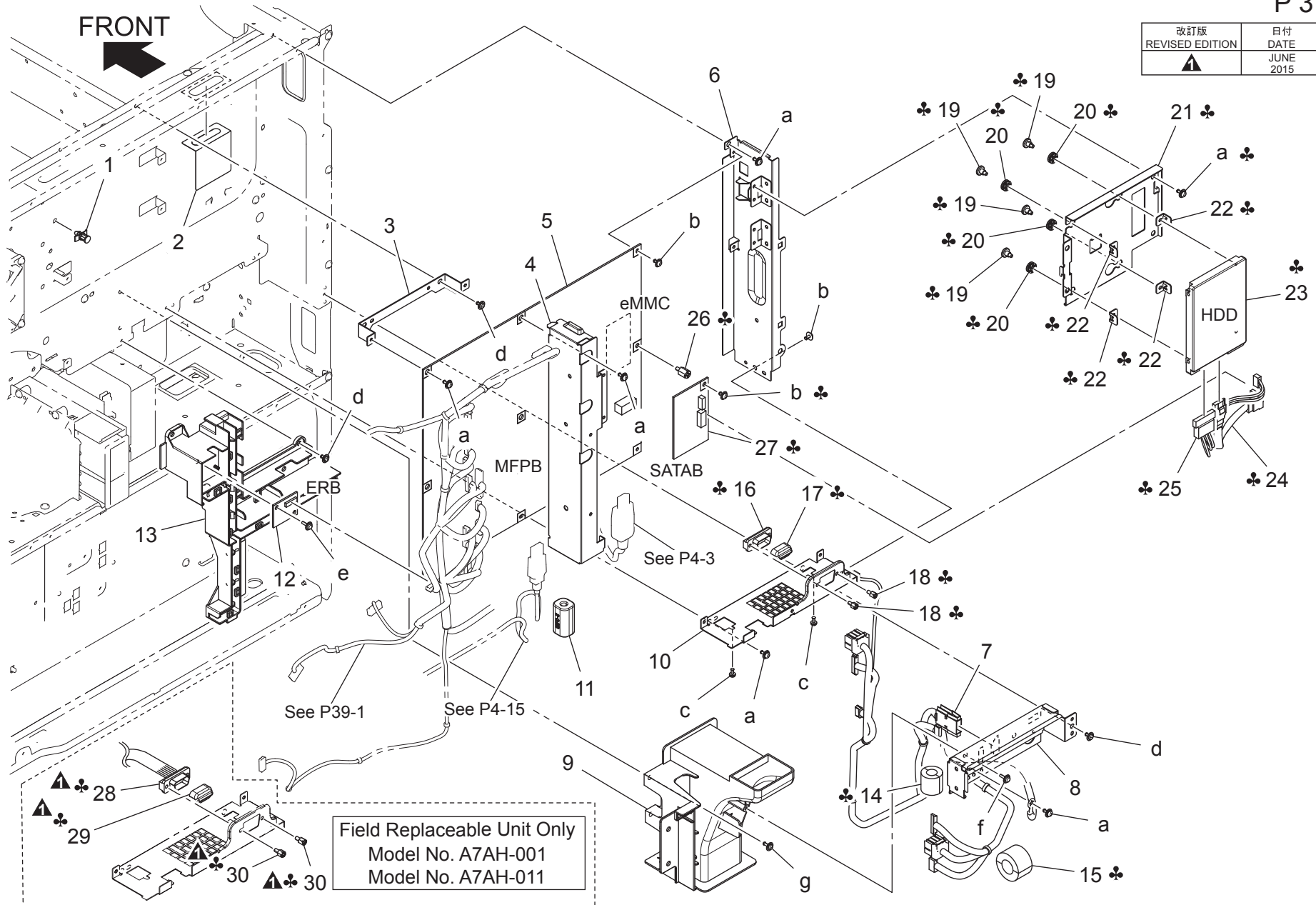


# MAIN POWER SUPPLY SECTION

Key	Part No.	Description	Destinations	Class	QTY	Standard parts
1	A7AH141300	Seal		C	1	a-V125030803 b-V116033003
2	4139M10000	FAN MOTOR		B	1	
3	1154467001	PROTECTION		C	2	
4	A7AH141100	Duct		D	1	
5	A7AHR70400	Power supply Assy /100V	A,A1	I	1	
5	A7AHR70500	Power supply Assy /120V	B,G2,H	I	1	
5	A7AHR70600	Power supply Assy /220-240V	C,D1,D3,E,F2,G1,I,K ,J	I	1	

# ELECTRICAL COMPONENTS

改訂版 REVISED EDITION	日付 DATE
	JUNE 2015

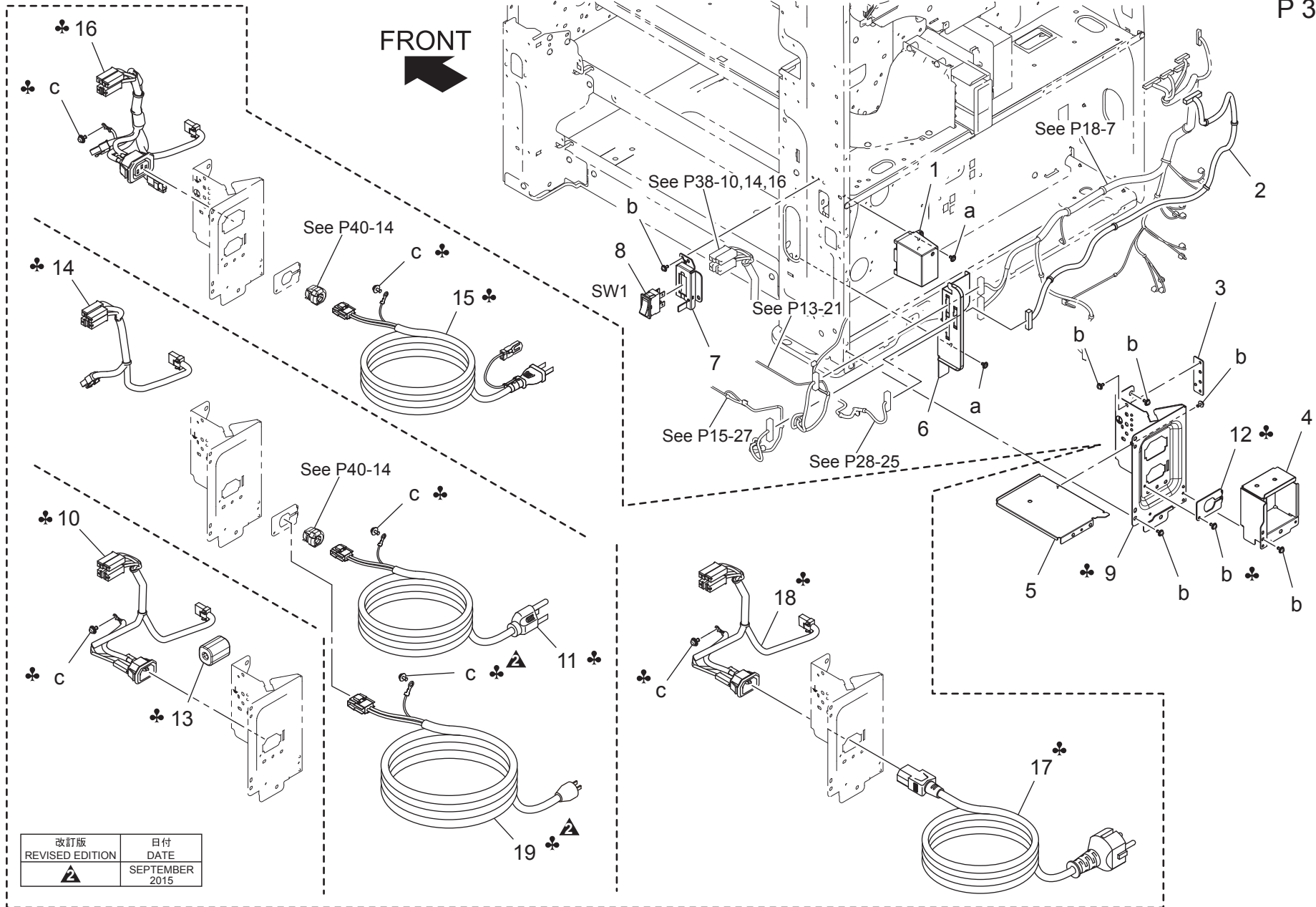


bizhub 128DN/bizhub 287

Key	Part No.	Description	Destinations	Class	QTY	Standard parts
1	V502010036	spacer		D	1	a-V125030803
2	A7AH130600	Insulating Part		C	1	b-V127030604
3	A7AH131100	Mounting Plate		D	1	c-V122030603
4	A7AH130300	Shield Plate		D	1	d-V144030603
5	A7AHH02005	PWB Assembly (PWB-MFP)		I	1	e-V153030803
6	A7AH130201	Mounting Plate		D	1	f-V153031003
7	A7AHN10902	Harness /DC Power source		D	1	g-V144030803
8	A7AH139301	Holder		D	1	
9	A7AH141201	Duct		D	1	
10	A7AH130101	Mounting Plate		D	1	
11	A3EWM90300	Ferritecore		D	1	
12	A7AHH00C00	PWB Assembly(PWB-EE)		I	1	
13	A7AH138101	Guide		D	1	
14	A49FM90100	Ferritecore	C,D1,D3,E,F2,G1,I,K J,H	D	1	
15	A3EWM90200	Ferritecore	C,D1,D3,E,F2,G1,I,K J,H	D	1	
16	A7AHN15A00	Harness /Control	C,D1,D3,E,F2,G1,I,K J,H	D	1	
17	V503010002	Connector Cover	C,D1,D3,E,F2,G1,I,K J,H	D	1	
18	A7AH131300	Screw	C,D1,D3,E,F2,G1,I,K J,H	C	2	
19	A5C1134200	Shoulder screw	A,A1,B,C,G2,I (South Africa)	D	4	
20	A4EU138000	Support Rubber	A,A1,B,C,G2,I (South Africa)	D	4	
21	A7AH130401	Mounting Plate	A,A1,B,C,G2,I (South Africa)	D	1	
22	A5C1134100	Spacer	A,A1,B,C,G2,I (South Africa)	D	4	
23	A2X0M72C00	HDD	A,A1,B,C,G2,I (South Africa)	I	1	
24	A7AHN15100	Signal Cable	A,A1,B,C,G2,I (South Africa)	D	1	
25	A161N15J00	Power source Cable	A,A1,B,C,G2,I (South Africa)	C	1	
26	A161137600	Shoulder screw	A,A1,B,C,G2,I (South Africa)	D	1	
27	A7AHH02S02	PWB Assmby(PWB-SATA)	A,A1,B,C,G2,I (South Africa)	I	1	
28	A7AHN15A00	Harness /Control	A,A1,B,G2	D	1	
29	V503010002	Connector Cover	A,A1,B,G2	D	1	
30	A7AH131300	Screw	A,A1,B,G2	C	2	

# ELECTRICAL COMPONENTS

P 38

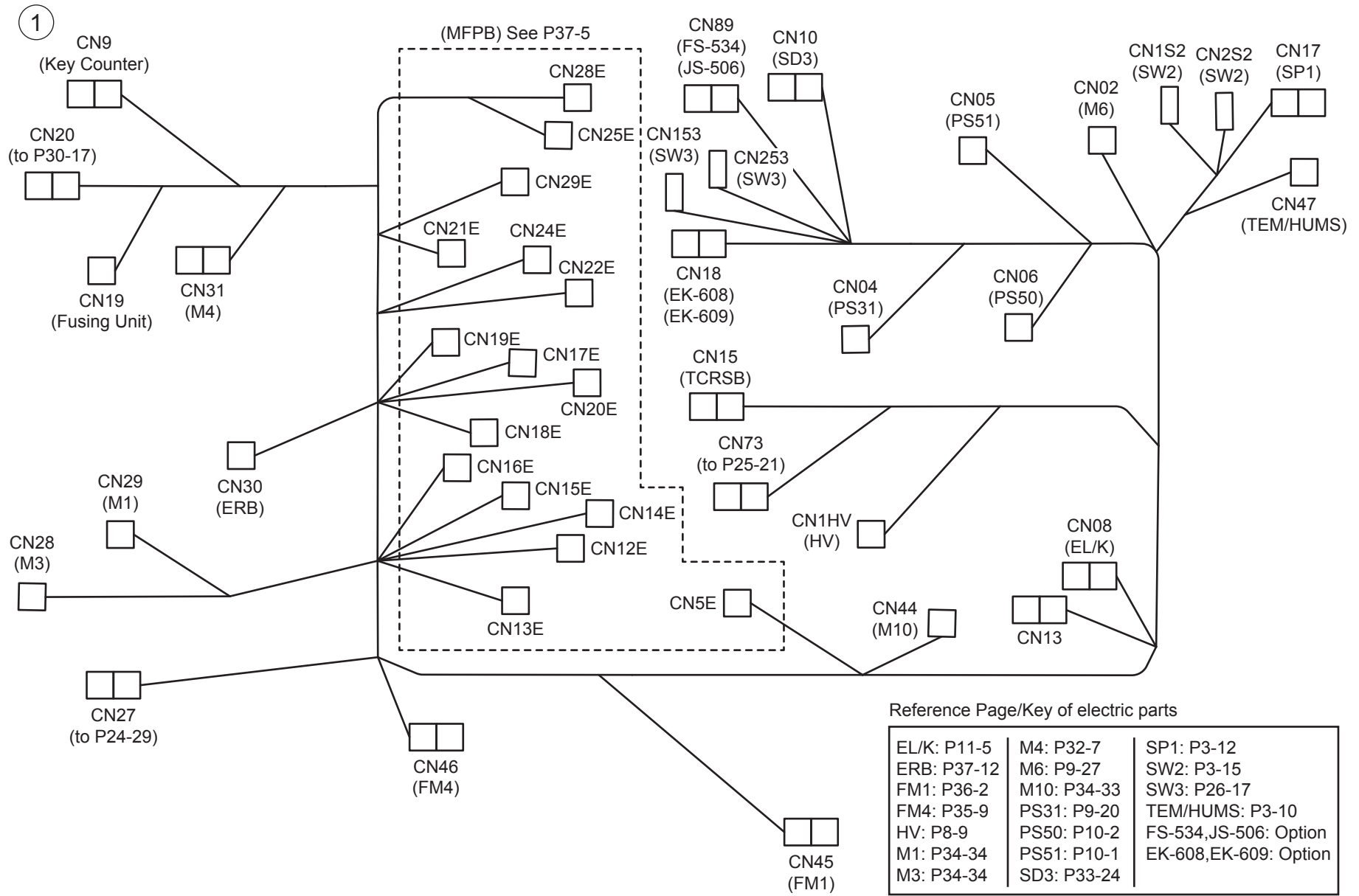


改訂版 REVISED EDITION	日付 DATE
	SEPTEMBER 2015

bizhub 128DN/bizhub 287

Key	Part No.	Description	Destinations	Class	QTY	Standard parts
1	A7AH132801	Cover		D	1	a-V144030603 b-V125030803 c-V116040803
2	A7AHN13600	Harness /Paper Feed Wiring		D	1	
3	A7AH132600	Mounting Plate		D	1	
4	A7AH132200	Mounting Plate		D	1	
5	A7AH132300	Mounting Plate		D	1	
6	A7AH132900	Mounting Plate		D	1	
7	A7AH132400	Mounting Plate		D	1	
8	4038M60000	SEESAW-SWITCH		C	1	
9	A7AH132100	Mounting Plate	A,A1	D	1	
9	A7AH132701	Mounting Plate	B,C,D1,D3,E,F2,G1,G 2,I,K,J,H	D	1	
10	A7AHN10201	Harness /AC Power source	A C 電源束線	D	1	
11	A5C1N30000	Power code /120V	電源コード / 1 2 0 V (北米 / 1 5 A)	C	1	
12	A0ED135700	Mounting Plate	取付板 (電源コード)	D	1	
13	A02EM70F00	Ferritecore	フェライトコア	D	1	
14	A7AHN10101	Harness /AC Power source	A C 電源束線	D	1	
15	A0EDN30002	Power source Cord /100V	電源コード / 1 0 0 V	D	1	
16	A7AHN10001	Harness /AC Power source	A C 電源束線	D	1	
17	4136N30000	POWER CODE	プラグ電源コード	D	1	
18	A7AHN16200	AC Power source harness /230V	A C 電源束線 / 2 3 0 V	D	1	
19	A00JN30200	Power code	電源コード (台湾)	C	1	





Reference Page/Key of electric parts

EL/K: P11-5	M4: P32-7	SP1: P3-12
ERB: P37-12	M6: P9-27	SW2: P3-15
FM1: P36-2	M10: P34-33	SW3: P26-17
FM4: P35-9	PS31: P9-20	TEM/HUMS: P3-10
HV: P8-9	PS50: P10-2	FS-534,JS-506: Option
M1: P34-34	PS51: P10-1	EK-608,EK-609: Option
M3: P34-34	SD3: P33-24	

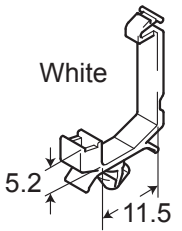
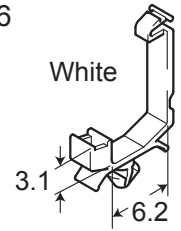
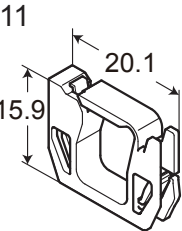
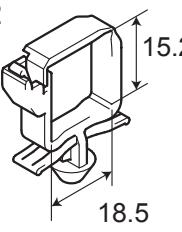
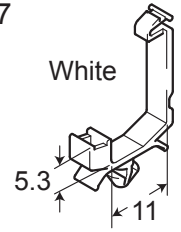
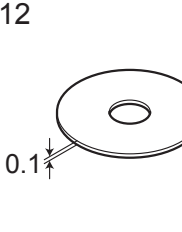
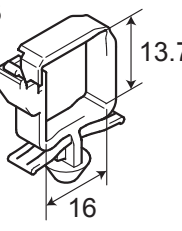
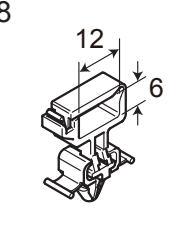
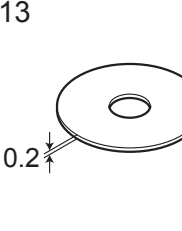
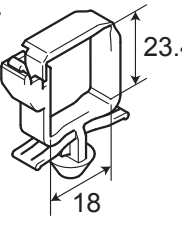
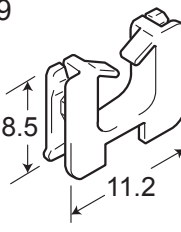
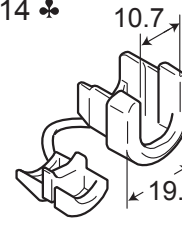
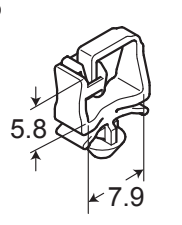
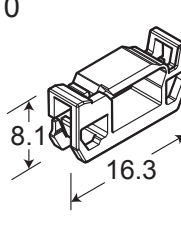
# WIRING

Key	Part No.	Description	Destinations	Class	QTY	Standard parts
1	A7AHN11102	Harness /Main body 本体束線		D	1	

bizhub 128DN/bizhub 287

# WIRING ACCESSORIES AND JIGS

P 40

1 White 	6 White 	11 	16	21	26	31	36
2 	7 White 	12 	17	22	27	32	37
3 	8 	13 	18	23	28	33	38
4 	9 	14 ♣ 	19	24	29	34	39
5 	10 	15	20	25	30	35	40

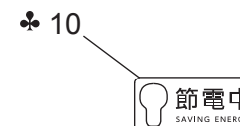
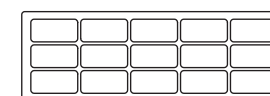
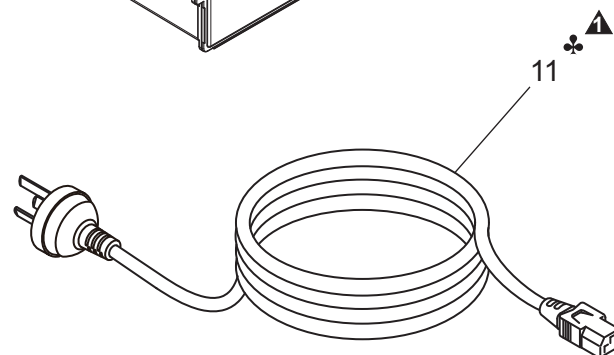
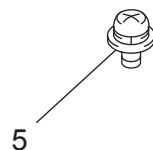
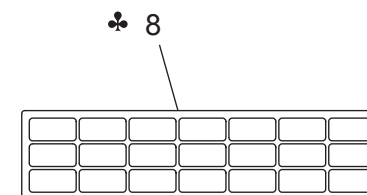
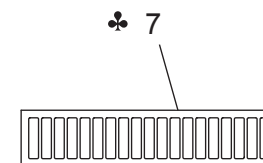
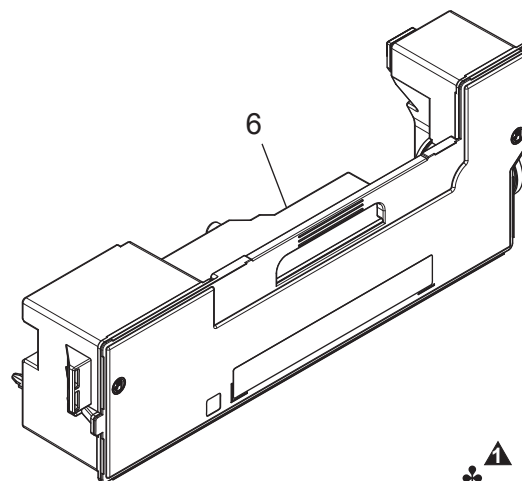
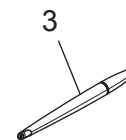
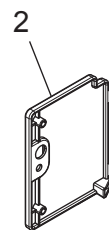
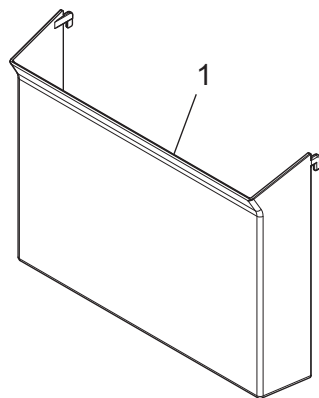
bizhub 128DN/bizhub 287

Key	Part No.	Description	Destinations	Class	QTY	Standard parts
1	V500010081	Locking Wire Saddle		D		
2	V500010083	Locking Wire Saddle		D		
3	V500010084	Locking Wire Saddle		D		
4	V500010085	Locking Wire Saddle		D		
5	V500020098	Mini Locking wire saddle		D		
6	V500020099	Mini Locking wire saddle		D		
7	V500020100	Mini Locking wire saddle		D		
8	V500020108	Reuse spacing clamp		V		
9	V570010021	Saddle		D		
10	V570010057	Wing Edge Saddle		D		
11	V570010060	Wing Edge Saddle		D		
12	4030205301	SPACER (BLACK)		C		
13	4030205401	SPACER (WHITE)		C		
14	V500020052	bushing	A,A1,B,G2,H	D	1	

# ACCESSORY PARTS

P 41

改訂版 REVISED EDITION	日付 DATE
	AUGUST 2015



Key	Part No.	Description	Destinations	Class	QTY	Standard parts
1	A00J169901	Holder		C	1	
2	A7AH163201	Cover Plate /Left rear		C	1	
3	A7AH166700	Operation Shaft		C	1	
4	A7AH266800	Seal		C	1	
5	V116030804	Screw		V	1	
6	A7XWWY2	Waste Toner BOX		A	1	
7	A7AH947100	Seal /Japanese	A,A1	C	1	
7	A7AH947200	Seal/ English	B,D1,D3,E,F2,G1,G2, I (Except South Africa),K	C	1	
7	A7AH947300	Seal/ Chinese	J	C	1	
7	A7AH947400	Seal	H	C	1	
8	A7AH942000	Label Metric	A,A1,C,D1,D3,E,F2,G 1,I,K,J,H	C	1	
9	A7AH942100	Label Inch	B,G2	C	1	
10	A1UD947400	Label	A,A1	C	1	
11	9381430031	POWER CORD	J	D	1	

# MAINTENANCE LIST

● The items with no Page/Key numbers are not handled as spare parts.

No.	Section	PM Parts Description	Maintenance Cycle (K=1,000)		Parts No.	Destinations	Page/Key	Note	
			QTY	Replace					
1	Paper feed section	Tray 1 pick-up roller	1	300k	A5C1562200		P13-14	*2, *4	
2		Tray 1 feed roller	1	300k	A00J563600		P13-12	*2, *4	
3		Tray 1 separation roller	1	300k	A00J563600		P14-10	*2, *4	
4		Tray 2 pick-up roller	1	300k	A5C1562200		P15-21	*2, *4	
5		Tray 2 feed roller	1	300k	A00J563600		P15-19	*2, *4	
6		Tray 2 separation roller	1	300k	A00J563600		P16-7	*2, *4	
7		Manual bypass tray feed roller	1	200k	A00F623201		P27-7	*2, *4	
8		Manual bypass tray separation roller assy	1	200k	4658015106		P28-19	*2, *4	
9	Processing section	Toner cartridge/K *1	1	23k	-			*3	
10		Drum unit/K *1	1	85k	-	A,A1		*3	
11			1	105k	-	B,G2		*3	
12			1	105k	-	C,D1,D3,E,F2,G1,I		*3	
13		Developing unit/K		1	545k	-	A,A1		*3
14				1	590k	-	B,G2		*3
15				1	600k	-	C,D1,D3,E,F2,G1,I		*3
16			Toner filter	1	150k	A7AHR72600		P35-12	*3
17		Paper dust remover unit	1	150k	A7AHR72900		P25-7	*3, *5	
18		Ozone filter	1	150k	A7AHR70300		P11-14	*3	
19	Waste toner box *1	1	110k	A7XWWY2		P41-6	*3, *6		
20	Image transfer section	Transfer roller unit	1	150k	A7AHR72900		P25-7	*3	
21	Registration section	Ozone filter	1	150k	A7AHR72000		P24-1	*3	
22		Registration roller bushing	4	900k	A7AH703201		P25-2	*3, *4	
23		Registration roller gear/1	1	900k	1164351501		P25-16	*3, *4	
24		Registration roller gear/2	1	900k	A7AH707500		P25-15	*3, *4	
25	Fusing section	Fusing unit	1	320k	A7AHR72200	A,A1	P31-5	*3	
26			1	400k	A7AHR72300	B,G2	P31-5	*3	
27			1	400k	A7AHR72400	C,D1,D3,E,F2,G1,I	P31-5	*3	

\*1: The parts can be replaced either by user or service engineer.

\*2: Actual durable cycle (life counter value)

\*3: Field standard yield

\*4: Replace those three parts at the same time.

\*5: The ozone filter is furnished with the transfer roller unit (A7AH R729) so that all of them are replaced at same time.

\*6: A waste toner full condition is detected with detecting the actual waste toner emissions.

# メンテナンスリスト

● ページ / キーナンバーのないものは、アフターサービス部品ではありません。

No.	区分	PM 部品名称	サイクル (K=1,000)		部品番号	仕向地	頁 / キー	備考
			員数	交換				
1	給紙部	トレイ1ピックアップローラー	1	300k	A5C1562200		P13-14	*2, *4
2		トレイ1給紙ローラー	1	300k	A00J563600		P13-12	*2, *4
3		トレイ1分離ローラー	1	300k	A00J563600		P14-10	*2, *4
4		トレイ2ピックアップローラー	1	300k	A5C1562200		P15-21	*2, *4
5		トレイ2給紙ローラー	1	300k	A00J563600		P15-19	*2, *4
6		トレイ2分離ローラー	1	300k	A00J563600		P16-7	*2, *4
7		手差しトレイ給紙ローラー	1	200k	A00F623201		P27-7	*2, *4
8		手差しトレイ分離ローラー Assy	1	200k	4658015106		P28-19	*2, *4
9	プロセス部	トナーカートリッジ / K *1	1	23k	-			*3
10		ドラムユニット / K *1	1	85k	-	A,A1		*3
11			1	105k	-	B,G2		*3
12			1	105k	-	C,D1,D3,E,F2,G1,I		*3
13		現像ユニット / K	1	545k	-	A,A1		*3
14			1	590k	-	B,G2		*3
15			1	600k	-	C,D1,D3,E,F2,G1,I		*3
16		トナーフィルター	1	150k	A7AHR72600		P35-12	*3
17		紙粉除去クリーナーユニット	1	150k	A7AHR72900		P25-7	*3, *5
18		オゾンフィルター	1	150k	A7AHR70300		P11-14	*3
19	廃棄トナーボックス *1	1	110k	A7XWWY2		P41-6	*3, *6	
20	転写部	転写ローラーユニット	1	150k	A7AHR72900		P25-7	*3
21	レジスト部	オゾンフィルター	1	150k	A7AHR72000		P24-1	*3
22		レジストローラー軸受	4	900k	A7AH703201		P25-2	*3, *4
23		レジストローラーギア / 1	1	900k	1164351501		P25-16	*3, *4
24		レジストローラーギア / 2	1	900k	A7AH707500		P25-15	*3, *4
25	定着部	定着ユニット	1	320k	A7AHR72200	A,A1	P31-5	*3
26			1	400k	A7AHR72300	B,G2	P31-5	*3
27			1	400k	A7AHR72400	C,D1,D3,E,F2,G1,I	P31-5	*3

\*1: ユーザー / サービス交換の選択が可能。

\*2: ライフカウンター値

\*3: 市場標準印刷枚数値

\*4: 同時交換のこと

\*5: 転写ローラーユニット (A7AH R729) に同梱されており、同時交換する。

\*6: 廃棄トナーフル検知は、実際の廃棄トナー充填量を検知して行う。



## DESTINATION

Destination No.		Destinations		V	Hz	Model No.
A	A1	JAPAN		100	50/60	A7AH001
	A2	JAPAN		200	50/60	
B		USA, CANADA		120	60	A7AH011
C		EUROPEAN TYPE		220-240	50/60	A7AH021
D	D1	S.E ASIA TYPE	THAILAND, SRI LANKA, SINGAPORE, MALAYSIA, HONG KONG, PAKISTAN, INDIA, BANGLADESH, INDONESIA	220-240	50/60	A7AH041
	D3	OCEANIA TYPE	AUSTRALIA, NEW ZEALAND	220-240	50/60	A7AH041
E		PHILIPPINES		220-240	50/60	A7AH041
F	F1	SAUDI ARABIA		127	60	
	F2	SAUDI ARABIA		220-240	50/60	A7AH041
G	G1	C.S AMERICA		220-240	50/60	A7AH041
	G2	C.S AMERICA		120	60	A7AH011
H		TAIWAN		110	60	A7AH071
I		JORDAN, LEBANON, SYRIA, SOUTH AFRICA, IRAQ, IRAN, N.YEMEN, CAMEROON, UAE, BAHRAIN, OMAN, QATAR, KUWAIT, KENYA, TUNISIA, IVORY COAST, MOROCCO		220-240	50/60	A7AH021 A7AH041
J		CHINA		220-240	50/60	A7AH081
K		KOREA		220-240	50/60	A7AH091 A7AH092

bizhub 128DN/bizhub 287