

KONICA MINOLTA

PARTS GUIDE MANUAL

MARCH 2018

bizhub 308
A9HK

INFORMATION FOR PARTS GUIDE MANUAL

To find correct Parts No., refer to the "HOW TO MAKE THE BEST USE OF THIS MANUAL" in the following page.

HOW TO MAKE THE BEST USE OF THIS MANUAL

- 1 When you order, please check the proper figures beforehand that are on Our Parts Guide Manual, and order with the appropriate figures.
- 2 For screws, Nuts, Washers, retaining rings and Pins which are used in this model, one letter is shown on the Standard parts column of Parts list and exploded diagrams.
- 3 In order to maintain safety of the product, some specific parts composed of this product are set up as "essential safety parts".
- 4 The assigned parts number for the "essential safety parts" is indicated as "SP00-****".
When replacing these parts, follow precautions for disassembling and installing which are listed in the Service Manual.
Do not use any parts that are not set up as
- 5 ♣ means that there are exclusive parts for each destination.
Please check the appropriate destination when you order.
- 6 Revision Mark
Marked as ▲ on the illustration shows that the revision has been made.
- 7 All rights reserved. (any reprints or quotations are prohibited.)
Use of this parts guide manual should be strictly supervised to avoid disclosure of confidential information.

パーツガイドマニュアルのご案内

サービス部品をご発注の際には、下記に示す“パーツガイドマニュアルの活用にあたって”をご参照の上、正しい部品番号にてお願い致します。

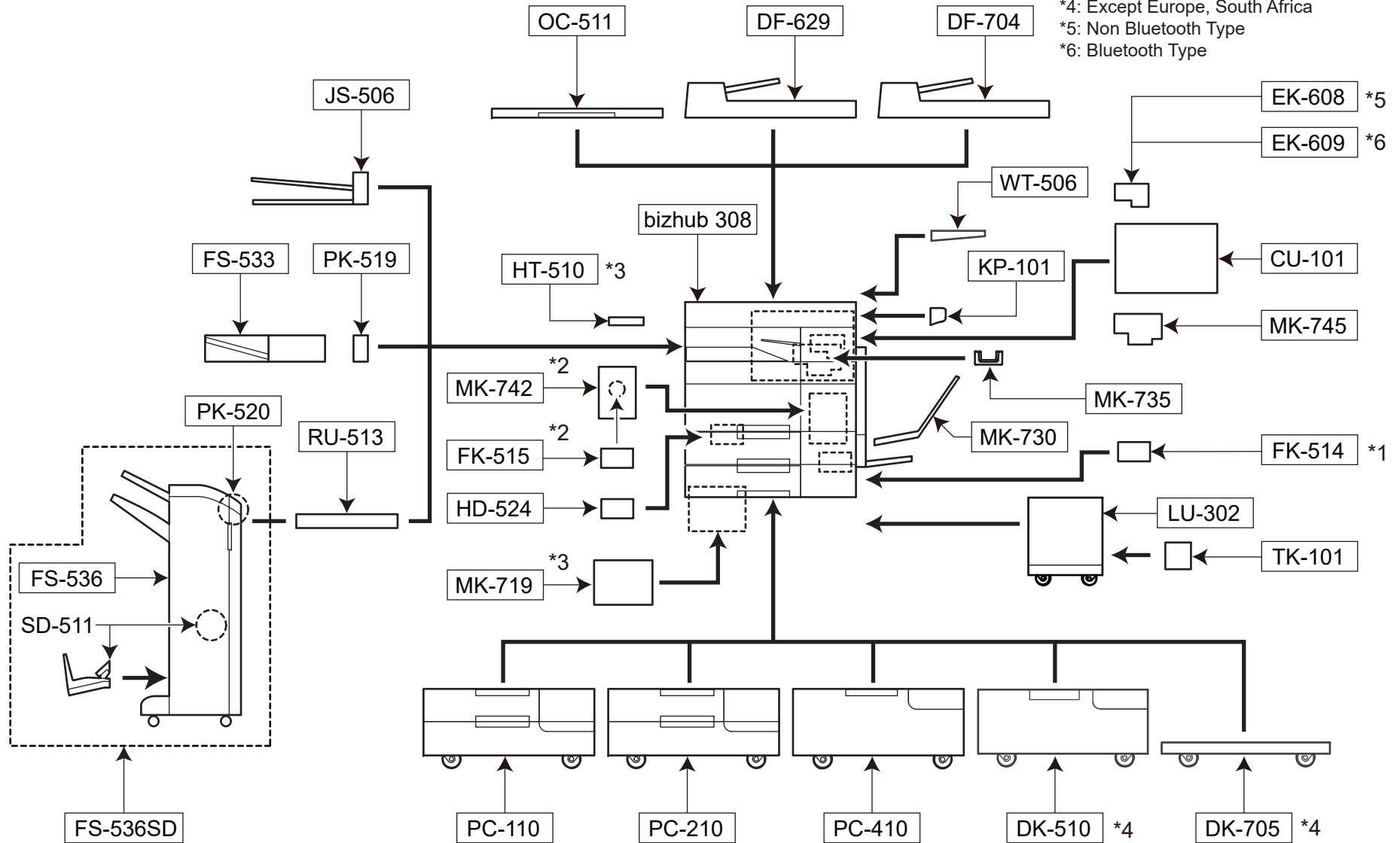
パーツガイドマニュアルの活用にあたって

- 1 部品発注の際には、掲載されている部品番号の桁数を確認し、掲載されている桁数で発注願います。
- 2 この製品に使用されているネジ、ナット、ワッシャー、止め輪、ピンなどは、リストの右側の Standard parts 欄に a,b,c,…… で表示し、イラストにも a,b,c,…… 表示してあります。
- 3 製品の安全性を維持する為に、製品に使用される特定の部品を「重要保安部品」として設定しています。
- 4 重要保安部品の部品番号は、“SP00-****”と記載されていますので、部品交換時は、サービスマニュアル記載の分解・組み立ての注意事項に従って作業をして下さい。
また、指定以外の部品は一切使用しないで下さい。
- 5 本文に ♣ が表示されている部品は、仕向け地毎に専用部品がある事を意味しています。
オーダーされる時は、仕向け地を確認して下さい。
- 6 改訂記号について
イラスト上に ▲ 印が表示されている部分は、改訂された事を表します。
- 7 著作権所有（無断転載及び無断引用の禁止）
本パーツガイドマニュアルについては、機密保持等その扱いには十分注意して下さい。万一取り扱いを誤った場合には、法律で処罰されることがあります。

09/20/2016

System Configuration

- *1: As use for 1st or 2nd FAX circuit line
- *2: As use for 3rd or 4th FAX circuit line
(Japan, USA/CANADA only)
- *3: Japan only
- *4: Except Europe, South Africa
- *5: Non Bluetooth Type
- *6: Bluetooth Type



bizhub 308

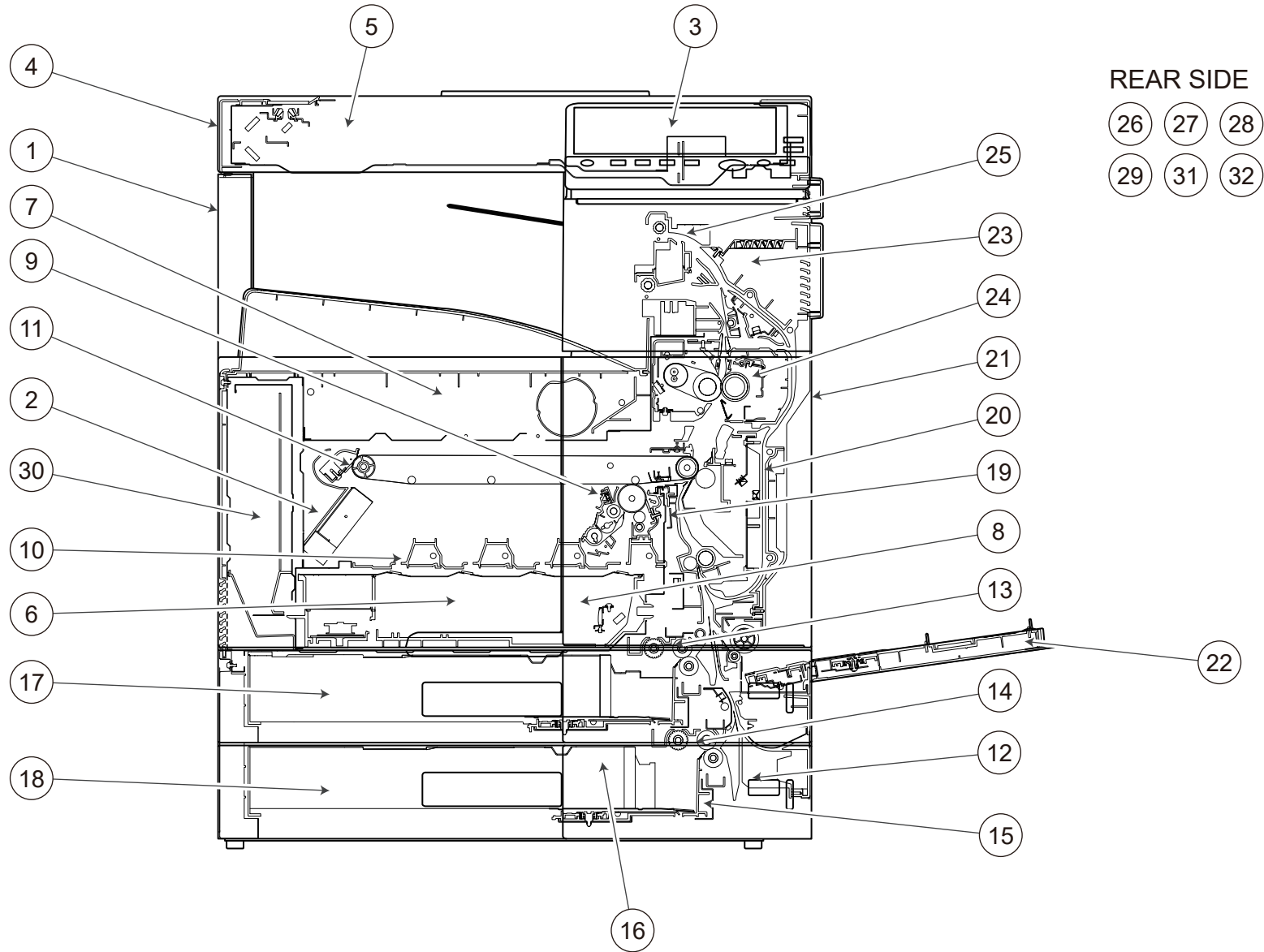
GENERAL CONTENTS

No.	Description	Model
1	Digital MFP B/W	bizhub 308
2	Original Cover	OC-511
3	Document Feeder	DF-629
4	Document Feeder	DF-704
5	Local IF Kit	EK-608
6	Local IF Kit	EK-609
7	Working Table	WT-506
8	Other Option	KP-101
9	Other Option	CU-101
10	Mount Kit	MK-745
11	Mount Kit	MK-735
12	Mount Kit	MK-730
13	Fax Kit	FK-514
14	Paper Feeder	LU-302
15	Other Option	TK-101
16	Paper Feeder	PC-410
17	Paper Feeder	PC-210
18	Paper Feeder	PC-110
19	Finisher/Sorter	FS-536SD
20	Finisher/Sorter	FS-536
21	Punch Unit	PK-520
22	Finisher/Sorter	RU-513

bizhub 308

No.	Description	Model
23	Finisher/Sorter	FS-533
24	Punch Unit	PK-519
25	Job Separator	JS-506
26	HDD	HD-524
27	Mount Kit	MK-742
28	Fax Kit	FK-515
29	Desk	DK-705
30	Desk	DK-510
31	Heater	HT-510
32	Other Option	MK-719

Section Configuration



REAR SIDE

- 26
- 27
- 28
- 29
- 31
- 32

CONTENTS

No.	DESCRIPTION	名称	PAGE No.
1	External Parts	外装部	P1 P2
2	Inner Cover Section	2次カバー部	P3
3	Operation Panel section	操作部	P4
4	Scanner Section	スキャナー部	P5 P6 P7 P8
5	PH Section	PH部	P9
6	Toner Supply Section	トナー補給部	P10 P11
7	Toner Collection Section	トナー回収部	P12
8	Photo Conductor Section	感光体部	P13
9	Developing Section	現像部	P14
10	1st Transfer Section	1次転写部	P15
11	Paper Feed Section	給紙部	P16
12	Tray 1 Paper Feed Section	トレイ1給紙部	P17 P18
13	Tray 2 Paper Feed Section	トレイ2給紙部	P19 P20
14	Tray Section	トレイ部	P21 P22
15	Tray 1 Section	トレイ1部	P23 P24
16	Tray 2 Section	トレイ2部	P25 P26
17	2nd Transfer/Registration Section	2次転写/レジスト部	P27
18	2nd Transfer/Vertical Conveyance Section	2次転写/垂直搬送部	P28 P29
19	Vertical Conveyance Section	垂直搬送部	P30
20	Bypass Tray Section	手差しトレイ部	P31 P32 P33
21	Duplex Section	両面部	P34 P35
22	Fusing/Paper Cooling Fan Section	定着/用紙冷却ファン部	P36
23	Reverse/Paper Exit Section	反転/排紙部	P37 P38
24	Main Drive/Paper Feed Drive Section	メイン駆動/給紙駆動部	P39
25	Toner Supply Drive Section	トナー補給駆動部	P40
26	Fusing Drive Section	定着駆動部	P41 P42
27	High Voltage Section	高圧電源部	P43
28	Low Voltage Section	低圧電源部	P44
29	Electrical Components Section	電装部	P45 P46
30	Wiring	束線	P47 P48 P49
31	Wiring Accessories and Jigs	配線部品・治具	P50
32	Accessory Parts	同梱部品	P51

INDEX

Parts No.	Page No.
0996305501	21-7
1164202801	38-5
4002311002	22-7
4004590301	38-1
4011585202	27-35
4025598401	38-3
4030301703	18-11
4030301703	20-12
4030320601	24-15
4030320601	26-16
4030322601	24-9
4030322601	26-9
4030340301	32-15
4030347501	32-19
4034352501	17-2
4036307501	6-6
4036534801	11-24
4037320401	24-11
4037320401	26-11
4038101401	10-4
4038228702	3-18
4038353701	27-9
4038353901	27-13
4038541202	40-9
4038M60000	3-14
4040561000	18-2
4040561000	20-3
4131300301	17-12
4131300301	19-17
4131353202	31-17
4136N30000	51-16
4139M10000	9-2
4139M10000	44-9
4163510201	11-7
4163529301	9-3
4163529301	15-12
4163529301	22-12
4163529301	24-23
4163529301	26-13
4163529301	27-32

Parts No.	Page No.
4163529301	28-2
4163529301	29-25
4163529301	34-10
4163529301	35-3
4333501201	11-17
4532341001	18-13
4532341001	20-15
4576536301	11-8
4581162501	6-8
4640392001	37-3
4658015106	32-26
56AA40490	1-16
56AA40490	17-15
56AA40490	18-8
56AA40490	19-19
56AA40490	20-7
65AA-9920	50-23
9313100072	36-4
9321240011	31-24
9381420021	51-16
9381430031	51-16
9J06730101	45-5
9J06M10300	22-8
9J06M60100	3-17
9J06M60100	30-3
9J06PJP100	50-24
A00F623201	31-10
A00F941100	34-25
A00J106202	1-20
A00J169100	2-10
A00J169100	4-17
A00J169100	51-3
A00J169300	5-5
A00J265300	6-7
A00J563600	17-14
A00J563600	18-6
A00J563600	19-18
A00J563600	20-6
A00J617900	19-12
A00J663200	17-28

Parts No.	Page No.
A00J663200	19-16
A00J945500	1-13
A00JH00D00	1-7
A011946200	4-24
A02E117300	36-15
A02E149900	2-7
A02E167700	5-7
A02E167700	51-4
A02E560800	17-24
A02E560800	19-28
A02E561100	17-16
A02E561100	19-20
A02E595100	31-21
A02E595400	31-16
A02E596100	31-20
A02E596300	31-9
A02E597600	32-25
A02E712902	27-12
A02E815200	29-10
A02E815200	34-7
A02E815200	35-17
A02E940300	24-24
A02E940300	26-24
A02EM20000	19-30
A02EM20000	27-1
A02EM20100	31-22
A02EN12513	45-13
A034M20100	27-34
A03U812800	41-8
A03U812800	42-14
A0ED103100	13-4
A0ED111000	15-4
A0ED111400	15-17
A0ED112000	15-14
A0ED135700	45-7
A0ED162401	3-6
A0ED163000	1-3
A0ED245000	12-7
A0ED271200	7-7
A0ED271300	7-6

Parts No.	Page No.
A0ED273600	8-12
A0ED274300	8-19
A0ED274400	8-8
A0ED276301	8-16
A0ED363001	12-4
A0ED363200	12-2
A0ED363312	12-5
A0ED363400	12-3
A0ED401000	11-25
A0ED550800	28-24
A0ED550900	28-17
A0ED551000	28-14
A0ED551100	28-15
A0ED563900	18-5
A0ED563900	20-5
A0ED597800	31-23
A0ED620200	24-16
A0ED620200	26-17
A0ED620701	24-22
A0ED620701	26-22
A0ED621400	24-12
A0ED621400	26-12
A0ED700200	27-17
A0ED700300	27-19
A0ED700600	27-14
A0ED700700	27-20
A0ED702400	29-28
A0ED702800	27-5
A0ED703800	28-9
A0ED705800	27-4
A0ED712100	30-8
A0ED811700	29-1
A0ED811700	34-18
A0ED811900	29-4
A0ED815100	35-9
A0ED891100	38-6
A0ED897700	38-15
A0ED940600	10-6
A0ED940700	1-4
A0EDM10500	46-12

Parts No.	Page No.
A0EDM50100	17-5
A0EDM50100	19-3
A0EDM60001	10-19
A0EDM60001	14-1
A0EDN30002	45-8
A0G6411200	1-9
A0HF952400	5-11
A0P0742300	37-9
A0P0M50300	43-7
A0P0N15100	46-11
A161101600	21-15
A161101701	21-16
A161101802	9-7
A161101900	21-4
A161102500	30-2
A161103700	21-12
A161103901	21-10
A161104101	28-22
A161104200	21-3
A161104300	21-1
A161105200	21-14
A161105400	9-5
A161105500	39-6
A161105600	13-6
A161107100	13-5
A161107400	13-9
A161110105	15-21
A161110202	15-10
A161110300	15-11
A161110400	15-7
A161110601	15-3
A161112101	15-22
A161112200	15-8
A161112300	15-20
A161112400	15-23
A161112500	15-5
A161112600	15-9
A161112700	15-25
A161116202	14-2
A161119500	14-3

Parts No.	Page No.	Parts No.	Page No.	Parts No.	Page No.	Parts No.	Page No.	Parts No.	Page No.
A161121300	30-1	A161165300	3-5	A161254200	41-1	A161281600	6-4	A161561600	17-7
A161121401	36-9	A161165602	1-17	A161254300	41-2	A161362000	12-11	A161561600	19-8
A161121900	41-15	A161165700	3-1	A161254400	41-3	A161400100	11-10	A161562000	17-19
A161122002	41-22	A161167000	4-23	A161254500	41-5	A161400401	11-11	A161562000	19-23
A161122500	36-8	A161167100	4-28	A161254700	41-4	A161400601	11-12	A161562101	17-21
A161130502	45-6	A161167300	4-27	A161256300	41-9	A161400701	11-20	A161562101	19-25
A161130603	45-9	A161167400	4-26	A161258501	42-15	A161400800	11-26	A161562300	17-17
A161131401	45-1	A161170800	5-8	A161259800	39-16	A161401000	11-6	A161562300	19-21
A161132801	43-3	A161190903	4-2	A161261902	6-15	A161401100	11-5	A161562400	17-13
A161134702	39-8	A161210200	39-10	A161262002	6-16	A161401200	11-4	A161562400	19-15
A161135100	3-15	A161220100	39-24	A161262200	6-14	A161401300	11-2	A161562500	17-20
A161137100	30-4	A161220200	39-23	A161263000	6-11	A161401400	11-1	A161562500	19-24
A161137202	36-13	A161220400	39-22	A161268200	6-3	A161402115	10-14	A161562600	17-18
A161137701	43-5	A161220500	39-21	A161268300	6-1	A161402403	10-8	A161562600	19-22
A161137802	9-10	A161220600	39-20	A161271000	7-9	A161402502	10-7	A161562800	17-11
A161137900	46-21	A161220700	39-19	A161271000	8-14	A161403000	11-18	A161562800	19-13
A161140400	36-10	A161221001	39-25	A161271100	7-11	A161403101	11-9	A161563000	19-32
A161140800	44-7	A161228000	42-9	A161271100	8-17	A161403200	11-23	A161563300	18-12
A161141500	43-1	A161228100	42-10	A161273113	8-15	A161403500	10-10	A161563300	20-13
A161141700	15-16	A161228312	42-11	A161273401	8-13	A161403600	10-11	A161563901	18-14
A161143400	44-10	A161228601	42-16	A161273500	8-18	A161403701	10-2	A161563901	20-14
A161143601	44-3	A161228800	41-7	A161273701	8-11	A161403800	10-9	A161564001	18-10
A161144500	44-2	A161230500	42-8	A161273800	8-20	A161403901	10-5	A161564001	20-11
A161144801	15-13	A161230600	42-7	A161274500	8-22	A161404001	10-16	A161564200	18-16
A161145000	44-1	A161230700	41-19	A161274600	8-21	A161404100	10-17	A161564200	20-17
A161146200	15-15	A161231800	42-5	A161275113	8-23	A161404200	11-14	A161564300	18-18
A161151100	3-12	A161232200	41-6	A161275213	8-24	A161404300	11-19	A161564300	20-19
A161151200	30-5	A161232300	41-17	A161275300	8-9	A161508400	15-2	A161564400	18-15
A161151300	3-19	A161232300	42-3	A161275400	8-10	A161550700	28-12	A161564400	20-16
A161160300	1-8	A161232401	41-21	A161275500	8-6	A161551500	28-21	A161565102	16-8
A161161002	1-1	A161240300	40-5	A161275600	8-5	A161551600	28-20	A161565302	17-9
A161161201	2-19	A161240400	40-8	A161275700	8-3	A161560112	17-10	A161566000	17-1
A161161303	1-10	A161240600	40-6	A161276000	8-4	A161560302	19-10	A161567300	17-23
A161162304	37-5	A161240700	40-10	A161276500	8-7	A161560500	17-29	A161567300	19-27
A161162400	4-18	A161245100	12-6	A161278600	7-1	A161560500	19-14	A161567400	17-22
A161162803	2-8	A161245400	12-8	A161278900	7-3	A161560900	17-4	A161567400	19-26
A161162900	2-20	A161253100	39-15	A161280211	6-20	A161560900	19-7	A161568600	18-3
A161163503	2-3	A161253500	39-13	A161280300	6-17	A161561000	19-1	A161568700	20-9
A161163900	2-16	A161253600	39-17	A161281100	6-24	A161561100	16-1	A161568800	20-2
A161165007	3-4	A161253900	39-11	A161281300	6-22	A161561200	16-2	A161571100	19-6

Parts No.	Page No.	Parts No.	Page No.	Parts No.	Page No.	Parts No.	Page No.	Parts No.	Page No.
A161576100	16-7	A161594900	31-28	A161625114	23-18	A161710500	29-8	A161814700	34-9
A161576200	16-5	A161595000	32-18	A161625900	23-16	A161711200	28-26	A161814901	34-24
A161576300	16-4	A161595100	32-14	A161625900	25-17	A161711300	29-13	A161815000	30-21
A161578100	19-2	A161595200	32-21	A161626000	23-12	A161711600	29-17	A161815100	34-3
A161578212	19-4	A161595300	32-16	A161626000	25-13	A161711700	29-14	A161815300	30-16
A161578700	19-33	A161595400	32-20	A161626100	23-13	A161711901	29-31	A161815400	30-19
A161579011	16-10	A161595600	32-17	A161626100	25-14	A161712000	29-19	A161815800	34-12
A161590101	32-13	A161620107	24-19	A161626200	23-2	A161712100	29-23	A161815900	30-17
A161590201	31-5	A161620400	24-10	A161626200	25-2	A161712300	28-16	A161816200	30-22
A161590304	32-11	A161620400	26-10	A161626502	23-9	A161712401	28-4	A161816300	29-26
A161590600	31-19	A161620600	24-6	A161626602	23-10	A161712500	28-19	A161816400	34-17
A161590800	31-18	A161620600	26-6	A161626602	25-11	A161712600	29-6	A161819000	34-19
A161590901	32-29	A161620701	24-7	A161626800	23-11	A161712700	28-3	A161819200	35-32
A161591000	32-28	A161620701	26-8	A161626800	25-12	A161712800	29-21	A161819500	35-13
A161591100	32-27	A161620803	24-14	A161626900	23-17	A161712800	35-25	A161825000	35-31
A161591300	31-25	A161620803	26-15	A161626900	25-18	A161712900	29-5	A161825102	35-14
A161591400	31-13	A161620904	24-1	A161630102	26-23	A161713100	29-7	A161825301	35-7
A161591500	31-12	A161620904	26-1	A161631411	26-19	A161713500	29-20	A161825400	35-19
A161591600	32-12	A161621100	24-5	A161633101	25-4	A161714500	29-18	A161825700	29-9
A161591700	31-8	A161621100	26-5	A161633202	25-21	A161714600	29-22	A161825700	35-10
A161591800	32-22	A161621300	24-13	A161635117	25-19	A161719000	29-2	A161825800	35-11
A161592200	33-2	A161621300	26-14	A161636502	25-10	A161810305	30-20	A161826001	35-33
A161592300	33-10	A161621411	24-18	A161700301	27-26	A161810503	35-28	A161890300	38-27
A161592400	33-7	A161621600	24-4	A161700401	27-31	A161810701	34-1	A161891000	38-18
A161592501	33-8	A161621600	26-4	A161700600	27-10	A161810801	35-5	A161891301	38-25
A161592600	33-9	A161621701	24-21	A161700700	27-30	A161811001	30-10	A161891401	37-2
A161592800	31-1	A161621701	26-21	A161700901	27-40	A161811100	30-12	A161892000	38-20
A161592900	30-7	A161621800	24-20	A161701100	27-28	A161811302	30-14	A161892100	38-13
A161593300	31-14	A161621800	26-20	A161701301	27-15	A161811500	30-9	A161892300	38-19
A161593400	32-33	A161621900	24-17	A161701703	27-27	A161813001	35-26	A161892400	38-2
A161593600	32-31	A161621900	26-18	A161701800	27-36	A161813100	35-27	A161892902	38-26
A161593800	33-15	A161622100	23-1	A161701900	27-3	A161813200	35-18	A161893601	38-10
A161594100	31-6	A161622100	25-1	A161702000	27-21	A161813300	34-14	A161894000	37-6
A161594201	32-10	A161623104	23-4	A161702101	27-41	A161813400	35-21	A161894000	38-8
A161594300	33-18	A161623301	23-21	A161702200	27-2	A161813600	35-8	A161894100	37-7
A161594400	31-11	A161623400	21-13	A161702200	42-12	A161813701	34-6	A161895113	38-29
A161594500	32-1	A161623400	23-3	A161706001	27-6	A161813902	35-22	A161895301	37-4
A161594600	32-3	A161623400	25-3	A161710103	28-11	A161814401	35-2	A161895400	38-4
A161594700	31-7	A161624100	24-3	A161710300	29-29	A161814500	35-16	A161895502	38-7
A161594800	31-27	A161624100	26-3	A161710405	29-24	A161814601	34-5	A161895600	38-9

Parts No.	Page No.	Parts No.	Page No.	Parts No.	Page No.	Parts No.	Page No.	Parts No.	Page No.
A161895800	38-30	A161M50A00	6-23	A2XK400100	10-21	A5C1231300	41-18	A5C1710200	29-12
A161897200	37-8	A161N10002	45-10	A3EW944600	5-10	A5C1254600	41-12	A5C1710900	28-8
A161900100	38-24	A161N10102	45-11	A3GNM71C00	7-13	A5C1263300	6-10	A5C1711000	28-6
A161900201	38-31	A161N10D00	27-24	A3GNM71C00	46-28	A5C1263400	6-26	A5C1711500	29-16
A161900300	38-32	A161N10H01	28-1	A4EU138000	46-6	A5C1280100	6-18	A5C1711800	28-13
A161940400	1-14	A161N10K00	1-5	A4NNOY1	12-9	A5C1404500	10-15	A5C1715100	28-5
A161941100	41-14	A161N10P01	17-27	A4NNOY1	12-9	A5C1404600	11-3	A5C1810603	35-6
A161942000	3-13	A161N10Q02	19-31	A4NNWY3	12-9	A5C1551701	28-18	A5C1811600	30-18
A161942500	3-7	A161N11300	43-11	A4NNWY3	12-9	A5C1560600	17-3	A5C1811700	35-1
A161943000	3-3	A161N11C01	5-13	A55V624700	23-23	A5C1560600	19-11	A5C1811803	35-34
A161943000	24-8	A161N11K00	43-12	A55V624700	25-23	A5C1562200	17-30	A5C1811901	35-23
A161943000	26-7	A161N12100	35-4	A5AWP00100	50-21	A5C1562200	19-34	A5C1814200	35-20
A161943100	23-14	A161N12200	31-4	A5AWP00100	50-22	A5C1563100	18-1	A5C1814300	34-23
A161943200	25-15	A161N12701	19-5	A5C1101101	21-8	A5C1563100	20-1	A5C1815200	30-13
A161943301	51-8	A161N12801	11-15	A5C1104400	21-11	A5C1563400	18-9	A5C1815700	34-11
A161943400	51-7	A161N14100	6-5	A5C1104700	21-18	A5C1563400	20-10	A5C1819600	34-22
A161943700	24-2	A161N14201	6-12	A5C1104800	21-6	A5C1563500	18-4	A5C1819700	34-16
A161943700	26-2	A161N15J00	46-10	A5C1105500	13-7	A5C1563500	20-4	A5C1822000	34-4
A161946100	34-8	A161R70511	39-5	A5C1106000	21-19	A5C1564101	18-17	A5C1825000	35-30
A161946200	29-15	A161R71422	28-23	A5C1112800	15-6	A5C1564101	20-18	A5C1825500	35-29
A161946300	27-11	A161R71788	36-12	A5C1112900	15-19	A5C1565500	17-6	A5C1890100	38-23
A161946400	29-11	A161R71888	36-12	A5C1120700	10-1	A5C1565600	18-20	A5C1890401	38-11
A161F10901	41-16	A161R71999	36-12	A5C1120800	10-1	A5C1565600	20-21	A5C1891100	38-33
A161F21100	39-14	A161R72200	6-2	A5C1121100	36-7	A5C1590500	30-11	A5C1900400	38-34
A161F21200	39-18	A161R72644	38-21	A5C1121202	30-6	A5C1591200	31-26	A5C1900500	38-16
A161F25013	42-4	A1DMN13700	46-27	A5C1130800	45-4	A5C1591900	31-3	A5C1900600	38-28
A161F25102	41-10	A1RF505400	42-13	A5C1132001	2-18	A5C1624300	23-8	A5C1F42000	11-13
A161F56028	17-25	A1RF517100	39-2	A5C1134111	46-8	A5C1624300	25-9	A5C1M10A00	8-2
A161F56101	16-6	A1UD192400	21-9	A5C1134200	46-5	A5C1625001	23-15	A5C1M50100	6-13
A161F59002	31-15	A1UD947400	51-6	A5C1134800	43-13	A5C1627101	22-9	A5C1M50100	11-22
A161F81103	34-21	A1UDM50200	6-9	A5C1135300	9-4	A5C1627300	22-10	A5C1M50100	17-8
A161F89003	38-22	A1UDN30200	51-16	A5C1137800	45-14	A5C1627900	22-11	A5C1M50100	19-9
A161H00U01	4-20	A2UPN30100	51-16	A5C1140300	36-6	A5C1628000	22-4	A5C1M50100	22-13
A161M20202	39-12	A2UPN30300	51-16	A5C1142001	43-14	A5C1628500	23-19	A5C1M50100	27-33
A161M20300	39-3	A2UPN30601	51-16	A5C1148100	36-16	A5C1628500	25-20	A5C1M50100	28-10
A161M20400	42-6	A2X0901100	38-12	A5C1149400	36-5	A5C1635001	25-16	A5C1M50100	29-27
A161M50000	27-38	A2X0945701	2-5	A5C1160401	1-6	A5C1700101	27-8	A5C1M50100	31-2
A161M50400	33-14	A2X0949100	3-8	A5C1167800	4-22	A5C1700800	27-18	A5C1M50100	32-24
A161M50501	22-6	A2XK224100	41-20	A5C1192100	51-5	A5C1701400	27-16	A5C1M50100	33-6
A161M50600	22-5	A2XK400001	10-20	A5C1228700	41-13	A5C1703200	27-23	A5C1M50100	35-12

Parts No.	Page No.	Parts No.	Page No.	Parts No.	Page No.	Parts No.	Page No.	Parts No.	Page No.
A5C1M72H00	46-9	A795942401	25-8	A7PU135402	4-15	A7PU168600	4-6	A7PU596900	31-30
A5C1M92000	4-11	A797102701	36-11	A7PU135500	3-10	A7PU168702	2-14	A7PU599300	33-20
A5C1N10B00	4-29	A797105400	13-2	A7PU137301	4-30	A7PU169900	51-1	A7PU627500	22-3
A5C1N14300	8-1	A797245300	12-13	A7PU138002	4-10	A7PU170101	5-9	A7PU700111	27-25
A5C1N30000	45-8	A797N30000	51-16	A7PU138100	4-8	A7PU170200	5-1	A7PU701000	27-42
A5C1R70800	18-19	A79J146700	51-15	A7PU138200	4-7	A7PU170300	5-12	A7PU701100	27-39
A5C1R70800	20-20	A79J821000	35-35	A7PU138301	4-9	A7PU170400	5-6	A7PU701200	27-7
A5C1R71600	1-15	A79J941200	23-5	A7PU139000	44-5	A7PU170600	5-4	A7PU810101	34-2
A5C1R90000	6-27	A79J941200	25-5	A7PU139100	44-6	A7PU170702	5-3	A7PU810200	34-13
A5C4N10500	36-14	A79J941300	23-20	A7PU139800	46-19	A7PU216100	39-4	A7PU810800	35-5
A61D400200	10-22	A79J941500	23-6	A7PU140100	46-14	A7PU240101	40-4	A7PU810900	35-24
A61DN10B01	10-23	A79J943500	25-6	A7PU141800	43-8	A7PU241500	40-7	A7PU811300	34-21
A61DR71300	15-26	A79J943600	25-7	A7PU142100	2-12	A7PU241600	40-1	A7PU819600	34-22
A61DR71311	15-26	A7AHM20501	17-26	A7PU142300	36-2	A7PU270100	7-10	A7PU825500	35-29
A61F100600	44-12	A7AHM20501	19-29	A7PU142800	2-24	A7PU270600	7-12	A7PU890200	38-14
A61F130001	13-1	A7AHM50400	27-29	A7PU143300	36-3	A7PU567500	18-23	A7PU890700	38-17
A61F140200	9-1	A7AHM90300	7-14	A7PU143400	36-1	A7PU567600	18-22	A7PU890800	38-37
A61F168200	14-4	A7AHN30000	51-16	A7PU145900	9-14	A7PU567700	18-21	A7PU940600	5-2
A61F400001	10-24	A7PU100600	44-11	A7PU146000	9-15	A7PU568400	18-7	A7PU941600	6-28
A61F403300	10-12	A7PU101500	44-13	A7PU147400	9-13	A7PU569100	16-3	A7PU941701	2-6
A61F403401	10-13	A7PU102201	21-2	A7PU160100	1-2	A7PU569200	17-31	A7PU944100	33-5
A61F940400	1-14	A7PU102301	21-5	A7PU160200	1-11	A7PU569200	19-35	A7PU944200	33-5
A61FM90200	6-25	A7PU104000	21-17	A7PU160700	1-18	A7PU577500	20-24	A7PU944301	33-4
A61FM90200	46-26	A7PU106100	22-14	A7PU160800	1-19	A7PU577600	20-23	A7PU944401	33-1
A61FN10200	45-12	A7PU109000	15-18	A7PU160902	2-15	A7PU577700	20-22	A7PU944500	32-35
A61FN10F00	11-21	A7PU109100	2-25	A7PU161400	4-19	A7PU578400	20-8	A7PU944600	34-26
A61FN11200	15-24	A7PU130300	9-8	A7PU161501	4-4	A7PU592000	33-13	A7PU944900	32-9
A61FN11V00	13-3	A7PU130400	46-15	A7PU161701	4-25	A7PU592100	33-3	A7PU947001	51-14
A61FN12A00	3-16	A7PU130811	45-2	A7PU161806	2-13	A7PU593000	32-5	A7PU947101	51-14
A61FN12H01	27-37	A7PU131101	46-4	A7PU161900	4-16	A7PU593100	32-8	A7PU947201	51-14
A61FR71200	43-9	A7PU131603	46-18	A7PU162100	2-2	A7PU593200	32-7	A7PUF21000	12-10
A64J257800	39-1	A7PU132100	43-4	A7PU162200	2-21	A7PU593201	32-7	A7PUF60000	33-11
A64J363700	12-1	A7PU132301	2-9	A7PU162600	4-3	A7PU593500	33-12	A7PUH00800	9-9
A64J709100	29-3	A7PU132502	43-2	A7PU164100	4-14	A7PU593700	33-16	A7PUH01A01	6-21
A64J719100	29-30	A7PU133100	46-16	A7PU166101	51-13	A7PU594000	32-34	A7PUM10000	42-2
A64J815500	30-15	A7PU133211	45-3	A7PU166316	2-4	A7PU595500	32-6	A7PUM10200	39-7
A64J891200	38-35	A7PU134500	46-1	A7PU168201	51-2	A7PU596000	32-32	A7PUM10300	34-20
A64J891500	38-36	A7PU134600	46-7	A7PU168301	2-11	A7PU596100	32-4	A7PUM10400	37-1
A64JR71400	12-12	A7PU134700	46-29	A7PU168400	2-17	A7PU596200	32-2	A7PUM10700	11-16
A795942401	23-7	A7PU134800	46-25	A7PU168500	4-5	A7PU596700	32-30	A7PUM10700	40-2

Parts No.	Page No.
A7PUM10700	42-1
A7PUM70004	4-1
A7PUM70104	4-1
A7PUM70204	4-1
A7PUM70303	4-1
A7PUM72100	4-12
A7PUM92500	46-23
A7PUN10302	2-1
A7PUN10401	22-1
A7PUN10501	22-2
A7PUN10600	9-11
A7PUN10700	46-17
A7PUN10800	46-13
A7PUN10900	33-17
A7PUN10A00	32-23
A7PUN10B01	33-19
A7PUN14000	7-5
A7PUN14500	7-2
A7PUN15300	4-13
A7PUN15600	4-31
A7PUR70000	2-23
A7PUR70100	7-4
A7PUR70500	13-8
A7PUR70700	44-4
A7PUR70800	44-4
A7PUR71000	7-8
A7PUR71111	6-19
A7PUR71722	31-29
A7PUR71822	31-29
A7PUR71900	43-6
A7PUR72222	23-22
A7PUR72322	25-22
A7PUR72411	28-25
A7PUR73100	4-21
A7PUR75100	2-22
A9HJ131900	46-2
A9HJ139700	45-17
A9HJ139800	45-16
A9HJ139900	46-30
A9HJ168800	3-11

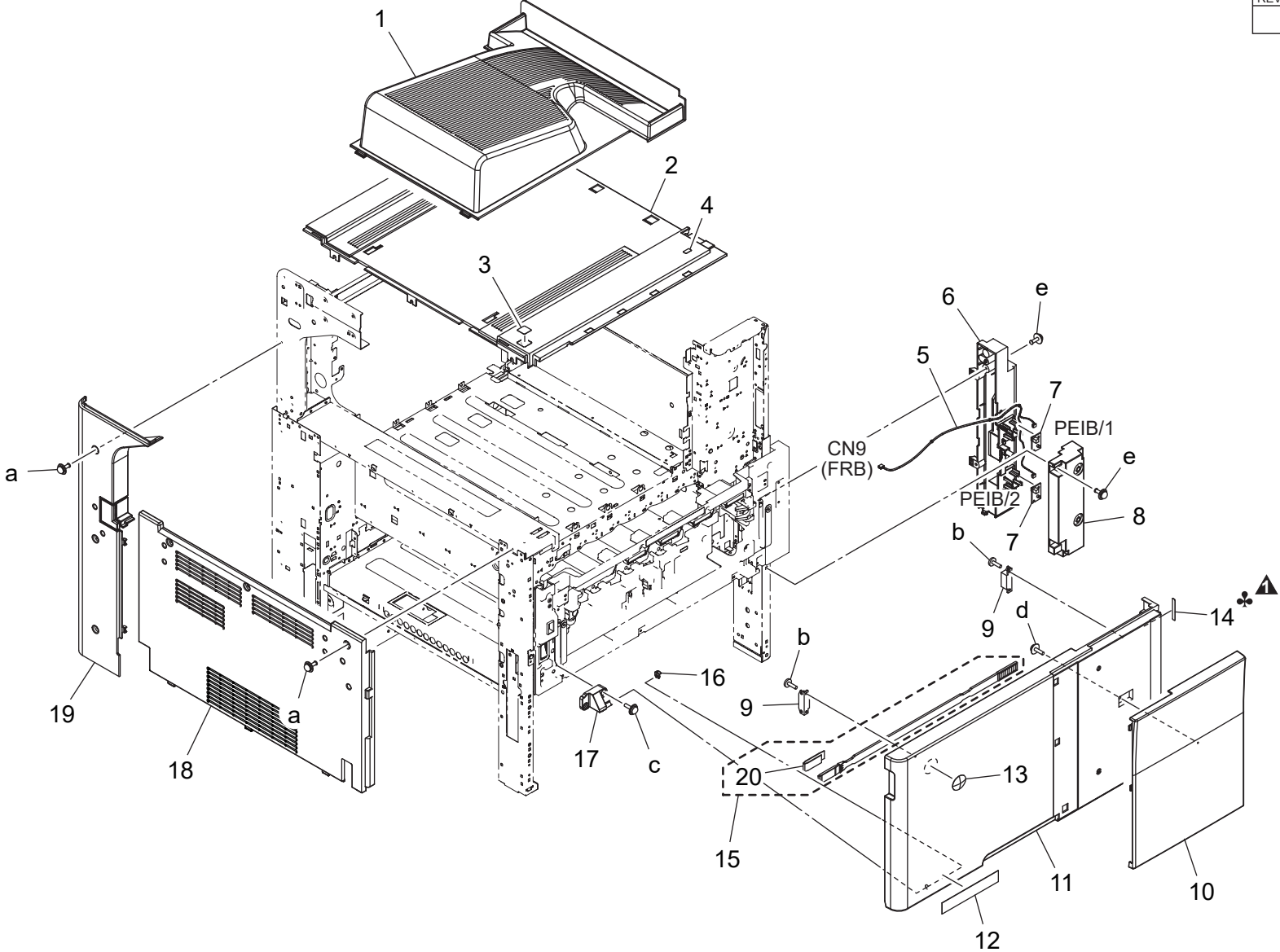
Parts No.	Page No.
A9HJ402001	10-3
A9HJ405101	10-3
A9HJ405201	10-3
A9HJ405300	10-3
A9HJ942600	3-9
A9HJF16101	3-2
A9HJH00501	9-6
A9HJH02102	46-3
A9HJM40601	43-10
A9HJN10100	48-1
A9HJN10200	49-1
A9HJR70000	9-12
A9HJR70100	10-18
A9HJR70200	10-18
A9HJR70300	10-18
A9HJR70400	39-9
A9HJR70500	40-3
A9HJR70611	16-9
A9HJR70700	41-11
A9HJR70800	10-18
A9HK940100	1-12
A9HKN10000	47-1
A9HKN11000	47-1
V116030804	51-12
V116033003	51-10
V153030803	51-11
V500010052	50-7
V500010081	50-1
V500010082	50-2
V500010083	50-3
V500010084	50-4
V500010085	50-19
V500020040	51-9
V500020052	50-20
V500020069	50-15
V500020082	50-9
V500020098	50-5
V500020099	50-6
V500020100	50-8
V500020101	50-18

Parts No.	Page No.
V500020110	50-17
V502010026	44-14
V503010002	46-20
V570010021	50-10
V570010050	50-16
V570010057	50-12
V570010058	50-11
V570010059	50-13
V570010060	50-14
V651010002	44-8
V651010025	46-22
V651010045	45-15
V800500300	27-22
V800500300	28-7
V864800107	46-24

External Parts

P 1

改訂版 REVISED EDITION	日付 DATE
	APRIL 2017



Key	Part No.	Description	Destinations	Class	QTY	Standard parts
1	A161161002	Tray		C	1	a-V116030804 b-V149030803 c-V153030803 d-V153031004 e-V116030803
2	A7PU160100	Cover /Upper		C	1	
3	A0ED163000	Seal		C	1	
4	A0ED940700	Label Toner 2		D	1	
5	A161N10K00	Indicating Wiring		D	1	
6	A5C1160401	Cover		C	1	
7	A00JH00D00	PWB Assembly LED1		C	2	
8	A161160300	Cover		C	1	
9	A0G6411200	Magnet /X		D	2	
10	A161161303	Open/close Cover /Front		C	1	
11	A7PU160200	Open/close Cover /Front		C	1	
12	A9HK940100	Label bizhub 308		D	1	
13	A00J945500	Logo Mark		C	1	
14	A161940400	Label		C	1	
14	A61F940400	Label	A,A1,B,C,D1,D3,E,F2 ,G1,G2,I,K J	C	1	
15	A5C1R71600	Cleaning Material		C	1	
16	56AA40490	SHAFT STOPPER 4		C	1	
17	A161165602	Support Shaft		C	1	
18	A7PU160700	Cover /Left		C	1	
19	A7PU160800	Cover /Left		C	1	
20	A00J106202	Cleaning Pad		C	1	

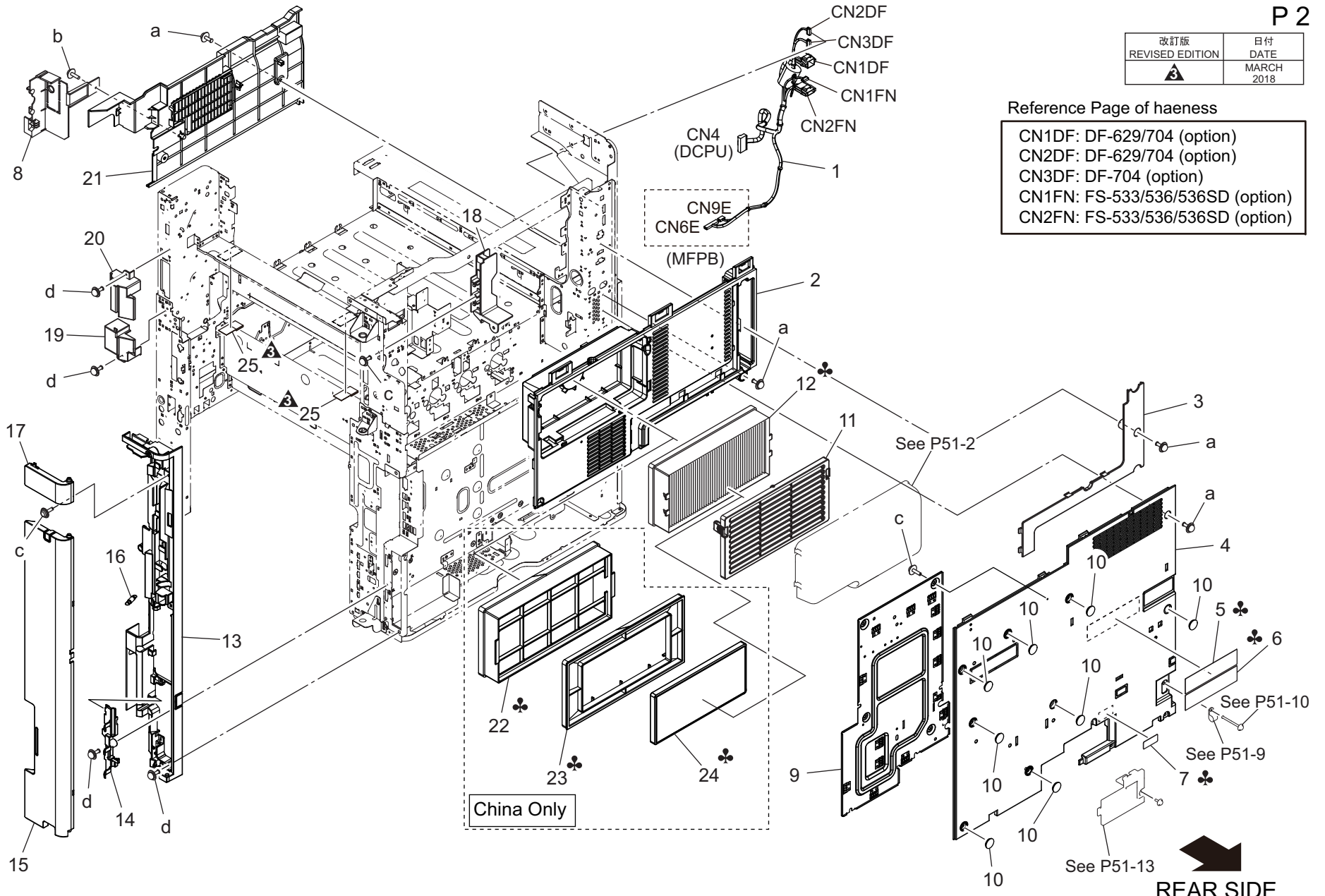
External Parts

P 2

改訂版 REVISED EDITION	日付 DATE
	MARCH 2018

Reference Page of haeness

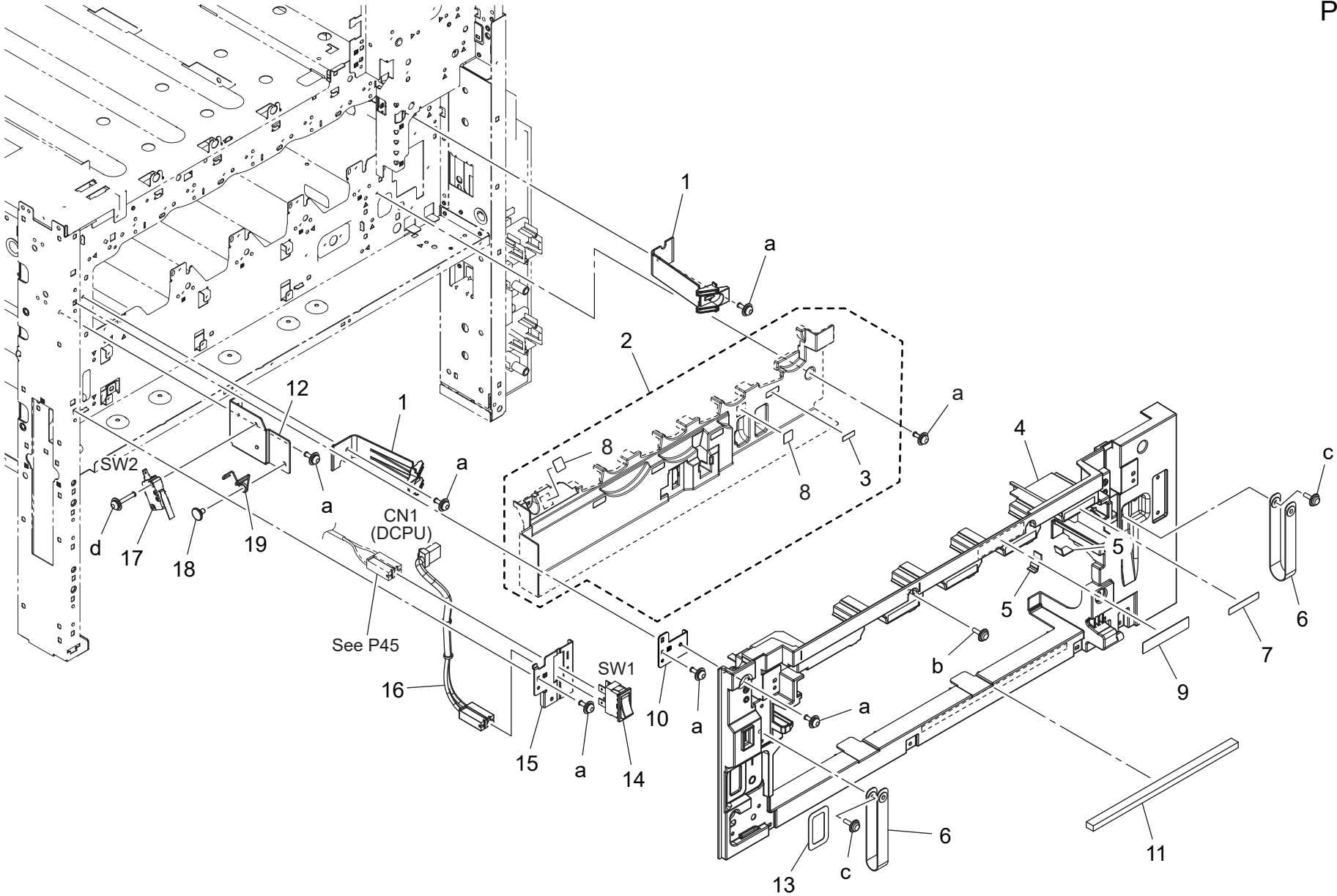
- CN1DF: DF-629/704 (option)
- CN2DF: DF-629/704 (option)
- CN3DF: DF-704 (option)
- CN1FN: FS-533/536/536SD (option)
- CN2FN: FS-533/536/536SD (option)



REAR SIDE
bizhub 308

Key	Part No.	Description	Destinations	Class	QTY	Standard parts
1	A7PUN10302	FNS Relay harness		D	1	a-V116030804 b-V153030804 c-V153030803 d-V116030803
2	A7PU162100	Cover		C	1	
3	A161163503	Cover		C	1	
4	A7PU166316	Cover		C	1	
5	A2X0945701	Label	B,D1,D3,E,F2,G1,G2, I(Except SOUTH AFRICA),K,J	C	1	
6	A7PU941701	Label Caution		C	1	a-V116030804 b-V153030804 c-V153030803 d-V116030803
7	A02E149900	Label	C,I	C	1	
8	A161162803	Cover	A,A1	C	1	
9	A7PU132301	Shield Plate		C	1	
10	A00J169100	Cover		D	8	
11	A7PU168301	Cover		C	1	
12	A7PU142100	Filter	C,I(SOUTH AFRICA)	C	1	
13	A7PU161806	Cover		C	1	
14	A7PU168702	Cover		D	1	
15	A7PU160902	Cover		C	1	
16	A161163900	Pulling Coil spring		C	1	a-V116030804 b-V153030804 c-V153030803 d-V116030803
17	A7PU168400	Fixing Part		D	1	
18	A5C1132001	Guide		D	1	
19	A161161201	Cover		D	1	
20	A161162900	Cover		D	1	
21	A7PU162200	Cover		C	1	
22	A7PUR75100	Filter Case/Outside	J	C	1	
23	A7PUR70000	Filter Case/Inside	J	C	1	
24	A7PU142800	Filter	J	C	1	
25	A7PU109100	Cushion		C	2	

Inner Cover Section

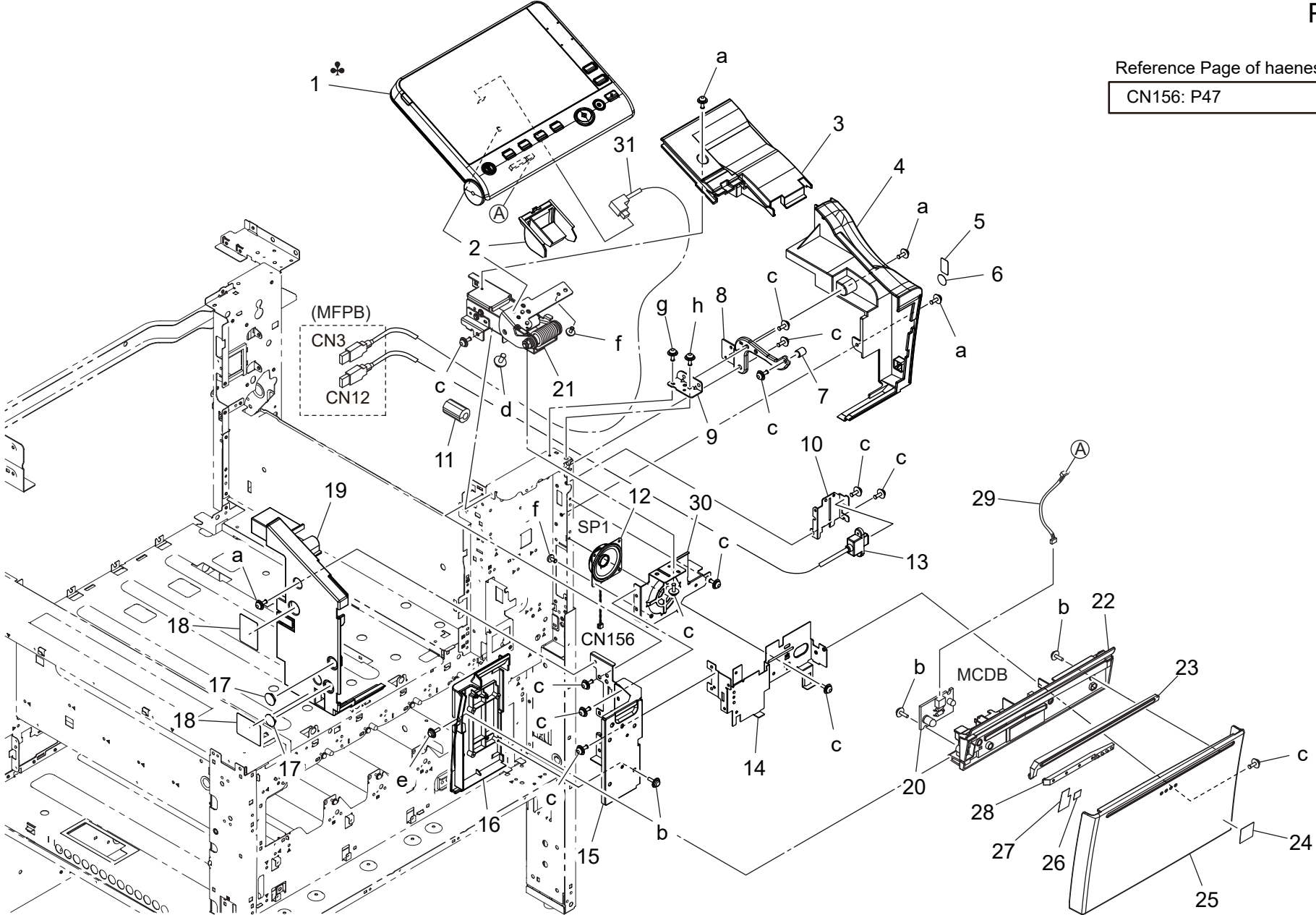


Key	Part No.	Description	Destinations	Class	QTY	Standard parts
1	A161165700	Fixing Claw	固定爪	D	2	a-V116030803 b-V153030804 c-V153031003 d-V116031603
2	A9HJF16101	Cover Front Assy	カバー前 A s s y	D	1	
3	A161943000	Label	ラベル	C	1	
4	A161165007	Cover /Front	カバー前 (2次)	C	1	
5	A161165300	Protection Part	保護材	C	2	
6	A0ED162401	Band	バンド	D	2	
7	A161942500	Label DR/K	ラベル DR 挿入目標 K	D	1	
8	A2X0949100	Label	ラベル (TB 注意)	C	2	
9	A9HJ942600	Label	ラベル (TN 操作4・1)	D	1	
10	A7PU135500	Mounting Plate	取付板	D	1	
11	A9HJ168800	Seal	シール	D	1	
12	A161151100	Mounting Plate	取付板 (安全 SW_前カバー)	D	1	
13	A161942000	Label	ラベル (電源 SW)	D	1	
14	4038M60000	SEESAW-SWITCH	波形スイッチ	C	1	
15	A161135100	Mounting Plate	取付板 (メイン SW)	D	1	
16	A61FN12A00	AC Wiring /A	AC 束線 / A	D	1	
17	9J06M60100	MICRO SWITCH	マイクロスイッチ	C	1	
18	4038228702	SHOULDER SCREW	段ねじ	C	1	
19	A161151300	Torsion Coil spring	ねじりコイルばね	D	1	

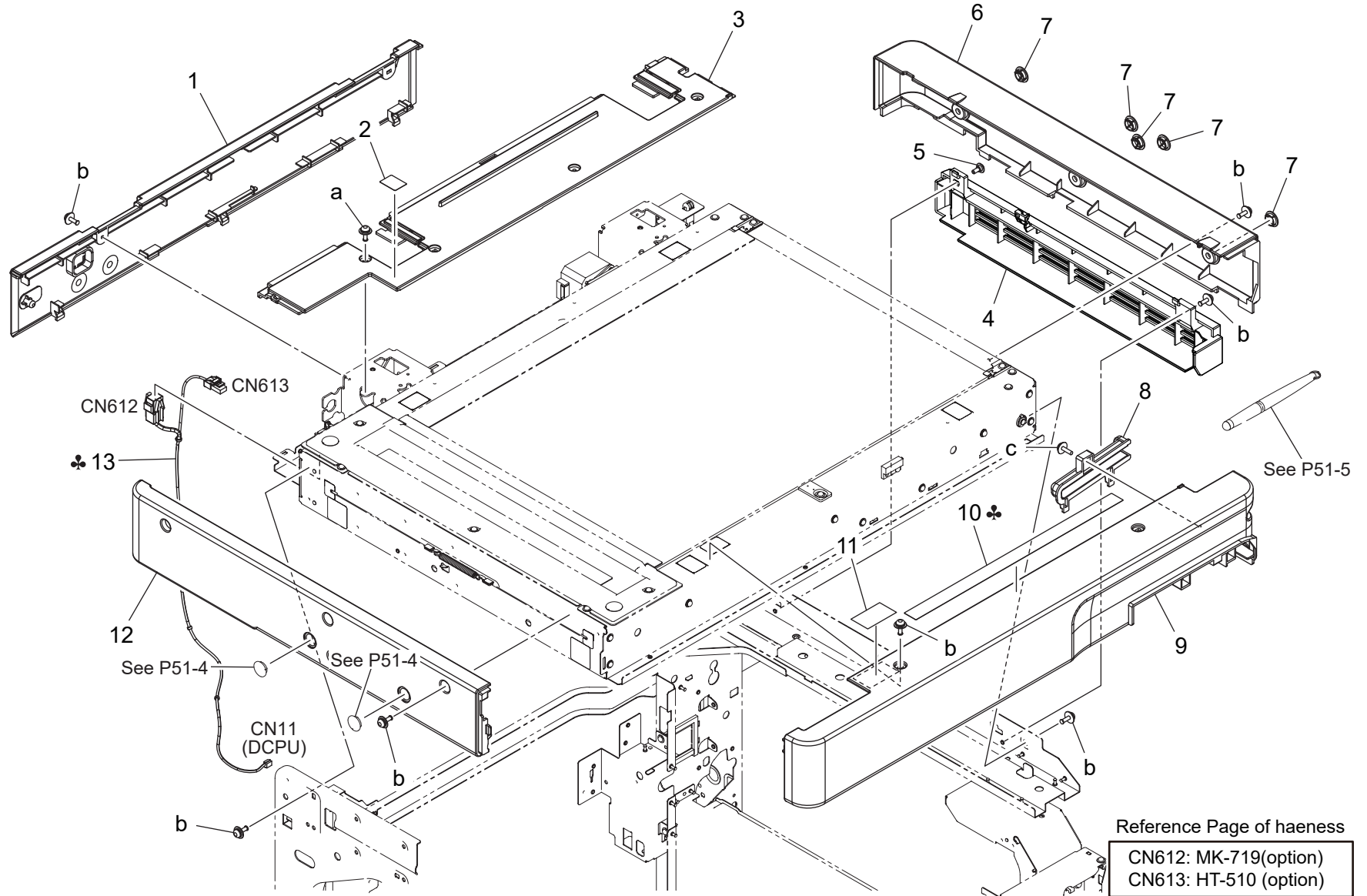
Operation Panel section

Reference Page of haeness

CN156: P47




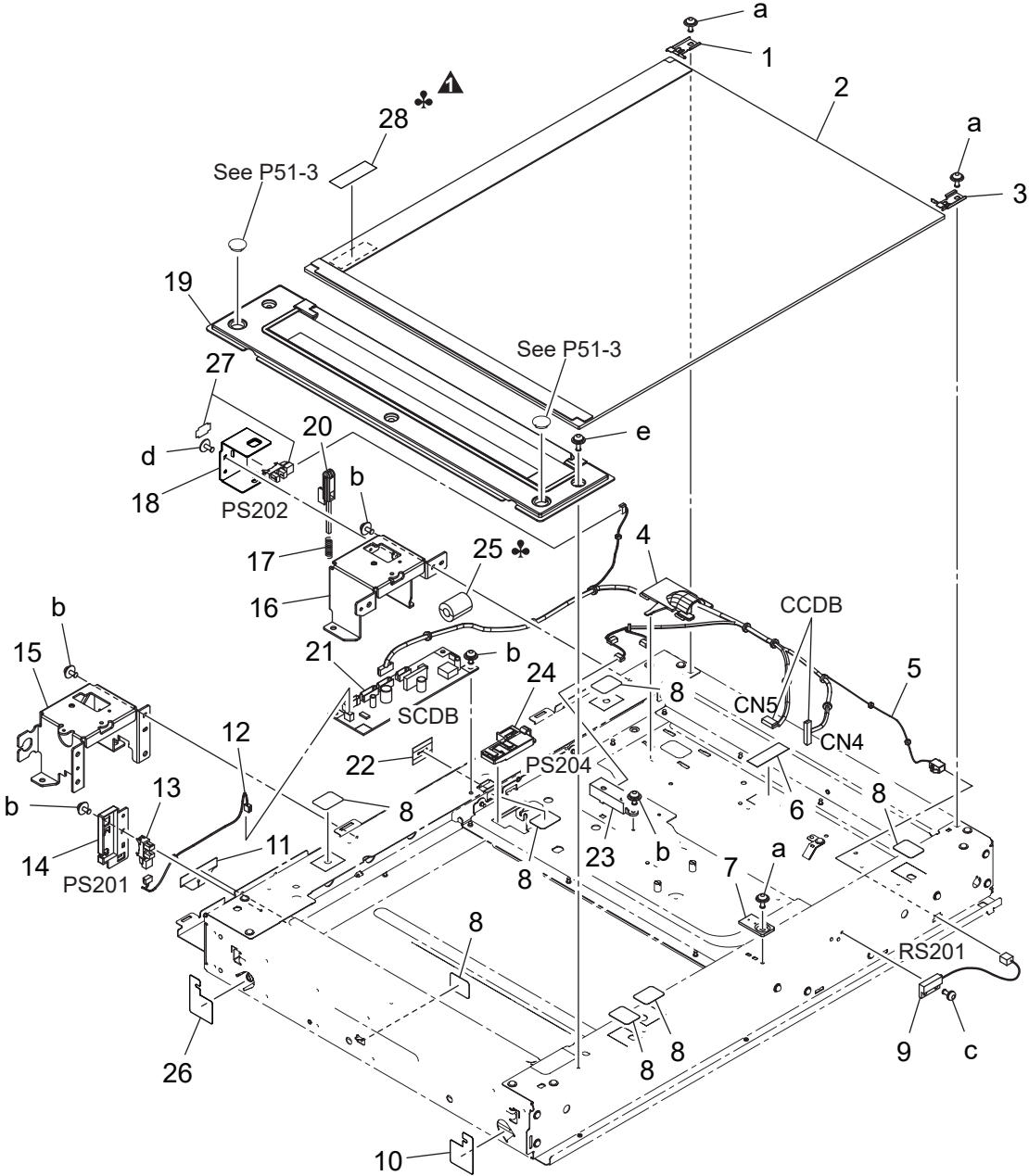
Key	Part No.	Description	Destinations	Class	QTY	Standard parts
1	A7PUM70004	Panel assembly	A,A1	I	1	a-V116030804 b-V153030803 c-V116030803 d-V125041003 e-V153030804 f-V126030603 g-V116030603 h-V137030803
1	A7PUM70104	Panel assembly	B,D1,D3,E,F2,G1,G2, I(Except SOUTH AFRI CA),K	I	1	
1	A7PUM70204	Panel assembly	C,I(SOUTH AFRICA)	I	1	
1	A7PUM70303	Panel assembly	J	I	1	
2	A161190903	Cover		C	1	
3	A7PU162600	Cover		C	1	
4	A7PU161501	Cover		C	1	
5	A7PU168500	Seal		C	1	
6	A7PU168600	Seal		C	1	
7	A7PU138200	Connecting Shaft		D	1	
8	A7PU138100	Reinforce Plate		D	1	
9	A7PU138301	Reinforce Plate		D	1	
10	A7PU138002	Mounting Plate		D	1	
11	A5C1M92000	Ferritecore		D	1	
12	A7PUM72100	Speaker		D	1	
13	A7PUN15300	Interface Cable	インターフェースケーブル (USB (前面))	D	1	
14	A7PU164100	Mounting Plate	取付板	D	1	
15	A7PU135402	Support Plate	支持板	D	1	
16	A7PU161900	Cover	カバー	C	1	
17	A00J169100	Cover	蓋	D	2	
18	A161162400	Seal	シール (目隠し)	C	2	
19	A7PU161400	Cover	カバー	C	1	
20	A161H00U01	PWB Assembly(PWB-LED ASSY)	基板 ASSY (PWB-LED ASSY)	C	1	
21	A7PUR73100	Mounting Plate Assy	操作パネル取付板 Assy	C	1	
22	A5C1167800	Light blocking Cover	遮光カバー	D	1	
23	A161167000	Lens	レンズ (ライトガイド・上)	D	1	
24	A011946200	Label Emperon	ラベル Emperon	D	1	
25	A7PU161701	Cover	カバー	C	1	
26	A161167400	Light blocking Sheet /2	遮光シート /2	D	1	
27	A161167300	Light blocking Sheet /1	遮光シート /1	D	1	
28	A161167100	Lens	レンズ (ライトガイド・中)	D	1	
29	A5C1N10B00	Indicating Wiring/3	表示束線 /3	D	1	
30	A7PU137301	Mounting Plate	取付板	D	1	
31	A7PUN15600	Interface Cable	インターフェースケーブル (パネル)	D	1	



Key	Part No.	Description	Destinations	Class	QTY	Standard parts
1	A7PU170200	Read Cover /Rear		C	1	a-V116030804 b-V116030803 c-V153030803
2	A7PU940600	Label		D	1	
3	A7PU170702	Read Cover		C	1	
4	A7PU170600	Read Cover		C	1	
5	A00J169300	Shoulder screw		C	1	
6	A7PU170400	Read Cover /Right		C	1	
7	A02E167700	Cover		C	5	
8	A161170800	Holder		D	1	
9	A7PU170101	Read Cover /Front		C	1	
10	A3EW944600	Label	A,A1	C	1	
11	A0HF952400	Label		C	1	
12	A7PU170300	Read Cover /Left		C	1	
13	A161N11C01	Scanner Relay harness /100V	A,A1	D	1	

Scanner Section

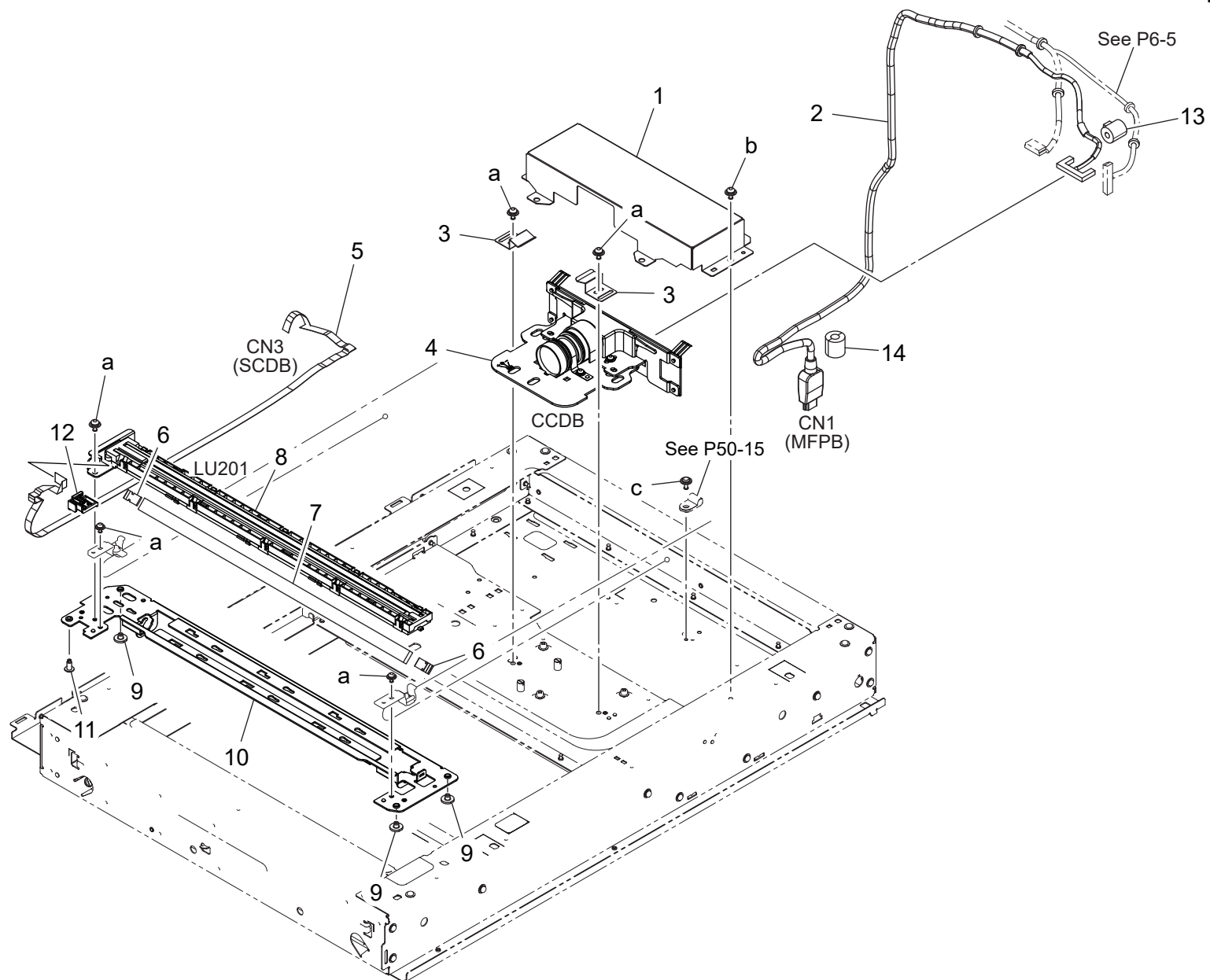
改訂版 REVISED EDITION	日付 DATE
	APRIL 2017



Key	Part No.	Description	Destinations	Class	QTY	Standard parts
1	A161268300	Holding Plate		D	1	a-V121030604 b-V116030603 c-V115030603 d-V137030603 e-V116030804
2	A161R72200	Original Glass Assy		C	1	
3	A161268200	Holding Plate		D	1	
4	A161281600	Guide		D	1	
5	A161N14100	Scanner Wiring /1		D	1	
6	4036307501	Tape		D	1	
7	A00J265300	Regulating Plate		C	1	
8	4581162501	SEAL		C	7	
9	A1UDM50200	Lead Switch		C	1	
10	A5C1263300	Seal		C	1	
11	A161263000	Seal		D	1	
12	A161N14201	Scanner Wiring /2		D	1	
13	A5C1M50100	Photointerrupter		B	1	
14	A161262200	Cover		D	1	
15	A161261902	Frame		D	1	
16	A161262002	Frame		D	1	
17	A161280300	Compressing Coil spring		C	1	
18	A5C1280100	Mounting Plate		D	1	
19	A7PUR71111	Slit Glass Assy		C	1	
20	A161280211	Lever		D	1	
21	A7PUH01A01	PWB Assembly (ID)		I	1	
22	A161281300	Seal		D	1	
23	A161M50A00	APS Photorelector		C	1	
24	A161281100	Guide		D	1	
25	A61FM90200	Ferritecore	C,D1,D3,E,F2,G1,I,K J	D	1	
26	A5C1263400	Seal		C	1	
27	A5C1R90000	Photo Interrupter		B	1	
28	A7PU941600	Label	J	C	1	


Scanner Section

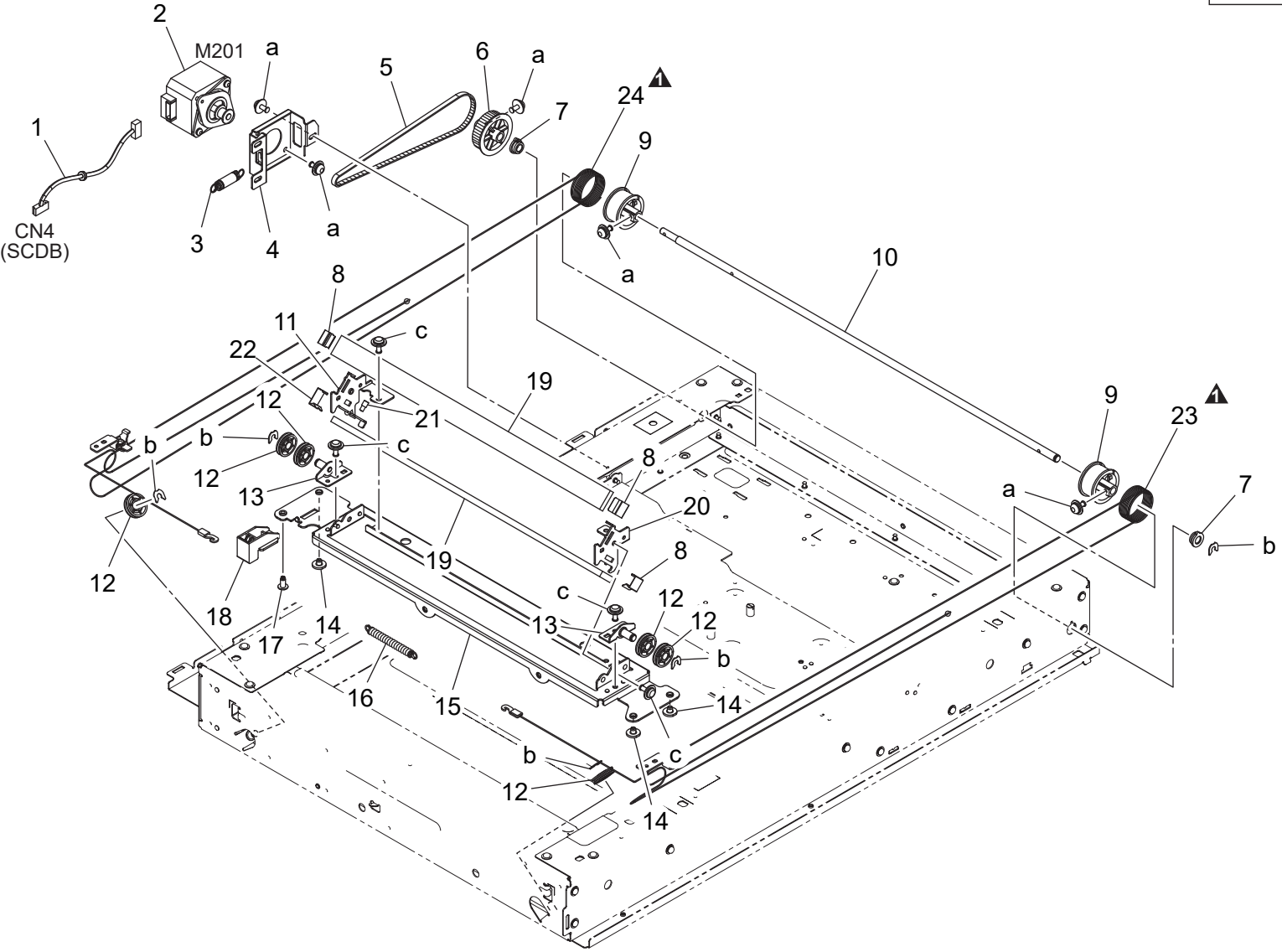
P 7



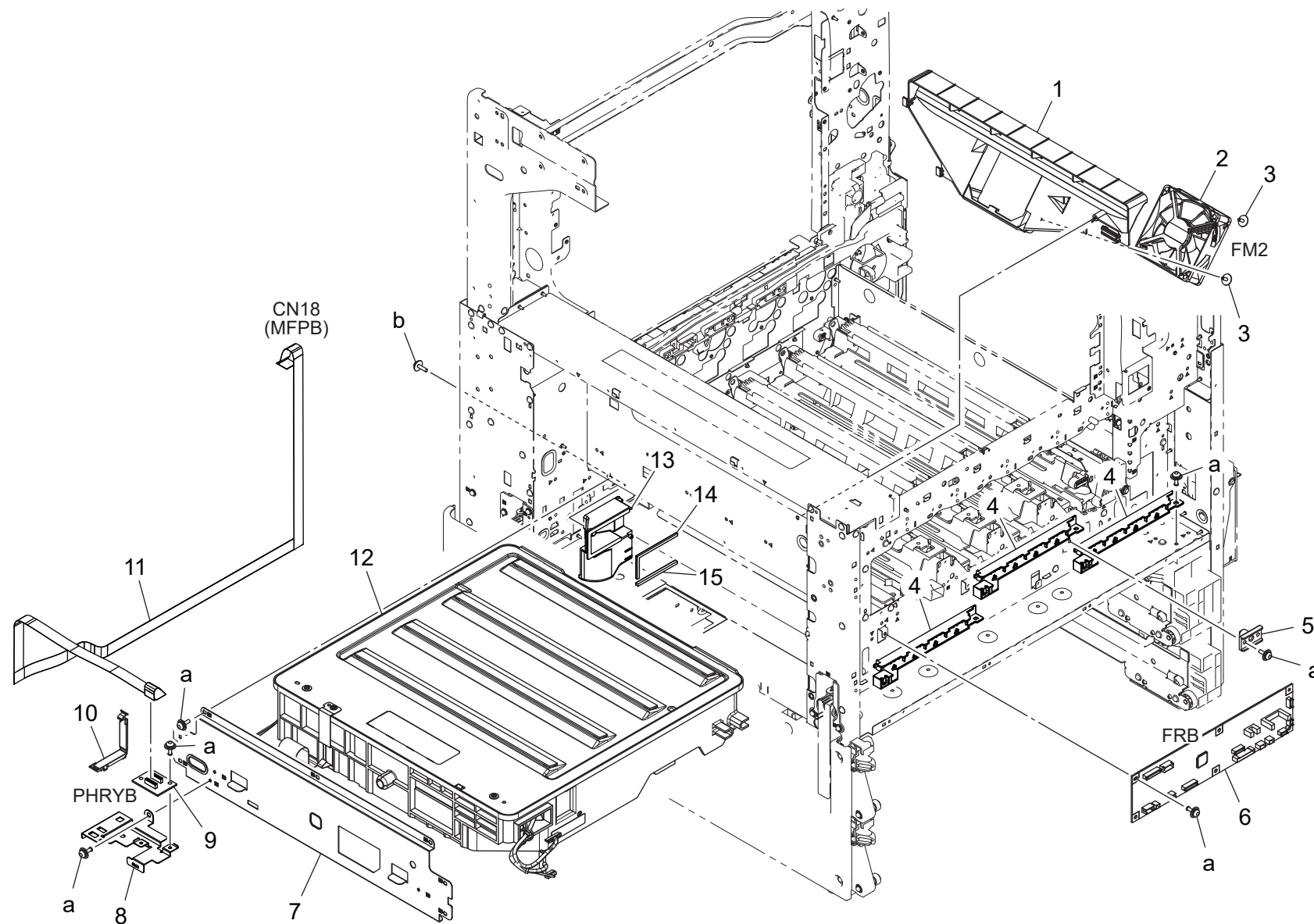
Key	Part No.	Description	Destinations	Class	QTY	Standard parts
1	A161278600	Cover		D	1	a-V116030603 b-V127030516 c-V137030804
2	A7PUN14500	CCD Cable		D	1	
3	A161278900	Plate spring		D	2	
4	A7PUR70100	CCD Lens Assy		I	1	
5	A7PUN14000	Flatcable /Scanner		D	1	
6	A0ED271300	Plate spring		D	2	
7	A0ED271200	Mirror		D	1	
8	A7PUR71000	LED Lighting Assy		I	1	
9	A161271000	Bushing		D	3	
10	A7PU270100	Frame		D	1	
11	A161271100	Bushing		D	1	
12	A7PU270600	Guide		D	1	
13	A3GNM71C00	Ferrite core		D	1	
14	A7AHM90300	Ferritecore		D	1	

Scanner Section

改訂版 REVISED EDITION	日付 DATE
	MAY 2017



Key	Part No.	Description	Destinations	Class	QTY	Standard parts
1	A5C1N14300	Scanner Wiring		D	1	a-V116030603 b-V218040086 c-V137030603
2	A5C1M10A00	Stepping motor		C	1	
3	A161275700	Pulling Spring		D	1	
4	A161276000	Mounting Plate		D	1	
5	A161275600	Timing belt 335L		D	1	
6	A161275500	Pulley 103T		D	1	
7	A161276500	Bearing		D	2	
8	A0ED274400	Plate spring		D	3	
9	A161275300	Pulley		D	2	
10	A161275400	Shaft		D	1	
11	A161273701	Mounting Plate		D	1	
12	A0ED273600	Pulley		C	6	
13	A161273401	Mounting Plate		D	2	
14	A161271000	Bushing		D	3	
15	A161273113	Frame		D	1	
16	A0ED276301	Pulling Spring		D	1	
17	A161271100	Bushing		D	1	
18	A161273500	Guide Part		D	1	
19	A0ED274300	Mirror		D	2	
20	A161273800	Mounting Plate		D	1	
21	A161274600	Adjusting Screw		C	1	
22	A161274500	Plate spring /1		D	1	
23	A161275113	Wire /Front		C	1	
24	A161275213	Wire /Rear		C	1	



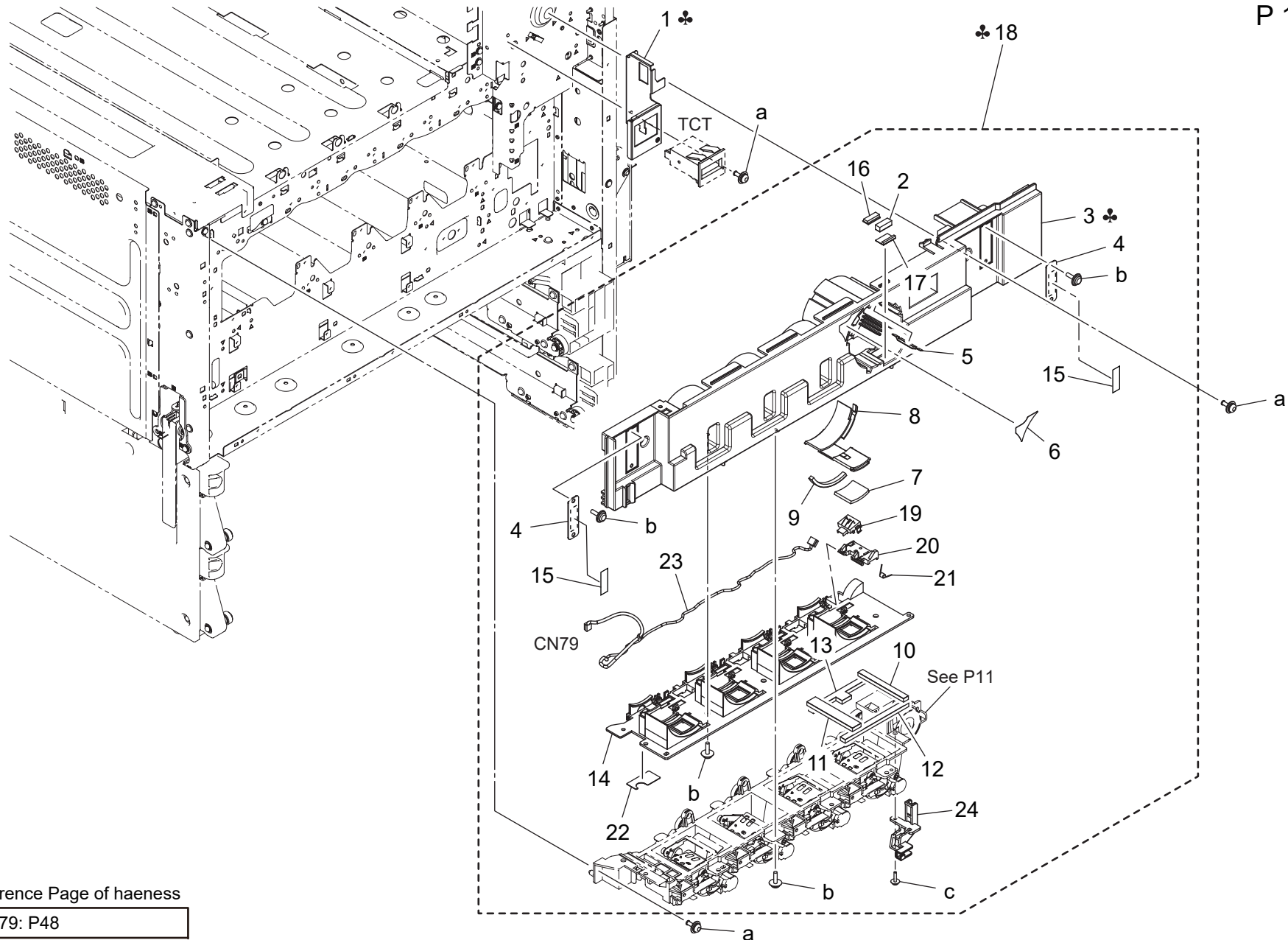
Reference Page of haeness

FM2: P48

Key	Part No.	Description	Destinations	Class	QTY	Standard parts
1	A61F140200	Duct		D	1	a-V116030803 b-V153030803
2	4139M10000	Fan motor		B	1	
3	4163529301	SCREW		C	2	
4	A5C1135300	Guide		D	3	
5	A161105400	Positioning Plate		D	1	
6	A9HJH00501	FRB		I	1	
7	A161101802	Mounting Plate		D	1	
8	A7PU130300	Mounting Plate		D	1	
9	A7PUH00800	PHRYB		C	1	
10	A161137802	Holder		D	1	
11	A7PUN10600	I/F Flatcable		C	1	
12	A9HJR70000	Print Head Assy		I	1	
13	A7PU147400	Duct		D	1	
14	A7PU145900	Seal		C	1	
15	A7PU146000	Seal		C	1	

Toner Supply Section

P 10

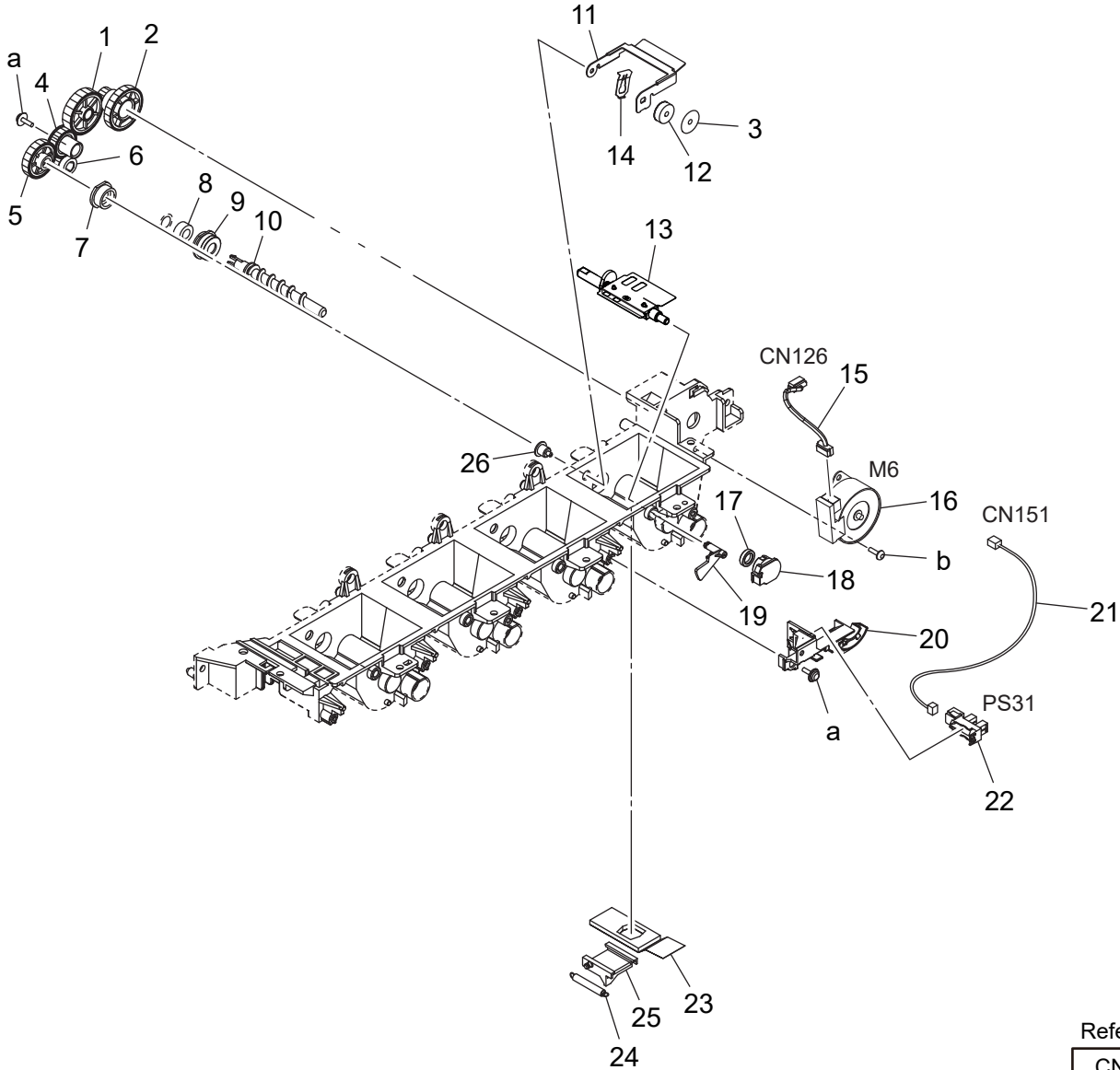


Reference Page of haeness

CN79: P48

Key	Part No.	Description	Destinations	Class	QTY	Standard parts
1	A5C1120700	Reinforce Plate	補強板 (I R 前右)	D	1	a-V116030803 b-V153030803 c-V153031004
1	A5C1120800	Reinforce Plate	補強板 (I R 前右)	D	1	
2	A161403701	Seal	シール (トナー拭き取り)	D	1	
3	A9HJ402001	Cover	カバー (トナーボトル1ー J P)	D	1	
3	A9HJ405101	Cover	カバー (トナーボトル1ー U S)	D	1	
3	A9HJ405201	Cover	カバー (トナーボトル1ー E U)	D	1	
3	A9HJ405300	Cover	カバー (トナーボトル1ー A P)	D	1	
4	4038101401	SUCTION PLATE	吸着板	D	2	
5	A161403901	Spacer	スペーサ (調整部材)	D	1	
6	A0ED940600	Label Toner 1	ラベル (T N 操作 1)	D	1	
7	A161402502	Seal	シール (補給口)	D	1	
8	A161402403	Shutter	シャッター (補給口)	D	1	
9	A161403800	Seal	シール (シャッター)	D	1	
10	A161403500	Seal	シール (補給口)	D	1	
11	A161403600	Seal	シール (補給口)	D	1	
12	A61F403300	Seal	シール	D	1	
13	A61F403401	Seal	シール	D	1	
14	A161402115	Cover	カバー (補給口)	D	1	
15	A5C1404500	Seal	シール (吸着板)	C	2	
16	A161404001	Seal /1	シール / 1 (トナー拭き取り)	D	1	
17	A161404100	Seal /2	シール / 2 (トナー拭き取り)	D	1	
18	A9HJR70100	Sub Hopper Assy	サブホッパー A s s y	I	1	
18	A9HJR70200	Sub Hopper Assy	サブホッパー A s s y	I	1	
18	A9HJR70300	Sub Hopper Assy	サブホッパー A s s y	I	1	
18	A9HJR70800	Sub Hopper Assy	サブホッパー A s s y	S	1	
19	A0EDM60001	Relay Connector	中継コネクタ (基板接点)	D	1	
20	A2XK400001	Holder	ホルダ (接点)	D	1	
21	A2XK400100	Torsion Coil spring	ねじりコイルばね	D	1	
22	A61D400200	Partition	仕切	D	1	
23	A61DN10B01	Toner Detection harness /2	トナー検知束線 / 2	D	1	
24	A61F400001	Holder	ホルダ	D	1	

Toner Supply Section

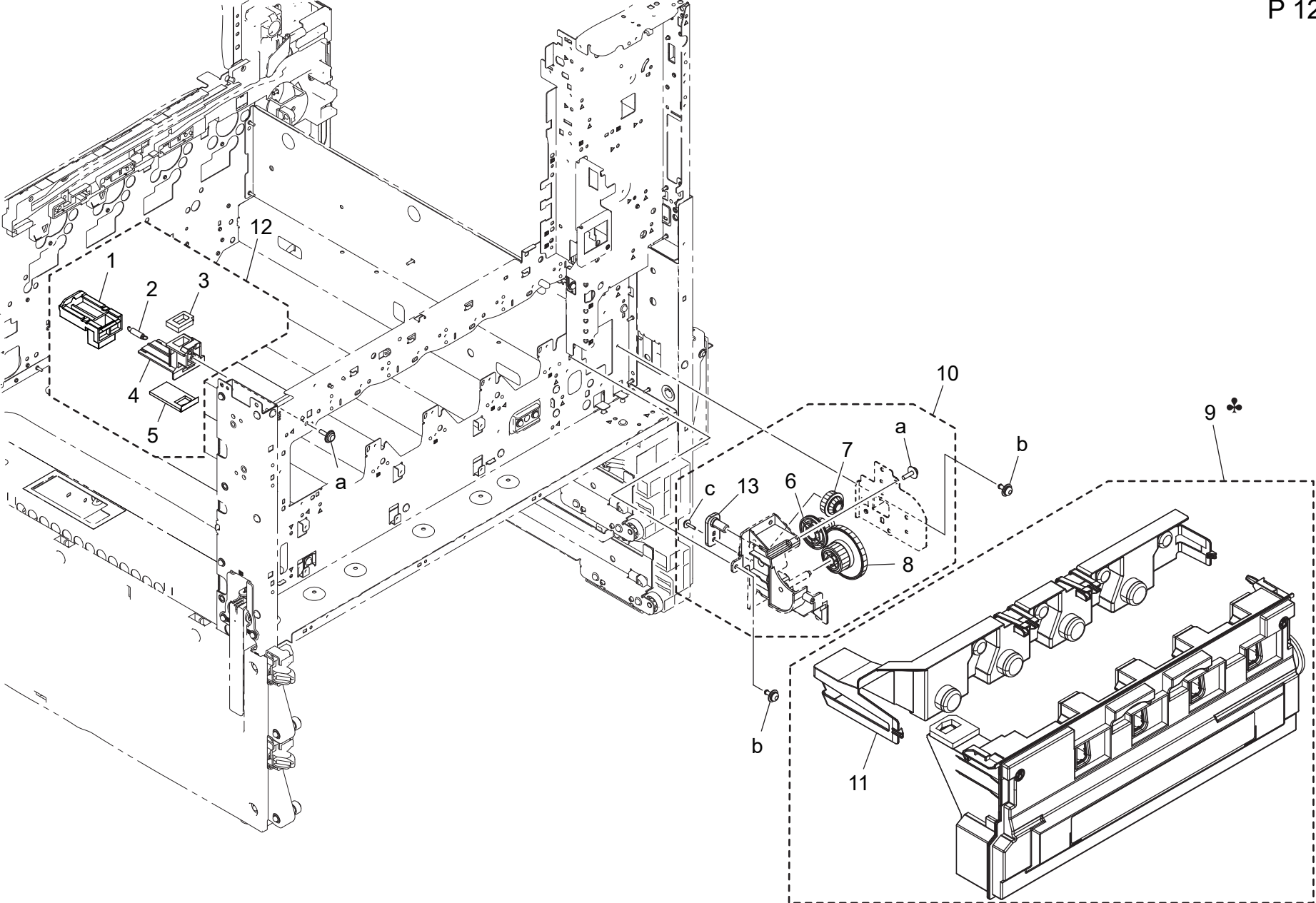


Reference Page of haeness

CN151: P47
 CN126: P47

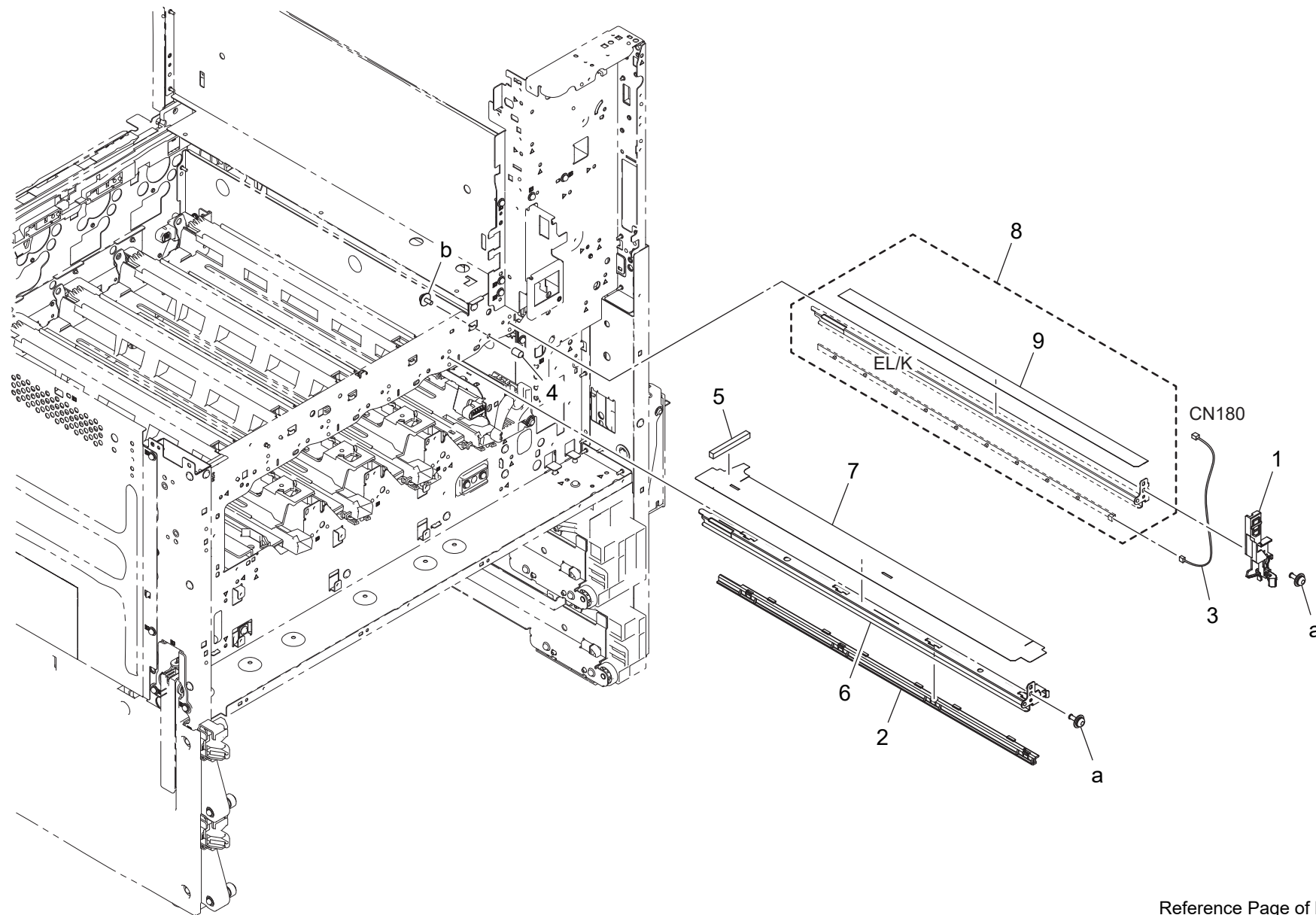
Key	Part No.	Description	Destinations	Class	QTY	Standard parts
1	A161401400	Gear 43T		C	1	a-V153030803 b-V145030803
2	A161401300	Gear 17/65T		C	1	
3	A5C1404600	Washer		D	1	
4	A161401200	Gear 28T		C	1	
5	A161401100	Gear 36T		C	1	
6	A161401000	Gear 18T		C	1	
7	4163510201	BUSHING		C	1	
8	4576536301	SEAL		D	1	
9	A161403101	Holder		C	1	
10	A161400100	Screw		C	1	
11	A161400401	Detecting Plate		D	1	
12	A161400601	Detecting Seal		D	1	
13	A5C1F42000	Agitating Shaft		D	1	
14	A161404200	Fixing Plate		D	1	
15	A161N12801	Toner Drive harness /K		D	1	
16	A7PUM10700	Stepping motor		C	1	
17	4333501201	SEAL		D	1	
18	A161403000	Bushing		D	1	
19	A161404300	Detecting Actuator		D	1	
20	A161400701	Mounting Plate		D	1	
21	A61FN10F00	Toner Detection harness		D	1	
22	A5C1M50100	Photointerrupter		B	1	
23	A161403200	Seal		D	1	
24	4036534801	TENSION SPRING		C	1	
25	A0ED401000	Shutter		D	1	
26	A161400800	Pin		D	1	

Toner Collection Section



Key	Part No.	Description	Destinations	Class	QTY	Standard parts
1	A64J363700	Shutter		D	1	a-V153030803 b-V125030818 c-V153031004
2	A0ED363200	Pulling Coil spring		D	1	
3	A0ED363400	Seal		D	1	
4	A0ED363001	Pipe		D	1	
5	A0ED363312	Seal		D	1	
6	A161245100	Gear 16/40T		D	1	
7	A0ED245000	Gear 20/20T		D	1	
8	A161245400	Gear 16/51T		D	1	
9	A4NNWY3	WASTE TONER BOX	廃棄トナーボックス	A	1	
9	A4NNWY3	WASTE TONER BOX	廃棄トナーボックス	A	1	
9	A4NN0Y1	WASTE TONER BOX	廃棄トナーボックス	A	1	
9	A4NN0Y1	WASTE TONER BOX	廃棄トナーボックス	A	1	
10	A7PUF21000	Waste Toner Driva	廃トナー駆動	C	1	
11	A161362000	Cover	蓋	C	1	
12	A64JR71400	Waste Toner Pipe	廃トナーパイプ	C	1	
13	A797245300	Shaft	軸	D	1	

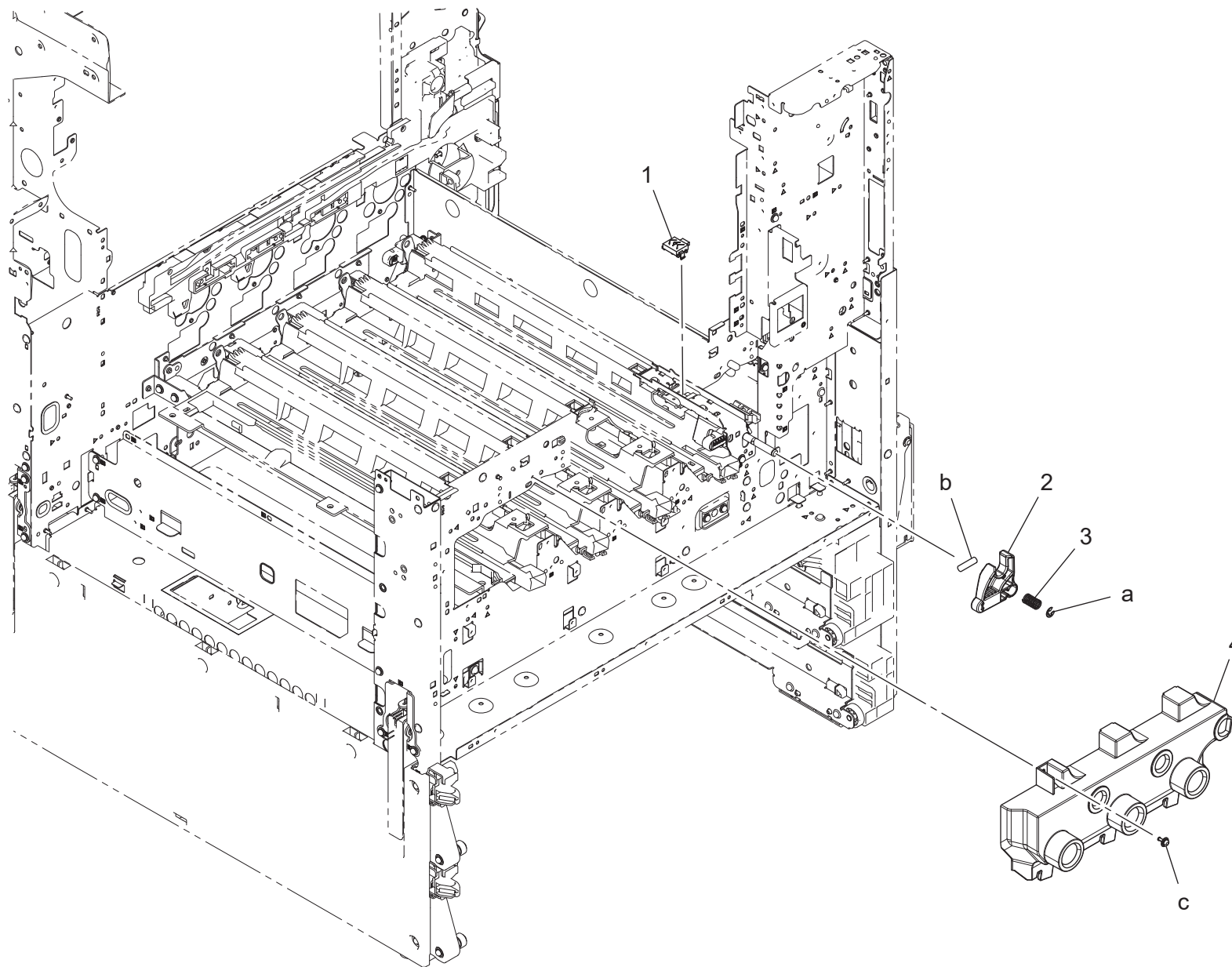
Photo Conductor Section



Reference Page of haeness

CN180: P47

Key	Part No.	Description	Destinations	Class	QTY	Standard parts
1	A61F130001	Holder		D	1	a-V116030803 b-V116030603
2	A797105400	Rail		D	1	
3	A61FN11V00	Neutralizing Wiring		D	1	
4	A0ED103100	Pin		D	1	
5	A161107100	Seal		D	1	
6	A161105600	Rail		D	1	
7	A5C1105500	Light blocking Part		D	1	
8	A7PUR70500	Eraser (Black) Assy		C	1	
9	A161107400	Light blocking Part		C	1	



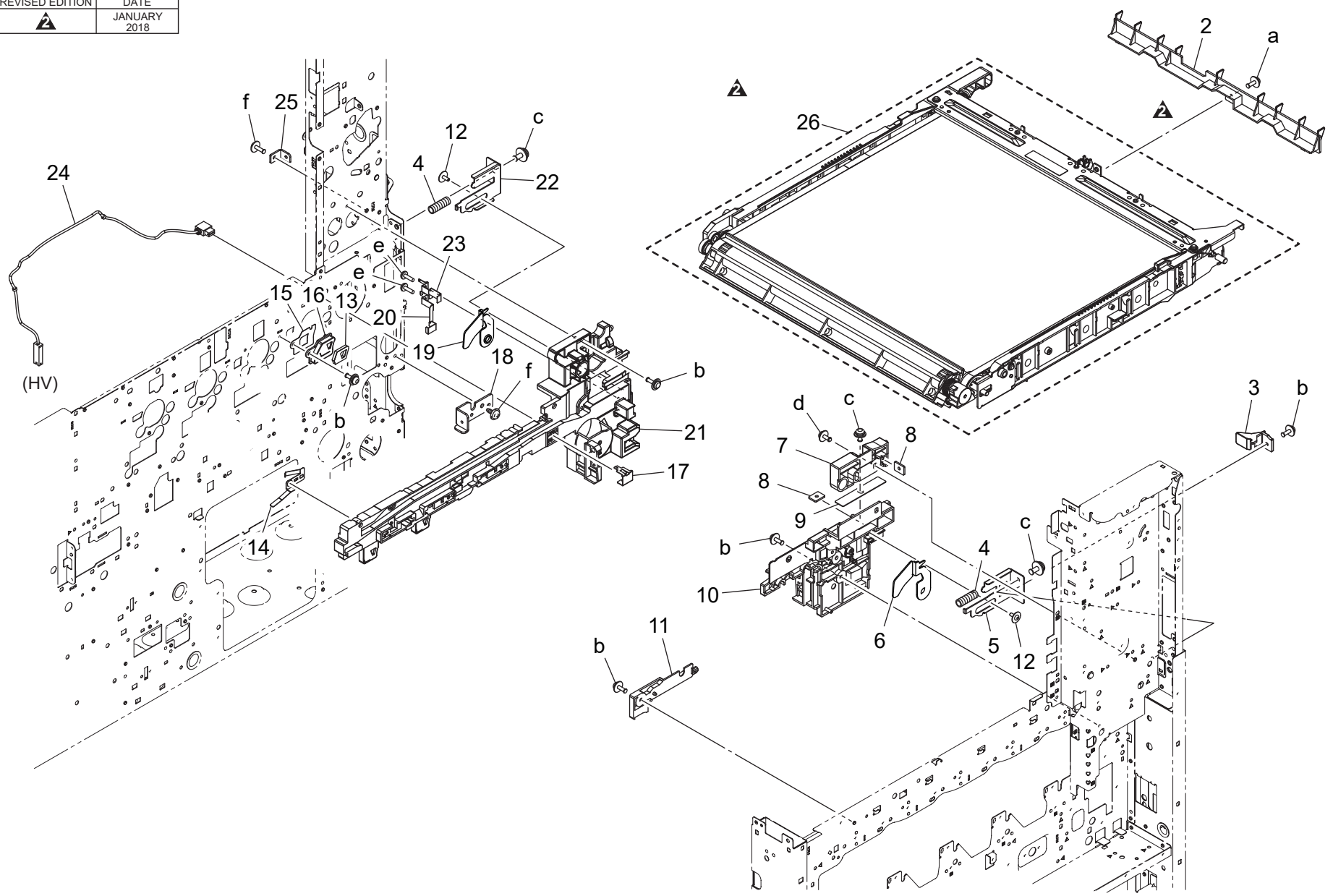
Key	Part No.	Description	Destinations	Class	QTY	Standard parts
1	A0EDM60001	Relay Connector		D	1	a-V217040001 b-V234301250 c-V116030803
2	A161116202	Release Lever		D	1	
3	A161119500	Compressing Coil spring		D	1	
4	A61F168200	Cover /Inside		D	1	



1st Transfer Section

P 15

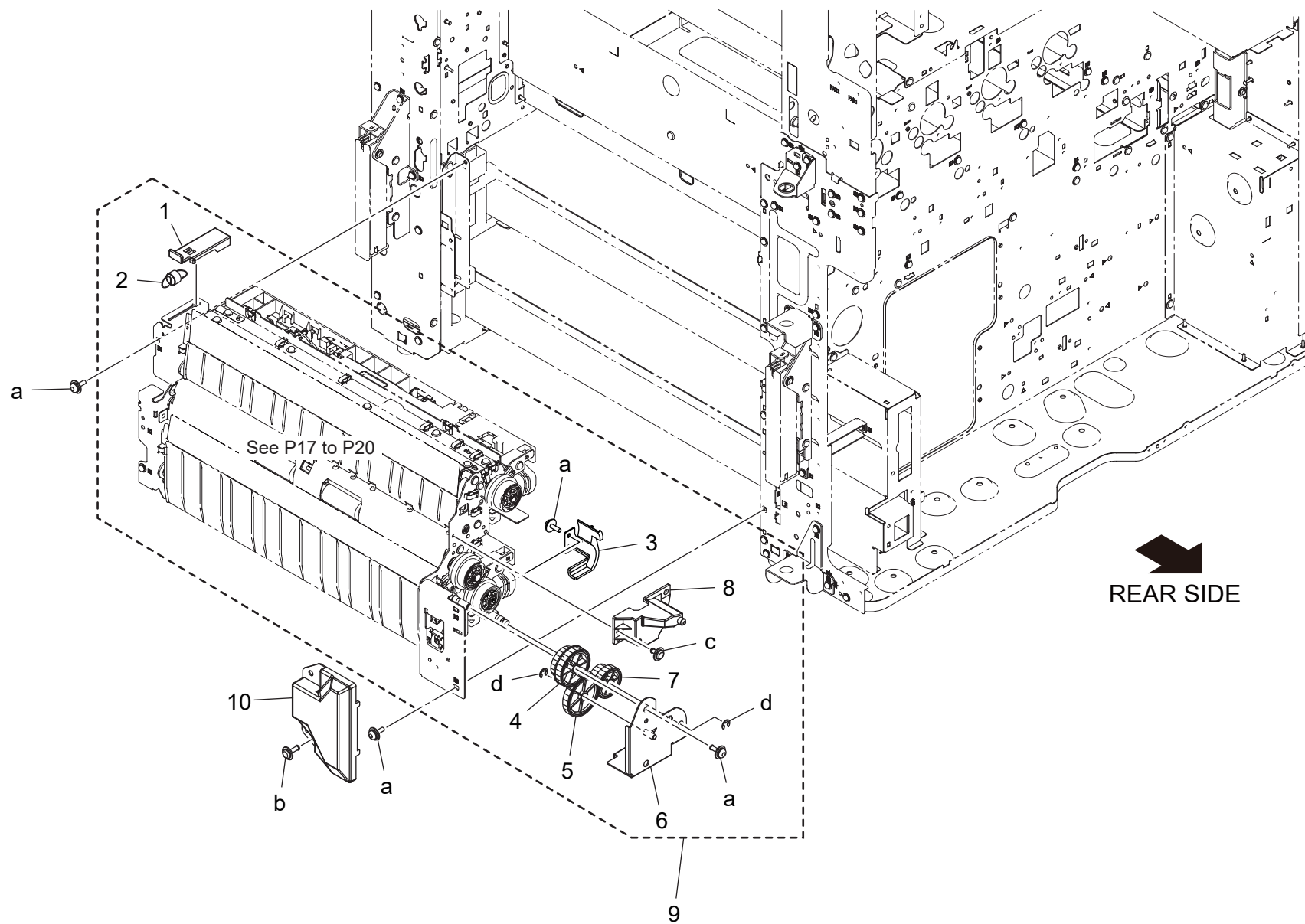
改訂版 REVISED EDITION	日付 DATE
	JANUARY 2018



Key	Part No.	Description	Destinations	Class	QTY	Standard parts
2	A161508400	Guide		C	1	a-V116030804 b-V116030803 c-V116040803 d-V125030818 e-V145030803 f-V137030803
3	A161110601	Lock Part		D	1	
4	A0ED111000	Compressing Coil spring		D	2	
5	A161112500	Lever /Front		D	1	
6	A5C1112800	Arm /Front		D	1	
7	A161110400	Fusing Rail /Front		D	1	
8	A161112200	Mounting Plate		D	2	
9	A161112600	Adjusting Plate		D	1	
10	A161110202	Rail		D	1	
11	A161110300	Rail		D	1	
12	4163529301	SCREW		C	2	
13	A161144801	Seal		C	1	
14	A0ED112000	Contact		D	1	
15	A161146200	Seal		D	1	
16	A161141700	Duct		D	1	
17	A0ED111400	Contact /K		D	1	
18	A7PU109000	Reinforce Plate		D	1	
19	A5C1112900	Arm /Rear		D	1	
20	A161112300	Contact		D	1	
21	A161110105	Rail		D	1	
22	A161112101	Lever /Rear		D	1	
23	A161112400	Contact		D	1	
24	A61FN11200	Transfer Wiring		D	1	
25	A161112700	Mounting Plate		D	1	
26	A61DR71300	Intermediate Image Transfer Unit		A	1	
26	A61DR71311	Intermediate Image Transfer Unit		A	1	

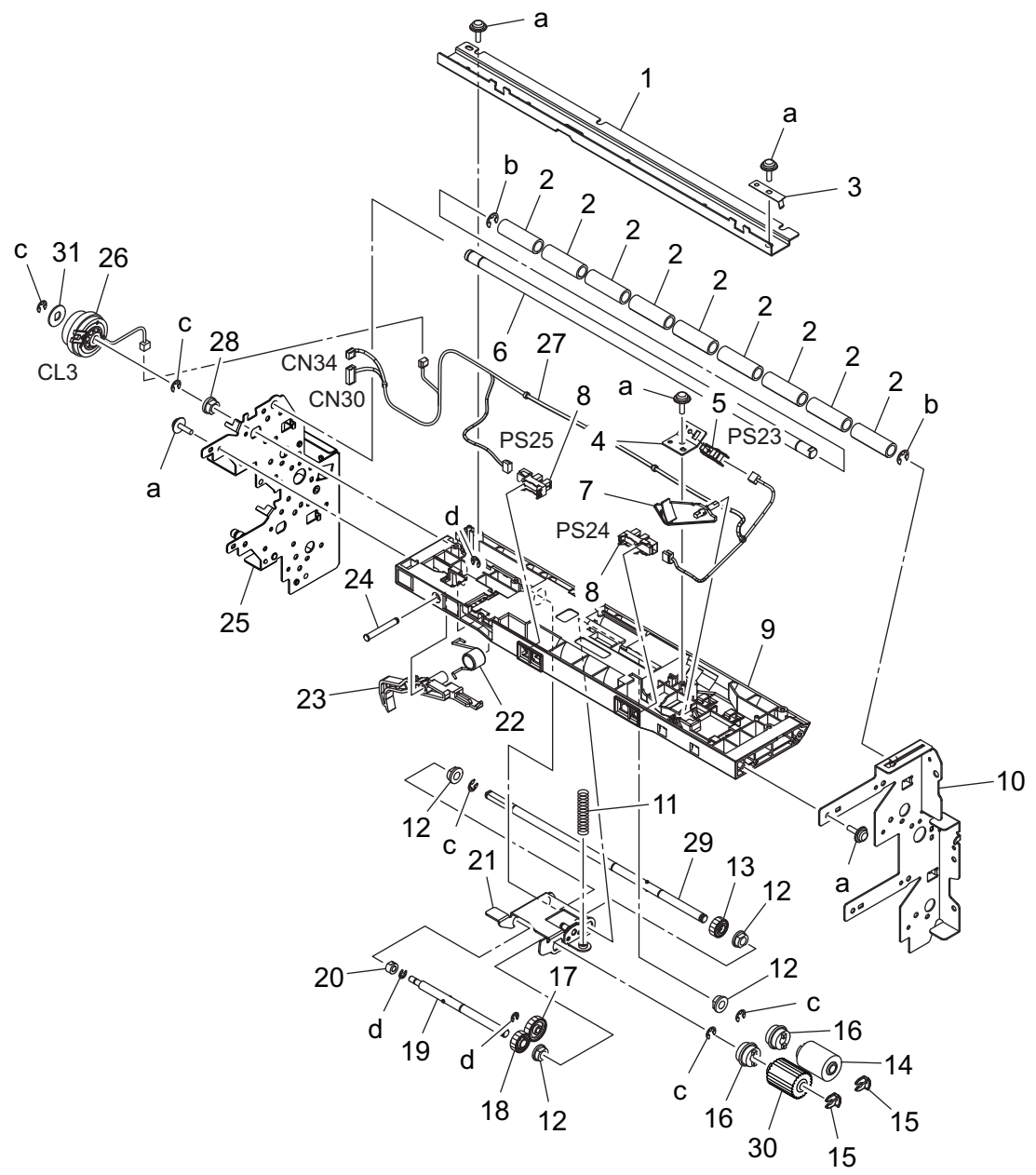
Paper Feed Section

P 16



Key	Part No.	Description	Destinations	Class	QTY	Standard parts
1	A161561100	Holder		D	1	a-V116030803 b-V137030803 c-V144030603 d-V217040001
2	A161561200	Pulling Coil spring		D	1	
3	A7PU569100	Cover		D	1	
4	A161576300	Gear 27/33T		C	1	
5	A161576200	Gear 36T		C	1	
6	A161F56101	Caulking(Hold Plate Drive)		D	1	
7	A161576100	Gear 21/26T		C	1	
8	A161565102	Mounting Plate		D	1	
9	A9HJR70611	Paper Feed Assy		S	1	
10	A161579011	Cover		D	1	

Tray 1 Paper Feed Section

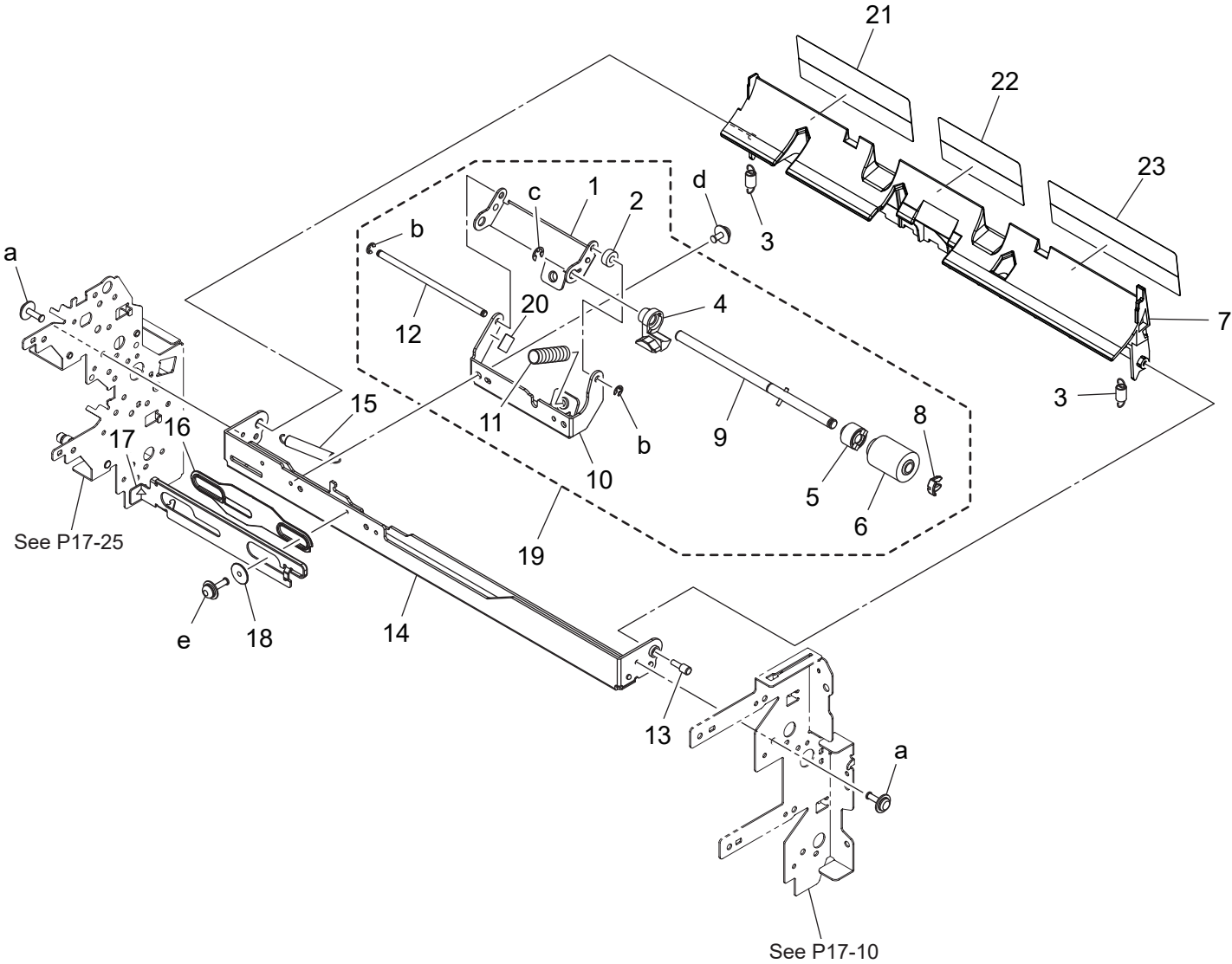


Reference Page of haeness

CN30: P49
CN34: P49

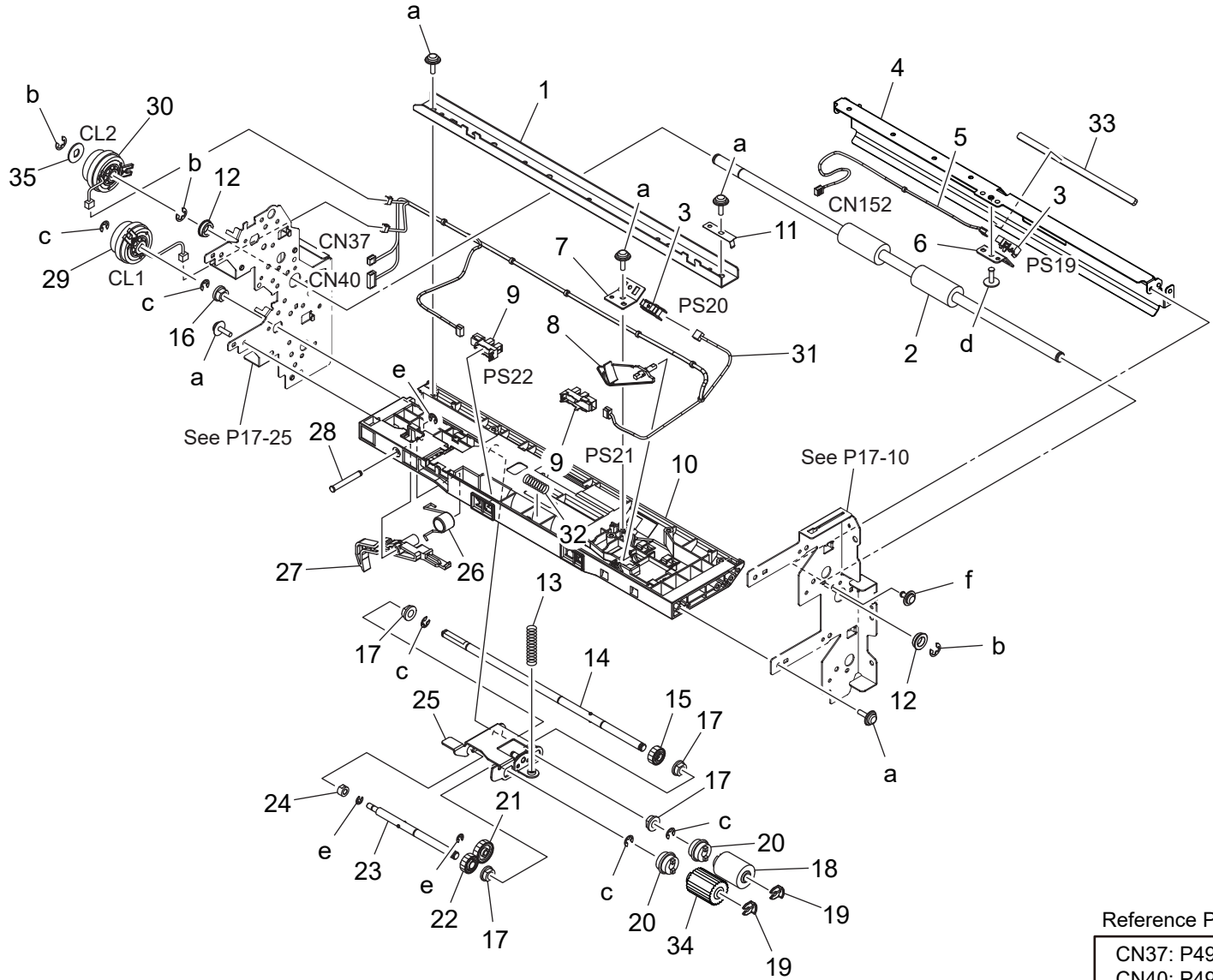
Key	Part No.	Description	Destinations	Class	QTY	Standard parts
1	A161566000	Reinforce Plate		D	1	a-V153030803 b-V217050001 c-V217040001 d-V217030001
2	4034352501	ROLLER		C	9	
3	A5C1560600	Ground Plate		D	1	
4	A161560900	Mounting Plate		D	1	
5	A0EDM50100	Photorelector		I	1	
6	A5C1565500	Shaft		D	1	
7	A161561600	Actuator		C	1	
8	A5C1M50100	Photointerrupter		B	2	
9	A161565302	Paper feed Frame		D	1	
10	A161560112	Frame /Front		D	1	
11	A161562800	Compressing Coil spring		C	1	
12	4131300301	BUSHING		C	4	
13	A161562400	Gear 26T		C	1	
14	A00J563600	Roller		A	1	
15	56AA40490	SHAFT STOPPER 4		C	2	
16	A02E561100	Clutch		C	2	
17	A161562300	Gear 34T		C	1	
18	A161562600	Gear 28T		C	1	
19	A161562000	Shaft		D	1	
20	A161562500	Bushing		C	1	
21	A161562101	Holder		D	1	
22	A161567400	Torsion Spring		C	1	
23	A161567300	Lever		C	1	
24	A02E560800	Shaft		D	1	
25	A161F56028	Caulking(Frame)		D	1	
26	A7AHM20501	Clutch		C	1	
27	A161N10P01	Paperfeed Wiring /1		D	1	
28	A00J663200	Bushing		C	1	
29	A161560500	Shaft		D	1	
30	A5C1562200	Roller		A	1	
31	A7PU569200	Spacer		D	1	

Tray 1 Paper Feed Section



Key	Part No.	Description	Destinations	Class	QTY	Standard parts
1	A5C1563100	Holder		D	1	a-V137030803 b-V217030001 c-V217040001 d-V116030603 e-V116031003
2	4040561000	Spacer		D	1	
3	A161568600	Pulling Coil spring		C	2	
4	A5C1563500	Guide		D	1	
5	A0ED563900	Torque limiter		C	1	
6	A00J563600	Roller		A	1	
7	A7PU568400	Guide Plate		C	1	
8	56AA40490	SHAFT STOPPER 4		C	1	
9	A5C1563400	Shaft		D	1	
10	A161564001	Mounting Plate		D	1	
11	4030301703	PRESSURE SPRING		C	1	
12	A161563300	Shaft		D	1	
13	4532341001	SHOULDER SCREW		D	1	
14	A161563901	Mounting Plate		D	1	
15	A161564400	Pulling Coil spring		C	1	
16	A161564200	Spacer		D	1	
17	A5C1564101	Lever		D	1	
18	A161564300	Spacer		D	1	
19	A5C1R70800	Separation Roller Assy		C	1	
20	A5C1565600	Sheet		C	1	
21	A7PU567700	Guide		C	1	
22	A7PU567600	Guide		C	1	
23	A7PU567500	Guide		C	1	

Tray 2 Paper Feed Section

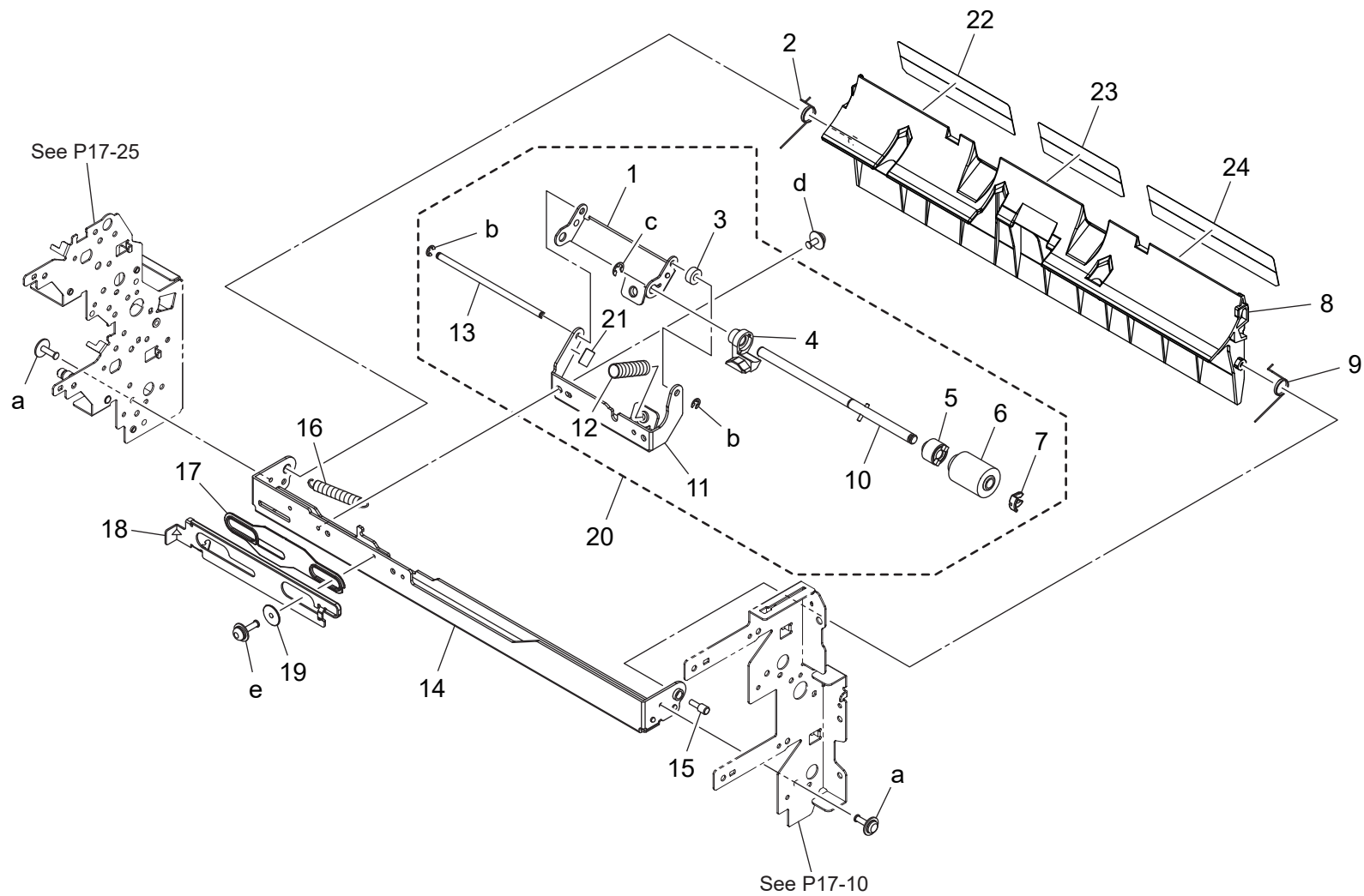


Reference Page of haeness

CN37: P49
CN40: P49
CN152: P49

Key	Part No.	Description	Destinations	Class	QTY	Standard parts
1	A161561000	Reinforce Plate		D	1	a-V153030803 b-V217050001 c-V217040001 d-V137030803 e-V217030001 f-V144030603
2	A161578100	Drive Roller		C	1	
3	A0EDM50100	Photoreflector		I	2	
4	A161578212	Guide Plate		D	1	
5	A161N12701	Conveyance Detection harness		D	1	
6	A161571100	Mounting Plate		D	1	
7	A161560900	Mounting Plate		D	1	
8	A161561600	Actuator		C	1	
9	A5C1M50100	Photointerrupter		B	2	
10	A161560302	Paper feed Frame		D	1	
11	A5C1560600	Ground Plate		D	1	
12	A00J617900	Ball Bearing		B	2	
13	A161562800	Compressing Coil spring		C	1	
14	A161560500	Shaft		D	1	
15	A161562400	Gear 26T		C	1	
16	A00J663200	Bushing		C	1	
17	4131300301	BUSHING		C	4	
18	A00J563600	Roller		A	1	
19	56AA40490	SHAFT STOPPER 4		C	2	
20	A02E561100	Clutch		C	2	
21	A161562300	Gear 34T		C	1	
22	A161562600	Gear 28T		C	1	
23	A161562000	Shaft		D	1	
24	A161562500	Bushing		C	1	
25	A161562101	Holder		D	1	
26	A161567400	Torsion Spring		C	1	
27	A161567300	Lever		C	1	
28	A02E560800	Shaft		D	1	
29	A7AHM20501	Clutch		C	1	
30	A02EM20000	Clutch		B	1	
31	A161N10Q02	Paperfeed Wiring /2		D	1	
32	A161563000	Compressing Coil spring		C	1	
33	A161578700	Cushion		C	1	
34	A5C1562200	Roller		A	1	
35	A7PU569200	Spacer		D	1	

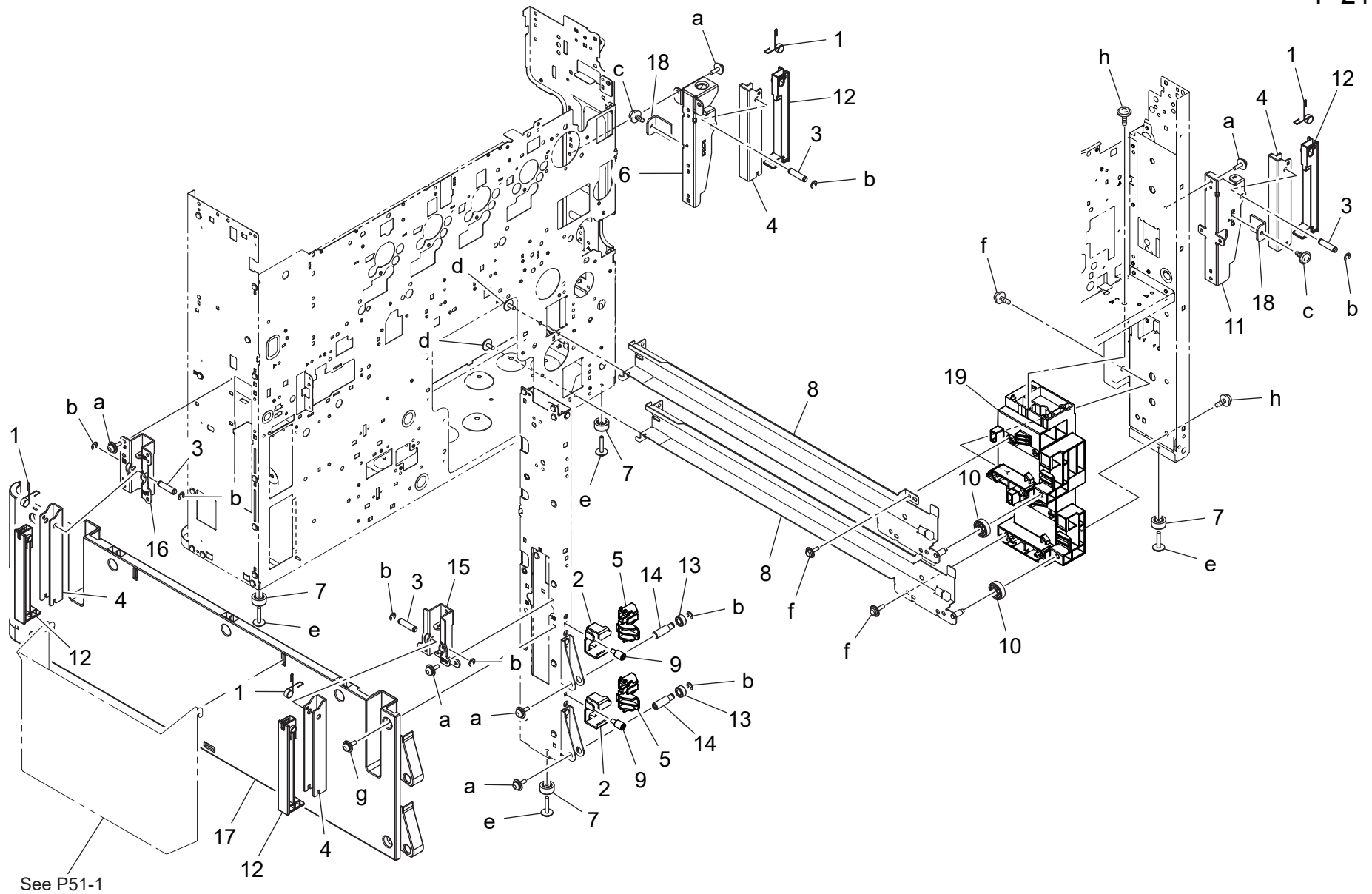
Tray 2 Paper Feed Section



Key	Part No.	Description	Destinations	Class	QTY	Standard parts
1	A5C1563100	Holder		D	1	a-V137030803 b-V217030001 c-V217040001 d-V116030603 e-V116031003
2	A161568800	Torsion Coil spring		C	1	
3	4040561000	Spacer		D	1	
4	A5C1563500	Guide		D	1	
5	A0ED563900	Torque limiter		C	1	
6	A00J563600	Roller		A	1	
7	56AA40490	SHAFT STOPPER 4		C	1	
8	A7PU578400	Guide Plate		C	1	
9	A161568700	Torsion Coil spring		C	1	
10	A5C1563400	Shaft		D	1	
11	A161564001	Mounting Plate		D	1	
12	4030301703	PRESSURE SPRING		C	1	
13	A161563300	Shaft		D	1	
14	A161563901	Mounting Plate		D	1	
15	4532341001	SHOULDER SCREW		D	1	
16	A161564400	Pulling Coil spring		C	1	
17	A161564200	Spacer		D	1	
18	A5C1564101	Lever		D	1	
19	A161564300	Spacer		D	1	
20	A5C1R70800	Separation Roller Assy		C	1	
21	A5C1565600	Sheet		C	1	
22	A7PU577700	Guide		C	1	
23	A7PU577600	Guide		C	1	
24	A7PU577500	Guide		C	1	

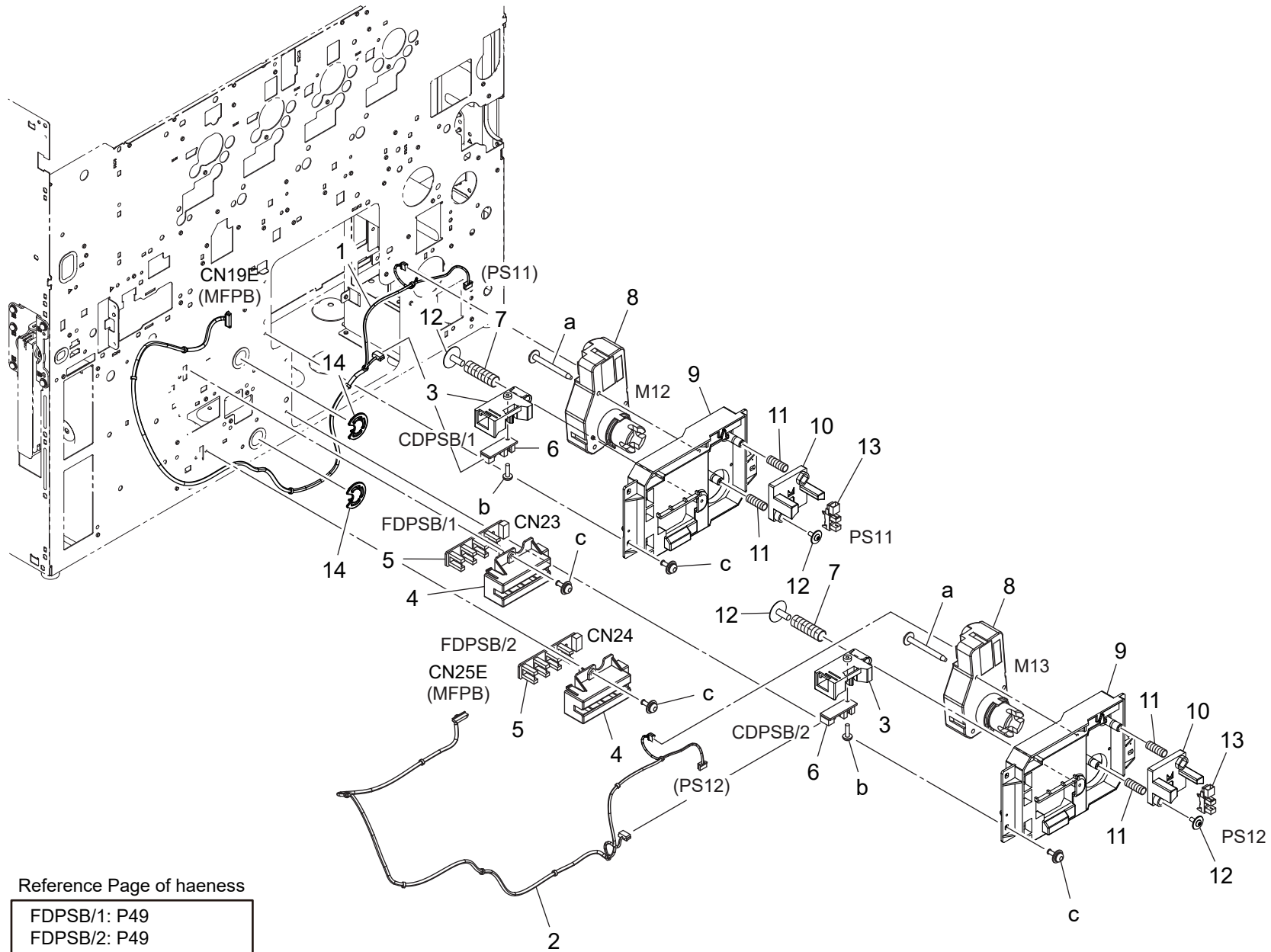
Tray Section

P 21



Key	Part No.	Description	Destinations	Class	QTY	Standard parts
1	A161104300	Torsion Coil spring		D	4	a-V116030803 b-V217040001 c-V137030803 d-V144030603 e-V137031203 f-V153030803 g-V116030804 h-V153031004
2	A7PU102201	Mounting Plate		D	2	
3	A161104200	Shaft		D	4	
4	A161101900	Lever		D	4	
5	A7PU102301	Stopper		D	2	
6	A5C1104800	Mounting Plate		D	1	
7	0996305501	RUBBER FOOT		C	4	
8	A5C1101101	Rail /ASSY		D	2	
9	A1UD192400	Shoulder screw /2		C	2	
10	A161103901	Roll		D	2	
11	A5C1104400	Mounting Plate		D	1	
12	A161103700	Cover		D	4	
13	A161623400	Roll		D	2	
14	A161105200	Shaft		D	2	
15	A161101600	Mounting Plate		D	1	
16	A161101701	Mounting Plate		D	1	
17	A7PU104000	Holder		D	1	
18	A5C1104700	Mounting Plate		D	2	
19	A5C1106000	Holder		D	1	

Tray Section

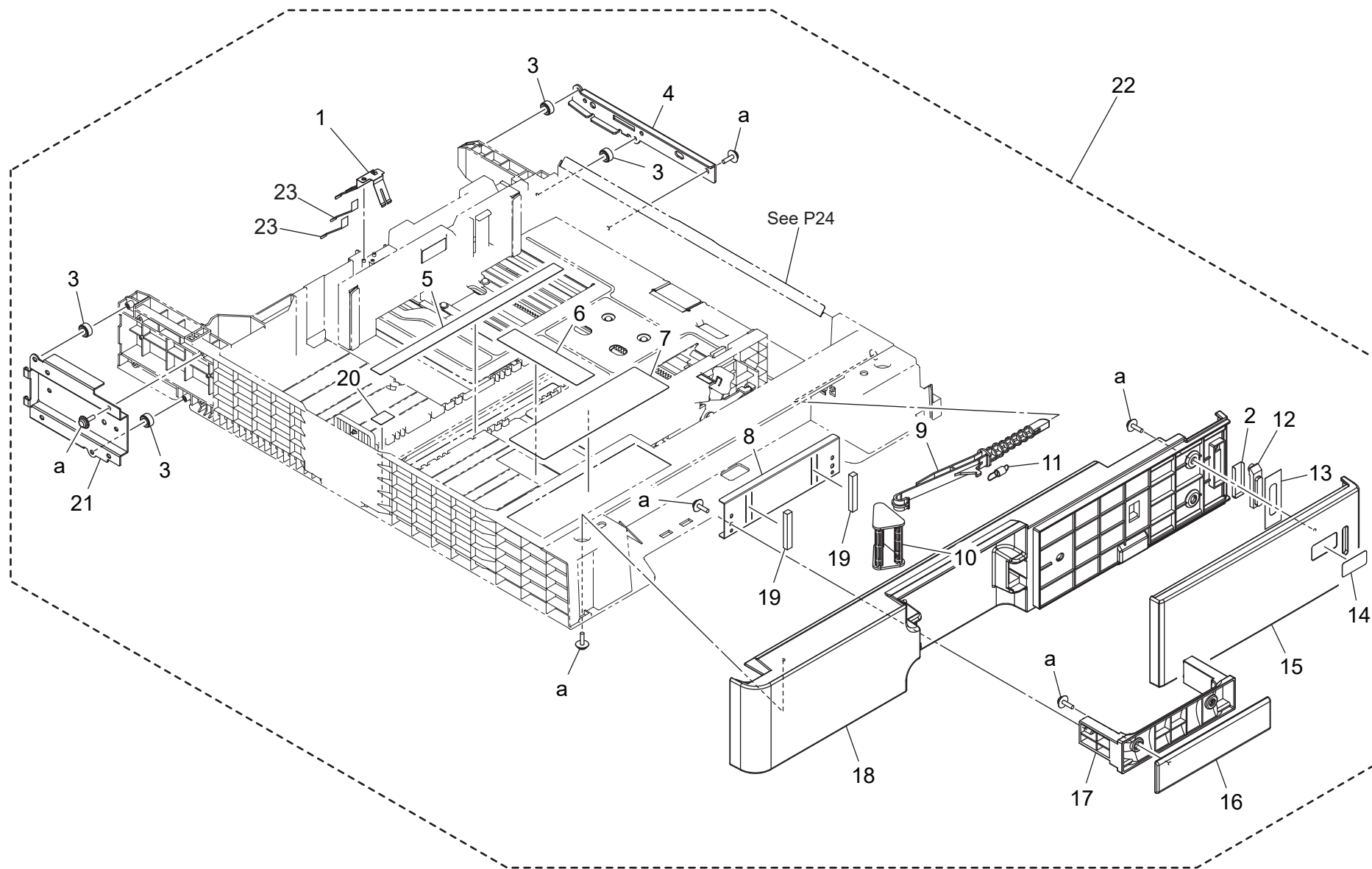


Reference Page of haeness

FDPSB/1: P49
 FDPSB/2: P49

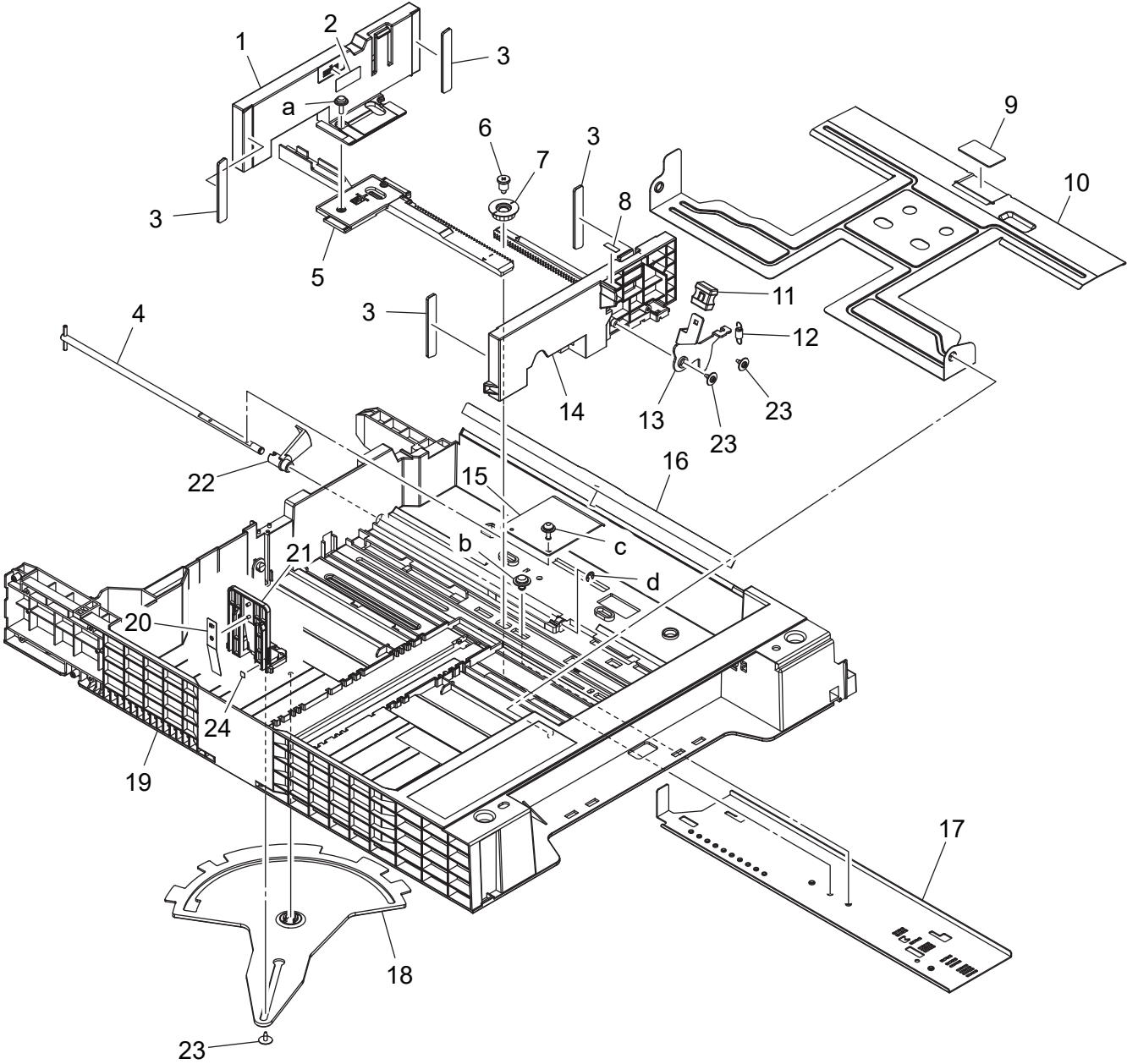
Key	Part No.	Description	Destinations	Class	QTY	Standard parts
1	A7PUN10401	Harness /Paperfeed		D	1	a-V153033003 b-V145030803 c-V116030803
2	A7PUN10501	Harness /Paperfeed		D	1	
3	A7PU627500	Holder		D	2	
4	A5C1628000	Holder		C	2	
5	A161M50600	Photointerrupter		C	2	
6	A161M50501	Photointerrupter		C	2	
7	4002311002	Pressure Spring		C	2	
8	9J06M10300	MOTOR		B	2	
9	A5C1627101	Holder		D	2	
10	A5C1627300	Holder		D	2	
11	A5C1627900	Compressing Coil spring		D	4	
12	4163529301	SCREW		C	4	
13	A5C1M50100	Photointerrupter		B	2	
14	A7PU106100	Cover		D	2	

Tray 1 Section



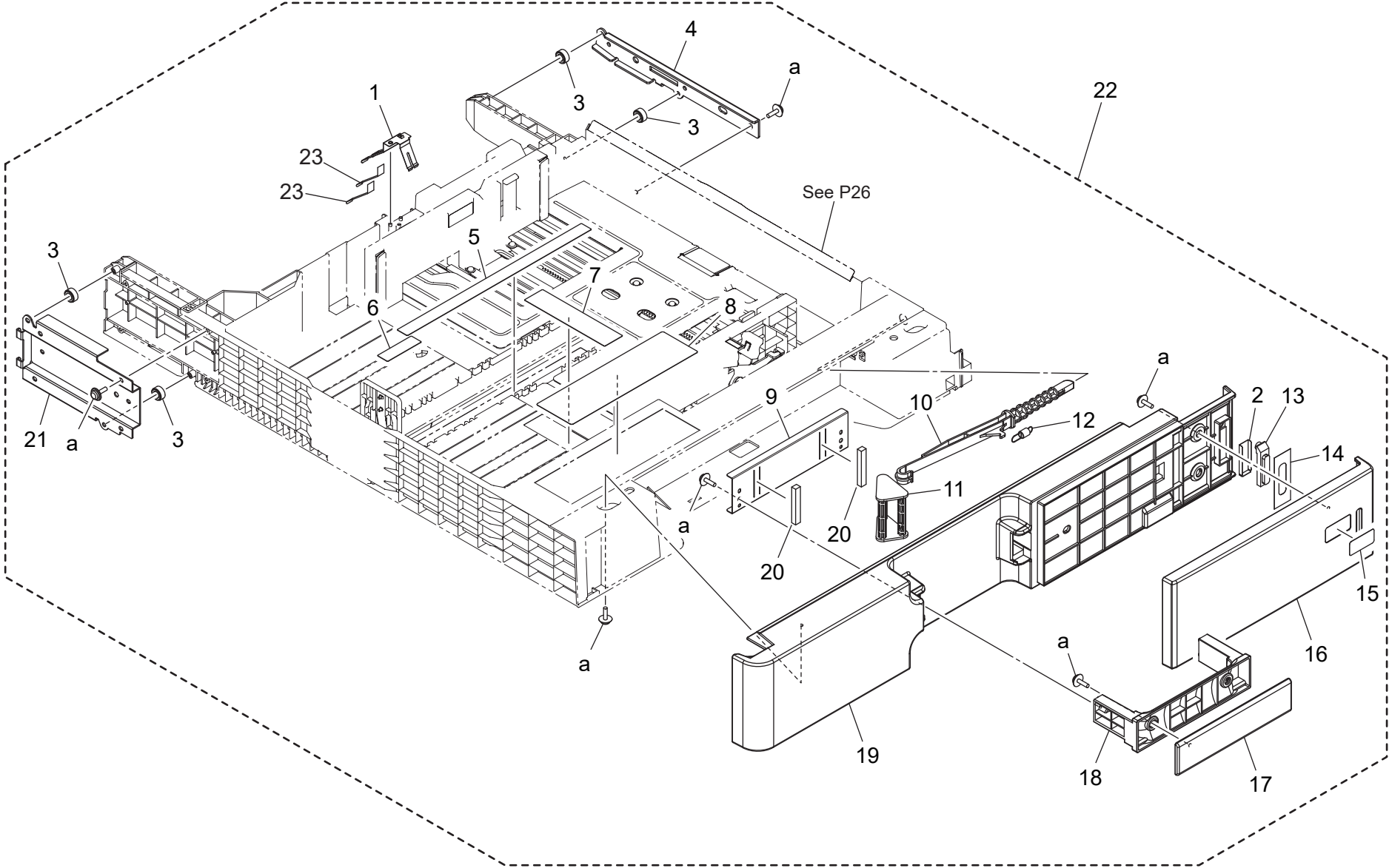
Key	Part No.	Description	Destinations	Class	QTY	Standard parts
1	A161622100	Ground Plate		D	1	a-V153030803
2	A161626200	Sheet		D	1	
3	A161623400	Roll		D	4	
4	A161623104	Reinforce Plate /Right		D	1	
5	A79J941200	Label FD		C	1	
6	A79J941500	Label CD		C	1	
7	A795942401	Label		C	1	
8	A5C1624300	Holder		D	1	
9	A161626502	Lever		C	1	
10	A161626602	Lever		C	1	
11	A161626800	Pulling Coil spring		C	1	
12	A161626000	Lens		D	1	
13	A161626100	Light blocking Sheet		D	1	
14	A161943100	Label 1		C	1	
15	A5C1625001	Cover		C	1	
16	A161625900	Cover		C	1	
17	A161626900	Handle		C	1	
18	A161625114	Cover		C	1	
19	A5C1628500	Cushion		D	2	
20	A79J941300	Label FD		C	1	
21	A161623301	Reinforce Plate /Left		D	1	
22	A7PUR72222	Cassette Assy /1st		S	1	
23	A55V624700	Protection Sheet		C	2	

Tray 1 Section



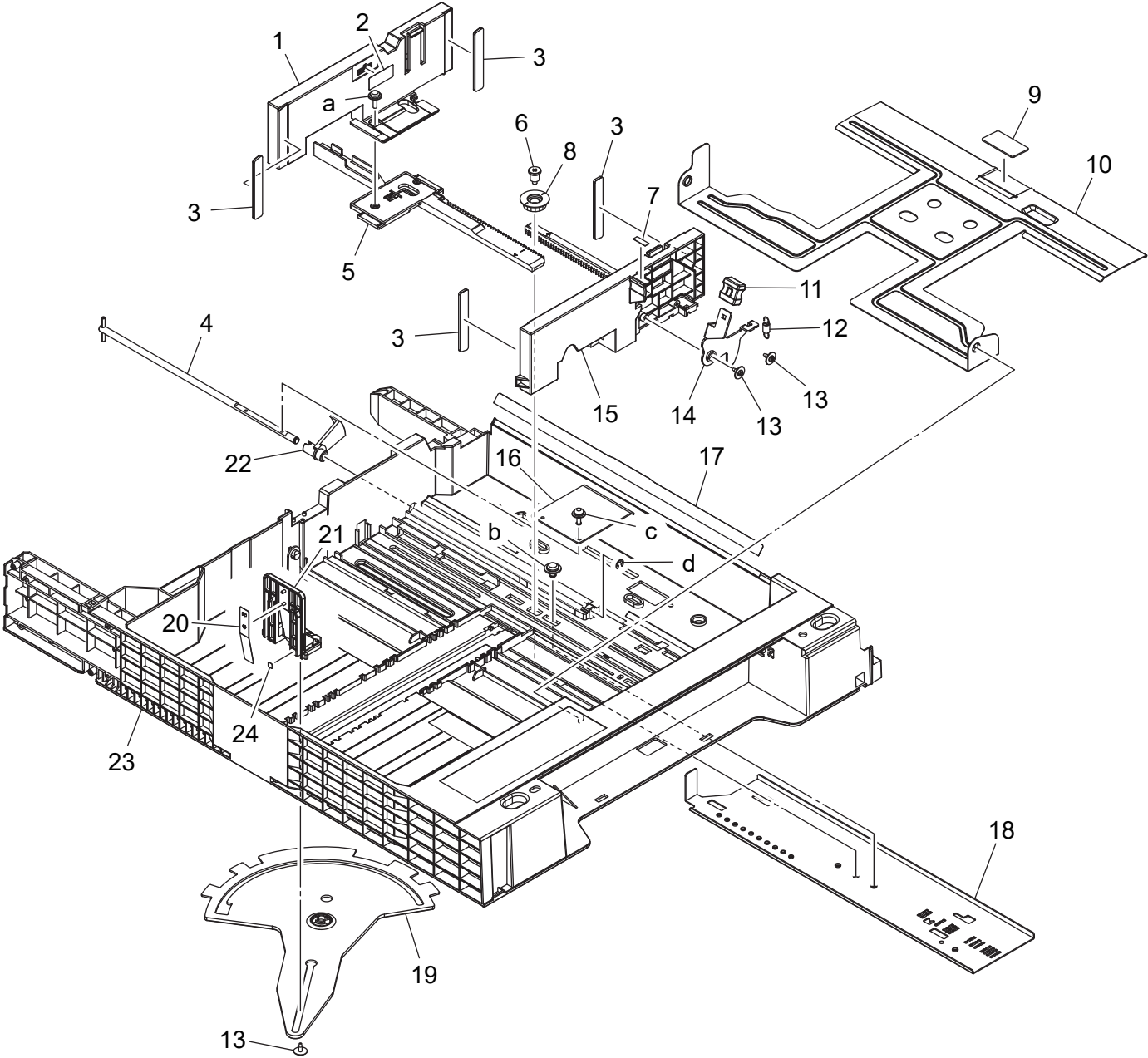
Key	Part No.	Description	Destinations	Class	QTY	Standard parts
1	A161620904	Regulating Plate /Rear		C	1	a-V153030803 b-V144040603 c-V116030803 d-V217040001
2	A161943700	Label Max Level		C	1	
3	A161624100	Cushion		C	4	
4	A161621600	Lifting Shaft		D	1	
5	A161621100	Rack		C	1	
6	A161620600	Shoulder screw		D	1	
7	A161620701	Gear		D	1	
8	A161943000	Label		C	1	
9	4030322601	FRICTION SHEET		C	1	
10	A161620400	Lifting Plate		D	1	
11	4037320401	KNOB		C	1	
12	A0ED621400	Pulling Coil spring		D	1	
13	A161621300	Lever		D	1	
14	A161620803	Regulating Plate /Front		C	1	
15	4030320601	LEVER		D	1	
16	A0ED620200	Guide		C	1	
17	A161621900	Mounting Plate		D	1	
18	A161621411	Lever		C	1	
19	A161620107	Paper feed Cassette		D	1	
20	A161621800	Plate spring		C	1	
21	A161621701	Regulating Plate		C	1	
22	A0ED620701	Actuator		C	1	
23	4163529301	SCREW		C	3	
24	A02E940300	Label		C	1	

Tray 2 Section



Key	Part No.	Description	Destinations	Class	QTY	Standard parts
1	A161622100	Ground Plate		D	1	a-V153030803
2	A161626200	Sheet		D	1	
3	A161623400	Roll		D	4	
4	A161633101	Reinforce Plate /Right		D	1	
5	A79J941200	Label FD		C	1	
6	A79J943500	Label FD		C	1	
7	A79J943600	Label CD		C	1	
8	A795942401	Label		C	1	
9	A5C1624300	Holder		D	1	
10	A161636502	Lever		C	1	
11	A161626602	Lever		C	1	
12	A161626800	Pulling Coil spring		C	1	
13	A161626000	Lens		D	1	
14	A161626100	Light blocking Sheet		D	1	
15	A161943200	Label 2		C	1	
16	A5C1635001	Cover		C	1	
17	A161625900	Cover		C	1	
18	A161626900	Handle		C	1	
19	A161635117	Cover		C	1	
20	A5C1628500	Cushion		D	2	
21	A161633202	Reinforce Plate /Left		D	1	
22	A7PUR72322	Cassette Assy /2nd		S	1	
23	A55V624700	Protection Sheet		C	2	

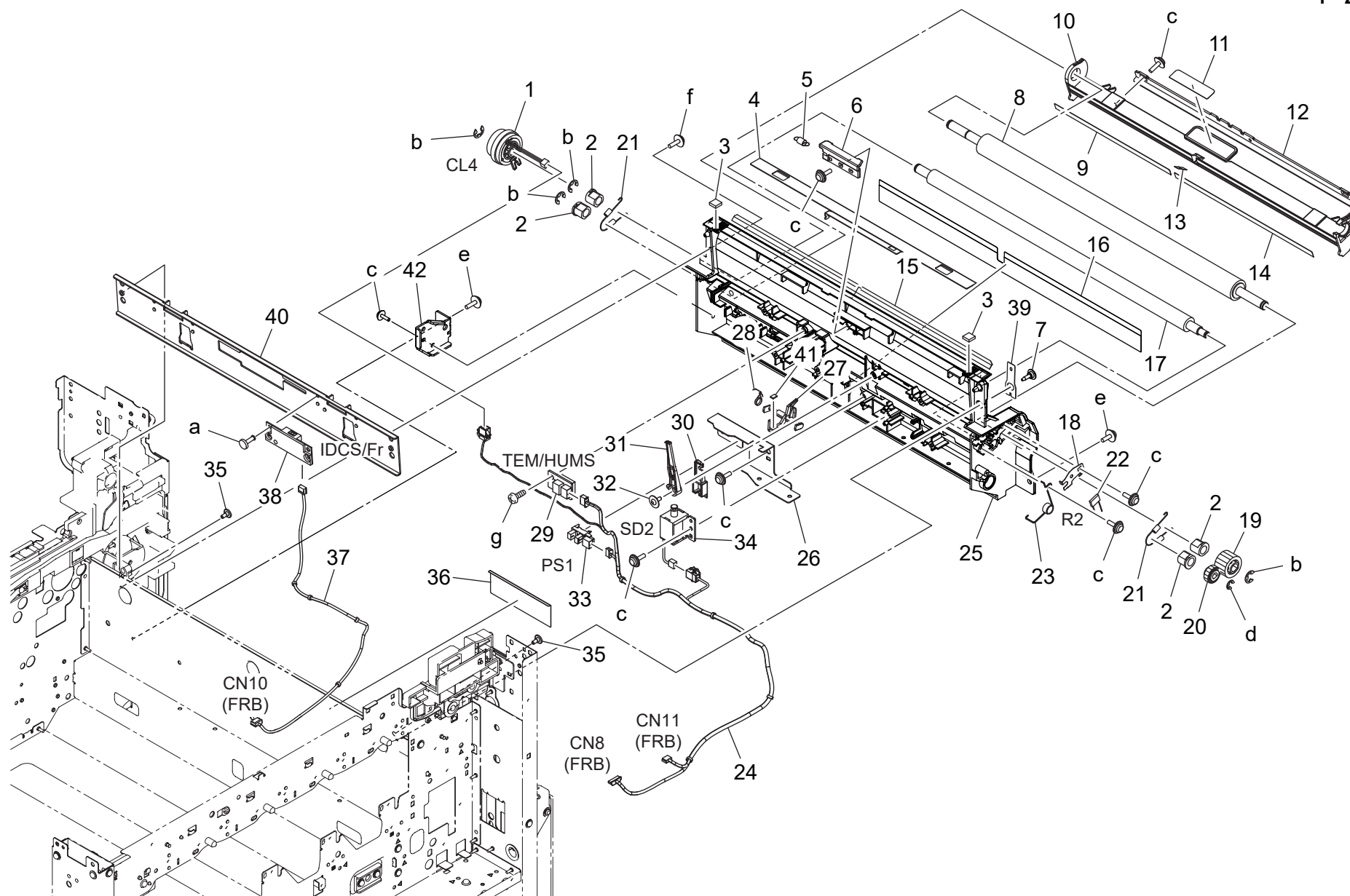
Tray 2 Section



Key	Part No.	Description	Destinations	Class	QTY	Standard parts
1	A161620904	Regulating Plate /Rear		C	1	a-V153030803 b-V144040603 c-V116030803 d-V217040001
2	A161943700	Label Max Level		C	1	
3	A161624100	Cushion		C	4	
4	A161621600	Lifting Shaft		D	1	
5	A161621100	Rack		C	1	
6	A161620600	Shoulder screw		D	1	
7	A161943000	Label		C	1	
8	A161620701	Gear		D	1	
9	4030322601	FRICTION SHEET		C	1	
10	A161620400	Lifting Plate		D	1	
11	4037320401	KNOB		C	1	
12	A0ED621400	Pulling Coil spring		D	1	
13	4163529301	SCREW		C	3	
14	A161621300	Lever		D	1	
15	A161620803	Regulating Plate /Front		C	1	
16	4030320601	LEVER		D	1	
17	A0ED620200	Guide		C	1	
18	A161621900	Mounting Plate		D	1	
19	A161631411	Lever		C	1	
20	A161621800	Plate spring		C	1	
21	A161621701	Regulating Plate		C	1	
22	A0ED620701	Actuator		C	1	
23	A161630102	Paper feed Cassette		D	1	
24	A02E940300	Label		C	1	

2nd Transfer/Registration Section

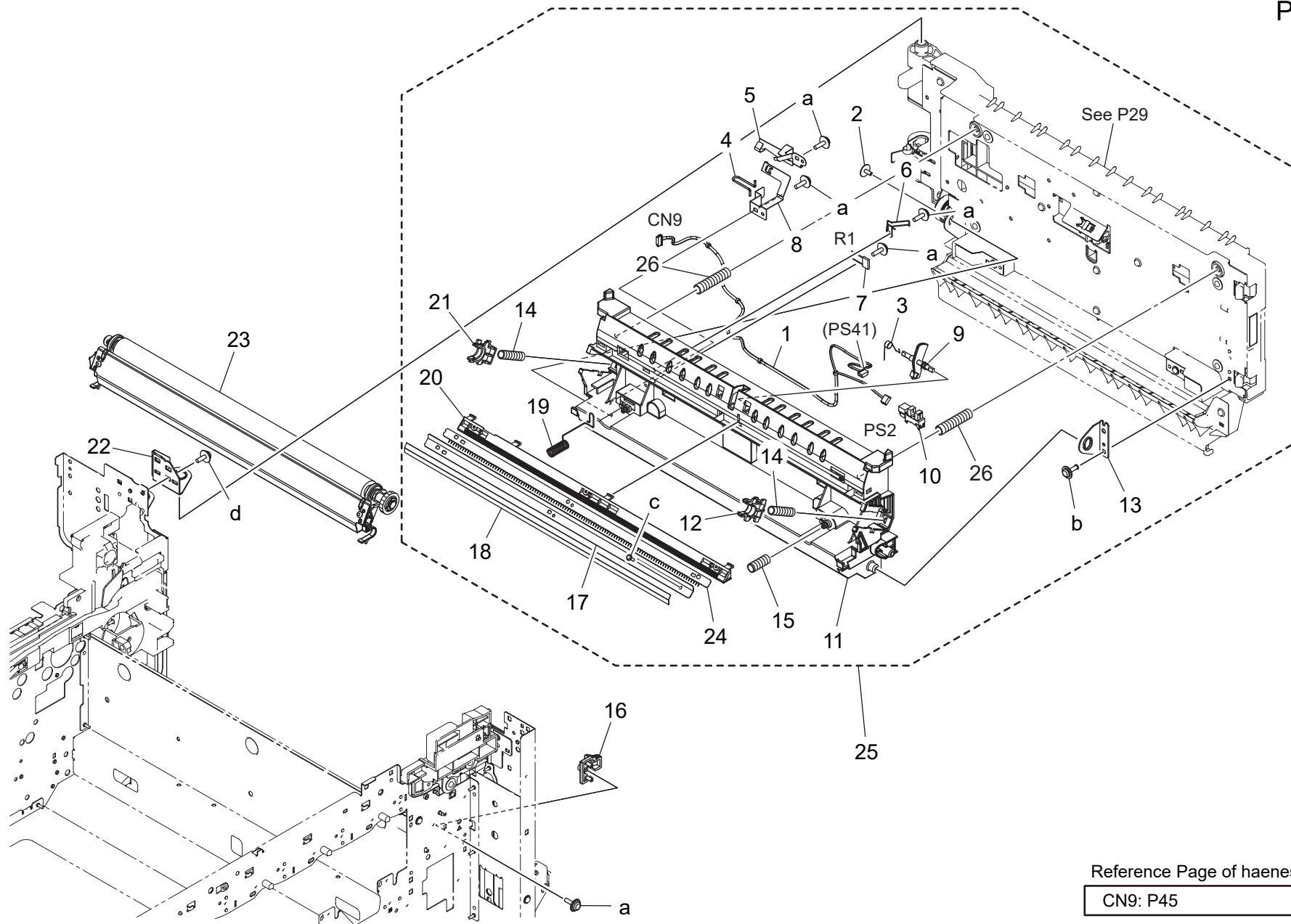
P 27



bizhub 308

Key	Part No.	Description	Destinations	Class	QTY	Standard parts
1	A02EM20000	Clutch		B	1	a-V118030803
2	A161702200	Bushing		C	4	b-V217060001
3	A161701900	Seal /A		D	2	c-V153030803
4	A0ED705800	Cover		D	1	d-V217040001
5	A0ED702800	Pulling Spring		D	1	e-V116030803
6	A161706001	Holding Shutter		D	1	f-V153031003
7	A7PU701200	Shoulder screw		C	1	g-V145030803
8	A5C1700101	Roller		C	1	
9	4038353701	GUIDE		C	1	
10	A161700600	Guide Plate /Middle		D	1	
11	A161946300	Label M2		D	1	
12	A02E712902	Reinforce Plate		D	1	
13	4038353901	GUIDE		C	1	
14	A0ED700600	Guide Sheet		D	1	
15	A161701301	Guide Sheet /A		C	1	
16	A5C1701400	Guide Sheet /B		D	1	
17	A0ED700200	Roller		D	1	
18	A5C1700800	Ground Plate /D		D	1	
19	A0ED700300	Gear 20T		D	1	
20	A0ED700700	Gear 14T		D	1	
21	A161702000	Conveyance Spring /A		C	2	
22	V800500300	FIXED POWER RESISTORS		D	1	
23	A5C1703200	Torsion Coil spring		D	1	
24	A161N10D00	Conveyance Detection harness /L		D	1	
25	A7PU700111	Guide Plate /Inside		D	1	
26	A161700301	Mounting Plate /B		D	1	
27	A161701703	Actuator /T		C	1	
28	A161701100	Spring /A		C	1	
29	A7AHM50400	Humidity sensor		I	1	
30	A161700700	Arm /2		D	1	
31	A161700401	Arm /1		D	1	
32	4163529301	SCREW		C	1	
33	A5C1M50100	Photointerrupter		B	1	
34	A034M20100	Conveyance Solenoid		C	1	
35	4011585202	SHOULDER SCREW		C	2	
36	A161701800	Protection Sheet		D	1	
37	A61FN12H01	Sensor Wiring		D	1	
38	A161M50000	Photo sensing		I	1	
39	A7PU701100	Plate spring		D	1	
40	A161700901	Reinforce Plate		D	1	
41	A161702101	Cushion /C		C	1	
42	A7PU701000	Reinforce Plate		D	1	

2nd Transfer/Vertical Conveyance Section

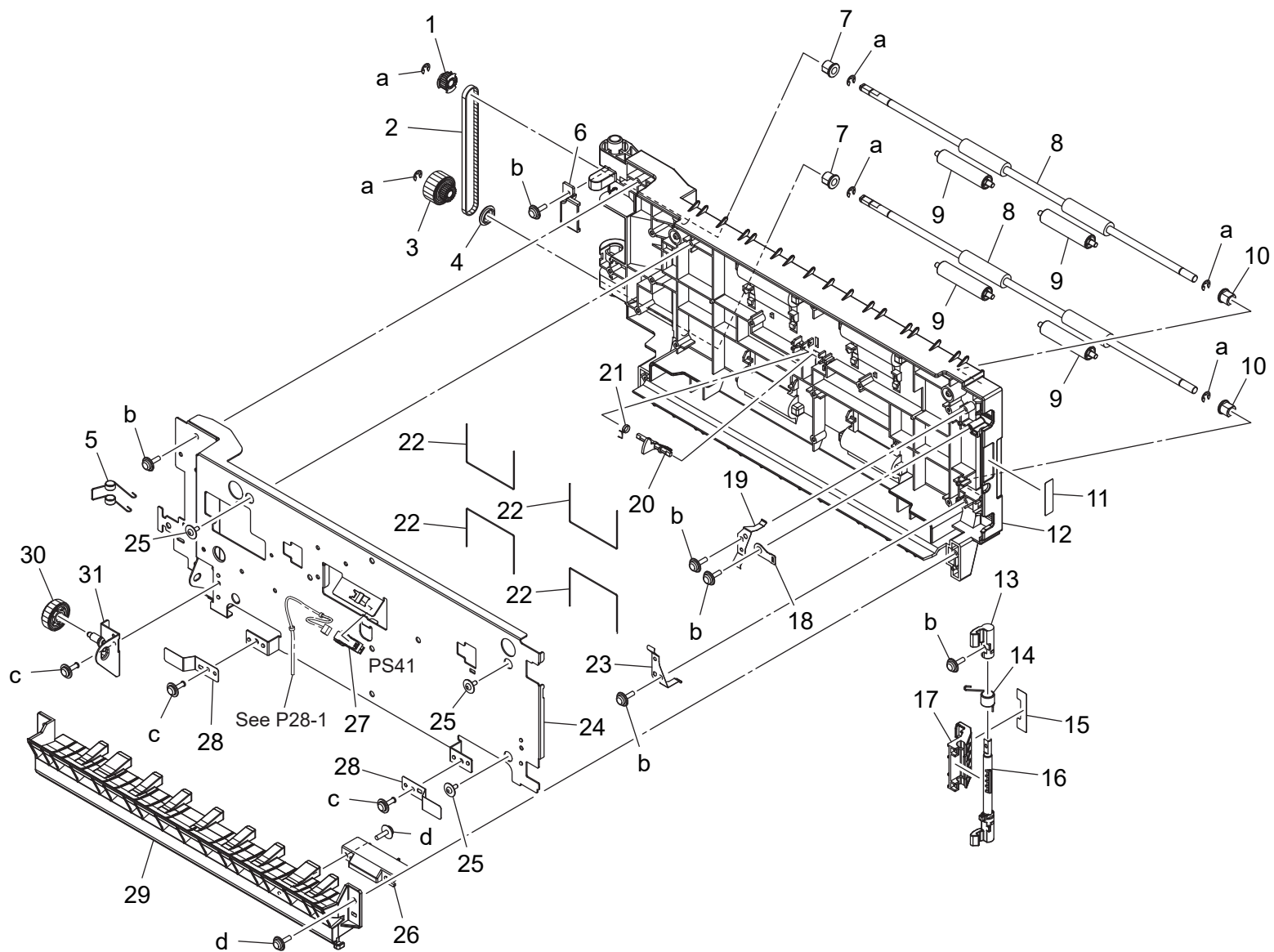


Reference Page of haeness

CN9: P45

Key	Part No.	Description	Destinations	Class	QTY	Standard parts
1	A161N10H01	Conveyance Wiring		D	1	a-V153030803 b-V137030803 c-V162020504 d-V116030803
2	4163529301	SCREW	搬送束線	C	1	
3	A161712700	Spring /C	ねじ	D	1	
4	A161712401	Ground Spring /A	ばね / C	D	1	
5	A5C1715100	Ground Plate /C	アースばね / A	D	1	
6	A5C1711000	Ground Spring /B	アース板 / C	D	1	
7	V800500300	FIXED POWER RESISTORS	アースばね / B	D	1	
8	A5C1710900	Ground Plate /A	固定抵抗器	D	1	
9	A0ED703800	Actuator	アース板 / A (2次接点)	D	1	
10	A5C1M50100	Photointerrupter	アクチュエータ (ループセンサ)	D	1	
11	A161710103	Holder /A	透過型センサ	B	1	
12	A161550700	Transfer Holder /2	ホルダ / A	D	1	
13	A5C1711800	Support Plate /Front	転写ホルダ / 2	C	1	
14	A0ED551000	Compressing Coil spring /2	支点板 / 前	D	1	
15	A0ED551100	Compressing Coil spring	圧縮コイルばね / 2	C	2	
16	A161712300	Fixing Part /Lower	圧縮コイルばね (転前)	D	1	
17	A0ED550900	Mounting Plate	固定部材 / 下	D	1	
18	A5C1551701	Guide Seal	取付板 (除電上)	D	1	
19	A161712500	Ground Spring /C	ガイドシール	D	1	
20	A161551600	Mounting Plate	アースばね / C	D	1	
21	A161551500	Transfer Holder /2	取付板 (除電下)	D	1	
22	A161104101	Adjusting Plate	転写ホルダ / 2 (後 / Rear)	C	1	
23	A161R71422	2nd Image Transfer Roller Assy	調整板 (搬送扉上)	D	1	
24	A0ED550800	Neutralizing Part	2次転写ローラー Assy	C	1	
25	A7PUR72411	Vertical Transport Assy	除電部材	D	1	
26	A161711200	Pressing Spring	縦搬送 Assy	S	1	
			押圧ばね	D	2	

2nd Transfer/Vertical Conveyance Section



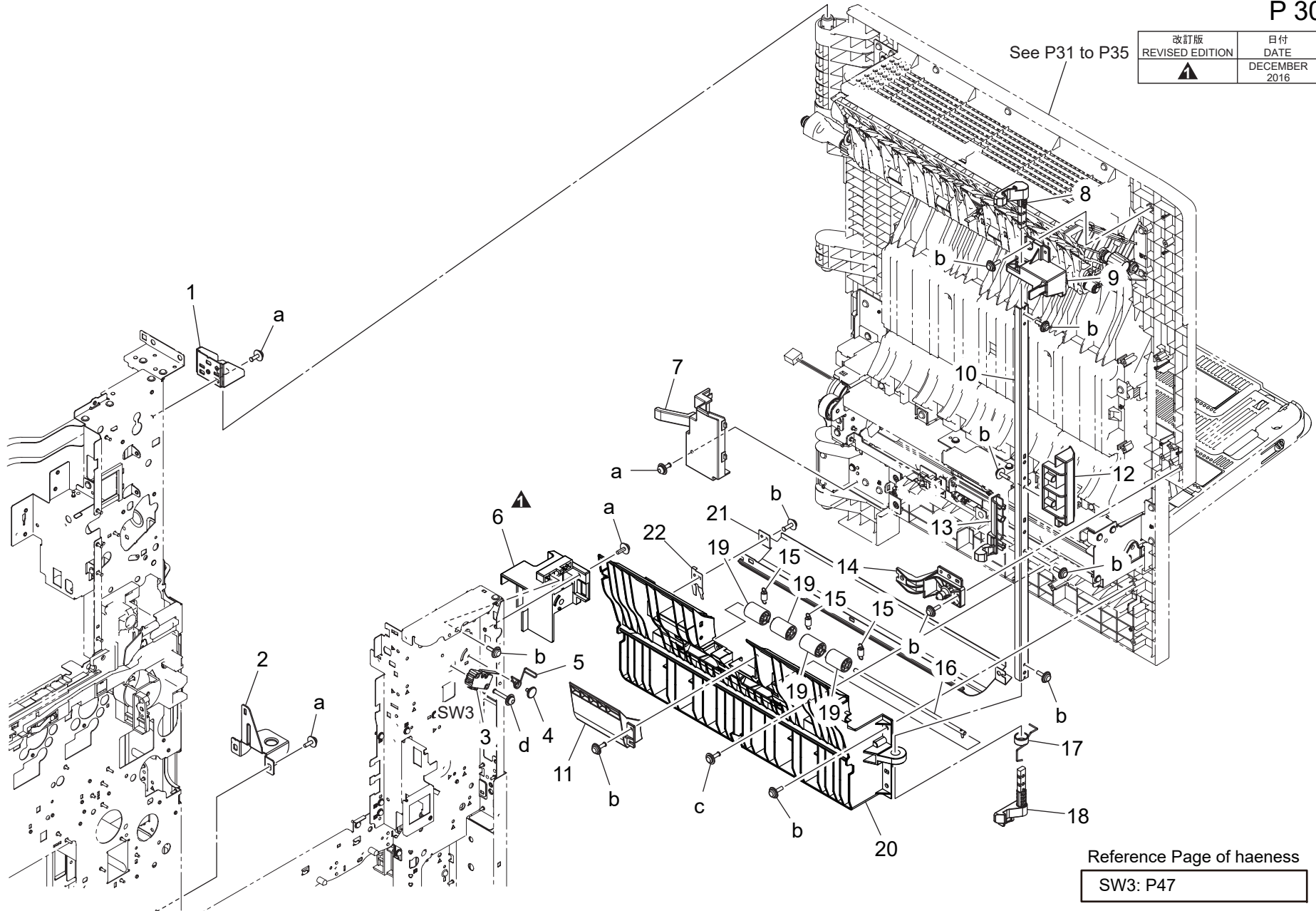
2nd Transfer/Vertical Conveyance Section

Key	Part No.	Description	Destinations	Class	QTY	Standard parts
1	A0ED811700	Pulley 22T	プーリ (ADU 第3) 22 T	C	1	a-V217040001 b-V153030803 c-V137030803 d-V153031003
2	A161719000	Drive Belt 266L	駆動ベルト 266 L	C	1	
3	A64J709100	Gear 22/23T	ギア 22/23 T	C	1	
4	A0ED811900	Collar	カラー (ADU 第2 R)	D	1	
5	A161712900	Ground Spring /D	アースばね / D	D	1	
6	A161712600	Cover /C	カバー / C	D	1	
7	A161713100	Bushing /1	すべり軸受 / 1	D	2	
8	A161710500	Roller /A	ローラ / A	D	2	
9	A161825700	Idler Roller /A	従動ローラ / A	D	4	
10	A02E815200	BUSHING	軸受	C	2	
11	A161946400	Label M6	ラベル M 6	D	1	
12	A5C1710200	Guide Plate /A	ガイド板 / A	D	1	
13	A161711300	Lock Shaft /A	ロック軸 / A	C	1	
14	A161711700	Spring /B	ばね / B	C	1	
15	A161946200	Label M1	ラベル M 1	D	1	
16	A5C1711500	Lock Shaft	ロック軸	C	1	
17	A161711600	Open/close Lever	開閉レバー	C	1	
18	A161714500	Fixing Part	固定部材	D	1	
19	A161712000	Ground Plate /D	アース板 / D	D	1	
20	A161713500	Actuator	アクチュエータ (ADU 下 JAM 検)	C	1	
21	A161712800	Spring /D	ばね / D	D	1	
22	A161714600	Conveyance Spring /B	搬送ばね / B	D	4	
23	A161712100	Ground Plate /E	アース板 / E	D	1	
24	A161710405	Mounting Plate	取付板	D	1	
25	4163529301	SCREW	ねじ	C	3	
26	A161816300	Lock Plate	ロックプレート	D	1	
27	A5C1M50100	Photointerrupter	透過型センサ	B	1	
28	A0ED702400	Plate spring	板ばね (タイミング前ガイド)	D	2	
29	A161710300	Guide Plate /B	ガイド板 / B	D	1	
30	A64J719100	Gear 23T	ギア 23 T	C	1	
31	A161711901	Support Plate /Rear	支点板 / 奥	D	1	

Vertical Conveyance Section

改訂版 REVISED EDITION	日付 DATE
	DECEMBER 2016

See P31 to P35

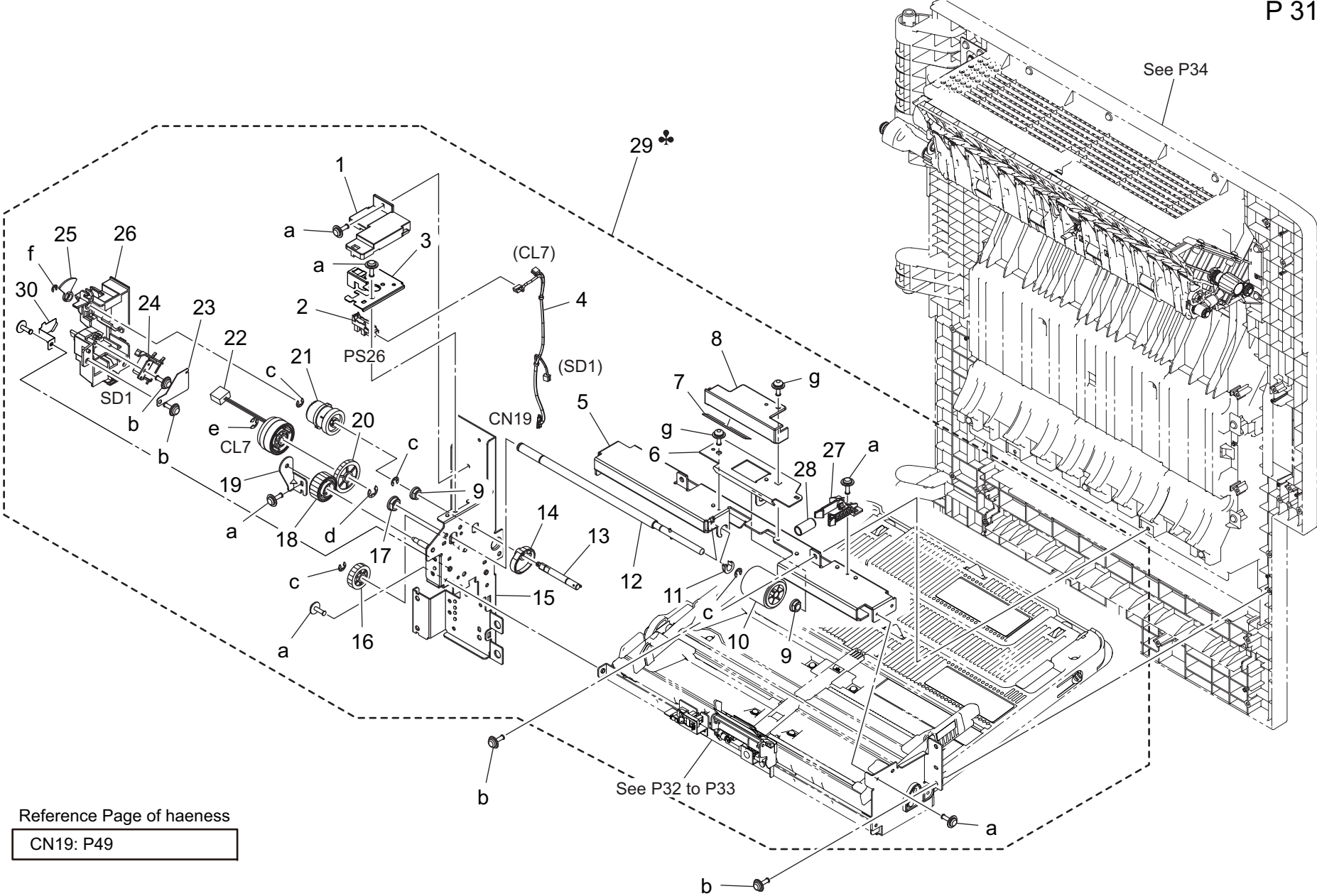


Reference Page of haeness

SW3: P47

Key	Part No.	Description	Destinations	Class	QTY	Standard parts
1	A161121300	Adjusting Plate		D	1	a-V116030803 b-V153030803 c-V137030804 d-V116031603
2	A161102500	Adjusting Plate		D	1	
3	9J06M60100	MICRO SWITCH		C	1	
4	A161137100	Shoulder screw		D	1	
5	A161151200	Torsion Coil spring		D	1	
6	A5C1121202	Holder		D	1	
7	A161592900	Wiring Cover /B		D	1	
8	A0ED712100	Lock Claw		C	1	
9	A161811500	Support Part /Upper		D	1	
10	A161811001	Lock Plate		D	1	
11	A5C1590500	Paper feed Guide		D	1	
12	A161811100	Open/close Handle		C	1	
13	A5C1815200	Lock /Middle		C	1	
14	A161811302	Lock Part /Lower		D	1	
15	A64J815500	Pulling Spring		C	3	
16	A161815300	Shaft		D	1	
17	A161815900	Torsion Coil spring		C	1	
18	A5C1811600	Lock Claw /Lower		C	1	
19	A161815400	Roll		C	4	
20	A161810305	Guide Plate /2		D	1	
21	A161815000	Guide Door		D	1	
22	A161816200	Ground Guide		D	1	

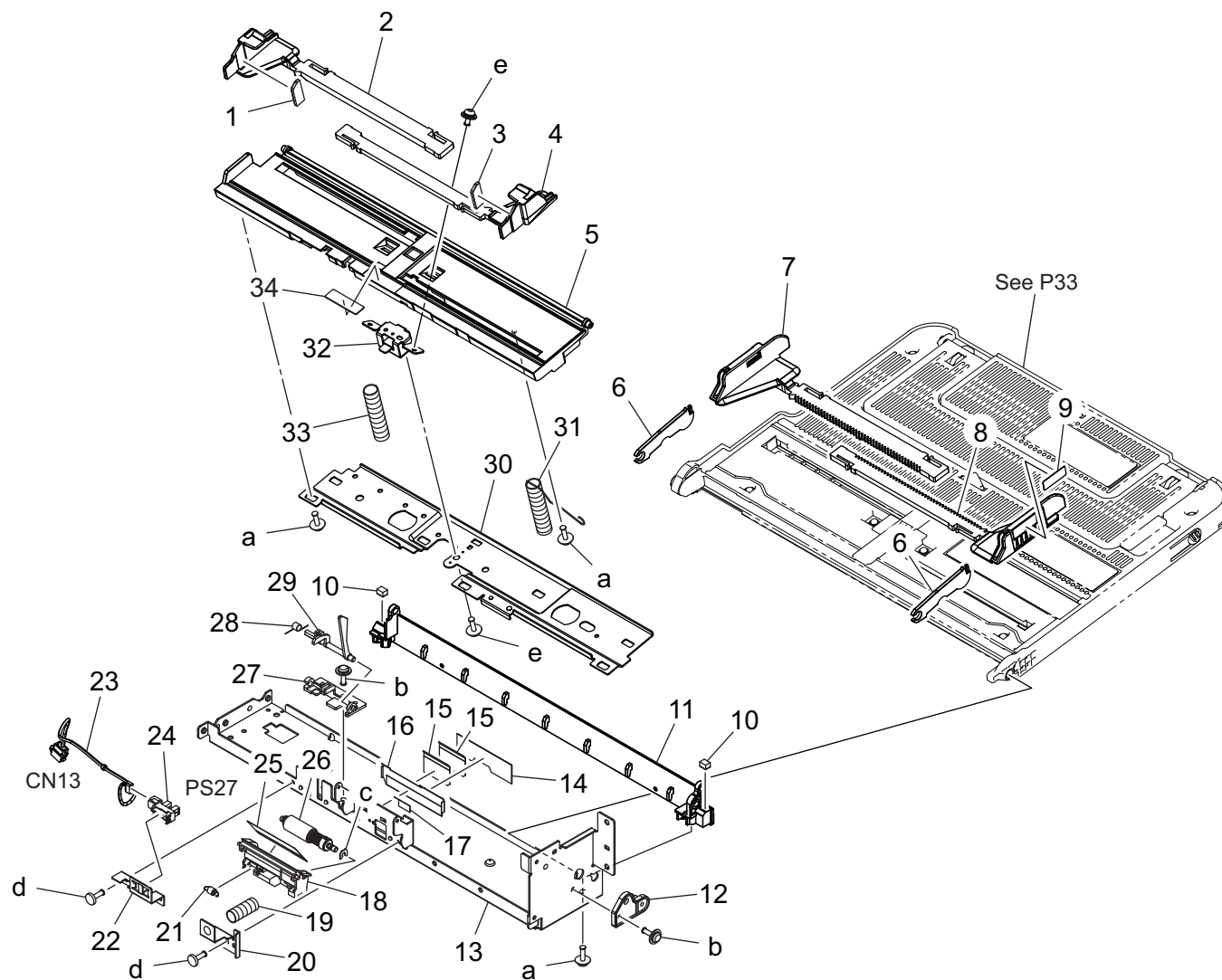
Bypass Tray Section



Reference Page of haeness
 CN19: P49

Bypass Tray Section

Key	Part No.	Description	Destinations	Class	QTY	Standard parts
1	A161592800	Wiring Cover /A		D	1	a-V137030803 b-V153030803 c-V217040001 d-V217060001 e-V217050001 f-V217030001 g-V116030803
2	A5C1M50100	Photointerrupter		B	1	
3	A5C1591900	Mounting Plate		D	1	
4	A161N12200	Paperfeed Drive harness /1		D	1	
5	A161590201	Paper feed Frame		D	1	
6	A161594100	Reinforce Plate		D	1	
7	A161594700	Guide Sheet		C	1	
8	A161591700	Auxiliary Guide		D	1	
9	A02E596300	Bushing		C	2	
10	A00F623201	Roller		B	1	
11	A161594400	Slide Stopper		C	1	
12	A161591500	Paper feed Shaft		D	1	
13	A161591400	Drive Shaft		D	1	
14	A161593300	Paper feed Cam		C	1	
15	A161F59002	Caulking(Mounting Plate Drive Frame)		D	1	
16	A02E595400	Gear 22T		C	1	
17	4131353202	BUSHING		C	1	
18	A161590800	Bypass Gear 24T		C	1	
19	A161590600	Reinforce Plate		D	1	
20	A02E596100	Gear 30T		C	1	
21	A02E595100	Clutch assy		C	1	
22	A02EM20100	Clutch		B	1	
23	A0ED597800	Cover		D	1	
24	9321240011	SOLENOID		C	1	
25	A161591300	Light blocking Plate		C	1	
26	A5C1591200	Drive Cover		D	1	
27	A161594800	Hold Claw		C	1	
28	A161594900	Coil spring		C	1	
29	A7PUR71722	Manual Feed Tray Assy /Metric	A,A1,C,D1,D3,E,F2,G 1,G2,I,K,J	S	1	
29	A7PUR71822	Manual Feed Tray Assy /Inch	B,G2	S	1	
30	A7PU596900	Auxiliary Cover		D	1	



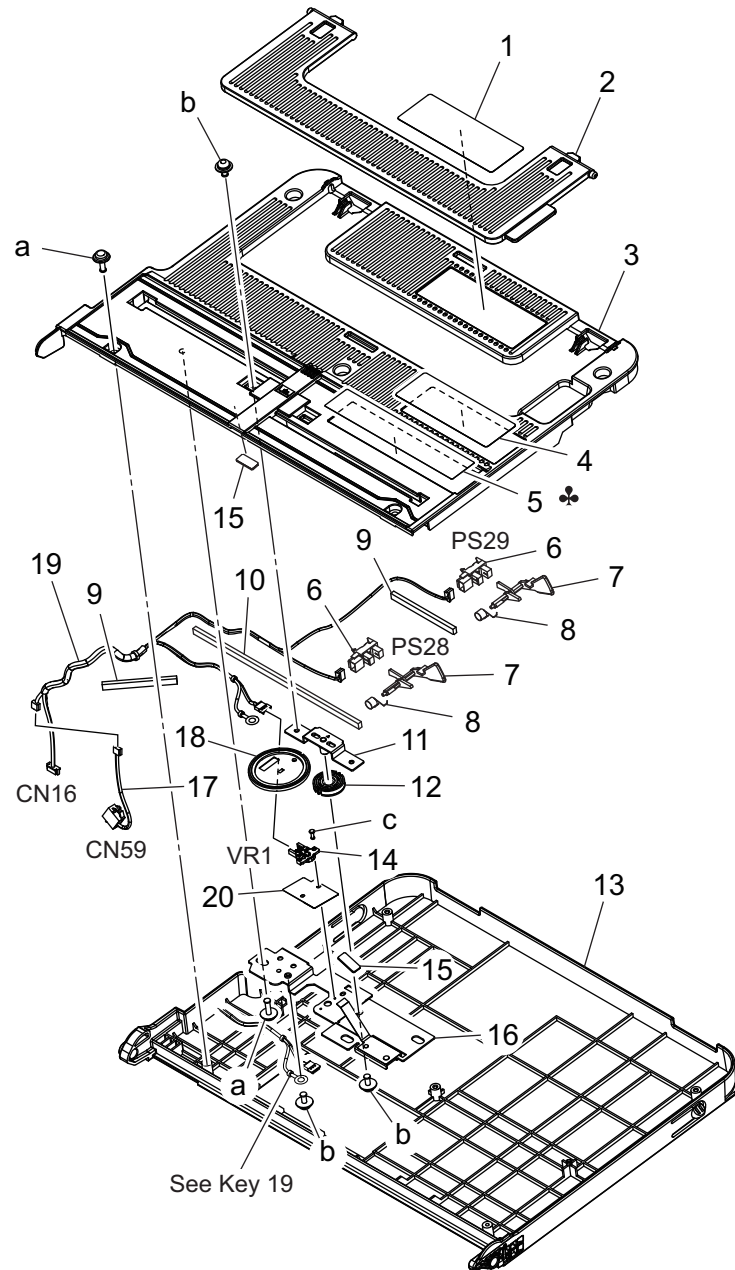
Reference Page of haeness

CN13: P49

bizhub 308

Bypass Tray Section

Key	Part No.	Description	Destinations	Class	QTY	Standard parts
1	A161594500	Brake Part		C	1	a-V153030803 b-V137030803 c-V218030086 d-V118030803 e-V116030604
2	A7PU596200	Regulating Plate /R		C	1	
3	A161594600	Brake Part /F		C	1	
4	A7PU596100	Regulating Plate /L		C	1	
5	A7PU593000	Lifting Plate		D	1	
6	A7PU595500	Lever		C	2	
7	A7PU593200Old	Regulating Plate /R		C	1	
7	A7PU593201	Regulating Plate /R		C	1	
8	A7PU593100	Regulating Plate /F		C	1	
9	A7PU944900	Label		C	1	
10	A161594201	Cushion		D	2	
11	A161590304	Support Holder		D	1	
12	A161591600	Hold Plate		C	1	
13	A161590101	Bypass Frame		D	1	
14	A161595100	Seal		C	1	
15	4030340301	GUIDE		C	2	
16	A161595300	Separating Plate		C	1	
17	A161595600	Slide Guide		C	1	
18	A161595000	Holder		D	1	
19	4030347501	PRESSURE SPRING		C	1	
20	A161595400	Hold Plate		D	1	
21	A161595200	Pulling Coil spring		C	1	
22	A161591800	Sensor Holder		D	1	
23	A7PUN10A00	Harness/ Sensor		D	1	
24	A5C1M50100	Photointerrupter		B	1	
25	A02E597600	Guide		C	1	
26	4658015106	Roller Assy		A	1	
27	A161591100	Sensor Holder		D	1	
28	A161591000	Torsion Spring		C	1	
29	A161590901	Actuator		C	1	
30	A7PU596700	Mounting Plate		D	1	
31	A161593600	Compressing Coil spring		C	1	
32	A7PU596000	Mounting Plate		D	1	
33	A161593400	Compressing Coil spring		C	1	
34	A7PU594000	Separating Sheet		C	1	
35	A7PU944500	Label		C	1	



Reference Page of haeness

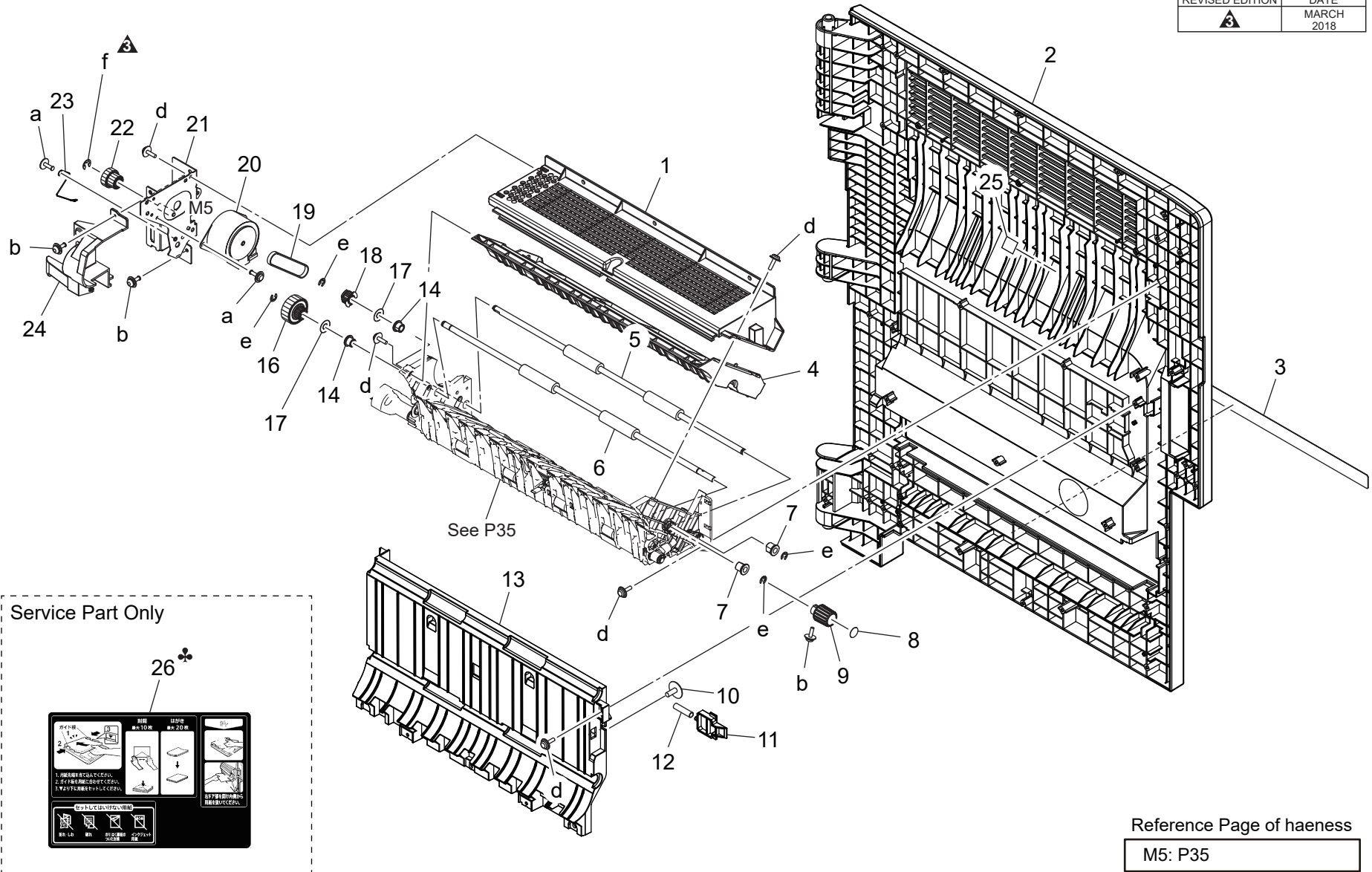
CN16: P49
CN59: P49

Bypass Tray Section

Key	Part No.	Description	Destinations	Class	QTY	Standard parts
1	A7PU944401	Label Paper supply		C	1	a-V153030803 b-V116030603 c-V111170403
2	A161592200	Auxiliary Tray		C	1	
3	A7PU592100	Bypass Tray /Upper		C	1	
4	A7PU944301	Label Paper supply		C	1	
5	A7PU944100	Label Metric	A,A1,C,D1,D3,E,F2,G 1,G2,I,K,J	C	1	
5	A7PU944200	Label Inch	B,G2	C	1	
6	A5C1M50100	Photointerrupter		B	2	
7	A161592400	Actuator		C	2	
8	A161592501	Torsion Spring		C	2	
9	A161592600	Holding Cover /2		D	2	
10	A161592300	Holding Cover		D	1	
11	A7PUF60000	Mounting Plate		D	1	
12	A7PU593500	Gear		C	1	
13	A7PU592000	Bypass Tray		C	1	
14	A161M50400	VR		D	1	
15	A161593800	Friction Plate		C	2	
16	A7PU593700	Mounting Plate		D	1	
17	A7PUN10900	Harness/ Relay		D	1	
18	A161594300	Regulating Gear 41T		C	1	
19	A7PUN10B01	Harness/ Sensor		D	1	
20	A7PU599300	Insulating Sheet		D	1	

Duplex Section

改訂版 REVISED EDITION	日付 DATE
	MARCH 2018

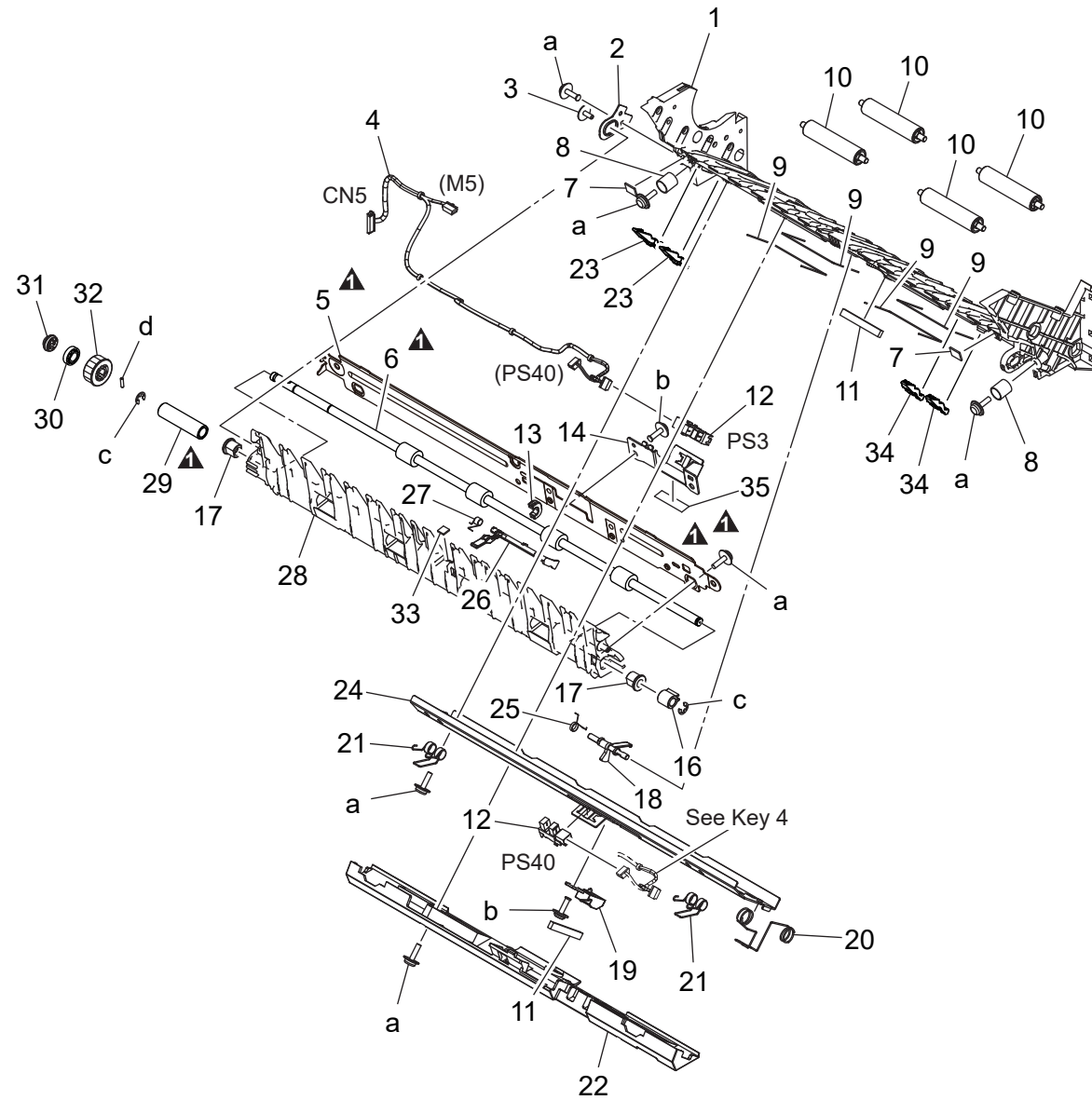


Key	Part No.	Description	Destinations	Class	QTY	Standard parts
1	A161810701	Cover /Upper		D	1	a-V137030803 b-V116030803 c-V217050001 d-V153030803 e-V217040001 f-V217030001
2	A7PU810101	Guide Door /Right		C	1	
3	A161815100	Cover Door		C	1	
4	A5C1822000	Guide Plate		D	1	
5	A161814601	Roller /C		C	1	
6	A161813701	Roller /B		C	1	
7	A02E815200	BUSHING		C	2	
8	A161946100	Label M5		C	1	
9	A161814700	Knob /A		C	1	
10	4163529301	SCREW		C	1	
11	A5C1815700	Open/close Claw		C	1	
12	A161815800	Swing Spring		C	1	
13	A7PU810200	Guide Plate /1		D	1	
14	A161813300	Bushing /A		C	2	
16	A5C1819700	Gear 22/29T		C	1	
17	A161816400	Spacer /A		C	2	
18	A0ED811700	Pulley 22T		C	1	
19	A161819000	Drive Belt 156L		C	1	
20	A7PUM10300	Stepping motor		C	1	
21	A161F81103Old	Caulking(Panel Rear)		D	1	
21	A7PU811300	Panel /Rear		D	1	
22	A5C1819600Old	Gear 16/26T		C	1	
22	A7PU819600	Gear /4		C	1	
23	A5C1814300	Contact /B		D	1	
24	A161814901	Cover /B		D	1	
25	A00F941100	Label (高温マーク)		D	1	
26	A7PU944600	Label (手差し・操作)	A,A1	C	1	

Duplex Section

P 35

改訂版 REVISED EDITION	日付 DATE
▲	MARCH 2018



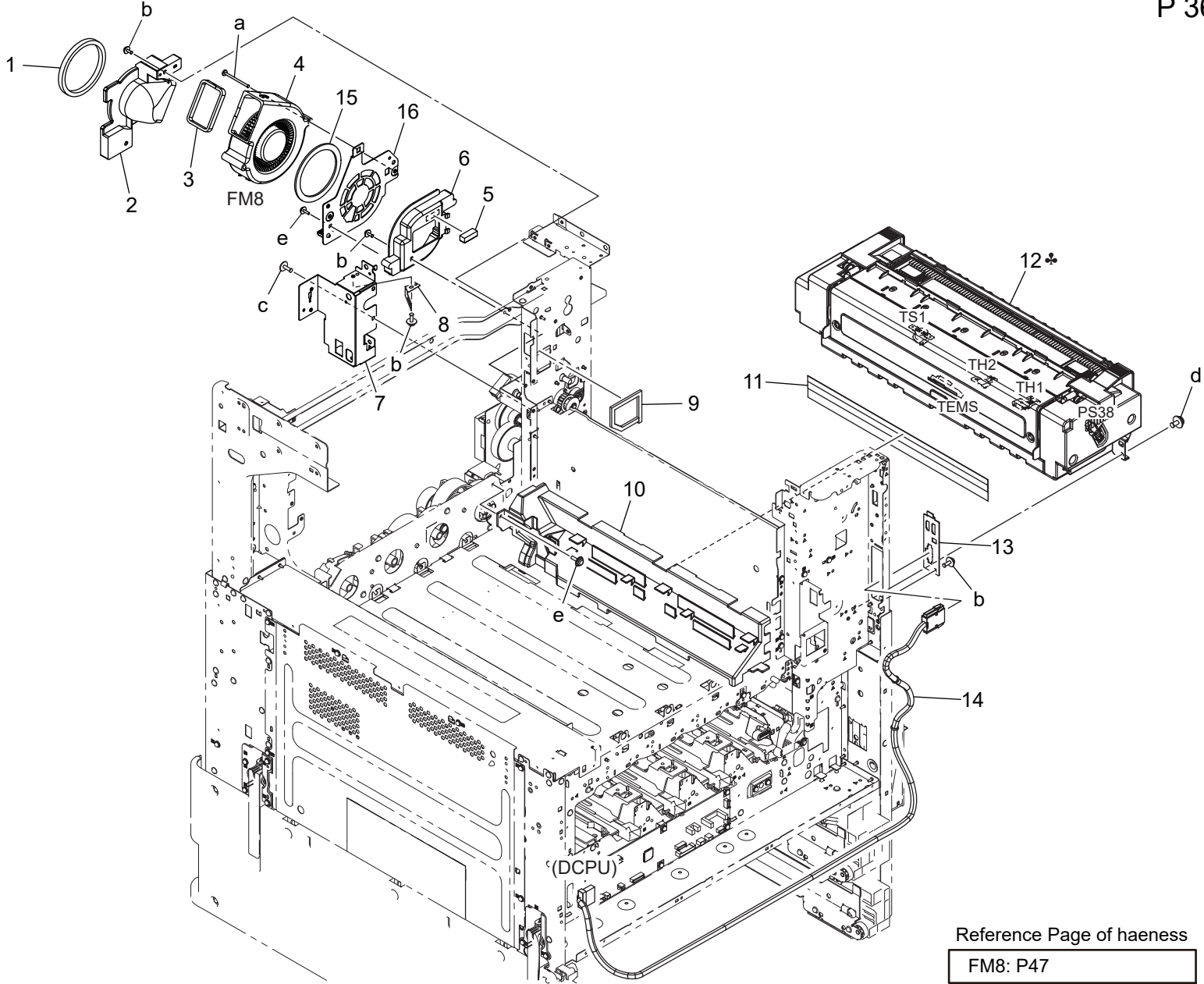
Reference Page of haeness

CN5: P47

bizhub 308

Key	Part No.	Description	Destinations	Class	QTY	Standard parts
1	A5C1811700	Guide Plate /3	ガイド板 / 3	D	1	a-V153030803 b-V137030803 c-V217040001 d-V234200850
2	A161814401	Mounting Plate /3	取付板 / 3	D	1	
3	4163529301	SCREW	ねじ	C	1	
4	A161N12100	Conveyance Drive harness /Upper	搬送駆動束線 / 上 (ADU 上)	D	1	
5	A161810801Old	Mounting Plate /2	取付板 / 2	D	1	
5	A7PU810800	Mounting Plate /2	取付板 / 2	D	1	
6	A5C1810603	Roller /1	ローラ / 1	C	1	
7	A161825301	Cushion /A	クッション / A	D	2	
8	A161813600	Pressing Spring /A	押圧ばね / A	C	2	
9	A0ED815100	Holding Part	押さえ材 (ADU 第1 R)	D	4	
10	A161825700	Idler Roller /A	従動ローラ / A	D	4	
11	A161825800	Cushion /B	クッション / B	D	2	
12	A5C1M50100	Photointerrupter	透過型センサ	B	2	
13	A161819500	Bushing /C	すべり軸受 / C	C	1	
14	A161825102	Mounting Plate /4	取付板 / 4	D	1	
16	A161814500	Bushing /B	すべり軸受 / B	C	1	
17	A02E815200	BUSHING	軸受	C	2	
18	A161813200	Actuator	アクチュエータ (ADU 上 JAM 検)	C	1	
19	A161825400	Wiring Part	配線部材	D	1	
20	A5C1814200	Contact /A	接点 / A	D	1	
21	A161813400	Torsion Coil spring	ねじりコイルばね (ガイド押さえ)	D	2	
22	A161813902	Cover /A	カバー / A	D	1	
23	A5C1811901	Guide Plate /Rear	ガイド板 / 奥	D	2	
24	A7PU810900	Mounting Plate /1	取付板 / 1	D	1	
25	A161712800	Spring /D	ばね / D	D	1	
26	A161813001	Actuator	アクチュエータ (排紙 JAM 検)	C	1	
27	A161813100	Torsion Coil spring	ねじりコイルばね (排紙 JAM 検)	C	1	
28	A161810503	Guide Plate /4	ガイド板 / 4 (排紙前)	D	1	
29	A5C1825500Old	Cover /D	カバー / D	D	1	
29	A7PU825500	Collar	カラー	D	1	
30	A5C1825000	Bushing	すべり軸受	C	1	
31	A161825000	Bushing	すべり軸受 (排紙ドッキング丸2)	C	1	
32	A161819200	Gear 18T	ギア 18 T	C	1	
33	A161826001	Cushion /B	クッション / B	D	1	
34	A5C1811803	Guide Plate /Front	ガイド板 / 前	D	2	
35	A79J821000	Protection Part	保護部材	C	1	

Fusing/Paper Cooling Fan Section



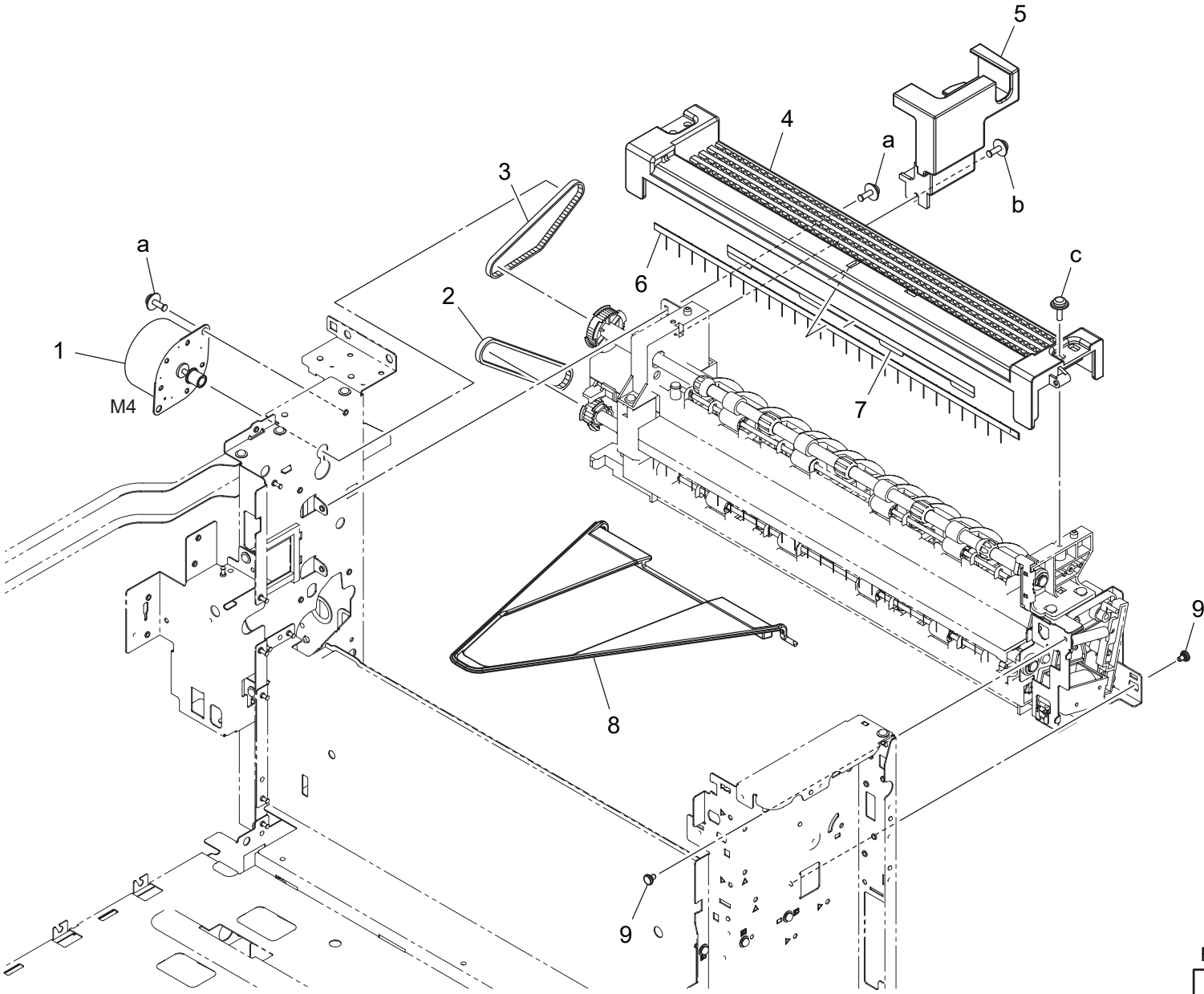
Reference Page of haeness

FM8: P47

Fusing/Paper Cooling Fan Section

Key	Part No.	Description	Destinations	Class	QTY	Standard parts
1	A7PU143400	Seal		C	1	a-V116033503 b-V116030803 c-V137030803 d-V116041003 e-V153030803
2	A7PU142300	Duct		D	1	
3	A7PU143300	Seal		C	1	
4	9313100072	FAN MOTOR		C	1	
5	A5C1149400	Fixing Sheet		D	1	
6	A5C1140300	Duct /1		D	1	
7	A5C1121100	Mounting Plate		D	1	
8	A161122500	Ground Plate		D	1	
9	A161121401	Seal /Upper		D	1	
10	A161140400	Duct		D	1	
11	A797102701	Seal		C	1	
12	A161R71788	Fusing Unit 100V	A,A1	B	1	
12	A161R71888	Fusing Unit 120V	B,G2	B	1	
12	A161R71999	Fusing Unit 230V	C,D1,D3,E,F2,G1,I,K ,J	B	1	
13	A161137202	Mounting Plate		D	1	
14	A5C4N10500	Heater Relay harness /3		D	1	
15	A02E117300	Seal		C	1	
16	A5C1148100	Mounting Plate		D	1	

Reverse/Paper Exit Section



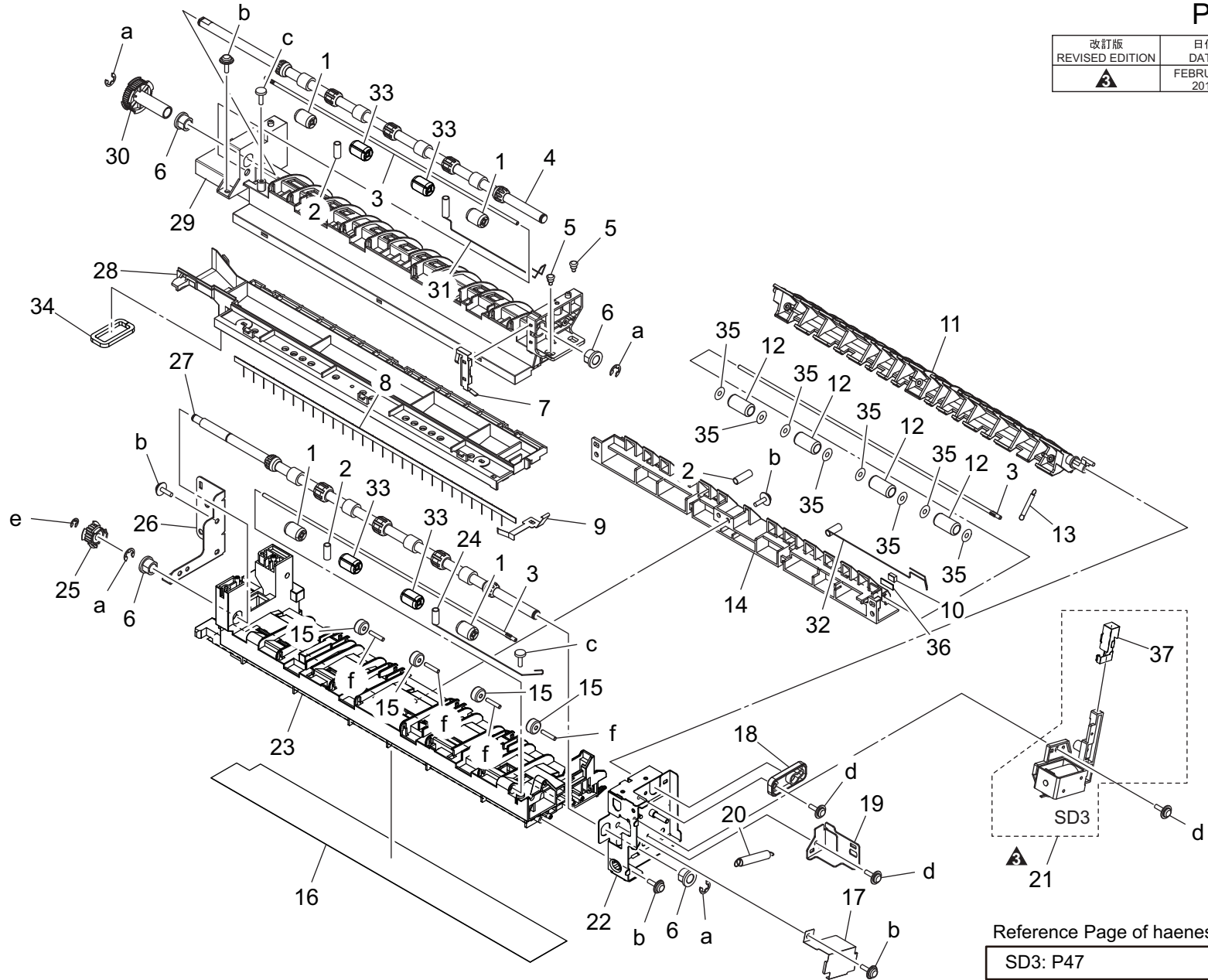
Reference Page of haeness

M4: P47

Key	Part No.	Description	Destinations	Class	QTY	Standard parts
1	A7PUM10400	Stepping motor		C	1	a-V116030803 b-V116030804 c-V153030803
2	A161891401	Timing belt 231L		D	1	
3	4640392001	BELT		C	1	
4	A161895301	Paper exit Cover		D	1	
5	A161162304	Cover		D	1	
6	A161894000	Neutralizing Brush		C	1	
7	A161894100	Sheet		D	1	
8	A161897200	Guide Part		C	1	
9	A0P0742300	Shoulder screw		C	2	

Reverse/Paper Exit Section

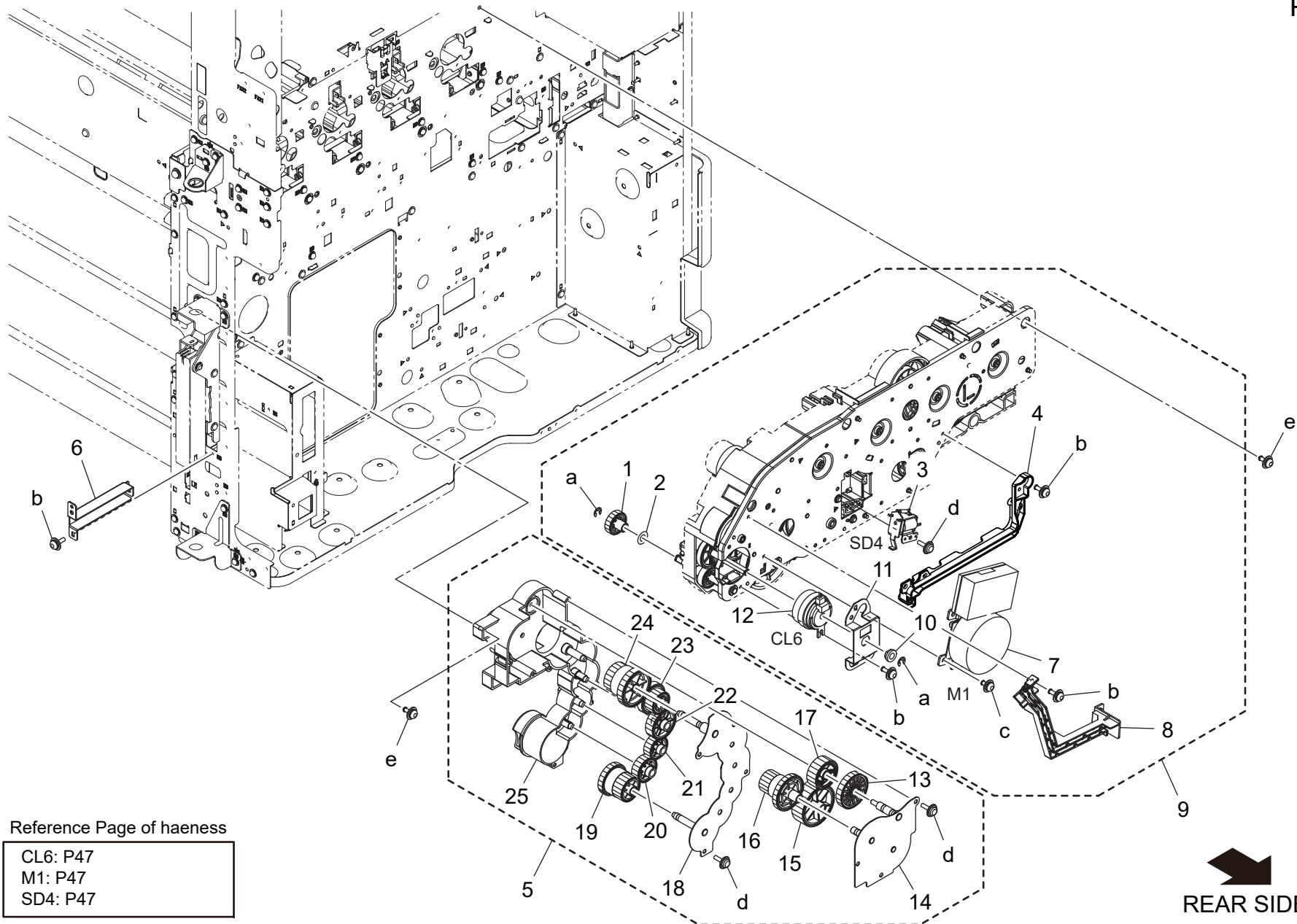
改訂版 REVISED EDITION	日付 DATE
	FEBRUARY 2018



Reference Page of haeness
SD3: P47

Key	Part No.	Description	Destinations	Class	QTY	Standard parts
1	4004590301	ROLL	ころ	C	4	a-V217060001 b-V153030803 c-V149030803 d-V137030803 e-V217040001 f-V234301650
2	A161892400	Spring	ばね (排紙)	C	3	
3	4025598401	SHAFT	シャフト	D	3	
4	A161895400	Roller	ローラ (反転)	C	1	
5	1164202801	SHOULDER SCREW	段ねじ	D	2	
6	A0ED891100	Bushing	すべり軸受	D	4	
7	A161895502	Ground Contact /Upper	アース接点/上	D	1	
8	A161894000	Neutralizing Brush	除電ブラシ	C	1	
9	A161895600	Ground Contact /Lower	アース接点/下	D	1	
10	A161893601	Cushion	クッション	D	1	
11	A5C1890401	Guide Lever	ガイドレバー	D	1	
12	A2X0901100	Roll	ころ	C	4	
13	A161892100	Spring	ばね (ガイドレバー)	C	1	
14	A7PU890200	Guide Part /Lower	ガイド部材/下	D	1	
15	A0ED897700	Collar	カラー (排紙)	C	4	
16	A5C1900500	Seal	シール (排紙本体)	C	1	
17	A7PU890700	Cover	カバー	D	1	
18	A161891000	Bushing	すべり軸受	D	1	
19	A161892300	Mounting Plate	取付板 (パネル)	D	1	
20	A161892000	Spring	ばね (経路切替 S L)	D	1	
21	A161R72644	Solenoid Assy	ソレノイド A s s y	C	1	
22	A161F89003	Caulking(Mounting Plate)	取付板カシメ	D	1	
23	A5C1890100	Paper exit Main body	排紙本体	D	1	
24	A161900100	Ground Spring	アースばね (排紙)	C	1	
25	A161891301	Pulley 18T	プーリー 18 T	D	1	
26	A161892902	Fixing Part	固定部材	D	1	
27	A161890300	Roller	ローラ (排紙)	C	1	
28	A5C1900600	Paper exit Guide /Lower	排紙ガイド/下	D	1	
29	A161895113	Paper exit Guide /Upper	排紙ガイド/上	D	1	
30	A161895800	Pulley 44T	プーリー 44 T	D	1	
31	A161900201	Ground Spring	アースばね (反転)	C	1	
32	A161900300	Ground Spring	アースばね (排紙前)	C	1	
33	A5C1891100	Roll	ころ	D	4	
34	A5C1900400	Seal	シール (ダクト)	C	1	
35	A64J891200	Washer	ワッシャ	D	8	
36	A64J891500	Sheet	シート	D	1	
37	A7PU890800	Holding Part	押さえ部材	D	1	

Main Drive/Paper Feed Drive Section



Reference Page of haeness

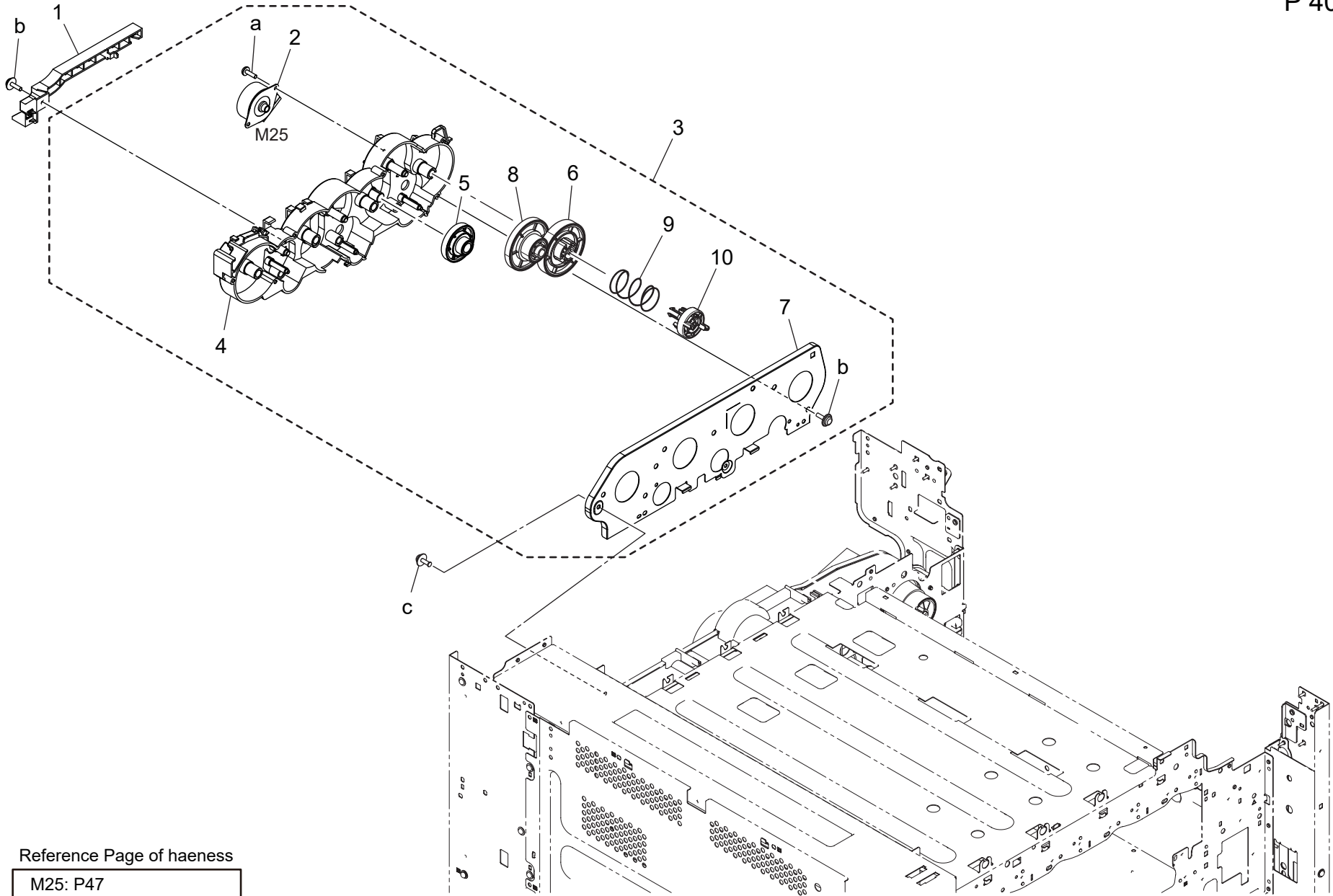
- CL6: P47
- M1: P47
- SD4: P47


REAR SIDE

Main Drive/Paper Feed Drive Section

Key	Part No.	Description	Destinations	Class	QTY	Standard parts
1	A64J257800	Gear 20T		C	1	a-V217040001 b-V116030803 c-V116030504 d-V153030803 e-V125030818
2	A1RF517100	Spacer /A		D	1	
3	A161M20300	Flapper solenoid		C	1	
4	A7PU216100	Guide		D	1	
5	A161R70511	Paper Feed Drive Assy		S	1	
6	A161105500	Reinforce Plate		D	1	
7	A7PUM10200	Brushless motor /40		I	1	
8	A161134702	Guide		D	1	
9	A9HJR70400	Main Drive Assy		S	1	
10	A161210200	Bushing		D	1	
11	A161253900	Hold Plate		D	1	
12	A161M20202	Clutch		C	1	
13	A161253500	Gear 53T		D	1	
14	A161F21100	Caulking(Hold Plate Paper Feed DriveL)		D	1	
15	A161253100	Gear 38T		D	1	
16	A161259800	Gear 19/32T		D	1	
17	A161253600	Gear 26T		D	1	
18	A161F21200	Caulking(Hold Plate Paper Feed Drive2)		D	1	
19	A161220700	Gear 28/28T		D	1	
20	A161220600	Gear 28T		D	1	
21	A161220500	Gear 26T		D	1	
22	A161220400	Gear 35T		D	1	
23	A161220200	Gear 25/27T		D	1	
24	A161220100	Gear 26/34T		D	1	
25	A161221001	Holder		D	1	

Toner Supply Drive Section



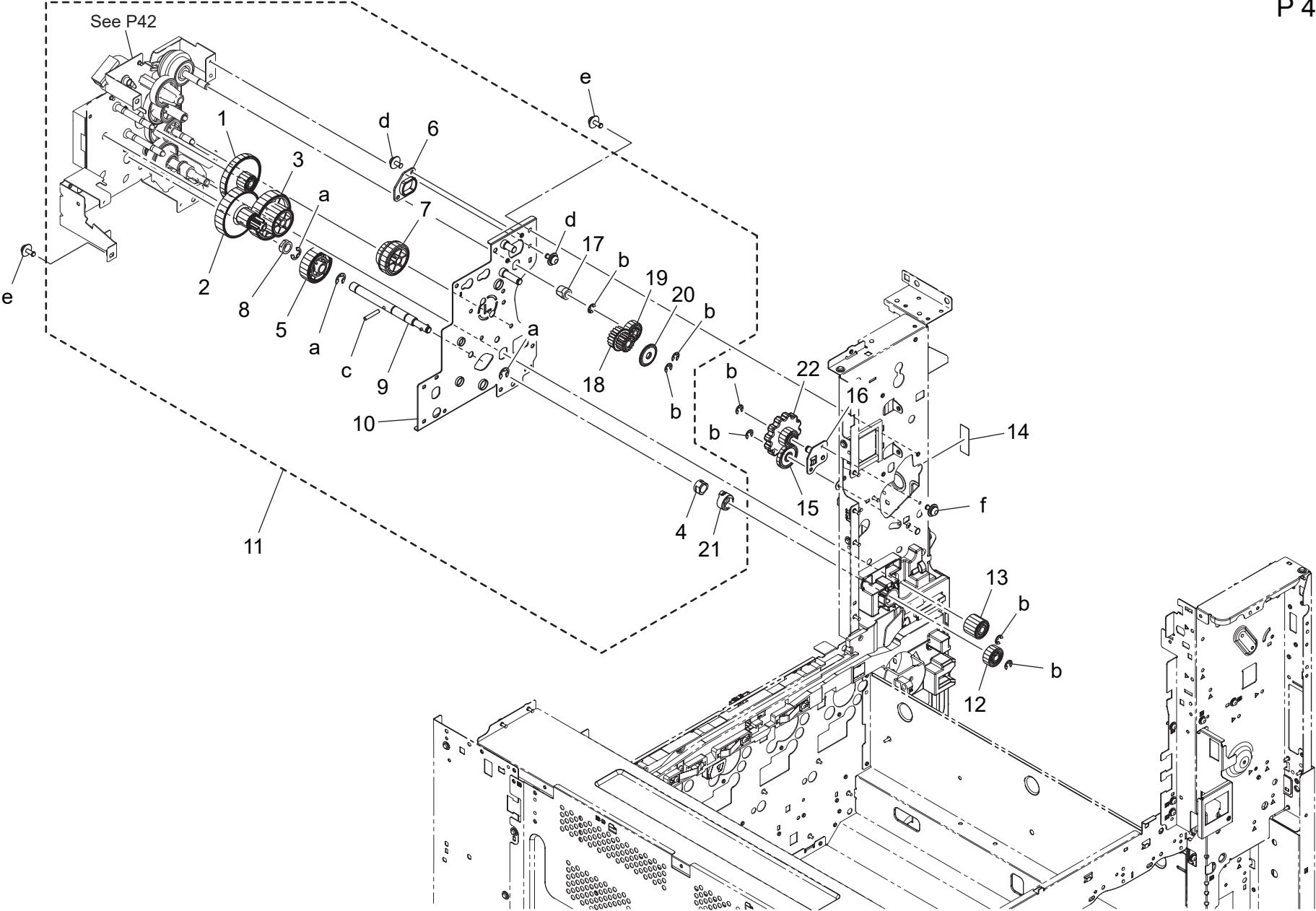
Reference Page of haeness

M25: P47

Toner Supply Drive Section

Key	Part No.	Description	Destinations	Class	QTY	Standard parts
1	A7PU241600	Guide		D	1	a-V145030803 b-V153030803 c-V116030803
2	A7PUM10700	Stepping motor		C	1	
3	A9HJR70500	Toner Bottle Drive Assy		S	1	
4	A7PU240101	Drive Holder		D	1	
5	A161240300	Gear 18/91T		D	1	
6	A161240600	Gear 65T		D	1	
7	A7PU241500	Mounting Plate		D	1	
8	A161240400	Gear 29/62T		D	1	
9	4038541202	PRESSURE SPRING		C	1	
10	A161240700	Joint		C	1	

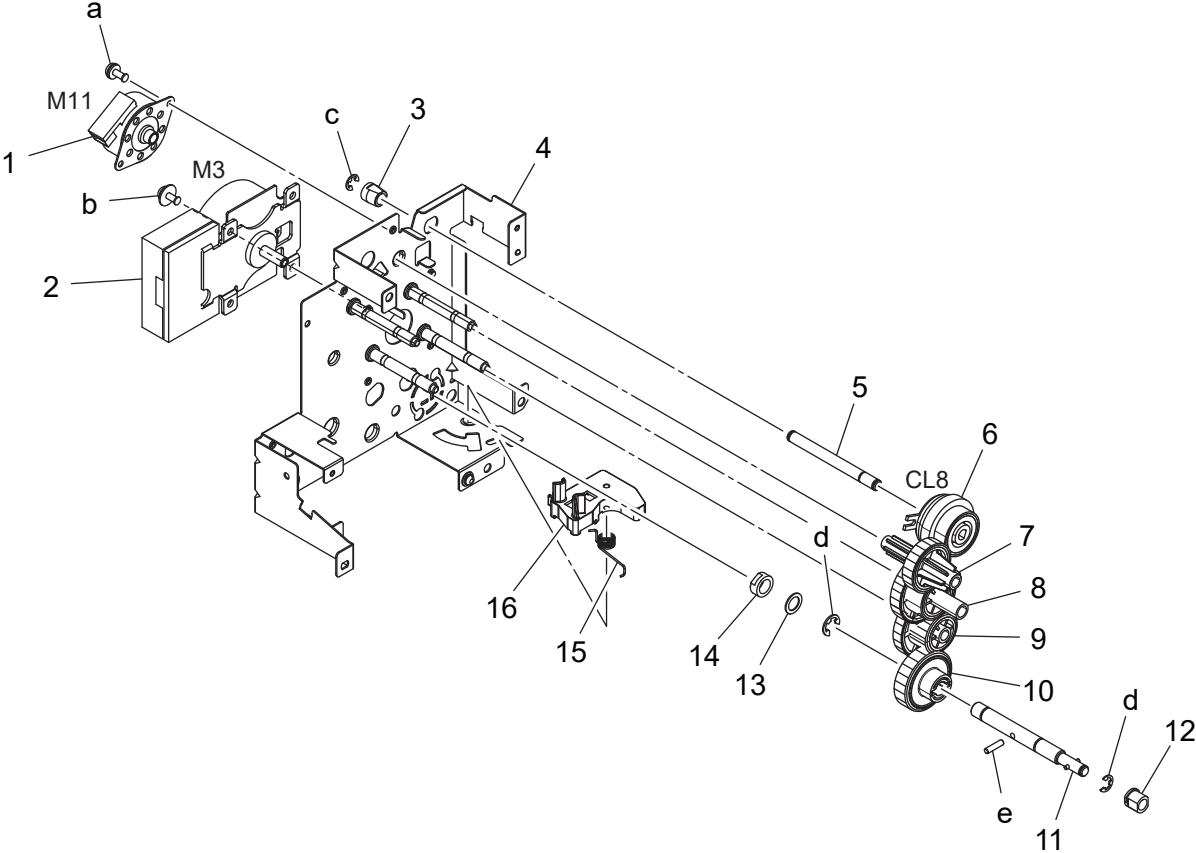
Fusing Drive Section



Fusing Drive Section

Key	Part No.	Description	Destinations	Class	QTY	Standard parts
1	A161254200	Gear 18/115T		D	1	a-V217060001 b-V217040001 c-V234301850 d-V116030603 e-V125030818 f-V116030803
2	A161254300	Gear 18/57T		D	1	
3	A161254400	Gear 33/55T		D	1	
4	A161254700	Bushing		D	1	
5	A161254500	Gear 38T		D	1	
6	A161232200	Bushing		D	1	
7	A161228800	Gear 22/23T		D	1	
8	A03U812800	Slide Shaft Holder		B	1	
9	A161256300	Shaft		D	1	
10	A161F25102	Caulking(Mounting Plate Fuser Drive 2L)		D	1	
11	A9HJR70700	Fusing Drive Assy		S	1	
12	A5C1254600	Gear		C	1	
13	A5C1228700	Gear		C	1	
14	A161941100	Label M4		D	1	
15	A161121900	Gear 17T		D	1	
16	A161F10901	Caulking		D	1	
17	A161232300	Bushing		D	1	
18	A5C1231300	Gear 18/18T		C	1	
19	A161230700	Gear 18T		C	1	
20	A2XK224100	Collar		D	1	
21	A161232401	Collar		D	1	
22	A161122002	Gear 12T		D	1	

Fusing Drive Section



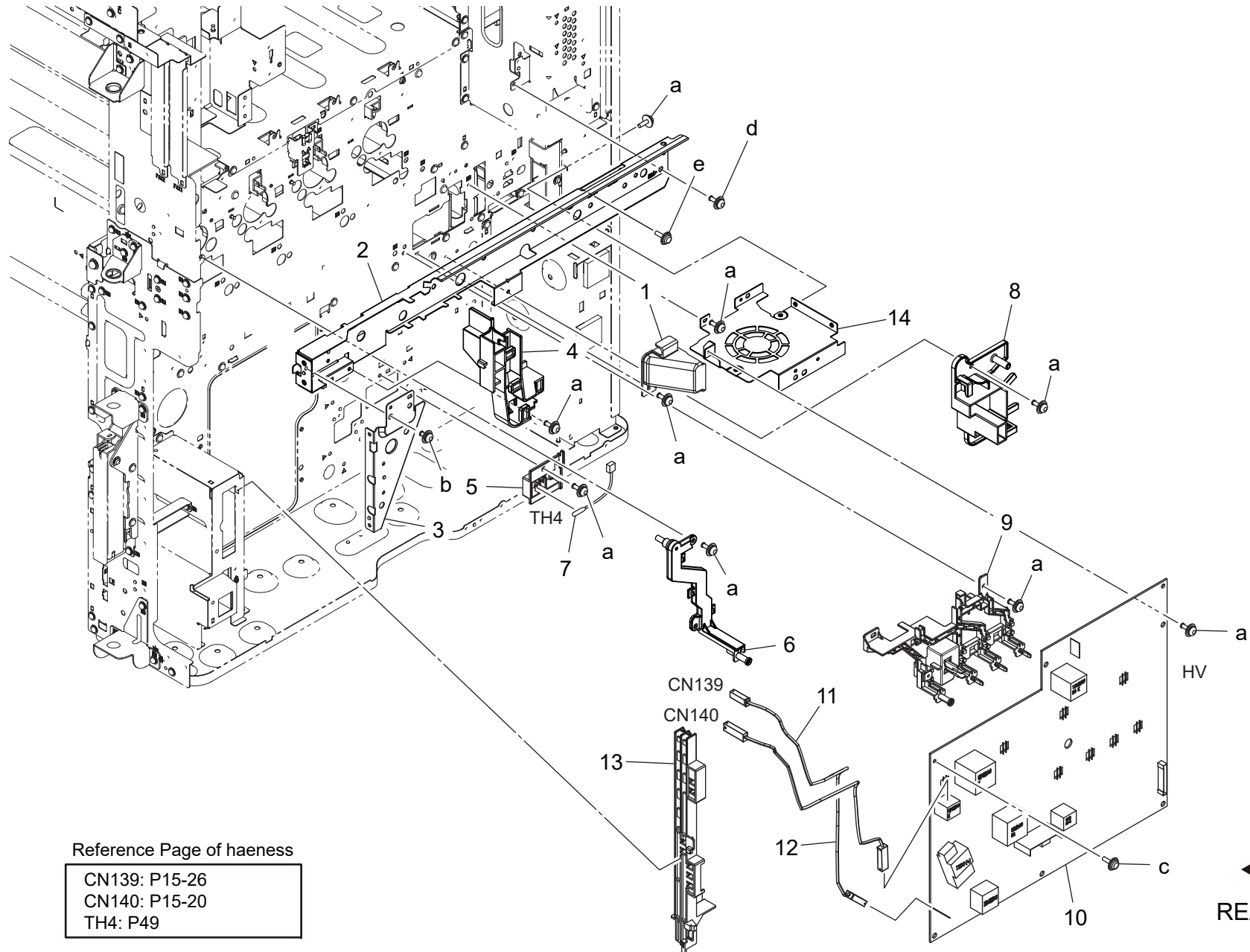
Reference Page of haeness

CL8: P47
M3: P47
M11: P47

Fusing Drive Section

Key	Part No.	Description	Destinations	Class	QTY	Standard parts
1	A7PUM10700	Stepping motor		C	1	a-V115030603 b-V116030603 c-V217040001 d-V217060001 e-V234301250
2	A7PUM10000	Brushless motor /20		I	1	
3	A161232300	Bushing		D	1	
4	A161F25013	Caulking(Mounting Plate Fuser Drive L)		D	1	
5	A161231800	Shaft		D	1	
6	A161M20400	Clutch		C	1	
7	A161230600	Gear 27T		D	1	
8	A161230500	Gear 24/70T		D	1	
9	A161228000	Gear 22/70T		D	1	
10	A161228100	Gear 33T		D	1	
11	A161228312	Shaft (定着)		D	1	
12	A161702200	Bushing		C	1	
13	A1RF505400	Slide Spacer		D	1	
14	A03U812800	Slide Shaft Holder		B	1	
15	A161258501	Torsion Coil spring		D	1	
16	A161228601	Lever		D	1	

High Voltage Section



Reference Page of haeness

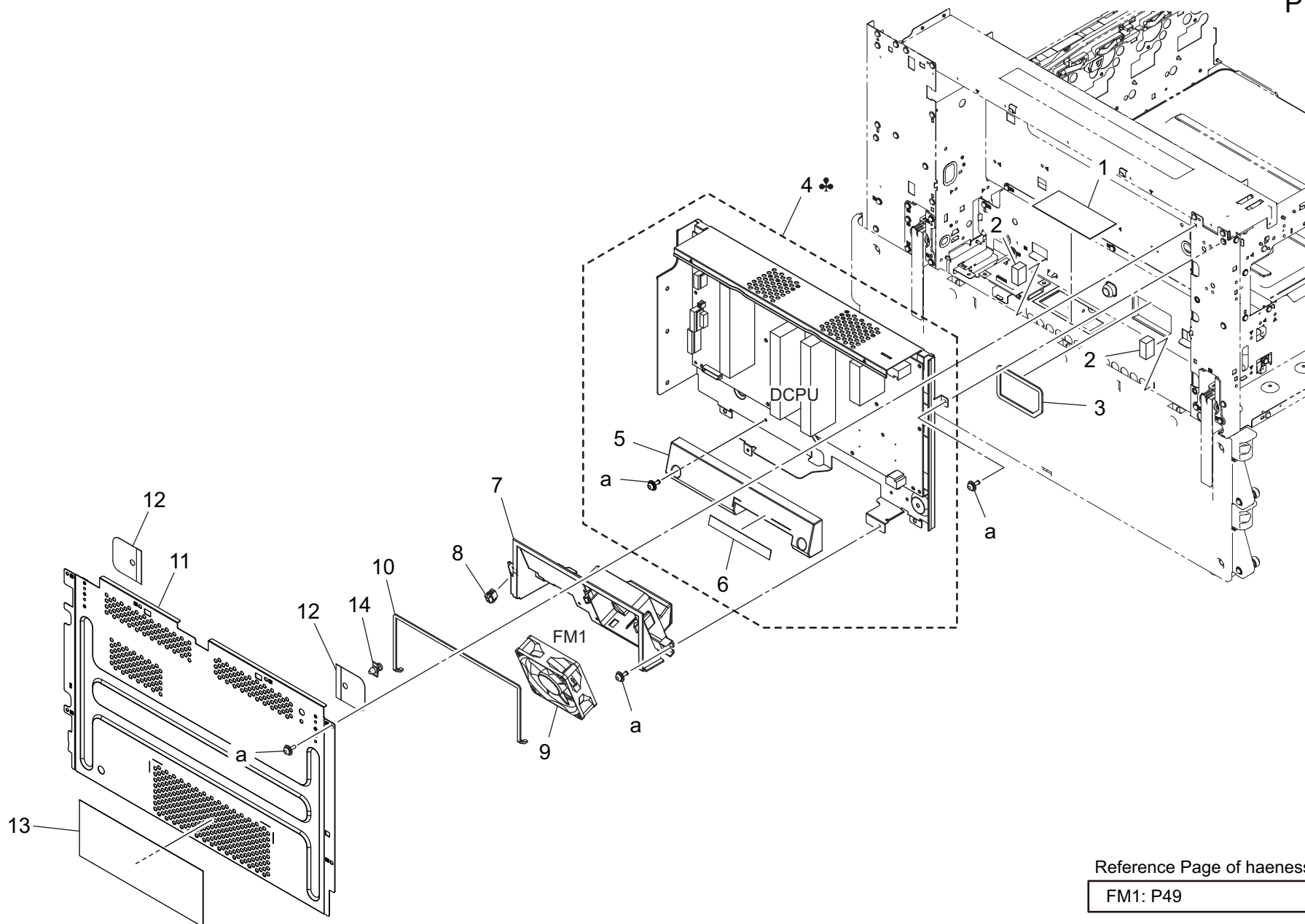
- CN139: P15-26
- CN140: P15-20
- TH4: P49


REAR SIDE

Key	Part No.	Description	Destinations	Class	QTY	Standard parts
1	A161141500	Duct /2		D	1	a-V116030803 b-V116030603 c-V153030804 d-V125030818 e-V153030803
2	A7PU132502	Mounting Plate		D	1	
3	A161132801	Reinforce Plate		D	1	
4	A7PU132100	Guide		D	1	
5	A161137701	Holder		D	1	
6	A7PUR71900	HV Contact Assy		D	1	
7	A0P0M50300	Thermistor		C	1	
8	A7PU141800	Holder		D	1	
9	A61FR71200	DV Contact Assy		D	1	
10	A9HJM40601	High voltage unit		I	1	
11	A161N11300	Transfer Wiring /2		D	1	
12	A161N11K00	Neutralizing Wiring		D	1	
13	A5C1134800	Guide		D	1	
14	A5C1142001	Mounting Plate		D	1	

Low Voltage Section

P 44



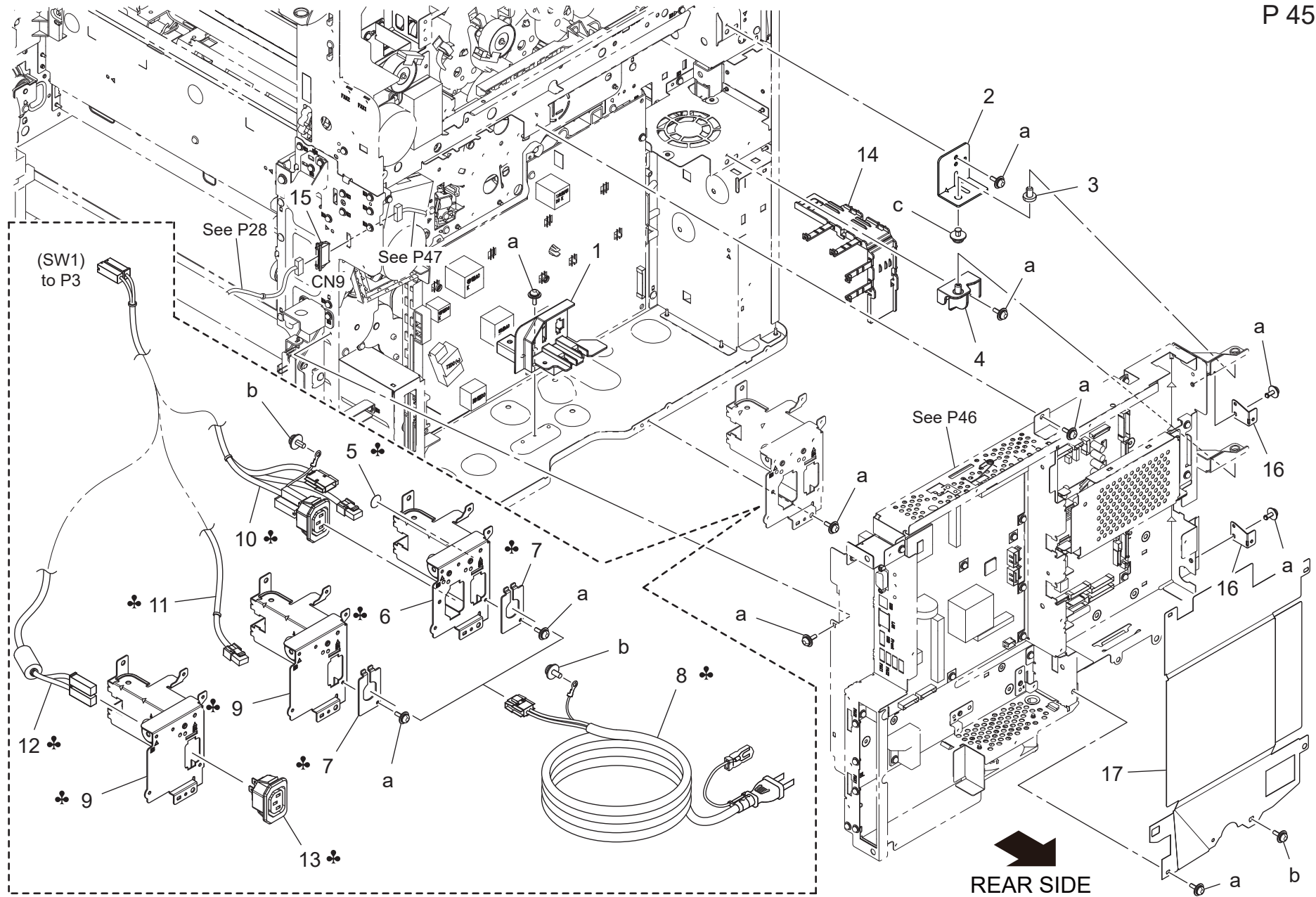
Reference Page of haeness

FM1: P49

bizhub 308

Key	Part No.	Description	Destinations	Class	QTY	Standard parts
1	A161145000	Filter		C	1	a-V116030803
2	A161144500	Seal /3		C	2	
3	A161143601	Seal /3		D	1	
4	A7PUR70700	Power supply Assy /100V	A,A1,B,G2	I	1	
4	A7PUR70800	Power supply Assy /230V	C,D1,D3,E,F2,G1,I,K ,J	I	1	
5	A7PU139000	Duct		D	1	
6	A7PU139100	Seal		C	1	
7	A161140800	Cooling Duct		D	1	
8	V651010002	connector		D	1	
9	4139M10000	Fan motor		B	1	
10	A161143400	Seal /1		D	1	
11	A7PU100600	Cover		D	1	
12	A61F100600	Sheet		D	2	
13	A7PU101500	Filter		C	1	
14	V502010026	SUPPORT		D	1	

Electrical Components Section

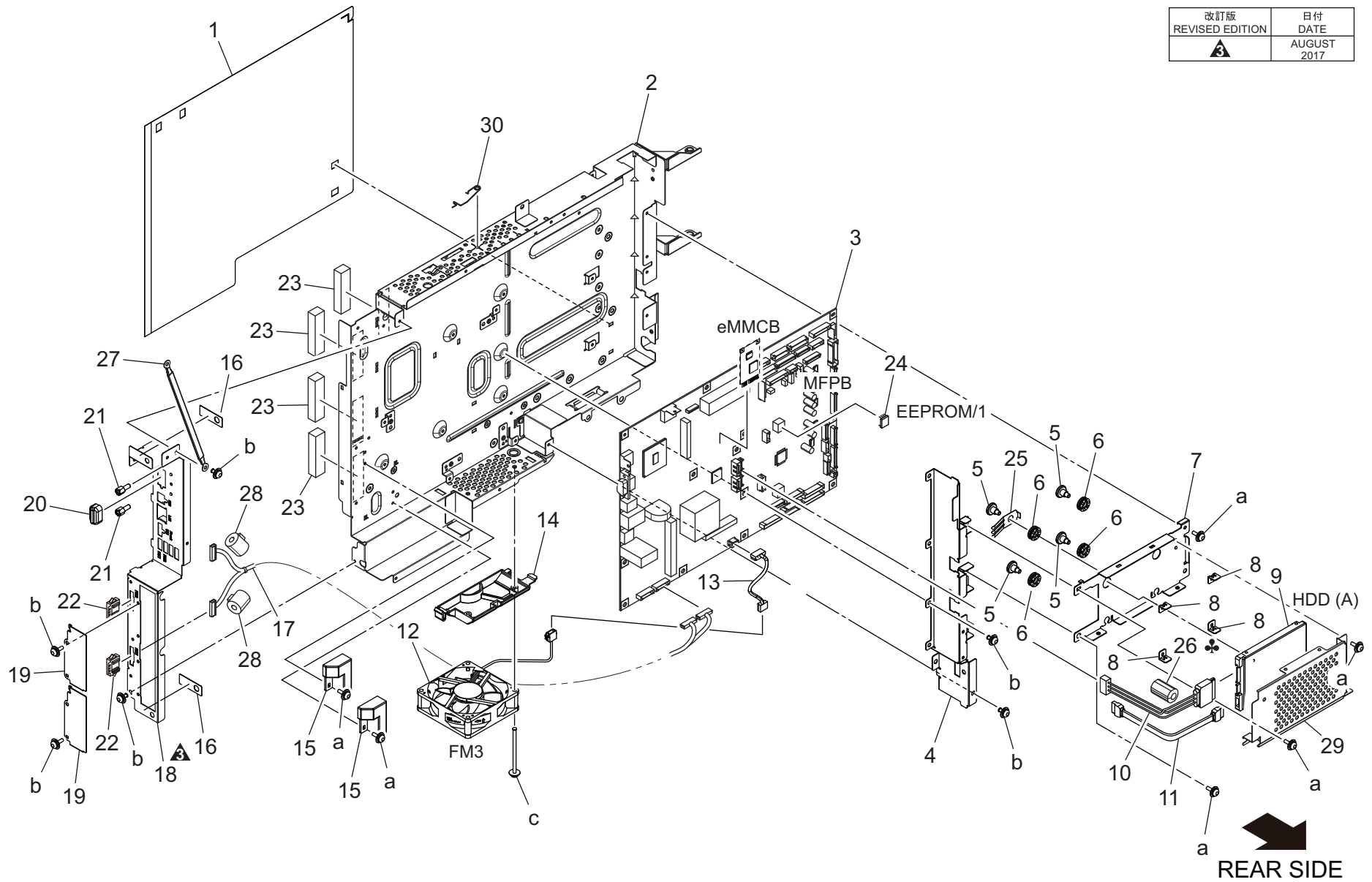


bizhub 308

Key	Part No.	Description	Destinations	Class	QTY	Standard parts
1	A161131401	Holder		D	1	a-V116030803 b-V116040803 c-V116040603
2	A7PU130811	Support Shaft		D	1	
3	A7PU133211	Shaft		D	1	
4	A5C1130800	Support Shaft		C	1	
5	9J06730101	LABEL	A,A1	D	1	
6	A161130502	Mounting Plate	取付板 (インレット/国・欧)	D	1	
7	A0ED135700	Mounting Plate	取付板 (電源コード)	D	1	
8	A0EDN30002	Power source Cord /100V	電源コード / 1 0 0 V	D	1	
8	A5C1N30000	Power code /120V	電源コード / 1 2 0 V (北米 / 1 5 A)	C	1	
9	A161130603	Mounting Plate	取付板 (インレット/北米)	D	1	
10	A161N10002	AC Wiring /100V	AC 束線 / 1 0 0 V (ハロゲン)	D	1	
11	A161N10102	AC Wiring /120V	AC 束線 / 1 2 0 V (ハロゲン)	D	1	
12	A61FN10200	AC Wiring /230V	AC 束線 / 2 3 0 V	D	1	
13	A02EN12513	Power supply Wiring	給電束線	D	1	
14	A5C1137800	Holder	ホルダ (FFC)	D	1	
15	V651010045	WtoW Connector	W t o W コネクタ	D	1	
16	A9HJ139800	Mounting Plate	取付板	D	2	
17	A9HJ139700	Sheet	シート	D	1	

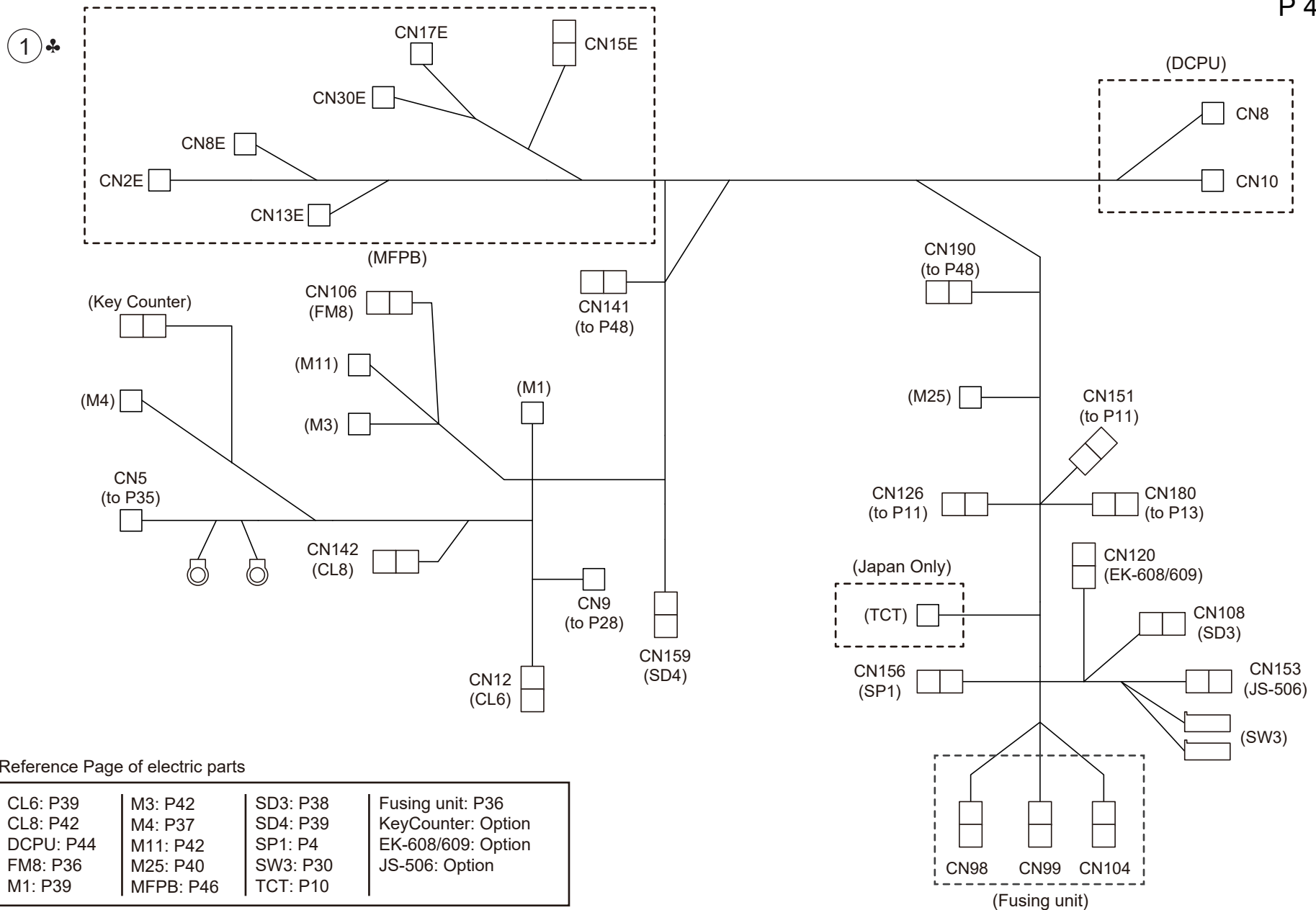
Electrical Components Section

改訂版 REVISED EDITION	日付 DATE
	AUGUST 2017



Key	Part No.	Description	Destinations	Class	QTY	Standard parts
1	A7PU134500	Sheet		D	1	a-V116030803 b-V116030603 c-V116034003
2	A9HJ131900	Mounting Plate		D	1	
3	A9HJH02102	PWB Assembly (PWB-MFP)		I	1	
4	A7PU131101	Partition		D	1	
5	A5C1134200	Shoulder screw		C	4	
6	A4EU138000	Support Rubber		D	4	
7	A7PU134600	Mounting Plate		D	1	
8	A5C1134111	Spacer		D	4	
9	A5C1M72H00	HDD		I	1	
10	A161N15J00	Power source Cable		C	1	
11	A0P0N15100	Cable		C	1	
12	A0EDM10500	Fan motor		C	1	
13	A7PUN10800	Harness /Relay		D	1	
14	A7PU140100	Duct		D	1	
15	A7PU130400	Guide		D	2	
16	A7PU133100	Spacer		D	2	
17	A7PUN10700	Harness /Fax relay		D	1	
18	A7PU131603	Mounting Plate		D	1	
19	A7PU139800	Cover		D	2	
20	V503010002	Connector Cover		D	1	
21	A161137900	Screw		C	2	
22	V651010025	connector		V	2	
23	A7PUM92500	Gasket		C	4	
24	V864800107	EEPROM (2 pieces)		D	1	
25	A7PU134800	Ground Plate spring		D	1	
26	A61FM90200	Ferritecore	C,D1,D3,E,F2,G1,I,K ,J	D	1	
27	A1DMN13700	Grounding Wire /3		D	1	
28	A3GNM71C00	Ferrite core		D	2	
29	A7PU134700	Cover		D	1	
30	A9HJ139900	Contact		D	1	

Wiring

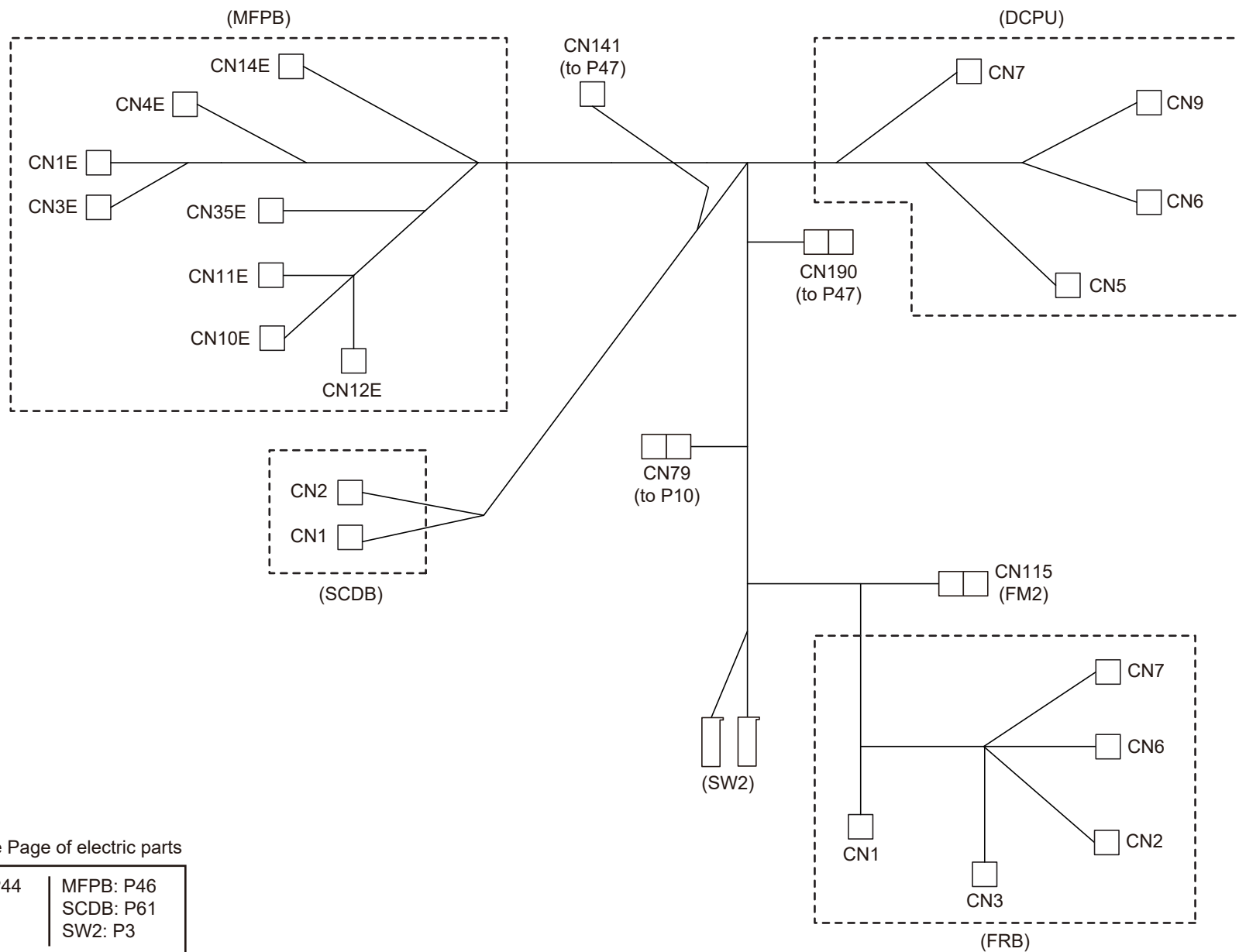


Reference Page of electric parts

CL6: P39	M3: P42	SD3: P38	Fusing unit: P36
CL8: P42	M4: P37	SD4: P39	KeyCounter: Option
DCPU: P44	M11: P42	SP1: P4	EK-608/609: Option
FM8: P36	M25: P40	SW3: P30	JS-506: Option
M1: P39	MFPB: P46	TCT: P10	

Key	Part No.	Description	Destinations	Class	QTY	Standard parts
1	A9HKN10000	Main body Wiring /1	A,A1	D	1	
1	A9HKN11000	Main body Wiring /1	B,C,D1,D3,E,F2,G1,G 2,I,K,J	D	1	

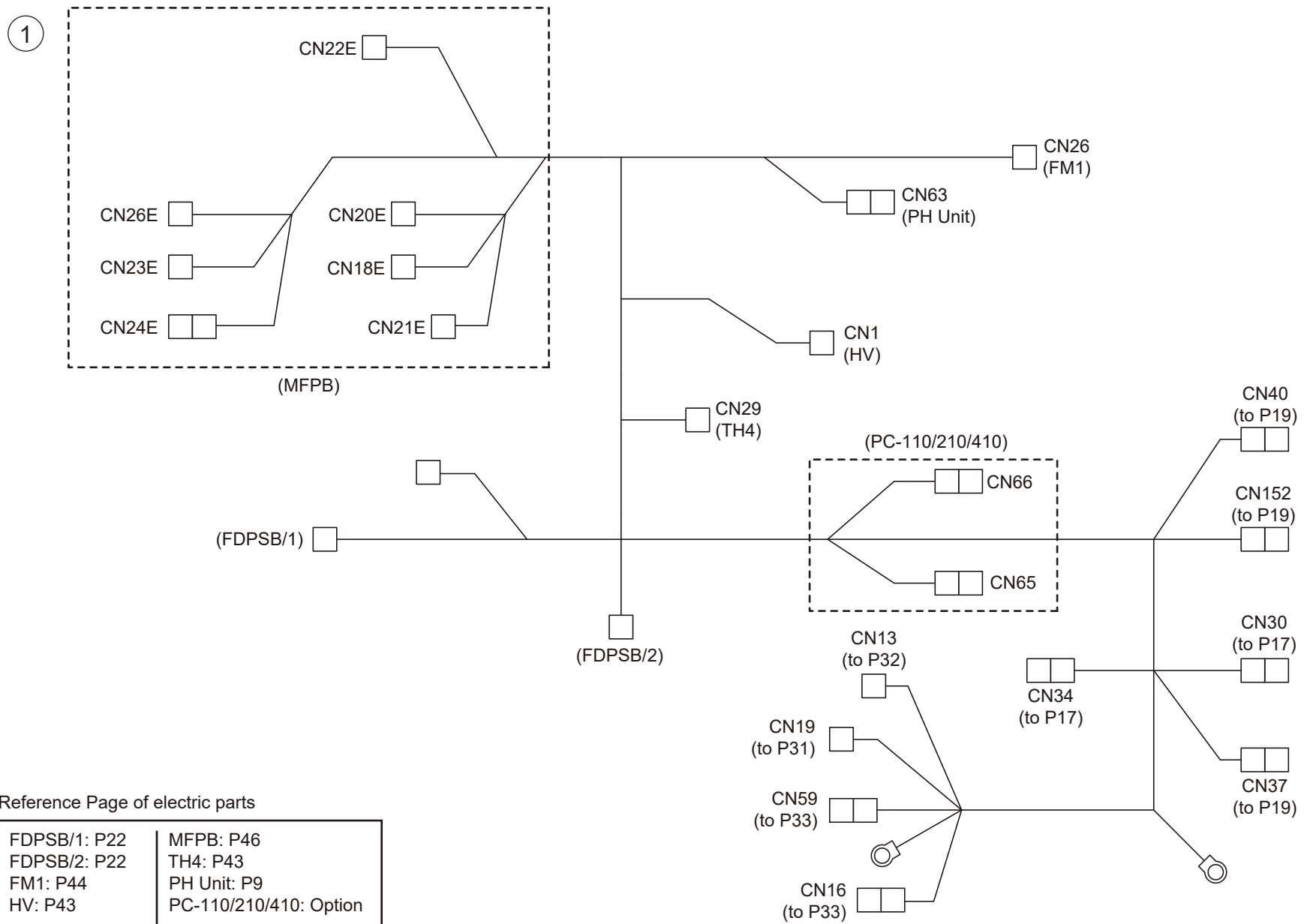
1



Reference Page of electric parts

DCPU: P44	MFPB: P46
FM2: P9	SCDB: P61
FRB: P9	SW2: P3

Key	Part No.	Description	Destinations	Class	QTY	Standard parts
1	A9HJN10100	Main body Wiring /2 本体束線 / 2		D	1	



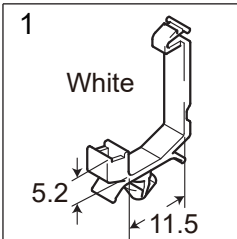
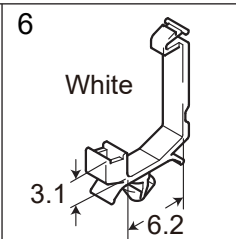
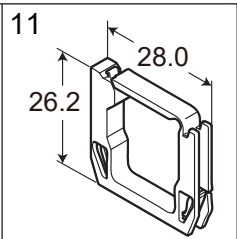
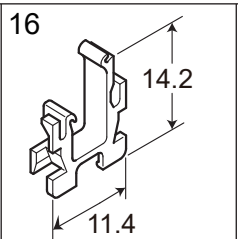
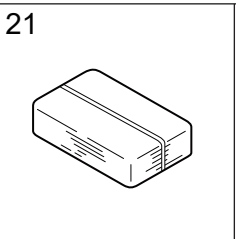
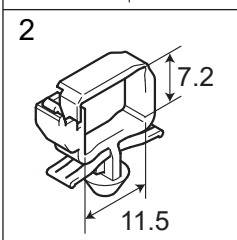
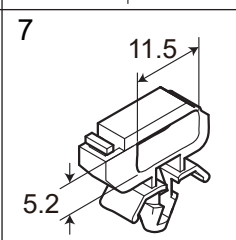
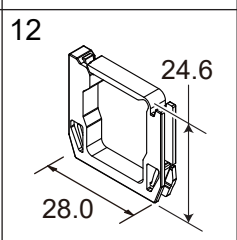
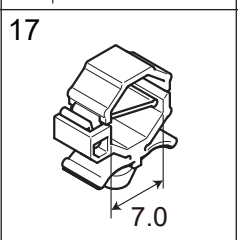
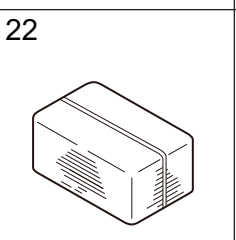
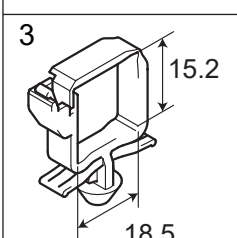
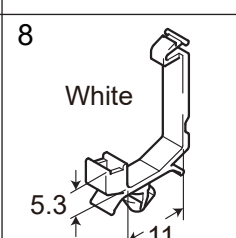
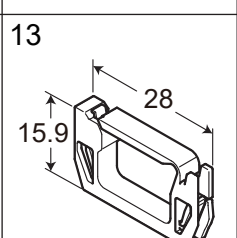
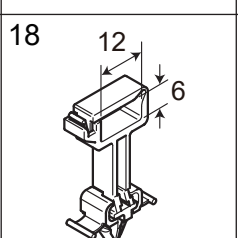
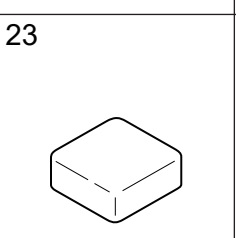
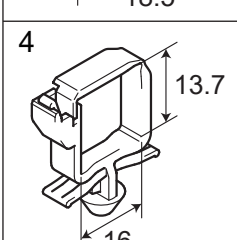
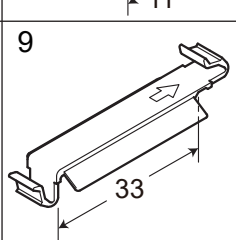
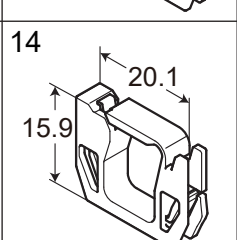
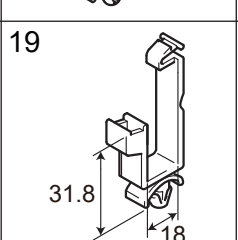
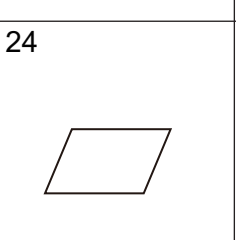
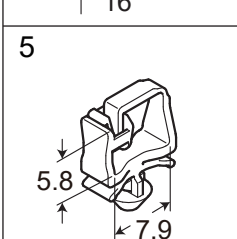
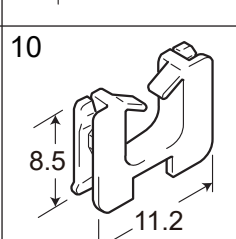
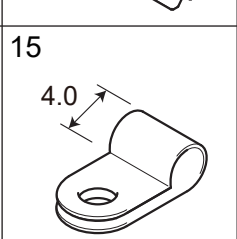
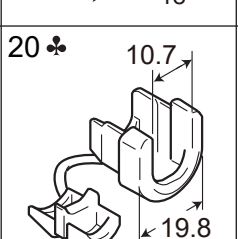
Reference Page of electric parts

FDPSB/1: P22	MFPB: P46
FDPSB/2: P22	TH4: P43
FM1: P44	PH Unit: P9
HV: P43	PC-110/210/410: Option

Key	Part No.	Description	Destinations	Class	QTY	Standard parts
1	A9HJN10200	Main body Wiring /3	本体束線 / 3	D	1	

Wiring Accessories and Jigs

P 50

1 White 	6 White 	11 	16 	21 	26	31	36
2 	7 	12 	17 	22 	27	32	37
3 	8 White 	13 	18 	23 	28	33	38
4 	9 	14 	19 	24 	29	34	39
5 	10 	15 	20 ♣ 	25	30	35	40

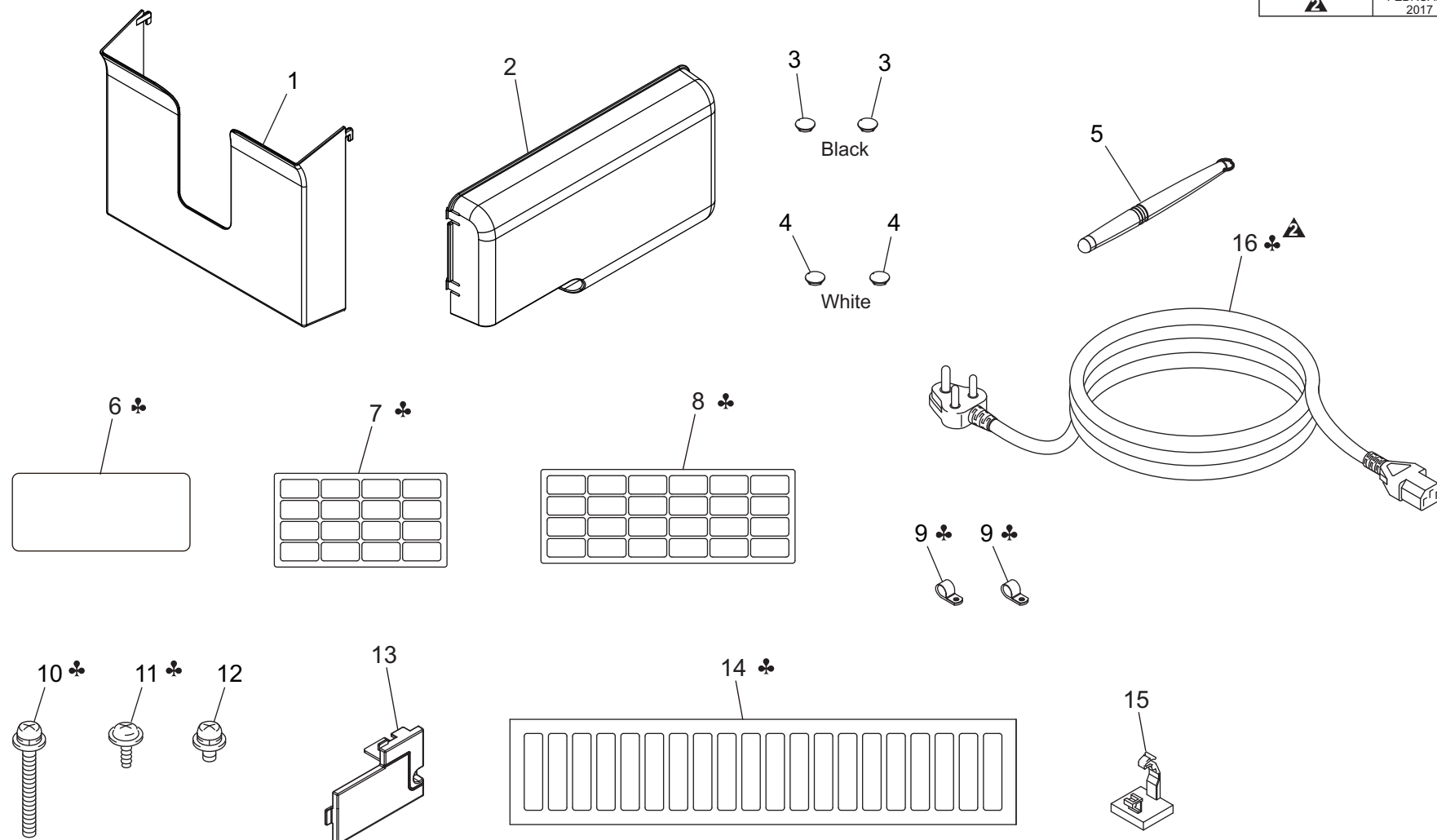
bizhub 308

Key	Part No.	Description	Destinations	Class	QTY	Standard parts
1	V500010081	Locking Wire Saddle	ロッキングワイヤーサドル	D		
2	V500010082	Locking Wire Saddle	ロッキングワイヤーサドル	D		
3	V500010083	Locking Wire Saddle	ロッキングワイヤーサドル	D		
4	V500010084	Locking Wire Saddle	ロッキングワイヤーサドル	D		
5	V500020098	Mini Locking wire saddle	ミニロッキングワイヤーサドル	D		
6	V500020099	Mini Locking wire saddle	ミニロッキングワイヤーサドル	D		
7	V500010052	SADDLE	ロッキングワイヤーサドル	D		
8	V500020100	Mini Locking wire saddle	ミニロッキングワイヤーサドル	D		
9	V500020082	Clamping for FFC	FFC 用クランプ	D		
10	V570010021	Saddle	エッジサドル	D		
11	V570010058	Wing Edge Saddle	ウィングエッジサドル	D		
12	V570010057	Wing Edge Saddle	ウィングエッジサドル	D		
13	V570010059	Wing Edge Saddle	ウィングエッジサドル	D		
14	V570010060	Wing Edge Saddle	ウィングエッジサドル	D		
15	V500020069	Clamp	導電クランプ	D		
16	V570010050	Locking Edge Saddle	ロッキングエッジサドル	D		
17	V500020110	FG Clamp	FG クランプ	D		
18	V500020101	Reuse spacing clamp	リユーススペーシングクランプ	V		
19	V500010085	Locking Wire Saddle	ロッキングワイヤーサドル	D		
20	V500020052	bushing	コードブッシュ	D	A,A1,B,G2	
21	A5AWP00100	Cleaning Pad	クリーニングパッド	S	1	
22	A5AWP00100	Cleaning Pad	クリーニングパッド	S	1	
23	65AA-9920	HYDROWIPE	ハイドロワイブ (10マイ)	D	1	
24	9J06PJP100	Color chart/A3 size	カラーチャート/A3	S	1	

Accessory Parts

P 51

改訂版 REVISED EDITION	日付 DATE
	FEBRUARY 2017



Key	Part No.	Description	Destinations	Class	QTY	Standard parts
1	A7PU169900	Holder		C	1	
2	A7PU168201	Duct		D	1	
3	A00J169100	Cover		D	2	
4	A02E167700	Cover		C	2	
5	A5C1192100	Pen		C	1	
6	A1UD947400	Label	A,A1	C	1	
7	A161943400	Label Paper Size/Inch	B,G2	C	1	
8	A161943301	Label Paper Size/Metric	A,A1,C,D1,D3,E,F2,G1,G2,I,K,J	C	1	
9	V500020040	clamp	C,D1,D3,E,F2,G1,I,K,J	D	2	
10	V116033003	Screw	C,D1,D3,E,F2,G1,I,K	V	1	
11	V153030803	Screw	C,D1,D3,E,F2,G1,I,K	V	1	
12	V116030804	Screw		V	1	
13	A7PU166101	Cover		C	1	
14	A7PU947001	Label Panel sheet	A,A1	C	1	
14	A7PU947101	Label Panel sheet	B,D1,D3,E,F2,G1,I,(E xcept SOUTH AFRICA),K	C	1	
14	A7PU947201	Label Panel sheet	J	C	1	
15	A79J146700	Holder		D	1	
16	A797N30000	Power code /230V	I(Israel)	D	1	
16	4136N30000	POWER CODE	D1(Nepal,Maldives,Pakistan),G1(Latin America)	D	1	
16	A7AHN30000	Power code /230V	D1(India)	D	1	
16	A2UPN30300	Power code (220-240V)	G1(Peru)	D	1	
16	A2UPN30100	Power code (220-240V)	F2,I(UAE,Bahrain,Qatar,Oman,Ymen,Kuwait)	D	1	
16	A2UPN30601	Power code (220-240V)	G2(Brazil)	D	1	
16	9381420021	POWER CORD	D3(New Zealand)	D	1	
16	A1UDN30200	Power cord /230V	G1(Argentine)	C	1	
16	9381430031	POWER CORD	J	D	1	

MAINTENANCE LIST

● The items with no Page/Key numbers are not handled as spare parts.

No.	Section	PM Parts Description	Maintenance Cycle (K=1,000)		Parts No.	Destinations	Page/Key	Note
			QTY	Replace				
1	Paper feed section	Tray 1 pick-up roller	1	300k	A5C1562200		P17-30	*1, *2
2		Tray 1 feed roller	1	300k	A00J563600		P17-14	*1, *2
3		Tray 1 separation roller	1	300k	A00J563600		P18-6	*1, *2
4		Tray 2 pick-up roller	1	300k	A5C1562200		P19-34	*1, *2
5		Tray 2 feed roller	1	300k	A00J563600		P19-18	*1, *2
6		Tray 2 separation roller	1	300k	A00J563600		P20-6	*1, *2
7		Manual bypass tray feed roller	1	200k	A00F623201		P31-10	*1, *2
8		Manual bypass tray separation roller assy	1	200k	4658015106		P32-26	*1, *2
9	Processing section	Toner cartridge/K *3	1	24k	-			*4
10		Drum unit/K *3	1	150k	-			*4
11		Developing unit/K	1	600k	-			*4
12		Waste toner box *3	1	100k	A4NN0Y1	A,A1,B,G2	P12-9	*4
13			1	100k	A4NNWY3	C,D1,D3,E,F2,G1,I,K,J	P12-9	*4
14	Image transfer section	Transfer belt unit	1	300k	A61DR70022		P15-1	*2, *4
15		Transfer roller unit	1	300k	A161R71422		P28-23	*2, *4
16	Fusing section	Fusing unit 100V	1	600k	A161R71788	A,A1	P36-12	*4
17		Fusing unit 120V	1	600k	A161R71888	B,G2	P36-12	*4
18		Fusing unit 230V	1	600k	A161R71999	C,I(SOUTH AFRICA)	P36-12	*4

*1: Actual durable cycle (life counter value)

*2: Replace those three parts at the same time.

*3: The parts can be replaced either by user or service engineer.

*4: Field standard yield

メンテナンスリスト

● ページ / キーナンバーのないものは、アフターサービス部品ではありません。

No.	区分	PM 部品名称	サイクル (K=1,000)		部品番号	仕向地	頁 / キー	備考
			員数	交換				
1	給紙部	トレイ1ピックアップローラー	1	300k	A5C1562200		P17-30	*1, *2
2		トレイ1給紙ローラー	1	300k	A00J563600		P17-14	*1, *2
3		トレイ1分離ローラー	1	300k	A00J563600		P18-6	*1, *2
4		トレイ2ピックアップローラー	1	300k	A5C1562200		P19-34	*1, *2
5		トレイ2給紙ローラー	1	300k	A00J563600		P19-18	*1, *2
6		トレイ2分離ローラー	1	300k	A00J563600		P20-6	*1, *2
7		手差しトレイ給紙ローラー	1	200k	A00F623201		P31-10	*1, *2
8		手差しトレイ分離ローラー Assy	1	200k	4658015106		P32-26	*1, *2
9	プロセス部	トナーカートリッジ /K *3	1	24k	-			
10		ドラムユニット /K *3	1	150k	-			*4
11		現像ユニット /K	1	600k	-			*4
12		廃棄トナーボックス *3	1	100k	A4NN0Y1	A,A1,B,G2	P12-9	*4
13			1	100k	A4NNWY3	C,D1,D3,E,F2,G1,I,K,J	P12-9	*4
14	転写部	転写ペルトユニット	1	300k	A61DR71300		P15-26	*2, *4
15		転写ローラーユニット	1	300k	A161R71422		P28-23	*2, *4
16	定着部	定着ユニット 100V	1	600k	A161R71788	A,A1	P36-12	*4
17		定着ユニット 120V	1	600k	A161R71888	B,G2	P36-12	*4
18		定着ユニット 230V	1	600k	A161R71999	C,I,(SOUTH AFRICA)	P36-12	*4

*1: ライフカウンター値

*2: 同時交換のこと

*3: ユーザー / サービス交換の選択が可能。

*4: 市場標準印刷枚数値

DESTINATION

Destination No.		Destinations		V	Hz	Model No.
A	A1	JAPAN		100	50/60	A9HK001
	A2	JAPAN				
B		USA, CANADA		120	60	A9HK011 A9HK012
C		EUROPEAN TYPE		220-240	50/60	A9HK021
D	D1	S.E ASIA TYPE	THAILAND, SRI LANKA, SINGAPORE, MALAYSIA, HONG KONG, PAKISTAN, INDIA, BANGLADESH, INDONESIA	220-240	50/60	A9HK041
	D3	OCEANIA TYPE	AUSTRALIA, NEW ZEALAND	220-240	50/60	A9HK041
E		PHILIPPINES		220-240	50/60	A9HK041
F	F1	SAUDI ARABIA				
	F2	SAUDI ARABIA		220-240	50/60	A9HK041
G	G1	C.S AMERICA		220-240	50/60	A9HK041
	G2	C.S AMERICA		120	60	A9HK011
H		TAIWAN				
I		JORDAN, LEBANON, SYRIA, SOUTH AFRICA, IRAQ, IRAN, N.YEMEN, CAMEROON, UAE, BAHRAIN, OMAN, QATAR, KUWAIT, KENYA, TUNISIA, IVORY COAST, MOROCCO		220-240	50/60	A9HK021/ A9HK041
J		CHINA		220-240	50/60	A9HK081
K		KOREA		220-240	50/60	A9HK041