

KONICA MINOLTA

# *PARTS GUIDE MANUAL*

---

NOVEMBER 2018

*bizhub 308e*  
**AA6W**

## INFORMATION FOR PARTS GUIDE MANUAL

To find correct Parts No., refer to the "HOW TO MAKE THE BEST USE OF THIS MANUAL" in the following page.

### HOW TO MAKE THE BEST USE OF THIS MANUAL

- 1 When you order, please check the proper figures beforehand that are on Our Parts Guide Manual, and order with the appropriate figures.
- 2 For screws, Nuts, Washers, retaining rings and Pins which are used in this model, one letter is shown on the Standard parts column of Parts list and exploded diagrams.
- 3 In order to maintain safety of the product, some specific parts composed of this product are set up as "essential safety parts".
- 4 The assigned parts number for the "essential safety parts" is indicated as "SP00-\*\*\*\*".  
When replacing these parts, follow precautions for disassembling and installing which are listed in the Service Manual.  
Do not use any parts that are not set up as
- 5 ♣ means that there are exclusive parts for each destination.  
Please check the appropriate destination when you order.
- 6 Revision Mark  
Marked as ▲ on the illustration shows that the revision has been made.
- 7 All rights reserved. (any reprints or quotations are prohibited.)  
Use of this parts guide manual should be strictly supervised to avoid disclosure of confidential information.

## パーツガイドマニュアルのご案内

サービス部品をご発注の際には、下記に示す“パーツガイドマニュアルの活用にあたって”をご参照の上、正しい部品番号にてお願い致します。

### パーツガイドマニュアルの活用にあたって

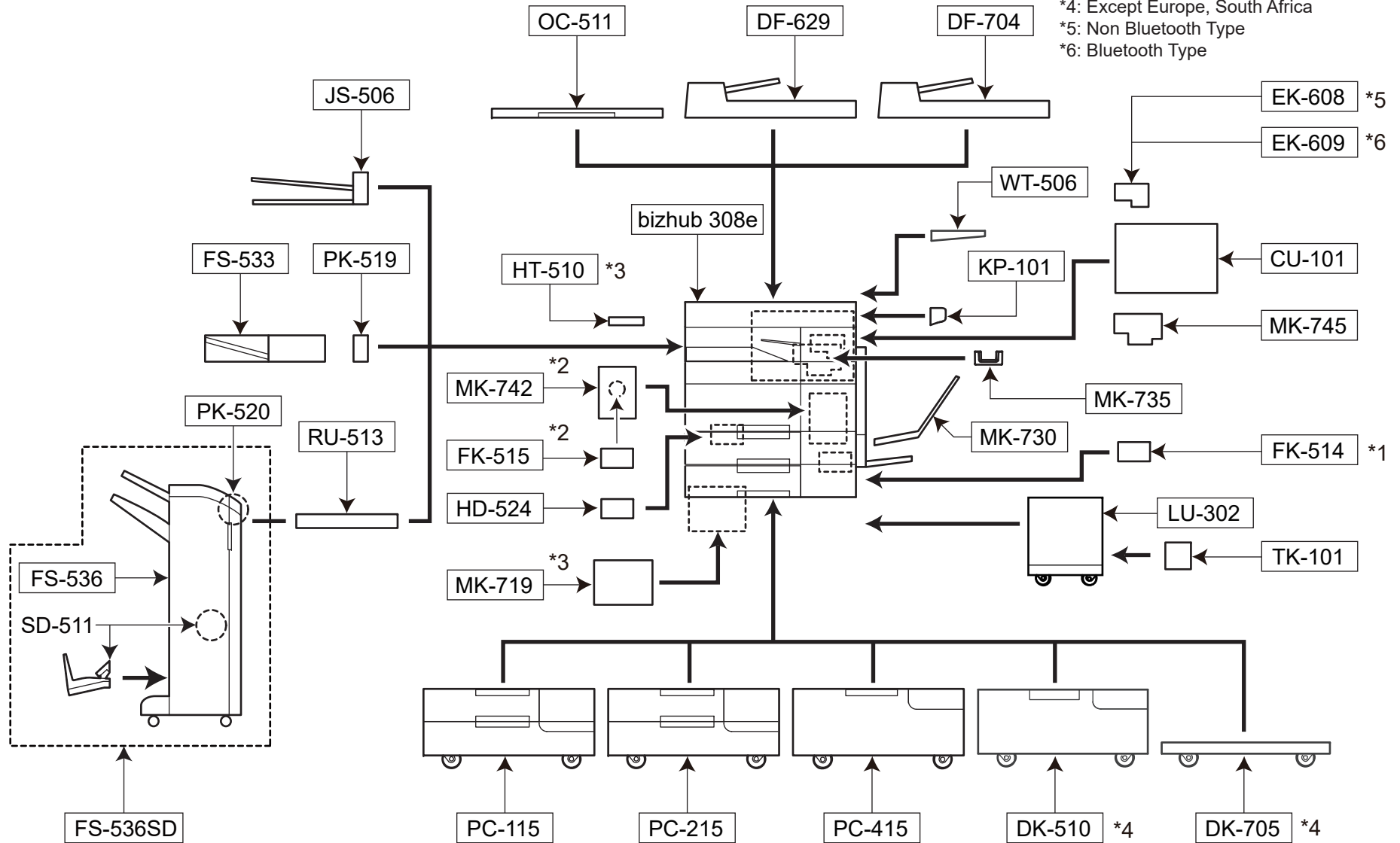
- 1 部品発注の際には、掲載されている部品番号の桁数を確認し、掲載されている桁数で発注願います。
- 2 この製品に使用されているネジ、ナット、ワッシャー、止め輪、ピンなどは、リストの右側の Standard parts 欄に a,b,c,…… で表示し、イラストにも a,b,c,…… 表示してあります。
- 3 製品の安全性を維持する為に、製品に使用される特定の部品を「重要保安部品」として設定しています。
- 4 重要保安部品の部品番号は、“SP00-\*\*\*\*”と記載されていますので、部品交換時は、サービスマニュアル記載の分解・組み立ての注意事項に従って作業をして下さい。  
また、指定以外の部品は一切使用しないで下さい。
- 5 本文に ♣ が表示されている部品は、仕向け地毎に専用部品がある事を意味しています。  
オーダーされる時は、仕向け地を確認して下さい。
- 6 改訂記号について  
イラスト上に ▲ 印が表示されている部分は、改訂された事を表します。
- 7 著作権所有（無断転載及び無断引用の禁止）  
本パーツガイドマニュアルについては、機密保持等その扱いには十分注意して下さい。万一取り扱いを誤った場合には、法律で処罰されることがあります。

10/23/2017



# System Configuration

- \*1: As use for 1st or 2nd FAX circuit line
- \*2: As use for 3rd or 4th FAX circuit line  
(Japan, USA/CANADA only)
- \*3: Japan only
- \*4: Except Europe, South Africa
- \*5: Non Bluetooth Type
- \*6: Bluetooth Type



bizhub 308e

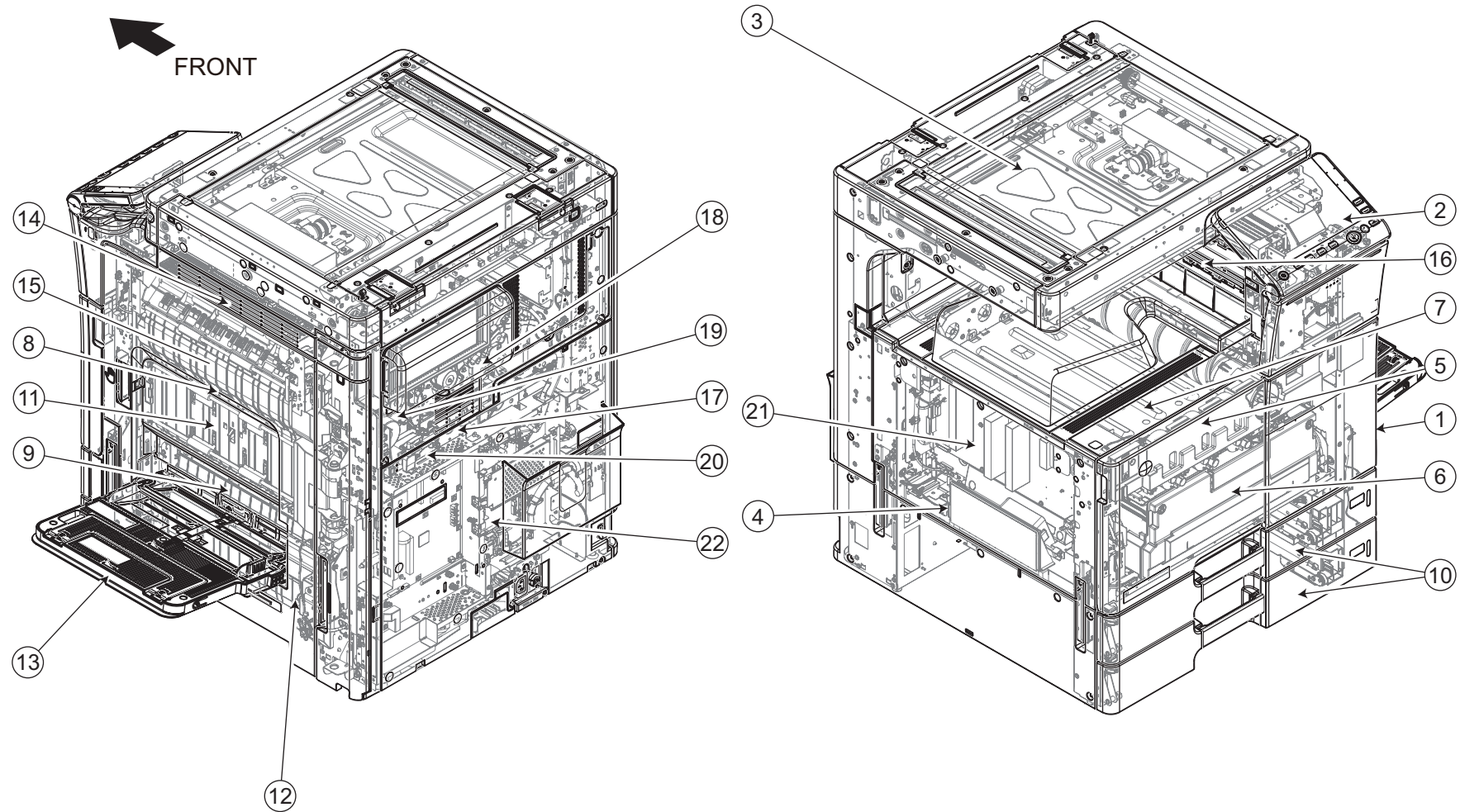
# GENERAL CONTENTS

No.	Description	Model
1	Digital MFP B/W	bizhub 308e
2	Original Cover	OC-511
3	Document Feeder	DF-629
4	Document Feeder	DF-704
5	Local IF Kit	EK-608
6	Local IF Kit	EK-609
7	Working Table	WT-506
8	Other Option	KP-101
9	Other Option	CU-101
10	Mount Kit	MK-745
11	Mount Kit	MK-735
12	Mount Kit	MK-730
13	Fax Kit	FK-514
14	Paper Feeder	LU-302
15	Other Option	TK-101
16	Paper Feeder	PC-415
17	Paper Feeder	PC-215
18	Paper Feeder	PC-115
19	Finisher/Sorter	FS-536SD
20	Finisher/Sorter	FS-536
21	Punch Unit	PK-520
22	Finisher/Sorter	RU-513

bizhub 308e

No.	Description	Model
23	Finisher/Sorter	FS-533
24	Punch Unit	PK-519
25	Job Separator	JS-506
26	HDD	HD-524
27	Mount Kit	MK-742
28	Fax Kit	FK-515
29	Desk	DK-705
30	Desk	DK-510
31	Heater	HT-510
32	Other Option	MK-719

# Section Configuration



bizhub 308e

# CONTENTS

No.	DESCRIPTION	名称	PAGE No.
1	External Parts Section	外装部	P1 P2 P3
2	Operation Panel Section	操作部	P4
3	Scanner Section	スキャナー部	P5 P6 P7 P8
4	Write Section (PH Section)	書き込み部 (PH 部)	P9
5	Toner supply Section	トナー補給部	P10 P11
6	Toner collecting Section	トナー回収部	P12
7	Developing section/ Photo conductor section	感光体部 / 現像部	P13 P14
8	1st Transfer Section	1次転写部	P15
9	Tray 1/2 paper feed Section	トレイ1 / 2 給紙部	P16 P17 P18 P19 P20
10	Tray 1/2 Section	トレイ1 / 2 部	P21 P22 P23 P24 P25 P26
11	Registration Section/ 2nd Transfer Section	レジスト部 / 2次転写部	P27 P28 P29
12	Vertical conveyance Section	垂直搬送部	P30
13	Manual bypass Tray Section	手差しトレイ部	P31 P32 P33
14	Duplex Section	両面部	P34 P35
15	Fusing Section	定着部	P36
16	Paper Exit /Reverse Section	排紙 / 反転部	P37 P38
17	Main Drive/ Paper Feed Drive Section	メイン駆動 / 給紙駆動部	P39 P40
18	Toner Supply Drive Section	トナー補給駆動部	P41
19	Fusing Drive Section	定着駆動部	P42 P43
20	High Voltage Section	高圧電源部	P44
21	Low Voltage Section	低圧電源部	P45
22	Electric Parts Section	電装部	P46 P47
23	Wiring	束線	P48 P49 P50
24	Wiring Accessories	配線部品	P51
25	Jigs	治具・サービス資材	P52
26	Accessory Parts	同梱部品	P53

# INDEX

Parts No.	Page No.
0996305501	21-7
1164202801	38-5
4002311002	22-7
4004590301	38-1
4011585202	27-35
4025598401	38-3
4030301703	18-11
4030301703	20-12
4030320601	24-19
4030320601	26-19
4030322601	24-16
4030322601	26-16
4030340301	32-15
4030347501	32-19
4034352501	17-2
4036307501	6-6
4036534801	11-24
4038101401	10-4
4038228702	3-18
4038353701	27-9
4038353901	27-13
4038541202	41-9
4040561000	18-2
4040561000	20-3
4131300301	17-12
4131300301	19-17
4131353202	31-17
4136N30000	53-17
4139M10000	9-2
4139M10000	45-9
4163510201	11-7
4163529301	9-3
4163529301	15-12
4163529301	22-12
4163529301	24-25
4163529301	26-25
4163529301	27-32
4163529301	28-2
4163529301	29-25
4163529301	34-10

Parts No.	Page No.
4163529301	35-3
4333501201	11-17
4532341001	18-13
4532341001	20-15
4576536301	11-8
4581162501	6-8
4640392001	37-3
4658015106	32-26
56AA40490	1-16
65AA-9920	52-2
9313100072	36-4
9321240011	31-24
9381420021	53-17
9381430031	53-17
9J06730101	46-5
9J06M10300	22-8
9J06M60100	3-17
9J06M60100	30-3
9J06PJP100	52-3
A00F623201	31-10
A00F941100	34-25
A00J106202	1-20
A00J169100	2-10
A00J169100	4-17
A00J169100	53-3
A00J169300	5-5
A00J265300	6-7
A00J617900	19-12
A00J663200	17-28
A00J663200	19-16
A00J945500	1-13
A00JH00D00	1-7
A011946200	4-24
A02E117300	36-15
A02E149900	2-7
A02E167700	5-7
A02E167700	53-4
A02E560800	17-24
A02E560800	19-28
A02E561100	17-16

Parts No.	Page No.
A02E561100	19-20
A02E595100	31-21
A02E595400	31-16
A02E596100	31-20
A02E597600	32-25
A02E712902	27-12
A02E815200	29-10
A02E815200	31-9
A02E815200	34-7
A02E815200	35-17
A02E940300	24-26
A02E940300	26-26
A02EM20000	27-1
A02EM20100	31-22
A02EN12513	46-13
A034M20100	27-34
A03U812800	42-8
A03U812800	43-14
A0ED103100	13-4
A0ED111000	15-4
A0ED111400	15-17
A0ED112000	15-14
A0ED135700	46-7
A0ED162401	3-6
A0ED163000	1-3
A0ED245000	12-7
A0ED271200	7-7
A0ED271300	7-6
A0ED273600	8-12
A0ED274300	8-19
A0ED274400	8-8
A0ED276301	8-16
A0ED363001	12-4
A0ED363200	12-2
A0ED363312	12-5
A0ED363400	12-3
A0ED401000	11-25
A0ED550800	28-24
A0ED550900	28-17
A0ED551000	28-14

Parts No.	Page No.
A0ED551100	28-15
A0ED563900	18-5
A0ED563900	20-5
A0ED597800	31-23
A0ED620200	24-18
A0ED620200	26-18
A0ED620701	24-34
A0ED620701	26-34
A0ED700200	27-17
A0ED700300	27-19
A0ED700600	27-14
A0ED700700	27-20
A0ED702400	29-28
A0ED702800	27-5
A0ED703800	28-9
A0ED705800	27-4
A0ED712100	30-8
A0ED811700	29-1
A0ED811700	34-18
A0ED811900	29-4
A0ED815100	35-9
A0ED891100	38-6
A0ED897700	38-15
A0ED940600	10-6
A0ED940700	1-4
A0EDM10500	47-12
A0EDM50100	17-5
A0EDM50100	19-3
A0EDM60001	10-19
A0EDM60001	14-1
A0G6411200	1-9
A0HF952400	5-11
A0P0217500	16-9
A0P0742300	37-9
A0POM50300	44-7
A0PON15100	47-11
A161101600	21-15
A161101701	21-16
A161101900	21-4
A161102500	30-2

Parts No.	Page No.
A161103700	21-12
A161103901	21-10
A161104101	28-22
A161104200	21-3
A161104300	21-1
A161105200	21-14
A161105400	9-5
A161105500	39-6
A161105600	13-6
A161107100	13-5
A161107400	13-9
A161110105	15-21
A161110202	15-10
A161110300	15-11
A161110400	15-7
A161110601	15-3
A161112101	15-22
A161112200	15-8
A161112300	15-20
A161112400	15-23
A161112500	15-5
A161112600	15-9
A161112700	15-25
A161116202	14-2
A161119500	14-3
A161121300	30-1
A161121401	36-9
A161121900	42-15
A161122002	42-22
A161122500	36-8
A161130502	46-6
A161130603	46-9
A161131401	46-1
A161132801	44-3
A161134702	39-8
A161135100	3-15
A161137100	30-4
A161137701	44-5
A161137802	9-10
A161137900	47-21

Parts No.	Page No.	Parts No.	Page No.	Parts No.	Page No.	Parts No.	Page No.	Parts No.	Page No.
A161140400	36-10	A161231800	43-5	A161276000	8-4	A161560500	19-14	A161567400	19-26
A161140800	45-7	A161232200	42-6	A161276500	8-7	A161560900	17-4	A161568600	18-3
A161141500	44-1	A161232300	42-17	A161278600	7-1	A161560900	19-7	A161568700	20-9
A161141700	15-16	A161232300	43-3	A161278900	7-3	A161561000	19-1	A161568800	20-2
A161143400	45-10	A161232401	42-21	A161280211	6-20	A161561100	16-1	A161568901	19-34
A161143601	45-3	A161240300	41-5	A161280300	6-17	A161561200	16-2	A161571100	19-6
A161144500	45-2	A161240400	41-8	A161281100	6-24	A161561600	17-7	A161576100	16-4
A161144801	15-13	A161240600	41-6	A161281300	6-22	A161561600	19-8	A161578100	19-2
A161145000	45-1	A161240700	41-10	A161281600	6-4	A161562000	17-19	A161578212	19-4
A161146200	15-15	A161245100	12-6	A161400100	11-10	A161562000	19-23	A161578700	19-33
A161151100	3-12	A161245400	12-8	A161400401	11-11	A161562101	17-21	A161579011	16-7
A161151200	30-5	A161253900	39-11	A161400601	11-12	A161562101	19-25	A161590101	32-13
A161151300	3-19	A161254300	42-2	A161400701	11-20	A161562300	17-17	A161590201	31-5
A161160300	1-8	A161254500	42-5	A161400800	11-26	A161562300	19-21	A161590304	32-11
A161161002	1-1	A161254700	42-4	A161401000	11-6	A161562400	17-13	A161590600	31-19
A161161201	2-19	A161258501	43-15	A161401100	11-5	A161562400	19-15	A161590800	31-18
A161161303	1-10	A161261902	6-15	A161401200	11-4	A161562500	17-20	A161590901	32-29
A161162304	37-5	A161262002	6-16	A161401300	11-2	A161562500	19-24	A161591000	32-28
A161162400	4-18	A161262200	6-14	A161401400	11-1	A161562600	17-18	A161591100	32-27
A161162803	2-8	A161263000	6-11	A161402115	10-14	A161562600	19-22	A161591300	31-25
A161162900	2-20	A161268200	6-3	A161402403	10-8	A161562800	17-11	A161591400	31-13
A161163503	2-3	A161268300	6-1	A161402502	10-7	A161562800	19-13	A161591500	31-12
A161163900	2-16	A161271000	7-9	A161403000	11-18	A161563300	18-12	A161591600	32-12
A161165300	3-5	A161271000	8-14	A161403101	11-9	A161563300	20-13	A161591700	31-8
A161165602	1-17	A161271100	7-11	A161403200	11-23	A161563901	18-14	A161591800	32-22
A161165700	3-1	A161271100	8-17	A161403500	10-10	A161563901	20-14	A161592200	33-2
A161167000	4-23	A161273113	8-15	A161403600	10-11	A161564001	18-10	A161592300	33-10
A161167100	4-28	A161273401	8-13	A161403701	10-2	A161564001	20-11	A161592400	33-7
A161167300	4-27	A161273500	8-18	A161403800	10-9	A161564200	18-16	A161592501	33-8
A161167400	4-26	A161273701	8-11	A161403901	10-5	A161564200	20-17	A161592600	33-9
A161170800	5-8	A161273800	8-20	A161404001	10-16	A161564300	18-18	A161592800	31-1
A161190903	4-2	A161274500	8-22	A161404100	10-17	A161564300	20-19	A161592900	30-7
A161210200	39-10	A161274600	8-21	A161404200	11-14	A161564400	18-15	A161593300	31-14
A161210200	40-13	A161275113	8-23	A161404300	11-19	A161564400	20-16	A161593400	32-33
A161228000	43-9	A161275213	8-24	A161550700	28-12	A161565102	16-5	A161593600	32-31
A161228100	43-10	A161275300	8-9	A161551500	28-21	A161565302	17-9	A161593800	33-15
A161228601	43-16	A161275400	8-10	A161551600	28-20	A161566000	17-1	A161594100	31-6
A161228800	42-7	A161275500	8-6	A161560112	17-10	A161567300	17-23	A161594201	32-10
A161230600	43-7	A161275600	8-5	A161560302	19-10	A161567300	19-27	A161594300	33-18
A161230700	42-19	A161275700	8-3	A161560500	17-15	A161567400	17-22	A161594400	31-11

Parts No.	Page No.	Parts No.	Page No.	Parts No.	Page No.	Parts No.	Page No.	Parts No.	Page No.
A161594500	32-1	A161626200	25-2	A161712600	29-6	A161819200	35-32	A161943100	23-14
A161594600	32-3	A161626502	23-9	A161712700	28-3	A161819500	35-13	A161943200	25-15
A161594700	31-7	A161626602	23-10	A161712800	29-21	A161825000	35-31	A161943301	53-8
A161594800	31-27	A161626602	25-11	A161712800	35-25	A161825102	35-14	A161943400	53-7
A161594900	31-28	A161626800	23-11	A161712900	29-5	A161825301	35-7	A161943700	24-4
A161595000	32-18	A161626800	25-12	A161713500	29-20	A161825400	35-19	A161943700	26-4
A161595100	32-14	A161626900	23-17	A161714500	29-18	A161825700	29-9	A161946100	34-8
A161595200	32-21	A161626900	25-18	A161714600	29-22	A161825700	35-10	A161946200	29-15
A161595300	32-16	A161631411	26-24	A161719000	29-2	A161825800	35-11	A161946300	27-11
A161595400	32-20	A161633202	25-6	A161810305	30-20	A161826001	35-33	A161946400	29-11
A161595600	32-17	A161635117	25-19	A161810503	35-28	A161890300	38-27	A161F10901	42-16
A161620400	24-17	A161636502	25-10	A161810701	34-1	A161891000	38-18	A161F56028	17-25
A161620400	26-17	A161700301	27-26	A161810801	35-5	A161891301	38-25	A161F59002	31-15
A161620600	24-5	A161700401	27-31	A161811001	30-10	A161891401	37-2	A161F81103	34-21
A161620600	26-5	A161700600	27-10	A161811100	30-12	A161892000	38-20	A161F89003	38-22
A161620701	24-6	A161700700	27-30	A161811302	30-14	A161892100	38-13	A161H00U01	4-20
A161620701	26-6	A161700901	27-40	A161811500	30-9	A161892300	38-19	A161M10300	43-1
A161620904	24-1	A161701100	27-28	A161813001	35-26	A161892400	38-2	A161M20202	39-12
A161620904	26-1	A161701301	27-15	A161813100	35-27	A161892902	38-26	A161M20300	39-3
A161621100	24-3	A161701703	27-27	A161813200	35-18	A161893601	38-10	A161M20401	43-6
A161621100	26-3	A161701800	27-36	A161813300	34-14	A161894000	37-6	A161M50000	27-38
A161621411	24-24	A161701900	27-3	A161813400	35-21	A161894000	38-8	A161M50400	33-14
A161621600	24-35	A161702000	27-21	A161813600	35-8	A161894100	37-7	A161M50501	22-6
A161621600	26-35	A161702101	27-41	A161813701	34-6	A161895113	38-29	A161M50600	22-5
A161622100	23-1	A161702200	27-2	A161813801	34-15	A161895301	37-4	A161M50A00	6-23
A161622100	25-1	A161702200	43-12	A161813902	35-22	A161895400	38-4	A161M50A00	6-28
A161623301	23-6	A161706001	27-6	A161814401	35-2	A161895502	38-7	A161N10002	46-10
A161623400	21-13	A161710103	28-11	A161814500	35-16	A161895600	38-9	A161N10102	46-11
A161623400	23-3	A161710405	29-24	A161814601	34-5	A161895800	38-30	A161N10D00	27-24
A161623400	25-3	A161710500	29-8	A161814700	34-9	A161897200	37-8	A161N10H01	28-1
A161624100	24-2	A161711200	28-26	A161814901	34-24	A161900100	38-24	A161N10K00	1-5
A161624100	26-2	A161711300	29-13	A161815000	30-21	A161900201	38-31	A161N11300	44-11
A161625114	23-18	A161711600	29-17	A161815100	34-3	A161900300	38-32	A161N11C01	5-13
A161625900	23-16	A161711700	29-14	A161815300	30-16	A161940400	1-14	A161N11K00	44-12
A161625900	25-17	A161711901	29-31	A161815400	30-19	A161941100	42-14	A161N12100	35-4
A161626000	23-12	A161712000	29-19	A161815800	34-12	A161942000	3-13	A161N12200	31-4
A161626000	25-13	A161712100	29-23	A161815900	30-17	A161942500	3-7	A161N12701	19-5
A161626100	23-13	A161712300	28-16	A161816200	30-22	A161943000	3-3	A161N12801	11-15
A161626100	25-14	A161712401	28-4	A161816400	34-17	A161943000	24-14	A161N14100	6-5
A161626200	23-2	A161712500	28-19	A161819000	34-19	A161943000	26-14	A161N14201	6-12



Parts No.	Page No.	Parts No.	Page No.	Parts No.	Page No.	Parts No.	Page No.	Parts No.	Page No.
A161N15J00	47-10	A5C1121202	30-6	A5C1591900	31-3	A5C1F42000	11-13	A64J222500	39-15
A161R72200	6-2	A5C1130800	46-4	A5C1624300	23-8	A5C1M10A00	8-2	A64J257800	39-1
A161R72644	38-21	A5C1134111	47-8	A5C1624300	25-9	A5C1M50100	6-13	A64J363700	12-1
A1DMN13700	47-27	A5C1134200	47-5	A5C1625001	23-15	A5C1M50100	11-22	A64J564101	17-14
A1RF505400	43-13	A5C1134800	44-13	A5C1627101	22-9	A5C1M50100	17-8	A64J564101	18-6
A1RF517100	39-2	A5C1135300	9-4	A5C1627300	22-10	A5C1M50100	19-9	A64J564101	19-18
A1UD192400	21-9	A5C1137800	46-14	A5C1627900	22-11	A5C1M50100	22-13	A64J564101	20-6
A1UD947400	53-6	A5C1140300	36-6	A5C1628000	22-4	A5C1M50100	27-33	A64J564201	17-29
A1UDM50200	6-9	A5C1142001	44-14	A5C1628500	23-19	A5C1M50100	28-10	A64J564201	19-19
A1UDN30200	53-17	A5C1148100	36-16	A5C1628500	25-7	A5C1M50100	29-27	A64J709100	29-3
A2UPN30100	53-17	A5C1149400	36-5	A5C1635001	25-16	A5C1M50100	31-2	A64J719100	29-30
A2UPN30300	53-17	A5C1160401	1-6	A5C1700101	27-8	A5C1M50100	32-24	A64J815500	30-15
A2UPN30601	53-17	A5C1167800	4-22	A5C1700800	27-18	A5C1M50100	33-6	A64J891200	38-35
A2X0901100	38-12	A5C1192100	53-5	A5C1701400	27-16	A5C1M50100	35-12	A64J891500	37-10
A2X0945701	2-21	A5C1228700	42-13	A5C1703200	27-23	A5C1M72H00	47-9	A64J891500	38-36
A2XK144201	9-15	A5C1231300	42-18	A5C1710900	28-8	A5C1M92000	4-11	A64JR70600	39-17
A2XK224100	42-20	A5C1254600	42-12	A5C1711000	28-6	A5C1N10B00	4-29	A64JR71111	18-19
A2XK254200	42-1	A5C1263300	6-10	A5C1711500	29-16	A5C1N14300	8-1	A64JR71111	20-20
A2XK400001	10-20	A5C1263400	6-26	A5C1711800	28-13	A5C1R71600	1-15	A64JR71400	12-12
A2XK400100	10-21	A5C1280100	6-18	A5C1715100	28-5	A5C1R90000	6-27	A64JR7A000	39-5
A2XK709000	19-30	A5C1404500	10-15	A5C1810603	35-6	A5C4N10500	36-14	A795565000	24-27
A2XKN10H01	19-31	A5C1404600	11-3	A5C1811600	30-18	A61D400200	10-22	A795565000	26-27
A3EW944600	5-10	A5C1551701	28-18	A5C1811700	35-1	A61DM10000	39-16	A795565100	24-30
A3EWM90300	47-28	A5C1560600	17-3	A5C1811803	35-34	A61DM10000	40-15	A795565100	26-30
A3GNM71C00	7-13	A5C1560600	19-11	A5C1811901	35-23	A61DN10B01	10-23	A795565200	24-31
A4EU138000	47-6	A5C1563100	18-1	A5C1814200	35-20	A61F100600	45-12	A795565200	26-31
A55V624700	23-5	A5C1563100	20-1	A5C1814300	34-23	A61F140200	9-1	A795565300	24-32
A55V624700	25-5	A5C1563400	18-9	A5C1815200	30-13	A61F400001	10-24	A795565300	26-32
A5AWP00100	52-1	A5C1563400	20-10	A5C1815700	34-11	A61F403300	10-12	A795565400	24-33
A5C1101101	21-8	A5C1563500	18-4	A5C1819600	34-22	A61F403401	10-13	A795565400	26-33
A5C1104400	21-11	A5C1563500	20-4	A5C1819700	34-16	A61F940400	1-14	A795565500	24-29
A5C1104700	21-18	A5C1563901	18-14	A5C1822000	34-4	A61FM90200	6-25	A795565500	26-29
A5C1104800	21-6	A5C1563901	20-14	A5C1825000	35-30	A61FN10200	46-12	A795565600	24-28
A5C1105500	13-7	A5C1564101	18-17	A5C1825500	35-29	A61FN10F00	11-21	A795565600	26-28
A5C1106000	21-19	A5C1564101	20-18	A5C1890100	38-23	A61FN11200	15-24	A795565700	24-20
A5C1112800	15-6	A5C1565500	17-6	A5C1890401	38-11	A61FN11V00	13-3	A795565700	26-20
A5C1112900	15-19	A5C1565600	18-20	A5C1891100	38-33	A61FN12A00	3-16	A795565800	24-21
A5C1120700	10-1	A5C1565600	20-7	A5C1900400	38-34	A61FN12H01	27-37	A795565800	26-21
A5C1120800	10-1	A5C1590500	30-11	A5C1900500	38-16	A61FR71200	44-9	A795565900	24-22
A5C1121100	36-7	A5C1591200	31-26	A5C1900600	38-28	A64J222400	39-14	A795565900	26-22

Parts No.	Page No.	Parts No.	Page No.	Parts No.	Page No.	Parts No.	Page No.	Parts No.	Page No.
A795620800	24-15	A79J259800	40-2	A7PU106100	22-14	A7PU161501	4-4	A7PU577600	20-23
A795620800	26-15	A79J508400	15-2	A7PU109000	15-18	A7PU161701	4-25	A7PU577700	20-22
A795621301	24-10	A79J566000	24-7	A7PU109100	2-22	A7PU161806	2-13	A7PU578400	20-8
A795621301	26-10	A79J566000	26-7	A7PU130300	9-8	A7PU161900	4-16	A7PU578500	20-8
A795621900	24-23	A79J576400	17-26	A7PU130400	47-15	A7PU162100	2-2	A7PU592000	33-13
A795621900	26-23	A79J620100	24-36	A7PU130700	46-18	A7PU162200	2-5	A7PU592201	33-3
A795622600	24-9	A79J622500	24-11	A7PU131101	47-4	A7PU162600	4-3	A7PU592901	32-5
A795622600	26-9	A79J622500	26-11	A7PU131603	47-18	A7PU164100	4-14	A7PU593000	32-5
A795622700	24-8	A79J623100	23-4	A7PU131905	47-2	A7PU166101	53-13	A7PU593100	32-8
A795622700	26-8	A79J630100	26-36	A7PU132100	44-4	A7PU166316	2-4	A7PU593201	32-7
A795942401	23-7	A79J633100	25-4	A7PU132301	2-9	A7PU168201	53-2	A7PU593400	32-33
A795942401	25-8	A79J821000	35-35	A7PU132502	44-2	A7PU168301	2-11	A7PU593500	33-12
A797102701	36-11	A79J897300	40-4	A7PU133100	47-16	A7PU168400	2-17	A7PU593600	32-31
A797105400	13-2	A79J941200	23-22	A7PU134500	47-1	A7PU168500	4-5	A7PU593700	33-16
A797245300	12-13	A79J941200	25-22	A7PU134500	47-1	A7PU168600	4-6	A7PU594000	32-34
A79J101800	9-7	A79J941300	23-23	A7PU134600	47-7	A7PU168702	2-14	A7PU595500	32-6
A79J122200	30-23	A79J941500	23-21	A7PU134700	47-29	A7PU169700	53-16	A7PU596100	32-4
A79J146300	9-14	A79J943500	25-23	A7PU134800	47-25	A7PU169900	53-1	A7PU596200	32-2
A79J146700	53-15	A79J943600	25-21	A7PU135402	4-15	A7PU170101	5-9	A7PU596700	32-30
A79J147501	9-16	A79JF62500	24-37	A7PU135500	3-10	A7PU170200	5-1	A7PU596800	32-30
A79J165002	3-4	A79JF62500	26-37	A7PU138002	4-10	A7PU170300	5-12	A7PU596900	31-30
A79J165201	3-8	A79JN10800	17-27	A7PU138100	4-8	A7PU170400	5-6	A7PU599300	33-20
A79J220000	40-10	A79JJP000	52-4	A7PU138200	4-7	A7PU170600	5-4	A7PU627500	22-3
A79J220701	40-17	A79JJP100	52-5	A7PU138301	4-9	A7PU170702	5-3	A7PU700111	27-25
A79J220800	40-20	A79JR70222	39-18	A7PU139000	45-5	A7PU216100	39-4	A7PU701000	27-42
A79J220900	40-1	A79JR72111	23-20	A7PU139100	45-6	A7PU240101	41-4	A7PU701100	27-39
A79J221200	40-14	A79JR72211	25-20	A7PU139800	47-19	A7PU241500	41-7	A7PU701200	27-7
A79J222200	39-13	A79JR72600	4-12	A7PU140100	47-14	A7PU241600	41-1	A7PU710201	29-12
A79J222500	40-19	A7AH621000	24-12	A7PU141800	44-8	A7PU270100	7-10	A7PU710301	29-29
A79J223101	40-9	A7AH621000	26-12	A7PU142100	2-12	A7PU270600	7-12	A7PU810101	34-2
A79J226200	40-6	A7AH621200	24-13	A7PU142300	36-2	A7PU560100	17-10	A7PU810200	34-13
A79J226301	40-7	A7AH621200	26-13	A7PU142800	2-25	A7PU560200	17-25	A7PU810800	35-5
A79J226400	40-8	A7AHM20501	19-29	A7PU143300	36-3	A7PU565300	17-9	A7PU810900	35-24
A79J226500	40-11	A7AHM50400	27-29	A7PU143400	36-1	A7PU567500	18-8	A7PU811300	34-21
A79J226600	40-5	A7AHN30000	53-17	A7PU160100	1-2	A7PU567600	18-22	A7PU819600	34-22
A79J226700	40-12	A7PU100600	45-11	A7PU160200	1-11	A7PU567700	18-21	A7PU825500	35-29
A79J226800	40-16	A7PU101500	45-13	A7PU160700	1-18	A7PU568400	18-7	A7PU890200	38-14
A79J253000	40-18	A7PU102201	21-2	A7PU160800	1-19	A7PU569100	16-3	A7PU890700	38-17
A79J253300	40-3	A7PU102301	21-5	A7PU160902	2-15	A7PU569200	19-35	A7PU890800	38-37
A79J254400	42-3	A7PU104000	21-17	A7PU161400	4-19	A7PU577500	20-21	A7PU940600	5-2

Parts No.	Page No.
A7PU941600	6-29
A7PU941701	2-6
A7PU944100	33-5
A7PU944200	33-5
A7PU944301	33-4
A7PU944401	33-1
A7PU944500	32-35
A7PU944900	32-9
A7PU947001	53-14
A7PU947101	53-14
A7PU947201	53-14
A7PUF21000	12-10
A7PUF60000	33-11
A7PUH01D00	6-21
A7PUM10300	34-20
A7PUM10400	37-1
A7PUM10700	11-16
A7PUM10700	41-2
A7PUM11000	43-2
A7PUM11200	39-7
A7PUM70004	4-1
A7PUM70104	4-1
A7PUM70204	4-1
A7PUM70303	4-1
A7PUM92500	47-23
A7PUN10302	2-1
A7PUN10401	22-1
A7PUN10501	22-2
A7PUN10700	47-17
A7PUN10800	47-13
A7PUN10900	33-17
A7PUN10A00	32-23
A7PUN10B01	33-19
A7PUN14000	7-5
A7PUN14500	7-2
A7PUN15300	4-13
A7PUN15700	4-30
A7PUP00100	4-31
A7PUR70000	2-24
A7PUR71000	7-8

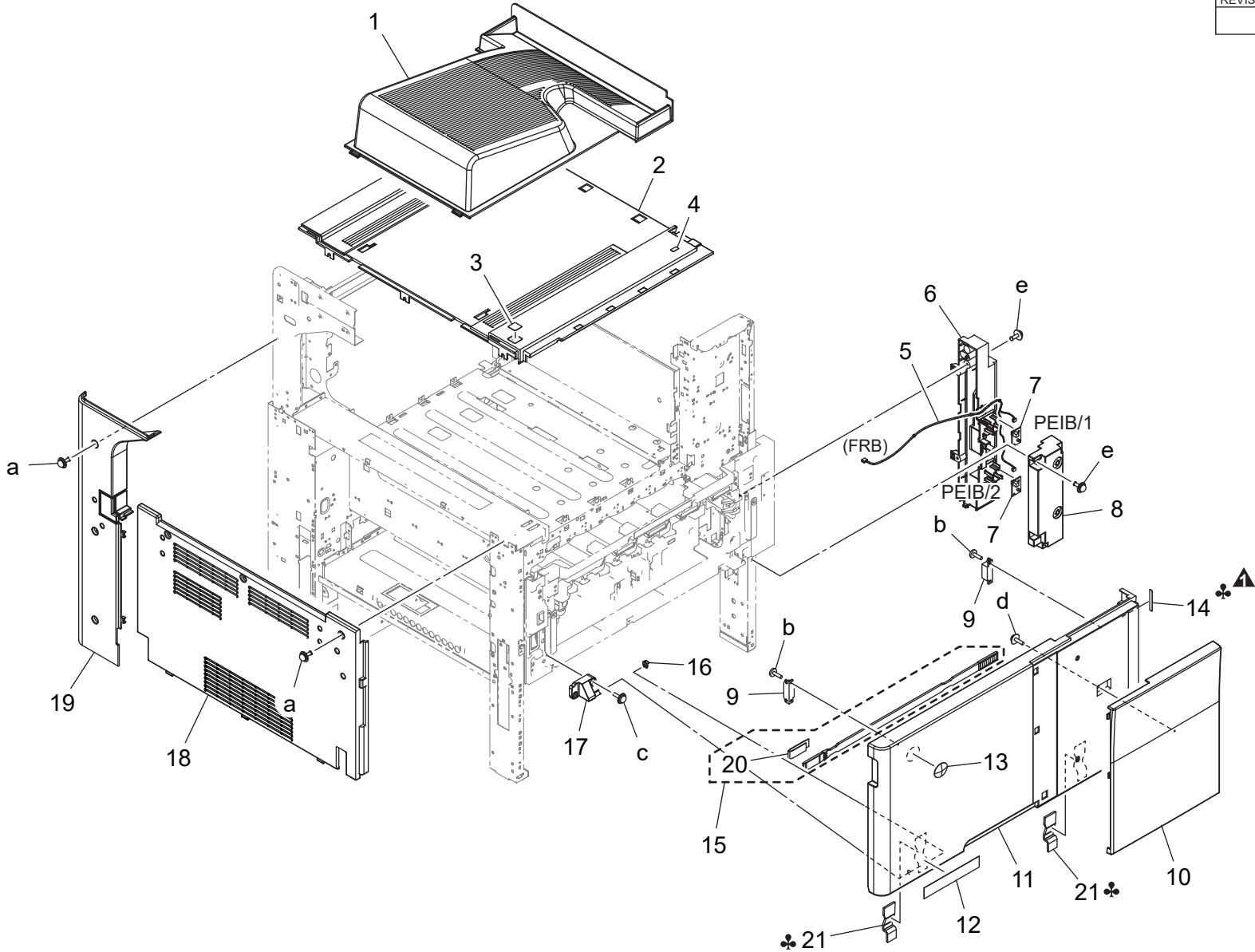
Parts No.	Page No.
A7PUR71111	6-19
A7PUR71744	31-29
A7PUR71844	31-29
A7PUR71900	44-6
A7PUR72411	28-25
A7PUR73100	4-21
A7PUR75100	2-23
A7PUR75200	7-4
A7PUR75311	34-26
A90G945700	2-21
A9HJ139700	46-17
A9HJ139800	46-16
A9HJ139900	47-26
A9HJ168800	3-11
A9HJH00501	9-6
A9HJM40601	44-10
A9HJN10100	49-1
A9HJR70500	41-3
AA6RH00800	9-9
AA6RM60000	3-14
AA6RN10600	9-11
AA6RN30000	46-8
AA6RN30100	46-8
AA6RR70200	28-23
AA6V130000	13-1
AA6V137200	36-13
AA6V147400	9-13
AA6V169000	3-20
AA6V169100	3-21
AA6V169300	1-21
AA6V228300	43-11
AA6V230500	43-8
AA6V231000	42-10
AA6V255600	43-4
AA6V256300	42-9
AA6V362001	12-11
AA6V402000	10-3
AA6V405100	10-3
AA6V405200	10-3
AA6V405300	10-3

Parts No.	Page No.
AA6V942600	3-9
AA6VF22501	42-11
AA6VF40002	10-18
AA6VF40102	10-18
AA6VF40202	10-18
AA6VF40300	10-18
AA6VH02101	47-3
AA6VN10200	50-2
AA6VR70111	15-1
AA6VR70200	9-12
AA6VR70300	13-8
AA6VR70400	36-12
AA6VR70500	36-12
AA6VR70600	36-12
AA6VR70700	3-2
AA6VR70800	45-4
AA6VR70900	45-4
AA6VR71011	39-9
AA6VR71100	16-8
AA6W940100	1-12
AA6WN10001	48-2
AA6WN11001	48-2
AAJ50Y1	12-9
AAJ5WY1	12-9
V116030803	48-1
V116030803	50-1
V116030804	53-12
V116033003	53-10
V153030803	53-11
V500010081	51-1
V500010082	51-2
V500010083	51-3
V500010084	51-4
V500010085	51-18
V500020040	53-9
V500020052	51-19
V500020069	51-14
V500020082	51-8
V500020098	51-5
V500020099	51-6

Parts No.	Page No.
V500020100	51-7
V500020101	51-17
V500020110	51-16
V501010002	51-20
V502010026	45-14
V503010002	47-20
V570010021	51-9
V570010050	51-15
V570010057	51-11
V570010058	51-10
V570010059	51-12
V570010060	51-13
V651010002	45-8
V651010025	47-22
V651010045	46-15
V800500300	27-22
V800500300	28-7
V864800107	47-24
V865300085	47-30

# External Parts Section

改訂版 REVISED EDITION	日付 DATE
▲	JUNE 2018

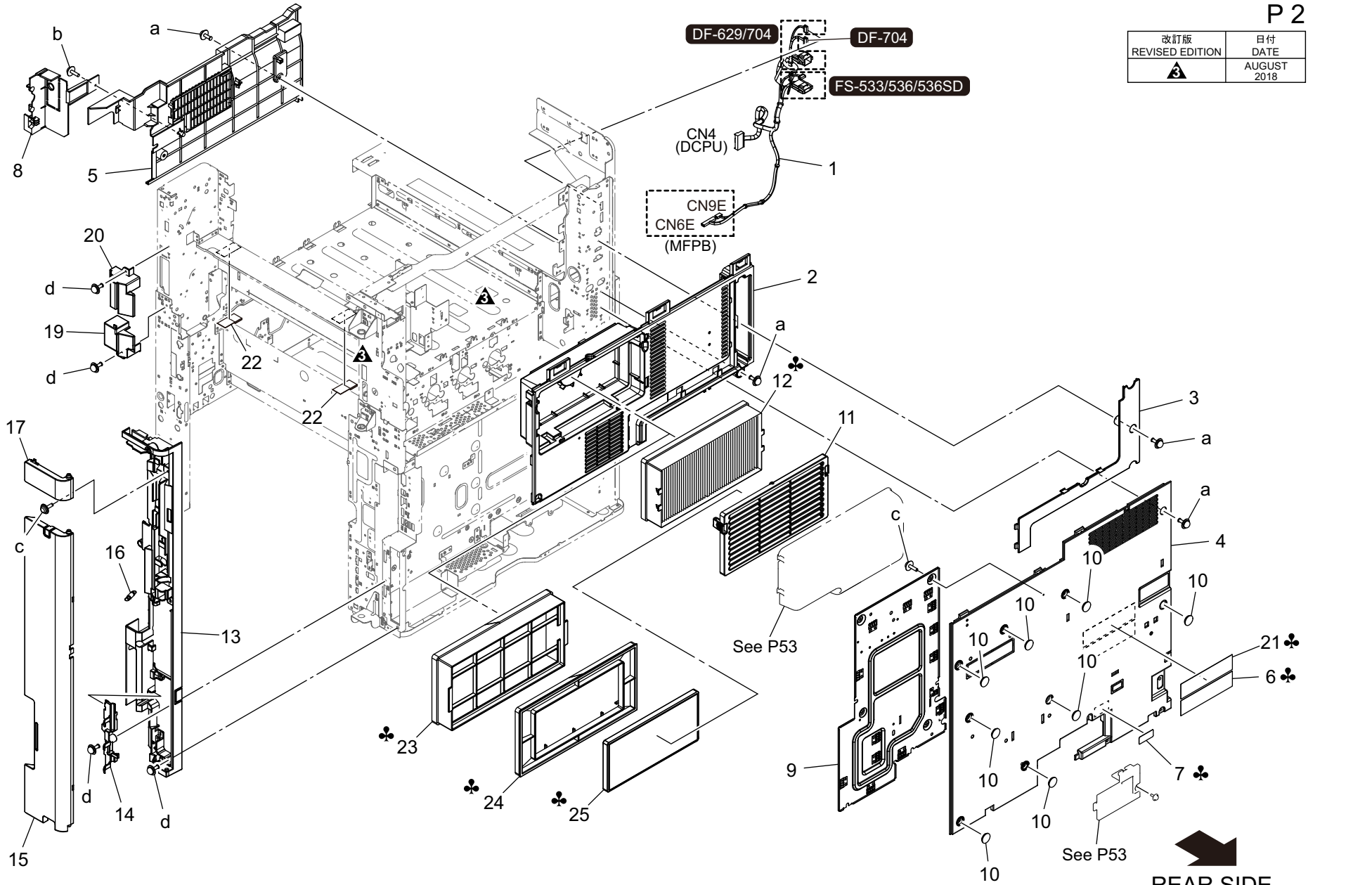


# External Parts Section

Key	Part No.	Description	Destinations	Class	QTY	Standard parts
1	A161161002	Tray		C	1	a-V116030804 b-V149030803 c-V153030803 d-V153031004 e-V116030803
2	A7PU160100	Cover /Upper		C	1	
3	A0ED163000	Seal		C	1	
4	A0ED940700	Label Toner 2		D	1	
5	A161N10K00	Indicating Wiring		D	1	
6	A5C1160401	Cover		C	1	
7	A00JH00D00	PWB Assembly LED1		C	2	
8	A161160300	Cover		C	1	
9	A0G6411200	Magnet /X		D	2	
10	A161161303	Open/close Cover /Front		C	1	
11	A7PU160200	Open/close Cover /Front		C	1	
12	AA6W940100	Label bizhub 308e		D	1	
13	A00J945500	Logo Mark		C	1	
14	A161940400	Label		C	1	
14	A61F940400	Label	A,A1,B,C,D1,D3,E,F2 ,G1,G2,I,K J	C	1	
15	A5C1R71600	Cleaning Material		C	1	
16	56AA40490	SHAFT STOPPER 4		C	1	
17	A161165602	Support Shaft		C	1	
18	A7PU160700	Cover /Left		C	1	
19	A7PU160800	Cover /Left		C	1	
20	A00J106202	Cleaning Pad		C	1	
21	AA6V169300	Holding Part	A,A1,B,G2	D	2	

# External Parts Section

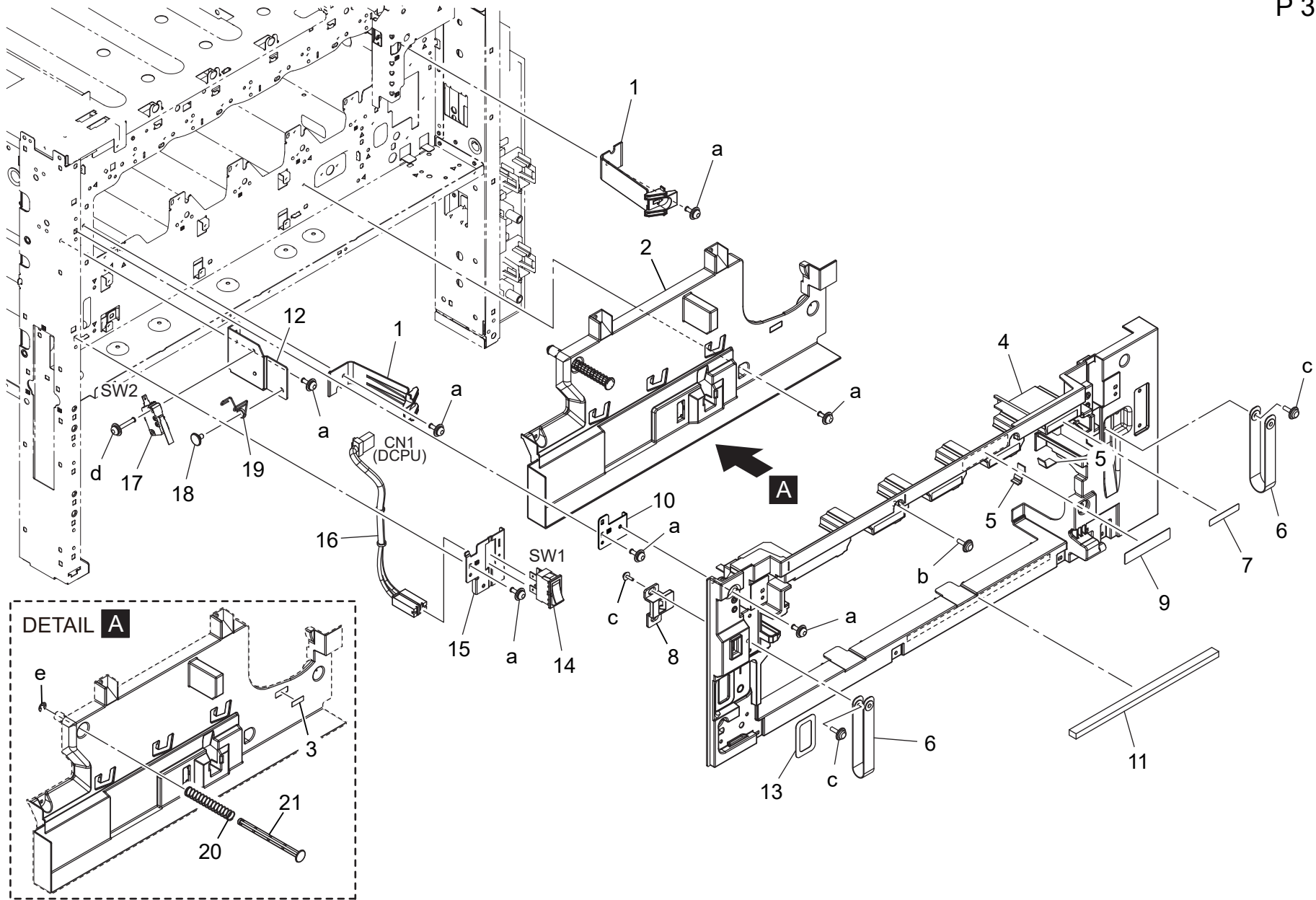
改訂版 REVISED EDITION	日付 DATE
	AUGUST 2018



Key	Part No.	Description	Destinations	Class	QTY	Standard parts
1	A7PUN10302	FNS Relay harness	FNS 中継束線	D	1	a-V116030804 b-V153030804 c-V153030803 d-V116030803
2	A7PU162100	Cover	カバー	C	1	
3	A161163503	Cover	カバー (目隠し・後上)	C	1	
4	A7PU166316	Cover	カバー	C	1	
5	A7PU162200	Cover	カバー	C	1	
6	A7PU941701	Label Caution	ラベル アース注意	C,I(SOUTH AFRICA)	1	
7	A02E149900	Label	ラベル (定格)	A,A1	1	
8	A161162803	Cover	カバー (排紙・奥右)	C	1	
9	A7PU132301	Shield Plate	シールド板	C	1	
10	A00J169100	Cover	蓋	D	8	
11	A7PU168301	Cover	カバー	C	1	
12	A7PU142100	Filter	フィルタ	C,I(SOUTH AFRICA)	1	
13	A7PU161806	Cover	カバー	C	1	
14	A7PU168702	Cover	カバー	D	1	
15	A7PU160902	Cover	カバー	C	1	
16	A161163900	Pulling Coil spring	引張りコイルばね	C	1	
17	A7PU168400	Fixing Part	固定部材	D	1	
19	A161161201	Cover	カバー (右前・定着1次)	D	1	
20	A161162900	Cover	カバー (右前・定着2次)	D	1	
21	A90G945700	Label Caution	ラベル (2プラグ注意)	D1,D3,E,F2,G1,I(EXC EPT SOUTH AFRICA),K	1	
21	A2X0945701	Label	ラベル (2プラグ注意)	B,C,G2,I(SOUTH AFRI CA),J	1	
22	A7PU109100	Cushion	クッション	C	2	
23	A7PUR75100	Filter Case/Outside	フィルタケース/外	J	1	
24	A7PUR70000	Filter Case/Inside	フィルタケース/内	J	1	
25	A7PU142800	Filter	フィルタ (活性炭)	J	1	

# External Parts Section

P 3




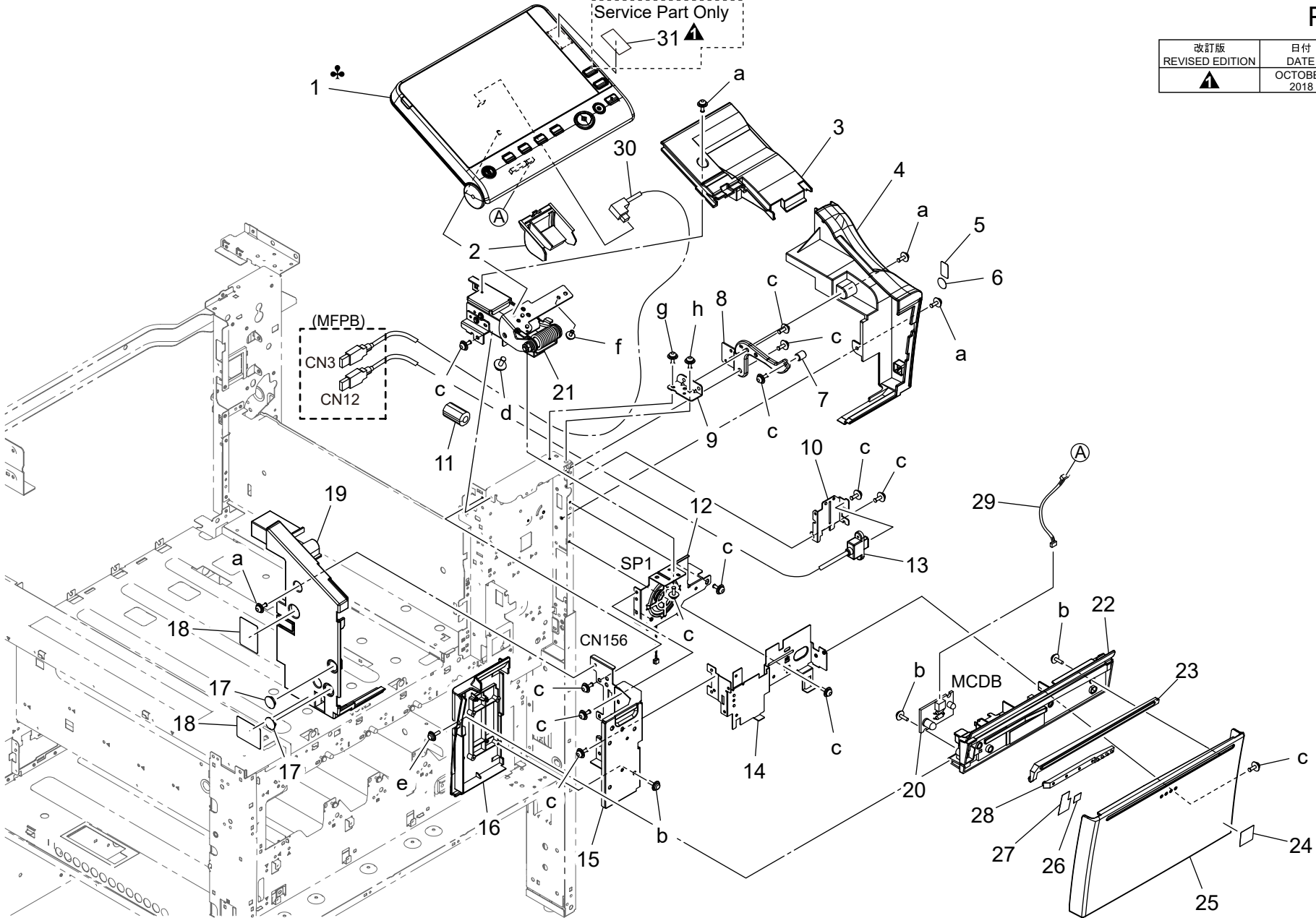
bizhub 308e



Key	Part No.	Description	Destinations	Class	QTY	Standard parts
1	A161165700	Fixing Claw		D	2	a-V116030803 b-V153030804 c-V153031003 d-V116031603 e-V217040001
2	AA6VR70700	Front Cover Assy		D	1	
3	A161943000	Label		C	1	
4	A79J165002	Cover /Front		C	1	
5	A161165300	Protection Part		C	2	
6	A0ED162401	Band		D	2	
7	A161942500	Label DR/K		D	1	
8	A79J165201	Receiving Part		D	1	
9	AA6V942600	Label		D	1	
10	A7PU135500	Mounting Plate		D	1	
11	A9HJ168800	Seal		D	1	
12	A161151100	Mounting Plate		D	1	
13	A161942000	Label		D	1	
14	AA6RM60000	Rocker switch		C	1	
15	A161135100	Mounting Plate		D	1	
16	A61FN12A00	AC Wiring /A		D	1	
17	9J06M60100	MICRO SWITCH		C	1	
18	4038228702	SHOULDER SCREW		C	1	
19	A161151300	Torsion Coil spring		D	1	
20	AA6V169000	Spring		D	1	
21	AA6V169100	Slide Shaft		D	1	

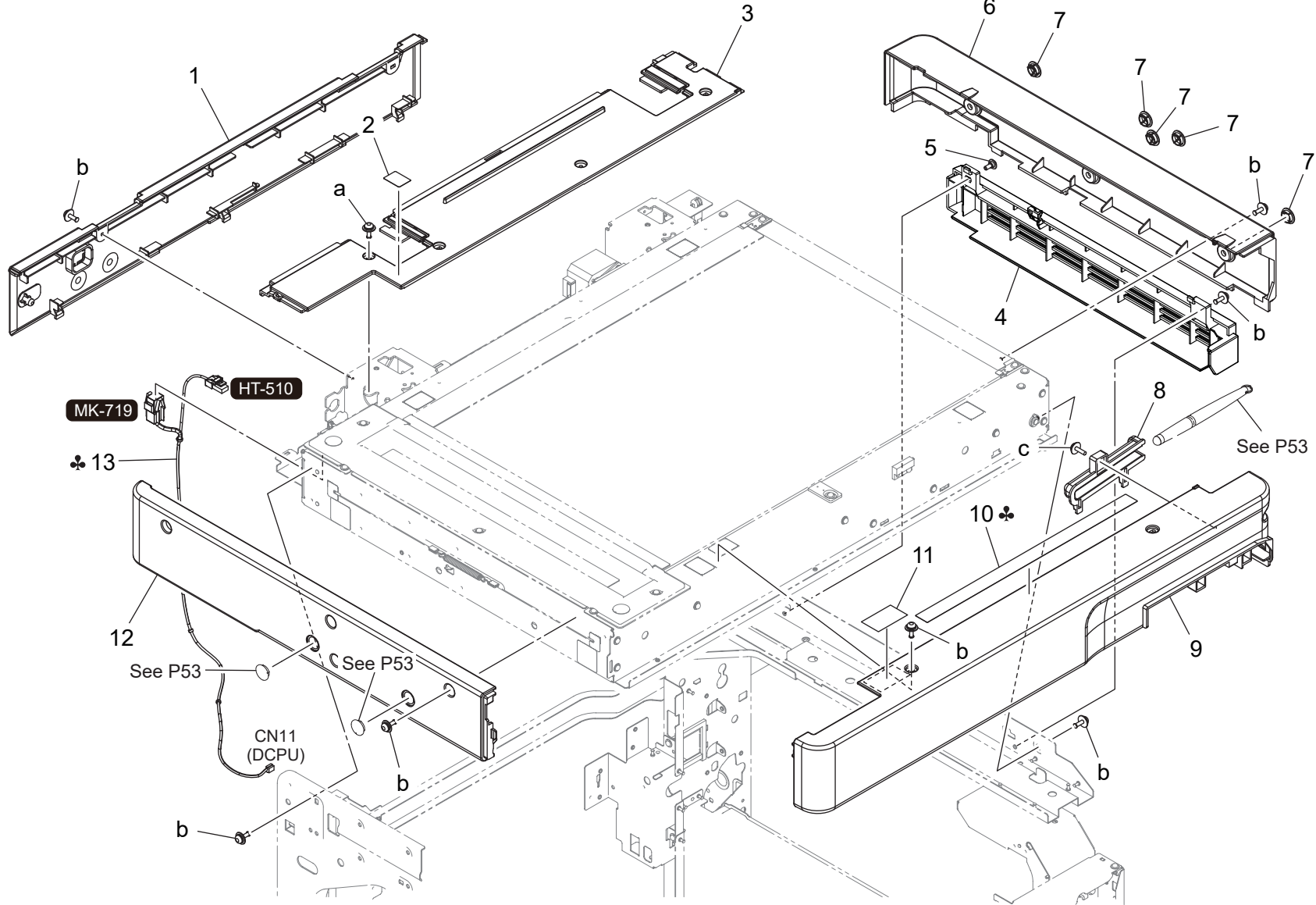
# Operation Panel Section

改訂版 REVISED EDITION	日付 DATE
	OCTOBER 2018



Key	Part No.	Description	Destinations	Class	QTY	Standard parts
1	A7PUM70004	Panel assembly	A,A1	I	1	a-V116030804 b-V153030803 c-V116030803 d-V125041003 e-V153030804 f-V126030603 g-V116030603 h-V137030803
1	A7PUM70104	Panel assembly	B,D1,D3,E,F2,G1,G2, (EXCEPT SOUTH AFRI CA),K	I	1	
1	A7PUM70204	Panel assembly	C,I,(SOUTH AFRICA)	I	1	
1	A7PUM70303	Panel assembly	J	I	1	
2	A161190903	Cover		C	1	
3	A7PU162600	Cover		C	1	
4	A7PU161501	Cover		C	1	
5	A7PU168500	Seal		C	1	
6	A7PU168600	Seal		C	1	
7	A7PU138200	Connecting Shaft		D	1	
8	A7PU138100	Reinforce Plate		D	1	
9	A7PU138301	Reinforce Plate		D	1	
10	A7PU138002	Mounting Plate		D	1	
11	A5C1M92000	Ferritecore		D	1	
12	A79JR72600	Speaker Assy		D	1	
13	A7PUN15300	Interface Cable	インターフェースケーブル (USB (前面))	D	1	
14	A7PU164100	Mounting Plate	取付板	D	1	
15	A7PU135402	Support Plate	支持板	D	1	
16	A7PU161900	Cover	カバー	C	1	
17	A00J169100	Cover	蓋	D	2	
18	A161162400	Seal	シール (目隠し)	C	2	
19	A7PU161400	Cover	カバー	C	1	
20	A161H00U01	PWB Assembly(PWB-LED ASSY)	基板 ASSY (PWB-LED ASSY)	C	1	
21	A7PUR73100	Mounting Plate Assy	操作パネル取付板 Ass y	C	1	
22	A5C1167800	Light blocking Cover	遮光カバー	D	1	
23	A161167000	Lens	レンズ (ライトガイド・上)	D	1	
24	A011946200	Label Emperon	ラベル Emperon	D	1	
25	A7PU161701	Cover	カバー	C	1	
26	A161167400	Light blocking Sheet /2	遮光シート / 2	D	1	
27	A161167300	Light blocking Sheet /1	遮光シート / 1	D	1	
28	A161167100	Lens	レンズ (ライトガイド・中)	D	1	
29	A5C1N10B00	Indicating Wiring/3	表示束線 / 3	D	1	
30	A7PUN15700	Interface Cable	インターフェースケーブル	D	1	
31	A7PUP00100	Seal	シール (端末連携アイコン目隠し)	C	1	

Scanner Section

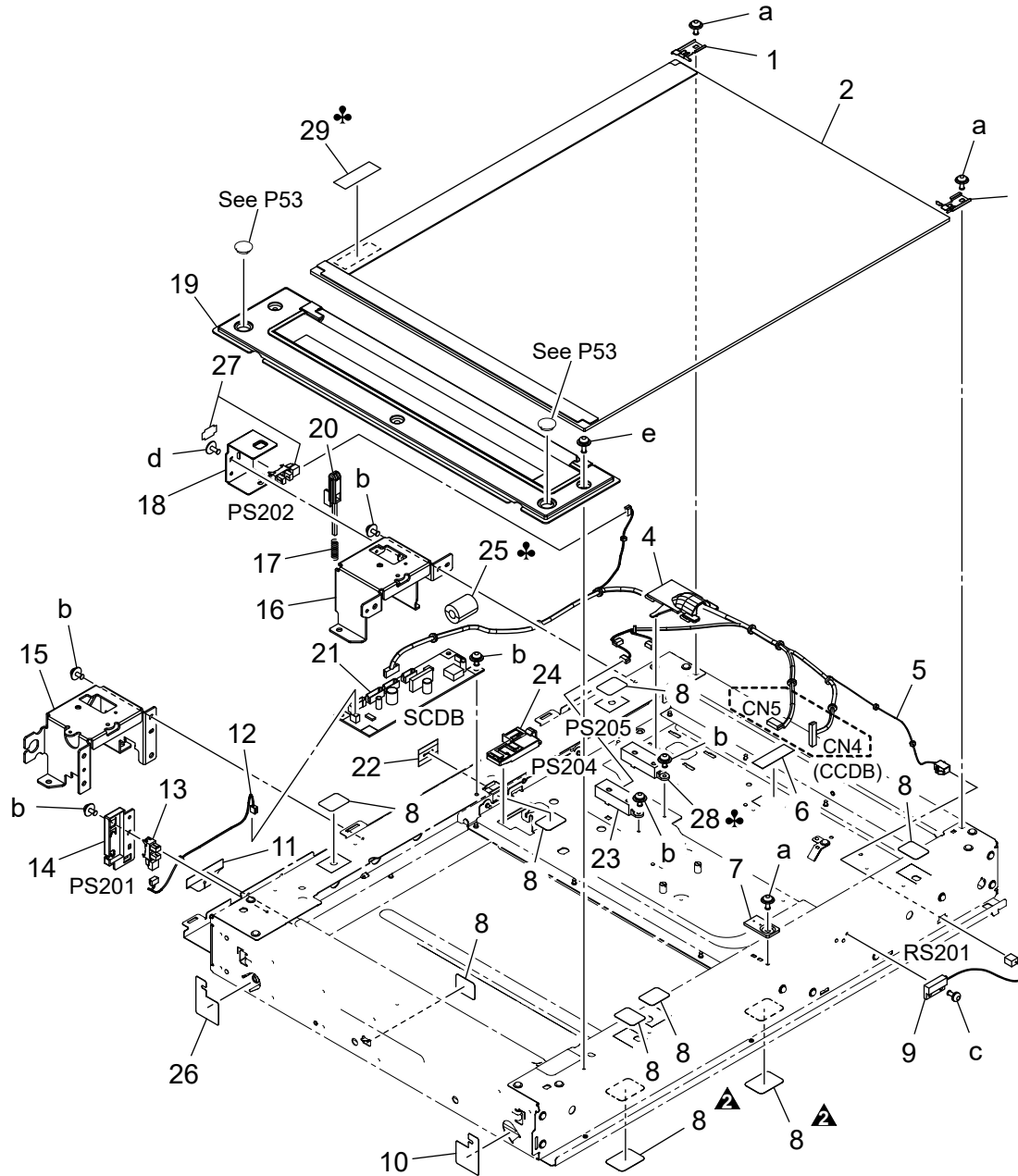


Key	Part No.	Description	Destinations	Class	QTY	Standard parts
1	A7PU170200	Read Cover /Rear		C	1	a-V116030804 b-V116030803 c-V153030803
2	A7PU940600	Label		D	1	
3	A7PU170702	Read Cover		C	1	
4	A7PU170600	Read Cover		C	1	
5	A00J169300	Shoulder screw		C	1	
6	A7PU170400	Read Cover /Right		C	1	
7	A02E167700	Cover		C	5	
8	A161170800	Holder		D	1	
9	A7PU170101	Read Cover /Front		C	1	
10	A3EW944600	Label	A,A1	C	1	
11	A0HF952400	Label		C	1	
12	A7PU170300	Read Cover /Left		C	1	
13	A161N11C01	Scanner Relay harness /100V	A,A1	D	1	

# Scanner Section

P 6

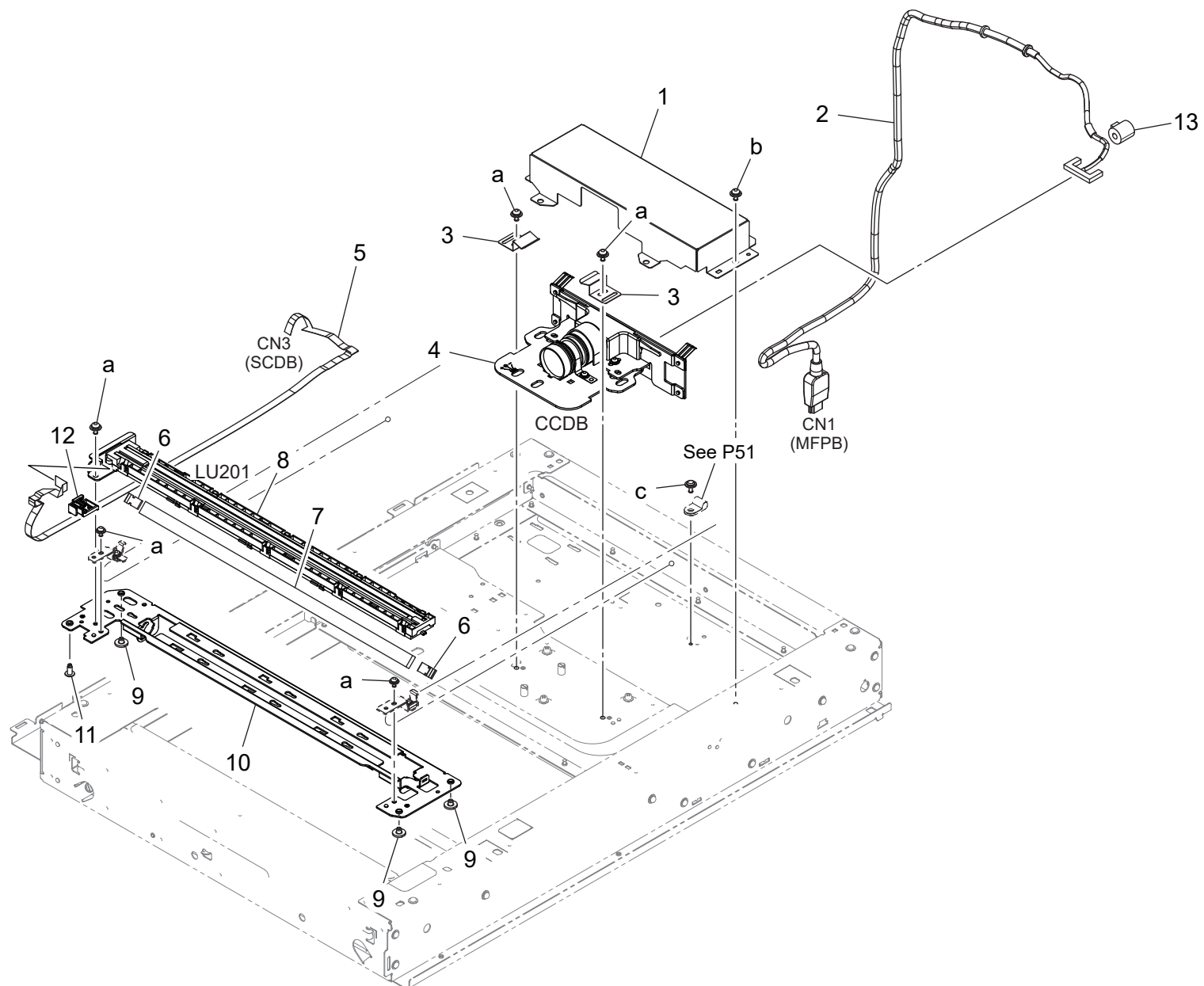
改訂版 REVISED EDITION	日付 DATE
	NOVEMBER 2018



Key	Part No.	Description	Destinations	Class	QTY	Standard parts
1	A161268300	Holding Plate		D	1	a-V121030604 b-V116030603 c-V115030603 d-V137030603 e-V116030804
2	A161R72200	Original Glass Assy		C	1	
3	A161268200	Holding Plate		D	1	
4	A161281600	Guide		D	1	
5	A161N14100	Scanner Wiring /1		D	1	
6	4036307501	Tape		D	1	
7	A00J265300	Regulating Plate		C	1	
8	4581162501	SEAL		C	9	
9	A1UDM50200	Lead Switch		C	1	
10	A5C1263300	Seal		C	1	
11	A161263000	Seal		D	1	
12	A161N14201	Scanner Wiring /2		D	1	
13	A5C1M50100	Photointerrupter		B	1	
14	A161262200	Cover		D	1	
15	A161261902	Frame		D	1	
16	A161262002	Frame		D	1	
17	A161280300	Compressing Coil spring		C	1	
18	A5C1280100	Mounting Plate		D	1	
19	A7PUR71111	Slit Glass Assy		C	1	
20	A161280211	Lever		D	1	
21	A7PUH01D00	PWD-ID		I	1	
22	A161281300	Seal		D	1	
23	A161M50A00	APS Photoreflector		C	1	
24	A161281100	Guide		D	1	
25	A61FM90200	Ferritecore	C,D1,D3,E,F2,G1,I,K J	D	1	
26	A5C1263400	Seal		C	1	
27	A5C1R90000	Photo Interrupter		B	1	
28	A161M50A00	APS Photoreflector	D1,D3,E,F2,I(SOUTH AFRICA),K	C	1	
29	A7PU941600	Label	J	C	1	

# Scanner Section

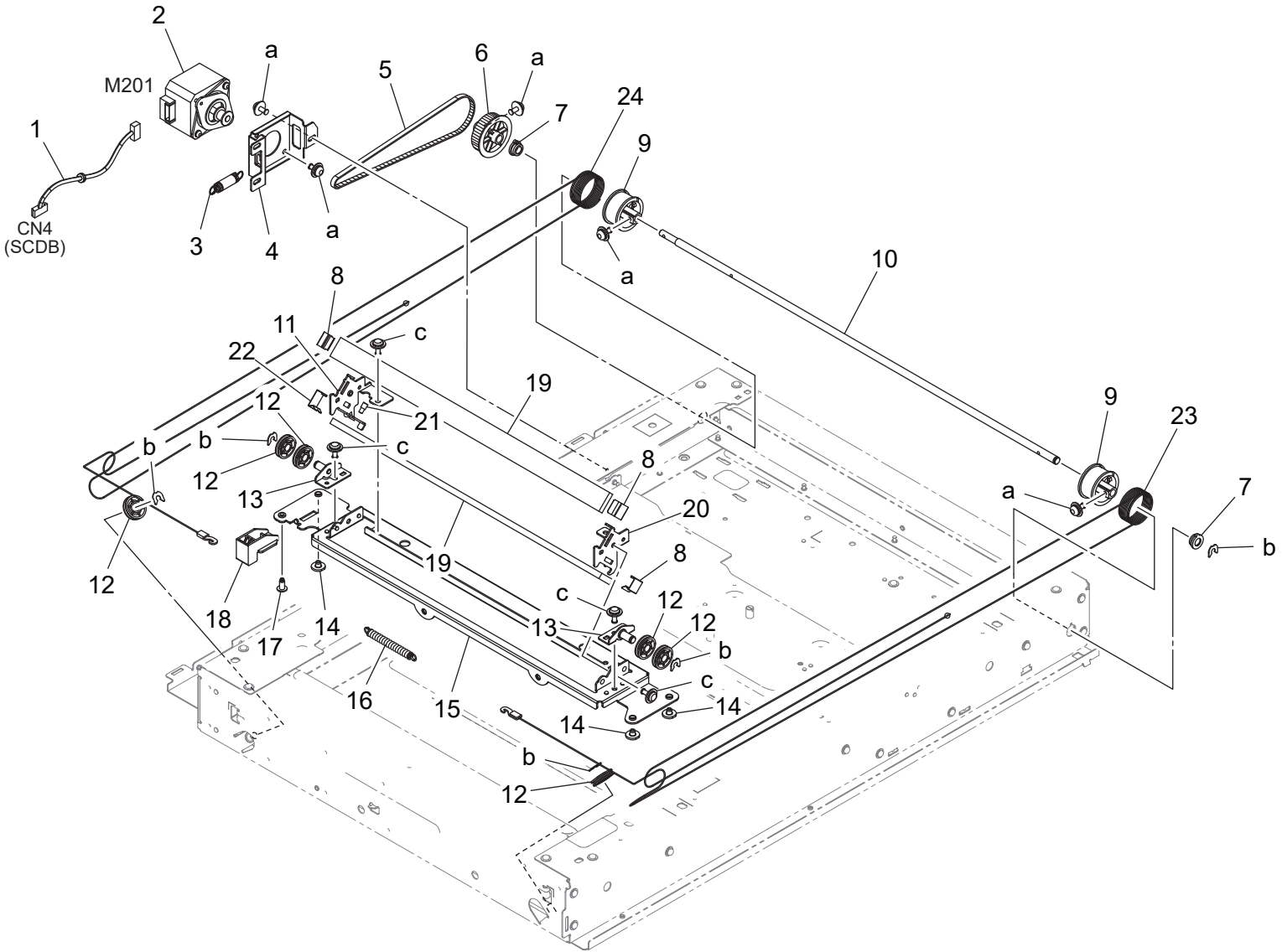
P 7



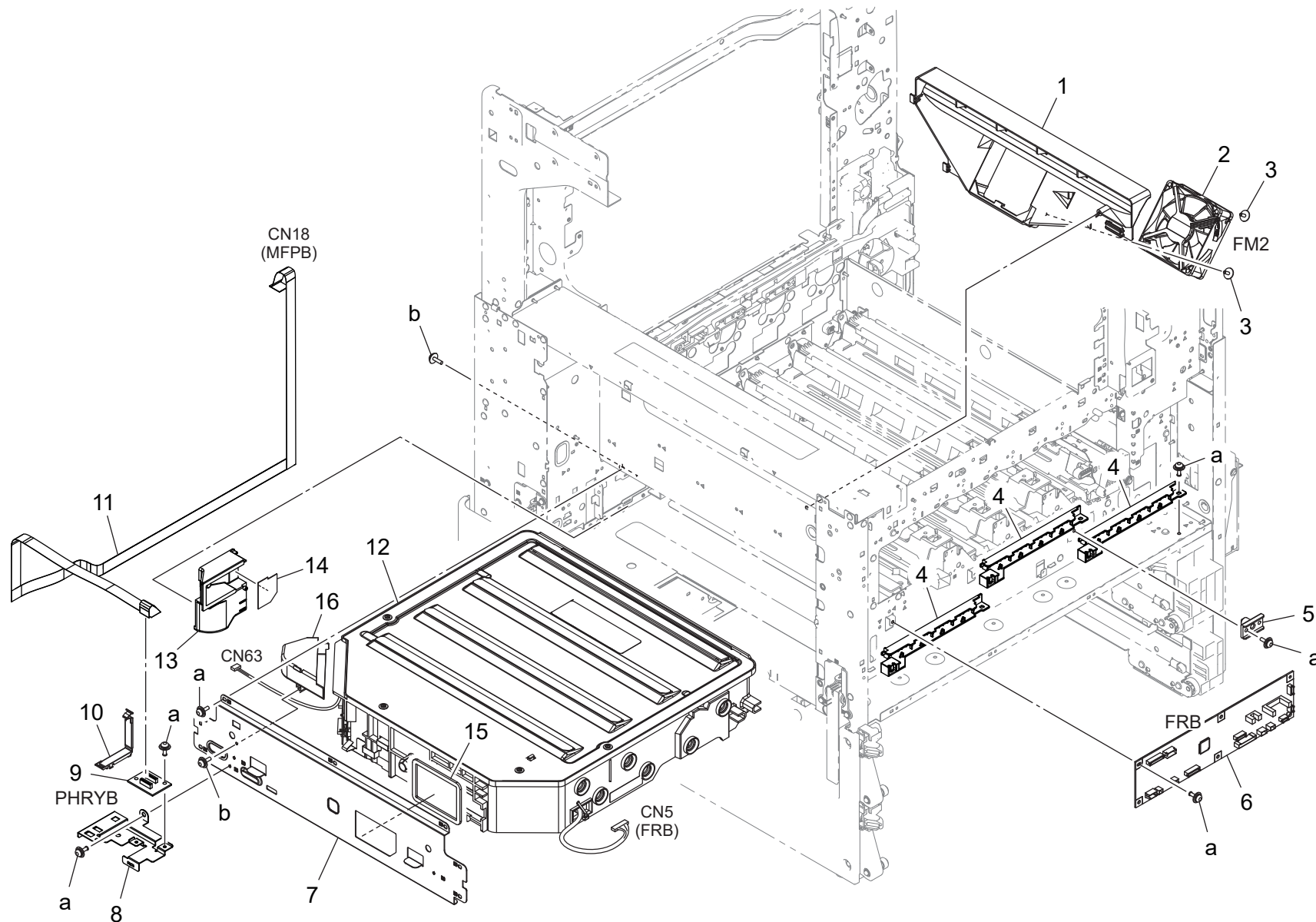


Key	Part No.	Description	Destinations	Class	QTY	Standard parts
1	A161278600	Cover		D	1	a-V116030603 b-V127030516 c-V137030804
2	A7PUN14500	CCD Cable		D	1	
3	A161278900	Plate spring		D	2	
4	A7PUR75200	CCD Lens Assy		I	1	
5	A7PUN14000	Flatcable /Scanner		D	1	
6	A0ED271300	Plate spring		D	2	
7	A0ED271200	Mirror		D	1	
8	A7PUR71000	LED Lighting Assy		I	1	
9	A161271000	Bushing		D	3	
10	A7PU270100	Frame		D	1	
11	A161271100	Bushing		D	1	
12	A7PU270600	Guide		D	1	
13	A3GNM71C00	Ferrite core		D	1	

Scanner Section



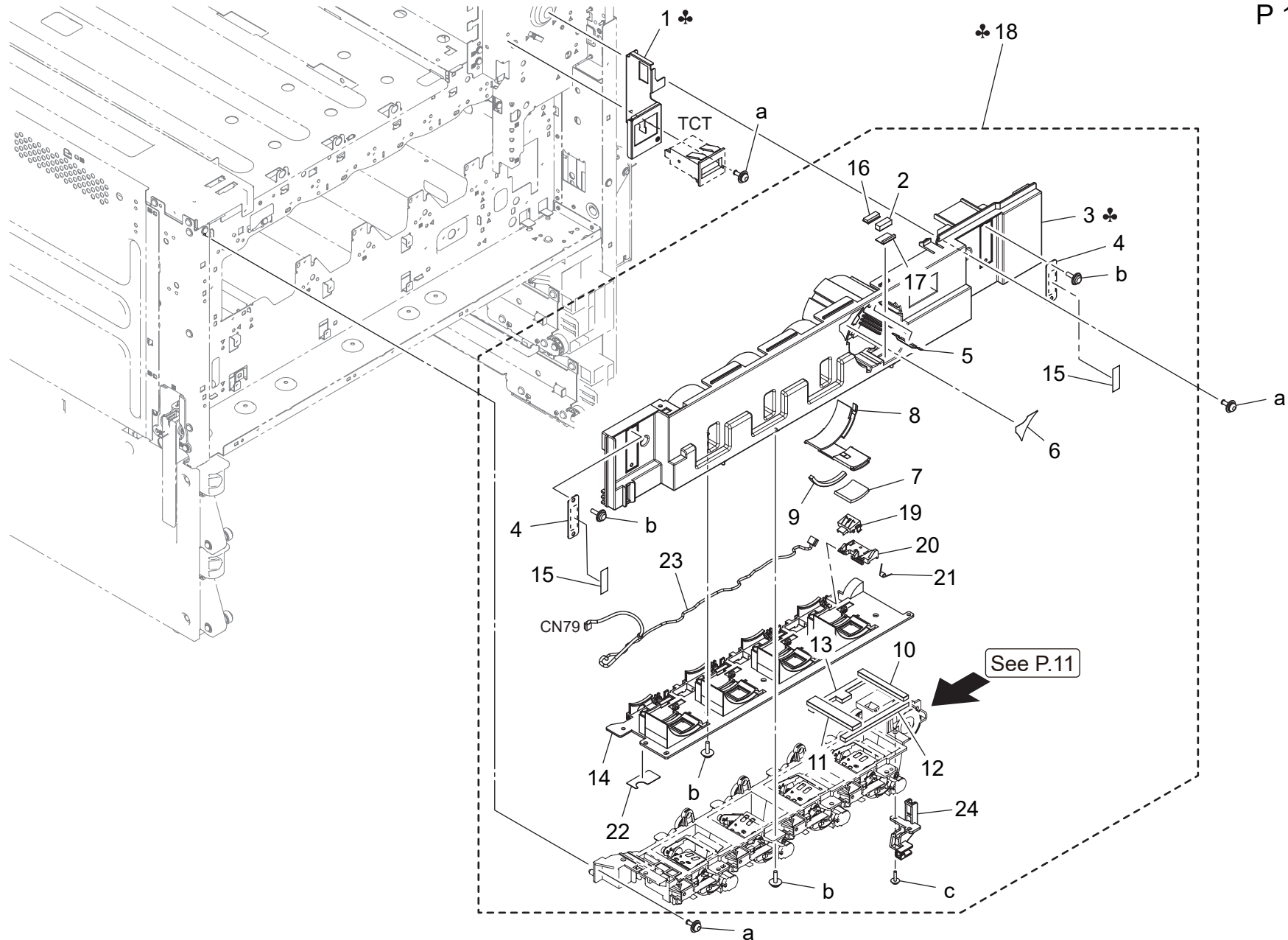
Key	Part No.	Description	Destinations	Class	QTY	Standard parts
1	A5C1N14300	Scanner Wiring		D	1	a-V116030603 b-V218040086 c-V137030603
2	A5C1M10A00	Stepping motor		C	1	
3	A161275700	Pulling Spring		D	1	
4	A161276000	Mounting Plate		D	1	
5	A161275600	Timing belt 335L		D	1	
6	A161275500	Pulley 103T		D	1	
7	A161276500	Bearing		D	2	
8	A0ED274400	Plate spring		D	3	
9	A161275300	Pulley		D	2	
10	A161275400	Shaft		D	1	
11	A161273701	Mounting Plate		D	1	
12	A0ED273600	Pulley		C	6	
13	A161273401	Mounting Plate		D	2	
14	A161271000	Bushing		D	3	
15	A161273113	Frame		D	1	
16	A0ED276301	Pulling Spring		D	1	
17	A161271100	Bushing		D	1	
18	A161273500	Guide Part		D	1	
19	A0ED274300	Mirror		D	2	
20	A161273800	Mounting Plate		D	1	
21	A161274600	Adjusting Screw		C	1	
22	A161274500	Plate spring /1		D	1	
23	A161275113	Wire /Front		C	1	
24	A161275213	Wire /Rear		C	1	



Key	Part No.	Description	Destinations	Class	QTY	Standard parts
1	A61F140200	Duct		D	1	a-V116030803 b-V153030803
2	4139M10000	Fan motor		B	1	
3	4163529301	SCREW		C	2	
4	A5C1135300	Guide		D	3	
5	A161105400	Positioning Plate		D	1	
6	A9HJH00501	FRB		I	1	
7	A79J101800	Mounting Plate		D	1	
8	A7PU130300	Mounting Plate		D	1	
9	AA6RH00800	PHRYB		D	1	
10	A161137802	Holder		D	1	
11	AA6RN10600	I/F Flatcable		C	1	
12	AA6VR70200	Print Head Assy		I	1	
13	AA6V147400	Duct		D	1	
14	A79J146300	Seal		C	1	
15	A2XK144201	Seal /2		D	1	
16	A79J147501	Duct /3		D	1	

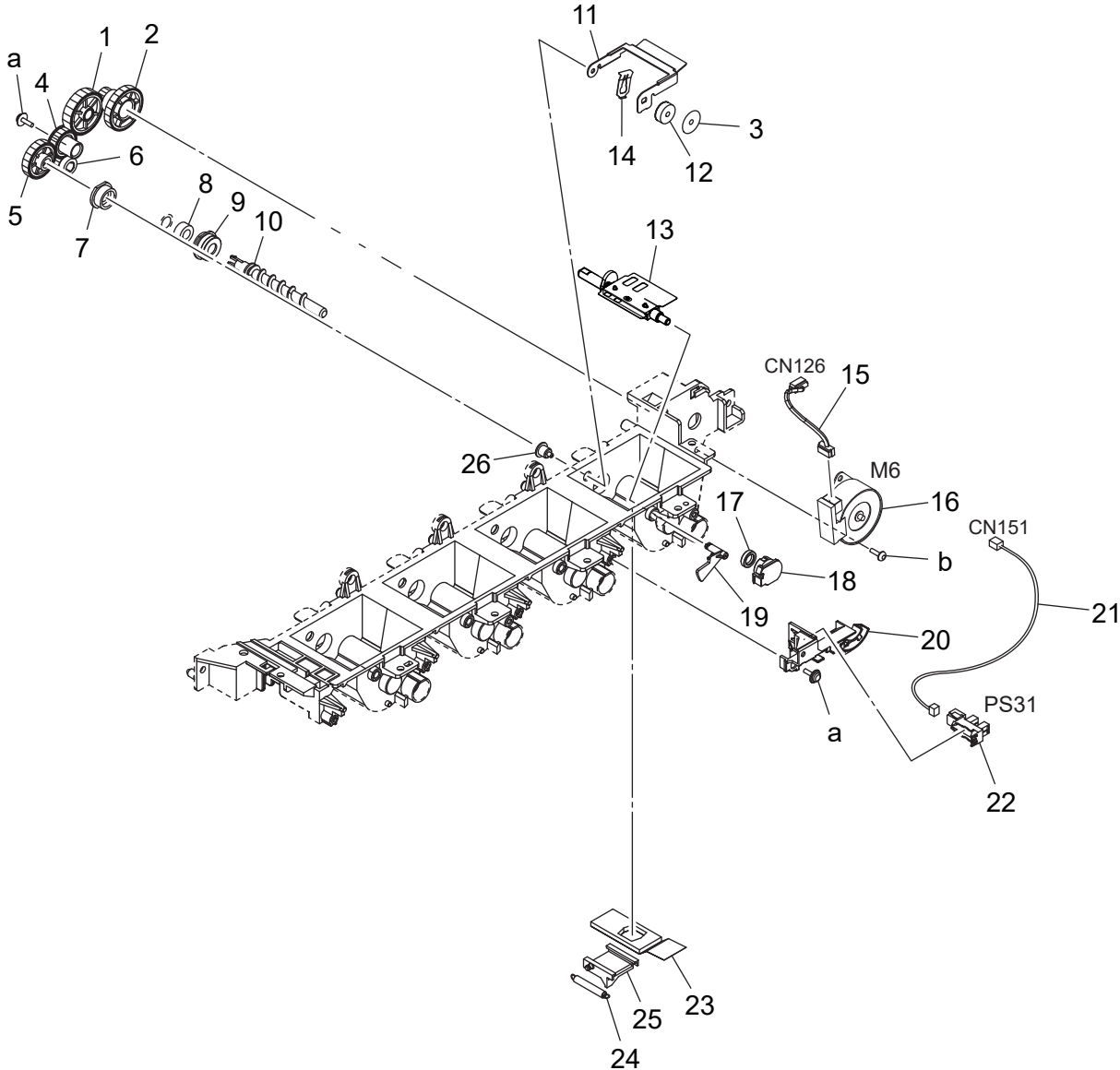
# Toner supply Section

P 10



Key	Part No.	Description	Destinations	Class	QTY	Standard parts
1	A5C1120700	Reinforce Plate	補強板 ( I R 前右)	D	1	a-V116030803 b-V153030803 c-V153031004
1	A5C1120800	Reinforce Plate	補強板 ( I R 前右)	D	1	
2	A161403701	Seal	シール (トナー拭き取り)	D	1	
3	AA6V402000	Cover	カバー (トナーボトル1ー J P)	D	1	
3	AA6V405100	Cover	カバー (トナーボトル1ー U S)	D	1	
3	AA6V405200	Cover	カバー (トナーボトル1ー E U)	D	1	
3	AA6V405300	Cover	カバー (トナーボトル1ー A P)	D	1	
4	4038101401	SUCTION PLATE	吸着板	D	2	
5	A161403901	Spacer	スペーサ (調整部材)	D	1	
6	A0ED940600	Label Toner 1	ラベル ( T N 操作 1 )	D	1	
7	A161402502	Seal	シール (補給口)	D	1	
8	A161402403	Shutter	シャッター (補給口)	D	1	
9	A161403800	Seal	シール (シャッター)	D	1	
10	A161403500	Seal	シール (補給口)	D	1	
11	A161403600	Seal	シール (補給口)	D	1	
12	A61F403300	Seal	シール	D	1	
13	A61F403401	Seal	シール	D	1	
14	A161402115	Cover	カバー (補給口)	D	1	
15	A5C1404500	Seal	シール (吸着板)	C	2	
16	A161404001	Seal /1	シール / 1 (トナー拭き取り)	D	1	
17	A161404100	Seal /2	シール / 2 (トナー拭き取り)	D	1	
18	AA6VF40002	Sub Hopper Assy	サブホッパー A s s y	S	1	
18	AA6VF40102	Sub Hopper Assy	サブホッパー A s s y	S	1	
18	AA6VF40202	Sub Hopper Assy	サブホッパー A s s y	S	1	
18	AA6VF40300	Sub Hopper Assy	サブホッパー A s s y	S	1	
19	A0EDM60001	Relay Connector	中継コネクタ (基板接点)	D	1	
20	A2XK400001	Holder	ホルダ (接点)	D	1	
21	A2XK400100	Torsion Coil spring	ねじりコイルばね	D	1	
22	A61D400200	Partition	仕切	D	1	
23	A61DN10B01	Toner Detection harness /2	トナー検知束線 / 2	D	1	
24	A61F400001	Holder	ホルダ	D	1	

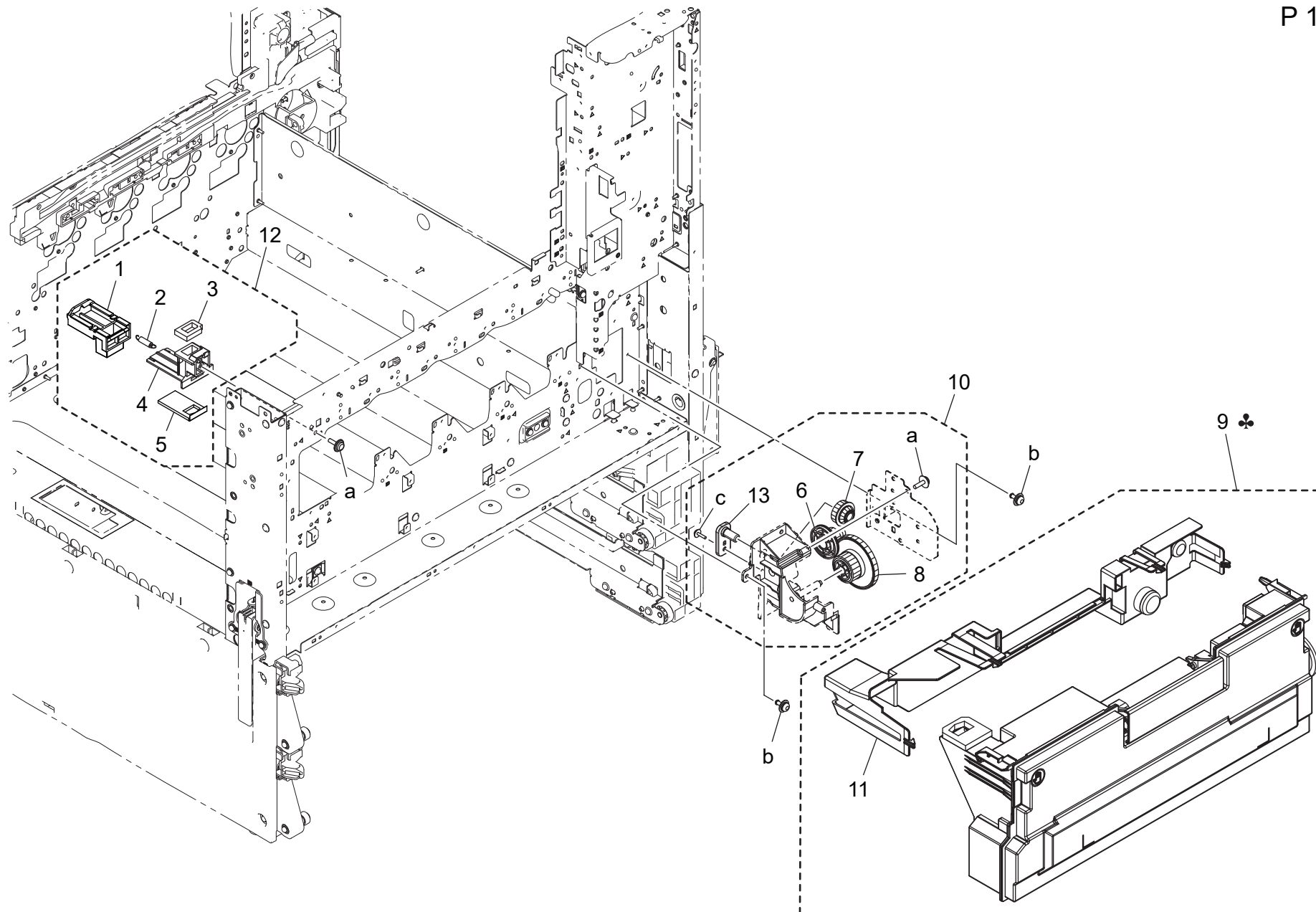
Toner supply Section





Key	Part No.	Description	Destinations	Class	QTY	Standard parts	
1	A161401400	Gear 43T		C	1	a-V153030803 b-V145030803	
2	A161401300	Gear 17/65T		C	1		
3	A5C1404600	Washer		D	1		
4	A161401200	Gear 28T		C	1		
5	A161401100	Gear 36T		C	1		
6	A161401000	Gear 18T		C	1		
7	4163510201	BUSHING		C	1		
8	4576536301	SEAL		D	1		
9	A161403101	Holder		C	1		
10	A161400100	Screw		C	1		
11	A161400401	Detecting Plate		D	1		
12	A161400601	Detecting Seal		D	1		
13	A5C1F42000	Agitating Shaft		D	1		
14	A161404200	Fixing Plate		D	1		
15	A161N12801	Toner Drive harness /K		D	1		
16	A7PUM10700	Stepping motor		C	1		
17	4333501201	SEAL		D	1		
18	A161403000	Bushing		D	1		
19	A161404300	Detecting Actuator		D	1		
20	A161400701	Mounting Plate		D	1		
21	A61FN10F00	Toner Detection harness		D	1		
22	A5C1M50100	Photointerrupter		B	1		
23	A161403200	Seal		D	1		
24	4036534801	TENSION SPRING		C	1		
25	A0ED401000	Shutter		D	1		
26	A161400800	Pin		D	1		

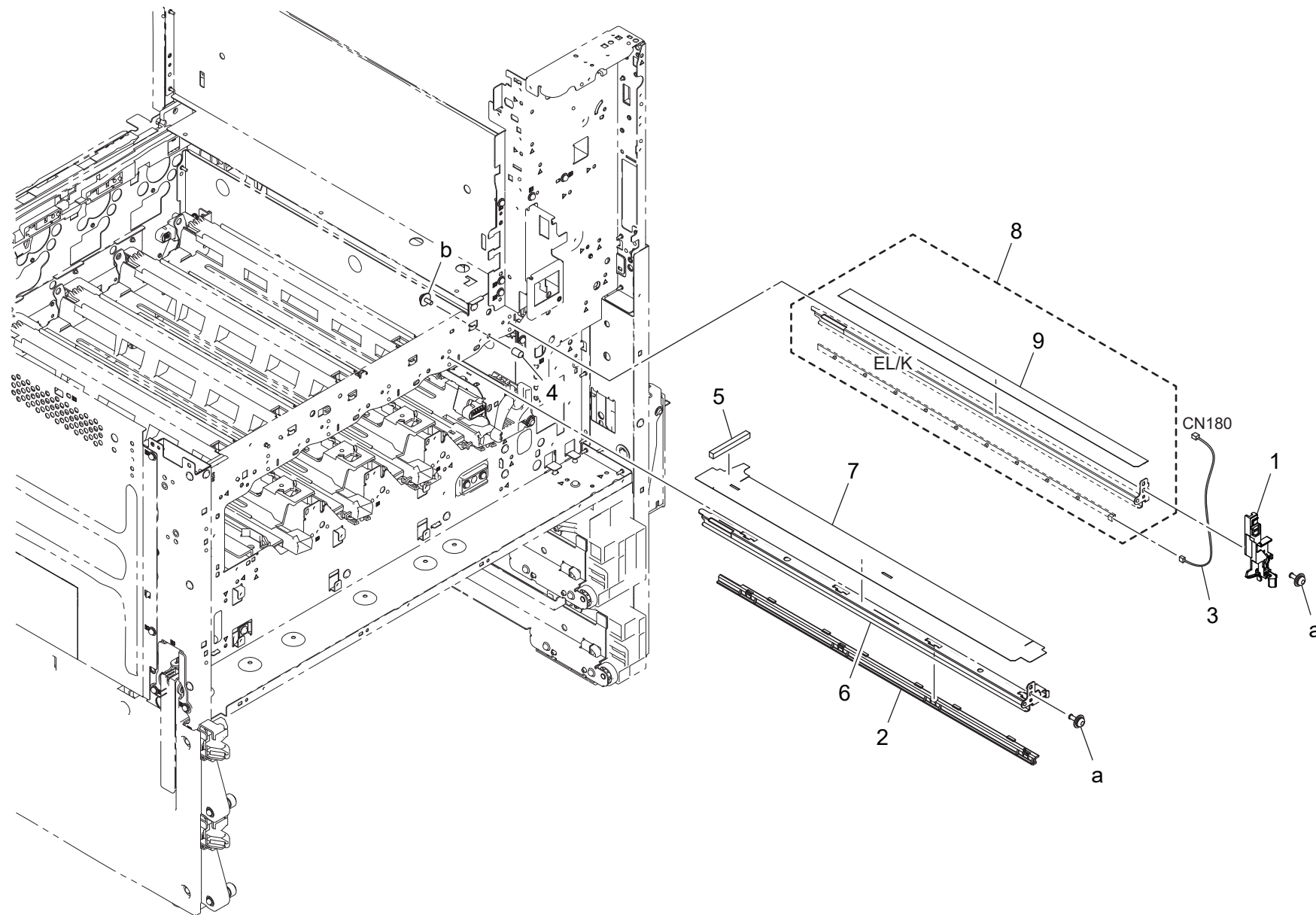
# Toner collecting Section



bizhub 308e

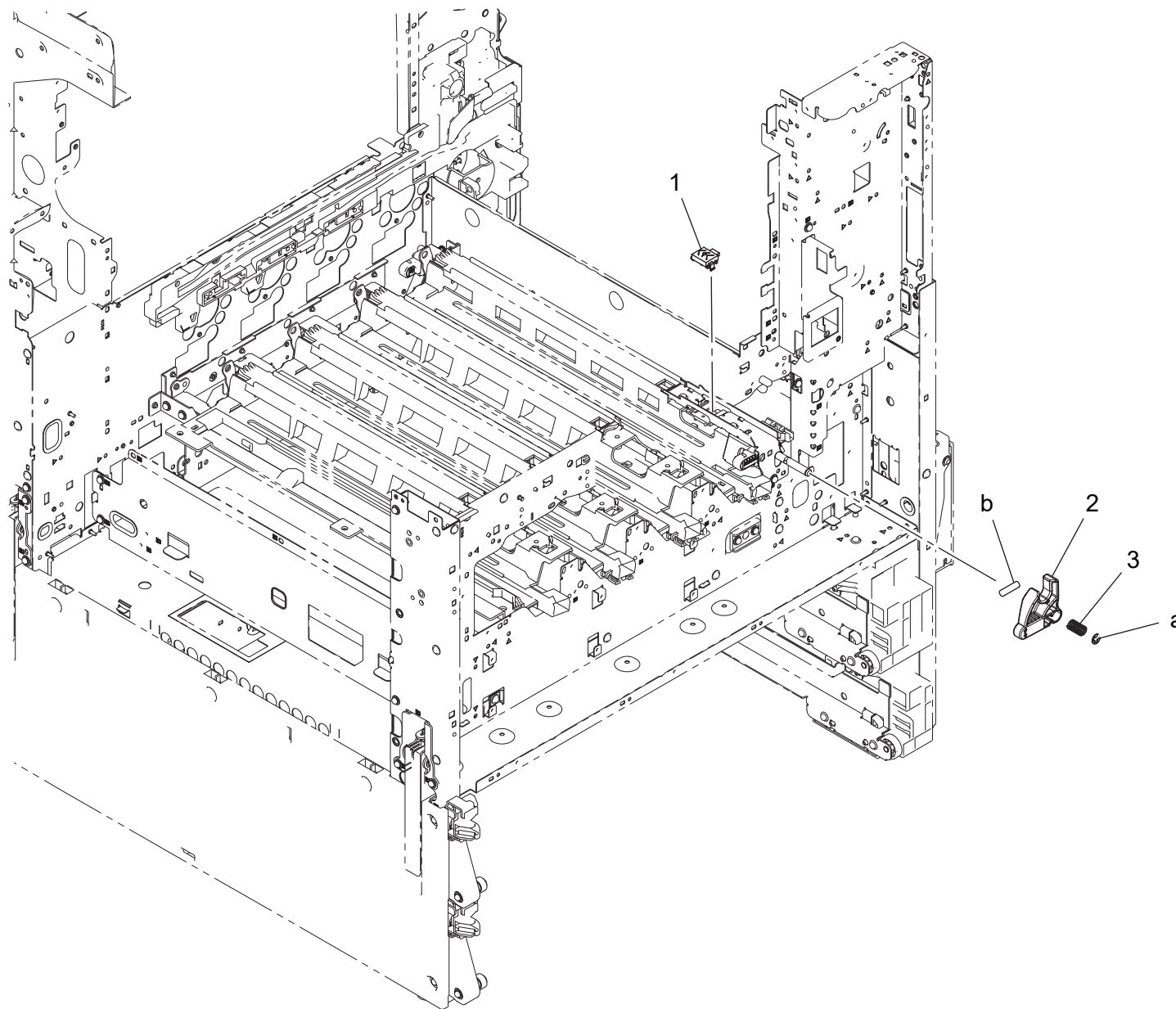
Key	Part No.	Description	Destinations	Class	QTY	Standard parts
1	A64J363700	Shutter		D	1	a-V153030803 b-V125030818 c-V153031004
2	A0ED363200	Pulling Coil spring		D	1	
3	A0ED363400	Seal		D	1	
4	A0ED363001	Pipe		D	1	
5	A0ED363312	Seal		D	1	
6	A161245100	Gear 16/40T		D	1	
7	A0ED245000	Gear 20/20T		D	1	
8	A161245400	Gear 16/51T		D	1	
9	AAJ50Y1	Waste Toner Box	A,A1,B,G2	A	1	
9	AAJ5WY1	Waste Toner Box	C,D1,D3,E,F2,G1,I,K ,J	A	1	
10	A7PUF21000	Waste Toner Drive		C	1	
11	AA6V362001	Cover		C	1	
12	A64JR71400	Waste Toner Pipe		C	1	
13	A797245300	Shaft		D	1	

# Developing section/ Photo conductor section



Key	Part No.	Description	Destinations	Class	QTY	Standard parts
1	AA6V130000	Holder		D	1	a-V116030803 b-V116030603
2	A797105400	Rail		D	1	
3	A61FN11V00	Neutralizing Wiring		D	1	
4	A0ED103100	Pin		D	1	
5	A161107100	Seal		D	1	
6	A161105600	Rail		D	1	
7	A5C1105500	Light blocking Part		D	1	
8	AA6VR70300	Eraser (Black) Assy		C	1	
9	A161107400	Light blocking Part		C	1	

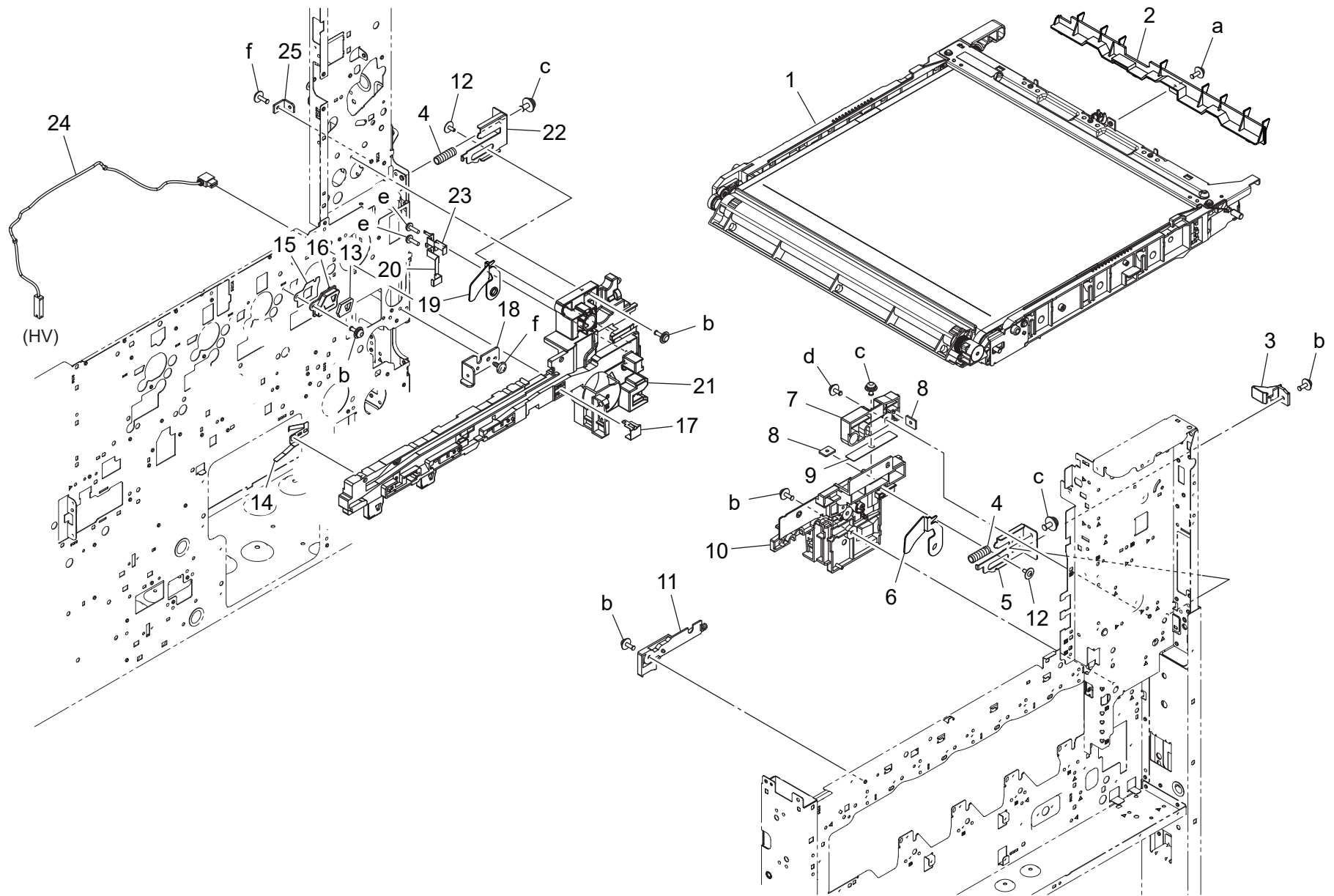
# Developing section/ Photo conductor section



Key	Part No.	Description	Destinations	Class	QTY	Standard parts
1	A0EDM60001	Relay Connector		D	1	a-V217040001 b-V234301250
2	A161116202	Release Lever		D	1	
3	A161119500	Compressing Coil spring		D	1	




# 1st Transfer Section

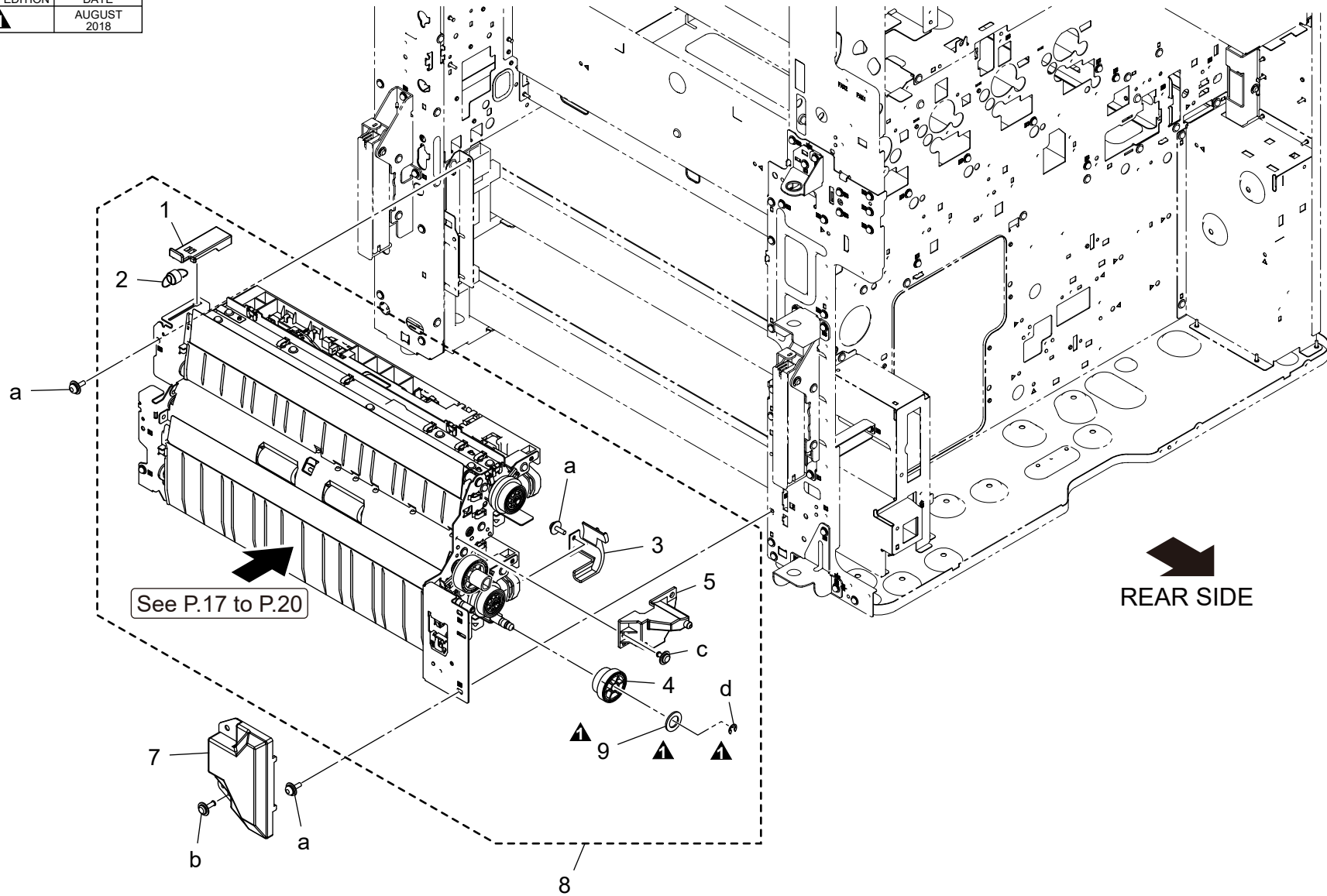




Key	Part No.	Description	Destinations	Class	QTY	Standard parts
1	AA6VR70111	Intermediate Image Transfer Unit		A	1	a-V116030804
2	A79J508400	Guide		D	1	b-V116030803
3	A161110601	Lock Part		D	1	c-V116040803
4	A0ED111000	Compressing Coil spring		D	2	d-V125030818
5	A161112500	Lever /Front		D	1	e-V145030803
6	A5C1112800	Arm /Front		D	1	f-V137030803
7	A161110400	Fusing Rail /Front		D	1	
8	A161112200	Mounting Plate		D	2	
9	A161112600	Adjusting Plate		D	1	
10	A161110202	Rail		D	1	
11	A161110300	Rail		D	1	
12	4163529301	SCREW		C	2	
13	A161144801	Seal		C	1	
14	A0ED112000	Contact		D	1	
15	A161146200	Seal		D	1	
16	A161141700	Duct		D	1	
17	A0ED111400	Contact /K		D	1	
18	A7PU109000	Reinforce Plate		D	1	
19	A5C1112900	Arm /Rear		D	1	
20	A161112300	Contact		D	1	
21	A161110105	Rail		D	1	
22	A161112101	Lever /Rear		D	1	
23	A161112400	Contact		D	1	
24	A61FN11200	Transfer Wiring		D	1	
25	A161112700	Mounting Plate		D	1	

# Tray 1/2 paper feed Section

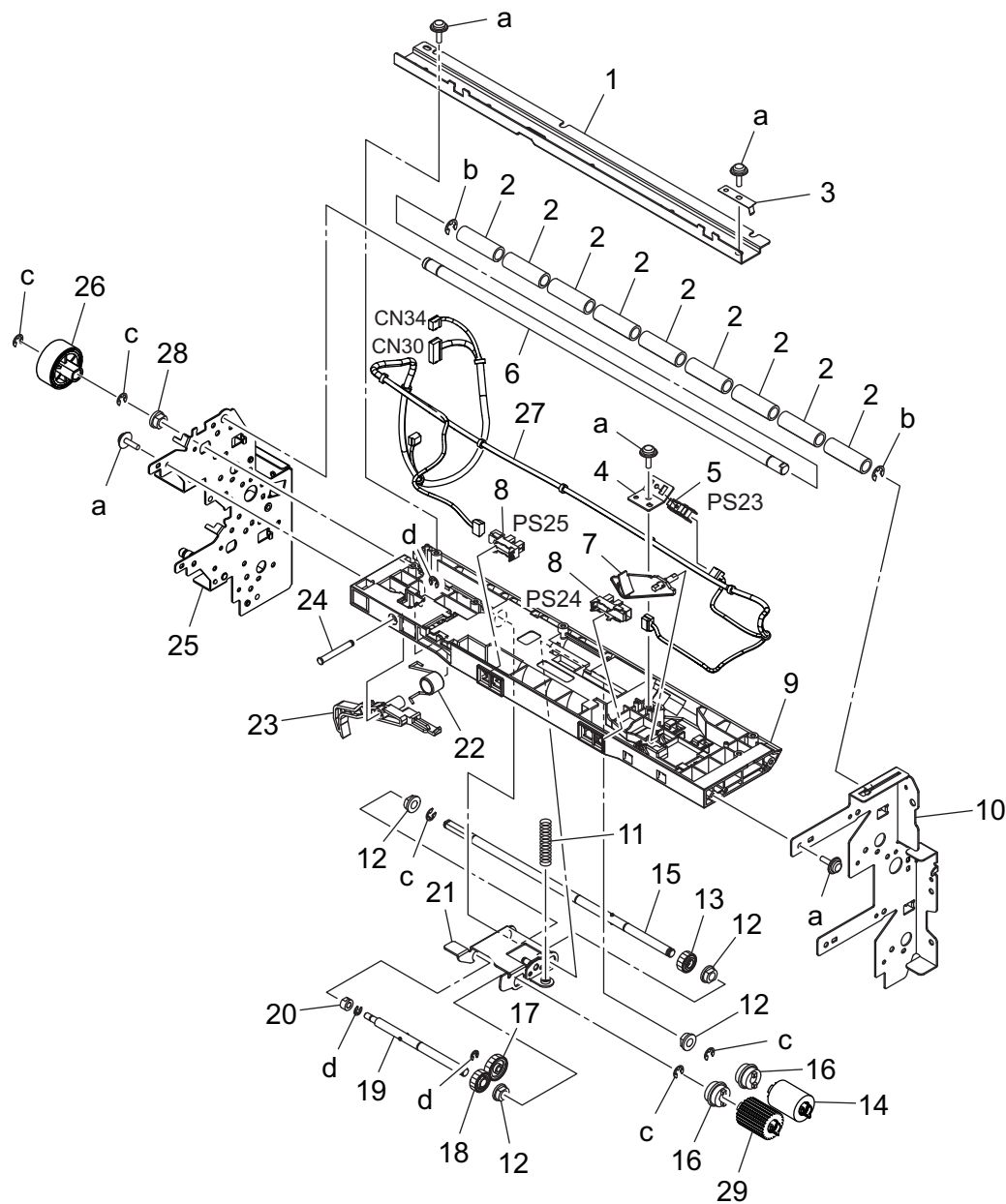
改訂版 REVISED EDITION	日付 DATE
	AUGUST 2018



# Tray 1/2 paper feed Section

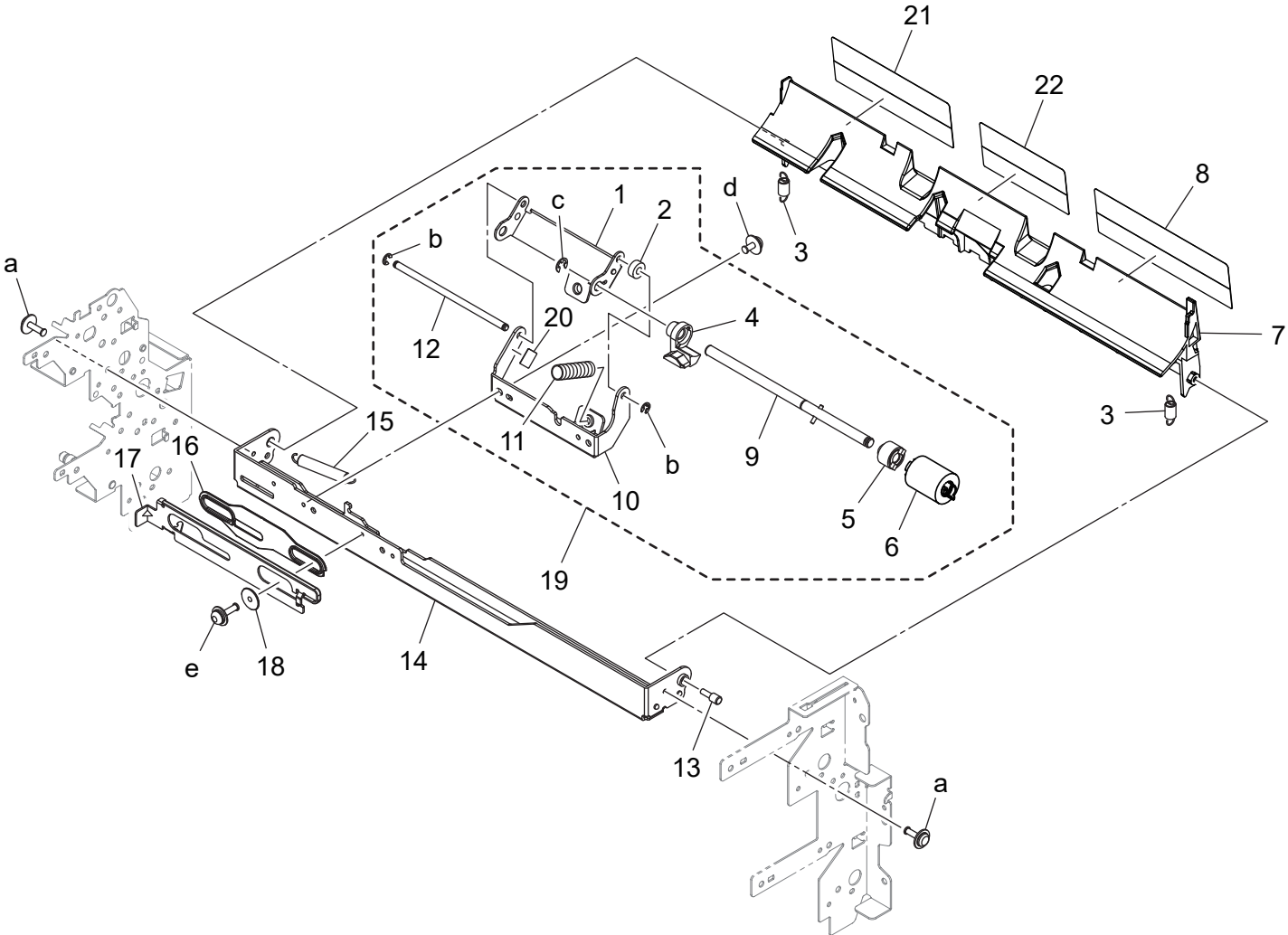
Key	Part No.	Description	Destinations	Class	QTY	Standard parts
1	A161561100	Holder		D	1	a-V116030803 b-V137030803 c-V144030603 d-V217040001
2	A161561200	Pulling Coil spring		D	1	
3	A7PU569100	Cover		D	1	
4	A161576100	Gear 21/26T		C	1	
5	A161565102	Mounting Plate		D	1	
7	A161579011	Cover		D	1	
8	AA6VR71100	Paper Feed Assy		S	1	
9	A0P0217500	Spacer		C	1	

# Tray 1/2 paper feed Section



Key	Part No.	Description	Destinations	Class	QTY	Standard parts
1	A161566000	Reinforce Plate		D	1	a-V153030803 b-V217050001 c-V217040001 d-V217030001
2	4034352501	ROLLER		C	9	
3	A5C1560600	Ground Plate		D	1	
4	A161560900	Mounting Plate		D	1	
5	A0EDM50100	Photorelector		I	1	
6	A5C1565500	Shaft		D	1	
7	A161561600	Actuator		C	1	
8	A5C1M50100	Photointerrupter		B	2	
9	A161565302Old	Paper feed Frame		D	1	
9	A7PU565300	Paper feed Frame		D	1	
10	A161560112Old	Frame /Front		D	1	
10	A7PU560100	Frame /Front		D	1	
11	A161562800	Compressing Coil spring		C	1	
12	4131300301	BUSHING		C	4	
13	A161562400	Gear 26T		C	1	
14	A64J564101	Paper feed Roller		A	1	
15	A161560500	Shaft		D	1	
16	A02E561100	Clutch		C	2	
17	A161562300	Gear 34T		C	1	
18	A161562600	Gear 28T		C	1	
19	A161562000	Shaft		D	1	
20	A161562500	Bushing		C	1	
21	A161562101	Holder		D	1	
22	A161567400	Torsion Spring		C	1	
23	A161567300	Lever		C	1	
24	A02E560800	Shaft		D	1	
25	A161F56028Old	Caulking(Frame)		D	1	
25	A7PU560200	Frame		D	1	
26	A79J576400	Gear 24T		C	1	
27	A79JN10800	Paperfeed Relay harness		D	1	
28	A00J663200	Bushing		C	1	
29	A64J564201	Paper feed Roller		A	1	

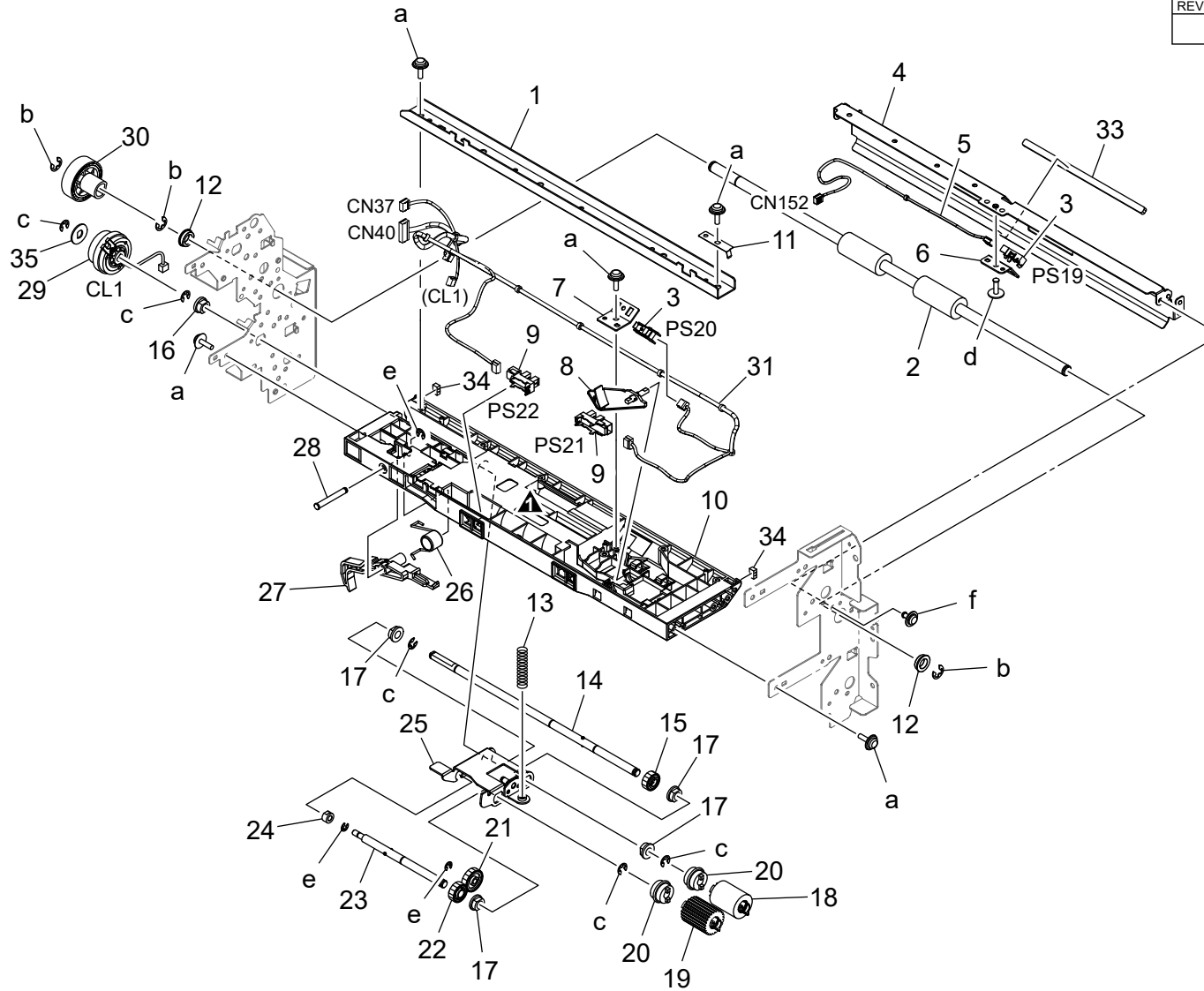
Tray 1/2 paper feed Section



Key	Part No.	Description	Destinations	Class	QTY	Standard parts
1	A5C1563100	Holder		D	1	a-V137030803 b-V217030001 c-V217040001 d-V116030603 e-V116031003
2	4040561000	Spacer		D	1	
3	A161568600	Pulling Coil spring		C	2	
4	A5C1563500	Guide		D	1	
5	A0ED563900	Torque limiter		C	1	
6	A64J564101	Paper feed Roller		A	1	
7	A7PU568400	Guide Plate		C	1	
8	A7PU567500	Guide		C	1	
9	A5C1563400	Shaft		D	1	
10	A161564001	Mounting Plate		D	1	
11	4030301703	PRESSURE SPRING		C	1	
12	A161563300	Shaft		D	1	
13	4532341001	SHOULDER SCREW		D	1	
14	A161563901Old	Mounting Plate		D	1	
14	A5C1563901	Mounting Plate		D	1	
15	A161564400	Pulling Coil spring		C	1	
16	A161564200	Spacer		D	1	
17	A5C1564101	Lever		D	1	
18	A161564300	Spacer		D	1	
19	A64JR71111	Separation Roller Assy		C	1	
20	A5C1565600	Sheet		C	1	
21	A7PU567700	Guide		C	1	
22	A7PU567600	Guide		C	1	

# Tray 1/2 paper feed Section

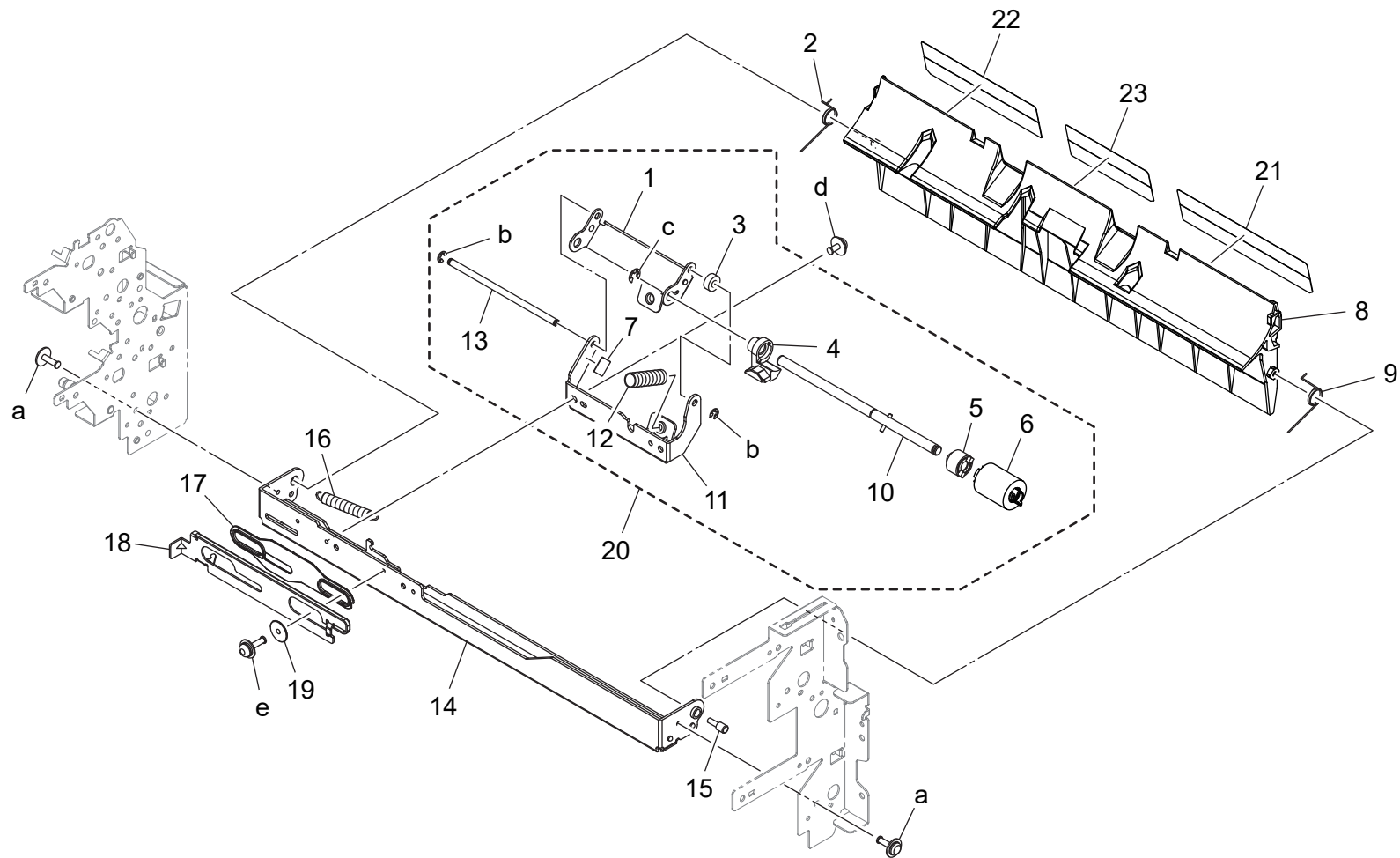
改訂版 REVISED EDITION	日付 DATE
	AUGUST 2018





Key	Part No.	Description	Destinations	Class	QTY	Standard parts
1	A161561000	Reinforce Plate		D	1	a-V153030803 b-V217050001 c-V217040001 d-V137030803 e-V217030001 f-V144030603
2	A161578100	Drive Roller		C	1	
3	A0EDM50100	Photorelector		I	2	
4	A161578212	Guide Plate		D	1	
5	A161N12701	Conveyance Detection harness		D	1	
6	A161571100	Mounting Plate		D	1	
7	A161560900	Mounting Plate		D	1	
8	A161561600	Actuator		C	1	
9	A5C1M50100	Photointerrupter		B	2	
10	A161560302	Paper feed Frame		D	1	
11	A5C1560600	Ground Plate		D	1	
12	A00J617900	Ball Bearing		B	2	
13	A161562800	Compressing Coil spring		C	1	
14	A161560500	Shaft		D	1	
15	A161562400	Gear 26T		C	1	
16	A00J663200	Bushing		C	1	
17	4131300301	BUSHING		C	4	
18	A64J564101	Paper feed Roller		A	1	
19	A64J564201	Paper feed Roller		A	1	
20	A02E561100	Clutch		C	2	
21	A161562300	Gear 34T		C	1	
22	A161562600	Gear 28T		C	1	
23	A161562000	Shaft		D	1	
24	A161562500	Bushing		C	1	
25	A161562101	Holder		D	1	
26	A161567400	Torsion Spring		C	1	
27	A161567300	Lever		C	1	
28	A02E560800	Shaft		D	1	
29	A7AHM20501	Clutch		C	1	
30	A2XK709000	Gear 24T		C	1	
31	A2XKN10H01	Paperfeed Wiring /2		D	1	
33	A161578700	Cushion		C	1	
34	A161568901	Cushion		D	2	
35	A7PU569200	Spacer		D	1	

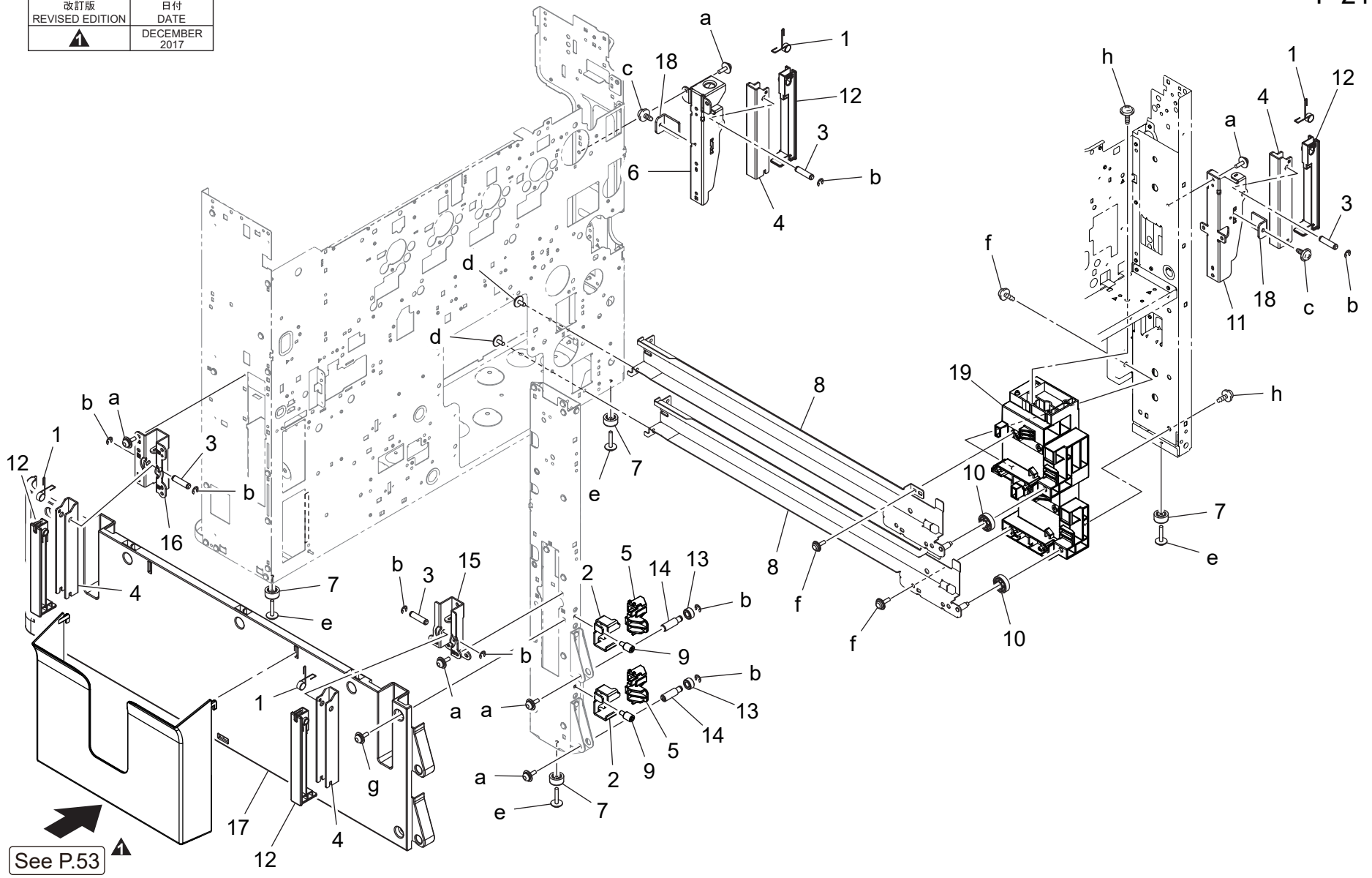
# Tray 1/2 paper feed Section



Key	Part No.	Description	Destinations	Class	QTY	Standard parts
1	A5C1563100	Holder		D	1	a-V137030803 b-V217030001 c-V217040001 d-V116030603 e-V116031003
2	A161568800	Torsion Coil spring		C	1	
3	4040561000	Spacer		D	1	
4	A5C1563500	Guide		D	1	
5	A0ED563900	Torque limiter		C	1	
6	A64J564101	Paper feed Roller		A	1	
7	A5C1565600	Sheet		C	1	
8	A7PU578400Old	Guide Plate		C	1	
8	A7PU578500	Guide Plate		C	1	
9	A161568700	Torsion Coil spring		C	1	
10	A5C1563400	Shaft		D	1	
11	A161564001	Mounting Plate		D	1	
12	4030301703	PRESSURE SPRING		C	1	
13	A161563300	Shaft		D	1	
14	A161563901Old	Mounting Plate		D	1	
14	A5C1563901	Mounting Plate		D	1	
15	4532341001	SHOULDER SCREW		D	1	
16	A161564400	Pulling Coil spring		C	1	
17	A161564200	Spacer		D	1	
18	A5C1564101	Lever		D	1	
19	A161564300	Spacer		D	1	
20	A64JR71111	Separation Roller Assy		C	1	
21	A7PU577500	Guide		C	1	
22	A7PU577700	Guide		C	1	
23	A7PU577600	Guide		C	1	

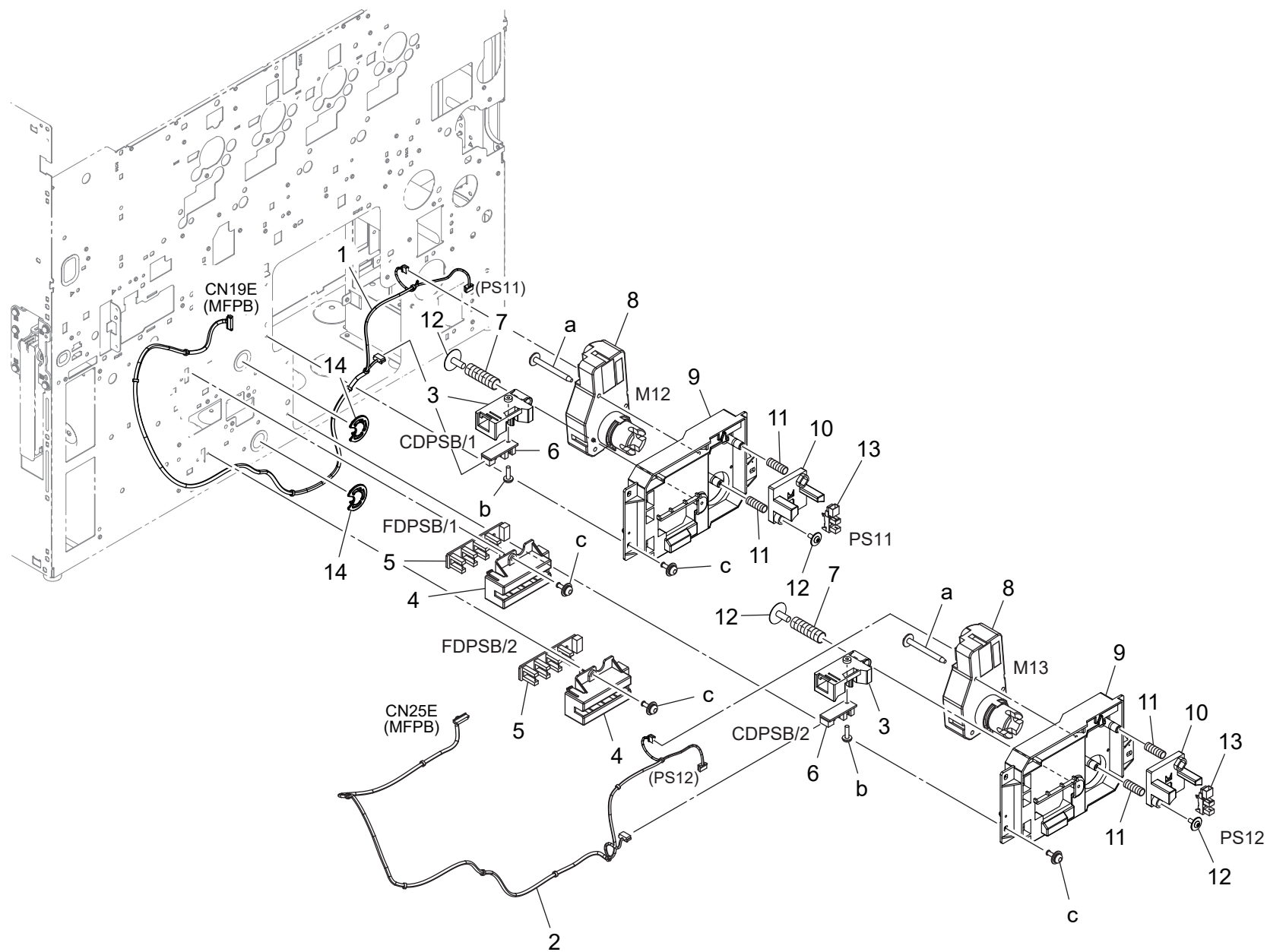
# Tray 1/2 Section

改訂版 REVISED EDITION	日付 DATE
	DECEMBER 2017

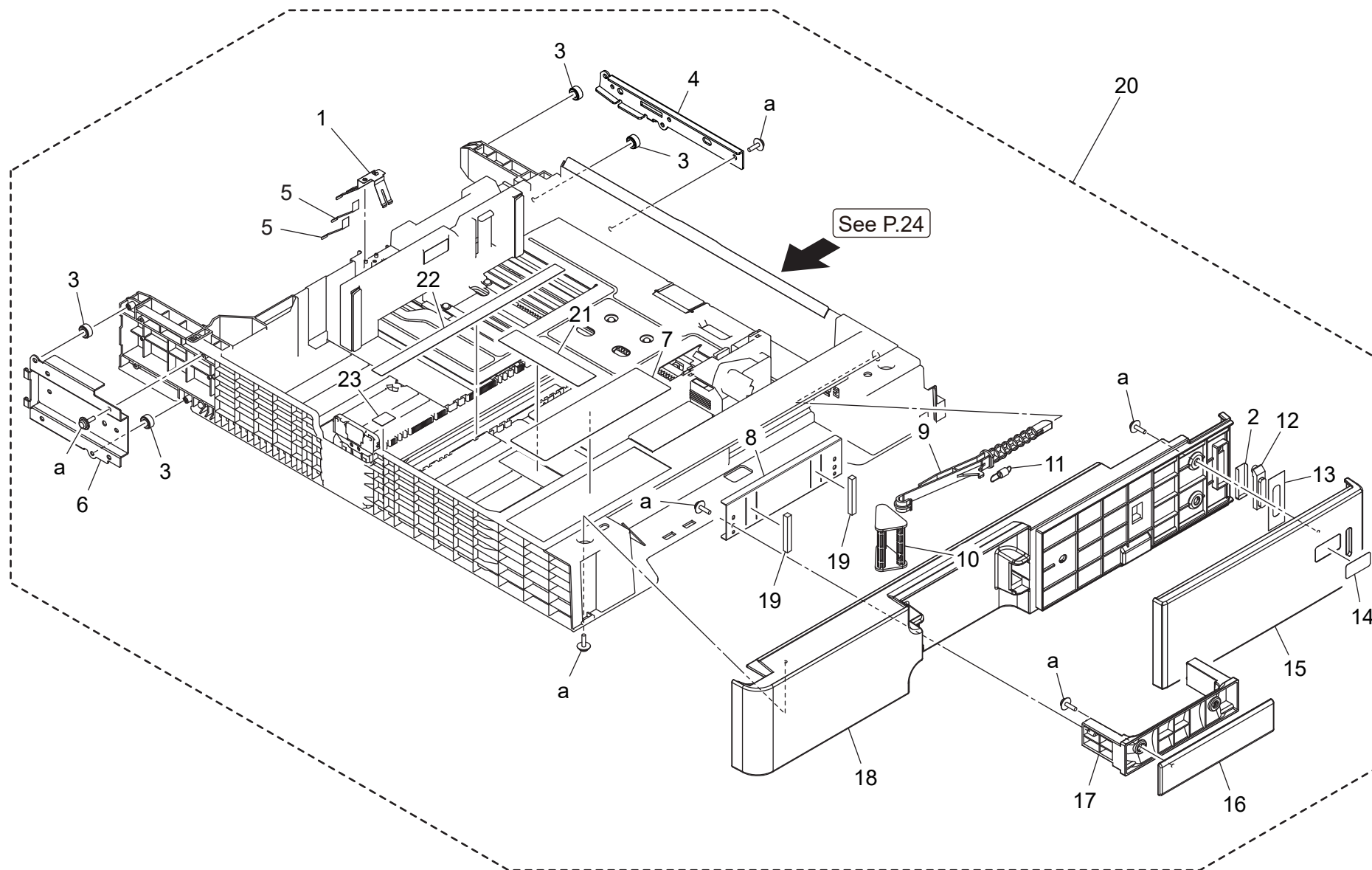


Key	Part No.	Description	Destinations	Class	QTY	Standard parts
1	A161104300	Torsion Coil spring		D	4	a-V116030803 b-V217040001 c-V137030803 d-V144030603 e-V137031203 f-V153030803 g-V116030804 h-V153031004
2	A7PU102201	Mounting Plate		D	2	
3	A161104200	Shaft		D	4	
4	A161101900	Lever		D	4	
5	A7PU102301	Stopper		D	2	
6	A5C1104800	Mounting Plate		D	1	
7	0996305501	RUBBER FOOT		C	4	
8	A5C1101101	Rail /ASSY		D	2	
9	A1UD192400	Shoulder screw /2		C	2	
10	A161103901	Roll		D	2	
11	A5C1104400	Mounting Plate		D	1	
12	A161103700	Cover		D	4	
13	A161623400	Roll		D	2	
14	A161105200	Shaft		D	2	
15	A161101600	Mounting Plate		D	1	
16	A161101701	Mounting Plate		D	1	
17	A7PU104000	Holder		D	1	
18	A5C1104700	Mounting Plate		D	2	
19	A5C1106000	Holder		D	1	

# Tray 1/2 Section



Key	Part No.	Description	Destinations	Class	QTY	Standard parts
1	A7PUN10401	Harness /Paperfeed		D	1	a-V153033003 b-V145030803 c-V116030803
2	A7PUN10501	Harness /Paperfeed		D	1	
3	A7PU627500	Holder		D	2	
4	A5C1628000	Holder		C	2	
5	A161M50600	Photointerrupter		C	2	
6	A161M50501	Photointerrupter		C	2	
7	4002311002	Pressure Spring		C	2	
8	9J06M10300	MOTOR		B	2	
9	A5C1627101	Holder		D	2	
10	A5C1627300	Holder		D	2	
11	A5C1627900	Compressing Coil spring		D	4	
12	4163529301	SCREW		C	4	
13	A5C1M50100	Photointerrupter		B	2	
14	A7PU106100	Cover		D	2	

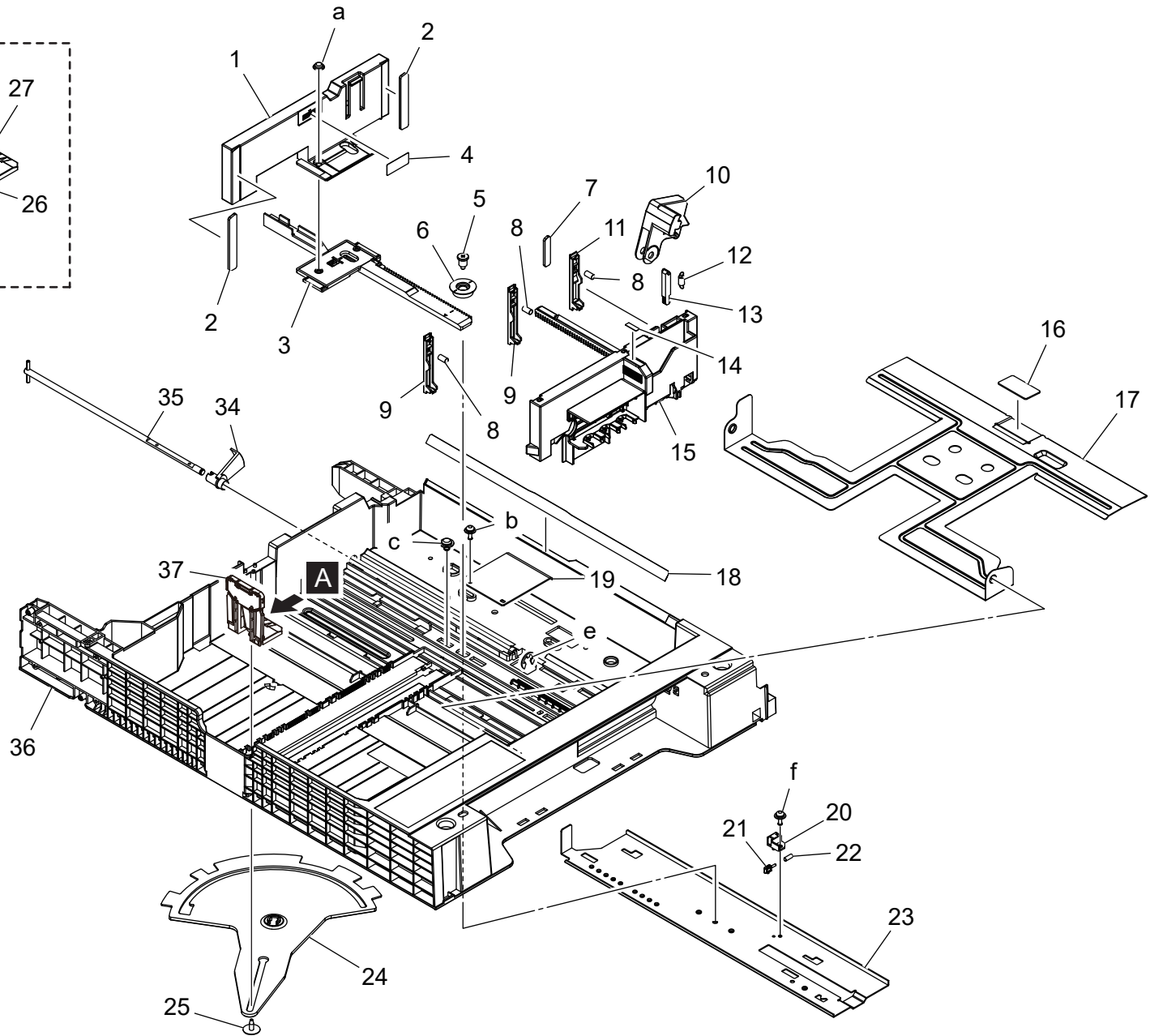
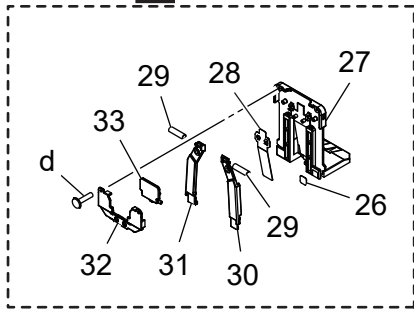




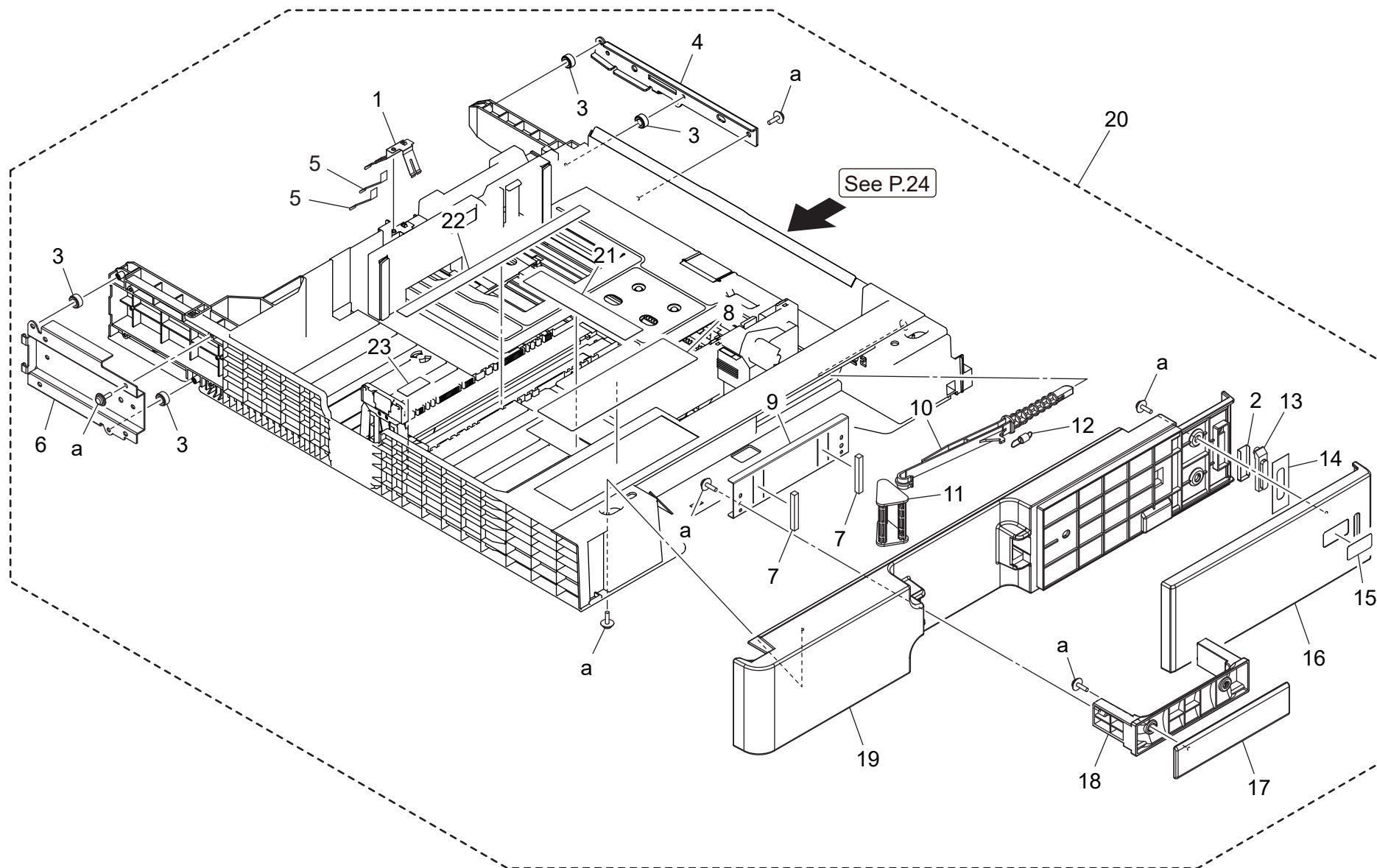
Key	Part No.	Description	Destinations	Class	QTY	Standard parts
1	A161622100	Ground Plate		D	1	a-V153030803
2	A161626200	Sheet		D	1	
3	A161623400	Roll		D	4	
4	A79J623100	Reinforce Plate /Right		D	1	
5	A55V624700	Protection Sheet		C	2	
6	A161623301	Reinforce Plate /Left		D	1	
7	A795942401	Label		C	1	
8	A5C1624300	Holder		D	1	
9	A161626502	Lever		C	1	
10	A161626602	Lever		C	1	
11	A161626800	Pulling Coil spring		C	1	
12	A161626000	Lens		D	1	
13	A161626100	Light blocking Sheet		D	1	
14	A161943100	Label 1		C	1	
15	A5C1625001	Cover		C	1	
16	A161625900	Cover		C	1	
17	A161626900	Handle		C	1	
18	A161625114	Cover		C	1	
19	A5C1628500	Cushion		D	2	
20	A79JR72111	1st Cassette Assy		S	1	
21	A79J941500	Label CD		C	1	
22	A79J941200	Label FD		C	1	
23	A79J941300	Label FD		C	1	

# Tray 1/2 Section

## DETAIL A



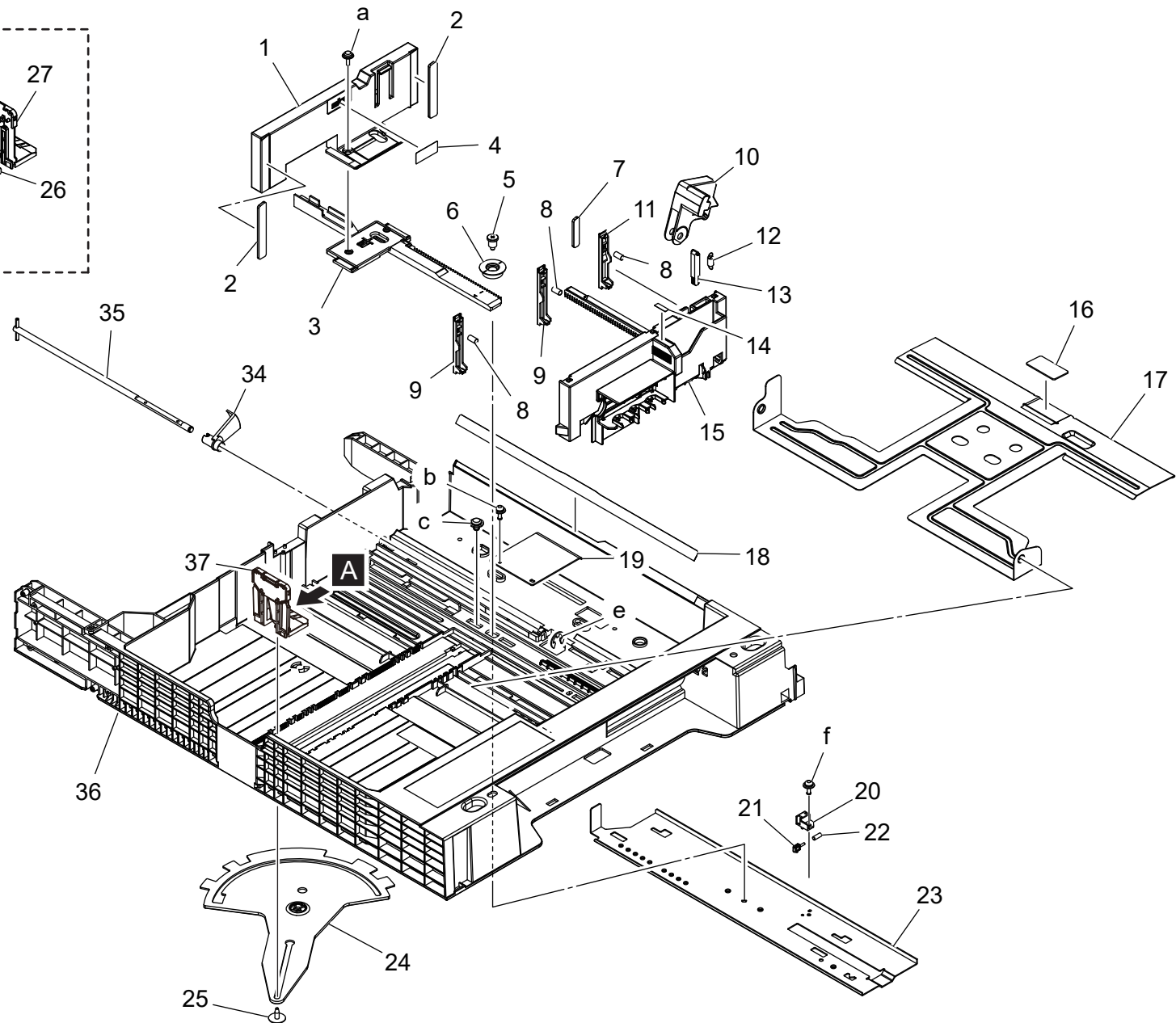
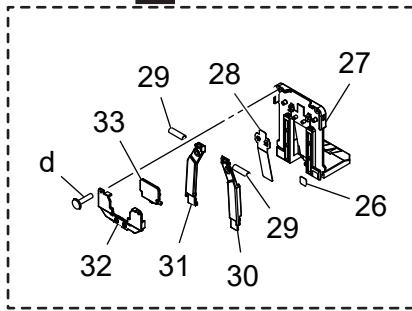
Key	Part No.	Description	Destinations	Class	QTY	Standard parts
1	A161620904	Regulating Plate /Rear		C	1	a-V153030803 b-V116030803 c-V144040603 d-V166170504 e-V217040001 f-V127030604
2	A161624100	Cushion		C	2	
3	A161621100	Rack		C	1	
4	A161943700	Label Max Level		C	1	
5	A161620600	Shoulder screw		D	1	
6	A161620701	Gear		D	1	
7	A79J566000	Cushion		C	1	
8	A795622700	Compressing Spring		C	3	
9	A795622600	Auxiliary Guide /2		C	2	
10	A795621301	Operation Lever		C	1	
11	A79J622500	Auxiliary Guide /1		C	1	
12	A7AH621000	Pulling Coil spring		C	1	
13	A7AH621200	Lock Lever		D	1	
14	A161943000	Label		C	1	
15	A795620800	Regulating Plate		C	1	
16	4030322601	FRICTION SHEET		C	1	
17	A161620400	Lifting Plate		D	1	
18	A0ED620200	Guide		C	1	
19	4030320601	LEVER		D	1	
20	A795565700	Holder		C	1	
21	A795565800	Lever		C	1	
22	A795565900	Compressing Spring		C	1	
23	A795621900	Mounting Plate		D	1	
24	A161621411	Lever		C	1	
25	4163529301	SCREW		C	1	
26	A02E940300	Label		C	1	
27	A795565000	Regulating Plate		D	1	
28	A795565600	Plate spring		C	1	
29	A795565500	Compressing Spring		C	2	
30	A795565100	Lock Lever		C	1	
31	A795565200	Lock Lever		C	1	
32	A795565300	Cover		C	1	
33	A795565400	Operation Lever		C	1	
34	A0ED620701	Actuator		C	1	
35	A161621600	Lifting Shaft		D	1	
36	A79J620100	Paper feed Cassette		D	1	
37	A79JF62500	Regulating Plate Assy		D	1	



Key	Part No.	Description	Destinations	Class	QTY	Standard parts
1	A161622100	Ground Plate	アース板 (カセット)	D	1	a-V153030803
2	A161626200	Sheet	シート (反射板)	D	1	
3	A161623400	Roll	ころ	D	4	
4	A79J633100	Reinforce Plate /Right	補強板/右	D	1	
5	A55V624700	Protection Sheet	保護シート	C	2	
6	A161633202	Reinforce Plate /Left	補強板/左	D	1	
7	A5C1628500	Cushion	クッション	D	2	
8	A795942401	Label	ラベル (用紙補給)	C	1	
9	A5C1624300	Holder	ホルダ (取手)	D	1	
10	A161636502	Lever	レバー (ロック)	C	1	
11	A161626602	Lever	レバー (解除)	C	1	
12	A161626800	Pulling Coil spring	引張りコイルばね (ロックレバー)	C	1	
13	A161626000	Lens	レンズ (ライトガイド・給紙)	D	1	
14	A161626100	Light blocking Sheet	遮光シート	D	1	
15	A161943200	Label 2	ラベル 給紙段数表示 2	C	1	
16	A5C1635001	Cover	カバー (カセット右)	C	1	
17	A161625900	Cover	カバー (カセット取手)	C	1	
18	A161626900	Handle	取手 (カセット)	C	1	
19	A161635117	Cover	カバー (カセット 2 nd)	C	1	
20	A79JR72211	2nd Cassette Assy	2 段目カセット A S S Y	S	1	
21	A79J943600	Label CD	ラベル CD スケール	C	1	
22	A79J941200	Label FD	ラベル FD スケール / 1	C	1	
23	A79J943500	Label FD	ラベル FD スケール	C	1	

# Tray 1/2 Section

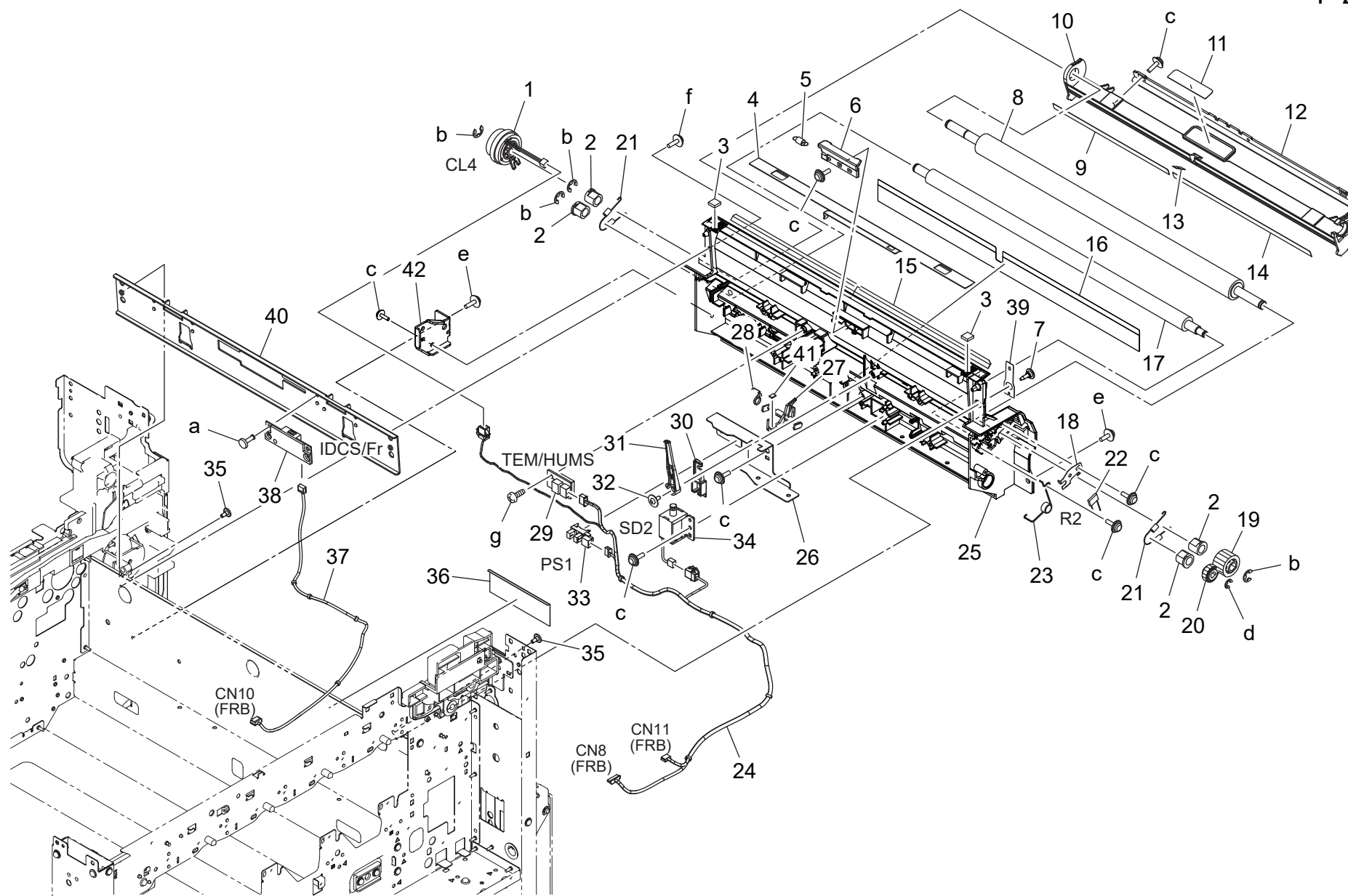
## DETAIL A



Key	Part No.	Description	Destinations	Class	QTY	Standard parts
1	A161620904	Regulating Plate /Rear		C	1	a-V153030803 b-V116030803 c-V144040603 d-V166170504 e-V217040001 f-V127030604
2	A161624100	Cushion		C	2	
3	A161621100	Rack		C	1	
4	A161943700	Label Max Level		C	1	
5	A161620600	Shoulder screw		D	1	
6	A161620701	Gear		D	1	
7	A79J566000	Cushion		C	1	
8	A795622700	Compressing Spring		C	3	
9	A795622600	Auxiliary Guide /2		C	2	
10	A795621301	Operation Lever		C	1	
11	A79J622500	Auxiliary Guide /1		C	1	
12	A7AH621000	Pulling Coil spring		C	1	
13	A7AH621200	Lock Lever		D	1	
14	A161943000	Label		C	1	
15	A795620800	Regulating Plate		C	1	
16	4030322601	FRICTION SHEET		C	1	
17	A161620400	Lifting Plate		D	1	
18	A0ED620200	Guide		C	1	
19	4030320601	LEVER		D	1	
20	A795565700	Holder		C	1	
21	A795565800	Lever		C	1	
22	A795565900	Compressing Spring		C	1	
23	A795621900	Mounting Plate		D	1	
24	A161631411	Lever		C	1	
25	4163529301	SCREW		C	1	
26	A02E940300	Label		C	1	
27	A795565000	Regulating Plate		D	1	
28	A795565600	Plate spring		C	1	
29	A795565500	Compressing Spring		C	2	
30	A795565100	Lock Lever		C	1	
31	A795565200	Lock Lever		C	1	
32	A795565300	Cover		C	1	
33	A795565400	Operation Lever		C	1	
34	A0ED620701	Actuator		C	1	
35	A161621600	Lifting Shaft		D	1	
36	A79J630100	Paper feed Cassette		D	1	
37	A79JF62500	Regulating Plate Assy		D	1	

# Registration Section/ 2nd Transfer Section

P 27

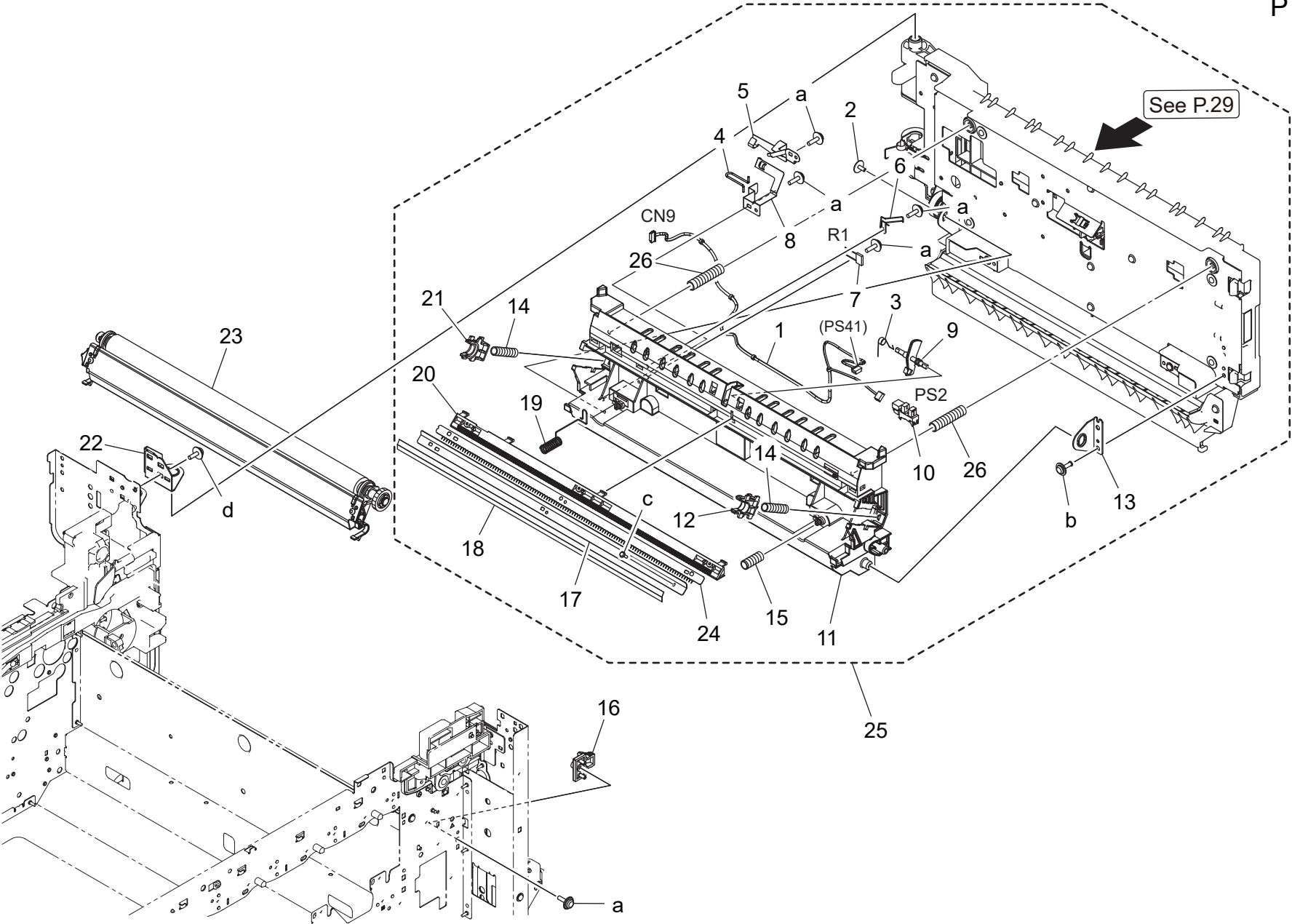


bizhub 308e



Key	Part No.	Description	Destinations	Class	QTY	Standard parts
1	A02EM20000	Clutch		B	1	a-V118030803 b-V217060001 c-V153030803 d-V217040001 e-V116030803 f-V153031003 g-V145030803
2	A161702200	Bushing		C	4	
3	A161701900	Seal /A		D	2	
4	A0ED705800	Cover		D	1	
5	A0ED702800	Pulling Spring		D	1	
6	A161706001	Holding Shutter		D	1	
7	A7PU701200	Shoulder screw		C	1	
8	A5C1700101	Roller		C	1	
9	4038353701	GUIDE		C	1	
10	A161700600	Guide Plate /Middle		D	1	
11	A161946300	Label M2		D	1	
12	A02E712902	Reinforce Plate		D	1	
13	4038353901	GUIDE		C	1	
14	A0ED700600	Guide Sheet		D	1	
15	A161701301	Guide Sheet /A		C	1	
16	A5C1701400	Guide Sheet /B		D	1	
17	A0ED700200	Roller		D	1	
18	A5C1700800	Ground Plate /D		D	1	
19	A0ED700300	Gear 20T		D	1	
20	A0ED700700	Gear 14T		D	1	
21	A161702000	Conveyance Spring /A		C	2	
22	V800500300	FIXED POWER RESISTORS		D	1	
23	A5C1703200	Torsion Coil spring		D	1	
24	A161N10D00	Conveyance Detection harness /L		D	1	
25	A7PU700111	Guide Plate /Inside		D	1	
26	A161700301	Mounting Plate /B		D	1	
27	A161701703	Actuator /T		C	1	
28	A161701100	Spring /A		C	1	
29	A7AHM50400	Humidity sensor		I	1	
30	A161700700	Arm /2		D	1	
31	A161700401	Arm /1		D	1	
32	4163529301	SCREW		C	1	
33	A5C1M50100	Photointerrupter		B	1	
34	A034M20100	Conveyance Solenoid		C	1	
35	4011585202	SHOULDER SCREW		C	2	
36	A161701800	Protection Sheet		D	1	
37	A61FN12H01	Sensor Wiring		D	1	
38	A161M50000	Photo sensing		I	1	
39	A7PU701100	Plate spring		D	1	
40	A161700901	Reinforce Plate		D	1	
41	A161702101	Cushion /C		C	1	
42	A7PU701000	Reinforce Plate		D	1	

Registration Section/ 2nd Transfer Section

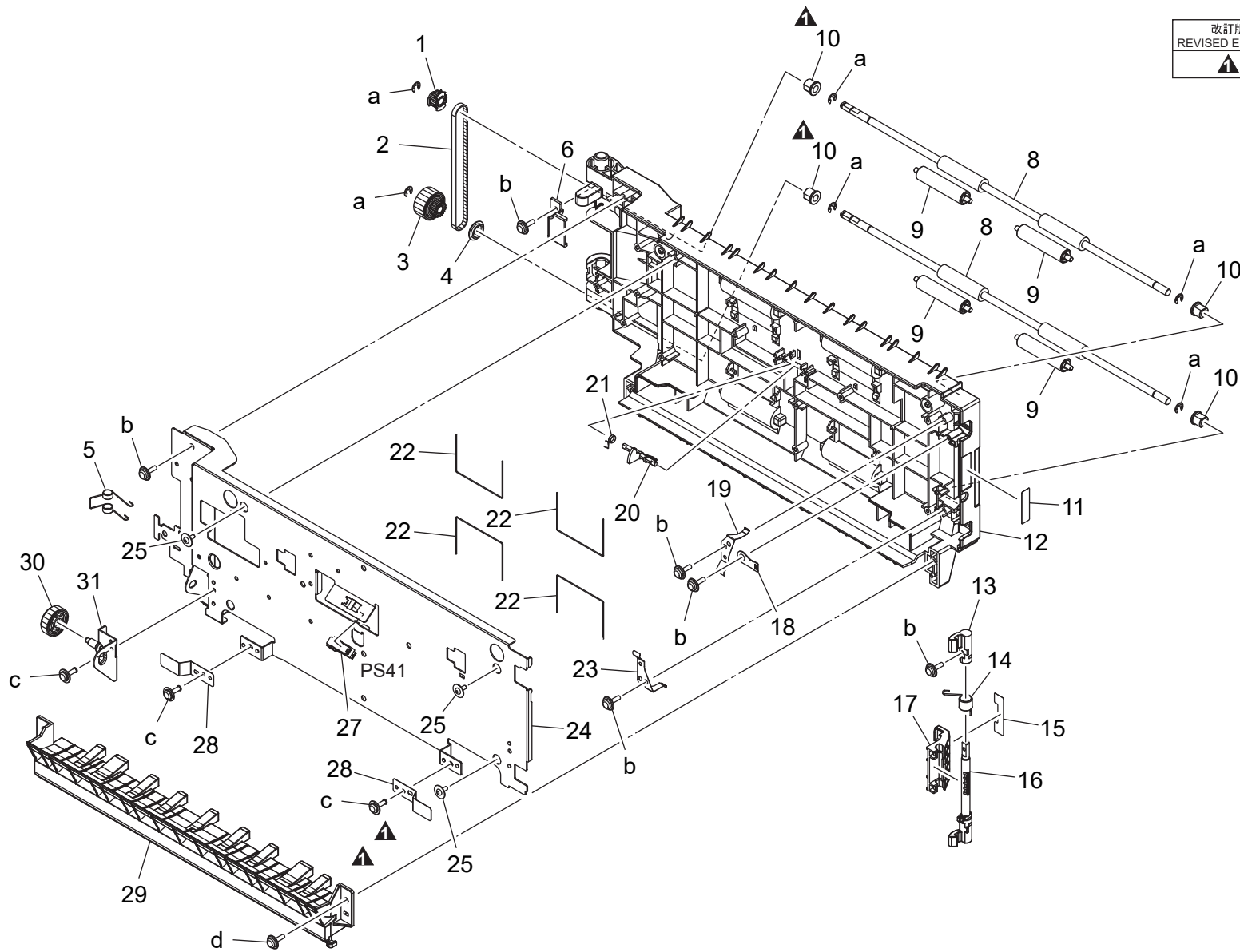


Key	Part No.	Description	Destinations	Class	QTY	Standard parts
1	A161N10H01	Conveyance Wiring	搬送束線	D	1	a-V153030803 b-V137030803 c-V162020504 d-V116030803
2	4163529301	SCREW	ねじ	C	1	
3	A161712700	Spring /C	ばね / C	D	1	
4	A161712401	Ground Spring /A	アースばね / A	D	1	
5	A5C1715100	Ground Plate /C	アース板 / C	D	1	
6	A5C1711000	Ground Spring /B	アースばね / B	D	1	
7	V800500300	FIXED POWER RESISTORS	固定抵抗器	D	1	
8	A5C1710900	Ground Plate /A	アース板 / A (2次接点)	D	1	
9	A0ED703800	Actuator	アクチュエータ (ループセンサ)	D	1	
10	A5C1M50100	Photointerrupter	透過型センサ	B	1	
11	A161710103	Holder /A	ホルダ / A	D	1	
12	A161550700	Transfer Holder /2	転写ホルダ / 2	C	1	
13	A5C1711800	Support Plate /Front	支点板 / 前	D	1	
14	A0ED551000	Compressing Coil spring /2	圧縮コイルばね / 2	C	2	
15	A0ED551100	Compressing Coil spring	圧縮コイルばね (転前)	D	1	
16	A161712300	Fixing Part /Lower	固定部材 / 下	D	1	
17	A0ED550900	Mounting Plate	取付板 (除電上)	D	1	
18	A5C1551701	Guide Seal	ガイドシール	D	1	
19	A161712500	Ground Spring /C	アースばね / C	D	1	
20	A161551600	Mounting Plate	取付板 (除電下)	D	1	
21	A161551500	Transfer Holder /2	転写ホルダ / 2 (後 / Rear)	C	1	
22	A161104101	Adjusting Plate	調整板 (搬送扉上)	D	1	
23	AA6RR70200	2nd Image Transfer Roller Assy	2次転写ローラー Assy	A	1	
24	A0ED550800	Neutralizing Part	除電部材	D	1	
25	A7PUR72411	Vertical Transport Assy	縦搬送 Assy	S	1	
26	A161711200	Pressing Spring	押圧ばね	D	2	



# Registration Section/ 2nd Transfer Section

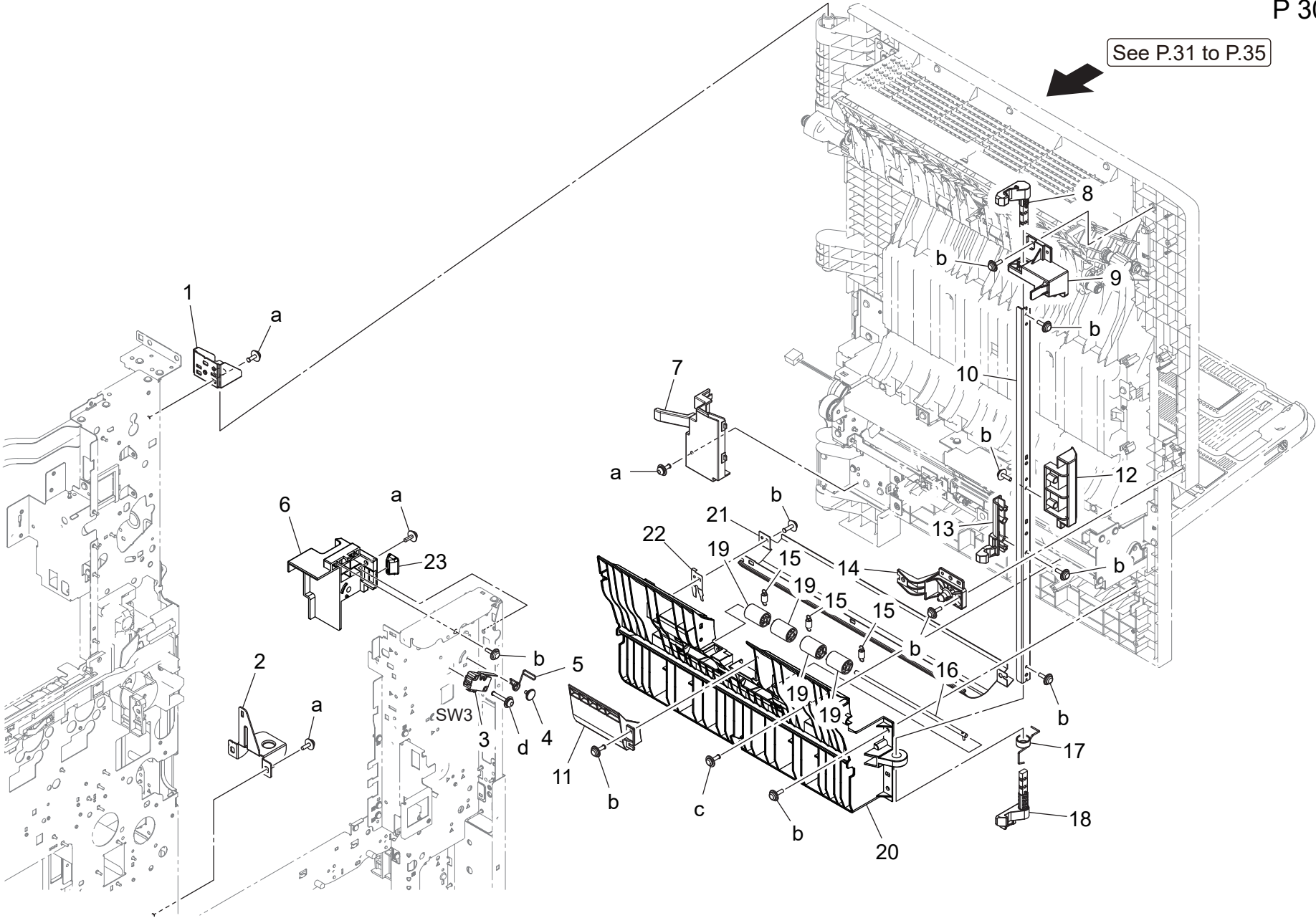
改訂版 REVISED EDITION	日付 DATE
▲	JUNE 2018



Key	Part No.	Description	Destinations	Class	QTY	Standard parts	
1	A0ED811700	Pulley 22T	プーリ (ADU 第3) 22 T	C	1	a-V217040001 b-V153030803 c-V137030803 d-V153031003	
2	A161719000	Drive Belt 266L	駆動ベルト 266 L	C	1		
3	A64J709100	Gear 22/23T	ギア 22/23 T	C	1		
4	A0ED811900	Collar	カラー (ADU 第2 R)	D	1		
5	A161712900	Ground Spring /D	アースばね / D	D	1		
6	A161712600	Cover /C	カバー / C	D	1		
8	A161710500	Roller /A	ローラ / A	D	2		
9	A161825700	Idler Roller /A	従動ローラ / A	D	4		
10	A02E815200	BUSHING	軸受	C	4		
11	A161946400	Label M6	ラベル M 6	D	1		
12	A7PU710201	Guide Plate /A	ガイド板 / A	D	1		
13	A161711300	Lock Shaft /A	ロック軸 / A	C	1		
14	A161711700	Spring /B	ばね / B	C	1		
15	A161946200	Label M1	ラベル M 1	D	1		
16	A5C1711500	Lock Shaft	ロック軸	C	1		
17	A161711600	Open/close Lever	開閉レバー	C	1		
18	A161714500	Fixing Part	固定部材	D	1		
19	A161712000	Ground Plate /D	アース板 / D	D	1		
20	A161713500	Actuator	アクチュエータ (ADU 下 JAM 検)	C	1		
21	A161712800	Spring /D	ばね / D	D	1		
22	A161714600	Conveyance Spring /B	搬送ばね / B	D	4		
23	A161712100	Ground Plate /E	アース板 / E	D	1		
24	A161710405	Mounting Plate	取付板	D	1		
25	4163529301	SCREW	ねじ	C	3		
27	A5C1M50100	Photointerrupter	透過型センサ	B	1		
28	A0ED702400	Plate spring	板ばね (タイミング前ガイド)	D	2		
29	A7PU710301	Guide Plate /B	ガイド板 / B	D	1		
30	A64J719100	Gear 23T	ギア 23 T	C	1		
31	A161711901	Support Plate /Rear	支点板 / 奥	D	1		

Vertical conveyance Section

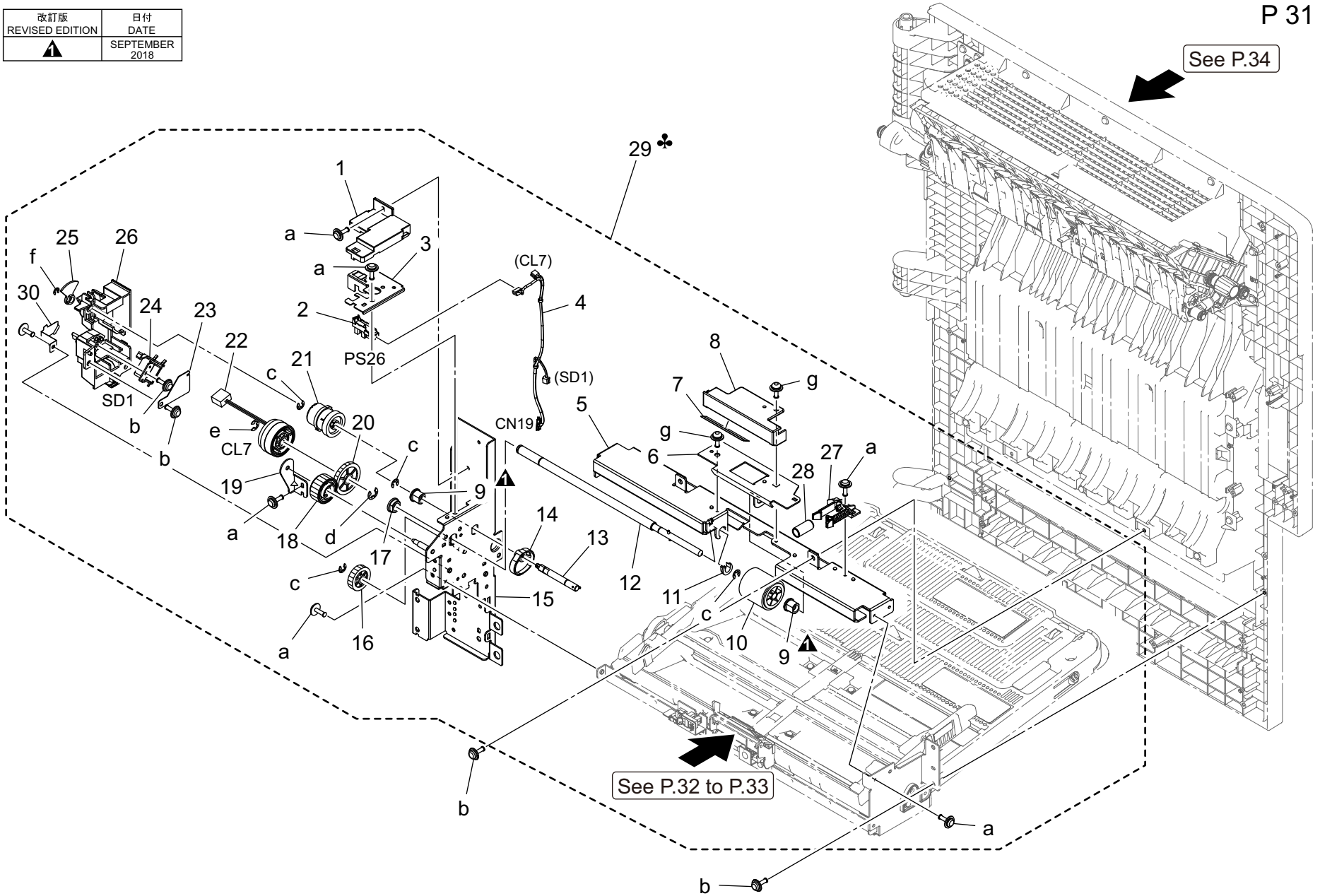
See P.31 to P.35



Key	Part No.	Description	Destinations	Class	QTY	Standard parts
1	A161121300	Adjusting Plate		D	1	a-V116030803 b-V153030803 c-V137030804 d-V116031603
2	A161102500	Adjusting Plate		D	1	
3	9J06M60100	MICRO SWITCH		C	1	
4	A161137100	Shoulder screw		D	1	
5	A161151200	Torsion Coil spring		D	1	
6	A5C1121202	Holder		D	1	
7	A161592900	Wiring Cover /B		D	1	
8	A0ED712100	Lock Claw		C	1	
9	A161811500	Support Part /Upper		D	1	
10	A161811001	Lock Plate		D	1	
11	A5C1590500	Paper feed Guide		D	1	
12	A161811100	Open/close Handle		C	1	
13	A5C1815200	Lock /Middle		C	1	
14	A161811302	Lock Part /Lower		D	1	
15	A64J815500	Pulling Spring		C	3	
16	A161815300	Shaft		D	1	
17	A161815900	Torsion Coil spring		C	1	
18	A5C1811600	Lock Claw /Lower		C	1	
19	A161815400	Roll		C	4	
20	A161810305	Guide Plate /2		D	1	
21	A161815000	Guide Door		D	1	
22	A161816200	Ground Guide		D	1	
23	A79J122200	Collar		D	1	

# Manual bypass Tray Section

改訂版 REVISED EDITION	日付 DATE
▲	SEPTEMBER 2018



P 31

See P.34

See P.32 to P.33

bizhub 308e

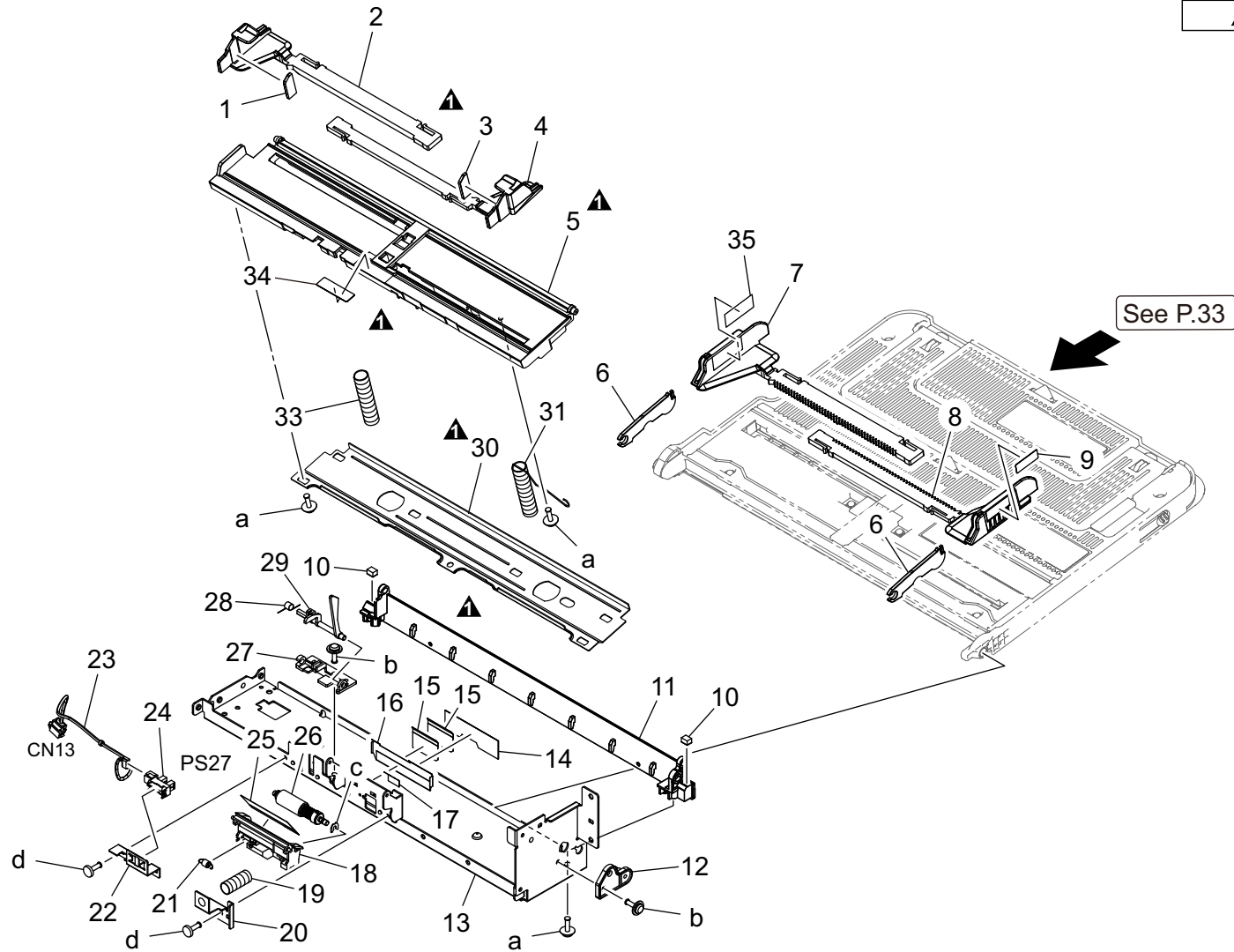


Key	Part No.	Description	Destinations	Class	QTY	Standard parts
1	A161592800	Wiring Cover /A		D	1	a-V137030803 b-V153030803 c-V217040001 d-V217060001 e-V217050001 f-V217030001 g-V116030803
2	A5C1M50100	Photointerrupter		B	1	
3	A5C1591900	Mounting Plate		D	1	
4	A161N12200	Paperfeed Drive harness /1		D	1	
5	A161590201	Paper feed Frame		D	1	
6	A161594100	Reinforce Plate		D	1	
7	A161594700	Guide Sheet		C	1	
8	A161591700	Auxiliary Guide		D	1	
9	A02E815200	BUSHING		C	2	
10	A00F623201	Roller		B	1	
11	A161594400	Slide Stopper		C	1	
12	A161591500	Paper feed Shaft		D	1	
13	A161591400	Drive Shaft		D	1	
14	A161593300	Paper feed Cam		C	1	
15	A161F59002	Caulking(Mounting Plate Drive Frame )		D	1	
16	A02E595400	Gear 22T		C	1	
17	4131353202	BUSHING		C	1	
18	A161590800	Bypass Gear 24T		C	1	
19	A161590600	Reinforce Plate		D	1	
20	A02E596100	Gear 30T		C	1	
21	A02E595100	Clutch assy		C	1	
22	A02EM20100	Clutch		B	1	
23	A0ED597800	Cover		D	1	
24	9321240011	SOLENOID		C	1	
25	A161591300	Light blocking Plate		C	1	
26	A5C1591200	Drive Cover		D	1	
27	A161594800	Hold Claw		C	1	
28	A161594900	Coil spring		C	1	
29	A7PUR71744	Manual Feed Tray Assy /Metric	A,A1,C,D1,D3,E,F2,G 1,I,K,J	S	1	
29	A7PUR71844	Manual Feed Tray Assy /Inch	B,G2	S	1	
30	A7PU596900	Auxiliary Cover		D	1	

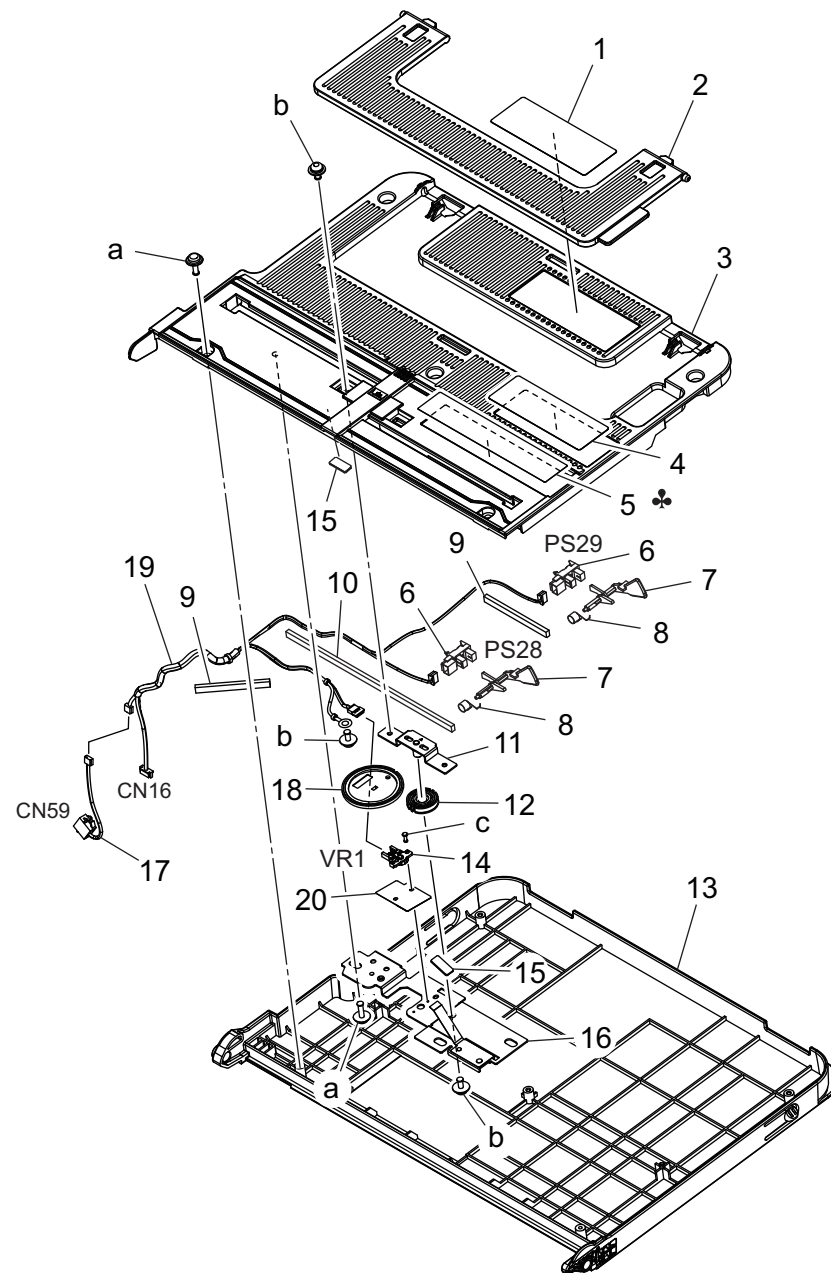


# Manual bypass Tray Section

改訂版 REVISED EDITION	日付 DATE
▲	SEPTEMBER 2018




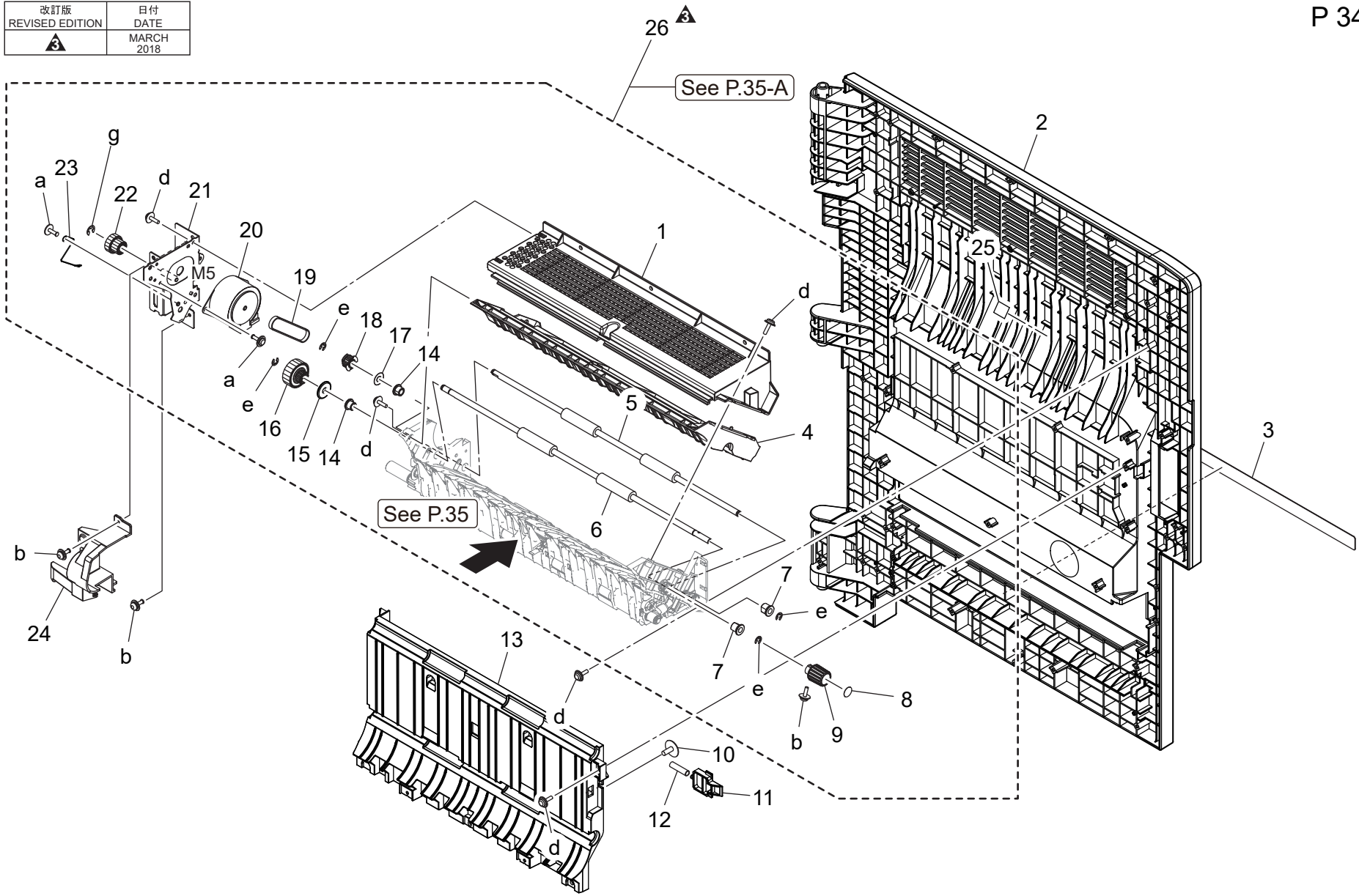
Key	Part No.	Description	Destinations	Class	QTY	Standard parts
1	A161594500	Brake Part		C	1	a-V153030803 b-V137030803 c-V218030086 d-V118030803
2	A7PU596200	Regulating Plate /R	規制板 / R	C	1	
3	A161594600	Brake Part /F	ブレーキ材 / F	C	1	
4	A7PU596100	Regulating Plate /L	規制板 / L	C	1	
5	A7PU593000Old	Lifting Plate	押上げ板	D	1	
5	A7PU592901	Lifting Plate	押上げ板	D	1	
6	A7PU595500	Lever	レバー	C	2	
7	A7PU593201	Regulating Plate /R	規制板 / R	C	1	
8	A7PU593100	Regulating Plate /F	規制板 / F	C	1	
9	A7PU944900	Label	ラベル	C	1	
10	A161594201	Cushion	クッション	D	2	
11	A161590304	Support Holder	支点ホルダ	D	1	
12	A161591600	Hold Plate	保持板	C	1	
13	A161590101	Bypass Frame	手差しフレーム	D	1	
14	A161595100	Seal	シール	C	1	
15	4030340301	GUIDE	ガイド	C	2	
16	A161595300	Separating Plate	分離板	C	1	
17	A161595600	Slide Guide	すべりガイド	C	1	
18	A161595000	Holder	ホルダ	D	1	
19	4030347501	PRESSURE SPRING	圧縮コイルばね	C	1	
20	A161595400	Hold Plate	保持板	D	1	
21	A161595200	Pulling Coil spring	引張りコイルばね	C	1	
22	A161591800	Sensor Holder	センサホルダ	D	1	
23	A7PUN10A00	Harness/ Sensor	センサ束線	D	1	
24	A5C1M50100	Photointerrupter	透過型センサ	B	1	
25	A02E597600	Guide	ガイド (捌き後)	C	1	
26	4658015106	Roller Assy	ローラ A S S Y	A	1	
27	A161591100	Sensor Holder	センサホルダ	D	1	
28	A161591000	Torsion Spring	ねじりばね (P E)	C	1	
29	A161590901	Actuator	アクチュエータ (P E)	C	1	
30	A7PU596700Old	Mounting Plate	取付板	D	1	
30	A7PU596800	Mounting Plate	取付板	D	1	
31	A161593600Old	Compressing Coil spring	圧縮コイルばね	C	1	
31	A7PU593600	Compressing Coil spring	圧縮コイルばね	C	1	
33	A161593400Old	Compressing Coil spring	圧縮コイルばね	C	1	
33	A7PU593400	Compressing Coil spring	圧縮コイルばね	C	1	
34	A7PU594000	Separating Sheet	分離シート	C	1	
35	A7PU944500	Label	ラベル (積載量)	C	1	



Key	Part No.	Description	Destinations	Class	QTY	Standard parts
1	A7PU944401	Label Paper supply		C	1	a-V153030803 b-V116030603 c-V111170403
2	A161592200	Auxiliary Tray		C	1	
3	A7PU592201	Bypass Tray /Upper		C	1	
4	A7PU944301	Label Paper supply		C	1	
5	A7PU944100	Label Metric	A,A1,C,D1,D3,E,F2,G 1,I,K,J	C	1	
5	A7PU944200	Label Inch	B,G2	C	1	
6	A5C1M50100	Photointerrupter		B	2	
7	A161592400	Actuator		C	2	
8	A161592501	Torsion Spring		C	2	
9	A161592600	Holding Cover /2		D	2	
10	A161592300	Holding Cover		D	1	
11	A7PUF60000	Mounting Plate		D	1	
12	A7PU593500	Gear		C	1	
13	A7PU592000	Bypass Tray		C	1	
14	A161M50400	VR		D	1	
15	A161593800	Friction Plate		C	2	
16	A7PU593700	Mounting Plate		D	1	
17	A7PUN10900	Harness/ Relay		D	1	
18	A161594300	Regulating Gear 41T		C	1	
19	A7PUN10B01	Harness/ Sensor		D	1	
20	A7PU599300	Insulating Sheet		D	1	

# Duplex Section

改訂版 REVISED EDITION	日付 DATE
	MARCH 2018

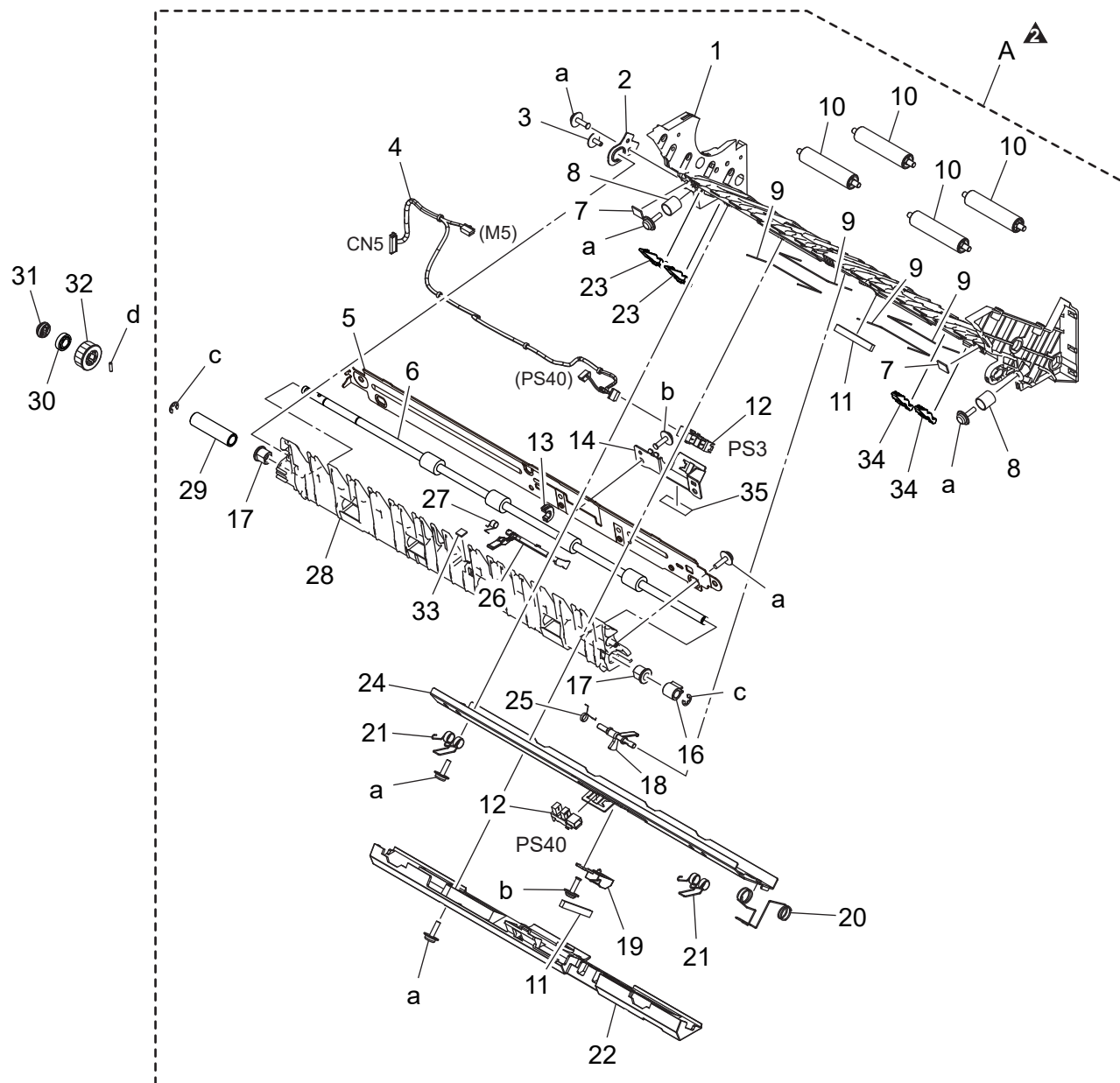


Key	Part No.	Description	Destinations	Class	QTY	Standard parts
1	A161810701	Cover /Upper		D	1	a-V137030803 b-V116030803 d-V153030803 e-V217040001 g-V217030001
2	A7PU810101	Guide Door /Right		C	1	
3	A161815100	Cover Door		C	1	
4	A5C1822000	Guide Plate		D	1	
5	A161814601	Roller /C		C	1	
6	A161813701	Roller /B		C	1	
7	A02E815200	BUSHING		C	2	
8	A161946100	Label M5		C	1	
9	A161814700	Knob /A		C	1	
10	4163529301	SCREW		C	1	
11	A5C1815700	Open/close Claw		C	1	
12	A161815800	Swing Spring		C	1	
13	A7PU810200	Guide Plate /1		D	1	
14	A161813300	Bushing /A		C	2	
15	A161813801	Collar /A		C	1	
16	A5C1819700	Gear 22/29T		C	1	
17	A161816400	Spacer /A		C	1	
18	A0ED811700	Pulley 22T		C	1	
19	A161819000	Drive Belt 156L		C	1	
20	A7PUM10300	Stepping motor		C	1	
21	A161F81103Old	Caulking(Panel Rear)		D	1	
21	A7PU811300	Panel /Rear		D	1	
22	A5C1819600Old	Gear 16/26T		C	1	
22	A7PU819600	Gear /4		C	1	
23	A5C1814300	Contact /B		D	1	
24	A161814901	Cover /B		D	1	
25	A00F941100	Label	(高温マーク)	D	1	
26	A7PUR75311	Riverse Assy	反転 A s s y	C	1	

# Duplex Section

P 35

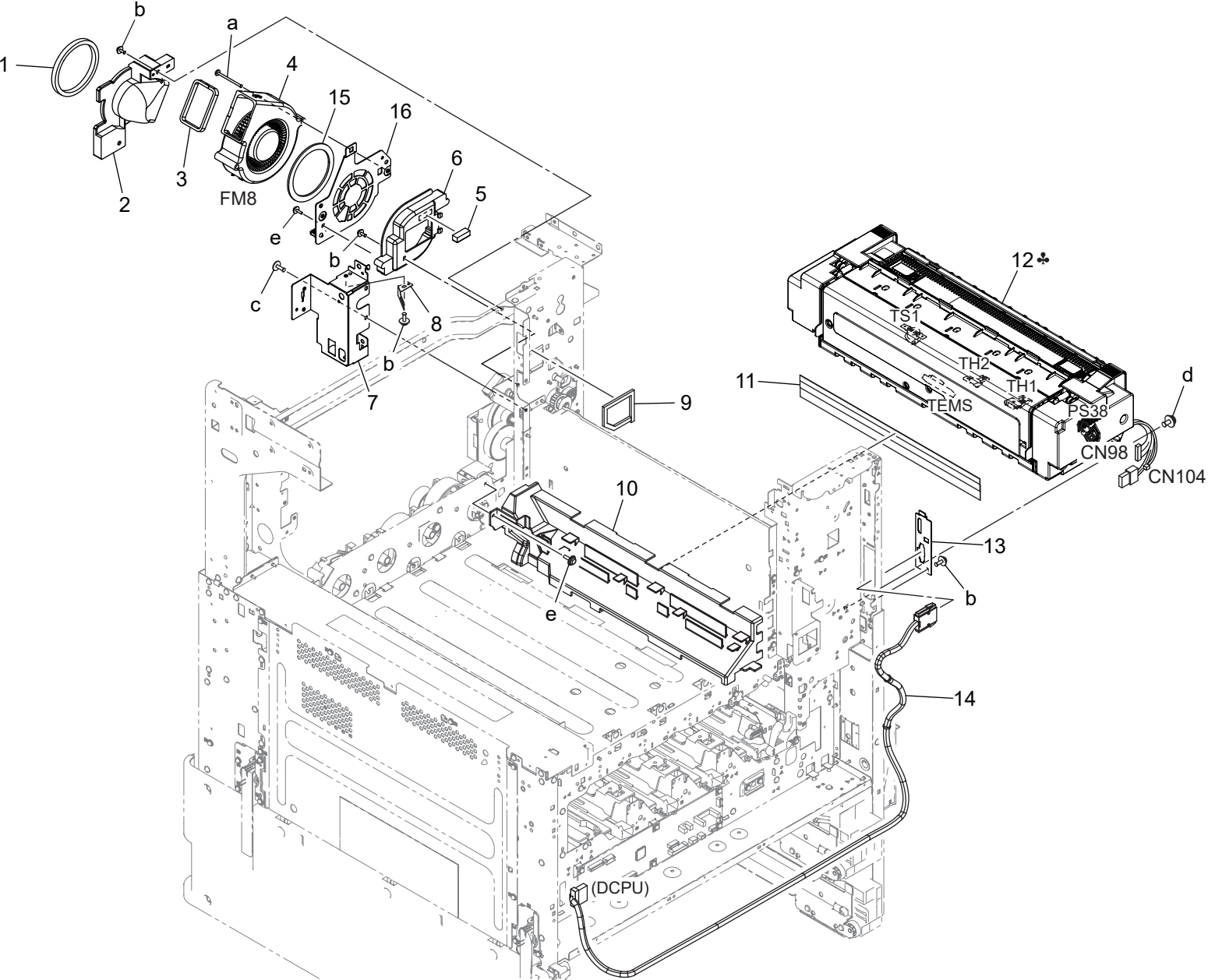
改訂版 REVISED EDITION	日付 DATE
	MARCH 2018





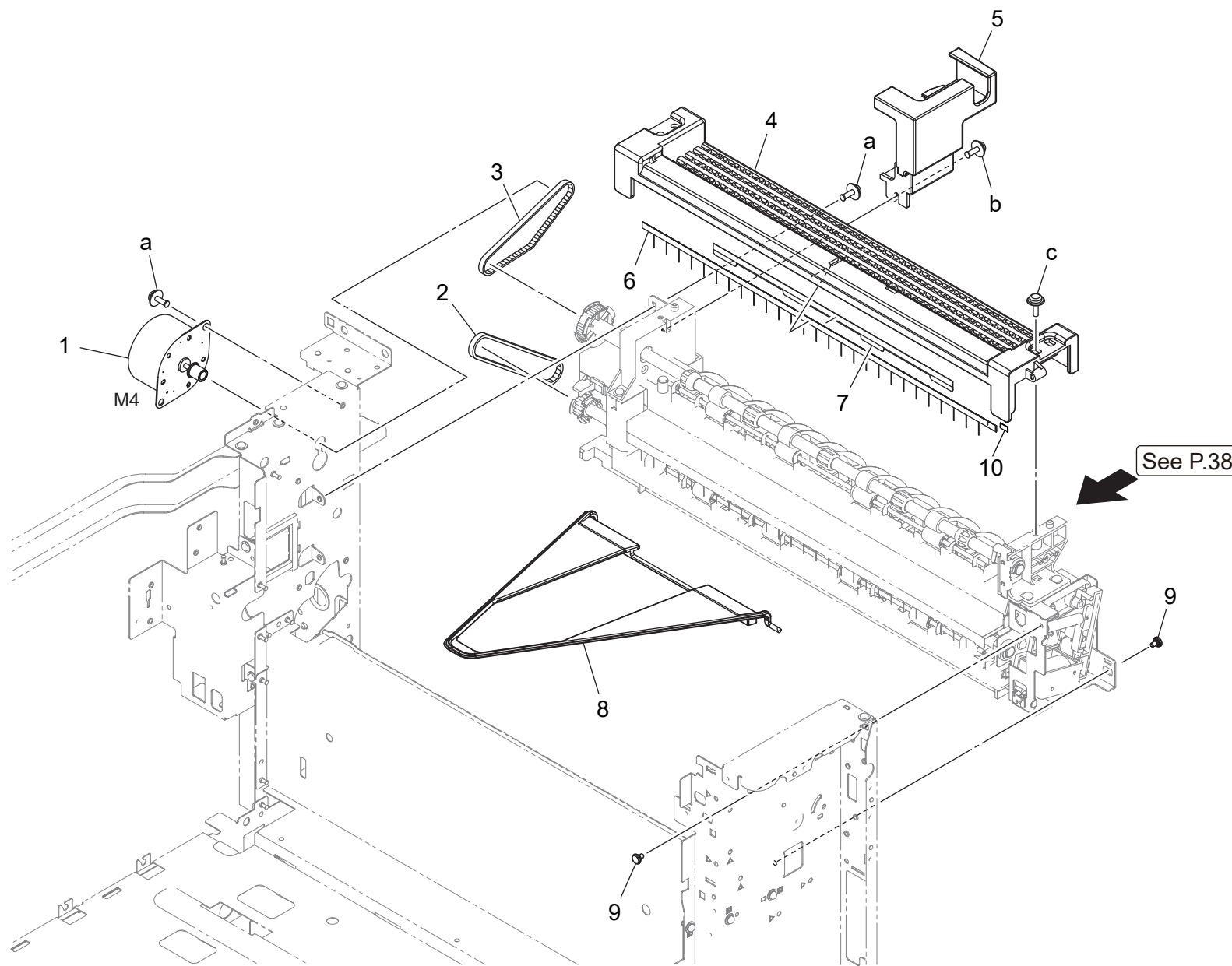
Key	Part No.	Description	Destinations	Class	QTY	Standard parts
1	A5C1811700	Guide Plate /3	ガイド板 / 3	D	1	a-V153030803 b-V137030803 c-V217040001 d-V234200850
2	A161814401	Mounting Plate /3	取付板 / 3	D	1	
3	4163529301	SCREW	ねじ	C	1	
4	A161N12100	Conveyance Drive harness /Upper	搬送駆動束線 / 上 (ADU 上)	D	1	
5	A161810801Old	Mounting Plate /2	取付板 / 2	D	1	
5	A7PU810800	Mounting Plate /2	取付板 / 2	D	1	
6	A5C1810603	Roller /1	ローラ / 1	C	1	
7	A161825301	Cushion /A	クッション / A	D	2	
8	A161813600	Pressing Spring /A	押圧ばね / A	C	2	
9	A0ED815100	Holding Part	押さえ材 (ADU 第1 R)	D	4	
10	A161825700	Idler Roller /A	従動ローラ / A	D	4	
11	A161825800	Cushion /B	クッション / B	D	2	
12	A5C1M50100	Photointerrupter	透過型センサ	B	2	
13	A161819500	Bushing /C	すべり軸受 / C	C	1	
14	A161825102	Mounting Plate /4	取付板 / 4	D	1	
16	A161814500	Bushing /B	すべり軸受 / B	C	1	
17	A02E815200	BUSHING	軸受	C	2	
18	A161813200	Actuator	アクチュエータ (ADU 上 JAM 検)	C	1	
19	A161825400	Wiring Part	配線部材	D	1	
20	A5C1814200	Contact /A	接点 / A	D	1	
21	A161813400	Torsion Coil spring	ねじりコイルばね (ガイド押さえ)	D	2	
22	A161813902	Cover /A	カバー / A	D	1	
23	A5C1811901	Guide Plate /Rear	ガイド板 / 奥	D	2	
24	A7PU810900	Mounting Plate /1	取付板 / 1	D	1	
25	A161712800	Spring /D	ばね / D	D	1	
26	A161813001	Actuator	アクチュエータ (排紙 JAM 検)	C	1	
27	A161813100	Torsion Coil spring	ねじりコイルばね (排紙 JAM 検)	C	1	
28	A161810503	Guide Plate /4	ガイド板 / 4 (排紙前)	D	1	
29	A5C1825500Old	Cover /D	カバー / D	D	1	
29	A7PU825500	Collar	カラー	D	1	
30	A5C1825000	Bushing	すべり軸受	C	1	
31	A161825000	Bushing	すべり軸受 (排紙ドッキング丸2)	C	1	
32	A161819200	Gear 18T	ギア 18 T	C	1	
33	A161826001	Cushion /B	クッション / B	D	1	
34	A5C1811803	Guide Plate /Front	ガイド板 / 前	D	2	
35	A79J821000	Protection Part	保護部材	C	1	

Fusing Section



Key	Part No.	Description	Destinations	Class	QTY	Standard parts
1	A7PU143400	Seal		C	1	a-V116033503 b-V116030803 c-V137030803 d-V116041003 e-V153030803
2	A7PU142300	Duct		D	1	
3	A7PU143300	Seal		C	1	
4	9313100072	FAN MOTOR		C	1	
5	A5C1149400	Fixing Sheet		D	1	
6	A5C1140300	Duct /1		D	1	
7	A5C1121100	Mounting Plate		D	1	
8	A161122500	Ground Plate		D	1	
9	A161121401	Seal /Upper		D	1	
10	A161140400	Duct		D	1	
11	A797102701	Seal		C	1	
12	AA6VR70400	Fusing Unit (100V)	A,A1	A	1	
12	AA6VR70500	Fusing Unit (120V)	B,G2	A	1	
12	AA6VR70600	Fusing Unit (220-240V)	C,D1,D3,E,F2,G1,I,K ,J	A	1	
13	AA6V137200	Mounting Plate		D	1	
14	A5C4N10500	Heater Relay harness /3		D	1	
15	A02E117300	Seal		C	1	
16	A5C1148100	Mounting Plate		D	1	

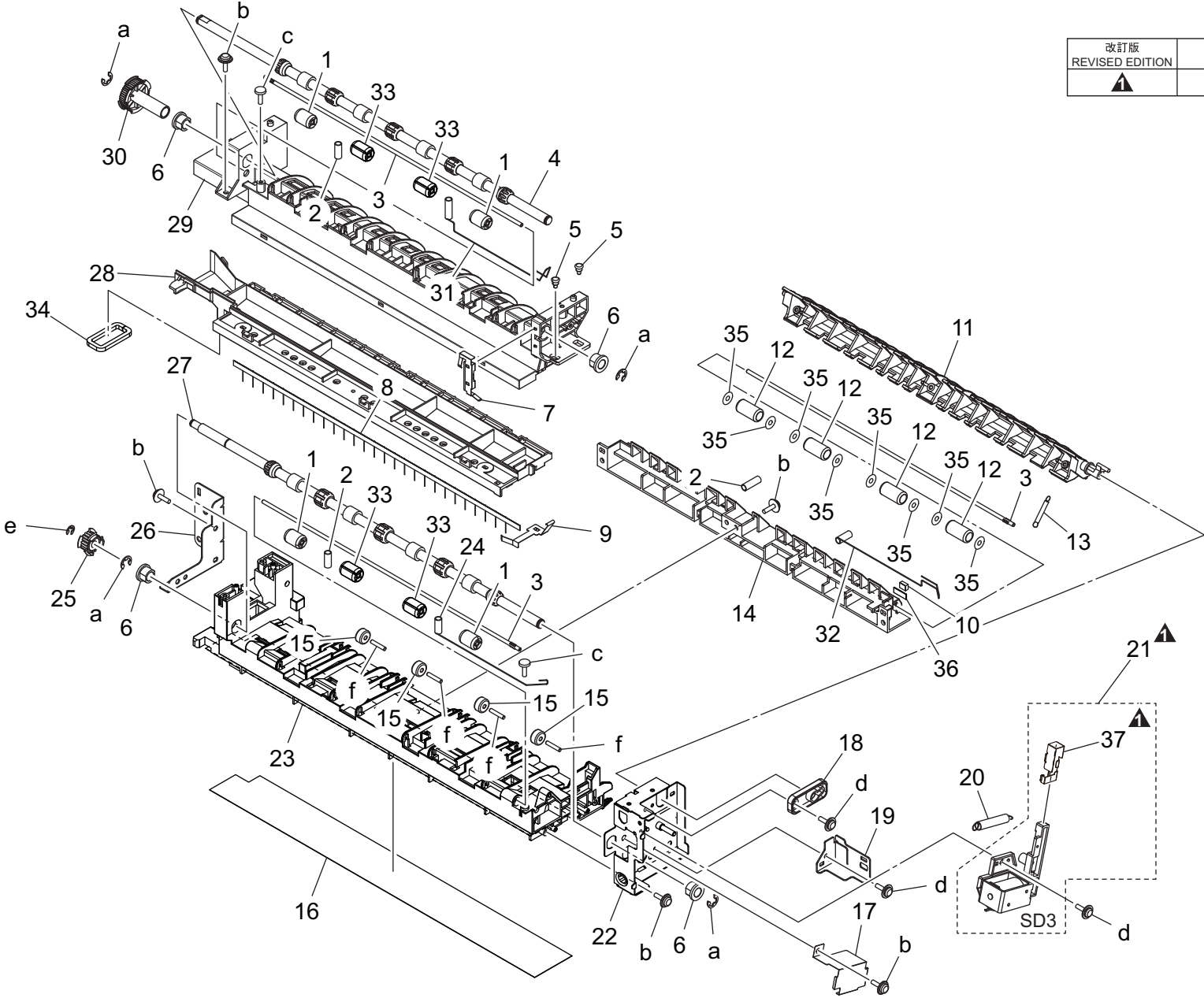
# Paper Exit /Reverse Section



Key	Part No.	Description	Destinations	Class	QTY	Standard parts
1	A7PUM10400	Stepping motor		C	1	a-V116030803 b-V116030804 c-V153030803
2	A161891401	Timing belt 231L		D	1	
3	4640392001	BELT		C	1	
4	A161895301	Paper exit Cover		D	1	
5	A161162304	Cover		D	1	
6	A161894000	Neutralizing Brush		C	1	
7	A161894100	Sheet		D	1	
8	A161897200	Guide Part		C	1	
9	A0P0742300	Shoulder screw		C	2	
10	A64J891500	Sheet		D	1	

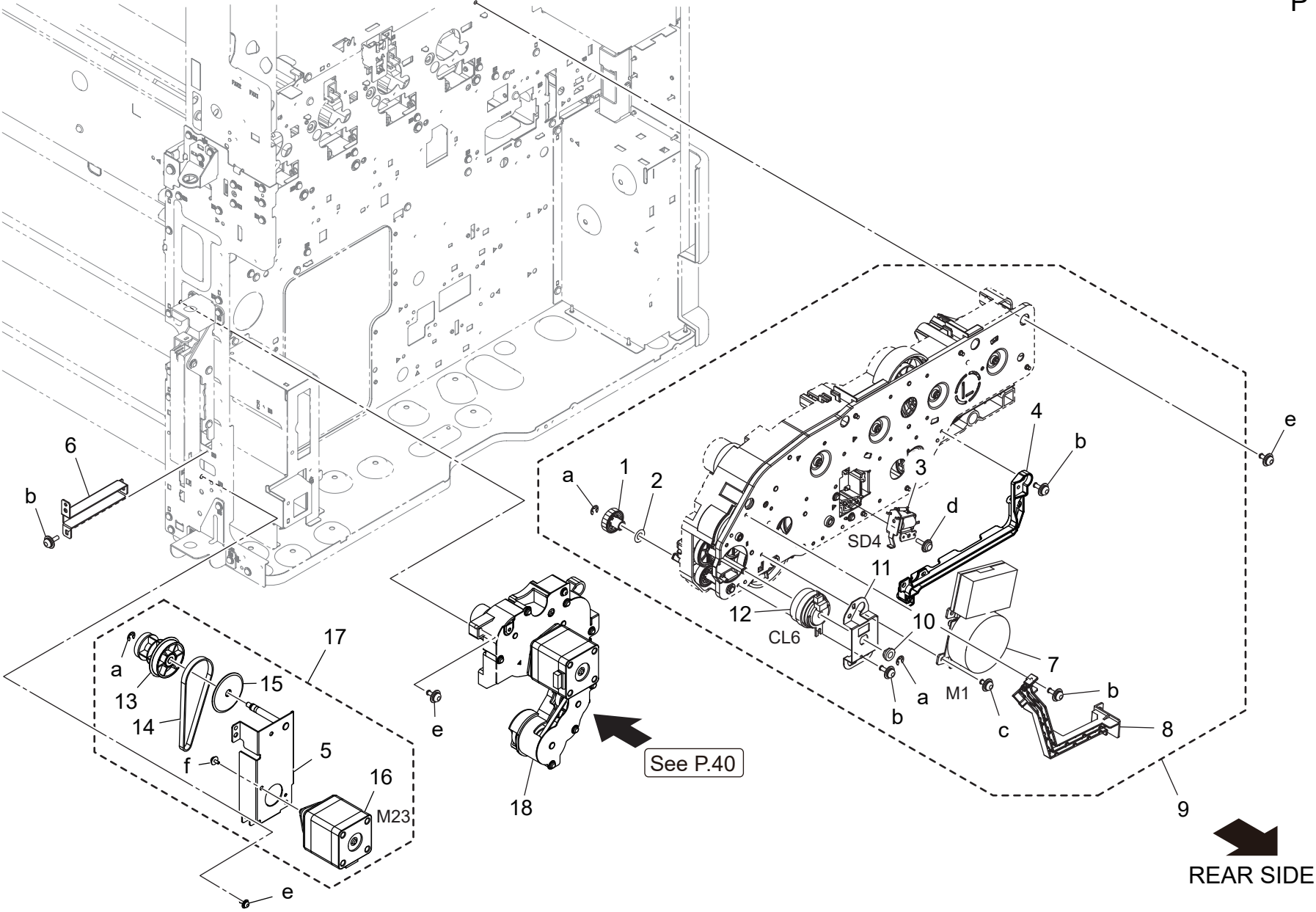
# Paper Exit /Reverse Section

改訂版 REVISED EDITION	日付 DATE
▲	JUNE 2018



Key	Part No.	Description	Destinations	Class	QTY	Standard parts
1	4004590301	ROLL		C	4	a-V217060001 b-V153030803 c-V149030803 d-V137030803 e-V217040001 f-V234301650
2	A161892400	Spring	ばね (排紙)	C	3	
3	4025598401	SHAFT	シャフト	D	3	
4	A161895400	Roller	ローラ (反転)	C	1	
5	1164202801	SHOULDER SCREW	段ねじ	D	2	
6	A0ED891100	Bushing	すべり軸受	D	4	
7	A161895502	Ground Contact /Upper	アース接点/上	D	1	
8	A161894000	Neutralizing Brush	除電ブラシ	C	1	
9	A161895600	Ground Contact /Lower	アース接点/下	D	1	
10	A161893601	Cushion	クッション	D	1	
11	A5C1890401	Guide Lever	ガイドレバー	D	1	
12	A2X0901100	Roll	ころ	C	4	
13	A161892100	Spring	ばね (ガイドレバー)	C	1	
14	A7PU890200	Guide Part /Lower	ガイド部材/下	D	1	
15	A0ED897700	Collar	カラー (排紙)	C	4	
16	A5C1900500	Seal	シール (排紙本体)	C	1	
17	A7PU890700	Cover	カバー	D	1	
18	A161891000	Bushing	すべり軸受	D	1	
19	A161892300	Mounting Plate	取付板 (パネル)	D	1	
20	A161892000	Spring	ばね (経路切替 S L)	D	1	
21	A161R72644	Solenoid Assy	ソレノイド A s s y	C	1	
22	A161F89003	Caulking(Mounting Plate)	取付板カシメ	D	1	
23	A5C1890100	Paper exit Main body	排紙本体	D	1	
24	A161900100	Ground Spring	アースばね (排紙)	C	1	
25	A161891301	Pulley 18T	プーリー 18 T	D	1	
26	A161892902	Fixing Part	固定部材	D	1	
27	A161890300	Roller	ローラ (排紙)	C	1	
28	A5C1900600	Paper exit Guide /Lower	排紙ガイド/下	D	1	
29	A161895113	Paper exit Guide /Upper	排紙ガイド/上	D	1	
30	A161895800	Pulley 44T	プーリー 44 T	D	1	
31	A161900201	Ground Spring	アースばね (反転)	C	1	
32	A161900300	Ground Spring	アースばね (排紙前)	C	1	
33	A5C1891100	Roll	ころ	D	4	
34	A5C1900400	Seal	シール (ダクト)	C	1	
35	A64J891200	Washer	ワッシャ	D	8	
36	A64J891500	Sheet	シート	D	1	
37	A7PU890800	Holding Part	押さえ部材	D	1	

# Main Drive/ Paper Feed Drive Section

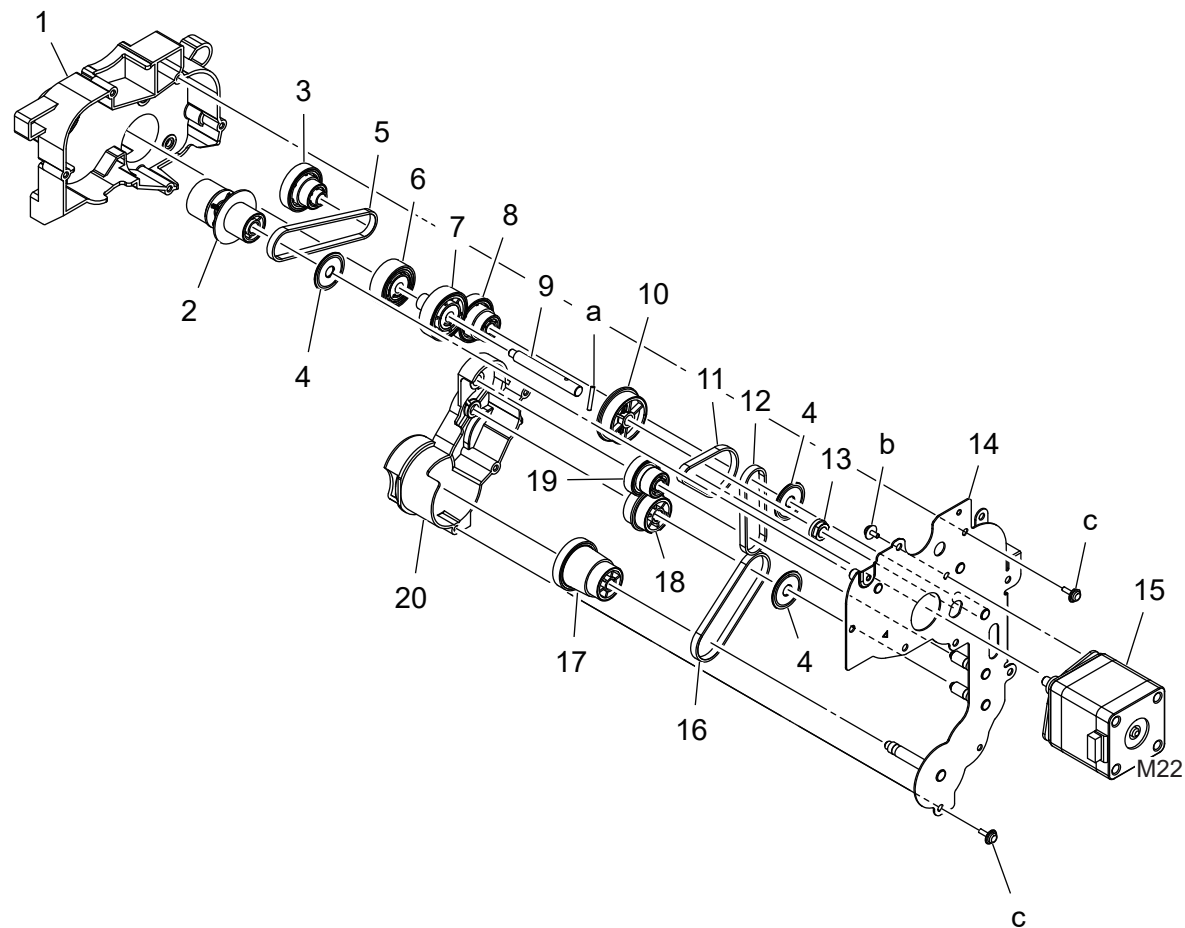




Key	Part No.	Description	Destinations	Class	QTY	Standard parts
1	A64J257800	Gear 20T		C	1	a-V217040001 b-V116030803 c-V116030504 d-V153030803 e-V125030818 f-V116030603
2	A1RF517100	Spacer /A		D	1	
3	A161M20300	Flapper solenoid		C	1	
4	A7PU216100	Guide		D	1	
5	A64JR7A000	Cauking(Hold Plate)		D	1	
6	A161105500	Reinforce Plate		D	1	
7	A7PUM11200	brushless Motor /40		C	1	
8	A161134702	Guide		D	1	
9	AA6VR71011	Main Drive Assy		C	1	
10	A161210200	Bushing		D	1	
11	A161253900	Hold Plate		D	1	
12	A161M20202	Clutch		C	1	
13	A79J222200	Gear 22/55T		C	1	
14	A64J222400	Belt 214L		C	1	
15	A64J222500	Washer		D	1	
16	A61DM10000	HB Stepping motor		C	1	
17	A64JR70600	Vertical conveyance Drive Assy		S	1	
18	A79JR70222	Paper Feed Drive Assy		S	1	

# Main Drive/ Paper Feed Drive Section

P 40

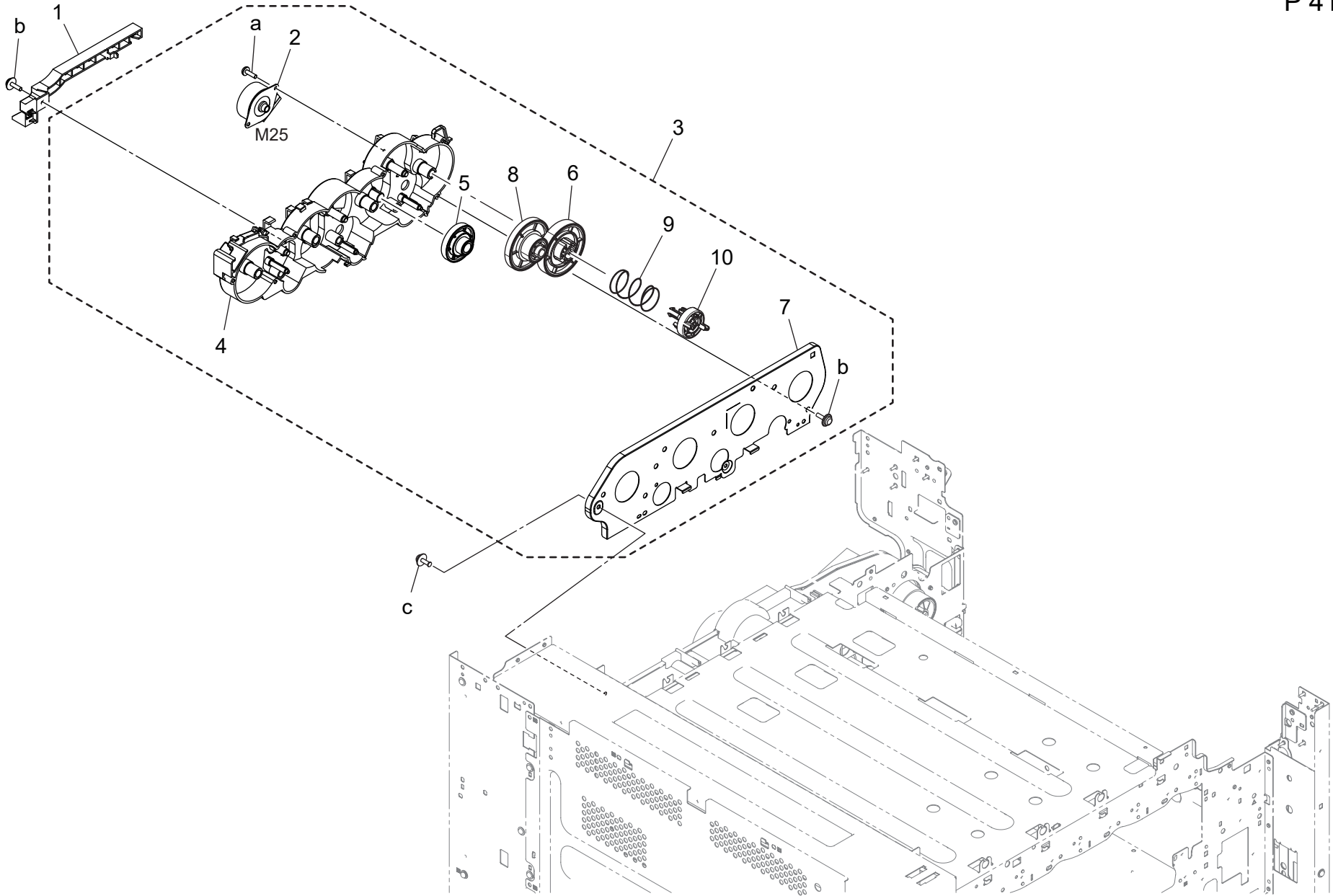


  
REAR SIDE

bizhub 308e

Key	Part No.	Description	Destinations	Class	QTY	Standard parts
1	A79J220900	Holder		C	1	a-V234201450 b-V127030604 c-V153031004
2	A79J259800	Gear 19T		C	1	
3	A79J253300	Gear 29T		C	1	
4	A79J897300	Collar		C	3	
5	A79J226600	Timing belt 180L		C	1	
6	A79J226200	Gear 23T		C	1	
7	A79J226301	Gear 32T		C	1	
8	A79J226400	Gear 30T		C	1	
9	A79J223101	Shaft		D	1	
10	A79J220000	Pulley 44T		C	1	
11	A79J226500	Timing belt 112L		C	1	
12	A79J226700	Timing belt 126L		C	1	
13	A161210200	Bushing		D	1	
14	A79J221200	Frame /ASSY		D	1	
15	A61DM10000	HB Stepping motor		C	1	
16	A79J226800	Timing belt 156L		C	1	
17	A79J220701	Gear 28T		C	1	
18	A79J253000	Pulley 24T		C	1	
19	A79J222500	Pulley 24T		C	1	
20	A79J220800	Holder		C	1	

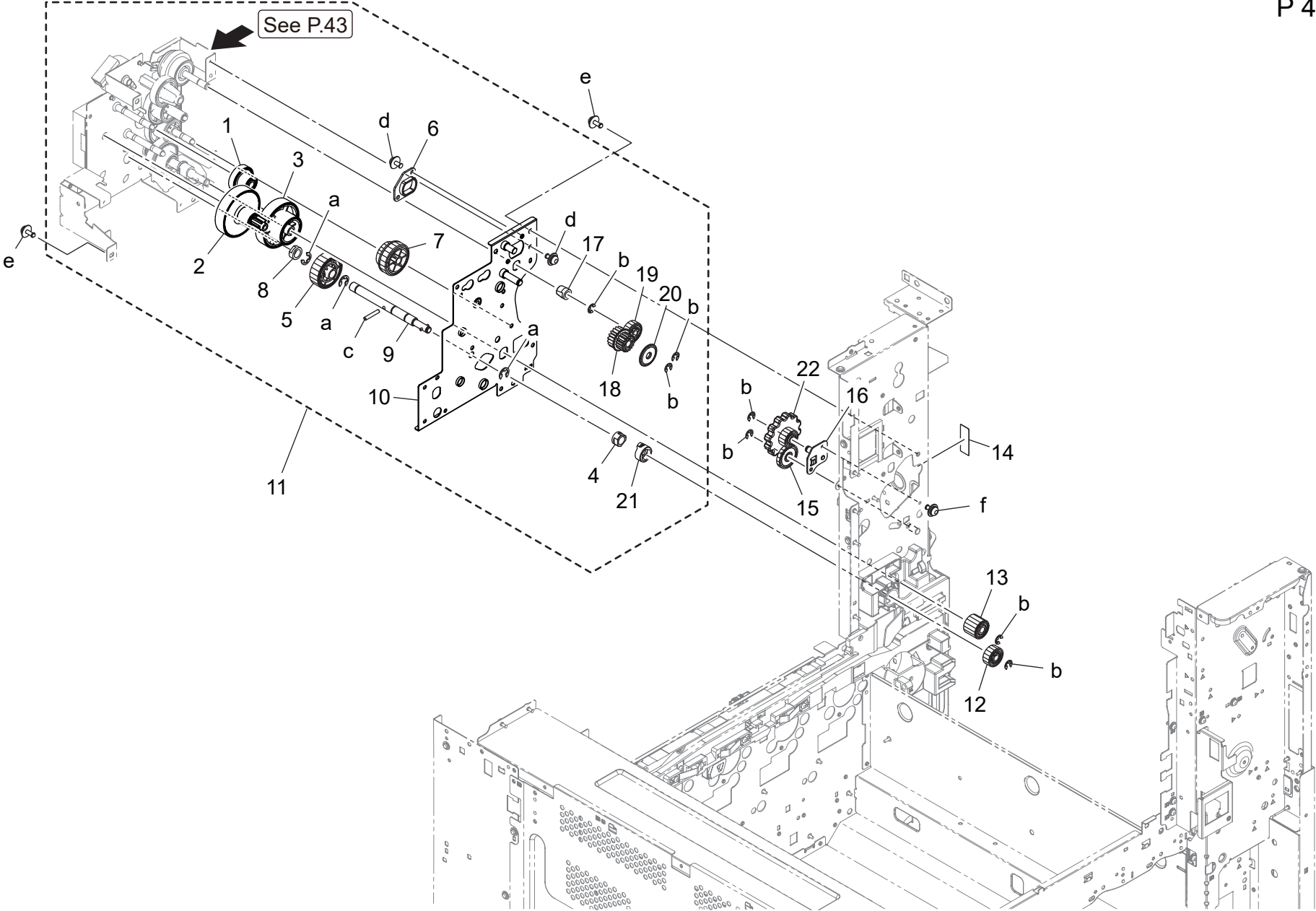
# Toner Supply Drive Section



Toner Supply Drive Section

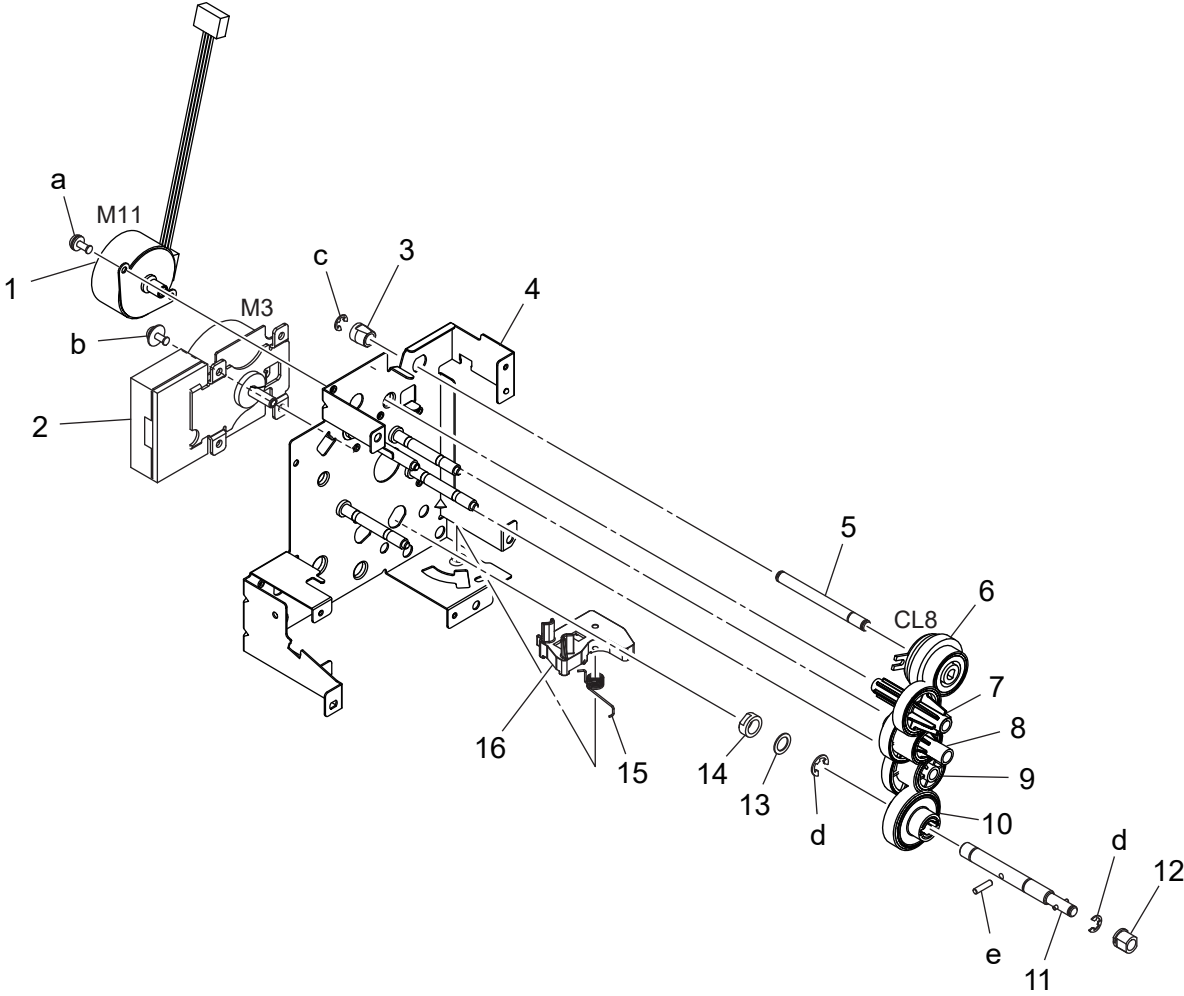
Key	Part No.	Description	Destinations	Class	QTY	Standard parts
1	A7PU241600	Guide		D	1	a-V145030803 b-V153030803 c-V116030803
2	A7PUM10700	Stepping motor		C	1	
3	A9HJR70500	Toner Bottle Drive Assy		S	1	
4	A7PU240101	Drive Holder		D	1	
5	A161240300	Gear 18/91T		D	1	
6	A161240600	Gear 65T		D	1	
7	A7PU241500	Mounting Plate		D	1	
8	A161240400	Gear 29/62T		D	1	
9	4038541202	PRESSURE SPRING		C	1	
10	A161240700	Joint		C	1	

# Fusing Drive Section



Key	Part No.	Description	Destinations	Class	QTY	Standard parts
1	A2XK254200	Gear 18/62T		D	1	a-V217060001 b-V217040001 c-V234301850 d-V116030603 e-V125030818 f-V116030803
2	A161254300	Gear 18/57T		D	1	
3	A79J254400	Gear 55T/33T		C	1	
4	A161254700	Bushing		D	1	
5	A161254500	Gear 38T		D	1	
6	A161232200	Bushing		D	1	
7	A161228800	Gear 22/23T		D	1	
8	A03U812800	Slide Shaft Holder		B	1	
9	AA6V256300	Shaft		D	1	
10	AA6V231000	Mounting Plate /ASSY		D	1	
11	AA6VF22501	Fusing Drive Assy		S	1	
12	A5C1254600	Gear		C	1	
13	A5C1228700	Gear		C	1	
14	A161941100	Label M4		D	1	
15	A161121900	Gear 17T		D	1	
16	A161F10901	Caulking		D	1	
17	A161232300	Bushing		D	1	
18	A5C1231300	Gear 18/18T		C	1	
19	A161230700	Gear 18T		C	1	
20	A2XK224100	Collar		D	1	
21	A161232401	Collar		D	1	
22	A161122002	Gear 12T		D	1	

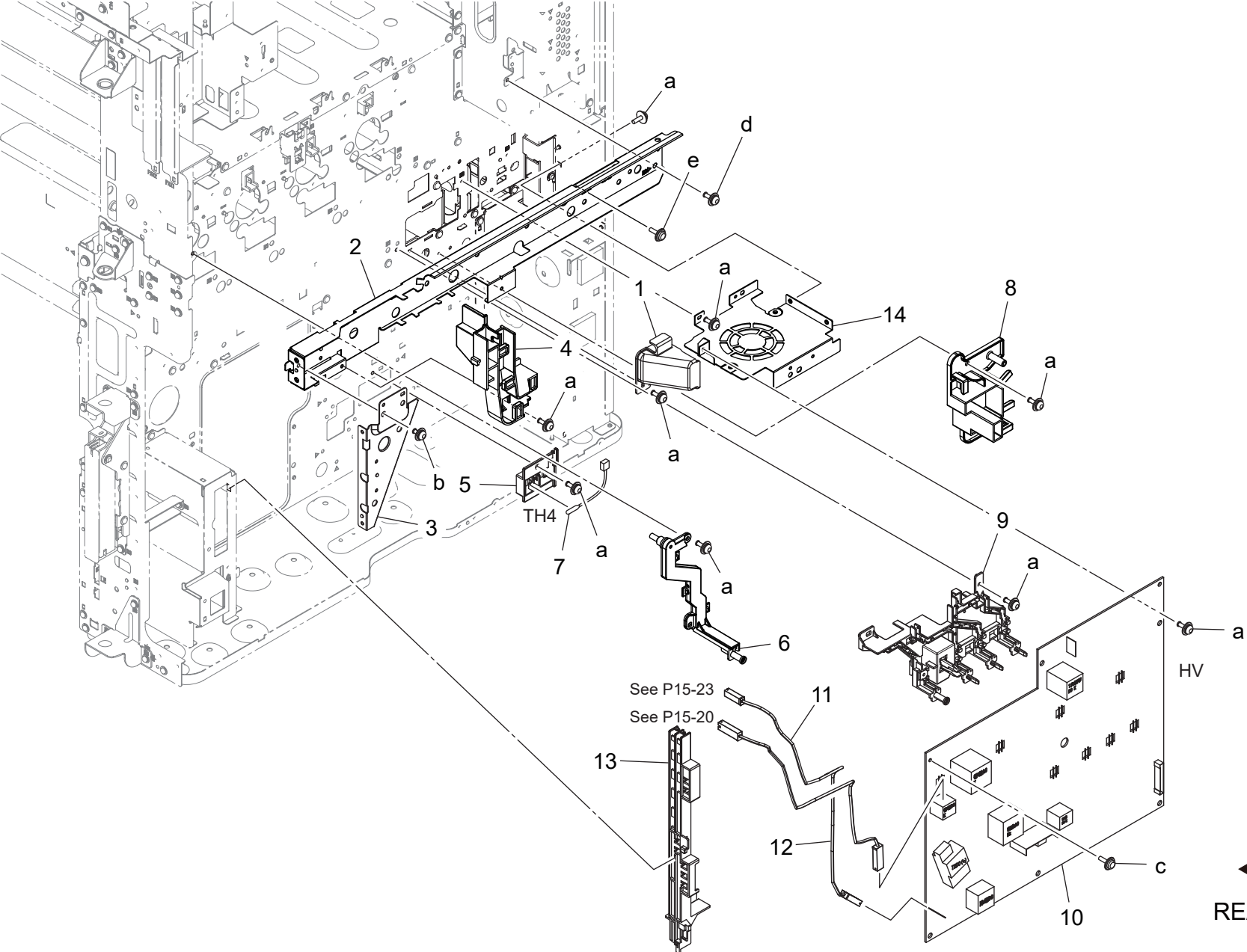
Fusing Drive Section





Key	Part No.	Description	Destinations	Class	QTY	Standard parts
1	A161M10300	Stepping motor		C	1	a-V115030603 b-V116030603 c-V217040001 d-V217060001 e-V234301250
2	A7PUM11000	brushless Motor /20		C	1	
3	A161232300	Bushing		D	1	
4	AA6V255600	Mounting Plate /ASSY		D	1	
5	A161231800	Shaft		D	1	
6	A161M20401	Clutch		C	1	
7	A161230600	Gear 27T		D	1	
8	AA6V230500	Gear 21/59T		C	1	
9	A161228000	Gear 22/70T		D	1	
10	A161228100	Gear 33T		D	1	
11	AA6V228300	Shaft		D	1	
12	A161702200	Bushing		C	1	
13	A1RF505400	Slide Spacer		D	1	
14	A03U812800	Slide Shaft Holder		B	1	
15	A161258501	Torsion Coil spring		D	1	
16	A161228601	Lever		D	1	

# High Voltage Section



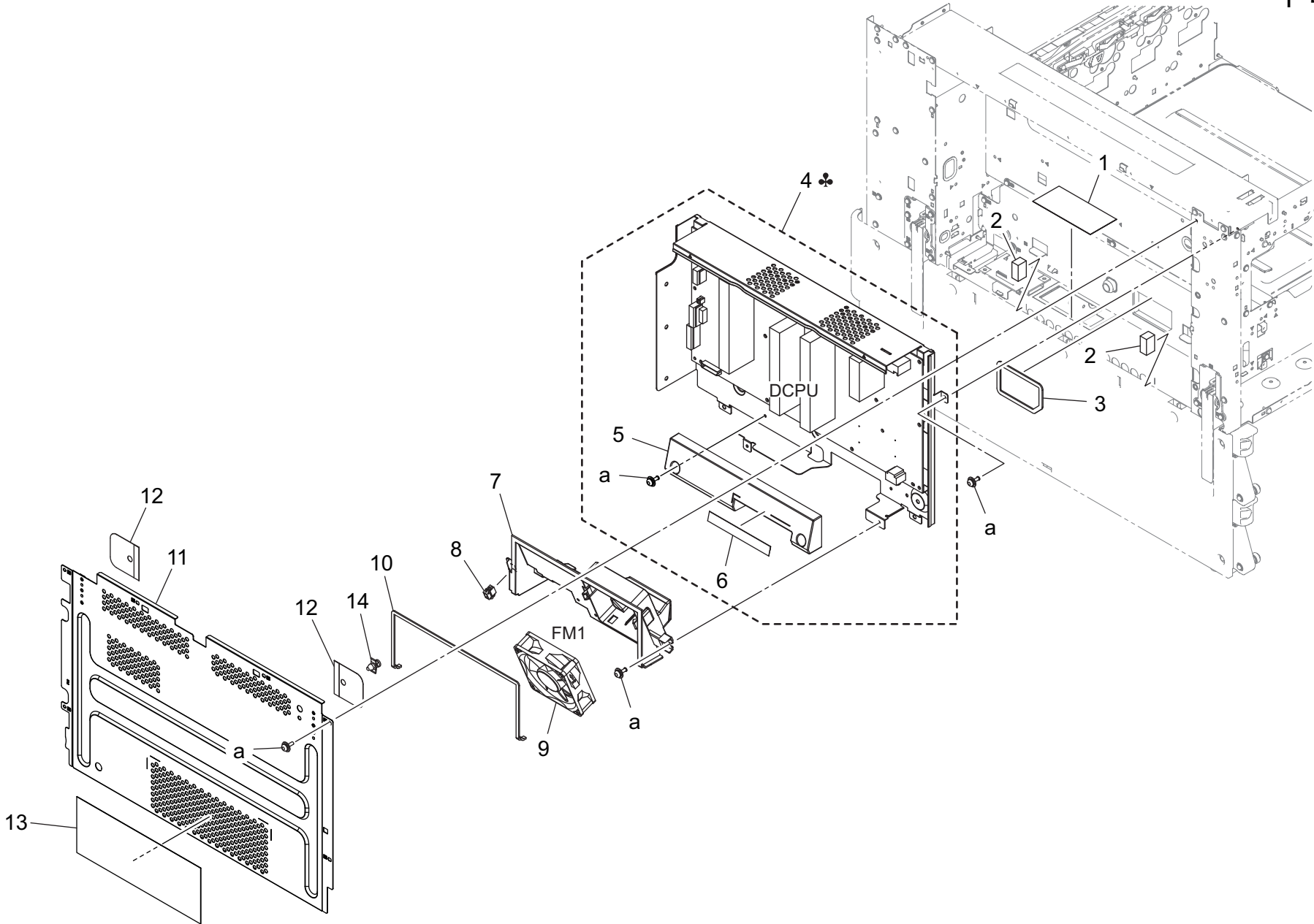
See P15-23  
See P15-20

REAR SIDE

# High Voltage Section

Key	Part No.	Description	Destinations	Class	QTY	Standard parts
1	A161141500	Duct /2		D	1	a-V116030803 b-V116030603 c-V153030804 d-V125030818 e-V153030803
2	A7PU132502	Mounting Plate		D	1	
3	A161132801	Reinforce Plate		D	1	
4	A7PU132100	Guide		D	1	
5	A161137701	Holder		D	1	
6	A7PUR71900	HV Contact Assy		D	1	
7	A0P0M50300	Thermistor		C	1	
8	A7PU141800	Holder		D	1	
9	A61FR71200	DV Contact Assy		D	1	
10	A9HJM40601	High voltage unit		I	1	
11	A161N11300	Transfer Wiring /2		D	1	
12	A161N11K00	Neutralizing Wiring		D	1	
13	A5C1134800	Guide		D	1	
14	A5C1142001	Mounting Plate		D	1	

Low Voltage Section

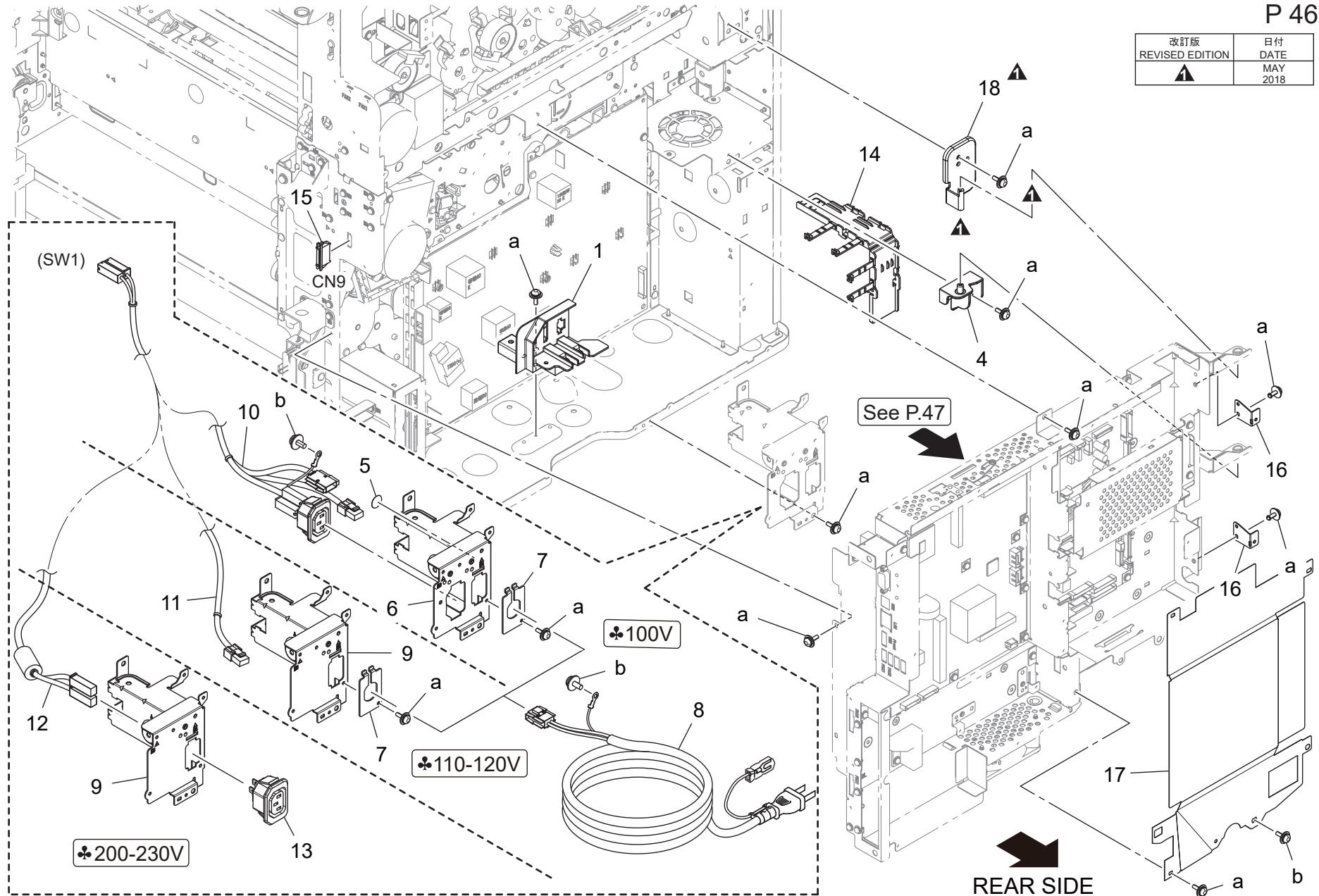


# Low Voltage Section

Key	Part No.	Description	Destinations	Class	QTY	Standard parts
1	A161145000	Filter	フィルタ (LV・PH)	C	1	a-V116030803
2	A161144500	Seal /3	シール/3 (LV・PH)	C	2	
3	A161143601	Seal /3	シール/3 (LV・PH)	D	1	
4	AA6VR70800	Power Supply Assy (100V)	低圧電源 Assy (100V)	I	1	
4	AA6VR70900	Power Supply Assy (200V)	低圧電源 Assy (200V)	I	1	
5	A7PU139000	Duct	ダクト	D	1	
6	A7PU139100	Seal	シール	C	1	
7	A161140800	Cooling Duct	冷却ダクト (LV・PH)	D	1	
8	V651010002	connector	W t o W コネクタ	D	1	
9	4139M10000	Fan motor	ファンモーター	B	1	
10	A161143400	Seal /1	シール/1 (LV・PH)	D	1	
11	A7PU100600	Cover	カバー	D	1	
12	A61F100600	Sheet	シート	D	2	
13	A7PU101500	Filter	フィルタ	C	1	
14	V502010026	SUPPORT	P C B サポート	D	1	

# Electric Parts Section

改訂版 REVISED EDITION	日付 DATE
▲	MAY 2018



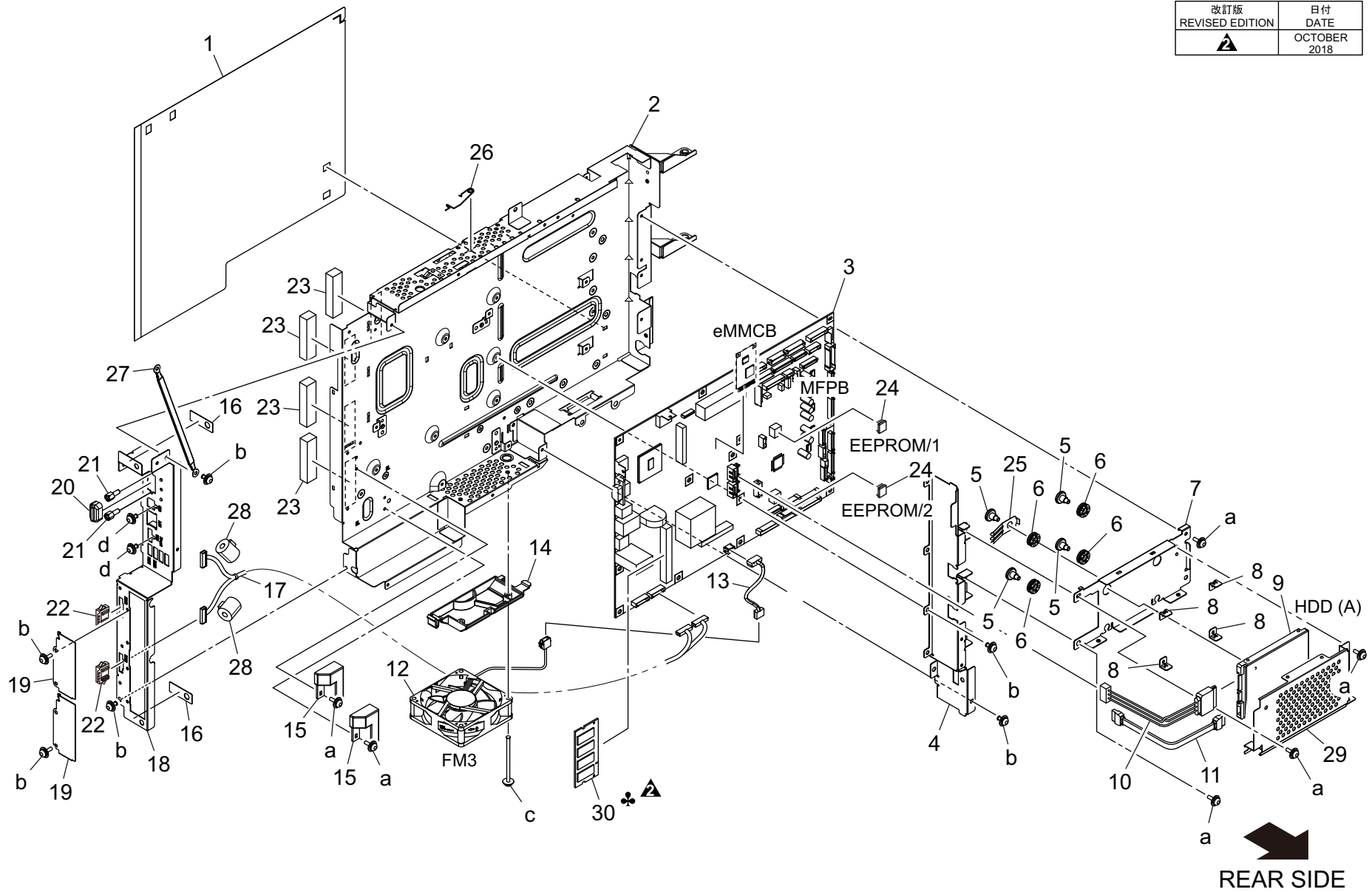
bizhub 308e

Key	Part No.	Description	Destinations	Class	QTY	Standard parts
1	A161131401	Holder		D	1	a-V116030803 b-V116040803
4	A5C1130800	Support Shaft		C	1	
5	9J06730101	LABEL		D	1	
6	A161130502	Mounting Plate	A,A1	D	1	
7	A0ED135700	Mounting Plate	A,A1,B,G2	D	1	
8	AA6RN30000	Power code (100V)	A,A1	D	1	
8	AA6RN30100	Power code (120V)	B,G2	D	1	
9	A161130603	Mounting Plate	B,C,D1,D3,E,F2,G1,G 2,I,K,J	D	1	
10	A161N10002	AC Wiring /100V	A,A1	D	1	
11	A161N10102	AC Wiring /120V	B,G2	D	1	
12	A61FN10200	AC Wiring /230V	C,D1,D3,E,F2,G1,I,K ,J	D	1	
13	A02EN12513	Power supply Wiring	C,D1,D3,E,F2,G1,I,K ,J	D	1	
14	A5C1137800	Holder		D	1	
15	V651010045	WtoW Connector		D	1	
16	A9HJ139800	Mounting Plate		D	2	
17	A9HJ139700	Sheet		D	1	
18	A7PU130700	Mounting Plate		D	1	

# Electric Parts Section

P 47

改訂版 REVISED EDITION	日付 DATE
	OCTOBER 2018

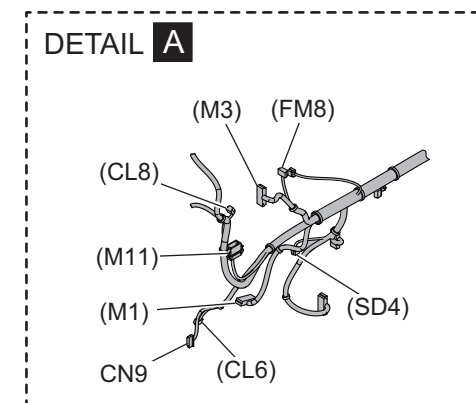
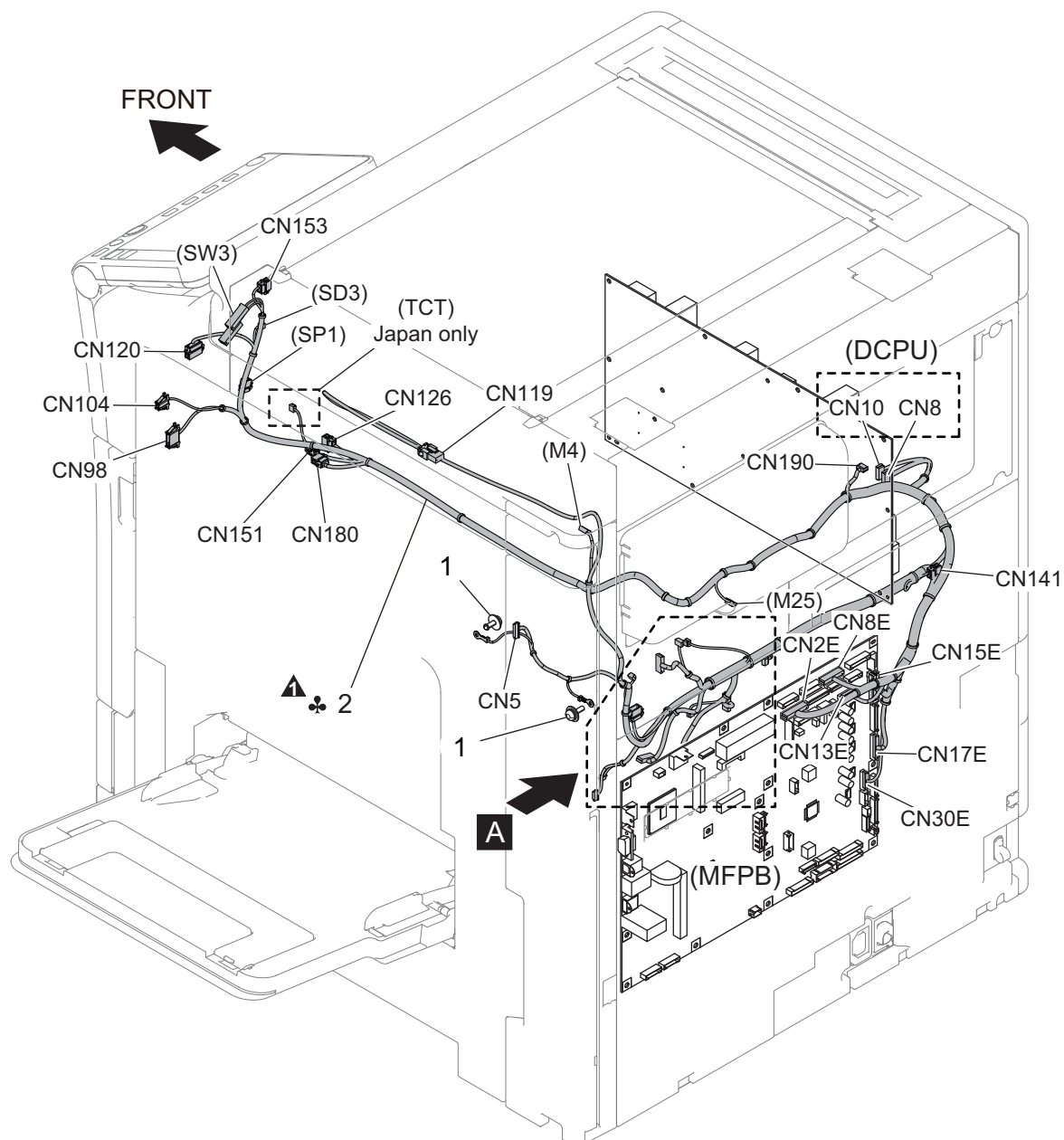


bizhub 308e



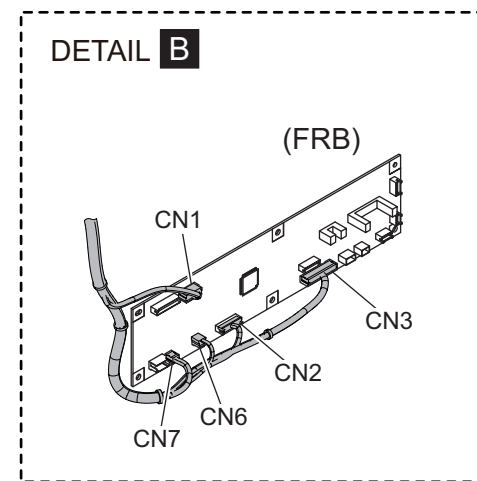
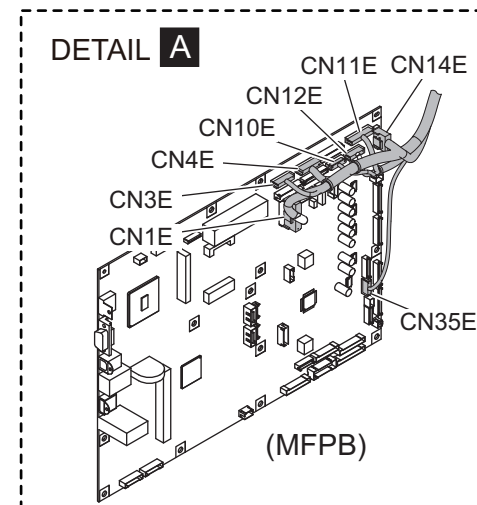
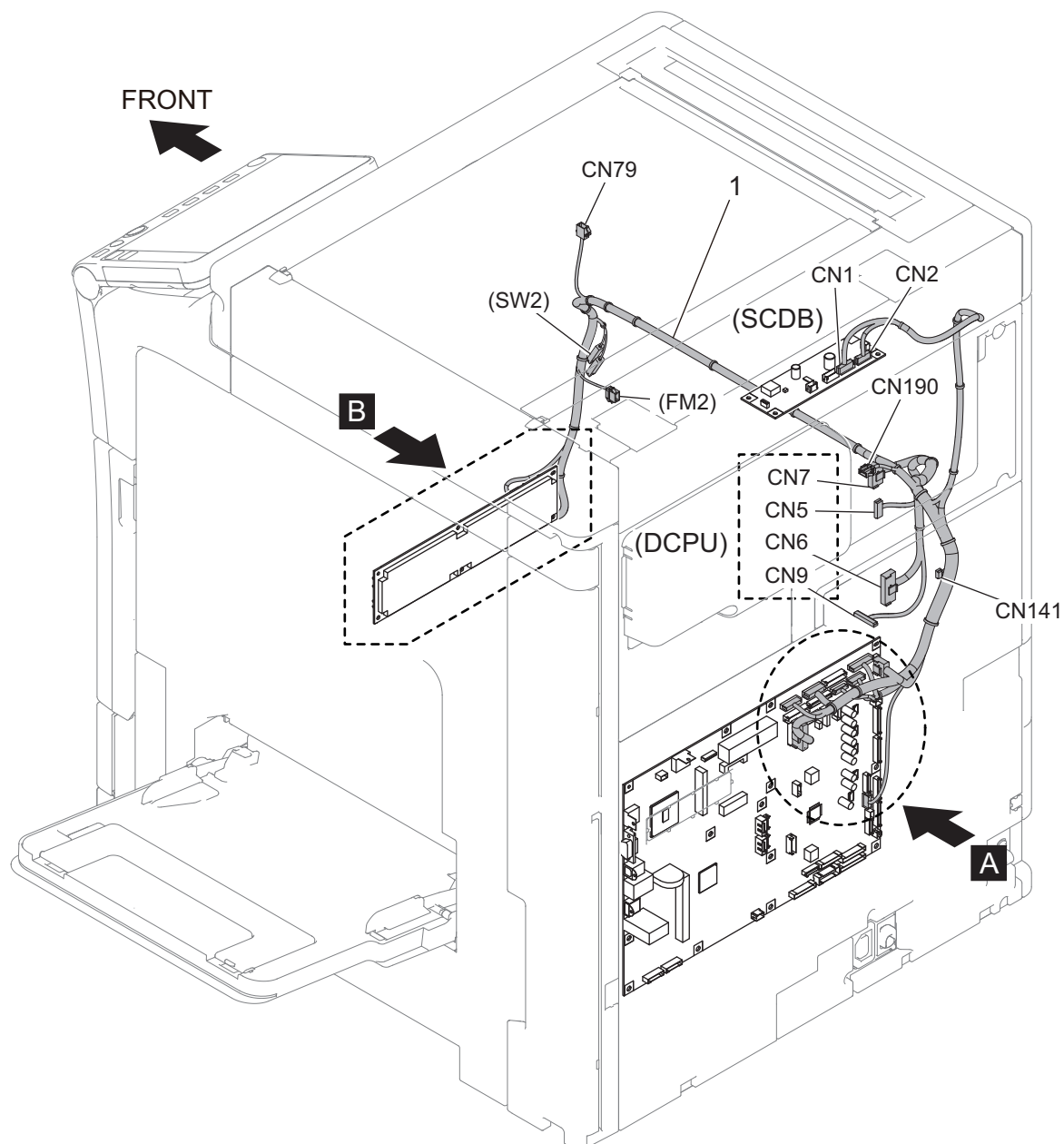
Key	Part No.	Description	Destinations	Class	QTY	Standard parts
1	A7PU134500	Sheet	J	D	1	a-V116030803 b-V116030603 c-V116034003 d-V111030603
1	A7PU134500	Sheet	A,A1,B,C,D1,D3,E,F2 .G1,G2,I,K	D	1	
2	A7PU131905	Mounting Plate		D	1	
3	AA6VH02101	PWB Assembly(PWB-MFP)		I	1	
4	A7PU131101	Partition		D	1	
5	A5C1134200	Shoulder screw		C	4	
6	A4EU138000	Support Rubber		D	4	
7	A7PU134600	Mounting Plate		D	1	
8	A5C1134111	Spacer		D	4	
9	A5C1M72H00	HDD		I	1	
10	A161N15J00	Power source Cable	電源ケーブル (SATA CABLE)	C	1	
11	A0P0N15100	Cable	ケーブル	C	1	
12	A0EDM10500	Fan motor	ファンモータ	C	1	
13	A7PUN10800	Harness /Relay	中継束線	D	1	
14	A7PU140100	Duct	ダクト	D	1	
15	A7PU130400	Guide	ガイド	D	2	
16	A7PU133100	Spacer	スペーサ	D	2	
17	A7PUN10700	Harness /Fax relay	中継束線 (FAX)	D	1	
18	A7PU131603	Mounting Plate	取付板	D	1	
19	A7PU139800	Cover	カバー	D	2	
20	V503010002	Connector Cover	コネクタカバー	D	1	
21	A161137900	Screw	ねじ (D-SUB)	C	2	
22	V651010025	connector	W t o W コネクタ	V	2	
23	A7PUM92500	Gasket	ガスケット	C	4	
24	V864800107	EEPROM (2 pieces)	EEPROM (2個セット)	D	2	
25	A7PU134800	Ground Plate spring	アース板ばね	D	1	
26	A9HJ139900	Contact	接点	D	1	
27	A1DMN13700	Grounding Wire /3	アース線 / 3	D	1	
28	A3EWM90300	Ferritecore	フェライトコア	D	2	
29	A7PU134700	Cover	カバー	D	1	
30	V865300085	MEMORY MODULES	MEMORY MODULES	B,G2	1	

改訂版 REVISED EDITION	日付 DATE
	NOVEMBER 2017



bizhub 308e

Key	Part No.	Description	Destinations	Class	QTY	Standard parts
1	V116030803	Screw		V	2	
2	AA6WN10001	Main body Wiring /1	A,A1	D	1	
2	AA6WN11001	Main body Wiring /1	B,C,D1,D3,E,F2,G1,G 2,I,K,J	D	1	

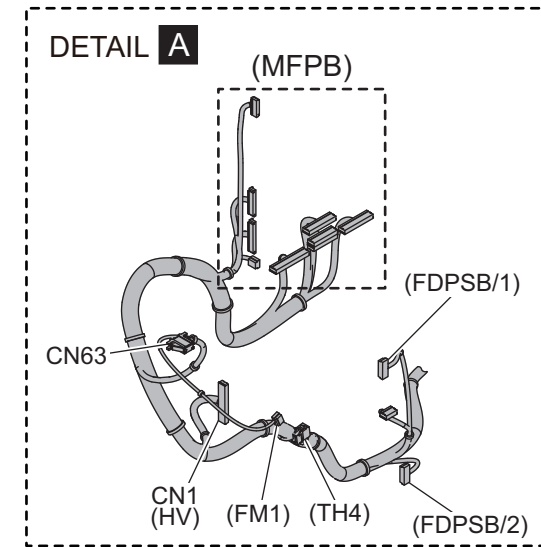
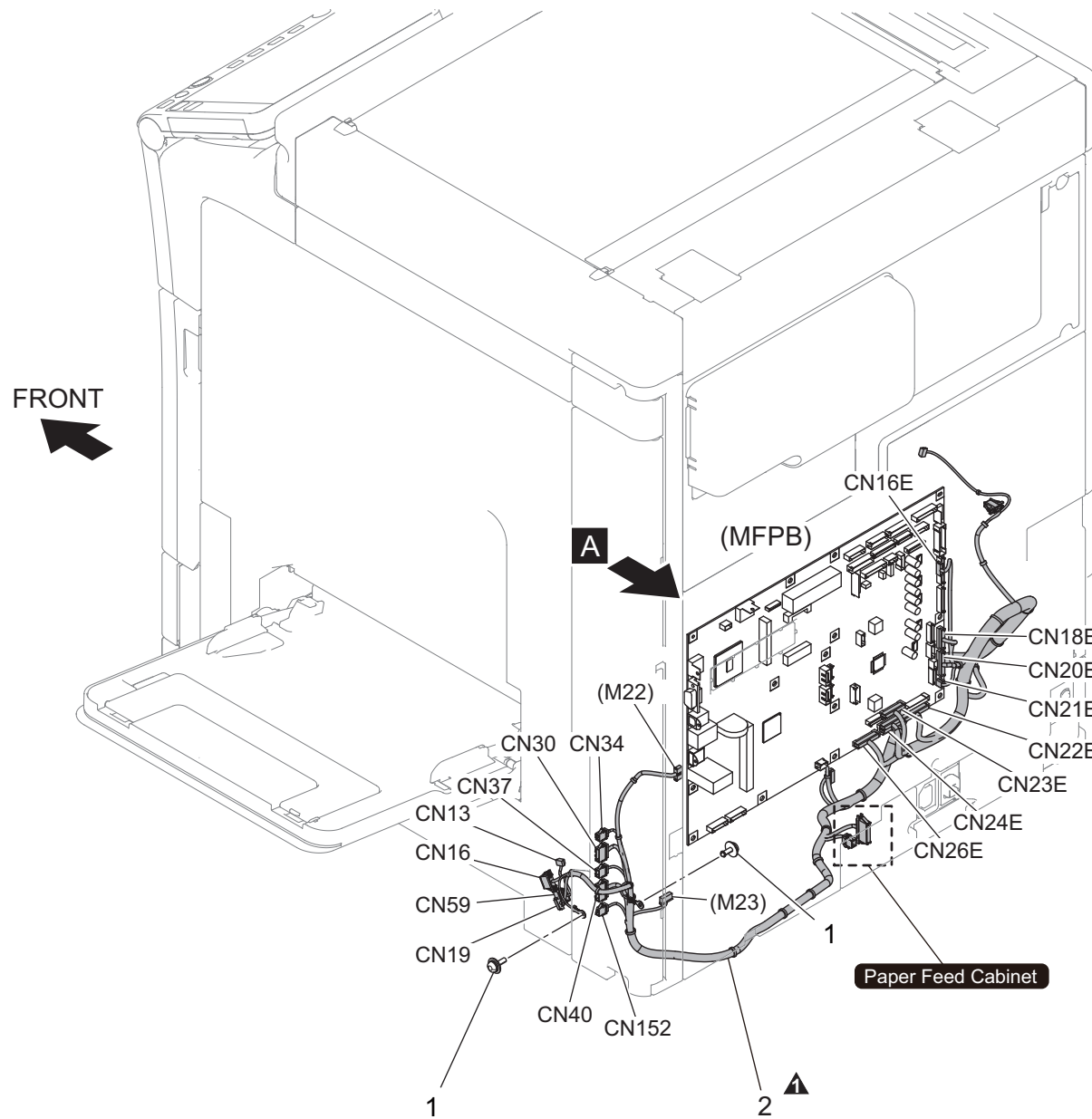


bizhub 308e

Key	Part No.	Description	Destinations	Class	QTY	Standard parts
1	A9HJN10100	Main body Wiring /2 本体束線 / 2		D	1	

# Wiring

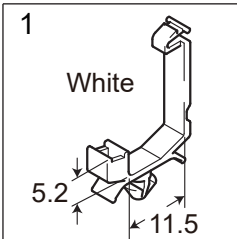
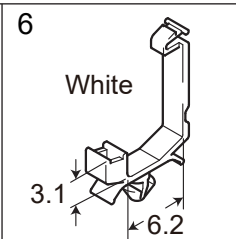
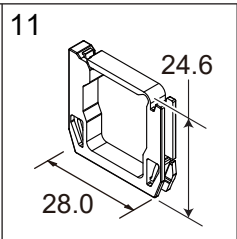
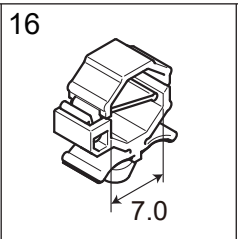
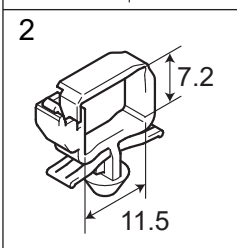
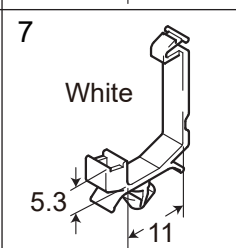
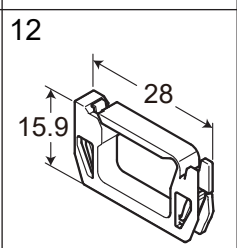
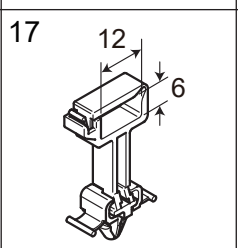
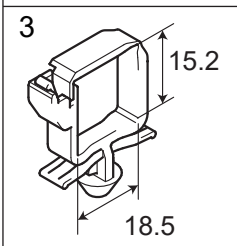
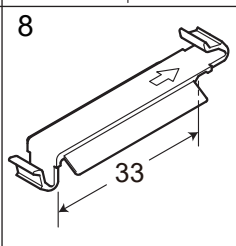
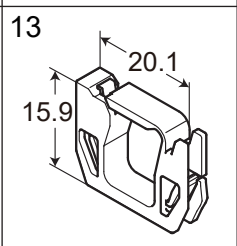
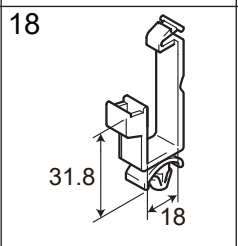
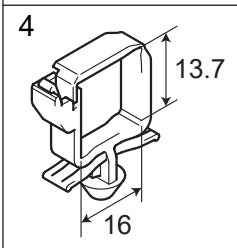
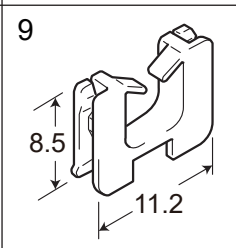
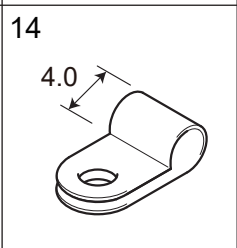
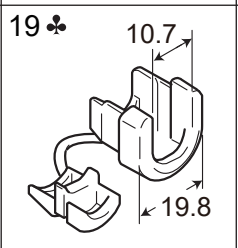
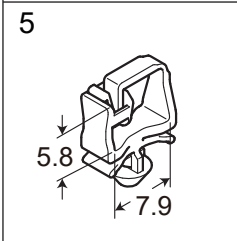
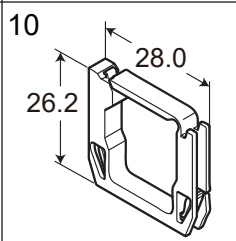
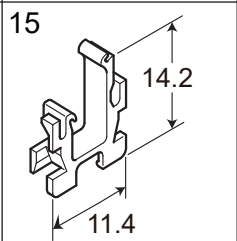
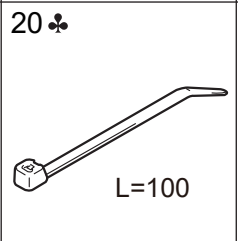
改訂版 REVISED EDITION	日付 DATE
▲	NOVEMBER 2017



Key	Part No.	Description	Destinations	Class	QTY	Standard parts
1	V116030803	Screw		V	2	
2	AA6VN10200	Main body Wiring /3		D	1	

# Wiring Accessories

P 51

1 White 	6 White 	11 	16 	21	26	31	36
2 	7 White 	12 	17 	22	27	32	37
3 	8 	13 	18 	23	28	33	38
4 	9 	14 	19♣ 	24	29	34	39
5 	10 	15 	20♣ 	25	30	35	40

bizhub 308e

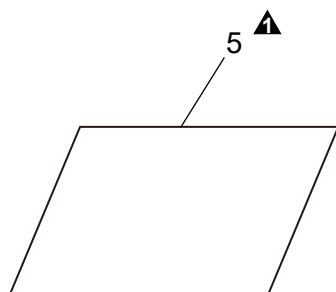
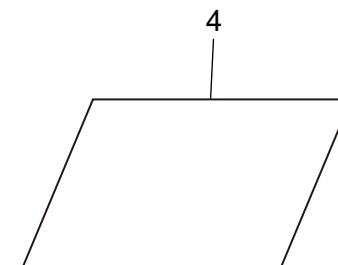
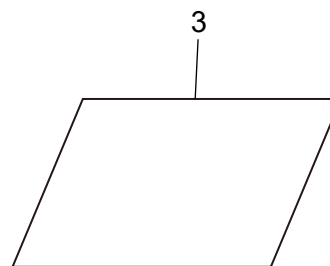
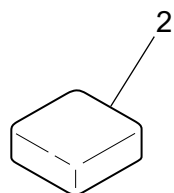
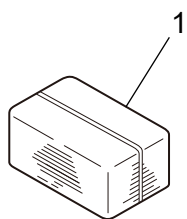


Key	Part No.	Description	Destinations	Class	QTY	Standard parts
1	V500010081	Locking Wire Saddle		D		
2	V500010082	Locking Wire Saddle		D		
3	V500010083	Locking Wire Saddle		D		
4	V500010084	Locking Wire Saddle		D		
5	V500020098	Mini Locking wire saddle		D		
6	V500020099	Mini Locking wire saddle		D		
7	V500020100	Mini Locking wire saddle		D		
8	V500020082	Clamping for FFC		D		
9	V570010021	Saddle		D		
10	V570010058	Wing Edge Saddle		D		
11	V570010057	Wing Edge Saddle		D		
12	V570010059	Wing Edge Saddle		D		
13	V570010060	Wing Edge Saddle		D		
14	V500020069	Clamp		D		
15	V570010050	Locking Edge Saddle		D		
16	V500020110	FG Clamp		D		
17	V500020101	Reuse spacing clamp		V		
18	V500010085	Locking Wire Saddle		D		
19	V500020052	bushing		D		
20	V501010002	band	A,A1,B,G2 G2(Brazil)	D		

# Jigs

P 52

改訂版 REVISED EDITION	日付 DATE
▲	OCTOBER 2018

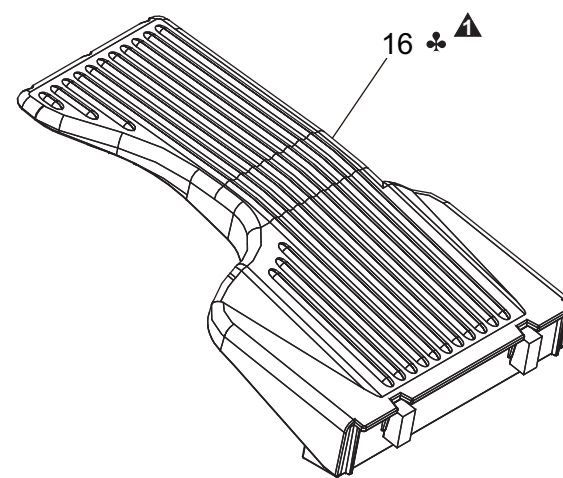
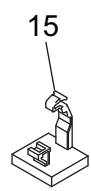
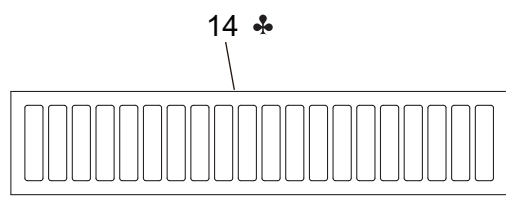
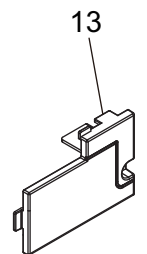
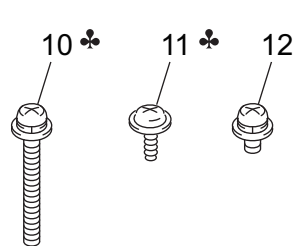
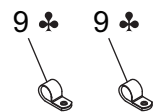
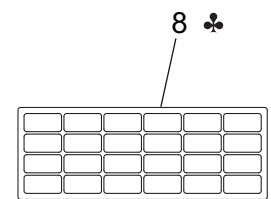
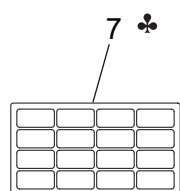
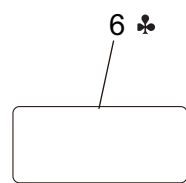
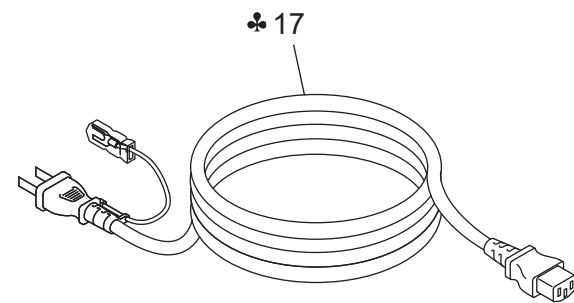
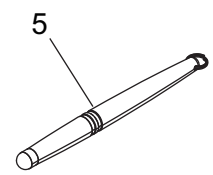
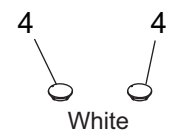
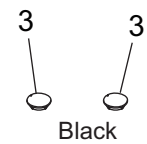
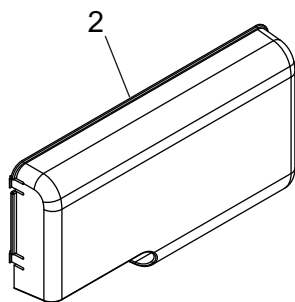
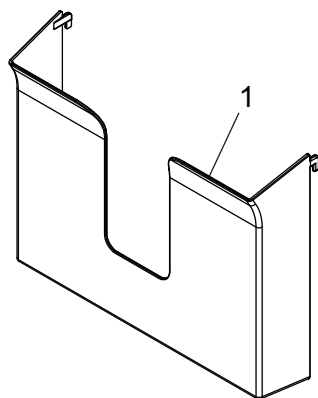


Key	Part No.	Description	Destinations	Class	QTY	Standard parts
1	A5AWP00100	Cleaning Pad		S	1	
2	65AA-9920	HYDROWIPE		S	1	
3	9J06PJP100	Color chart/A3 size		S	1	
4	A79JPJP000	Test chart/A3 size		S	1	
5	A79JPJP100	Test chart/11x17 size		S	1	

# Accessory Parts

P 53

改訂版 REVISED EDITION	日付 DATE
	DECEMBER 2017



Key	Part No.	Description	Destinations	Class	QTY	Standard parts
1	A7PU169900	Holder		C	1	
2	A7PU168201	Duct		D	1	
3	A00J169100	Cover		D	2	
4	A02E167700	Cover		C	2	
5	A5C1192100	Pen		C	1	
6	A1UD947400	Label	A,A1	C	1	
7	A161943400	Label Paper Size/Inch	B,G2	C	1	
8	A161943301	Label Paper Size/Metric	A,A1,C,D1,D3,E,F2,G1,I,K,J	C	1	
9	V500020040	clamp	C,D1,D3,E,F2,G1,I,K,J	D	2	
10	V116033003	Screw	C,D1,D3,E,F2,G1,I,K	V	1	
11	V153030803	Screw	C,D1,D3,E,F2,G1,I,K	V	1	
12	V116030804	Screw		V	1	
13	A7PU166101	Cover		C	1	
14	A7PU947001	Label Panel sheet	A,A1	C	1	
14	A7PU947101	Label Panel sheet	B,D1,D3,E,F2,G1,G2,I(EXCEPT SOUTH AFRICA),K	C	1	
14	A7PU947201	Label Panel sheet	J	C	1	
15	A79J146700	Holder		D	1	
16	A7PU169700	Tray	C,I(SOUTH AFRICA)	D	1	
17	4136N30000	POWER CODE	D1,G1,I,K(Pakistan, Latin America, Nepal, Maldives, Korea)	D	1	
17	9381420021	POWER CORD	D3(New Zealand)	D	1	
17	A1UDN30200	Power cord /230V	G1(Argentina)	C	1	
17	A2UPN30100	Power code (220-240V)	D1,F2,I(Saudi Arabia, Kuwait, UAE, Bahrain, Qatar, Oman, Yemen, HongKong)	D	1	
17	A2UPN30300	Power code (220-240V)	G1(Peru)	D	1	
17	A2UPN30601	Power code (220-240V)	G2(Brazil)	D	1	
17	A7AHN30000	Power code /230V	D1(India)	D	1	
17	9381430031	POWER CORD	J	D	1	

# MAINTENANCE LIST

● The items with no Page/Key numbers are not handled as spare parts.

No.	Section	PM Parts Description	Maintenance Cycle (K=1,000)		Parts No.	Destinations	Page/Key	Note
			QTY	Replace				
1	Tray 1	Tray 1 pick-up roller	1	300k	A64J564201		P17-29	*1*2
2		Tray 1 feed roller	1	300k	A64J564101		P17-14	*1*2
3		Tray 1 separation roller	1	300k	A64J564101		P18-6	*1*2
4	Tray 2	Tray 2 pick-up roller	1	300k	A64J564201		P19-19	*1*2
5		Tray 2 feed roller	1	300k	A64J564101		P19-18	*1*2
6		Tray 2 separation roller	1	300k	A64J564101		P20-6	*1*2
7	Manual bypass tray	Manual bypass tray feed roller	1	200k	A00F623201		P31-10	*1*2
8		Manual bypass tray separation roller assy	1	200k	4658015106		P32-26	*1*2
9	Processing section	Toner cartridge/K *3	1	25k	-			*4
10		Drum unit/K *3	1	270k	-			*4
11		Developing unit/K	1	600k	-			*4
12		Waste toner box *3	1	200k	AAJ50Y1	A,A1,B,G2	P12-9	*4
13			1	200k	AAJ5WY1	C,D1,D3,E,F2,G1,I,K,J	P12-9	*4
14	Image transfer section	Transfer Belt Unit	1	300k	AA6VR70111		P15-1	*4
15		Transfer roller unit	1	300k	AA6RR70200		P28-23	*4
16	Fusing Section	Fusing unit	1	600k	AA6VR70400	A,A1	P36-12	*4
17			1	600k	AA6VR70500	B,G2	P36-12	*4
18			1	600k	AA6VR70600	C,D1,D3,E,F2,G1,I,K,J	P36-12	*4

\*1: Life counter value

\*2: Replace these parts at the same time.

\*3: The parts can be replaced either by user or service engineer.

\*4: Field standard yield

\*: The part names used on this page follow the ones used in the Service Manual and they are occasionally different from those written in other pages.

# メンテナンスリスト

● ページ / キーナンバーのないものは、アフターサービス部品ではありません。

No.	区分	PM 部品名称	サイクル (K=1,000)		部品番号	仕向地	頁 / キー	備考
			員数	交換				
1	トレイ 1	トレイ 1 ピックアップローラー	1	300k	A64J564201		P17-29	*1*2
2		トレイ 1 給紙ローラー	1	300k	A64J564101		P17-14	*1*2
3		トレイ 1 分離ローラー	1	300k	A64J564101		P18-6	*1*2
4	トレイ 2	トレイ 2 ピックアップローラー	1	300k	A64J564201		P19-19	*1*2
5		トレイ 2 給紙ローラー	1	300k	A64J564101		P19-18	*1*2
6		トレイ 2 分離ローラー	1	300k	A64J564101		P20-6	*1*2
7	手差し	手差しトレイ給紙ローラー	1	200k	A00F623201		P31-10	*1*2
8		手差しトレイ分離ローラー Assy	1	200k	4658015106		P32-26	*1*2
9	プロセス部	トナーカートリッジ /K *3	1	25k	-			
10		ドラムユニット /K *3	1	270k	-			*4
11		現像ユニット /K	1	600k	-			*4
12		廃棄トナーボックス *3	1	200k	AAJ50Y1	A,A1,B,G2	P12-9	*4
13			1	200k	AAJ5WY1	C,D1,D3,E,F2,G1,I,K,J	P12-9	*4
14	転写部	転写ペルトユニット	1	300k	AA6VR70111		P15-1	*4
15		転写ローラーユニット	1	300k	AA6RR70200		P28-23	*4
16	定着部	定着ユニット	1	600k	AA6VR70400	A,A1	P36-12	*4
17			1	600k	AA6VR70500	B,G2	P36-12	*4
18			1	600k	AA6VR70600	C,D1,D3,E,F2,G1,I,K,J	P36-12	*4

\*1: ライフカウンター値

\*2: 同時交換のこと

\*3: ユーザー / サービス交換の選択が可能

\*4: 市場標準印刷枚数値

\*: ここに記載されている部品名称はサービスマニュアルで使用されている部品名称であり、他のページに記載されている部品名称とは異なる場合があります。

## DESTINATION

Destination No.		Destinations		V	Hz	Model No.
A	A1	JAPAN		100	50/60	AA6W001
	A2	JAPAN				
B		USA, CANADA		120	60	AA6W011, AA6W012, AA6W017, AA6W018
C		EUROPEAN TYPE		220-240	50/60	AA6W021
D	D1	S.E ASIA TYPE	THAILAND, SRI LANKA, SINGAPORE, MALAYSIA, HONG KONG, PAKISTAN, INDIA, BANGLADESH, INDONESIA	220-240	50/60	AA6W041
	D3	OCEANIA TYPE	AUSTRALIA, NEW ZEALAND	220-240	50/60	AA6W041
E		PHILIPPINES		220-240	50/60	AA6W041
F	F1	SAUDI ARABIA				
	F2	SAUDI ARABIA		220-240	50/60	AA6W041
G	G1	C.S AMERICA		220-240	50/60	AA6W041
	G2	C.S AMERICA		120	60	AA6W011
H		TAIWAN				
I		JORDAN, LEBANON, SYRIA, SOUTH AFRICA, IRAQ, IRAN, N.YEMEN, CAMEROON, UAE, BAHRAIN, OMAN, QATAR, KUWAIT, KENYA, TUNISIA, IVORY COAST, MOROCCO		220-240	50/60	AA6W021 AA6W041
J		CHINA		220-240	50/60	AA6W081
K		KOREA		220-240	50/60	AA6W041

bizhub 308e