

KONICA MINOLTA

# *PARTS GUIDE MANUAL*

---

OCTOBER 2016

*bizhub 3301P*  
*A63P015*

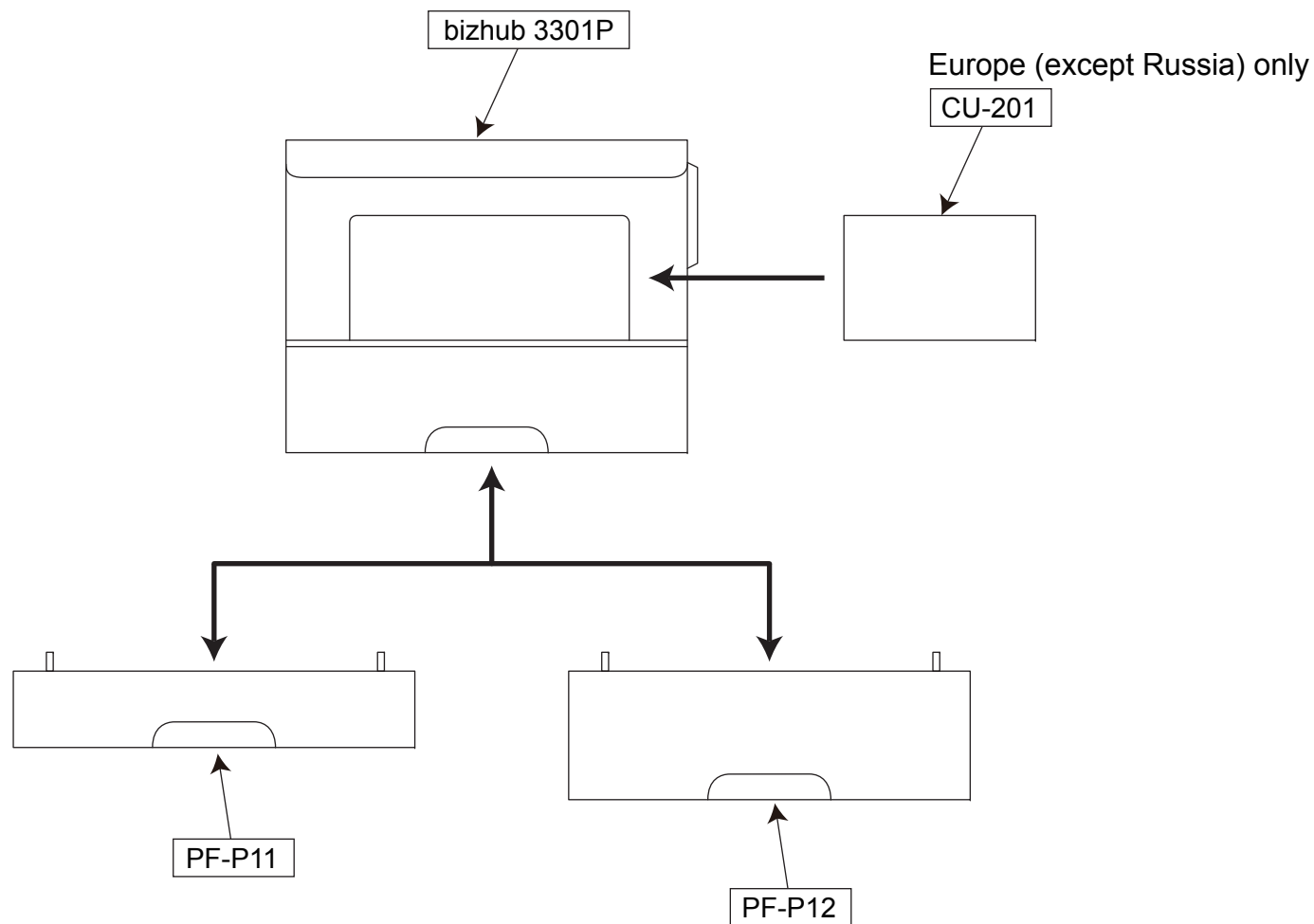
## INFORMATION FOR PARTS GUIDE MANUAL

To find correct Parts No., refer to the "HOW TO MAKE THE BEST USE OF THIS MANUAL" in the following page.

### HOW TO MAKE THE BEST USE OF THIS MANUAL

- 1 When you order, please check the proper figures beforehand that are on Our Parts Guide Manual, and order with the appropriate figures.
- 2 For screws, Nuts, Washers, retaining rings and Pins which are used in this model, one letter is shown on the Standard parts column of Parts list and exploded diagrams.
- 3 In order to maintain safety of the product, some specific parts composed of this product are set up as "essential safety parts".
- 4 The assigned parts number for the "essential safety parts" is indicated as "SP00-\*\*\*\*".  
When replacing these parts, follow precautions for disassembling and installing which are listed in the Service Manual.  
Do not use any parts that are not set up as
- 5 ♣ means that there are exclusive parts for each destination.  
Please check the appropriate destination when you order.
- 6 Revision Mark  
Marked as ▲ on the illustration shows that the revision has been made.
- 7 All rights reserved. (any reprints or quotations are prohibited.)  
Use of this parts guide manual should be strictly supervised to avoid disclosure of confidential information.

# System Configuration

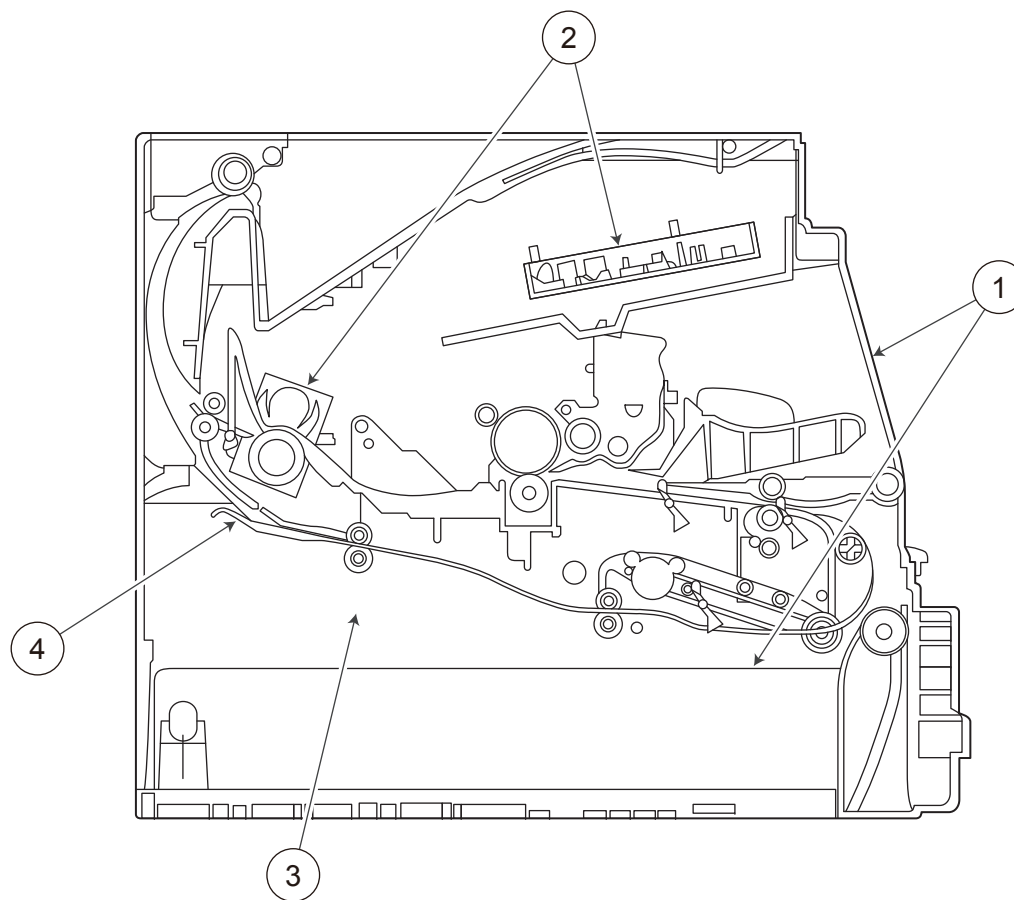


bizhub 3301P

# GENERAL CONTENTS

<b>No.</b>	<b>Description</b>	<b>Model</b>
1	Printer B/W	bizhub 3301P
2	Paper Feeder	PF-P11
3	Paper Feeder	PF-P12
4	Other Option	CU-201

# Section Configuration



bizhub 3301P

# CONTENTS

<b>No.</b>	<b>DESCRIPTION</b>	<b>PAGE No.</b>
1	EXTERNAL PARTS/CASSETTE SECTION	P1
2	PH/FUSING SECTION	P2
3	MAIN POWER SUPPLY SECTION	P3
4	REVERSAL/MAIN DRIVE SECTION	P4
5	ACCESSORY PARTS	P5


# INDEX

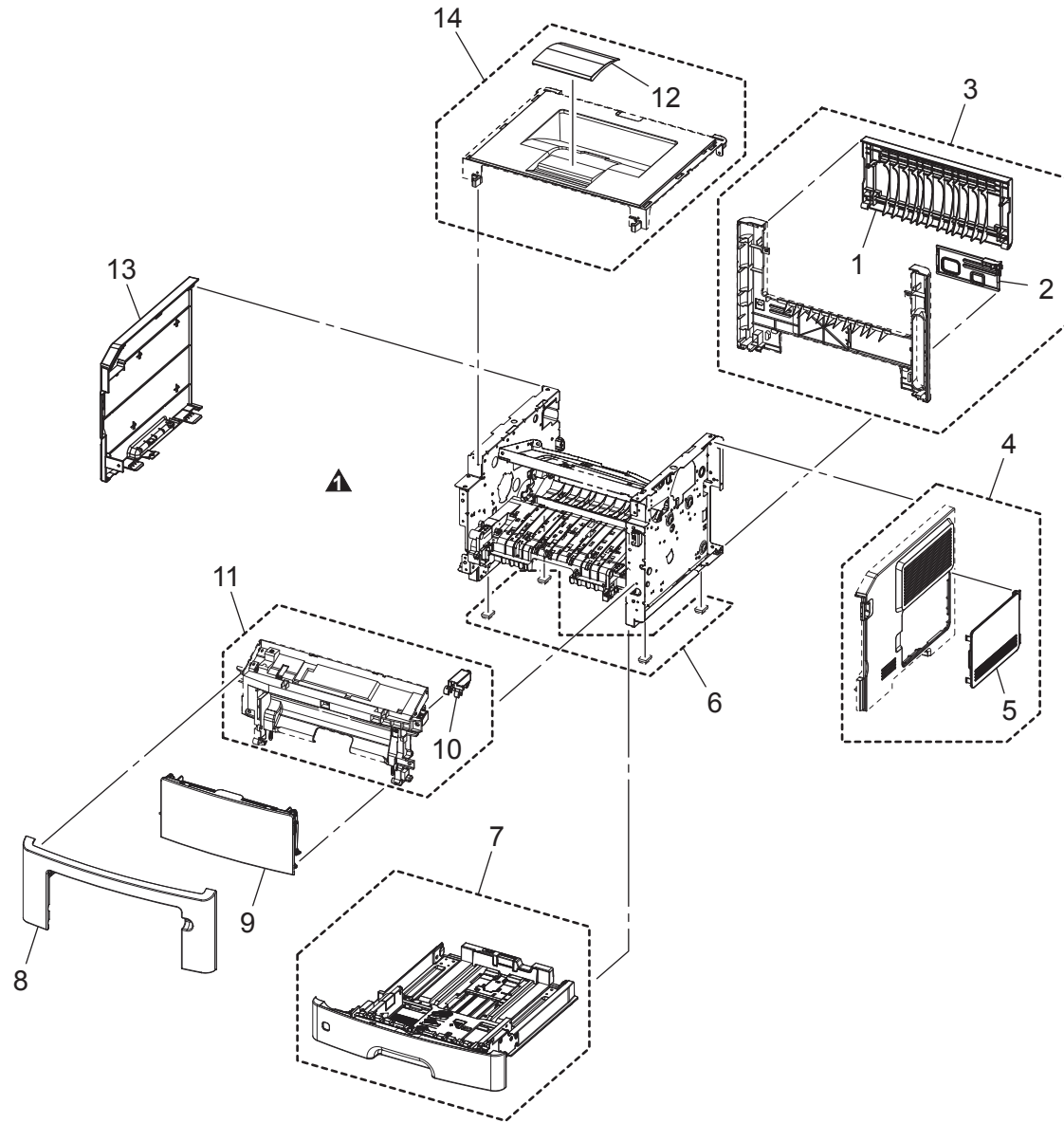
1/1

Parts No.	Page No.
4136N30000	5-2
A034N30300	5-2
A0HFN12200	5-3
A1UDN30200	5-2
A2UPN30100	5-2
A2UPN30300	5-2
A2UPN30501	5-2
A2UPN30700	5-2
A63NPP0800	1-11
A63NPP0C00	2-8
A63NPP0D00	2-7
A63NPP0E00	2-6
A63NPP0F00	2-4
A63NPP0H00	2-3
A63NPP0K00	2-10
A63NPP0M00	2-2
A63NPP0N00	2-2
A63NPP0P00	3-1
A63NPP0Q00	3-3
A63NPP0T00	3-6
A63NPP0Y00	4-1
A63NPP1100	4-8
A63NPP1200	4-9
A63NPP1300	4-10
A63NPP1400	4-11
A63NPP1500	4-5
A63NPP1700	4-15
A63NPP1900	4-13
A63NPP1F00	5-1
A63NPP1G00	1-6
A63NPP1H00	1-10
A63NPP1N00	4-4
A63NPP1P00	5-2
A63NPP1R00	5-2
A63NPP1T00	5-2
A63NPP1U00	5-2
A63NPP1V00	5-2
A63NPP1W00	5-2
A63NPP1X00	5-2
A63NPP1Y00	5-2

Parts No.	Page No.
A63NPP2000	5-2
A63NPP2100	5-2
A63NPP2200	5-2
A63NPP2300	5-2
A63NPP2400	1-12
A63NPP2600	1-1
A63NPP2800	1-2
A63NPP2900	1-5
A63NPP2A00	4-2
A63NPP2B00	4-14
A63NPP2E00	2-12
A63NPP2U00	2-1
A63PPP0000	1-7
A63PPP0300	1-14
A63PPP0400	1-3
A63PPP0500	1-13
A63PPP0600	1-4
A63PPP0B00	3-2
A63PPP0C00	3-5
A63PPP0D00	3-4
A63PPP0E00	3-4
A63PPP0F00	4-3
A63PPP0G02	4-6
A63PPP0H01	4-7
A63PPP0K00	4-12
A63PPP0P00	1-9
A63PPP1200	2-11
A63PPP1300	2-9
A63PPP1401	2-5
A63PPP1700	4-16
A63RPP0900	1-8
A6F7PP1500	4-17

# EXTERNAL PARTS/CASSETTE SECTION

改訂版 REVISED EDITION	日付 DATE
	MARCH 2016



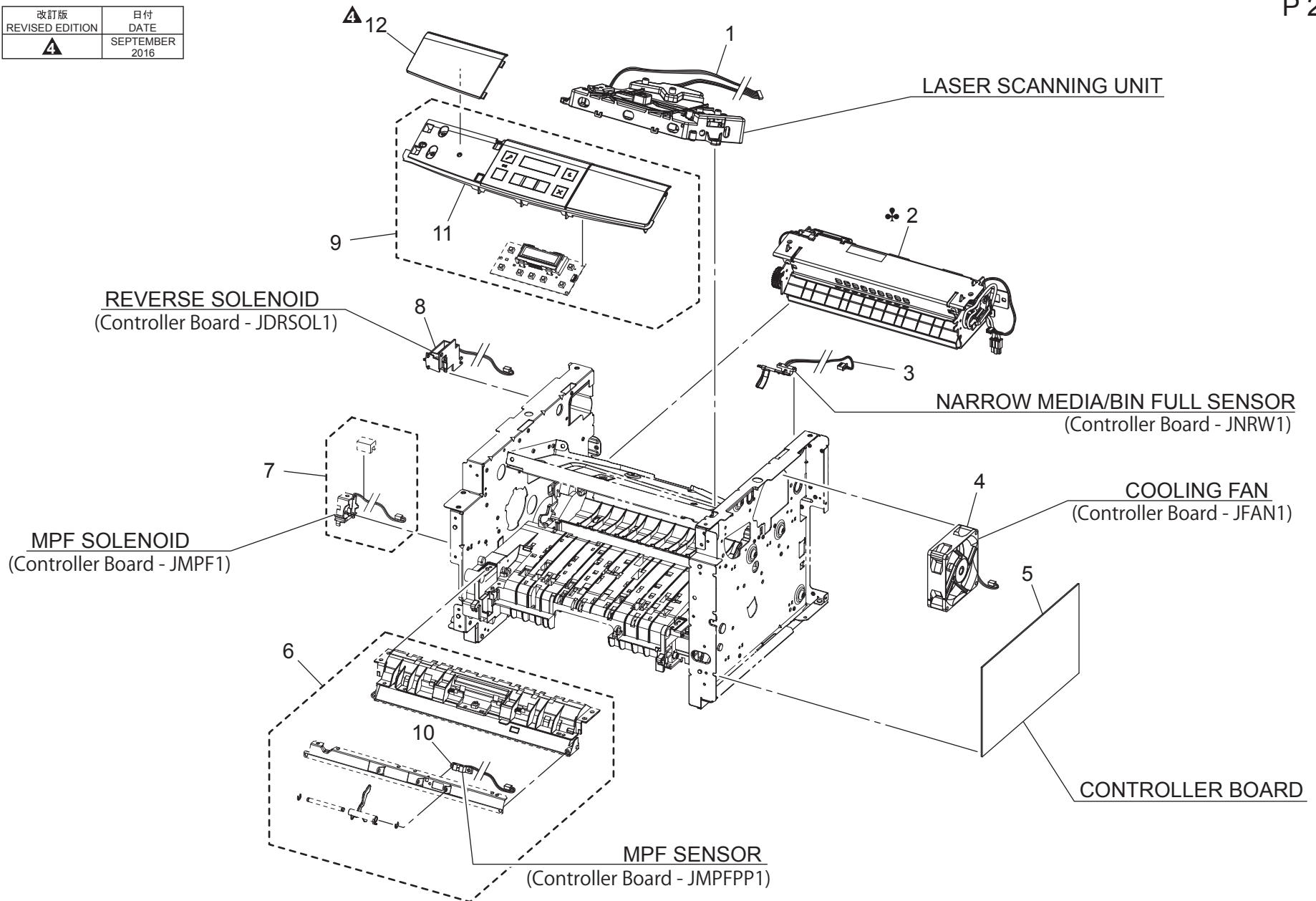


EXTERNAL PARTS/CASSETTE SECTION

Key	Part No.	Description	Destinations	Class	QTY	Standard parts
1	A63NPP2600	Cover		D	1	
2	A63NPP2800	Cover		D	1	
3	A63PPP0400	Cover/Rear Assy		C	1	
4	A63PPP0600	Cover/Right Assy		C	1	
5	A63NPP2900	Cover		D	1	
6	A63NPP1G00	Rubber Foot Set(4 pcs/set)		D	1	
7	A63PPP0000	Cassette Assy/250 Sheet		B	1	
8	A63RPP0900	Cover/Front		C	1	
9	A63PPP0P00	Tray		C	1	
10	A63NPP1H00	Holder		C	1	
11	A63NPP0800	Front Guide Assy		D	1	
12	A63NPP2400	Tray		C	1	
13	A63PPP0500	Cover/Left		C	1	
14	A63PPP0300	Cover/Upper Assy		C	1	

# PH/FUSING SECTION

改訂版 REVISED EDITION	日付 DATE
▲	SEPTEMBER 2016

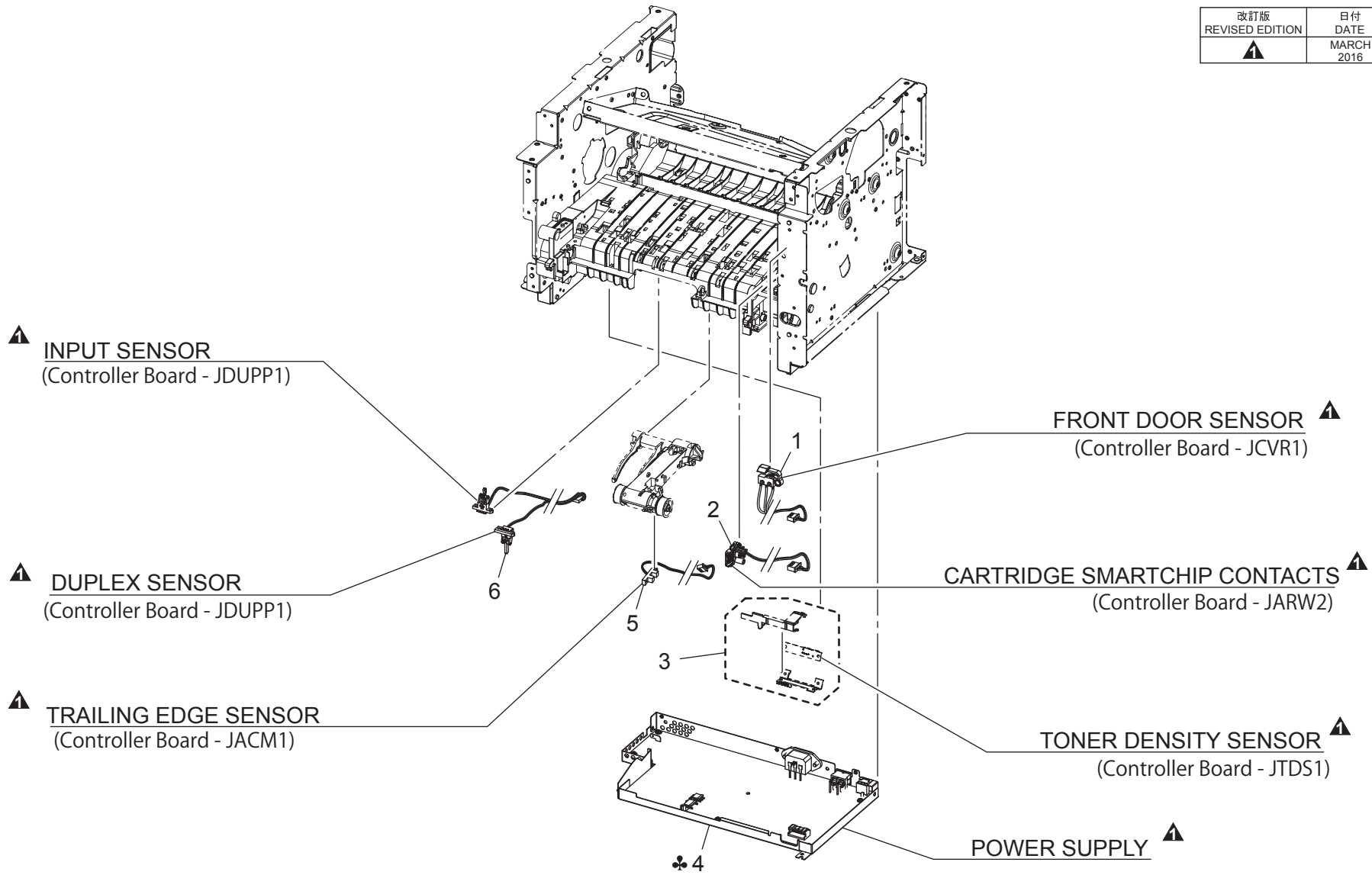


PH/FUSING SECTION

Key	Part No.	Description	Destinations	Class	QTY	Standard parts
1	A63NPP2U00	Print Head Assy		I	1	
2	A63NPP0N00	Fusing Unit 110V	B,G2,H	B	1	
2	A63NPP0M00	Fusing Unit 220V	C,D1,D3,F2,G1,G2,I,J	B	1	
3	A63NPP0H00	Sensor		I	1	
4	A63NPP0F00	Fan motor		C	1	
5	A63PPP1401	PWB assembly		I	1	
6	A63NPP0E00	Guide Assy		D	1	
7	A63NPP0D00	Solenoid Kit		C	1	
8	A63NPP0C00	Solenoid		C	1	
9	A63PPP1300	Panel assembly		I	1	
10	A63NPP0K00	Sensor		I	1	
11	A63PPP1200	Panel Cover/Button Assy		D	1	
12	A63NPP2E00	Cover		D	1	

# MAIN POWER SUPPLY SECTION


改訂版 REVISED EDITION	日付 DATE
▲	MARCH 2016

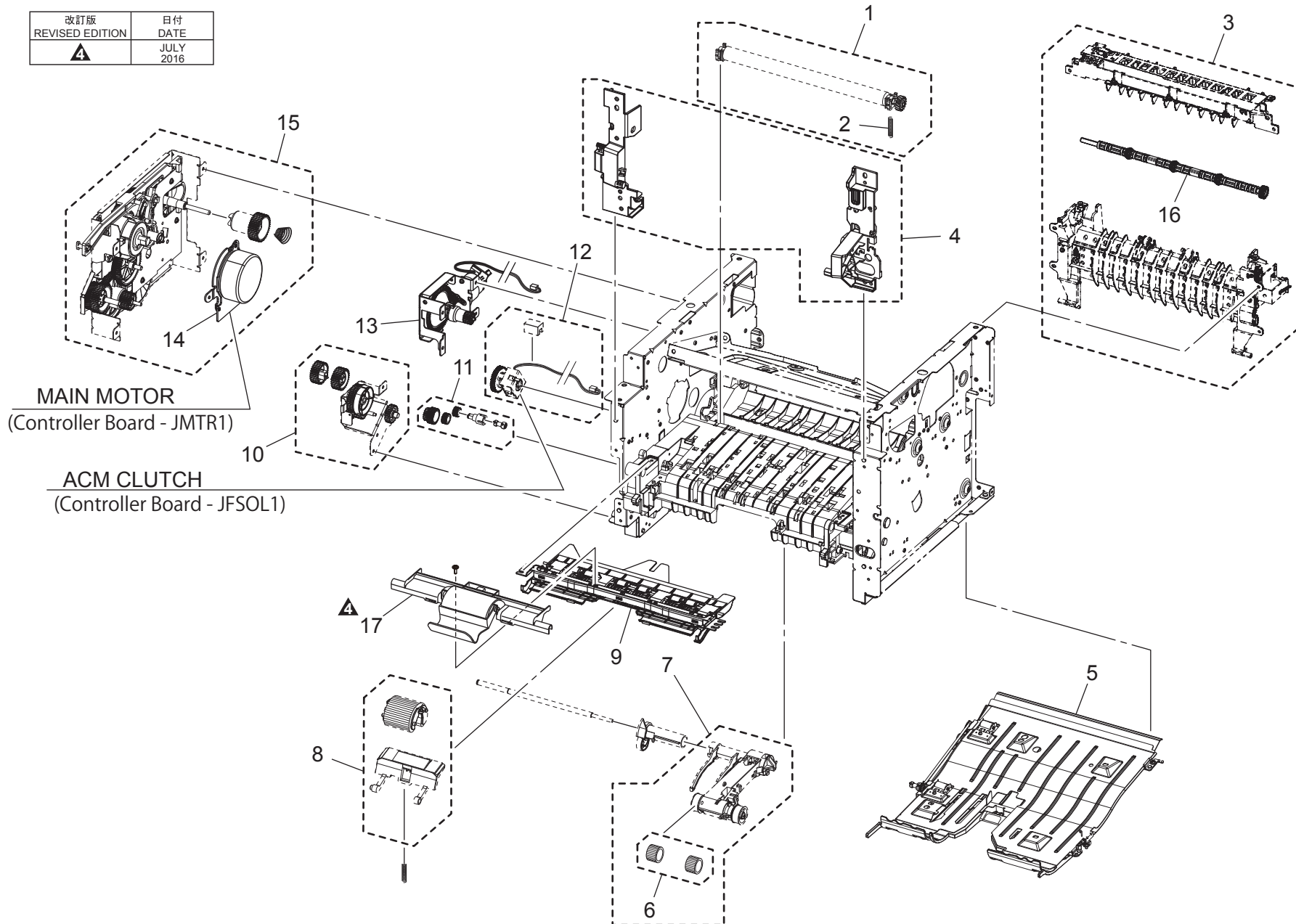


# MAIN POWER SUPPLY SECTION

Key	Part No.	Description	Destinations	Class	QTY	Standard parts
1	A63NPP0P00	Sensor		I	1	
2	A63PPP0B00	Contact/Cartridge		C	1	
3	A63NPP0Q00	Sensor		I	1	
4	A63PPP0E00	Power supply Assy 100V	B,G2,H	I	1	
4	A63PPP0D00	Power supply Assy 220V	C,D1,D3,F2,G1,G2,I,J	I	1	
5	A63PPP0C00	Sensor		I	1	
6	A63NPP0T00	Sensor		I	1	

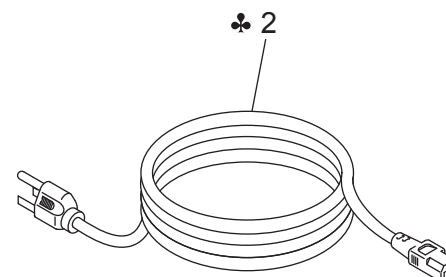
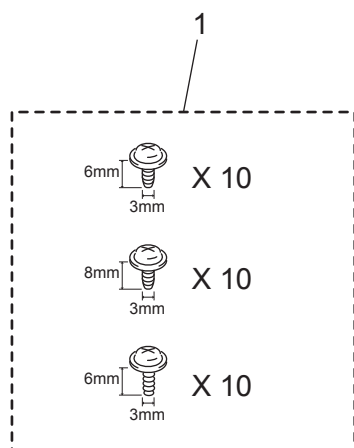
# REVERSAL/MAIN DRIVE SECTION

改訂版 REVISED EDITION	日付 DATE
	JULY 2016



REVERSAL/MAIN DRIVE SECTION

Key	Part No.	Description	Destinations	Class	QTY	Standard parts
1	A63NPP0Y00	Transfer Roller		B	1	
2	A63NPP2A00	Compressing Spring		D	1	
3	A63PPP0F00	Reverse Assy		B	1	
4	A63NPP1N00	Holder Kit		C	1	
5	A63NPP1500	Duplex Assy		C	1	
6	A63PPP0G02	Pick tire Set(2 pcs/set)		B	1	
7	A63PPP0H01	ACM Assy		C	1	
8	A63NPP1100	Paper Feed/Separation Pad Kit		B	1	
9	A63NPP1200	Guide Assy		D	1	
10	A63NPP1300	MPF Drive Assy		C	1	
11	A63NPP1400	Duplex Gear Assy		C	1	
12	A63PPP0K00	Clutch Kit		C	1	
13	A63NPP1900	Cartridge Gear Assy		C	1	
14	A63NPP2B00	Main Drive Motor		B	1	
15	A63NPP1700	Main Drive Assy		C	1	
16	A63PPP1700	Reverse Roller		C	1	
17	A6F7PP1500	Pick Roll Cover		D	1	





# ACCESSORY PARTS

Key	Part No.	Description	Destinations	Class	QTY	Standard parts
1	A63NPP1F00	Screw Kit		C	1	
2	A63NPP1P00	Power Cord	B	D	1	
2	A63NPP2100	Power Cord	C (Denmark)	D	1	
2	A63NPP2300	Power Cord	C (Europe and others)	D	1	
2	A63NPP1U00	Power Cord	C (Italy)	D	1	
2	A63NPP1Y00	Power Cord	C (Switzerland)	D	1	
2	A63NPP1T00	Power Cord	C (United Kingdom)	D	1	
2	A63NPP1X00	Power Cord	D3	D	1	
2	A63NPP1W00	Power Cord	G1	D	1	
2	A2UPN30501	Power code /230V	G2	C	1	
2	A034N30300	Power source Cord	H	D	1	
2	A63NPP1V00	Power Cord	I (Israel)	D	1	
2	A63NPP2000	Power Cord	I (South Africa)	D	1	
2	A63NPP1R00	Power Cord	J	D	1	
2	A63NPP2200	Power Cord	K	D	1	
2	A1UDN30200	Power cord /230V	G1(Argentina)	C	1	
2	A2UPN30100	Power code (220-240V)	F2,D1(Singapore)	D	1	
2	4136N30000	POWER CODE	D1(Indonesia)	D	1	
2	A2UPN30300	Power code (220-240V)	D1(Thailand)	D	1	
2	A2UPN30700	Power code (220-240V)	D1(India)	D	1	
3	A0HFN12200	Cable	D1(India)	D	1	

# MAINTENANCE LIST

● The items with no Page/Key numbers are not handled as spare parts.

No.	Section	PM Parts Description	Maintenance Cycle (K=1,000)		Parts No.	Destinations	Page/Key	Note
			QTY	Replace				
1	REVERSAL/MAIN DRIVE SEC-	ACM pick tire	1	200K	A63PPP0G02		P4-6	
2		MPF pick roller/separator pad	1	200K	A63NPP1100		P4-8	
4		Redrive Assembly	1	200K	A63PPP0F00		P4-3	
5		Transfer roll	1	200K	A63NPP0Y00		P4-1	
6		EXTERNAL PARTS/CAS-	Tray insert	1	200K	A63PPP0000		P1-7
7	PH/FUSING SECTION	Fuser assembly	1	200K	A63NPP0N00	Aera 110-127V	P2-2	
8		Fuser assembly	1	200K	A63NPP0M00	Aera 220-240V	P2-2	
9	Toner Cartridge	Toner Cartridge (TNP36)	1	10K	-			Return Program Cartridge
11		Toner Cartridge (TNP39)	1	10K	-			Standard Cartridge
13	Imaging Unit	Imaging Unit (IUP16)	1	60K	-			Return Program Cartridge
14		Imaging Unit (IUP17)	1	60K	-			Standard Cartridge

## DESTINATION

Destination No.		Destinations		V	Hz	Model No.
A	A1	JAPAN				
	A2	JAPAN				
B		USA, CANADA		120	60	A63P015
C		EUROPEAN TYPE		220-240	50/60	A63P025
D	D1	S.E ASIA TYPE	THAILAND, SRI LANKA, SINGAPORE, MALAYSIA, HONG KONG, PAKISTAN, INDIA, BANGLADESH, INDONESIA	220-240	50/60	A63P045
	D3	OCEANIA TYPE	AUSTRALIA, NEW ZEALAND	220-240	50/60	A63P045
E		PHILIPPINES		220-240	50/60	A63P045
F	F1	SAUDI ARABIA				
	F2	SAUDI ARABIA		220-240	50/60	A63P045
G	G1	C.S AMERICA		220-240	50/60	A63P045
	G2	C.S AMERICA		120	60	A63P015
H		TAIWAN		110	60	A63P015
I		JORDAN, LEBANON, SYRIA, SOUTH AFRICA, IRAQ, IRAN, N.YEMEN, CAMEROON, UAE, BAHRAIN, OMAN, QATAR, KUWAIT, KENYA, TUNISIA, IVORY COAST, MOROCCO		220-240	50/60	A63P045
J		CHINA		200-240	50/60	A63P085
K		KOREA		220-240	50/60	A63P045

bizhub 3301P