

KONICA MINOLTA

# *PARTS GUIDE MANUAL*

---

OCTOBER 2018

*bizhub 3602P*  
*AAFK*

## INFORMATION FOR PARTS GUIDE MANUAL

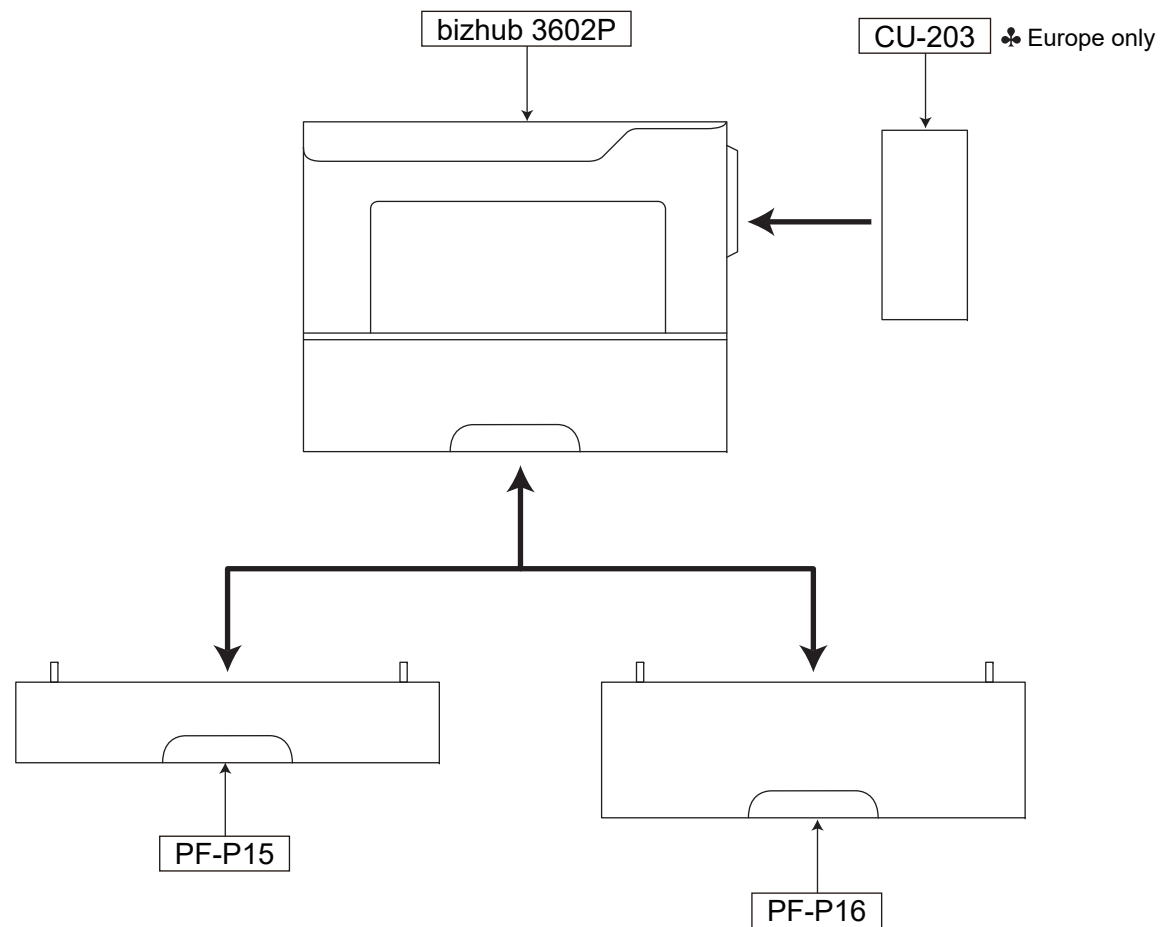
To find correct Parts No., refer to the "HOW TO MAKE THE BEST USE OF THIS MANUAL" in the following page.

### HOW TO MAKE THE BEST USE OF THIS MANUAL

- 1 When you order, please check the proper figures beforehand that are on Our Parts Guide Manual, and order with the appropriate figures.
- 2 For screws, Nuts, Washers, retaining rings and Pins which are used in this model, one letter is shown on the Standard parts column of Parts list and exploded diagrams.
- 3 In order to maintain safety of the product, some specific parts composed of this product are set up as "essential safety parts".
- 4 The assigned parts number for the "essential safety parts" is indicated as "SP00-\*\*\*\*".  
When replacing these parts, follow precautions for disassembling and installing which are listed in the Service Manual.  
Do not use any parts that are not set up as
- 5 ♣ means that there are exclusive parts for each destination.  
Please check the appropriate destination when you order.
- 6 Revision Mark  
Marked as ▲ on the illustration shows that the revision has been made.
- 7 All rights reserved. (any reprints or quotations are prohibited.)  
Use of this parts guide manual should be strictly supervised to avoid disclosure of confidential information.

03/08/2018

# System Configuration



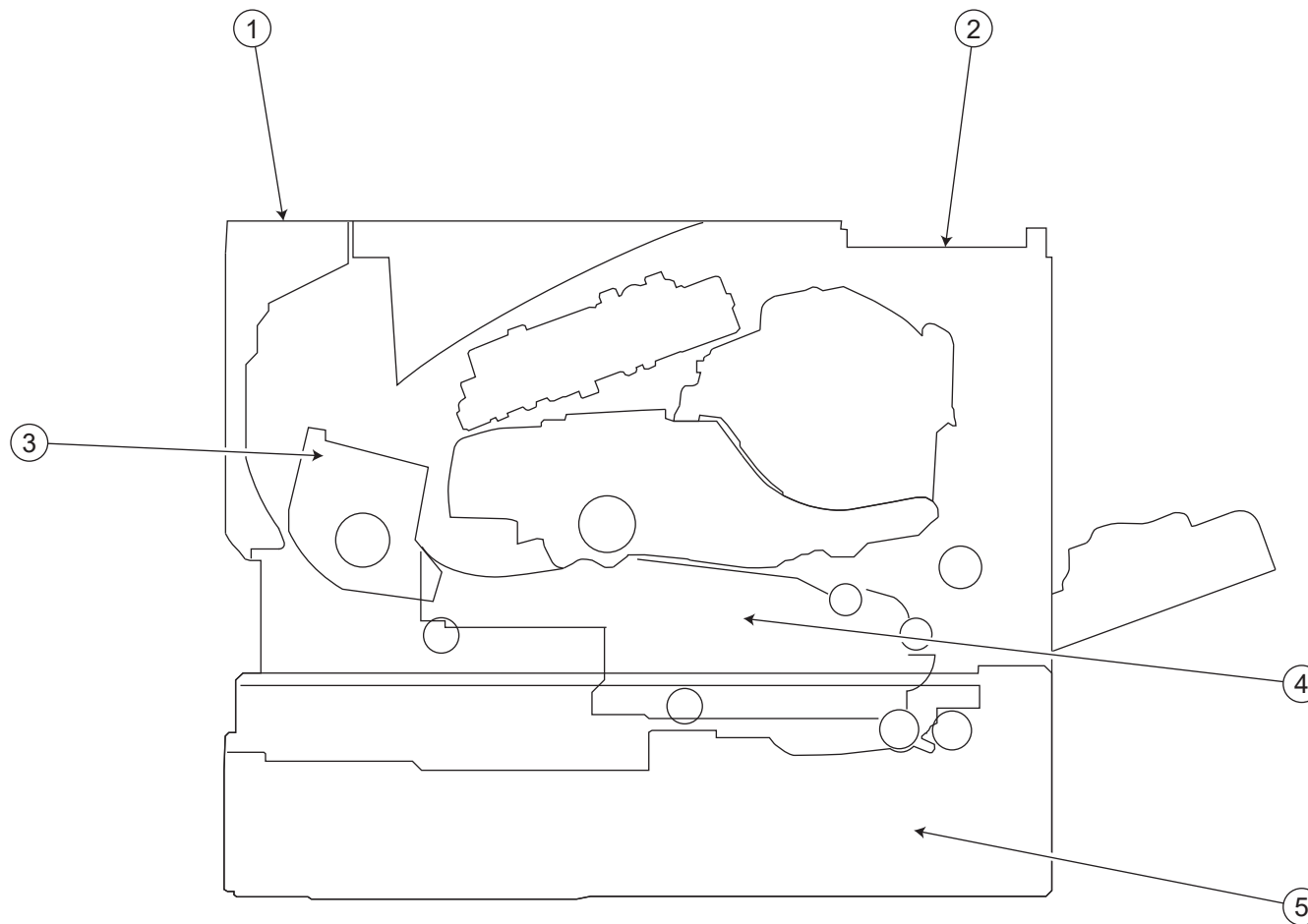
bizhub 3602P

# GENERAL CONTENTS

<b>No.</b>	<b>Description</b>	<b>Model</b>
1	Printer B/W	bizhub 3602P
2	Paper Feeder	PF-P15
3	Paper Feeder	PF-P16
4	Other Option	CU-203



# Section Configuration



# CONTENTS

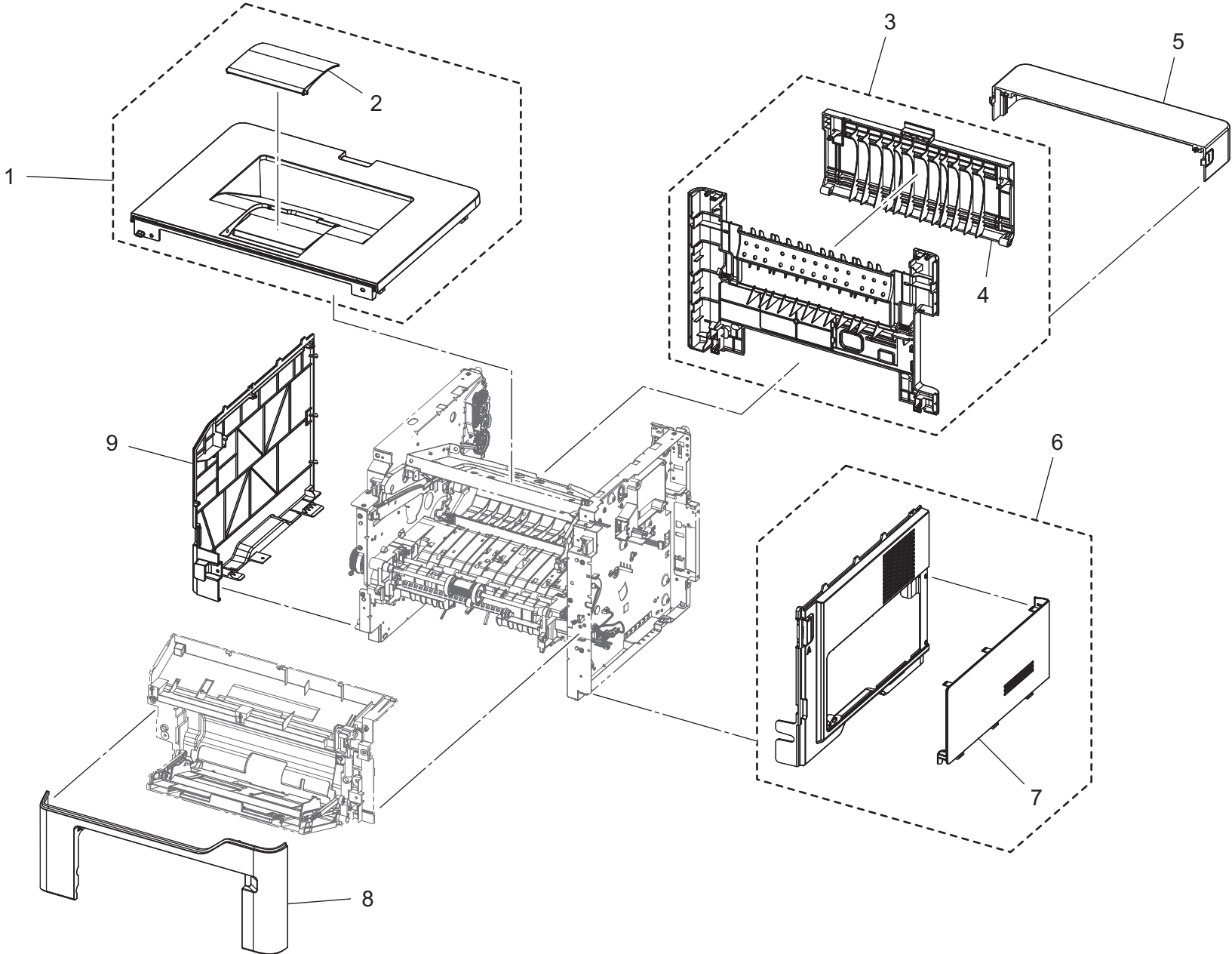
<b>No.</b>	<b>DESCRIPTION</b>	<b>PAGE No.</b>
1	External Parts	P1
2	Operation Panel section	P2
3	Electrical Components Section	P3 P4 P5 P6
4	Paper Transport Section	P7 P8
5	Tray Section	P9
6	Accessory Parts	P10

# INDEX

Parts No.	Page No.
4136N30000	10-1
9381420021	10-1
A1UDN30200	10-1
A2UPN30100	10-1
A2UPN30300	10-1
A2UPN30501	10-1
A63NPP0Q00	6-3
A63NPP0Y00	8-1
A63NPP1R00	10-1
A63PPP0G02	8-4
A6WDPP0601	1-5
AA1PPP0A00	4-1
AA1PPP0B00	5-1
AA1PPP0D00	7-1
AA1PPP0E00	7-3
AAFHPP1100	5-2
AAFHPP1300	3-2
AAFHPP1400	3-2
AAFHPP1900	7-2
AAFHPP1A00	3-1
AAFHPP1B00	8-2
AAFHPP1C01	3-4
AAFHPP1D01	3-4
AAFHPP1E00	6-1
AAFHPP1F00	5-4
AAFHPP1G00	5-7
AAFHPP1H00	5-3
AAFHPP1K00	3-5
AAFHPP1M00	5-5
AAFHPP1N00	5-6
AAFHPP2100	1-7
AAFHPP2300	4-2
AAFHPP2400	4-5
AAFHPP2500	4-4
AAFHPP2T00	7-5
AAFJPP1101	8-5
AAFJPP1200	8-3
AAFJPP1300	6-2
AAFJPP1400	1-8
AAFJPP1500	1-6

Parts No.	Page No.
AAFJPP1600	1-9
AAFJPP1700	1-3
AAFJPP1800	1-1
AAFJPP1A00	4-3
AAFJPP1D00	1-2
AAFJPP1E00	1-4
AAFJPP1H00	7-6
AAFKPP1101	3-3
AAFKPP1200	2-1
AAFKPP1400	2-2
AAFKPP1500	2-3
AAFKPP1600	2-4
AAFKPP1700	7-4
AAFKPP1800	9-2

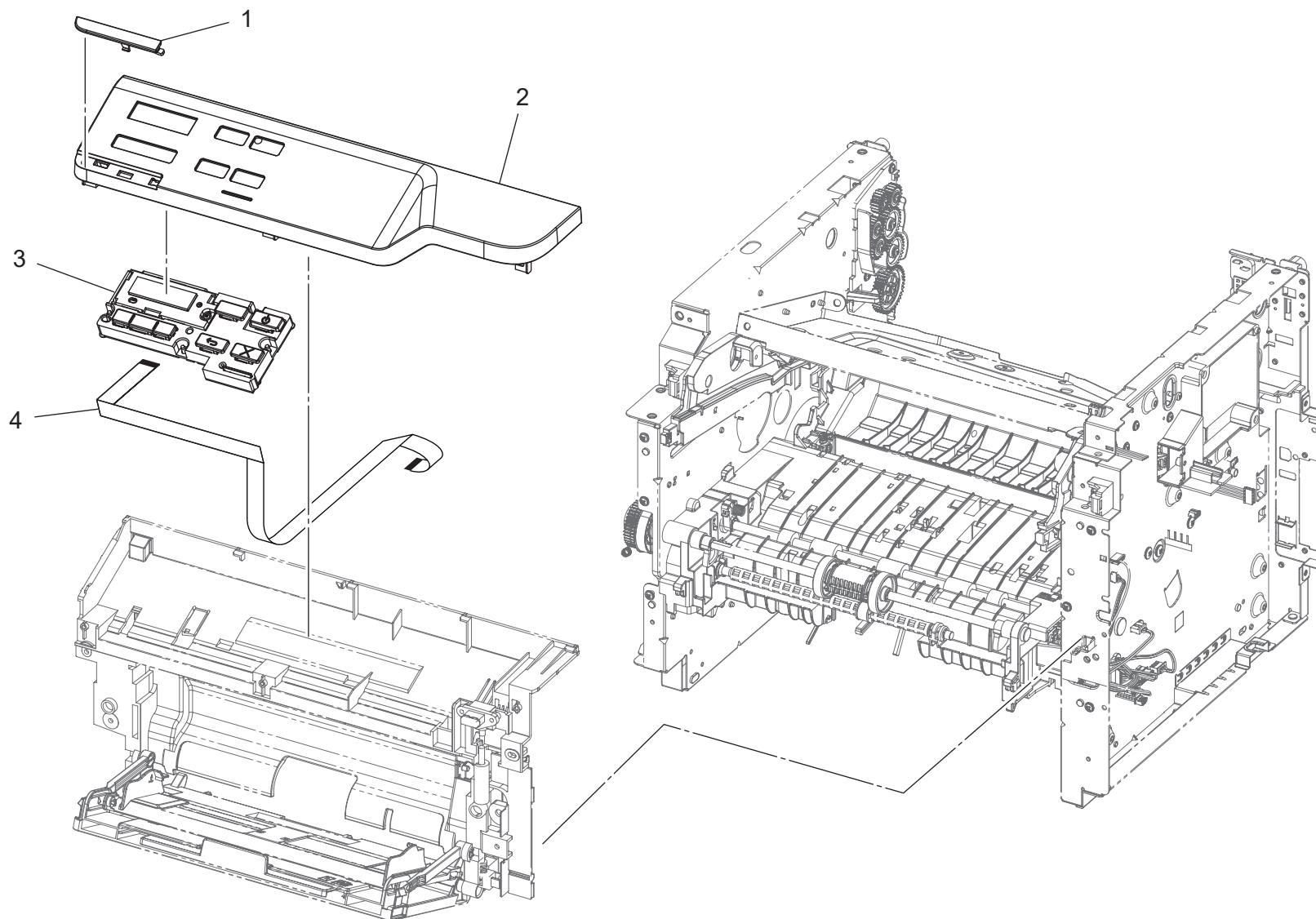
External Parts



External Parts

Key	Part No.	Description	Destinations	Class	QTY	Standard parts
1	AAFJPP1800	Cover/Upper Assy		D	1	
2	AAFJPP1D00	Tray		D	1	
3	AAFJPP1700	Cover/Rear Assy		D	1	
4	AAFJPP1E00	Door/Rear		D	1	
5	A6WDPP0601	Cover		C	1	
6	AAFJPP1500	Cover/Right Assy		D	1	
7	AAFHPP2100	Cover		D	1	
8	AAFJPP1400	Cover/Front		D	1	
9	AAFJPP1600	Cover/Left		D	1	

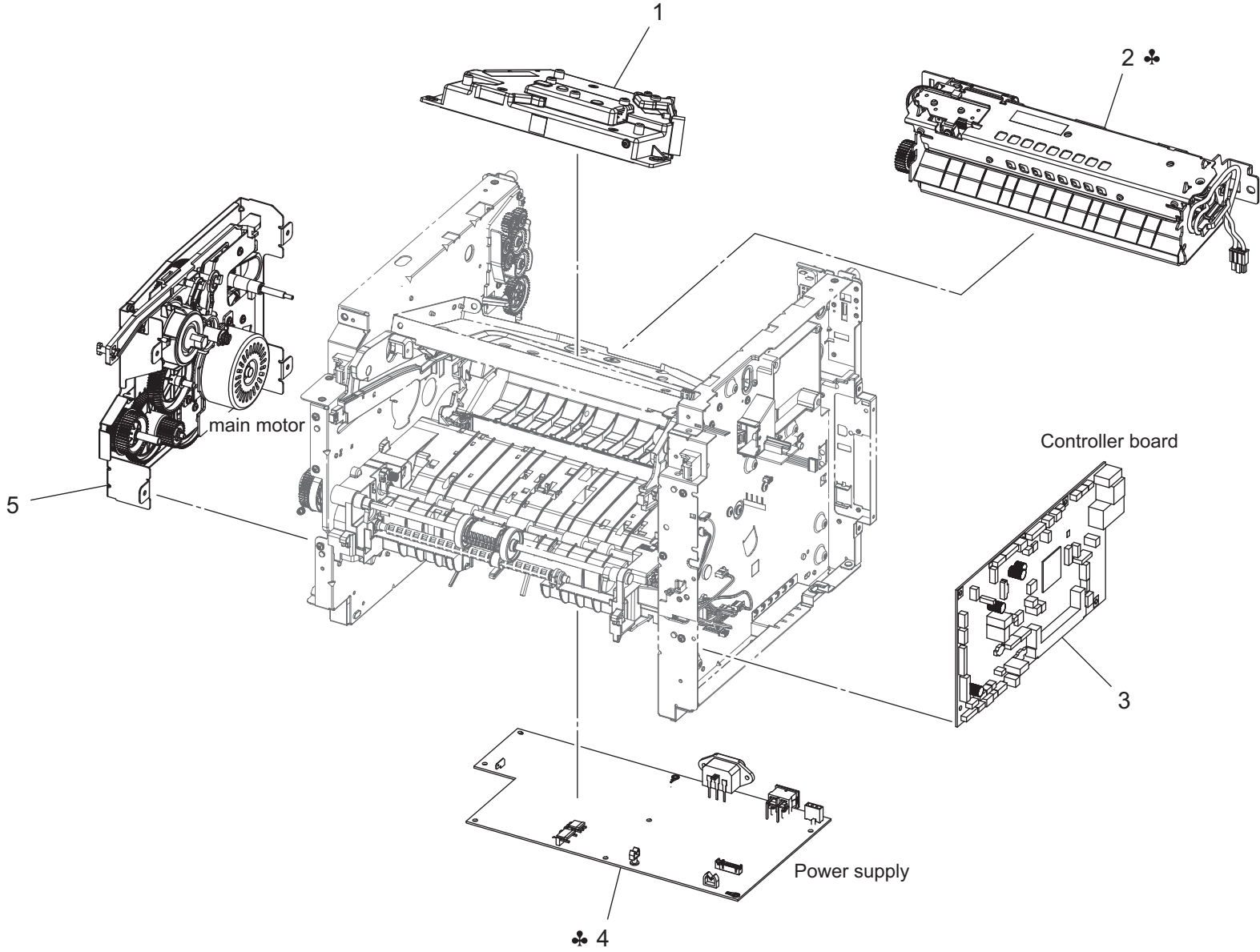
# Operation Panel section



# Operation Panel section

Key	Part No.	Description	Destinations	Class	QTY	Standard parts
1	AAFKPP1200	Cover		D	1	
2	AAFKPP1400	Panel Cover		D	1	
3	AAFKPP1500	PWB assembly/ Control panel		I	1	
4	AAFKPP1600	Flatcable		D	1	

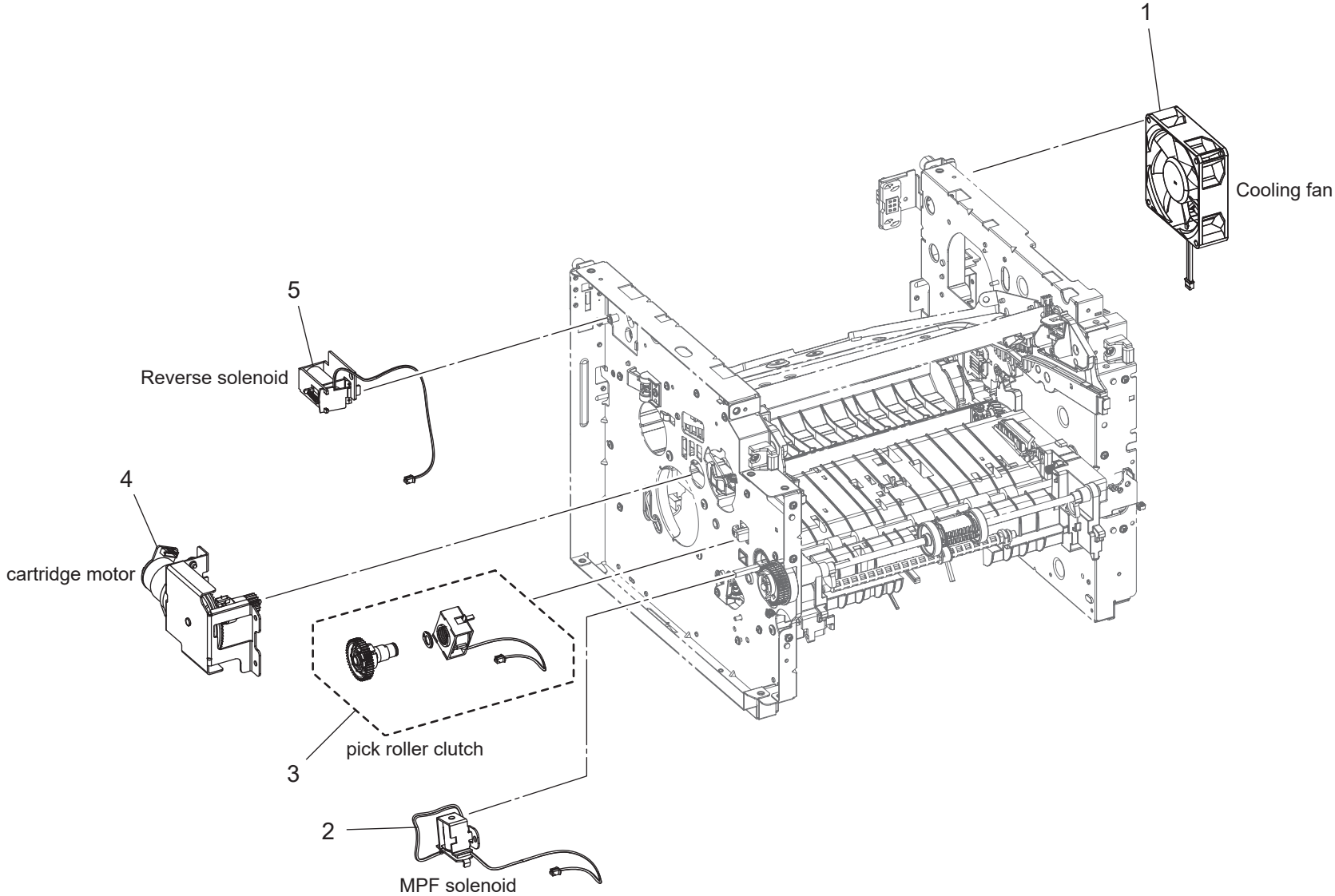
Electrical Components Section





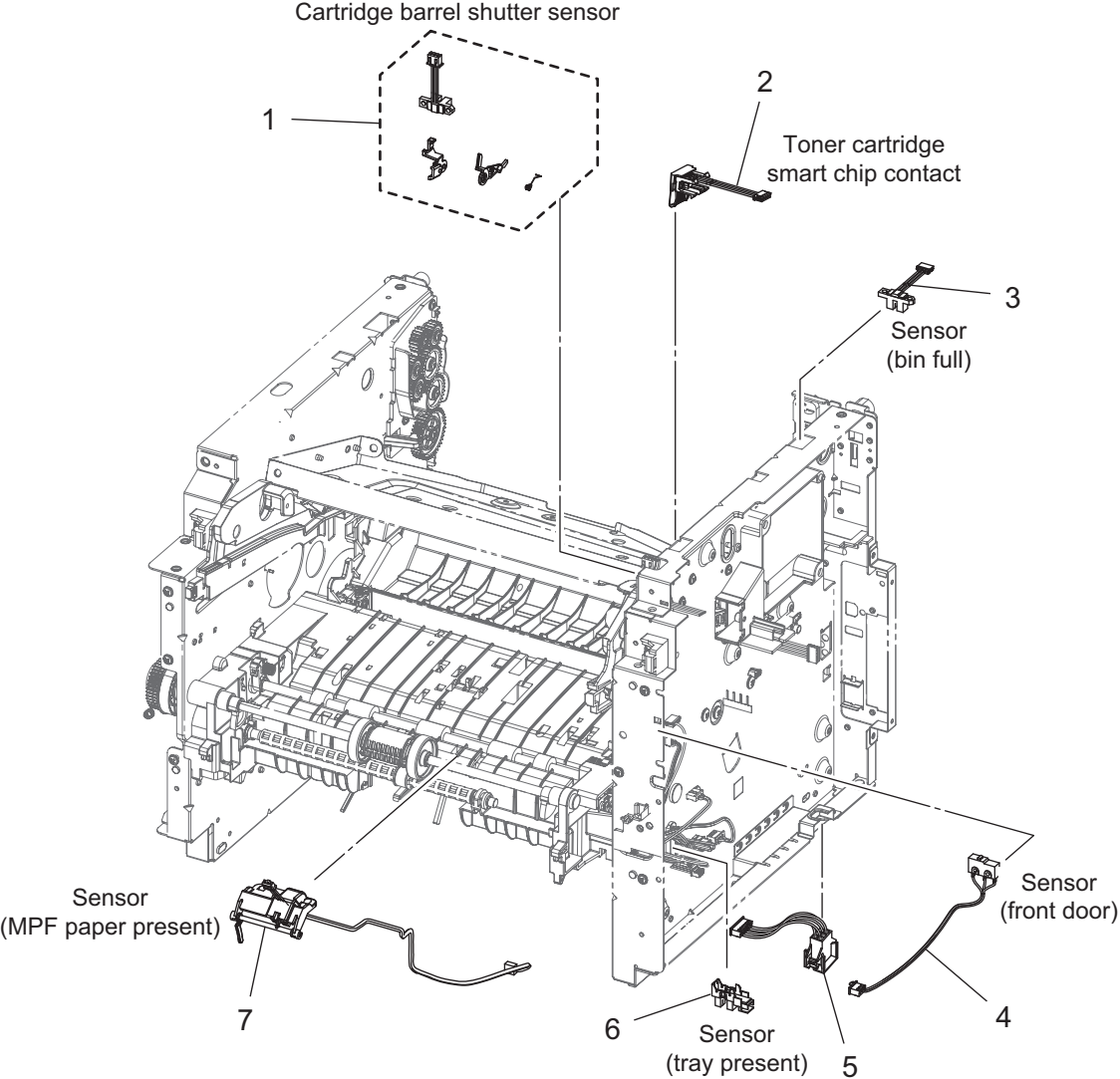
# Electrical Components Section

Key	Part No.	Description	Destinations	Class	QTY	Standard parts
1	AAFHPP1A00	Print Head Assy		I	1	
2	AAFHPP1300	Fusing Unit (110V)	B,G2	B	1	
2	AAFHPP1400	Fusing Unit (220V)	C,D1,D3,E,F2,G1,I,J	B	1	
3	AAFKPP1101	PWB assembly/ Controller		I	1	
4	AAFHPP1C01	Power supply Assy (100V/110V)	B,G2	I	1	
4	AAFHPP1D01	Power supply Assy (220V)	C,D1,D3,E,F2,G1,I,J	I	1	
5	AAFHPP1K00	Main Drive Assy		C	1	



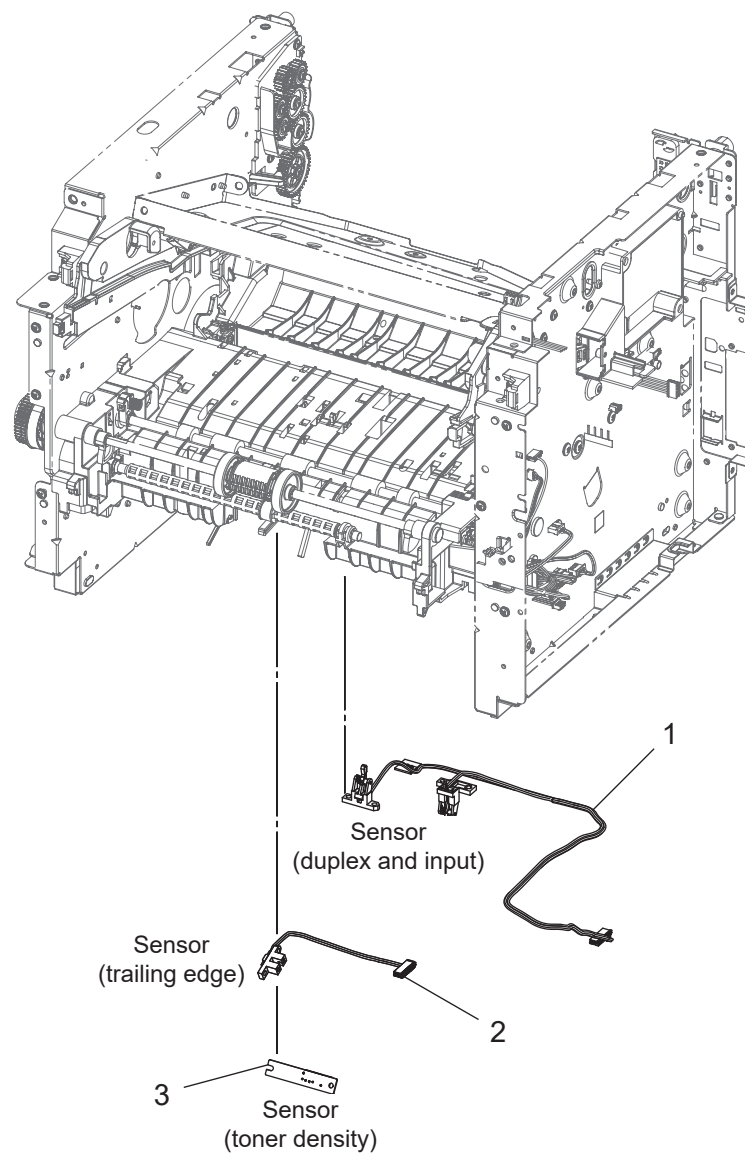
# Electrical Components Section

Key	Part No.	Description	Destinations	Class	QTY	Standard parts
1	AA1PPP0A00	Fun motor		C	1	
2	AAFHPP2300	Solenoid		C	1	
3	AAFJPP1A00	Clutch Assy		C	1	
4	AAFHPP2500	Cartridge Gear Assy		C	1	
5	AAFHPP2400	Solenoid		C	1	



# Electrical Components Section

Key	Part No.	Description	Destinations	Class	QTY	Standard parts
1	AA1PPP0B00	Sensor Kit		C	1	
2	AAFHPP1100	Contact/Toner Cartridge		C	1	
3	AAFHPP1H00	Sensor		C	1	
4	AAFHPP1F00	Sensor		C	1	
5	AAFHPP1M00	Interconnect harness		D	1	
6	AAFHPP1N00	Sensor Assy		C	1	
7	AAFHPP1G00	Sensor		C	1	

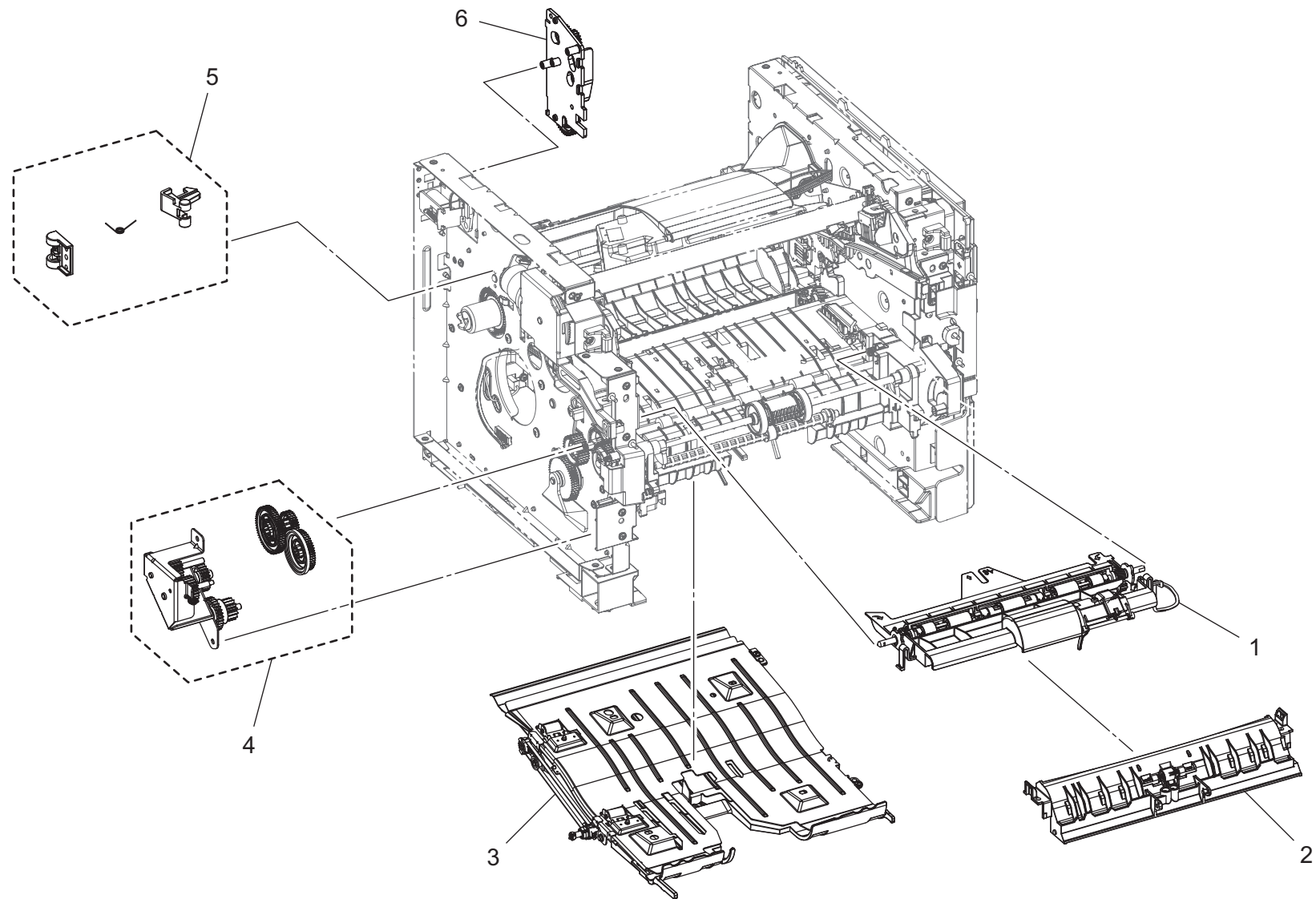


# Electrical Components Section

Key	Part No.	Description	Destinations	Class	QTY	Standard parts
1	AAFHPP1E00	Sensor Assy		C	1	
2	AAFJPP1300	Sensor		C	1	
3	A63NPP0Q00	Sensor		I	1	

# Paper Transport Section

P 7



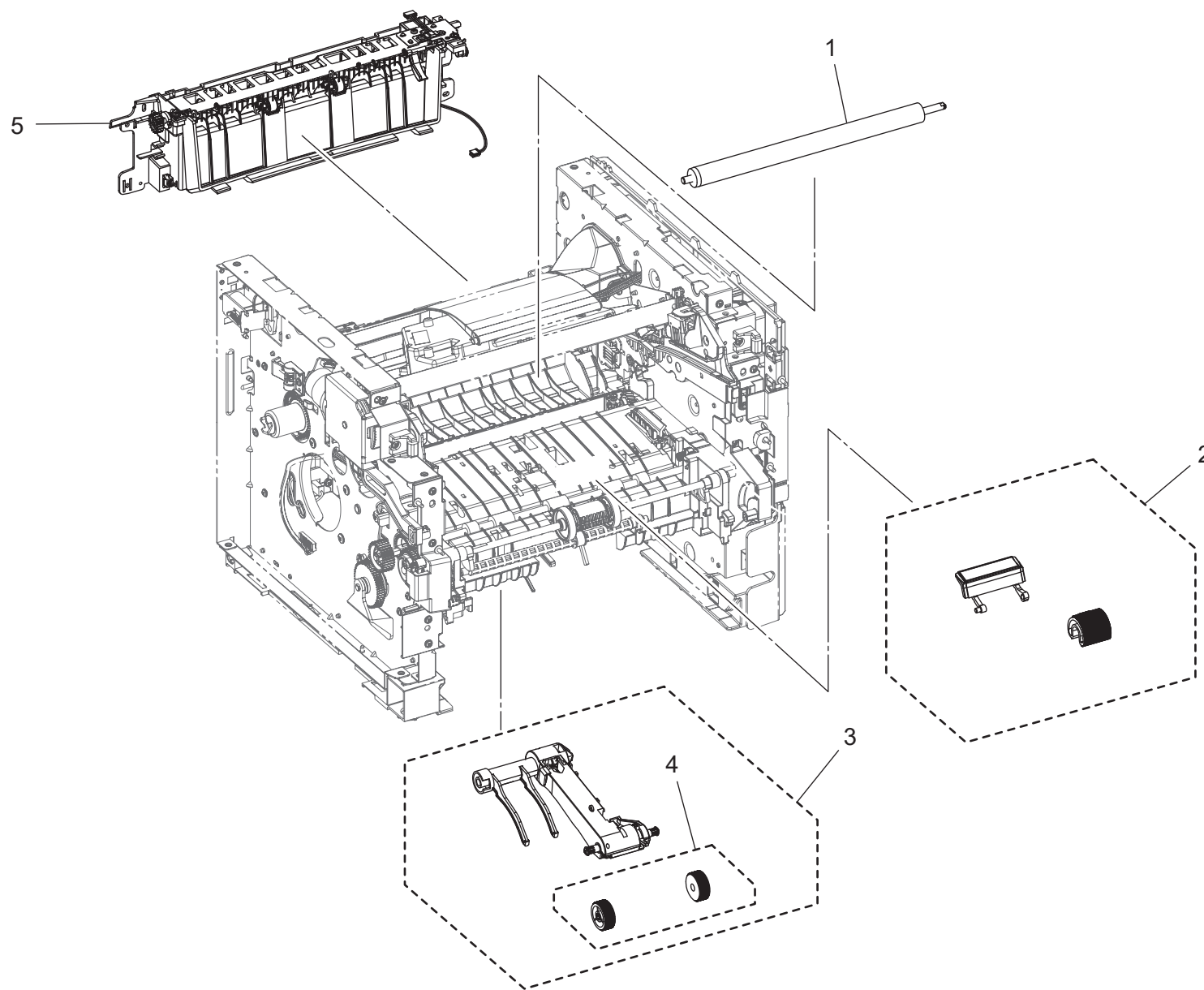


# Paper Transport Section

Key	Part No.	Description	Destinations	Class	QTY	Standard parts
1	AA1PPP0D00	JAM Guide Assy		D	1	
2	AAFHPP1900	Front Guide Assy		D	1	
3	AA1PPP0E00	Duplex Assy		C	1	
4	AAFKPP1700	MPF Drive Assy		C	1	
5	AAFHPP2T00	Lever Assy		C	1	
6	AAFJPP1H00	Reverse Gear Assy		C	1	

# Paper Transport Section

P 8

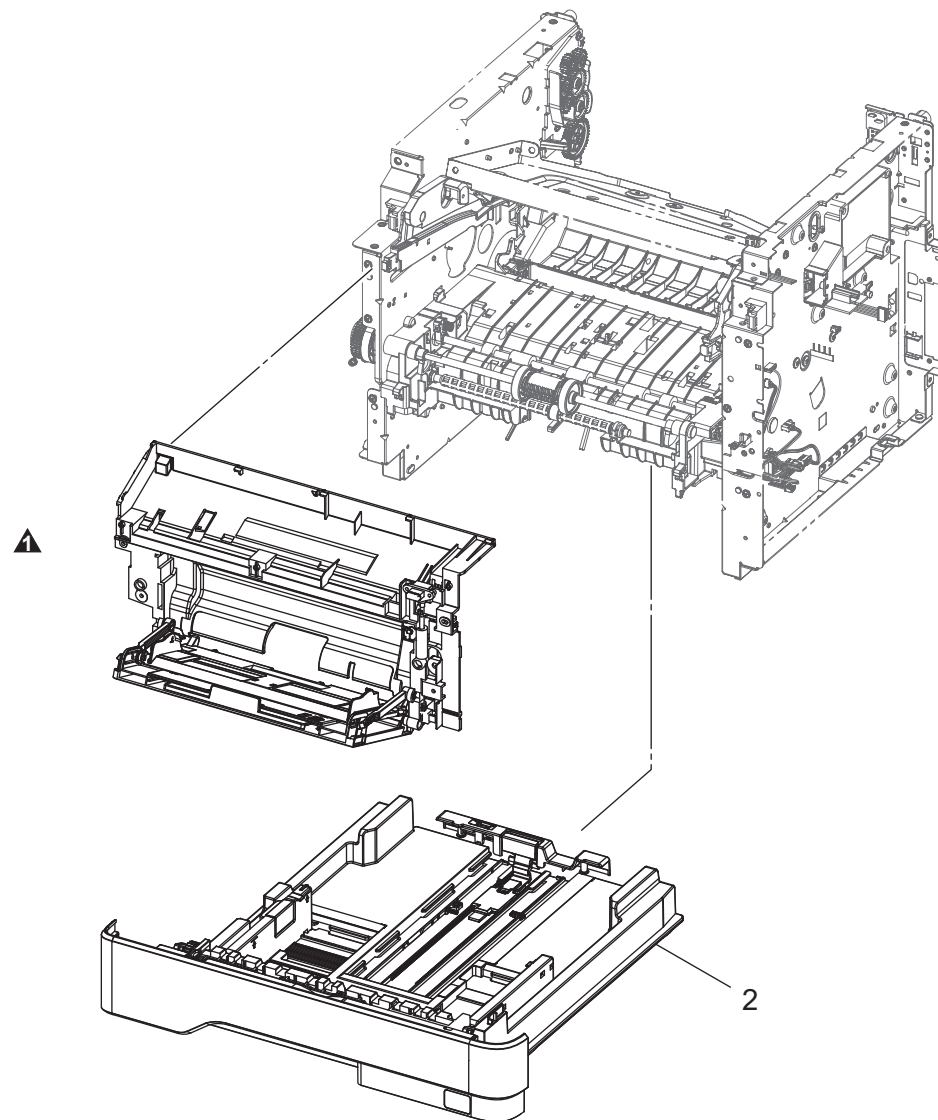


# Paper Transport Section

Key	Part No.	Description	Destinations	Class	QTY	Standard parts
1	A63NPP0Y00	Transfer Roller		B	1	
2	AAFHPP1B00	Paper Feed/Separation Pad Kit		B	1	
3	AAFJPP1200	Pick-up Roller Assy		C	1	
4	A63PPP0G02	Pick tire Set(2 pcs/set)		B	1	
5	AAFJPP1101	Reverse Assy		C	1	

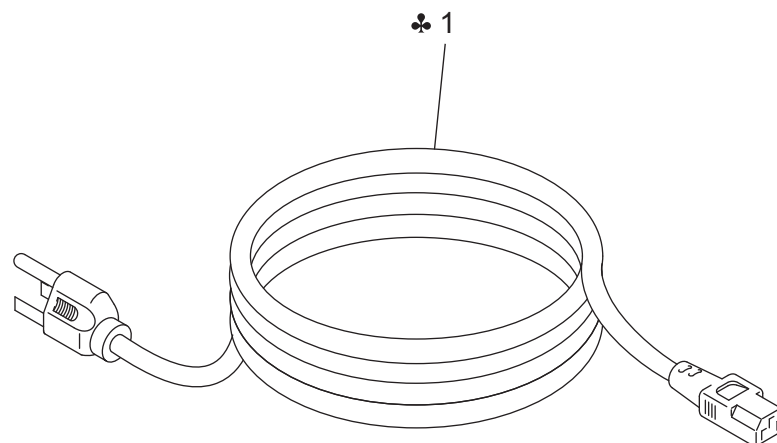
# Tray Section

改訂版 REVISED EDITION	日付 DATE
▲	APRIL 2018



# Tray Section

Key	Part No.	Description	Destinations	Class	QTY	Standard parts
2	AAFKPP1800	Cassette Assy/250 Sheet		C	1	



# Accessory Parts

Key	Part No.	Description	Destinations	Class	QTY	Standard parts
1	4136N30000	POWER CODE	D1(Pakistan, Latin America)	D	1	
1	9381420021	POWER CORD	D3	D	1	
1	A1UDN30200	Power cord /230V	G1(Argentine)	C	1	
1	A2UPN30100	Power code (220-240V)	I(UAE, Bahrain, Qatar, Oman , Yemen, HongKong, Saudi Arabia, Kuwait)	D	1	
1	A2UPN30300	Power code (220-240V)	G1(Peru)	D	1	
1	A2UPN30501	Power code /230V	G2(Brazil)	D	1	
1	A63NPP1R00	Power Cord	J	D	1	

# MAINTENANCE LIST

● The items with no Page/Key numbers are not handled as spare parts.

No.	Section	PM Parts Description	Maintenance Cycle (K=1,000)		Parts No.	Destinations	Page/Key	Note
			QTY	Replace				
1	Electrical Components Section	Fusing Unit	1	200K	AAFHPP1300	B,G2	P3-2	
2			1	200K	AAFHPP1400	C,D1,D3,E,F2,G1,I	P3-2	
3	Paper Transport Section	Transfer Roller	1	200K	A63NPP0Y00		P8-1	
4		Paper Feed/Separation Pad Kit	1	200K	AAFHPP1B00		P8-2	
5		Pick tire Set(2 pcs/set)	1	200K	A63PPP0G02		P8-4	

\*: The part names used on this page follow the ones used in the Service Manual and they are occasionally different from those written in other pages.



## DESTINATION

Destination No.		Destinations		V	Hz	Model No.
A	A1	JAPAN				
	A2	JAPAN				
B		USA, CANADA		120	60	AAFK011
C		EUROPEAN TYPE		220-240	50/60	AAFH021
D	D1	S.E ASIA TYPE	THAILAND, SRI LANKA, SINGAPORE, MALAYSIA, HONG KONG, PAKISTAN, INDIA, BANGLADESH, INDONESIA	220-240	50/60	AAFK041
	D3	OCEANIA TYPE	AUSTRALIA, NEW ZEALAND	220-240	50/60	AAFK041
E		PHILIPPINES		220-240	50/60	AAFK041
F	F1	SAUDI ARABIA				
	F2	SAUDI ARABIA		220-240	50/60	AAFK041
G	G1	C.S AMERICA		220-240	50/60	AAFK041
	G2	C.S AMERICA		120	60	AAFK011
H		TAIWAN				
I		JORDAN, LEBANON, SYRIA, SOUTH AFRICA, IRAQ, IRAN, N.YEMEN, CAMEROON, UAE, BAHRAIN, OMAN, QATAR, KUWAIT, KENYA, TUNISIA, IVORY COAST, MOROCCO		220-240	50/60	AAFK021 AAFK041
J		CHINA		220-240	50/60	AAFK081
K		KOREA				

bizhub 3602P